

# ***SKYTRAK***

---

## ***Illustrated Parts Manual***

***Models  
8042, 10042  
10054***

SN 0160069722 to Present  
including 0160065791, 0160065796,  
0160065825, 0160065826, 0160069336,  
0160069359 & 0160069441

***31211017***

*October 31, 2018 - Rev Q*

---

***JLG***  
is Ingersoll Rand Company



## EFFECTIVITY PAGE

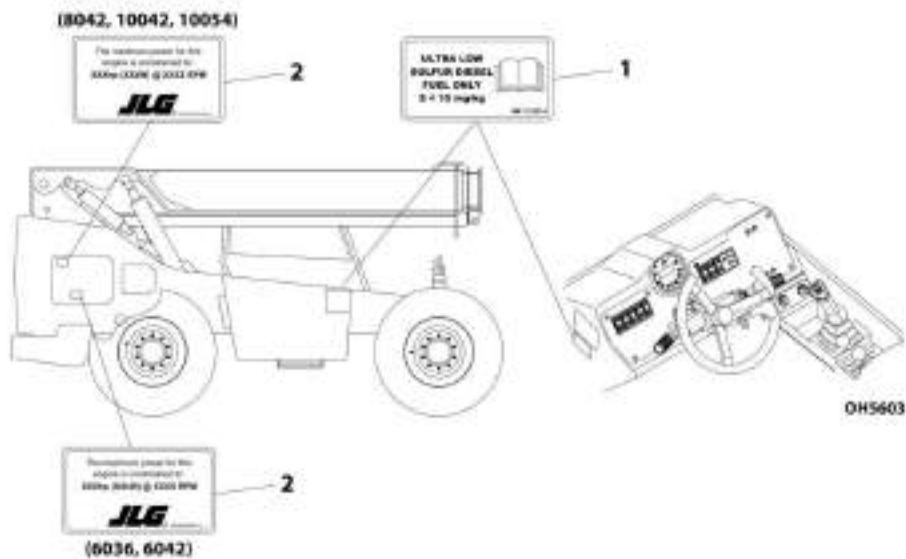
April 7, 2015 - A - Original Issue of Manual  
April 20, 2015 - B - Revised Manual  
August 10, 2015 - C - Revised Manual  
November 10, 2015 - D - Revised Manual  
February 23, 2016 - E - Revised Manual  
May 24, 2016 - F - Revised Manual  
August 22, 2016 - G - Revised Manual  
November 30, 2016 - H - Revised Manual  
March 30, 2017 - I - Revised Manual  
May 25, 2017 - J - Revised Manual  
August 21, 2017 - K - Revised Manual  
November 9, 2017 - L - Revised Manual  
January 18, 2018 - M - Revised Manual  
March 26, 2018 - N - Revised Manual  
May 31, 2018 - O - Revised Manual  
August 31, 2018 - P - Revised Manual  
October 31, 2018 - Q - Revised Manual

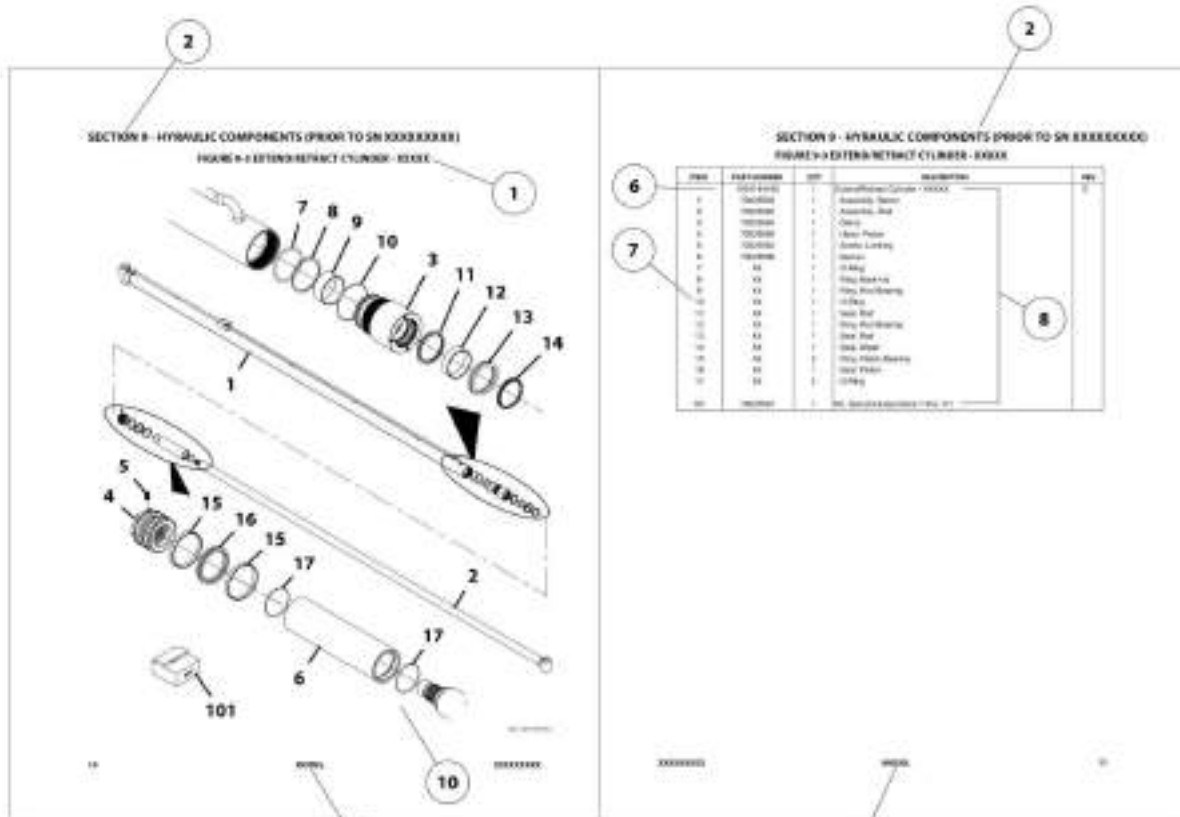
## Machine Configuration

Two configurations of each machine are included in this manual. Determine if machine is equipped with Ultra Sulfur Fuel Decal (1) as indicated below.

- If equipped with the Ultra Low Sulfur decal, all specific references to this machine configuration will be referred to as Ultra Low Sulfur (ULS) from this point forward.
- If not equipped with the Ultra Low Sulfur decal, all specific references to this machine configuration will be referred to as Low Sulfur (LS) from this point forward.

Engine horsepower can be found on the decals (2) located inside the engine compartment doors.





## General Information

### 1. MACHINE IDENTIFICATION

Machines are identified by model and in some cases a combination of model, serial number (S/N) or regional standard (e.g. ANSI, CE, CSA, AUS). Components may also be identified by S/N or manufacturer. Common components that may be identified by these characteristics are attachments, engine, transmission and hydraulic components.

### 2. PARTS MANUAL ORGANIZATION

Product information in this manual is organized under section titles. Frame, Engine and Electrical are a few examples. Each section is organized by Figure and page number. The information within the Figure is then organized by item number, part number, description and corresponding illustration(s).

### 3. TABLE OF CONTENTS

A table of contents (TOC) is found toward the beginning of the manual. Figure number, description and page number are provided for quick reference to the page containing the related information.

### 4. RECOMMENDED SPARE PARTS

The Recommended Spare Parts, located near the end of the manual, references most frequently used maintenance parts.

### 5. PARTS NUMBER INDEX

A numerical index listing all part numbers and the corresponding page number(s) appears at the back of the manual.

### 6. NON-SERVICED PARTS

In some instances it is necessary to display non-serviced parts, assemblies or installations. In the case of assemblies and installations there will be a Ref in the QTY column and a note after the item description stating what is available for service within. In the case of parts that are not available for service within assemblies or components there will be a NSS (Not Sold Separately) listed in the part number column of the manual.

### 7. PARTS LIST ITEM NUMBERS

Numbers shown in the Item column correspond to numbers used in the associated illustration(s). Item numbers which are missing from sequence and are not shown in the illustration(s) are not used on that page.

### 8. INDENTED PART DESCRIPTION

An indented part description is included in the item under which it is indented.

## 9. ABBREVIATIONS AND SYMBOLS

AC	Alternating Current
A/C	Air Conditioning
ADE	Advanced Design Electronics
AG	Agriculture
AMP	Amperage
ANSI	American National Standards Institute
AR	As Required
ASSY	Assembly
AUS	Australia
AUX	Auxiliary
AWG	American Wire Gauge
CAC	Charge Air Cooler
CE	European Conformity
CM	Centimeter
CONST	Construction
CSA	Canadian Standards Association
DEF	Diesel Exhaust Fluid
DIA	Diameter
DC	Direct Current
DTZ	Decentralized Transmission Zeros
ECU	Electronic Control Unit
EMS	Emergency Stop
FNR	Forward Neutral Reverse
FT	Foot
GA	Gauge
GR	Grade
HBP	High Boom Pivot
HHP	High Horse Power
HOC	Hydraulic Oil Cooler
HVAC	Heating, Ventilating, and Air Conditioning
ID	Inside Diameter
IN	Inch
ISO	International Organization for Standards
ITSDF	Industrial Truck Standards Development Foundation
JIC	Joint Industry Council
KG	Kilogram
KW	Kilowatt
L	Liter

LB	Pound
LBP	Low Boom Pivot
LCD	Liquid Crystal Display
LED	Light Emitting Diode
LH	Left Hand
LHD	Left Hand Drive
LHP	Low Horse Power
LMIS	Load Management Indicator System
LS	Low Sulfur
LSI	Load Stability Indicator
LSS	Load Sensing System
M <sup>3</sup>	Cubic Meter
MA	Milliamp
M(m)	Metric/Meter
MM	Millimeter
N	Newton
NACD	North America Construction Division
NLA	No Longer Available
NSS	Not Sold Separately
OD	Outside Diameter
ORB	O-Ring Boss
ORFS	O-Ring Face Seal
OZ	Ounce
PR	Ply Rating
QT	Quart
QTY	Quantity
REF	Reference
REV	Revision
RH	Right Hand
RHD	Right Hand Drive
RHOC	Remote Hydraulic Oil Cooler
RUS	Russia
SAE	Society of Automotive Engineers
SAHR	Spring Applied Hydraulically Released
SN	Serial Number
SPO	Speed
TLU	Torque Lock Up
UGM	Universal Ground Module

## 10. ILLUSTRATION REFERENCE LETTERS

When necessary, illustrations may contain reference letters that are intended to track information from one point to another in the illustration such as harnesses and hoses or any other information that has been separated in the illustration.

**Note:** Due to continuous product improvements, JLG Industries, Inc. reserves the right to make specification changes without prior notification. Contact JLG Industries, Inc. for updated information.

# TABLE OF CONTENTS

SECTION 1 - FRAME AND ATTACHING PARTS.....	17
FIGURE 1-1. FRAME COMPONENTS INSTALLATION, 110HP - 8042 (ULS) (Prior to SN 0160074878, Excluding 0160074813 and 0160074818).....	18
FIGURE 1-2. FRAME COMPONENTS INSTALLATION, 110HP - 8042 (ULS) (SN 0160074878 to Present, Including 0160074813 and 0160074818).....	22
FIGURE 1-3. FRAME COMPONENTS INSTALLATION, 74HP - 8042(ULS) EATON BRAKE.....	26
FIGURE 1-4. FRAME COMPONENTS INSTALLATION, 74HP - 8042(ULS) SAFIM BRAKE.....	30
FIGURE 1-5. FRAME COMPONENTS INSTALLATION, 110HP - 8042 (LS) (Prior to SN 0160074878, Excluding 0160074813 and 0160074818).....	34
FIGURE 1-6. FRAME COMPONENTS INSTALLATION, 110HP - 8042 (LS) (SN 0160074878 to Present, Including 0160074813 and 0160074818).....	38
FIGURE 1-7. FRAME COMPONENTS INSTALLATION, 110HP - 10042 (ULS) (Prior to SN 0160074878, Excluding 0160074813 and 0160074818).....	42
FIGURE 1-8. FRAME COMPONENTS INSTALLATION, 110HP - 10042 (ULS) (SN 0160074878 to Present, Including 0160074813 and 0160074818).....	46
FIGURE 1-9. FRAME COMPONENTS INSTALLATION, 74HP - 10042 (ULS) EATON BRAKE.....	50
FIGURE 1-10. FRAME COMPONENTS INSTALLATION, 74HP - 10042 (ULS) SAFIM BRAKE.....	54
FIGURE 1-11. FRAME COMPONENTS INSTALLATION - 10042 (LS) (Prior to SN 0160074878, Excluding 0160074813 and 0160074818).....	58
FIGURE 1-12. FRAME COMPONENTS INSTALLATION - 10042 (LS) (SN 0160074878 to Present, Including 0160074813 and 0160074818).....	62
FIGURE 1-13. FRAME COMPONENTS INSTALLATION, 110HP - 10054 (ULS) (Prior to SN 0160074878, Excluding 0160074813 and 0160074818).....	66
FIGURE 1-14. FRAME COMPONENTS INSTALLATION, 110HP - 10054 (ULS) (SN 0160074878 to Present, Including 0160074813 and 0160074818).....	70
FIGURE 1-15. FRAME COMPONENTS INSTALLATION, 74HP - 10054 (ULS) EATON BRAKE.....	74
FIGURE 1-16. FRAME COMPONENTS INSTALLATION, 74HP - 10054 (ULS) SAFIM BRAKE.....	78
FIGURE 1-17. FRAME COMPONENTS INSTALLATION - 10054 (LS) (Prior to SN 0160074878, Excluding 0160074813 and 0160074818).....	82
FIGURE 1-18. FRAME COMPONENTS INSTALLATION - 10054 (LS) (SN 0160074878 to Present, Including 0160074813 and 0160074818).....	86
FIGURE 1-19. HYDRAULIC/FUEL/DEF TANK INSTALLATION (Prior to SN 0160081960).....	90
FIGURE 1-20. HYDRAULIC/FUEL/DEF TANK INSTALLATION (SN 0160081960 to Present).....	92
FIGURE 1-21. FRAME COVERS INSTALLATION, 110HP - 8042 (ULS).....	94
FIGURE 1-22. FRAME COVERS INSTALLATION, 74HP - 8042 (ULS).....	96
FIGURE 1-23. FRAME COVERS INSTALLATION - 8042 (AIR SHUT OFF VALVE).....	98
FIGURE 1-24. FRAME COVERS INSTALLATION, 74HP - 8042 (AIR SHUT OFF VALVE).....	100
FIGURE 1-25. FRAME COVERS INSTALLATION, 110HP - 8042 (LS).....	102
FIGURE 1-26. FRAME COVERS INSTALLATION, 110HP - 10042 & 10054 (ULS).....	104
FIGURE 1-27. FRAME COVERS INSTALLATION, 74HP - 10042 & 10054 (ULS).....	106
FIGURE 1-28. FRAME COVERS INSTALLATION - 10042 & 10054 (AIR SHUT OFF VALVE).....	108
FIGURE 1-29. FRAME COVERS INSTALLATION, 74HP - 10042 & 10054 (AIR SHUT OFF VALVE).....	110
FIGURE 1-30. FRAME COVERS INSTALLATION - 10042 & 10054 (LS).....	112
FIGURE 1-31. DUST SHIELD INSTALLATION.....	114
FIGURE 1-32. OUTRIGGER INSTALLATION - 10042.....	116
FIGURE 1-33. OUTRIGGER INSTALLATION - 10054.....	118
FIGURE 1-34. OUTRIGGER MOUNTING INSTALLATION - 10042 & 10054.....	120
FIGURE 1-35. OUTRIGGER SUB-ASSEMBLY - 10042 & 10054.....	122
SECTION 2 - BOOM.....	125
FIGURE 2-1. BOOM INSTALLATION - 8042.....	126
FIGURE 2-2. BOOM INSTALLATION - 10042.....	132
FIGURE 2-3. FLY BOOM INSTALLATION - 8042 & 10042 (SN 0160075687 to Present, Including 0160075671, 0160075672, 0160075673, 0160075674, 0160075675, 0160075676, 0160075677, 0160075678, 0160075679, 0160075681 and 0160075682).....	138
FIGURE 2-4. BOOM INSTALLATION - 10054.....	140
FIGURE 2-5. FLY BOOM INSTALLATION - 10054 (SN 0160075687 to Present, Including 0160075671, 0160075672, 0160075673, 0160075674, 0160075675, 0160075676, 0160075677, 0160075678, 0160075679, 0160075681 and 0160075682).....	146
FIGURE 2-6. HOSE PULLEY ASSEMBLY.....	148
FIGURE 2-7. QUICK ATTACH ASSEMBLY.....	150
FIGURE 2-8. BUSHING SHEAVE INSTALLATION.....	152
FIGURE 2-9. EXTEND CHAIN ASSEMBLY.....	154
FIGURE 2-10. EXTEND CHAIN AND CLEVIS ASSEMBLY - 10054.....	156

# TABLE OF CONTENTS

FIGURE 2-11. RETRACT CHAIN AND CLEVIS ASSEMBLY .....	158
FIGURE 2-12. BOOM AUXILIARY HYRAULICS INSTALLATION - 8042 & 10042.....	160
FIGURE 2-13. LOCK PIN ASSEMBLY.....	162
FIGURE 2-14. RETRACT CHAIN SHEAVE .....	164
FIGURE 2-15. HOSE AND CARRIER ASSEMBLY - 10054 .....	166
FIGURE 2-16. BUSHING SHEAVE INSTALLATION - 10054 .....	168
 SECTION 3 - ATTACHMENTS.....	 171
FIGURE 3-1. CARRIAGE ASSEMBLY (50 INCH) (Prior to SN 0160075687, Excluding 0160075671, 0160075672, 0160075673, 0160075674, 0160075675, 0160075676, 0160075677, 0160075678, 0160075679, 0160075681 and 0160075682) .....	172
FIGURE 3-2. CARRIAGE ASSEMBLY (50 INCH) (SN 0160075687 to Present, Including 0160075671, 0160075672, 0160075673, 0160075674, 0160075675, 0160075676, 0160075677, 0160075678, 0160075679, 0160075681 and 0160075682) .....	174
FIGURE 3-3. CARRIAGE ASSEMBLY (60 INCH) (Prior to SN 0160075687, Excluding 0160075671, 0160075672, 0160075673, 0160075674, 0160075675, 0160075676, 0160075677, 0160075678, 0160075679, 0160075681 and 0160075682) .....	176
FIGURE 3-4. CARRIAGE ASSEMBLY (60 INCH) (SN 0160075687 to Present, Including 0160075671, 0160075672, 0160075673, 0160075674, 0160075675, 0160075676, 0160075677, 0160075678, 0160075679, 0160075681 and 0160075682) .....	178
FIGURE 3-5. CARRIAGE ASSEMBLY (72 INCH) (Prior to SN 0160074878, Excluding 0160074813 and 0160074818).....	180
FIGURE 3-6. CARRIAGE ASSEMBLY (72 INCH) (SN 0160074878 through 0160075687, Including 0160074813 and 0160074818, Excluding 0160075671, 0160075672, 0160075673, 0160075674, 0160075675, 0160075676, 0160075677, 0160075678, 0160075679, 0160075681 and 0160075682).....	182
FIGURE 3-7. CARRIAGE ASSEMBLY (72 INCH) (SN 0160075687 to Present, Including 0160075671, 0160075672, 0160075673, 0160075674, 0160075675, 0160075676, 0160075677, 0160075678, 0160075679, 0160075681 and 0160075682) .....	184
FIGURE 3-8. DUAL FORK CARRIAGE (50 INCH) (Prior to SN 0160082416).....	186
FIGURE 3-9. DUAL FORK CARRIAGE (50 INCH) (SN 0160082416 to Present).....	188
FIGURE 3-10. DUAL FORK CARRIAGE ASSEMBLY (50 INCH) .....	190
FIGURE 3-11. DUAL FORK CARRIAGE VALVE ASSEMBLY.....	192
FIGURE 3-12. SIDE TILT CARRIAGE ASSEMBLY (50 INCH) .....	194
FIGURE 3-13. SIDE TILT CARRIAGE ASSEMBLY (50 INCH) .....	196
FIGURE 3-14. SIDE TILT CARRIAGE ASSEMBLY (60 INCH) .....	198
FIGURE 3-15. SIDE TILT CARRIAGE ASSEMBLY (60 INCH) .....	200
FIGURE 3-16. SIDE TILT CARRIAGE ASSEMBLY (72 INCH) .....	202
FIGURE 3-17. SIDE TILT CARRIAGE ASSEMBLY (72 INCH) .....	204
FIGURE 3-18. SIDE SHIFT CARRIAGE ASSEMBLY (50 INCH) .....	206
FIGURE 3-19. 90 SWING CARRIAGE ASSEMBLY (72 INCH) .....	208
FIGURE 3-20. PIPE HANDLER ASSEMBLY .....	210
FIGURE 3-21. TRUSS BOOM (12 FOOT WITHOUT WINCH) .....	214
FIGURE 3-22. TRUSS BOOM (15 FOOT WITHOUT WINCH) .....	216
FIGURE 3-23. TRUSS BOOM (12 FOOT WITH WINCH) .....	218
FIGURE 3-24. ADJUSTABLE TRUSS BOOM .....	220
FIGURE 3-25. MAST (8 FOOT) .....	222
FIGURE 3-26. BUCKET (72 INCH) .....	226
FIGURE 3-27. BUCKET (96 INCH) .....	228
FIGURE 3-28. BUCKET (102 INCH) .....	230
FIGURE 3-29. FORK MOUNTED BUCKET (60 INCH) .....	232
FIGURE 3-30. GRAPPLE BUCKET .....	234
FIGURE 3-31. FORK MOUNTED PLATFORM (ASME).....	236
FIGURE 3-32. FORK MOUNTED PLATFORM (ISO).....	238
FIGURE 3-33. FORK MOUNTED PLATFORM (FRENCH).....	240
FIGURE 3-34. FORK MOUNTED PLATFORM ASSEMBLY.....	242
FIGURE 3-35. FORK PIN LOCK INSTALLATION .....	244
FIGURE 3-36. CRANE HOOK .....	246
FIGURE 3-37. SHEET MATERIAL HANDLER INSTALLATION .....	248
FIGURE 3-38. RH FORK SUPPORT ASSEMBLY .....	250
FIGURE 3-39. LH FORK SUPPORT ASSEMBLY .....	252
FIGURE 3-40. CUBING FORK.....	254
FIGURE 3-41. PALLET FORK (48X4X2.36) .....	256
FIGURE 3-42. PALLET FORK (48X5X2.36) .....	258
FIGURE 3-43. PALLET FORK (2.36X4X48) .....	260
FIGURE 3-44. PALLET FORK (2.4X4X60) .....	262
FIGURE 3-45. PALLET FORK (2.4X5X72) .....	264
FIGURE 3-46. DUAL TAPER FORK (60X7X1.75) .....	266
FIGURE 3-47. DUAL TAPER FORK (60X6X2.36) .....	268
FIGURE 3-48. DUAL TAPER FORK (72X6X2) .....	270
FIGURE 3-49. FORK EXTENSION (90 INCH) .....	272
FIGURE 3-50. TRASH HOPPER INSTALLATION .....	274
FIGURE 3-51. TRUSS BOOM ASSEMBLY (3 FOOT WITH WINCH).....	276



# TABLE OF CONTENTS

FIGURE 3-52. SWEEPER ASSEMBLY .....	278
FIGURE 3-53. COUPLER MOUNTED HOOK .....	280
FIGURE 3-54. ADJUSTABLE TRUSS BOOM INSTALLATION (FORK MOUNTED) .....	282
<b>SECTION 4 - ENGINE AND ATTACHING PARTS .....</b>	<b>285</b>
FIGURE 4-1. AFTERTREATMENT INSTALLATION, 110HP (ULS) .....	286
FIGURE 4-2. EXHAUST INSTALLATION, 74HP (ULS) .....	288
FIGURE 4-3. EXHAUST INSTALLATION, 110HP (LS) .....	290
FIGURE 4-4. ENGINE INSTALLATION, 110HP (ULS) .....	292
FIGURE 4-5. ENGINE INSTALLATION, 74HP (ULS) .....	294
FIGURE 4-6. ENGINE INSTALLATION, 110HP (LS) .....	296
FIGURE 4-7. ENGINE, QSF3.8, 110HP (ULS) .....	298
FIGURE 4-8. ENGINE, QSF3.8, 74HP (ULS) .....	300
FIGURE 4-9. ENGINE, QSF3.8, 110HP (LS) .....	302
FIGURE 4-10. FAN INSTALLATION, 110HP .....	304
FIGURE 4-11. FAN INSTALLATION, 74HP .....	306
FIGURE 4-12. AIR CLEANER INSTALLATION (ULS) .....	308
FIGURE 4-13. AIR CLEANER INSTALLATION (LS) .....	310
FIGURE 4-14. AIR CLEANER ASSEMBLY (ULS) .....	312
FIGURE 4-15. AIR CLEANER ASSEMBLY (LS) .....	314
FIGURE 4-16. COOLING INSTALLATION, 110HP .....	316
FIGURE 4-17. COOLING INSTALLATION, 74HP .....	318
FIGURE 4-18. DEAERATION TANK ASSEMBLY .....	320
FIGURE 4-19. RADIATOR ASSEMBLY, 110HP .....	322
FIGURE 4-20. RADIATOR ASSEMBLY, 74HP .....	324
FIGURE 4-21. FUEL PLUMBING INSTALLATION (ULS) .....	326
FIGURE 4-22. FUEL PLUMBING INSTALLATION (LS) .....	328
FIGURE 4-23. PLUMBING COOLING INSTALLATION (ULS) .....	330
FIGURE 4-24. PLUMBING COOLING INSTALLATION (LS) .....	332
FIGURE 4-25. DEF SYSTEM INSTALLATION (ULS) .....	334
FIGURE 4-26. DEF MODULE PUMP (Prior to SN 0160077058) .....	336
FIGURE 4-27. DEF MODULE PUMP (SN 0160077058 to Present) .....	338
FIGURE 4-28. DEF COOLANT LINES INSTALLATION (Prior to SN 0160073686) .....	340
FIGURE 4-29. DEF COOLANT LINES INSTALLATION (SN 0160073686 through 0160081960) .....	342
FIGURE 4-30. DEF COOLANT LINES INSTALLATION (SN 0160081960 to Present) .....	344
FIGURE 4-31. DEF LINES INSTALLATION (Prior to SN 0160081960) .....	346
FIGURE 4-32. DEF LINES INSTALLATION (SN 0160081960 to Present) .....	348
FIGURE 4-33. ISOLATION COUPLER INSTALLATION .....	350
FIGURE 4-34. A/C COMPONENTS INSTALLATION, 110HP .....	352
FIGURE 4-35. A/C COMPONENTS INSTALLATION, 74HP .....	354
FIGURE 4-36. ELECTRICAL ASSEMBLY, BLOCK HEAT CORDSET .....	356
FIGURE 4-37. HEATER BREATHER .....	358
FIGURE 4-38. AIR INTAKE SHUT OFF VALVE INSTALLATION .....	360
<b>SECTION 5 - DRIVE TRAIN .....</b>	<b>363</b>
FIGURE 5-1. DRIVE SHAFT INSTALLATION .....	364
FIGURE 5-2. FRONT DRIVE SHAFT ASSEMBLY .....	366
FIGURE 5-3. REAR DRIVE SHAFT ASSEMBLY .....	368
FIGURE 5-4. DRIVE SHAFT INPUT .....	370
FIGURE 5-5. AXLE INSTALLATION - 8042 .....	372
FIGURE 5-6. AXLE INSTALLATION (74HP) - 8042 .....	374
FIGURE 5-7. FRONT AXLE - 8042 .....	376
FIGURE 5-8. FRONT AXLE, INPUT - 8042 .....	378
FIGURE 5-9. FRONT AXLE, LIMITED SLIP DIFFERENTIAL- 8042 .....	382
FIGURE 5-10. FRONT AXLE, AXLE CASING - 8042 .....	384
FIGURE 5-11. FRONT AXLE, MULTI-DISC BRAKE - 8042 .....	386
FIGURE 5-12. FRONT AXLE, PARKING BRAKE - 8042 .....	388
FIGURE 5-13. FRONT AXLE, JOINT HOUSING - 8042 .....	390
FIGURE 5-14. FRONT AXLE, PLANETARY DRIVE - 8042 .....	392
FIGURE 5-15. FRONT AXLE INSTALLATION, 74HP - 8042 .....	394
FIGURE 5-16. FRONT AXLE, CENTRAL HOUSING 74HP - 8042 .....	396
FIGURE 5-17. FRONT AXLE, DIFFERENTIAL 74HP - 8042 .....	398
FIGURE 5-18. FRONT AXLE, HUB REDUCTION 74HP - 8042 .....	400
FIGURE 5-19. FRONT AXLE, BRAKES 74HP - 8042 .....	404
FIGURE 5-20. FRONT AXLE, STEERING 74HP - 8042 .....	406

# TABLE OF CONTENTS

FIGURE 5-21. FRONT AXLE, DIFFERENTIAL KIT 74HP - 8042 .....	408
FIGURE 5-22. FRONT AXLE, REDUCTION BUSHING 74HP - 8042 .....	410
FIGURE 5-23. FRONT AXLE, PLANET GEAR CARRIER 74HP - 8042 .....	412
FIGURE 5-24. FRONT AXLE, STEERING ADJUSTING BOLT KIT 74HP - 8042 .....	414
FIGURE 5-25. FRONT AXLE, RING GEAR SUPPORT 74HP - 8042 .....	416
FIGURE 5-26. REAR AXLE - 8042 .....	418
FIGURE 5-27. REAR AXLE, INPUT - 8042 .....	420
FIGURE 5-28. REAR AXLE, LIMITED SLIP DIFFERENTIAL - 8042 .....	424
FIGURE 5-29. REAR AXLE, AXLE CASING - 8042 .....	426
FIGURE 5-30. REAR AXLE, MULTI-DISC BRAKE - 8042 .....	428
FIGURE 5-31. REAR AXLE, JOINT HOUSING - 8042 .....	430
FIGURE 5-32. REAR AXLE, PLANETARY DRIVE - 8042 .....	432
FIGURE 5-33. REAR AXLE INSTALLATION 74HP - 8042 .....	434
FIGURE 5-34. REAR AXLE, CENTRAL HOUSING 74HP - 8042 .....	436
FIGURE 5-35. REAR AXLE, DIFFERENTIAL 74HP - 8042 .....	438
FIGURE 5-36. REAR AXLE, HUB REDUCTION 74HP - 8042 .....	440
FIGURE 5-37. REAR AXLE, BRAKES 74HP - 8042 .....	444
FIGURE 5-38. REAR AXLE, STEERING 74HP - 8042 .....	446
FIGURE 5-39. REAR AXLE, DIFFERENTIAL KIT 74HP - 8042 .....	448
FIGURE 5-40. REAR AXLE, REDUCTION BUSHING 74HP - 8042 .....	450
FIGURE 5-41. REAR AXLE, PLANET GEAR CARRIER 74HP - 8042 .....	452
FIGURE 5-42. REAR AXLE, RING GEAR SUPPORT 74HP - 8042 .....	454
FIGURE 5-43. AXLE INSTALLATION - 10042 & 10054 .....	456
FIGURE 5-44. FRONT AXLE ASSEMBLY - 10042 & 10054 .....	458
FIGURE 5-45. FRONT AXLE - 10042 & 10054 .....	460
FIGURE 5-46. FRONT AXLE, INPUT - 10042 & 10054 .....	462
FIGURE 5-47. FRONT AXLE, LIMITED SLIP DIFFERENTIAL - 10042 & 10054 .....	466
FIGURE 5-48. FRONT AXLE, AXLE CASING - 10042 & 10054 .....	468
FIGURE 5-49. FRONT AXLE, MULTI-DISC BRAKE - 10042 & 10054 .....	470
FIGURE 5-50. FRONT AXLE, BRAKE - 10042 & 10054 .....	472
FIGURE 5-51. FRONT AXLE, JOINT HOUSING - 10042 & 10054 .....	474
FIGURE 5-52. FRONT AXLE, PLANETARY DRIVE - 10042 & 10054 .....	476
FIGURE 5-53. REAR AXLE - 10042 & 10054 .....	478
FIGURE 5-54. REAR AXLE, INPUT - 10042 & 10054 .....	480
FIGURE 5-55. REAR AXLE, DIFFERENTIAL - 10042 & 10054 .....	484
FIGURE 5-56. REAR AXLE, AXLE CASING - 10042 & 10054 .....	486
FIGURE 5-57. REAR AXLE, MULTI-DISC BRAKE - 10042 & 10054 .....	488
FIGURE 5-58. REAR AXLE, JOINT HOUSING - 10042 & 10054 .....	490
FIGURE 5-59. REAR AXLE, PLANETARY DRIVE - 10042 & 10054 .....	492
FIGURE 5-60. TRANSMISSION INSTALLATION .....	494
FIGURE 5-61. TRANSMISSION .....	496
FIGURE 5-62. TRANSMISSION, ENGINE CONNECTION & CONVERTER .....	498
FIGURE 5-63. TRANSMISSION, INPUT SHAFTS .....	500
FIGURE 5-64. TRANSMISSION, GEARBOX HOUSING .....	502
FIGURE 5-65. TRANSMISSION, COUPLING GROUP 1 .....	504
FIGURE 5-66. TRANSMISSION, COUPLING GROUP 2 .....	506
FIGURE 5-67. TRANSMISSION, COUPLING GROUP 3 .....	508
FIGURE 5-68. TRANSMISSION, COUPLING GROUP 4 .....	510
FIGURE 5-69. TRANSMISSION, REVERSING GEAR GROUP 1 .....	512
FIGURE 5-70. TRANSMISSION, REVERSING GEAR GROUP 2 .....	514
FIGURE 5-71. TRANSMISSION, OUTPUT .....	516
FIGURE 5-72. TRANSMISSION, CONTROL UNIT .....	518
FIGURE 5-73. TRANSMISSION, VALVE HOUSING ASSEMBLY .....	520
FIGURE 5-74. TRANSMISSION, VALVE BLOCK ASSEMBLY .....	522
FIGURE 5-75. TRANSMISSION, OIL PUMP AND FILTER .....	524
FIGURE 5-76. FENDER INSTALLATION .....	526
FIGURE 5-77. LEFT FRONT/RIGHT REAR FENDER ASSEMBLY .....	528
FIGURE 5-78. RIGHT FRONT/LEFT REAR FENDER ASSEMBLY .....	530
FIGURE 5-79. TIRE SET, 15.5-25 PNEUMATIC - 8042 .....	532
FIGURE 5-80. RH TIRE AND WHEEL ASSEMBLY, 15.5-25 PNEUMATIC - 8042 .....	534
FIGURE 5-81. LH TIRE AND WHEEL ASSEMBLY, 15.5-25 PNEUMATIC - 8042 .....	536
FIGURE 5-82. TIRE SET, 15.5-25 FOAM - 8042 .....	538
FIGURE 5-83. RH TIRE AND WHEEL ASSEMBLY, 15.5-25 FOAM - 8042 .....	540
FIGURE 5-84. LH TIRE AND WHEEL ASSEMBLY, 15.5-25 FOAM - 8042 .....	542
FIGURE 5-85. TIRE SET, 370/75-28 PNEUMATIC - 8042 .....	544
FIGURE 5-86. TIRE AND WHEEL ASSEMBLY, 370/75-28 PNEUMATIC - 8042 .....	546
FIGURE 5-87. TIRE SET, 370/75-28 FOAM - 8042 .....	548

# TABLE OF CONTENTS

FIGURE 5-88. TIRE AND WHEEL ASSEMBLY, 370/75-28 FOAM - 8042.....	550
FIGURE 5-89. TIRE SET, 13.00-24 SOLID - 8042 (Prior to SN 0160083785) .....	552
FIGURE 5-90. TIRE SET, 315/95-28/8.5 SOLID (SN 0160083785 to Present).....	554
FIGURE 5-91. TIRE SET, 17.5-25 PNEUMATIC - 10042 & 10054 .....	556
FIGURE 5-92. RH TIRE AND WHEEL ASSEMBLY, 17.5-25 PNEUMATIC - 10042 & 10054.....	558
FIGURE 5-93. LH TIRE AND WHEEL ASSEMBLY, 17.5-25 PNEUMATIC - 10042 & 10054 .....	560
FIGURE 5-94. TIRE SET, 17.5-25 FOAM - 10042 & 10054.....	562
FIGURE 5-95. RH TIRE AND WHEEL ASSEMBLY, 17.5-25 FOAM - 10042 & 10054 .....	564
FIGURE 5-96. LH TIRE AND WHEEL ASSEMBLY, 17.5-25 FOAM - 10042 & 10054.....	566
FIGURE 5-97. TIRE SET, 400/75-28 PNEUMATIC - 10042 & 10054 .....	568
FIGURE 5-98. TIRE AND WHEEL ASSEMBLY, 400/75-28 PNEUMATIC - 10042 & 10054.....	570
FIGURE 5-99. TIRE SET, 400/75-28 FOAM - 10042 & 10054.....	572
FIGURE 5-100. TIRE AND WHEEL ASSEMBLY, 400/75-28 FOAM - 10042 & 10054.....	574
FIGURE 5-101. TIRE SET, 14.00-24 SOLID - 10042 & 10054 (Prior to SN 0160083792) .....	576
FIGURE 5-102. TIRE SET, 360/85-28/10 SOLID - 10042 & 10054 (SN 0160083792 to Present) .....	578
FIGURE 5-103. TIRE SET, 370/75-28 FOAM NON-MARKING.....	580
FIGURE 5-104. TIRE SET, 370/75-28 PNEUMATIC NON-MARKING .....	582
FIGURE 5-105. TIRE AND WHEEL ASSEMBLY, 370/75-28 PNEUMATIC NON-MARKING .....	584
FIGURE 5-106. TIRE SET, 370/75-28 PNEUMATIC NON-MARKING - 8042.....	586
FIGURE 5-107. TIRE AND WHEEL ASSEMBLY, 370/75-28 PNEUMATIC NON-MARKING - 8042 .....	588
FIGURE 5-108. TIRE SET, 370/75-28 FOAM NON-MARKING - 8042.....	590
FIGURE 5-109. TIRE SET, 400/75-28 PNEUMATIC NON-MARKING .....	592
FIGURE 5-110. TIRE AND WHEEL ASSEMBLY, 400/75-28 PNEUMATIC NON-MARKING .....	594
FIGURE 5-111. INSTALL, TIRE/WHEEL 400/75-28 FF NON-MARKING .....	596
SECTION 6 - CAB.....	599
FIGURE 6-1. CAB INSTALLATION .....	600
FIGURE 6-2. OPEN CAB INSTALLATION (Prior to SN 0160074878, Excluding 0160074813 and 0160074818) .....	602
FIGURE 6-3. OPEN CAB INSTALLATION (SN 0160074878 to Present, Including 0160074813 and 0160074818).....	606
FIGURE 6-4. OPEN CAB (Prior to SN 0160074878, Excluding 0160074813 and 0160074818).....	610
FIGURE 6-5. OPEN CAB (SN 0160074878 to Present, Including 0160074813 and 0160074818) .....	612
FIGURE 6-6. ENCLOSED CAB WITH HEATER INSTALLATION (Prior to SN 0160074878, Excluding 0160074813 and 0160074818) .....	614
FIGURE 6-7. ENCLOSED CAB WITH HEATER INSTALLATION (SN 0160074878 to Present, Including 0160074813 and 0160074818) .....	618
FIGURE 6-8. ENCLOSED CAB WITH HEATER (Prior to SN 0160074878, Excluding 0160074813 and 0160074818) .....	622
FIGURE 6-9. ENCLOSED CAB WITH HEATER (SN 0160074878 to Present, Including 0160074813 and 0160074818).....	624
FIGURE 6-10. CAB ENCLOSURE .....	626
FIGURE 6-11. CAB HEATER LINES INSTALLATION .....	628
FIGURE 6-12. ENCLOSED CAB WITH HEATER/AC INSTALLATION (Prior to SN 0160074878, Excluding 0160074813 and 0160074818) .....	630
FIGURE 6-13. ENCLOSED CAB WITH HEATER/AC INSTALLATION (SN 0160074878 to Present, Including 0160074813 and 0160074818) .....	634
FIGURE 6-14. ENCLOSED CAB WITH HEATER/AC (Prior to SN 0160074878, Excluding 0160074813 and 0160074818).....	638
FIGURE 6-15. ENCLOSED CAB WITH HEATER/AC (SN 0160074878 to Present, Including 0160074813 and 0160074818) ...	640
FIGURE 6-16. CAB HVAC ENCLOSURE .....	642
FIGURE 6-17. ROOF BOX HVAC .....	644
FIGURE 6-18. FLOOR HEATER .....	646
FIGURE 6-19. CAB DOOR.....	648
FIGURE 6-20. RH SLIDER WINDOW .....	650
FIGURE 6-21. FRONT WIPER ASSEMBLY.....	652
FIGURE 6-22. SKYLIGHT WIPER ASSEMBLY .....	654
FIGURE 6-23. CAB HEATER/AC LINES INSTALLATION .....	656
FIGURE 6-24. SEAT (Prior to SN 0160074878, Excluding 0160074813 and 0160074818).....	658
FIGURE 6-25. SEAT (SN 0160074878 to Present, Including 0160074813 and 0160074818) .....	660
FIGURE 6-26. SEAT BELT INSTALLATION (CALIFORNIA) (Prior to SN 0160077246).....	662
FIGURE 6-27. SEAT BELT INSTALLATION (CALIFORNIA) (SN 0160077246 to Present) .....	664
FIGURE 6-28. REAR DROPOUT WINDOW INSTALLATION (ANSI) .....	666
FIGURE 6-29. REAR DROPOUT WINDOW INSTALLATION (ENGLISH/FRENCH) .....	668
FIGURE 6-30. REAR DROPOUT WINDOW INSTALLATION (ISO).....	670
FIGURE 6-31. CLEARSKY INSTALLATION (ANSI).....	672
FIGURE 6-32. CLEARSKY INSTALLATION (CE) .....	674
FIGURE 6-33. HEATER VALVE .....	676
SECTION 7 - CONTROLS .....	679

# TABLE OF CONTENTS

FIGURE 7-1. ACCELERATOR.....	680
FIGURE 7-2. SECONDARY CONTROLS INSTALLATION.....	682
FIGURE 7-3. FRAME LEVEL CONTROL .....	684
FIGURE 7-4. AUXILIARY CONTROL .....	686
FIGURE 7-5. PILOT JOYSTICK CONTROL .....	688
FIGURE 7-6. BRAKE ASSEMBLY (SN 0160074878 through 0160081765, Including 0160074813 and 0160074818) .....	690
FIGURE 7-7. BRAKE ASSEMBLY - SAFIM (SN 0160081766 to Present).....	692
SECTION 8 - HYDRAULIC CIRCUITS .....	695
FIGURE 8-1. REAR BULKHEAD INSTALLATION - 8042 & 10042 .....	696
FIGURE 8-2. REAR BULKHEAD INSTALLATION - 10054.....	698
FIGURE 8-3. AXLE PIN LUBE KIT INSTALLATION .....	700
FIGURE 8-4. AXLE HYDRAULIC INSTALLATION (Prior to SN 0160074878, Excluding 0160074813 and 0160074818) .....	702
FIGURE 8-5. AXLE HYDRAULIC INSTALLATION (SN 0160074878 to Present, Including 0160074813 and 0160074818) .....	704
FIGURE 8-6. FRONT AXLE HYDRAULIC ASSEMBLY (Prior to SN 0160074878, Excluding 0160074813 and 0160074818) ....	706
FIGURE 8-7. FRONT AXLE HYDRAULIC ASSEMBLY (SN 0160074878 to Present, Including 0160074813 and 0160074818) ..	708
FIGURE 8-8. REAR AXLE HYDRAULIC ASSEMBLY (Prior to SN 0160074878, Excluding 0160074813 and 0160074818).....	710
FIGURE 8-9. REAR AXLE HYDRAULIC ASSEMBLY (SN 0160074878 to Present, Including 0160074813 and 0160074818) ...	712
FIGURE 8-10. STEER SELECT VALVE ASSEMBLY .....	714
FIGURE 8-11. PILOT CONTROLS INSTALLATION.....	716
FIGURE 8-12. PILOT JOYSTICK ASSEMBLY .....	718
FIGURE 8-13. BRAKE HYDRAULICS INSTALLATION (Prior to SN 0160074878, Excluding 0160074813 and 0160074818) ....	720
FIGURE 8-14. HYDRAULIC BRAKE INSTALLATION (SN 0160074878 to Present, Including 0160074813 and 0160074818) ...	722
FIGURE 8-15. HYDRAULIC BRAKE VALVE INSTALLATION (Prior to SN 0160074878, Excluding 0160074813 and 0160074818) .....	724
FIGURE 8-16. HYDRAULIC BRAKE VALVE INSTALLATION (SN 0160074878 through 0160081765, Including 0160074813 and 0160074818).....	726
FIGURE 8-17. HYDRAULIC BRAKE VALVE INSTALLATION (SN 0160081766 to Present) .....	728
FIGURE 8-18. STEERING HYDRAULICS INSTALLATION (Prior to SN 0160074878, Excluding 0160074813 and 0160074818) .....	730
FIGURE 8-19. HYDRAULIC STEERING INSTALLATION (SN 0160074878 to Present, Including 0160074813 and 0160074818) .....	732
FIGURE 8-20. STEERING VALVE INSTALLATION .....	734
FIGURE 8-21. HYDRAULIC FORK TILT INSTALLATION .....	736
FIGURE 8-22. AUXILIARY CONTROLS HYDRAULIC INSTALLATION .....	738
FIGURE 8-23. EXTEND CYLINDER INSTALLATION - 8042 & 10042 .....	740
FIGURE 8-24. EXTEND CYLINDER INSTALLATION - 10054 .....	742
FIGURE 8-25. EXTEND CYLINDER LOCKOUT VALVE ASSEMBLY - 10054.....	744
FIGURE 8-26. HYDRAULIC PUMP INSTALLATION .....	746
FIGURE 8-27. HYDRAULIC PUMP VALVE ASSEMBLY.....	748
FIGURE 8-28. HYDRAULIC PUMP SECONDARY VALVE ASSEMBLY .....	750
FIGURE 8-29. PISTON PUMP INSTALLATION .....	752
FIGURE 8-30. HYDRAULIC COOLER PLUMBING INSTALLATION.....	754
FIGURE 8-31. HYDRAULIC TRANSMISSION COOLER PLUMBING INSTALLATION.....	756
FIGURE 8-32. FRAME HYDRAULICS INSTALLATION - 8042 (ULS).....	758
FIGURE 8-33. FRAME HYDRAULICS INSTALLATION - 8042 (LS).....	760
FIGURE 8-34. FRAME HYDRAULICS INSTALLATION - 10042 .....	762
FIGURE 8-35. FRAME HYDRAULICS INSTALLATION - 10054 .....	764
FIGURE 8-36. OUTRIGGER VALVE ASSEMBLY - 10042 & 10054.....	766
FIGURE 8-37. HYDRAULIC FRAME CYLINDERS INSTALLATION.....	768
FIGURE 8-38. VALVE ASSEMBLY.....	770
SECTION 9 - HYDRAULIC COMPONENTS .....	773
FIGURE 9-1. LIFT CYLINDER - 8042.....	774
FIGURE 9-2. LIFT CYLINDER - 10042.....	776
FIGURE 9-3. LIFT CYLINDER - 10054.....	778
FIGURE 9-4. EXTEND/RETRACT CYLINDER - 8042.....	780
FIGURE 9-5. EXTEND/RETRACT CYLINDER - 10042.....	782
FIGURE 9-6. EXTEND/RETRACT CYLINDER - 10054.....	784
FIGURE 9-7. FORK TILT CYLINDER (Prior to SN 0160078728) .....	786
FIGURE 9-8. FORK TILT CYLINDER (SN 0160078728 to Present).....	788
FIGURE 9-9. COMPENSATION CYLINDER - 8042 & 10042 .....	790
FIGURE 9-10. COMPENSATION CYLINDER - 10054 (Prior to SN 0160078728).....	792
FIGURE 9-11. COMPENSATION CYLINDER - 10054 (SN 0160078728 to Present).....	794
FIGURE 9-12. FRAME LEVEL CYLINDER (Prior to SN 0160076614, Including 0160076627, 0160076629 and 0160076633) ..	796

# TABLE OF CONTENTS

FIGURE 9-13. FRAME LEVEL CYLINDER (SN 0160076614 to Present, Excluding 0160076627, 0160076629 and 0160076633)	798
FIGURE 9-14. STABIL-TRAK CYLINDER	800
FIGURE 9-15. OUTRIGGER CYLINDER	802
FIGURE 9-16. SIDE TILT CYLINDER	804
FIGURE 9-17. SIDE SHIFT CARRIAGE CYLINDER	806
FIGURE 9-18. SWING CARRIAGE CYLINDER	808
FIGURE 9-19. GRAPPLE BUCKET CYLINDER	810
FIGURE 9-20. MAIN CONTROL VALVE	812
FIGURE 9-21. PISTON PUMP	814
FIGURE 9-22. DEF TANK (Prior to SN 0160081960)	816
FIGURE 9-23. DEF TANK ASSEMBLY (SN 0160081960 to Present)	818
FIGURE 9-24. HYDRAULIC/FUEL/DEF TANK ASSEMBLY	820
FIGURE 9-25. HYDRAULIC/FUEL TANK ASSEMBLY	822
FIGURE 9-26. BRAKE VALVE (Prior to SN 0160074878, Excluding 0160074813 and 0160074818)	824
FIGURE 9-27. BRAKE VALVE (SN 0160074878 to Present, Including 0160074813 and 0160074818)	828
FIGURE 9-28. STEERING SELECT VALVE	830
FIGURE 9-29. SECONDARY CONTROL VALVE	832
FIGURE 9-30. OUTRIGGER VALVE - 10042 & 10054	834
FIGURE 9-31. EXTEND LOCKOUT VALVE ASSEMBLY - 10054	836
FIGURE 9-32. PIPE HANDLER CYLINDER	838
FIGURE 9-33. AIR SHUT OFF VALVE	840
FIGURE 9-34. FLOW DIVIDER VALVE	842
<b>SECTION 10 - ELECTRICAL</b>	<b>845</b>
FIGURE 10-1. ELECTRICAL INSTALLATION, 110HP - 8042 (ULS) (Prior to SN 0160074878, Excluding 0160074813 and 0160074818)	846
FIGURE 10-2. ELECTRICAL INSTALLATION, 110HP - 8042 (ULS) (SN 0160074878 to Present, Including 0160074813 and 0160074818)	852
FIGURE 10-3. ELECTRICAL INSTALLATION, 74HP- 8042 (ULS) (Prior to SN 0160074878, Excluding 0160074813 and 0160074818)	856
FIGURE 10-4. ELECTRICAL INSTALLATION, 74HP- 8042 (ULS) (SN 0160074878 to Present, Including 0160074813 and 0160074818)	860
FIGURE 10-5. ELECTRICAL INSTALLATION, 110HP - 8042 (LS) (Prior to SN 0160074878, Excluding 0160074813 and 0160074818)	864
FIGURE 10-6. ELECTRICAL INSTALLATION, 110HP - 8042 (LS) (SN 0160074878 to Present, Including 0160074813 and 0160074818)	868
FIGURE 10-7. ELECTRICAL INSTALLATION, 110HP - 10042 (ULS) (Prior to SN 0160074878, Excluding 0160074813 and 0160074818)	872
FIGURE 10-8. ELECTRICAL INSTALLATION, 110HP - 10042 (ULS) (SN 0160074878 to Present, Including 0160074813 and 0160074818)	878
FIGURE 10-9. ELECTRICAL INSTALLATION, 74HP - 10042 (ULS) EATON BRAKE	882
FIGURE 10-10. ELECTRICAL INSTALLATION, 74HP - 10042 (ULS) SAFIM BRAKE	886
FIGURE 10-11. ELECTRICAL INSTALLATION - 10042 (LS) (Prior to SN 0160074878, Excluding 0160074813 and 0160074818)	890
FIGURE 10-12. ELECTRICAL INSTALLATION - 10042 (LS) (SN 0160074878 to Present, Including 0160074813 and 0160074818)	894
FIGURE 10-13. ELECTRICAL INSTALLATION - 10054 (ULS) (Prior to SN 0160074878, Excluding 0160074813 and 0160074818)	898
FIGURE 10-14. ELECTRICAL INSTALLATION, 110HP - 10054 (ULS) (SN 0160074878 to Present, Including 0160074813 and 0160074818)	904
FIGURE 10-15. ELECTRICAL INSTALLATION, 74HP - 10054 (ULS) EATON BRAKE	908
FIGURE 10-16. ELECTRICAL INSTALLATION, 74HP - 10054 (ULS) SAFIM BRAKE	912
FIGURE 10-17. ELECTRICAL INSTALLATION - 10054 (LS) (Prior to SN 0160074878, Excluding 0160074813 and 0160074818)	916
FIGURE 10-18. ELECTRICAL INSTALLATION - 10054 (LS) (SN 0160074878 to Present, Including 0160074813 and 0160074818)	920
FIGURE 10-19. BATTERY INSTALLATION	924
FIGURE 10-20. RELAY PANEL INSTALLATION	926
FIGURE 10-21. RELAY PANEL COVER ASSEMBLY	928
FIGURE 10-22. ROADLIGHT PACKAGE INSTALLATION (Prior to SN 0160073125)	930
FIGURE 10-23. ROADLIGHT PACKAGE INSTALLATION (SN 0160073125 through 0160074877, Excluding 0160074813 and 0160074818)	932
FIGURE 10-24. ROADLIGHT PACKAGE INSTALLATION (SN 0160074878 to Present, Including 0160074813 and 0160074818)	934
FIGURE 10-25. LH ROADLIGHT ASSEMBLY (Prior to SN 0160073125)	936

# TABLE OF CONTENTS

FIGURE 10-26. LH ROADLIGHT ASSEMBLY (SN 0160073125 to Present) .....	938
FIGURE 10-27. RH ROADLIGHT ASSEMBLY (Prior to SN 0160073125).....	940
FIGURE 10-28. RH ROADLIGHT ASSEMBLY (SN 0160073125 to Present).....	942
FIGURE 10-29. LH ROADLIGHT BRACKET ASSEMBLY .....	944
FIGURE 10-30. RH ROADLIGHT BRACKET ASSEMBLY .....	946
FIGURE 10-31. WORKLIGHT PACKAGE INSTALLATION (Prior to SN 0160073125) .....	948
FIGURE 10-32. WORKLIGHT PACKAGE INSTALLATION (SN 0160073125 to Present).....	950
FIGURE 10-33. LH WORKLIGHT ASSEMBLY (Prior to SN 0160073125) .....	952
FIGURE 10-34. LH WORKLIGHT ASSEMBLY (SN 0160073125 to Present).....	954
FIGURE 10-35. RH WORKLIGHT ASSEMBLY (Prior to SN 0160073125).....	956
FIGURE 10-36. RH WORKLIGHT ASSEMBLY (SN 0160073125 to Present) .....	958
FIGURE 10-37. ROTATING BEACON INSTALLATION (OPEN CAB).....	960
FIGURE 10-38. ROTATING BEACON INSTALLATION (ENCLOSED CAB) .....	962
FIGURE 10-39. ENGINE HARNESS, 110HP (ULS) .....	964
FIGURE 10-40. ENGINE HARNESS, 74HP (ULS) .....	970
FIGURE 10-41. ENGINE HARNESS (LS).....	976
FIGURE 10-42. CAB POWER DISTRIBUTION HARNESS .....	980
FIGURE 10-43. HVAC HARNESS .....	986
FIGURE 10-44. WIPER HARNESS.....	988
FIGURE 10-45. TBAP HARNESS .....	990
FIGURE 10-46. ROAD LIGHT OPTION HARNESS (Prior to SN 0160073125) .....	992
FIGURE 10-47. ROAD LIGHT OPTION HARNESS (SN 0160073125 to Present) .....	994
FIGURE 10-48. WORK LIGHT OPTION HARNESS .....	996
FIGURE 10-49. BEACON OPTION HARNESS .....	998
FIGURE 10-50. OUTRIGGER HARNESS - 10042 .....	1000
FIGURE 10-51. BOOM EXTEND HARNESS - 10054.....	1002
FIGURE 10-52. LOGIC HARNESS - 10054 .....	1004
FIGURE 10-53. TELEMATICS INSTALLATION, UNITED RENTALS .....	1006
FIGURE 10-54. ROADLIGHT WORKLIGHT HARNESS.....	1008
FIGURE 10-55. REVERSE SENSOR INSTALLATION .....	1010
FIGURE 10-56. REVERSE SENSOR HARNESS.....	1012
FIGURE 10-57. BACK-UP ALARM INSTALLATION .....	1014
FIGURE 10-58. BACK-UP ALARM INSTALLATION (WHITE NOISE) .....	1016
FIGURE 10-59. TELEMATICS HARNESS.....	1018
FIGURE 10-60. CLEARSKY TELEMATICS HARNESS.....	1020
FIGURE 10-61. CANBUS TELEMATICS INSTALLATION.....	1022
FIGURE 10-62. GATEWAY CONTROLLER .....	1024
FIGURE 10-63. TELEMATICS GATEWAY HARNESS.....	1026
FIGURE 10-64. CLEARSKY INSTALLATION 3-WIRE (ANSI).....	1028
FIGURE 10-65. CLEARSKY INSTALLATION 3-WIRE (CE) .....	1030
FIGURE 10-66. CONTROL ACCESSORY.....	1032
FIGURE 10-67. POSI AIR SHUT OFF VALVE T4F HARNESS .....	1034
FIGURE 10-68. POSI AIR SHUT OFF VALVE CAB HARNESS.....	1036
FIGURE 10-69. ARCTIC WEATHER PACKAGE INSTALLATION - 74 HP (ULS) .....	1038
FIGURE 10-70. ARCTIC WEATHER PACKAGE INSTALLATION (LS).....	1040
FIGURE 10-71. INSTALLATION, HYDRAULIC TANK HEATER .....	1042
FIGURE 10-72. BATTERY BLANKET INSTALLATION .....	1044
SECTION 11 - DECALS .....	1047
FIGURE 11-1. DECAL INSTALLATION (ANSI) - 8042 .....	1048
FIGURE 11-2. DECAL INSTALLATION (ANSI) 74HP - 8042 .....	1052
FIGURE 11-3. DECAL INSTALLATION (ANSI) 110HP - 10042 .....	1056
FIGURE 11-4. DECAL INSTALLATION (ANSI) 74HP - 10042 .....	1060
FIGURE 11-5. DECAL INSTALLATION (ANSI) 110HP - 10054 .....	1064
FIGURE 11-6. DECAL INSTALLATION (ANSI) 74HP - 10054 .....	1068
FIGURE 11-7. DECAL INSTALLATION (ENGLISH/FRENCH) - 8042 .....	1072
FIGURE 11-8. DECAL INSTALLATION (ENGLISH/FRENCH) 74HP - 8042 .....	1076
FIGURE 11-9. DECAL INSTALLATION (ENGLISH/FRENCH) 110HP - 10042 .....	1080
FIGURE 11-10. DECAL INSTALLATION (ENGLISH/FRENCH) 74HP - 10042 .....	1084
FIGURE 11-11. DECAL INSTALLATION (ENGLISH/FRENCH) 110HP - 10054 .....	1088
FIGURE 11-12. DECAL INSTALLATION (ENGLISH/FRENCH) 74HP - 10054 .....	1092
FIGURE 11-13. DECAL INSTALLATION (ISO) - 8042.....	1096
FIGURE 11-14. DECAL INSTALLATION (ISO) - 10042.....	1100
FIGURE 11-15. DECAL INSTALLATION (ISO) - 10054.....	1104
FIGURE 11-16. BOOM DECALS INSTALLATION .....	1108
FIGURE 11-17. CLEARSKY DECAL INSTALLATION .....	1110



# TABLE OF CONTENTS

FIGURE 11-46. SUPPLEMENTAL CAPACITY CHART BOOKLET (ISO) - 10042 (SN 0160075687 through 0160081209, Including 0160075671, 0160075672, 0160075673, 0160075674, 0160075675, 0160075676, 0160075677, 0160075678, 0160075679, 0160075680, 0160075681 and 0160075682).....	1168
FIGURE 11-47. SUPPLEMENTAL CAPACITY CHART BOOKLET (ISO) - 10042 (SN 0160081210 to Present).....	1170
FIGURE 11-48. SUPPLEMENTAL CAPACITY CHART BOOKLET (ANSI) - 10054 (Prior to SN 0160075687, Excluding 0160075671, 0160075672, 0160075673, 0160075674, 0160075675, 0160075676, 0160075677, 0160075678, 0160075679, 0160075680, 0160075681 and 0160075682) .....	1172
FIGURE 11-49. SUPPLEMENTAL CAPACITY CHART BOOKLET (ANSI) - 10054 (SN 0160075687 through 0160081209, Including 0160075671, 0160075672, 0160075673, 0160075674, 0160075675, 0160075676, 0160075677, 0160075678, 0160075679, 0160075680, 0160075681 and 0160075682).....	1174
FIGURE 11-50. SUPPLEMENTAL CAPACITY CHART BOOKLET (ANSI) - 10054 (SN 0160081210 to Present).....	1176
FIGURE 11-51. SUPPLEMENTAL CAPACITY CHART BOOKLET (ISO) - 10054 (Prior to SN 0160075687, Excluding 0160075671, 0160075672, 0160075673, 0160075674, 0160075675, 0160075676, 0160075677, 0160075678, 0160075679, 0160075680, 0160075681 and 0160075682) .....	1178
FIGURE 11-52. SUPPLEMENTAL CAPACITY CHART BOOKLET (ISO) - 10054 (SN 0160075687 through 0160081209, Including 0160075671, 0160075672, 0160075673, 0160075674, 0160075675, 0160075676, 0160075677, 0160075678, 0160075679, 0160075680, 0160075681 and 0160075682).....	1180
FIGURE 11-53. SUPPLEMENTAL CAPACITY CHART BOOKLET (ISO) - 10054 (SN 0160081210 to Present).....	1182
FIGURE 11-54. REVERSE SENSOR SYSTEM DECAL (ENGLISH).....	1184
FIGURE 11-55. REVERSE SENSOR SYSTEM DECAL (ISO) .....	1186
FIGURE 11-56. REVERSE SENSOR SYSTEM DECAL (ENGLISH/FRENCH).....	1188
SECTION 12 - RECOMMENDED SPARE PARTS.....	1191
FIGURE 12-1. RECOMMENDED SPARE PARTS.....	1192
PART NUMBER INDEX.....	1195

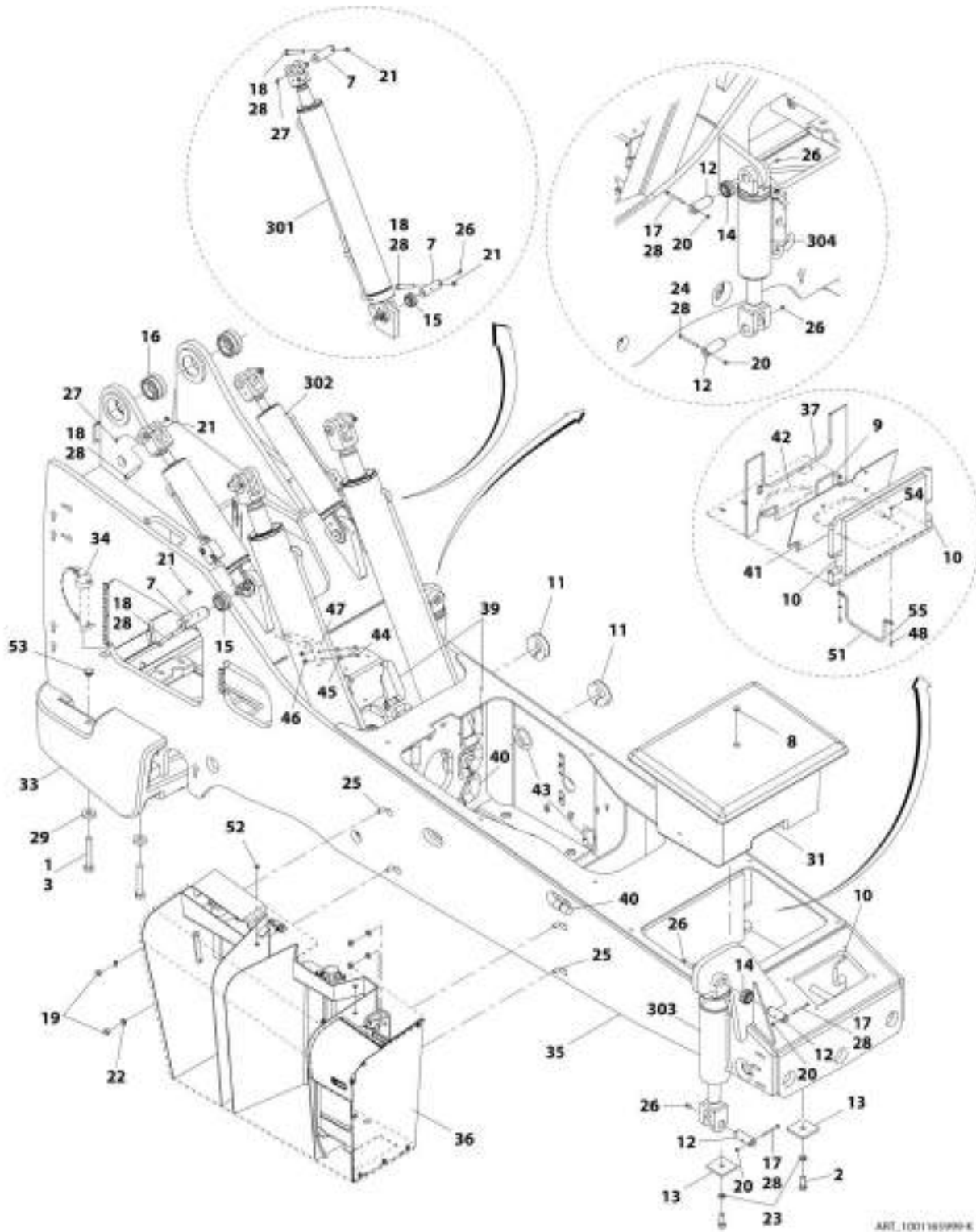


## **SECTION 1 - FRAME AND ATTACHING PARTS**

## **SECTION 1 - FRAME AND ATTACHING PARTS**

# SECTION 1 - FRAME AND ATTACHING PARTS

FIGURE 1-1. FRAME COMPONENTS INSTALLATION, 110HP - 8042 (ULS) (Prior to SN 0160074878, Excluding 0160074813 and 0160074818)



## SECTION 1 - FRAME AND ATTACHING PARTS

**FIGURE 1-1. FRAME COMPONENTS INSTALLATION, 110HP - 8042 (ULS) (Prior to SN 0160074878, Excluding 0160074813 and 0160074818)**

ITEM	PART NUMBER	QTY	DESCRIPTION	REV
	1001165999	Ref	Frame Components Installation, 110HP - 8042 (if equipped for ULS)	K
1	0100019	AR	Compound, Locking	
2	0642216	2	Bolt, 3/4-10X2	
3	0682652	4	Bolt, 1-8X6, Grade 8	
7	3423227	8	Pin, Cylinder	
8	3520030	1	Plug, Hole	
9	7124301	2	Conduit, 1/2X15-1/2	
10	7124451	4	Conduit, 1X8	
11	7124471	3	Conduit, 1X12-1/2	
12	7137142	4	Pin, Cylinder	
13	7139066	2	Plate, Counterweight Holddown	
14	8050001	2	Bearing, Self-Align	
15	8065640	4	Bearing, Self-Align	
16	8065641	2	Bearing, Self-Align	
17	8303752	3	Bolt, 5/16-18X3-1/2	
18	8303782	8	Bolt, 1/2-13X4	
19	8305014	4	Nut, Hex 5/8-11	
20	8305626	4	Nut, Lock 5/16-18	
21	8305644	8	Nut, Lock 1/2-13	
22	8307009	4	Washer, Lock 5/8	
23	8307010	2	Washer, Lock 3/4	
24	8310039	1	Bolt, 5/16-18X3-3/4	
25	88411148	4	Bolt, Carriage 5/8-11X2-3/4	
26	8520001	8	Fitting, Straight Lube 1/8	
27	8520003	4	Fitting, 90 Lube 1/8	
28	8522012	AR	Lube, Anti-Seize	
29	80241137	4	Washer, Special	
31	1001094787	1	Counterweight, Front	
33	1001208664	1	Counterweight, Rear	
34	1001160250	1	Pin, Hitch	
35	1001165039	1	Weldment, Frame	
36	1001169329	1	Installation, Hydraulic/Fuel/DEF Tank (See HYDRAULIC/FUEL/DEF TANK INSTALLATION for Breakdown)	
37	1001172658	1	Conduit, 1/2X41	
39	1001174227	8	Conduit, 1X21-1/2	
40	1001174229	3	Conduit, 1X13-1/2	
41	4060805	6 in	Shield, Flex Trim 1/4	
42	1001177190	2	Conduit, 1/2X28	
43	1001177192	2	Conduit, 1/2X12-1/2	
44	0641618	2	Bolt, 3/8-16X2-1/4	
45	4891600	2	Washer, 3/8	
46	8310522	2	Nut, Hex Flange 3/8-16	
47	1001166238	1	Bracket, Air Filter	
48	0641510	2	Bolt, 5/16-18X1	
51	1001165057	1	Bracket, Cab Hose	
52	1001195826	2	Plug, 1/2	
53	1001195952	2	Plug, Tube	
54	8305006	2	Nut, Hex 5/16-18	
55	8307203	2	Washer, Plain 5/16	

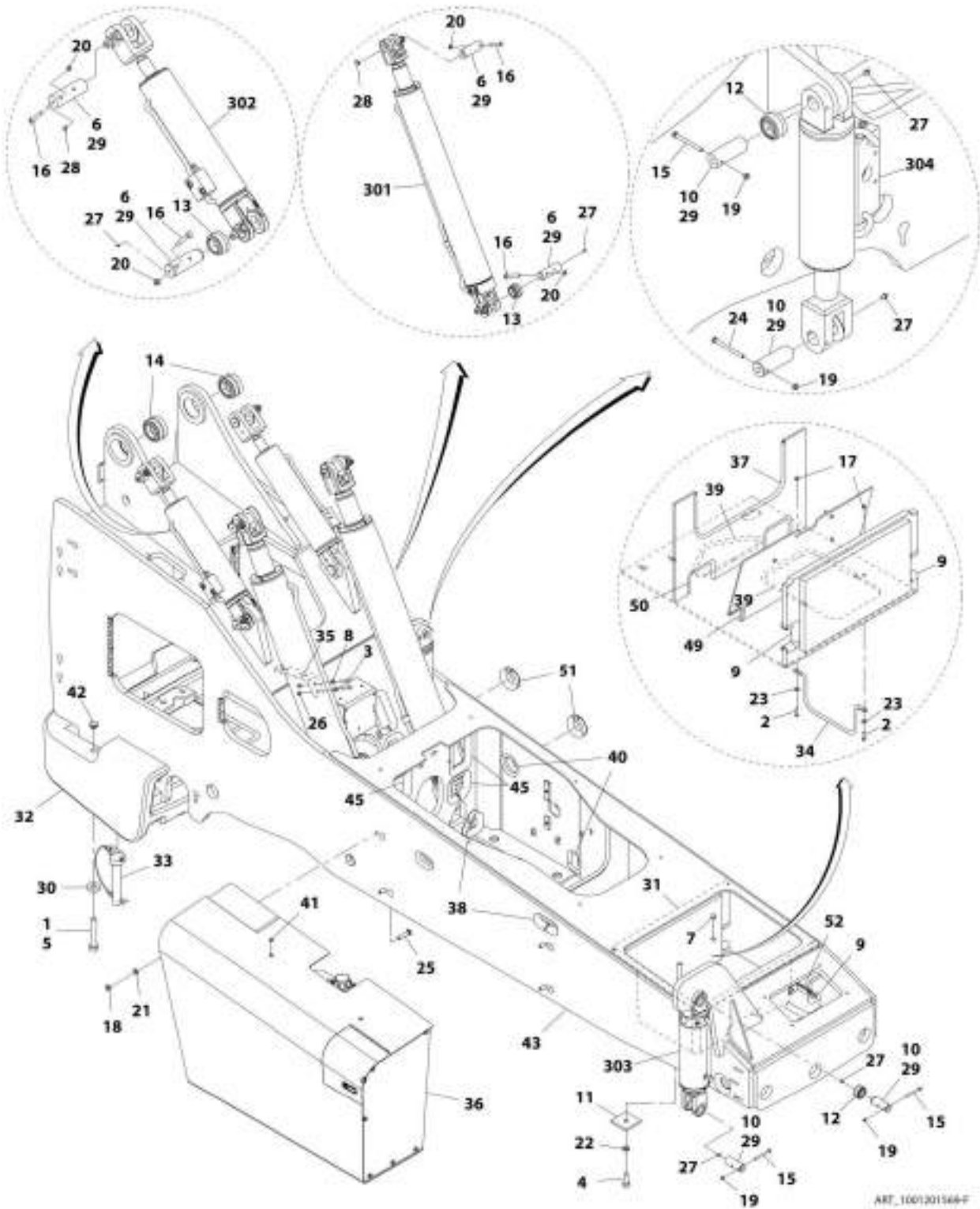
## SECTION 1 - FRAME AND ATTACHING PARTS

ITEM	PART NUMBER	QTY	DESCRIPTION	REV
301	1001156175	2	Cylinder, Lift (See HYDRAULIC COMPONENTS SECTION for Breakdown)	
302	1001189596	2	Cylinder, Compensation (See HYDRAULIC COMPONENTS SECTION for Breakdown)	
303	2716563	1	Cylinder, Frame Level (See HYDRAULIC COMPONENTS SECTION for Breakdown)	
304	2717198	1	Cylinder, Stabil-Trak (See HYDRAULIC COMPONENTS SECTION for Breakdown)	



# SECTION 1 - FRAME AND ATTACHING PARTS

FIGURE 1-2. FRAME COMPONENTS INSTALLATION, 110HP - 8042 (ULS) (SN 0160074878 to Present, Including 0160074813 and 0160074818)



## SECTION 1 - FRAME AND ATTACHING PARTS

**FIGURE 1-2. FRAME COMPONENTS INSTALLATION, 110HP - 8042 (ULS) (SN 0160074878 to Present, Including 0160074813 and 0160074818)**

ITEM	PART NUMBER	QTY	DESCRIPTION	REV
	1001201569	Ref	Frame Components Installation, 110HP - 8042 (if equipped for ULS)	F
1	0100019	AR	Compound, Locking	
2	0641510	2	Bolt, 5/16-18X1	
3	0641618	2	Bolt, 3/8-16X2-1/4	
4	0642216	2	Bolt, 3/4-10X2	
5	0682652	4	Bolt, 1-8X6-1/2, Grade 8 (Prior to SN 0160091951)	
5	0682648	4	Bolt, 1-8X6 (SN 0160091951 to Present)	
6	3423227	8	Pin, Cylinder	
7	3520030	1	Plug, Hole	
8	4891600	2	Washer, 3/8	
9	7124451	4	Conduit, 1X8	
10	7137142	4	Pin, Cylinder	
11	7139066	2	Plate, Counterweight Holddown	
12	8050001	2	Bearing, Self-Align	
13	8065640	4	Bearing, Self-Align	
14	8065641	2	Bearing, Self-Align	
15	8303752	3	Bolt, 5/16-18X3-1/2	
16	8303782	8	Bolt, 1/2-13X4	
17	8305006	2	Nut, Hex 5/16-18	
18	8305014	4	Nut, Hex 5/8-11	
19	8305626	4	Nut, Lock 5/16-18	
20	8305644	8	Nut, Lock 1/2-13	
21	8307009	4	Washer, Lock 5/8	
22	8307010	2	Washer, Lock 3/4	
23	8307203	2	Washer, Plain 5/16	
24	8310039	1	Bolt, 5/16-18X3-3/4	
25	88411148	4	Bolt, Carriage 5/8-11X2.75	
26	8310522	2	Nut, Hex Flange 3/8-16	
27	8520001	8	Fitting, Straight Lube 1/8	
28	8520003	4	Fitting, 90 Lube 1/8	
29	8522012	AR	Lube, Anti-Seize	
30	80241137	4	Washer, Special	
31	1001094787	1	Counterweight, Front	
32	1001208664	1	Counterweight, Rear	
33	1001160250	1	Pin, Hitch	
34	1001165057	1	Bracket, Cab Hose	
35	1001166238	1	Bracket, Air Filter	
36	1001169329	1	Installation, Hydraulic/Fuel/DEF Tank (See HYDRAULIC/FUEL/DEF TANK INSTALLATION for Breakdown)	
37	1001172658	1	Conduit, 1/2X41	
38	1001174229	3	Conduit, 1X13-1/2	
39	1001177190	2	Conduit, 1/2X28	
40	1001177192	2	Conduit, 1/2X12-1/2	
41	1001195826	2	Plug	
42	1001195952	2	Plug, Tube	
43	1001201554	1	Weldment, Frame	
45	1001174227	8	Conduit, 1X21-1/2	
49	4060805	6 in	Shield, Flex Trim 1/4	
50	7124301	2	Conduit, 1/2X15-1/2	

## SECTION 1 - FRAME AND ATTACHING PARTS

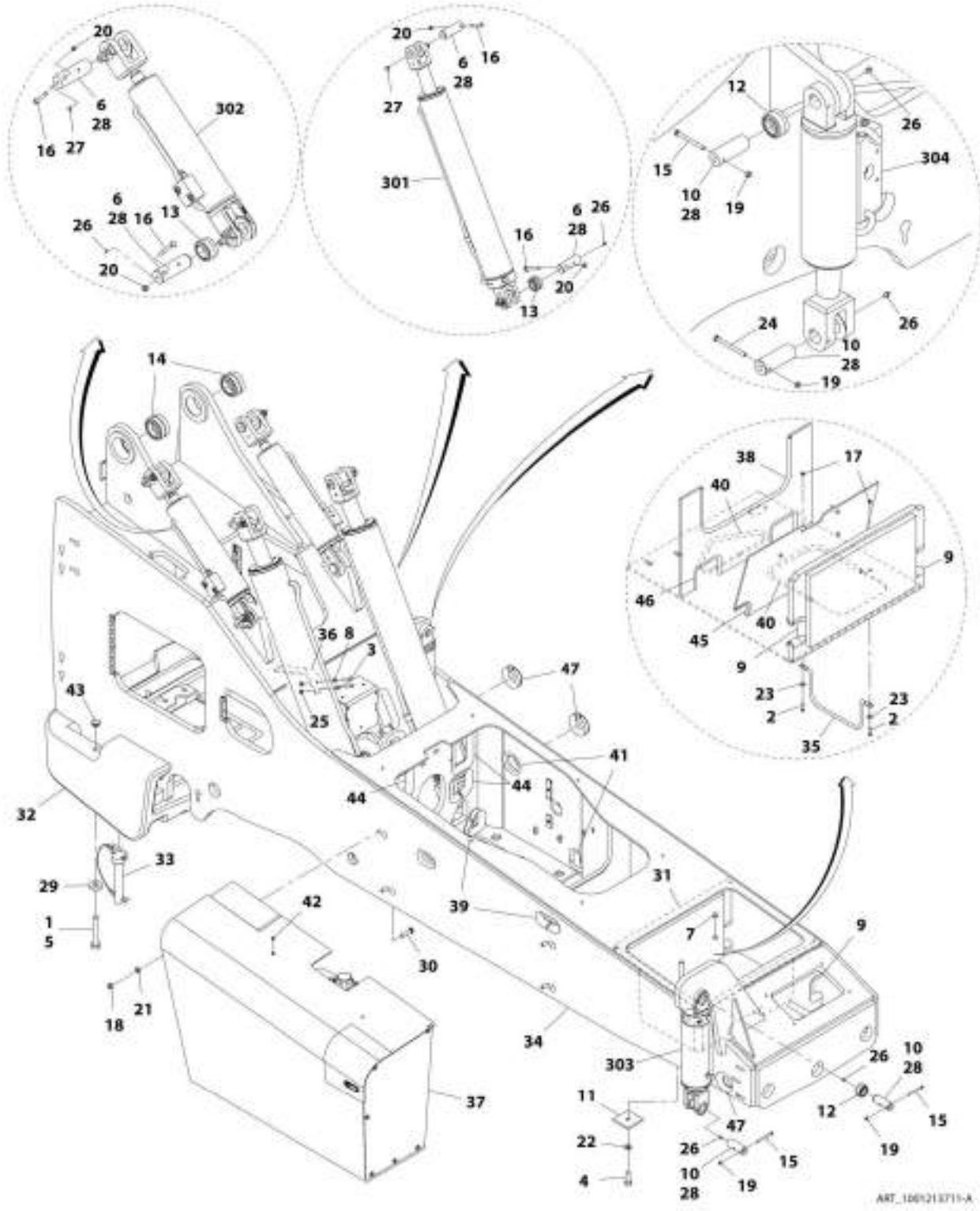
ITEM	PART NUMBER	QTY	DESCRIPTION	REV
51	7124471	3	Conduit, 1X12-1/2	
52	4060804	4 in	Shield, Flex Trim 3/16	
301	1001156175	2	Cylinder, Lift (See HYDRAULIC COMPONENTS SECTION for Breakdown)	
302	1001189596	2	Cylinder, Compensation (See HYDRAULIC COMPONENTS SECTION for Breakdown)	
303	2716563	1	Cylinder, Frame Level (See HYDRAULIC COMPONENTS SECTION for Breakdown) <b>(Prior to SN 0160076614, Including 0160076627, 0160076629 and 0160076633)</b>	
303	1001180762	1	Cylinder, Frame Level (See HYDRAULIC COMPONENTS SECTION for Breakdown) <b>(SN 0160076614 to Present, Excluding 0160076627, 0160076629 and 0160076633)</b>	
304	2717198	1	Cylinder, Stabil-Trak (See HYDRAULIC COMPONENTS SECTION for Breakdown)	





# SECTION 1 - FRAME AND ATTACHING PARTS

FIGURE 1-3. FRAME COMPONENTS INSTALLATION, 74HP - 8042(ULS) EATON BRAKE



## SECTION 1 - FRAME AND ATTACHING PARTS

**FIGURE 1-3. FRAME COMPONENTS INSTALLATION, 74HP - 8042(ULS) EATON BRAKE**

ITEM	PART NUMBER	QTY	DESCRIPTION	REV
	1001213711	Ref	Frame Components Installation, 74HP - 8042 (if equipped for ULS) Eaton Brake	A
1	0100019	AR	Compound, Locking	
2	0641510	2	Bolt, 5/16-18X1	
3	0641618	2	Bolt, 3/8-16X2-1/4	
4	0642216	2	Bolt, 3/4-10X2	
5	0682652	4	Bolt, 1-8X6, Grade 8	
6	3423227	8	Pin, Cylinder	
7	3520030	1	Plug, Hole	
8	4891600	2	Washer, 3/8	
9	7124451	4	Conduit, 1X8	
10	7137142	4	Pin, Cylinder	
11	7139066	2	Plate, Counterweight Holddown	
12	8050001	2	Bearing, Self-Align	
13	8065640	4	Bearing, Self-Align	
14	8065641	2	Bearing, Self-Align	
15	8303752	3	Bolt, 5/16-18X3-1/2	
16	8303782	8	Bolt, 1/2-13X4	
17	8305006	2	Nut, Hex 5/16-18	
18	8305014	4	Nut, Hex 5/8-11	
19	8305626	4	Nut, Lock 5/16-18	
20	8305644	8	Nut, Lock 1/2-13	
21	8307009	4	Washer, Lock 5/8	
22	8307010	2	Washer, Lock 3/4	
23	8307203	2	Washer, Plain 5/16	
24	8310039	1	Bolt, 5/16-18X3-3/4	
25	8310522	2	Nut, Hex Flange 3/8-16	
26	8520001	8	Fitting, Straight Lube 1/8	
27	8520003	4	Fitting, 90 Lube 1/8	
28	8522012	AR	Lube, Anti-Seize	
29	80241137	4	Washer, Special	
30	88411148	4	Hex Nut	
31	1001094787	1	Counterweight, Front	
32	1001156310	1	Counterweight, Rear	
33	1001160250	1	Pin, Hitch	
34	1001165039	1	Weldment, Frame	
35	1001165057	1	Bracket, Cab Hose	
36	1001166238	1	Bracket, Air Filter	
37	1001169466	1	Weldment, Fuel/Hydraulic/DEF Tank (See HYDRAULIC COMPONENTS SECTION for Breakdown)	
38	1001172658	1	Conduit, 1X13-1/2	
39	1001174229	3	Conduit, 1X13-1/2	
40	1001177190	2	Conduit, 1/2X28	
41	1001177192	2	Conduit, 1/2X12-1/2	
42	1001195826	2	Plug	
43	1001195952	2	Plug, Tube	
44	1001174227	8	Conduit, 1X21-1/2	
45	4060805	6 in	Shield, Flex Trim 1/4	
46	7124301	2	Conduit, 1/2X15-1/2	
47	7124471	3	Conduit, 1X12-1/2	

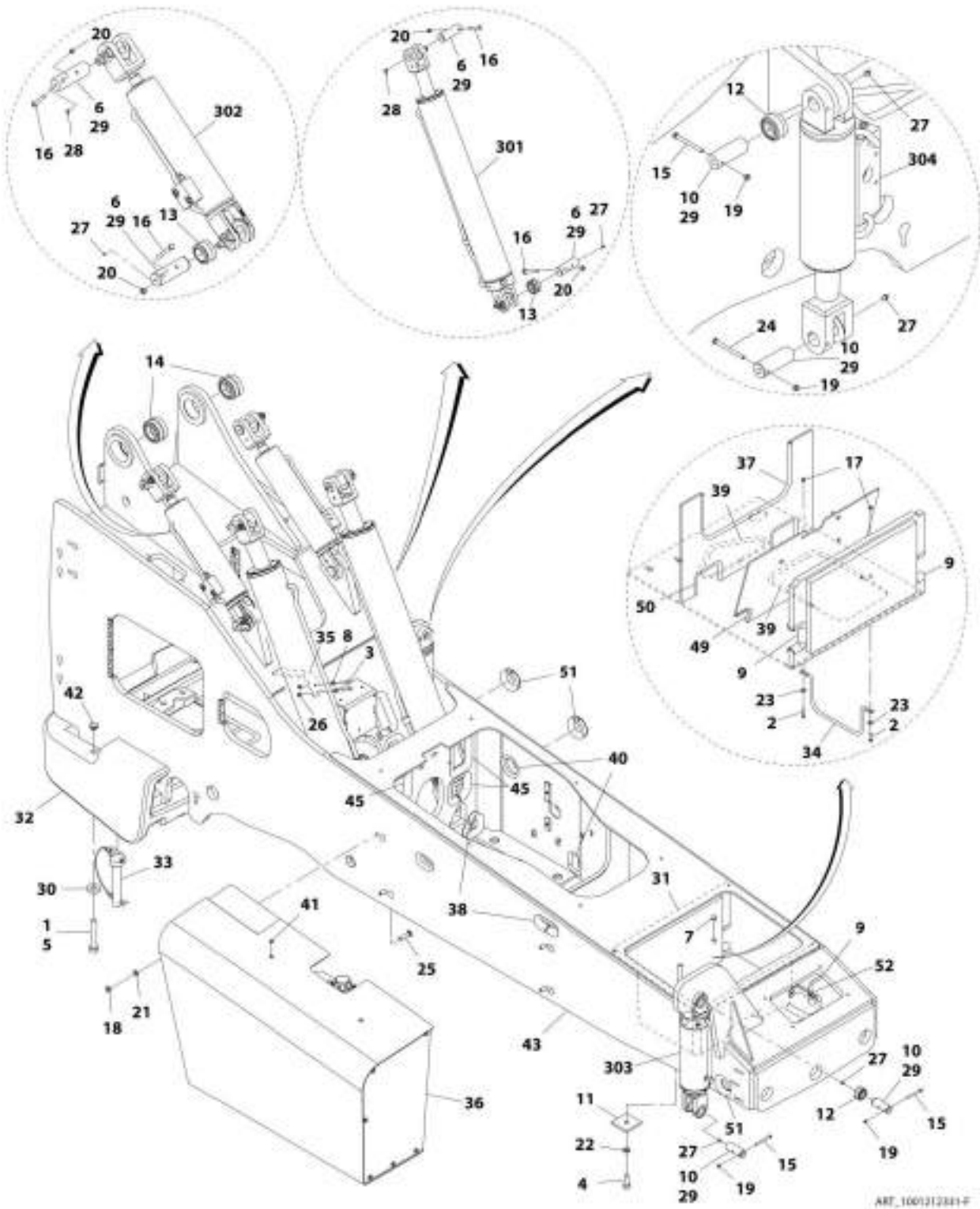
## SECTION 1 - FRAME AND ATTACHING PARTS

ITEM	PART NUMBER	QTY	DESCRIPTION	REV
301	1001156175	2	Cylinder, Lift (See HYDRAULIC COMPONENTS SECTION for Breakdown)	
302	1001189596	2	Cylinder, Compensation (See HYDRAULIC COMPONENTS SECTION for Breakdown)	
303	2716563	1	Cylinder, Frame Level (See HYDRAULIC COMPONENTS SECTION for Breakdown) <b>(Prior to SN 0160076614, Including 0160076627, 0160076629 and 0160076633)</b>	
304	2717198	1	Cylinder, Stabil-Trak (See HYDRAULIC COMPONENTS SECTION for Breakdown)	



# SECTION 1 - FRAME AND ATTACHING PARTS

FIGURE 1-4. FRAME COMPONENTS INSTALLATION, 74HP - 8042(ULS) SAFIM BRAKE



ART\_100121281-F

## SECTION 1 - FRAME AND ATTACHING PARTS

**FIGURE 1-4. FRAME COMPONENTS INSTALLATION, 74HP - 8042(ULS) SAFIM BRAKE**

ITEM	PART NUMBER	QTY	DESCRIPTION	REV
	1001212331	Ref	Frame Components Installation, 74HP - 8042 (if equipped for ULS) Safim Brake	F
1	0100019	AR	Compound, Locking	
2	0641510	2	Bolt, 5/16-18X1	
3	0641618	2	Bolt, 3/8-16X2-1/4	
4	0642216	2	Bolt, 3/4-10X2	
5	0682652	4	Bolt, 1-8X6-1/2, Grade 8 <b>(Prior to SN 0160091951)</b>	
5	0682648	4	Bolt, 1-8X6 <b>(SN 0160091951 to Present)</b>	
6	3423227	8	Pin, Cylinder	
7	3520030	1	Plug, Hole	
8	4891600	2	Washer, 3/8	
9	7124451	4	Conduit, 1X8	
10	7137142	4	Pin, Cylinder	
11	7139066	2	Plate, Counterweight Holddown	
12	8050001	2	Bearing, Self-Align	
13	8065640	4	Bearing, Self-Align	
14	8065641	2	Bearing, Self-Align	
15	8303752	3	Bolt, 5/16-18X3-1/2	
16	8303782	8	Bolt, 1/2-13X4	
17	8305006	2	Nut, Hex 5/16-18	
18	8305014	4	Nut, Hex 5/8-11	
19	8305626	4	Nut, Lock 5/16-18	
20	8305644	8	Nut, Lock 1/2-13	
21	8307009	4	Washer, Lock 5/8	
22	8307010	2	Washer, Lock 3/4	
23	8307203	2	Washer, Plain 5/16	
24	8310039	1	Bolt, 5/16-18X3-3/4	
25	88411148	4	Hex Nut	
26	8310522	2	Nut, Hex Flange 3/8-16	
27	8520001	8	Fitting, Straight Lube 1/8	
28	8520003	4	Fitting, 90 Lube 1/8	
29	8522012	AR	Lube, Anti-Seize	
30	80241137	4	Washer, Special	
31	1001094787	1	Counterweight, Front	
32	1001156310	1	Counterweight, Rear <b>(Prior to SN 0160076147, Excluding 0160076107, 0160076120, 0160076121, 0160076122 and 0160076123)</b>	
32	1001208664	1	Counterweight, Rear <b>(SN 0160076147 to Present, Including 0160076107, 0160076120, 0160076121, 0160076122 and 0160076123)</b>	
33	1001160250	1	Pin, Hitch	
34	1001165057	1	Bracket, Cab Hose	
35	1001166238	1	Bracket, Air Filter	
36		Ref	Fuel/Hydraulic Tank Assembly (See Separate Breakdown in HYDRAULIC COMPONENTS Section)	
37	1001172658	1	Conduit, 1/2X41	
38	1001174229	3	Conduit, 1X13-1/2	
39	1001177190	2	Conduit, 1/2X28	
40	1001177192	2	Conduit, 1/2X12-1/2	
41	1001195826	2	Plug	
42	1001195952	2	Plug, Tube	

## SECTION 1 - FRAME AND ATTACHING PARTS

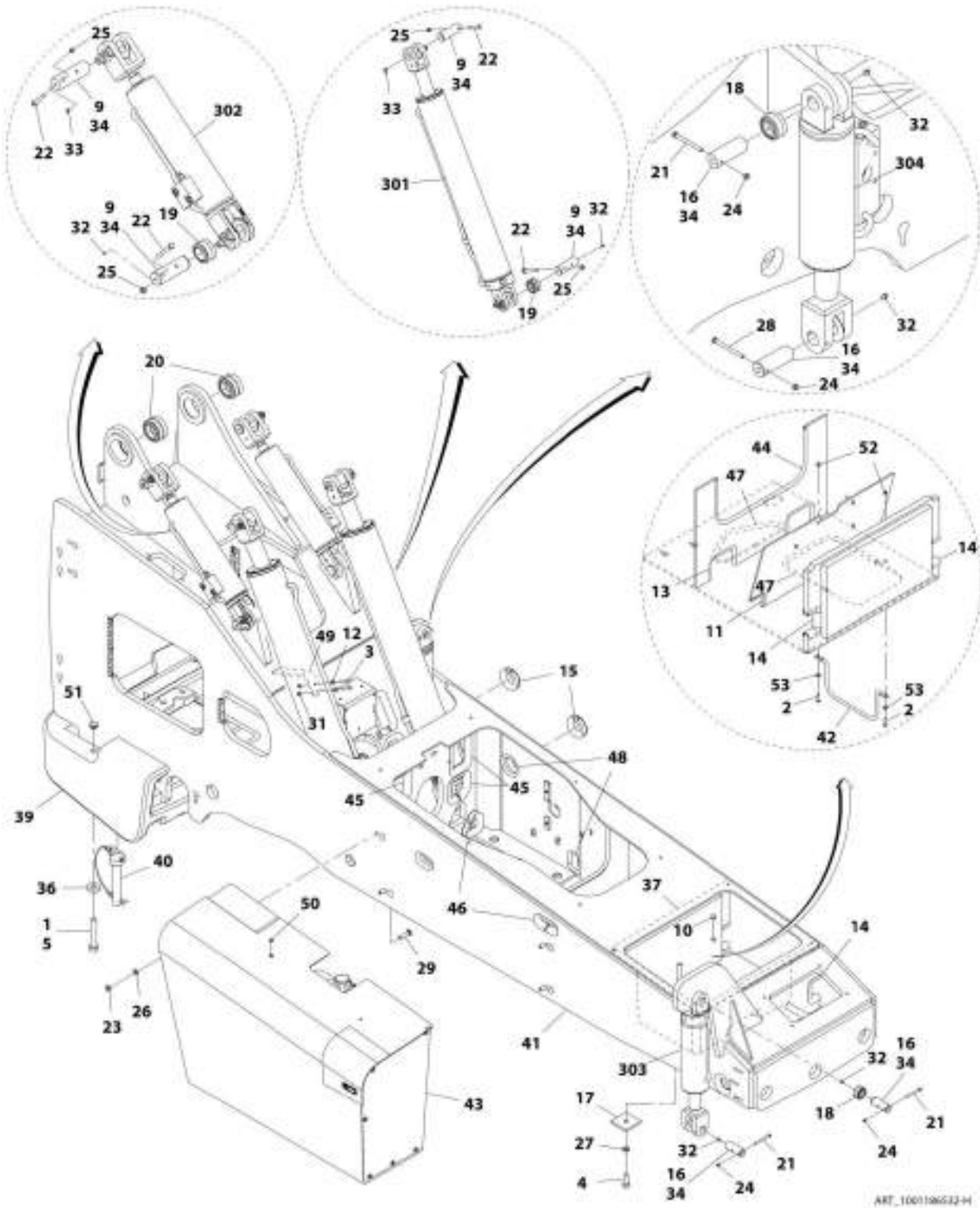
ITEM	PART NUMBER	QTY	DESCRIPTION	REV
43	1001201554	1	Weldment, Frame	
45	1001174227	8	Conduit, 1X21-1/2	
49	4060805	6 in	Shield, Flex Trim 1/4	
50	7124301	2	Conduit, 1/2X15-1/2	
51	7124471	3	Conduit, 1X12-1/2	
52	4060804	4 in	Shield, Flex Trim 3/16	
301	1001156175	2	Cylinder, Lift (See Separate Breakdown in HYDRAULIC COMPONENTS Section)	
302	1001189596	2	Cylinder, Compensation (See Separate Breakdown in HYDRAULIC COMPONENTS Section)	
303	2716563	1	Cylinder, Frame Level (See Separate Breakdown in HYDRAULIC COMPONENTS Section) <b>(Prior to SN 0160076614, Including 0160076627, 0160076629 and 0160076633)</b>	
303	1001180762	1	Cylinder, Frame Level (See Separate Breakdown in HYDRAULIC COMPONENTS Section) <b>(SN 0160076614 to Present, Excluding 0160076627, 0160076629 and 0160076633)</b>	
304	2717198	1	Cylinder, Stabil-Trak (See Separate Breakdown in HYDRAULIC COMPONENTS Section)	





# SECTION 1 - FRAME AND ATTACHING PARTS

FIGURE 1-5. FRAME COMPONENTS INSTALLATION, 110HP - 8042 (LS) (Prior to SN 0160074878, Excluding 0160074813 and 0160074818)



## SECTION 1 - FRAME AND ATTACHING PARTS

**FIGURE 1-5. FRAME COMPONENTS INSTALLATION, 110HP - 8042 (LS) (Prior to SN 0160074878, Excluding 0160074813 and 0160074818)**

ITEM	PART NUMBER	QTY	DESCRIPTION	REV
	1001186532	Ref	Frame Components Installation, 110HP - 8042 (if equipped for LS)	H
1	0100019	AR	Compound, Locking	
2	0641510	2	Bolt, 5/16-18X1	
3	0641618	2	Bolt, 3/8-16X2-1/4	
4	0642216	2	Bolt, 3/4-10X2	
5	0682652	4	Bolt, 1-8X6, Grade 8	
9	3423227	8	Pin, Cylinder	
10	3520030	1	Plug, Hole	
11	4060805	6 in	Shield, Flex Trim 1/4	
12	4891600	2	Washer, 3/8	
13	7124301	2	Conduit, 1/2X15-1/2	
14	7124451	4	Conduit, 1X8	
15	7124471	3	Conduit, 1X12-1/2	
16	7137142	4	Pin, Cylinder	
17	7139066	2	Plate, Counterweight Holddown	
18	8050001	2	Bearing, Self-Align	
19	8065640	4	Bearing, Self-Align	
20	8065641	2	Bearing, Self-Align	
21	8303752	3	Bolt, 5/16-18X3-1/2	
22	8303782	8	Bolt, 1/2-13X4	
23	8305014	4	Nut, Hex 5/8-11	
24	8305626	4	Nut, Lock 5/16-18	
25	8305644	8	Nut, Lock 1/2-13	
26	8307009	4	Washer, Lock 5/8	
27	8307010	2	Washer, Lock 3/4	
28	8310039	1	Bolt, 5/16-18X3-3/4	
29	88411148	4	Bolt, Carriage 5/8-11X2-3/4	
31	8310522	2	Nut, Hex Flange 3/8-16	
32	8520001	8	Fitting, Straight Lube 1/8	
33	8520003	4	Fitting, 90 Lube 1/8	
34	8522012	AR	Lube, Anti-Seize	
36	80241137	4	Washer, Special	
37	1001094787	1	Counterweight, Front	
39	1001208664	1	Counterweight, Rear	
40	1001160250	1	Pin, Hitch	
41	1001165039	1	Weldment, Frame	
42	1001165057	1	Bracket, Cab Hose	
43	1001169466	1	Weldment, Fuel/Hydraulic/DEF Tank (See HYDRAULIC COMPONENTS SECTION for Breakdown)	
44	1001172658	1	Conduit, 1/2X41	
45	1001174227	8	Conduit, 1X21-1/2	
46	1001174229	3	Conduit, 1X13-1/2	
47	1001177190	2	Conduit, 1/2X28	
48	1001177192	2	Conduit, 1/2X12-1/2	
49	1001190007	1	Bracket, Air Filter	
50	1001195826	2	Plug	
51	1001195952	2	Plug, Tube	
52	8305006	2	Nut, Hex 5/16-18	
53	8307203	2	Washer, Plain 5/16	

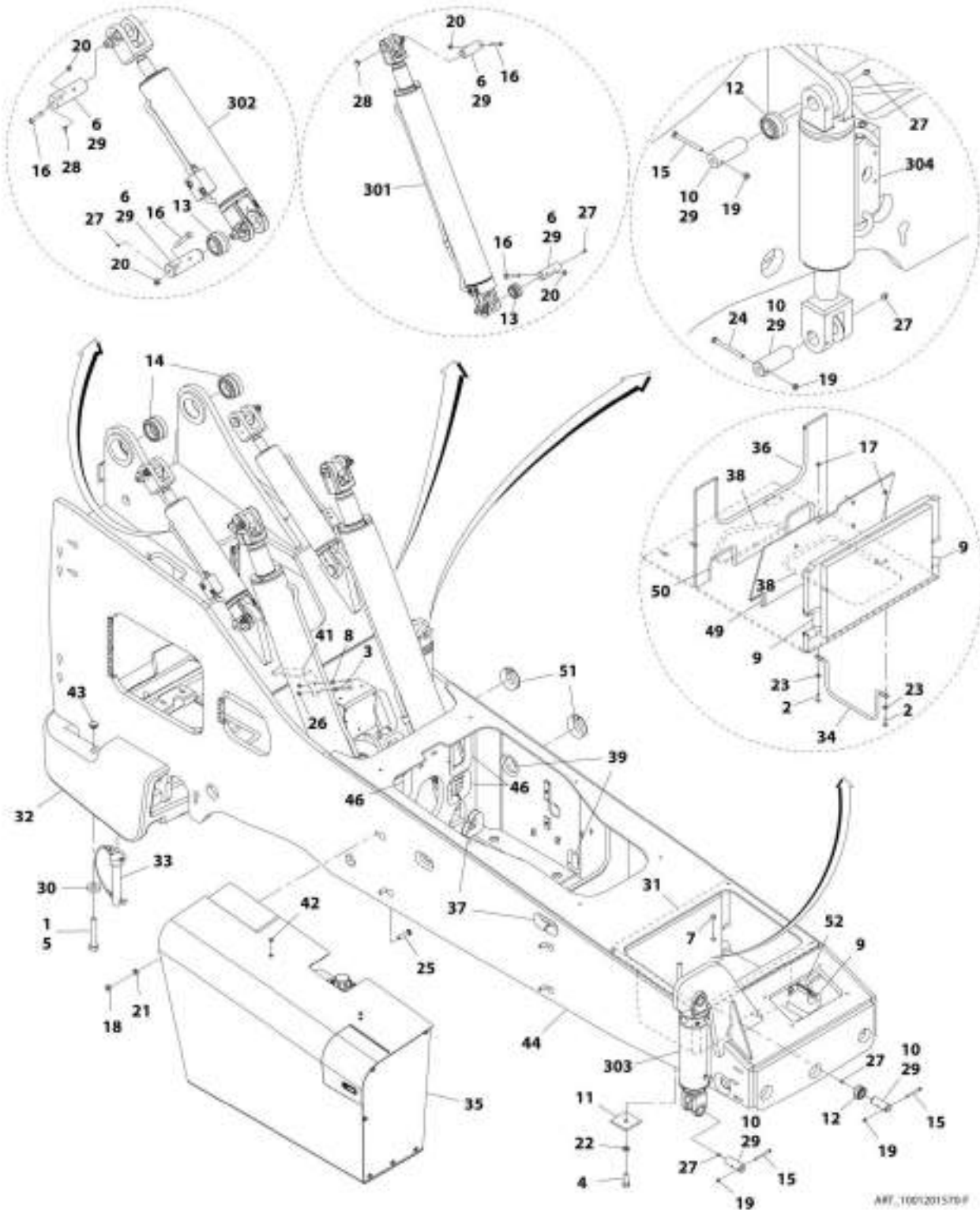
## SECTION 1 - FRAME AND ATTACHING PARTS

ITEM	PART NUMBER	QTY	DESCRIPTION	REV
301	1001156175	2	Cylinder, Lift (See HYDRAULIC COMPONENTS SECTION for Breakdown)	
302	1001189596	2	Cylinder, Compensation (See HYDRAULIC COMPONENTS SECTION for Breakdown)	
303	2716563	1	Cylinder, Frame Level (See HYDRAULIC COMPONENTS SECTION for Breakdown)	
304	2717198	1	Cylinder, Stabil-Trak (See HYDRAULIC COMPONENTS SECTION for Breakdown)	



# SECTION 1 - FRAME AND ATTACHING PARTS

FIGURE 1-6. FRAME COMPONENTS INSTALLATION, 110HP - 8042 (LS) (SN 0160074878 to Present, Including 0160074813 and 0160074818)



ART. 1001201570/F

## SECTION 1 - FRAME AND ATTACHING PARTS

**FIGURE 1-6. FRAME COMPONENTS INSTALLATION, 110HP - 8042 (LS) (SN 0160074878 to Present, Including 0160074813 and 0160074818)**

ITEM	PART NUMBER	QTY	DESCRIPTION	REV
	1001201570	Ref	Frame Components Installation, 110HP - 8042 (if equipped for LS)	F
1	0100019	AR	Compound, Locking	
2	0641510	2	Bolt, 5/16-18X1	
3	0641618	2	Bolt, 3/8-16X2-1/4	
4	0642216	2	Bolt, 3/4-10X2	
5	0682652	4	Bolt, 1-8X6-1/2, Grade 8 (Prior to SN 0160091951)	
5	0682648	4	Bolt, 1-8X6 (SN 0160091951 to Present)	
6	3423227	8	Pin, Cylinder	
7	3520030	1	Plug, Hole	
8	4891600	2	Washer, 3/8	
9	7124451	4	Conduit, 1X8	
10	7137142	4	Pin, Cylinder	
11	7139066	2	Plate, Counterweight Holddown	
12	8050001	2	Bearing, Self-Align	
13	8065640	4	Bearing, Self-Align	
14	8065641	2	Bearing, Self-Align	
15	8303752	3	Bolt, 5/16-18X3-1/2	
16	8303782	8	Bolt, 1/2-13X4	
17	8305006	2	Nut, Hex 5/16-18	
18	8305014	4	Nut, Hex 5/8-11	
19	8305626	4	Nut, Lock 5/16-18	
20	8305644	8	Nut, Lock 1/2-13	
21	8307009	4	Washer, Lock 5/8	
22	8307010	2	Washer, Lock 3/4	
23	8307203	2	Washer, Plain 5/16	
24	8310039	1	Bolt, 5/16-18X3-3/4	
25	88411148	4	Bolt, Carriage 5/8-11X2-3/4	
26	8310522	2	Nut, Hex Flange 3/8-16	
27	8520001	8	Fitting, Straight Lube 1/8	
28	8520003	4	Fitting, 90 Lube 1/8	
29	8522012	AR	Lube, Anti-Seize	
30	80241137	4	Washer, Special	
31	1001094787	1	Counterweight, Front	
32	1001208664	1	Counterweight, Rear	
33	1001160250	1	Pin, Hitch	
34	1001165057	1	Bracket, Cab Hose	
35	1001169466	1	Weldment, Fuel/Hydraulic/DEF Tank (See HYDRAULIC COMPONENTS SECTION for Breakdown)	
36	1001172658	1	Conduit, 1/2X41	
37	1001174229	3	Conduit, 1X13-1/2	
38	1001177190	2	Conduit, 1/2X28	
39	1001177192	2	Conduit, 1/2X12-1/2	
41	1001190007	1	Bracket, Air Filter	
42	1001195826	2	Plug	
43	1001195952	2	Plug, Tube	
44	1001201554	1	Weldment, Frame	
46	1001174227	8	Conduit, 1X21-1/2	
49	4060805	6 in	Shield, Flex Trim 1/4	
50	7124301	2	Conduit, 1/2X15-1/2	

## SECTION 1 - FRAME AND ATTACHING PARTS

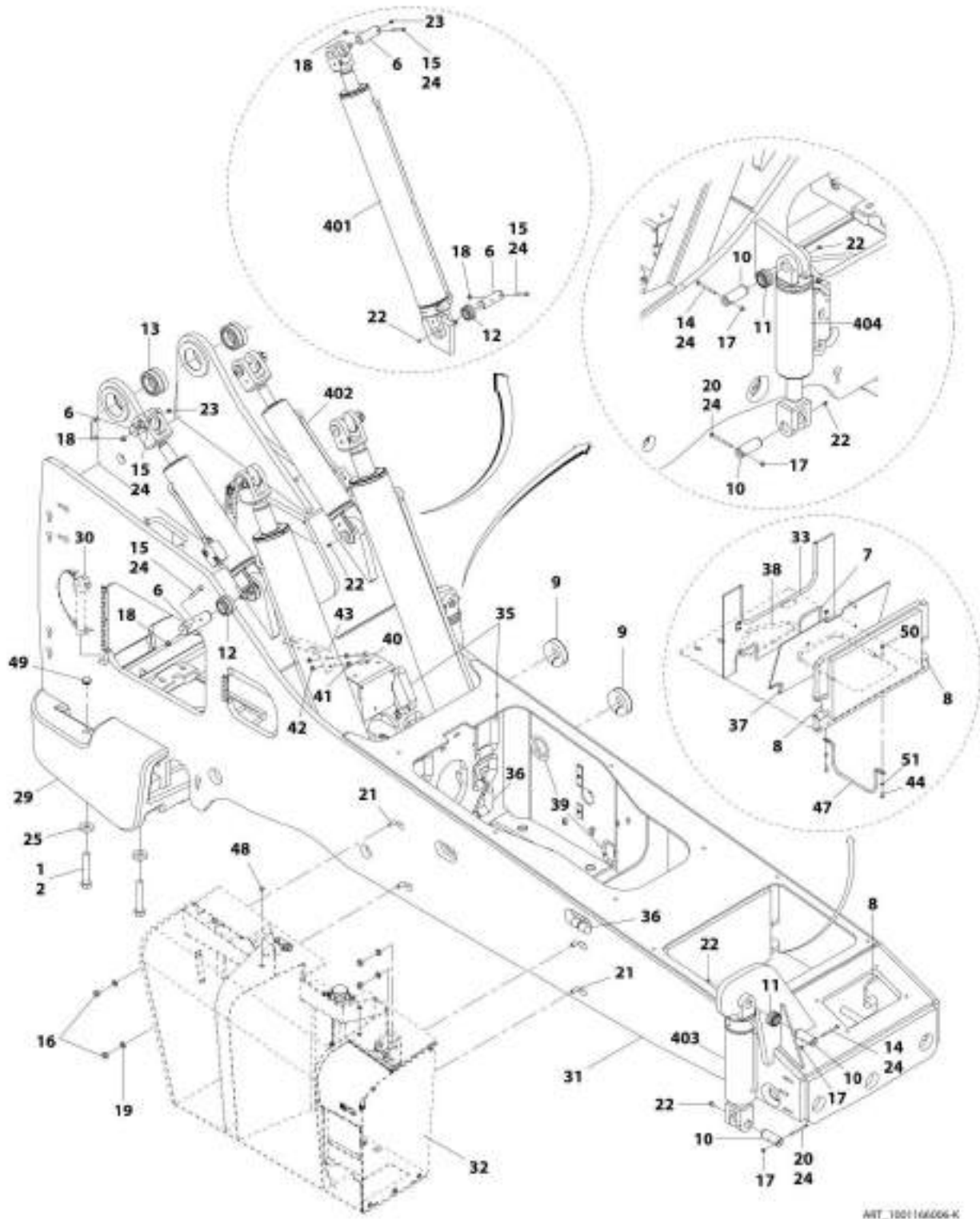
ITEM	PART NUMBER	QTY	DESCRIPTION	REV
51	7124471	3	Conduit, 1X12-1/2	
52	4060804	4 in	Shield, Flex Trim 3/16	
301	1001156175	2	Cylinder, Lift (See HYDRAULIC COMPONENTS SECTION for Breakdown)	
302	1001189596	2	Cylinder, Compensation (See HYDRAULIC COMPONENTS SECTION for Breakdown)	
303	2716563	1	Cylinder, Frame Level (See HYDRAULIC COMPONENTS SECTION for Breakdown) <b>(Prior to SN 0160076614, Including 0160076627, 0160076629 and 0160076633)</b>	
303	1001180762	1	Cylinder, Frame Level (See HYDRAULIC COMPONENTS SECTION for Breakdown) <b>(SN 0160076614 to Present, Excluding 0160076627, 0160076629 and 0160076633)</b>	
304	2717198	1	Cylinder, Stabil-Trak (See HYDRAULIC COMPONENTS SECTION for Breakdown)	





# SECTION 1 - FRAME AND ATTACHING PARTS

FIGURE 1-7. FRAME COMPONENTS INSTALLATION, 110HP - 10042 (ULS) (Prior to SN 0160074878, Excluding 0160074813 and 0160074818)



## SECTION 1 - FRAME AND ATTACHING PARTS

**FIGURE 1-7. FRAME COMPONENTS INSTALLATION, 110HP - 10042 (ULS) (Prior to SN 0160074878, Excluding 0160074813 and 0160074818)**

ITEM	PART NUMBER	QTY	DESCRIPTION	REV
	1001166006	Ref	Frame Components Installation, 110HP - 10042 (if equipped for ULS)	K
1	0100019	AR	Compound, Locking	
2	0682652	4	Bolt, 1-8X6-1/2	
6	3423227	8	Pin, Cylinder	
7	7124301	2	Conduit, 1/2X15-1/2	
8	7124451	4	Conduit, 1X8	
9	7124471	3	Conduit, 1X12-1/2	
10	7137142	4	Pin, Cylinder	
11	8050001	2	Bearing, Self-Align	
12	8065640	4	Bearing, Self-Align	
13	8065641	2	Bearing, Self-Align	
14	8303752	2	Bolt, 5/16-18X3-1/2	
15	8303782	8	Bolt, 1/2-13X4	
16	8305014	4	Nut, Hex 5/8-11	
17	8305626	4	Nut, Lock 5/16-18	
18	8305644	8	Nut, Lock 1/2-13	
19	8307009	4	Washer, Lock 5/8	
20	8310039	2	Bolt, 5/16-18X3-3/4	
21	88411148	4	Bolt, Carriage 5/8-11X2-3/4	
22	8520001	8	Fitting, Straight Lube 1/8	
23	8520003	4	Fitting, 90 Lube 1/8	
24	8522012	AR	Lube, Anti-Seize	
25	80241137	4	Washer, Special	
29	1001208664	1	Counterweight, Rear	
30	1001160250	1	Pin, Hitch	
31	1001165039	1	Weldment, Frame	
32	1001169329	1	Installation, Hydraulic/Fuel/DEF Tank (See HYDRAULIC/FUEL/DEF TANK INSTALLATION for Breakdown)	
33	1001172658	1	Conduit, 1/2X41	
35	1001174227	8	Conduit, 1X21-1/2	
36	1001174229	3	Conduit, 1X13-1/2	
37	4060805	6 in	Shield, Flex Trim 1/4	
38	1001177190	2	Conduit, 1/2X28	
39	1001177192	2	Conduit, 1/2X12-1/2	
40	0641618	2	Bolt, 3/8-16X2-1/4	
41	4891600	2	Washer, 3/8	
42	8310522	2	Nut, Hex Flange 3/8-16	
43	1001166238	1	Bracket, Air Filter	
44	0641510	2	Bolt, 5/16-18X1	
47	1001165057	1	Bracket, Cab Hose	
48	1001195826	2	Plug, 1/2	
49	1001195952	2	Plug, Tube	
50	8305006	2	Nut, Hex 5/16-18	
51	8307203	2	Washer, Plain 5/16	
401	1001156254	2	Cylinder, Lift (See HYDRAULIC COMPONENTS SECTION for Breakdown)	
402	1001189596	2	Cylinder, Compensation (See HYDRAULIC COMPONENTS SECTION for Breakdown)	
403	2716563	1	Cylinder, Frame Level (See HYDRAULIC COMPONENTS	

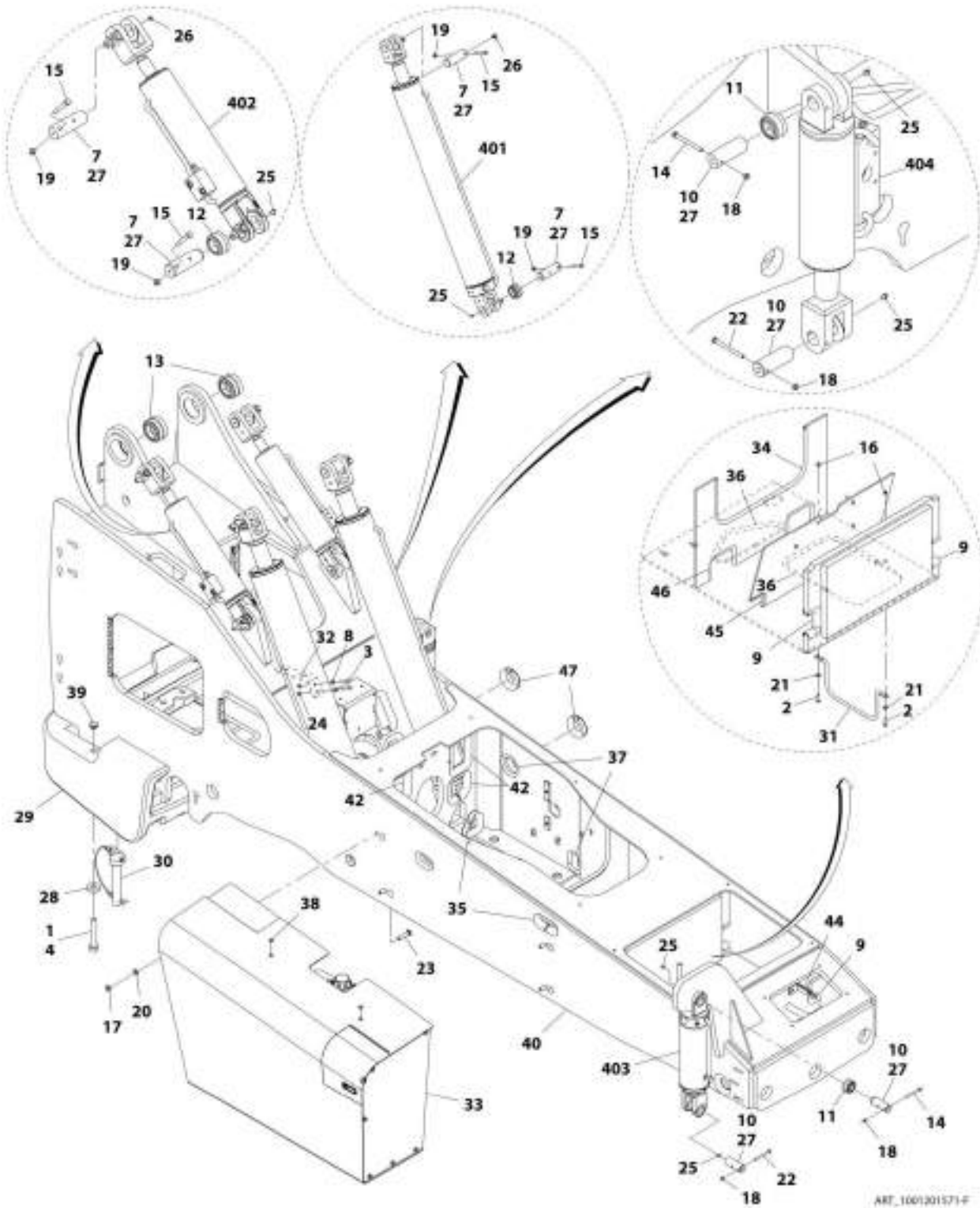
## SECTION 1 - FRAME AND ATTACHING PARTS

ITEM	PART NUMBER	QTY	DESCRIPTION	REV
404	2717198	1	SECTION for Breakdown) Cylinder, Stabil-Trak (See HYDRAULIC COMPONENTS SECTION for Breakdown)	



# SECTION 1 - FRAME AND ATTACHING PARTS

FIGURE 1-8. FRAME COMPONENTS INSTALLATION, 110HP - 10042 (ULS) (SN 0160074878 to Present, Including 0160074813 and 0160074818)



## SECTION 1 - FRAME AND ATTACHING PARTS

**FIGURE 1-8. FRAME COMPONENTS INSTALLATION, 110HP - 10042 (ULS) (SN 0160074878 to Present, Including 0160074813 and 0160074818)**

ITEM	PART NUMBER	QTY	DESCRIPTION	REV
	1001201571	Ref	Frame Components Installation, 110HP - 10042 (if equipped for ULS)	F
1	0100019	AR	Compound, Locking	
2	0641510	2	Bolt, 5/16-18X1	
3	0641618	2	Bolt, 3/8-16X2-1/4	
4	0682652	4	Bolt, 1-8X6-1/2, Grade 8 <b>(Prior to SN 0160091951)</b>	
4	0682648	4	Bolt, 1-8X6 <b>(SN 0160091951 to Present)</b>	
7	3423227	8	Pin, Cylinder	
8	4891600	2	Washer, 3/8	
9	7124451	4	Conduit, 1X8	
10	7137142	4	Pin, Cylinder	
11	8050001	2	Bearing, Self-Align	
12	8065640	4	Bearing, Self-Align	
13	8065641	2	Bearing, Self-Align	
14	8303752	2	Bolt, 5/16-18X3-1/2	
15	8303782	8	Bolt, 1/2-13X4	
16	8305006	2	Nut, Hex 5/16-18	
17	8305014	4	Nut, Hex 5/8-11	
18	8305626	4	Nut, Lock 5/16-18	
19	8305644	8	Nut, Lock 1/2-13	
20	8307009	4	Washer, Lock 5/8	
21	8307203	2	Washer, Plain 5/16	
22	8310039	2	Bolt, 5/16-18X3-3/4	
23	88411148	4	Bolt, Carriage 5/8-11X2-3/4	
24	8310522	2	Nut, Hex Flange 3/8-16	
25	8520001	8	Fitting, Straight Lube 1/8	
26	8520003	4	Fitting, 90 Lube 1/8	
27	8522012	AR	Lube, Anti-Seize	
28	80241137	4	Washer, Special	
29	1001208664	1	Counterweight, Rear	
30	1001160250	1	Pin, Hitch	
31	1001165057	1	Bracket, Cab Hose	
32	1001166238	1	Bracket, Air Filter	
33	1001169329	1	Installation, Hydraulic/Fuel/DEF Tank (See HYDRAULIC/FUEL/DEF TANK INSTALLATION for Breakdown)	
34	1001172658	1	Conduit, 1/2X41	
35	1001174229	3	Conduit, 1X13-1/2	
36	1001177190	2	Conduit, 1/2X28	
37	1001177192	2	Conduit, 1/2X12-1/2	
38	1001195826	2	Plug, 1/2	
39	1001195952	2	Plug, Tube	
40	1001201554	1	Weldment, Frame	
42	1001174227	8	Conduit, 1X21-1/2	
44	4060804	4 in	Shield, Flex Trim 3/16	
45	4060805	6 in	Shield, Flex Trim 1/4	
46	7124301	2	Conduit, 1/2X15-1/2	
47	7124471	3	Conduit, 1X12-1/2	
401	1001156254	2	Cylinder, Lift (See HYDRAULIC COMPONENTS SECTION for Breakdown)	

## SECTION 1 - FRAME AND ATTACHING PARTS

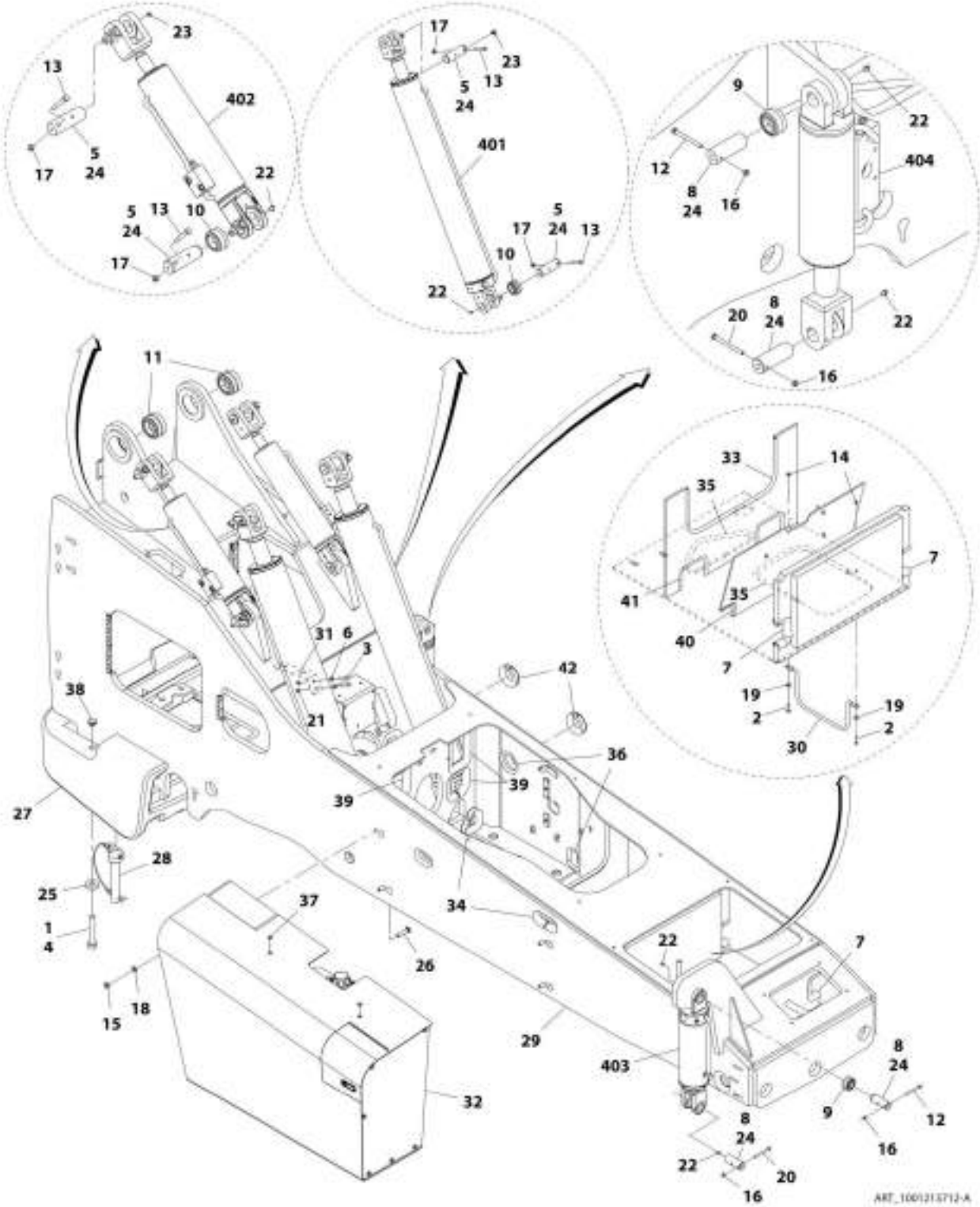
ITEM	PART NUMBER	QTY	DESCRIPTION	REV
402	1001189596	2	Cylinder, Compensation (See HYDRAULIC COMPONENTS SECTION for Breakdown)	
403	2716563	1	Cylinder, Frame Level (See HYDRAULIC COMPONENTS SECTION for Breakdown) <b>(Prior to SN 0160076614, Including 0160076627, 0160076629 and 0160076633)</b>	
403	1001180762	1	Cylinder, Frame Level (See HYDRAULIC COMPONENTS SECTION for Breakdown) <b>(SN 0160076614 to Present, Excluding 0160076627, 0160076629 and 0160076633)</b>	
404	2717198	1	Cylinder, Stabil-Trak (See HYDRAULIC COMPONENTS SECTION for Breakdown)	





# SECTION 1 - FRAME AND ATTACHING PARTS

FIGURE 1-9. FRAME COMPONENTS INSTALLATION, 74HP - 10042 (ULS) EATON BRAKE



## SECTION 1 - FRAME AND ATTACHING PARTS

**FIGURE 1-9. FRAME COMPONENTS INSTALLATION, 74HP - 10042 (ULS) EATON BRAKE**

ITEM	PART NUMBER	QTY	DESCRIPTION	REV
	1001213712	Ref	Frame Components Installation, 74HP - 10042 (if equipped for ULS) Eaton Brake	A
1	0100019	AR	Compound, Locking	
2	0641618	2	Bolt, 3/8-16X2-1/4	
3	0641510	2	Bolt, 5/16-18X1	
4	0682652	4	Bolt, 1-8X6, Grade 8	
5	3423227	8	Pin, Cylinder	
6	4891600	2	Washer, 3/8	
7	7124451	4	Conduit, 1X8	
8	7137142	4	Pin, Cylinder	
9	8050001	2	Bearing, Self-Align	
10	8065640	4	Bearing, Self-Align	
11	8065641	2	Bearing, Self-Align	
12	8303752	2	Bolt, 5/16-18X3-1/2	
13	8303782	8	Bolt, 1/2-13X4	
14	8305006	2	Nut, Hex 5/16-18	
15	8305014	4	Nut, Hex 5/8-11	
16	8305626	4	Nut, Lock 5/16-18	
17	8305644	8	Nut, Lock 1/2-13	
18	8307009	4	Washer, Lock 5/8	
19	8307203	2	Washer, Plain 5/16	
20	8310039	2	Bolt, 5/16-18X3-3/4	
21	8310522	2	Nut, Hex Flange 3/8-16	
22	8520001	8	Fitting, Straight Lube 1/8	
23	8520003	4	Fitting, 90 Lube 1/8	
24	8522012	AR	Lube, Anti-Seize	
25	80241137	4	Washer, Special	
26	88411148	4	Bolt, Carriage 5/8-11X2-3/4	
27	1001156310	1	Counterweight, Rear	
28	1001160250	1	Pin, Hitch	
29	1001165039	1	Weldment, Frame	
30	1001165057	1	Bracket, Cab Hose	
31	1001166238	1	Bracket, Air Filter	
32	1001169466	1	Weldment, Fuel/Hydraulic/DEF Tank (See HYDRAULIC COMPONENTS SECTION for Breakdown)	
33	1001172658	1	Conduit, 1/2X41	
34	1001174229	3	Conduit, 1X13-1/2	
35	1001177190	2	Conduit, 1/2X28	
36	1001177192	2	Conduit, 1/2X12-1/2	
37	1001195826	2	Plug	
38	1001195952	2	Plug, Tube	
39	1001174227	8	Conduit, 1X21-1/2	
40	4060805	6 in	Shield, Flex Trim 1/4	
41	7124301	2	Conduit, 1/2X15-1/2	
42	7124471	3	Conduit, 1X12-1/2	
401	1001156254	2	Cylinder, Lift (See HYDRAULIC COMPONENTS SECTION for Breakdown)	
402	1001189596	2	Cylinder, Compensation (See HYDRAULIC COMPONENTS SECTION for Breakdown)	
403	2716563	1	Cylinder, Frame Level (See HYDRAULIC COMPONENTS SECTION for Breakdown) (Prior to SN 1001180762, Including	

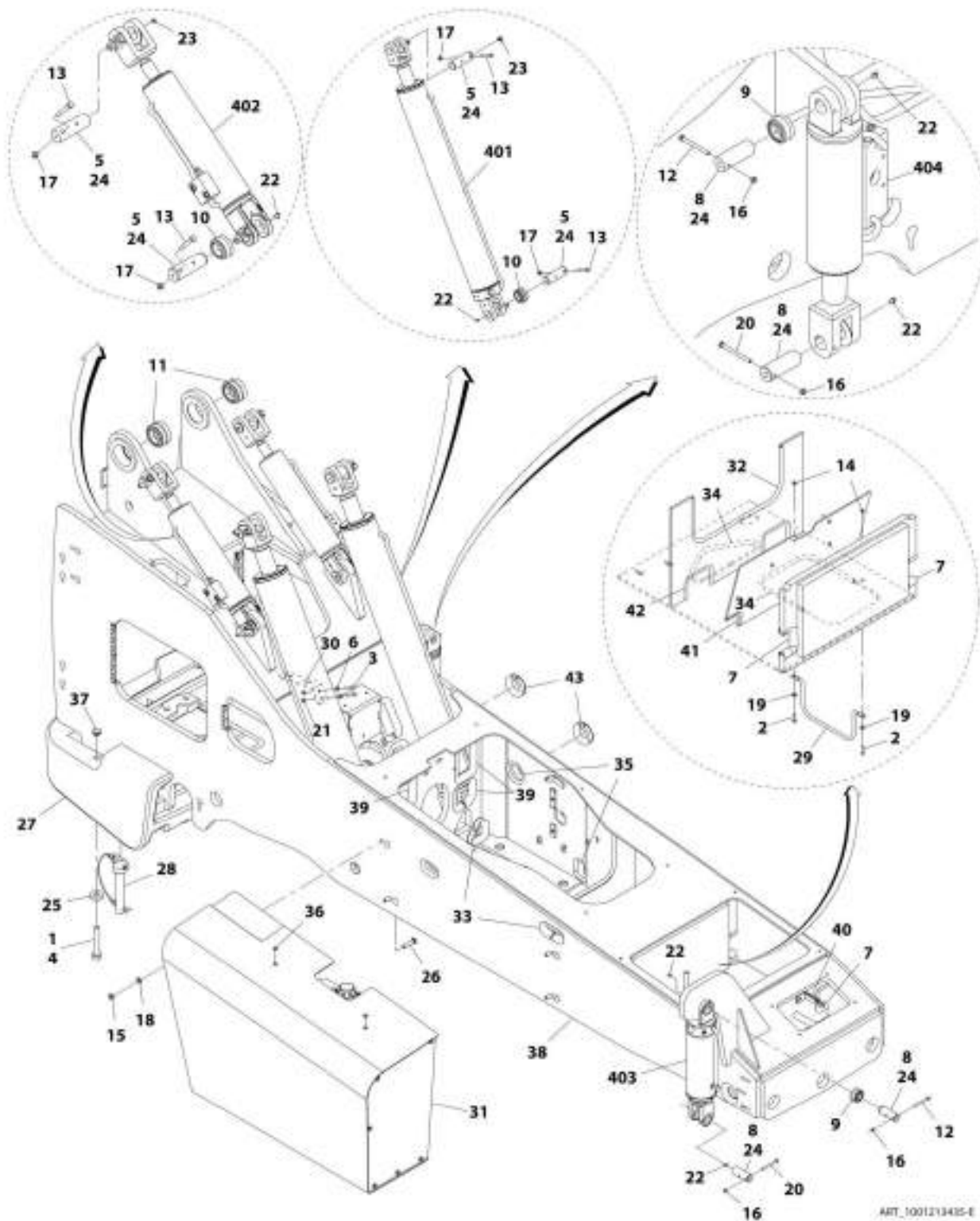
## SECTION 1 - FRAME AND ATTACHING PARTS

ITEM	PART NUMBER	QTY	DESCRIPTION	REV
404	2717198	1	<b>0160076627, 0160076629 and 0160076633)</b> Cylinder, Frame Level (See HYDRAULIC COMPONENTS SECTION for Breakdown)	



# SECTION 1 - FRAME AND ATTACHING PARTS

FIGURE 1-10. FRAME COMPONENTS INSTALLATION, 74HP - 10042 (ULS) SAFIM BRAKE



## SECTION 1 - FRAME AND ATTACHING PARTS

**FIGURE 1-10. FRAME COMPONENTS INSTALLATION, 74HP - 10042 (ULS) SAFIM BRAKE**

ITEM	PART NUMBER	QTY	DESCRIPTION	REV
	1001213435	Ref	Frame Components Installation, 74HP - 10042 (if equipped for ULS) Safim Brake	E
1	0100019	AR	Compound, Locking	
2	0641510	2	Bolt, 5/16-18X1	
3	0641618	2	Bolt, 3/8-16X2-1/4	
4	0682652	4	Bolt, 1-8X6-1/2, Grade 8 <b>(Prior to SN 0160091951)</b>	
4	0682648	4	Bolt, 1-8X6 <b>(Including 0160091951)</b>	
5	3423227	8	Pin, Cylinder	
6	4891600	2	Washer, 3/8	
7	7124451	4	Conduit, 1X8	
8	7137142	4	Pin, Cylinder	
9	8050001	2	Bearing, Self-Align	
10	8065640	4	Bearing, Self-Align	
11	8065641	2	Bearing, Self-Align	
12	8303752	2	Bolt, 5/16-18X3-1/2	
13	8303782	8	Bolt, 1/2-13X4	
14	8305006	2	Nut, Hex 5/16-18	
15	8305014	4	Nut, Hex 5/8-11	
16	8305626	4	Nut, Lock 5/16-18	
17	8305644	8	Nut, Lock 1/2-13	
18	8307009	4	Washer, Lock 5/8	
19	8307203	2	Washer, Plain 5/16	
20	8310039	2	Bolt, 5/16-18X3-3/4	
21	8310522	2	Nut, Hex Flange 3/8-16	
22	8520001	8	Fitting, Straight Lube 1/8	
23	8520003	4	Fitting, 90 Lube 1/8	
24	8522012	AR	Lube, Anti-Seize	
25	80241137	4	Washer, Special	
26	88411148	4	Bolt, Carriage 5/8-11X2-3/4	
27	1001156310	1	Counterweight, Rear <b>(Prior to SN 0160076147, Excluding 0160076107, 0160076120, 0160076121, 0160076122 and 0160076123)</b>	
27	1001208664	1	Counterweight, Rear <b>(SN 0160076147 to Present, Including 0160076107, 0160076120, 0160076121, 0160076122 and 0160076123)</b>	
28	1001160250	1	Pin, Hitch	
29	1001165057	1	Bracket, Cab Hose	
30	1001166238	1	Bracket, Air Filter	
31		Ref	Fuel/Hydraulic Tank Assembly (See Separate Breakdown in HYDRAULIC COMPONENTS Section)	
32	1001172658	1	Conduit, 1/2X41	
33	1001174229	3	Conduit, 1X13-1/2	
34	1001177190	2	Conduit, 1/2X28	
35	1001177192	2	Conduit, 1/2X12-1/2	
36	1001195826	2	Plug, 1/2	
37	1001195952	2	Plug, Tube	
38	1001201554	1	Weldment, Frame	
39	1001174227	8	Conduit, 1X21-1/2	
40	4060804	4 in	Shield, Flex Trim 3/16	
41	4060805	6 in	Shield, Flex Trim 1/4	
42	7124301	2	Conduit, 1/2X15-1/2	

## SECTION 1 - FRAME AND ATTACHING PARTS

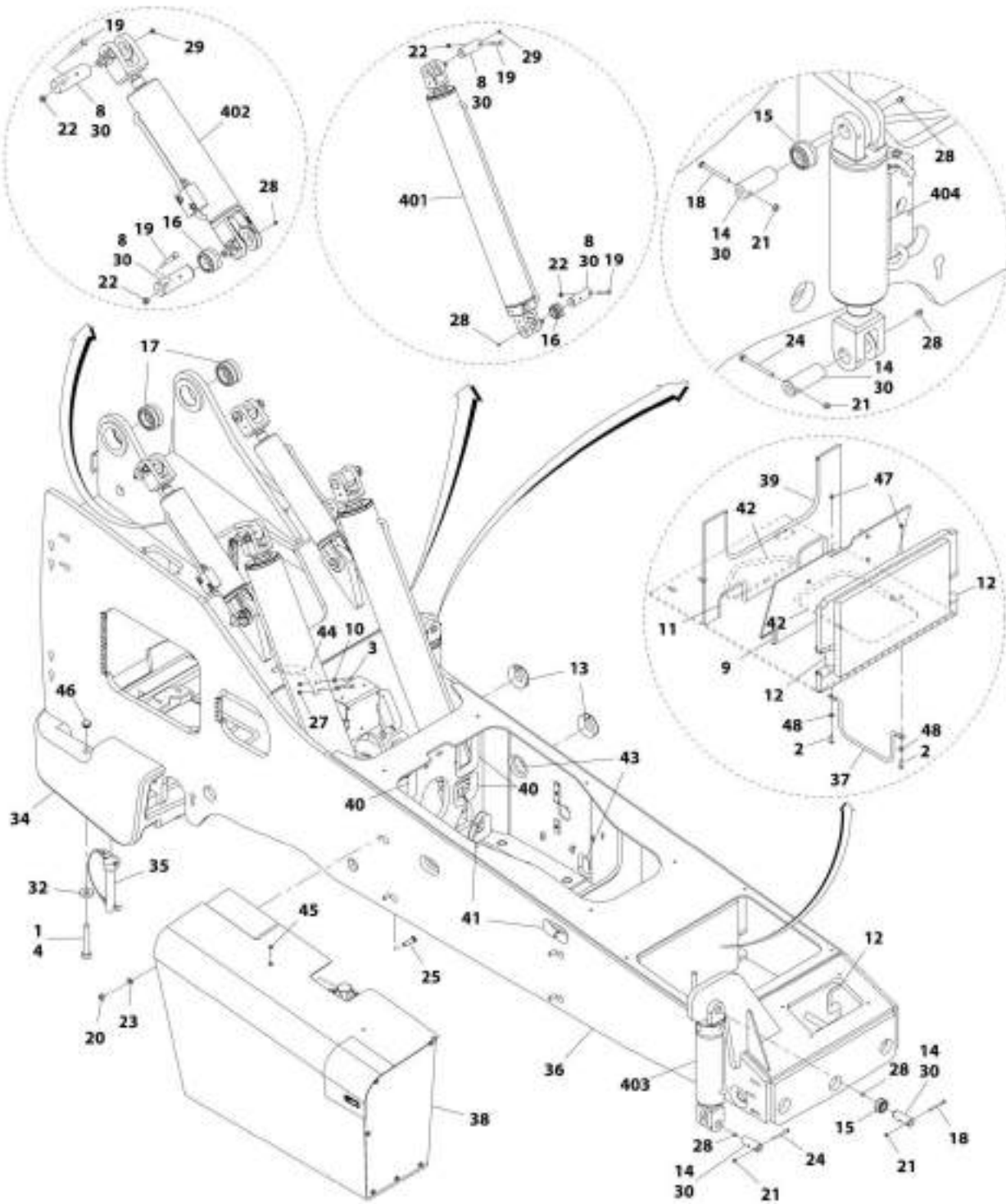
ITEM	PART NUMBER	QTY	DESCRIPTION	REV
43	7124471	3	Conduit, 1X12-1/2	
401	1001156254	2	Cylinder, Lift (See Separate Breakdown in HYDRAULIC COMPONENTS Section)	
402	1001189596	2	Cylinder, Compensation (See Separate Breakdown in HYDRAULIC COMPONENTS Section)	
403	2716563	1	Cylinder, Frame Level (See Separate Breakdown in HYDRAULIC COMPONENTS Section) <b>(Prior to SN 0160076614, Including 0160076627, 0160076629 and 0160076633)</b>	
403	1001180762	1	Cylinder, Frame Level (See Separate Breakdown in HYDRAULIC COMPONENTS Section) <b>(SN 0160076614 to Present, Excluding 0160076627, 0160076629 and 0160076633)</b>	
404	2717198	1	Cylinder, Stabil-Trak (See Separate Breakdown in HYDRAULIC COMPONENTS Section)	





# SECTION 1 - FRAME AND ATTACHING PARTS

FIGURE 1-11. FRAME COMPONENTS INSTALLATION - 10042 (LS) (Prior to SN 0160074878, Excluding 0160074813 and 0160074818)



AWT\_1001106833-H

## SECTION 1 - FRAME AND ATTACHING PARTS

**FIGURE 1-11. FRAME COMPONENTS INSTALLATION - 10042 (LS) (Prior to SN 0160074878,  
Excluding 0160074813 and 0160074818)**

ITEM	PART NUMBER	QTY	DESCRIPTION	REV
	1001186533	Ref	Frame Components Installation - 10042 (if equipped for LS)	H
1	0100019	AR	Compound, Locking	
2	0641510	2	Bolt, 5/16-18X1	
3	0641618	2	Bolt, 3/8-16X2-1/4	
4	0682652	4	Bolt, 1-8X6, Grade 8	
8	3423227	8	Pin, Cylinder	
9	4060805	6 in	Shield, Flex Trim 1/4	
10	4891600	2	Washer, 3/8	
11	7124301	2	Conduit, 1/2X15-1/2	
12	7124451	4	Conduit, 1X8	
13	7124471	3	Conduit, 1X12-1/2	
14	7137142	4	Pin, Cylinder	
15	8050001	2	Bearing, Self-Align	
16	8065640	4	Bearing, Self-Align	
17	8065641	2	Bearing, Self-Align	
18	8303752	2	Bolt, 5/16-18X3-1/2	
19	8303782	8	Bolt, 1/2-13X4	
20	8305014	4	Nut, Hex 5/8-11	
21	8305626	4	Nut, Lock 5/16-18	
22	8305644	8	Nut, Lock 1/2-13	
23	8307009	4	Washer, Lock 5/8	
24	8310039	2	Bolt, 5/16-18X3-3/4	
25	88411148	4	Bolt, Carriage 5/8-11X2-3/4	
27	8310522	2	Nut, Hex Flange 3/8-16	
28	8520001	8	Fitting, Straight Lube 1/8	
29	8520003	4	Fitting, 90 Lube 1/8	
30	8522012	AR	Lube, Anti-Seize	
32	80241137	4	Washer, Special	
34	1001208664	1	Counterweight, Rear	
35	1001160250	1	Pin, Hitch	
36	1001165039	1	Weldment, Frame	
37	1001165057	1	Bracket, Cab Hose	
38	1001169466	1	Weldment, Fuel/Hydraulic/DEF Tank (See HYDRAULIC COMPONENTS SECTION for Breakdown)	
39	1001172658	1	Conduit, 1/2X41	
40	1001174227	8	Conduit, 1X21-1/2	
41	1001174229	3	Conduit, 1X13-1/2	
42	1001177190	2	Conduit, 1/2X28	
43	1001177192	2	Conduit, 1/2X12-1/2	
44	1001190007	1	Bracket, Air Filter	
45	1001195826	2	Plug	
46	1001195952	2	Plug, Tube	
47	8305006	2	Nut, Hex 5/16-18	
48	8307203	2	Washer, Plain 5/16	
401	1001156254	2	Cylinder, Lift (See HYDRAULIC COMPONENTS SECTION for Breakdown)	
402	1001189596	2	Cylinder, Compensation (See HYDRAULIC COMPONENTS SECTION for Breakdown)	
403	2716563	1	Cylinder, Frame Level (See HYDRAULIC COMPONENTS SECTION for Breakdown)	

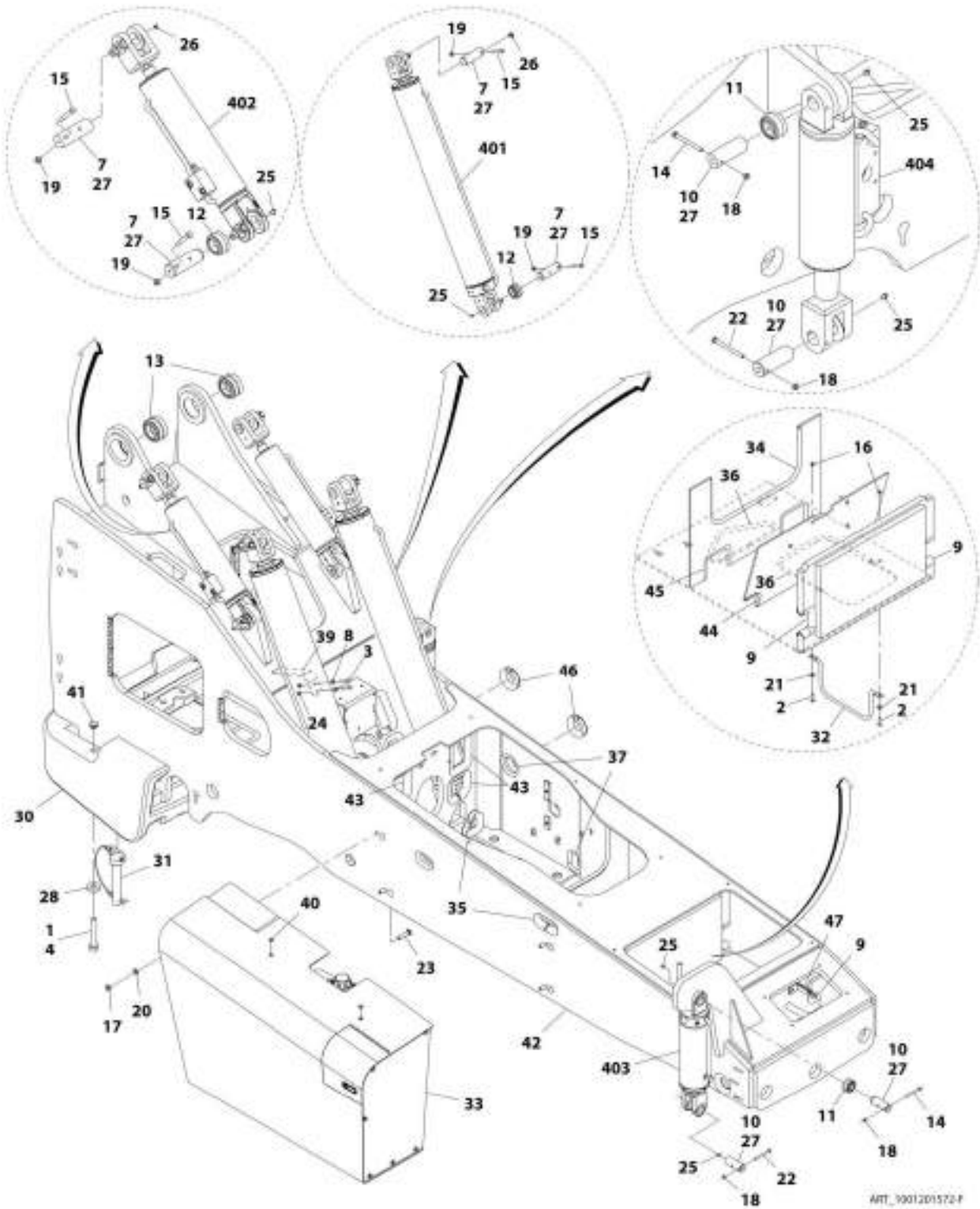
## SECTION 1 - FRAME AND ATTACHING PARTS

ITEM	PART NUMBER	QTY	DESCRIPTION	REV
404	2717198	1	Cylinder, Stabil-Trak (See HYDRAULIC COMPONENTS SECTION for Breakdown)	



# SECTION 1 - FRAME AND ATTACHING PARTS

FIGURE 1-12. FRAME COMPONENTS INSTALLATION - 10042 (LS) (SN 0160074878 to Present, Including 0160074813 and 0160074818)



## SECTION 1 - FRAME AND ATTACHING PARTS

**FIGURE 1-12. FRAME COMPONENTS INSTALLATION - 10042 (LS) (SN 0160074878 to Present, Including 0160074813 and 0160074818)**

ITEM	PART NUMBER	QTY	DESCRIPTION	REV
	1001201572	Ref	Frame Components Installation - 10042 (if equipped for LS)	F
1	0100019	AR	Compound, Locking	
2	0641510	2	Bolt, 5/16-18X1	
3	0641618	2	Bolt, 3/8-16X2-1/4	
4	0682652	4	Bolt, 1-8X6-1/2, Grade 8 <b>(Prior to SN 0160091951)</b>	
4	0682648	4	Bolt, 1-8X6 <b>(SN 0160091951 to Present)</b>	
7	3423227	8	Pin, Cylinder	
8	4891600	2	Washer, 3/8	
9	7124451	4	Conduit, 1X8	
10	7137142	4	Pin, Cylinder	
11	8050001	2	Bearing, Self-Align	
12	8065640	4	Bearing, Self-Align	
13	8065641	2	Bearing, Self-Align	
14	8303752	2	Bolt, 5/16-18X3-1/2	
15	8303782	8	Bolt, 1/2-13X4	
16	8305006	2	Nut, Hex 5/16-18	
17	8305014	4	Nut, Hex 5/8-11	
18	8305626	4	Nut, Lock 5/16-18	
19	8305644	8	Nut, Lock 1/2-13	
20	8307009	4	Washer, Lock 5/8	
21	8307203	2	Washer, Plain 5/16	
22	8310039	2	Bolt, 5/16-18X3-3/4	
23	88411148	4	Bolt, Carriage 5/8-11X2-3/4	
24	8310522	2	Nut, Hex Flange 3/8-16	
25	8520001	8	Fitting, Straight Lube 1/8	
26	8520003	4	Fitting, 90 Lube 1/8	
27	8522012	AR	Lube, Anti-Seize	
28	80241137	4	Washer, Special	
30	1001208664	1	Counterweight, Rear	
31	1001160250	1	Pin, Hitch	
32	1001165057	1	Bracket, Cab Hose	
33	1001169466	1	Weldment, Fuel/Hydraulic/DEF Tank (See HYDRAULIC COMPONENTS SECTION for Breakdown)	
34	1001172658	1	Conduit, 1/2X41	
35	1001174229	3	Conduit, 1X13-1/2	
36	1001177190	2	Conduit, 1/2X28	
37	1001177192	2	Conduit, 1/2X12-1/2	
39	1001190007	1	Bracket, Air Filter	
40	1001195826	2	Plug	
41	1001195952	2	Plug, Tube	
42	1001201554	1	Weldment, Frame	
43	1001174227	8	Conduit, 1X21-1/2	
44	4060805	6 in	Shield, Flex Trim 1/4	
45	7124301	2	Conduit, 1/2X15-1/2	
46	7124471	3	Conduit, 1X12-1/2	
47	4060804	4 in	Shield, Flex Trim 3/16	
401	1001156254	2	Cylinder, Lift (See HYDRAULIC COMPONENTS SECTION for Breakdown)	
402	1001189596	2	Cylinder, Compensation (See HYDRAULIC COMPONENTS	

## SECTION 1 - FRAME AND ATTACHING PARTS

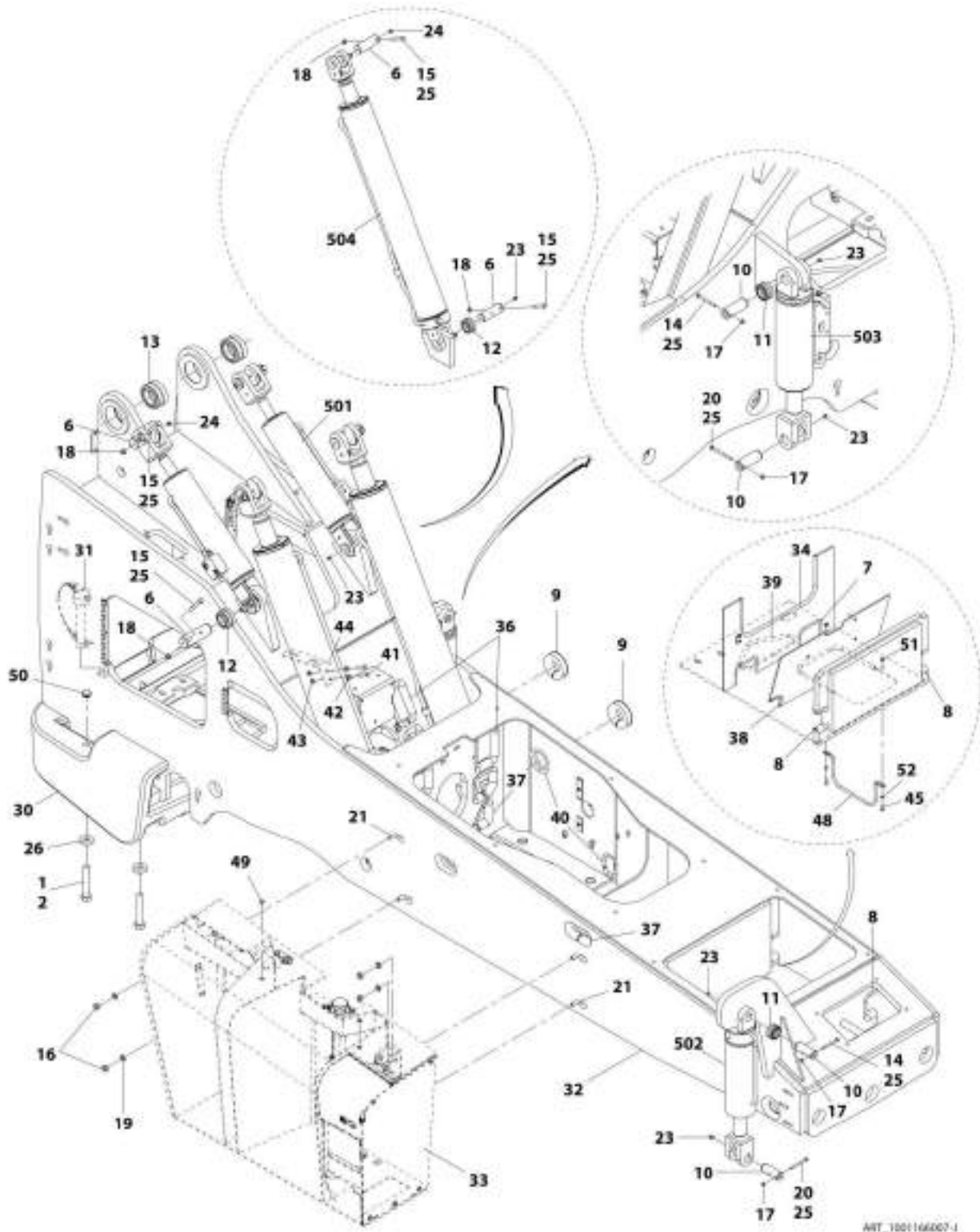
ITEM	PART NUMBER	QTY	DESCRIPTION	REV
403	2716563	1	SECTION for Breakdown) Cylinder, Frame Level (See HYDRAULIC COMPONENTS SECTION for Breakdown) <b>(Prior to SN 0160076614, Including 0160076627, 0160076629 and 0160076633)</b>	
403	1001180762	1	Cylinder, Frame Level (See HYDRAULIC COMPONENTS SECTION for Breakdown) <b>(SN 0160076614 to Present, Excluding 0160076627, 0160076629 and 0160076633)</b>	
404	2717198	1	Cylinder, Stabil-Trak (See HYDRAULIC COMPONENTS SECTION for Breakdown)	





# SECTION 1 - FRAME AND ATTACHING PARTS

FIGURE 1-13. FRAME COMPONENTS INSTALLATION, 110HP - 10054 (ULS) (Prior to SN 0160074878, Excluding 0160074813 and 0160074818)



## SECTION 1 - FRAME AND ATTACHING PARTS

**FIGURE 1-13. FRAME COMPONENTS INSTALLATION, 110HP - 10054 (ULS) (Prior to SN 0160074878, Excluding 0160074813 and 0160074818)**

ITEM	PART NUMBER	QTY	DESCRIPTION	REV
	1001166007	Ref	Frame Components Installation, 110HP - 10054 (if equipped for ULS)	J
1	0100019	AR	Compound, Locking	
2	0682652	4	Bolt, 1-8X6, Grade 8	
6	3423227	8	Pin, Cylinder	
7	7124301	2	Conduit, 1/2X15-1/2	
8	7124451	4	Conduit, 1X8	
9	7124471	3	Conduit, 1X12-1/2	
10	7137142	4	Pin, Cylinder	
11	8050001	2	Bearing, Self-Align	
12	8065640	4	Bearing, Self-Align	
13	8065641	2	Bearing, Self-Align	
14	8303752	2	Bolt, 5/16-18X3-1/2	
15	8303782	8	Bolt, 1/2-13X4	
16	8305014	4	Nut, Hex 5/8-11	
17	8305626	4	Nut, Lock 5/16-18	
18	8305644	8	Nut, Lock 1/2-13	
19	8307009	4	Washer, Lock 5/8	
20	8310039	2	Bolt, 5/16-18X3-3/4	
21	88411148	4	Bolt, Carriage 5/8-11X2-3/4	
23	8520001	8	Fitting, Straight Lube 1/8	
24	8520003	4	Fitting, 90 Lube 1/8	
25	8522012	AR	Lube, Anti-Seize	
26	80241137	4	Washer, Special	
30	1001208664	1	Counterweight, Rear	
31	1001160250	1	Pin, Hitch	
32	1001165039	1	Weldment, Frame	
33	1001169329	1	Installation, Hydraulic/Fuel/DEF Tank (See HYDRAULIC/FUEL/DEF TANK INSTALLATION for Breakdown)	
34	1001172658	1	Conduit, 1/2X41	
36	1001174227	8	Conduit, 1X21-1/2	
37	1001174229	3	Conduit, 1X13-1/2	
38	4060805	6 in	Shield, Flex Trim 1/4	
39	1001177190	2	Conduit, 1/2X28	
40	1001177192	2	Conduit, 1/2X12-1/2	
41	0641618	2	Bolt, 3/8-16X2-1/4	
42	4891600	2	Washer, 3/8	
43	8310522	2	Nut, Hex Flange 3/8-16	
44	1001166238	1	Bracket, Air Filter	
45	0641510	2	Bolt, 5/16-18X1	
48	1001165057	1	Bracket, Cab Hose	
49	1001195826	2	Plug, 1/2	
50	1001195952	2	Plug, Tube	
51	8305006	2	Nut, Hex 5/16-18	
52	8307203	2	Washer, Plain 5/16	
501	2714973	2	Cylinder, Compensation (See HYDRAULIC COMPONENTS SECTION for Breakdown)	
502	2716563	1	Cylinder, Frame Level (See HYDRAULIC COMPONENTS SECTION for Breakdown)	
503	2717198	1	Cylinder, Stabil-Trak (See HYDRAULIC COMPONENTS	

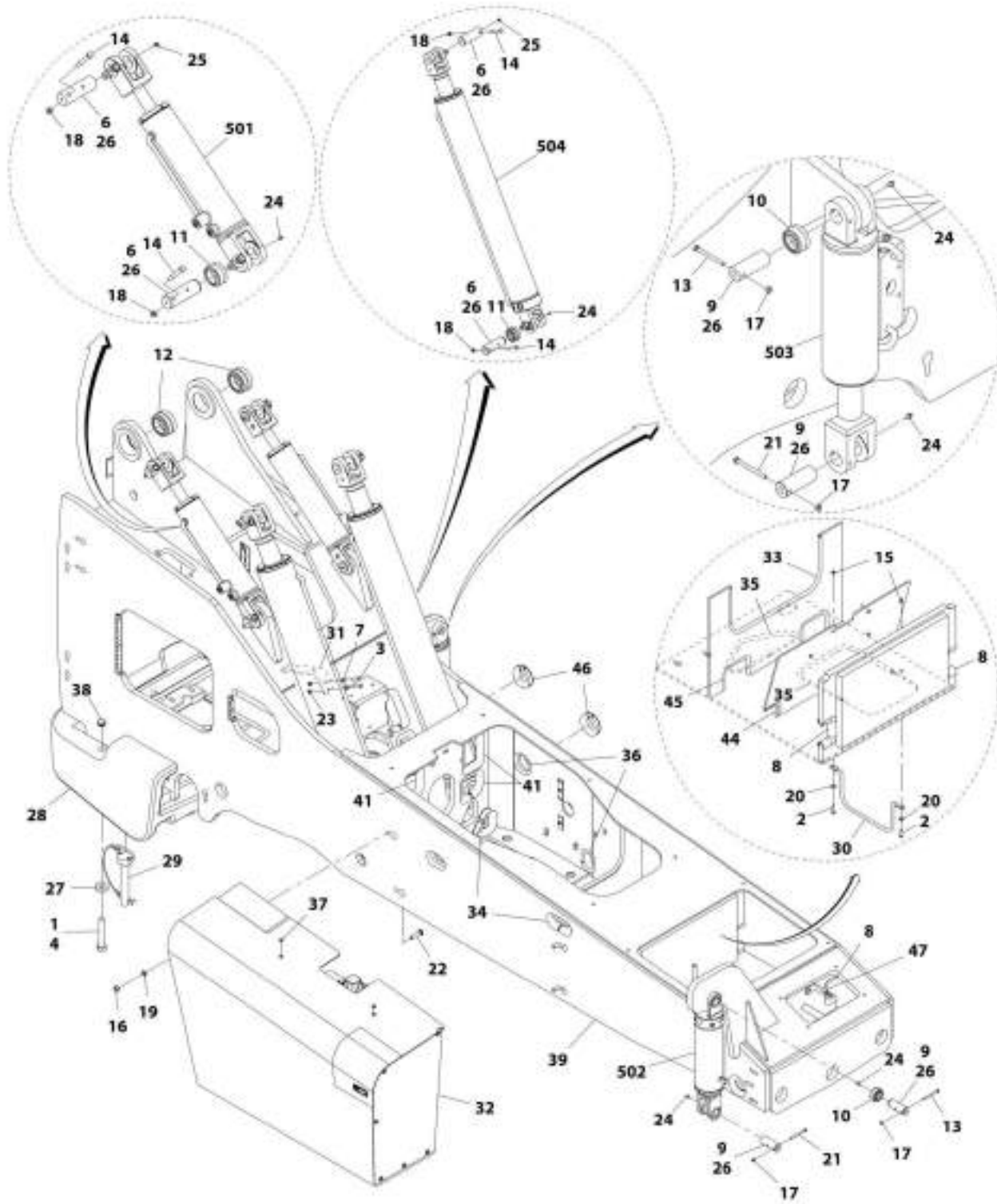
## SECTION 1 - FRAME AND ATTACHING PARTS

ITEM	PART NUMBER	QTY	DESCRIPTION	REV
504	1001156255	2	SECTION for Breakdown) Cylinder, Lift (See HYDRAULIC COMPONENTS SECTION for Breakdown)	



# SECTION 1 - FRAME AND ATTACHING PARTS

FIGURE 1-14. FRAME COMPONENTS INSTALLATION, 110HP - 10054 (ULS) (SN 0160074878 to Present, Including 0160074813 and 0160074818)



AMT\_1001301573-H

## SECTION 1 - FRAME AND ATTACHING PARTS

**FIGURE 1-14. FRAME COMPONENTS INSTALLATION, 110HP - 10054 (ULS) (SN 0160074878 to Present, Including 0160074813 and 0160074818)**

ITEM	PART NUMBER	QTY	DESCRIPTION	REV
	1001201573	Ref	Frame Components Installation, 110HP - 10054 (if equipped for ULS)	H
1	0100019	AR	Compound, Locking	
2	0641510	2	Bolt, 5/16-18X1	
3	0641618	2	Bolt, 3/8-16X2-1/4	
4	0682652	4	Bolt, 1-8X6-1/2, Grade 8 <b>(Prior to SN 0160091951)</b>	
4	0682648	4	Bolt, 1-8X6 <b>(SN 0160091951 to Present)</b>	
6	3423227	8	Pin, Cylinder	
7	4891600	2	Washer, 3/8	
8	7124451	4	Conduit, 1X8	
9	7137142	4	Pin, Cylinder	
10	8050001	2	Bearing, Self-Align	
11	8065640	4	Bearing, Self-Align	
12	8065641	2	Bearing, Self-Align	
13	8303752	2	Bolt, 5/16-18X3-1/2	
14	8303782	8	Bolt, 1/2-13X4	
15	8305006	2	Nut, Hex 5/16-18	
16	8305014	4	Nut, Hex 5/8-11	
17	8305626	4	Nut, Lock 5/16-18	
18	8305644	8	Nut, Lock 1/2-13	
19	8307009	4	Washer, Lock 5/8	
20	8307203	2	Washer, Plain 5/16	
21	8310039	2	Bolt, 5/16-18X3-3/4	
22	88411148	4	Bolt, Carriage 5/8-11X2.75	
23	8310522	2	Nut, Hex Flange 3/8-16	
24	8520001	8	Fitting, Straight Lube 1/8	
25	8520003	4	Fitting, 90 Lube 1/8	
26	8522012	AR	Lube, Anti-Seize	
27	80241137	4	Washer, Special	
28	1001208664	1	Counterweight, Rear	
29	1001160250	1	Pin, Hitch	
30	1001165057	1	Bracket, Cab Hose	
31	1001166238	1	Bracket, Air Filter	
32	1001169329	1	Installation, Hydraulic/Fuel/DEF Tank (See HYDRAULIC/FUEL/DEF TANK INSTALLATION for Breakdown)	
33	1001172658	1	Conduit, 1/2X41	
34	1001174229	3	Conduit, 1X13-1/2	
35	1001177190	2	Conduit, 1/2X28	
36	1001177192	2	Conduit, 1/2X12-1/2	
37	1001195826	2	Plug, 1/2	
38	1001195952	2	Plug, Tube	
39	1001201554	1	Weldment, Frame	
41	1001174227	8	Conduit, 1X21-1/2	
44	4060805	6 in	Shield, Flex Trim 1/4	
45	7124301	2	Conduit, 1/2X15-1/2	
46	7124471	3	Conduit, 1X12.5	
47	4060804	4 in	Shield, Flex Trim 3/16	
501	2714973	2	Cylinder, Compensation (See HYDRAULIC COMPONENTS SECTION for Breakdown) <b>(Prior to SN 0160078728)</b>	

## SECTION 1 - FRAME AND ATTACHING PARTS

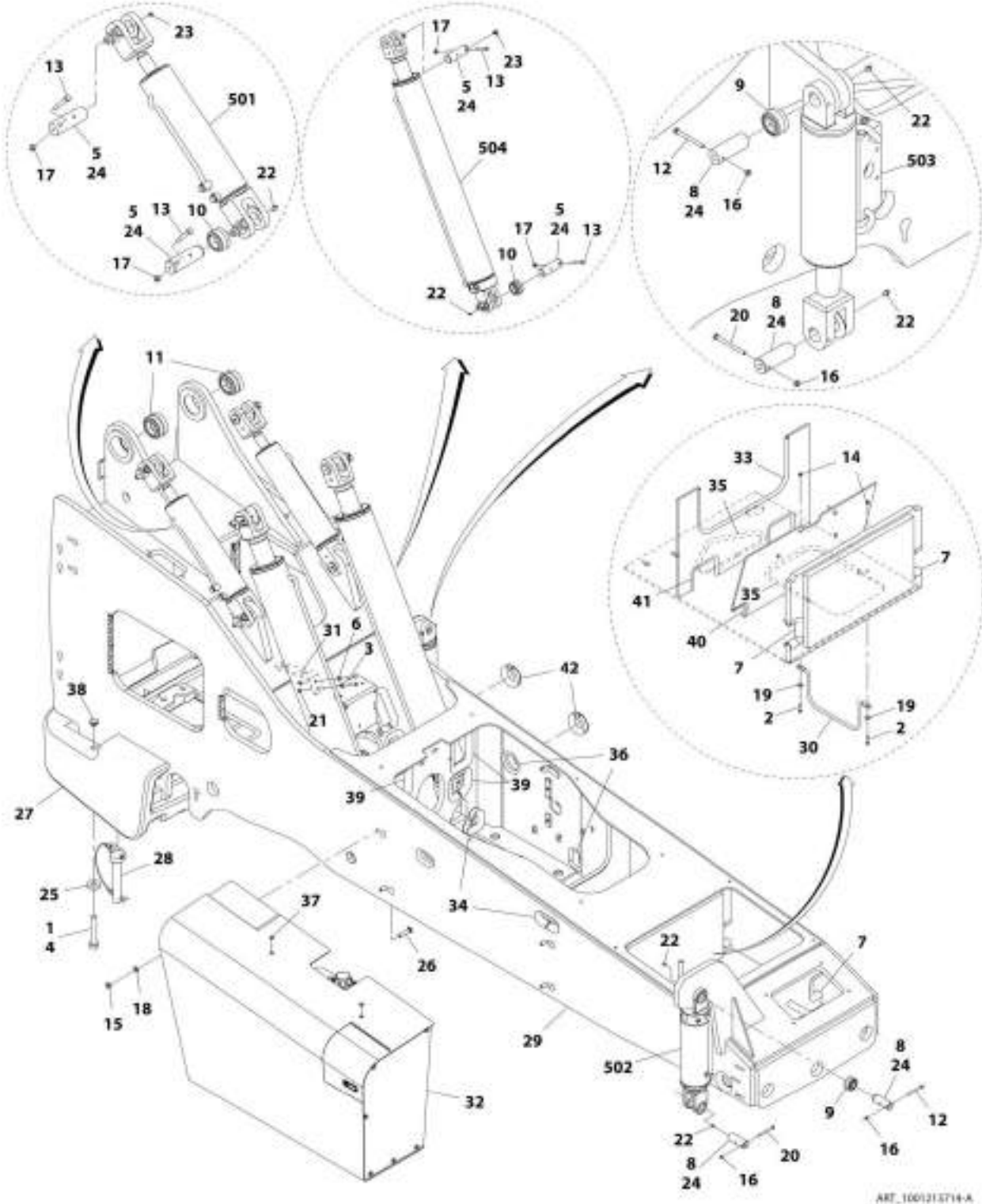
ITEM	PART NUMBER	QTY	DESCRIPTION	REV
501	1001180761	2	Cylinder, Compensation (See HYDRAULIC COMPONENTS SECTION for Breakdown) <b>(SN 0160078728 to Present)</b>	
502	2716563	1	Cylinder, Frame Level (See HYDRAULIC COMPONENTS SECTION for Breakdown) <b>(Prior to SN 0160076614, Including 0160076627, 0160076629 and 0160076633)</b>	
502	1001180762	1	Cylinder, Frame Level (See HYDRAULIC COMPONENTS SECTION for Breakdown) <b>(SN 0160076614 to Present, Excluding 0160076627, 0160076629 and 0160076633)</b>	
503	2717198	1	Cylinder, Stabil-Trak (See HYDRAULIC COMPONENTS SECTION for Breakdown)	
504	1001156255	2	Cylinder, Lift (See HYDRAULIC COMPONENTS SECTION for Breakdown)	





# SECTION 1 - FRAME AND ATTACHING PARTS

FIGURE 1-15. FRAME COMPONENTS INSTALLATION, 74HP - 10054 (ULS) EATON BRAKE



## SECTION 1 - FRAME AND ATTACHING PARTS

**FIGURE 1-15. FRAME COMPONENTS INSTALLATION, 74HP - 10054 (ULS) EATON BRAKE**

ITEM	PART NUMBER	QTY	DESCRIPTION	REV
	1001213714	Ref	Frame Components Installation, 74HP - 10054 (if equipped for ULS) Eaton Brake	A
1	0100019	AR	Compound, Locking	
2	0641510	2	Bolt, 5/16-18X1	
3	0641618	2	Bolt, 3/8-16X2-1/4	
4	0682652	4	Bolt, 1-8X6, Grade 8	
5	3423227	8	Pin, Cylinder	
6	4891600	2	Washer, 3/8	
7	7124451	4	Conduit, 1X8	
8	7137142	4	Pin, Cylinder	
9	8050001	2	Bearing, Self-Align	
10	8065640	4	Bearing, Self-Align	
11	8065641	2	Bearing, Self-Align	
12	8303752	2	Bolt, 5/16-18X3-1/2	
13	8303782	8	Bolt, 1/2-13X4	
14	8305006	2	Nut, Hex 5/16-18	
15	8305014	4	Nut, Hex 5/8-11	
16	8305626	4	Nut, Lock 5/16-18	
17	8305644	8	Nut, Lock 1/2-13	
18	8307009	4	Washer, Lock 5/8	
19	8307203	2	Washer, Plain 5/16	
20	8310039	2	Bolt, 5/16-18X3-3/4	
21	8310522	2	Nut, Hex Flange 3/8-16	
22	8520001	8	Fitting, Straight Lube 1/8	
23	8520003	4	Fitting, 90 Lube 1/8	
24	8522012	AR	Lube, Anti-Seize	
25	80241137	4	Washer, Special	
26	88411148	4	Bolt, Carriage 5/8-11X2-3/4	
27	1001156310	1	Counterweight, Rear	
28	1001160250	1	Pin, Hitch	
29	1001165039	1	Weldment, Frame	
30	1001165057	1	Bracket, Cab Hose	
31	1001166238	1	Bracket, Air Filter	
32	1001169466	1	Weldment, Fuel/Hydraulic/DEF Tank (See HYDRAULIC COMPONENTS SECTION for Breakdown)	
33	1001172658	1	Conduit, 1/2X41	
34	1001174229	3	Conduit, 1X13-1/2	
35	1001177190	2	Conduit, 1/2X28	
36	1001177192	2	Conduit, 1/2X12-1/2	
37	1001195826	2	Plug	
38	1001195952	2	Plug, Tube	
39	1001174227	8	CONDUIT,1.0" I.D. X 21.5" LG	
40	4060805	6 in	Shield, Flex Trim 1/4	
41	7124301	2	Conduit, 1/2X15-1/2	
42	7124471	3	Conduit, 1X12-1/2	
501	2714973	2	Cylinder, Compensation (See Separate Breakdown in HYDRAULIC COMPONENTS Section)	
502	2716563	1	Cylinder, Frame Level (See HYDRAULIC COMPONENTS SECTION for Breakdown) <b>(Prior to SN 0160076614, Including 0160076627, 0160076629 and 0160076633)</b>	
503	2717198	1	Cylinder, Stabil-Trak (See HYDRAULIC COMPONENTS	

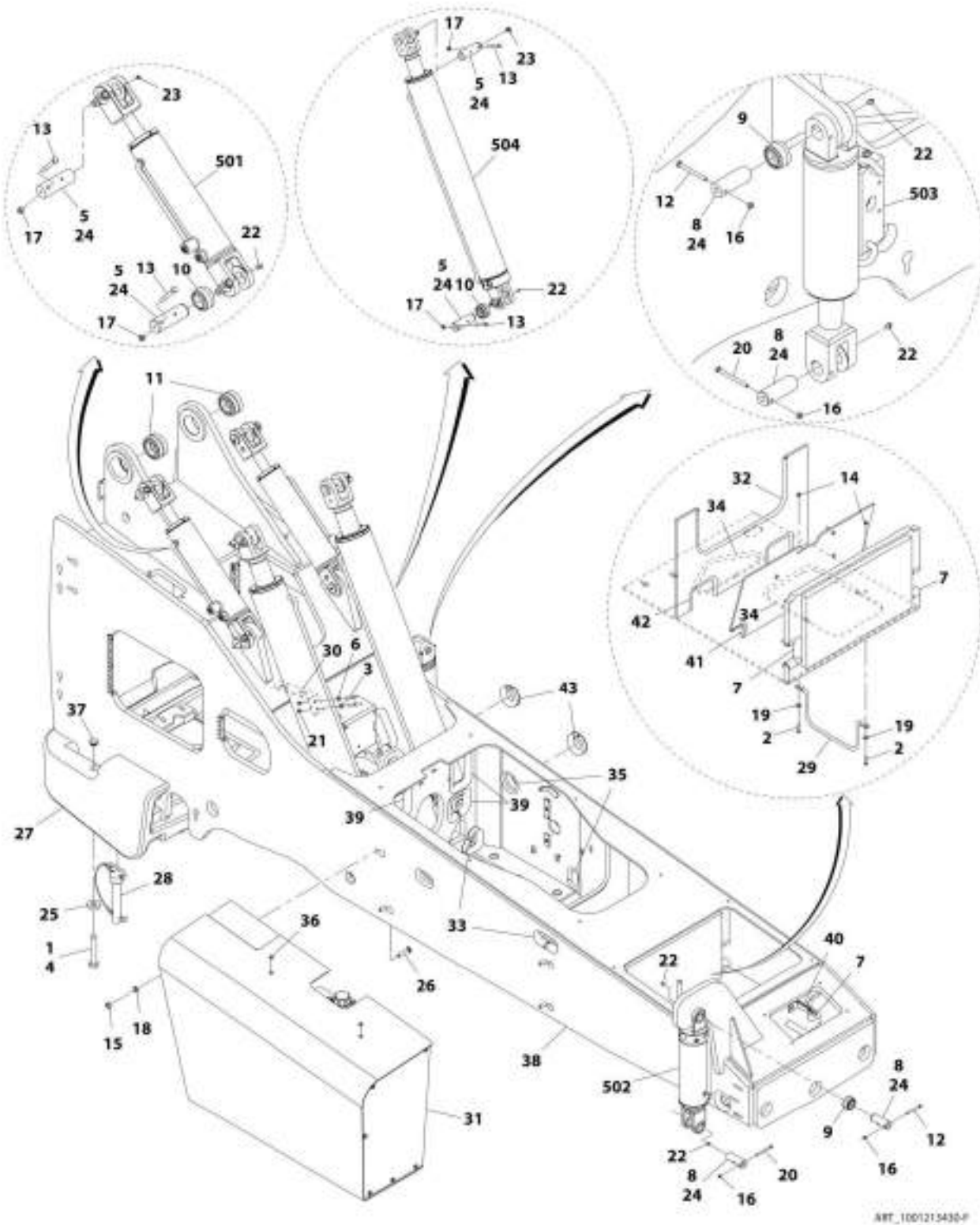
## SECTION 1 - FRAME AND ATTACHING PARTS

ITEM	PART NUMBER	QTY	DESCRIPTION	REV
504	1001156255	2	SECTION for Breakdown) Cylinder, Lift (See HYDRAULIC COMPONENTS SECTION for Breakdown)	



# SECTION 1 - FRAME AND ATTACHING PARTS

FIGURE 1-16. FRAME COMPONENTS INSTALLATION, 74HP - 10054 (ULS) SAFIM BRAKE



## SECTION 1 - FRAME AND ATTACHING PARTS

**FIGURE 1-16. FRAME COMPONENTS INSTALLATION, 74HP - 10054 (ULS) SAFIM BRAKE**

ITEM	PART NUMBER	QTY	DESCRIPTION	REV
	1001213430	Ref	Frame Components Installation, 74HP - 10054 (if equipped for ULS) Safim Brake	F
1	0100019	AR	Compound, Locking	
2	0641510	2	Bolt, 5/16-18X1	
3	0641618	2	Bolt, 3/8-16X2-1/4	
4	0682652	4	Bolt, 1-8X6-1/2, Grade 8 <b>(Prior to SN 0160091951)</b>	
4	0682648	4	Bolt, 1-8X6 <b>(SN 0160091951 to Present)</b>	
5	3423227	8	Pin, Cylinder	
6	4891600	2	Washer, 3/8	
7	7124451	4	Conduit, 1X8	
8	7137142	4	Pin, Cylinder	
9	8050001	2	Bearing, Self-Align	
10	8065640	4	Bearing, Self-Align	
11	8065641	2	Bearing, Self-Align	
12	8303752	2	Bolt, 5/16-18X3-1/2	
13	8303782	8	Bolt, 1/2-13X4	
14	8305006	2	Nut, Hex 5/16-18	
15	8305014	4	Nut, Hex 5/8-11	
16	8305626	4	Nut, Lock 5/16-18	
17	8305644	8	Nut, Lock 1/2-13	
18	8307009	4	Washer, Lock 5/8	
19	8307203	2	Washer, Plain 5/16	
20	8310039	2	Bolt, 5/16-18X3-3/4	
21	8310522	2	Nut, Hex Flange 3/8-16	
22	8520001	1	Fitting, Straight Lube 1/8	
23	8520003	4	Fitting, 90 Lube 1/8	
24	8522012	AR	Lube, Anti-Seize	
25	80241137	4	Washer, Special	
26	88411148	4	Bolt, Carriage 5/8-11X2-3/4	
27	1001156310	1	Counterweight, Rear <b>(Prior to SN 0160076147, Excluding 0160076107, 0160076120, 0160076121, 0160076122 and 0160076123)</b>	
27	1001208664	1	Counterweight, Rear <b>(SN 0160076147 to Present, Including 0160076107, 0160076120, 0160076121, 0160076122 and 0160076123)</b>	
28	1001160250	1	Pin, Hitch	
29	1001165057	1	Bracket, Cab Hose	
30	1001166238	1	Bracket, Air Filter	
31		Ref	Fuel/Hydraulic Tank Assembly (See Separate Breakdown in HYDRAULIC COMPONENTS Section)	
32	1001172658	1	Conduit, 1/2X41	
33	1001174229	3	Conduit, 1X13-1/2	
34	1001177190	2	Conduit, 1/2X28	
35	1001177192	2	Conduit, 1/2X12-1/2	
36	1001195826	2	Plug, 1/2	
37	1001195952	2	Plug, Tube	
38	1001201554	1	Weldment, Frame	
39	1001174227	8	Conduit, 1X21-1/2	
40	4060804	4 in	Shield, Flex Trim 3/16	
41	4060805	6 in	Shield, Flex Trim 1/4	
42	7124301	2	Conduit, 1/2X15-1/2	

## SECTION 1 - FRAME AND ATTACHING PARTS

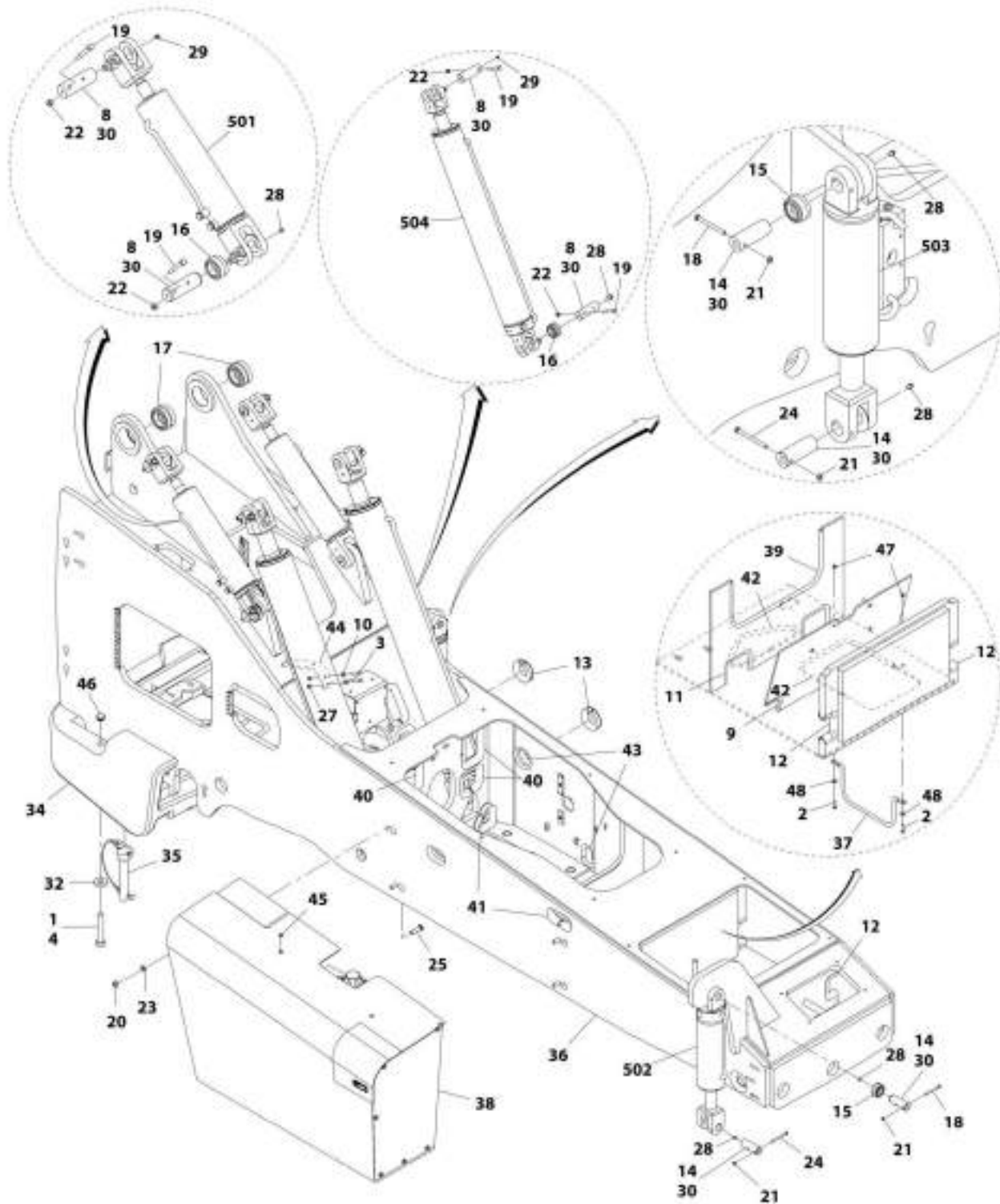
ITEM	PART NUMBER	QTY	DESCRIPTION	REV
43	7124471	3	Conduit, 1X12-1/2	
501	2714973	2	Cylinder, Compensation (See Separate Breakdown in HYDRAULIC COMPONENTS Section) <b>(Prior to SN 0160078728)</b>	
501	1001180761	2	Cylinder, Compensation (See Separate Breakdown in HYDRAULIC COMPONENTS Section) <b>(SN 0160078728 to Present)</b>	
502	2716563	1	Cylinder, Frame Level (See Separate Breakdown in HYDRAULIC COMPONENTS Section) <b>(Prior to SN 0160076614, Including 0160076627, 0160076629 and 0160076633)</b>	
502	1001180762	1	Cylinder, Frame Level (See Separate Breakdown in HYDRAULIC COMPONENTS Section) <b>(SN 0160076614 to Present, Excluding 0160076627, 0160076629 and 0160076633)</b>	
503	2717198	1	Cylinder, Stabil-Trak (See Separate Breakdown in HYDRAULIC COMPONENTS Section)	
504	1001156255	2	Cylinder, Lift (See Separate Breakdown in HYDRAULIC COMPONENTS Section)	





# SECTION 1 - FRAME AND ATTACHING PARTS

FIGURE 1-17. FRAME COMPONENTS INSTALLATION - 10054 (LS) (Prior to SN 0160074878, Excluding 0160074813 and 0160074818)



ART\_1001180534-G

## SECTION 1 - FRAME AND ATTACHING PARTS

**FIGURE 1-17. FRAME COMPONENTS INSTALLATION - 10054 (LS) (Prior to SN 0160074878, Excluding 0160074813 and 0160074818)**

ITEM	PART NUMBER	QTY	DESCRIPTION	REV
	1001186534	Ref	Frame Components Installation - 10054 (if equipped for LS)	G
1	0100019	AR	Compound, Locking	
2	0641510	2	Bolt, 5/16-18X1	
3	0641618	2	Bolt, 3/8-16X2-1/4	
4	0682652	4	Bolt, 1-8X6, Grade 8	
8	3423227	8	Pin, Cylinder	
9	4060805	6 in	Shield, Flex Trim 1/4	
10	4891600	2	Washer, 3/8	
11	7124301	2	Conduit, 1/2X15-1/2	
12	7124451	4	Conduit, 1X8	
13	7124471	3	Conduit, 1X12-1/2	
14	7137142	4	Pin, Cylinder	
15	8050001	2	Bearing, Self-Align	
16	8065640	4	Bearing, Self-Align	
17	8065641	2	Bearing, Self-Align	
18	8303752	2	Bolt, 5/16-18X3-1/2	
19	8303782	8	Bolt, 1/2-13X4	
20	8305014	4	Nut, Hex 5/8-11	
21	8305626	4	Nut, Lock 5/16-18	
22	8305644	8	Nut, Lock 1/2-13	
23	8307009	4	Washer, Lock 5/8	
24	8310039	2	Bolt, 5/16-18X3-3/4	
25	88411148	4	Bolt, Carriage 5/8-11X2-3/4	
27	8310522	2	Nut, Hex Flange 3/8-16	
28	8520001	8	Fitting, Straight Lube 1/8	
29	8520003	4	Fitting, 90 Lube 1/8	
30	8522012	AR	Lube, Anti-Seize	
32	80241137	4	Washer, Special	
34	1001208664	1	Counterweight, Rear	
35	1001160250	1	Pin, Hitch	
36	1001165039	1	Weldment, Frame	
37	1001165057	1	Bracket, Cab Hose	
38	1001169466	1	Weldment, Fuel/Hydraulic/DEF Tank (See HYDRAULIC COMPONENTS SECTION for Breakdown)	
39	1001172658	1	Conduit, 1/2X41	
40	1001174227	8	Conduit, 1X21-1/2	
41	1001174229	3	Conduit, 1X13-1/2	
42	1001177190	2	Conduit, 1/2X28	
43	1001177192	2	Conduit, 1/2X12-1/2	
44	1001190007	1	Bracket, Air Filter	
45	1001195826	2	Plug	
46	1001195952	2	Plug, Tube	
47	8305006	2	Nut, Hex 5/16-18	
48	8307203	2	Washer, Plain 5/16	
501	2714973	2	Cylinder, Compensation (See HYDRAULIC COMPONENTS SECTION for Breakdown)	
502	2716563	1	Cylinder, Frame Level (See HYDRAULIC COMPONENTS SECTION for Breakdown)	
503	2717198	1	Cylinder, Stabil-Trak (See HYDRAULIC COMPONENTS SECTION for Breakdown)	

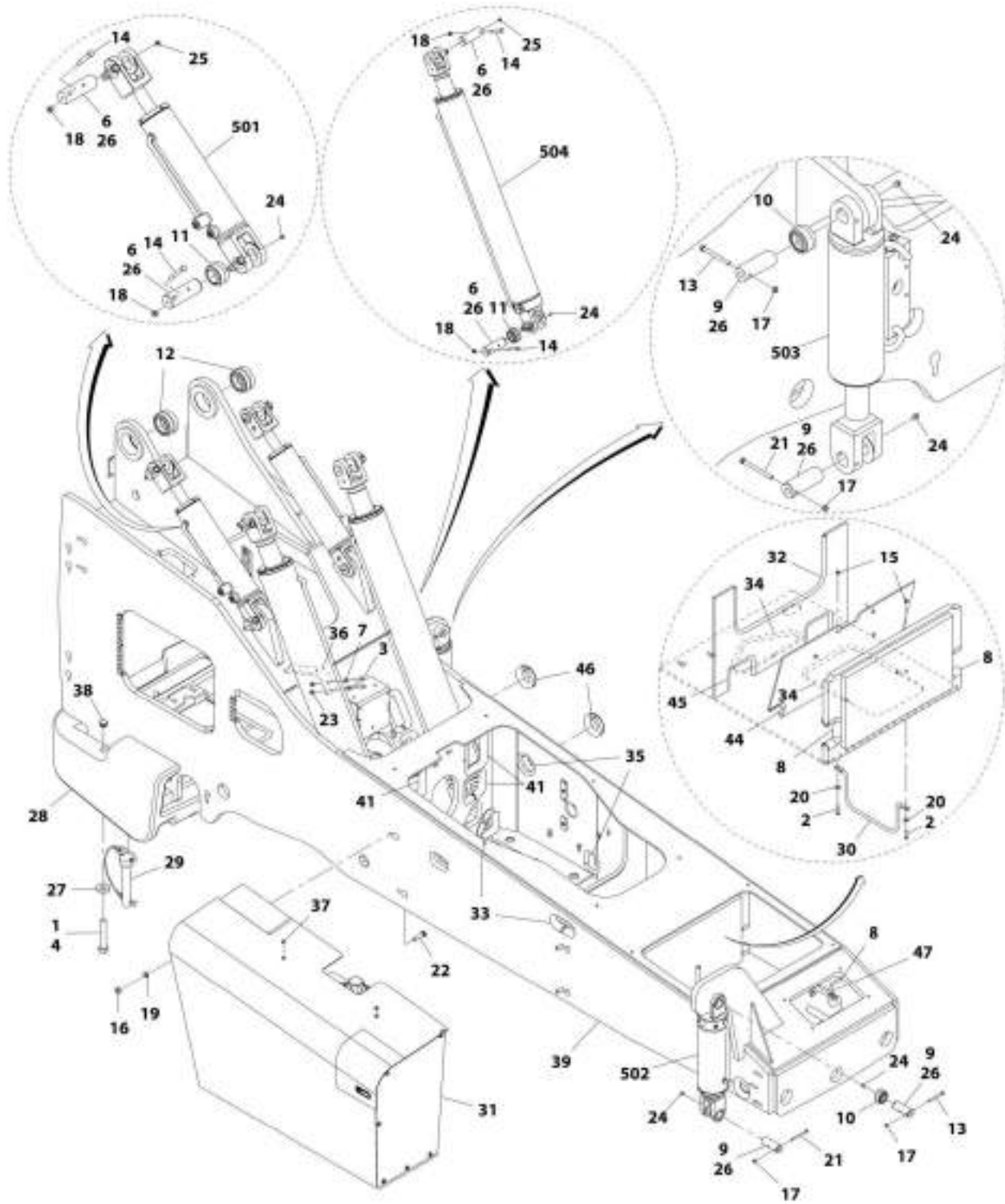
## SECTION 1 - FRAME AND ATTACHING PARTS

ITEM	PART NUMBER	QTY	DESCRIPTION	REV
504	1001156255	2	Cylinder, Lift (See HYDRAULIC COMPONENTS SECTION for Breakdown)	



# SECTION 1 - FRAME AND ATTACHING PARTS

FIGURE 1-18. FRAME COMPONENTS INSTALLATION - 10054 (LS) (SN 0160074878 to Present, Including 0160074813 and 0160074818)



ARI\_1001301374-H

## SECTION 1 - FRAME AND ATTACHING PARTS

**FIGURE 1-18. FRAME COMPONENTS INSTALLATION - 10054 (LS) (SN 0160074878 to Present, Including 0160074813 and 0160074818)**

ITEM	PART NUMBER	QTY	DESCRIPTION	REV
	1001201574	Ref	Frame Components Installation - 10054 (if equipped for LS)	H
1	0100019	AR	Compound, Locking	
2	0641510	2	Bolt, 5/16-18X1	
3	0641618	2	Bolt, 3/8-16X2-1/4	
4	0682652	4	Bolt, 1-8X6-1/2, Grade 8 <b>(Prior to SN 0160091951)</b>	
4	0682648	4	Bolt, 1-8X6 <b>(SN 0160091951 to Present)</b>	
6	3423227	8	Pin, Cylinder	
7	4891600	2	Washer, 3/8	
8	7124451	4	Conduit, 1X8	
9	7137142	4	Pin, Cylinder	
10	8050001	2	Bearing, Self-Align	
11	8065640	4	Bearing, Self-Align	
12	8065641	2	Bearing, Self-Align	
13	8303752	2	Bolt, 5/16-18X3-1/2	
14	8303782	8	Bolt, 1/2-13X4	
15	8305006	2	Nut, Hex 5/16-18	
16	8305014	4	Nut, Hex 5/8-11	
17	8305626	4	Nut, Lock 5/16-18	
18	8305644	8	Nut, Lock 1/2-13	
19	8307009	4	Washer, Lock 5/8	
20	8307203	2	Washer, Plain 5/16	
21	8310039	2	Bolt, 5/16-18X3-3/4	
22	88411148	4	Bolt, Carriage 5/8-11X2.75	
23	8310522	2	Nut, Hex Flange 3/8-16	
24	8520001	8	Fitting, Straight Lube 1/8	
25	8520003	4	Fitting, 90 Lube 1/8	
26	8522012	AR	Lube, Anti-Seize	
27	80241137	4	Washer, Special	
28	1001208664	1	Counterweight, Rear	
29	1001160250	1	Pin, Hitch	
30	1001165057	1	Bracket, Cab Hose	
31	1001169466	1	Weldment, Fuel/Hydraulic/DEF Tank (See HYDRAULIC COMPONENTS SECTION for Breakdown)	
32	1001172658	1	Conduit, 1/2X41	
33	1001174229	3	Conduit, 1X13-1/2	
34	1001177190	2	Conduit, 1/2X28	
35	1001177192	2	Conduit, 1/2X12-1/2	
36	1001190007	1	Bracket, Air Filter	
37	1001195826	2	Plug	
38	1001195952	2	Plug, Tube	
39	1001201554	1	Weldment, Frame	
41	1001174227	8	Conduit, 1X21-1/2	
44	4060805	6 in	Shield, Flex Trim 1/4	
45	7124301	2	Conduit, 1/2X15-1/2	
46	7124471	3	Conduit, 1X12-1/2	
47	4060804	4 in	Shield, Flex Trim 3/16	
501	2714973	2	Cylinder, Compensation (See Separate Breakdown in HYDRAULIC COMPONENTS Section) <b>(Prior to SN 0160078728)</b>	
501	1001180761	2	Cylinder, Compensation (See Separate Breakdown in	

## SECTION 1 - FRAME AND ATTACHING PARTS

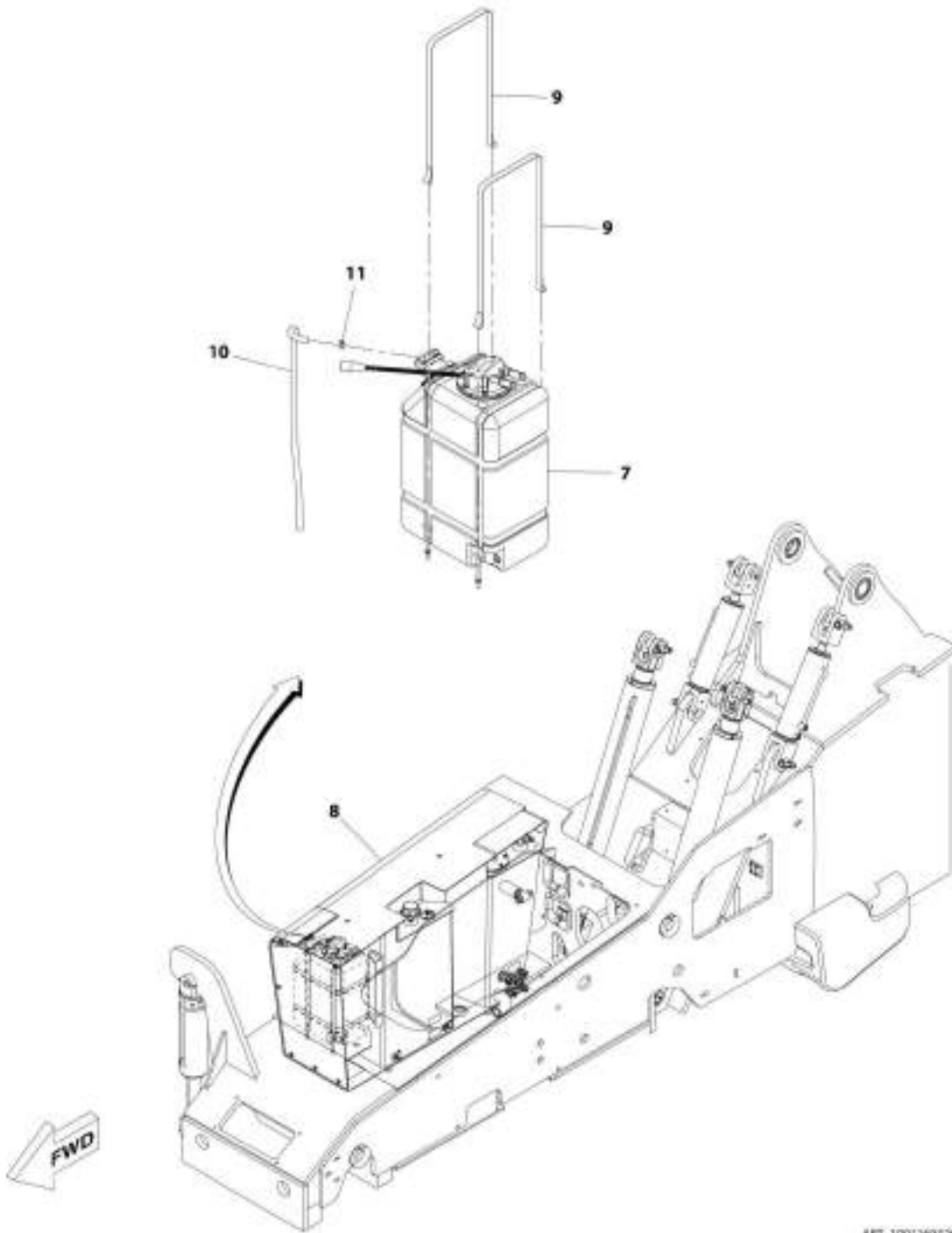
ITEM	PART NUMBER	QTY	DESCRIPTION	REV
502	2716563	1	HYDRAULIC COMPONENTS Section) (SN 0160078728 to Present) Cylinder, Frame Level (See HYDRAULIC COMPONENTS SECTION for Breakdown) (Prior to SN 0160076614, Including 0160076627, 0160076629 and 0160076633)	
502	1001180762	1	Cylinder, Frame Level (See HYDRAULIC COMPONENTS SECTION for Breakdown) (SN 0160076614 to Present, Excluding 0160076627, 0160076629 and 0160076633)	
503	2717198	1	Cylinder, Stabil-Trak (See HYDRAULIC COMPONENTS SECTION for Breakdown)	
504	1001156255	2	Cylinder, Lift (See HYDRAULIC COMPONENTS SECTION for Breakdown)	





# SECTION 1 - FRAME AND ATTACHING PARTS

FIGURE 1-19. HYDRAULIC/FUEL/DEF TANK INSTALLATION (Prior to SN 0160081960)



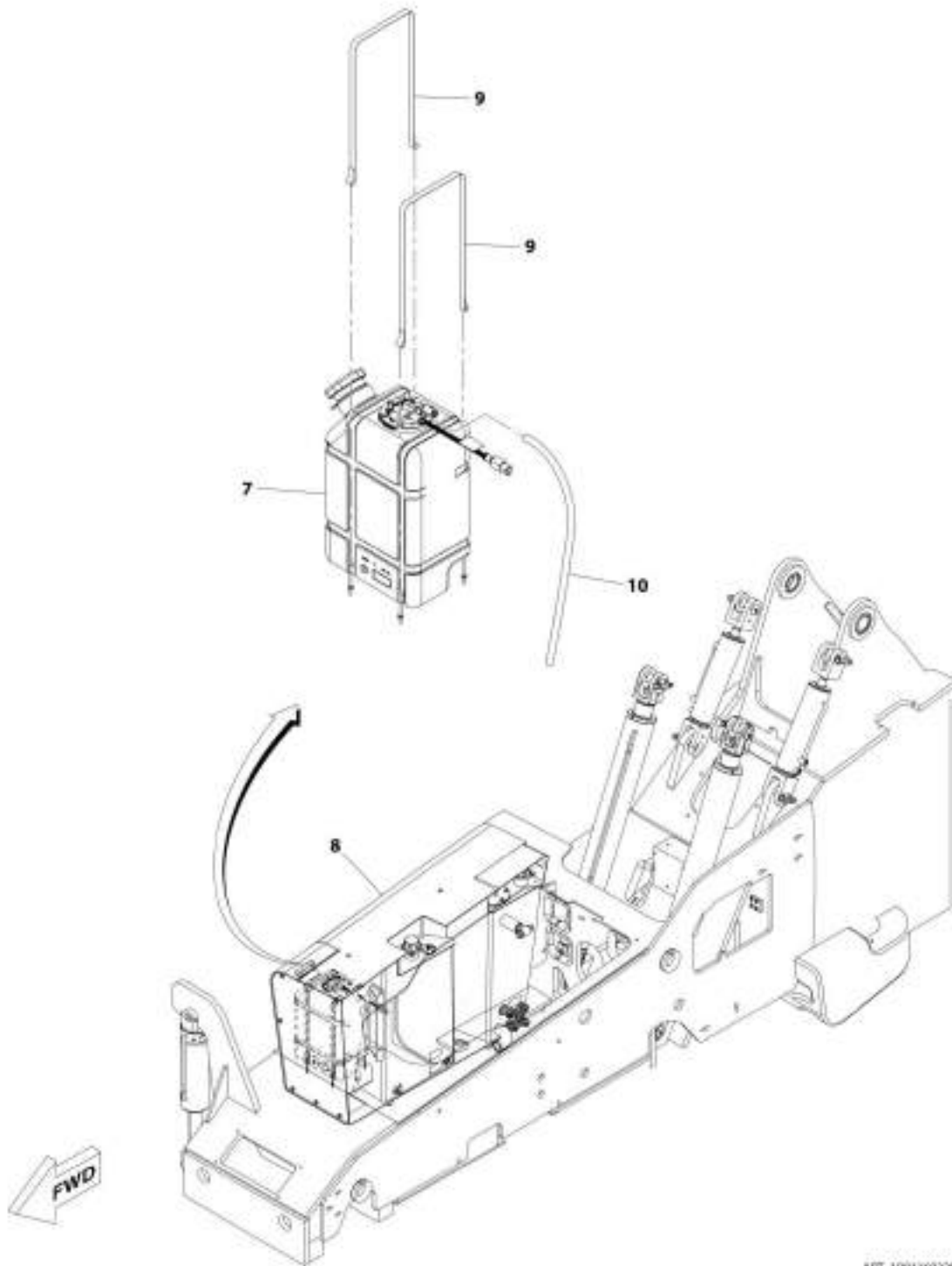
## SECTION 1 - FRAME AND ATTACHING PARTS

FIGURE 1-19. HYDRAULIC/FUEL/DEF TANK INSTALLATION (Prior to SN 0160081960)

ITEM	PART NUMBER	QTY	DESCRIPTION	REV
7	1001169329	1	Hydraulic/Fuel/DEF Tank Installation	C
	1001168435	1	Tank, DEF (See HYDRAULIC COMPONENTS SECTION for Breakdown)	
8	70026584	1	Filter, DEF	
	1001169466	1	Weldment, Fuel/Hydraulic/DEF Tank (See Separate Breakdown in HYDRAULIC COMPONENTS Section)	
9	1001170856	2	Strap, DEF Tank	
10	1001172824	1	Hose, DEF Tank Vent	
11	1001213938	1	Clamp, Worm Gear	

# SECTION 1 - FRAME AND ATTACHING PARTS

FIGURE 1-20. HYDRAULIC/FUEL/DEF TANK INSTALLATION (SN 0160081960 to Present)



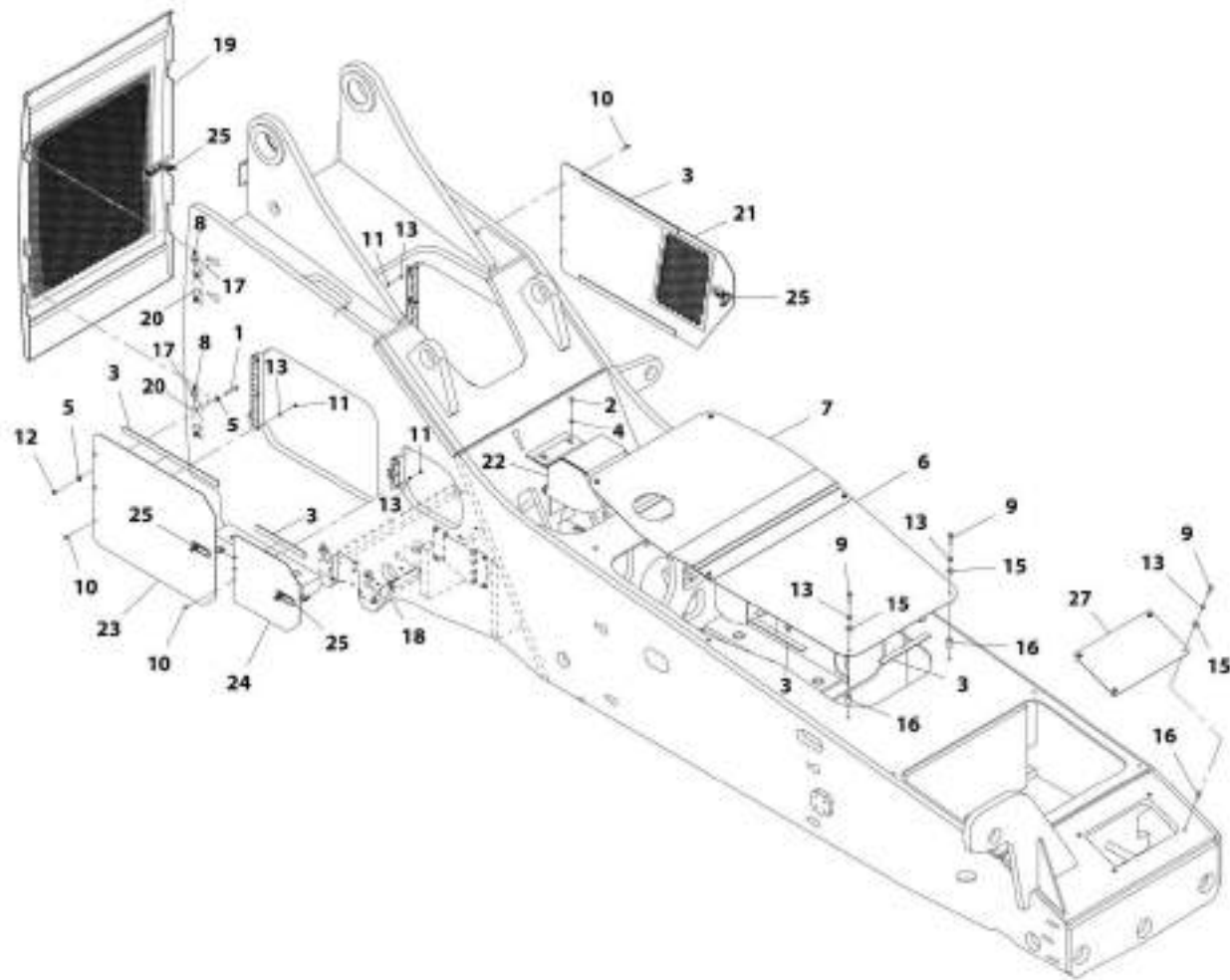
## SECTION 1 - FRAME AND ATTACHING PARTS

FIGURE 1-20. HYDRAULIC/FUEL/DEF TANK INSTALLATION (SN 0160081960 to Present)

ITEM	PART NUMBER	QTY	DESCRIPTION	REV
	1001169329	Ref	Hydraulic/Fuel/DEF Tank Installation	E
7	1001128986	1	Fuel/Hydraulic/DEF Tank (See Separate Breakdown in HYDRAULIC COMPONENTS Section)	
8	1001169466	1	Weldment, Fuel/Hydraulic/DEF Tank (See Separate Breakdown in HYDRAULIC COMPONENTS Section)	
9	1001170856	2	Strap, DEF Tank	
10	1001229095	1	Hose, DEF Tank Vent	

# SECTION 1 - FRAME AND ATTACHING PARTS

FIGURE 1-21. FRAME COVERS INSTALLATION, 110HP - 8042 (ULS)



AWT\_1001166869-E

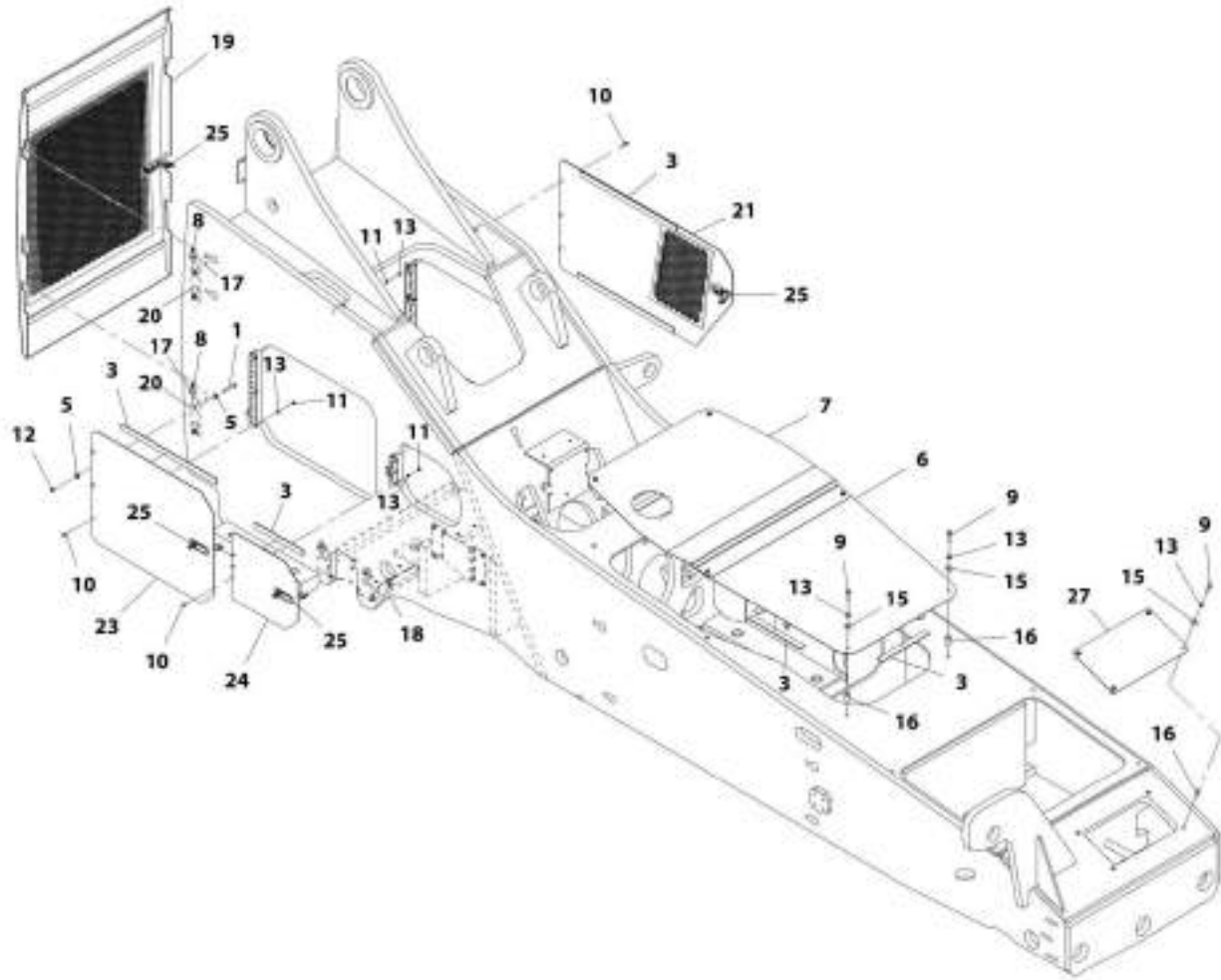
## SECTION 1 - FRAME AND ATTACHING PARTS

**FIGURE 1-21. FRAME COVERS INSTALLATION, 110HP - 8042 (ULS)**

ITEM	PART NUMBER	QTY	DESCRIPTION	REV
	1001166069	Ref	Frame Covers Installation, 110HP - 8042 (if equipped for ULS)	E
1	0641618	4	Bolt, 3/8-16X2-1/4	
2	0760810	4	Bolt, M8X20	
3	4420037	150 in	Tape, Insulation	
4	4811900	4	Washer, M8	
5	8307204	8	Washer, 3/8	
6	7139406	1	Cover, Lower Transmission	
7	7139407	1	Cover, Upper Transmission	
8	8302470	2	Pin, Hair	
9	8303615	10	Bolt, 1/4-20X1-1/4	
10	8303729	9	Bolt, 1/4-20X5/8	
11	8305004	9	Nut, Hex 1/4-20	
12	8305645	4	Nut, Lock 3/8-16	
13	8307002	19	Washer, Lock 1/4	
15	8307202	10	Washer, Plain 1/4	
16	8580420	10	Nut, Well	
17	10732150	2	Washer, Flat M10	
18	1001127864	1	Installation, Dust Shield (See DUST SHIELD INSTALLATION for Breakdown)	
19	1001156283	1	Door, Rear	
20	1001159319	2	Mount, Rear Door	
21	1001169006	1	Panel, Left Side Access	
22	1001169172	1	Cover, DEF Supply	
23	1001171384	1	Panel, Engine Access Right Side	
24	1001171385	1	Panel, Air Cleaner Access	
25	1001190341	1	Latch, Adjustable Trigger	
27	1001192390	1	Cover, Front	

# SECTION 1 - FRAME AND ATTACHING PARTS

FIGURE 1-22. FRAME COVERS INSTALLATION, 74HP - 8042 (ULS)



AHT\_1001212330-8



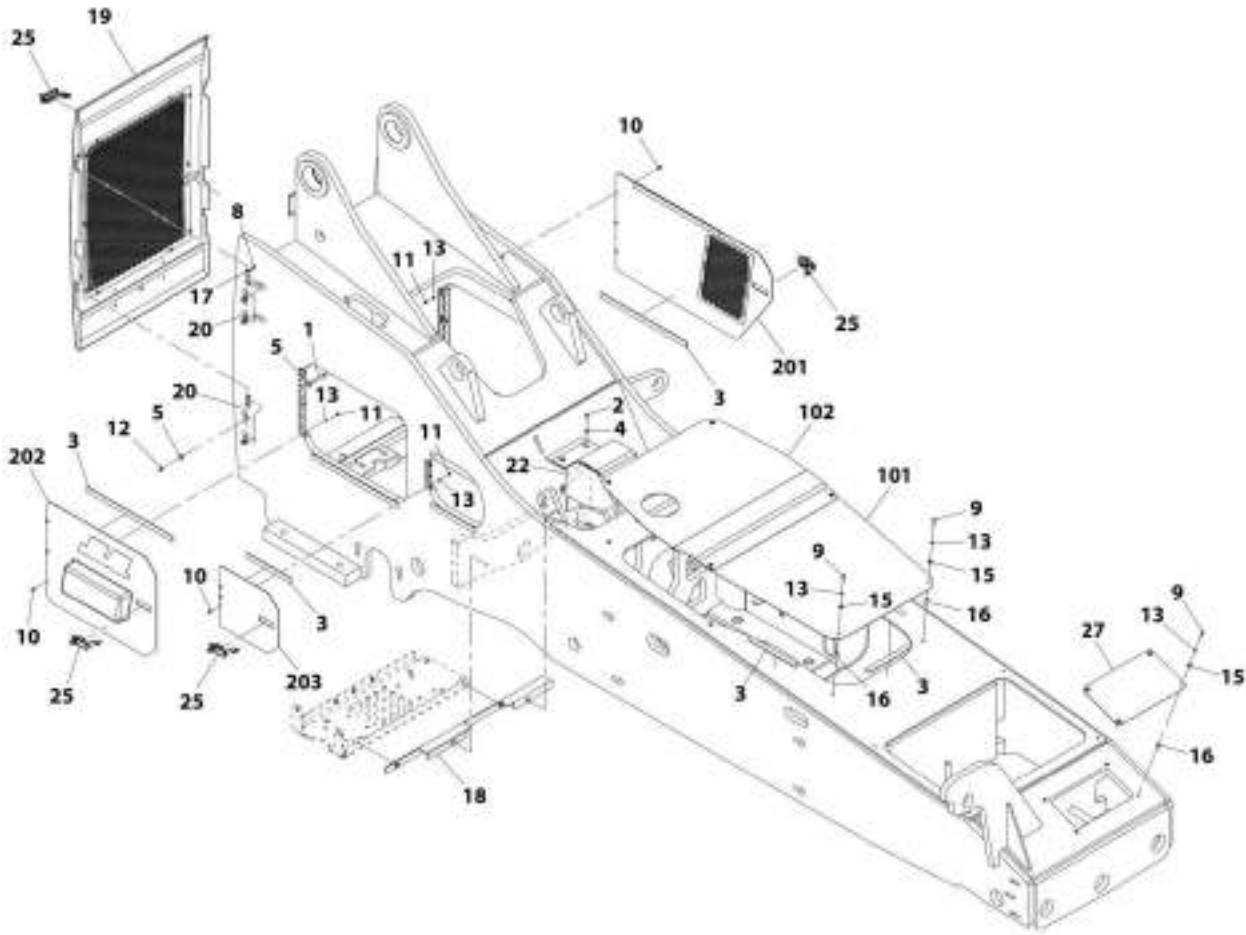
## SECTION 1 - FRAME AND ATTACHING PARTS

**FIGURE 1-22. FRAME COVERS INSTALLATION, 74HP - 8042 (ULS)**

ITEM	PART NUMBER	QTY	DESCRIPTION	REV
	1001212336	Ref	Frame Covers Installation, 74HP - 8042 (if equipped for ULS)	B
1	0641618	4	Bolt, 3/8-16X2-1/4	
3	4420037	150 in	Tape, Insulation	
5	8307204	8	Washer, 3/8	
6	7139406	1	Cover, Lower Transmission	
7	7139407	1	Cover, Upper Transmission	
8	8302470	2	Pin, Hair	
9	8303615	10	Bolt, 1/4-20X1-1/4	
10	8303729	9	Bolt, 1/4-20X5/8	
11	8305004	9	Nut, Hex 1/4-20	
12	8305645	4	Nut, Hex 5/16-18	
13	8307002	19	Washer, Lock 1/4	
15	8307202	10	Washer, Plain 1/4	
16	8580420	10	Nut, Well	
17	10732150	2	Washer, Flat M10	
18	1001127864	1	Installation, Dust Shield (See DUST SHIELD INSTALLATION for Breakdown)	
19	1001156283	1	Door, Rear	
20	1001139319	2	Mount, Rear Door	
21	1001169006	1	Panel, Left Side Access	
23	1001171384	1	Panel, Engine Access Right Side	
24	1001171385	1	Panel, Air Cleaner Access	
25	1001190341	4	Latch, Adjustable Trigger	
27	1001192390	1	Cover, Front	

# SECTION 1 - FRAME AND ATTACHING PARTS

FIGURE 1-23. FRAME COVERS INSTALLATION - 8042 (AIR SHUT OFF VALVE)



ART\_1001227207-A

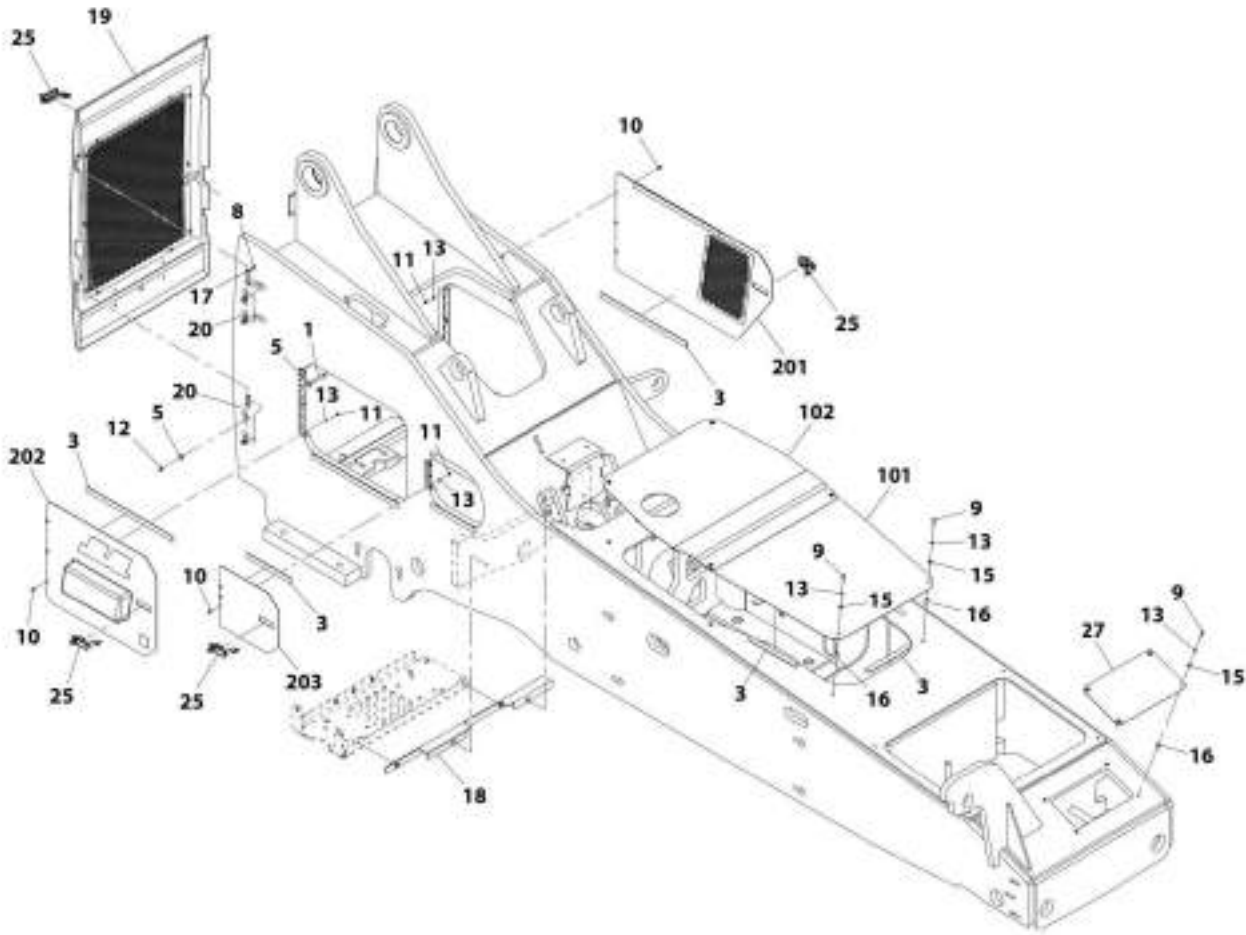
## SECTION 1 - FRAME AND ATTACHING PARTS

**FIGURE 1-23. FRAME COVERS INSTALLATION - 8042 (AIR SHUT OFF VALVE)**

ITEM	PART NUMBER	QTY	DESCRIPTION	REV
	1001227207	Ref	Frame Covers Installation - 8042 (Air Shut Off Valve)	A
1	0641618	4	Bolt, 3/8-16X2-1/4	
2	0760810	4	Bolt, M8X20	
3	4420037	150 in	Tape, Insulation	
4	4811900	4	Washer, M8	
5	8307204	8	Washer, 3/8	
8	8302470	2	Pin, Hair	
9	8303615	10	Bolt, 1/4-20X1-1/4	
10	8303729	9	Bolt, 1/4-20X5/8	
11	8305004	9	Nut, Hex 1/4-20	
12	8305645	4	Nut, Lock 3/8-16	
13	8307002	19	Washer, Lock 1/4	
15	8307202	10	Washer, Plain 1/4	
16	8580420	10	Nut, Well	
17	10732150	2	Washer, Flat M10	
18	1001127864	1	Installation, Dust Shield (See Separate Breakdown in this Section)	
19	1001156283	1	Door, Rear	
20	1001159319	2	Mount, Rear Door	
22	1001169172	1	Cover, DEF Supply	
25	1001190341	4	Latch, Adjustable Trigger	
27	1001192390	1	Cover, Front	
101	7139406	1	Cover, Lower Transmission	
102	7139407	1	Cover, Upper Transmission	
201	1001169006	1	Panel, Left Side Access	
202	1001216291	1	Panel, Right Side Engine Access	
203	1001171385	1	Panel, Air Cleaner Access	

# SECTION 1 - FRAME AND ATTACHING PARTS

FIGURE 1-24. FRAME COVERS INSTALLATION, 74HP - 8042 (AIR SHUT OFF VALVE)



ART\_1001220E10-A

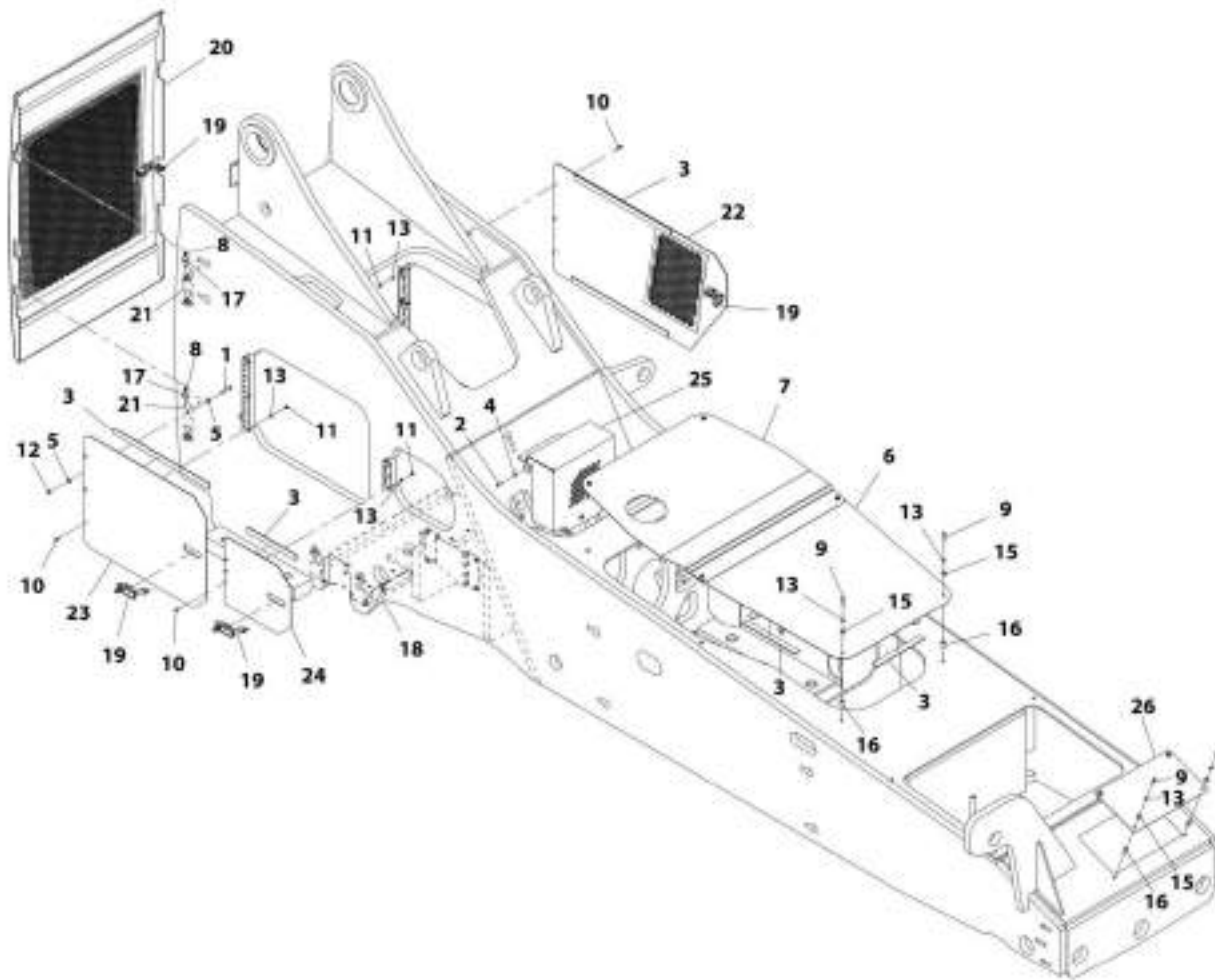
## SECTION 1 - FRAME AND ATTACHING PARTS

**FIGURE 1-24. FRAME COVERS INSTALLATION, 74HP - 8042 (AIR SHUT OFF VALVE)**

ITEM	PART NUMBER	QTY	DESCRIPTION	REV
	1001228510	Ref	Frame Covers Installation, 74HP - 8042 (Air Shut Off Valve)	A
1	0641618	4	Bolt, 3/8-16X2-1/4	
3	4420037	150 in	Tape, Insulation	
5	8307204	8	Washer, 3/8	
8	8302470	2	Pin, Hair	
9	8303615	10	Bolt, 1/4-20X1-1/4	
10	8303729	9	Bolt, 1/4-20X5/8	
11	8305004	9	Nut, Hex 1/4-20	
12	8305645	4	Nut, Hex 5/16-18	
13	8307002	19	Washer, Lock 1/4	
15	8307202	10	Washer, Plain 1/4	
16	8580420	10	Nut, Well	
17	10732150	2	Washer, Flat M10	
18	1001127864	1	Installation, Dust Shield (See Separate Breakdown in this Section)	
19	1001156283	1	Door, Rear	
20	1001139319	2	Mount, Rear Door	
25	1001190341	4	Latch, Adjustable Trigger	
27	1001192390	1	Cover, Front	
101	7139406	1	Cover, Lower Transmission	
102	7139407	1	Cover, Upper Transmission	
201	1001169006	1	Panel, Left Side Access	
202	1001216291	1	Panel, Right Side Engine Access	
203	1001171385	1	Panel, Air Cleaner Access	

# SECTION 1 - FRAME AND ATTACHING PARTS

FIGURE 1-25. FRAME COVERS INSTALLATION, 110HP - 8042 (LS)



ART\_1001186336-D

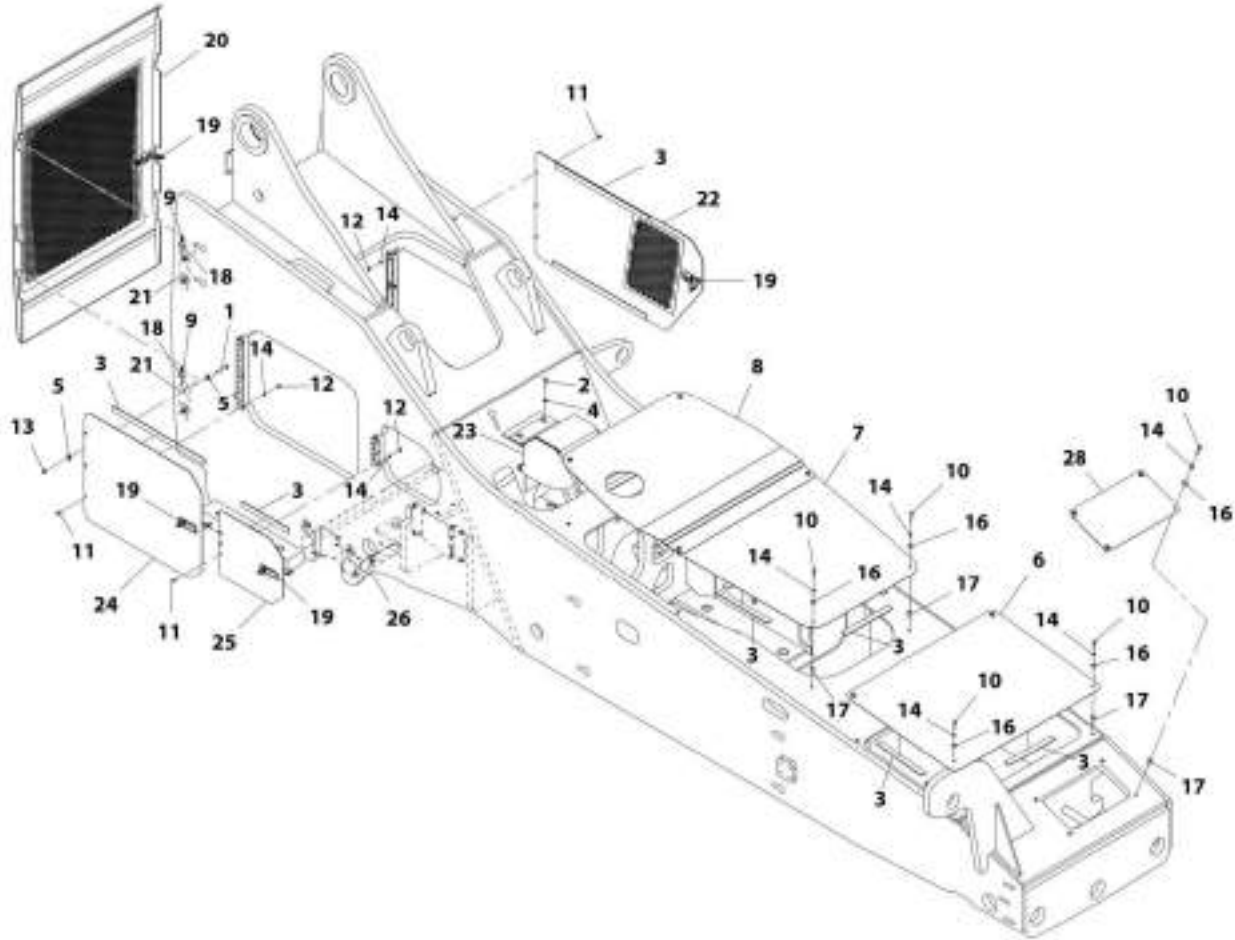
## SECTION 1 - FRAME AND ATTACHING PARTS

**FIGURE 1-25. FRAME COVERS INSTALLATION, 110HP - 8042 (LS)**

ITEM	PART NUMBER	QTY	DESCRIPTION	REV
	1001186536	Ref	Frame Covers Installation, 110HP - 8042 (if equipped for LS)	D
1	0641618	4	Bolt, 3/8-16X2-1/4	
2	0760610	3	Bolt, M6X20	
3	4420037	150 in	Tape, Insulation	
4	4811702	3	Washer, M6	
5	8307204	8	Washer, 5/16	
6	7139406	1	Cover, Lower Transmission	
7	7139407	1	Cover, Upper Transmission	
8	8302470	2	Pin, Hair	
9	8303615	10	Bolt, 1/4-20X1-1/4	
10	8303729	9	Bolt, 1/4-20X5/8	
11	8305004	9	Nut, Hex 1/4-20	
12	8305645	4	Nut, Hex 5/16-18	
13	8307002	19	Washer, Lock 1/4	
15	8307202	10	Washer, Plain 1/4	
16	8580420	10	Nut, Well	
17	10732150	2	Washer, Flat M10	
18	1001127864	1	Installation, Dust Shield (See DUST SHIELD INSTALLATION for Breakdown)	
19	1001190341	4	Latch, Adjustable Trigger	
20	1001156283	1	Door, Rear	
21	1001159319	2	Mount, Rear Door	
22	1001169006	1	Panel, Left Side Access	
23	1001171384	1	Panel, Engine Access Right Side	
24	1001171385	1	Panel, Air Cleaner Access	
25	1001211690	1	Bracket, ECM Cover	
26	1001192390	1	Cover, Front	

# SECTION 1 - FRAME AND ATTACHING PARTS

FIGURE 1-26. FRAME COVERS INSTALLATION, 110HP - 10042 & 10054 (ULS)



ART\_1001166079-E



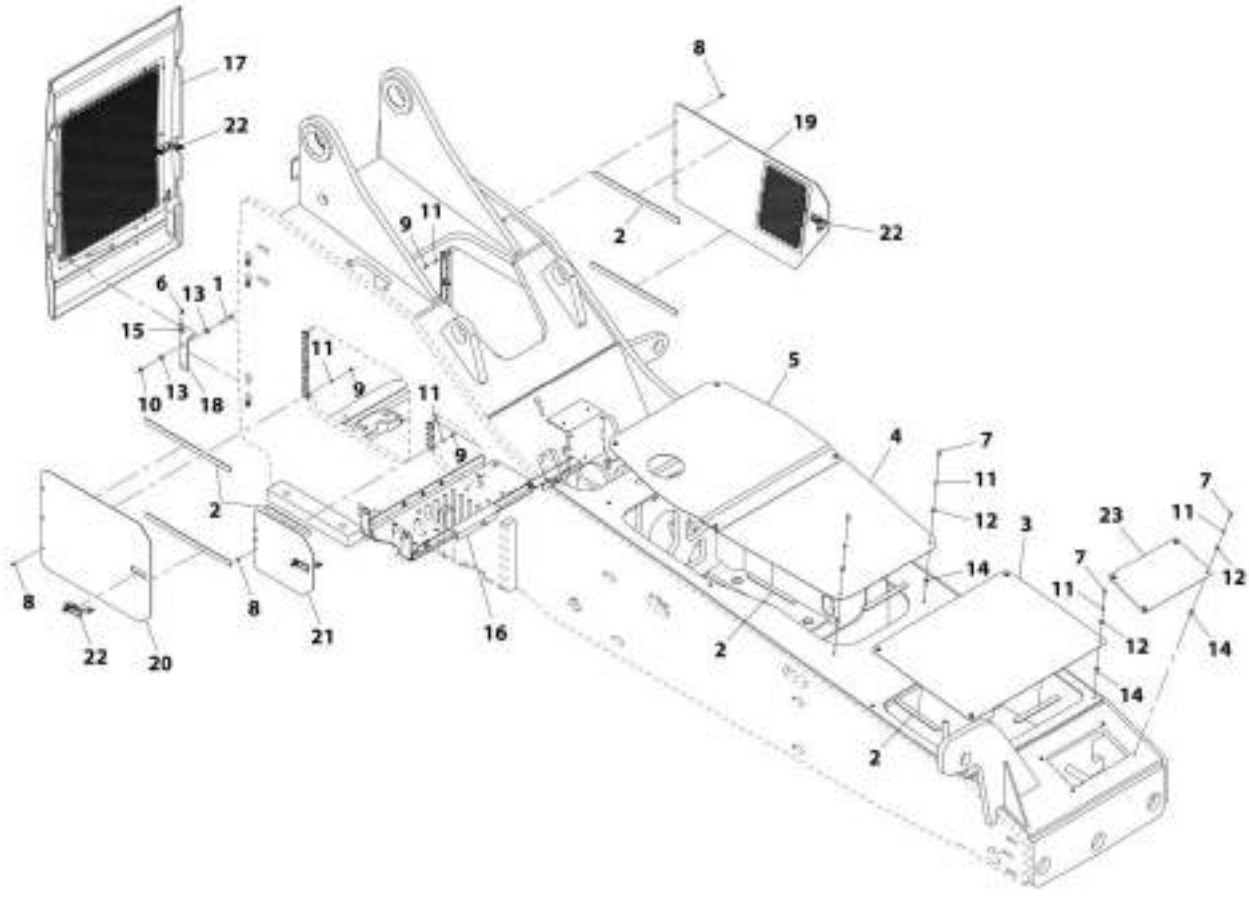
## SECTION 1 - FRAME AND ATTACHING PARTS

**FIGURE 1-26. FRAME COVERS INSTALLATION, 110HP - 10042 & 10054 (ULS)**

ITEM	PART NUMBER	QTY	DESCRIPTION	REV
	1001166070	Ref	Frame Covers Installation, 110HP - 10042 & 10054 (if equipped for ULS)	E
1	0641618	4	Bolt, 3/8-16X2-1/4	
2	0760810	4	Bolt, M8X20	
3	4420037	190 in	Tape, Insulation	
4	4811900	4	Washer, M8	
5	8307204	8	Washer, 3/8	
6	7139047	1	Cover, Counterweight	
7	7139406	1	Cover, Lower Transmission	
8	7139407	1	Cover, Upper Transmission	
9	8302470	2	Pin, Hair	
10	8303615	14	Bolt, 1/4-20X1-1/4	
11	8303729	9	Bolt, 1/4-20X5/8	
12	8305004	9	Nut, Hex 1/4-20	
13	8305645	4	Nut, Lock 3/8-16	
14	8307002	23	Washer, Lock 1/4	
16	8307202	14	Washer, Plain 1/4	
17	8580420	14	Nut, Well	
18	10732150	2	Washer, Flat M10	
19	1001190341	4	Latch, Adjustable Trigger	
20	1001156283	1	Door, Rear	
21	1001159319	2	Mount, Rear Door	
22	1001169006	1	Panel, Left Side Access	
23	1001169172	1	Cover, DEF Supply	
24	1001171384	1	Panel, Engine Access Right Side	
25	1001171385	1	Panel, Air Cleaner Access	
26	1001127864	1	Installation, Dust Shield (See DUST SHIELD INSTALLATION for Breakdown)	
28	1001192390	1	Cover, Front	

# SECTION 1 - FRAME AND ATTACHING PARTS

FIGURE 1-27. FRAME COVERS INSTALLATION, 74HP - 10042 & 10054 (ULS)



ART\_100121042-A

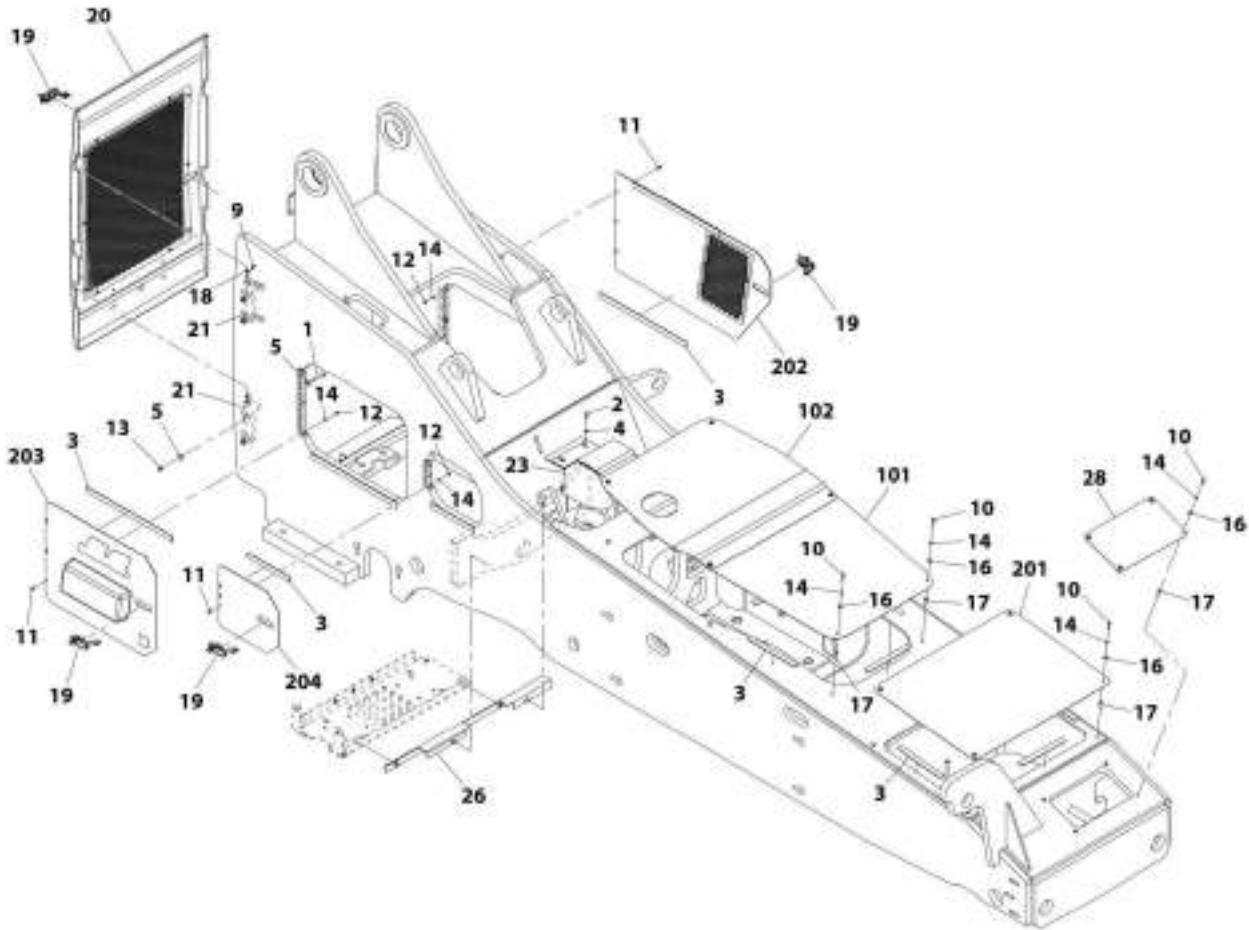
## SECTION 1 - FRAME AND ATTACHING PARTS

**FIGURE 1-27. FRAME COVERS INSTALLATION, 74HP - 10042 & 10054 (ULS)**

ITEM	PART NUMBER	QTY	DESCRIPTION	REV
	1001213432	Ref	Frame Covers Installation, 74HP - 10042 & 10054 (if equipped for ULS)	A
1	0641618	4	Bolt, 3/8-16X2-1/4	
2	4420037	190 in	Tape, Insulation	
3	7139047	1	Cover, Counterweight	
4	7139406	1	Cover, Lower Transmission	
5	7139407	1	Cover, Upper Transmission	
6	8302470	2	Pin, Hair	
7	8303615	14	Bolt, 1/4-20X1-1/4	
8	8303729	9	Bolt, 1/4-20X5/8	
9	8305004	9	Nut, Hex 1/4-20	
10	8305645	4	Nut, Lock 3/8-16	
11	8307002	23	Washer, Lock 1/4	
12	8307202	14	Washer, Plain 1/4	
13	8307204	8	Washer, 3/8	
14	8580420	14	Nut, Well	
15	10732150	2	Washer, Flat M10	
16	1001127864	1	Installation, Dust Shield (See DUST SHIELD INSTALLATION for Breakdown)	
17	1001156283	1	Door, Rear	
18	1001159319	2	Mount, Rear Door	
19	1001169006	1	Panel, Left Side Access	
20	1001171384	1	Panel, Engine Access Right Side	
21	1001171385	1	Panel, Air Cleaner Access	
22	1001190341	4	Latch, Adjustable Trigger	
23	1001192390	1	Cover, Front	

# SECTION 1 - FRAME AND ATTACHING PARTS

FIGURE 1-28. FRAME COVERS INSTALLATION - 10042 & 10054 (AIR SHUT OFF VALVE)



ARE\_1001227208-A

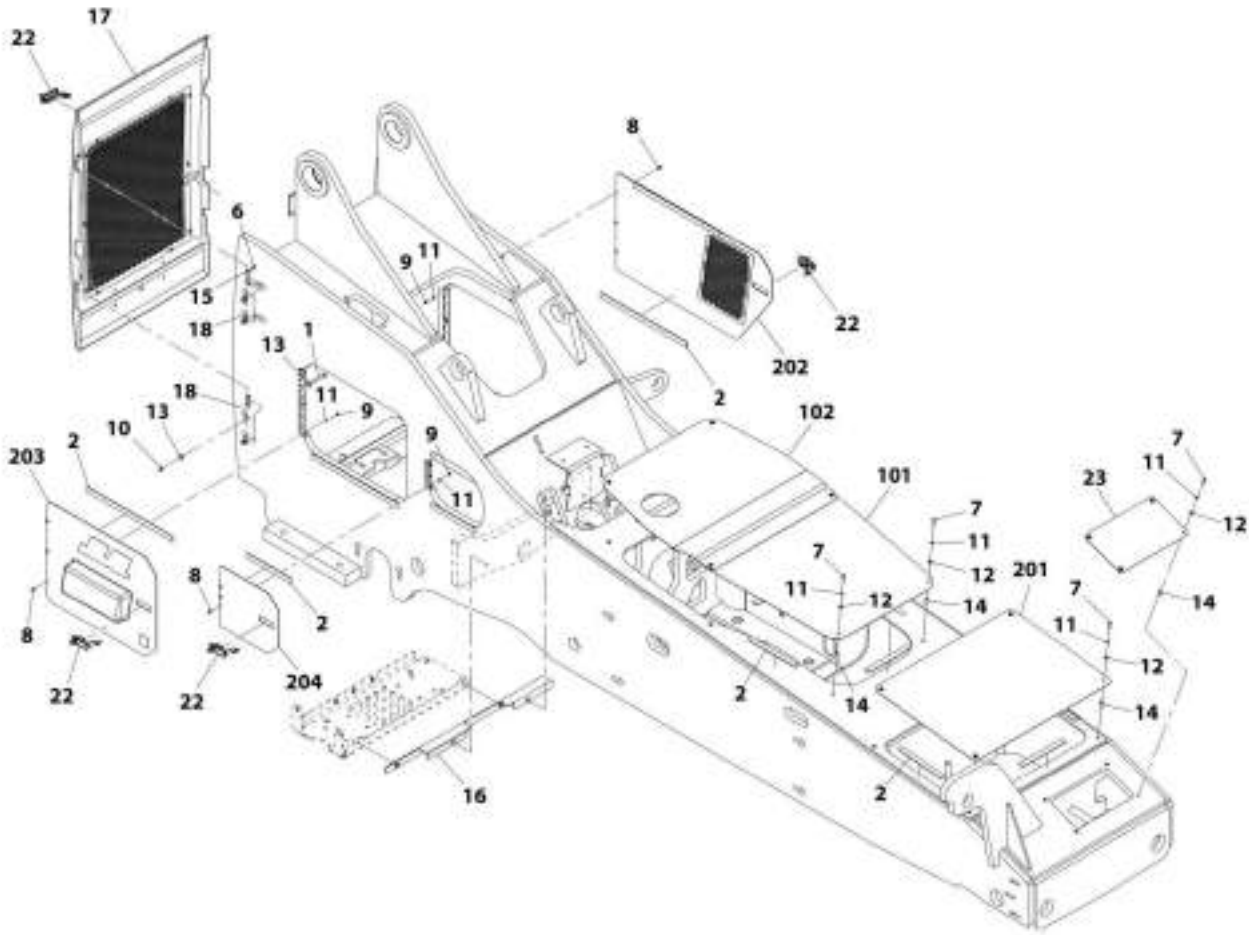
## SECTION 1 - FRAME AND ATTACHING PARTS

**FIGURE 1-28. FRAME COVERS INSTALLATION - 10042 & 10054 (AIR SHUT OFF VALVE)**

ITEM	PART NUMBER	QTY	DESCRIPTION	REV
	1001227208	Ref	Frame Covers Installation - 10042 & 10054 (Air Shut Off Valve)	A
1	0641618	4	Bolt, 3/8-16X2-1/4	
2	0760810	4	Bolt M8 x 20	
3	4420037	190 in	Tape, Insulation	
4	4811900	4	Washer M8	
5	8307204	8	Washer, 3/8	
9	8302470	2	Pin, Hair	
10	8303615	14	Bolt, 1/4-20X1-1/4	
11	8303729	9	Bolt, 1/4-20X5/8	
12	8305004	9	Nut, Hex 1/4-20	
13	8305645	4	Nut, Lock 3/8-16	
14	8307002	23	Washer, Lock 1/4	
16	8307202	14	Washer, Plain 1/4	
17	8580420	14	Nut, Well	
18	10732150	2	Washer, Flat M10	
19	1001190341	4	Latch, Adjustable Trigger	
20	1001156283	1	Door, Rear	
21	1001159319	2	Mount, Rear Door	
23	1001169172	1	Cover, DEF Supply	
26	1001127864	1	Installation, Dust Shield (See Separate Breakdown in this Section)	
28	1001192390	1	Cover, Front	
101	7139406	1	Cover, Lower Transmission	
102	7139407	1	Cover, Upper Transmission	
201	7139047	1	Cover, Counterweight	
202	1001169006	1	Panel, Left Side Access	
203	1001216291	1	Panel, Engine Access Right Side	
204	1001171385	1	Panel, Air Cleaner Access	

# SECTION 1 - FRAME AND ATTACHING PARTS

FIGURE 1-29. FRAME COVERS INSTALLATION, 74HP - 10042 & 10054 (AIR SHUT OFF VALVE)



ART\_1001228512-4

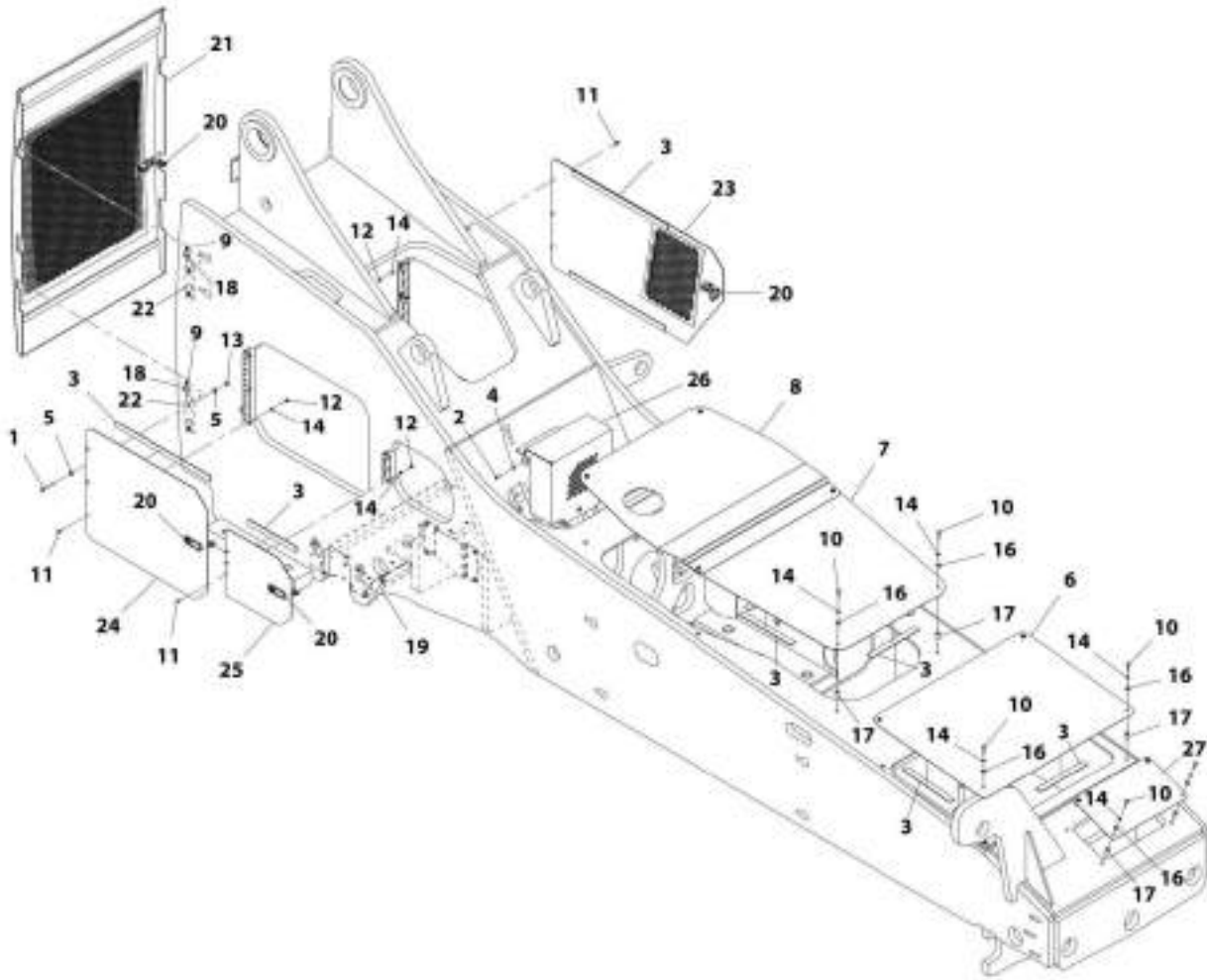
## SECTION 1 - FRAME AND ATTACHING PARTS

**FIGURE 1-29. FRAME COVERS INSTALLATION, 74HP - 10042 & 10054 (AIR SHUT OFF VALVE)**

ITEM	PART NUMBER	QTY	DESCRIPTION	REV
	1001228512	Ref	Frame Covers Installation, 74HP - 10042 & 10054 (Air Shut Off Valve)	A
1	0641618	4	Bolt, 3/8-16X2-1/4	
2	4420037	190 in	Tape, Insulation	
6	8302470	2	Pin, Hair	
7	8303615	14	Bolt, 1/4-20X1-1/4	
8	8303729	9	Bolt, 1/4-20X5/8	
9	8305004	9	Nut, Hex 1/4-20	
10	8305645	4	Nut, Lock 3/8-16	
11	8307002	23	Washer, Lock 1/4	
12	8307202	14	Washer, Plain 1/4	
13	8307204	8	Washer, 3/8	
14	8580420	14	Nut, Well	
15	10732150	2	Washer, Flat M10	
16	1001127864	1	Installation, Dust Shield (See Separate Breakdown in this Section)	
17	1001156283	1	Door, Rear	
18	1001159319	2	Mount, Rear Door	
22	1001190341	4	Latch, Adjustable Trigger	
23	1001192390	1	Cover, Front	
101	7139406	1	Cover, Lower Transmission	
102	7139407	1	Cover, Upper Transmission	
201	7139047	1	Cover, Counterweight	
202	1001169006	1	Panel, Left Side Access	
203	1001216291	1	Panel, Engine Access Right Side	
204	1001171385	1	Panel, Air Cleaner Access	

# SECTION 1 - FRAME AND ATTACHING PARTS

FIGURE 1-30. FRAME COVERS INSTALLATION - 10042 & 10054 (LS)



ART\_10011WS37-D



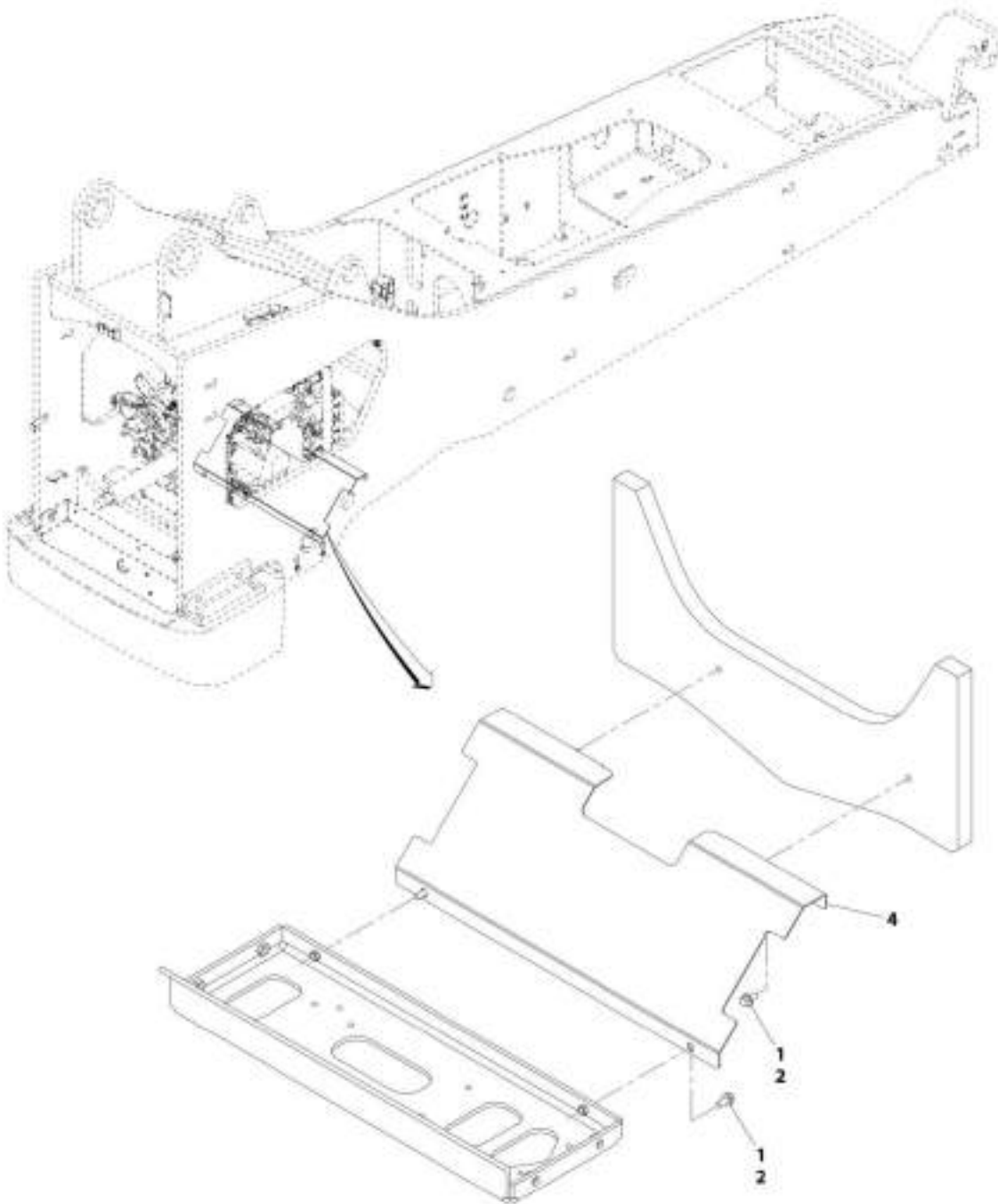
## SECTION 1 - FRAME AND ATTACHING PARTS

**FIGURE 1-30. FRAME COVERS INSTALLATION - 10042 & 10054 (LS)**

ITEM	PART NUMBER	QTY	DESCRIPTION	REV
	1001186537	Ref	Frame Covers Installation - 10042 & 10054 (if equipped for LS)	D
1	0641618	4	Bolt, 3/8-16X2-1/4	
2	0760610	3	Bolt, M6X20	
3	4420037	190 in	Tape, Insulation	
4	4811702	3	Washer, M6	
5	8307204	8	Washer, 3/8	
6	7139047	1	Cover, Counterweight	
7	7139406	1	Cover, Lower Transmission	
8	7139407	1	Cover, Upper Transmission	
9	8302470	2	Pin, Hair	
10	8303615	14	Bolt, 1/4-20X1-1/4	
11	8303729	9	Bolt, 1/4-20X5/8	
12	8305004	9	Nut, Hex 1/4-20	
13	8305645	4	Nut, Lock 3/8-16	
14	8307002	23	Washer, Lock 1/4	
16	8307202	14	Washer, Plain 1/4	
17	8580420	14	Nut, Well	
18	10732150	2	Washer, Flat M10	
19	1001127864	1	Installation, Dust Shield (See DUST SHIELD INSTALLATION for Breakdown)	
20	1001190341	4	Latch, Adjustable Trigger	
21	1001156283	1	Door, Rear	
22	1001159319	2	Mount, Rear Door	
23	1001169006	1	Panel, Left Side Access	
24	1001171384	1	Panel, Engine Access Right Side	
25	1001171385	1	Panel, Air Cleaner Access	
26	1001211690	1	Bracket, ECM Cover	
27	1001192390	1	Cover, Front	

# SECTION 1 - FRAME AND ATTACHING PARTS

## FIGURE 1-31. DUST SHIELD INSTALLATION



ART\_0001127868-B

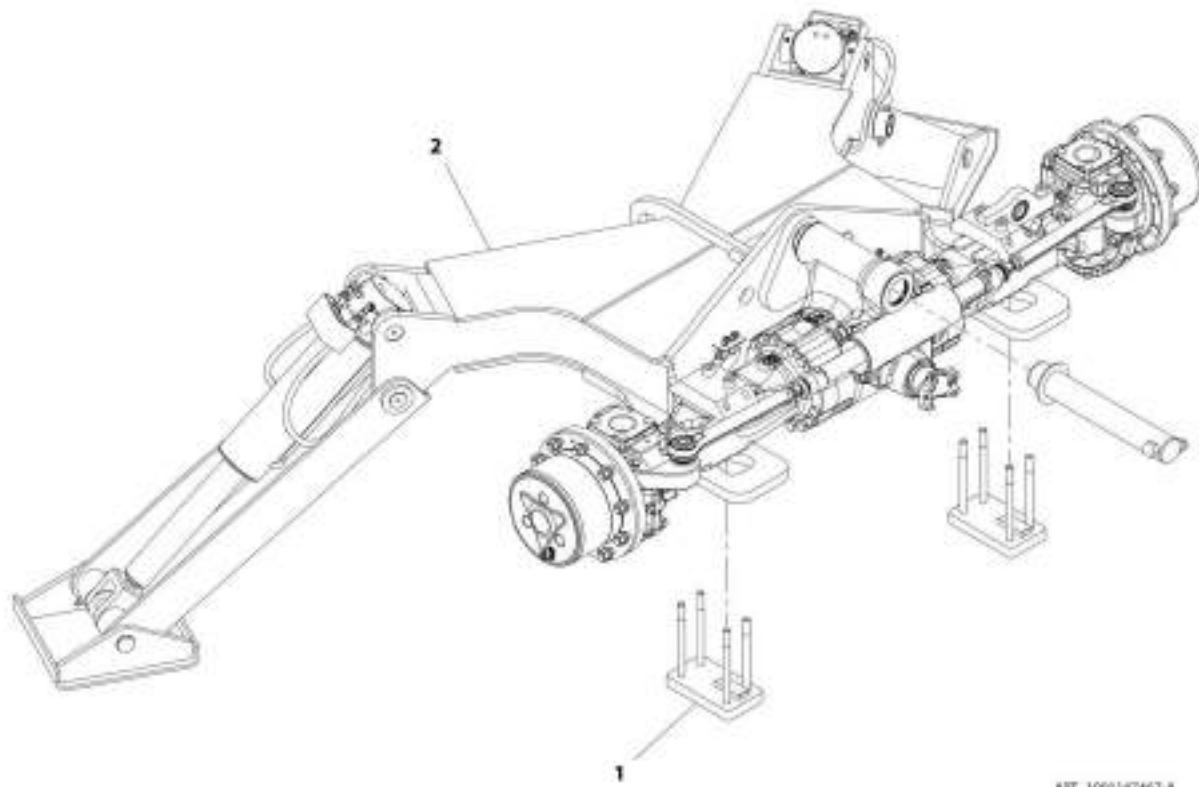
# SECTION 1 - FRAME AND ATTACHING PARTS

## FIGURE 1-31. DUST SHIELD INSTALLATION

ITEM	PART NUMBER	QTY	DESCRIPTION	REV
	1001127864	Ref	Dust Shield Installation	B
1	0100011	AR	Compound, Locking	
2	0791606	4	Bolt, 3/8-16X3/4	
4	1001127867	1	Panel, Dust Baffle Front	

# SECTION 1 - FRAME AND ATTACHING PARTS

FIGURE 1-32. OUTRIGGER INSTALLATION - 10042



ART\_100147467-A

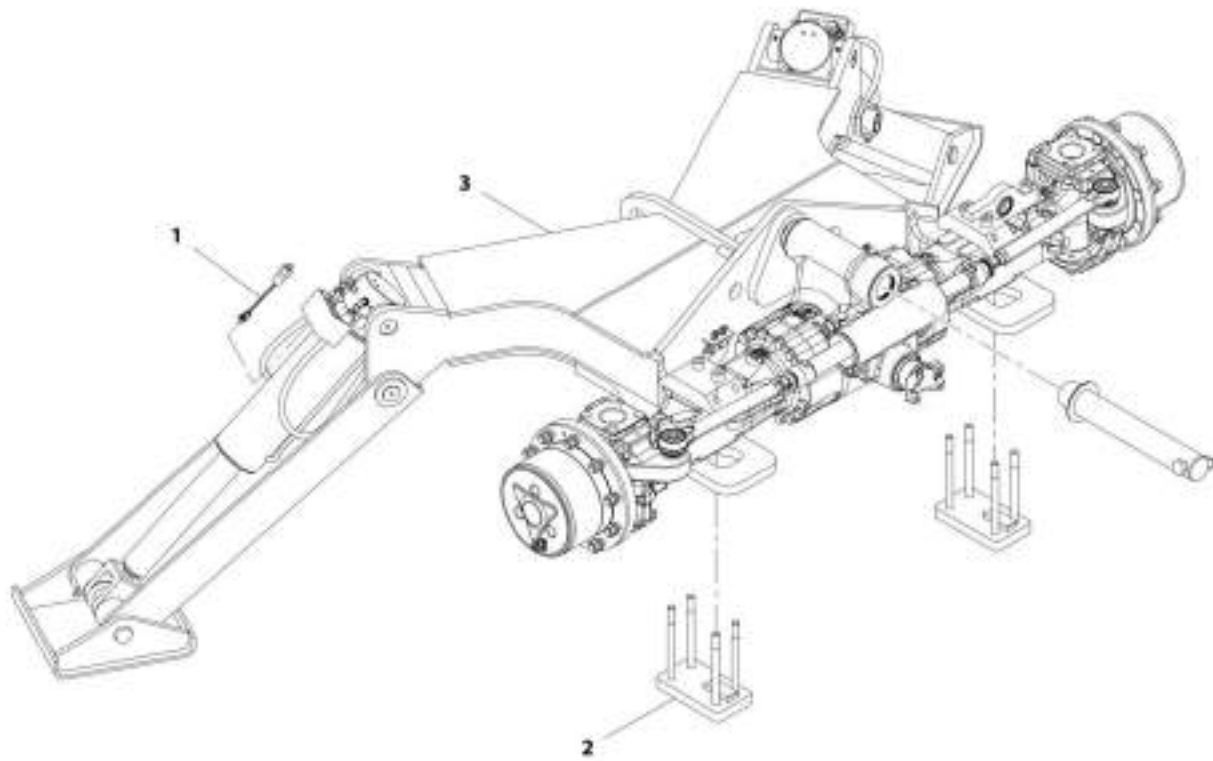
# SECTION 1 - FRAME AND ATTACHING PARTS

## FIGURE 1-32. OUTRIGGER INSTALLATION - 10042

ITEM	PART NUMBER	QTY	DESCRIPTION	REV
1	1001147467	Ref	Outrigger Installation - 10042	A
	1001107689	1	Installation, Outrigger Mounting (See OUTRIGGER MOUNTING INSTALLATION - 10042 & 10054 for Breakdown)	
2	1001147477	1	Sub-Assembly, Outrigger (See OUTRIGGER SUB-ASSEMBLY - 10042 & 10054 for Breakdown)	

# SECTION 1 - FRAME AND ATTACHING PARTS

FIGURE 1-33. OUTRIGGER INSTALLATION - 10054



AWT\_100147466-A

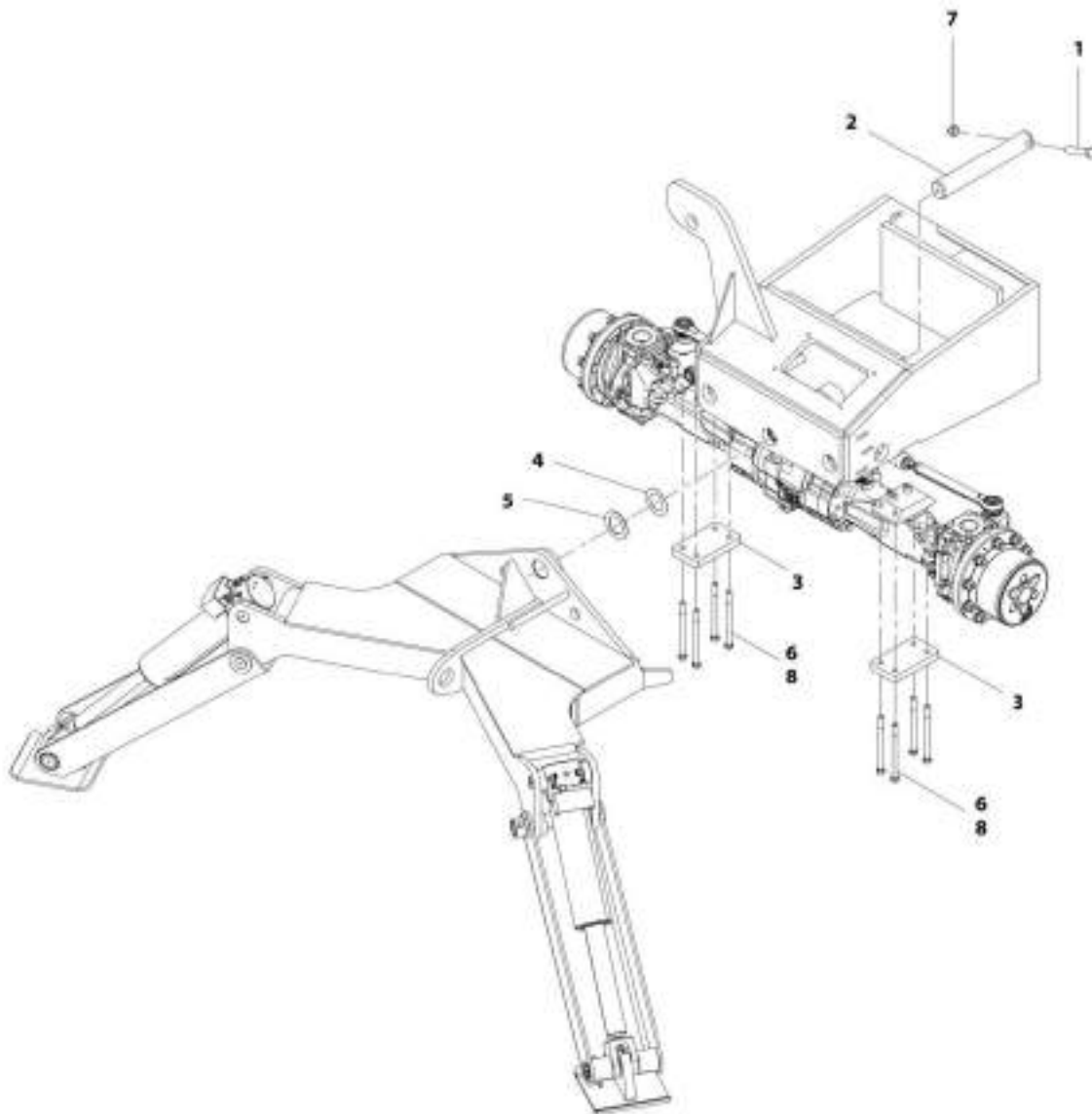
# SECTION 1 - FRAME AND ATTACHING PARTS

## FIGURE 1-33. OUTRIGGER INSTALLATION - 10054

ITEM	PART NUMBER	QTY	DESCRIPTION	REV
	1001147466	Ref	Outrigger Installation - 10054	A
1	8223536	2	Switch, Pressure	
2	1001107689	1	Installation, Outrigger Mounting (See OUTRIGGER MOUNTING INSTALLATION - 10042 & 10054 for Breakdown)	
3	1001147477	1	Sub-Assembly, Outrigger (See OUTRIGGER SUB-ASSEMBLY - 10042 & 10054 for Breakdown)	

# SECTION 1 - FRAME AND ATTACHING PARTS

FIGURE 1-34. OUTRIGGER MOUNTING INSTALLATION - 10042 & 10054



ART\_1001100589-B



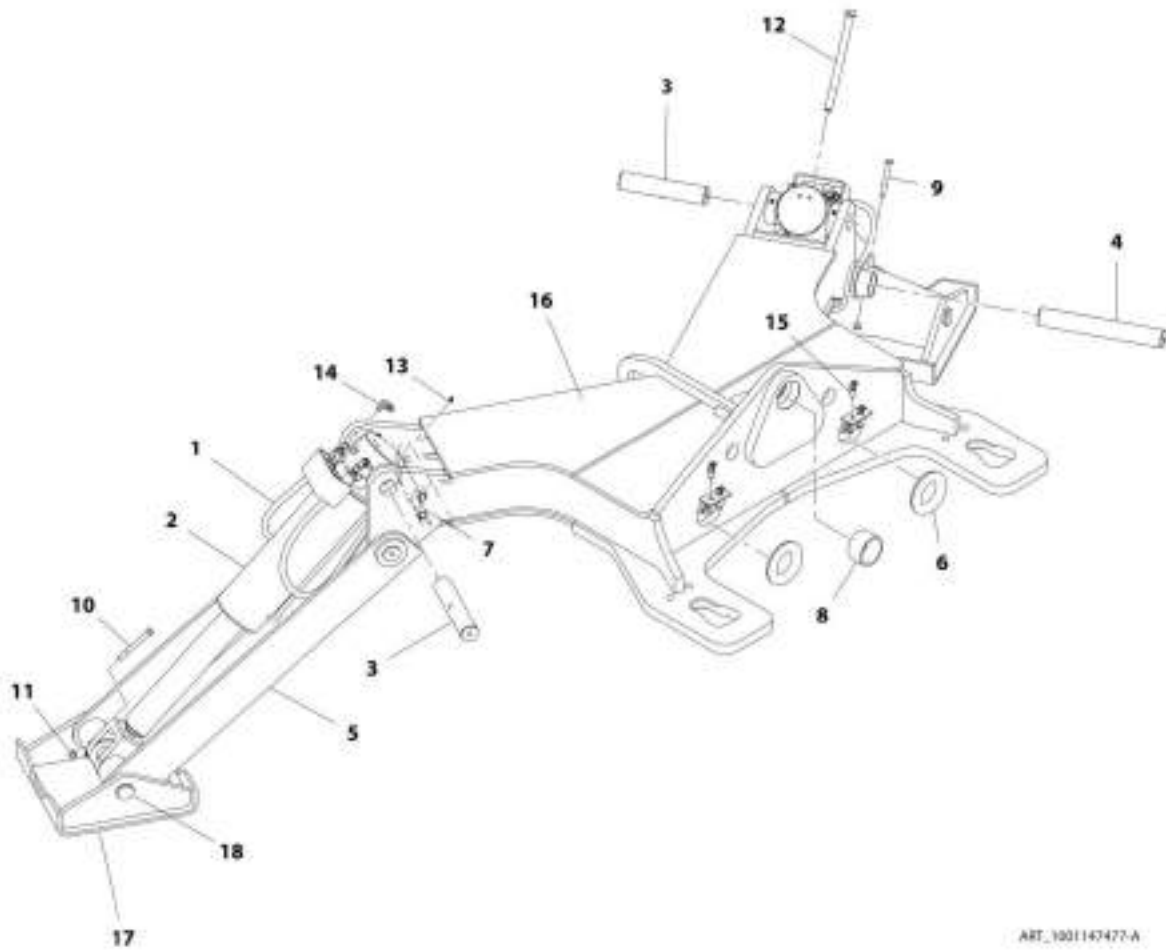
## SECTION 1 - FRAME AND ATTACHING PARTS

FIGURE 1-34. OUTRIGGER MOUNTING INSTALLATION - 10042 & 10054

ITEM	PART NUMBER	QTY	DESCRIPTION	REV
	1001107689	Ref	Outrigger Mounting Installation - 10042 & 10054	B
1	0642640	1	Bolt, 1-8X5	
2	3423248	1	Pin, Axle/Outrigger	
3	1001107664	2	Bracket, Outrigger Mounting	
4	8307912	AR	Washer, Shim	
5	8307913	AR	Washer, Shim	
6	8310475	8	Bolt, 3/4-10X10, Grade 8	
7	8310116	1	Nut, Lock 1-8	
8	0100019	AR	Compound, Locking	

# SECTION 1 - FRAME AND ATTACHING PARTS

FIGURE 1-35. OUTRIGGER SUB-ASSEMBLY - 10042 & 10054



ART\_1001147477-A

## SECTION 1 - FRAME AND ATTACHING PARTS

**FIGURE 1-35. OUTRIGGER SUB-ASSEMBLY - 10042 & 10054**

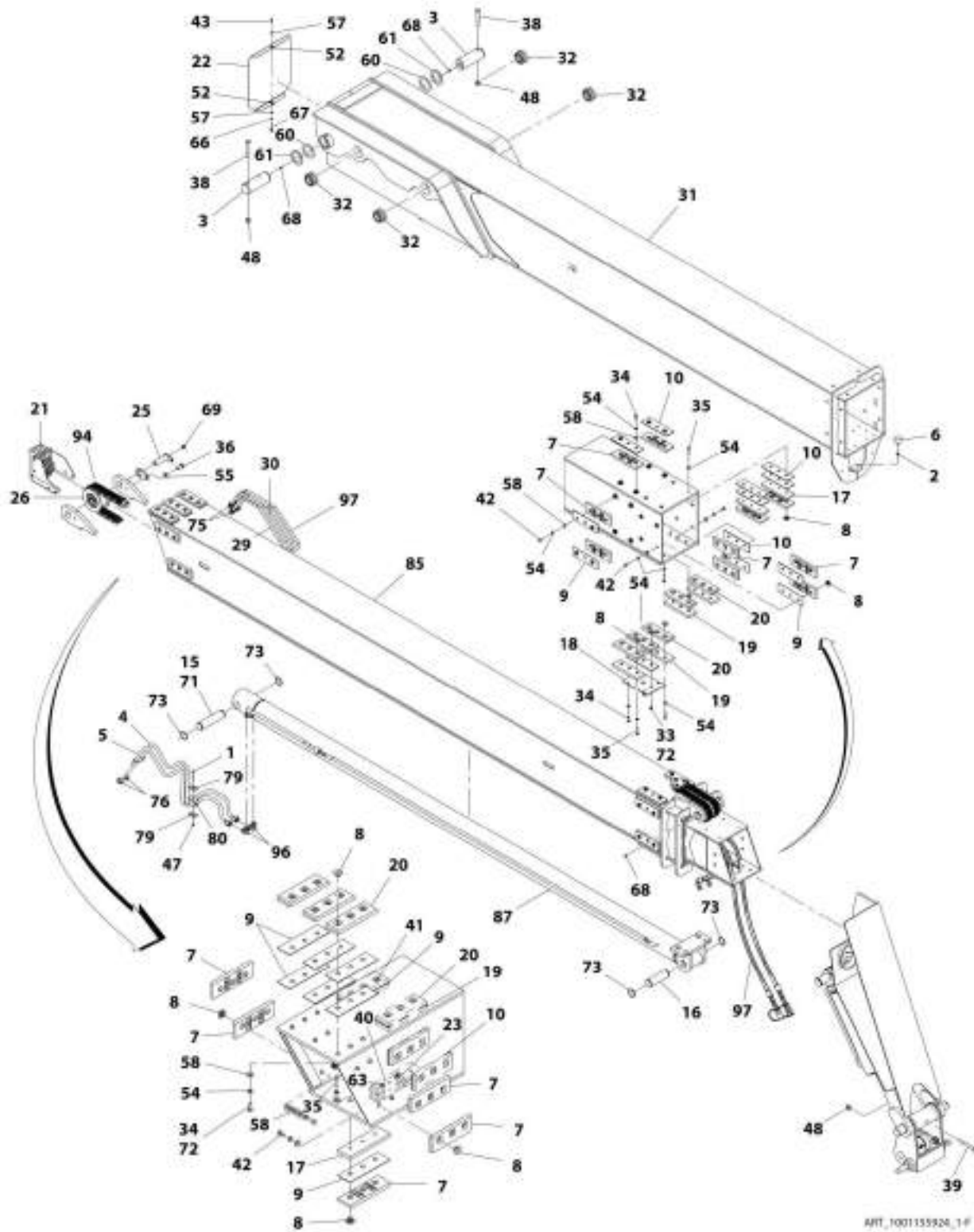
ITEM	PART NUMBER	QTY	DESCRIPTION	REV
	1001147477	Ref	Outrigger Sub-Assembly - 10042 & 10054	A
1	2716709	4	Hose	
2	2717201	2	Cylinder, Outrigger (See HYDRAULIC COMPONENTS for Breakdown)	
3	7090871	2	Pin, Cylinder Pivot Outrigger	
4	7090891	2	Pin, Leg Pivot Outrigger	
5	7091373	2	Leg, Outrigger	
6	7124491	2	Conduit, 1X15-1/2	
7	7125801	4	Conduit, 3/4X4	
8	8065063	1	Bushing	
9	8303628	2	Bolt, 1/2-13X3-3/4	
10	8303629	2	Bolt, 1/2-13X4-1/2	
11	8305644	6	Nut, Lock 1/2-13	
12	8310151	2	Bolt, 1/2-13X7	
13	8520013	12	Fitting, Straight Lube 1/8	
14	2220473	4	Adapter, 90	
15	8770189	4	Adapter, 45	
16	1001107692	1	Frame, Outrigger	
17	1001141892	2	Stabilizer, Pad Weld	
18	1001147515	2	Pin, Outrigger Shoe	



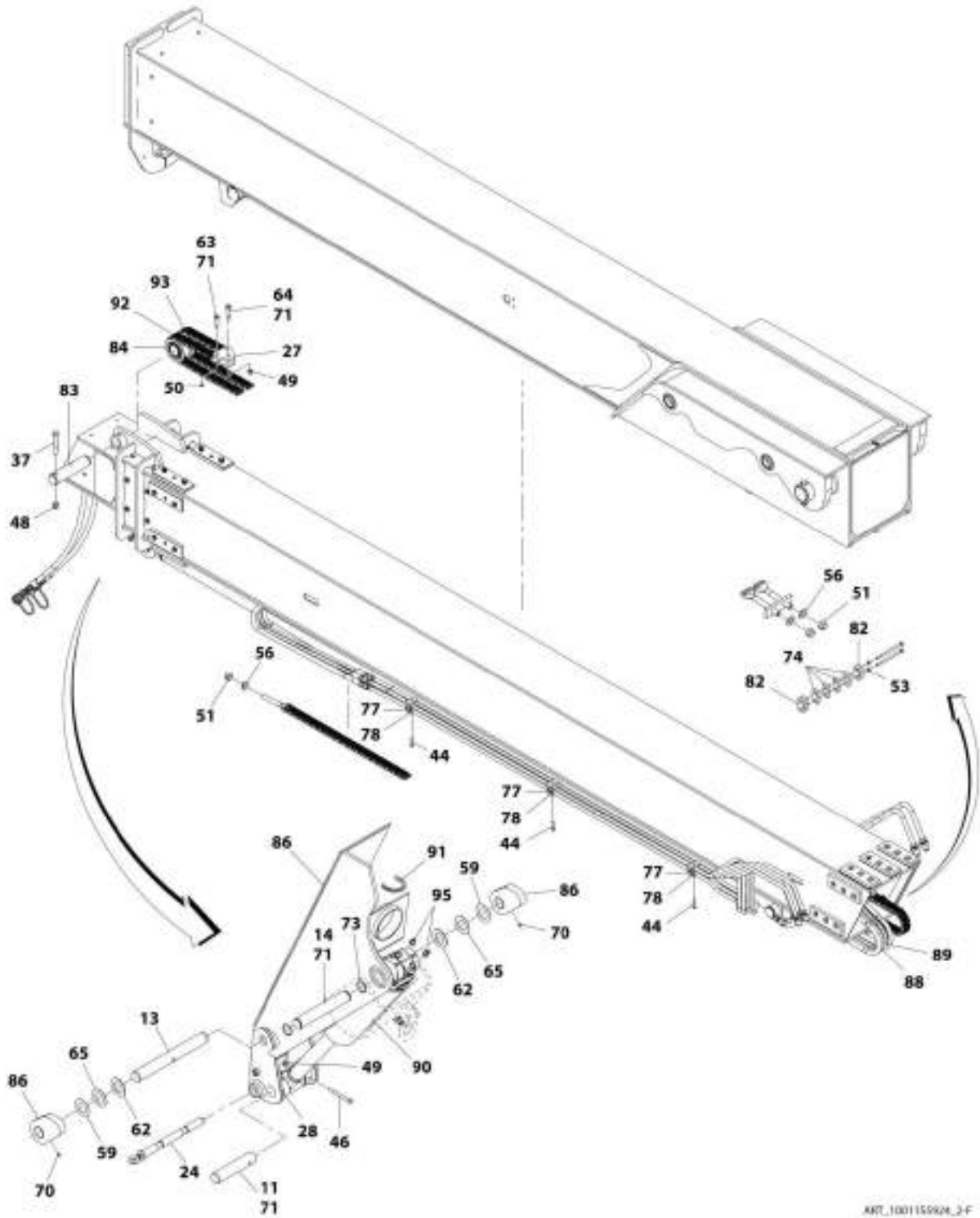
**SECTION 2 - BOOM**

# SECTION 2 - BOOM

## FIGURE 2-1. BOOM INSTALLATION - 8042



# SECTION 2 - BOOM



ART\_100155924\_2-F

## SECTION 2 - BOOM

FIGURE 2-1. BOOM INSTALLATION - 8042

ITEM	PART NUMBER	QTY	DESCRIPTION	REV
	1001155924	Ref	Boom Installation - 8042	F
1	0641520	1	Bolt, 5/16-18X2-1/2	
2	3311601	1	Nut, 3/8-16	
3	3423226	2	Pin, Boom Pivot	
4	3460383	1	Tube	
5	3460384	1	Tube	
6	5724622	1	Bumper, Rubber	
7	7079572	22	Pad, Wear	
8	7082311	73	Insert, Wear Pad	
9	7082342	AR	Shim, Wear Pad	
10	7082362	AR	Shim, Wear Pad	
11	7083992	1	Pin, Rod End	
13	7095352	1	Pin, Carriage Pivot	
14	7095522	1	Pin, Base End	
15	7096552	1	Pin, Base End	
16	7096562	1	Pin, Rod End	
17	7096702	4	Spacer, Wear Pad	
18	7096772	1	Spacer, Wear Pad	
19	7096882	6	Spacer, Wear Pad	
20	7111572	30	Pad, Wear	
21	7116733	1	Assembly, Hose Pulley (See HOSE PULLEY ASSEMBLY for Breakdown)	
22	7116792	1	Cover	
23	7117031	2	Link	
24	7118892	1	Assembly, Lock Pin (See LOCK PIN ASSEMBLY for Breakdown)	
25	7138977	1	Pin, Retract Chain Sheave	
26	7138986	1	Sheave, Retract Chain	
27	7139180	2	Yoke, Extend Chain	
28	7139864	1	Assembly, Quick Attach (See QUICK ATTACH ASSEMBLY for Breakdown)	
29	7300672	1	Tube	
30	7300673	1	Tube	
31	7302010	1	Boom, First Section	
32	8065640	4	Bearing, Self-Align	
33	8303041	3	Bolt, 3/8-16X1/2	
34	8303620	18	Bolt, 3/8-16X1	
35	8303621	18	Bolt, 3/8-16X1-1/2	
36	8303624	1	Bolt, 1/2-13X1	
37	8303634	1	Bolt, 5/8-11X4	
38	8303655	2	Bolt, 5/8-11X4-1/2	
39	8303666	1	Bolt, 5/8-11X5	
40	8303675	2	Bolt, 3/8-16X1-1/4	
41	8303679	6	Bolt, 3/8-16X1-3/4	
42	8303681	30	Bolt, 3/8-16X3/4	
43	8303697	1	Bolt, 5/16-18X3/4	
44	8303715	3	Bolt, 5/16-18X1-1/2	
46	8303772	1	Bolt, 1/2-13X5	
47	8305626	1	Nut, Lock 5/16-18	
48	8305643	4	Nut, Lock 5/8-11	
49	8305644	2	Nut, Lock 1/2-13	



## SECTION 2 - BOOM

ITEM	PART NUMBER	QTY	DESCRIPTION	REV
50	8305645	4	Nut, Lock 3/8-16	
51	8305646	3	Nut, Lock 3/4-16	
52	8305906	2	Nut, Retainer 5/16-18	
53	8307004	2	Washer, Lock 5/16	
54	8307005	74	Washer, Lock 3/8	
55	8307007	1	Washer, Lock 1/2	
56	8307104	3	Washer, Plain 3/4	
57	8307106	2	Washer, Plain 5/16	
58	8307204	52	Washer, Plain 3/8	
59	8307904	AR	Washer, Shim	
60	8307910	AR	Washer, Shim	
61	8307911	AR	Washer, Shim	
62	8307918	2	Washer, Shim	
63	8310019	4	Screw, Shoulder 1/2X1-1/2X3/8-16	
64	8310020	1	Screw, Shoulder 5/8X1-1/2X1/2-13	
65	8310093	AR	Washer, Shim	
66	8310431	1	Washer, Lock 5/16	
67	8310497	1	Screw, Thumb 5/16-18X1-1/2	
68	8520001	3	Fitting, Straight Lube 1/8	
69	8520003	1	Fitting, 90 Lube 1/8	
70	8520013	2	Fitting, Straight Lube 1/8	
71	8522012	AR	Lube, Anti-Seize	
72	8526007	AR	Compound, Thread Locking	
73	8642224	6	Ring, Retaining	
74	8750003	4	Clamp, Half 5/8	
75	8760465	2	Adapter, Bulkhead Nut	
76	8760468	2	Adapter, Bulkhead Nut	
77	8769122	3	Clamp Set, Twin 5/8	
78	8769123	3	Cover Plate, Twin	
79	8769128	2	Cover Plate, Twin	
80	8769139	1	Clamp Set, Twin 3/4	
82	8769161	2	Clamp, Half 3/4	
83	1001097735	1	Pin, Extend Chain Sheave	
84	1001101845	1	Installation, Bushing Sheave (See BUSHING SHEAVE INSTALLATION for Breakdown)	
85	1001155921	1	Boom, Second Section	
86	1001155923	1	Boom, Third Section ( <b>Prior to SN 0160075687, Excluding 0160075671, 0160075672, 0160075673, 0160075674, 0160075675, 0160075676, 0160075677, 0160075678, 0160075679, 0160075681 and 0160075682</b> )	
86	1001210819	1	Installation, Fly Boom - 8042 & 10042 (See FLY BOOM INSTALLATION - 8042 & 10042 for Breakdown) ( <b>SN 0160075687 to Present, Including 0160075671, 0160075672, 0160075673, 0160075674, 0160075675, 0160075676, 0160075677, 0160075678, 0160075679, 0160075681 and 0160075682</b> )	
87	1001156011	1	Cylinder, Extend/Retract (See HYDRAULIC COMPONENTS for Breakdown)	
88	2713452	1	Hose	
89	2713452	1	Hose	
90	2716618	1	Cylinder, Fork Tilt (See Separate Breakdown in HYDRAULIC COMPONENTS Section) ( <b>Prior to SN 0160078728</b> )	
90	1001180763	1	Cylinder, Fork Tilt (See Separate Breakdown in HYDRAULIC COMPONENTS Section) ( <b>SN 0160078728 to Present</b> )	
91	7125811	1	Conduit, 3/4X8	

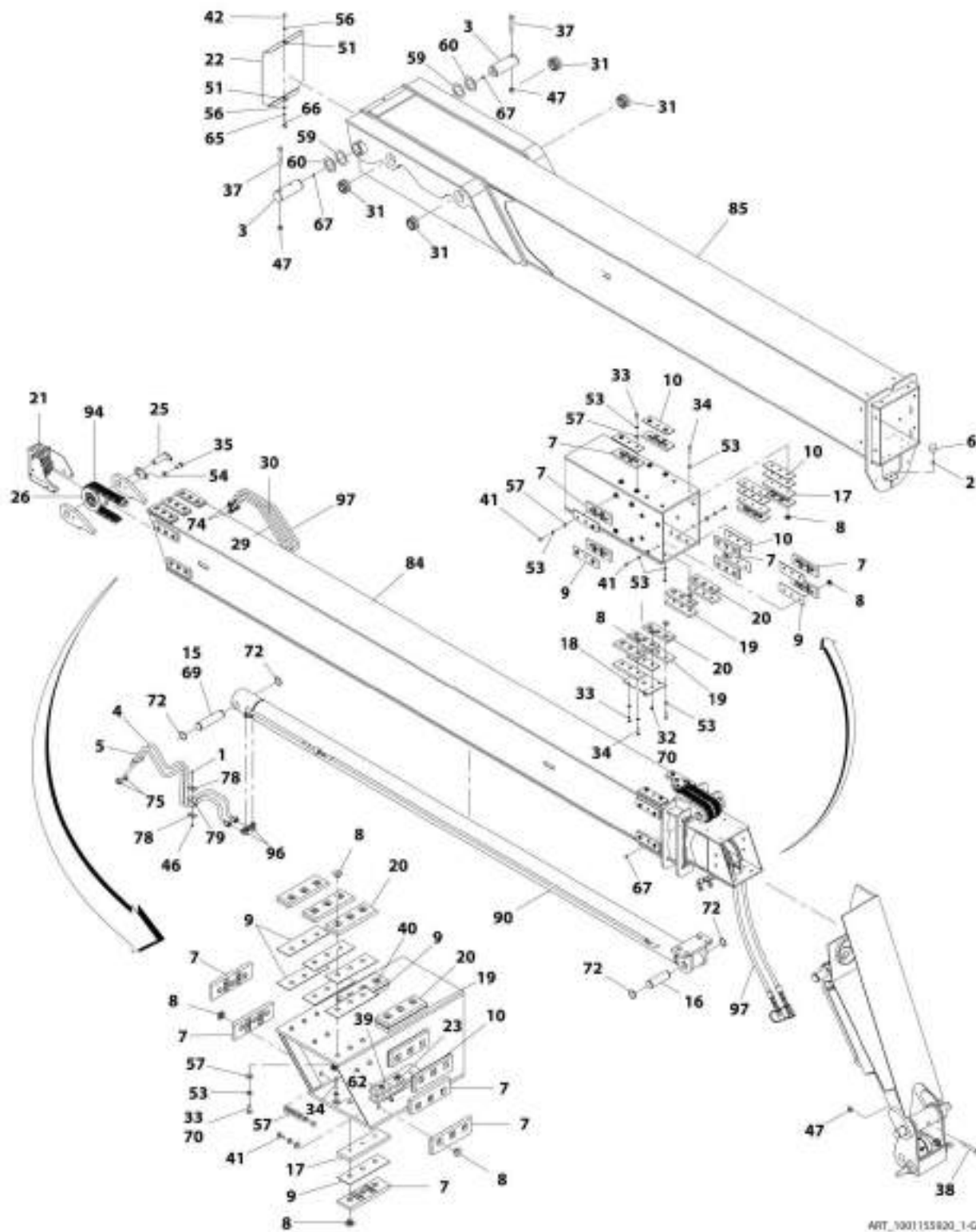
## SECTION 2 - BOOM

ITEM	PART NUMBER	QTY	DESCRIPTION	REV
92	7139690	1	Assembly, Extend Chain and Clevis (See EXTEND CHAIN AND CLEVIS ASSEMBLY - 8042 & 10042 for Breakdown)	
93	7139690	1	Assembly, Extend Chain and Clevis (See EXTEND CHAIN AND CLEVIS ASSEMBLY - 8042 & 10042 for Breakdown)	
94	7139692	1	Assembly, Retract Chain and Clevis (See RETRACT CHAIN AND CLEVIS ASSEMBLY for Breakdown)	
95	2220373	2	Adapter, Straight	
96	2220578	2	Adapter, 90	
97	7300678	1	Installation, Boom Auxiliary Hydraulics (See BOOM AUXILIARY HYDRAULICS INSTALLATION - 8042 & 10042 for Breakdown)	

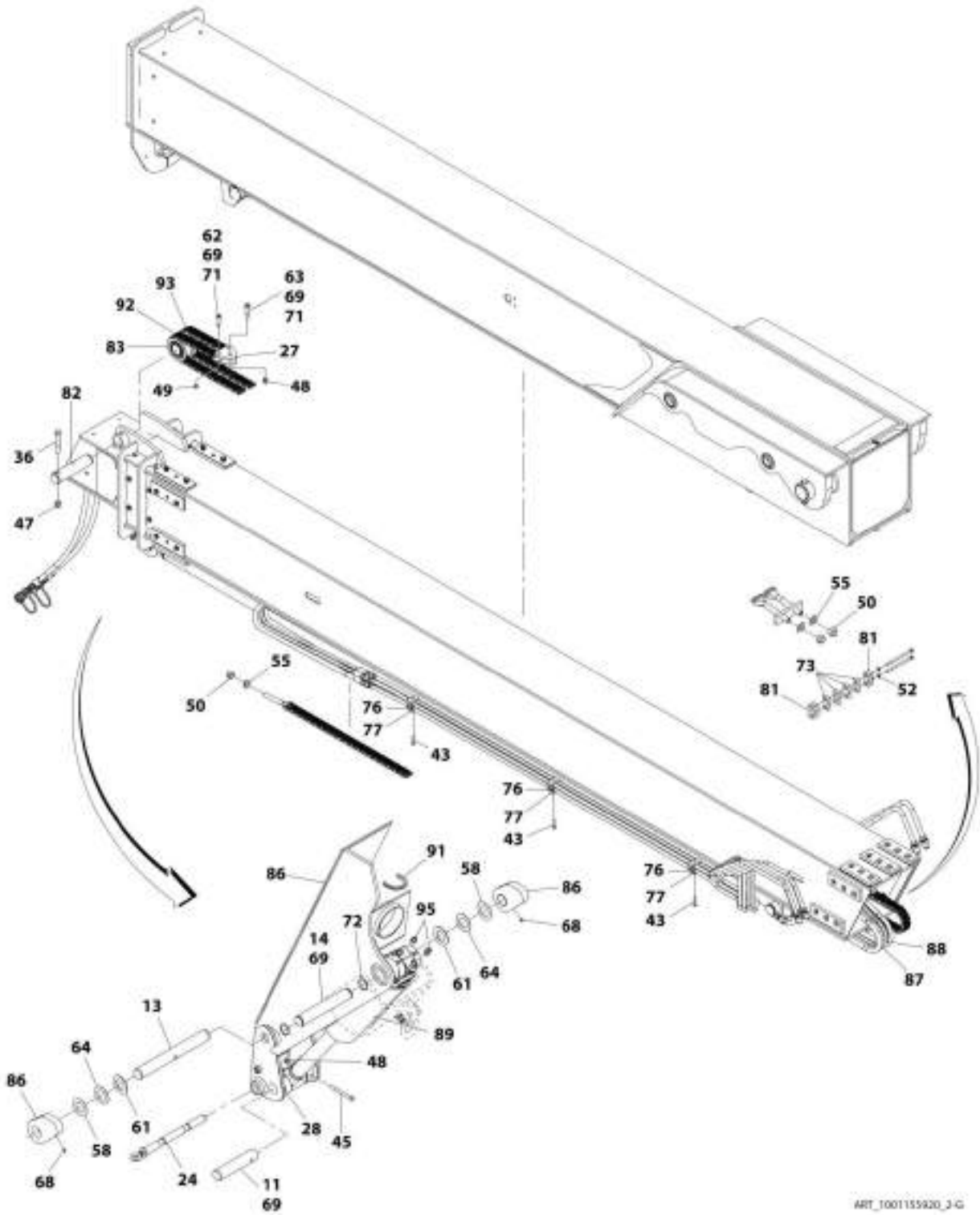


# SECTION 2 - BOOM

## FIGURE 2-2. BOOM INSTALLATION - 10042



# SECTION 2 - BOOM



ART\_1001155920\_3-G

## SECTION 2 - BOOM

FIGURE 2-2. BOOM INSTALLATION - 10042

ITEM	PART NUMBER	QTY	DESCRIPTION	REV
	1001155920	Ref	Boom Installation - 10042	G
1	0641520	1	Bolt, 5/16-18X2-1/2	
2	3311601	1	Nut, 3/8-16	
3	3423226	2	Pin, Boom Pivot	
4	3460383	1	Tube	
5	3460384	1	Tube	
6	5724622	1	Bumper, Rubber	
7	7079572	22	Pad, Wear	
8	7082311	73	Insert, Wear Pad	
9	7082342	AR	Shim, Wear Pad	
10	7082362	AR	Shim, Wear Pad	
11	7083992	1	Pin, Rod End	
13	7095352	1	Pin, Carriage Pivot	
14	7095522	1	Pin, Base End	
15	7096552	1	Pin, Base End	
16	7096562	1	Pin, Rod End	
17	7096702	4	Spacer, Wear Pad	
18	7096772	1	Spacer, Wear Pad	
19	7096882	6	Spacer, Wear Pad	
20	7111572	30	Pad, Wear	
21	7116733	1	Assembly, Hose Pulley (See HOSE PULLEY ASSEMBLY for Breakdown)	
22	7116792	1	Cover	
23	7117031	2	Link	
24	7118892	1	Assembly, Lock Pin (See LOCK PIN ASSEMBLY for Breakdown)	
25	7138977	1	Pin, Retract Chain Sheave	
26	7138986	1	Sheave, Retract Chain	
27	7139180	2	Yoke, Extend Chain	
28	7139864	1	Assembly, Quick Attach (See QUICK ATTACH ASSEMBLY for Breakdown)	
29	7300672	1	Tube	
30	7300673	1	Tube	
31	8065640	4	Bearing, Self-Align	
32	8303041	3	Bolt, 3/8-16X1/2	
33	8303620	18	Bolt, 3/8-16X1	
34	8303621	18	Bolt, 3/8-16X1-1/2	
35	8303624	1	Bolt, 1/2-13X1	
36	8303634	1	Bolt, 5/8-11X4	
37	8303655	2	Bolt, 5/8-11X4-1/2	
38	8303666	1	Bolt, 5/8-11X5	
39	8303675	2	Bolt, 3/8-16X1-1/4	
40	8303679	6	Bolt, 3/8-16X1-3/4	
41	8303681	30	Bolt, 3/8-16X3/4	
42	8303697	1	Bolt, 5/16-18X3/4	
43	8303715	3	Bolt, 5/16-18X1-1/2	
45	8303772	1	Bolt, 1/2-13X5	
46	8305626	1	Nut, Lock 5/16-18	
47	8305643	4	Nut, Lock 5/8-11	
48	8305644	2	Nut, Lock 1/2-13	
49	8305645	4	Nut, Lock 3/8-16	

## SECTION 2 - BOOM

ITEM	PART NUMBER	QTY	DESCRIPTION	REV
50	8305646	3	Nut, Lock 3/4-16	
51	8305906	2	Nut, Retainer 5/16-18	
52	8307004	2	Washer, Lock 5/16	
53	8307005	74	Washer, Lock 3/8	
54	8307007	1	Washer, Lock 1/2	
55	8307104	3	Washer, Plain 3/4	
56	8307106	2	Washer, Plain 5/16	
57	8307204	52	Washer, Plain 3/8	
58	8307904	AR	Washer, Shim	
59	8307910	AR	Washer, Shim	
60	8307911	AR	Washer, Shim	
61	8307918	2	Washer, Shim	
62	8310019	4	Screw, Shoulder 1/2X1-1/2X3/8-16	
63	8310020	1	Screw, Shoulder 5/8X1-1/2X1/2-13	
64	8310093	AR	Washer, Shim	
65	8310431	1	Washer, Lock 5/16	
66	8310497	1	Screw, Thumb 5/16-18X1-1/2	
67	8520001	3	Fitting, Straight Lube 1/8	
68	8520013	2	Fitting, Straight Lube 1/8	
69	8522012	AR	Lube, Anti-Seize	
70	8526007	AR	Compound, Thread Locking	
71	8526406	AR	Sealant, Varnish	
72	8642224	6	Ring, Retaining	
73	8750003	4	Clamp, Half 5/8	
74	8760465	2	Adapter, Bulkhead Nut	
75	8760468	2	Adapter, Bulkhead Nut	
76	8769122	3	Clamp Set, Twin 5/8	
77	8769123	3	Cover Plate, Twin	
78	8769128	2	Cover Plate, Twin	
79	8769139	1	Clamp Set, Twin 3/4	
81	8769161	2	Clamp, Half 3/4	
82	1001097735	1	Pin, Extend Chain Sheave	
83	1001101845	1	Installation, Bushing Sheave (See BUSHING SHEAVE INSTALLATION for Breakdown)	
84	1001155921	1	Boom, Second Section	
85	7302010	1	Boom, First Section	
86	1001155923	1	Boom, Third Section ( <b>Prior to SN 0160075687, Excluding 0160075671, 0160075672, 0160075673, 0160075674, 0160075675, 0160075676, 0160075677, 0160075678, 0160075679, 0160075681 and 0160075682</b> )	
86	1001210819	1	Installation, Fly Boom - 8042 & 10042 (See FLY BOOM INSTALLATION - 8042 & 10042 for Breakdown) ( <b>SN 0160075687 to Present, Including 0160075671, 0160075672, 0160075673, 0160075674, 0160075675, 0160075676, 0160075677, 0160075678, 0160075679, 0160075681 and 0160075682</b> )	
87	2713452	1	Hose	
88	2713452	1	Hose	
89	2716618	1	Cylinder, Fork Tilt (See Separate Breakdown in HYDRAULIC COMPONENTS Section) ( <b>Prior to SN 0160078728</b> )	
89	1001180763	1	Cylinder, Fork Tilt (See Separate Breakdown in HYDRAULIC COMPONENTS Section) ( <b>SN 0160078728 to Present</b> )	
90	1001156010	1	Cylinder, Extend/Retract (See HYDRAULIC COMPONENTS for Breakdown)	
91	7125811	1	Conduit, 3/4X8	

## SECTION 2 - BOOM

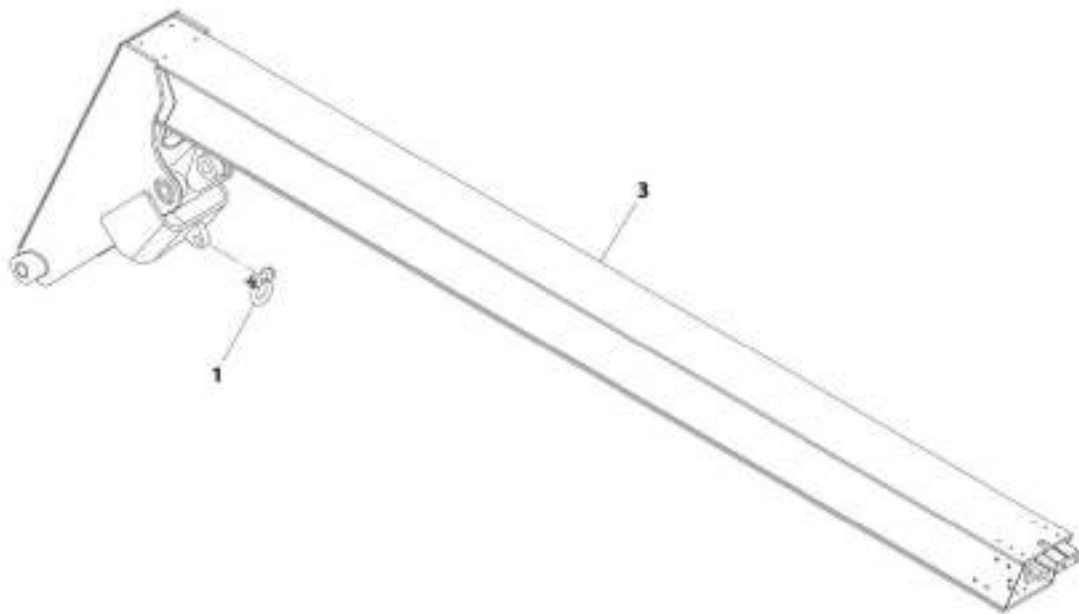
ITEM	PART NUMBER	QTY	DESCRIPTION	REV
92	7139690	1	Assembly, Extend Chain and Clevis (See EXTEND CHAIN AND CLEVIS ASSEMBLY - 8042 & 10042 for Breakdown)	
93	7139690	1	Assembly, Extend Chain and Clevis (See EXTEND CHAIN AND CLEVIS ASSEMBLY - 8042 & 10042 for Breakdown)	
94	7139692	1	Assembly, Retract Chain and Clevis (See RETRACT CHAIN AND CLEVIS ASSEMBLY for Breakdown)	
95	2220373	2	Adapter, Straight	
96	2220578	2	Adapter, 90	
97	7300678	1	Installation, Boom Auxiliary Hydraulics (See BOOM AUXILIARY HYDRAULICS INSTALLATION - 8042 & 10042 for Breakdown)	





## SECTION 2 - BOOM

**FIGURE 2-3. FLY BOOM INSTALLATION - 8042 & 10042 (SN 0160075687 to Present, Including 0160075671, 0160075672, 0160075673, 0160075674, 0160075675, 0160075676, 0160075677, 0160075678, 0160075679, 0160075681 and 0160075682)**



AST\_1001210410-R

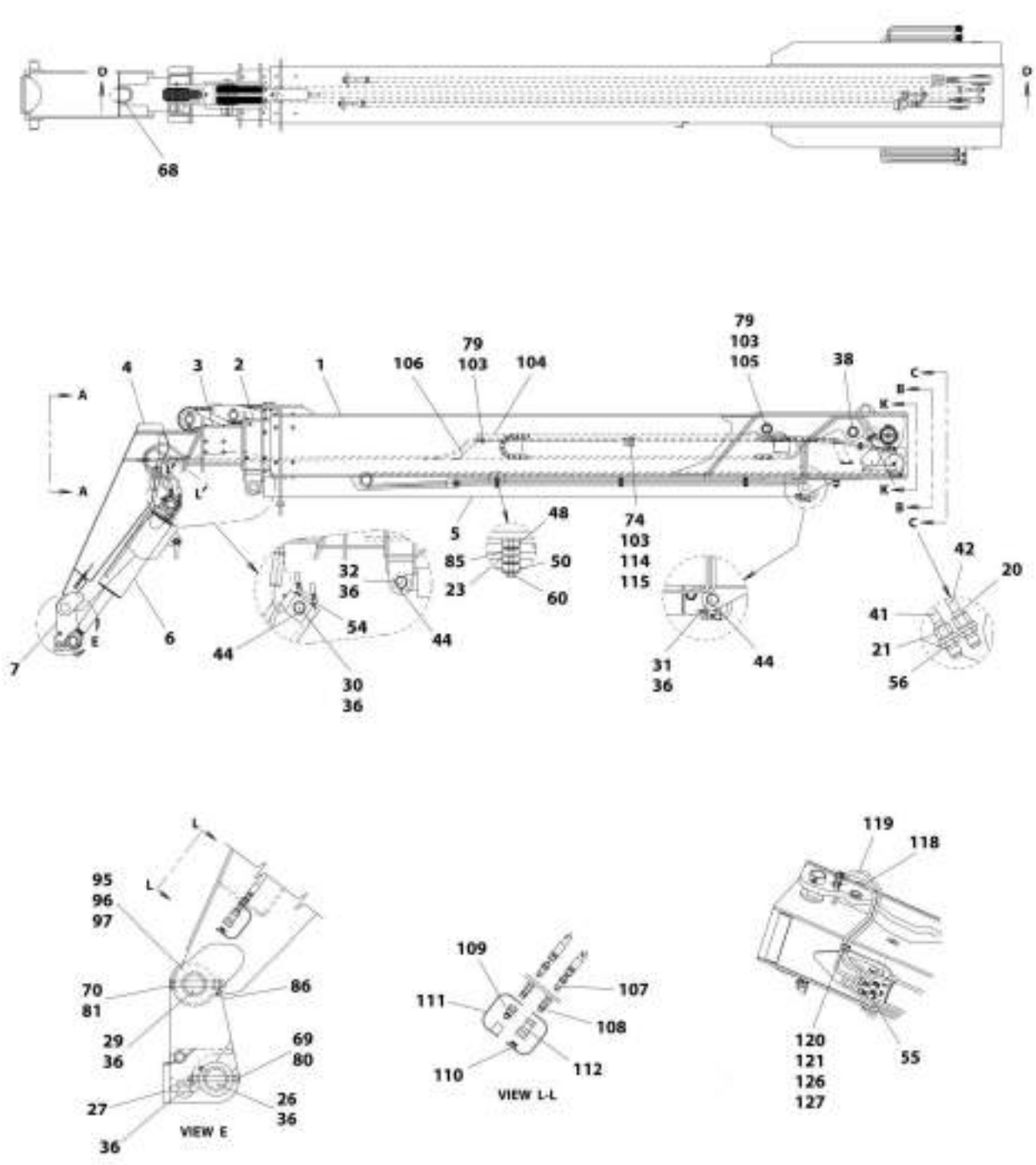
## SECTION 2 - BOOM

**FIGURE 2-3. FLY BOOM INSTALLATION - 8042 & 10042 (SN 0160075687 to Present, Including 0160075671, 0160075672, 0160075673, 0160075674, 0160075675, 0160075676, 0160075677, 0160075678, 0160075679, 0160075681 and 0160075682)**

ITEM	PART NUMBER	QTY	DESCRIPTION	REV
	1001210819	Ref	Fly Boom Installation - 8042 & 10042	B
1	1001204045	1	Clevis, Bolt	
3	1001210808	1	Weldment, Boom	

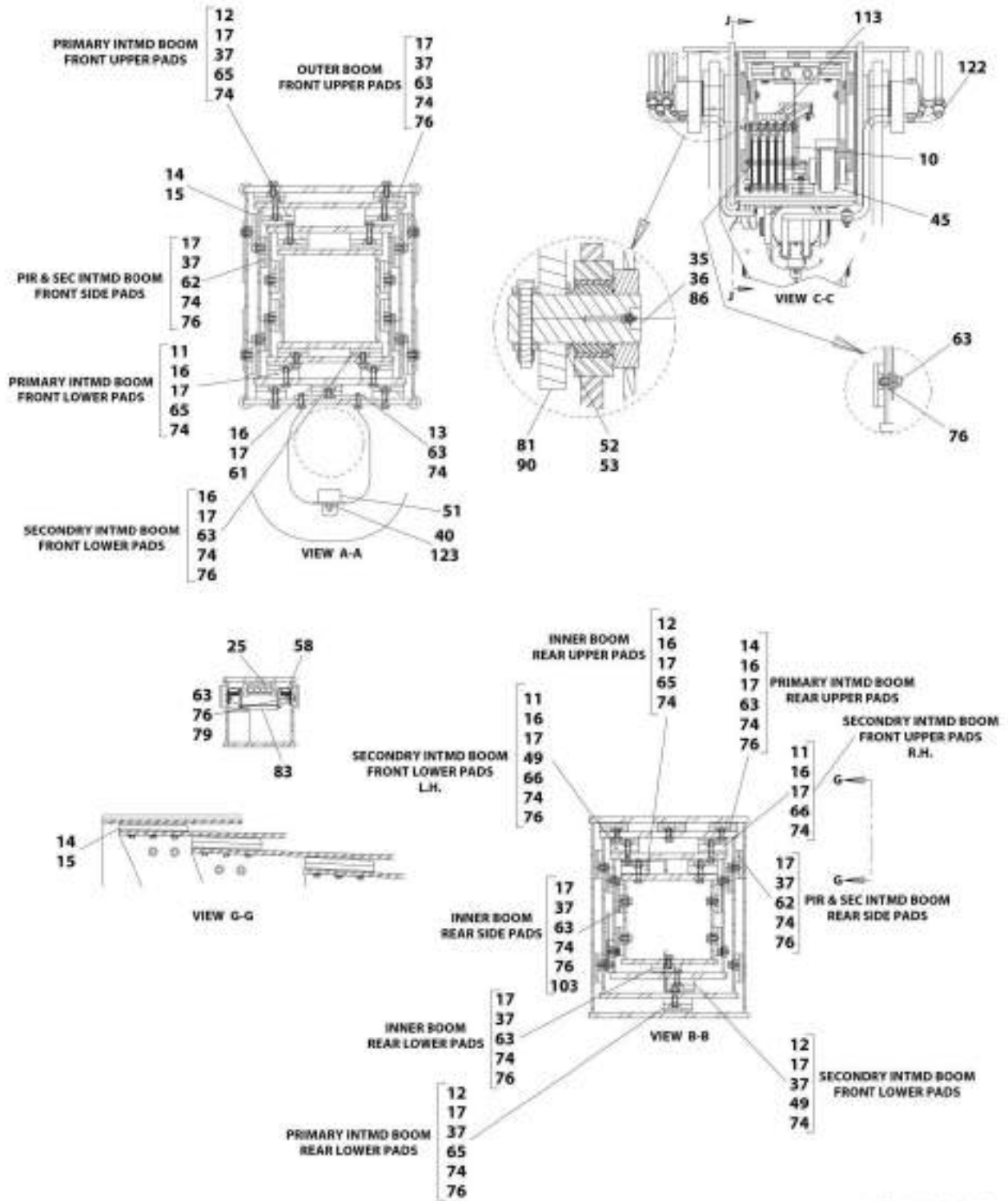
# SECTION 2 - BOOM

FIGURE 2-4. BOOM INSTALLATION - 10054



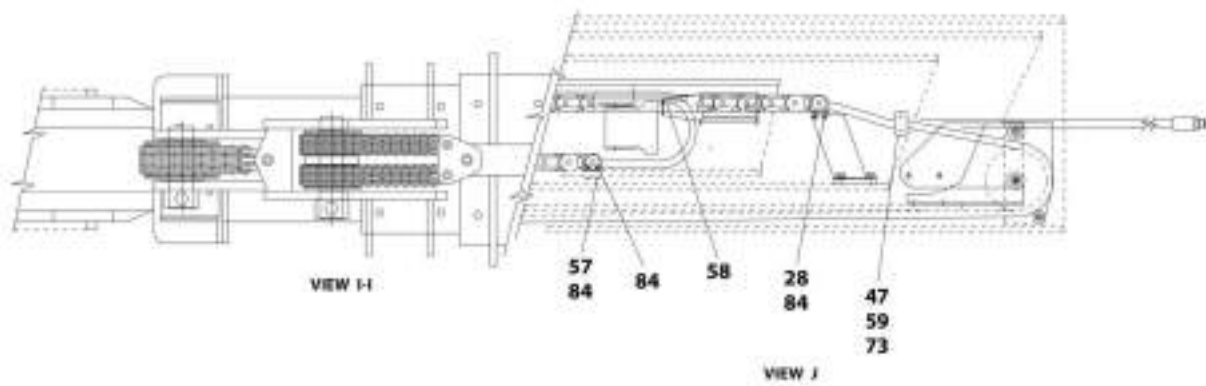
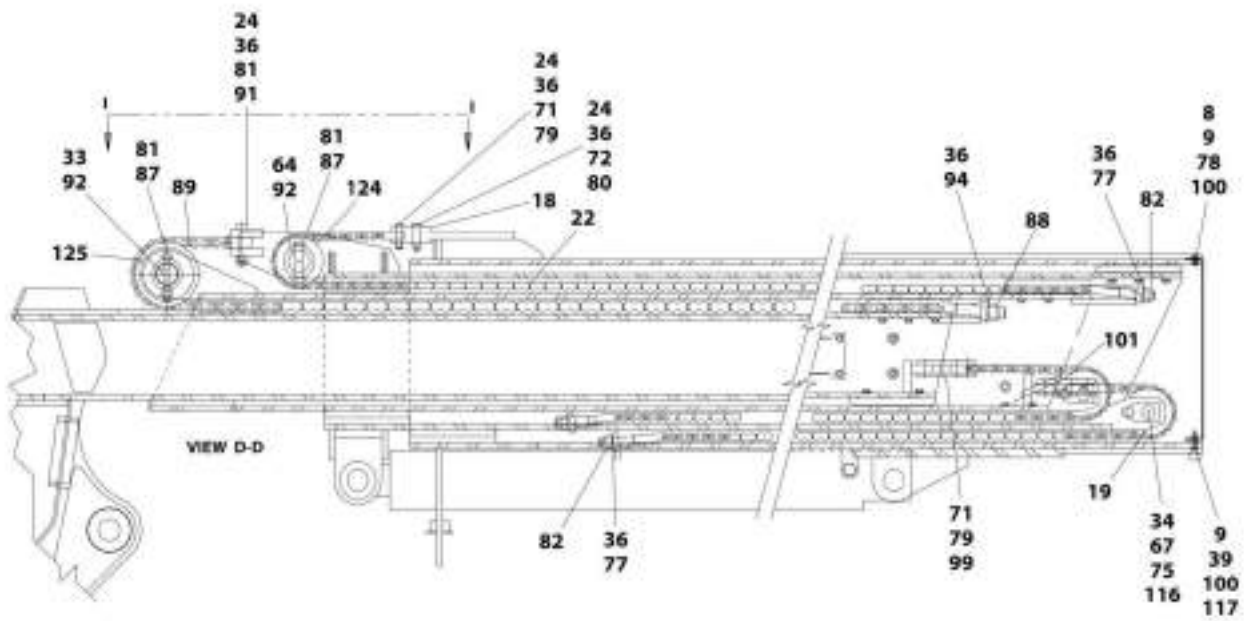
ART\_1001155879\_1-0

# SECTION 2 - BOOM



AWT\_1001133870\_2-G

# SECTION 2 - BOOM



ART\_100155870\_3-0

## SECTION 2 - BOOM

### FIGURE 2-4. BOOM INSTALLATION - 10054

ITEM	PART NUMBER	QTY	DESCRIPTION	REV
	1001155870	Ref	Boom Installation - 10054	G
1	7302010	1	Boom, First Section	
2	1001155869	1	Boom, Second Section	
3	1001155867	1	Boom, Third Section	
4	1001155868	1	Boom, Fourth Section <b>(Prior to SN 0160075687, Excluding 0160075671, 0160075672, 0160075673, 0160075674, 0160075675, 0160075676, 0160075677, 0160075678, 0160075679, 0160075681 and 0160075682)</b>	
4	1001210820	1	Installation, Fly Boom (See FLY BOOM INSTALLATION - 10054 for Breakdown) <b>(SN 0160075687 to Present, Including 0160075671, 0160075672, 0160075673, 0160075674, 0160075675, 0160075676, 0160075677, 0160075678, 0160075679, 0160075681 and 0160075682)</b>	
5	1001156009	1	Cylinder, Extend/Retract (See HYDRAULIC COMPONENTS for Breakdown)	
6	2716618	1	Cylinder, Fork Tilt (See Separate Breakdown in HYDRAULIC COMPONENTS Section) <b>(Prior to SN 0160078728)</b>	
6	1001180763	1	Cylinder, Fork Tilt (See Separate Breakdown in HYDRAULIC COMPONENTS Section) <b>(SN 0160078728 to Present)</b>	
7	7139864	1	Assembly, Quick Attach (See QUICK ATTACH ASSEMBLY for Breakdown)	
8	7116792	1	Cover	
9	8305906	2	Nut, Retainer 5/16-18	
10	7116733	1	Assembly, Hose Pulley (See HOSE PULLEY ASSEMBLY for Breakdown)	
11	7096882	6	Spacer, Wear Pad	
12	7096702	8	Spacer, Wear Pad	
13	7096772	1	Spacer, Wear Pad	
14	7082342	AR	Shim, Wear Pad	
15	7082362	AR	Shim, Wear Pad	
16	7111572	14	Pad, Wear	
17	7082311	107	Insert, Wear Pad	
18	7139180	2	Yoke, Extend Chain	
19	7138986	2	Sheave, Retract Chain	
20	7300675	1	Tube	
21	7300674	1	Tube	
22	7139690	2	Assembly, Extend Chain and Clevis (See EXTEND CHAIN AND CLEVIS ASSEMBLY for Breakdown)	
23	8750017	3	Lock Plate, Twin Clamp	
24	8526406	AR	Sealant, Varnish	
25	7112452	1	Assembly, Hose and Carrier (See HOSE AND CARRIER ASSEMBLY - 10054 for Breakdown)	
26	7083992	1	Pin, Rod End	
27	7118892	1	Assembly, Lock Pin (See LOCK PIN ASSEMBLY for Breakdown)	
28	8310026	4	Bolt, 1/4-20X3/4	
29	7095352	1	Pin, Carriage Pivot	
30	7095522	1	Pin, Base End	
31	7096552	1	Pin, Base End	
32	7096562	1	Pin, Rod End	
33	7117582	1	Pin, Extend Chain Sheave	
34	7138977	2	Pin, Retract Chain Sheave	
35	3423226	2	Pin, Boom Pivot	
36	8522012	AR	Lube, Anti-Seize	

## SECTION 2 - BOOM

ITEM	PART NUMBER	QTY	DESCRIPTION	REV
37	7079572	33	Pad, Wear	
38	8065640	4	Bearing, Spherical	
39	8310497	1	Screw, Thumb 5/16-18X1-1/2	
40	8526007	AR	Compound, Thread Locking	
41	7300672	1	Tube	
42	7300673	1	Tube	
44	8642224	6	Ring, Retaining	
45	7112732	1	Support, Hose Clamp	
47	8750003	8	Clamp, Half 5/8	
48	8769122	6	Clamp Set, Twin 5/8	
49	8303622	4	Bolt, 3/8-16X2	
50	8769123	3	Cover Plate, Twin	
51	5724622	1	Bumper, Rubber	
52	8307910	AR	Washer, Shim	
53	8307911	AR	Washer, Shim	
54	2220500	2	Adapter, 45	
55	2220578	2	Adapter, 90	
56	8760465	4	Adapter, Bulkhead Nut	
57	8303540	4	Bolt, 1/4-20X1	
58	5746411	2	Moulding	
59	8310081	2	Bolt, 5/16-18X5	
60	8303715	3	Bolt, 5/16-18X1-1/2	
61	8303041	3	Bolt, 3/8-16X1/2	
62	8303681	38	Bolt, 3/8-16X3/4	
63	8303620	34	Bolt, 3/8-16X1	
64	1001097735	1	Pin, Extend Chain Sheave	
65	8303621	28	Bolt, 3/8-16X1-1/2	
66	8303679	4	Bolt, 3/8-16X1-3/4	
67	8303624	2	Bolt, 1/2-13X1	
68	7125811	1	Conduit, 3/4X8	
69	8303772	1	Bolt, 1/2-13X5	
70	8303666	1	Bolt, 5/8-11X5	
71	8310019	6	Screw, Shoulder 1/2X1-1/2X3/8-16	
72	8310020	1	Screw, Shoulder 5/8X1-1/2X1/2-13	
73	8307004	2	Washer, Lock 5/16	
74	8307005	110	Washer, Lock 3/8	
75	8307007	2	Washer, Lock 1/2	
76	8307204	83	Washer, Plain 3/8	
77	8307104	4	Washer, Plain 3/4	
78	8303697	1	Bolt, 5/16-18X3/4	
79	8305645	12	Nut, Lock 3/8-16	
80	8305644	2	Nut, Lock 1/2-13	
81	8305643	6	Nut, Lock 5/8-11	
82	8305646	4	Nut, Lock 3/4-16	
83	7114922	1	Guide	
84	8305624	8	Nut, Lock 1/4-20	
85	8750011	3	Bolt, Stack	
86	8520013	4	Fitting, Straight Lube 1/8	
87	8303634	2	Bolt, 5/8-11X4	
88	8310210	1	Nut, Lock 1-14	
89	7139693	1	Assembly, Extend Chain and Clevis (See EXTEND CHAIN AND CLEVIS ASSEMBLY - 10054 for Breakdown)	

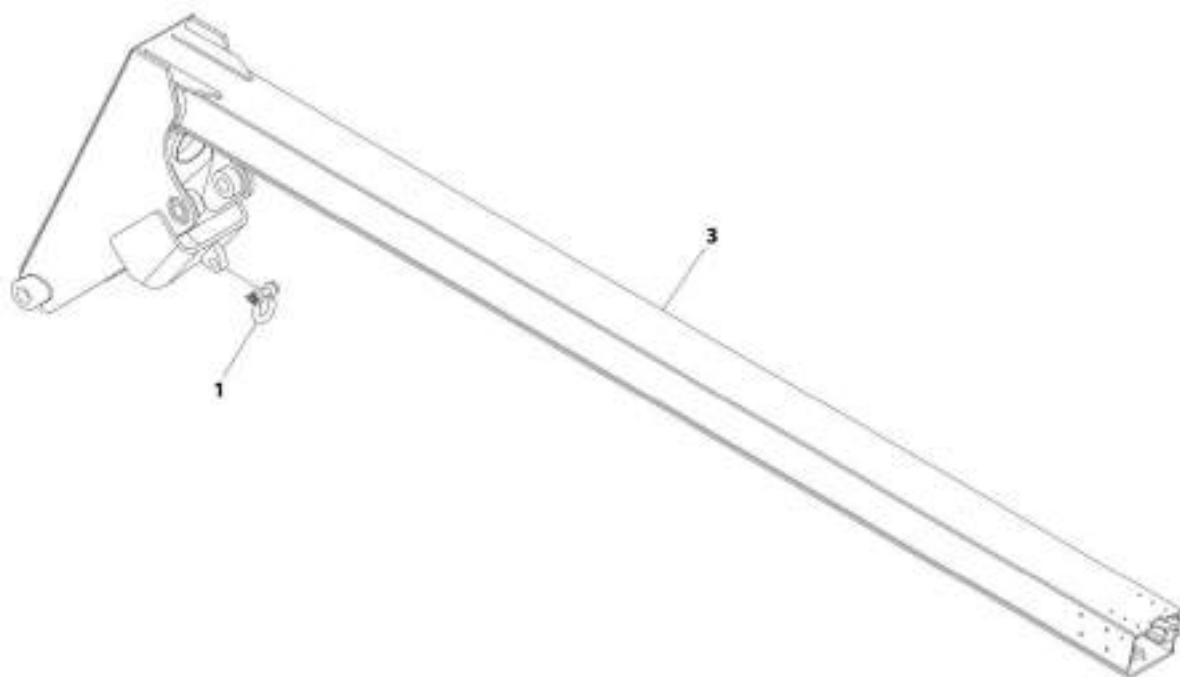


## SECTION 2 - BOOM

ITEM	PART NUMBER	QTY	DESCRIPTION	REV
90	8303655	2	Bolt, 5/8-11X4-1/2	
91	8310205	1	Bolt, Shoulder 3/4X2-1/2X5/8-11	
92	8520001	2	Fitting, Straight Lube 1/8	
94	8310066	1	Washer, Flat 1	
95	8307918	2	Washer, Shim	
96	8310093	AR	Washer, Shim	
97	8307904	AR	Washer, Shim	
99	7117031	4	Link	
100	8307106	2	Washer, Plain 5/16	
101	7139692	2	Assembly, Retract Chain and Clevis (See RETRACT CHAIN AND CLEVIS ASSEMBLY for Breakdown)	
102	8526048	AR	Sealant (not shown)	
103	8303738	8	Bolt, 3/8-16X7/8	
104	7110172	2	Guide, Hose Carrier	
105	7127862	2	Support, Hose Guide, Rear	
106	7127852	1	Support, Hose Guide, Front	
107	2230025	2	Adapter, Bulkhead Straight	
108	2220651	2	Adapter, Straight	
109	91403414	1	Adapter, Quick Disconnect	
110	8420055	1	Plug, Dust	
111	8420053	1	Cap, Dust	
112	91403413	1	Adapter, Quick Disconnect	
113	7111402	1	Support, Clamp	
114	7138468	1	Clip	
115	8310113	2	Nut, Cage 3/8-16	
116	8520003	2	Fitting, 90 Lube 1/8	
117	8310431	1	Washer, Lock 5/16	
118	3460383	1	Tube	
119	3460384	1	Tube	
120	8305626	1	Nut, Lock 5/16-18	
121	8769139	1	Clamp Set, Twin 3/4	
122	8760468	2	Adapter, Bulkhead Nut	
123	3311601	1	Nut, 3/8-16	
124	1001101845	1	Installation, Bushing Sheave (See BUSHING SHEAVE INSTALLATION for Breakdown)	
125	1001101867	1	Installation, Bushing Sheave (See BUSHING SHEAVE INSTALLATION - 10054 for Breakdown)	
126	8769128	2	Cover Plate, Twin	
127	0641520	1	Bolt, 5/16-18X2-1/2	

## SECTION 2 - BOOM

FIGURE 2-5. FLY BOOM INSTALLATION - 10054 (SN 0160075687 to Present, Including 0160075671, 0160075672, 0160075673, 0160075674, 0160075675, 0160075676, 0160075677, 0160075678, 0160075679, 0160075681 and 0160075682)



AST\_1001210830-B

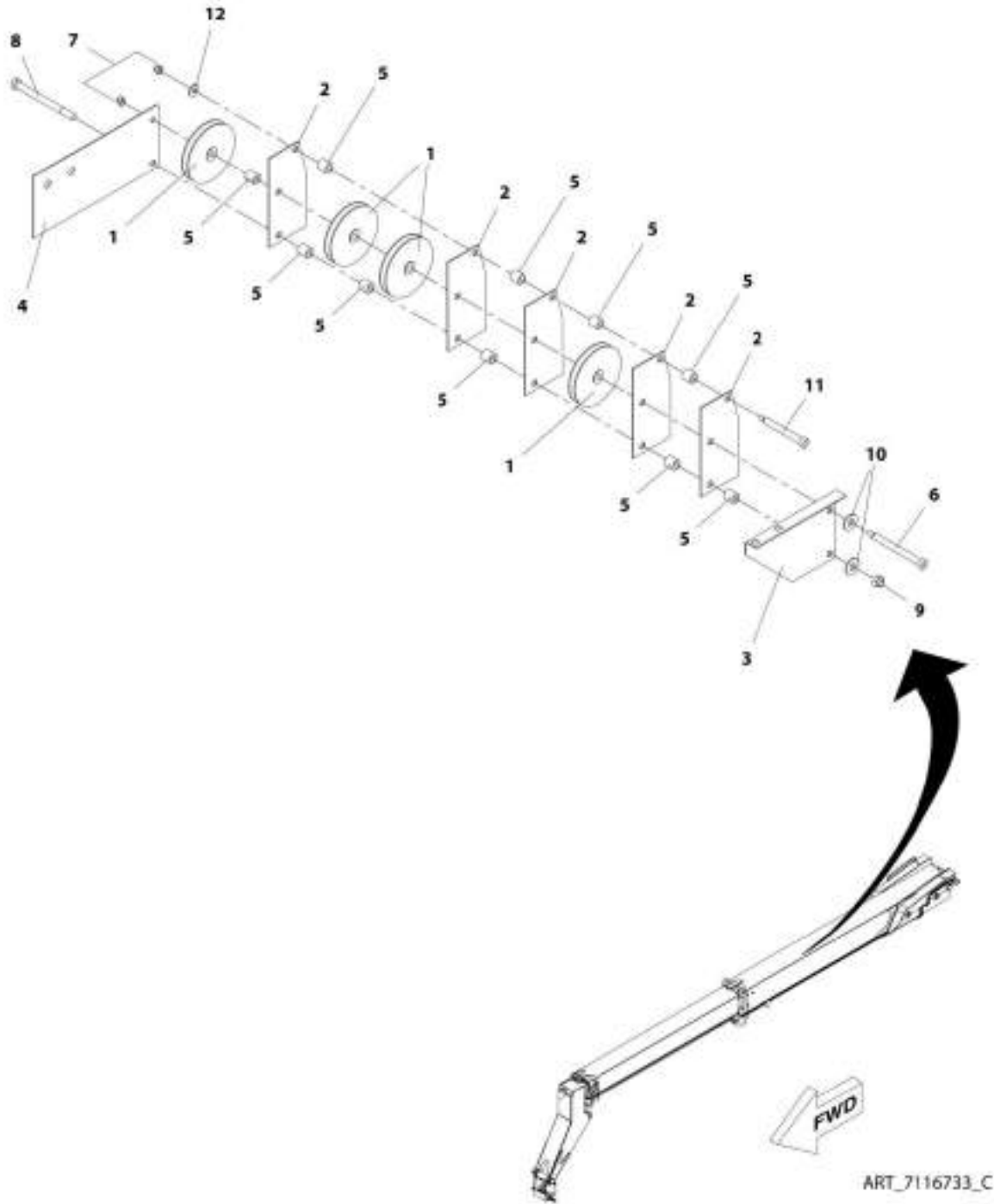
## SECTION 2 - BOOM

**FIGURE 2-5. FLY BOOM INSTALLATION - 10054 (SN 0160075687 to Present, Including 0160075671, 0160075672, 0160075673, 0160075674, 0160075675, 0160075676, 0160075677, 0160075678, 0160075679, 0160075681 and 0160075682)**

ITEM	PART NUMBER	QTY	DESCRIPTION	REV
	1001210820	Ref	Fly Boom Installation - 10054	B
1	1001204045	1	Clevis, Bolt	
3	1001210810	1	Weldment, Boom	

# SECTION 2 - BOOM

## FIGURE 2-6. HOSE PULLEY ASSEMBLY



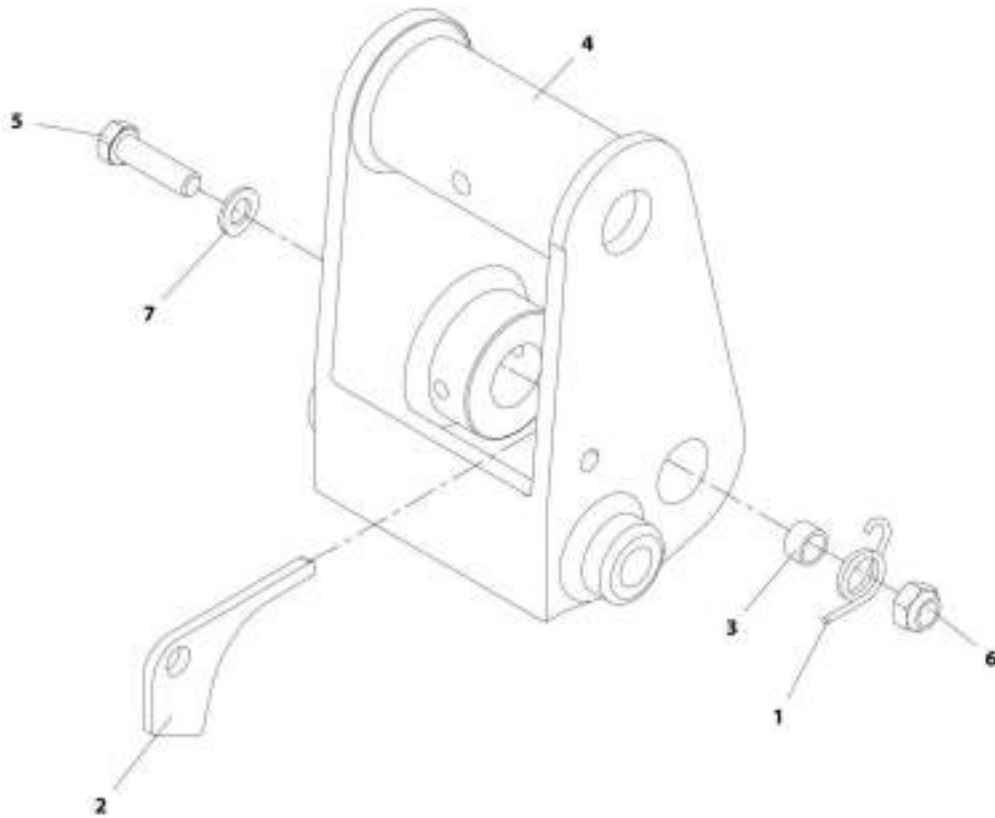
ART\_7116733\_C

FIGURE 2-6. HOSE PULLEY ASSEMBLY

ITEM	PART NUMBER	QTY	DESCRIPTION	REV
	7116733	Ref	Hose Pulley Assembly	C
1	7116812	4	Wheel, Roller	
2	7116642	5	Divider	
3	7116652	1	Bracket, RH	
4	7116662	1	Bracket, LH	
5	7116691	10	Spacer	
6	8310235	1	Screw, Shoulder 1/2X5	
7	8305645	2	Nut, Lock 3/8-16	
8	8310209	1	Bolt, 1/2-13X6	
9	8305644	1	Nut, Lock 1/2-13	
10	8307206	2	Washer, Plain 1/2	
11	8310245	1	Screw, Shoulder 1/2X4	
12	8307204	1	Washer, Plain 3/8	

## SECTION 2 - BOOM

FIGURE 2-7. QUICK ATTACH ASSEMBLY



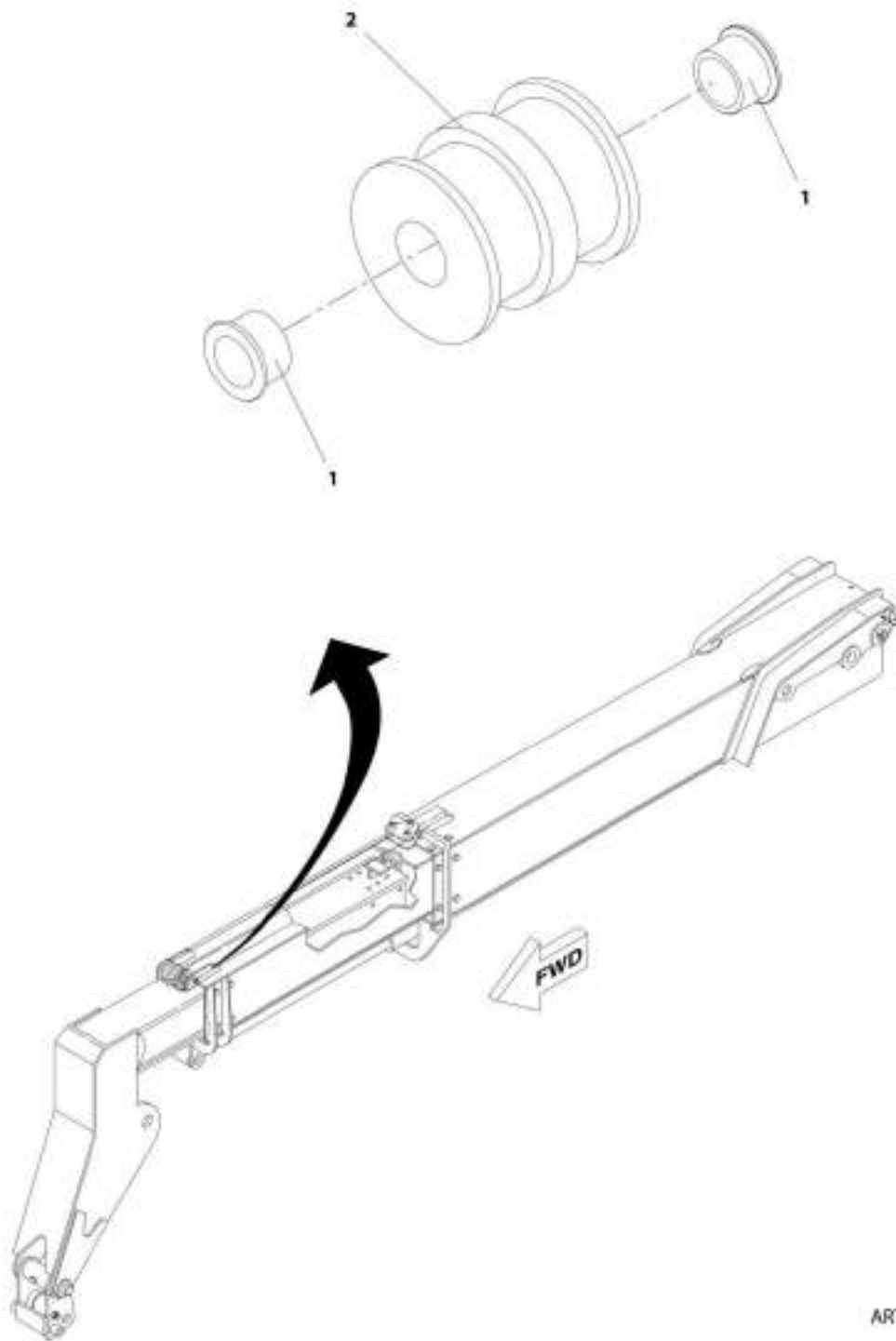
ART\_7139864\_B

FIGURE 2-7. QUICK ATTACH ASSEMBLY

ITEM	PART NUMBER	QTY	DESCRIPTION	REV
	7139864	Ref	Quick Attach Assembly	B
1	7085552	1	Spring, Torsion	
2	7085562	1	Latch	
3	7085571	1	Spacer	
4	7139863	1	Link	
5	8303638	1	Bolt, 3/4-10X2-3/4	
6	8305619	1	Nut, Lock 3/4-10	
7	8307104	1	Washer, Plain 3/4	

## SECTION 2 - BOOM

FIGURE 2-8. BUSHING SHEAVE INSTALLATION



ART\_1001101845-A

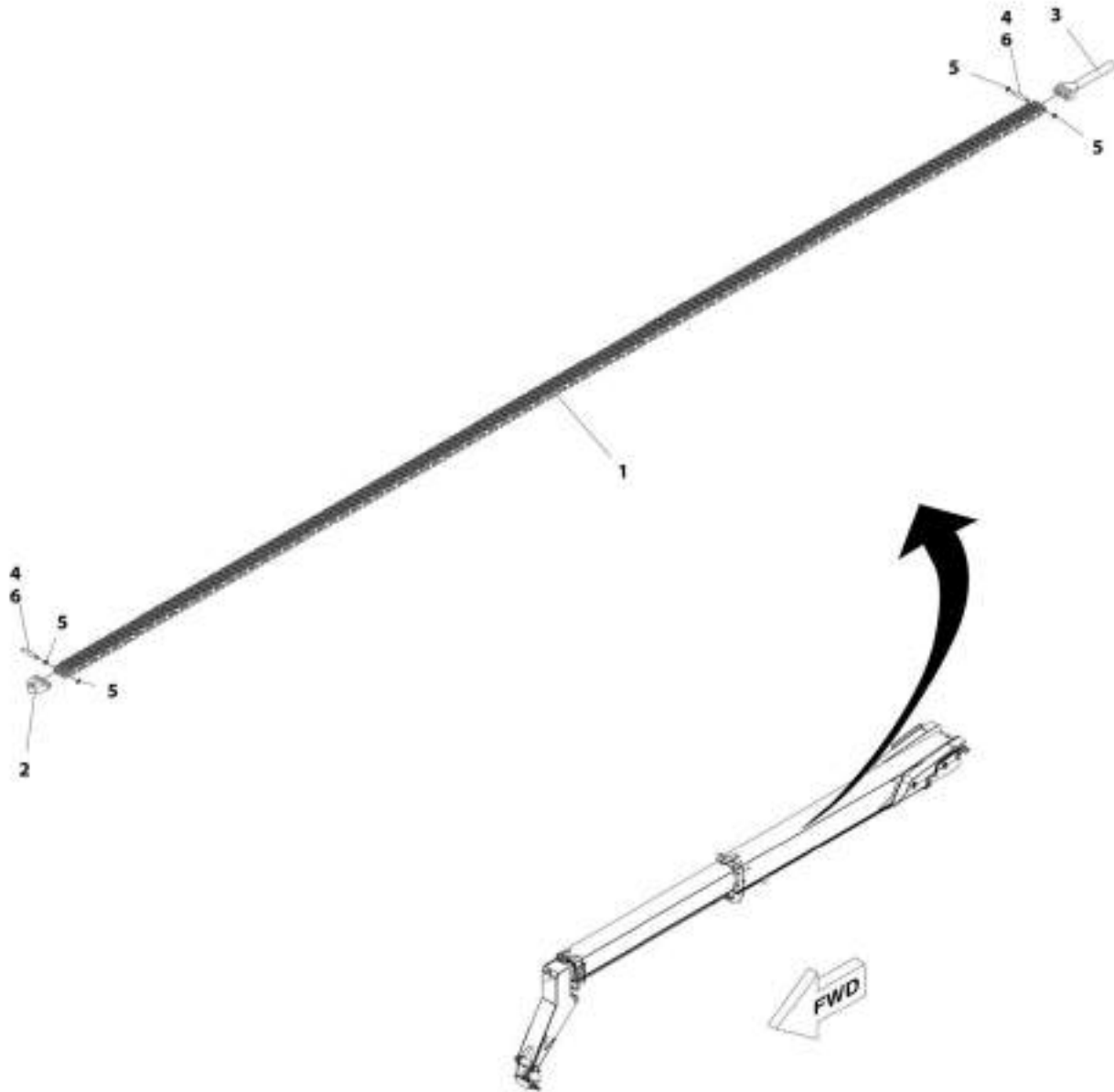


**FIGURE 2-8. BUSHING SHEAVE INSTALLATION**

<b>ITEM</b>	<b>PART NUMBER</b>	<b>QTY</b>	<b>DESCRIPTION</b>	<b>REV</b>
	1001101845	Ref	Bushing Sheave Installation	A
1	7114112	1	Sheave, Extend Chain	
2	7126662	1	Bushing, Sheave	

# SECTION 2 - BOOM

FIGURE 2-9. EXTEND CHAIN ASSEMBLY



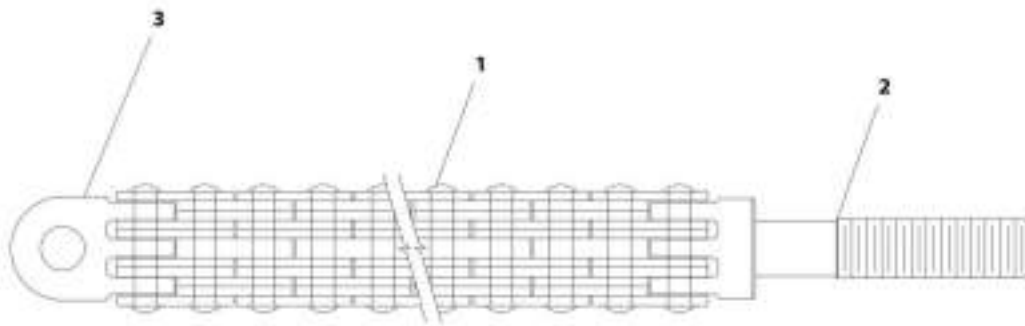
ART\_7139690\_B

FIGURE 2-9. EXTEND CHAIN ASSEMBLY

ITEM	PART NUMBER	QTY	DESCRIPTION	REV
	7139690	Ref	Extend Chain Assembly	B
1	8127022	1	Chain, Leaf	
2	7139416	1	Clevis, Female Anchor	
3	7139032	1	Clevis, Female Anchor	
4	8124138	2	Pin, Chain Clevis	
5	8642237	4	Ring, Retaining	
6	8522012	AR	Lube, Anti-Seize	

## SECTION 2 - BOOM

FIGURE 2-10. EXTEND CHAIN AND CLEVIS ASSEMBLY - 10054



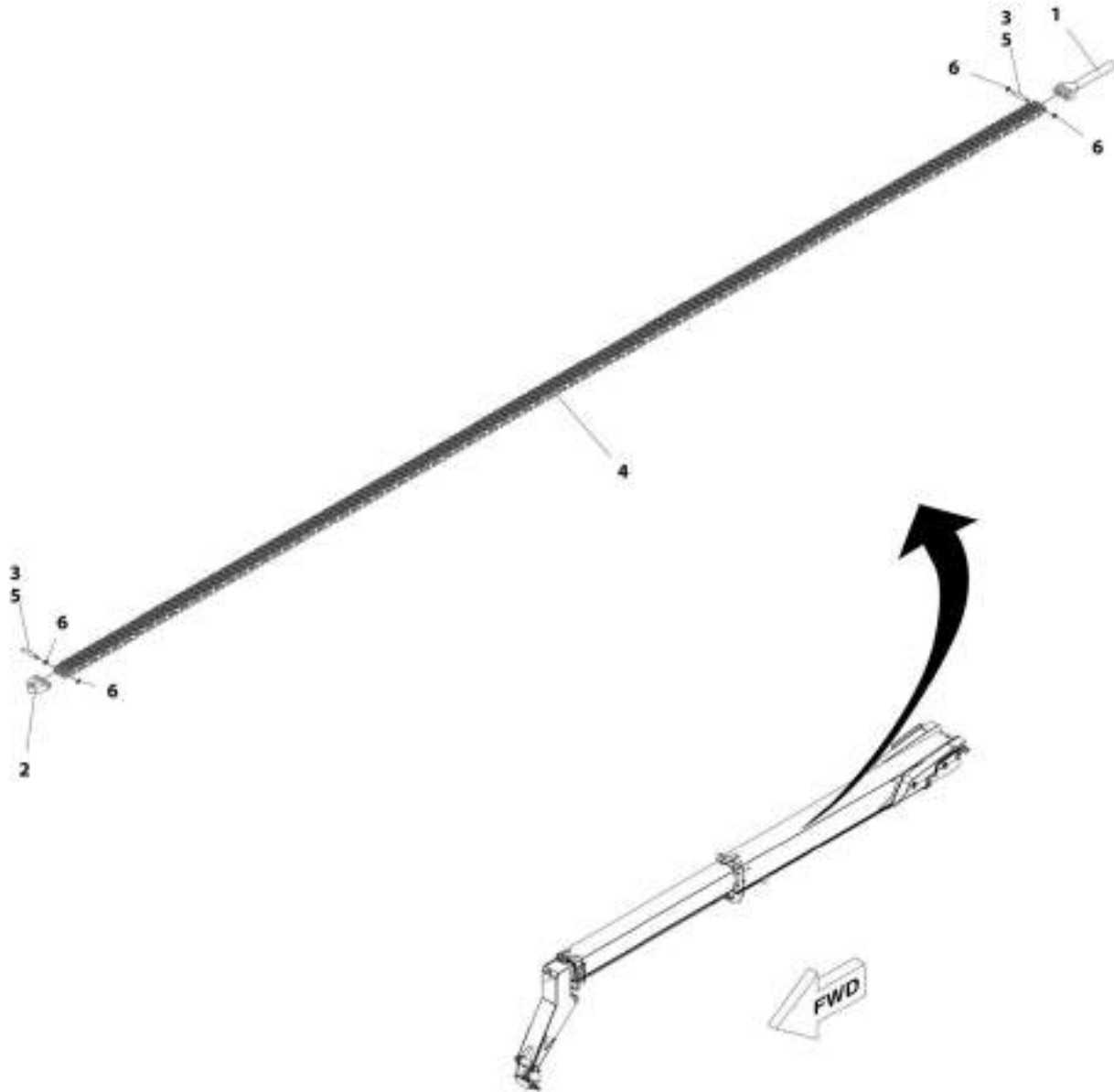
ART\_7150683-C

**FIGURE 2-10. EXTEND CHAIN AND CLEVIS ASSEMBLY - 10054**

<b>ITEM</b>	<b>PART NUMBER</b>	<b>QTY</b>	<b>DESCRIPTION</b>	<b>REV</b>
	7139693	Ref	Extend Chain and Clevis Assembly - 10054	C
1	8127009	1	Chain	
2	7113952	1	Clevis, Anchor	
3	7113982	1	Clevis, Anchor	

## SECTION 2 - BOOM

FIGURE 2-11. RETRACT CHAIN AND CLEVIS ASSEMBLY



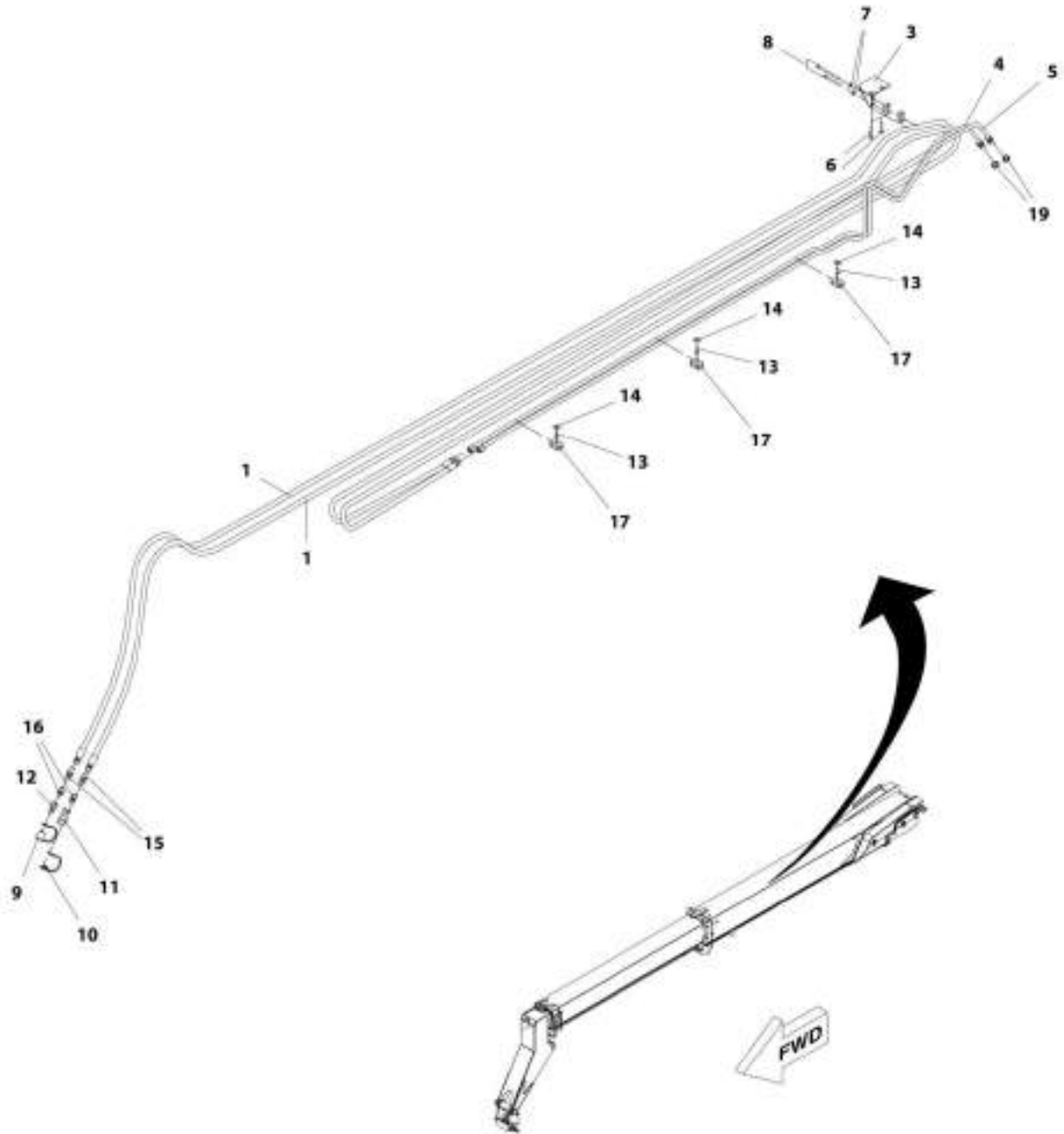
ART\_7139692\_B

FIGURE 2-11. RETRACT CHAIN AND CLEVIS ASSEMBLY

ITEM	PART NUMBER	QTY	DESCRIPTION	REV
	7139692	Ref	Retract Chain and Clevis Assembly	B
1	7139032	1	Clevis, Female Anchor	
2	7139416	1	Clevis, Female Anchor	
3	8124138	2	Pin, Chain Clevis	
4	8127024	1	Chain, Leaf	
5	8522012	AR	Lube, Anti-Seize	
6	8642237	4	Ring, Retaining	

# SECTION 2 - BOOM

FIGURE 2-12. BOOM AUXILIARY HYRAULICS INSTALLATION - 8042 & 10042



ART\_7300678\_E



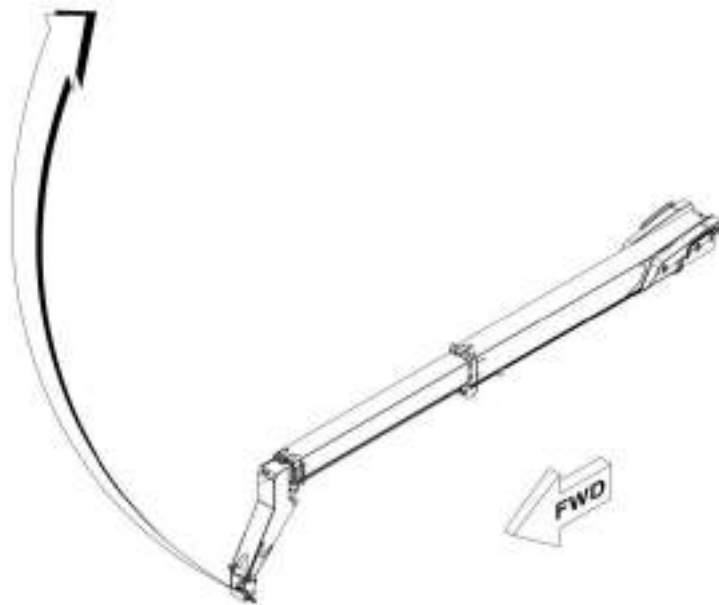
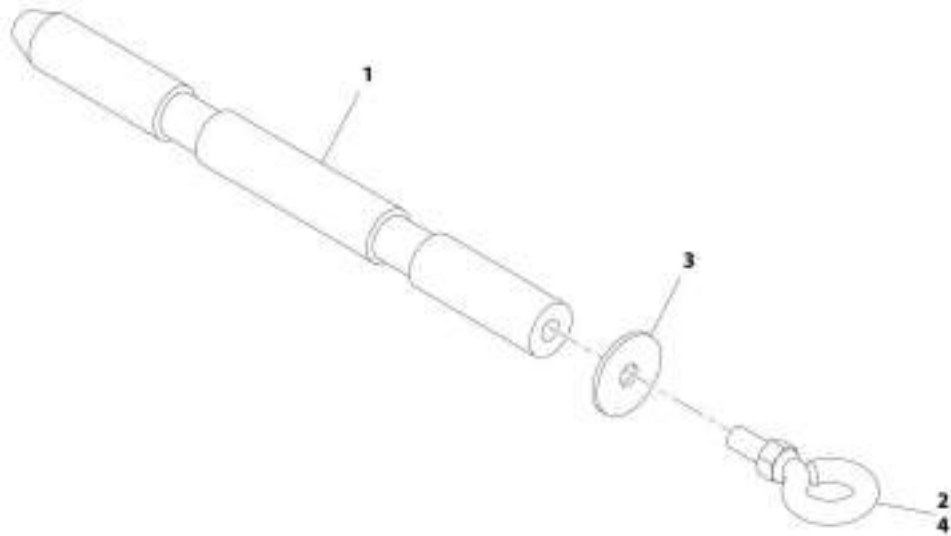
## SECTION 2 - BOOM

**FIGURE 2-12. BOOM AUXILIARY HYRAULICS INSTALLATION - 8042 & 10042**

ITEM	PART NUMBER	QTY	DESCRIPTION	REV
	7300678	Ref	Boom Auxiliary Hydraulics Installation - 8042 & 10042	E
1	2713082	2	Hose	
3	7111402	1	Support, Hose Clamp	
4	7300674	1	Tube, Boom Auxiliary Inner	
5	7300675	1	Tube, Boom Auxiliary Outer	
6	8303622	2	Bolt, 3/8-16X2	
7	8307203	2	Washer, Plain 5/16	
8	8310081	2	Bolt, 5/16-18X5	
9	8420053	1	Cap, Dust	
10	8420055	1	Plug, Dust	
11	91403413	1	Adapter, Quick Disconnect	
12	91403414	1	Adapter, Quick Disconnect	
13	8750011	3	Bolt, Stacking 5/16	
14	8750017	3	Plate, Twin Clamp Locking	
15	2230025	2	Adapter, Bulkhead Straight	
16	2220651	2	Adapter, Straight	
17	8769122	3	Clamp Set, Twin 5/8	
18	8769161	2	Clamp, Half Single 3/4	
19	8760465	1	Adapter, Bulkhead Nut	

## SECTION 2 - BOOM

FIGURE 2-13. LOCK PIN ASSEMBLY



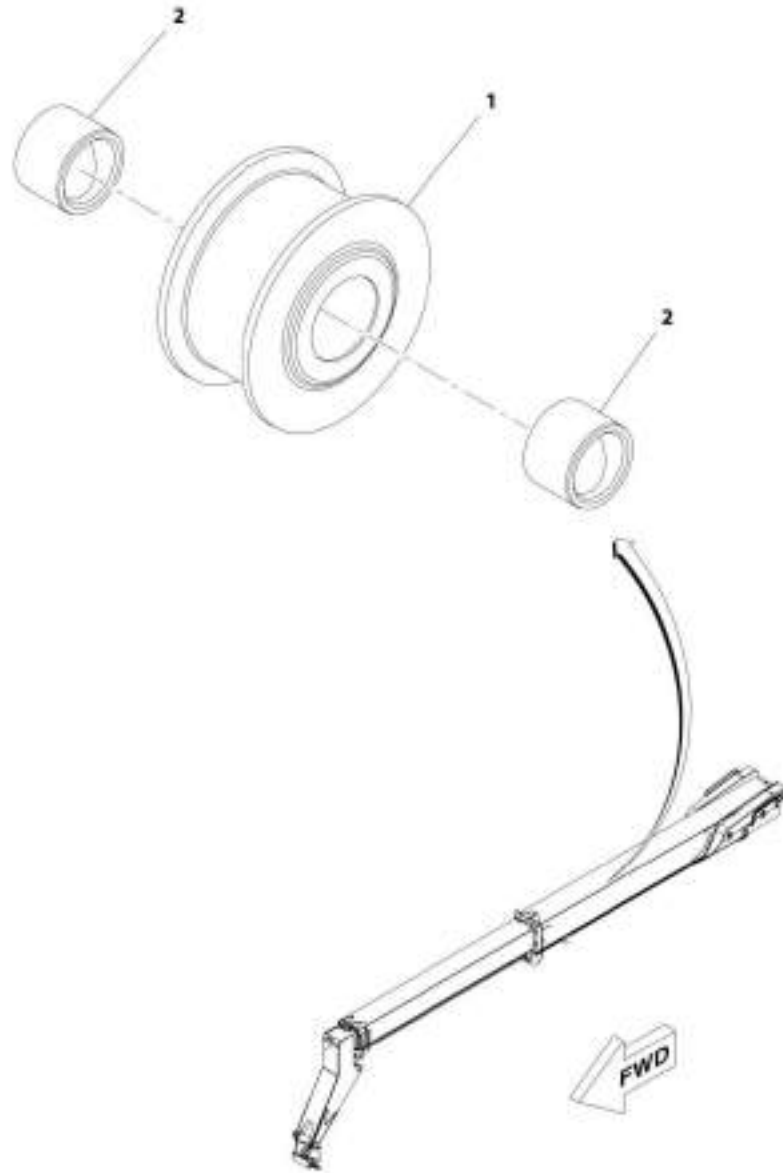
AWT\_7110002-9

FIGURE 2-13. LOCK PIN ASSEMBLY

ITEM	PART NUMBER	QTY	DESCRIPTION	REV
	7118892	Ref	Lock Pin Assembly	B
1	7118882	1	Pin	
2	8310266	2	Bolt, Eye 1/2-13X2	
3	8310276	3	Washer	
4	8526007	AR	Compound, Locking	

## SECTION 2 - BOOM

FIGURE 2-14. RETRACT CHAIN SHEAVE



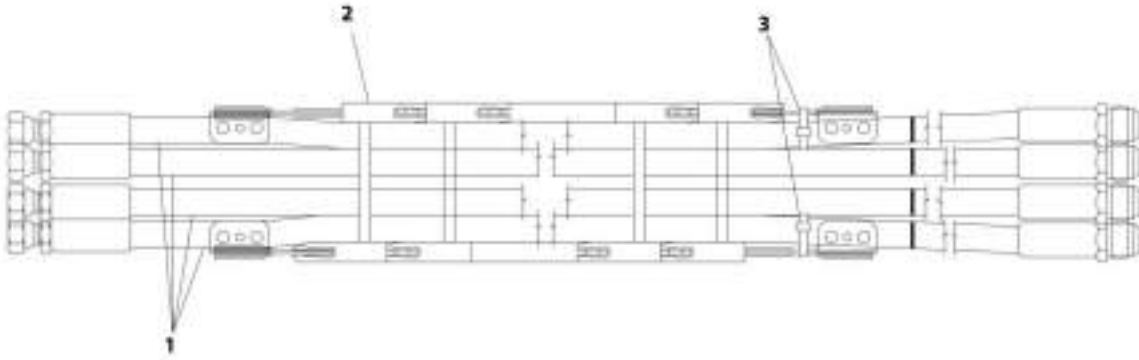
ART\_713096-C

**FIGURE 2-14. RETRACT CHAIN SHEAVE**

<b>ITEM</b>	<b>PART NUMBER</b>	<b>QTY</b>	<b>DESCRIPTION</b>	<b>REV</b>
	7138986	Ref	Retract Chain Sheave	C
1	7138978	1	Sheave, Retract Chain	
2	7138979	2	Bushing, Sheave Retract Chain	

## SECTION 2 - BOOM

FIGURE 2-15. HOSE AND CARRIER ASSEMBLY - 10054



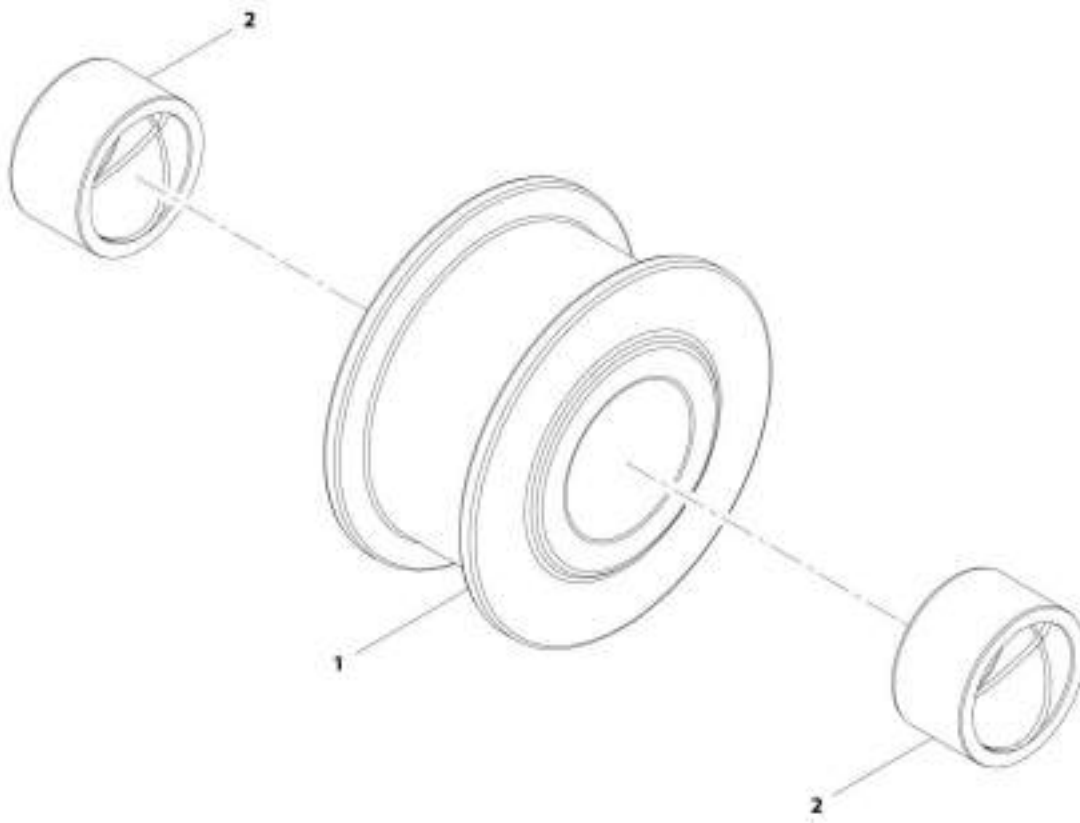
AMT\_711245D-G

**SECTION 2 - BOOM****FIGURE 2-15. HOSE AND CARRIER ASSEMBLY - 10054**

<b>ITEM</b>	<b>PART NUMBER</b>	<b>QTY</b>	<b>DESCRIPTION</b>	<b>REV</b>
	7112452	Ref	Hose and Carrier Assembly - 10054	G
1	2713642	4	Hose	
2	8584021	1	Carrier, Hose	
3	8584001	2	Wrap, Tie 3/16	

## SECTION 2 - BOOM

FIGURE 2-16. BUSHING SHEAVE INSTALLATION - 10054



ART\_1001101867-A



**FIGURE 2-16. BUSHING SHEAVE INSTALLATION - 10054**

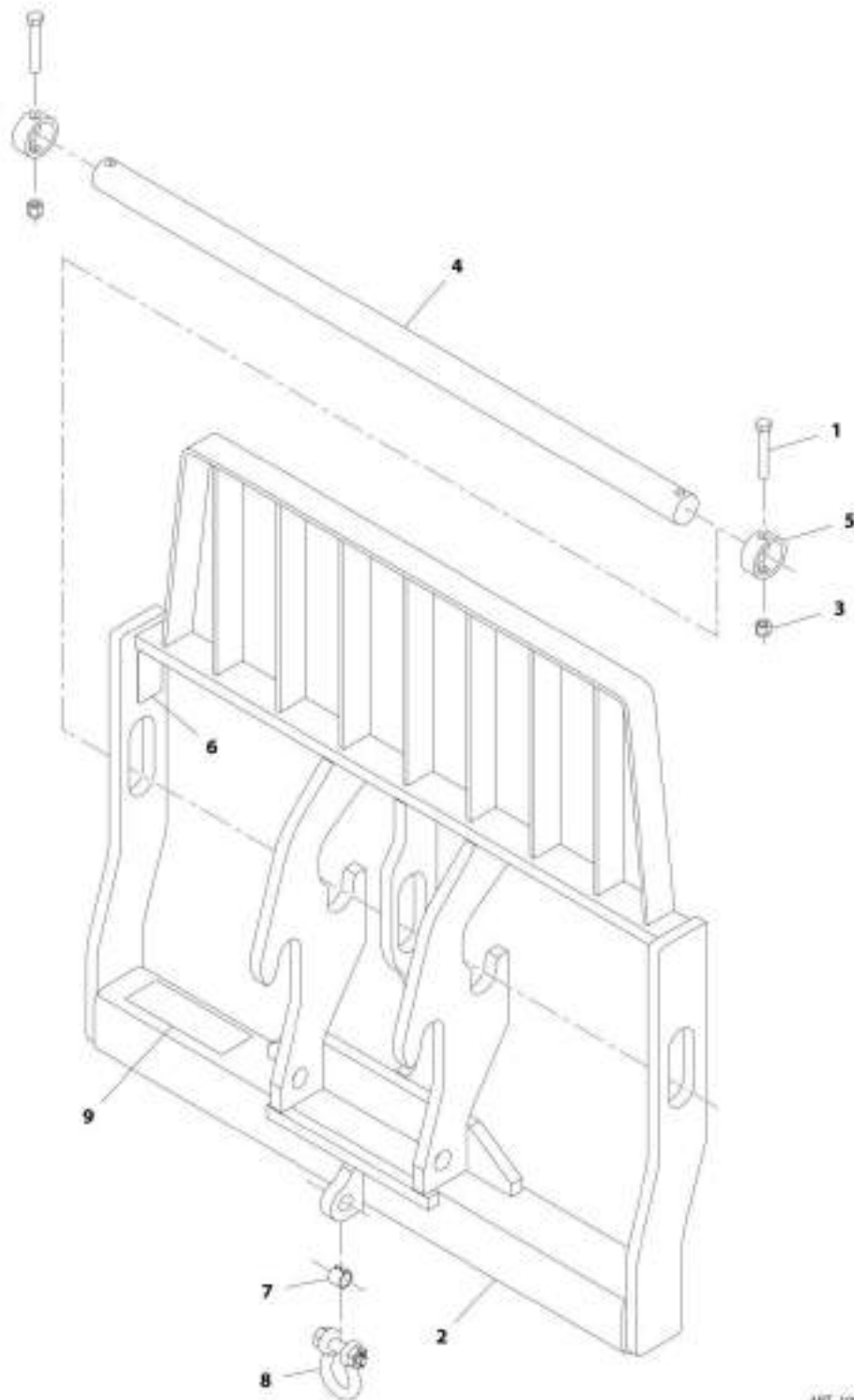
<b>ITEM</b>	<b>PART NUMBER</b>	<b>QTY</b>	<b>DESCRIPTION</b>	<b>REV</b>
	1001101867	Ref	Bushing Sheave Installation - 10054	A
1	7114032	1	Sheave, Extend Chain	
2	7117502	2	Bushing, Sheave, Extend Chain	



**SECTION 3 - ATTACHMENTS**

## SECTION 3 - ATTACHMENTS

FIGURE 3-1. CARRIAGE ASSEMBLY (50 INCH) (Prior to SN 0160075687, Excluding 0160075671, 0160075672, 0160075673, 0160075674, 0160075675, 0160075676, 0160075677, 0160075678, 0160075679, 0160075681 and 0160075682)



ART\_1001146394-D

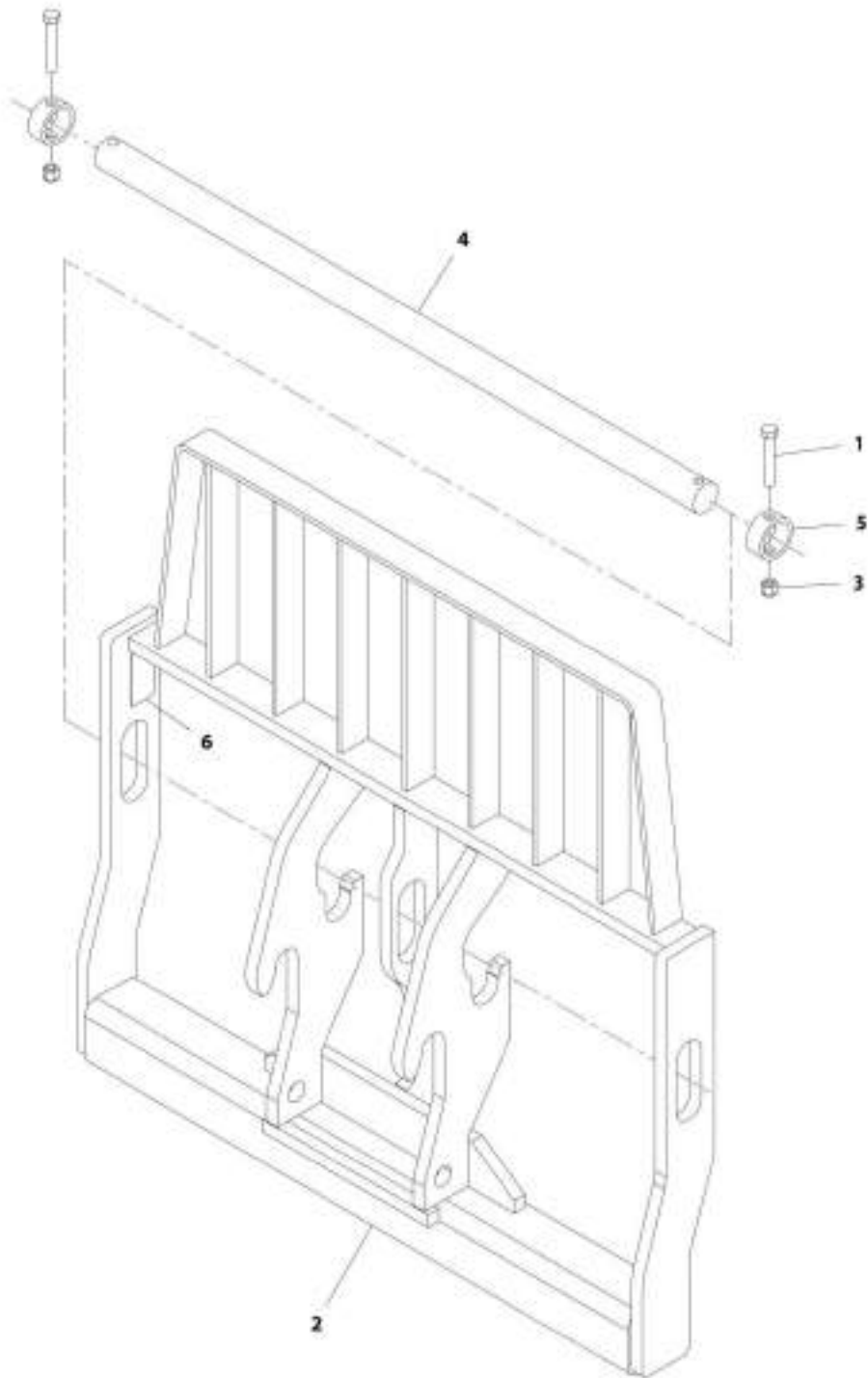
## SECTION 3 - ATTACHMENTS

**FIGURE 3-1. CARRIAGE ASSEMBLY (50 INCH) (Prior to SN 0160075687, Excluding 0160075671, 0160075672, 0160075673, 0160075674, 0160075675, 0160075676, 0160075677, 0160075678, 0160075679, 0160075681 and 0160075682)**

ITEM	PART NUMBER	QTY	DESCRIPTION	REV
	1001146084	Ref	Carriage Assembly (50 Inch)	D
1	0642032	2	Bolt, 5/8-11X4	
2	N.S.S.	1	Weldment, Carriage	
3	3300240	2	Nut, Lock 5/8-11	
4	3423275	1	Pin, Fork	
5	90200003	2	Collar, Fork Pin	
6	N.S.S.	1	S/N Plate	
7	1001146159	1	Sleeve, Insert	
8	1001146160	1	Shackle, Bolt 3/4	
9	1001151561	1	Decal, Danger Swinging Loads	

## SECTION 3 - ATTACHMENTS

FIGURE 3-2. CARRIAGE ASSEMBLY (50 INCH) (SN 0160075687 to Present, Including 0160075671, 0160075672, 0160075673, 0160075674, 0160075675, 0160075676, 0160075677, 0160075678, 0160075679, 0160075681 and 0160075682)



AWT\_1170021-F

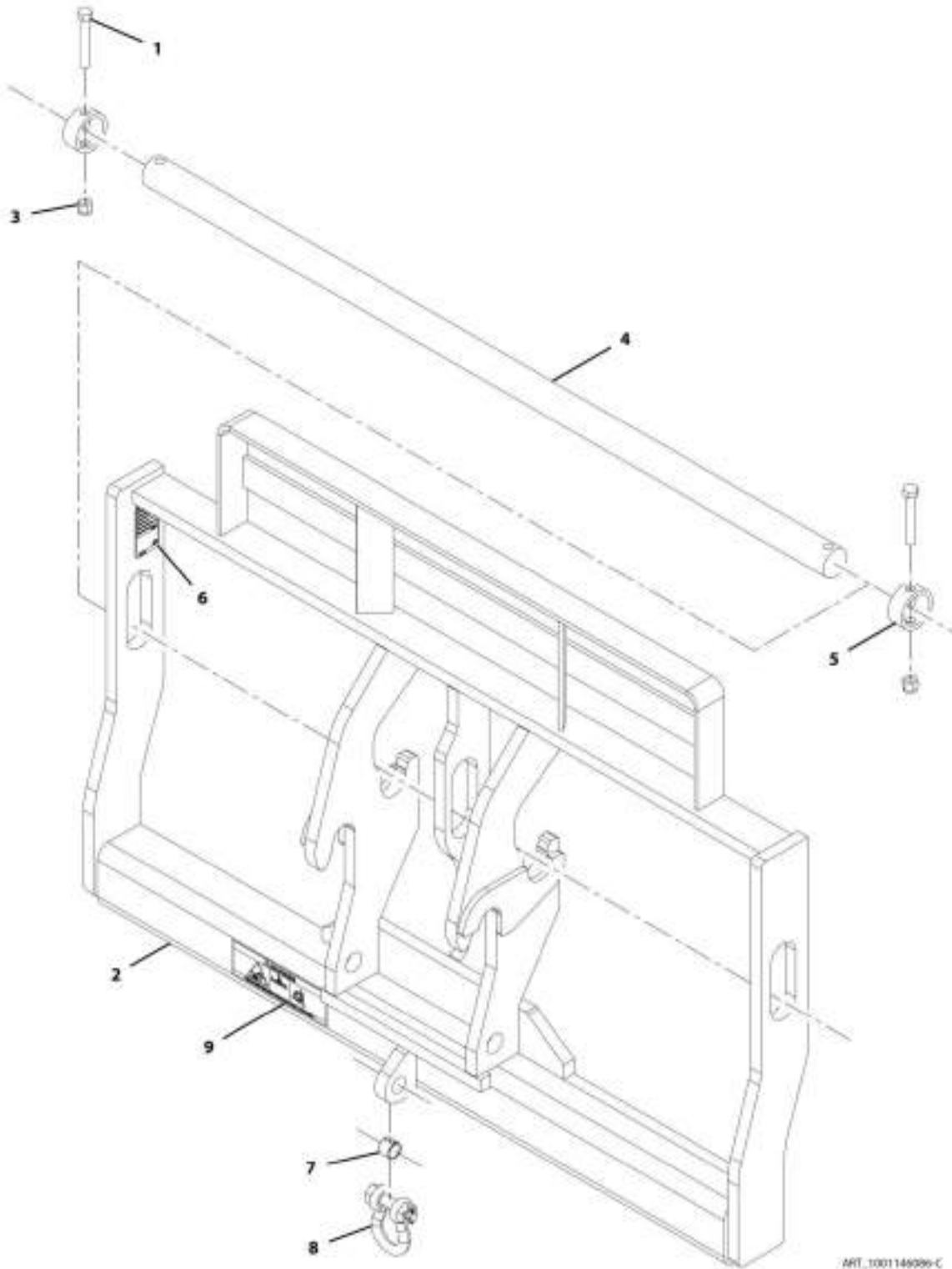
## SECTION 3 - ATTACHMENTS

**FIGURE 3-2. CARRIAGE ASSEMBLY (50 INCH) (SN 0160075687 to Present, Including 0160075671, 0160075672, 0160075673, 0160075674, 0160075675, 0160075676, 0160075677, 0160075678, 0160075679, 0160075681 and 0160075682)**

ITEM	PART NUMBER	QTY	DESCRIPTION	REV
	1170021	Ref	Carriage Assembly (50 Inch)	F
1	0642032	2	Bolt, 5/8-11X4	
2	N.S.S.	1	Weldment, Carriage	
3	3300240	2	Nut, Lock 5/8-11	
4	3423275	1	Pin, Fork	
5	90200003	2	Collar, Fork Pin	
6	N.S.S.	1	S/N Plate	

## SECTION 3 - ATTACHMENTS

**FIGURE 3-3. CARRIAGE ASSEMBLY (60 INCH) (Prior to SN 0160075687, Excluding 0160075671, 0160075672, 0160075673, 0160075674, 0160075675, 0160075676, 0160075677, 0160075678, 0160075679, 0160075681 and 0160075682)**



ART\_1001146086-C



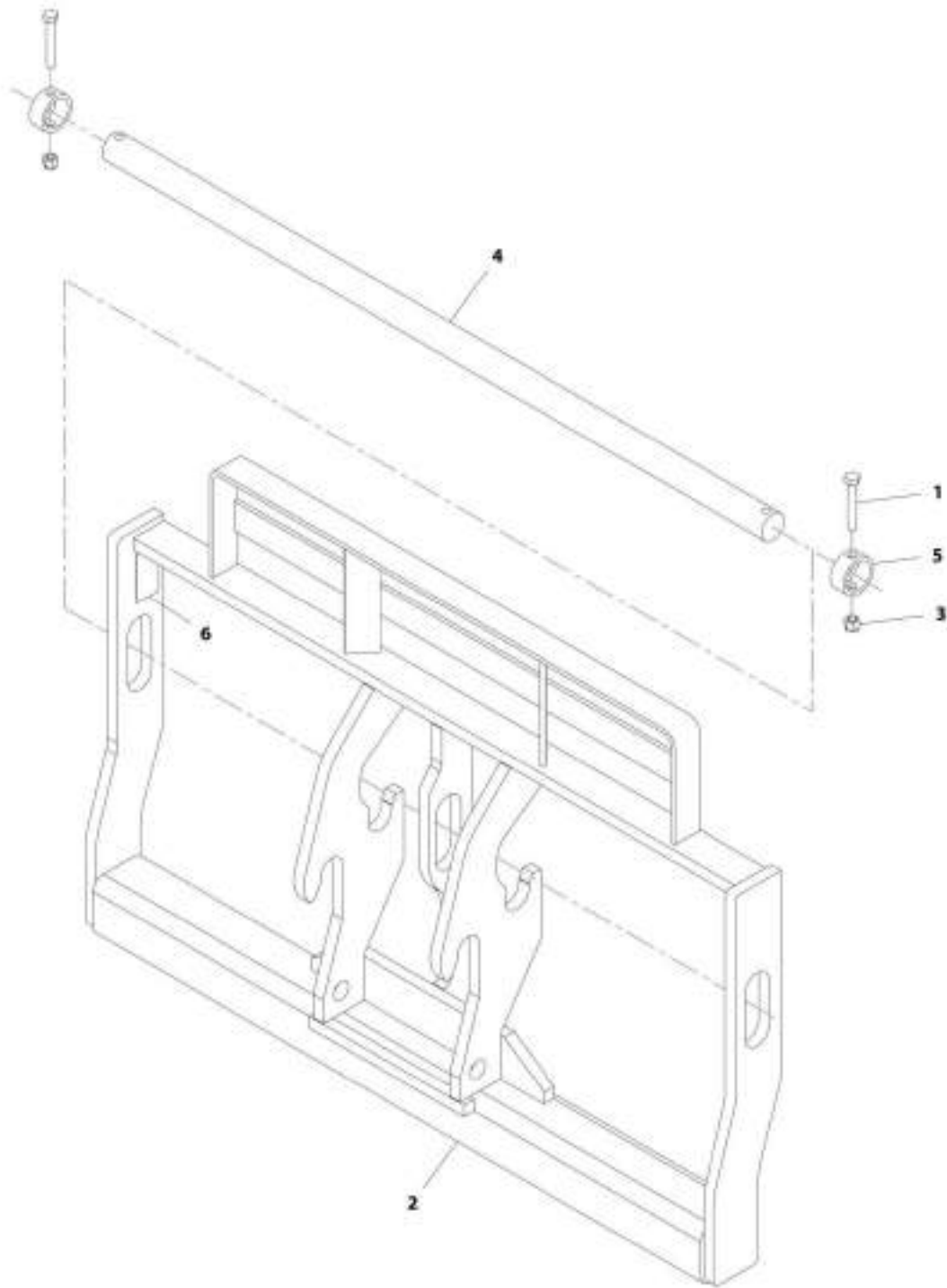
## SECTION 3 - ATTACHMENTS

**FIGURE 3-3. CARRIAGE ASSEMBLY (60 INCH) (Prior to SN 0160075687, Excluding 0160075671, 0160075672, 0160075673, 0160075674, 0160075675, 0160075676, 0160075677, 0160075678, 0160075679, 0160075681 and 0160075682)**

ITEM	PART NUMBER	QTY	DESCRIPTION	REV
	1001146086	Ref	Carriage Assembly (60 Inch)	C
1	0642032	2	Bolt, 5/8-11X4	
2	N.S.S.	1	Weldment, Carriage	
3	3300240	2	Nut, Lock 5/8-11	
4	3423242	1	Pin, Fork	
5	90200003	2	Collar, Fork Pin	
6	N.S.S.	1	S/N Plate	
7	1001146159	1	Sleeve, Insert	
8	1001146160	1	Shackle, Bolt 3/4	
9	1001151561	1	Decal, Danger Swinging Loads	

## SECTION 3 - ATTACHMENTS

FIGURE 3-4. CARRIAGE ASSEMBLY (60 INCH) (SN 0160075687 to Present, Including 0160075671, 0160075672, 0160075673, 0160075674, 0160075675, 0160075676, 0160075677, 0160075678, 0160075679, 0160075681 and 0160075682)



MIT\_1170024-F

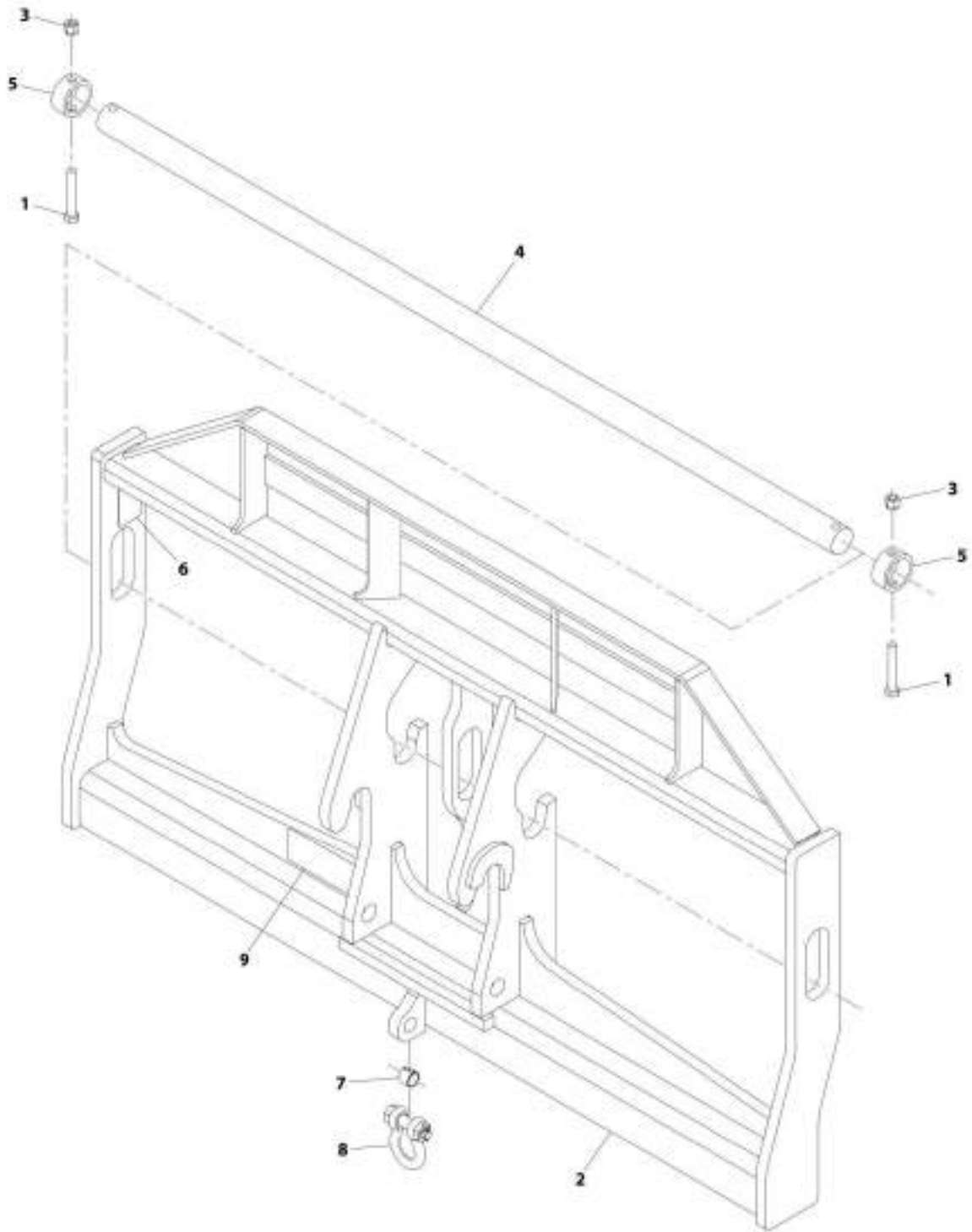
## SECTION 3 - ATTACHMENTS

**FIGURE 3-4. CARRIAGE ASSEMBLY (60 INCH) (SN 0160075687 to Present, Including 0160075671, 0160075672, 0160075673, 0160075674, 0160075675, 0160075676, 0160075677, 0160075678, 0160075679, 0160075681 and 0160075682)**

ITEM	PART NUMBER	QTY	DESCRIPTION	REV
	1170024	Ref	Carriage Assembly (60 Inch)	F
1	0642032	2	Bolt, 5/8-11X4	
2	N.S.S.	1	Weldment, Carriage	
3	3300240	2	Nut, Lock 5/8-11	
4	3423242	1	Pin, Fork	
5	90200003	2	Collar, Fork Pin	
6	N.S.S.	1	S/N Plate	

# SECTION 3 - ATTACHMENTS

FIGURE 3-5. CARRIAGE ASSEMBLY (72 INCH) (Prior to SN 0160074878, Excluding 0160074813 and 0160074818)



ART\_1001149006-F

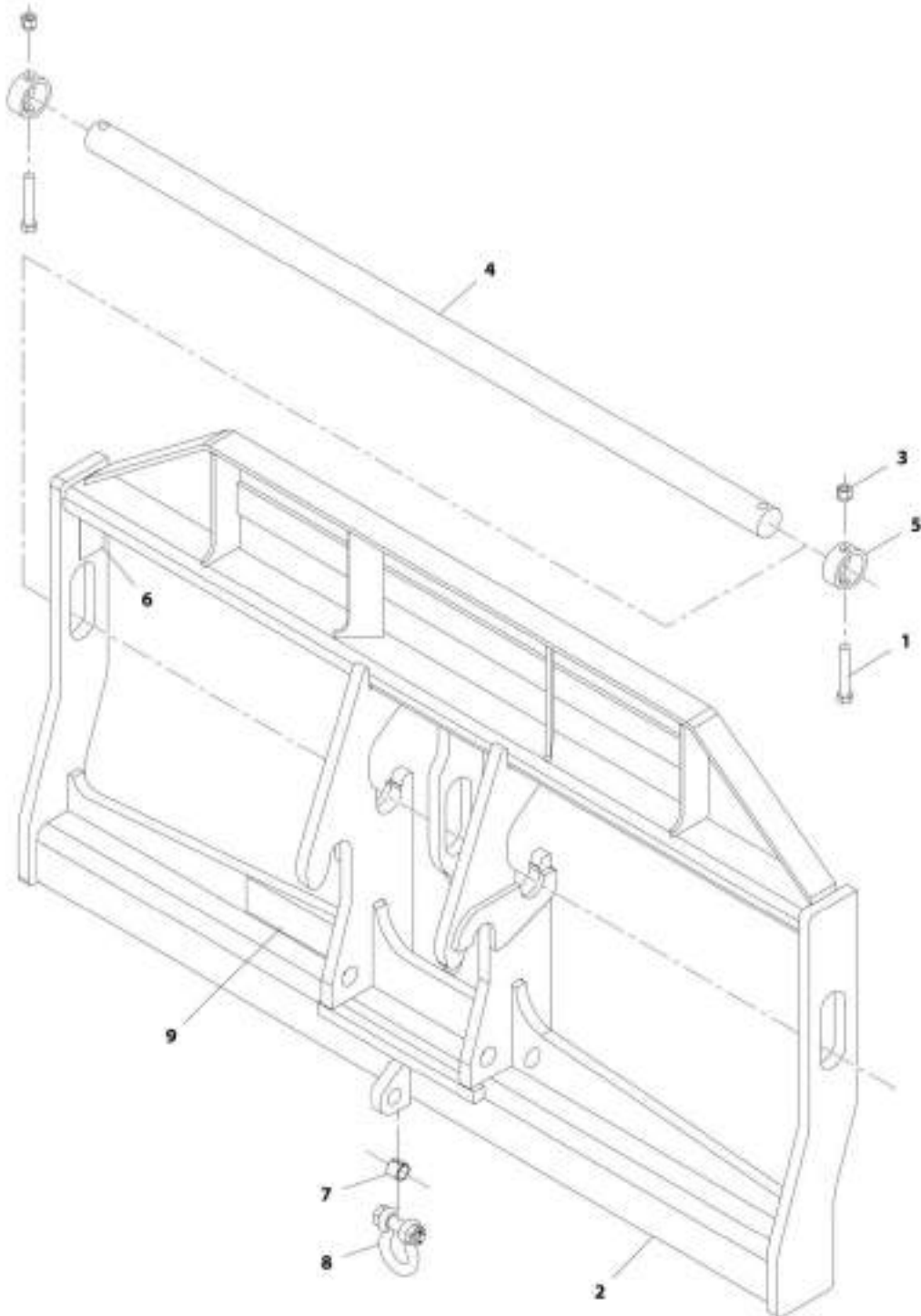
## SECTION 3 - ATTACHMENTS

**FIGURE 3-5. CARRIAGE ASSEMBLY (72 INCH) (Prior to SN 0160074878, Excluding 0160074813 and 0160074818)**

ITEM	PART NUMBER	QTY	DESCRIPTION	REV
	1001146088	NLA	Carriage Assembly (72 Inch), (no longer available, use 1001193794 for replacement)	F
1	0642032	2	Bolt, 5/8-11X4	
2	N.S.S.	1	Weldment, Carriage	
3	3300240	2	Nut, Lock 5/8-11	
4	3423276	1	Pin, Fork	
5	90200003	2	Collar, Fork Pin	
6	N.S.S.	1	S/N Plate	
7	1001146159	1	Sleeve, Insert	
8	1001146160	1	Shackle, Bolt 3/4	
9	1001151561	1	Decal, Danger Swinging Loads	

## SECTION 3 - ATTACHMENTS

FIGURE 3-6. CARRIAGE ASSEMBLY (72 INCH) (SN 0160074878 through 0160075687, Including 0160074813 and 0160074818, Excluding 0160075671, 0160075672, 0160075673, 0160075674, 0160075675, 0160075676, 0160075677, 0160075678, 0160075679, 0160075681 and 0160075682)



ART\_1801103794-D

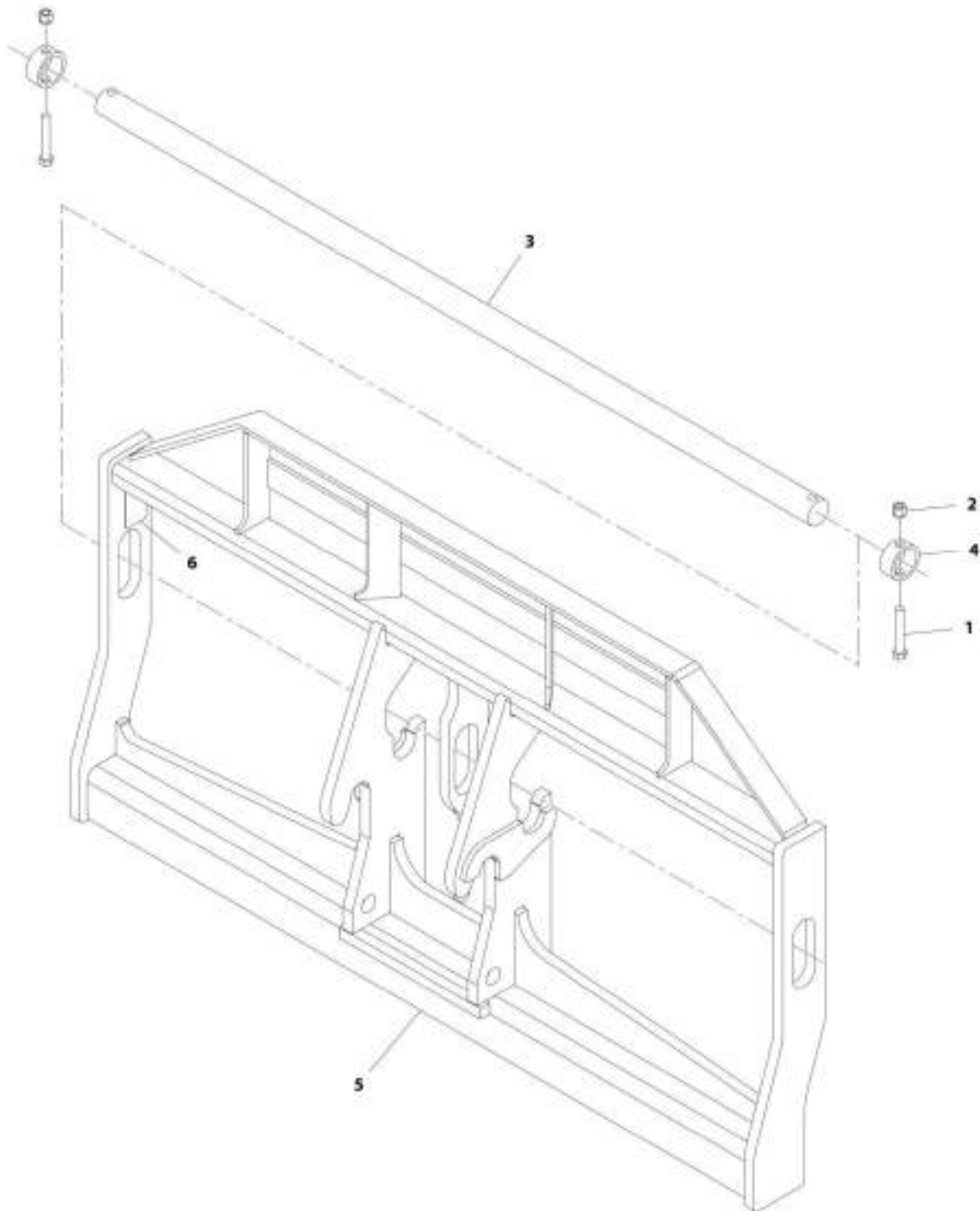
## SECTION 3 - ATTACHMENTS

**FIGURE 3-6. CARRIAGE ASSEMBLY (72 INCH) (SN 0160074878 through 0160075687, Including 0160074813 and 0160074818, Excluding 0160075671, 0160075672, 0160075673, 0160075674, 0160075675, 0160075676, 0160075677, 0160075678, 0160075679, 0160075681 and 0160075682)**

ITEM	PART NUMBER	QTY	DESCRIPTION	REV
	1001193794	Ref	Carriage Assembly (72 Inch)	D
1	0642032	2	Bolt, 5/8-11X4	
2	N.S.S.	1	Weldment, Carriage	
3	3300240	2	Nut, Lock 5/8-11	
4	3423276	1	Pin, Fork	
5	90200003	2	Collar, Fork Pin	
6	N.S.S.	1	S/N Plate	
7	1001146159	1	Sleeve, Insert	
8	1001146160	1	Shackle, Bolt 3/4	
9	1001151561	1	Decal, Danger Swinging Loads	

## SECTION 3 - ATTACHMENTS

FIGURE 3-7. CARRIAGE ASSEMBLY (72 INCH) (SN 0160075687 to Present, Including 0160075671, 0160075672, 0160075673, 0160075674, 0160075675, 0160075676, 0160075677, 0160075678, 0160075679, 0160075681 and 0160075682)



ARC\_100/211214-A



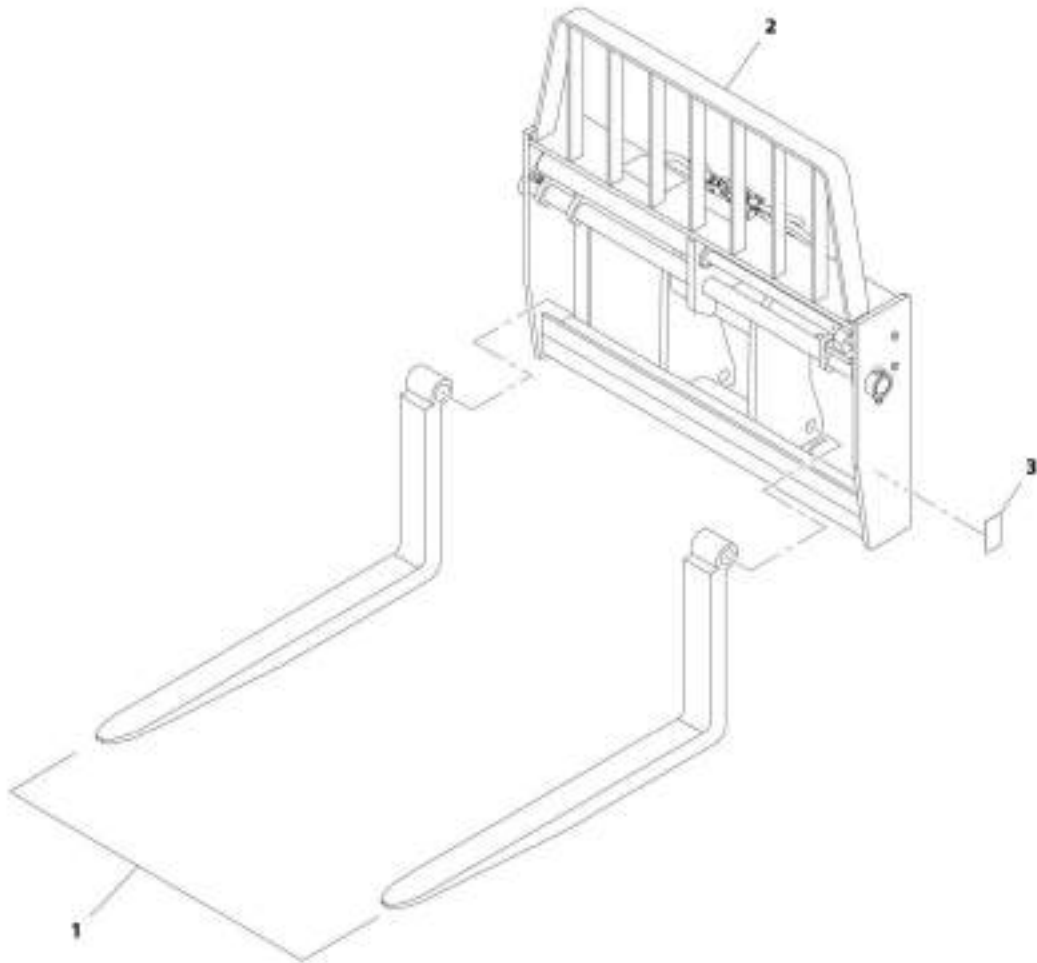
## SECTION 3 - ATTACHMENTS

**FIGURE 3-7. CARRIAGE ASSEMBLY (72 INCH) (SN 0160075687 to Present, Including 0160075671, 0160075672, 0160075673, 0160075674, 0160075675, 0160075676, 0160075677, 0160075678, 0160075679, 0160075681 and 0160075682)**

ITEM	PART NUMBER	QTY	DESCRIPTION	REV
	1001211516	Ref	Carriage Assembly (72 Inch)	A
1	0642032	2	Bolt, 5/8-11X4	
2	3300240	2	Nut, Lock 5/8-11	
3	3423276	1	Pin, Fork	
4	90200003	2	Collar, Fork Pin	
5	N.S.S.	1	Weldment, Carriage	
6	N.S.S.	1	S/N Plate	

## SECTION 3 - ATTACHMENTS

FIGURE 3-8. DUAL FORK CARRIAGE (50 INCH) (Prior to SN 0160082416)



ART\_1301255-G

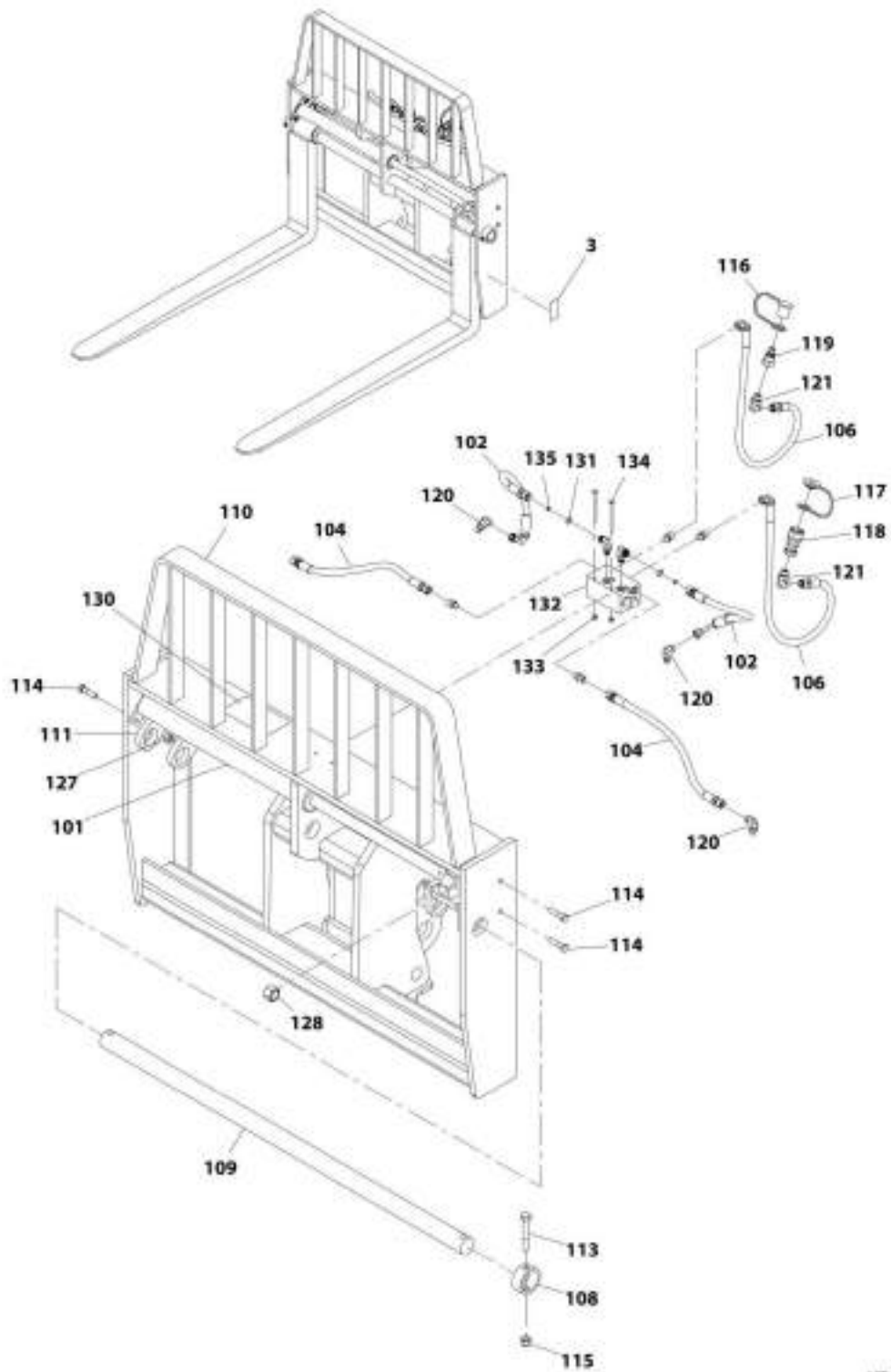
## SECTION 3 - ATTACHMENTS

**FIGURE 3-8. DUAL FORK CARRIAGE (50 INCH) (Prior to SN 0160082416)**

ITEM	PART NUMBER	QTY	DESCRIPTION	REV
	7301295	Ref	Dual Fork Carriage (50 Inch)	G
1	7301408	2	Fork, Pallet	
2	7301568	1	Assembly, Dual Fork Carriage (See Separate Breakdown in this Section)	
3	N.S.S.	1	S/N Plate	

# SECTION 3 - ATTACHMENTS

FIGURE 3-9. DUAL FORK CARRIAGE (50 INCH) (SN 0160082416 to Present)



ART\_7301295-H

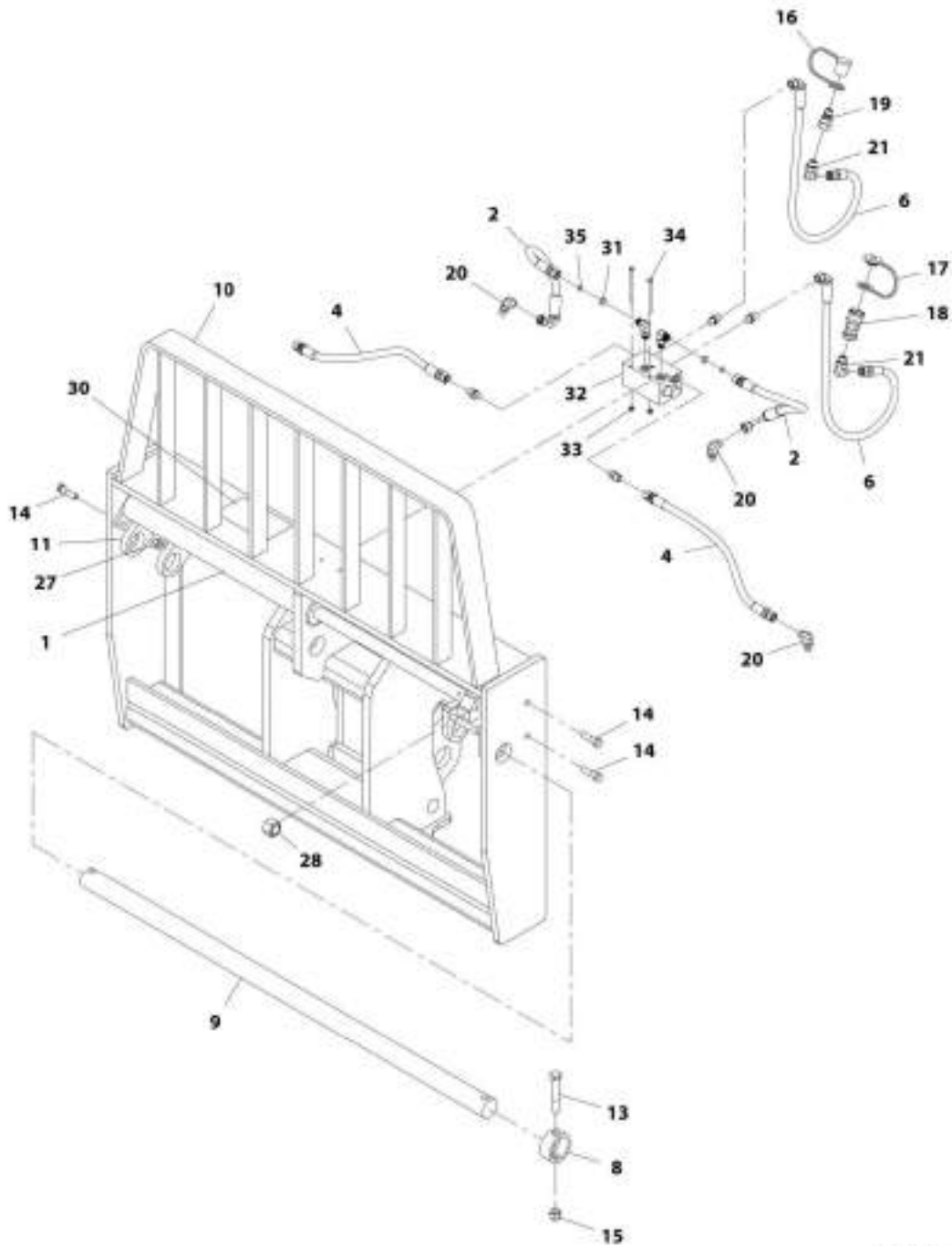
## SECTION 3 - ATTACHMENTS

**FIGURE 3-9. DUAL FORK CARRIAGE (50 INCH) (SN 0160082416 to Present)**

ITEM	PART NUMBER	QTY	DESCRIPTION	REV
	7301295	Ref	Dual Fork Carriage (50 Inch)	H
3	N.S.S.	1	S/N Plate	
101	2717283	2	Cylinder, Fork Positioning	
102	2717160	2	Hose	
104	2717161	2	Hose	
106	2717162	2	Hose	
108	90200003	2	Collar, Fork Pin	
109	90451058	1	Shaft, Fork	
110	N.S.S.	1	Weldment, Carriage	
111	N.S.S.	1	Weldment, Fork Adapter	
113	8303634	2	Bolt, 5/8-11X4	
114	8303658	4	Bolt, 1/2-13X2	
115	8305643	2	Nut, Lock 5/8-11	
116	8420053	1	Cap, Dust	
117	8420055	1	Plug, Dust	
118	91403413	1	Adapter, Quick Disconnect	
119	91403414	1	Adapter, Quick Disconnect	
120	2130606	4	Adapter, 90 Straight	
121	2130608	2	Adapter, 90 Straight	
127	8310302	4	Nut, Lock 1/2-13	
128	10705034	2	Nut, Lock 1-14	
130	4110473	1	Decal, Warning Route Hoses	
131	7139918	2	Disk, Orifice	
132	4641502	1	Assembly, Dual Fork Carriage Valve (See Separate Breakdown in this Section)	
133	8305624	2	Nut, Lock 1/4-20	
134	8310435	2	Bolt, 1/4-20X3-3/4	
135	8630003	2	O-Ring	

# SECTION 3 - ATTACHMENTS

## FIGURE 3-10. DUAL FORK CARRIAGE ASSEMBLY (50 INCH)



WRT 7901568 J

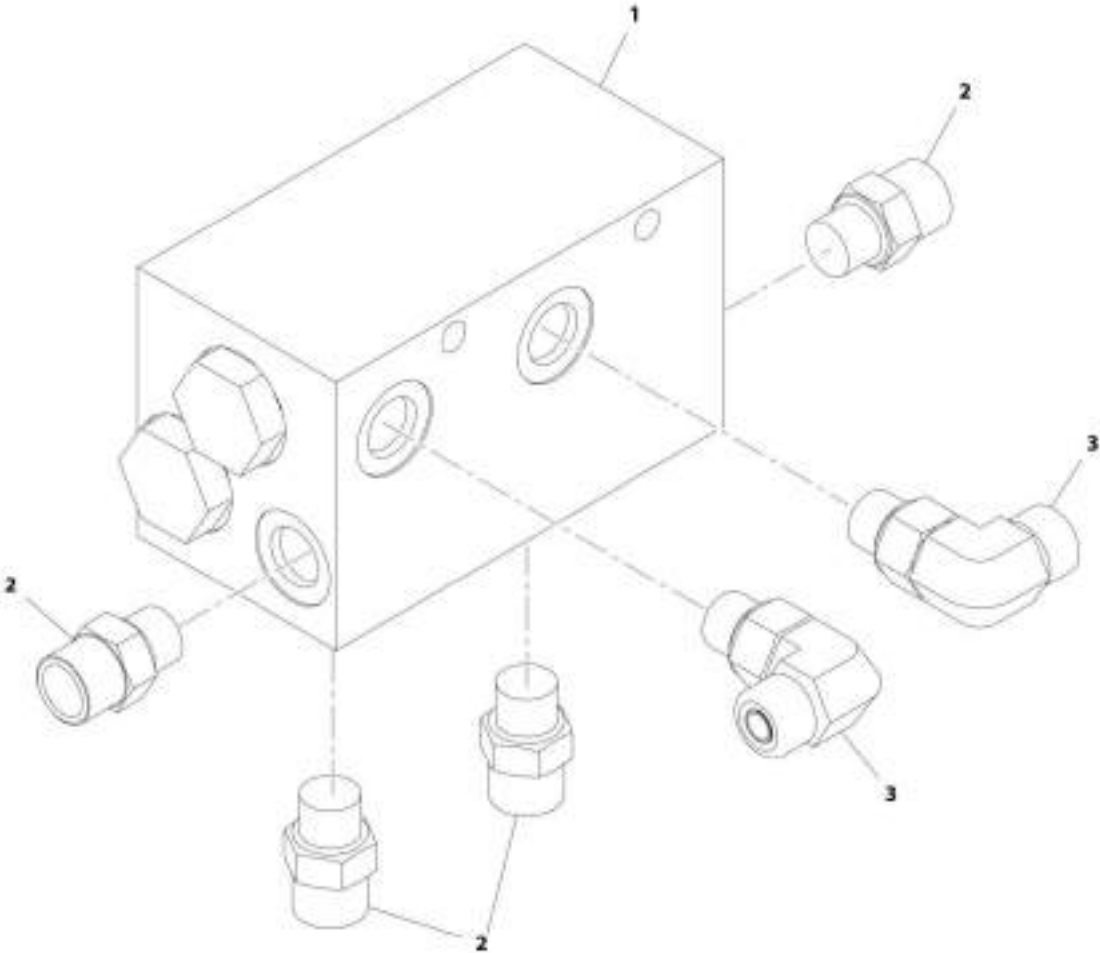
## SECTION 3 - ATTACHMENTS

**FIGURE 3-10. DUAL FORK CARRIAGE ASSEMBLY (50 INCH)**

ITEM	PART NUMBER	QTY	DESCRIPTION	REV
	7301568	NLA	Dual Fork Carriage Assembly (50 Inch) (no longer available, see items 1 through 35 for service or use 7301295 for replacement)	J
1	2717283	2	Cylinder, Fork Positioning	
2	2717160	2	Hose	
4	2717161	2	Hose	
6	2717162	2	Hose	
8	90200003	2	Collar, Fork Pin	
9	90451058	1	Shaft, Fork	
10	N.S.S.	1	Weldment, Carriage	
11	N.S.S.	2	Weldment, Fork Adapter	
13	8303634	2	Bolt, 5/8-11X4	
14	8303658	4	Bolt, 1/2-13X2	
15	8305643	2	Nut, Lock 5/8-11	
16	8420053	1	Cap, Dust	
17	8420055	1	Plug, Dust	
18	91403413	1	Adapter, Quick Disconnect	
19	91403414	1	Adapter, Quick Disconnect	
20	2130606	4	Adapter, 90 Straight	
21	2130608	2	Adapter, 90 Straight	
27	8310302	4	Nut, Lock 1/2-13	
28	10705034	2	Nut, Lock 1-14	
30	4110473	1	Decal, Warning Route Hoses	
31	7139918	2	Disk, Orifice	
32	4641502	1	Assembly, Dual Fork Carriage Valve (See Separate Breakdown in this Section)	
33	8305624	2	Nut, Lock 1/4-20	
34	8310435	2	Bolt, 1/4-20X3-3/4	
35	8630003	2	O-Ring	

**SECTION 3 - ATTACHMENTS**

**FIGURE 3-11. DUAL FORK CARRIAGE VALVE ASSEMBLY**



ART. 4641502-B



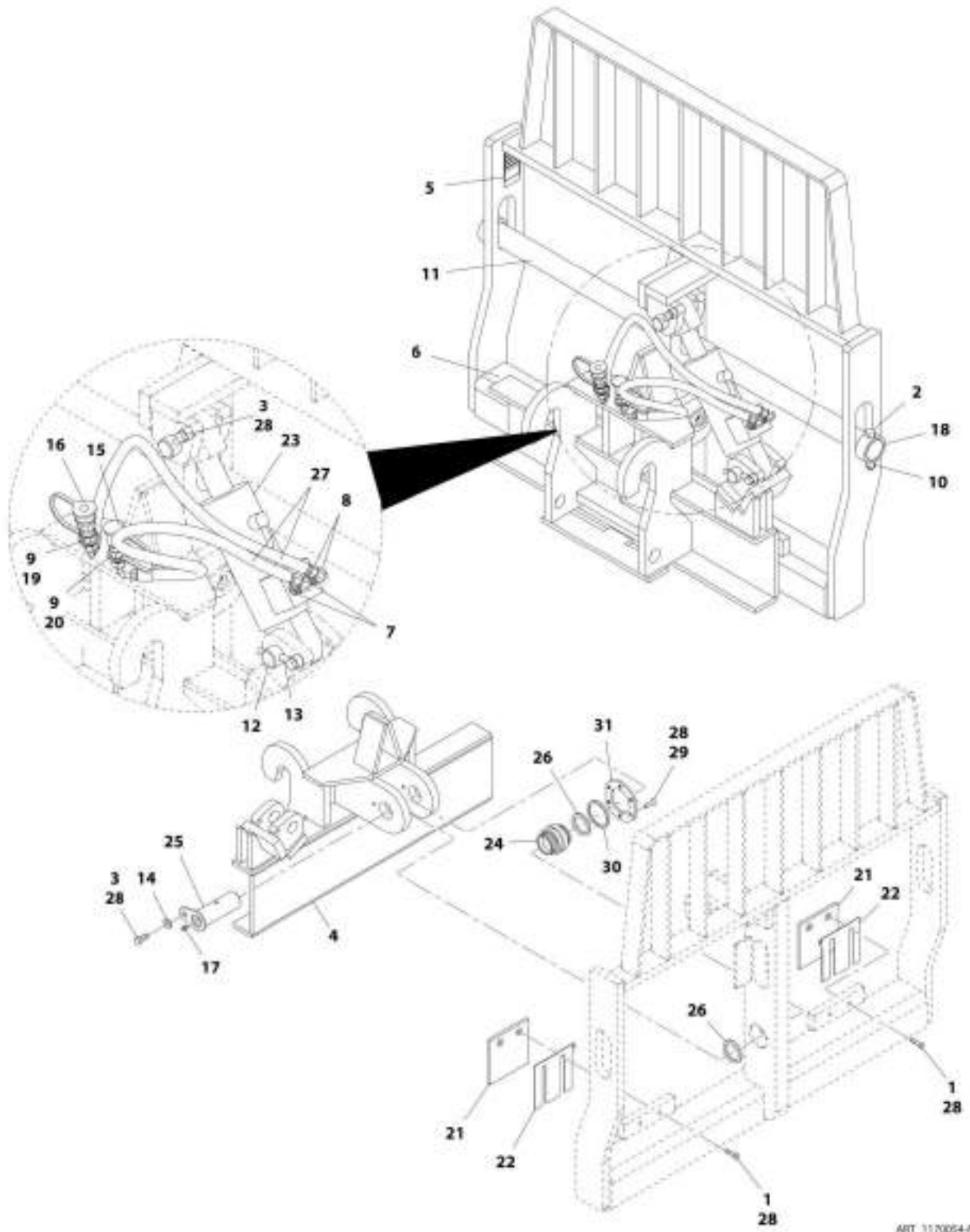
## SECTION 3 - ATTACHMENTS

### FIGURE 3-11. DUAL FORK CARRIAGE VALVE ASSEMBLY

ITEM	PART NUMBER	QTY	DESCRIPTION	REV
	4641502	Ref	Dual Fork Carriage Valve Assembly	B
1	4641501	1	Valve, Flow Divider (See Separate Breakdown in HYDRAULIC COMPONENTS Section)	
2	2110606	4	Adapter, Straight	
3	2130606	2	Adapter, 90	

# SECTION 3 - ATTACHMENTS

FIGURE 3-12. SIDE TILT CARRIAGE ASSEMBLY (50 INCH)



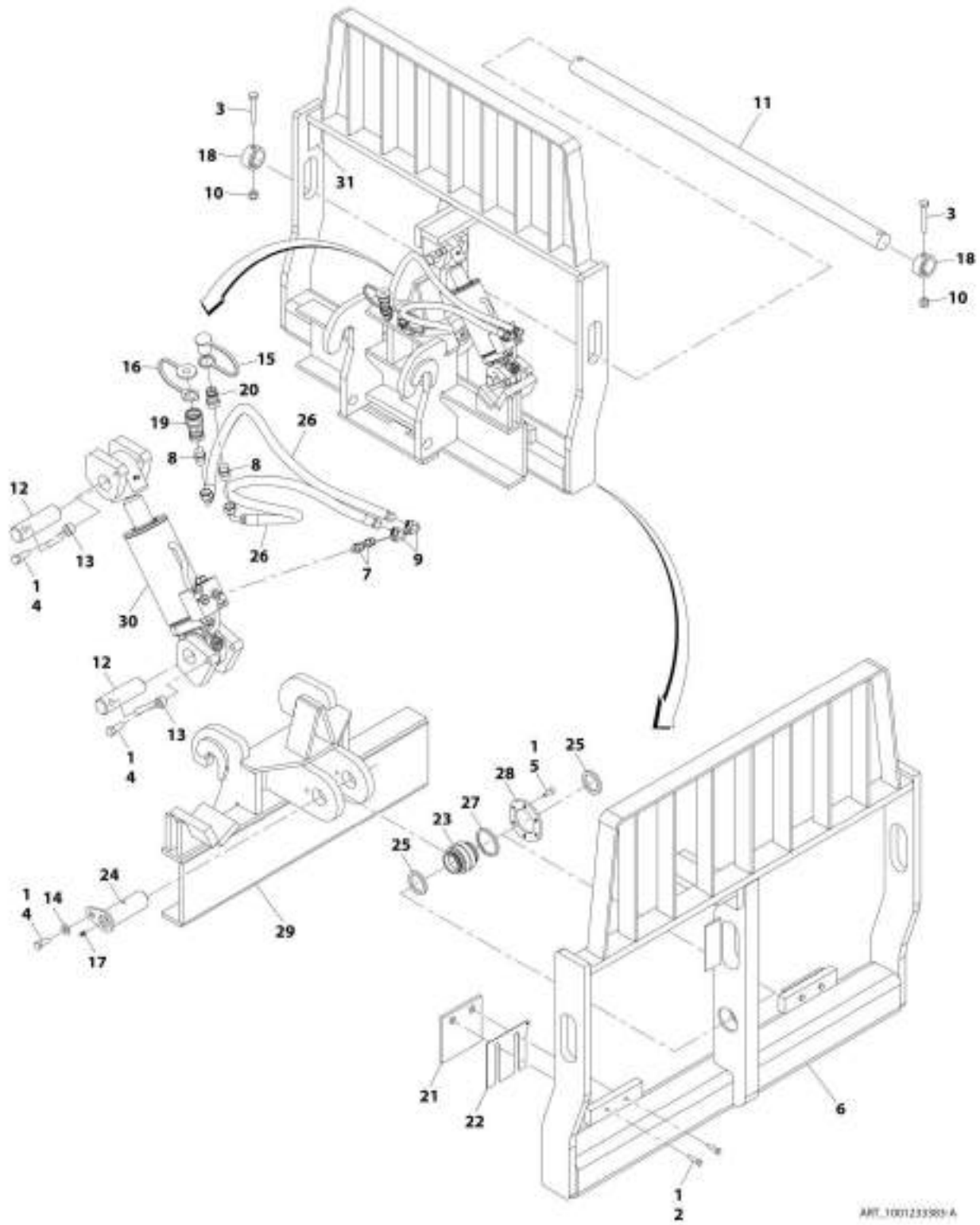
## SECTION 3 - ATTACHMENTS

**FIGURE 3-12. SIDE TILT CARRIAGE ASSEMBLY (50 INCH)**

ITEM	PART NUMBER	QTY	DESCRIPTION	REV
	1170054	Ref	Side Tilt Carriage Assembly (50 Inch), (no longer available, see items 1 through 31 for service or 1001233383 for replacement)	M
1	0641612	4	Bolt, 3/8-16X1-1/2	
2	0642032	2	Bolt, 5/8-11X4	
3	0681810	3	Bolt, 1/2-13X1-1/4	
4	1001133072	1	Carriage, Base Pivot	
5	N.S.S.	1	S/N Plate	
6	N.S.S.	1	Carriage, Side Tilt	
7	2110606	2	Adapter, Straight	
8	2172106	2	Adapter, 90	
9	2110808	2	Adapter, Straight	
10	3300240	2	Nut, Lock 5/8-11	
11	3423275	1	Pin, Fork	
12	3423307	2	Pin, Side Tilt Cylinder	
13	3841203	2	Keeper, Rod	
14	4891800	1	Washer, 1/2	
15	8420053	1	Cap, Dust	
16	8420055	1	Plug, Dust	
17	88671001	1	Fitting, Grease	
18	90200003	2	Collar, Fork Pin	
19	91403413	1	Adapter	
20	91403414	1	Adapter	
21	1001090063	2	Pad, Wear	
22	1001090064	AR	Shim, Wear Pad	
23	1001163414	1	Cylinder, Side Tilt (See HYDRAULIC COMPONENTS SECTION for Breakdown)	
24	1001090140	1	Bearing, Side Tilt Spherical	
25	1001099113	1	Pin, Side Tilt Frame Pivot	
26	1001099115	2	Sleeve, Tilt Bearing Spacer	
27	1001102378	2	Hose	
28	0100011	AR	Compound, Locking	
29	0741610	6	Screw, 3/8-16X1-1/4	
30	1001120914	1	Shim, Bearing Retainer	
31	1001120915	1	Plate, Bearing Retainer	

# SECTION 3 - ATTACHMENTS

## FIGURE 3-13. SIDE TILT CARRIAGE ASSEMBLY (50 INCH)



ART.1001233903-A

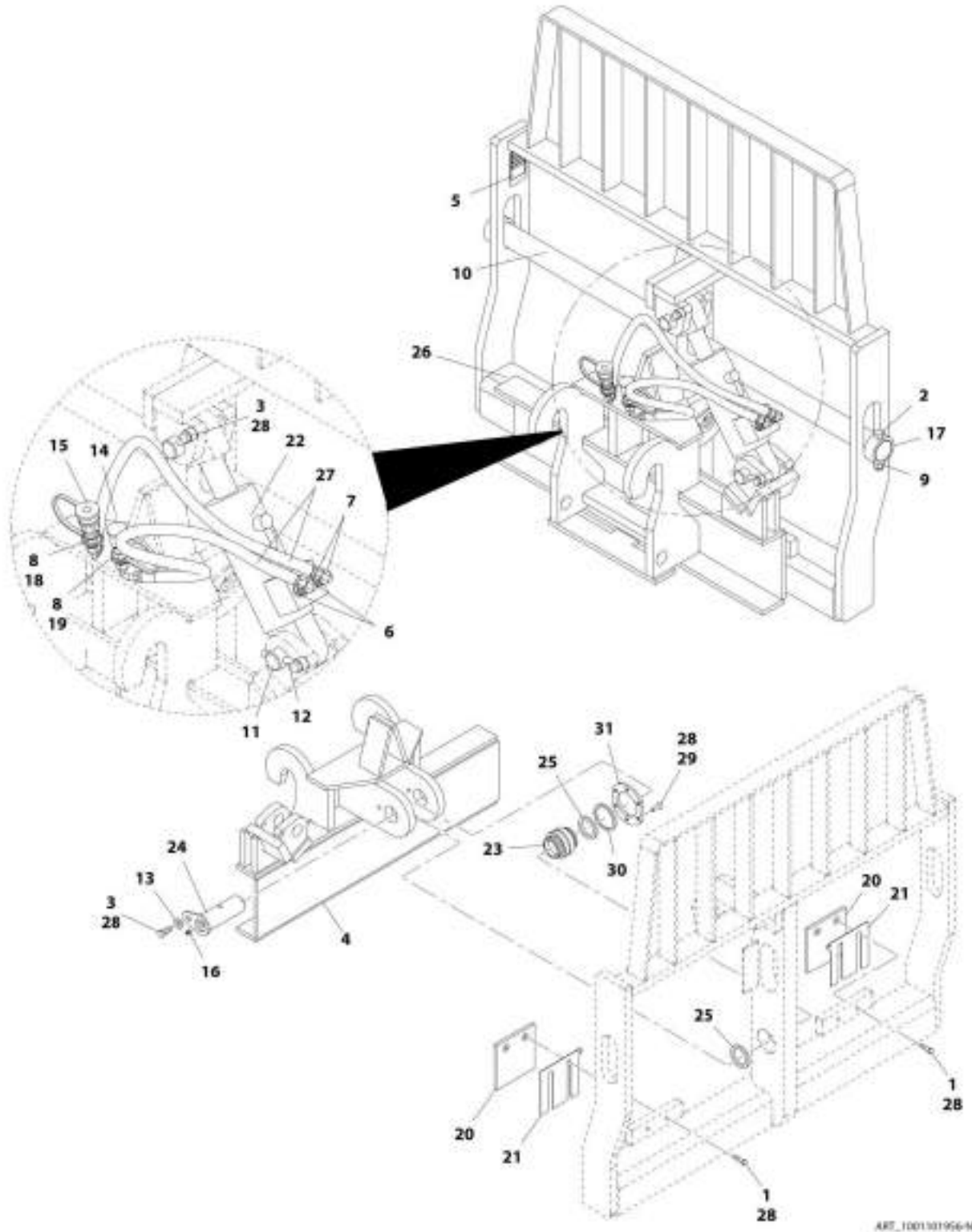
## SECTION 3 - ATTACHMENTS

**FIGURE 3-13. SIDE TILT CARRIAGE ASSEMBLY (50 INCH)**

ITEM	PART NUMBER	QTY	DESCRIPTION	REV
	1001233383	Ref	Side Tilt Carriage Assembly (50 Inch)	A
1	0100011	AR	Compound, Locking	
2	0641612	4	Bolt, 3/8-16X1-1/2	
3	0642032	2	Bolt, 5/8-11X4	
4	0681810	3	Bolt, 1/2-13X1-1/4	
5	0741610	6	Screw, 3/8-16X1-1/4	
6	N.S.S.	1	Carriage, Side Tilt	
7	2110606	2	Adapter, Straight	
8	2110808	2	Adapter, Straight	
9	2172106	2	Adapter, 90	
10	3300240	2	Nut, Lock 5/8-11	
11	3423275	1	Pin, Fork	
12	3423307	2	Pin, Side Tilt Cylinder	
13	3841203	2	Keeper, Rod	
14	4891800	1	Washer, 1/2	
15	8420053	1	Cap, Dust	
16	8420055	1	Plug, Dust	
17	88671001	1	Fitting, Grease	
18	90200003	2	Collar, Fork Pin	
19	91403413	1	Adapter	
20	91403414	1	Adapter	
21	1001090063	2	Pad, Wear	
22	1001090064	AR	Shim, Wear Pad	
23	1001090140	1	Bearing, Side Tilt Spherical	
24	1001099113	1	Pin, Side Tilt Frame Pivot	
25	1001099115	2	Sleeve, Tilt Bearing Spacer	
26	1001102378	2	Hose	
27	1001120914	1	Shim, Bearing Retainer	
28	1001120915	1	Plate, Bearing Retainer	
29	1001133072	1	Carriage, Base Pivot	
30	1001163414	1	Cylinder, Side Tilt (See HYDRAULIC COMPONENTS SECTION for Breakdown)	
31	N.S.S.	1	S/N Plate	

# SECTION 3 - ATTACHMENTS

## FIGURE 3-14. SIDE TILT CARRIAGE ASSEMBLY (60 INCH)



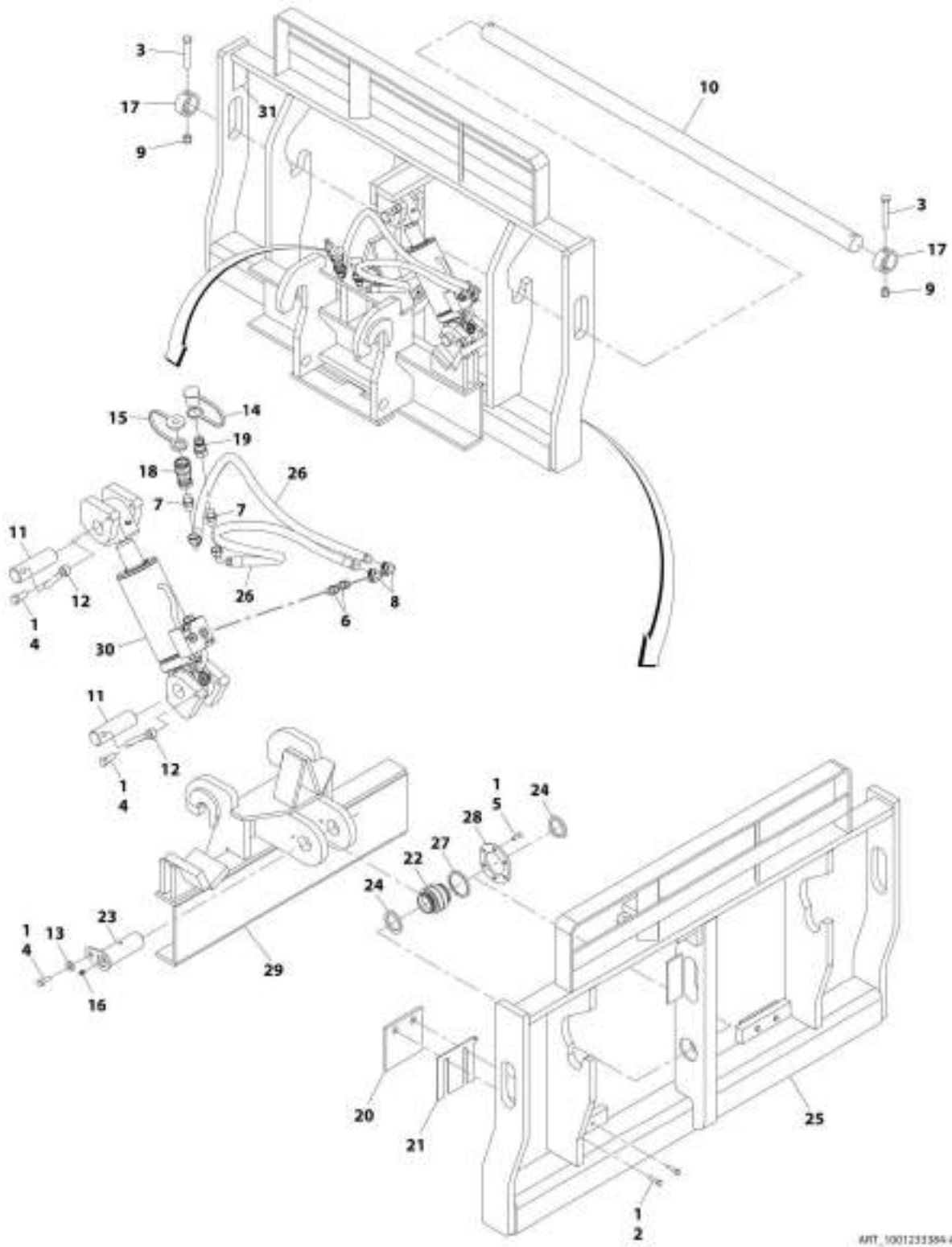
## SECTION 3 - ATTACHMENTS

**FIGURE 3-14. SIDE TILT CARRIAGE ASSEMBLY (60 INCH)**

ITEM	PART NUMBER	QTY	DESCRIPTION	REV
	1001101956	Ref	Side Tilt Carriage Assembly (60 Inch), (no longer available, see items 1 through 31 for service or 1001233384 for replacement)	N
1	0641612	4	Bolt, 3/8-16X1-1/2	
2	0642032	2	Bolt, 5/8-11X4	
3	0681810	3	Bolt, 1/2-13X1-1/4	
4	1001133072	1	Carriage, Base Pivot	
5	N.S.S.	1	S/N Plate	
6	2110606	2	Adapter, Straight	
7	2172106	2	Adapter, 90	
8	2110808	2	Adapter, Straight	
9	3300240	2	Nut, Lock 5/8-11	
10	3423242	1	Pin, Fork	
11	3423307	2	Pin, Side Tilt Cylinder	
12	3841203	2	Keeper, Rod	
13	4891800	1	Washer, 1/2	
14	8420053	1	Cap, Dust	
15	8420055	1	Plug, Dust	
16	88671001	1	Fitting, Grease	
17	90200003	2	Collar, Fork Pin	
18	91403413	1	Adapter	
19	91403414	1	Adapter	
20	1001090063	2	Pad, Wear	
21	1001090064	AR	Shim, Wear Pad	
22	1001163414	1	Cylinder, Side Tilt (See HYDRAULIC COMPONENTS SECTION for Breakdown)	
23	1001090140	1	Bearing, Side Tilt Spherical	
24	1001099113	1	Pin, Side Tilt Frame Pivot	
25	1001099115	2	Sleeve, Tilt Bearing Spacer	
26	N.S.S.	1	Carriage, Side Tilt	
27	1001102378	2	Hose	
28	0100011	AR	Compound, Locking	
29	0741610	6	Screw, 3/8-16X1-1/4	
30	1001120914	1	Shim, Bearing Retainer	
31	1001120915	1	Plate, Bearing Retainer	

# SECTION 3 - ATTACHMENTS

## FIGURE 3-15. SIDE TILT CARRIAGE ASSEMBLY (60 INCH)



MFT\_1001233584-A



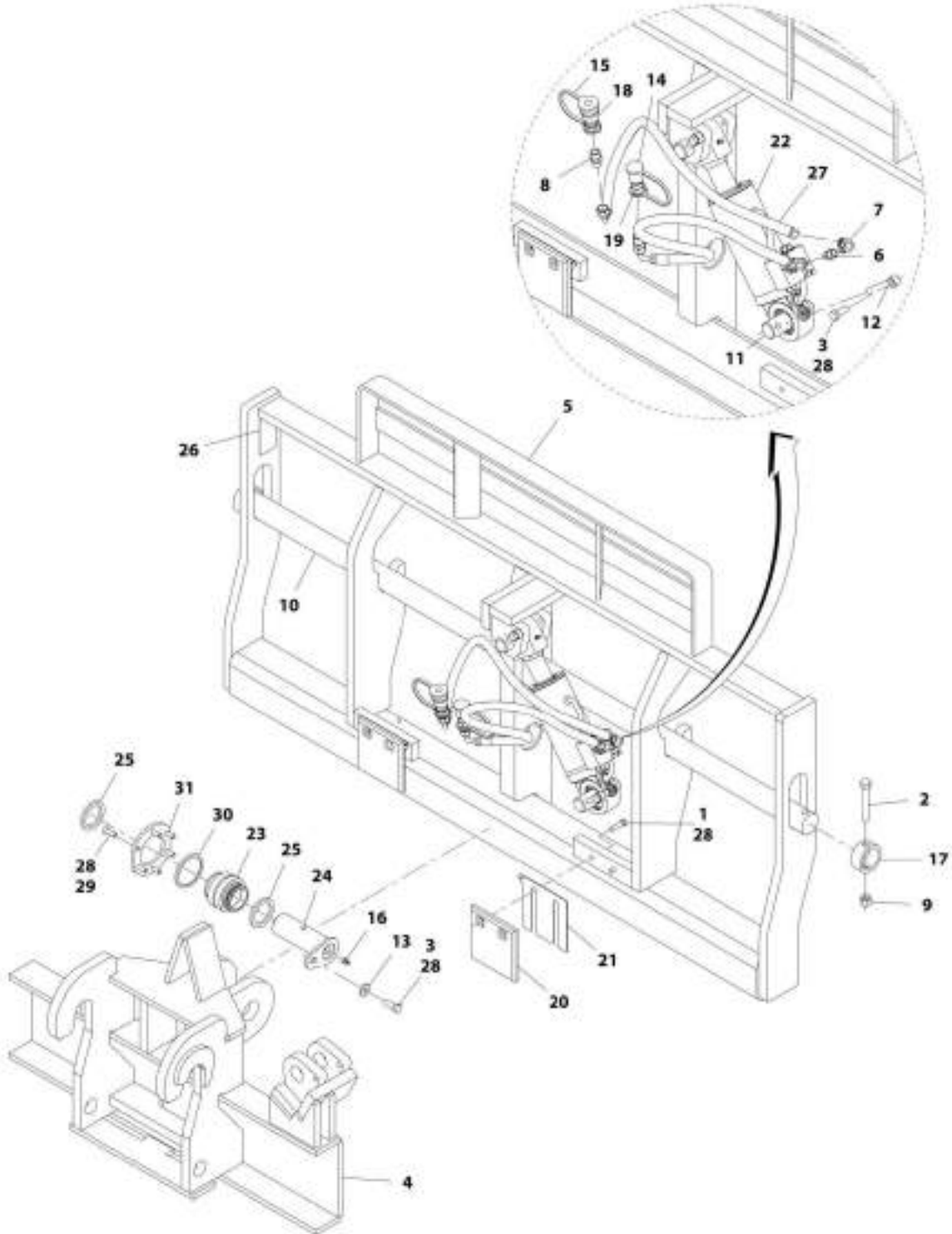
## SECTION 3 - ATTACHMENTS

**FIGURE 3-15. SIDE TILT CARRIAGE ASSEMBLY (60 INCH)**

ITEM	PART NUMBER	QTY	DESCRIPTION	REV
	1001233384	Ref	Side Tilt Carriage Assembly (60 Inch)	A
1	0100011	AR	Compound, Locking	
2	0641612	4	Bolt, 3/8-16X1-1/2	
3	0642032	2	Bolt, 5/8-11X4	
4	0681810	3	Bolt, 1/2-13X1-1/4	
5	0741610	6	Screw, 3/8-16X1-1/4	
6	2110606	2	Adapter, Straight	
7	2110808	2	Adapter, Straight	
8	2172106	2	Adapter, 90	
9	3300240	2	Nut, Lock 5/8-11	
10	3423242	1	Pin, Fork	
11	3423307	2	Pin, Side Tilt Cylinder	
12	3841203	2	Keeper, Rod	
13	4891800	1	Washer, 1/2	
14	8420053	1	Cap, Dust	
15	8420055	1	Plug, Dust	
16	88671001	1	Fitting, Grease	
17	90200003	2	Collar, Fork Pin	
18	91403413	1	Adapter	
19	91403414	1	Adapter	
20	1001090063	2	Pad, Wear	
21	1001090064	AR	Shim, Wear Pad	
22	1001090140	1	Bearing, Side Tilt Spherical	
23	1001099113	1	Pin, Side Tilt Frame Pivot	
24	1001099115	2	Sleeve, Tilt Bearing Spacer	
25	N.S.S.	1	Carriage, Side Tilt	
26	1001102378	2	Hose	
27	1001120914	1	Shim, Bearing Retainer	
28	1001120915	1	Plate, Bearing Retainer	
29	1001133072	1	Carriage, Base Pivot	
30	1001163414	1	Cylinder, Side Tilt (See HYDRAULIC COMPONENTS SECTION for Breakdown)	
31	N.S.S.	1	S/N Plate	

# SECTION 3 - ATTACHMENTS

FIGURE 3-16. SIDE TILT CARRIAGE ASSEMBLY (72 INCH)



ART\_1179057-M

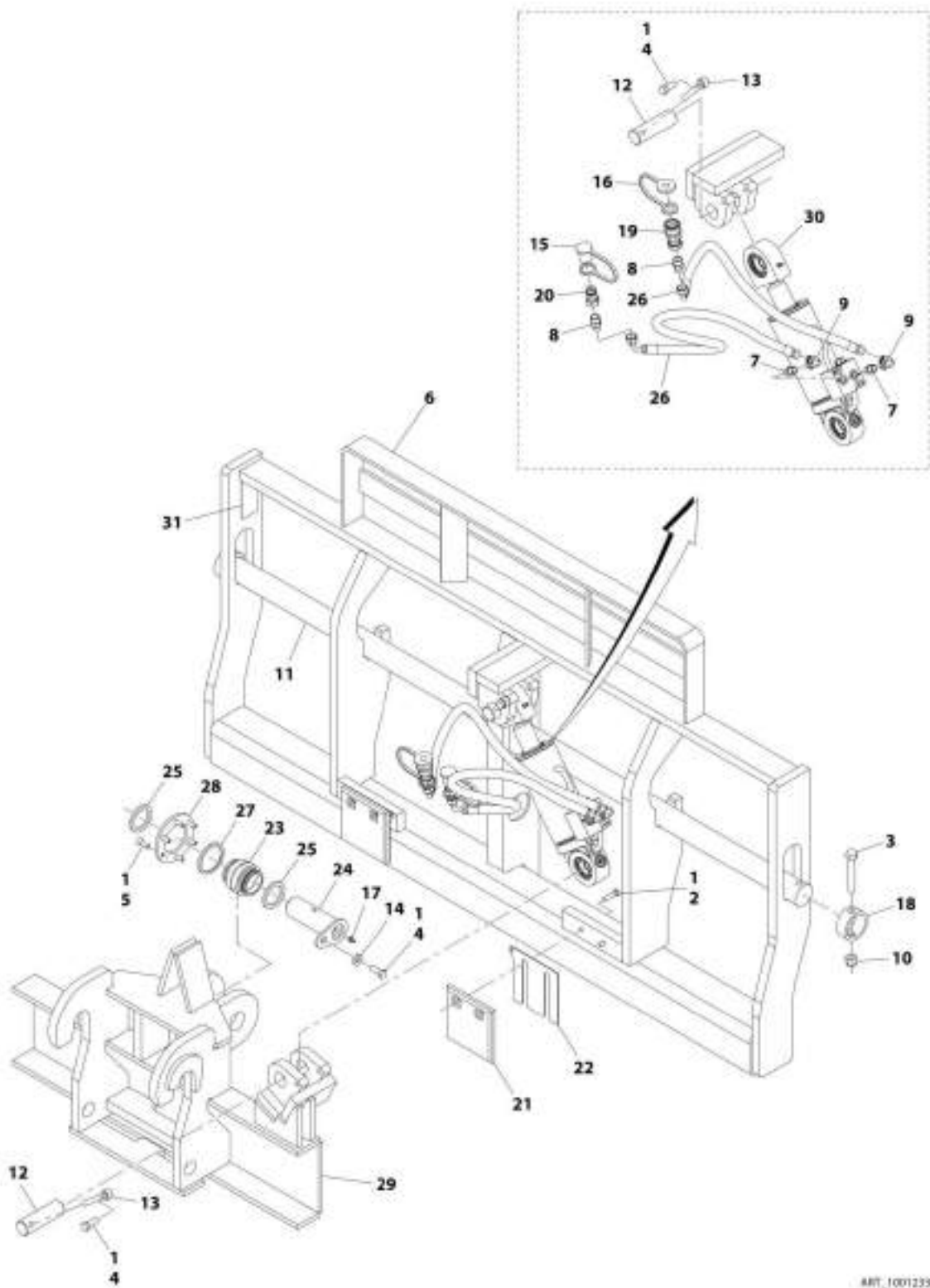
## SECTION 3 - ATTACHMENTS

**FIGURE 3-16. SIDE TILT CARRIAGE ASSEMBLY (72 INCH)**

ITEM	PART NUMBER	QTY	DESCRIPTION	REV
	1170057	Ref	Side Tilt Carriage Assembly (72 Inch), (no longer available, see items 1 through 31 for service or 1001233385 for replacement)	M
1	0641612	4	Bolt, 3/8-16X1-1/2	
2	0642032	2	Bolt, 5/8-11X4	
3	0681810	3	Bolt, 1/2-13X1-1/4	
4	1001133072	1	Carriage, Base Pivot	
5	N.S.S.	1	Carriage, Side Tilt	
6	2110606	2	Adapter, Straight	
7	2172106	2	Adapter, 90	
8	2110808	2	Adapter, Straight	
9	3300240	2	Nut, Lock 5/8-11	
10	3423276	1	Pin, Fork	
11	3423307	2	Pin, Side Tilt Cylinder	
12	3841203	2	Keeper, Rod	
13	4891800	1	Washer, 1/2	
14	8420053	1	Cap, Dust	
15	8420055	1	Plug, Dust	
16	88671001	1	Fitting, Grease	
17	90200003	2	Collar, Fork Pin	
18	91403413	1	Adapter	
19	91403414	1	Adapter	
20	1001090063	2	Pad, Wear	
21	1001090064	AR	Shim, Wear Pad	
22	1001163414	1	Cylinder, Side Tilt (See HYDRAULIC COMPONENTS SECTION for Breakdown)	
23	1001090140	1	Bearing, Side Tilt Spherical	
24	1001099113	1	Pin, Side Tilt Frame Pivot	
25	1001099115	2	Sleeve, Tilt Bearing Spacer	
26	N.S.S.	1	S/N Plate	
27	1001102378	2	Hose	
28	0100011	AR	Compound, Locking	
29	0741610	6	Screw, 3/8-16X1-1/4	
30	1001120914	1	Shim, Bearing Retainer	
31	1001120915	1	Plate, Bearing Retainer	

# SECTION 3 - ATTACHMENTS

FIGURE 3-17. SIDE TILT CARRIAGE ASSEMBLY (72 INCH)



ART\_1001233985-A

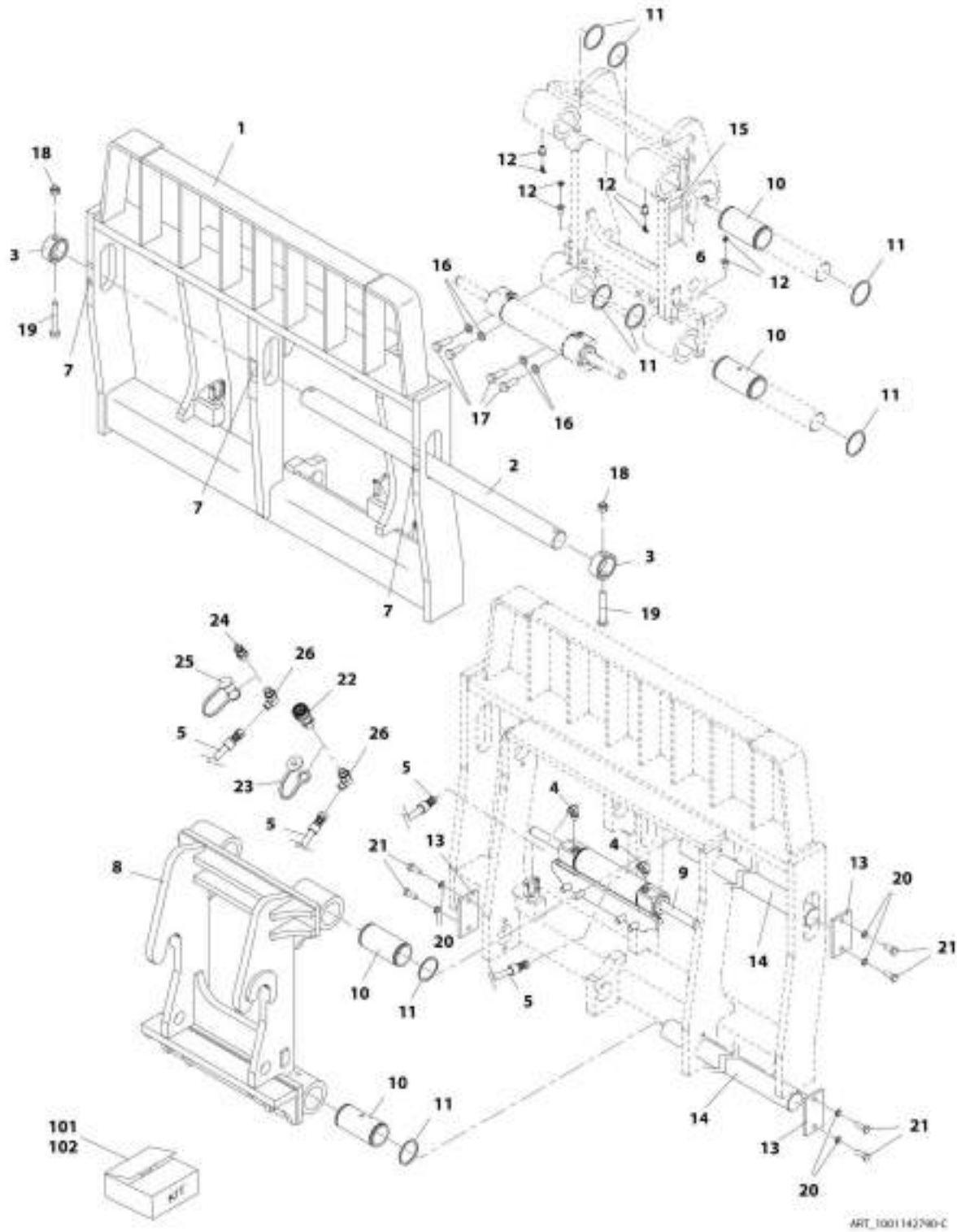
## SECTION 3 - ATTACHMENTS

**FIGURE 3-17. SIDE TILT CARRIAGE ASSEMBLY (72 INCH)**

ITEM	PART NUMBER	QTY	DESCRIPTION	REV
	1001233385	Ref	Side Tilt Carriage Assembly (72 Inch)	A
1	0100011	AR	Compound, Locking	
2	0641612	4	Bolt, 3/8-16X1-1/2	
3	0642032	2	Bolt, 5/8-11X4	
4	0681810	3	Bolt, 1/2-13X1-1/4	
5	0741610	6	Screw, 3/8-16X1-1/4	
6	N.S.S.	1	Carriage, Side Tilt	
7	2110606	2	Adapter, Straight	
8	2110808	2	Adapter, Straight	
9	2172106	2	Adapter, 90	
10	3300240	2	Nut, Lock 5/8-11	
11	3423276	1	Pin, Fork	
12	3423307	2	Pin, Side Tilt Cylinder	
13	3841203	2	Keeper, Rod	
14	4891800	1	Washer, 1/2	
15	8420053	1	Cap, Dust	
16	8420055	1	Plug, Dust	
17	88671001	1	Fitting, Grease	
18	90200003	2	Collar, Fork Pin	
19	91403413	1	Adapter	
20	91403414	1	Adapter	
21	1001090063	2	Pad, Wear	
22	1001090064	AR	Shim, Wear Pad	
23	1001090140	1	Bearing, Side Tilt Spherical	
24	1001099113	1	Pin, Side Tilt Frame Pivot	
25	1001099115	2	Sleeve, Tilt Bearing Spacer	
26	1001102378	2	Hose	
27	1001120914	1	Shim, Bearing Retainer	
28	1001120915	1	Plate, Bearing Retainer	
29	1001133072	1	Carriage, Base Pivot	
30	1001163414	1	Cylinder, Side Tilt (See HYDRAULIC COMPONENTS SECTION for Breakdown)	
31	N.S.S.	1	S/N Plate	

# SECTION 3 - ATTACHMENTS

## FIGURE 3-18. SIDE SHIFT CARRIAGE ASSEMBLY (50 INCH)



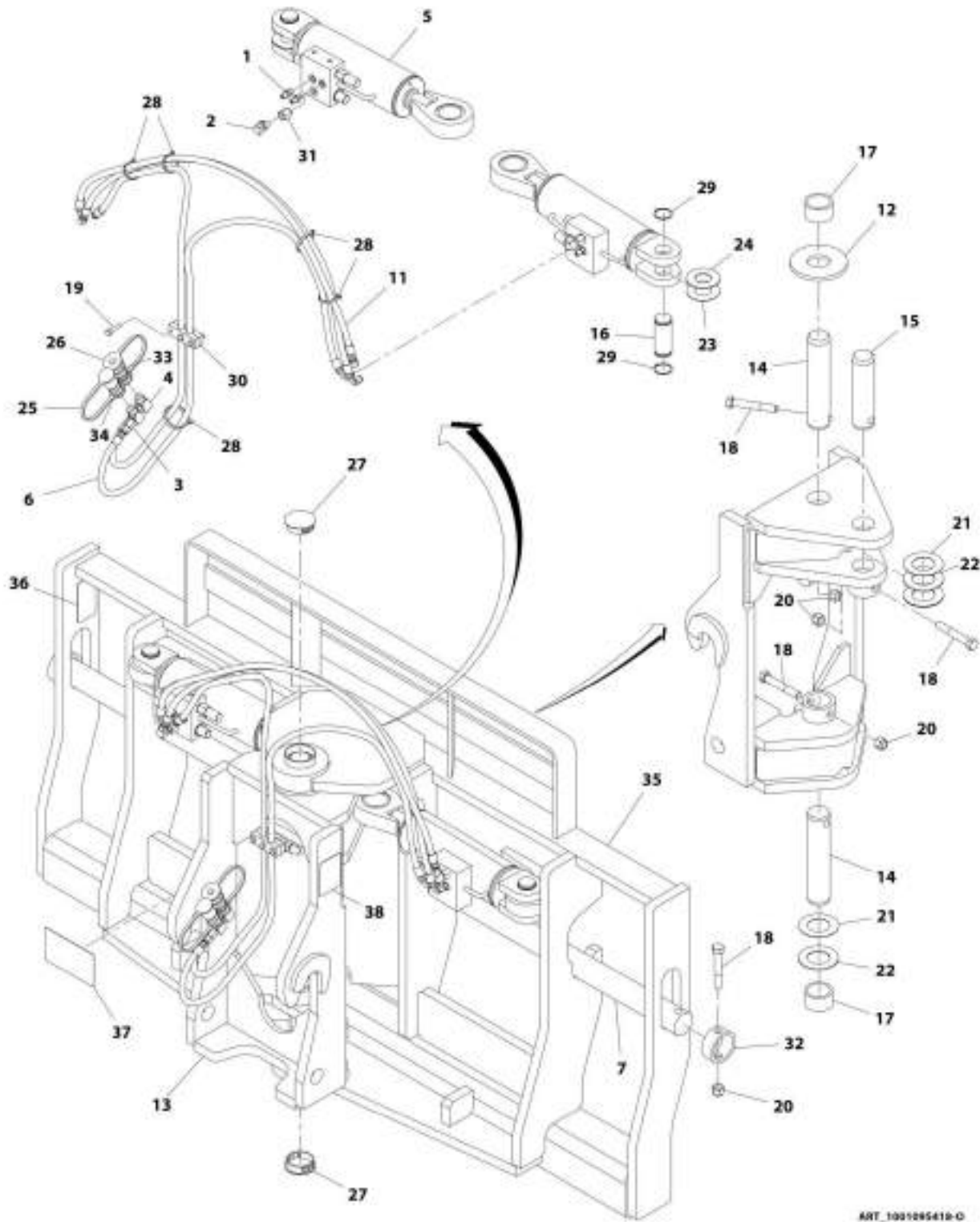
## SECTION 3 - ATTACHMENTS

### FIGURE 3-18. SIDE SHIFT CARRIAGE ASSEMBLY (50 INCH)

ITEM	PART NUMBER	QTY	DESCRIPTION	REV
	1001142790	Ref	Side Shift Carriage Assembly (50 Inch)	C
1	N.S.S.	1	Weldment	
2	70024535	1	Shaft	
3	70024536	2	Collar	
4	70024123	2	Adapter, 90 (includes o-ring)	
5	70024537	2	Hose	
6	N.S.S.	1	S/N Plate	
7	70024538	3	Decal, Warning	
8	N.S.S.	1	Weldment	
9	70024539	1	Cylinder, Side Shift Carriage (50 Inch) (See HYDRAULIC COMPONENTS SECTION for Breakdown)	
10	70024540	4	Bushing	
11	70024541	8	Circlip	
12	70024542	4	Fitting, Grease	
13	70024543	4	Retainer	
14	70024544	2	Shaft	
15	N.S.S.	1	S/N Plate	
16	70024551	4	Washer, Lock M16	
17	70024552	4	Bolt, M16X45	
18	70024553	2	Nut, Hex M16	
19	70024554	2	Bolt, M16X100	
20	70022997	8	Washer, Lock M12	
21	70024555	8	Bolt, M12X35	
22	91403413	1	Adapter, Female Quick Disconnect	
23	8420055	1	Plug, Dust	
24	91403414	1	Adapter, Male Quick Disconnect	
25	8420053	1	Cap, Dust	
26	70024550	2	Adapter, 90 (includes o-ring)	
101	70024545	1	Kit, Hydraulic Repair (includes items 5 & 22 thru 26)	
102	70024546	1	Kit, Retainer (includes items 13, 20 & 21)	

# SECTION 3 - ATTACHMENTS

## FIGURE 3-19. 90 SWING CARRIAGE ASSEMBLY (72 INCH)





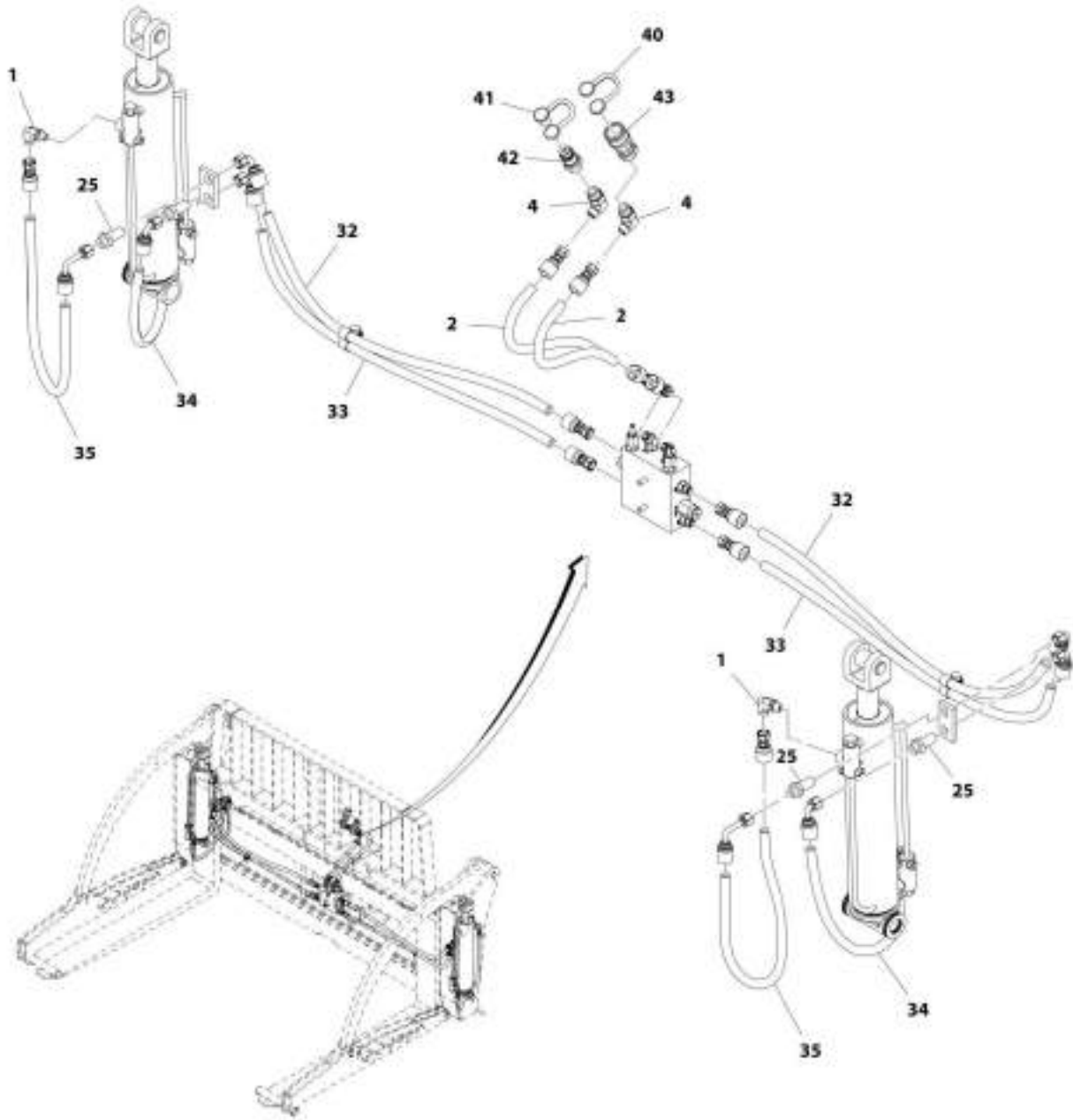
## SECTION 3 - ATTACHMENTS

**FIGURE 3-19. 90 SWING CARRIAGE ASSEMBLY (72 INCH)**

ITEM	PART NUMBER	QTY	DESCRIPTION	REV
	1001095418	1	90 Swing Carriage Assembly (72 Inch)	M
1	2220415	4	Adapter, Straight	
2	2220473	2	Adapter, 90	
3	2220609	2	Adapter, Straight	
4	2220628	2	Adapter, 90	
5	1001103182	2	Swing Carriage Cylinder (See Separate Breakdown in HYDRAULIC COMPONENTS Section)	
6	2717287	2	Hose	
7	3423276	1	Pin, Fork	
11	6604662	2	Hose	
12	7062922	1	Washer, Thrust	
13	N.S.S.	1	Weldment, Pivot	
14	7110702	2	Pin, Pivot	
15	7110712	1	Pin, Cylinder	
16	7110722	1	Pin, Cylinder	
17	8065062	2	Bushing	
18	8303634	5	Bolt, 5/8-11X4	
19	8303715	3	Bolt, 5/16-18X1-1/2	
20	8305643	5	Nut, Lock 5/8-11	
21	8307904	AR	Washer, Shim	
22	8307918	AR	Washer, Shim	
23	8310160	AR	Washer, Shim	
24	8310161	AR	Washer, Shim	
25	8420053	1	Cap, Dust	
26	8420055	1	Plug, Dust	
27	8580315	2	Plug	
28	8584001	5	Wrap, Tie	
29	8642207	4	Ring, Retaining	
30	8769132	2	Clamp, Twin	
31	8770016	2	Adapter, Straight	
32	90200003	2	Collar, Fork Pin	
33	91403413	1	Adapter, Female Quick Disconnect	
34	91403414	1	Adapter, Male Quick Disconnect	
35	N.S.S.	1	Frame, Carriage	
36	N.S.S.	1	S/N Plate	
37	1001110704	1	Decal, Warning Crush Hazard	
38	1001111190	2	Decal, Warning	

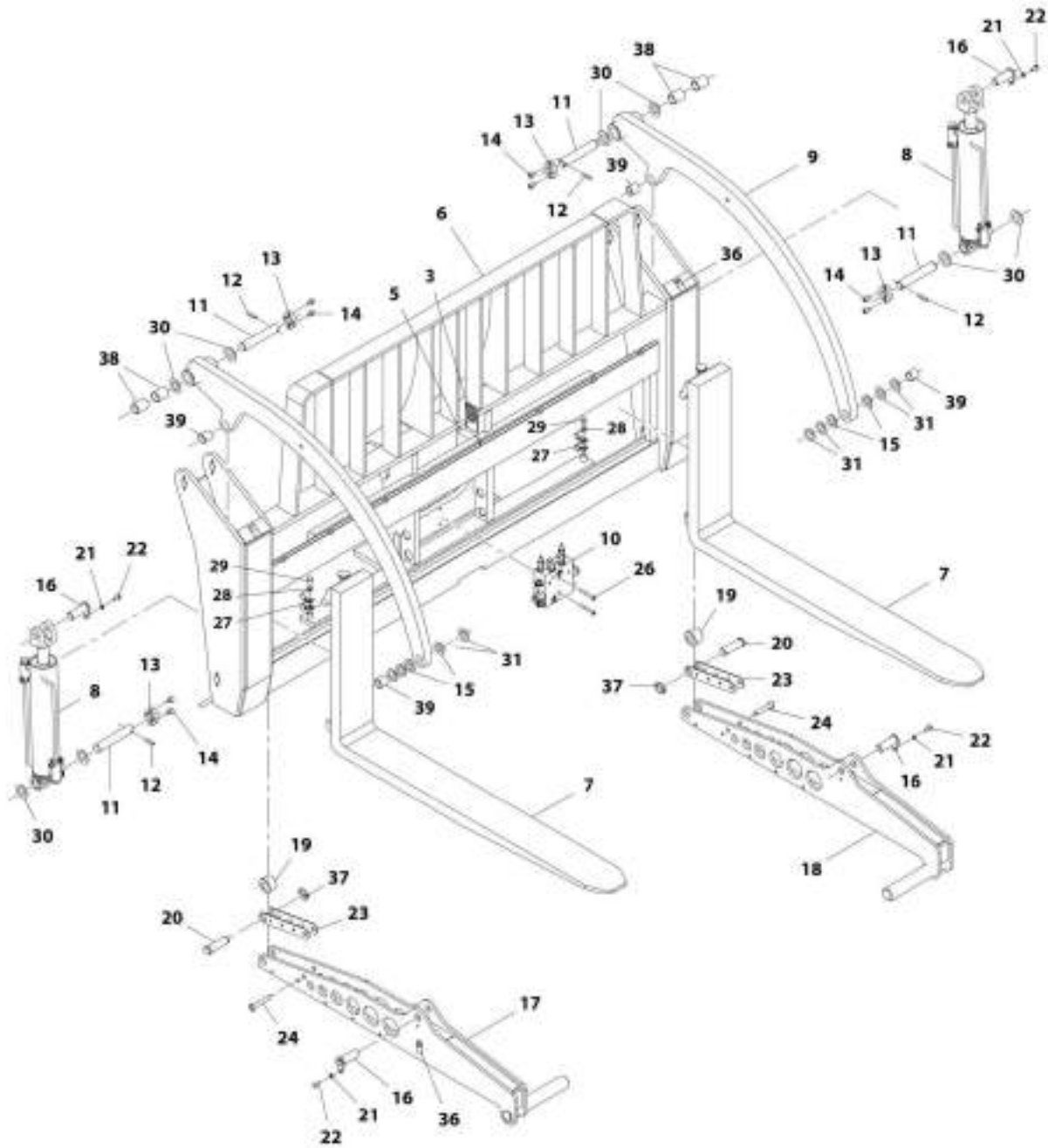
# SECTION 3 - ATTACHMENTS

## FIGURE 3-20. PIPE HANDLER ASSEMBLY



MIT\_1001142247\_1-C

# SECTION 3 - ATTACHMENTS



ART\_1001142247\_3-C

## SECTION 3 - ATTACHMENTS

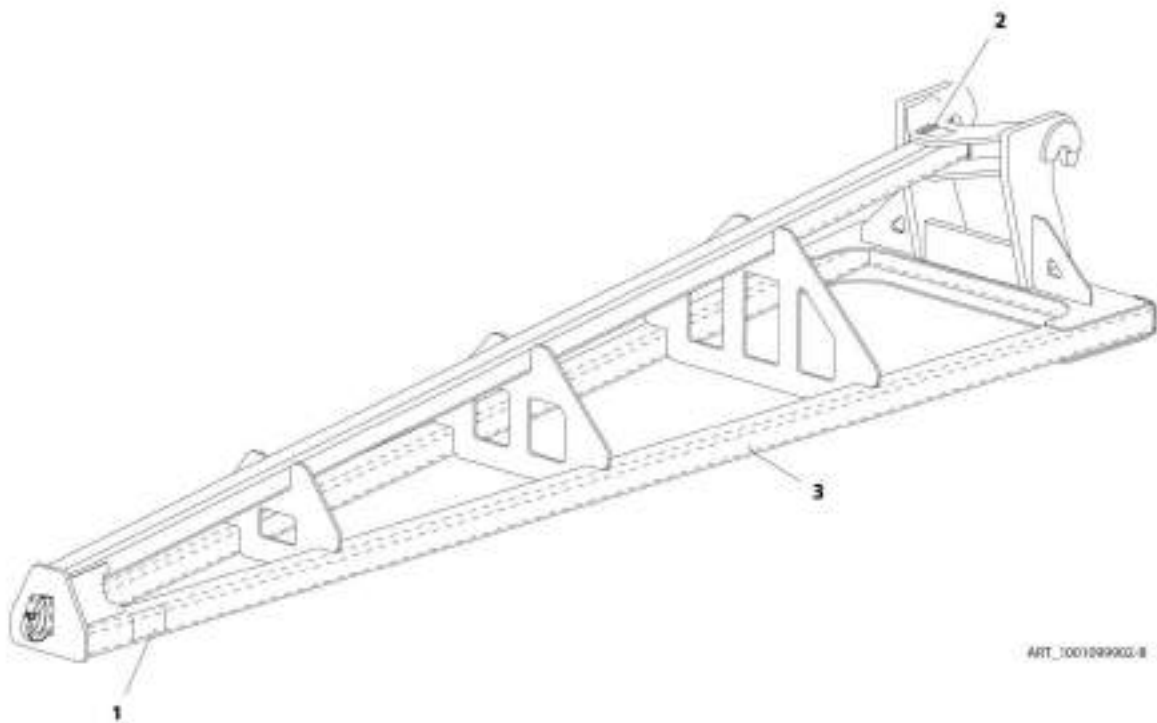
### FIGURE 3-20. PIPE HANDLER ASSEMBLY

ITEM	PART NUMBER	QTY	DESCRIPTION	REV
	1001142247	Ref	Pipe Handler Assembly	C
	70026585	1	Hydraulic Supply Group (includes items 1, 2, 4, 25 & 32 thru 35 & 40 thru 43)	
1	70024123	4	Fitting	
2	70026347	2	Hose, 485 mm	
3	N.S.S.	1	JLG Nameplate	
4	70024550	2	Fitting	
5	N.S.S.	1	Nameplate	
6	N.S.S.	1	Carriage Weldment	
7	70026586	2	Fork	
8	70026587	2	Cylinder, Pipe Handler (See HYDRAULIC COMPONENTS SECTION for Breakdown)	
9	70026588	2	Arm	
10	70026589	1	Valve Assembly (See HYDRAULIC CIRCUITS SSECTION for Breakdown)	
11	70026470	4	Pin	
12	70026471	4	Pin Drive - Lock	
13	70026472	4	Retainer	
14	70026473	8	Capscrew, M10 x 12	
15	70026590	4	Thrust Washer	
16	70026591	4	Pin Weldment	
17	70026592	1	Contact Pad - RH	
18	70026593	1	Contact Pad - LH	
19	70026594	2	Roller	
20	70026595	2	Clevis Pin	
21	70026596	4	Lockwasher, M8	
22	70026597	4	Capscrew, M8 x 16	
23	70026598	2	Retainer	
24	70026599	2	Ring Detent Pin	
25	70023000	4	Fitting	
26	70026600	2	Capscrew, M8 x 60	
27	70026481	4	Hose Clamp	
28	70026482	2	Washer	
29	70022996	2	Capscrew, M10X16	
30	70026476	24	Shim	
31	70026601	8	Shim	
32	70026602	2	Hose	
33	70026603	2	Hose	
34	70026604	2	Hose	
35	70026605	2	Hose	
36	70024538	4	Warning Decal	
37	70026606	2	Lynch Pin, 3/16	
38	70026501	4	Bushing	
39	70026607	4	Bushing	
40	70026608	1	Plug	
41	70026609	1	Cap	
42	91403414	1	Coupler - Male	
43	91403413	1	Coupler - Female	



## SECTION 3 - ATTACHMENTS

FIGURE 3-21. TRUSS BOOM (12 FOOT WITHOUT WINCH)



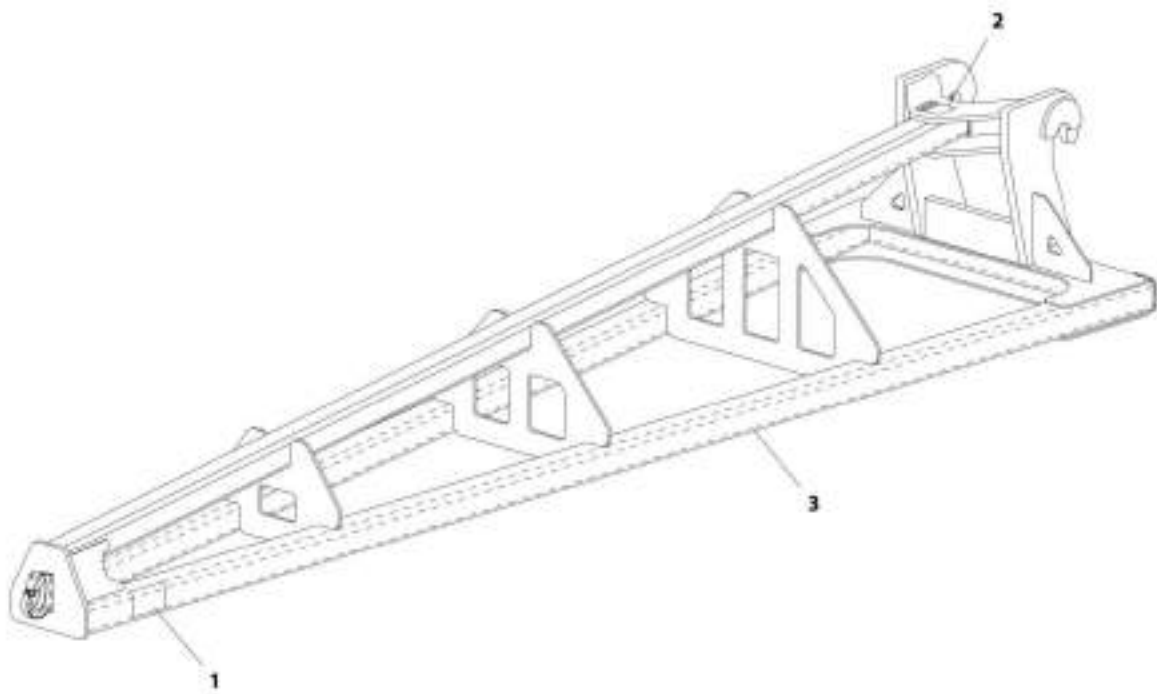
## SECTION 3 - ATTACHMENTS

**FIGURE 3-21. TRUSS BOOM (12 FOOT WITHOUT WINCH)**

ITEM	PART NUMBER	QTY	DESCRIPTION	REV
	1001099902	1	Truss Boom (12 Foot without Winch)	B
1	4110422	2	Decal, Danger Swinging Loads	
2	N.S.S.	1	S/N Plate	
3	N.S.S.	1	Boom, Truss	

## SECTION 3 - ATTACHMENTS

FIGURE 3-22. TRUSS BOOM (15 FOOT WITHOUT WINCH)



ART. 100109900-C



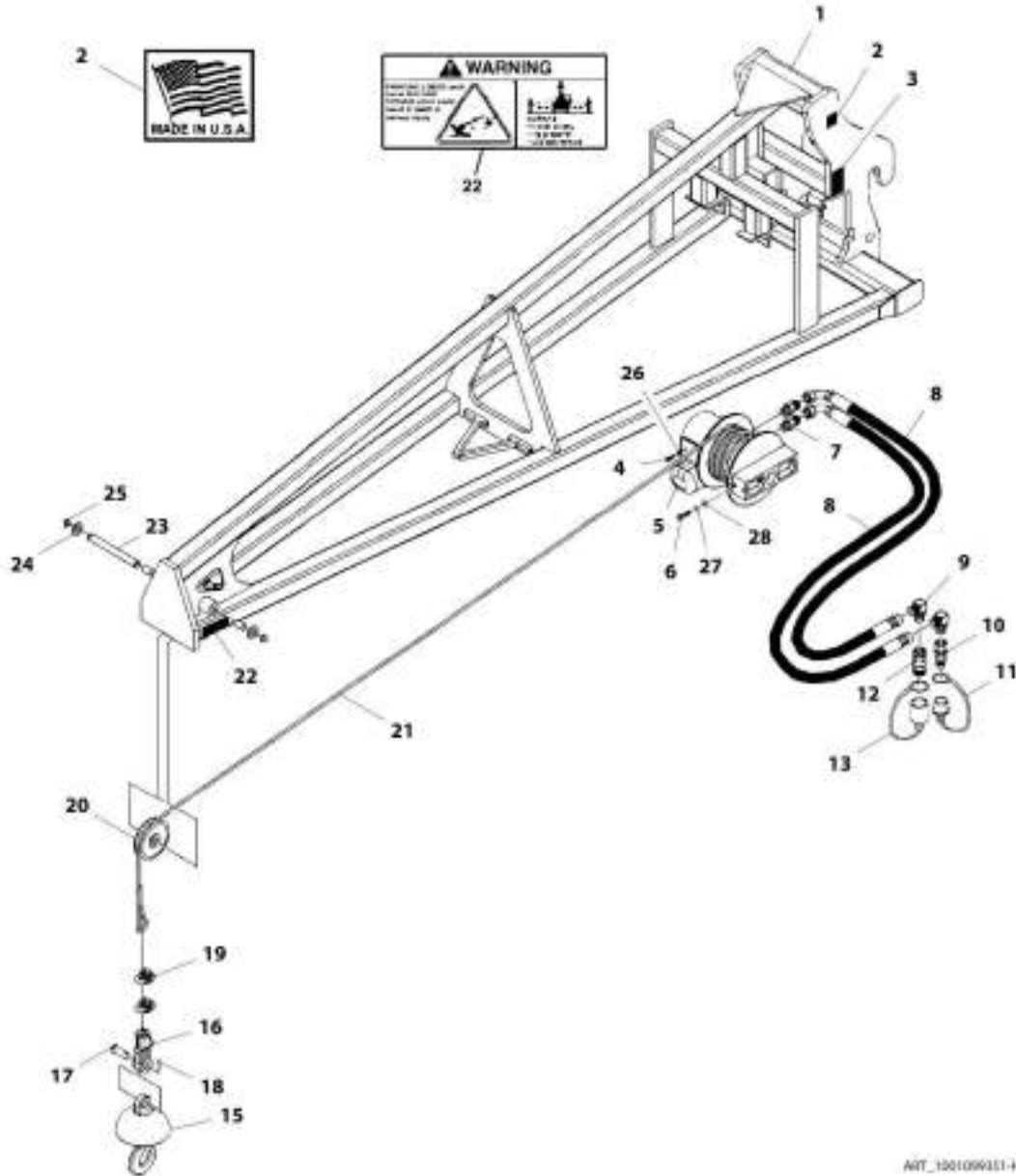
## SECTION 3 - ATTACHMENTS

**FIGURE 3-22. TRUSS BOOM (15 FOOT WITHOUT WINCH)**

ITEM	PART NUMBER	QTY	DESCRIPTION	REV
	1001099901	1	Truss Boom (15 Foot without Winch)	C
1	4110422	1	Decal, Danger Swinging Loads	
2	N.S.S.	1	S/N Plate	
3	N.S.S.	1	Boom, Truss	

# SECTION 3 - ATTACHMENTS

## FIGURE 3-23. TRUSS BOOM (12 FOOT WITH WINCH)



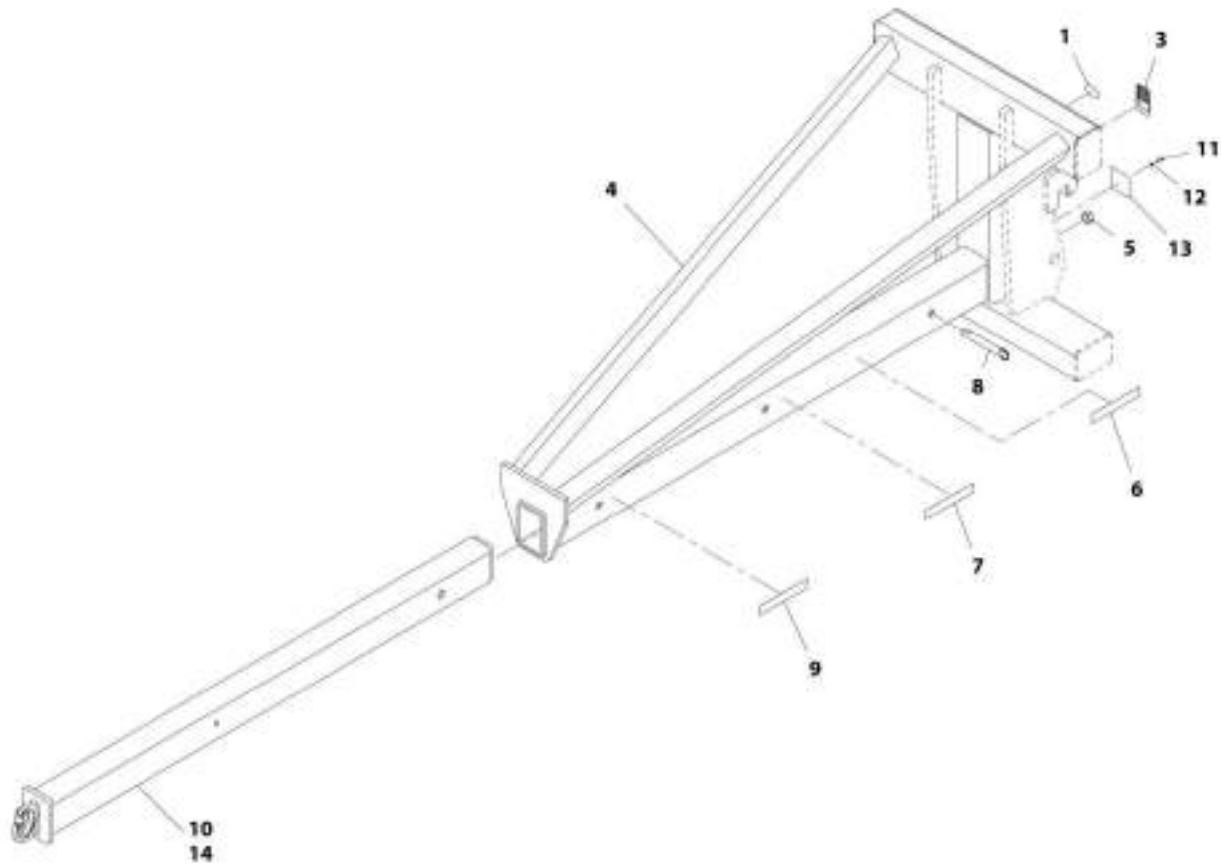
## SECTION 3 - ATTACHMENTS

**FIGURE 3-23. TRUSS BOOM (12 FOOT WITH WINCH)**

ITEM	PART NUMBER	QTY	DESCRIPTION	REV
	1001099351	1	Truss Boom (12 Foot with Winch)	H
1	N.S.S.	1	Frame, Truss Boom	
2	90554016	1	Decal, Made in USA	
3	N.S.S.	1	S/N Plate	
4	70021349	4	Bolt, 3/8X1	
5	70021921	1	Motor, Truss Boom Winch	
6	70024059	2	Bolt, 1/2X1-3/4	
7	70021415	2	Connector	
8	70021977	2	Hose	
9	70022527	2	Elbow, 90	
10	7029692	1	Quick Coupler, Male	
11	90554062	1	Cap, Dust	
12	70021342	1	Quick Coupler, Female	
13	90554076	1	Cover, Dust	
15	70021978	1	Ball Swivel with Safety Hook	
16	70021979	1	Assembly, Socket (includes items 17 & 18)	
17	N.S.S.	1	Pin	
18	N.S.S.	1	Pin, Cotter	
19	70022528	2	Clamp	
20	70021935	1	Pulley	
21	70022028	1	Cable	
22	4110422	2	Decal, Warning Swinging Loads	
23	70022529	1	Pin	
24	70024060	2	Washer, Flat 1	
25	70024061	2	Ring, Snap	
26	90554042	4	Washer, Lock 3/8	
27	90554020	2	Washer, Lock 1/2	
28	90554054	2	Nut, 1/2	

# SECTION 3 - ATTACHMENTS

## FIGURE 3-24. ADJUSTABLE TRUSS BOOM



ART\_1001126515-B

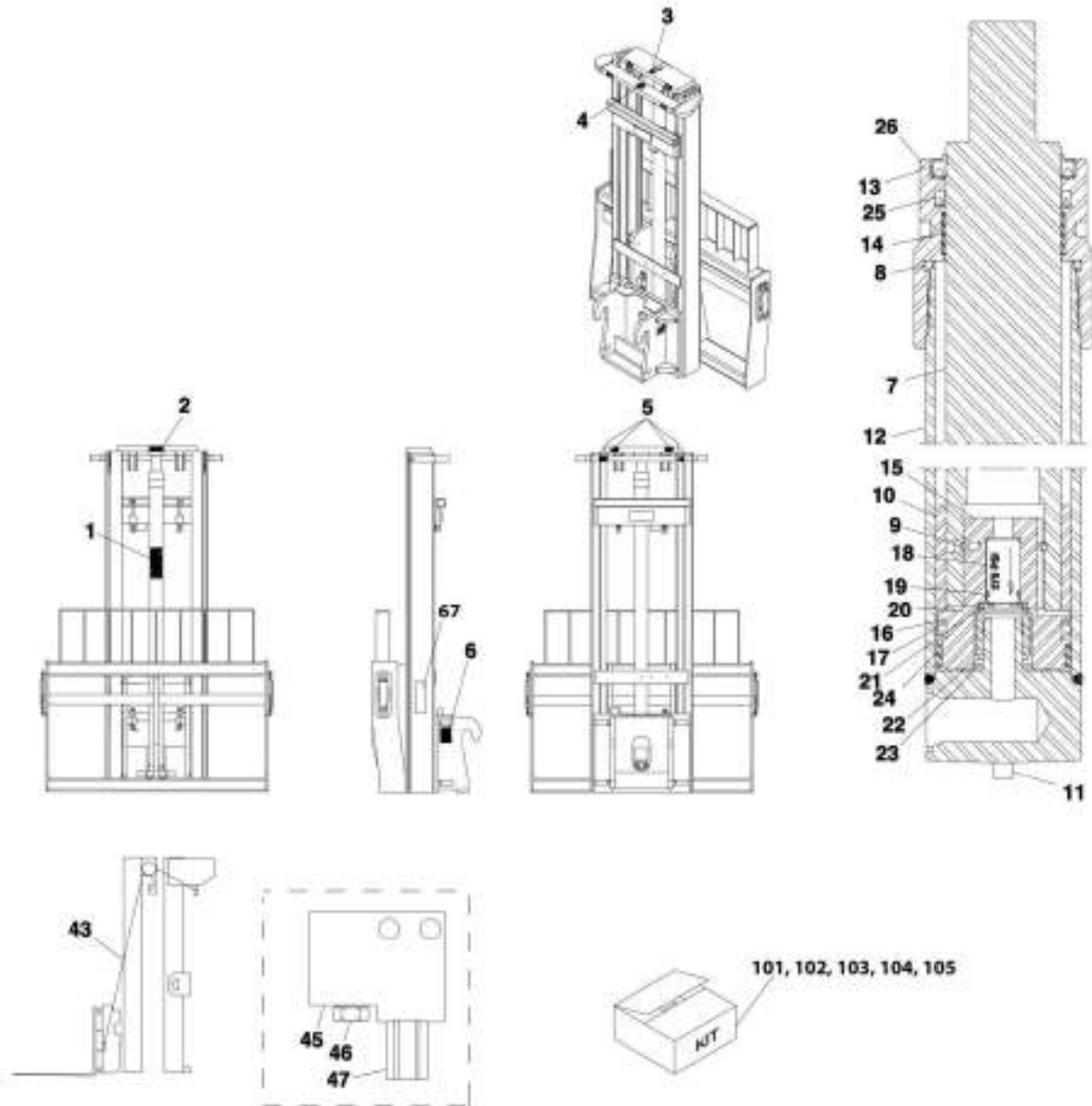
## SECTION 3 - ATTACHMENTS

**FIGURE 3-24. ADJUSTABLE TRUSS BOOM**

ITEM	PART NUMBER	QTY	DESCRIPTION	REV
	1001176515	1	Adjustable Truss Boom	B
1	90554016	1	Decal, Made in USA	
3	N.S.S.	1	S/N Plate	
4	N.S.S.	1	Truss Boom, Adjustable	
5	70021440	1	Nut, Lock	
6	70024062	2	Decal, 4000 lbs cap	
7	70026944	2	Decal, 3000 lbs cap	
8	70026946	1	Pin	
9	70026699	2	Decal, 2000 lbs cap	
10	70026747	1	Stop Rod, Boom Extension	
11	90554033	1	Bolt, 3/4X1/4	
12	90554034	1	Washer, Lock 1/4	
13	70026948	1	Plate, Stop	
14	70026949	1	Boom, Telescopic	

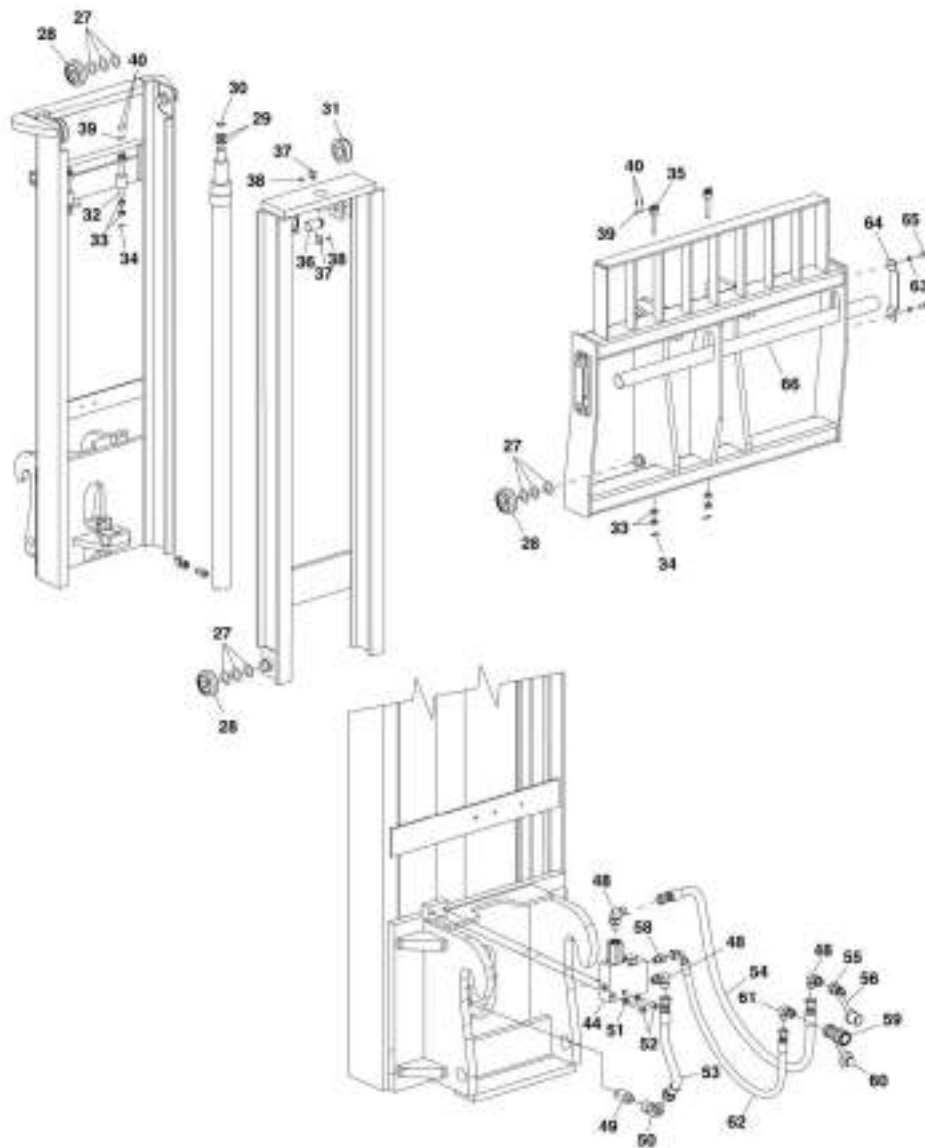
# SECTION 3 - ATTACHMENTS

## FIGURE 3-25. MAST (8 FOOT)



ART\_1001108668\_1-C

# SECTION 3 - ATTACHMENTS



ART\_1001105666\_3-C

## SECTION 3 - ATTACHMENTS

### FIGURE 3-25. MAST (8 FOOT)

ITEM	PART NUMBER	QTY	DESCRIPTION	REV
	1001108668	1	Mast (8 Foot)	C
1	Kit	1	Decal, Warning	
2	Kit	1	Decal, Warning	
3	Kit	1	Decal, No Step	
4	Kit	1	Decal, No Step	
5	Kit	4	Decal, Hands Off	
6	Kit	2	Decal, Hose Routing	
6	70023008	1	Cylinder, Main Lift (includes items 7 thru 26)	
7	N.S.S.	1	Rod/Plunger	
8	Kit	1	O-Ring	
9	Kit	1	Wire, Pull	
10	N.S.S.	1	Spacer	
11	N.S.S.	2	Pin, Roll	
12	N.S.S.	1	Barrel	
13	Kit	1	Wiper	
14	Kit	1	Bushing	
15	N.S.S.	1	Barrel	
16	Kit	1	Ring, Nylon	
17	Kit	1	Seal, Piston	
18	Kit	1	Valve, Check	
19	Kit	1	O-Ring	
20	Kit	1	Washer	
21	Kit	1	Circlip	
22	N.S.S.	1	Sleeve	
23	Kit	1	Ring, Retaining	
24	Kit	1	Ring, Wear	
25	Kit	1	Seal, Rod	
26	70023004	1	Retainer/Gland	
27	70023014	24	Shim	
28	70022987	8	Bearing, Ball	
29	Kit	2	Washer, Shim	
30	70023016	1	Ring, Snap	
31	70022969	2	Assembly, Sheave	
32	70022960	2	Anchor, Chain	
33	70022957	8	Nut, 5/8-18	
34	70022993	4	Pin, Cotter	
35	70022995	2	Anchor, Chain	
36	70022984	1	Shaft, Sheave	
37	70022970	2	Bar, Retainer	
38	70023003	2	Capscrew	
39	70022994	4	Pin, Chain Anchor	
40	70022992	8	Pin, Cotter	
41	70022985	1	Shaft, Sheave	
43	70023009	2	Chain, Lift	
44	70022932	1	Assembly, PO Check Valve (includes items 45, 46 & 47)	
45	N.S.S.	1	Manifold	
46	70022931	1	Cartridge, PO Check Valve	
47	70023010	1	Check, PO	
48	70022934	3	Fitting, 90	
49	70022936	1	Limitter, Flow	

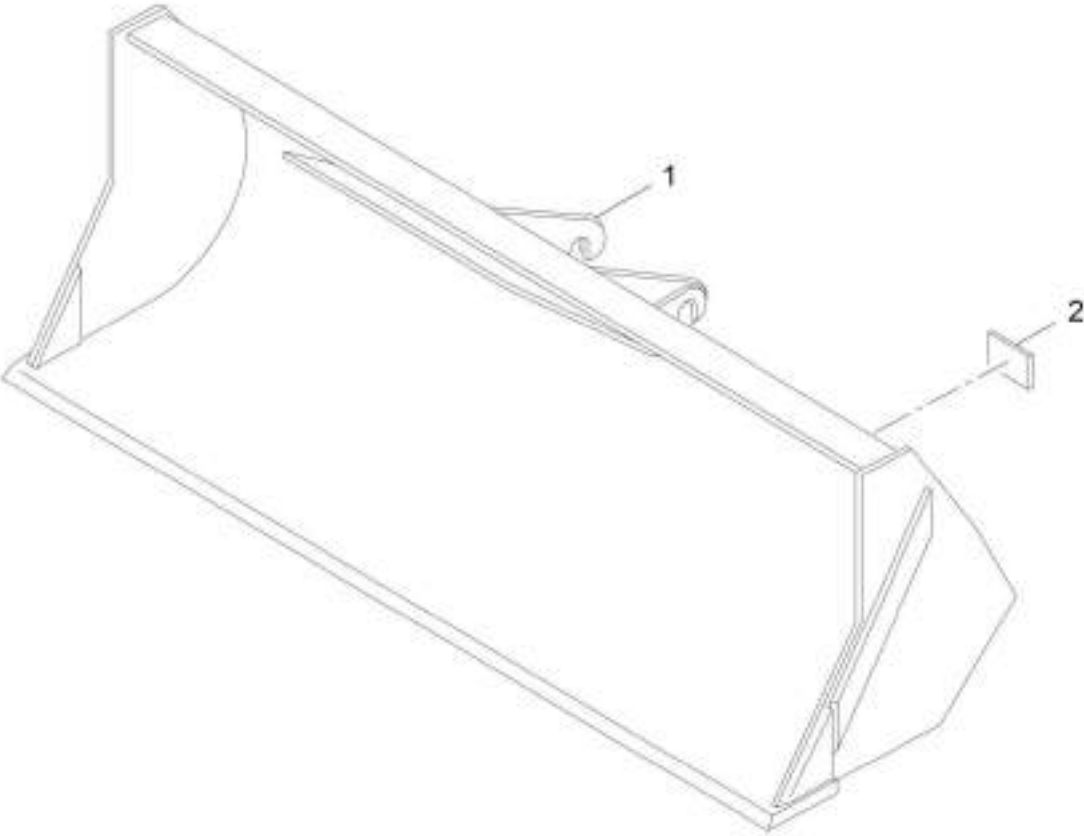


## SECTION 3 - ATTACHMENTS

ITEM	PART NUMBER	QTY	DESCRIPTION	REV
50	70022937	1	Fitting, 45	
51	70022949	2	Washer, Lock M10	
52	70022950	2	Bolt	
53	70022942	1	Hose	
54	70022952	1	Hose	
55	91403414	1	Adapter, Male Quick Disconnect	
56	91043126	1	Cap, Dust	
58	70022939	1	Fitting, Straight	
59	91403413	1	Adapter, Female Quick Disconnect	
60	91043125	1	Plug, Dust	
61	70022935	1	Elbow, Straight Thread	
62	70022946	1	Hose	
63	70022949	4	Washer, Lock M10	
64	70022980	2	Keeper, Fork Pin	
65	70022998	4	Screw, M10X20	
66	70022990	1	Pin, Fork	
67	N.S.S.	1	S/N Plate	
101	70023925	1	Kit, Decal (includes items 1 thru 6)	
102	70023005	1	Seal Kit, Main Lift Cylinder (includes items 8, 9, 13, 14, 16, 17, 19, 21 & 23 thru 25)	
103	70023006	1	Kit, Check Valve (includes items 18 thru 21 & 23)	
104	70023007	1	Kit, Shim	
105	70023015	1	Kit, Mast Common Parts (includes items 27 thru 41)	

**SECTION 3 - ATTACHMENTS**

**FIGURE 3-26. BUCKET (72 INCH)**



ART 1001100822 ©

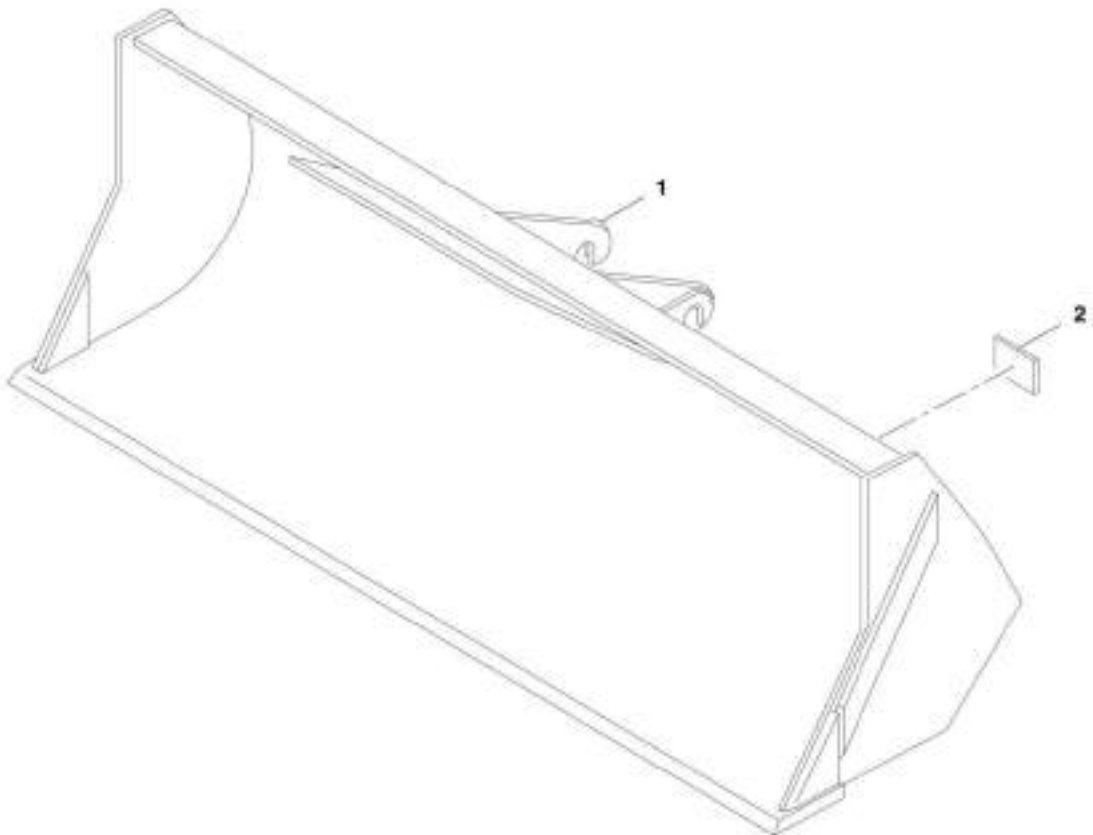
## SECTION 3 - ATTACHMENTS

**FIGURE 3-26. BUCKET (72 INCH)**

ITEM	PART NUMBER	QTY	DESCRIPTION	REV
1	1001100822	1	Bucket (72 Inch)	C
2	N.S.S.	1	S/N Plate	

# SECTION 3 - ATTACHMENTS

FIGURE 3-27. BUCKET (96 INCH)



ART\_1981100023-C

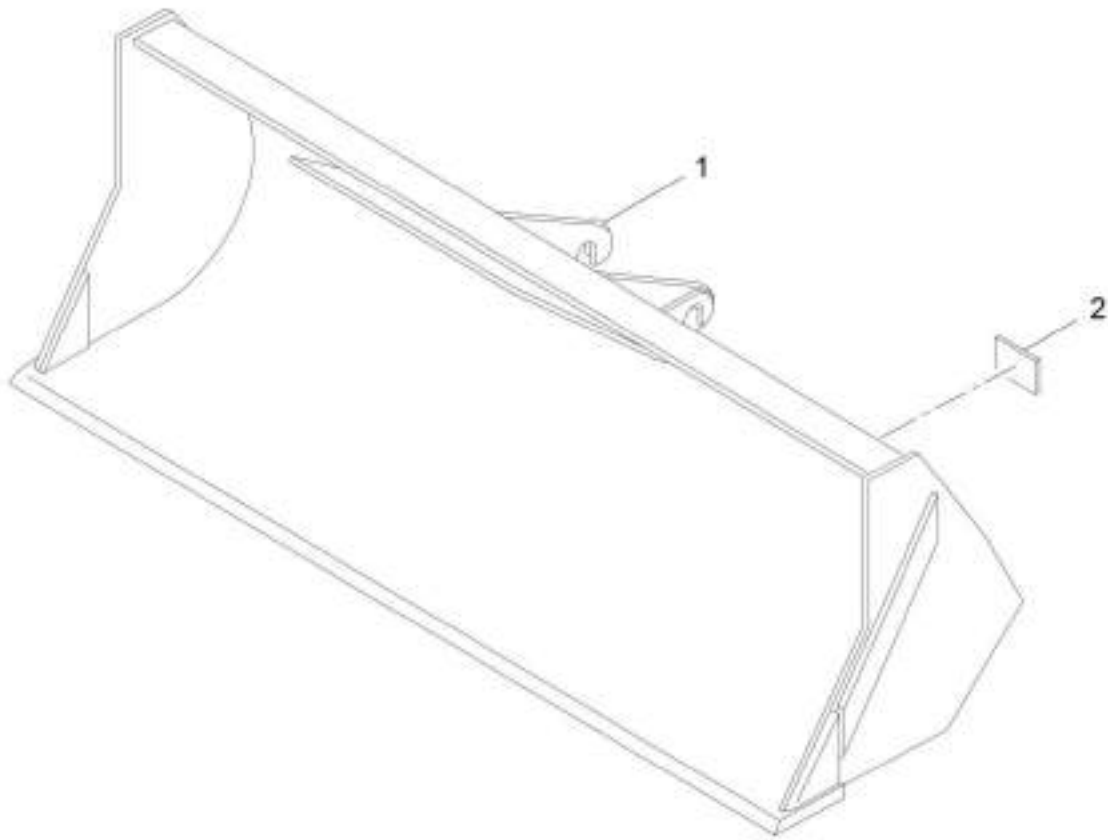
## SECTION 3 - ATTACHMENTS

FIGURE 3-27. BUCKET (96 INCH)

ITEM	PART NUMBER	QTY	DESCRIPTION	REV
1	1001100823	1	Bucket (96 Inch)	C
2	N.S.S.	1	S/N Plate	

# SECTION 3 - ATTACHMENTS

FIGURE 3-28. BUCKET (102 INCH)



ART\_1001100024-C

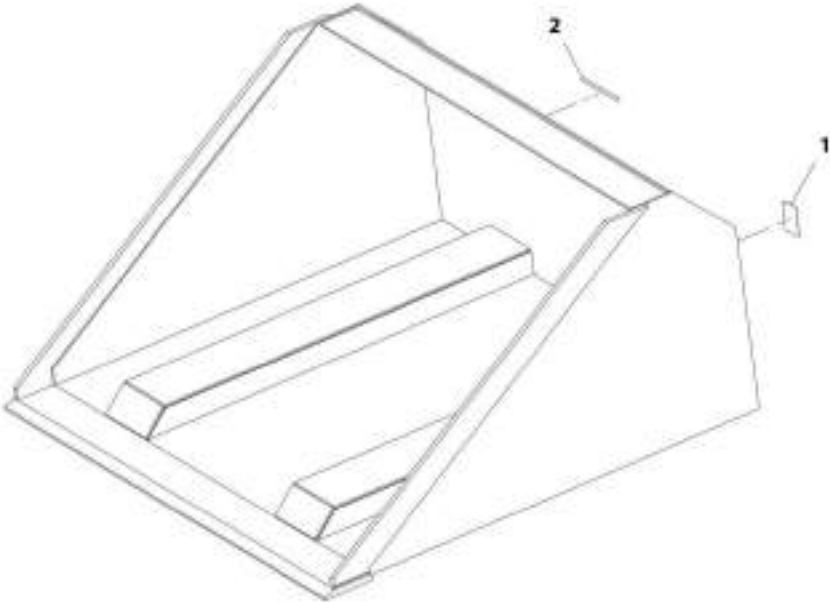
## SECTION 3 - ATTACHMENTS

**FIGURE 3-28. BUCKET (102 INCH)**

ITEM	PART NUMBER	QTY	DESCRIPTION	REV
1	1001100824	1	Bucket (102 Inch)	C
2	N.S.S.	1	S/N Plate	

**SECTION 3 - ATTACHMENTS**

**FIGURE 3-29. FORK MOUNTED BUCKET (60 INCH)**



ART\_1001195075-0



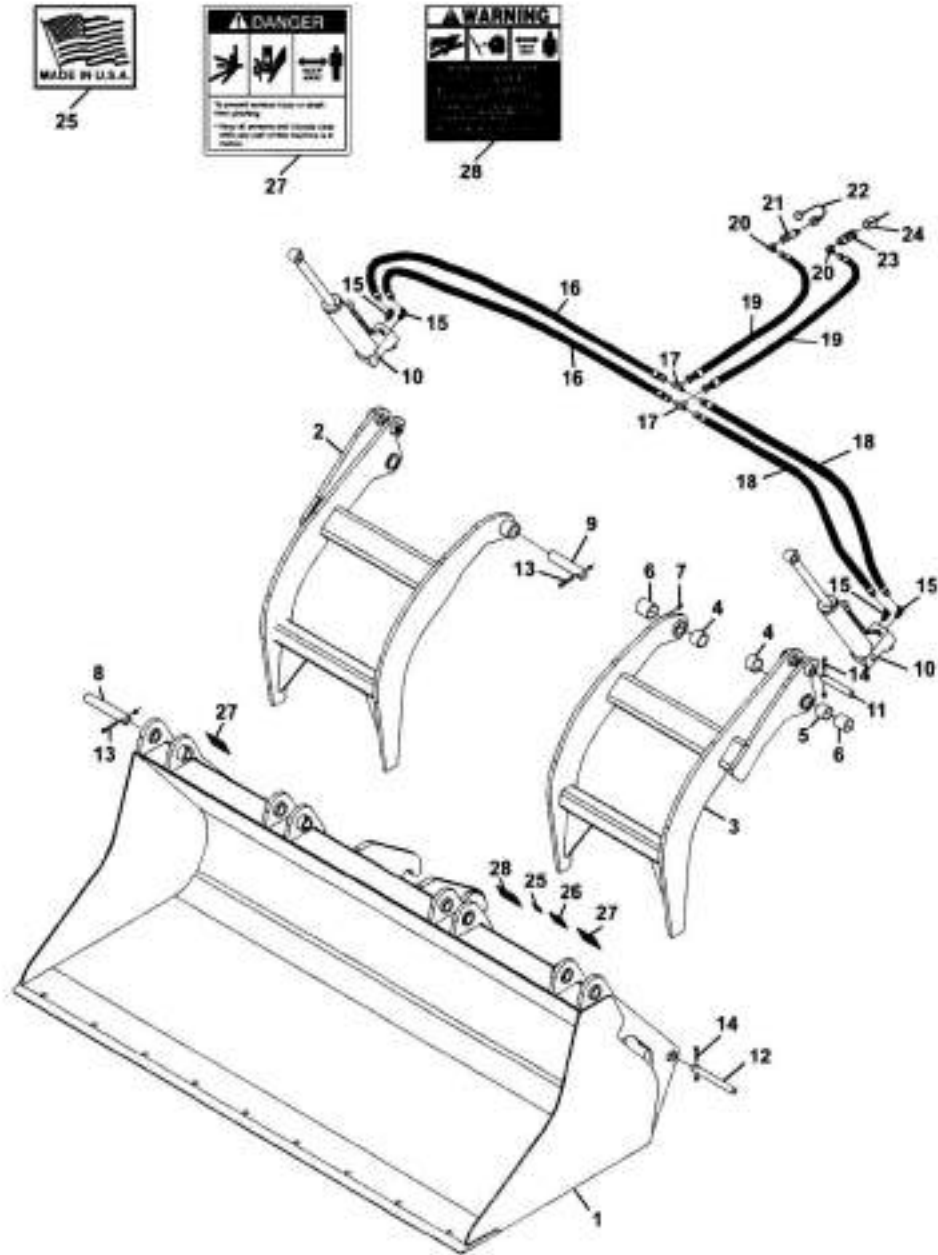
## SECTION 3 - ATTACHMENTS

**FIGURE 3-29. FORK MOUNTED BUCKET (60 INCH)**

ITEM	PART NUMBER	QTY	DESCRIPTION	REV
	1001195970	Ref	Fork Mounted Bucket (60 Inch)	B
1	N.S.S.	1	S/N Plate	
2	70029028	1	Retention Pin Kit, (includes Pin, Retention Cable and Cotter Pin)	

# SECTION 3 - ATTACHMENTS

## FIGURE 3-30. GRAPPLE BUCKET



A8T\_D633025-H

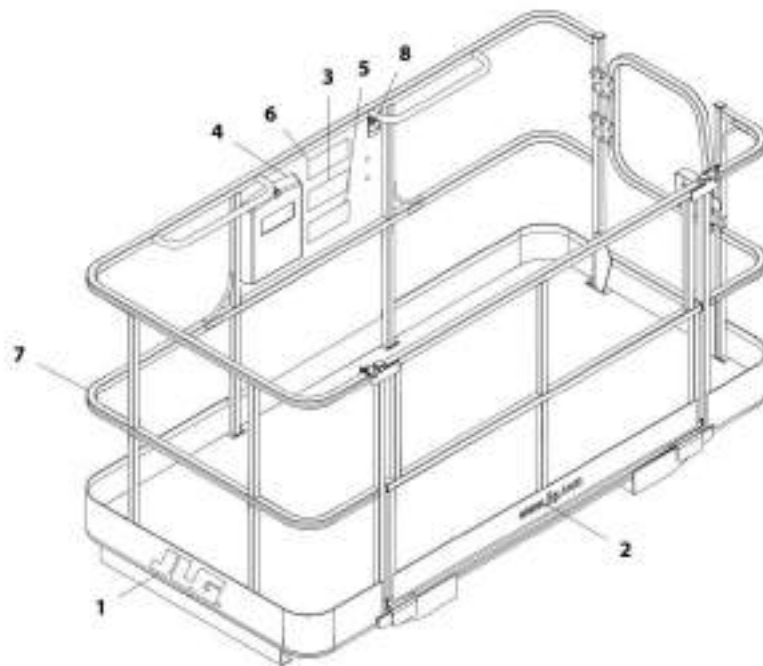
## SECTION 3 - ATTACHMENTS

### FIGURE 3-30. GRAPPLE BUCKET

ITEM	PART NUMBER	QTY	DESCRIPTION	REV
	0930020	1	Grapple Bucket	H
1	N.S.S.	1	Bucket	
1	70021387	4	Clamp, Hose	
2	70021391	1	Hook, RH Grapple	
3	70021392	1	Hook, LH Grapple	
4	70021358	4	Bushing	
5	70021359	2	Spacer	
6	70021360	4	Bushing	
7	7029714	4	Fitting, Grease	
8	70021361	2	Pin, Outer Pivot	
9	70021362	2	Pin, Inner Pivot	
10	70021393	2	Cylinder, Grapple Bucket (See HYDRAULIC COMPONENTS for Breakdown)	
11	70021364	2	Pin, Cylinder (base end)	
12	70021365	2	Pin, Cylinder (rod end)	
13	70021366	4	Bolt, 3/8X2-3/4	
13	70021367	4	Nut, Lock 3/8	
14	70021399	4	Bolt, 3/8X2-1/4	
14	70021367	4	Nut, Lock 3/8	
15	90554065	4	Elbow, 90	
16	70021980	2	Hose	
17	70020562	2	Fitting, Tee	
18	70021981	2	Hose	
19	70021982	2	Hose	
20	70022527	2	Elbow, 90	
21	7029692	1	Quick Coupler, Male	
22	90554062	1	Cover, Dust	
23	70021342	1	Quick Coupler, Female	
24	90554076	1	Cover, Dust	
25	90554016	1	Decal, Made in USA	
26	N.S.S.	1	S/N Plate	
27	90554017	2	Decal, Danger Pinch Point	
28	90554018	1	Decal, Warning High Pressure	

# SECTION 3 - ATTACHMENTS

FIGURE 3-31. FORK MOUNTED PLATFORM (ASME)



ART. 3001103637-F

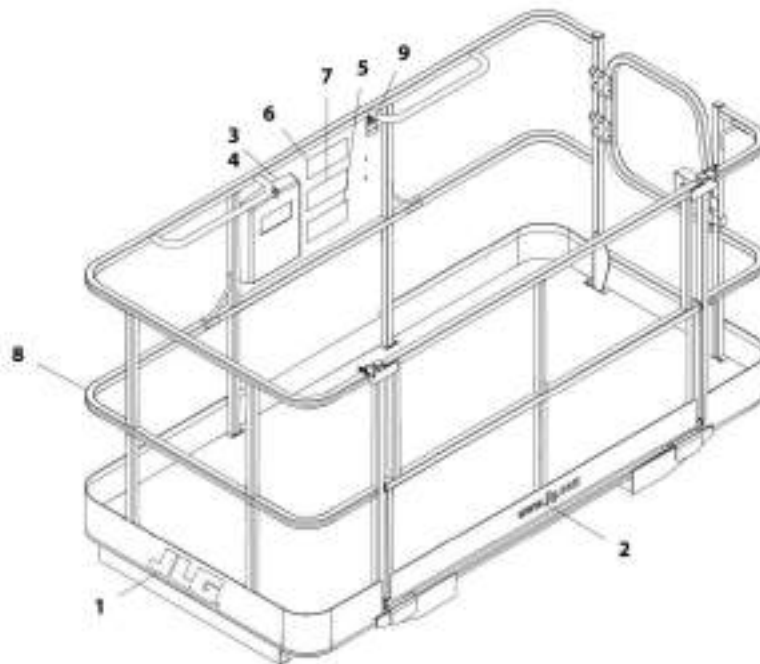
## SECTION 3 - ATTACHMENTS

### FIGURE 3-31. FORK MOUNTED PLATFORM (ASME)

ITEM	PART NUMBER	QTY	DESCRIPTION	REV
	1001103637	1	Fork Mounted Platform (ASME)	F
1	1702773	2	Decal, JLG	
2	1704885	1	Decal, Website	
3	1706892	1	Decal, Platform Warning	
4	31200160	1	Manual, Personnel Work Platform Operation and Safety	
5	1001092481	1	Decal, Warning Attachment	
6	1001092482	1	Decal, Platform Capacity	
7	1001096162	1	Platform, Fork Mounted (See Separate Breakdown in this Section)	
8	N.S.S.	1	S/N Plate	

# SECTION 3 - ATTACHMENTS

FIGURE 3-32. FORK MOUNTED PLATFORM (ISO)



ART\_100103238-F

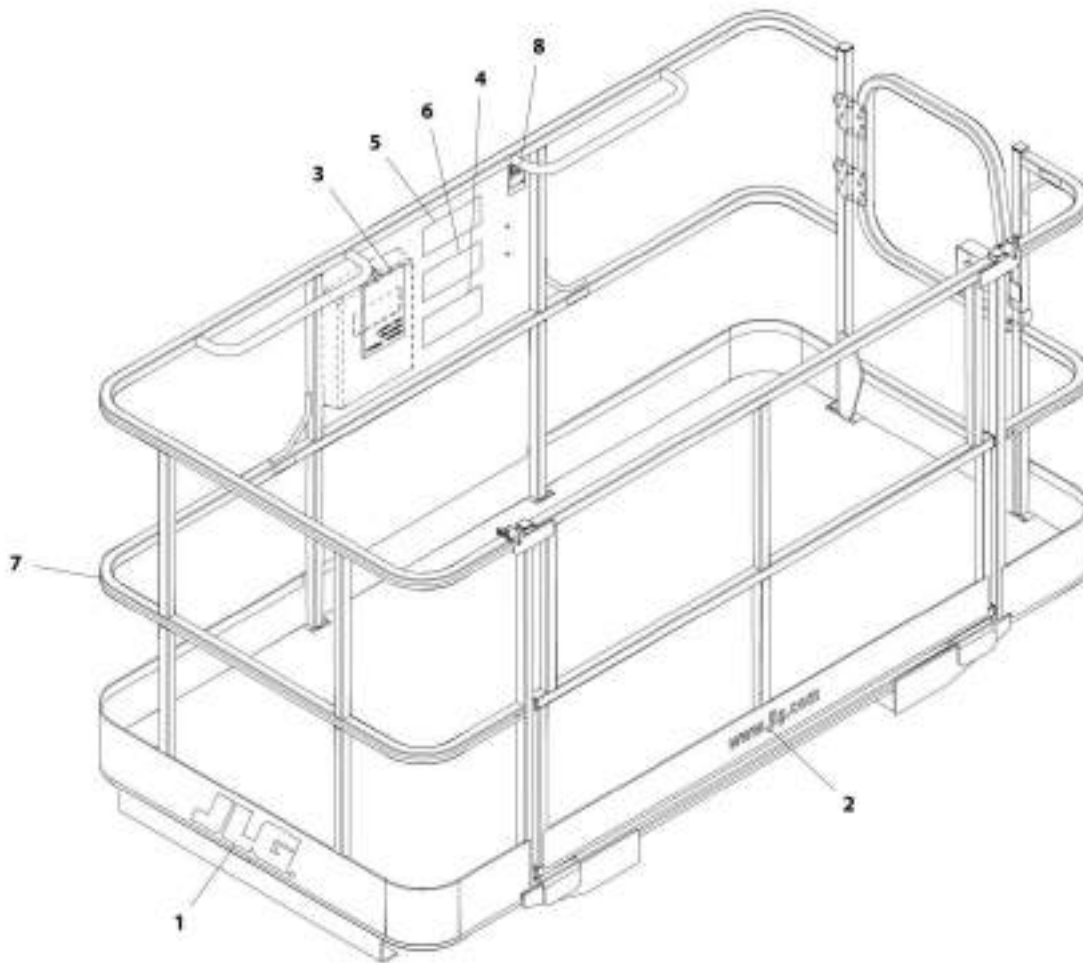
## SECTION 3 - ATTACHMENTS

**FIGURE 3-32. FORK MOUNTED PLATFORM (ISO)**

ITEM	PART NUMBER	QTY	DESCRIPTION	REV
	1001103730	1	Fork Mounted Platform (ISO)	F
1	1702773	2	Decal, JLG	
2	1704885	1	Decal, Website	
3	31200387	1	Manual, Personnel Work Platform Operation and Safety (Spanish)	
4	31200388	1	Manual, Personnel Work Platform Operation and Safety (Portuguese)	
5	1001096021	1	Decal, Warning Attachment (ISO)	
6	1001096023	1	Decal, Platform Capacity (ISO)	
7	1001096025	1	Decal, Platform Warning (ISO)	
8	1001096162	1	Platform, Fork Mounted (See Separate Breakdown in this Section)	
9	N.S.S.	1	S/N Plate	

## SECTION 3 - ATTACHMENTS

FIGURE 3-33. FORK MOUNTED PLATFORM (FRENCH)



ART\_3001103790-F



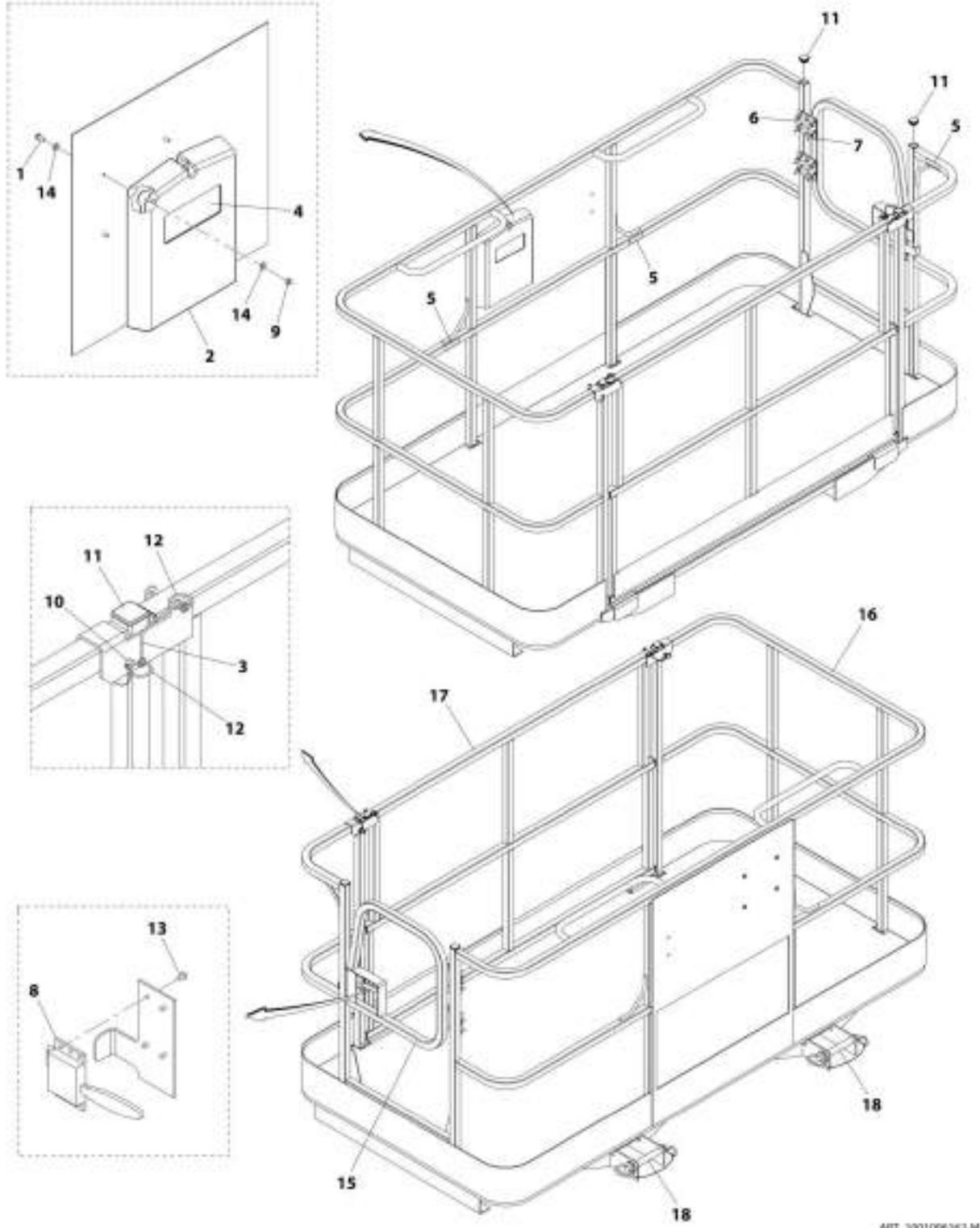
## SECTION 3 - ATTACHMENTS

### FIGURE 3-33. FORK MOUNTED PLATFORM (FRENCH)

ITEM	PART NUMBER	QTY	DESCRIPTION	REV
	1001103736	1	Fork Mounted Platform (FRENCH)	F
1	1702773	2	Decal, JLG	
2	1704885	1	Decal, Website	
3	31200386	1	Manual, Personnel Work Platform Operation and Safety (French)	
4	1001096019	1	Decal, Warning Attachment (French)	
5	1001096020	1	Decal, Platform Capacity (French)	
6	1001096024	1	Decal, Platform Warning (French)	
7	1001096162	1	Platform, Fork Mounted (See Separate Breakdown in this Section)	
8	N.S.S.	1	S/N Plate	

# SECTION 3 - ATTACHMENTS

## FIGURE 3-34. FORK MOUNTED PLATFORM ASSEMBLY



MIT\_1001096182-M

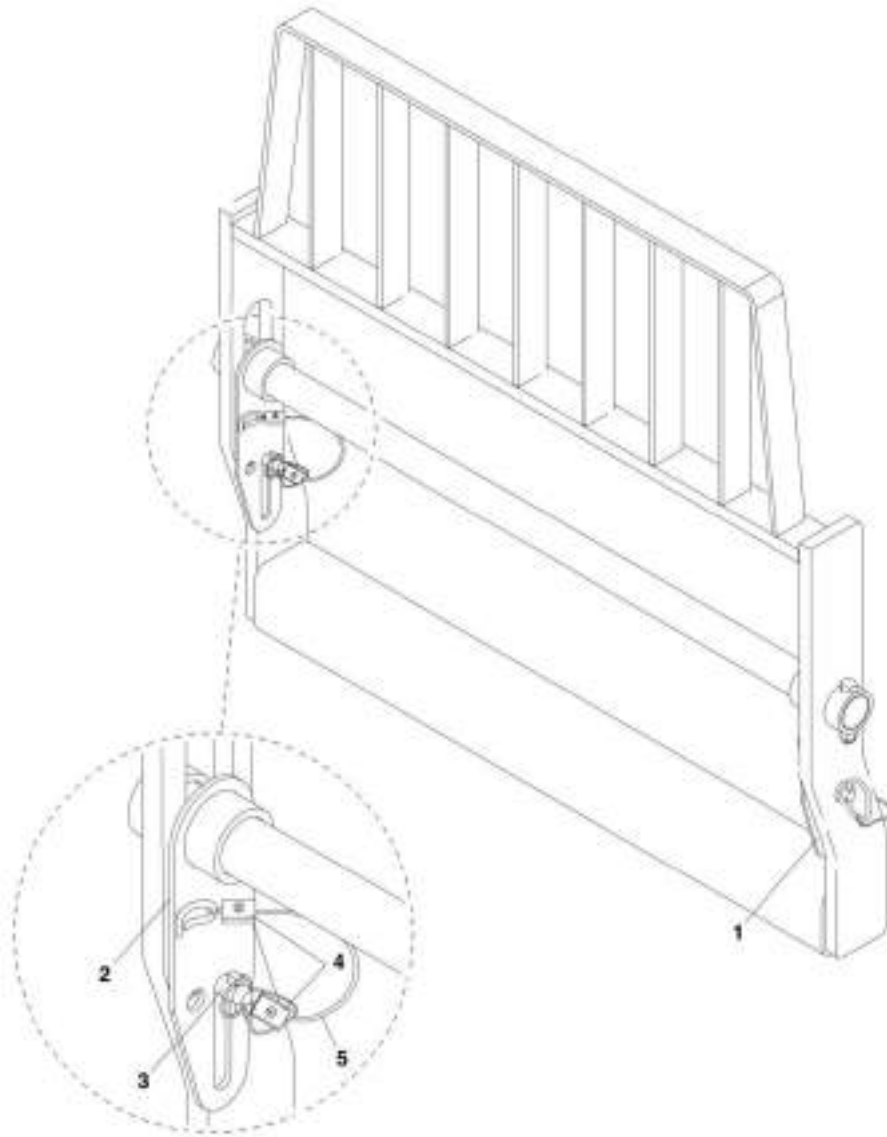
## SECTION 3 - ATTACHMENTS

**FIGURE 3-34. FORK MOUNTED PLATFORM ASSEMBLY**

ITEM	PART NUMBER	QTY	DESCRIPTION	REV
	1001096162	Ref	Fork Mounted Platform	M
1	0641405	4	Bolt, 1/4-20X5/8	
2	0860520	1	Box, Manual Storage	
3	1060379	2	Cable, Lanyard	
4	1701509	1	Decal, Manual	
5	1704277	3	Decal, Lanyard Attach	
6	2080040	16	Fastener	
7	2600281	2	Hinge	
8	2940074	1	Latch	
9	3311405	4	Nut, Lock 1/4-20	
10	3421453	2	Pin	
11	3520072	10	Plug	
12	3760170	4	Ring	
13	3820020	4	Rivet	
14	4711400	8	Washer, 1/4	
15	1001144629J	1	Weldment, Gate	
16	N.S.S.	1	Platform, Fork Mounted	
17	1001095810	1	Weldment, Gate	
18	1001102813	2	Pin, Hitch	

# SECTION 3 - ATTACHMENTS

## FIGURE 3-35. FORK PIN LOCK INSTALLATION



ART\_1001093465\_B

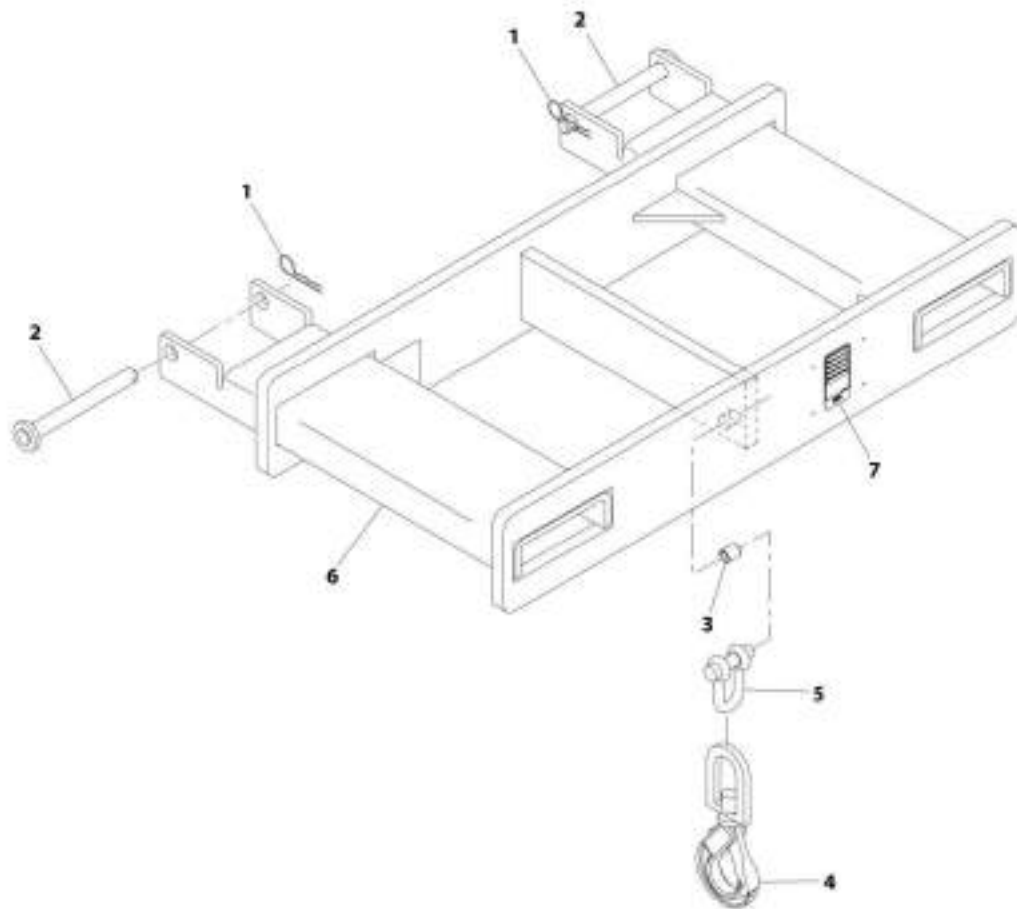
## SECTION 3 - ATTACHMENTS

### FIGURE 3-35. FORK PIN LOCK INSTALLATION

ITEM	PART NUMBER	QTY	DESCRIPTION	REV
	1001093465	1	Fork Pin Lock Installation	B
1	0240156	1	Lock, LH Fork Pin	
2	1001093273	1	Lock, RH Fork Pin	
3	1001093377	2	Pin, Hitch	
4	1001094830	4	Clamp	
5	1001094330	2	Lanyard	

# SECTION 3 - ATTACHMENTS

## FIGURE 3-36. CRANE HOOK



AMT\_1001097200-H

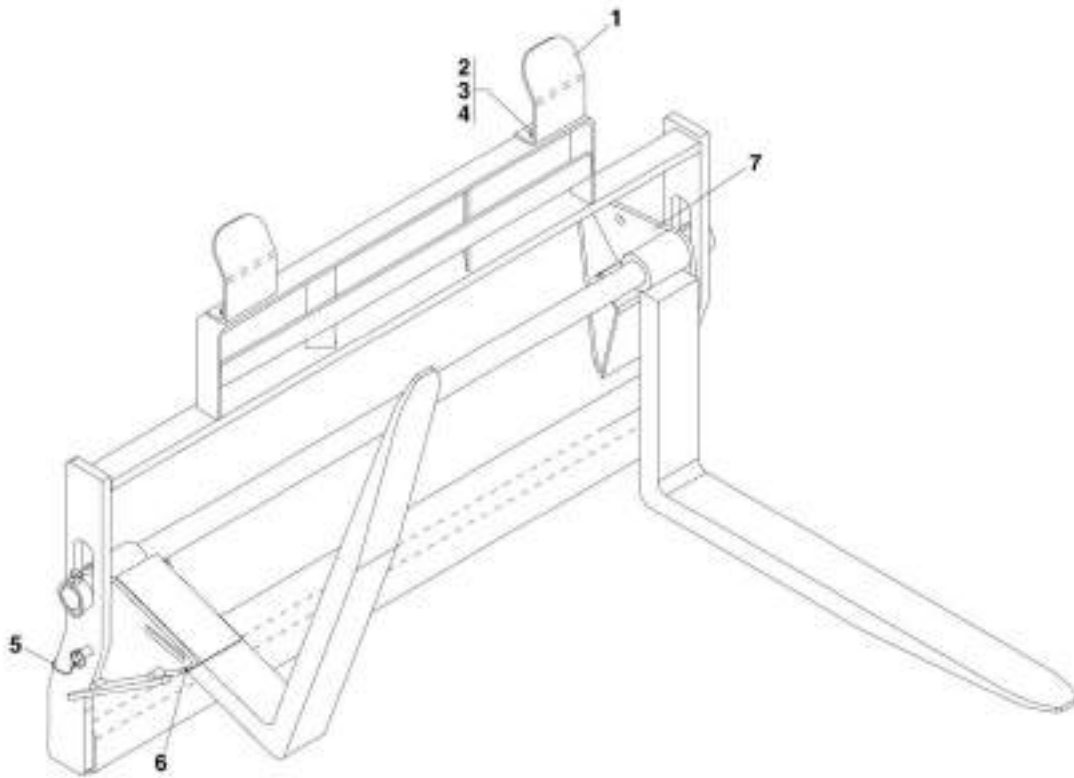
## SECTION 3 - ATTACHMENTS

### FIGURE 3-36. CRANE HOOK

ITEM	PART NUMBER	QTY	DESCRIPTION	REV
	1001097205	1	Crane Hook	H
1	7029520	2	Pin, Cotter	
2	1001093171	2	Pin	
3	70020555	1	Bushing	
4	90554080	1	Hook	
5	7029521	1	Shackle, Chain	
6	N.S.S.	1	Weldment, Crane Hook	
7	N.S.S.	1	S/N Plate	

## SECTION 3 - ATTACHMENTS

FIGURE 3-37. SHEET MATERIAL HANDLER INSTALLATION



ART\_1801180227\_A



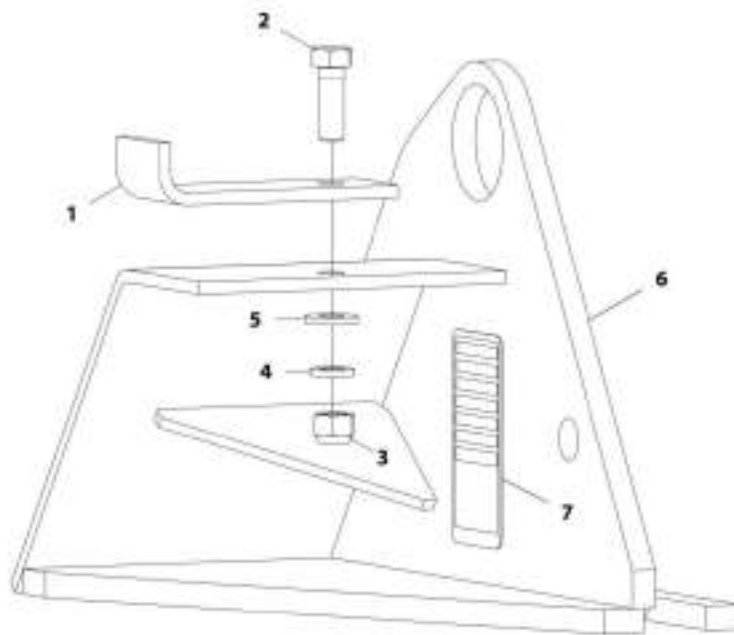
## SECTION 3 - ATTACHMENTS

### FIGURE 3-37. SHEET MATERIAL HANDLER INSTALLATION

ITEM	PART NUMBER	QTY	DESCRIPTION	REV
	1001100227	1	Sheet Material Handler Installation	A
1	7112642	2	Extension, Backrest	
2	8303626	4	Bolt, 1/2-13X1-1/2	
3	8305012	4	Nut, 1/2-13	
4	8307007	4	Washer, Lock 1/2	
5	1001093377	2	Pin, Hitch	
6	1001101115	1	Assembly, RH Fork Support (See RH FORK SUPPORT ASSEMBLY for Breakdown)	
7	1001101116	1	Assembly, LH Fork Support (See LH FORK SUPPORT ASSEMBLY for Breakdown)	

## SECTION 3 - ATTACHMENTS

FIGURE 3-38. RH FORK SUPPORT ASSEMBLY



AWT\_1001101115\_B

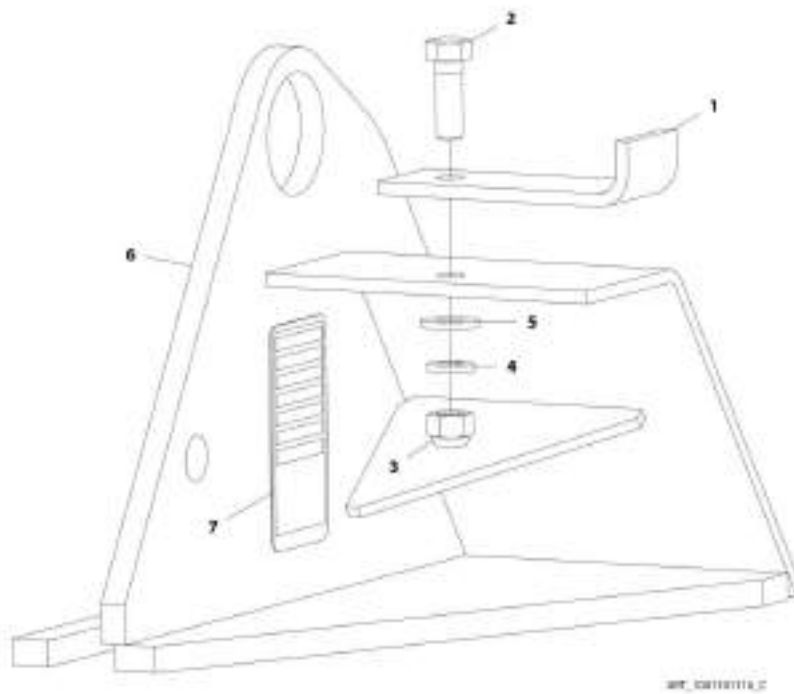
## SECTION 3 - ATTACHMENTS

### FIGURE 3-38. RH FORK SUPPORT ASSEMBLY

ITEM	PART NUMBER	QTY	DESCRIPTION	REV
	1001101115	1	RH Fork Support Assembly	B
1	7114941	1	Bar, Lock	
2	8303626	1	Bolt, 1/2-13X1-1/2	
3	8305644	1	Nut, Lock 1/2-13	
4	8307007	1	Washer, Lock 1/2	
5	8307112	1	Washer, 1/2	
6	1001100228	1	Support, RH Fork	
7	N.S.S.	1	S/N Plate	

## SECTION 3 - ATTACHMENTS

FIGURE 3-39. LH FORK SUPPORT ASSEMBLY



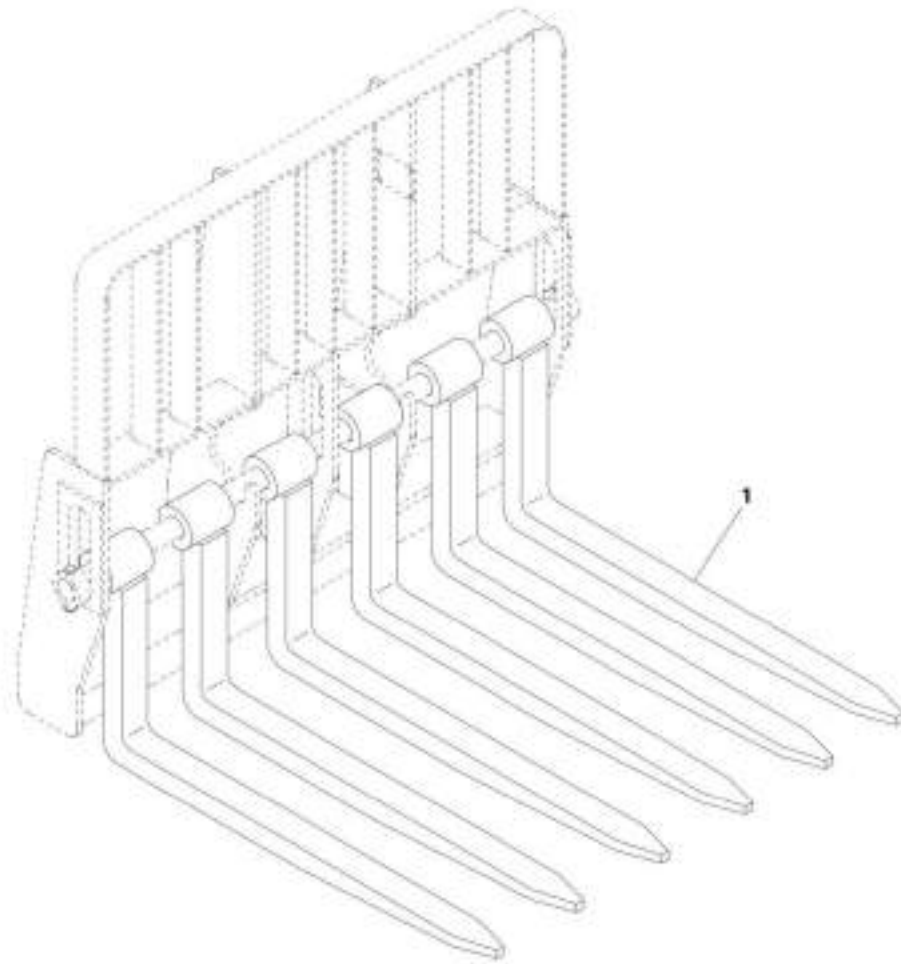
## SECTION 3 - ATTACHMENTS

### FIGURE 3-39. LH FORK SUPPORT ASSEMBLY

ITEM	PART NUMBER	QTY	DESCRIPTION	REV
	1001101116	1	LH Fork Support Assembly	C
1	7114941	1	Bar, Lock	
2	8303626	1	Bolt, 1/2-13X1-1/2	
3	8305644	1	Nut, Lock 1/2-13	
4	8307007	1	Washer, Lock 1/2	
5	8307112	1	Washer, 1/2	
6	1001100229	1	Support, LH Fork	
7	N.S.S.	1	S/N Plate	

# SECTION 3 - ATTACHMENTS

FIGURE 3-40. CUBING FORK



MT-254807-A

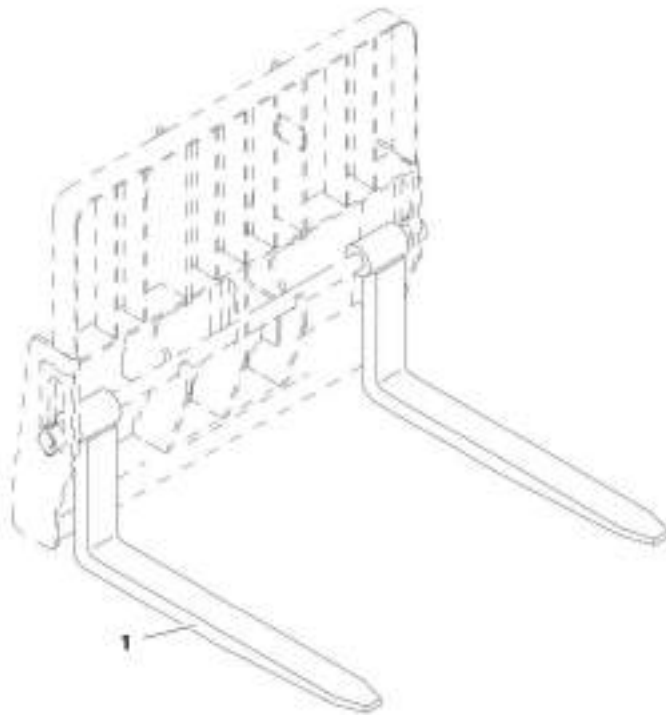
## SECTION 3 - ATTACHMENTS

**FIGURE 3-40. CUBING FORK**

ITEM	PART NUMBER	QTY	DESCRIPTION	REV
1	2340037	6	Cubing Fork	A
N1	Note	Ref	<b>FORKS RATED LESS THAN THE ATTACHMENT OR MACHINE'S CAPACITY DECREASES CAPACITY OF THE ATTACHMENT OR MACHINE TO THAT OF THE FORKS. FORKS RATED MORE THAN THE ATTACHMENT OR MACHINE'S CAPACITY DO NOT INCREASE ATTACHMENT OR MACHINE'S CAPACITY.</b>	
N2	Note	Ref	<b>PLEASE CONSULT JLG PARTS DEPARTMENT TO DETERMINE THE CORRECT FORKS APPLICABLE TO YOUR SPECIFIC CARRIASE ASSEMBLY AND APPLICATION.</b>	

## SECTION 3 - ATTACHMENTS

FIGURE 3-41. PALLET FORK (48X4X2.36)



ART\_2340045\_B



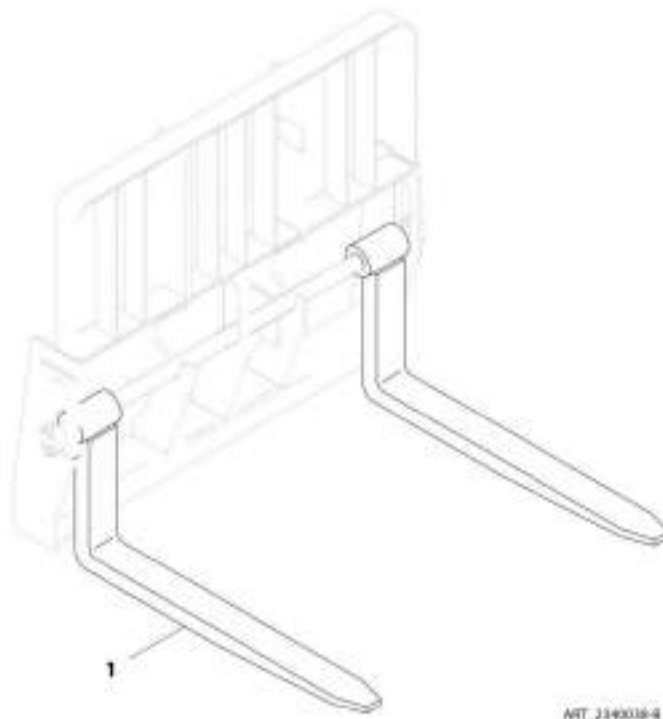
## SECTION 3 - ATTACHMENTS

**FIGURE 3-41. PALLET FORK (48X4X2.36)**

ITEM	PART NUMBER	QTY	DESCRIPTION	REV
1	2340045	2	Pallet Fork (48X4X2.36)	B
N1	Note	Ref	<b>FORKS RATED LESS THAN THE ATTACHMENT OR MACHINE'S CAPACITY DECREASES CAPACITY OF THE ATTACHMENT OR MACHINE TO THAT OF THE FORKS. FORKS RATED MORE THAN THE ATTACHMENT OR MACHINE'S CAPACITY DO NOT INCREASE ATTACHMENT OR MACHINE'S CAPACITY.</b>	
N2	Note	Ref	<b>PLEASE CONSULT JLG PARTS DEPARTMENT TO DETERMINE THE CORRECT FORKS APPLICABLE TO YOUR SPECIFIC CARRIASE ASSEMBLY AND APPLICATION.</b>	

## SECTION 3 - ATTACHMENTS

FIGURE 3-42. PALLET FORK (48X5X2.36)



WIT\_3149038-4

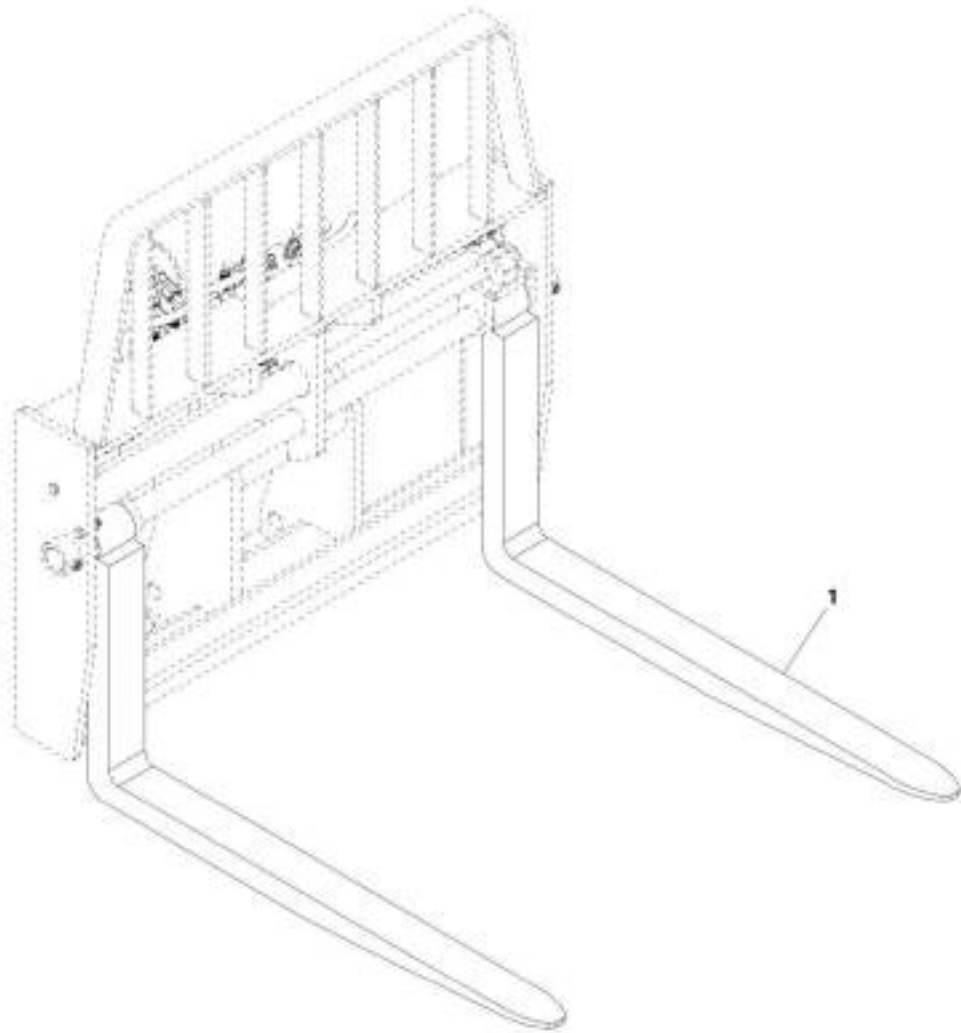
## SECTION 3 - ATTACHMENTS

**FIGURE 3-42. PALLET FORK (48X5X2.36)**

ITEM	PART NUMBER	QTY	DESCRIPTION	REV
1	2340038	2	Pallet Fork (48X5X2.36)	B
N1	Note	Ref	<b>FORKS RATED LESS THAN THE ATTACHMENT OR MACHINE'S CAPACITY DECREASES CAPACITY OF THE ATTACHMENT OR MACHINE TO THAT OF THE FORKS. FORKS RATED MORE THAN THE ATTACHMENT OR MACHINE'S CAPACITY DO NOT INCREASE ATTACHMENT OR MACHINE'S CAPACITY.</b>	
N2	Note	Ref	<b>PLEASE CONSULT JLG PARTS DEPARTMENT TO DETERMINE THE CORRECT FORKS APPLICABLE TO YOUR SPECIFIC CARRIASE ASSEMBLY AND APPLICATION.</b>	

## SECTION 3 - ATTACHMENTS

FIGURE 3-43. PALLET FORK (2.36X4X48)



REF\_7301400-D

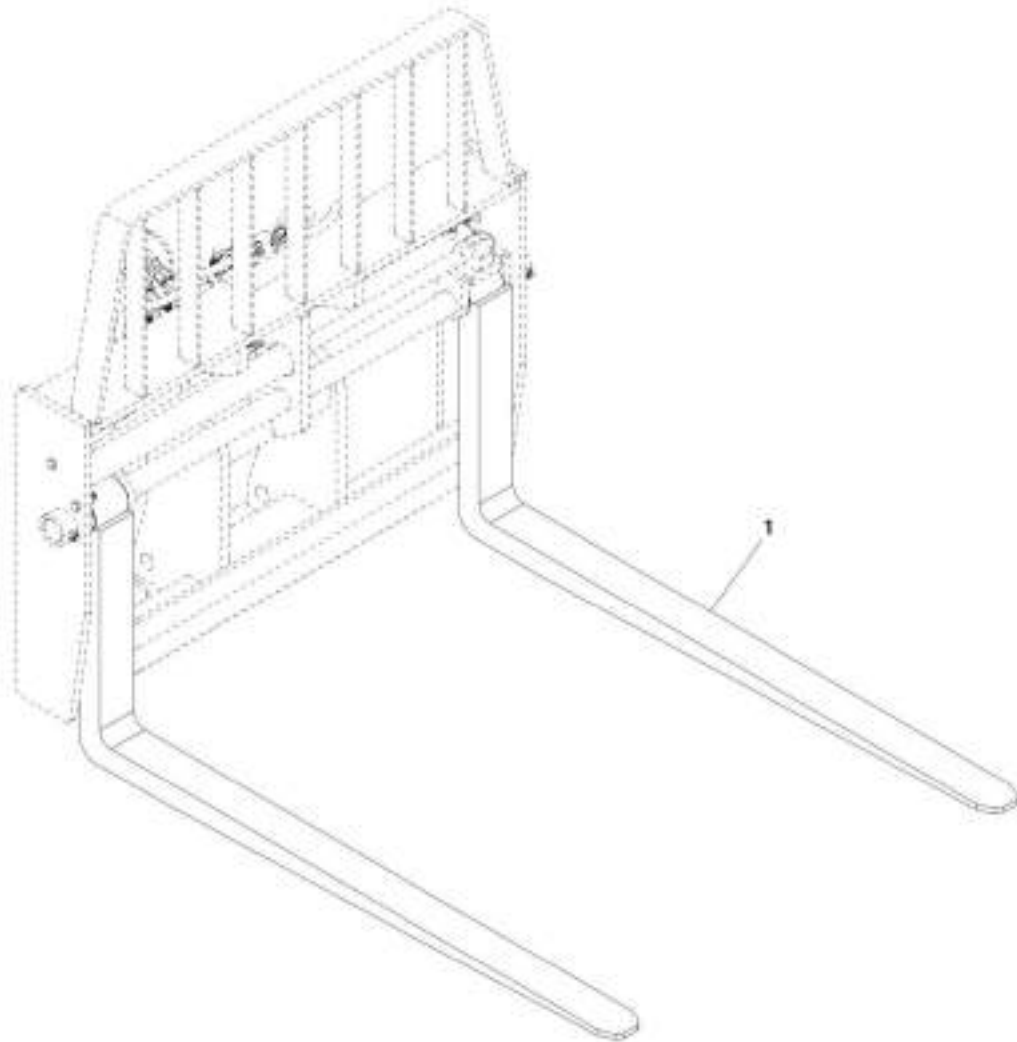
## SECTION 3 - ATTACHMENTS

**FIGURE 3-43. PALLET FORK (2.36X4X48)**

ITEM	PART NUMBER	QTY	DESCRIPTION	REV
1	7301408	2	Pallet Fork (2.36X4X48)	D
N1	Note	Ref	<b>FORKS RATED LESS THAN THE ATTACHMENT OR MACHINE'S CAPACITY DECREASES CAPACITY OF THE ATTACHMENT OR MACHINE TO THAT OF THE FORKS. FORKS RATED MORE THAN THE ATTACHMENT OR MACHINE'S CAPACITY DO NOT INCREASE ATTACHMENT OR MACHINE'S CAPACITY.</b>	
N2	Note	Ref	<b>PLEASE CONSULT JLG PARTS DEPARTMENT TO DETERMINE THE CORRECT FORKS APPLICABLE TO YOUR SPECIFIC CARRIASE ASSEMBLY AND APPLICATION.</b>	

## SECTION 3 - ATTACHMENTS

FIGURE 3-44. PALLET FORK (2.4X4X60)



ART\_1001227379-A

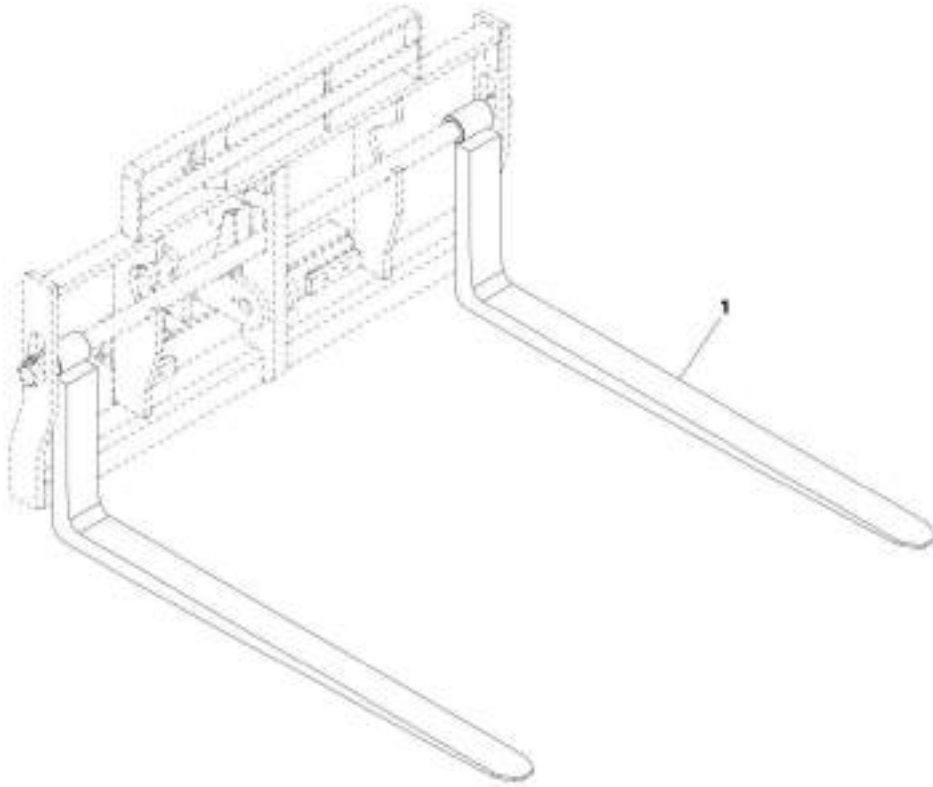
## SECTION 3 - ATTACHMENTS

**FIGURE 3-44. PALLET FORK (2.4X4X60)**

ITEM	PART NUMBER	QTY	DESCRIPTION	REV
1	1001227379	2	Pallet Fork (2.4X4X60)	A
N1	Note	Ref	<b>FORKS RATED LESS THAN THE ATTACHMENT OR MACHINE'S CAPACITY DECREASES CAPACITY OF THE ATTACHMENT OR MACHINE TO THAT OF THE FORKS. FORKS RATED MORE THAN THE ATTACHMENT OR MACHINE'S CAPACITY DO NOT INCREASE ATTACHMENT OR MACHINE'S CAPACITY.</b>	
N2	Note	Ref	<b>PLEASE CONSULT JLG PARTS DEPARTMENT TO DETERMINE THE CORRECT FORKS APPLICABLE TO YOUR SPECIFIC CARRIASE ASSEMBLY AND APPLICATION.</b>	

## SECTION 3 - ATTACHMENTS

FIGURE 3-45. PALLET FORK (2.4X5X72)



ART\_1001252555-A



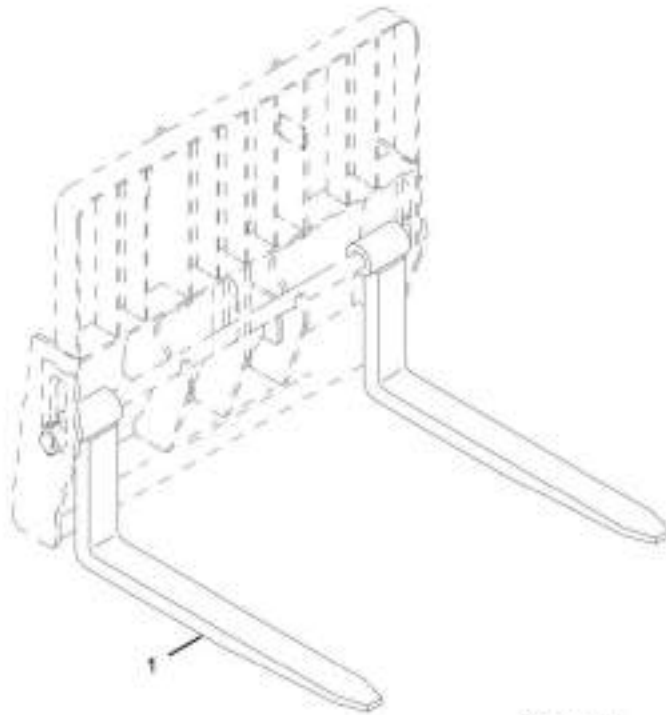
## SECTION 3 - ATTACHMENTS

**FIGURE 3-45. PALLET FORK (2.4X5X72)**

ITEM	PART NUMBER	QTY	DESCRIPTION	REV
1	1001232355	2	Pallet Fork (2.4X5X72)	A
N1	Note	Ref	<b>FORKS RATED LESS THAN THE ATTACHMENT OR MACHINE'S CAPACITY DECREASES CAPACITY OF THE ATTACHMENT OR MACHINE TO THAT OF THE FORKS. FORKS RATED MORE THAN THE ATTACHMENT OR MACHINE'S CAPACITY DO NOT INCREASE ATTACHMENT OR MACHINE'S CAPACITY.</b>	
N2	Note	Ref	<b>PLEASE CONSULT JLG PARTS DEPARTMENT TO DETERMINE THE CORRECT FORKS APPLICABLE TO YOUR SPECIFIC CARRIASE ASSEMBLY AND APPLICATION.</b>	

## SECTION 3 - ATTACHMENTS

FIGURE 3-46. DUAL TAPER FORK (60X7X1.75)



MIT\_2340046\_0

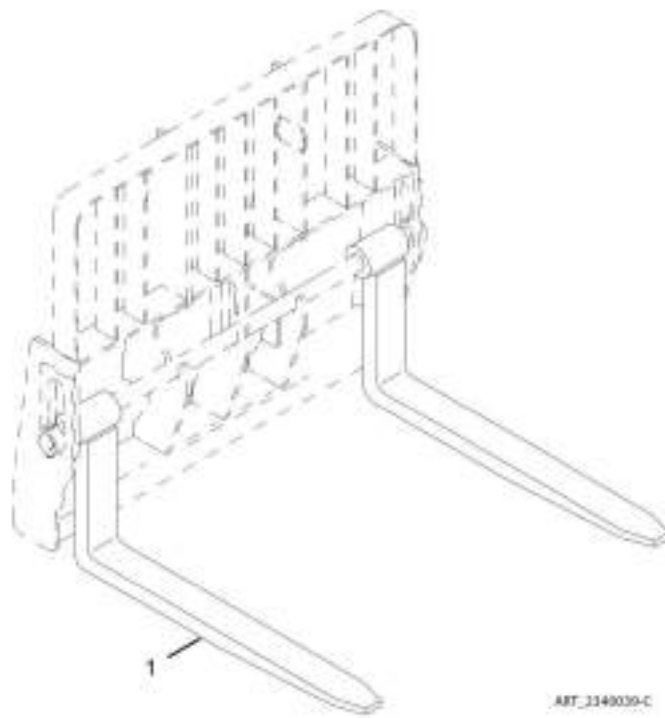
## SECTION 3 - ATTACHMENTS

**FIGURE 3-46. DUAL TAPER FORK (60X7X1.75)**

ITEM	PART NUMBER	QTY	DESCRIPTION	REV
1	2340046	2	Dual Taper Fork (60X7X1.75)	B
N1	Note	Ref	<b>FORKS RATED LESS THAN THE ATTACHMENT OR MACHINE'S CAPACITY DECREASES CAPACITY OF THE ATTACHMENT OR MACHINE TO THAT OF THE FORKS. FORKS RATED MORE THAN THE ATTACHMENT OR MACHINE'S CAPACITY DO NOT INCREASE ATTACHMENT OR MACHINE'S CAPACITY.</b>	
N2	Note	Ref	<b>PLEASE CONSULT JLG PARTS DEPARTMENT TO DETERMINE THE CORRECT FORKS APPLICABLE TO YOUR SPECIFIC CARRIASE ASSEMBLY AND APPLICATION.</b>	

## SECTION 3 - ATTACHMENTS

FIGURE 3-47. DUAL TAPER FORK (60X6X2.36)



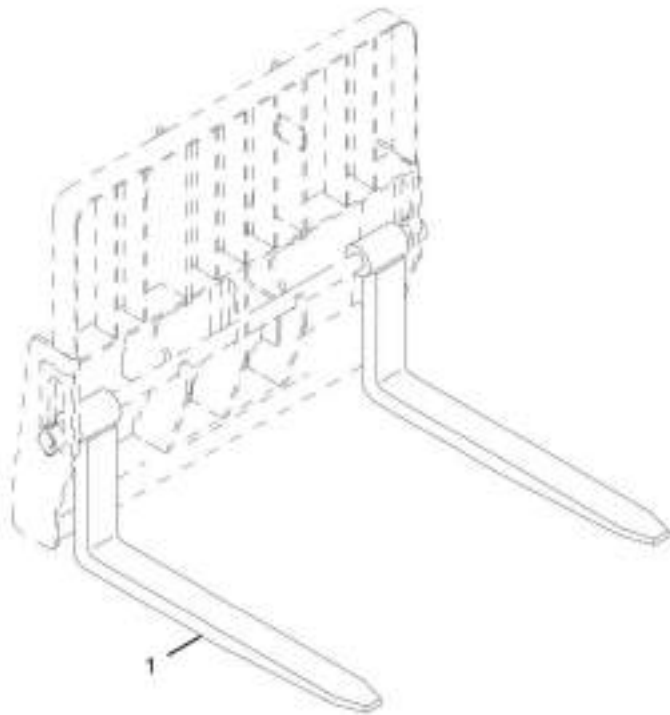
## SECTION 3 - ATTACHMENTS

**FIGURE 3-47. DUAL TAPER FORK (60X6X2.36)**

ITEM	PART NUMBER	QTY	DESCRIPTION	REV
1	2340039	2	Dual Taper Fork (60X6X2.36)	C
N1	Note	Ref	<b>FORKS RATED LESS THAN THE ATTACHMENT OR MACHINE'S CAPACITY DECREASES CAPACITY OF THE ATTACHMENT OR MACHINE TO THAT OF THE FORKS. FORKS RATED MORE THAN THE ATTACHMENT OR MACHINE'S CAPACITY DO NOT INCREASE ATTACHMENT OR MACHINE'S CAPACITY.</b>	
N2	Note	Ref	<b>PLEASE CONSULT JLG PARTS DEPARTMENT TO DETERMINE THE CORRECT FORKS APPLICABLE TO YOUR SPECIFIC CARRIASE ASSEMBLY AND APPLICATION.</b>	

## SECTION 3 - ATTACHMENTS

FIGURE 3-48. DUAL TAPER FORK (72X6X2)



ART\_1001002301\_0

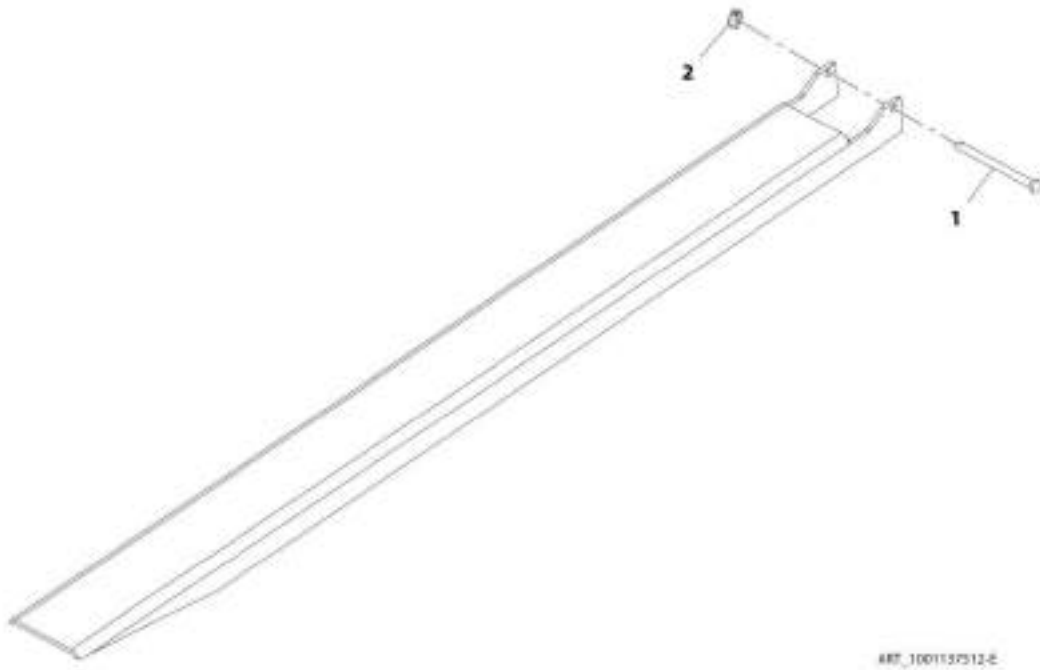
## SECTION 3 - ATTACHMENTS

**FIGURE 3-48. DUAL TAPER FORK (72X6X2)**

ITEM	PART NUMBER	QTY	DESCRIPTION	REV
1	1001092391	2	Dual Taper Fork (72X6X2)	B
N1	Note	Ref	<b>FORKS RATED LESS THAN THE ATTACHMENT OR MACHINE'S CAPACITY DECREASES CAPACITY OF THE ATTACHMENT OR MACHINE TO THAT OF THE FORKS. FORKS RATED MORE THAN THE ATTACHMENT OR MACHINE'S CAPACITY DO NOT INCREASE ATTACHMENT OR MACHINE'S CAPACITY.</b>	
N2	Note	Ref	<b>PLEASE CONSULT JLG PARTS DEPARTMENT TO DETERMINE THE CORRECT FORKS APPLICABLE TO YOUR SPECIFIC CARRIASE ASSEMBLY AND APPLICATION.</b>	

# SECTION 3 - ATTACHMENTS

FIGURE 3-49. FORK EXTENSION (90 INCH)



ART\_1001137512-2



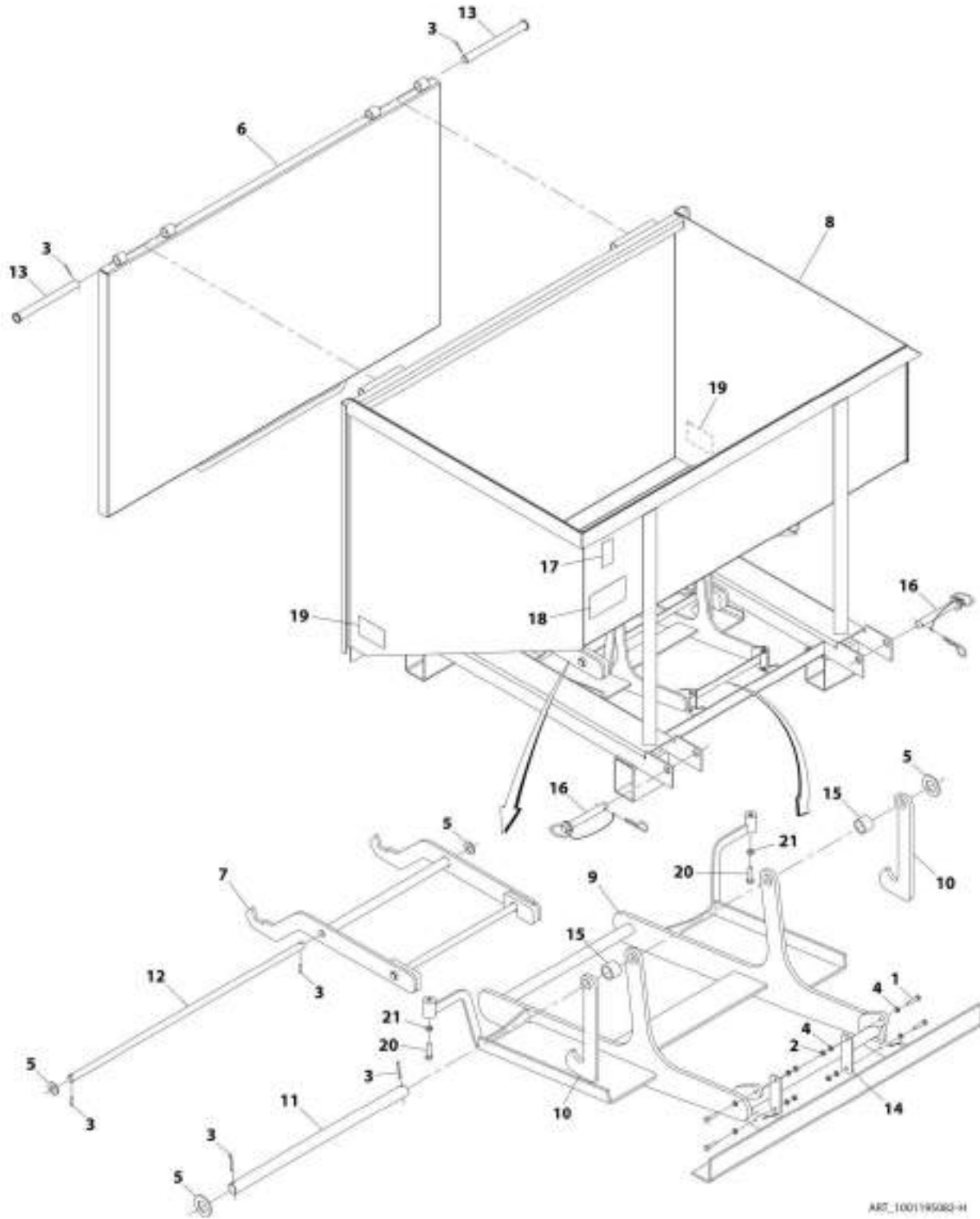
## SECTION 3 - ATTACHMENTS

**FIGURE 3-49. FORK EXTENSION (90 INCH)**

ITEM	PART NUMBER	QTY	DESCRIPTION	REV
	1001137512	2	Fork Extension (90 Inch)	E
1	70024306	1	Pin	
2	70024307	1	Clip	
N1	Note	Ref	<b>FORKS RATED LESS THAN THE ATTACHMENT OR MACHINE'S CAPACITY DECREASES CAPACITY OF THE ATTACHMENT OR MACHINE TO THAT OF THE FORKS. FORKS RATED MORE THAN THE ATTACHMENT OR MACHINE'S CAPACITY DO NOT INCREASE ATTACHMENT OR MACHINE'S CAPACITY.</b>	
N2	Note	Ref		<b>PLEASE CONSULT JLG PARTS DEPARTMENT TO DETERMINE THE CORRECT FORKS APPLICABLE TO YOUR SPECIFIC CARRIAGE ASSEMBLY AND APPLICATION.</b>

# SECTION 3 - ATTACHMENTS

## FIGURE 3-50. TRASH HOPPER INSTALLATION



ART\_100119580-H

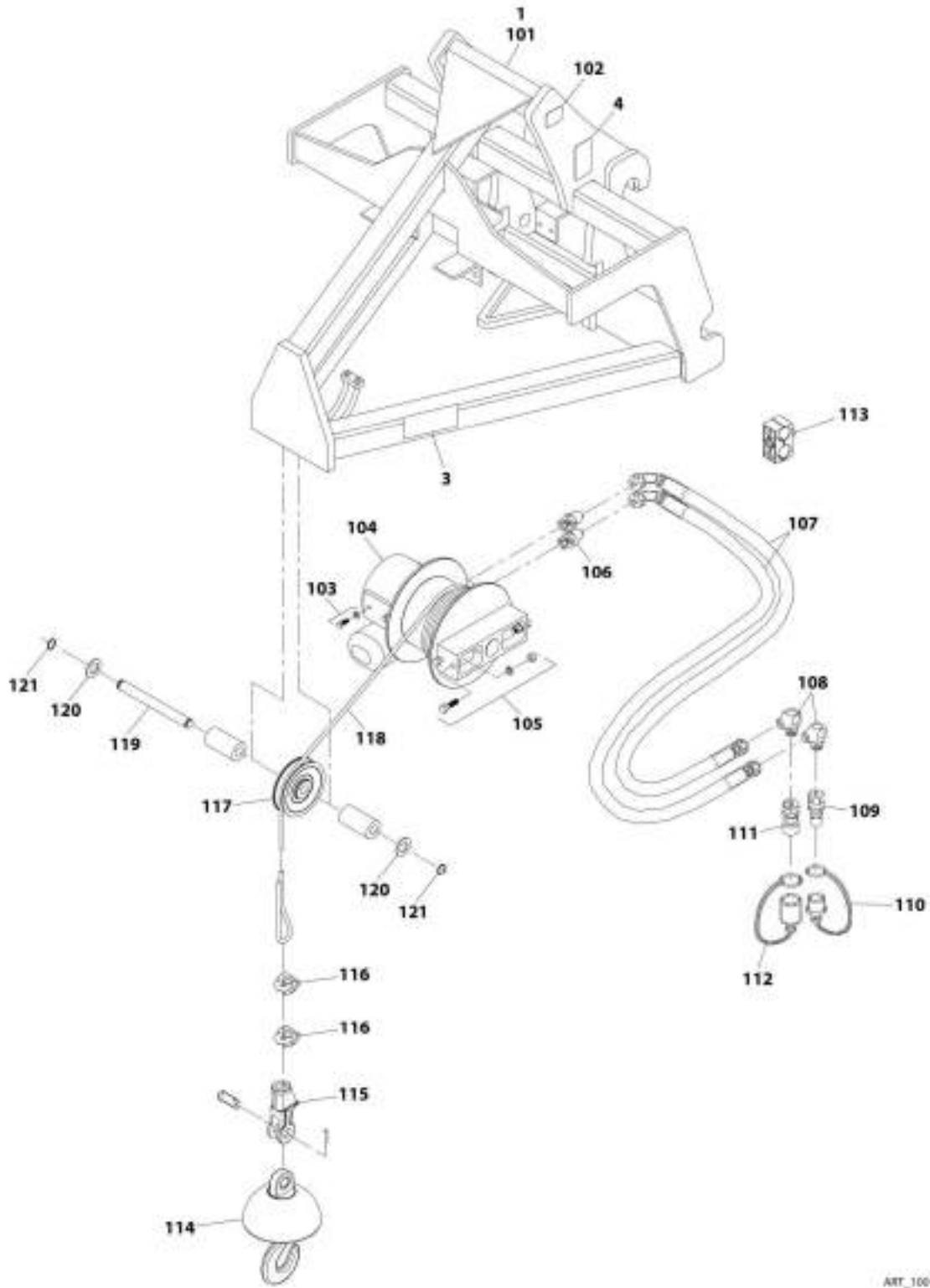
## SECTION 3 - ATTACHMENTS

### FIGURE 3-50. TRASH HOPPER INSTALLATION

ITEM	PART NUMBER	QTY	DESCRIPTION	REV
	1001195082	Ref	Trash Hopper Installation	H
1	0700614	4	Bolt, M6X30	
2	3290601	4	Nut, M6X1 Grade 8	
3	3391410	6	Pin	
4	4811700	8	Washer, M6	
5	5242400	4	Washer, M24	
6	1001192711	1	Door Assembly	
7	1001192720	1	Hook Assembly	
8	N.S.S.	1	Weldment, Trash Hopper	
9	1001192875	1	Tray Assembly	
10	1001192876	2	Arm, Swing	
11	1001192877	1	Rod, Swing	
12	1001193525	1	Bar	
13	1001193540	2	Pin	
14	1001193729	2	Plate	
15	1001198355	2	Spacer	
16	1001102813	2	Pin	
17	N.S.S.	1	S/N Plate	
18	1001203503	1	Decal, Trash Hopper Operation	
19	1706302	2	Decal, Pinch Point	
20	0641510	2	Bolt, 5/16-18X1	
21	3311502	2	Nut, Jam 5/16-18	

# SECTION 3 - ATTACHMENTS

FIGURE 3-51. TRUSS BOOM ASSEMBLY (3 FOOT WITH WINCH)



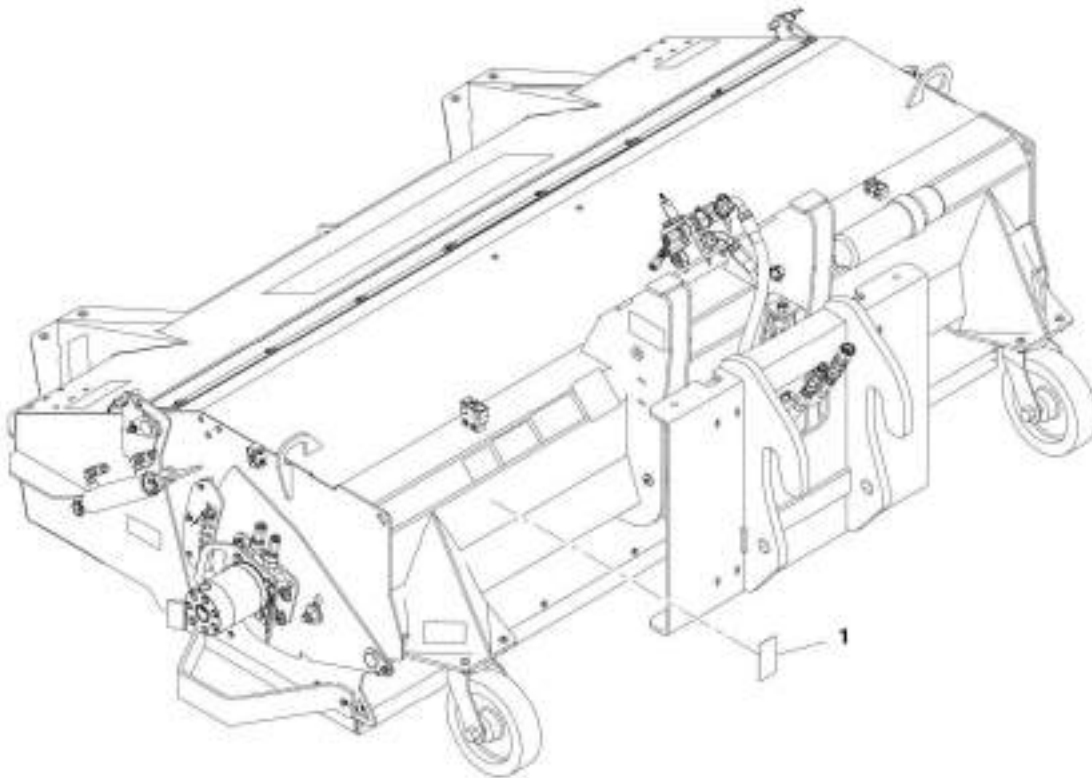
## SECTION 3 - ATTACHMENTS

**FIGURE 3-51. TRUSS BOOM ASSEMBLY (3 FOOT WITH WINCH)**

ITEM	PART NUMBER	QTY	DESCRIPTION	REV
	1001100967	Ref	Truss Boom Assembly (3 Foot with Winch) (includes items 1, 3, 4 & 101 thru 121)	C
1	8380008	NLA	Truss Boom (3 Foot with Winch) (no longer available, use 1001100967 for replacement)	
3	4110422	2	Decal, Danger Swinging Loads	
4	N.S.S.	1	S/N Plate	
101	N.S.S.	1	Truss Boom Frame	
102	90554016	1	Decal	
103	70021349	4	Bolt	
103	90554042	4	Washer	
104	70021921	1	Winch, Truss Boom	
105	70024059	4	Bolt	
105	90554054	4	Nut	
105	90554020	4	Washer	
106	70021415	2	Fitting	
107	70021977	2	Hose	
108	70022527	2	Fitting, 90	
109	91403414	1	Hydraulic Coupler, Male	
110	8420053	1	Cap Dust, Male	
111	91403413	1	Hydraulic Coupler, Female	
112	8420055	1	Plug Dust, Female	
113	70021387	1	Clamp	
114	70021978	1	Ball Swivel Safety Hook	
115	70021979	1	Assembly, Socket	
116	70022528	2	Clamp	
117	70021935	1	Pulley	
118	70022028	1	Cable	
119	70022529	1	Pin	
120	70027009	2	Washer	
121	70026698	2	Ring, Snap	

## SECTION 3 - ATTACHMENTS

FIGURE 3-52. SWEEPER ASSEMBLY



ART\_1001202904-B

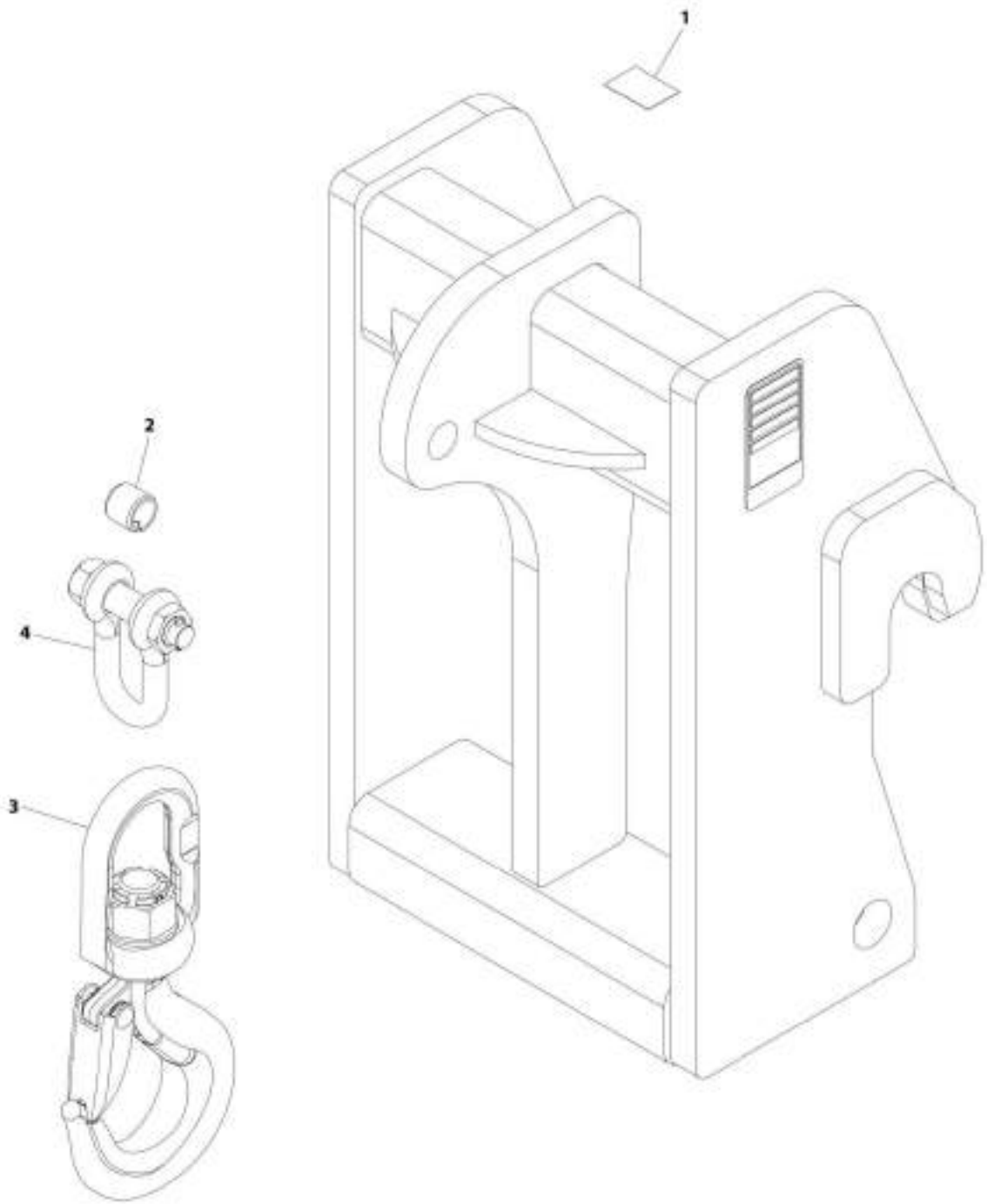
# SECTION 3 - ATTACHMENTS

## FIGURE 3-52. SWEEPER ASSEMBLY

ITEM	PART NUMBER	QTY	DESCRIPTION	REV
1	1001202904 N.S.S.	Ref 1	Sweeper Assembly S/N Plate	B

**SECTION 3 - ATTACHMENTS**

**FIGURE 3-53. COUPLER MOUNTED HOOK**



ART\_1001207006-8



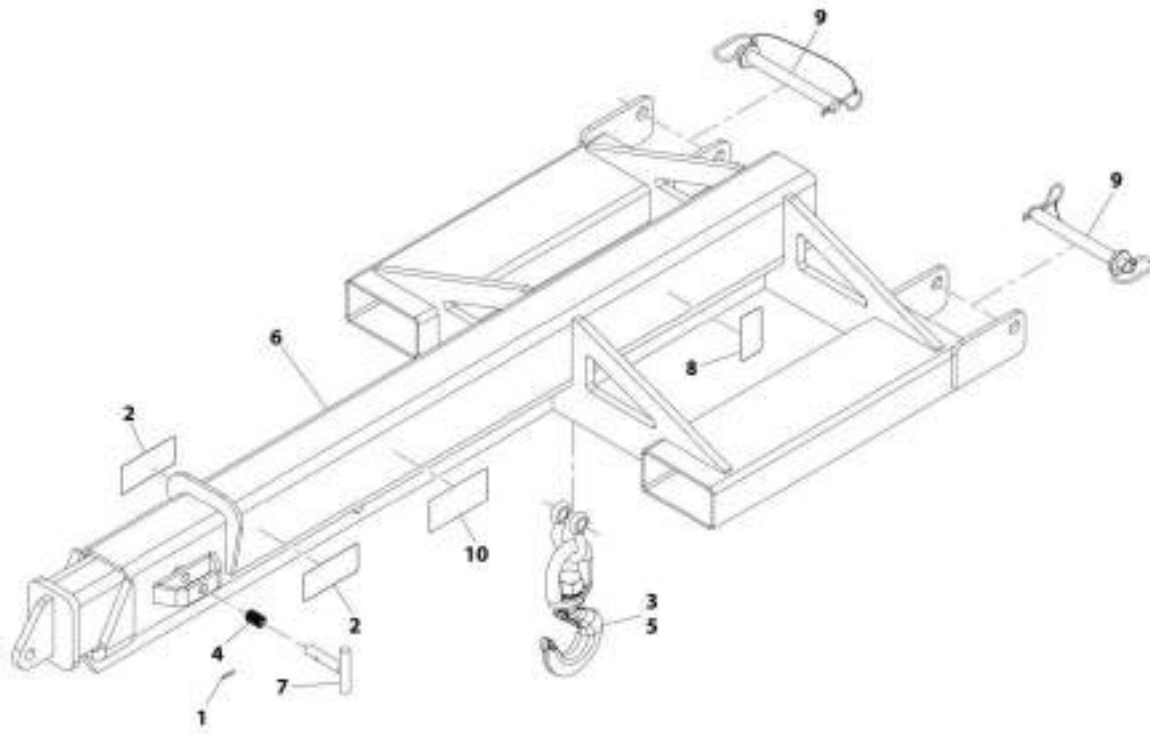
## SECTION 3 - ATTACHMENTS

### FIGURE 3-53. COUPLER MOUNTED HOOK

ITEM	PART NUMBER	QTY	DESCRIPTION	REV
	1001207606	Ref	Coupler Mounted Hook	B
1	90554016	1	Decal	
2	70020555	1	Bushing	
3	70026745	1	Hook Swivel	
4	70026746	1	Shackle Chain	

# SECTION 3 - ATTACHMENTS

FIGURE 3-54. ADJUSTABLE TRUSS BOOM INSTALLATION (FORK MOUNTED)



MIT\_1001230341-P

## SECTION 3 - ATTACHMENTS

**FIGURE 3-54. ADJUSTABLE TRUSS BOOM INSTALLATION (FORK MOUNTED)**

ITEM	PART NUMBER	QTY	DESCRIPTION	REV
	1001230241	Ref	Adjustable Truss Boom Installation (Fork Mounted)	F
1	3440620	1	Pin	
2	4110422	2	Decal, Danger Swinging Loads	
3	91403448	1	Hook, Swivel	
4	1001128890	1	Spring	
5	1001146160	1	Shackle	
6	N.S.S.	1	Truss Boom, Adjustable	
7	1001230239	1	Pin	
8	N.S.S.	1	Plate, Serial Number	
9	1001231692	2	Pin	
10	1001232500	1	Decal, Load Capacities	

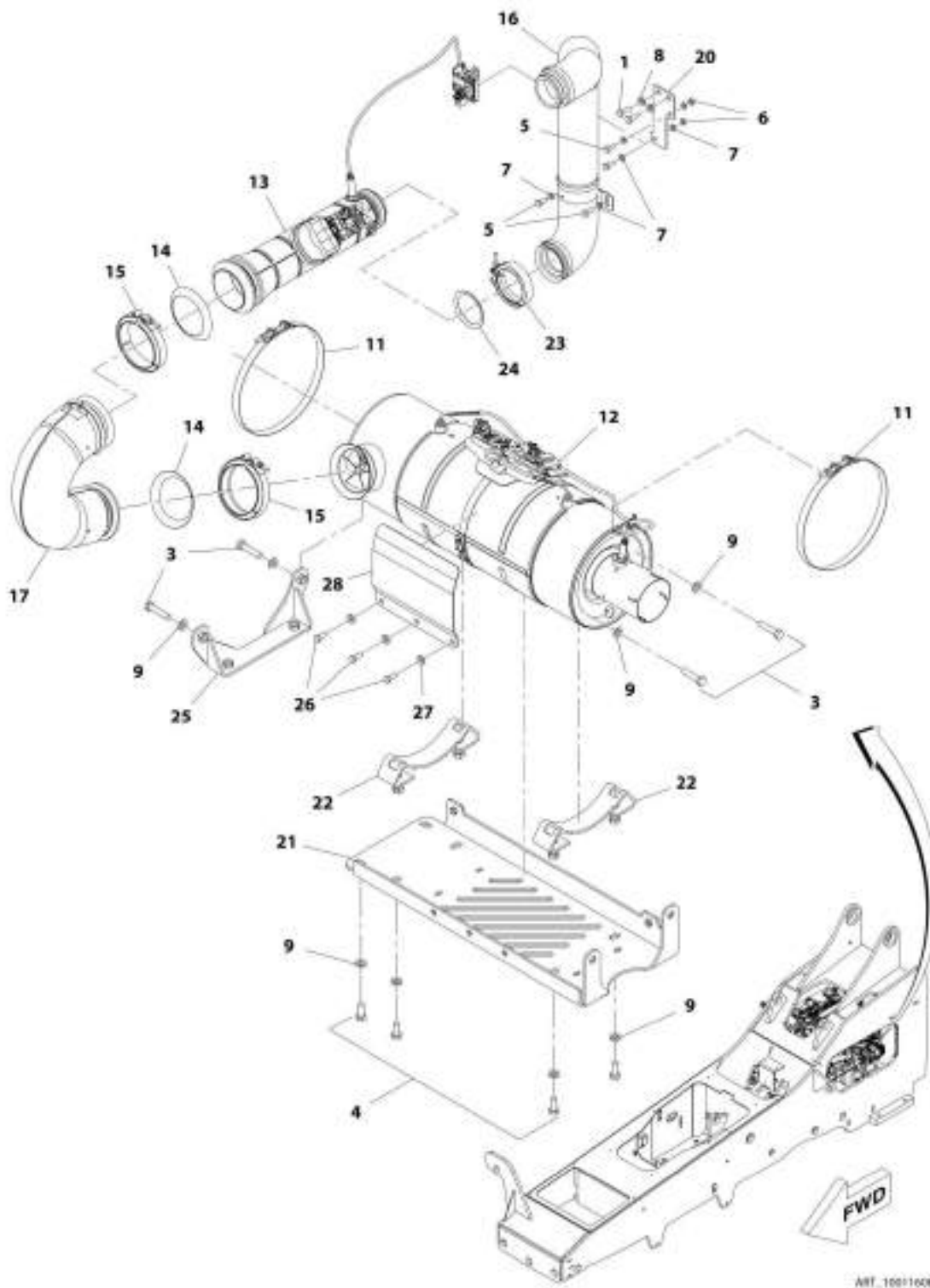


## **SECTION 4 - ENGINE AND ATTACHING PARTS**

## **SECTION 4 - ENGINE AND ATTACHING PARTS**

# SECTION 4 - ENGINE AND ATTACHING PARTS

FIGURE 4-1. AFTERTREATMENT INSTALLATION, 110HP (ULS)



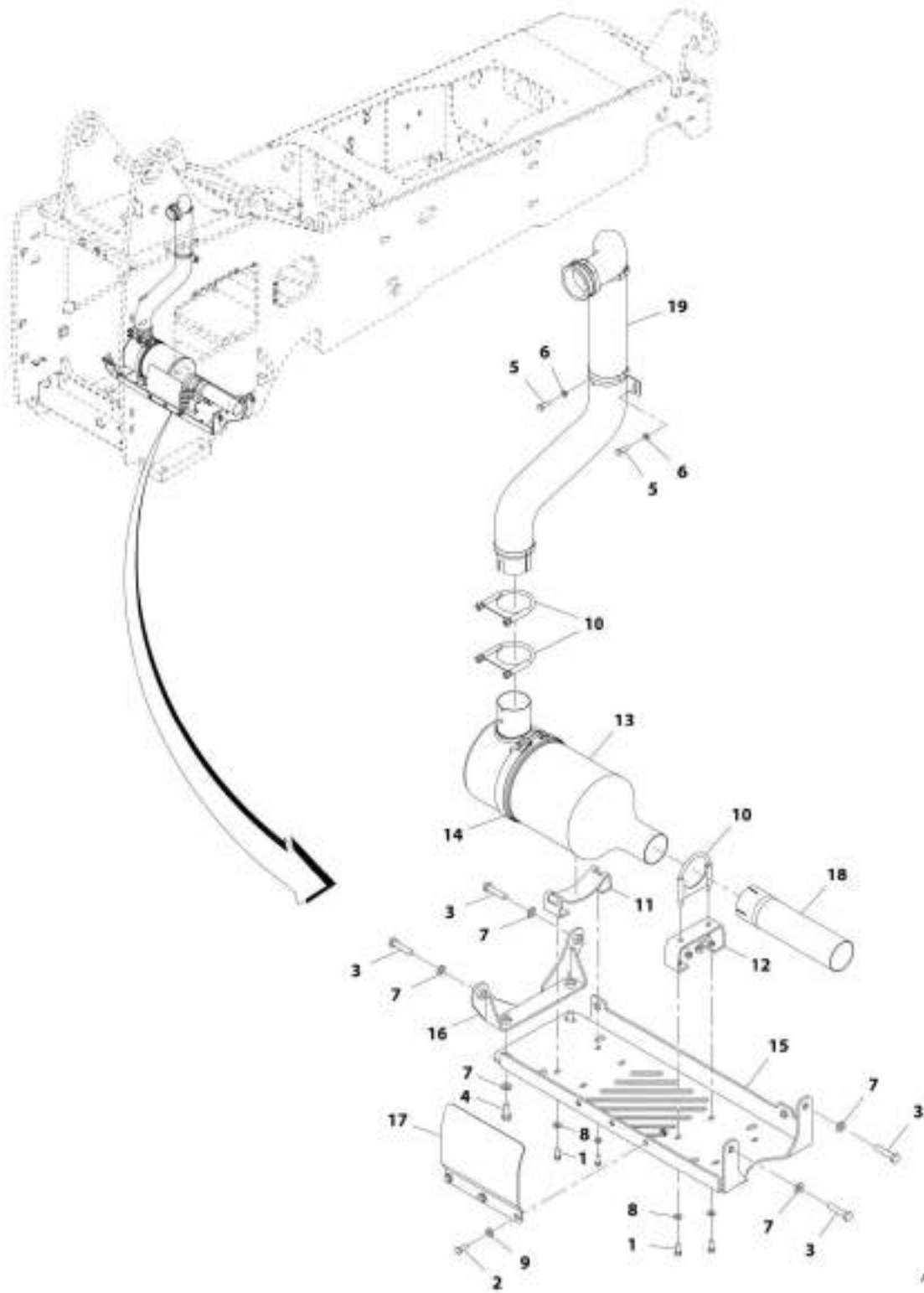
## SECTION 4 - ENGINE AND ATTACHING PARTS

**FIGURE 4-1. AFTERTREATMENT INSTALLATION, 110HP (ULS)**

ITEM	PART NUMBER	QTY	DESCRIPTION	REV
	1001160844	Ref	Aftertreatment Installation, 110HP (if equipped for ULS)	H
1	0641608	2	Bolt, 3/8-16X1	
3	0701219	4	Bolt, M12X55	
4	0711214	6	Bolt, M12X30, Grade 10.9	
5	0760810	4	Bolt, M8X20	
6	3290801	2	Nut, M8X1-1/4	
7	4811900	6	Washer, M8	
8	4812000	2	Washer, M10	
9	4812100	10	Washer, M12	
11	1001159932	2	Strap, Clamp	
12	1001160782	1	Muffler, After-Treatment	
13	1001164404	1	Muffler, Decomposition Reactor Tube	
14	1001164837	2	Seal, Gasket	
15	1001164838	2	Clamp, V-Band	
16	1001183811	1	Pipe, Exhaust	
17	1001165609	1	Pipe, Exhaust	
20	1001166693	1	Bracket	
21	1001166935	1	Bracket	
22	1001166976	2	Bracket	
23	1001167167	1	Clamp, V-Band	
24	1001167168	1	Seal, Gasket	
25	1001169057	1	Bracket	
26	0641607	3	Capscrew, 3/8-16X7/8	
27	4891600	3	Washer, 3/8	
28	1001174327	1	Shield	

# SECTION 4 - ENGINE AND ATTACHING PARTS

FIGURE 4-2. EXHAUST INSTALLATION, 74HP (ULS)





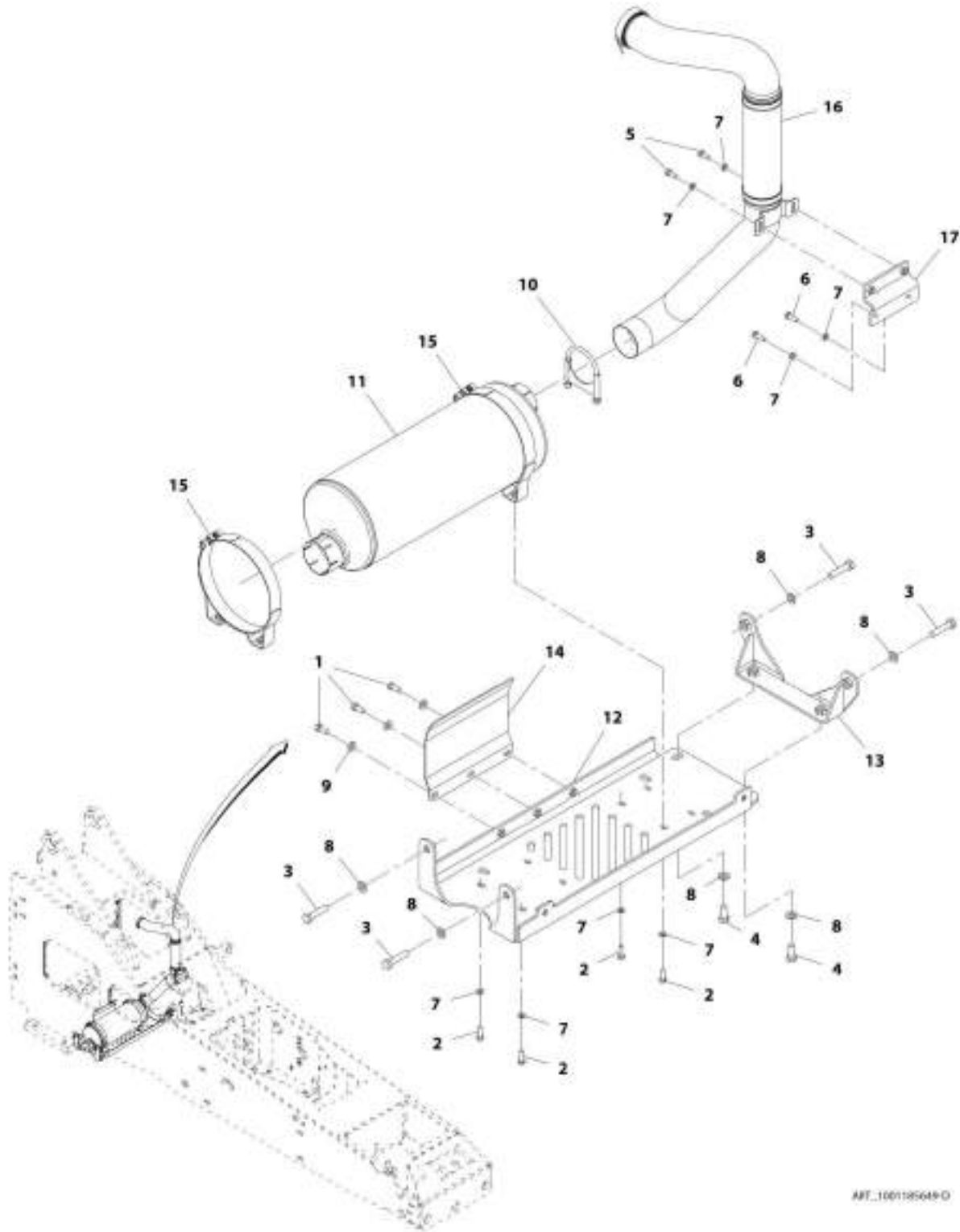
## SECTION 4 - ENGINE AND ATTACHING PARTS

**FIGURE 4-2. EXHAUST INSTALLATION, 74HP (ULS)**

ITEM	PART NUMBER	QTY	DESCRIPTION	REV
	1001196125	Ref	Exhaust Installation, 74HP (if equipped for ULS)	A
1	0641507	4	Bolt 5/16-18X7/8	
2	0641607	3	Bolt, 3/8-16X7/8	
3	0701219	4	Bolt, M12X55	
4	0711214	2	Bolt, M12X30, Grade 10.9	
5	0760812	2	Bolt, M8X25	
6	4811900	2	Washer, M8	
7	4812100	6	Washer, M12	
8	4891500	4	Washer, 5/16	
9	4891600	3	Washer, 3/8	
10	24921332	3	Clamp	
11	1001128363	1	Bracket	
12	1001128364	1	Bracket	
13	1001128714	1	Muffler	
14	1001128901	1	Clamp	
15	1001166935	1	Bracket	
16	1001169057	1	Bracket	
17	1001174327	1	Shield	
18	1001196396	1	Pipe, Exhaust	
19	1001196397	1	Pipe, Exhaust, 74HP	

# SECTION 4 - ENGINE AND ATTACHING PARTS

## FIGURE 4-3. EXHAUST INSTALLATION, 110HP (LS)



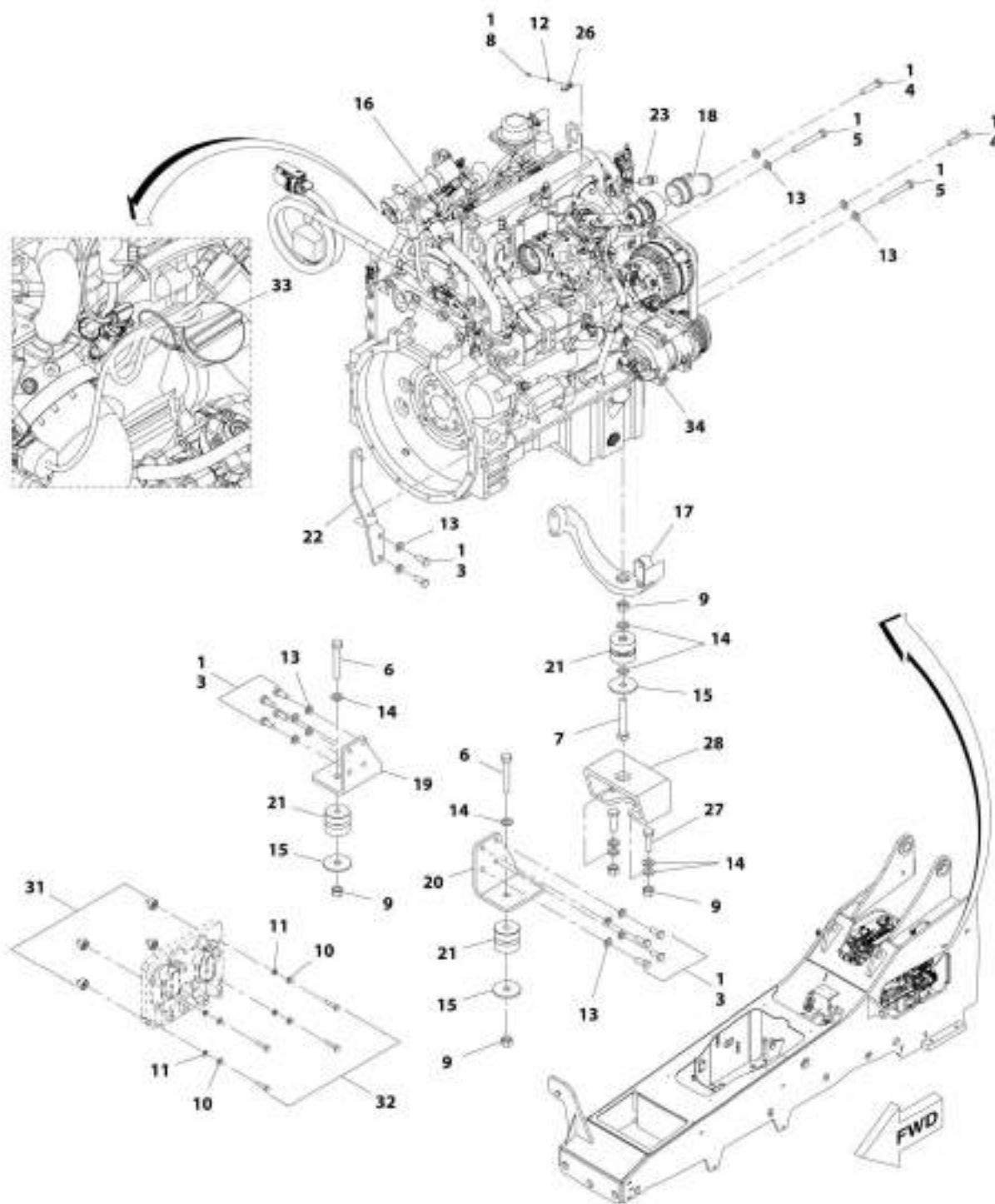
## SECTION 4 - ENGINE AND ATTACHING PARTS

**FIGURE 4-3. EXHAUST INSTALLATION, 110HP (LS)**

ITEM	PART NUMBER	QTY	DESCRIPTION	REV
	1001185649	Ref	Exhaust Installation, 110HP (if equipped for LS)	D
1	0641607	3	Bolt, 3/8-16X7/8	
2	0700812	4	Bolt, M8X25	
3	0701219	4	Bolt, M12X55	
4	0711214	2	Bolt, M12X30, Grade 10.9	
5	0760810	2	Bolt, M8X20	
6	0760812	2	Bolt, M8X25	
7	4811900	8	Washer, M8	
8	4812100	6	Washer, M12	
9	4891600	3	Washer, 3/8	
10	24921332	1	Clamp	
11	91163035	1	Muffler	
12	1001166935	1	Bracket	
13	1001169057	1	Bracket	
14	1001174327	1	Shield	
15	1001180227	2	Muffler, Band Clamp	
16	1001190962	1	Pipe, Exhaust	
17	1001190990	1	Bracket, Exhaust Support	

# SECTION 4 - ENGINE AND ATTACHING PARTS

## FIGURE 4-4. ENGINE INSTALLATION, 110HP (ULS)



AWT\_3001106845-L

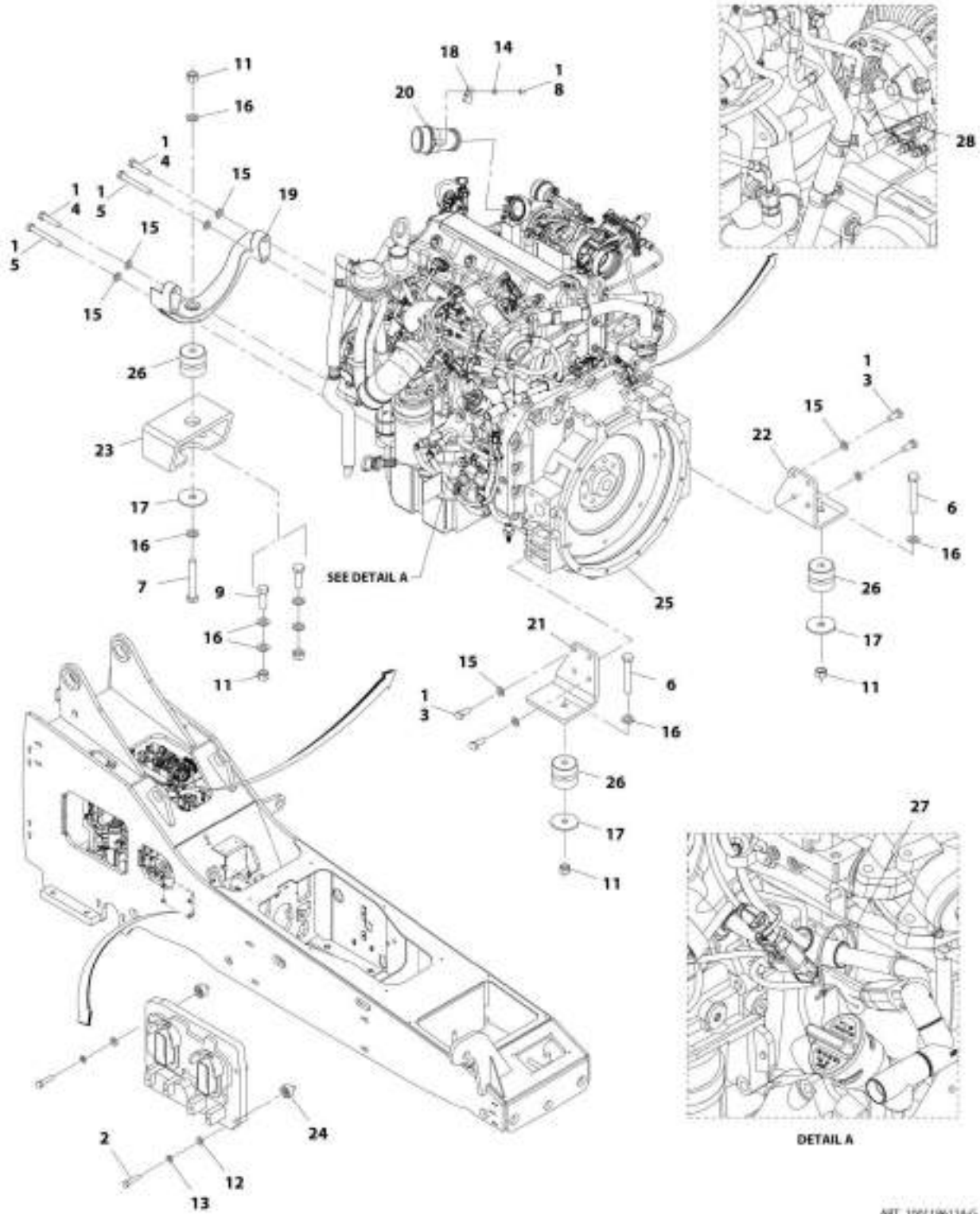
## SECTION 4 - ENGINE AND ATTACHING PARTS

**FIGURE 4-4. ENGINE INSTALLATION, 110HP (ULS)**

ITEM	PART NUMBER	QTY	DESCRIPTION	REV
	1001160845	Ref	Engine Installation, 110HP (if equipped for ULS)	L
1	0100011	AR	Compound, Locking	
3	0711214	10	Bolt, M12X30	
4	0711219	2	Bolt, M12X55	
5	0711227	2	Bolt, M12X100	
6	0711627	2	Bolt, 16-2X100	
7	0711628	1	Bolt, 16-2X110	
8	0760605	1	Bolt, M6X10	
9	3331615	5	Nut, Lock M16X2	
10	4711500	4	Washer, Plain 5/16	
11	4761500	4	Washer, Lock 5/16	
12	4811700	1	Washer, M6	
13	4812100	14	Washer, M12	
14	4812300	8	Washer, M16	
15	7300435	3	Washer, Rebound	
16	1001154511	1	Engine (See ENGINE, QSF3.8, 110HP (ULS) for Breakdown)	
17	1001160116	1	Bracket, Engine Mount Casting	
18	1001161920	1	Adapter	
19	1001165517	1	Bracket, Engine Mount	
20	1001165518	1	Bracket, Engine Mount	
21	1001165660	3	Mount, Isolator Engine	
22	1001197233	1	Bracket, Hose Support	
23	1001168822	1	Fitting, Hose Barb	
26	8406112	1	Clip, Tube 5/8	
27	0771618	2	Bolt, M16X50	
28	1001180473	1	Bracket, Rear Engine Mount	
31	1001186373	4	Mount, Isolator ECM	
32	0641511	4	Bolt, 5/16-18X1-3/8	
33	4240099	1	Strap, Tie	
34	7125871	1	Conduit, 1/2X8	

# SECTION 4 - ENGINE AND ATTACHING PARTS

## FIGURE 4-5. ENGINE INSTALLATION, 74HP (ULS)



ART\_1001196124-G

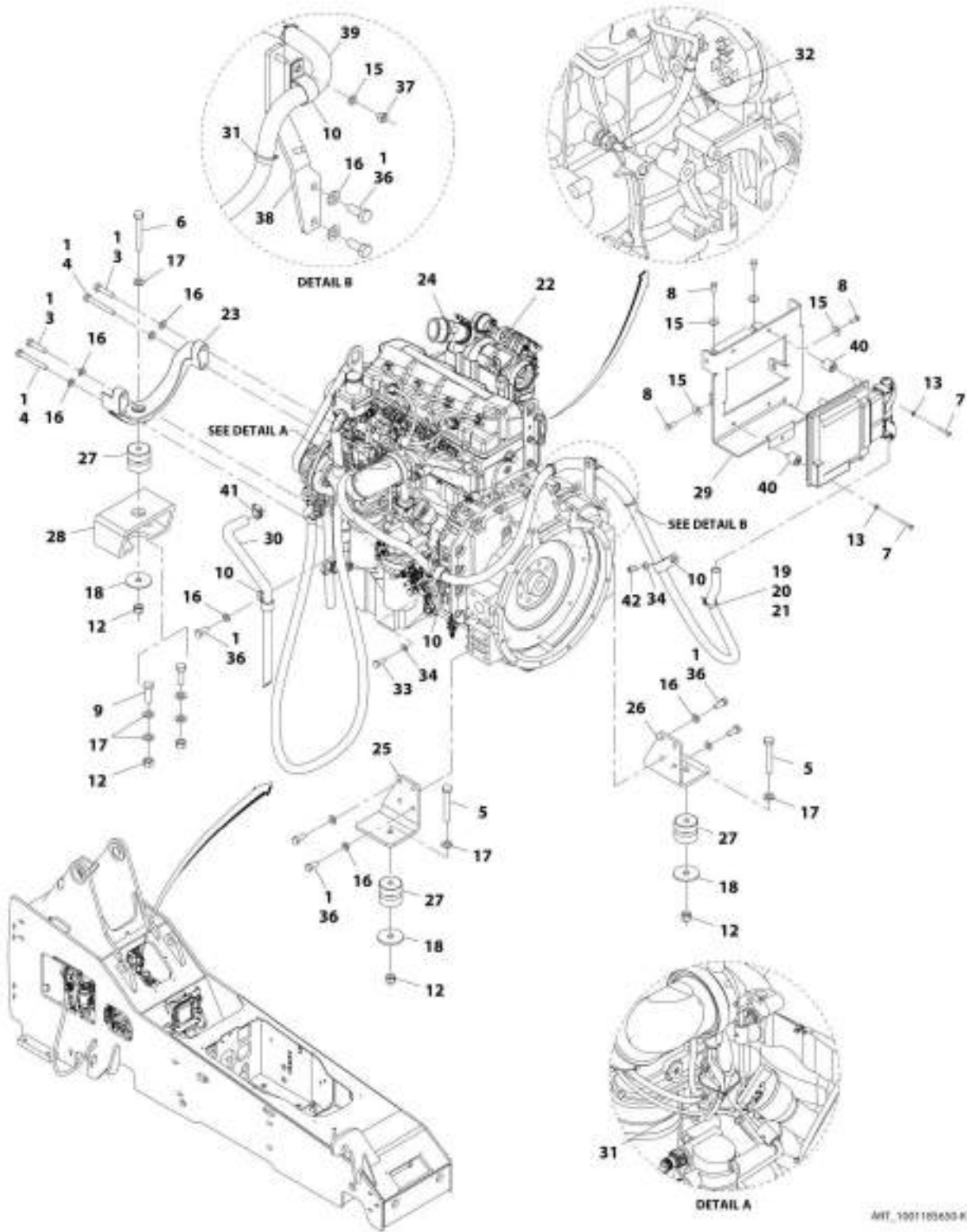
## SECTION 4 - ENGINE AND ATTACHING PARTS

**FIGURE 4-5. ENGINE INSTALLATION, 74HP (ULS)**

ITEM	PART NUMBER	QTY	DESCRIPTION	REV
	1001196124	Ref	Engine Installation, 74HP (if equipped for ULS)	G
1	0100011	AR	Compound, Locking	
2	0641511	4	Bolt, 5/16-18X1-3/8	
3	0711214	8	Bolt, M12X30, Grade 10.9	
4	0711219	2	Bolt, M12X55	
5	0711227	2	Bolt, M12X100	
6	0711627	2	Bolt, 16-2X100	
7	0711628	1	Bolt, 16-2X110	
8	0760605	1	Bolt, M6X10	
9	0771618	2	Bolt, M16X50	
11	3331615	5	Nut, Lock M16X2	
12	4711500	4	Washer, Plain 5/16	
13	4761500	4	Washer, Lock 5/16	
14	4811700	1	Washer, M6	
15	4812100	12	Washer, M12	
16	4812300	8	Washer, M16	
17	7300435	3	Washer	
18	8406112	1	Clip, Tube 5/8	
19	1001160116	1	Bracket, Engine Mount Casting	
20	1001161920	1	Adapter	
21	1001165517	1	Bracket, Engine Mount	
22	1001165518	1	Bracket, Engine Mount	
23	1001180473	1	Bracket, Rear Engine Mount	
24	1001186373	4	Mount, Isolator ECM	
25	1001196665	1	Engine (See ENGINE, QSF3.8, 74HP (ULS) for Breakdown)	
26	1001165660	3	Mount, Isolator Engine	
27	4240099	1	Strap, Tie	
28	7125871	1	Conduit	

# SECTION 4 - ENGINE AND ATTACHING PARTS

## FIGURE 4-6. ENGINE INSTALLATION, 110HP (LS)



AWT\_1001103630-K



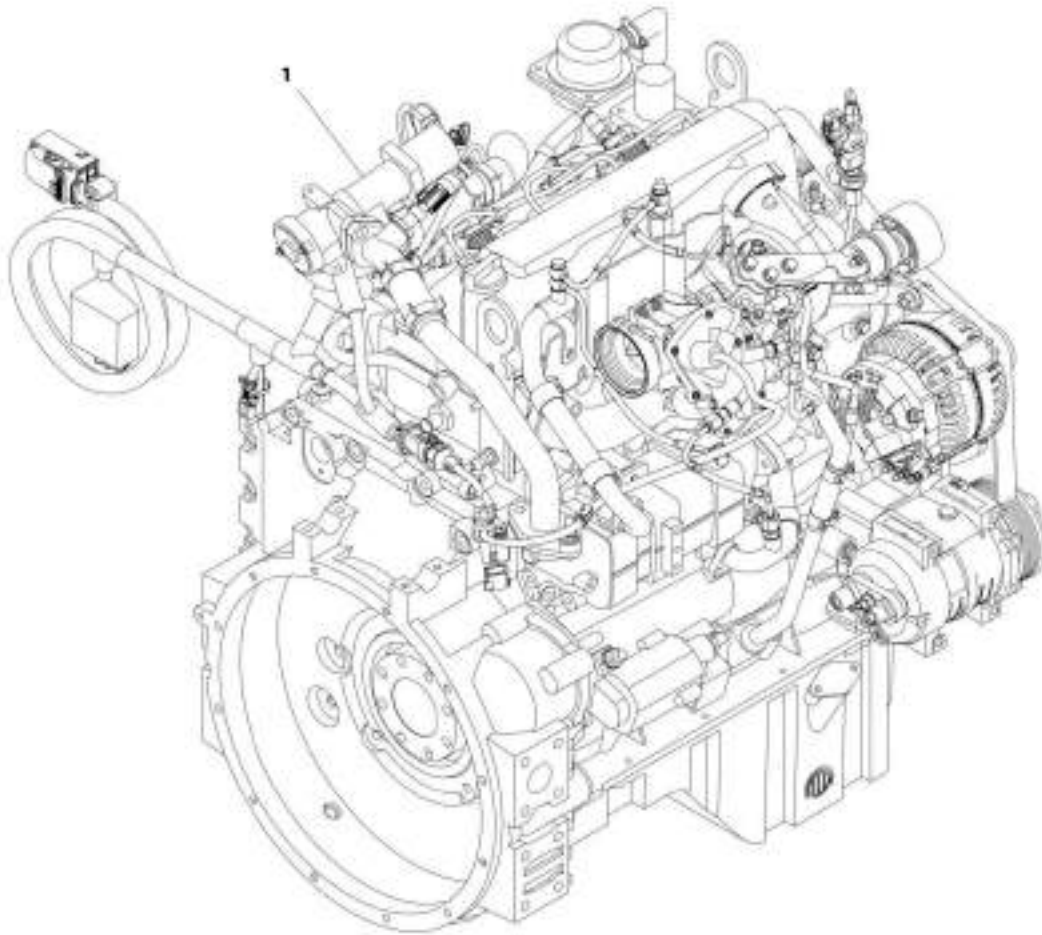
## SECTION 4 - ENGINE AND ATTACHING PARTS

**FIGURE 4-6. ENGINE INSTALLATION, 110HP (LS)**

ITEM	PART NUMBER	QTY	DESCRIPTION	REV
	1001185650	Ref	Engine Installation, 110HP (if equipped for LS)	K
1	0100011	AR	Compound, Locking	
3	0711219	2	Bolt, M12X55	
4	0711227	2	Bolt, M12X100	
5	0711627	2	Bolt, M16X100	
6	0711628	1	Bolt, M16X110	
7	0760614	4	Bolt, M6X30	
8	0760810	4	Bolt, M8X20	
9	0771618	2	Bolt, M16X50	
10	8406303	4	Clip, Tube 1-3/16	
12	3331615	5	Nut, Lock M16X2	
13	4811700	4	Washer, M6	
15	4811902	5	Washer, M8	
16	4812100	15	Washer, M12	
17	4812300	7	Washer, M16	
18	7300435	3	Washer, Rebound	
19	8881800	2	Strap, Cable	
20	88261015	1	Bolt, 1/4-20X5/8	
21	1001138645	1	Mount, Cable Tie	
22	1001154790	1	Engine (See ENGINE, QSF3.8, 110HP (LS) for Breakdown)	
23	1001160116	1	Bracket, Engine Mount Casting	
24	1001161920	1	Adapter	
25	1001165517	1	Bracket, Engine Mount	
26	1001165518	1	Bracket, Engine Mount	
27	1001165660	3	Mount, Isolator Engine	
28	1001180473	1	Bracket, Rear Engine Mount	
29	1001211688	1	Bracket, ECM Mount	
30	1001192134	1	Hose	
31	4240099	3	Strap, Tie	
32	7125871	1	Conduit	
33	0761014	1	Capscrew, 10X30	
34	4812000	2	Washer, M10	
36	0711214	11	Bolt, M12X30, Grade 10.9	
37	3290805	1	Nut, Lock M8X1-1/4	
38	1001197233	1	Bracket, AC/DEF Hose Weldment	
39	1001186718	1	Insulate, Heat Shield Tube	
40	1001211697	4	Mount, Isolator ECM	
41	1001173535	1	Clamp	
42	0641608	1	Bolt, 3/8-16X1	

## SECTION 4 - ENGINE AND ATTACHING PARTS

FIGURE 4-7. ENGINE, QSF3.8, 110HP (ULS)



ART\_1001154E11-P

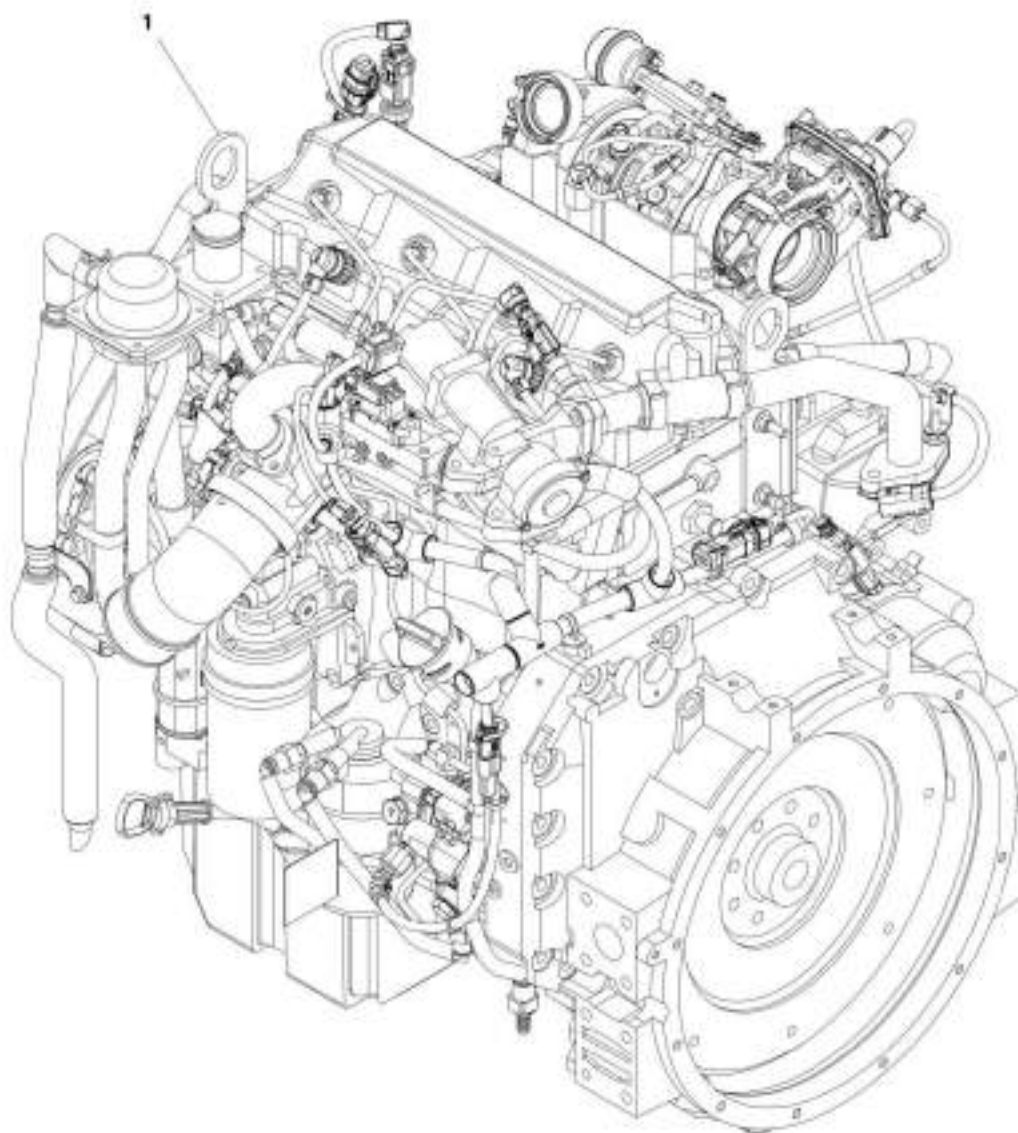
## SECTION 4 - ENGINE AND ATTACHING PARTS

**FIGURE 4-7. ENGINE, QSF3.8, 110HP (ULS)**

ITEM	PART NUMBER	QTY	DESCRIPTION	REV
	1001154511	1	Engine, QSF3.8, 110HP (if equipped for ULS)	P
	70026220	1	Assembly, Secondary Fuel Filter, (includes filter head, seal and element)	
	70026453	1	Element, Fuel Filter	
	70026223	1	Pan, Oil	
	70026224	1	Seal, Oil Pan	
	70026225	1	Plug, Oil Pan	
	70026226	1	Seal, Oil Pan Plug	
	1001128594	1	Starter	
	70026228	1	Filler Cap, Valve Cover	
	70026229	1	Fan Belt, V-Ribbed	
	70026230	1	Support, Fan	
	70026231	1	Pulley, Fan	
	70026232	1	Alternator	
	70026233	NLA	Assembly, Primary Fuel Filter, (no longer available, use 70028450 for replacement)	
	70028450	1	Assembly, Primary Fuel Filter	
	70026234	1	Element, Fuel Filter	
	70026235	1	Assembly, Dipstick Oil Level	
	70026236	1	Assembly, Block Heater	
	70026241	1	Assembly, Fuel Filter Plug	
	70023933	1	O-Ring, Oil Pressure Switch	
	70041620	2	Ring, Retaining	
	70041616	1	Bolt	
	70041617	1	Bearing, Ball	
	70041619	1	Retainer, Fan Hub	
	1322039	1	Spacer, Fan Pilot	
	1321094	19	Screw	
	70024016	1	Cap, Side Oil Fill	
	70022634	1	Flywheel w/Ring Gear	
	70023736	1	Ring Gear, Flywheel	
	1322040	1	Plug, Flywheel	

## SECTION 4 - ENGINE AND ATTACHING PARTS

FIGURE 4-8. ENGINE, QSF3.8, 74HP (ULS)



ART\_10011W665-1

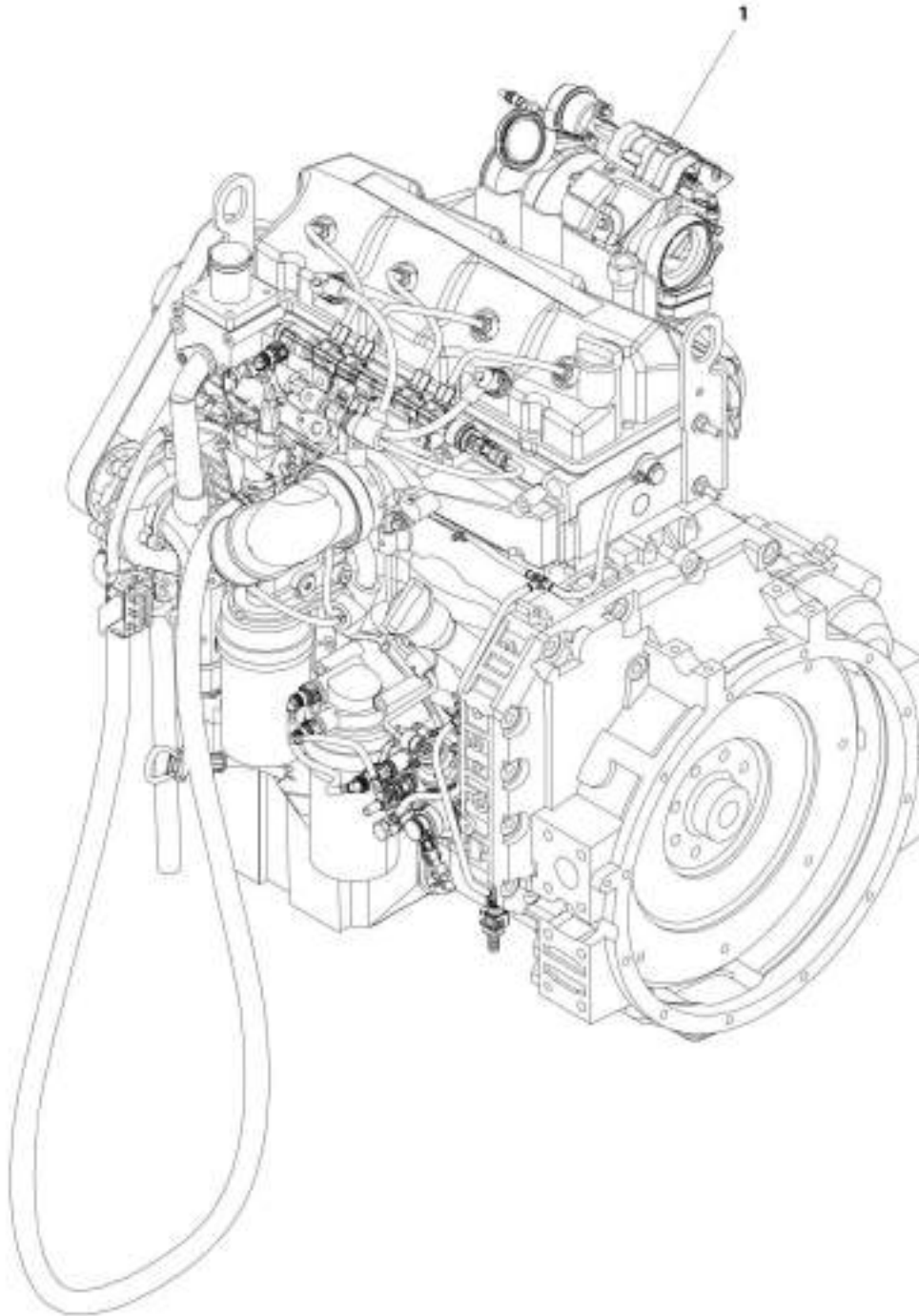
## SECTION 4 - ENGINE AND ATTACHING PARTS

**FIGURE 4-8. ENGINE, QSF3.8, 74HP (ULS)**

ITEM	PART NUMBER	QTY	DESCRIPTION	REV
	1001196665	Ref	Engine, QSF3.8, 74HP (if equipped for ULS)	J
	70026220	1	Assembly, Secondary Fuel Filter, (includes filter head, seal and element)	
	70026453	1	Element, Fuel Filter	
	70027281	1	Pan, Oil	
	70026224	1	Seal, Oil Pan	
	70026225	1	Plug, Oil Pan	
	70026226	1	Seal, Oil Pan Plug	
	1001128594	1	Starter	
	70026228	1	Filler Cap, Valve Cover	
	70026229	1	Fan Belt, V-Ribbed	
	70026230	1	Support, Fan	
	70026231	1	Pulley, Fan	
	70026232	1	Alternator	
	70026233	NLA	Assembly, Primary Fuel Filter, (no longer available, use 70028450 for replacement)	
	70028450	1	Assembly, Primary Fuel Filter	
	70026234	1	Element, Fuel Filter	
	70026235	1	Assembly, Dipstick Oil Level	
	N.S.S.	1	Dipstick, (no longer available, use 70026235 for replacement)	
	N.S.S.	1	Tube, Dipstick, (no longer available, use 70026235 for replacement)	
	70026241	1	Assembly, Fuel Filter Plug	
	70023933	1	O-Ring, Oil Pressure Switch	
	70041620	2	Ring, Retaining	
	70041616	1	Bolt	
	70041617	1	Bearing, Ball	
	70041619	1	Retainer, Fan Hub	
	1322039	1	Spacer, Fan Pilot	
	1321094	19	Screw	
	70024016	1	Cap, Side Oil Fill	
	70022634	1	Flywheel w/Ring Gear	
	70023736	1	Ring Gear, Flywheel	
	1322040	1	Plug, Flywheel	

## SECTION 4 - ENGINE AND ATTACHING PARTS

FIGURE 4-9. ENGINE, QSF3.8, 110HP (LS)



887\_1001154796-1

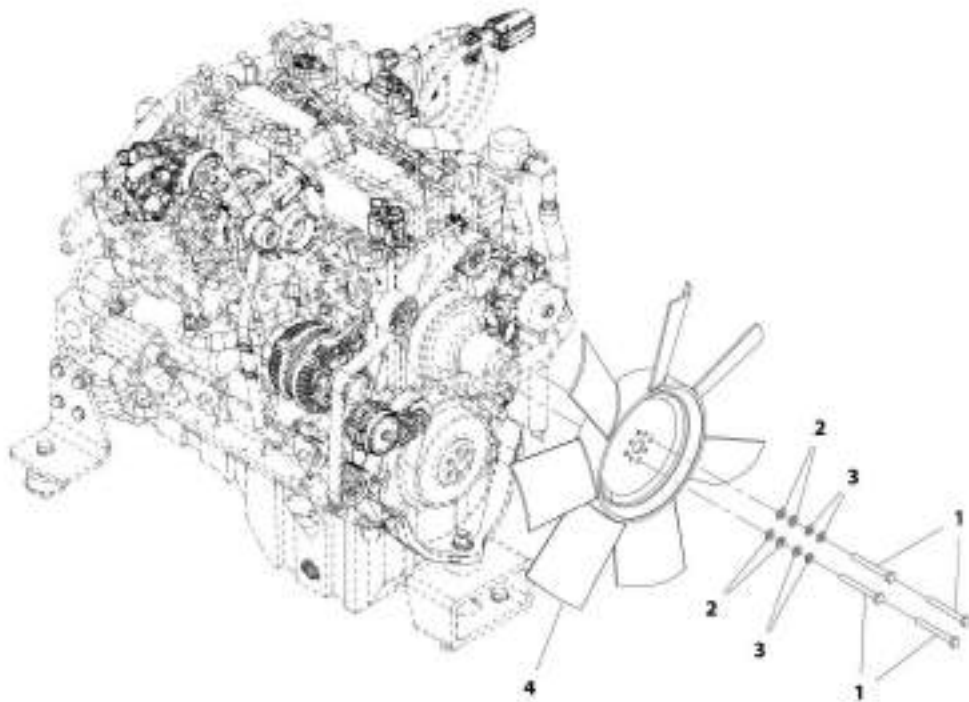
## SECTION 4 - ENGINE AND ATTACHING PARTS

**FIGURE 4-9. ENGINE, QSF3.8, 110HP (LS)**

ITEM	PART NUMBER	QTY	DESCRIPTION	REV
	1001154790	Ref	Engine, QSF3.8, 110HP (if equipped for LS)	J
	70026800	1	Fuel Filter Assembly	
	70026801	1	Fuel Filter Element	
	70026222	1	Assembly, Flywheel Housing	
	70027281	1	Pan, Oil	
	70026224	1	Seal, Oil Pan	
	70026225	1	Plug, Oil Pan	
	70026226	1	Seal, Oil Pan Plug	
	1001128594	1	Starter	
	70026228	1	Filler Cap, Valve Cover	
	70026229	1	Fan Belt, V-Ribbed	
	70026230	1	Support, Fan	
	70026231	1	Pulley, Fan	
	70026232	1	Alternator	
	70026233	1	Assembly, Primary Fuel Filter	
	70026234	1	Element, Fuel Filter	
	70026235	1	Assembly, Dipstick Oil Level	
	70026241	1	Assembly, Fuel Filter Plug	
	70026237	1	Filter, Oil	
	70041620	2	Ring, Retaining	
	70041616	1	Bolt	
	70041617	1	Bearing, Ball	
	70041619	1	Retainer, Fan Hub	
	1322039	1	Spacer, Fan Pilot	
	1321094	17	Screw	
	70024016	1	Cap, Side Oil Fill	
	70022634	1	Flywheel w/Ring Gear	
	70023736	1	Ring Gear, Flywheel	
	1322040	1	Plug, Flywheel	

# SECTION 4 - ENGINE AND ATTACHING PARTS

FIGURE 4-10. FAN INSTALLATION, 110HP



ART\_1001165000-B



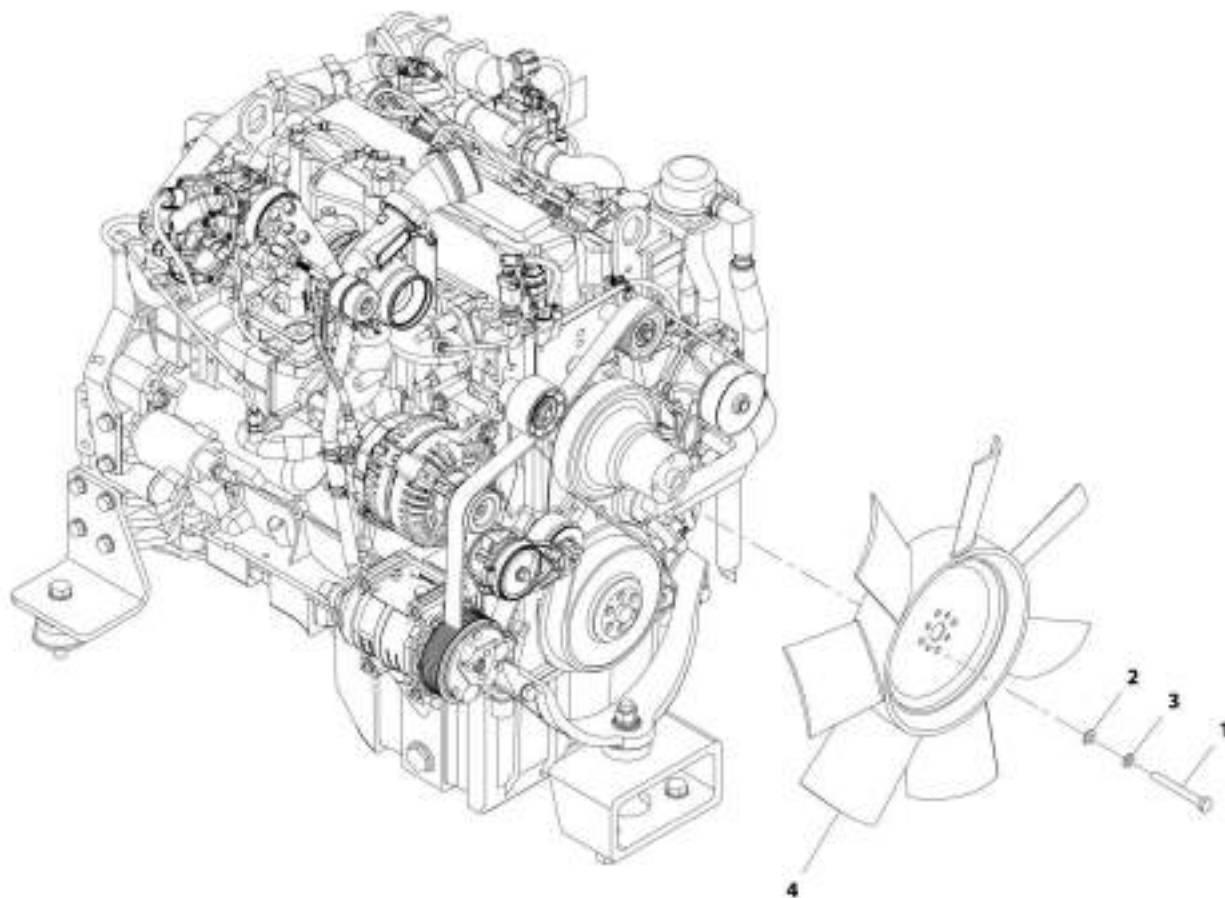
## SECTION 4 - ENGINE AND ATTACHING PARTS

FIGURE 4-10. FAN INSTALLATION, 110HP

ITEM	PART NUMBER	QTY	DESCRIPTION	REV
	1001165668	Ref	Fan Installation, 110HP	B
1	0701026	4	Bolt, M10X90	
2	4812000	4	Washer, M10	
3	4832000	4	Washer, Lock M10	
4	1001174822	1	Fan	

## SECTION 4 - ENGINE AND ATTACHING PARTS

FIGURE 4-11. FAN INSTALLATION, 74HP



ART\_1001196736-B

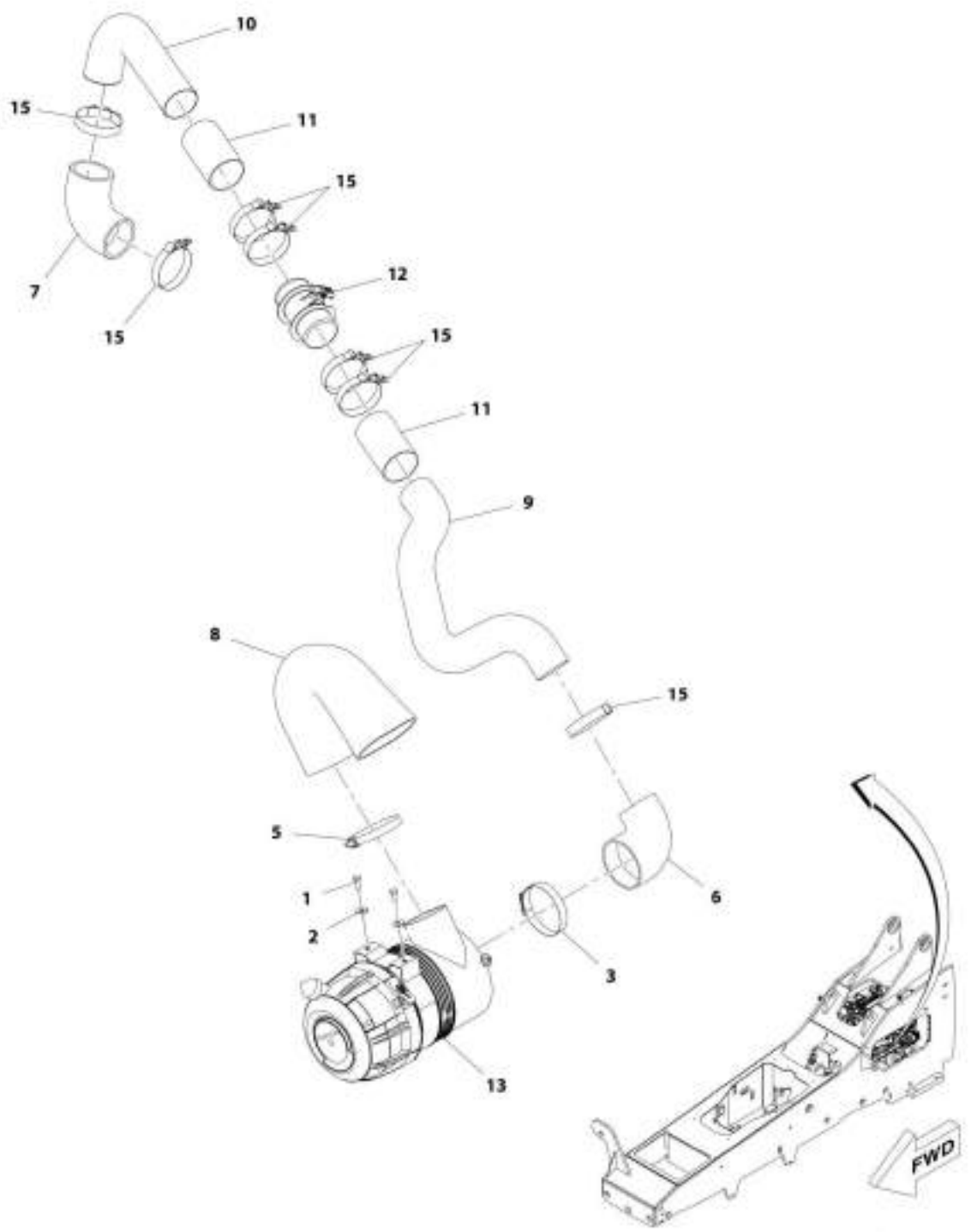
## SECTION 4 - ENGINE AND ATTACHING PARTS

FIGURE 4-11. FAN INSTALLATION, 74HP

ITEM	PART NUMBER	QTY	DESCRIPTION	REV
	1001196736	Ref	Fan Installation, 74HP	B
1	0701026	4	Bolt, M10X90	
2	4812000	4	Washer, M10	
3	4832000	4	Washer, Lock M10	
4	1001203328	1	Fan	

# SECTION 4 - ENGINE AND ATTACHING PARTS

## FIGURE 4-12. AIR CLEANER INSTALLATION (ULS)



ART\_1001103669-D

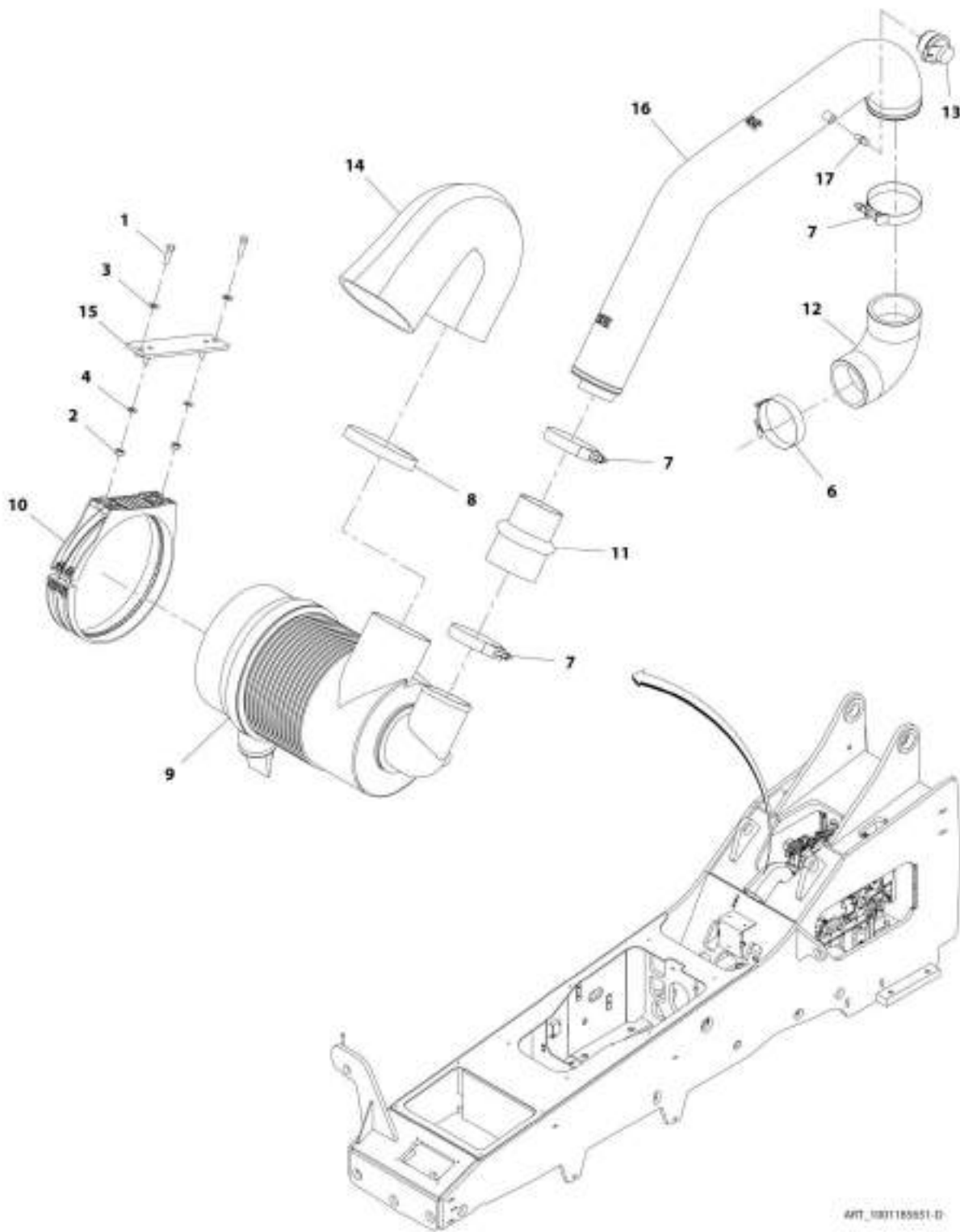
## SECTION 4 - ENGINE AND ATTACHING PARTS

**FIGURE 4-12. AIR CLEANER INSTALLATION (ULS)**

ITEM	PART NUMBER	QTY	DESCRIPTION	REV
	1001165669	Ref	Air Cleaner Installation (if equipped for ULS)	D
1	0760810	2	Bolt, M8 X 20	
2	4811902	2	Washer, M8	
3	8405404	1	Clamp, T-Bolt	
5	10719267	1	Clamp, Hose	
6	1001201831	1	Hose, Air Intake	
7	1001120083	1	Hose, Air Intake	
8	1001165818	1	Hose, Air Intake	
9	1001168051	1	Pipe, Air Intake	
10	1001168052	1	Pipe, Air Intake	
11	1001168053	2	Hose, Sleeve	
12	1001169077	1	Sensor, PRS Temperature	
13	1001166566	1	Assembly, Air Cleaner (See AIR CLEANER ASSEMBLY (ULS) for Breakdown)	
15	8410007	7	Clamp, T-Bolt	

# SECTION 4 - ENGINE AND ATTACHING PARTS

## FIGURE 4-13. AIR CLEANER INSTALLATION (LS)



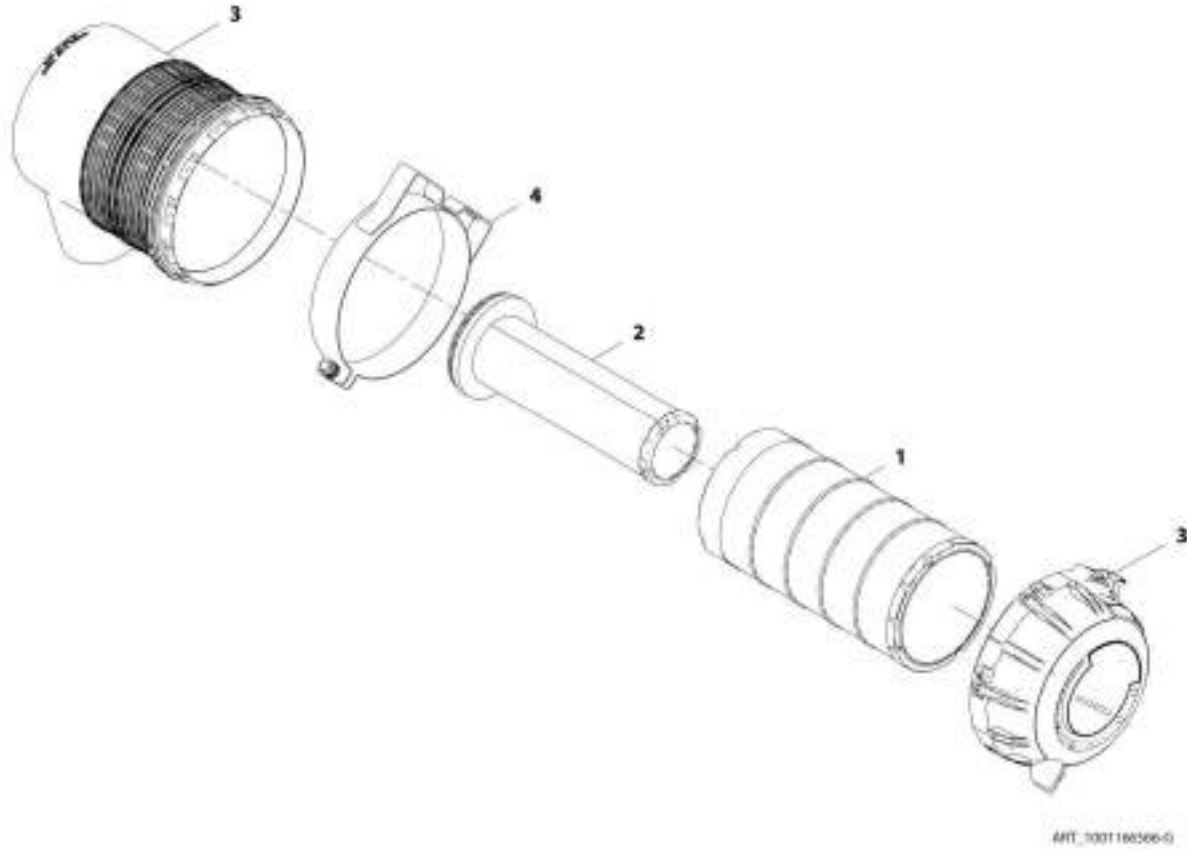
## SECTION 4 - ENGINE AND ATTACHING PARTS

**FIGURE 4-13. AIR CLEANER INSTALLATION (LS)**

ITEM	PART NUMBER	QTY	DESCRIPTION	REV
	1001185651	Ref	Air Cleaner Installation (if equipped for LS)	D
1	0760815	2	Bolt, 5/16-18X1-1/8	
2	8305043	2	Nut, M8X1.25	
3	8307106	2	Washer, Plain 5/16	
4	8307222	2	Washer, Plain M8	
6	90028631	1	Clamp, Heavy Duty Band	
7	8405307	3	Clamp, T-Bolt	
8	8410021	1	Clamp, T-Bolt	
9	10268515	1	Assembly, Air Cleaner (See AIR CLEANER ASSEMBLY (LS) for Breakdown)	
10	10268516	1	Band, Mounting	
11	91293003	1	Hose, Hump Reducer	
12	91083129	1	Elbow, Reducer	
13	1001166715	1	Restriction, Indicator	
14	1001190005	1	Hose, Air Intake	
15	1001190183	1	Bracket, Air Filter Band Mount	
16	1001212670	1	Pipe, Air Intake	
17	2180798	1	Fitting	

## SECTION 4 - ENGINE AND ATTACHING PARTS

FIGURE 4-14. AIR CLEANER ASSEMBLY (ULS)





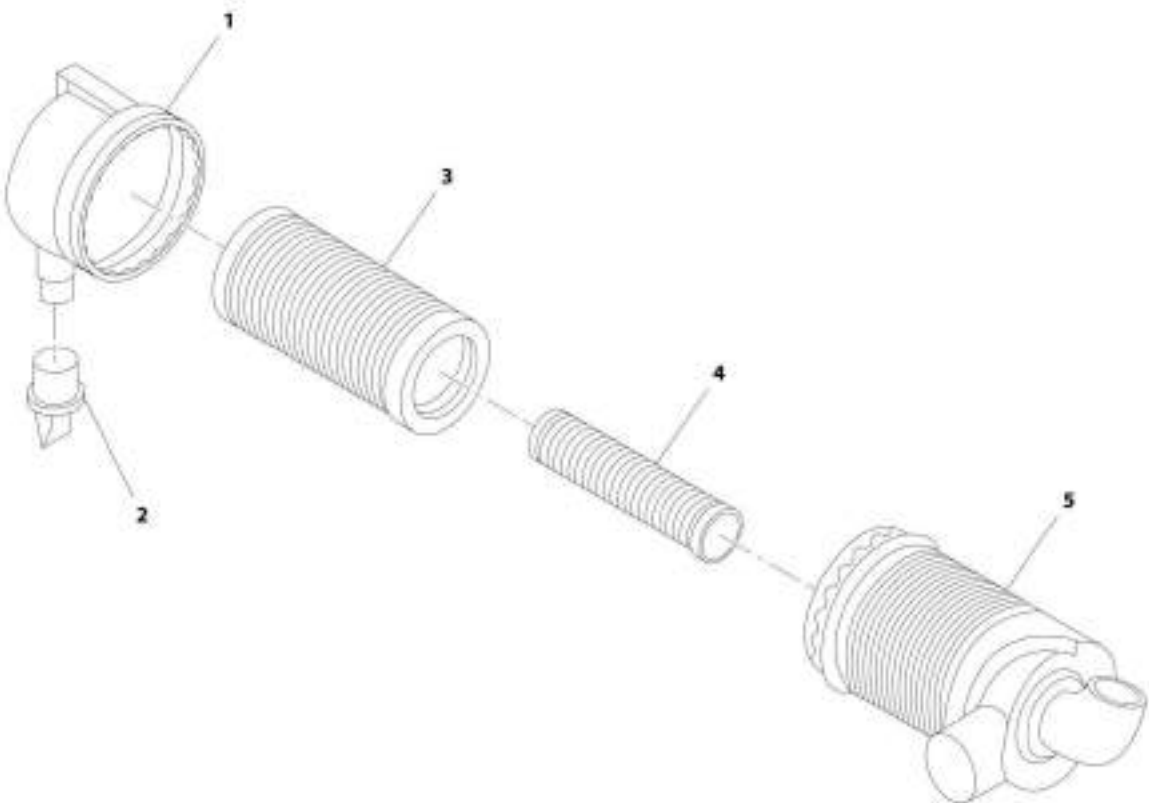
## SECTION 4 - ENGINE AND ATTACHING PARTS

FIGURE 4-14. AIR CLEANER ASSEMBLY (ULS)

ITEM	PART NUMBER	QTY	DESCRIPTION	REV
	1001166566	Ref	Air Cleaner Assembly (if equipped for ULS)	G
1	70025852	1	Filter, Air Cylindrical Primary	
2	70025853	1	Filter, Air Cylindrical Secondary	
3	70026393	1	Cover, Air Cleaner	
4	70026394	1	Bracket, Mounting Band	

**SECTION 4 - ENGINE AND ATTACHING PARTS**

**FIGURE 4-15. AIR CLEANER ASSEMBLY (LS)**



ART\_10268515-C

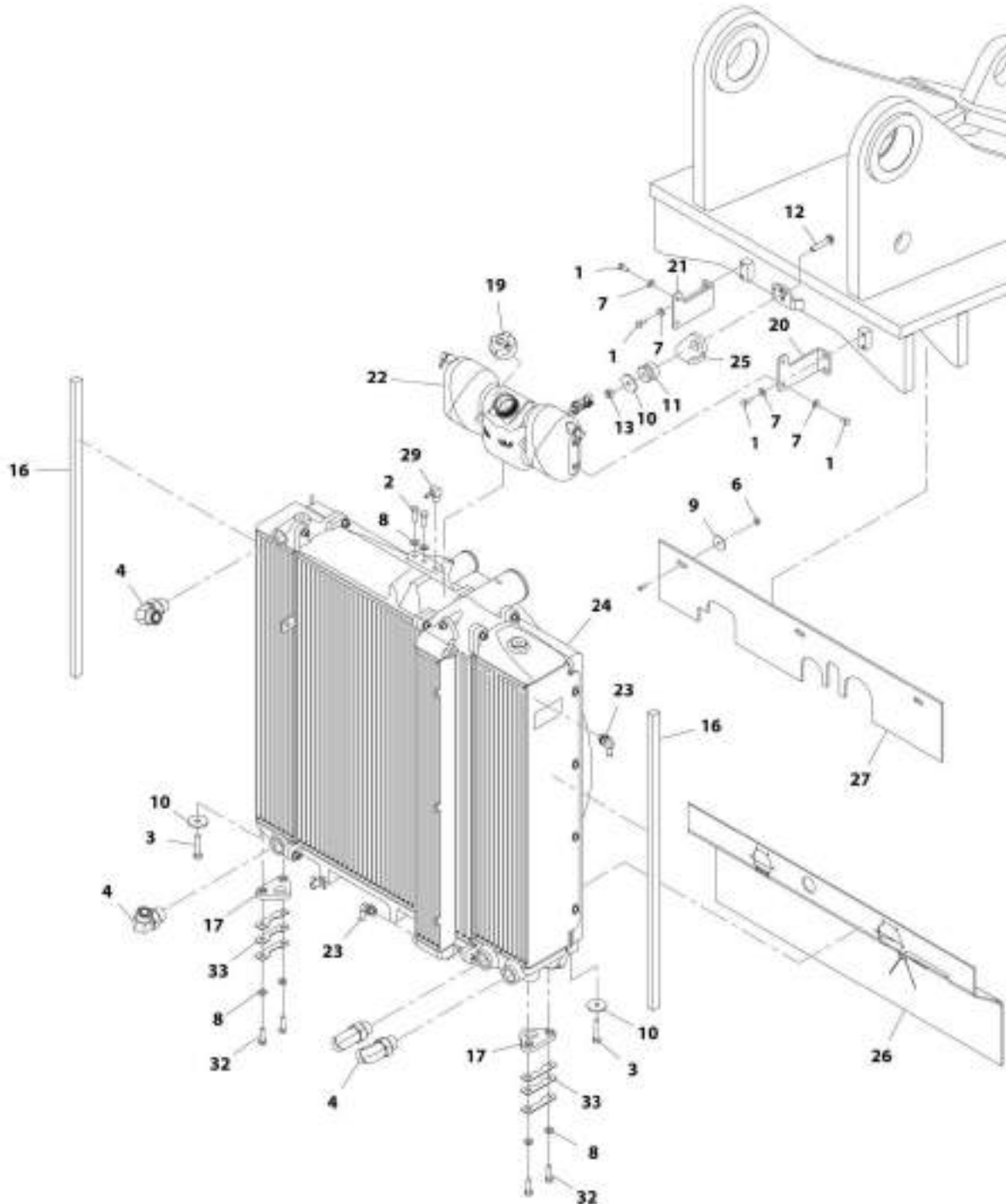
## SECTION 4 - ENGINE AND ATTACHING PARTS

FIGURE 4-15. AIR CLEANER ASSEMBLY (LS)

ITEM	PART NUMBER	QTY	DESCRIPTION	REV
	10268515	Ref	Air Cleaner Assembly (if equipped for LS)	C
1	91364023	1	Cover Assembly	
2	80373094	1	Vacuator Valve	
3	1101312	1	Primary Filter Element	
4	1101313	1	Secondary Filter Element	
5	N.S.S.	1	Air Cleaner Body	

# SECTION 4 - ENGINE AND ATTACHING PARTS

FIGURE 4-16. COOLING INSTALLATION, 110HP



ART\_1001185670-8

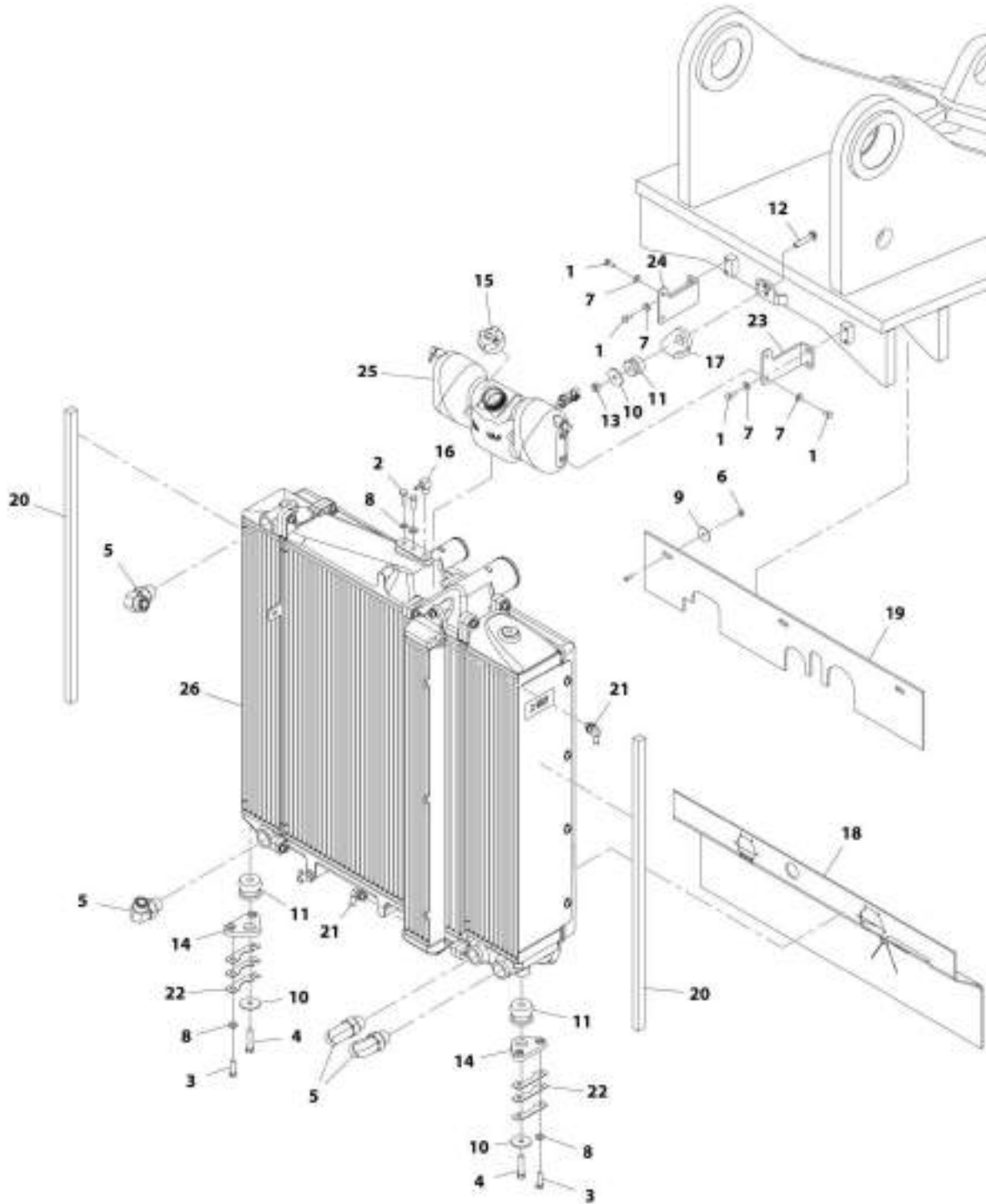
## SECTION 4 - ENGINE AND ATTACHING PARTS

**FIGURE 4-16. COOLING INSTALLATION, 110HP**

ITEM	PART NUMBER	QTY	DESCRIPTION	REV
	1001165670	Ref	Cooling Installation, 110HP	K
1	0641405	8	Bolt, 1/4-20X5/8	
2	0641508	2	Bolt, 5/16-18X1	
3	0641614	2	Bolt, 3/8-16X1-3/4	
4	2131212	4	Adapter, 90	
6	3311401	3	Nut, 1/4-20	
7	4711400	8	Washer, 1/4	
8	4711500	6	Washer, 5/16	
9	4740362	3	Washer, Fender 1/4	
10	7057141	3	Washer, Flat	
11	8278020	3	Mount, Rubber Isolator	
12	8310281	1	Bolt, Carriage 3/8-16X2.25	
13	8305008	1	Nut, 3/8-16	
16	1001178582	2	Seal, Foam Gasket	
17	1001120869	2	Bracket, Cooler Mount Lower	
19	1001128341	1	Cap, Deaeration Tank	
20	1001181584	1	Bracket, LH Tank	
21	1001181585	1	Bracket, RH Tank	
22	1001182255	1	Assembly, Deaeration Tank (See DEAERATION TANK ASSEMBLY for Breakdown)	
23	1001178776	2	Fitting, Hose Barb 90	
24	1001168478	1	Assembly, Radiator (See RADIATOR ASSEMBLY, 110HP for Breakdown)	
25	1001169059	1	Mount, Cooler Bracket	
26	1001170117	1	Panel, Air Dam	
27	1001170186	1	Panel, Air Dam Upper	
29	1001134488	1	Fitting, Barbed 90	
32	0641509	4	Bolt, 5/16-18X1-1/8	
33	1001179845	6	Shim	

# SECTION 4 - ENGINE AND ATTACHING PARTS

## FIGURE 4-17. COOLING INSTALLATION, 74HP



ART\_100190737-E

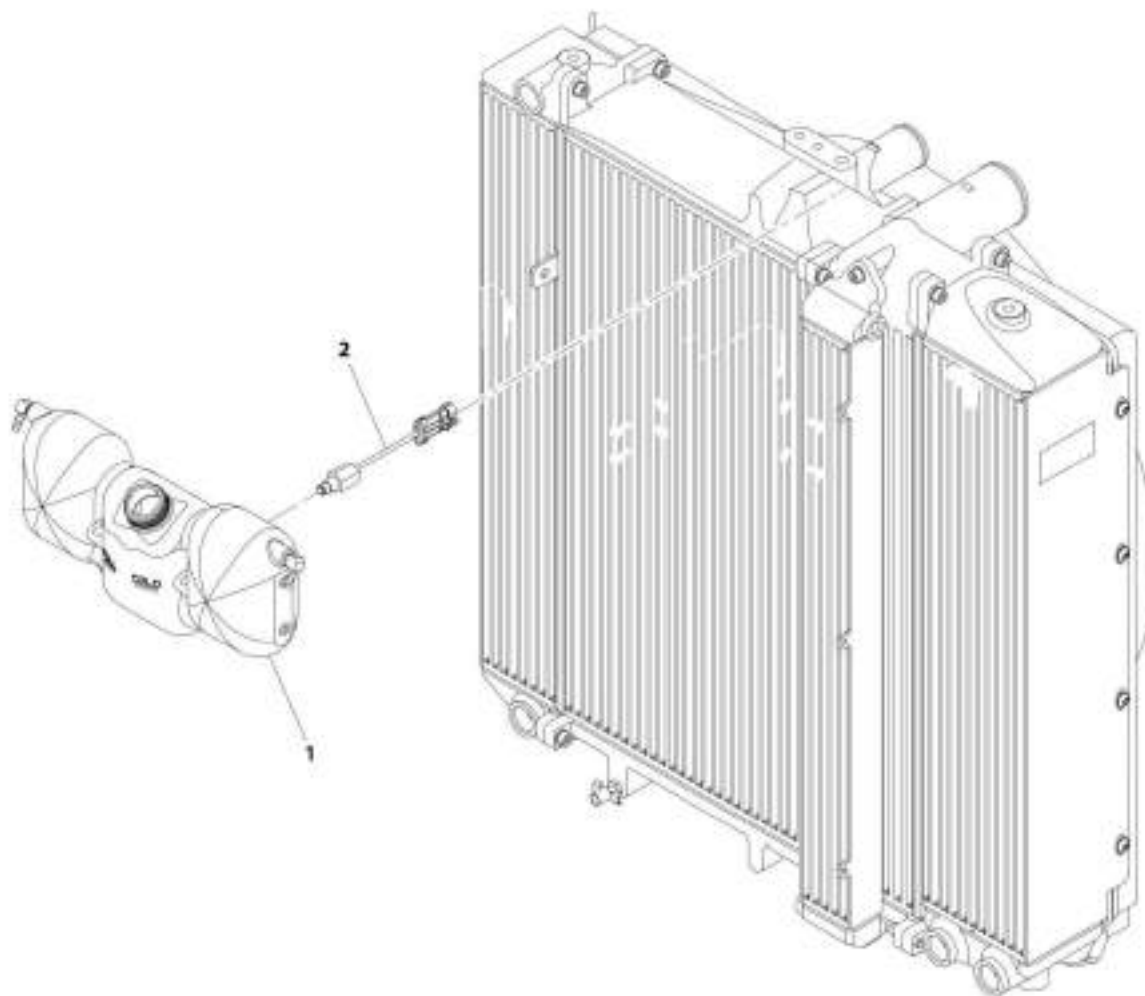
## SECTION 4 - ENGINE AND ATTACHING PARTS

**FIGURE 4-17. COOLING INSTALLATION, 74HP**

ITEM	PART NUMBER	QTY	DESCRIPTION	REV
	1001196737	Ref	Cooling Installation, 74HP	E
1	0641405	8	Bolt, 1/4-20X5/8	
2	0641508	2	Bolt, 5/16-18X1	
3	0641509	4	Bolt, 5/16-18X1-1/8	
4	0641614	2	Bolt, 3/8-16X1-3/4	
5	2131212	4	Adapter, 90	
6	3311401	3	Nut, 1/4-20	
7	4711400	8	Washer, 1/4	
8	4711500	6	Washer, 5/16	
9	4740362	3	Washer, Fender, 1/4	
10	7057141	3	Washer, Flat	
11	8278020	3	Mount, Rubber Isolator	
12	8310281	1	Bolt, Carriage 3/8-16X2-1/4	
13	8305008	1	Nut, 3/8-16	
14	1001120869	2	Bracket, Cooler Mount Lower	
15	1001128341	1	Cap, Deaeration Tank	
16	1001134488	1	Fitting, Barbed 90	
17	1001169059	1	Mount, Cooler Bracket	
18	1001170117	1	Panel, Air Dam	
19	1001170186	1	Panel, Air Dam Upper	
20	1001178582	2	Seal, Foam Gasket	
21	1001178776	2	Fitting, Hose Barb 90	
22	1001179845	6	Shim	
23	1001181584	1	Bracket, LH Tank	
24	1001181585	1	Bracket, RH Tank	
25	1001182255	1	Assembly, Deaeration Tank (See DEAERATION TANK ASSEMBLY for Breakdown)	
26	1001197475	1	Assembly, Radiator (See RADIATOR ASSEMBLY, 74HP for Breakdown)	

## SECTION 4 - ENGINE AND ATTACHING PARTS

FIGURE 4-18. DEAERATION TANK ASSEMBLY



ART\_3001102255-J



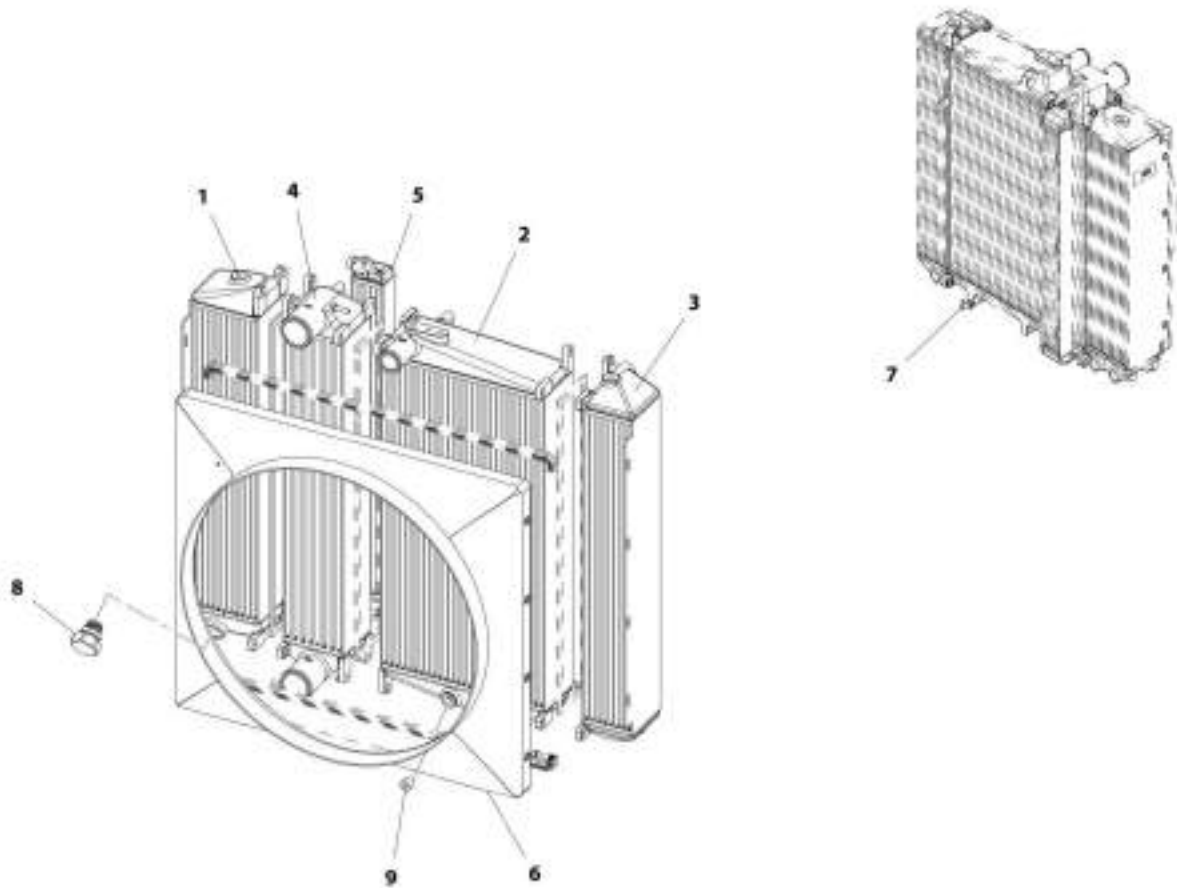
## SECTION 4 - ENGINE AND ATTACHING PARTS

FIGURE 4-18. DEAERATION TANK ASSEMBLY

ITEM	PART NUMBER	QTY	DESCRIPTION	REV
	1001182255	Ref	Deaeration Tank Assembly	J
1	1001153912	1	Tank, Deaeration	
2	1001186327	NLA	Sensor, Coolant Level (no longer available, use 1001244360 for replacement)	
2	1001230847	NLA	Sensor, Coolant Level (no longer available, use 1001244360 for replacement)	
2	1001244360	1	Sensor, Coolant Level	

# SECTION 4 - ENGINE AND ATTACHING PARTS

FIGURE 4-19. RADIATOR ASSEMBLY, 110HP



ART\_1001766476-D

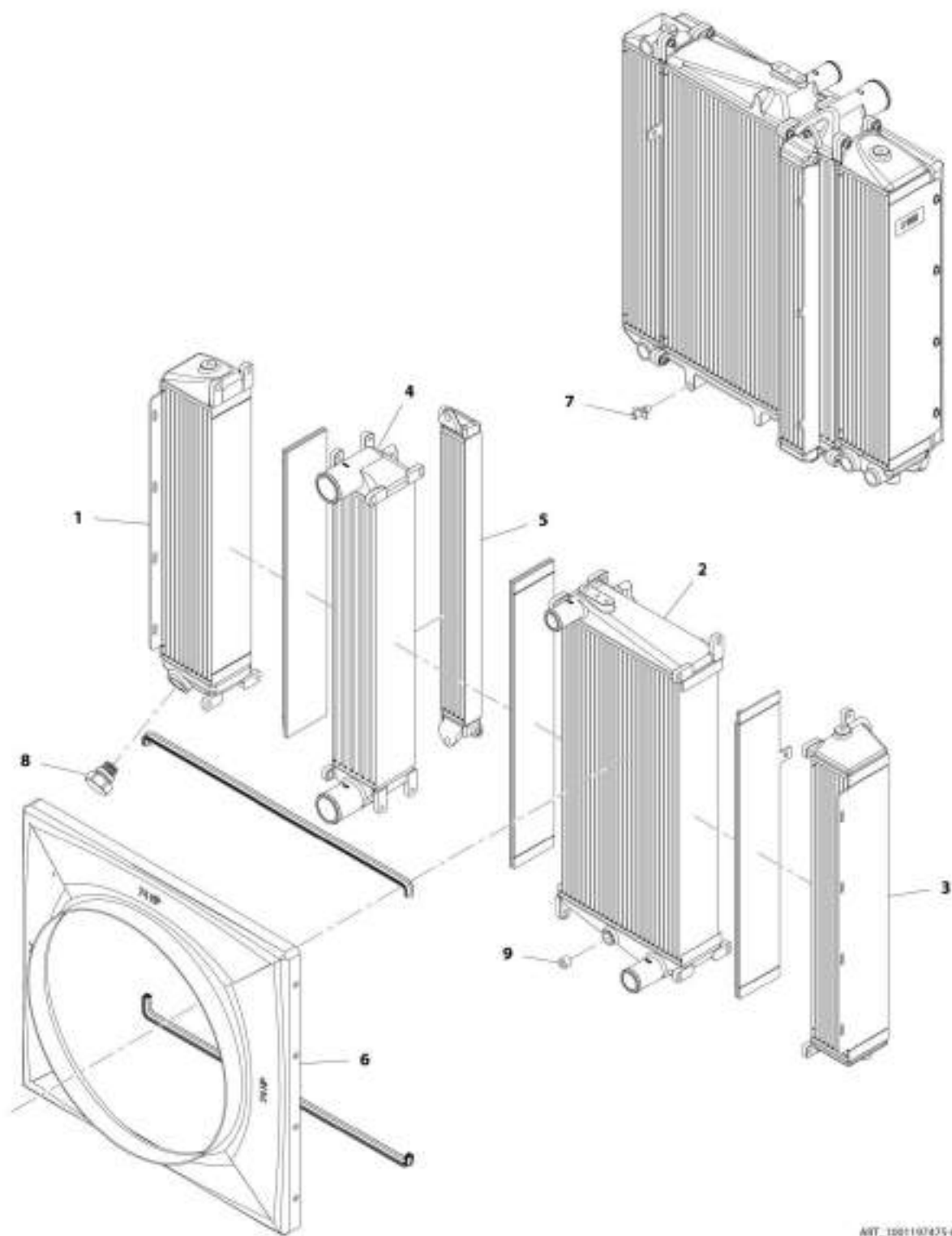
## SECTION 4 - ENGINE AND ATTACHING PARTS

FIGURE 4-19. RADIATOR ASSEMBLY, 110HP

ITEM	PART NUMBER	QTY	DESCRIPTION	REV
	1001168478	Ref	Radiator Assembly, 110HP	D
1	70026075	1	Transmission Oil Cooler	
2	70026076	1	Radiator	
3	70026077	1	Hydraulic Oil Cooler	
4	70026078	1	Charge Air Cooler	
5	70026079	1	Fuel Cooler	
6	70026080	1	Shroud, Fan	
7	70026081	1	Petcock	
8	70026082	1	Valve, Bypass	
9	70026083	1	Plug, Hex	

# SECTION 4 - ENGINE AND ATTACHING PARTS

## FIGURE 4-20. RADIATOR ASSEMBLY, 74HP



AWT\_1001107435-C

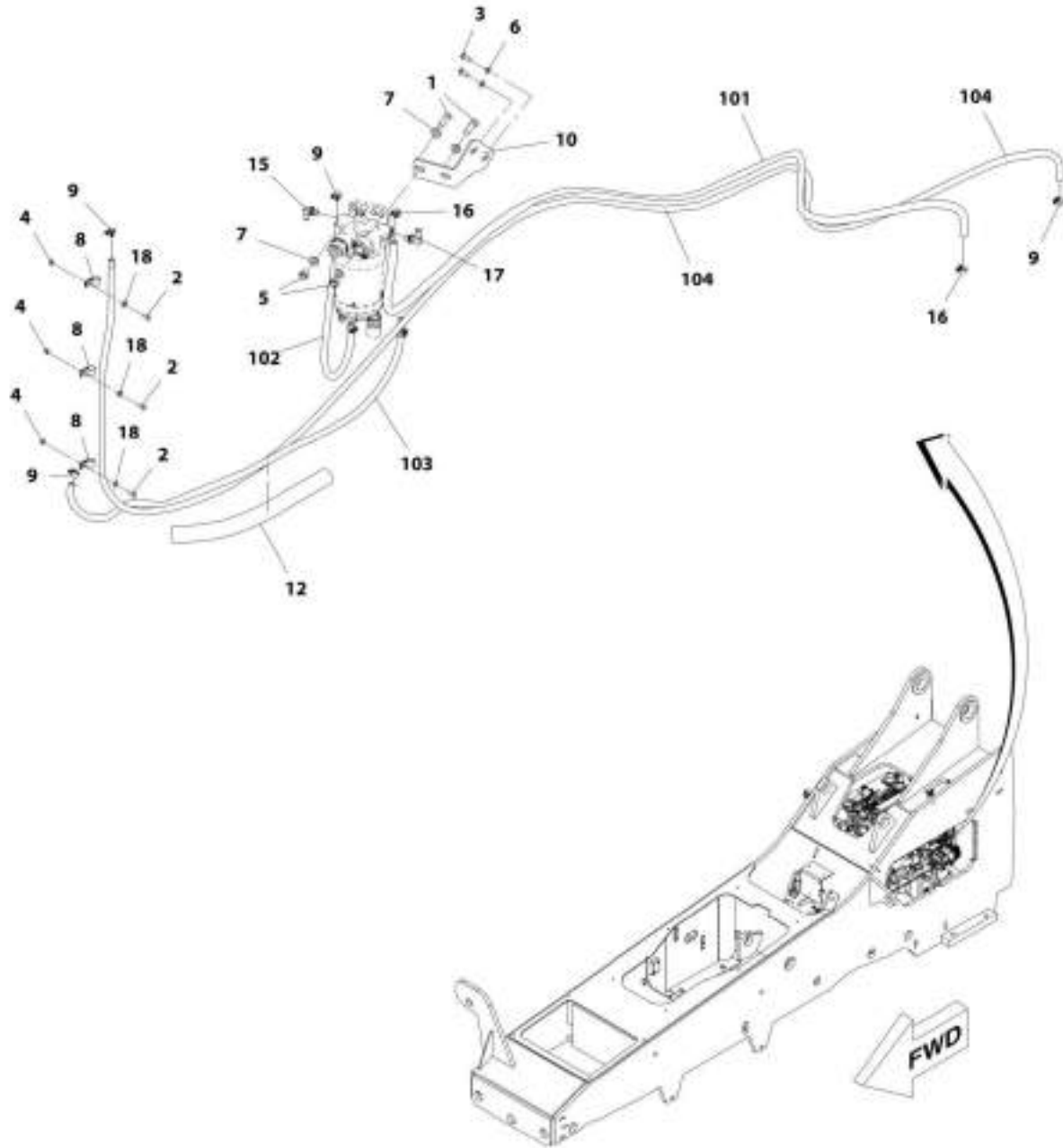
## SECTION 4 - ENGINE AND ATTACHING PARTS

FIGURE 4-20. RADIATOR ASSEMBLY, 74HP

ITEM	PART NUMBER	QTY	DESCRIPTION	REV
	1001197475	Ref	Radiator Assembly, 74HP	C
1	70026075	1	Transmission Oil Cooler	
2	70026076	1	Radiator	
3	70026077	1	Hydraulic Oil Cooler	
4	70026078	1	Charge Air Cooler	
5	70026079	1	Fuel Cooler	
6	70027094	1	Fan Shroud	
7	70026081	1	Petcock	
8	70026082	1	Valve, Bypass	
9	70026083	1	Plug, Hex	

# SECTION 4 - ENGINE AND ATTACHING PARTS

## FIGURE 4-21. FUEL PLUMBING INSTALLATION (ULS)



ART\_3001165672-H

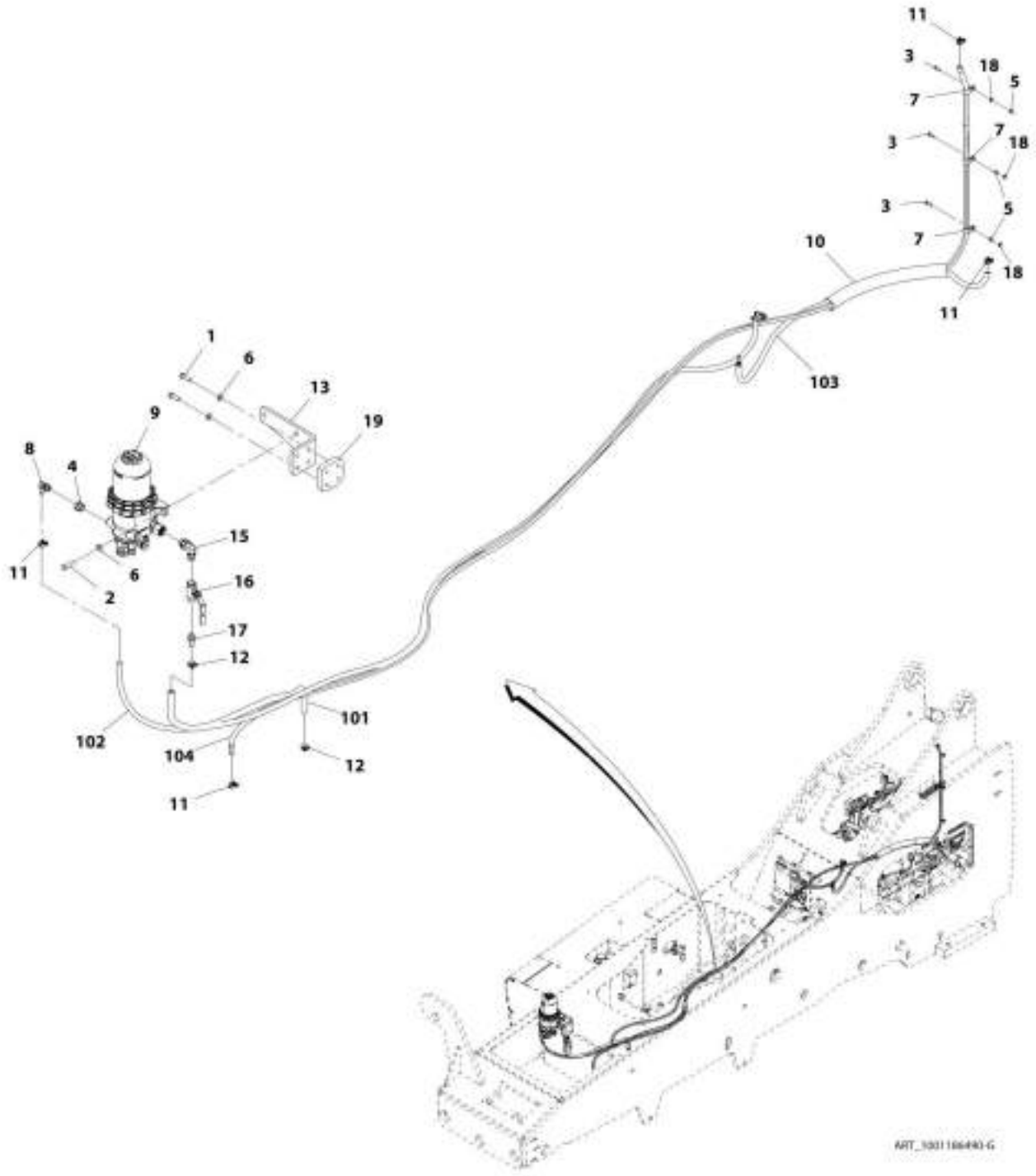
## SECTION 4 - ENGINE AND ATTACHING PARTS

**FIGURE 4-21. FUEL PLUMBING INSTALLATION (ULS)**

ITEM	PART NUMBER	QTY	DESCRIPTION	REV
	1001165672	Ref	Fuel Plumbing Installation (if equipped for ULS)	H
1	0701216	2	Bolt, M12X40	
2	0760608	3	Bolt, M6X16	
3	0761012	2	Bolt, M10X25	
4	3290605	3	Nut, Lock M6X1	
5	3291205	2	Nut, Lock M12X1-3/4	
6	4812000	2	Washer, M10	
7	4812100	4	Washer, M12	
8	8406112	3	Clip, Tube 5/8	
9	1001136975	5	Clamp, Fuel Hose	
10	1001182603	1	Bracket, Filter Mount	
12	1001136358	1	Sleeve, Abrasion	
15	1001182094	1	Fitting, Hose Barb	
16	1001175568	2	Clip, Hose	
17	1001179375	1	Adapter, Banjo M14X1/2	
18	4811700	3	Washer, M6	
101	1001171802	1	Hose	
102	1001171803	1	Hose	
103	1001201111	1	Hose	
104	1001171805	1	Hose	

# SECTION 4 - ENGINE AND ATTACHING PARTS

FIGURE 4-22. FUEL PLUMBING INSTALLATION (LS)



ART\_303186440-G



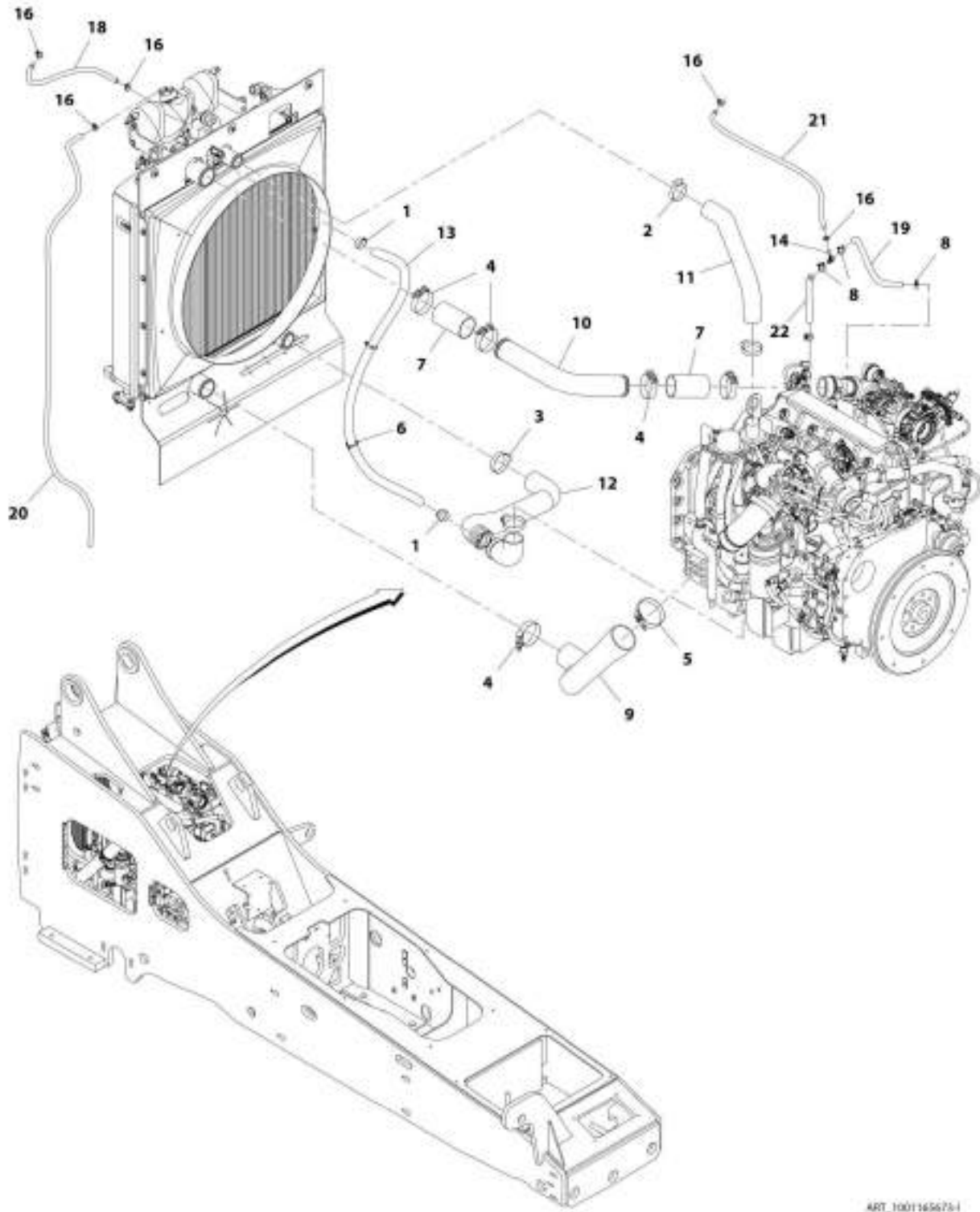
## SECTION 4 - ENGINE AND ATTACHING PARTS

**FIGURE 4-22. FUEL PLUMBING INSTALLATION (LS)**

ITEM	PART NUMBER	QTY	DESCRIPTION	REV
	1001186490	Ref	Fuel Plumbing Installation (if equipped for LS)	G
1	0641609	4	Bolt, 3/8-16X1-1/8	
2	0641612	2	Bolt, 3/8-16X1-1/2	
3	0760608	3	Bolt, M6X16	
4	2220218	1	Adapter, Straight	
5	3290605	3	Nut, Lock M6X1	
6	4711600	6	Washer, 3/8	
7	8406112	3	Clip, Tube 5/8	
8	1001178776	1	Fitting, Hose Barb, 90	
9	1001133534	1	Filter, Fuel	
10	1001136358	1	Sleeve, Abrasion	
11	1001136975	4	Clamp, Fuel Hose	
12	1001175568	2	Clip, Hose	
13	1001190349	1	Bracket, Support	
15	1001190629	1	Adapter, 90	
16	1001190630	1	Valve Shutoff, Female	
17	1001190631	1	Fitting, Hose Barb	
18	4811700	3	Washer, M6	
19	1001190344	1	Bracket	
101	1001190370	1	Hose	
102	1001190371	1	Hose	
103	1001201111	1	Hose	
104	1001171805	1	Hose	

# SECTION 4 - ENGINE AND ATTACHING PARTS

FIGURE 4-23. PLUMBING COOLING INSTALLATION (ULS)



ART\_100146675-1

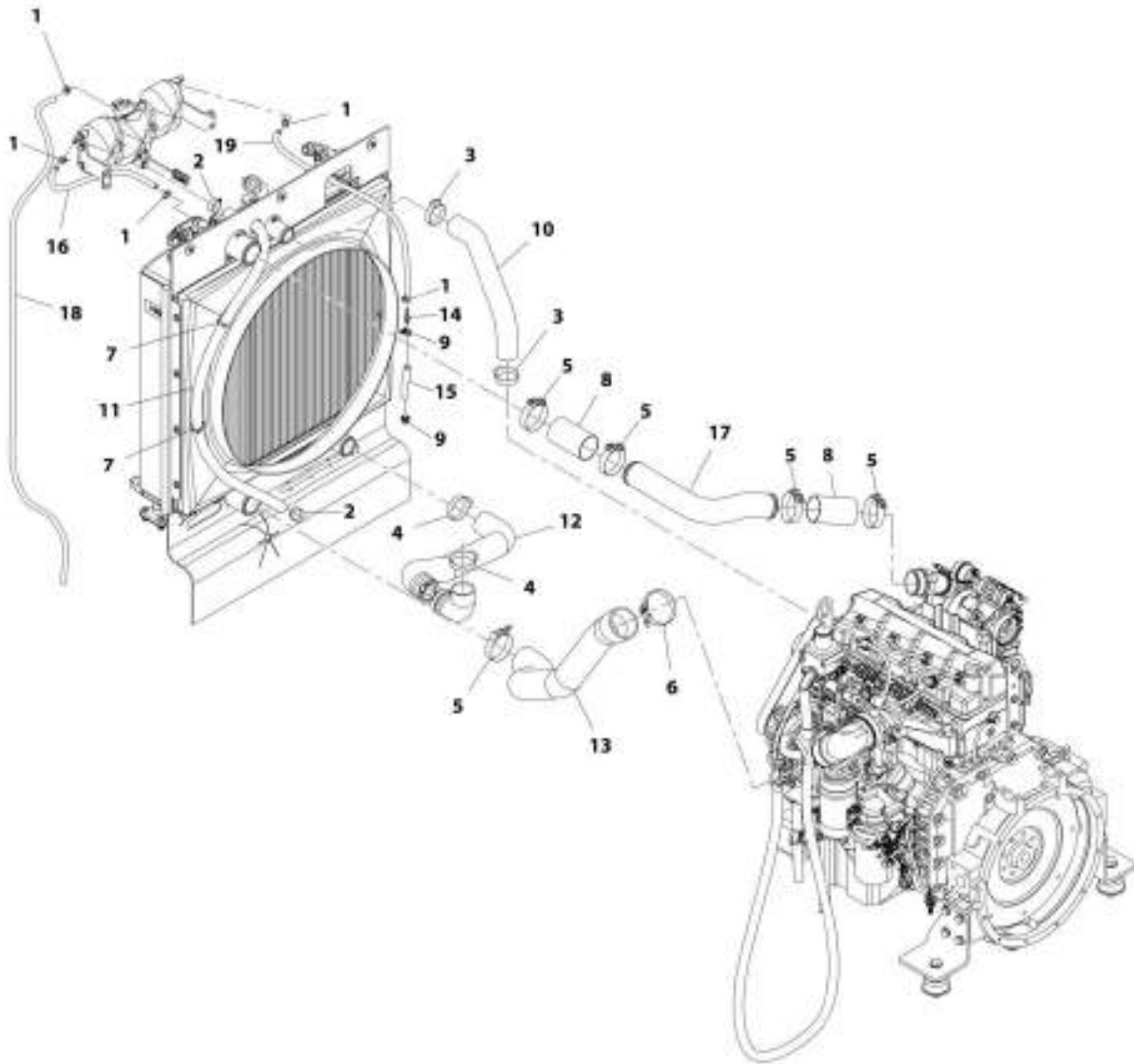
## SECTION 4 - ENGINE AND ATTACHING PARTS

**FIGURE 4-23. PLUMBING COOLING INSTALLATION (ULS)**

ITEM	PART NUMBER	QTY	DESCRIPTION	REV
	1001165673	Ref	Plumbing Cooling Installation (if equipped for ULS)	1
1	8405007	2	Clamp, Gear 1-1/4	
2	8405104	2	Clamp, Gear 2-1/4	
3	8405201	2	Clamp, Gear 2-1/2	
4	8405212	5	Clamp, T-Bolt	
5	8405305	1	Clamp, T-Bolt	
6	1001004720	2	Strap, Cable	
7	1001114495	2	Hose, CAC Straight	
8	1001136975	4	Clamp, Fuel Hose	
9	1001201983	1	Hose, CAC Outlet	
10	1001169271	1	Pipe, CAC Inlet	
11	1001169272	1	Hose, Upper Radiator	
12	1001201945	1	Hose, Lower Radiator	
13	1001169274	1	Hose, Draw Down	
14	1001187362	NLA	Fitting, Union Tee, (no longer available, use 1001235725 for replacement)	
14	1001235725	1	Fitting, Union Tee	
16	1001213938	5	Clamp, Fuel Line	
18	1001203969	1	Hose, Vent Line	
19	1001203970	1	Hose, Vent Line	
20	1001204097	1	Hose, Vent Line	
21	1001204098	1	Hose, Vent Line	
22	1001204099	1	Hose, Vent Line	

# SECTION 4 - ENGINE AND ATTACHING PARTS

## FIGURE 4-24. PLUMBING COOLING INSTALLATION (LS)



AWT\_1001185652-D

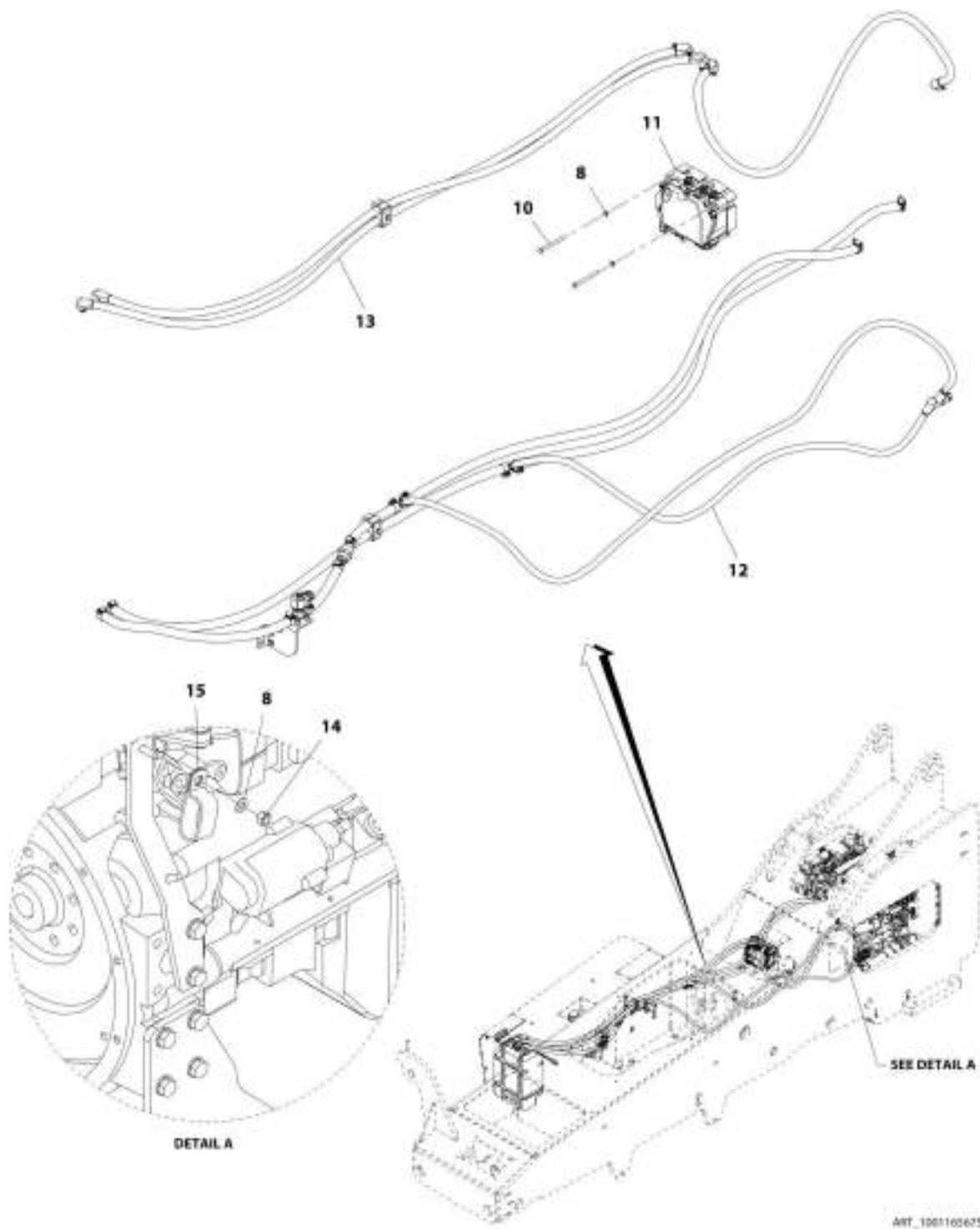
## SECTION 4 - ENGINE AND ATTACHING PARTS

**FIGURE 4-24. PLUMBING COOLING INSTALLATION (LS)**

ITEM	PART NUMBER	QTY	DESCRIPTION	REV
	1001185652	Ref	Plumbing Cooling Installation (if equipped for LS)	D
1	1320022	5	Clamp, Fuel Line	
2	8405007	2	Clamp, Gear 1-1/4	
3	8405104	2	Clamp, Gear 2-1/4	
4	8405201	2	Clamp, Gear 2-1/2	
5	8405212	5	Clamp, T-Bolt	
6	8405305	1	Clamp, T-Bolt	
7	1001004720	2	Strap, Cable	
8	1001114495	2	Hose, CAC Straight	
9	1001136975	2	Clamp, Fuel Hose	
10	1001169272	1	Hose, Upper Radiator	
11	1001169274	1	Hose, Draw Down	
12	1001201945	1	Hose, Lower Radiator	
13	1001189318	1	Hose, CAC Outlet	
14	1001189602	1	FTG- Pipe, Union 4-6	
15	1001189712	1	Hose, Vent Line 3/8	
16	1001203969	1	Hose, Vent Line 1/4	
17	1001189715	1	Pipe, CAC Inlet	
18	1001204097	1	Hose, Vent Line 1/4	
19	1001204098	1	Hose, Vent Line 1/4	

# SECTION 4 - ENGINE AND ATTACHING PARTS

## FIGURE 4-25. DEF SYSTEM INSTALLATION (ULS)



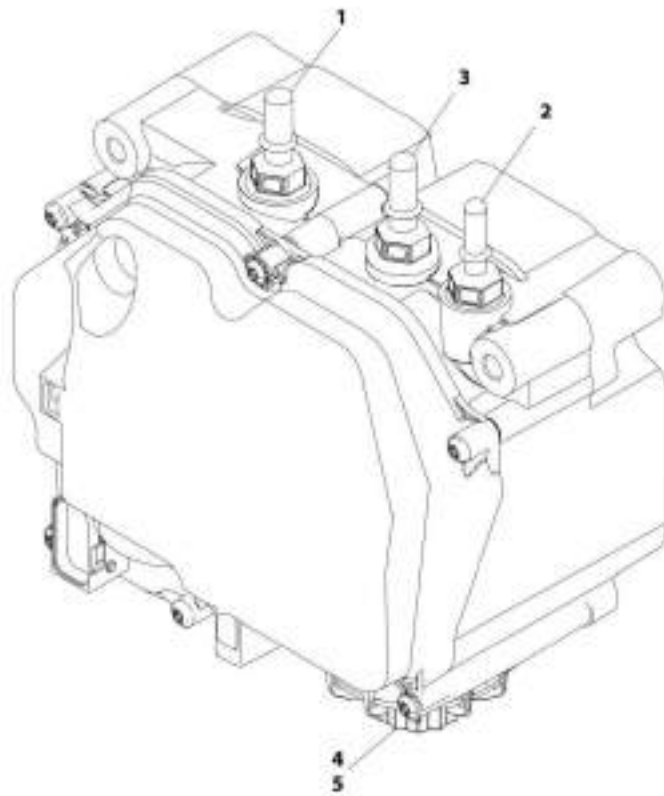
## SECTION 4 - ENGINE AND ATTACHING PARTS

FIGURE 4-25. DEF SYSTEM INSTALLATION (ULS)

ITEM	PART NUMBER	QTY	DESCRIPTION	REV
	1001165675	Ref	DEF System Installation (if equipped for ULS)	J
8	4811900	4	Washer, M8	
10	8310424	3	Bolt, M8X90	
11		Ref	Pump, DEF Module (See DEF MODULE PUMP for Breakdown)	
12		Ref	Installation, DEF Coolant Lines (See separate Breakdown in this Section)	
13		Ref	Installation, DEF Lines (See separate Breakdown in this Section)	
14	3290805	1	Nut, Lock M8X1-1/4	
15	1001181899	1	Clamp	

## SECTION 4 - ENGINE AND ATTACHING PARTS

FIGURE 4-26. DEF MODULE PUMP (Prior to SN 0160077058)



AP1\_100115422-C



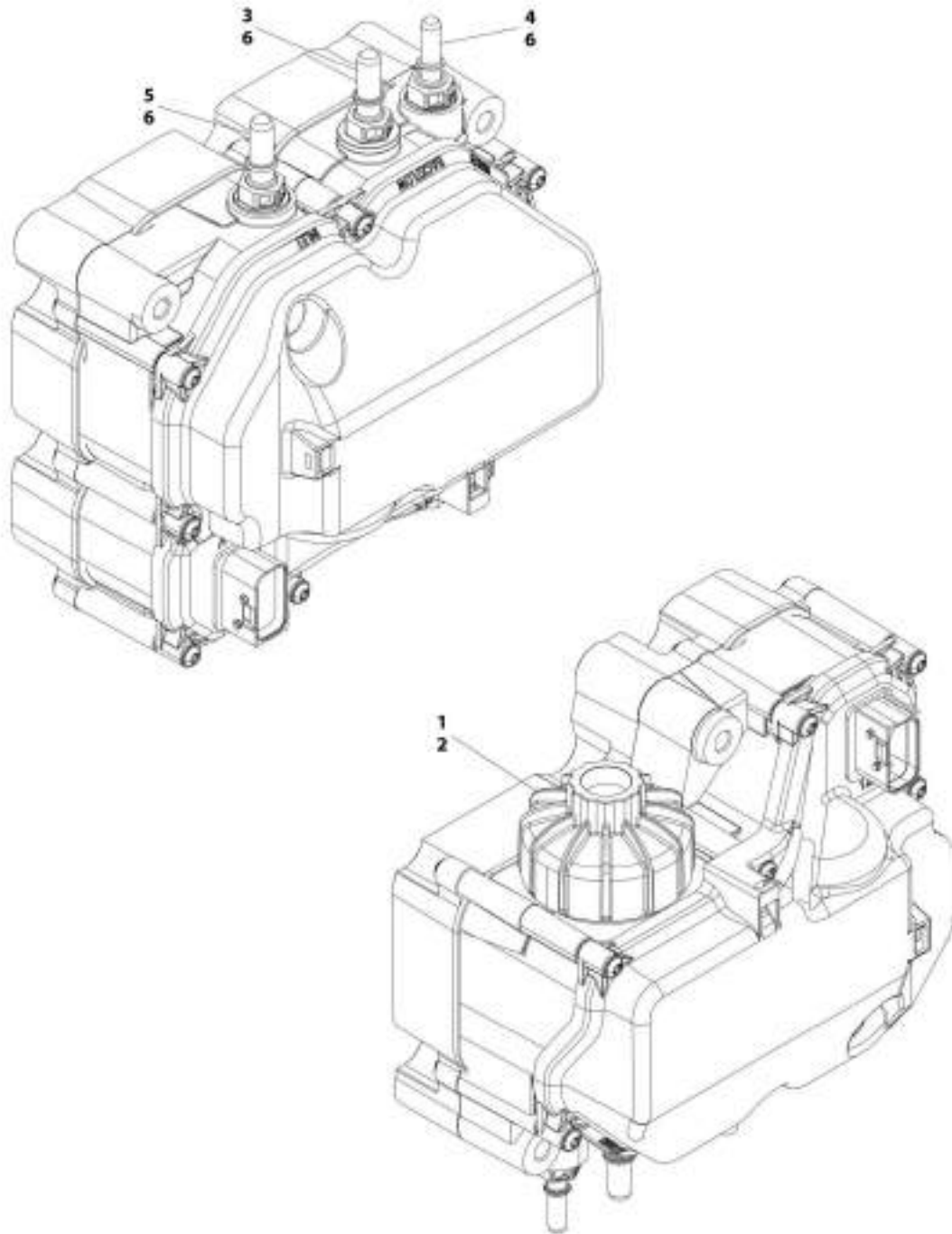
## SECTION 4 - ENGINE AND ATTACHING PARTS

**FIGURE 4-26. DEF MODULE PUMP (Prior to SN 0160077058)**

ITEM	PART NUMBER	QTY	DESCRIPTION	REV
	1001154227	Ref	DEF Module Pump	C
1	70026244	1	Connector, Male (Inlet)	
2	70026245	1	Connector, Male (Outlet)	
3	70026246	1	Connector, Male (Backflow)	
4	70026247	1	Cap, Filter	
5	70026248	1	Kit, Filter	

## SECTION 4 - ENGINE AND ATTACHING PARTS

FIGURE 4-27. DEF MODULE PUMP (SN 0160077058 to Present)



ART\_1001315210-A

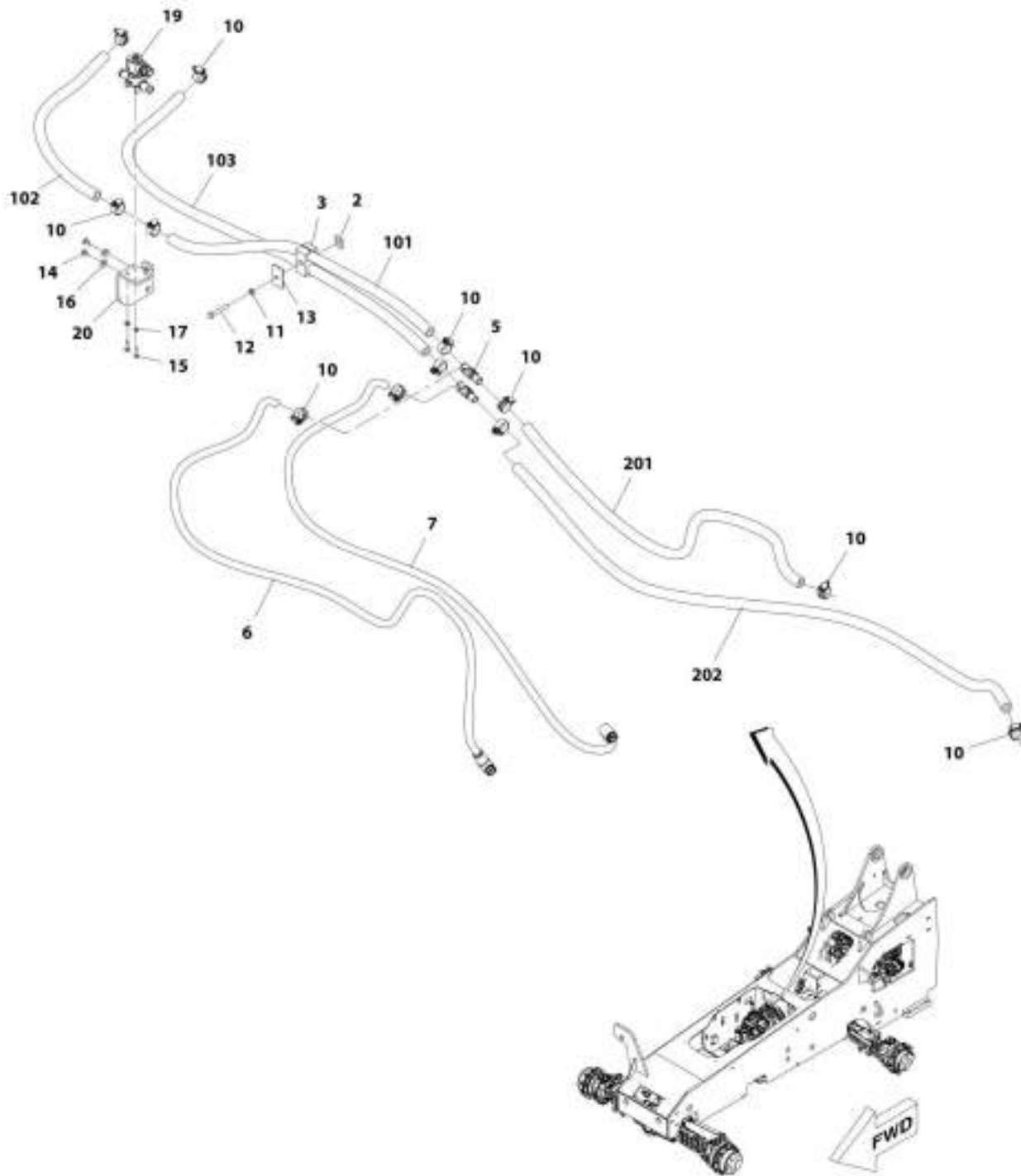
## SECTION 4 - ENGINE AND ATTACHING PARTS

FIGURE 4-27. DEF MODULE PUMP (SN 0160077058 to Present)

ITEM	PART NUMBER	QTY	DESCRIPTION	REV
	1001213210	1	DEF Module Pump	A
1	70026248	1	Kit, Filter	
2	70026247	1	Cap, Filter	
3	70027705	1	Connector, Male (Backflow)	
4	70026245	1	Connector, Male (Outlet)	
5	70026244	1	Connector, Male (Inlet)	
6	70027706	3	Gasket, Circular (O-Ring)	

# SECTION 4 - ENGINE AND ATTACHING PARTS

FIGURE 4-28. DEF COOLANT LINES INSTALLATION (Prior to SN 0160073686)



ART\_1001160338-E

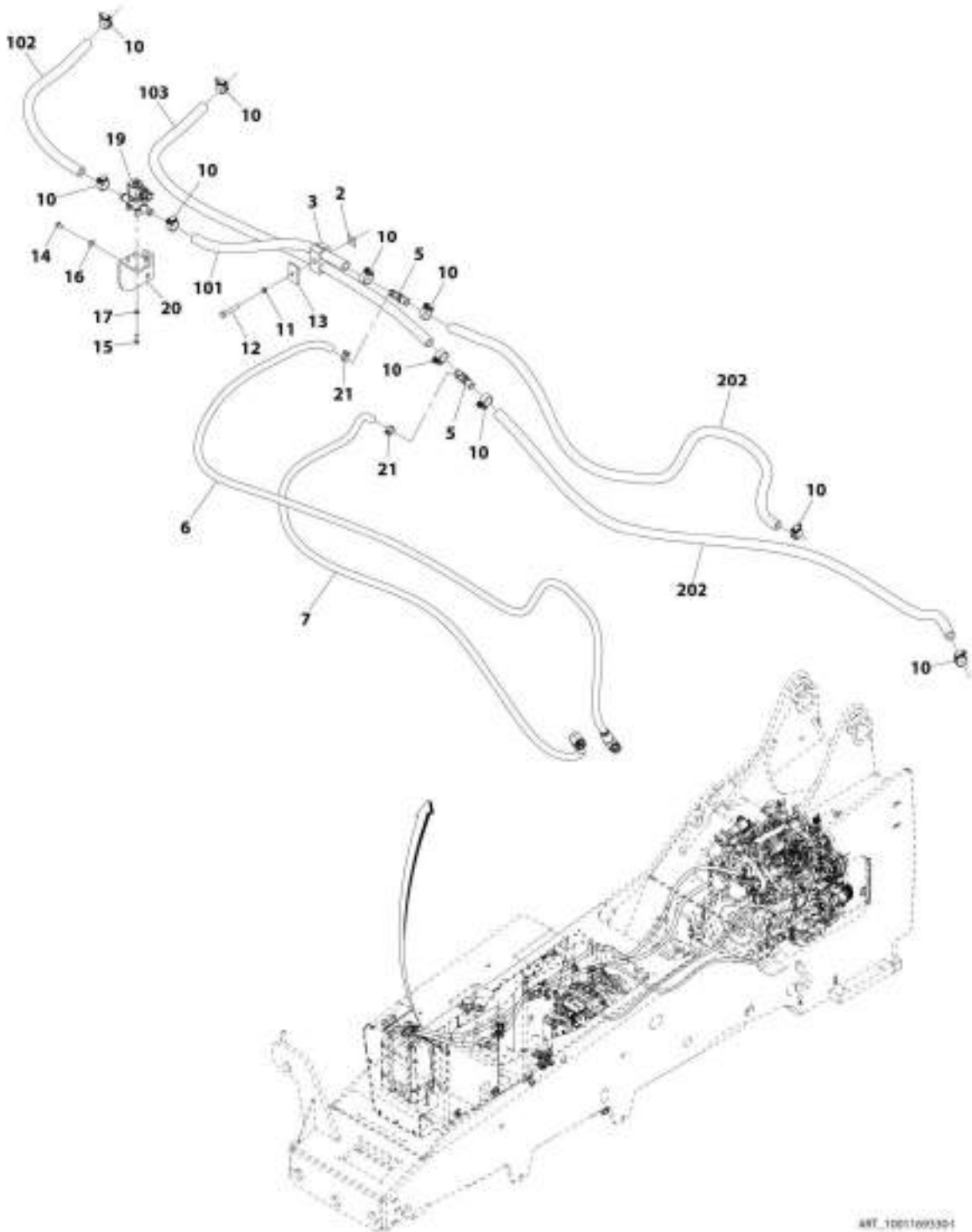
## SECTION 4 - ENGINE AND ATTACHING PARTS

**FIGURE 4-28. DEF COOLANT LINES INSTALLATION (Prior to SN 0160073686)**

ITEM	PART NUMBER	QTY	DESCRIPTION	REV
	1001169330	Ref	DEF Coolant Lines Installation	E
2	8750017	1	Plate, Locking	
3	8769127	1	Clamp Set, Twin	
5	1001162212	2	Fitting, Hose Barb Tee	
6	1001169000	1	Hose	
7	1001169001	1	Hose	
10	1001173535	12	Clamp	
11	8307004	1	Washer, Lock 5/16	
12	8310009	1	Bolt, 5/16-18X2	
13	8769128	1	Plate, Twin Cover	
14	0641403	2	Bolt, 1/4-20X3/8	
15	0760610	4	Bolt, M6X20	
16	4751400	2	Washer, 1/4	
17	4811700	4	Washer, M6	
19	1001199670	1	Valve, Coolant Control	
20	1001199951	1	Bracket, Valve Mount	
101	1001171471	1	Hose	
102	1001171472	1	Hose	
103	1001171473	1	Hose	
201	1001169002	1	Hose	
202	1001171474	1	Hose	

# SECTION 4 - ENGINE AND ATTACHING PARTS

FIGURE 4-29. DEF COOLANT LINES INSTALLATION (SN 0160073686 through 0160081960)



AWT\_10011003301

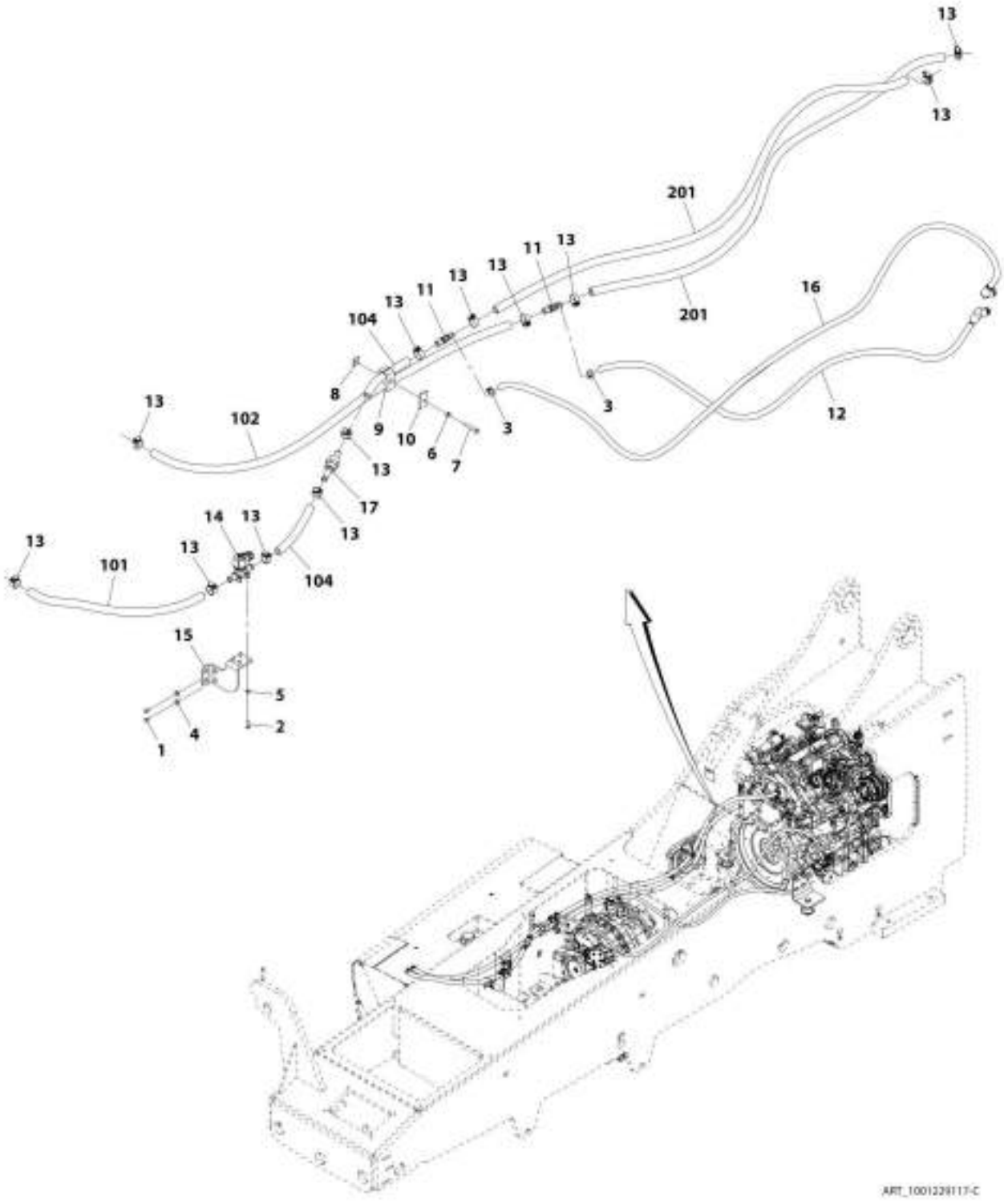
## SECTION 4 - ENGINE AND ATTACHING PARTS

**FIGURE 4-29. DEF COOLANT LINES INSTALLATION (SN 0160073686 through 0160081960)**

ITEM	PART NUMBER	QTY	DESCRIPTION	REV
	1001169330	Ref	DEF Coolant Lines Installation	I
2	8750017	1	Plate, Locking	
3	8769127	1	Clamp Set, Twin	
5	1001162212	2	Fitting, Hose Barb Tee	
6	1001224096	1	Hose	
7	1001169001	1	Hose	
10	1001173535	10	Clamp	
11	8307004	1	Washer, Lock 5/16	
12	8310009	1	Bolt, 5/16-18X2	
13	8769128	1	Plate, Twin Cover	
14	0641403	2	Bolt, 1/4-20X3/8	
15	0760610	4	Bolt, M6X20	
16	4751400	2	Washer, 1/4	
17	4811700	4	Washer, M6	
19	1001199670	1	Valve, Coolant Control	
20	1001199951	1	Bracket, Valve Mount	
21	1320022	2	Clamp	
101	1001224093	1	Hose	
102	1001171472	1	Hose	
103	1001171473	1	Hose	
202	1001171474	2	Hose	

# SECTION 4 - ENGINE AND ATTACHING PARTS

FIGURE 4-30. DEF COOLANT LINES INSTALLATION (SN 0160081960 to Present)



ART\_1001228117-C



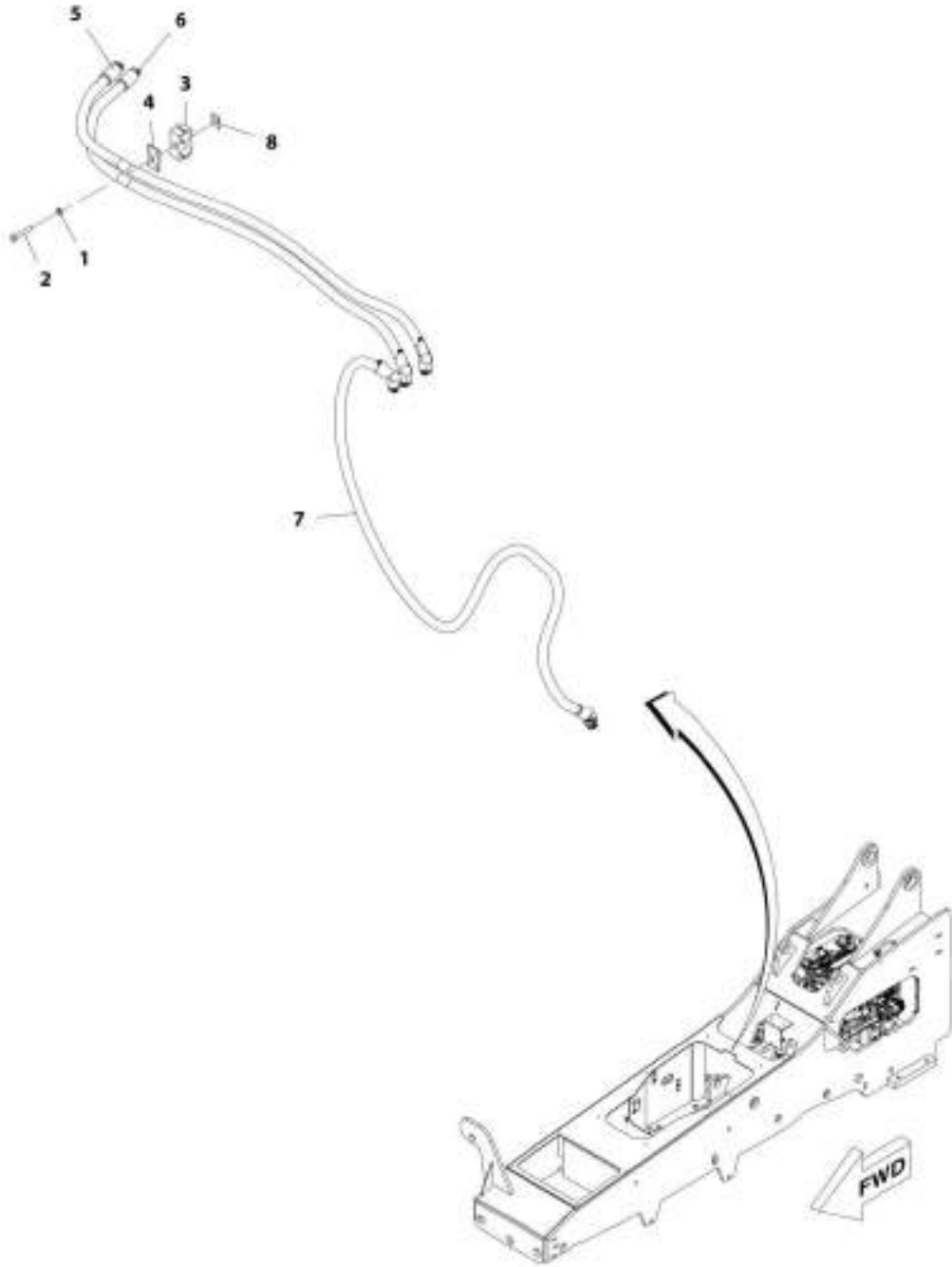
## SECTION 4 - ENGINE AND ATTACHING PARTS

**FIGURE 4-30. DEF COOLANT LINES INSTALLATION (SN 0160081960 to Present)**

ITEM	PART NUMBER	QTY	DESCRIPTION	REV
	1001229117	Ref	DEF Coolant Lines Installation	C
1	0641403	2	Bolt, 1/4-20X3/8	
2	0760610	4	Bolt, M6X20	
3	1320022	2	Clamp, Fuel Line <b>(Prior to SN 0160089487, Excluding 0160089465)</b>	
3	1320032	2	Clamp, Fuel Line <b>(SN 0160089487 to Present, Including 0160089465)</b>	
4	4751400	2	Washer, 1/4	
5	4811700	4	Washer, M6	
6	8307004	1	Washer, Lock 5/16	
7	8310009	1	Bolt, 5/16-18X2	
8	8750017	1	Plate, Locking	
9	8769127	1	Clamp Set, Twin	
10	8769128	1	Plate, Twin Cover	
11	1001162212	2	Fitting, Hose Barb Tee	
12	1001169001	1	Hose	
13	1001173535	12	Clamp	
14	1001199670	1	Valve, Coolant Control	
15	1001199951	1	Bracket, Valve Mount	
16	1001224096	1	Hose	
17	1001228872	1	Filter, Coolant Screen	
101	1001171472	1	Hose	
102	1001171473	1	Hose	
104	1001229210	2	Hose	
201	1001171474	2	Hose	

# SECTION 4 - ENGINE AND ATTACHING PARTS

FIGURE 4-31. DEF LINES INSTALLATION (Prior to SN 0160081960)



REF\_100160031-E

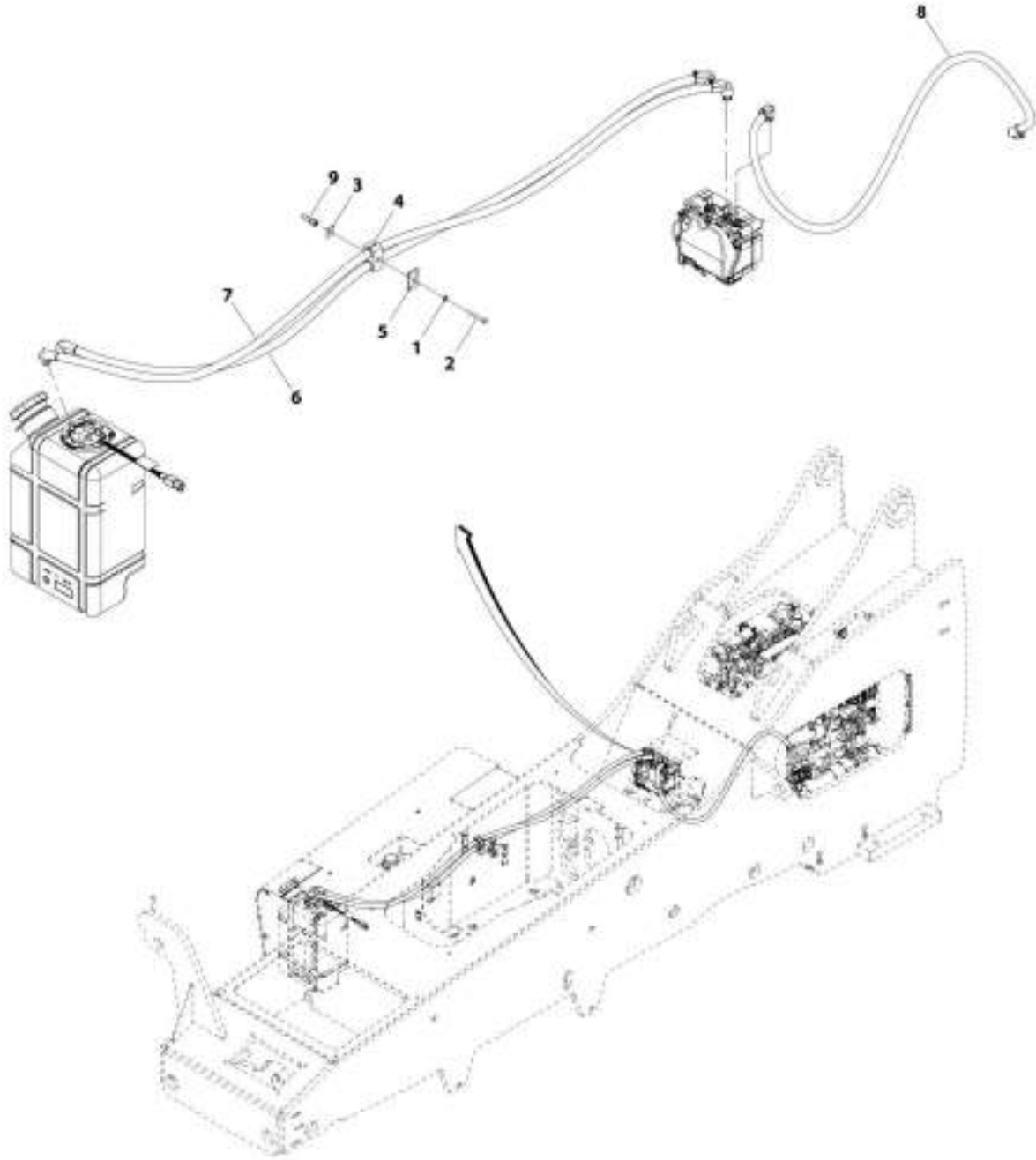
## SECTION 4 - ENGINE AND ATTACHING PARTS

FIGURE 4-31. DEF LINES INSTALLATION (Prior to SN 0160081960)

ITEM	PART NUMBER	QTY	DESCRIPTION	REV
	1001169331	Ref	DEF Lines Installation	E
1	8307004	1	Washer, Lock 5/16	
2	8310009	1	Bolt, 5/16-18X2	
3	8769127	1	Clamp Set, Twin	
4	8769128	1	Plate, Twin Cover	
5	1001168857	1	Hose	
6	1001168858	1	Hose	
7	1001168859	1	Hose	
8	8750017	1	Plate, Locking	

# SECTION 4 - ENGINE AND ATTACHING PARTS

FIGURE 4-32. DEF LINES INSTALLATION (SN 0160081960 to Present)



ART\_100122903-C

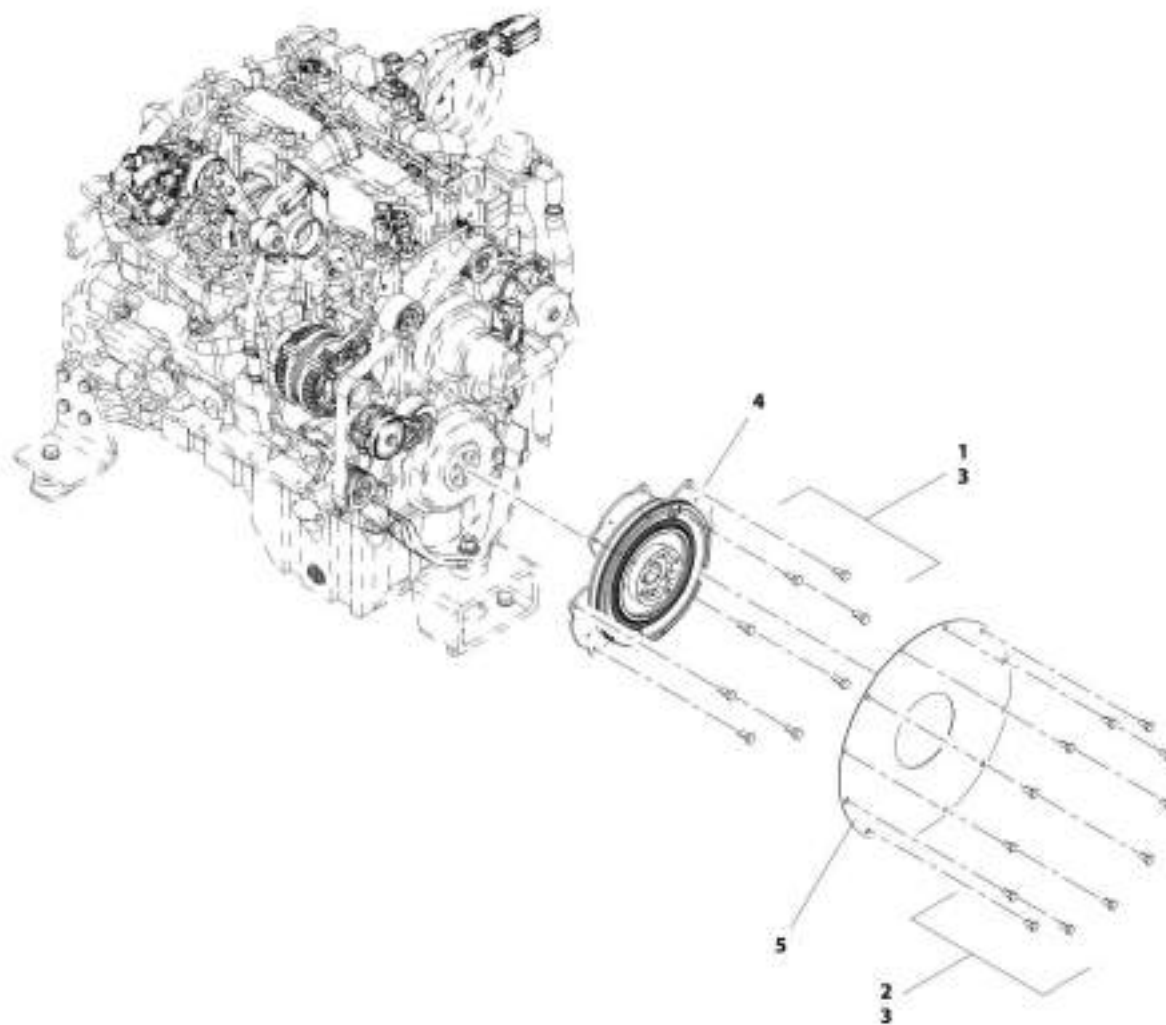
## SECTION 4 - ENGINE AND ATTACHING PARTS

**FIGURE 4-32. DEF LINES INSTALLATION (SN 0160081960 to Present)**

ITEM	PART NUMBER	QTY	DESCRIPTION	REV
	1001229025	Ref	DEF Lines Installation	C
1	8307004	1	Washer, Lock 5/16 <b>(Prior to SN 0160091083)</b>	
2	8310009	1	Bolt, 5/16-18X2 <b>(Prior to SN 0160091083)</b>	
3	8750017	1	Plate, Locking	
4	8769127	1	Clamp	
5	8769128	1	Plate, Cover <b>(Prior to SN 0160091083)</b>	
6	1001229023	1	Hose	
7	1001229024	1	Hose	
8	1001168859	1	Hose	
9	8750012	1	Bolt, Stacking <b>(SN 0160091083 to Present)</b>	

# SECTION 4 - ENGINE AND ATTACHING PARTS

## FIGURE 4-33. ISOLATION COUPLER INSTALLATION



ART\_3001146229\_3

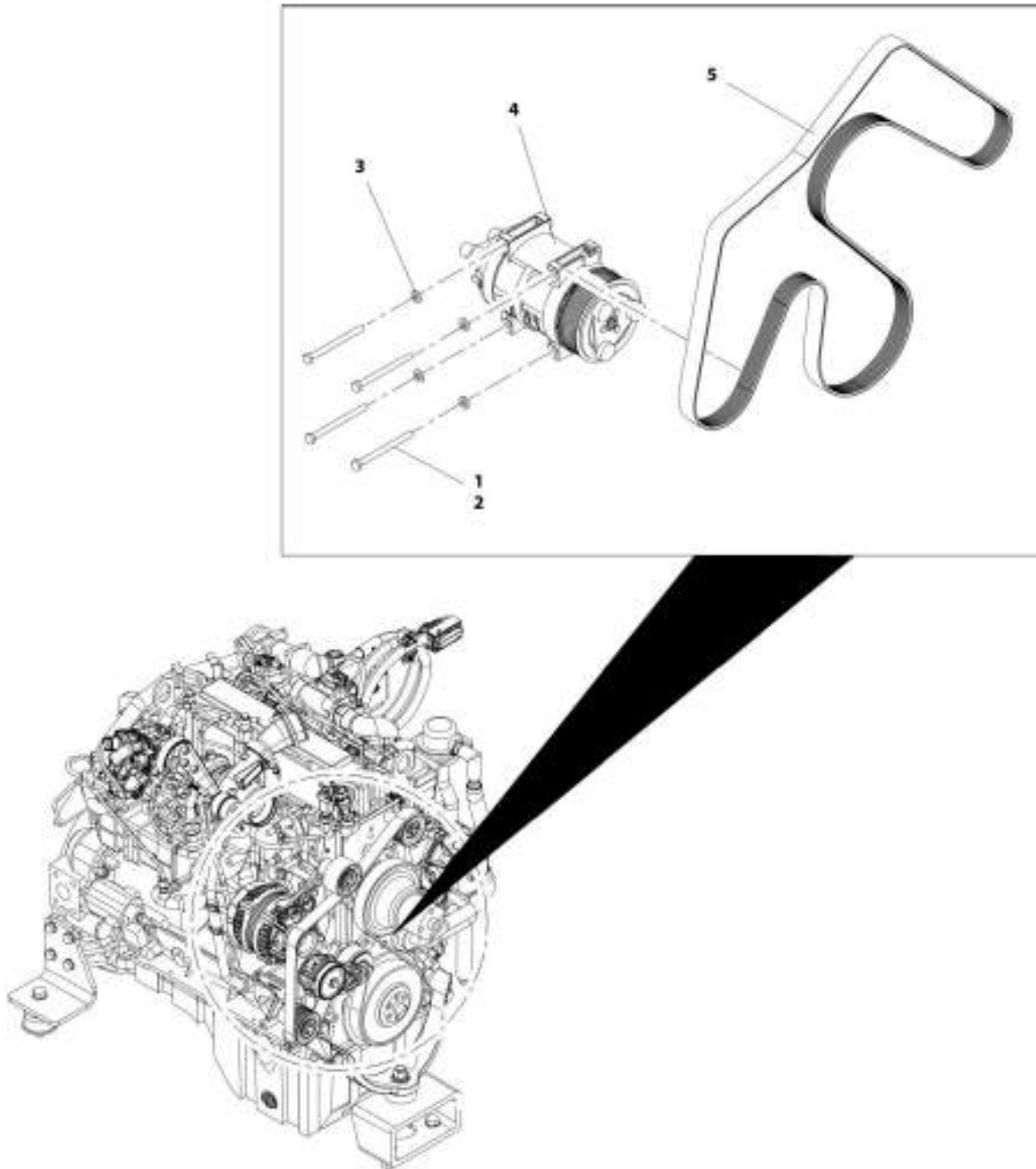
## SECTION 4 - ENGINE AND ATTACHING PARTS

FIGURE 4-33. ISOLATION COUPLER INSTALLATION

ITEM	PART NUMBER	QTY	DESCRIPTION	REV
	1001166229	Ref	Isolation Coupler Installation	B
1	0761012	8	Bolt, M10X25	
2	8303784	12	Bolt, M10X20	
3	8526007	AR	Compound, Locking	
4	1001180244	1	Coupling, Torsion Damper	
5	1001185071	1	Panel, Isolation Coupler	

## SECTION 4 - ENGINE AND ATTACHING PARTS

FIGURE 4-34. A/C COMPONENTS INSTALLATION, 110HP



ART\_100114608\_A



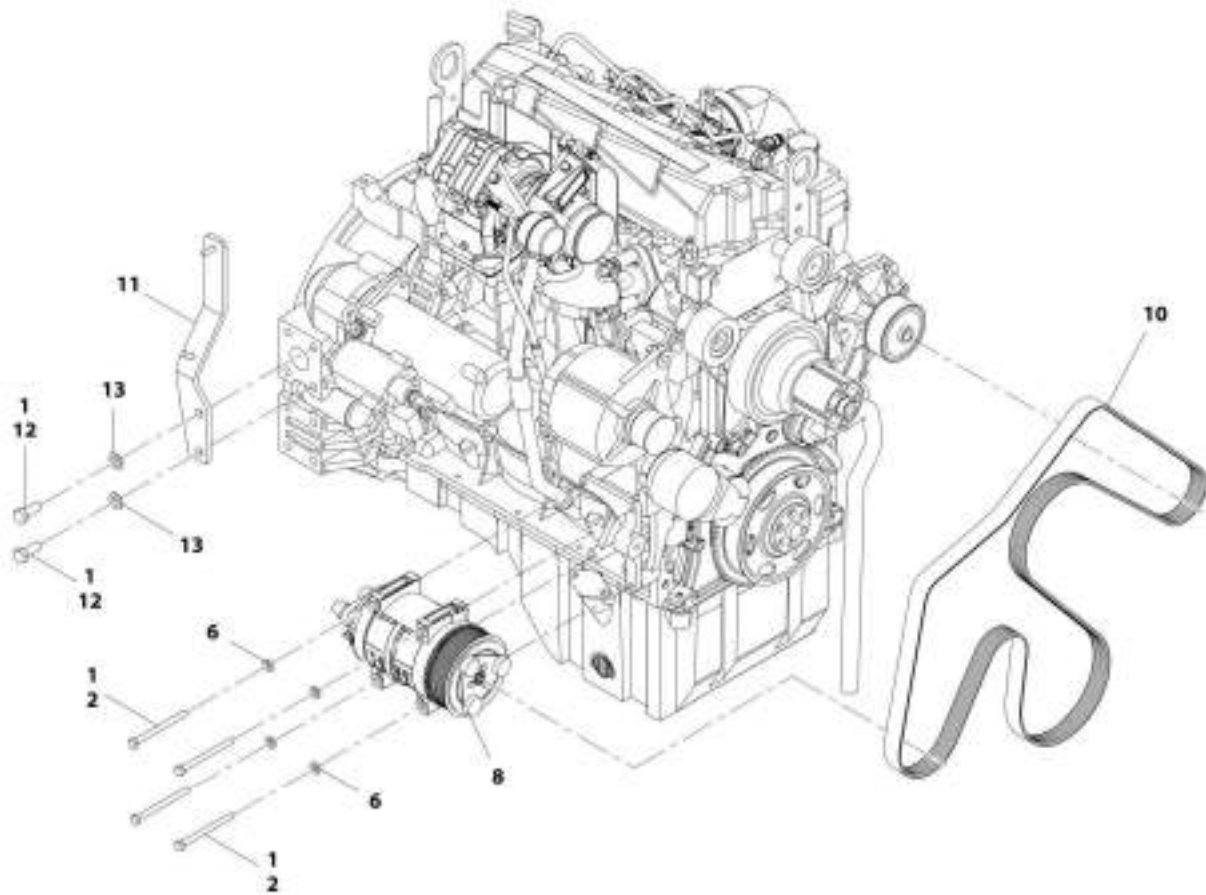
## SECTION 4 - ENGINE AND ATTACHING PARTS

FIGURE 4-34. A/C COMPONENTS INSTALLATION, 110HP

ITEM	PART NUMBER	QTY	DESCRIPTION	REV
	1001166008	Ref	A/C Components Installation, 110HP	A
1	0100011	AR	Compound, Locking	
2	0700827	4	Bolt, M8X100	
3	5240800	4	Washer, M8	
4	1001157663	1	Compressor, A/C	
5	1001167357	1	Belt	

# SECTION 4 - ENGINE AND ATTACHING PARTS

FIGURE 4-35. A/C COMPONENTS INSTALLATION, 74HP



ART\_1001190295-8

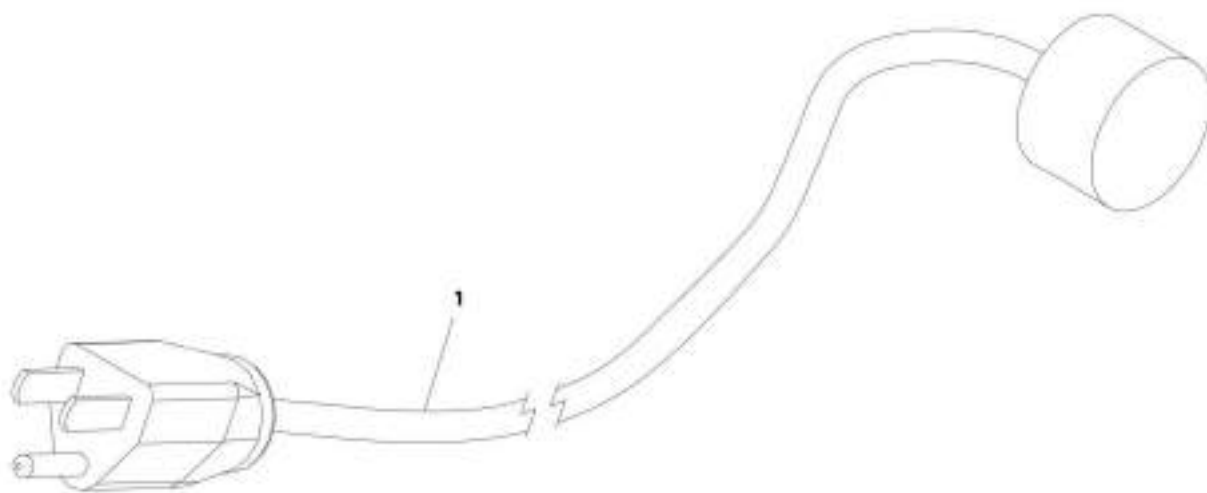
## SECTION 4 - ENGINE AND ATTACHING PARTS

FIGURE 4-35. A/C COMPONENTS INSTALLATION, 74HP

ITEM	PART NUMBER	QTY	DESCRIPTION	REV
	1001190295	Ref	A/C Components Installation, 74HP	B
1	0100011	AR	Compound, Locking	
2	0700827	4	Bolt, M8X100	
6	5240800	4	Washer, M8	
8	1001157663	1	Compressor, A/C	
10	1001167357	1	Belt	
11	1001197233	1	Bracket, AC Hose Support	
12	0711214	2	Bolt, M12X30	
13	4812100	2	Washer, M12	

## SECTION 4 - ENGINE AND ATTACHING PARTS

FIGURE 4-36. ELECTRICAL ASSEMBLY, BLOCK HEAT CORDSET



ART\_181105823-A

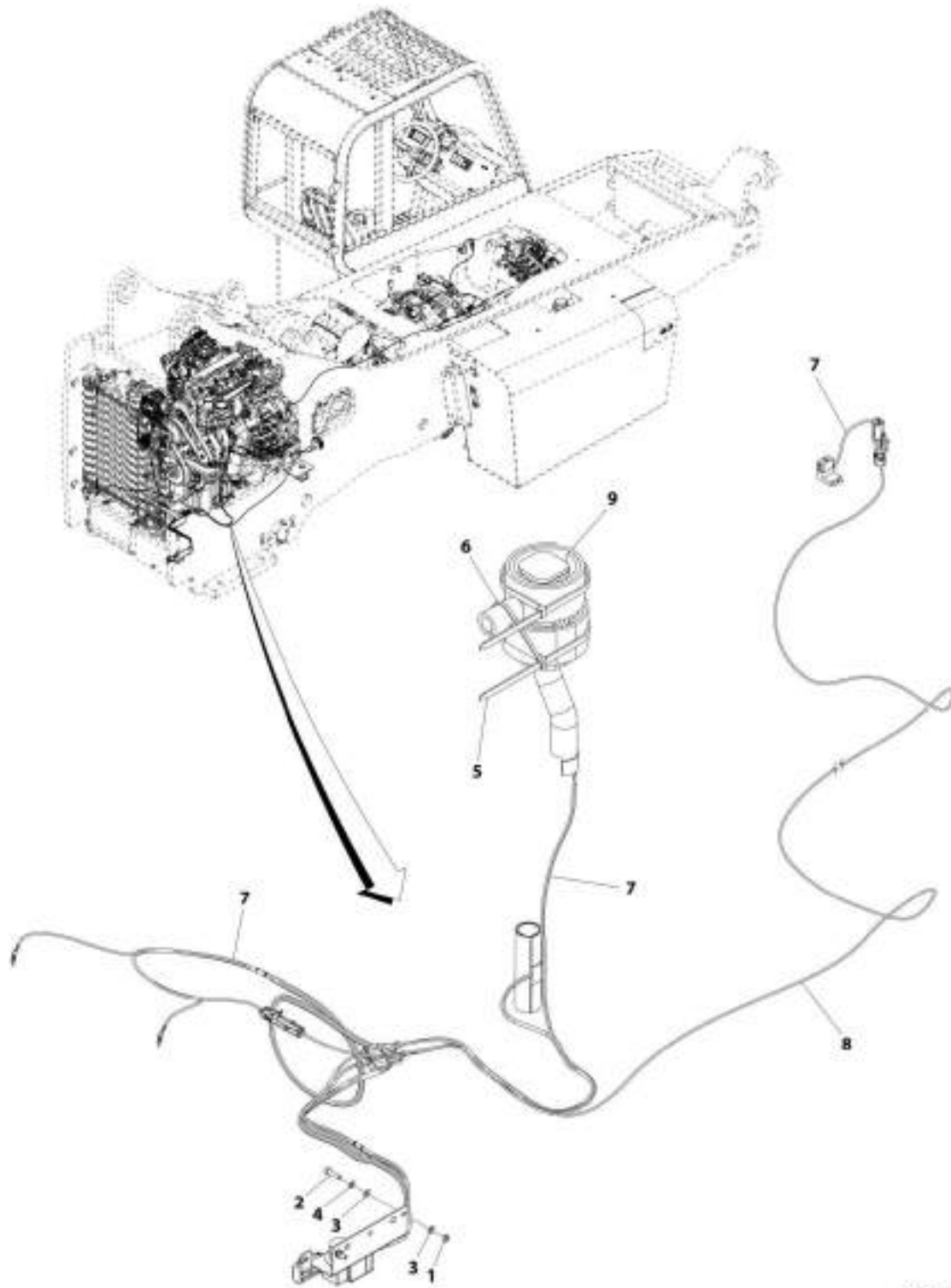
## SECTION 4 - ENGINE AND ATTACHING PARTS

FIGURE 4-36. ELECTRICAL ASSEMBLY, BLOCK HEAT CORDSET

ITEM	PART NUMBER	QTY	DESCRIPTION	REV
1	1001195923	1	Electrical Assembly, Block Heat Cordset	A

# SECTION 4 - ENGINE AND ATTACHING PARTS

## FIGURE 4-37. HEATER BREATHER



ART\_1001232750-A

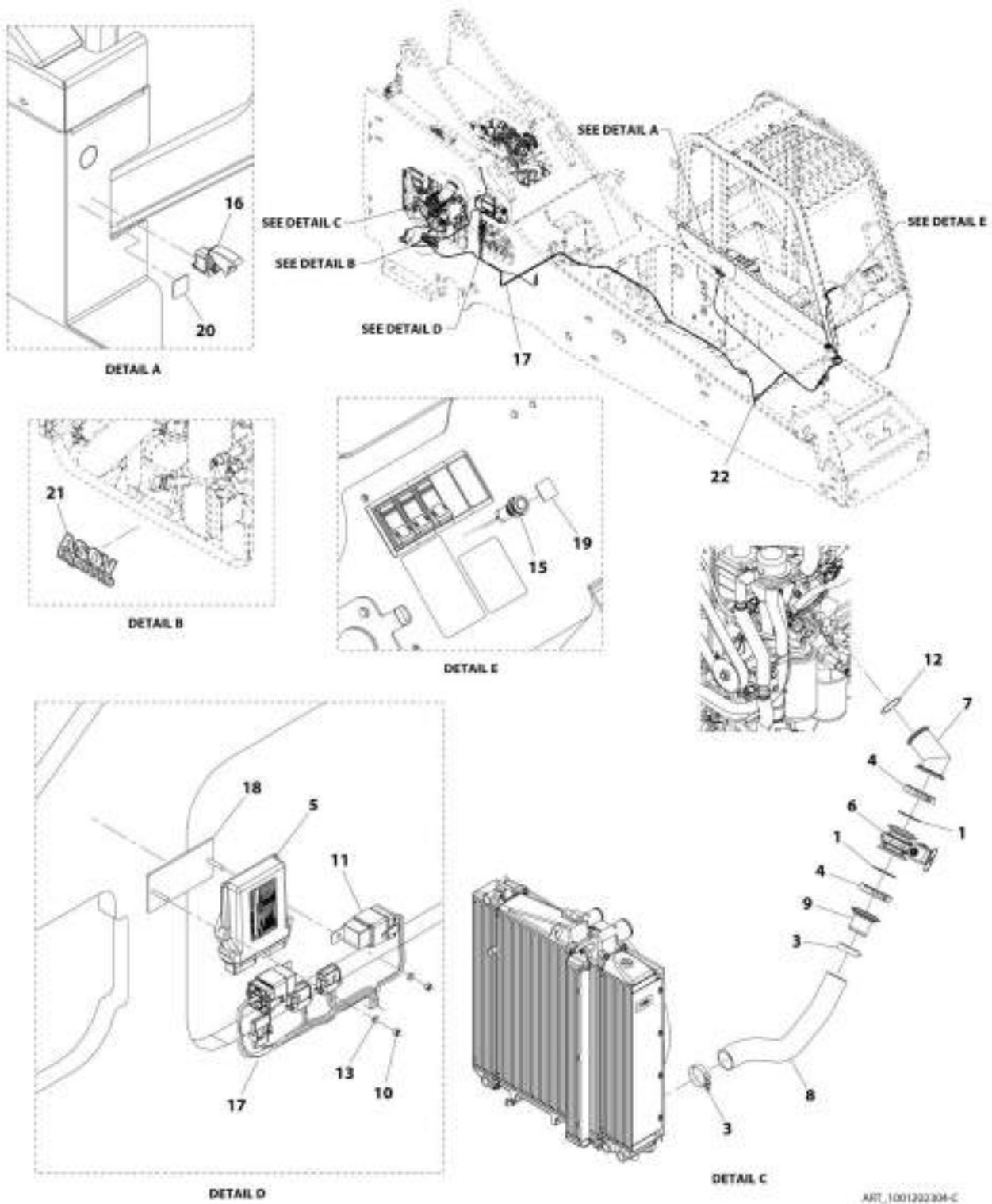
## SECTION 4 - ENGINE AND ATTACHING PARTS

### FIGURE 4-37. HEATER BREATHER

ITEM	PART NUMBER	QTY	DESCRIPTION	REV
	1001232750	Ref	Heater Breather	A
1	3290501	2	Nut, M5X0.8	
2	4031608	2	Screw, M5X20	
3	4811600	4	Washer, M5	
4	4831600	2	Washer, Lock M5	
5	01043892	2	Tie wrap, Long	
6	86683122	1	Tie wrap, Short	
7	1001232439	1	Engine, Cummins Breather Kit	
8	1001232599	1	Harness, Cummins Breather Jump	
9	1001232624	1	Insulate, Cummins Insulation	

# SECTION 4 - ENGINE AND ATTACHING PARTS

FIGURE 4-38. AIR INTAKE SHUT OFF VALVE INSTALLATION



ART\_100122304-C



## SECTION 4 - ENGINE AND ATTACHING PARTS

**FIGURE 4-38. AIR INTAKE SHUT OFF VALVE INSTALLATION**

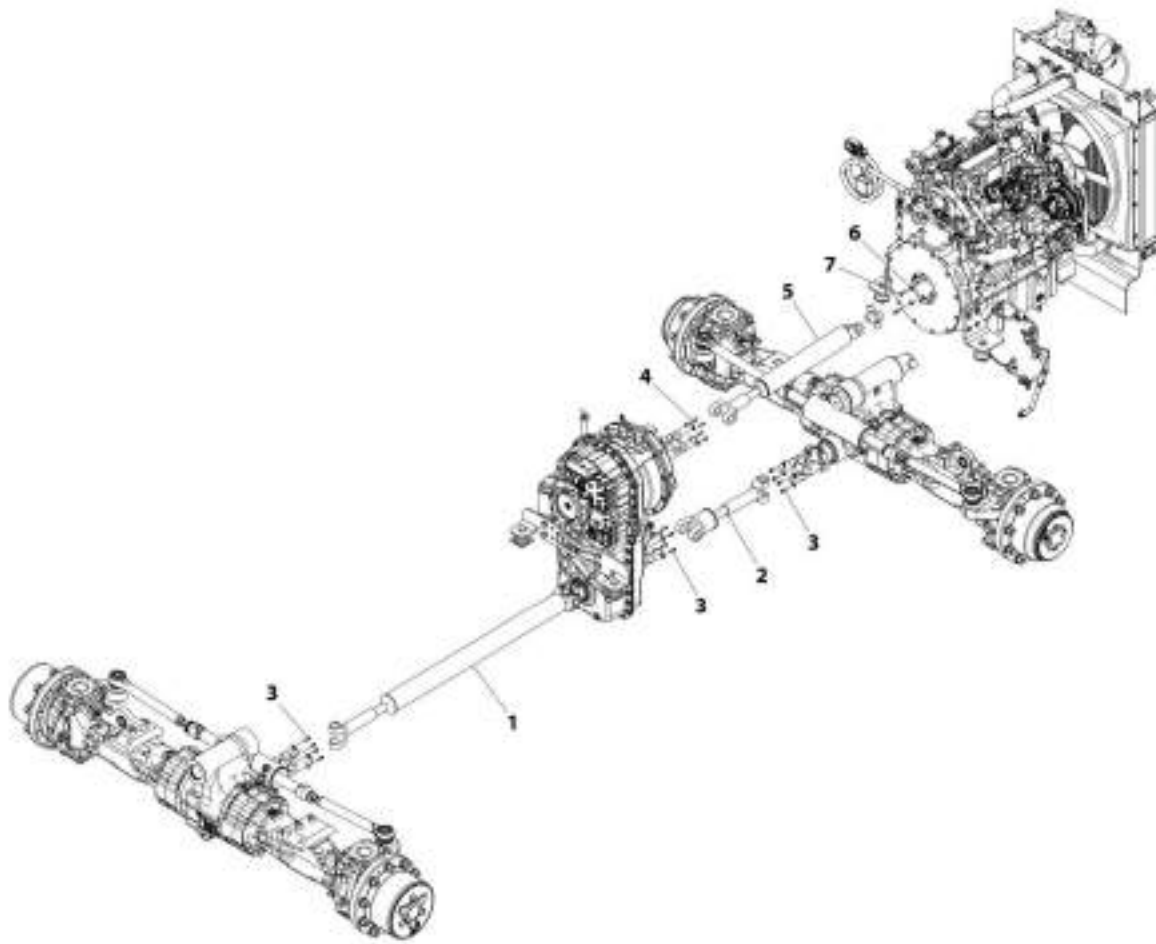
ITEM	PART NUMBER	QTY	DESCRIPTION	REV
	1001202304	Ref	Air Intake Shut Off Valve Installation	C
1	3790152	2	Ring	
3	8405212	2	Clamp	
4	1001202247	2	Clamp	
5	1001203181	Ref	Accessory, Control (See Separate Breakdown in ELECTRICAL Section)	
6	1001204032	Ref	Valve, Air Shut Off (See Separate Breakdown in HYDRAULIC COMPONENTS Section)	
7	1001206956	1	Pipe	
8	1001206983	1	Hose	
9	1001206985	1	Adapter	
10	3290505	2	Nut, Lock M5X0.8 Grade 8	
11	3740080	2	Relay	
12	3790151	1	O-Ring	
13	4811600	2	Washer, M5	
14	91053419	AR	Strap, Cable (not shown)	
15	1001239539	1	Lamp	
16	1001215941	1	Switch	
17	1001216455	Ref	Harness, POSI Air Shut Off Valve T4F (See Separate Breakdown in ELECTRICAL Section)	
18	1001219082	1	Bracket	
19	1001227077	1	Decal, Air Shut Off	
20	1001227964	1	Decal, ASOV Test	
21	1001227989	1	Decal , ASOV Equipped	
22	1001231560	Ref	Harness, POSI Air Shut Off Valve Cab (See Separate Breakdown in ELECTRICAL Section)	



**SECTION 5 - DRIVE TRAIN**

# SECTION 5 - DRIVE TRAIN

## FIGURE 5-1. DRIVE SHAFT INSTALLATION



ART. 3001166010-C

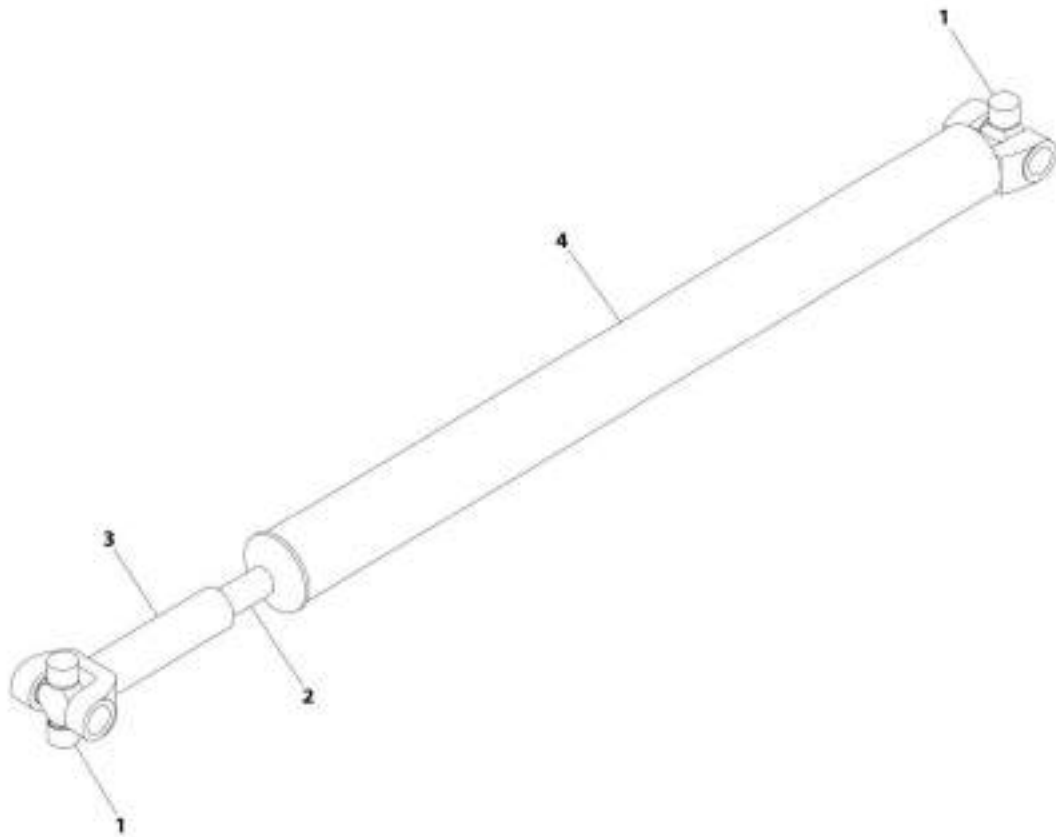
## SECTION 5 - DRIVE TRAIN

### FIGURE 5-1. DRIVE SHAFT INSTALLATION

ITEM	PART NUMBER	QTY	DESCRIPTION	REV
	1001166010	Ref	Drive Shaft Installation	C
1	7138638	1	Assembly, Front Drive Shaft (See FRONT DRIVE SHAFT ASSEMBLY for Breakdown)	
2	7138639	1	Assembly, Rear Drive Shaft (See REAR DRIVE SHAFT ASSEMBLY for Breakdown)	
3	8880218-OM	4	Kit, Strap	
4	8880219-OM	1	Kit, Strap	
5	1001127784	1	Input, Drive Shaft (See DRIVE SHAFT INPUT for Breakdown)	
6	8307006	4	Washer, Lock 7/16	
7	8310425	4	Bolt, 7/16-20X1-1/4, Grade 8	

# SECTION 5 - DRIVE TRAIN

FIGURE 5-2. FRONT DRIVE SHAFT ASSEMBLY



ART\_7138028-D

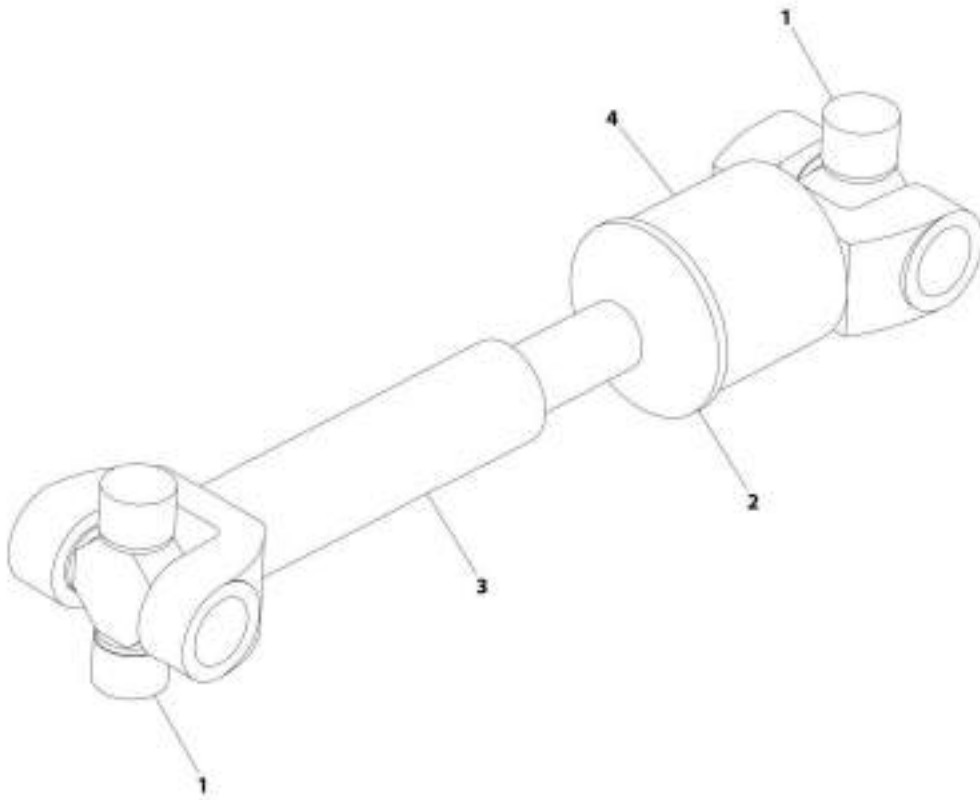
## SECTION 5 - DRIVE TRAIN

### FIGURE 5-2. FRONT DRIVE SHAFT ASSEMBLY

ITEM	PART NUMBER	QTY	DESCRIPTION	REV
	7138638	1	Front Drive Shaft Assembly	D
1	8035778	4	Kit, Cross and Bearing (two required per drive shaft)	
2	8035109	2	Kit, Dust Cap (one required per drive shaft)	
3	N.S.S.	2	Joint, Slip	
4	N.S.S.	2	Shaft, Yoke	

## SECTION 5 - DRIVE TRAIN

FIGURE 5-3. REAR DRIVE SHAFT ASSEMBLY



ART. 71.50639-E



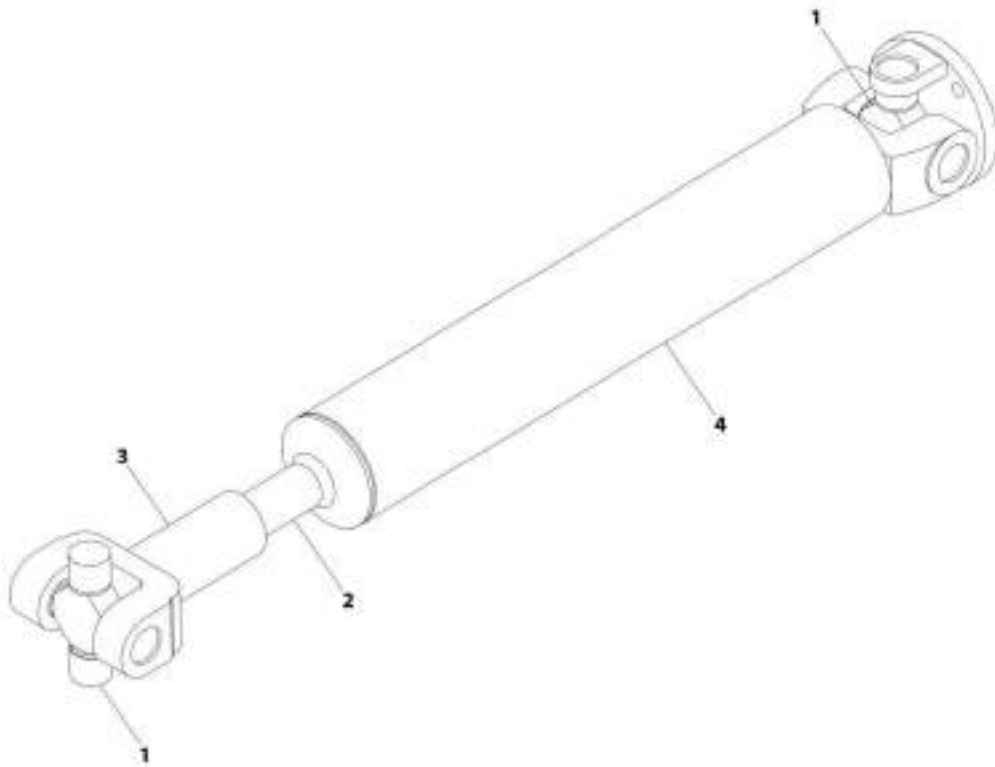
## SECTION 5 - DRIVE TRAIN

### FIGURE 5-3. REAR DRIVE SHAFT ASSEMBLY

ITEM	PART NUMBER	QTY	DESCRIPTION	REV
	7138639	Ref	Rear Drive Shaft Assembly	E
1	8035778	4	Kit, Cross and Bearing (two required per drive shaft)	
2	8035109	2	Kit, Dust Cap (one required per drive shaft)	
3	N.S.S.	2	Joint, Slip	
4	N.S.S.	2	Shaft, Yoke	

## SECTION 5 - DRIVE TRAIN

FIGURE 5-4. DRIVE SHAFT INPUT



ART\_1001127784-C

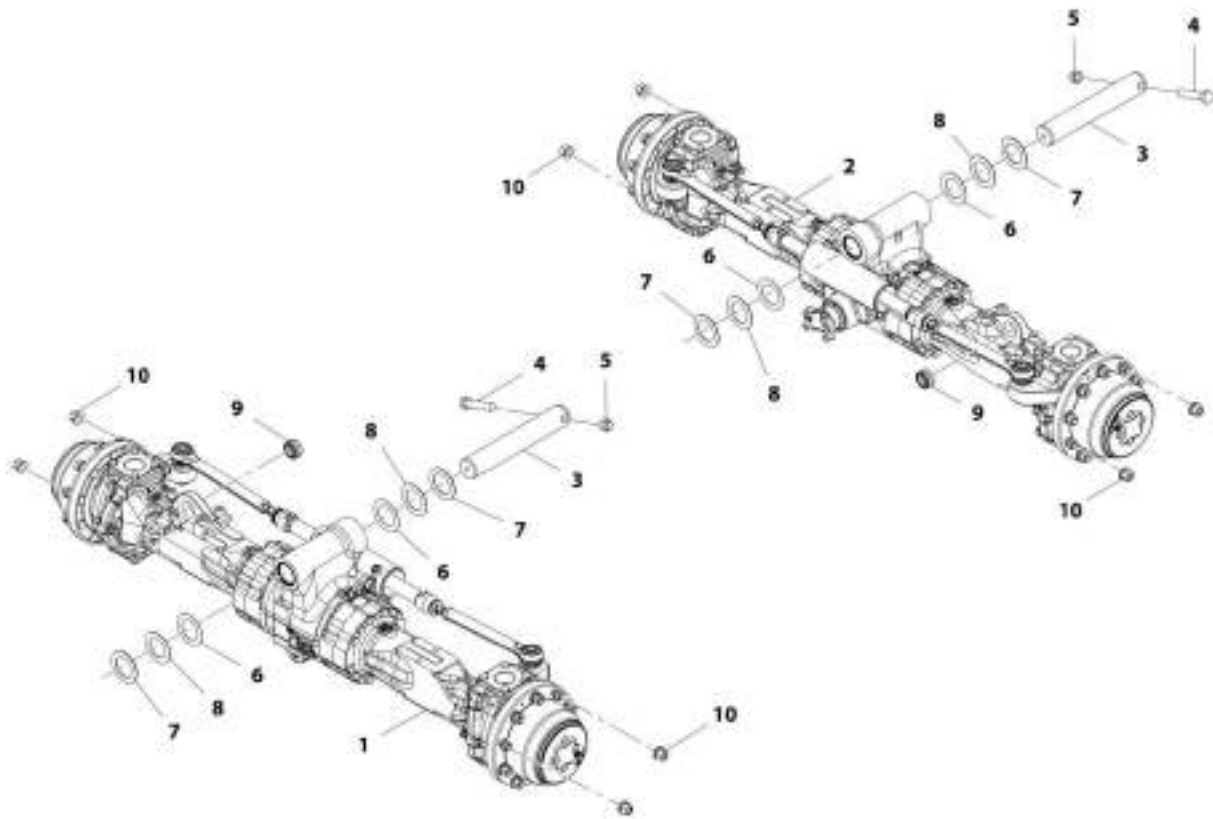
## SECTION 5 - DRIVE TRAIN

### FIGURE 5-4. DRIVE SHAFT INPUT

ITEM	PART NUMBER	QTY	DESCRIPTION	REV
	1001127784	Ref	Drive Shaft Input	C
1	1101841	2	Kit, Cross and Bearing	
2	8035109	1	Kit, Dust Cap	
3	N.S.S.	2	Joint, Slip	
4	N.S.S.	2	Shaft, Yoke	

# SECTION 5 - DRIVE TRAIN

## FIGURE 5-5. AXLE INSTALLATION - 8042



ART\_301104790.E

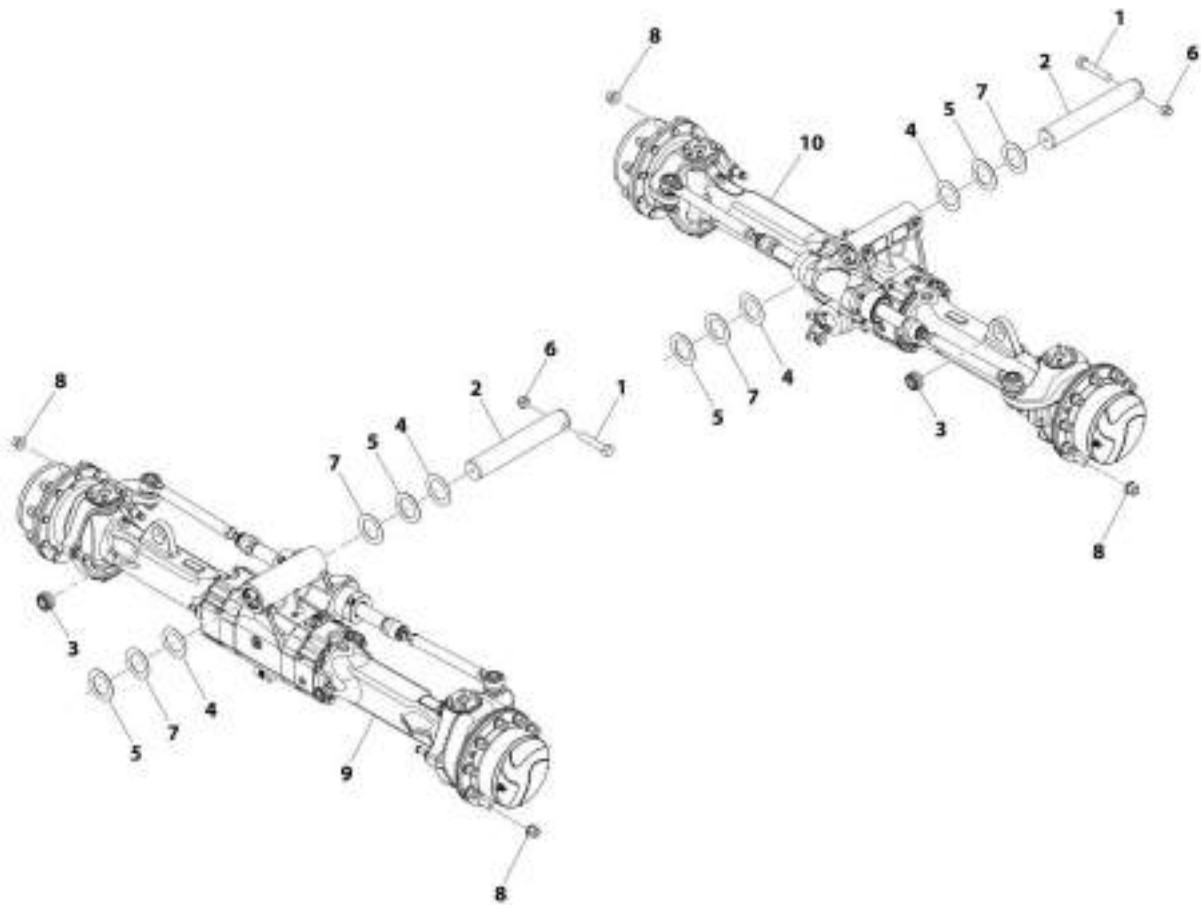
## SECTION 5 - DRIVE TRAIN

### FIGURE 5-5. AXLE INSTALLATION - 8042

ITEM	PART NUMBER	QTY	DESCRIPTION	REV
	1001104796	Ref	Axle Installation - 8042	E
1	1001150586	1	Axle, Front (See FRONT AXLE - 8042 for Breakdown)	
2	1001116838	1	Axle, Rear (See REAR AXLE - 8042 for Breakdown)	
3	3423254	2	Pin, Axle Pivot	
4	0642640	2	Bolt, 1-8X5	
5	8310116	2	Nut, Lock 1-8	
6	8307912	AR	Washer, Shim 0.06	
7	8307913	AR	Washer, Shim 0.12	
8	8310259	AR	Washer, Shim 0.09	
9	8050001	2	Bearing, Self-Align	
10	91403193	40	Nut, Lug M22X1-1/2	

# SECTION 5 - DRIVE TRAIN

## FIGURE 5-6. AXLE INSTALLATION (74HP) - 8042



ART\_100129919-A

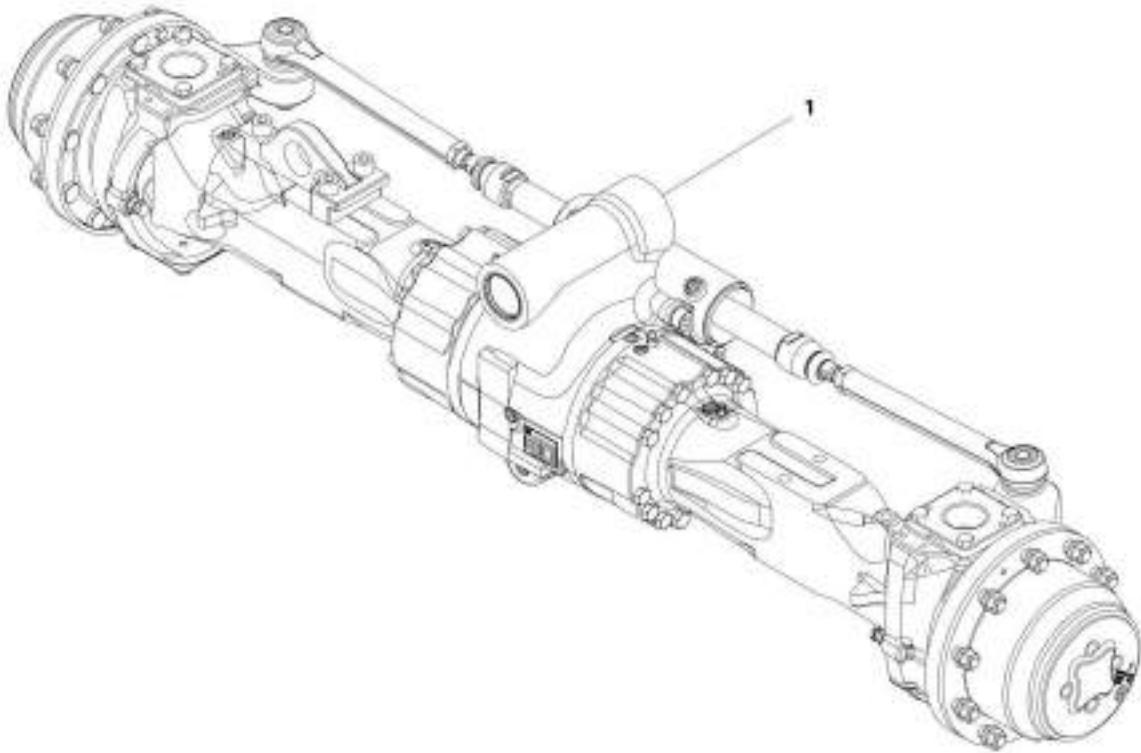
## SECTION 5 - DRIVE TRAIN

**FIGURE 5-6. AXLE INSTALLATION (74HP) - 8042**

ITEM	PART NUMBER	QTY	DESCRIPTION	REV
	1001229919	Ref	Axle Installation, 74HP - 8042	A
1	0642640	2	Bolt, 1-8X5	
2	3423254	2	Pin, Axle Pivot	
3	8050001	2	Bearing, Self-Align	
4	8307912	AR	Washer, Shim 0.06	
5	8307913	AR	Washer, Shim 0.12	
6	8310116	2	Nut, Lock 1-8	
7	8310259	AR	Washer, Shim 0.09	
8	91403193	40	Nut, Lug M22X1-1/2	
9	1005798000	Ref	Installation, Front Axle, 74HP - 8042 (See Separate Breakdown in this Section)	
10	1005798100	Ref	Installation, Rear Axle, 74HP - 8042 (See Separate Breakdown in this Section)	

## SECTION 5 - DRIVE TRAIN

FIGURE 5-7. FRONT AXLE - 8042



ART\_1001120586\_1-D



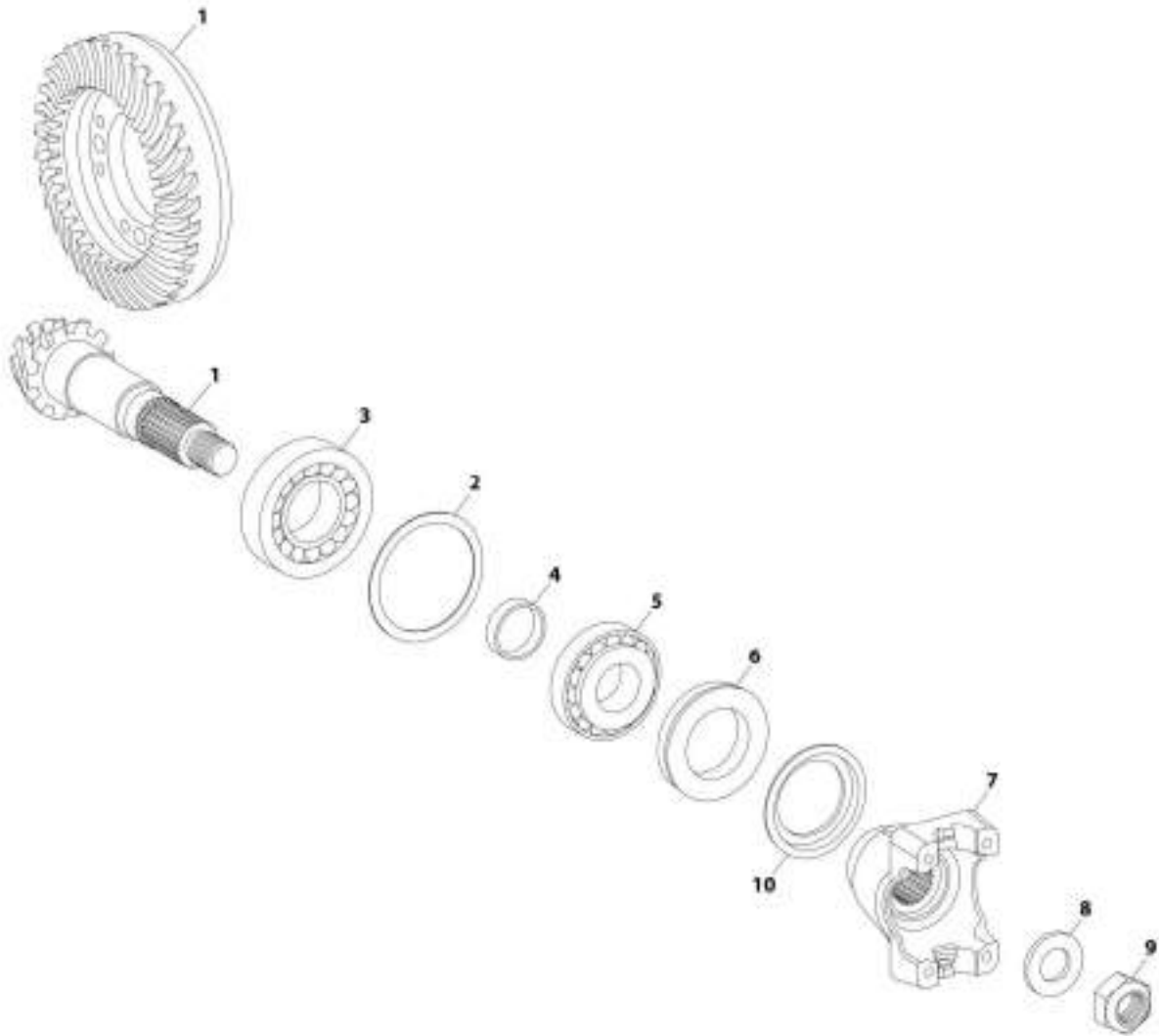
## SECTION 5 - DRIVE TRAIN

### FIGURE 5-7. FRONT AXLE - 8042

ITEM	PART NUMBER	QTY	DESCRIPTION	REV
	1001150586	Ref	Front Axle - 8042	D
		Ref	Front Axle, Input (See FRONT AXLE, INPUT - 8042 for Breakdown)	
		Ref	Front Axle, Limited Slip Differential (See FRONT AXLE, LIMITED SLIP DIFFERENTIAL - 8042 for Breakdown)	
		Ref	Front Axle, Axle Casing (See FRONT AXLE, AXLE CASING - 8042 for Breakdown)	
		Ref	Front Axle, Multi-Disc Brake (See FRONT AXLE, MULTI-DISC BRAKE - 8042 for Breakdown)	
		Ref	Front Axle, Parking Brake (See FRONT AXLE, PARKING BRAKE - 8042 for Breakdown)	
		Ref	Front Axle, Joint Housing (See FRONT AXLE, JOINT HOUSING - 8042 for Breakdown)	
		Ref	Front Axle, Planetary Drive (See FRONT AXLE, PLANETARY DRIVE - 8042 for Breakdown)	

# SECTION 5 - DRIVE TRAIN

## FIGURE 5-8. FRONT AXLE, INPUT - 8042



ART\_1001150286\_3-D

## SECTION 5 - DRIVE TRAIN

**FIGURE 5-8. FRONT AXLE, INPUT - 8042**

ITEM	PART NUMBER	QTY	DESCRIPTION	REV
1	70022774	1	Bevel Gear Set	
2	80304143	1	Shim, 2.0	
2	80304144	1	Shim, 1.8	
2	80304145	1	Shim, 1.5	
2	80304146	1	Shim, 1.2	
2	80304147	1	Shim, 1.9	
2	80304148	1	Shim, 1.7	
2	80304149	1	Shim, 1.6	
2	80304150	1	Shim, 1.4	
2	80304151	1	Shim, 1.3	
2	80304152	1	Shim, 1.0	
2	80304153	1	Shim, 0.9	
2	80304154	1	Shim, 0.8	
2	80304155	1	Shim, 0.7	
2	80304156	1	Shim, 0.6	
2	80304157	1	Shim, 0.5	
2	80304158	1	Shim, 0.3	
2	80304159	1	Shim, 0.2	
2	80304160	1	Shim, 0.1	
2	80304161	1	Shim, 0.75	
2	80304162	1	Shim, 0.65	
2	80304163	1	Shim, 1.25	
2	80304164	1	Shim, 1.35	
2	80304165	1	Shim, 1.45	
2	80304166	1	Shim, 1.55	
2	80304167	1	Shim, 1.65	
2	80304168	1	Shim, 1.75	
2	80304169	1	Shim, 1.85	
3	70023400	1	Bearing, Roller	
4	70024579	1	Ring, 16.0	
4	80304089	1	Ring, 16.1	
4	80304090	1	Ring, 16.2	
4	80304091	1	Ring, 16.3	
4	80304092	1	Ring, 16.4	
4	80304093	1	Ring, 16.5	
4	80304110	1	Ring, 16.56	
4	80304094	1	Ring, 16.6	
4	80304111	1	Ring, 16.62	
4	70024581	1	Ring, 16.64	
4	80304124	1	Ring, 16.66	
4	80304113	1	Ring, 16.68	
4	80304095	1	Ring, 16.7	
4	70022216	1	Ring, 16.72	
4	70024584	1	Ring, 16.74	
4	70024585	1	Ring, 16.76	
4	80304118	1	Ring, 16.78	
4	80304096	1	Ring, 16.8	
4	80304119	1	Ring, 16.82	
4	80304120	1	Ring, 16.84	
4	80304104	1	Ring, 16.86	

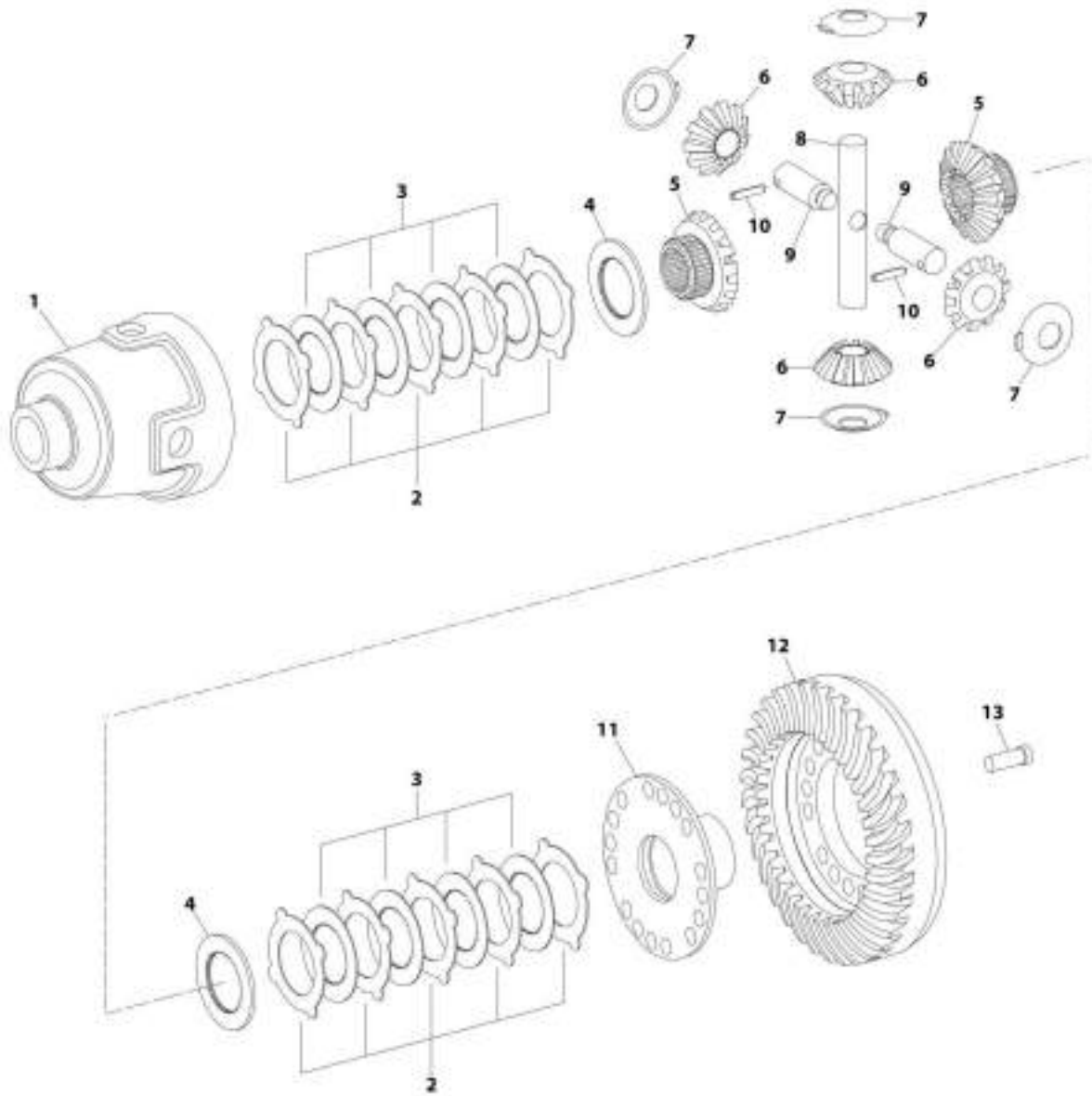
## SECTION 5 - DRIVE TRAIN

ITEM	PART NUMBER	QTY	DESCRIPTION	REV
4	70024592	1	Ring, 16.88	
4	70023903	1	Ring, 16.89	
4	70024593	1	Ring, 16.9	
4	80304097	1	Ring, 16.92	
4	70024594	1	Ring, 16.94	
4	80304125	1	Ring, 16.96	
4	80304107	1	Ring, 16.98	
4	70024596	1	Ring, 17.0	
4	70024597	1	Ring, 17.02	
4	80304108	1	Ring, 17.04	
4	70024598	1	Ring, 17.06	
4	70024599	1	Ring, 17.08	
4	80304099	1	Ring, 17.10	
4	70024600	1	Ring, 17.12	
4	70024601	1	Ring, 17.14	
4	80304132	1	Ring, 17.16	
4	80304133	1	Ring, 17.18	
4	80304100	1	Ring, 17.2	
4	80304134	1	Ring, 17.22	
4	80304135	1	Ring, 17.24	
4	80304136	1	Ring, 17.26	
4	80304137	1	Ring, 17.28	
4	80304101	1	Ring, 17.3	
4	80304102	1	Ring, 17.4	
5	1319353	1	Bearing, Roller	
6	70022220	1	Seal, Shaft	
7	70022245	1	Yoke, End	
8	80304082	1	Washer	
9	70022213	1	Nut, Hex	
10	70022776	1	Sheet, Screen	



# SECTION 5 - DRIVE TRAIN

FIGURE 5-9. FRONT AXLE, LIMITED SLIP DIFFERENTIAL- 8042



ART\_1001192006\_3-0

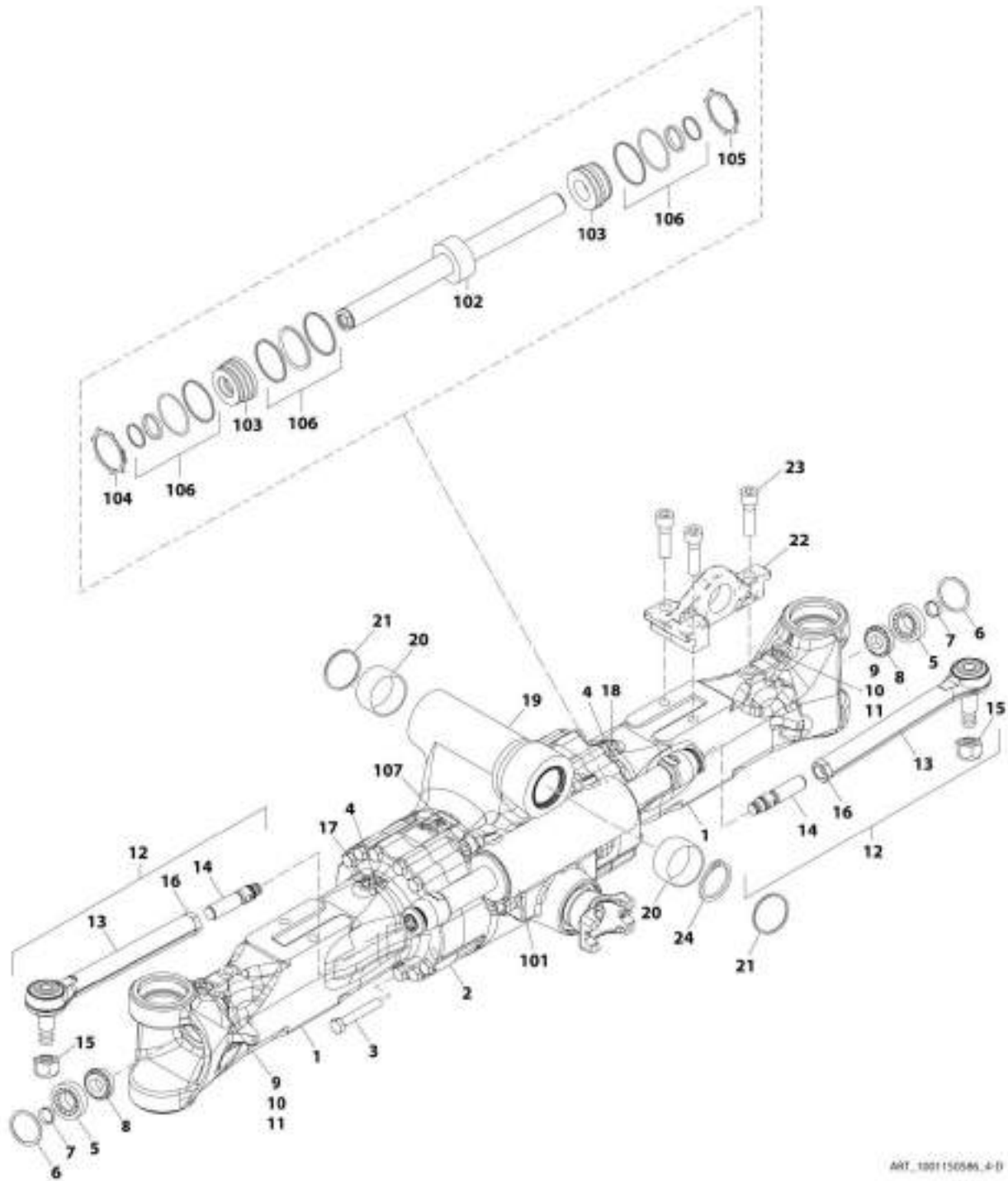
## SECTION 5 - DRIVE TRAIN

**FIGURE 5-9. FRONT AXLE, LIMITED SLIP DIFFERENTIAL- 8042**

ITEM	PART NUMBER	QTY	DESCRIPTION	REV
	70026143	1	Assembly, Limited Slip Differential (includes items 1 thru 11 & 13)	
1	70026144	1	Case, Differential	
2	70022263	8	Disc, Outer Clutch 1.2	
	70022264	8	Disc, Outer Clutch 1.3	
3	70026145	6	Disc, Inner Clutch	
4	70026146	2	Disc, End	
5	70022225	2	Bevel Gear, Axle	
6	70022185	4	Bevel Gear, Differential	
7	70022262	4	Washer, Thrust	
8	70022227	1	Axle, Differential	
9	70026147	2	Axle, Differential	
10	70026148	2	Pin, Slotted	
11	70022229	1	Cover	
12	70022774	Ref	Bevel Gear Set (See FRONT AXLE, INPUT - 8042)	
13	70022211	16	Screw, M12X35	

# SECTION 5 - DRIVE TRAIN

## FIGURE 5-10. FRONT AXLE, AXLE CASING - 8042



ART\_100150586\_4-0



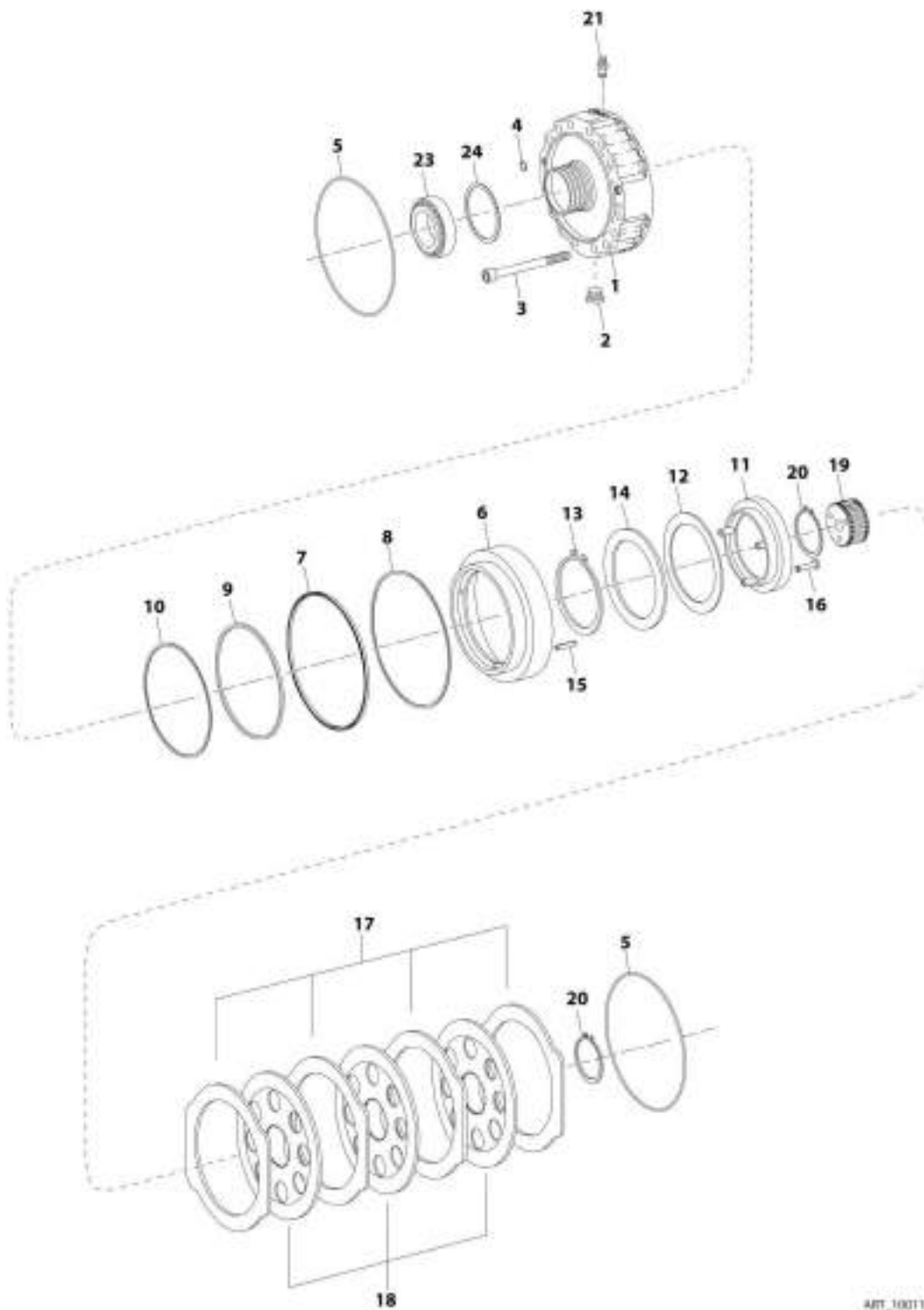
## SECTION 5 - DRIVE TRAIN

**FIGURE 5-10. FRONT AXLE, AXLE CASING - 8042**

ITEM	PART NUMBER	QTY	DESCRIPTION	REV
1	70022255	2	Casing, Axle	
2	70022277	1	Housing, Axle Drive	
3	70022206	28	Bolt, M18X180	
4	70023404	4	Plug, Screw	
5	70022241	2	Bushing, Bearing	
6	70022204	2	O-Ring	
7	70022217	2	SHAFT SEAL	
8	10731790	2	Bearing, Ball	
9	70024615	2	Screw, M10X55	
10	70023906	2	Washer	
11	70023907	2	Nut	
12	70022174	2	Rod, Tie	
13	70022175	1	Joint, Ball	
14	70022172	1	Joint, Axial	
15	8036758	1	Nut, Lock	
16	8036759	1	Nut	
17	1319436	1	Breather	
18	8036418	2	Plug, Screw	
19	8036418	1	Plug, Screw	
20	1321234	2	Bushing	
21	1321209	2	Seal, Shaft	
22	70022254	1	Bracket	
23	1001103619	3	Screw, M22X80	
24	70022269	1	Ring, Snap	
101	70022173	1	Cylinder, Steering	
102	70022177	1	Rod, Piston	
103	70022184	2	Brake Head	
104	70022181	2	Ring, Retaining	
105	70022180	2	Ring, Retaining	
106	70022178	1	Kit, Seal	
107	70022789	4	Screw, M22X55	

# SECTION 5 - DRIVE TRAIN

## FIGURE 5-11. FRONT AXLE, MULTI-DISC BRAKE - 8042



ART\_1001152586\_5-D

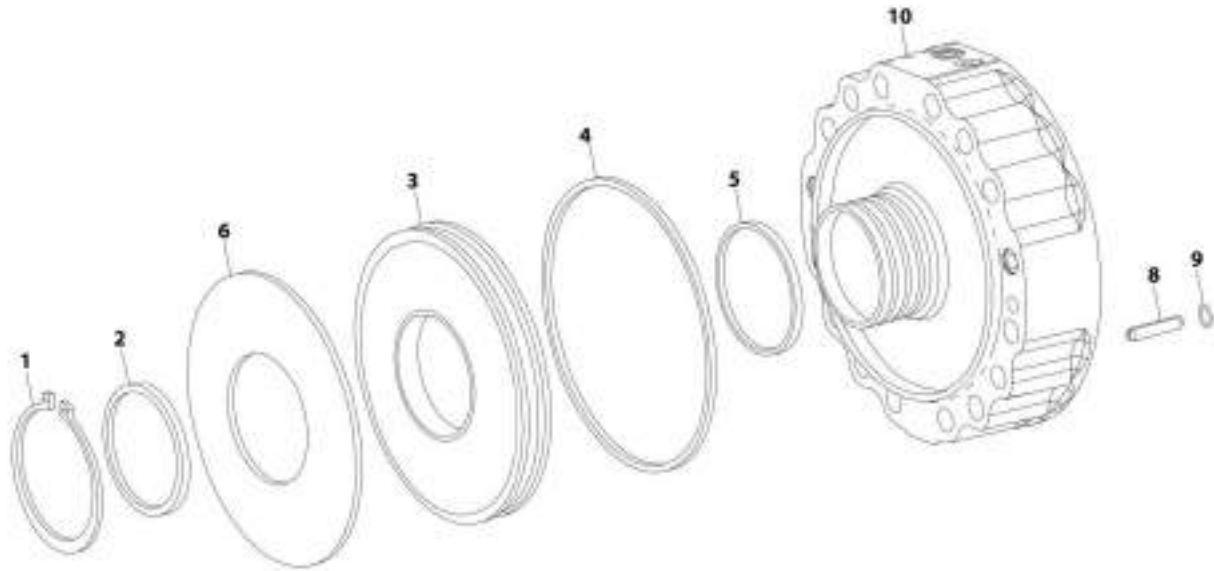
## SECTION 5 - DRIVE TRAIN

**FIGURE 5-11. FRONT AXLE, MULTI-DISC BRAKE - 8042**

ITEM	PART NUMBER	QTY	DESCRIPTION	REV
1	70026149	2	Housing, Brake	
2	70023404	2	Plug, Screw	
3	70022209	6	Screw, M12X105	
4	70022779	10	O-Ring	
5	80304462	4	O-Ring	
6	70022275	2	Piston	
7	70022190	2	Packing, Piston	
8	70022193	2	Ring, Back-Up	
9	70022189	2	Packing, Piston	
10	70022194	2	Ring, Back-Up	
11	70023908	2	Ring	
12	70022183	2	Spring, Cup	
13	70022198	2	Ring, Retaining	
14	70022235	2	Washer	
15	70022186	8	Pin, Slot	
16	1319214	6	Screw, M8X40	
17	70022196	10	Disc, Outer Clutch	
18	70022176	8	Disc, Inner Clutch	
19	70022253	2	Carrier, Disc	
20	10731949	4	Ring, Retaining	
21	70022171	2	Breather	
23	8036447	2	Bearing, Roller	
24	1319537	2	Shim, 0.95	
24	1319545	2	Shim, 1.05	
24	1319539	2	Shim, 1.15	
24	1319540	2	Shim, 1.25	
24	1319542	2	Shim, 1.35	

# SECTION 5 - DRIVE TRAIN

FIGURE 5-12. FRONT AXLE, PARKING BRAKE - 8042



MIT\_1001190506\_S-D

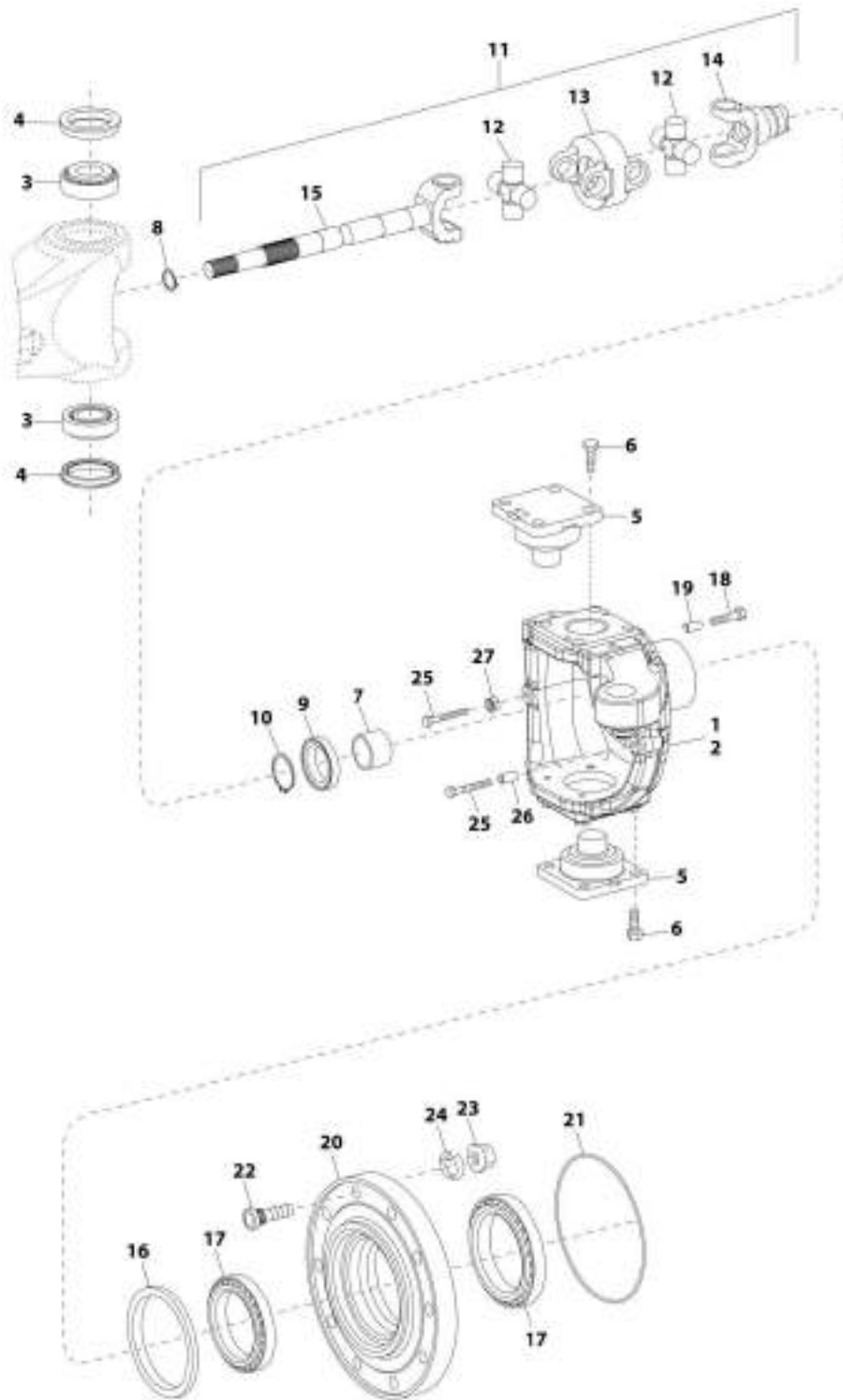
## SECTION 5 - DRIVE TRAIN

### FIGURE 5-12. FRONT AXLE, PARKING BRAKE - 8042

ITEM	PART NUMBER	QTY	DESCRIPTION	REV
1	70022199	2	Ring, Snap	
2	70022252	2	Washer	
3	70022251	2	Piston	
4	70022191	2	Packing, Piston	
5	70022192	2	Seal, Rod	
6	70022195	2	Spring, Cup	
8	70024616	14	Pin, Pressure	
9	70022202	14	O-Ring	
10		Ref	Housing, Brake (See FRONT AXLE, MULTI-DISC BRAKE - 8042)	

# SECTION 5 - DRIVE TRAIN

FIGURE 5-13. FRONT AXLE, JOINT HOUSING - 8042



ART\_100150046\_7-D

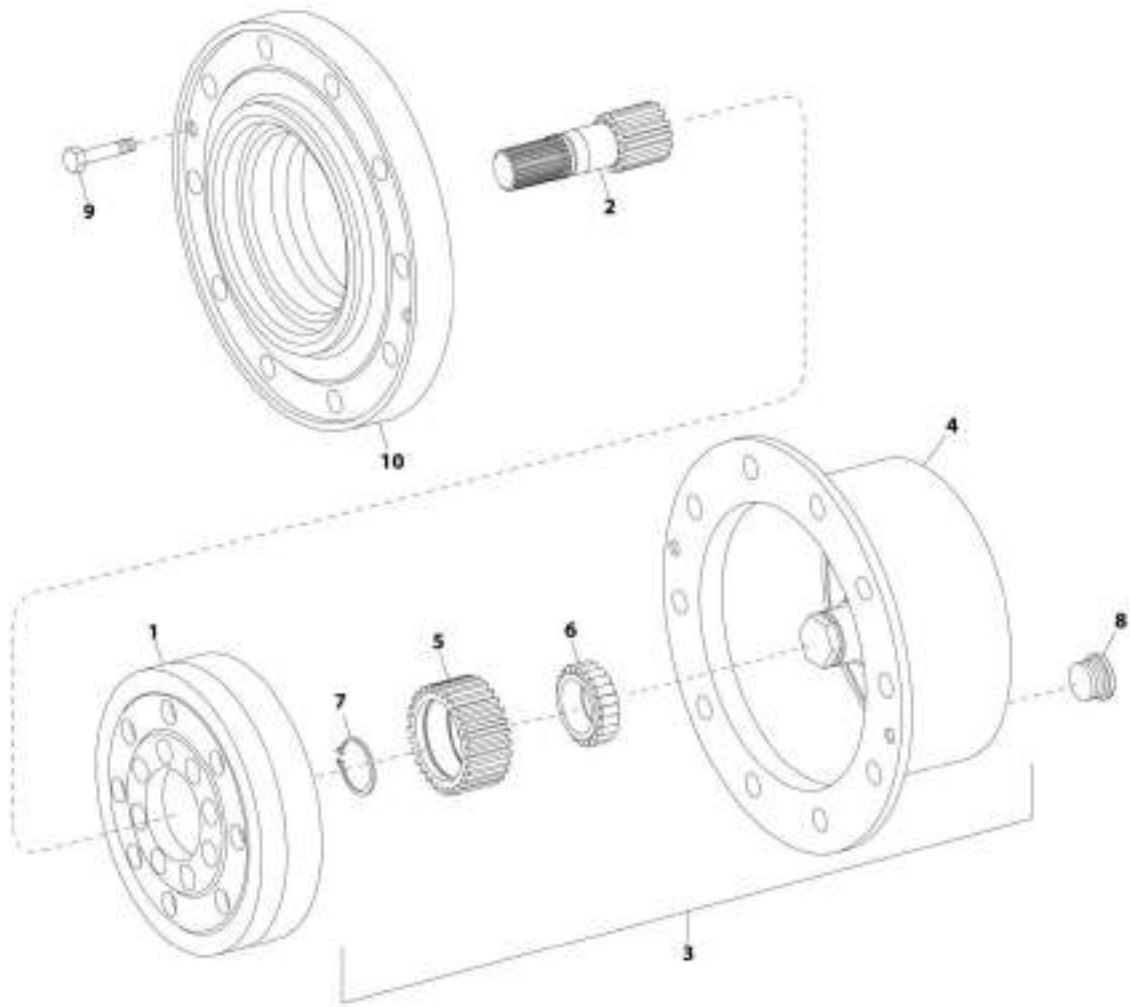
## SECTION 5 - DRIVE TRAIN

**FIGURE 5-13. FRONT AXLE, JOINT HOUSING - 8042**

ITEM	PART NUMBER	QTY	DESCRIPTION	REV
1	70022237	1	Housing, Joint (left side)	
2	70022238	1	Housing, Joint (right side)	
3	70022223	4	Bearing, Roller	
4	1319447	4	Seal, Shaft	
5	70022240	4	Pin, Bearing	
6	1319464	16	Bolt, M16X40	
7	70022179	2	Bushing	
8	10731789	2	Ring, Retaining	
9	70022218	2	Seal, Shaft	
10	1321228	2	Ring, Retaining	
11	70024617	2	Shaft, Double Universal Joint	
12	70024620	2	Cross, Joint	
13	70024621	1	Joint, Double	
14	70024619	1	Fork, Joint	
15	70024618	1	Fork, Joint	
16	80304173	2	Seal, Shaft	
17	1319472	4	Bearing, Roller	
18	70023405	16	Screw, M14X70	
19	70022234	16	Bushing, Centering	
20	70024613	2	Hub	
21	70022203	2	O-Ring	
22	70024398	20	Wheel Stud, M22X1.5	
23	8786572	Ref	Nut, Wheel	
24	8786573	Ref	Washer, Lock M22	
25	8036330	4	Screw, Stop M14X70	
26	70022257	2	Tube, Spacer	
27	1319477	2	Nut, M14X1-1/2	

# SECTION 5 - DRIVE TRAIN

FIGURE 5-14. FRONT AXLE, PLANETARY DRIVE - 8042



ARS\_100150366\_3-D



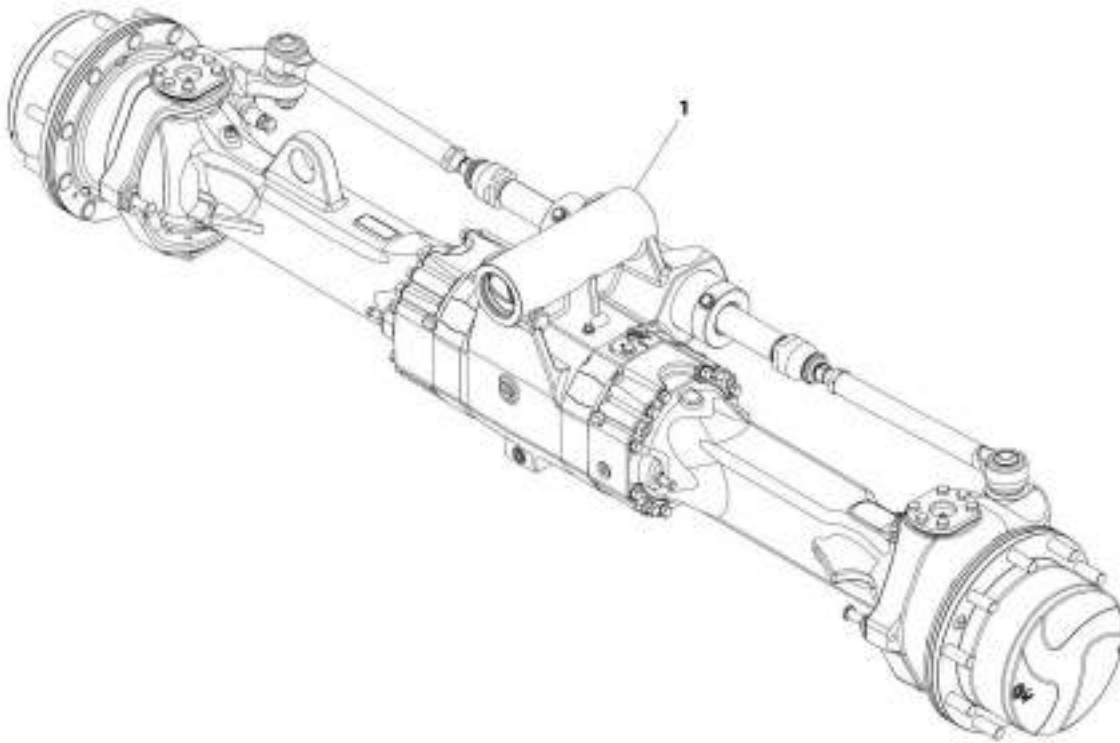
## SECTION 5 - DRIVE TRAIN

### FIGURE 5-14. FRONT AXLE, PLANETARY DRIVE - 8042

ITEM	PART NUMBER	QTY	DESCRIPTION	REV
1	70022242	2	Gear, Ring	
2	70026151	2	Shaft, Sun Gear	
3	70022281	2	Assembly, Planetary Carrier	
4	70022283	1	Carrier, Planetary	
5	70024614	1	Gear, Planetary	
6	70022785	1	Bearing, Roller	
7	70022197	4	Ring, Retaining	
8	70023404	2	Plug, Screw	
9	70022207	4	Bolt, M12X30	
10		Ref	Hub (See FRONT AXLE, JOINT HOUSING - 8042)	

## SECTION 5 - DRIVE TRAIN

FIGURE 5-15. FRONT AXLE INSTALLATION, 74HP - 8042



ART\_1005798000-B

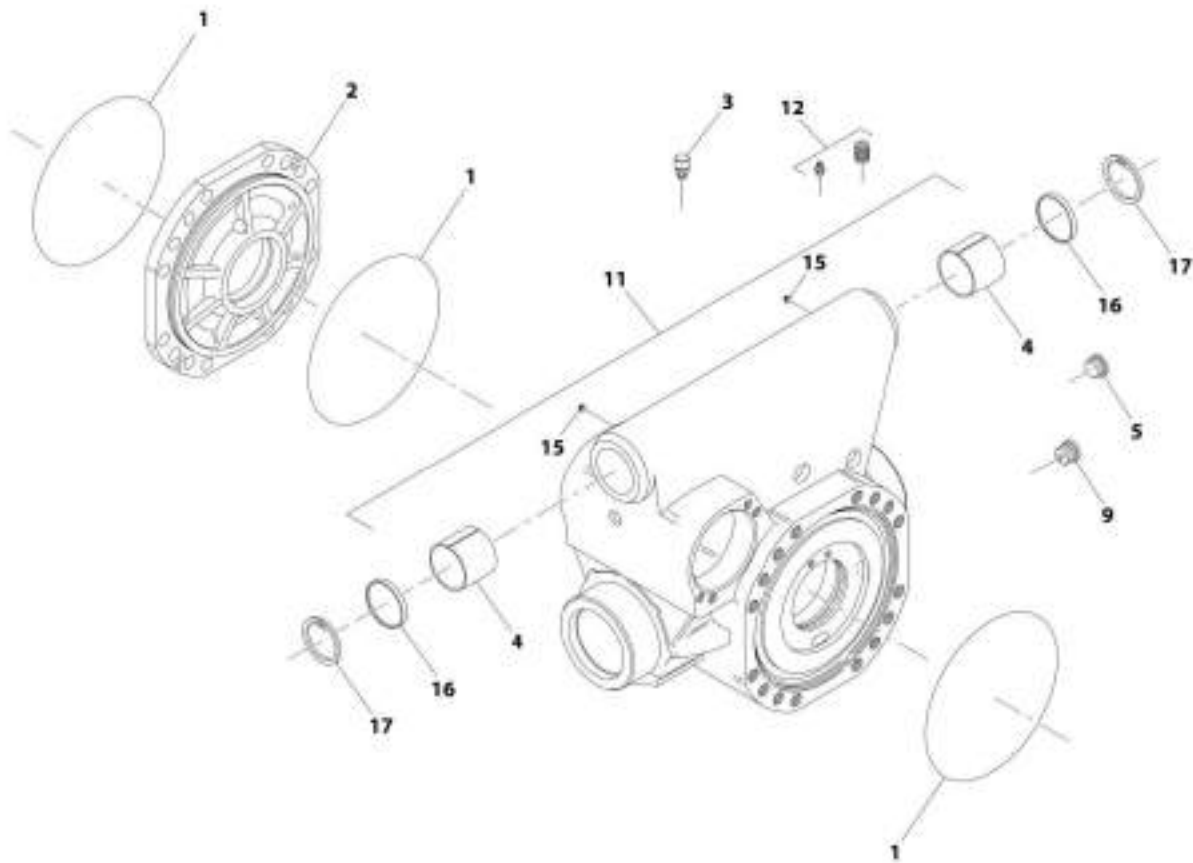
## SECTION 5 - DRIVE TRAIN

**FIGURE 5-15. FRONT AXLE INSTALLATION, 74HP - 8042**

ITEM	PART NUMBER	QTY	DESCRIPTION	REV
1	1005798000	Ref	Front Axle Installation, 74HP - 8042	B
		Ref	Front Axle, Central Housing (See Separate Breakdown in this Section)	
		Ref	Front Axle, Differential (See Separate Breakdown in this Section)	
		Ref	Front Axle, Hub Reduction (See Separate Breakdown in this Section)	
		Ref	Front Axle, Brakes (See Separate Breakdown in this Section)	
5		Ref	Front Axle, Steering (See Separate Breakdown in this Section)	

# SECTION 5 - DRIVE TRAIN

FIGURE 5-16. FRONT AXLE, CENTRAL HOUSING 74HP - 8042



ART\_1055796000\_1

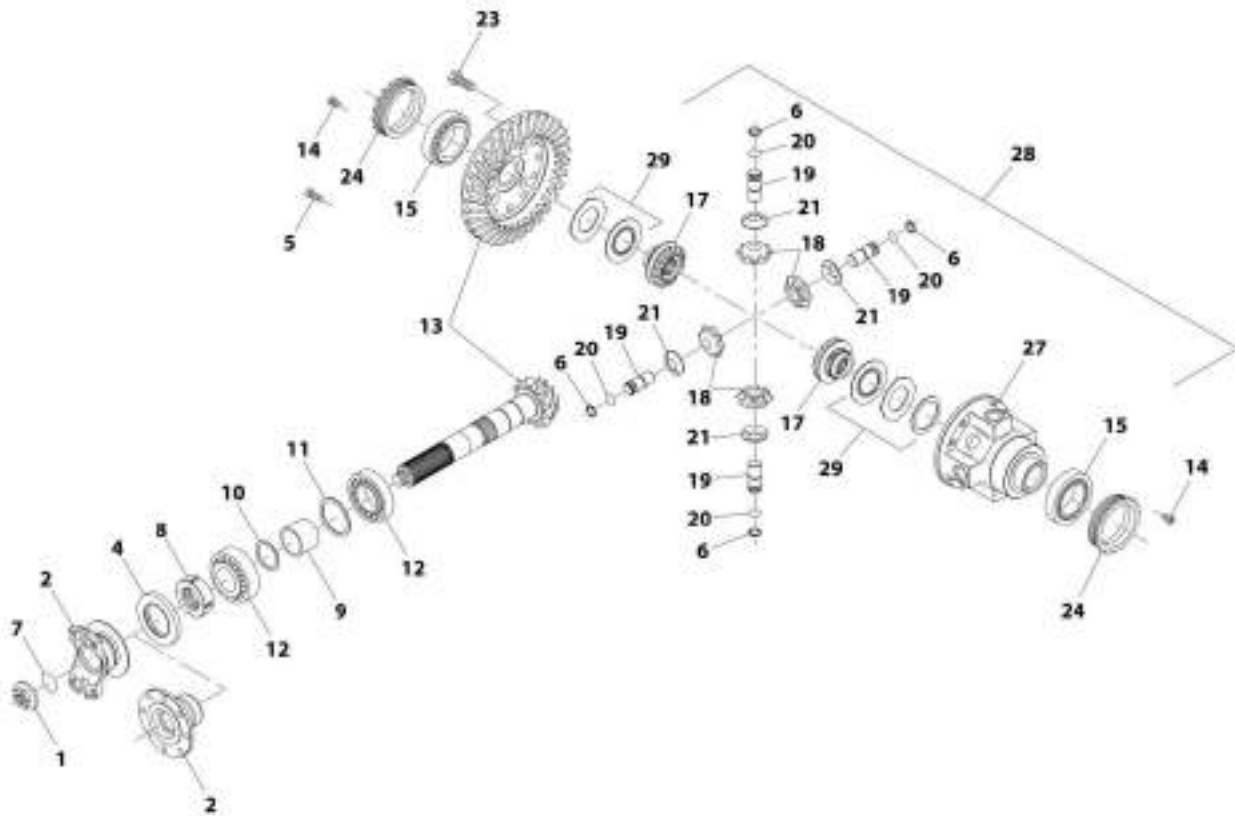
## SECTION 5 - DRIVE TRAIN

FIGURE 5-16. FRONT AXLE, CENTRAL HOUSING 74HP - 8042

ITEM	PART NUMBER	QTY	DESCRIPTION	REV
1	91474507	3	O-Ring	
2	70024872	1	Cover	
3	91474512	1	Vent	
4	70028886	2	Thrust Bushing	
5	91514188	1	Plug	
9	7028706	1	Magnet Plug	
11	N.S.S.	1	Housing	
12	70024881	2	Fitting, Grease	
15	70028938	2	Plug	
16	70028974	2	Seal	
17	70028939	2	Ring	

# SECTION 5 - DRIVE TRAIN

FIGURE 5-17. FRONT AXLE, DIFFERENTIAL 74HP - 8042



AWT\_1005790001\_2

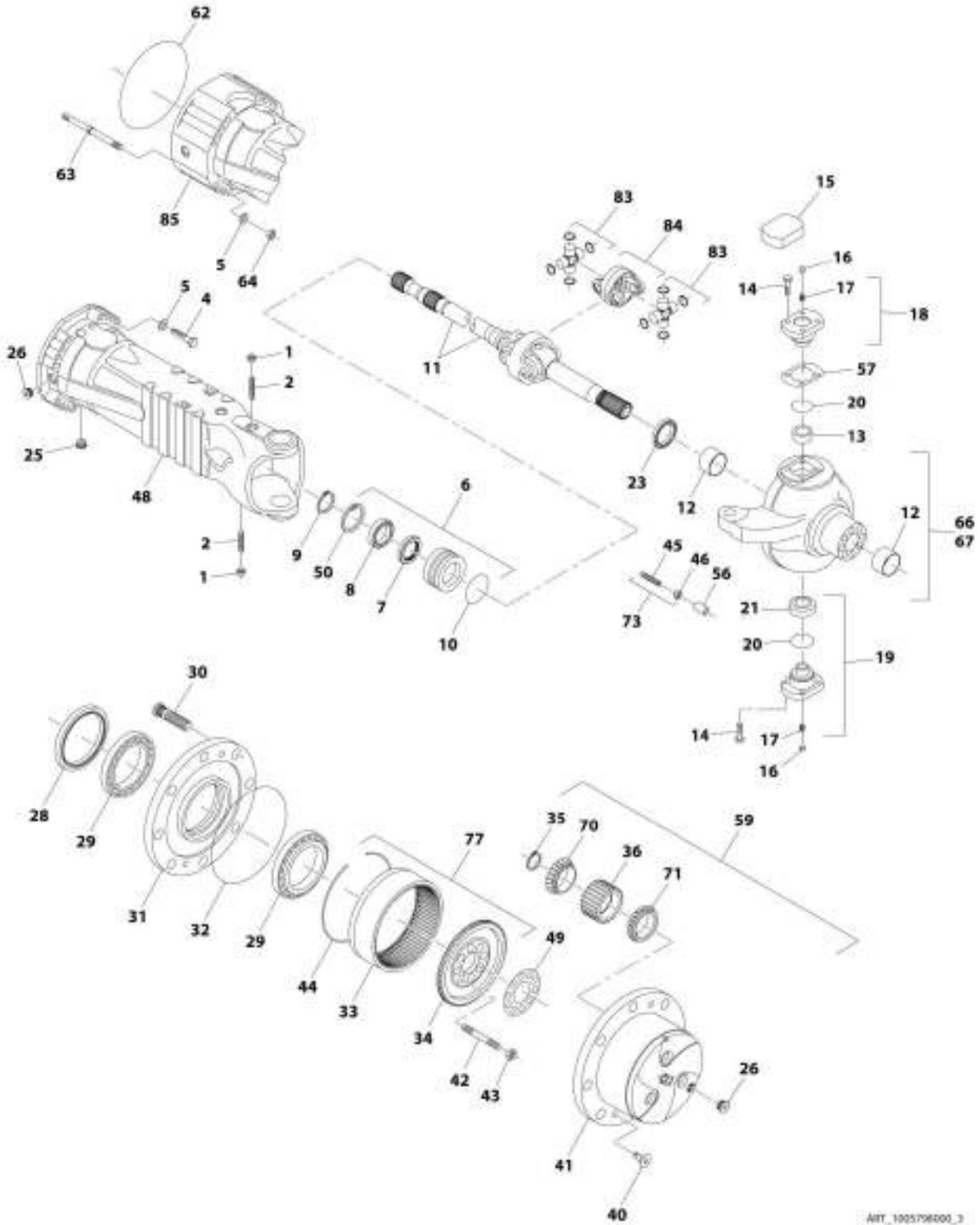
## SECTION 5 - DRIVE TRAIN

**FIGURE 5-17. FRONT AXLE, DIFFERENTIAL 74HP - 8042**

ITEM	PART NUMBER	QTY	DESCRIPTION	REV
1	70026631	1	Nut	
2	70022797	1	Flange	
4	70024522	1	Seal	
5	91474591	4	Bolt	
6	91474550	4	Circlip	
7	91474529	1	O-Ring	
8	91474533	1	Nut, Ring	
9	91474539	1	Spacer	
10	70025556	1	Kit, Shim	
11	70025555	1	Kit, Shim	
12	3968141	2	Bearing, Taper Roller	
13	8007749	1	Bevel Gear Set	
14	91514134	2	Bolt	
15	70028471	2	Bearing, Taper Roller	
17	91474549	2	Gear, Differential Side	
18	91474554	4	Pinion, Differential	
19	7029131	4	Pin	
20	91474551	4	Circlip	
21	91474553	4	Washer, Friction	
23	70025562	12	Bolt	
24	91474547	2	Nut, Ring	
27	8007751	1	Carrier, Differential	
28	70028940	1	Kit, Differential (See Separate Breakdown in this Section)	
29	8007755	2	Disc	

# SECTION 5 - DRIVE TRAIN

## FIGURE 5-18. FRONT AXLE, HUB REDUCTION 74HP - 8042



AWT\_1001708000\_3



## SECTION 5 - DRIVE TRAIN

**FIGURE 5-18. FRONT AXLE, HUB REDUCTION 74HP - 8042**

ITEM	PART NUMBER	QTY	DESCRIPTION	REV
1	91514082	2	Nut	
2	91514081	2	Bolt	
4	70025012	24	Bolt	
5	91514084	8	Washer	
6	91514149	2	Reduction Bushing (See Separate Breakdown in this Section)	
7	91514147	2	Seal	
8	91514146	2	Ball Bearing	
9	80204071	2	Circlip	
10	91514148	2	O-Ring	
11	70026803	2	Joint & Shaft, Double Universal	
12	91514111	2	Bushing, Thrust	
13	7028714	2	Bushing	
14	70025562	24	Bolt	
15	70028392	2	Cover	
16	80204117	2	Plug	
17	70024881	4	Fitting, Grease	
18	70028890	2	Pivot Pin	
19	70028891	2	Pivot Pin	
20	7028716	4	Seal, Dust	
21	91514095	2	Bearing	
23	70026238	2	Seal	
25	7028706	4	Plug, Magnet	
26	91514188	2	Plug	
28	7028721	2	Seal	
29	91474576	4	Bearing	
30	91514183	20	Wheel Stud	
31	7028722	2	Wheel Hub	
32	91514181	2	O-Ring	
33	70026811	2	Gear, Ring	
34	70026812	2	Support, Ring Gear	
35	70028925	3	Circlip	
36	70028941	6	Differential Pinion	
40	91514189	4	Bolt, Countersunk	
41	N.S.S.	1	Planet Gear Carrier	
42	70027315	16	Stud	
43	91474584	16	Nut	
44	91514175	2	Circlip	
45	91514117	4	Bolt	
46	80204065	4	Nut	
48	70028942	1	Case, Axle	
49	70026622	2	Plate, Locking	
50	80204005	2	Circlip	
56	7029311	2	Spacer	
57	70025561	1	Kit, Shim	
59	70028881	2	Kit, Planet Gear (See Separate Breakdown in this Section)	
62	91474507	2	O-Ring	
63	70025014	8	Stud	
64	91514083	8	Nut	
66	N.S.S.	1	Steering Case	
67	N.S.S.	1	Steering Case	

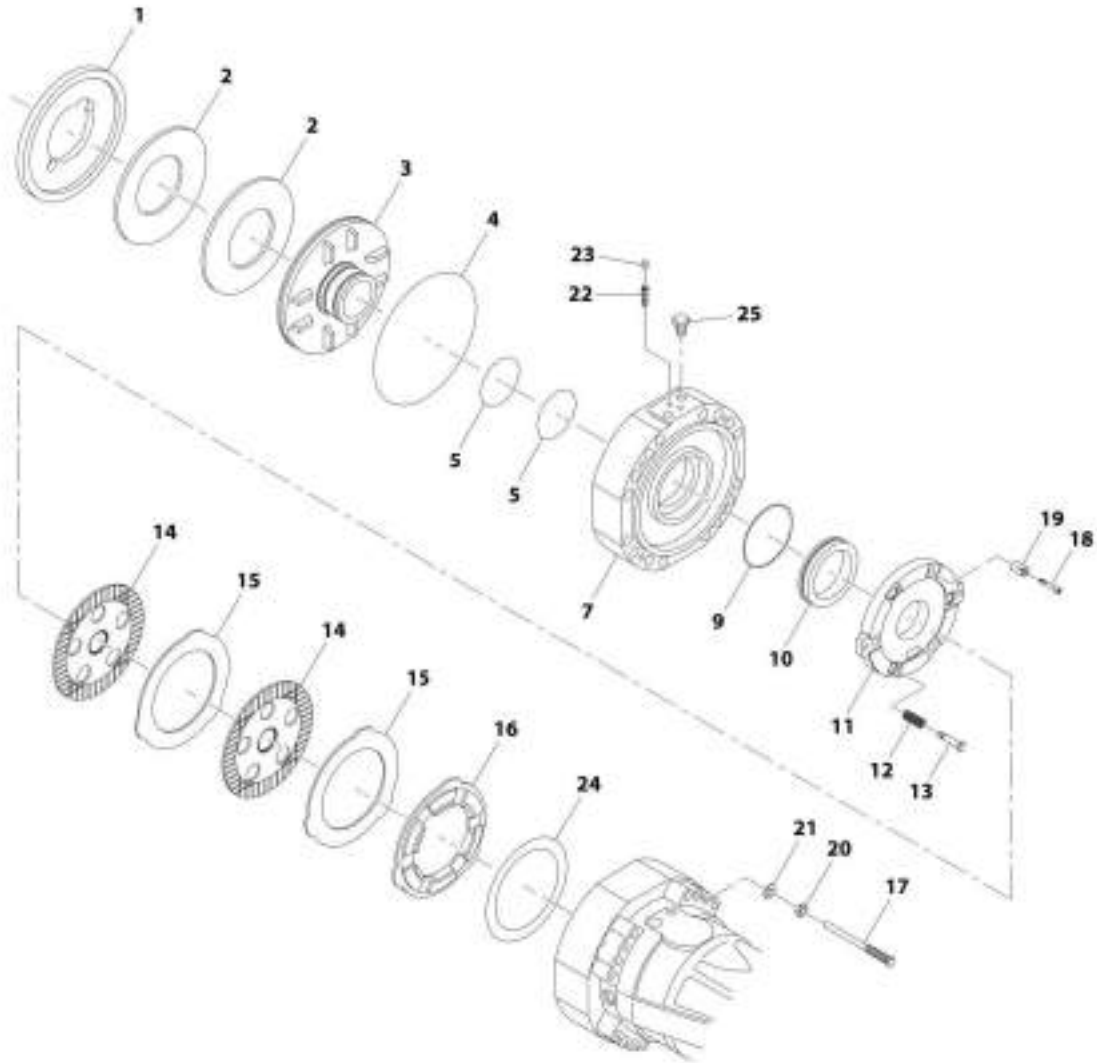
## SECTION 5 - DRIVE TRAIN

ITEM	PART NUMBER	QTY	DESCRIPTION	REV
70	7028731	6	Bearing	
71	7028732	6	Bearing	
73	7028733	4	Bolt, Steering Adjust (See Separate Breakdown in this Section)	
77	70026806	2	Kit, Ring Gear Support (See Separate Breakdown in this Section)	
83	70028943	2	Cross Joint	
84	70028944	1	Center Section Joint	
85	70028945	1	Case, Axle	



# SECTION 5 - DRIVE TRAIN

## FIGURE 5-19. FRONT AXLE, BRAKES 74HP - 8042



AHT\_1005798000\_4

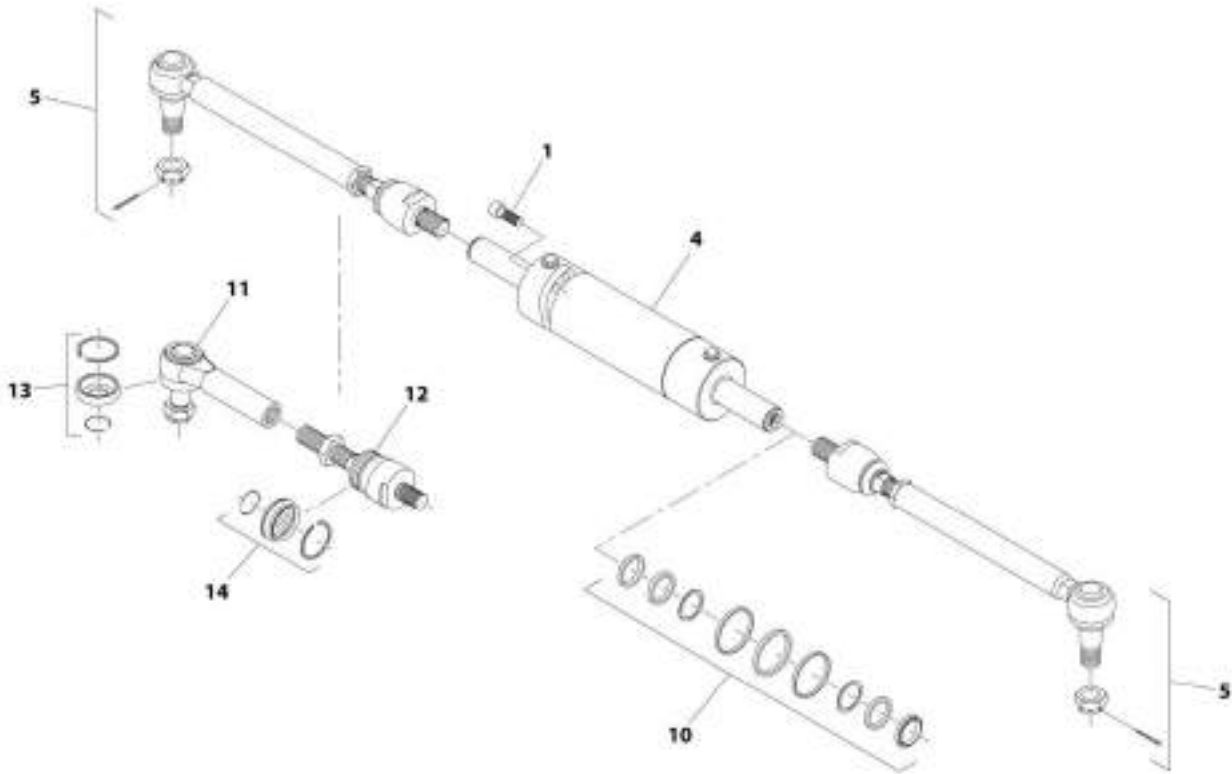
## SECTION 5 - DRIVE TRAIN

**FIGURE 5-19. FRONT AXLE, BRAKES 74HP - 8042**

ITEM	PART NUMBER	QTY	DESCRIPTION	REV
1	7028734	1	Spacer	
2	91474559	4	Spring	
3	91474560	2	Piston	
4	91474561	2	O-Ring	
5	70026262	4	Seal	
7	7028735	2	Cover	
9	70026623	2	Seal	
10	70028946	2	Piston	
11	91474565	2	Disc, Intermediate Brake	
12	91514159	6	Spring	
13	70024210	6	Adjusting Bolt	
14	70028798	8	Disc	
15	70025823	8	Disc, Intermediate Brake	
16	91474570	2	Spacer	
17	7028736	4	Bolt	
18	7029787	6	Adjusting Bolt	
19	70027317	6	Spring	
20	80204060	4	Nut	
21	80204108	4	Washer, Lock	
22	80204281	4	Bolt	
23	80204117	4	Plug	
24	70025981	1	Shim Kit	
25	91514154	4	Bolt	

**SECTION 5 - DRIVE TRAIN**

**FIGURE 5-20. FRONT AXLE, STEERING 74HP - 8042**



MT\_3025/88200\_3

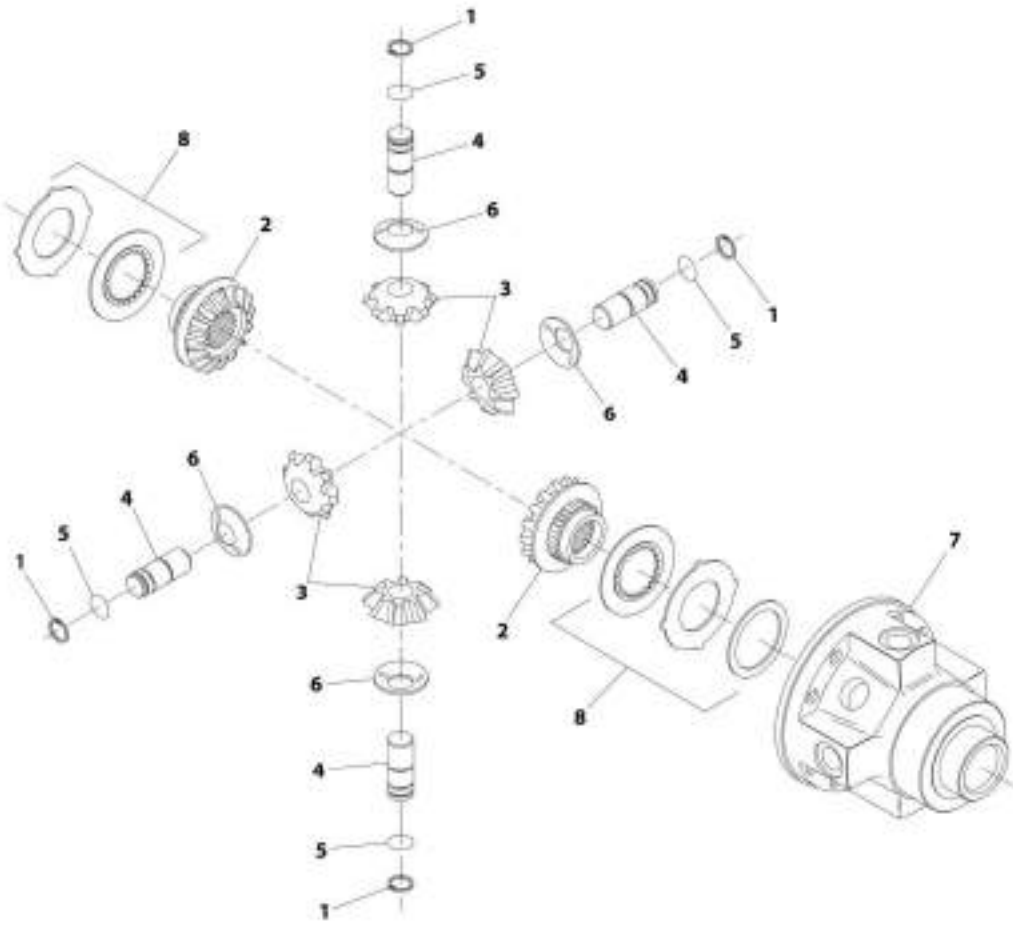
## SECTION 5 - DRIVE TRAIN

**FIGURE 5-20. FRONT AXLE, STEERING 74HP - 8042**

ITEM	PART NUMBER	QTY	DESCRIPTION	REV
1	80204144	5	Bolt	
4	70028947	1	Cylinder	
5	70028948	2	Tie Rod	
10	7029127	1	Kit, Seal	
11	70028949	1	Joint, 90	
12	70028950	1	Axial Joint Shaft	
13	70028951	1	Rubber Boot and Locking Ring Kit	
14	70028952	1	Rubber Boot and Locking Ring Kit	

# SECTION 5 - DRIVE TRAIN

FIGURE 5-21. FRONT AXLE, DIFFERENTIAL KIT 74HP - 8042



ART\_70629940



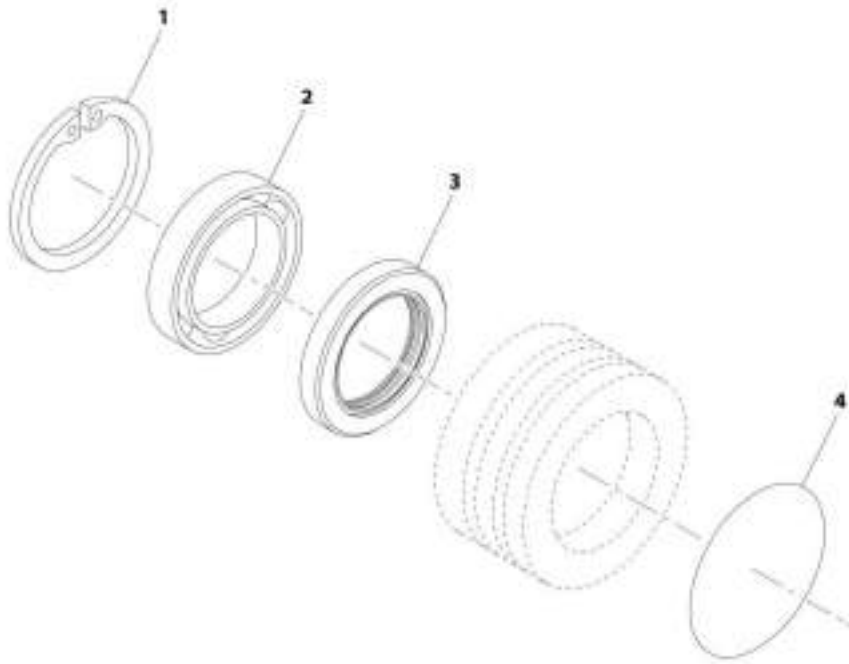
## SECTION 5 - DRIVE TRAIN

### FIGURE 5-21. FRONT AXLE, DIFFERENTIAL KIT 74HP - 8042

ITEM	PART NUMBER	QTY	DESCRIPTION	REV
	70028940	Ref	Differential Kit 74HP - 8042	
1	91474550	4	Circlip	
2	91474549	2	Gear, Differential Side	
3	91474554	4	Pinion, Differential	
4	7029131	4	Pin	
5	91474551	4	Circlip	
6	91474553	4	Washer, Friction	
7	8007751	1	Carrier, Differential	
8	8007755	2	Disc	

## SECTION 5 - DRIVE TRAIN

FIGURE 5-22. FRONT AXLE, REDUCTION BUSHING 74HP - 8042



ART\_81514348

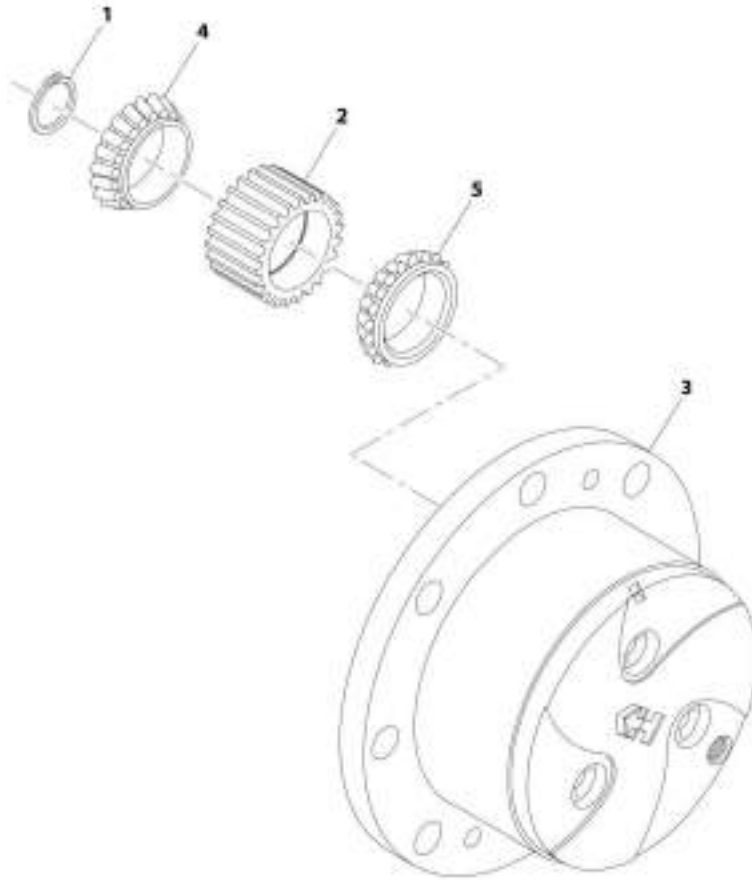
## SECTION 5 - DRIVE TRAIN

**FIGURE 5-22. FRONT AXLE, REDUCTION BUSHING 74HP - 8042**

ITEM	PART NUMBER	QTY	DESCRIPTION	REV
	91514149	Ref	Reduction Bushing Kit 74HP - 8042	
1	80204005	1	Circlip	
2	91514146	1	Bearing, Ball	
3	91514147	1	Seal	
4	91514148	1	O-Ring	

## SECTION 5 - DRIVE TRAIN

FIGURE 5-23. FRONT AXLE, PLANET GEAR CARRIER 74HP - 8042



ART\_70220881

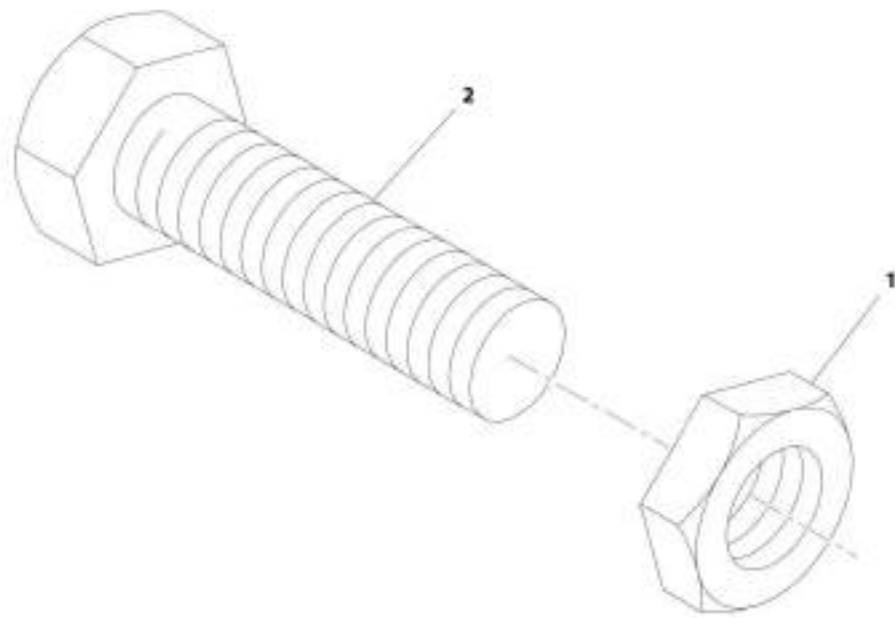
## SECTION 5 - DRIVE TRAIN

**FIGURE 5-23. FRONT AXLE, PLANET GEAR CARRIER 74HP - 8042**

ITEM	PART NUMBER	QTY	DESCRIPTION	REV
	70028881	Ref	Kit, Planet Gear Carrier 74HP - 8042	
1	70028925	3	Circlip	
2	70028941	6	Differential Pinion	
3	N.S.S.	1	Carrier, Planet Gear	
4	7028731	6	Bearing	
5	7028732	6	Bearing	

## SECTION 5 - DRIVE TRAIN

FIGURE 5-24. FRONT AXLE, STEERING ADJUSTING BOLT KIT 74HP - 8042



ART\_7126733

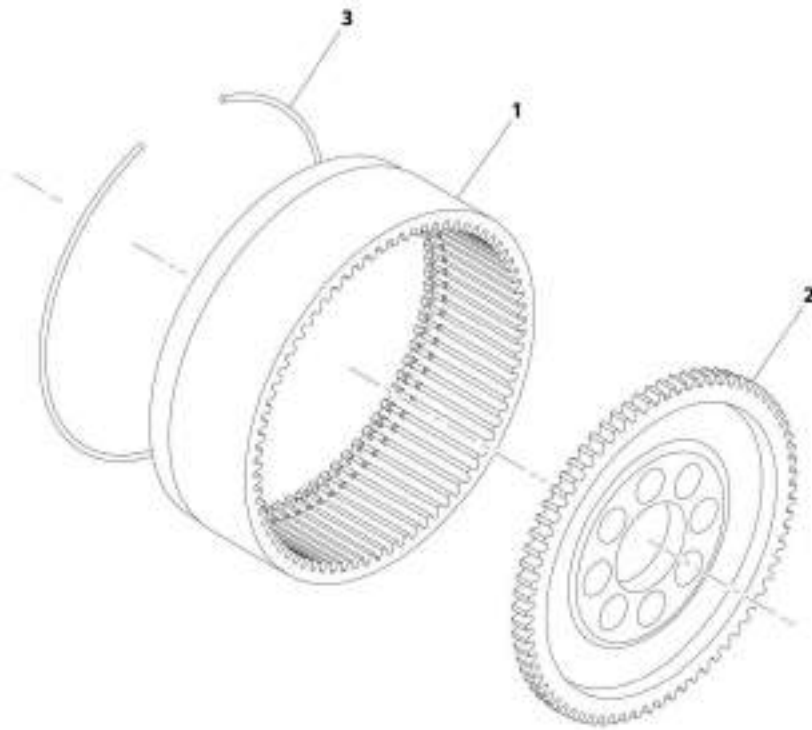
## SECTION 5 - DRIVE TRAIN

**FIGURE 5-24. FRONT AXLE, STEERING ADJUSTING BOLT KIT 74HP - 8042**

ITEM	PART NUMBER	QTY	DESCRIPTION	REV
	7028733	Ref	Steering Adjust Bolt Kit 74HP - 8042	
1	80204065	1	Nut	
2	91514117	1	Bolt	

## SECTION 5 - DRIVE TRAIN

FIGURE 5-25. FRONT AXLE, RING GEAR SUPPORT 74HP - 8042



ART\_75026006



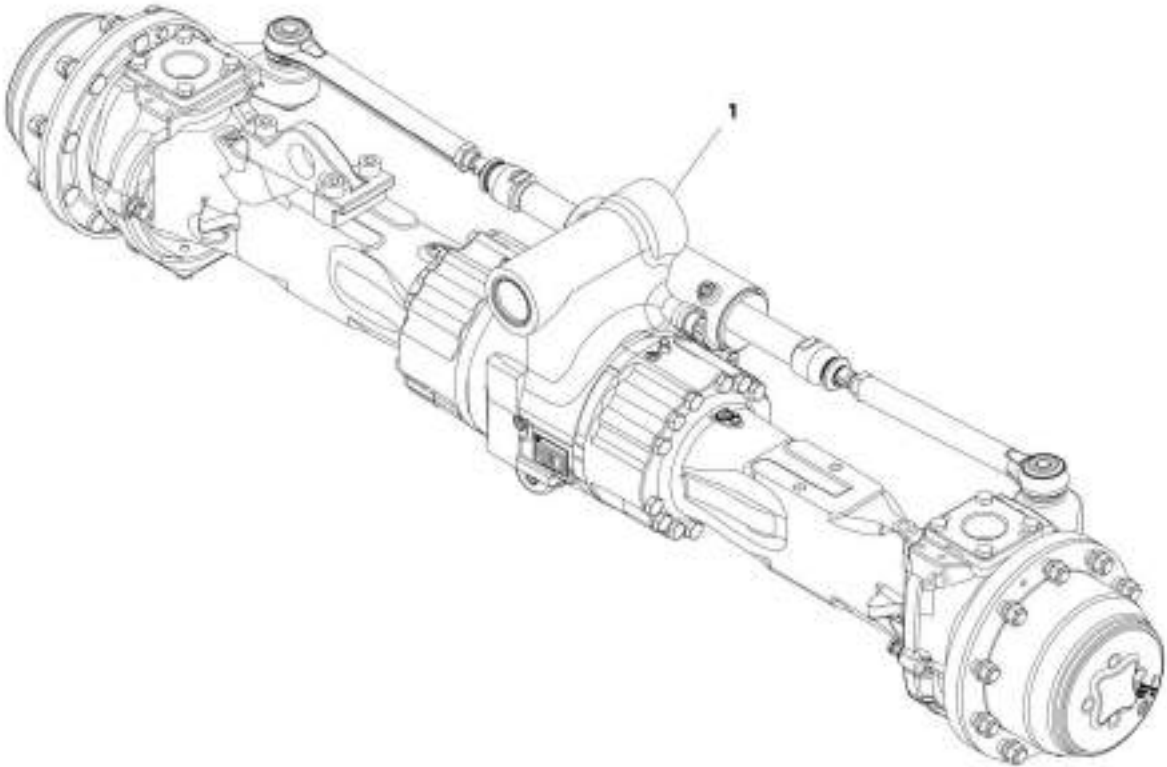
## SECTION 5 - DRIVE TRAIN

**FIGURE 5-25. FRONT AXLE, RING GEAR SUPPORT 74HP - 8042**

ITEM	PART NUMBER	QTY	DESCRIPTION	REV
	70026806	Ref	Kit, Ring Gear Support 74HP - 8042	
1	70026811	1	Gear, Ring	
2	70026812	1	Support, Ring Gear	
3	91514175	1	Circlip	

## SECTION 5 - DRIVE TRAIN

FIGURE 5-26. REAR AXLE - 8042



MT\_100118236\_1P

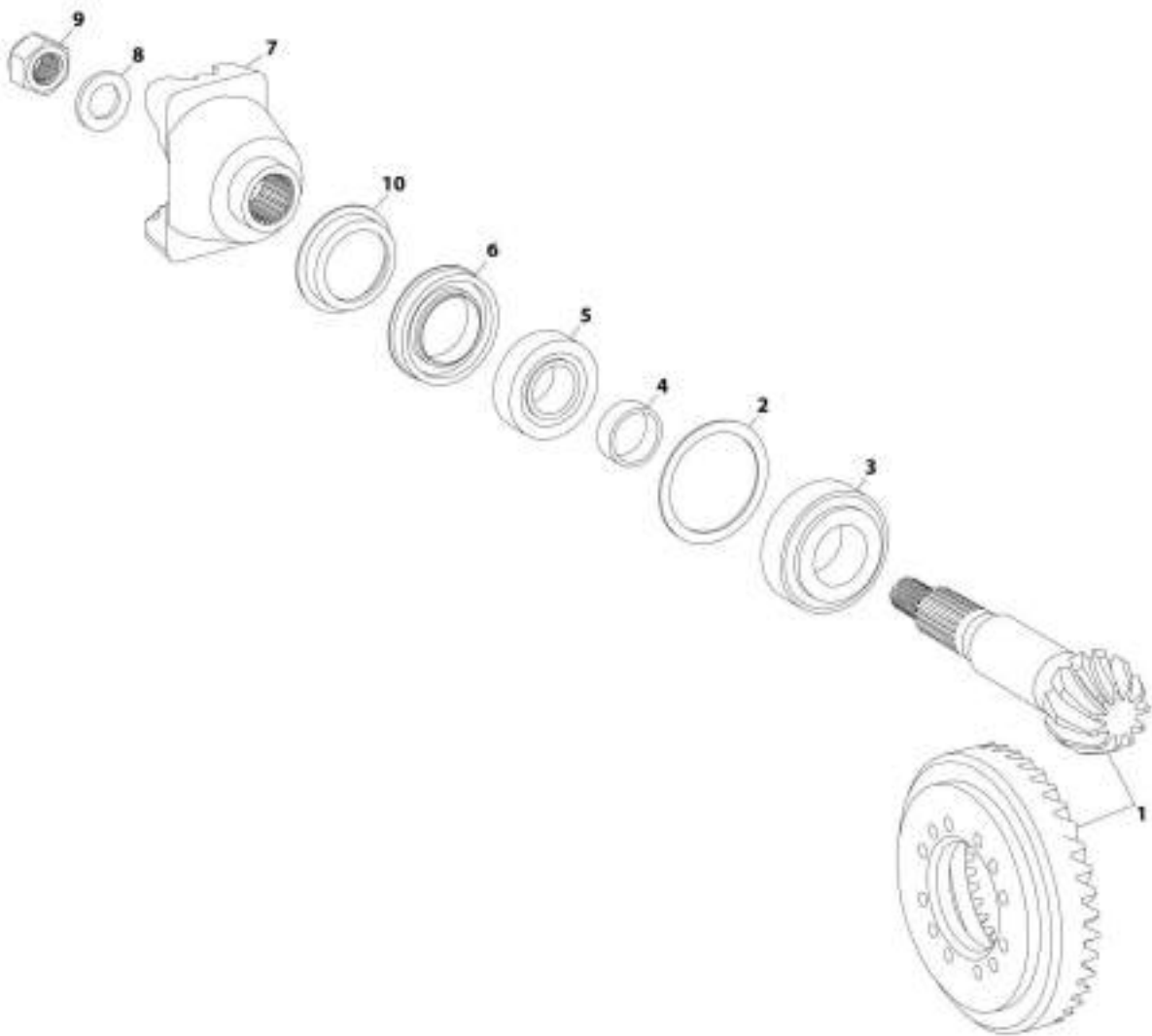
## SECTION 5 - DRIVE TRAIN

### FIGURE 5-26. REAR AXLE - 8042

ITEM	PART NUMBER	QTY	DESCRIPTION	REV
	1001116838	Ref	Rear Axle - 8042	F
		Ref	Rear Axle, Input (See REAR AXLE, INPUT - 8042 for Breakdown)	
		Ref	Rear Axle, Limited Slip Differential (See REAR AXLE, LIMITED SLIP DIFFERENTIAL - 8042 for Breakdown)	
		Ref	Rear Axle, Axle Casing (See REAR AXLE, AXLE CASING - 8042 for Breakdown)	
		Ref	Rear Axle, Multi-Disc Brake (See REAR AXLE, MULTI-DISC BRAKE - 8042 for Breakdown)	
		Ref	Rear Axle, Joint Housing (See REAR AXLE, JOINT HOUSING - 8042 for Breakdown)	
		Ref	Rear Axle, Planetary Drive (See REAR AXLE, PLANETARY DRIVE - 8042 for Breakdown)	

**SECTION 5 - DRIVE TRAIN**

**FIGURE 5-27. REAR AXLE, INPUT - 8042**



ART\_1001156838\_2-F

## SECTION 5 - DRIVE TRAIN

**FIGURE 5-27. REAR AXLE, INPUT - 8042**

ITEM	PART NUMBER	QTY	DESCRIPTION	REV
1	70022786	1	Bevel Gear Set	
1	70022787	1	Pinion	
2	80304160	1	Shim, 0.1	
2	80304159	1	Shim, 0.2	
2	80304158	1	Shim, 0.3	
2	80304157	1	Shim, 0.5	
2	80304156	1	Shim, 0.6	
2	80304162	1	Shim, 0.65	
2	80304155	1	Shim, 0.7	
2	80304161	1	Shim, 0.75	
2	80304154	1	Shim, 0.8	
2	80304153	1	Shim, 0.9	
2	80304152	1	Shim, 1.0	
2	80304146	1	Shim, 1.2	
2	80304163	1	Shim, 1.25	
2	80304151	1	Shim, 1.3	
2	80304164	1	Shim, 1.35	
2	80304150	1	Shim, 1.4	
2	80304165	1	Shim, 1.45	
2	80304145	1	Shim, 1.5	
2	80304166	1	Shim, 1.55	
2	80304149	1	Shim, 1.6	
2	80304167	1	Shim, 1.65	
2	80304148	1	Shim, 1.7	
2	80304168	1	Shim, 1.75	
2	80304144	1	Shim, 1.8	
2	80304169	1	Shim, 1.85	
2	80304147	1	Shim, 1.9	
2	80304143	1	Shim, 2.0	
3	70023400	1	Bearing, Roller	
4	80304088	1	Ring, 16.0	
4	80304089	1	Ring, 16.1	
4	80304090	1	Ring, 16.2	
4	80304091	1	Ring, 16.3	
4	80304092	1	Ring, 16.4	
4	80304093	1	Ring, 16.5	
4	80304110	1	Ring, 16.56	
4	80304094	1	Ring, 16.6	
4	80304111	1	Ring, 16.62	
4	80304112	1	Ring, 16.64	
4	80304124	1	Ring, 16.66	
4	80304113	1	Ring, 16.68	
4	80304095	1	Ring, 16.7	
4	70022216	1	Ring, 16.72	
4	80304115	1	Ring, 16.74	
4	80304117	1	Ring, 16.76	
4	80304118	1	Ring, 16.78	
4	80304096	1	Ring, 16.8	
4	80304119	1	Ring, 16.82	
4	80304120	1	Ring, 16.84	

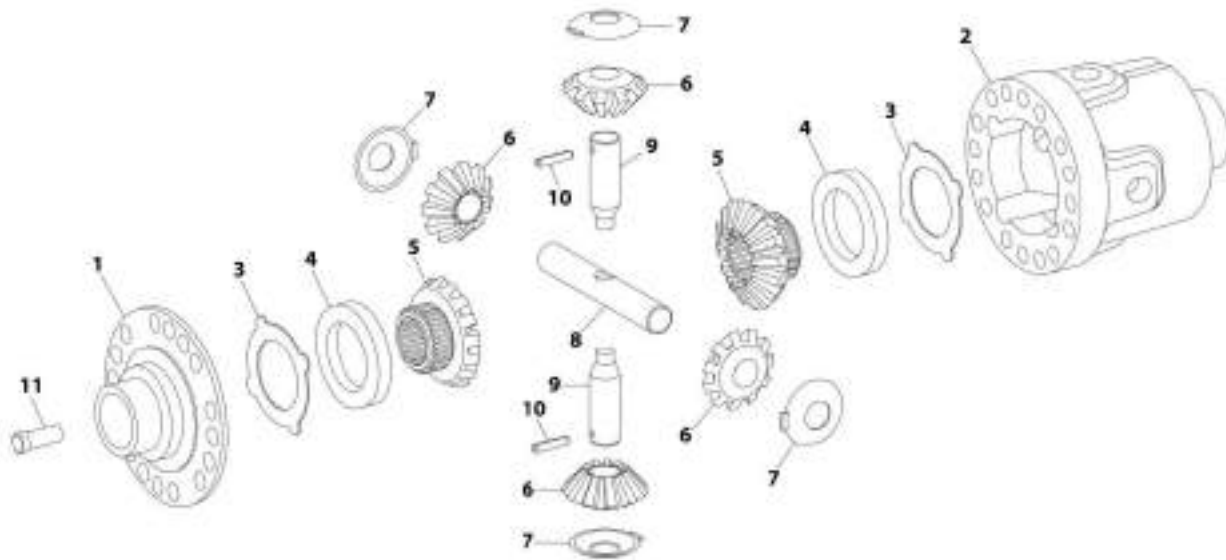
## SECTION 5 - DRIVE TRAIN

ITEM	PART NUMBER	QTY	DESCRIPTION	REV
4	80304104	1	Ring, 16.86	
4	80304121	1	Ring, 16.88	
4	80304122	1	Ring, 16.9	
4	80304097	1	Ring, 16.92	
4	80304123	1	Ring, 16.94	
4	80304125	1	Ring, 16.96	
4	80304107	1	Ring, 16.98	
4	80304126	1	Ring, 17.0	
4	80304127	1	Ring, 17.02	
4	80304108	1	Ring, 17.04	
4	80304128	1	Ring, 17.06	
4	80304129	1	Ring, 17.08	
4	80304099	1	Ring, 17.10	
4	80304130	1	Ring, 17.12	
4	80304131	1	Ring, 17.14	
4	80304132	1	Ring, 17.16	
4	80304133	1	Ring, 17.18	
4	80304100	1	Ring, 17.2	
4	80304134	1	Ring, 17.22	
4	80304135	1	Ring, 17.24	
4	80304136	1	Ring, 17.26	
4	80304137	1	Ring, 17.28	
4	80304101	1	Ring, 17.3	
4	80304102	1	Ring, 17.4	
5	1319353	1	Bearing, Roller	
6	70022220	1	Seal, Shaft	
7	70022245	1	Yoke, End	
8	80304082	1	Washer	
9	70022213	1	Nut	
10	70022244	1	Sheet, Screen	



# SECTION 5 - DRIVE TRAIN

FIGURE 5-28. REAR AXLE, LIMITED SLIP DIFFERENTIAL - 8042



ART\_100115830\_3-F



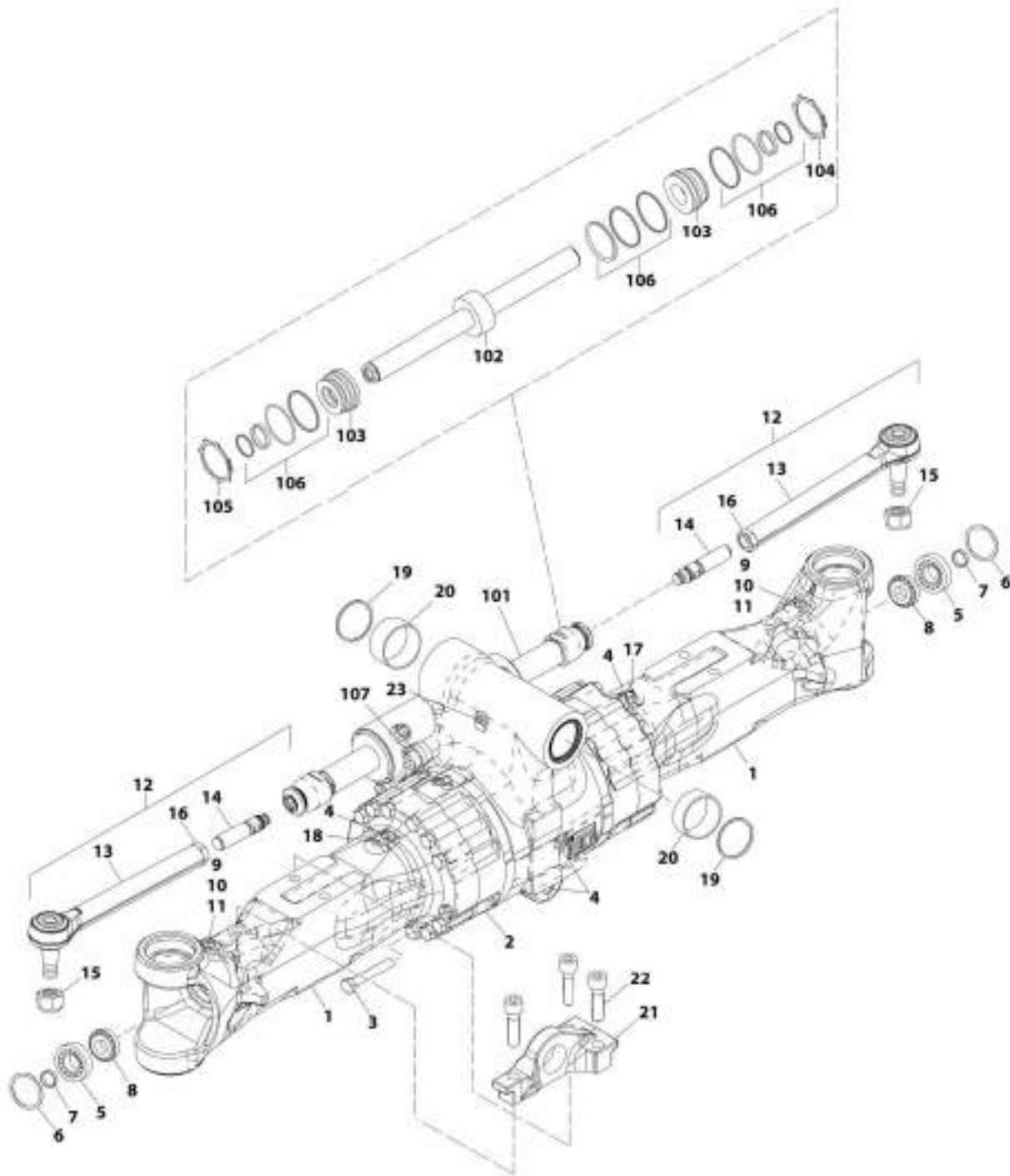
## SECTION 5 - DRIVE TRAIN

**FIGURE 5-28. REAR AXLE, LIMITED SLIP DIFFERENTIAL - 8042**

ITEM	PART NUMBER	QTY	DESCRIPTION	REV
1	70022229	1	Cover	
2	70023910	1	Case, Differential	
3	70022284	2	Washer, Thrust	
4	70023401	2	Ring, Compensating	
5	70023402	2	Bevel Gear, Axle	
6	70023403	4	Bevel Gear, Differential	
7	70022262	4	Washer, Thrust	
8	70022227	1	Axle, Differential	
9	70022228	2	Axle, Differential	
10	70023904	2	Pin, Slot	
11	70022211	16	Screw	

# SECTION 5 - DRIVE TRAIN

## FIGURE 5-29. REAR AXLE, AXLE CASING - 8042



ART\_100116038\_4-F

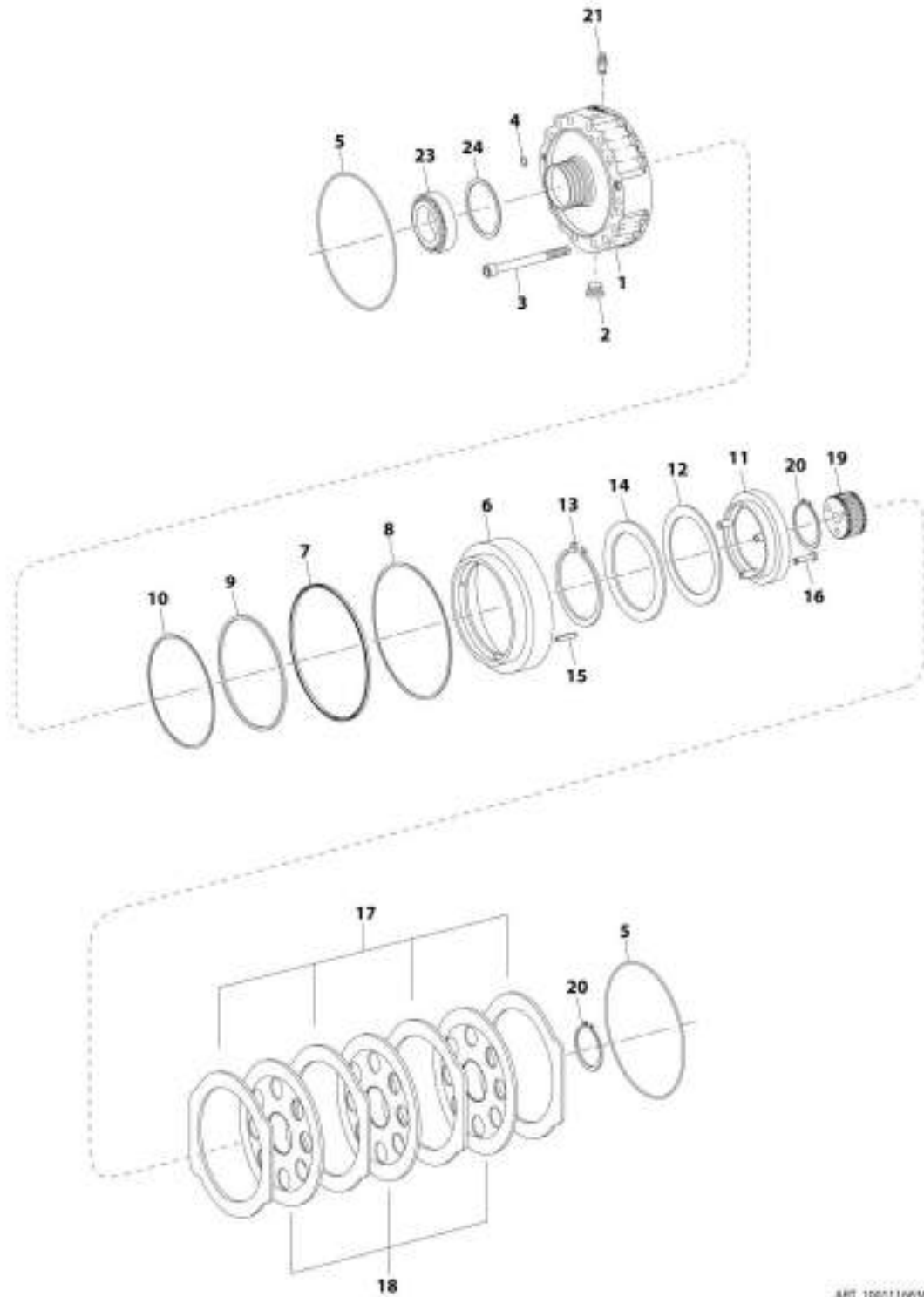
## SECTION 5 - DRIVE TRAIN

**FIGURE 5-29. REAR AXLE, AXLE CASING - 8042**

ITEM	PART NUMBER	QTY	DESCRIPTION	REV
1	70022255	2	Casing, Axle	
2	70022277	1	Drive Housing, Axle	
3	70022206	28	Bolt, M18X180	
4	70023404	4	Plug, Screw	
5	70022241	2	Bushing	
6	70022204	2	O-Ring	
7	70022217	2	Ring	
8	10731790	2	Bearing	
9	70022201	2	Screw, Set M10X16	
10	70022777	2	Plug, Screw	
11	7027217	2	O-Ring	
12	70022174	2	Rod, Tie	
13	70022175	1	Joint, Ball	
14	70022172	1	Joint, Axial	
15	8036758	1	Nut, Lock	
16	8036759	1	Nut	
17	1319436	1	Breather	
18	8036418	1	Plug, Screw	
19	1321209	2	Seal, Shaft	
20	1321234	2	Bushing	
21	70022254	1	Bracket	
22	1001103619	3	Screw, M22X80	
23	1319423	1	Fitting, Grease	
101	70022173	1	Cylinder, Steering	
102	70022177	1	Rod, Piston	
103	70022184	2	Head, Break	
104	70022181	2	Ring, Retaining	
105	70022180	1	Ring, Retaining	
106	70022178	1	Kit, Seal	
107	70022789	4	Screw, M22X55	

# SECTION 5 - DRIVE TRAIN

FIGURE 5-30. REAR AXLE, MULTI-DISC BRAKE - 8042



ART.100110058\_5.F

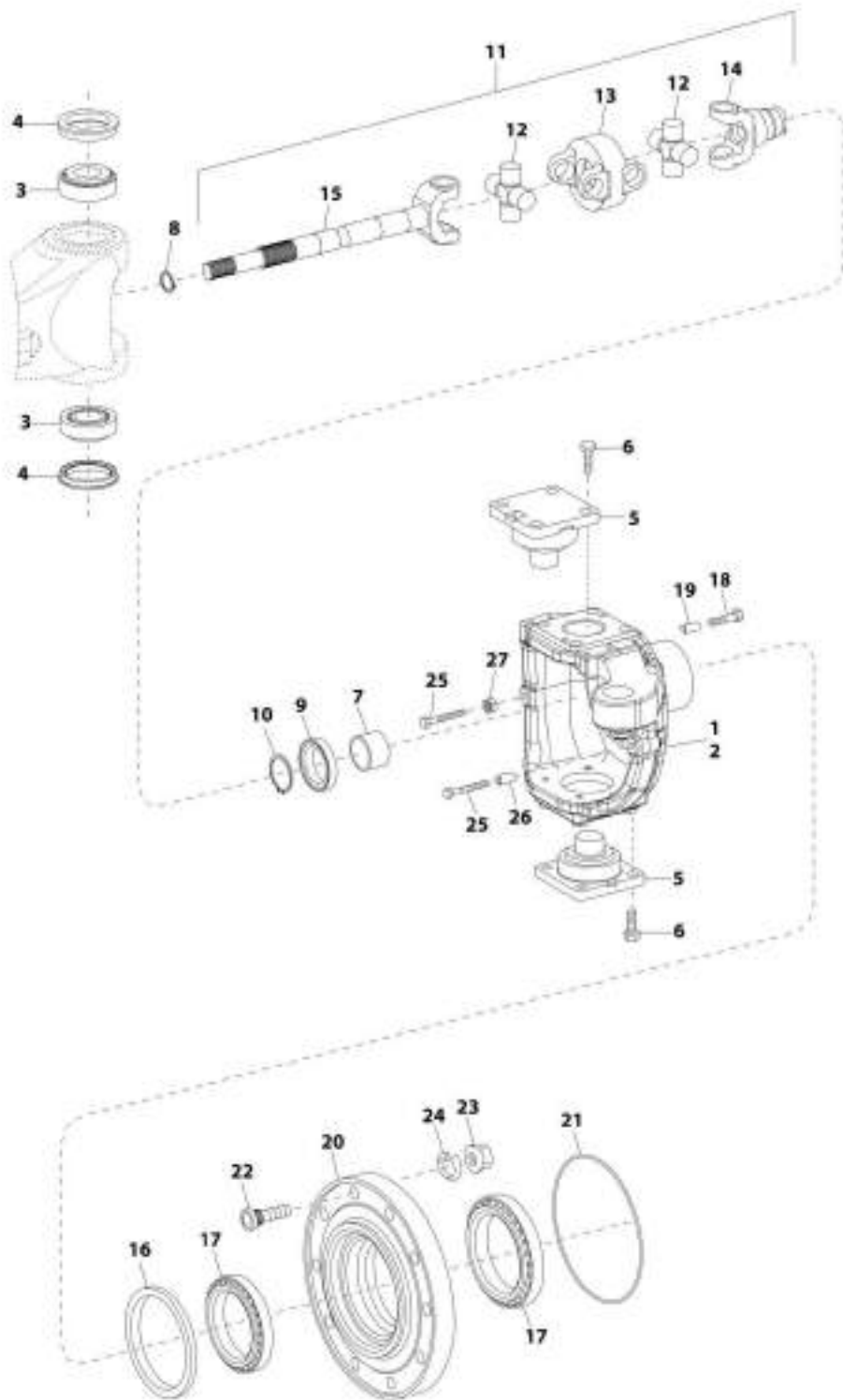
## SECTION 5 - DRIVE TRAIN

**FIGURE 5-30. REAR AXLE, MULTI-DISC BRAKE - 8042**

ITEM	PART NUMBER	QTY	DESCRIPTION	REV
1	70022282	2	Housing, Brake	
2	70023404	2	Plug, Screw	
3	70022209	6	Screw, M12X105	
4	8036847	10	O-Ring	
5	80304462	4	O-Ring	
6	70022250	2	Piston	
7	70022190	2	Packing, Piston	
8	70022193	2	Ring, Back-Up	
9	70022189	2	Packing, Piston	
10	70022194	2	Ring, Back-Up	
11	70022236	2	Ring	
12	70022183	2	Spring, Cup	
13	70022198	2	Ring, Retaining	
14	70022235	2	Washer	
15	70022186	8	Pin, Slot	
16	1319214	6	Screw, M8X40	
17	70022196	8	Disc, Outer Clutch	
18	70022176	6	Disc, Inner Clutch	
19	70022253	2	Carrier, Disc	
20	10731949	4	Ring, Retaining	
21	70022171	2	Breather	
23	8036447	2	Bearing, Roller	
24	1319537	AR	Shim, 0.95	
24	1319545	AR	Shim, 1.05	
24	1319539	AR	Shim, 1.15	
24	1319540	AR	Shim, 1.25	
24	1319542	AR	Shim, 1.35	

# SECTION 5 - DRIVE TRAIN

FIGURE 5-31. REAR AXLE, JOINT HOUSING - 8042



ART\_1001156836\_5-F

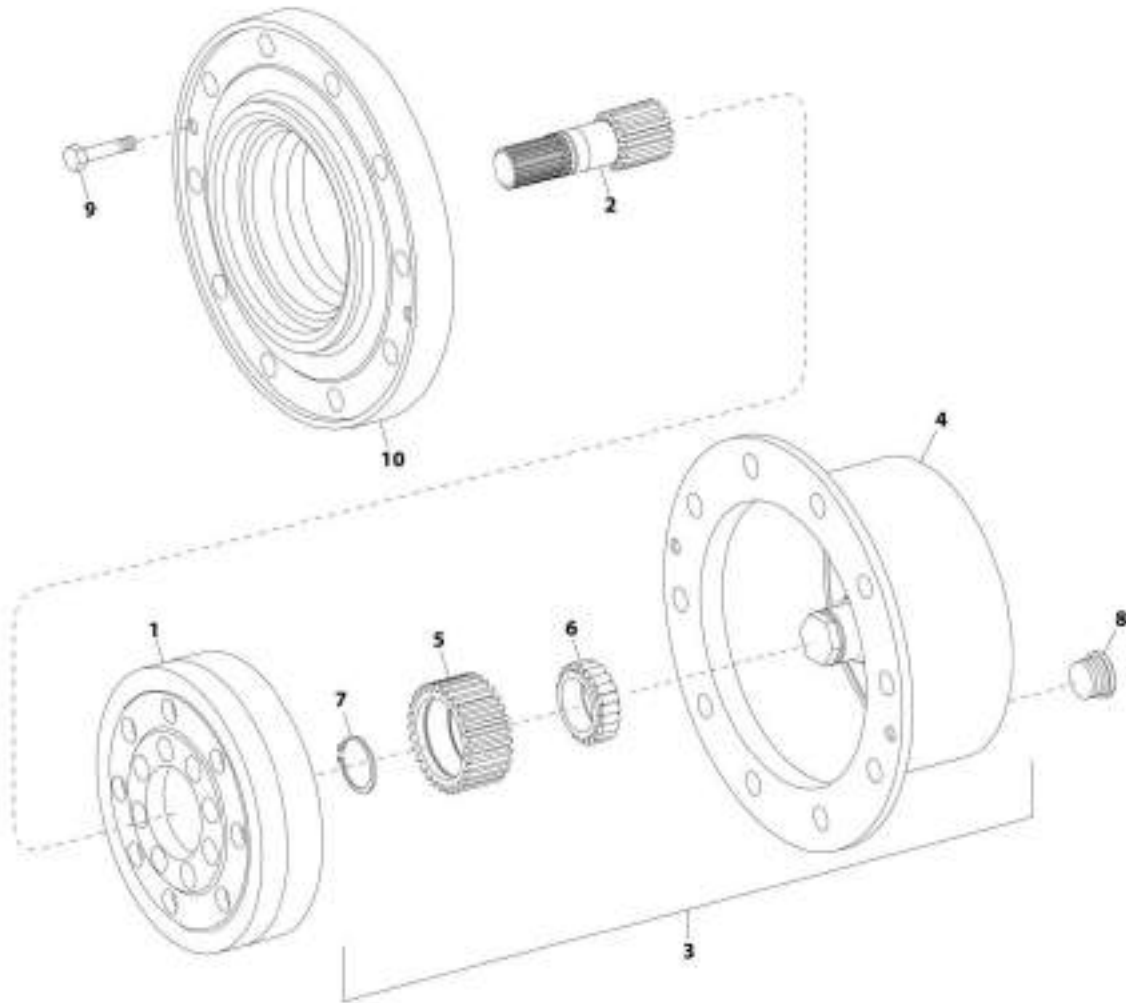
## SECTION 5 - DRIVE TRAIN

**FIGURE 5-31. REAR AXLE, JOINT HOUSING - 8042**

ITEM	PART NUMBER	QTY	DESCRIPTION	REV
1	70022237	1	Housing, Joint (right side)	
2	70022238	1	Housing, Joint (left side)	
3	70022223	4	Bearing, Roller	
4	1319447	4	Seal, Shaft	
5	70022240	4	Pin, Bearing	
6	1319464	16	Screw, M16X40	
7	70022179	2	Bushing	
8	10731789	2	Ring, Retaining	
9	70022218	2	Seal, Shaft	
10	1321226	2	Ring, Retaining	
11	70022781	1	Assembly, Universal Coupling Drive Shaft	
12	70021554	2	Cross, Joint	
13	70022782	1	Central Piece	
14	70022187	1	Shaft, Fork	
15	70022188	1	Shaft, Fork	
16	80304173	2	Seal, Shaft	
17	1319472	1	Bearing, Roller	
18	70023405	16	Screw	
19	70022234	16	Bushing, Centering	
20	70024613	2	Hub	
21	70022203	2	O-Ring	
22	70022230	20	Bolt, Wheel	
23	8786572	20	Nut, Wheel	
24	8786573	20	Washer, Lock M22	
25	8036330	4	Screw, Stop M14X1-1/2	
26	70022257	2	Tube, Spacer	
27	1319477	2	Nut, M14X1-1/2	

# SECTION 5 - DRIVE TRAIN

## FIGURE 5-32. REAR AXLE, PLANETARY DRIVE - 8042



ART\_100116818\_7-F



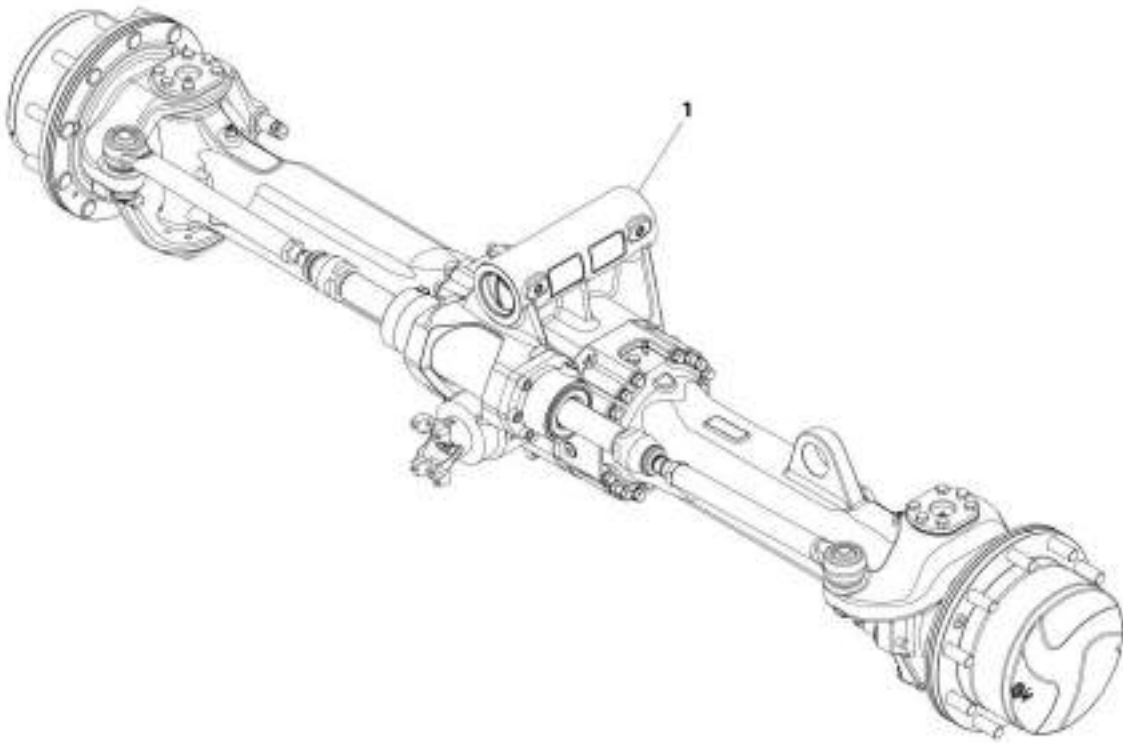
## SECTION 5 - DRIVE TRAIN

**FIGURE 5-32. REAR AXLE, PLANETARY DRIVE - 8042**

ITEM	PART NUMBER	QTY	DESCRIPTION	REV
1	70022242	1	Gear, Ring	
2	70022784	2	Shaft, Sun Gear	
3	70022281	2	Assembly, Planetary Carrier	
4	70022283	1	Carrier, Planetary	
5	70022243	3	Gear, Planetary	
6	70022785	4	Bearing, Roller	
7	70022197	4	Ring, Retaining	
8	70023404	2	Plug, Screw	
9	70022207	4	Screw, M12X30	
10	70024613	Ref	Hub (See REAR AXLE, JOINT HOUSING - 8042)	

## SECTION 5 - DRIVE TRAIN

FIGURE 5-33. REAR AXLE INSTALLATION 74HP - 8042



ART\_1005799100-B

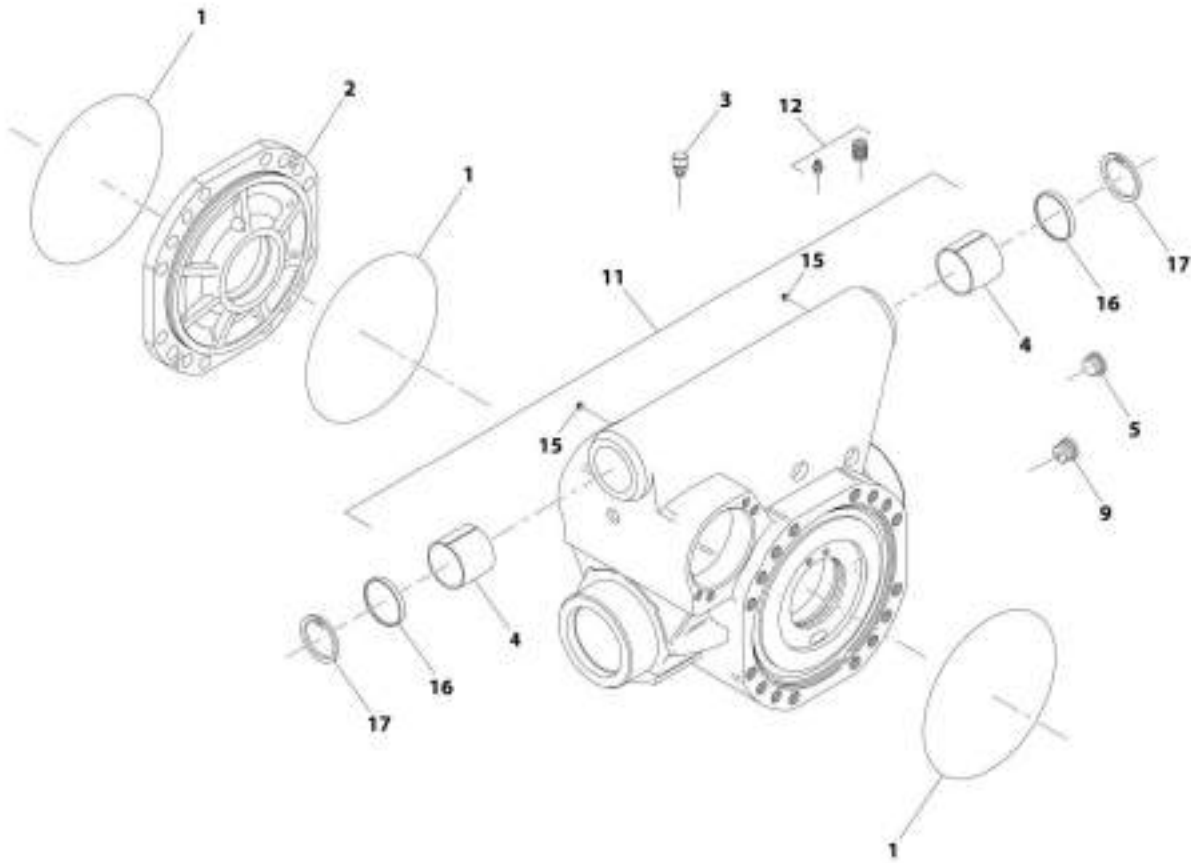
## SECTION 5 - DRIVE TRAIN

**FIGURE 5-33. REAR AXLE INSTALLATION 74HP - 8042**

ITEM	PART NUMBER	QTY	DESCRIPTION	REV
	1005798100	Ref	Rear Axle Installation 74HP - 8042	B
		Ref	Rear Axle, Central Housing (See Separate Breakdown in this Section)	
		Ref	Rear Axle, Differential (See Separate Breakdown in this Section)	
		Ref	Rear Axle, Hub Reduction (See Separate Breakdown in this Section)	
		Ref	Rear Axle, Brakes (See Separate Breakdown in this Section)	
		Ref	Rear Axle, Steering (See Separate Breakdown in this Section)	

# SECTION 5 - DRIVE TRAIN

FIGURE 5-34. REAR AXLE, CENTRAL HOUSING 74HP - 8042



ART\_1005796100\_1

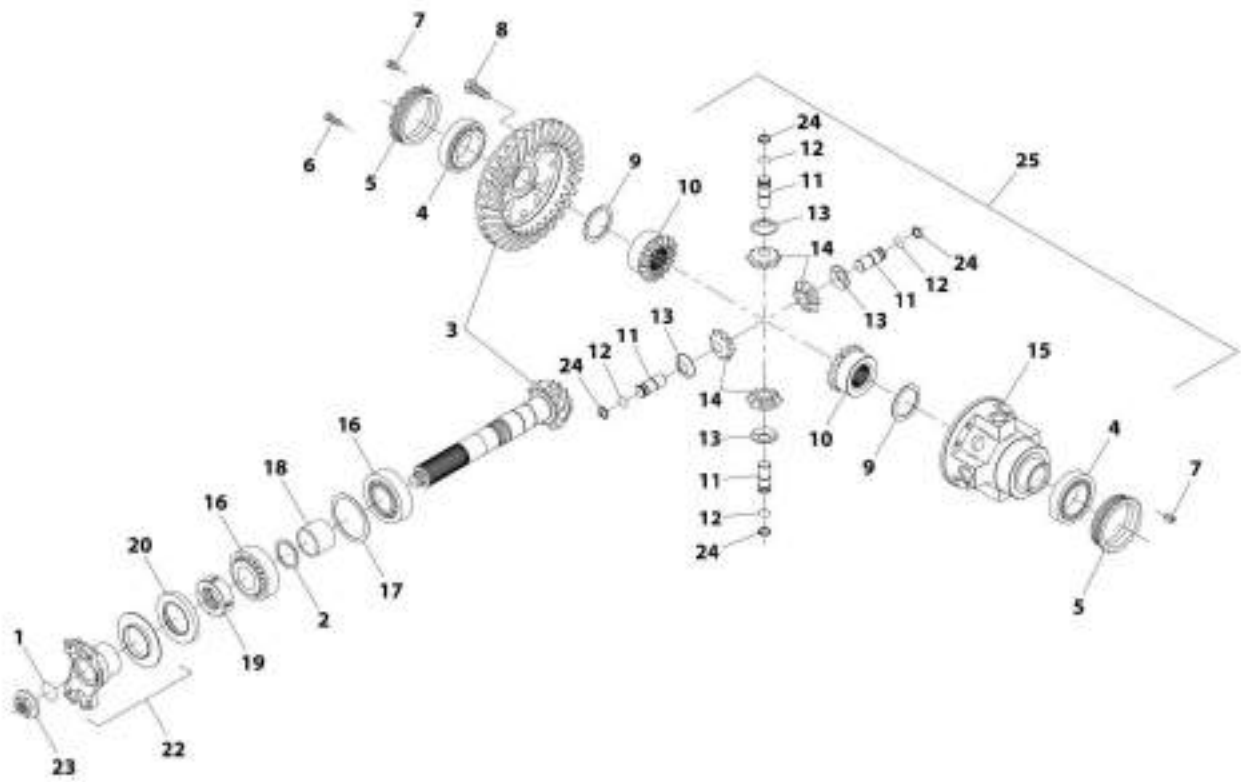
## SECTION 5 - DRIVE TRAIN

**FIGURE 5-34. REAR AXLE, CENTRAL HOUSING 74HP - 8042**

ITEM	PART NUMBER	QTY	DESCRIPTION	REV
1	91474507	3	O-Ring	
2	70024519	1	Cover	
3	91474512	1	Vent	
4	70028886	2	Thrust Bushing	
5	91514188	1	Plug	
9	7028706	1	Magnet Plug	
11	N.S.S.	1	Housing	
12	70024881	2	Fitting, Grease	
15	70028938	2	Plug	
16	70028974	2	Seal	
17	70028939	2	Ring	

# SECTION 5 - DRIVE TRAIN

FIGURE 5-35. REAR AXLE, DIFFERENTIAL 74HP - 8042



ART\_1005796100\_2

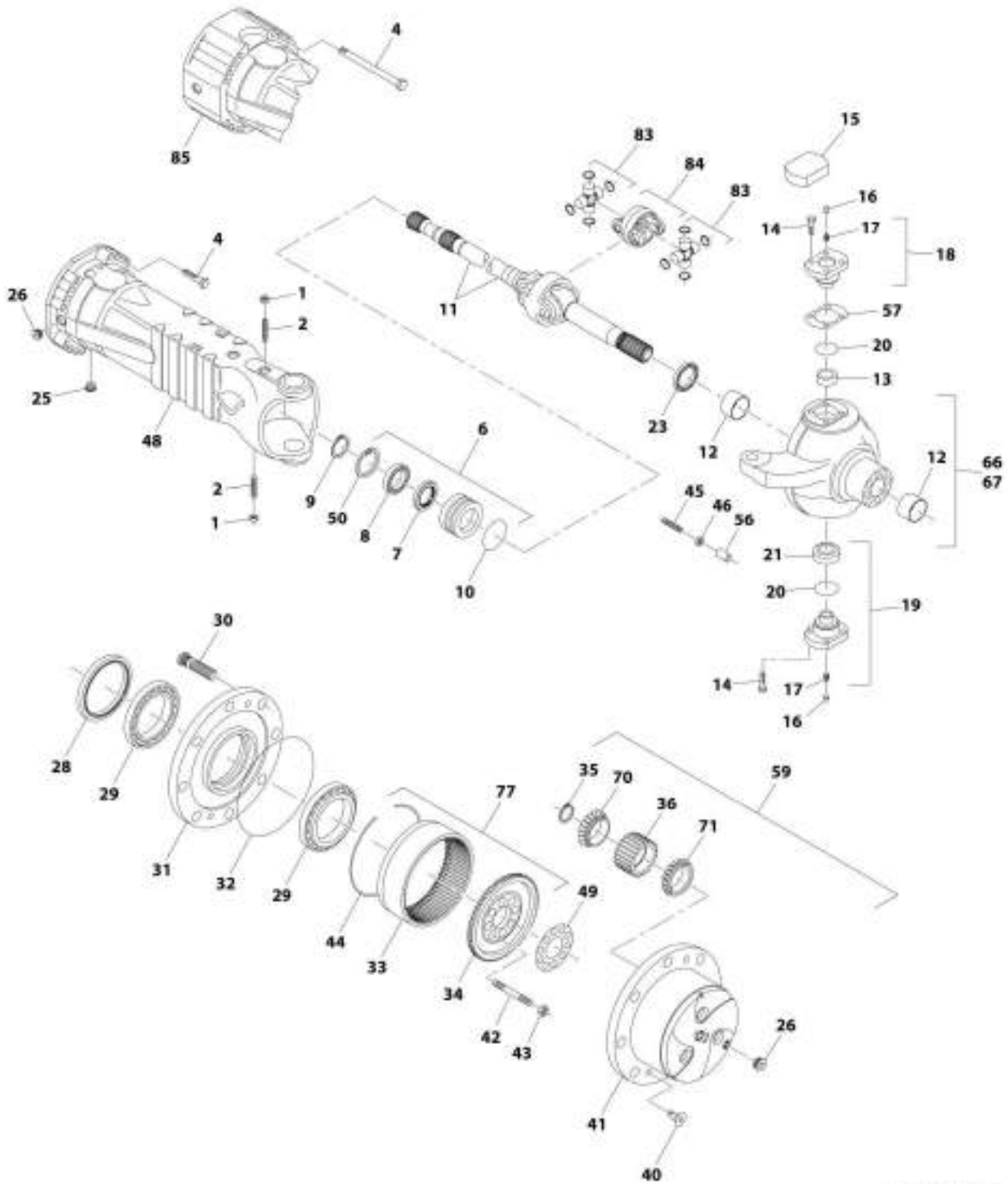
## SECTION 5 - DRIVE TRAIN

**FIGURE 5-35. REAR AXLE, DIFFERENTIAL 74HP - 8042**

ITEM	PART NUMBER	QTY	DESCRIPTION	REV
1	91474529	1	O-Ring	
2	70025556	1	Shim Kit	
3	7028043	1	Bevel Gear Set	
4	70028471	2	Bearing, Taper Roller	
5	91474547	2	Nut, Ring	
6	91474591	4	Bolt	
7	91514134	2	Bolt	
8	70025562	12	Bolt	
9	91474593	2	Washer, Friction	
10	70025569	2	Gear, Differential Side	
11	7029131	4	Pin	
12	91474551	4	Circlip	
13	91474553	4	Washer, Friction	
14	70025570	4	Pinion, Differential	
15	91474595	1	Carrier, Differential	
16	3968141	2	Bearing, Taper Roller	
17	70025555	1	Shim Kit	
18	91474539	1	Spacer	
19	91474533	1	Nut, Ring	
20	70024522	1	Seal	
22	70022797	1	Flange	
23	70026631	1	Nut	
24	91474550	4	Circlip	
25	70021140	1	Kit, Differential (See Separate Breakdown in this Section)	

# SECTION 5 - DRIVE TRAIN

FIGURE 5-36. REAR AXLE, HUB REDUCTION 74HP - 8042



ART\_1305781106\_3



## SECTION 5 - DRIVE TRAIN

**FIGURE 5-36. REAR AXLE, HUB REDUCTION 74HP - 8042**

ITEM	PART NUMBER	QTY	DESCRIPTION	REV
1	91514082	2	Nut	
2	91514081	2	Bolt	
4	70022799	32	Bolt	
6	91514149	2	Reduction Bushing (See Separate Breakdown in this Section)	
7	91514147	2	Seal	
8	91514146	2	Ball Bearing	
9	80204071	2	Circlip	
10	91514148	2	O-Ring	
11	70026803	2	Joint & Shaft, Double Universal	
12	91514111	2	Bushing, Thrust	
13	7028714	2	Bushing	
14	70025562	24	Bolt	
15	70028392	2	Cover	
16	80204117	2	Plug	
17	70024881	4	Fitting, Grease	
18	70028890	2	Pivot Pin	
19	70028891	2	Pivot Pin	
20	7028716	4	Seal, Dust	
21	91514095	2	Bearing	
23	70026238	2	Seal	
25	7028706	4	Plug, Magnet	
26	91514188	2	Plug	
28	7028721	2	Seal	
29	91474576	4	Bearing	
30	91514183	20	Wheel Stud	
31	7028722	2	Wheel Hub	
32	91514181	2	O-Ring	
33	70026811	2	Gear, Ring	
34	70026812	2	Support, Ring Gear	
35	70028925	3	Circlip	
36	70028941	6	Differential Pinion	
40	91514189	4	Bolt, Countersunk	
41	N.S.S.	1	Planet Gear Carrier	
42	70027315	16	Stud	
43	91474584	16	Nut	
44	91514175	2	Circlip	
45	70028975	4	Bolt	
46	80204065	4	Nut	
48	70028976	1	Case, Axle	
49	70026622	2	Plate, Locking	
50	80204005	2	Circlip	
56	7029311	2	Spacer	
57	70025561	1	Kit, Shim	
59	70028881	2	Kit, Planet Gear (See Separate Breakdown in this Section)	
66	N.S.S.	1	Steering Case	
67	N.S.S.	1	Steering Case	
70	7028731	6	Bearing	
71	7028732	6	Bearing	
77	70026806	2	Kit, Ring Gear Support (See Separate Breakdown in this Section)	
83	70028943	2	Cross Joint	

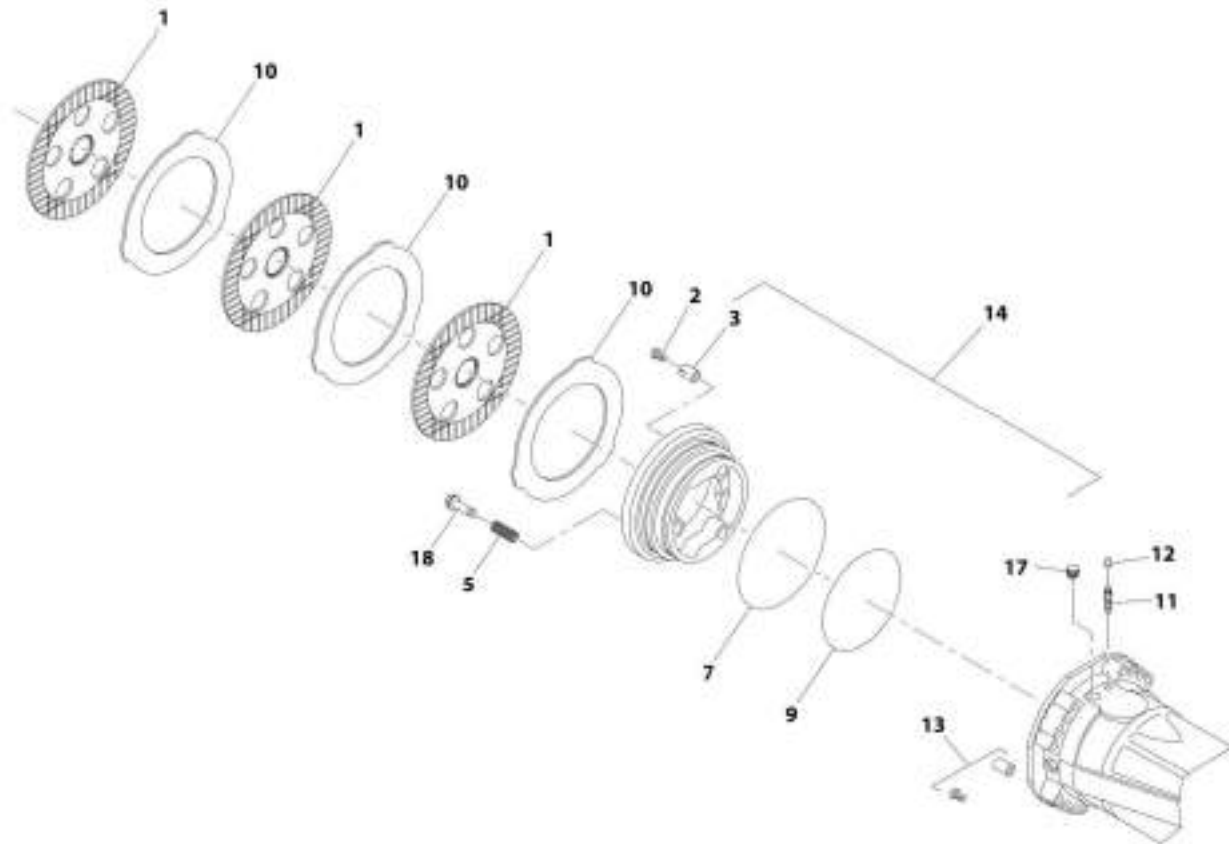
## SECTION 5 - DRIVE TRAIN

ITEM	PART NUMBER	QTY	DESCRIPTION	REV
84	70028944	1	Center Section Joint	
85	70028977	1	Case, Axle	



# SECTION 5 - DRIVE TRAIN

FIGURE 5-37. REAR AXLE, BRAKES 74HP - 8042



AMT\_1005798100\_4

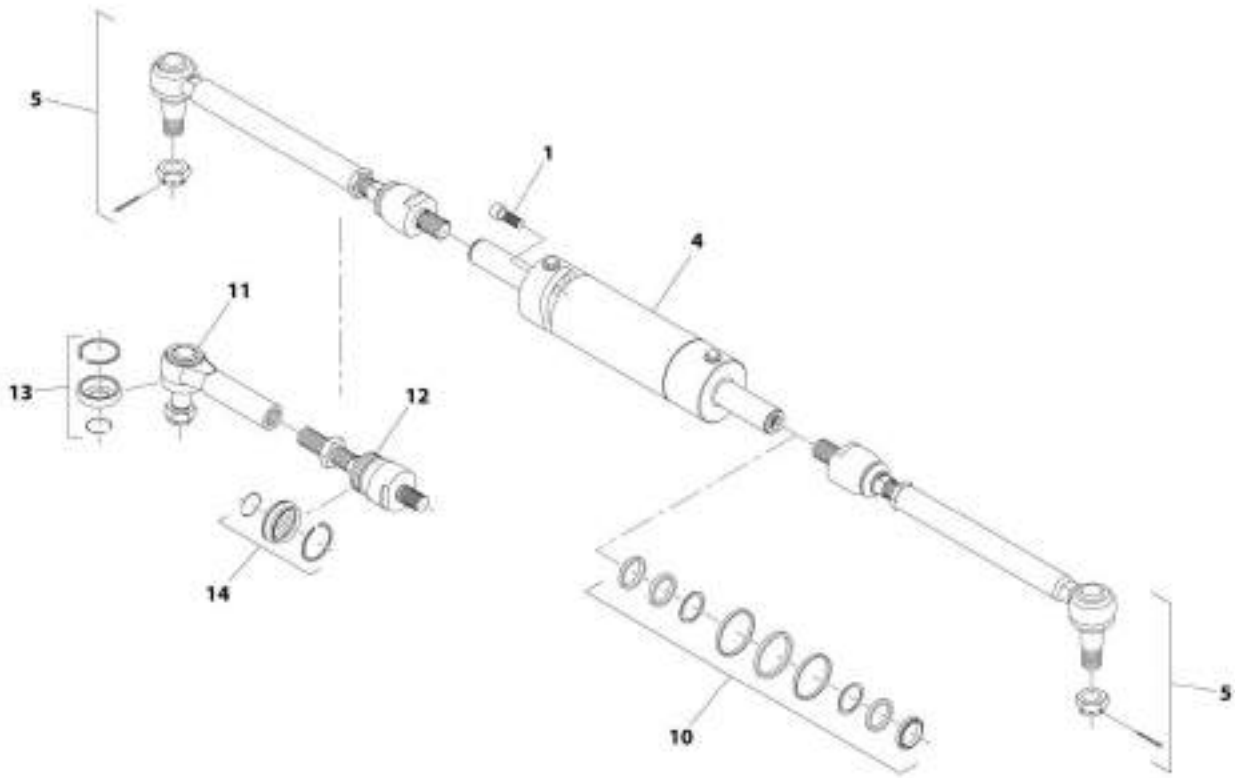
## SECTION 5 - DRIVE TRAIN

### FIGURE 5-37. REAR AXLE, BRAKES 74HP - 8042

ITEM	PART NUMBER	QTY	DESCRIPTION	REV
1	70028798	8	Disc	
2	7029785	6	Adjusting Bolt	
3	70027317	6	Spring	
5	91514159	6	Spring	
7	70025821	2	O-Ring	
9	70025822	2	O-Ring	
10	70025823	10	Disc, Intermediate Brake	
11	80204281	2	Bolt, Bleeding	
12	80204117	2	Plug	
13	70021613	2	Bolt	
14	N.S.S.	2	Piston	
17	91514154	2	Bolt	
18	70024210	6	Bolt	

# SECTION 5 - DRIVE TRAIN

FIGURE 5-38. REAR AXLE, STEERING 74HP - 8042



MT\_3005798-100\_3

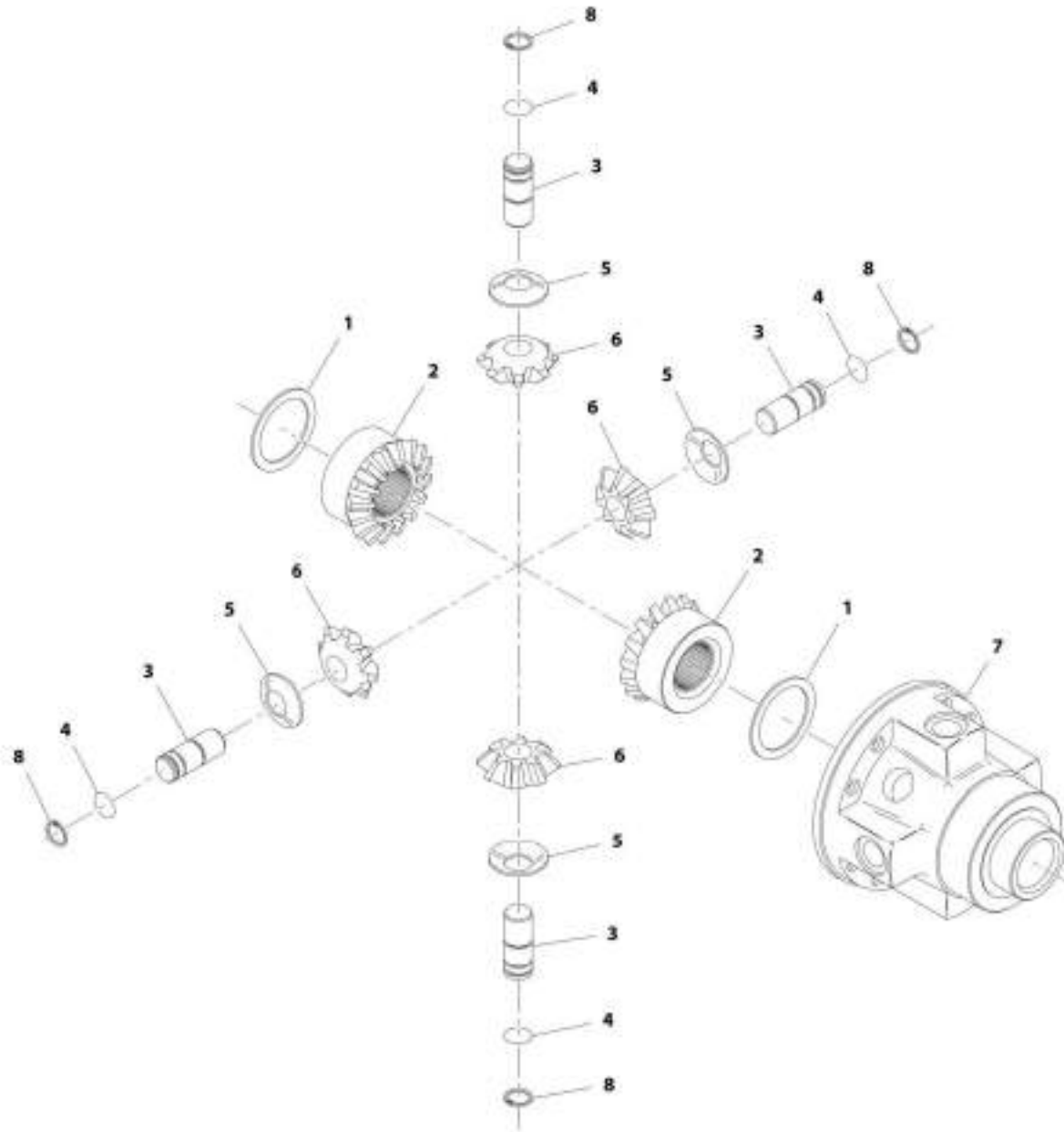
## SECTION 5 - DRIVE TRAIN

**FIGURE 5-38. REAR AXLE, STEERING 74HP - 8042**

ITEM	PART NUMBER	QTY	DESCRIPTION	REV
1	80204144	5	Bolt	
4	70028947	1	Cylinder	
5	70028948	2	Tie Rod	
10	7029127	1	Kit, Seal	
11	70028949	1	Joint, 90	
12	70028950	1	Axial Joint Shaft	
13	70028951	1	Rubber Boot and Locking Ring Kit	
14	70028952	1	Rubber Boot and Locking Ring Kit	

# SECTION 5 - DRIVE TRAIN

FIGURE 5-39. REAR AXLE, DIFFERENTIAL KIT 74HP - 8042



ART\_70021140



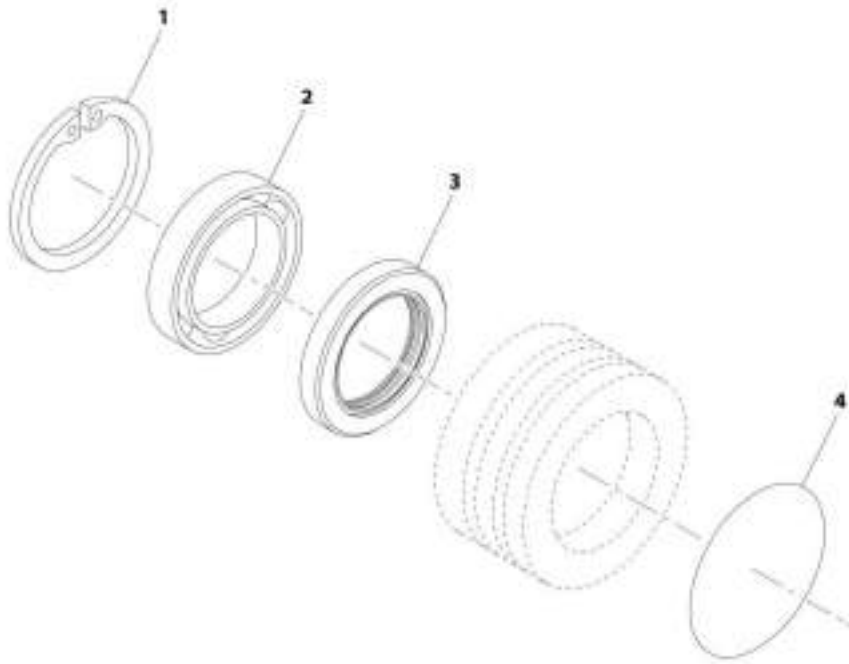
## SECTION 5 - DRIVE TRAIN

**FIGURE 5-39. REAR AXLE, DIFFERENTIAL KIT 74HP - 8042**

ITEM	PART NUMBER	QTY	DESCRIPTION	REV
	70021140	Ref	Differential Kit 74HP - 8042	
1	91474593	2	Washer, Friction	
2	70025569	2	Gear, Differential Side	
3	7029131	4	Pin	
4	91474551	4	Circlip	
5	91474553	4	Washer, Friction	
6	70025570	4	Pinion, Differential	
7	91474595	1	Carrier, Differential	
8	91474550	4	Circlip	

## SECTION 5 - DRIVE TRAIN

FIGURE 5-40. REAR AXLE, REDUCTION BUSHING 74HP - 8042



ART\_81514348

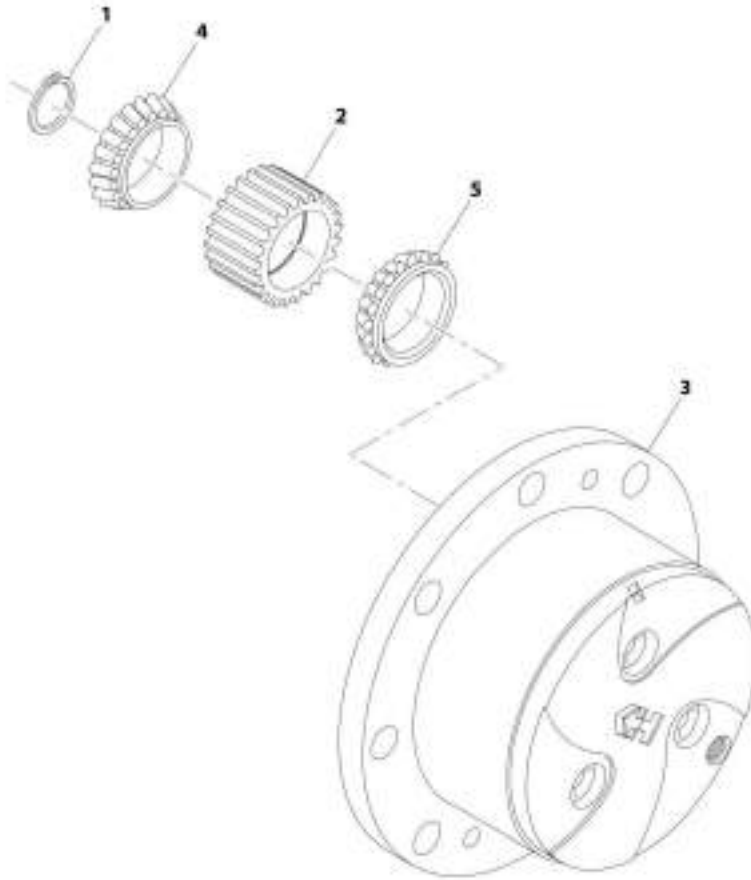
## SECTION 5 - DRIVE TRAIN

**FIGURE 5-40. REAR AXLE, REDUCTION BUSHING 74HP - 8042**

ITEM	PART NUMBER	QTY	DESCRIPTION	REV
	91514149	Ref	Reduction Bushing Kit 74HP - 8042	
1	80204005	1	Circlip	
2	91514146	1	Bearing, Ball	
3	91514147	1	Seal	
4	91514148	1	O-Ring	

## SECTION 5 - DRIVE TRAIN

FIGURE 5-41. REAR AXLE, PLANET GEAR CARRIER 74HP - 8042



ART\_70220881

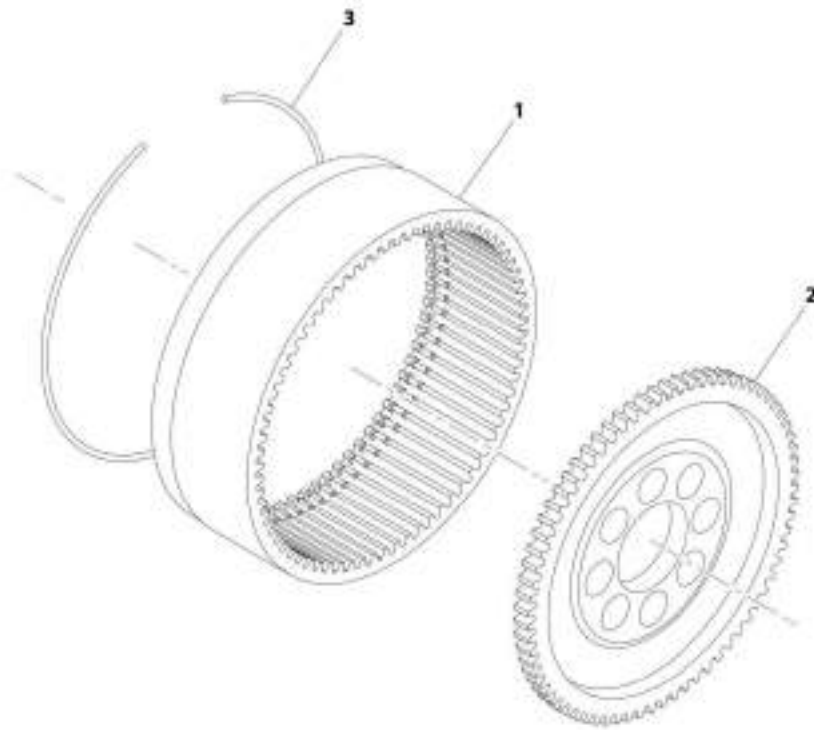
## SECTION 5 - DRIVE TRAIN

**FIGURE 5-41. REAR AXLE, PLANET GEAR CARRIER 74HP - 8042**

ITEM	PART NUMBER	QTY	DESCRIPTION	REV
	70028881	Ref	Kit, Planet Gear Carrier 74HP - 8042	
1	70028925	3	Circlip	
2	70028941	6	Differential Pinion	
3	N.S.S.	1	Carrier, Planet Gear	
4	7028731	6	Bearing	
5	7028732	6	Bearing	

# SECTION 5 - DRIVE TRAIN

FIGURE 5-42. REAR AXLE, RING GEAR SUPPORT 74HP - 8042



ART\_75026006

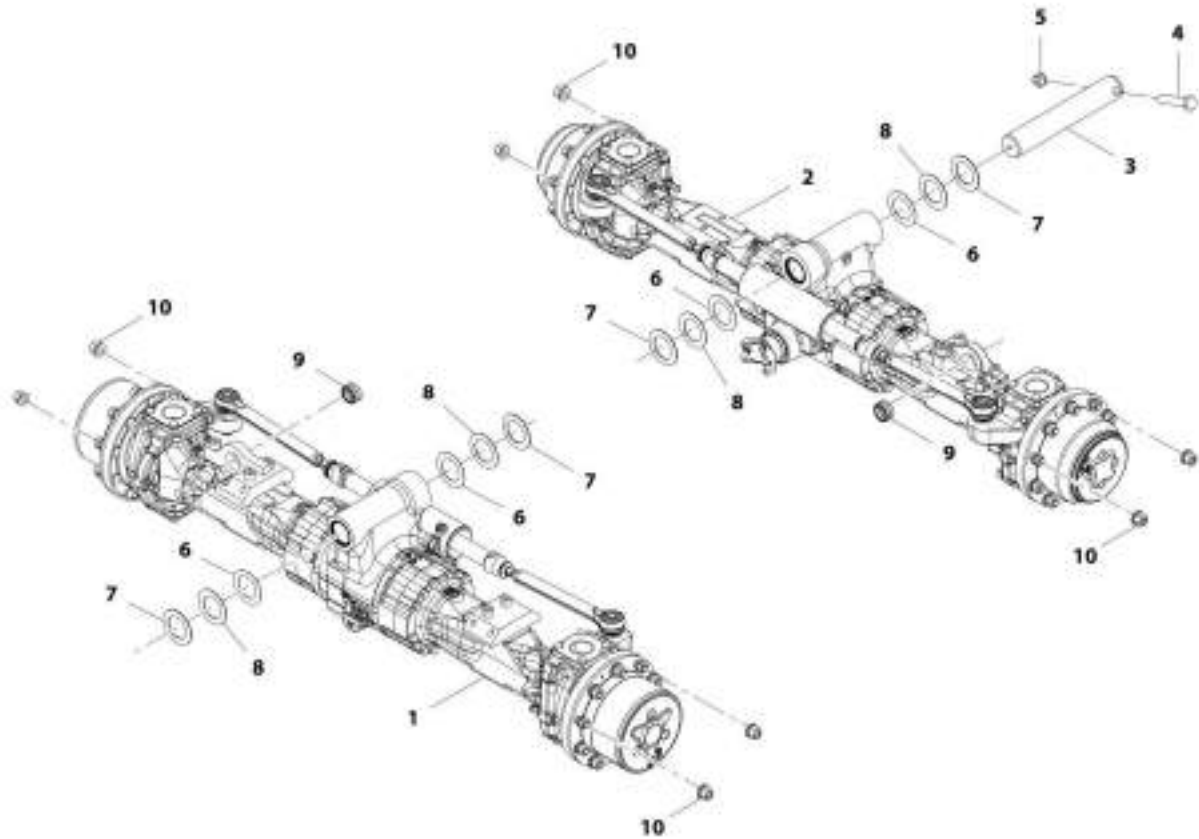
## SECTION 5 - DRIVE TRAIN

**FIGURE 5-42. REAR AXLE, RING GEAR SUPPORT 74HP - 8042**

ITEM	PART NUMBER	QTY	DESCRIPTION	REV
	70026806	Ref	Kit, Ring Gear Support 74HP - 8042	
1	70026811	1	Gear, Ring	
2	70026812	1	Support, Ring Gear	
3	91514175	1	Circlip	

# SECTION 5 - DRIVE TRAIN

FIGURE 5-43. AXLE INSTALLATION - 10042 & 10054



ART\_1001104800.E



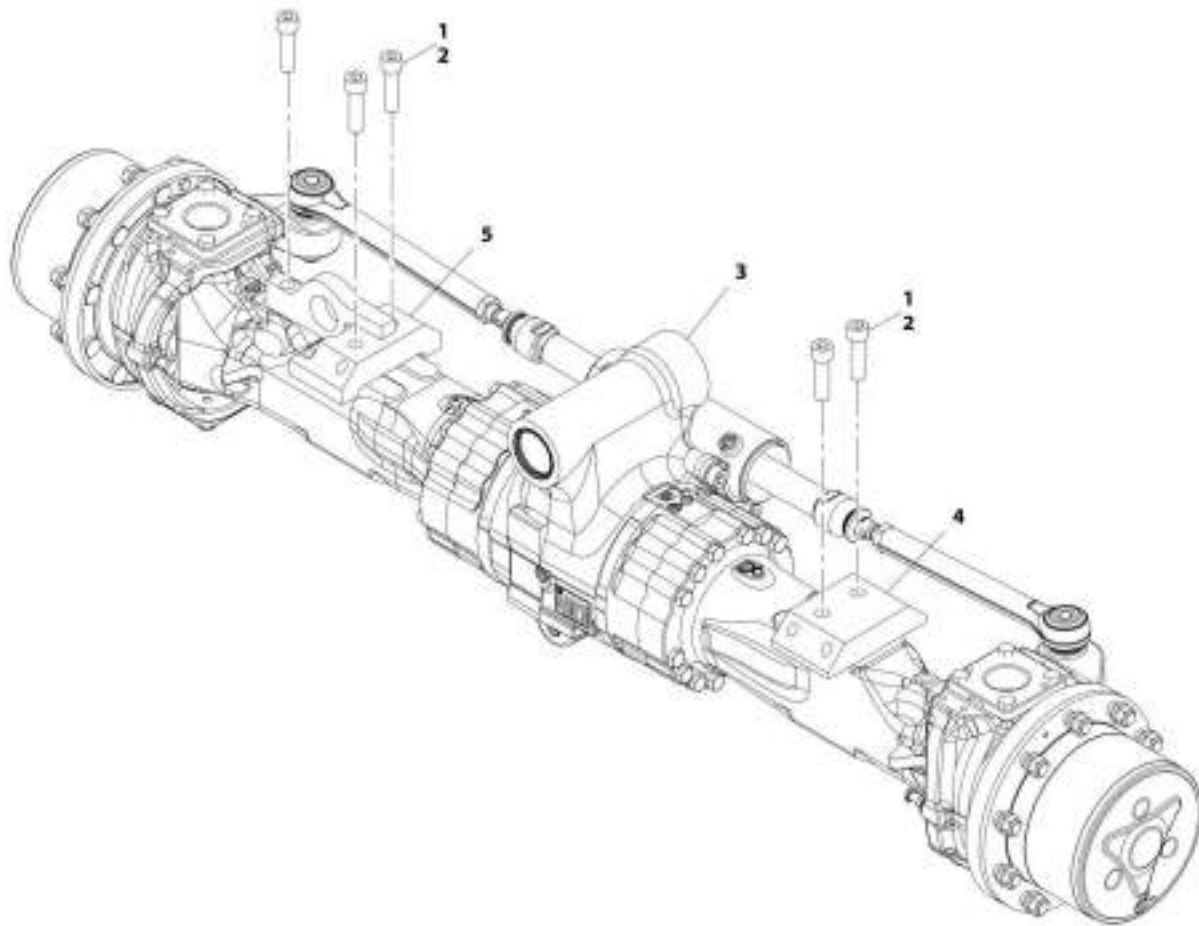
## SECTION 5 - DRIVE TRAIN

**FIGURE 5-43. AXLE INSTALLATION - 10042 & 10054**

ITEM	PART NUMBER	QTY	DESCRIPTION	REV
	1001104800	Ref	Axle Installation - 10042 & 10054	E
1	1001110889	1	Assembly, Front Axle (See FRONT AXLE ASSEMBLY - 10042 & 10054 for Breakdown)	
2	1001103633	1	Axle, Rear (See REAR AXLE - 10042 & 10054 for Breakdown)	
3	3423254	1	Pin, Axle Pivot	
4	0642640	1	Bolt, 1-8X5	
5	8310116	1	Nut, Lock 1-8	
6	8307912	AR	Washer, Shim 0.06	
7	8307913	AR	Washer, Shim 0.12	
8	8310259	AR	Washer, Shim 0.09	
9	8050001	2	Bearing, Self-Align	
10	91403193	40	Nut, Lug M22X1-1/2	

# SECTION 5 - DRIVE TRAIN

FIGURE 5-44. FRONT AXLE ASSEMBLY - 10042 & 10054



ART\_100110689-B

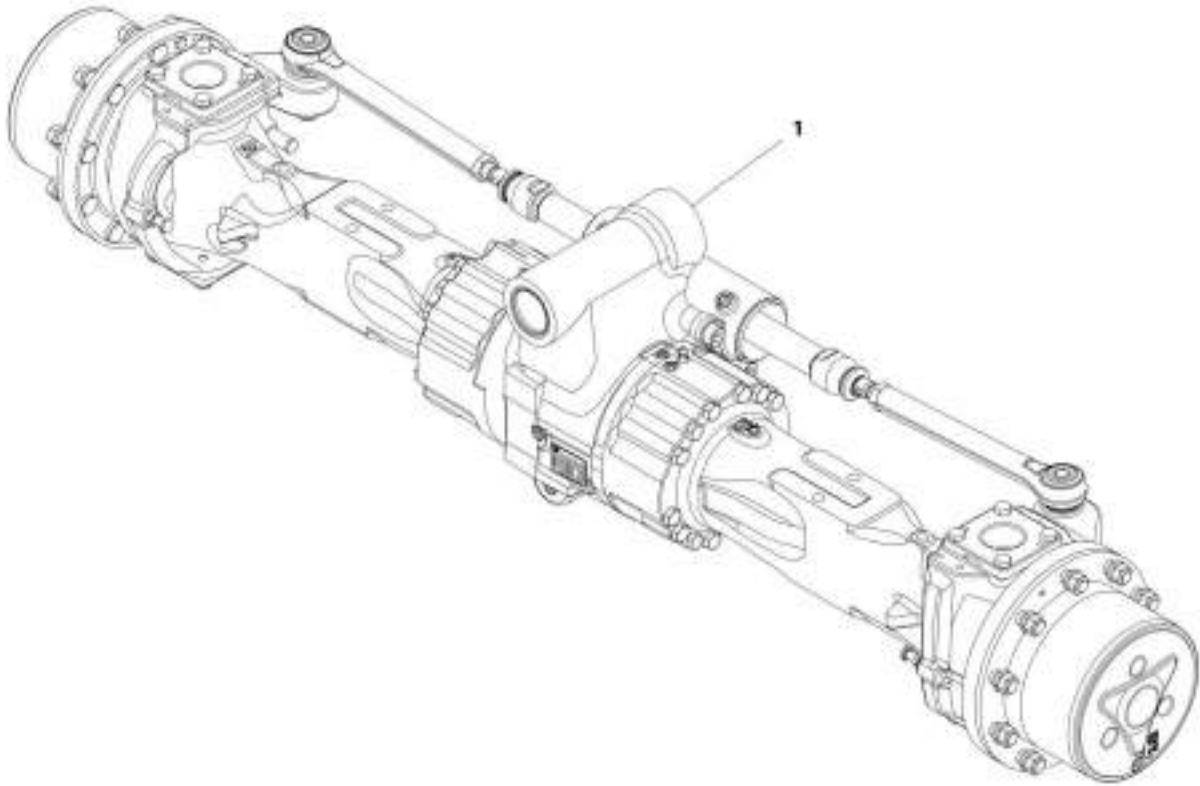
## SECTION 5 - DRIVE TRAIN

### FIGURE 5-44. FRONT AXLE ASSEMBLY - 10042 & 10054

ITEM	PART NUMBER	QTY	DESCRIPTION	REV
	1001110889	Ref	Front Axle Assembly - 10042 & 10054	B
1	0100019	AR	Compound, Locking	
2	1001103619	5	Screw, M22X80	
3	1001103629	1	Axle, Front (See Front Axle - 10042 & 10054 for Breakdown)	
4	1001107744	1	Brace, Outrigger Mounting	
5	1001107746	1	Lug, Frame Level Cylinder	

## SECTION 5 - DRIVE TRAIN

FIGURE 5-45. FRONT AXLE - 10042 & 10054



REF\_1001103629\_1-H

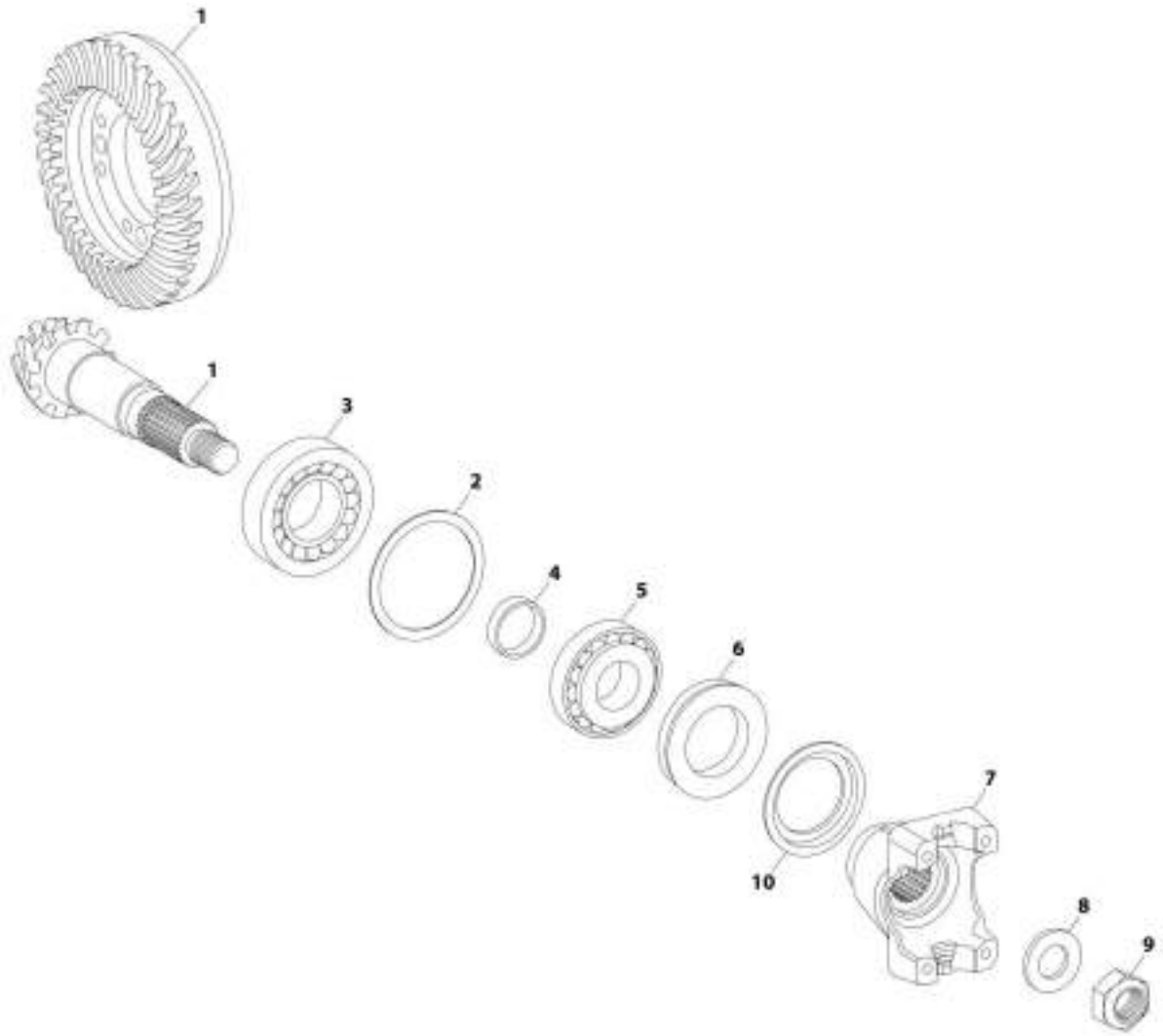
## SECTION 5 - DRIVE TRAIN

**FIGURE 5-45. FRONT AXLE - 10042 & 10054**

ITEM	PART NUMBER	QTY	DESCRIPTION	REV
	1001103629	Ref	Front Axle - 10042 & 10054	H
		Ref	Front Axle, Input (See FRONT AXLE, INPUT - 10042 & 10054 for Breakdown)	
		Ref	Front Axle, Limited Slip Differential (See FRONT AXLE, LIMITED SLIP DIFFERENTIAL - 10042 & 10054 for Breakdown)	
		Ref	Front Axle, Axle Casing (See FRONT AXLE, AXLE CASING - 10042 & 10054 for Breakdown)	
		Ref	Front Axle, Multi-Disc Brake (See FRONT AXLE, MULTI-DISC BRAKE - 10042 & 10054 for Breakdown)	
		Ref	Front Axle, Brake (See FRONT AXLE, BRAKE - 10042 & 10054 for Breakdown)	
		Ref	Front Axle, Joint Housing (See FRONT AXLE, JOINT HOUSING - 10042 & 10054 for Breakdown)	
		Ref	Front Axle, Planetary Drive (See FRONT AXLE, PLANETARY DRIVE - 10042 & 10054 for Breakdown)	

# SECTION 5 - DRIVE TRAIN

FIGURE 5-46. FRONT AXLE, INPUT - 10042 & 10054



ART\_100103029\_2-44

## SECTION 5 - DRIVE TRAIN

**FIGURE 5-46. FRONT AXLE, INPUT - 10042 & 10054**

ITEM	PART NUMBER	QTY	DESCRIPTION	REV
1	70022272	1	Bevel Gear Set	
2	80304160	1	Shim, 0.1	
2	80304159	1	Shim, 0.2	
2	80304158	1	Shim, 0.3	
2	80304157	1	Shim, 0.5	
2	80304156	1	Shim, 0.6	
2	80304162	1	Shim, 0.65	
2	80304155	1	Shim, 0.7	
2	80304161	1	Shim, 0.75	
2	80304154	1	Shim, 0.8	
2	80304153	1	Shim, 0.9	
2	80304152	1	Shim, 1.0	
2	80304146	1	Shim, 1.2	
2	80304163	1	Shim, 1.25	
2	80304151	1	Shim, 1.3	
2	80304164	1	Shim, 1.35	
2	80304150	1	Shim, 1.4	
2	80304165	1	Shim, 1.45	
2	80304145	1	Shim, 1.5	
2	80304166	1	Shim, 1.55	
2	80304149	1	Shim, 1.6	
2	80304167	1	Shim, 1.65	
2	80304148	1	Shim, 1.7	
2	80304168	1	Shim, 1.75	
2	80304144	1	Shim, 1.8	
2	80304169	1	Shim, 1.85	
2	80304147	1	Shim, 1.9	
2	80304143	1	Shim, 2.0	
3	70022231	1	Bearing, Roller	
4	80304088	1	Ring, 16.0	
4	80304089	1	Ring, 16.1	
4	80304090	1	Ring, 16.2	
4	80304091	1	Ring, 16.3	
4	80304092	1	Ring, 16.4	
4	80304093	1	Ring, 16.5	
4	80304110	1	Ring, 16.56	
4	80304094	1	Ring, 16.6	
4	80304111	1	Ring, 16.62	
4	80304112	1	Ring, 16.64	
4	80304124	1	Ring, 16.66	
4	80304113	1	Ring, 16.68	
4	80304095	1	Ring, 16.7	
4	70022216	1	Ring, 16.72	
4	80304115	1	Ring, 16.74	
4	80304117	1	Ring, 16.76	
4	80304118	1	Ring, 16.78	
4	80304096	1	Ring, 16.8	
4	80304119	1	Ring, 16.82	
4	80304120	1	Ring, 16.84	
4	80304104	1	Ring, 16.86	

## SECTION 5 - DRIVE TRAIN

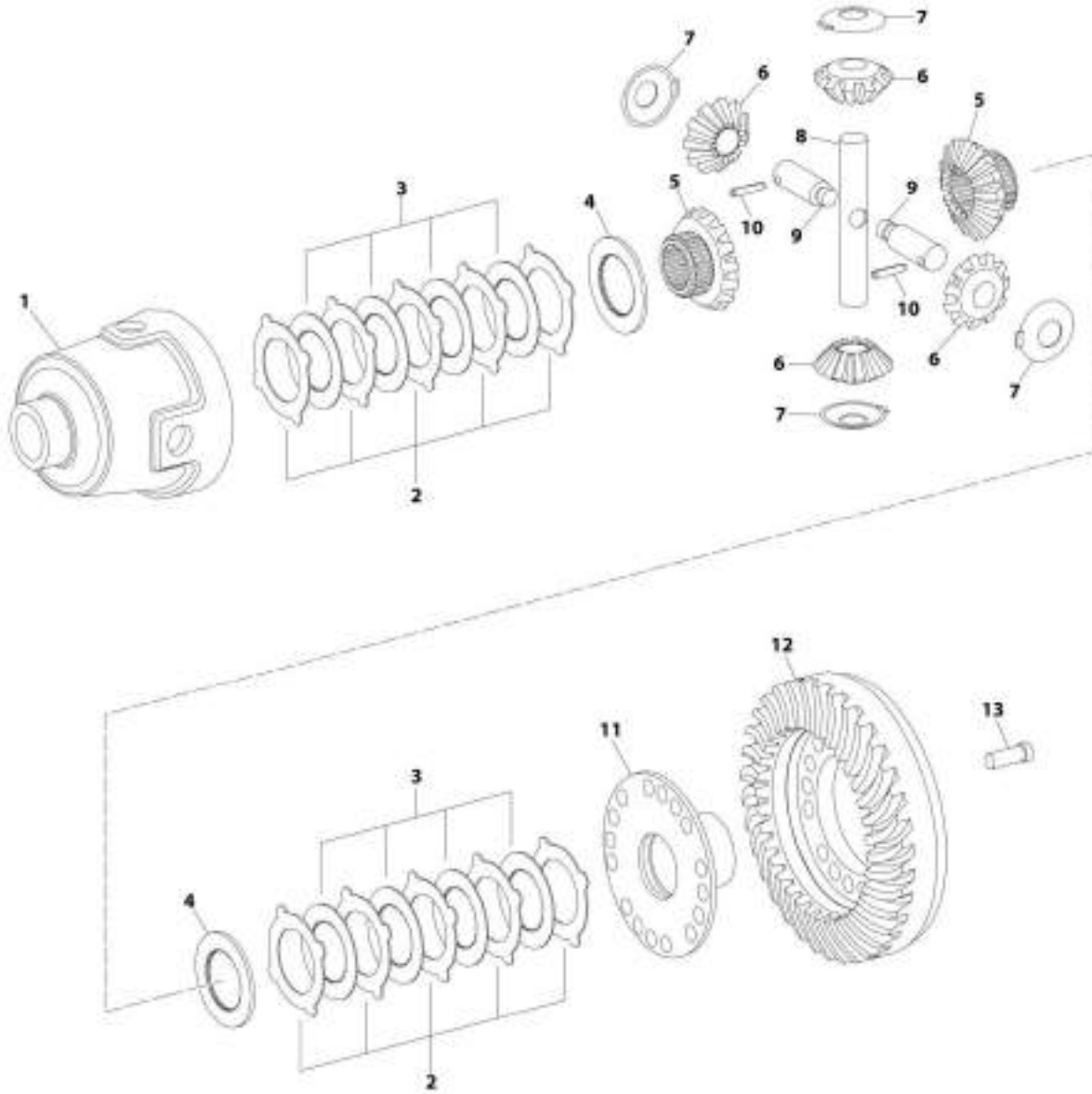
ITEM	PART NUMBER	QTY	DESCRIPTION	REV
4	80304121	1	Ring, 16.88	
4	80304122	1	Ring, 16.9	
4	80304097	1	Ring, 16.92	
4	80304123	1	Ring, 16.94	
4	80304125	1	Ring, 16.96	
4	80304107	1	Ring, 16.98	
4	80304126	1	Ring, 17.0	
4	80304127	1	Ring, 17.02	
4	80304108	1	Ring, 17.04	
4	80304128	1	Ring, 17.06	
4	80304129	1	Ring, 17.08	
4	80304099	1	Ring, 17.10	
4	80304130	1	Ring, 17.12	
4	80304131	1	Ring, 17.14	
4	80304132	1	Ring, 17.16	
4	80304133	1	Ring, 17.18	
4	80304100	1	Ring, 17.2	
4	80304134	1	Ring, 17.22	
4	80304135	1	Ring, 17.24	
4	80304136	1	Ring, 17.26	
4	80304137	1	Ring, 17.28	
4	80304101	1	Ring, 17.3	
4	80304102	1	Ring, 17.4	
5	1319353	1	Bearing, Roller	
6	70022220	1	Seal, Shaft	
7	70022245	1	Yoke, End	
8	80304082	1	Washer	
9	70022213	1	Nut	
10	70022244	1	Sheet, Screen	





# SECTION 5 - DRIVE TRAIN

FIGURE 5-47. FRONT AXLE, LIMITED SLIP DIFFERENTIAL - 10042 & 10054



ART\_100110429\_3-H

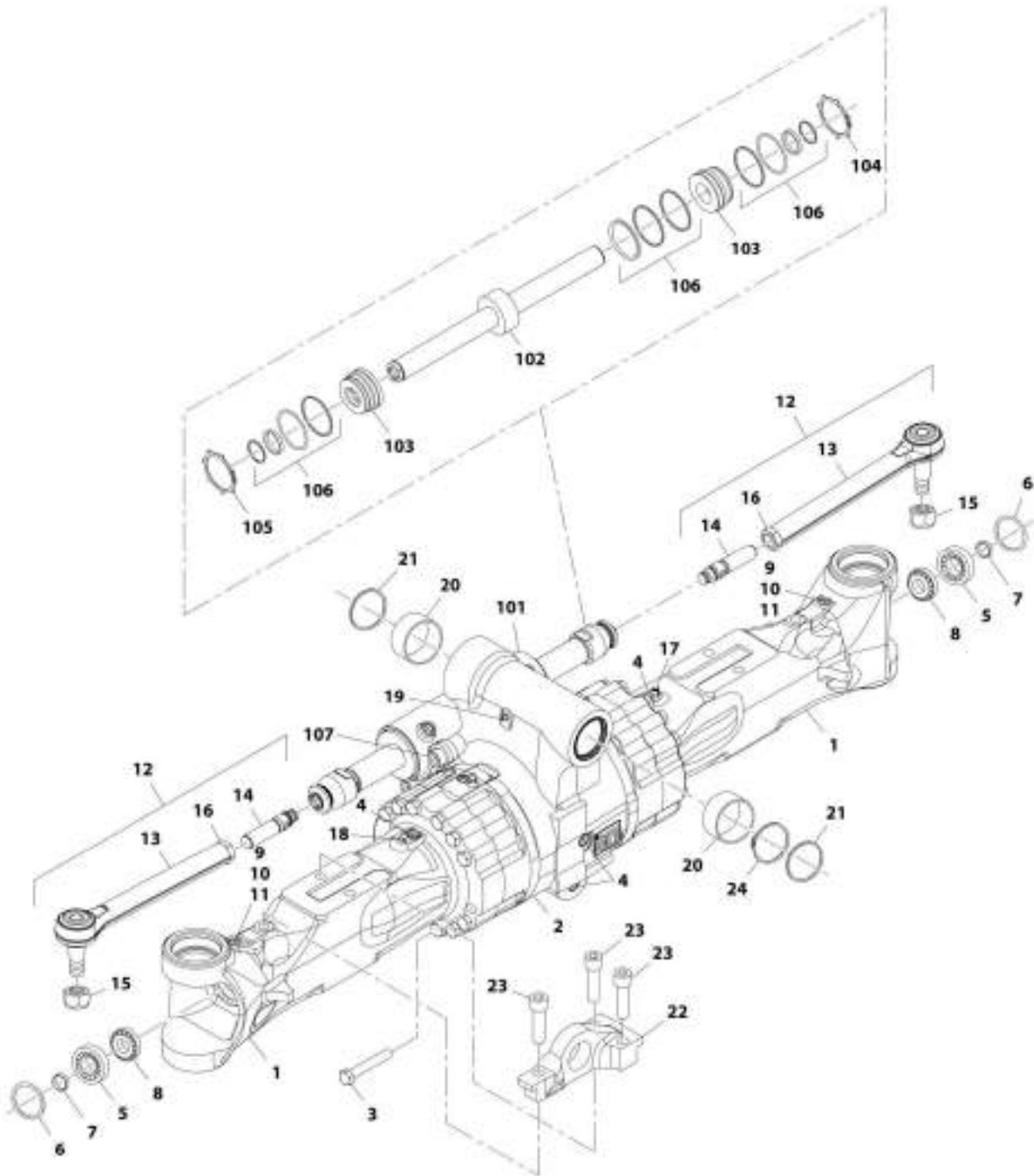
## SECTION 5 - DRIVE TRAIN

**FIGURE 5-47. FRONT AXLE, LIMITED SLIP DIFFERENTIAL - 10042 & 10054**

ITEM	PART NUMBER	QTY	DESCRIPTION	REV
1	70023910	1	Case, Differential	
2	70022263	10	Disc, Outer Clutch 1.2	
	70022264	10	Disc, Outer Clutch 1.3	
3	70022260	8	Disc, Inner Clutch	
4	70022261	2	Disc, Pressure	
5	70022225	2	Bevel Gear, Axle	
6	70022185	4	Bevel Gear, Differential	
7	70022262	4	Washer, Thrust	
8	70022227	1	Axle, Differential	
9	70022228	2	Axle, Differential	
10	70023904	2	Pin, Slot	
11	70022229	1	Cover	
12	70022272	Ref	Bevel Gear Set (See FRONT AXLE, INPUT - 10042 & 10054)	
13	70022211	16	Screw, M12X35	

# SECTION 5 - DRIVE TRAIN

FIGURE 5-48. FRONT AXLE, AXLE CASING - 10042 & 10054



AMT\_1001933020\_4-H

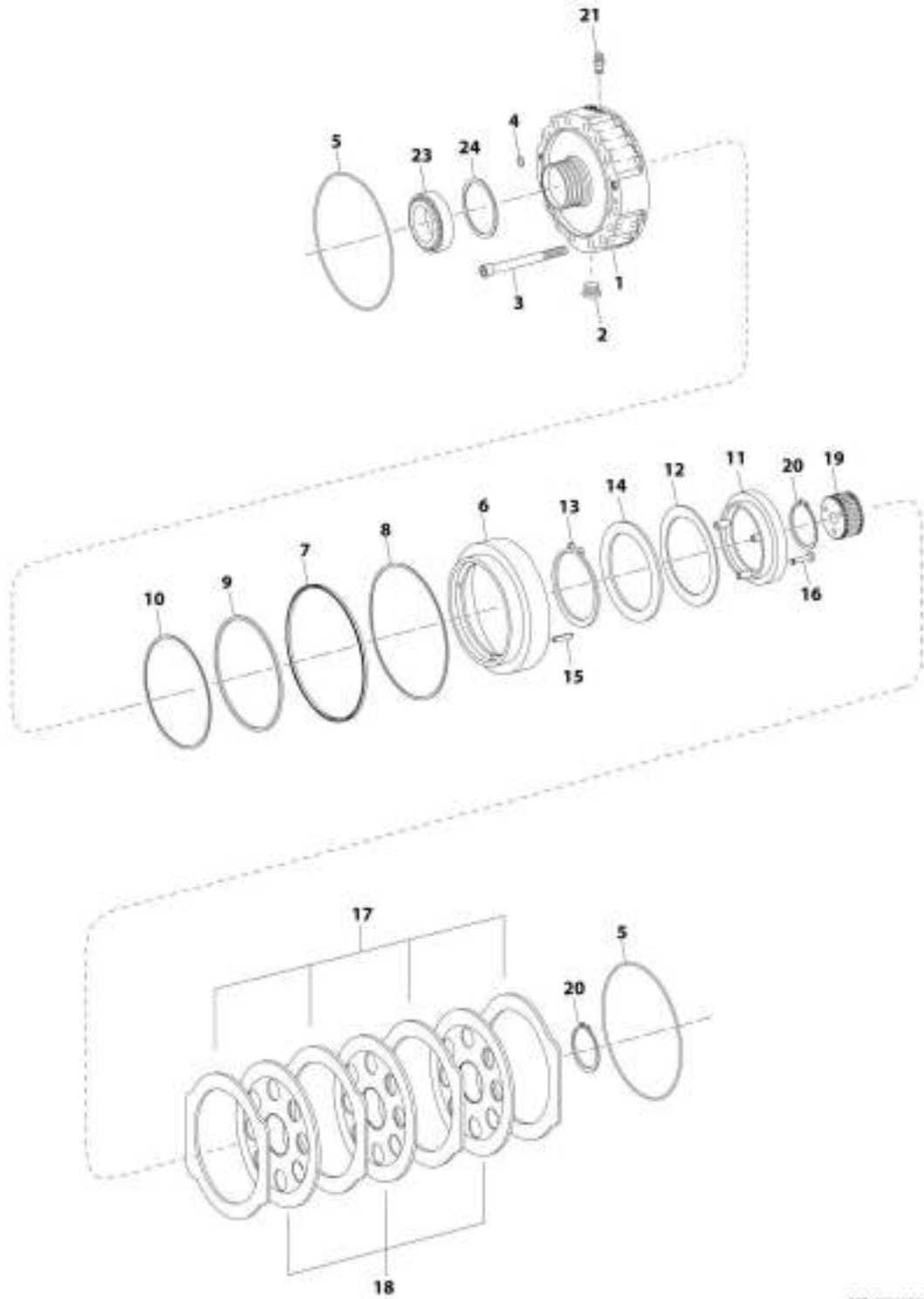
## SECTION 5 - DRIVE TRAIN

**FIGURE 5-48. FRONT AXLE, AXLE CASING - 10042 & 10054**

ITEM	PART NUMBER	QTY	DESCRIPTION	REV
1	70022255	2	Casing, Axle	
2	70022277	1	Drive Housing, Axle	
3	70022206	28	Bolt, M18X180	
4	1319578	4	Plug, Screw	
5	70022241	2	Bushing	
6	70022204	2	O-Ring	
7	70022217	2	Ring	
8	10731790	2	Bearing	
9	70022201	2	Screw, Set M10X16	
10	1319666	2	Plug, Screw	
11	7027217	2	O-Ring	
12	70022174	2	Rod, Tie	
13	70022175	1	Joint, Ball	
14	70022172	1	Joint, Axial	
15	8036758	1	Nut, Lock	
16	8036759	1	Nut	
17	1319436	1	Breather	
18	8036418	1	Plug, Screw	
19	1319423	1	Fitting, Grease	
20	1321234	2	Bushing	
21	1321209	2	Seal, Shaft	
22	70022254	1	Bracket	
23	1001103619	3	Screw, M22X80	
24	70022269	1	Ring, Snap	
101	70022173	1	Cylinder, Steering	
102	70022177	1	Rod, Piston	
103	70022184	2	Head, Break	
104	70022181	2	Ring, Retaining	
105	70022180	2	Ring, Retaining	
106	70022178	1	Kit, Seal	
107	70022789	4	Screw, M22X55	

# SECTION 5 - DRIVE TRAIN

FIGURE 5-49. FRONT AXLE, MULTI-DISC BRAKE - 10042 & 10054



ARIT\_1001039620\_3-H

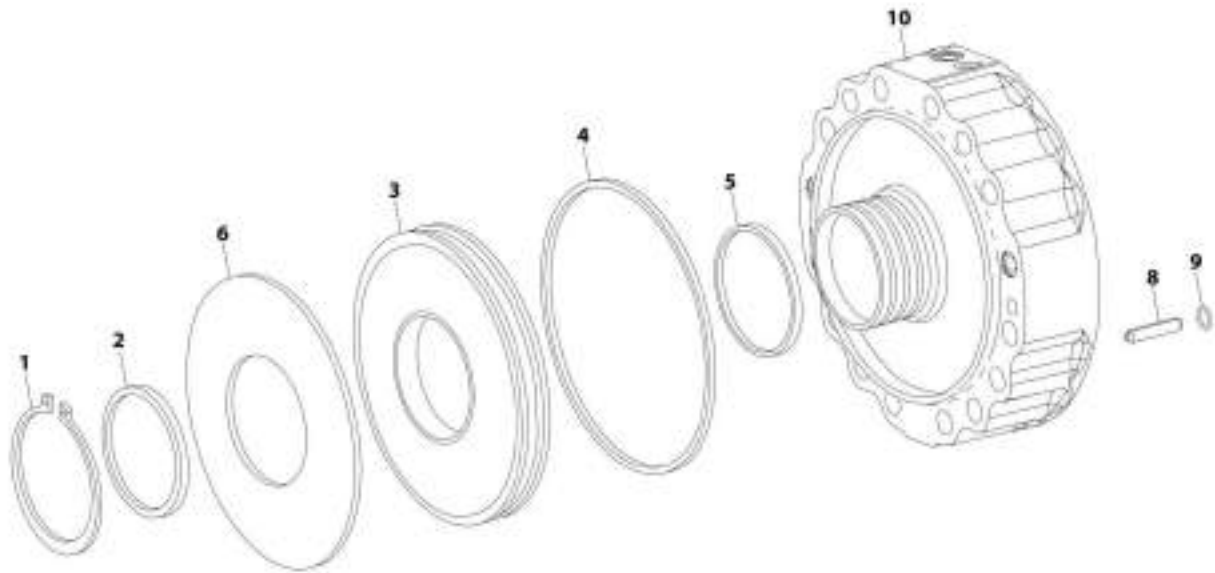
## SECTION 5 - DRIVE TRAIN

**FIGURE 5-49. FRONT AXLE, MULTI-DISC BRAKE - 10042 & 10054**

ITEM	PART NUMBER	QTY	DESCRIPTION	REV
1	70022258	2	Housing, Brake	
2	1319578	2	Plug, Screw	
3	70022209	6	Screw, M12X105	
4	8036847	10	O-Ring	
5	80304462	4	O-Ring	
6	70022275	2	Piston	
7	70022190	2	Packing, Piston	
8	70022193	2	Ring, Back-Up	
9	70022189	2	Packing, Piston	
10	70022194	2	Ring, Back-Up	
11	70022236	2	Ring	
12	70022183	2	Spring, Cup	
13	70022198	2	Ring, Retaining	
14	70022235	2	Washer	
15	70022186	6	Pin, Slot	
16	1319214	6	Screw, M8X40	
17	70022196	10	Disc, Outer Clutch	
18	70022176	8	Disc, Inner Clutch	
19	70022253	2	Carrier, Disc	
20	10731949	4	Ring, Retaining	
21	70022171	2	Breather	
22	70022215	2	Plug, Screw (not shown)	
23	8036447	2	Bearing, Roller	
24	1319537	2	Shim, 0.95	
24	1319545	2	Shim, 1.05	
24	1319539	2	Shim, 1.15	
24	1319540	2	Shim, 1.25	
24	1319542	2	Shim, 1.35	

# SECTION 5 - DRIVE TRAIN

FIGURE 5-50. FRONT AXLE, BRAKE - 10042 & 10054



ART\_100100629\_6-N



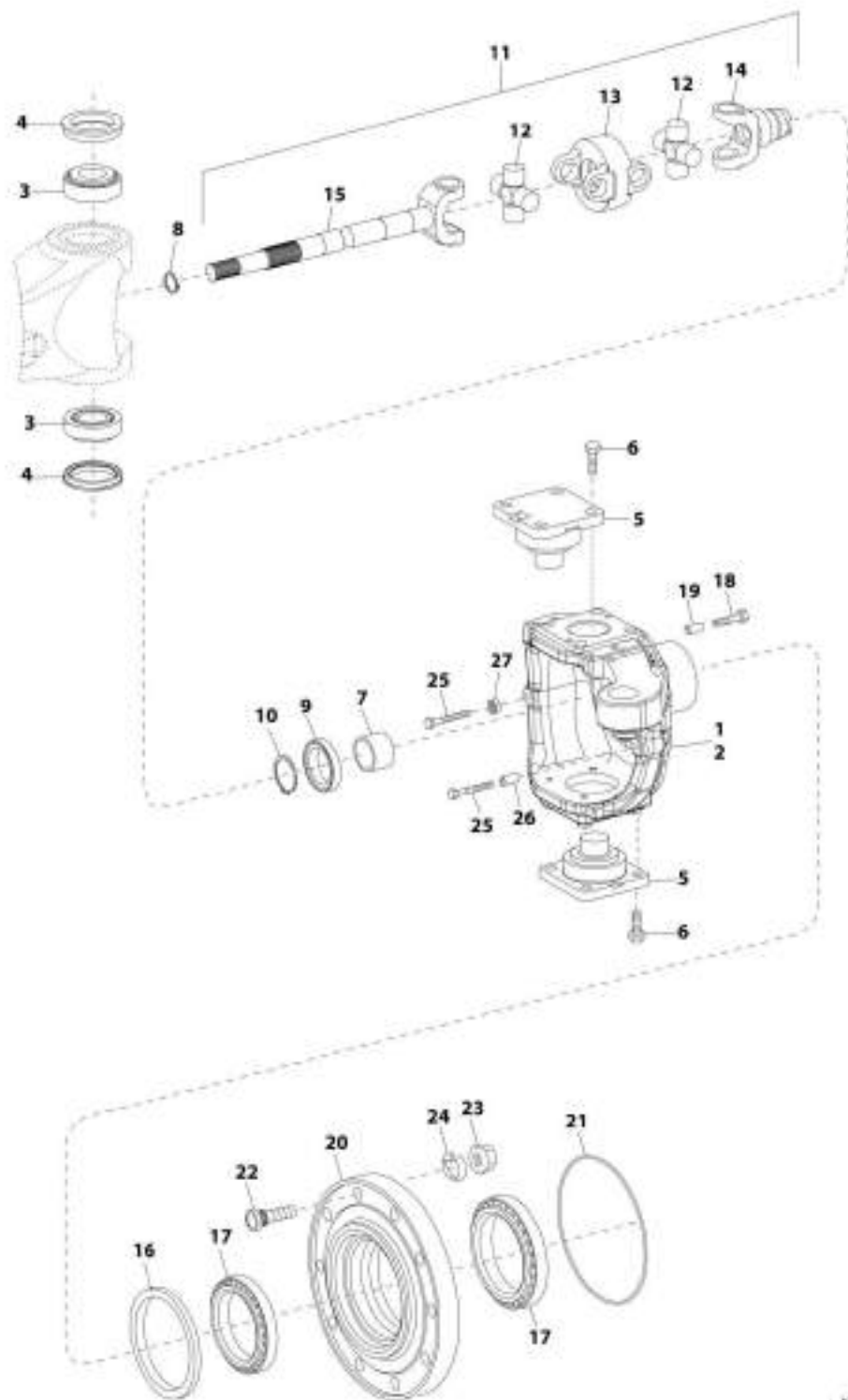
## SECTION 5 - DRIVE TRAIN

**FIGURE 5-50. FRONT AXLE, BRAKE - 10042 & 10054**

ITEM	PART NUMBER	QTY	DESCRIPTION	REV
1	70022199	2	Ring, Snap	
2	70022252	2	Washer	
3	70022251	2	Piston	
4	70022191	2	Packing, Piston	
5	70022192	2	Seal, Rod	
6	70022195	2	Spring, Cup	
7	70022215	2	Plug, Screw (not shown)	
8	70022248	14	Pin, Pressure	
9	70022202	14	O-Ring	
10	70022258	Ref	Housing, Brake (See FRONT AXLE, MULTI-DISC BRAKE - 10042 & 10054)	

# SECTION 5 - DRIVE TRAIN

FIGURE 5-51. FRONT AXLE, JOINT HOUSING - 10042 & 10054



ART\_1001109029\_7-H

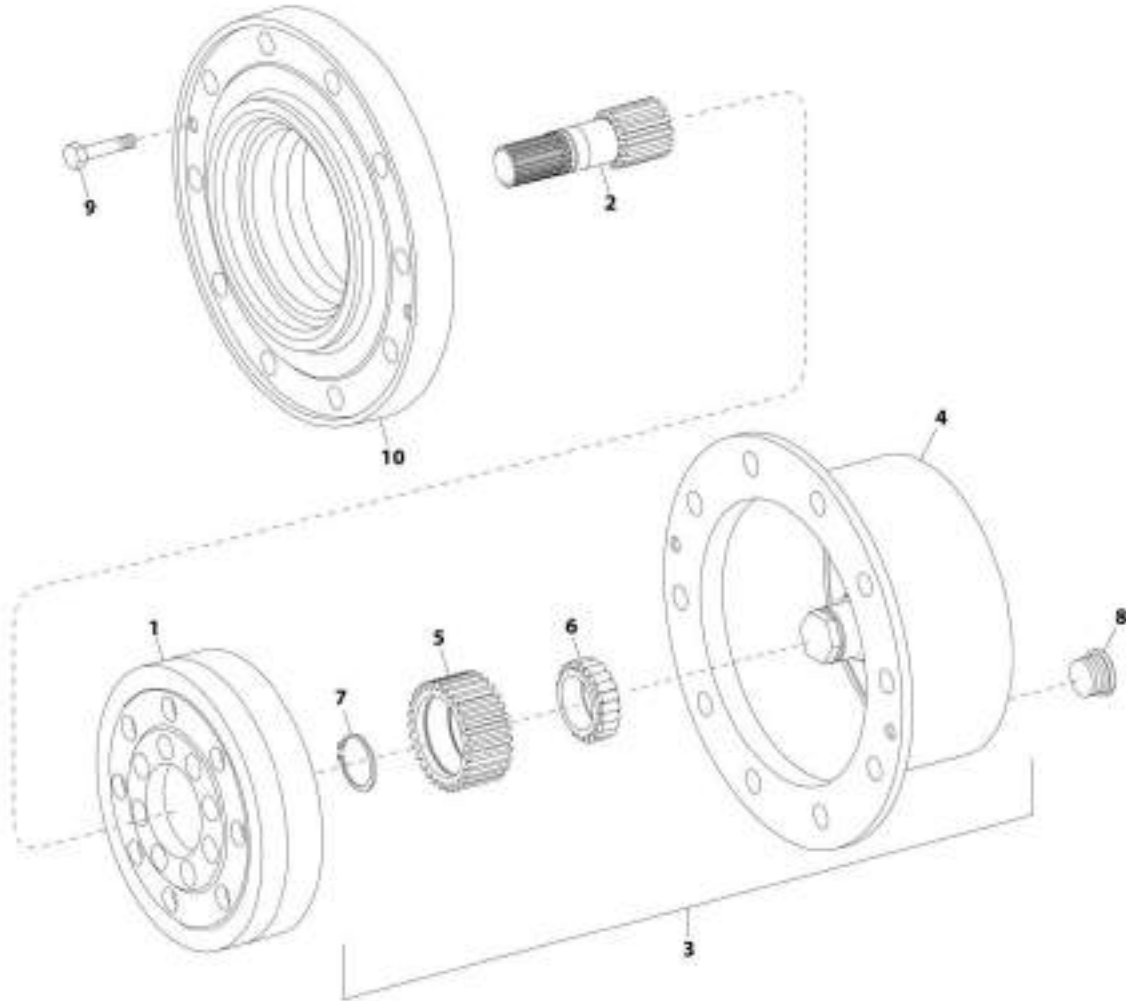
## SECTION 5 - DRIVE TRAIN

**FIGURE 5-51. FRONT AXLE, JOINT HOUSING - 10042 & 10054**

ITEM	PART NUMBER	QTY	DESCRIPTION	REV
1	70022237	1	Housing, Joint (left side)	
2	70022238	1	Housing, Joint (right side)	
3	70022223	4	Bearing, Roller	
4	1319447	4	Seal, Shaft	
5	70022240	4	Pin, Bearing	
6	1319464	16	Screw, M16X40	
7	70022179	2	Bushing	
8	10731789	2	Ring, Retaining	
9	70022218	2	Seal, Shaft	
10	1321228	2	Ring, Retaining	
11	70022265	2	Assembly, Universal Coupling Drive Shaft	
12	70021790	2	Cross, Joint	
13	70022268	1	Central Piece	
14	N.S.S.	1	Shaft, Fork	
15	N.S.S.	1	Shaft, Fork	
16	80304173	2	Seal, Shaft	
17	1319472	4	Bearing, Roller	
18	70023405	16	Screw, M14X70	
19	70022234	16	Bushing, Centering	
20	70022249	2	Hub	
21	70022203	2	O-Ring	
22	70022230	20	Bolt, Wheel	
23	8786572	20	Nut, Wheel	
24	8786573	20	Washer, Lock M22	
25	8036330	4	Screw, Stop M14X1-1/2	
26	70022257	2	Tube, Spacer	
27	1319477	2	Nut, M14X1-1/2	

# SECTION 5 - DRIVE TRAIN

FIGURE 5-52. FRONT AXLE, PLANETARY DRIVE - 10042 & 10054



ART\_1001103929\_8-H

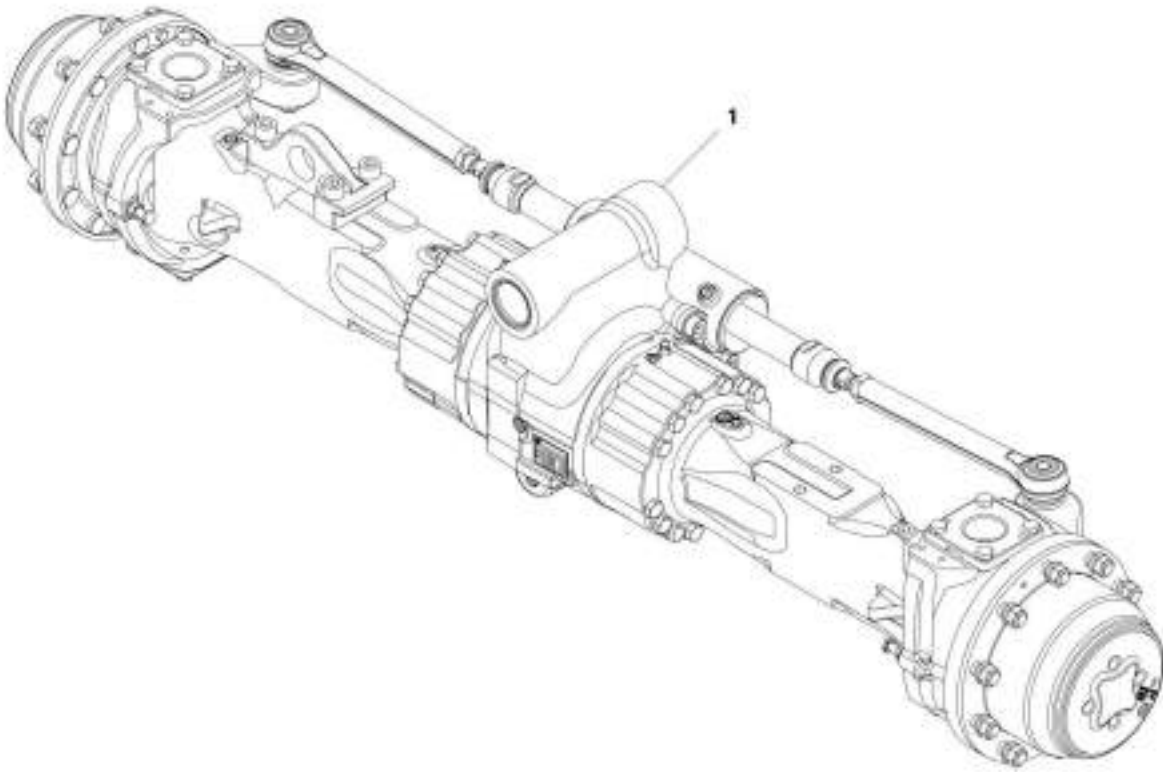
## SECTION 5 - DRIVE TRAIN

**FIGURE 5-52. FRONT AXLE, PLANETARY DRIVE - 10042 & 10054**

ITEM	PART NUMBER	QTY	DESCRIPTION	REV
1	70022274	1	Gear, Ring	
2	70022278	2	Shaft, Sun Gear	
3	70022273	2	Assembly, Planetary Carrier	
4	70022279	1	Carrier, Planetary	
5	70022271	3	Gear, Planetary	
6	70023330	3	Bearing, Roller	
7	80304227	3	Ring, Retaining	
8	1319578	2	Plug, Screw	
9	70022207	4	Screw, M12X30	
10	70022249	Ref	Hub (See FRONT AXLE, JOINT HOUSING - 10042 & 10054)	

## SECTION 5 - DRIVE TRAIN

FIGURE 5-53. REAR AXLE - 10042 & 10054



ART\_100103633\_1-G

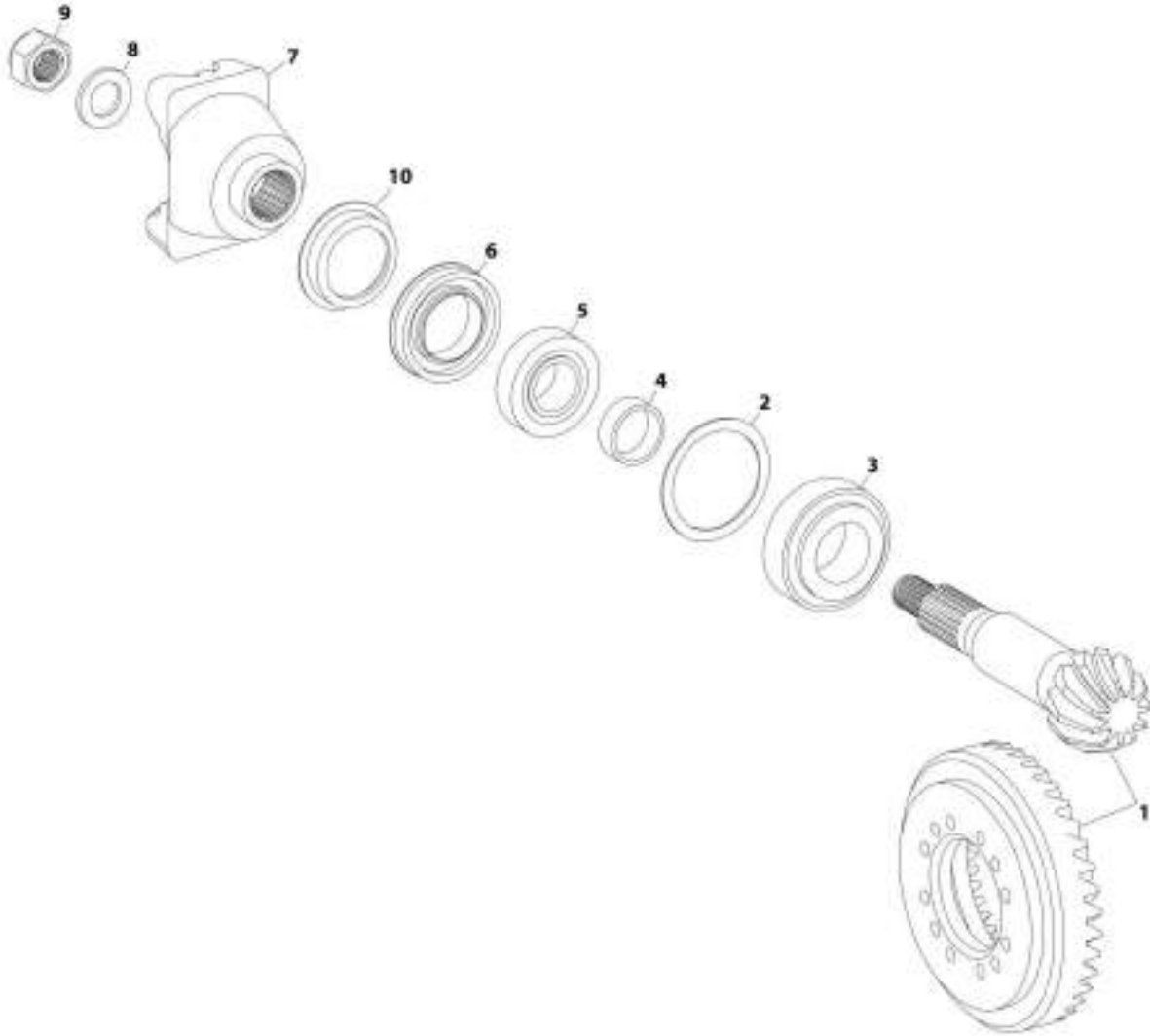
## SECTION 5 - DRIVE TRAIN

**FIGURE 5-53. REAR AXLE - 10042 & 10054**

ITEM	PART NUMBER	QTY	DESCRIPTION	REV
	1001103633	Ref	Rear Axle - 10042 & 10054	G
		Ref	Rear Axle, Input (See REAR AXLE, INPUT - 10042 & 10054 for Breakdown)	
		Ref	Rear Axle, Limited Slip (See REAR AXLE, LIMITED SLIP DIFFERENTIAL - 10042 & 10054 for Breakdown)	
		Ref	Rear Axle, Axle Casing (See REAR AXLE, AXLE CASING - 10042 & 10054 for Breakdown)	
		Ref	Rear Axle, Multi-Disc Brake (See REAR AXLE, MULTI-DISC BRAKE - 10042 & 10054 for Breakdown)	
		Ref	Rear Axle, Joint Housing (See REAR AXLE, JOINT HOUSING - 10042 & 10054 for Breakdown)	
		Ref	Rear Axle, Planetary Drive (See REAR AXLE, PLANETARY DRIVE - 10042 & 10054 for Breakdown)	

# SECTION 5 - DRIVE TRAIN

FIGURE 5-54. REAR AXLE, INPUT - 10042 & 10054



WIT\_100110033\_2-G



## SECTION 5 - DRIVE TRAIN

**FIGURE 5-54. REAR AXLE, INPUT - 10042 & 10054**

ITEM	PART NUMBER	QTY	DESCRIPTION	REV
1	70022280	1	Bevel Gear Set	
2	80304160	1	Shim, 0.1	
2	80304159	1	Shim, 0.2	
2	80304158	1	Shim, 0.3	
2	80304157	1	Shim, 0.5	
2	80304156	1	Shim, 0.6	
2	80304162	1	Shim, 0.65	
2	80304155	1	Shim, 0.7	
2	80304161	1	Shim, 0.75	
2	80304154	1	Shim, 0.8	
2	80304153	1	Shim, 0.9	
2	80304152	1	Shim, 1.0	
2	80304146	1	Shim, 1.2	
2	80304163	1	Shim, 1.25	
2	80304151	1	Shim, 1.3	
2	80304164	1	Shim, 1.35	
2	80304150	1	Shim, 1.4	
2	80304165	1	Shim, 1.45	
2	80304145	1	Shim, 1.5	
2	80304166	1	Shim, 1.55	
2	80304149	1	Shim, 1.6	
2	80304167	1	Shim, 1.65	
2	80304148	1	Shim, 1.7	
2	80304168	1	Shim, 1.75	
2	80304144	1	Shim, 1.8	
2	80304169	1	Shim, 1.85	
2	80304147	1	Shim, 1.9	
2	80304143	1	Shim, 2.0	
3	70022231	1	Bearing, Roller	
4	80304088	1	Ring, 16.0	
4	80304089	1	Ring, 16.1	
4	80304090	1	Ring, 16.2	
4	80304091	1	Ring, 16.3	
4	80304092	1	Ring, 16.4	
4	80304093	1	Ring, 16.5	
4	80304110	1	Ring, 16.56	
4	80304094	1	Ring, 16.6	
4	80304111	1	Ring, 16.62	
4	80304112	1	Ring, 16.64	
4	80304124	1	Ring, 16.66	
4	80304113	1	Ring, 16.68	
4	80304095	1	Ring, 16.7	
4	70022216	1	Ring, 16.72	
4	80304115	1	Ring, 16.74	
4	80304117	1	Ring, 16.76	
4	80304118	1	Ring, 16.78	
4	80304096	1	Ring, 16.8	
4	80304119	1	Ring, 16.82	
4	80304120	1	Ring, 16.84	
4	80304104	1	Ring, 16.86	

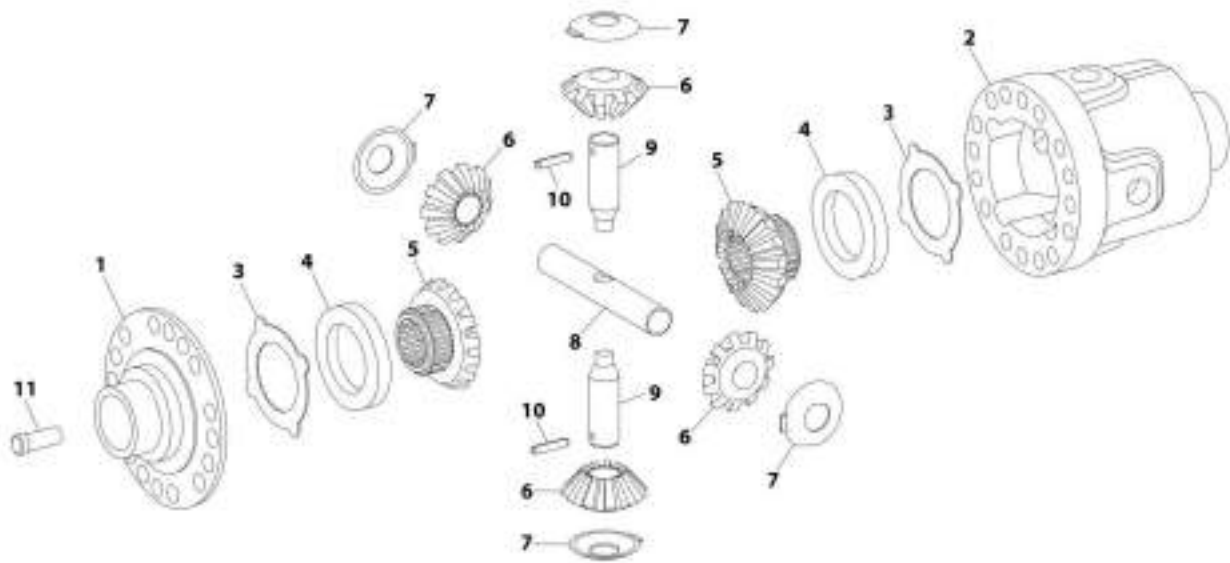
## SECTION 5 - DRIVE TRAIN

ITEM	PART NUMBER	QTY	DESCRIPTION	REV
4	80304121	1	Ring, 16.88	
4	80304122	1	Ring, 16.9	
4	80304097	1	Ring, 16.92	
4	80304123	1	Ring, 16.94	
4	80304125	1	Ring, 16.96	
4	80304107	1	Ring, 16.98	
4	80304126	1	Ring, 17.0	
4	80304127	1	Ring, 17.02	
4	80304108	1	Ring, 17.04	
4	80304128	1	Ring, 17.06	
4	80304129	1	Ring, 17.08	
4	80304099	1	Ring, 17.10	
4	80304130	1	Ring, 17.12	
4	80304131	1	Ring, 17.14	
4	80304132	1	Ring, 17.16	
4	80304133	1	Ring, 17.18	
4	80304100	1	Ring, 17.2	
4	80304134	1	Ring, 17.22	
4	80304135	1	Ring, 17.24	
4	80304136	1	Ring, 17.26	
4	80304137	1	Ring, 17.28	
4	80304101	1	Ring, 17.3	
4	80304102	1	Ring, 17.4	
5	1319353	1	Bearing, Roller	
6	70022220	1	Seal, Shaft	
7	70022245	1	Yoke, End	
8	80304082	1	Washer	
9	70022213	1	Nut	
10	70022244	1	Sheet, Screen	



# SECTION 5 - DRIVE TRAIN

FIGURE 5-55. REAR AXLE, DIFFERENTIAL - 10042 & 10054



ART\_1001105633\_3-G

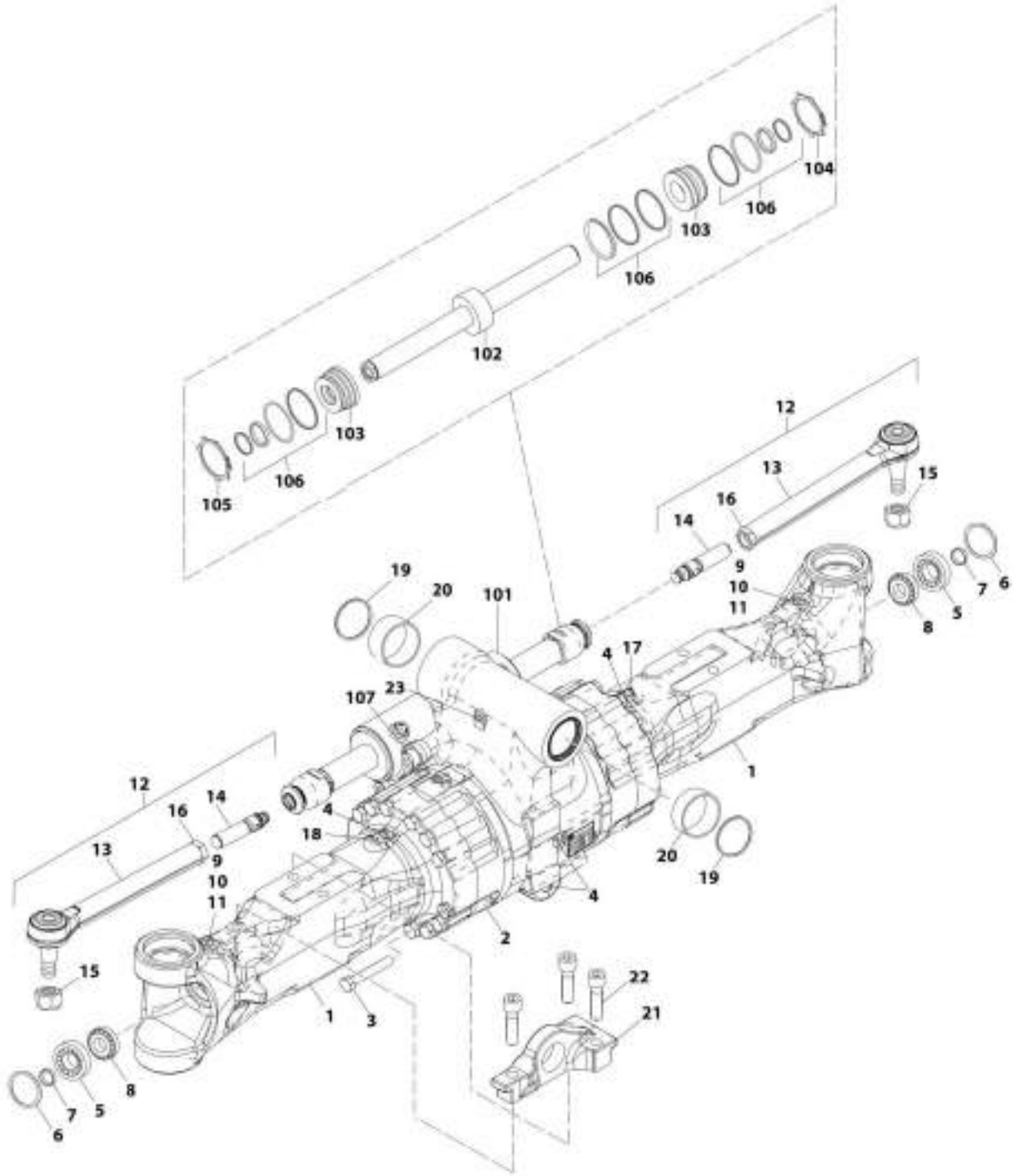
## SECTION 5 - DRIVE TRAIN

### FIGURE 5-55. REAR AXLE, DIFFERENTIAL - 10042 & 10054

ITEM	PART NUMBER	QTY	DESCRIPTION	REV
1	70022229	1	Cover	
2	70023910	1	Case, Differential	
3	70022284	2	Washer, Thrust	
4	70022285	2	Ring, Compensating	
5	70022225	2	Bevel Gear, Axle	
6	70022185	4	Bevel Gear, Differential	
7	70022262	4	Washer, Thrust	
8	70022227	1	Axle, Differential	
9	70022228	2	Axle, Differential	
10	70023904	2	Pin, Slot	
11	70022211	16	Screw, M12X35	

# SECTION 5 - DRIVE TRAIN

FIGURE 5-56. REAR AXLE, AXLE CASING - 10042 & 10054



ART\_100103633\_3-G

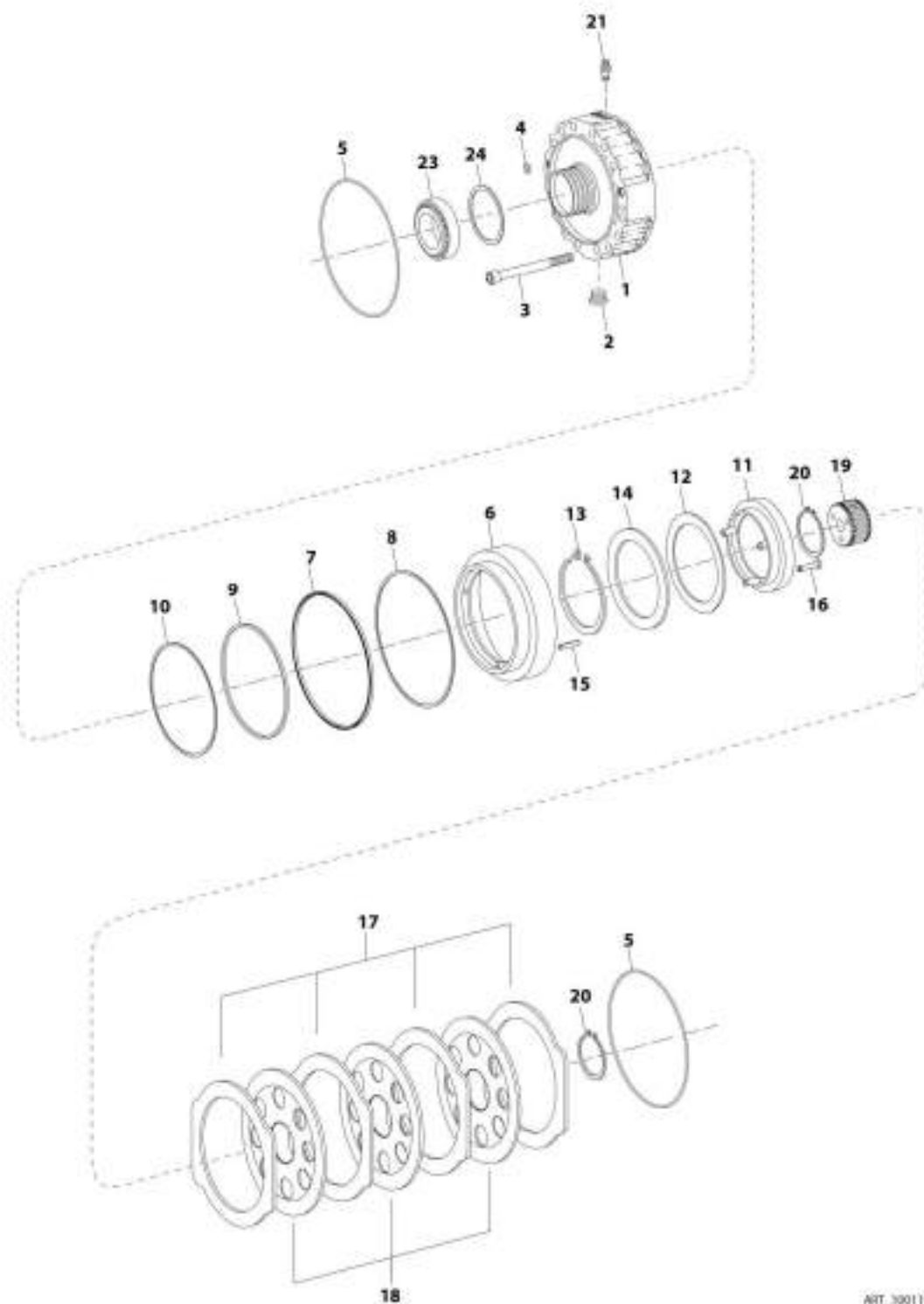
## SECTION 5 - DRIVE TRAIN

**FIGURE 5-56. REAR AXLE, AXLE CASING - 10042 & 10054**

ITEM	PART NUMBER	QTY	DESCRIPTION	REV
1	70022255	2	Casing, Axle	
2	70022277	1	Drive Housing, Axle	
3	70022206	28	Bolt, M18X180	
4	1319578	4	Plug, Screw	
5	70022241	2	Bushing	
6	70022204	2	O-Ring	
7	70022217	2	SHAFT SEAL	
8	10731790	2	Bearing	
9	70022201	2	Screw, Set M10X16	
10	1319666	2	Plug, Screw	
11	7027217	2	O-Ring	
12	70022174	2	Rod, Tie	
13	70022175	1	Joint, Ball	
14	70022172	1	Joint, Axial	
15	8036758	1	Nut, Lock	
16	8036759	1	Nut	
17	1319436	1	Breather	
18	8036418	1	Plug, Screw	
19	1321209	2	Seal, Shaft	
20	1321234	2	Bushing	
21	70022254	1	Bracket	
22	1001103619	3	Screw, M22X80	
23	1319423	1	Fitting, Grease	
101	70022173	1	Cylinder, Steering	
102	70022177	1	Rod, Piston	
103	70022184	2	Head, Break	
104	70022181	2	Ring, Retaining	
105	70022180	2	Ring, Retaining	
106	70022178	1	Kit, Seal	
107	70022789	4	Screw, M22X55	

# SECTION 5 - DRIVE TRAIN

FIGURE 5-57. REAR AXLE, MULTI-DISC BRAKE - 10042 & 10054



WIT\_3001109633\_5-G



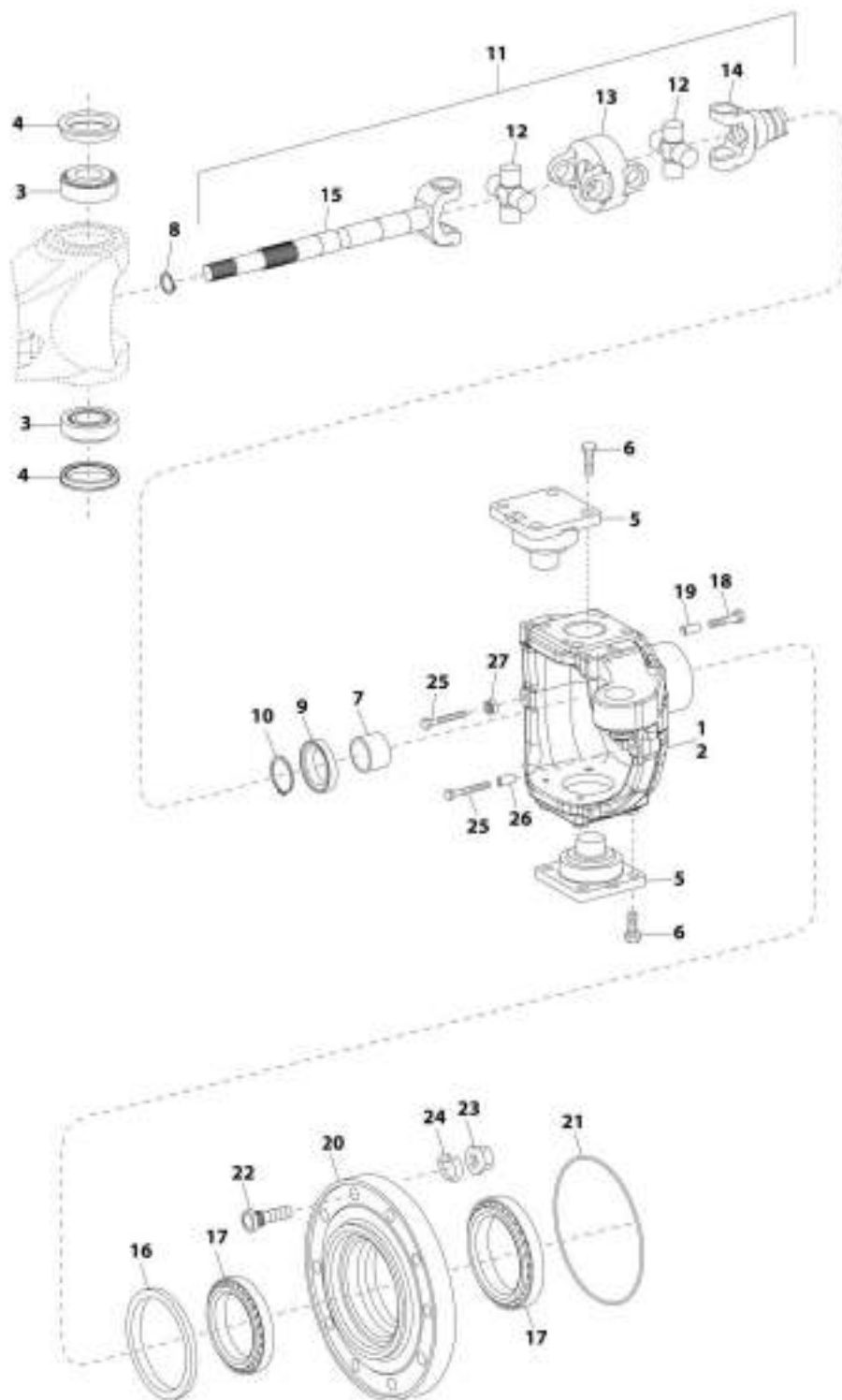
## SECTION 5 - DRIVE TRAIN

**FIGURE 5-57. REAR AXLE, MULTI-DISC BRAKE - 10042 & 10054**

ITEM	PART NUMBER	QTY	DESCRIPTION	REV
1	70022282	2	Housing, Brake	
2	1319578	2	Plug, Screw	
3	70022209	6	Screw, M12X105	
4	8036847	10	O-Ring	
5	80304462	4	O-Ring	
6	70022250	2	Piston	
7	70022190	2	Packing, Piston	
8	70022193	2	Ring, Back-Up	
9	70022189	2	Packing, Piston	
10	70022194	2	Ring, Back-Up	
11	70022236	2	Ring	
12	70022183	2	Spring, Cup	
13	70022198	2	Ring, Retaining	
14	70022235	2	Washer	
15	70022186	8	Pin, Slot	
16	1319214	6	Screw, M8X40	
17	70022196	8	Disc, Outer Clutch	
18	70022176	6	Disc, Inner Clutch	
19	70022253	2	Carrier, Disc	
20	10731949	4	Ring, Retaining	
21	70022171	2	Breather	
22	70022215	2	Plug, Screw (not shown)	
23	8036447	2	Bearing, Roller	
24	1319537	AR	Shim, 0.95	
24	1319545	AR	Shim, 1.05	
24	1319539	AR	Shim, 1.15	
24	1319540	AR	Shim, 1.25	
24	1319542	AR	Shim, 1.35	

# SECTION 5 - DRIVE TRAIN

FIGURE 5-58. REAR AXLE, JOINT HOUSING - 10042 & 10054



ART\_3001103635\_B-G

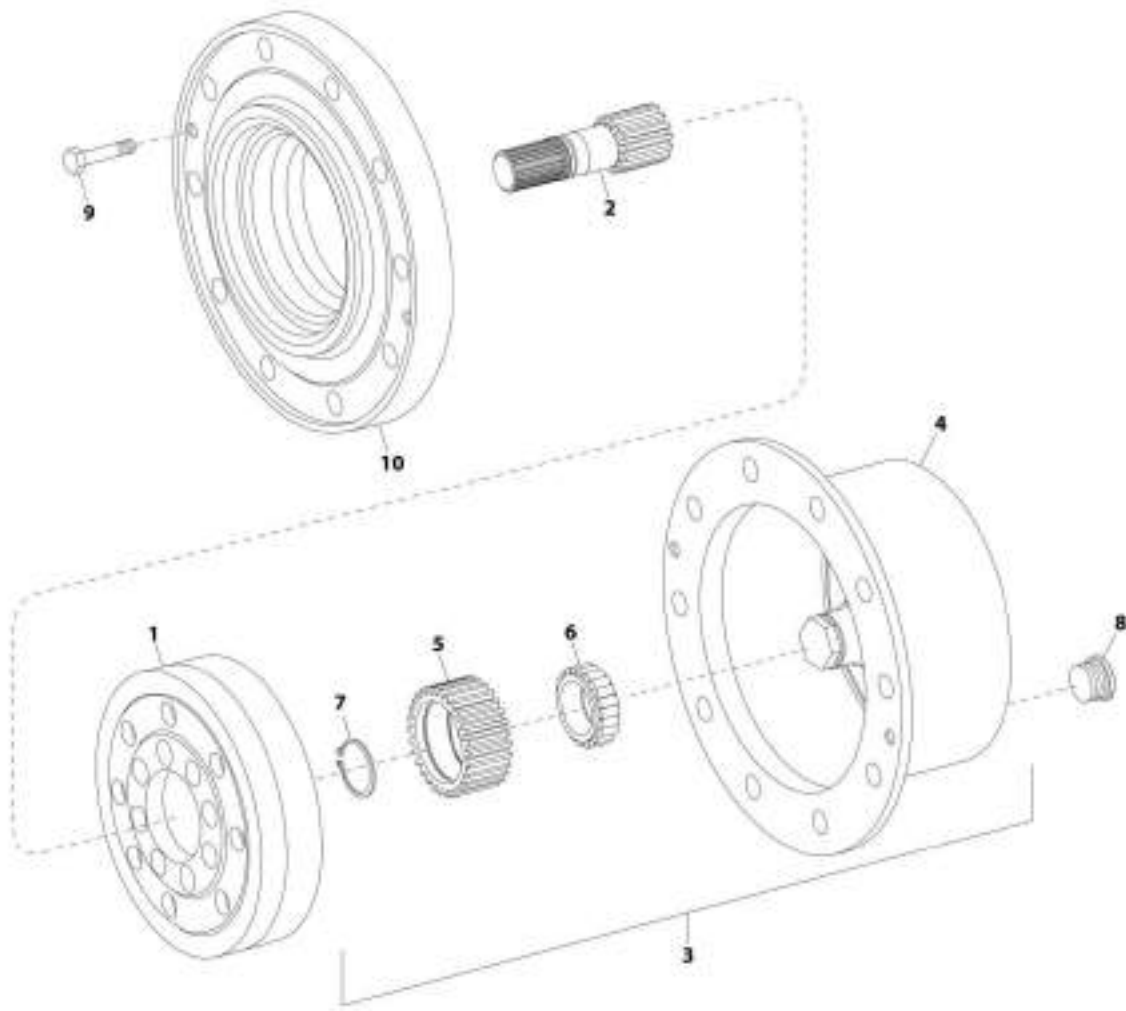
## SECTION 5 - DRIVE TRAIN

**FIGURE 5-58. REAR AXLE, JOINT HOUSING - 10042 & 10054**

ITEM	PART NUMBER	QTY	DESCRIPTION	REV
1	70022237	1	Housing, Joint (right side)	
2	70022238	1	Housing, Joint (left side)	
3	70022223	4	Bearing, Roller	
4	1319447	4	Seal, Shaft	
5	70022240	4	Pin, Bearing	
6	1319464	16	Screw, M16X40	
7	70022179	2	Bushing	
8	10731789	2	Ring, Retaining	
9	70022218	2	Seal, Shaft	
10	1321226	2	Ring, Retaining	
11	70022170	2	Assembly, Universal Coupling Drive Shaft	
12	70021554	2	Cross, Joint	
13	70022782	1	Central Piece	
14	70022187	1	Shaft, Fork	
15	70022188	1	Shaft, Fork	
16	80304173	2	Seal, Shaft	
17	1319472	4	Bearing, Roller	
18	70023405	16	Screw, M14X70	
19	70022234	16	Bushing, Centering	
20	70024613	2	Hub	
21	70022203	2	O-Ring	
22	70022230	20	Bolt, Wheel	
23	8786572	20	Nut, Wheel	
24	8786573	20	Washer, Lock M22	
25	8036330	4	Screw, Stop M14X1-1/2	
26	70022276	2	Tube, Spacer	
27	1319477	2	Nut, M14X1-1/2	

# SECTION 5 - DRIVE TRAIN

FIGURE 5-59. REAR AXLE, PLANETARY DRIVE - 10042 & 10054



ART. 1001103633\_7-G

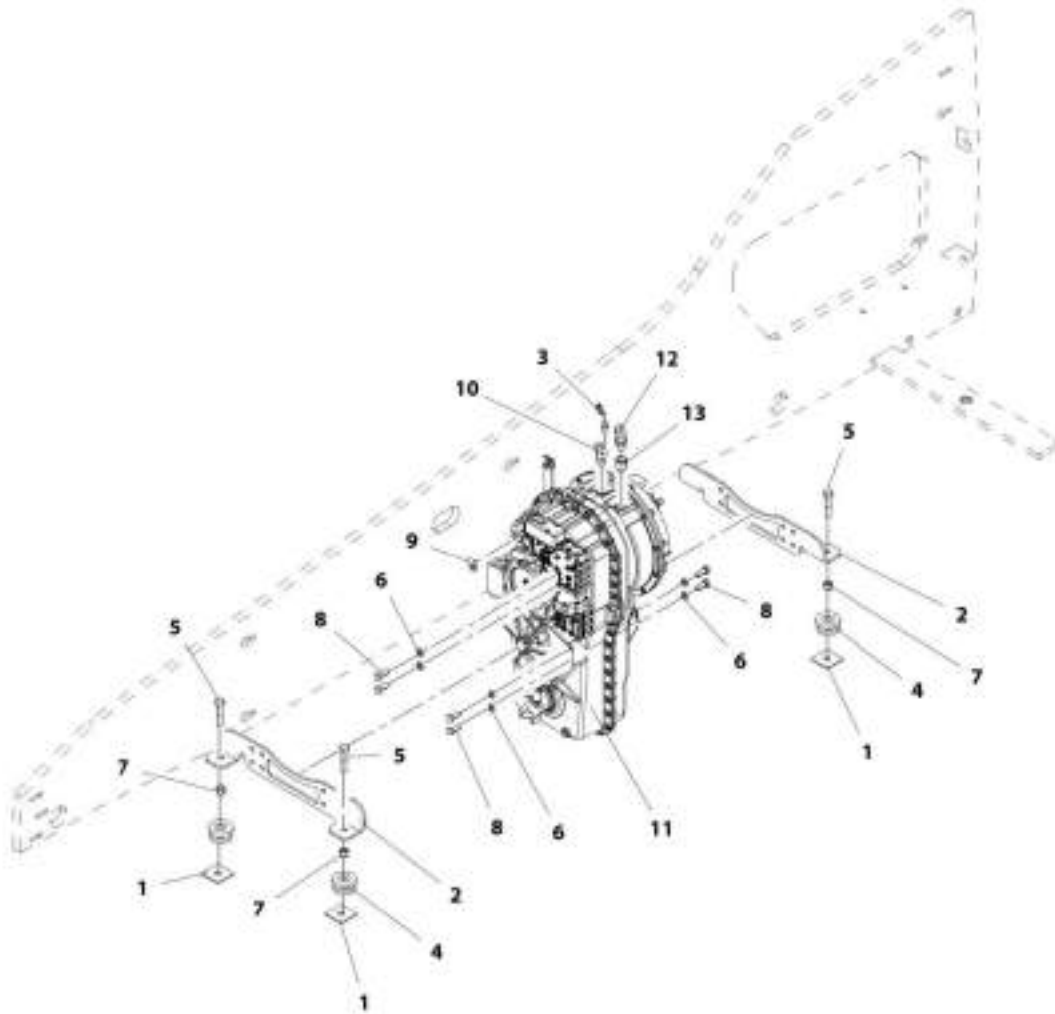
## SECTION 5 - DRIVE TRAIN

FIGURE 5-59. REAR AXLE, PLANETARY DRIVE - 10042 & 10054

ITEM	PART NUMBER	QTY	DESCRIPTION	REV
1	70022242	1	Gear, Ring	
2	70022239	2	Shaft, Sun Gear	
3	70022281	2	Assembly, Planetary Carrier	
4	70022283	1	Carrier, Planetary	
5	70022243	3	Gear, Planetary	
6	70022221	4	Bearing, Roller	
7	70022197	4	Ring, Retaining	
8	1319578	2	Plug, Screw	
9	70022207	4	Screw, M12X30	
10		Ref	Hub (See REAR AXLE, JOINT HOUSING - 10042 & 10054 for Breakdown)	

# SECTION 5 - DRIVE TRAIN

## FIGURE 5-60. TRANSMISSION INSTALLATION



ART\_300110MS24\_A

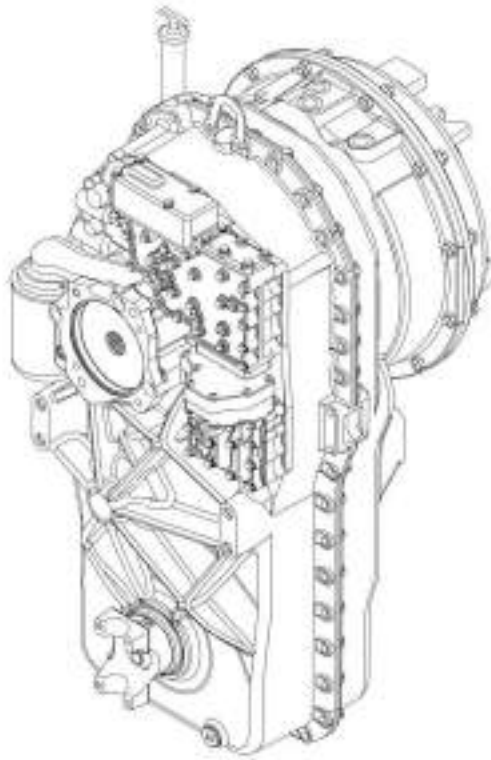
## SECTION 5 - DRIVE TRAIN

**FIGURE 5-60. TRANSMISSION INSTALLATION**

ITEM	PART NUMBER	QTY	DESCRIPTION	REV
	1001108524	Ref	Transmission Installation	A
1	7054351	4	Washer, Rebound	
2	7138634	2	Bracket, Transmission Mount	
3	8223232	1	Switch, Transmission Temperature	
4	8278007	4	Mount, Rubber	
5	8303724	1	Bolt, 3/4-10X3-1/2	
6	8307049	8	Washer, Lock M16	
7	8310067	4	Nut, Lock 3/4-10	
8	8310215	8	Bolt, M16X40	
9	8406105	1	Clip, Tube	
10	2131210	1	Adapter, 90	
11	8841036	1	Transmission, 4-Speed (See TRANSMISSION for Breakdown)	
12	2131212	1	Adapter, 90	
13	8760548	1	Adapter, Straight	

## SECTION 5 - DRIVE TRAIN

FIGURE 5-61. TRANSMISSION



APT\_80421004-1\_B



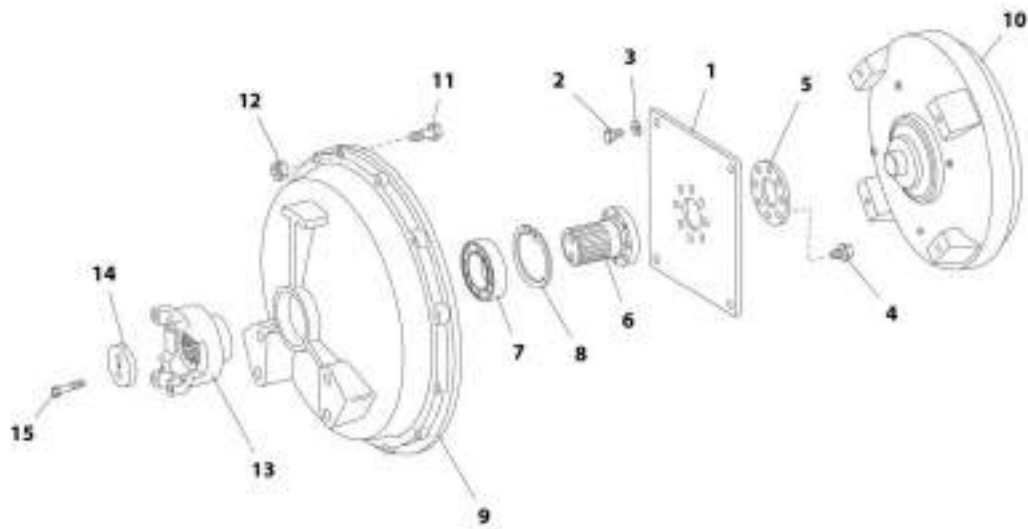
## SECTION 5 - DRIVE TRAIN

### FIGURE 5-61. TRANSMISSION

ITEM	PART NUMBER	QTY	DESCRIPTION	REV
	8841036	Ref	Transmission, 4-Speed	B
		Ref	Transmission, Engine Connection and Converter (See TRANSMISSION, ENGINE CONNECTION AND CONVERTER)	
		Ref	Transmission, Input Shafts (See TRANSMISSION, INPUT SHAFTS)	
		Ref	Transmission, Gearbox Housing (See TRANSMISSION, GEARBOX HOUSING)	
		Ref	Transmission, Coupling Group 1 (See TRANSMISSION, COUPLING GROUP 1)	
		Ref	Transmission, Coupling Group 2 (See TRANSMISSION, COUPLING GROUP 2)	
		Ref	Transmission, Coupling Group 3 (See TRANSMISSION, COUPLING GROUP 3)	
		Ref	Transmission, Coupling Group 4 (See TRANSMISSION, COUPLING GROUP 4)	
		Ref	Transmission, Reversing Gear Group 1 (See TRANSMISSION, REVERSING GEAR GROUP 1)	
		Ref	Transmission, Reversing Gear Group 2 (See TRANSMISSION, REVERSING GEAR GROUP 2)	
		Ref	Transmission, Output (See TRANSMISSION, OUTPUT)	
		Ref	Transmission, Control Unit (See TRANSMISSION, CONTROL UNIT)	
		Ref	Transmission, Valve Housing Assembly (See TRANSMISSION, VALVE HOUSING ASSEMBLY)	
		Ref	Transmission, Valve Block Assembly (See TRANSMISSION, VALVE BLOCK ASSEMBLY)	
		Ref	Transmission, Oil Pump and Filter (See TRANSMISSION, OIL PUMP AND FILTER)	

## SECTION 5 - DRIVE TRAIN

FIGURE 5-62. TRANSMISSION, ENGINE CONNECTION & CONVERTER



ART\_8881034-2

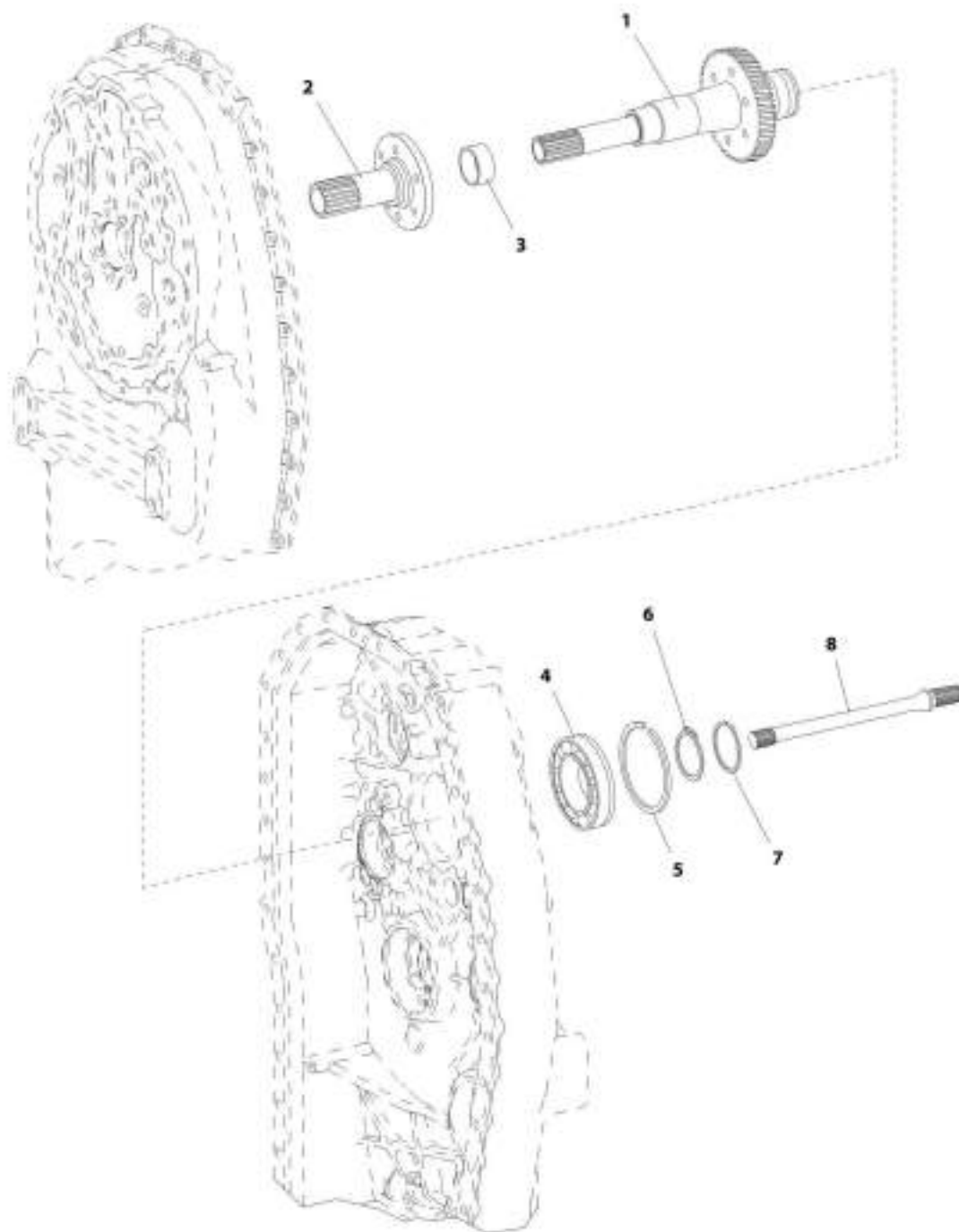
## SECTION 5 - DRIVE TRAIN

**FIGURE 5-62. TRANSMISSION, ENGINE CONNECTION & CONVERTER**

ITEM	PART NUMBER	QTY	DESCRIPTION	REV
1	1319203	1	Diaphragm	
2	1319204	4	Bolt, M10X18	
3	10732095	4	Washer	
4	10731702	8	Bolt, M10X16	
5	1319213	1	Washer	
6	70023482	1	Shaft, Input	
7	1319209	1	Bearing, Ball	
8	1319210	1	Ring, Retaining	
9	8036021	1	Cover	
10	8036022	1	Converter	
11	10731748	12	Bolt, M10X45	
12	10731751	12	Nut, M10	
13	1319211	1	Yoke, End	
14	1319205	1	Washer	
15	70023483	2	Bolt	

# SECTION 5 - DRIVE TRAIN

## FIGURE 5-63. TRANSMISSION, INPUT SHAFTS



ART\_80421004-1

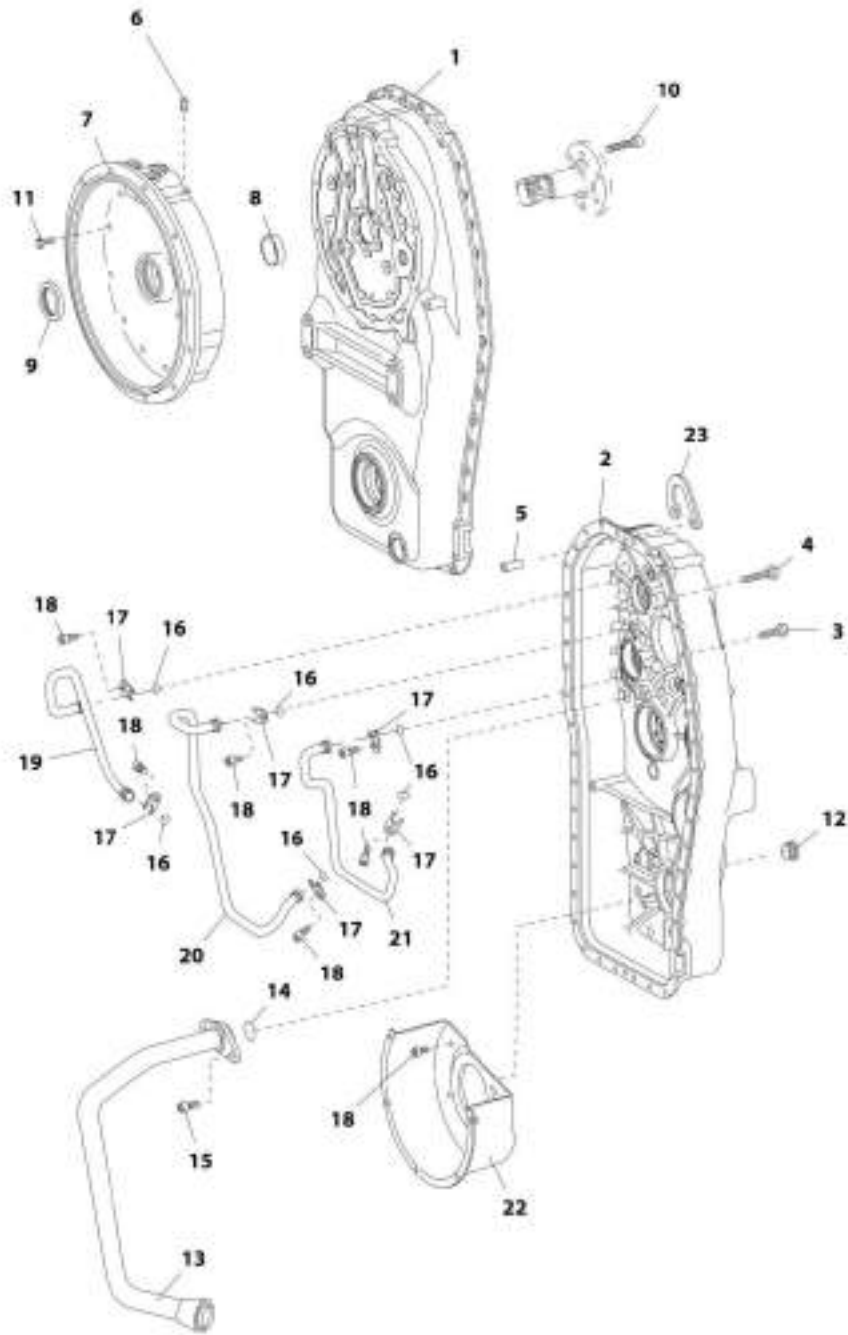
## SECTION 5 - DRIVE TRAIN

**FIGURE 5-63. TRANSMISSION, INPUT SHAFTS**

ITEM	PART NUMBER	QTY	DESCRIPTION	REV
1	8036023	1	Shaft, Turbine	
2	1319557	1	Shaft, Stator	
3	1319558	1	Bushing, Bearing	
4	1319563	1	Bearing, Ball	
5	10731913	1	Ring, Snap	
6	80304405	1	Ring, Retaining	
7	1319565	1	Ring, Piston	
8	1319566	1	Shaft, Central	

# SECTION 5 - DRIVE TRAIN

## FIGURE 5-64. TRANSMISSION, GEARBOX HOUSING



APT\_8881038-4

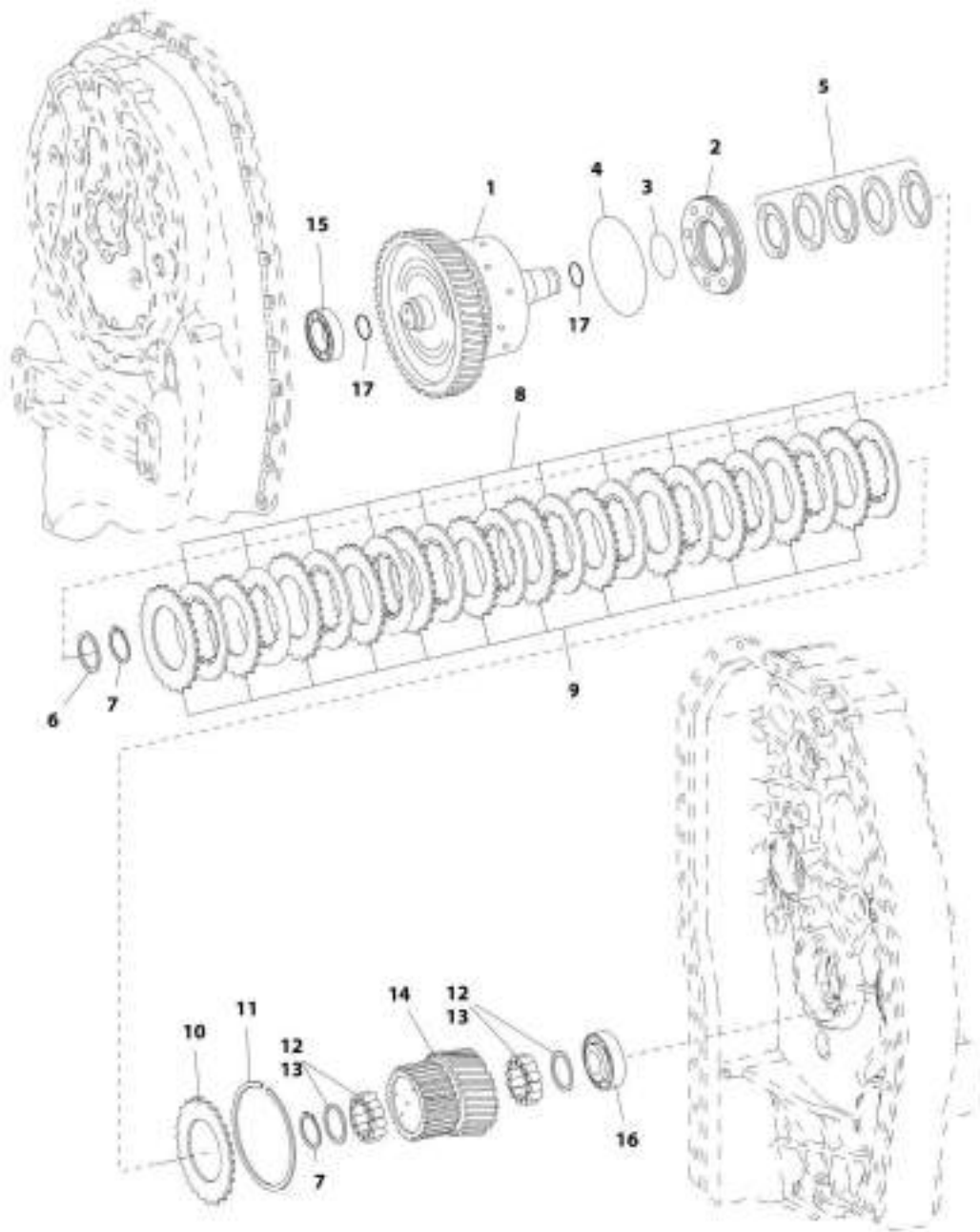
## SECTION 5 - DRIVE TRAIN

**FIGURE 5-64. TRANSMISSION, GEARBOX HOUSING**

ITEM	PART NUMBER	QTY	DESCRIPTION	REV
1	8036024	1	Housing I	
2	8036025	1	Housing II	
3	1319569	36	Bolt, M10X30	
4	1319570	6	Bolt, M10X50	
5	1319571	2	Pin, Cylindrical M6X24	
6	10731744	1	Breather	
7	1319574	1	Bell, Converter	
8	1319575	1	Bushing, Bearing	
9	1319576	1	Seal, Shaft	
10	1319577	6	Screw, M10X50	
11	1319569	23	Bolt, M10X30	
12	70023404	1	Plug, Screw	
13	8036026	1	Pipe, Oil Suction	
14	70023885	1	O-Ring	
15	1319582	2	Screw, M8X20	
16	1319583	6	O-Ring	
17	1319584	6	Plate, Fixing	
18	1319585	11	Screw, M8X16	
19	1319586	1	Pipe	
20	1319587	1	Pipe	
21	8036027	1	Pipe	
22	8036028	1	Sheet, Screen	
23	1319590	1	Bracket	

# SECTION 5 - DRIVE TRAIN

## FIGURE 5-65. TRANSMISSION, COUPLING GROUP 1



ART\_8881034-1



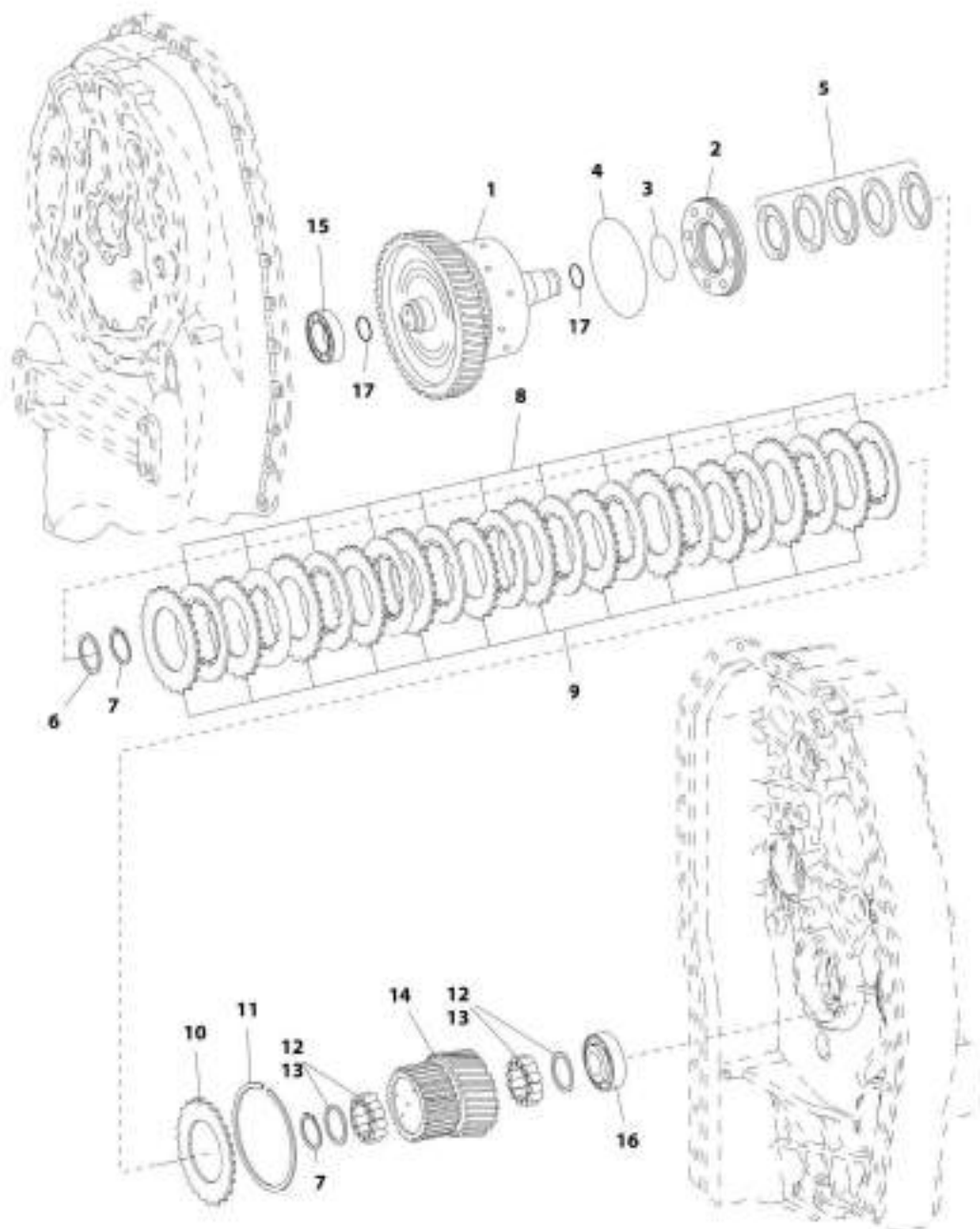
## SECTION 5 - DRIVE TRAIN

**FIGURE 5-65. TRANSMISSION, COUPLING GROUP 1**

ITEM	PART NUMBER	QTY	DESCRIPTION	REV
1	1319591	1	Coupling	
2	1319592	1	Piston	
3	1319593	1	O-Ring, 52X3	
4	1319594	1	O-Ring, 115X3	
5	1319595	5	Spring, Cup	
6	1319596	1	Shim	
7	10731845	2	Ring, Retaining	
8	7026758	12	Disc, Inner Clutch	
9	7026759	12	Disc, Outer Clutch	
10	7026760	1	Shim, End	
11	1319600	1	Ring, Snap 4	
11	1319601	1	Ring, Snap 3-1/2	
11	1319602	1	Ring, Snap 3	
11	1319603	1	Ring, Snap 2-1/2	
11	1319604	1	Ring, Snap 2	
12	1319605	2	Cage, Roller	
13	1319606	2	Cage, Roller	
14	1319607	1	Carrier, Disc	
15	1319608	1	Bearing, Roller	
16	1319609	1	Bearing, Roller	
16	1319610	1	Bearing, Roller	
16	1319611	1	Bearing, Roller	
17	1319612	2	Ring, Piston 30X2	

# SECTION 5 - DRIVE TRAIN

## FIGURE 5-66. TRANSMISSION, COUPLING GROUP 2



ART\_8081036-6

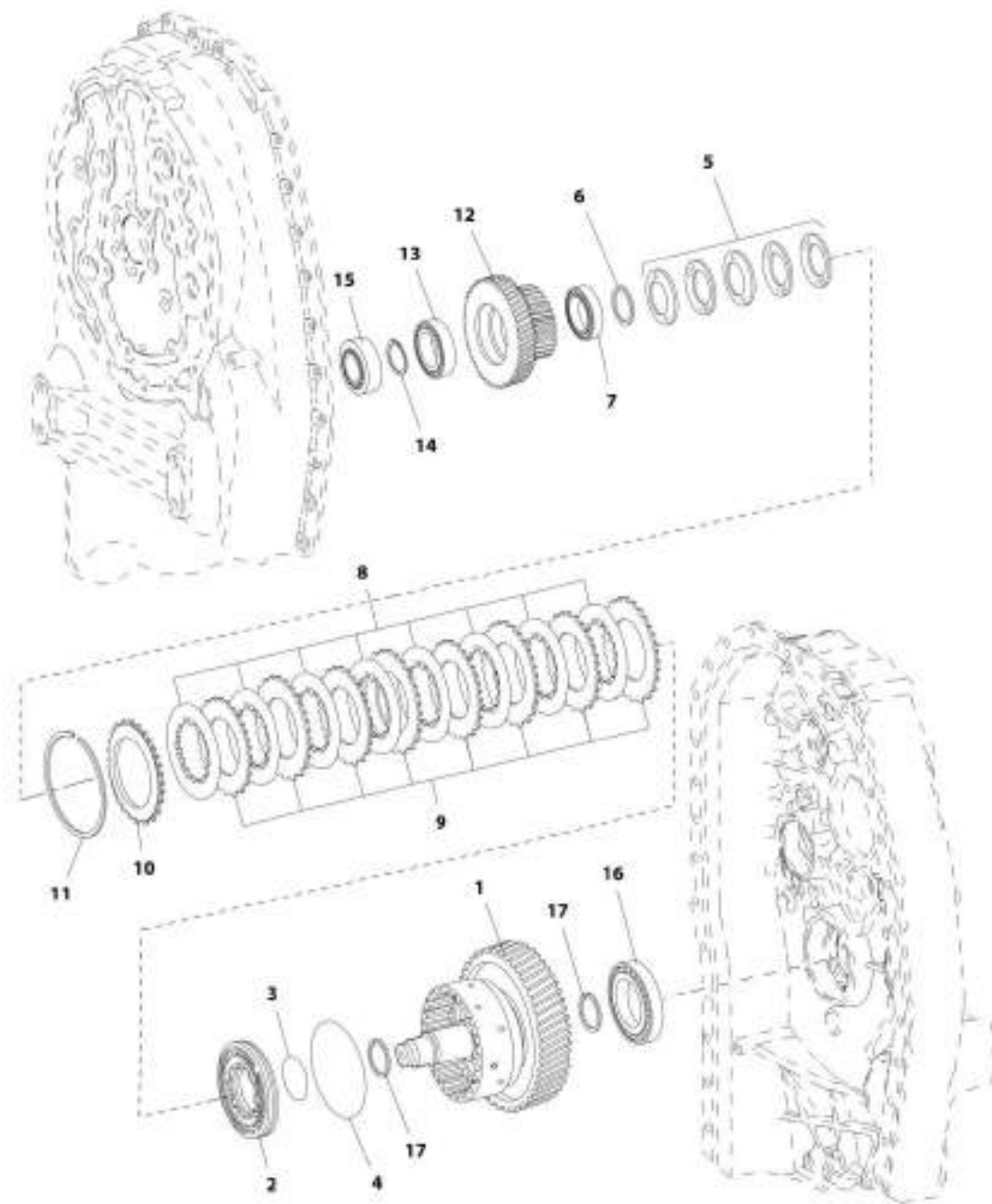
## SECTION 5 - DRIVE TRAIN

**FIGURE 5-66. TRANSMISSION, COUPLING GROUP 2**

ITEM	PART NUMBER	QTY	DESCRIPTION	REV
1	1319613	1	Coupling	
2	8036029	1	Piston	
3	1319593	1	O-Ring, 52X3	
4	1319594	1	O-Ring, 115X3	
5	1319595	5	Spring, Cup	
6	1319596	1	Shim	
7	10731845	2	Ring, Retaining	
8	7026758	8	Disc, Inner Clutch	
9	7026759	8	Disc, Outer Clutch	
10	7026760	1	Shim, End	
11	1319600	1	Ring, Snap 4	
11	1319601	1	Ring, Snap 3-1/2	
11	1319602	1	Ring, Snap 3	
11	1319603	1	Ring, Snap 2-1/2	
11	1319604	1	Ring, Snap 2	
12	1319605	2	Cage, Roller	
13	1319606	2	Cage, Roller	
14	1319614	1	Carrier, Disc	
15	1319615	1	Bearing, Roller	
16	8036190	1	Assembly, Roller Bearing	
16	7029532	1	Ring, Outer	
16	7029533	1	Ring, Inner	
17	1319612	2	Ring, Piston 30X2	

# SECTION 5 - DRIVE TRAIN

## FIGURE 5-67. TRANSMISSION, COUPLING GROUP 3



ART\_8811034-7

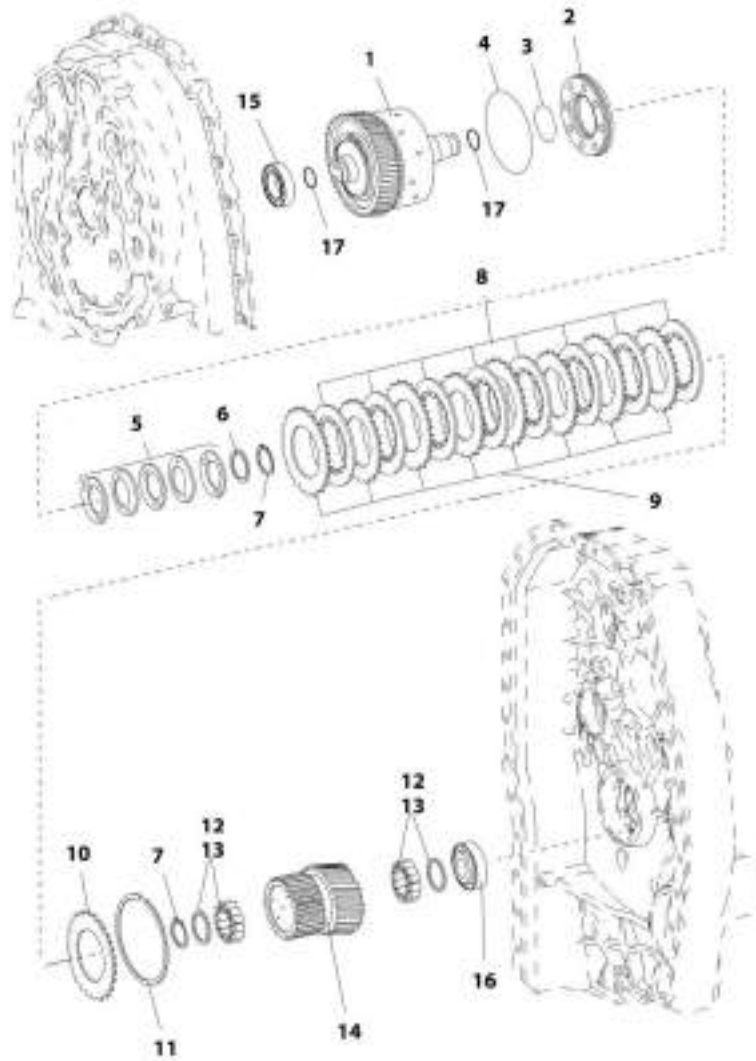
## SECTION 5 - DRIVE TRAIN

**FIGURE 5-67. TRANSMISSION, COUPLING GROUP 3**

ITEM	PART NUMBER	QTY	DESCRIPTION	REV
1	1319616	1	Coupling	
2	8036029	1	Piston	
3	1319593	1	O-Ring, 52X3	
4	1319594	1	O-Ring, 115X3	
5	1319595	5	Spring, Cup	
6	1319617	1	Shim, Support	
7	1319618	1	Bearing, Roller	
8	7026758	8	Disc, Inner Clutch	
9	7026759	8	Disc, Outer Clutch	
10	7026760	1	Shim, End	
11	1319600	1	Ring, Snap 4	
11	1319601	1	Ring, Snap 3-1/2	
11	1319602	1	Ring, Snap 3	
11	1319603	1	Ring, Snap 2-1/2	
11	1319604	1	Ring, Snap 2	
12	1319619	1	Carrier, Disc	
13	1319620	1	Bearing, Roller	
14	1319621	1	Ring, Retaining 3.2	
14	1319622	1	Ring, Retaining 3.1	
14	1319623	1	Ring, Retaining 3	
14	1319624	1	Ring, Retaining 2.9	
14	1319625	1	Ring, Retaining 2.8	
14	1319626	1	Ring, Retaining 2.7	
14	1319627	1	Ring, Retaining 2.6	
14	1319628	1	Ring, Retaining 2.5	
14	1319629	1	Ring, Retaining 2.4	
14	1319630	1	Ring, Retaining 2.3	
14	1319631	1	Ring, Retaining 2.2	
14	1319632	1	Ring, Retaining 2.1	
15	8036190	1	Assembly, Roller Bearing	
15	7029532	1	Ring, Outer	
15	7029533	1	Ring, Inner	
16	1319633	1	Bearing, Roller	
17	1319612	2	Ring, Piston 30X2	

# SECTION 5 - DRIVE TRAIN

## FIGURE 5-68. TRANSMISSION, COUPLING GROUP 4



ART\_3081036-0

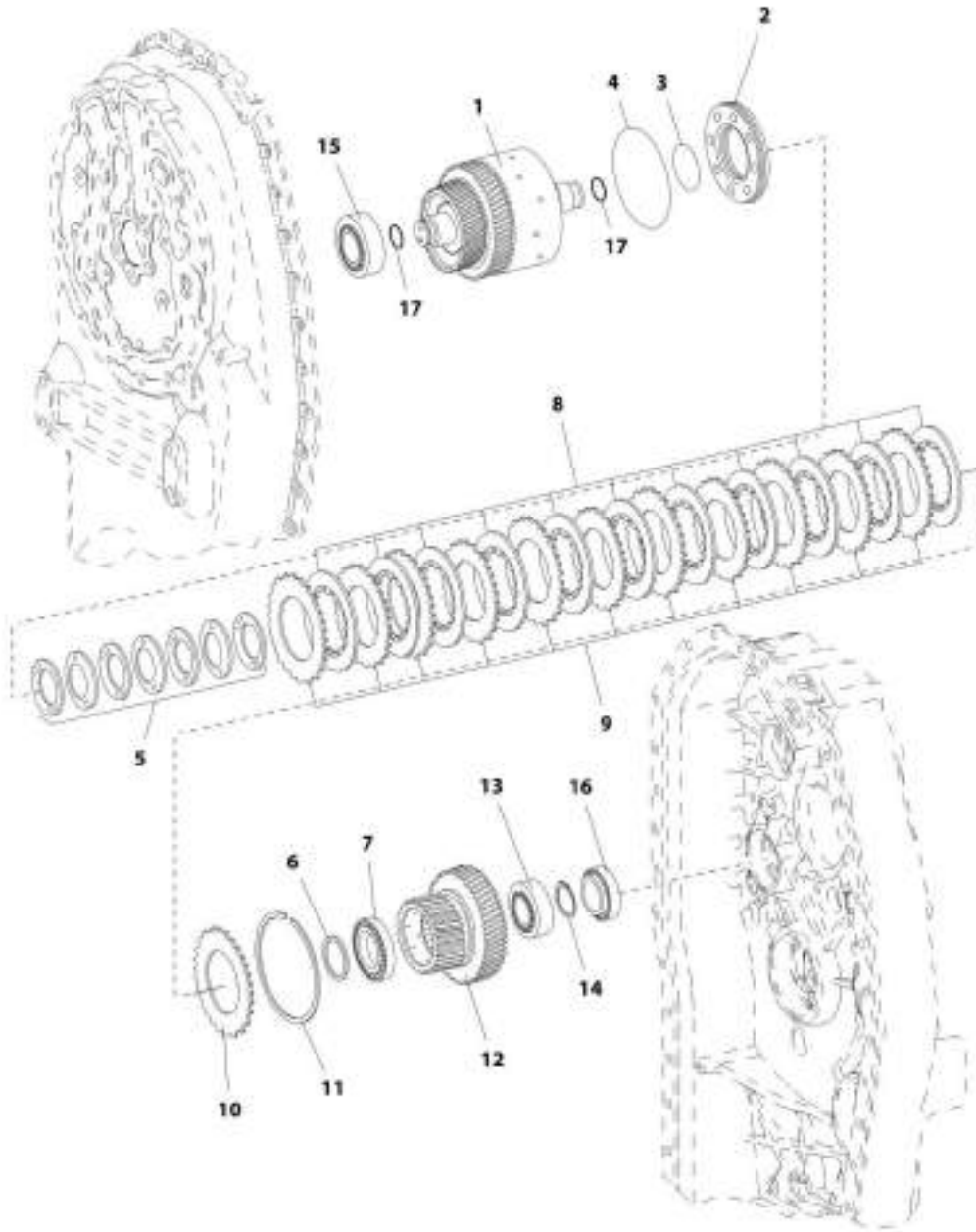
## SECTION 5 - DRIVE TRAIN

**FIGURE 5-68. TRANSMISSION, COUPLING GROUP 4**

ITEM	PART NUMBER	QTY	DESCRIPTION	REV
1	1319634	1	Coupling	
2	8036029	1	Piston	
3	1319593	1	O-Ring, 52X3	
4	1319594	1	O-Ring, 115X3	
5	1319595	5	Spring, Cup	
6	1319596	1	Shim	
7	10731845	2	Ring, Retaining	
8	7026758	8	Disc, Inner Clutch	
9	7026759	8	Disc, Outer Clutch	
10	7026760	1	Shim, End	
11	1319600	1	Ring, Snap 4	
11	1319601	1	Ring, Snap 3-1/2	
11	1319602	1	Ring, Snap 3	
11	1319603	1	Ring, Snap 2-1/2	
11	1319604	1	Ring, Snap 2	
12	1319605	2	Cage, Roller	
13	1319606	2	Cage, Roller	
14	1319635	1	Carrier, Disc	
15	1319615	1	Bearing, Roller	
16	1319636	1	Bearing, Roller	
17	1319612	2	Ring, Piston 30X2	

# SECTION 5 - DRIVE TRAIN

## FIGURE 5-69. TRANSMISSION, REVERSING GEAR GROUP 1



ART\_8881036-9



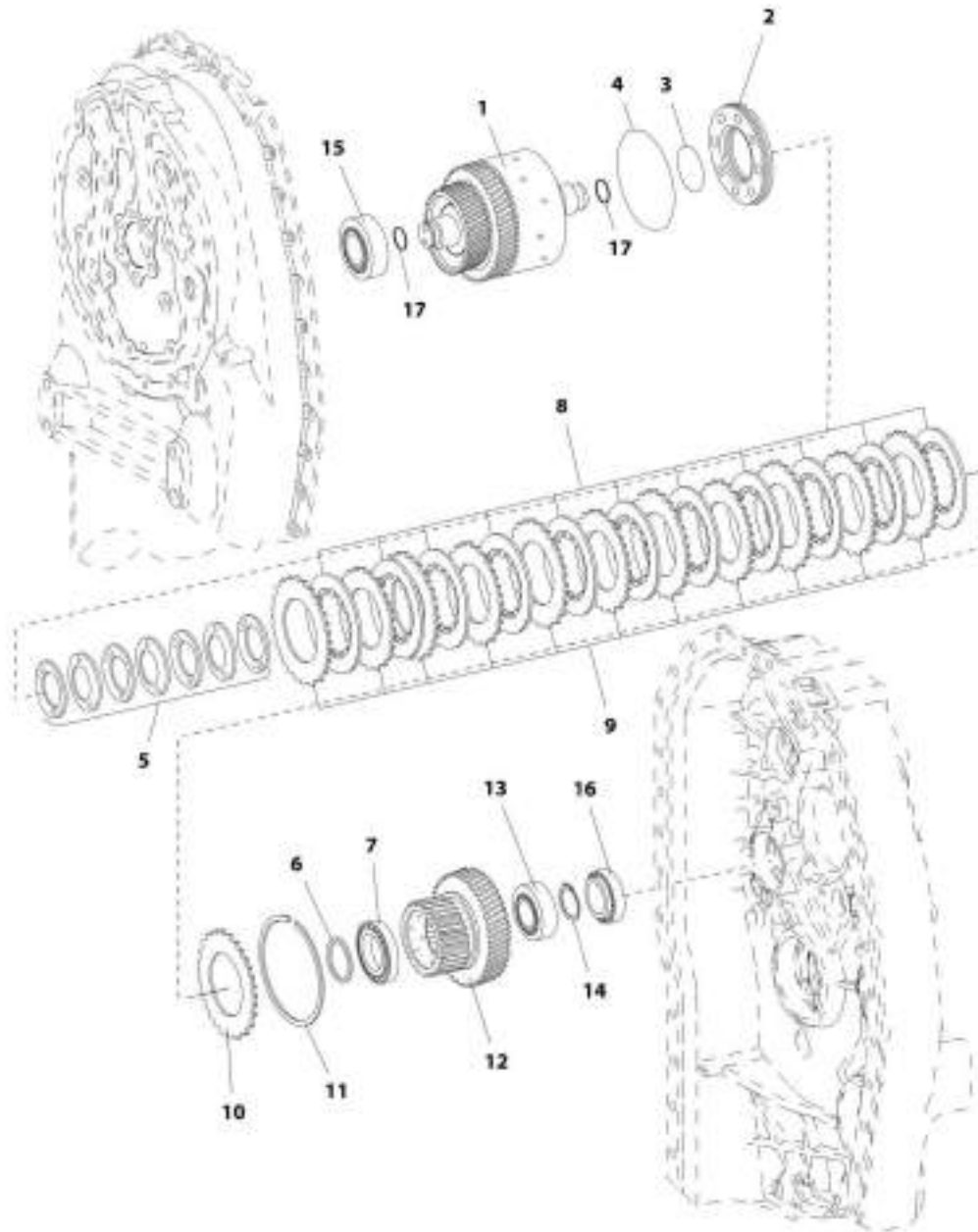
## SECTION 5 - DRIVE TRAIN

**FIGURE 5-69. TRANSMISSION, REVERSING GEAR GROUP 1**

ITEM	PART NUMBER	QTY	DESCRIPTION	REV
1	1319637	1	Coupling	
2	8036029	1	Piston	
3	1319593	1	O-Ring, 52X3	
4	1319594	1	O-Ring, 115X3	
5	1319595	7	Spring, Cup	
6	1319617	1	Shim, Support	
7	1319618	1	Bearing, Roller	
8	7026758	11	Disc, Inner Clutch	
9	7026759	11	Disc, Outer Clutch	
10	7026760	1	Shim, End	
11	1319600	1	Ring, Snap 4	
11	1319601	1	Ring, Snap 3-1/2	
11	1319602	1	Ring, Snap 3	
11	1319603	1	Ring, Snap 2-1/2	
11	1319604	1	Ring, Snap 2	
12	1319638	1	Disc, Carrier	
13	1319620	1	Bearing, Roller	
14	1319621	1	Ring, Retaining 3.2	
14	1319622	1	Ring, Retaining 3.1	
14	1319623	1	Ring, Retaining 3	
14	1319624	1	Ring, Retaining 2.9	
14	1319625	1	Ring, Retaining 2.8	
14	1319626	1	Ring, Retaining 2.7	
14	1319627	1	Ring, Retaining 2.6	
14	1319628	1	Ring, Retaining 2.5	
14	1319629	1	Ring, Retaining 2.4	
14	1319630	1	Ring, Retaining 2.3	
14	1319631	1	Ring, Retaining 2.2	
14	1319632	1	Ring, Retaining 2.1	
15	1319615	1	Bearing, Roller	
16	1319636	1	Bearing, Roller	
17	1319612	2	Ring, Piston 30X2	

# SECTION 5 - DRIVE TRAIN

## FIGURE 5-70. TRANSMISSION, REVERSING GEAR GROUP 2



AFT\_8881038-10

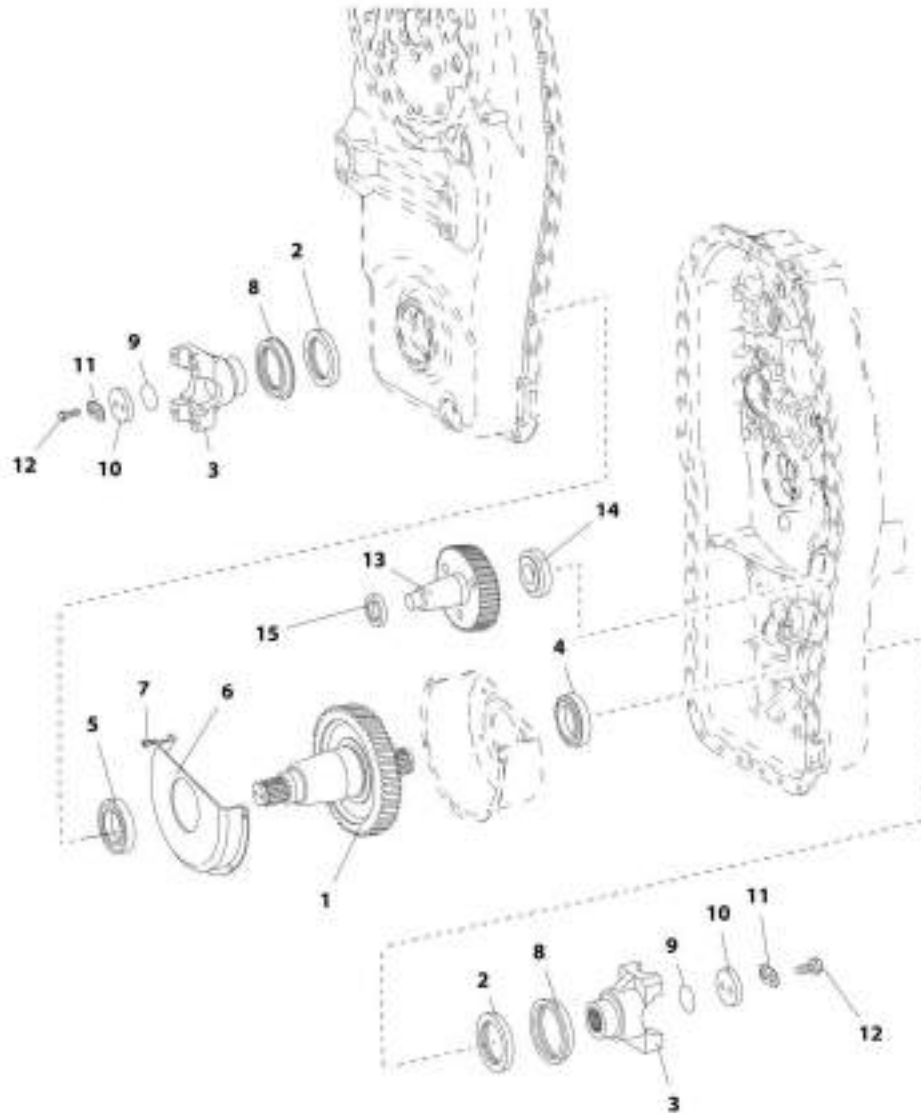
## SECTION 5 - DRIVE TRAIN

**FIGURE 5-70. TRANSMISSION, REVERSING GEAR GROUP 2**

ITEM	PART NUMBER	QTY	DESCRIPTION	REV
1	1319639	1	Coupling	
2	8036029	1	Piston	
3	1319593	1	O-Ring, 52X3	
4	1319594	1	O-Ring, 115X3	
5	1319595	7	Spring, Cup	
6	1319617	1	Shim, Support	
7	1319618	1	Bearing, Roller	
8	7026758	11	Disc, Inner Clutch	
9	7026759	11	Disc, Outer Clutch	
10	7026760	1	Shim, End	
11	1319600	1	Ring, Snap 4	
11	1319601	1	Ring, Snap 3-1/2	
11	1319602	1	Ring, Snap 3	
11	1319603	1	Ring, Snap 2-1/2	
11	1319604	1	Ring, Snap 2	
12	1319638	1	Carrier, Disc	
13	1319620	1	Bearing, Roller	
14	1319621	1	Ring, Retaining 3.2	
14	1319622	1	Ring, Retaining 3.1	
14	1319623	1	Ring, Retaining 3	
14	1319624	1	Ring, Retaining 2.9	
14	1319625	1	Ring, Retaining 2.8	
14	1319626	1	Ring, Retaining 2.7	
14	1319627	1	Ring, Retaining 2.6	
14	1319628	1	Ring, Retaining 2.5	
14	1319629	1	Ring, Retaining 2.4	
14	1319630	1	Ring, Retaining 2.3	
14	1319631	1	Ring, Retaining 2.2	
14	1319632	1	Ring, Retaining 2.1	
15	1319608	1	Bearing, Roller	
16	1319636	1	Bearing, Roller	
17	1319612	2	Ring, Piston 30X2	

# SECTION 5 - DRIVE TRAIN

## FIGURE 5-71. TRANSMISSION, OUTPUT



ART\_8881036-13

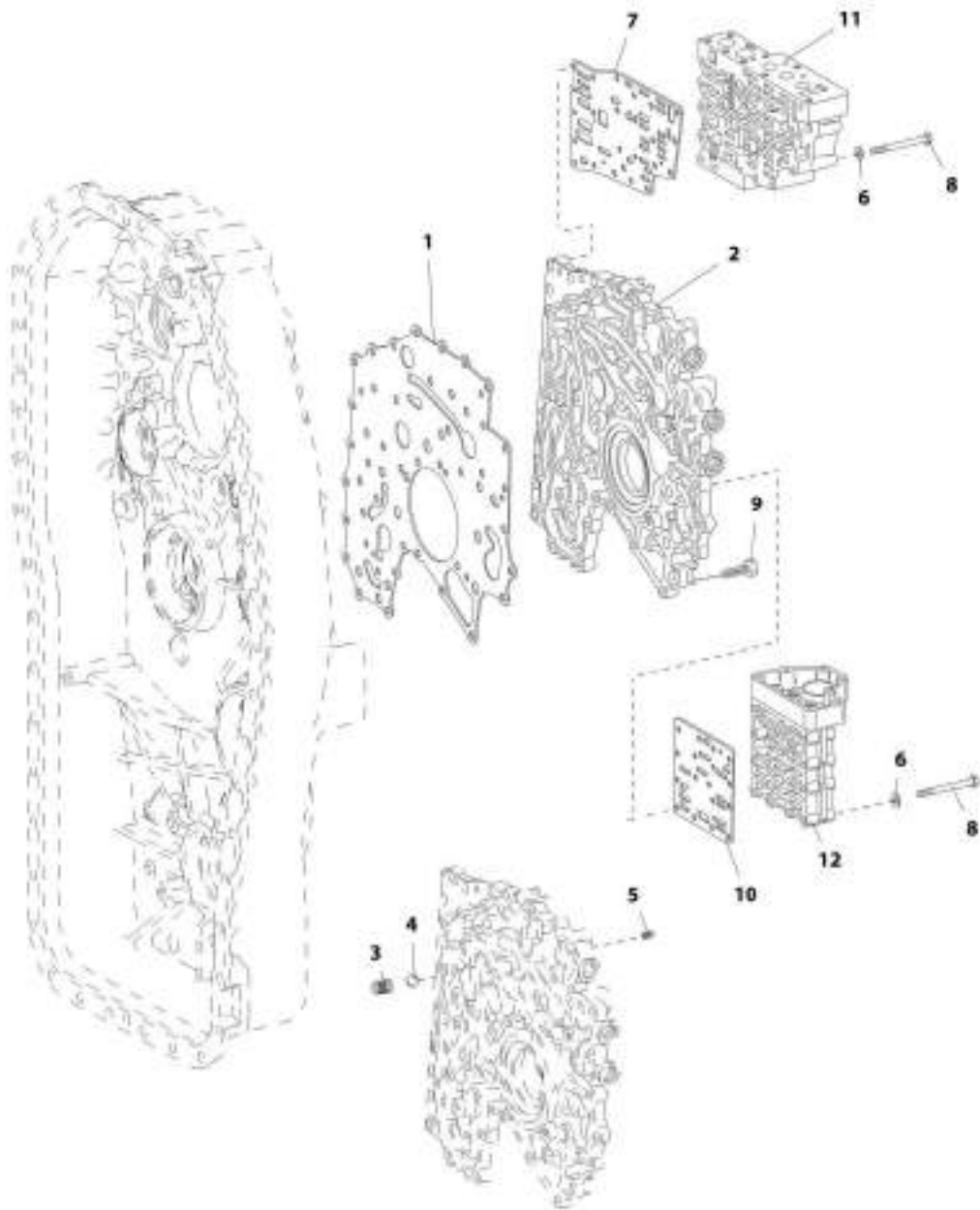
## SECTION 5 - DRIVE TRAIN

**FIGURE 5-71. TRANSMISSION, OUTPUT**

ITEM	PART NUMBER	QTY	DESCRIPTION	REV
1	8036030	1	Shaft, Output	
2	1319641	2	Seal, Shaft	
3	7027273	2	Flange, Output	
4	N.S.S.	1	Assembly, Roller Bearing	
4	70020430	1	Cup, Bearing	
4	70020431	1	Cone, Bearing	
5	1319643	1	Bearing, Roller	
6	8036031	1	Sheet, Screen	
7	1319646	5	Bolt, M6X10	
8	1319647	2	Sheet, Screen	
9	10839156	2	O-Ring	
10	1319648	2	Washer, M10	
11	1319649	2	Washer, Tab	
12	10731959	4	Bolt, M8X25	
13	8036032	1	Shaft, Intermediate	
14	1319633	1	Bearing, Roller	
15	8036190	1	Assembly, Roller Bearing	
15	7029532	1	Ring, Outer	
15	7029533	1	Ring, Inner	

# SECTION 5 - DRIVE TRAIN

## FIGURE 5-72. TRANSMISSION, CONTROL UNIT



ART\_8881004-12

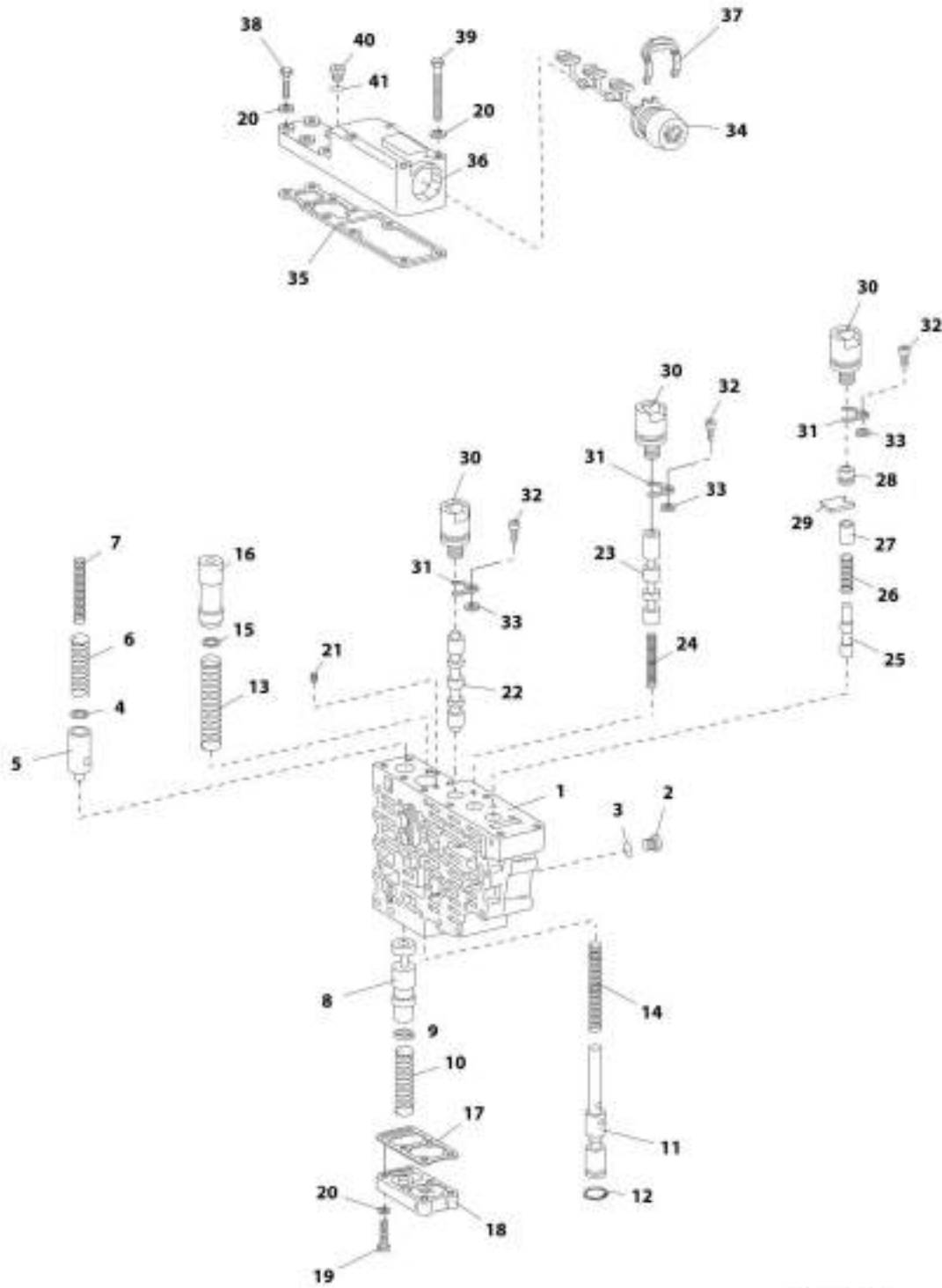
## SECTION 5 - DRIVE TRAIN

**FIGURE 5-72. TRANSMISSION, CONTROL UNIT**

ITEM	PART NUMBER	QTY	DESCRIPTION	REV
1	1319650	1	Gasket	
2	8036033	1	Plate, Duct	
3	10732072	1	Spring, Compression	
4	10732071	1	Ball	
5	1319652	1	Orifice	
6	1319661	19	Washer, 6.4	
7	70020425	1	Plate, Intermediate	
8	7029037	19	Bolt, M6X60	
9	1319659	43	Screw, Torx M8X30	
10	70020426	1	Plate, Intermediate	
11		Ref	Housing, Valve (See TRANSMISSION, VALVE HOUSING ASSEMBLY for Breakdown)	
12		Ref	Block, Valve (See TRANSMISSION, VALVE BLOCK ASSEMBLY for Breakdown)	

# SECTION 5 - DRIVE TRAIN

## FIGURE 5-73. TRANSMISSION, VALVE HOUSING ASSEMBLY



ART\_8041004-13



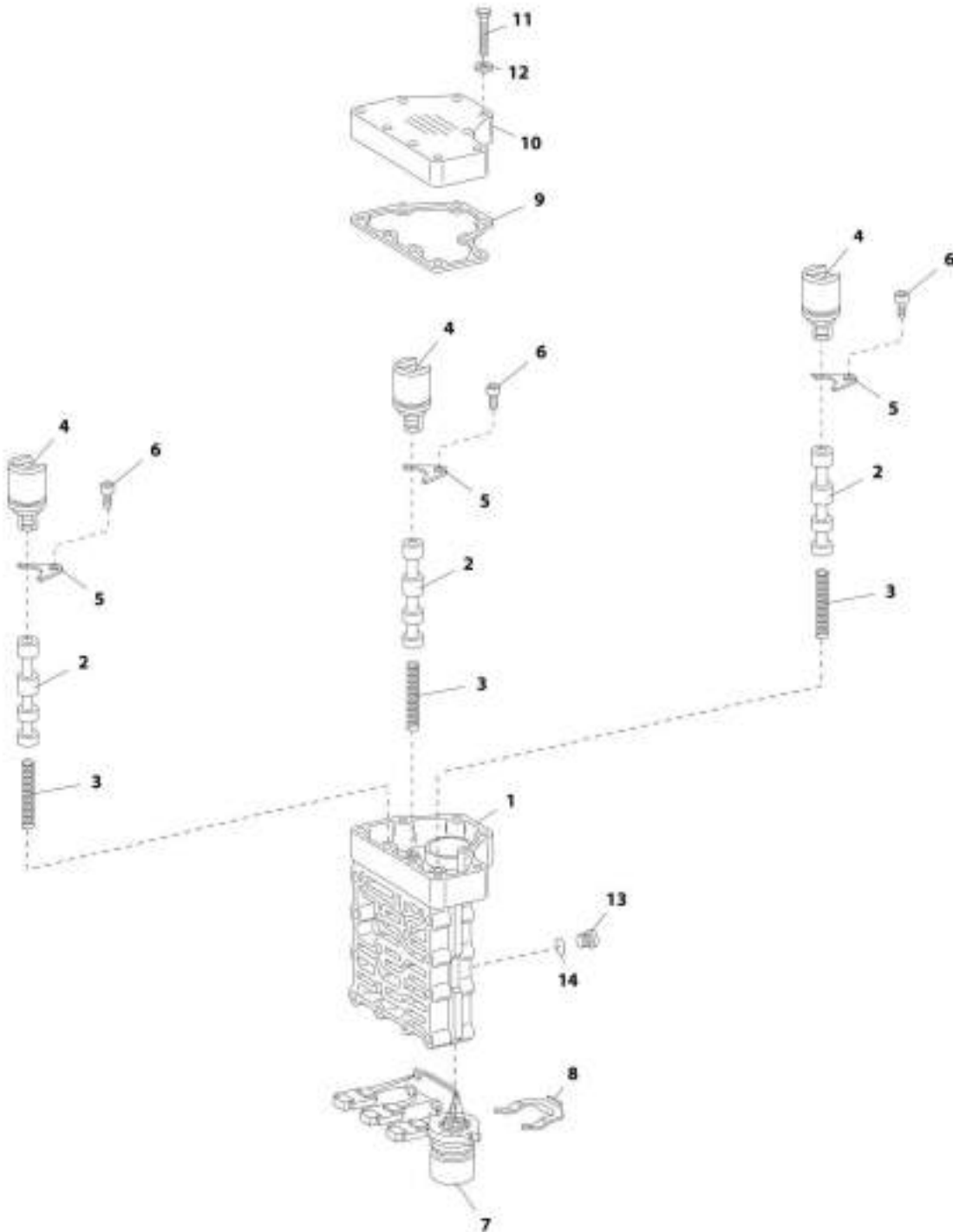
## SECTION 5 - DRIVE TRAIN

**FIGURE 5-73. TRANSMISSION, VALVE HOUSING ASSEMBLY**

ITEM	PART NUMBER	QTY	DESCRIPTION	REV
	8036040	Ref	Valve Housing Assembly	
1	1319671	1	Housing, Valve	
2	1319670	7	Plug, Screw M10X1	
3	10731709	7	O-Ring	
4	8036036	1	Washer, 1	
5	7029039	1	Piston	
6	1319673	1	Spring, Compression	
7	8036038	1	Spring, Compression	
8	1319674	1	Piston	
9	1319675	1	Washer, 3.6	
9	1319676	1	Washer, 3.2	
9	1319677	1	Washer, 2.8	
9	1319678	1	Washer, 2.4	
9	1319679	1	Washer, 2	
10	1319680	1	Spring, Compression	
11	1319681	1	Control, Piston	
12	1319682	1	Washer, Lock 12	
13	1319683	1	Spring, Compression	
14	1319684	1	Spring, Compression	
15	1319685	1	Washer, 2	
15	1319686	1	Washer, 1	
15	1319687	1	Washer, 0.5	
15	1319688	1	Washer, 0.3	
15	1319689	1	Washer, 0.2	
16	1319690	1	Piston	
17	1319691	1	Seal	
18	1319692	1	Cover	
19	1319693	6	Bolt, M6X25	
20	1319661	16	Washer, 6.4	
21	1319652	1	Orifice	
22	1319694	1	Valve	
23	1319695	1	Piston	
24	1319696	1	Spring, Compression	
25	1319697	1	Piston	
26	1319698	1	Spring, Compression	
27	1319699	1	Spacer, Sleeve	
28	1319700	1	Plug	
29	1319701	1	Plate, Fixing	
30	1319702	3	Valve, Solenoid	
31	10732063	3	Plate, Fixing	
32	1319703	3	Bolt, M5X12	
33	10732064	3	Washer, 2	
34	1319704	1	Harness, Wiring	
35	1319705	1	Seal	
36	8036039	1	Cover	
37	1319707	1	Clamp, Retaining	
38	1319693	6	Bolt, M6X25	
39	7029037	4	Bolt, M6X60	
40	1319670	1	Plug, Screw M10X1	
41	10731709	1	O-Ring	

# SECTION 5 - DRIVE TRAIN

## FIGURE 5-74. TRANSMISSION, VALVE BLOCK ASSEMBLY



APT\_8881036-14

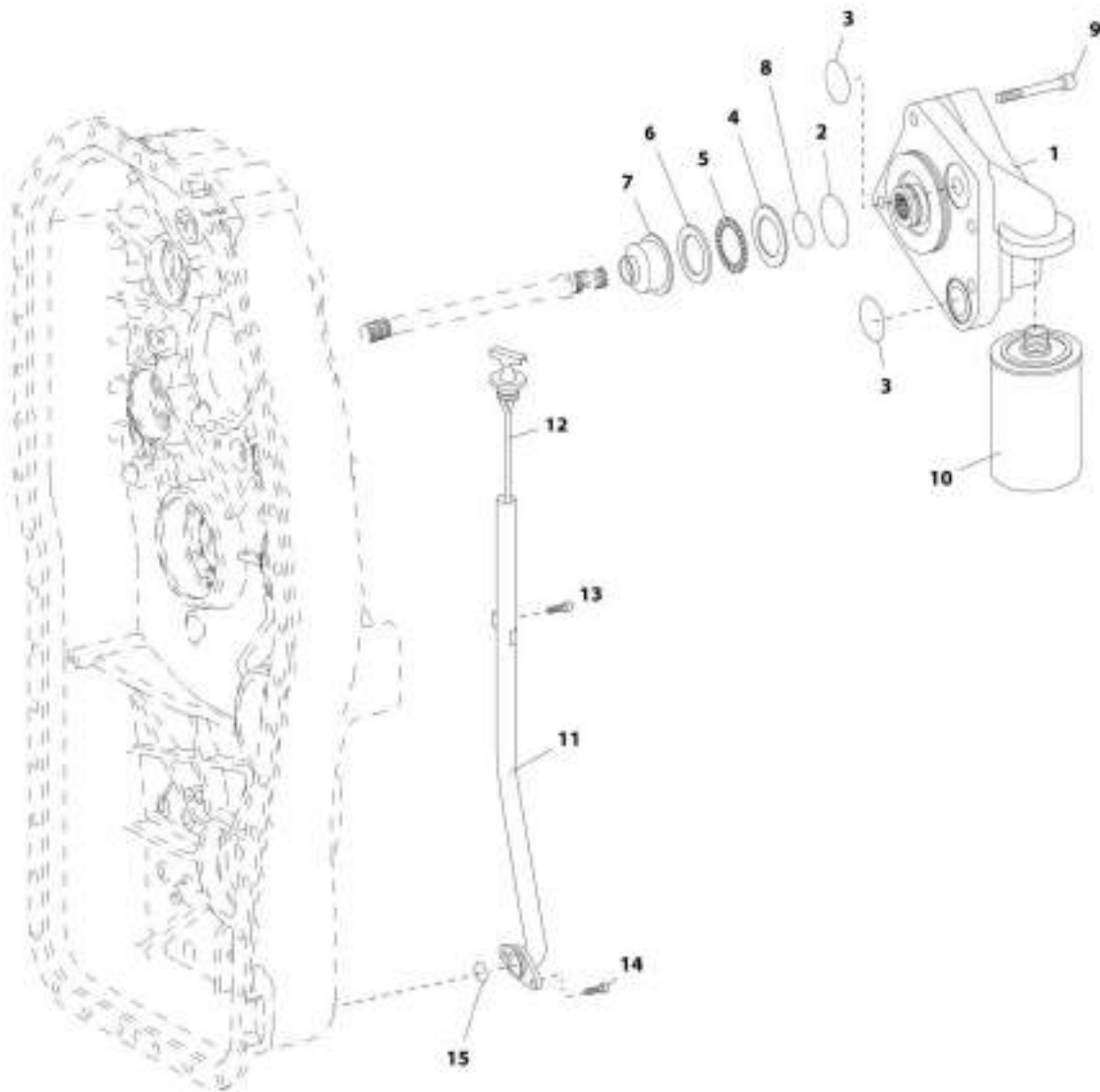
## SECTION 5 - DRIVE TRAIN

**FIGURE 5-74. TRANSMISSION, VALVE BLOCK ASSEMBLY**

ITEM	PART NUMBER	QTY	DESCRIPTION	REV
	1319717	Ref	Valve Block Assembly	
1	70020427	1	Block, Valve	
2	1319710	3	Piston	
3	1319696	3	Spring, Compression	
4	1319702	3	Valve, Solenoid	
5	10732063	3	Plate, Fixing	
6	1319703	3	Bolt, M5X12	
7	1319711	1	Harness, Wiring	
8	1319707	1	Clamp, Retaining	
9	1319712	1	Gasket	
10	1319713	1	Cover	
11	1319714	9	Bolt, M5X32	
12	1319715	9	Washer, 5.3	
13	1319670	3	Plug, Screw M10X1	
14	10731709	3	O-Ring	

# SECTION 5 - DRIVE TRAIN

FIGURE 5-75. TRANSMISSION, OIL PUMP AND FILTER



APT\_8881034-15

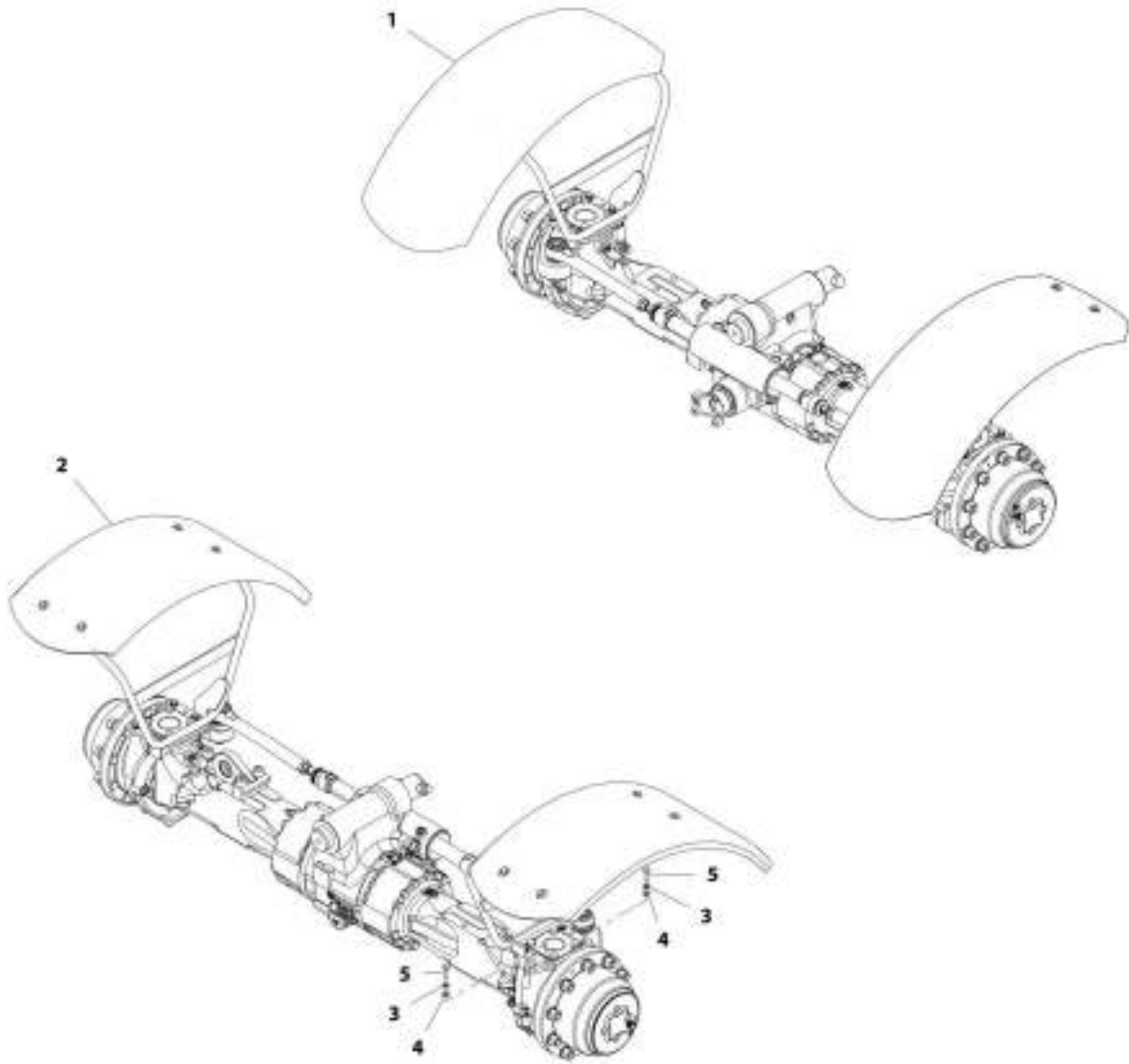
## SECTION 5 - DRIVE TRAIN

### FIGURE 5-75. TRANSMISSION, OIL PUMP AND FILTER

ITEM	PART NUMBER	QTY	DESCRIPTION	REV
1	1319718	1	Pump	
1	7029417	1	O-Ring, (between pump halves), (not shown)	
2	8036250	1	O-Ring	
3	1319719	2	O-Ring	
4	1319720	1	Washer, Axial 40X60X1	
5	1319721	1	Cage, Axial Needle	
6	1319722	1	Disc, Angle	
7	1319723	1	Sleeve, Stop	
8	1319724	1	O-Ring	
9	1319725	4	Bolt, M12X115	
10	1319726	1	Filter, Transmission Oil	
11	8036041	1	Tube, Dipstick	
12	8036042	1	Dipstick	
13	1319585	1	Screw, M8X16	
14	1319582	1	Screw, M8X20	
15	70023885	1	O-Ring	

# SECTION 5 - DRIVE TRAIN

## FIGURE 5-76. FENDER INSTALLATION



ART\_7130086-D

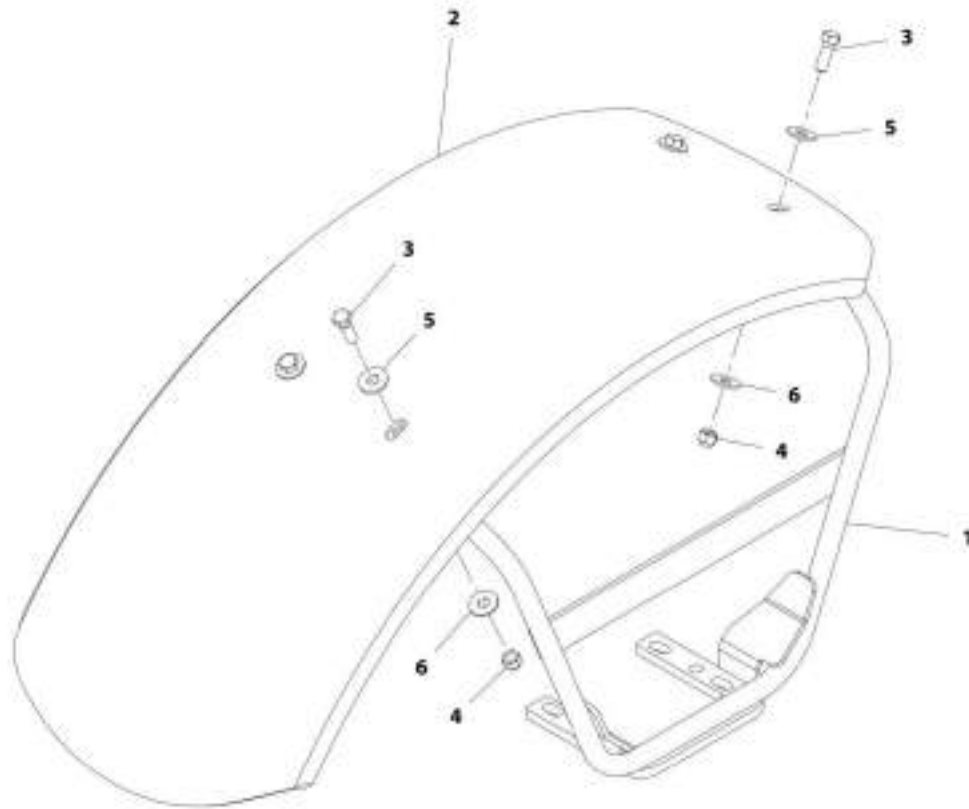
## SECTION 5 - DRIVE TRAIN

### FIGURE 5-76. FENDER INSTALLATION

ITEM	PART NUMBER	QTY	DESCRIPTION	REV
	7139086	Ref	Fender Installation	D
1	7139087	2	Assembly, Left Front/Right Rear Fender (See LEFT FRONT/RIGHT REAR FENDER ASSEMBLY)	
2	7139088	2	Assembly, Right Front/Left Rear Fender (See RIGHT FRONT/LEFT REAR FENDER ASSEMBLY)	
3	8307025	16	Washer, Lock M12	
4	8307220	16	Washer, Plain M12	
5	8310164	16	Bolt, M12X40	

# SECTION 5 - DRIVE TRAIN

## FIGURE 5-77. LEFT FRONT/RIGHT REAR FENDER ASSEMBLY



ART\_T11007-E



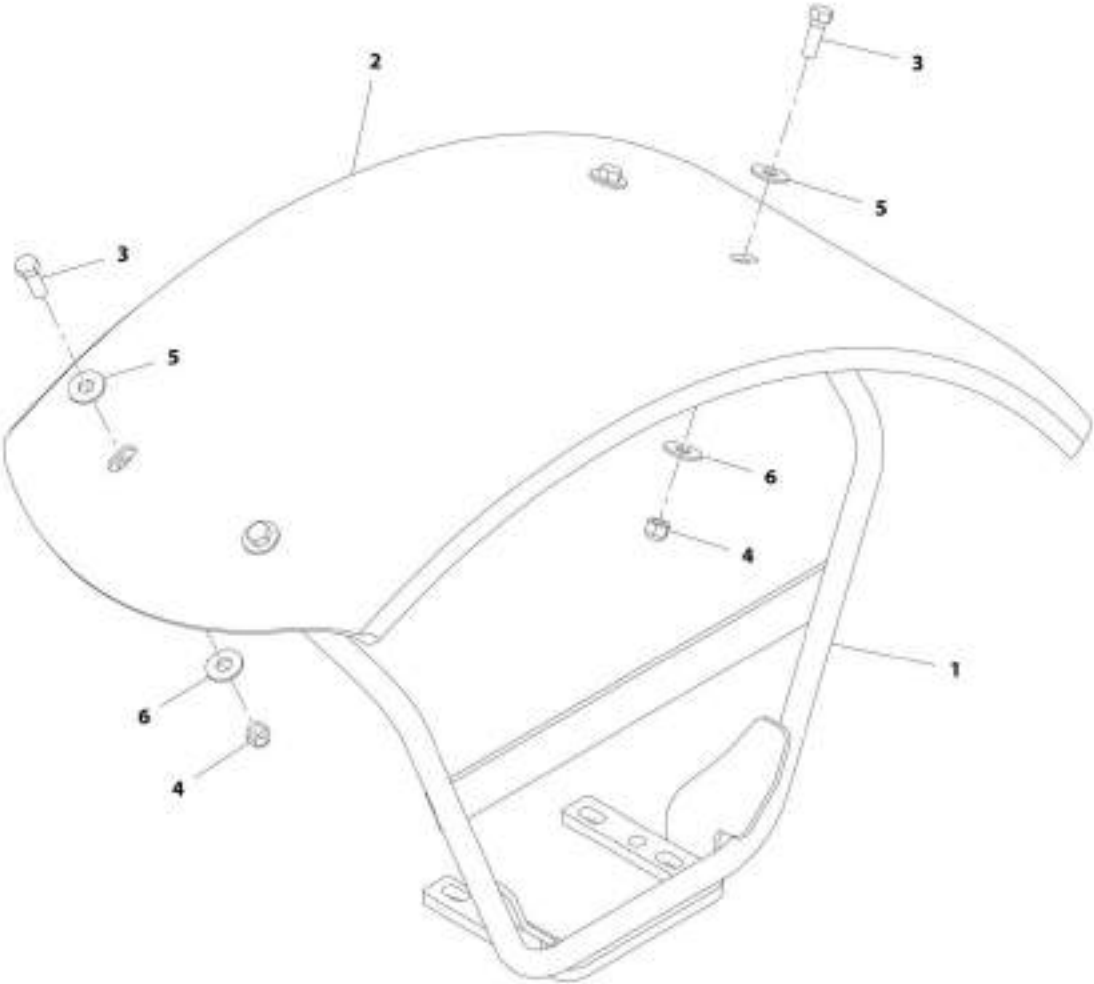
## SECTION 5 - DRIVE TRAIN

### FIGURE 5-77. LEFT FRONT/RIGHT REAR FENDER ASSEMBLY

ITEM	PART NUMBER	QTY	DESCRIPTION	REV
	7139087	Ref	Left Front/Right Rear Fender Assembly	E
1	7139560	1	Bracket, Fender Mounting	
2	7139226	1	Fender	
3	8303626	4	Bolt, 1/2-13X1-1/2	
4	8305644	4	Nut, Lock 1/2-13	
5	8307206	4	Washer, Plain 1/2	
6	8307112	4	Washer, Plain 1/2	

**SECTION 5 - DRIVE TRAIN**

**FIGURE 5-78. RIGHT FRONT/LEFT REAR FENDER ASSEMBLY**



ART\_113000-E

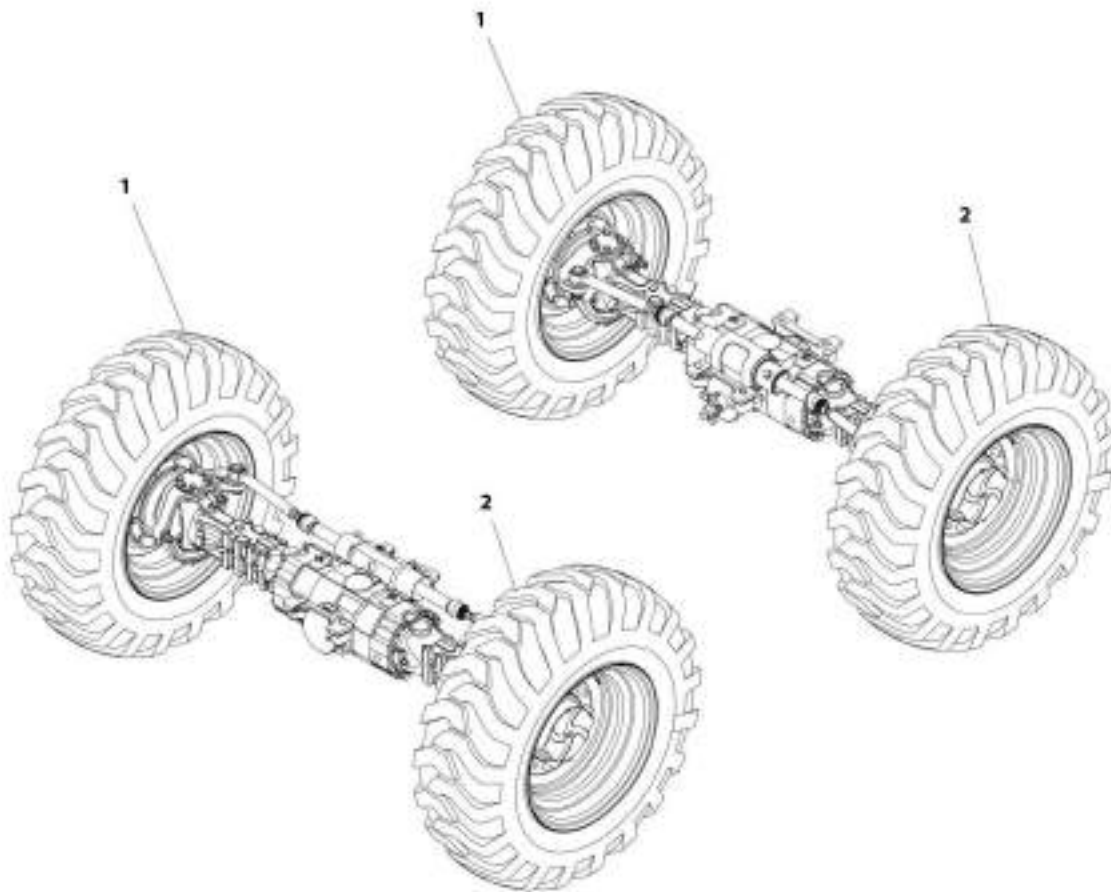
## SECTION 5 - DRIVE TRAIN

### FIGURE 5-78. RIGHT FRONT/LEFT REAR FENDER ASSEMBLY

ITEM	PART NUMBER	QTY	DESCRIPTION	REV
	7139088	Ref	Right Front/Left Rear Fender Assembly	E
1	7139560	1	Bracket, Fender Mounting	
2	7139226	1	Fender	
3	8303626	4	Bolt, 1/2-13X1-1/2	
4	8305644	4	Nut, Lock 1/2-13	
5	8307206	4	Washer, Plain 1/2	
6	8307112	4	Washer, Plain 1/2	

## SECTION 5 - DRIVE TRAIN

FIGURE 5-79. TIRE SET, 15.5-25 PNEUMATIC - 8042



ART\_100101700-C

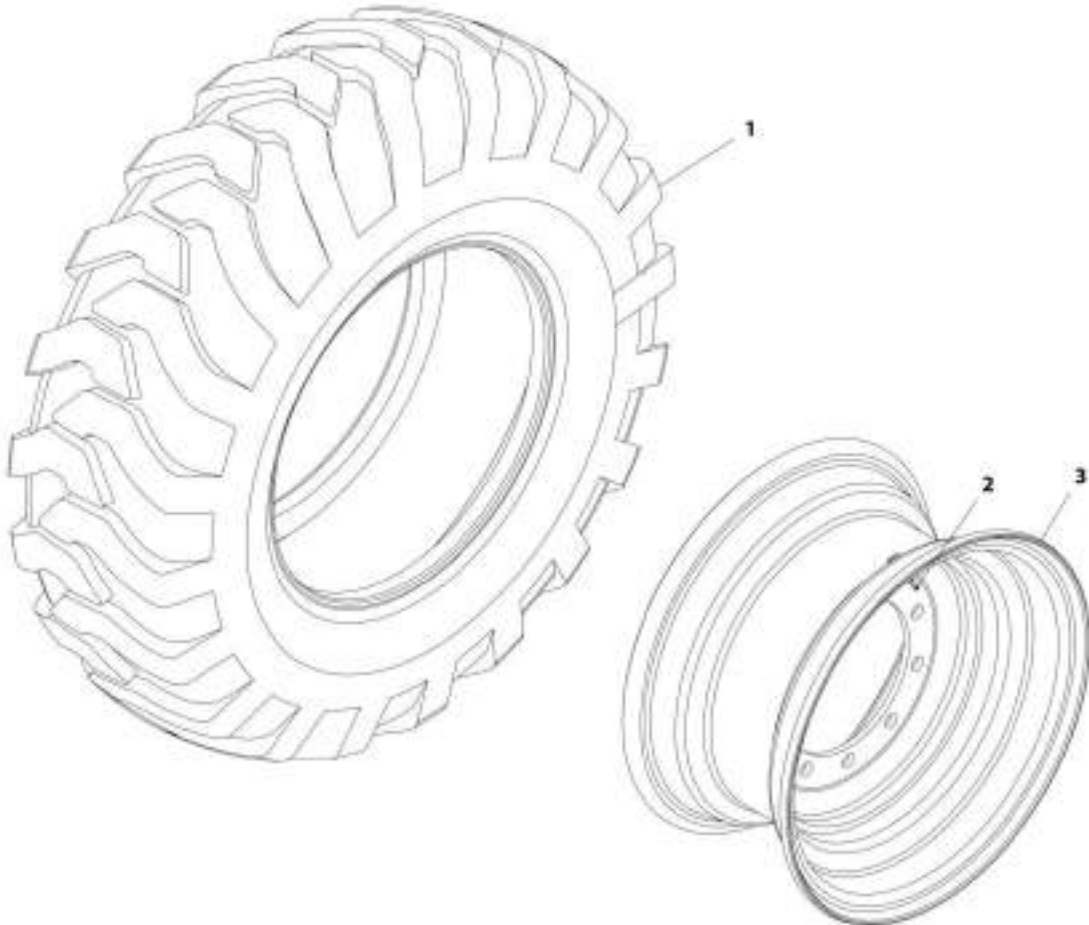
## SECTION 5 - DRIVE TRAIN

### FIGURE 5-79. TIRE SET, 15.5-25 PNEUMATIC - 8042

ITEM	PART NUMBER	QTY	DESCRIPTION	REV
1	1001181760	Ref	Tire Set, 15.5-25 Pneumatic - 8042	C
	1001181033	2	Assembly, RH Tire and Wheel (See RH TIRE AND WHEEL ASSEMBLY, 15.5-25 PNEUMATIC - 8042 for Breakdown)	
2	1001181034	2	Assembly, LH Tire and Wheel (See LH TIRE AND WHEEL ASSEMBLY, 15.5-25 PNEUMATIC - 8042 for Breakdown)	

## SECTION 5 - DRIVE TRAIN

FIGURE 5-80. RH TIRE AND WHEEL ASSEMBLY, 15.5-25 PNEUMATIC - 8042



ART\_3001181023.C

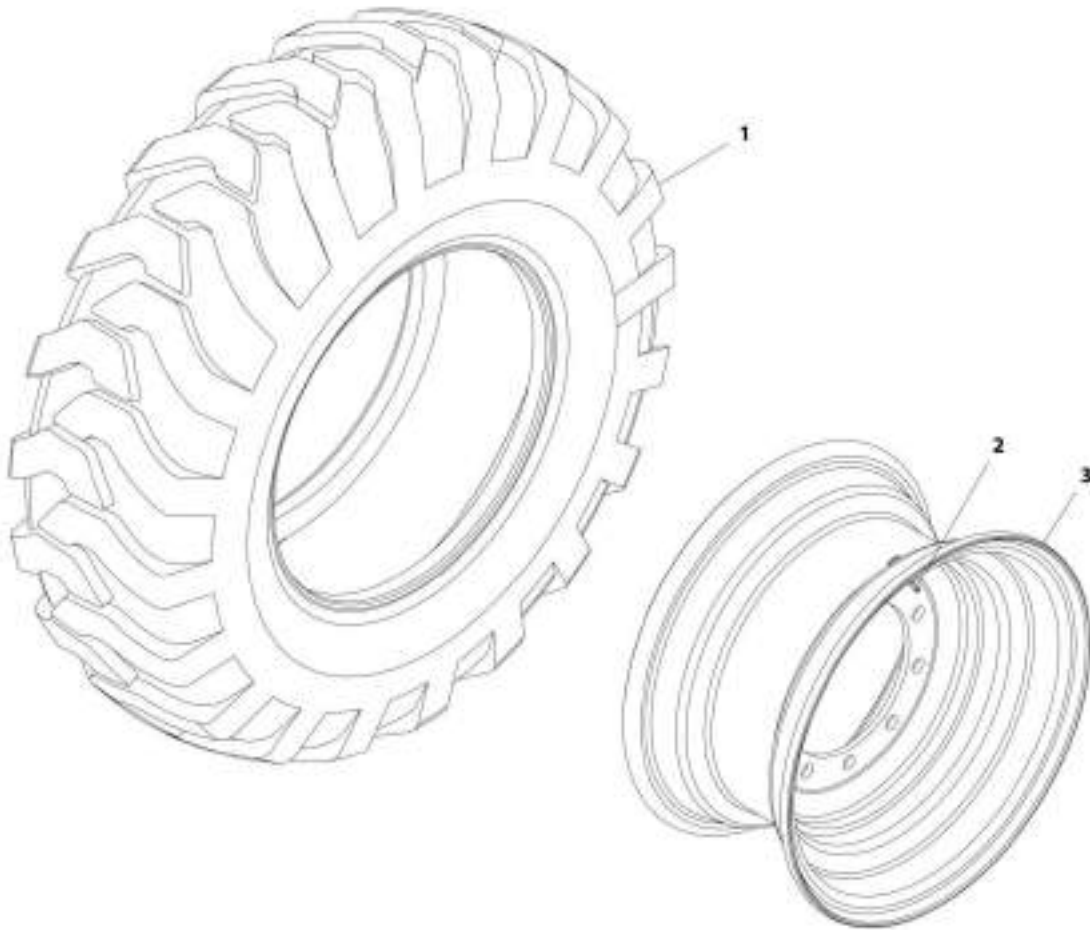
## SECTION 5 - DRIVE TRAIN

**FIGURE 5-80. RH TIRE AND WHEEL ASSEMBLY, 15.5-25 PNEUMATIC - 8042**

ITEM	PART NUMBER	QTY	DESCRIPTION	REV
	1001181033	Ref	RH Tire and Wheel Assembly, 15.5-25 Pneumatic - 8042	C
1	8780036	1	Tire, 15.5X25	
2	4641122	1	Valve	
3	1001181032	1	Wheel, 13X25	

## SECTION 5 - DRIVE TRAIN

FIGURE 5-81. LH TIRE AND WHEEL ASSEMBLY, 15.5-25 PNEUMATIC - 8042



ART\_3001181034-C



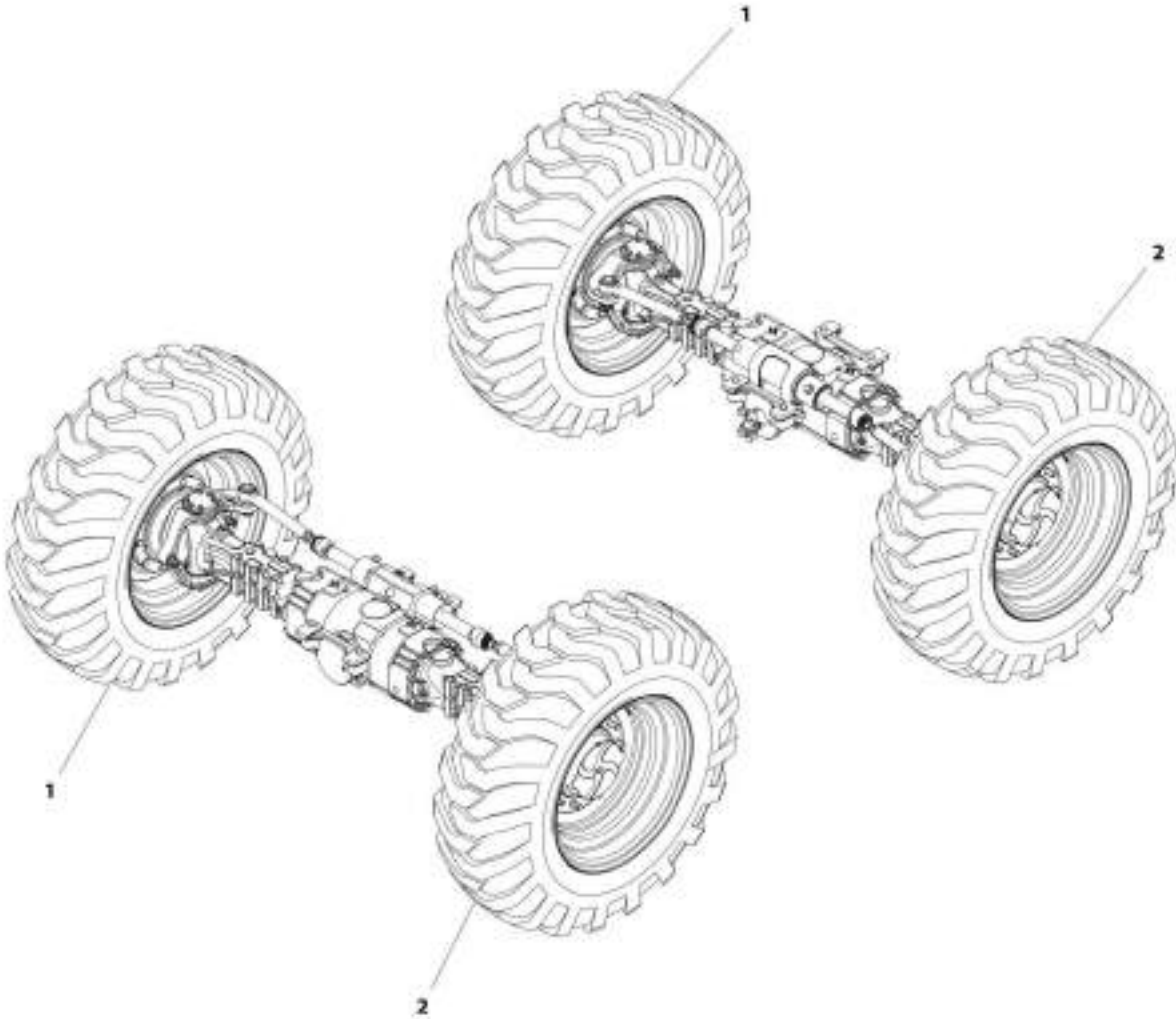
## SECTION 5 - DRIVE TRAIN

**FIGURE 5-81. LH TIRE AND WHEEL ASSEMBLY, 15.5-25 PNEUMATIC - 8042**

ITEM	PART NUMBER	QTY	DESCRIPTION	REV
	1001181034	Ref	LH Tire and Wheel Assembly, 15.5-25 Pneumatic - 8042	C
1	8780036	1	Tire, 15.5X25	
2	4641122	1	Valve	
3	1001181032	1	Wheel, 13X25	

## SECTION 5 - DRIVE TRAIN

FIGURE 5-82. TIRE SET, 15.5-25 FOAM - 8042



WIT\_1001381/261-C

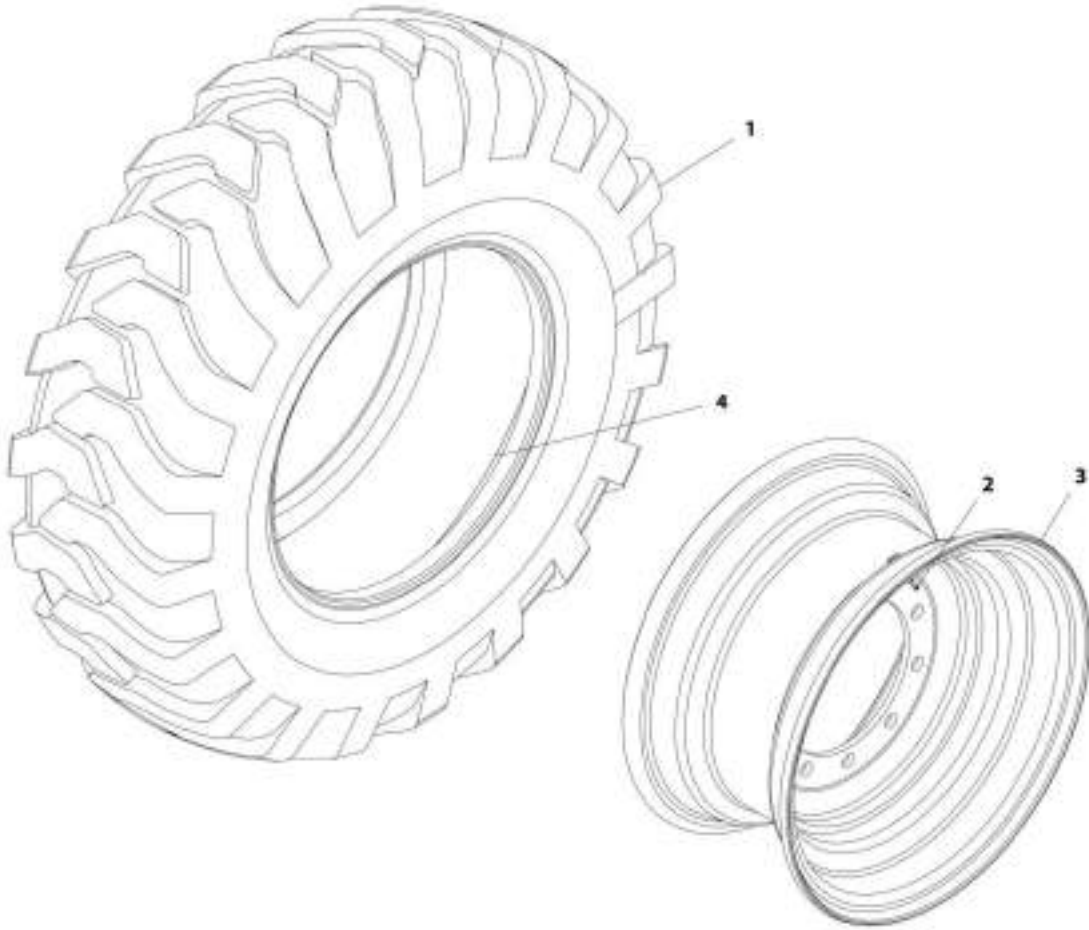
## SECTION 5 - DRIVE TRAIN

**FIGURE 5-82. TIRE SET, 15.5-25 FOAM - 8042**

ITEM	PART NUMBER	QTY	DESCRIPTION	REV
1	1001181761	Ref	Tire Set, 15.5-25 Foam - 8042	C
	1001181035	2	Assembly, RH Tire and Wheel (See RH TIRE AND WHEEL ASSEMBLY, 15.5-25 FOAM - 8042 for Breakdown)	
2	1001181036	2	Assembly, LH Tire and Wheel (See LH TIRE AND WHEEL ASSEMBLY, 15.5-25 FOAM - 8042 for Breakdown)	

## SECTION 5 - DRIVE TRAIN

FIGURE 5-83. RH TIRE AND WHEEL ASSEMBLY, 15.5-25 FOAM - 8042



ART\_100181035-C

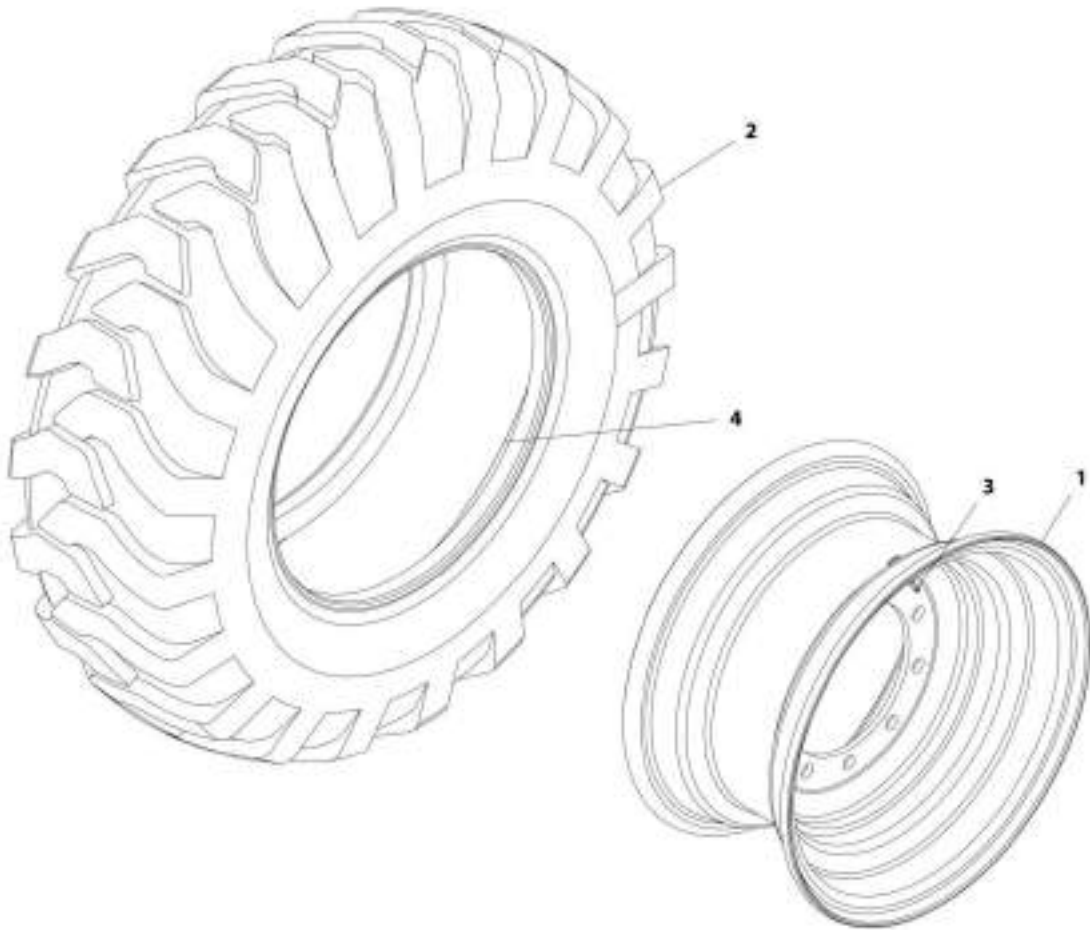
## SECTION 5 - DRIVE TRAIN

**FIGURE 5-83. RH TIRE AND WHEEL ASSEMBLY, 15.5-25 FOAM - 8042**

ITEM	PART NUMBER	QTY	DESCRIPTION	REV
	1001181035	Ref	RH Tire and Wheel Assembly, 15.5-25 Foam - 8042	C
1	8780036	1	Tire, 15.5X25	
2	4641122	1	Valve	
3	1001181032	1	Wheel, 13X25	
4	8526203	600 lb	Fill, Foam	

## SECTION 5 - DRIVE TRAIN

FIGURE 5-84. LH TIRE AND WHEEL ASSEMBLY, 15.5-25 FOAM - 8042



MIT\_1001381036-C

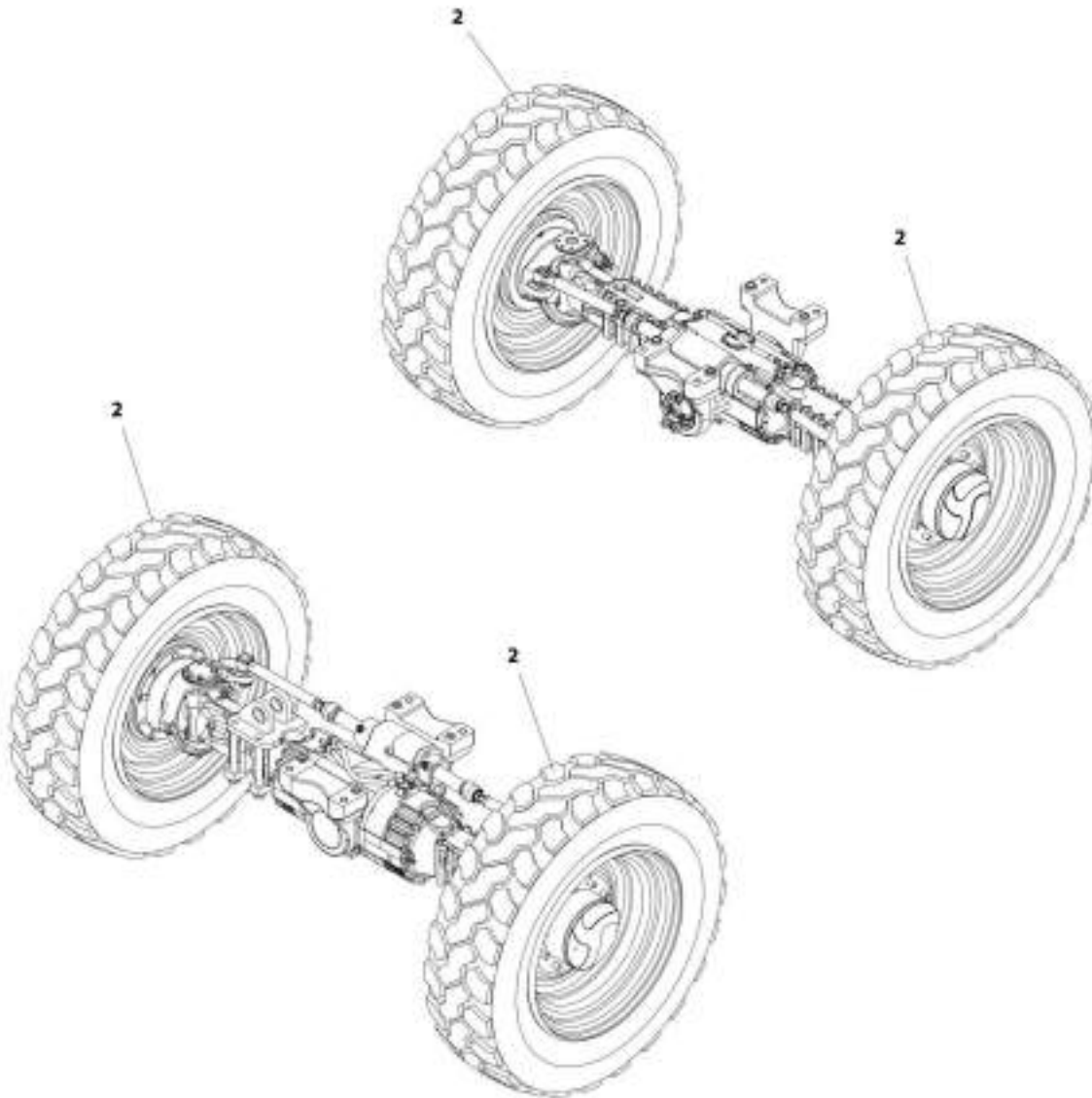
## SECTION 5 - DRIVE TRAIN

**FIGURE 5-84. LH TIRE AND WHEEL ASSEMBLY, 15.5-25 FOAM - 8042**

ITEM	PART NUMBER	QTY	DESCRIPTION	REV
	1001181036	Ref	LH Tire and Wheel Assembly, 15.5-25 Foam - 8042	C
1	1001181032	1	Wheel, 13X25	
2	8780036	1	Tire, 15.5X25	
3	4641122	1	Valve	
4	8526203	600 lb	Fill, Foam	

## SECTION 5 - DRIVE TRAIN

FIGURE 5-85. TIRE SET, 370/75-28 PNEUMATIC - 8042



ART\_100112935-8



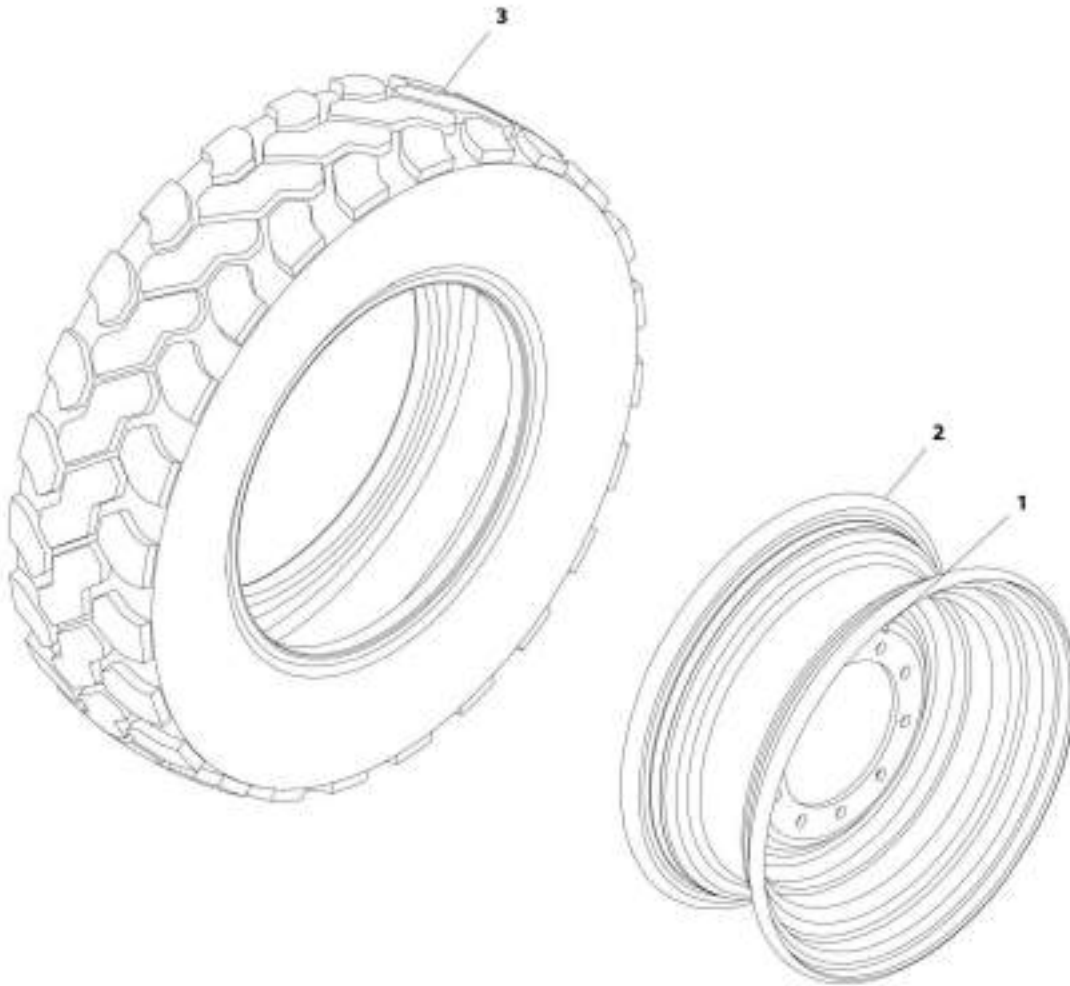
## SECTION 5 - DRIVE TRAIN

**FIGURE 5-85. TIRE SET, 370/75-28 PNEUMATIC - 8042**

ITEM	PART NUMBER	QTY	DESCRIPTION	REV
2	1001120935 1001100324	Ref 4	Tire Set, 370/75-28 Pneumatic - 8042 Assembly, Tire and Wheel (See TIRE AND WHEEL ASSEMBLY, 370/75-28 PNEUMATIC - 8042 for Breakdown)	B

## SECTION 5 - DRIVE TRAIN

FIGURE 5-86. TIRE AND WHEEL ASSEMBLY, 370/75-28 PNEUMATIC - 8042



ART 1001100324-C

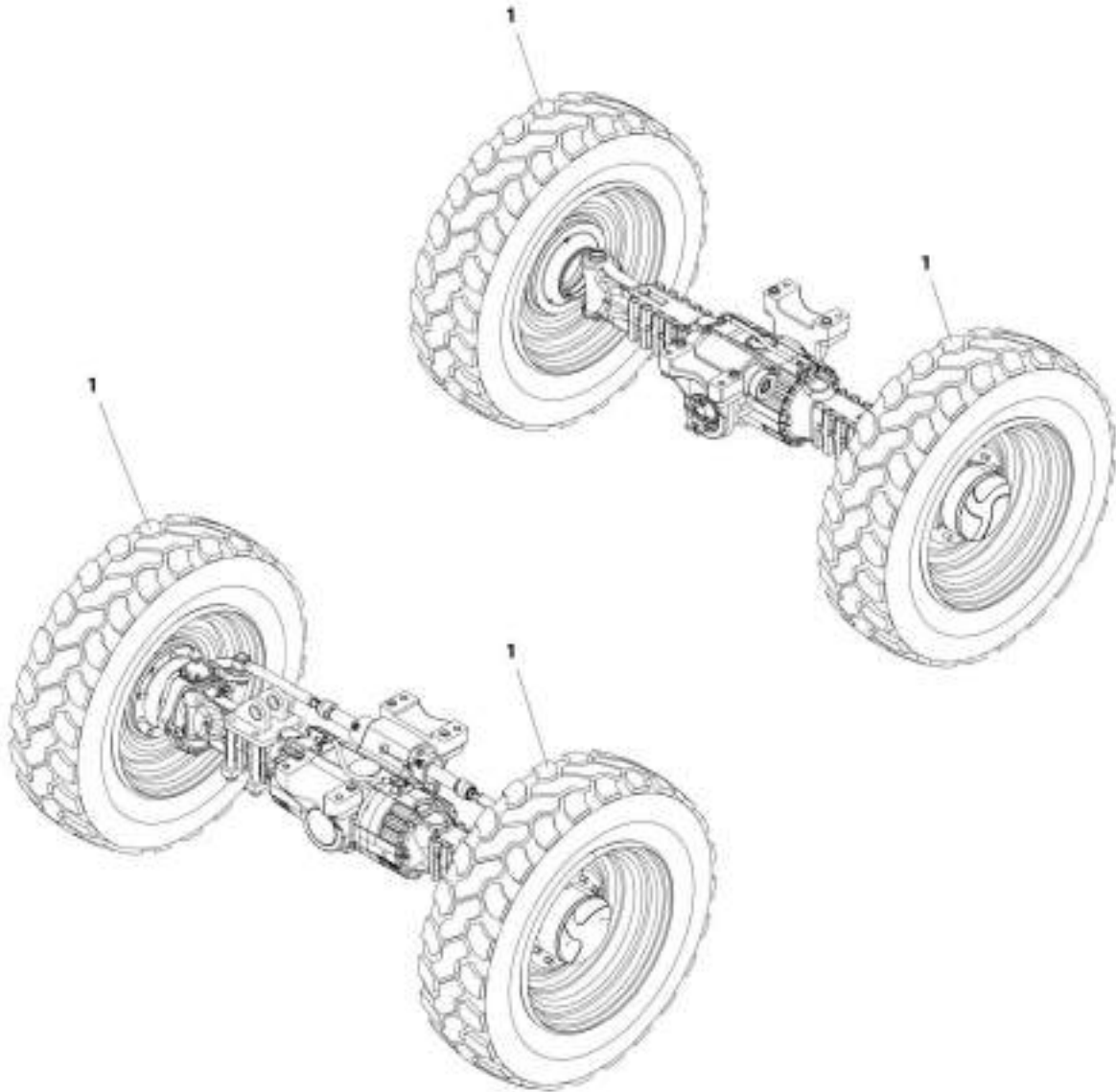
## SECTION 5 - DRIVE TRAIN

**FIGURE 5-86. TIRE AND WHEEL ASSEMBLY, 370/75-28 PNEUMATIC - 8042**

ITEM	PART NUMBER	QTY	DESCRIPTION	REV
	1001100324	Ref	Tire and Wheel Assembly, 370/75-28 Pneumatic - 8042	C
1	8786514	1	Valve, Stem	
2	1001100005	1	Wheel, 28X11.00	
3	1001100284	1	Tire, 370/75-28	

## SECTION 5 - DRIVE TRAIN

FIGURE 5-87. TIRE SET, 370/75-28 FOAM - 8042



ART\_1001121516-C

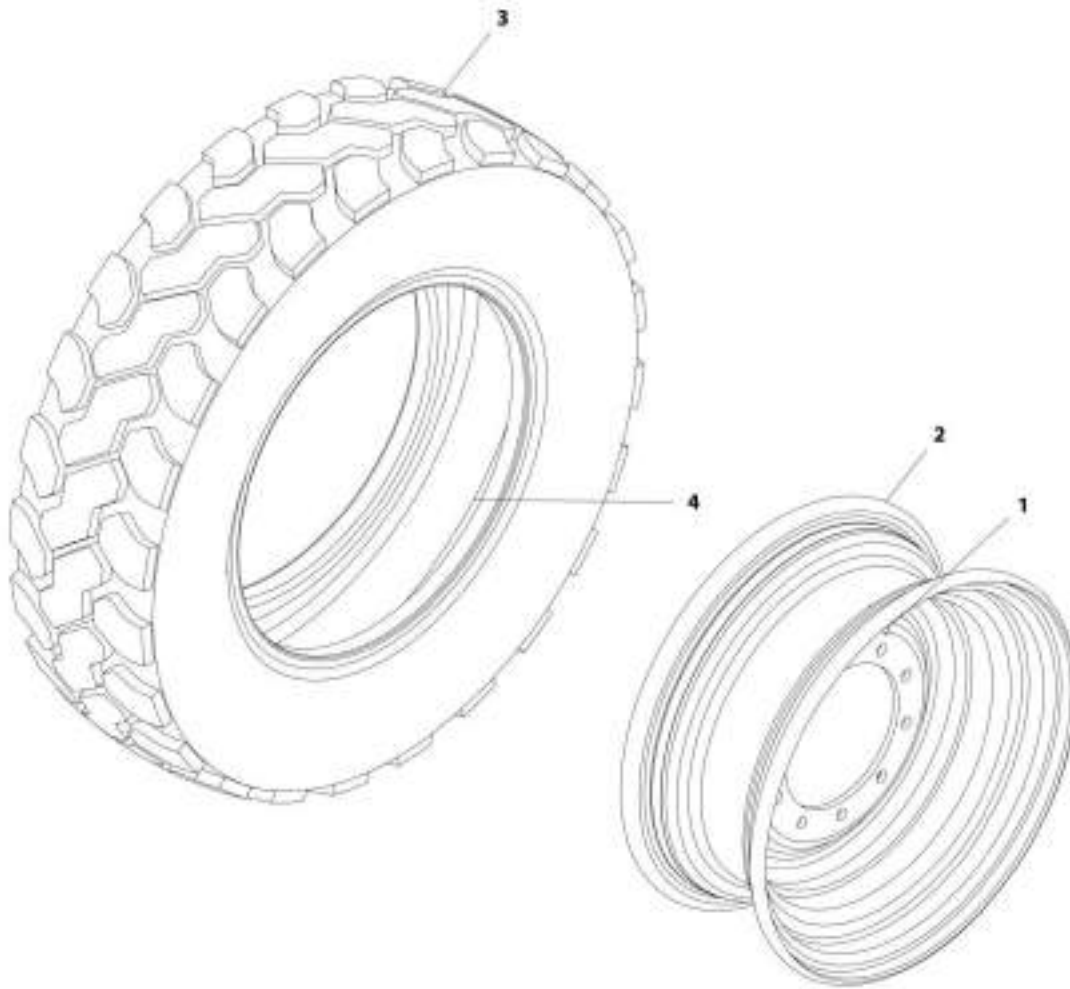
## SECTION 5 - DRIVE TRAIN

**FIGURE 5-87. TIRE SET, 370/75-28 FOAM - 8042**

ITEM	PART NUMBER	QTY	DESCRIPTION	REV
1	1001121518 1001121085	Ref 4	Tire Set, 370/75-28 Foam - 8042 Assembly, Tire and Wheel (See TIRE AND WHEEL ASSEMBLY, 370/75-28 FOAM - 8042 for Breakdown)	C

## SECTION 5 - DRIVE TRAIN

FIGURE 5-88. TIRE AND WHEEL ASSEMBLY, 370/75-28 FOAM - 8042



WRT\_881121005-A

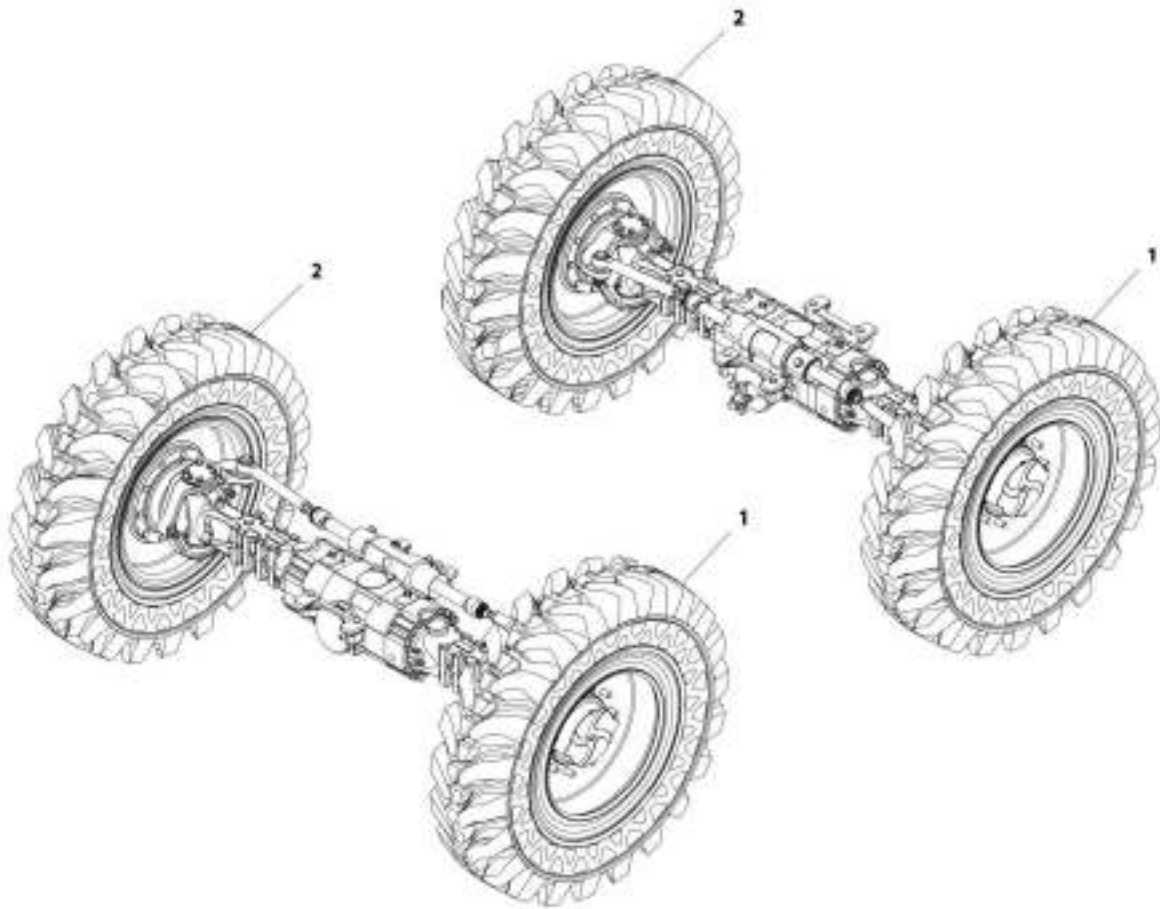
## SECTION 5 - DRIVE TRAIN

**FIGURE 5-88. TIRE AND WHEEL ASSEMBLY, 370/75-28 FOAM - 8042**

ITEM	PART NUMBER	QTY	DESCRIPTION	REV
	1001121085	Ref	Tire and Wheel Assembly, 370/75-28 Foam - 8042	A
1	8786514	1	Valve, Stem	
2	1001100005	1	Wheel, 28X11.00	
3	1001100284	1	Tire, 370/75-28	
4	8526203	464 lb	Fill, Foam	

## SECTION 5 - DRIVE TRAIN

FIGURE 5-89. TIRE SET, 13.00-24 SOLID - 8042 (Prior to SN 0160083785)



ART\_1001181765-C



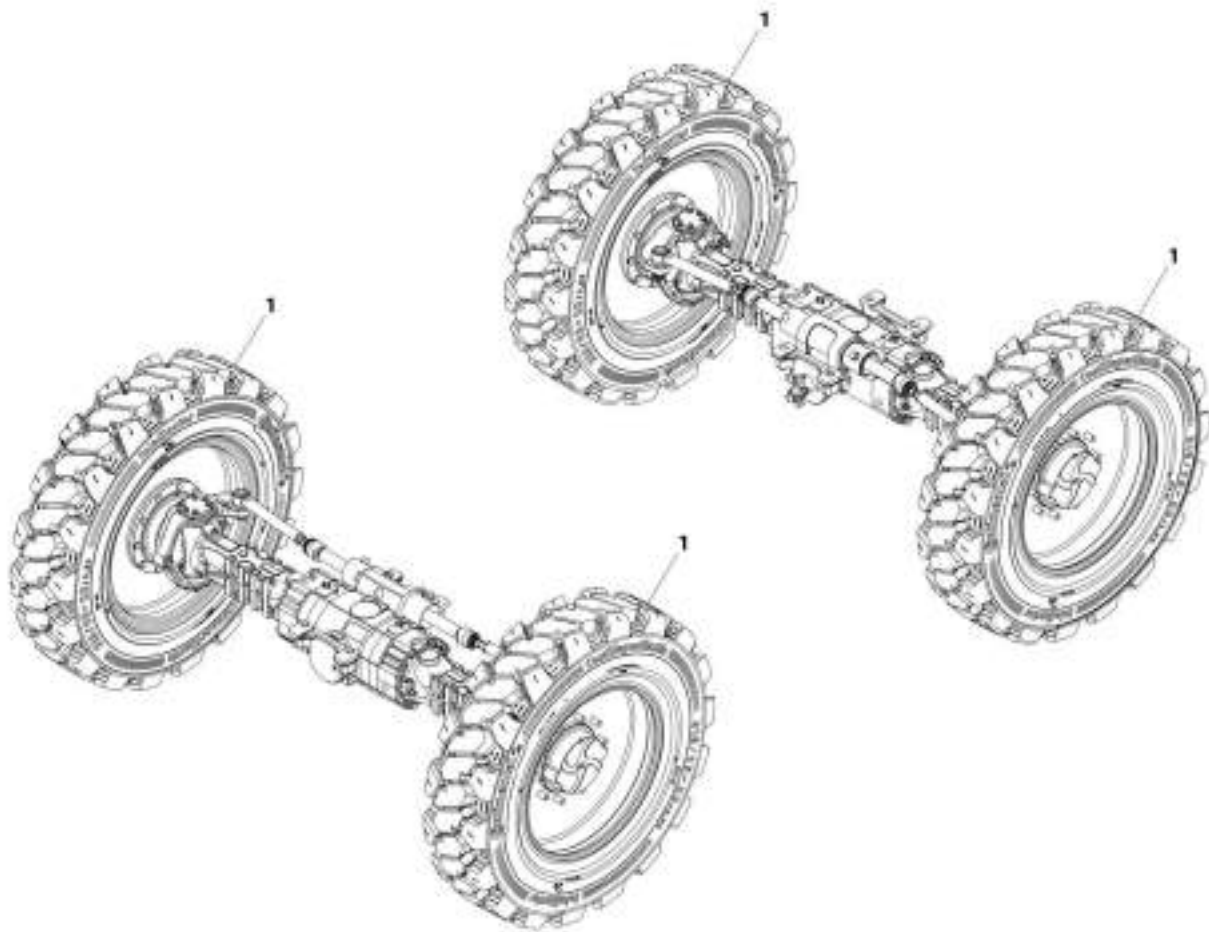
## SECTION 5 - DRIVE TRAIN

**FIGURE 5-89. TIRE SET, 13.00-24 SOLID - 8042 (Prior to SN 0160083785)**

ITEM	PART NUMBER	QTY	DESCRIPTION	REV
	1001181765	Ref	Tire Set, 13.00-24 Solid - 8042	C
1	1001181041	2	LH Tire, 13.00-24 Solid	
2	1001181042	2	RH Tire, 13.00-24 Solid	

## SECTION 5 - DRIVE TRAIN

FIGURE 5-90. TIRE SET, 315/95-28/8.5 SOLID (SN 0160083785 to Present)



ART\_1001221501-A

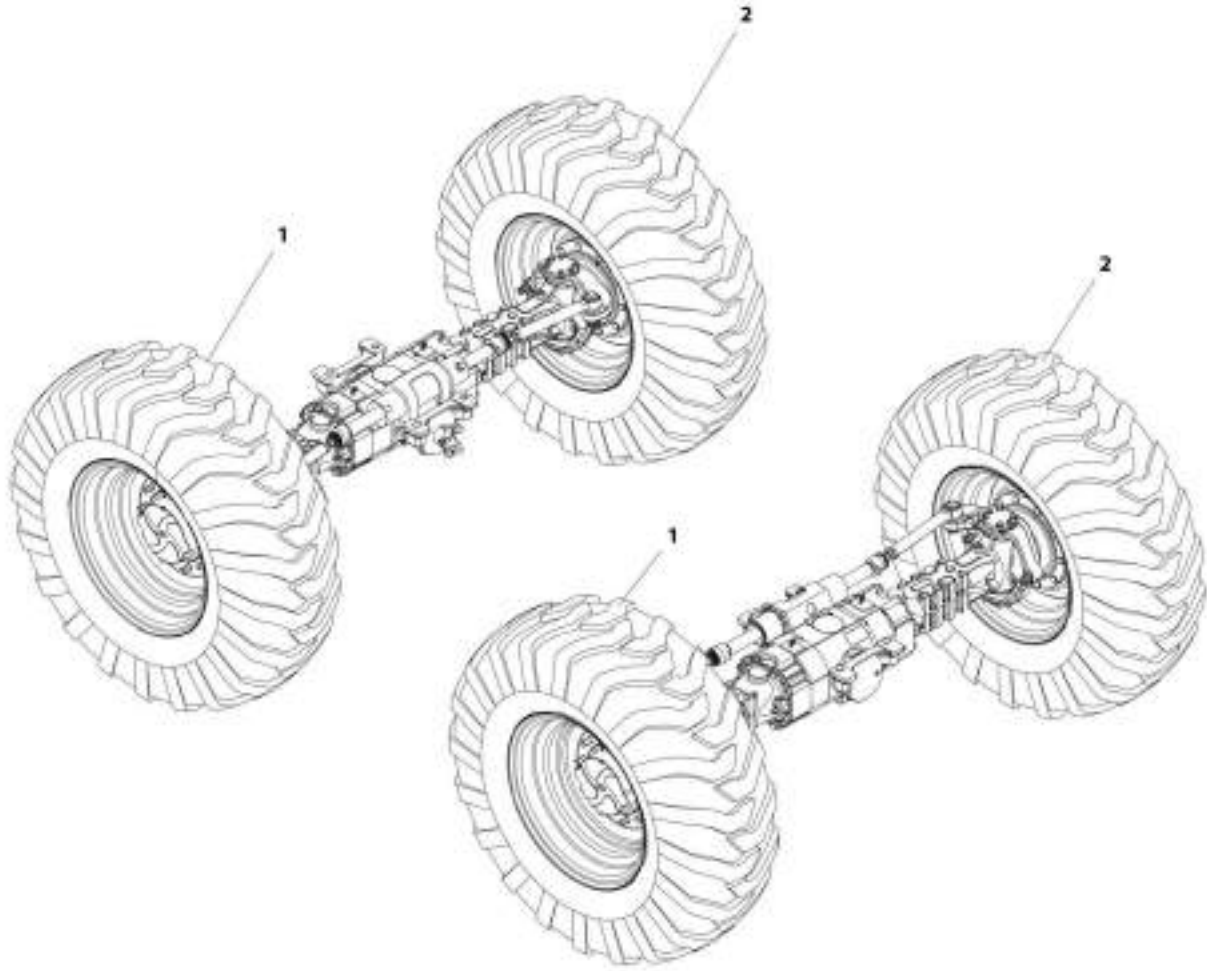
## SECTION 5 - DRIVE TRAIN

**FIGURE 5-90. TIRE SET, 315/95-28/8.5 SOLID (SN 0160083785 to Present)**

ITEM	PART NUMBER	QTY	DESCRIPTION	REV
1	1001221501	Ref	Tire Set, 315/95-28/8.5 Solid	A
	1001216295	4	Tire, 315/95-28/8.5 Solid	

## SECTION 5 - DRIVE TRAIN

FIGURE 5-91. TIRE SET, 17.5-25 PNEUMATIC - 10042 & 10054



ART. 100181762-C

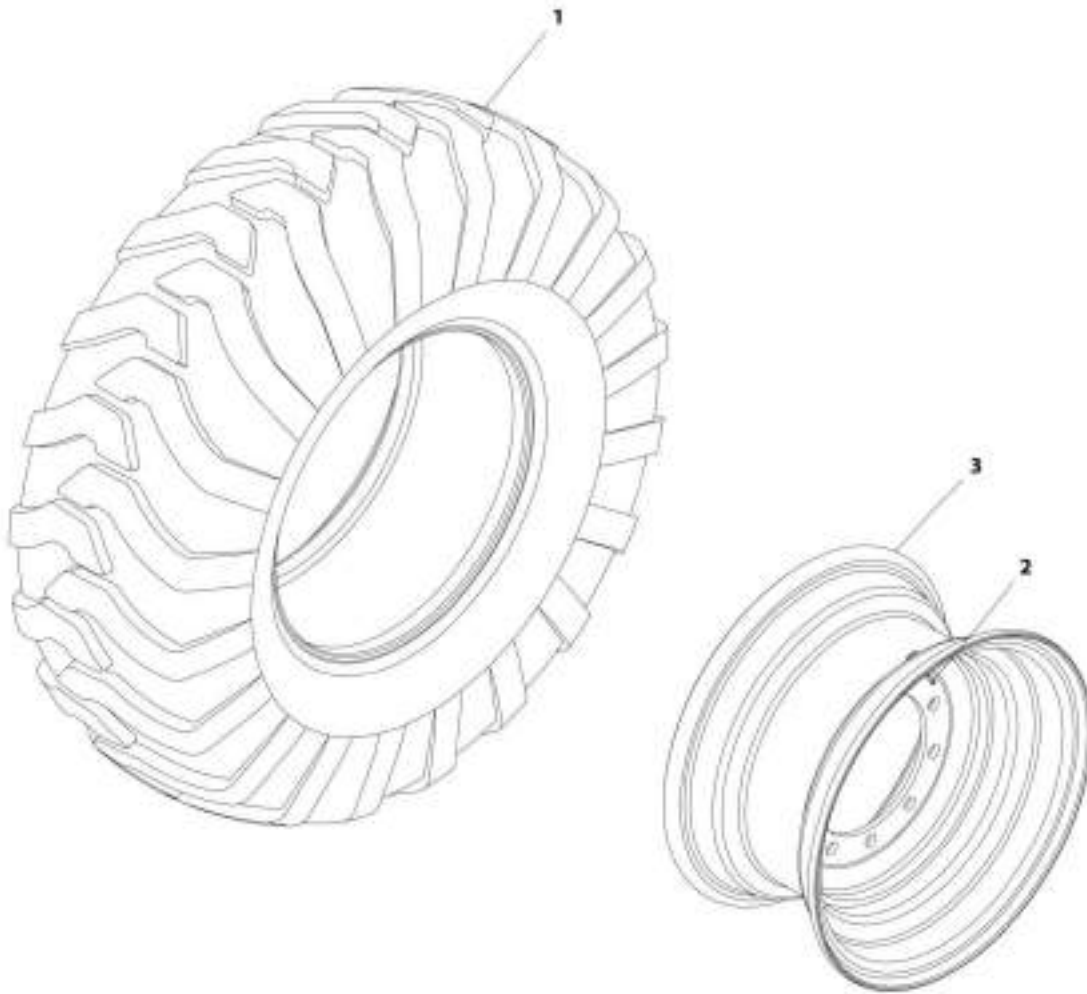
## SECTION 5 - DRIVE TRAIN

**FIGURE 5-91. TIRE SET, 17.5-25 PNEUMATIC - 10042 & 10054**

ITEM	PART NUMBER	QTY	DESCRIPTION	REV
1	1001181762	Ref	Tire Set, 17.5-25 Pneumatic - 10042 & 10054	C
	1001181037	2	Assembly, RH Tire and Wheel (See RH TIRE AND WHEEL ASSEMBLY, 17.5-25 PNEUMATIC - 10042 & 10054 for Breakdown)	
2	1001181038	2	Assembly, LH Tire and Wheel (See LH TIRE AND WHEEL ASSEMBLY, 17.5-25 PNEUMATIC - 10042 & 10054 for Breakdown)	

## SECTION 5 - DRIVE TRAIN

FIGURE 5-92. RH TIRE AND WHEEL ASSEMBLY, 17.5-25 PNEUMATIC - 10042 & 10054



ART\_1001181037-C

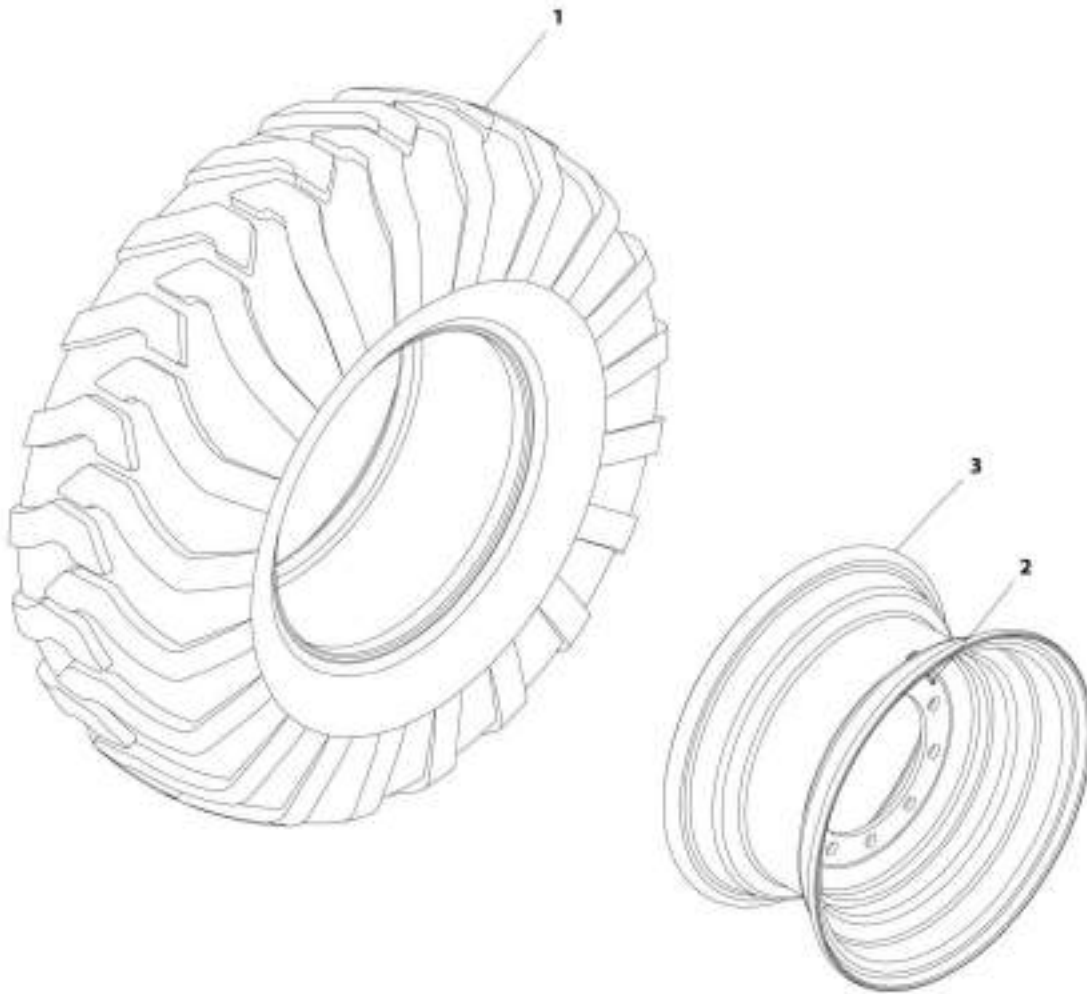
## SECTION 5 - DRIVE TRAIN

**FIGURE 5-92. RH TIRE AND WHEEL ASSEMBLY, 17.5-25 PNEUMATIC - 10042 & 10054**

ITEM	PART NUMBER	QTY	DESCRIPTION	REV
	1001181037	Ref	RH Tire and Wheel Assembly, 17.5-25 Pneumatic - 10042 & 10054	C
1	4520527	1	Tire, 17.5-25	
2	4641122	1	Valve	
3	1001181032	1	Wheel, 13X25	

## SECTION 5 - DRIVE TRAIN

FIGURE 5-93. LH TIRE AND WHEEL ASSEMBLY, 17.5-25 PNEUMATIC - 10042 & 10054



ART\_1001181030-C



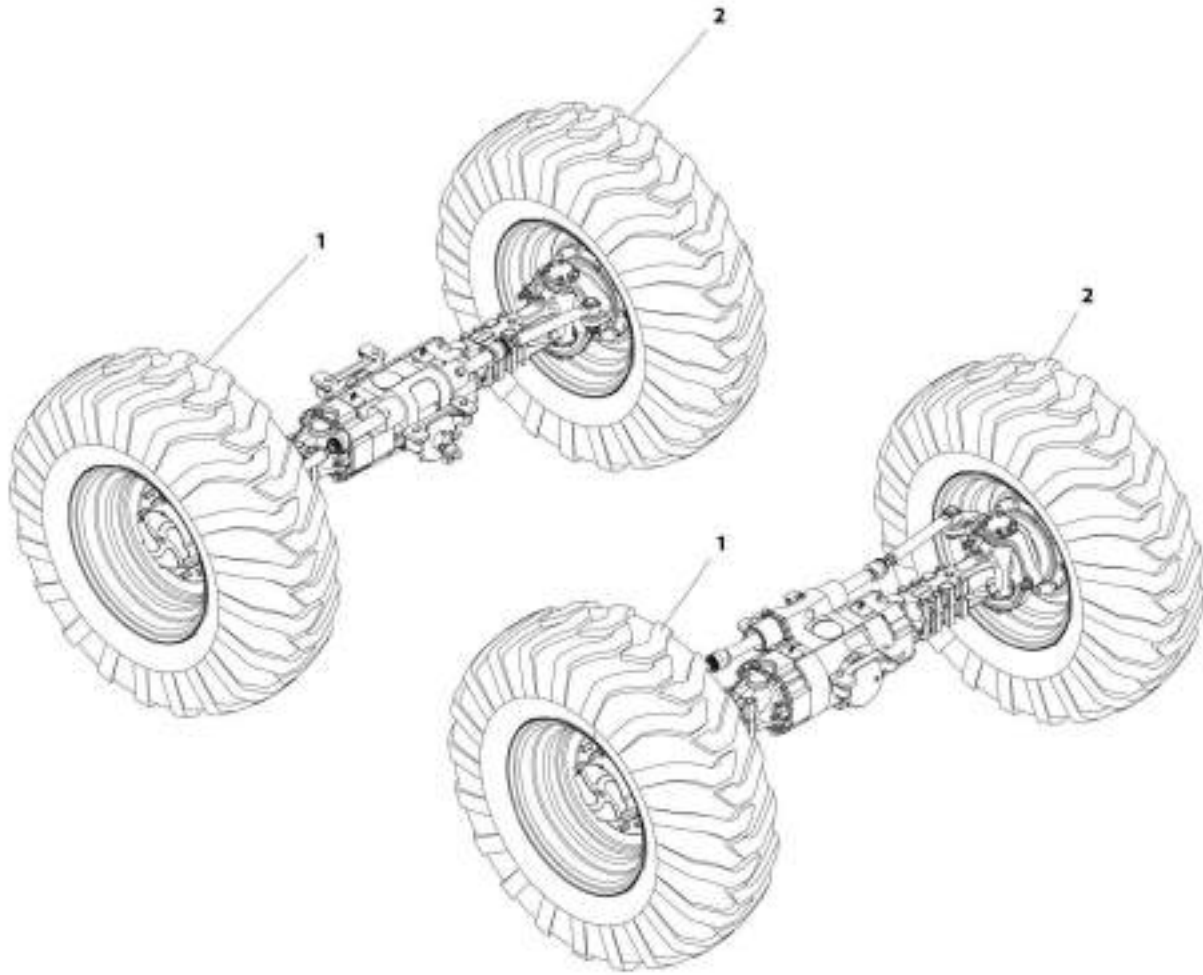
## SECTION 5 - DRIVE TRAIN

**FIGURE 5-93. LH TIRE AND WHEEL ASSEMBLY, 17.5-25 PNEUMATIC - 10042 & 10054**

ITEM	PART NUMBER	QTY	DESCRIPTION	REV
	1001181038	Ref	LH Tire and Wheel Assembly, 17.5-25 Pneumatic - 10042 & 10054	C
1	4520527	1	Tire, 17.5-25	
2	4641122	1	Valve	
3	1001181032	1	Wheel, 13X25	

## SECTION 5 - DRIVE TRAIN

FIGURE 5-94. TIRE SET, 17.5-25 FOAM - 10042 & 10054



ART\_1001181763-C

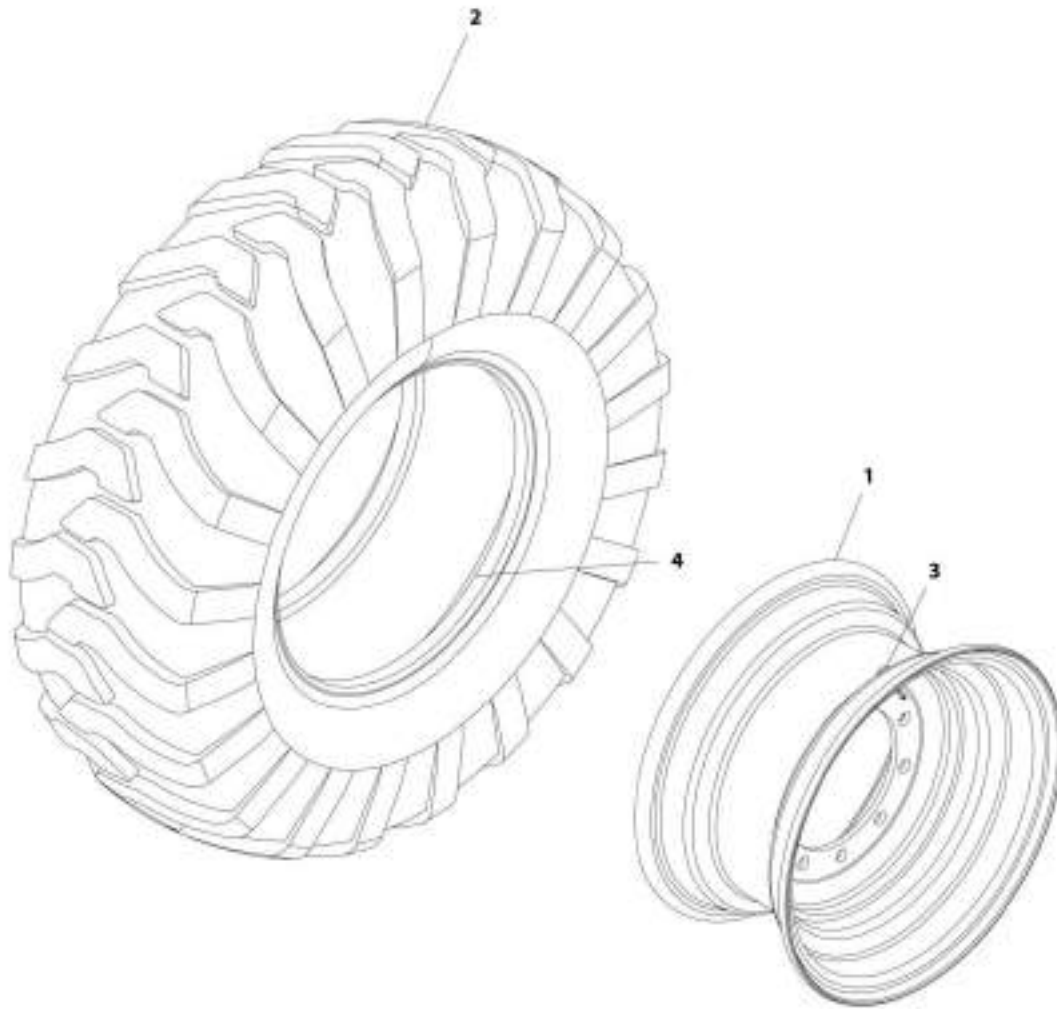
## SECTION 5 - DRIVE TRAIN

**FIGURE 5-94. TIRE SET, 17.5-25 FOAM - 10042 & 10054**

ITEM	PART NUMBER	QTY	DESCRIPTION	REV
1	1001181763	Ref	Tire Set, 17.5-25 Foam - 10042 & 10054	C
	1001181039	2	Assembly, RH Tire and Wheel (See RH TIRE AND WHEEL ASSEMBLY, 17.5-25 FOAM - 10042 & 10054)	
2	1001181040	2	Assembly, LH Tire and Wheel (See LH TIRE AND WHEEL ASSEMBLY, 17.5-25 FOAM - 10042 & 10054)	

## SECTION 5 - DRIVE TRAIN

FIGURE 5-95. RH TIRE AND WHEEL ASSEMBLY, 17.5-25 FOAM - 10042 & 10054



ART\_1001181029-C

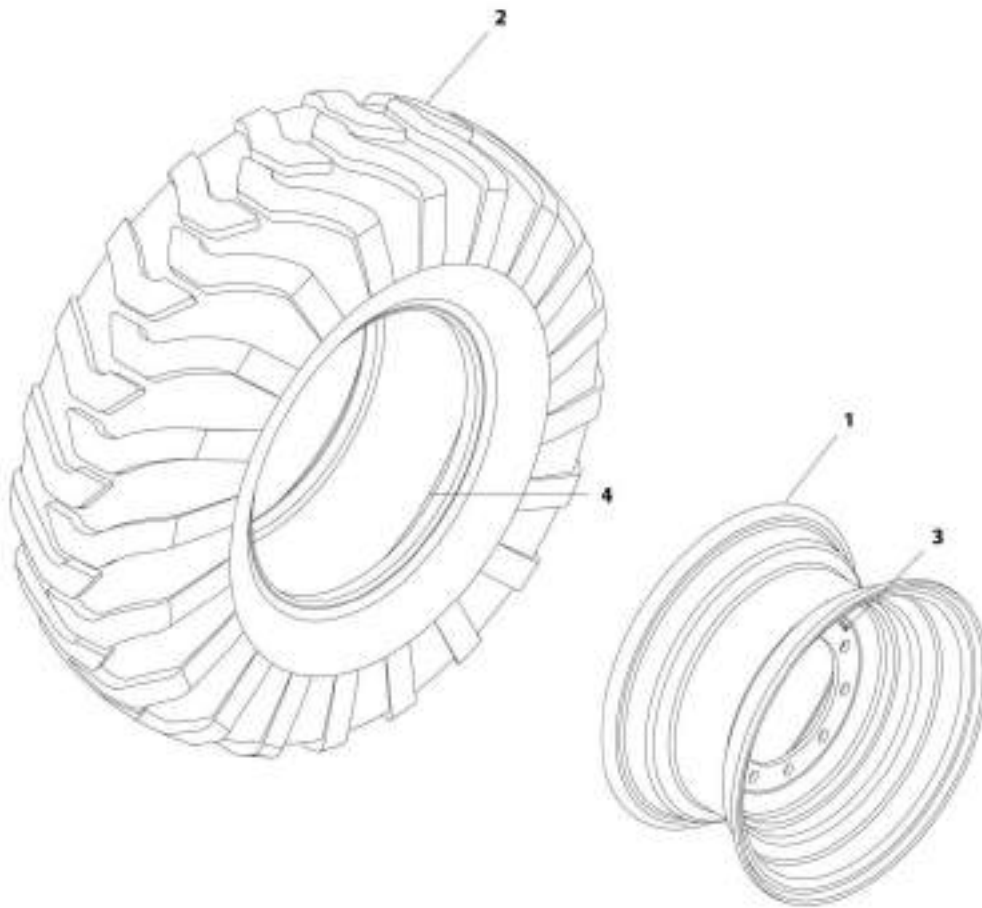
## SECTION 5 - DRIVE TRAIN

**FIGURE 5-95. RH TIRE AND WHEEL ASSEMBLY, 17.5-25 FOAM - 10042 & 10054**

ITEM	PART NUMBER	QTY	DESCRIPTION	REV
	1001181039	Ref	RH Tire and Wheel Assembly, 17.5-25 Foam - 10042 & 10054	C
1	1001181032	1	Wheel, 13X25	
2	4520527	1	Tire, 17.5-25	
3	4641122	1	Valve	
4	8526203	785 lb	Fill, Foam	

## SECTION 5 - DRIVE TRAIN

FIGURE 5-96. LH TIRE AND WHEEL ASSEMBLY, 17.5-25 FOAM - 10042 & 10054



ART\_1001381045-C

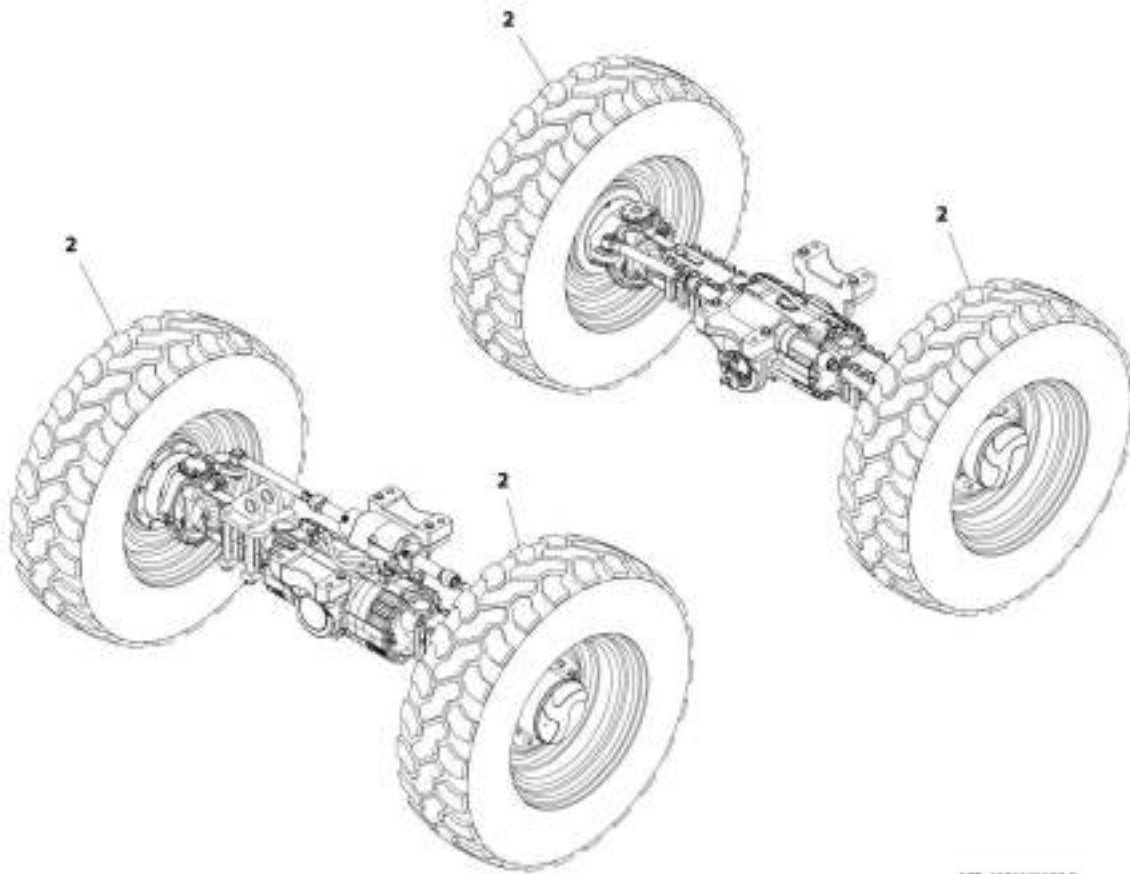
## SECTION 5 - DRIVE TRAIN

**FIGURE 5-96. LH TIRE AND WHEEL ASSEMBLY, 17.5-25 FOAM - 10042 & 10054**

ITEM	PART NUMBER	QTY	DESCRIPTION	REV
	1001181040	Ref	LH Tire and Wheel Assembly, 17.5-25 Foam - 10042 & 10054	C
1	1001181032	1	Wheel, 13X25	
2	4520527	1	Tire, 17.5-25	
3	4641122	1	Valve	
4	8526203	785 lb	Fill, Foam	

## SECTION 5 - DRIVE TRAIN

FIGURE 5-97. TIRE SET, 400/75-28 PNEUMATIC - 10042 & 10054



ART\_100121307-B



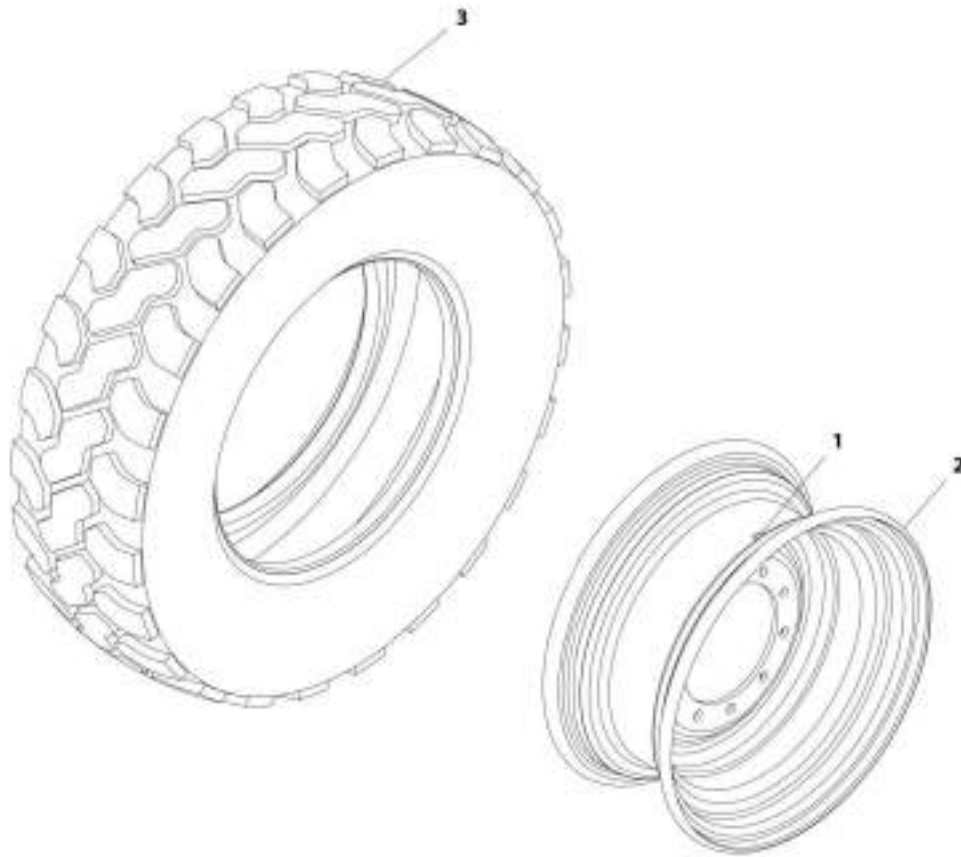
## SECTION 5 - DRIVE TRAIN

**FIGURE 5-97. TIRE SET, 400/75-28 PNEUMATIC - 10042 & 10054**

ITEM	PART NUMBER	QTY	DESCRIPTION	REV
2	1001121107 1001121102	Ref 4	Tire Set, 400/75-28 Pneumatic - 10042 & 10054 Assembly, Tire and Wheel (See TIRE AND WHEEL ASSEMBLY, 400/75-28 PNEUMATIC - 10042 & 10054 for Breakdown)	B

## SECTION 5 - DRIVE TRAIN

FIGURE 5-98. TIRE AND WHEEL ASSEMBLY, 400/75-28 PNEUMATIC - 10042 & 10054



ART\_1001521102-A

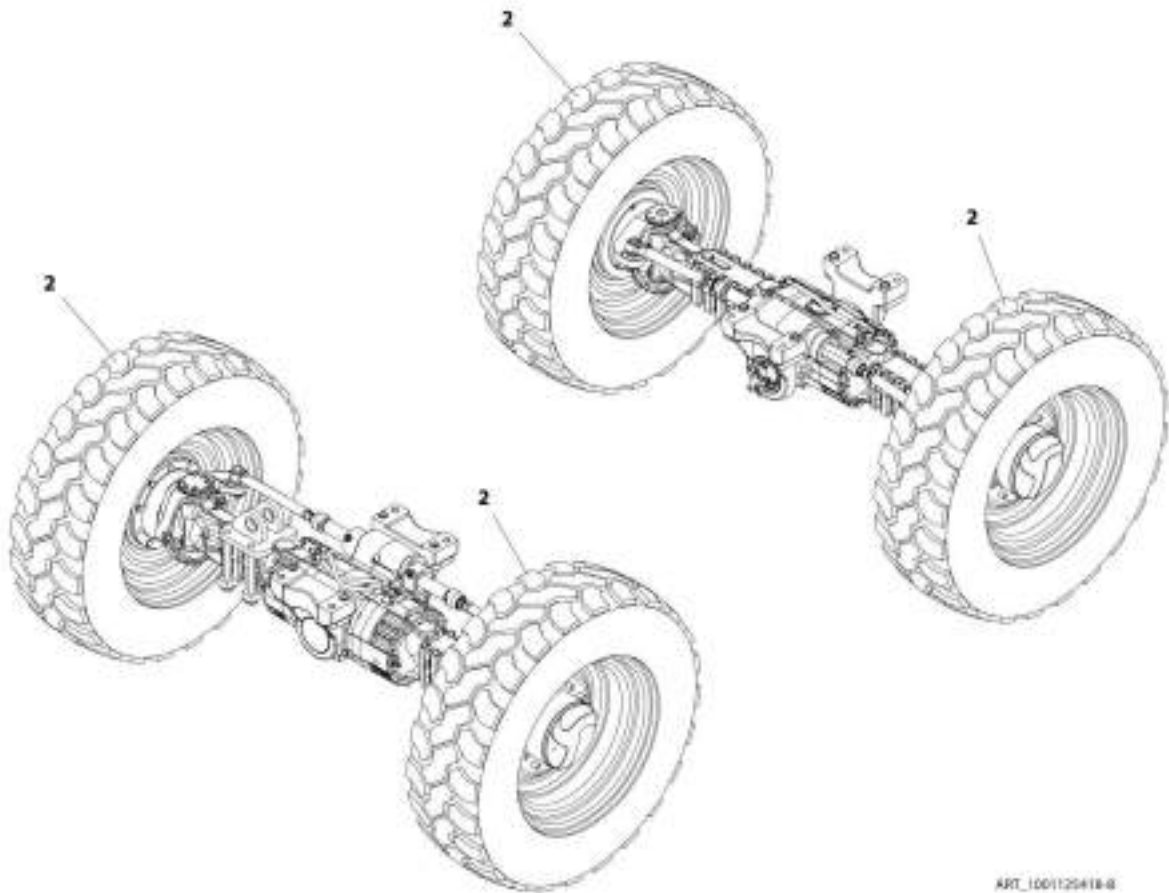
## SECTION 5 - DRIVE TRAIN

**FIGURE 5-98. TIRE AND WHEEL ASSEMBLY, 400/75-28 PNEUMATIC - 10042 & 10054**

ITEM	PART NUMBER	QTY	DESCRIPTION	REV
	1001121102	Ref	Tire and Wheel Assembly, 400/75-28 Pneumatic - 10042 & 10054	A
1	8786514	1	Valve, Stem	
2	1001100009	1	Wheel, 28X12.00	
3	1001120179	1	Tire, 400/75-28	

## SECTION 5 - DRIVE TRAIN

FIGURE 5-99. TIRE SET, 400/75-28 FOAM - 10042 & 10054



ART\_1001125418-B

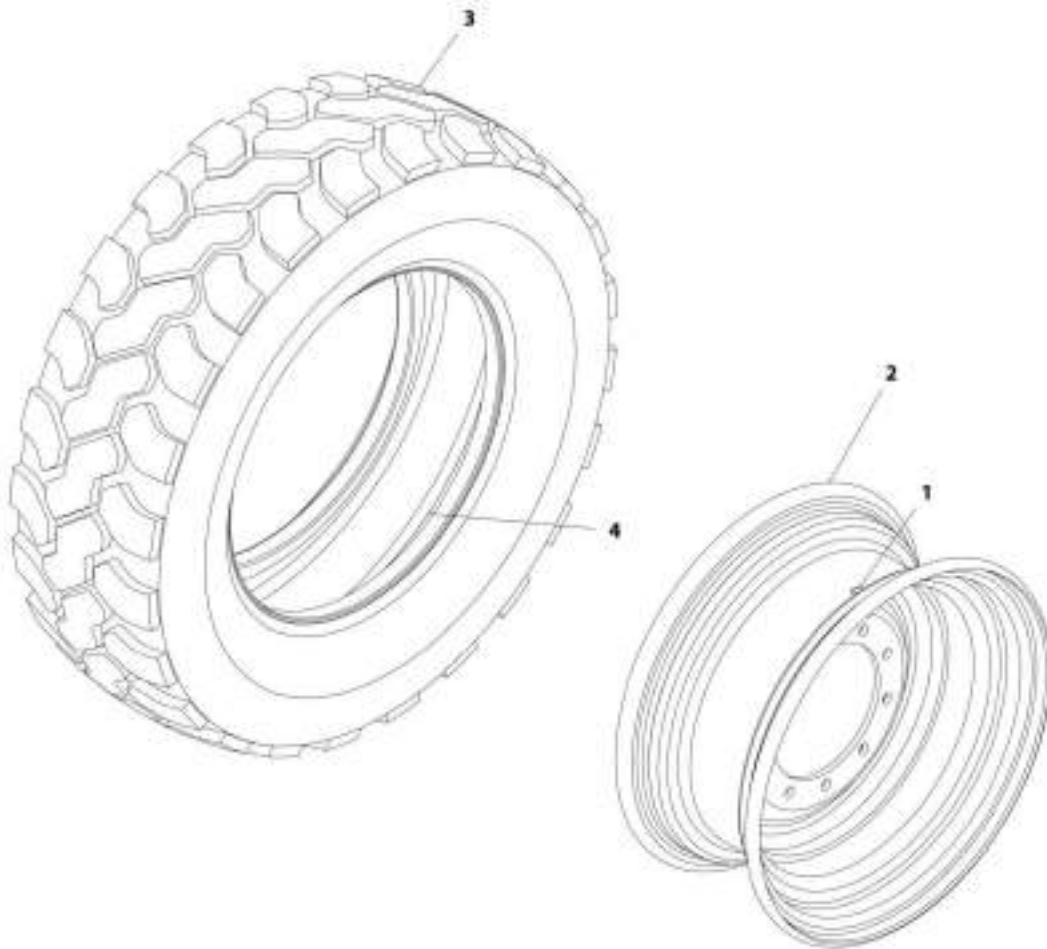
## SECTION 5 - DRIVE TRAIN

**FIGURE 5-99. TIRE SET, 400/75-28 FOAM - 10042 & 10054**

ITEM	PART NUMBER	QTY	DESCRIPTION	REV
2	1001125418 1001121104	Ref 4	Tire Set, 400/75-28 Foam - 10042 & 10054 Assembly, Tire and Wheel (See TIRE AND WHEEL ASSEMBLY, 400/75-28 FOAM - 10042 & 10054 for Breakdown)	B

## SECTION 5 - DRIVE TRAIN

FIGURE 5-100. TIRE AND WHEEL ASSEMBLY, 400/75-28 FOAM - 10042 & 10054



ART\_1001121504-A

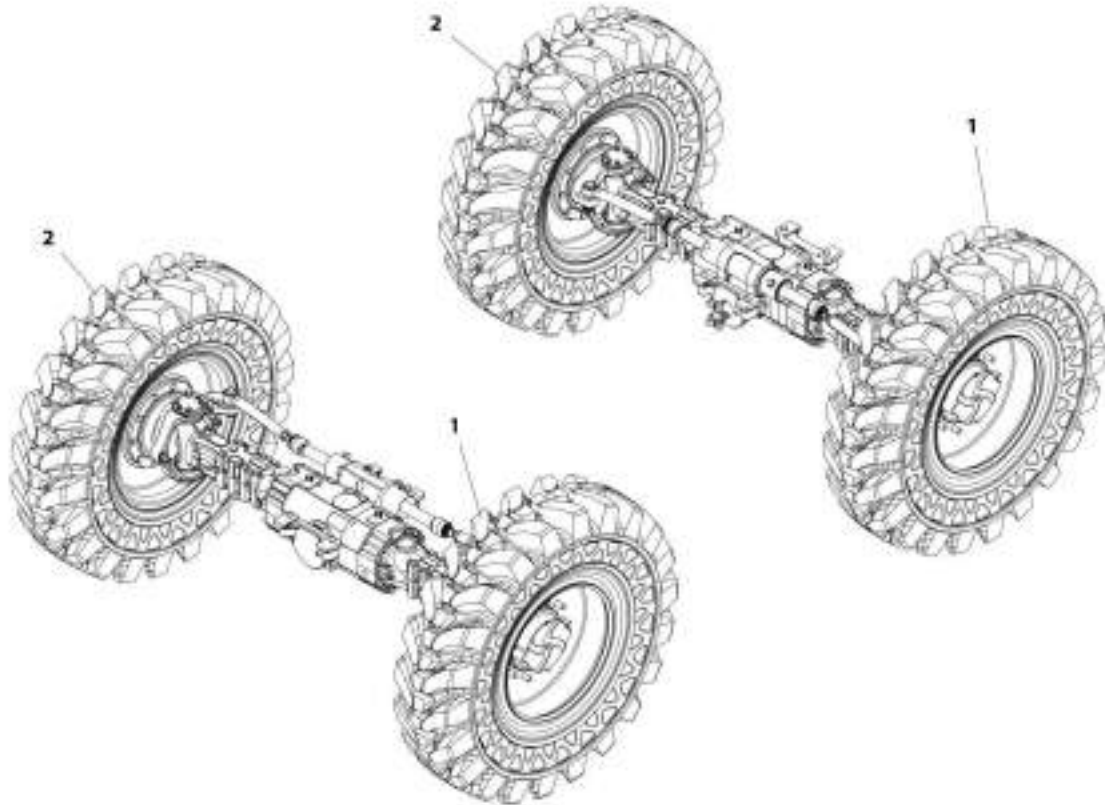
## SECTION 5 - DRIVE TRAIN

**FIGURE 5-100. TIRE AND WHEEL ASSEMBLY, 400/75-28 FOAM - 10042 & 10054**

ITEM	PART NUMBER	QTY	DESCRIPTION	REV
	1001121104	Ref	Tire and Wheel Assembly, 400/75-28 Foam - 10042 & 10054	A
1	8786514	1	Valve, Stem	
2	1001100009	1	Wheel, 28X12.00	
3	1001120179	1	Tire, 400/75-28	
4	8526203	570 lb	Fill, Foam	

## SECTION 5 - DRIVE TRAIN

FIGURE 5-101. TIRE SET, 14.00-24 SOLID - 10042 & 10054 (Prior to SN 0160083792)



AWT\_1001181796-C



## SECTION 5 - DRIVE TRAIN

**FIGURE 5-101. TIRE SET, 14.00-24 SOLID - 10042 & 10054 (Prior to SN 0160083792)**

ITEM	PART NUMBER	QTY	DESCRIPTION	REV
	1001181766	Ref	Tire Set, 14.00-24 Solid - 10042 & 10054	C
1	1001181043	2	LH Tire, 14.00-24 Solid	
2	1001181044	2	RH Tire, 14.00-24 Solid	

## SECTION 5 - DRIVE TRAIN

FIGURE 5-102. TIRE SET, 360/85-28/10 SOLID - 10042 & 10054 (SN 0160083792 to Present)



ART\_1001221502-A

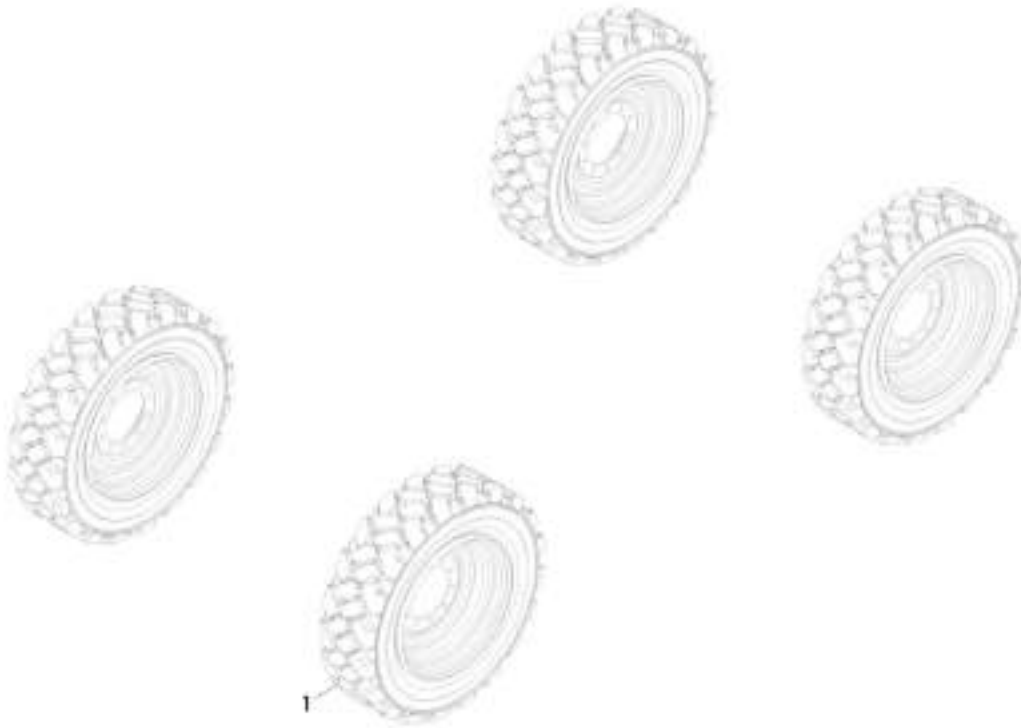
## SECTION 5 - DRIVE TRAIN

**FIGURE 5-102. TIRE SET, 360/85-28/10 SOLID - 10042 & 10054 (SN 0160083792 to Present)**

ITEM	PART NUMBER	QTY	DESCRIPTION	REV
1	1001221502	Ref	Tire Set, 360/85-28/10 Solid	A
	1001216297	4	Tire, 360/85-28/10 Solid	

## SECTION 5 - DRIVE TRAIN

FIGURE 5-103. TIRE SET, 370/75-28 FOAM NON-MARKING



ART. 30024/001.6

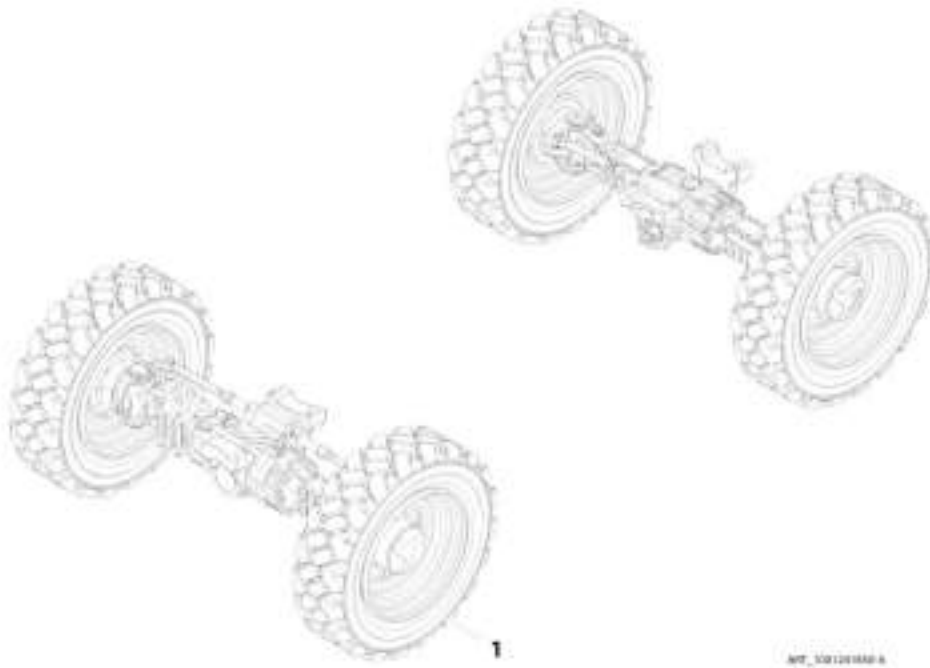
## SECTION 5 - DRIVE TRAIN

**FIGURE 5-103. TIRE SET, 370/75-28 FOAM NON-MARKING**

ITEM	PART NUMBER	QTY	DESCRIPTION	REV
1	1001241851	Ref	Tire Set, 370/75-28 Foam Non-Marking	A
	1001241844	4	Assembly, Tire and Wheel, 370/75-28 Foam Non-Marking	

## SECTION 5 - DRIVE TRAIN

FIGURE 5-104. TIRE SET, 370/75-28 PNEUMATIC NON-MARKING



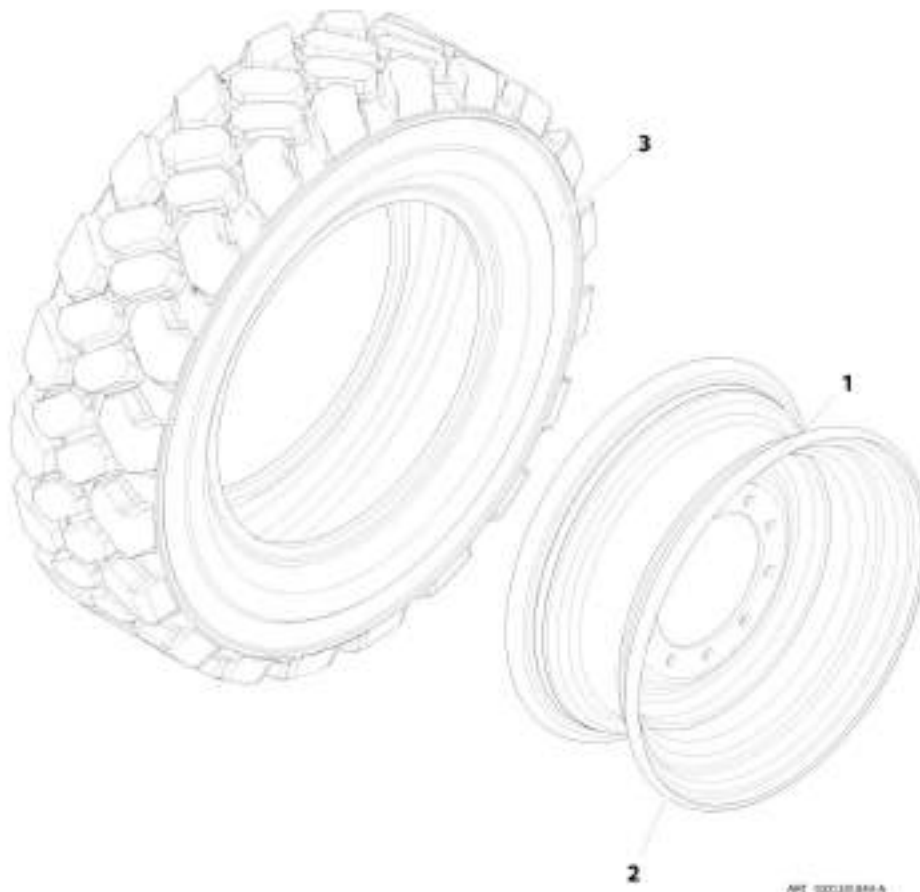
## SECTION 5 - DRIVE TRAIN

**FIGURE 5-104. TIRE SET, 370/75-28 PNEUMATIC NON-MARKING**

ITEM	PART NUMBER	QTY	DESCRIPTION	REV
1	1001241850 1001241843	Ref 4	Tire Set, 370/75-28 Pneumatic Non-Marking Assembly, Tire and Wheel (See TIRE AND WHEEL ASSEMBLY, 370/75-28 PNEUMATIC NON-MARKING for Breakdown)	A

## SECTION 5 - DRIVE TRAIN

FIGURE 5-105. TIRE AND WHEEL ASSEMBLY, 370/75-28 PNEUMATIC NON-MARKING





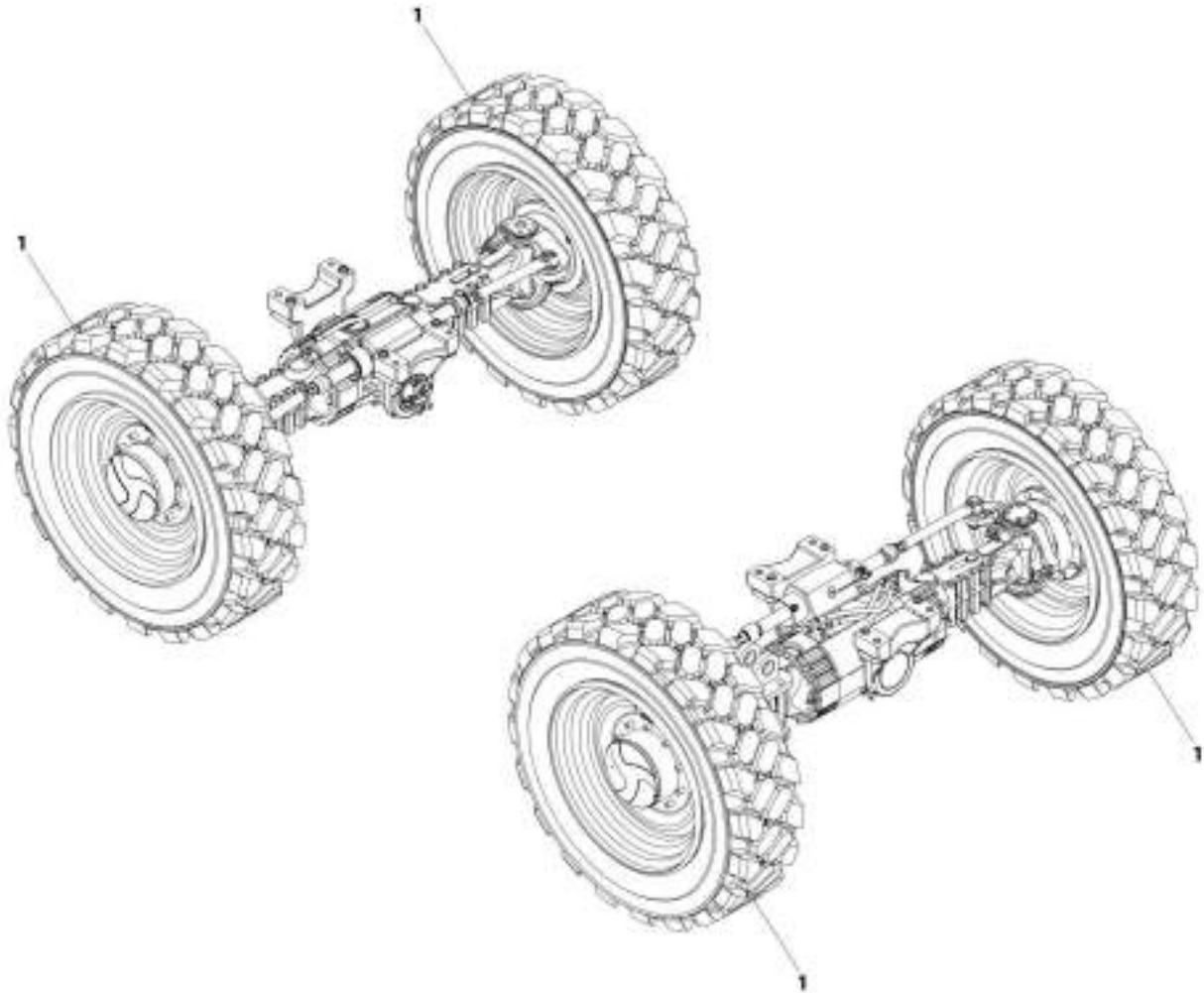
## SECTION 5 - DRIVE TRAIN

**FIGURE 5-105. TIRE AND WHEEL ASSEMBLY, 370/75-28 PNEUMATIC NON-MARKING**

ITEM	PART NUMBER	QTY	DESCRIPTION	REV
	1001241843	Ref	Tire and Wheel Assembly, 370/75-28 Pneumatic Non-Marking	A
1	8786514	1	Valve, Stem	
2	1001100005	1	Wheel, 28X11.00	
3	1001241838	1	Tire, 370/75-28 Non-Marking	

## SECTION 5 - DRIVE TRAIN

FIGURE 5-106. TIRE SET, 370/75-28 PNEUMATIC NON-MARKING - 8042



MIT\_1001241846-A

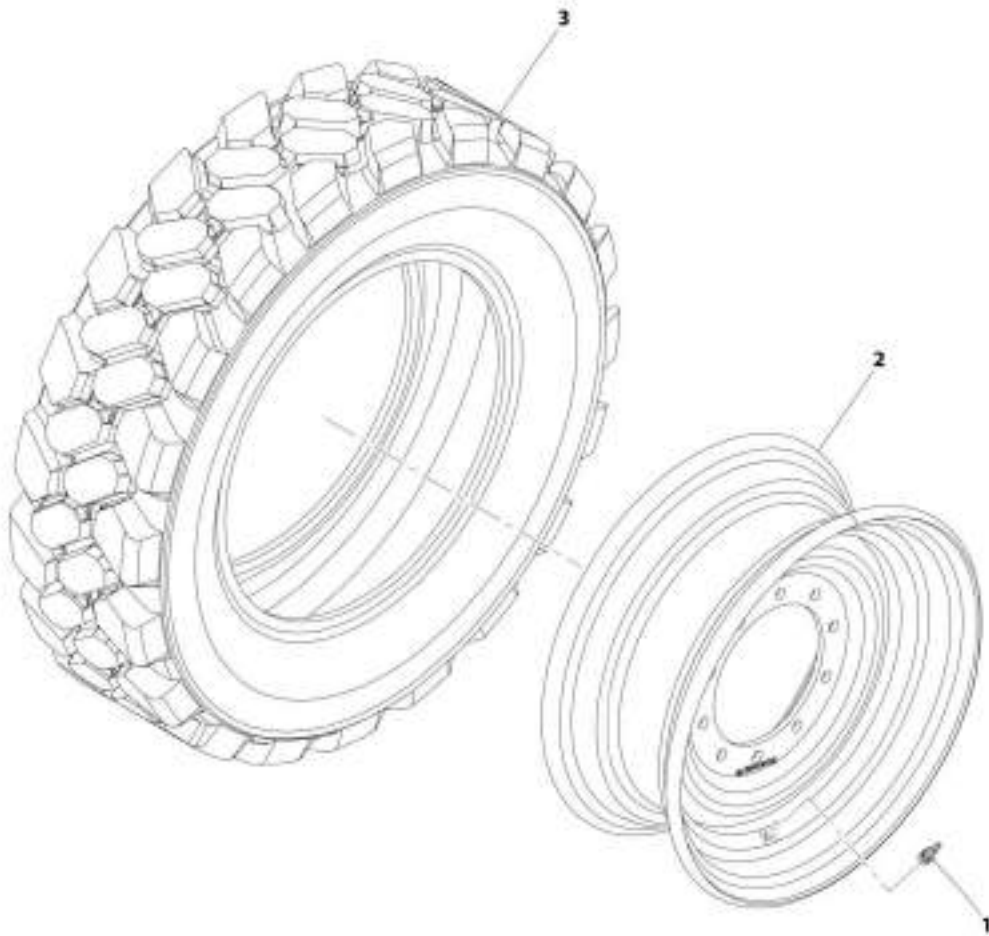
## SECTION 5 - DRIVE TRAIN

**FIGURE 5-106. TIRE SET, 370/75-28 PNEUMATIC NON-MARKING - 8042**

ITEM	PART NUMBER	QTY	DESCRIPTION	REV
1	1001241846 1001241839	Ref 4	Tire Set, 370/75-28 - Pneumatic Non-Marking Assembly, Tire and Wheel (See Separate Breakdown in This Section)	A

## SECTION 5 - DRIVE TRAIN

FIGURE 5-107. TIRE AND WHEEL ASSEMBLY, 370/75-28 PNEUMATIC NON-MARKING - 8042



WIT\_1001241829-A

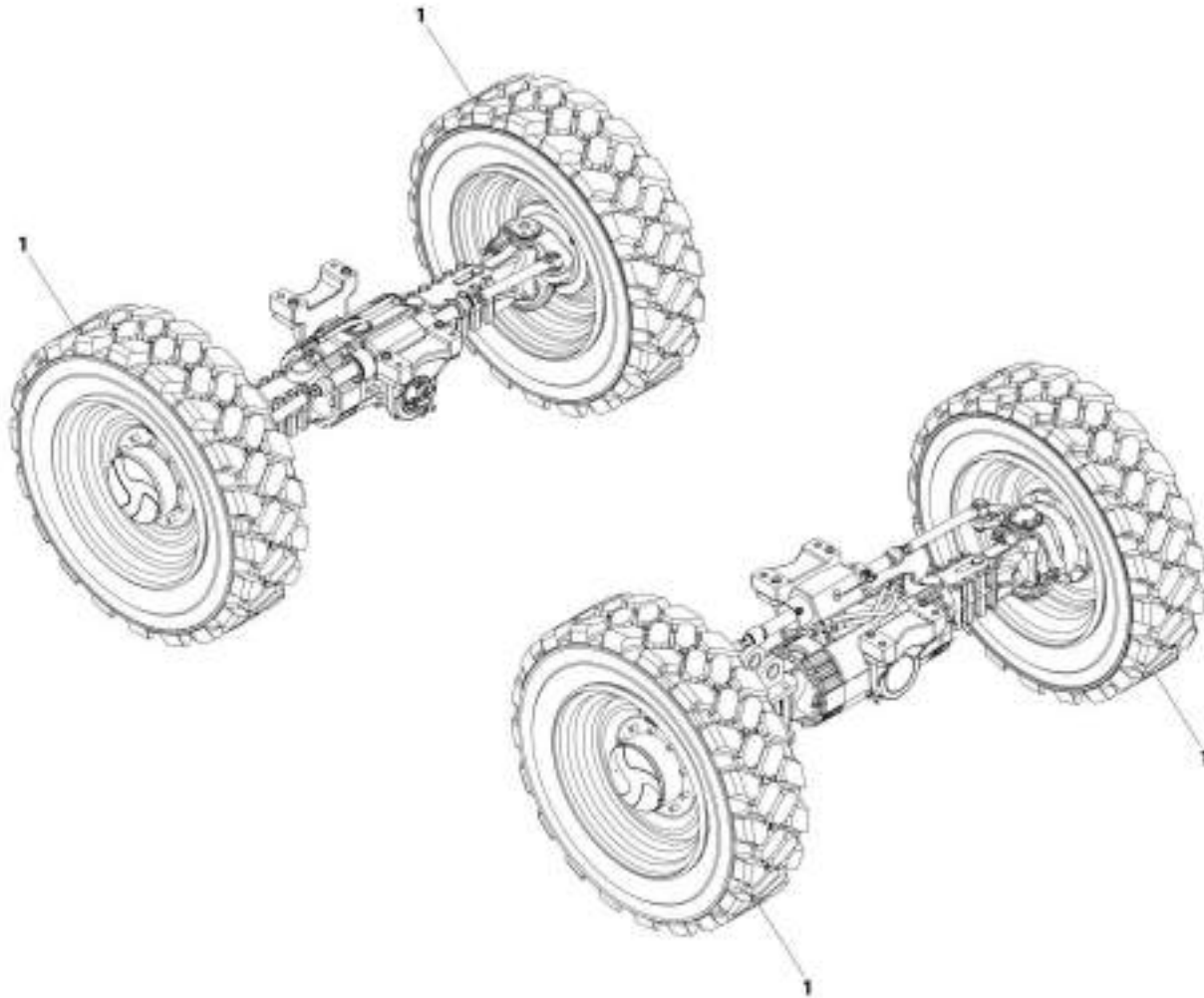
## SECTION 5 - DRIVE TRAIN

**FIGURE 5-107. TIRE AND WHEEL ASSEMBLY, 370/75-28 PNEUMATIC NON-MARKING - 8042**

ITEM	PART NUMBER	QTY	DESCRIPTION	REV
	1001241839	Ref	Tire/Wheel Assembly, 370/75-28 - Pneumatic Non-Marking	A
1	8786514	1	Valve, Stem	
2	1001099976	1	Wheel, 28X11.00	
3	1001241838	1	Tire, 370/75-28 Non-Marking	

## SECTION 5 - DRIVE TRAIN

FIGURE 5-108. TIRE SET, 370/75-28 FOAM NON-MARKING - 8042



8042/10042/10054

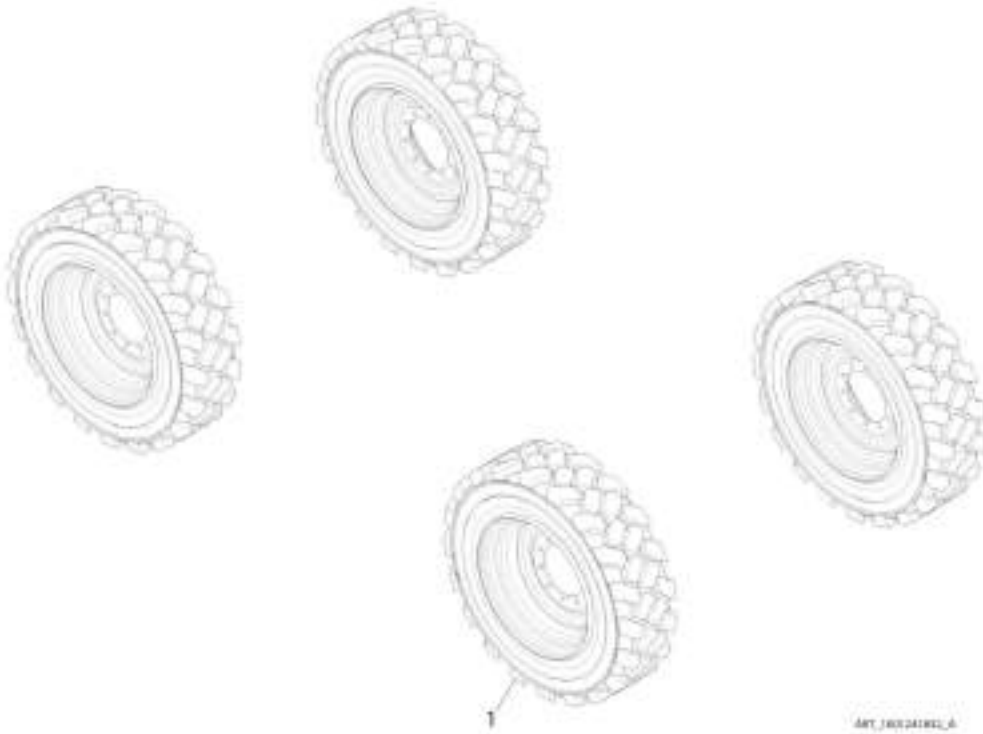
## SECTION 5 - DRIVE TRAIN

**FIGURE 5-108. TIRE SET, 370/75-28 FOAM NON-MARKING - 8042**

ITEM	PART NUMBER	QTY	DESCRIPTION	REV
1	1001241847	Ref	Tire/Wheel Set, 370/75-28 - Foam Non-Marking	A
	1001241840	4	Tire and Wheel, 370/75-28 - Foam Non-Marking	

## SECTION 5 - DRIVE TRAIN

FIGURE 5-109. TIRE SET, 400/75-28 PNEUMATIC NON-MARKING





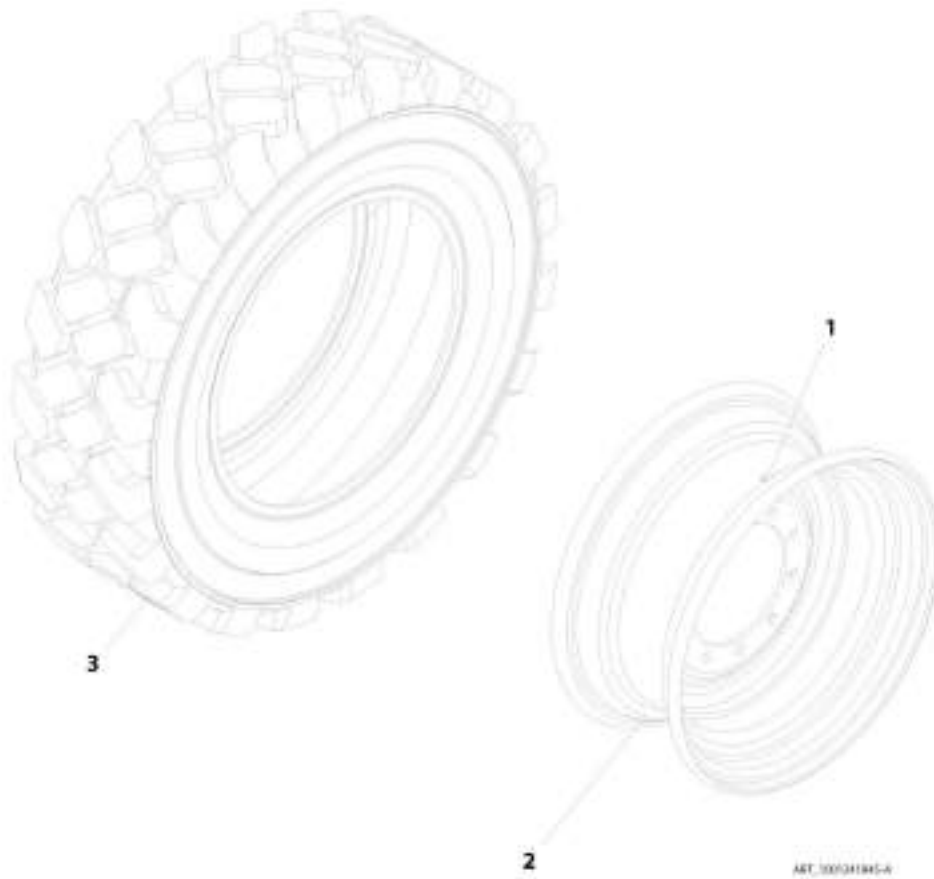
## SECTION 5 - DRIVE TRAIN

**FIGURE 5-109. TIRE SET, 400/75-28 PNEUMATIC NON-MARKING**

ITEM	PART NUMBER	QTY	DESCRIPTION	REV
1	1001241852 1001241845	Ref 4	Tire Set, 400/75-28 - Pneumatic Non-Marking Assembly, Tire and Wheel (See TIRE AND WHEEL ASSEMBLY, 400/75-28 PNEUMATIC for Breakdown)	A

## SECTION 5 - DRIVE TRAIN

FIGURE 5-110. TIRE AND WHEEL ASSEMBLY, 400/75-28 PNEUMATIC NON-MARKING



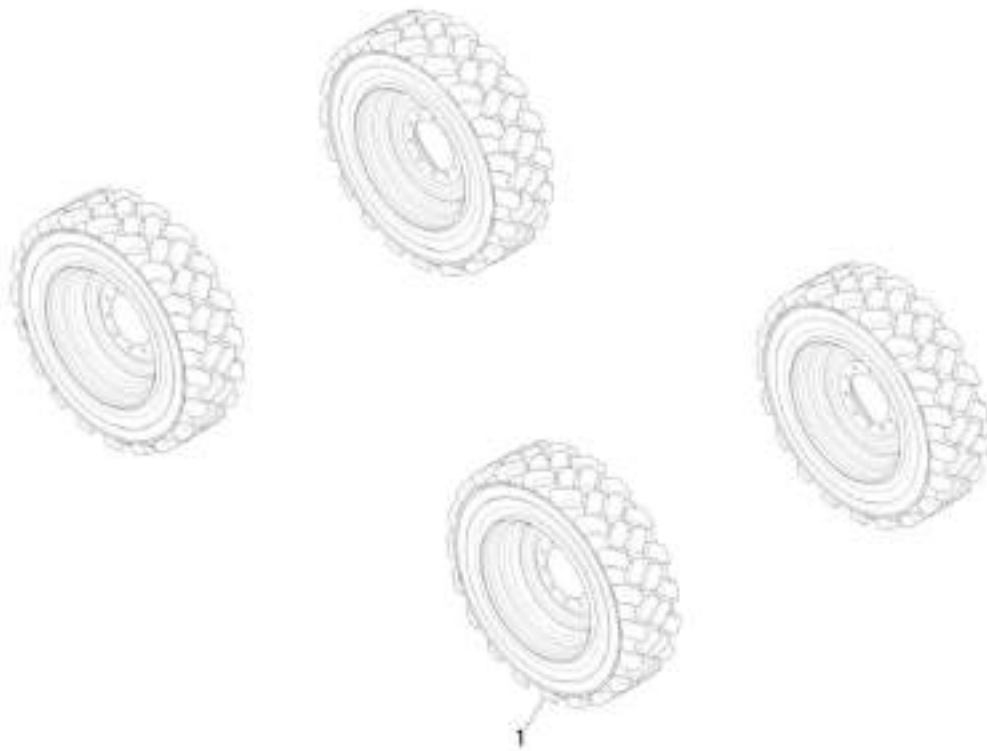
## SECTION 5 - DRIVE TRAIN

**FIGURE 5-110. TIRE AND WHEEL ASSEMBLY, 400/75-28 PNEUMATIC NON-MARKING**

ITEM	PART NUMBER	QTY	DESCRIPTION	REV
	1001241845	Ref	Tire and Wheel Assembly, 400/75-28 Pneumatic Non-Marking	A
1	8786514	1	Valve, Stem	
2	1001100009	1	Wheel, 28X11.00	
3	1001241837	1	Tire, 400/75-28 Non-Marking	

## SECTION 5 - DRIVE TRAIN

FIGURE 5-111. INSTALL, TIRE/WHEEL 400/75-28 FF NON-MARKING



AWF\_00012A2201\_A

## SECTION 5 - DRIVE TRAIN

**FIGURE 5-111. INSTALL, TIRE/WHEEL 400/75-28 FF NON-MARKING**

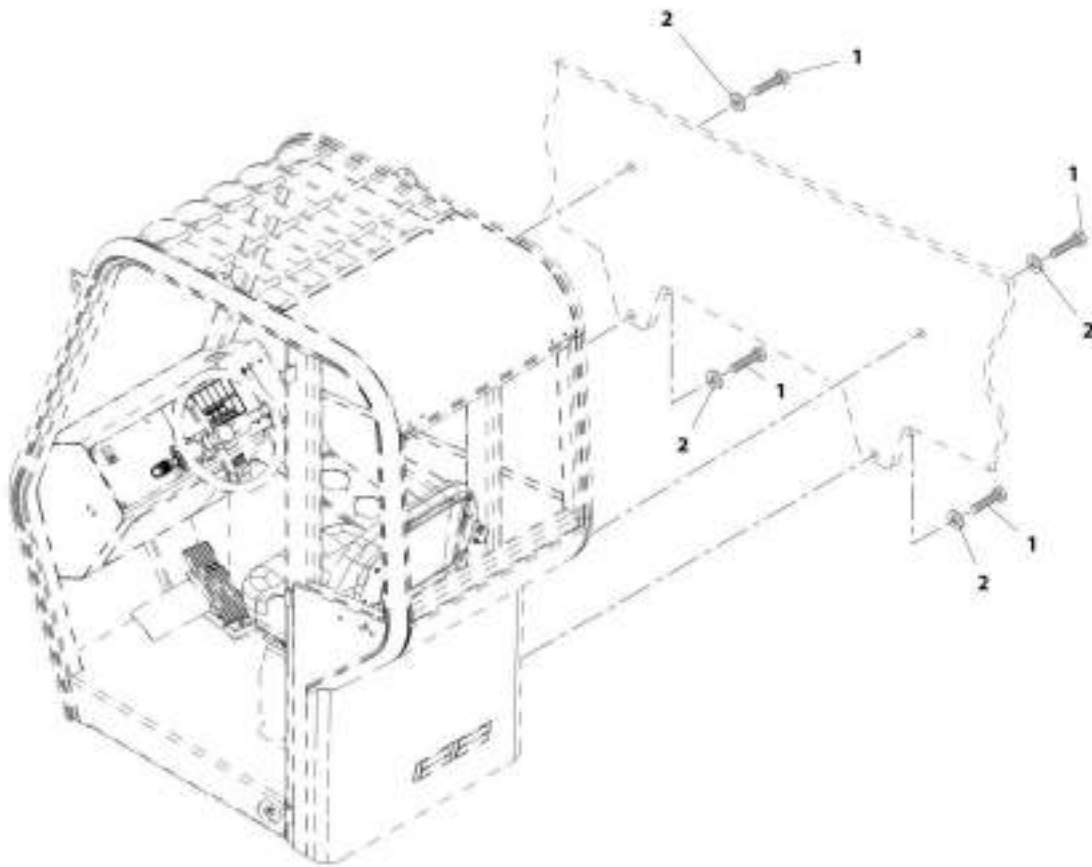
ITEM	PART NUMBER	QTY	DESCRIPTION	REV
1	1001242261	Ref	Tire/Wheel Set, 400/75-28 - Foam Non-Marking	A
	1001242260	4	Tire and Wheel, 400/75-28 - Foam Non-Marking	



**SECTION 6 - CAB**

# SECTION 6 - CAB

## FIGURE 6-1. CAB INSTALLATION



ART\_210082\_AA

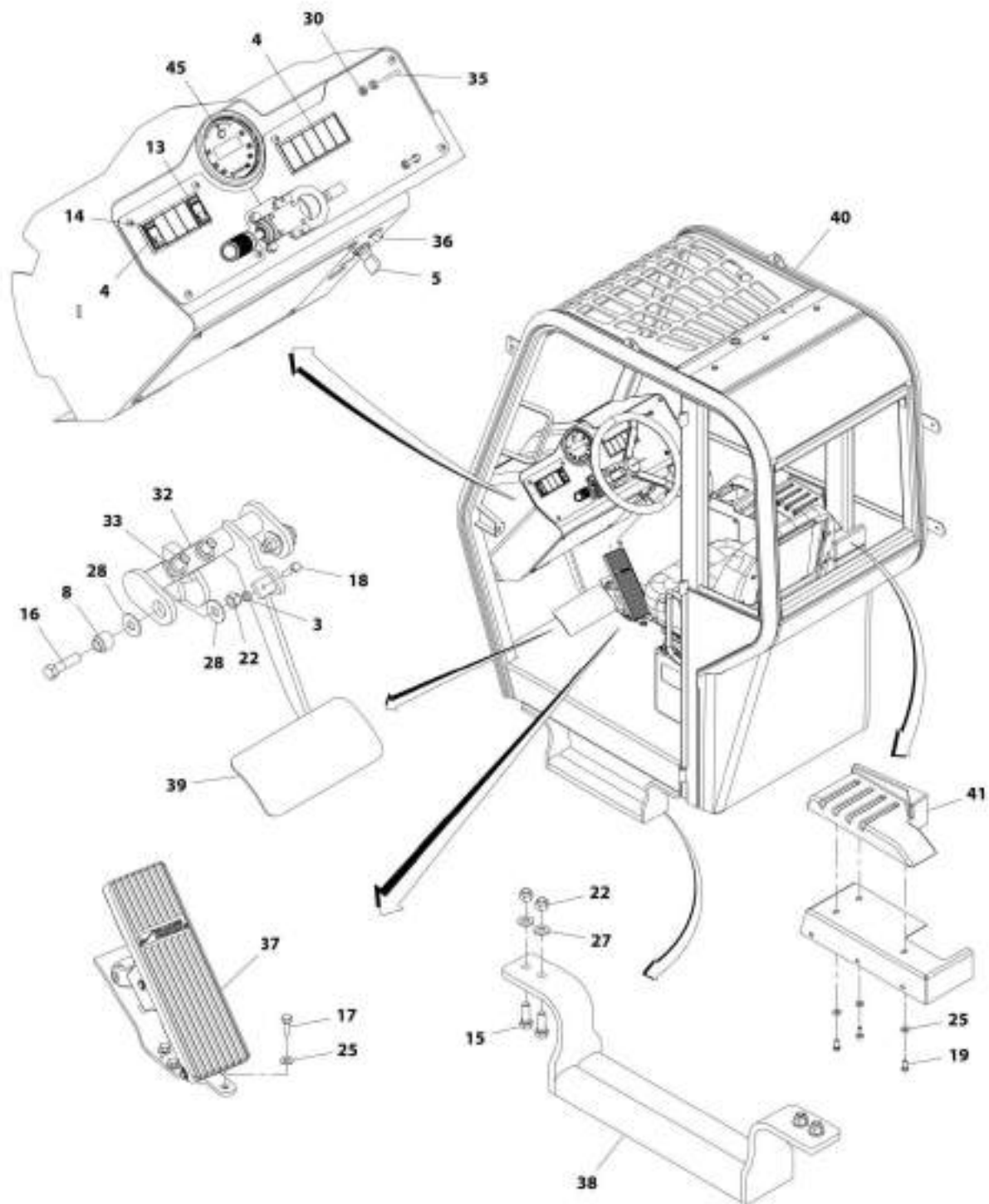


**FIGURE 6-1. CAB INSTALLATION**

<b>ITEM</b>	<b>PART NUMBER</b>	<b>QTY</b>	<b>DESCRIPTION</b>	<b>REV</b>
	7138882	Ref	Cab Installation	AA
1	8310493	4	Bolt, 7/8-9X5-1/2, Grade 8	
2	8307011	4	Washer, Lock 7/8	

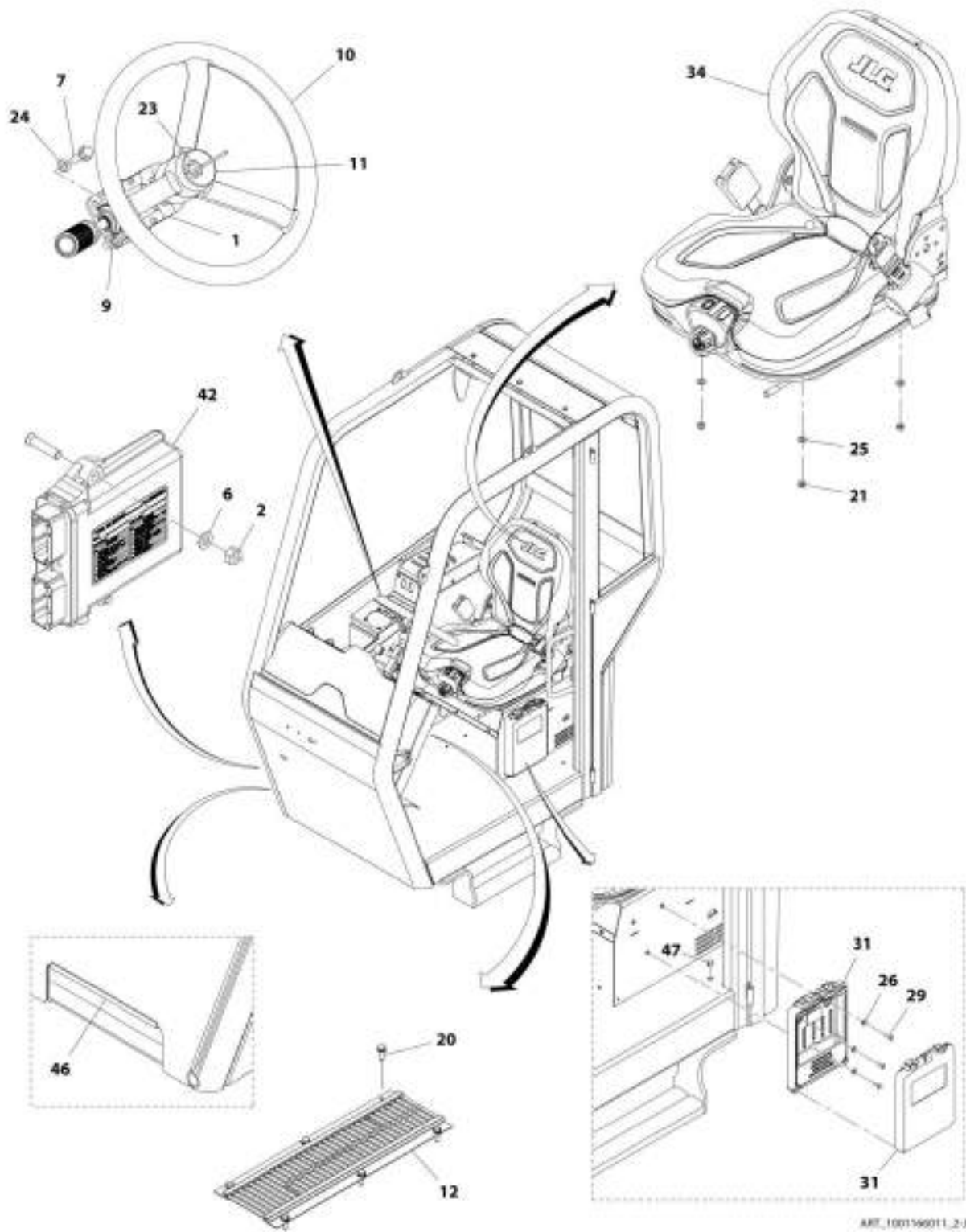
## SECTION 6 - CAB

FIGURE 6-2. OPEN CAB INSTALLATION (Prior to SN 0160074878, Excluding 0160074813 and 0160074818)



AUT\_0001166011\_1/1

# SECTION 6 - CAB



ART\_100156011\_2/J

## SECTION 6 - CAB

**FIGURE 6-2. OPEN CAB INSTALLATION (Prior to SN 0160074878, Excluding 0160074813 and 0160074818)**

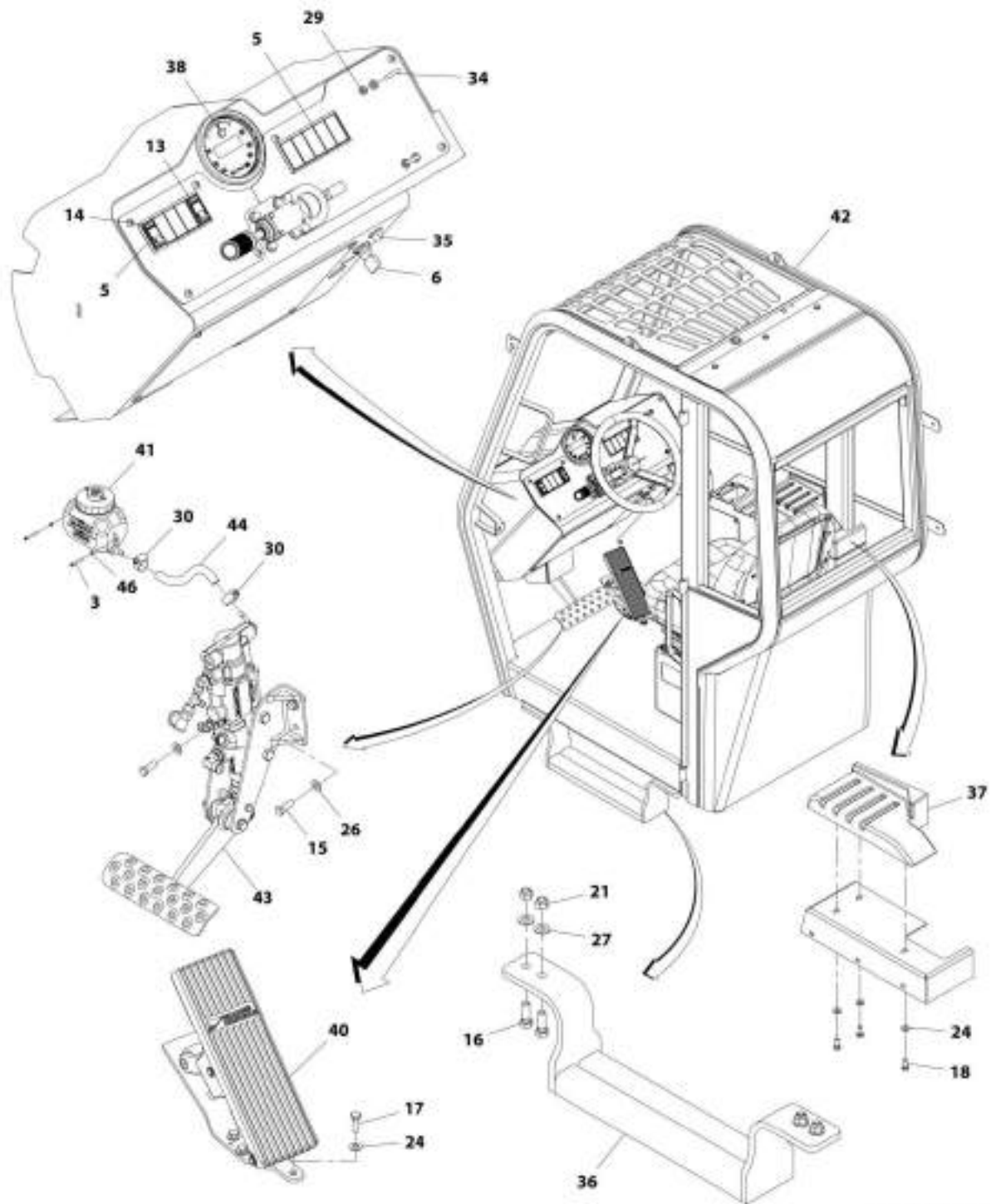
ITEM	PART NUMBER	QTY	DESCRIPTION	REV
	1001166011	Ref	Open Cab Installation	J
1	1600429	1	Selector, Transmission Control	
2	3311401	2	Nut, 1/4-20	
3	3311502	1	Nut, Jam 5/16-18	
4	4360569	2	Switch, Bezel	
5	4360690	1	Switch, Ignition	
5	8035807	1	Key (with cover)	
6	4761400	2	Washer, Lock 1/4	
7	5251014	4	Bolt, M10X30	
8	7129521	2	Pivot, Brake Pedal	
9	7138833	1	Column, Steering	
10	7138836	1	Wheel, Steering	
11	7138878	1	Button, Horn	
12	7138944	2	Strips, Brush	
13	8223037	1	Switch, Steer Select	
14	8223054	1	Switch, Park Brake	
15	8303626	4	Bolt, 1/2-13X1-1/2	
16	8303658	2	Bolt, 1/2-13X2	
17	8303670	4	Bolt, 5/16-18X1	
18	8303739	1	Bolt, 5/16-18X1-1/4	
19	8303697	3	Bolt, 5/16-18X3/4	
20	8303982	6	Screw, Self-Tapping 1/4-20X3/4	
21	8305626	4	Nut, Lock 5/16-18	
22	8305644	6	Nut, Lock 1/2-13	
23	8305916	1	Nut, Steering Column	
24	8307023	4	Washer, Lock 10	
25	8307106	11	Washer, 5/16	
26	8307109	3	Washer, 1/4	
27	8307112	4	Washer, 1/2	
28	8307206	4	Washer, 1/2	
29	8310026	3	Bolt, 1/4-20X3/4	
30	8310382	8	Nut, Flange 1/4-20	
31	8990147	1	Holder, Manual	
32	91511145	1	Bar, Tie	
33	91513180	2	Actuator	
34	1001101085	1	Seat, Cab (See CAB SEAT for Breakdown) <b>(Prior to SN 0160074878, Excluding 0160074813 and 0160074818)</b>	
34	1001190229	1	Seat, Cab (See CAB SEAT for Breakdown) <b>(SN 0160074878 to Present, Including 0160074813 and 0160074818)</b>	
35	1001102844	2	Bolt, U 1/4-20X1-1/4	
36	1001114867	1	Socket, 12V Power Point	
37	1001180555	1	Accelerator (See CONTROLS SECTION for Breakdown)	
38	1001141427	1	Mount, Cab Step	
39	1001143305	1	Pedal, Brake	
40	1001158089	1	Cab, Open (See OPEN CAB for Breakdown)	
41	1001159878	1	Support, Armrest	
42	1001210703	1	Controller	
45	1001170738	1	Gauge	
46	4060806	11 in	Shield, Flex Trim 5/16	

## SECTION 6 - CAB

ITEM	PART NUMBER	QTY	DESCRIPTION	REV
47	1001207963	1	Plug, 5/8	

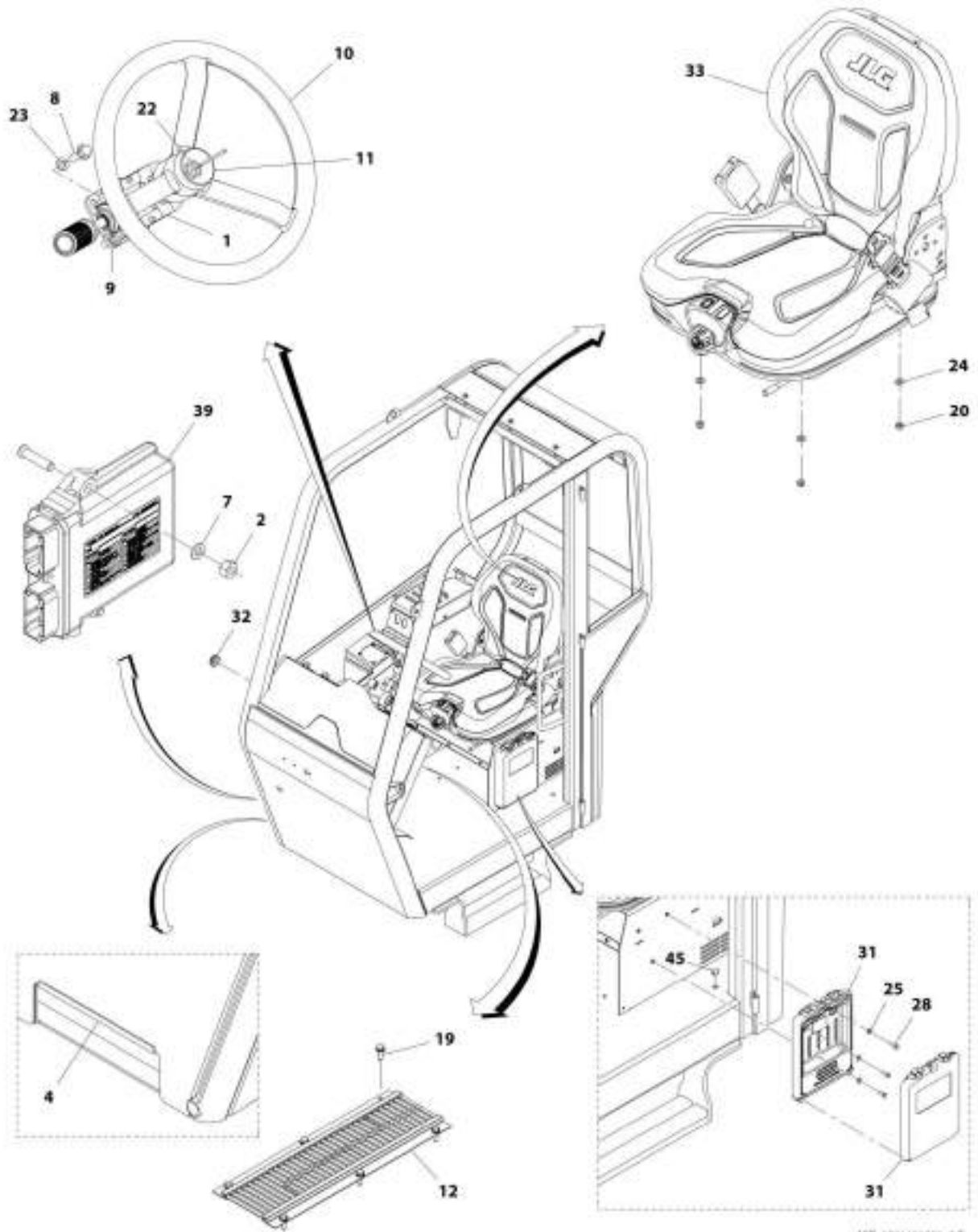
# SECTION 6 - CAB

FIGURE 6-3. OPEN CAB INSTALLATION (SN 0160074878 to Present, Including 0160074813 and 0160074818)



AMT\_1001181955\_1-F

# SECTION 6 - CAB



MT\_1001181956\_2F

## SECTION 6 - CAB

**FIGURE 6-3. OPEN CAB INSTALLATION (SN 0160074878 to Present, Including 0160074813 and 0160074818)**

ITEM	PART NUMBER	QTY	DESCRIPTION	REV
	1001181956	Ref	Open Cab Installation	F
1	1600429	1	Selector, Transmission Control	
2	3311401	2	Nut, 1/4-20	
3	3930610	2	Bolt, 6-32X5/8	
4	4060806	11 in	Shield, Flex Trim, 5/16	
5	4360569	2	Switch, Bezel	
6	4360690	1	Switch, Ignition	
6	8035807	1	Key (with cover)	
7	4761400	2	Washer, Lock 1/4	
8	5251014	4	Bolt, M10X30	
9	7138833	1	Column, Steering	
10	7138836	1	Wheel, Steering	
11	7138878	1	Button, Horn	
12	7138944	2	Strips, Brush	
13	8223037	1	Switch, Steer Select	
14	8223054	1	Switch, Park Brake	
15	8303620	4	Bolt, 3/8-16X1	
16	8303626	4	Bolt, 1/2-13X1-1/2	
17	8303670	4	Bolt, 5/16-18X1	
18	8303697	3	Bolt, 5/16-18X3/4	
19	8303982	6	Screw, Self-Tapping 1/4-20X3/4	
20	8305626	4	Nut, Lock 5/16-18	
21	8305644	4	Nut, Lock 1/2-13	
22	8305916	1	Nut, Steering Column	
23	8307023	4	Washer, Lock M10	
24	8307106	11	Washer, Flat 5/16	
25	8307109	3	Washer, 1/4	
26	8307110	4	Washer, 3/8	
27	8307112	4	Washer, 1/2	
28	8310026	3	Bolt, 1/4-20X3/4	
29	8310382	8	Nut, Flange 1/4-20	
30	1320022	2	Clamp, Fuel Line	
31	8990147	1	Holder, Manual	
32	1001081049	1	Grommet, Split	
33	1001190229	1	Seat, Cab (See Separate Breakdown in this Section)	
34	1001102844	2	Bolt, U 1/4-20X1-1/4	
35	1001114867	1	Socket, 12V Power Point	
36	1001141427	1	Mount, Cab Step	
37	1001159878	1	Support, Armrest	
38	1001170738	1	Gauge	
39	1001210703	1	Controller	
40	1001180555	1	Acceleration (See Separate Breakdown in CONTROLS Section)	
41	1001183164	1	Reservoir, Brake Valve	
42	1001185773	1	Cab, Open (See Separate Breakdown in this Section)	
43	1001201647	1	Assembly, Brake (See Separate Breakdown in CONTROLS Section) <b>(SN 0160074878 through 0160081765, Including 0160074813 and 0160074818)</b>	
43	1001223052	1	Assembly, Brake (See Separate Breakdown in CONTROLS Section) <b>(SN 0160081766 to Present)</b>	

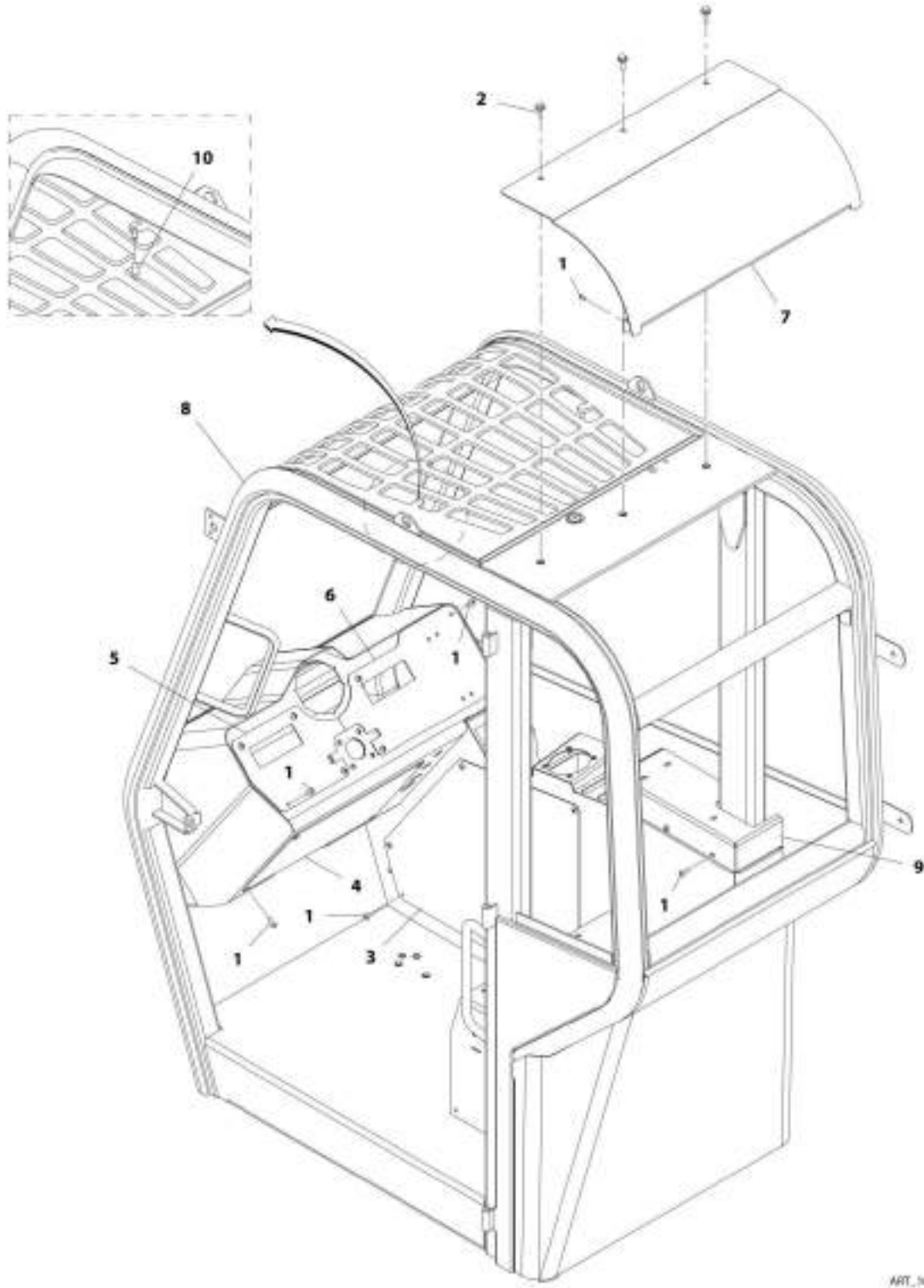


## SECTION 6 - CAB

ITEM	PART NUMBER	QTY	DESCRIPTION	REV
44	1001201658	1	Hose	
45	1001207963	1	Plug, 5/8	
46	4710600	2	Washer, 6	

# SECTION 6 - CAB

FIGURE 6-4. OPEN CAB (Prior to SN 0160074878, Excluding 0160074813 and 0160074818)



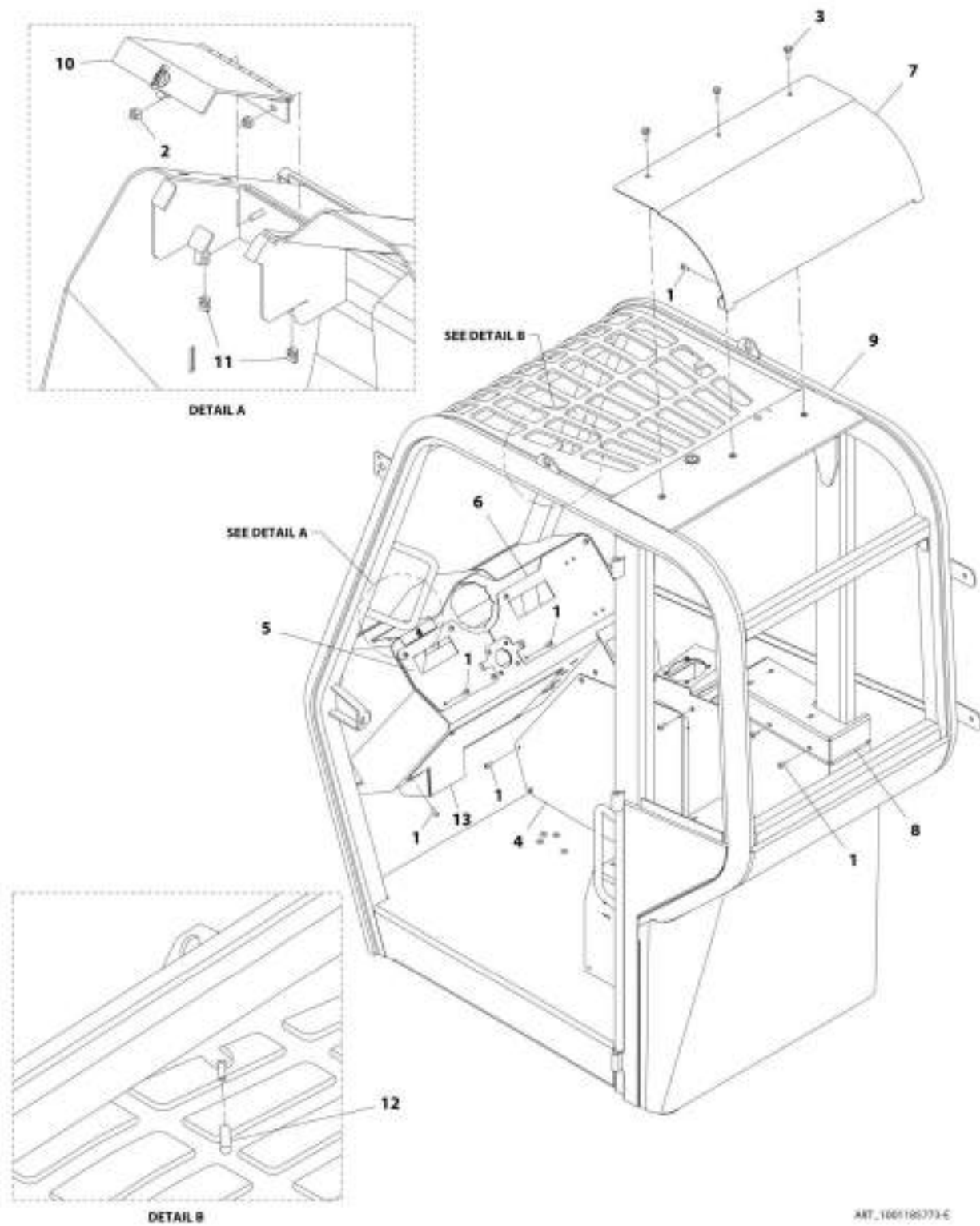
ART\_1001158099-G

**SECTION 6 - CAB****FIGURE 6-4. OPEN CAB (Prior to SN 0160074878, Excluding 0160074813 and 0160074818)**

ITEM	PART NUMBER	QTY	DESCRIPTION	REV
	1001158089	Ref	Open Cab	G
1	8303034	25	Screw, 1/4-20X3/4	
2	1001149227	3	Screw, Hex Flange 5/16-18X1	
3	1001160788	1	Panel, RH Console Access Plate	
4	1001160789	1	Panel, Brake Access Plate	
5	1001160790	1	Panel, LH Dash Cover	
6	1001160791	1	Panel, RH Dash Cover	
7	1001160815	1	Panel, Roof Cover	
8	1001165583	1	Weldment, Cab	
9	1001165617	1	Assembly, Side Console Access Panel	
10	1001202615	2	Cap, Silicone Stud Cover	

# SECTION 6 - CAB

FIGURE 6-5. OPEN CAB (SN 0160074878 to Present, Including 0160074813 and 0160074818)

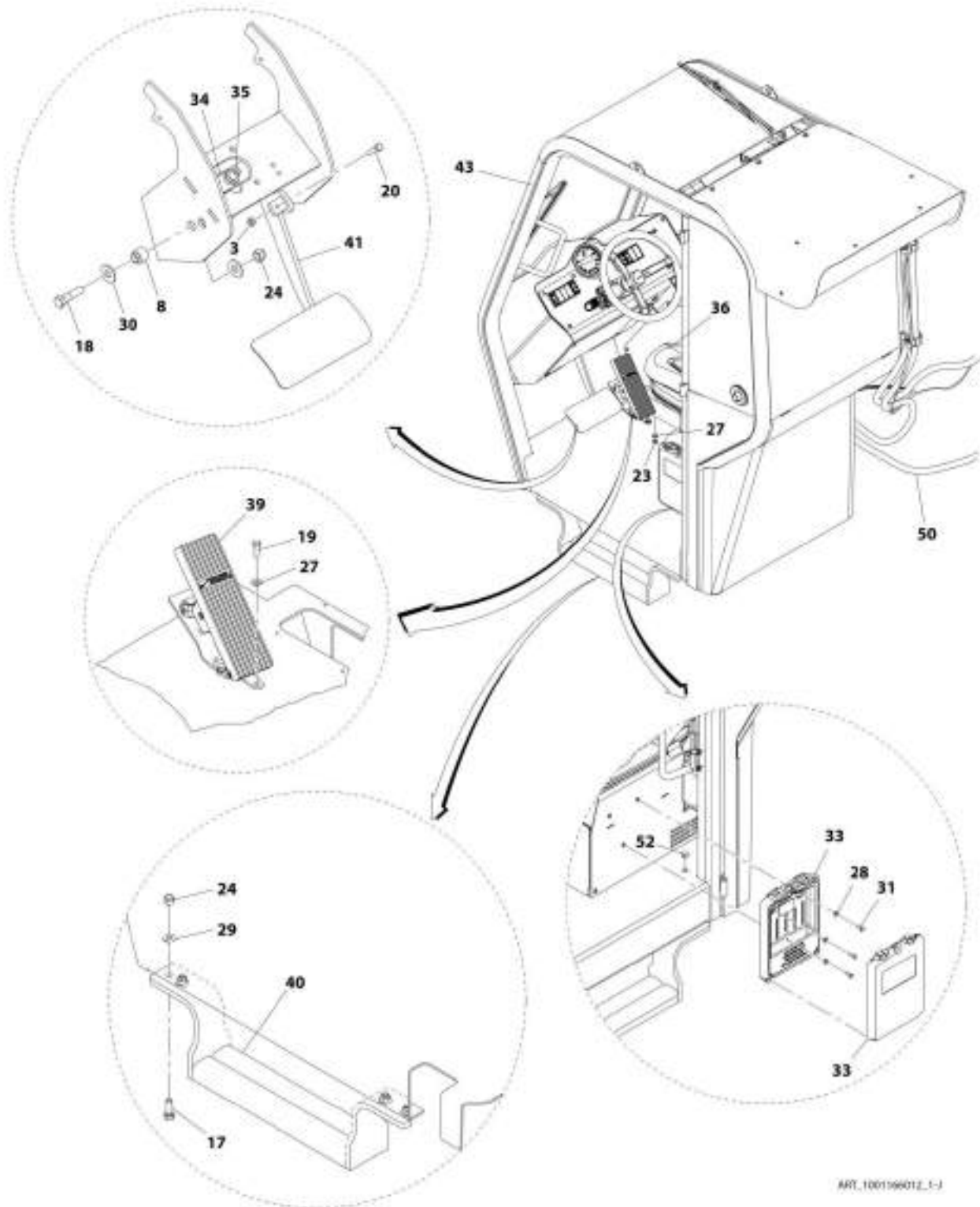


**SECTION 6 - CAB****FIGURE 6-5. OPEN CAB (SN 0160074878 to Present, Including 0160074813 and 0160074818)**

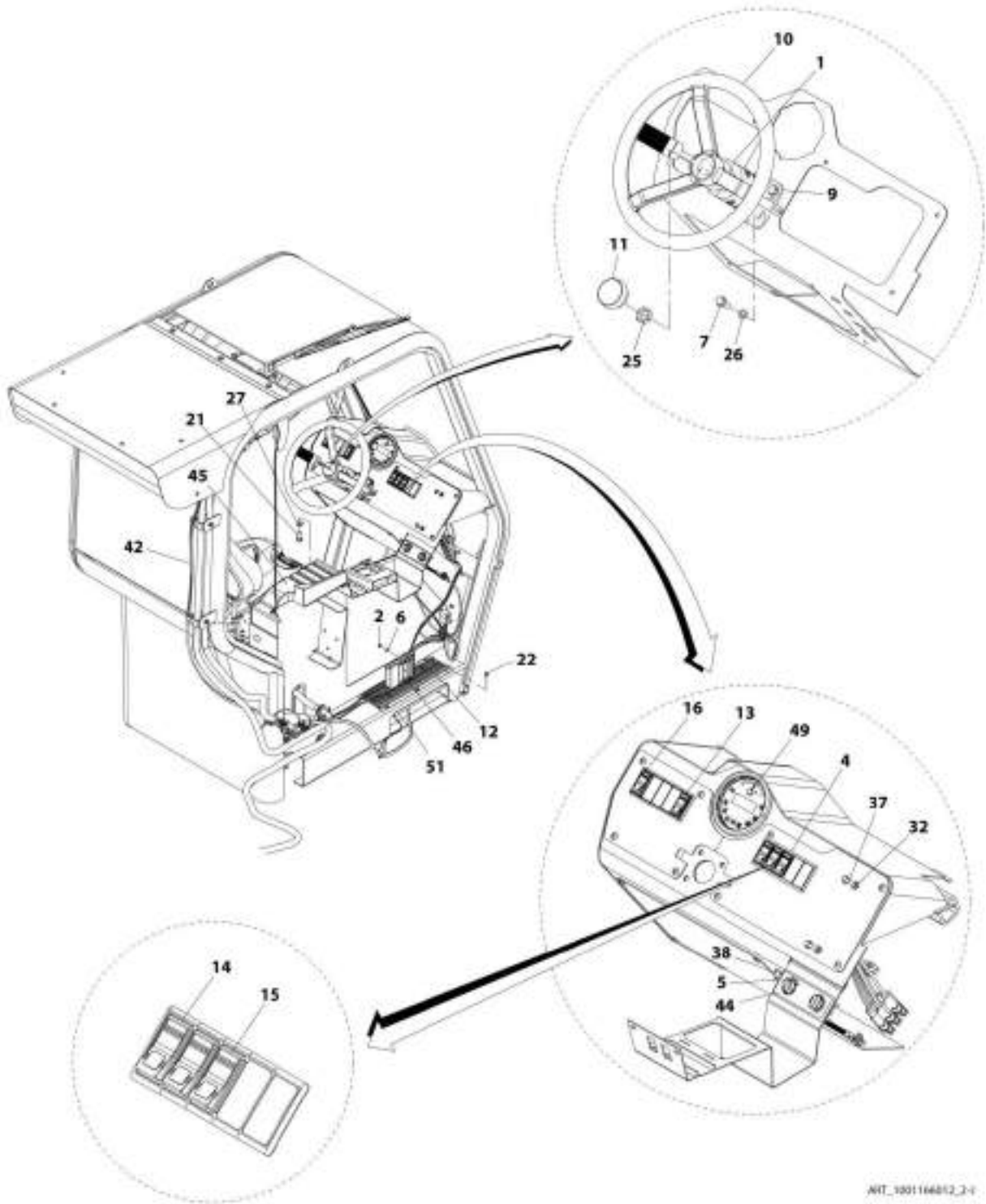
ITEM	PART NUMBER	QTY	DESCRIPTION	REV
	1001185773	Ref	Open Cab	E
1	8303034	25	Screw, 1/4-20X3/4	
2	8310085	2	Nut	
3	1001149227	3	Screw, Hex Flange 5/16-18X1	
4	1001160788	1	Panel, RH Console Access Plate	
5	1001160790	1	Panel, LH Dash Cover	
6	1001160791	1	Panel, RH Dash Cover	
7	1001160815	1	Panel, Roof Cover	
8	1001165617	1	Assembly, Side Console Access Panel	
9	1001185772	1	Weldment, Cab	
10	1001202189	1	Door, Brake Reservoir	
11	1001202202	2	Nut	
12	1001202615	2	Cap, Silicon Stud Cover	
13	1001202746	1	Panel, Brake Access Plate	

## SECTION 6 - CAB

FIGURE 6-6. ENCLOSED CAB WITH HEATER INSTALLATION (Prior to SN 0160074878, Excluding 0160074813 and 0160074818)



# SECTION 6 - CAB



AVT\_100116802\_2-1

## SECTION 6 - CAB

**FIGURE 6-6. ENCLOSED CAB WITH HEATER INSTALLATION (Prior to SN 0160074878, Excluding 0160074813 and 0160074818)**

ITEM	PART NUMBER	QTY	DESCRIPTION	REV
	1001166012	Ref	Enclosed Cab with Heater Installation	J
1	1600429	1	Selector, Transmission Control	
2	3311401	2	Nut, 1/4-20	
3	3311502	1	Nut, Jam 5/16-18	
4	4360569	2	Switch, Bezel	
5	4360690	1	Switch, Ignition	
5	8035807	1	Key (with cover)	
6	4761400	2	Washer, Lock 1/4	
7	5251014	4	Bolt, M10X30	
8	7129521	2	Pivot, Brake Pedal	
9	7138833	1	Column, Steering	
10	7138836	1	Wheel, Steering	
11	7138878	1	Button, Horn	
12	7138944	2	Strips, Brush	
13	8223037	1	Switch, Steer Select	
14	8223043	2	Switch, Windscreen Wiper	
15	8223044	1	Switch, Windscreen Washer	
16	8223054	1	Switch, Park Brake	
17	8303626	4	Bolt, 1/2-13X1-1/2	
18	8303658	2	Bolt, 1/2-13X2	
19	8303670	4	Bolt, 5/16-18X1	
20	8303739	1	Bolt, 5/16-18X1-1/4	
21	8303697	3	Bolt, 5/16-18X3/4	
22	8303982	6	Screw, Self-Tapping 1/4-20X3/4	
23	8305626	4	Nut, Lock 5/16-18	
24	8305644	6	Nut, Lock 1/2-13	
25	8305916	1	Nut, Steering Column	
26	8307023	4	Washer, Lock M10	
27	8307106	11	Washer, 5/16	
28	8307109	3	Washer, 1/4	
29	8307112	4	Washer, 1/2	
30	8307206	4	Washer, 1/2	
31	8310026	3	Bolt, 1/4-20X3/4	
32	8310382	8	Nut, Flange 1/4-20	
33	8990147	1	Holder, Manual	
34	91511145	1	Bar, Tie	
35	91513180	2	Actuator	
36	1001101085	1	Seat, Cab (See CAB SEAT for Breakdown) <b>(Prior to SN 0160074878, Excluding 0160074813 and 0160074818)</b>	
36	1001190229	1	Seat, Cab (See CAB SEAT for Breakdown) <b>(SN 0160074878 to Present, Including 0160074813 and 0160074818)</b>	
37	1001102844	2	Bolt, U 1/4-20X1-1/4	
38	1001114867	1	Socket, 12V Power Point	
39	1001180555	1	Accelerator (See CONTROLS SECTION for Breakdown)	
40	1001141427	1	Mount, Cab Step	
41	1001143305	1	Pedal, Brake	
42	1001178347	1	Harness, HVAC (See ELECTRICAL SECTION for Breakdown)	
43	1001158090	1	Cab, Enclosed with Heater (See ENCLOSED CAB WITH HEATER for Breakdown)	

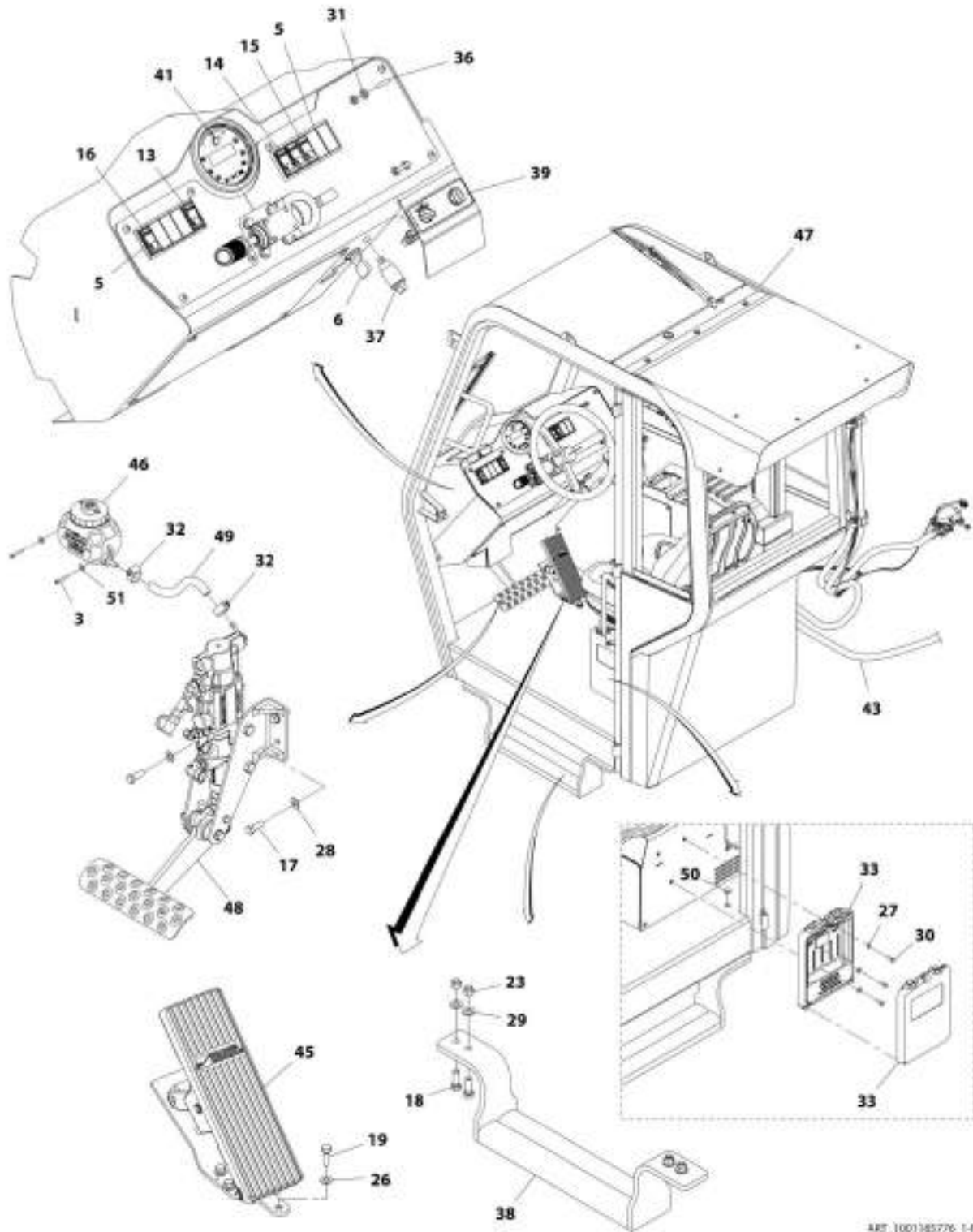


**SECTION 6 - CAB**

<b>ITEM</b>	<b>PART NUMBER</b>	<b>QTY</b>	<b>DESCRIPTION</b>	<b>REV</b>
44	1001159850	1	Panel, Heater Control	
45	1001159878	1	Support, Armrest	
46	1001210703	1	Controller	
49	1001170738	1	Gauge	
50	1001171807	1	Installation, Cab Heater Lines (See CAB HEATER LINES INSTALLATION for Breakdown)	
51	4060806	11 in	Shield, Flex Trim 5/16	
52	1001207963	1	Plug, 5/8	

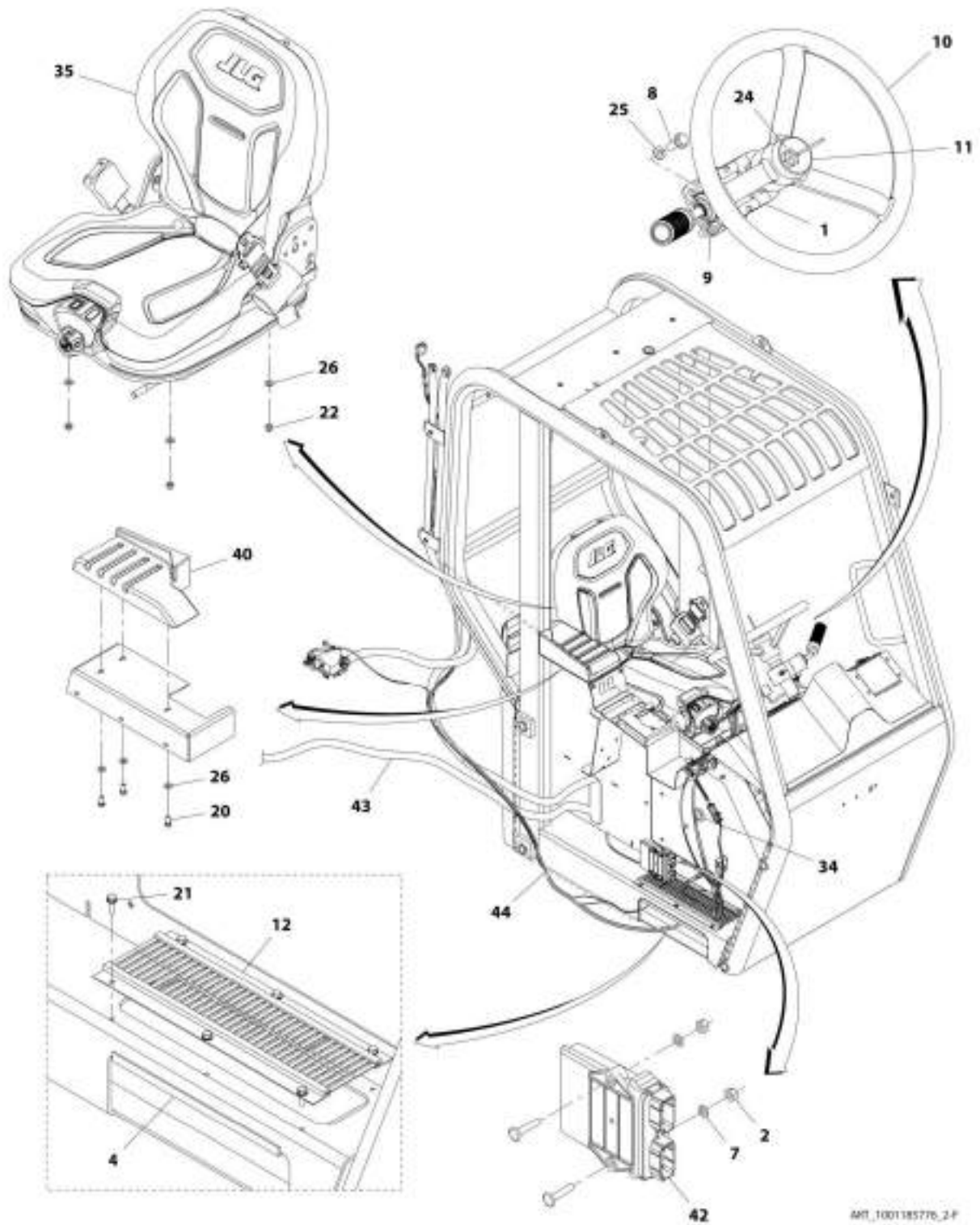
# SECTION 6 - CAB

FIGURE 6-7. ENCLOSED CAB WITH HEATER INSTALLATION (SN 0160074878 to Present, Including 0160074813 and 0160074818)



ART\_1001385776\_3-F

# SECTION 6 - CAB



## SECTION 6 - CAB

**FIGURE 6-7. ENCLOSED CAB WITH HEATER INSTALLATION (SN 0160074878 to Present, Including 0160074813 and 0160074818)**

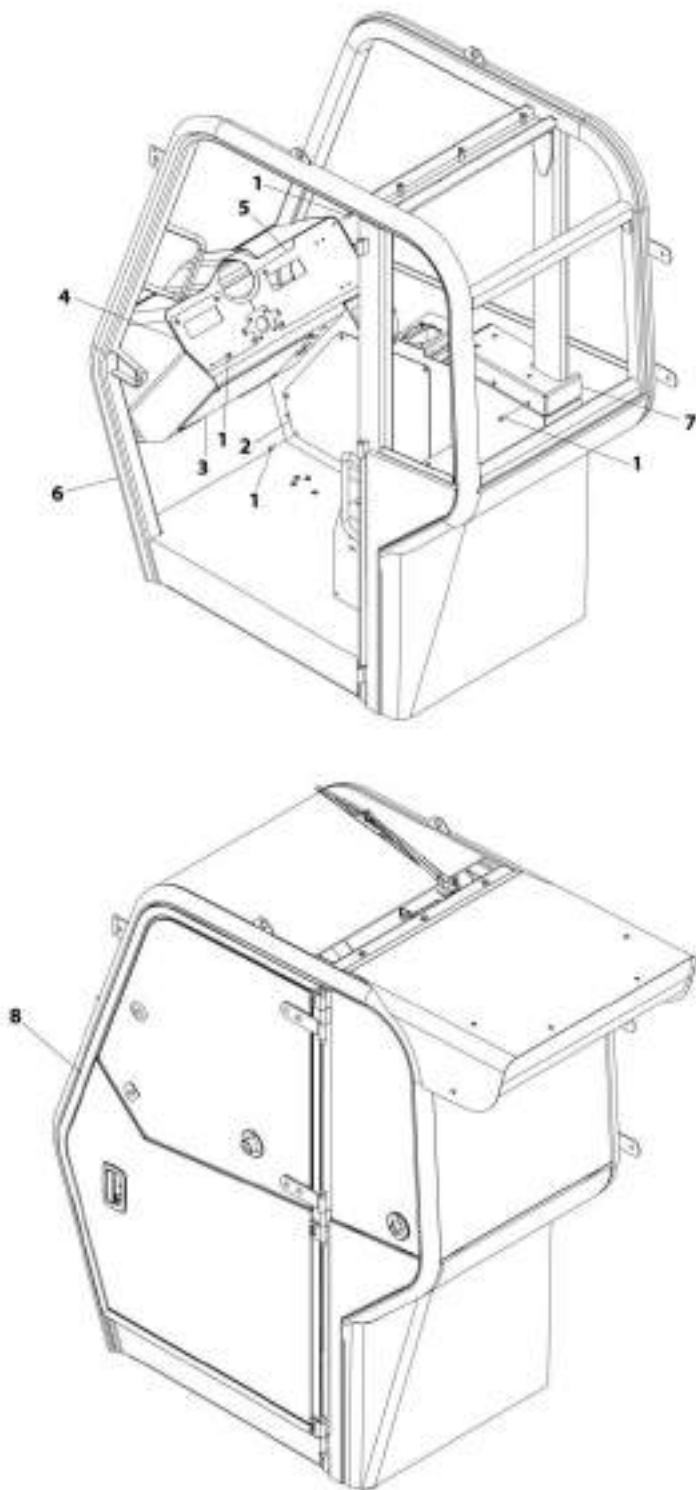
ITEM	PART NUMBER	QTY	DESCRIPTION	REV
	1001185776	Ref	Enclosed Cab with Heater Installation	F
1	1600429	1	Selector, Transmission Control	
2	3311401	2	Nut, 1/4-20	
3	3930610	2	Bolt, 6-32X5/8	
4	4060806	11 in	Shield, Flex Trim, 5/16	
5	4360569	2	Switch, Bezel	
6	4360690	1	Switch, Ignition	
6	8035807	1	Key (with cover)	
7	4761400	2	Washer, Lock 1/4	
8	5251014	4	Bolt, M10X30	
9	7138833	1	Column, Steering	
10	7138836	1	Wheel, Steering	
11	7138878	1	Button, Horn	
12	7138944	2	Strips, Brush	
13	8223037	1	Switch, Steer Select	
14	8223043	2	Switch, Windscreen Wiper	
15	8223044	1	Switch, Windscreen Washer	
16	8223054	1	Switch, Park Brake	
17	8303620	4	Bolt, 3/8-16X1	
18	8303626	4	Bolt, 1/2-13X1-1/2	
19	8303670	4	Bolt, 5/16-18X1	
20	8303697	3	Bolt, 5/16-18X3/4	
21	8303982	6	Screw, Self-Tapping 1/4-20X3/4	
22	8305626	4	Nut, Lock 5/16-18	
23	8305644	4	Nut, Lock 1/2-13	
24	8305916	1	Nut, Steering Column	
25	8307023	4	Washer, Lock M10	
26	8307106	11	Washer, Flat 5/16	
27	8307109	3	Washer, 1/4	
28	8307110	4	Washer, 3/8	
29	8307112	4	Washer, 1/2	
30	8310026	3	Bolt, 1/4-20X3/4	
31	8310382	8	Nut, Flange 1/4-20	
32	1320022	2	Clamp, Fuel Line	
33	8990147	1	Holder, Manual	
34	1001081049	1	Grommet, Split	
35	1001190229	1	Seat, Cab (See Separate Breakdown in this Section)	
36	1001102844	2	Bolt, 1/4-20X1-1/4	
37	1001114867	1	Socket, 12V Power Point	
38	1001141427	1	Mount, Cab Step	
39	1001159850	1	Panel, Heater Control	
40	1001159878	1	Support, Armrest	
41	1001170738	1	Gauge	
42	1001210703	1	Controller	
43	1001171807	1	Installation, Cab Heater Lines (See Separate Breakdown in this Section)	
44	1001178347	1	Harness, HVAC (See Separate Breakdown in ELECTRICAL Section)	
45	1001180555	1	Acceleration (See Separate Breakdown in CONTROLS Section)	

## SECTION 6 - CAB

ITEM	PART NUMBER	QTY	DESCRIPTION	REV
46	1001183164	1	Reservoir, Brake Valve	
47	1001185774	1	Cab, Enclosed with Heater (See Separate Breakdown in this Section)	
48	1001201647	1	Assembly, Brake (See Separate Breakdown in CONTROLS Section) <b>(SN 0160074878 through 0160081765, Including 0160074813 and 0160074818)</b>	
48	1001223052	1	Assembly, Brake (See Separate Breakdown in CONTROLS Section) <b>(SN 0160081766 to Present)</b>	
49	1001201658	1	Hose	
50	1001207963	1	Plug, 5/8	
51	4710600	2	Washer, 6	

## SECTION 6 - CAB

FIGURE 6-8. ENCLOSED CAB WITH HEATER (Prior to SN 0160074878, Excluding 0160074813 and 0160074818)



ART\_100138090-1

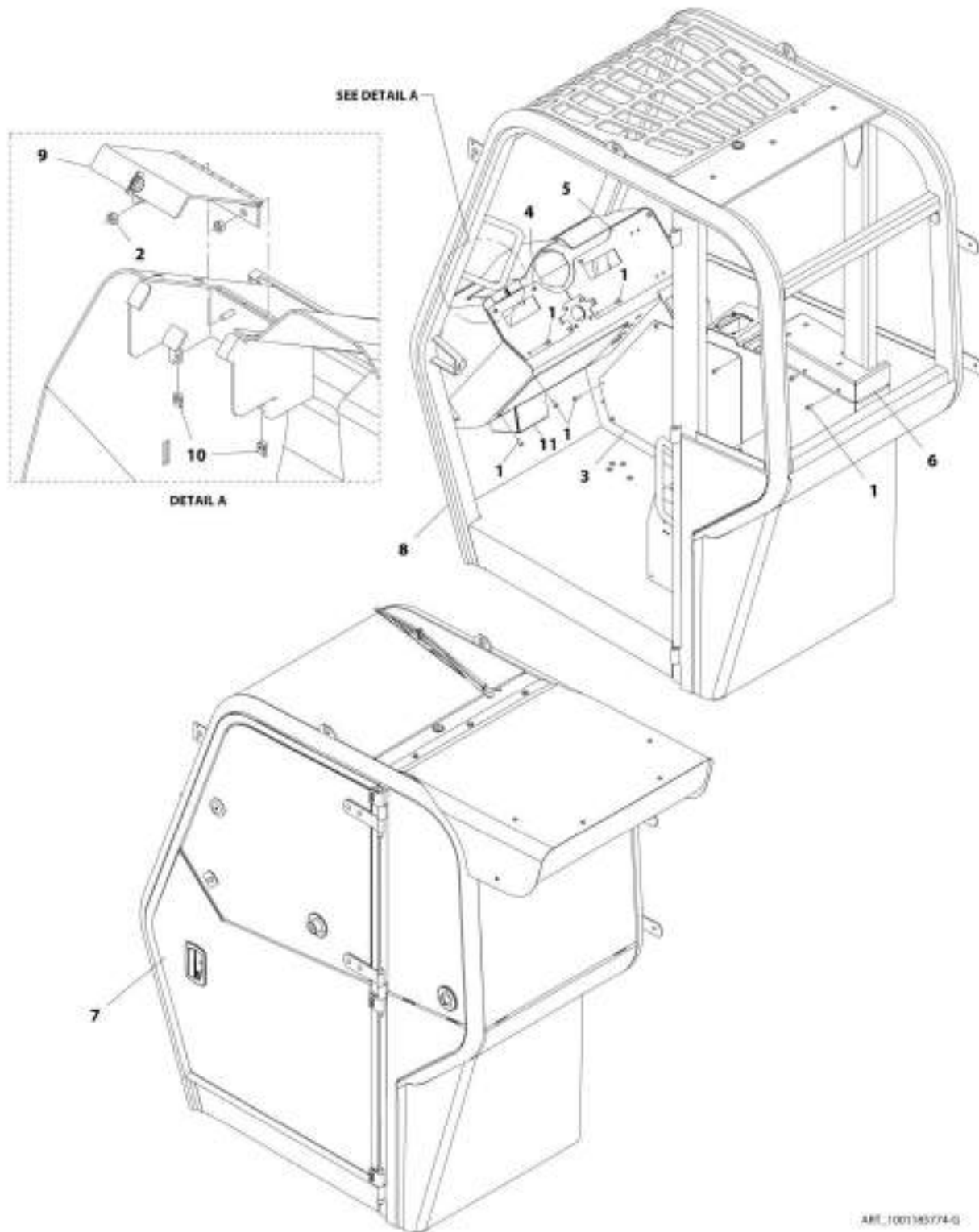
## SECTION 6 - CAB

**FIGURE 6-8. ENCLOSED CAB WITH HEATER (Prior to SN 0160074878, Excluding 0160074813 and 0160074818)**

ITEM	PART NUMBER	QTY	DESCRIPTION	REV
	1001158090	Ref	Enclosed Cab with Heater	I
1	8303034	22	Screw, 1/4-20X3/4	
2	1001160788	1	Panel, RH Console Access Plate	
3	1001160789	1	Panel, Brake Access Plate	
4	1001160790	1	Panel, LH Dash Cover	
5	1001160791	1	Panel, RH Dash Cover	
6	1001165583	1	Weldment, Cab	
7	1001165617	1	Assembly, Side Console Access Panel	
8	1001165823	1	Enclosure, Cab (See CAB ENCLOSURE for Breakdown)	

## SECTION 6 - CAB

FIGURE 6-9. ENCLOSED CAB WITH HEATER (SN 0160074878 to Present, Including 0160074813 and 0160074818)





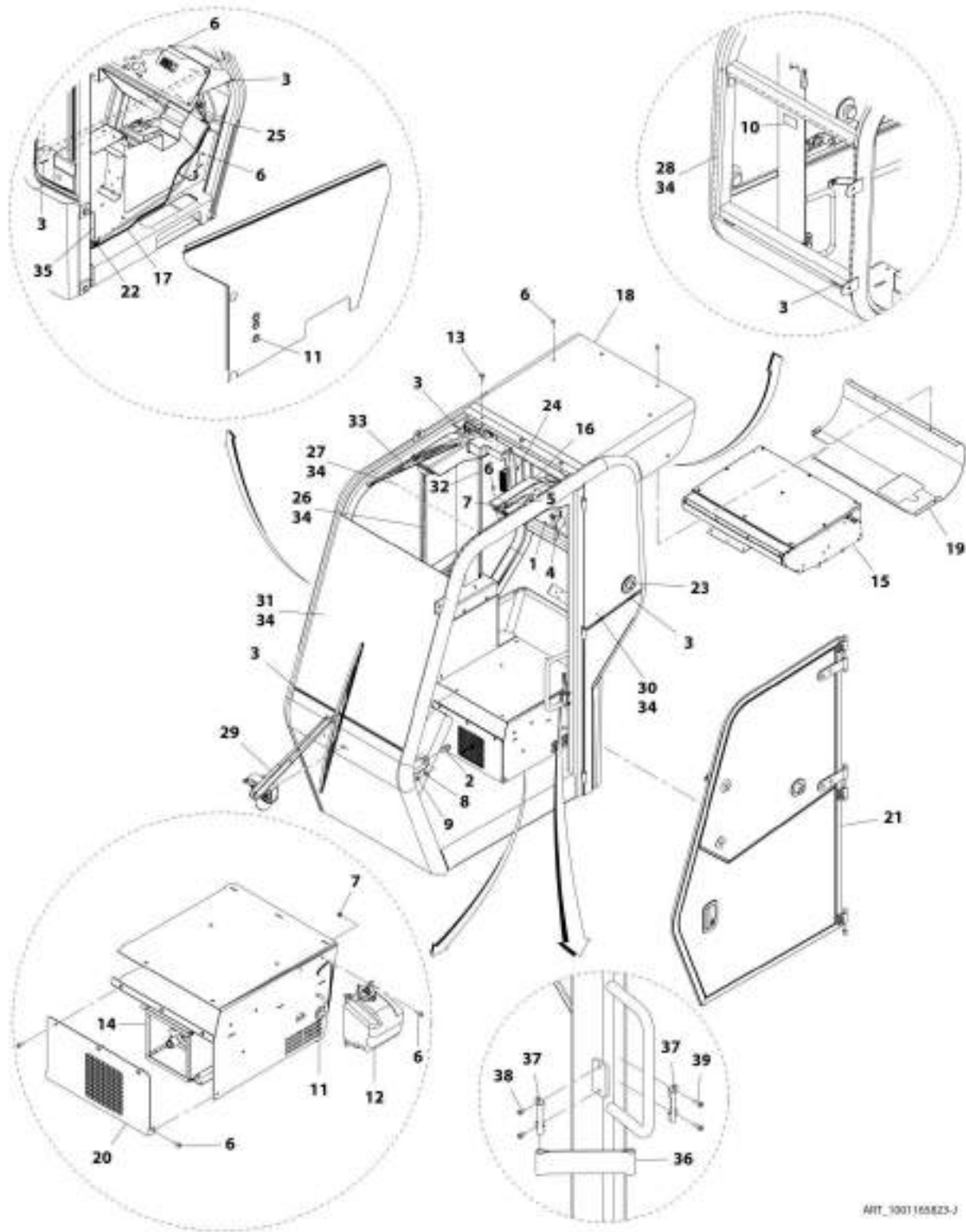
## SECTION 6 - CAB

**FIGURE 6-9. ENCLOSED CAB WITH HEATER (SN 0160074878 to Present, Including 0160074813 and 0160074818)**

ITEM	PART NUMBER	QTY	DESCRIPTION	REV
	1001185774	Ref	Enclosed Cab with Heater	G
1	8303034	22	Screw, 1/4-20X3/4	
2	8310085	2	Nut	
3	1001160788	1	Panel, RH Console Access Plate	
4	1001160790	1	Panel, LH Dash Cover	
5	1001160791	1	Panel, RH Dash Cover	
6	1001165617	1	Assembly, Side Console Access Panel	
7	1001165823	1	Enclosure, Cab (See Separate Breakdown in this Section)	
8	1001185772	1	Weldment, Cab	
9	1001202189	1	Door, Brake Reservoir	
10	1001202202	2	Nut	
11	1001202746	1	Panel, Brake Access Plate	

# SECTION 6 - CAB

## FIGURE 6-10. CAB ENCLOSURE



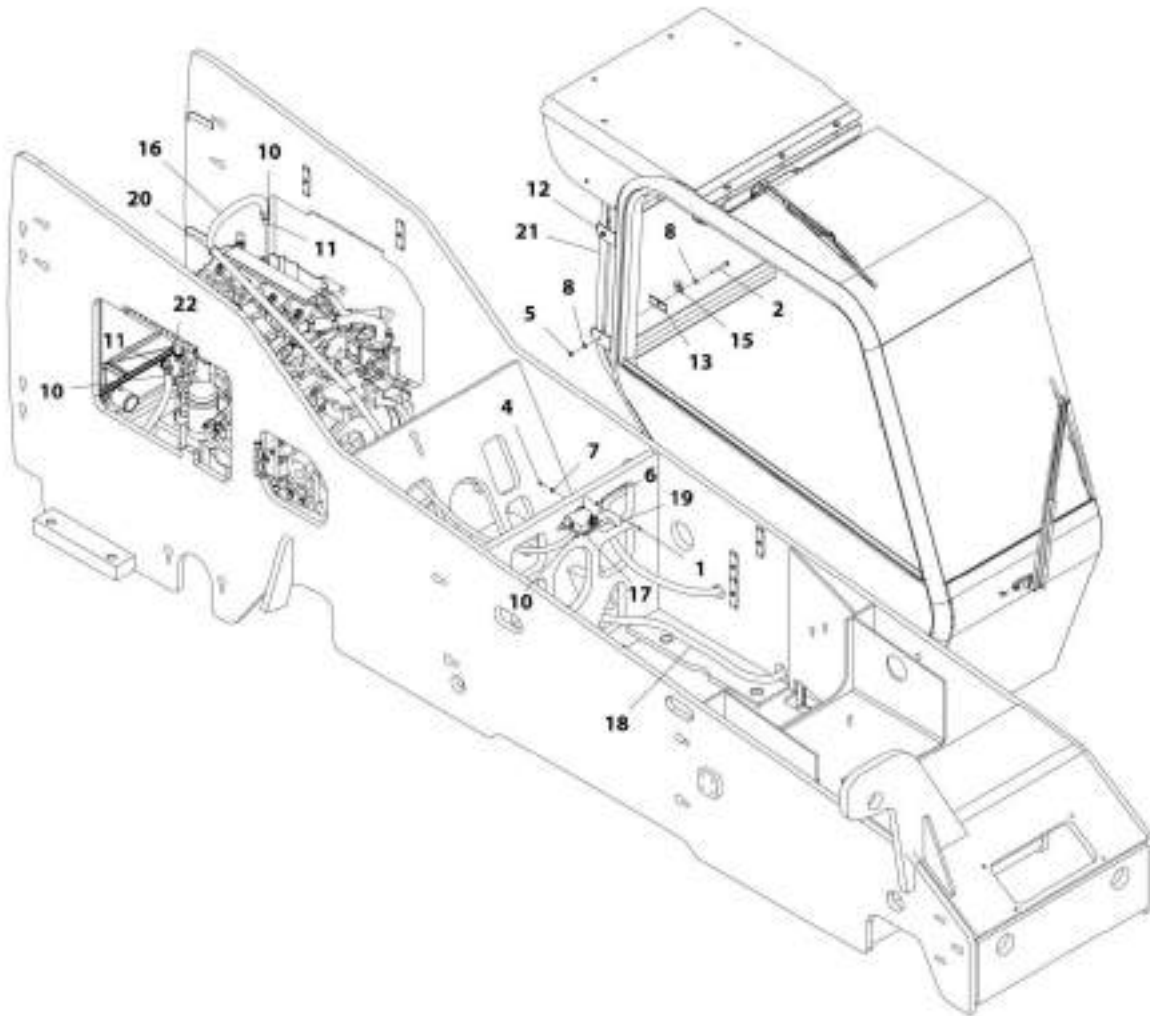
MIT\_3001165823-J

FIGURE 6-10. CAB ENCLOSURE

ITEM	PART NUMBER	QTY	DESCRIPTION	REV
	1001165823	Ref	Cab Enclosure	J
1	91404298	3	Rivet	
2	1001109478	1	Latch, Striker	
3	1001181968	13	Mould, Setting Block	
4	91404301	1	Hammer, Emergency	
5	4711400	2	Washer, 1/4	
6	8303034	33	Screw, 1/4-20X3/4	
7	8305624	4	Nut, Lock 1/4-20	
8	8307112	1	Washer, 1/2	
9	8310109	1	Nut, Lock 7/16-14	
10	91404299	1	Decal, Escape	
11	1001081049	4	Grommet, Split	
12	1001111112	1	Tank, Window Washer Fluid	
12	70025480	1	Pump, Reservoir	
13	1001149227	3	Screw, Hex Flange 5/16-18X1	
14	1001159856	1	Heater, Floor (See FLOOR HEATER for Breakdown)	
15	1001159860	1	Box, Roof	
16	1001160785	2	Duct, HVAC	
17	1001178349	1	Harness, Wiper (See ELECTRICAL SECTION for Breakdown)	
18	1001164282	1	Assembly, Top Hood	
19	1001164284	1	Assembly, Bottom Hood	
20	1001164717	1	Panel, Floor Heater Access	
21	1001165806	1	Door, Cab (See CAB DOOR for Breakdown)	
22	1001008742	1	Coupling, Tee	
23	1001081243	1	Retainer, Door Window Hold	
24	0630464	1	Screw, 10-24X1/2	
25	82033997	168 in	Hose, Washer Fluid	
26	8036050	1	Window, RH Slider (See RH SLIDER WINDOW for Breakdown)	
27	7138958	1	Glass, Skylight	
28	1001181707	1	Window, Rear	
29	8036056	1	Assembly, Front Wiper (See FRONT WIPER ASSEMBLY for Breakdown)	
30	1001181893	1	Window, LH Rear	
31	1001181903	1	Window, Windshield	
32	1001182091	1	Duct, Wire	
33	1001182470	1	Wiper, Skylight (See SKYLIGHT WIPER ASSEMBLY for Breakdown)	
34	1001177746	AR	Compound, Locking	
35	4060803	17 in	Shield, Flex Trim 1/8	
36	80384218	1	Strap, Door	
37	1001196128	2	Bracket, Strap Holder	
38	1001197098	2	Screw, 10-24X.38	
39	1001197099	2	Screw, 10-24X.63	

# SECTION 6 - CAB

## FIGURE 6-11. CAB HEATER LINES INSTALLATION



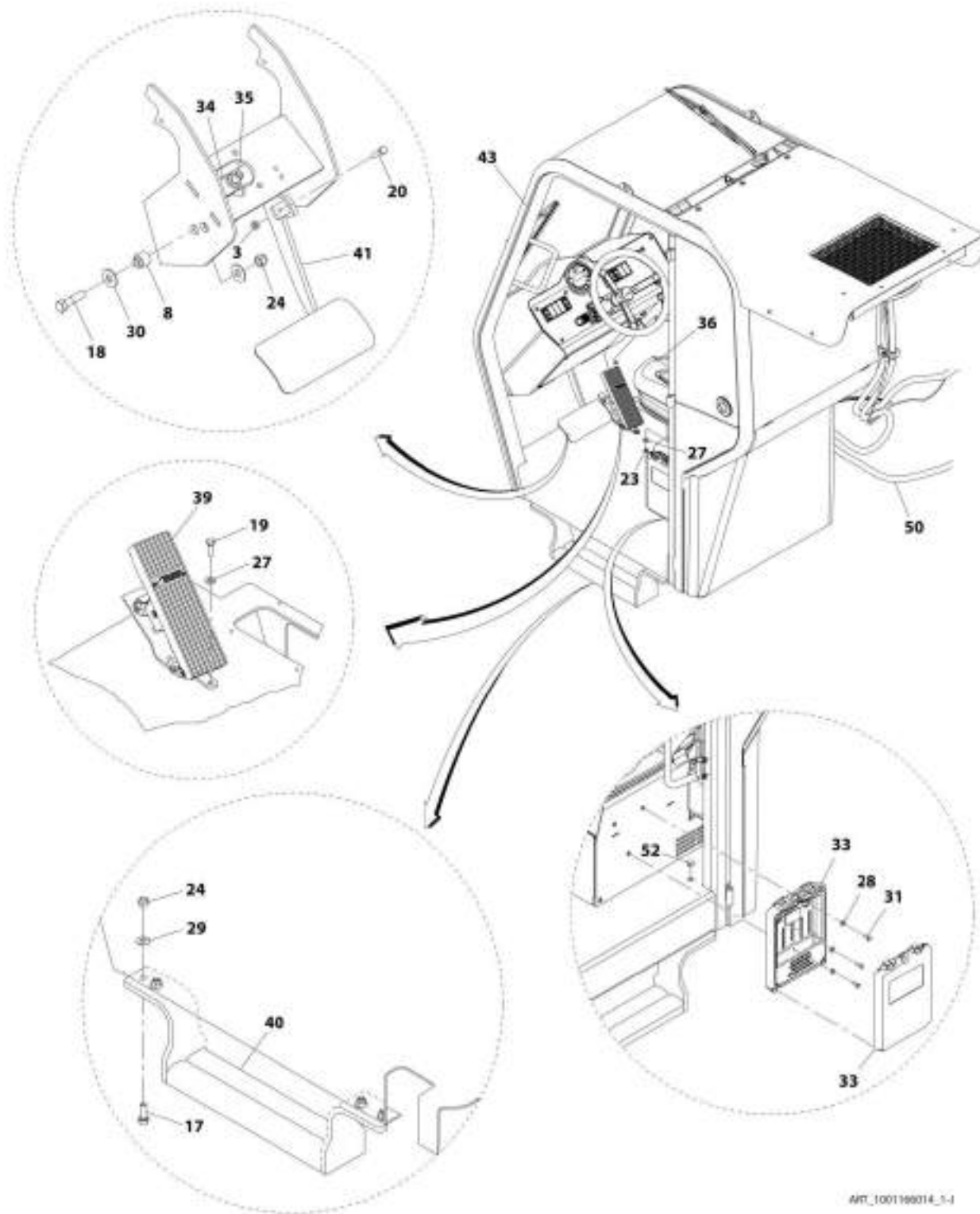
ART\_1001171801-D

FIGURE 6-11. CAB HEATER LINES INSTALLATION

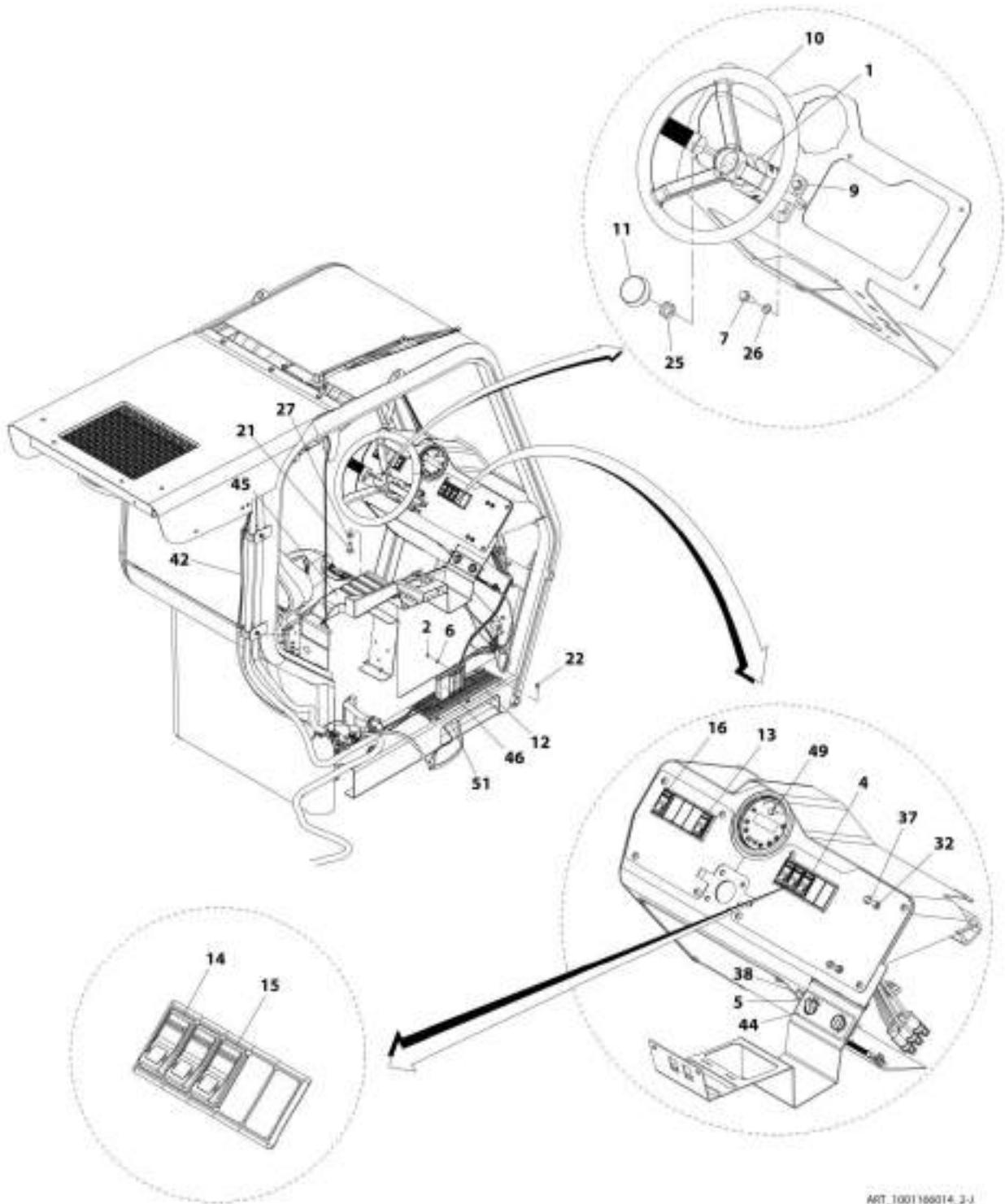
ITEM	PART NUMBER	QTY	DESCRIPTION	REV
	1001171807	Ref	Cab Heater Lines Installation	D
1	0700617	2	Bolt, M6X45	
2	0700822	2	Bolt, M8X70	
4	3290605	2	Nut, Lock M6X1	
5	3290805	2	Nut, Lock M8X1-1/4	
6	4811700	2	Washer, M6	
7	4811702	2	Washer, M6	
8	4811900	4	Washer, M8	
10	8405007	8	Clamp, Gear	
11	8430048	2	Reducer, Hose Barb	
12	77133133	2	Clamp, Twin	
13	77133134	2	Clamp, Cover Plate	
15	91043147	2	Clamp, Support	
16	1001158404	1	Hose, Cab Heater	
17	1001159844	1	Valve, Heater (See Separate Breakdown in this section)	
18	1001172537	1	Hose, Heater Return	
19	1001172561	1	Hose, Heater Send Valve to Roof	
20	8584001	4	Wrap, Tie	
21	1001173217	1	Hose, Heater Roof to Floor	
22	1001179229	1	Fitting, 45	

# SECTION 6 - CAB

FIGURE 6-12. ENCLOSED CAB WITH HEATER/AC INSTALLATION (Prior to SN 0160074878, Excluding 0160074813 and 0160074818)



# SECTION 6 - CAB



ART\_100110014\_3-1

## SECTION 6 - CAB

**FIGURE 6-12. ENCLOSED CAB WITH HEATER/AC INSTALLATION (Prior to SN 0160074878, Excluding 0160074813 and 0160074818)**

ITEM	PART NUMBER	QTY	DESCRIPTION	REV
	1001166014	Ref	Enclosed Cab with Heater/AC Installation	J
1	1600429	1	Selector, Transmission Control	
2	3311401	2	Nut, 1/4-20	
3	3311502	1	Nut, Jam 5/16-18	
4	4360569	2	Switch, Bezel	
5	4360690	1	Switch, Ignition	
5	8035807	1	Key (with cover)	
6	4761400	2	Washer, Lock 1/4	
7	5251014	4	Bolt, M10X30	
8	7129521	2	Pivot, Brake Pedal	
9	7138833	1	Column, Steering	
10	7138836	1	Wheel, Steering	
11	7138878	1	Button, Horn	
12	7138944	2	Strips, Brush	
13	8223037	1	Switch, Steer Select	
14	8223043	2	Switch, Windscreen Wiper	
15	8223044	1	Switch, Windscreen Washer	
16	8223054	1	Switch, Park Brake	
17	8303626	4	Bolt, 1/2-13X1-1/2	
18	8303658	2	Bolt, 1/2-13X2	
19	8303670	4	Bolt, 5/16-18X1	
20	8303739	1	Bolt, 5/16-18X1-1/4	
21	8303697	3	Bolt, 5/16-18X3/4	
22	8303982	6	Screw, Self-Tapping 1/4-20X3/4	
23	8305626	4	Nut, Lock 5/16-18	
24	8305644	6	Nut, Lock 1/2-13	
25	8305916	1	Nut, Steering Column	
26	8307023	4	Washer, Lock M10	
27	8307106	11	Washer, 5/16	
28	8307109	3	Washer, 1/4	
29	8307112	4	Washer, 1/2	
30	8307206	4	Washer, 1/2	
31	8310026	3	Bolt, 1/4-20X3/4	
32	8310382	8	Nut, Flange 1/4-20	
33	8990147	1	Holder, Manual	
34	91511145	1	Bar, Tie	
35	91513180	2	Actuator	
36	1001101085	1	Seat, Cab (See CAB SEAT for Breakdown) <b>(Prior to SN 0160074878, Excluding 0160074813 and 0160074818)</b>	
36	1001190229	1	Seat, Cab (See CAB SEAT for Breakdown) <b>(SN 0160074878 to Present, Including 0160074813 and 0160074818)</b>	
37	1001102844	2	Bolt, U 1/4-20X1-1/4	
38	1001114867	1	Socket, 12V Power Point	
39	1001180555	1	Accelerator (See CONTROLS SECTION for Breakdown)	
40	1001141427	1	Mount, Cab Step	
41	1001143305	1	Pedal, Brake	
42	1001178347	1	Harness, HVAC (See ELECTRICAL SECTION for Breakdown)	
43	1001158091	1	Cab, Enclosed with Heater/AC (See ENCLOSED CAB WITH HEATER/AC for Breakdown)	

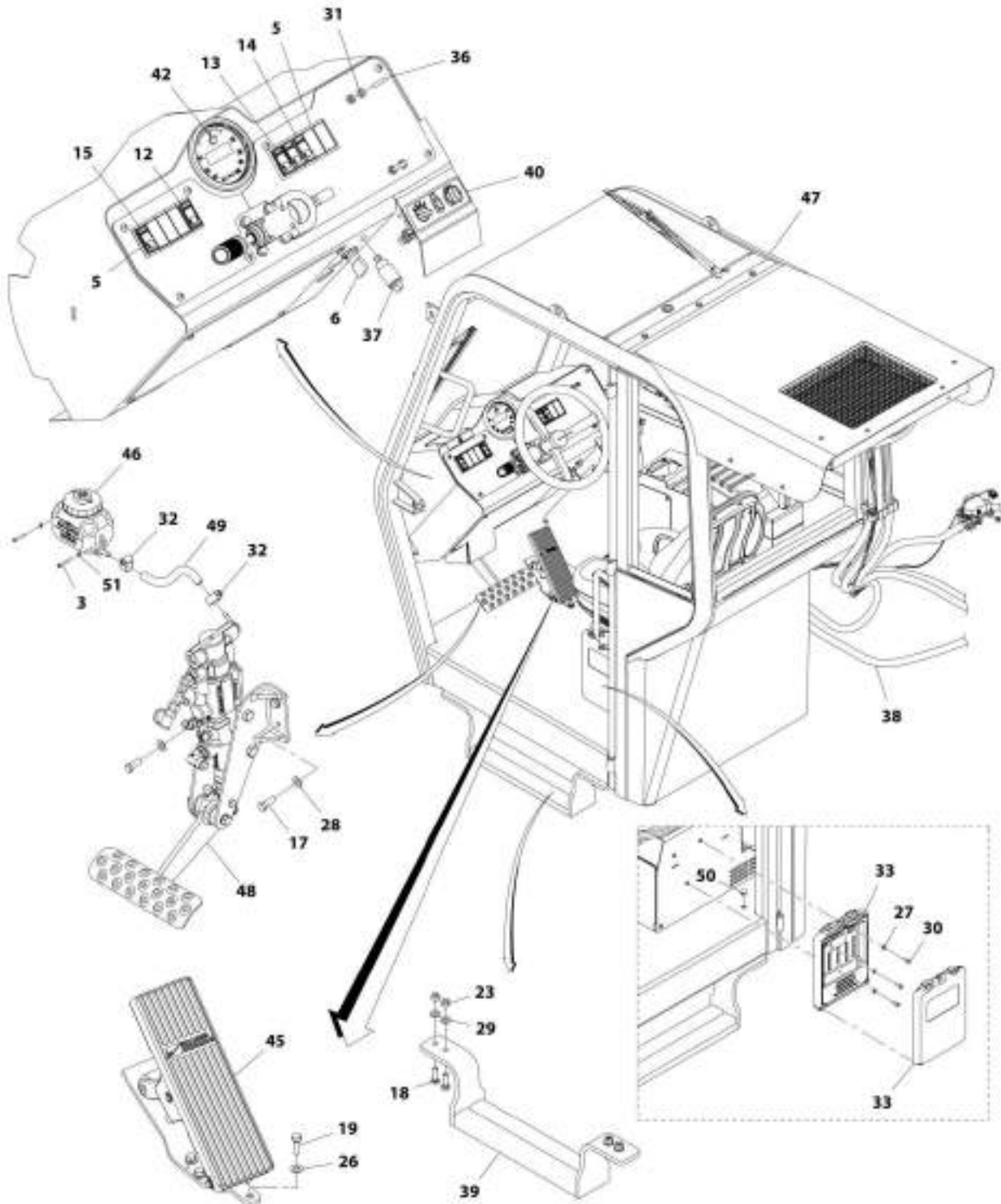


**SECTION 6 - CAB**

<b>ITEM</b>	<b>PART NUMBER</b>	<b>QTY</b>	<b>DESCRIPTION</b>	<b>REV</b>
44	1001159851	1	Panel, HVAC Control	
45	1001159878	1	Support, Armrest	
46	1001210703	1	Controller	
49	1001170738	1	Gauge	
50	1001171806	1	Installation, Cab Heater/AC Lines (See CAB HEATER/AC LINES INSTALLATION for Breakdown)	
51	4060806	11 in	Shield, Flex Trim 5/16	
52	1001207963	1	Plug, 5/8	

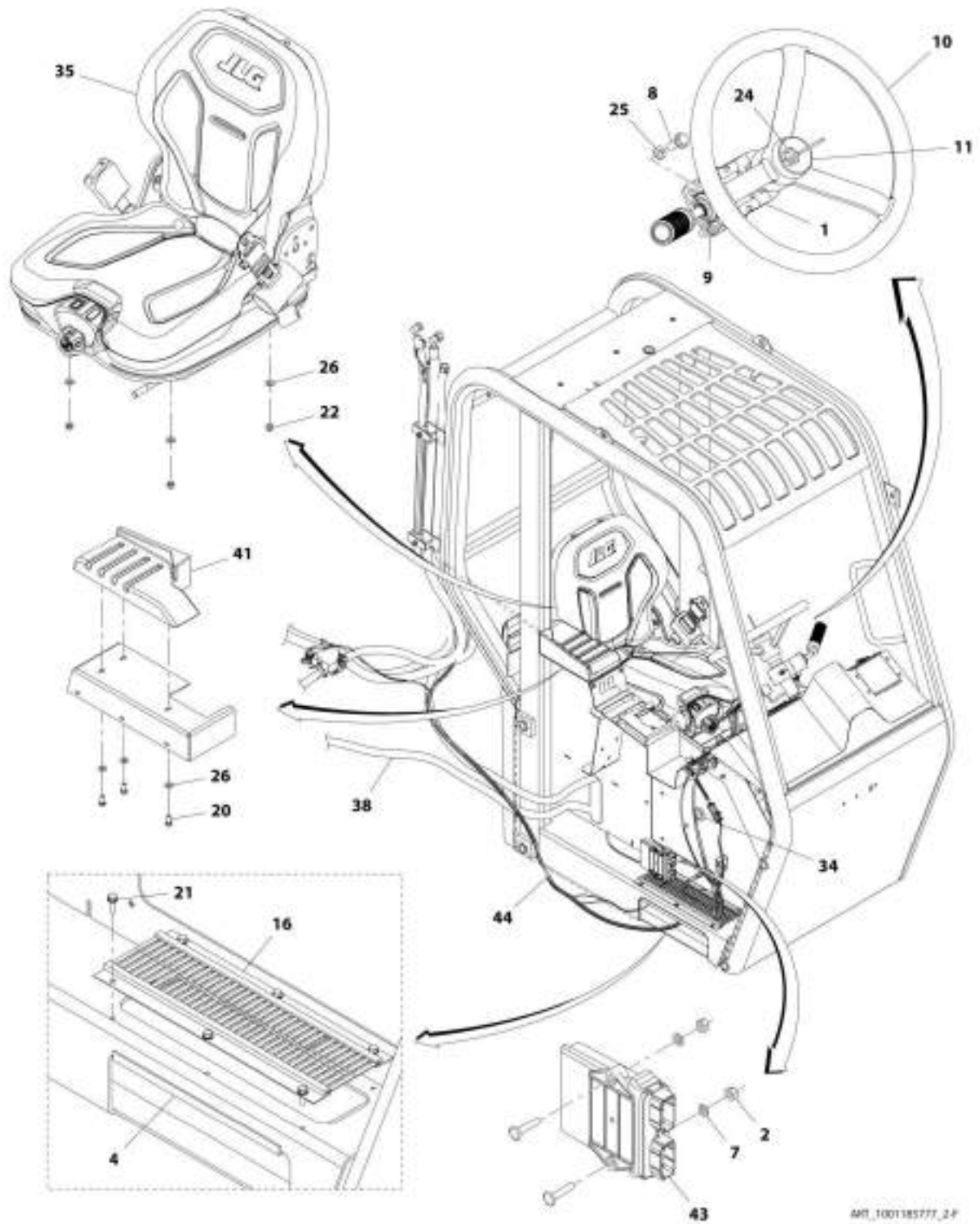
# SECTION 6 - CAB

FIGURE 6-13. ENCLOSED CAB WITH HEATER/AC INSTALLATION (SN 0160074878 to Present, Including 0160074813 and 0160074818)



ART\_3001185777\_1-F

# SECTION 6 - CAB



401\_1001185777\_2-F

## SECTION 6 - CAB

**FIGURE 6-13. ENCLOSED CAB WITH HEATER/AC INSTALLATION (SN 0160074878 to Present, Including 0160074813 and 0160074818)**

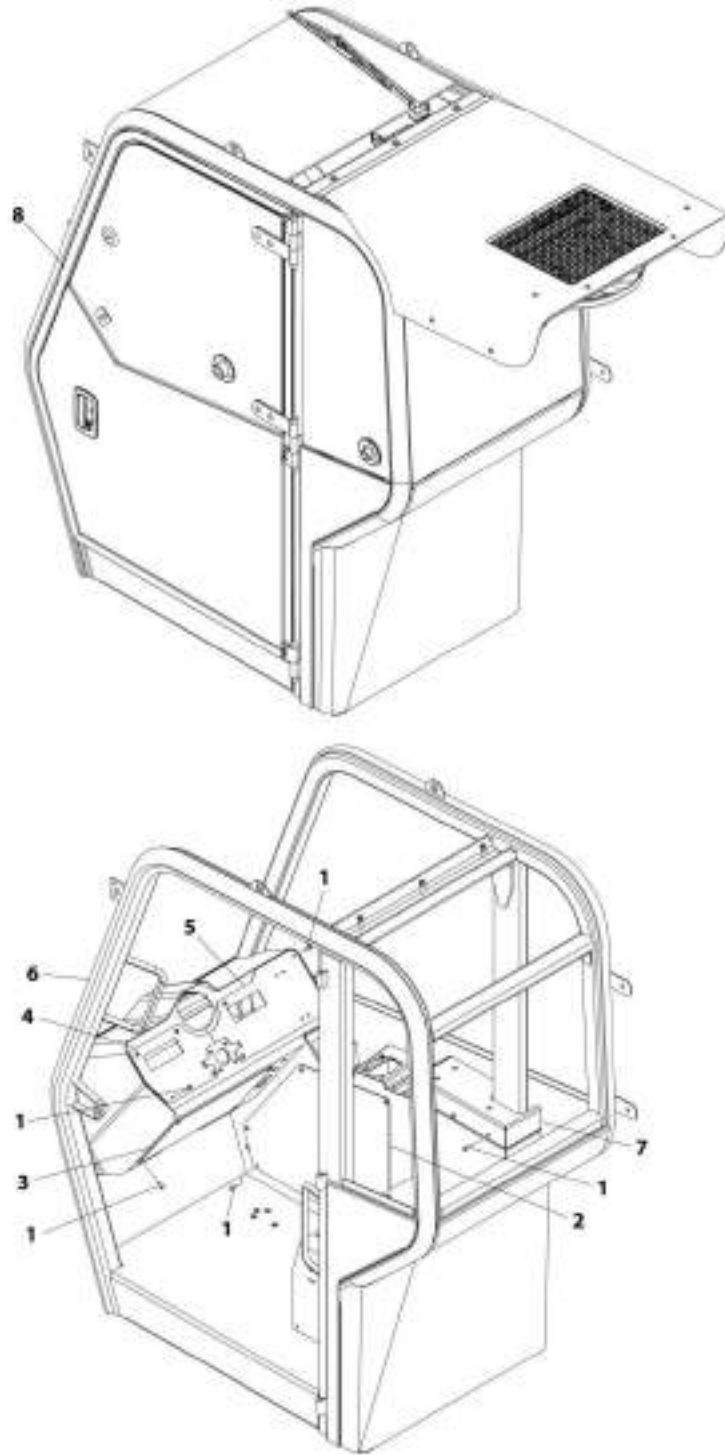
ITEM	PART NUMBER	QTY	DESCRIPTION	REV
	1001185777	Ref	Enclosed Cab with Heater/AC Installation	F
1	1600429	1	Selector, Transmission Control	
2	3311401	2	Nut, 1/4-20	
3	3930610	2	Bolt, 6-32X5/8	
4	4060806	11 in	Shield, Flex Trim 5/16	
5	4360569	2	Switch, Bezel	
6	4360690	1	Switch, Ignition	
6	8035807	1 in	Key (with cover)	
7	4761400	2	Washer, Lock 1/4	
8	5251014	4	Bolt, M10X30	
9	7138833	1	Column, Steering	
10	7138836	1	Wheel, Steering	
11	7138878	1	Button, Horn	
12	8223037	1	Switch, Steer Select	
13	8223043	2	Switch, Windscreen Wiper	
14	8223044	1	Switch, Windscreen Washer	
15	8223054	1	Switch, Park Brake	
16	7138944	2	Strips, Brush	
17	8303620	4	Bolt, 3/8-16X1	
18	8303626	4	Bolt, 1/2-13X1-1/2	
19	8303670	4	Bolt, 5/16-18X1	
20	8303697	3	Bolt, 5/16-18X3/4	
21	8303982	6	Screw, Self-Tapping 1/4-20X3/4	
22	8305626	4	Nut, Lock 5/16-18	
23	8305644	4	Nut, Lock 1/2-13	
24	8305916	1	Nut, Steering Column	
25	8307023	4	Washer, Lock M10	
26	8307106	11	Washer, 5/16	
27	8307109	3	Washer, 1/4	
28	8307110	4	Washer, 3/8	
29	8307112	4	Washer, 1/2	
30	8310026	3	Bolt, 1/4-20X3/4	
31	8310382	8	Nut, Flange 1/4-20	
32	1320022	2	Clamp, Fuel Line	
33	8990147	1	Holder, Manual	
34	1001081049	1	Grommet	
35	1001190229	1	Seat, Cab (See Separate Breakdown in this Section)	
36	1001102844	2	Bolt, U 1/4-20X1-1/4	
37	1001114867	1	Socket, 12V Power Point	
38	1001171806	1	Installation, Cab Heater/AC Lines (See Separate Breakdown in this Section)	
39	1001141427	1	Mount, Cab Step	
40	1001159851	1	Panel, HVAC Control	
41	1001159878	1	Support, Armrest	
42	1001170738	1	Gauge	
43	1001210703	1	Controller	
44	1001178347	1	Harness, HVAC (See Separate Breakdown in ELECTRICAL Section)	
45	1001180555	1	Acceleration (See Separate Breakdown in CONTROLS Section)	

## SECTION 6 - CAB

ITEM	PART NUMBER	QTY	DESCRIPTION	REV
46	1001183164	1	Reservoir, Brake Valve	
47	1001185775	1	Cab, Enclosed with Heater/AC (See Separate Breakdown in this Section)	
48	1001201647	1	Assembly, Brake (See Separate Breakdown in CONTROLS Section) <b>(SN 0160074878 through 0160081765, Including 0160074813 and 0160074818)</b>	
48	1001223052	1	Assembly, Brake (See Separate Breakdown in CONTROLS Section) <b>(SN 0160081766 to Present)</b>	
49	1001201658	1	Hose	
50	1001207963	1	Plug, 5/8	
51	4710600	2	Washer, 6	

## SECTION 6 - CAB

FIGURE 6-14. ENCLOSED CAB WITH HEATER/AC (Prior to SN 0160074878, Excluding 0160074813 and 0160074818)



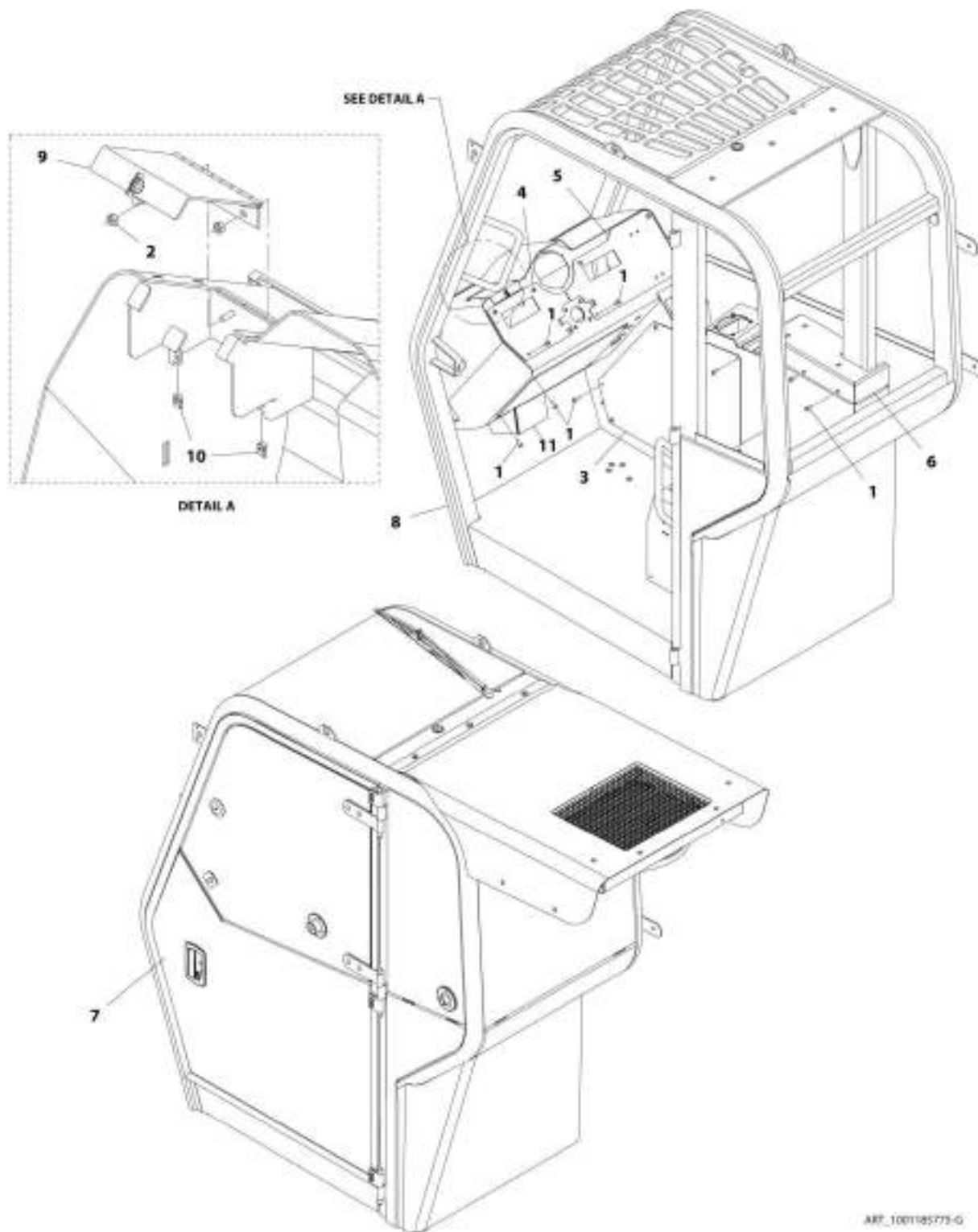
APP\_1001138091-1

**SECTION 6 - CAB****FIGURE 6-14. ENCLOSED CAB WITH HEATER/AC (Prior to SN 0160074878, Excluding 0160074813 and 0160074818)**

ITEM	PART NUMBER	QTY	DESCRIPTION	REV
	1001158091	Ref	Enclosed Cab with Heater/AC	I
1	8303034	22	Screw, 1/4-20X3/4	
2	1001160788	1	Panel, RH Console Access Plate	
3	1001160789	1	Panel, Brake Access Plate	
4	1001160790	1	Panel, LH Dash Cover	
5	1001160791	1	Panel, RH Dash Cover	
6	1001165583	1	Weldment, Cab	
7	1001165617	1	Assembly, Side Console Access Panel	
8	1001168066	1	Enclosure, Cab HVAC (See CAB HVAC ENCLOSURE for Breakdown)	

## SECTION 6 - CAB

FIGURE 6-15. ENCLOSED CAB WITH HEATER/AC (SN 0160074878 to Present, Including 0160074813 and 0160074818)



ART\_1001185773-G

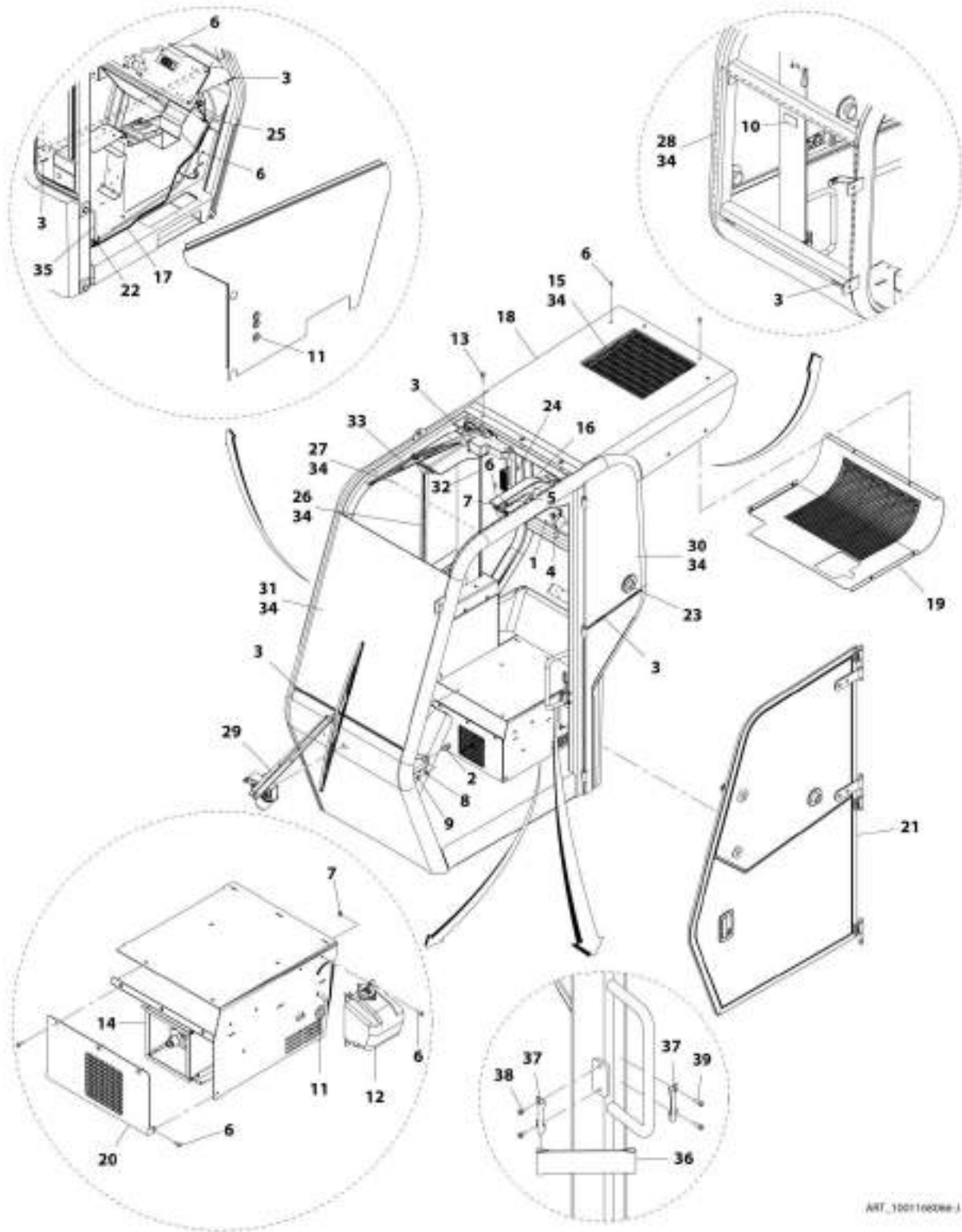


**SECTION 6 - CAB****FIGURE 6-15. ENCLOSED CAB WITH HEATER/AC (SN 0160074878 to Present, Including 0160074813 and 0160074818)**

ITEM	PART NUMBER	QTY	DESCRIPTION	REV
	1001185775	Ref	Enclosed Cab with Heater	G
1	8303034	22	Screw, 1/4-20X3/4	
2	8310085	1	Nut, Lock M10	
3	1001160788	1	Panel, RH Console Access Plate	
4	1001160790	1	Panel, LH Dash Cover	
5	1001160791	1	Panel, RH Dash Cover	
6	1001165617	1	Assembly, Side Console Access Panel	
7	1001168066	1	Enclosure, Cab (See Separate Breakdown in this Section)	
8	1001185772	1	Weldment, Cab	
9	1001202189	1	Door, Brake Reservoir	
10	1001202202	2	Nut, 6-32	
11	1001202746	1	Panel, Brake Access Plate	

SECTION 6 - CAB

FIGURE 6-16. CAB HVAC ENCLOSURE



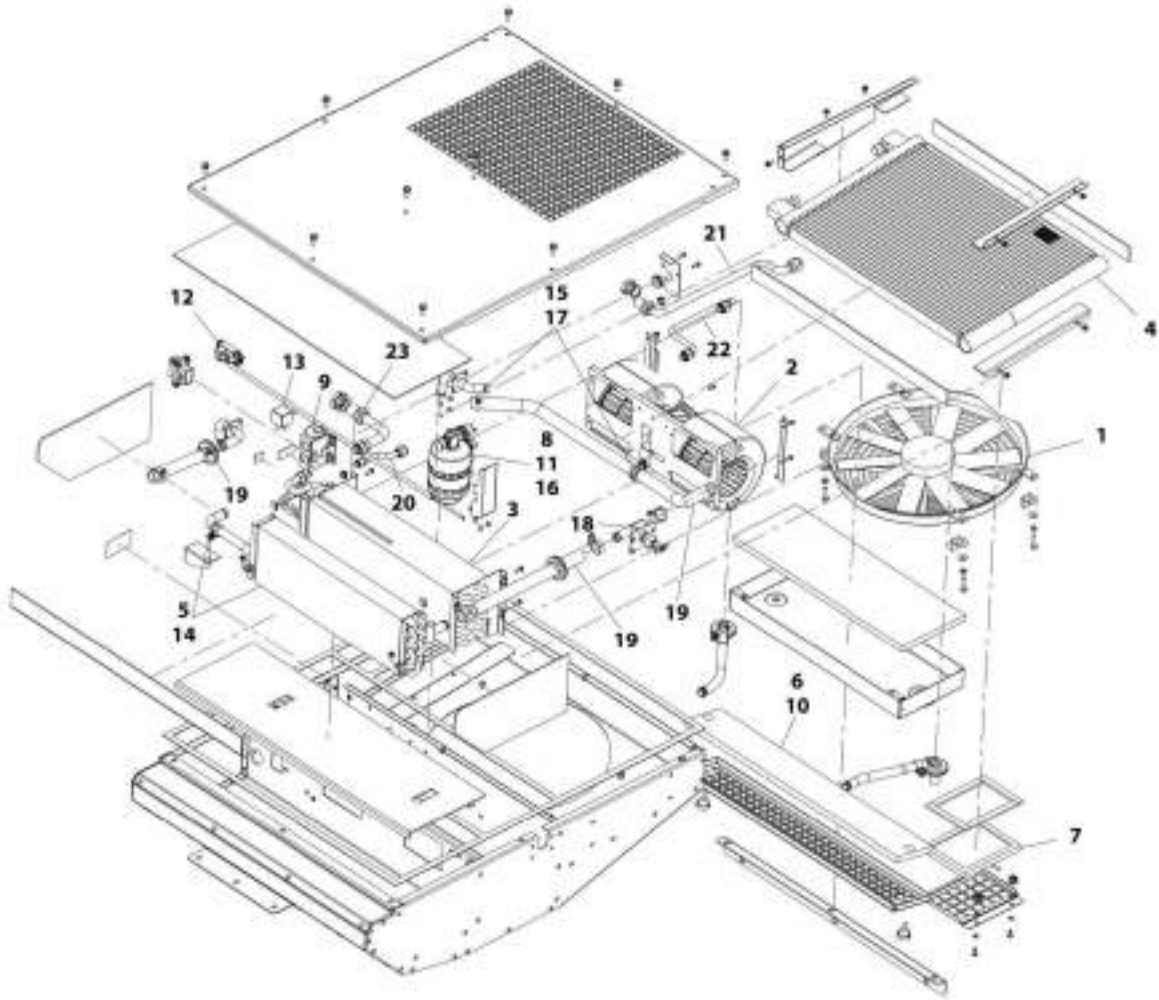
ART\_100110054-J

FIGURE 6-16. CAB HVAC ENCLOSURE

ITEM	PART NUMBER	QTY	DESCRIPTION	REV
	1001168066	Ref	Cab HVAC Enclosure	J
1	91404298	3	Rivet	
2	1001109478	1	Latch, Striker	
3	1001181968	13	Mould, Setting Block	
4	91404301	1	Hammer, Emergency	
5	4711400	2	Washer, 1/4	
6	8303034	35	Screw, 1/4-20X3/4	
7	8305624	4	Nut, Lock 1/4-20	
8	8307112	1	Washer, 1/2	
9	8310109	1	Nut, Lock 7/16-14	
10	91404299	1	Decal, Escape	
11	1001081049	4	Grommet, Split	
12	1001111112	1	Tank, Window Washer Fluid	
12	70025480	1	Pump, Reservoir	
13	1001149227	3	Screw, Hex Flange 5/16-18X1	
14	1001159856	1	Heater, Floor (See FLOOR HEATER for Breakdown)	
15	1001159861	1	Box, Roof (See ROOF BOX HVAC for Breakdown)	
16	1001160785	2	Duct, HVAC	
17	1001178349	1	Harness, Wiper (See ELECTRICAL SECTION for Breakdown)	
18	1001164096	1	Hood, Top	
19	1001164099	1	Hood, Bottom	
20	1001164717	1	Panel, Floor Heater Access	
21	1001165806	1	Door, Cab (See CAB DOOR for Breakdown)	
22	1001008742	1	Coupling, Tee	
23	1001081243	1	Retainer, Door Window Hold	
24	0630464	1	Screw, 10-24X1/2	
25	82033997	168 in	Hose, Washer Fluid	
26	8036050	1	Window, RH Slider (See RH SLIDER WINDOW for Breakdown)	
27	7138958	1	Glass, Skylight	
28	1001181707	1	Window, Rear	
29	8036056	1	Assembly, Front Wiper (See FRONT WIPER ASSEMBLY for Breakdown)	
30	1001181893	1	Window, LH Rear	
31	1001181903	1	Window, Windshield	
32	1001182091	1	Duct, Wire	
33	1001182470	1	Wiper, Skylight (See SKYLIGHT WIPER ASSEMBLY for Breakdown)	
34	1001177746	AR	Compound, Locking	
35	4060803	16.5 in	Shield, Flex Trim 1/8	
36	80384218	1	Strap, Door	
37	1001196128	2	Bracket, Strap Holder	
38	1001197098	2	Screw, 10-24X.38	
39	1001197099	2	Screw, 10-24X.63	

# SECTION 6 - CAB

## FIGURE 6-17. ROOF BOX HVAC



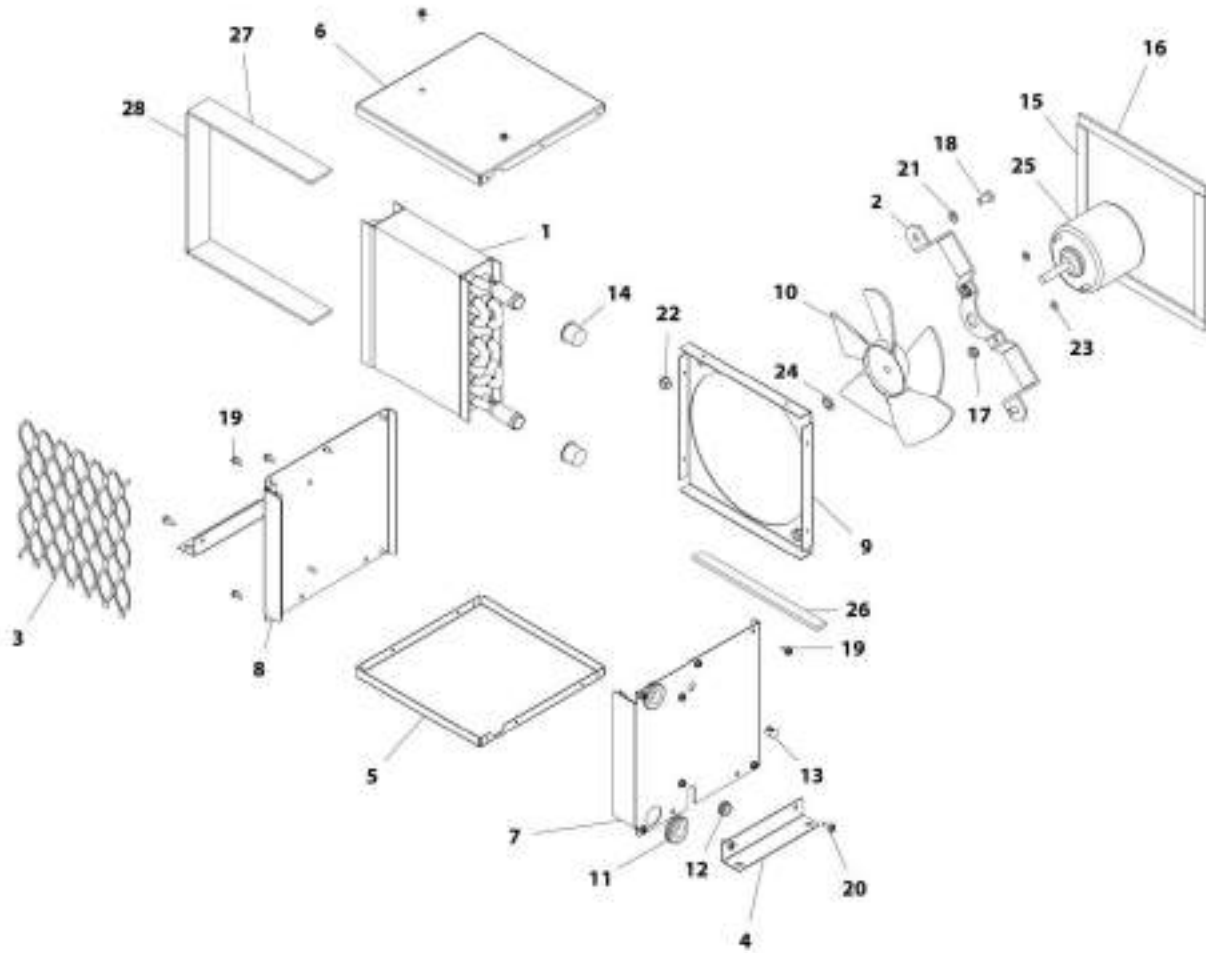
ART\_100115961-6

FIGURE 6-17. ROOF BOX HVAC

ITEM	PART NUMBER	QTY	DESCRIPTION	REV
	1001159861	Ref	Roof Box HVAC	B
1	70026945	1	Fan Assembly, 12V	
2	70026978	1	Blower, 12V	
3	70026979	1	Evaporator Coil	
4	70026980	1	Condenser	
5	70026981	1	Heater Coil	
6	70026982	1	Air Filter	
7	70026983	1	Air Filter	
8	70026854	1	Pressure Switch (H/L)	
9	70020876	1	Block Valve	
10	8036726	2	Knob	
11	70026984	1	Receiver Drier MCCEU	
12	70026985	1	Electronic Deicing Thermostat (EDT) Module	
13	70026986	1	Relay, 12V 30/40A	
14	70026987	1	Hose Clamp, 10	
15	70026988	1	Hose Clamp, 14	
16	70026989	2	Gear Clamp	
17	70026990	6	Hose Clamp, 5/8	
18	70026991	1	Bleeder Valve	
19	82033995	1	Hose	
20	70028782	1	Tube Assembly	
21	70028781	1	Tube Assembly	
22	70028780	1	Tube Assembly	
23	70028779	1	Tube Assembly	

# SECTION 6 - CAB

## FIGURE 6-18. FLOOR HEATER



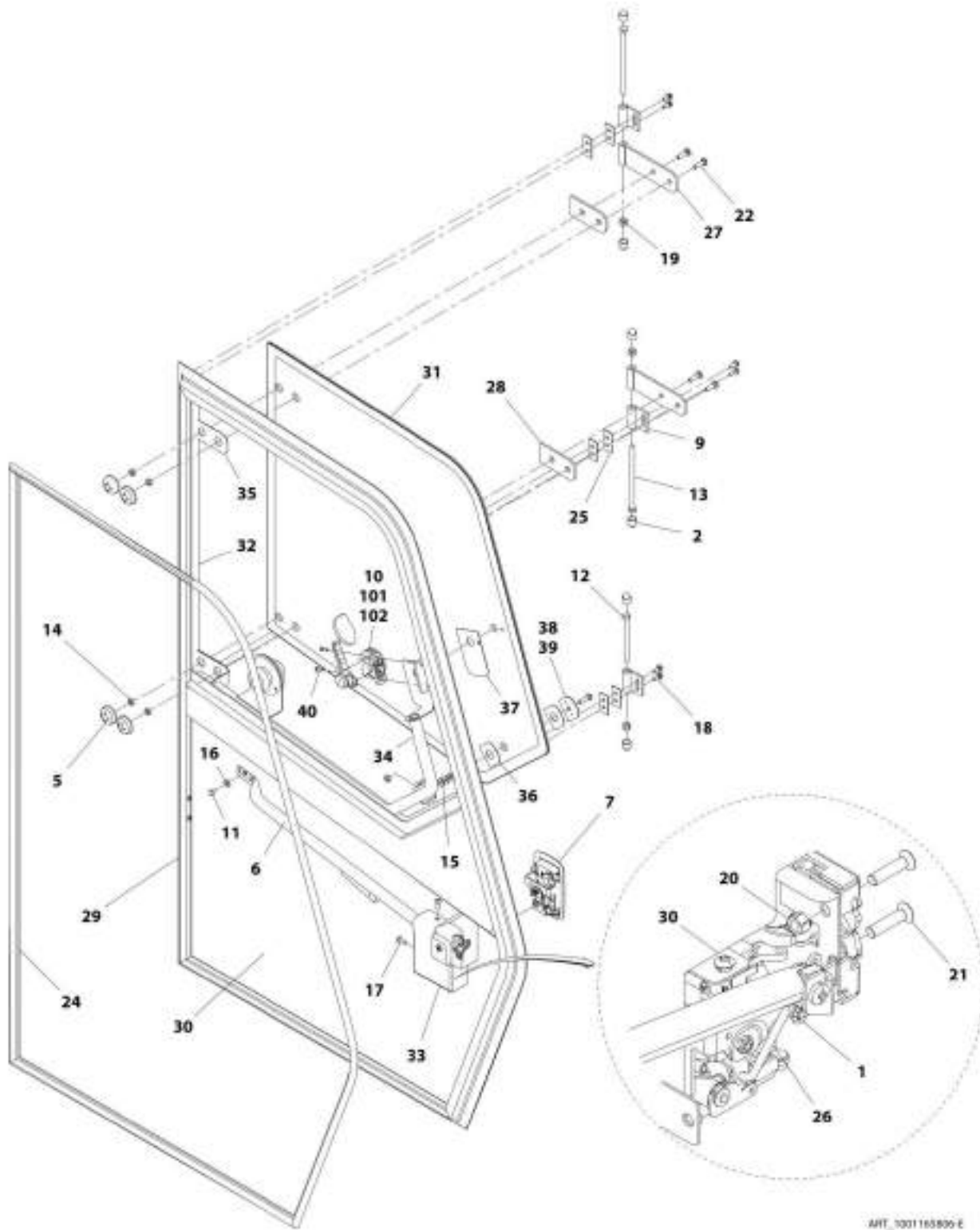
ART\_1001159854-D

FIGURE 6-18. FLOOR HEATER

ITEM	PART NUMBER	QTY	DESCRIPTION	REV
	1001159856	Ref	Floor Heater	D
1	70026100	1	Coil, Heater	
2	70026101	1	Bracket, Motor	
3	70026102	1	Protector, Coil	
4	70026103	2	Bracket, Mounting	
5	70026104	1	Casing, Bottom	
6	70026105	1	Casing, Top	
7	70026106	1	Casing, RH Side	
8	70026107	1	Casing, LH Side	
9	70026108	1	Mount, Fan	
10	70026109	1	Fan	
11	70026110	2	Grommet	
12	70026111	1	Grommet, 3/8	
13	70026112	1	Plug, Hole 3/8	
14	70026113	2	Plug, 3/8	
15	70026114	2	Foam, 1/4X158	
16	70026114	2	Foam, 1/4X184	
17	70026115	2	Nut, 10-32	
18	70026116	2	Screw, 1/4-20X1/2	
19	70026117	16	Screw, M8X3/8	
20	70024855	4	Screw, Tap M8X1/2	
21	70026118	2	Lockwasher, 1/4	
22	70026119	2	Nut, Kep 1/4-20	
23	70026120	2	Washer, M5	
24	70026121	1	Retainer	
25	70026122	1	Motor Assembly, 12V	
26	70026123	1	Foam, 3/16X180	
27	70026124	2	Foam, 1/4X180	
28	70026124	1	Foam, 1/4X175	

# SECTION 6 - CAB

## FIGURE 6-19. CAB DOOR



AHT\_1001165800-E



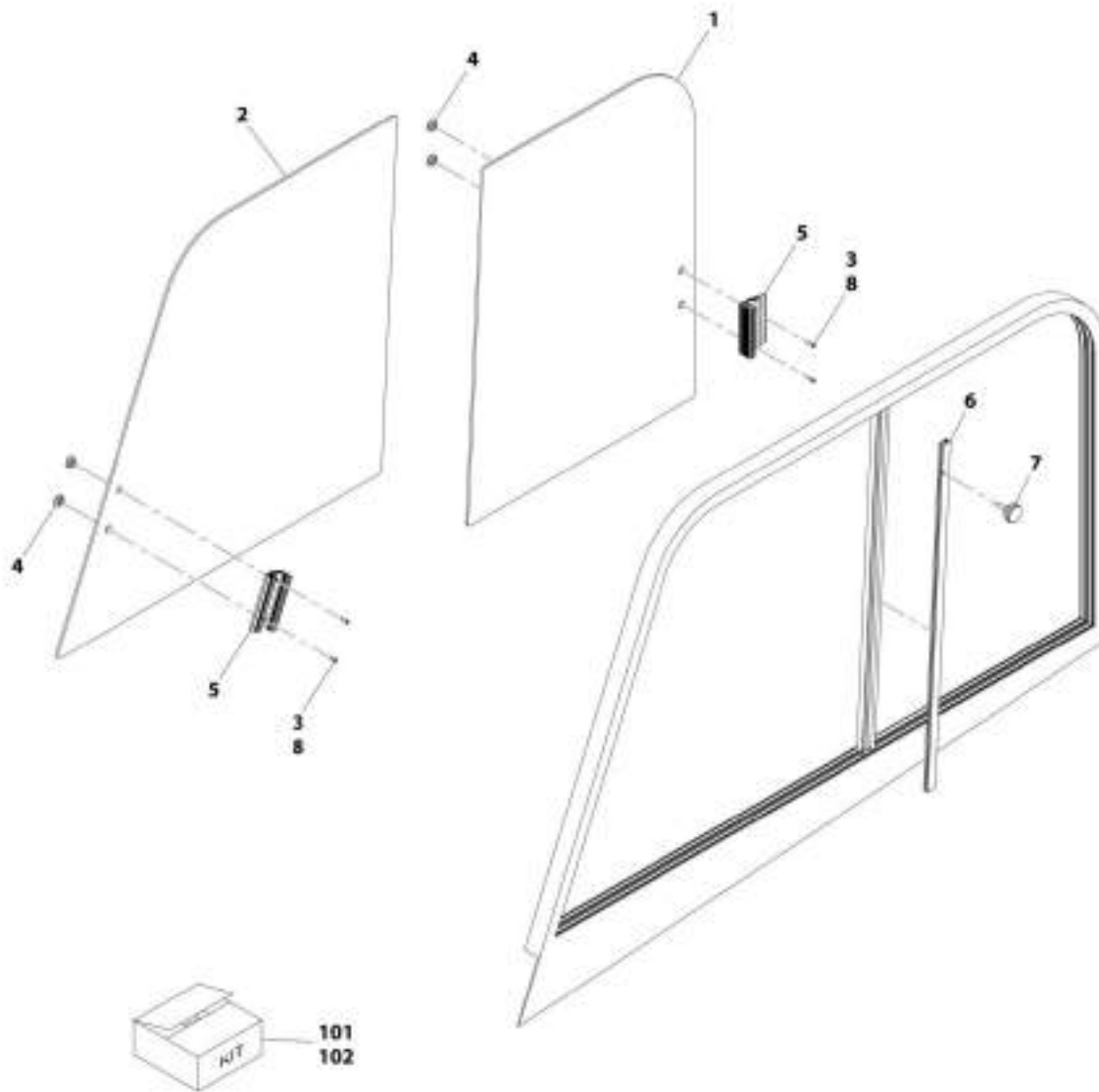
**SECTION 6 - CAB**

**FIGURE 6-19. CAB DOOR**

ITEM	PART NUMBER	QTY	DESCRIPTION	REV
	1001165806	Ref	Cab Door	E
1	1001183104	2	Fastener, Latch	
2	1001182663	6	Cap, Hex Dome	
5	1001081246	5	Cap, Nut M6	
6	1001081247	1	Handle, Interior Cab Door	
7	1001081241	1	Handle, Exterior Cab Door	
7	70021948	1	Key, Cab Door	
9	1001183209	3	Hinge, Slotted	
10	1001002959	NLA	Handle, Window, (no longer available, use 1001220260 for replacement)	
10	1001220260	1	Handle, Window	
11	0641403	1	Bolt, 1/4-20X3/8	
12	0641636	1	Bolt, 3/8-16X4-1/2	
13	0641652	2	Bolt, 3/8-16X6-1/2	
14	3290801	5	Nut, M8X1-1/4	
15	4711500	3	Washer, 5/16	
16	4751400	1	Washer, 1/4	
17	8303034	2	Screw, 1/4-20X3/4	
18	8303119	6	Screw, 1/4-20X5/8	
19	8305603	3	Nut, Lock 3/8-16	
20	8305638	2	Nut, Lock M8X1-1/4	
21	1001094312	2	Screw, M8X30	
22	1001108575	5	Screw, M8X30	
24	1001182408	1	Seal, Door	
25	1001182135	6	Shim, Door Hinge	
26	1001182514	1	Linkage, Exterior Latch	
27	1001081242	2	Hinge, Door	
28	1001081266	2	Spacer, Hinge	
29	1001182842	1	Weldment, Door	
30	1001182800	1	Foam, Door	
31	1001182808	1	Glass, Door	
32	1001182810	1	Seal, Glass	
33	1001182865	1	Cover, Latch	
34	1001182871	1	Handle, Door Glass	
35	1001182882	2	Shim, Hinge	
36	1001182883	2	Shim, Handle	
37	1001182884	1	Shim, Handle Latch	
38	1001183084	1	Plate, Window	
39	1001177746	AR	Compound, Locking	
40	1001197099	2	Screw, 10-24X.63	
101	1001165276	1	Striker Plate	
102	1001165275	1	Window Latch	
103	1001169787	1	Latch Seal	

# SECTION 6 - CAB

## FIGURE 6-20. RH SLIDER WINDOW



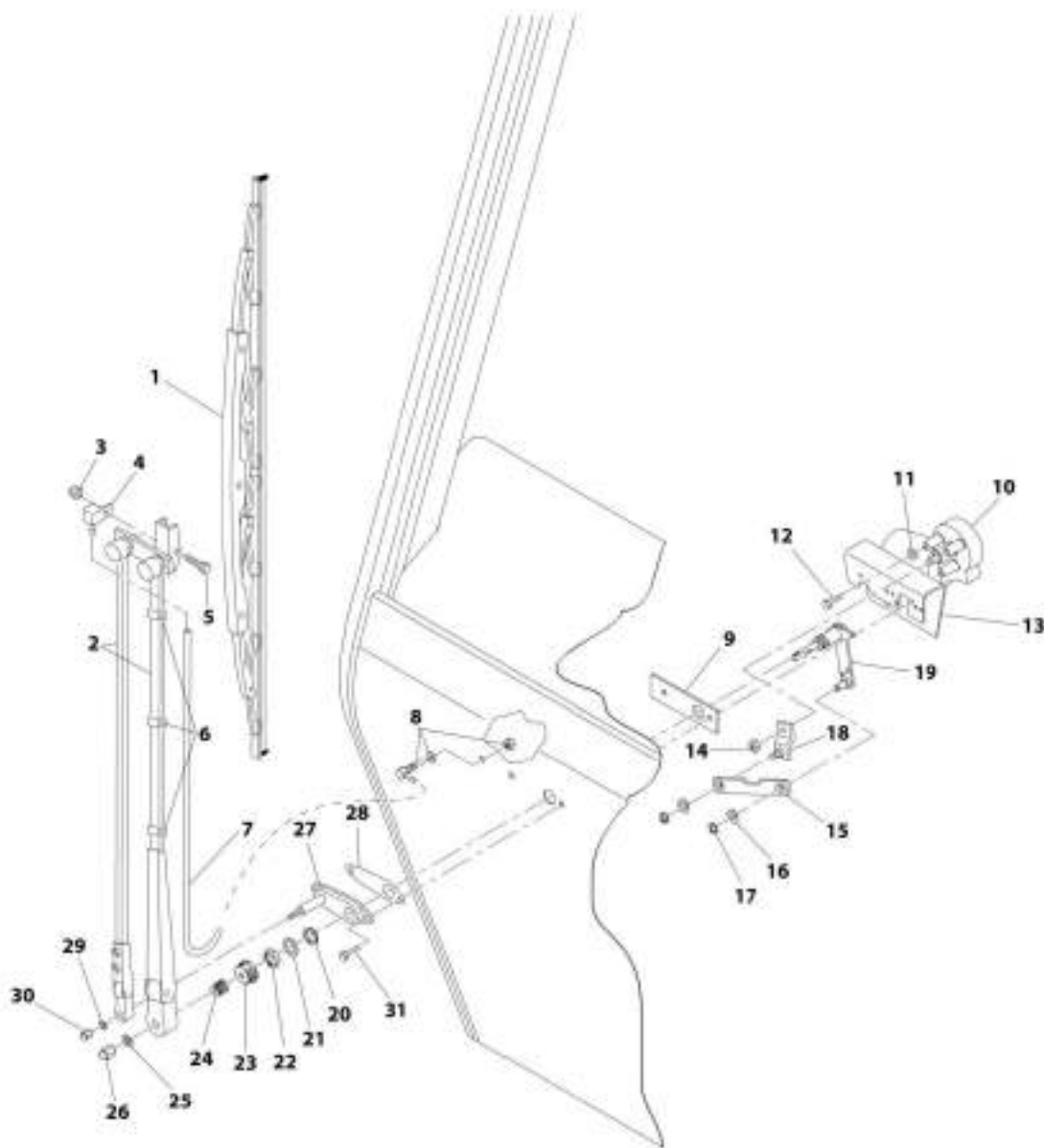
ATT: 8036250-B

FIGURE 6-20. RH SLIDER WINDOW

ITEM	PART NUMBER	QTY	DESCRIPTION	REV
	8036050	Ref	RH Slider Window	B
1	8036197	1	Glass, Rear Slide	
2	8036196	1	Glass, Front Slide	
3	Kit	1	Capscrew	
4	Kit	1	Spacer	
5	Kit	1	Latch	
6	Kit	1	Block, Lock	
7	Kit	1	Assembly, Knob	
8	8035523	AR	Compound, Locking	
101	8036199	1	Kit, Latch Assembly (includes items 3 thru 5)	
102	8036198	1	Kit, Friction Lock Assembly (includes items 6 & 7)	

# SECTION 6 - CAB

## FIGURE 6-21. FRONT WIPER ASSEMBLY



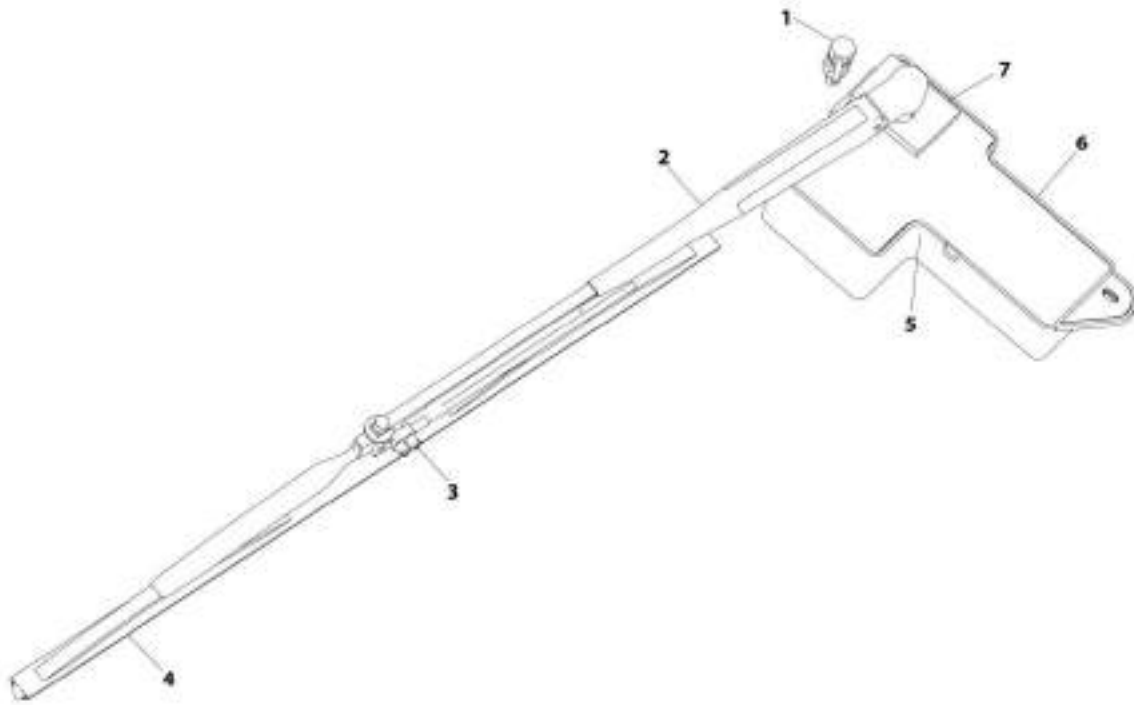
ART. 8038659-A

FIGURE 6-21. FRONT WIPER ASSEMBLY

ITEM	PART NUMBER	QTY	DESCRIPTION	REV
	8036056	Ref	Front Wiper Assembly	A
1	80384213	1	Blade, Wiper	
2	8035393	1	Assembly, Wiper Arm	
3	N.S.S.	1	Nut, Lock	
4	N.S.S.	1	Nozzle, Sprayer	
5	N.S.S.	1	Bolt	
6	N.S.S.	3	Clip, Hose	
7	N.S.S.	1	Hose	
8	1001081310	1	Adaptor, Wet Arm	
9	8036100	1	Spacer, Front Wiper Motor	
10	7029860	1	Motor, Wiper 12V	
11	N.S.S.	3	Washer, 5/16	
12	N.S.S.	3	Bolt, 1/4-28X1	
13	N.S.S.	1	Bracket, Wiper Motor	
14	N.S.S.	1	Nut	
15	8035409	1	Link, Connecting	
16	N.S.S.	2	Washer, 0.56X0.251X0.015	
17	N.S.S.	2	Clip, Spring	
18	8035411	1	Drive, Wiper Arm	
19	8036099	1	Assembly, Wiper Shaft and Pivot	
20	N.S.S.	1	Washer, Rubber	
21	N.S.S.	1	Washer, Metal	
22	N.S.S.	1	Nut, Jam 11/16-18	
23	N.S.S.	1	Cap, Rubber	
24	N.S.S.	1	Driver, Knurled	
25	N.S.S.	1	Washer, Lock 3/8	
26	N.S.S.	1	Nut, Acorn 1/4-28	
27	8034815	1	Assembly, Panto Adaptor	
28	N.S.S.	1	Gasket	
29	N.S.S.	1	Washer, Lock 1/4	
30	N.S.S.	1	Nut, Acorn 1/4-28	
31	80384207	2	Bolt, 1/4-28X3/4	

SECTION 6 - CAB

FIGURE 6-22. SKYLIGHT WIPER ASSEMBLY



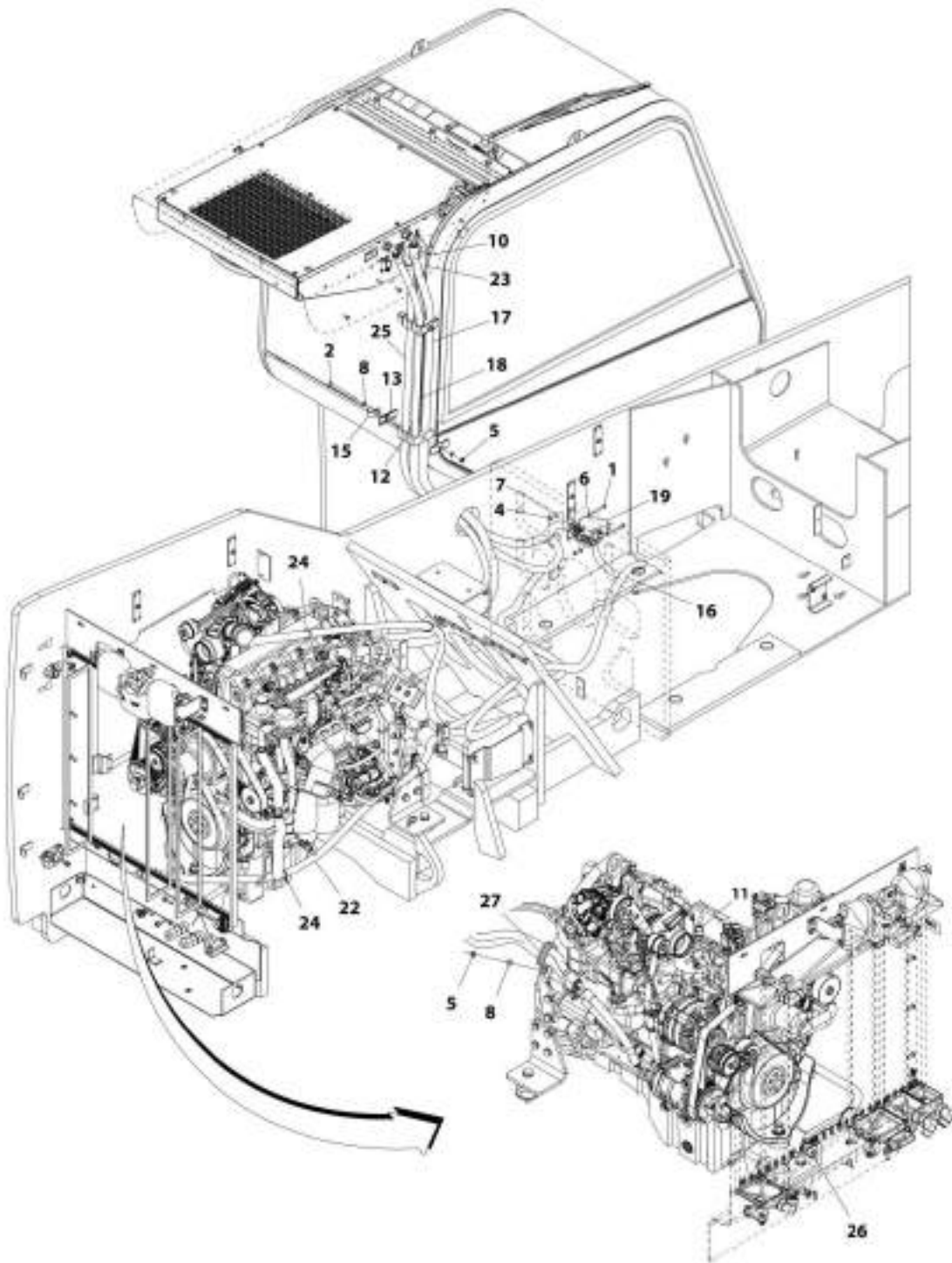
ART. 100192470-A

FIGURE 6-22. SKYLIGHT WIPER ASSEMBLY

ITEM	PART NUMBER	QTY	DESCRIPTION	REV
	1001182470	Ref	Skylight Wiper Assembly	A
1	1001081310	1	Adaptor, Wet Arm	
2	8035500	1	Arm, Wiper	
3	8035499	1	Arm, Wet Kit	
4	8035498	1	Blade, Wiper	
5	70020652	1	Motor, Wiper	
6	8035493	1	Cover, Wiper	
7	70026352	1	Block, Skylight Wiper Motor	

# SECTION 6 - CAB

## FIGURE 6-23. CAB HEATER/AC LINES INSTALLATION



ART\_1001171806-J

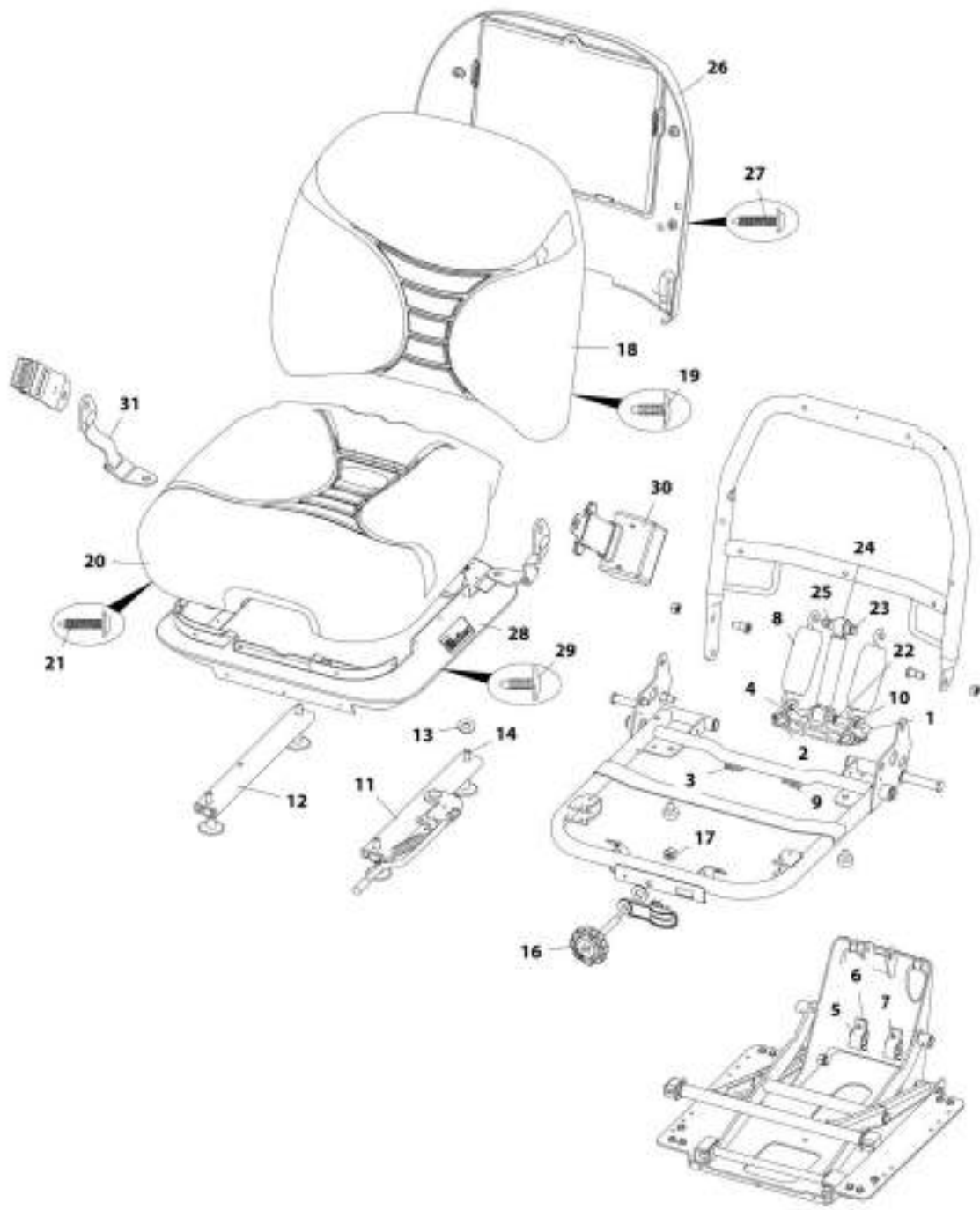


FIGURE 6-23. CAB HEATER/AC LINES INSTALLATION

ITEM	PART NUMBER	QTY	DESCRIPTION	REV
	1001171806	Ref	Cab Heater/AC Lines Installation	J
1	0700617	2	Bolt, M6X45	
2	0700828	2	Bolt, M8X110	
4	3290605	2	Nut, Lock M6X1	
5	3290805	3	Nut, Lock M8X1-1/4	
6	4811700	2	Washer, M6	
7	4811702	2	Washer, M6	
8	4811900	5	Washer, M8	
10	8405007	8	Clamp, Gear	
11	8430048	2	Reducer, Hose Barb	
12	77133133	4	Clamp, Twin	
13	77133134	4	Clamp, Cover Plate	
15	91043147	2	Clamp, Support	
16	1001158404	1	Hose, Cab Heater	
17	1001182798	1	Hose, A/C Compressor Suction	
18	1001182723	1	Hose, A/C Compressor Discharge	
19	1001159844	1	Valve, Heater (See Separate Breakdown in this section)	
22	1001172537	1	Hose, Heater Return	
23	1001172561	1	Hose, Heater Send Valve to Roof	
24	8584001	4	Wrap, Tie	
25	1001173217	1	Hose, Heater Roof to Floor	
26	1001179229	1	Fitting, 45	
27	1001164196	1	Clamp	

# SECTION 6 - CAB

FIGURE 6-24. SEAT (Prior to SN 0160074878, Excluding 0160074813 and 0160074818)



ART\_1001101085-D

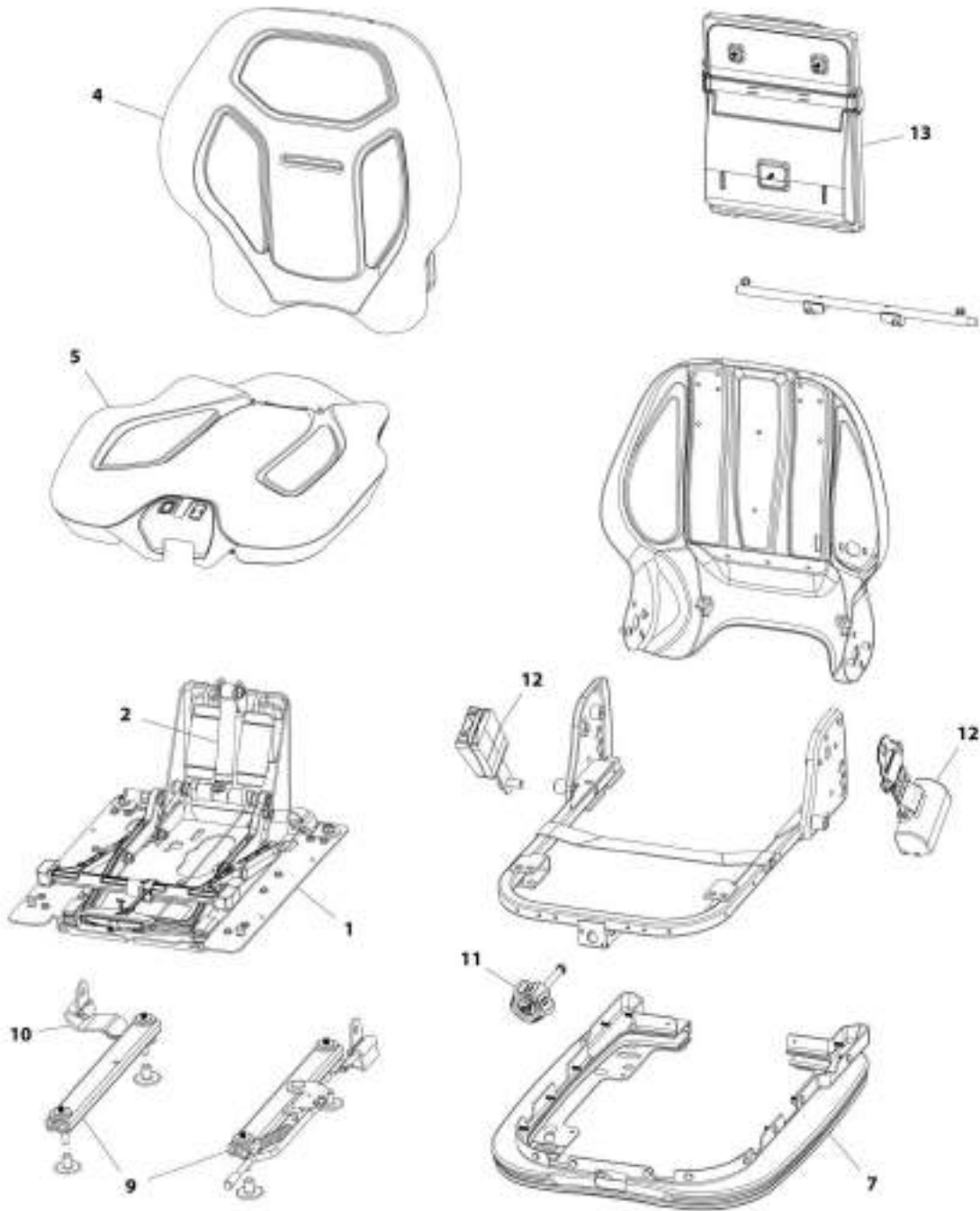
**SECTION 6 - CAB**

**FIGURE 6-24. SEAT (Prior to SN 0160074878, Excluding 0160074813 and 0160074818)**

ITEM	PART NUMBER	QTY	DESCRIPTION	REV
	1001101085	1	Seat	D
	70020928	1	Kit, Spring and Saddle	
1	N.S.S.	1	Arm, Spring	
2	N.S.S.	2	Bushing, Saddle	
3	N.S.S.	2	Bearing, Spring Arm	
4	N.S.S.	1	Saddle, Spring	
5	N.S.S.	2	Strap, Pivot Block	
6	N.S.S.	2	Block, Pivot	
7	N.S.S.	2	Screw, Taptite 1/4-20	
8	N.S.S.	2	Spring, Suspension	
9	N.S.S.	2	Screw, 8-18	
10	N.S.S.	2	Bushing, Spring	
	7026798	1	Kit, Slide	
11	N.S.S.	1	Assembly, Adjuster	
12	N.S.S.	1	Adjuster, Slave	
13	N.S.S.	4	Spacer, Nylon	
14	N.S.S.	4	Screw, Taptite, 5/16-18	
	7026799	1	Kit, Knob	
16	N.S.S.	1	Knob	
17	N.S.S.	1	Nut, 5/16-18	
	7026900	1	Back Cushion Kit	
18	N.S.S.	1	Cushion, Back	
19	N.S.S.	6	Clip	
	7026901	1	Kit, Seat Cushion	
20	N.S.S.	1	Cushion, Seat	
21	N.S.S.	2	Screw, Taptite 1/4-15	
	70023040	1	Kit, Shock Absorber	
22	N.S.S.	1	Pin, Shock	
23	N.S.S.	1	Pin, Shock	
24	N.S.S.	1	Absorber, Shock	
25	N.S.S.	2	Nut, 5/16-18	
	7026902	1	Kit, Back Panel	
26	N.S.S.	1	Panel, Back	
27	N.S.S.	1	Screw, 8-18	
	70023890	1	Kit, Boot	
28	N.S.S.	1	Boot	
29	N.S.S.	27	Clip	
30	7026905	1	Kit, Seat Belt (2IN)	
	7026906	1	Kit, Tether	
31	N.S.S.	2	Strap, Tether	

# SECTION 6 - CAB

FIGURE 6-25. SEAT (SN 0160074878 to Present, Including 0160074813 and 0160074818)



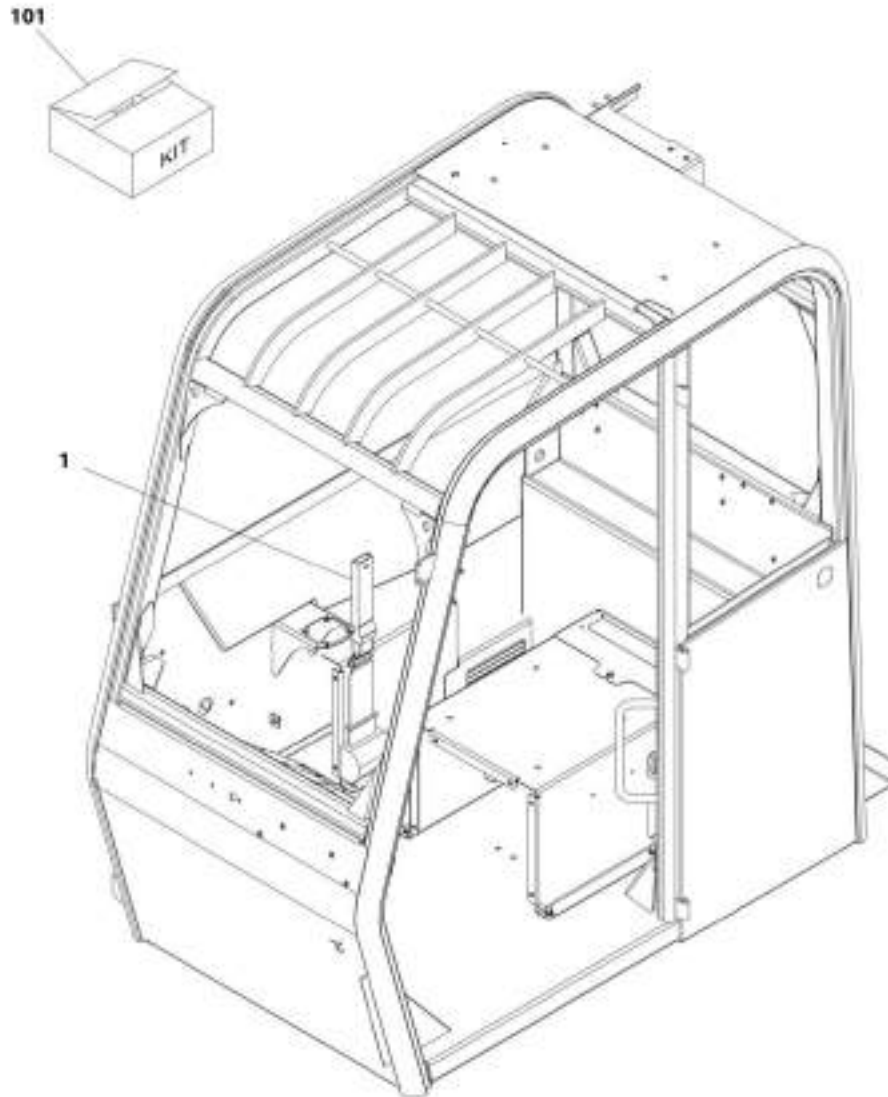
ART\_1000190029-E

**SECTION 6 - CAB****FIGURE 6-25. SEAT (SN 0160074878 to Present, Including 0160074813 and 0160074818)**

ITEM	PART NUMBER	QTY	DESCRIPTION	REV
	1001190229	1	Seat	E
1	70027024	1	Suspension Assembly Kit	
2	70027025	1	Spring Saddle Assembly Kit	
4	70027026	1	Back Cushion Kit	
5	70027028	1	Seat Cushion Assembly Kit	
7	70027030	1	Boot Kit	
9	7026798	1	Adjuster Kit	
10	70027032	1	Tether strap	
11	70027033	1	Weight adjust knob kit	
12	70027034	2	Seat belt kit	
13	70027035	1	Document box kit	

## SECTION 6 - CAB

FIGURE 6-26. SEAT BELT INSTALLATION (CALIFORNIA) (Prior to SN 0160077246)



ART\_01555064-A

**FIGURE 6-26. SEAT BELT INSTALLATION (CALIFORNIA) (Prior to SN 0160077246)**

<b>ITEM</b>	<b>PART NUMBER</b>	<b>QTY</b>	<b>DESCRIPTION</b>	<b>REV</b>
	91565064	Ref	Seat Belt Installation (California)	A
1	91563164	1	Belt, Seat	
101	70023139	1	Kit, 3 Inch Seat Belt (includes female and retractor ends)	

## SECTION 6 - CAB

FIGURE 6-27. SEAT BELT INSTALLATION (CALIFORNIA) (SN 0160077246 to Present)



WRT\_1001215785-A



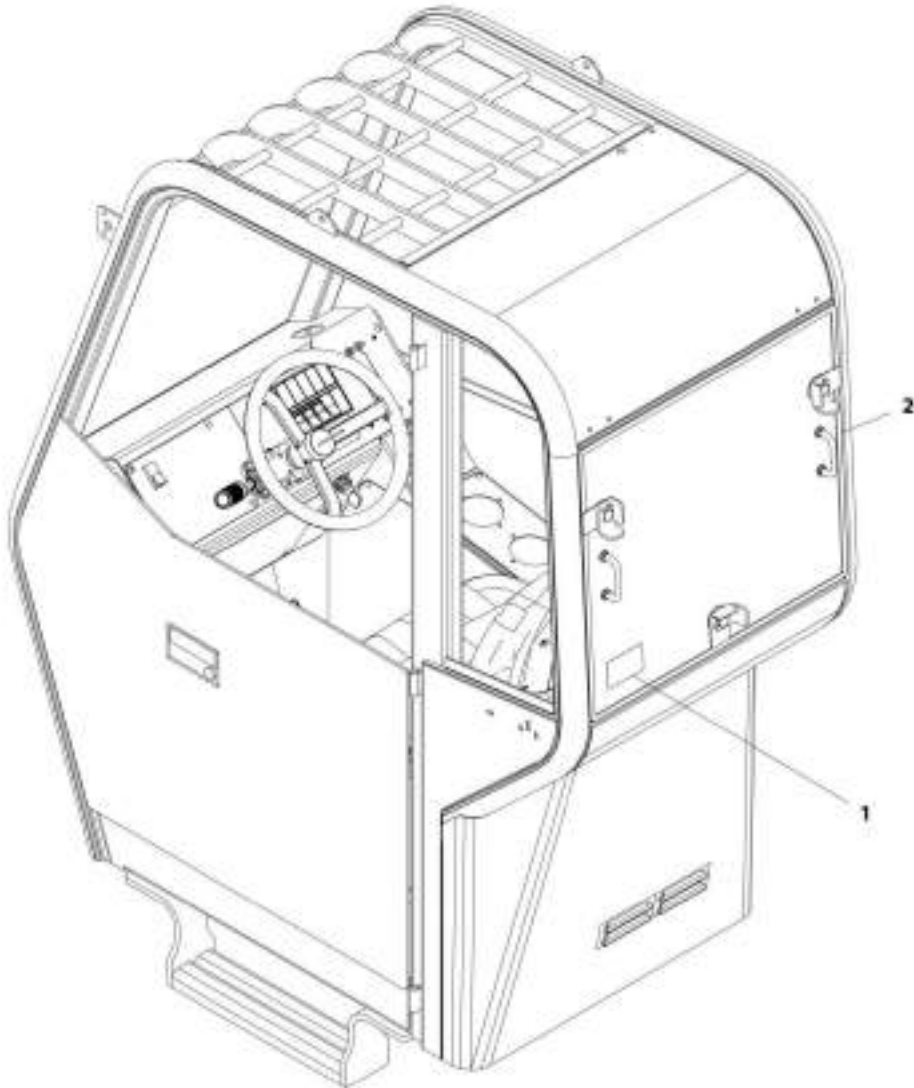
## SECTION 6 - CAB

**FIGURE 6-27. SEAT BELT INSTALLATION (CALIFORNIA) (SN 0160077246 to Present)**

ITEM	PART NUMBER	QTY	DESCRIPTION	REV
1	1001215783	1	Seat Belt Installation (California)	A
	1001215778	1	Belt, Seat	

## SECTION 6 - CAB

FIGURE 6-28. REAR DROPOUT WINDOW INSTALLATION (ANSI)



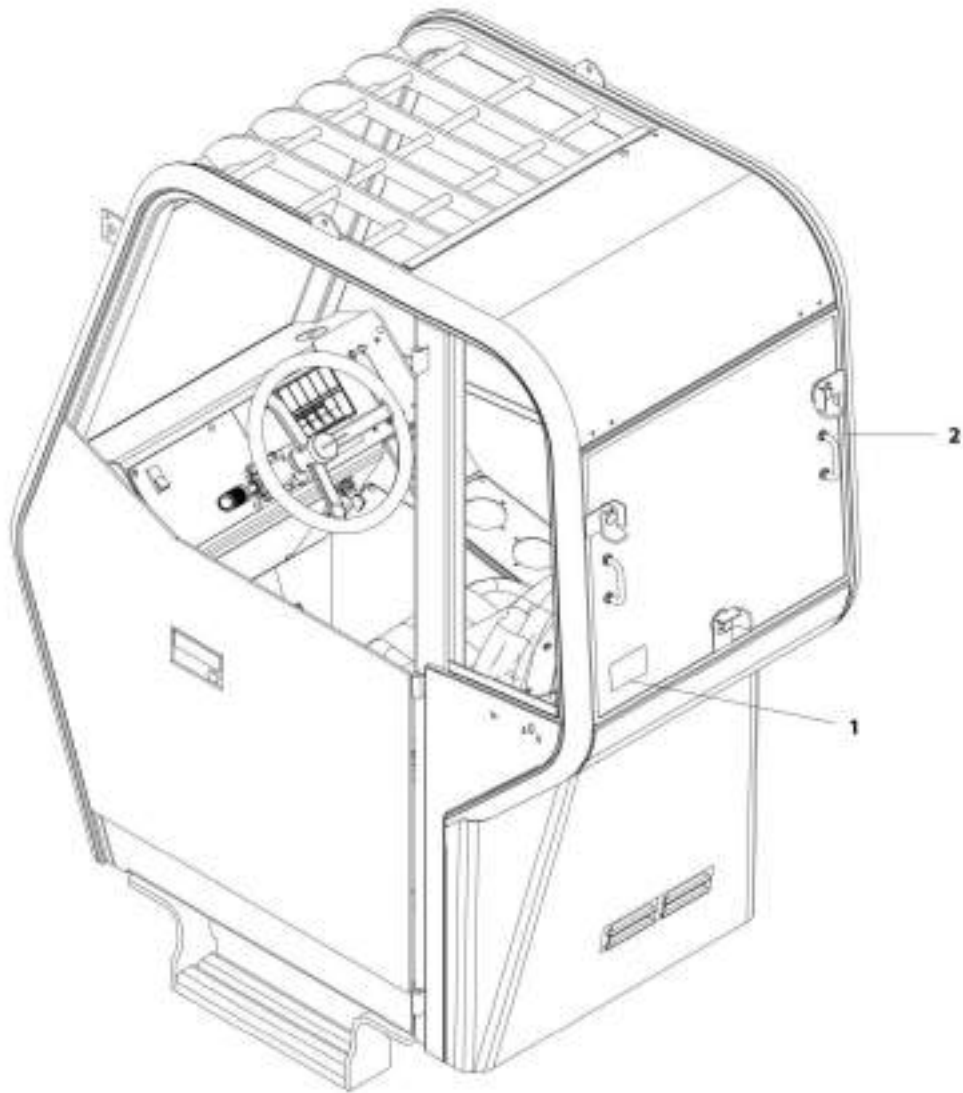
AHT\_1001102806-A

**FIGURE 6-28. REAR DROPOUT WINDOW INSTALLATION (ANSI)**

<b>ITEM</b>	<b>PART NUMBER</b>	<b>QTY</b>	<b>DESCRIPTION</b>	<b>REV</b>
	1001162806	Ref	Rear Dropout Window Installation (ANSI)	A
1	1001160071	2	Decal, Rear Emergency Exit	
2	1001162804	1	Window, Rear Dropout	

## SECTION 6 - CAB

FIGURE 6-29. REAR DROPOUT WINDOW INSTALLATION (ENGLISH/FRENCH)



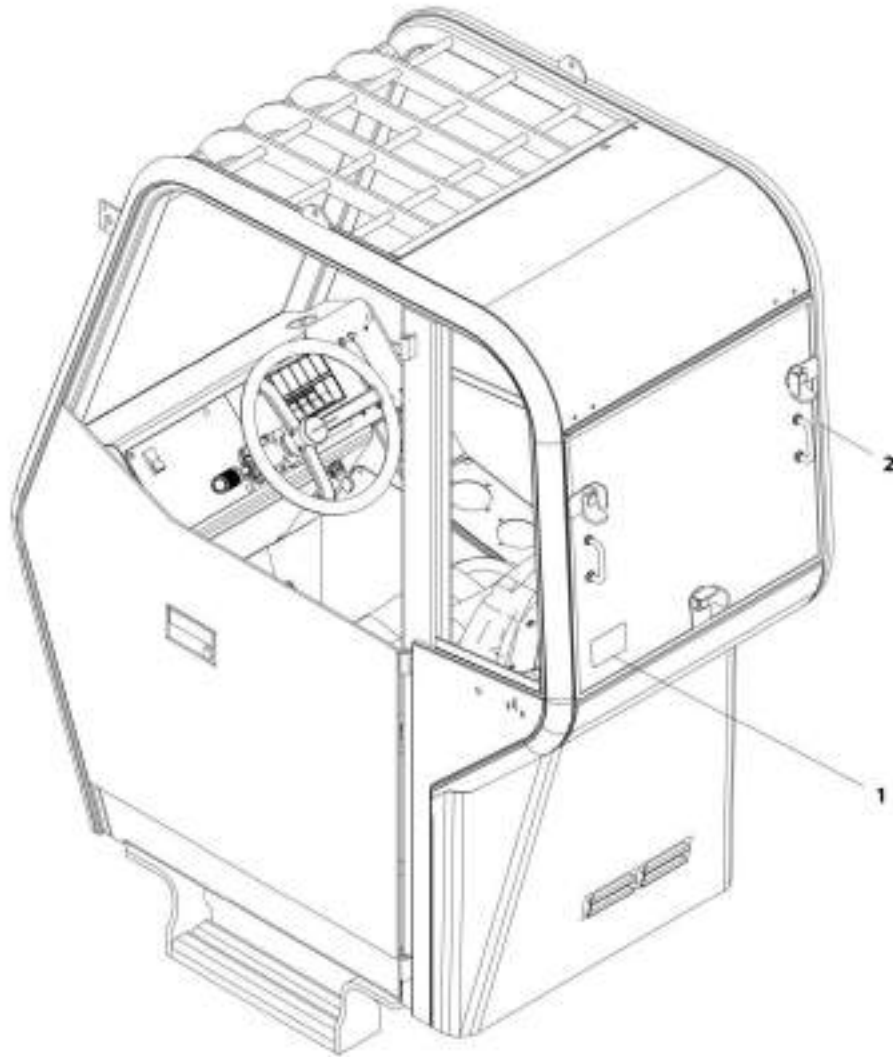
ART\_1001367258-A

**FIGURE 6-29. REAR DROPOUT WINDOW INSTALLATION (ENGLISH/FRENCH)**

<b>ITEM</b>	<b>PART NUMBER</b>	<b>QTY</b>	<b>DESCRIPTION</b>	<b>REV</b>
	1001167250	Ref	Rear Dropout Window Installation (ENGLISH/FRENCH)	A
1	1001160787	2	Decal, Rear Emergency Exit	
2	1001162804	1	Window, Rear Dropout	

## SECTION 6 - CAB

FIGURE 6-30. REAR DROPOUT WINDOW INSTALLATION (ISO)



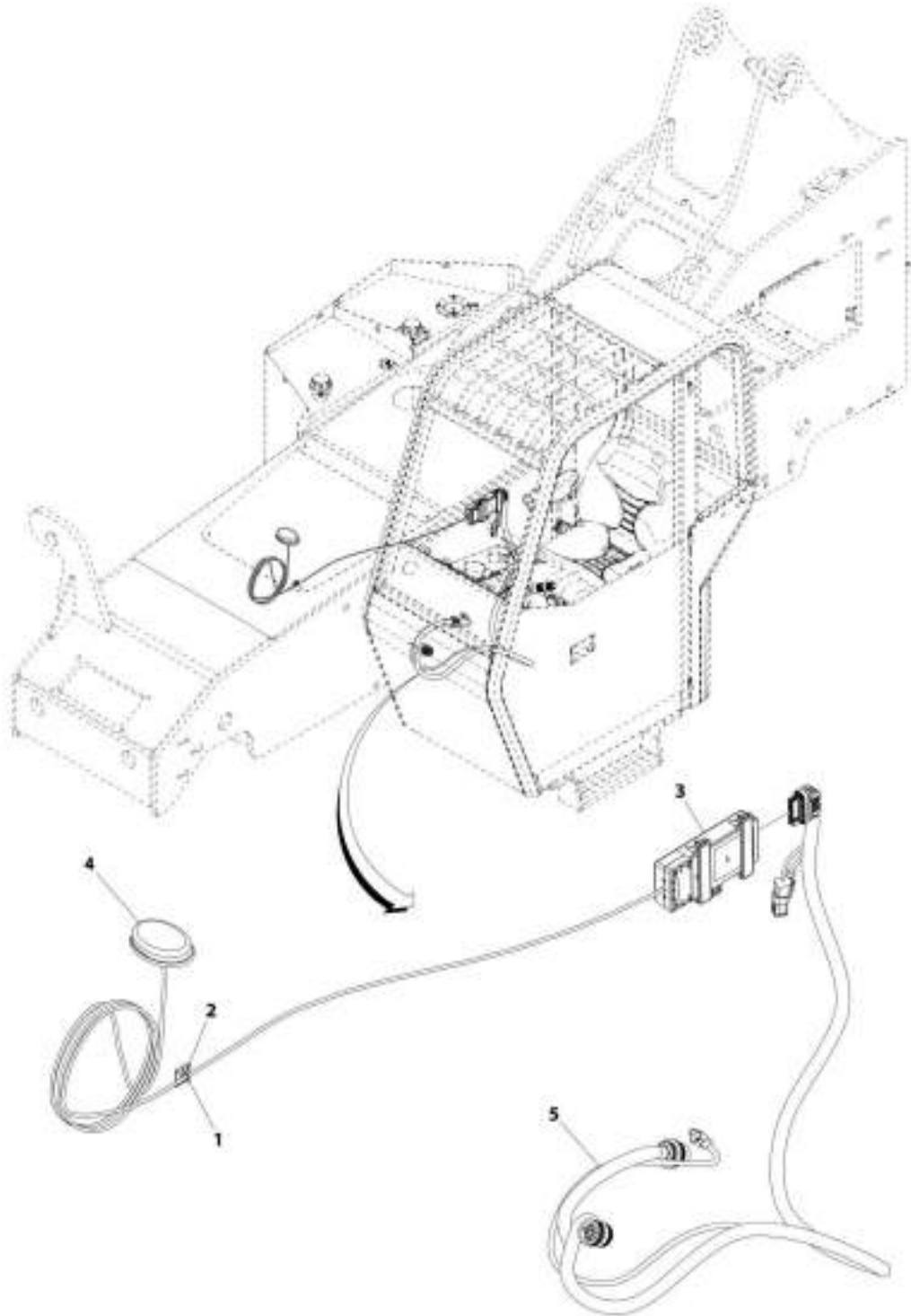
ART\_1001167251-A

**FIGURE 6-30. REAR DROPOUT WINDOW INSTALLATION (ISO)**

<b>ITEM</b>	<b>PART NUMBER</b>	<b>QTY</b>	<b>DESCRIPTION</b>	<b>REV</b>
	1001167251	Ref	Rear Dropout Window Installation (ISO)	A
1	1001160912	2	Decal, Rear Emergency Exit	
2	1001162804	1	Window, Rear Dropout	

SECTION 6 - CAB

FIGURE 6-31. CLEARSKY INSTALLATION (ANSI)



ART\_100127409-0

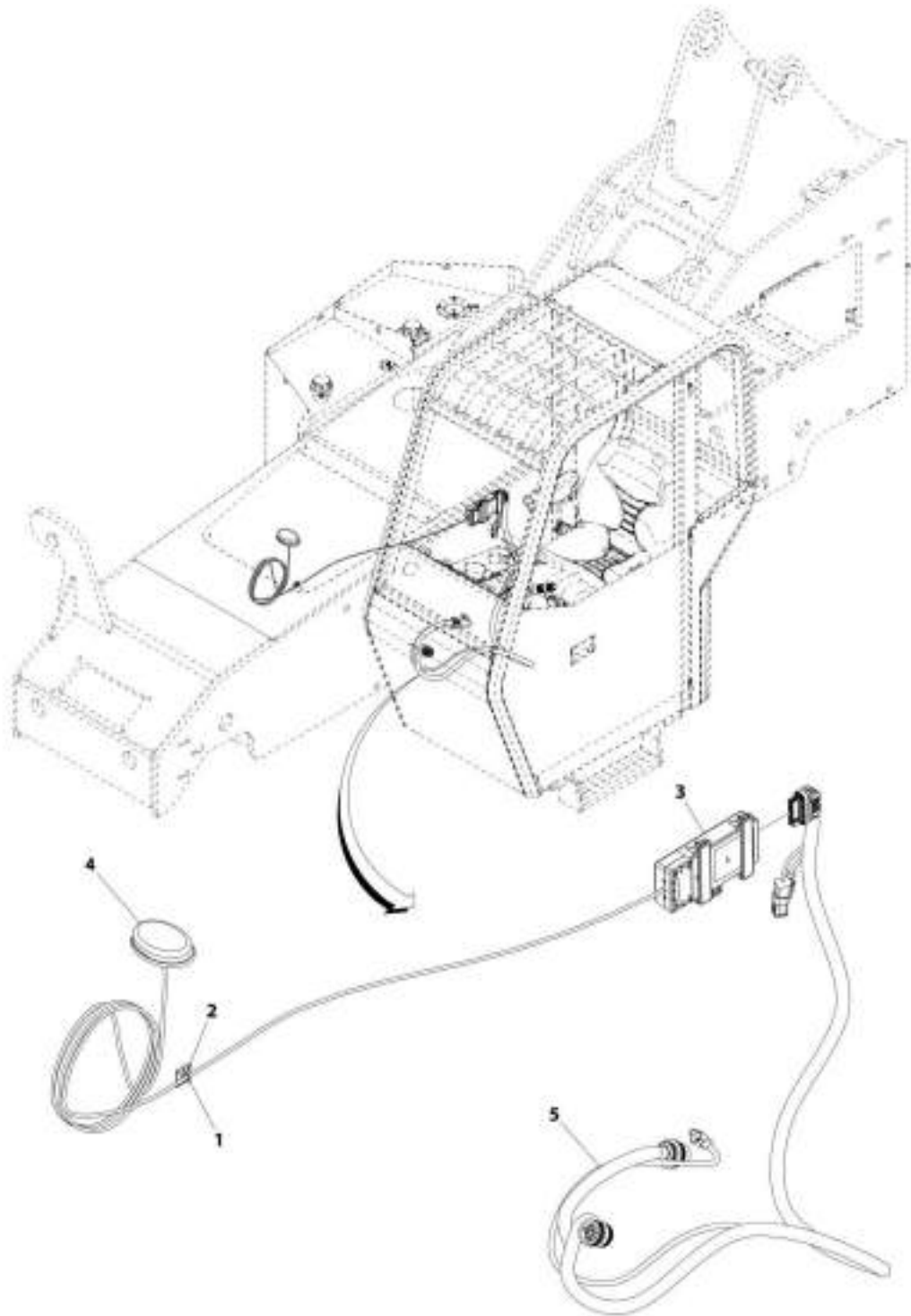


FIGURE 6-31. CLEARSKY INSTALLATION (ANSI)

ITEM	PART NUMBER	QTY	DESCRIPTION	REV
	1001227459	Ref	Clearsky Installation (ANSI)	B
1	4240032	AR	Strap, Tie	
2	4460234	AR	Mount, Cable Tie	
3	1001226796	1	Module	
4	1001226799	1	Antenna	
5	1001226856	1	Harness, Clearsky (See Separate Breakdown in Electrical Section)	

# SECTION 6 - CAB

## FIGURE 6-32. CLEARSKY INSTALLATION (CE)



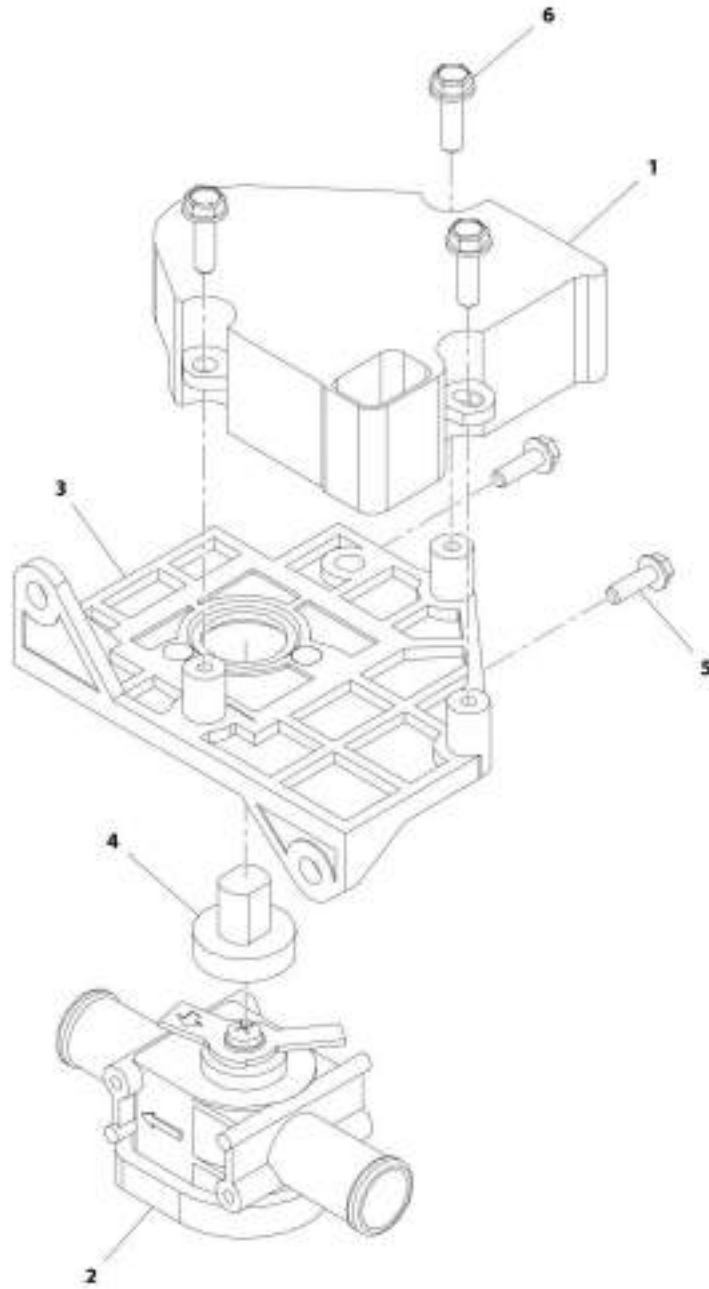
ART\_100129250-A

FIGURE 6-32. CLEARSKY INSTALLATION (CE)

ITEM	PART NUMBER	QTY	DESCRIPTION	REV
	1001239250	Ref	Clearsky Installation (CE)	A
1	4240032	AR	Strap, Tie	
2	4460234	AR	Mount, Cable Tie	
3	1001228954	1	Module	
4	1001226799	1	Antenna	
5	1001226856	1	Harness, Clearsky (See Separate Breakdown in Electrical Section)	

SECTION 6 - CAB

FIGURE 6-33. HEATER VALVE



ART\_1001158844-C

FIGURE 6-33. HEATER VALVE

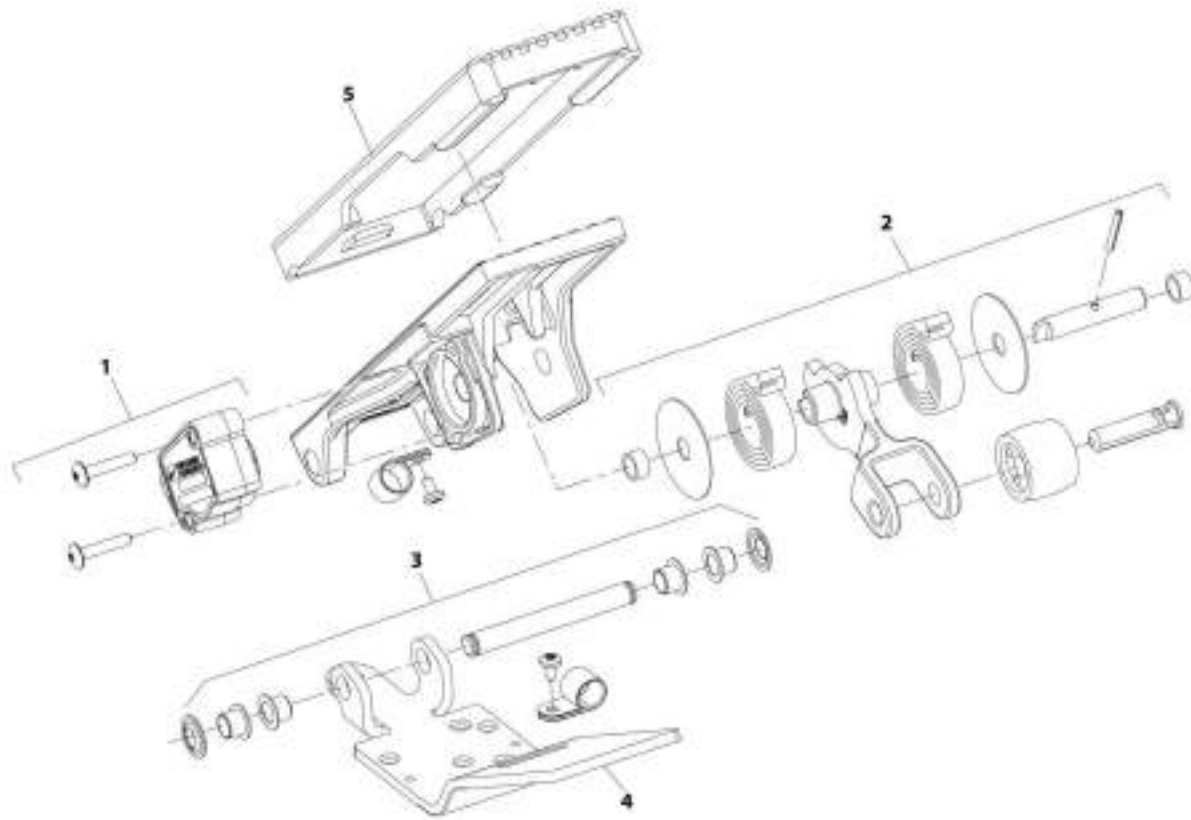
ITEM	PART NUMBER	QTY	DESCRIPTION	REV
	1001159844	Ref	Heater Valve	C
1	70026088	1	Motor Actuator, 12V	
2	70026089	1	Assembly, Heater Valve	
3	70026090	1	Assembly, Valve Bracket	
4	70026091	1	Adapter, Shaft	
5	70026092	2	Screw, M8-18X1/2	
6	70026093	3	Screw, M10-16X5/8	



**SECTION 7 - CONTROLS**

# SECTION 7 - CONTROLS

## FIGURE 7-1. ACCELERATOR



ART\_1001180535-B



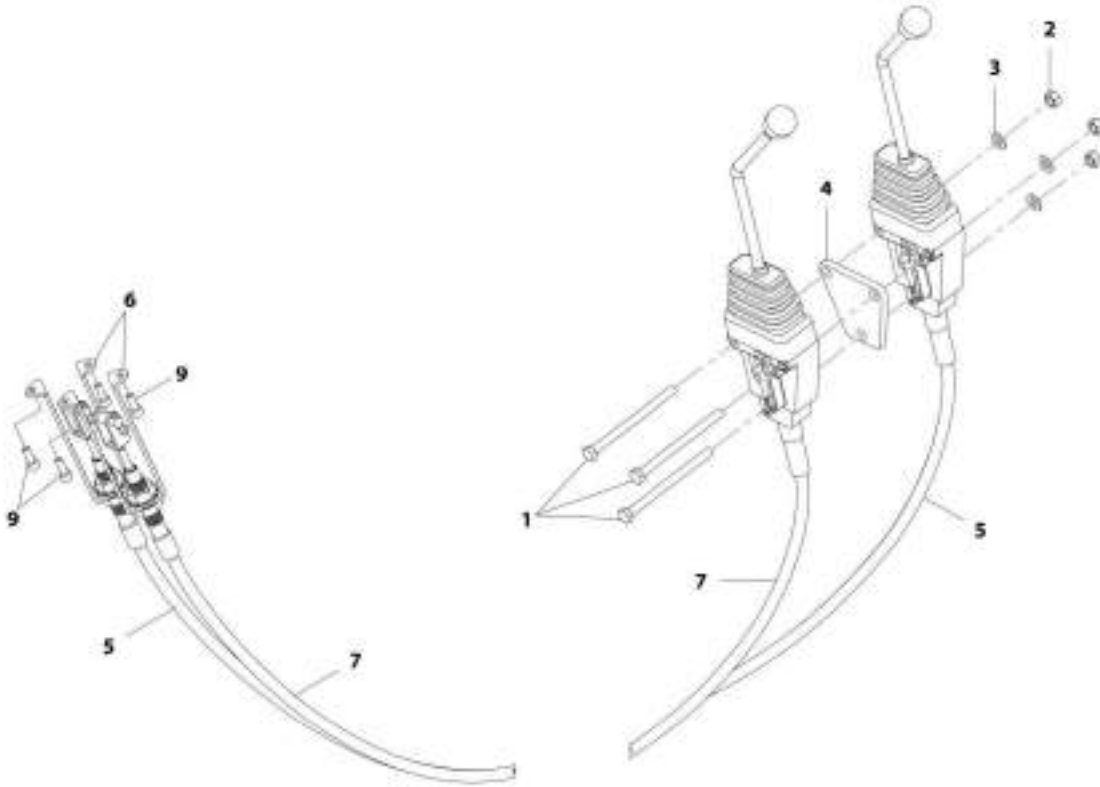
## SECTION 7 - CONTROLS

### FIGURE 7-1. ACCELERATOR

ITEM	PART NUMBER	QTY	DESCRIPTION	REV
	1001180555	Ref	Accelerator	B
1	70024319	1	Kit, Sensor	
2	70020404	1	Kit, Roller	
3	91554009	1	Kit, Pin	
4	70026074	1	Plate, Base	
5	91554005	1	Cover	

# SECTION 7 - CONTROLS

## FIGURE 7-2. SECONDARY CONTROLS INSTALLATION



ART\_3001161786-E

## SECTION 7 - CONTROLS

### FIGURE 7-2. SECONDARY CONTROLS INSTALLATION

ITEM	PART NUMBER	QTY	DESCRIPTION	REV
	1001161784	Ref	Secondary Controls Installation	E
1	0700828	3	Bolt, M8X110	
2	8305043	3	Nut, M8X1-1/4	
3	8307222	3	Washer, Plain M8	
4	1001174340	1	Bracket, Control Spacer Plate	
5	1001175038	1	Control, Frame Level (See FRAME LEVEL CONTROL for Breakdown)	
6	1001173585	2	Adapter, Cable Standoff	
7	1001175037	1	Control, Auxiliary (See AUXILIARY CONTROL for Breakdown)	
9	1001188619	4	Bolt, M6	

# SECTION 7 - CONTROLS

## FIGURE 7-3. FRAME LEVEL CONTROL



ART\_300175036-B

## SECTION 7 - CONTROLS

FIGURE 7-3. FRAME LEVEL CONTROL

ITEM	PART NUMBER	QTY	DESCRIPTION	REV
	1001175038	Ref	Frame Level Control	B
1	1001173582	1	Control	
2	1001173584	1	Cable	

# SECTION 7 - CONTROLS

## FIGURE 7-4. AUXILIARY CONTROL



ART\_1001175037-B

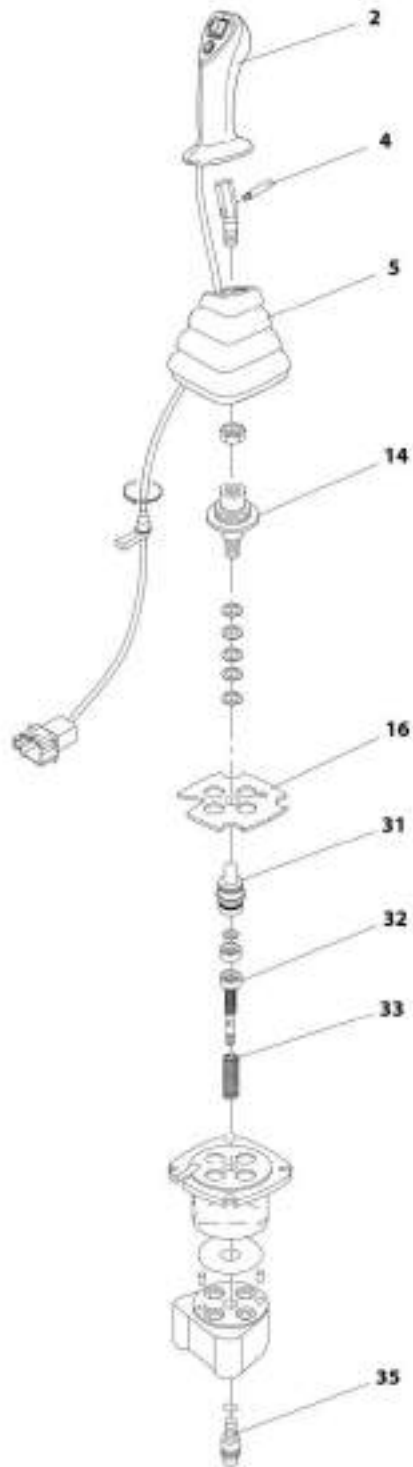
## SECTION 7 - CONTROLS

### FIGURE 7-4. AUXILIARY CONTROL

ITEM	PART NUMBER	QTY	DESCRIPTION	REV
	1001175037	Ref	Auxiliary Control	B
1	1001173581	1	Control	
2	1001173584	1	Cable	

# SECTION 7 - CONTROLS

## FIGURE 7-5. PILOT JOYSTICK CONTROL



AWT\_1001158002-B



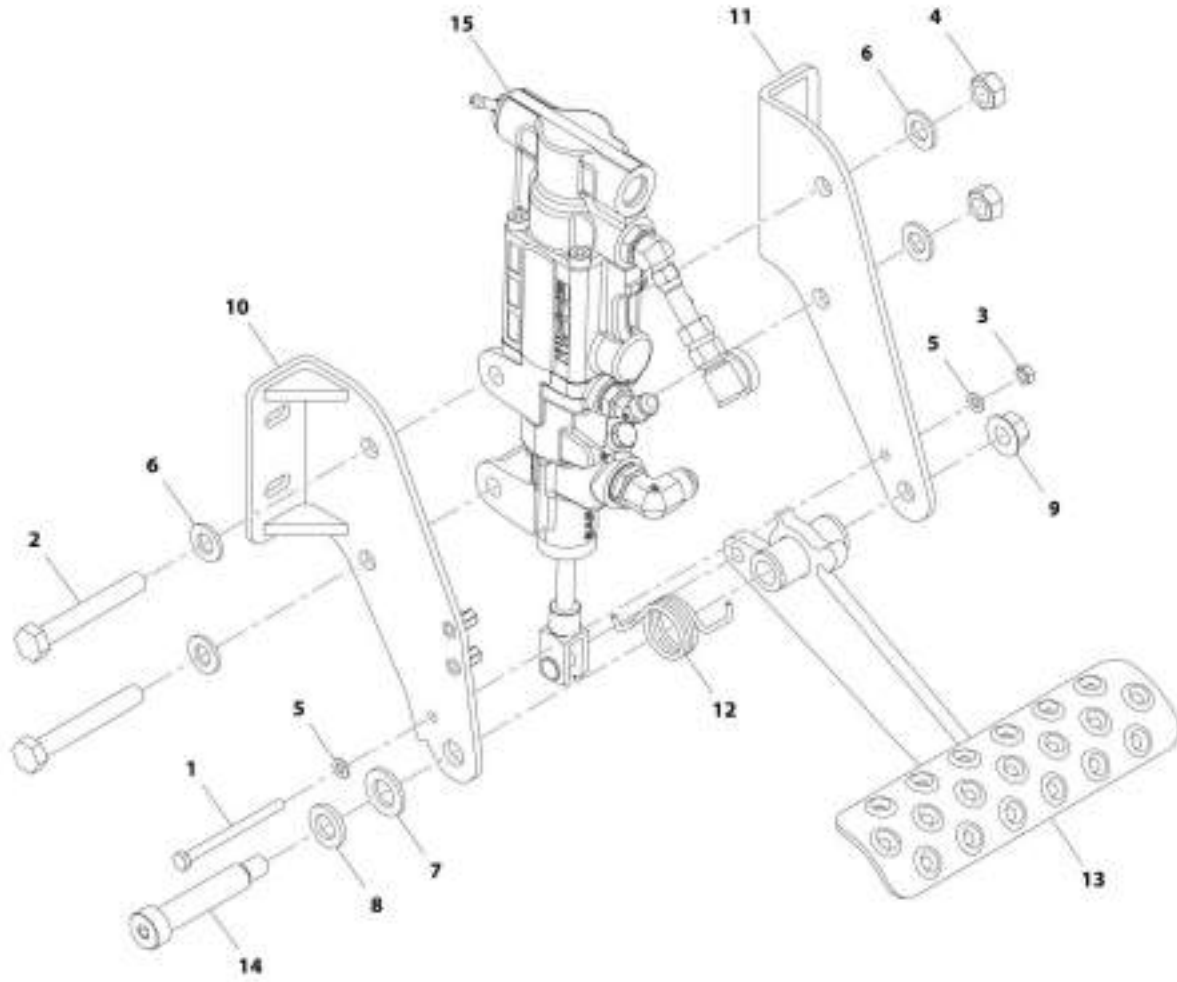
## SECTION 7 - CONTROLS

### FIGURE 7-5. PILOT JOYSTICK CONTROL

ITEM	PART NUMBER	QTY	DESCRIPTION	REV
	1001158002	Ref	Pilot Joystick Control	B
2	70026097	1	Handle	
4	91404011	1	Kit, Bent Lever	
5	80364095	1	Boot, Rubber	
14	80264138	1	Kit, Cardan	
16	91404013	1	Plate, Retaining	
31	91304025	2	Kit, Plunger (set of two)	
32	70026098	4	Unit, Regulating	
33	91514225	1	Spring, Return (set of four)	
35	91404326	1	Kit, Seal	

# SECTION 7 - CONTROLS

FIGURE 7-6. BRAKE ASSEMBLY (SN 0160074878 through 0160081765, Including 0160074813 and 0160074818)



ART\_3001201607-C

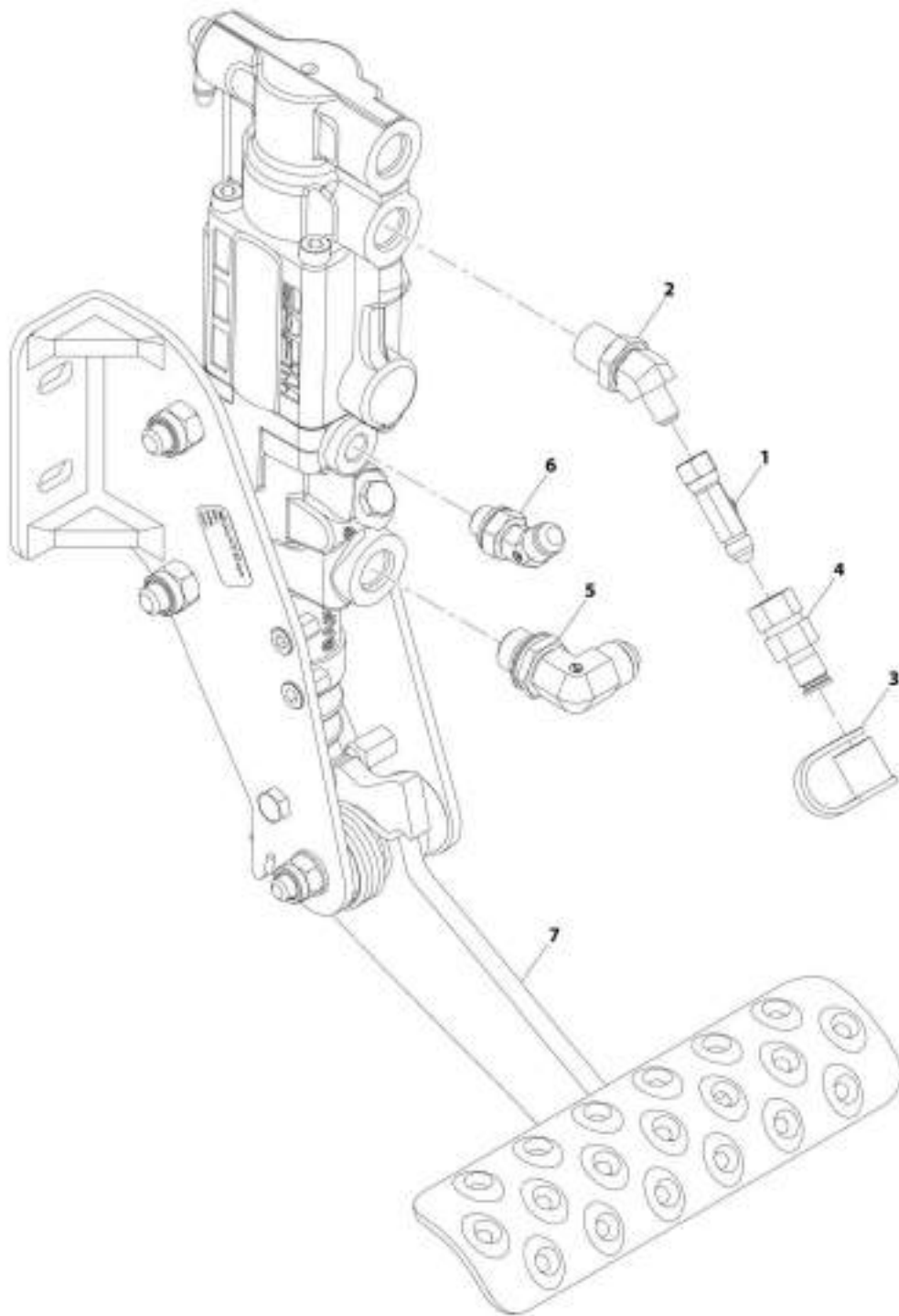
## SECTION 7 - CONTROLS

**FIGURE 7-6. BRAKE ASSEMBLY (SN 0160074878 through 0160081765, Including 0160074813 and 0160074818)**

ITEM	PART NUMBER	QTY	DESCRIPTION	REV
	1001201647	Ref	Brake Assembly	C
1	0700624	1	Cap-Screw, 6X80	
2	0711225	2	Cap-Screw, 12X85	
3	3290605	1	Nut, M6X1	
4	3291201	2	Nut, M12X1.75	
5	4811700	2	Washer, M6	
6	4812100	4	Washer, M12	
7	4812300	1	Washer, M16	
8	4832300	1	Lock-Washer, M16	
9	5261200	1	Flange Nut	
10	1001201637	1	Bracket, Brake Valve LH	
11	1001201639	1	Bracket, Brake Valve RH	
12	1001201650	1	Spring, Torsion Brake Pedal	
13	1001201651	1	Pedal, Brake	
14	1001201657	1	Screw	
15	1001201736	1	Installation, Hydraulic Brake Valve (See Separate Breakdown in HYDRAULIC CIRCUITS Section)	

## SECTION 7 - CONTROLS

FIGURE 7-7. BRAKE ASSEMBLY - SAFIM (SN 0160081766 to Present)



ART\_1001223852-A

## SECTION 7 - CONTROLS

**FIGURE 7-7. BRAKE ASSEMBLY - SAFIM (SN 0160081766 to Present)**

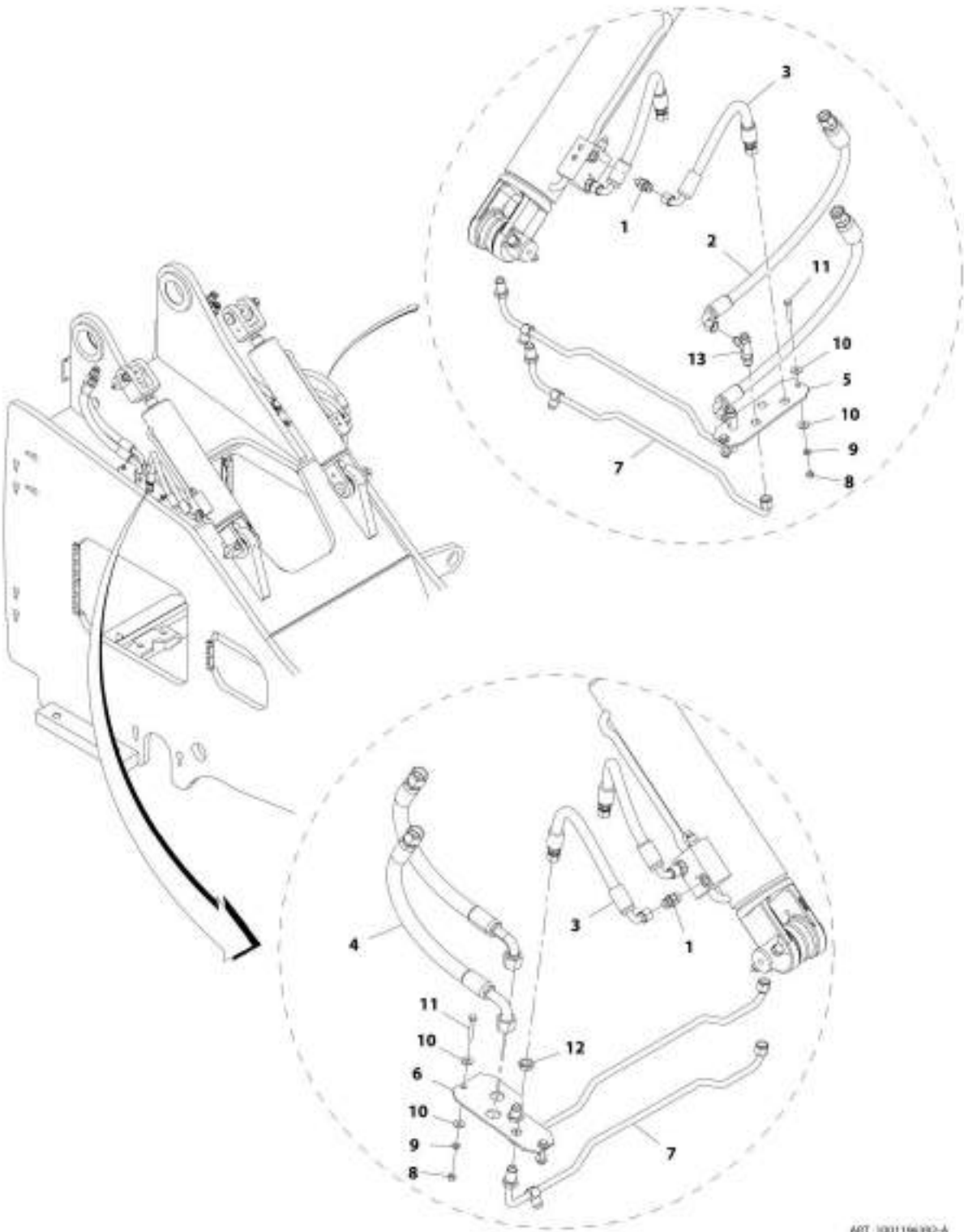
ITEM	PART NUMBER	QTY	DESCRIPTION	REV
	1001223052	Ref	Brake Assembly - Safim	A
1	2220605	1	Adapter	
2	2221344	1	Adapter	
3	8430032	1	Plug, Dust Cap	
4	10727374	1	Adapter	
5	91473086	1	Adapter	
6	1001183341	1	Adapter	
7	1001223050	1	Installation, Hydraulic Brake Valve (See Separate Breakdown in HYDRAULIC CIRCUITS Section)	



**SECTION 8 - HYDRAULIC CIRCUITS**

# SECTION 8 - HYDRAULIC CIRCUITS

FIGURE 8-1. REAR BULKHEAD INSTALLATION - 8042 & 10042



ART\_100116010-A



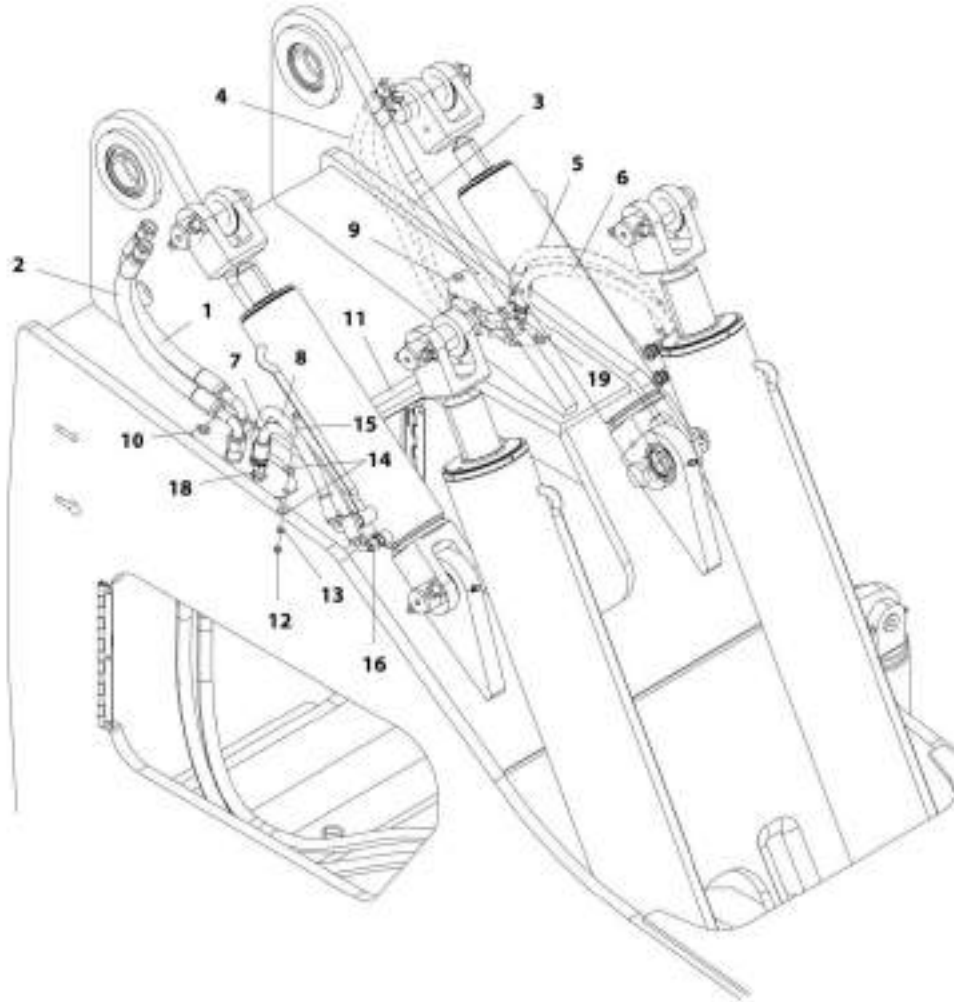
## SECTION 8 - HYDRAULIC CIRCUITS

### FIGURE 8-1. REAR BULKHEAD INSTALLATION - 8042 & 10042

ITEM	PART NUMBER	QTY	DESCRIPTION	REV
	1001196392	Ref	Rear Bulkhead Installation - 8042 & 10042	A
1	2220373	4	Adapter, Straight JIC	
2	2716714	2	Hose	
3	2716715	4	Hose	
4	2755060	2	Hose	
5	7139504	1	Sheet, Bulkhead	
6	7139505	1	Sheet, Bulkhead	
7	7300214	2	Tube	
8	8305006	4	Nut, 5/16-18	
9	8307004	4	Washer, Lock 5/16	
10	8307203	8	Washer, 5/16	
11	8310009	4	Bolt, 5/16-18X2	
12	8760463	2	Adapter, Bulkhead Nut	
13	8760477	2	Adapter, Bulkhead Run Tee	

# SECTION 8 - HYDRAULIC CIRCUITS

FIGURE 8-2. REAR BULKHEAD INSTALLATION - 10054



ARE\_7301721-E

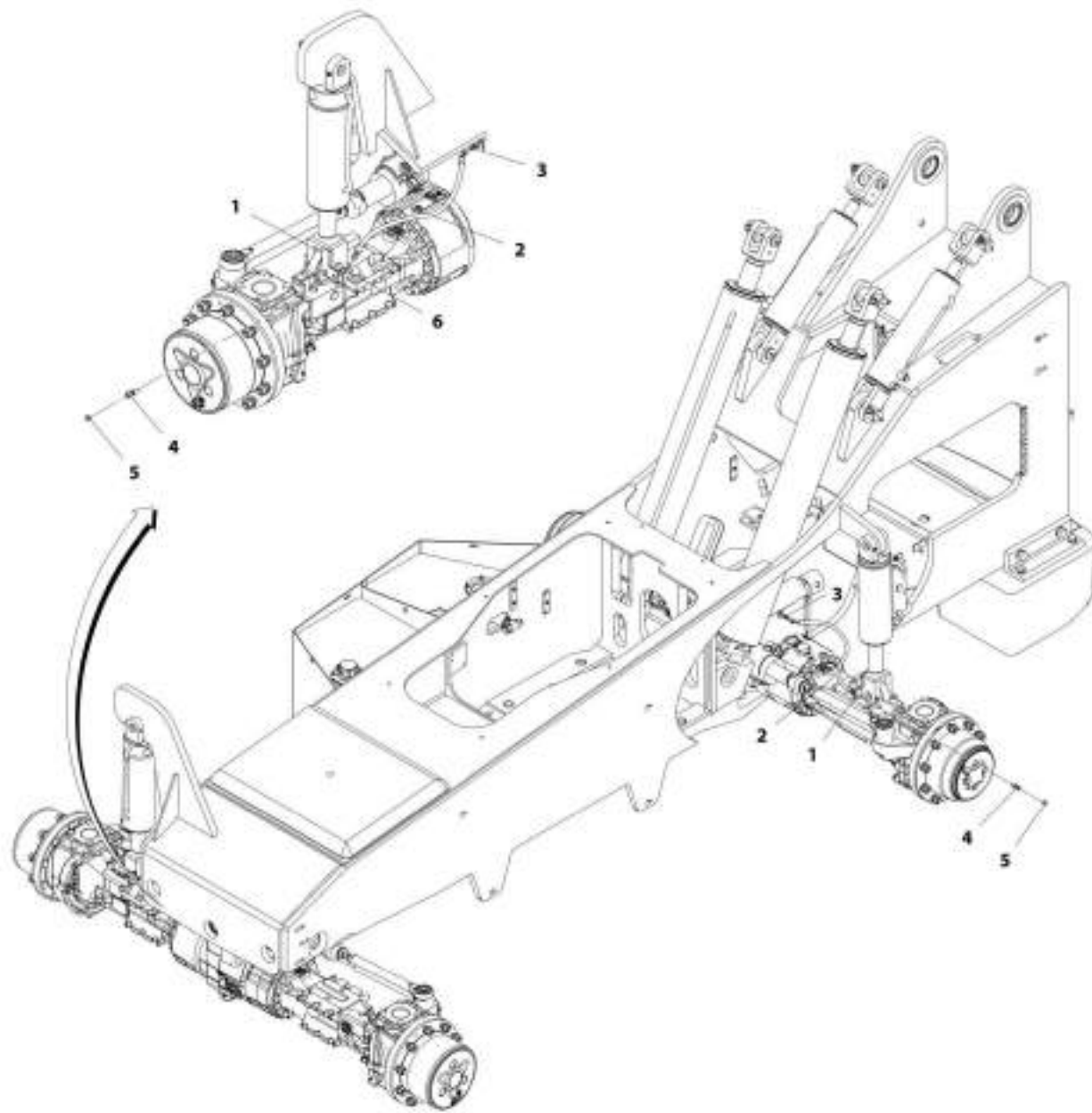
## SECTION 8 - HYDRAULIC CIRCUITS

**FIGURE 8-2. REAR BULKHEAD INSTALLATION - 10054**

ITEM	PART NUMBER	QTY	DESCRIPTION	REV
	7301721	Ref	Rear Bulkhead Installation - 10054	E
1	2755060	1	Hose	
2	2755060	1	Hose	
3	2716714	1	Hose	
4	2716714	1	Hose	
5	2716715	1	Hose	
6	2716715	1	Hose	
7	2716715	1	Hose	
8	2716715	1	Hose	
9	7139504	1	Sheet, Bulkhead	
10	7139505	1	Sheet, Bulkhead	
11	7300214	2	Tube	
12	8305006	4	Nut, 5/16-18	
13	8307004	4	Washer, Lock 5/16	
14	8307203	8	Washer, 5/16	
15	8310009	4	Bolt, 5/16-18X2	
16	2220373	4	Adapter, Straight JIC	
18	8760463	2	Adapter, Bulkhead Nut	
19	8760477	2	Adapter, Bulkhead Run Tee	

# SECTION 8 - HYDRAULIC CIRCUITS

## FIGURE 8-3. AXLE PIN LUBE KIT INSTALLATION



ARC\_1001107525-D

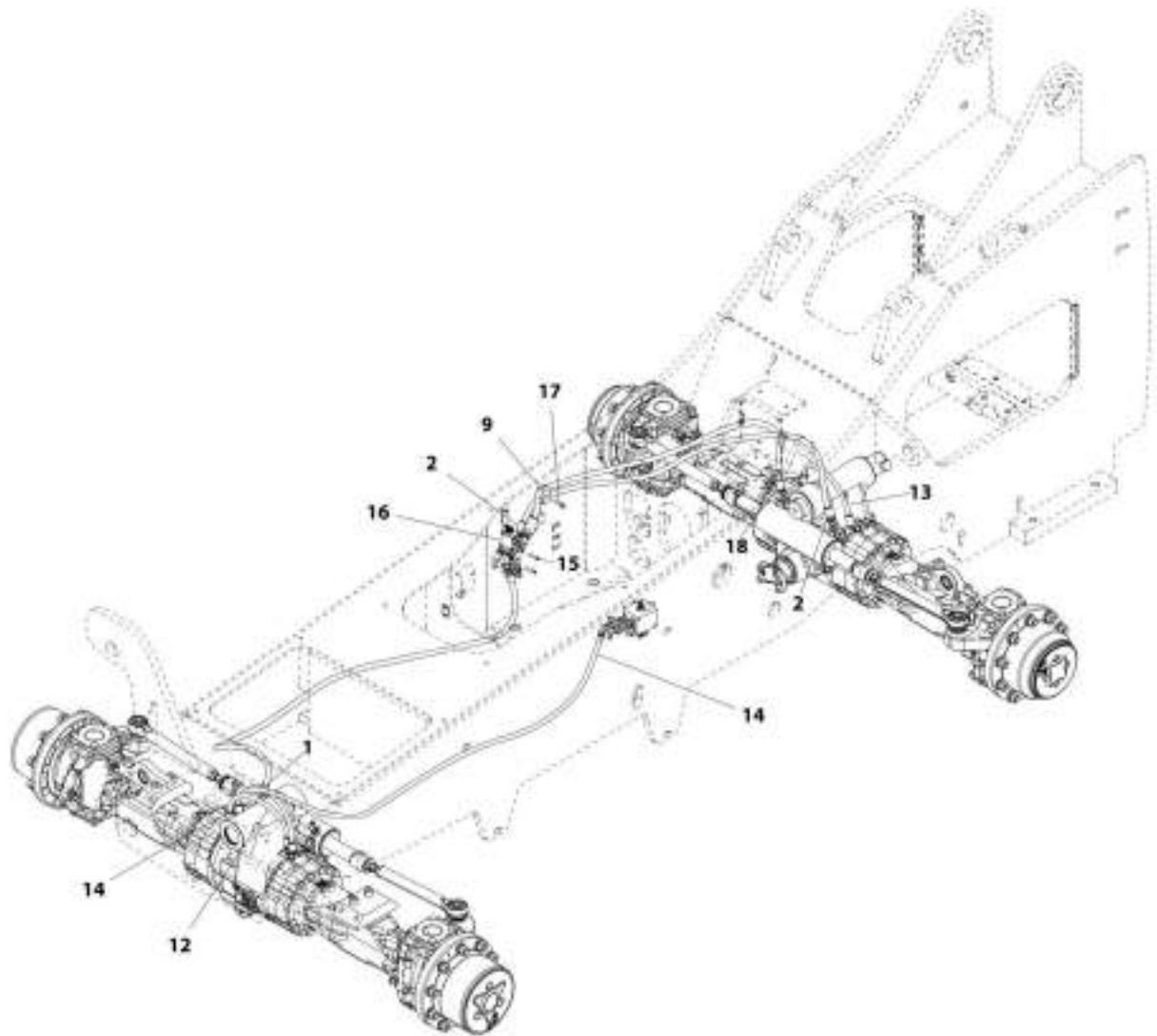
## SECTION 8 - HYDRAULIC CIRCUITS

### FIGURE 8-3. AXLE PIN LUBE KIT INSTALLATION

ITEM	PART NUMBER	QTY	DESCRIPTION	REV
	1001107525	Ref	Axle Pin Lube Kit Installation	D
1	1001099687	2	Bracket, Hose	
2	1001204707	2	Hose, Lubrication	
3	1001107589	2	Adapter, Straight	
4	80623016	2	Adapter, Bulkhead Straight	
5	8520003	2	Fitting, 90 Lube	
6	2220677	1	Adapter, 45	

## SECTION 8 - HYDRAULIC CIRCUITS

FIGURE 8-4. AXLE HYDRAULIC INSTALLATION (Prior to SN 0160074878, Excluding 0160074813 and 0160074818)



ART\_100157108-E

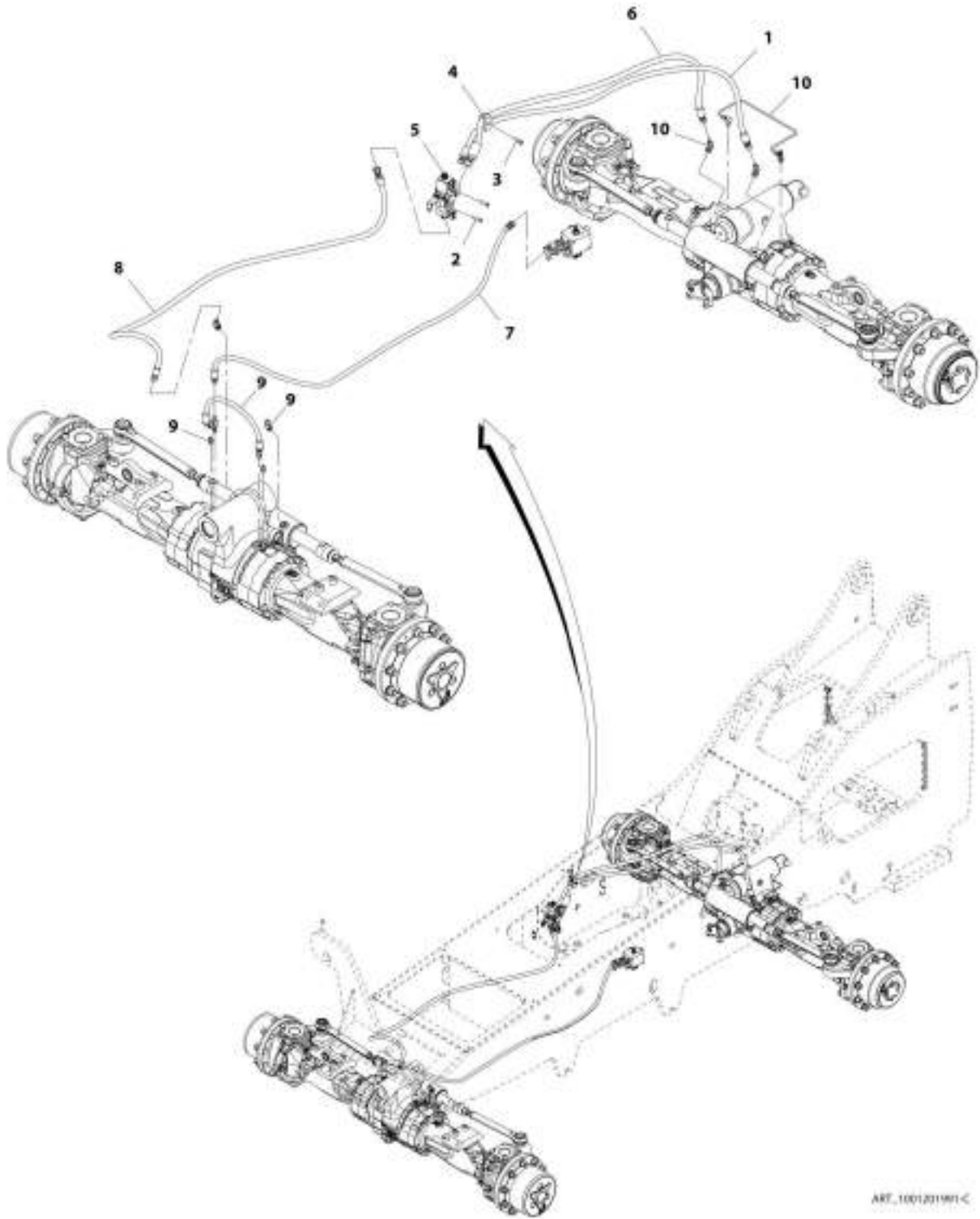
## SECTION 8 - HYDRAULIC CIRCUITS

**FIGURE 8-4. AXLE HYDRAULIC INSTALLATION (Prior to SN 0160074878, Excluding 0160074813 and 0160074818)**

ITEM	PART NUMBER	QTY	DESCRIPTION	REV
	1001157108	Ref	Axle Hydraulic Installation	E
1	1001194745	1	Hose	
2	2716673	1	Hose	
9	8750027	1	Clamp Set, Twin	
12	1001106421	1	Assembly, Front Axle Hydraulic (See FRONT AXLE HYDRAULIC ASSEMBLY for Breakdown)	
13	1001106422	1	Assembly, Rear Axle Hydraulic (See REAR AXLE HYDRAULIC ASSEMBLY for Breakdown)	
14	1001194620	1	Hose	
15	8304608	2	Screw, 5/16-18X1-1/2	
16	1001172784	1	Assembly, Steer Select Valve (See STEER SELECT VALVE ASSEMBLY for Breakdown)	
17	8750012	1	Bolt, Stacking	
18	1001178224	1	Hose	

# SECTION 8 - HYDRAULIC CIRCUITS

FIGURE 8-5. AXLE HYDRAULIC INSTALLATION (SN 0160074878 to Present, Including 0160074813 and 0160074818)



ART. 1001201901-C



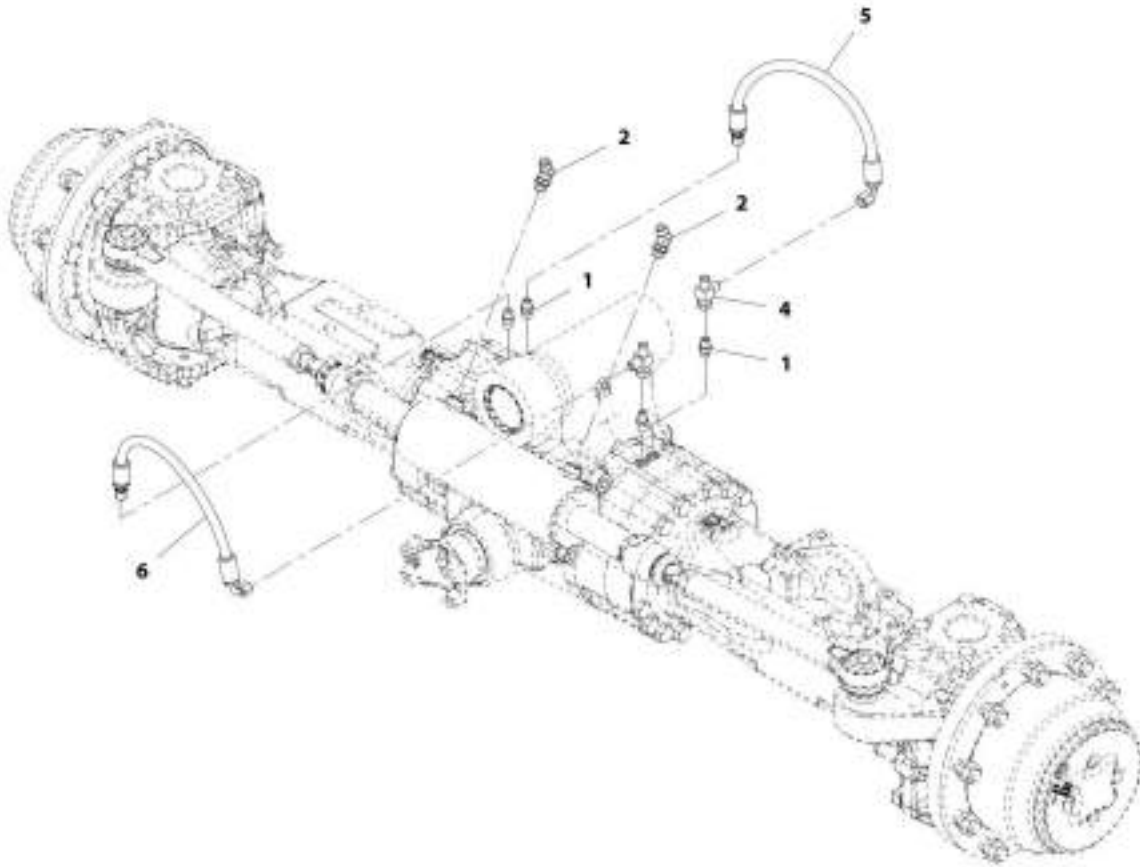
## SECTION 8 - HYDRAULIC CIRCUITS

**FIGURE 8-5. AXLE HYDRAULIC INSTALLATION (SN 0160074878 to Present, Including 0160074813 and 0160074818)**

ITEM	PART NUMBER	QTY	DESCRIPTION	REV
	1001201991	Ref	Axle Hydraulic Installation	C
1	2716673	1	Hose	
2	8304608	2	Screw, 5/16-18X1-1/2	
3	8750012	1	Bolt, Stacking	
4	8750027	1	Clamp Set, Twin	
5	1001172784	1	Assembly, Steer Select Valve (See STEER SELECT VALVE ASSEMBLY for Breakdown)	
6	1001178224	1	Hose	
7	1001194620	1	Hose	
8	1001194745	1	Hose	
9	1001201992	1	Assembly, Front Axle Hydraulic (See FRONT AXLE HYDRAULIC ASSEMBLY for Breakdown)	
10	1001201993	1	Assembly, Rear Axle Hydraulic (See REAR AXLE HYDRAULIC ASSEMBLY for Breakdown)	

## SECTION 8 - HYDRAULIC CIRCUITS

FIGURE 8-6. FRONT AXLE HYDRAULIC ASSEMBLY (Prior to SN 0160074878, Excluding 0160074813 and 0160074818)



ART\_1001106421-B

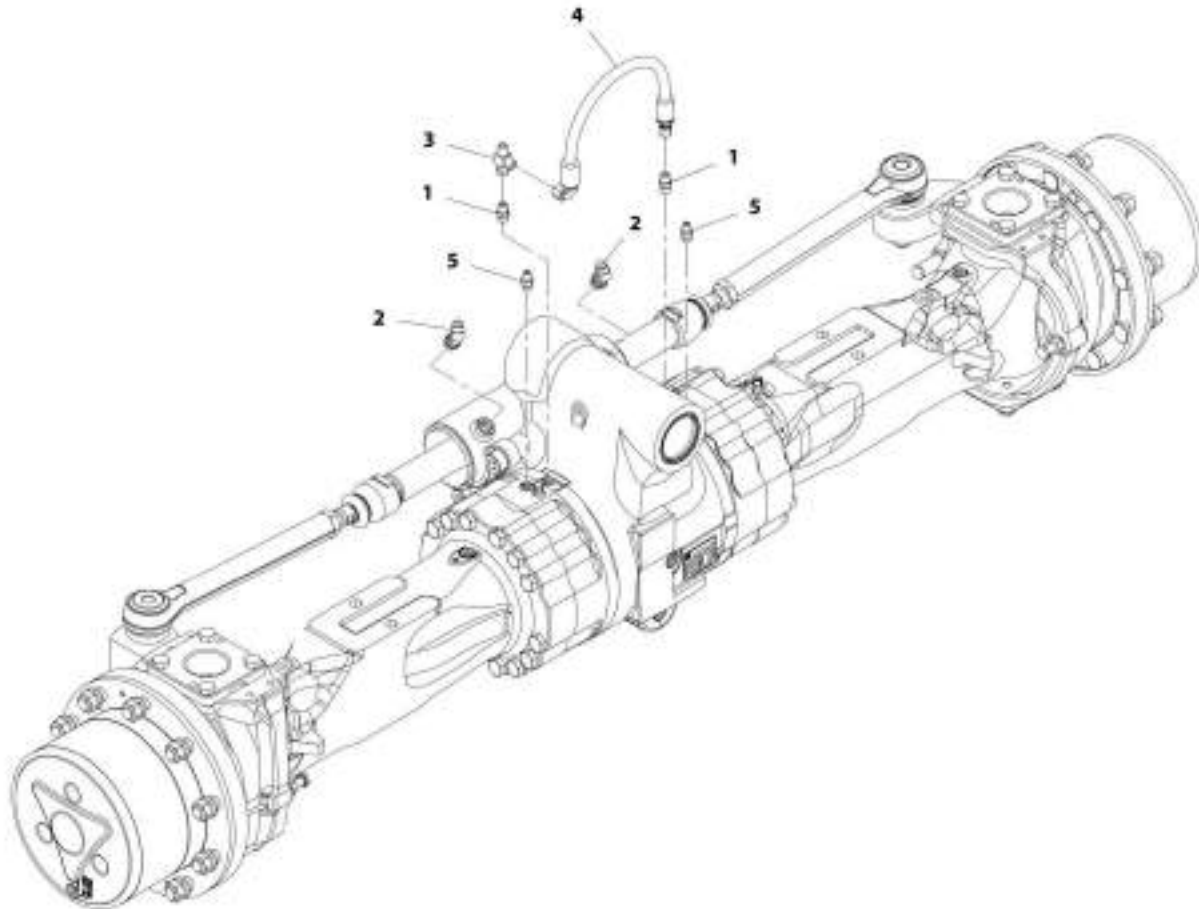
## SECTION 8 - HYDRAULIC CIRCUITS

**FIGURE 8-6. FRONT AXLE HYDRAULIC ASSEMBLY (Prior to SN 0160074878, Excluding 0160074813 and 0160074818)**

ITEM	PART NUMBER	QTY	DESCRIPTION	REV
	1001106421	Ref	Front Axle Hydraulic Assembly	B
1	2220371	4	Adapter, Straight	
2	2220500	2	Adapter, 45	
4	2220635	2	Adapter, Run Tee	
5	2716670	1	Hose	
6	2716670	1	Hose	

## SECTION 8 - HYDRAULIC CIRCUITS

FIGURE 8-7. FRONT AXLE HYDRAULIC ASSEMBLY (SN 0160074878 to Present, Including 0160074813 and 0160074818)



ART\_1001201/932-C

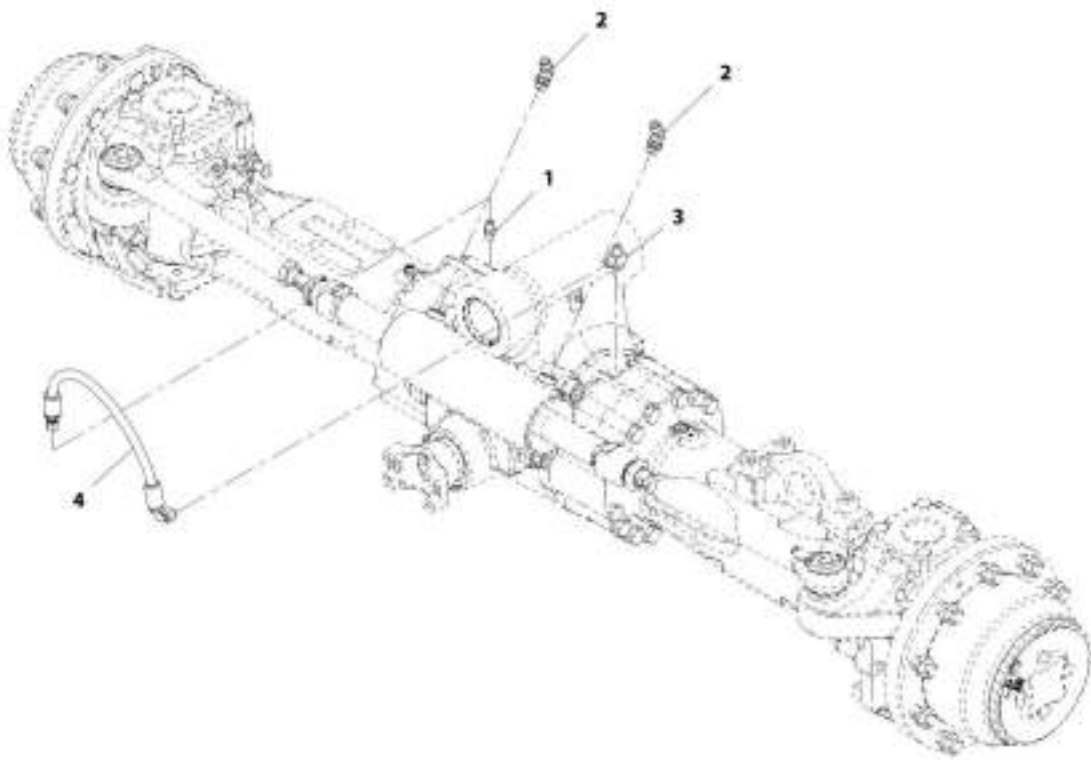
## SECTION 8 - HYDRAULIC CIRCUITS

**FIGURE 8-7. FRONT AXLE HYDRAULIC ASSEMBLY (SN 0160074878 to Present, Including 0160074813 and 0160074818)**

ITEM	PART NUMBER	QTY	DESCRIPTION	REV
	1001201992	Ref	Front Axle Hydraulic Assembly	C
1	2220371	2	Adapter, Straight	
2	2220500	2	Adapter, 45	
3	2220635	1	Adapter, Run Tee	
4	2716670	1	Hose	
5	2220582	2	Adapter, Straight	

## SECTION 8 - HYDRAULIC CIRCUITS

FIGURE 8-8. REAR AXLE HYDRAULIC ASSEMBLY (Prior to SN 0160074878, Excluding 0160074813 and 0160074818)



ART\_1001106422-K

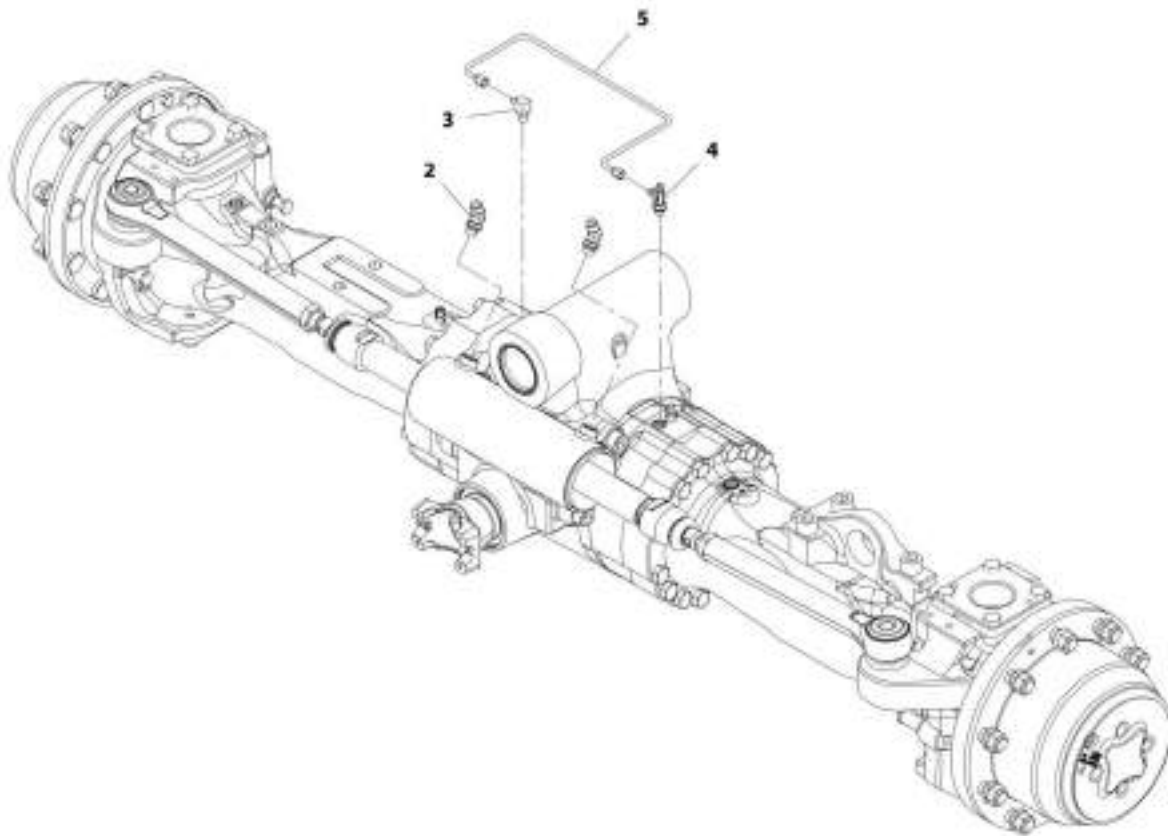
## SECTION 8 - HYDRAULIC CIRCUITS

**FIGURE 8-8. REAR AXLE HYDRAULIC ASSEMBLY (Prior to SN 0160074878, Excluding 0160074813 and 0160074818)**

ITEM	PART NUMBER	QTY	DESCRIPTION	REV
	1001106422	Ref	Rear Axle Hydraulic Assembly	A
1	2220371	1	Adapter, Straight	
2	2220500	2	Adapter, 45	
3	2220606	1	Adapter, Run Tee	
4	2716670	1	Hose	

## SECTION 8 - HYDRAULIC CIRCUITS

FIGURE 8-9. REAR AXLE HYDRAULIC ASSEMBLY (SN 0160074878 to Present, Including 0160074813 and 0160074818)



ART\_1001201993-0



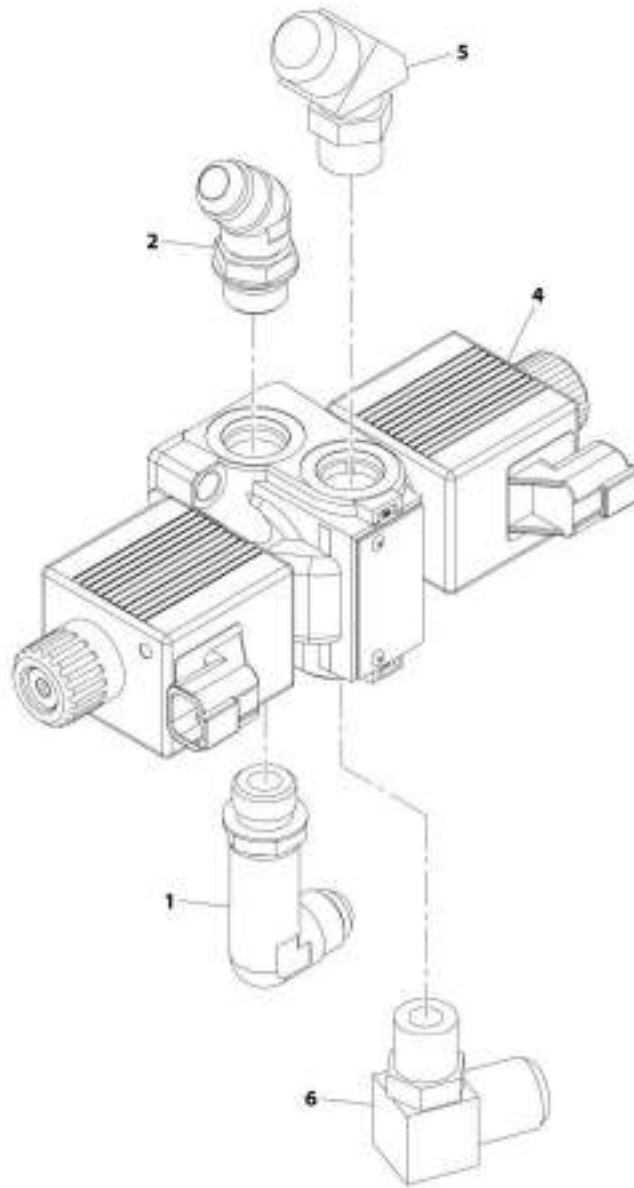
## SECTION 8 - HYDRAULIC CIRCUITS

**FIGURE 8-9. REAR AXLE HYDRAULIC ASSEMBLY (SN 0160074878 to Present, Including 0160074813 and 0160074818)**

ITEM	PART NUMBER	QTY	DESCRIPTION	REV
	1001201993	Ref	Rear Axle Hydraulic Assembly	B
2	2220500	2	Adapter, 45	
3	2220472	1	Adapter, 90	
4	1001210823	1	Adapter	
5	1001209568	1	Pipe	

# SECTION 8 - HYDRAULIC CIRCUITS

## FIGURE 8-10. STEER SELECT VALVE ASSEMBLY



ART\_100112290-F

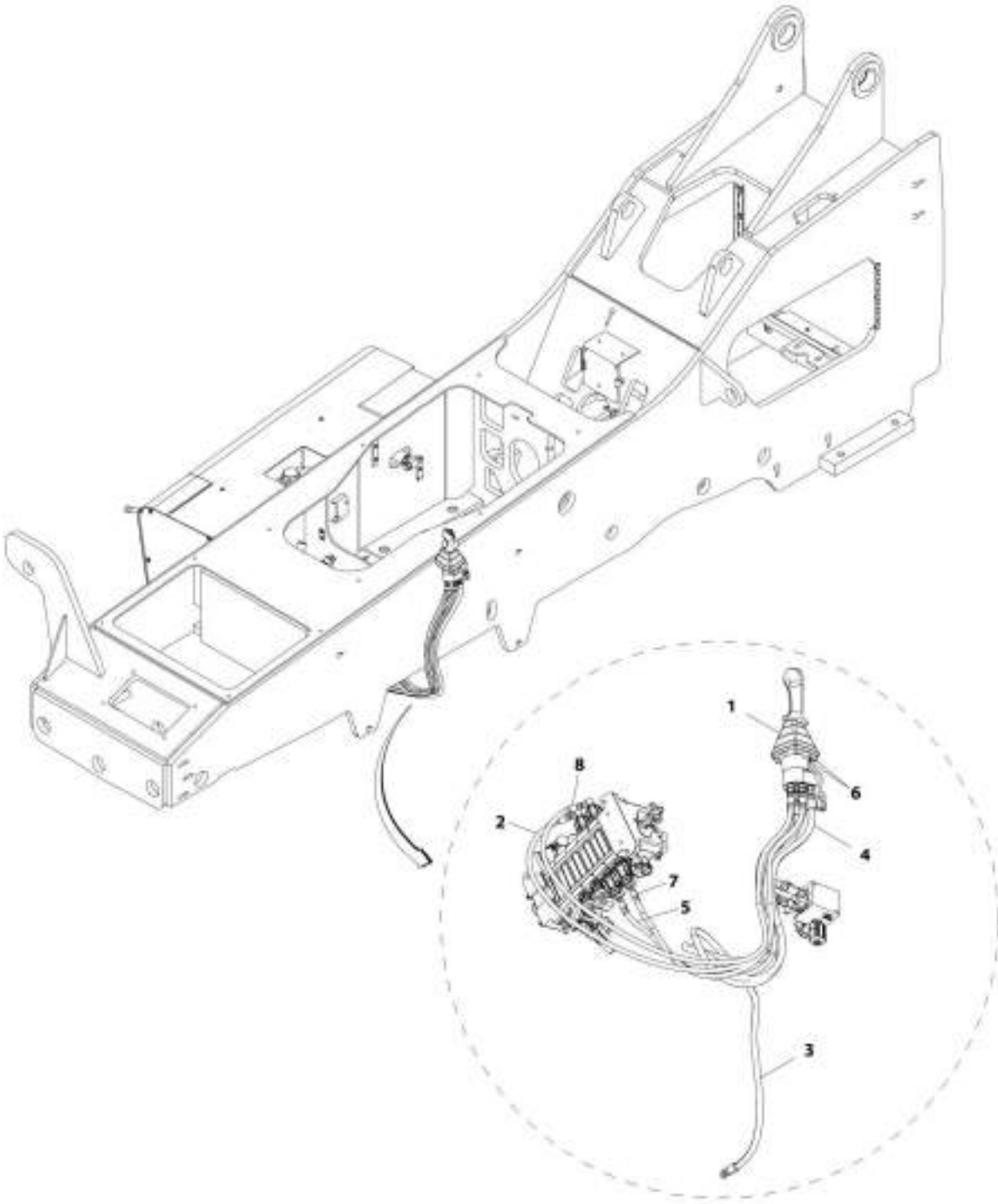
## SECTION 8 - HYDRAULIC CIRCUITS

### FIGURE 8-10. STEER SELECT VALVE ASSEMBLY

ITEM	PART NUMBER	QTY	DESCRIPTION	REV
	1001172784	Ref	Steer Select Valve Assembly	F
1	2220474	1	Adapter, Long 90	
2	2220500	1	Adapter, 45	
4	1001153748	1	Valve, Steer Select (See Separate Breakdown in HYDRAULIC COMPONENTS Section)	
5	2220950	1	Adapter, 45	
6	2221042	1	Adapter, 90	

# SECTION 8 - HYDRAULIC CIRCUITS

## FIGURE 8-11. PILOT CONTROLS INSTALLATION



ART\_1001158796-E

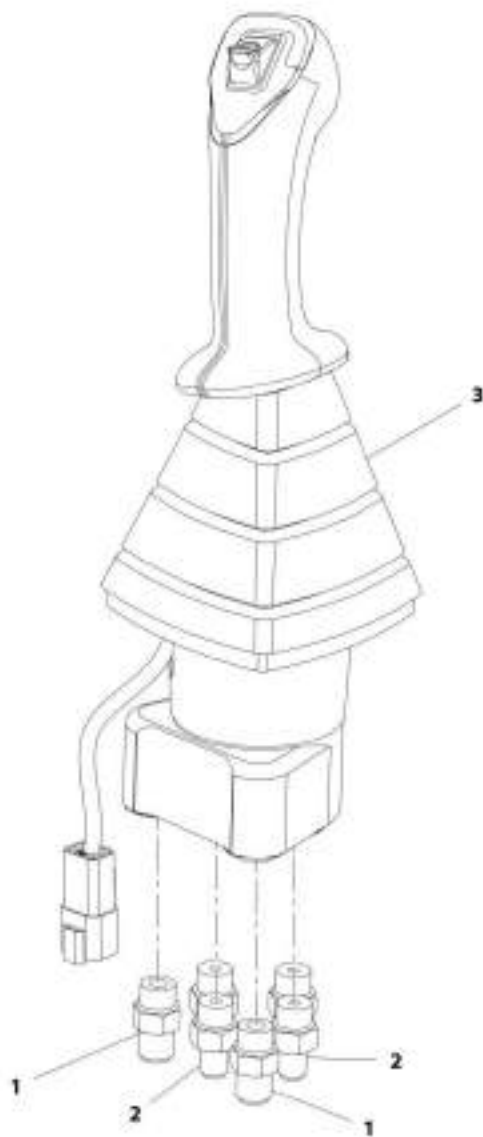
## SECTION 8 - HYDRAULIC CIRCUITS

### FIGURE 8-11. PILOT CONTROLS INSTALLATION

ITEM	PART NUMBER	QTY	DESCRIPTION	REV
	1001158786	Ref	Pilot Controls Installation	E
1	1001158004	1	Assembly, Pilot Joystick (See PILOT JOYSTICK ASSEMBLY for Breakdown)	
2	1001174489	1	Hose	
3	1001172225	1	Hose	
4	1001158398	1	Hose	
5	1001171417	1	Hose	
6	8303034	4	Screw, 1/4-20X3/4	
7	1001195847	1	Hose	
8	1001195852	1	Hose	

# SECTION 8 - HYDRAULIC CIRCUITS

## FIGURE 8-12. PILOT JOYSTICK ASSEMBLY



ART\_1001158004-R

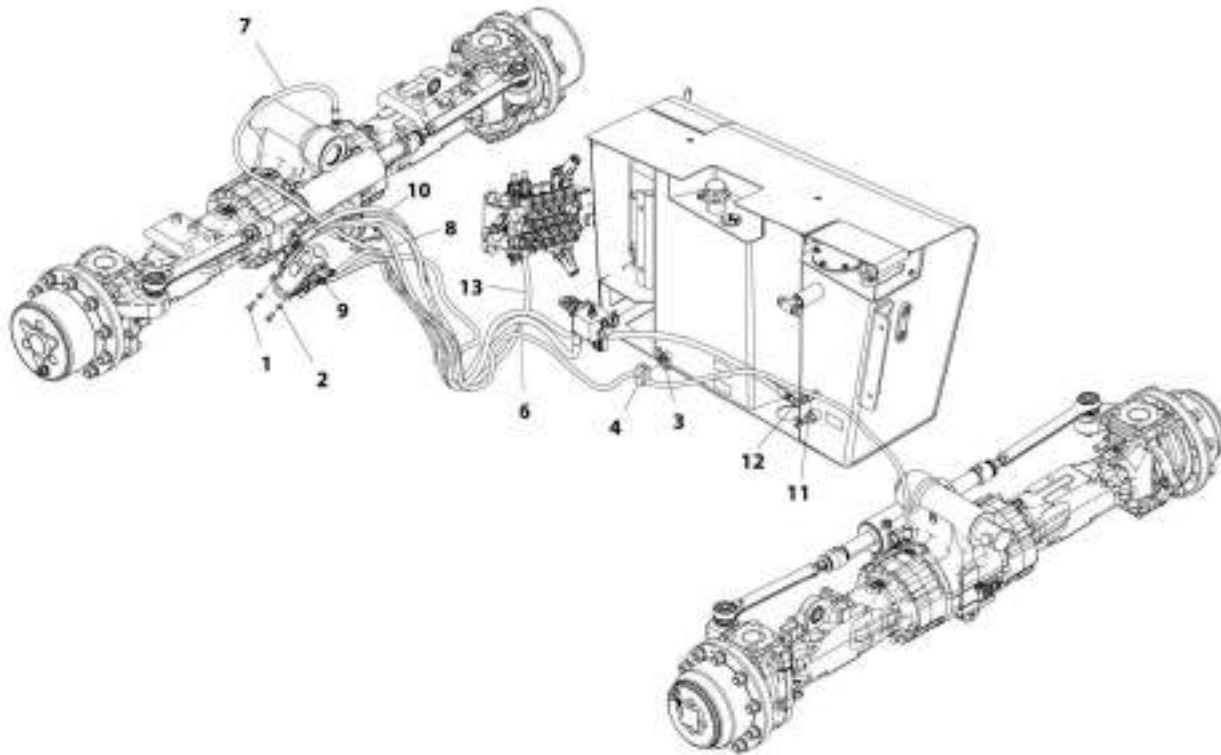
## SECTION 8 - HYDRAULIC CIRCUITS

### FIGURE 8-12. PILOT JOYSTICK ASSEMBLY

ITEM	PART NUMBER	QTY	DESCRIPTION	REV
	1001158004	Ref	Pilot Joystick Assembly	A
1	2220371	2	Adapter, Straight JIC	
2	2220582	4	Adapter, Straight JIC	
3	1001158002	1	Control, Pilot Joystick (See CONTROLS SECTION for Breakdown)	

## SECTION 8 - HYDRAULIC CIRCUITS

FIGURE 8-13. BRAKE HYDRAULICS INSTALLATION (Prior to SN 0160074878, Excluding 0160074813 and 0160074818)



ART\_1001158757-F



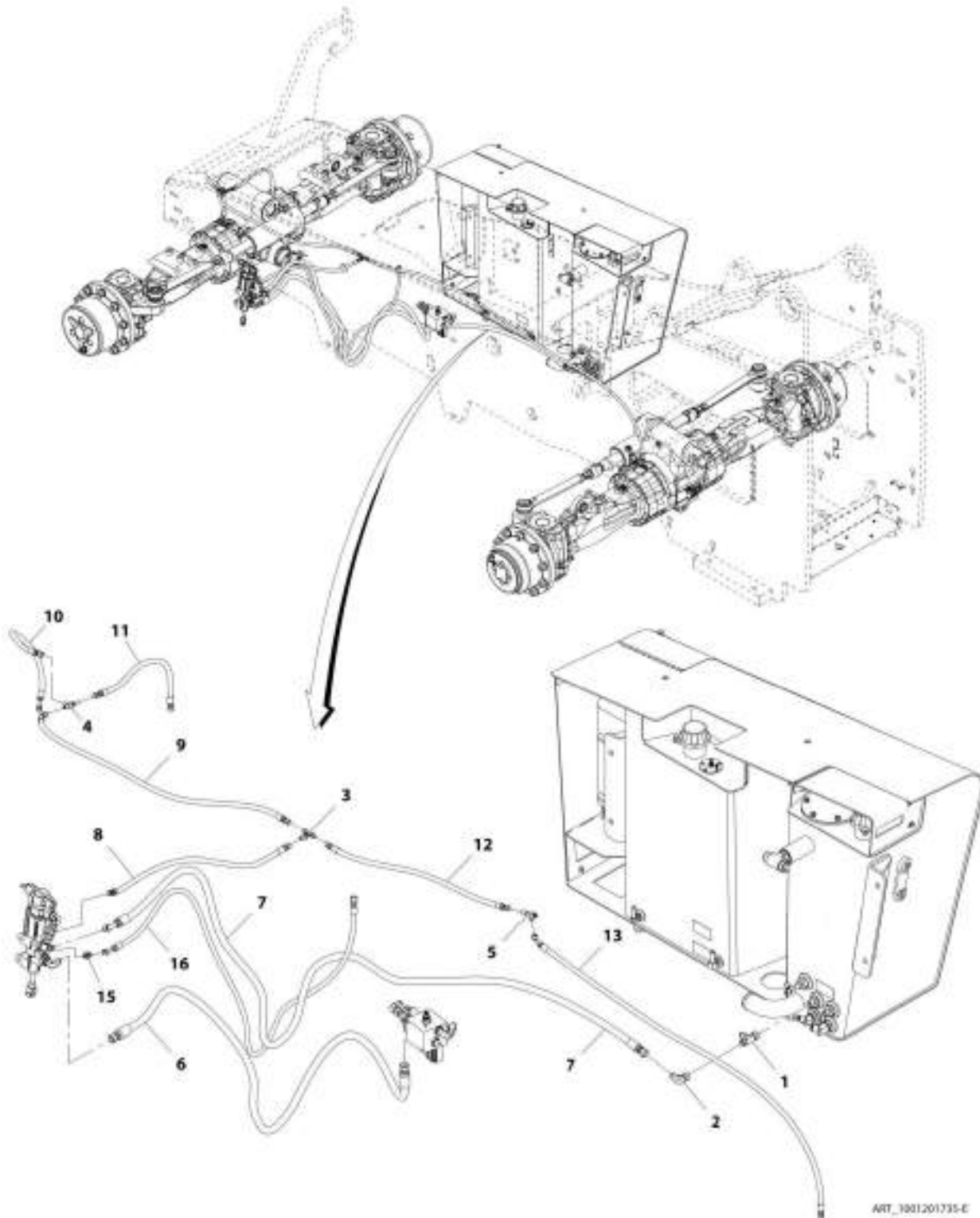
## SECTION 8 - HYDRAULIC CIRCUITS

**FIGURE 8-13. BRAKE HYDRAULICS INSTALLATION (Prior to SN 0160074878, Excluding 0160074813 and 0160074818)**

ITEM	PART NUMBER	QTY	DESCRIPTION	REV
	1001158787	Ref	Brake Hydraulics Installation	F
1	8303755	4	Bolt, M10X30	
2	8307023	4	Washer, Lock M10	
3	8750012	1	Bolt, Stacking	
4	8750027	1	Clamp Set, Twin	
6	1001157086	1	Hose	
7	1001201643	1	Hose	
8	1001157256	1	Hose	
9	1001158551	1	Installation, Hydraulic Brake Valve (See HYDRAULIC BRAKE VALVE INSTALLATION for Breakdown)	
10	1001158562	1	Hose	
11	2220385	1	Adapter, Run Tee	
12	8765204	1	Adapter, 90	
13	1001170522	1	Hose	

## SECTION 8 - HYDRAULIC CIRCUITS

FIGURE 8-14. HYDRAULIC BRAKE INSTALLATION (SN 0160074878 to Present, Including 0160074813 and 0160074818)



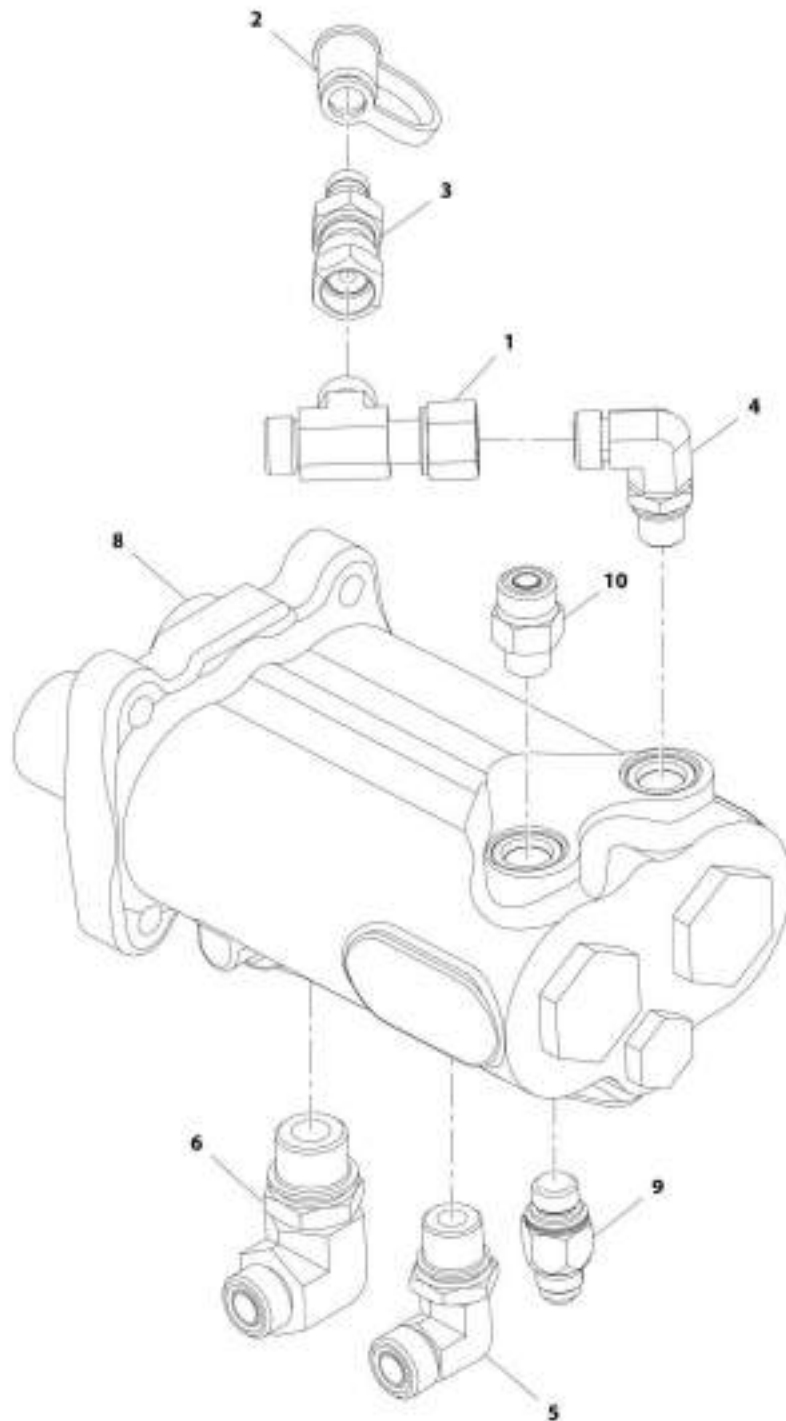
## SECTION 8 - HYDRAULIC CIRCUITS

**FIGURE 8-14. HYDRAULIC BRAKE INSTALLATION (SN 0160074878 to Present, Including 0160074813 and 0160074818)**

ITEM	PART NUMBER	QTY	DESCRIPTION	REV
	1001201735	Ref	Hydraulic Brake Installation	E
1	2220385	1	Adapter, Run Tee	
2	8765204	1	Adapter, 90	
3	10726099	1	Adapter	
4	10728823	1	Adapter	
5	1001201734	1	Manifold, Brake Bleeder Tee	
6	1001201737	1	Hose	
7	1001201738	1	Hose	
8	1001210859	1	Hose	
9	1001210093	1	Hose	
10	1001210860	1	Hose	
11	1001210861	1	Hose <b>(Prior to SN 0160077734)</b>	
11	1001219045	1	Hose <b>(SN 0160077734 to Present)</b>	
12	1001210862	1	Hose	
13	1001210863	1	Hose	
15	1001183370	1	Valve	
16	1001209231	1	Hose	

## SECTION 8 - HYDRAULIC CIRCUITS

FIGURE 8-15. HYDRAULIC BRAKE VALVE INSTALLATION (Prior to SN 0160074878, Excluding 0160074813 and 0160074818)



ART\_0001158551-D

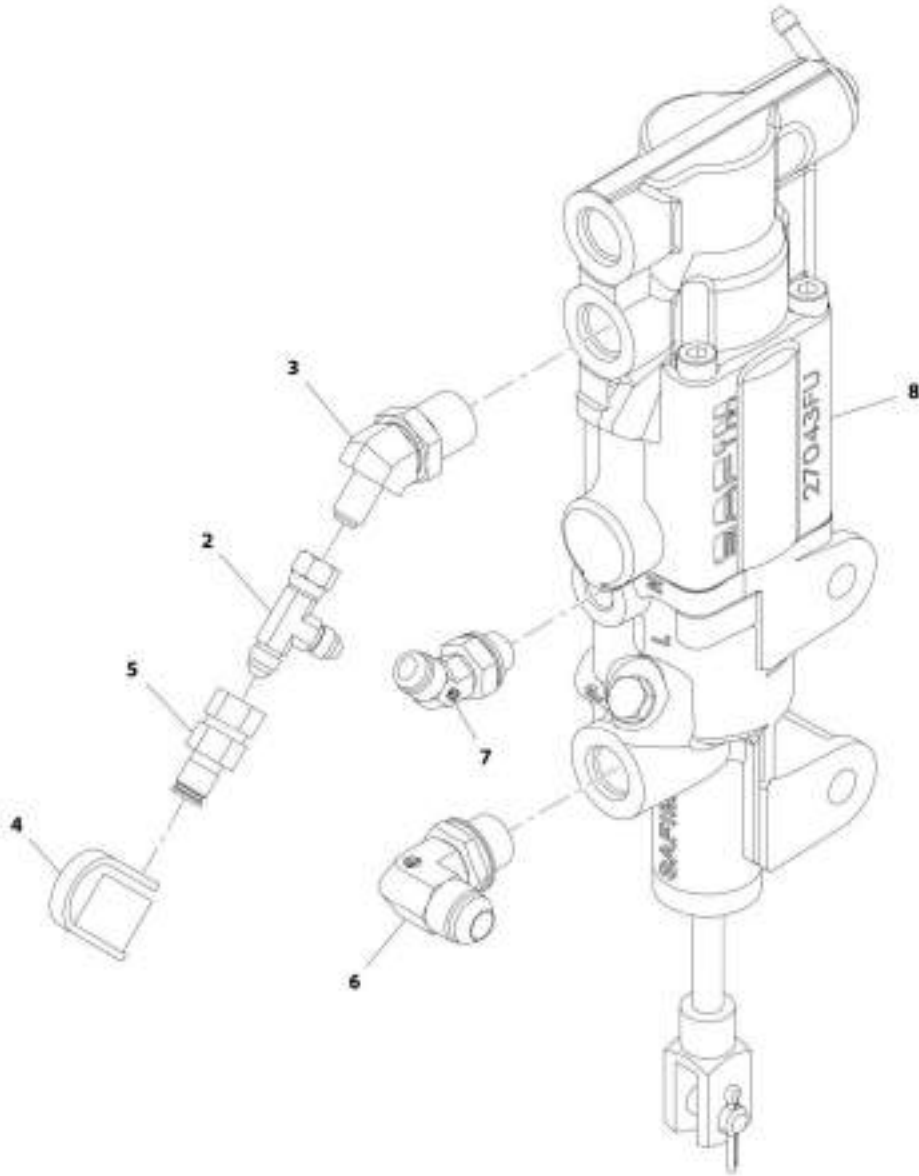
## SECTION 8 - HYDRAULIC CIRCUITS

**FIGURE 8-15. HYDRAULIC BRAKE VALVE INSTALLATION (Prior to SN 0160074878, Excluding 0160074813 and 0160074818)**

ITEM	PART NUMBER	QTY	DESCRIPTION	REV
	1001158551	Ref	Hydraulic Brake Valve Installation	D
1	2170706	1	Adapter, Run Tee	
2	8430032	1	Cap, Dust	
3	8430081	1	Adapter, Diagnostic	
4	8770109	1	Adapter, 90 ORFS	
5	8770120	1	Adapter, 90 ORFS	
6	8770175	1	Adapter, 90 ORFS	
8	1001106836	1	Valve, Brake (See HYDRAULIC COMPONENTS SECTION for Breakdown)	
9	1001172100	1	Valve, Check	
10	2144605	1	Adapter	

## SECTION 8 - HYDRAULIC CIRCUITS

FIGURE 8-16. HYDRAULIC BRAKE VALVE INSTALLATION (SN 0160074878 through 0160081765, Including 0160074813 and 0160074818)



ART\_1001201736-E

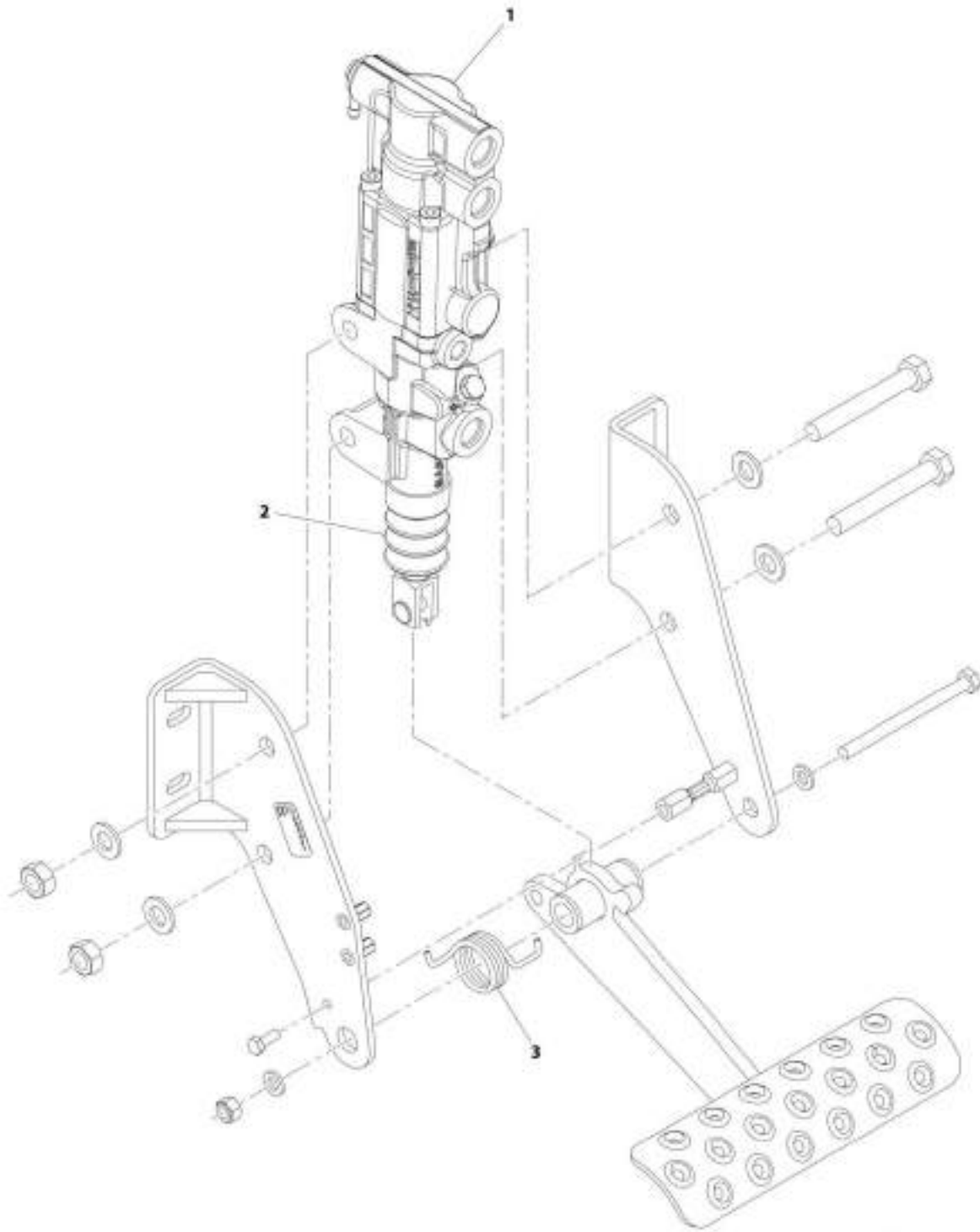
## SECTION 8 - HYDRAULIC CIRCUITS

**FIGURE 8-16. HYDRAULIC BRAKE VALVE INSTALLATION (SN 0160074878 through 0160081765, Including 0160074813 and 0160074818)**

ITEM	PART NUMBER	QTY	DESCRIPTION	REV
	1001201736	Ref	Hydraulic Brake Valve Installation	E
2	2220605	1	Adapter	
3	2221344	1	Adapter	
4	8430032	1	Plug, Dust Cap	
5	10727374	1	Adapter	
6	91473086	1	Adapter	
7	1001183341	1	Adapter	
8	1001201721	1	Valve, Brake (See Separate Breakdown in HYDRAULIC COMPONENTS Section)	

## SECTION 8 - HYDRAULIC CIRCUITS

FIGURE 8-17. HYDRAULIC BRAKE VALVE INSTALLATION (SN 0160081766 to Present)



MTT\_1001223050-A



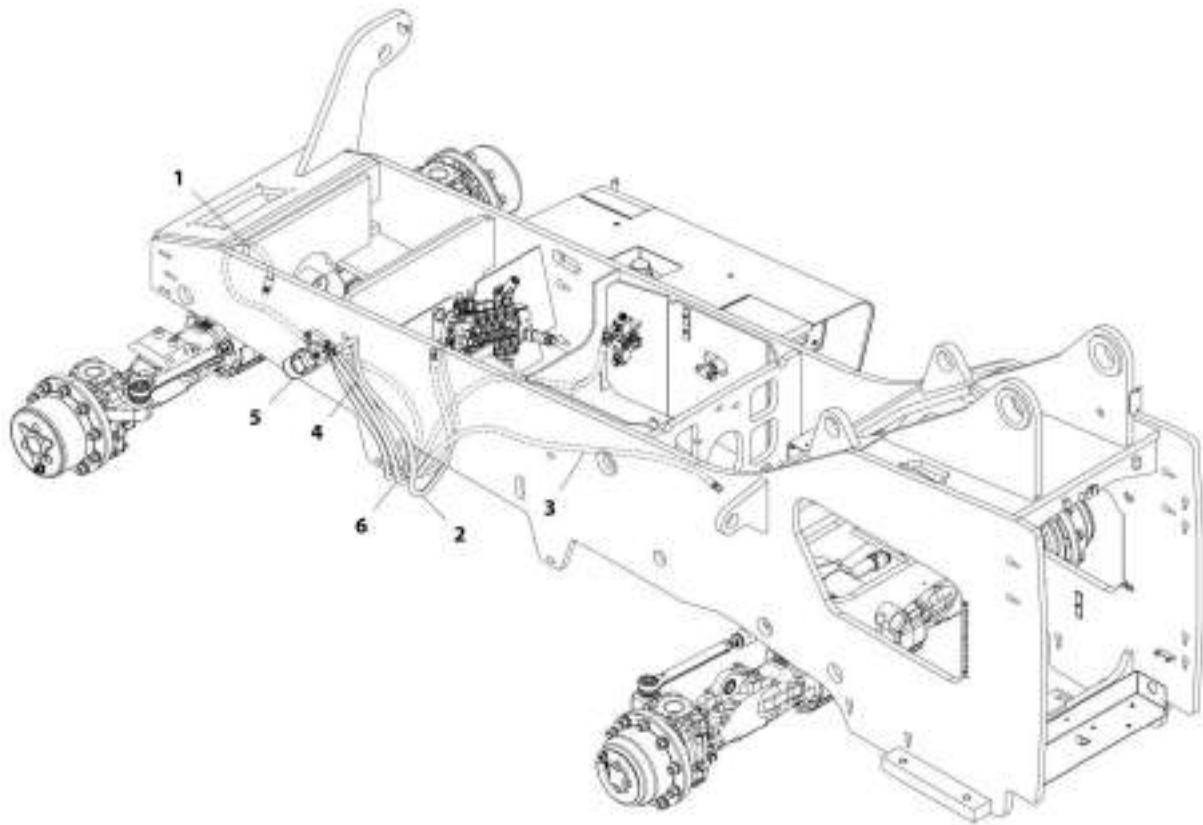
## SECTION 8 - HYDRAULIC CIRCUITS

**FIGURE 8-17. HYDRAULIC BRAKE VALVE INSTALLATION (SN 0160081766 to Present)**

ITEM	PART NUMBER	QTY	DESCRIPTION	REV
1	1001223050	Ref	Hydraulic Brake Valve Installation	A
	1001201721	1	Valve, Brake (See Separate Breakdown in HYDRAULIC COMPONENTS Section)	
2	70025859	1	Dust Cover	
3	70028546	1	Spring, Return	

## SECTION 8 - HYDRAULIC CIRCUITS

FIGURE 8-18. STEERING HYDRAULICS INSTALLATION (Prior to SN 0160074878, Excluding 0160074813 and 0160074818)



ART\_101158788-0

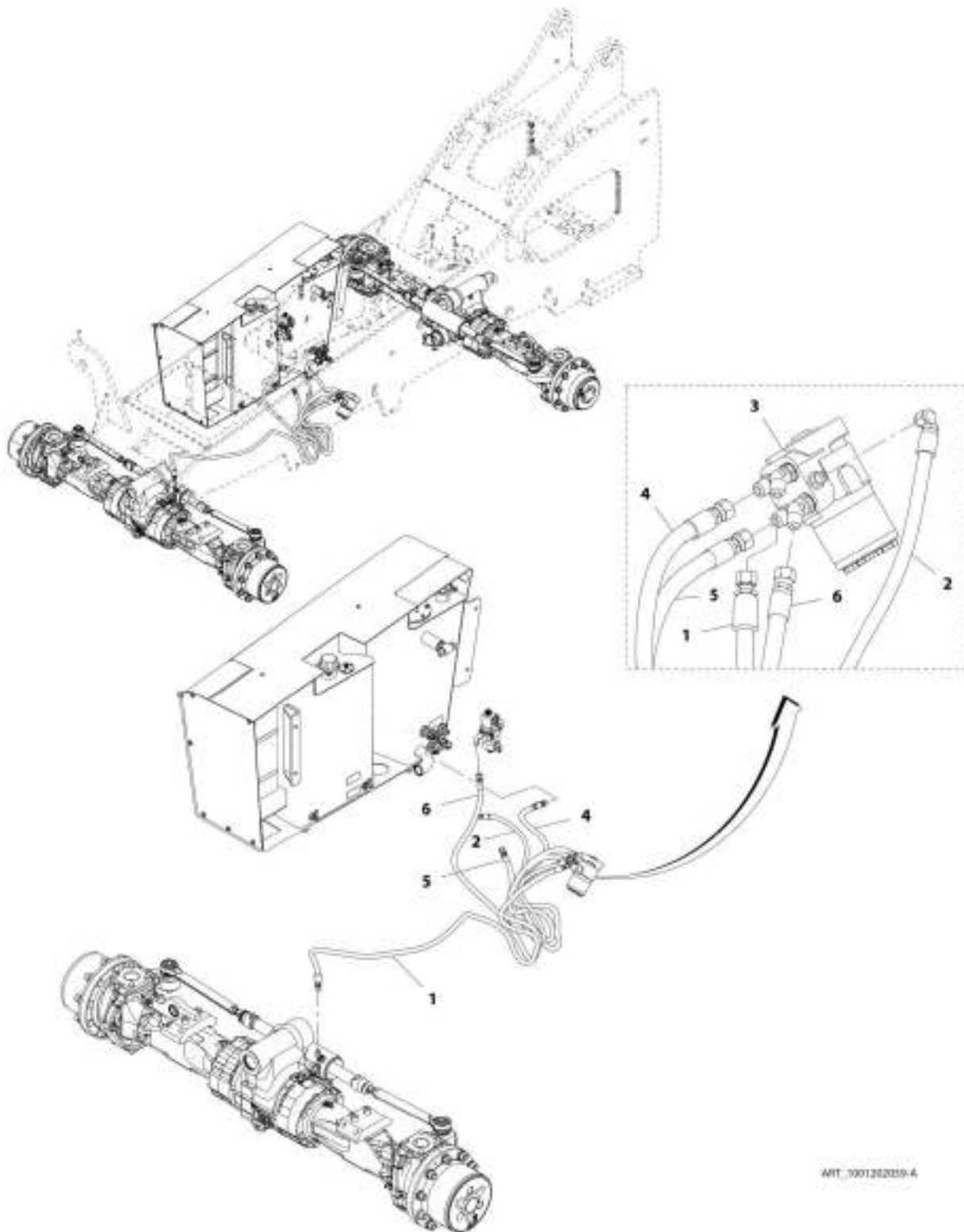
## SECTION 8 - HYDRAULIC CIRCUITS

**FIGURE 8-18. STEERING HYDRAULICS INSTALLATION (Prior to SN 0160074878, Excluding 0160074813 and 0160074818)**

ITEM	PART NUMBER	QTY	DESCRIPTION	REV
	1001158788	Ref	Steering Hydraulics Installation	D
1	1001157102	1	Hose	
2	1001171786	1	Hose	
3	1001171677	1	Hose	
4	1001158357	1	Hose	
5	1001158528	1	Installation, Steering Valve (See STEERING VALVE INSTALLATION for Breakdown)	
6	1001173177	1	Hose	

## SECTION 8 - HYDRAULIC CIRCUITS

FIGURE 8-19. HYDRAULIC STEERING INSTALLATION (SN 0160074878 to Present, Including 0160074813 and 0160074818)



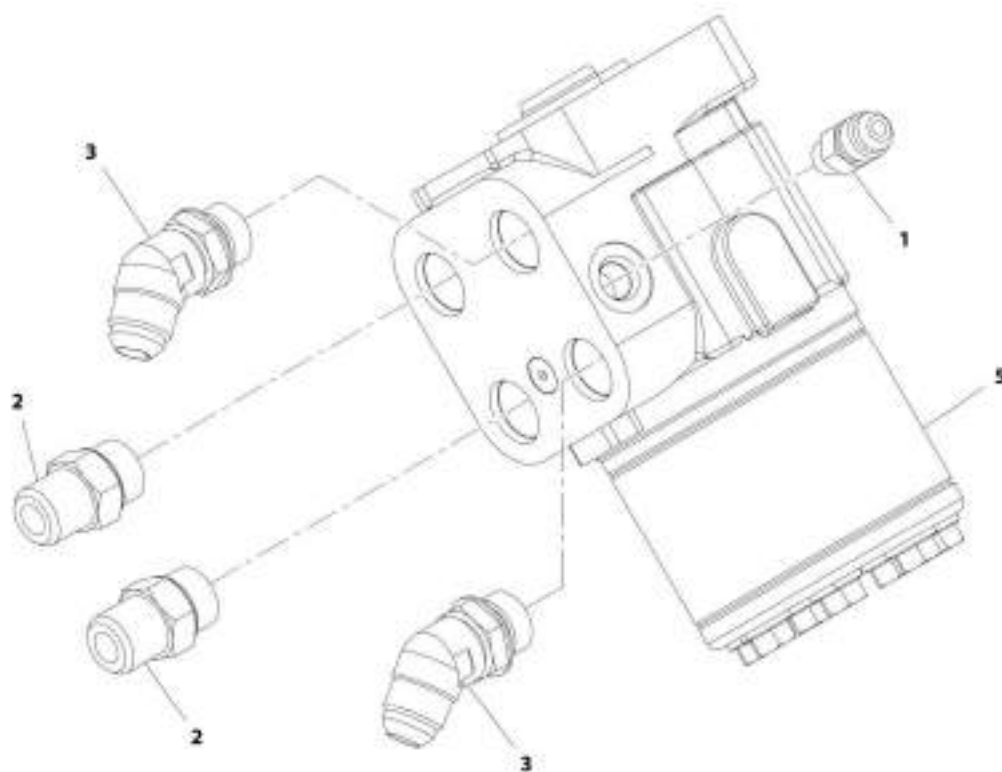
## SECTION 8 - HYDRAULIC CIRCUITS

**FIGURE 8-19. HYDRAULIC STEERING INSTALLATION (SN 0160074878 to Present, Including 0160074813 and 0160074818)**

ITEM	PART NUMBER	QTY	DESCRIPTION	REV
	1001202059	Ref	Hydraulic Steering Installation	A
1	1001157102	1	Hose	
2	1001158357	1	Hose	
3	1001158528	1	Installation, Steering Valve (See STEERING VALVE INSTALLATION for Breakdown)	
4	1001171677	1	Hose	
5	1001171786	1	Hose	
6	1001173177	1	Hose	

## SECTION 8 - HYDRAULIC CIRCUITS

FIGURE 8-20. STEERING VALVE INSTALLATION



ART\_1001154528-C

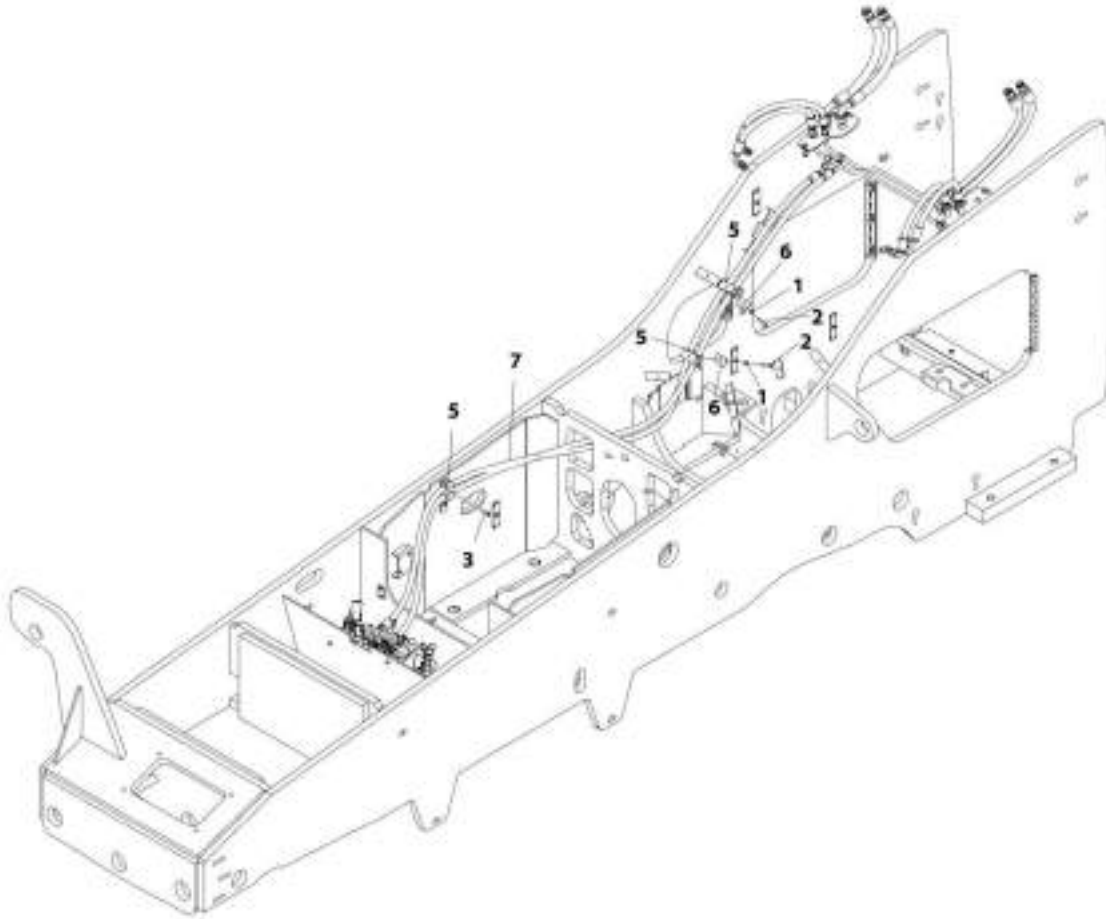
## SECTION 8 - HYDRAULIC CIRCUITS

### FIGURE 8-20. STEERING VALVE INSTALLATION

ITEM	PART NUMBER	QTY	DESCRIPTION	REV
	1001158528	1	Steering Valve Installation	C
1	2220603	1	Adapter, Straight JIC	
2	2220373	2	Adapter, Straight JIC	
3	2220500	2	Adapter, 45 JIC	
5	1001158527	1	Valve, Steering	

## SECTION 8 - HYDRAULIC CIRCUITS

FIGURE 8-21. HYDRAULIC FORK TILT INSTALLATION



ART\_1001158043-C



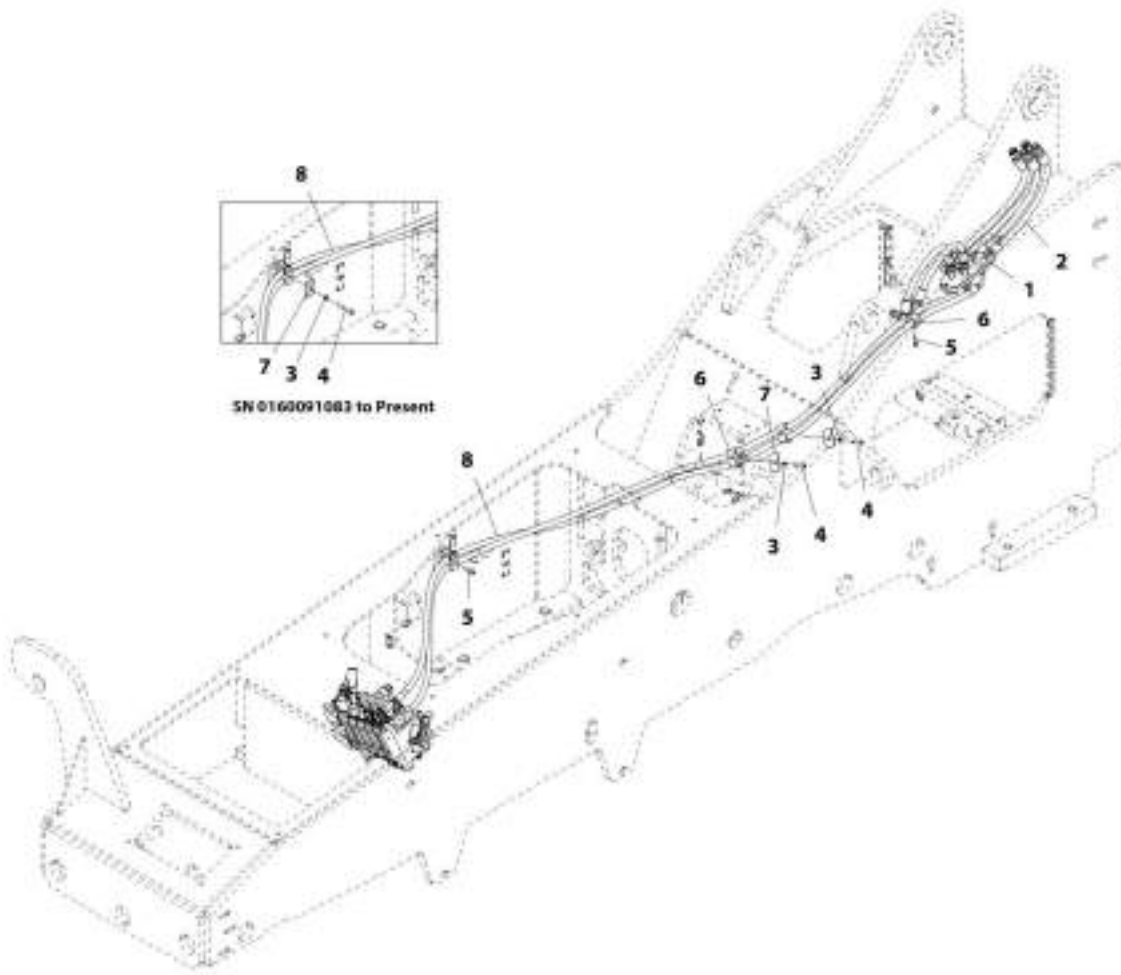
## SECTION 8 - HYDRAULIC CIRCUITS

**FIGURE 8-21. HYDRAULIC FORK TILT INSTALLATION**

ITEM	PART NUMBER	QTY	DESCRIPTION	REV
	1001158040	Ref	Hydraulic Fork Tilt Installation	C
1	8307004	2	Washer, Lock 5/16	
2	8310009	2	Bolt, 5/16-18X2	
3	8750012	1	Bolt, Stacking	
5	8750027	3	Clamp Set, Twin	
6	8769128	2	Cover Plate, Twin	
7	1001171188	2	Hose	

# SECTION 8 - HYDRAULIC CIRCUITS

FIGURE 8-22. AUXILIARY CONTROLS HYDRAULIC INSTALLATION



447\_1001150041-H

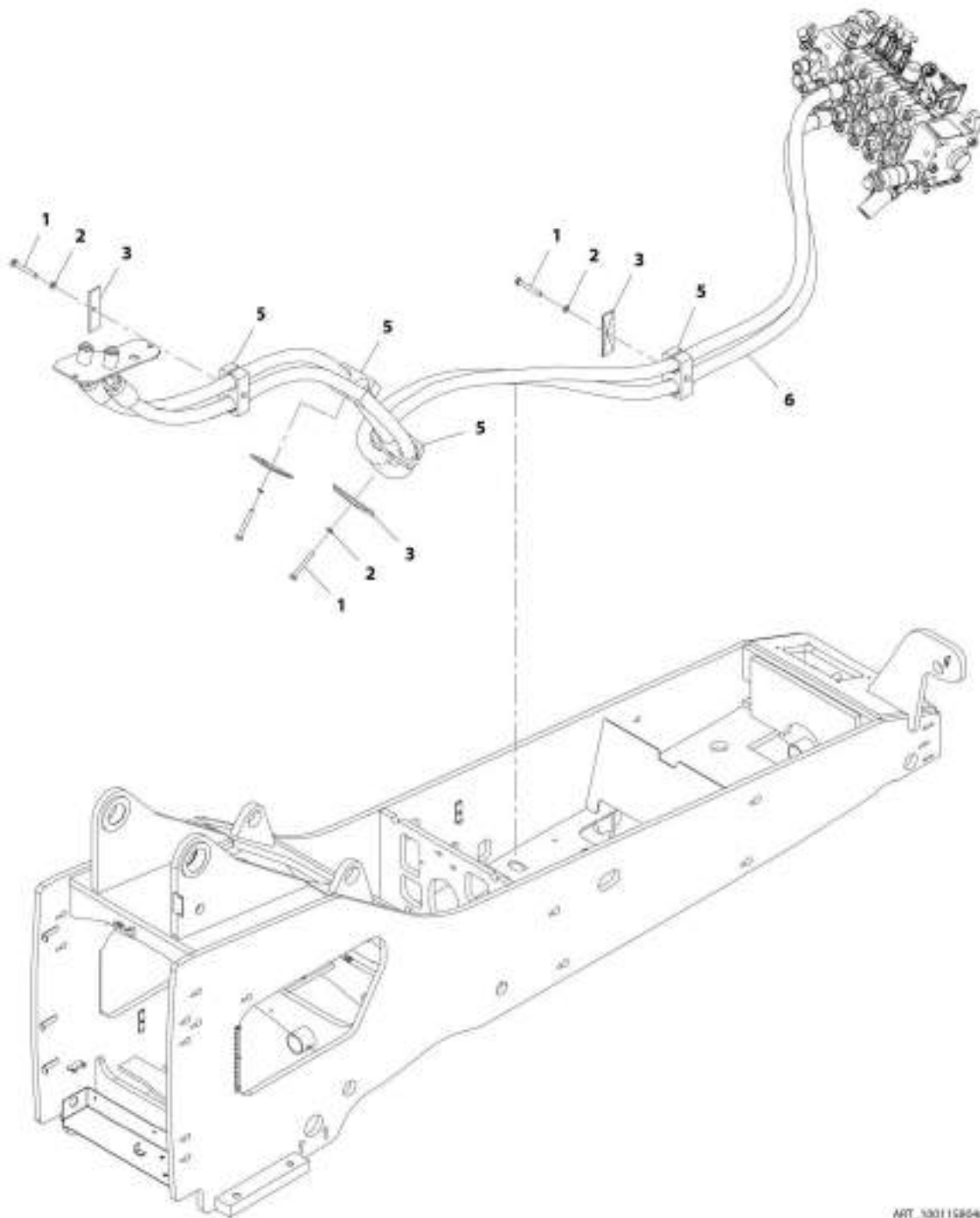
## SECTION 8 - HYDRAULIC CIRCUITS

**FIGURE 8-22. AUXILIARY CONTROLS HYDRAULIC INSTALLATION**

ITEM	PART NUMBER	QTY	DESCRIPTION	REV
	1001158041	Ref	Auxiliary Controls Hydraulic Installation	H
1	2230044	2	Adapter, Bulkhead 90 JIC	
2	2716713	2	Hose	
3	8307004	2	Washer, Lock 5/16 <b>(Prior to SN 0160091083)</b>	
3	8307004	1	Washer, Lock 5/16 <b>(SN 0160091083 to Present)</b>	
4	8310009	2	Bolt, 5/16-18X2 <b>(Prior to SN 0160091083)</b>	
4	8310009	1	Bolt, 5/16-18X2 <b>(SN 0160091083 to Present)</b>	
5	8750012	2	Bolt, Stacking <b>(Prior to SN 0160091083)</b>	
5	8750012	1	Bolt, Stacking <b>(SN 0160091083 to Present)</b>	
6	8750027	4	Clamp Set, Twin	
7	8769128	2	Cover Plate, Twin <b>(Prior to SN 0160091083)</b>	
7	8769128	1	Cover Plate, Twin <b>(SN 0160091083 to Present)</b>	
8	1001171189	2	Hose	

# SECTION 8 - HYDRAULIC CIRCUITS

FIGURE 8-23. EXTEND CYLINDER INSTALLATION - 8042 & 10042



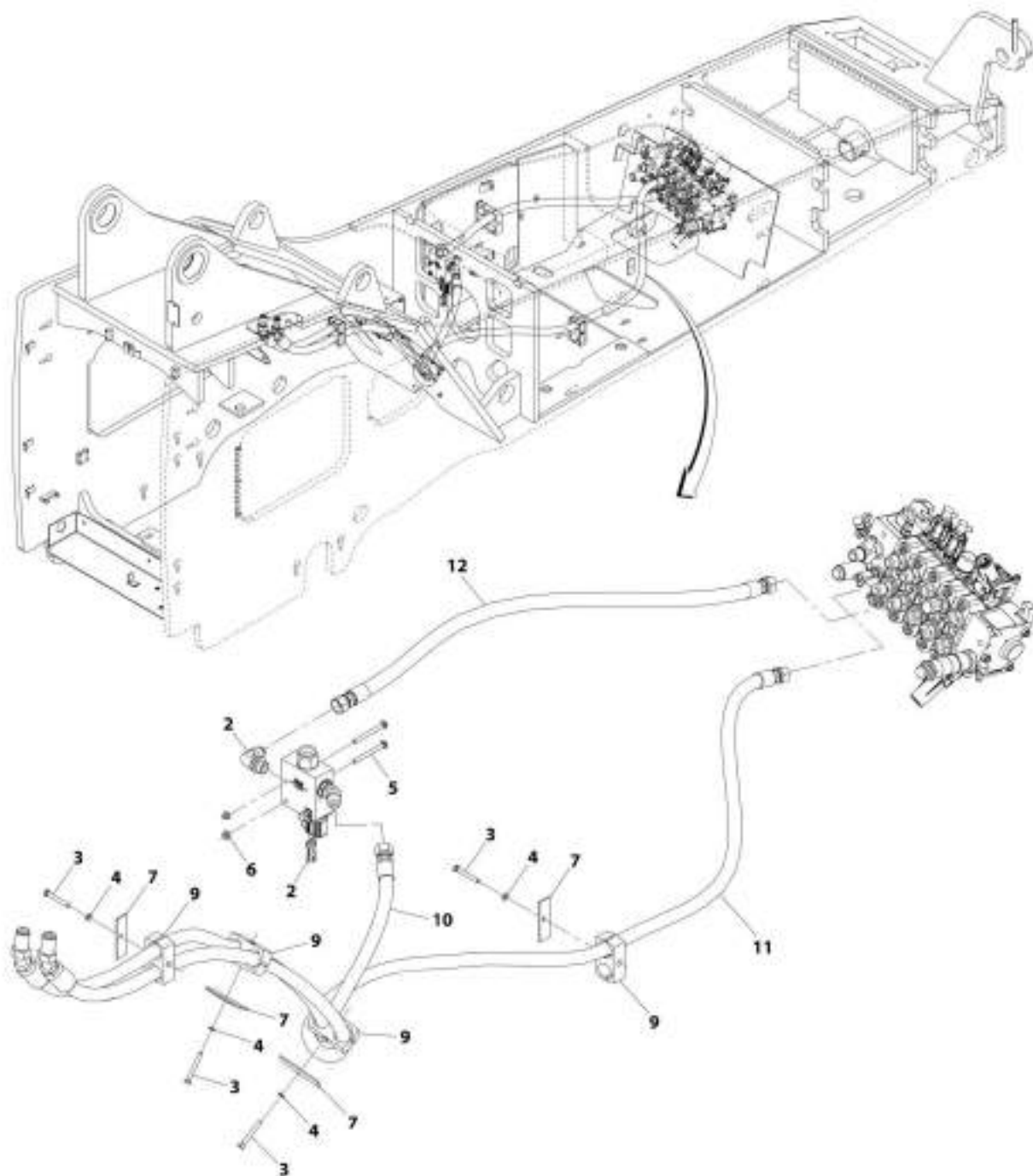
## SECTION 8 - HYDRAULIC CIRCUITS

**FIGURE 8-23. EXTEND CYLINDER INSTALLATION - 8042 & 10042**

ITEM	PART NUMBER	QTY	DESCRIPTION	REV
	1001158046	Ref	Extend Cylinder Installation - 8042 & 10042	C
1	8303757	4	Bolt, 5/16-18X2-1/2	
2	8307004	4	Washer, Lock 5/16	
3	8750025	4	Cover Plate, Twin	
5	8750040	4	Clamp Set, Twin	
6	1001171190	2	Hose	

# SECTION 8 - HYDRAULIC CIRCUITS

FIGURE 8-24. EXTEND CYLINDER INSTALLATION - 10054



ART\_3001158039-E

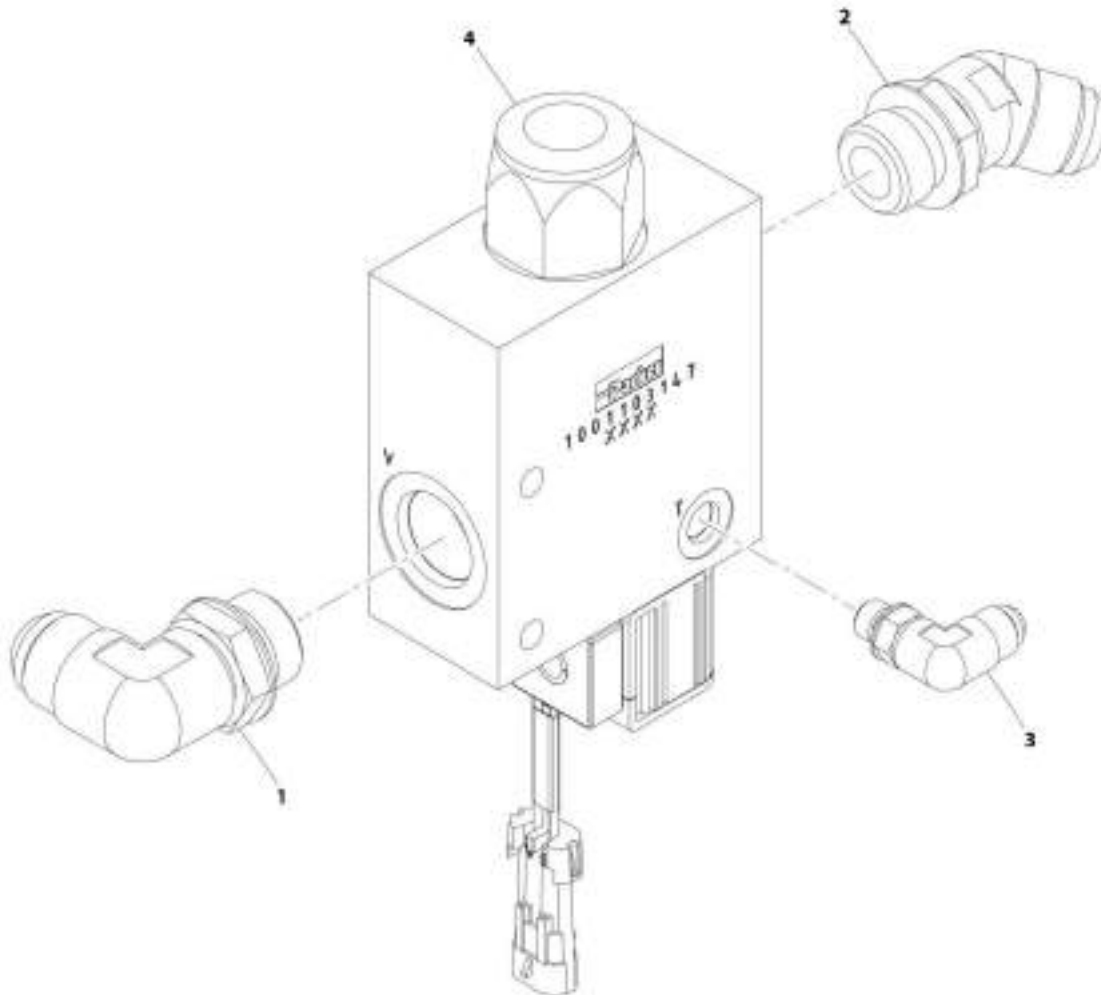
## SECTION 8 - HYDRAULIC CIRCUITS

**FIGURE 8-24. EXTEND CYLINDER INSTALLATION - 10054**

ITEM	PART NUMBER	QTY	DESCRIPTION	REV
	1001158039	Ref	Extend Cylinder Installation - 10054	E
2	7301821	1	Assembly, Extend Cylinder Lockout Valve (See EXTEND CYLINDER LOCKOUT VALVE ASSEMBLY for Breakdown)	
3	8303757	4	Bolt, 5/16-18X2-1/2	
4	8307004	4	Washer, Lock 5/16	
5	8310159	2	Bolt, 5/16 -18X3-1/2	
6	8310420	2	Nut, Flange 5/16-18	
7	8750025	4	Cover Plate, Twin	
9	8750040	4	Clamp Set, Twin	
10	1001125749	1	Hose	
11	1001171190	1	Hose	
12	1001171281	1	Hose	

## SECTION 8 - HYDRAULIC CIRCUITS

FIGURE 8-25. EXTEND CYLINDER LOCKOUT VALVE ASSEMBLY - 10054



ART\_7901R21-E



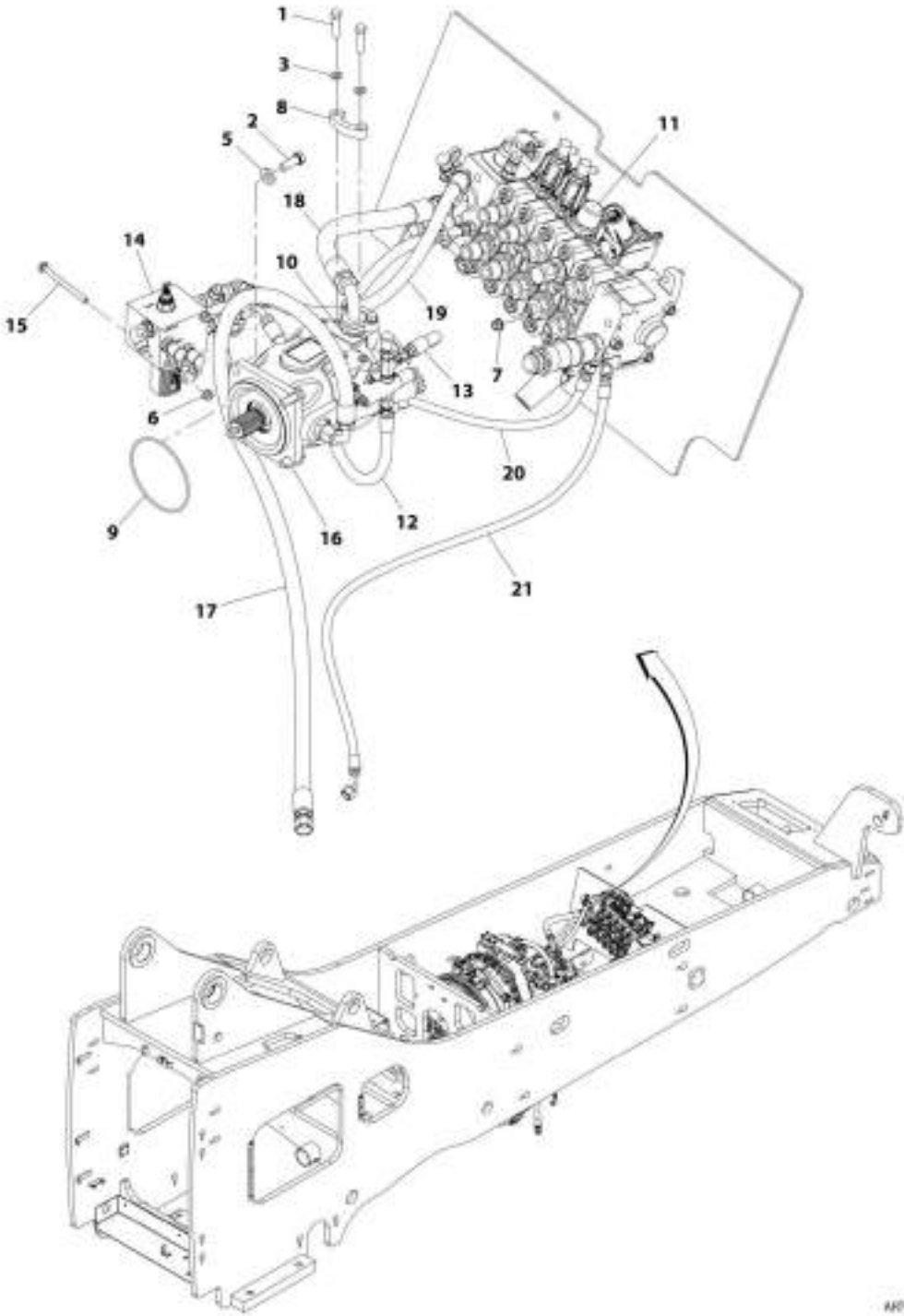
## SECTION 8 - HYDRAULIC CIRCUITS

**FIGURE 8-25. EXTEND CYLINDER LOCKOUT VALVE ASSEMBLY - 10054**

ITEM	PART NUMBER	QTY	DESCRIPTION	REV
	7301821	Ref	Extend Cylinder Lockout Valve Assembly - 10054	E
1	2220578	1	Adapter, 90	
2	2220498	1	Adapter, 45	
3	2220775	1	Adapter, 90	
4	1001103147	1	Valve, Extend Lockout (See HYDRAULIC COMPONENTS SECTION for Breakdown)	

**SECTION 8 - HYDRAULIC CIRCUITS**

**FIGURE 8-26. HYDRAULIC PUMP INSTALLATION**



AKF\_100110042-9

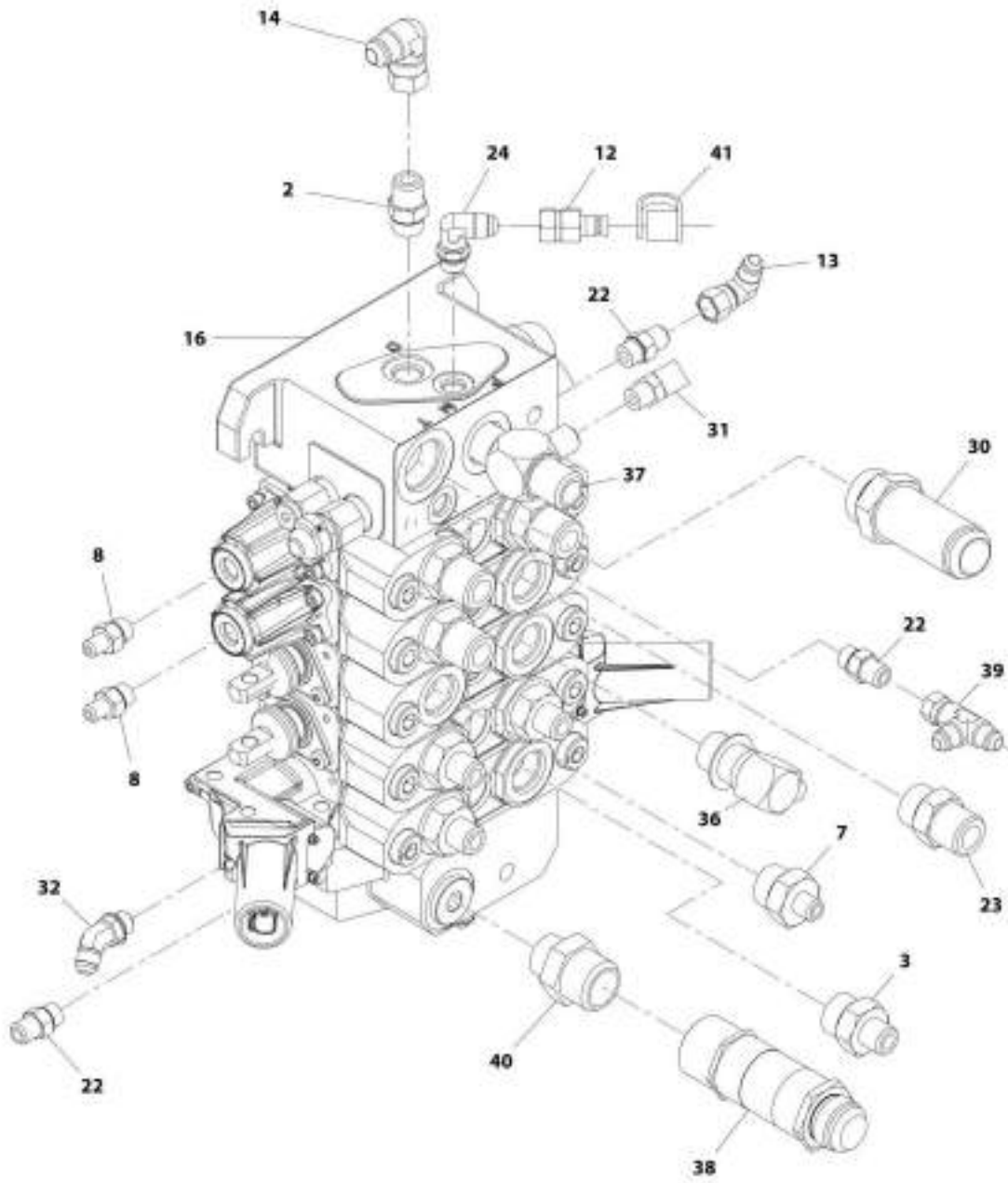
## SECTION 8 - HYDRAULIC CIRCUITS

**FIGURE 8-26. HYDRAULIC PUMP INSTALLATION**

ITEM	PART NUMBER	QTY	DESCRIPTION	REV
	1001168642	Ref	Hydraulic Pump Installation	F
1	0641612	4	Bolt, 3/8-16X1-1/2	
2	8303519	4	Bolt, M12X35	
3	8307005	4	Washer, Lock 3/8	
5	8310356	4	Washer, M12	
6	8310420	2	Nut, Flange 5/16-18	
7	8310522	3	Nut, Flange 3/8-16	
8	8530030	2	Flange, Half	
9	8630019	1	O-Ring	
10	8640123	1	O-Ring	
11	1001157935	1	Assembly, Hydraulic Pump Valve (See HYDRAULIC PUMP VALVE ASSEMBLY for Breakdown)	
12	1001198684	1	Hose	
13	1001207927	1	Hose	
14	1001159657	1	Assembly, Hydraulic Pump Secondary Valve (See HYDRAULIC PUMP SECONDARY VALVE ASSEMBLY for Breakdown)	
15	1001163685	2	Bolt, 5/16-18X4-1/2	
16	1001205873	1	Installation, Piston Pump (See PISTON PUMP INSTALLATION for Breakdown)	
17	1001168451	1	Hose	
18	1001171198	1	Hose	
19	1001171199	1	Hose	
20	1001194592	1	Hose	
21	1001173764	1	Hose	

# SECTION 8 - HYDRAULIC CIRCUITS

## FIGURE 8-27. HYDRAULIC PUMP VALVE ASSEMBLY



ART\_100157933-K

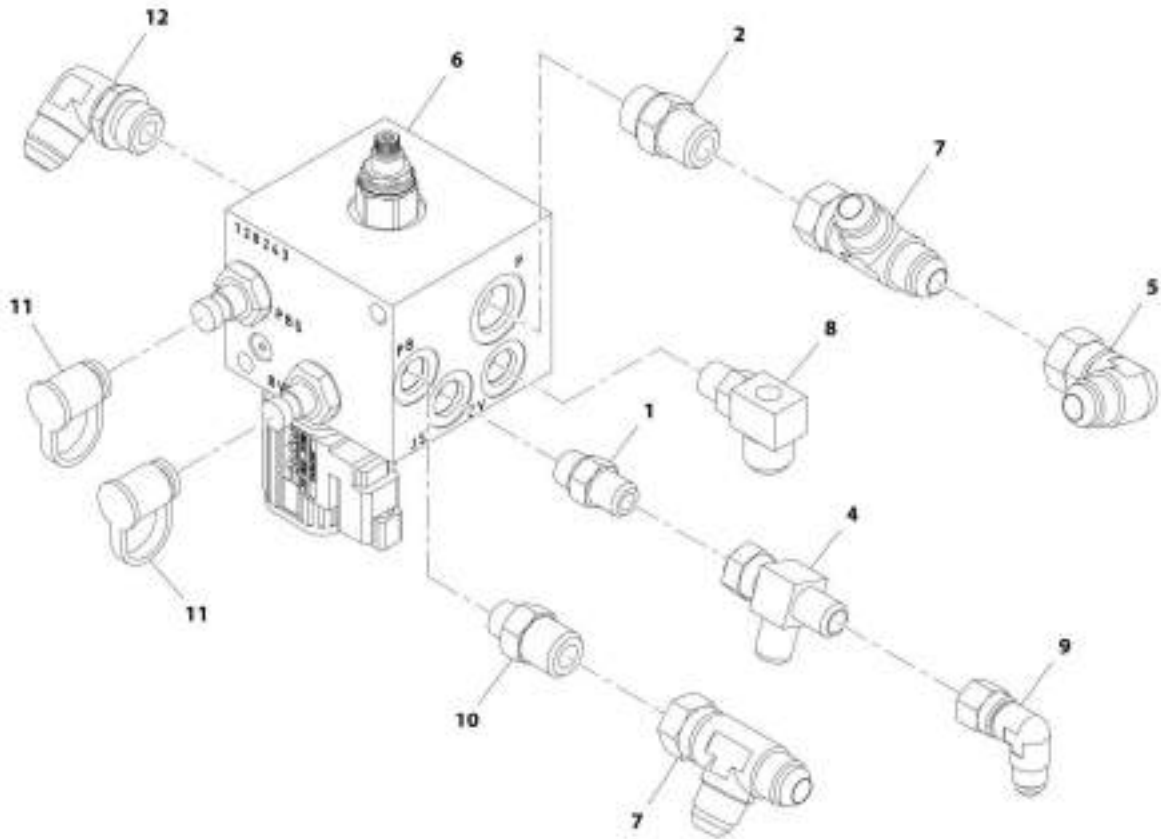
## SECTION 8 - HYDRAULIC CIRCUITS

**FIGURE 8-27. HYDRAULIC PUMP VALVE ASSEMBLY**

ITEM	PART NUMBER	QTY	DESCRIPTION	REV
	1001157935	Ref	Hydraulic Pump Valve Assembly	K
2	2220373	1	Adapter, Straight	
3	2220375	4	Adapter, Straight	
7	2220577	1	Adapter, Straight	
8	2220582	2	Adapter, Straight	
12	8430046	1	Adapter, Diagnostic	
13	8760268	1	Adapter, 90	
14	8765204	1	Adapter, 90	
16	1001157923	1	Valve, Main Control (See HYDRAULIC COMPONENTS for Breakdown)	
22	2220371	3	Adapter, Straight	
23	2220451	4	Adapter, Straight	
24	2220473	1	Adapter, 90	
30	1001219006	1	Adapter, Straight	
31	2220472	2	Adapter, 90	
32	2220501	1	Adapter, 45	
36	2221048	1	Adapter, 90	
37	2221063	1	Adapter, Run Tee	
38	1001174375	1	Valve, Check 65 PSI	
39	2220635	1	Adapter, Run Tee	
40	2220376	1	Adapter, Straight	
41	8430032	1	Cap, Dust	

# SECTION 8 - HYDRAULIC CIRCUITS

## FIGURE 8-28. HYDRAULIC PUMP SECONDARY VALVE ASSEMBLY



AWT\_1001159037-G

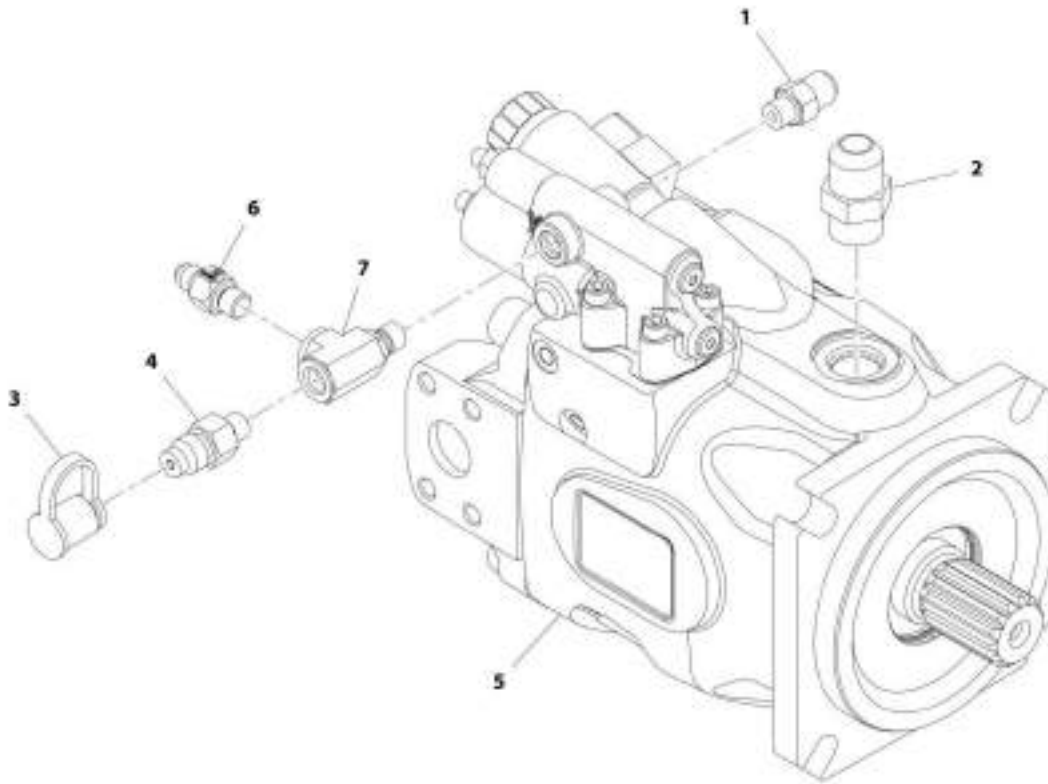
## SECTION 8 - HYDRAULIC CIRCUITS

FIGURE 8-28. HYDRAULIC PUMP SECONDARY VALVE ASSEMBLY

ITEM	PART NUMBER	QTY	DESCRIPTION	REV
	1001159657	Ref	Hydraulic Pump Secondary Valve Assembly	G
1	2220371	1	Adapter, Straight	
2	2220373	1	Adapter, Straight	
4	2220635	1	Adapter, Run Tee	
5	8765204	1	Adapter, 90	
6	1001159655	1	Valve, Secondary Control (See HYDRAULIC COMPONENTS SECTION for Breakdown)	
7	2220385	2	Adapter, Run Tee	
8	2220726	1	Adapter, 90	
9	8760268	1	Adapter, 90	
10	2220600	1	Adapter, Straight	
11	8430032	2	Plug	
12	2220596	1	Adapter, 90	

## SECTION 8 - HYDRAULIC CIRCUITS

FIGURE 8-29. PISTON PUMP INSTALLATION



ART\_1001205073-A



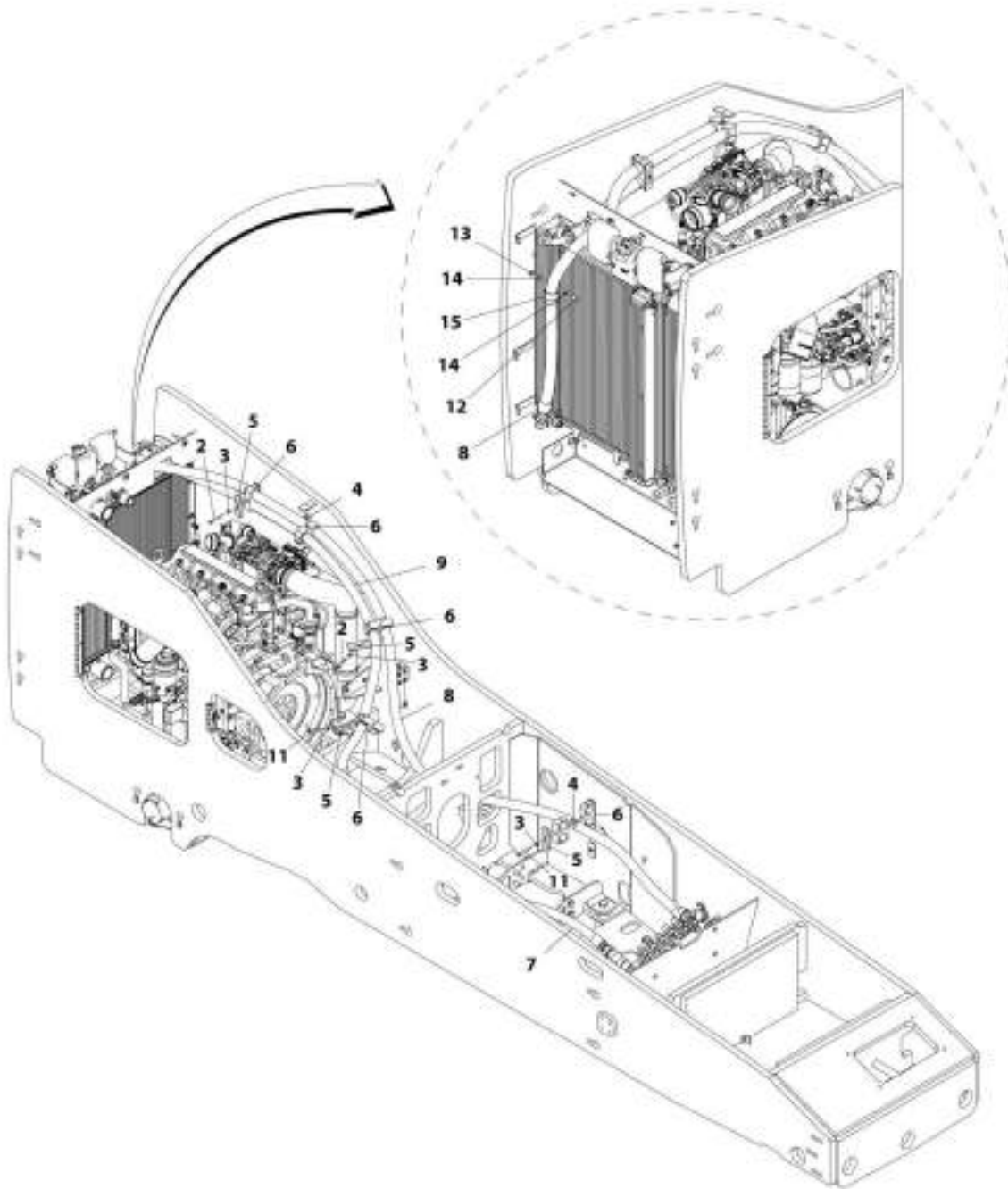
## SECTION 8 - HYDRAULIC CIRCUITS

### FIGURE 8-29. PISTON PUMP INSTALLATION

ITEM	PART NUMBER	QTY	DESCRIPTION	REV
	1001205873	Ref	Piston Pump Installation	A
1	2220603	1	Adapter, Straight JIC	
2	2220947	1	Adapter, Straight	
3	8430032	1	Cap, Dust	
4	8430033	1	Adapter, Diagnostic	
5	1001168376	1	Pump, Piston (See HYDRAULIC COMPONENTS SECTION for Breakdown)	
6	1001208876	1	Check Valve	
7	1001208877	1	Adapter	

# SECTION 8 - HYDRAULIC CIRCUITS

## FIGURE 8-30. HYDRAULIC COOLER PLUMBING INSTALLATION



APR\_1001171873-J

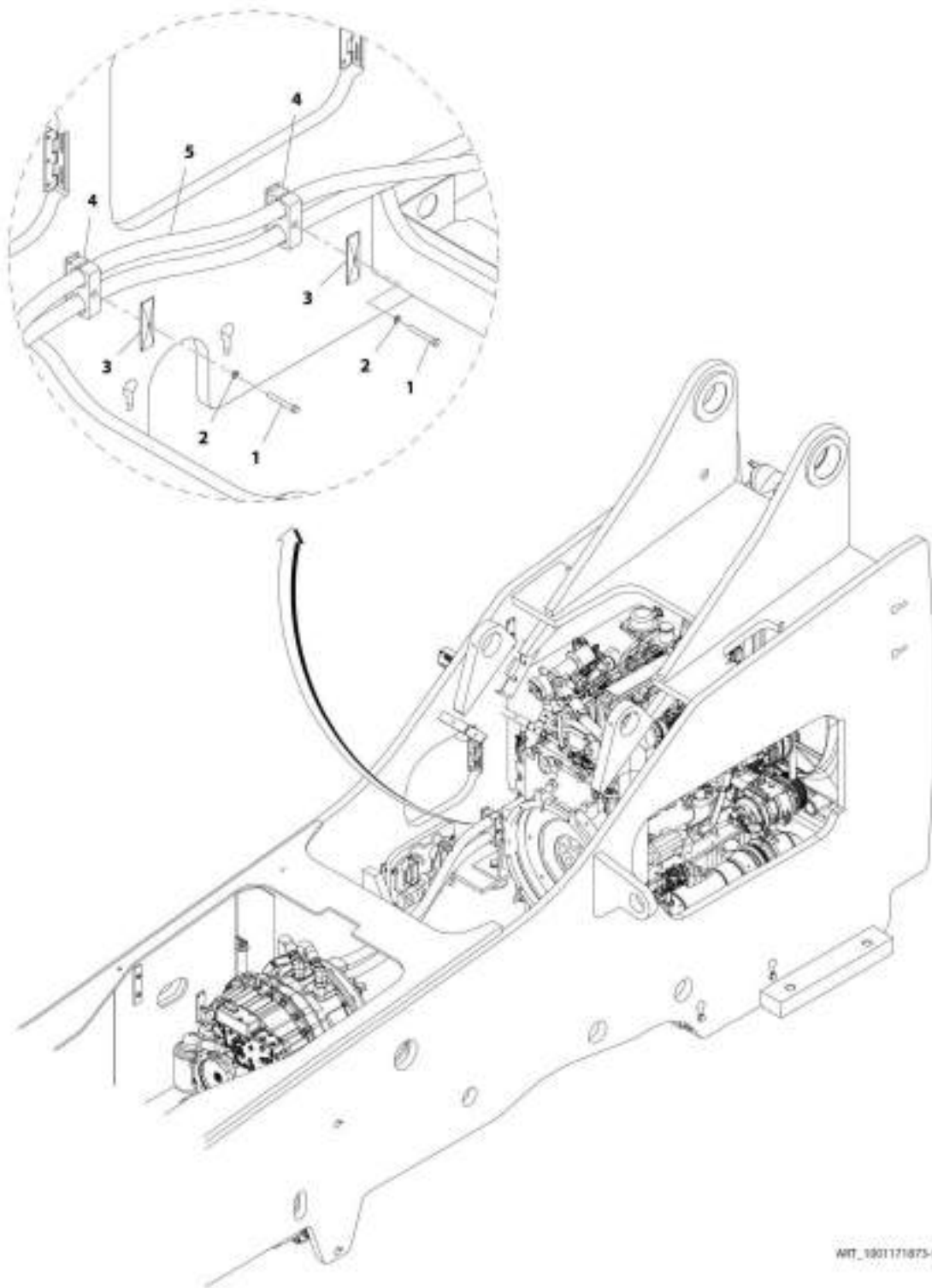
## SECTION 8 - HYDRAULIC CIRCUITS

### FIGURE 8-30. HYDRAULIC COOLER PLUMBING INSTALLATION

ITEM	PART NUMBER	QTY	DESCRIPTION	REV
	1001171872	Ref	Hydraulic Cooler Plumbing Installation	J
2	8303757	3	Bolt, 5/16-18X2-1/2	
3	8307004	5	Washer, Lock 5/16	
4	8750017	2	Plate, Twin Clamp Locking	
5	8750025	5	Cover Plate, Twin	
6	1001196109	5	Clamp Set, Twin	
7	1001194783	1	Hose	
8	1001171948	1	Hose	
9	1001177753	1	Hose	
11	8303766	2	Bolt, 5/16-18X2-3/4	
12	8303620	1	Bolt, 3/8-16X1	
13	8305008	1	Nut, 3/8-16	
14	8307110	2	Washer, 3/8	
15	85841150	1	Clamp, Support	

## SECTION 8 - HYDRAULIC CIRCUITS

FIGURE 8-31. HYDRAULIC TRANSMISSION COOLER PLUMBING INSTALLATION



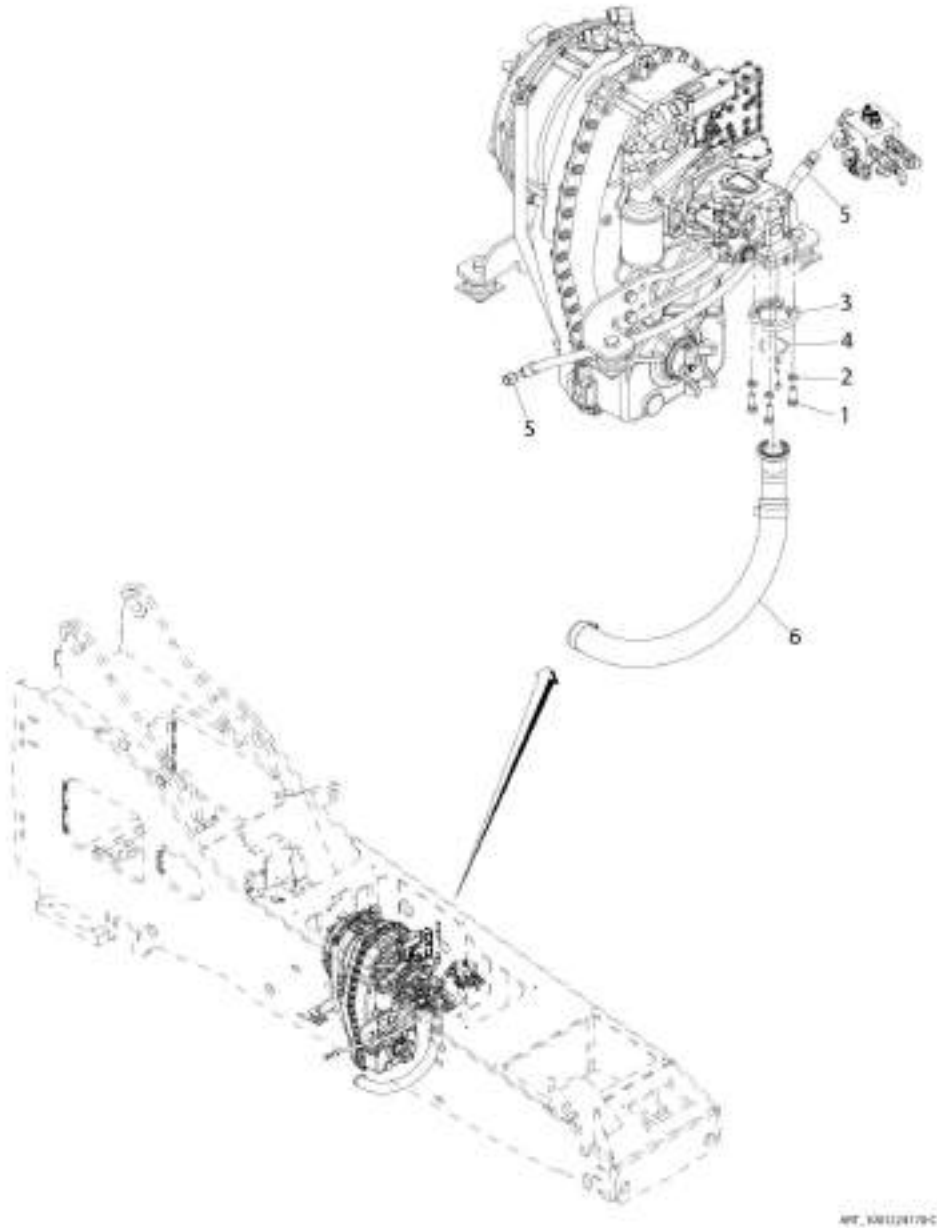
## SECTION 8 - HYDRAULIC CIRCUITS

**FIGURE 8-31. HYDRAULIC TRANSMISSION COOLER PLUMBING INSTALLATION**

ITEM	PART NUMBER	QTY	DESCRIPTION	REV
	1001171873	Ref	Hydraulic Transmission Cooler Plumbing Installation	B
1	8303757	2	Bolt, 5/16-18X2-1/2	
2	8307004	2	Washer, Lock 5/16	
3	8750025	2	Cover Plate, Twin	
4	8750040	2	Clamp Set, Twin	
5	1001171986	2	Hose	

# SECTION 8 - HYDRAULIC CIRCUITS

FIGURE 8-32. FRAME HYDRAULICS INSTALLATION - 8042 (ULS)



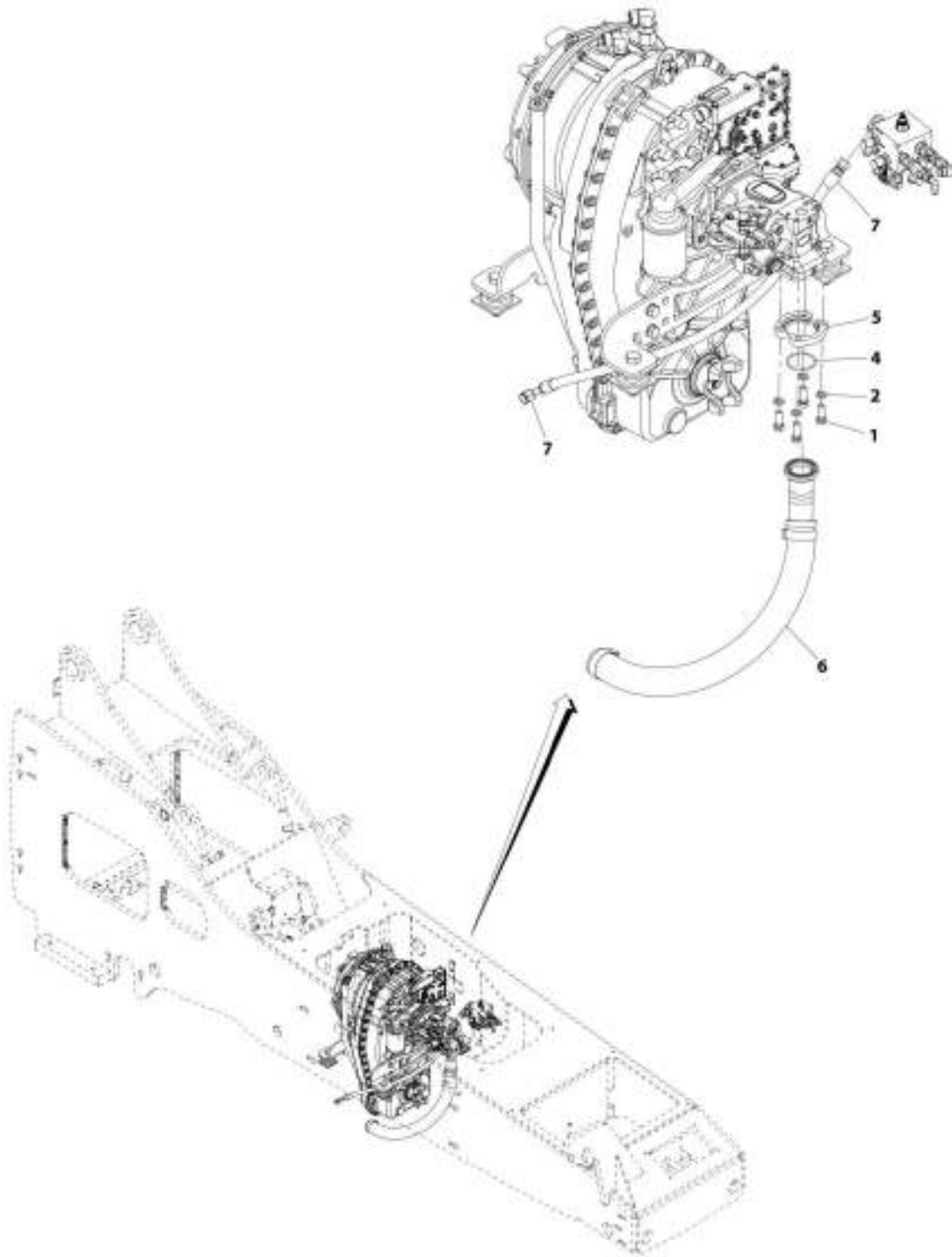
## SECTION 8 - HYDRAULIC CIRCUITS

**FIGURE 8-32. FRAME HYDRAULICS INSTALLATION - 8042 (ULS)**

ITEM	PART NUMBER	QTY	DESCRIPTION	REV
	1001224170	Ref	Frame Hydraulics Installation - 8042 (ULS)	C
1	8303626	4	Bolt, 1/2-13X1-1/2	
2	8307007	4	Washer, Lock 1/2	
3	8546407	2	Flange Half	
4	8640208	1	O-Ring	
5	1001119610	1	Hose	
6	1001227508	1	Hose	

# SECTION 8 - HYDRAULIC CIRCUITS

FIGURE 8-33. FRAME HYDRAULICS INSTALLATION - 8042 (LS)



ART\_1001172364-G



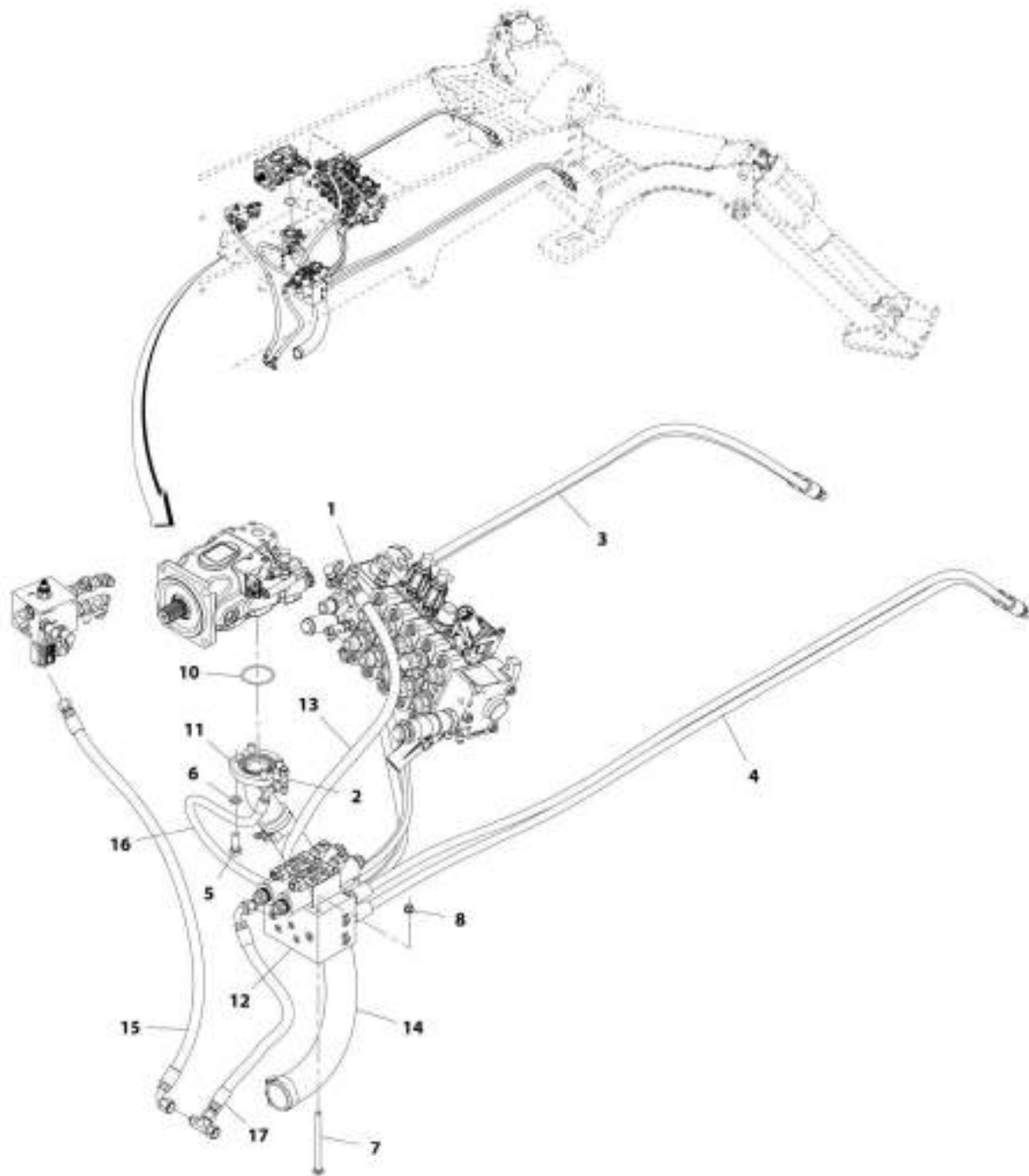
## SECTION 8 - HYDRAULIC CIRCUITS

**FIGURE 8-33. FRAME HYDRAULICS INSTALLATION - 8042 (LS)**

ITEM	PART NUMBER	QTY	DESCRIPTION	REV
	1001172364	Ref	Frame Hydraulics Installation - 8042 (LS)	G
1	8303626	4	Bolt, 1/2-13X1-1/2	
2	8307007	4	Washer, Lock 1/2	
4	8640208	1	O-Ring	
5	8546407	2	Flange Half	
6	1001197765	NLA	Hose, (no longer available, use 1001227508 for replacement)	
6	1001227508	1	Hose	
7	1001119610	1	Hose	

# SECTION 8 - HYDRAULIC CIRCUITS

FIGURE 8-34. FRAME HYDRAULICS INSTALLATION - 10042



ART\_1001172905-0

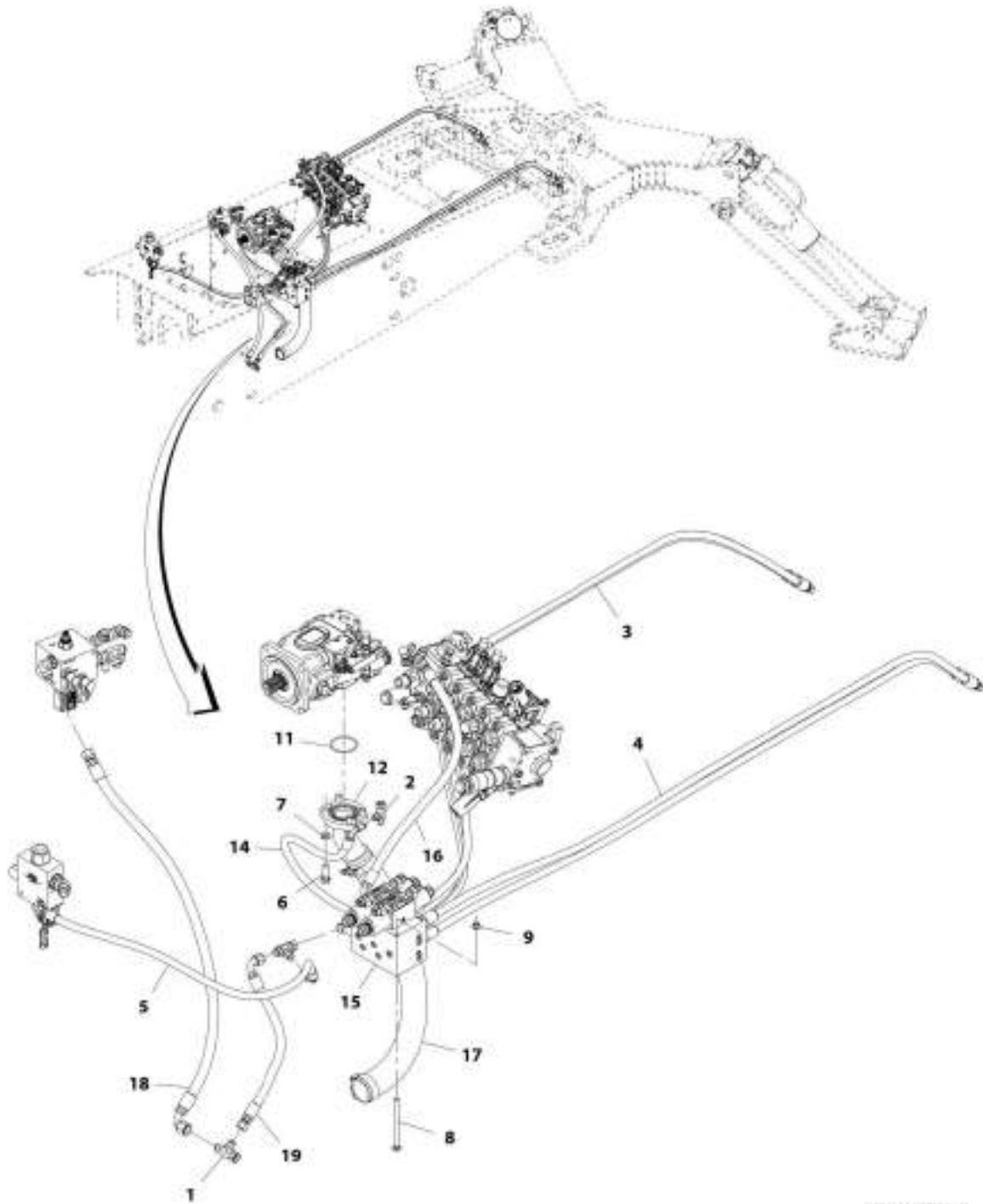
## SECTION 8 - HYDRAULIC CIRCUITS

**FIGURE 8-34. FRAME HYDRAULICS INSTALLATION - 10042**

ITEM	PART NUMBER	QTY	DESCRIPTION	REV
	1001172365	Ref	Frame Hydraulics Installation - 10042	G
1	2220385	2	Adapter, Run Tee	
2	2220635	1	Adapter, Run Tee	
3	2716664	2	Hose	
4	2716665	2	Hose	
5	8303626	4	Bolt, 1/2-13X1-1/2	
6	8307007	4	Washer, Lock 1/2	
7	8310478	2	Bolt, 3/8-16X5-1/2	
8	8310522	2	Nut, Flange 3/8-16	
10	8640208	1	O-Ring	
11	8546407	2	Flange Half	
12	1001158611	1	Assembly, Outrigger Valve (See OUTRIGGER VALVE ASSEMBLY - 10042 & 10054 for Breakdown)	
13	1001171326	1	Hose	
14	1001197765	NLA	Hose, (no longer available, use 1001227508 for replacement)	
14	1001227508	1	Hose	
15	1001119610	1	Hose	
16	1001158576	1	Hose	
17	1001173752	1	Hose	

# SECTION 8 - HYDRAULIC CIRCUITS

FIGURE 8-35. FRAME HYDRAULICS INSTALLATION - 10054



ART\_3001172366-H

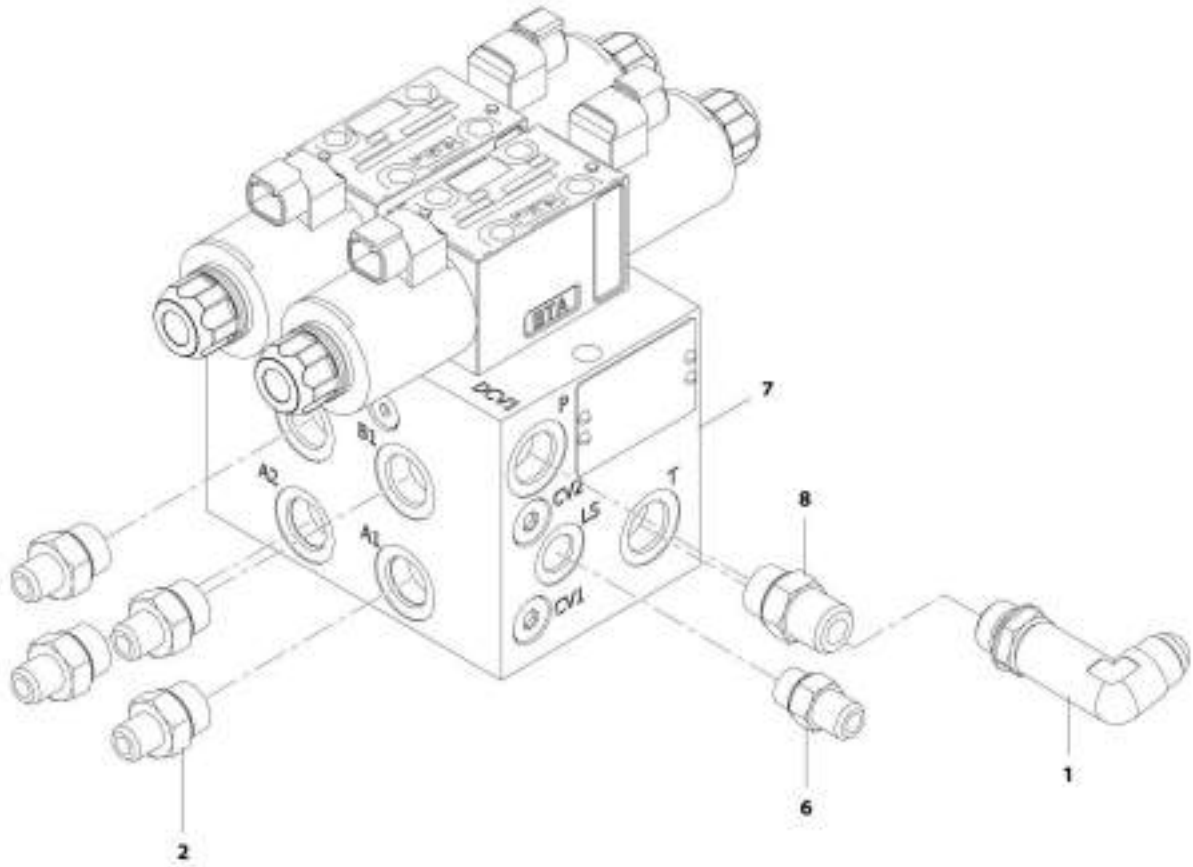
## SECTION 8 - HYDRAULIC CIRCUITS

**FIGURE 8-35. FRAME HYDRAULICS INSTALLATION - 10054**

ITEM	PART NUMBER	QTY	DESCRIPTION	REV
	1001172366	Ref	Frame Hydraulics Installation - 10054	H
1	2220385	3	Adapter, Run Tee	
2	2220635	1	Adapter, Run Tee	
3	2716664	2	Hose	
4	2716665	2	Hose	
5	2716712	1	Hose	
6	8303626	4	Bolt, 1/2-13X1-1/2	
7	8307007	4	Washer, Lock 1/2	
8	8310478	2	Bolt, 3/8-16X5-1/2	
9	8310522	2	Nut, Flange 3/8-16	
11	8640208	1	O-Ring	
12	8546407	2	Flange Half	
14	1001158576	1	Hose	
15	1001158611	1	Assembly, Outtrigger Valve (See OUTRIGGER VALVE ASSEMBLY - 10042 & 10054 for Breakdown)	
16	1001171326	1	Hose	
17	1001197765	NLA	Hose, (no longer available, use 1001227508 for replacement)	
17	1001227508	1	Hose	
18	1001119610	1	Hose	
19	1001173752	1	Hose	

**SECTION 8 - HYDRAULIC CIRCUITS**

**FIGURE 8-36. OUTRIGGER VALVE ASSEMBLY - 10042 & 10054**



ART.100115M11-C

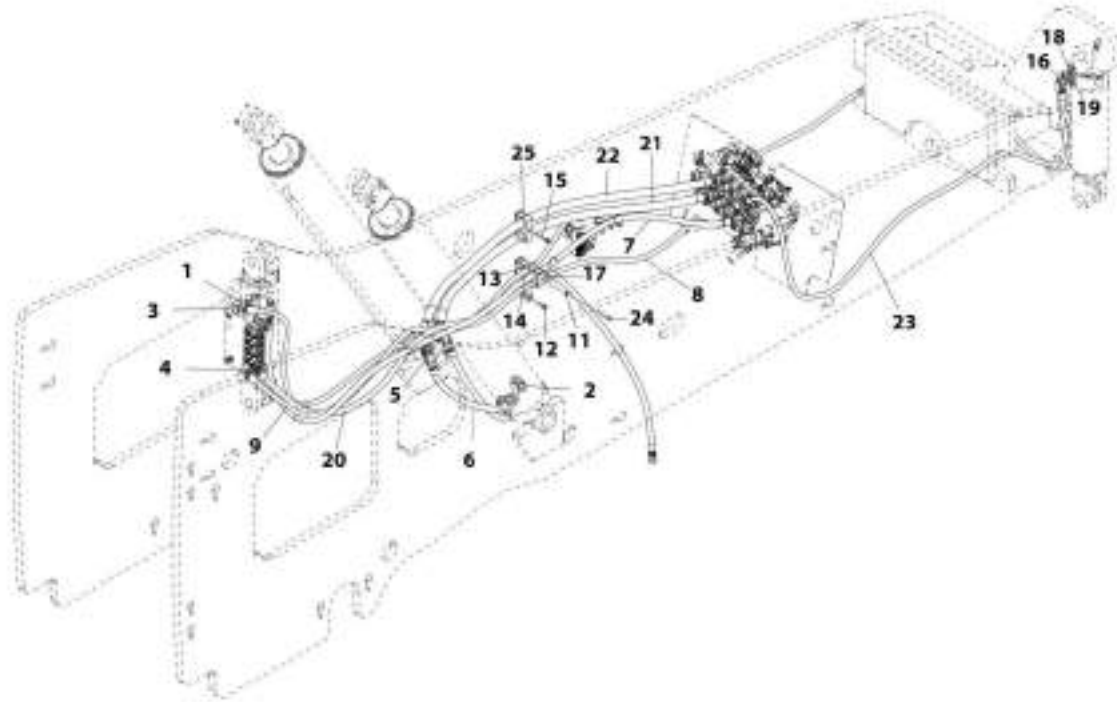
## SECTION 8 - HYDRAULIC CIRCUITS

**FIGURE 8-36. OUTRIGGER VALVE ASSEMBLY - 10042 & 10054**

ITEM	PART NUMBER	QTY	DESCRIPTION	REV
	1001158611	1	Outrigger Valve Assembly - 10042 & 10054	C
1	2220474	1	Adapter, Long 90	
2	2220372	4	Adapter, Straight JIC	
6	2220371	1	Adapter, Straight JIC	
7	1001185915	1	Valve, Outrigger (See HYDRAULIC COMPONENTS SECTION for Breakdown)	
8	2220373	1	Adapter, Straight JIC	

# SECTION 8 - HYDRAULIC CIRCUITS

FIGURE 8-37. HYDRAULIC FRAME CYLINDERS INSTALLATION



ART\_10017384-E



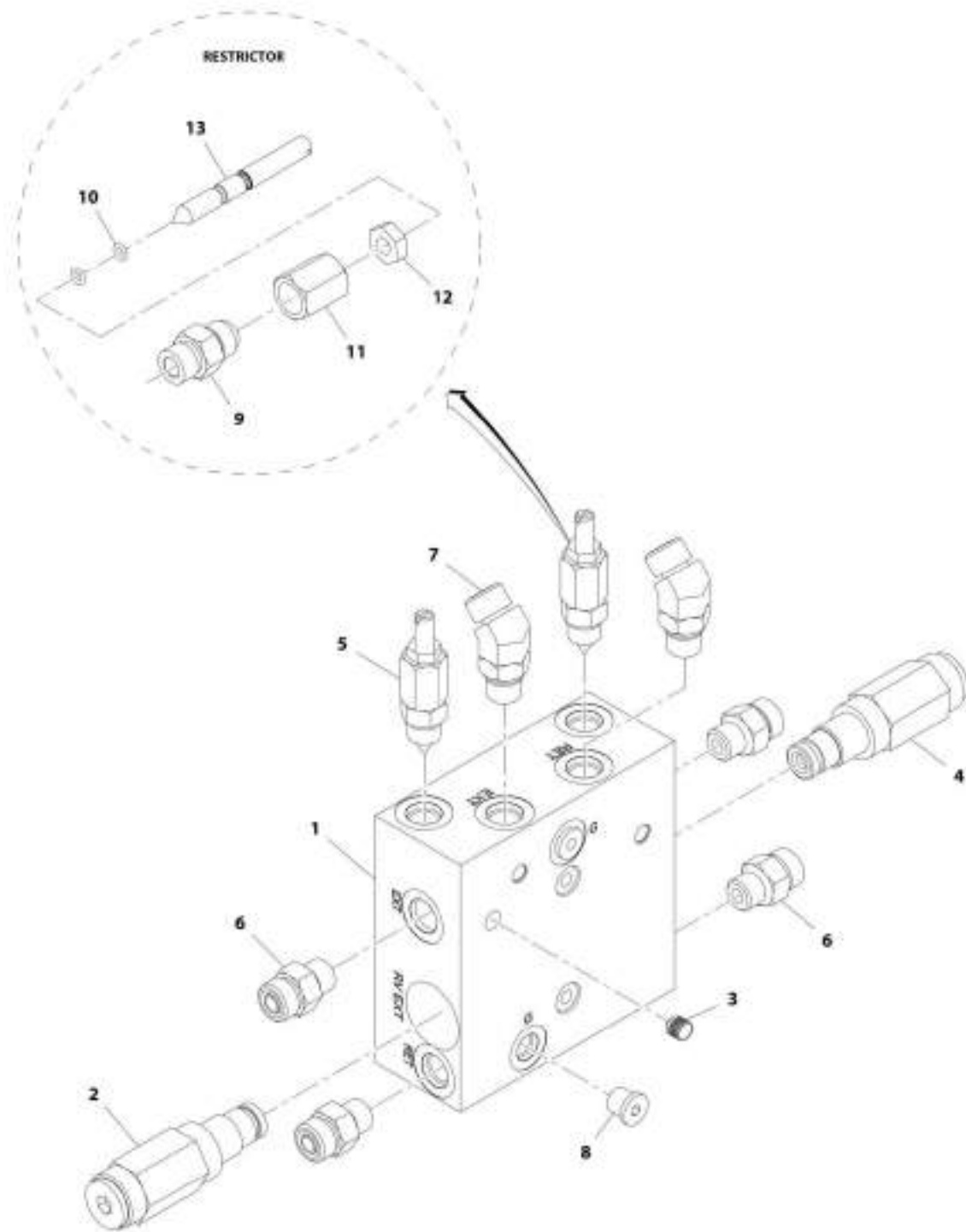
## SECTION 8 - HYDRAULIC CIRCUITS

**FIGURE 8-37. HYDRAULIC FRAME CYLINDERS INSTALLATION**

ITEM	PART NUMBER	QTY	DESCRIPTION	REV
	1001173841	Ref	Hydraulic Frame Cylinders Installation	E
1	2220371	1	Adapter, Straight	
2	2220375	2	Adapter, Straight	
3	2220473	1	Adapter, 90	
4	2220501	2	Adapter, 45	
5	2220695	2	Adapter, Branch Tee	
6	2716675	2	Hose	
7	2716686	1	Hose	
8	2716688	1	Hose	
9	2716691	1	Hose	
11	8307004	1	Washer, Lock 5/16	
12	8750012	1	Bolt, Stacking	
13	8750027	2	Clamp Set, Twin	
14	8750017	2	Plate, Twin Clamp Locking	
15	8750026	1	Bolt, Stacking	
16	8760268	2	Adapter, 90	
17	8769128	1	Cover Plate, Twin	
18	8902857	1	Valve, Restrictor Check	
19	8902858	1	Valve, Restrictor Check	
20	1001202384	1	Hose	
21	1001171191	1	Hose	
22	1001171193	1	Hose	
23	1001171194	1	Hose	
24	8310009	1	Bolt, 5/16-18X2	
25	8750040	1	Clamp Set, Twin	

# SECTION 8 - HYDRAULIC CIRCUITS

## FIGURE 8-38. VALVE ASSEMBLY



WRT\_70028589

## SECTION 8 - HYDRAULIC CIRCUITS

### FIGURE 8-38. VALVE ASSEMBLY

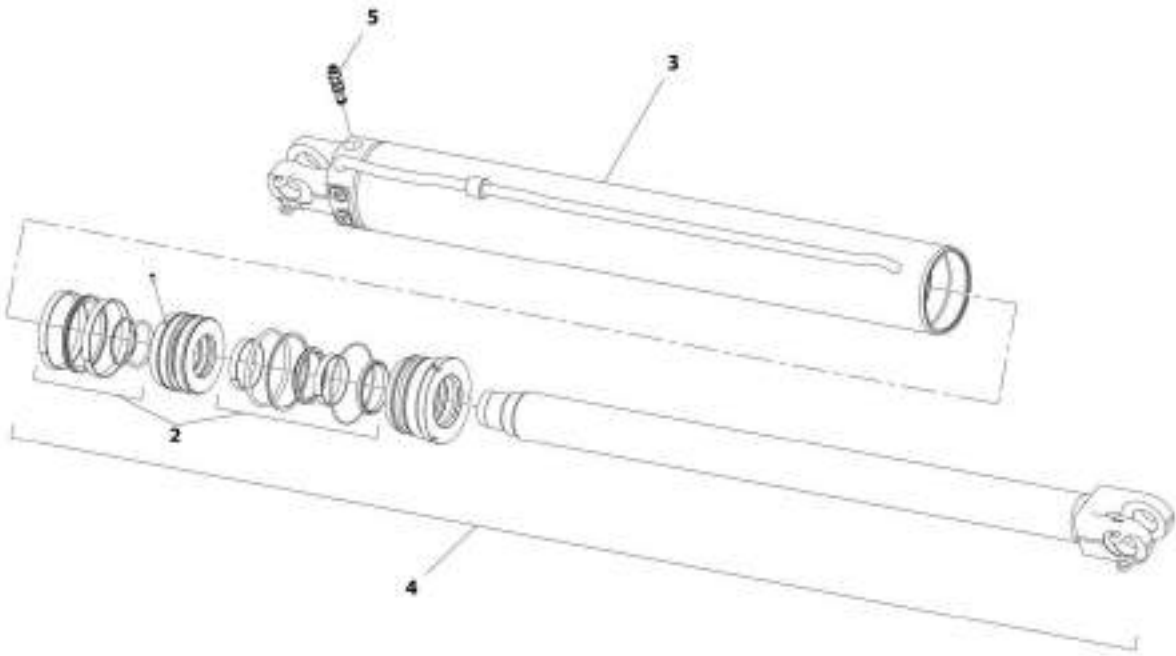
ITEM	PART NUMBER	QTY	DESCRIPTION	REV
	70026589	1	Valve Assembly	
1	70026612	1	Manifold	
2	70026613	1	Cartridge	
3	70026614	4	Plug	
4	70026478	1	Relief Valve Cartridge	
5	70026615	2	Restrictor	
6	70024130	4	Fitting	
7	70026616	2	Fitting	
8	70024129	2	Plug	
9	70026617	1	Fitting	
10	70026618	2	O-Ring	
11	70026619	1	Cap	
12	70026620	1	Jam Nut	
13	70026621	1	Plunger	



**SECTION 9 - HYDRAULIC COMPONENTS**

**SECTION 9 - HYDRAULIC COMPONENTS**

**FIGURE 9-1. LIFT CYLINDER - 8042**



8042\_1001156175-1

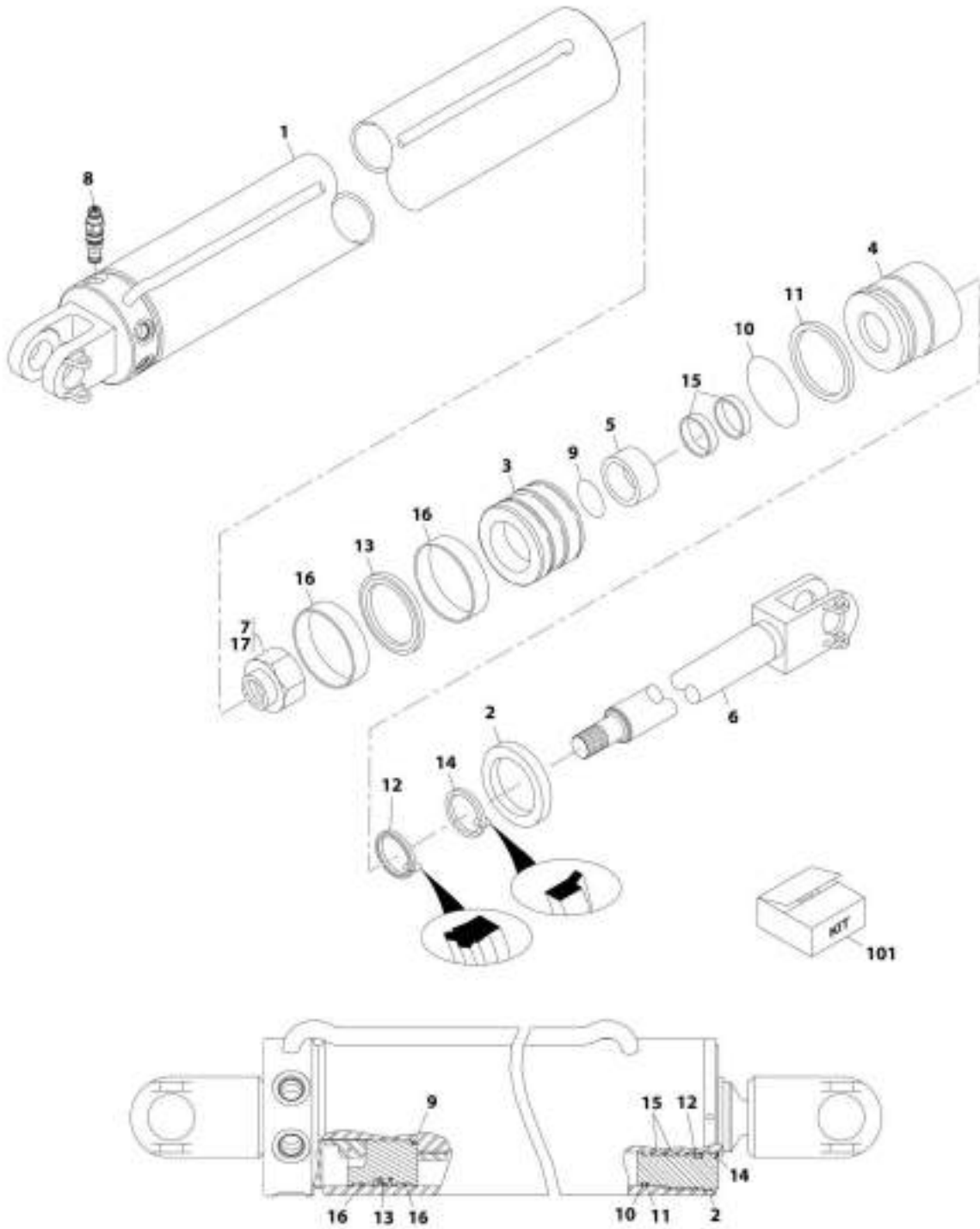
## SECTION 9 - HYDRAULIC COMPONENTS

### FIGURE 9-1. LIFT CYLINDER - 8042

ITEM	PART NUMBER	QTY	DESCRIPTION	REV
	1001156175	Ref	Lift Cylinder - 8042	I
2	70026048	1	Kit, Seal	
3	70026049	1	Assembly, Barrel	
4	70026050	1	Assembly, Rod	
5	1001170317	1	Valve, Counterbalance	

# SECTION 9 - HYDRAULIC COMPONENTS

## FIGURE 9-2. LIFT CYLINDER - 10042



ART\_1001150254-C



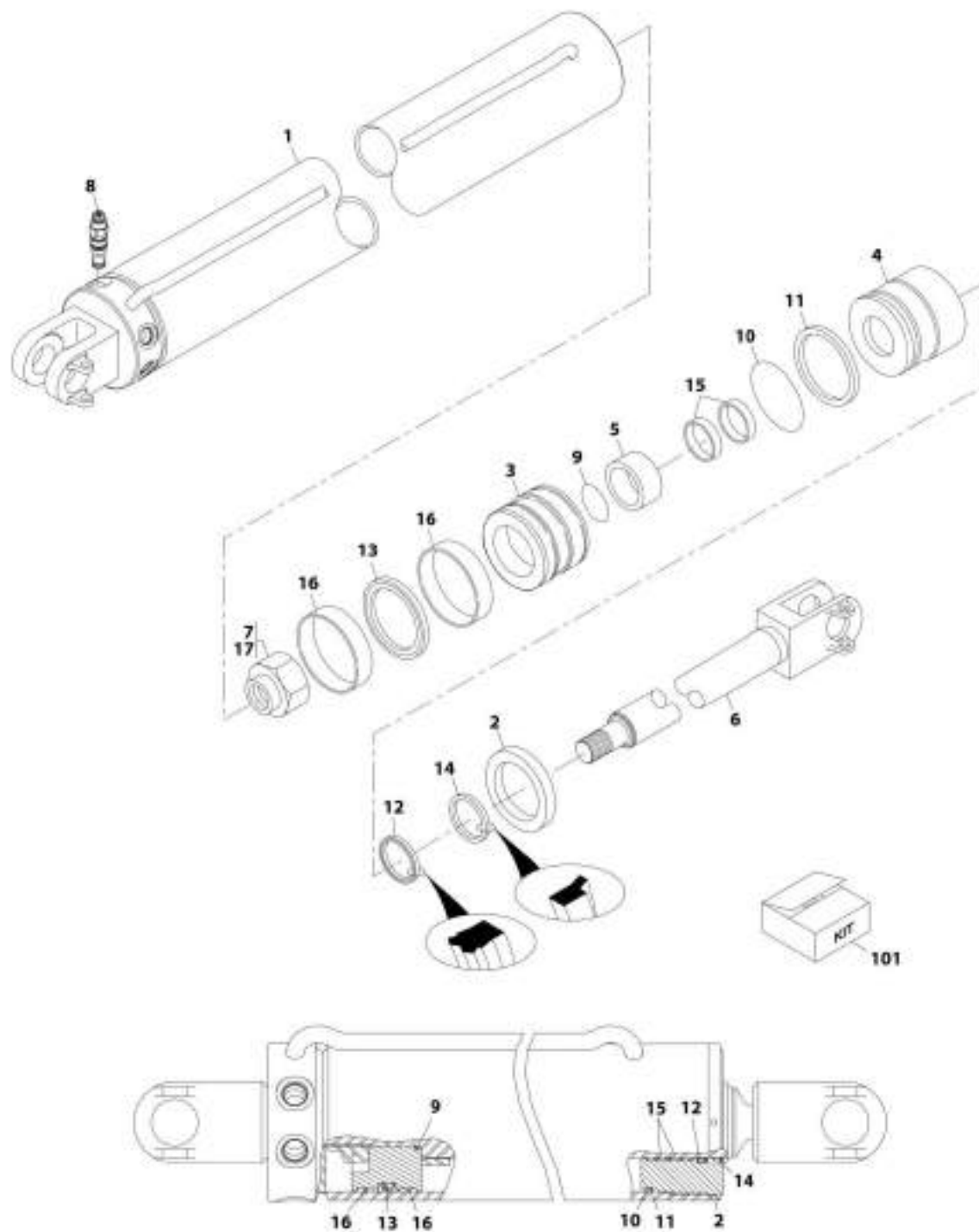
## SECTION 9 - HYDRAULIC COMPONENTS

### FIGURE 9-2. LIFT CYLINDER - 10042

ITEM	PART NUMBER	QTY	DESCRIPTION	REV
	1001156254	Ref	Lift Cylinder - 10042	C
1	70026023	1	Weldment, Tube	
2	8035610	1	Collar, Locking	
3	8035545	1	Piston	
4	8035609	1	Gland, Head	
5	8035608	1	Spacer, Rod	
6	8035607	1	Weldment, Rod	
7	8035308	1	Nut, Lock	
8	1001170317	1	Valve, Counterbalance	
9	Kit	1	O-Ring	
10	Kit	1	O-Ring	
11	Kit	1	Ring, Backup	
12	Kit	1	Seal, DZR	
13	Kit	1	T-Seal, Capped	
14	Kit	1	Seal, Wiper	
15	Kit	2	Wearband, Precision	
16	Kit	2	Wearband, Precision	
17	8526011	AR	Compound, Locking	
101	70026025	1	Kit, Seal (includes items 9 thru 16)	

# SECTION 9 - HYDRAULIC COMPONENTS

## FIGURE 9-3. LIFT CYLINDER - 10054



ART\_100119255-G

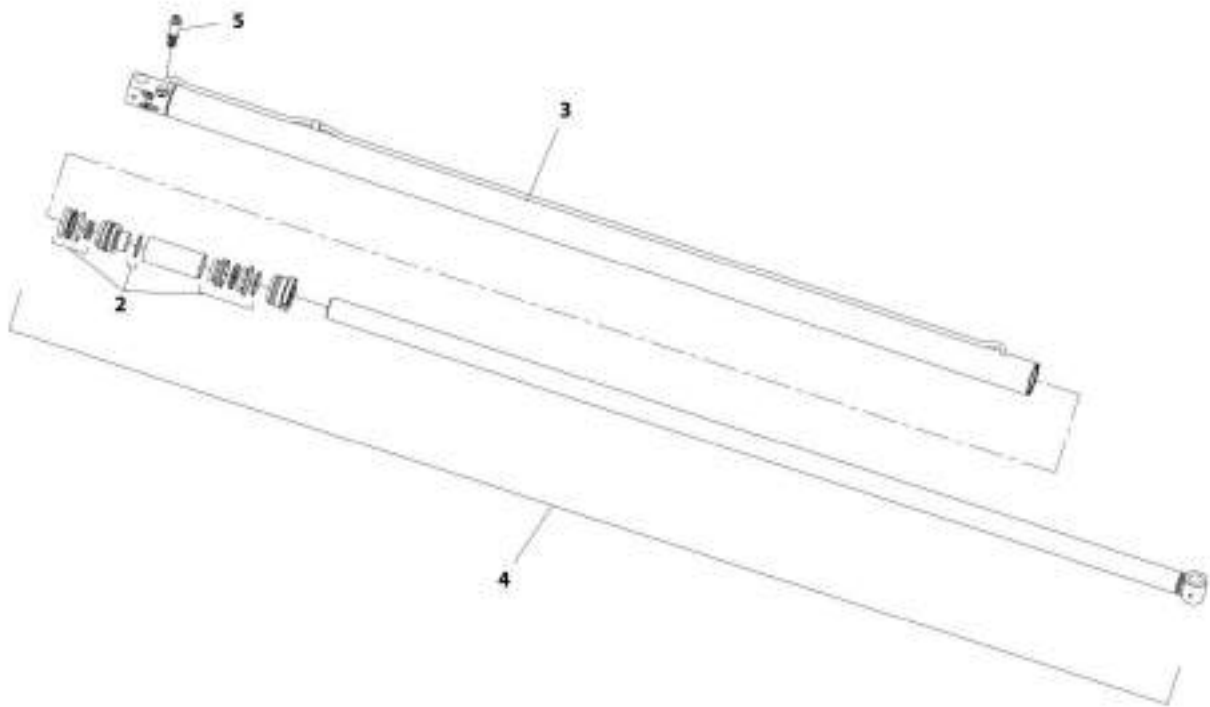
## SECTION 9 - HYDRAULIC COMPONENTS

### FIGURE 9-3. LIFT CYLINDER - 10054

ITEM	PART NUMBER	QTY	DESCRIPTION	REV
	1001156255	Ref	Lift Cylinder - 10054	D
1	70026023	1	Weldment, Tube	
2	8035610	1	Collar, Locking	
3	8035545	1	Piston	
4	70026026	1	Gland, Head	
5	70026027	1	Spacer, Rod	
6	70026028	1	Weldment, Rod	
7	8035308	1	Nut, Lock	
8	1001170317	1	Valve, Counterbalance	
9	Kit	1	O-Ring	
10	Kit	1	O-Ring	
11	Kit	1	Ring, Backup	
12	Kit	1	Seal, DZR	
13	Kit	1	T-Seal, Capped	
14	Kit	1	Seal, Wiper	
15	Kit	2	Wearband, Precision	
16	Kit	2	Wearband, Precision	
17	8526011	AR	Compound, Locking	
101	70026029	1	Kit, Seal (includes items 9 thru 16)	

# SECTION 9 - HYDRAULIC COMPONENTS

FIGURE 9-4. EXTEND/RETRACT CYLINDER - 8042



ART\_1001156011-D

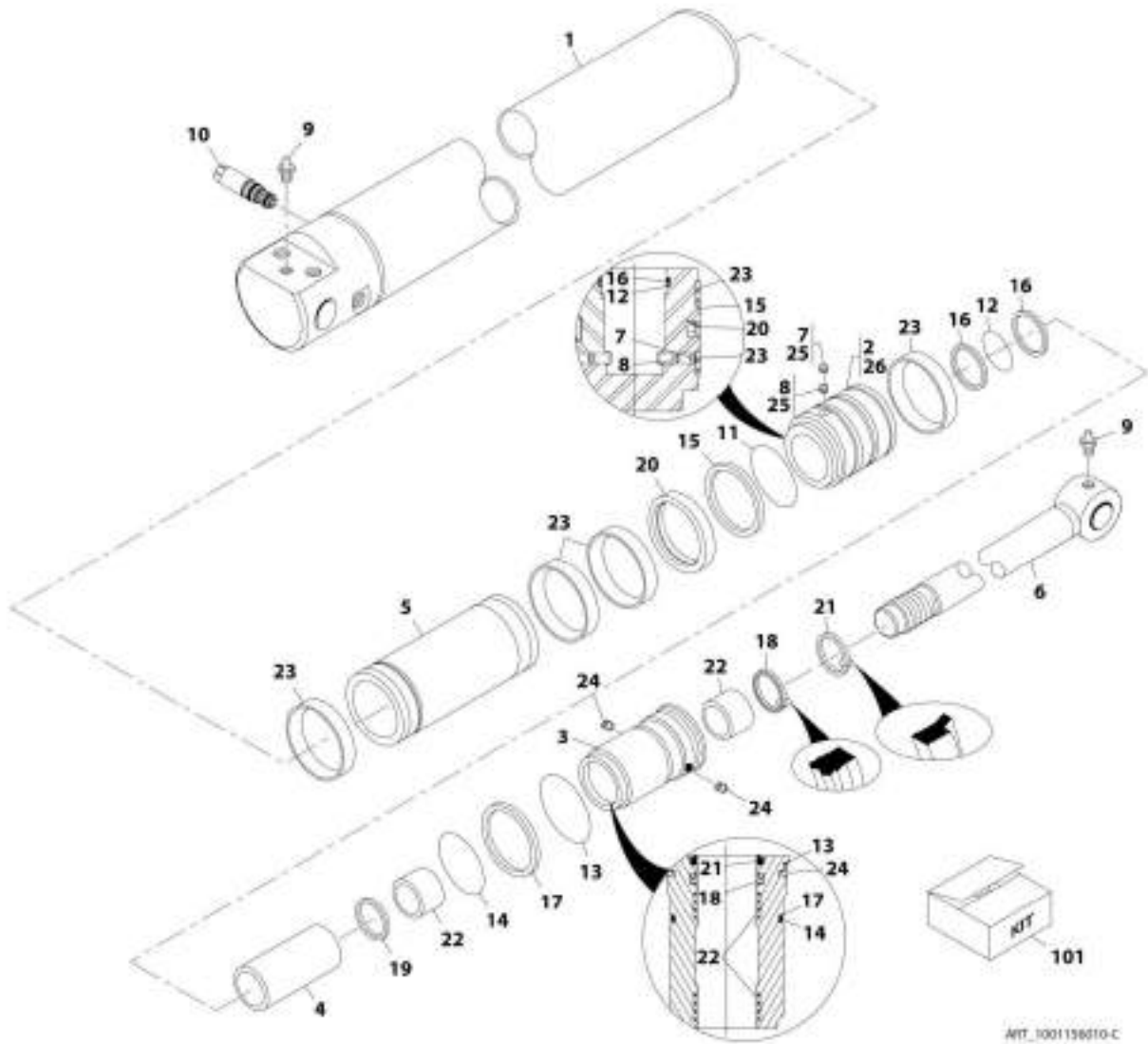
## SECTION 9 - HYDRAULIC COMPONENTS

FIGURE 9-4. EXTEND/RETRACT CYLINDER - 8042

ITEM	PART NUMBER	QTY	DESCRIPTION	REV
	1001156011	Ref	Extend/Retract Cylinder - 8042	D
2	70026052	1	Kit, Seal	
3	70026053	1	Assembly, Barrel	
4	70026054	1	Assembly, Rod	
5	1001170316	1	Valve, Counterbalance	

# SECTION 9 - HYDRAULIC COMPONENTS

## FIGURE 9-5. EXTEND/RETRACT CYLINDER - 10042



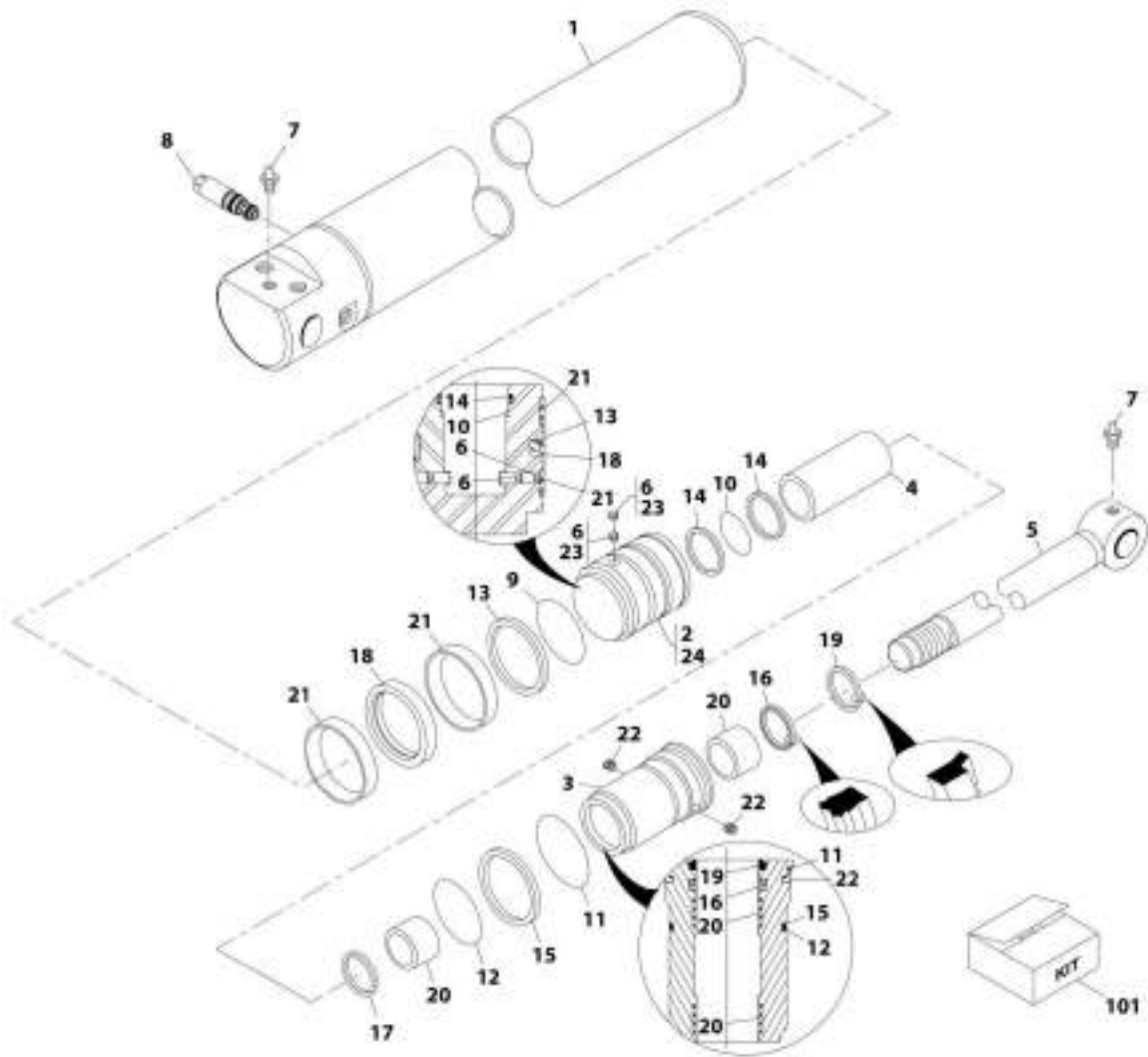
## SECTION 9 - HYDRAULIC COMPONENTS

**FIGURE 9-5. EXTEND/RETRACT CYLINDER - 10042**

ITEM	PART NUMBER	QTY	DESCRIPTION	REV
	1001156010	Ref	Extend/Retract Cylinder - 10042	C
1	70026036	1	Weldment, Tube	
2	8035800	1	Piston	
3	8035539	1	Gland, Head	
4	8035616	1	Spacer, Rod	
5	7026579	1	Spacer	
6	8035615	1	Weldment, Rod	
7	8035536	1	Screw, 5/16-18X1/2	
8	8035315	1	Screw, 5/16-18X0.63	
9	70020375	2	Fitting, Straight Lube	
10	1001170316	1	Valve, Counterbalance	
11	Kit	1	O-Ring	
12	Kit	1	O-Ring	
13	Kit	1	O-Ring	
14	Kit	1	O-Ring	
15	Kit	1	Ring, Square	
16	Kit	2	Ring, Backup	
17	Kit	1	Ring, Backup	
18	Kit	1	U-Cup	
19	Kit	1	Seal, Buffer	
20	Kit	1	Seal, Piston	
21	Kit	1	Seal, Wiper	
22	Kit	2	Wearband, Precision	
23	Kit	4	Wearband, Precision	
24	Kit	2	Insert, Locking	
25	8526007	AR	Compound, Locking	
26	8526011	AR	Compound, Locking	
101	70026038	1	Kit, Seal (includes items 11 thru 24)	

# SECTION 9 - HYDRAULIC COMPONENTS

FIGURE 9-6. EXTEND/RETRACT CYLINDER - 10054



ART\_1001156009-D



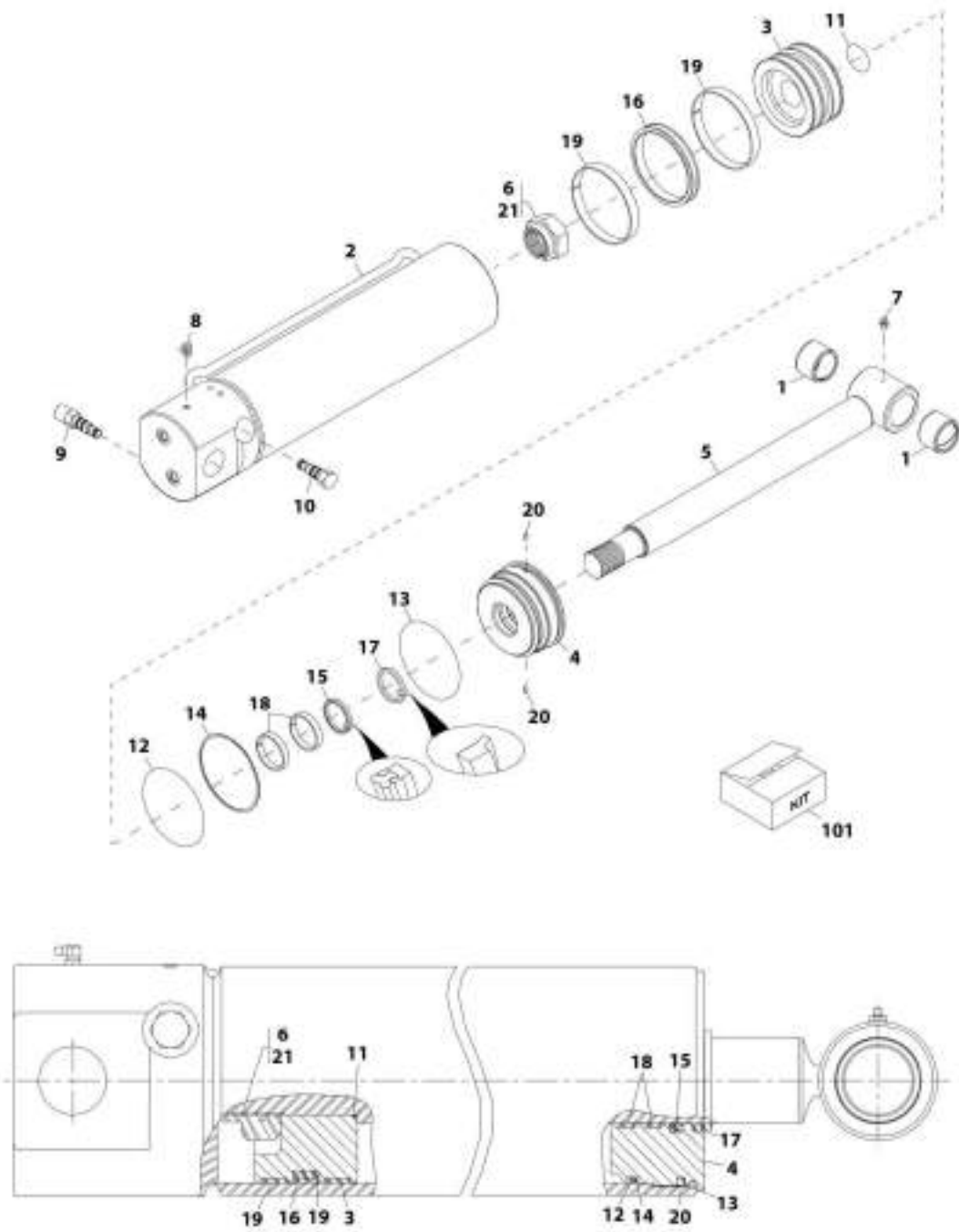
## SECTION 9 - HYDRAULIC COMPONENTS

**FIGURE 9-6. EXTEND/RETRACT CYLINDER - 10054**

ITEM	PART NUMBER	QTY	DESCRIPTION	REV
	1001156009	Ref	Extend/Retract Cylinder - 10054	D
1	70026036	1	Weldment, Tube	
2	70026039	1	Piston	
3	70026040	1	Gland, Head	
4	70026041	1	Spacer, Rod	
5	70026042	1	Weldment, Rod	
6	8035536	2	Screw, 5/16-18X1/2	
7	70020375	2	Fitting, Straight Lube	
8	1001170316	1	Valve, Counterbalance	
9	Kit	1	O-Ring	
10	Kit	1	O-Ring	
11	Kit	1	O-Ring	
12	Kit	1	O-Ring	
13	Kit	1	Ring, Square	
14	Kit	2	Ring, Backup	
15	Kit	1	Ring, Backup	
16	Kit	1	U-Cup	
17	Kit	1	Seal, Buffer	
18	Kit	1	Seal, Piston	
19	Kit	1	Seal, Wiper	
20	Kit	2	Wearband, Precision	
21	Kit	2	Wearband, Precision	
22	Kit	2	Insert, Locking	
23	8526007	AR	Compound, Locking	
24	8526011	AR	Compound, Locking	
101	70026043	1	Kit, Seal (includes items 9 thru 22)	

# SECTION 9 - HYDRAULIC COMPONENTS

FIGURE 9-7. FORK TILT CYLINDER (Prior to SN 0160078728)



ART 2716619-1

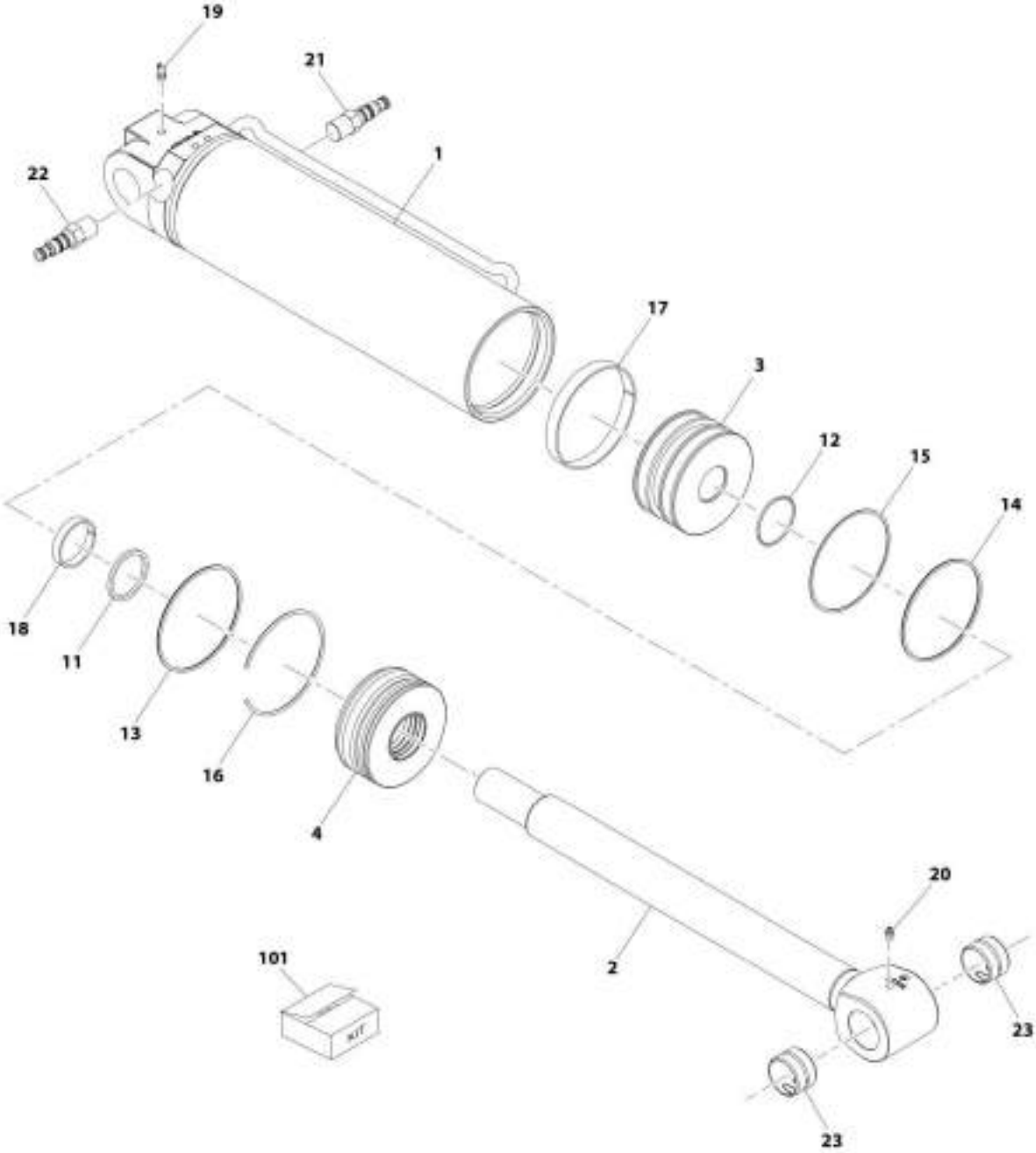
## SECTION 9 - HYDRAULIC COMPONENTS

**FIGURE 9-7. FORK TILT CYLINDER (Prior to SN 0160078728)**

ITEM	PART NUMBER	QTY	DESCRIPTION	REV
	2716618	Ref	Cylinder, Fork Tilt	J
1	7089722	1	Bearing	
2	N.S.S.	1	Weldment, Tube	
3	8036147	1	Piston	
4	8036146	1	Gland	
5	8036145	1	Weldment, Rod	
6	8035308	1	Nut, Lock	
7	8520013	1	Fitting, Straight Lube	
8	8520021	1	Fitting, 90 Lube	
9	8035321	1	Valve, Counterbalance, 4000 PSI	
	8035327	1	Kit, Seal	
10	8036750	1	Valve, PO Check	
	2900770	1	Kit, Seal	
11	Kit	1	O-Ring	
12	Kit	1	O-Ring	
13	Kit	1	O-Ring	
14	Kit	1	Ring, Backup	
15	Kit	1	Z-Seal, Deep	
16	Kit	1	T-Seal, Capped	
17	Kit	1	Seal, Wiper	
18	Kit	1	Wearband, Precision	
19	Kit	2	Wearband, Precision	
20	Kit	2	Insert, Locking	
21	8526011	AR	Compound, Locking	
101	8035780	1	Kit, Seal (includes items 11 thru 20)	

# SECTION 9 - HYDRAULIC COMPONENTS

FIGURE 9-8. FORK TILT CYLINDER (SN 0160078728 to Present)



ART\_1001180703-B

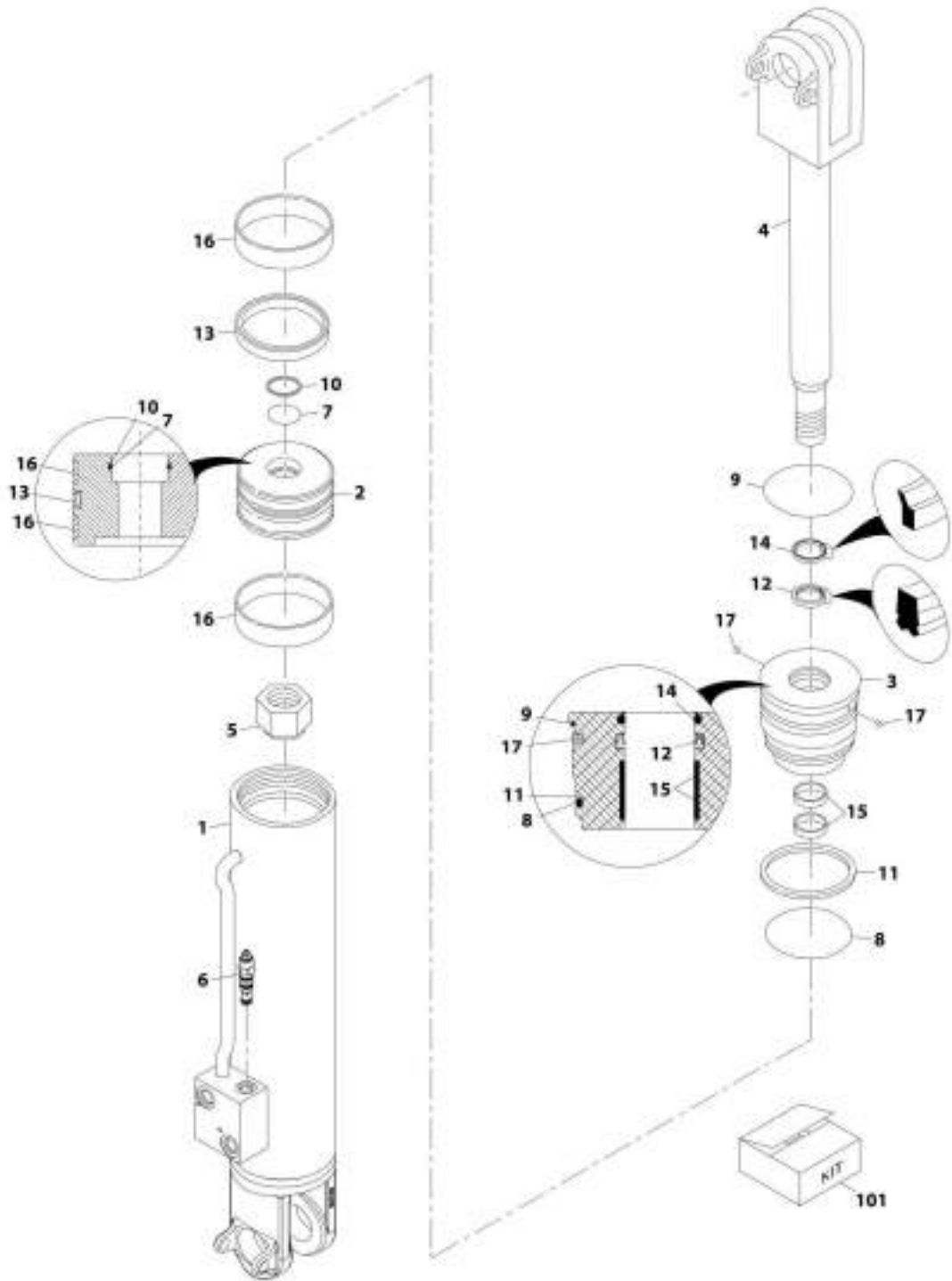
## SECTION 9 - HYDRAULIC COMPONENTS

**FIGURE 9-8. FORK TILT CYLINDER (SN 0160078728 to Present)**

ITEM	PART NUMBER	QTY	DESCRIPTION	REV
	1001180763	Ref	Cylinder, Fork Tilt	B
1	N.S.S.	1	Tube Weldment	
2	70028402	1	Rod Weldment	
3	70028403	1	Piston	
4	70028404	1	Gland	
5	70028405	1	Lockwire (not shown)	
6	70028406	1	Lockwire (not shown)	
7	70028407	2	Hex Socket Set Screw (not shown)	
8	Kit	1	Piston Seal (not shown)	
9	Kit	1	SQ Ring (not shown)	
10	Kit	1	Wiper (not shown)	
11	Kit	1	Rod Seal	
12	Kit	1	O-Ring	
13	Kit	1	O-Ring	
14	Kit	1	O-Ring	
15	Kit	2	Backup	
16	Kit	1	Backup	
17	Kit	1	Wearband for the Piston	
18	Kit	1	Wearband for the Gland	
19	8520021	1	Self-Tapping Grease Fitting	
20	8520013	1	Straight Self-Tapping Grease Fitting	
21	7029327	1	CB Valve	
22	8036750	1	Check Valve	
23	7089722	2	Bushing	
101	70028408	1	Seal Kit, (includes items 8 thru 18)	

# SECTION 9 - HYDRAULIC COMPONENTS

## FIGURE 9-9. COMPENSATION CYLINDER - 8042 & 10042



AWT\_1001185590-C

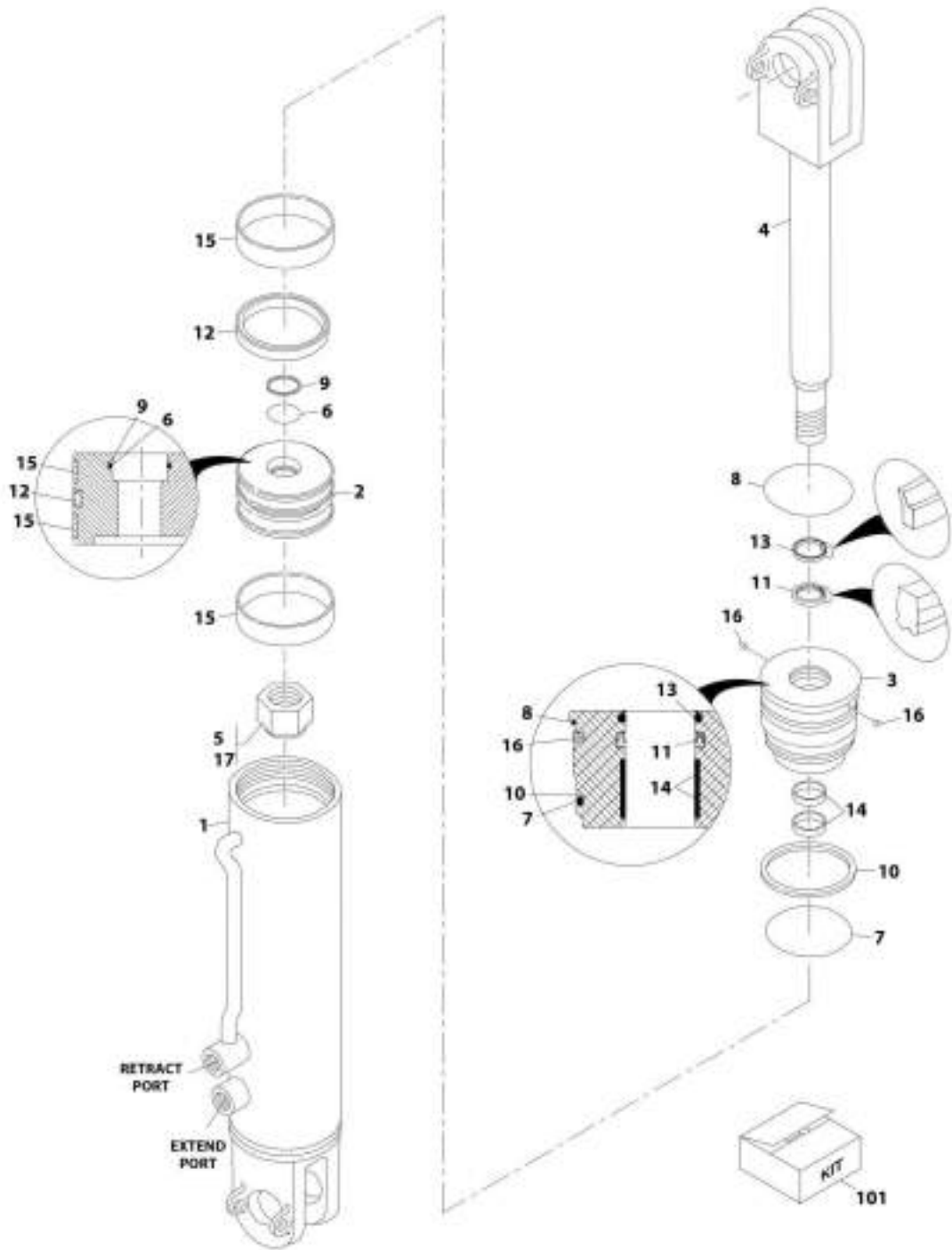
## SECTION 9 - HYDRAULIC COMPONENTS

**FIGURE 9-9. COMPENSATION CYLINDER - 8042 & 10042**

ITEM	PART NUMBER	QTY	DESCRIPTION	REV
	1001189596	Ref	Compensation Cylinder - 8042 & 10042	C
1	70026742	1	Tube, Cylinder	
2	8035613	1	Piston	
3	8035612	1	Gland, Head	
4	8035611	1	Rod	
5	8035547	1	Nut, Lock	
6	1001198366	1	Counterbalance Valve ( <b>Prior to SN 0160089487, Excluding 0160089465</b> )	
6	1001232216	1	Counterbalance Valve ( <b>SN 0160089487 to Present, Including 0160089465</b> )	
7	Kit	1	O-Ring	
8	Kit	1	O-Ring	
9	Kit	1	O-Ring	
10	Kit	1	Ring, Backup	
11	Kit	1	Ring, Backup	
12	Kit	1	Z-Seal, Deep	
13	Kit	1	T-Seal, Capped	
14	Kit	1	Wiper, Seal	
15	Kit	1	Wearband	
16	Kit	1	Wearband	
17	Kit	2	Insert, Locking	
101	8034695	1	Seal Kit, (includes items 6 thru 17)	

# SECTION 9 - HYDRAULIC COMPONENTS

FIGURE 9-10. COMPENSATION CYLINDER - 10054 (Prior to SN 0160078728)



ART\_2714973-E



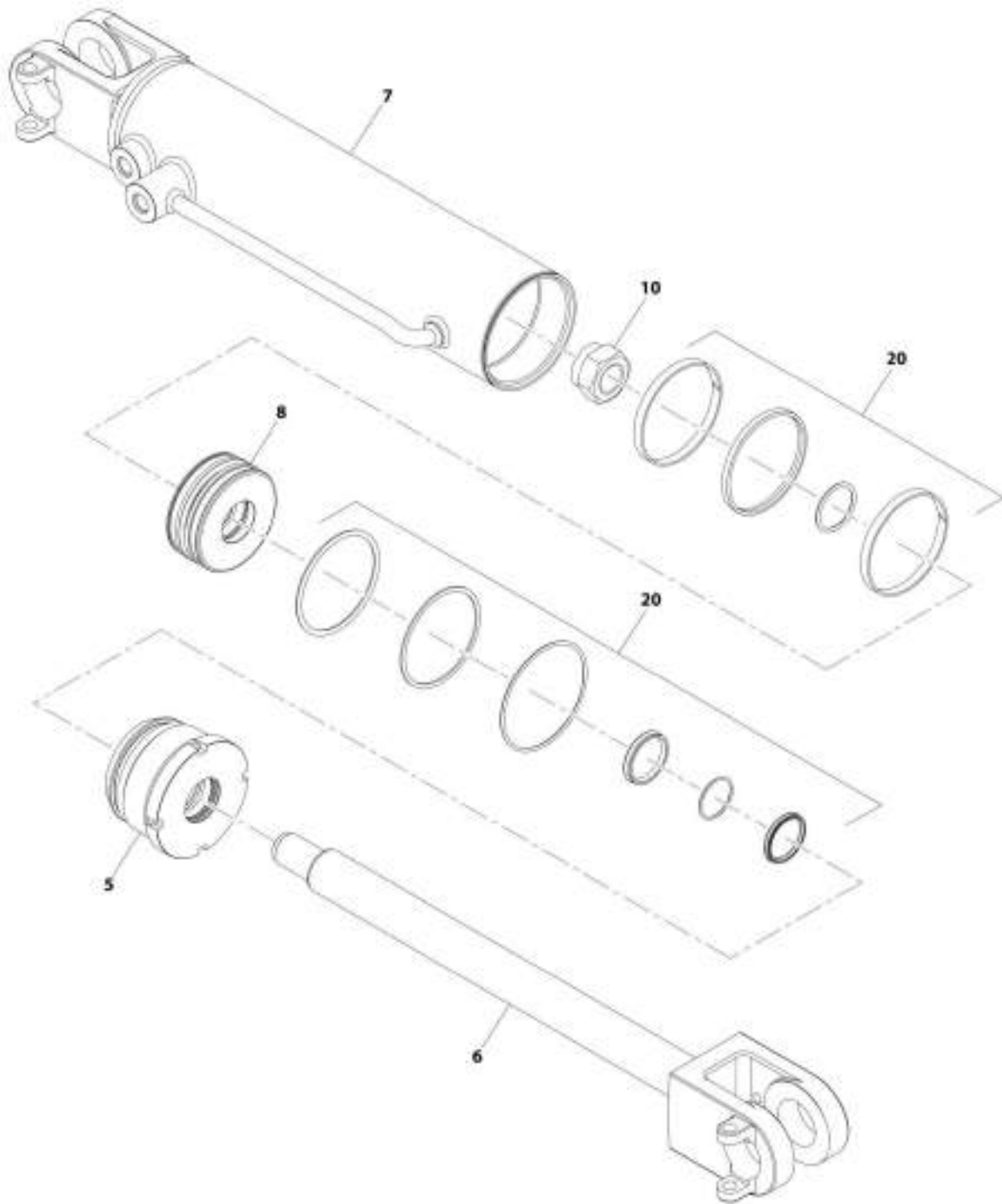
## SECTION 9 - HYDRAULIC COMPONENTS

**FIGURE 9-10. COMPENSATION CYLINDER - 10054 (Prior to SN 0160078728)**

ITEM	PART NUMBER	QTY	DESCRIPTION	REV
	2714973	Ref	Compensation Cylinder - 10054	E
1	8036001	1	Tube, Cylinder	
2	8035613	1	Piston	
3	8035612	1	Gland, Head	
4	8035611	1	Rod	
5	8035547	1	Nut, Lock	
6	Kit	1	O-Ring	
7	Kit	1	O-Ring	
8	Kit	1	O-Ring	
9	Kit	1	Ring, Backup	
10	Kit	1	Ring, Backup	
11	Kit	1	Z-Seal, Deep	
12	Kit	1	T-Seal, Capped	
13	Kit	1	Wiper, Seal	
14	Kit	2	Wearband	
15	Kit	2	Wearband	
16	Kit	2	Insert, Locking	
17	8526011	AR	Compound, Locking	
101	8034695	1	Kit, Seal (includes items 6 thru 16)	

# SECTION 9 - HYDRAULIC COMPONENTS

FIGURE 9-11. COMPENSATION CYLINDER - 10054 (SN 0160078728 to Present)



ART\_3001182701-C

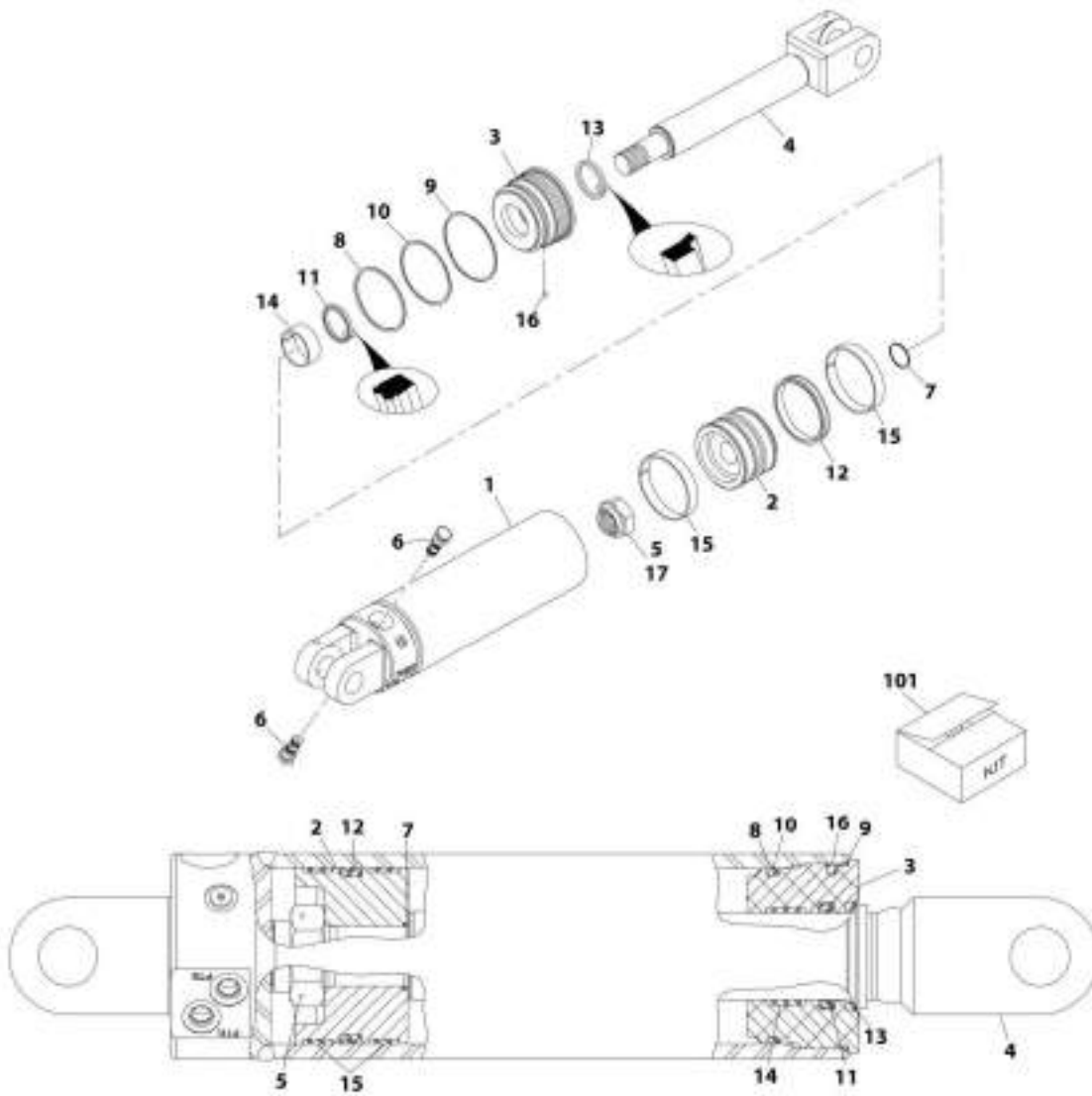
## SECTION 9 - HYDRAULIC COMPONENTS

FIGURE 9-11. COMPENSATION CYLINDER - 10054 (SN 0160078728 to Present)

ITEM	PART NUMBER	QTY	DESCRIPTION	REV
	1001180761	Ref	Compensation Cylinder - 10054	C
5	70027852	1	Head Assembly	
6	70027853	1	Rod Assembly	
7	70027854	1	Barrel Assembly	
8	70027855	1	Piston Assembly	
10	70027856	1	Locking Nut	
20	70027857	1	Seal Kit	

# SECTION 9 - HYDRAULIC COMPONENTS

FIGURE 9-12. FRAME LEVEL CYLINDER (Prior to SN 0160076614, Including 0160076627, 0160076629 and 0160076633)



ART\_2716563 D

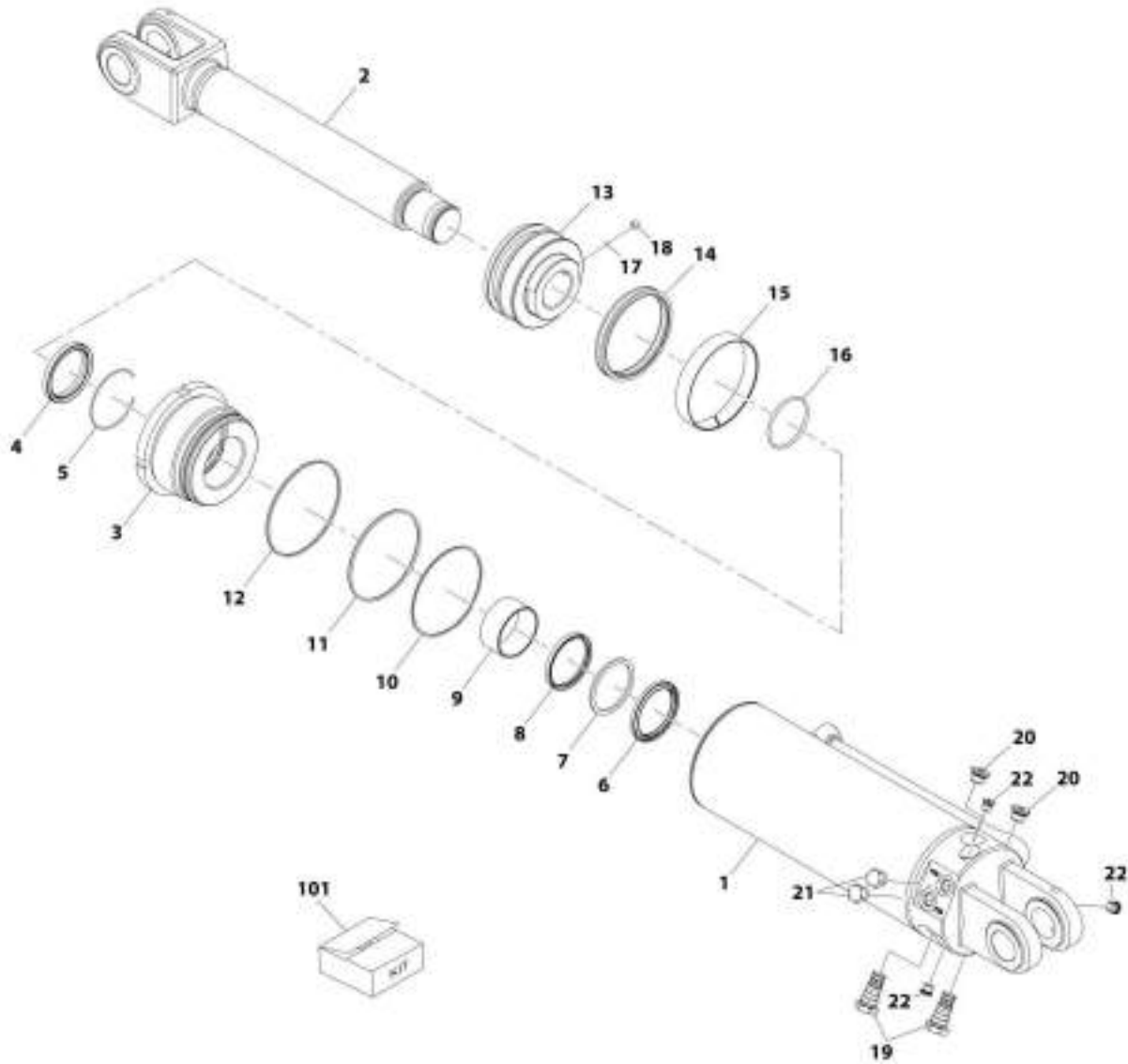
## SECTION 9 - HYDRAULIC COMPONENTS

**FIGURE 9-12. FRAME LEVEL CYLINDER (Prior to SN 0160076614, Including 0160076627, 0160076629 and 0160076633)**

ITEM	PART NUMBER	QTY	DESCRIPTION	REV
	2716563	Ref	Frame Level Cylinder	D
1	N.S.S.	1	Weldment, Tube	
2	8035323	1	Piston	
3	8035324	1	Gland, Head	
4	8035758	1	Weldment, Rod	
5	8035322	1	Nut, Lock 1-1/2-12	
6	8035757	2	Valve, P.O. Check	
6	8035327	2	Kit, Seal	
7	Kit	1	O-Ring	
8	Kit	1	O-Ring	
9	Kit	1	O-Ring	
10	Kit	1	Ring, Back-Up	
11	Kit	1	Z-Seal, Deep	
12	Kit	1	T-Seal, Capped	
13	Kit	1	Seal, Wiper	
14	Kit	1	Wearband, Precision	
15	Kit	2	Wearband, Precision	
16	Kit	1	Insert, Locking	
17	8526011	AR	Compound, Locking	
101	8035326	1	Kit, Seal (includes items 7 thru 16)	

# SECTION 9 - HYDRAULIC COMPONENTS

FIGURE 9-13. FRAME LEVEL CYLINDER (SN 0160076614 to Present, Excluding 0160076627, 0160076629 and 0160076633)



AWT\_1001182M2-C

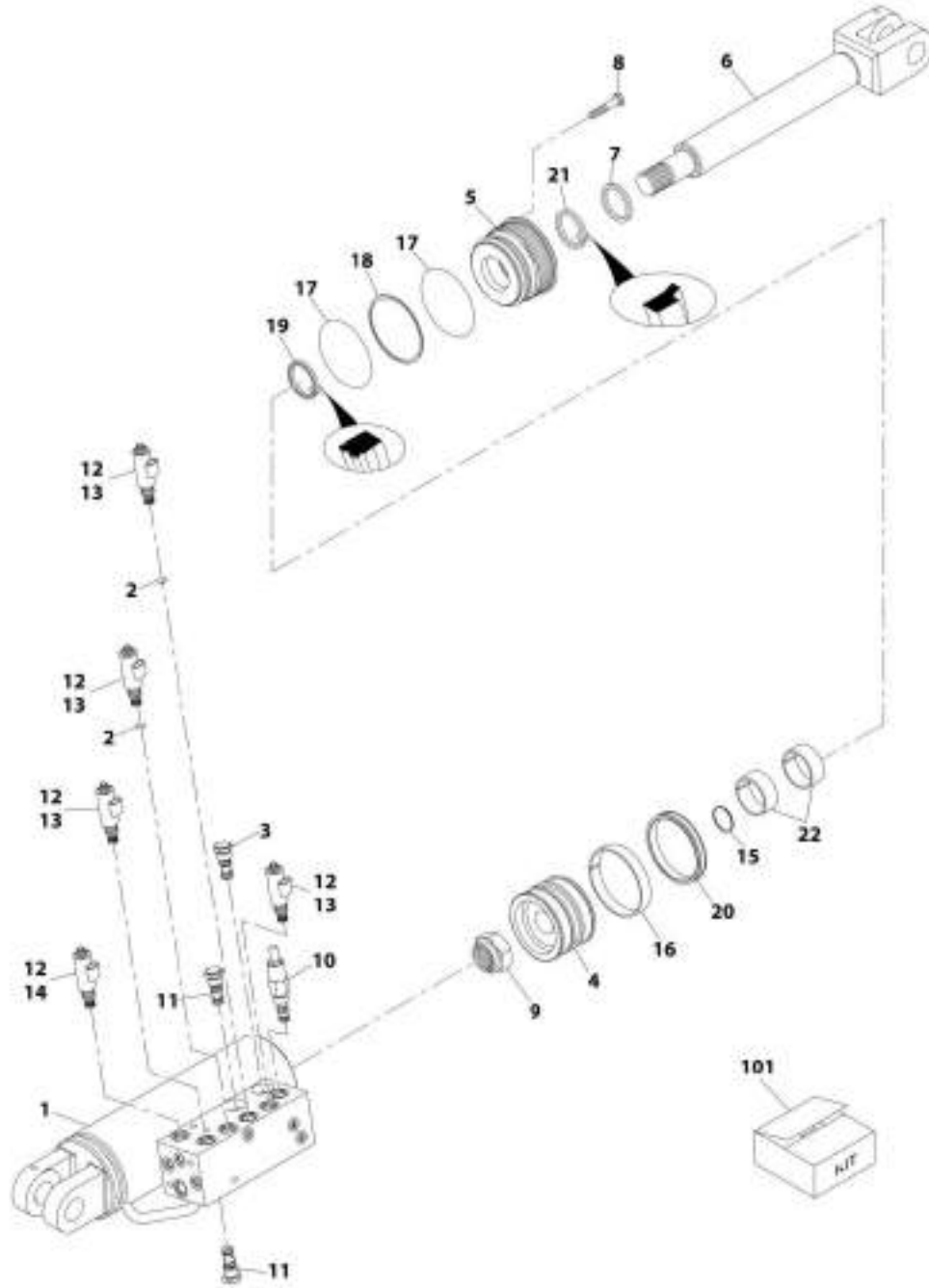
## SECTION 9 - HYDRAULIC COMPONENTS

**FIGURE 9-13. FRAME LEVEL CYLINDER (SN 0160076614 to Present, Excluding 0160076627, 0160076629 and 0160076633)**

ITEM	PART NUMBER	QTY	DESCRIPTION	REV
	1001180762	Ref	Frame Level Cylinder, (6042), (Be sure to check the part number on your cylinder prior to ordering replacement parts)	C
1	70027689	1	Tube Assembly	
2	70027690	1	Rod Assembly	
3	70027691	1	Gland	
4	Kit	1	Dust Wiper	
5	70027244	1	Retain Ring	
6	Kit	1	Rod Seal	
7	Kit	1	Back Up Ring	
8	Kit	1	Buffer Ring	
9	70004637	1	Dry Bearing	
10	Kit	1	Piston Seal	
11	Kit	1	Wear Ring	
12	Kit	1	O-Ring	
13	70027692	1	Piston	
14	Kit	1	Piston Seal	
15	Kit	1	Wear Ring	
16	Kit	1	O-Ring	
17	70022564	1	Steel Ball	
18	70022563	1	Set Screw	
19	70027693	2	Check Valve	
20	70027694	2	Hex Soc Plug	
21	70027695	2	Hex Plug	
22	2220883	3	Hex Soc Plug	
101	70027696	1	Seal Kit	

# SECTION 9 - HYDRAULIC COMPONENTS

## FIGURE 9-14. STABIL-TRAK CYLINDER



807\_2317196-E



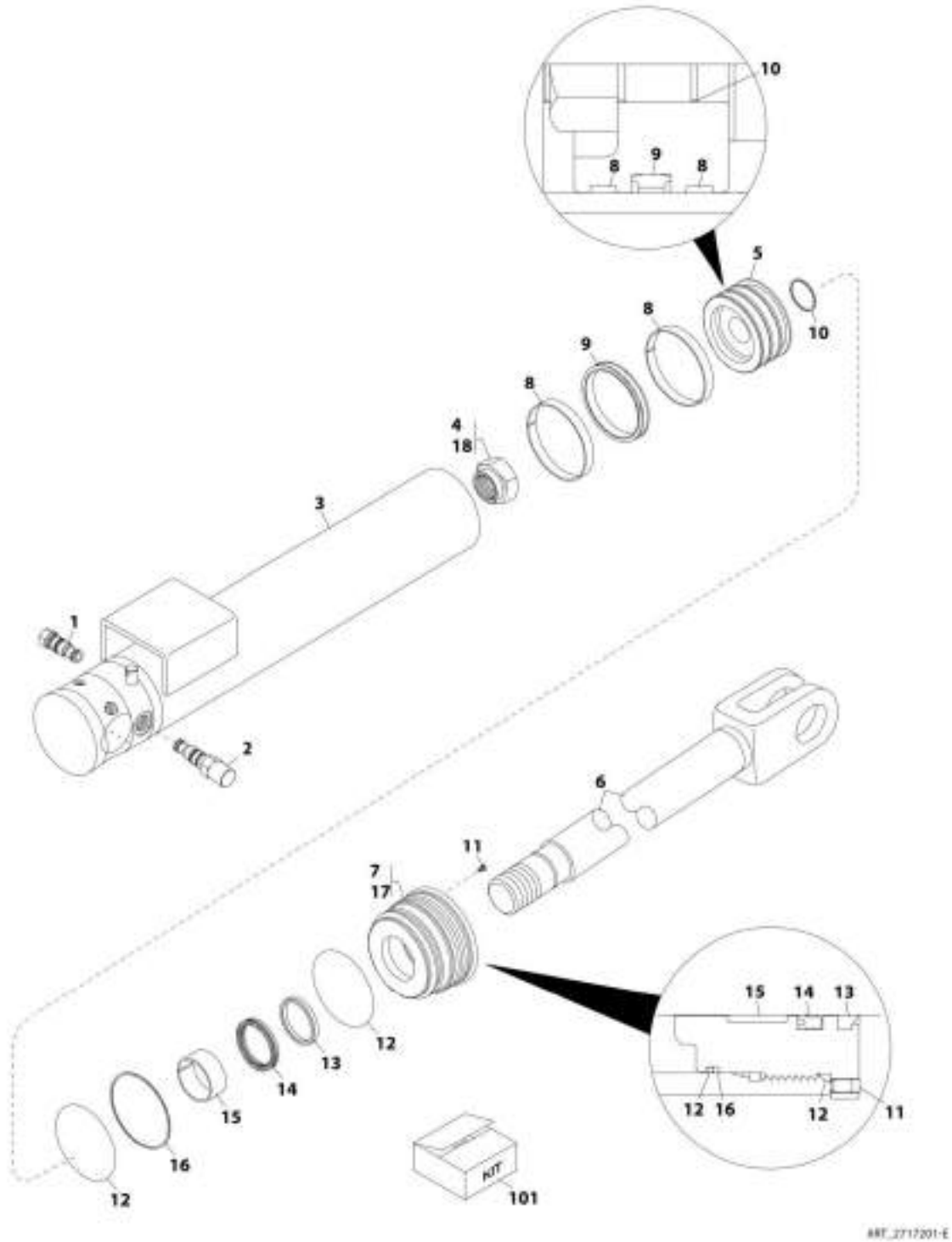
## SECTION 9 - HYDRAULIC COMPONENTS

### FIGURE 9-14. STABIL-TRAK CYLINDER

ITEM	PART NUMBER	QTY	DESCRIPTION	REV
	2717198	Ref	Stabil-Trak Cylinder	E
1	N.S.S.	1	Weldment, Tube	
2	8035781	2	Disk, Conical Orifice	
3	8036582	1	Valve, Check	
3	7017496	1	Kit, Seal	
4	8036826	1	Piston	
5	8036828	1	Guide	
6	8036827	1	Weldment, Rod	
7	7029153	1	O-Ring	
8	8036811	1	Screw, Set 1/4-20X3/8	
9	8036825	1	Nut, Lock 1-1/2-12	
10	8035282	1	Valve, Pressure Reducing	
10	8032994	1	Kit, Seal	
11	8035281	2	Valve, P.O. Check	
11	8036192	2	Kit, Seal	
12	7029246	5	Coil, Solenoid	
13	8036581	4	Valve, Solenoid 2-Way 12V	
13	7017496	4	Kit, Seal	
14	8036580	1	Valve, Solenoid 4-Way 12V	
14	7012903	1	Kit, Seal	
15	Kit	1	O-Ring	
16	Kit	1	Ring, Wear	
17	Kit	2	O-Ring	
18	Kit	1	Ring, Back-Up	
19	Kit	1	Z-Seal, Deep	
20	Kit	1	T-Seal, Capped	
21	Kit	1	Ring, Wiper	
22	Kit	2	Ring, Wear	
101	8036747	1	Kit, Seal (includes items 15 thru 22)	

# SECTION 9 - HYDRAULIC COMPONENTS

## FIGURE 9-15. OUTRIGGER CYLINDER



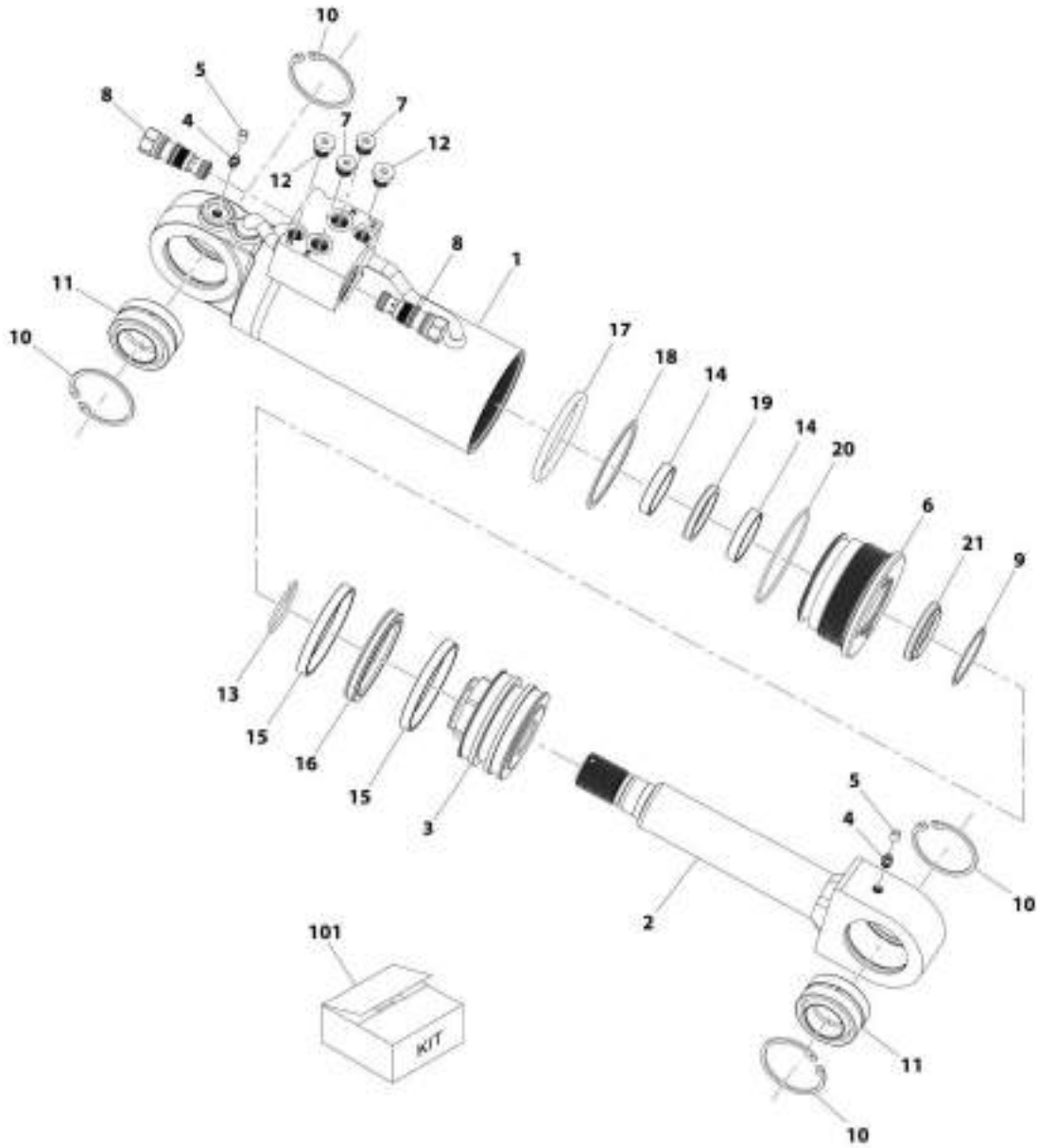
## SECTION 9 - HYDRAULIC COMPONENTS

### FIGURE 9-15. OUTRIGGER CYLINDER

ITEM	PART NUMBER	QTY	DESCRIPTION	REV
	2717201	Ref	Outrigger Cylinder	E
1	8036750	1	Valve, PO Check	
	2900770	1	Kit, Seal	
2	8036732	1	Valve, Counterbalance, 1000 PSI	
	8035327	1	Kit, Seal	
3	70020658	1	Assembly, Barrel	
4	8036825	1	Nut, Lock 1-1/2-12	
5	8036837	1	Piston	
6	8036838	1	Weldment, Rod	
7	8036839	1	Gland, Head	
8	Kit	2	Wearband, Precision	
9	Kit	1	T-Seal, Capped	
10	Kit	1	O-Ring	
11	8036811	1	Screw, 1/4-20X3/8	
12	Kit	2	O-Ring	
13	Kit	1	Ring, Wiper	
14	Kit	1	Z-Seal	
15	Kit	1	Wearband, Precision	
16	Kit	1	Ring, Backup	
17	8526007	AR	Compound, Locking	
18	8526011	AR	Compound, Locking	
101	8036784	2	Kit, Seal (includes items 8 thru 10 & 12 thru 16)	

# SECTION 9 - HYDRAULIC COMPONENTS

FIGURE 9-16. SIDE TILT CYLINDER



ART\_1001103434-A

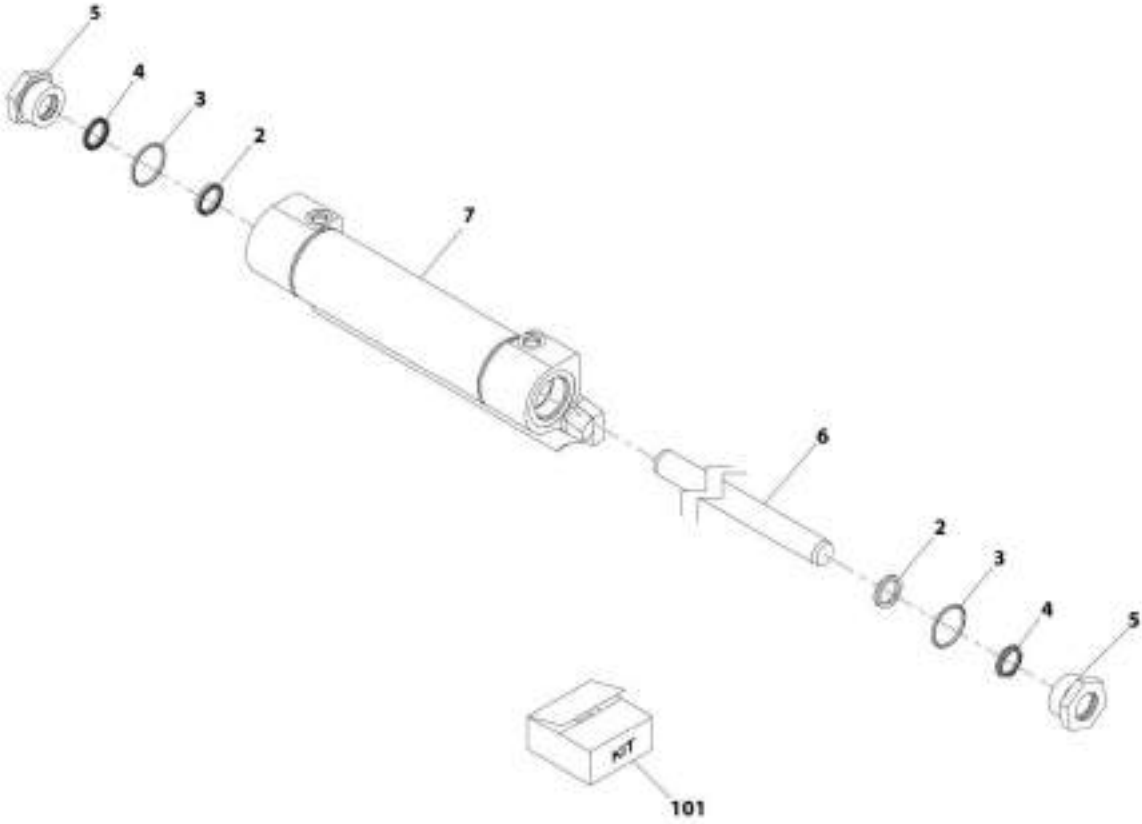
## SECTION 9 - HYDRAULIC COMPONENTS

### FIGURE 9-16. SIDE TILT CYLINDER

ITEM	PART NUMBER	QTY	DESCRIPTION	REV
	1001163414	Ref	Side Tilt Cylinder	A
1	70026056	1	Barrel	
2	70026057	1	Rod	
3	70026058	1	Head, Piston	
4	70025606	2	Nipple, Grease	
5	70024020	2	Fitting, Grease	
6	70003849	1	Gland	
7	70025959	2	Plug	
8	70026059	2	Valve, P.O. Check	
9	70002219	1	Ring, Internal Snap	
10	70026060	4	Ring, Internal Snap	
11	70026061	2	Bearing, Spherical	
12	70024262	2	Plug	
13	70002224	1	Ring, Locking	
14	Kit	2	Ring, Rod Bearing	
15	Kit	2	Ring, Piston Bearing	
16	Kit	1	Seal, Piston	
17	Kit	1	O-Ring	
18	Kit	1	Ring, Back-Up	
19	Kit	1	Seal, Rod	
20	Kit	1	O-Ring	
21	Kit	1	Seal, Wiper	
101	70026062	1	Kit, Seal (includes items 14 thru 21)	

**SECTION 9 - HYDRAULIC COMPONENTS**

**FIGURE 9-17. SIDE SHIFT CARRIAGE CYLINDER**



AWT\_70004539-B

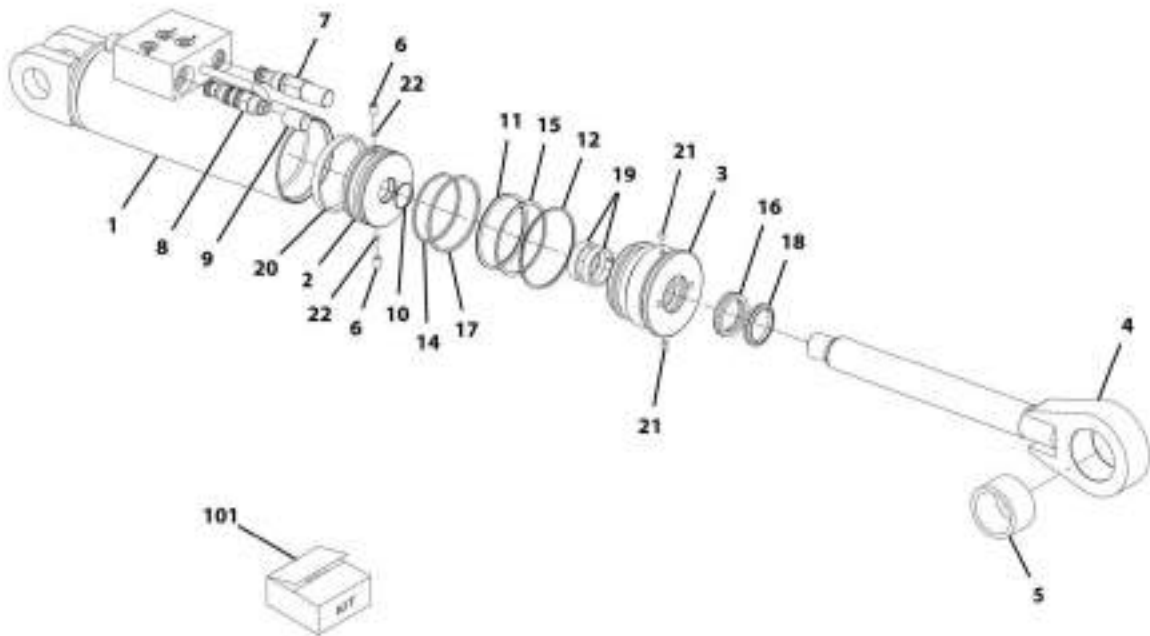
## SECTION 9 - HYDRAULIC COMPONENTS

### FIGURE 9-17. SIDE SHIFT CARRIAGE CYLINDER

ITEM	PART NUMBER	QTY	DESCRIPTION	REV
	70024539	Ref	Side Shift Carriage Cylinder	B
2	Kit	2	Seal, Rod	
3	70024547	2	O-Ring	
4	Kit	2	Seal, Rod Wiper	
5	70024548	2	Seal, Retainer	
6	N.S.S.	1	Rod	
7	N.S.S.	1	Barrel	
101	70024549	1	Kit, Seal (includes items 2 & 4)	

# SECTION 9 - HYDRAULIC COMPONENTS

FIGURE 9-18. SWING CARRIAGE CYLINDER



WIT\_1001103/82-B



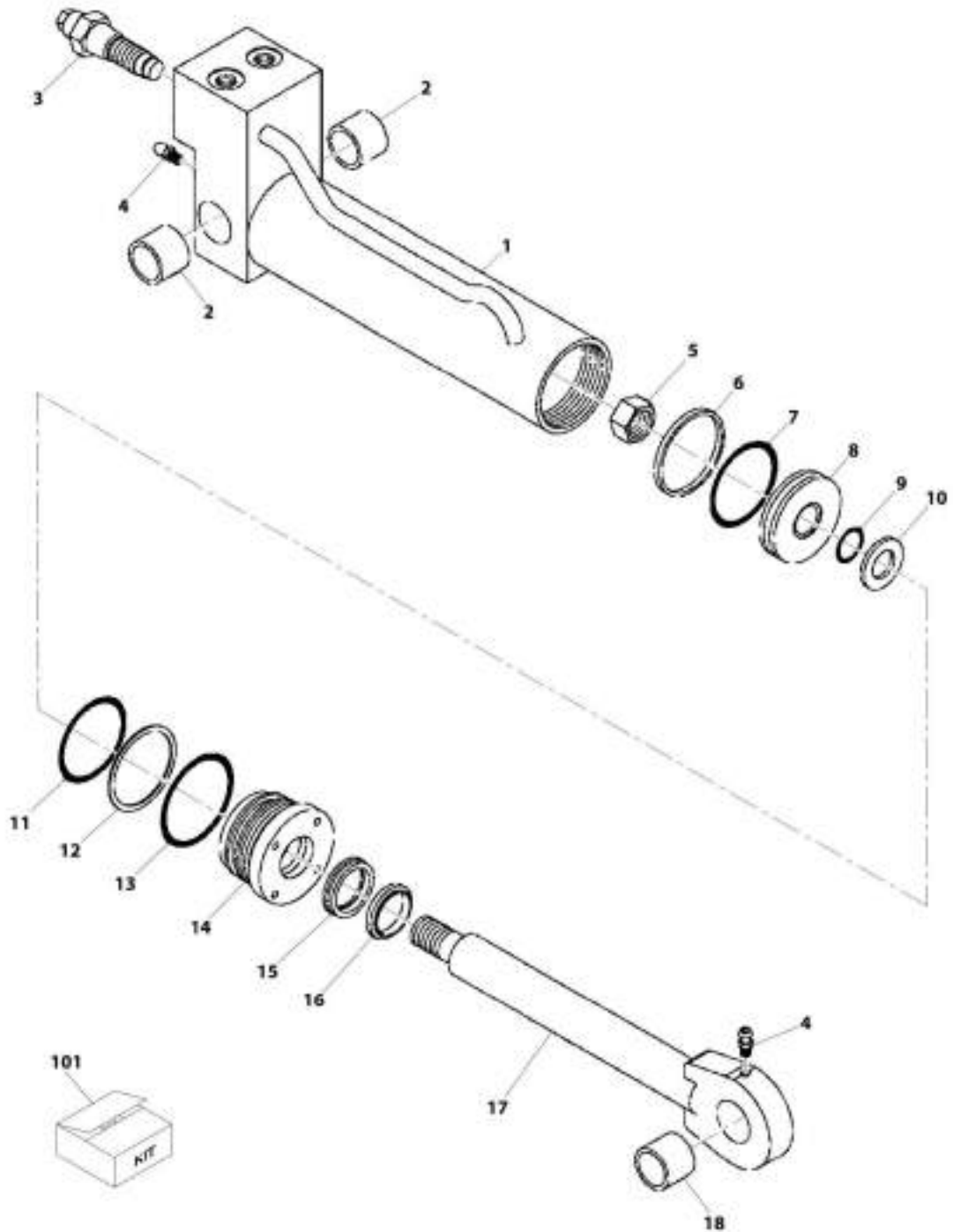
## SECTION 9 - HYDRAULIC COMPONENTS

### FIGURE 9-18. SWING CARRIAGE CYLINDER

ITEM	PART NUMBER	QTY	DESCRIPTION	REV
	1001103182	Ref	Swing Carriage Cylinder	B
1	70022044	1	Assembly, Tube	
2	8035863	1	Piston	
3	8035862	1	Gland, Head	
4	70022045	1	Assembly, Rod	
5	70022046	1	Bearing	
6	8035536	2	Screw, Set 5/16-18X1/2	
7	70020428	1	Valve, Relief	
7	7024574	1	Kit, Seal	
8	8033786	1	Valve, Counterbalance	
8	8205655	1	Kit, Seal	
11	Kit	1	O-Ring	
12	Kit	1	O-Ring	
13	Kit	1	O-Ring	
14	Kit	1	Ring, Square	
15	Kit	1	Ring, Backup	
16	Kit	1	Seal	
17	Kit	1	Seal, Piston	
18	Kit	1	Wiper, Rod	
19	Kit	2	Wearband	
20	Kit	1	Wearband	
21	Kit	2	Insert	
22	Kit	2	Insert	
101	2915023	1	Kit, Seal (includes items 11 thru 22)	

# SECTION 9 - HYDRAULIC COMPONENTS

## FIGURE 9-19. GRAPPLE BUCKET CYLINDER



MT\_30021393-A

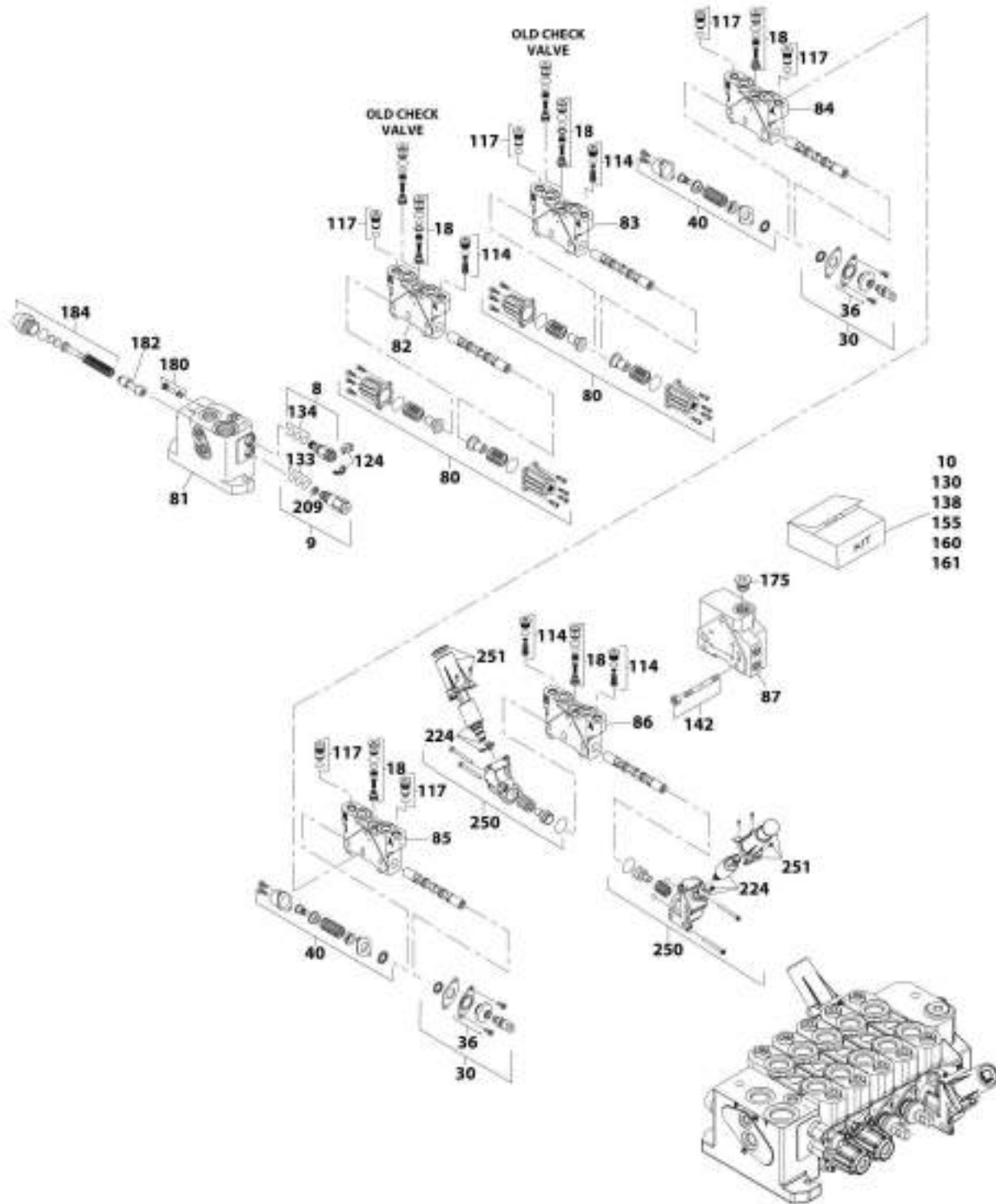
## SECTION 9 - HYDRAULIC COMPONENTS

### FIGURE 9-19. GRAPPLE BUCKET CYLINDER

ITEM	PART NUMBER	QTY	DESCRIPTION	REV
	70021393	Ref	Grapple Bucket Cylinder	
1	70021465	1	Tube, Cylinder	
2	70021448	2	Bushing	
3	70021464	2	Cartridge, Valve	
4	90554045	2	Fitting, Grease	
5	70021440	1	Nut, Hex	
6	Kit	1	Ring, Piston	
7	Kit	1	O-Ring	
8	70021451	1	Piston	
9	Kit	1	O-Ring	
10	70021444	1	Washer	
11	Kit	1	O-Ring	
12	Kit	1	Washer, Back-Up	
13	Kit	1	O-Ring	
14	70021446	1	Gland, Cylinder	
15	Kit	1	Seal, Poly-Pak	
16	Kit	1	Wiper, Rod	
17	70021466	1	Rod, Piston	
18	70021447	1	Bushing	
101	70021452	1	Kit, Seal (includes items 6, 7, 9, 11 thru 13, 15 & 16)	

# SECTION 9 - HYDRAULIC COMPONENTS

## FIGURE 9-20. MAIN CONTROL VALVE



AHT\_1001157923-D

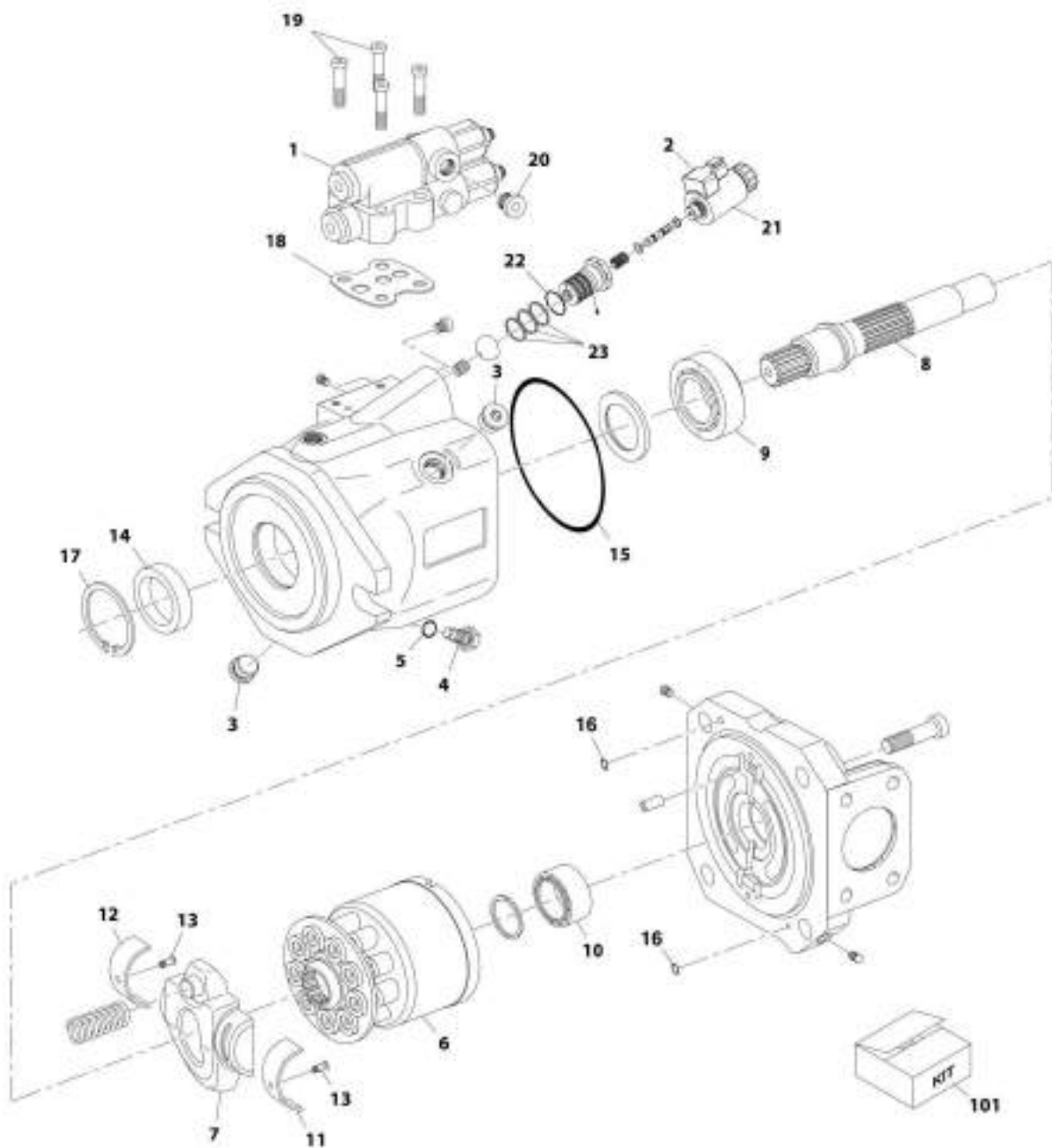
## SECTION 9 - HYDRAULIC COMPONENTS

### FIGURE 9-20. MAIN CONTROL VALVE

ITEM	PART NUMBER	QTY	DESCRIPTION	REV
	1001157923	Ref	Main Control Valve	D
8	70020693	1	Valve, Pressure Relief (includes item 134)	
9	70020695	1	Flow Regulator, (includes items 133 & 209)	
10	70022683	1	Seal Kit, Inlet	
18	70026189	5	Kit, Compensator	
30	70026194	2	Kit, Operation (includes items 36)	
36	70026195	2	Kit, Bellows	
40	70026196	2	Kit, Cover	
80	70026190	2	Kit, Hydraulic Pilot Actuator	
81	70027846	1	Inlet	
82	70027847	1	Lift Section	
83	70027848	1	Extend/Retract Section	
84	70027849	1	Aux Section	
85	70027850	1	Sway Section	
86	70027851	1	Tilt Section	
87	70022714	1	Outlet	
114	70026191	4	Valve, Pressure Relief	
117	70026192	6	Plug	
124	70020694	1	Cover, Locking	
130	70022683	5	Seal Kit, Inlet	
133	70020711	1	Seal Kit, Flow Regulator	
134	70020712	1	Seal Kit, Pressure Relief	
138	70022686	2	Seal Kit, Element	
142	70026200	3	Rod, Tie	
155	70026197	2	Kit, Seal	
160	70026193	4	Seal Kit, Element	
161	70022687	1	Seal Kit, Complete Element	
175	70026201	1	Plug, Outlet	
180	70022676	1	Kit, Shuttle Valve	
182	N.S.S.	1	Spool, CD	
184	70022678	1	Kit, Plug	
209	70021874	1	Filter, Flow Regulator	
224	70022680	2	Kit, Solenoid	
250	70022682	2	Kit, Solenoid, (includes items 224 & 251)	
251	70026198	2	Kit, Cap	

# SECTION 9 - HYDRAULIC COMPONENTS

## FIGURE 9-21. PISTON PUMP



ART\_100168376-C

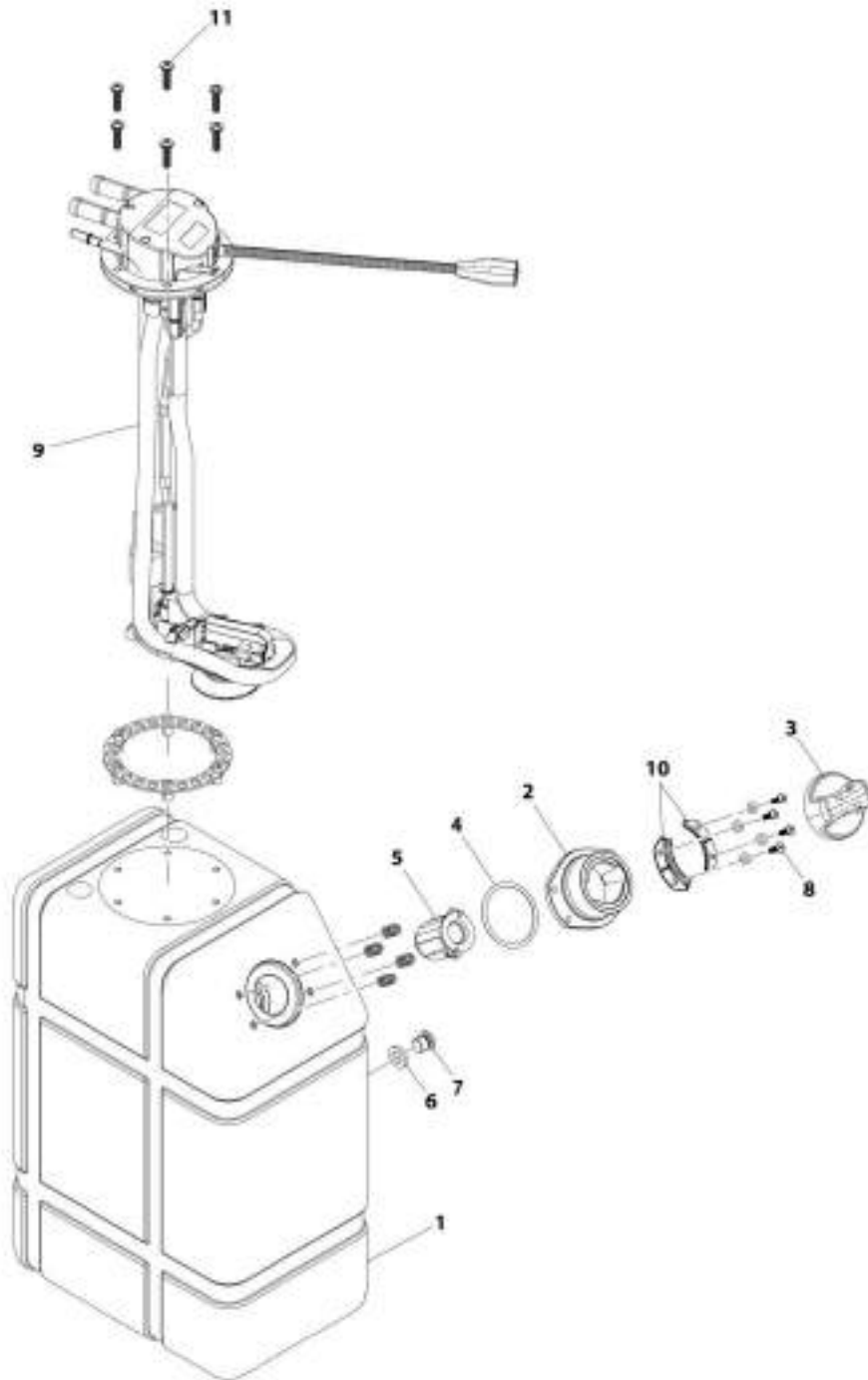
## SECTION 9 - HYDRAULIC COMPONENTS

### FIGURE 9-21. PISTON PUMP

ITEM	PART NUMBER	QTY	DESCRIPTION	REV
	1001168376	Ref	Piston Pump	C
1	70003738	1	Valve, Control	
2	70024186	1	Valve, Control	
3	70024407	2	Plug	
4	70024408	1	Screw, Stop	
5	Kit	1	O-Ring	
6	70024411	1	Rotary Group	
7	70024412	1	Plate, Swash	
8	7024939	1	Shaft, Drive	
9	7024943	1	Bearing	
10	7024944	1	Bearing	
11	70024414	1	Bearing-Liner	
12	70024415	1	Bearing-Liner	
13	7024953	2	Screw	
14	80634004	1	Seal, Shaft	
15	Kit	1	O-Ring	
16	Kit	2	Ring, Seal	
17	80334277	1	Ring, Retaining	
18	70021867	1	Gasket	
19	7024954	4	Screw	
20	70024416	1	Plug	
21	70025897	1	Solenoid	
22	Kit	1	O-Ring	
23	70024417	3	R-Ring	
101	70024189	1	Kit, Seal (includes items 5, 15, 16 & 22)	

# SECTION 9 - HYDRAULIC COMPONENTS

FIGURE 9-22. DEF TANK (Prior to SN 0160081960)



ART\_100188455-F



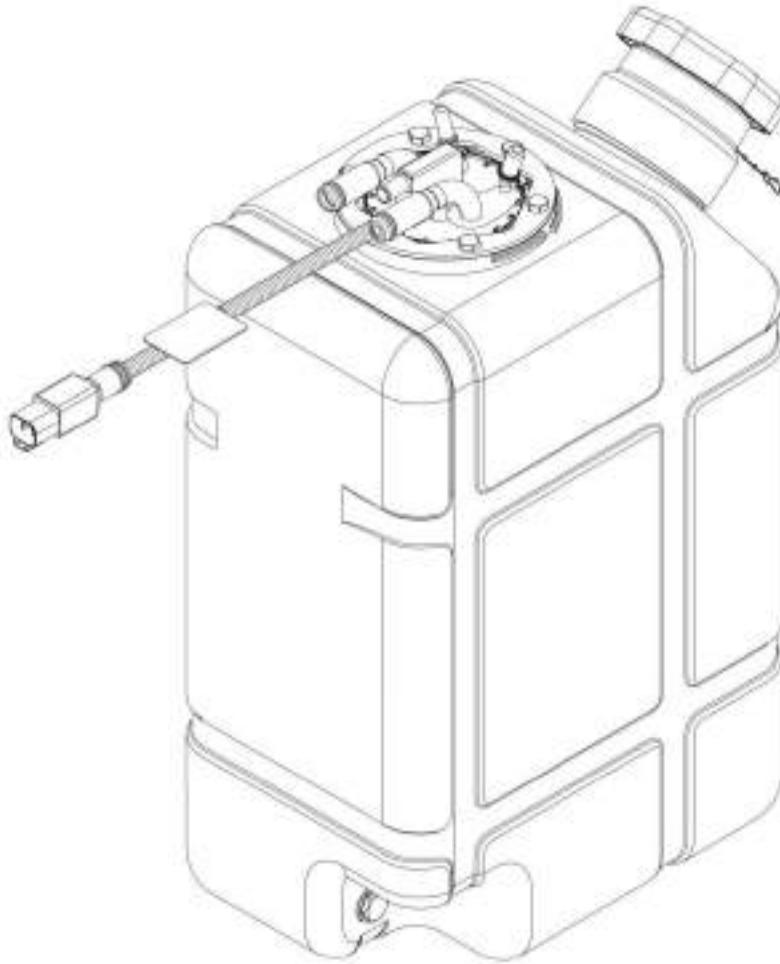
## SECTION 9 - HYDRAULIC COMPONENTS

**FIGURE 9-22. DEF TANK (Prior to SN 0160081960)**

ITEM	PART NUMBER	QTY	DESCRIPTION	REV
	1001168435	Ref	DEF Tank Assembly	F
1	70026269	1	Tank, DEF	
2	70026270	1	Neck, DEF	
3	70026271	1	Cap, DEF	
4	70026272	1	O-Ring, Fill Neck	
5	70026273	1	Adapter	
6	70026274	1	Gasket	
7	70026275	1	Plug, M14X1-1/2	
8	70026276	4	Screw, Torx 10-24X5/8	
9	70026277	1	Sensor	
9	70026584	1	Filter, DEF	
10	70026278	2	Retainer, Tether	
11	70026279	6	Screw, Torx 1/4-20X3/4	

## SECTION 9 - HYDRAULIC COMPONENTS

FIGURE 9-23. DEF TANK ASSEMBLY (SN 0160081960 to Present)



ART\_1801220988-A

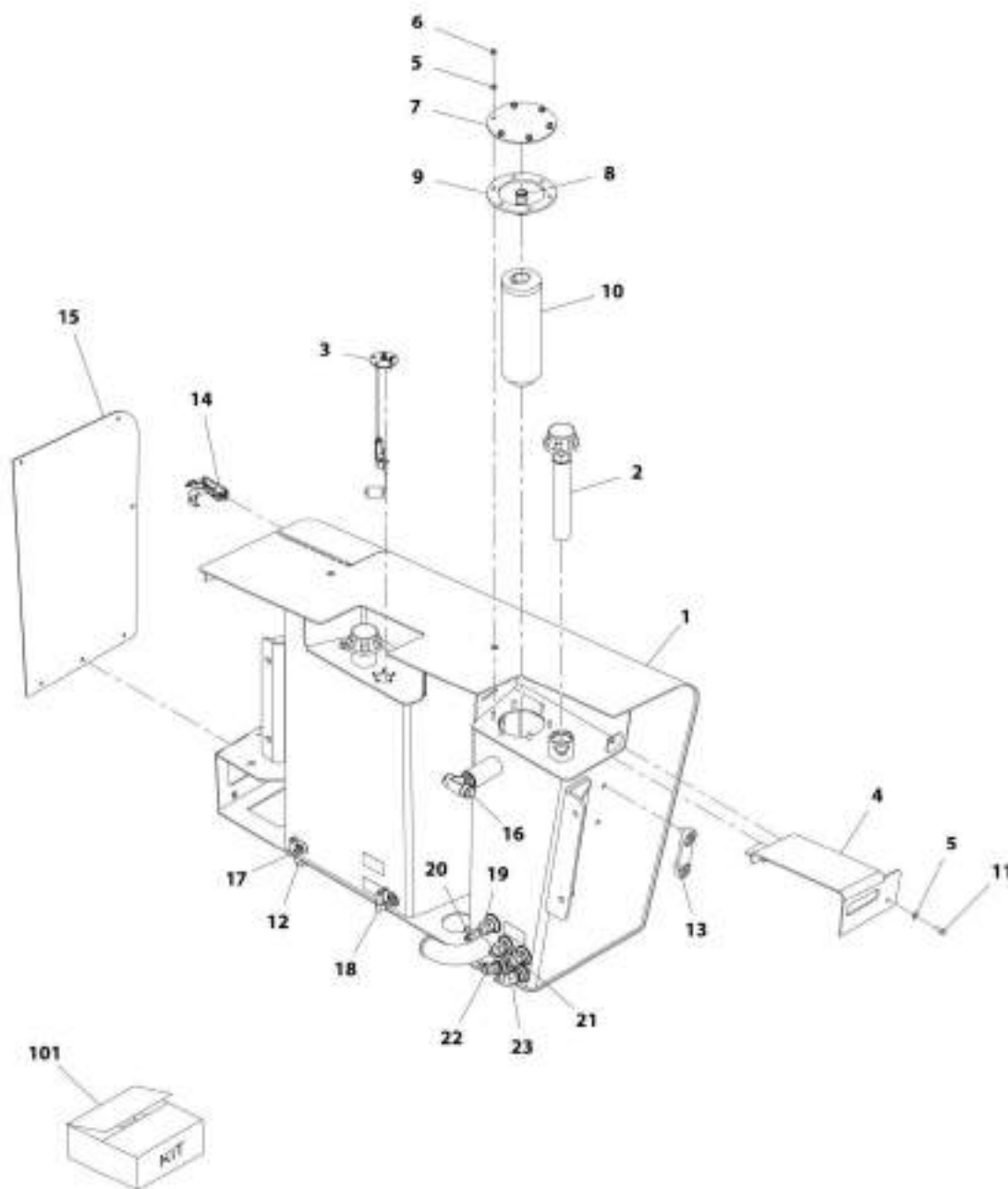
## SECTION 9 - HYDRAULIC COMPONENTS

FIGURE 9-23. DEF TANK ASSEMBLY (SN 0160081960 to Present)

ITEM	PART NUMBER	QTY	DESCRIPTION	REV
	1001228986	1	DEF Tank Assembly, (Contact Cummins at 1-800-CUMMINS for all service if the DEF tank assembly is still within warranty. Warranty may be voided if service is conducted by anyone other than Cummins service personnel)	A

# SECTION 9 - HYDRAULIC COMPONENTS

FIGURE 9-24. HYDRAULIC/FUEL/DEF TANK ASSEMBLY



KIT\_1001109466-L

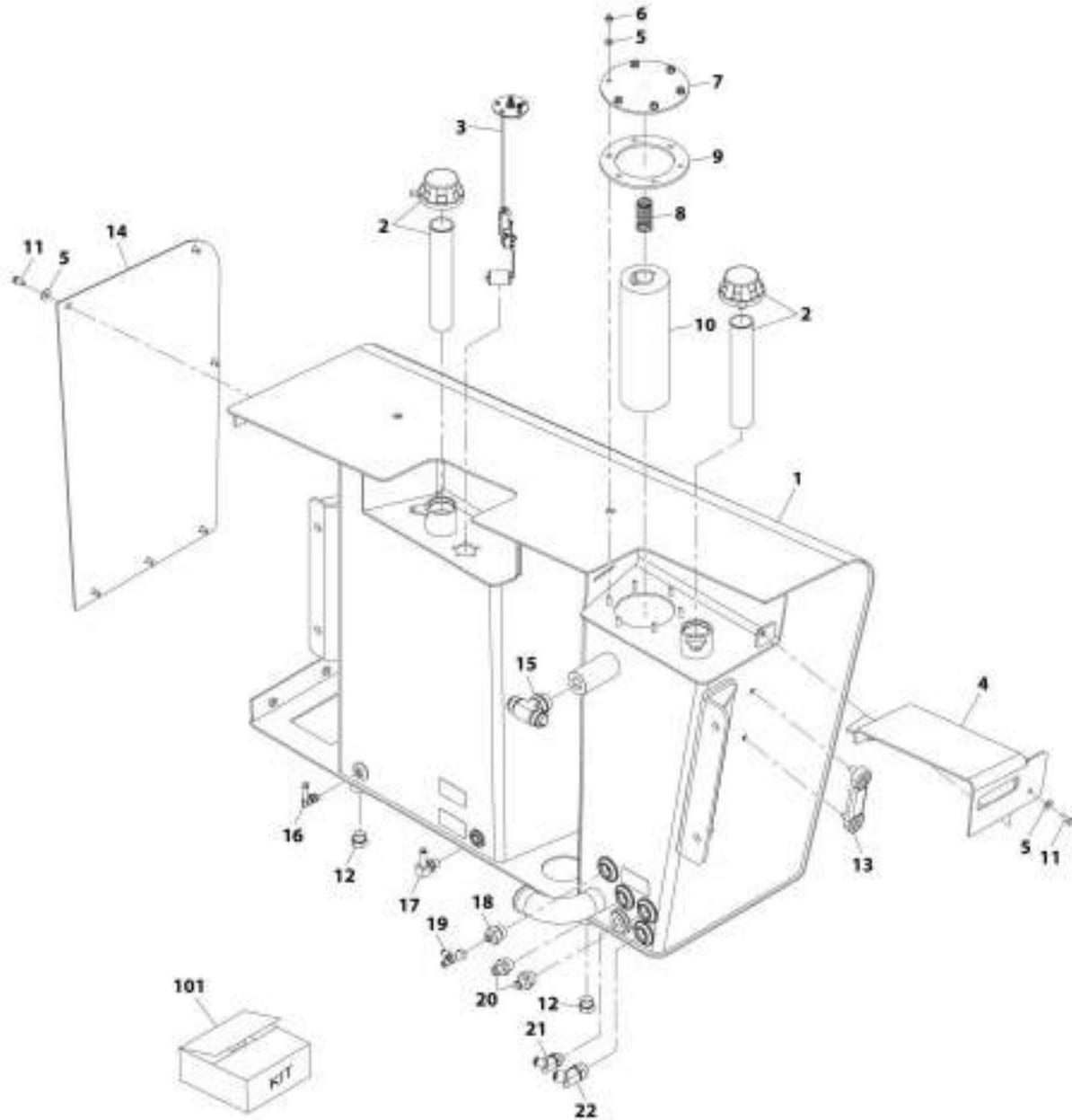
## SECTION 9 - HYDRAULIC COMPONENTS

**FIGURE 9-24. HYDRAULIC/FUEL/DEF TANK ASSEMBLY**

ITEM	PART NUMBER	QTY	DESCRIPTION	REV
	1001169466	Ref	Hydraulic/Fuel/DEF Tank Assembly	L
1	N.S.S.	1	Weldment, Hydraulic/Fuel Tank	
1	1001199096	1	Weldment, Hydraulic/Fuel Tank	
2	7139077	2	Filler/Breather	
3	1001145026	1	Sensor, Fuel	
4	1001199116	1	Cover, Hydraulic Filler	
5	1001170329	7	Washer M8	
6	3300429	6	Nut, Hex 5/16-18	
7	1001199135	1	Assembly, Cover	
8	1001199136	1	Spring	
9	1001199177	1	Gasket	
10	1001199205	1	Element, Filter	
11	8303697	1	Bolt, Hex Hd 5/16-18X3/4	
12	2220239	2	Plug	
13	7024441	1	Gauge, Sight	
14	1001199199	1	Latch	
15	1001199181	1	Cover, DEF Tank	
16	8760552	1	Tee, Branch	
17	1001178776	1	Elbow, 90	
18	1001199210	1	Elbow, 90	
19	2220577	1	Adapter	
20	2220635	1	Tee, Run	
21	2220375	2	Adapter	
22	2220499	1	Elbow, 45	
23	8770048	1	Elbow, 45	
101	70024152	1	Kit, Filter	

# SECTION 9 - HYDRAULIC COMPONENTS

FIGURE 9-25. HYDRAULIC/FUEL TANK ASSEMBLY



WIT\_1001227211-A

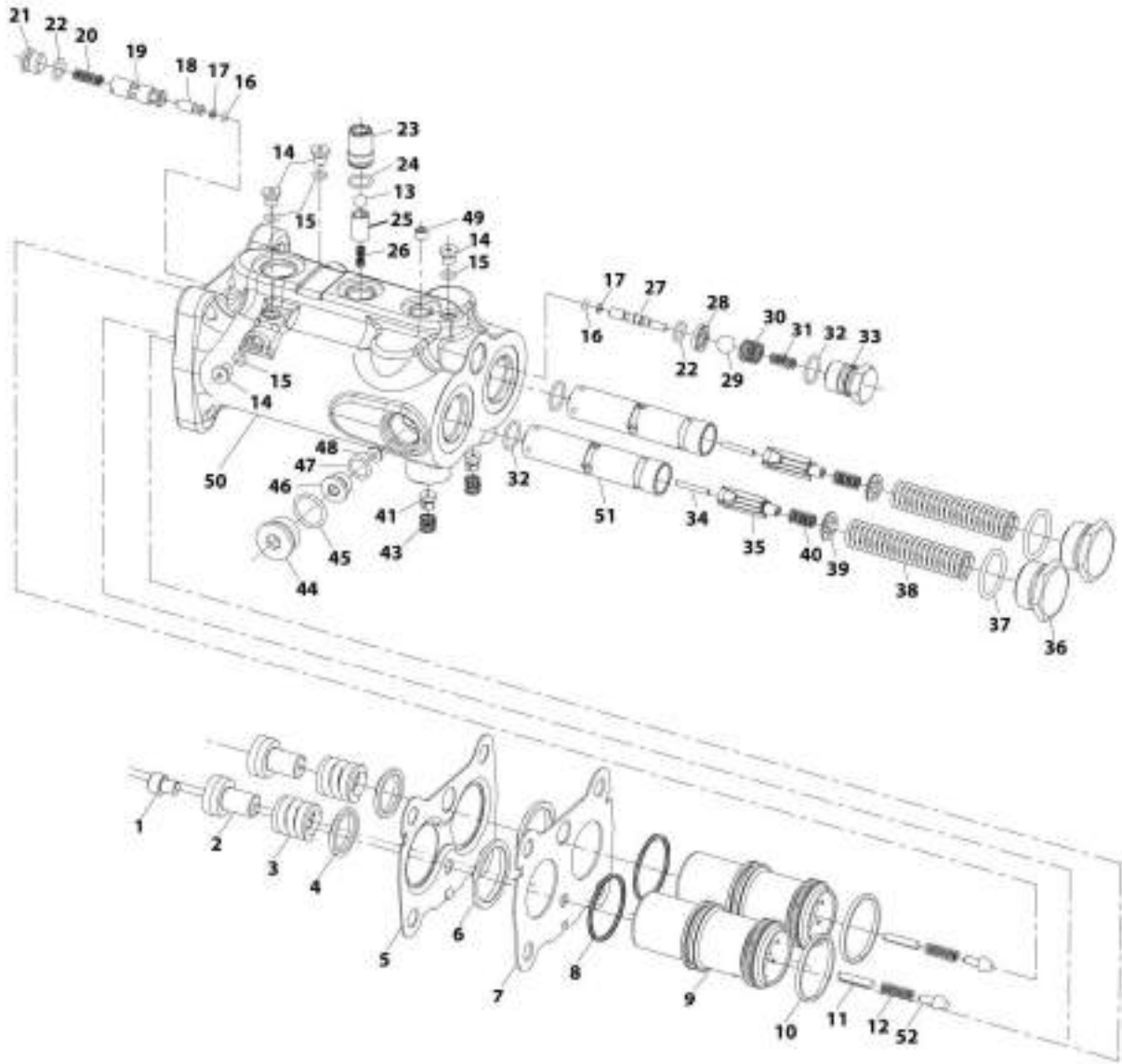
## SECTION 9 - HYDRAULIC COMPONENTS

**FIGURE 9-25. HYDRAULIC/FUEL TANK ASSEMBLY**

ITEM	PART NUMBER	QTY	DESCRIPTION	REV
	1001227211	Ref	Hydraulic/Fuel Tank Assembly	A
1	N.S.S.	1	Weldment, Hydraulic/Fuel Tank	
2	7139077	2	Filler/Breather	
3	1001145026	1	Sensor, Fuel	
4	1001199116	1	Panel, Hydraulic Fill Cover	
5	1001170329	13	Washer, Flat M8	
6	3300429	6	Nut, Hex 31-18	
7	1001199135	1	Assembly, Cover	
8	1001199136	1	Spring	
9	1001199177	1	Seal	
10	1001199205	1	Element, Filter	
11	8303697	7	Bolt, Hex Hd 5/16-18X3/4	
12	2220239	2	Plug	
13	7024441	1	Gauge, Sight	
14	1001199181	1	Cover, DEF Tank	
15	8760552	1	Tee, Branch	
16	1001178776	1	Elbow, 90	
17	1001199210	1	Elbow, 90	
18	2220577	1	Adapter	
19	2220635	1	Tee, Run	
20	2220375	2	Adapter	
21	2220499	1	Elbow, 45	
22	8770048	1	Elbow, 45	
101	70024152	1	Kit, Filter (Includes Items 9 & 10)	

# SECTION 9 - HYDRAULIC COMPONENTS

FIGURE 9-26. BRAKE VALVE (Prior to SN 0160074878, Excluding 0160074813 and 0160074818)



ART 1001106836-0



## SECTION 9 - HYDRAULIC COMPONENTS

**FIGURE 9-26. BRAKE VALVE (Prior to SN 0160074878, Excluding 0160074813 and 0160074818)**

ITEM	PART NUMBER	QTY	DESCRIPTION	REV
	1001106836	Ref	Brake Valve	B
1	91474454	1	Screw	
2	91474442	2	Pin	
3	70020659	2	Spring	
4	91474441	2	Wiper	
5	70020660	1	Cover	
6	91474440	2	Wiper	
7	70020661	1	Cover	
8	91474439	2	Ring, Quad	
9	70020662	2	Piston	
10	70020663	2	Ring, Piston	
11	70023037	2	Pin	
12	91474438	2	Spring	
13	91474452	1	Ball	
14	91474450	4	Plug	
15	91474451	4	O-Ring	
16	91474453	2	O-Ring	
17	91514199	2	Ring, Back-Up	
18	91474455	1	Piston, Dump	
19	91474456	1	Spool, Dump	
20	70020665	1	Spring	
21	91474458	1	Plug	
22	91514198	2	O-Ring	
23	70020666	1	Seat, Inlet	
24	70020667	1	O-Ring	
25	70020668	1	Retainer	
26	70020669	1	Spring	
27	91474447	1	Piston	
28	91474446	1	Seat	
29	70020670	1	Ball	
30	70020671	1	Spring	
31	70020672	1	Spring	
32	91514197	3	O-Ring	
33	91474443	1	Plug	
34	70020673	2	Roller, Needle	
35	70020674	2	Check, Make-Up	
36	91474434	2	Plug	
37	91474435	2	O-Ring	
38	70020675	2	Spring	
39	70020676	2	Guide, Spring	
40	70020677	2	Spring	
41	70020678	2	Orifice	
43	70020679	2	Spring	
44	91474459	1	Plug	
45	91474460	1	O-Ring	
46	70020680	1	Plug	
47	70020681	1	O-Ring	
48	70020682	1	Orifice	
49	70023039	1	Orifice	
50	N.S.S.	1	Housing	

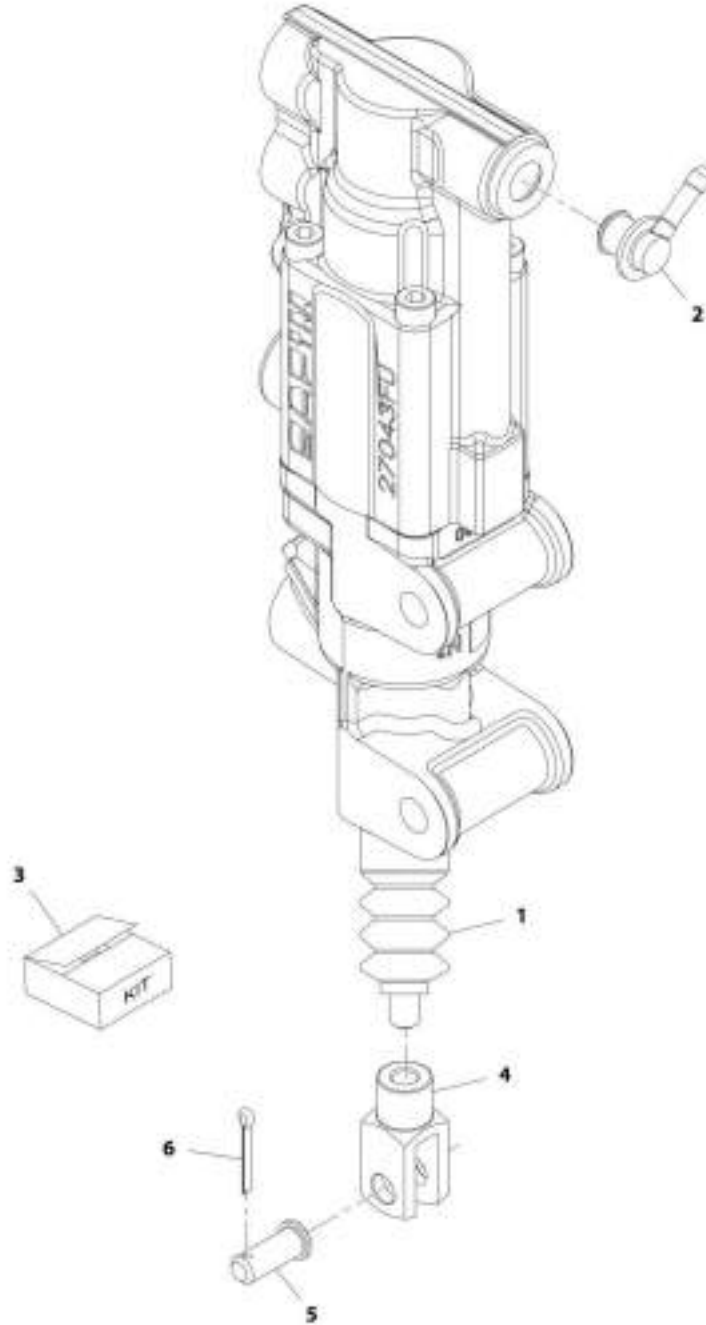
## SECTION 9 - HYDRAULIC COMPONENTS

ITEM	PART NUMBER	QTY	DESCRIPTION	REV
51	N.S.S.	2	Spool	
52	70023038	2	Poppet	



# SECTION 9 - HYDRAULIC COMPONENTS

FIGURE 9-27. BRAKE VALVE (SN 0160074878 to Present, Including 0160074813 and 0160074818)



ART\_1891201721-D

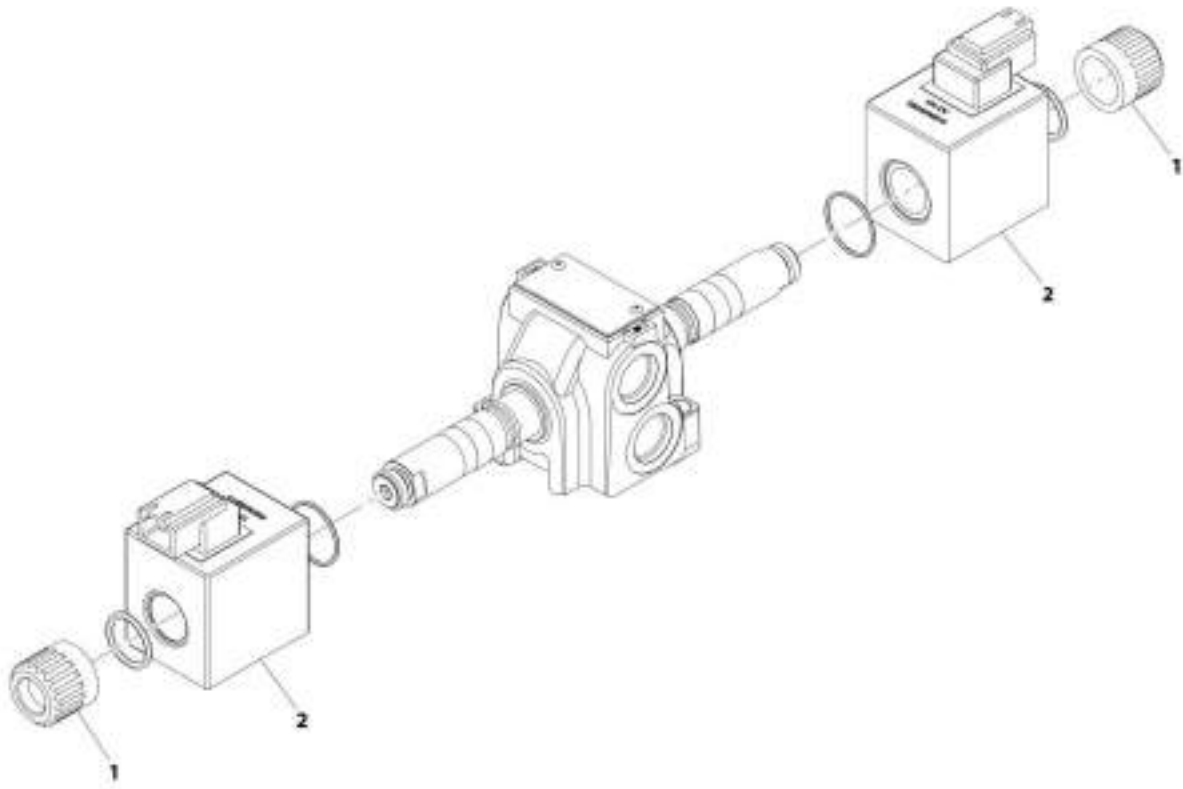
## SECTION 9 - HYDRAULIC COMPONENTS

**FIGURE 9-27. BRAKE VALVE (SN 0160074878 to Present, Including 0160074813 and 0160074818)**

ITEM	PART NUMBER	QTY	DESCRIPTION	REV
	1001201721	Ref	Brake Valve	D
1	70025859	1	Dust Cover	
2	70027275	1	Reservoir Joint	
3	70027276	1	Seal Kit	
4	70022650	1	Yoke	
5	70020743	1	Yoke Pin	
6	70020745	1	Pin, Cotter	

# SECTION 9 - HYDRAULIC COMPONENTS

FIGURE 9-28. STEERING SELECT VALVE



AMF\_1001155748-C

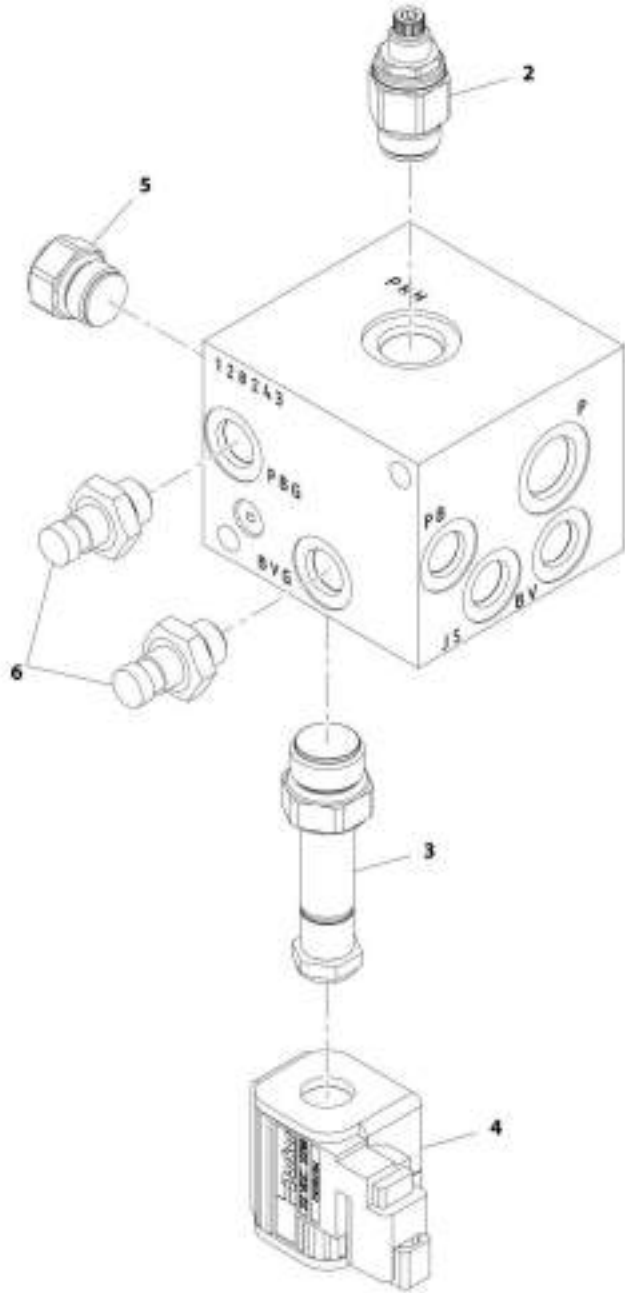
## SECTION 9 - HYDRAULIC COMPONENTS

FIGURE 9-28. STEERING SELECT VALVE

ITEM	PART NUMBER	QTY	DESCRIPTION	REV
	1001153748	Ref	Steering Select Valve	C
1	70020867	2	Kit, Retainer, W/Seals	
2	70026582	2	Coil	

# SECTION 9 - HYDRAULIC COMPONENTS

FIGURE 9-29. SECONDARY CONTROL VALVE



ART\_1000100655-0



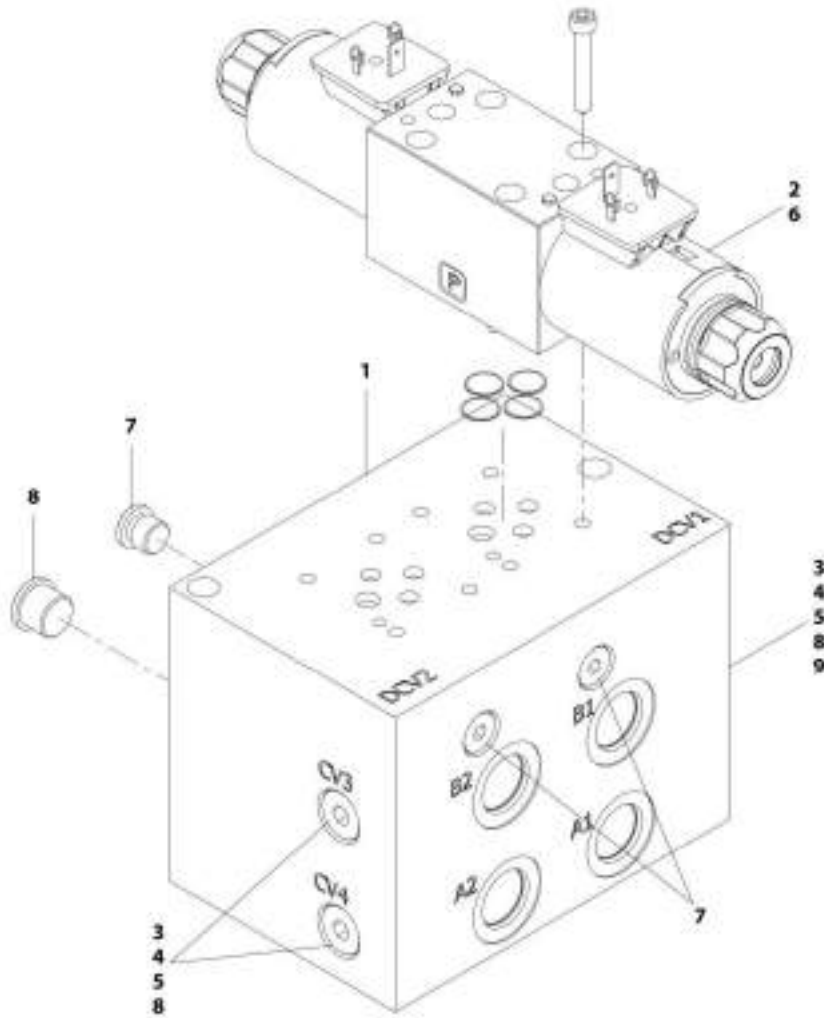
## SECTION 9 - HYDRAULIC COMPONENTS

### FIGURE 9-29. SECONDARY CONTROL VALVE

ITEM	PART NUMBER	QTY	DESCRIPTION	REV
	1001159655	Ref	Secondary Control Valve	B
2	70026084	1	Valve, Pressure Reducing	
	8032694	1	Kit, Seal	
3	70026087	1	Valve, Solenoid	
	8032695	1	Kit, Seal	
4	70026085	1	Coil	
5	91474023	1	Valve, Check	
	7010769	1	Kit, Seal	
6	70026086	2	Nipple	

# SECTION 9 - HYDRAULIC COMPONENTS

FIGURE 9-30. OUTRIGGER VALVE - 10042 & 10054



ART\_100105915-A

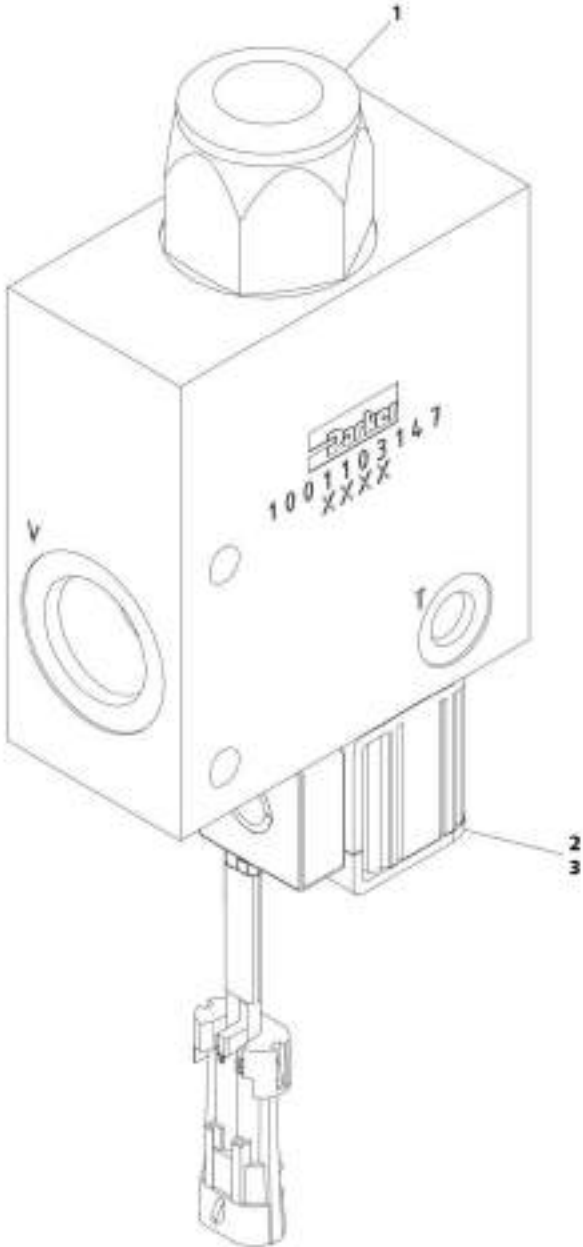
## SECTION 9 - HYDRAULIC COMPONENTS

**FIGURE 9-30. OUTRIGGER VALVE - 10042 & 10054**

ITEM	PART NUMBER	QTY	DESCRIPTION	REV
	1001185915	Ref	Outrigger Valve - 10042 & 10054	A
1	70026563	1	Manifold	
2	70026564	2	Valve, Directional Control, (includes o-rings)	
	7010746	4	O-Ring	
3	70023506	4	Bearing, Ball	
4	70023507	4	Spring	
5	70023508	4	Retainer	
6	70023509	2	Orifice	
7	8032790	6	Plug, Port	
8	7010771	6	Plug, Port	
9	91474028	3	Plug, Expander	

**SECTION 9 - HYDRAULIC COMPONENTS**

**FIGURE 9-31. EXTEND LOCKOUT VALVE ASSEMBLY - 10054**



ART\_1001103147-8

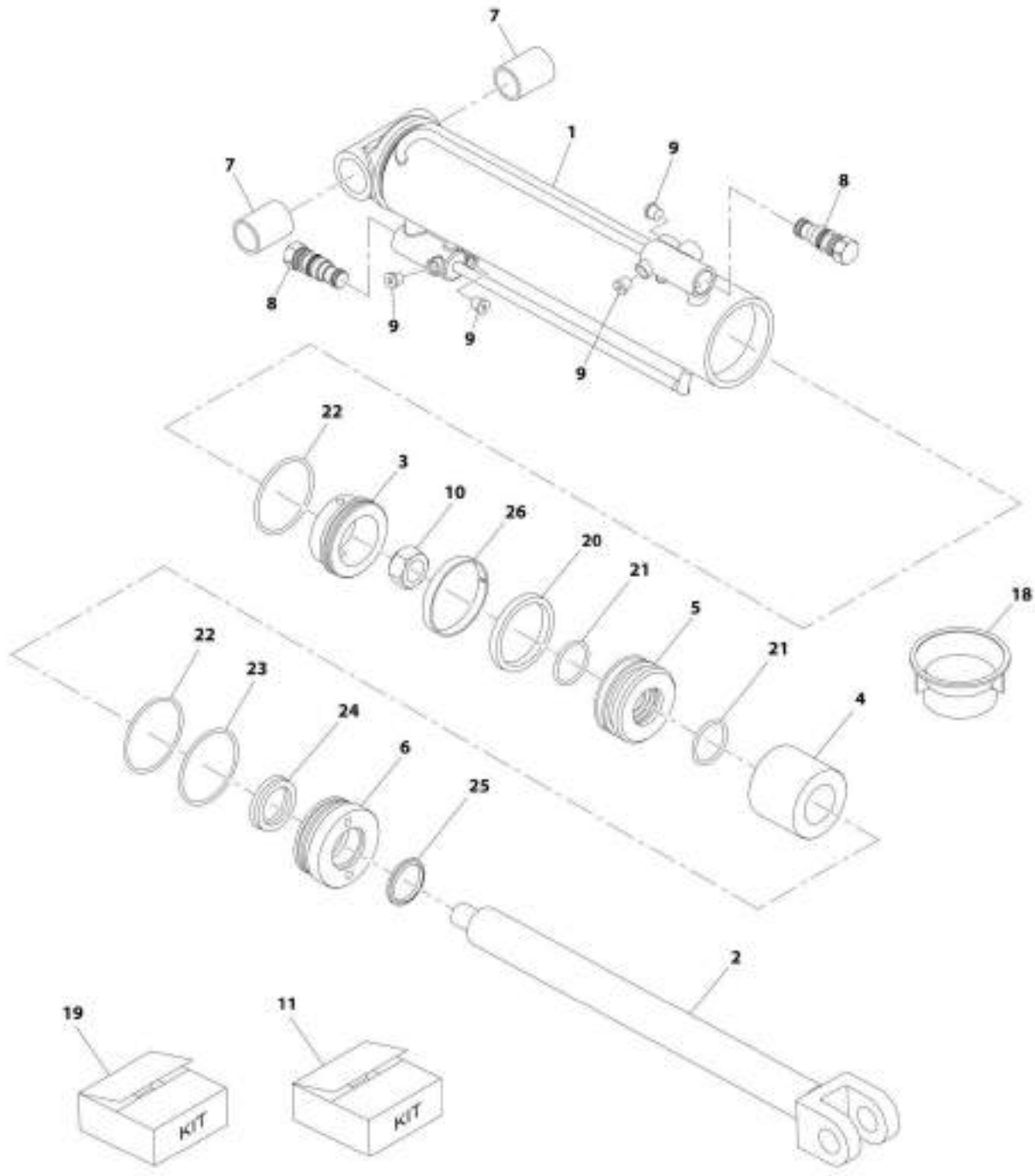
## SECTION 9 - HYDRAULIC COMPONENTS

FIGURE 9-31. EXTEND LOCKOUT VALVE ASSEMBLY - 10054

ITEM	PART NUMBER	QTY	DESCRIPTION	REV
	1001103147	Ref	Extend Lockout Valve Assembly - 10054	B
1	70023519	1	Element, Logic	
	70023520	1	Kit, Seal	
2	70023521	1	Solenoid	
	8032694	1	Kit, Seal	
3	70022724	1	Coil, Metripack	

# SECTION 9 - HYDRAULIC COMPONENTS

## FIGURE 9-32. PIPE HANDLER CYLINDER



ART\_70028507

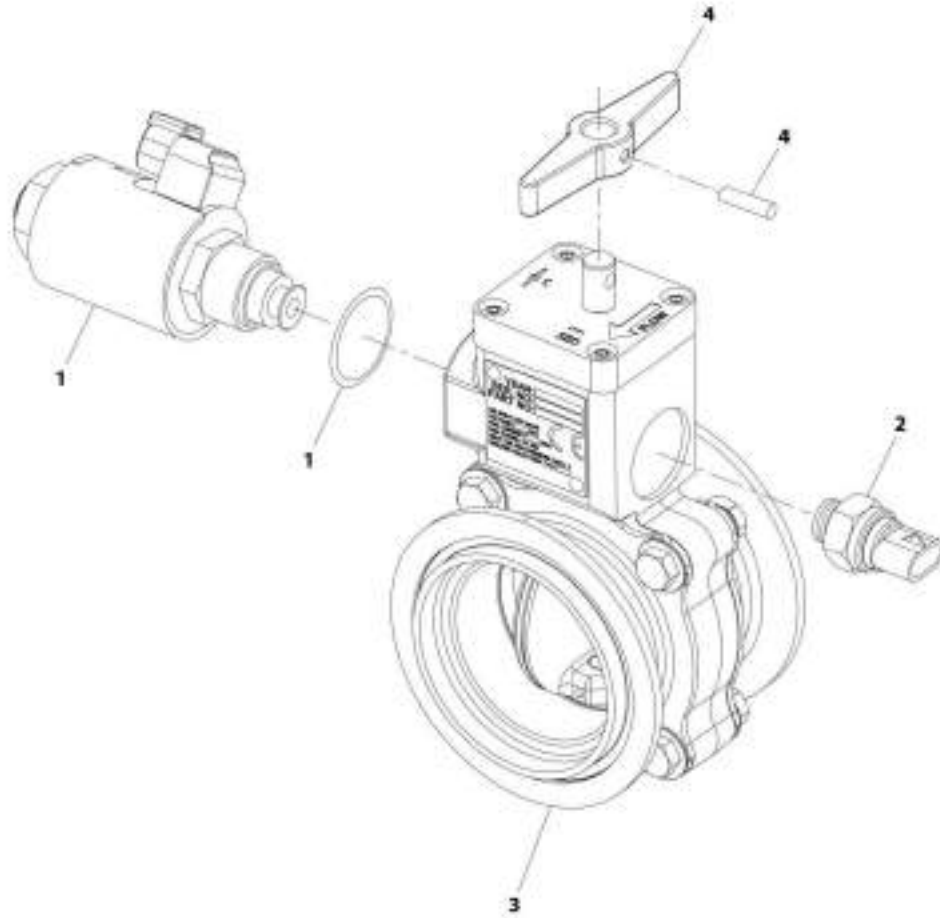
## SECTION 9 - HYDRAULIC COMPONENTS

### FIGURE 9-32. PIPE HANDLER CYLINDER

ITEM	PART NUMBER	QTY	DESCRIPTION	REV
	70026587	1	Pipe Handler Cylinder	
1	70026495	1	Barrel	
2	70026610	1	Rod	
3	70026497	1	Spacer	
4	70026611	1	Spacer	
5	Kit	1	Seal	
6	70026499	1	Piston	
7	Kit	2	O-Ring	
8	Kit	2	O-Ring	
9	Kit	1	Back-up Ring	
10	Kit	1	Seal	
11	70026500	1	Retainer	
12	Kit	1	Wiper	
13	70026501	2	Bushing	
14	70026502	2	Check Valve	
15	70024129	4	Fitting, 4	
16	Kit	1	Wear Ring	
17	70026503	1	Nut	
18	70024734	1	Check Valve Service Kit	
19	70026505	1	Seal Loader Kit	
20	70026506	1	Service Kit (includes items 5, 7 thru 10 & 12 & 16)	

# SECTION 9 - HYDRAULIC COMPONENTS

## FIGURE 9-33. AIR SHUT OFF VALVE



ART\_100120403-A



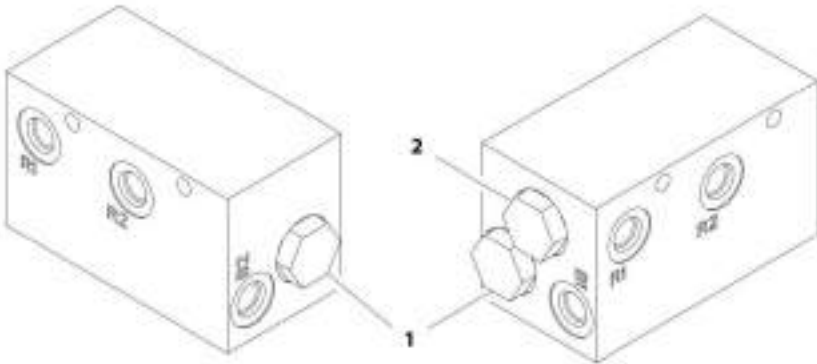
## SECTION 9 - HYDRAULIC COMPONENTS

### FIGURE 9-33. AIR SHUT OFF VALVE

ITEM	PART NUMBER	QTY	DESCRIPTION	REV
	1001204032	Ref	Air Shut Off Valve	A
1	70028514	1	Kit, Solenoid 12V	
	N.S.S.	1	Solenoid	
	N.S.S.	1	Coil, 12V	
	N.S.S.	1	O-Ring	
2	70028515	1	Kit, Switch	
	N.S.S.	1	Switch, Ball	
	N.S.S.	1	O-Ring	
3	70028516	1	Kit, Flange and Hardware	
	N.S.S.	1	Flange, Female	
	N.S.S.	1	Flange, Male	
	N.S.S.	4	Bolt	
	N.S.S.	8	Washer	
	N.S.S.	4	Locknut	
4	70028517	1	Handle	
	N.S.S.	1	Handle, Reset	
	N.S.S.	1	Pin	

**SECTION 9 - HYDRAULIC COMPONENTS**

**FIGURE 9-34. FLOW DIVIDER VALVE**



ART\_4641501-A

## SECTION 9 - HYDRAULIC COMPONENTS

### FIGURE 9-34. FLOW DIVIDER VALVE

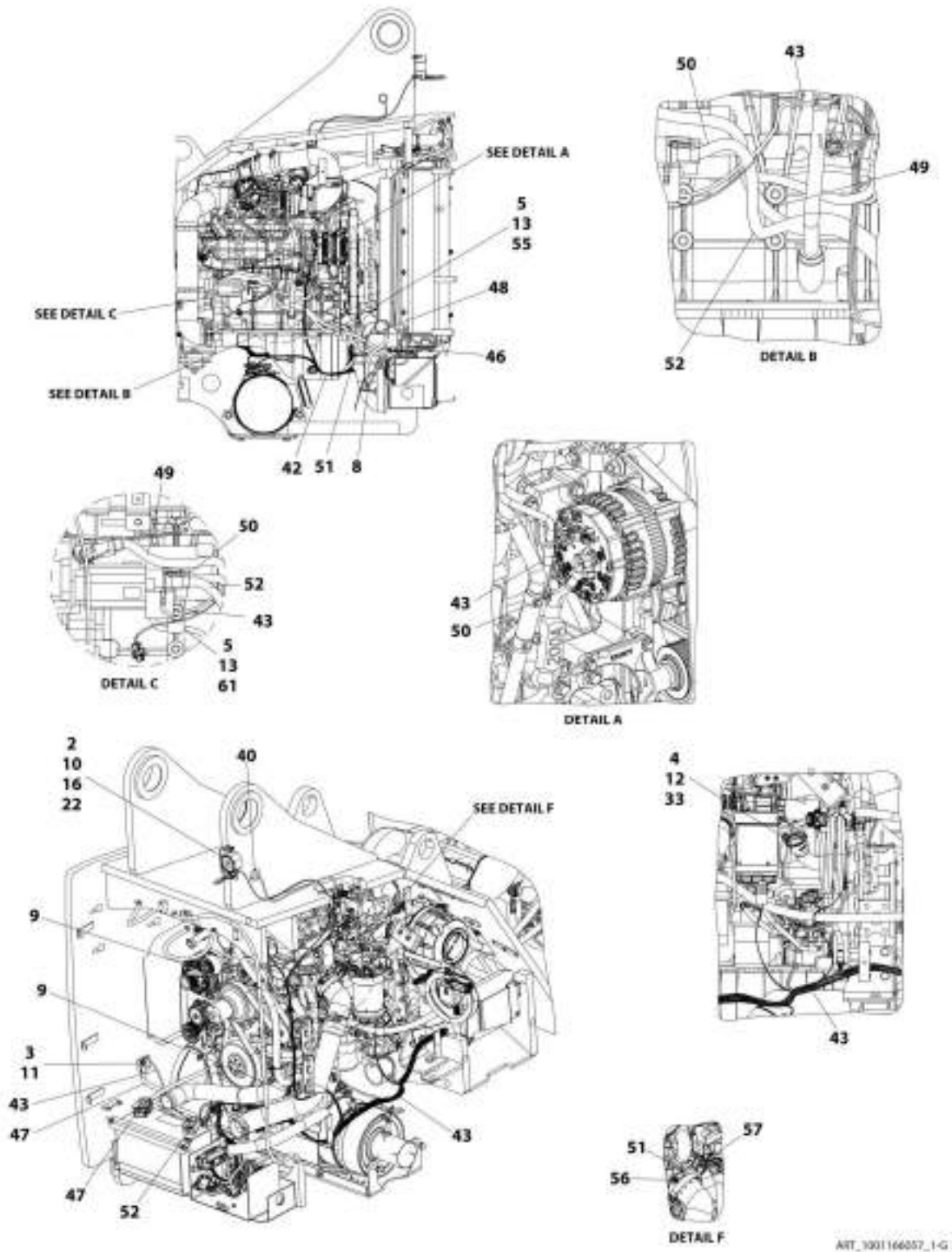
ITEM	PART NUMBER	QTY	DESCRIPTION	REV
	4641501	Ref	Flow Divider Valve	A
1	70023928	2	Cartridge, PO Check Valve	
2	70023929	1	Cartridge, Valve	



**SECTION 10 - ELECTRICAL**

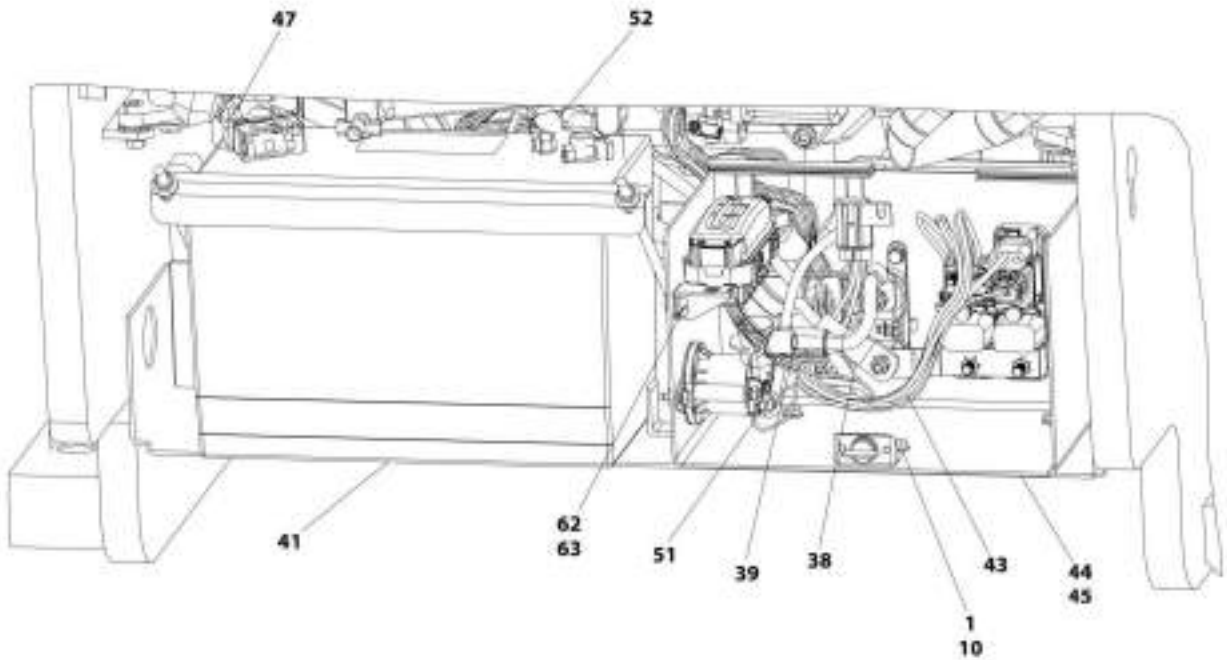
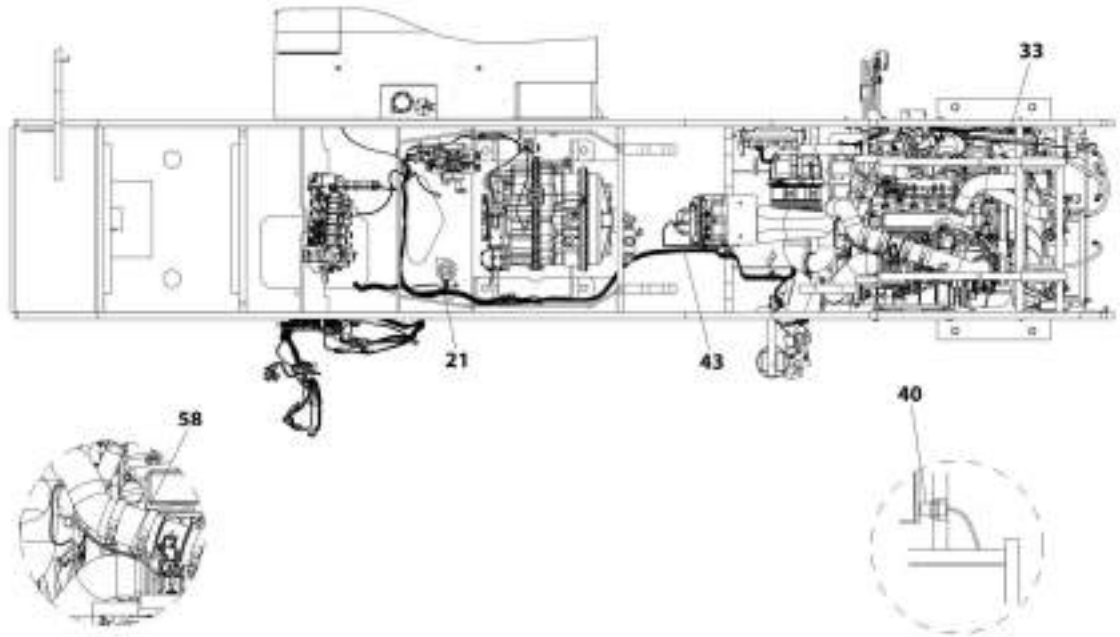
# SECTION 10 - ELECTRICAL

FIGURE 10-1. ELECTRICAL INSTALLATION, 110HP - 8042 (ULS) (Prior to SN 0160074878, Excluding 0160074813 and 0160074818)



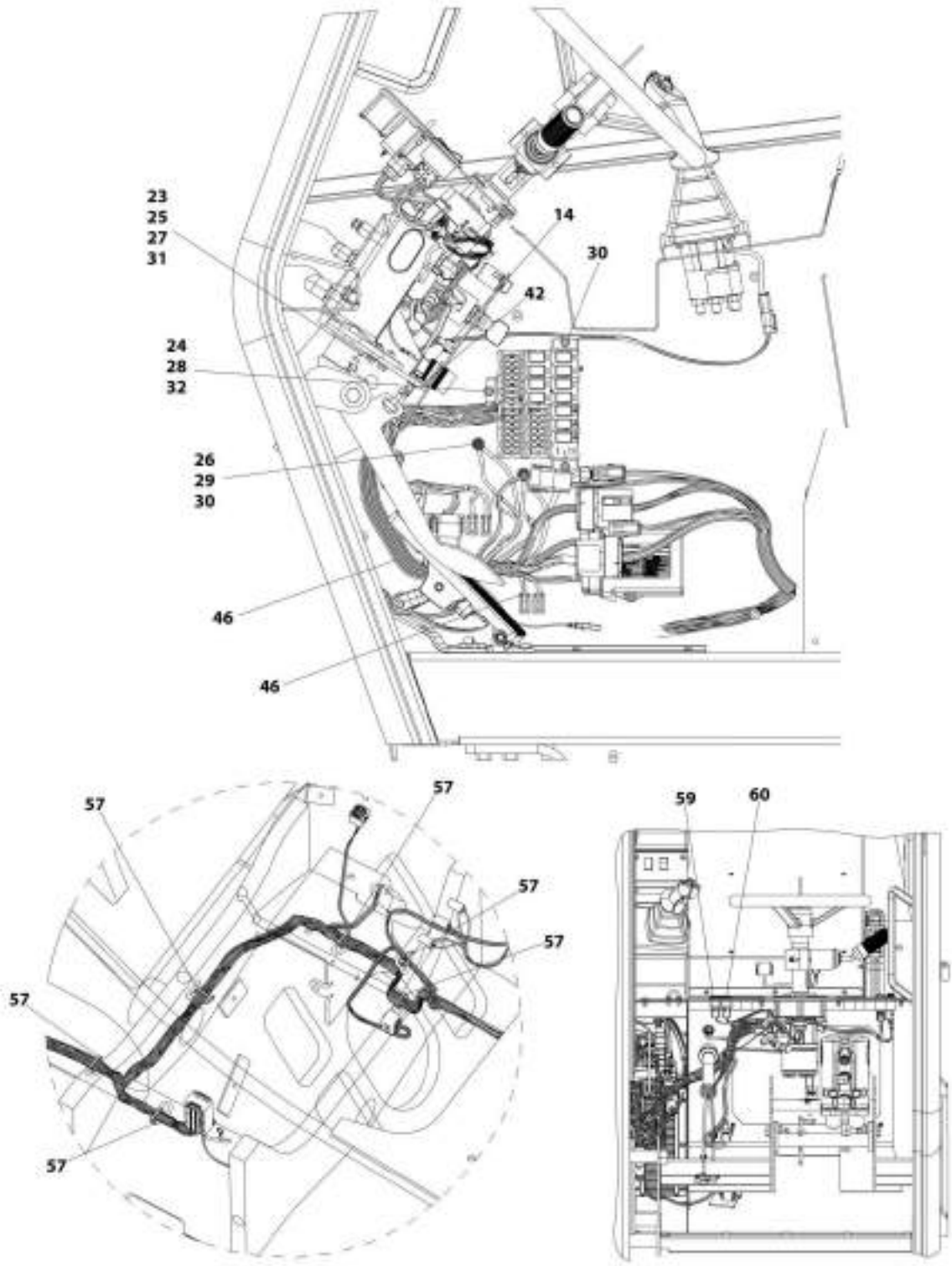
AIR\_3001166057\_1-G

# SECTION 10 - ELECTRICAL



ART\_1001/80057\_2-G

# SECTION 10 - ELECTRICAL



ART\_10015M057\_3-G



## SECTION 10 - ELECTRICAL

**FIGURE 10-1. ELECTRICAL INSTALLATION, 110HP - 8042 (ULS) (Prior to SN 0160074878, Excluding 0160074813 and 0160074818)**

ITEM	PART NUMBER	QTY	DESCRIPTION	REV
	1001166057	Ref	Electrical Installation, 110HP - 8042 (if equipped for ULS)	G
1	0641404	3	Bolt, 1/4-20X1/2	
2	0641406	2	Bolt, 1/4-20X3/4	
3	0641605	1	Bolt, 3/8-16X5/8	
4	0760810	1	Bolt, M8X20	
5	0761212	2	Bolt, M12X25 Grade 10.9	
8	1062255	1	Strap, Tie	
9	4240017	2	Strap, Tie	
10	4711400	5	Washer, 1/4	
11	4711600	1	Washer, 3/8	
12	4811900	1	Washer, M8	
13	4812100	2	Washer, M12	
14	8223025	1	Switch, Brake Sensor	
21	8270620	1	Horn, Signal	
22	8270621	1	Alarm, Back-Up	
23	8303540	2	Bolt, 1/4-20X1	
24	8305002	3	Nut, M10-24	
25	8305004	2	Nut, 1/4-20	
26	8305624	4	Nut, Lock 1/4-20	
27	8307002	2	Washer, Lock 1/4	
28	8307003	3	Washer, Lock M10	
29	8307027	4	Washer, Lock External Tooth 5/16	
30	8307106	5	Washer, 5/16	
31	8307109	2	Washer, 1/4	
32	8307111	3	Washer, M10	
33	8310046	1	Washer, Lock M10	
38	1001171633	1	Cable, Buss Power	
39	1001171237	1	Cable, Grid Heater to Fuse Power	
40	1001130307	1	Sensor, Boom	
41	1001186841	1	Installation, Battery (See BATTERY INSTALLATION for Breakdown)	
42	1001143307	1	Plate, Brake Switch	
43	1001169620	1	Harness, Engine (if equipped for ULS) (See ENGINE HARNESS (ULS) for Breakdown)	
44	1001170233	1	Installation, Relay Panel (See RELAY PANEL INSTALLATION for Breakdown)	
45	1001170234	1	Assembly, Relay Panel Cover (See RELAY PANEL COVER ASSEMBLY for Breakdown)	
46	1001178285	1	Harness, Cab Power Distribution (See CAB POWER DISTRIBUTION HARNESS for Breakdown)	
47	1001171234	1	Cable, Battery Negative	
49	1001171236	1	Cable, Starter Ground	
50	1001171238	1	Cable, Alternator Power	
51	1001171239	1	Cable, Grid Heater Power	
52	1001171757	1	Cable, Starter Power	
55	1001181899	1	Clamp	
56	3290601	1	Nut, M6X1	
57	8584001	13	Wrap, Tie	
58	1001184835	1	Harness, TBAP (See TBAP HARNESS for Breakdown)	
59	1001172135	1	Indicator, Engine	

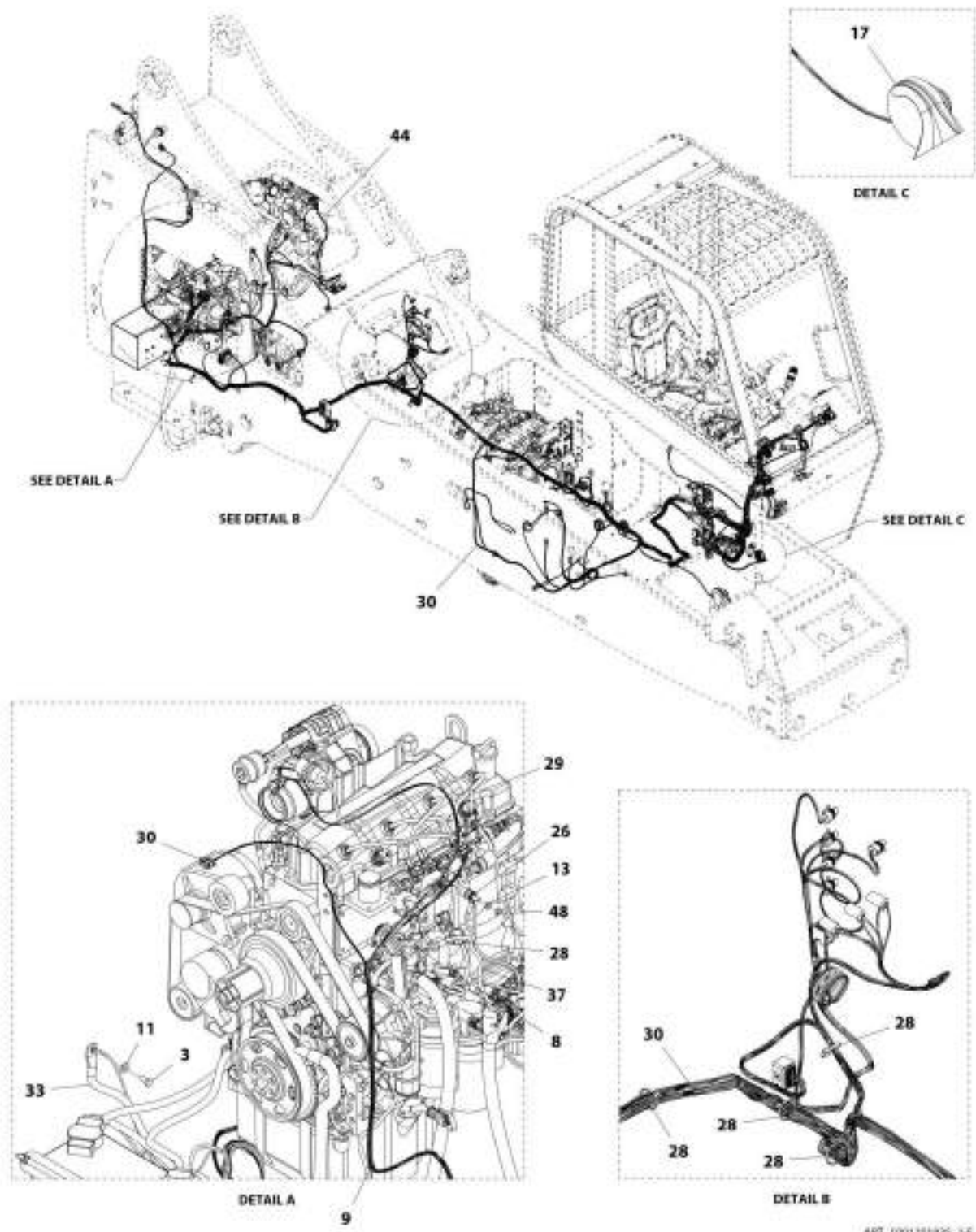
## SECTION 10 - ELECTRICAL

ITEM	PART NUMBER	QTY	DESCRIPTION	REV
60	1001172136	1	Indicator, Hest	
61	8406105	1	Clip, Tube	
62	8303545	2	Screw, M6X1X14	
63	4811700	2	Washer M6	



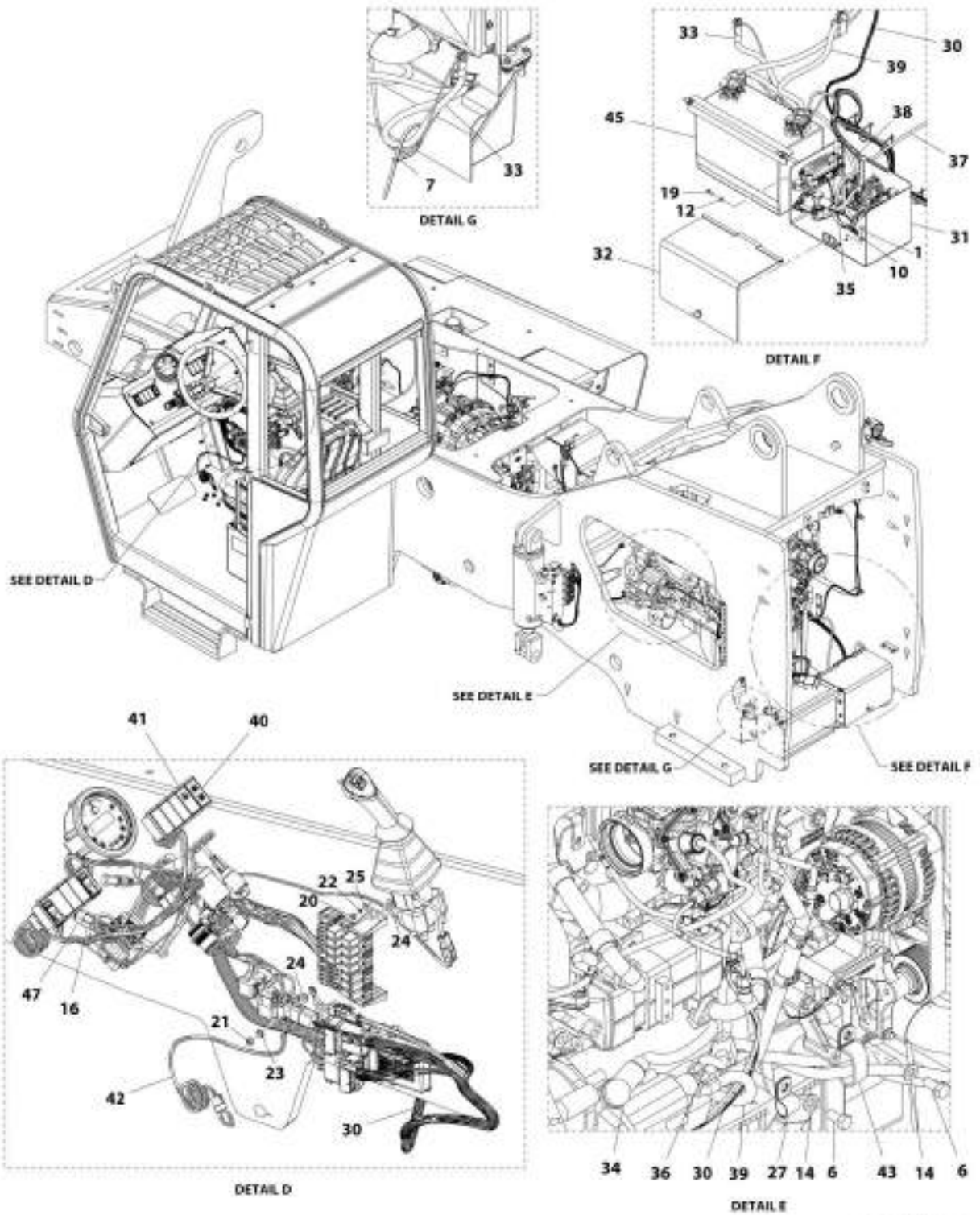
# SECTION 10 - ELECTRICAL

FIGURE 10-2. ELECTRICAL INSTALLATION, 110HP - 8042 (ULS) (SN 0160074878 to Present, Including 0160074813 and 0160074818)



ART\_1001201R35\_1-F

# SECTION 10 - ELECTRICAL



487\_1001201935\_3-F

## SECTION 10 - ELECTRICAL

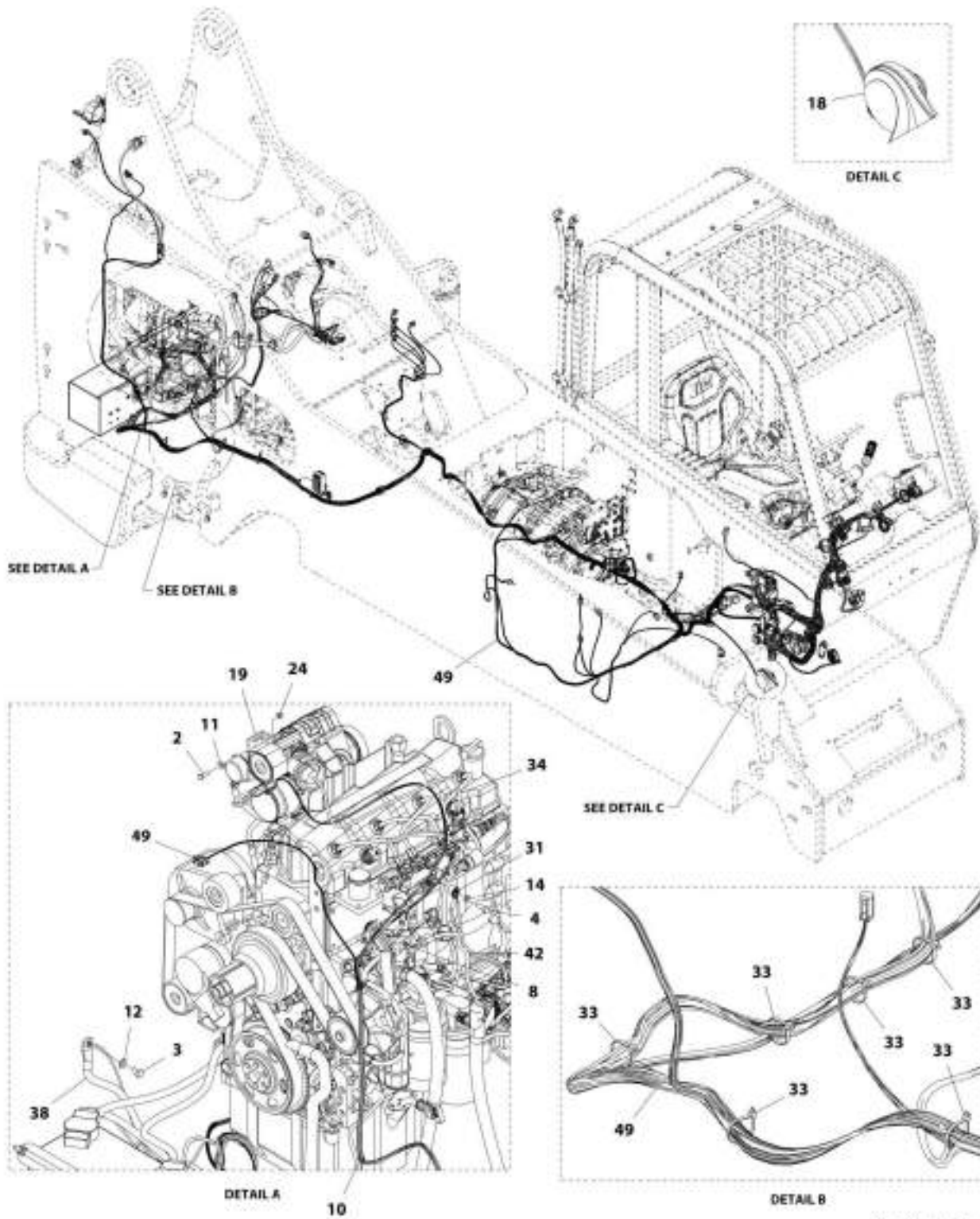
**FIGURE 10-2. ELECTRICAL INSTALLATION, 110HP - 8042 (ULS) (SN 0160074878 to Present, Including 0160074813 and 0160074818)**

ITEM	PART NUMBER	QTY	DESCRIPTION	REV
	1001201935	Ref	Electrical Installation, 110HP - 8042 (if equipped for ULS)	F
1	0641404	3	Bolt, 1/4-20X1/2	
3	0641605	1	Bolt, 3/8-16X5/8	
6	0761212	2	Bolt, M12X25 Grade 10.9	
7	1062255	1	Strap, Tie	
8	3290601	1	Nut, M6X1	
9	4240017	2	Strap, Tie	
10	4711400	3	Washer, 1/4	
11	4711600	1	Washer, 3/8	
12	4811700	2	Washer, M6	
13	4811900	1	Washer, M8	
14	4812100	2	Washer, M12	
16	1001211279	NLA	Switch, Pressure (no longer available, use 1001220432 for replacement)	
16	1001220432	1	Switch, Pressure	
17	8270620	1	Horn, Signal	
19	8303545	2	Screw, M6X1X14	
20	8305002	3	Nut, 10-24	
21	8305624	2	Nut, Lock 1/4-20	
22	8307003	3	Washer, Lock M10	
23	8307027	4	Washer, Lock External Tooth 5/16	
24	8307106	5	Washer, 5/16	
25	8307111	3	Washer, M10	
26	8310046	1	Washer, Lock External Tooth M10	
27	8406105	1	Clip Tube	
28	8584001	13	Wrap, Tie	
29	1001130307	1	Sensor, Boom	
30	1001169620	1	Harness, Engine (if equipped for ULS) (See ENGINE HARNESS (ULS) for Breakdown)	
31	1001170233	1	Installation, Relay Panel (See RELAY PANEL INSTALLATION for Breakdown)	
32	1001170234	1	Assembly, Relay Panel Cover (See RELAY PANEL COVER ASSEMBLY for Breakdown)	
33	1001171234	1	Cable, Battery Negative	
34	1001171236	1	Cable, Starter Ground	
35	1001171237	1	Cable, Grid Heater to Fuse Power	
36	1001171238	1	Cable, Alternator Power	
37	1001171239	1	Cable, Grid Heater Power	
38	1001171633	1	Cable, Buss Power	
39	1001171757	1	Cable, Starter Power	
40	1001172135	1	Indicator, Engine	
41	1001172136	1	Indicator, Hest	
42	1001178285	1	Harness, Cab Power Distribution (See CAB POWER DISTRIBUTION HARNESS for Breakdown)	
43	1001181899	1	Clamp	
44	1001184835	1	Harness, TBAP (See TBAP HARNESS for Breakdown)	
45	1001186841	1	Installation, Battery (See BATTERY INSTALLATION for Breakdown)	
47	2220214	1	Fitting, Reducer	
48	3290801	1	Nut, M8X1.25	



# SECTION 10 - ELECTRICAL

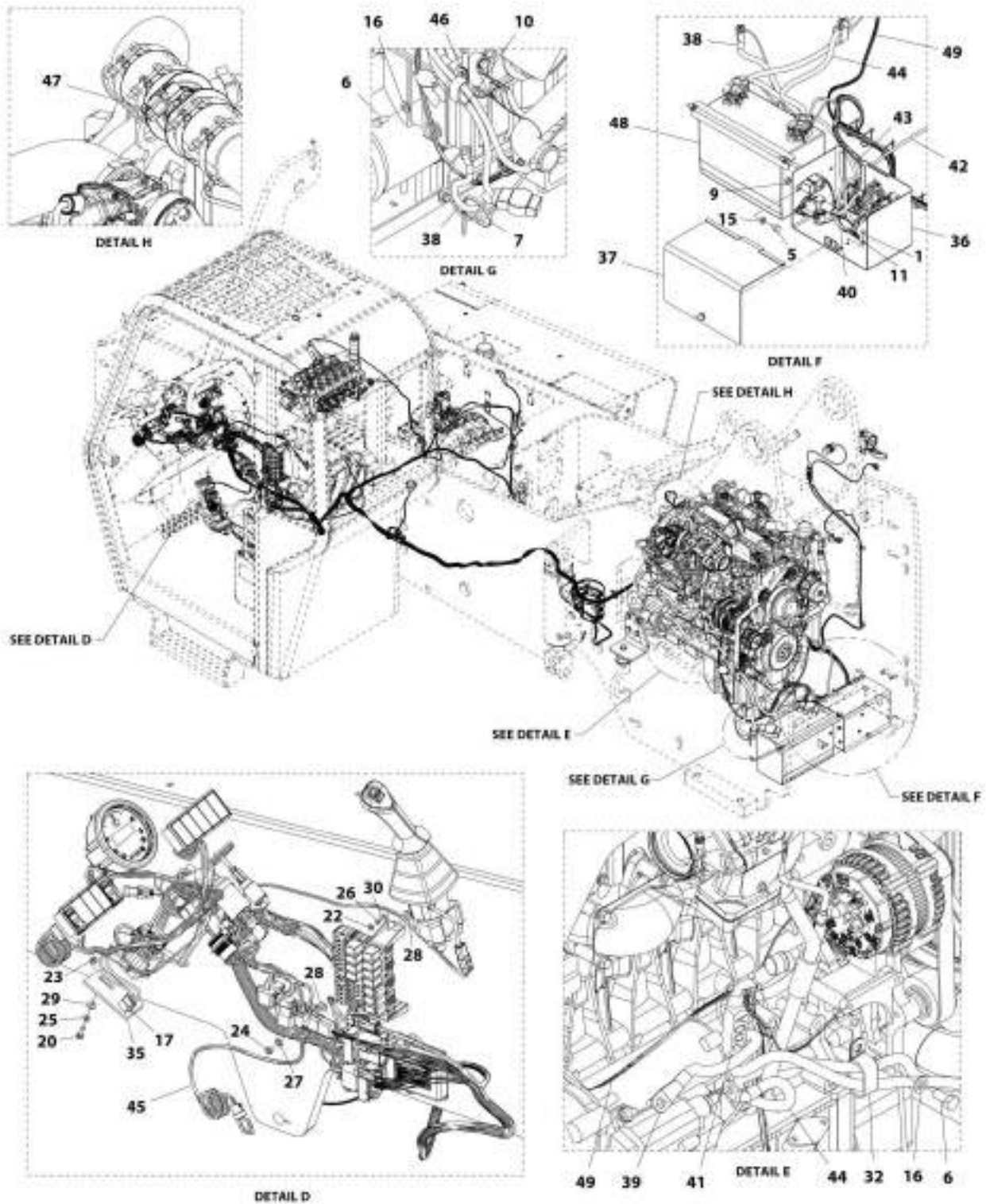
FIGURE 10-3. ELECTRICAL INSTALLATION, 74HP- 8042 (ULS) (Prior to SN 0160074878, Excluding 0160074813 and 0160074818)



WIT\_1001212332\_1-A



# SECTION 10 - ELECTRICAL



ART\_1001212337\_2-A

## SECTION 10 - ELECTRICAL

**FIGURE 10-3. ELECTRICAL INSTALLATION, 74HP- 8042 (ULS) (Prior to SN 0160074878, Excluding 0160074813 and 0160074818)**

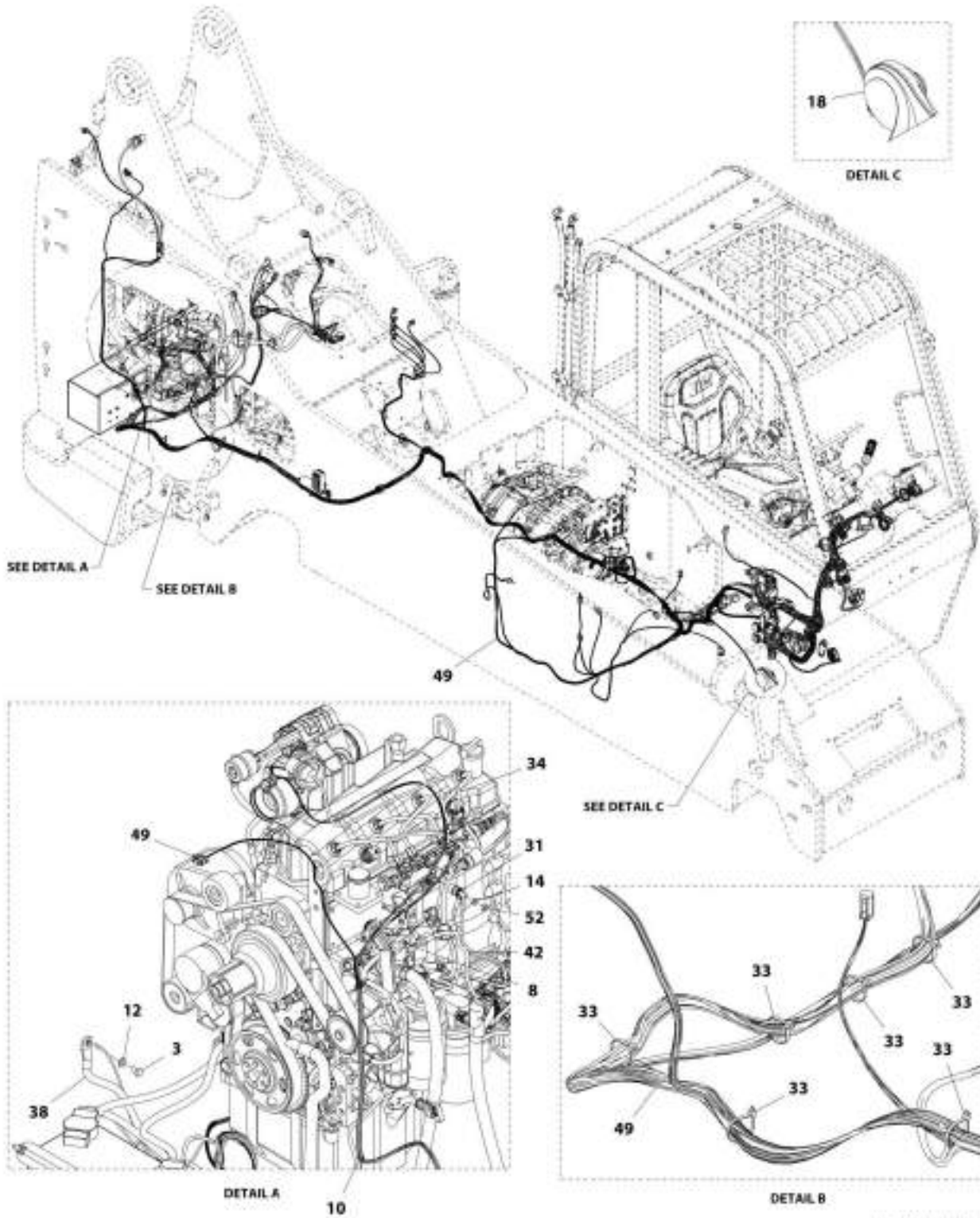
ITEM	PART NUMBER	QTY	DESCRIPTION	REV
	1001212337	Ref	Electrical Installation, 74HP - 8042 (if equipped for ULS)	A
1	0641404	3	Bolt, 1/4-20X1/2	
2	0641406	2	Bolt, 1/4-20X3/4	
3	0641605	1	Bolt, 3/8-16X5/8	
4	0760810	1	Bolt, M8X20	
5	0761007	1	Bolt, 10X14 LG	
6	0761212	2	Bolt, M12X25 Grade 10.9	
7	1062255	1	Strap, Tie	
8	3290601	1	Nut, M6X1	
9	3291001	1	Nut, M10X1.5	
10	4240017	3	Strap, Tie	
11	4711400	5	Washer, 1/4	
12	4711600	1	Washer, 3/8	
13	4811700	1	Washer, M6 (not shown)	
14	4811900	1	Washer, M8	
15	4812000	1	Washer, M10	
16	4812100	2	Washer, M12	
17	8223025	1	Switch, Brake Sensor	
18	8270620	1	Horn, Signal	
19	8270621	1	Alarm, Back-Up	
20	8303540	2	Bolt, 1/4-20X1	
21	8303545	1	Screw, M6X1X14 (not shown)	
22	8305002	3	Nut, 10-24	
23	8305004	2	Nut, 1/4-20	
24	8305624	4	Nut, Lock 1/4-20	
25	8307002	2	Washer, Lock 1/4	
26	8307003	3	Washer, Lock M10	
27	8307027	4	Washer, Lock External Tooth 5/16	
28	8307106	5	Washer, 5/16	
29	8307109	2	Washer, M10	
30	8307111	3	Washer, M10	
31	8310046	1	Washer, Lock External Tooth M10	
32	8406105	1	Clip Tube	
33	8584001	12	Wrap, Tie	
34	1001130307	1	Sensor, Boom	
35	1001143307	1	Plate, Brake Switch	
36	1001170233	1	Installation, Relay Panel (See RELAY PANEL INSTALLATION for Breakdown)	
37	1001170234	1	Assembly, Relay Panel Cover (See RELAY PANEL COVER ASSEMBLY for Breakdown)	
38	1001171234	1	Cable, Battery Negative	
39	1001171236	1	Cable, Starter Ground	
40	1001171237	1	Cable, Grid Heater to Fuse Power	
41	1001171238	1	Cable, Alternator Power	
42	1001171239	1	Cable, Grid Heater Power	
43	1001171633	1	Cable, Buss Power	
44	1001171757	1	Cable, Starter Power	
45	1001178285	1	Harness, Cab Power Distribution (See CAB POWER DISTRIBUTION HARNESS for Breakdown)	

## SECTION 10 - ELECTRICAL

ITEM	PART NUMBER	QTY	DESCRIPTION	REV
46	1001181899	1	Clamp	
47	1001184835	1	Harness, TBAP (See TBAP HARNESS for Breakdown)	
48	1001186841	1	Installation, Battery (See BATTERY INSTALLATION for Breakdown)	
49	1001199889	1	Engine Harness, 74HP (ULS) (See ENGINE HARNESS, 74HP (ULS) for Breakdown)	

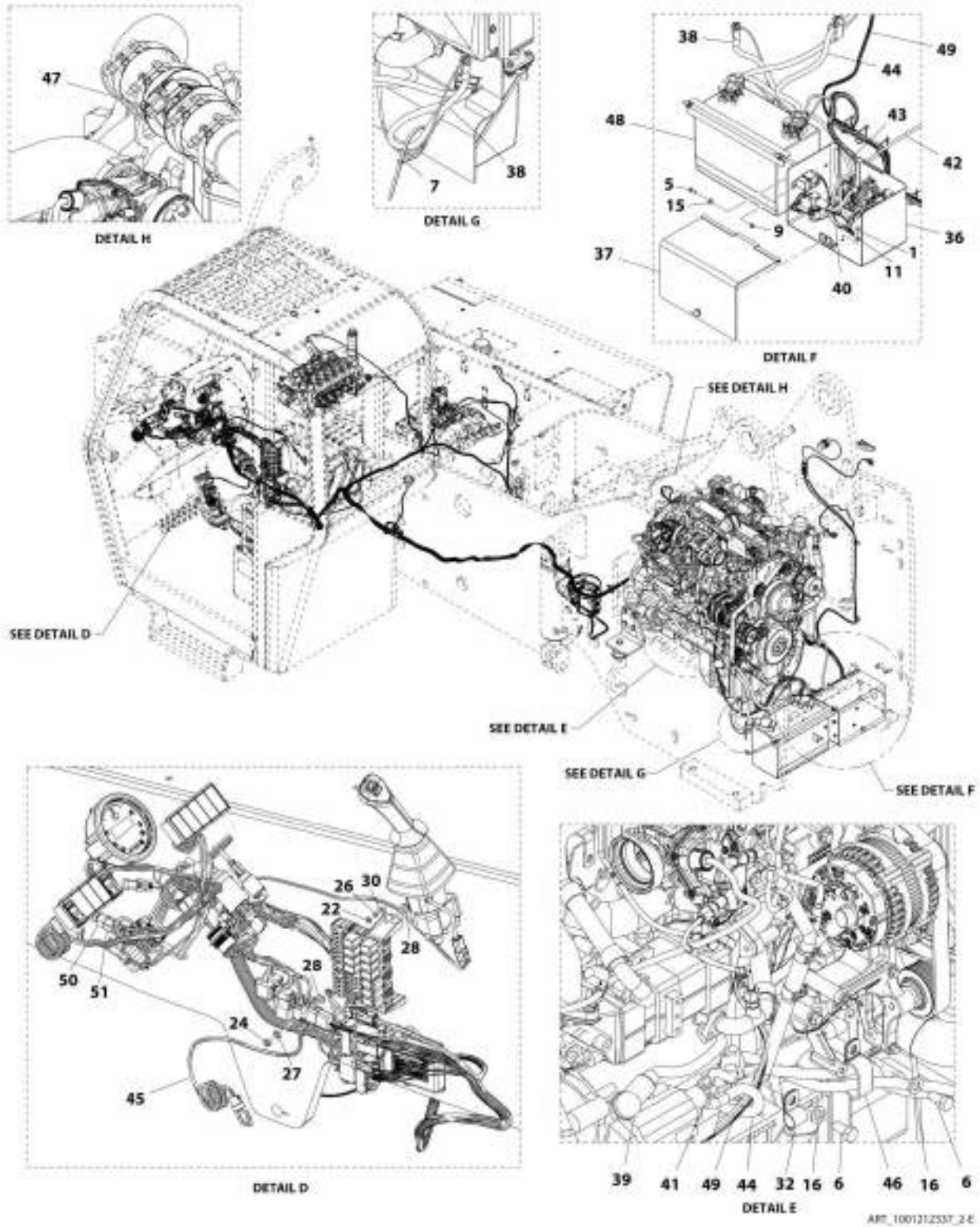
# SECTION 10 - ELECTRICAL

FIGURE 10-4. ELECTRICAL INSTALLATION, 74HP- 8042 (ULS) (SN 0160074878 to Present, Including 0160074813 and 0160074818)



ARF\_1001212557\_1-E

# SECTION 10 - ELECTRICAL



## SECTION 10 - ELECTRICAL

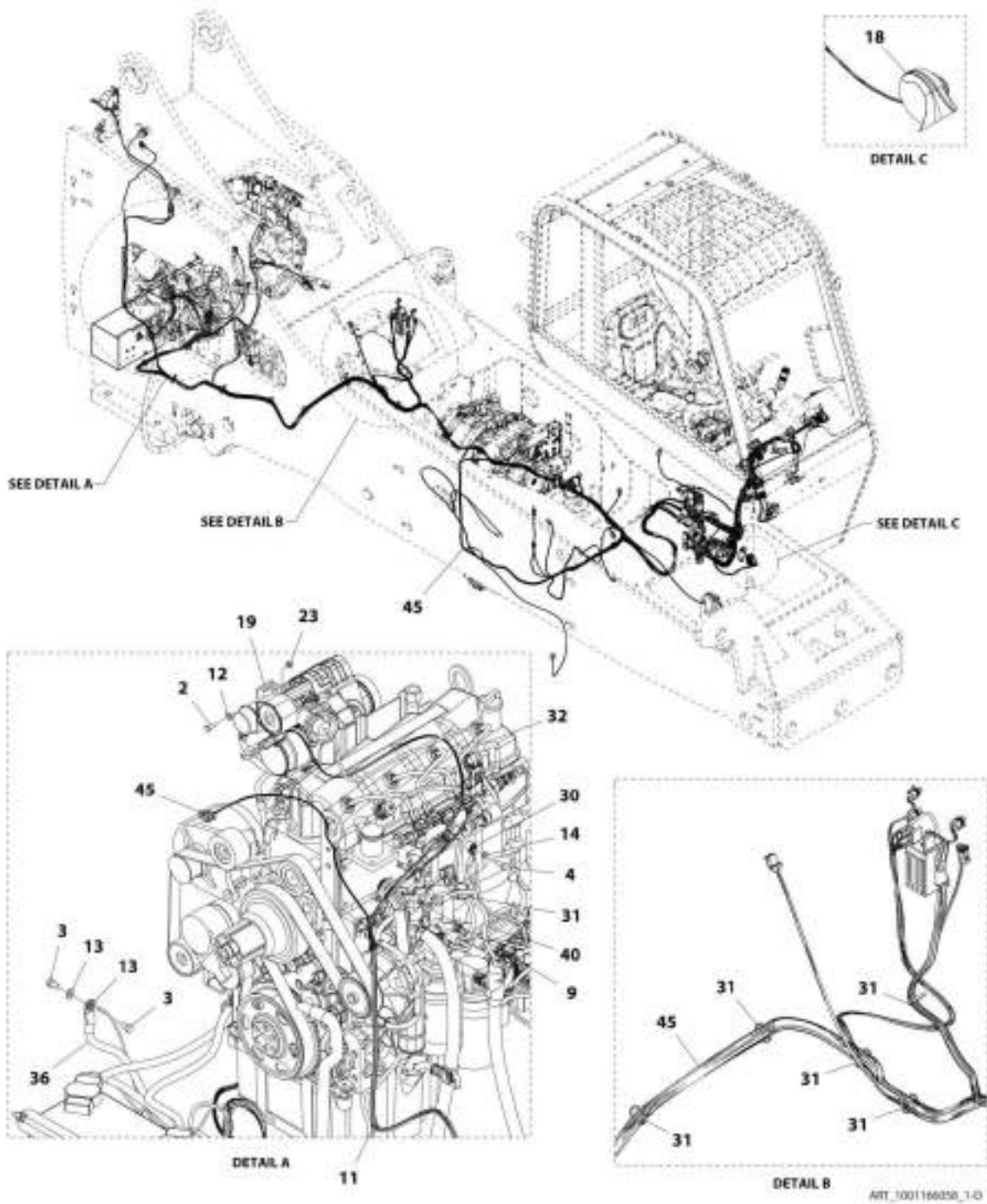
**FIGURE 10-4. ELECTRICAL INSTALLATION, 74HP- 8042 (ULS) (SN 0160074878 to Present, Including 0160074813 and 0160074818)**

ITEM	PART NUMBER	QTY	DESCRIPTION	REV
	1001212337	Ref	Electrical Installation, 74HP - 8042 (if equipped for ULS)	E
1	0641404	3	Bolt, 1/4-20X1/2	
3	0641605	1	Bolt, 3/8-16X5/8	
5	8303545	1	Bolt, 10X14 LG	
6	0761212	2	Bolt, M12X25 Grade 10.9	
7	1062255	1	Strap, Tie	
8	3290601	1	Nut, M6X1	
9	3290605	1	Nut, M6X1	
10	4240017	3	Strap, Tie	
11	4711400	3	Washer, 1/4	
12	4711600	1	Washer, 3/8	
14	4811900	1	Washer, M8	
15	4811702	1	Washer, M6	
16	4812100	2	Washer, M12	
18	8270620	1	Horn, Signal	
22	8305002	3	Nut, 10-24	
24	8305624	2	Nut, Lock 1/4-20	
26	8307003	3	Washer, Lock M10	
27	8307027	4	Washer, Lock External Tooth 5/16	
28	8307106	5	Washer, 5/16	
30	8307111	3	Washer, M10	
31	8310046	1	Washer, Lock External Tooth M10	
32	8406105	1	Clip Tube	
33	8584001	12	Wrap, Tie	
34	1001130307	1	Sensor, Boom	
36	1001170233	1	Installation, Relay Panel (See RELAY PANEL INSTALLATION for Breakdown)	
37	1001170234	1	Assembly, Relay Panel Cover (See RELAY PANEL COVER ASSEMBLY for Breakdown)	
38	1001171234	1	Cable, Battery Negative	
39	1001171236	1	Cable, Starter Ground	
40	1001171237	1	Cable, Grid Heater to Fuse Power	
41	1001171238	1	Cable, Alternator Power	
42	1001171239	1	Cable, Grid Heater Power	
43	1001171633	1	Cable, Buss Power	
44	1001171757	1	Cable, Starter Power	
45	1001178285	1	Harness, Cab Power Distribution (See CAB POWER DISTRIBUTION HARNESS for Breakdown)	
46	1001181899	1	Clamp	
47	1001184835	1	Harness, TBAP (See TBAP HARNESS for Breakdown)	
48	1001186841	1	Installation, Battery (See BATTERY INSTALLATION for Breakdown)	
49	1001199889	1	Engine Harness, 74HP (ULS) (See ENGINE HARNESS, 74HP (ULS) for Breakdown)	
50	2220214	1	Adapter	
51	1001211279	NLA	Switch, Pressure (no longer available, use 1001220432 for replacement)	
51	1001220432	1	Switch, Pressure	
52	3290801	1	Nut, M8X 1.25	



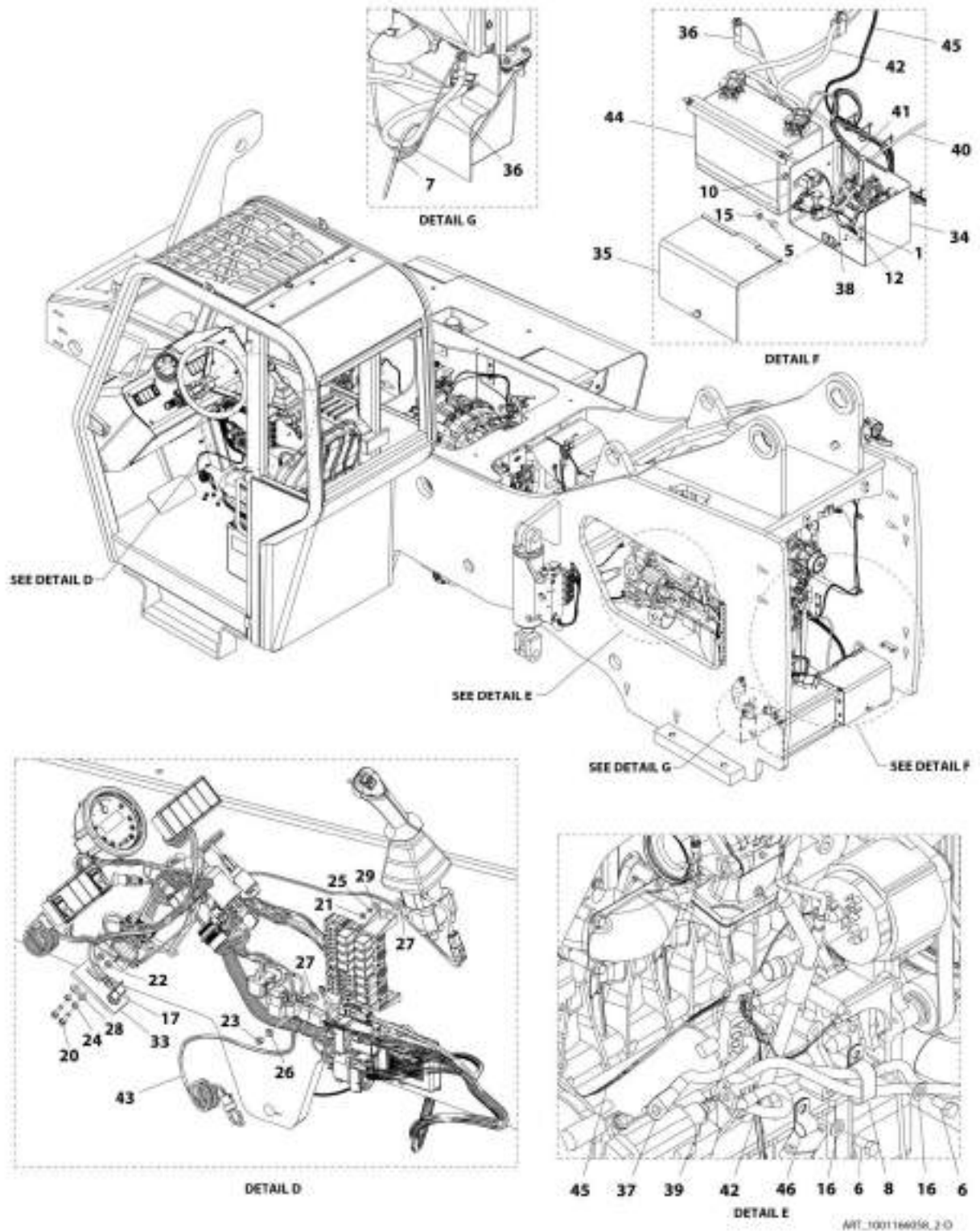
# SECTION 10 - ELECTRICAL

FIGURE 10-5. ELECTRICAL INSTALLATION, 110HP - 8042 (LS) (Prior to SN 0160074878, Excluding 0160074813 and 0160074818)





# SECTION 10 - ELECTRICAL



## SECTION 10 - ELECTRICAL

**FIGURE 10-5. ELECTRICAL INSTALLATION, 110HP - 8042 (LS) (Prior to SN 0160074878, Excluding 0160074813 and 0160074818)**

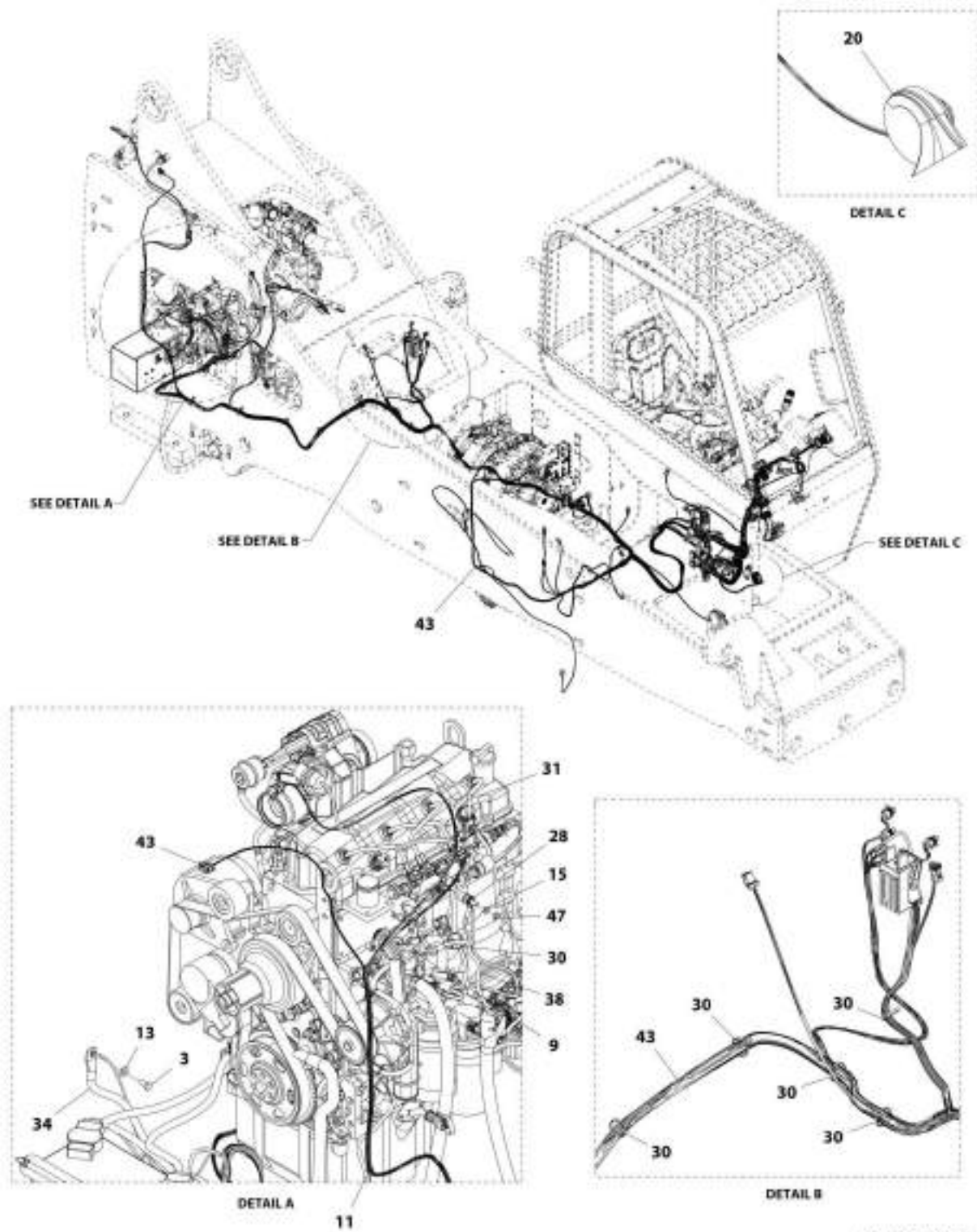
ITEM	PART NUMBER	QTY	DESCRIPTION	REV
	1001166058	Ref	Electrical Installation, 110HP - 8042 (if equipped for LS)	D
1	0641404	3	Bolt, 1/4-20X1/2	
2	0641406	2	Bolt, 1/4-20X3/4	
3	0641605	2	Bolt, 3/8-16X5/8	
4	0760810	1	Bolt, M8X20	
5	0761007	1	Bolt, 10X14 LG	
6	0761212	2	Bolt, M12X25 Grade 10.9	
7	1062255	1	Strap, Tie	
8	1001195039	1	Clamp	
9	3290601	1	Nut, M6X1	
10	3291001	1	Nut, M10X1.5	
11	4240017	2	Strap, Tie	
12	4711400	5	Washer, 1/4	
13	4711600	2	Washer, 3/8	
14	4811900	1	Washer, M8	
15	4812000	1	Washer, M10	
16	4812100	2	Washer, M12	
17	8223025	1	Switch, Brake Sensor	
18	8270620	1	Horn, Signal	
19	8270621	1	Alarm, Back-Up	
20	8303540	2	Bolt, 1/4-20 NCX1	
21	8305002	3	Nut, 10-24	
22	8305004	2	Nut, 1/4-20	
23	8305624	4	Nut, Lock 1/4-20	
24	8307002	2	Washer, Lock 1/4	
25	8307003	3	Washer, Lock 10	
26	8307027	4	Washer, Lock External Tooth 5/16	
27	8307106	5	Washer, 5/16	
28	8307109	2	Washer, 1/4	
29	8307111	3	Washer, M10	
30	8310046	1	Washer, Lock External Tooth M10	
31	8584001	13	Wrap, Tie 3/16	
32	1001130307	1	Sensor, Boom	
33	1001143307	1	Plate, Brake Switch	
34	1001170233	1	Installation, Relay Panel (See RELAY PANEL INSTALLATION for Breakdown)	
35	1001170234	1	Assembly, Relay Panel Cover (See RELAY PANEL COVER ASSEMBLY for Breakdown)	
36	1001171234	1	Cable, Battery Negative	
37	1001171236	1	Cable, Starter Ground	
38	1001171237	1	Cable, Grid Heater to Fuse Power	
39	1001171238	1	Cable, Alternator Power	
40	1001171239	1	Cable, Grid Heater Power	
41	1001171633	1	Cable, Buss Power	
42	1001171757	1	Cable, Starter Power	
43	1001178285	1	Harness, Cab Power Distribution (See CAB POWER DISTRIBUTION HARNESS for Breakdown)	
44	1001186841	1	Installation, Battery (See BATTERY INSTALLATION for Breakdown)	
45	1001189488	1	Engine Harness (See ENGINE HARNESS, 110HP (LS) for	

## SECTION 10 - ELECTRICAL

ITEM	PART NUMBER	QTY	DESCRIPTION	REV
46	8406105	1	Breakdown) Clip, Tube	

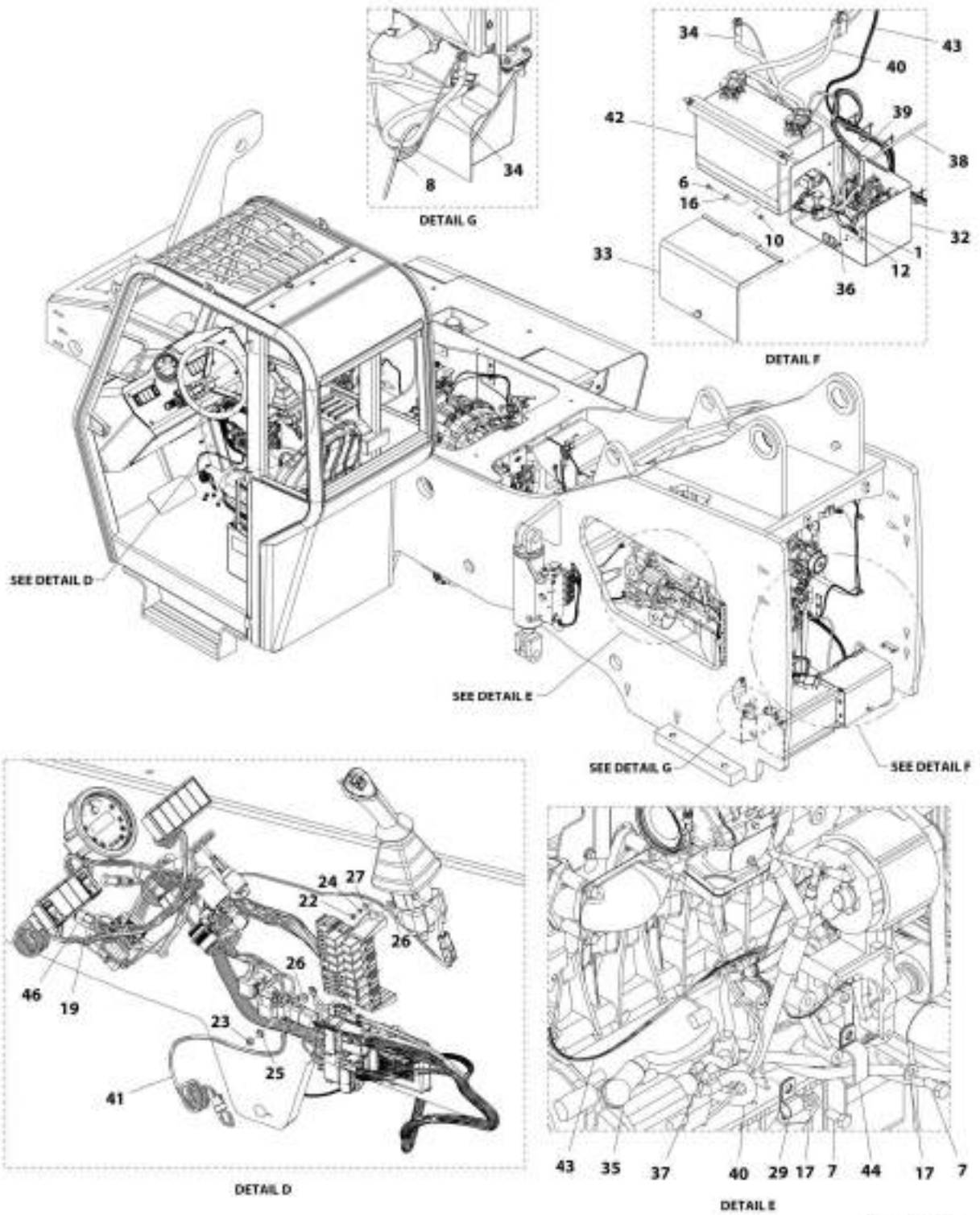
# SECTION 10 - ELECTRICAL

FIGURE 10-6. ELECTRICAL INSTALLATION, 110HP - 8042 (LS) (SN 0160074878 to Present, Including 0160074813 and 0160074818)



ART\_1001201936\_1-F

# SECTION 10 - ELECTRICAL



AWT\_1901201936\_3-F

## SECTION 10 - ELECTRICAL

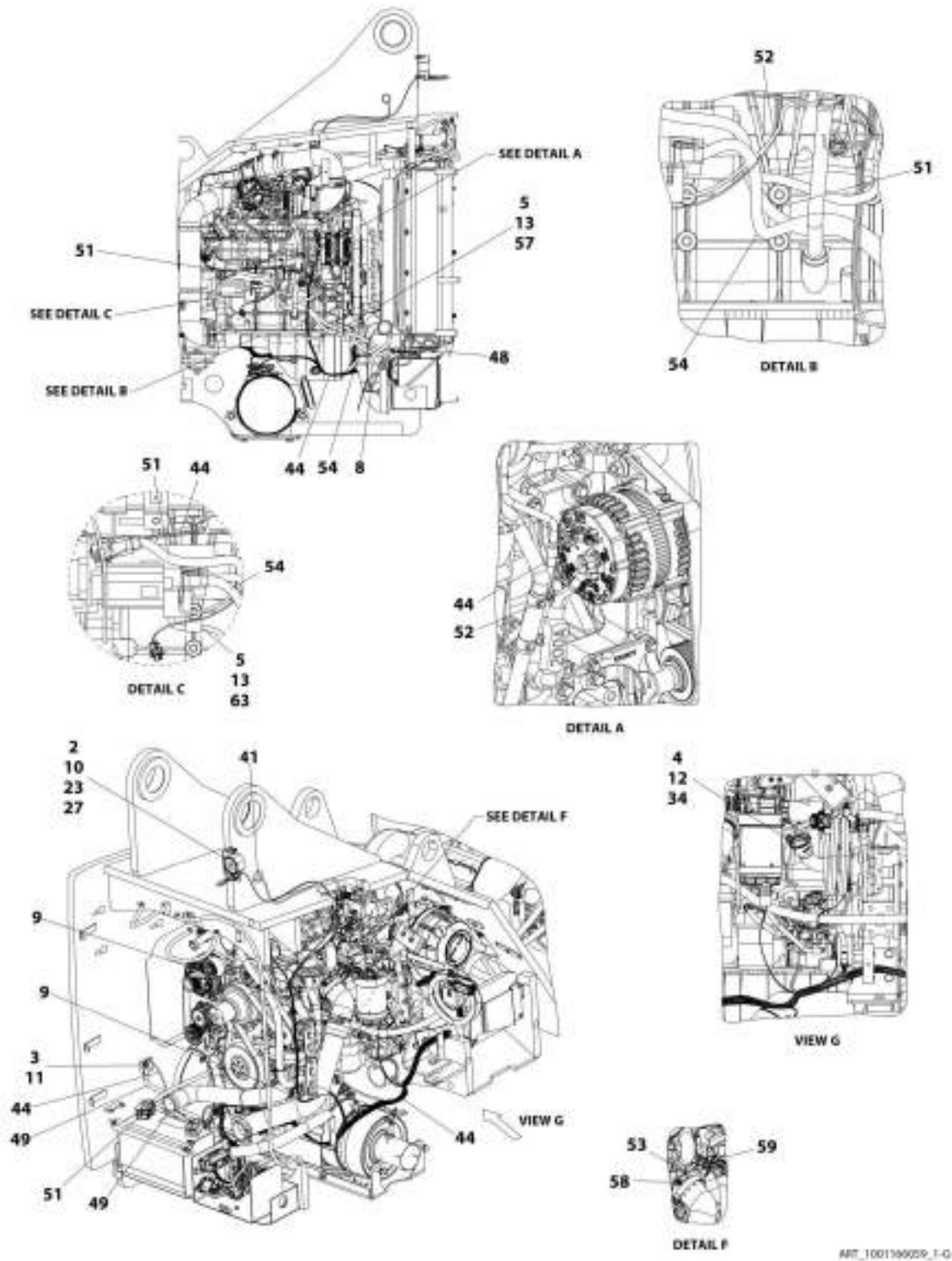
**FIGURE 10-6. ELECTRICAL INSTALLATION, 110HP - 8042 (LS) (SN 0160074878 to Present, Including 0160074813 and 0160074818)**

ITEM	PART NUMBER	QTY	DESCRIPTION	REV
	1001201936	Ref	Electrical Installation, 110HP - 8042 (if equipped for LS)	F
1	0641404	3	Bolt, 1/4-20X1/2	
3	0641605	2	Bolt, 3/8-16X5/8	
6	8303545	1	Bolt, M6X1X14	
7	0761212	2	Bolt, M12X25 Grade 10.9	
8	1062255	1	Strap, Tie	
9	3290601	1	Nut, M6X1	
10	3290605	1	Nut, Lock M6X1	
11	4240017	2	Strap, Tie	
12	4711400	3	Washer, 1/4	
13	4711600	2	Washer, 3/8	
15	4811900	1	Washer, M8	
16	4811702	1	Washer, M6	
17	4812100	2	Washer, M12	
19	1001211279	NLA	Switch, Pressure (no longer available, use 1001220432 for replacement)	
19	1001220432	1	Switch, Pressure	
20	8270620	1	Horn, Signal	
22	8305002	3	Nut, 10-24	
23	8305624	2	Nut, Lock 1/4-20	
24	8307003	3	Washer, Lock M10	
25	8307027	4	Washer, Lock External Tooth 5/16	
26	8307106	5	Washer, 5/16	
27	8307111	3	Washer, M10	
28	8310046	1	Washer, Lock External Tooth M10	
29	8406105	1	Clip Tube	
30	8584001	12	Wrap, Tie	
31	1001130307	1	Sensor, Boom	
32	1001170233	1	Installation, Relay Panel (See RELAY PANEL INSTALLATION for Breakdown)	
33	1001170234	1	Assembly, Relay Panel Cover (See RELAY PANEL COVER ASSEMBLY for Breakdown)	
34	1001171234	1	Cable, Battery Negative	
35	1001171236	1	Cable, Starter Ground	
36	1001171237	1	Cable, Grid Heater to Fuse Power	
37	1001171238	1	Cable, Alternator Power	
38	1001171239	1	Cable, Grid Heater Power	
39	1001171633	1	Cable, Buss Power	
40	1001171757	1	Cable, Starter Power	
41	1001178285	1	Harness, Cab Power Distribution (See CAB POWER DISTRIBUTION HARNESS for Breakdown)	
42	1001186841	1	Installation, Battery (See BATTERY INSTALLATION for Breakdown)	
43	1001189488	1	Engine Harness (See ENGINE HARNESS (LS) for Breakdown)	
44	1001181899	1	Clamp	
46	2220214	1	Fitting, Reducer	
47	3290801	1	Nut, M8X1.25	



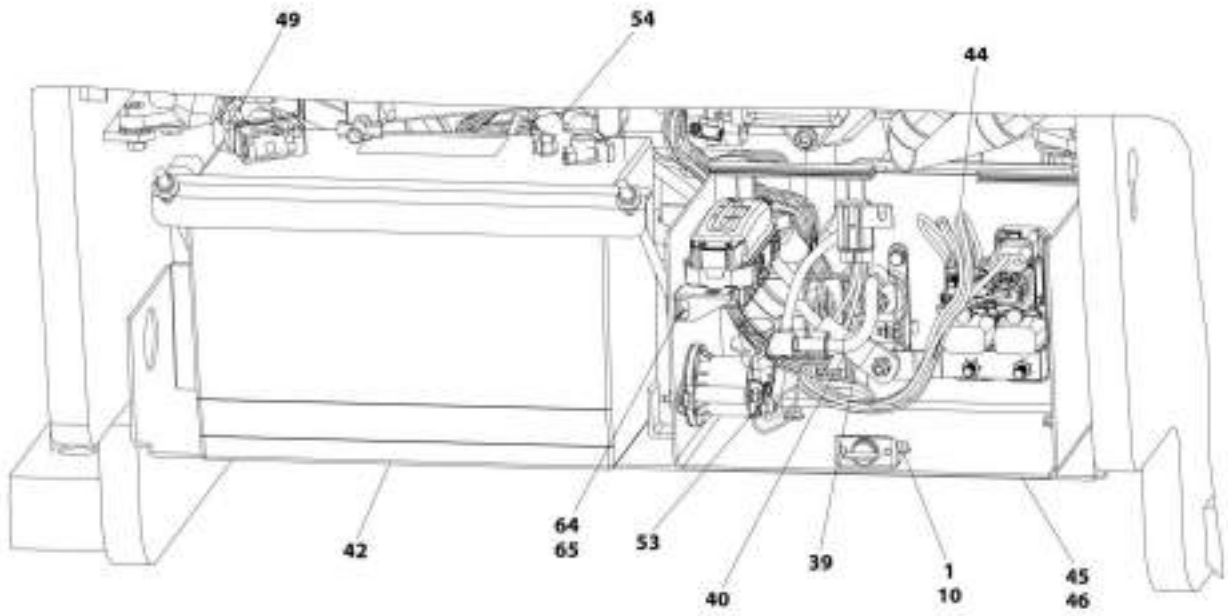
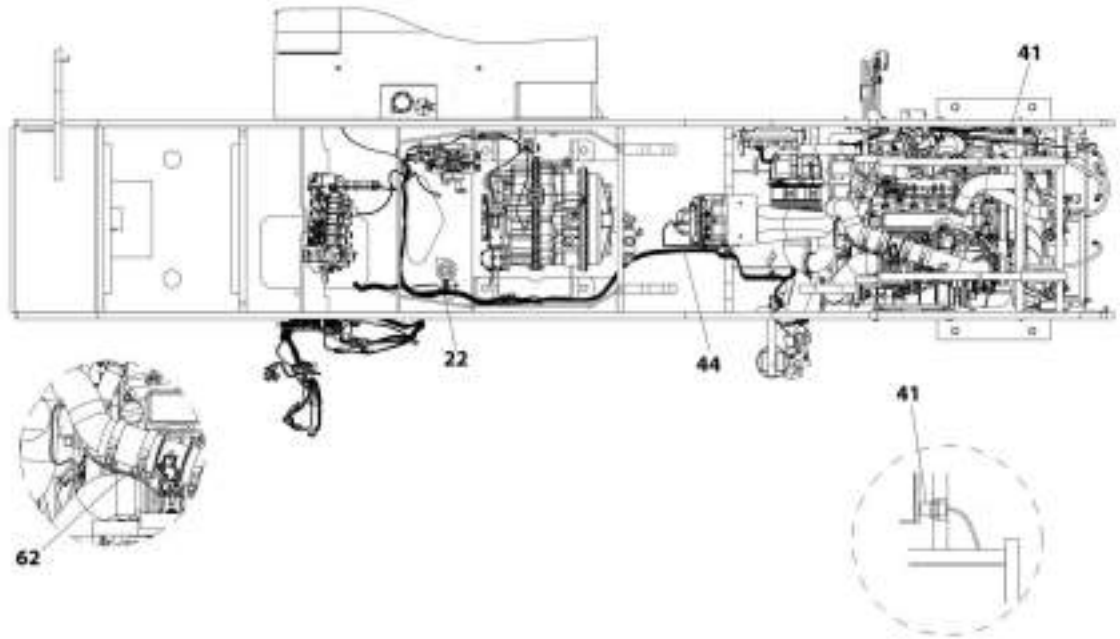
# SECTION 10 - ELECTRICAL

FIGURE 10-7. ELECTRICAL INSTALLATION, 110HP - 10042 (ULS) (Prior to SN 0160074878, Excluding 0160074813 and 0160074818)



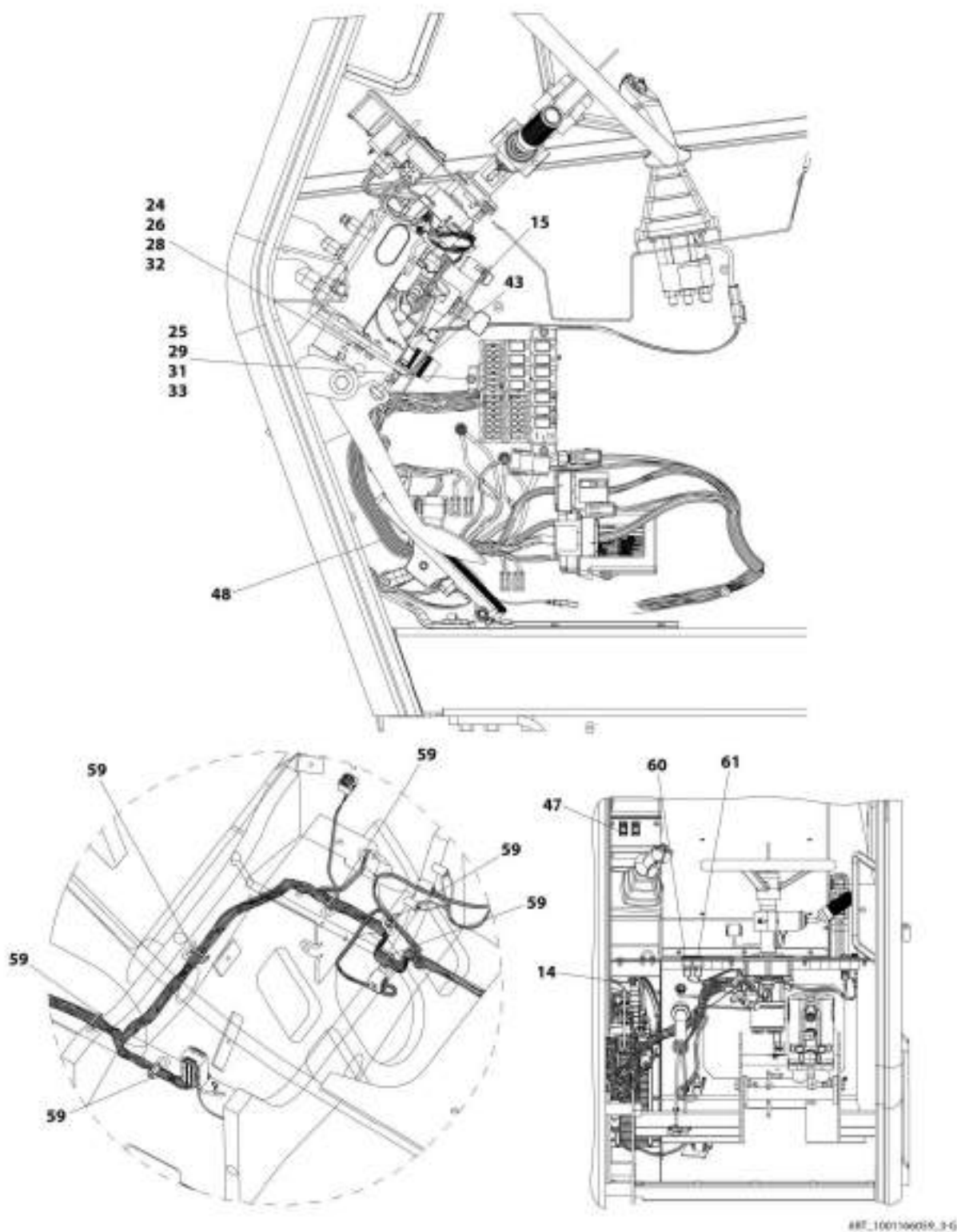


# SECTION 10 - ELECTRICAL



ART\_1001589259\_2-0

# SECTION 10 - ELECTRICAL



## SECTION 10 - ELECTRICAL

**FIGURE 10-7. ELECTRICAL INSTALLATION, 110HP - 10042 (ULS) (Prior to SN 0160074878,  
Excluding 0160074813 and 0160074818)**

ITEM	PART NUMBER	QTY	DESCRIPTION	REV
	1001166059	Ref	Electrical Installation, 110HP - 10042 (if equipped for ULS)	G
1	0641404	3	Bolt, 1/4-20X1/2	
2	0641406	2	Bolt, 1/4-20X3/4	
3	0641605	1	Bolt, 3/8-16X5/8	
4	0760810	1	Bolt, M8X20	
5	0761212	2	Bolt, M12X25 Grade 10.9	
8	1062255	1	Strap, Tie	
9	4240017	2	Strap, Tie	
10	4711400	5	Washer, 1/4	
11	4711600	1	Washer, 3/8	
12	4811900	1	Washer, M8	
13	4812100	2	Washer, M12	
14	1001177778	1	Harness, Outrigger, (See OUTRIGGER HARNESS for Breakdown)	
15	8223025	1	Switch, Brake Sensor	
22	8270620	1	Horn, Signal	
23	8270621	1	Alarm, Back-Up	
24	8303540	2	Bolt, 1/4-20X1	
25	8305002	3	Nut, 10-24	
26	8305004	2	Nut, 1/4-20	
27	8305624	4	Nut, Lock 1/4-20	
28	8307002	2	Washer, Lock 1/4	
29	8307003	3	Washer, Lock M10	
30	8307027	4	Washer, Lock External Tooth 5/16	
31	8307106	5	Washer, 5/16	
32	8307109	2	Washer, 1/4	
33	8307111	3	Washer, M10	
34	8310046	1	Washer, Lock External Tooth M10	
39	1001171633	1	Cable, Buss Power	
40	1001171237	1	Cable, Grid Heater to Fuse Power	
41	1001130307	1	Sensor, Boom	
42	1001186841	1	Installation, Battery (See BATTERY INSTALLATION for Breakdown)	
43	1001143307	1	Plate, Brake Switch	
44	1001169620	1	Harness, Engine (if equipped for ULS) (See ENGINE HARNESS (ULS) for Breakdown)	
45	1001170233	1	Installation, Relay Panel (See RELAY PANEL INSTALLATION for Breakdown)	
46	1001170234	1	Assembly, Relay Panel Cover (See RELAY PANEL COVER ASSEMBLY for Breakdown)	
47	1001170269	2	Switch, Outrigger	
48	1001178285	1	Harness, Cab Power Distribution (See CAB POWER DISTRIBUTION HARNESS for Breakdown)	
49	1001171234	1	Cable, Battery Negative	
51	1001171236	1	Cable, Starter Ground	
52	1001171238	1	Cable, Alternator Power	
53	1001171239	1	Cable, Grid Heater Power	
54	1001171757	1	Cable, Starter Power	
57	1001181899	1	Clamp	
58	3290601	1	Nut, M6X1	
59	8584001	13	Wrap, Tie	

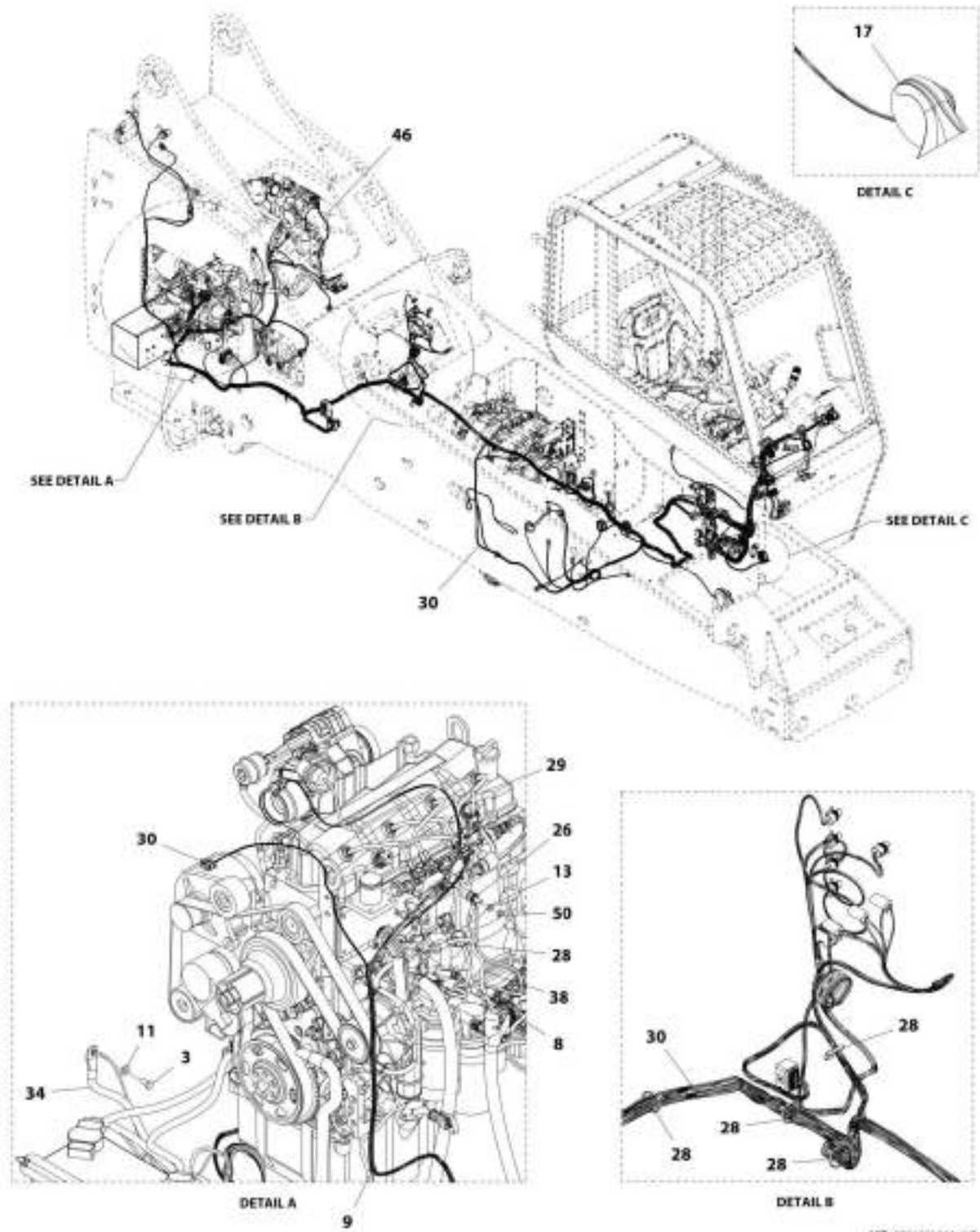
## SECTION 10 - ELECTRICAL

ITEM	PART NUMBER	QTY	DESCRIPTION	REV
60	1001172135	1	Indicator, Engine	
61	1001172136	1	Indicator, Hest	
62	1001184835	1	Harness, TBAP (See TBAP HARNESS for Breakdown)	
63	8406105	1	Clip, Tube	
64	8303545	2	Screw, M6X1X14	
65	4811700	2	Washer, M6	

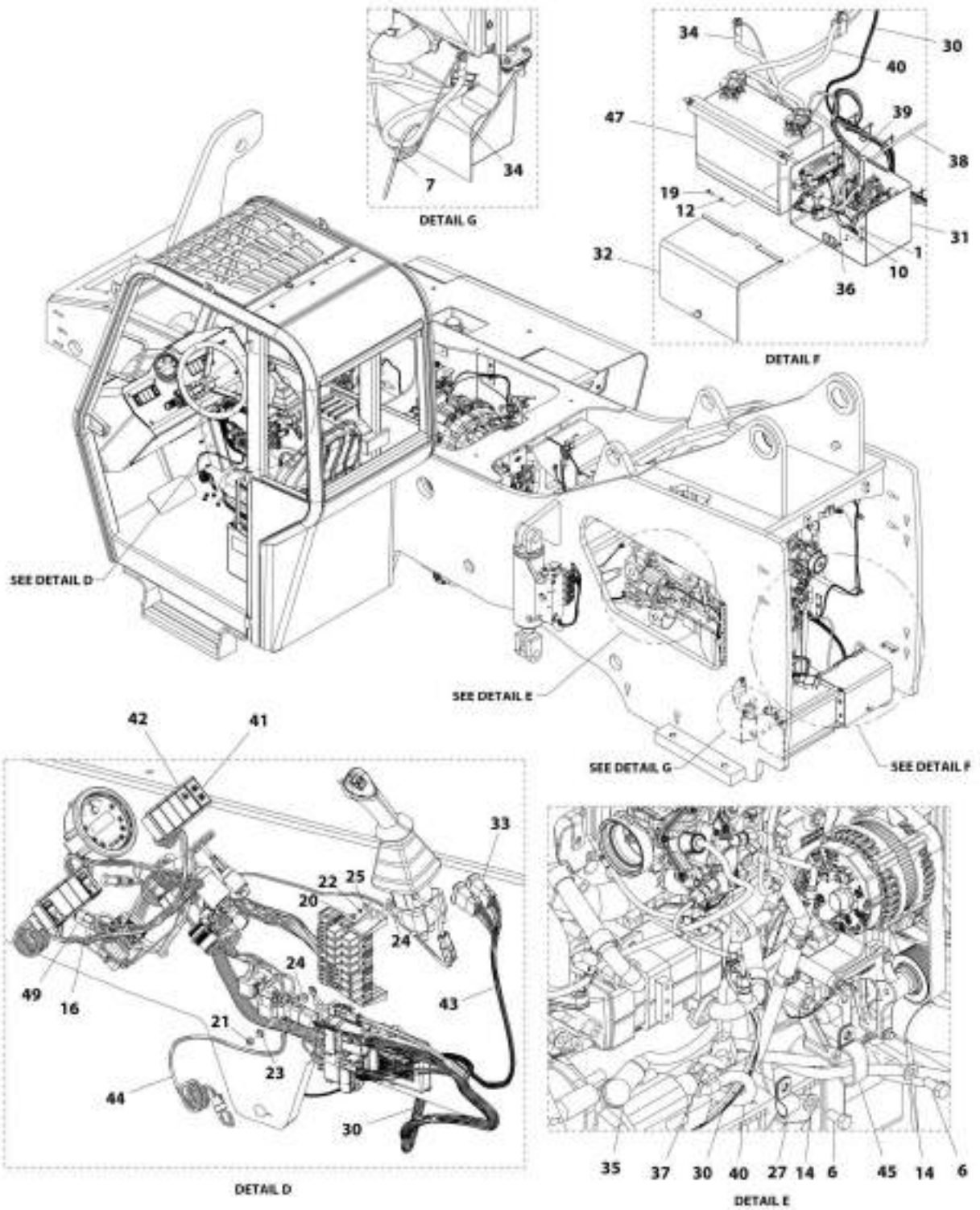


# SECTION 10 - ELECTRICAL

FIGURE 10-8. ELECTRICAL INSTALLATION, 110HP - 10042 (ULS) (SN 0160074878 to Present, Including 0160074813 and 0160074818)



# SECTION 10 - ELECTRICAL



ART\_1001251004\_2F

## SECTION 10 - ELECTRICAL

**FIGURE 10-8. ELECTRICAL INSTALLATION, 110HP - 10042 (ULS) (SN 0160074878 to Present, Including 0160074813 and 0160074818)**

ITEM	PART NUMBER	QTY	DESCRIPTION	REV
	1001201864	Ref	Electrical Installation, 110HP - 10042 (if equipped for ULS)	F
1	0641404	3	Bolt, 1/4-20X1/2	
3	0641605	1	Bolt, 3/8-16X5/8	
6	0761212	2	Bolt, M12X25 Grade 10.9	
7	1062255	1	Strap, Tie	
8	3290601	1	Nut, M6X1	
9	4240017	2	Strap, Tie	
10	4711400	3	Washer, 1/4	
11	4711600	1	Washer, 3/8	
12	4811700	2	Washer, M6	
13	4811900	1	Washer, M8	
14	4812100	2	Washer, M12	
16	1001211279	NLA	Switch, Pressure (no longer available, use 1001220432 for replacement)	
16	1001220432	1	Switch, Pressure	
17	8270620	1	Horn, Signal	
19	8303545	2	Screw, M6X1X14	
20	8305002	3	Screw, M6X1X14	
21	8305624	2	Nut, Lock 1/4-20	
22	8307003	3	Washer, Lock M10	
23	8307027	4	Washer, Lock External Tooth 5/16	
24	8307106	5	Washer, 5/16	
25	8307111	3	Washer, M10	
26	8310046	1	Washer, Lock External Tooth M10	
27	8406105	1	Clip Tube	
28	8584001	13	Wrap, Tie	
29	1001130307	1	Sensor, Boom	
30	1001169620	1	Harness, Engine (if equipped for ULS) (See ENGINE HARNESS (ULS) for Breakdown)	
31	1001170233	1	Installation, Relay Panel (See RELAY PANEL INSTALLATION for Breakdown)	
32	1001170234	1	Assembly, Relay Panel Cover (See RELAY PANEL COVER ASSEMBLY for Breakdown)	
33	1001170269	2	Switch, Outrigger	
34	1001171234	1	Cable, Battery Negative	
35	1001171236	1	Cable, Starter Ground	
36	1001171237	1	Cable, Grid Heater to Fuse Power	
37	1001171238	1	Cable, Alternator Power	
38	1001171239	1	Cable, Grid Heater Power	
39	1001171633	1	Cable, Buss Power	
40	1001171757	1	Cable, Starter Power	
41	1001172135	1	Indicator, Engine	
42	1001172136	1	Indicator, Hest	
43	1001177778	1	Harness, Outrigger, (See OUTRIGGER HARNESS for Breakdown)	
44	1001178285	1	Harness, Cab Power Distribution (See CAB POWER DISTRIBUTION HARNESS for Breakdown)	
45	1001181899	1	Clamp	
46	1001184835	1	Harness, TBAP (See TBAP HARNESS for Breakdown)	
47	1001186841	1	Installation, Battery (See BATTERY INSTALLATION for Breakdown)	

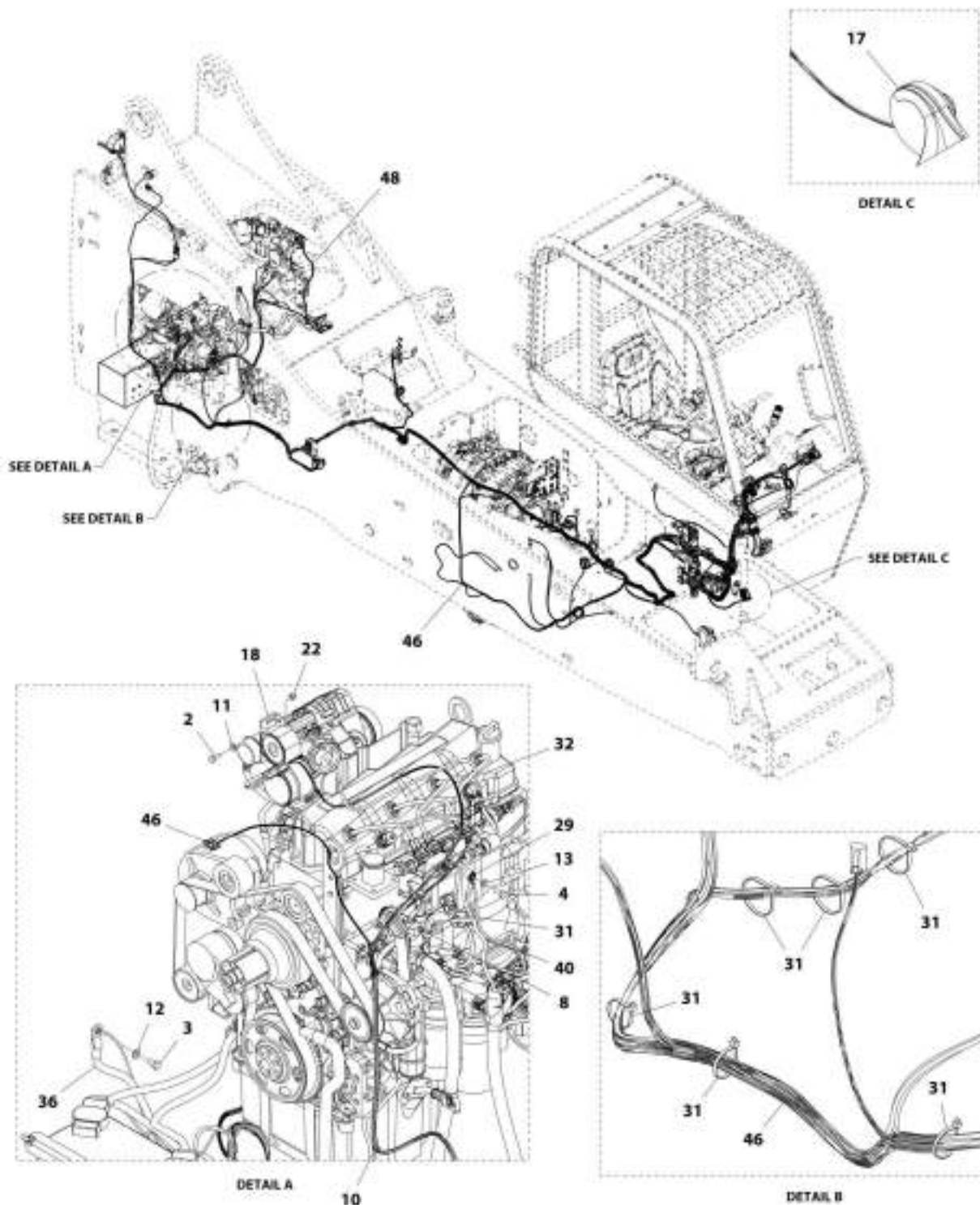


## SECTION 10 - ELECTRICAL

ITEM	PART NUMBER	QTY	DESCRIPTION	REV
49	2220214	1	Fitting, Reducer	
50	3290801	1	Nut, M8X1.25	

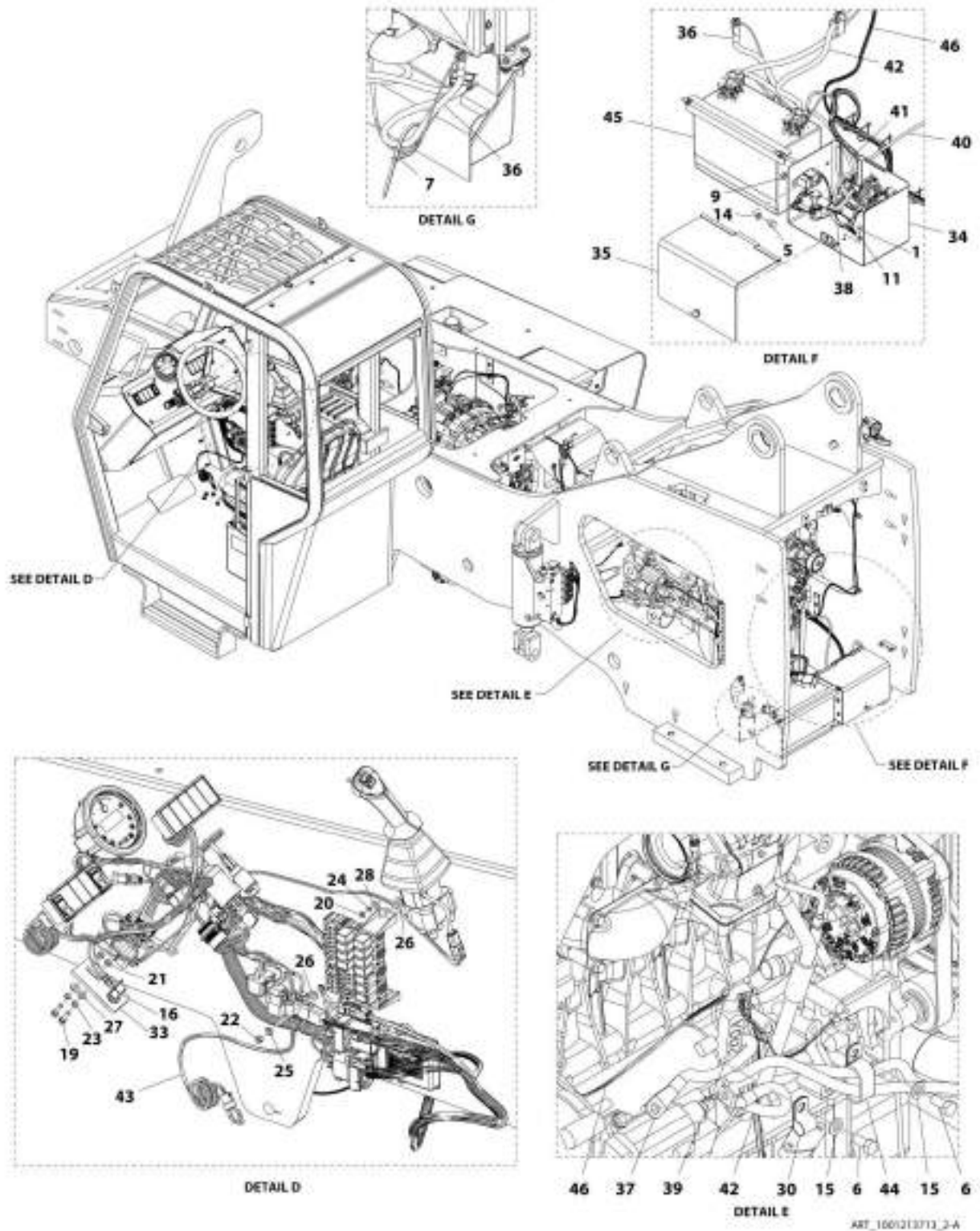
# SECTION 10 - ELECTRICAL

## FIGURE 10-9. ELECTRICAL INSTALLATION, 74HP - 10042 (ULS) EATON BRAKE



ART\_3001213713\_1-A

# SECTION 10 - ELECTRICAL



## SECTION 10 - ELECTRICAL

FIGURE 10-9. ELECTRICAL INSTALLATION, 74HP - 10042 (ULS) EATON BRAKE

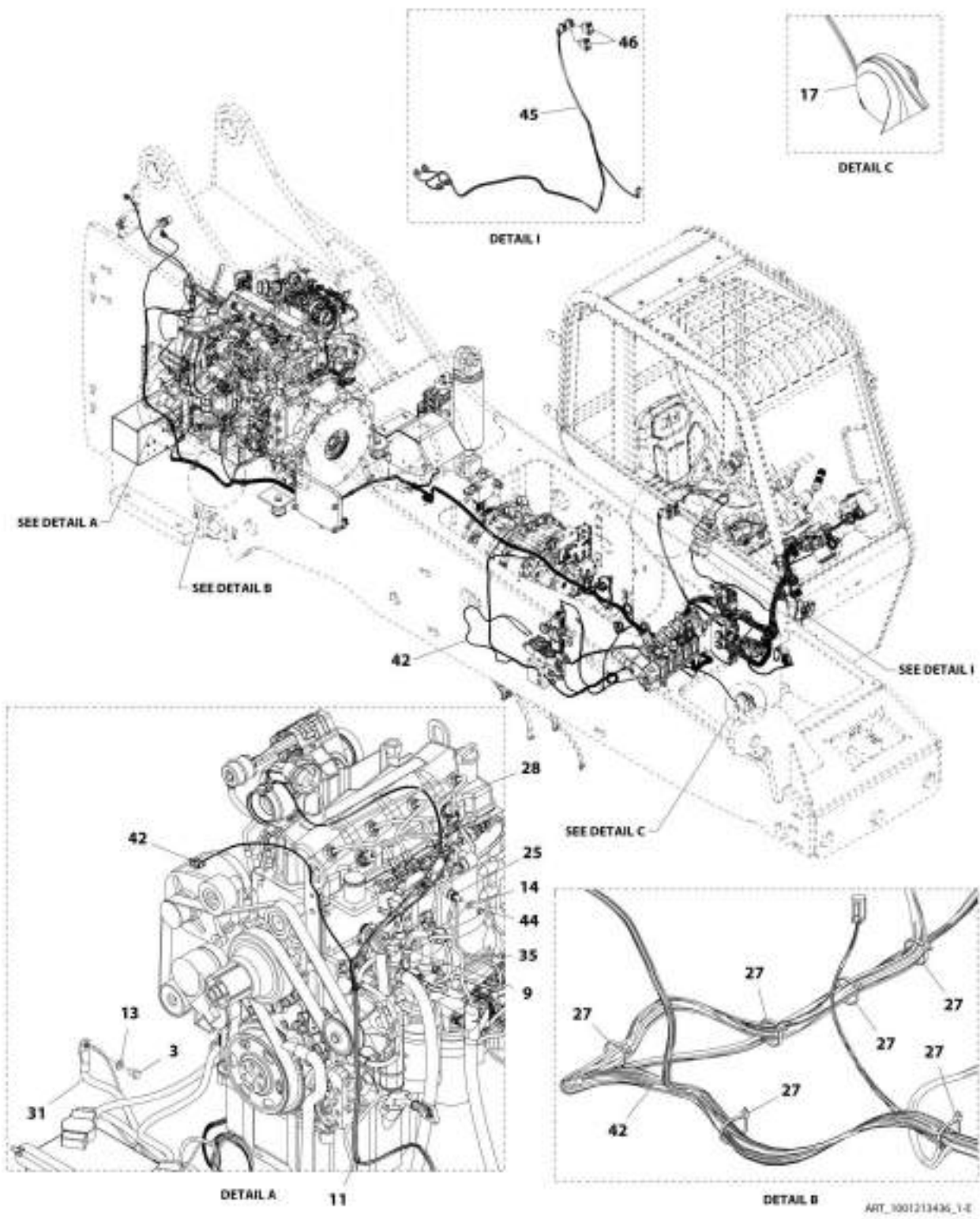
ITEM	PART NUMBER	QTY	DESCRIPTION	REV
	1001213713	Ref	Electrical Installation, 74HP - 10042 (if equipped for ULS) Eaton Brake	A
1	0641404	3	Bolt, 1/4-20X1/2	
2	0641406	2	Bolt, 1/4-20X3/4	
3	0641605	1	Bolt, 3/8-16X5/8	
4	0760810	1	Bolt, M8X20	
5	0761007	1	Bolt, M10X14	
6	0761212	2	Bolt, M12X25 Grade 10.9	
7	1062255	1	Strap, Tie	
8	3290601	1	Nut, M6X1	
9	3291001	1	Nut, M10X1.5	
10	4240017	2	Strap, Tie	
11	4711400	5	Washer, 1/4	
12	4711600	1	Washer, 3/8	
13	4811900	1	Washer, M8	
14	4812000	1	Washer, M10	
15	4812100	2	Washer, M12	
16	8223025	1	Switch, Brake Sensor	
17	8270620	1	Horn, Signal	
18	8270621	1	Alarm, Back-Up	
19	8303540	2	Bolt, 1/4-20 NCX1	
20	8305002	3	Nut, 10-24	
21	8305004	2	Nut, 1/4-20	
22	8305624	4	Nut, Lock 1/4-20	
23	8307002	2	Washer, Lock 1/4	
24	8307003	3	Washer, Lock M10	
25	8307027	4	Washer, Lock External Tooth 5/16	
26	8307106	5	Washer, 5/16	
27	8307109	2	Washer, 1/4	
28	8307111	3	Washer, M10	
29	8310046	1	Washer, Lock External Tooth M10	
30	8406105	1	Clip Tube	
31	8584001	12	Wrap, Tie	
32	1001130307	1	Sensor, Boom	
33	1001143307	1	Plate, Brake Switch	
34	1001170233	1	Installation, Relay Panel (See RELAY PANEL INSTALLATION for Breakdown)	
35	1001170234	1	Assembly, Relay Panel Cover (See RELAY PANEL COVER ASSEMBLY for Breakdown)	
36	1001171234	1	Cable, Battery Negative	
37	1001171236	1	Cable, Starter Ground	
38	1001171237	1	Cable, Grid Heater to Fuse Power	
39	1001171238	1	Cable, Alternator Power	
40	1001171239	1	Cable, Grid Heater Power	
41	1001171633	1	Cable, Buss Power	
42	1001171757	1	Cable, Starter Power	
43	1001178285	1	Harness, Cab Power Distribution (See CAB POWER DISTRIBUTION HARNESS for Breakdown)	
44	1001181899	1	Clamp	
45	1001186841	1	Installation, Battery (See BATTERY INSTALLATION for Breakdown)	

## SECTION 10 - ELECTRICAL

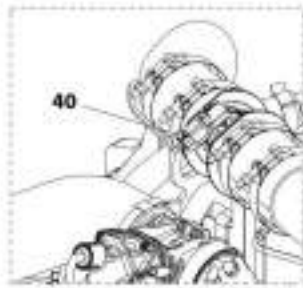
ITEM	PART NUMBER	QTY	DESCRIPTION	REV
46	1001199889	1	Harness, Engine (See ENGINE HARNESS, 74HP (ULS) for Breakdown)	
47	1001169466	1	Weldment, Fuel/Hydraulic/DEF Tank (See HYDRAULIC COMPONENTS SECTION for Breakdown)	
48	1001184835	1	Harness, TBAP (See TBAP HARNESS for Breakdown)	

# SECTION 10 - ELECTRICAL

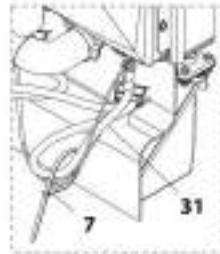
## FIGURE 10-10. ELECTRICAL INSTALLATION, 74HP - 10042 (ULS) SAFIM BRAKE



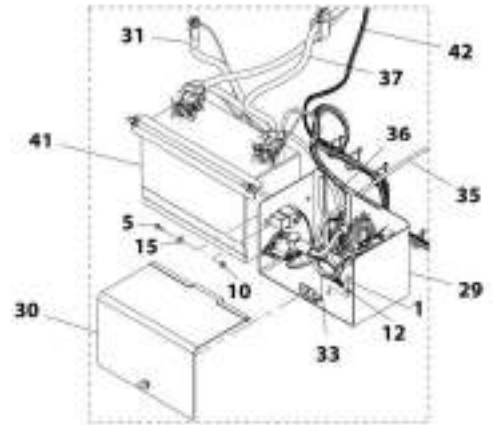
# SECTION 10 - ELECTRICAL



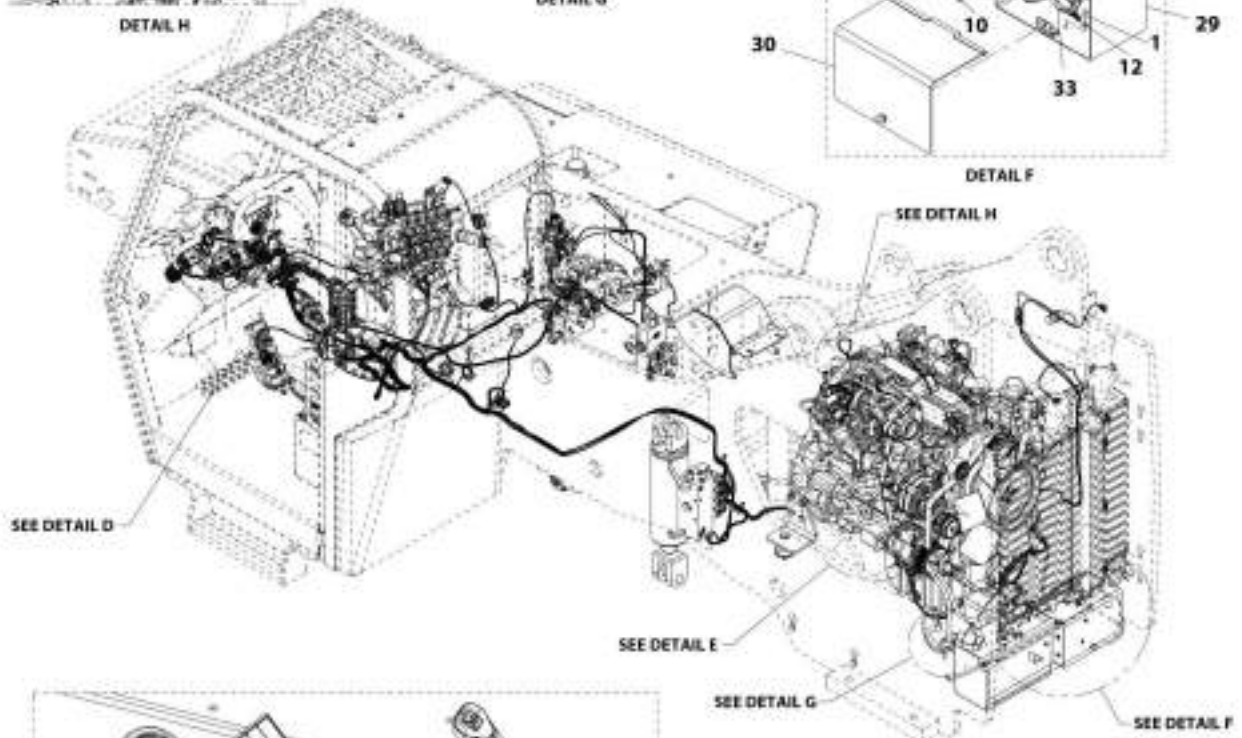
DETAIL H



DETAIL G



DETAIL F



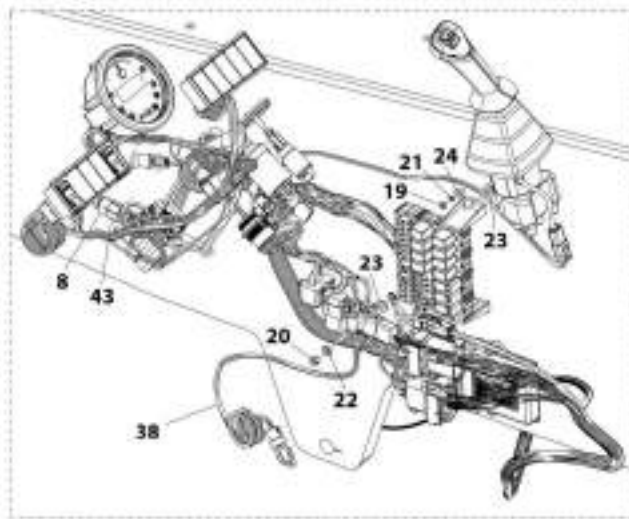
SEE DETAIL D

SEE DETAIL E

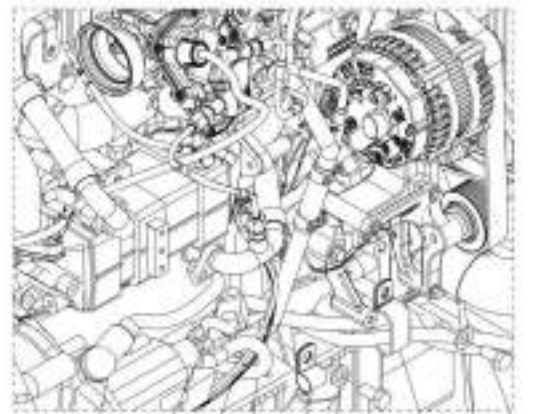
SEE DETAIL G

SEE DETAIL H

SEE DETAIL F



DETAIL D



32 34 42 37 26 16 6 39 16 6  
DETAIL E

ART\_1001215436\_2 E

# SECTION 10 - ELECTRICAL

**FIGURE 10-10. ELECTRICAL INSTALLATION, 74HP - 10042 (ULS) SAFIM BRAKE**

ITEM	PART NUMBER	QTY	DESCRIPTION	REV
	1001213436	Ref	Electrical Installation, 74HP - 10042 (if equipped for ULS) Safim Brake	E
1	0641404	3	Bolt, 1/4-20X1/2	
3	0641605	1	Bolt, 3/8-16X5/8	
5	8303545	1	Bolt, M6X1X14	
6	0761212	2	Bolt, M12X25 Grade 10.9	
7	1062255	1	Strap, Tie	
8	2220214	1	Fitting, Reducer	
9	3290601	1	Nut, M6X1	
10	3290605	1	Nut, Lock M6X1	
11	4240017	2	Strap, Tie	
12	4711400	3	Washer, 1/4	
13	4711600	1	Washer, 3/8	
14	4811900	1	Washer, M8	
15	4811702	1	Washer, M6	
16	4812100	2	Washer, M12	
17	8270620	1	Horn, Signal	
19	8305002	3	Nut, 10-24	
20	8305624	2	Nut, Lock 1/4-20	
21	8307003	3	Washer, Lock M10	
22	8307027	4	Washer, Lock External Tooth 5/16	
23	8307106	5	Washer, 5/16	
24	8307111	3	Washer, M10	
25	8310046	1	Washer, Lock External Tooth M10	
26	8406105	1	Clip Tube	
27	8584001	12	Wrap, Tie	
28	1001130307	1	Sensor, Boom	
29	1001170233	1	Installation, Relay Panel (See RELAY PANEL INSTALLATION for Breakdown)	
30	1001170234	1	Assembly, Relay Panel Cover (See RELAY PANEL COVER ASSEMBLY for Breakdown)	
31	1001171234	1	Cable, Battery Negative	
32	1001171236	1	Cable, Starter Ground	
33	1001171237	1	Cable, Grid Heater to Fuse Power	
34	1001171238	1	Cable, Alternator Power	
35	1001171239	1	Cable, Grid Heater Power	
36	1001171633	1	Cable, Buss Power	
37	1001171757	1	Cable, Starter Power	
38	1001178285	1	Harness, Cab Power Distribution (See CAB POWER DISTRIBUTION HARNESS for Breakdown)	
39	1001181899	1	Clamp	
40	1001184835	1	Harness, TBAP (See TBAP HARNESS for Breakdown)	
41	1001186841	1	Installation, Battery (See BATTERY INSTALLATION for Breakdown)	
42	1001199889	1	Harness, Engine (See ENGINE HARNESS, 74HP (ULS) for Breakdown)	
43	1001211279	NLA	Switch, Pressure (no longer available, use 1001220432 for replacement)	
43	1001220432	1	Switch, Pressure	
44	3290801	1	Nut, M8X1.25	
45	1001177778	1	Outrigger Harness (See Separate Breakdown in this Section)	

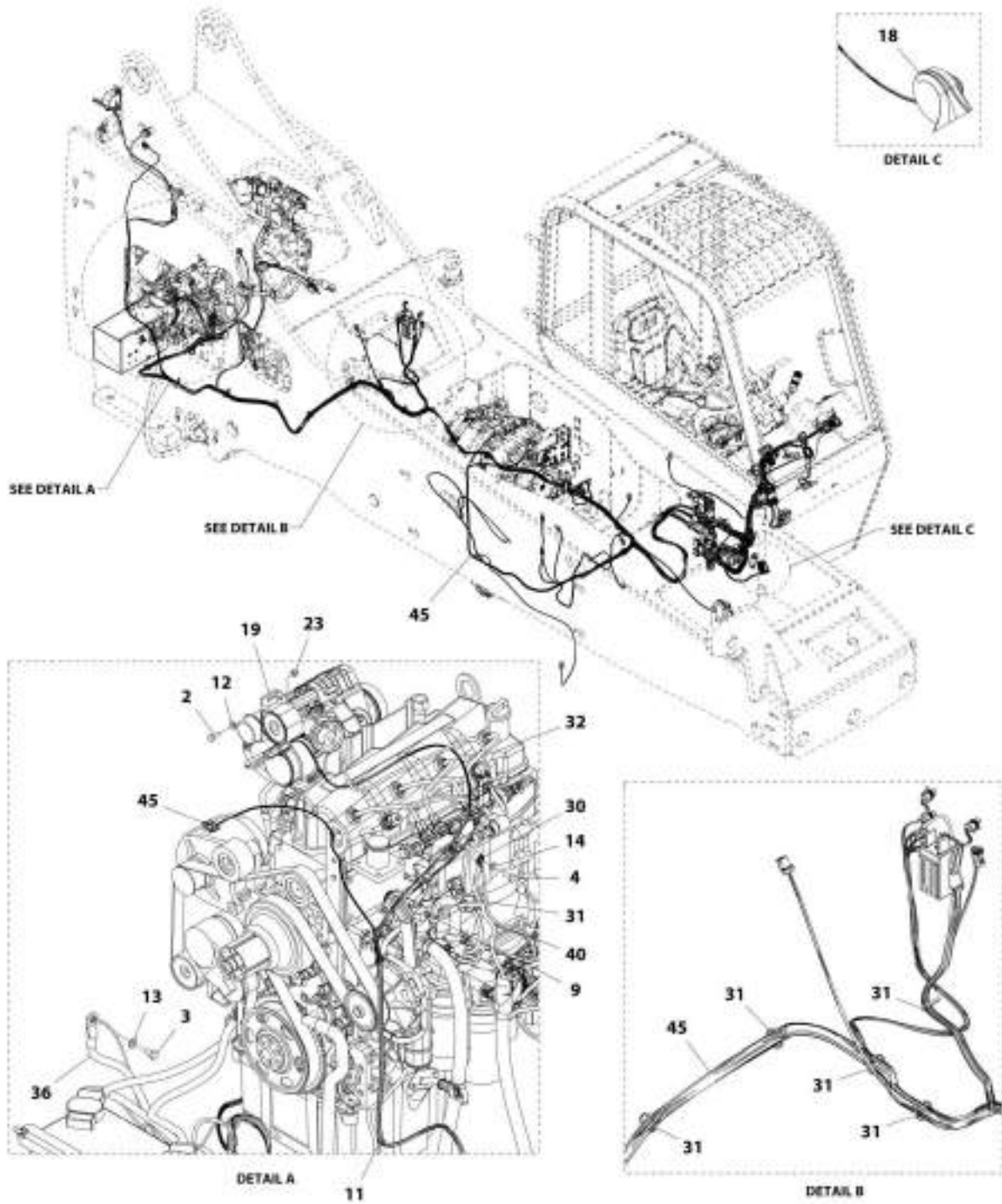


## SECTION 10 - ELECTRICAL

ITEM	PART NUMBER	QTY	DESCRIPTION	REV
46	1001170269	1	Switch, Outrigger	

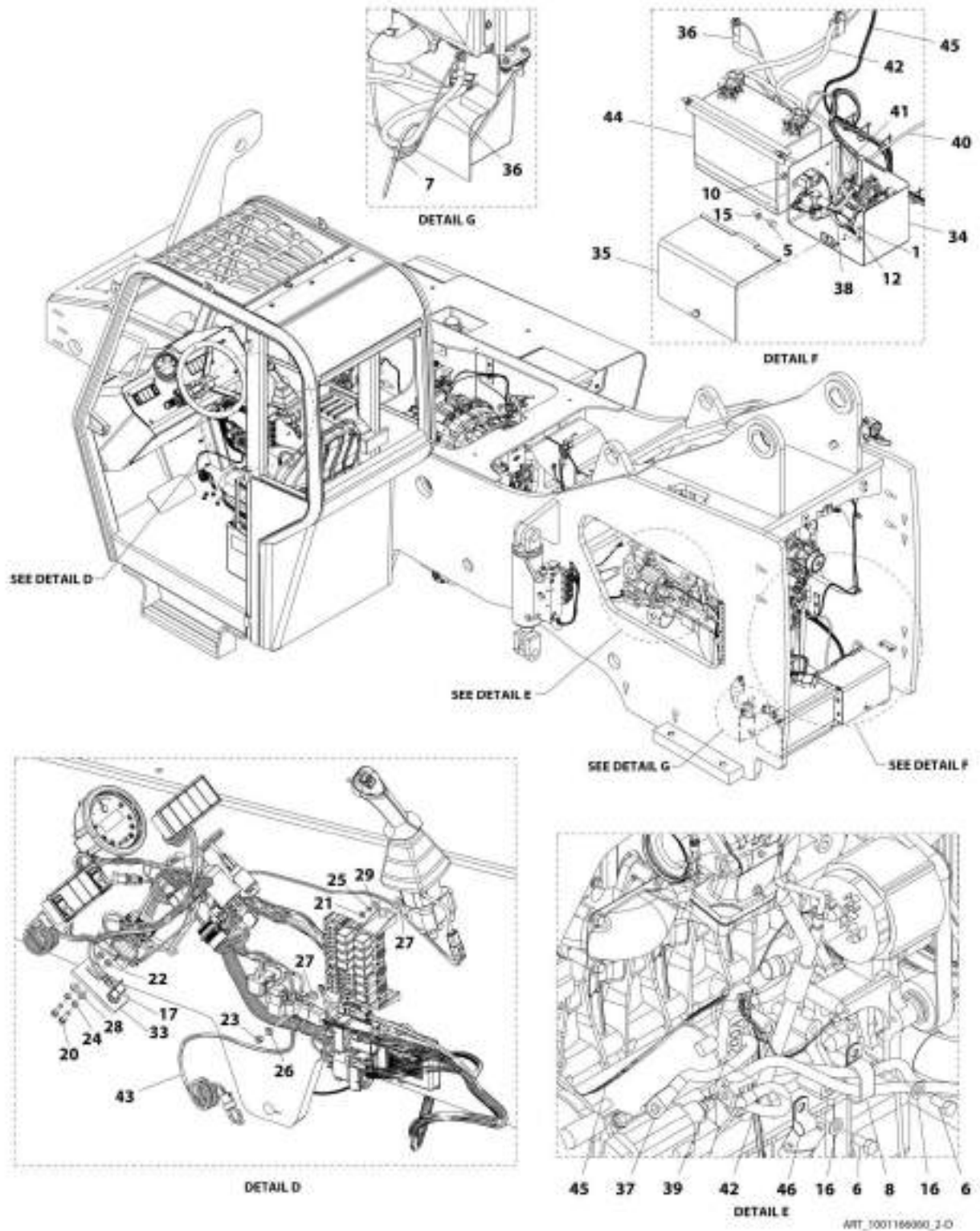
# SECTION 10 - ELECTRICAL

FIGURE 10-11. ELECTRICAL INSTALLATION - 10042 (LS) (Prior to SN 0160074878, Excluding 0160074813 and 0160074818)



ART\_3001166080\_1-D

# SECTION 10 - ELECTRICAL



## SECTION 10 - ELECTRICAL

**FIGURE 10-11. ELECTRICAL INSTALLATION - 10042 (LS) (Prior to SN 0160074878, Excluding 0160074813 and 0160074818)**

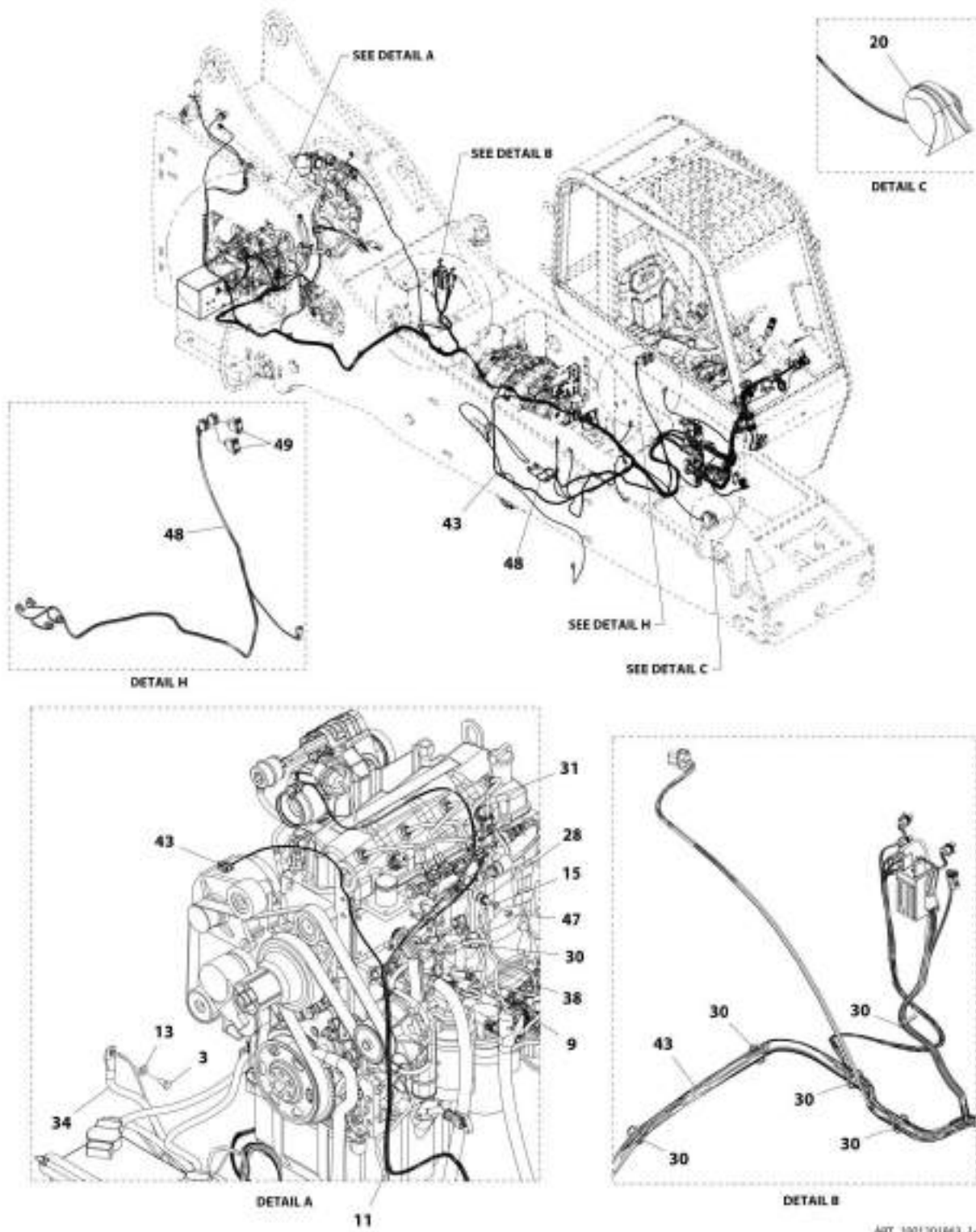
ITEM	PART NUMBER	QTY	DESCRIPTION	REV
	1001166060	Ref	Electrical Installation - 10042 (if equipped for LS)	D
1	0641404	3	Bolt, 1/4-20X1/2	
2	0641406	2	Bolt, 1/4-20X3/4	
3	0641605	1	Bolt, 3/8-16X5/8	
4	0760810	1	Bolt, M8X20	
5	0761007	1	Bolt, 10X14 LG	
6	0761212	2	Bolt, M12X25 Grade 10.9	
7	1062255	1	Strap, Tie	
8	1001195039	1	Clamp	
9	3290601	1	Nut, M6X1	
10	3291001	1	Nut, M10X1.5	
11	4240017	2	Strap, Tie	
12	4711400	5	Washer, 1/4	
13	4711600	1	Washer, 3/8	
14	4811900	1	Washer, M8	
15	4812000	1	Washer, M10	
16	4812100	2	Washer, M12	
17	8223025	1	Switch, Brake Sensor	
18	8270620	1	Horn, Signal	
19	8270621	1	Alarm, Back-Up	
20	8303540	2	Bolt, 1/4-20 NCX1	
21	8305002	3	Nut, 10-24	
22	8305004	2	Nut, 1/4-20	
23	8305624	4	Nut, Lock 1/4-20	
24	8307002	2	Washer, Lock 1/4	
25	8307003	3	Washer, Lock M10	
26	8307027	4	Washer, Lock External Tooth 5/16	
27	8307106	5	Washer, 5/16	
28	8307109	2	Washer, 1/4	
29	8307111	3	Washer, M10	
30	8310046	1	Washer, Lock External Tooth M10	
31	8584001	13	Wrap, Tie 3/16	
32	1001130307	1	Sensor, Boom	
33	1001143307	1	Plate, Brake Switch	
34	1001170233	1	Installation, Relay Panel (See RELAY PANEL INSTALLATION for Breakdown)	
35	1001170234	1	Assembly, Relay Panel Cover (See RELAY PANEL COVER ASSEMBLY for Breakdown)	
36	1001171234	1	Cable, Battery Negative	
37	1001171236	1	Cable, Starter Ground	
38	1001171237	1	Cable, Grid Heater to Fuse Power	
39	1001171238	1	Cable, Alternator Power	
40	1001171239	1	Cable, Grid Heater Power	
41	1001171633	1	Cable, Buss Power	
42	1001171757	1	Cable, Starter Power	
43	1001178285	1	Harness, Cab Power Distribution (See CAB POWER DISTRIBUTION HARNESS for Breakdown)	
44	1001186841	1	Installation, Battery (See BATTERY INSTALLATION for Breakdown)	
45	1001189488	1	Engine Harness (See ENGINE HARNESS (LS) for Breakdown)	

## SECTION 10 - ELECTRICAL

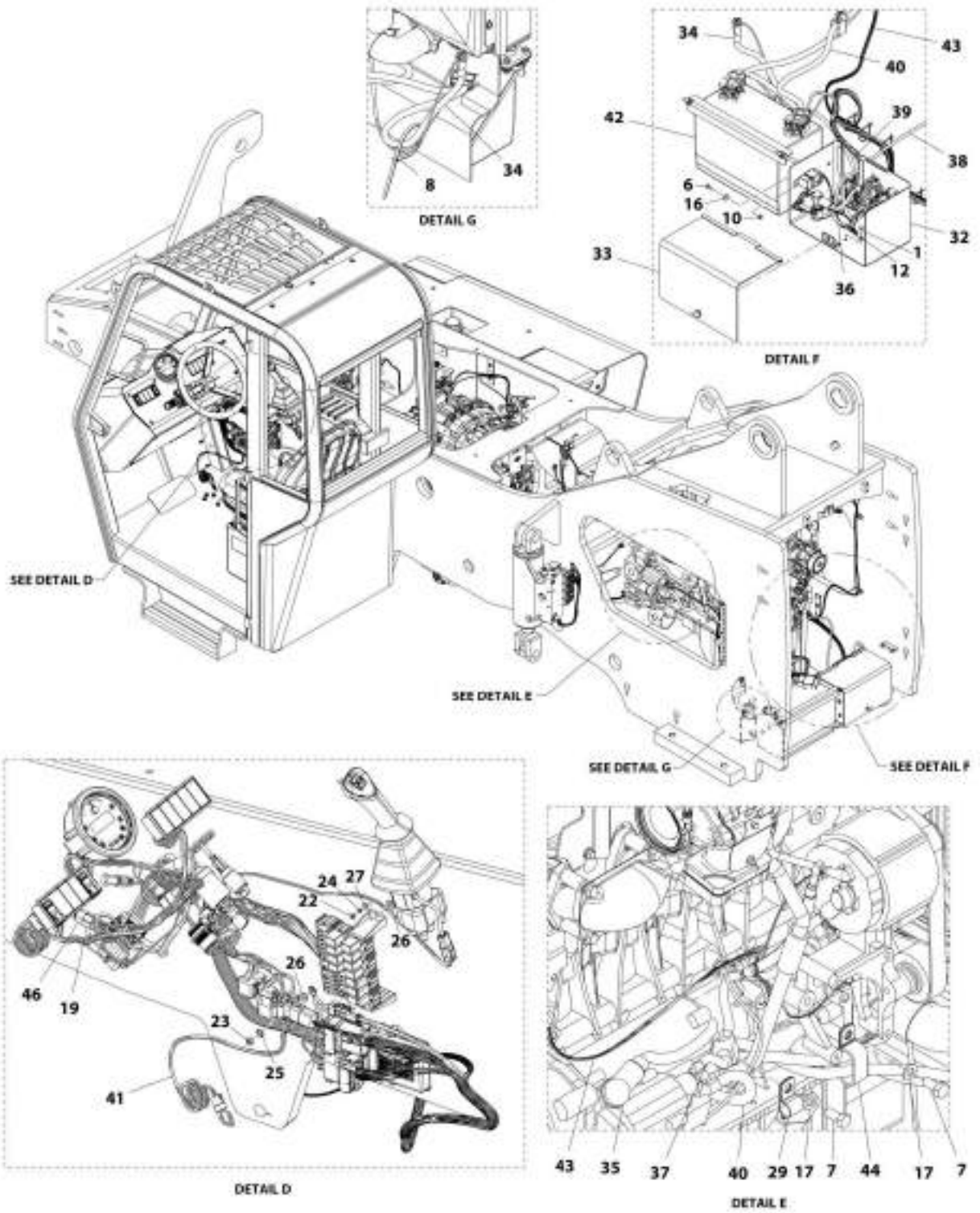
ITEM	PART NUMBER	QTY	DESCRIPTION	REV
46	8406105	1	Clip, Tube	

# SECTION 10 - ELECTRICAL

FIGURE 10-12. ELECTRICAL INSTALLATION - 10042 (LS) (SN 0160074878 to Present, Including 0160074813 and 0160074818)



# SECTION 10 - ELECTRICAL



ART\_1001201805\_2-05

## SECTION 10 - ELECTRICAL

**FIGURE 10-12. ELECTRICAL INSTALLATION - 10042 (LS) (SN 0160074878 to Present, Including 0160074813 and 0160074818)**

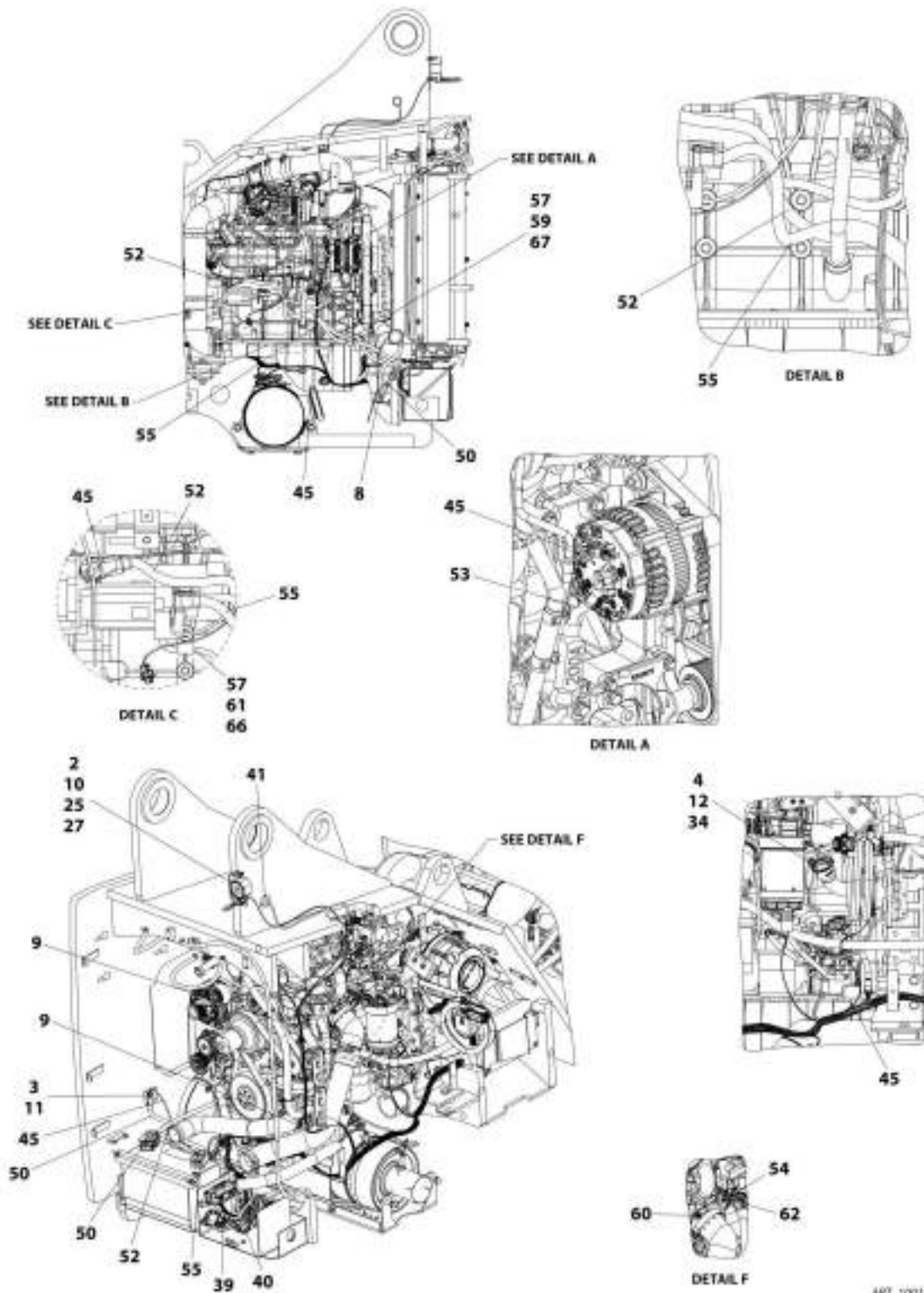
ITEM	PART NUMBER	QTY	DESCRIPTION	REV
	1001201863	Ref	Electrical Installation - 10042 (if equipped for LS)	G
1	0641404	3	Bolt, 1/4-20X1/2	
3	0641605	1	Bolt, 3/8-16X5/8	
6	8303545	1	Bolt, M6X1X14	
7	0761212	2	Bolt, M12X25 Grade 10.9	
8	1062255	1	Strap, Tie	
9	3290601	1	Nut, M6X1	
10	3290605	1	Nut, Lock M6X1	
11	4240017	2	Strap, Tie	
12	4711400	3	Washer, 1/4	
13	4711600	1	Washer, 3/8	
15	4811900	1	Washer, M8	
16	4811702	1	Washer, M6	
17	4812100	2	Washer, M12	
19	1001211279	NLA	Switch, Pressure (no longer available, use 1001220432 for replacement)	
19	1001220432	1	Switch, Pressure	
20	8270620	1	Horn, Signal	
22	8305002	3	Nut, 10-24	
23	8305624	2	Nut, Lock 1/4-20	
24	8307003	3	Washer, Lock M10	
25	8307027	4	Washer, Lock External Tooth 5/16	
26	8307106	5	Washer, 5/16	
27	8307111	3	Washer, M10	
28	8310046	1	Washer, Lock External Tooth M10	
29	8406105	1	Clip Tube	
30	8584001	13	Wrap, Tie	
31	1001130307	1	Sensor, Boom	
32	1001170233	1	Installation, Relay Panel (See RELAY PANEL INSTALLATION for Breakdown)	
33	1001170234	1	Assembly, Relay Panel Cover (See RELAY PANEL COVER ASSEMBLY for Breakdown)	
34	1001171234	1	Cable, Battery Negative	
35	1001171236	1	Cable, Starter Ground	
36	1001171237	1	Cable, Grid Heater to Fuse Power	
37	1001171238	1	Cable, Alternator Power	
38	1001171239	1	Cable, Grid Heater Power	
39	1001171633	1	Cable, Buss Power	
40	1001171757	1	Cable, Starter Power	
41	1001178285	1	Harness, Cab Power Distribution (See CAB POWER DISTRIBUTION HARNESS for Breakdown)	
42	1001186841	1	Installation, Battery (See BATTERY INSTALLATION for Breakdown)	
43	1001189488	1	Engine Harness (See ENGINE HARNESS, 110HP (LS) for Breakdown)	
44	1001181899	1	Clamp	
46	2220214	1	Fitting, Reducer	
47	3290801	1	Nut, M8X1.25	
48	1001177778	1	Outrigger Harness (See Separate Breakdown in this Section)	
49	1001170269	1	Switch, Outrigger	





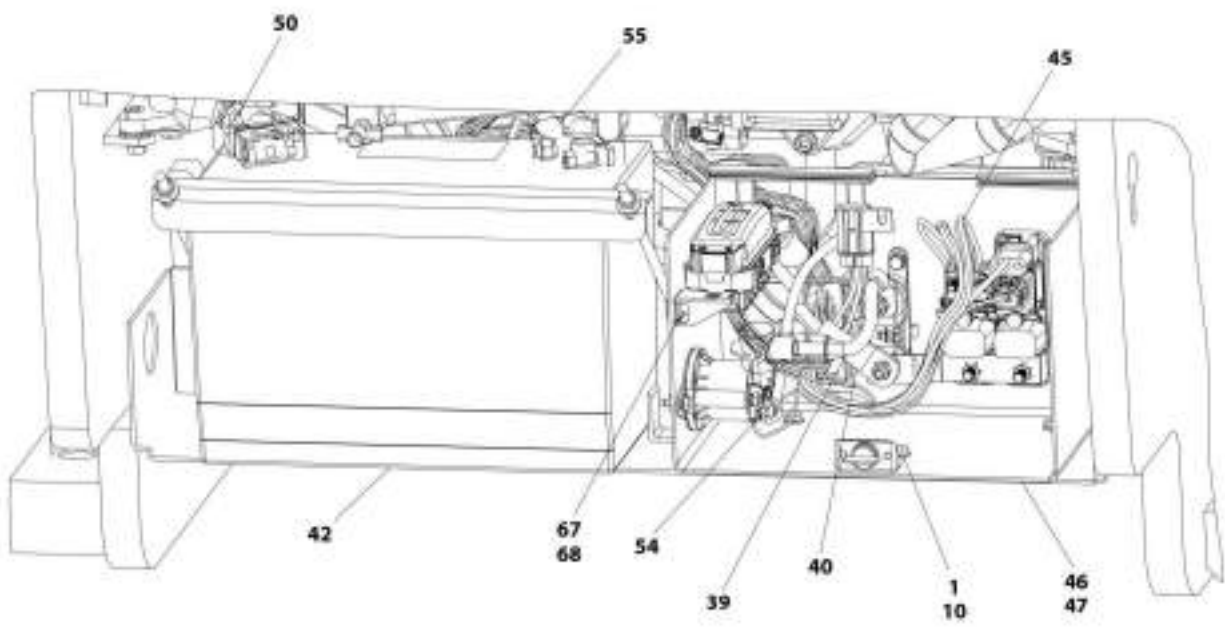
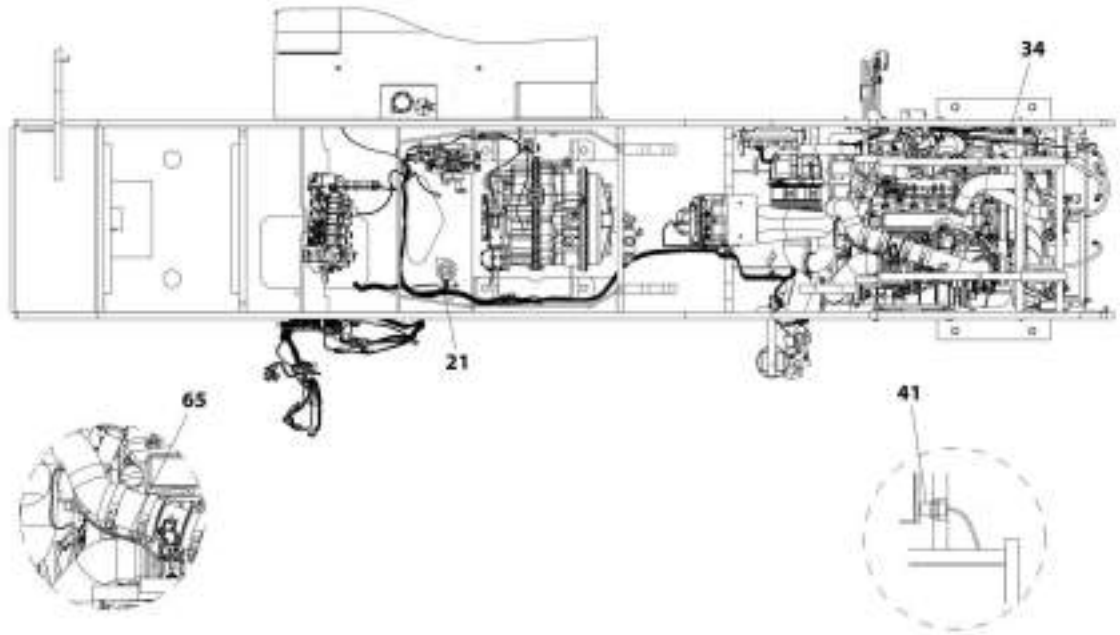
# SECTION 10 - ELECTRICAL

FIGURE 10-13. ELECTRICAL INSTALLATION - 10054 (ULS) (Prior to SN 0160074878, Excluding 0160074813 and 0160074818)



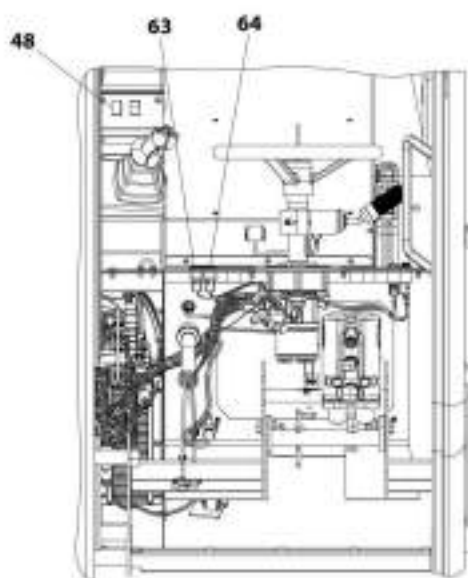
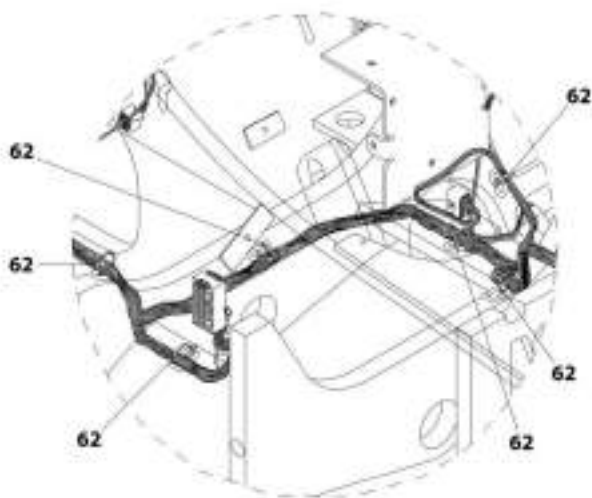
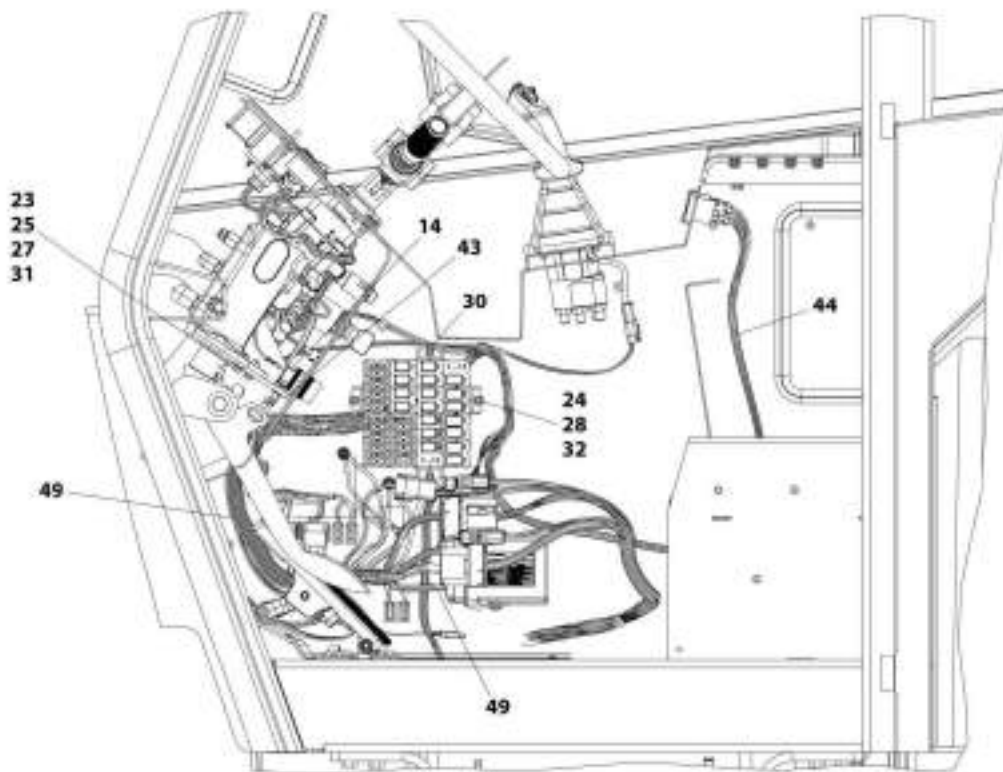
ART\_1001160001\_3-5

# SECTION 10 - ELECTRICAL



AKT\_1001166063\_2-G

# SECTION 10 - ELECTRICAL



ART\_100196061\_3-G

## SECTION 10 - ELECTRICAL

**FIGURE 10-13. ELECTRICAL INSTALLATION - 10054 (ULS) (Prior to SN 0160074878, Excluding 0160074813 and 0160074818)**

ITEM	PART NUMBER	QTY	DESCRIPTION	REV
	1001166061	Ref	Electrical Installation - 10054 (if equipped for ULS)	G
1	0641404	3	Bolt, 1/4-20X1/2	
2	0641406	2	Bolt, 1/4-20X3/4	
3	0641605	1	Bolt, 3/8-16X5/8	
4	0760810	1	Bolt, M8X20	
8	1062255	1	Strap, Tie	
9	4240017	2	Strap, Tie	
10	4711400	5	Washer, 1/4	
11	4711600	1	Washer, 3/8	
12	4811900	1	Washer, M8	
14	8223025	1	Switch, Brake Sensor	
21	8270620	1	Horn, Signal	
22	8270621	1	Alarm, Back-Up	
23	8303540	2	Bolt, 1/4-20 NC X 1	
24	8305002	4	Nut, 10-24	
25	8305004	2	Nut, 1/4-20	
26	8305624	4	Nut, Lock 1/4-20	
27	8307002	2	Washer, Lock 1/4	
28	8307003	4	Washer, Lock 10	
29	8307027	4	Washer, Lock External Tooth 5/16	
30	8307106	6	Washer, 5/16	
31	8307109	2	Washer, 1/4	
32	8307111	4	Washer, M10	
33	8310046	1	Washer, Lock External Tooth M10	
38	1001127226	1	Harness, Boom Extend (See BOOM EXTEND HARNESS for Breakdown)	
39	1001171633	1	Cable, Buss Power	
40	1001171237	1	Cable, Grid Heater to Fuse Power	
41	1001130307	2	Sensor, Boom	
42	1001186841	1	Installation, Battery (See BATTERY INSTALLATION for Breakdown)	
43	1001143307	1	Plate, Brake Switch	
44	1001178284	1	Harness, Logic (See LOGIC HARNESS for Breakdown)	
45	1001169620	1	Harness, Engine (if equipped for ULS) (See ENGINE HARNESS (ULS) for Breakdown)	
46	1001170233	1	Installation, Relay Panel (See RELAY PANEL INSTALLATION for Breakdown)	
47	1001170234	1	Assembly, Relay Panel Cover (See RELAY PANEL COVER ASSEMBLY for Breakdown)	
48	1001170269	2	Switch, Outrigger	
49	1001178285	1	Harness, Cab Power Distribution (See CAB POWER DISTRIBUTION HARNESS for Breakdown)	
50	1001171234	1	Cable, Battery Negative	
52	1001171236	1	Cable, Starter Ground	
53	1001171238	1	Cable, Alternator Power	
54	1001171239	1	Cable, Grid Heater Power	
55	1001171757	1	Cable, Starter Power	
57	0761212	2	Bolt, M12X25	
59	1001181899	1	Clamp	
60	3290601	1	Nut, M6X1	

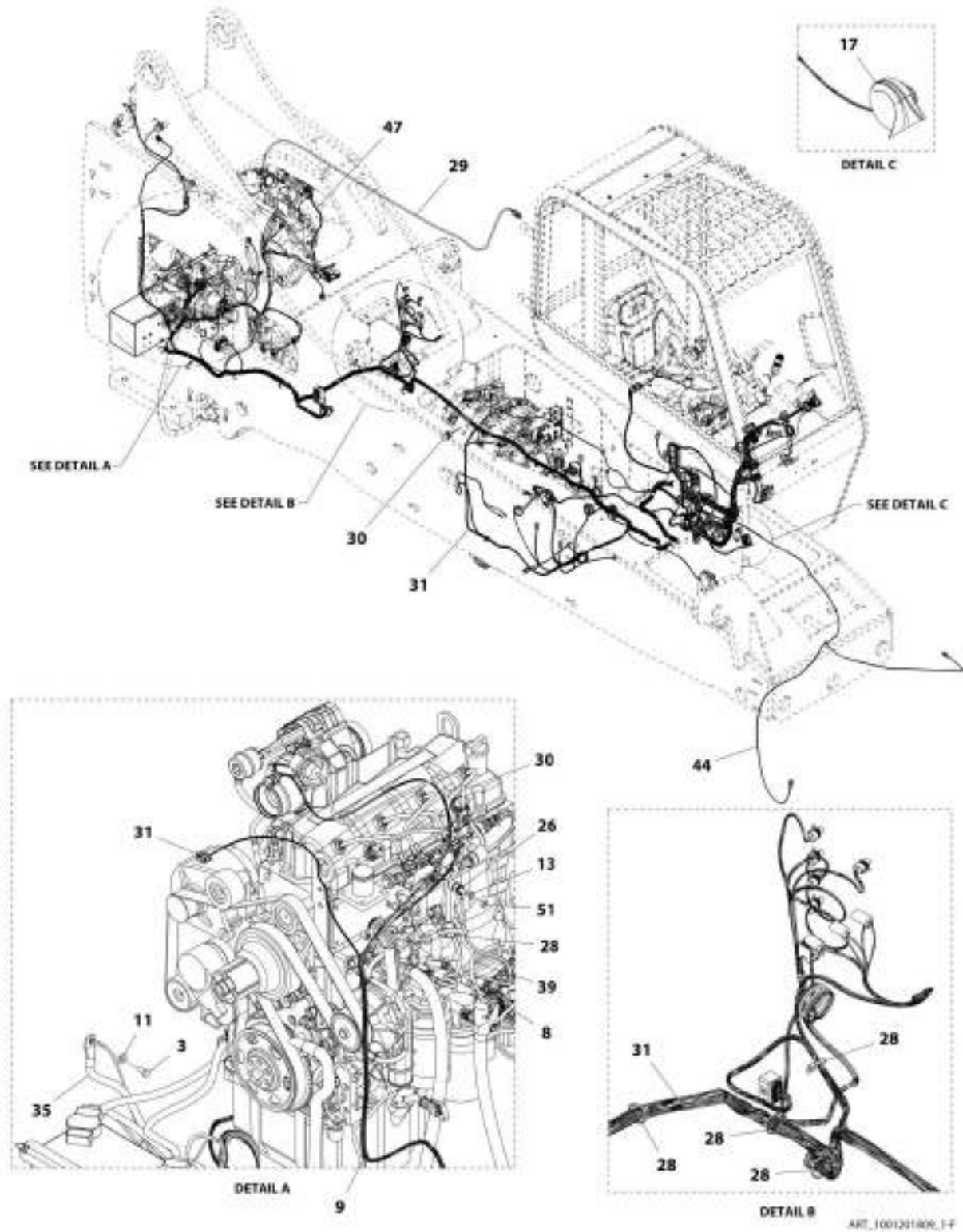
## SECTION 10 - ELECTRICAL

ITEM	PART NUMBER	QTY	DESCRIPTION	REV
61	4812100	2	Washer, M12	
62	8584001	13	Wrap, Tie	
63	1001172135	1	Indicator, Engine	
64	1001172136	1	Indicator, Hest	
65	1001184835	1	Harness, TBAP (See TBAP HARNESS for Breakdown)	
66	8406105	1	Clip, Tube	
67	8303545	2	Screw, M6X1X14	
68	4811700	2	Washer, M6	



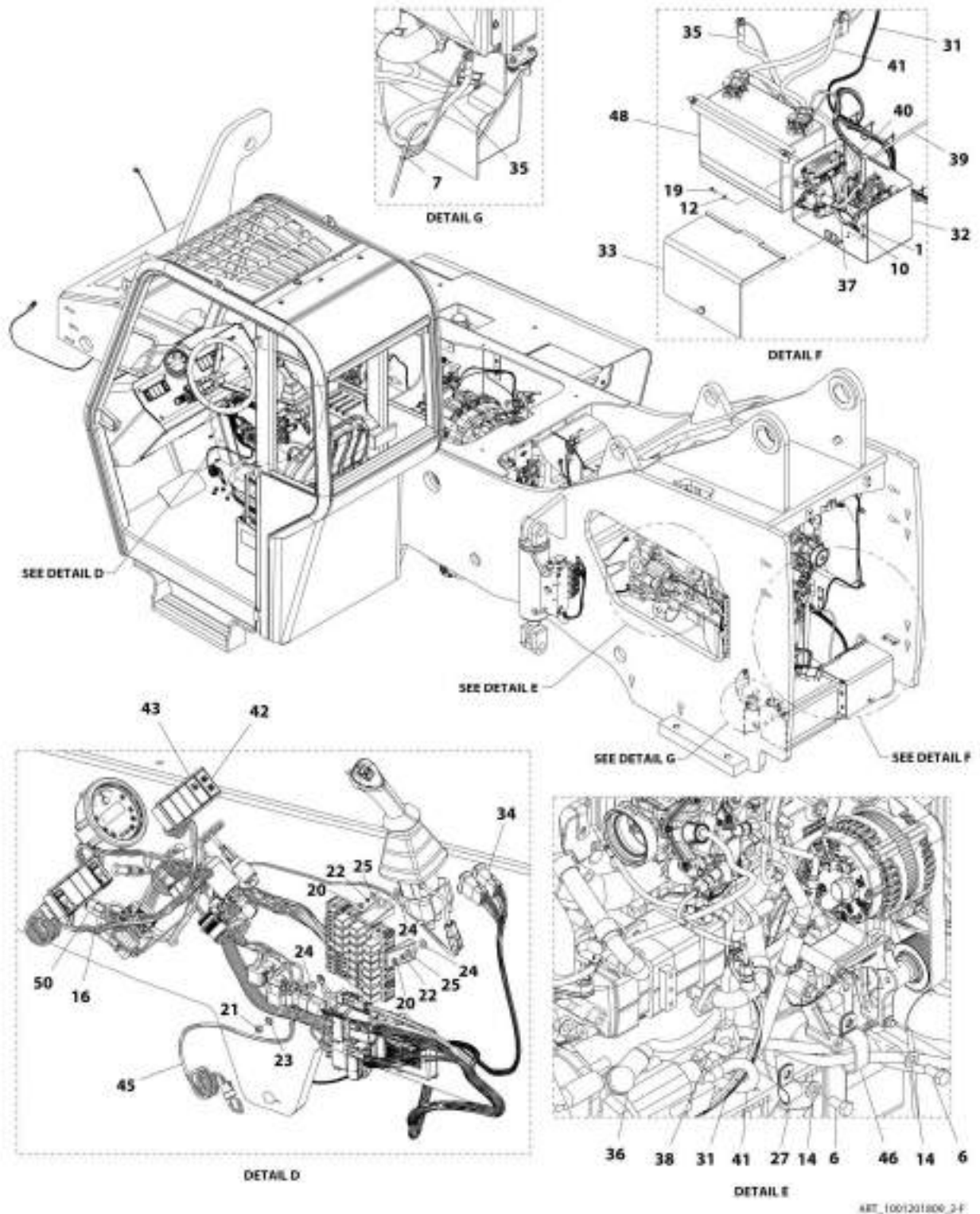
# SECTION 10 - ELECTRICAL

FIGURE 10-14. ELECTRICAL INSTALLATION, 110HP - 10054 (ULS) (SN 0160074878 to Present, Including 0160074813 and 0160074818)





# SECTION 10 - ELECTRICAL



## SECTION 10 - ELECTRICAL

**FIGURE 10-14. ELECTRICAL INSTALLATION, 110HP - 10054 (ULS) (SN 0160074878 to Present, Including 0160074813 and 0160074818)**

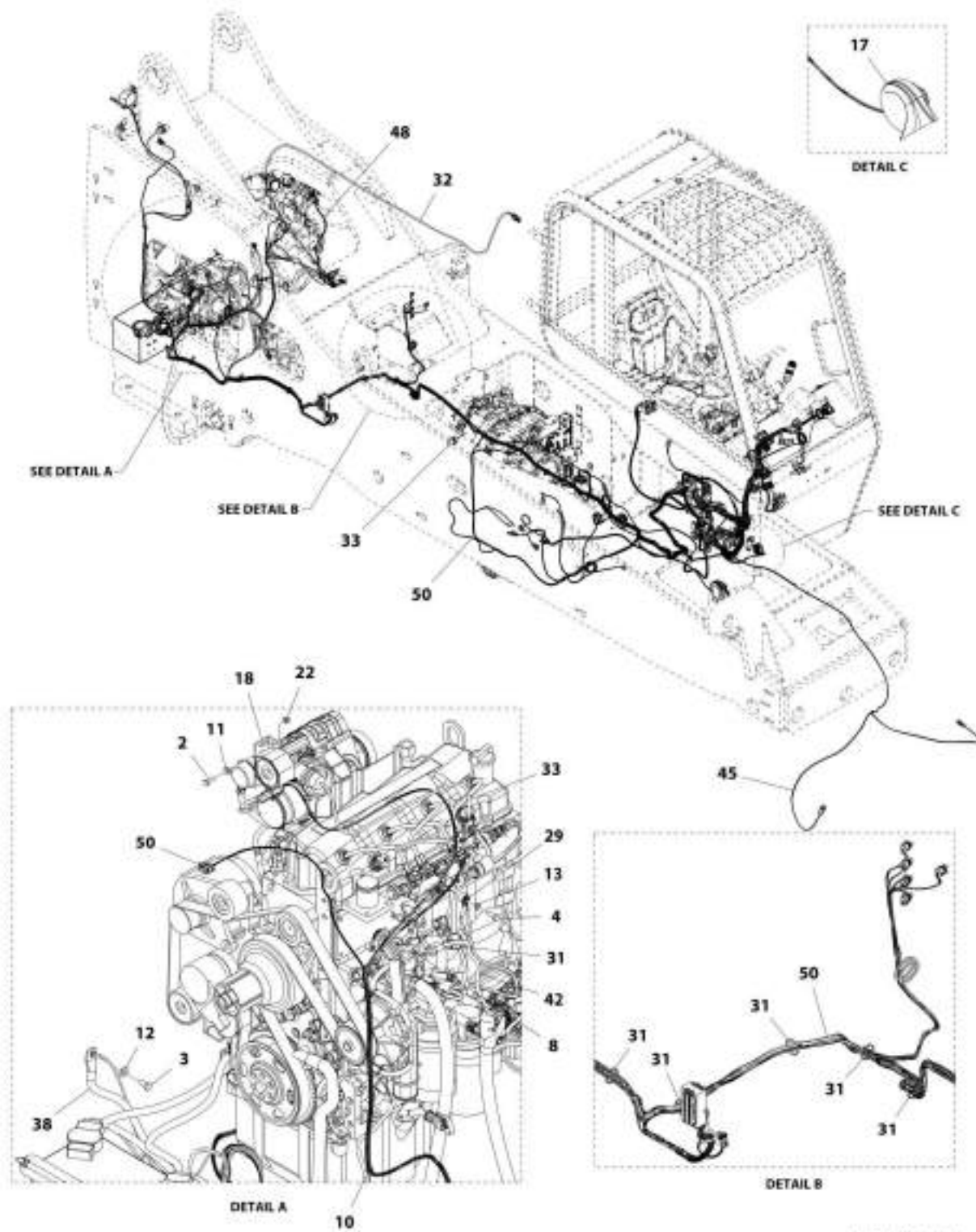
ITEM	PART NUMBER	QTY	DESCRIPTION	REV
	1001201809	Ref	Electrical Installation, 110HP - 10054 (if equipped for ULS)	F
1	0641404	3	Bolt, 1/4-20X1/2	
3	0641605	1	Bolt, 3/8-16X5/8	
6	0761212	2	Bolt, M12X25 Grade 10.9	
7	1062255	1	Strap, Tie	
8	3290601	1	Nut, M6X1	
9	4240017	2	Strap, Tie	
10	4711400	3	Washer, 1/4	
11	4711600	1	Washer, 3/8	
12	4811700	2	Washer, M6	
13	4811900	1	Washer, M8	
14	4812100	2	Washer, M12	
16	1001211279	NLA	Switch, Pressure (no longer available, use 1001220432 for replacement)	
16	1001220432	1	Switch, Pressure	
17	8270620	1	Horn, Signal	
19	8303545	2	Screw, M6X1X14	
20	8305002	4	Nut, 10-24	
21	8305624	2	Nut, Lock 1/4-20	
22	8307003	4	Washer, Lock M10	
23	8307027	4	Washer, Lock External Tooth 5/16	
24	8307106	6	Washer, 5/16	
25	8307111	4	Washer, M10	
26	8310046	1	Washer, Lock External Tooth M10	
27	8406105	1	Clip Tube	
28	8584001	13	Wrap, Tie	
29	1001127226	1	Harness, Boom Extend (See BOOM EXTEND HARNESS for Breakdown)	
30	1001130307	2	Sensor, Boom	
31	1001169620	1	Harness, Engine (if equipped for ULS) (See ENGINE HARNESS (ULS) for Breakdown)	
32	1001170233	1	Installation, Relay Panel (See RELAY PANEL INSTALLATION for Breakdown)	
33	1001170234	1	Cable, Battery Negative	
34	1001170269	2	Switch, Outtrigger	
35	1001171234	1	Cable, Battery Negative	
36	1001171236	1	Cable, Starter Ground	
37	1001171237	1	Cable, Grid Heater to Fuse Power	
38	1001171238	1	Cable, Alternator Power	
39	1001171239	1	Cable, Grid Heater Power	
40	1001171633	1	Cable, Buss Power	
41	1001171757	1	Cable, Starter Power	
42	1001172135	1	Indicator, Engine	
43	1001172136	1	Indicator, Hest	
44	1001178284	1	Harness, Logic (See LOGIC HARNESS for Breakdown)	
45	1001178285	1	Harness, Cab Power Distribution (See CAB POWER DISTRIBUTION HARNESS for Breakdown)	
46	1001181899	1	Clamp	
47	1001184835	1	Harness, TBAP (See TBAP HARNESS for Breakdown)	
48	1001186841	1	Installation, Battery (See BATTERY INSTALLATION for	

## SECTION 10 - ELECTRICAL

ITEM	PART NUMBER	QTY	DESCRIPTION	REV
50	2220214	1	Breakdown) Fitting, Reducer	
51	3290801	1	Nut, M8X1.25	

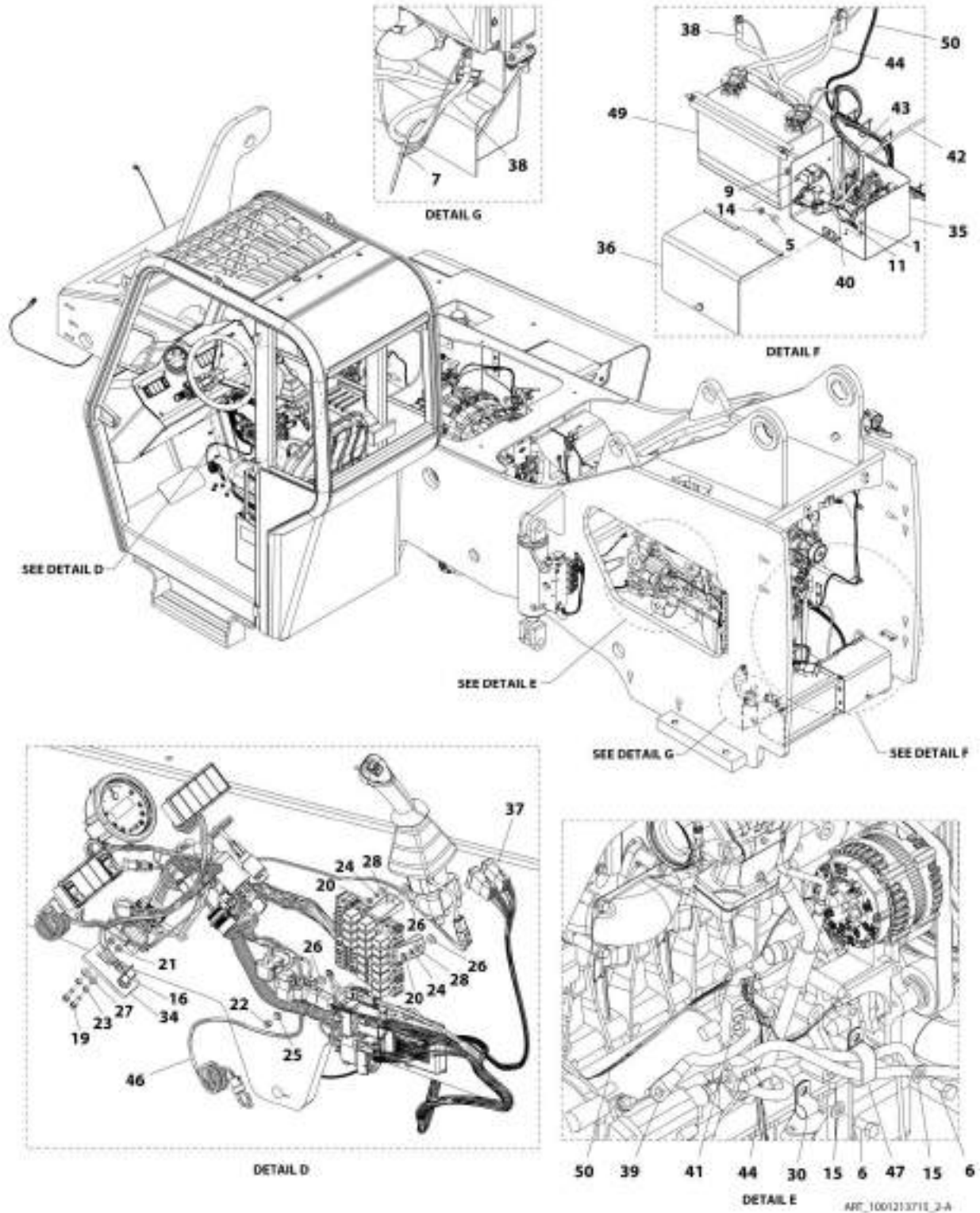
# SECTION 10 - ELECTRICAL

FIGURE 10-15. ELECTRICAL INSTALLATION, 74HP - 10054 (ULS) EATON BRAKE



ART\_1001213715\_1-A

# SECTION 10 - ELECTRICAL



# SECTION 10 - ELECTRICAL

**FIGURE 10-15. ELECTRICAL INSTALLATION, 74HP - 10054 (ULS) EATON BRAKE**

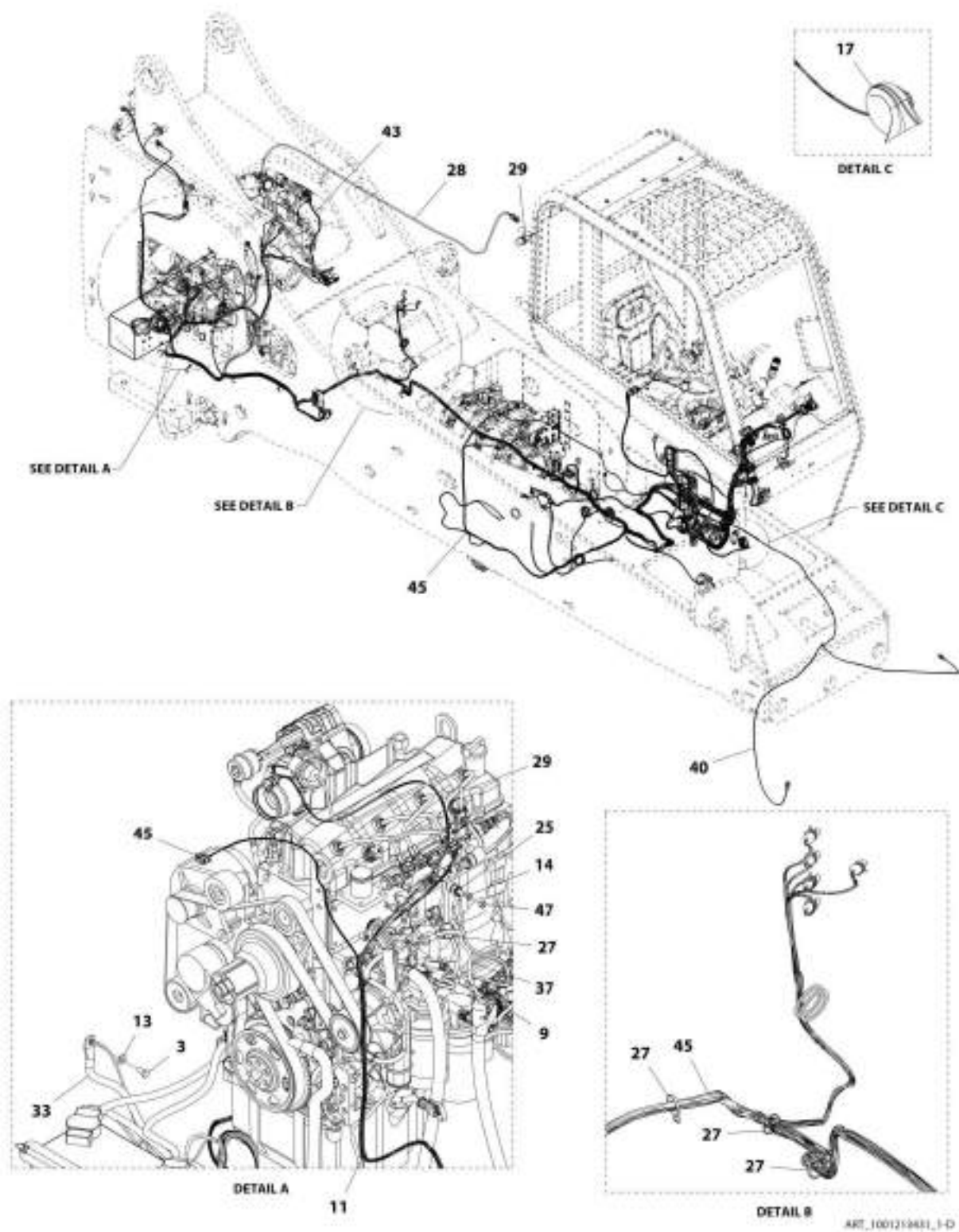
ITEM	PART NUMBER	QTY	DESCRIPTION	REV
	1001213715	Ref	Electrical Installation, 74HP - 10054 (if equipped for ULS) Eaton Brake	A
1	0641404	3	Bolt, 1/4-20X1/2	
2	0641406	2	Bolt, 1/4-20X3/4	
3	0641605	1	Bolt, 3/8-16X5/8	
4	0760810	1	Bolt, M8X20	
5	0761007	1	Bolt, M10X14	
6	0761212	2	Bolt, M12X25 Grade 10.9	
7	1062255	1	Strap, Tie	
8	3290601	1	Nut, M6X1	
9	3291001	1	Nut, M10X1.5	
10	4240017	2	Strap, Tie	
11	4711400	5	Washer, 1/4	
12	4711600	1	Washer, 3/8	
13	4811900	1	Washer, M8	
14	4812000	1	Washer, M10	
15	4812100	2	Washer, M12	
16	8223025	1	Switch, Brake Sensor	
17	8270620	1	Horn, Signal	
18	8270621	1	Alarm, Back-up	
19	8303540	2	Bolt, 1/4-20 NCX1	
20	8305002	4	Nut, 10-24	
21	8305004	2	Nut, 1/4-20	
22	8305624	4	Nut, Lock 1/4-20	
23	8307002	2	Washer, Lock 1/4	
24	8307003	4	Washer, Lock M10	
25	8307027	4	Washer, Lock External Tooth 5/16	
26	8307106	6	Washer, 5/16	
27	8307109	2	Washer, 1/4	
28	8307111	4	Washer, M10	
29	8310046	1	Washer, Lock External Tooth M10	
30	8406105	1	Clip Tube	
31	8584001	12	Wrap, Tie	
32	1001127226	1	Harness, Boom Extend (See BOOM EXTEND HARNESS for Breakdown)	
33	1001130307	2	Sensor, Boom	
34	1001143307	1	Plate, Brake Switch	
35	1001170233	1	Installation, Relay Panel (See RELAY PANEL INSTALLATION for Breakdown)	
36	1001170234	1	Assembly, Relay Panel Cover (See RELAY PANEL COVER ASSEMBLY for Breakdown)	
37	1001170269	2	Switch, Outtrigger	
38	1001171234	1	Cable, Battery Negative	
39	1001171236	1	Cable, Starter Ground	
40	1001171237	1	Cable, Grid Heater to Fuse Power	
41	1001171238	1	Cable, Alternator Power	
42	1001171239	1	Cable, Grid Heater Power	
43	1001171633	1	Cable, Buss Power	
44	1001171757	1	Cable, Starter Power	
45	1001178284	1	Harness, Logic (See LOGIC HARNESS for Breakdown)	

## SECTION 10 - ELECTRICAL

ITEM	PART NUMBER	QTY	DESCRIPTION	REV
46	1001178285	1	Harness, Cab Power Distribution (See CAB POWER DISTRIBUTION HARNESS for Breakdown)	
47	1001181899	1	Clamp	
48	1001184835	1	Harness, TBAP (See TBAP HARNESS for Breakdown)	
49	1001186841	1	Installation, Battery (See BATTERY INSTALLATION for Breakdown)	
50	1001199889	1	Harness, Engine (See ENGINE HARNESS, 74HP (ULS) for Breakdown)	

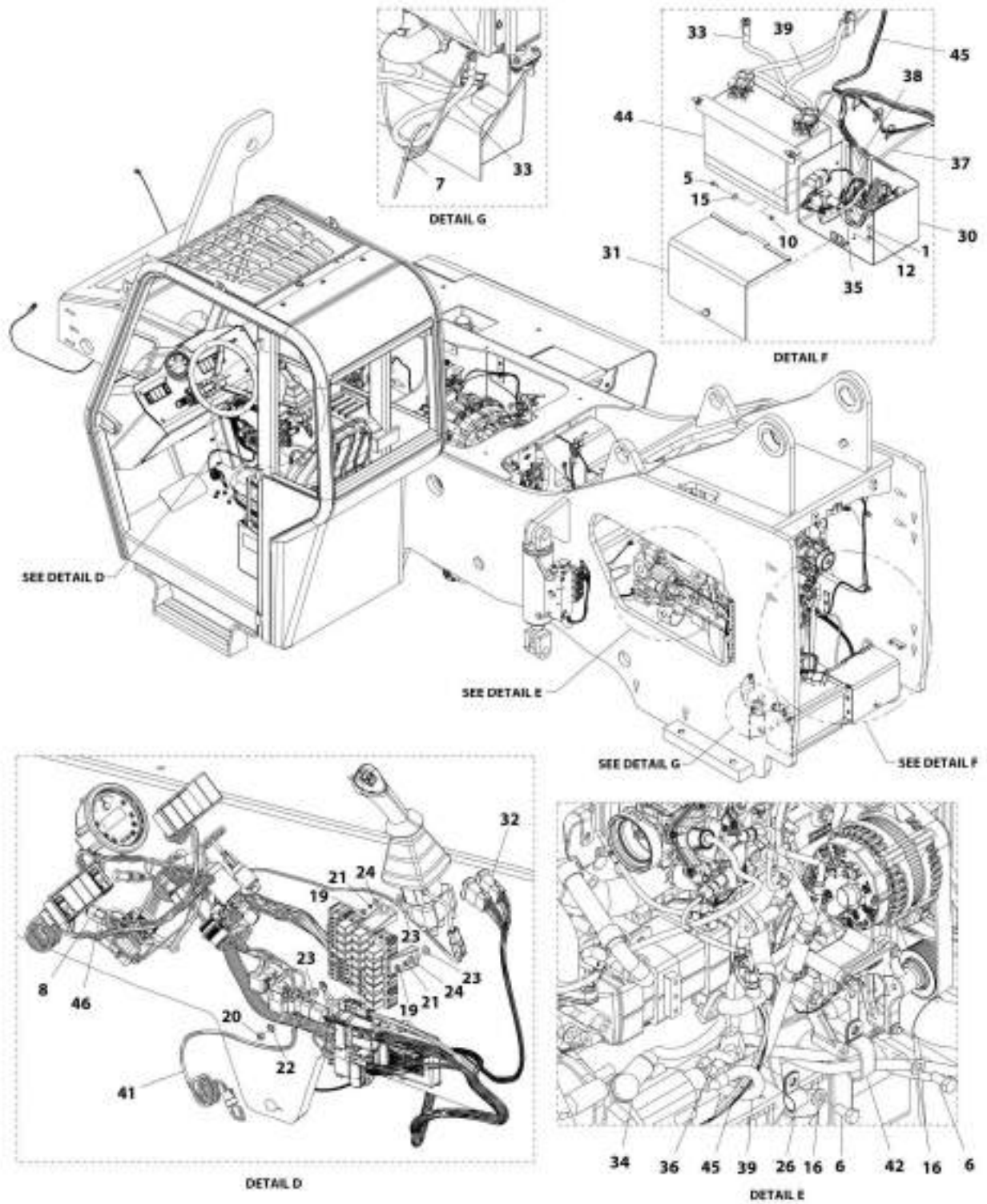
# SECTION 10 - ELECTRICAL

FIGURE 10-16. ELECTRICAL INSTALLATION, 74HP - 10054 (ULS) SAFIM BRAKE





# SECTION 10 - ELECTRICAL



AWT\_100121M01\_2-0

## SECTION 10 - ELECTRICAL

FIGURE 10-16. ELECTRICAL INSTALLATION, 74HP - 10054 (ULS) SAFIM BRAKE

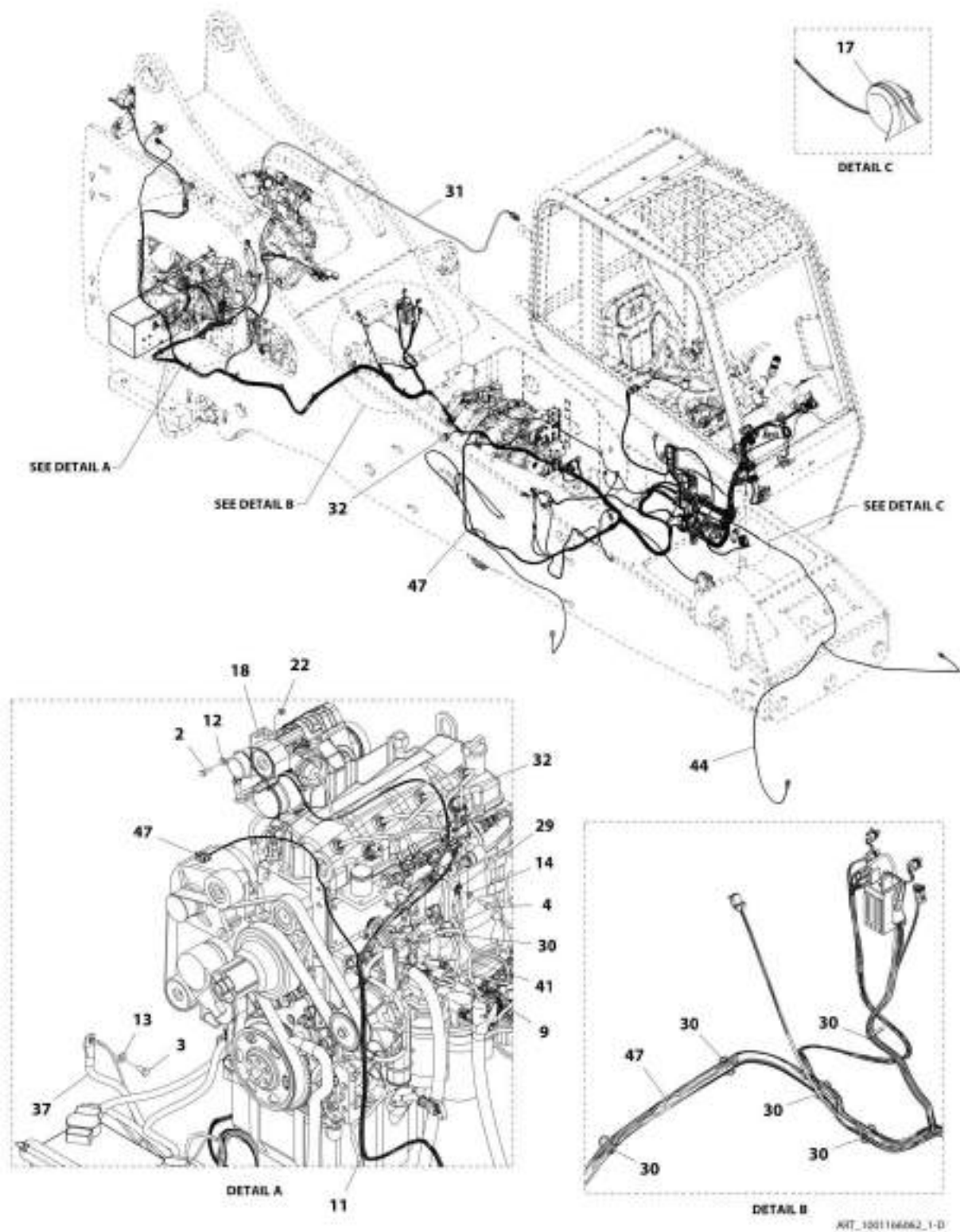
ITEM	PART NUMBER	QTY	DESCRIPTION	REV
	1001213431	Ref	Electrical Installation, 74HP - 10054 (if equipped for ULS) Safim Brake	D
1	0641404	3	Bolt, 1/4-20X1/2	
3	0641605	1	Bolt, 3/8-16X5/8	
5	8303545	1	Bolt, 10X14 LG	
6	0761212	2	Bolt, M12X25 Grade 10.9	
7	1062255	1	Strap, Tie	
8	2220214	1	Fitting, Reducer	
9	3290601	1	Nut, M6X1	
10	3290605	1	Nut, M6X1	
11	4240017	2	Strap, Tie	
12	4711400	3	Washer, 1/4	
13	4711600	1	Washer, 3/8	
14	4811900	1	Washer, M8	
15	4811702	1	Washer, M6	
16	4812100	2	Washer, M12	
17	8270620	1	Horn, Signal	
19	8305002	4	Nut, 10-24	
20	8305624	2	Nut, Lock 1/4-20	
21	8307003	4	Washer, Lock M10	
22	8307027	4	Washer, Lock External Tooth 5/16	
23	8307106	6	Washer, 5/16	
24	8307111	4	Washer, M10	
25	8310046	1	Washer, Lock External Tooth M10	
26	8406105	1	Clip Tube	
27	8584001	12	Wrap, Tie	
28	1001127226	1	Harness, Boom Extend (See BOOM EXTEND HARNESS for Breakdown)	
29	1001130307	2	Sensor, Boom	
30	1001170233	1	Installation, Relay Panel (See RELAY PANEL INSTALLATION for Breakdown)	
31	1001170234	1	Assembly, Relay Panel Cover (See RELAY PANEL COVER ASSEMBLY for Breakdown)	
32	1001170269	2	Switch, Outrigger	
33	1001171234	1	Cable, Battery Negative	
34	1001171236	1	Cable, Starter Ground	
35	1001171237	1	Cable, Grid Heater to Fuse Power	
36	1001171238	1	Cable, Alternator Power	
37	1001171239	1	Cable, Grid Heater Power	
38	1001171633	1	Cable, Buss Power	
39	1001171757	1	Cable, Starter Power	
40	1001178284	1	Harness, Logic (See LOGIC HARNESS for Breakdown)	
41	1001178285	1	Harness, Cab Power Distribution (See CAB POWER DISTRIBUTION HARNESS for Breakdown)	
42	1001181899	1	Clamp	
43	1001184835	1	Harness, TBAP (See TBAP HARNESS for Breakdown)	
44	1001186841	1	Installation, Battery (See BATTERY INSTALLATION for Breakdown)	
45	1001199889	1	Harness, Engine (See ENGINE HARNESS, 74HP (ULS) for Breakdown)	
46	1001211279	NLA	Switch, Pressure (no longer available, use 1001220432 for	

## SECTION 10 - ELECTRICAL

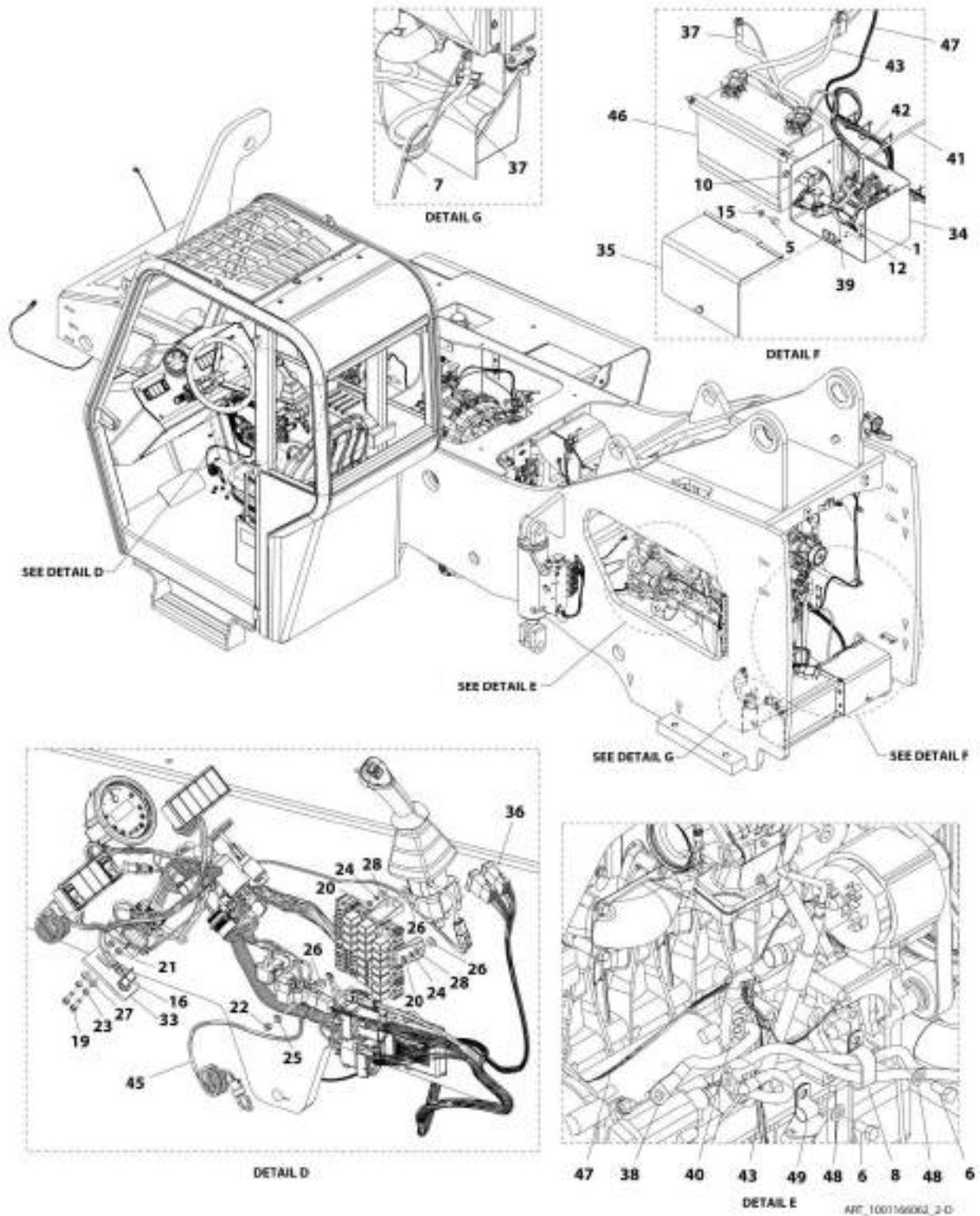
ITEM	PART NUMBER	QTY	DESCRIPTION	REV
46	1001220432	1	replacement) Switch, Pressure	
47	3290801	1	Nut, M8X1.25	

# SECTION 10 - ELECTRICAL

FIGURE 10-17. ELECTRICAL INSTALLATION - 10054 (LS) (Prior to SN 0160074878, Excluding 0160074813 and 0160074818)



# SECTION 10 - ELECTRICAL



## SECTION 10 - ELECTRICAL

**FIGURE 10-17. ELECTRICAL INSTALLATION - 10054 (LS) (Prior to SN 0160074878, Excluding 0160074813 and 0160074818)**

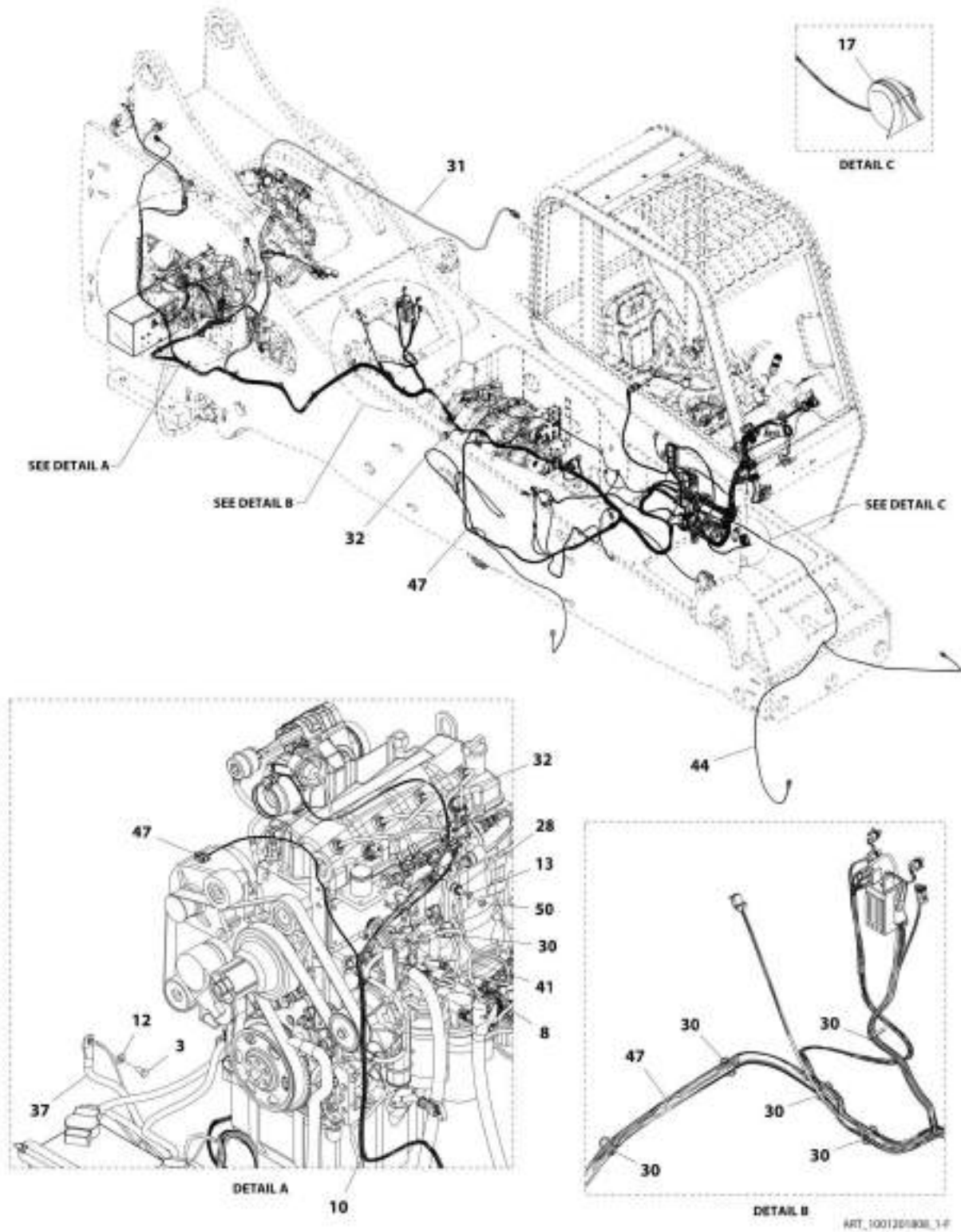
ITEM	PART NUMBER	QTY	DESCRIPTION	REV
	1001166062	Ref	Electrical Installation - 10054 (if equipped for LS)	D
1	0641404	3	Bolt, 1/4-20X1/2	
2	0641406	2	Bolt, 1/4-20X3/4	
3	0641605	1	Bolt, 3/8-16X5/8	
4	0760810	1	Bolt, M8X20	
5	0761007	1	Bolt, 10X14 LG	
6	0761212	2	Bolt, M10X25	
7	1062255	1	Strap, Tie	
8	1001195039	1	Clamp	
9	3290601	1	Nut, M6X1	
10	3291001	1	Nut, M10X1.5	
11	4240017	2	Strap, Tie	
12	4711400	5	Washer, 1/4	
13	4711600	1	Washer, 3/8	
14	4811900	1	Washer, M8	
15	4812000	1	Washer, M10	
16	8223025	1	Switch, Brake Sensor	
17	8270620	1	Horn, Signal	
18	8270621	1	Alarm, Back-up	
19	8303540	2	Bolt, 1/4-20 NCX1	
20	8305002	4	Nut, 10-24	
21	8305004	2	Nut, 1/4-20	
22	8305624	4	Nut, Lock 1/4-20	
23	8307002	2	Washer, Lock 1/4	
24	8307003	4	Washer, Lock M10	
25	8307027	4	Washer, Lock External Tooth 5/16	
26	8307106	6	Washer, 5/16	
27	8307109	2	Washer, 1/4	
28	8307111	4	Washer, M10	
29	8310046	1	Washer, Lock External Tooth M10	
30	8584001	13	Wrap, Tie 3/16	
31	1001127226	1	Harness, Boom Extend (See BOOM EXTEND HARNESS for Breakdown)	
32	1001130307	2	Sensor, Boom	
33	1001143307	1	Plate, Brake Switch	
34	1001170233	1	Installation, Relay Panel (See RELAY PANEL INSTALLATION for Breakdown)	
35	1001170234	1	Assembly, Relay Panel Cover (See RELAY PANEL COVER ASSEMBLY for Breakdown)	
36	1001170269	2	Switch, Outrigger	
37	1001171234	1	Cable, Battery Negative	
38	1001171236	1	Cable, Starter Ground	
39	1001171237	1	Cable, Grid Heater to Fuse Power	
40	1001171238	1	Cable, Alternator Power	
41	1001171239	1	Cable, Grid Heater Power	
42	1001171633	1	Cable, Buss Power	
43	1001171757	1	Cable, Starter Power	
44	1001178284	1	Harness, Logic (See LOGIC HARNESS for Breakdown)	
45	1001178285	1	Harness, Cab Power Distribution (See CAB POWER DISTRIBUTION HARNESS for Breakdown)	

## SECTION 10 - ELECTRICAL

ITEM	PART NUMBER	QTY	DESCRIPTION	REV
46	1001186841	1	Installation, Battery (See BATTERY INSTALLATION for Breakdown)	
47	1001189488	1	Engine Harness (See ENGINE HARNESS (LS) for Breakdown)	
48	4812100	2	Washer, M12	
49	8406105	1	Clip, Tube	

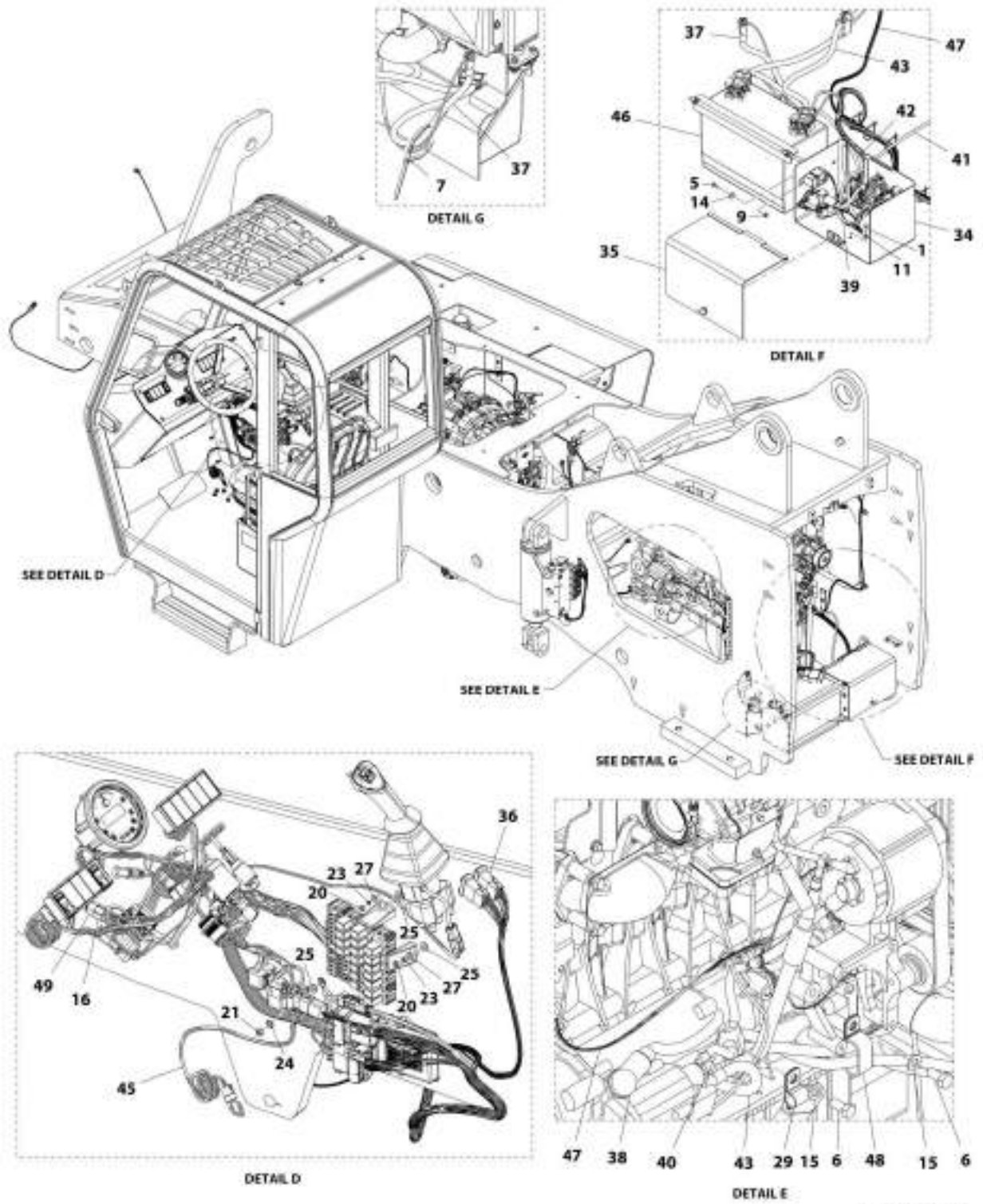
# SECTION 10 - ELECTRICAL

FIGURE 10-18. ELECTRICAL INSTALLATION - 10054 (LS) (SN 0160074878 to Present, Including 0160074813 and 0160074818)





# SECTION 10 - ELECTRICAL



AIR\_1001201808\_2-F

## SECTION 10 - ELECTRICAL

**FIGURE 10-18. ELECTRICAL INSTALLATION - 10054 (LS) (SN 0160074878 to Present, Including 0160074813 and 0160074818)**

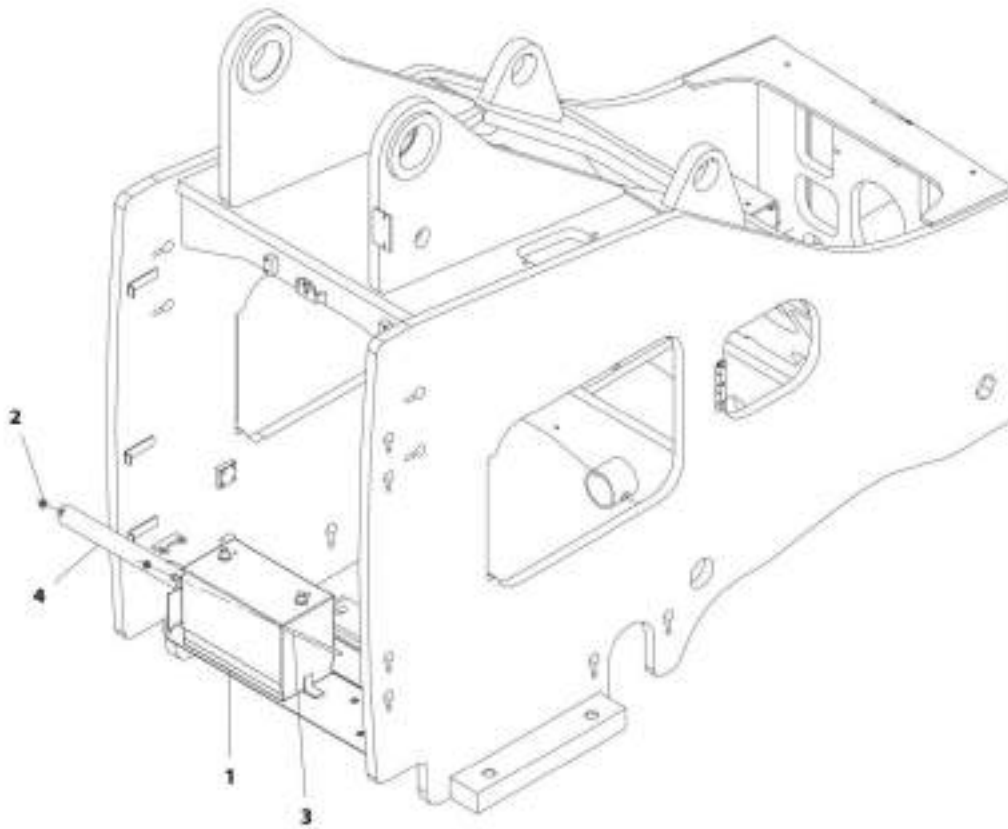
ITEM	PART NUMBER	QTY	DESCRIPTION	REV
	1001201808	Ref	Electrical Installation - 10054 (if equipped for LS)	F
1	0641404	3	Bolt, 1/4-20X1/2	
3	0641605	1	Bolt, 3/8-16X5/8	
5	8303545	1	Bolt, M6X1X14	
6	0761212	2	Bolt, M12X25 Grade 10.9	
7	1062255	1	Strap, Tie	
8	3290601	1	Nut, M6X1	
9	3290605	1	Nut, Lock M6X1	
10	4240017	2	Strap, Tie	
11	4711400	3	Washer, 1/4	
12	4711600	1	Washer, 3/8	
13	4811900	1	Washer, M8	
14	4811702	1	Washer, M6	
15	4812100	2	Washer, M12	
16	1001211279	NLA	Switch, Pressure (no longer available, use 1001220432 for replacement)	
16	1001220432	1	Switch, Pressure	
17	8270620	1	Horn, Signal	
20	8305002	4	Nut, 10-24	
21	8305624	2	Nut, Lock 1/4-20	
23	8307003	4	Washer, Lock M10	
24	8307027	4	Washer, Lock External Tooth 5/16	
25	8307106	6	Washer, 5/16	
27	8307111	4	Washer, M10	
28	8310046	1	Washer, Lock External Tooth M10	
29	8406105	1	Clip, Tube	
30	8584001	12	Wrap, Tie 3/16	
31	1001127226	1	Harness, Boom Extend (See BOOM EXTEND HARNESS for Breakdown)	
32	1001130307	2	Sensor, Boom	
34	1001170233	1	Installation, Relay Panel (See RELAY PANEL INSTALLATION for Breakdown)	
35	1001170234	1	Assembly, Relay Panel Cover (See RELAY PANEL COVER ASSEMBLY for Breakdown)	
36	1001170269	2	Switch, Outrigger	
37	1001171234	1	Cable, Battery Negative	
38	1001171236	1	Cable, Starter Ground	
39	1001171237	1	Cable, Grid Heater to Fuse Power	
40	1001171238	1	Cable, Alternator Power	
41	1001171239	1	Cable, Grid Heater Power	
42	1001171633	1	Cable, Buss Power	
43	1001171757	1	Cable, Starter Power	
44	1001178284	1	Harness, Logic (See LOGIC HARNESS for Breakdown)	
45	1001178285	1	Harness, Cab Power Distribution (See CAB POWER DISTRIBUTION HARNESS for Breakdown)	
46	1001186841	1	Installation, Battery (See BATTERY INSTALLATION for Breakdown)	
47	1001189488	1	Engine Harness (See ENGINE HARNESS (LS) for Breakdown)	
48	1001181899	1	Clamp	
49	2220214	1	Fitting, Reducer	

## SECTION 10 - ELECTRICAL

ITEM	PART NUMBER	QTY	DESCRIPTION	REV
50	3290801	1	Nut, M8X1.25	

# SECTION 10 - ELECTRICAL

## FIGURE 10-19. BATTERY INSTALLATION



ART\_100100041-A

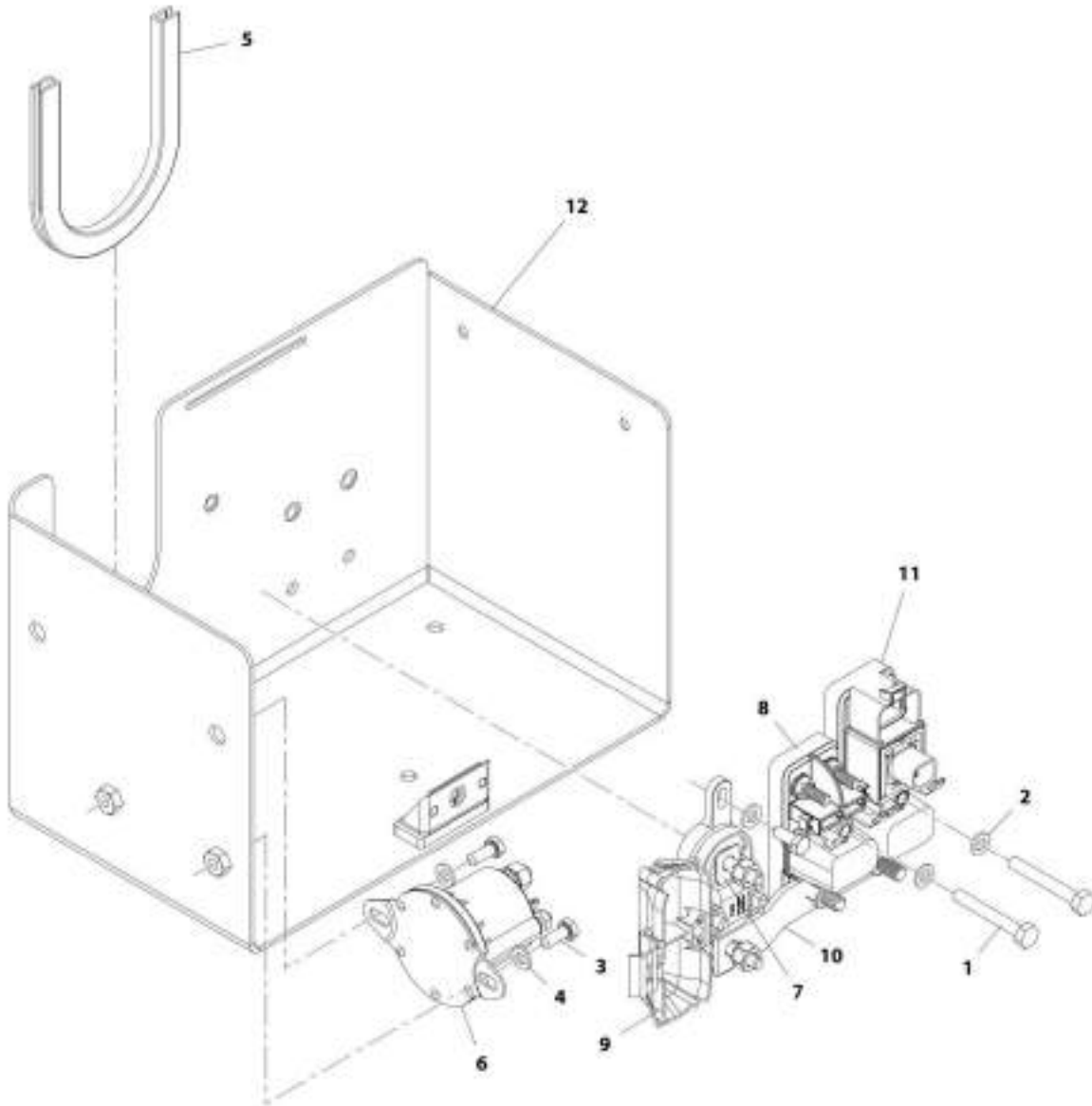
## SECTION 10 - ELECTRICAL

### FIGURE 10-19. BATTERY INSTALLATION

ITEM	PART NUMBER	QTY	DESCRIPTION	REV
	1001186841	1	Battery Installation	A
1	0400075	1	Battery, 12V	
2	77143006	2	Nut, Whiz Lok 5/16-18	
3	91081640	2	Bolt, Battery Hold Down	
4	1001186721	1	Plate, Battery Hold Down	

# SECTION 10 - ELECTRICAL

## FIGURE 10-20. RELAY PANEL INSTALLATION



ART\_100112033-F

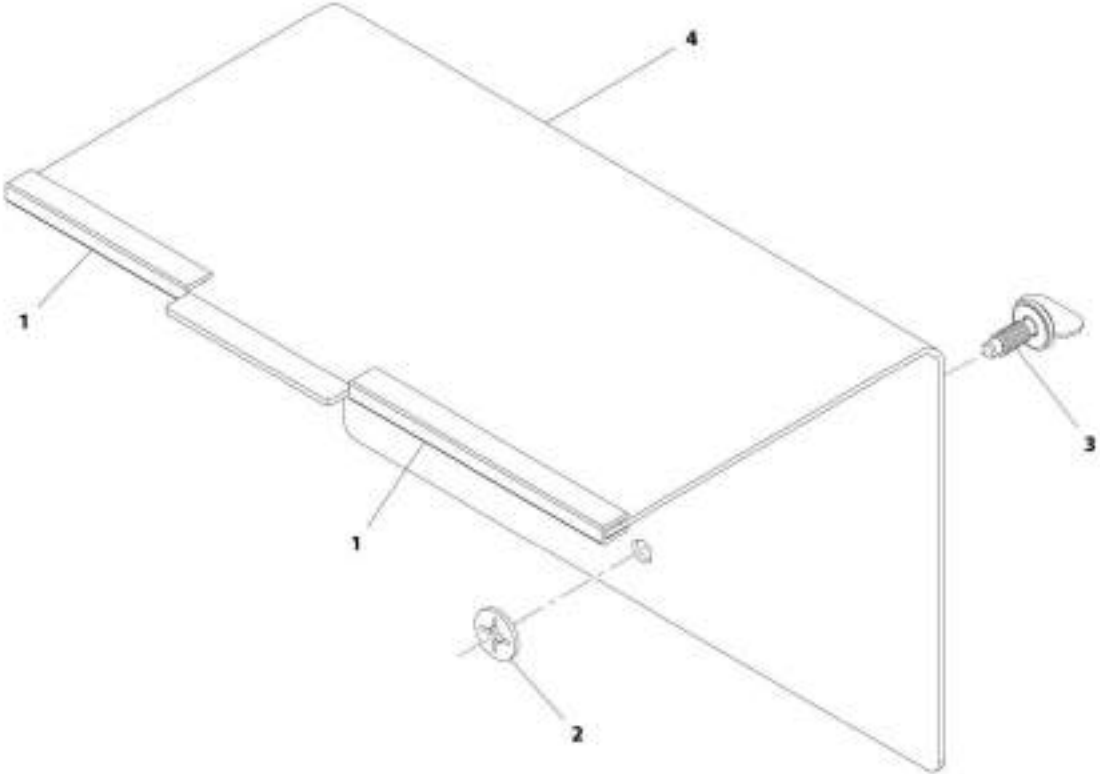
## SECTION 10 - ELECTRICAL

**FIGURE 10-20. RELAY PANEL INSTALLATION**

ITEM	PART NUMBER	QTY	DESCRIPTION	REV
	1001170233	Ref	Relay Panel Installation	F
1	0641415	2	Bolt, 1/4-20X1-7/8	
2	4761400	2	Washer, Lock 1/4	
3	8303545	4	Bolt, M6X14	
4	8307219	4	Washer, M6	
5	90206196	257 mm	Trim, Vinyl Edge	
6	1001186417	1	Relay, 150 Amp	
7	1001118245	1	Fuse, 250 Amp	
8	1001127699	1	Fuse, Power Module	
9	1001127700	1	Holder, AMG Fuse	
10	1001129615	1	Bar, Buss Connector	
11	1001184316	1	Relay, Power Module	
12	1001170230	1	Bracket, Relay Mount	

**SECTION 10 - ELECTRICAL**

**FIGURE 10-21. RELAY PANEL COVER ASSEMBLY**



ART\_100170234-A



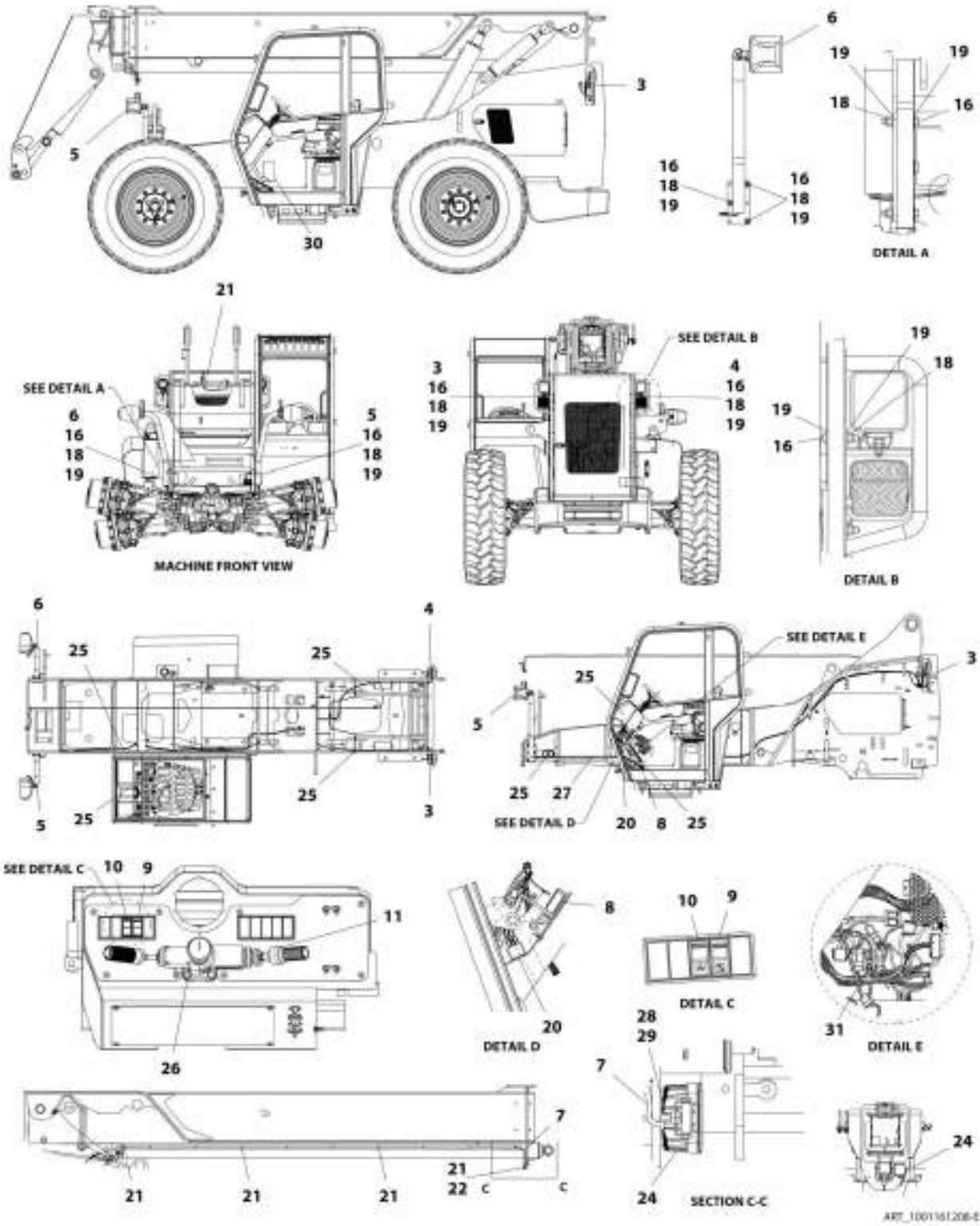
## SECTION 10 - ELECTRICAL

### FIGURE 10-21. RELAY PANEL COVER ASSEMBLY

ITEM	PART NUMBER	QTY	DESCRIPTION	REV
	1001170234	Ref	Relay Panel Cover Assembly	A
1	90206196	220 mm	Trim, Vinyl Edge	
2	1001135770	1	Washer, Push-On Retainer	
3	1001135777	1	Screw, Fastener Assembly Wing Head	
4	1001170235	1	Cover, Relay Panel	

# SECTION 10 - ELECTRICAL

## FIGURE 10-22. ROADLIGHT PACKAGE INSTALLATION (Prior to SN 0160073125)



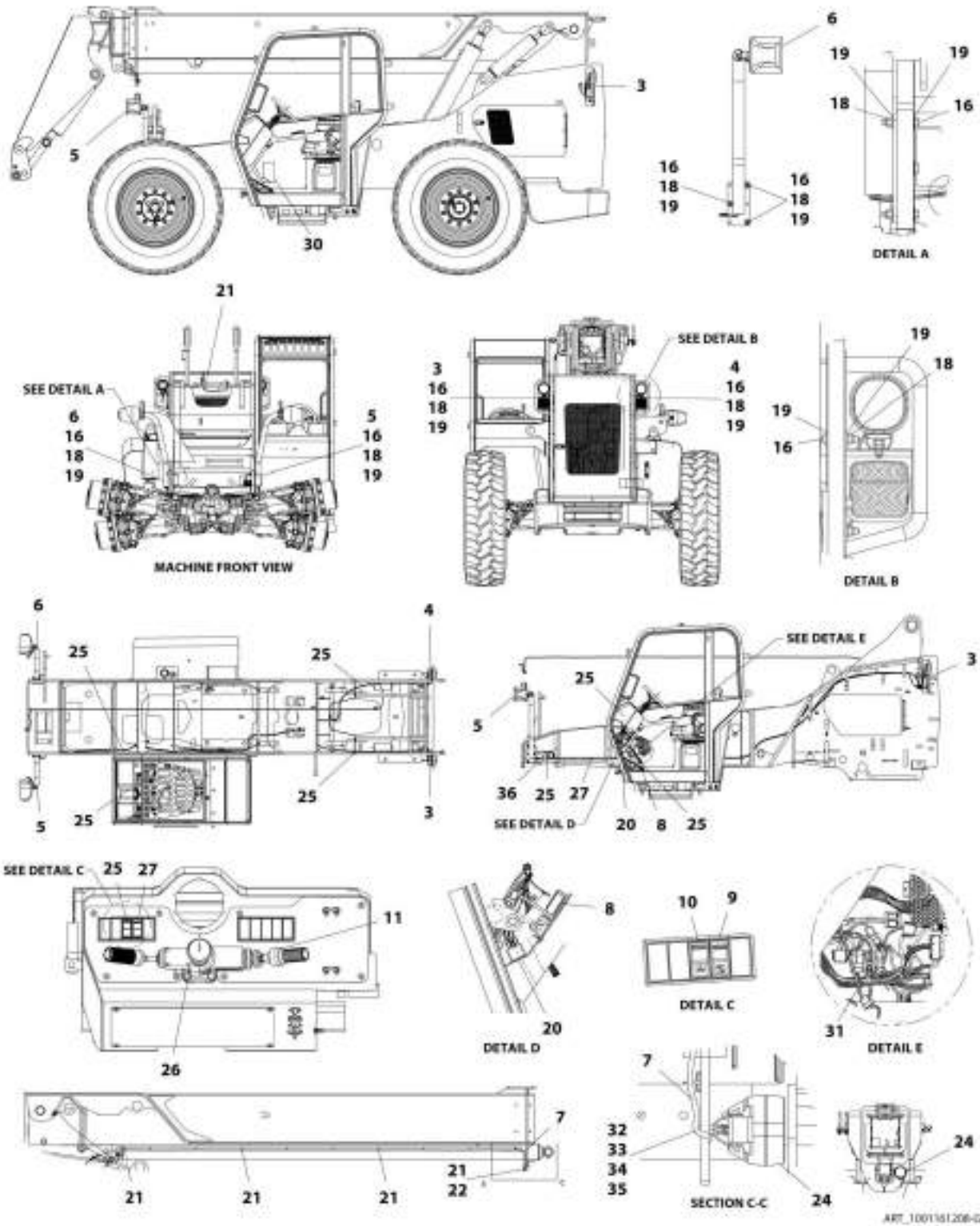
## SECTION 10 - ELECTRICAL

**FIGURE 10-22. ROADLIGHT PACKAGE INSTALLATION (Prior to SN 0160073125)**

ITEM	PART NUMBER	QTY	DESCRIPTION	REV
	1001161208	Ref	Roadlight Package Installation	E
3	1001205350	1	Assembly, LH Roadlight (See LH ROADLIGHT ASSEMBLY for Breakdown)	
4	1001205351	1	Assembly, RH Roadlight (See RH ROADLIGHT ASSEMBLY for Breakdown)	
5	7150699	1	Assembly, LH Roadlight Bracket (See LH ROADLIGHT BRACKET ASSEMBLY for Breakdown)	
6	7150716	1	Assembly, RH Roadlight Bracket (See RH ROADLIGHT BRACKET ASSEMBLY for Breakdown)	
7	7150730	1	Cord, Boom Work Light	
8	8223057	1	Switch, Brake Lights	
9	8223059	1	Switch, Work Light	
10	8223060	1	Switch, Hazard	
11	8223073	1	Control, Turn Signal	
16	8303771	10	Bolt, 3/8-16X2-1/4	
18	8305645	10	Nut, Lock 3/8-16	
19	8307204	20	Washer, 3/8	
20	8500203	1	Flasher, Hazard Warning 12V	
21	8584001	32	Wrap, Tie	
22	8584018	2	Mount, Cable Tie	
24	1001205177	1	Worklight	
25	1001178346	1	Harness, Road Light Option (See ROAD LIGHT OPTION HARNESS for Breakdown)	
26	88211516	2	Screw, 10-32X1-3/4	
27	1001178344	1	Harness, Work Light Option (See WORK LIGHT OPTION HARNESS for Breakdown)	
28	1001205179	1	Nut, 5/16	
29	1001205674	1	Bolt, 5/16-18X2	
30	1001205264	1	Decal, Light Fuse Panel	
31	1001205248	1	Harness, Roadlight Worklight (See ROADLIGHT WORKLIGHT HARNESS for Breakdown)	

# SECTION 10 - ELECTRICAL

FIGURE 10-23. ROADLIGHT PACKAGE INSTALLATION (SN 0160073125 through 0160074877, Excluding 0160074813 and 0160074818)



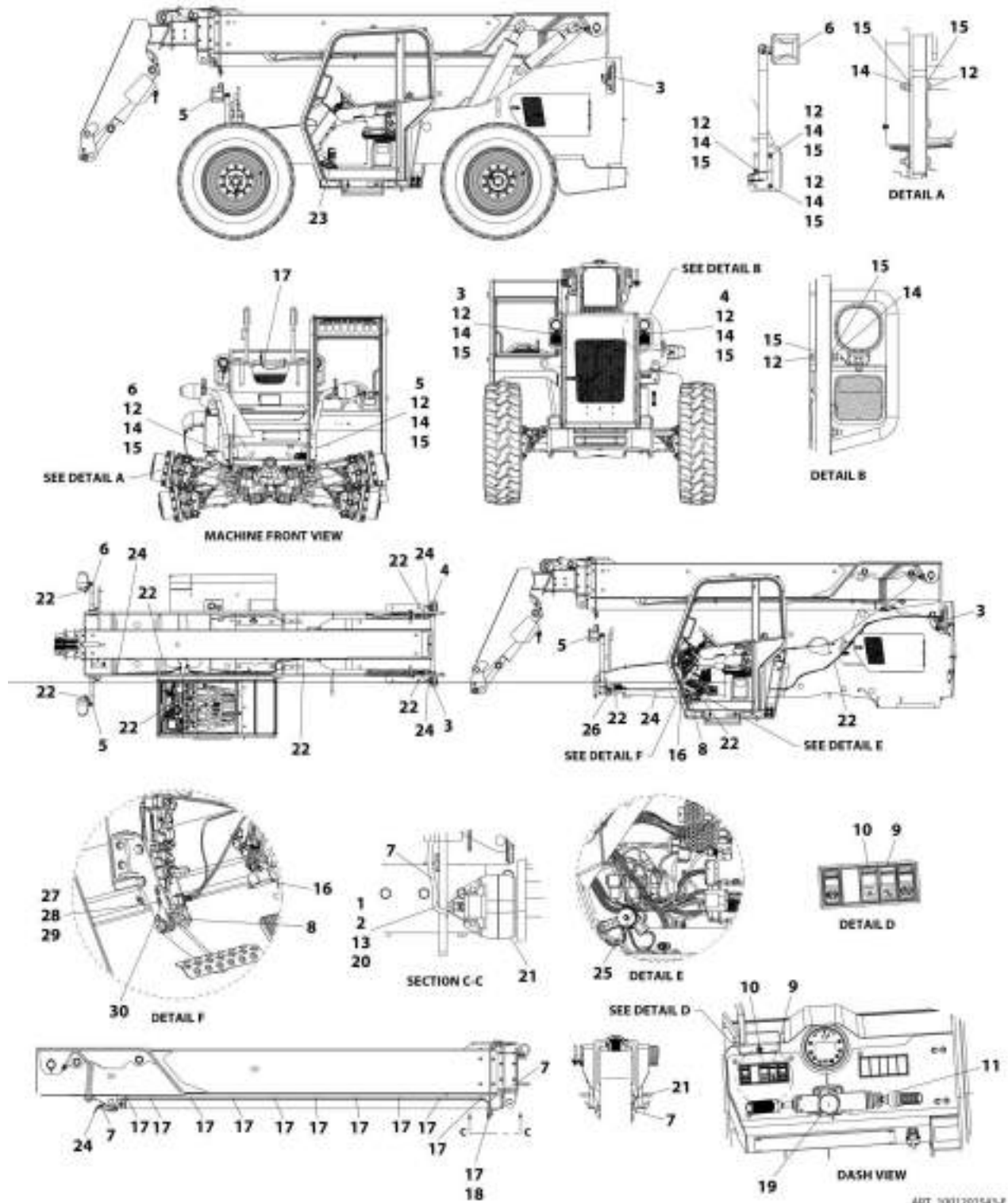
## SECTION 10 - ELECTRICAL

**FIGURE 10-23. ROADLIGHT PACKAGE INSTALLATION (SN 0160073125 through 0160074877,  
Excluding 0160074813 and 0160074818)**

ITEM	PART NUMBER	QTY	DESCRIPTION	REV
	1001161208	Ref	Roadlight Package Installation	G
3	7150679	1	Assembly, LH Roadlight (See LH ROADLIGHT ASSEMBLY for Breakdown)	
4	7150689	1	Assembly, RH Roadlight (See RH ROADLIGHT ASSEMBLY for Breakdown)	
5	7150699	1	Assembly, LH Roadlight Bracket (See LH ROADLIGHT BRACKET ASSEMBLY for Breakdown)	
6	7150716	1	Assembly, RH Roadlight Bracket (See RH ROADLIGHT BRACKET ASSEMBLY for Breakdown)	
7	7150730	1	Cord, Boom Work Light	
8	8223057	1	Switch, Brake Lights	
9	8223059	1	Switch, Work Light	
10	8223060	1	Switch, Hazard	
11	8223073	1	Control, Turn Signal	
16	8303771	10	Bolt, 3/8-16X2-1/4	
18	8305645	10	Nut, Lock 3/8-16	
19	8307204	20	Washer, 3/8	
20	8500203	1	Flasher, Hazard Warning 12V	
21	8584001	32	Wrap, Tie	
22	8584018	2	Mount, Cable Tie	
24	1001096314	1	Worklight	
24	8036216	1	Screw, Worklight Lens	
24	8036218	1	Bulb, Worklight Halogen	
25	1001178346	1	Harness, Road Light Option (See ROAD LIGHT OPTION HARNESS for Breakdown)	
26	88211516	2	Screw, M10-32X1-3/4	
27	1001178344	1	Harness, Work Light Option (See WORK LIGHT OPTION HARNESS for Breakdown)	
30	1001205264	1	Decal, Light Fuse Panel	
31	1001205248	1	Harness, Roadlight Worklight (See ROADLIGHT WORKLIGHT HARNESS for Breakdown)	
32	0641511	1	Bolt, 5/16-18X1-3/8	
33	4891600	1	Washer, 3/8	
34	8305626	1	Nut, Lock 5/16-18	
35	88501005	1	Nut, 5/16-18	
36	7124471	1	Conduit, 1X12.5	

# SECTION 10 - ELECTRICAL

FIGURE 10-24. ROADLIGHT PACKAGE INSTALLATION (SN 0160074878 to Present, Including 0160074813 and 0160074818)



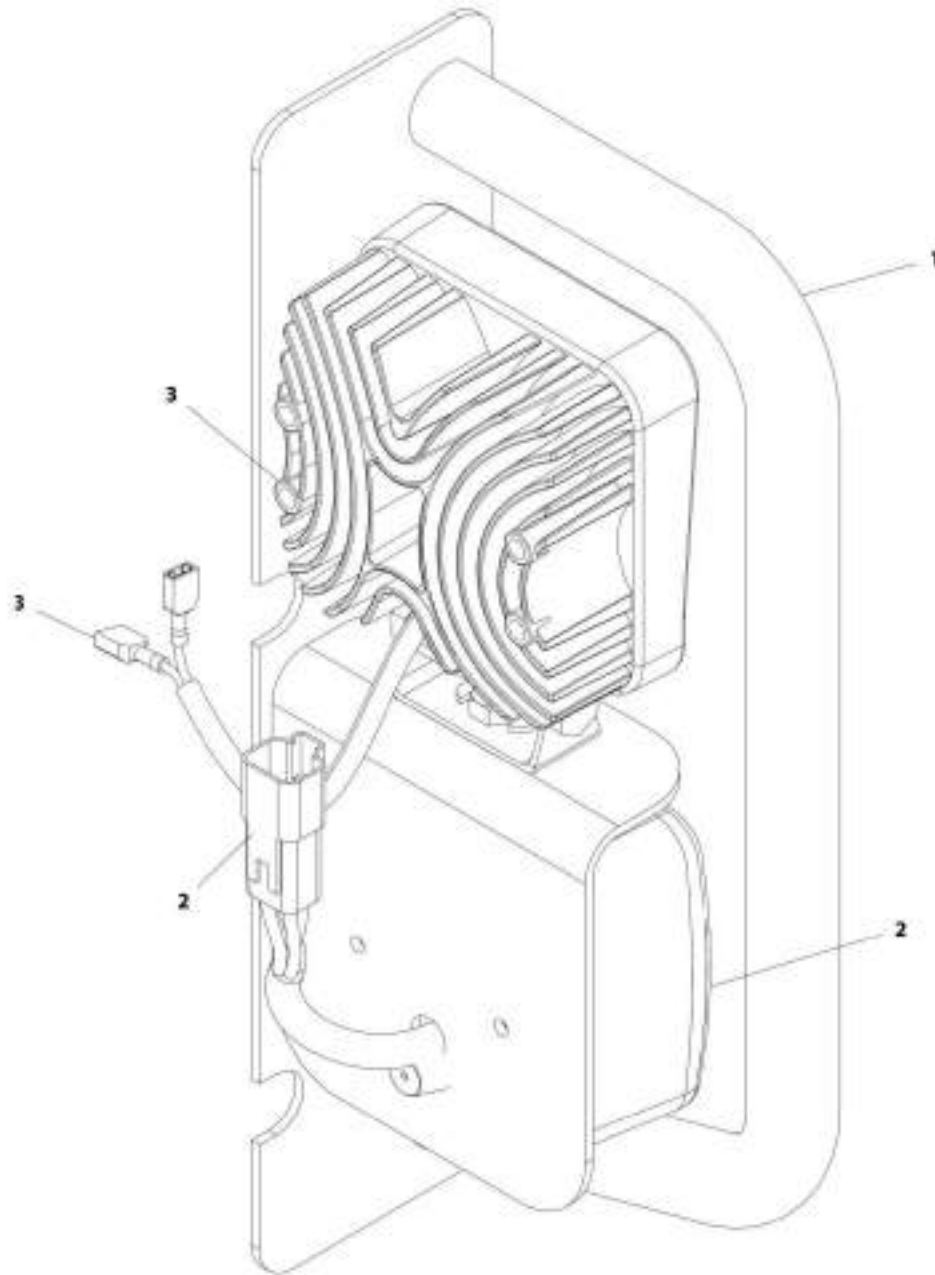
## SECTION 10 - ELECTRICAL

**FIGURE 10-24. ROADLIGHT PACKAGE INSTALLATION (SN 0160074878 to Present, Including 0160074813 and 0160074818)**

ITEM	PART NUMBER	QTY	DESCRIPTION	REV
	1001202543	Ref	Roadlight Package Installation	E
1	0641511	1	Bolt, 5/16-18X1-3/8	
2	4891600	1	Washer, 3/8	
3	7150679	1	Assembly, LH Roadlight (See LH ROADLIGHT ASSEMBLY for Breakdown)	
4	7150689	1	Assembly, RH Roadlight (See RH ROADLIGHT ASSEMBLY for Breakdown)	
5	7150699	1	Assembly, LH Roadlight Bracket (See LH ROADLIGHT BRACKET ASSEMBLY for Breakdown)	
6	7150716	1	Assembly, RH Roadlight Bracket (See RH ROADLIGHT BRACKET ASSEMBLY for Breakdown)	
7	7150730	1	Cord, Boom Work Light	
8	8223025	1	Switch, Brake Lights	
9	8223059	1	Switch, Work Light	
10	8223060	1	Switch, Hazard	
11	8223073	1	Control, Turn Signal	
12	8303771	10	Bolt, 3/8-16X2-1/4	
13	8305626	1	Nut, Lock 5/16-18	
14	8305645	10	Nut, Lock 3/8-16	
15	8307204	20	Washer, 3/8	
16	8500203	1	Flasher, Hazard Warning 12V	
17	8584001	32	Wrap, Tie	
18	8584018	2	Mount, Cable Tie	
19	88211516	2	Screw, M10-32X1-3/4	
20	88501005	1	Nut, 5/16-18	
21	1001096314	1	Worklight	
22	1001178346	1	Harness, Road Light Option (See ROAD LIGHT OPTION HARNESS for Breakdown)	
23	1001205264	1	Decal, Light Fuse Panel	
24	1001178344	1	Harness, Work Light Option (See WORK LIGHT OPTION HARNESS for Breakdown)	
25	1001205248	1	Harness, Roadlight Worklight (See ROADLIGHT WORKLIGHT HARNESS for Breakdown)	
26	7124471	1	Conduit, 1X12.5	
27	0700614	2	Bolt, M6X30	
28	4811700	2	Washer, M6	
29	4831700	2	Lockwasher, M6	
30	1001201752	1	Bracket, Brake Switch	

# SECTION 10 - ELECTRICAL

FIGURE 10-25. LH ROADLIGHT ASSEMBLY (Prior to SN 0160073125)



ART\_1001203390-A



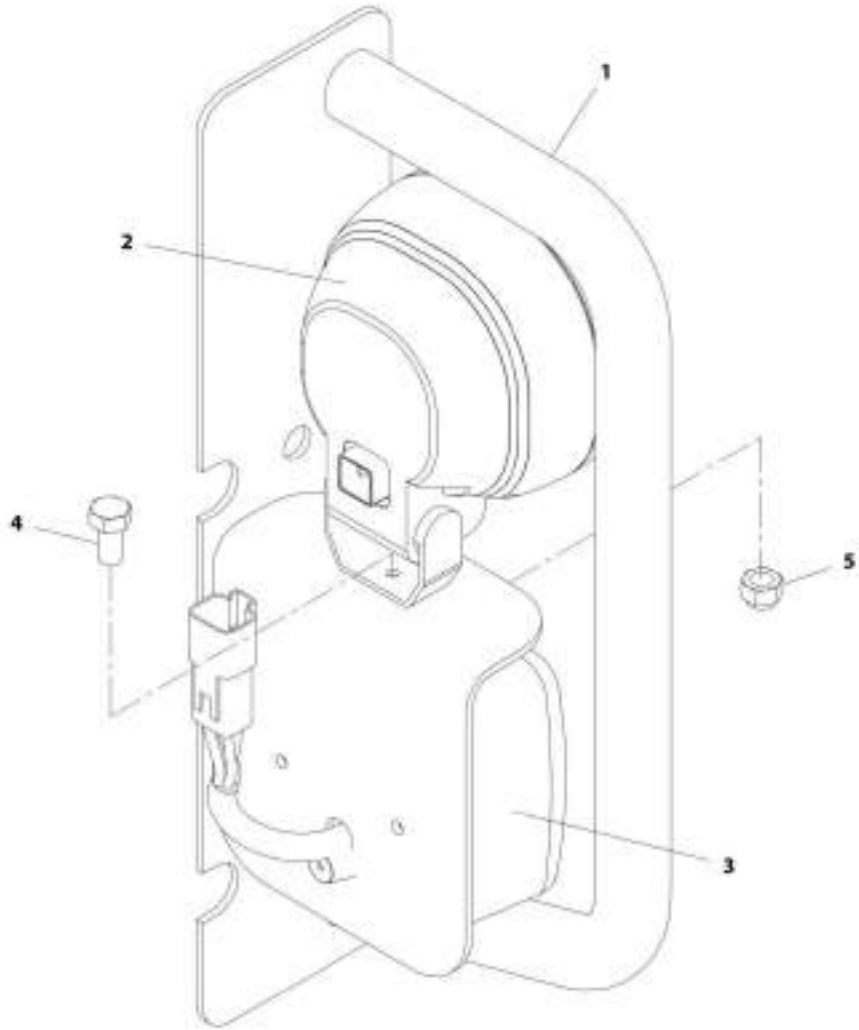
## SECTION 10 - ELECTRICAL

**FIGURE 10-25. LH ROADLIGHT ASSEMBLY (Prior to SN 0160073125)**

ITEM	PART NUMBER	QTY	DESCRIPTION	REV
	1001205350	1	LH Roadlight Assembly	A
1	7150681	1	Assembly, LH Roadlight Bracket	
2	7150690	1	Light, Tail/Indicator	
3	1001205177	1	Worklight	

# SECTION 10 - ELECTRICAL

FIGURE 10-26. LH ROADLIGHT ASSEMBLY (SN 0160073125 to Present)



ART. 7150670-C

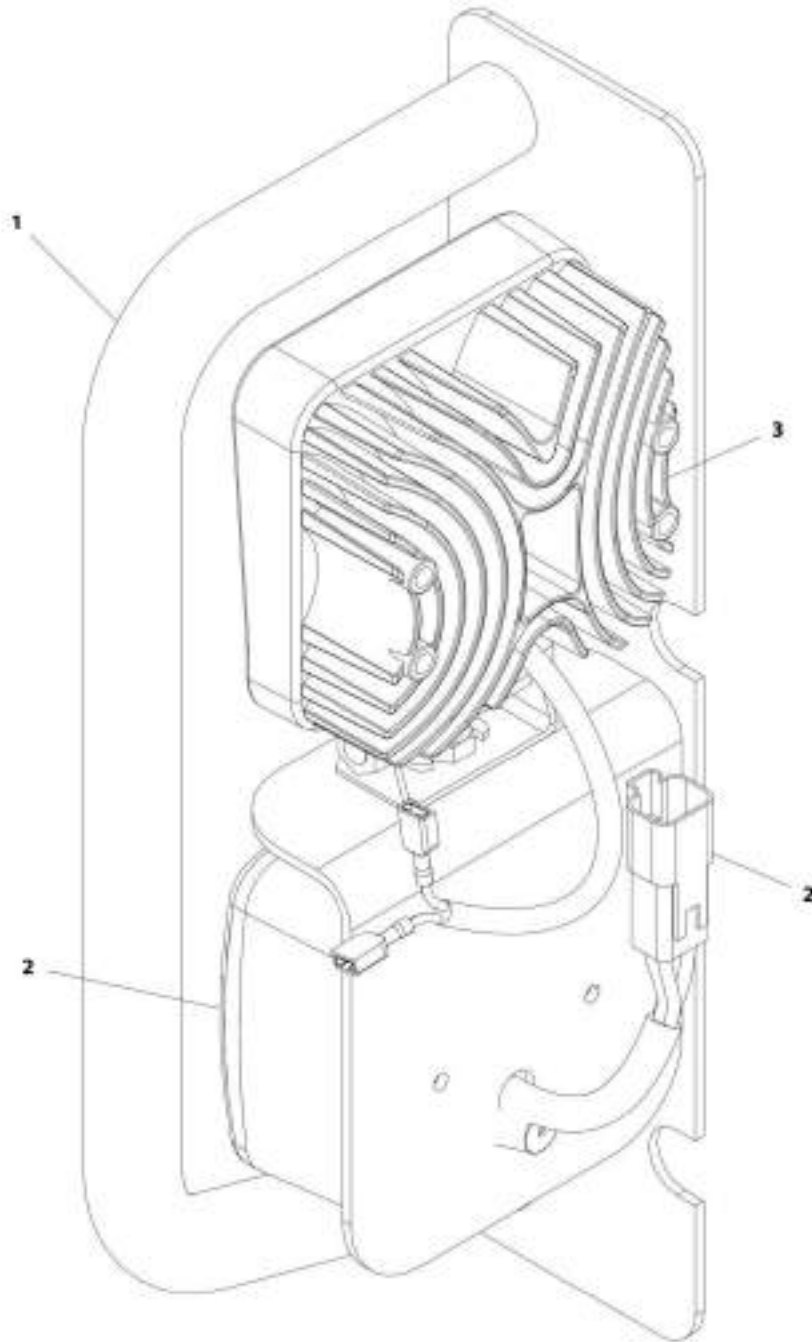
## SECTION 10 - ELECTRICAL

**FIGURE 10-26. LH ROADLIGHT ASSEMBLY (SN 0160073125 to Present)**

ITEM	PART NUMBER	QTY	DESCRIPTION	REV
	7150679	Ref	LH Roadlight Assembly	C
1	7150681	1	Assembly, LH Roadlight Bracket	
2	1001096314	1	Worklight	
2	8036216	4	Screw, Worklight Lens	
2	8036218	1	Bulb, Worklight Halogen	
3	7150690	1	Light, Tail/Indicator	
3	N.S.S.	1	Screw, Tail Light Lens	
3	8036219	1	Lens, Tail Light	
3	8036221	1	Bulb, Blinker 12V, 21W	
3	8036222	1	Bulb, Tail and Brake Light 12V, 21/5W	
3	8036220	1	Harness, Wiring (includes 4-way connector)	
4	8303745	1	Bolt, 5/16-18X5/8	
5	8305626	1	Nut, Lock 5/16-18	

# SECTION 10 - ELECTRICAL

FIGURE 10-27. RH ROADLIGHT ASSEMBLY (Prior to SN 0160073125)



ART\_1001205581-A

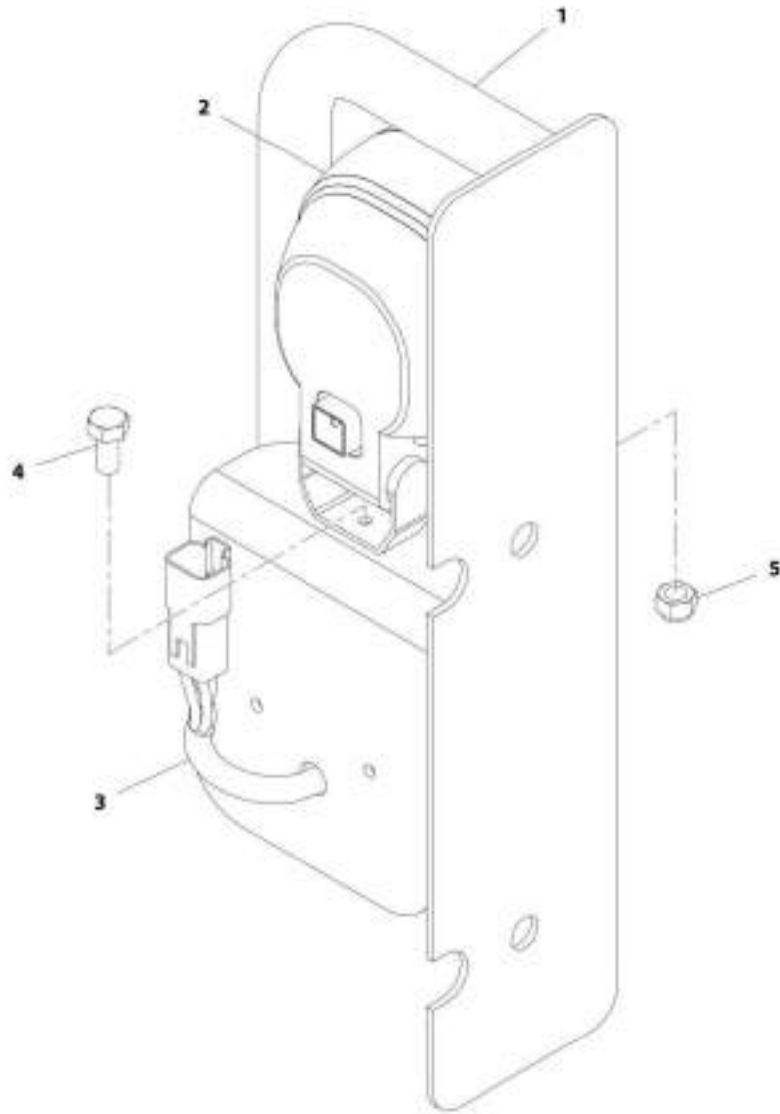
## SECTION 10 - ELECTRICAL

**FIGURE 10-27. RH ROADLIGHT ASSEMBLY (Prior to SN 0160073125)**

ITEM	PART NUMBER	QTY	DESCRIPTION	REV
	1001205351	1	RH Roadlight Assembly	A
1	7150680	1	Assembly, RH Roadlight Bracket	
2	7150690	1	Light, Tail/Indicator	
3	1001205177	1	Worklight	

# SECTION 10 - ELECTRICAL

FIGURE 10-28. RH ROADLIGHT ASSEMBLY (SN 0160073125 to Present)



ART\_715089-C

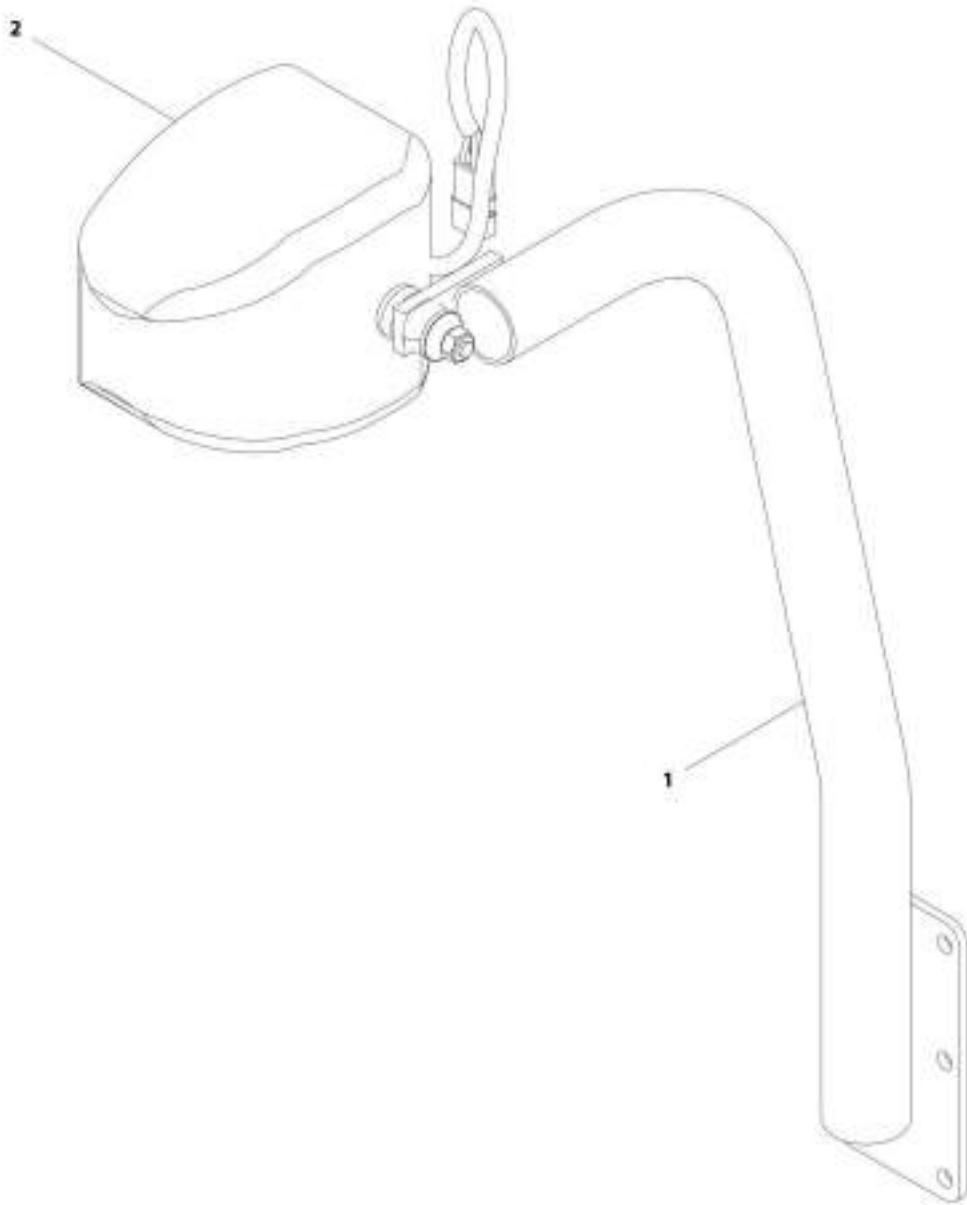
## SECTION 10 - ELECTRICAL

**FIGURE 10-28. RH ROADLIGHT ASSEMBLY (SN 0160073125 to Present)**

ITEM	PART NUMBER	QTY	DESCRIPTION	REV
	7150689	Ref	RH Roadlight Assembly	C
1	7150680	1	Assembly, RH Roadlight Bracket	
2	1001096314	1	Worklight	
2	8036216	4	Screw, Worklight Lens	
2	8036218	1	Bulb, Worklight Halogen	
3	7150690	1	Light, Tail/Indicator	
3	N.S.S.	1	Screw, Tail Light Lens	
3	8036219	1	Lens, Tail Light	
3	8036221	1	Bulb, Blinker 12V, 21W	
3	8036222	1	Bulb, Tail and Brake Light 12V, 21/5W	
3	8036220	1	Harness, Wiring (includes 4-way connector)	
4	8303745	1	Bolt, 5/16-18X5/8	
5	8305626	1	Nut, Lock 5/16-18	

# SECTION 10 - ELECTRICAL

## FIGURE 10-29. LH ROADLIGHT BRACKET ASSEMBLY



ART. 7150699-B



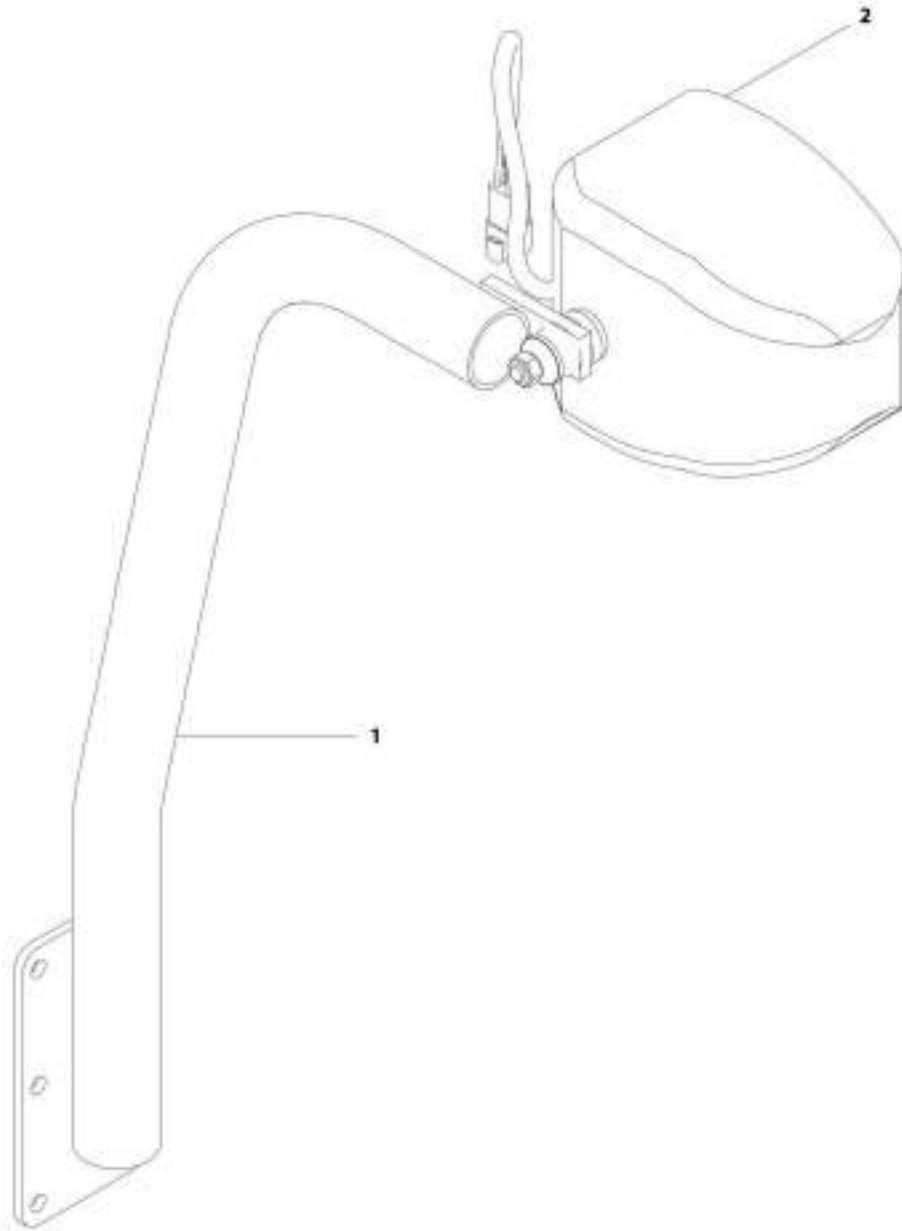
## SECTION 10 - ELECTRICAL

### FIGURE 10-29. LH ROADLIGHT BRACKET ASSEMBLY

ITEM	PART NUMBER	QTY	DESCRIPTION	REV
	7150699	Ref	LH Roadlight Bracket Assembly	B
1	7150685	1	Bracket, LH Roadlight	
2	7150702	1	Roadlight, LH Front	
2	8036216	6	Screw, Headlight Lens	
2	8036212	1	Lens, Headlight	
2	8036213	1	Bulb, Headlight 12V, 60/55W	
2	8036214	1	Bulb, Blinker 12V, 5W	
2	8036215	1	Harness, Wiring (includes 6-way connector)	
2	8036209	1	Lens, Left Amber Headlight	

# SECTION 10 - ELECTRICAL

## FIGURE 10-30. RH ROADLIGHT BRACKET ASSEMBLY



ART\_2100716-B

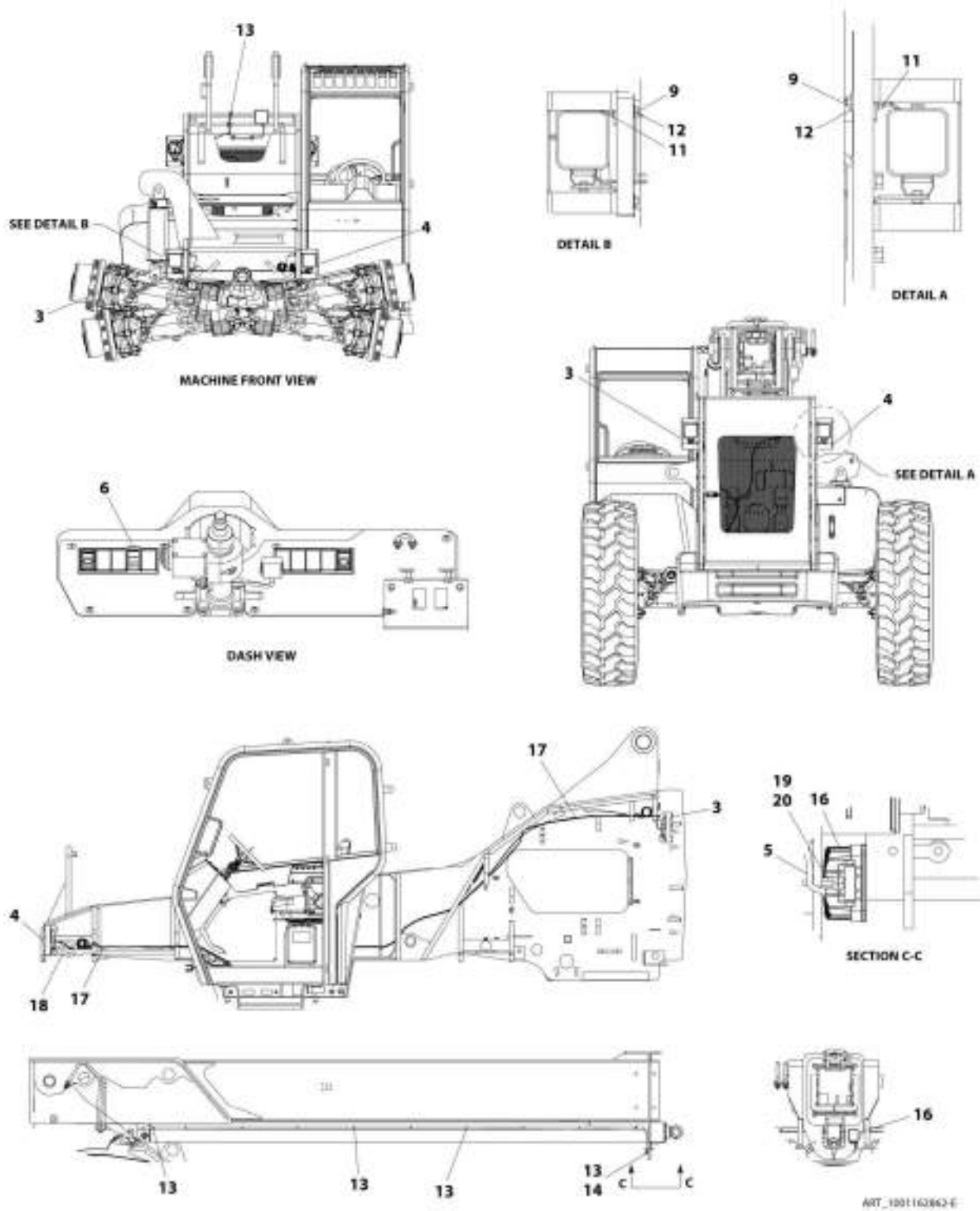
## SECTION 10 - ELECTRICAL

### FIGURE 10-30. RH ROADLIGHT BRACKET ASSEMBLY

ITEM	PART NUMBER	QTY	DESCRIPTION	REV
	7150716	Ref	RH Roadlight Bracket Assembly	B
1	7150717	1	Bracket, RH Roadlight	
2	7150703	1	Roadlight, LH Front	
2	8036210	1	Lens, Right Amber Headlight	
2	8036216	6	Screw, Headlight Lens	
2	8036212	1	Lens, Headlight	
2	8036213	1	Bulb, Headlight, 12V, 60/55W	
2	8036214	1	Bulb, Blinker 12V, 5W	
2	8036215	1	Harness, Wiring (includes 6-way connector)	

# SECTION 10 - ELECTRICAL

## FIGURE 10-31. WORKLIGHT PACKAGE INSTALLATION (Prior to SN 0160073125)



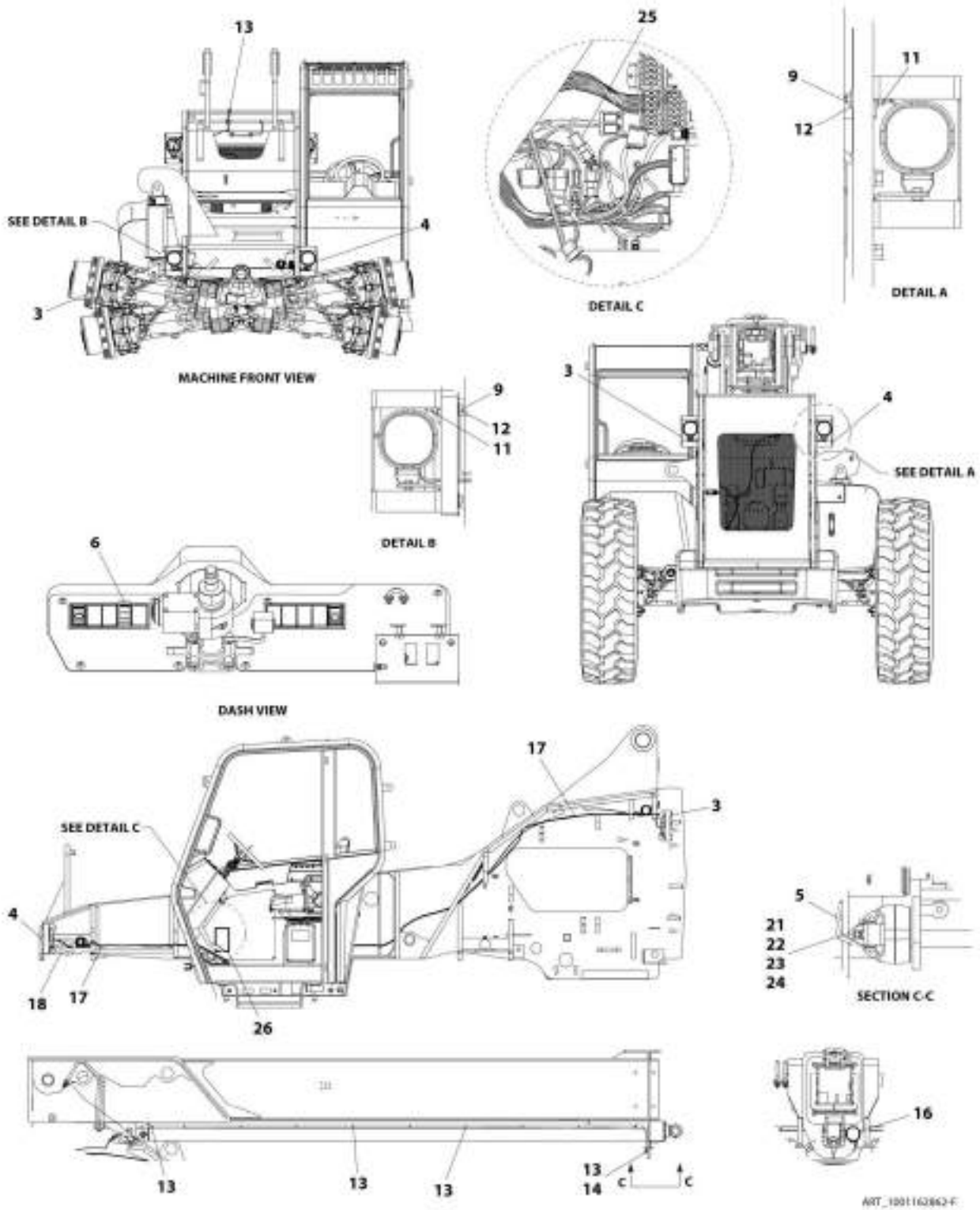
## SECTION 10 - ELECTRICAL

**FIGURE 10-31. WORKLIGHT PACKAGE INSTALLATION (Prior to SN 0160073125)**

ITEM	PART NUMBER	QTY	DESCRIPTION	REV
	1001162862	Ref	Worklight Package Installation	E
3	1001205347	1	Assembly, LH Worklight (See LH WORKLIGHT ASSEMBLY for Breakdown)	
4	1001205348	1	Assembly, RH Worklight (See RH WORKLIGHT ASSEMBLY for Breakdown)	
5	7150730	1	Cord, Boom Work Light	
6	8223059	1	Switch, Work Light	
9	8303771	8	Bolt, 3/8-16X2-1/4	
10	8305626	1	Nut, Lock 5/16-18	
11	8305645	8	Nut, Lock 3/8-16	
12	8307204	16	Washer, 3/8	
13	8584001	32	Wrap, Tie	
14	8584018	2	Mount, Cable Tie	
16	1001205177	1	Worklight	
17	1001178344	1	Harness, Work Lighting Option (See WORK LIGHT OPTION HARNESS for Breakdown)	
18	7124471	1	Conduit, 1X12.5	
19	1001205179	1	Nut, 5/16-18X7/8	
20	1001205674	1	Bolt, 5/16-18X2	

# SECTION 10 - ELECTRICAL

FIGURE 10-32. WORKLIGHT PACKAGE INSTALLATION (SN 0160073125 to Present)



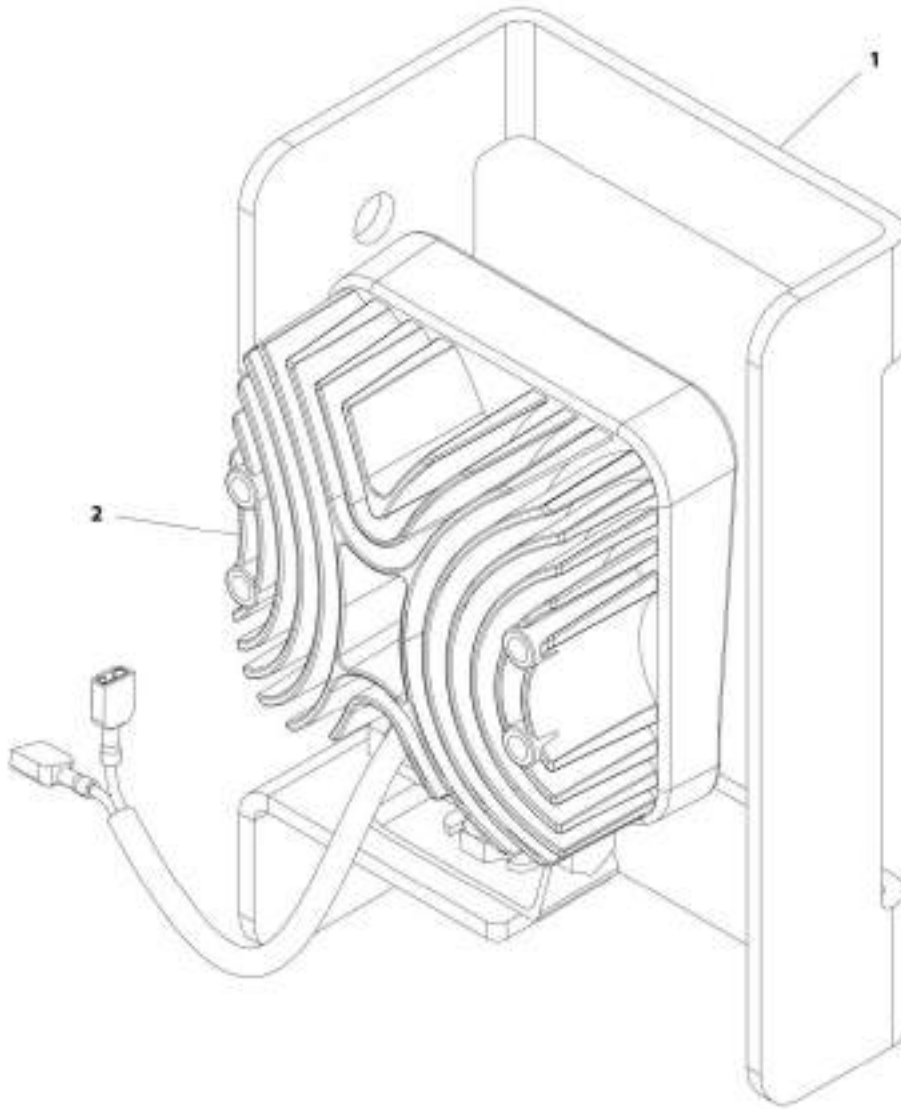
## SECTION 10 - ELECTRICAL

**FIGURE 10-32. WORKLIGHT PACKAGE INSTALLATION (SN 0160073125 to Present)**

ITEM	PART NUMBER	QTY	DESCRIPTION	REV
	1001162862	Ref	Worklight Package Installation	F
3	7150673	2	Assembly, LH Worklight (See LH WORKLIGHT ASSEMBLY for Breakdown)	
4	7150688	2	Assembly, RH Worklight (See RH WORKLIGHT ASSEMBLY for Breakdown)	
5	7150730	1	Cord, Boom Work Light	
6	8223059	1	Switch, Work Light	
9	8303771	8	Bolt, 3/8-16X2-1/4	
11	8305645	8	Nut, Lock 3/8-16	
12	8307204	16	Washer, 3/8	
13	8584001	34	Wrap, Tie	
14	8584018	4	Mount, Cable Tie	
16	1001096314	1	Worklight	
16	8036216	1	Screw, Worklight Lens	
16	8036218	1	Bulb, Worklight Halogen	
17	1001178344	1	Harness, Work Light Option (See WORK LIGHT OPTION HARNESS for Breakdown)	
18	7124471	1	Conduit, 1X12.5	
21	8305626	1	Nut, Lock 5/16-18	
22	0641511	1	Bolt, 5/16-18X1-3/8	
23	4891600	1	Washer, 3/8	
24	88501005	1	Nut, 5/16-18	
25	1001205248	1	Harness, Roadlight Worklight (See ROADLIGHT WORKLIGHT HARNESS for Breakdown)	
26	1001205264	1	Decal, Light Fuse Panel	

## SECTION 10 - ELECTRICAL

FIGURE 10-33. LH WORKLIGHT ASSEMBLY (Prior to SN 0160073125)



ART\_1001285347-A



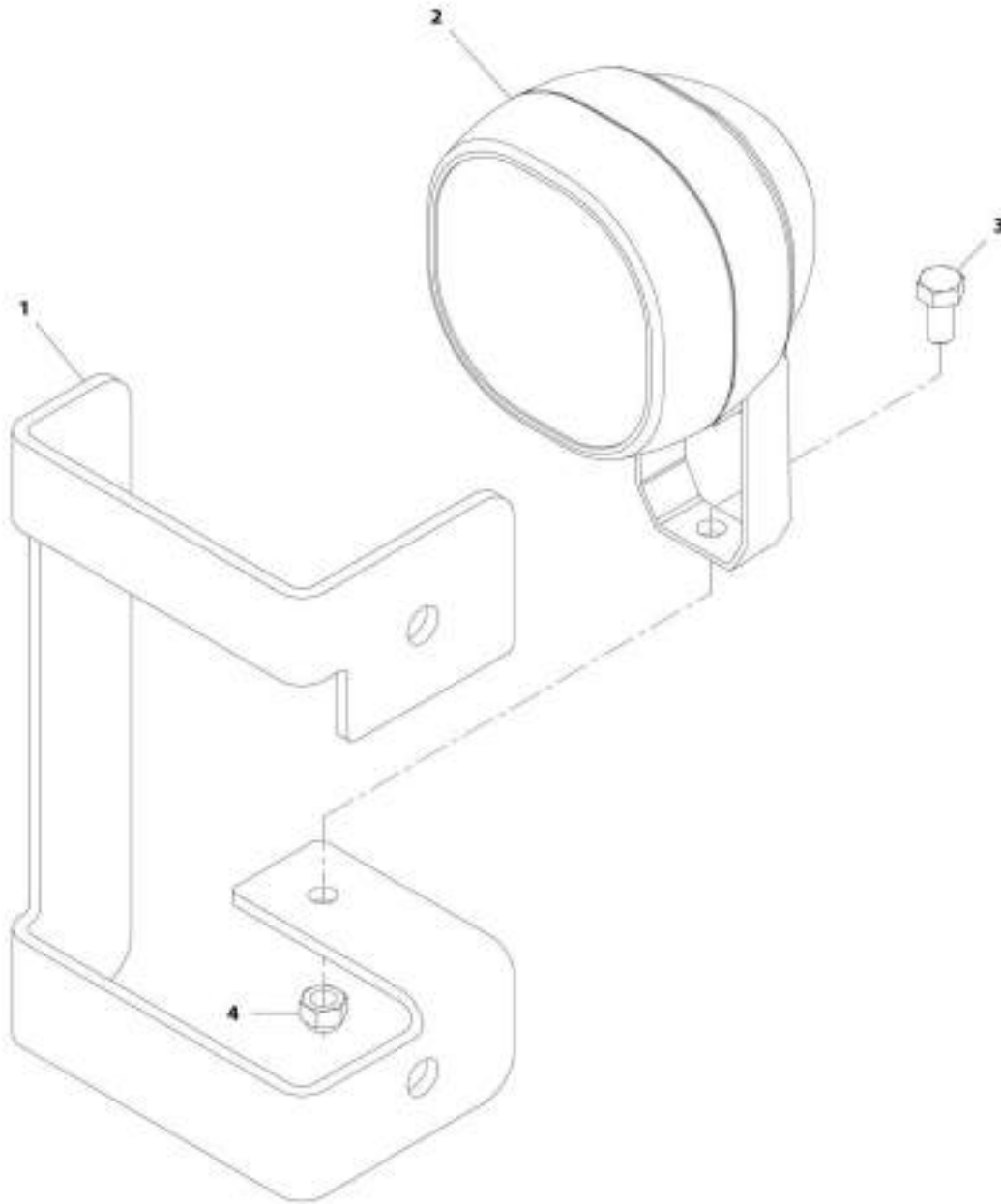
## SECTION 10 - ELECTRICAL

**FIGURE 10-33. LH WORKLIGHT ASSEMBLY (Prior to SN 0160073125)**

ITEM	PART NUMBER	QTY	DESCRIPTION	REV
	1001205347	Ref	LH Worklight Assembly	A
1	1001097080	1	Bracket, LH Worklight Mount	
2	1001205177	1	Worklight	

## SECTION 10 - ELECTRICAL

FIGURE 10-34. LH WORKLIGHT ASSEMBLY (SN 0160073125 to Present)



ART\_7190675-01

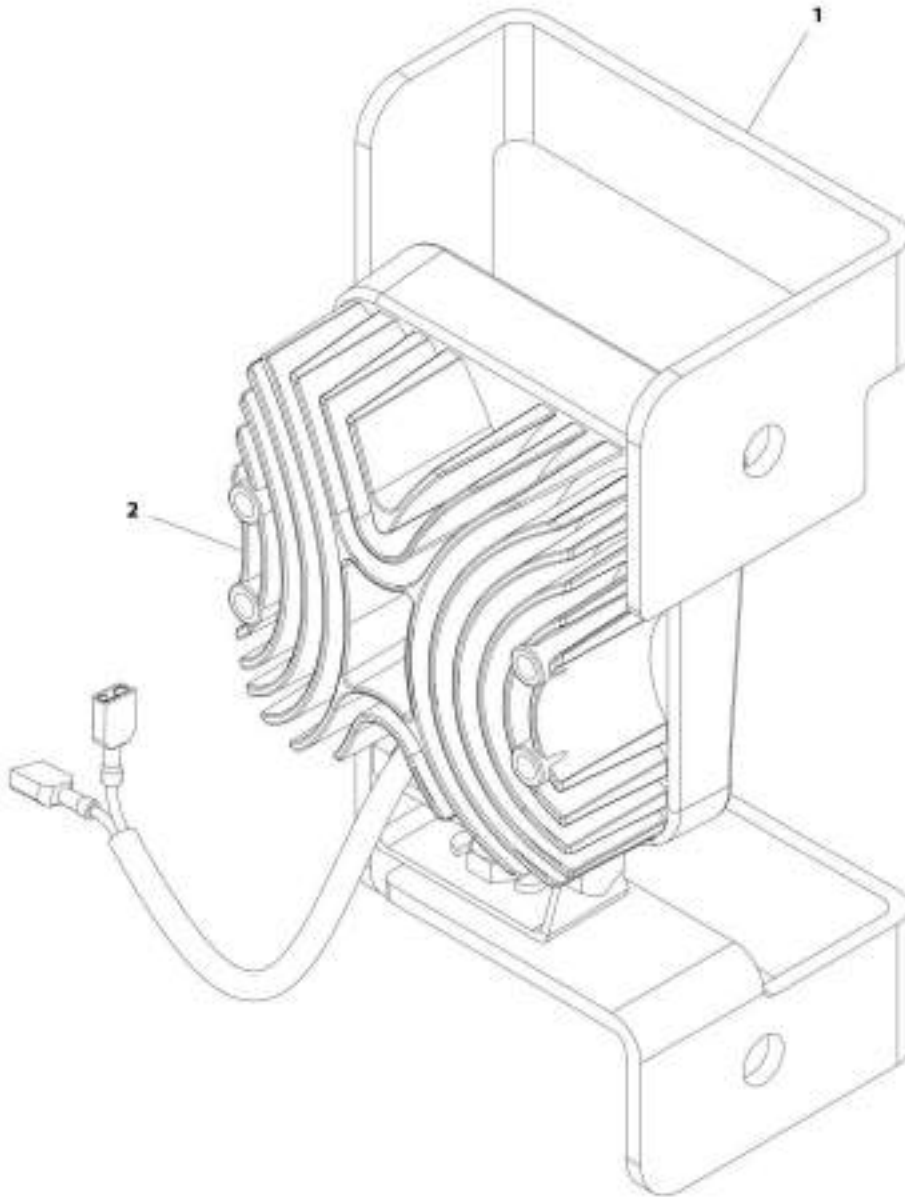
## SECTION 10 - ELECTRICAL

**FIGURE 10-34. LH WORKLIGHT ASSEMBLY (SN 0160073125 to Present)**

ITEM	PART NUMBER	QTY	DESCRIPTION	REV
	7150673	Ref	LH Worklight Assembly	D
1	1001097080	1	Bracket, LH Worklight Mount	
2	1001096314	1	Worklight	
2	8036216	4	Screw, Worklight Lens	
2	8036218	1	Bulb, Worklight Halogen	
3	8303745	1	Bolt, 5/16-18X5/8	
4	8305626	1	Nut, Lock 5/16-18	

## SECTION 10 - ELECTRICAL

FIGURE 10-35. RH WORKLIGHT ASSEMBLY (Prior to SN 0160073125)



ART\_1001205349-A

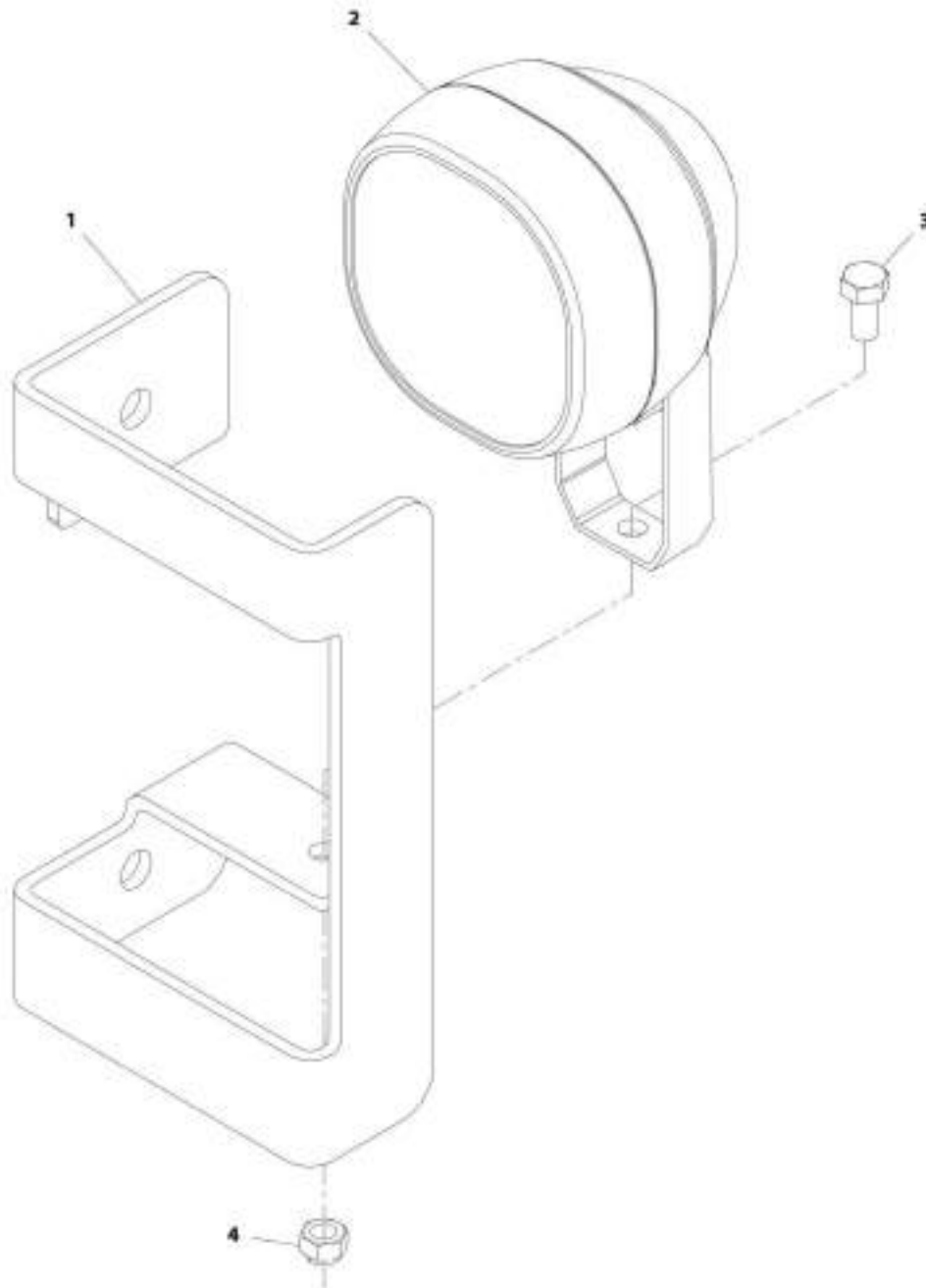
## SECTION 10 - ELECTRICAL

**FIGURE 10-35. RH WORKLIGHT ASSEMBLY (Prior to SN 0160073125)**

ITEM	PART NUMBER	QTY	DESCRIPTION	REV
	1001205348	Ref	RH Worklight Assembly	A
1	1001097079	1	Bracket, RH Worklight Mount	
2	1001205177	1	Worklight	

# SECTION 10 - ELECTRICAL

FIGURE 10-36. RH WORKLIGHT ASSEMBLY (SN 0160073125 to Present)



ART\_7130885.D

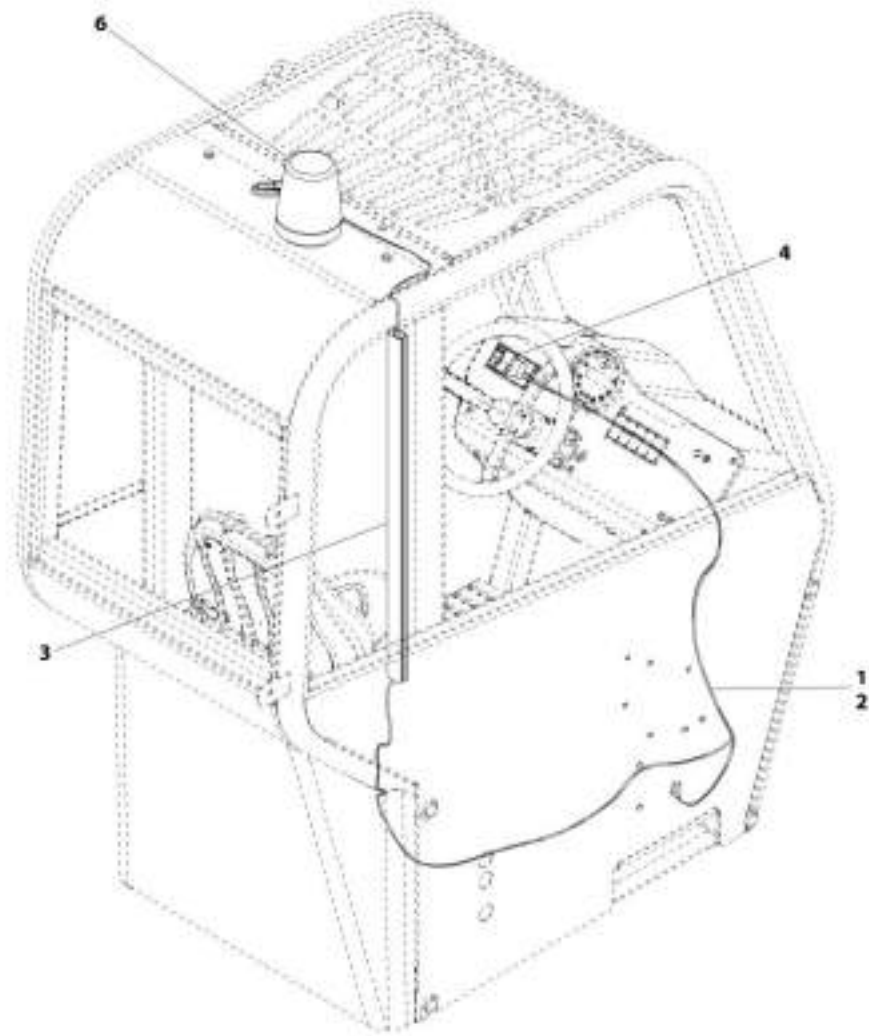
## SECTION 10 - ELECTRICAL

**FIGURE 10-36. RH WORKLIGHT ASSEMBLY (SN 0160073125 to Present)**

ITEM	PART NUMBER	QTY	DESCRIPTION	REV
	7150688	Ref	RH Worklight Assembly	D
1	1001097079	1	Bracket, RH Worklight Mount	
2	1001096314	1	Worklight	
2	8036216	4	Screw, Worklight Lens	
2	8036218	1	Bulb, Worklight Halogen	
3	8303745	1	Bolt, 5/16-18X5/8	
4	8305626	1	Nut, Lock 5/16-18	

# SECTION 10 - ELECTRICAL

FIGURE 10-37. ROTATING BEACON INSTALLATION (OPEN CAB)



ARC\_1001161212-F



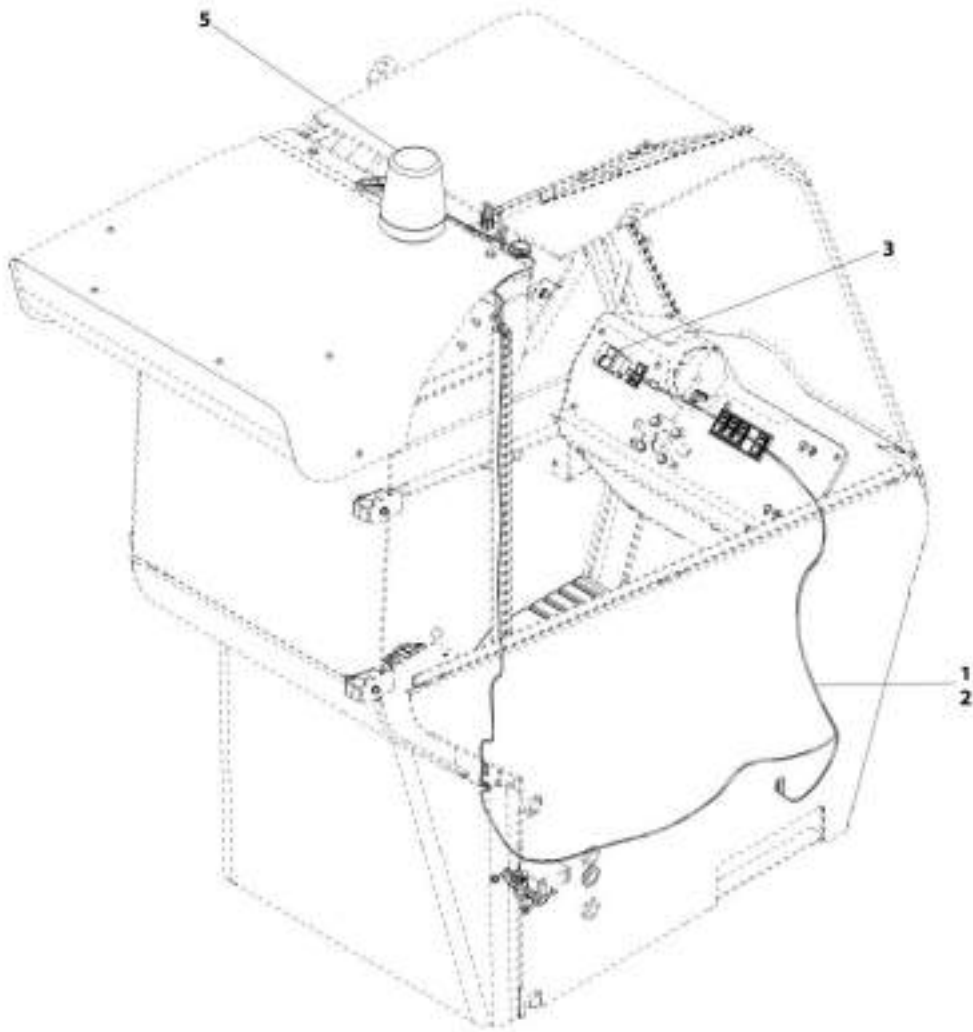
## SECTION 10 - ELECTRICAL

### FIGURE 10-37. ROTATING BEACON INSTALLATION (OPEN CAB)

ITEM	PART NUMBER	QTY	DESCRIPTION	REV
	1001161212	Ref	Rotating Beacon Installation (Open Cab)	F
1	0100009	AR	Sealant	
2	1001178345	1	Harness, Beacon Option (See BEACON OPTION HARNESS for Breakdown)	
3	1001182091	1	Duct, Upper Wire	
4	8223038	1	Switch, Beacon	
6	8500066	1	Light, Rotating Beacon	

# SECTION 10 - ELECTRICAL

FIGURE 10-38. ROTATING BEACON INSTALLATION (ENCLOSED CAB)



ART\_300161213-D

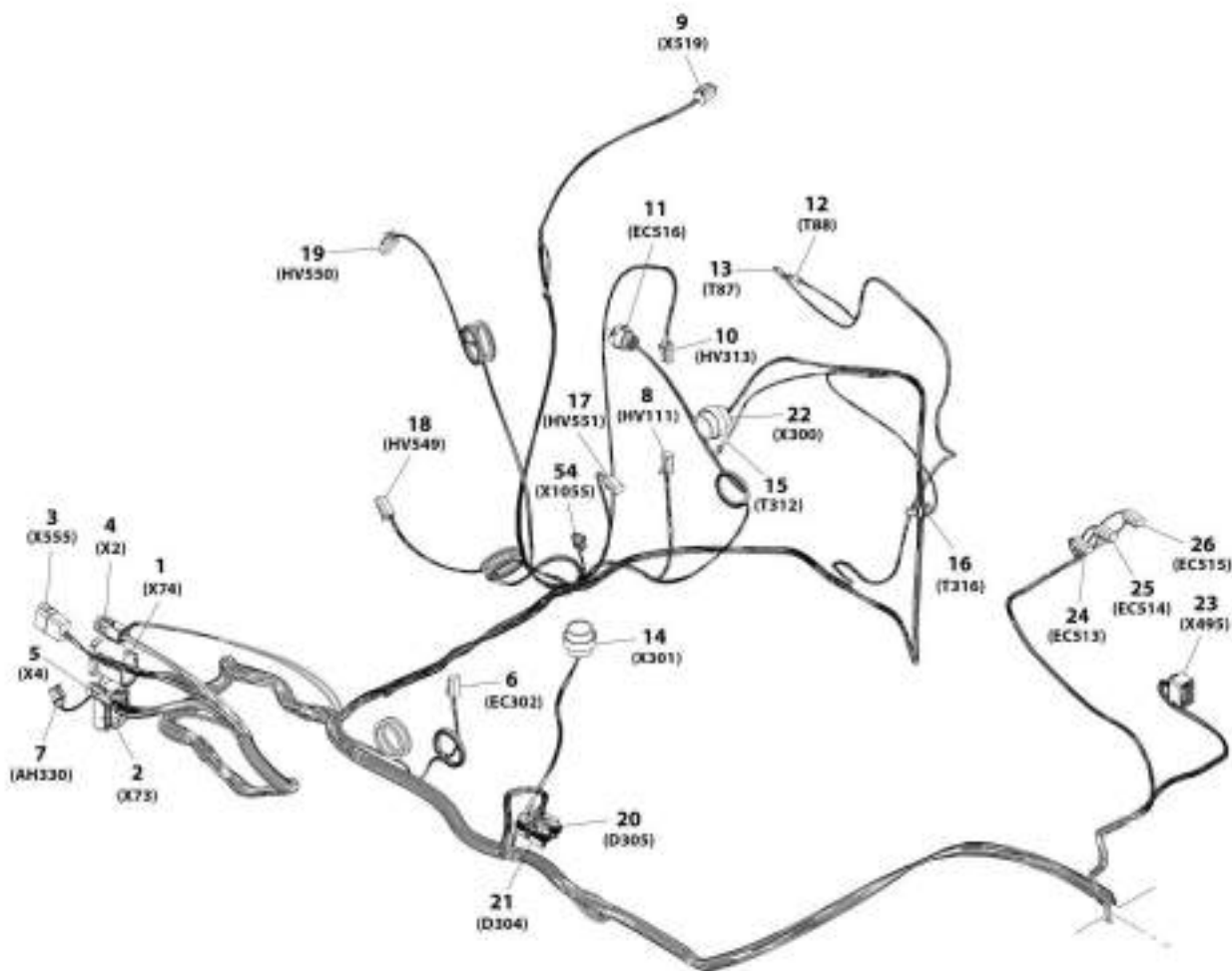
## SECTION 10 - ELECTRICAL

**FIGURE 10-38. ROTATING BEACON INSTALLATION (ENCLOSED CAB)**

ITEM	PART NUMBER	QTY	DESCRIPTION	REV
	1001161213	Ref	Rotating Beacon Installation (Enclosed Cab)	D
1	0100009	AR	Sealant	
2	1001178345	1	Harness, Beacon Option (See BEACON OPTION HARNESS for Breakdown)	
3	8223038	1	Switch, Beacon	
5	8500066	1	Light, Rotating Beacon	

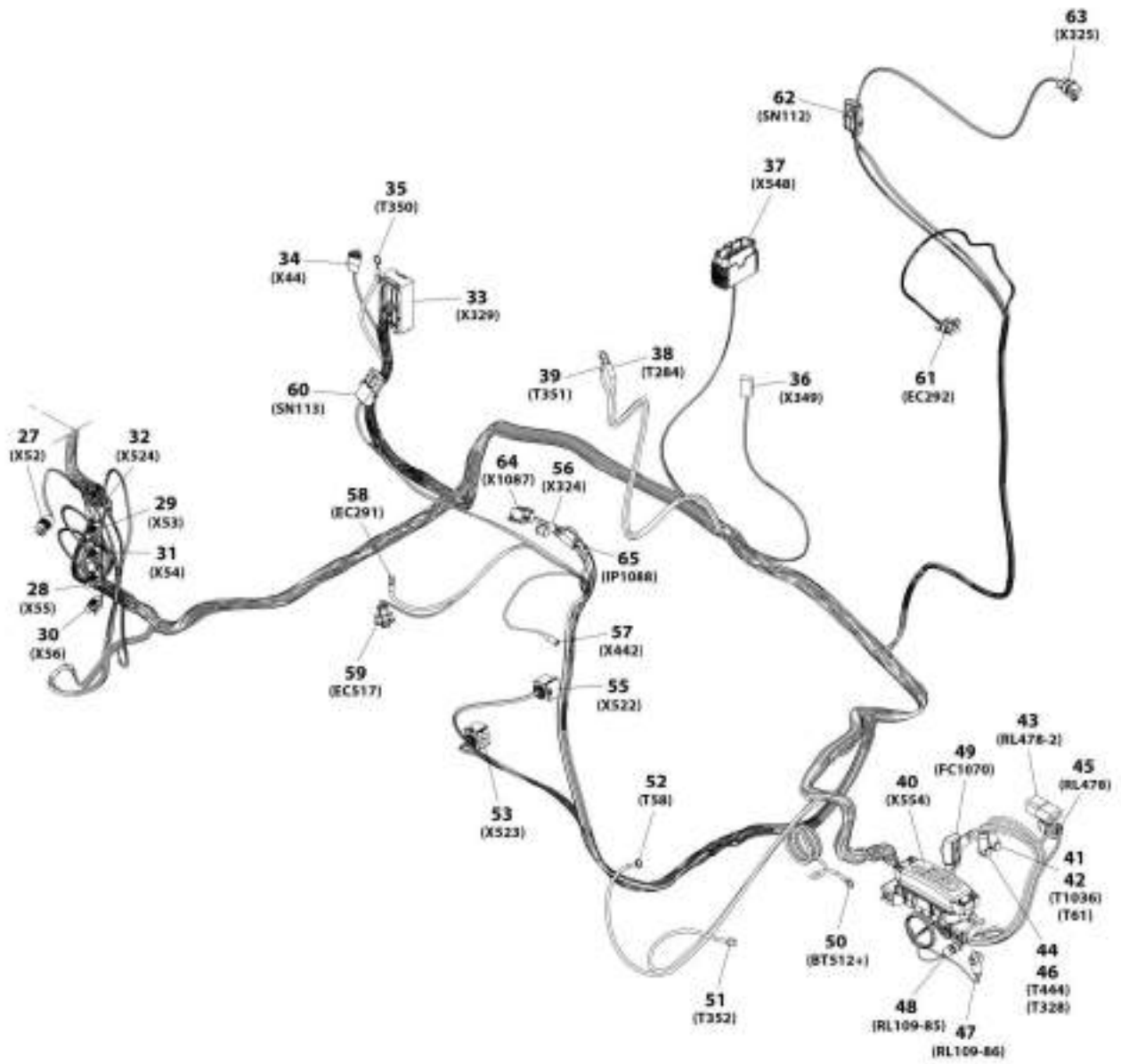
# SECTION 10 - ELECTRICAL

## FIGURE 10-39. ENGINE HARNESS, 110HP (ULS)



ART\_1001100620\_3-I

# SECTION 10 - ELECTRICAL



AWT\_1001100630\_2/J

# SECTION 10 - ELECTRICAL

## FIGURE 10-39. ENGINE HARNESS, 110HP (ULS)

ITEM	PART NUMBER	QTY	DESCRIPTION	REV
	1001169620	Ref	Engine Harness, 110HP (if equipped for ULS)	J
1	8220929	1	Connector	
	70024253	1	Lock, Secondary	
	1001116745	1	Terminal	
	4460458	14	Seal	
	1001116729	13	Terminal	
	1001116727	1	Plug	
2	8220927	1	Connector	
	70024256	1	Lock, Slide	
	70024255	1	Seal, Connector	
	70024254	1	Lock, Secondary	
	8220097	11	Terminal	
	4460458	11	Seal	
	8220098	3	Terminal	
	80963067	3	Seal	
	1001116727	1	Plug	
3	4460931	1	Connector	
	80604024	1	Lock, Wedge	
	4460464	6	Terminal	
	4460466	2	Plug	
4	80963062	1	Connector	
	4460850	4	Terminal	
	80963067	4	Seal	
5	4461157	1	Connector	
	4460475	2	Terminal	
	4460458	2	Seal	
6	4460891	1	Connector	
	80604018	1	Lock, Wedge	
	4460465	2	Terminal	
7	1001117068	1	Connector	
	8220124	2	Terminal	
	80963067	2	Seal	
8	4460891	1	Connector	
	80604018	1	Lock, Wedge	
	4460465	2	Terminal	
	4460458	2	Seal	
9	4460884	1	Connector	
	80604021	1	Lock, Wedge	
	4460465	4	Terminal	
10	4460891	1	Connector	
	80604018	1	Lock, Wedge	
	4460465	2	Terminal	
	4460458	2	Seal	
11	1001167620	1	Connector	
	1001176004	2	Terminal	
	1001167624	2	Plug	
	1001176002	2	Seal	
12	4460042	1	Terminal, Ring	
13	4460042	1	Terminal, Ring	
14	8220536	1	Connector	

## SECTION 10 - ELECTRICAL

ITEM	PART NUMBER	QTY	DESCRIPTION	REV
	1001116757	4	Terminal	
	1001116758	3	Plug	
	1001189875	4	Seal	
15	4460256	1	Terminal, Ring	
16	1001119004	1	Connector	
	8220889	1	Lock, Secondary Terminal	
	1001116728	1	Terminal	
	4460458	1	Seal	
17	4460891	1	Connector	
	80604018	1	Lock, Wedge	
	4460465	2	Terminal	
18	4460891	1	Connector	
	80604018	1	Lock, Wedge	
	4460465	2	Terminal	
19	4460891	1	Connector	
	80604018	1	Lock, Wedge	
	4460465	2	Terminal	
20	4460744	1	Connector	
	1001116728	4	Terminal	
	8220081	4	Seal	
	1001116727	2	Plug	
	8220366	1	Diode Board Flyback	
	8220375	1	Cap	
21	4460744	1	Connector	
	1001116728	4	Terminal	
	8220081	4	Seal	
	1001116727	2	Plug	
	8220366	1	Diode Board Flyback	
	8220375	1	Cap	
22	8220536	1	Connector	
	1001116757	4	Terminal	
	1001116758	3	Terminal	
	1001189875	4	Seal	
23	1001165194	1	Connector	
	1001166556	10	Terminal	
	1001126391	2	Terminal	
	1001126393	10	Seal	
24	4460891	1	Connector	
	80604018	1	Lock, Wedge	
	4460465	2	Terminal	
25	4460891	1	Connector	
	80604018	1	Lock, Wedge	
	4460465	2	Terminal	
26	4460891	1	Connector	
	80604018	1	Lock, Wedge	
	4460465	2	Terminal	
27	4460955	1	Connector	
	1001116748	2	Terminal	
28	4460955	1	Connector	
	1001116748	2	Terminal	
29	4460955	1	Connector	

## SECTION 10 - ELECTRICAL

ITEM	PART NUMBER	QTY	DESCRIPTION	REV
30	1001116748	2	Terminal	
	4460955	1	Connector	
31	1001116748	2	Terminal	
	4460955	1	Connector	
32	1001116748	2	Terminal	
	1001176935	1	Connector	
33	1001166704	4	Terminal	
	4461006	4	Seal	
	1001167641	1	Connector	
	1001167643	1	Cover	
	1001167644	1	Lock, Secondary	
	1001167646	1	Relief, Strain	
	1001167647	1	Boot, Rubber	
	1001167648	12	Terminal	
	1001167650	54	Plug	
	1001167649	30	Terminal	
34	4461095	1	Connector	
	4461070	1	Attach Mating Connector	
	4460465	2	Terminal	
	4460466	1	Terminal	
35	4460019	1	Terminal, Ring	
36	4460891	1	Connector	
	80604018	1	Lock, Wedge	
37	4460465	2	Terminal	
	1001125083	1	Connector	
	1001125085	1	Terminal	
	1001125089	1	Terminal	
38	8220164	2	Terminal, Ring	
39	4460019	1	Terminal, Ring	
40	1001167617	1	Connector	
	4460746	22	Terminal	
	1001116727	24	Plug	
	1001189877	2	Seal	
	8220089	1	Seal	
	4460458	19	Seal	
	8220125	2	Terminal	
	80963067	2	Seal	
	1001187512	1	Decal	
	1001187513	1	Decal	
	1001095704	5	Relay	
	8229244	2	Fuse, 15 Amp	
	41	4460312	2	Terminal, Ring
1001195087		1	Red Boot	
42	4460312	1	Terminal, Ring	
43	1001117103	1	Connector	
	7026404	1	Lock, Connector	
	1001121730	2	Terminal	
44	8220160	2	Seal	
	4460312	1	Terminal, Ring	
45	1001116950	1	Connector	
	4460465	2	Terminal	

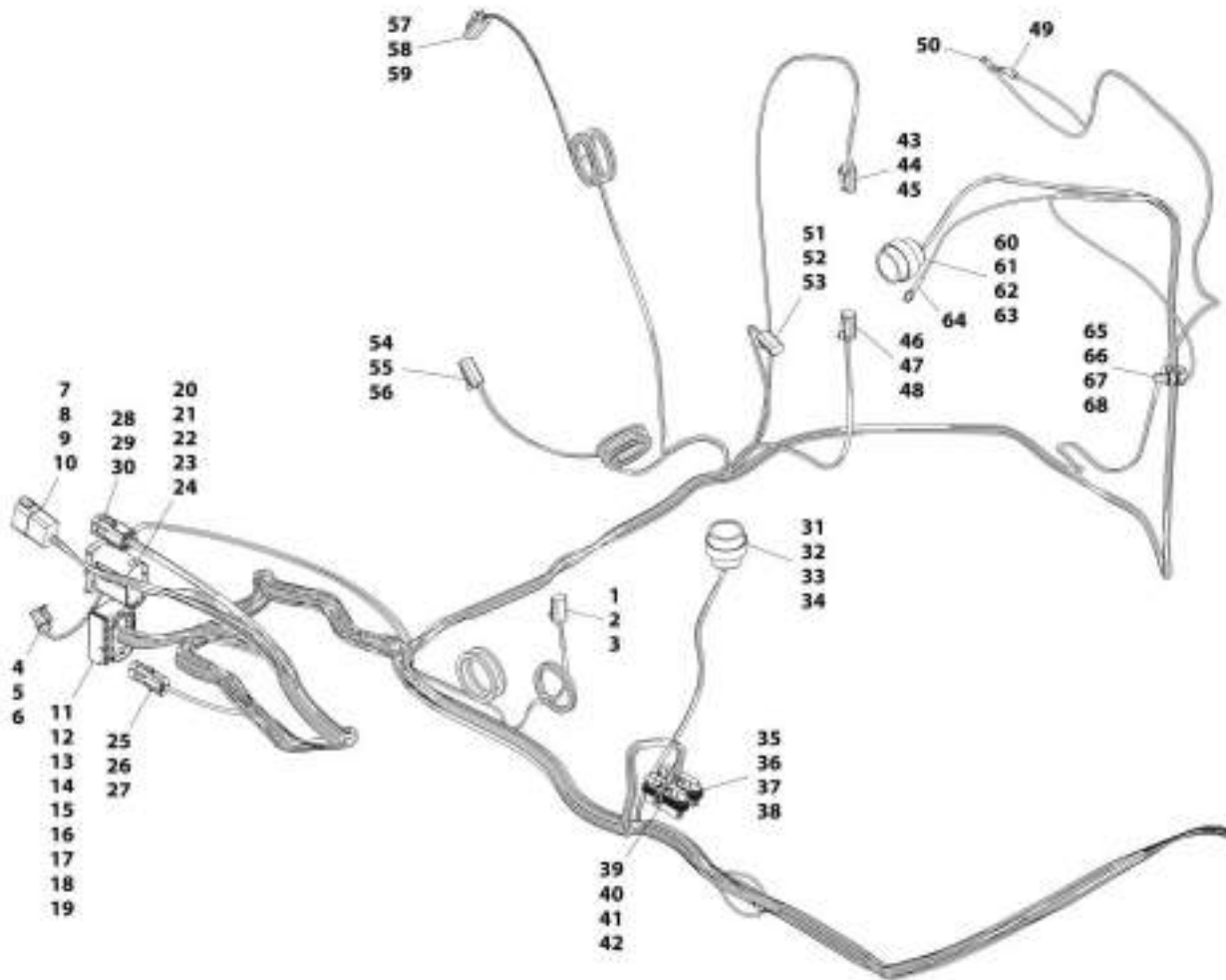


## SECTION 10 - ELECTRICAL

ITEM	PART NUMBER	QTY	DESCRIPTION	REV
46	4460312	2	Terminal, Ring	
	1001195087	1	Red Boot	
47	4460247	1	Terminal, Ring	
	1001195055	1	Red Boot	
48	4460247	1	Terminal, Ring	
	1001195087	1	Red Boot	
49	1001117070	1	Connector	
	1001116734	2	Terminal	
50	4460019	1	Terminal, Ring	
51	4460019	1	Terminal, Ring	
52	4460019	1	Terminal, Ring	
53	1001176935	1	Connector	
	1001166704	4	Terminal	
	4461006	4	Seal	
	4461095	1	Connector	
54	4461070	1	Attach Mating Connector	
	4460465	2	Terminal	
	4460466	1	Plug	
	1001167528	1	Connector	
55	1001166704	4	Terminal	
	4461006	4	Seal	
	8220058	1	Terminal, Ring	
56	1001195055	1	Red Boot	
	1001117125	1	Terminal, Snap Plug	
57	1001117125	1	Terminal, Snap Plug	
58	1001117111	1	Terminal, Fork	
59	1001126487	1	Connector	
	1001126484	2	Terminal	
	4461006	2	Seal	
60	4460476	1	Connector	
	4460475	3	Terminal	
	4460458	3	Seal	
61	1001125027	1	Connector	
	70026217	1	Lock, Secondary	
	8220124	3	Terminal	
	4460608	3	Seal	
62	4460476	1	Connector	
	4460475	3	Terminal	
	4460458	3	Seal	
63	1001117021	1	Connector	
	1001116728	2	Terminal	
	8220081	2	Seal	
64	4460884	1	Connector	
	1001192401	1	Dust Cap	
	1001157890	1	Terminal	
	1001116692	2	Terminal	
	4460466	1	Plug	
65	2400066	1	Connector	
	8229242	1	Fuse, 5 Amp	

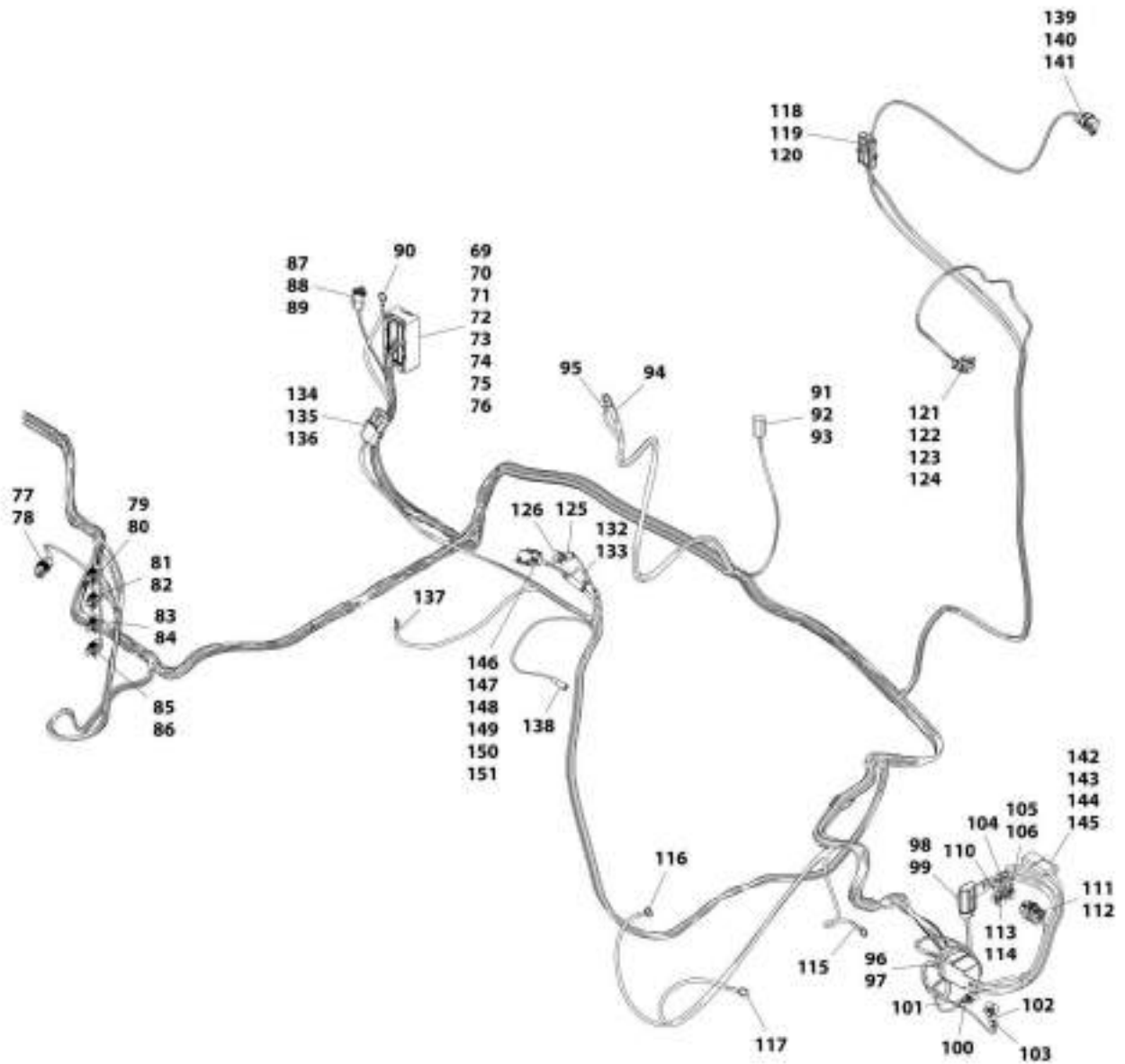
# SECTION 10 - ELECTRICAL

## FIGURE 10-40. ENGINE HARNESS, 74HP (ULS)



ART\_1001190009\_1-E

# SECTION 10 - ELECTRICAL



ART\_100119085 2-E

# SECTION 10 - ELECTRICAL

## FIGURE 10-40. ENGINE HARNESS, 74HP (ULS)

ITEM	PART NUMBER	QTY	DESCRIPTION	REV
	1001199889	Ref	Engine Harness, 74HP (if equipped for ULS)	E
1	4460891	1	Connector	
2	80604018	1	Lock, Wedge	
3	4460465	2	Terminal	
4	1001117068	1	Connector	
5	8220124	2	Terminal	
6	80963067	2	Seal	
7	4460931	1	Connector	
8	91503106	1	Lock, Wedge	
9	4460464	4	Terminal	
10	4460466	4	Plug	
11	8220927	1	Connector	
12	70024256	1	Lock, Slide	
13	70024255	1	Seal, Connector	
14	70024254	1	Lock, Secondary	
15	8220097	10	Terminal	
16	4460458	10	Seal	
17	8220098	1	Terminal	
18	80963067	3	Seal	
19	1001116727	2	Plug	
20	8220929	1	Connector	
21	70024253	1	Lock, Secondary	
22	1001116745	1	Terminal	
23	1001116729	14	Terminal	
24	4460458	15	Seal	
25	4461157	1	Connector	
26	4460475	2	Terminal	
27	4460458	2	Seal	
28	80963062	1	Connector	
29	4460850	4	Terminal	
30	80963067	4	Seal	
31	8220536	1	Connector	
32	1001116758	3	Plug	
33	1001116757	4	Terminal	
34	1001189875	4	Seal	
35	4460744	1	Connector	
36	1001116728	4	Terminal	
37	1001116727	2	Plug	
38	8220081	4	Seal	
39	4460744	1	Connector	
40	1001116728	4	Terminal	
41	1001116727	2	Plug	
42	8220081	4	Seal	
43	4460891	1	Connector	
44	80604018	1	Lock, Wedge	
45	4460465	2	Terminal	
46	4460891	1	Connector	
47	80604018	1	Lock, Wedge	
48	4460465	2	Terminal	
49	4460042	1	Terminal, Ring	

## SECTION 10 - ELECTRICAL

ITEM	PART NUMBER	QTY	DESCRIPTION	REV
50	4460042	1	Terminal, Ring	
51	4460891	1	Connector	
52	80604018	1	Lock, Wedge	
53	4460465	2	Terminal	
54	4460891	1	Connector	
55	80604018	1	Lock, Wedge	
56	4460465	2	Terminal	
57	4460891	1	Connector	
58	80604018	1	Lock, Wedge	
59	4460465	2	Terminal	
60	8220536	1	Connector	
61	1001116757	4	Terminal	
62	1001116758	3	Plug	
63	1001189875	4	Seal	
64	4460256	1	Terminal, Ring	
65	1001119004	1	Connector	
66	8220889	1	Lock, Secondary	
67	1001116728	1	Terminal	
68	4460458	1	Seal	
69	1001167641	1	Connector	
70	1001167643	1	Cover	
71	1001167644	1	Lock, Secondary	
72	1001167646	1	Lock, Secondary	
73	1001167647	1	Boot, Rubber	
74	1001167648	10	Terminal	
75	1001167650	75	Plug	
76	1001167649	11	Terminal	
77	4460955	1	Connector	
78	1001116748	2	Terminal	
79	4460955	1	Connector	
80	1001116748	2	Terminal	
81	4460955	1	Connector	
82	1001116748	2	Terminal	
83	4460955	1	Connector	
84	1001116748	2	Terminal	
85	4460955	1	Connector	
86	1001116748	2	Terminal	
87	4461095	1	Connector	
88	4460465	2	Terminal	
89	4460466	1	Plug	
90	4460019	1	Terminal, Ring	
91	4460891	1	Connector	
92	80604018	1	Lock, Wedge	
93	4460465	2	Terminal	
94	8220164	2	Terminal, Ring	
95	4460019	1	Terminal, Ring	
96	1001145707	1	Connector	
97	1001116732	4	Terminal	
98	1001117070	1	Connector	
99	1001116734	2	Terminal	
100	4460247	1	Terminal, Ring	

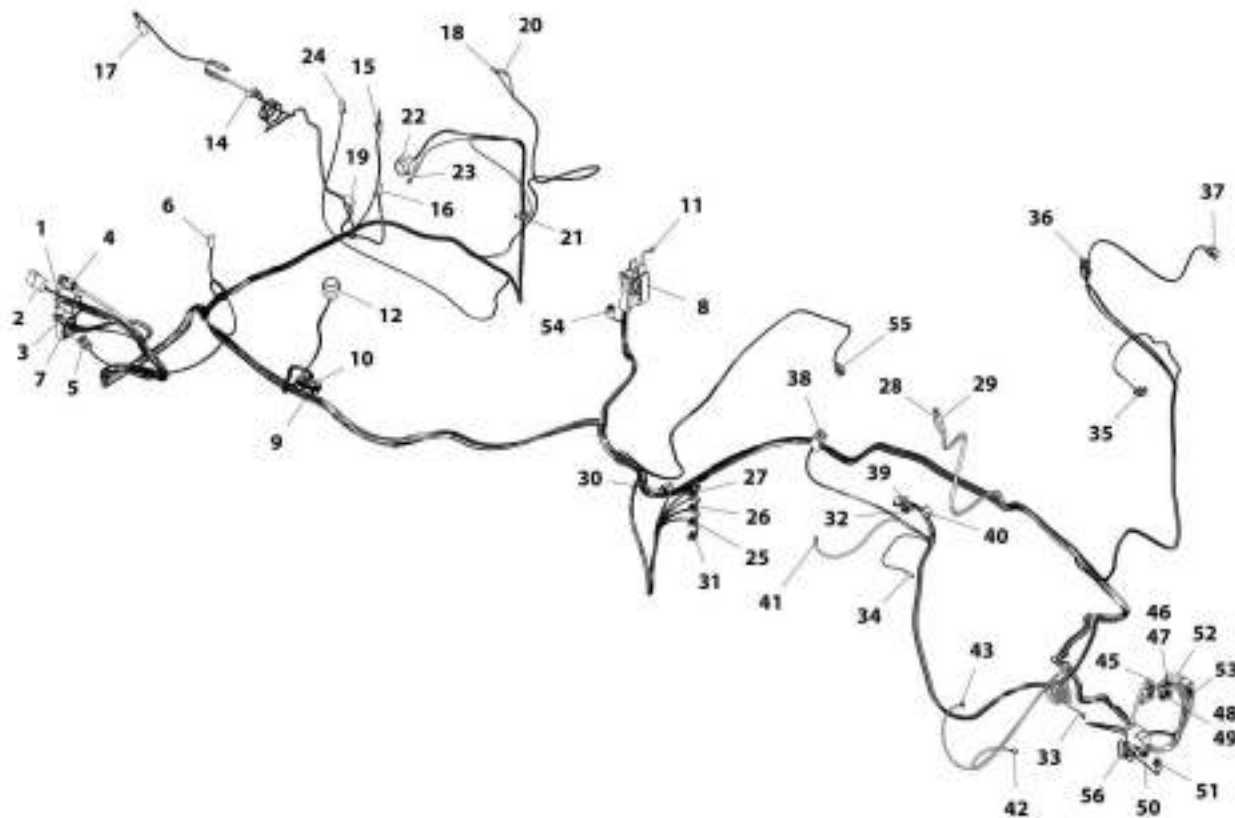
## SECTION 10 - ELECTRICAL

ITEM	PART NUMBER	QTY	DESCRIPTION	REV
101	1001195057	1	Red Boot	
102	4460247	1	Terminal, Ring	
103	1001195055	1	Red Boot	
104	4460312	1	Terminal, Ring	
105	4460312	1	Terminal, Ring	
106	1001195087	1	Red Boot	
110	4460312	1	Terminal, Ring	
111	1001116950	1	Connector	
112	4460465	2	Terminal	
113	4460312	1	Terminal, Ring	
114	1001195087	1	Red Boot	
115	4460019	1	Terminal, Ring	
116	4460019	1	Terminal, Ring	
117	4460019	1	Terminal, Ring	
118	4460476	1	Connector	
119	4460475	3	Terminal	
120	4460458	3	Seal	
121	1001125027	1	Connector	
122	70026217	1	Lock, Secondary	
123	8220124	3	Terminal	
124	4460608	3	Seal	
125	8220058	1	Terminal, Ring	
126	1001195055	1	Red Boot	
132	2400060	1	Fuse Holder	
133	8229242	1	Fuse 5A	
134	4460476	1	Connector	
135	4460475	3	Terminal	
136	4460458	3	Seal	
137	1001117111	1	Terminal, Fork	
138	1001117125	1	Terminal, Snap Plug	
139	1001117021	1	Connector	
140	1001116728	2	Terminal	
141	8220081	2	Seal	
142	1001117103	1	Connector	
143	7026404	1	Lock, Connector	
144	1001121730	2	Terminal	
145	8220160	2	Seal	
146	4460884	1	Connector	
147	80604021	1	Lock, Wedge	
148	1001157890	1	Terminal	
149	1001116692	2	Terminal	
150	4460466	1	Plug	
151	1001192401	1	Dust Cap	



# SECTION 10 - ELECTRICAL

## FIGURE 10-41. ENGINE HARNESS (LS)



AHT\_1001100458-1



## SECTION 10 - ELECTRICAL

### FIGURE 10-41. ENGINE HARNESS (LS)

ITEM	PART NUMBER	QTY	DESCRIPTION	REV
	1001189488	Ref	Engine Harness (if equipped for LS)	I
1	8220929	1	Connector	
	1001116745	1	Terminal	
	1001116729	14	Terminal	
	4460458	15	Seal	
2	4460931	1	Connector	
	80604024	1	Lock, Wedge	
	4460464	4	Terminal	
	4460466	4	Plug	
3	4461157	1	Connector	
	4460475	2	Terminal	
	4460458	2	Seal	
4	80963062	1	Connector	
	4460850	4	Terminal	
	80963067	4	Seal	
5	1001117068	1	Connector	
	8220124	2	Terminal	
	80963067	2	Seal	
6	4460891	1	Connector	
	80604018	1	Lock, Wedge	
	4460465	2	Terminal	
7	8220927	1	Connector	
	8220097	12	Terminal	
	8220098	2	Terminal	
	1001116727	1	Terminal	
	4460458	11	Seal	
	80963067	2	Seal	
	1001189877	1	Seal	
8	1001133173	1	Connector	
	1001138643	6	Terminal	
	1001126356	77	Terminal	
	1001138642	8	Terminal	
	1001126351	3	Terminal	
	1001126353	6	Seal	
9	4460744	1	Connector	
	1001116728	4	Terminal	
	1001116727	2	Plug	
	8220081	4	Seal	
10	4460744	1	Connector	
	1001116728	4	Plug	
	1001116727	2	Terminal	
	8220081	4	Seal	
11	4460019	1	Terminal, Ring	
12	8220536	1	Connector	
	1001116758	3	Plug	
	1001116757	4	Terminal	
	1001189875	4	Seal	
14	4460891	1	Connector	
	80604018	1	Lock, Wedge	
	4460465	2	Terminal	

## SECTION 10 - ELECTRICAL

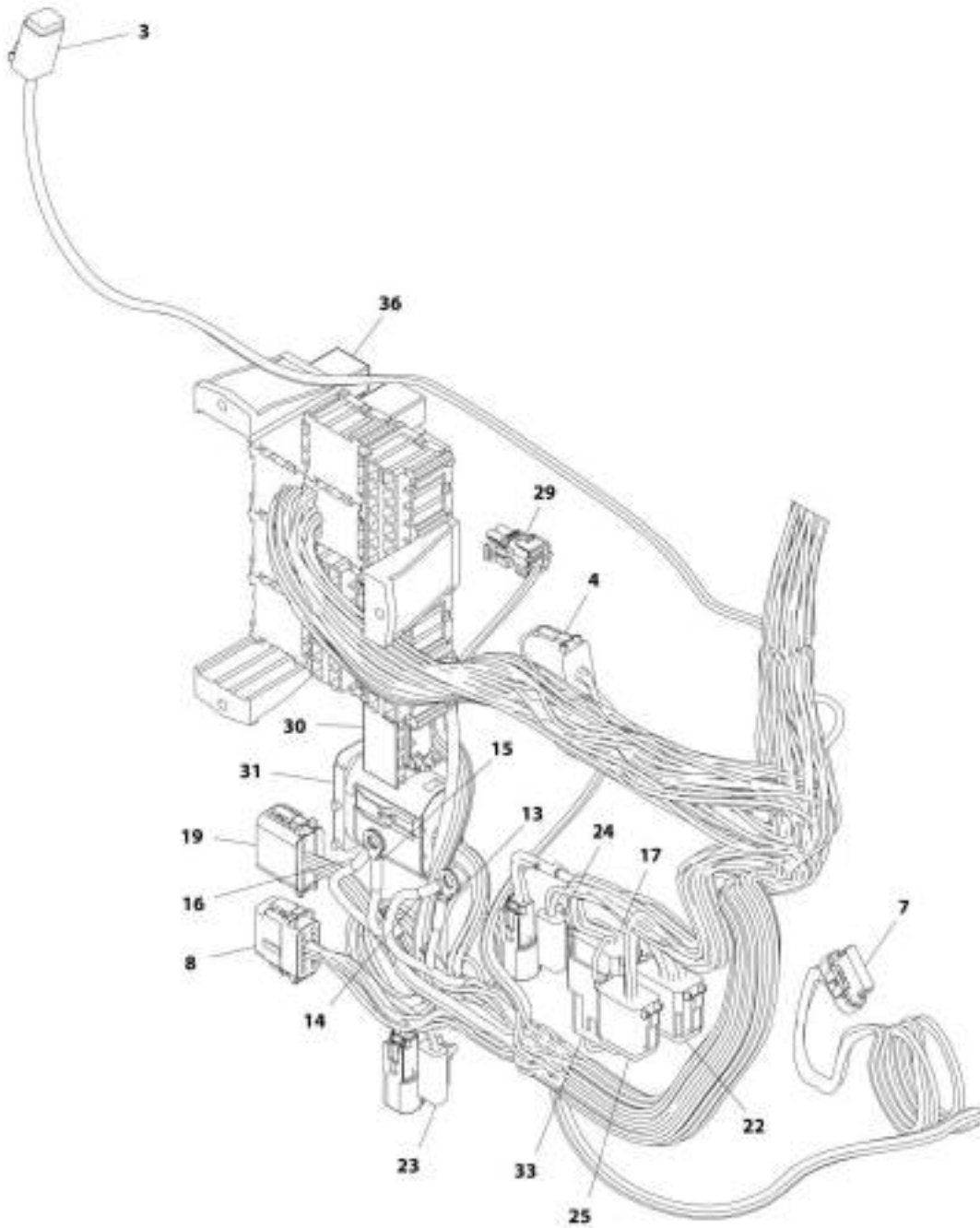
ITEM	PART NUMBER	QTY	DESCRIPTION	REV
15	4460891	1	Connector	
	80604018	1	Lock, Wedge	
	4460465	2	Terminal	
16	4460891	1	Connector	
	80604018	1	Lock, Wedge	
	4460465	2	Terminal	
17	4460891	1	Connector	
	80604018	1	Lock, Wedge	
	4460465	2	Terminal	
18	4460042	1	Terminal, Ring	
19	4460891	1	Connector	
	80604018	1	Lock, Wedge	
	4460465	2	Terminal	
20	4460042	1	Terminal, Ring	
21	1001119004	1	Connector	
	1001116728	1	Terminal	
	4460458	1	Seal	
22	8220536	1	Connector	
	1001116757	4	Terminal	
	1001116758	3	Plug	
	1001189875	4	Seal	
23	4460256	1	Terminal, Ring	
24	4460891	1	Connector	
	80604018	1	Lock, Wedge	
	4460465	2	Terminal	
25	4460955	1	Connector	
	1001116748	2	Terminal	
26	4460955	1	Connector	
	1001116748	2	Terminal	
27	4460955	1	Connector	
	1001116748	2	Terminal	
28	4460019	1	Terminal, Ring	
29	8220164	1	Terminal, Ring	
30	4460955	1	Connector	
	1001116748	2	Terminal	
31	4460955	1	Connector	
	1001116748	2	Terminal	
32	8220058	1	Terminal, Ring	
33	4460019	1	Terminal, Ring	
34	1001117125	1	Terminal, Snap Plug	
35	1001125027	1	Connector	
	8220124	3	Terminal	
	4460608	3	Seal	
36	4460476	1	Connector	
	4460475	3	Terminal	
	4460458	3	Seal	
37	1001117021	1	Connector	
	1001116728	2	Terminal	
	8220081	2	Seal	
38	4460476	1	Connector	
	4460475	3	Terminal	

## SECTION 10 - ELECTRICAL

ITEM	PART NUMBER	QTY	DESCRIPTION	REV
	4460458	3	Seal	
39	4460884	1	Connector	
	80604021	1	Lock, Wedge	
	4460465	3	Terminal	
	4460466	1	Plug	
	1001192401	1	Dust Cap	
40	2400060	1	Fuse	
41	4460142	1	Connector	
	1001117111	1	Terminal	
42	4460019	1	Terminal, Ring	
43	4460019	1	Terminal, Ring	
45	1001117070	1	Connector	
	1001116734	2	Terminal	
46	4460312	1	Terminal, Ring	
	1001195087	1	Red Boot	
47	4460312	2	Terminal, Ring	
48	4460312	2	Terminal, Ring	
	1001195087	1	Red Boot	
49	4460312	1	Terminal, Ring	
50	4460247	1	Terminal, Ring	
	1001195057	1	Black Boot	
51	4460247	1	Terminal, Ring	
	1001195055	1	Red Boot	
52	1001117103	1	Connector	
	1001121730	2	Terminal	
53	1001116950	1	Connector	
	4460465	2	Terminal	
54	4461095	1	Plug	
	4461070	1	Connector	
	4460465	2	Terminal	
	4460466	1	Plug	
55	1001209097	1	Connector	
	8220124	2	Terminal	
56	1001145707	1	Connector	
	1001116732	4	Terminal	

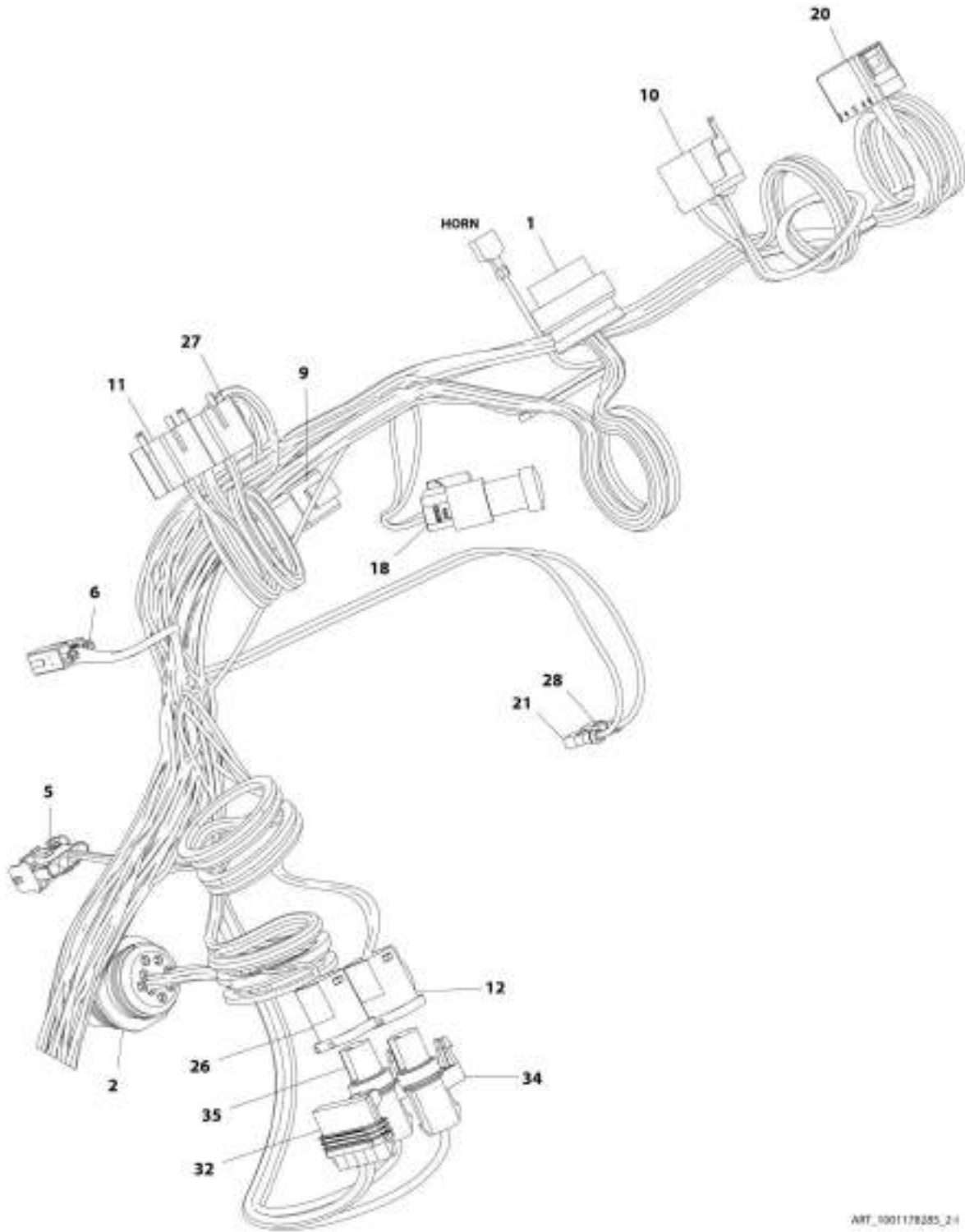
# SECTION 10 - ELECTRICAL

## FIGURE 10-42. CAB POWER DISTRIBUTION HARNESS



ART\_5001179285\_11

# SECTION 10 - ELECTRICAL



# SECTION 10 - ELECTRICAL

## FIGURE 10-42. CAB POWER DISTRIBUTION HARNESS

ITEM	PART NUMBER	QTY	DESCRIPTION	REV
	1001178285	Ref	Cab Power Distribution Harness	I
1	4460872	1	Connector	
	4460871	10	Terminal, Socket	
	4460905	4	Plug, Seal	
2	1001112612	1	Connector	
	1001149712	1	Cap	
	1001125784	1	Lockwasher	
	1001125785	1	Nut	
	4460464	6	Terminal	
	4460466	3	Plug	
3	4460884	1	Connector	
	80604021	1	Lock, Wedge	
	4460465	4	Terminal	
4	4460930	1	Connector	
	80604025	1	Lock, Wedge	
	4460465	6	Terminal	
	4460466	2	Plug	
5	4460761	1	Connector	
	1001118378	4	Terminal	
6	1001200833	1	Terminal	
7	1001117064	1	Connector	
	91554014	6	Terminal	
8	1001116808	1	Connector	
	4460909	1	Housing	
	4460915	1	Lock, Wedge	
	1001126008	10	Terminal, Socket	
	4460518	2	Terminal, Plug	
9	4460970	1	Connector	
	80363179	1	Lock, Wedge	
	4460464	9	Terminal	
	4460466	3	Plug	
10	8220904	1	Connector	
	4460419	6	Terminal	
11	1001117119	1	Connector	
	1001159186	4	Terminal	
12	4460891	1	Connector	
	80604018	1	Lock, Wedge	
	1001157890	1	Terminal	
	4460942	1	Terminal	
13	1001117106	1	Terminal, Ring	
14	1001117106	1	Terminal, Ring	
15	1001117106	1	Terminal, Ring	
16	1001117106	1	Terminal, Ring	
17	4460836	1	Connector	
	80604016	1	Lock, Wedge	
	4460509	5	Terminal, Socket	
	4460465	6	Terminal	
	4460466	1	Plug	
18	1001116812	1	Connector	
	91554019	1	Lock, Wedge	

## SECTION 10 - ELECTRICAL

ITEM	PART NUMBER	QTY	DESCRIPTION	REV
	4461070	1	Connector	
	4460465	2	Terminal	
	4460466	1	Plug	
19	1001116774	1	Connector	
	4460908	1	Housing	
	4460915	1	Lock, Wedge	
	1001126008	12	Terminal, Socket	
20	8220904	1	Connector	
	4460419	8	Terminal	
	1001195760	2	Terminal	
21	8220051	1	Terminal	
22	4460933	1	Connector	
	80604016	1	Lock, Wedge	
	1001003174	3	Terminal, Socket	
	4460465	7	Terminal	
	4460466	2	Terminal	
23	4460897	1	Connector	
	80604018	1	Lock, Wedge	
	4460464	2	Terminal	
24	4460891	1	Connector	
	80604018	1	Lock, Wedge	
	4460465	1	Terminal	
	1001157890	1	Terminal	
25	4460930	1	Connector	
	8220525	1	Lock, Wedge	
	4460465	3	Terminal	
	1001157890	2	Terminal	
	4460466	3	Plug	
26	4461017	1	Connector	
	80604018	1	Lock, Wedge	
	4460508	2	Terminal, Socket	
27	1001117119	1	Connector	
	1001159186	2	Terminal	
28	8220051	1	Terminal	
29	80963061	1	Connector	
	4460790	4	Terminal, Socket	
	8220089	4	Seal	
30	8220927	1	Connector	
	70024256	1	Lock, Slide	
	70024255	1	Seal, Connector	
	70024254	1	Lock, Secondary	
	1001116747	12	Terminal	
	8220081	12	Seal	
	4460746	3	Terminal	
	4460458	3	Seal	
31	8220929	1	Connector	
	70024253	1	Lock, Secondary	
	8220097	12	Terminal	
	8220125	2	Terminal	
	4460458	14	Seal	
	1001116727	1	Plug	

## SECTION 10 - ELECTRICAL

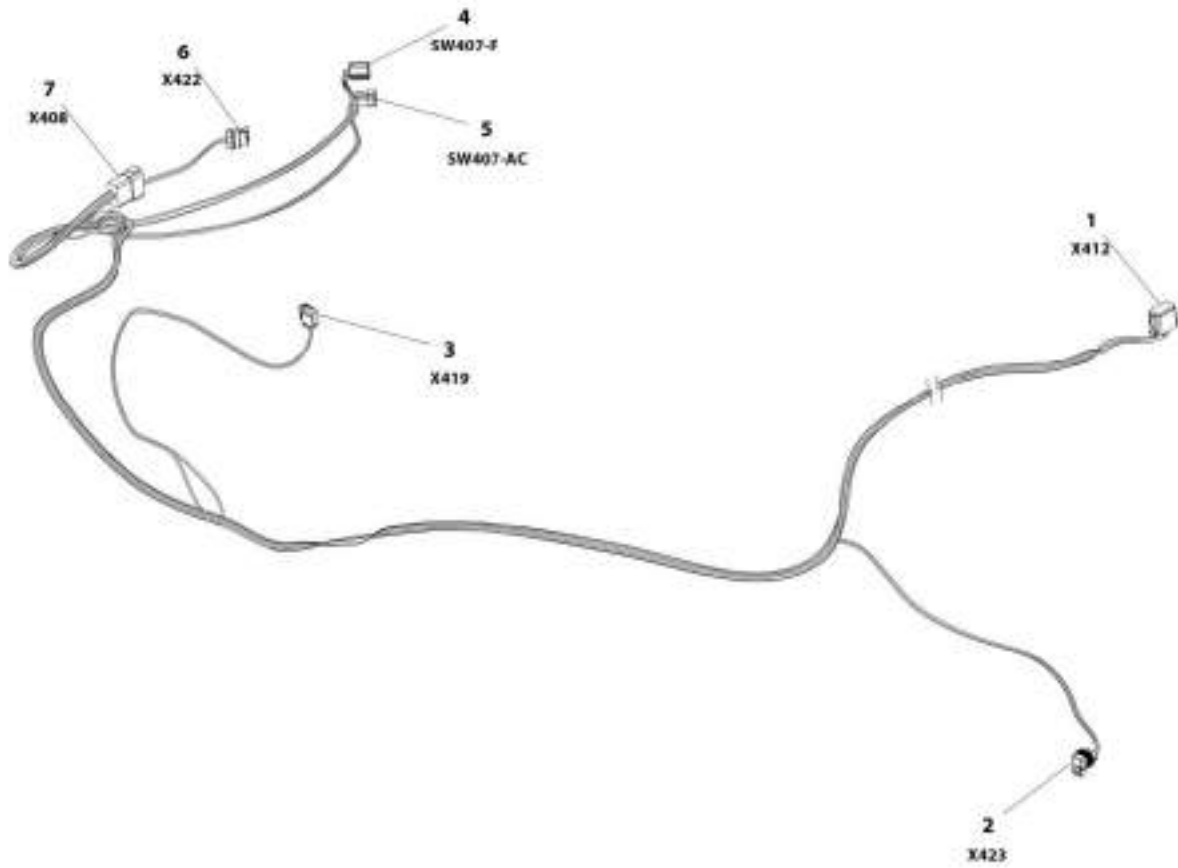
ITEM	PART NUMBER	QTY	DESCRIPTION	REV
32	1001121726	1	Connector	
	70026219	1	Lock, TPA	
	8220125	2	Terminal	
	8220089	2	Seal	
	1001116726	1	Terminal	
	4460458	1	Seal	
	1001116727	2	Plug	
	33	4460970	1	Connector
80363179		1	Lock, Wedge	
4460466		6	Terminal	
4460464		6	Terminal	
34	1001121728	1	Connector, Packard Female, 1POS	
	70026218	1	Lock, TPA	
	1001121730	1	Terminal	
35	1001121728	1	Connector, Packard Female, 1POS	
	70026218	1	Lock, TPA	
	1001121730	1	Terminal	
36	1001200845	3	Leg, Mounting	
	1001205172	11	Relay, Micro 280, 12V, 35 Amp	
	1001129285	3	Fuse, Mini Diode	
	1001177198	6	Module, 2 Fuse	
	1001187952	3	Assembly, Electrical	
	8229261	2	Fuse, Type 5 A	
	8229233	4	Fuse, Type 7.5 A	
	8229234	7	Fuse, Type 10 A	
	8229237	1	Fuse, Type 15 A	
	8229235	4	Fuse, Type 20 A	
	8229238	1	Fuse, Type 40 A	
	1001116710	11	Terminal	
	1001116712	3	Terminal	
	1001210779	1	Terminal	
	1001192050	10	Terminal	
	1001210776	4	Terminal	
	1001192049	11	Terminal	
1001210778	2	Terminal		
1001210777	8	Terminal		





# SECTION 10 - ELECTRICAL

## FIGURE 10-43. HVAC HARNESS



ART\_1001178347-D

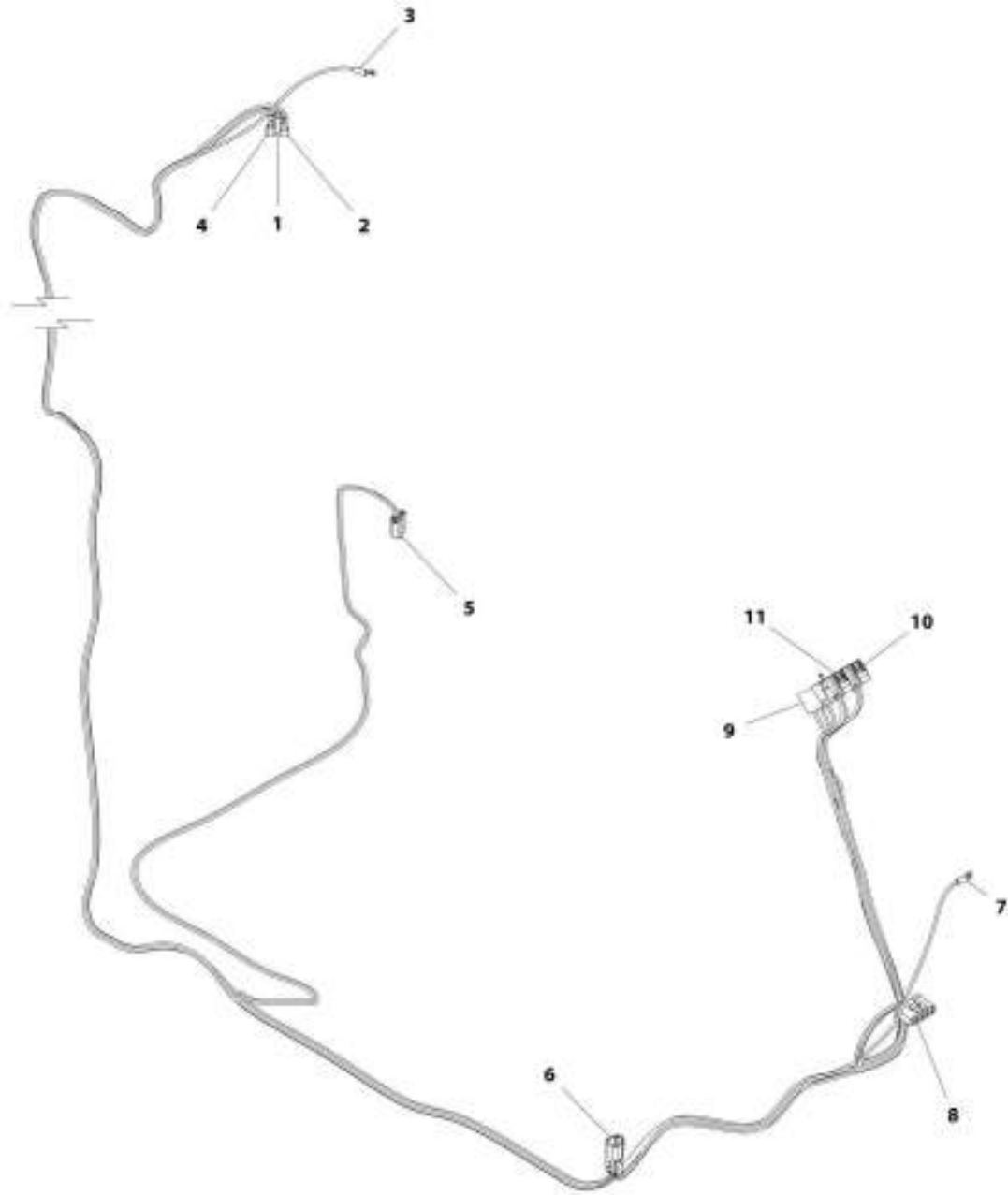
# SECTION 10 - ELECTRICAL

## FIGURE 10-43. HVAC HARNESS

ITEM	PART NUMBER	QTY	DESCRIPTION	REV
	1001178347	Ref	HVAC Harness	D
1	4460933	1	Connector	
	80604016	1	Lock, Wedge	
	4460942	9	Terminal	
	4460465	2	Terminal	
	4460466	1	Terminal	
2	8220895	1	Connector	
	70026216	1	Lock, Secondary	
	8220124	3	Terminal	
	1001116751	3	Terminal, Plug	
3	4460326	1	Connector	
	4460268	2	Terminal	
4	1001117080	1	Connector	
	1001116723	5	Terminal	
5	1001117059	1	Connector	
	1001116736	3	Terminal	
6	1001125027	1	Connector	
	70026217	1	Lock, Secondary	
	8220124	3	Terminal	
7	4460950	1	Connector	
	80363179	1	Lock, Wedge	
	1001157891	5	Terminal	
	4460464	6	Terminal	
	4460466	1	Terminal	

# SECTION 10 - ELECTRICAL

## FIGURE 10-44. WIPER HARNESS



ART\_1001176349-D

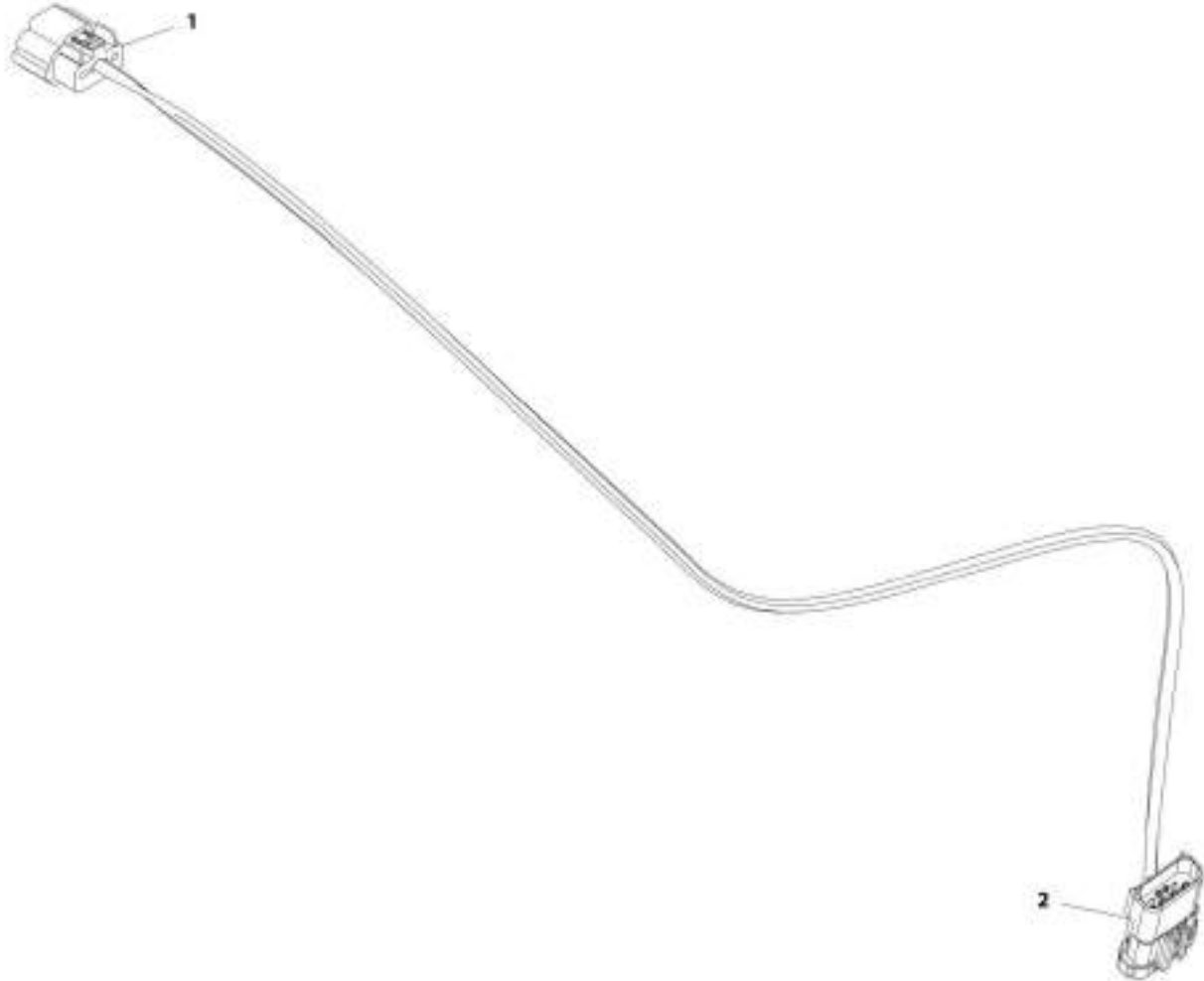
## SECTION 10 - ELECTRICAL

### FIGURE 10-44. WIPER HARNESS

ITEM	PART NUMBER	QTY	DESCRIPTION	REV
	1001178349	Ref	Wiper Harness	D
1	8220051	1	Terminal	
2	8220051	1	Terminal	
3	8220035	1	Terminal, Ring	
4	8220051	1	Terminal	
5	4460994	1	Housing, Terminal	
	1001169816	2	Terminal	
6	4460897	1	Connector	
	80604017	1	Lock, Wedge	
	4460464	2	Terminal	
7	8220007	1	Terminal, Ring	
8	1001127066	1	Connector	
	1001116720	3	Terminal	
9	8220904	1	Connector	
	4460419	5	Terminal	
10	1001117081	1	Connector	
	4460419	9	Terminal	
11	1001117081	1	Connector	
	4460419	9	Terminal	

# SECTION 10 - ELECTRICAL

## FIGURE 10-45. TBAP HARNESS



ART\_1001104833-A

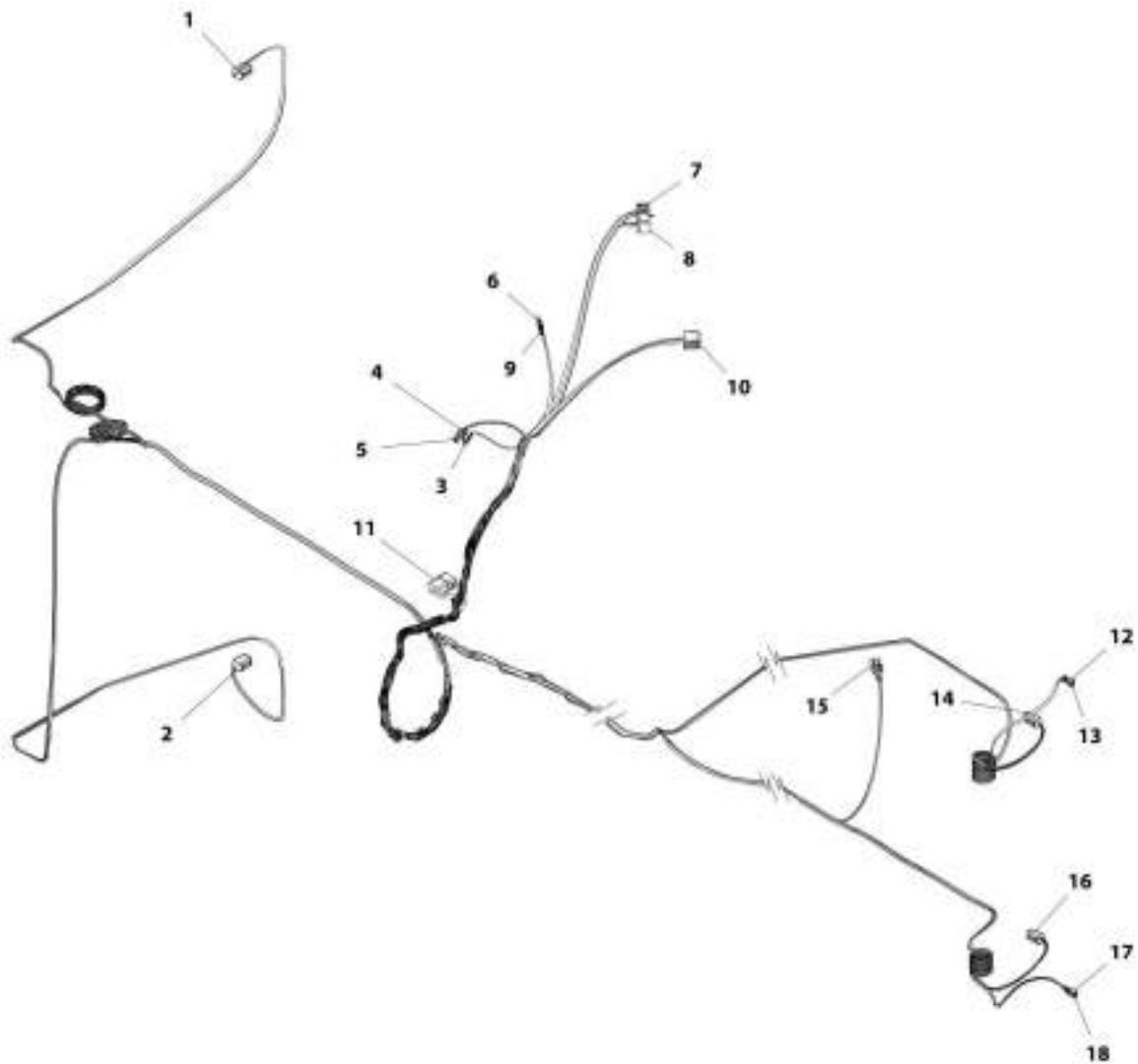
# SECTION 10 - ELECTRICAL

## FIGURE 10-45. TBAP HARNESS

ITEM	PART NUMBER	QTY	DESCRIPTION	REV
1	1001184835	Ref	TBAP Harness	A
	10011184495	1	Connector	
	1001184494	4	Terminal	
	1001184496	4	Seal	
2	1001184491	1	Connector	
	1001184493	4	Terminal	

# SECTION 10 - ELECTRICAL

FIGURE 10-46. ROAD LIGHT OPTION HARNESS (Prior to SN 0160073125)



ART\_1001170346-D



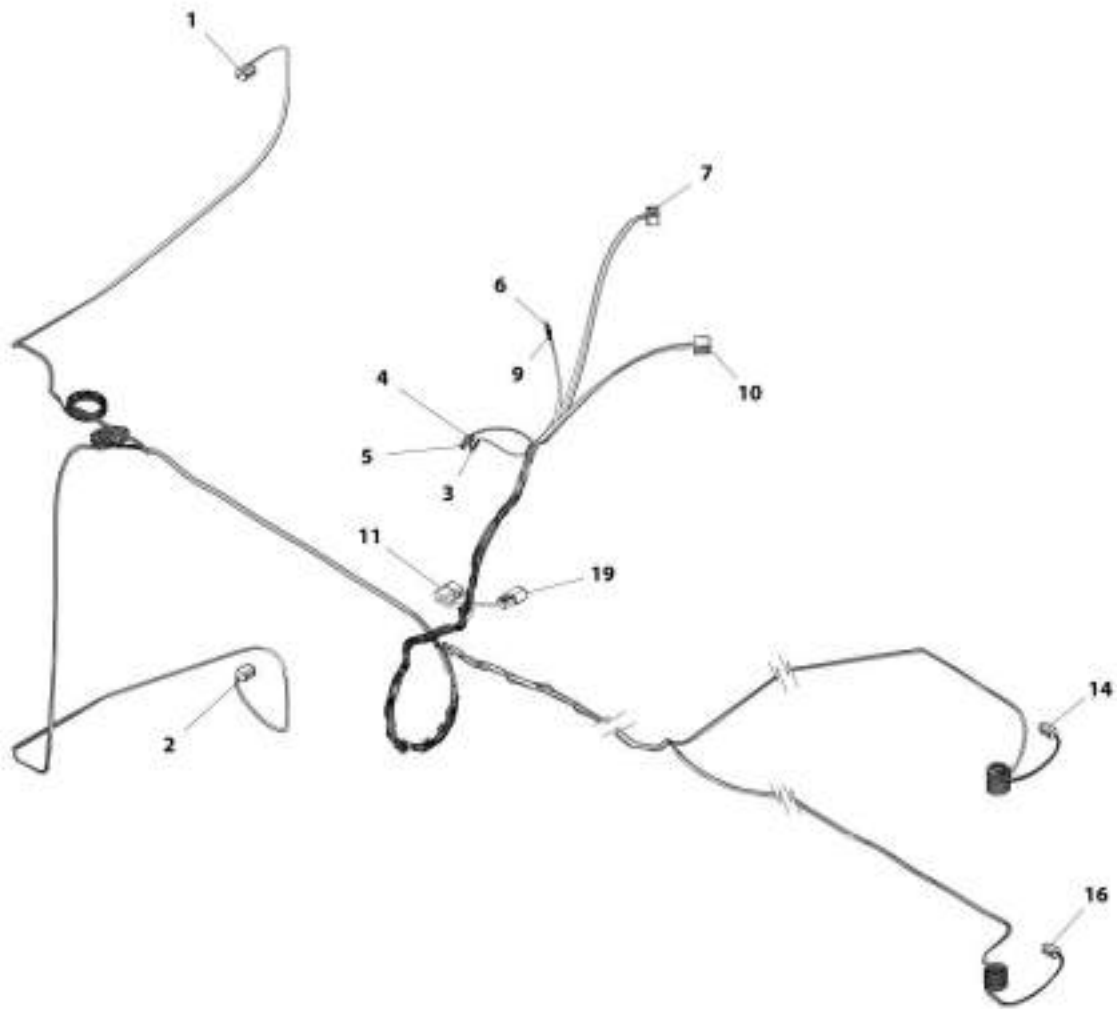
## SECTION 10 - ELECTRICAL

**FIGURE 10-46. ROAD LIGHT OPTION HARNESS (Prior to SN 0160073125)**

ITEM	PART NUMBER	QTY	DESCRIPTION	REV
	1001178346	Ref	Road Light Option Harness	D
1	4460894	1	Connector	
	80604023	1	Lock, Wedge	
	4460465	5	Terminal	
	4460466	1	Plug	
2	4460894	1	Connector	
	80604023	1	Lock, Wedge	
	4460465	5	Terminal	
	4460466	1	Terminal	
3	7116572	1	Connector	
	1001116736	1	Terminal	
4	7116572	1	Connector	
	1001116736	1	Terminal	
5	7116572	1	Connector	
	1001116736	1	Terminal	
6	4460019	1	Terminal, Ring	
7	1001117079	1	Connector	
	4460419	9	Terminal	
8	8220904	1	Connector	
	4460419	6	Terminal	
9	4460019	1	Terminal, Ring	
10	4460933	1	Connector	
	80604016	1	Lock, Wedge	
	4460465	8	Terminal	
	4460466	4	Terminal	
11	4460931	1	Connector	
	80604024	1	Lock, Wedge	
	4460466	3	Terminal	
	4460464	2	Terminal	
	1001157891	2	Terminal	
	4460941	1	Terminal	
12	8220051	1	Terminal	
13	8220051	1	Terminal	
14	4460884	1	Connector	
	80604021	1	Lock, Wedge	
	4460465	3	Terminal	
	4460942	1	Terminal	
15	1001117026	1	Connector	
	8220890	1	Lock, Secondary	
	1001116725	1	Terminal	
	8220089	1	Seal	
	1001116729	1	Terminal	
	8220081	1	Seal	
16	4460884	1	Connector	
	80604021	1	Lock, Wedge	
	4460465	3	Terminal	
	4460942	1	Terminal	
17	8220051	1	Terminal	
18	8220051	1	Terminal	

# SECTION 10 - ELECTRICAL

FIGURE 10-47. ROAD LIGHT OPTION HARNESS (SN 0160073125 to Present)



ART\_1001178346-F

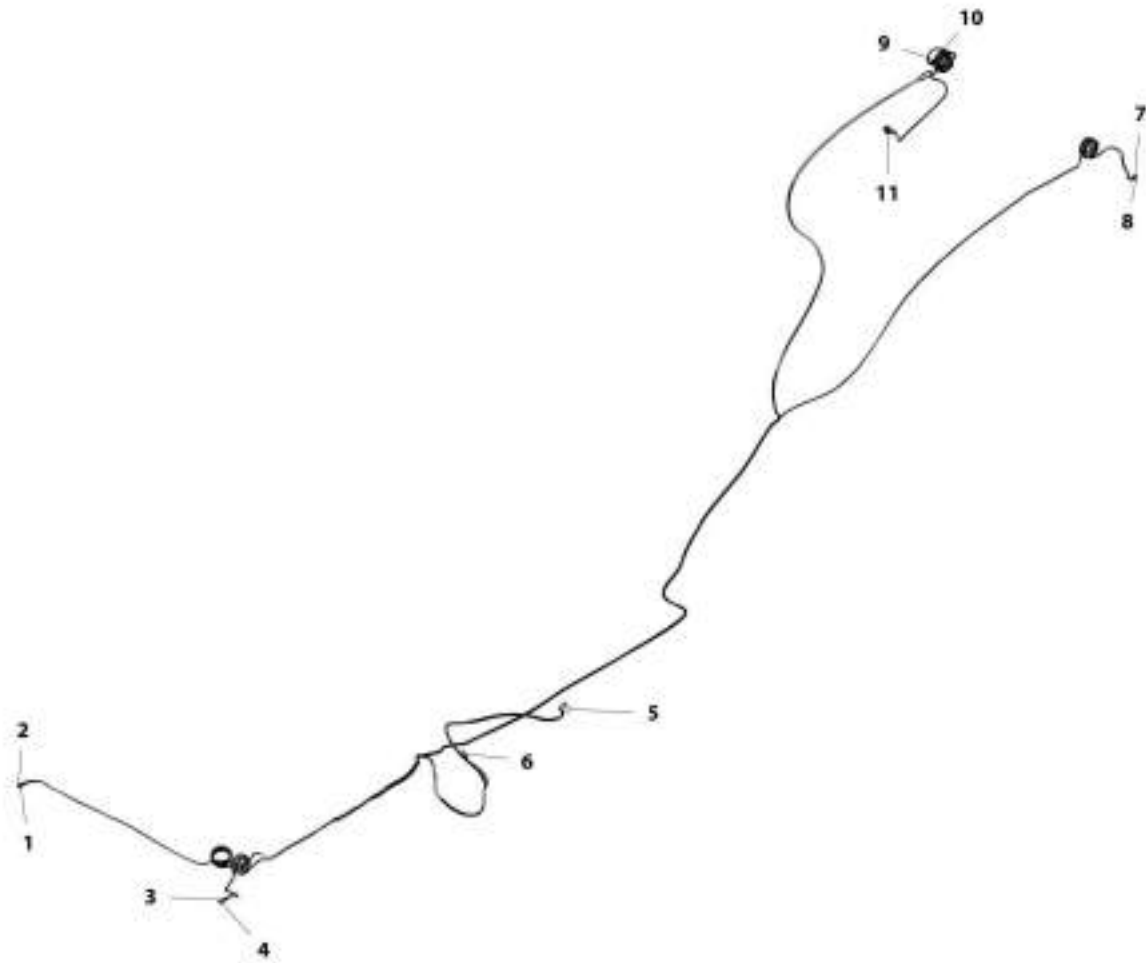
## SECTION 10 - ELECTRICAL

**FIGURE 10-47. ROAD LIGHT OPTION HARNESS (SN 0160073125 to Present)**

ITEM	PART NUMBER	QTY	DESCRIPTION	REV
	1001178346	Ref	Road Light Option Harness	F
1	4460894	1	Connector	
	80604023	1	Lock, Wedge	
	4460465	5	Terminal	
	4460466	1	Plug	
2	4460894	1	Connector	
	80604023	1	Lock, Wedge	
	4460465	5	Terminal	
	4460466	1	Plug	
3	7116572	1	Connector	
	1001116736	1	Terminal	
4	7116572	1	Connector	
	1001116736	1	Terminal	
5	7116572	1	Connector	
	1001116736	1	Terminal	
6	8220051	1	Terminal, Ring	
7	1001117079	1	Connector	
	4460019	9	Terminal	
9	8220051	1	Terminal, Ring	
10	4460933	1	Connector	
	80604016	8	Lock, Wedge	
	4460465	1	Terminal	
	4460466	1	Plug	
11	4460931	1	Connector	
	80604024	1	Lock, Wedge	
	4460466	3	Plug	
	4460464	2	Terminal	
	1001157891	2	Terminal	
	4460941	1	Terminal	
13	8220051	1	Terminal, Ring	
14	4460884	1	Connector	
	80604021	1	Lock, Wedge	
	4460465	3	Terminal	
	4460942	1	Terminal	
15	1001117026	1	Connector	
	8220890	1	Lock, Wedge	
	1001116725	1	Terminal	
	8220089	1	Seal	
	1001116729	1	Terminal	
	8220081	1	Seal	
16	4460884	1	Connector	
	80604021	1	Lock, Wedge	
	4460465	3	Terminal	
	4460942	1	Terminal	
19	4461018	1	Kit, Connector	
	N.S.S.	1	Lock, Wedge	
	4460509	1	Terminal	

# SECTION 10 - ELECTRICAL

## FIGURE 10-48. WORK LIGHT OPTION HARNESS



ART\_100170144-C

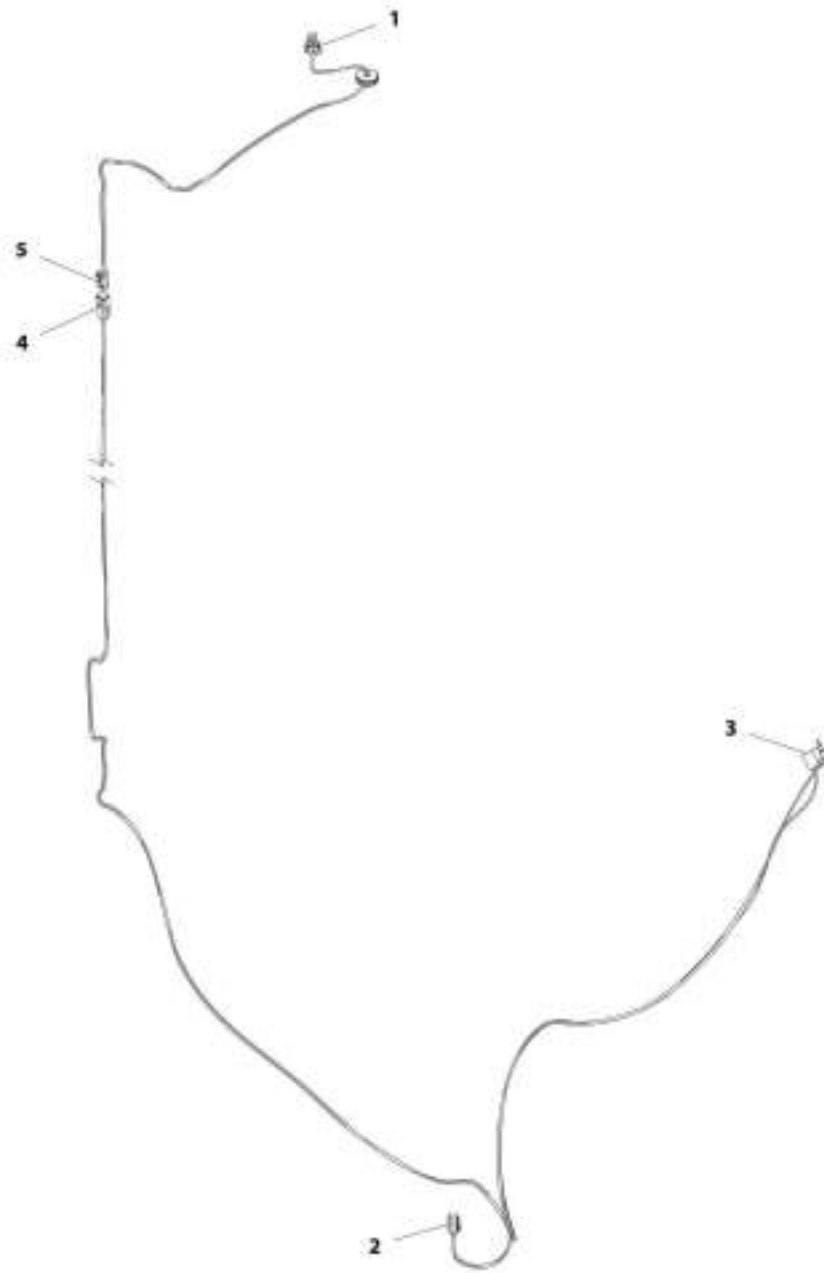
## SECTION 10 - ELECTRICAL

### FIGURE 10-48. WORK LIGHT OPTION HARNESS

ITEM	PART NUMBER	QTY	DESCRIPTION	REV
	1001178344	Ref	Work Light Option Harness	E
1	8220051	1	Terminal	
2	8220051	1	Terminal	
3	8220051	1	Terminal	
4	8220051	1	Terminal	
5	8220904	1	Connector	
	4460419	6	Terminal	
6	4461018	1	Connector	
	80604017	1	Lock, Wedge	
	4460509	2	Terminal	
7	8220051	1	Terminal	
8	8220051	1	Terminal	
9	8220051	1	Terminal	
10	8220051	1	Terminal	
11	1001117026	1	Connector	
	8220890	1	Lock, Secondary	
	1001116729	2	Terminal	
	8220081	2	Seal	

# SECTION 10 - ELECTRICAL

## FIGURE 10-49. BEACON OPTION HARNESS



ART\_100178345-G

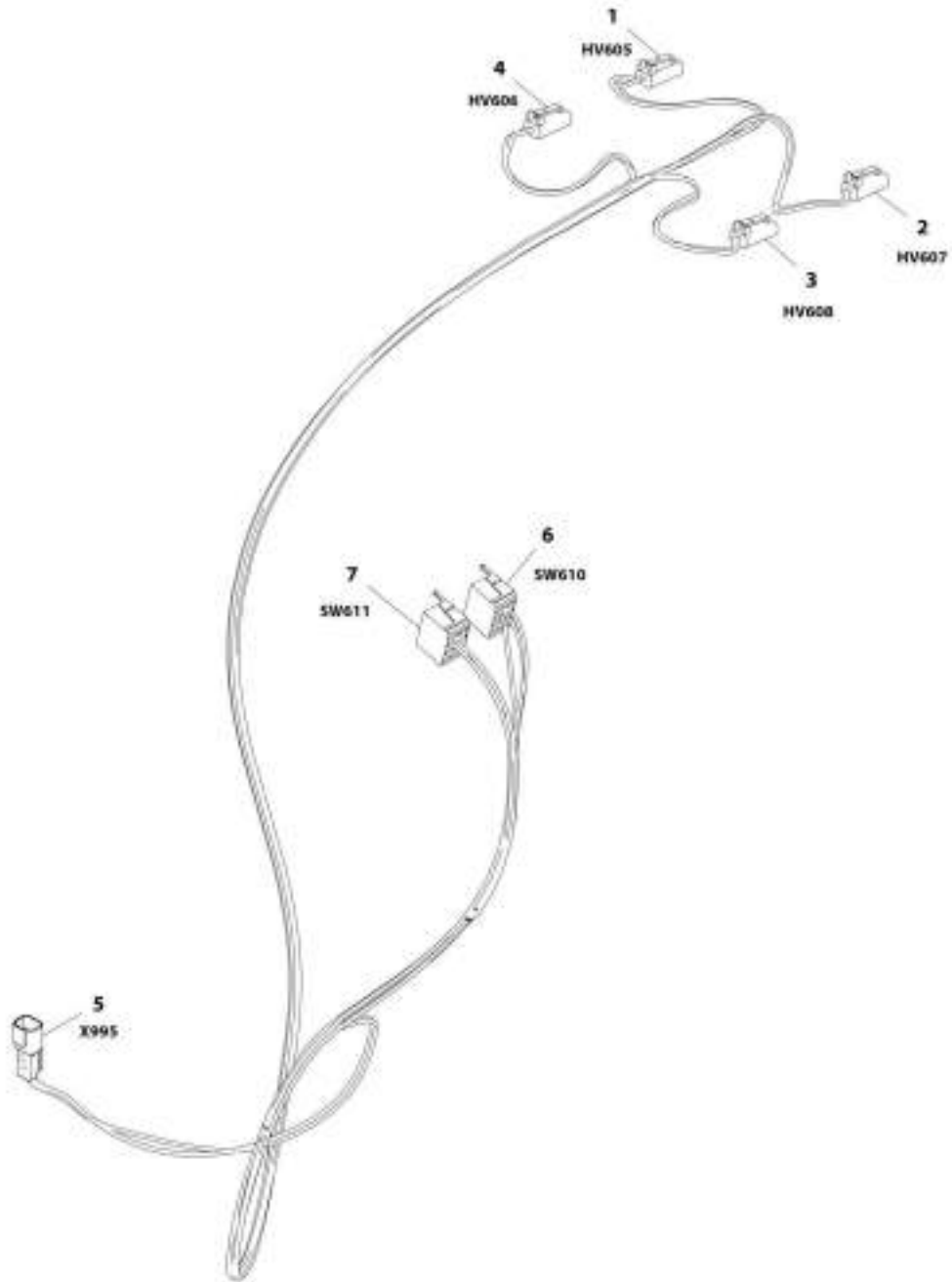
## SECTION 10 - ELECTRICAL

### FIGURE 10-49. BEACON OPTION HARNESS

ITEM	PART NUMBER	QTY	DESCRIPTION	REV
	1001178345	Ref	Beacon Option Harness	G
1	1001117021	1	Connector	
	1001116728	2	Terminal	
	4460458	2	Seal	
2	4460891	1	Connector	
	80604017	1	Lock, Wedge	
	4460465	2	Terminal	
3	8220904	1	Connector	
	4460419	5	Terminal	
4	4460891	1	Connector	
	80604017	1	Lock, Wedge	
	4460465	2	Terminal	
5	4460897	1	Connector	
	80604017	1	Lock, Wedge	
	4460464	2	Terminal	

# SECTION 10 - ELECTRICAL

## FIGURE 10-50. OUTRIGGER HARNESS - 10042



ART\_3001177736-D



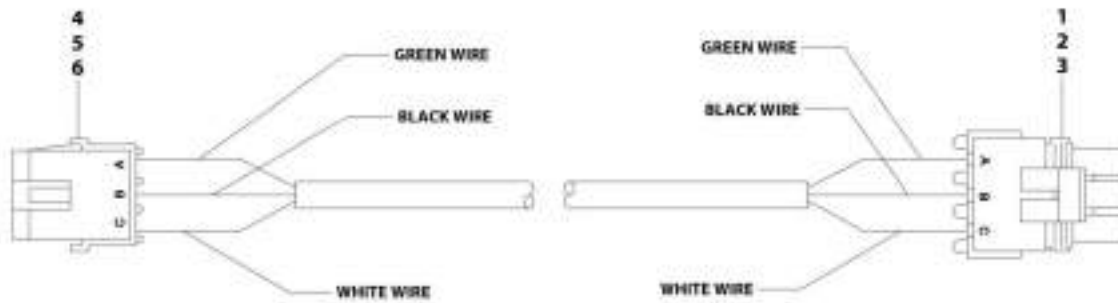
## SECTION 10 - ELECTRICAL

### FIGURE 10-50. OUTRIGGER HARNESS - 10042

ITEM	PART NUMBER	QTY	DESCRIPTION	REV
	100117778	Ref	Outrigger Harness	D
1	4460891	1	Connector	
	80604018	1	Lock, Wedge	
	4460465	2	Terminal	
2	4460891	1	Connector	
	80604018	1	Lock, Wedge	
	4460465	2	Terminal	
3	4460891	1	Connector	
	80604018	1	Lock, Wedge	
	4460465	2	Terminal	
4	4460891	1	Connector	
	80604018	1	Lock, Wedge	
	4460465	2	Terminal	
5	4460897	1	Connector	
	80604017	1	Lock, Wedge	
	4460464	1	Terminal	
	4460941	1	Terminal	
6	8220904	1	Connector	
	4460419	5	Terminal	
7	8220904	1	Connector	
	4460419	5	Terminal	

# SECTION 10 - ELECTRICAL

## FIGURE 10-51. BOOM EXTEND HARNESS - 10054



ART\_1001127205-C

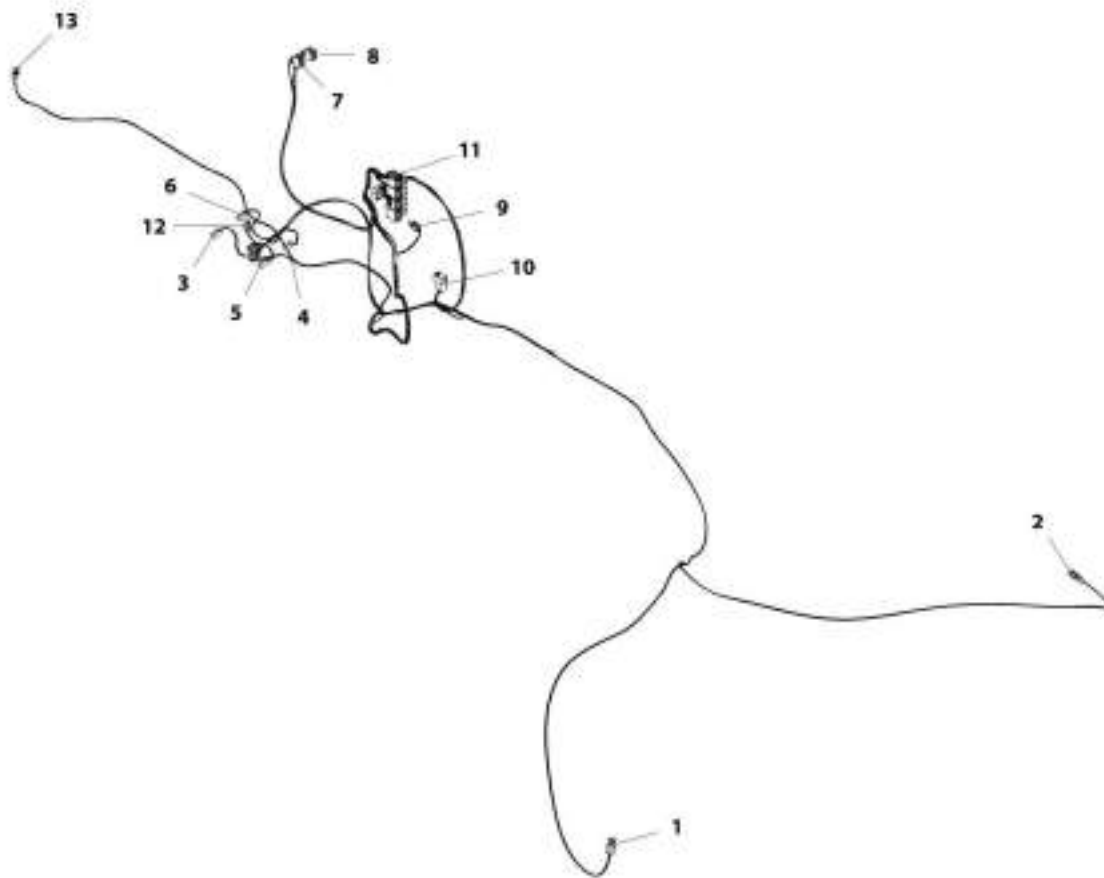
## SECTION 10 - ELECTRICAL

### FIGURE 10-51. BOOM EXTEND HARNESS - 10054

ITEM	PART NUMBER	QTY	DESCRIPTION	REV
	1001127226	Ref	Boom Extend Harness	C
1	4460459	1	Connector	
2	4460457	3	Terminal	
3	4460458	3	Seal	
4	4460476	1	Connector	
5	4460475	3	Terminal	
6	4460458	3	Seal	

# SECTION 10 - ELECTRICAL

## FIGURE 10-52. LOGIC HARNESS - 10054



ART\_1001170284 G

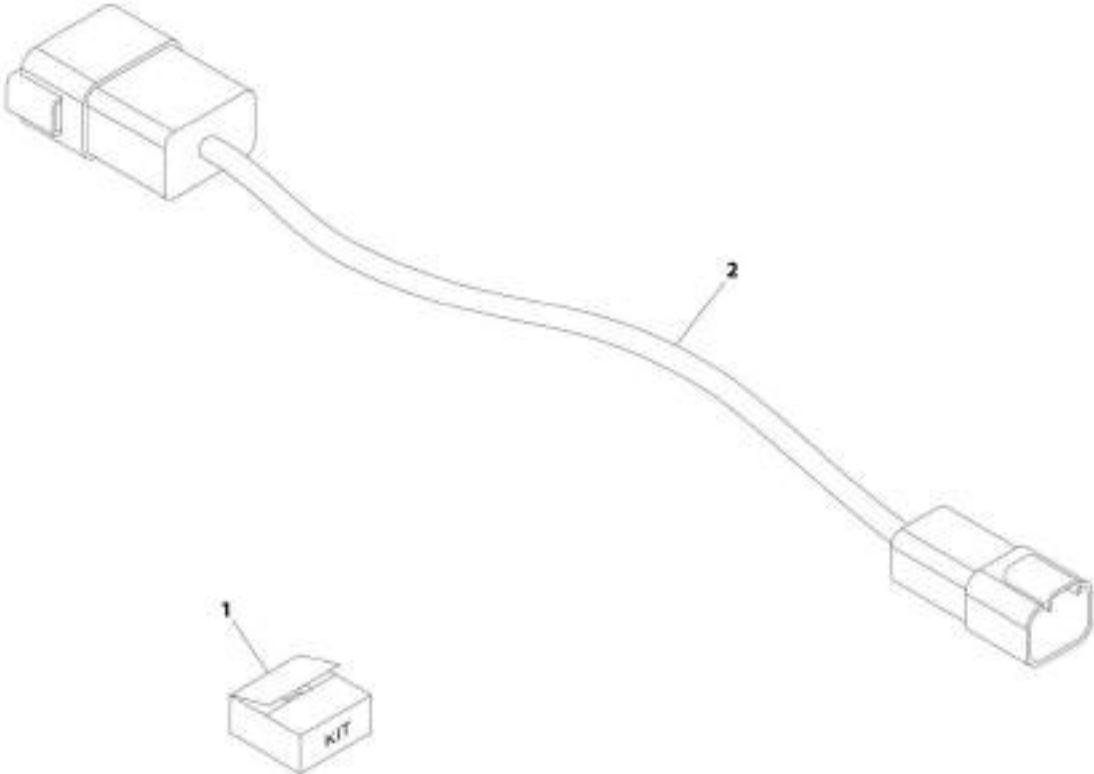
## SECTION 10 - ELECTRICAL

### FIGURE 10-52. LOGIC HARNESS - 10054

ITEM	PART NUMBER	QTY	DESCRIPTION	REV
	1001178284	Ref	Logic Harness	G
1	4461157	1	Connector	
	4460475	2	Terminal	
2	4461157	1	Connector	
	4460475	2	Terminal	
3	4460891	1	Connector	
	80604018	1	Lock, Wedge	
	4460465	2	Terminal	
4	4460891	1	Connector	
	80604018	1	Lock, Wedge	
	4460465	2	Terminal	
5	4460891	1	Connector	
	80604018	1	Lock, Wedge	
	4460465	2	Terminal	
6	4460891	1	Connector	
	80604018	1	Lock, Wedge	
	4460465	2	Terminal	
7	8220904	1	Connector	
	1001116720	3	Terminal	
8	8220904	1	Connector	
	1001116720	3	Terminal	
9	4460742	1	Connector	
	4460457	2	Terminal	
10	4460970	1	Connector	
	80363179	1	Lock, Wedge	
	4460464	5	Terminal	
	4460941	3	Terminal	
	4460466	4	Plug	
11	1001200845	1	Leg, Mounting	
	8229243	2	Fuse, Type 7.5 A	
	1001205172	7	Relay, Micro 280, 12V, 35 Amp	
	1001177198	4	Module, 2 Fuse	
	4461103	8	Relay	
	1001116712	19	Terminal	
	1001116711	1	Terminal	
	1001116710	24	Terminal	
12	4460891	1	Connector	
	4460465	2	Terminal	
13	4460955	1	Connector	
	1001116748	2	Terminal	

**SECTION 10 - ELECTRICAL**

**FIGURE 10-53. TELEMATICS INSTALLATION, UNITED RENTALS**



ART\_100195610-A

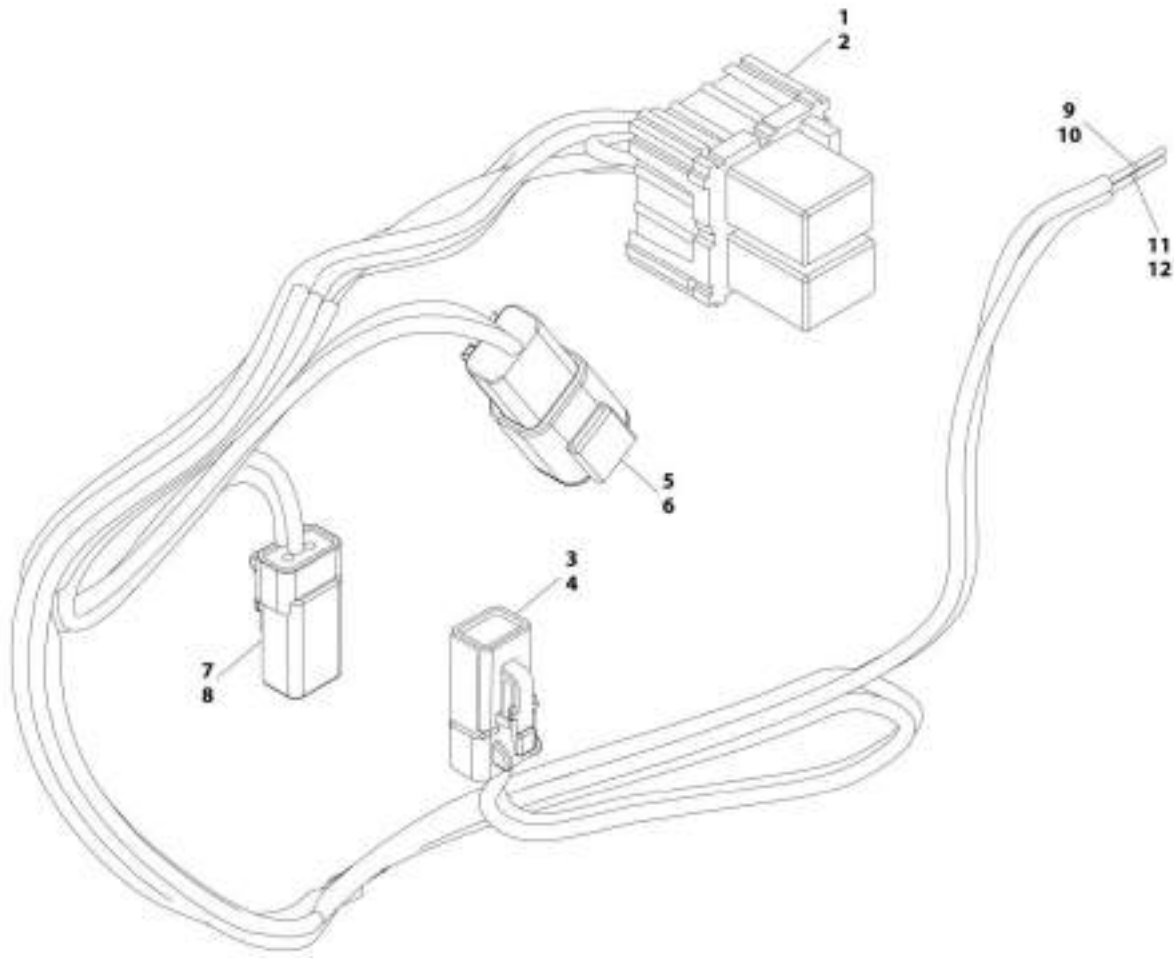
## SECTION 10 - ELECTRICAL

**FIGURE 10-53. TELEMATICS INSTALLATION, UNITED RENTALS**

ITEM	PART NUMBER	QTY	DESCRIPTION	REV
	1001195610	Ref	Telematics Installation, United Rentals	A
1	N.S.S.	1	Telematics Kit	
2	1001195423	1	Harness, Jumper	

# SECTION 10 - ELECTRICAL

## FIGURE 10-54. ROADLIGHT WORKLIGHT HARNESS



AWT\_1001285248-A



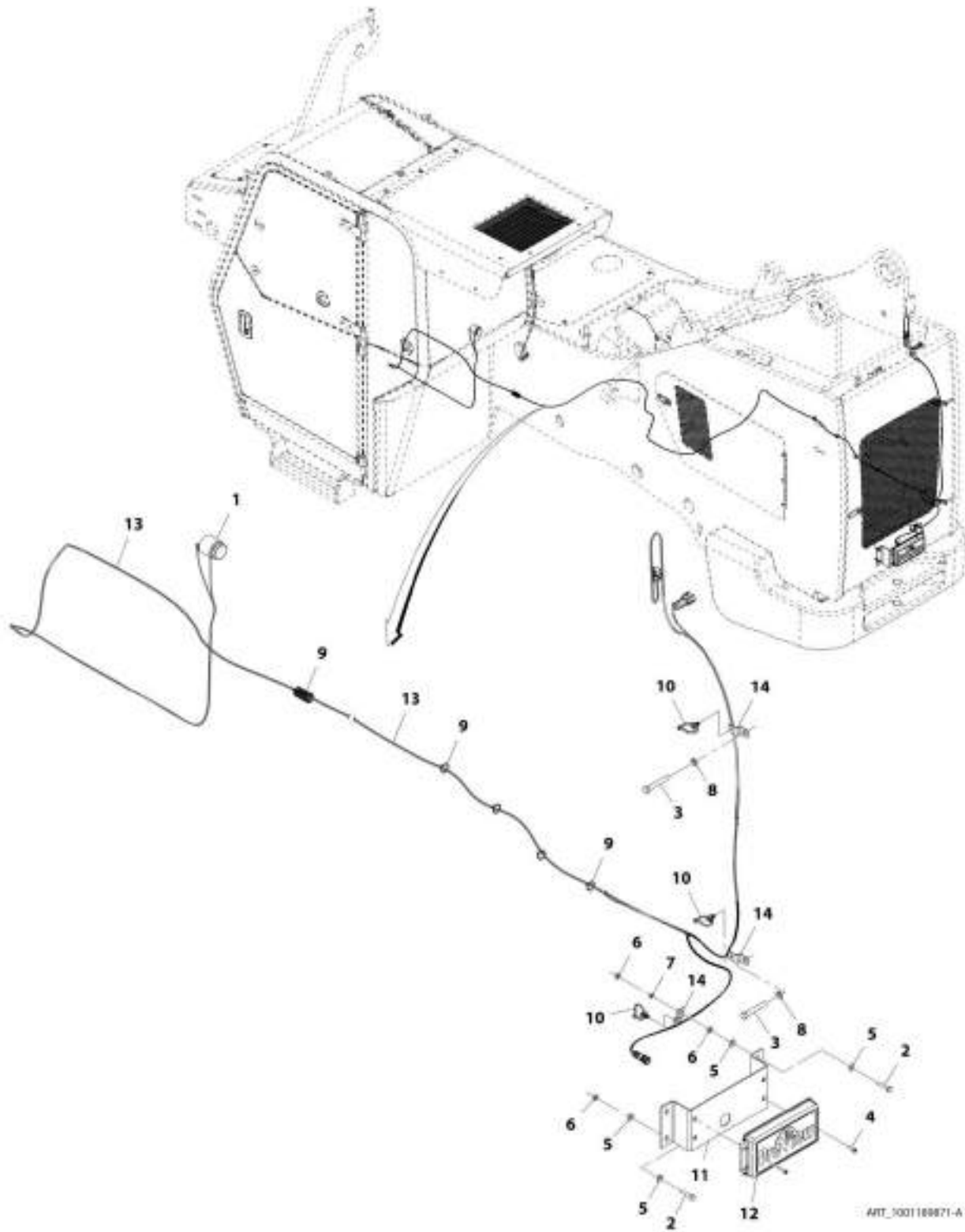
## SECTION 10 - ELECTRICAL

### FIGURE 10-54. ROADLIGHT WORKLIGHT HARNESS

ITEM	PART NUMBER	QTY	DESCRIPTION	REV
	1001205248	Ref	Roadlight Worklight Harness	A
1	1001177198	1	Connector	
2	1001116712	12	Terminal	
3	4461018	1	Connector	
4	4460509	2	Terminal	
5	4461017	1	Connector	
6	4460508	2	Terminal	
7	4461018	1	Connector	
8	4460509	2	Terminal	
9	4460790	1	Terminal, Socket	
10	8220089	1	Seal	
11	4460790	1	Terminal, Socket	
12	8220089	1	Seal	

# SECTION 10 - ELECTRICAL

## FIGURE 10-55. REVERSE SENSOR INSTALLATION



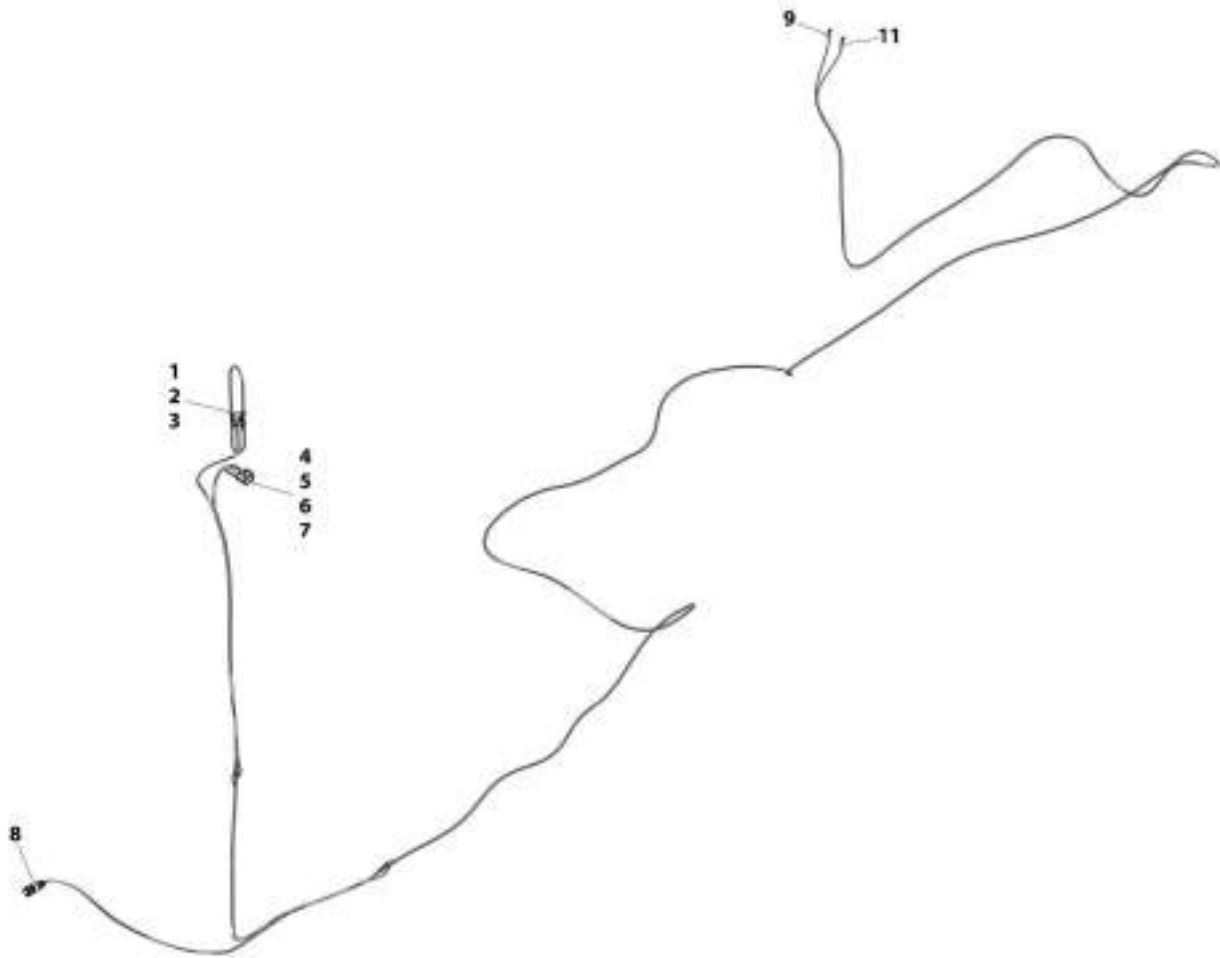
## SECTION 10 - ELECTRICAL

**FIGURE 10-55. REVERSE SENSOR INSTALLATION**

ITEM	PART NUMBER	QTY	DESCRIPTION	REV
	1001189871	Ref	Reverse Sensor Installation	A
1	0140011	1	Audible, Signal Device	
2	0641410	4	Capscrew, 1/4-20X1	
3	0641620	2	Capscrew, 3/8-16X2	
4	3931012	4	Capscrew, 10-24X3/4	
5	4711400	8	Washer, 1/4	
6	8305004	5	Nut, 1/4-20	
7	8307002	1	Washer, Lock 1/4	
8	8307005	2	Washer, Lock 3/8	
9	8584001	AR	Wrap, Tie 3/16	
10	1001004720	3	Strap, Cable	
11	1001154375	1	Bracket	
12	1001182358	1	Control, Reverse Sensor	
13	1001189886	1	Harness, Reverse Sensor (See REVERSE SENSOR HARNESS for Breakdown)	
14	1001204692	3	Bracket	

# SECTION 10 - ELECTRICAL

## FIGURE 10-56. REVERSE SENSOR HARNESS



ART\_1001185800-B

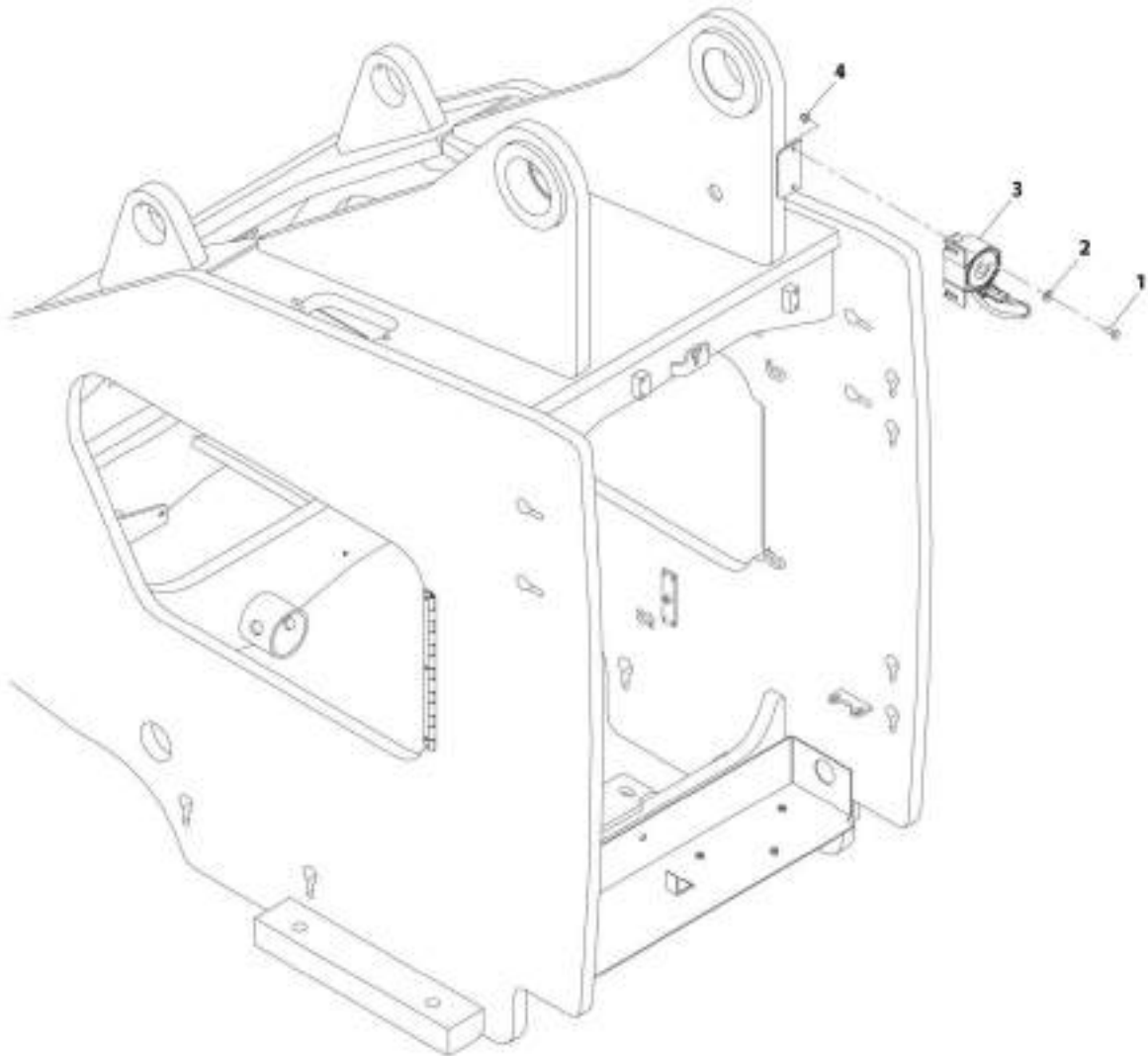
## SECTION 10 - ELECTRICAL

### FIGURE 10-56. REVERSE SENSOR HARNESS

ITEM	PART NUMBER	QTY	DESCRIPTION	REV
	1001189886	Ref	Reverse Sensor Harness	B
1	1001117021	1	Connector	
2	1001116728	2	Terminal	
3	4460458	2	Seal	
4	1001117026	1	Connector	
5	8220890	1	Lock, Secondary	
6	1001116745	2	Terminal	
7	4460458	2	Seal	
8	1001175733	1	Connector	
9	4460183	1	Fork Terminal	
11	4460183	1	Fork Terminal	

# SECTION 10 - ELECTRICAL

## FIGURE 10-57. BACK-UP ALARM INSTALLATION



ART\_1061206542-A

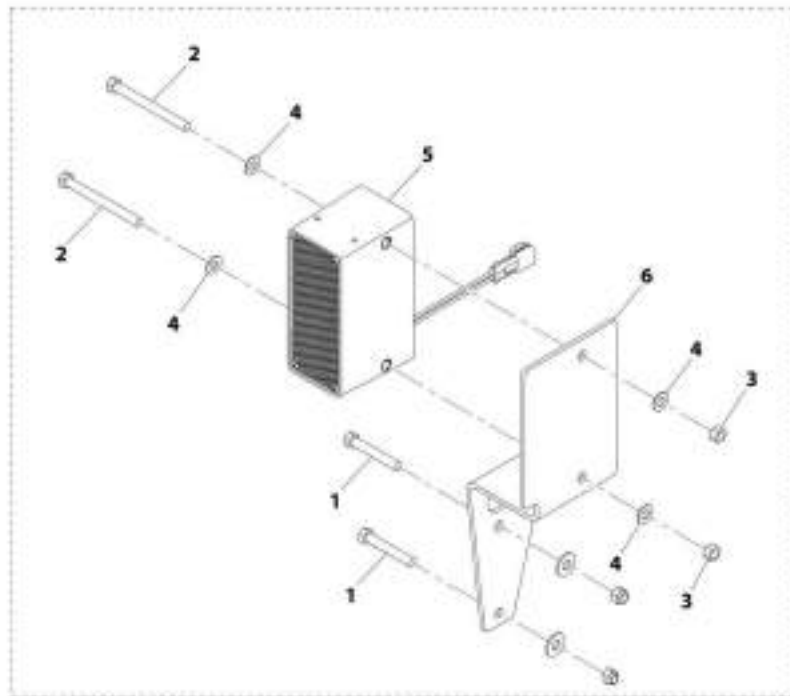
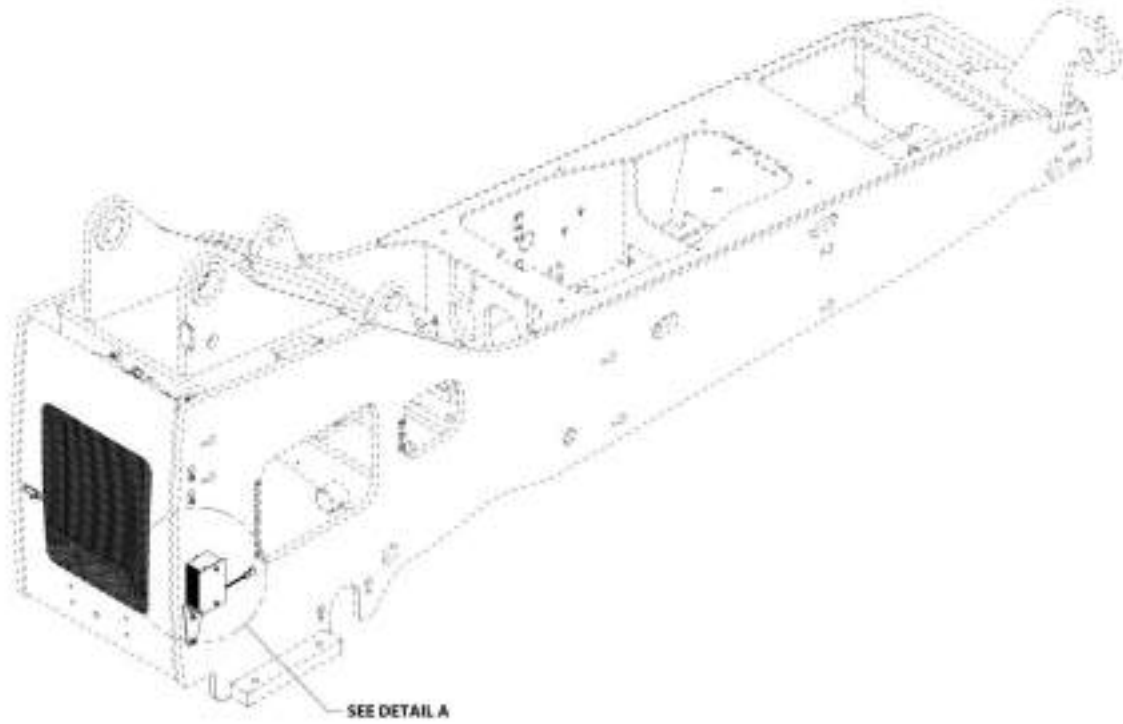
## SECTION 10 - ELECTRICAL

### FIGURE 10-57. BACK-UP ALARM INSTALLATION

ITEM	PART NUMBER	QTY	DESCRIPTION	REV
	1001206542	Ref	Back-Up Alarm Installation	A
1	0641406	2	Bolt, 1/4-20X3/4	
2	4711400	2	Washer, 1/4	
3	8270621	1	Alarm, Back-Up	
4	8305624	2	Nut, Lock 1/4-20	

# SECTION 10 - ELECTRICAL

## FIGURE 10-58. BACK-UP ALARM INSTALLATION (WHITE NOISE)



DETAIL A

ART\_1001290543-A



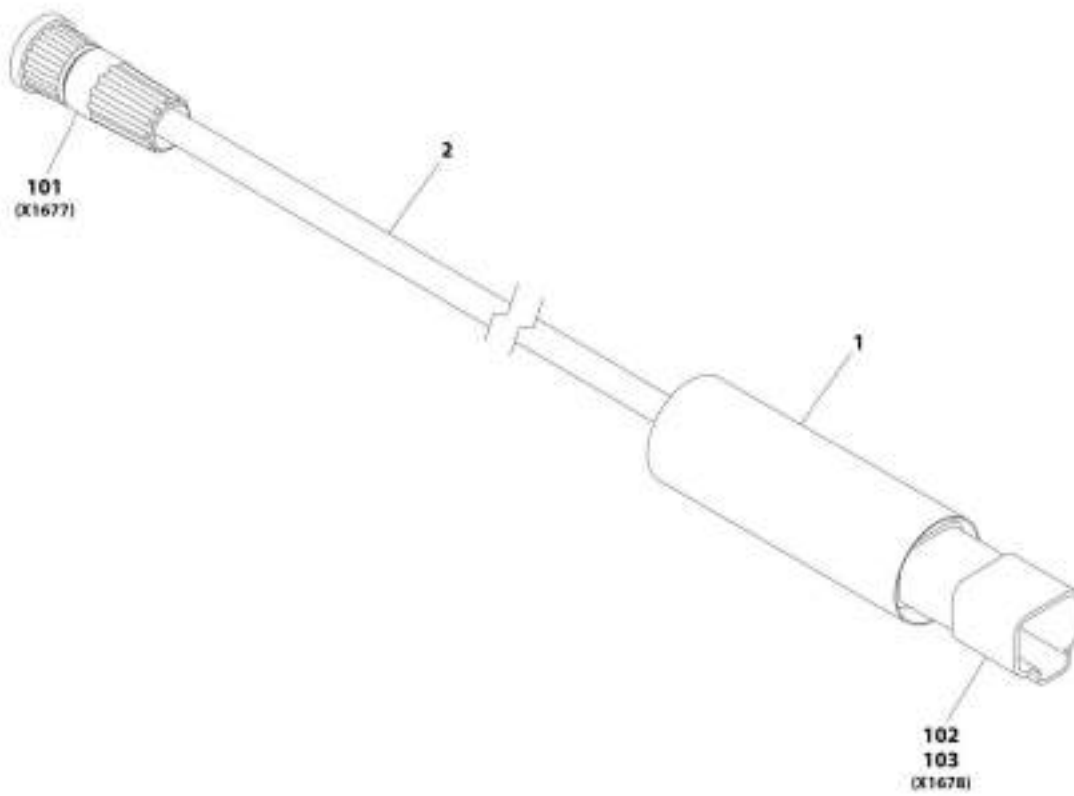
## SECTION 10 - ELECTRICAL

**FIGURE 10-58. BACK-UP ALARM INSTALLATION (WHITE NOISE)**

ITEM	PART NUMBER	QTY	DESCRIPTION	REV
	1001206543	Ref	Back-Up Alarm Installation (White Noise)	A
1	0641620	2	Capscrew, 3/8-16X2	
2	0641632	2	Capscrew, 3/8-16X4	
3	3311605	2	Nut, Lock 3/8-16	
4	4711600	4	Washer, 3/8	
5	1001198728	1	Alarm, White Noise	
6	1001213574	1	Bracket	

# SECTION 10 - ELECTRICAL

## FIGURE 10-59. TELEMATICS HARNESS



ART\_300122/096-A

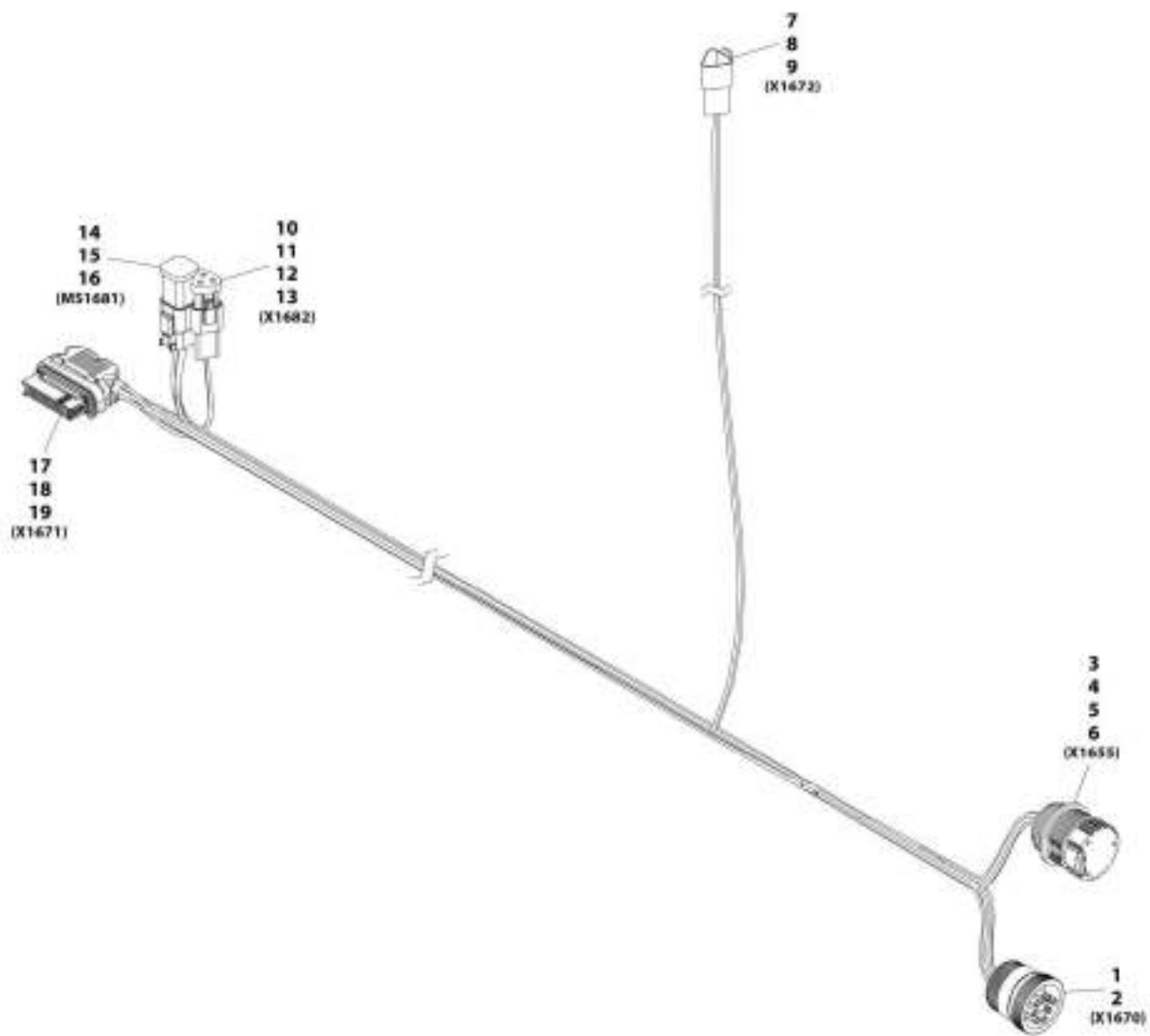
## SECTION 10 - ELECTRICAL

### FIGURE 10-59. TELEMATICS HARNESS

ITEM	PART NUMBER	QTY	DESCRIPTION	REV
	1001227066	Ref	Telematics Harness	A
1	1001226400	0.33 ft	Insulate, Heat Shrink	
2	1001227068	3.3 ft	Cable	
101	1001227266	1	Connector	
102	1001129407	1	Connector	
103	4460464	4	Terminal	

# SECTION 10 - ELECTRICAL

## FIGURE 10-60. CLEARSKY TELEMATICS HARNESS



ART\_1001226858-A

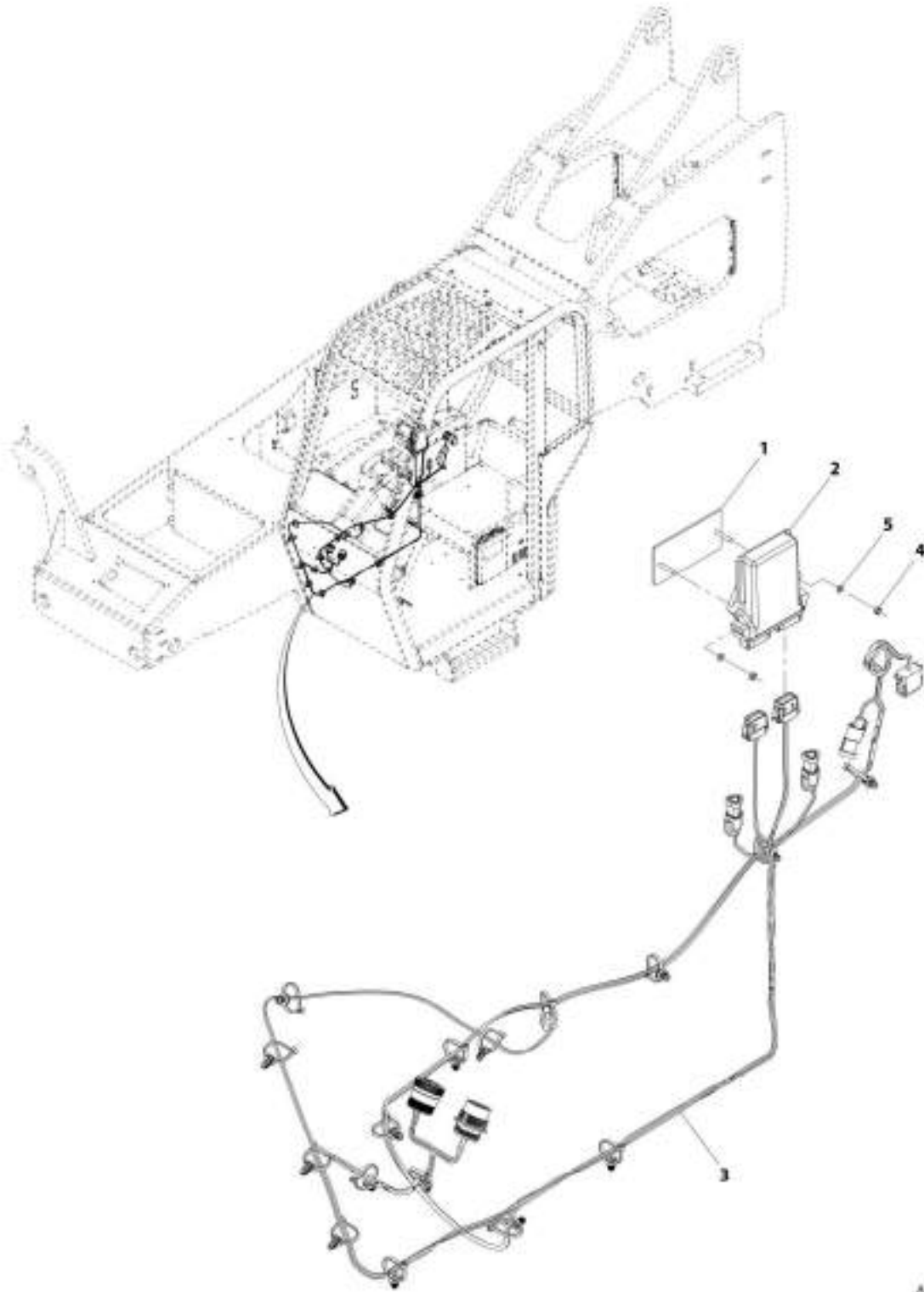
## SECTION 10 - ELECTRICAL

**FIGURE 10-60. CLEARSKY TELEMATICS HARNESS**

ITEM	PART NUMBER	QTY	DESCRIPTION	REV
	1001226856	Ref	Clearsky Telematics Harness	A
1	1001112796	1	Connector	
2	4460465	9	Terminal	
3	1001112612	1	Connector	
4	1001149712	1	Cap	
5	1001116693	6	Terminal	
6	4460466	3	Plug	
7	1001144147	1	Connector	
8	4460464	2	Terminal	
9	4460466	1	Plug	
10	1001144147	1	Connector	
11	1001116815	1	Plug	
12	4460464	2	Terminal	
13	4460466	1	Plug	
14	4460894	1	Connector	
15	1001226541	1	Bussbar	
16	4460465	6	Terminal	
17	1001226636	1	Connector	
18	1001116731	16	Plug	
19	1001226637	8	Terminal	

# SECTION 10 - ELECTRICAL

## FIGURE 10-61. CANBUS TELEMATICS INSTALLATION



ARE\_100122048-A

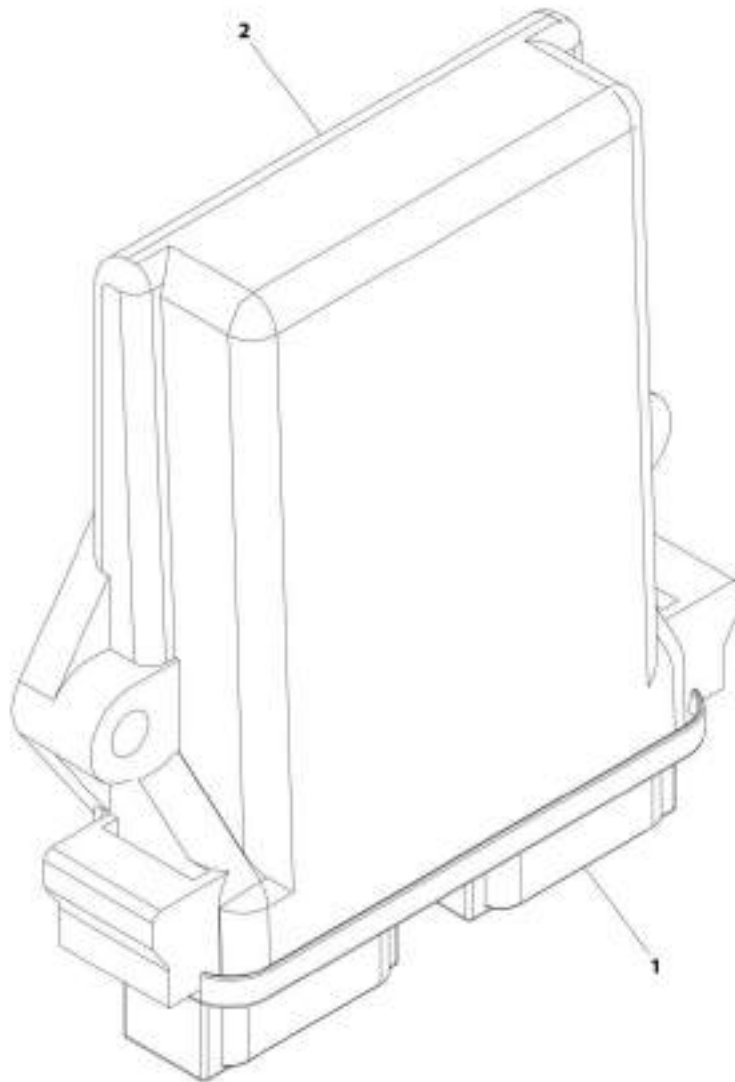
## SECTION 10 - ELECTRICAL

### FIGURE 10-61. CANBUS TELEMATICS INSTALLATION

ITEM	PART NUMBER	QTY	DESCRIPTION	REV
	1001220468	Ref	Canbus Telematics Installation	A
1	1001219082	1	Bracket, Control Mount	
2	1001229458	1	Controller, Gateway (See Separate Breakdown in Electrical Section)	
3	1001219895	1	Telematics Gateway Harness (See Separate Breakdown in Electrical Section)	
4	3290505	2	Nut, M5X0.8	
5	4811600	2	Washer, M6	

# SECTION 10 - ELECTRICAL

## FIGURE 10-62. GATEWAY CONTROLLER



ART. 1001225439 B



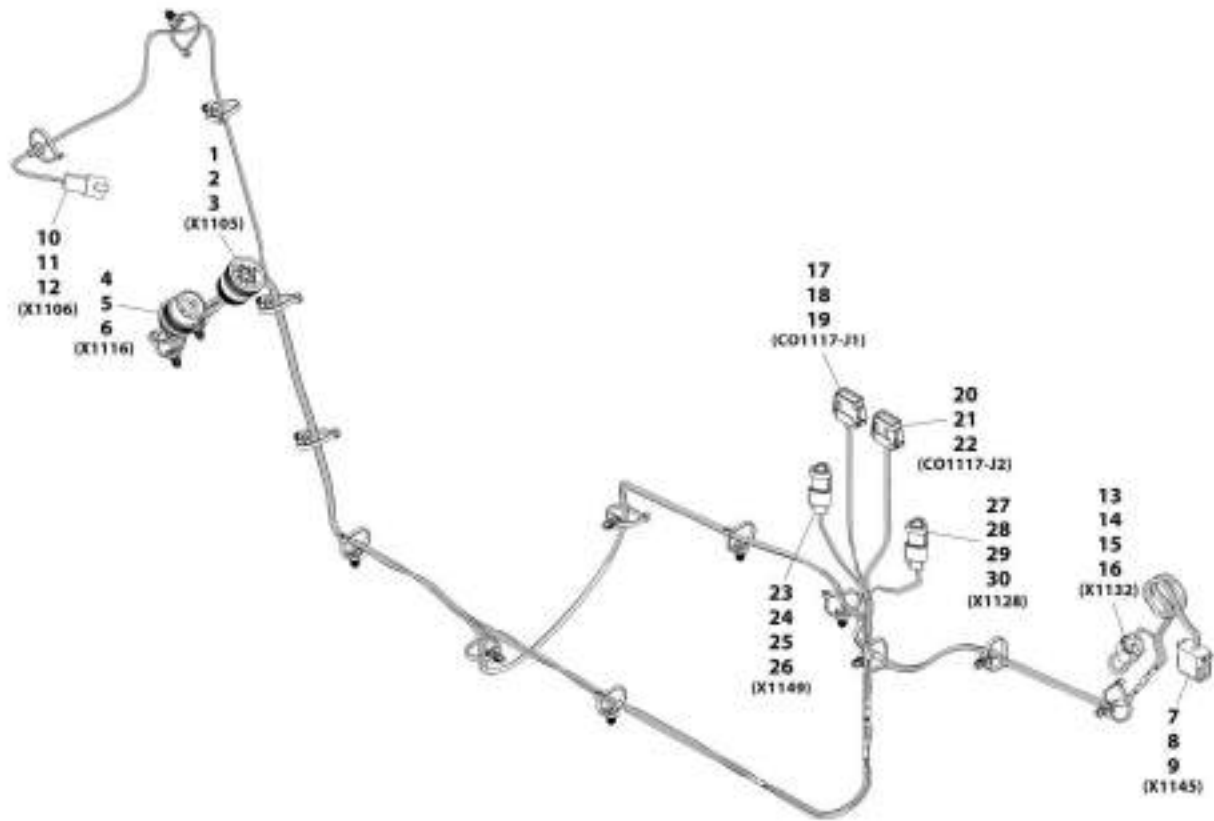
## SECTION 10 - ELECTRICAL

### FIGURE 10-62. GATEWAY CONTROLLER

ITEM	PART NUMBER	QTY	DESCRIPTION	REV
	1001229458	Ref	Gateway Controller	B
1	1001100828	1	PC Board	
2	1001100829	1	Box, Circuit Card	
3	1001229457	1	Software, Gateway (not shown)	

# SECTION 10 - ELECTRICAL

## FIGURE 10-63. TELEMATICS GATEWAY HARNESS



ART\_10012/9695-A

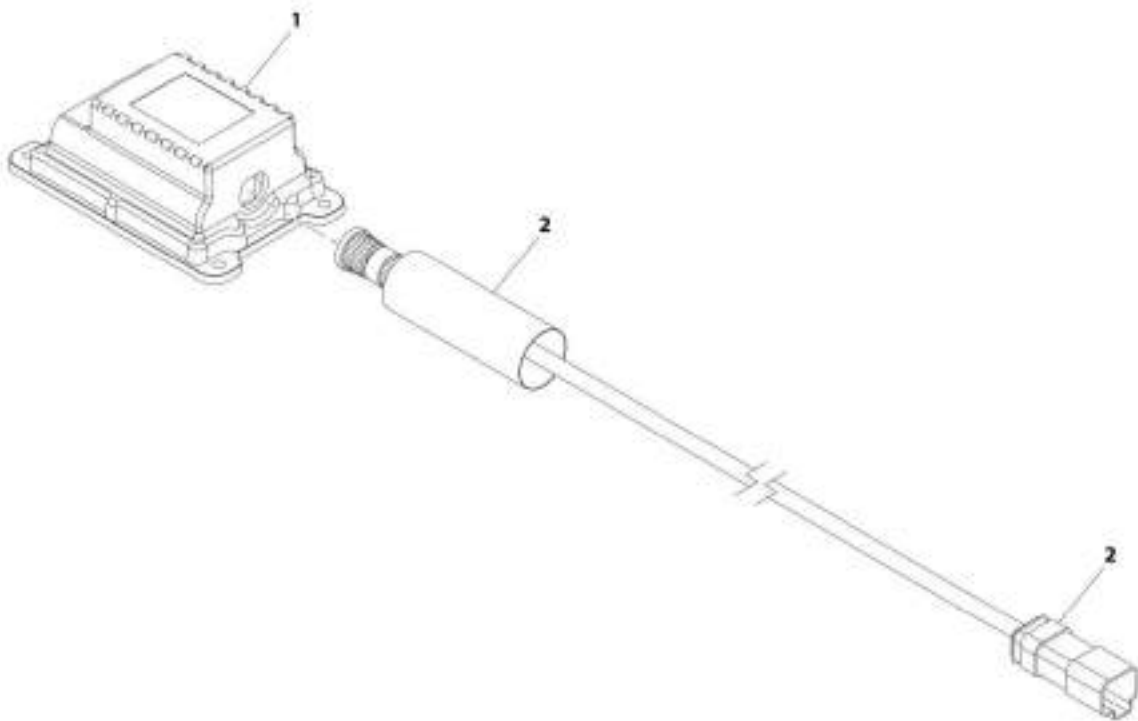
## SECTION 10 - ELECTRICAL

### FIGURE 10-63. TELEMATICS GATEWAY HARNESS

ITEM	PART NUMBER	QTY	DESCRIPTION	REV
	1001219895	Ref	Telematics Gateway Harness	A
1	1001112796	1	Connector	
2	1001116692	6	Terminal	
3	4460466	3	Plug	
4	1001112612	1	Connector	
5	1001116693	6	Terminal	
6	4460466	3	Plug	
7	4460933	1	Connector	
8	1001116692	5	Terminal	
9	4460466	7	Plug	
10	1001144147	1	Connector	
11	4460464	2	Terminal	
12	4460466	1	Plug	
13	1001116812	1	Connector	
14	4461070	1	Terminal	
15	4460944	2	Terminal	
16	4460466	1	Plug	
17	1001116774	1	Connector	
18	4460518	8	Plug	
19	1001116694	4	Terminal	
20	1001116808	1	Connector	
21	4460518	10	Plug	
22	1001116694	2	Terminal	
23	1001116812	1	Connector	
24	4461070	1	Terminal	
25	4460944	2	Terminal	
26	4460466	1	Plug	
27	1001116812	1	Connector	
28	4461070	1	Terminal	
29	4460944	2	Terminal	
30	4460466	1	Plug	

# SECTION 10 - ELECTRICAL

FIGURE 10-64. CLEARSKY INSTALLATION 3-WIRE (ANSI)



ART\_100229107-C

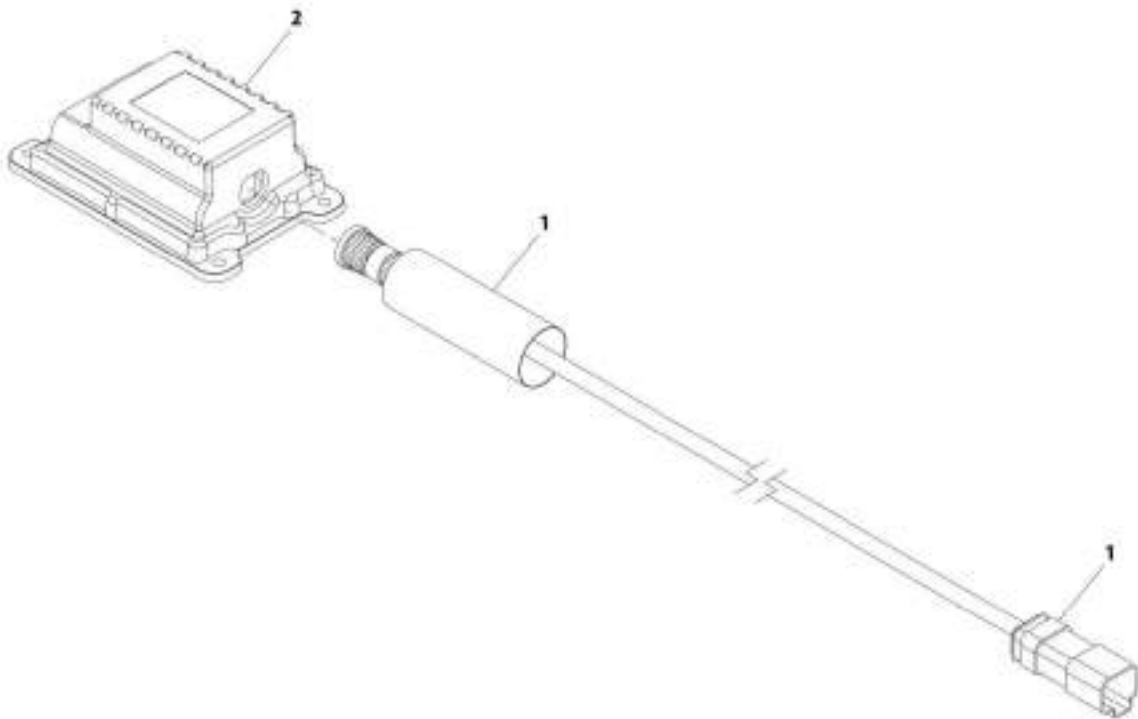
## SECTION 10 - ELECTRICAL

**FIGURE 10-64. CLEARSKY INSTALLATION 3-WIRE (ANSI)**

ITEM	PART NUMBER	QTY	DESCRIPTION	REV
1	1001229107	Ref	Clearsky Installation 3-Wire (ANSI)	B
	1001226328	1	Module, 3W TCU	
	1001227066	Ref	Telematics Harness (See Separate Breakdown in this Section)	

# SECTION 10 - ELECTRICAL

FIGURE 10-65. CLEARSKY INSTALLATION 3-WIRE (CE)



ART\_1001255137-C

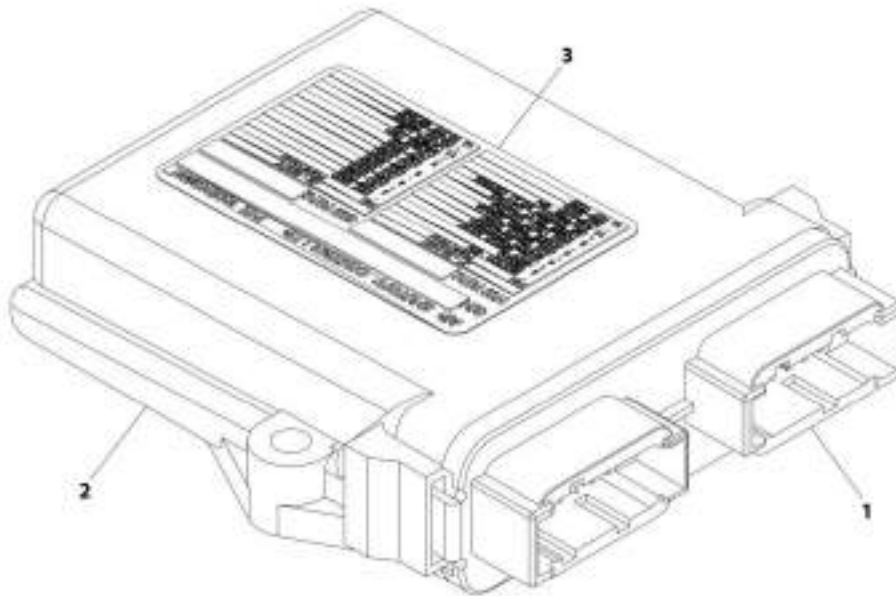
## SECTION 10 - ELECTRICAL

**FIGURE 10-65. CLEARSKY INSTALLATION 3-WIRE (CE)**

ITEM	PART NUMBER	QTY	DESCRIPTION	REV
1	1001233237	Ref	Clearsky Installation 3-Wire (CE)	C
	1001227066	Ref	Telematics Harness (See Separate Breakdown in this Section)	
2	1001233236	1	Module, 3W TCU	

# SECTION 10 - ELECTRICAL

## FIGURE 10-66. CONTROL ACCESSORY



ART\_1001203101-C



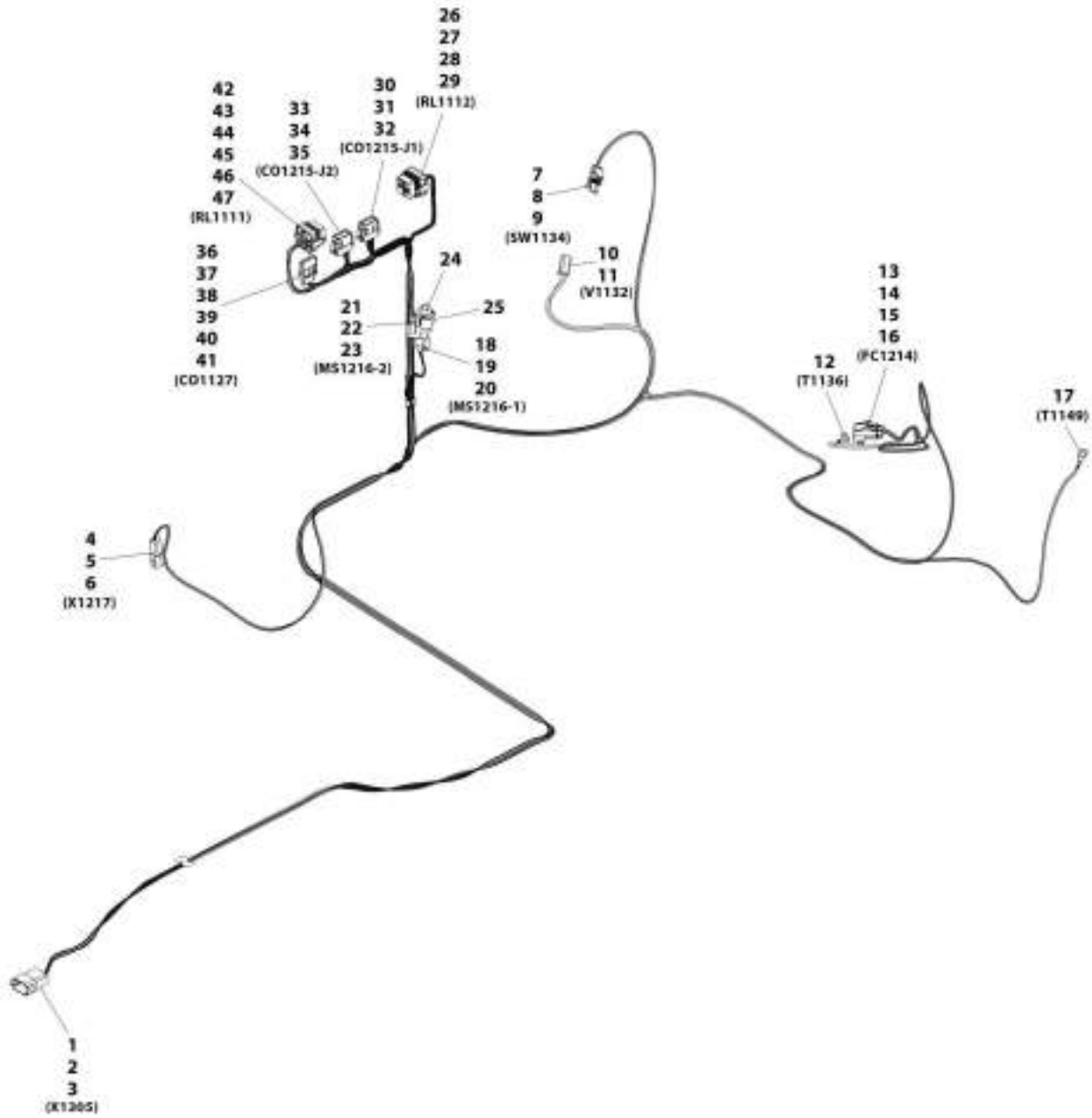
## SECTION 10 - ELECTRICAL

### FIGURE 10-66. CONTROL ACCESSORY

ITEM	PART NUMBER	QTY	DESCRIPTION	REV
	1001203181	Ref	Control Accessory	C
1	1001215630	1	PC Board	
2	0861493	1	Box, Circuit Card	
3	1001215631	1	Decal	
4	1001215632	1	Software (not shown)	

# SECTION 10 - ELECTRICAL

## FIGURE 10-67. POSI AIR SHUT OFF VALVE T4F HARNESS



AWT\_3001216455-D

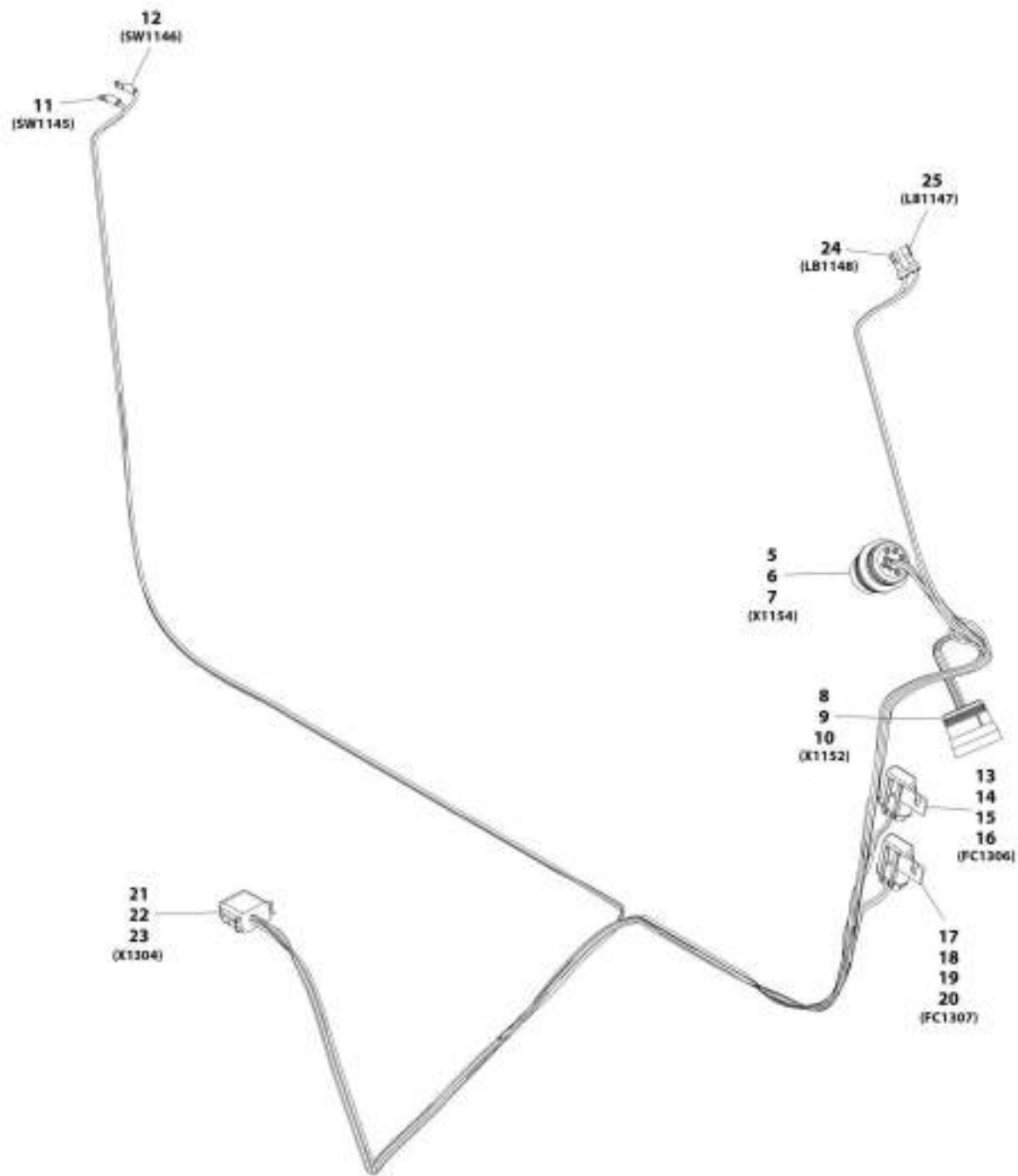
## SECTION 10 - ELECTRICAL

### FIGURE 10-67. POSI AIR SHUT OFF VALVE T4F HARNESS

ITEM	PART NUMBER	QTY	DESCRIPTION	REV
	1001216455	Ref	POSI Air Shut Off Valve T4F Harness	D
1	4460931	1	Connector	
2	4460464	6	Terminal	
3	4460466	2	Plug	
4	1001144147	1	Connector	
5	4460464	2	Terminal	
6	4460466	1	Plug	
7	4460742	1	Connector	
8	4460457	2	Terminal	
9	4460458	2	Seal	
10	4460891	1	Connector	
11	1001157890	2	Terminal	
12	1001187078	1	Terminal, Ring	
13	1001231397	1	Connector	
14	8229235	1	Fuse	
15	1001231401	2	Terminal	
16	1001230402	2	Seal	
17	1001187078	1	Connector	
18	1001116812	1	Connector	
19	4460465	2	Terminal	
20	4460466	1	Plug	
21	4460539	1	Connector	
22	4460465	2	Terminal	
23	4460466	1	Plug	
24	1001116815	1	Connector, 3 Pin	
25	4460945	1	Terminal, 3 Way "T" Receptacle	
26	1001231398	1	Connector	
27	1001231400	4	Terminal	
28	1001231406	1	Plug	
29	1001231404	4	Seal	
30	1001116808	1	Connector	
31	1001126008	9	Terminal	
32	4460518	3	Plug	
33	1001116774	1	Connector	
34	4460518	8	Plug	
35	1001126008	4	Terminal	
36	4460761	1	Connector	
37	4460321	1	Connector - 4 Position	
38	4460809	4	Plug	
39	1001118378	4	Terminal	
40	1001143551	1	Seal	
41	1001218358	1	Lanyard, Rope	
42	1001231398	1	Connector	
43	1001231401	2	Terminal	
44	1001231400	2	Terminal	
45	1001231406	1	Plug	
46	1001231402	2	Seal	
47	1001231404	2	Seal	

# SECTION 10 - ELECTRICAL

## FIGURE 10-68. POSI AIR SHUT OFF VALVE CAB HARNESS



ART\_1001231580-C

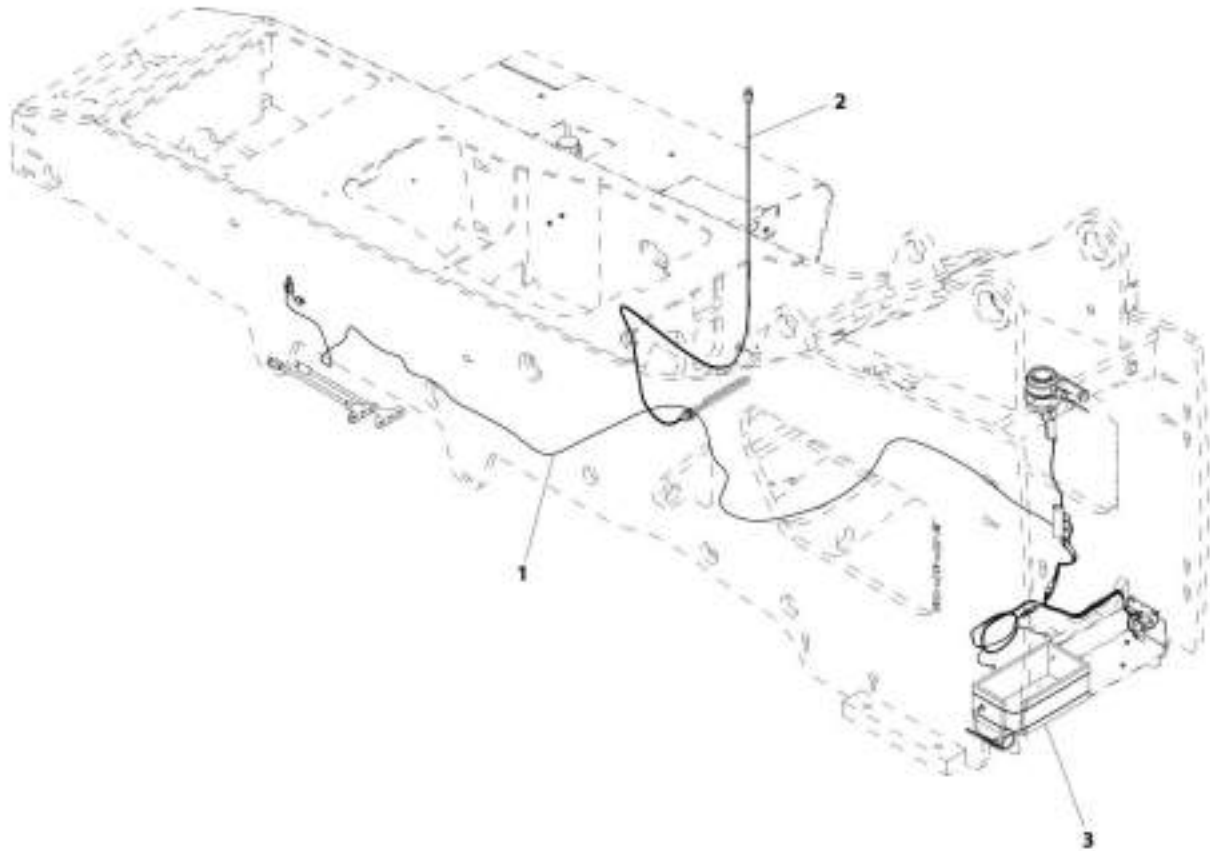
## SECTION 10 - ELECTRICAL

**FIGURE 10-68. POSI AIR SHUT OFF VALVE CAB HARNESS**

ITEM	PART NUMBER	QTY	DESCRIPTION	REV
	1001231560	Ref	POSI Air Shut Off Valve Cab Harness	C
5	1001112612	1	Connector	
6	4460464	6	Terminal	
7	4460466	3	Plug	
8	1001116945	1	Connector	
9	4460465	6	Terminal	
10	4460466	3	Plug	
11	8220035	1	Terminal, Ring	
12	8220035	1	Terminal, Ring	
13	1001231397	1	Connector	
14	8229261	1	Fuse	
15	1001231400	2	Terminal	
16	1001231404	2	Plug	
17	1001231397	1	Connector	
18	8229234	1	Fuse	
19	1001231400	2	Terminal	
20	1001231404	2	Plug	
21	4460930	1	Connector	
22	4460465	6	Terminal	
23	4460466	2	Plug	
24	8220108	1	Connector	
25	8220108	1	Connector	

# SECTION 10 - ELECTRICAL

FIGURE 10-69. ARCTIC WEATHER PACKAGE INSTALLATION - 74 HP (ULS)



AWT\_1001234533-A

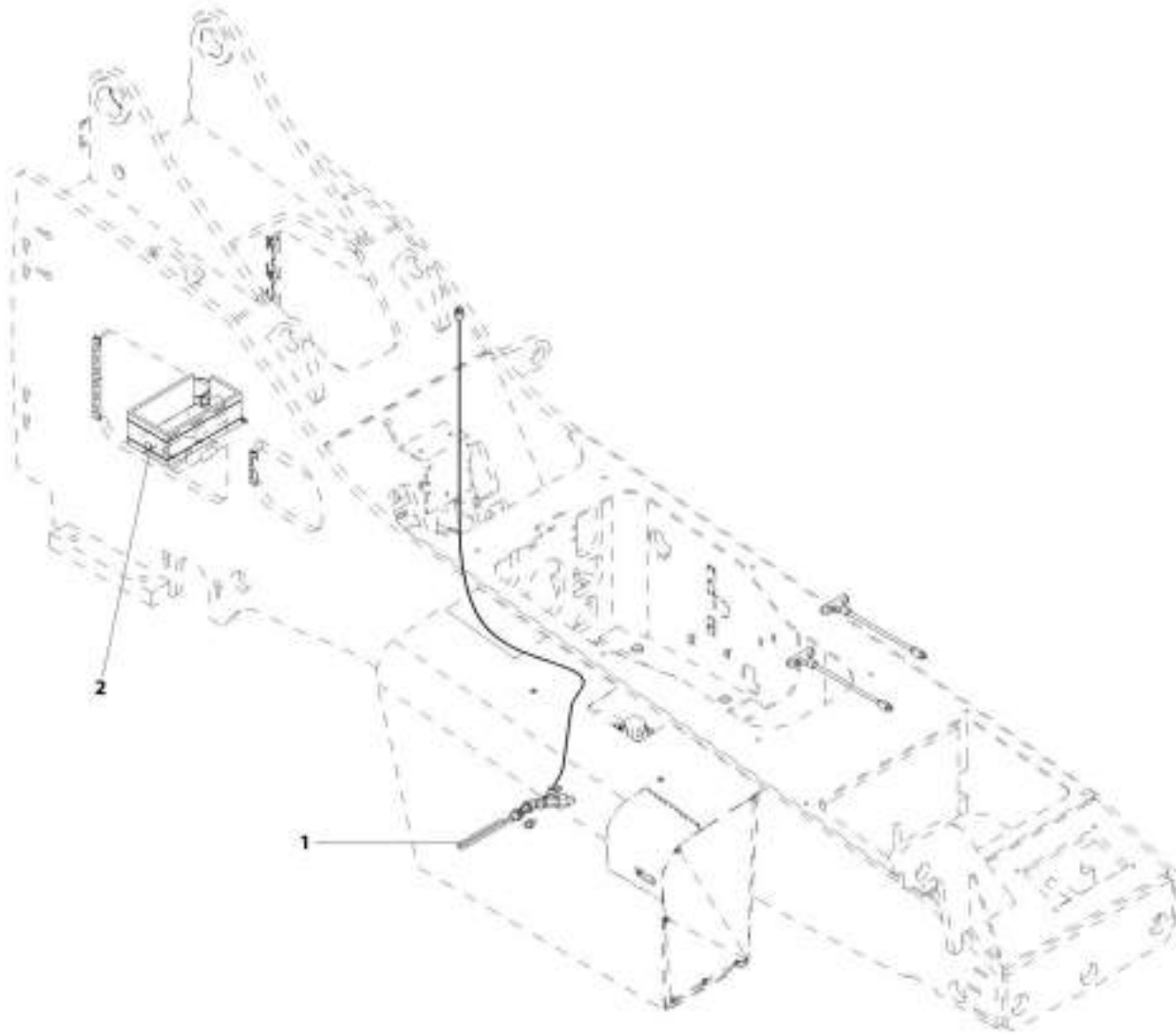
## SECTION 10 - ELECTRICAL

**FIGURE 10-69. ARCTIC WEATHER PACKAGE INSTALLATION - 74 HP (ULS)**

ITEM	PART NUMBER	QTY	DESCRIPTION	REV
1	1001234530	Ref	Arctic Weather Package Installation - 74 HP (ULS)	A
	1001232750	Ref	Heater, Breather - 74 HP (See Separate Breakdown in Engine And Attaching Parts Section)	
2	1001233964	Ref	Installation, Tank Heater (See Separate Breakdown in this Section)	
3	1001234216	Ref	Installation, Battery Blanket (See Separate Breakdown in this Section)	

# SECTION 10 - ELECTRICAL

FIGURE 10-70. ARCTIC WEATHER PACKAGE INSTALLATION (LS)



ART\_1001239920-A



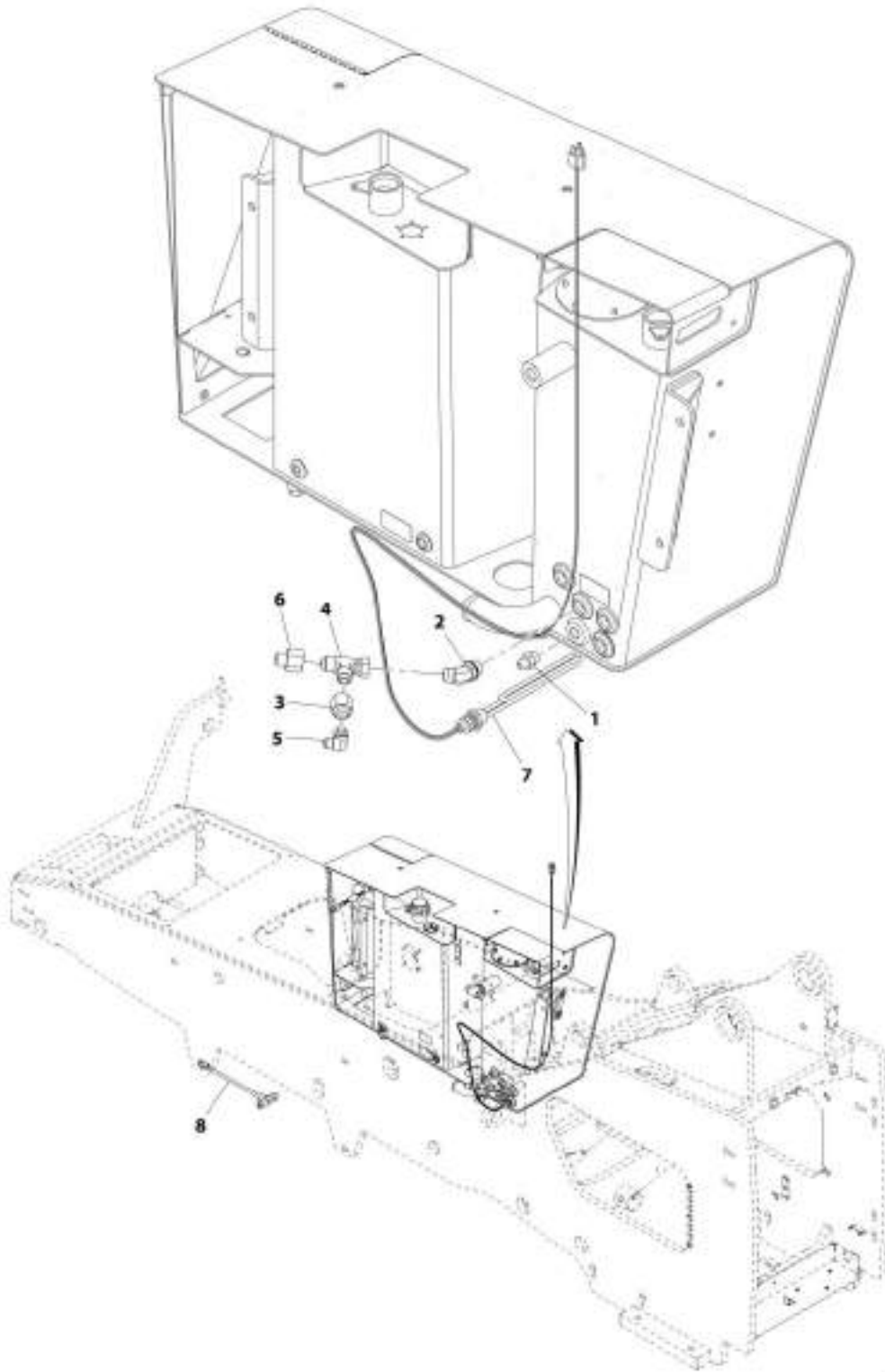
## SECTION 10 - ELECTRICAL

**FIGURE 10-70. ARCTIC WEATHER PACKAGE INSTALLATION (LS)**

ITEM	PART NUMBER	QTY	DESCRIPTION	REV
1	1001239958	Ref	Arctic Weather Package Installation (LS)	A
	1001233964	Ref	Installation, Tank Heater (See Separate Breakdown in this Section)	
2	1001234216	Ref	Installation, Battery Blanket	

# SECTION 10 - ELECTRICAL

## FIGURE 10-71. INSTALLATION, HYDRAULIC TANK HEATER



ART\_100123964-A

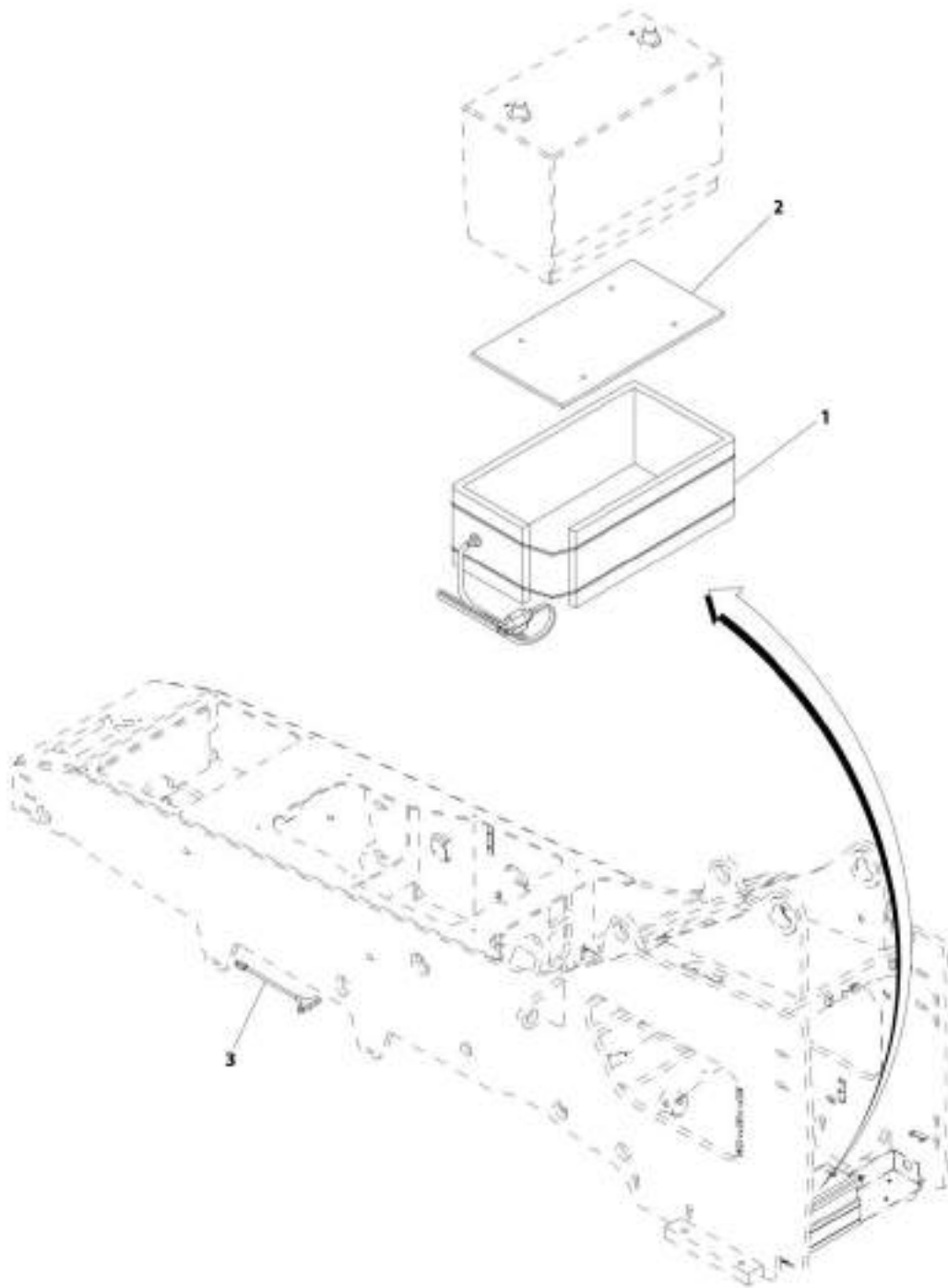
## SECTION 10 - ELECTRICAL

### FIGURE 10-71. INSTALLATION, HYDRAULIC TANK HEATER

ITEM	PART NUMBER	QTY	DESCRIPTION	REV
	1001233964	Ref	Hydraulic Tank Heater Installation	A
1	2220374	1	Connector	
2	2220498	1	Adapter, 45	
3	2220622	1	Reducer	
4	2220700	1	Tee Fitting	
5	8765204	1	Elbow	
6	1001094696	1	Adapter	
7	1001105886	1	Immersion Heater	
8	1060626	1	3 Way Plug	

# SECTION 10 - ELECTRICAL

## FIGURE 10-72. BATTERY BLANKET INSTALLATION



ART\_1001234216-A

## SECTION 10 - ELECTRICAL

### FIGURE 10-72. BATTERY BLANKET INSTALLATION

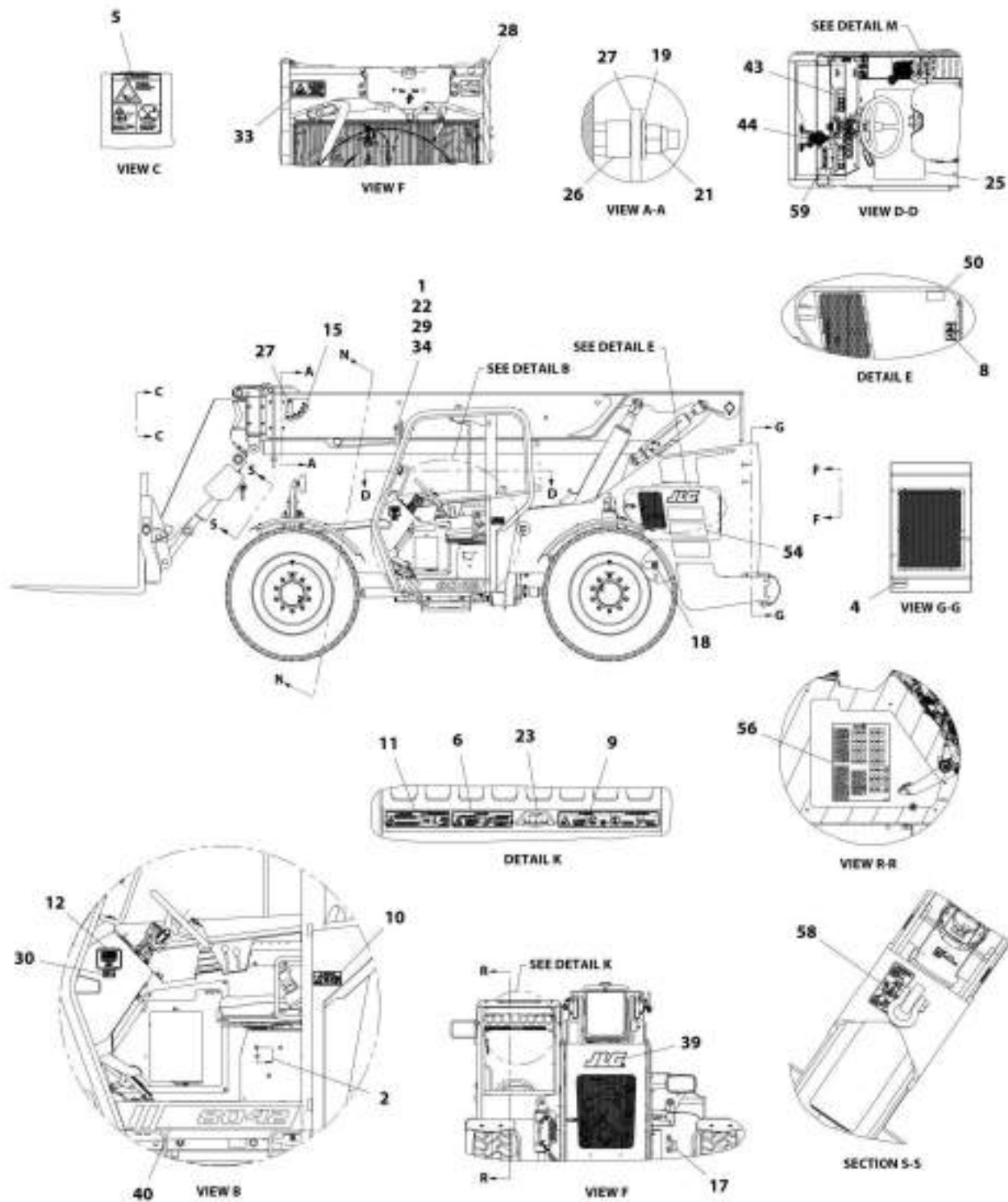
ITEM	PART NUMBER	QTY	DESCRIPTION	REV
	1001234216	Ref	Battery Blanket Installation	A
1	1001093564	1	Battery Heater	
2	1001119278	1	Battery Insulate	
3	1060626	1	3 Way Plug	



**SECTION 11 - DECALS**

# SECTION 11 - DECALS

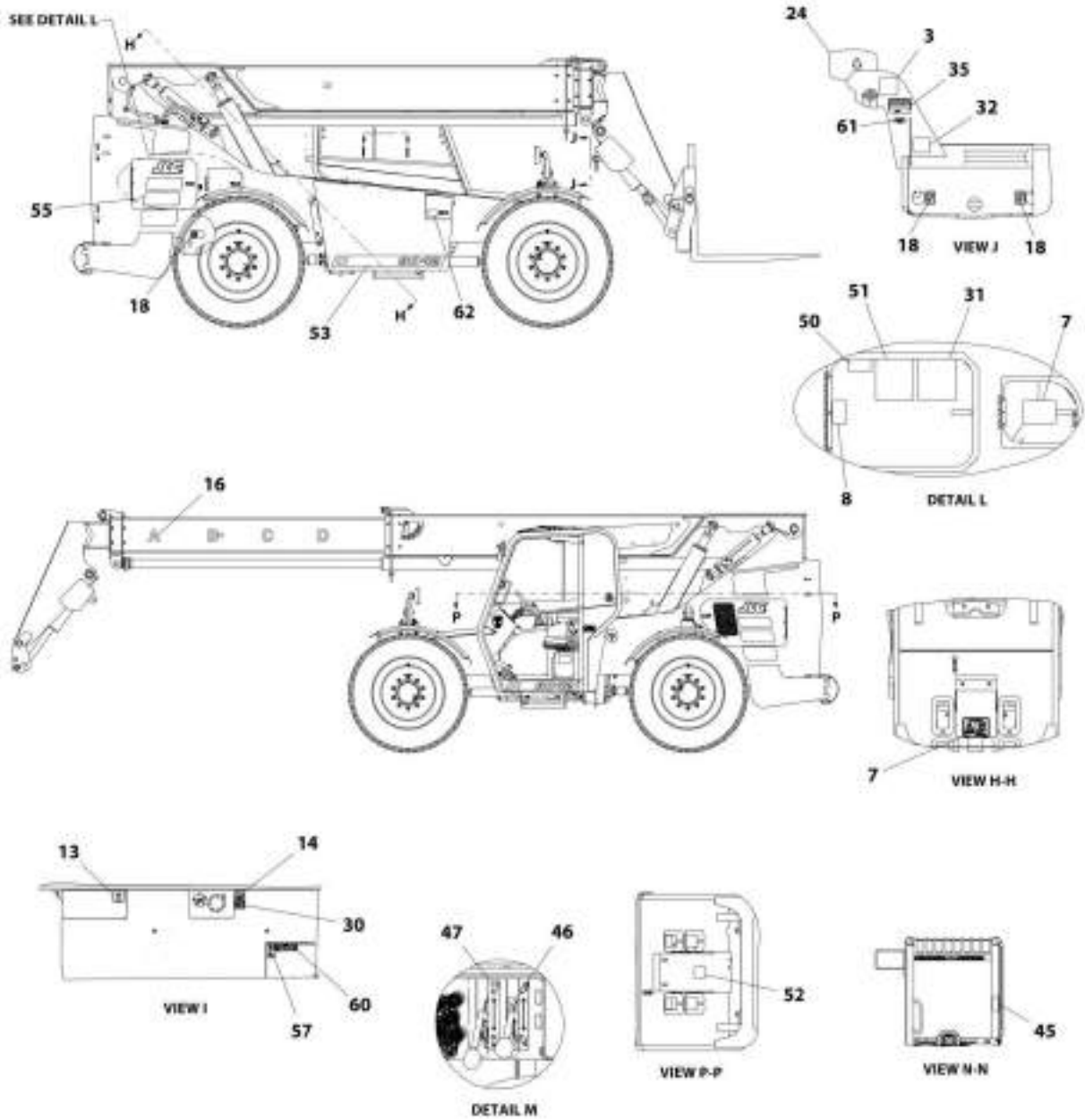
## FIGURE 11-1. DECAL INSTALLATION (ANSI) - 8042



ART\_1001166109\_1-4



# SECTION 11 - DECALS



ART. 3001196109.2-R

# SECTION 11 - DECALS

FIGURE 11-1. DECAL INSTALLATION (ANSI) - 8042

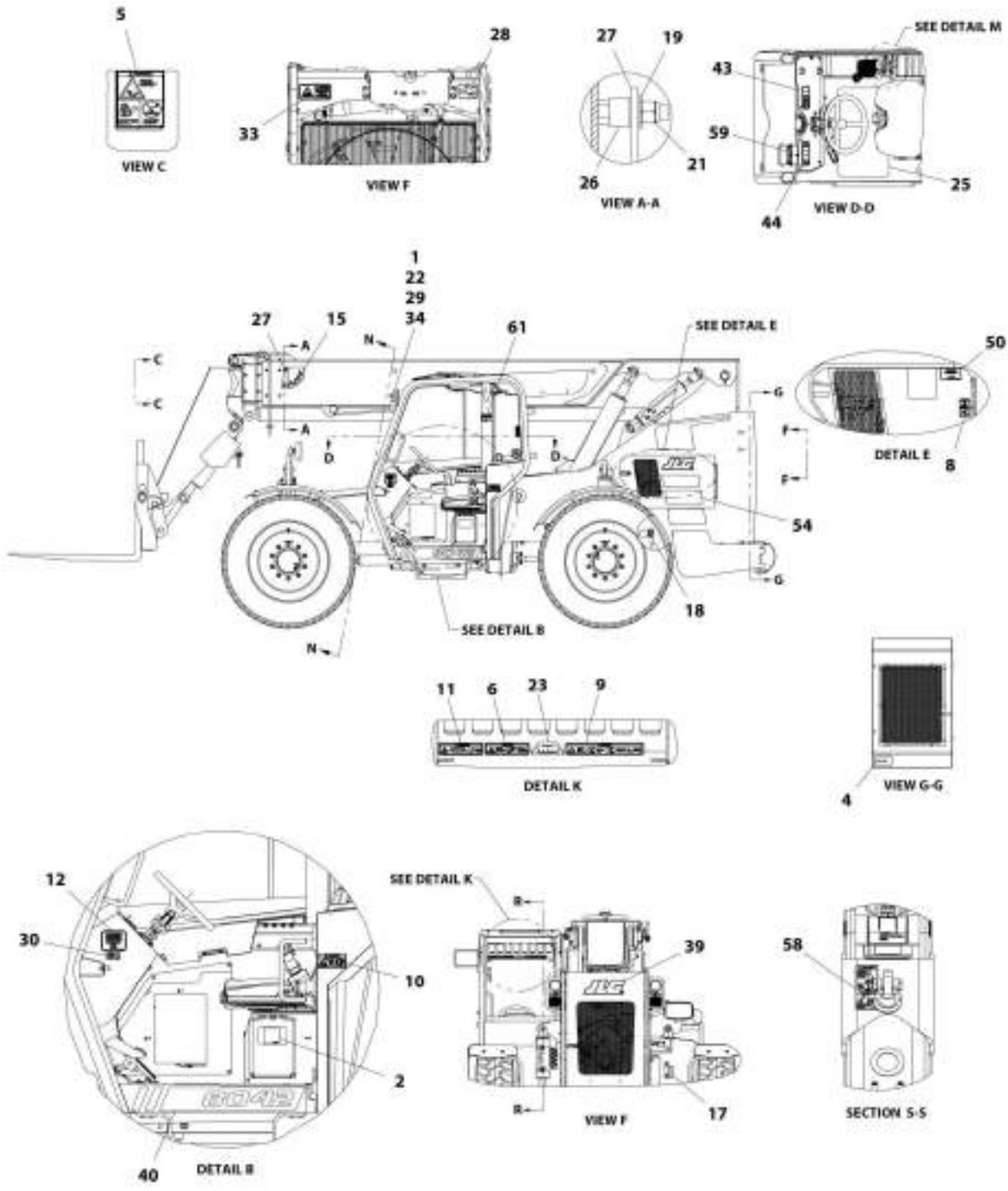
ITEM	PART NUMBER	QTY	DESCRIPTION	REV
	1001166109	Ref	Decal Installation (ANSI) - 8042	K
1	0700610	2	Bolt, M6X20	
2	1701640	1	Decal, Manual	
3	1702631	1	Decal, Bar Code	
4	1706296	1	Decal, Battery Warning (ANSI)	
5	1706298	1	Decal, Carry Personnel	
6	1706299	1	Decal, Contacting Power Lines Warning	
7	1706300	2	Decal, Ether Warning	
8	1706301	2	Decal, Keep Clear of Rotating Parts Warning	
9	1706306	1	Decal, Tip Over Warning	
10	1706768	1	Decal, No Riders	
11	1706850	1	Decal, Crush Hazard Warning	
12	3251813	1	Decal, USA	
13	4100181	1	Decal, Hydraulic Oil Fill	
14	1001189017	1	Decal, Diesel Fuel Fill	
15	4105262	1	Decal, Boom Angle Indicator	
16	4107442	1	Decal, Boom Extend Letters	
17	4108302	1	Decal, Hydraulic Oil Level	
18	1702300	4	Decal, Tie Down	
19	4711600	1	Washer, 3/8	
21	8305645	1	Nut, Lock 3/8	
22	8307024	2	Washer, Lock M6	
23	8466306	1	Gage, Tilt Angle	
24	1001191635	1	Mirror, RH	
25	10139087	1	Tread, Safety	
26	1001096404	1	Sleeve, Angle Indicator Spacer	
27	1001098769	1	Plate, Boom Angle Indicator	
28	1001109053	1	Decal, Coolant Fill	
29	1001114675	1	Arm, Mirror	
30	1001125387	2	Decal, Ultra Low Sulfur Fuel	
31	1001191994	1	Decal, Lubrication Chart 8042	
32	1001131271	1	Decal, Telehandlers Patent	
33	1001139578	1	Decal, Hot Fluid Warning	
34	1001148177	1	Mirror, Rectangular	
35	N.S.S.	1	S/N Plate	
39	1001157274	1	Decal, Rear Door JLG Logo	
40	1001157614	1	Decal, Cab 8042	
43	1001158272	1	Decal, RH Overlay	
44	1001158319	1	Decal, LH Overlay	
45	1001162734	1	Decal, Joystick Control	
46	1001162735	1	Decal, Sway Control	
47	1001162736	1	Decal, Auxiliary Control	
50	1001173422	2	Decal, MCO 110HP	
51	1001174162	NLA	Decal, Maintenance Chart, (no longer available, use 1001174152 for service)	
51	1001174152	1	Decal, Maintenance Chart	
52	1001142452	1	Decal, No Step	
53	1001179353	1	Decal, Tank 8042	
54	1001179380	1	Decal, LH Rear Frame Stripe	
55	1001179381	1	Decal, RH Rear Frame Stripe	

## SECTION 11 - DECALS

ITEM	PART NUMBER	QTY	DESCRIPTION	REV
56	1001189327	1	Decal, Main Fuse Panel	
57	1001196806	1	Decal, Diesel Exhaust Fluid	
58	1001207217	1	Decal, Danger Swinging Load <b>(SN 0160075687 to Present, Including 0160075671, 0160075672, 0160075673, 0160075674, 0160075675, 0160075676, 0160075677, 0160075678, 0160075679, 0160075681 and 0160075682)</b>	
59	1001218659	1	Decal, Brake Fluid Spec	
60	1001219212	1	Decal, DEF Fluid	
61	1001223453	1	Decal, ICES (CAN)	
62	1001230307	1	Decal, Cummins DEF Service	

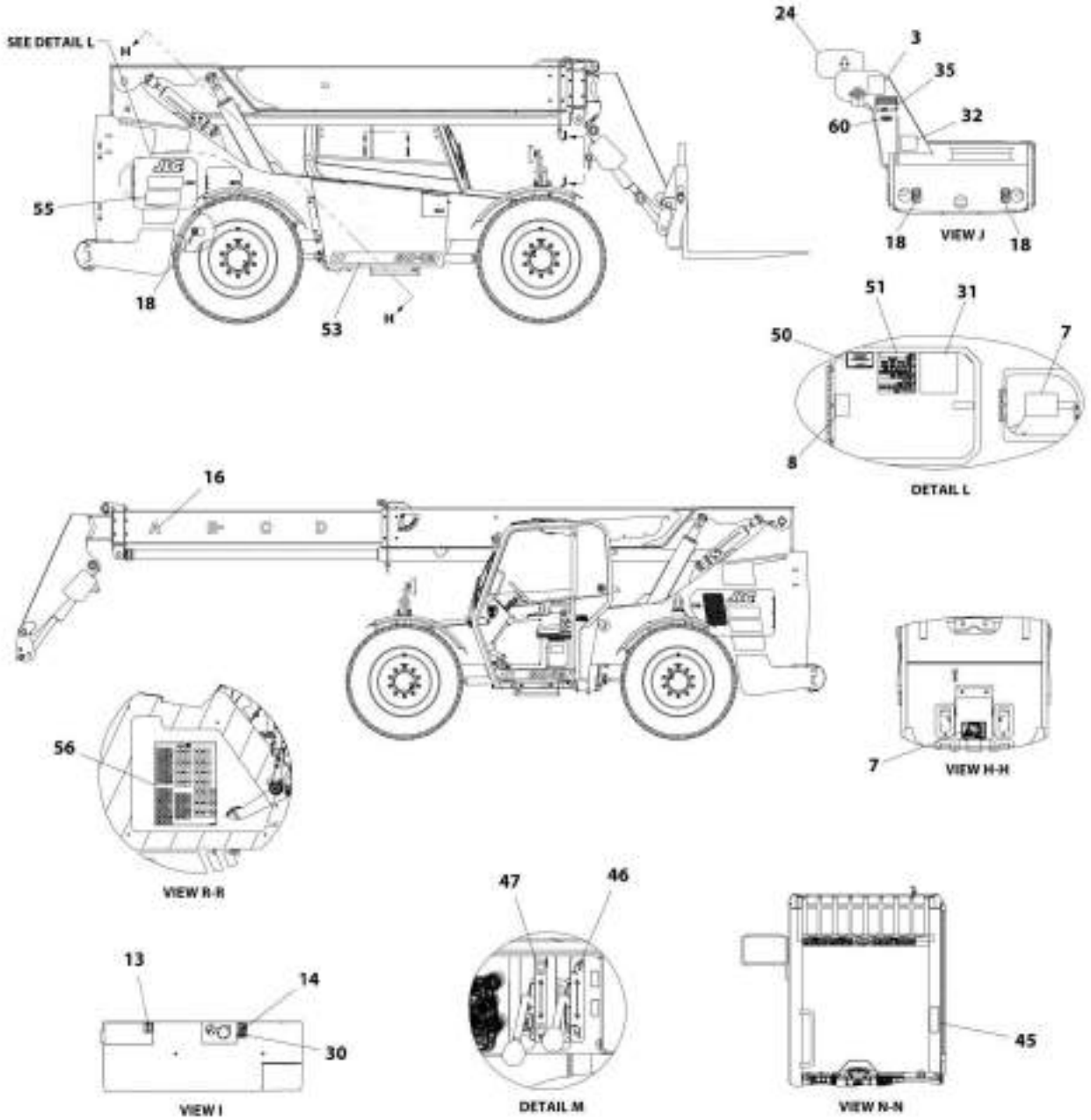
# SECTION 11 - DECALS

## FIGURE 11-2. DECAL INSTALLATION (ANSI) 74HP - 8042



ART\_1001212341\_11H

# SECTION 11 - DECALS



WIT\_1001212301\_2-H

# SECTION 11 - DECALS

FIGURE 11-2. DECAL INSTALLATION (ANSI) 74HP - 8042

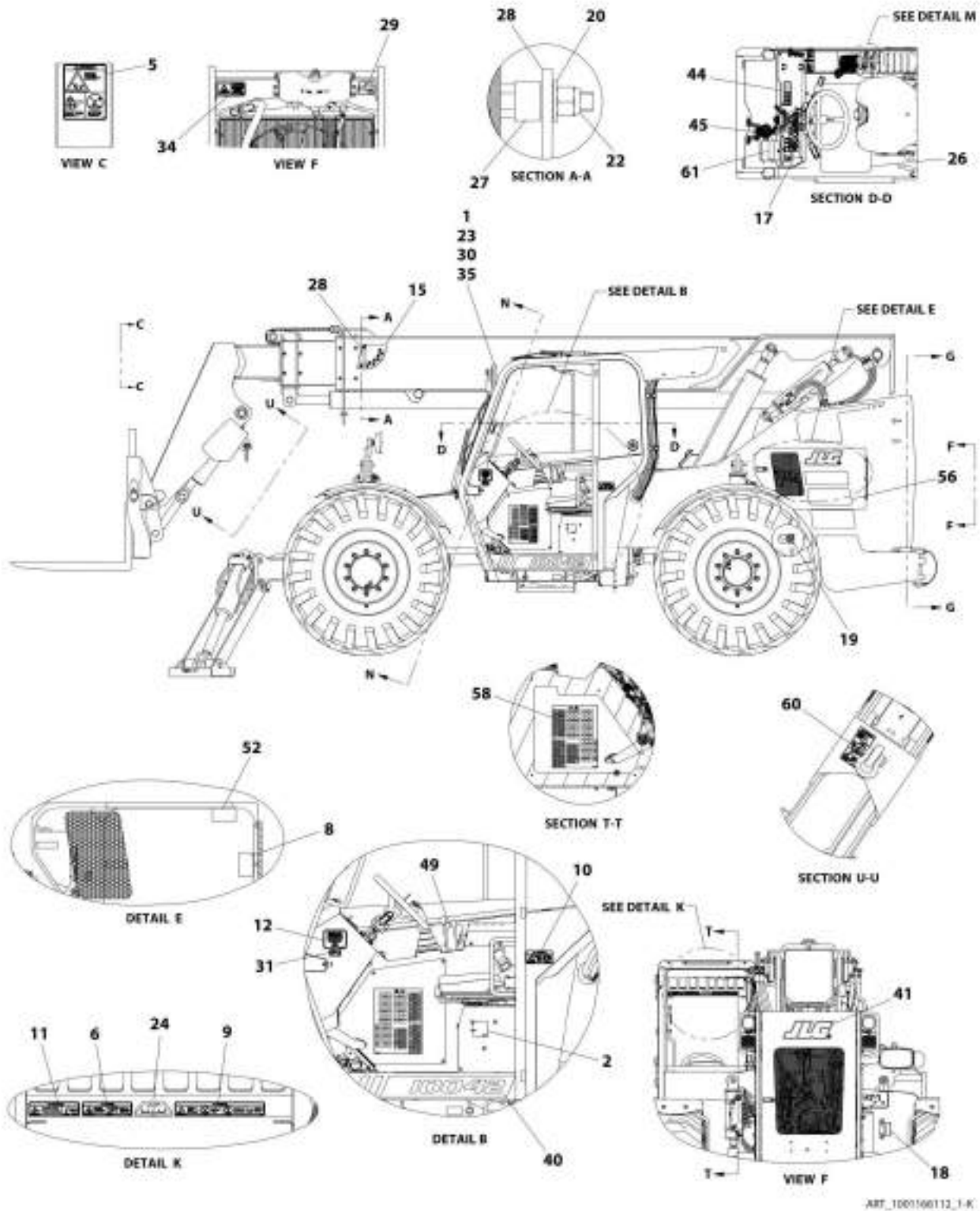
ITEM	PART NUMBER	QTY	DESCRIPTION	REV
	1001212341	Ref	Decal Installation (ANSI) 74HP - 8042	H
1	0700610	2	Bolt, M6X20	
2	1701640	1	Decal, Manual	
3	1702631	1	Decal, Bar Code	
4	1706296	1	Decal, Battery Warning (ANSI)	
5	1706298	1	Decal, Carry Personnel	
6	1706299	1	Decal, Contacting Power Lines Warning	
7	1706300	2	Decal, Ether Warning	
8	1706301	2	Decal, Keep Clear of Rotating Parts Warning	
9	1706306	1	Decal, Tip Over Warning	
10	1706768	1	Decal, No Riders	
11	1706850	1	Decal, Crush Hazard Warning	
12	3251813	1	Decal, USA	
13	4100181	1	Decal, Hydraulic Oil Fill	
14	1001189017	1	Decal, Diesel Fuel Fill	
15	4105262	1	Decal, Boom Angle Indicator	
16	4107442	1	Decal, Boom Extend Letters	
17	4108302	1	Decal, Hydraulic Oil Level	
18	1702300	4	Decal, Tie Down	
19	4711600	1	Washer, 3/8	
21	8305645	1	Nut, Lock 3/8-16	
22	8307024	2	Washer, Lock M6	
23	8466306	1	Gage, Tilt Angle	
24	1001191635	1	Mirror, RH	
25	10139087	1	Safety Tread, Adhesive	
26	1001096404	1	Sleeve, Angle Indicator Spacer	
27	1001098769	1	Plate, Boom Angle Indicator	
28	1001109053	1	Decal, Coolant Fill	
29	1001114675	1	Arm, Mirror	
30	1001125387	2	Decal, Ultra Low Sulfur Fuel	
31	1001191994	1	Decal, Lubrication Chart	
32	1001131271	1	Decal, Telehandlers Patent	
33	1001139578	1	Decal, Hot Fluid Warning	
34	1001148177	1	Mirror, Rectangular	
35	N.S.S.	1	S/N Plate	
39	1001157274	1	Decal, Rear Door JLG Logo	
40	1001157614	1	Decal, Cab	
43	1001158272	1	Decal, RH Overlay	
44	1001158319	1	Decal, LH Overlay	
45	1001162734	1	Decal, Joystick Control	
46	1001162735	1	Decal, Sway Control	
47	1001162736	1	Decal, Auxiliary Control	
50	1001202626	2	Decal, 74HP	
51	1001202627	1	Decal, Maintenance Charts	
53	1001179353	1	Decal Tank	
54	1001179380	1	Decal, LH Rear Frame Stripe	
55	1001179381	1	Decal, RH Rear Frame Stripe	
56	1001189327	1	Decal, Main Fuse Panel	
58	1001207217	1	Decal, Danger Swinging Load (SN 0160075687 to Present, Including 0160075671, 0160075672, 0160075673, 0160075674,	

## SECTION 11 - DECALS

ITEM	PART NUMBER	QTY	DESCRIPTION	REV
			<b>0160075675, 0160075676, 0160075677, 0160075678, 0160075679, 0160075681 and 0160075682)</b>	
59	1001218659	1	Decal, Brake Fluid Spec	
60	1001223453	1	Decal, ICES (CAN)	
61	1001231801	1	Decal, Warning PROP 65 Diesel	

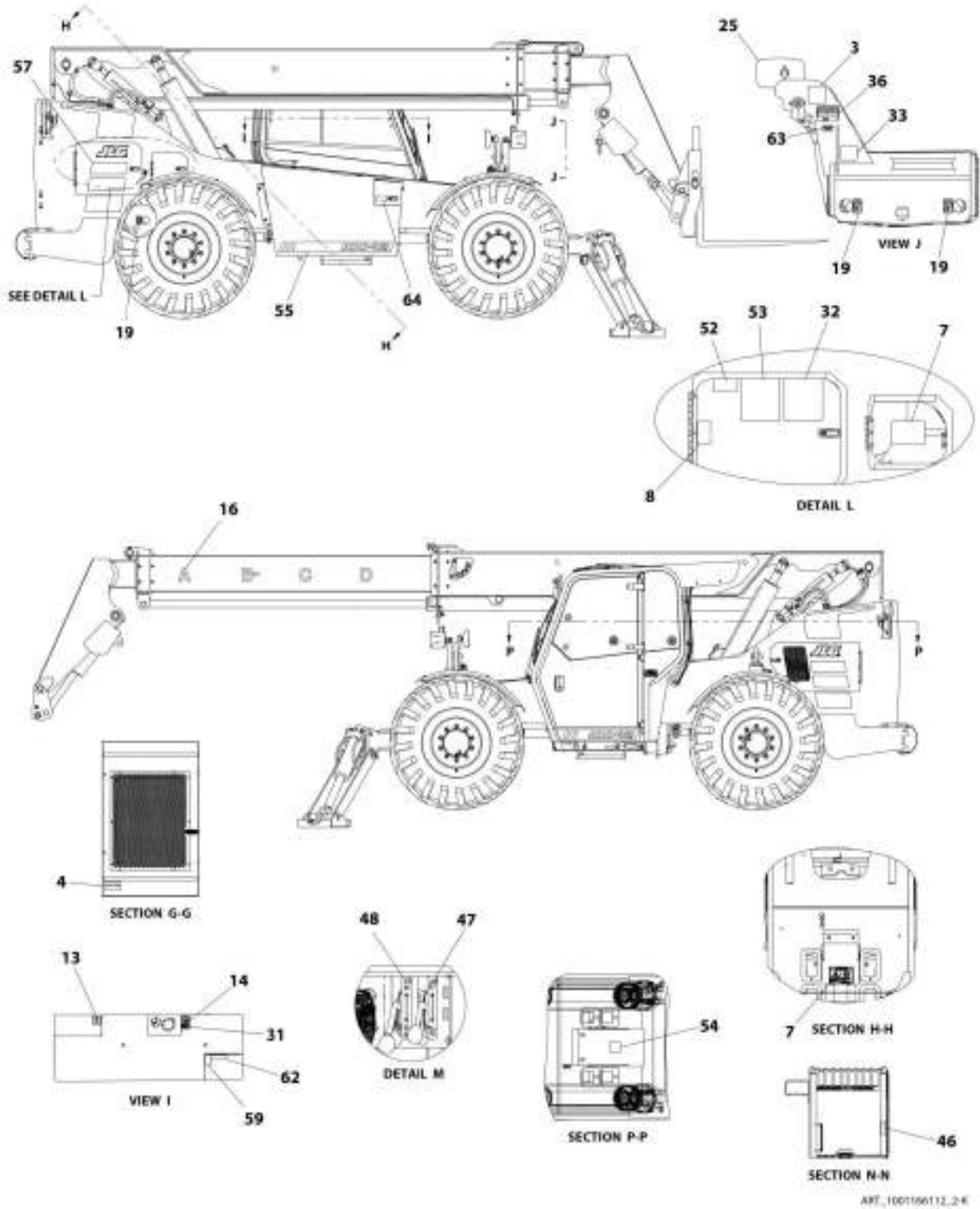
# SECTION 11 - DECALS

## FIGURE 11-3. DECAL INSTALLATION (ANSI) 110HP - 10042





# SECTION 11 - DECALS



APT\_100156112\_2-R

# SECTION 11 - DECALS

**FIGURE 11-3. DECAL INSTALLATION (ANSI) 110HP - 10042**

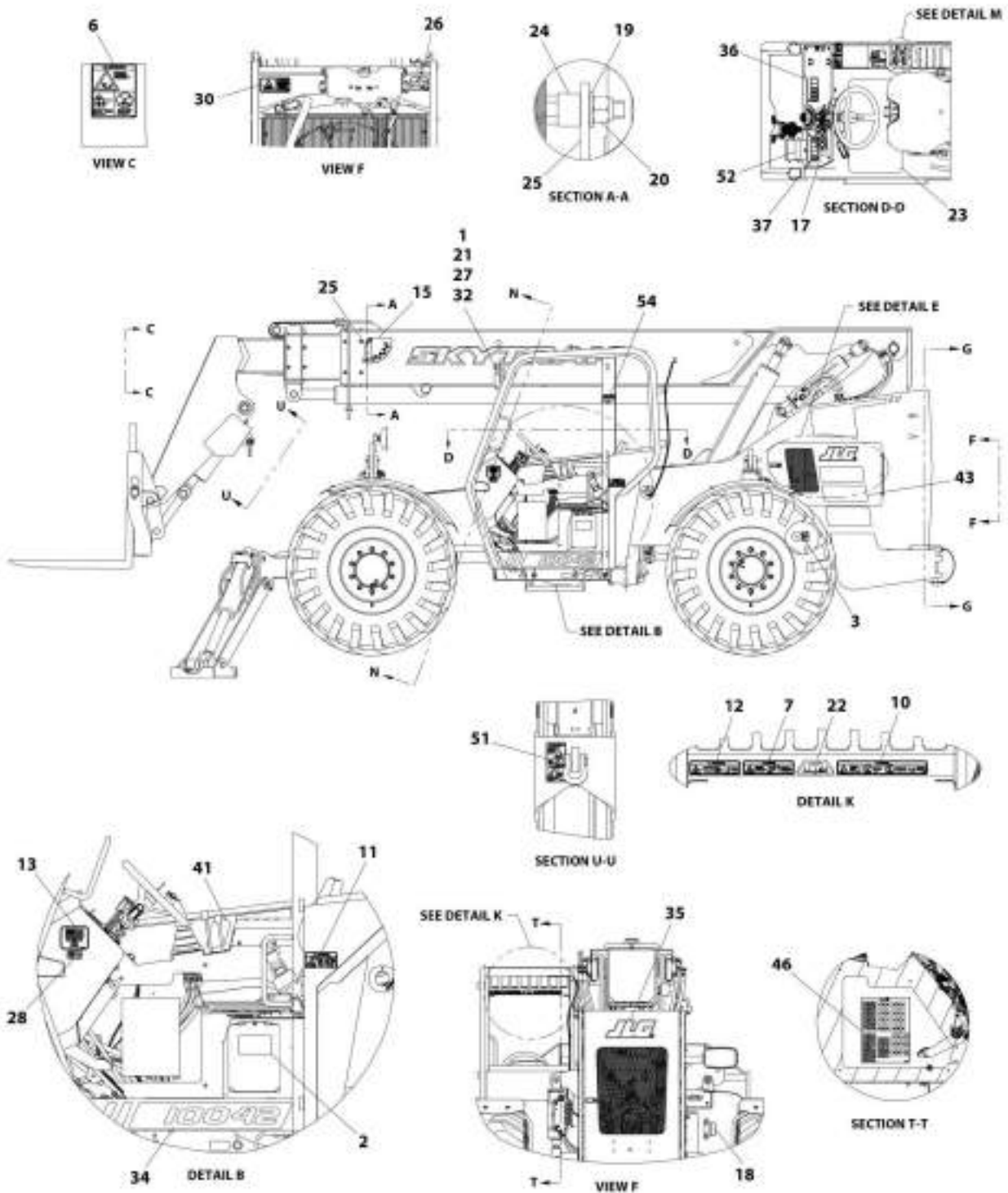
ITEM	PART NUMBER	QTY	DESCRIPTION	REV
	1001166112	Ref	Decal Installation (ANSI) 110HP- 10042	K
1	0700610	2	Bolt, M6X20	
2	1701640	1	Decal, Manual	
3	1702631	1	Decal, Bar Code	
4	1706296	1	Decal, Battery Warning (ANSI)	
5	1706298	1	Decal, Carry Personnel	
6	1706299	1	Decal, Contacting Power Lines Warning	
7	1706300	2	Decal, Ether Warning	
8	1706301	2	Decal, Keep Clear of Rotating Parts Warning	
9	1706306	1	Decal, Tip Over Warning	
10	1706768	1	Decal, No Riders	
11	1706850	1	Decal, Crush Hazard Warning	
12	3251813	1	Decal, USA	
13	4100181	1	Decal, Hydraulic Oil Fill	
14	1001189017	1	Decal, Diesel Fuel Fill	
15	4105262	1	Decal, Boom Angle Indicator	
16	4107442	1	Decal, Boom Extend Letters	
17	4107971	1	Decal, Outrigger Contact (10042 & 10054 only)	
18	4108302	1	Decal, Hydraulic Oil Level	
19	1702300	4	Decal, Tie Down	
20	4711600	1	Washer, 3/8	
22	8305645	1	Nut, Lock 3/8	
23	8307024	2	Washer, Lock M6	
24	8466306	1	Gage, Tilt Angle	
25	1001191635	1	Mirror, RH	
26	10139087	1	Tread, Safety	
27	1001096404	1	Sleeve, Angle Indicator Spacer	
28	1001098769	1	Plate, Book Angle Indicator	
29	1001109053	1	Decal, Coolant Fill	
30	1001114675	1	Arm, Mirror	
31	1001125387	2	Decal, Ultra Low Sulfur Fuel	
32	1001191995	1	Decal, Lubrication Chart 10042	
33	1001131271	1	Decal, Telehandlers Patent	
34	1001139578	1	Decal, Hot Fluid Warning	
35	1001148177	1	Mirror, Rectangular	
36	N.S.S.	1	S/N Plate	
40	1001157273	1	Decal, Cab 10042	
41	1001157274	1	Decal, Rear Door JLG Logo	
44	1001158272	1	Decal, RH Overlay	
45	1001158319	1	Decal, LH Overlay	
46	1001162734	1	Decal, Joystick Control	
47	1001162735	1	Decal, Sway Control	
48	1001162736	1	Decal, Auxiliary Control	
49	1001162737	1	Decal, Outrigger Control 10054 & 10042	
52	1001173422	2	Decal, MCO 110HP	
53	1001174152	1	Decal, Maintenance Chart	
54	1001142452	1	Decal, No Step	
55	1001179354	1	Decal, Tank 10042	
56	1001179380	1	Decal, LH Rear Frame Stripe	
57	1001179381	1	Decal, RH Rear Frame Stripe	

## SECTION 11 - DECALS

ITEM	PART NUMBER	QTY	DESCRIPTION	REV
58	1001189327	1	Decal, Main Fuse Panel	
59	1001196806	1	Decal, Diesel Exhaust Fluid	
60	1001207217	1	Decal, Danger Swinging Load <b>(SN 0160075687 to Present, Including 0160075671, 0160075672, 0160075673, 0160075674, 0160075675, 0160075676, 0160075677, 0160075678, 0160075679, 0160075681 and 0160075682)</b>	
61	1001218659	1	Decal, Brake Fluid Spec	
62	1001219212	1	Decal, DEF Fluid	
63	1001223453	1	Decal, ICES (CAN)	
64	1001230307	1	Decal, Cummins DEF Service	

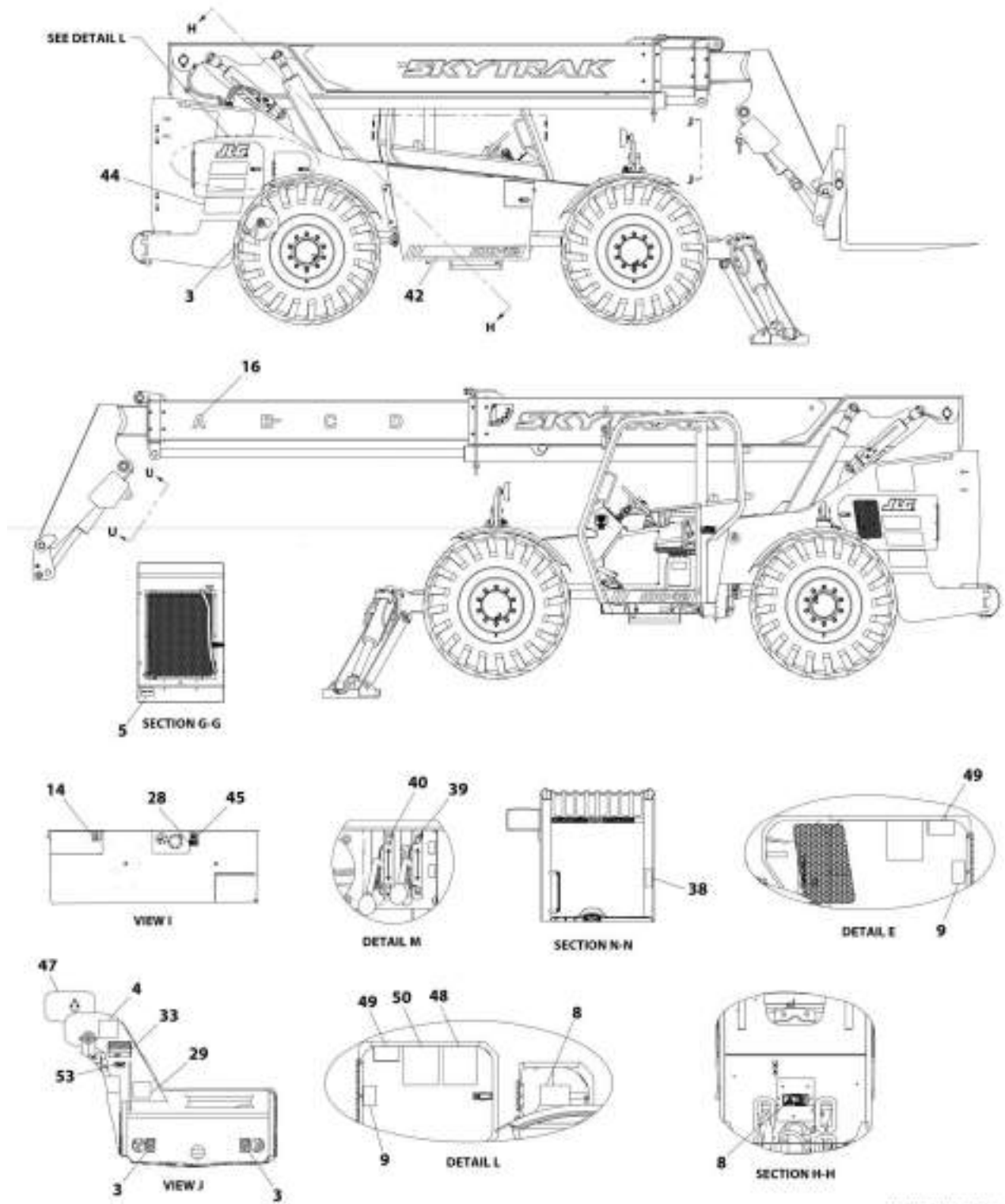
# SECTION 11 - DECALS

## FIGURE 11-4. DECAL INSTALLATION (ANSI) 74HP - 10042



AIR\_1001213437\_1-G

# SECTION 11 - DECALS



# SECTION 11 - DECALS

FIGURE 11-4. DECAL INSTALLATION (ANSI) 74HP - 10042

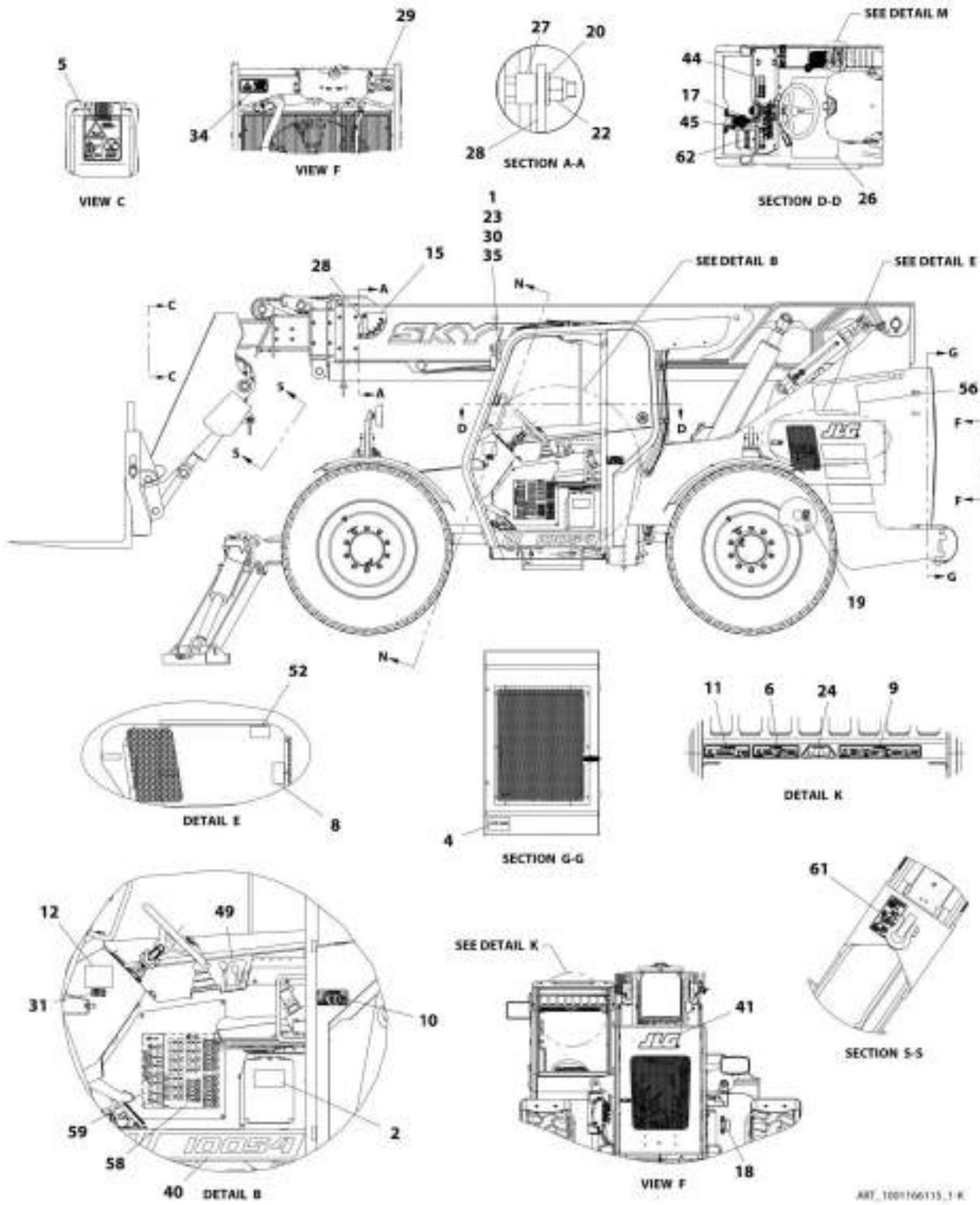
ITEM	PART NUMBER	QTY	DESCRIPTION	REV
	1001213437	Ref	Decal Installation (ANSI) 74HP - 10042	G
1	0700610	2	Bolt, M6X20	
2	1701640	1	Decal, Manual	
3	1702300	4	Decal, Tie Down	
4	1702631	1	Decal, Bar Code	
5	1706296	1	Decal, Battery Warning (ANSI)	
6	1706298	1	Decal, Carry Personnel	
7	1706299	1	Decal, Contacting Power Lines Warning	
8	1706300	2	Decal, Ether Warning	
9	1706301	2	Decal, Keep Clear of Rotating Parts Warning	
10	1706306	1	Decal, Tip Over Warning	
11	1706768	1	Decal, No Riders	
12	1706850	1	Decal, Crush Hazard Warning	
13	3251813	1	Decal, USA	
14	4100181	1	Decal, Hydraulic Oil Fill	
15	4105262	1	Decal, Boom Angle Indicator	
16	4107442	1	Decal, Boom Extend Letters	
17	4107971	1	Decal, Outrigger Contact (10042 & 10054 only)	
18	4108302	1	Decal, Hydraulic Oil Level	
19	4711600	1	Washer, 3/8	
20	8305645	1	Nut, Lock 3/8	
21	8307024	2	Washer, Lock M6	
22	8466306	1	Gage, Tilt Angle	
23	10139087	1	Tread, Safety	
24	1001096404	1	Sleeve, Angle Indicator Spacer	
25	1001098769	1	Plate, Book Angle Indicator	
26	1001109053	1	Decal, Coolant Fill	
27	1001114675	1	Arm, Mirror	
28	1001125387	2	Decal, Ultra Low Sulfur Fuel	
29	1001131271	1	Decal, Telehandlers Patent	
30	1001139578	1	Decal, Hot Fluid Warning	
32	1001148177	1	Mirror, Rectangular	
33	N.S.S.	1	S/N Plate	
34	1001157273	1	Decal, Cab 10042	
35	1001157274	1	Decal, Rear Door JLG Logo	
36	1001158272	1	Decal, RH Overlay	
37	1001158319	1	Decal, LH Overlay	
38	1001162734	1	Decal, Joystick Control	
39	1001162735	1	Decal, Sway Control	
40	1001162736	1	Decal, Auxiliary Control	
41	1001162737	1	Decal, Outrigger Control 10054 & 10042	
42	1001179354	1	Decal, Tank 10042	
43	1001179380	1	Decal, LH Rear Frame Stripe	
44	1001179381	1	Decal, RH Rear Frame Stripe	
45	1001189017	1	Decal, Diesel Fuel Fill	
46	1001189327	1	Decal, Main Fuse Panel	
47	1001191635	1	Mirror, RH	
48	1001191995	1	Decal, Lubrication Chart 10042	
49	1001202626	2	Decal, 74HP	
50	1001202627	1	Decal, Maintenance Chart	

## SECTION 11 - DECALS

ITEM	PART NUMBER	QTY	DESCRIPTION	REV
51	1001207217	1	Decal, Danger Swinging Load	
52	1001218659	1	Decal, Brake Fluid Spec	
53	1001223453	1	Decal, ICES (CAN)	
54	1001231801	1	Decal, Warning PROP 65 Diesel	

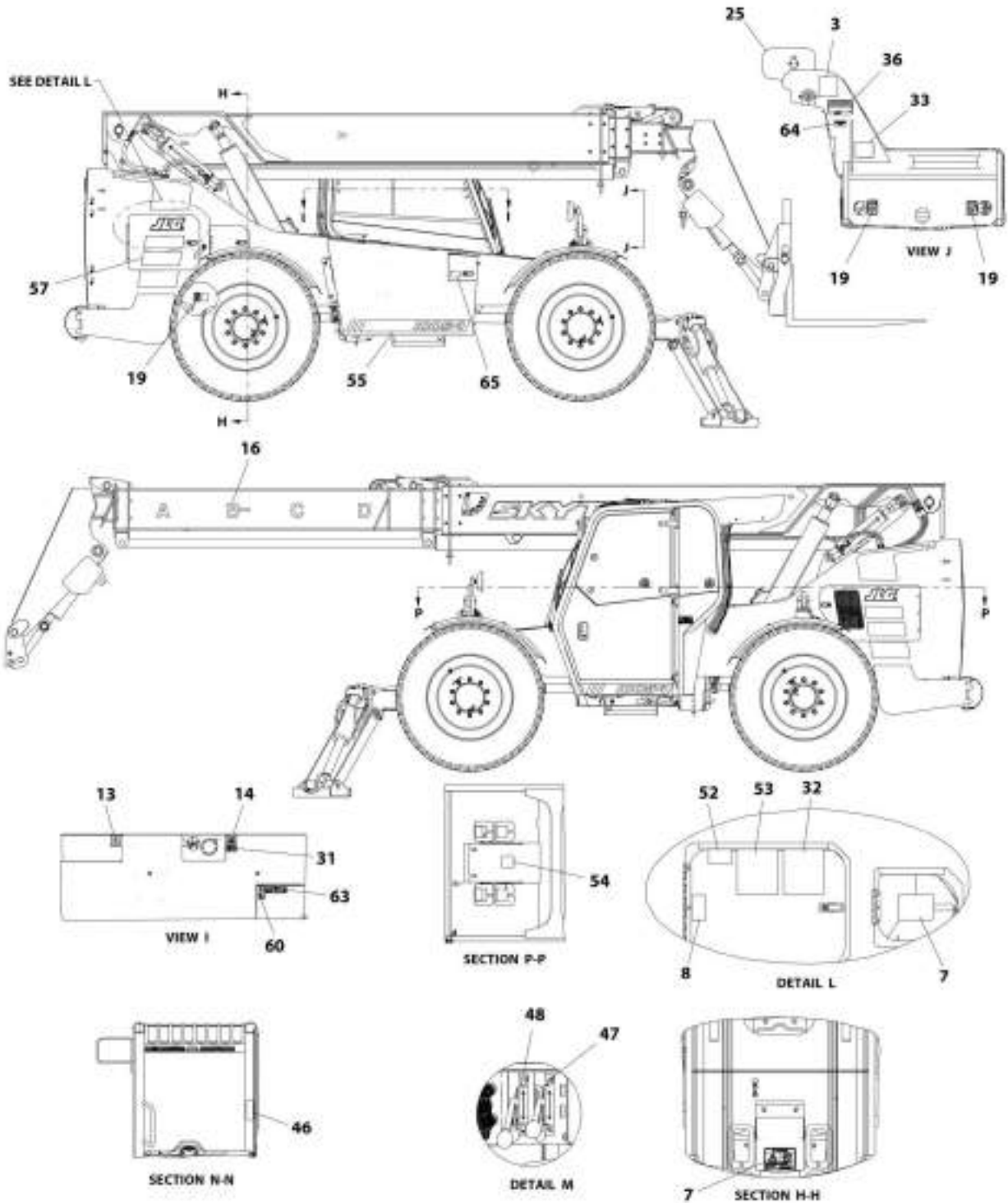
# SECTION 11 - DECALS

## FIGURE 11-5. DECAL INSTALLATION (ANSI) 110HP - 10054





# SECTION 11 - DECALS



ART\_1001166115\_3-6

# SECTION 11 - DECALS

**FIGURE 11-5. DECAL INSTALLATION (ANSI) 110HP - 10054**

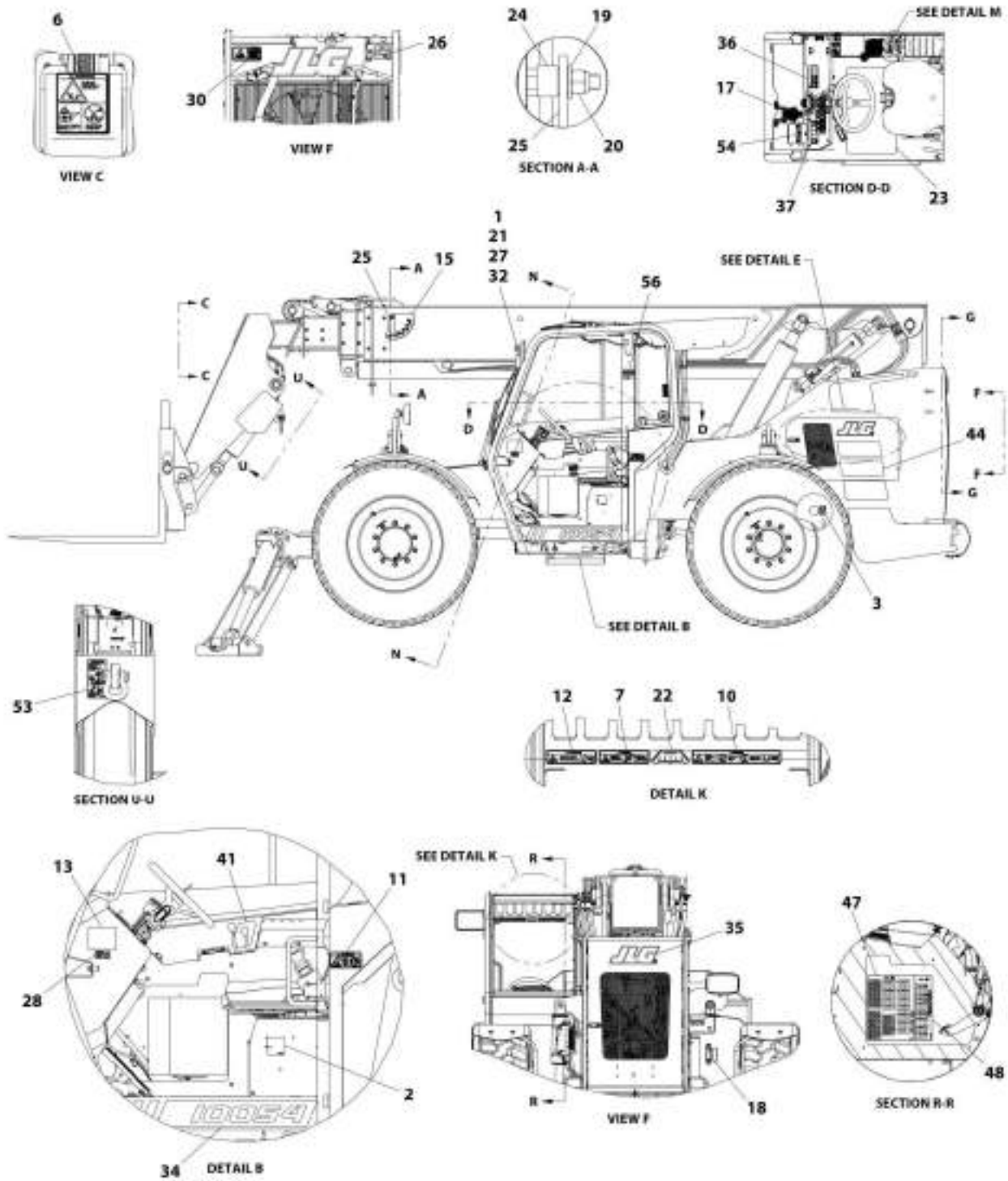
ITEM	PART NUMBER	QTY	DESCRIPTION	REV
	1001166115	Ref	Decal Installation (ANSI) 110HP - 10054	K
1	0700610	2	Bolt, M6X20	
2	1701640	1	Decal, Manual	
3	1702631	1	Decal, Bar Code	
4	1706296	1	Decal, Battery Hazard	
5	1706298	1	Decal, Carry Personnel	
6	1706299	1	Decal, Contacting Power Lines Warning	
7	1706300	2	Decal, Ether Warning	
8	1706301	2	Decal, Keep Clear of Rotating Parts	
9	1706306	1	Decal, Tip Over Warning	
10	1706768	1	Decal, No Riders	
11	1706850	1	Decal, Crush Hazard Warning	
12	3251813	1	Decal, USA	
13	4100181	1	Decal, Hydraulic Oil Fill	
14	1001189017	1	Decal, Diesel Fuel Fill	
15	4105262	1	Decal, Boom Angle Indicator	
16	4107442	1	Decal, Boom Extend Letters	
17	4107971	1	Decal, Outrigger Contact (10042 & 10054)	
18	4108302	1	Decal, Hydraulic Oil Level	
19	1702300	4	Decal, Tie Down	
20	4711600	1	Washer, 3/8	
22	8305645	1	Nut, Lock 3/8	
23	8307024	2	Washer, Lock M6	
24	8466306	1	Gage, Tilt Angle	
25	1001191635	1	Mirror, RH	
26	10139087	1	Tread, Safety	
27	1001096404	1	Sleeve, Angle Indicator Spacer	
28	1001098769	1	Plate, Boom Angle Indicator	
29	1001109053	1	Decal, Coolant Fill	
30	1001114675	1	Arm, Mirror	
31	1001125387	2	Decal, Ultra Low Sulfur Fuel	
32	1001191996	1	Decal, Lubrication Chart 10054	
33	1001131271	1	Decal, Telehandlers Patent	
34	1001139578	1	Decal, Hot Fluid Warning	
35	1001148177	1	Mirror, Rectangular	
36	N.S.S.	1	S/N Plate	
40	1001157268	1	Decal, Cab 10054	
41	1001157274	1	Decal, Rear Door JLG Logo	
44	1001158272	1	Decal, RH Overlay	
45	1001158319	1	Decal, LH Overlay	
46	1001162734	1	Decal, Joystick Control	
47	1001162735	1	Decal, Sway Control	
48	1001162736	1	Decal, Auxiliary Control	
49	1001162737	1	Decal, Outrigger Control (10054 & 10042)	
52	1001173422	2	Decal, MCO 110HP	
53	1001174152	1	Decal, Maintenance Chart	
54	1001142452	1	Decal, No Step	
55	1001179326	1	Decal, Tank 10054	
56	1001179380	1	Decal, LH Rear Frame Stripe	
57	1001179381	1	Decal, RH Rear Frame Stripe	

## SECTION 11 - DECALS

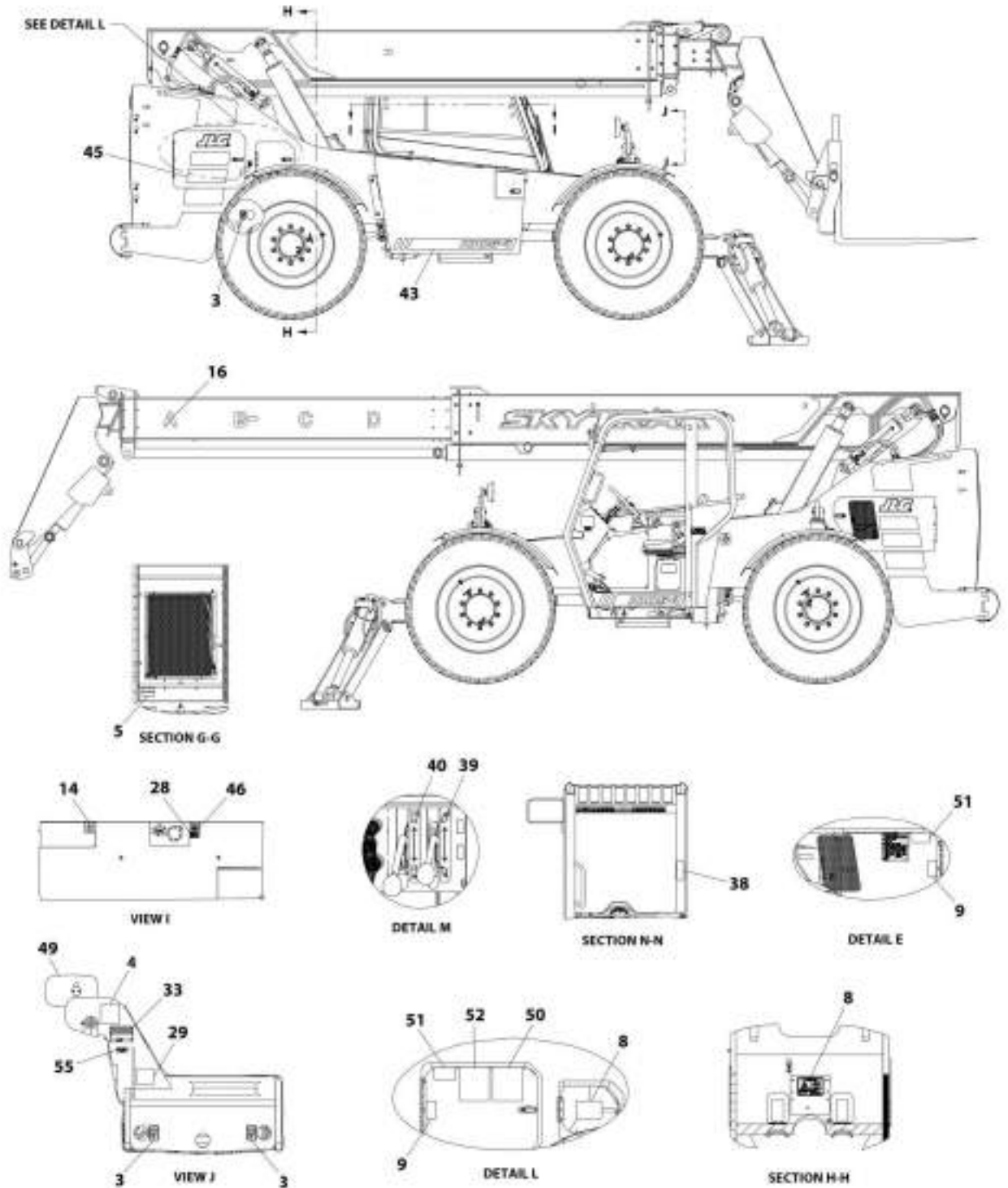
ITEM	PART NUMBER	QTY	DESCRIPTION	REV
58	1001189327	1	Decal, Main Fuse Panel	
59	1001189328	1	Decal, Fuse panel	
60	1001196806	1	Decal, Diesel Exhaust Fluid	
61	1001207217	1	Decal, Danger Swinging Load <b>(SN 0160075687 to Present, Including 0160075671, 0160075672, 0160075673, 0160075674, 0160075675, 0160075676, 0160075677, 0160075678, 0160075679, 0160075681 and 0160075682)</b>	
62	1001218659	1	Decal, Brake Fluid Spec	
63	1001219212	1	Decal, DEF Fluid	
64	1001223453	1	Decal, ICES (CAN)	
65	1001230307	1	Decal, Cummins DEF Tank Service	

# SECTION 11 - DECALS

## FIGURE 11-6. DECAL INSTALLATION (ANSI) 74HP - 10054



# SECTION 11 - DECALS



MIT\_1001213433\_2-G

# SECTION 11 - DECALS

FIGURE 11-6. DECAL INSTALLATION (ANSI) 74HP - 10054

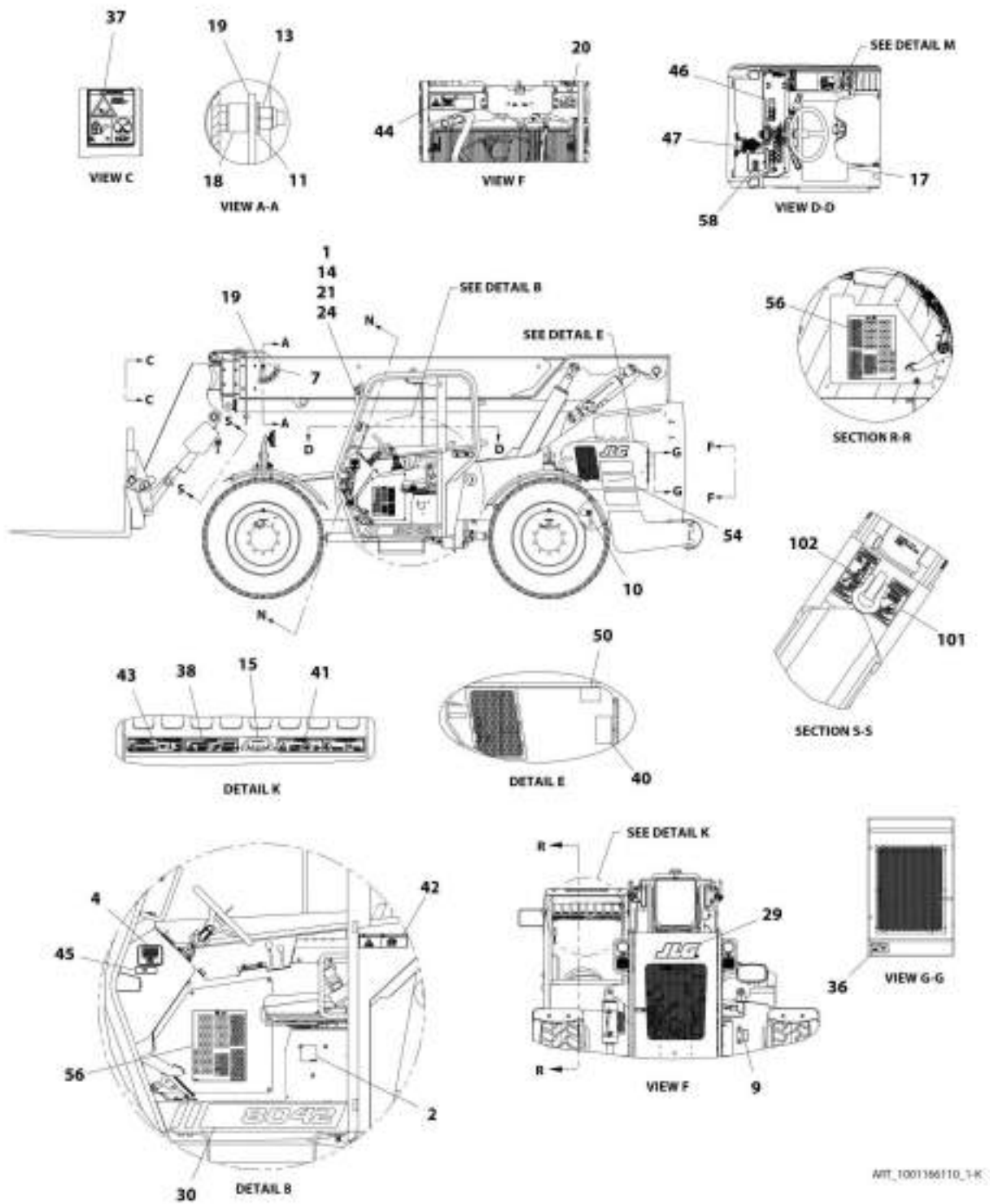
ITEM	PART NUMBER	QTY	DESCRIPTION	REV
	1001213433	Ref	Decal Installation (ANSI) 74HP - 10054	G
1	0700610	2	Bolt, M6X20	
2	1701640	1	Decal, Manual	
3	1702300	4	Decal, Tie Down	
4	1702631	1	Decal, Bar Code	
5	1706296	1	Decal, Battery Warning (ANSI)	
6	1706298	1	Decal, Carry Personnel	
7	1706299	1	Decal, Contacting Power Lines Warning	
8	1706300	2	Decal, Ether Warning	
9	1706301	2	Decal, Keep Clear of Rotating Parts Warning	
10	1706306	1	Decal, Tip Over Warning	
11	1706768	1	Decal, No Riders	
12	1706850	1	Decal, Crush Hazard Warning	
13	3251813	1	Decal, USA	
14	4100181	1	Decal, Hydraulic Oil Fill	
15	4105262	1	Decal, Boom Angle Indicator	
16	4107442	1	Decal, Boom Extend Letters	
17	4107971	1	Decal, Outrigger Contact (10042 & 10054 only)	
18	4108302	1	Decal, Hydraulic Oil Level	
19	4711600	1	Washer, 3/8	
20	8305645	1	Nut, Lock 3/8	
21	8307024	2	Washer, Lock M6	
22	8466306	1	Gage, Tilt Angle	
23	10139087	1	Tread, Safety	
24	1001096404	1	Sleeve, Angle Indicator Spacer	
25	1001098769	1	Plate, Book Angle Indicator	
26	1001109053	1	Decal, Coolant Fill	
27	1001114675	1	Arm, Mirror	
28	1001125387	2	Decal, Ultra Low Sulfur Fuel	
29	1001131271	1	Decal, Telehandlers Patent	
30	1001139578	1	Decal, Hot Fluid Warning	
32	1001148177	1	Mirror, Rectangular	
33	N.S.S.	1	S/N Plate	
34	1001157268	1	Decal, Cab 10054	
35	1001157274	1	Decal, Rear Door JLG Logo	
36	1001158272	1	Decal, RH Overlay	
37	1001158319	1	Decal, LH Overlay	
38	1001162734	1	Decal, Joystick Control	
39	1001162735	1	Decal, Sway Control	
40	1001162736	1	Decal, Auxiliary Control	
41	1001162737	1	Decal, Outrigger Control 10054 & 10042	
43	1001179326	1	Decal, Tank 10054	
44	1001179380	1	Decal, LH Rear Frame Stripe	
45	1001179381	1	Decal, RH Rear Frame Stripe	
46	1001189017	1	Decal, Diesel Fuel Fill	
47	1001189327	1	Decal, Main Fuse Panel	
48	1001189328	1	Decal, Fuse Panel	
49	1001191635	1	Mirror, RH	
50	1001191996	1	Decal, Lubrication Chart 10054	
51	1001202626	2	Decal, 74HP	

## SECTION 11 - DECALS

ITEM	PART NUMBER	QTY	DESCRIPTION	REV
52	1001202627	1	Decal, Maintenance Chart	
53	1001207217	1	Decal, Danger Swinging Load	
54	1001218659	1	Decal, Brake Fluid Spec	
55	1001223453	1	Decal, ICES (CAN)	
56	1001231801	1	Decal, Warning PROP 65 Diesel	

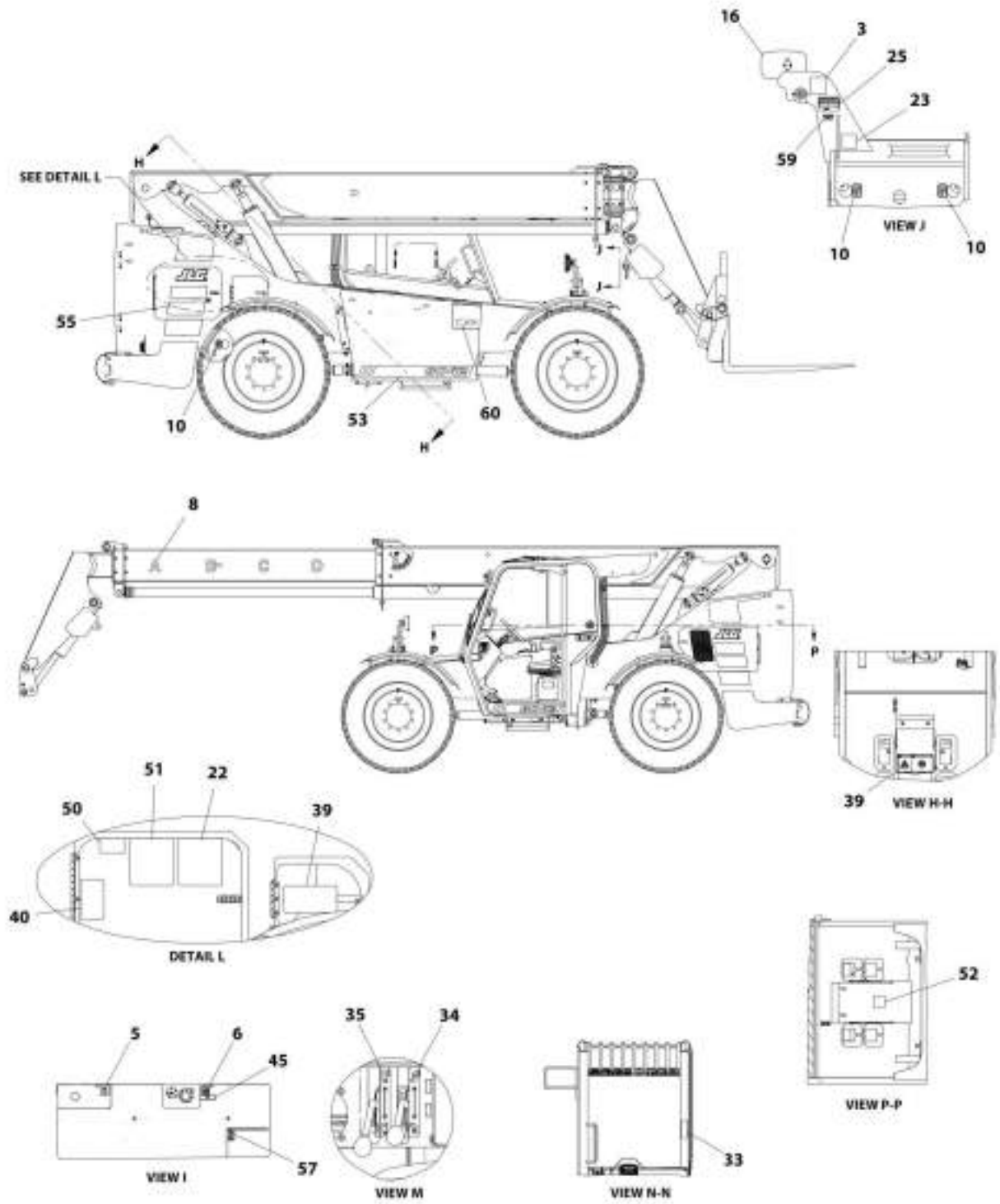
# SECTION 11 - DECALS

FIGURE 11-7. DECAL INSTALLATION (ENGLISH/FRENCH) - 8042





# SECTION 11 - DECALS



ART\_100116W10\_2-K

# SECTION 11 - DECALS

FIGURE 11-7. DECAL INSTALLATION (ENGLISH/FRENCH) - 8042

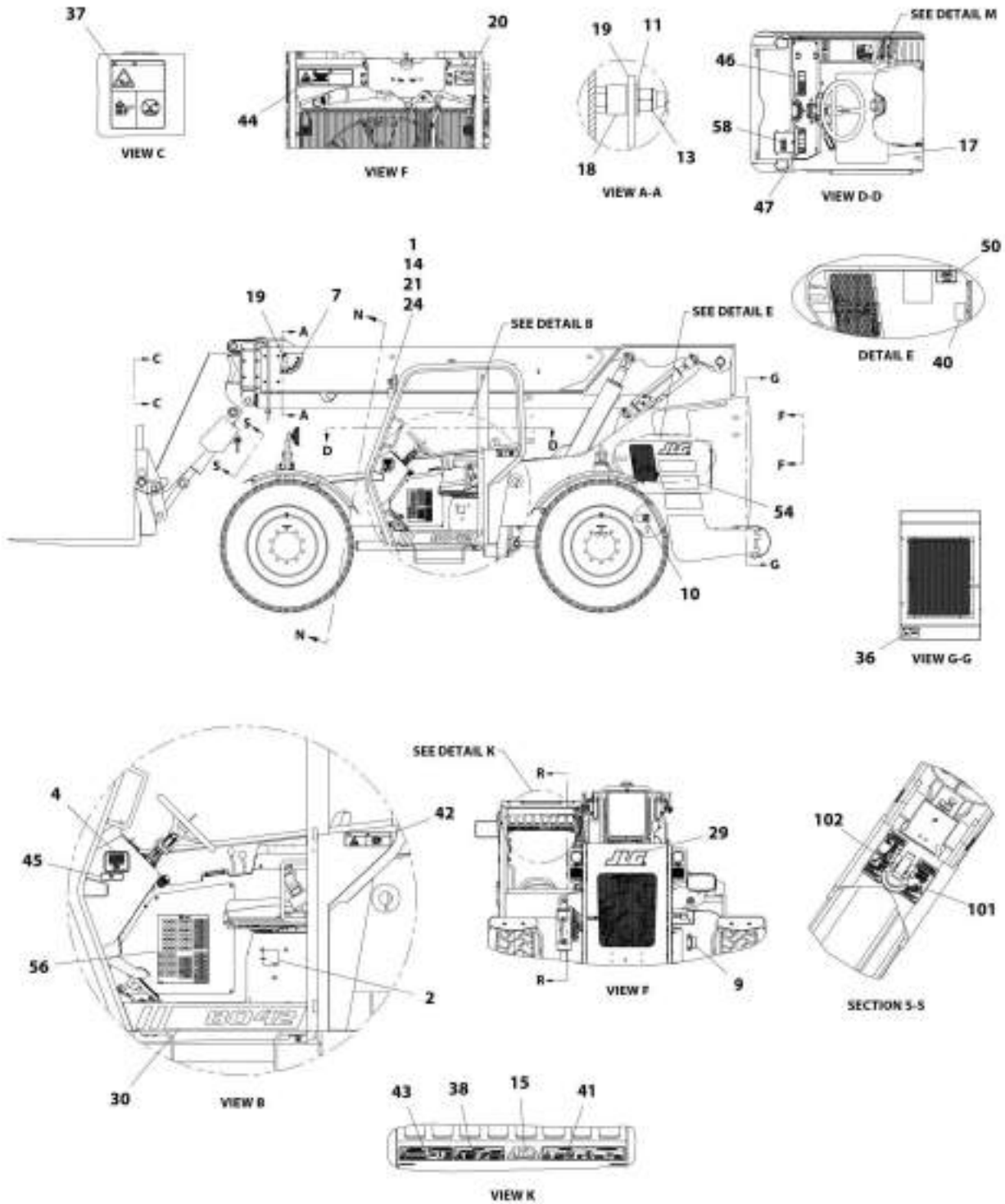
ITEM	PART NUMBER	QTY	DESCRIPTION	REV
	1001166110	Ref	Decal Installation (ENGLISH/FRENCH) - 8042	K
1	0700610	2	Bolt, M6X20	
2	1701640	1	Decal, Manual	
3	1702631	1	Decal, Bar Code	
4	3251813	1	Decal, USA	
5	4100181	1	Decal, Hydraulic Oil Fill	
6	1001189017	1	Decal, Diesel Fuel Fill	
7	4105262	1	Decal, Boom Angle Indicator	
8	4107442	1	Decal, Boom Extend Letters	
9	4108302	1	Decal, Hydraulic Oil Level	
10	1702300	4	Decal, Tie Down	
11	4711600	1	Washer, 3/8	
13	8305645	1	Nut, Lock 3/8	
14	8307024	2	Washer, Lock M6	
15	8466306	1	Gage, Tilt Angle	
16	1001191635	1	Mirror, RH	
17	10139087	1	Tread, Safety	
18	1001096404	1	Sleeve, Angle Indicator Spacer	
19	1001098769	1	Plate, Boom Angle Indicator	
20	1001109053	1	Decal, Coolant Fill	
21	1001114675	1	Arm, Mirror	
22	1001191994	1	Decal, Lubrication Chart 8042	
23	1001131271	1	Decal, Telehandlers Patent	
24	1001148177	1	Mirror, Rectangular	
25	N.S.S.	1	S/N Plate	
29	1001157274	1	Decal, Rear Door JLG Logo	
30	1001157614	1	Decal, Cab 8042	
33	1001162734	1	Decal, Joystick Control	
34	1001162735	1	Decal, Sway Control	
35	1001162736	1	Decal, Auxiliary Control	
36	1001163174	1	Decal, Battery Warning (CAN)	
37	1001163206	1	Decal, Carry Personnel (CAN)	
38	1001163210	1	Decal, Electrocutation Hazard (CAN)	
39	1001163212	2	Decal, Ether Starting Warning (CAN)	
40	1001163222	2	Decal, Keep Clear of Rotating Parts Warning (CAN)	
41	1001163285	1	Decal, Tip Over Warning (CAN)	
42	1001163300	1	Decal, No Riders (CAN)	
43	1001163304	1	Decal, Crush Hazard Warning (CAN)	
44	1001163323	1	Decal, Hot Fluid Warning (CAN)	
45	1001163355	2	Decal, Ultra Low Sulfur Fuel (CAN)	
46	1001180175	1	Decal, RH Overlay	
47	1001180176	1	Decal, LH Overlay	
50	1001173422	2	Decal, MCO 110HP	
51	1001174152	1	Decal, Maintenance Chart	
52	1001142452	1	Decal, No Step	
53	1001179353	1	Decal, Tank 8042	
54	1001179380	1	Decal, LH Rear Frame Stripe	
55	1001179381	1	Decal, RH Rear Frame Stripe	
56	1001189327	1	Decal, Main Fuse Panel	
57	1001196806	1	Decal, Diesel Exhaust Fluid	

## SECTION 11 - DECALS

ITEM	PART NUMBER	QTY	DESCRIPTION	REV
58	1001219211	1	Decal, DEF Fluid	
59	1001223453	1	Decal, ICES (CAN)	
60	1001230309	1	Decal, EN/FR Cummins DEF Tank Service	
101	1001210581	1	Decal, Danger Swing Load Boom Head <b>(SN 0160075687 to Present, Including 0160075671, 0160075672, 0160075673, 0160075674, 0160075675, 0160075676, 0160075677, 0160075678, 0160075679, 0160075681 and 0160075682)</b>	
102	1001210582	1	Decal, Capacity Rating Boom Head <b>(SN 0160075687 to Present, Including 0160075671, 0160075672, 0160075673, 0160075674, 0160075675, 0160075676, 0160075677, 0160075678, 0160075679, 0160075681 and 0160075682)</b>	

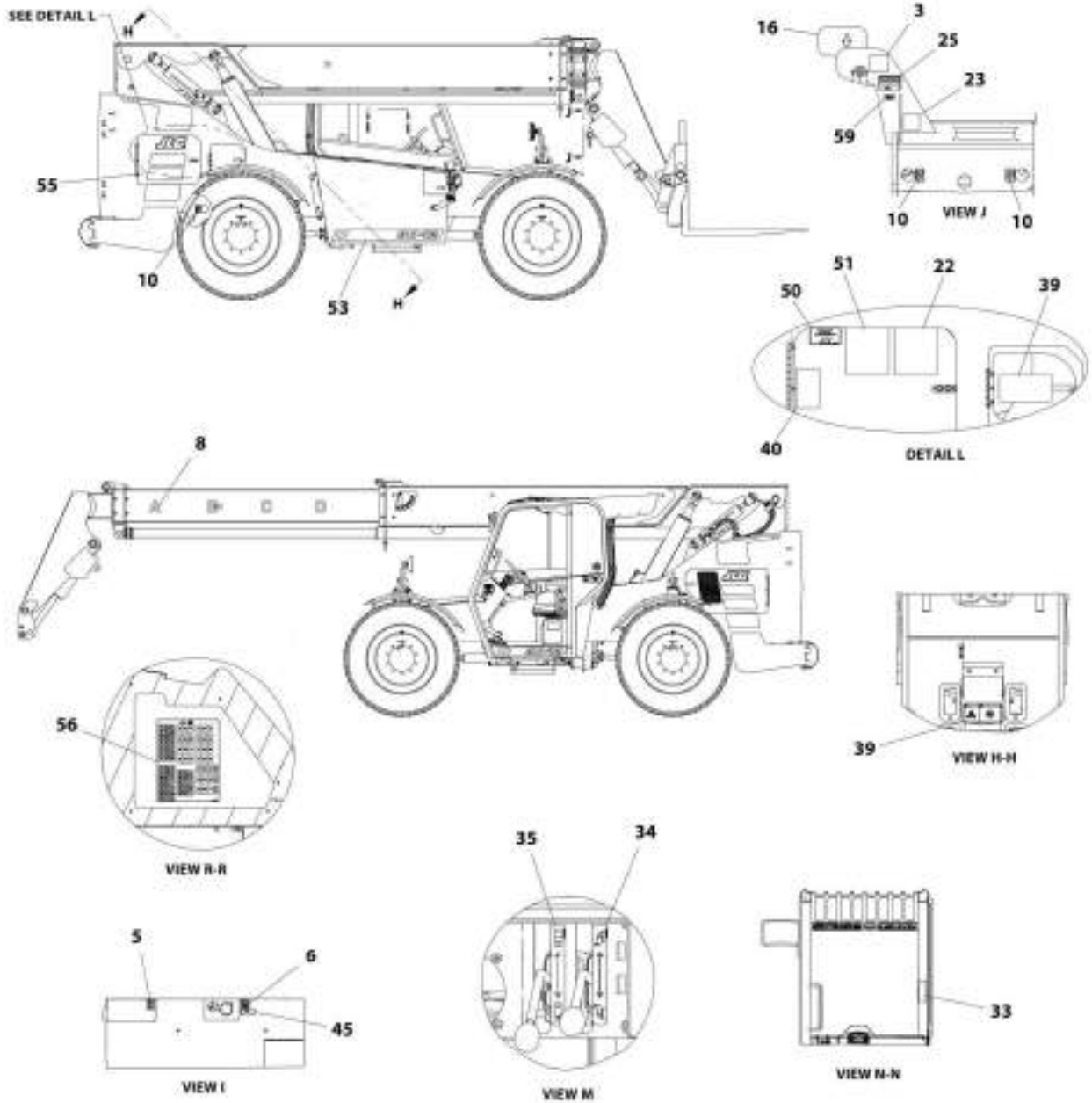
# SECTION 11 - DECALS

FIGURE 11-8. DECAL INSTALLATION (ENGLISH/FRENCH) 74HP - 8042



ART\_1001212342\_1-H

# SECTION 11 - DECALS



MIT\_10012129A2\_2-H

# SECTION 11 - DECALS

**FIGURE 11-8. DECAL INSTALLATION (ENGLISH/FRENCH) 74HP - 8042**

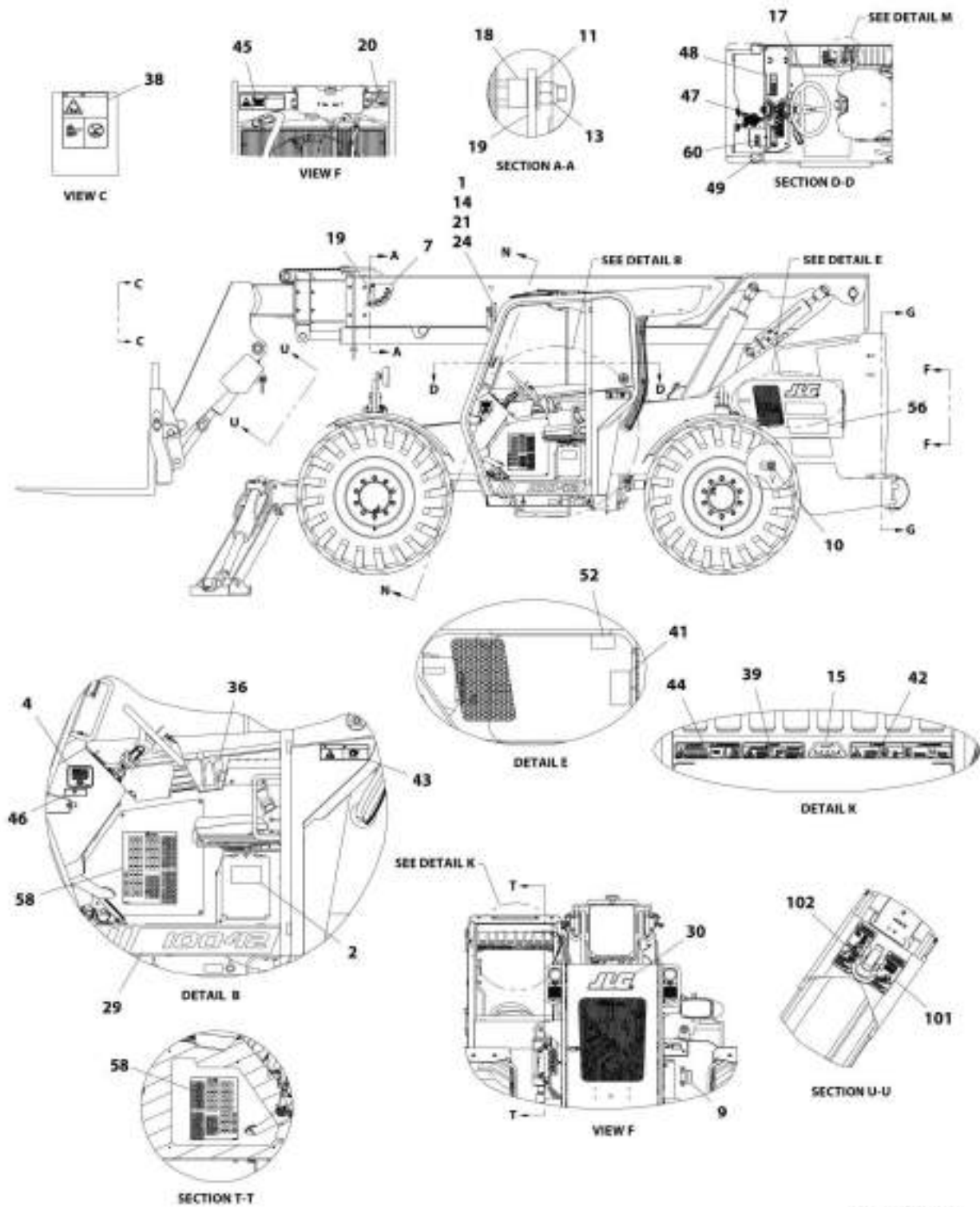
ITEM	PART NUMBER	QTY	DESCRIPTION	REV
	1001212342	Ref	Decal Installation (ENGLISH/FRENCH) 74HP - 8042	H
1	0700610	2	Bolt, M6X20	
2	1701640	1	Decal, Manual	
3	1702631	1	Decal, Bar Code	
4	3251813	1	Decal, USA	
5	4100181	1	Decal, Hydraulic Oil Fill	
6	1001189017	1	Decal, Diesel Fuel Fill	
7	4105262	1	Decal, Boom Angle Indicator	
8	4107442	1	Decal, Boom Extend Letters	
9	4108302	1	Decal, Hydraulic Oil Level	
10	1702300	4	Decal, Tie Down	
11	4711600	1	Washer, 3/8	
13	8305645	1	Nut, Lock 3/8	
14	8307024	2	Washer, Lock M6	
15	8466306	1	Gage, Tilt Angle	
16	1001191635	1	Mirror, RH	
17	10139087	1	Tread, Safety	
18	1001096404	1	Sleeve, Angle Indicator Spacer	
19	1001098769	1	Plate, Boom Angle Indicator	
20	1001109053	1	Decal, Coolant Fill	
21	1001114675	1	Arm, Mirror	
22	1001191994	1	Decal, Lubrication Chart 8042	
23	1001131271	1	Decal, Telehandlers Patent	
24	1001148177	1	Mirror, Rectangular	
25	N.S.S.	1	S/N Plate	
29	1001157274	1	Decal, Rear Door JLG Logo	
30	1001157614	1	Decal, Cab 8042	
33	1001162734	1	Decal, Joystick Control	
34	1001162735	1	Decal, Sway Control	
35	1001162736	1	Decal, Auxiliary Control	
36	1001163174	1	Decal, Battery Warning (CAN)	
37	1001163206	1	Decal, Carry Personnel (CAN)	
38	1001163210	1	Decal, Electrocutation Hazard (CAN)	
39	1001163212	2	Decal, Ether Starting Warning (CAN)	
40	1001163222	2	Decal, Keep Clear of Rotating Parts Warning (CAN)	
41	1001163285	1	Decal, Tip Over Warning (CAN)	
42	1001163300	1	Decal, No Riders (CAN)	
43	1001163304	1	Decal, Crush Hazard Warning (CAN)	
44	1001163323	1	Decal, Hot Fluid Warning (CAN)	
45	1001163355	2	Decal, Ultra Low Sulfur Fuel (CAN)	
46	1001180175	1	Decal, RH Overlay	
47	1001180176	1	Decal, LH Overlay	
50	1001202626	2	Decal, 74HP	
51	1001202627	1	Decal, Maintenance Charts	
53	1001179353	1	Decal Tank - 8042	
54	1001179380	1	Decal, LH Rear Frame Stripe	
55	1001179381	1	Decal, RH Rear Frame Stripe	
56	1001189327	1	Decal, Main Fuse Panel	
58	1001219211	1	Decal, Brake Fluid Spec	
59	1001223453	1	Decal, ICES (CAN)	

## SECTION 11 - DECALS

ITEM	PART NUMBER	QTY	DESCRIPTION	REV
101	1001210581	1	Decal, Danger Swing Load Boom Head (SN 0160075687 to Present, Including 0160075671, 0160075672, 0160075673, 0160075674, 0160075675, 0160075676, 0160075677, 0160075678, 0160075679, 0160075681 and 0160075682)	
102	1001210582	1	Decal, Capacity Rating Boom Head (SN 0160075687 to Present, Including 0160075671, 0160075672, 0160075673, 0160075674, 0160075675, 0160075676, 0160075677, 0160075678, 0160075679, 0160075681 and 0160075682)	

# SECTION 11 - DECALS

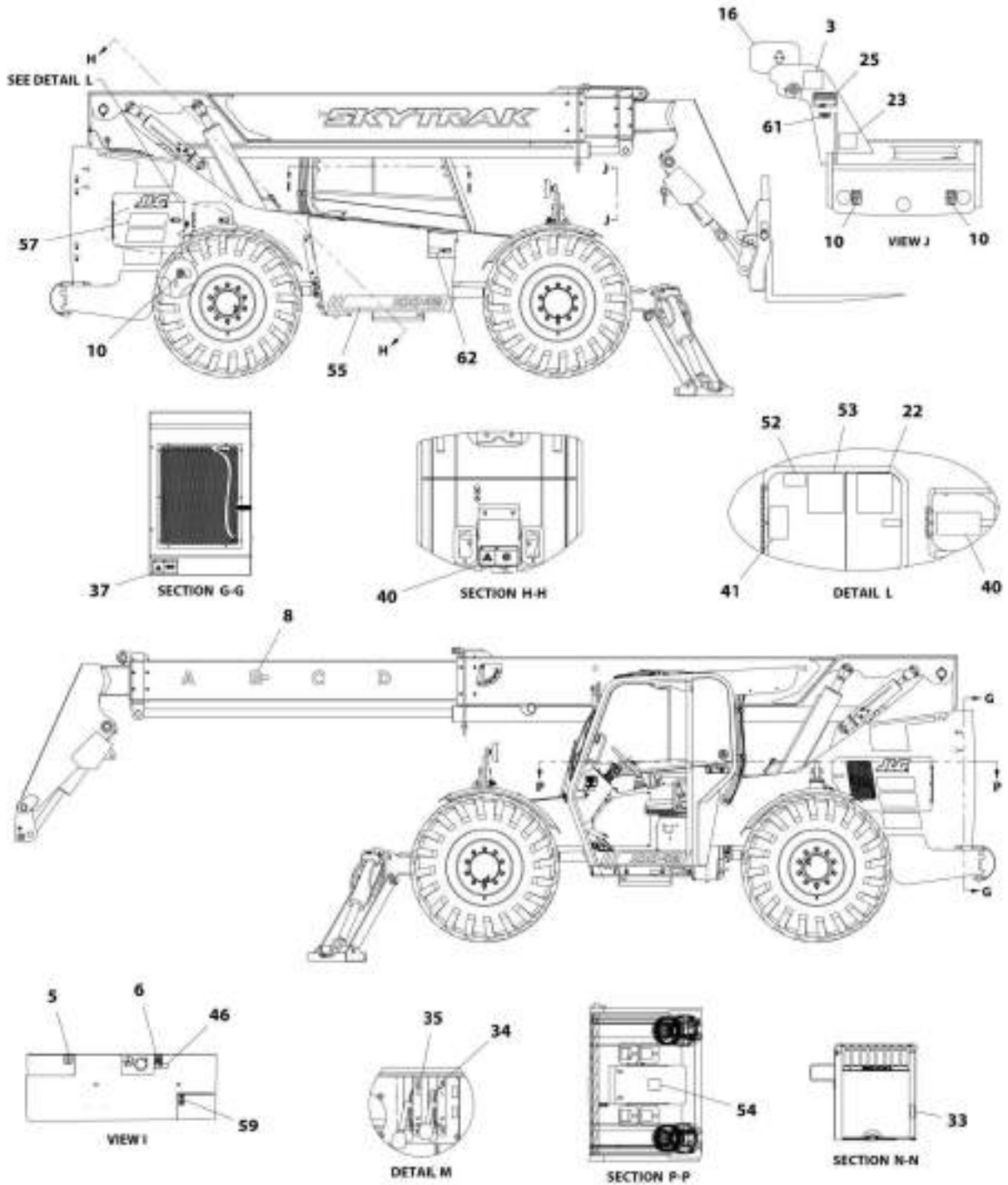
## FIGURE 11-9. DECAL INSTALLATION (ENGLISH/FRENCH) 110HP - 10042



AWT\_1001166113\_1-L



# SECTION 11 - DECALS



ART 100196113\_2-L

# SECTION 11 - DECALS

**FIGURE 11-9. DECAL INSTALLATION (ENGLISH/FRENCH) 110HP - 10042**

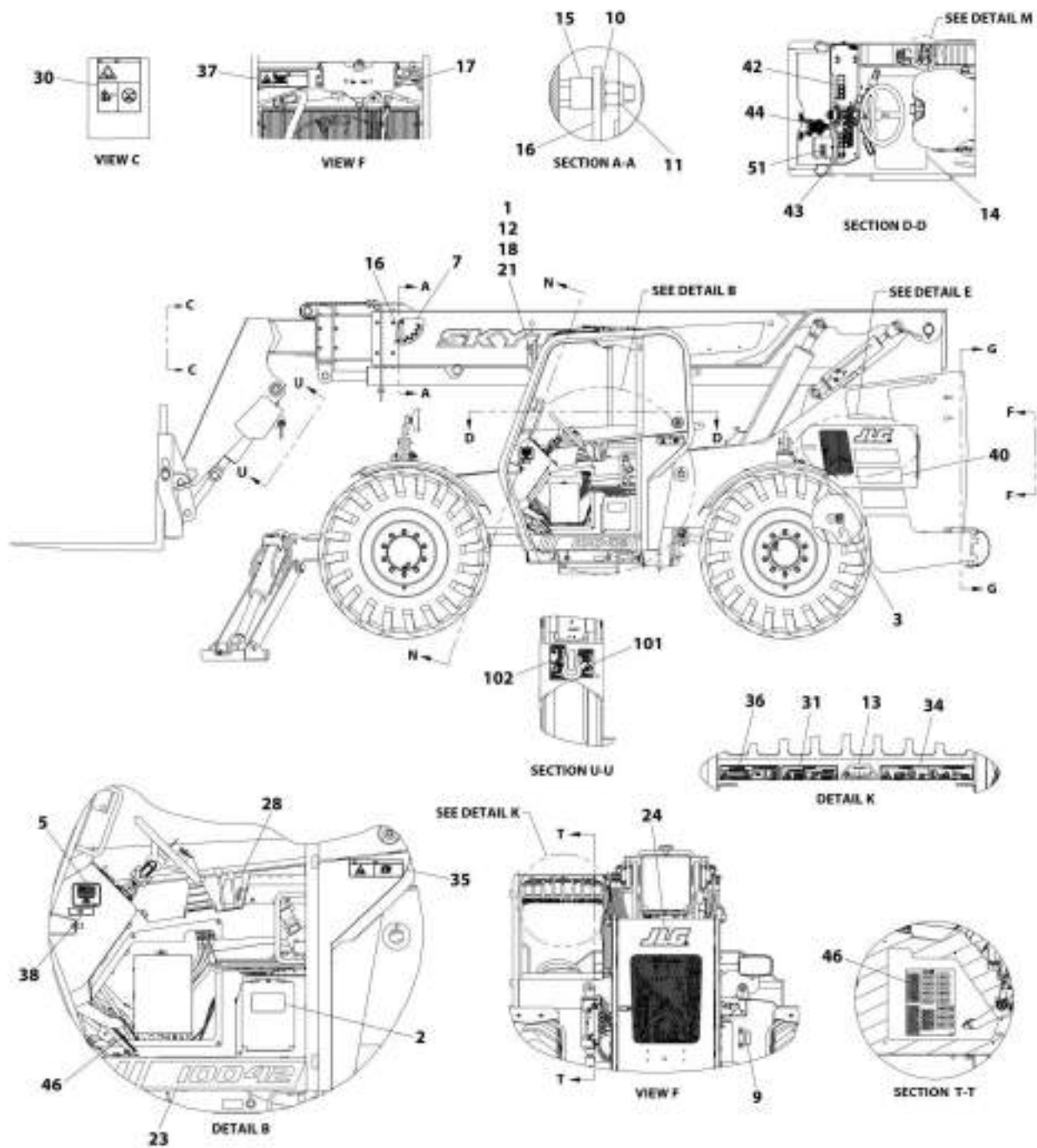
ITEM	PART NUMBER	QTY	DESCRIPTION	REV
	1001166113	Ref	Decal Installation (ENGLISH/FRENCH) 110HP - 10042	L
1	0700610	2	Bolt, M6X20	
2	1701640	1	Decal, Manual	
3	1702631	1	Decal, Bar Code	
4	3251813	1	Decal, USA	
5	4100181	1	Decal, Hydraulic Oil Fill	
6	1001189017	1	Decal, Diesel Fuel Fill	
7	4105262	1	Decal, Boom Angle Indicator	
8	4107442	1	Decal, Boom Extend Letters	
9	4108302	1	Decal, Hydraulic Oil Level	
10	1702300	4	Decal, Tie Down	
11	4711600	1	Washer, 3/8	
13	8305645	1	Nut, Lock 3/8	
14	8307024	2	Washer, Lock M6	
15	8466306	1	Gage, Tilt Angle	
16	1001191635	1	Mirror, RH	
17	10139087	1	Tread, Safety	
18	1001096404	1	Sleeve, Angle Indicator Spacer	
19	1001098769	1	Plate, Boom Angle Indicator	
20	1001109053	1	Decal, Coolant Fill	
21	1001114675	1	Arm, Mirror	
22	1001191995	1	Decal, Lubrication Chart 10042	
23	1001131271	1	Decal, Telehandlers Patent	
24	1001148177	1	Mirror, Rectangular	
25	N.S.S.	1	S/N Plate	
29	1001157273	1	Decal, Cab 10042	
30	1001157274	1	Decal, Rear Door JLG Logo	
33	1001162734	1	Decal, Joystick Control	
34	1001162735	1	Decal, Sway Control	
35	1001162736	1	Decal, Auxiliary Control	
36	1001162737	1	Decal, Outrigger Control 10054 & 10042	
37	1001163174	1	Decal, Battery Warning (CAN)	
38	1001163206	1	Decal, Carry Personnel (CAN)	
39	1001163210	1	Decal, Electrocutation Hazard (CAN)	
40	1001163212	2	Decal, Ether Starting Warning (CAN)	
41	1001163222	2	Decal, Keep Clear of Rotating Parts (CAN)	
42	1001163285	1	Decal, Tip Over Warning (CAN)	
43	1001163300	1	Decal, No Riders (CAN)	
44	1001163304	1	Decal, Crush Hazard Warning (CAN)	
45	1001163323	1	Decal, Hot Fluid Warning (CAN)	
46	1001163355	2	Decal, Ultra Low Sulfur Fuel (CAN)	
47	1001187239	1	Decal, Outrigger (ENG/FR)	
48	1001180175	1	Decal, RH Overlay	
49	1001180176	1	Decal, LH Overlay	
52	1001173422	2	Decal, MCO 110HP	
53	1001174152	1	Decal, Maintenance Chart	
54	1001142452	1	Decal, No Step	
55	1001179354	1	Decal, Tank 10042	
56	1001179380	1	Decal, LH Rear Frame Stripe	
57	1001179381	1	Decal, RH Rear Frame Stripe	

## SECTION 11 - DECALS

ITEM	PART NUMBER	QTY	DESCRIPTION	REV
58	1001189327	1	Decal, Main Fuse Panel	
59	1001196806	1	Decal, Diesel Exhaust Fluid	
60	1001219211	1	Decal, Brake Fluid Spec	
61	1001223453	1	Decal, ICES (CAN)	
62	1001230309	1	Decal, EN/FR Cummins DEF Tank Service	
101	1001210581	1	Decal, Danger Swing Load Boom Head (SN 0160075687 to Present, Including 0160075671, 0160075672, 0160075673, 0160075674, 0160075675, 0160075676, 0160075677, 0160075678, 0160075679, 0160075681 and 0160075682)	
102	1001210582	1	Decal, Capacity Rating Boom Head (SN 0160075687 to Present, Including 0160075671, 0160075672, 0160075673, 0160075674, 0160075675, 0160075676, 0160075677, 0160075678, 0160075679, 0160075681 and 0160075682)	

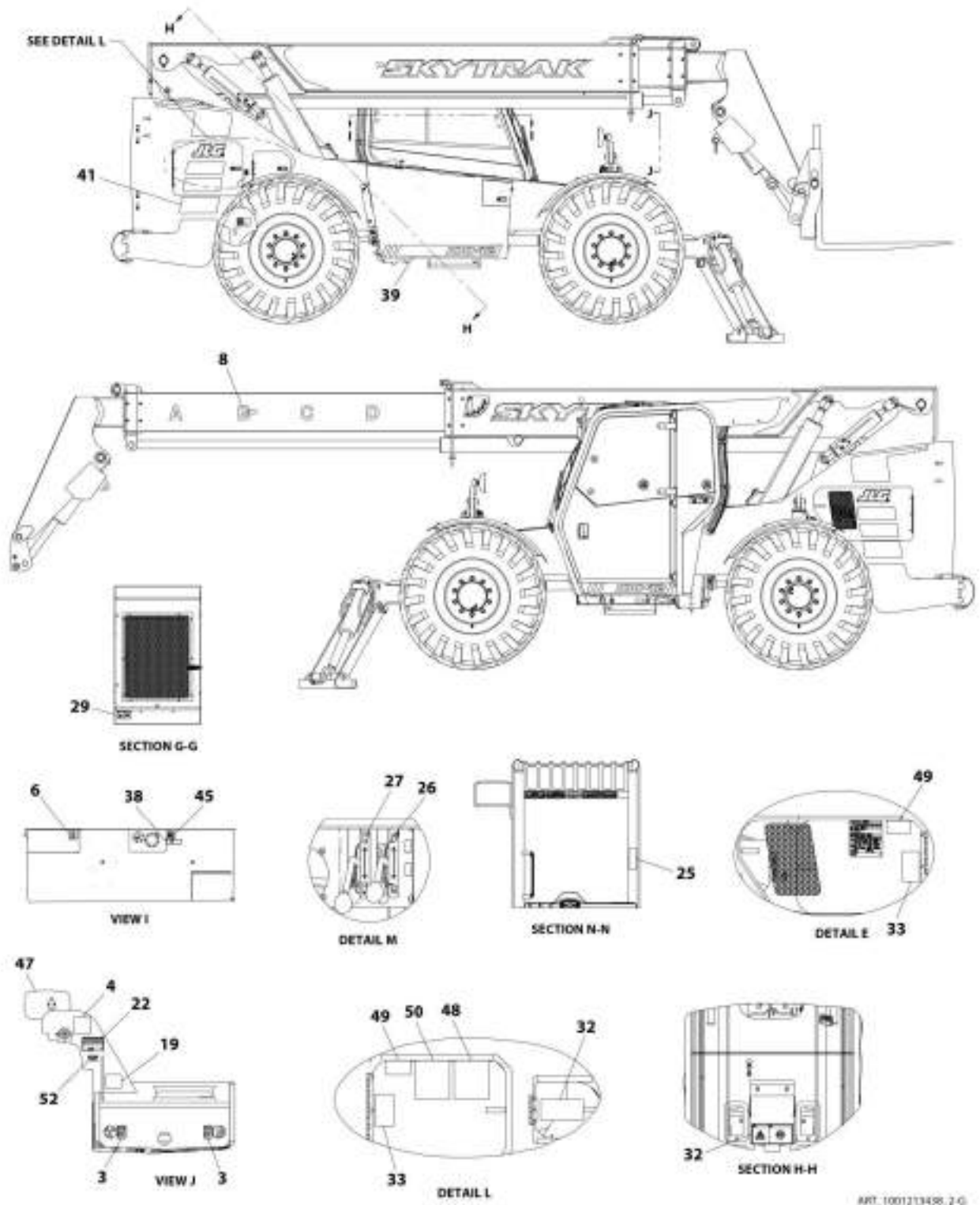
# SECTION 11 - DECALS

## FIGURE 11-10. DECAL INSTALLATION (ENGLISH/FRENCH) 74HP - 10042



ART\_1001219438\_1-6

# SECTION 11 - DECALS



# SECTION 11 - DECALS

**FIGURE 11-10. DECAL INSTALLATION (ENGLISH/FRENCH) 74HP - 10042**

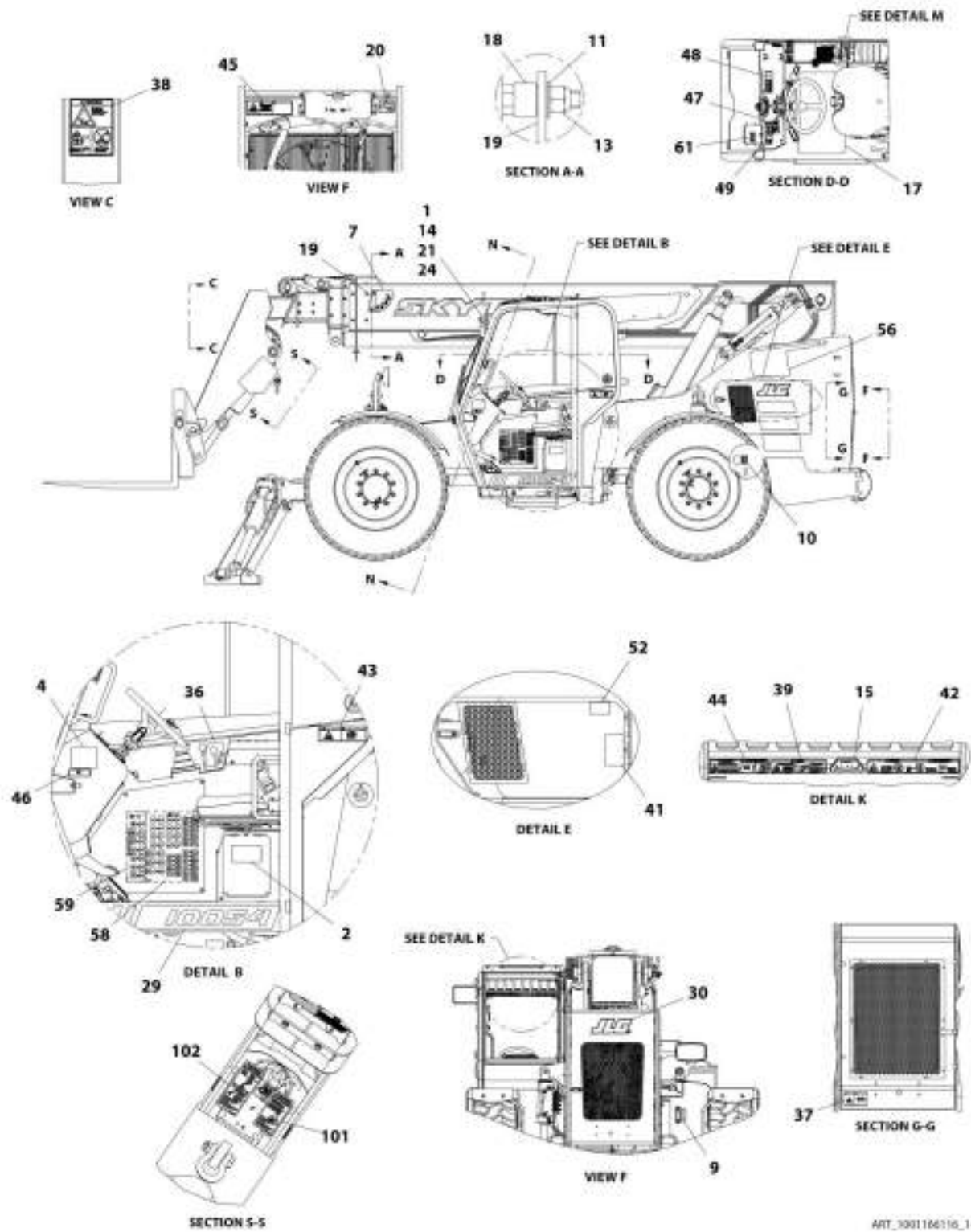
ITEM	PART NUMBER	QTY	DESCRIPTION	REV
	1001213438	Ref	Decal Installation (ENGLISH/FRENCH) 74HP - 10042	G
1	0700610	2	Bolt, M6X20	
2	1701640	1	Decal, Manual	
3	1702300	4	Decal, Tie Down	
4	1702631	1	Decal, Bar Code	
5	3251813	1	Decal, USA	
6	4100181	1	Decal, Hydraulic Oil Fill	
7	4105262	1	Decal, Boom Angle Indicator	
8	4107442	1	Decal, Boom Extend Letters	
9	4108302	1	Decal, Hydraulic Oil Level	
10	4711600	1	Washer, 3/8	
11	8305645	1	Nut, Lock 3/8	
12	8307024	2	Washer, Lock M6	
13	8466306	1	Gage, Tilt Angle	
14	10139087	1	Tread, Safety	
15	1001096404	1	Sleeve, Angle Indicator Spacer	
16	1001098769	1	Plate, Boom Angle Indicator	
17	1001109053	1	Decal, Coolant Fill	
18	1001114675	1	Arm, Mirror	
19	1001131271	1	Decal, Telehandlers Patent	
21	1001148177	1	Mirror, Rectangular	
22	N.S.S.	1	S/N Plate	
23	1001157273	1	Decal, Cab 10042	
24	1001157274	1	Decal, Rear Door JLG Logo	
25	1001162734	1	Decal, Joystick Control	
26	1001162735	1	Decal, Sway Control	
27	1001162736	1	Decal, Auxiliary Control	
28	1001162737	1	Decal, Outrigger Control 10054 & 10042	
29	1001163174	1	Decal, Battery Warning (CAN)	
30	1001163206	1	Decal, Carry Personnel (CAN)	
31	1001163210	1	Decal, Electrocution Hazard (CAN)	
32	1001163212	2	Decal, Ether Starting Warning (CAN)	
33	1001163222	2	Decal, Keep Clear of Rotating Parts (CAN)	
34	1001163285	1	Decal, Tip Over Warning (CAN)	
35	1001163300	1	Decal, No Riders (CAN)	
36	1001163304	1	Decal, Crush Hazard Warning (CAN)	
37	1001163323	1	Decal, Hot Fluid Warning (CAN)	
38	1001163355	2	Decal, Ultra Low Sulfur Fuel (CAN)	
39	1001179354	1	Decal, Tank 10042	
40	1001179380	1	Decal, LH Rear Frame Stripe	
41	1001179381	1	Decal, RH Rear Frame Stripe	
42	1001180175	1	Decal, RH Overlay	
43	1001180176	1	Decal, LH Overlay	
44	1001187239	1	Decal, Outrigger (ENG/FR)	
45	1001189017	1	Decal, Diesel Fuel Fill	
46	1001189327	1	Decal, Main Fuse Panel	
47	1001191635	1	Mirror, RH	
48	1001191995	1	Decal, Lubrication Chart 10042	
49	1001202626	2	Decal, 74HP	
50	1001202627	1	Decal, Maintenance Chart	

## SECTION 11 - DECALS

ITEM	PART NUMBER	QTY	DESCRIPTION	REV
51	1001219211	1	Decal, Brake Fluid Spec	
52	1001223453	1	Decal, ICES (CAN)	
101	1001210581	1	Decal, Danger Swing Load Boom Head	
102	1001210582	1	Decal, Capacity Rating Boom Head	

# SECTION 11 - DECALS

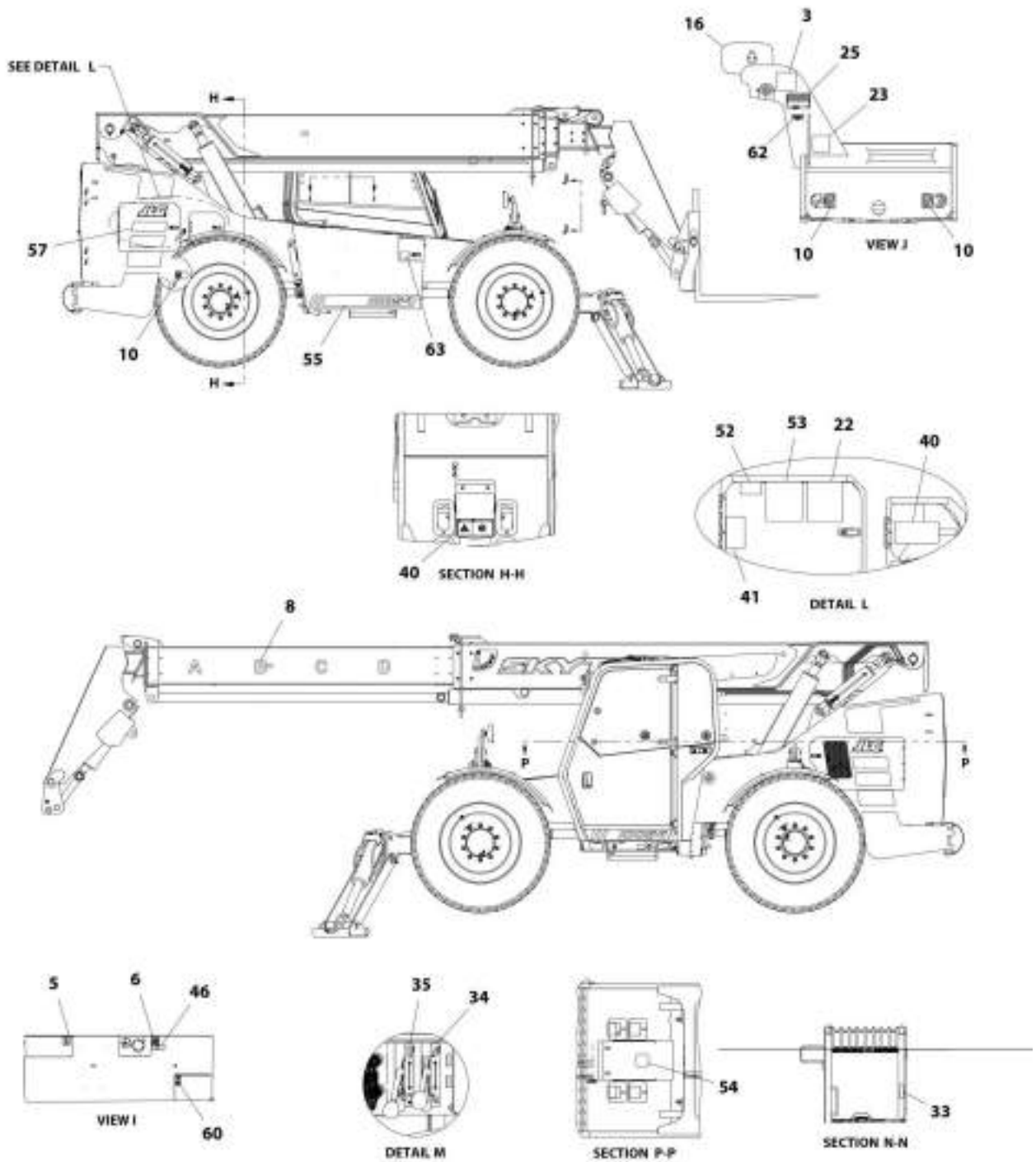
## FIGURE 11-11. DECAL INSTALLATION (ENGLISH/FRENCH) 110HP - 10054



ART\_3001166316\_14



# SECTION 11 - DECALS



ART\_1001164116\_2-L

# SECTION 11 - DECALS

**FIGURE 11-11. DECAL INSTALLATION (ENGLISH/FRENCH) 110HP - 10054**

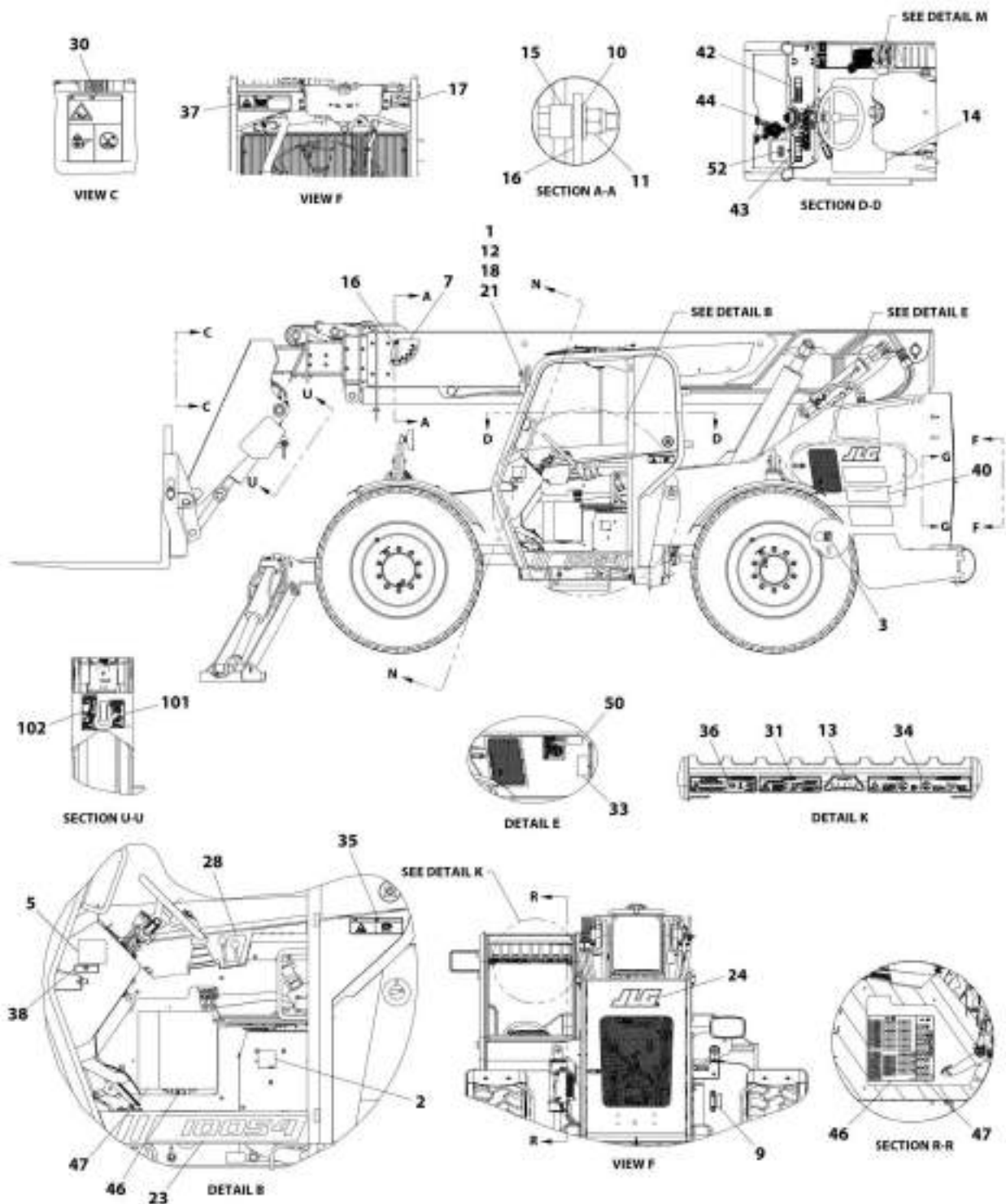
ITEM	PART NUMBER	QTY	DESCRIPTION	REV
	1001166116	Ref	Decal Installation (ENGLISH/FRENCH) 110HP - 10054	L
1	0700610	2	Bolt, M6X20	
2	1701640	1	Decal, Manual	
3	1702631	1	Decal, Bar Code	
4	3251813	1	Decal, USA	
5	4100181	1	Decal, Hydraulic Oil Fill	
6	1001189017	1	Decal, Diesel Fuel Fill	
7	4105262	1	Decal, Boom Angle Indicator	
8	4107442	1	Decal, Boom Extend Letters	
9	4108302	1	Decal, Hydraulic Oil Level	
10	1702300	4	Decal, Tie Down	
11	4711600	1	Washer, 3/8	
13	8305645	1	Nut, Lock 3/8	
14	8307024	2	Washer, Lock M6	
15	8466306	1	Gage, Tilt Angle	
16	1001191635	1	Mirror, RH	
17	10139087	1	Tread, Safety	
18	1001096404	1	Sleeve, Angle Indicator Spacer	
19	1001098769	1	Plate, Boom Angle Indicator	
20	1001109053	1	Decal, Coolant Fill	
21	1001114675	1	Arm, Mirror	
22	1001191996	1	Decal, Lubrication Chart 10054	
23	1001131271	1	Decal, Telehandlers Patent	
24	1001148177	1	Mirror, Rectangular	
25	N.S.S.	1	S/N Plate	
29	1001157268	1	Decal, Cab 10054	
30	1001157274	1	Decal, Rear Door JLG Logo	
33	1001162734	1	Decal, Joystick Control	
34	1001162735	1	Decal, Sway Control	
35	1001162736	1	Decal, Auxiliary Control	
36	1001162737	1	Decal, Outrigger Control 10054 & 10042	
37	1001163174	1	Decal, Battery Warning (CAN)	
38	1001163206	1	Decal, Carry Personnel (CAN)	
39	1001163210	1	Decal, Electrocutation Hazard (CAN)	
40	1001163212	2	Decal, Ether Starting Warning (CAN)	
41	1001163222	2	Decal, Keep Clear of Rotating Parts (CAN)	
42	1001163285	1	Decal, Tip Over Warning (CAN)	
43	1001163300	1	Decal, No Riders (CAN)	
44	1001163304	1	Decal, Crush Hazard Warning (CAN)	
45	1001163323	1	Decal, Hot Fluid Warning (CAN)	
46	1001163355	2	Decal, Ultra Low Sulfur Fuel (CAN)	
47	1001187239	1	Decal, Outrigger (ENG/FR)	
48	1001180175	1	Decal, RH Overlay	
49	1001180176	1	Decal, LH Overlay	
52	1001173422	2	Decal, MCO 110HP	
53	1001174152	1	Decal, Maintenance Chart	
54	1001142452	1	Decal, No Step	
55	1001179326	1	Decal, Tank 10054	
56	1001179380	1	Decal, LH Rear Frame Stripe	
57	1001179381	1	Decal, RH Rear Frame Stripe	

## SECTION 11 - DECALS

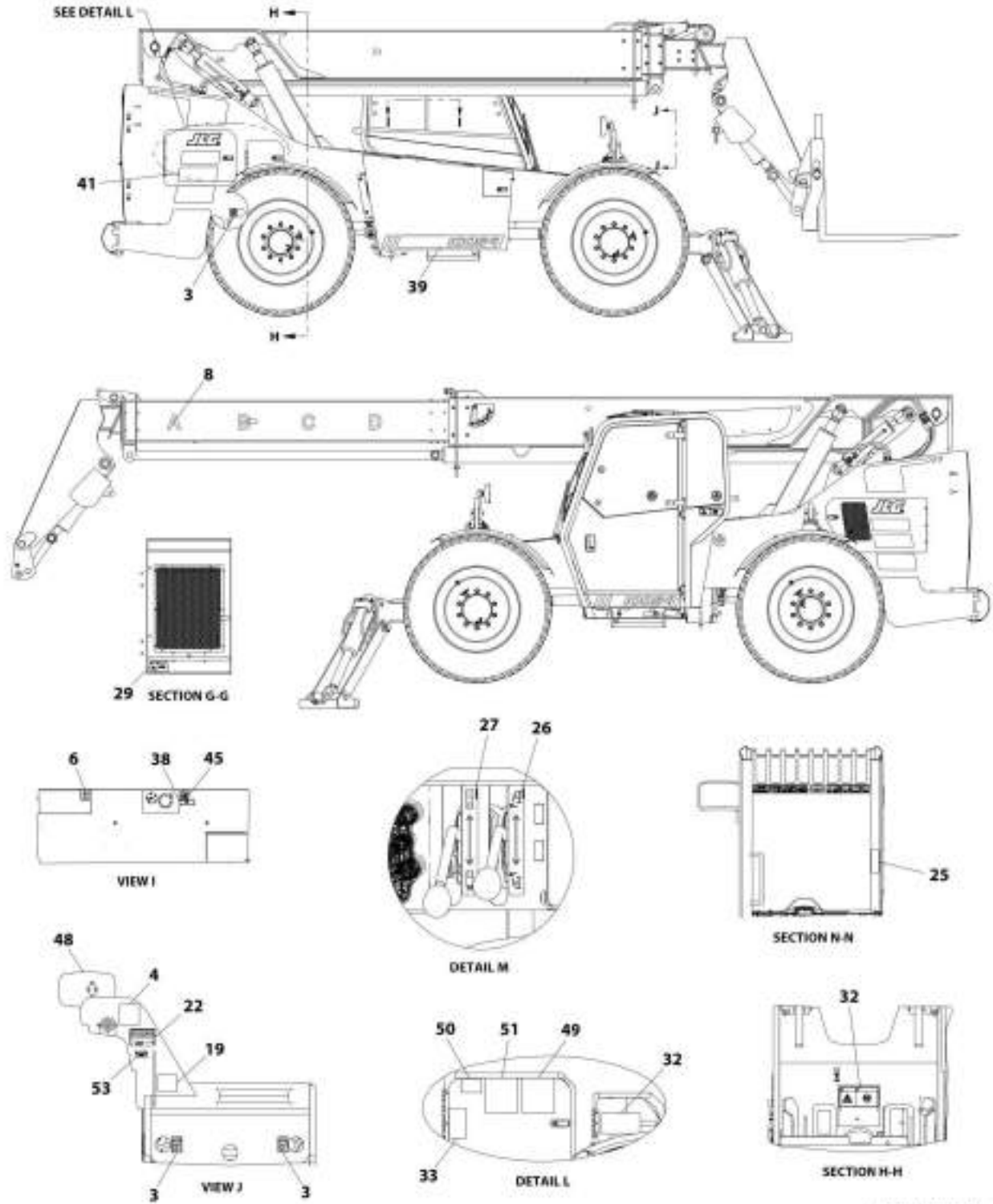
ITEM	PART NUMBER	QTY	DESCRIPTION	REV
58	1001189327	1	Decal, Main Fuse Panel	
59	1001189328	1	Decal, Fuse panel	
60	1001196806	1	Decal, Diesel Exhaust Fluid	
61	1001219211	1	Decal, Brake Fluid Spec	
62	1001223453	1	Decal, ICES (CAN)	
63	1001230309	1	Decal, EN/FR Cummins DEF Tank Services	
101	1001210581	1	Decal, Danger Swing Load Boom Head <b>(SN 0160075687 to Present, Including 0160075671, 0160075672, 0160075673, 0160075674, 0160075675, 0160075676, 0160075677, 0160075678, 0160075679, 0160075681 and 0160075682)</b>	
102	1001210582	1	Decal, Capacity Rating Boom Head <b>(SN 0160075687 to Present, Including 0160075671, 0160075672, 0160075673, 0160075674, 0160075675, 0160075676, 0160075677, 0160075678, 0160075679, 0160075681 and 0160075682)</b>	

# SECTION 11 - DECALS

## FIGURE 11-12. DECAL INSTALLATION (ENGLISH/FRENCH) 74HP - 10054



# SECTION 11 - DECALS



# SECTION 11 - DECALS

**FIGURE 11-12. DECAL INSTALLATION (ENGLISH/FRENCH) 74HP - 10054**

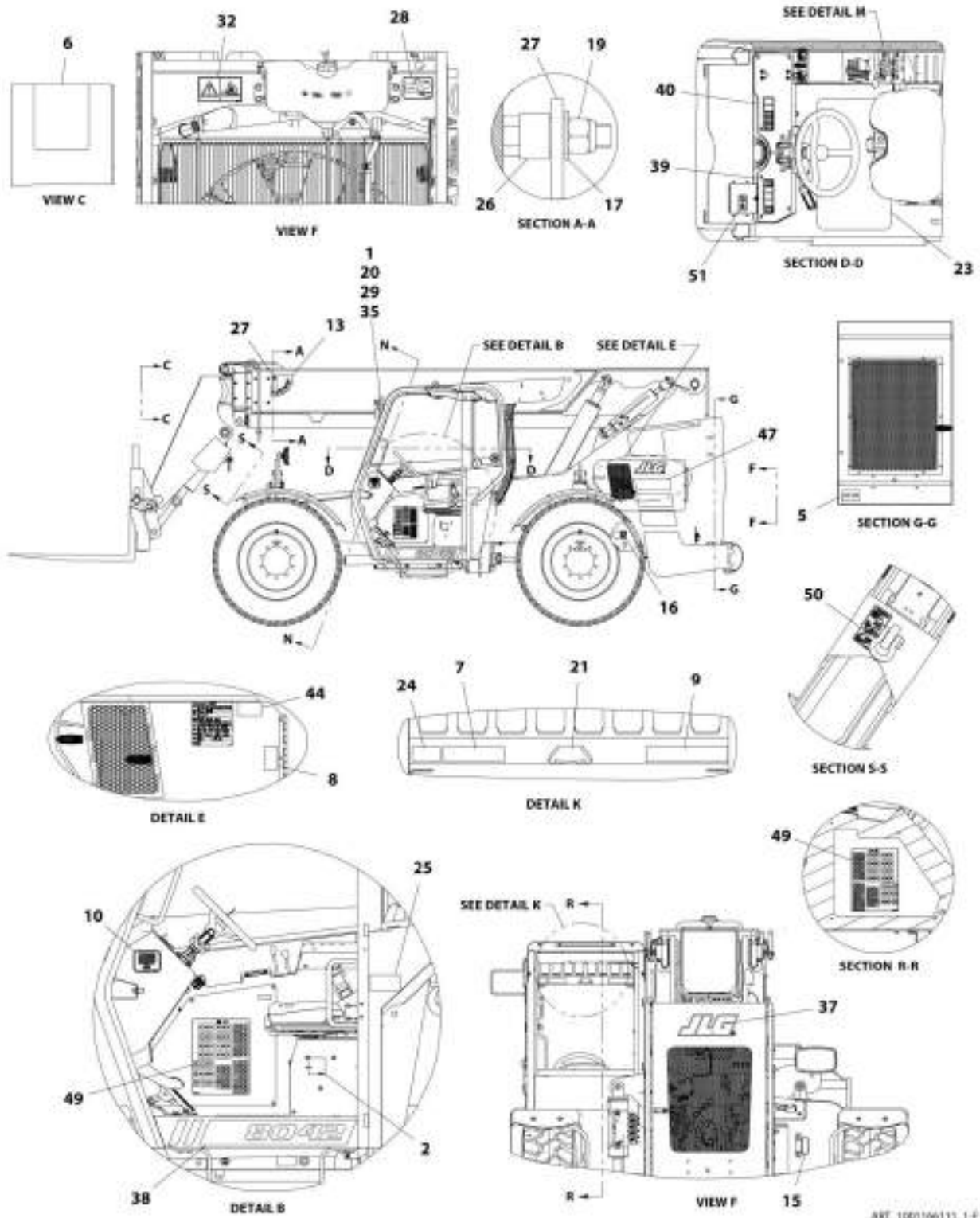
ITEM	PART NUMBER	QTY	DESCRIPTION	REV
	1001213434	Ref	Decal Installation (ENGLISH/FRENCH) 74HP - 10054	G
1	0700610	2	Bolt, M6X20	
2	1701640	1	Decal, Manual	
3	1702300	4	Decal, Tie Down	
4	1702631	1	Decal, Bar Code	
5	3251813	1	Decal, USA	
6	4100181	1	Decal, Hydraulic Oil Fill	
7	4105262	1	Decal, Boom Angle Indicator	
8	4107442	1	Decal, Boom Extend Letters	
9	4108302	1	Decal, Hydraulic Oil Level	
10	4711600	1	Washer, 3/8	
11	8305645	1	Nut, Lock 3/8	
12	8307024	2	Washer, Lock M6	
13	8466306	1	Gage, Tilt Angle	
14	10139087	1	Tread, Safety	
15	1001096404	1	Sleeve, Angle Indicator Spacer	
16	1001098769	1	Plate, Boom Angle Indicator	
17	1001109053	1	Decal, Coolant Fill	
18	1001114675	1	Arm, Mirror	
19	1001131271	1	Decal, Telehandlers Patent	
21	1001148177	1	Mirror, Rectangular	
22	N.S.S.	1	S/N Plate	
23	1001157268	1	Decal, Cab 10054	
24	1001157274	1	Decal, Rear Door JLG Logo	
25	1001162734	1	Decal, Joystick Control	
26	1001162735	1	Decal, Sway Control	
27	1001162736	1	Decal, Auxiliary Control	
28	1001162737	1	Decal, Outrigger Control 10054 & 10042	
29	1001163174	1	Decal, Battery Warning (CAN)	
30	1001163206	1	Decal, Carry Personnel (CAN)	
31	1001163210	1	Decal, Electrocution Hazard (CAN)	
32	1001163212	2	Decal, Ether Starting Warning (CAN)	
33	1001163222	2	Decal, Keep Clear of Rotating Parts (CAN)	
34	1001163285	1	Decal, Tip Over Warning (CAN)	
35	1001163300	1	Decal, No Riders (CAN)	
36	1001163304	1	Decal, Crush Hazard Warning (CAN)	
37	1001163323	1	Decal, Hot Fluid Warning (CAN)	
38	1001163355	2	Decal, Ultra Low Sulfur Fuel (CAN)	
39	1001179326	1	Decal, Tank 10054	
40	1001179380	1	Decal, LH Rear Frame Stripe	
41	1001179381	1	Decal, RH Rear Frame Stripe	
42	1001180175	1	Decal, RH Overlay	
43	1001180176	1	Decal, LH Overlay	
44	1001187239	1	Decal, Outrigger (ENG/FR)	
45	1001189017	1	Decal, Diesel Fuel Fill	
46	1001189327	1	Decal, Main Fuse Panel	
47	1001189328	1	Decal, Fuse Panel	
48	1001191635	1	Mirror, RH	
49	1001191996	1	Decal, Lubrication Chart 10054	
50	1001202626	2	Decal, 74HP	

## SECTION 11 - DECALS

ITEM	PART NUMBER	QTY	DESCRIPTION	REV
51	1001202627	1	Decal, Maintenance Chart	
52	1001219211	1	Decal, Brake Fluid Spec	
53	1001223453	1	Decal, ICES (CAN)	
101	1001210581	1	Decal, Danger Swing Load Boom Head	
102	1001210582	1	Decal, Capacity Rating Boom Head	

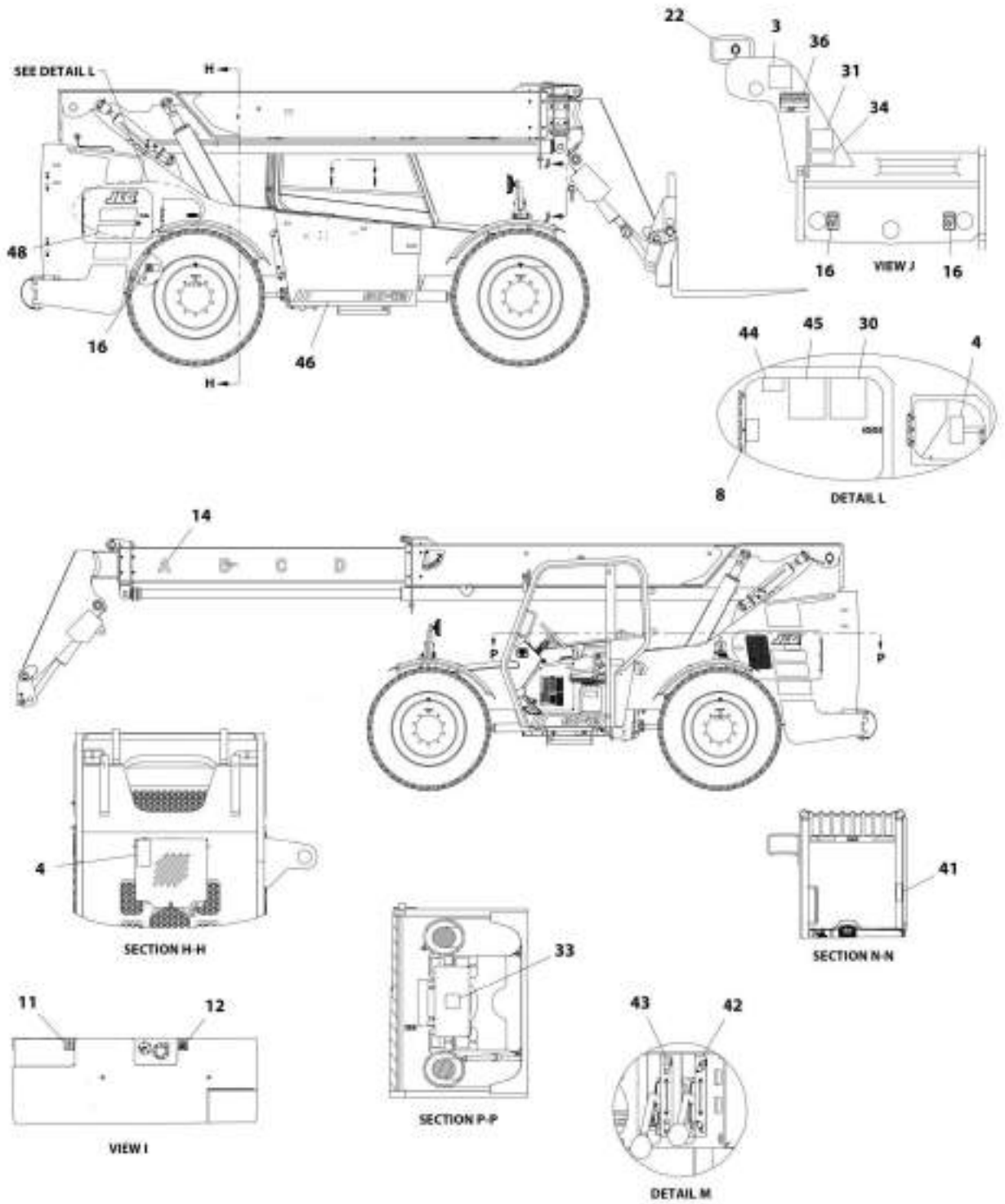
# SECTION 11 - DECALS

## FIGURE 11-13. DECAL INSTALLATION (ISO) - 8042





# SECTION 11 - DECALS



ART\_1001066111\_2-F

# SECTION 11 - DECALS

FIGURE 11-13. DECAL INSTALLATION (ISO) - 8042

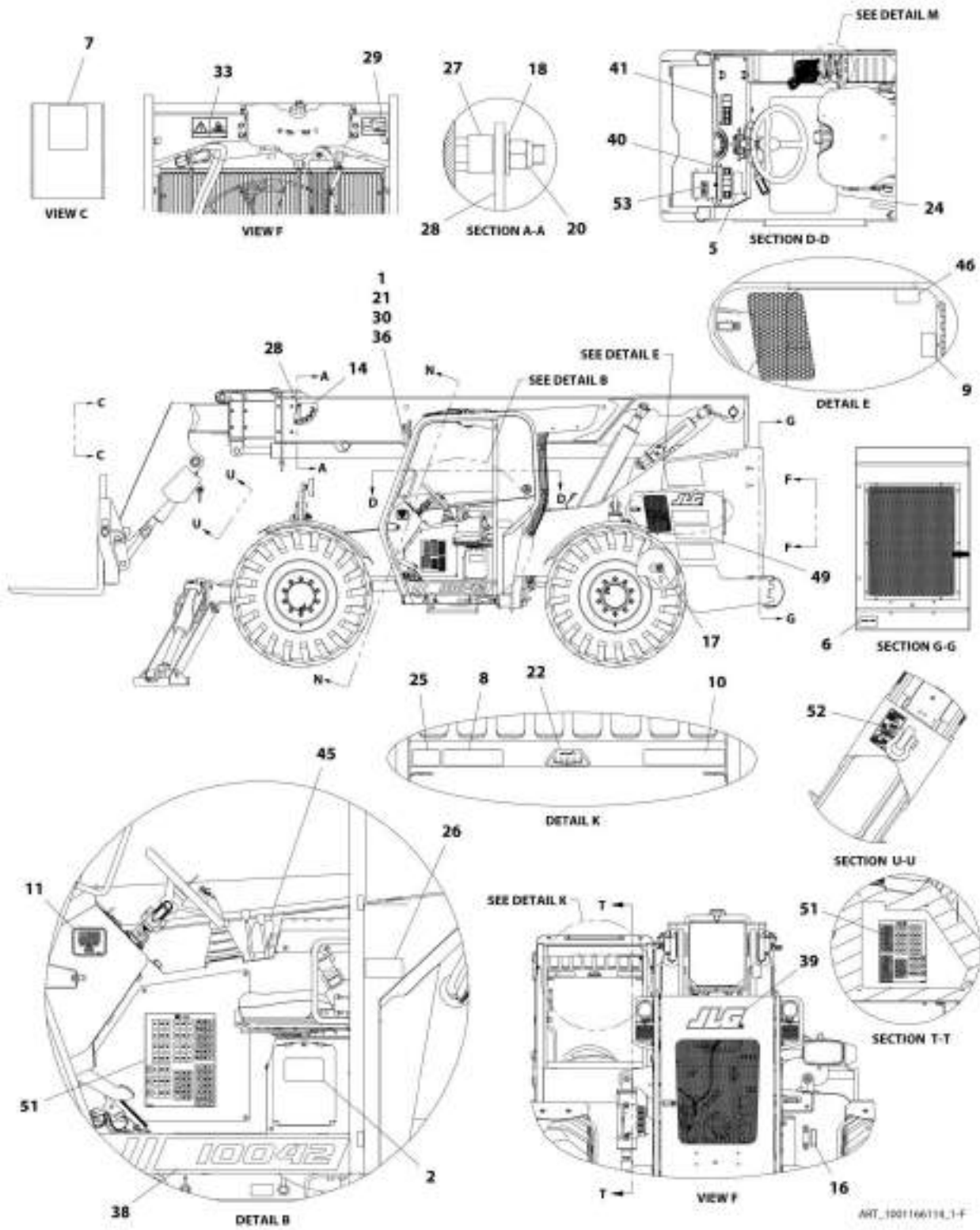
ITEM	PART NUMBER	QTY	DESCRIPTION	REV
	1001166111	Ref	Decal Installation (ISO) - 8042	F
1	0700610	2	Bolt, M6X20	
2	1701640	1	Decal, Manual	
3	1702631	1	Decal, Bar Code	
4	1706098	2	Decal, Ether Warning	
5	1706281	1	Decal, Battery Warning	
6	1706282	1	Decal, Carry Personnel	
7	1706284	1	Decal, Electrocution Hazard	
8	1706285	2	Decal, Moving Parts	
9	1706288	1	Decal, Tipover Warning	
10	3251813	1	Decal, USA	
11	4100181	1	Decal, Hydraulic Oil Fill	
12	1001189017	1	Decal, Diesel Fuel Fill	
13	4105262	1	Decal, Boom Angle Indicator	
14	4107442	1	Decal, Boom Extend Letters	
15	4108302	1	Decal, Hydraulic Oil Level	
16	1702300	4	Decal, Tie Down	
17	4711600	1	Washer, 3/8	
19	8305645	1	Nut, Lock 3/8	
20	8307024	2	Washer, Lock M6	
21	8466306	1	Gage, Tilt Angle	
22	1001191635	1	Mirror, RH	
23	10139087	1	Tread, Safety	
24	1001092877	1	Decal, Crush Hazard Warning	
25	1001092878	1	Decal, No Riders	
26	1001096404	1	Sleeve, Angle Indicator Spacer	
27	1001098769	1	Plate, Boom Angle Indicator	
28	1001109053	1	Decal, Coolant Fill	
29	1001114675	1	Arm, Mirror	
30	1001191994	1	Decal, Lubrication Chart 8042	
31	1001131271	1	Decal, Telehandlers Patent	
32	1001139942	1	Decal, Hot Fluid Warning	
33	1001142452	1	Decal, No Step	
34	1001143852	1	Decal, LRC EPA	
35	1001148177	1	Mirror, Rectangular	
36	1001154575	1	S/N Plate	
37	1001157274	1	Decal, Rear Door JLG Logo	
38	1001157614	1	Decal, Cab - 8042	
39	1001158320	1	Decal, Overlay LH (ISO)	
40	1001158321	1	Decal, Overlay RH (ISO)	
41	1001162734	1	Decal, Joystick Control	
42	1001162735	1	Decal, Sway Control	
43	1001162736	1	Decal, Auxiliary Control	
44	1001173422	2	Decal, MCO 110HP	
45	1001202627	1	Decal, Maintenance Charts	
46	1001179353	1	Decal Tank - 8042	
47	1001179380	1	Decal, LH Rear Frame Stripe	
48	1001179381	1	Decal, RH Rear Frame Stripe	
49	1001189327	1	Decal, Main Fuse Panel	
50	1001207218	1	Decal, Danger Swinging Load (SN 0160075687 to Present,	

## SECTION 11 - DECALS

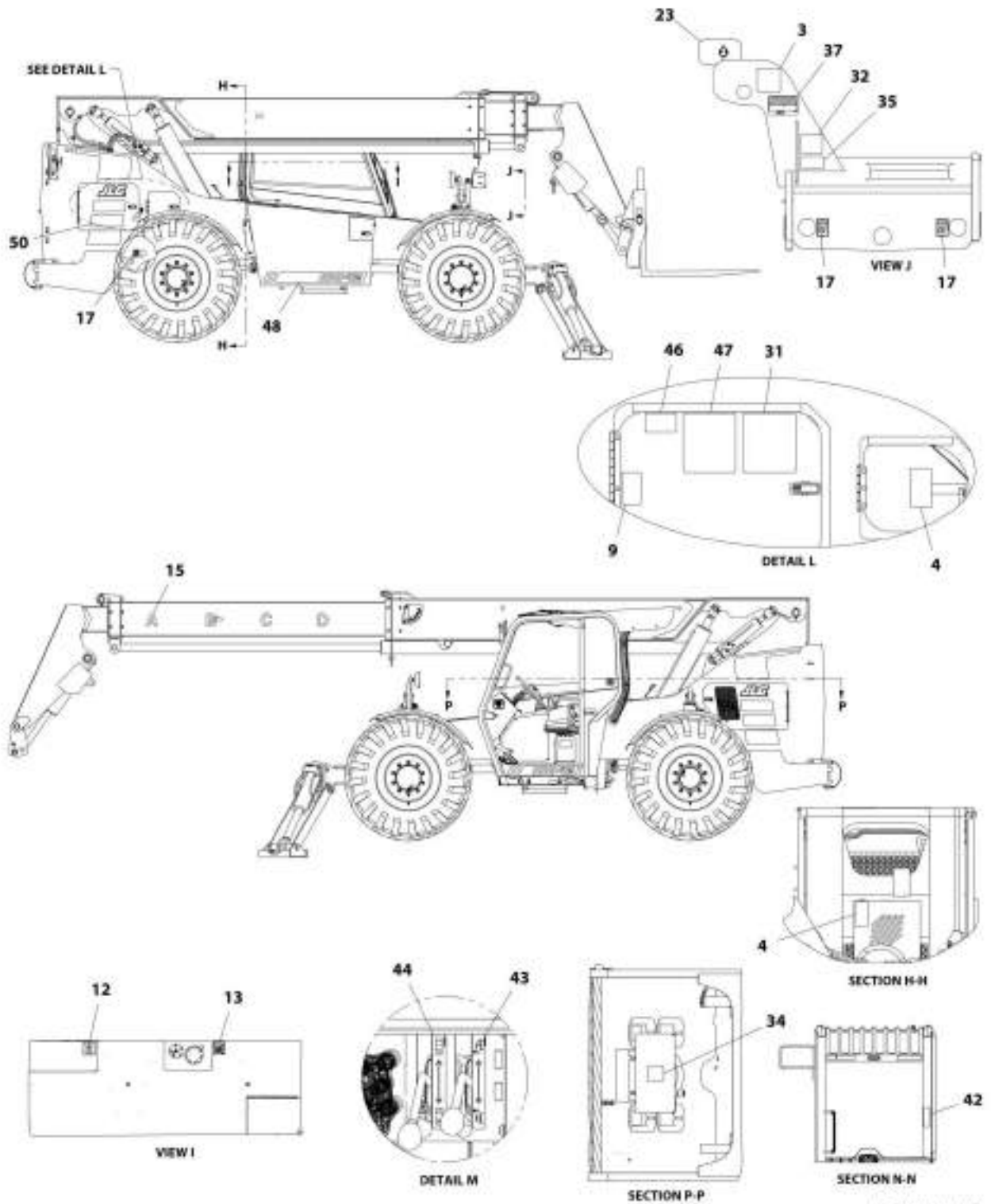
ITEM	PART NUMBER	QTY	DESCRIPTION	REV
51	1001219211	1	Including 0160075671, 0160075672, 0160075673, 0160075674, 0160075675, 0160075676, 0160075677, 0160075678, 0160075679, 0160075681 and 0160075682) Decal, DEF Fluid	

# SECTION 11 - DECALS

## FIGURE 11-14. DECAL INSTALLATION (ISO) - 10042



# SECTION 11 - DECALS



# SECTION 11 - DECALS

FIGURE 11-14. DECAL INSTALLATION (ISO) - 10042

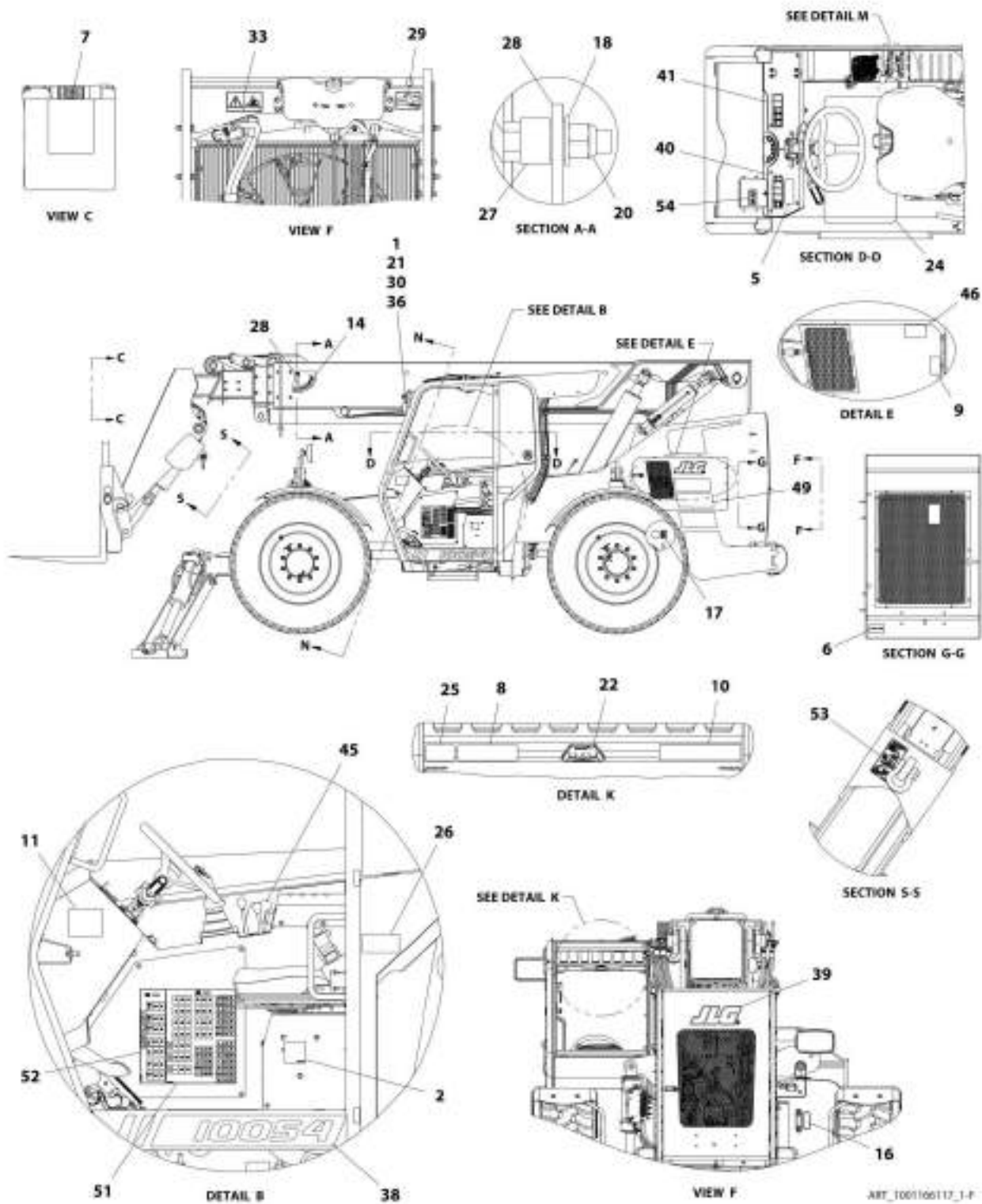
ITEM	PART NUMBER	QTY	DESCRIPTION	REV
	1001166114	Ref	Decal Installation (ISO) - 10042	F
1	0700610	2	Bolt, M6X20	
2	1701640	1	Decal, Manual	
3	1702631	1	Decal, Bar Code	
4	1706098	2	Decal, Ether Warning	
5	1706279	1	Decal, Warning Outrigger Contact, ISO	
6	1706281	1	Decal, Battery Warning	
7	1706282	1	Decal, Carry Personnel	
8	1706284	1	Decal, Electrocutation Hazard	
9	1706285	2	Decal, Moving Parts	
10	1706288	1	Decal, Tipover Warning	
11	3251813	1	Decal, USA	
12	4100181	1	Decal, Hydraulic Oil Fill	
13	1001189017	1	Decal, Diesel Fuel Fill	
14	4105262	1	Decal, Boom Angle Indicator	
15	4107442	1	Decal, Boom Extend Letters	
16	4108302	1	Decal, Hydraulic Oil Level	
17	1702300	4	Decal, Tie Down	
18	4711600	1	Washer, 3/8	
20	8305645	1	Nut, Lock 3/8	
21	8307024	2	Washer, Lock M6	
22	8466306	1	Gage, Tilt Angle	
23	1001191635	1	Mirror, RH	
24	10139087	1	Tread, Safety	
25	1001092877	1	Decal, Crush Hazard Warning	
26	1001092878	1	Decal, No Riders	
27	1001096404	1	Sleeve, Angle Indicator Spacer	
28	1001098769	1	Plate, Boom Angle Indicator	
29	1001109053	1	Decal, Coolant Fill	
30	1001114675	1	Arm, Mirror	
31	1001191995	1	Decal, Lubrication Chart 10042	
32	1001131271	1	Decal, Telehandlers Patent	
33	1001139942	1	Decal, Hot Fluid Warning	
34	1001142452	1	Decal, No Step	
35	1001143852	1	Decal, LRC EPA	
36	1001148177	1	Mirror, Rectangular	
37	1001154575	1	S/N Plate	
38	1001157273	1	Decal, Cab - 10042	
39	1001157274	1	Decal, Rear Door JLG Logo	
40	1001158320	1	Decal, Overlay LH (ISO)	
41	1001158321	1	Decal, Overlay RH (ISO)	
42	1001162734	1	Decal, Joystick Control	
43	1001162735	1	Decal, Sway Control	
44	1001162736	1	Decal, Auxiliary Control	
45	1001162737	1	Decal, Outrigger Control, 10054 & 10042	
46	1001173422	2	Decal, MCO 110HP	
47	1001202627	1	Decal, Maintenance Charts	
48	1001179354	1	Decal Tank - 10042	
49	1001179380	1	Decal, LH Rear Frame Stripe	
50	1001179381	1	Decal, RH Rear Frame Stripe	

## SECTION 11 - DECALS

ITEM	PART NUMBER	QTY	DESCRIPTION	REV
51	1001189327	1	Decal, Main Fuse Panel	
52	1001207218	1	Decal, Danger Swinging Load <b>(SN 0160075687 to Present, Including 0160075671, 0160075672, 0160075673, 0160075674, 0160075675, 0160075676, 0160075677, 0160075678, 0160075679, 0160075681 and 0160075682)</b>	
53	1001219211	1	Decal, Brake Fluid Spec	

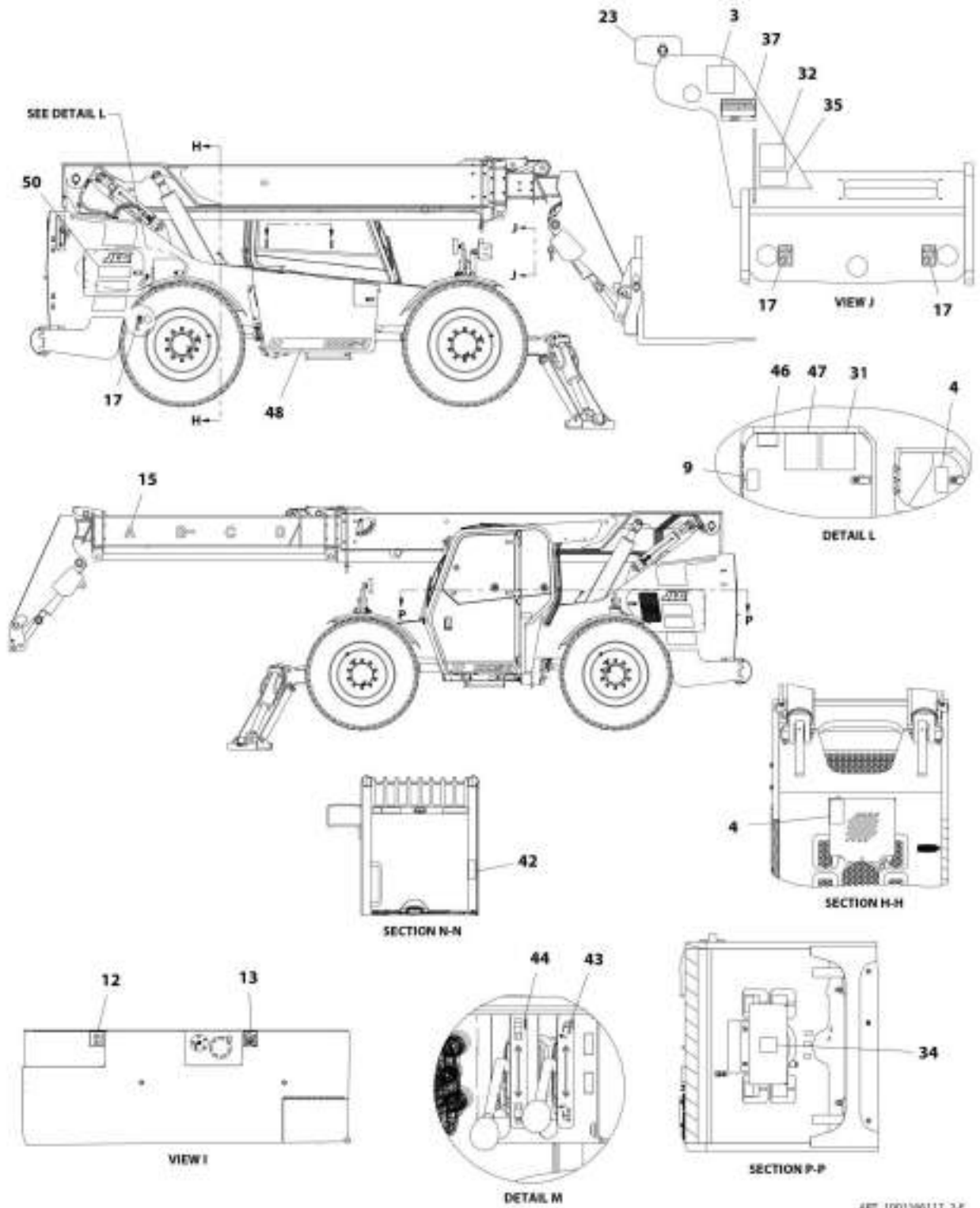
# SECTION 11 - DECALS

## FIGURE 11-15. DECAL INSTALLATION (ISO) - 10054





# SECTION 11 - DECALS



# SECTION 11 - DECALS

## FIGURE 11-15. DECAL INSTALLATION (ISO) - 10054

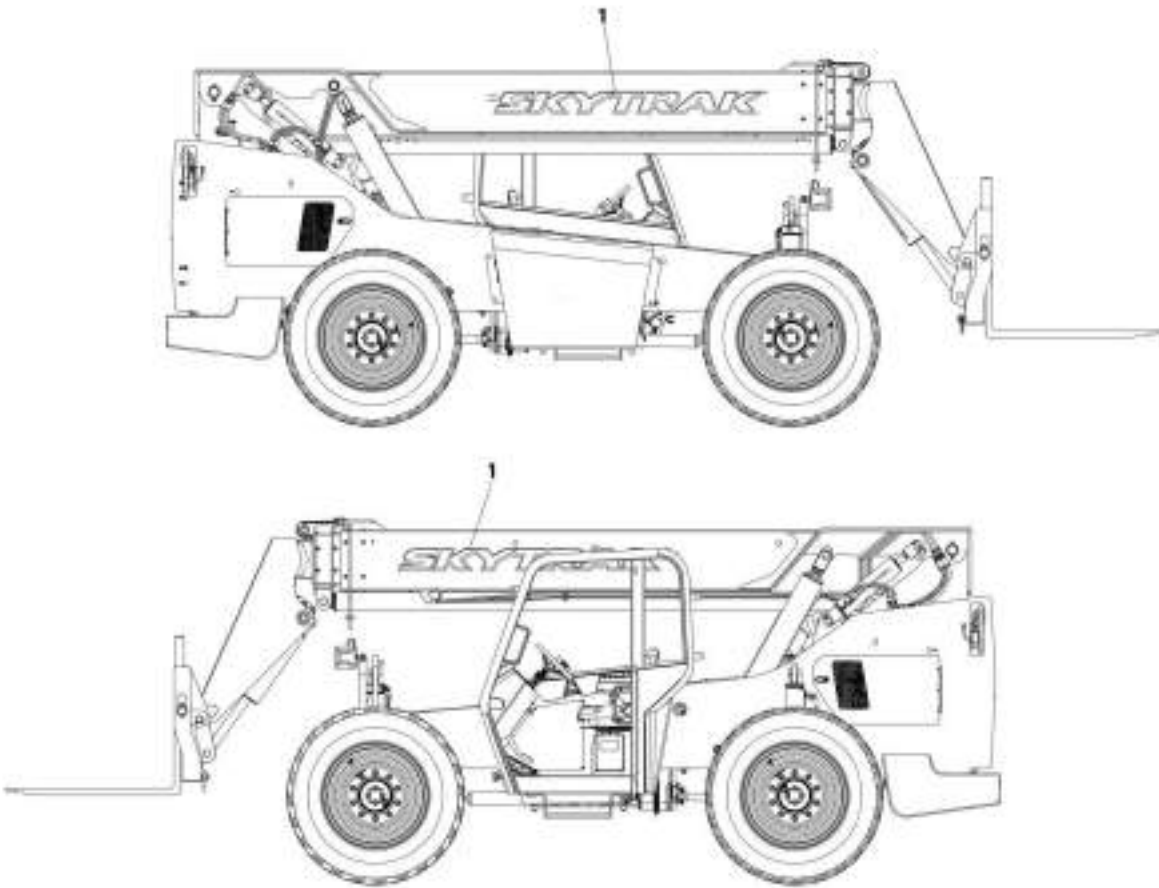
ITEM	PART NUMBER	QTY	DESCRIPTION	REV
	1001166117	Ref	Decal Installation (ISO) - 10054	F
1	0700610	2	Bolt, M6X20	
2	1701640	1	Decal, Manual	
3	1702631	1	Decal, Bar Code	
4	1706098	2	Decal, Ether Warning	
5	1706279	1	Decal, Warning Outrigger Contact, ISO	
6	1706281	1	Decal, Battery Warning	
7	1706282	1	Decal, Carry Personnel	
8	1706284	1	Decal, Electrocution Hazard	
9	1706285	2	Decal, Moving Parts	
10	1706288	1	Decal, Tipover Warning	
11	3251813	1	Decal, USA	
12	4100181	1	Decal, Hydraulic Oil Fill	
13	1001189017	1	Decal, Diesel Fuel Fill	
14	4105262	1	Decal, Boom Angle Indicator	
15	4107442	1	Decal, Boom Extend Letters	
16	4108302	1	Decal, Hydraulic Oil Level	
17	1702300	4	Decal, Tie Down	
18	4711600	1	Washer, 3/8	
20	8305645	1	Nut, Lock 3/8	
21	8307024	2	Washer, Lock M6	
22	8466306	1	Gage, Tilt Angle	
23	1001191635	1	Mirror, RH	
24	10139087	1	Tread, Safety	
25	1001092877	1	Decal, Crush Hazard Warning	
26	1001092878	1	Decal, No Riders	
27	1001096404	1	Sleeve, Angle Indicator Spacer	
28	1001098769	1	Plate, Boom Angle Indicator	
29	1001109053	1	Decal, Coolant Fill	
30	1001114675	1	Arm, Mirror	
31	1001191996	1	Decal, Lubrication Chart 10054	
32	1001131271	1	Decal, Telehandlers Patent	
33	1001139942	1	Decal, Hot Fluid Warning	
34	1001142452	1	Decal, No Step	
35	1001143852	1	Decal, LRC EPA	
36	1001148177	1	Mirror, Rectangular	
37	1001154575	1	S/N Plate	
38	1001157268	1	Decal, Cab - 10054	
39	1001157274	1	Decal, Rear Door JLG Logo	
40	1001158320	1	Decal, Overlay LH (ISO)	
41	1001158321	1	Decal, Overlay RH (ISO)	
42	1001162734	1	Decal, Joystick Control	
43	1001162735	1	Decal, Sway Control	
44	1001162736	1	Decal, Auxiliary Control	
45	1001162737	1	Decal, Outrigger Control, 10054 & 10042	
46	1001173422	2	Decal, MCO 110HP	
47	1001202627	1	Decal, Maintenance Charts	
48	1001179326	1	Decal Tank - 10054	
49	1001179380	1	Decal, LH Rear Frame Stripe	
50	1001179381	1	Decal, RH Rear Frame Stripe	

## SECTION 11 - DECALS

ITEM	PART NUMBER	QTY	DESCRIPTION	REV
51	1001189327	1	Decal, Main Fuse Panel	
52	1001189328	1	Decal, Fuse Panel	
53	1001207218	1	Decal, Danger Swinging Load <b>(SN 0160075687 to Present, Including 0160075671, 0160075672, 0160075673, 0160075674, 0160075675, 0160075676, 0160075677, 0160075678, 0160075679, 0160075681 and 0160075682)</b>	
54	1001219211	1	Decal, Brake Fluid Spec	

## SECTION 11 - DECALS

FIGURE 11-16. BOOM DECALS INSTALLATION



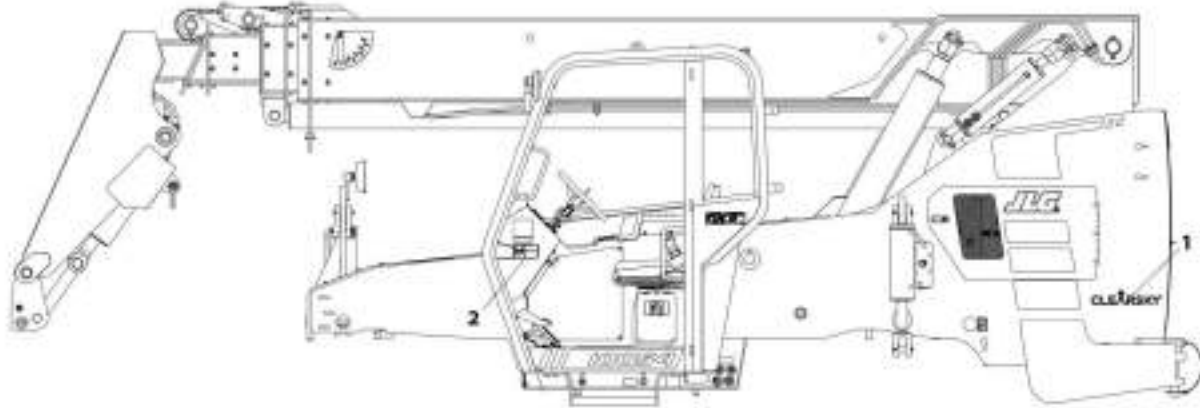
ART\_100115227-A

**FIGURE 11-16. BOOM DECALS INSTALLATION**

<b>ITEM</b>	<b>PART NUMBER</b>	<b>QTY</b>	<b>DESCRIPTION</b>	<b>REV</b>
1	1001157277 1001157275	Ref 2	Boom Decal Installation Decal, Boom SkyTrak	A

# SECTION 11 - DECALS

## FIGURE 11-17. CLEARSKY DECAL INSTALLATION



WIT\_1001229708-8

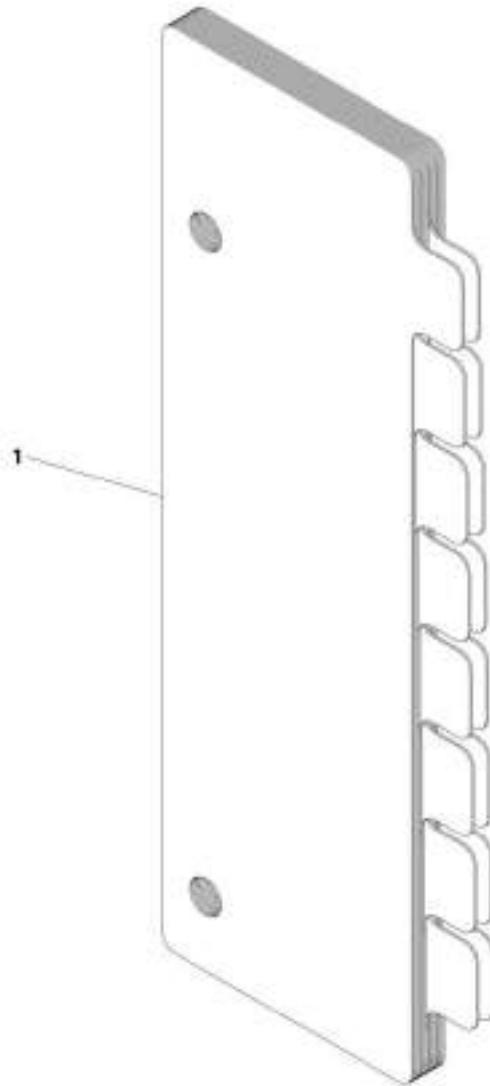
## SECTION 11 - DECALS

### FIGURE 11-17. CLEARSKY DECAL INSTALLATION

ITEM	PART NUMBER	QTY	DESCRIPTION	REV
	1001229708	Ref	Clearsky Decal Installation	B
1	1001116208	1	Clearsky Decal	
2	1001120989	1	Radio Frequency Decal	

## SECTION 11 - DECALS

**FIGURE 11-18. CAPACITY CHART BOOKLET (ANSI) - 8042 (Prior to SN 0160075687, Excluding 0160075671, 0160075672, 0160075673, 0160075674, 0160075675, 0160075676, 0160075677, 0160075678, 0160075679, 0160075680, 0160075681 and 0160075682)**



ART\_1001199508-C



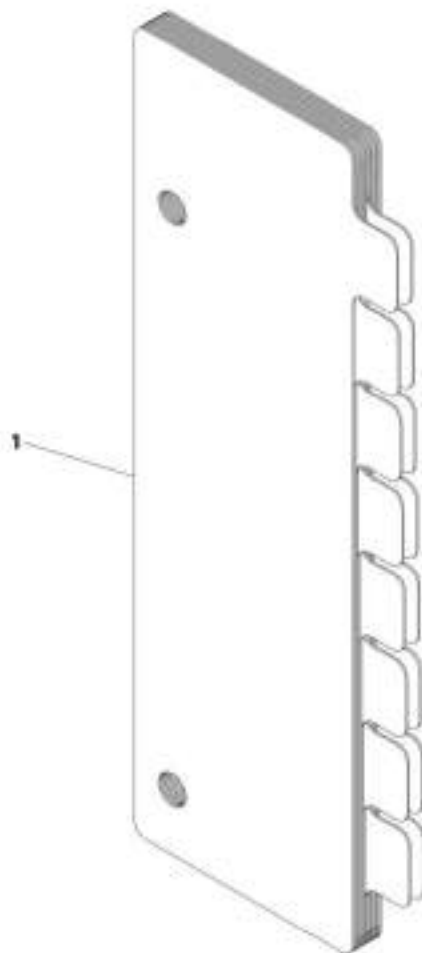
## SECTION 11 - DECALS

**FIGURE 11-18. CAPACITY CHART BOOKLET (ANSI) - 8042 (Prior to SN 0160075687, Excluding 0160075671, 0160075672, 0160075673, 0160075674, 0160075675, 0160075676, 0160075677, 0160075678, 0160075679, 0160075680, 0160075681 and 0160075682)**

ITEM	PART NUMBER	QTY	DESCRIPTION	REV
1	1001106014	NLA	Capacity Chart (ANSI) - 8042 (no longer available, use 1001199508 for replacement)	C
1	1001199508	1	Capacity Chart (ANSI) - 8042	C

## SECTION 11 - DECALS

**FIGURE 11-19. CAPACITY CHART BOOKLET (ANSI) - 8042 (SN 0160075687 through 0160081209, Including 0160075671, 0160075672, 0160075673, 0160075674, 0160075675, 0160075676, 0160075677, 0160075678, 0160075679, 0160075680, 0160075681 and 0160075682)**



ART\_1001211871-C

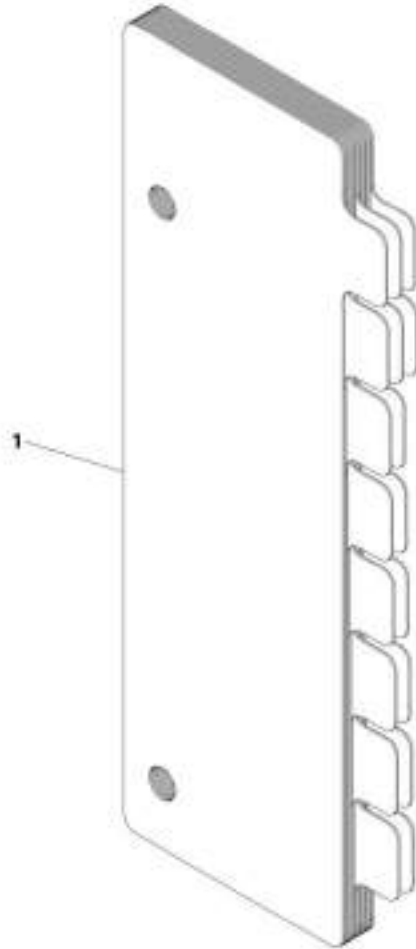
## SECTION 11 - DECALS

**FIGURE 11-19. CAPACITY CHART BOOKLET (ANSI) - 8042 (SN 0160075687 through 0160081209, Including 0160075671, 0160075672, 0160075673, 0160075674, 0160075675, 0160075676, 0160075677, 0160075678, 0160075679, 0160075680, 0160075681 and 0160075682)**

ITEM	PART NUMBER	QTY	DESCRIPTION	REV
1	1001211871	1	Capacity Chart (ANSI) - 8042	C

## SECTION 11 - DECALS

FIGURE 11-20. CAPACITY CHART BOOKLET (ANSI) - 8042 (SN 0160081210 to Present)



ART\_1001211801-E

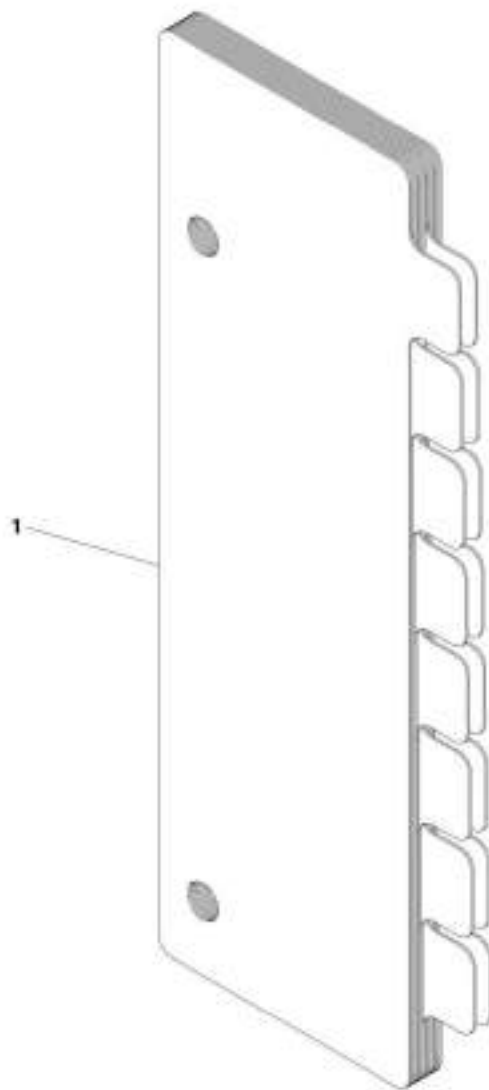
## SECTION 11 - DECALS

**FIGURE 11-20. CAPACITY CHART BOOKLET (ANSI) - 8042 (SN 0160081210 to Present)**

ITEM	PART NUMBER	QTY	DESCRIPTION	REV
1	1001211871	1	Capacity Chart (ANSI) - 8042	E

## SECTION 11 - DECALS

**FIGURE 11-21. CAPACITY CHART BOOKLET (ISO) - 8042 (Prior to SN 0160075687, Excluding 0160075671, 0160075672, 0160075673, 0160075674, 0160075675, 0160075676, 0160075677, 0160075678, 0160075679, 0160075680, 0160075681 and 0160075682)**



ART\_100106559-C

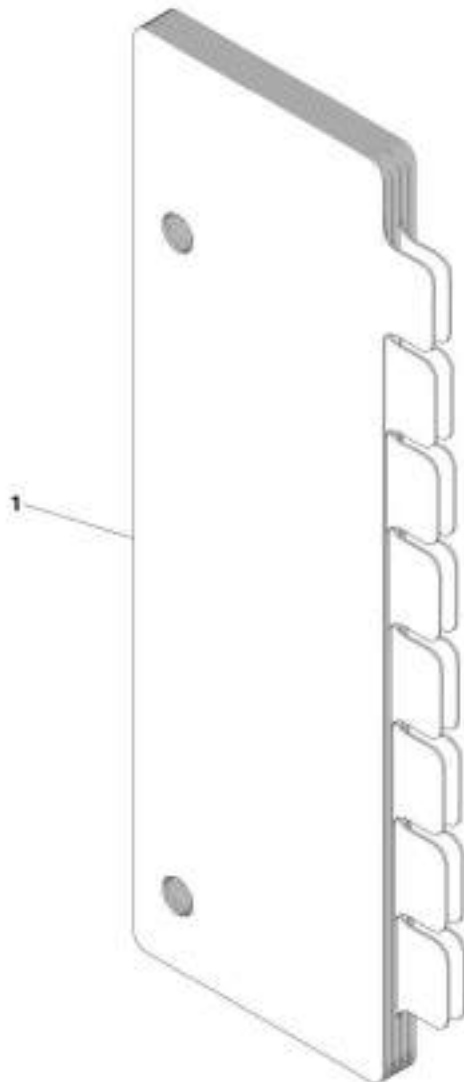
## SECTION 11 - DECALS

**FIGURE 11-21. CAPACITY CHART BOOKLET (ISO) - 8042 (Prior to SN 0160075687, Excluding 0160075671, 0160075672, 0160075673, 0160075674, 0160075675, 0160075676, 0160075677, 0160075678, 0160075679, 0160075680, 0160075681 and 0160075682)**

ITEM	PART NUMBER	QTY	DESCRIPTION	REV
1	1001122561	NLA	Capacity Chart (ISO) - 8042 (no longer available, use 1001199509 for replacement)	C
1	1001199509	1	Capacity Chart (ISO) - 8042	C

## SECTION 11 - DECALS

FIGURE 11-22. CAPACITY CHART BOOKLET (ISO) - 8042 (SN 0160075687 through 0160081209, Including 0160075671, 0160075672, 0160075673, 0160075674, 0160075675, 0160075676, 0160075677, 0160075678, 0160075679, 0160075680, 0160075681 and 0160075682)



ART\_0001211872-C



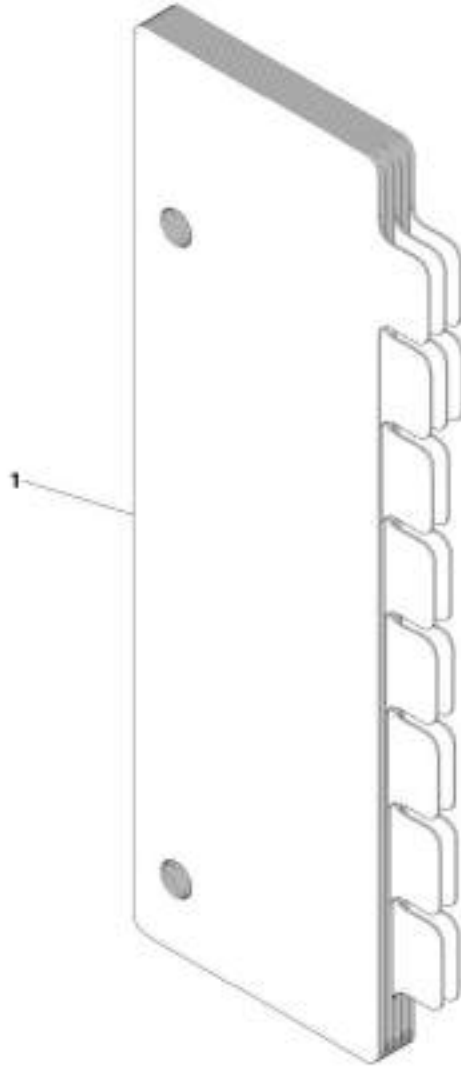
## SECTION 11 - DECALS

**FIGURE 11-22. CAPACITY CHART BOOKLET (ISO) - 8042 (SN 0160075687 through 0160081209, Including 0160075671, 0160075672, 0160075673, 0160075674, 0160075675, 0160075676, 0160075677, 0160075678, 0160075679, 0160075680, 0160075681 and 0160075682)**

ITEM	PART NUMBER	QTY	DESCRIPTION	REV
1	1001211872	1	Capacity Chart (ISO) - 8042	C

## SECTION 11 - DECALS

FIGURE 11-23. CAPACITY CHART BOOKLET (ISO) - 8042 (SN 0160081210 to Present)



ART\_100321032-G

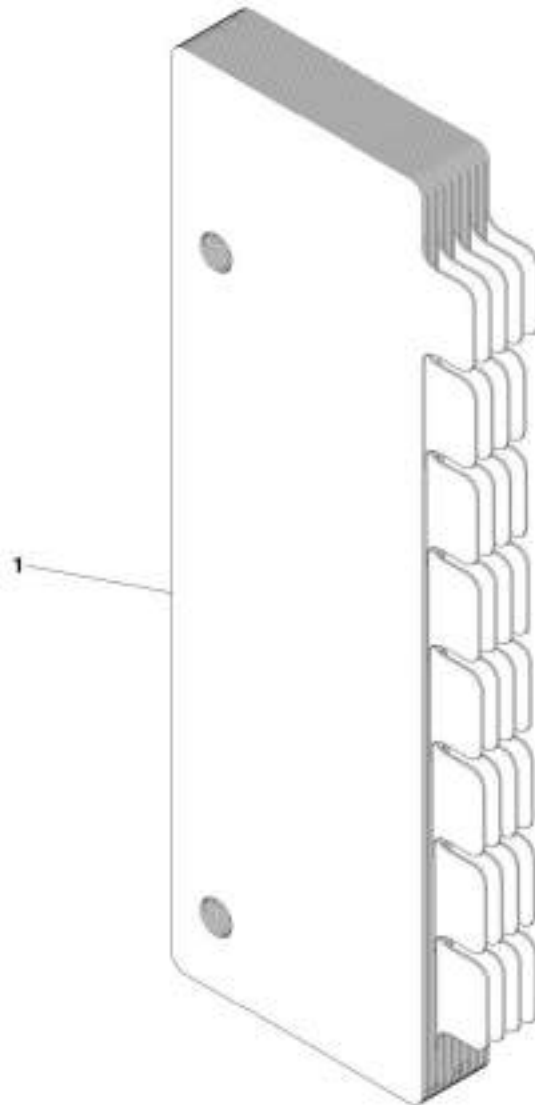
## SECTION 11 - DECALS

**FIGURE 11-23. CAPACITY CHART BOOKLET (ISO) - 8042 (SN 0160081210 to Present)**

ITEM	PART NUMBER	QTY	DESCRIPTION	REV
1	1001211872	1	Capacity Chart (ISO) - 8042	E

## SECTION 11 - DECALS

**FIGURE 11-24. CAPACITY CHART BOOKLET (ANSI) - 10042 (Prior to SN 0160075687, Excluding 0160075671, 0160075672, 0160075673, 0160075674, 0160075675, 0160075676, 0160075677, 0160075678, 0160075679, 0160075680, 0160075681 and 0160075682)**



ART\_1001190512-C

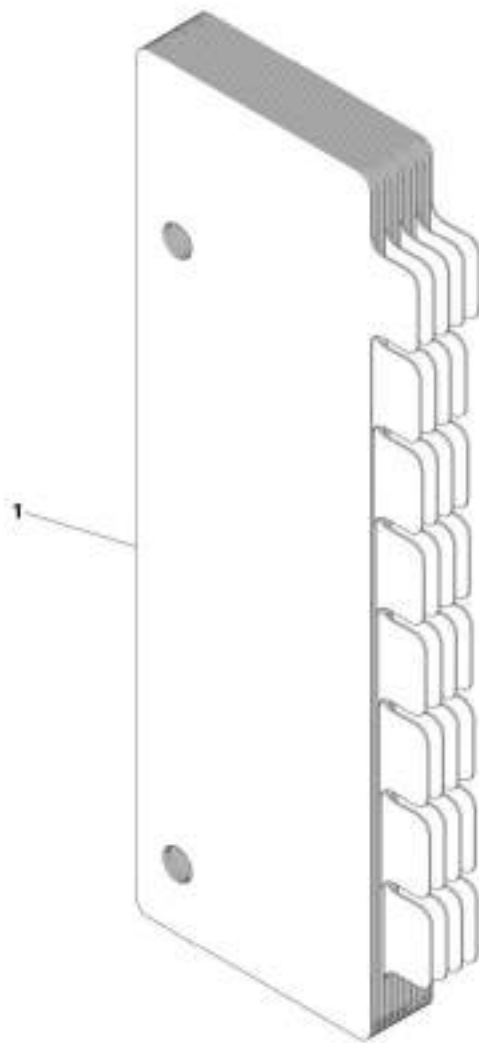
## SECTION 11 - DECALS

**FIGURE 11-24. CAPACITY CHART BOOKLET (ANSI) - 10042 (Prior to SN 0160075687, Excluding 0160075671, 0160075672, 0160075673, 0160075674, 0160075675, 0160075676, 0160075677, 0160075678, 0160075679, 0160075680, 0160075681 and 0160075682)**

ITEM	PART NUMBER	QTY	DESCRIPTION	REV
1	1001106015	NLA	Capacity Chart (ANSI) - 10042 (no longer available, use 1001199512 for replacement)	C
1	1001199512	1	Capacity Chart (ANSI) - 10042	C

## SECTION 11 - DECALS

FIGURE 11-25. CAPACITY CHART BOOKLET (ANSI) - 10042 (SN 0160075687 through 0160081209, Including 0160075671, 0160075672, 0160075673, 0160075674, 0160075675, 0160075676, 0160075677, 0160075678, 0160075679, 0160075680, 0160075681 and 0160075682)



ART\_1001211073-C

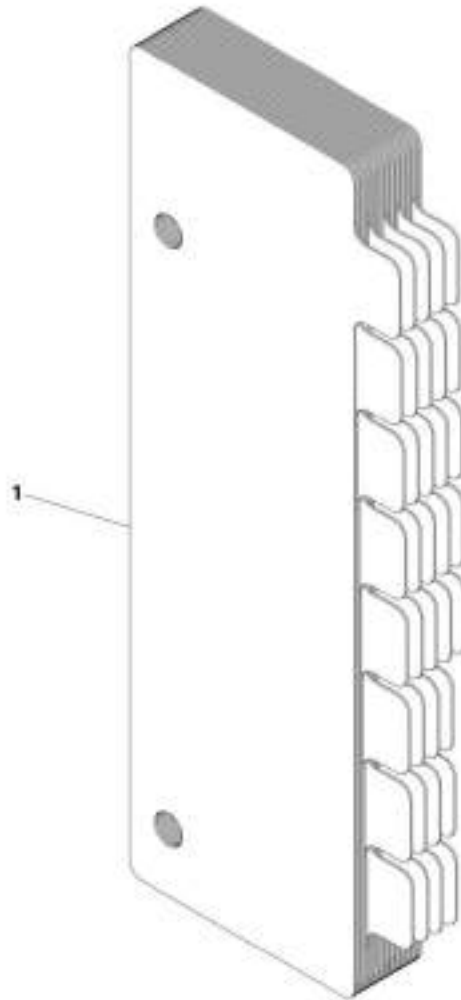
## SECTION 11 - DECALS

**FIGURE 11-25. CAPACITY CHART BOOKLET (ANSI) - 10042 (SN 0160075687 through 0160081209, Including 0160075671, 0160075672, 0160075673, 0160075674, 0160075675, 0160075676, 0160075677, 0160075678, 0160075679, 0160075680, 0160075681 and 0160075682)**

ITEM	PART NUMBER	QTY	DESCRIPTION	REV
1	1001211873	1	Capacity Chart (ANSI) - 10042	C

## SECTION 11 - DECALS

FIGURE 11-26. CAPACITY CHART BOOKLET (ANSI) - 10042 (SN 0160081210 to Present)



ART\_1001211873-E



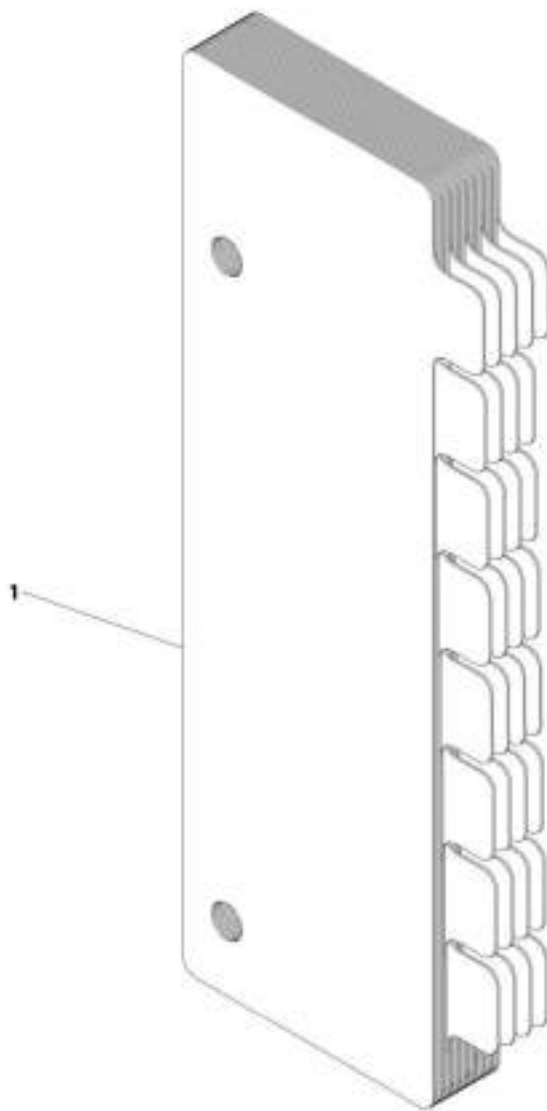
## SECTION 11 - DECALS

**FIGURE 11-26. CAPACITY CHART BOOKLET (ANSI) - 10042 (SN 0160081210 to Present)**

ITEM	PART NUMBER	QTY	DESCRIPTION	REV
1	1001211873	1	Capacity Chart (ANSI) - 10042	E

## SECTION 11 - DECALS

**FIGURE 11-27. CAPACITY CHART BOOKLET (ISO) - 10042 (Prior to SN 0160075687, Excluding 0160075671, 0160075672, 0160075673, 0160075674, 0160075675, 0160075676, 0160075677, 0160075678, 0160075679, 0160075680, 0160075681 and 0160075682)**



AWT\_1001399513-C

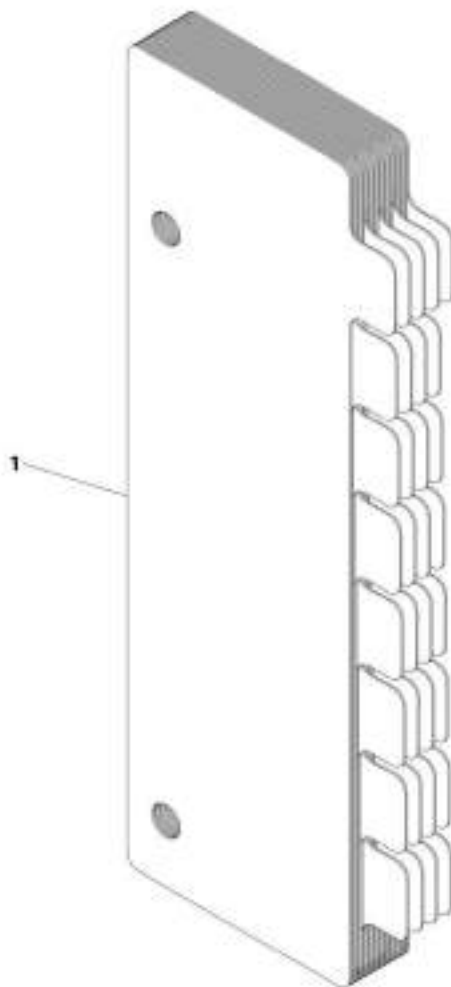
## SECTION 11 - DECALS

**FIGURE 11-27. CAPACITY CHART BOOKLET (ISO) - 10042 (Prior to SN 0160075687, Excluding 0160075671, 0160075672, 0160075673, 0160075674, 0160075675, 0160075676, 0160075677, 0160075678, 0160075679, 0160075680, 0160075681 and 0160075682)**

ITEM	PART NUMBER	QTY	DESCRIPTION	REV
1	1001122612	NLA	Capacity Chart (ISO) - 10042 (no longer available, use 1001199513 for replacement)	C
1	1001199513	1	Capacity Chart (ISO) - 10042	C

## SECTION 11 - DECALS

**FIGURE 11-28. CAPACITY CHART BOOKLET (ISO) - 10042 (SN 0160075687 through 0160081209, Including 0160075671, 0160075672, 0160075673, 0160075674, 0160075675, 0160075676, 0160075677, 0160075678, 0160075679, 0160075680, 0160075681 and 0160075682)**



ART\_1001211074-C

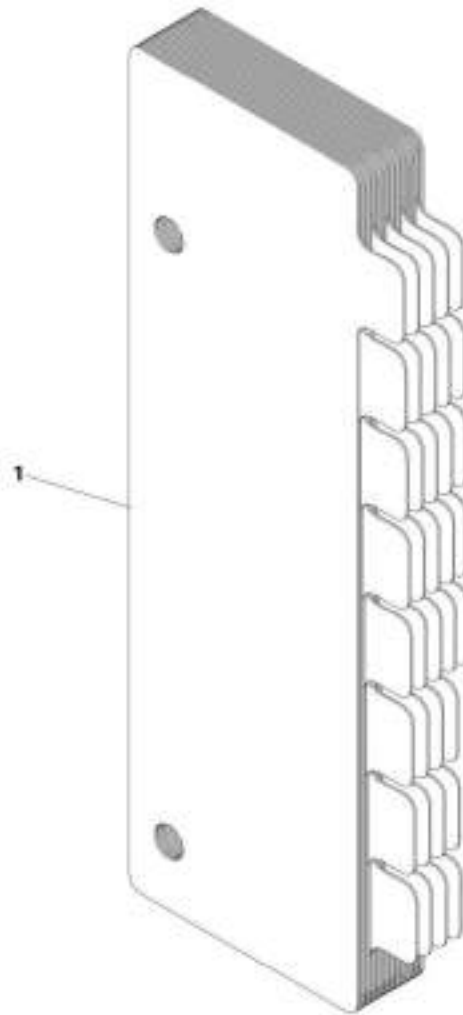
## SECTION 11 - DECALS

**FIGURE 11-28. CAPACITY CHART BOOKLET (ISO) - 10042 (SN 0160075687 through 0160081209, Including 0160075671, 0160075672, 0160075673, 0160075674, 0160075675, 0160075676, 0160075677, 0160075678, 0160075679, 0160075680, 0160075681 and 0160075682)**

ITEM	PART NUMBER	QTY	DESCRIPTION	REV
1	1001211874	1	Capacity Chart (ISO) - 10042	C

## SECTION 11 - DECALS

FIGURE 11-29. CAPACITY CHART BOOKLET (ISO) - 10042 (SN 0160081210 to Present)



ART\_1001211874-E

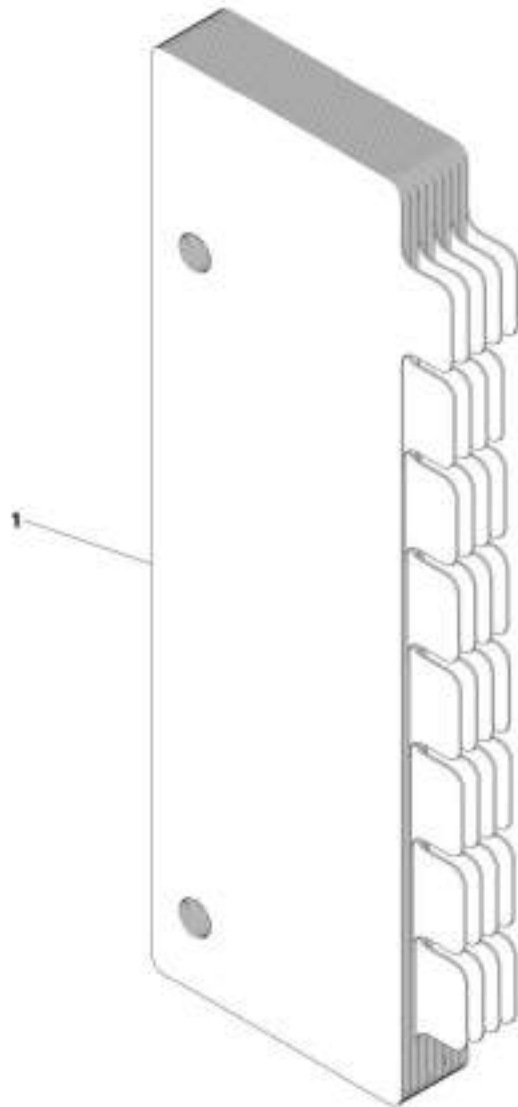
## SECTION 11 - DECALS

**FIGURE 11-29. CAPACITY CHART BOOKLET (ISO) - 10042 (SN 0160081210 to Present)**

ITEM	PART NUMBER	QTY	DESCRIPTION	REV
1	1001211874	1	Capacity Chart (ISO) - 10042	E

## SECTION 11 - DECALS

**FIGURE 11-30. CAPACITY CHART BOOKLET (ANSI) - 10054 (Prior to SN 0160075687, Excluding 0160075671, 0160075672, 0160075673, 0160075674, 0160075675, 0160075676, 0160075677, 0160075678, 0160075679, 0160075680, 0160075681 and 0160075682)**



ART\_100119951B-C



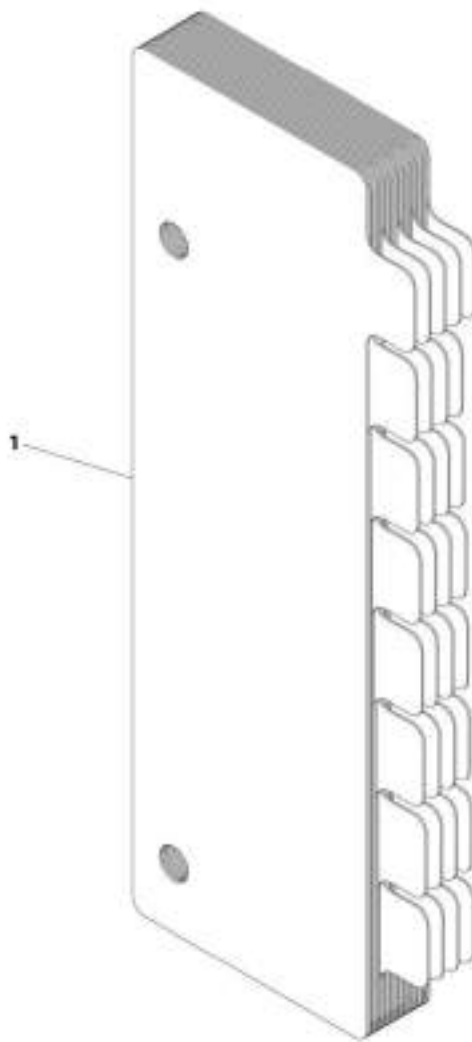
## SECTION 11 - DECALS

**FIGURE 11-30. CAPACITY CHART BOOKLET (ANSI) - 10054 (Prior to SN 0160075687, Excluding 0160075671, 0160075672, 0160075673, 0160075674, 0160075675, 0160075676, 0160075677, 0160075678, 0160075679, 0160075680, 0160075681 and 0160075682)**

ITEM	PART NUMBER	QTY	DESCRIPTION	REV
1	1001106016	NLA	Capacity Chart (ANSI) - 10054 (no longer available, use 1001199518 for replacement)	D
1	1001199518	1	Capacity Chart (ANSI) - 10054	C

## SECTION 11 - DECALS

FIGURE 11-31. CAPACITY CHART BOOKLET (ANSI) - 10054 (SN 0160075687 through 0160081209, Including 0160075671, 0160075672, 0160075673, 0160075674, 0160075675, 0160075676, 0160075677, 0160075678, 0160075679, 0160075680, 0160075681 and 0160075682)



ART\_300121187S-C

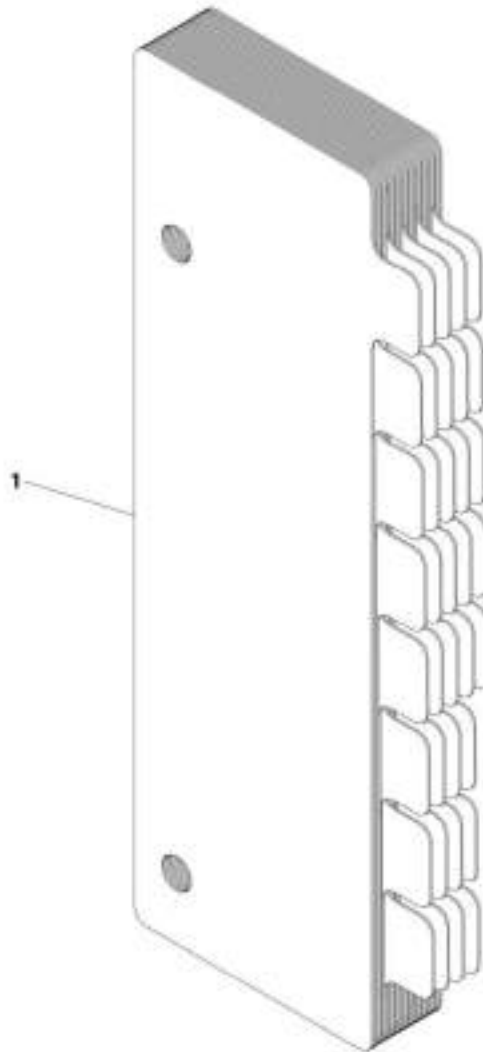
## SECTION 11 - DECALS

**FIGURE 11-31. CAPACITY CHART BOOKLET (ANSI) - 10054 (SN 0160075687 through 0160081209, Including 0160075671, 0160075672, 0160075673, 0160075674, 0160075675, 0160075676, 0160075677, 0160075678, 0160075679, 0160075680, 0160075681 and 0160075682)**

ITEM	PART NUMBER	QTY	DESCRIPTION	REV
1	1001211875	1	Capacity Chart (ANSI) - 10054	C

## SECTION 11 - DECALS

FIGURE 11-32. CAPACITY CHART BOOKLET (ANSI) - 10054 (SN 0160081210 to Present)



ART. 1005411075-E

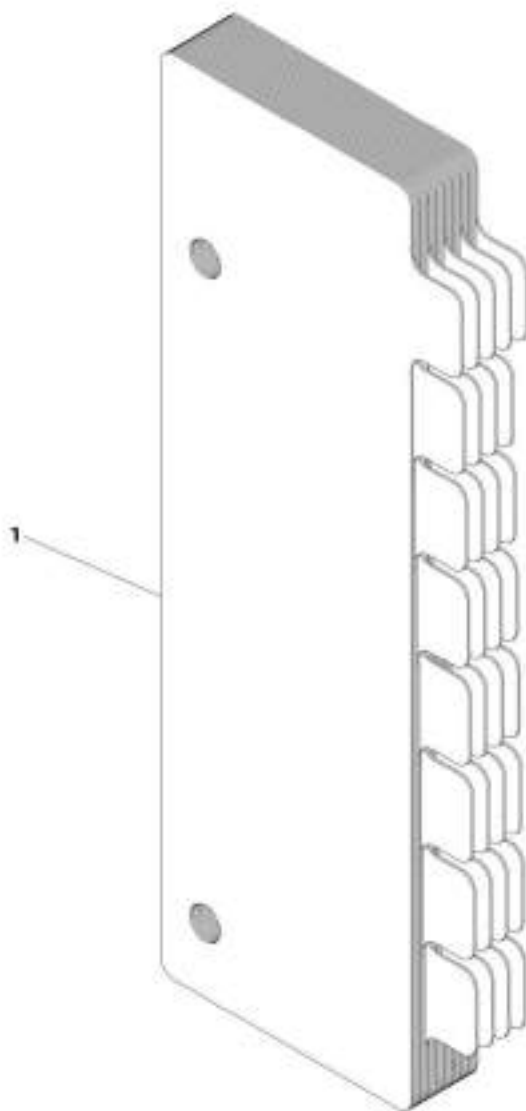
## SECTION 11 - DECALS

**FIGURE 11-32. CAPACITY CHART BOOKLET (ANSI) - 10054 (SN 0160081210 to Present)**

ITEM	PART NUMBER	QTY	DESCRIPTION	REV
1	1001211875	1	Capacity Chart (ANSI) - 10054	E

## SECTION 11 - DECALS

**FIGURE 11-33. CAPACITY CHART BOOKLET (ISO) - 10054 (Prior to SN 0160075687, Excluding 0160075671, 0160075672, 0160075673, 0160075674, 0160075675, 0160075676, 0160075677, 0160075678, 0160075679, 0160075680, 0160075681 and 0160075682)**



ART\_100199516-C

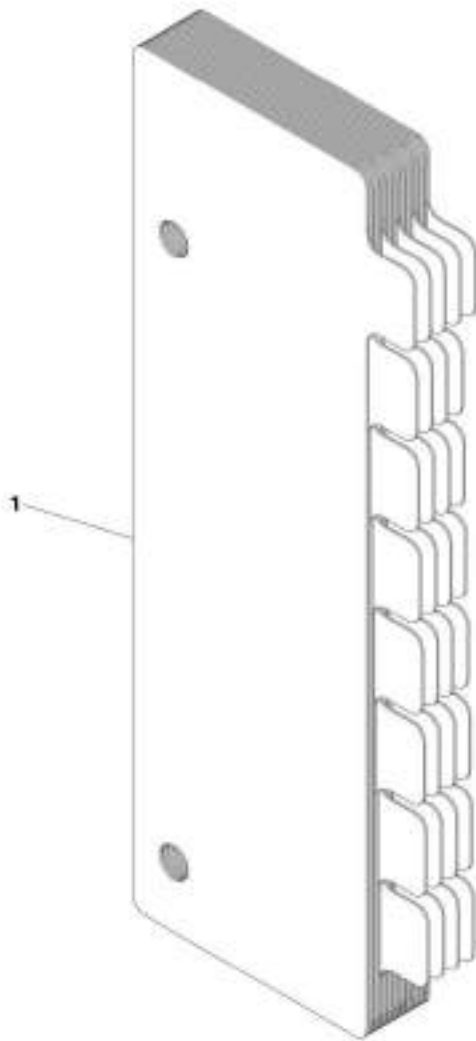
## SECTION 11 - DECALS

**FIGURE 11-33. CAPACITY CHART BOOKLET (ISO) - 10054 (Prior to SN 0160075687, Excluding 0160075671, 0160075672, 0160075673, 0160075674, 0160075675, 0160075676, 0160075677, 0160075678, 0160075679, 0160075680, 0160075681 and 0160075682)**

ITEM	PART NUMBER	QTY	DESCRIPTION	REV
1	1001121967	NLA	Capacity Chart (ISO) - 10054 (no longer available, use 1001199519 for replacement)	C
1	1001199519	1	Capacity Chart (ISO) - 10054	C

## SECTION 11 - DECALS

FIGURE 11-34. CAPACITY CHART BOOKLET (ISO) - 10054 (SN 0160075687 through 0160081209, Including 0160075671, 0160075672, 0160075673, 0160075674, 0160075675, 0160075676, 0160075677, 0160075678, 0160075679, 0160075680, 0160075681 and 0160075682)



ART. 1801213826 C



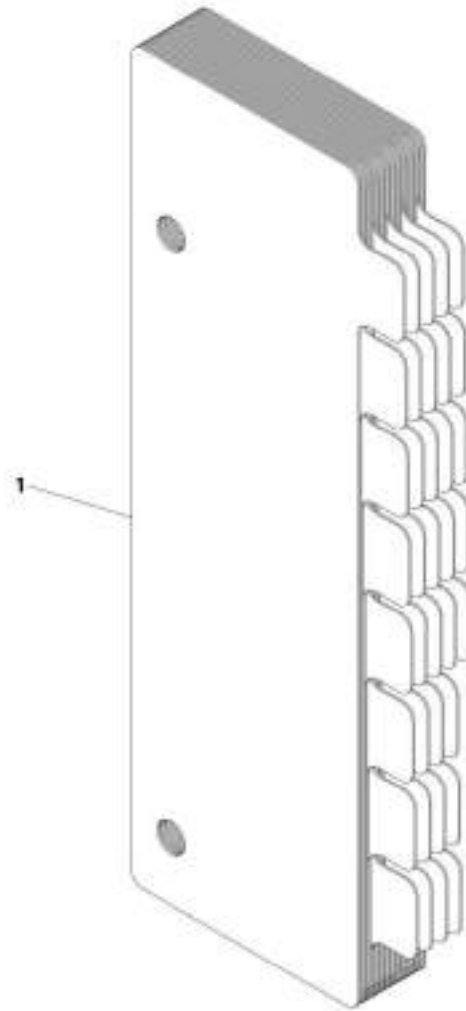
## SECTION 11 - DECALS

**FIGURE 11-34. CAPACITY CHART BOOKLET (ISO) - 10054 (SN 0160075687 through 0160081209, Including 0160075671, 0160075672, 0160075673, 0160075674, 0160075675, 0160075676, 0160075677, 0160075678, 0160075679, 0160075680, 0160075681 and 0160075682)**

ITEM	PART NUMBER	QTY	DESCRIPTION	REV
1	1001211876	1	Capacity Chart (ISO) - 10054	C

## SECTION 11 - DECALS

FIGURE 11-35. CAPACITY CHART BOOKLET (ISO) - 10054 (SN 0160081210 to Present)



ART\_1801213826E

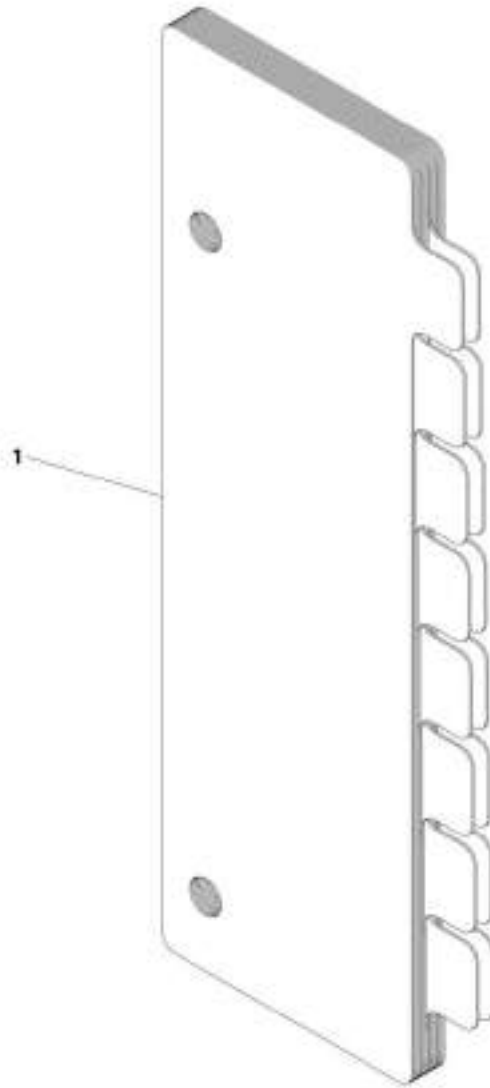
## SECTION 11 - DECALS

**FIGURE 11-35. CAPACITY CHART BOOKLET (ISO) - 10054 (SN 0160081210 to Present)**

ITEM	PART NUMBER	QTY	DESCRIPTION	REV
1	1001211876	1	Capacity Chart (ISO) - 10054	E

## SECTION 11 - DECALS

FIGURE 11-36. SUPPLEMENTAL CAPACITY CHART BOOKLET (ANSI) - 8042 (Prior to SN 0160075687, Excluding 0160075671, 0160075672, 0160075673, 0160075674, 0160075675, 0160075676, 0160075677, 0160075678, 0160075679, 0160075680, 0160075681 and 0160075682)



ART\_1001199508-C

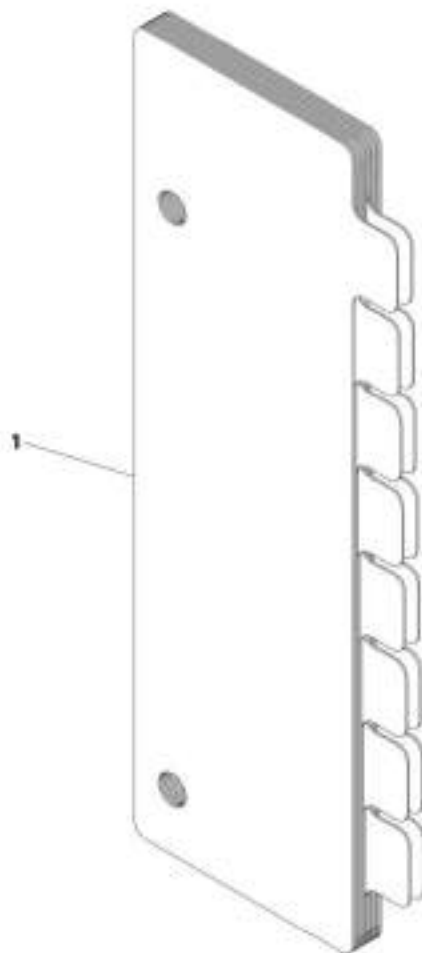
## SECTION 11 - DECALS

**FIGURE 11-36. SUPPLEMENTAL CAPACITY CHART BOOKLET (ANSI) - 8042 (Prior to SN 0160075687, Excluding 0160075671, 0160075672, 0160075673, 0160075674, 0160075675, 0160075676, 0160075677, 0160075678, 0160075679, 0160075680, 0160075681 and 0160075682)**

ITEM	PART NUMBER	QTY	DESCRIPTION	REV
1	1001110414	NLA	Supplemental Capacity Chart (ANSI) - 8042 (no longer available, use 1001199508 for replacement)	C
1	1001199508	1	Capacity Chart (ANSI) - 8042	C

## SECTION 11 - DECALS

FIGURE 11-37. SUPPLEMENTAL CAPACITY CHART BOOKLET (ANSI) - 8042 (SN 0160075687 through 0160081209, Including 0160075671, 0160075672, 0160075673, 0160075674, 0160075675, 0160075676, 0160075677, 0160075678, 0160075679, 0160075680, 0160075681 and 0160075682)



ART\_1001211871-C

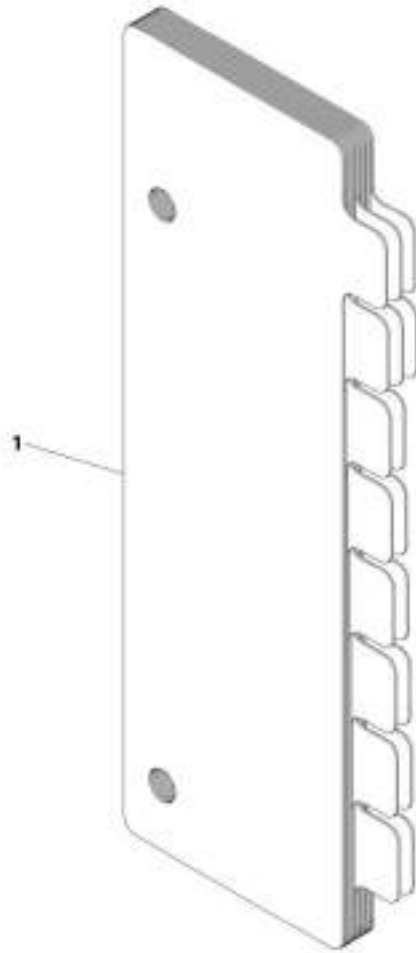
## SECTION 11 - DECALS

**FIGURE 11-37. SUPPLEMENTAL CAPACITY CHART BOOKLET (ANSI) - 8042 (SN 0160075687 through 0160081209, Including 0160075671, 0160075672, 0160075673, 0160075674, 0160075675, 0160075676, 0160075677, 0160075678, 0160075679, 0160075680, 0160075681 and 0160075682)**

ITEM	PART NUMBER	QTY	DESCRIPTION	REV
1	1001211871	1	Capacity Chart (ANSI) - 8042	C

## SECTION 11 - DECALS

FIGURE 11-38. SUPPLEMENTAL CAPACITY CHART BOOKLET (ANSI) - 8042 (SN 0160081210 to Present)



ART\_1001211801-E



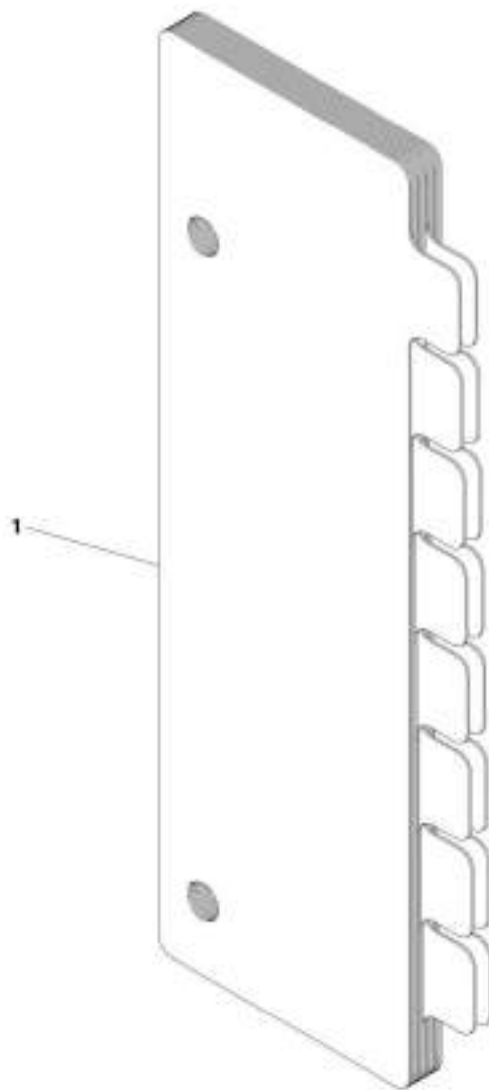
## SECTION 11 - DECALS

**FIGURE 11-38. SUPPLEMENTAL CAPACITY CHART BOOKLET (ANSI) - 8042 (SN 0160081210 to Present)**

ITEM	PART NUMBER	QTY	DESCRIPTION	REV
1	1001211871	1	Capacity Chart (ANSI) - 8042	E

## SECTION 11 - DECALS

FIGURE 11-39. SUPPLEMENTAL CAPACITY CHART BOOKLET (ISO) - 8042 (Prior to SN 0160075687, Excluding 0160075671, 0160075672, 0160075673, 0160075674, 0160075675, 0160075676, 0160075677, 0160075678, 0160075679, 0160075680, 0160075681 and 0160075682)



ART\_100019509-C

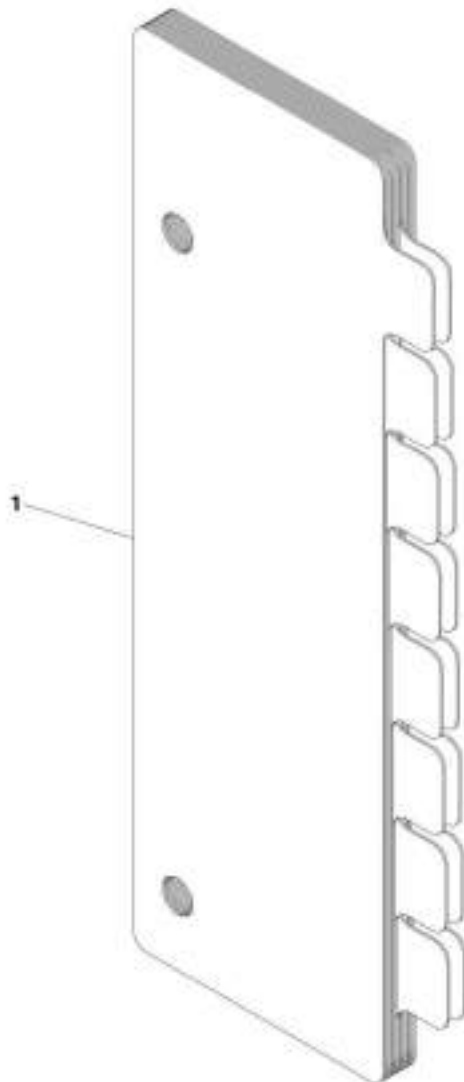
## SECTION 11 - DECALS

**FIGURE 11-39. SUPPLEMENTAL CAPACITY CHART BOOKLET (ISO) - 8042 (Prior to SN 0160075687, Excluding 0160075671, 0160075672, 0160075673, 0160075674, 0160075675, 0160075676, 0160075677, 0160075678, 0160075679, 0160075680, 0160075681 and 0160075682)**

ITEM	PART NUMBER	QTY	DESCRIPTION	REV
1	1001122562	NLA	Supplemental Capacity Chart (ISO) - 8042 (no longer available, use 1001199509 for replacement)	C
1	1001199509	1	Capacity Chart (ISO) - 8042	C

## SECTION 11 - DECALS

**FIGURE 11-40. SUPPLEMENTAL CAPACITY CHART BOOKLET (ISO) - 8042 (SN 0160075687 through 0160081209, Including 0160075671, 0160075672, 0160075673, 0160075674, 0160075675, 0160075676, 0160075677, 0160075678, 0160075679, 0160075680, 0160075681 and 0160075682)**



ART\_0001211872-C

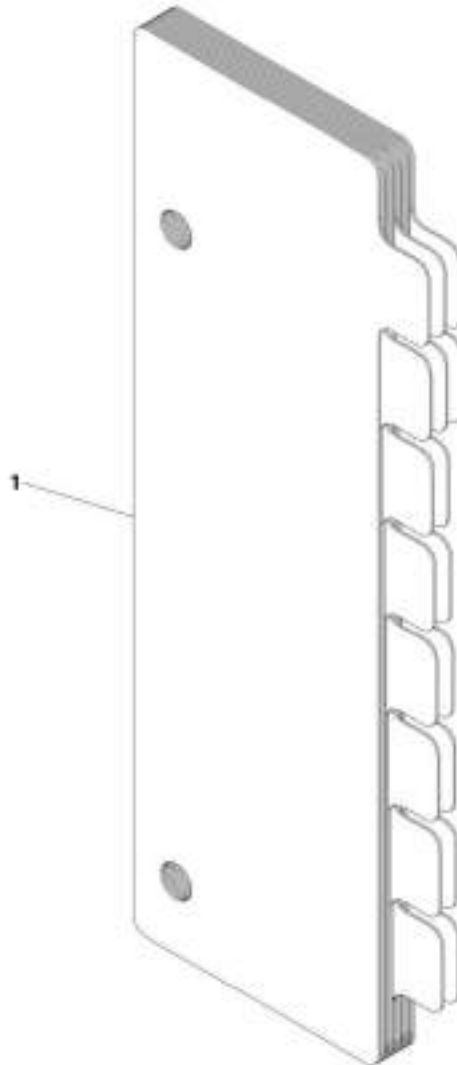
## SECTION 11 - DECALS

**FIGURE 11-40. SUPPLEMENTAL CAPACITY CHART BOOKLET (ISO) - 8042 (SN 0160075687 through 0160081209, Including 0160075671, 0160075672, 0160075673, 0160075674, 0160075675, 0160075676, 0160075677, 0160075678, 0160075679, 0160075680, 0160075681 and 0160075682)**

ITEM	PART NUMBER	QTY	DESCRIPTION	REV
1	1001211872	1	Capacity Chart (ISO) - 8042	C

## SECTION 11 - DECALS

FIGURE 11-41. SUPPLEMENTAL CAPACITY CHART BOOKLET (ISO) - 8042 (SN 0160081210 to Present)



ART\_100311072-G

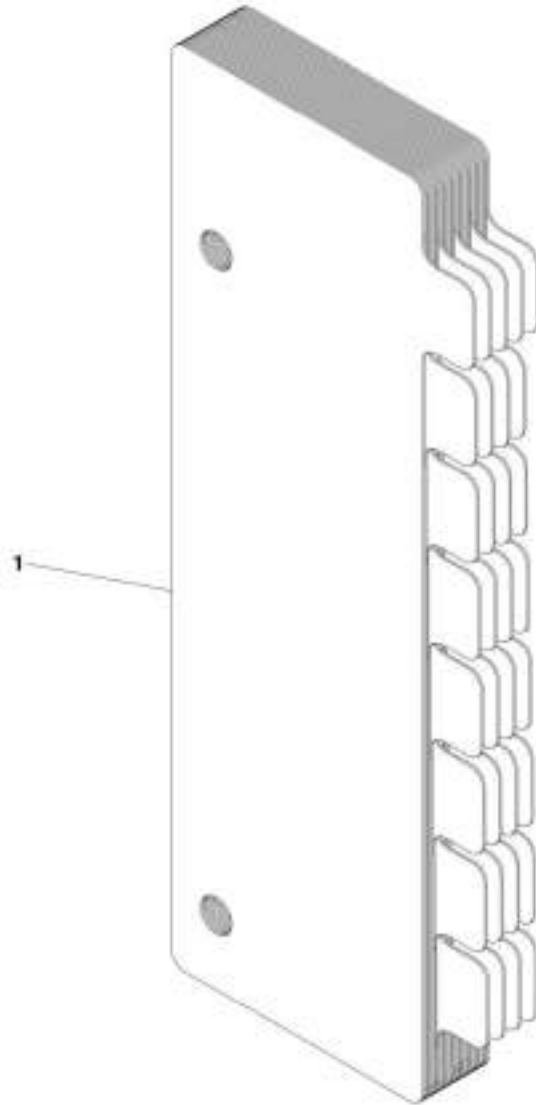
## SECTION 11 - DECALS

**FIGURE 11-41. SUPPLEMENTAL CAPACITY CHART BOOKLET (ISO) - 8042 (SN 0160081210 to Present)**

ITEM	PART NUMBER	QTY	DESCRIPTION	REV
1	1001211872	1	Capacity Chart (ISO) - 8042	E

## SECTION 11 - DECALS

FIGURE 11-42. SUPPLEMENTAL CAPACITY CHART BOOKLET (ANSI) - 10042 (Prior to SN 0160075687, Excluding 0160075671, 0160075672, 0160075673, 0160075674, 0160075675, 0160075676, 0160075677, 0160075678, 0160075679, 0160075680, 0160075681 and 0160075682)



ART\_1001190512-C



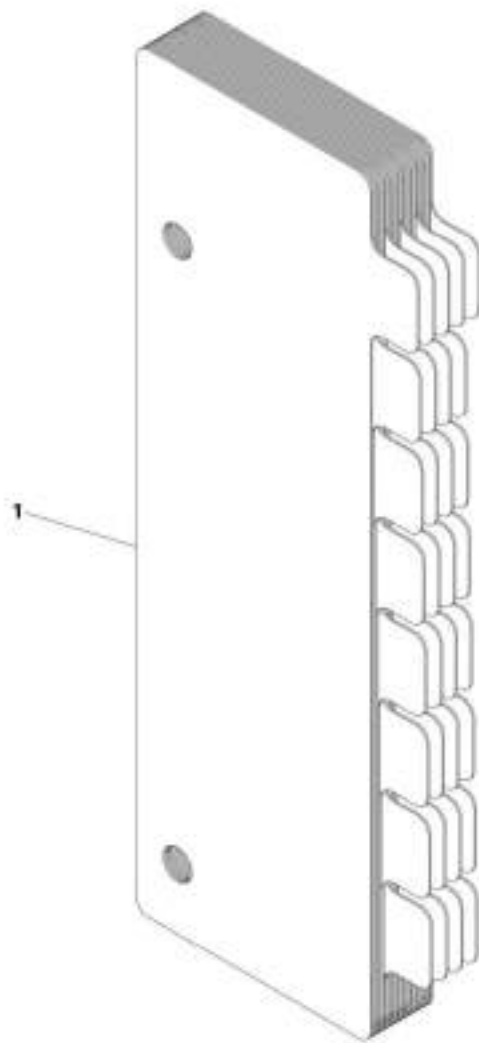
## SECTION 11 - DECALS

**FIGURE 11-42. SUPPLEMENTAL CAPACITY CHART BOOKLET (ANSI) - 10042 (Prior to SN 0160075687, Excluding 0160075671, 0160075672, 0160075673, 0160075674, 0160075675, 0160075676, 0160075677, 0160075678, 0160075679, 0160075680, 0160075681 and 0160075682)**

ITEM	PART NUMBER	QTY	DESCRIPTION	REV
1	1001110415	NLA	Supplemental Capacity Chart Booklet (ANSI) - 10042 (no longer available, use 1001199512 for replacement)	E
1	1001199512	1	Capacity Chart (ANSI) - 10042	C

## SECTION 11 - DECALS

FIGURE 11-43. SUPPLEMENTAL CAPACITY CHART BOOKLET (ANSI) - 10042 (SN 0160075687 through 0160081209, Including 0160075671, 0160075672, 0160075673, 0160075674, 0160075675, 0160075676, 0160075677, 0160075678, 0160075679, 0160075680, 0160075681 and 0160075682)



ART\_1001211073-C

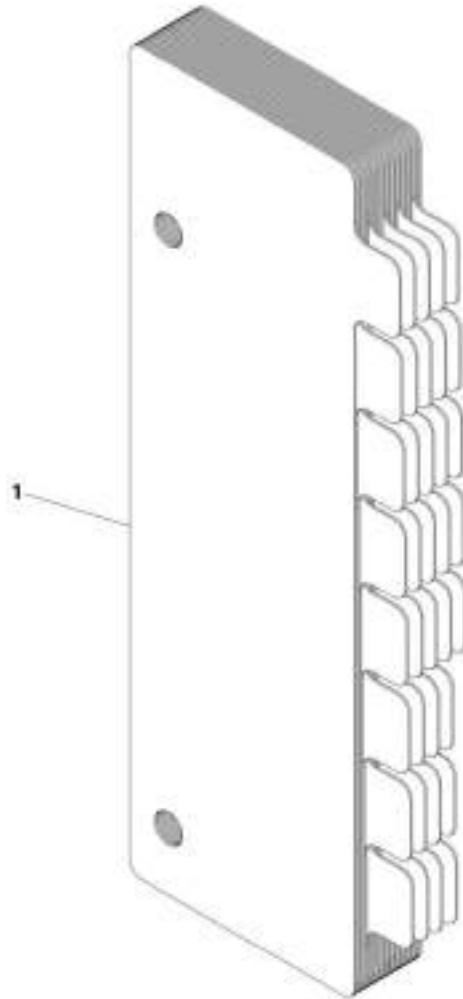
## SECTION 11 - DECALS

**FIGURE 11-43. SUPPLEMENTAL CAPACITY CHART BOOKLET (ANSI) - 10042 (SN 0160075687 through 0160081209, Including 0160075671, 0160075672, 0160075673, 0160075674, 0160075675, 0160075676, 0160075677, 0160075678, 0160075679, 0160075680, 0160075681 and 0160075682)**

ITEM	PART NUMBER	QTY	DESCRIPTION	REV
1	1001211873	1	Capacity Chart (ANSI) - 10042	C

## SECTION 11 - DECALS

FIGURE 11-44. SUPPLEMENT CAPACITY CHART BOOKLET (ANSI) -10042 (SN 0160081210 to Present)



ART\_1001211873-E

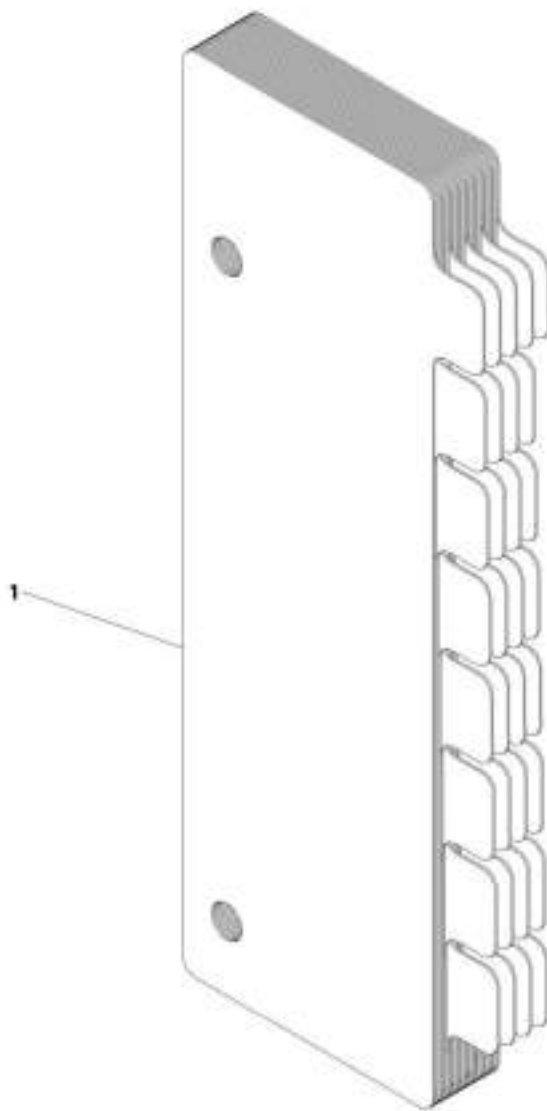
## SECTION 11 - DECALS

**FIGURE 11-44. SUPPLEMENT CAPACITY CHART BOOKLET (ANSI) -10042 (SN 0160081210 to Present)**

ITEM	PART NUMBER	QTY	DESCRIPTION	REV
1	1001211873	1	Capacity Chart (ANSI) - 10042	E

## SECTION 11 - DECALS

FIGURE 11-45. SUPPLEMENTAL CAPACITY CHART BOOKLET (ISO) - 10042 (Prior to SN 0160075687, Excluding 0160075671, 0160075672, 0160075673, 0160075674, 0160075675, 0160075676, 0160075677, 0160075678, 0160075679, 0160075680, 0160075681 and 0160075682)



60T\_1001399513-C

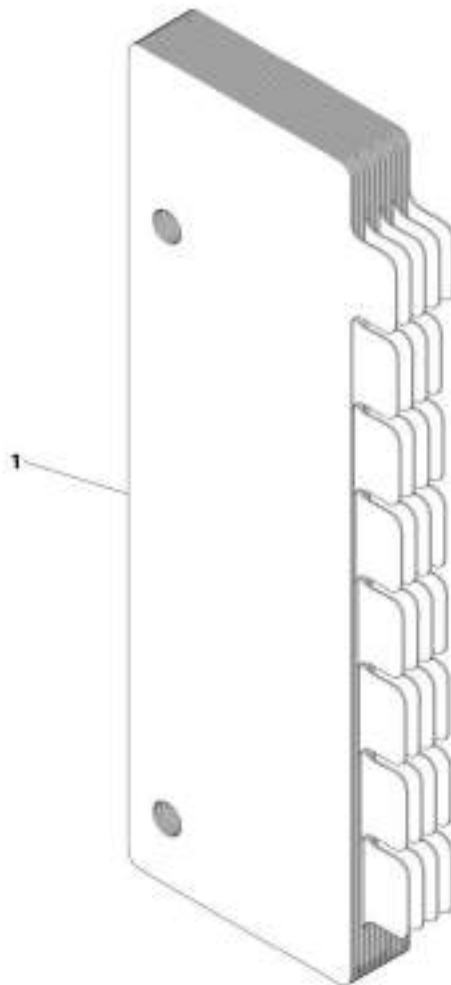
## SECTION 11 - DECALS

**FIGURE 11-45. SUPPLEMENTAL CAPACITY CHART BOOKLET (ISO) - 10042 (Prior to SN 0160075687, Excluding 0160075671, 0160075672, 0160075673, 0160075674, 0160075675, 0160075676, 0160075677, 0160075678, 0160075679, 0160075680, 0160075681 and 0160075682)**

ITEM	PART NUMBER	QTY	DESCRIPTION	REV
1	1001122613	NLA	Supplemental Capacity Chart Booklet (ISO) - 10042 (no longer available, use 1001199513 for replacement)	E
1	1001199513	1	Capacity Chart (ISO) - 10042	C

## SECTION 11 - DECALS

FIGURE 11-46. SUPPLEMENTAL CAPACITY CHART BOOKLET (ISO) - 10042 (SN 0160075687 through 0160081209, Including 0160075671, 0160075672, 0160075673, 0160075674, 0160075675, 0160075676, 0160075677, 0160075678, 0160075679, 0160075680, 0160075681 and 0160075682)



ART\_1001211074-C



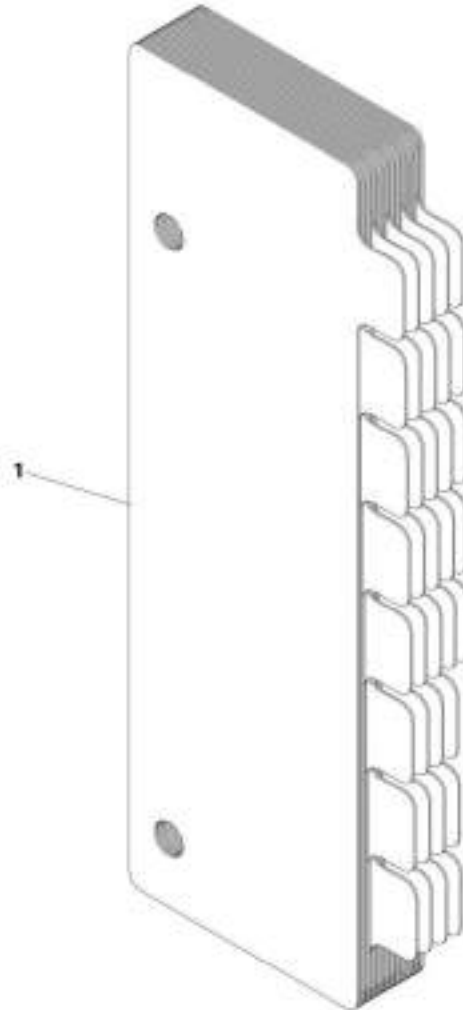
## SECTION 11 - DECALS

**FIGURE 11-46. SUPPLEMENTAL CAPACITY CHART BOOKLET (ISO) - 10042 (SN 0160075687 through 0160081209, Including 0160075671, 0160075672, 0160075673, 0160075674, 0160075675, 0160075676, 0160075677, 0160075678, 0160075679, 0160075680, 0160075681 and 0160075682)**

ITEM	PART NUMBER	QTY	DESCRIPTION	REV
1	1001211874	1	Capacity Chart (ISO) - 10042	C

## SECTION 11 - DECALS

FIGURE 11-47. SUPPLEMENTAL CAPACITY CHART BOOKLET (ISO) - 10042 (SN 0160081210 to Present)



ART\_1501211874-1

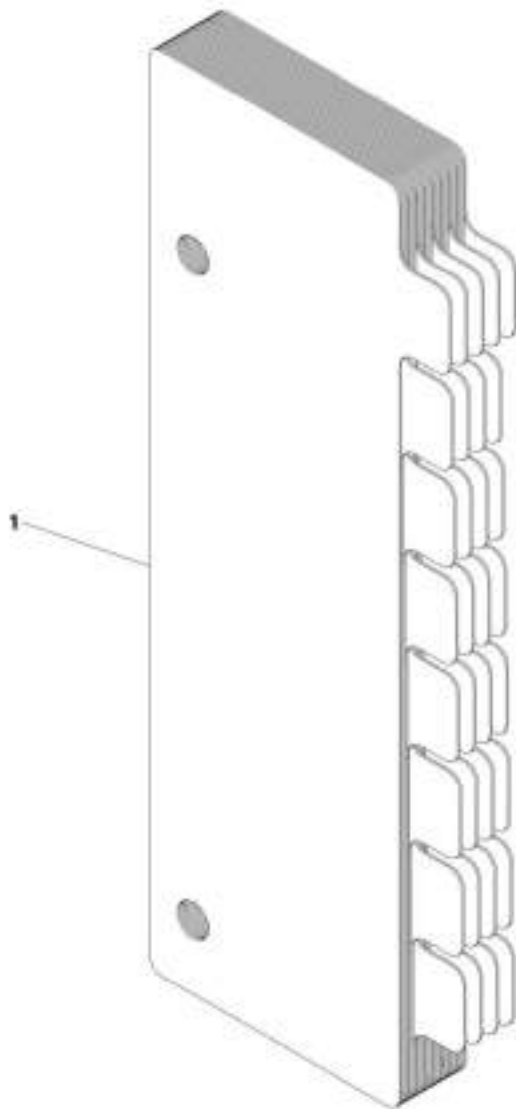
## SECTION 11 - DECALS

**FIGURE 11-47. SUPPLEMENTAL CAPACITY CHART BOOKLET (ISO) - 10042 (SN 0160081210 to Present)**

ITEM	PART NUMBER	QTY	DESCRIPTION	REV
1	1001211874	1	Capacity Chart (ISO) - 10042	E

## SECTION 11 - DECALS

**FIGURE 11-48. SUPPLEMENTAL CAPACITY CHART BOOKLET (ANSI) - 10054 (Prior to SN 0160075687, Excluding 0160075671, 0160075672, 0160075673, 0160075674, 0160075675, 0160075676, 0160075677, 0160075678, 0160075679, 0160075680, 0160075681 and 0160075682)**



ART\_100119951B-C

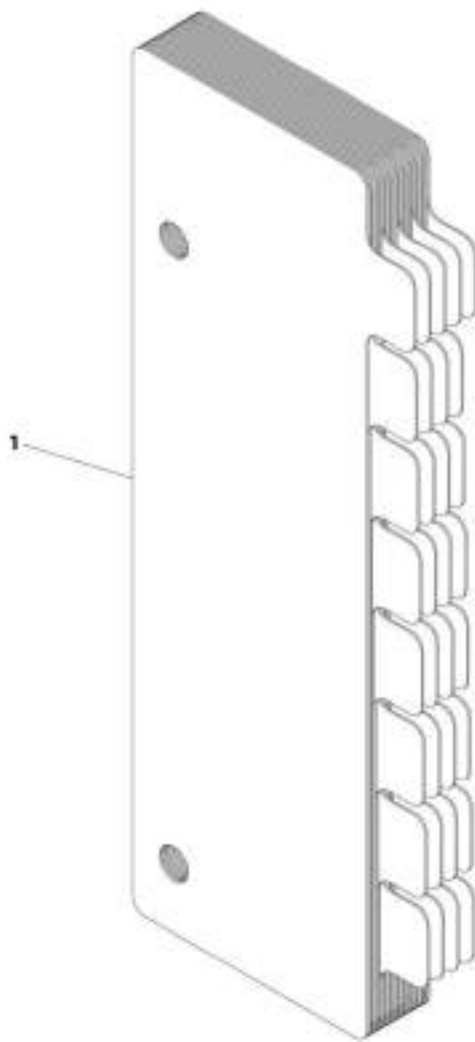
## SECTION 11 - DECALS

**FIGURE 11-48. SUPPLEMENTAL CAPACITY CHART BOOKLET (ANSI) - 10054 (Prior to SN 0160075687, Excluding 0160075671, 0160075672, 0160075673, 0160075674, 0160075675, 0160075676, 0160075677, 0160075678, 0160075679, 0160075680, 0160075681 and 0160075682)**

ITEM	PART NUMBER	QTY	DESCRIPTION	REV
1	1001110416	NLA	Supplemental Capacity Chart (ANSI) - 10054 (no longer available, use 1001199518 for replacement)	E
1	1001199518	1	Capacity Chart (ANSI) - 10054	C

## SECTION 11 - DECALS

FIGURE 11-49. SUPPLEMENTAL CAPACITY CHART BOOKLET (ANSI) - 10054 (SN 0160075687 through 0160081209, Including 0160075671, 0160075672, 0160075673, 0160075674, 0160075675, 0160075676, 0160075677, 0160075678, 0160075679, 0160075680, 0160075681 and 0160075682)



ART\_300121187S-C

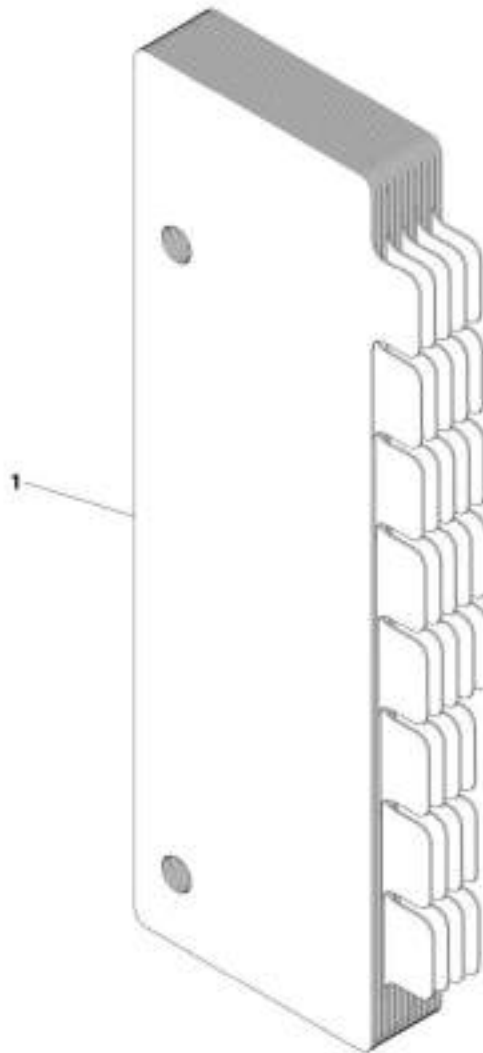
## SECTION 11 - DECALS

**FIGURE 11-49. SUPPLEMENTAL CAPACITY CHART BOOKLET (ANSI) - 10054 (SN 0160075687 through 0160081209, Including 0160075671, 0160075672, 0160075673, 0160075674, 0160075675, 0160075676, 0160075677, 0160075678, 0160075679, 0160075680, 0160075681 and 0160075682)**

ITEM	PART NUMBER	QTY	DESCRIPTION	REV
1	1001211875	1	Capacity Chart (ANSI) - 10054	C

## SECTION 11 - DECALS

FIGURE 11-50. SUPPLEMENTAL CAPACITY CHART BOOKLET (ANSI) - 10054 (SN 0160081210 to Present)



ARR\_1001211875-E



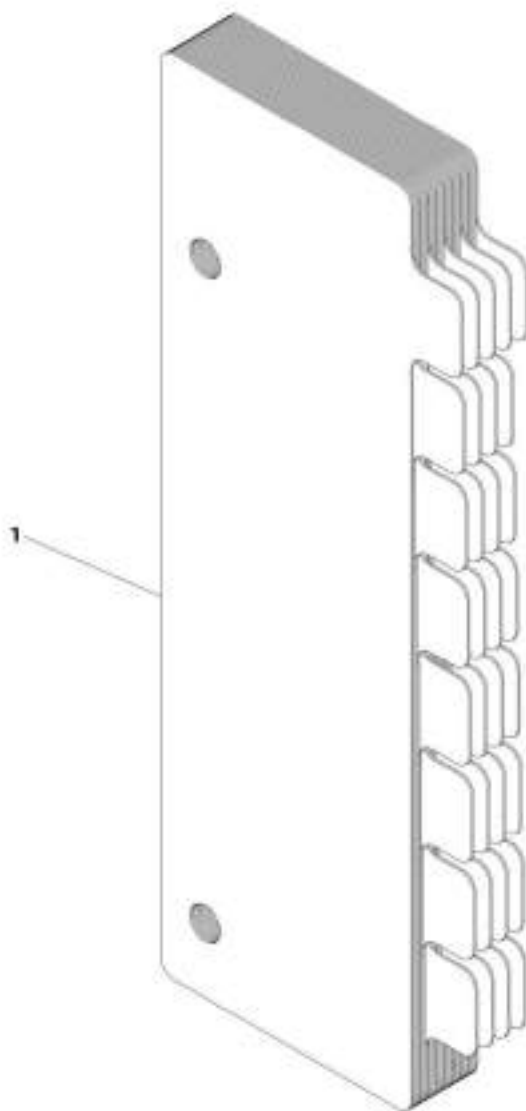
## SECTION 11 - DECALS

**FIGURE 11-50. SUPPLEMENTAL CAPACITY CHART BOOKLET (ANSI) - 10054 (SN 0160081210 to Present)**

ITEM	PART NUMBER	QTY	DESCRIPTION	REV
1	1001211875	1	Capacity Chart (ANSI) - 10054	E

## SECTION 11 - DECALS

FIGURE 11-51. SUPPLEMENTAL CAPACITY CHART BOOKLET (ISO) - 10054 (Prior to SN 0160075687, Excluding 0160075671, 0160075672, 0160075673, 0160075674, 0160075675, 0160075676, 0160075677, 0160075678, 0160075679, 0160075680, 0160075681 and 0160075682)



ART\_100199516-C

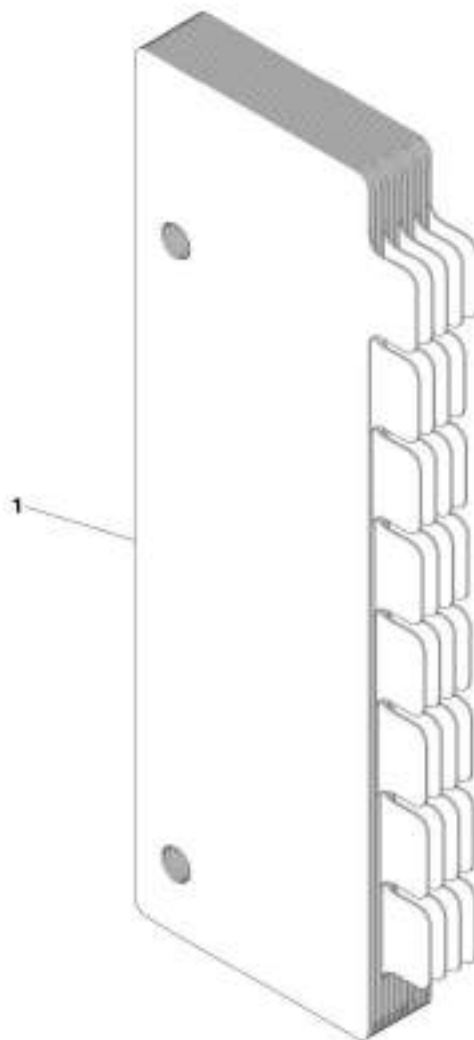
## SECTION 11 - DECALS

**FIGURE 11-51. SUPPLEMENTAL CAPACITY CHART BOOKLET (ISO) - 10054 (Prior to SN 0160075687, Excluding 0160075671, 0160075672, 0160075673, 0160075674, 0160075675, 0160075676, 0160075677, 0160075678, 0160075679, 0160075680, 0160075681 and 0160075682)**

ITEM	PART NUMBER	QTY	DESCRIPTION	REV
1	1001121968	NLA	Supplemental Capacity Chart (ISO) - 10054 (no longer available, use 1001199519 for replacement)	E
1	1001199519	1	Capacity Chart (ISO) - 10054	C

## SECTION 11 - DECALS

FIGURE 11-52. SUPPLEMENTAL CAPACITY CHART BOOKLET (ISO) - 10054 (SN 0160075687 through 0160081209, Including 0160075671, 0160075672, 0160075673, 0160075674, 0160075675, 0160075676, 0160075677, 0160075678, 0160075679, 0160075680, 0160075681 and 0160075682)



ART. 1801213826 C

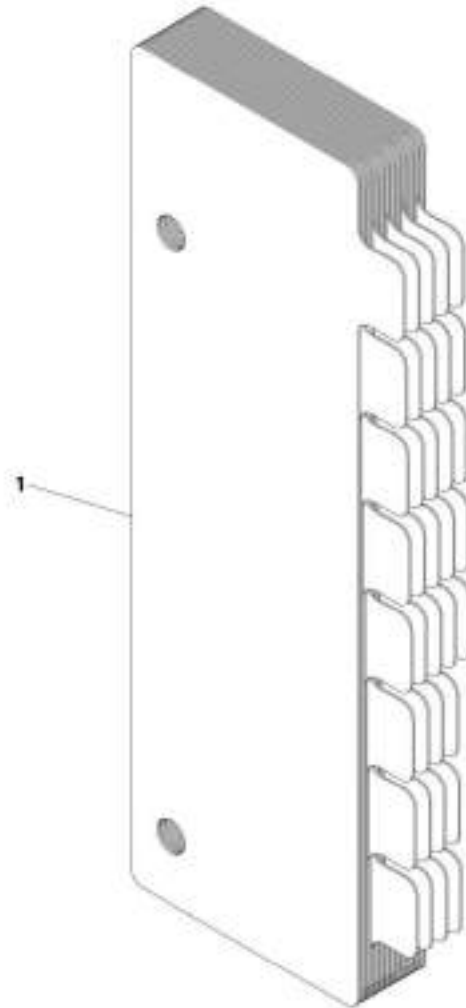
## SECTION 11 - DECALS

**FIGURE 11-52. SUPPLEMENTAL CAPACITY CHART BOOKLET (ISO) - 10054 (SN 0160075687 through 0160081209, Including 0160075671, 0160075672, 0160075673, 0160075674, 0160075675, 0160075676, 0160075677, 0160075678, 0160075679, 0160075680, 0160075681 and 0160075682)**

ITEM	PART NUMBER	QTY	DESCRIPTION	REV
1	1001211876	1	Capacity Chart (ISO) - 10054	C

## SECTION 11 - DECALS

FIGURE 11-53. SUPPLEMENTAL CAPACITY CHART BOOKLET (ISO) - 10054 (SN 0160081210 to Present)



ART\_1801213R26E

## SECTION 11 - DECALS

**FIGURE 11-53. SUPPLEMENTAL CAPACITY CHART BOOKLET (ISO) - 10054 (SN 0160081210 to Present)**

ITEM	PART NUMBER	QTY	DESCRIPTION	REV
1	1001211876	1	Capacity Chart (ISO) - 10054	E

# SECTION 11 - DECALS

FIGURE 11-54. REVERSE SENSOR SYSTEM DECAL (ENGLISH)





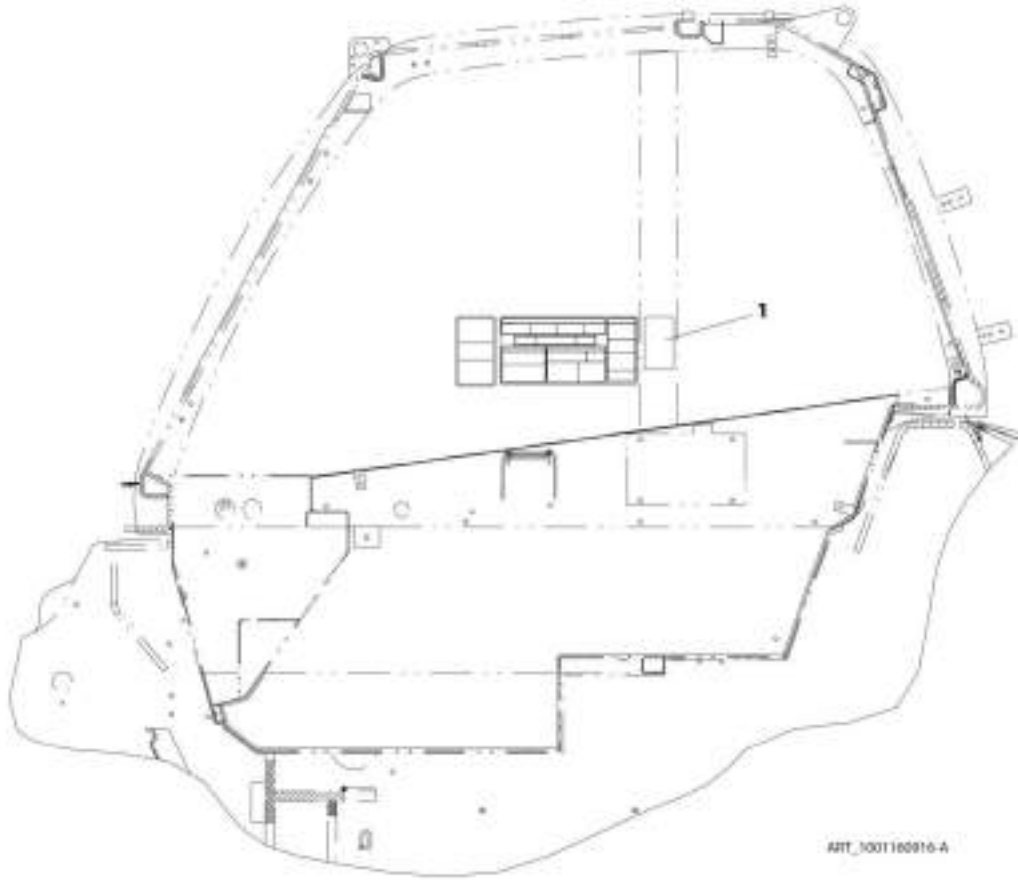
## SECTION 11 - DECALS

**FIGURE 11-54. REVERSE SENSOR SYSTEM DECAL (ENGLISH)**

ITEM	PART NUMBER	QTY	DESCRIPTION	REV
1	1001160072	1	Reverse Sensor System Decal (ENGLISH)	A

# SECTION 11 - DECALS

FIGURE 11-55. REVERSE SENSOR SYSTEM DECAL (ISO)



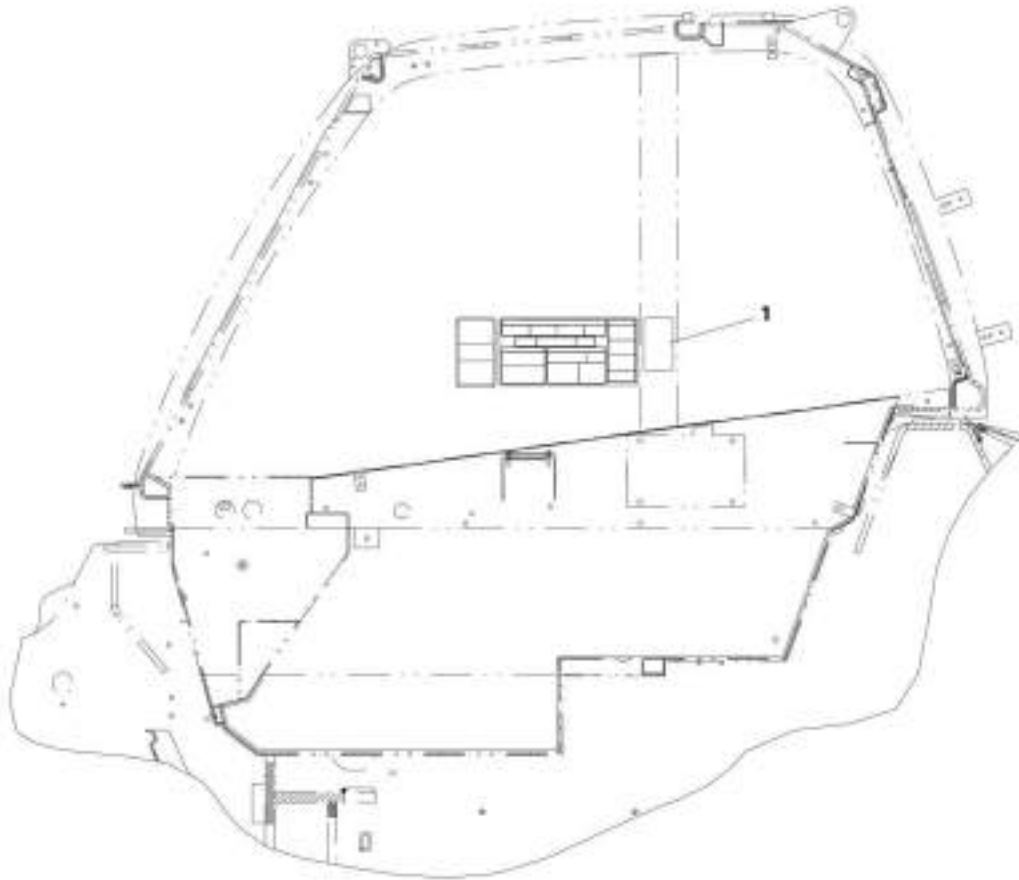
## SECTION 11 - DECALS

**FIGURE 11-55. REVERSE SENSOR SYSTEM DECAL (ISO)**

ITEM	PART NUMBER	QTY	DESCRIPTION	REV
1	1001160916	1	Reverse Sensor System Decal (ISO)	A

# SECTION 11 - DECALS

FIGURE 11-56. REVERSE SENSOR SYSTEM DECAL (ENGLISH/FRENCH)



ART\_1001100945-A

## SECTION 11 - DECALS

**FIGURE 11-56. REVERSE SENSOR SYSTEM DECAL (ENGLISH/FRENCH)**

ITEM	PART NUMBER	QTY	DESCRIPTION	REV
1	1001160945	1	Reverse Sensor System Decal (ENGLISH/FRENCH)	A



## **SECTION 12 - RECOMMENDED SPARE PARTS**

## **SECTION 12 - RECOMMENDED SPARE PARTS**

## SECTION 12 - RECOMMENDED SPARE PARTS

FIGURE 12-1. RECOMMENDED SPARE PARTS

ITEM	PART NUMBER	QTY	DESCRIPTION	REV
		Ref	<b>Boom</b>	
	2713082	2	Hose, Fork Tilt Cylinder	
	2716714	2	Hose, Boom	
	7079572	AR	Pad, Wear	
	7111572	AR	Pad, Wear	
	7082311	AR	Insert, Wear Pad	
	7082342	AR	Shim, Wear Pad	
	7082362	AR	Shim, Wear Pad	
	7096702	AR	Spacer, Wear Pad	
	7096772	AR	Spacer, Wear Pad	
	7096882	AR	Spacer, Wear Pad	
		Ref	<b>Engine and Attaching Parts</b>	
	70026234	1	Element, Fuel Filter	
	70026237	1	Filter, Oil	
	1001174822	1	Fan	
	70026229	1	Fan Belt, V-Ribbed	
	1001199737	1	Kit, Filter, 250 Hour	
	70026237	1	Filter, Oil	
	70026234	1	Element, Fuel Filter	
	70026453	1	Cartridge, Fuel Filter	
	70025852	1	Filter, Cylindrical Air Primary	
	70025853	1	Filter, Cylindrical Air Secondary	
	1001199738	1	Kit, Filter, 1000 Hour	
	70026237	1	Filter, Oil	
	70026234	1	Element, Fuel Filter	
	70026453	1	Cartridge, Fuel Filter	
	70025852	1	Filter, Cylindrical Air Primary	
	70025853	1	Filter, Cylindrical Air Secondary	
	70024152	1	Kit, Hydraulic Filter	
	1319726	1	Filter, Transmission	
		Ref	<b>Drive Train</b>	
	1600429	1	Selector, Transmission Control	
	1319726	1	Filter, Transmission Oil	
	1319472	8	Bearing	
		Ref	<b>Hydraulic System</b>	
	1001158002	1	Control, Pilot Joystick	
	70026048	2	Kit, Seal, Lift Cylinder - 8042	
	70026025	2	Kit, Seal, Lift Cylinder - 10042	
	70026029	2	Kit, Seal, Lift Cylinder - 10054	
	70026052	1	Kit, Seal, Extend/Retract Cylinder - 8042	
	70026038	1	Kit, Seal, Extend/Retract Cylinder - 10042	
	70026043	1	Kit, Seal, Extend/Retract Cylinder - 10054	
	8035780	1	Kit, Seal, Fork Tilt Cylinder	
	8034695	2	Kit, Seal, Compensation Cylinder	
	8035326	1	Kit, Seal, Frame Level Cylinder	



## SECTION 12 - RECOMMENDED SPARE PARTS

ITEM	PART NUMBER	QTY	DESCRIPTION	REV
	8036747	1	Kit, Seal, Stabil-Trak Cylinder	
	8036784	2	Kit, Seal, Outrigger Cylinder	
	70026062	1	Kit, Seal, Side Tilt Cylinder	
	70024549	1	Kit, Seal, Side Shift Carriage Cylinder	
	2915023	2	Kit, Seal, Swing Carriage Cylinder	
	70021452	2	Kit, Seal, Grapple Bucket Cylinder	
	70026206	1	Element, Filter, Hydraulic/Fuel/DEF Tank	
	70026584	1	Filter, DEF	
	7139077	1	Filler/Breather	
	7024441	1	Gauge, Sight	
	70024152	1	Kit, Filter, Hydraulic/Fuel/DEF Tank	
	8270620	1	Horn, Signal	
		Ref	<b>Miscellaneous</b>	
	8035807	1	Key, Ignition (with cover)	
	8342808	1	Key, Air Cleaner Access Panel	
	70021948	1	Key, Cab Door	
	80384213	1	Blade, Front Wiper	
	8035498	1	Blade, Skylight Wiper	
		Ref	<b>Special Tools</b>	
	70010239	1	Two-Armed Puller, 160-150mm, ZF Transmission	
	70023174	1	Eye Bolt Assortment, ZF Transmission	
	70022872	1	Internal Extractor, 45-58mm, ZF Transmission	
	70022871	1	Counter Support, ZF Transmission	
	70026448	1	Tool, Spanner Wrench	



**PART NUMBER INDEX**

# PART NUMBER INDEX

0100009.....961, 963	0681810... 195, 197, 199, 201, 203, 205	1001081243 ..... 627, 643	1001100005.....547, 551, 585
0100011.... 115, 195, 197, 199, 201, 203, 205, 293, 295, 297, 353, 355	0682648... 23, 31, 39, 47, 55, 63, 71, 79, 87	1001081246 ..... 649	1001100009.....571, 575, 595
0100019....19, 23, 27, 31, 35, 39, 43, 47, 51, 55, 59, 63, 67, 71, 75, 79, 83, 87, 121, 459	0682652... 19, 23, 27, 31, 35, 39, 43, 47, 51, 55, 59, 63, 67, 71, 75, 79, 83, 87	1001081266 ..... 649	1001100227.....249
01043892.....359	0700610 ..... 1050, 1054, 1058, 1062, 1066, 1070, 1074, 1078, 1082, 1086, 1090, 1094, 1098, 1102, 1106	1001081310 ..... 653, 655	1001100228.....251
0140011.....1011	0700614 ..... 275, 935	1001090063 ..... 195, 197, 199, 201, 203, 205	1001100229.....253
0240156.....245	0700617 ..... 629, 657	1001090064 ..... 195, 197, 199, 201, 203, 205	1001100284.....547, 551
0400075.....925	0700624 ..... 691	1001090140 ..... 195, 197, 199, 201, 203, 205	1001100324.....545, 547
0630464.....627, 643	0700812 ..... 291	1001092391 ..... 271	1001100822.....227
0641403....341, 343, 345, 649	0700822 ..... 629	1001092481 ..... 237	1001100823.....229
0641404....849, 854, 858, 862, 866, 870, 875, 880, 884, 888, 892, 896, 901, 906, 910, 914, 918, 922	0700827 ..... 353, 355	1001092482 ..... 237	1001100824.....231
0641405....243, 317, 319	0700828 ..... 657, 683	1001092877 . 1098, 1102, 1106	1001100828.....1025
0641406....849, 858, 866, 875, 884, 892, 901, 910, 918, 1015	0701026 ..... 305, 307	1001092878 . 1098, 1102, 1106	1001100829.....1025
0641410.....1011	0701216 ..... 327	1001093171 ..... 247	1001100967.....277
0641415.....927	0701219 .... 287, 289, 291	1001093273 ..... 245	1001101085.....604, 616, 632, 659
0641507.....289	0711214... 287, 289, 291, 293, 295, 297, 355	1001093377 ..... 245, 249	1001101115.....249, 251
0641508.....317, 319	0711219 .... 293, 295, 297	1001093465 ..... 245	1001101116.....249, 253
0641509.....317, 319	0711225 ..... 691	1001093564 ..... 1045	1001101845.....129, 135, 145, 153
0641510....19, 23, 27, 31, 35, 39, 43, 47, 51, 55, 59, 63, 67, 71, 75, 79, 83, 87, 275	0711227 .... 293, 295, 297	1001094312 ..... 649	1001101867.....145, 169
0641511 ....293, 295, 933, 935, 951	0711628 .... 293, 295, 297	1001094330 ..... 245	1001101956.....199
0641520....128, 134, 145	0741610... 195, 197, 199, 201, 203, 205	1001094696 ..... 1043	1001102378.....195, 197, 199, 201, 203, 205
0641605....849, 854, 858, 862, 866, 870, 875, 880, 884, 888, 892, 896, 901, 906, 910, 914, 918, 922	0760605 ..... 293, 295	1001094787 ... 19, 23, 27, 31, 35, 39	1001102813.....243, 275
0641607....287, 289, 291	0760608 ..... 327, 329	1001094830 ..... 245	1001102844.....604, 608, 616, 620, 632, 636
0641608.....287, 297	0760610... 103, 113, 341, 343, 345	1001095418 ..... 209	1001103147.....745, 837
0641609.....329	0760614 ..... 297	1001095704 ..... 968	1001103182.....209, 809
0641612....195, 197, 199, 201, 203, 205, 329, 747	076081095, 99, 105, 109, 287, 291, 297, 309, 849, 858, 866, 875, 884, 892, 901, 910, 918	1001095810 ..... 243	1001103619.....385, 427, 459, 469, 487
0641614.....317, 319	0760812 ..... 289, 291	1001096019 ..... 241	1001103629.....459, 461
0641618....19, 23, 27, 31, 35, 39, 43, 47, 51, 55, 59, 63, 67, 71, 75, 79, 83, 87, 95, 97, 99, 101, 103, 105, 107, 109, 111, 113	0760815 ..... 311	1001096020 ..... 241	1001103633.....457, 479
0641620..... 1011, 1017	0761007 ... 858, 866, 884, 892, 910, 918	1001096021 ..... 239	1001103637.....237
0641632.....1017	0761012 ..... 327, 351	1001096022 ..... 239	1001103630.....239
0641636.....649	0761014 ..... 297	1001096024 ..... 241	1001103736.....241
0641652.....649	0761212 ... 849, 854, 858, 862, 866, 870, 875, 880, 884, 888, 892, 896, 901, 906, 910, 914, 918, 922	1001096025 ..... 239	1001103730.....239
0642032....173, 175, 177, 179, 181, 183, 185, 195, 197, 199, 201, 203, 205	0771618 .... 293, 295, 297	1001096162 .... 237, 239, 241, 243	1001104796.....373
0642216....19, 23, 27, 31, 35, 39	0791606 ..... 115	1001096314 .... 933, 935, 939, 943, 951, 955, 959	1001104800.....457
0642640....121, 373, 375, 457	0860520 ..... 243	1001096404 . 1050, 1054, 1058, 1062, 1066, 1070, 1074, 1078, 1082, 1086, 1090, 1094, 1098, 1102, 1106	1001105886.....1043
	0861493 ..... 1033	1001097079 ..... 957, 959	1001106014.....1113
	0930020 ..... 235	1001097080 ..... 953, 955	1001106015.....1125
	1001002959 ..... 649	1001097205 ..... 247	1001106016.....1137
	1001003174 ..... 983	1001097735 .... 129, 135, 144	1001106421.....703, 707
	1001004720 ..... 331, 333, 1011	1001098769 . 1050, 1054, 1058, 1062, 1066, 1070, 1074, 1078, 1082, 1086, 1090, 1094, 1098, 1102, 1106	1001106422.....703, 711
	1001008742 ..... 627, 643	1001099113 .... 195, 197, 199, 201, 203, 205	1001106836.....725, 825
	1001081049.... 608, 620, 627, 636, 643	1001099115 .... 195, 197, 199, 201, 203, 205	1001107525.....701
	1001081241 ..... 649	1001099351 ..... 219	1001107589.....701
	1001081242 ..... 649	1001099687 ..... 701	1001107664.....121
		1001099901 ..... 217	1001107689.....117, 119, 121
		1001099902 ..... 215	1001107692.....123
		1001099976 ..... 589	1001107692.....123
			1001107744.....459
			1001107746.....459
			1001108524.....495
			1001108575.....649
			1001108668.....224
			1001109053.. 1050, 1054, 1058, 1062, 1066, 1070, 1074, 1078, 1082, 1086, 1090, 1094, 1098, 1102, 1106
			1001109478.....627, 643
			1001110414.....1149
			1001110415.....1161
			1001110416.....1173

## PART NUMBER INDEX

1001110704 ..... 209	1001117064..... 982	1001126487..... 969	1001143852 . 1098, 1102, 1106
1001110889 ..... 457, 459	1001117068..... 966, 972, 977	1001127066..... 989	1001144147 . 1021, 1027, 1035
1001111112 ..... 627, 643	1001117070..... 969, 973, 979	1001127226..... 901, 906, 910, 914, 918, 922, 1003	1001144629J ..... 243
1001111190 ..... 209	1001117079..... 993, 995	1001127699..... 927	1001145026 ..... 821, 823
1001112612 ... 982, 1021, 1027, 1037	1001117080..... 987	1001127700..... 927	1001145707 ..... 973, 979
1001112796 .. 1021, 1027	1001117081..... 989	1001127784..... 365, 371	1001146084 ..... 173
1001114495 ..... 331, 333	1001117103..... 968, 974, 979	1001127864..... 95, 97, 99, 101, 103, 105, 107, 109, 111, 113, 115	1001146086 ..... 177
1001114675 . 1050, 1054, 1058, 1062, 1066, 1070, 1074, 1078, 1082, 1086, 1090, 1094, 1098, 1102, 1106	1001117106..... 982	1001127867 ..... 115	1001146088 ..... 181
1001114867 ..... 604, 608, 616, 620, 632, 636	1001117111..... 969, 974, 979	1001128341 ..... 317, 319	1001146159 ..... 173, 177, 181, 183
1001116208 ..... 1111	1001117119..... 982, 983	1001128363..... 289	1001146160 ..... 173, 177, 181, 183, 283
1001116692 ..... 969, 974, 1027	1001117125..... 969, 974, 978	1001128364..... 289	1001147466 ..... 119
1001116693 .. 1021, 1027	1001118245..... 927	1001128594..... 299, 301, 303	1001147467 ..... 117
1001116694 ..... 1027	1001118378..... 982, 1035	1001128714..... 289	1001147477 ..... 117, 119, 123
1001116710 .... 984, 1005	10011184495..... 991	1001128890 ..... 283	1001147515 ..... 123
1001116711 ..... 1005	1001119004..... 967, 973, 978	1001128901 ..... 289	1001148177 . 1050, 1054, 1058, 1062, 1066, 1070, 1074, 1078, 1082, 1086, 1090, 1094, 1098, 1102, 1106
1001116712 ... 984, 1005, 1009	1001119278..... 1045	1001128986..... 93	1001149227 ..... 611, 613, 627, 643
1001116720 .... 989, 1005	1001119610..... 759, 761, 763, 765	1001129285..... 984	1001149712 .... 982, 1021
1001116723 ..... 987	1001120083..... 309	1001129407 ..... 1019	1001150586 ..... 373, 377
1001116725 ..... 993, 995	1001120179..... 571, 575	1001129615..... 927	1001151561 ..... 173, 177, 181, 183
1001116726 ..... 984	1001120869..... 317, 319	1001130307..... 849, 854, 858, 862, 866, 870, 875, 880, 884, 888, 892, 896, 901, 906, 910, 914, 918, 922	1001151561 ..... 173, 177, 181, 183
1001116727 ..... 966, 967, 968, 972, 977, 983, 984	1001120914..... 195, 197, 199, 201, 203, 205	1001131271.. 1050, 1054, 1058, 1062, 1066, 1070, 1074, 1078, 1082, 1086, 1090, 1094, 1098, 1102, 1106	1001151561 ..... 173, 177, 181, 183
1001116728 .... 967, 969, 972, 973, 974, 977, 978, 999, 1013	1001120915..... 195, 197, 199, 201, 203, 205	1001131271.. 1050, 1054, 1058, 1062, 1066, 1070, 1074, 1078, 1082, 1086, 1090, 1094, 1098, 1102, 1106	1001151561 ..... 173, 177, 181, 183
1001116729 ..... 966, 972, 977, 993, 995, 997	1001120935..... 545	1001133072..... 195, 197, 199, 201, 203, 205	1001151561 ..... 173, 177, 181, 183
1001116731 ..... 1021	1001120989..... 1111	1001133173..... 977	1001151561 ..... 173, 177, 181, 183
1001116732 ..... 973, 979	1001121085..... 549, 551	1001133534..... 329	1001151561 ..... 173, 177, 181, 183
1001116734 .... 969, 973, 979	1001121102..... 569, 571	1001134488..... 317, 319	1001151561 ..... 173, 177, 181, 183
1001116736 .... 987, 993, 995	1001121104..... 573, 575	1001135770..... 929	1001151561 ..... 173, 177, 181, 183
1001116745 ..... 966, 972, 977, 1013	1001121107..... 569	1001135777..... 929	1001151561 ..... 173, 177, 181, 183
1001116747 ..... 983	1001121518..... 549	1001136358..... 327, 329	1001151561 ..... 173, 177, 181, 183
1001116748 ..... 967, 968, 973, 978, 1005	1001121726..... 984	1001136975..... 327, 329, 331, 333	1001151561 ..... 173, 177, 181, 183
1001116751 ..... 987	1001121728..... 984	1001137512..... 273	1001151561 ..... 173, 177, 181, 183
1001116757 ..... 967, 972, 973, 977, 978	1001121730..... 968, 974, 979, 984	1001138642..... 977	1001151561 ..... 173, 177, 181, 183
1001116758 ..... 967, 972, 973, 977, 978	1001121967..... 1143	1001138643..... 977	1001151561 ..... 173, 177, 181, 183
1001116774 ... 983, 1027, 1035	1001121968..... 1179	1001138645..... 297	1001151561 ..... 173, 177, 181, 183
1001116808 ... 982, 1027, 1035	1001122561..... 1119	1001139319..... 97, 101	1001151561 ..... 173, 177, 181, 183
1001116812 ... 982, 1027, 1035	1001122562..... 1155	1001139578.. 1050, 1054, 1058, 1062, 1066, 1070	1001151561 ..... 173, 177, 181, 183
1001116815 .. 1021, 1035	1001122612..... 1131	1001139942.. 1098, 1102, 1106	1001151561 ..... 173, 177, 181, 183
1001116838 ..... 373, 419	1001122613..... 1167	1001141427..... 604, 608, 616, 620, 632, 636	1001151561 ..... 173, 177, 181, 183
1001116945 ..... 1037	1001125027..... 969, 974, 978, 987	1001141892..... 123	1001151561 ..... 173, 177, 181, 183
1001116950 ..... 968, 974, 979	1001125083..... 968	1001142247..... 212	1001151561 ..... 173, 177, 181, 183
1001117021 ..... 969, 974, 978, 999, 1013	1001125085..... 968	1001142452.. 1050, 1058, 1066, 1074, 1082, 1090, 1098, 1102, 1106	1001151561 ..... 173, 177, 181, 183
1001117026 ..... 993, 995, 997, 1013	1001125089..... 968	1001142790..... 207	1001151561 ..... 173, 177, 181, 183
1001117059 ..... 987	1001125387.. 1050, 1054, 1058, 1062, 1066, 1070	1001143305..... 604, 616, 632	1001151561 ..... 173, 177, 181, 183
	1001125418..... 573	1001143307..... 849, 858, 866, 875, 884, 892, 901, 910, 918	1001151561 ..... 173, 177, 181, 183
	1001125749..... 743	1001143551 ..... 1035	1001151561 ..... 173, 177, 181, 183
	1001125784..... 982		1001151561 ..... 173, 177, 181, 183
	1001125785..... 982		1001151561 ..... 173, 177, 181, 183
	1001126008..... 982, 983, 1035		1001151561 ..... 173, 177, 181, 183
	1001126351..... 977		1001151561 ..... 173, 177, 181, 183
	1001126353..... 977		1001151561 ..... 173, 177, 181, 183
	1001126356..... 977		1001151561 ..... 173, 177, 181, 183
	1001126391..... 967		1001151561 ..... 173, 177, 181, 183
	1001126393..... 967		1001151561 ..... 173, 177, 181, 183
	1001126484..... 969		1001151561 ..... 173, 177, 181, 183

# PART NUMBER INDEX

1001157273..1058, 1062, 1082, 1086, 1102	1001160072 ..... 1185	1001163300 . 1074, 1078, 1082, 1086, 1090, 1094	1001166109.....1050
1001157274..1050, 1054, 1058, 1062, 1066, 1070, 1074, 1078, 1082, 1086, 1090, 1094, 1098, 1102, 1106	1001160116 ..... 293, 295, 297	1001163304 . 1074, 1078, 1082, 1086, 1090, 1094	1001166110.....1074
1001157275 .....1109	1001160250 ... 19, 23, 27, 31, 35, 39, 43, 47, 51, 55, 59, 63, 67, 71, 75, 79, 83, 87	1001163323 . 1074, 1078, 1082, 1086, 1090, 1094	1001166111.....1098
1001157277 .....1109	1001160782 ..... 287	1001163355 . 1074, 1078, 1082, 1086, 1090, 1094	1001166112.....1058
1001157614..1050, 1054, 1074, 1078, 1098	1001160785 ..... 627, 643	1001164096 ..... 643	1001166113.....1082
1001157663.....353, 355	1001160787 ..... 669	1001164099 ..... 643	1001166114.....1102
1001157890.....969, 974, 982, 983, 1035	1001160788 ..... 611, 613, 623, 625, 639, 641	1001164196 ..... 657	1001166115.....1066
1001157891.....987, 993, 995	1001160789 ..... 611, 623, 639	1001164282 ..... 627	1001166116.....1090
1001157923.....749, 813	1001160790 ..... 611, 613, 623, 625, 639, 641	1001164284 ..... 627	1001166117.....1106
1001157935.....747, 749	1001160791 ..... 611, 613, 623, 625, 639, 641	1001164404 ..... 287	1001166229.....351
1001158002.....689, 719, 1192	1001160815 ..... 611, 613	1001164717 ..... 627, 643	1001166238.... 19, 23, 27, 31, 43, 47, 51, 55, 67, 71, 75, 79
1001158004.....717, 719	1001160844 ..... 287	1001164837 ..... 287	1001166556.....967
1001158039.....743	1001160845 ..... 293	1001164838 ..... 287	1001166566.....309, 313
1001158040.....737	1001160912 ..... 671	1001165039 ... 19, 27, 35, 43, 51, 59, 67, 75, 83	1001166693.....287
1001158041.....739	1001160916 ..... 1187	1001165057 ... 19, 23, 27, 31, 35, 39, 43, 47, 51, 55, 59, 63, 67, 71, 75, 79, 83, 87	1001166704.....968, 969
1001158046.....741	1001160945 ..... 1189	1001165194 ..... 967	1001166715.....311
1001158089.....604, 611	1001161208 ..... 931, 933	1001165275 ..... 649	1001166935.....287, 289, 291
1001158090.....616, 623	1001161212 ..... 961	1001165276 ..... 649	1001166976.....287
1001158091.....632, 639	1001161213 ..... 963	1001165517 .... 293, 295, 297	1001167167.....287
1001158272..1050, 1054, 1058, 1062, 1066, 1070	1001161784 ..... 683	1001165518 .... 293, 295, 297	1001167168.....287
1001158319..1050, 1054, 1058, 1062, 1066, 1070	1001161920 .... 293, 295, 297	1001165583 .... 611, 623, 639	1001167250.....669
1001158320..1098, 1102, 1106	1001162212 .... 341, 343, 345	1001165609 ..... 287	1001167251.....671
1001158321..1098, 1102, 1106	1001162734 . 1050, 1054, 1058, 1062, 1066, 1070, 1074, 1078, 1082, 1086, 1090, 1094, 1098, 1102, 1106	1001165617 .... 611, 613, 623, 625, 639, 641	1001167357.....353, 355
1001158357 .....731, 733	1001162735 . 1050, 1054, 1058, 1062, 1066, 1070, 1074, 1078, 1082, 1086, 1090, 1094, 1098, 1102, 1106	1001165668 ..... 305	1001167528.....969
1001158398 .....717	1001162736 . 1050, 1054, 1058, 1062, 1066, 1070, 1074, 1078, 1082, 1086, 1090, 1094, 1098, 1102, 1106	1001165669 ..... 309	1001167617.....968
1001158404.....629, 657	1001162737 . 1058, 1062, 1066, 1070, 1082, 1086, 1090, 1094, 1102, 1106	1001165670 ..... 317	1001167620.....966
1001158527 .....735	1001162804 .... 667, 669, 671	1001165672 ..... 327	1001167641.....968, 973
1001158528.....731, 733, 735	1001162806 ..... 667	1001165673 ..... 331	1001167643.....968, 973
1001158551 .....721, 725	1001162862 ..... 949, 951	1001165675 ..... 335	1001167644.....968, 973
1001158562 .....721	1001163174 . 1074, 1078, 1082, 1086, 1090, 1094	1001165806 .... 627, 643, 649	1001167646.....968, 973
1001158576 .....763, 765	1001163206 . 1074, 1078, 1082, 1086, 1090, 1094	1001165818 ..... 309	1001167647.....968, 973
1001158611 .....763, 765, 767	1001163210 . 1074, 1078, 1082, 1086, 1090, 1094	1001165823 .... 623, 625, 627	1001167648.....968, 973
1001158786 .....717	1001163212 . 1074, 1078, 1082, 1086, 1090, 1094	1001165999 ..... 19	1001167649.....968, 973
1001158787 .....721	1001163222 . 1074, 1078, 1082, 1086, 1090, 1094	1001166006 ..... 43	1001168051.....309
1001158788 .....731	1001163285 . 1074, 1078, 1082, 1086, 1090, 1094	1001166007 ..... 67	1001168052.....309
1001159186.....982, 983	1001160071 .....667	1001166008 ..... 353	1001168053.....309
1001159319..95, 99, 103, 105, 107, 109, 111, 113	1001160072 ..... 667	1001166010 ..... 365	1001168066.....639, 641, 643
1001159655 .....751, 833	1001160073 ..... 667	1001166011 ..... 604	1001168376.....753, 815
1001159657 .....747, 751	1001160074 ..... 667	1001166012 ..... 616	1001168435.....91, 817
1001159844.....629, 657, 677	1001160075 ..... 667	1001166014 ..... 632	1001168451.....747
1001159850.....617, 620	1001160076 ..... 667	1001166057 ..... 849	1001168478.....317, 323
1001159851 .....633, 636	1001160077 ..... 667	1001166058 ..... 866	1001168642.....747
1001159856.....627, 643, 647	1001160078 ..... 667	1001166059 ..... 875	1001168822.....293
1001159860.....627	1001160079 ..... 667	1001166060 ..... 892	1001168857.....347
1001159861 .....643, 645	1001160080 ..... 667	1001166061 ..... 901	1001168858.....347
1001159878.....604, 608, 617, 620, 633, 636	1001160081 ..... 667	1001166062 ..... 918	1001168859.....347, 349
1001159932 .....287	1001160082 ..... 667	1001166069 ..... 95	1001169000.....341
1001160071 .....667	1001160083 ..... 667	1001166070 ..... 105	1001169001.....341, 343, 345

## PART NUMBER INDEX

1001169274 ..... 331, 333	1001171239..... 849, 854, 858, 862, 866, 870, 875, 880, 884, 888, 892, 896, 901, 906, 910, 914, 918, 922	1001173535.....297, 341, 343, 345	1001178349 ..... 627, 643, 989
1001169329 ... 19, 23, 43, 47, 67, 71, 91, 93	1001171281..... 743	1001173581.....687	1001178582 ..... 317, 319
1001169330 ..... 341, 343	1001171326..... 763, 765	1001173582.....685	1001178776 ..... 317, 319, 329, 821, 823
1001169331 ..... 347	1001171384.. 95, 97, 103, 105, 107, 113	1001173584.....685, 687	1001179229 ..... 629, 657
1001169466 ... 27, 35, 39, 51, 59, 63, 75, 83, 87, 91, 93, 821, 885	1001171385.... 95, 97, 99, 101, 103, 105, 107, 109, 111, 113	1001173585.....683	1001179326 . 1066, 1070, 1090, 1094, 1106
1001169620 ..... 849, 854, 875, 880, 901, 906, 966	1001171417..... 717	1001173752.....763, 765	1001179353 . 1050, 1054, 1074, 1078, 1098
1001169787 ..... 649	1001171471..... 341	1001173764.....747	1001179354 . 1058, 1062, 1082, 1086, 1102
1001169816 ..... 989	1001171472..... 341, 343, 345	1001174152..1050, 1058, 1066, 1074, 1082, 1090	1001179375 ..... 327
1001170117 ..... 317, 319	1001171473..... 341, 343, 345	1001174162..... 1050	1001179380 . 1050, 1054, 1058, 1062, 1066, 1070, 1074, 1078, 1082, 1086, 1090, 1094, 1098, 1102, 1106
1001170186 ..... 317, 319	1001171474..... 341, 343, 345	1001174227 ....19, 23, 27, 32, 35, 39, 43, 47, 51, 55, 59, 63, 67, 71, 75, 79, 83, 87	1001179381 . 1050, 1054, 1058, 1062, 1066, 1070, 1074, 1078, 1082, 1086, 1090,
1001170230 ..... 927	1001171633..... 849, 854, 858, 862, 866, 870, 875, 880, 884, 888, 892, 896, 901, 906, 910, 914, 918, 922, 927	1001174229....19, 23, 27, 31, 35, 39, 43, 47, 51, 55, 59, 63, 67, 71, 75, 79, 83, 87	1001179382 . 1050, 1054, 1058, 1062, 1066, 1070, 1074, 1078, 1082, 1086, 1090, 1094, 1098, 1102, 1106
1001170233 ..... 849, 854, 858, 862, 866, 870, 875, 880, 884, 888, 892, 896, 901, 906, 910, 914, 918, 922, 927	1001171677..... 731, 733	1001174327 .....287, 289, 291	1001179383 . 1050, 1054, 1058, 1062, 1066, 1070, 1074, 1078, 1082, 1086, 1090, 1094, 1098, 1102, 1106
1001170234 ..... 849, 854, 858, 862, 866, 870, 875, 880, 884, 888, 892, 896, 901, 906, 910, 914, 918, 922, 929	1001171757..... 849, 854, 858, 862, 866, 870, 875, 880, 884, 888, 892, 896, 901, 906, 910, 914, 918, 922	1001174340 .....683	1001179845 ..... 317, 319
1001170235 ..... 929	1001171786..... 731, 733	1001174375 .....749	1001180175 . 1074, 1078, 1082, 1086, 1090, 1094
1001170269 ..... 875, 880, 889, 896, 901, 906, 910, 914, 918, 922	1001171802..... 327	1001174489 .....717	1001180176 . 1074, 1078, 1082, 1086, 1090, 1094
1001170316 ..... 781, 783, 785	1001171803..... 327	1001174822.....305, 1192	1001180227 ..... 291
1001170317 ..... 775, 777, 779	1001171805..... 327, 329	1001175037 .....683, 687	1001180244 ..... 351
1001170329 ..... 821, 823	1001171806..... 633, 636, 657	1001175038.....683, 685	1001180473 ..... 293, 295, 297
1001170522 ..... 721	1001171807..... 617, 620, 629	1001175568.....327, 329	1001180555 ..... 604, 608, 616, 620, 632, 636, 681
1001170738 ..... 604, 608, 617, 620, 633, 636	1001171872..... 755	1001175733..... 1013	1001180761 ... 72, 80, 87, 795
1001170856 ..... 91, 93	1001171873..... 757	1001176002.....966	1001180762 ... 24, 32, 40, 48, 56, 64, 72, 80, 88, 799
1001171188 ..... 737	1001171948..... 755	1001176004.....966	1001180763 ..... 129, 135, 143, 789
1001171189 ..... 739	1001171986..... 757	1001176515.....221	1001181032 ..... 535, 537, 541, 543, 559, 561, 565, 567
1001171190 ..... 741, 743	1001172100..... 725	1001176935.....968, 969	1001181033 ..... 533, 535
1001171191 ..... 769	1001172135..... 849, 854, 876, 880, 902, 906	1001177190....19, 23, 27, 31, 35, 39, 43, 47, 51, 55, 59, 63, 67, 71, 75, 79, 83, 87	1001181034 ..... 533, 537
1001171193 ..... 769	1001172136..... 850, 854, 876, 880, 902, 906	1001177192....19, 23, 27, 31, 35, 39, 43, 47, 51, 55, 59, 63, 67, 71, 75, 79, 83, 87	1001181035 ..... 539, 541
1001171194 ..... 769	1001172225..... 717	1001177198....984, 1005, 1009	1001181036 ..... 539, 543
1001171198 ..... 747	1001172364..... 761	1001177476.....627, 643, 649	1001181037 ..... 557, 559
1001171199 ..... 747	1001172365..... 763	1001177515.....755	1001181038 ..... 557, 561
1001171234 ..... 849, 854, 858, 862, 866, 870, 875, 880, 884, 888, 892, 896, 901, 906, 910, 914, 918, 922	1001172366..... 765	1001177753.....755	1001181039 ..... 563, 565
1001171236 ..... 849, 854, 858, 862, 866, 870, 875, 880, 884, 888, 892, 896, 901, 906, 910, 914, 918, 922	1001172537..... 629, 657	1001177778.....875, 880, 888, 896, 1001	1001181040 ..... 563, 567
1001171237 ..... 849, 854, 858, 862, 866, 870, 875, 880, 884, 888, 892, 896, 901, 906, 910, 914, 918, 922	1001172561..... 629, 657	1001178224.....703, 705	1001181041 ..... 553
1001171238 ..... 849, 854, 858, 862, 866, 870, 875, 880, 884, 888, 892, 896, 901, 906, 910, 914, 918, 922	1001172658.... 19, 23, 27, 31, 35, 39, 43, 47, 51, 55, 59, 63, 67, 71, 75, 79, 83, 87	1001178284.....901, 906, 910, 914, 918, 922, 1005	1001181042 ..... 553
1001171239 ..... 849, 854, 858, 862, 866, 870, 875, 880, 884, 888, 892, 896, 901, 906, 910, 914, 918, 922	1001172784..... 703, 705, 715	1001178285.....849, 854, 858, 862, 866, 870, 875, 880, 884, 888, 892, 896, 901, 906, 911, 914, 918, 922, 982	1001181043 ..... 577
1001171239 ..... 849, 854, 858, 862, 866, 870, 875, 880, 884, 888, 892, 896, 901, 906, 910, 914, 918, 922	1001172824..... 91	1001178344.....931, 933, 935, 949, 951, 997	1001181044 ..... 577
1001171239 ..... 849, 854, 858, 862, 866, 870, 875, 880, 884, 888, 892, 896, 901, 906, 910, 914, 918, 922	1001173177..... 731, 733	1001178345.....961, 963, 999	1001181584 ..... 317, 319
1001171239 ..... 849, 854, 858, 862, 866, 870, 875, 880, 884, 888, 892, 896, 901, 906, 910, 914, 918, 922	1001173217..... 629, 657	1001178346.....931, 933, 935, 993, 995	1001181585 ..... 317, 319
1001171239 ..... 849, 854, 858, 862, 866, 870, 875, 880, 884, 888, 892, 896, 901, 906, 910, 914, 918, 922	1001173422.. 1050, 1058, 1066, 1074, 1082, 1090, 1098, 1102, 1106	1001178347.....616, 620, 632, 636, 987	1001181707 ..... 627, 643

# PART NUMBER INDEX

1001181899.....335, 849, 854, 859, 862, 870, 875, 880, 884, 888, 896, 901, 906, 911, 914, 922	1001186533..... 59	1082, 1086, 1090, 1094, 1098, 1102, 1106	1001197233.....293, 297, 355
1001181903.....627, 643	1001186534..... 83	1001191994 . 1050, 1054, 1074, 1078, 1098	1001197475.....319, 325
1001181956.....608	1001186536..... 103	1001191995 . 1058, 1062, 1082, 1086, 1102	1001197765.....761, 763, 765
1001181968.....627, 643	1001186537..... 113	1001191996 . 1066, 1070, 1090, 1094, 1106	1001198355.....275
1001182091.....627, 643, 961	1001186718..... 297	1001192049..... 984	1001198366.....791
1001182094.....327	1001186721..... 925	1001192050..... 984	1001198684.....747
1001182135.....649	1001186841..... 849, 854, 859, 862, 866, 870, 875, 880, 884, 888, 892, 896, 901, 906, 911, 914, 919, 922, 925	1001192134..... 297	1001198728.....1017
1001182255.....317, 319, 321	1001187078..... 1035	1001192390... 95, 97, 99, 101, 103, 105, 107, 109, 111, 113	1001199096.....821
1001182358.....1011	1001187239. 1082, 1086, 1090, 1094	1001192401..... 969, 974, 979	1001199116.....821, 823
1001182408.....649	1001187362..... 331	1001192711..... 275	1001199181.....821, 823
1001182470.....627, 643, 655	1001187512..... 968	1001192720..... 275	1001199199.....821
1001182514.....649	1001187513..... 968	1001192875..... 275	1001199205.....821, 823
1001182603.....327	1001187952..... 984	1001192876..... 275	1001199210.....821, 823
1001182663.....649	1001188619..... 683	1001192877..... 275	1001199508...1113, 1149
1001182723.....657	1001189017. 1050, 1054, 1058, 1062, 1066, 1070, 1074, 1078, 1082, 1086, 1090, 1094, 1098, 1102, 1106	1001193525..... 275	1001199509...1119, 1155
1001182798.....657	1001189318..... 333	1001193540..... 275	1001199512...1125, 1161
1001182800.....649	1001189327. 1051, 1054, 1059, 1062, 1067, 1070, 1074, 1078, 1083, 1086, 1091, 1094, 1098, 1103, 1107	1001193729..... 275	1001199513...1131, 1167
1001182808.....649	1001189328. 1067, 1070, 1091, 1094, 1107	1001193794..... 183	1001199518...1137, 1173
1001182810.....649	1001189488..... 866, 870, 892, 896, 919, 922, 977	1001194592..... 747	1001199519...1143, 1179
1001182842.....649	1001189596... 20, 24, 28, 32, 36, 40, 43, 48, 51, 56, 59, 63, 791	1001194620..... 703, 705	1001199670.....341, 343, 345
1001182865.....649	1001189602..... 333	1001194745..... 703, 705	1001199737.....1192
1001182871.....649	1001189712..... 333	1001194783..... 755	1001199738.....1192
1001182882.....649	1001189715..... 333	1001195039..... 866, 892, 918	1001199889.....859, 862, 885, 888, 911, 914, 972
1001182883.....649	1001189871..... 1011	1001195055..... 969, 974, 979	1001199951.....341, 343, 345
1001182884.....649	1001189875..... 967, 972, 973, 977, 978	1001195082..... 275	1001200833..... 982
1001183084.....649	1001189877..... 968, 977	1001195087..... 968, 969, 974, 979	1001200845.....984, 1005
1001183104.....649	1001189886.. 1011, 1013	1001195423..... 1007	1001201111.....327, 329
1001183164.....608, 621, 637	1001190005..... 311	1001195610..... 1007	1001201554.....23, 32, 39, 47, 55, 63, 71, 79, 87
1001183209.....649	1001190007... 35, 39, 59, 63, 83, 87	1001195760..... 983	1001201569.....23
1001183341.....693, 727	1001190183..... 311	1001195826... 19, 23, 27, 31, 35, 39, 43, 47, 51, 55, 59, 63, 67, 71, 75, 79, 83, 87	1001201570.....39
1001183370.....723	1001190229..... 604, 608, 616, 620, 632, 636, 661	1001195847..... 717	1001201571.....47
1001183811.....287	1001190295..... 355	1001195852..... 717	1001201572.....63
1001184316.....927	1001190341... 95, 97, 99, 101, 103, 105, 107, 109, 111, 113	1001195923..... 357	1001201573.....71
1001184316.....927	1001190344..... 329	1001195952... 19, 23, 27, 31, 35, 39, 43, 47, 51, 55, 59, 63, 67, 71, 75, 79, 83, 87	1001201574.....87
1001184491.....991	1001190349..... 329	1001195970..... 233	1001201637.....691
1001184493.....991	1001190370..... 329	1001196109..... 755	1001201639.....691
1001184494.....991	1001190371..... 329	1001196124..... 295	1001201643.....721
1001184496.....991	1001190629..... 329	1001196125..... 289	1001201647.....608, 621, 637, 691
1001184835.....849, 854, 859, 862, 876, 880, 885, 888, 902, 906, 911, 914, 991	1001190630..... 329	1001196128..... 627, 643	1001201650.....691
1001185071.....351	1001190631..... 329	1001196392..... 697	1001201651.....691
1001185649.....291	1001190962..... 291	1001196396..... 289	1001201657.....691
1001185650.....297	1001190990..... 291	1001196397..... 289	1001201658.....609, 621, 637
1001185651.....311	1001191635. 1050, 1054, 1058, 1062, 1066, 1070, 1074, 1078,	1001196665..... 295, 301	1001201721.....727, 729, 829
1001185652.....333		1001196736..... 307	1001201734..... 723
1001185772.....613, 625, 641		1001196737..... 319	1001201735.....723
1001185773.....608, 613		1001196806. 1051, 1059, 1067, 1074, 1083, 1091	1001201736.....691, 727
1001185774.....621, 625		1001197098..... 627, 643	1001201737.....723
1001185775.....637, 641		1001197099..... 627, 643, 649	1001201738.....723
1001185776.....620			1001201752.....935
1001185777.....636			1001201808.....922
1001185915.....767, 835			1001201809.....906
1001186327.....321			1001201831.....309
1001186373.....293, 295			1001201863.....896
1001186417.....927			1001201864.....880
1001186490.....329			1001201935.....854
1001186532.....35			



## PART NUMBER INDEX

1001201936 ..... 870	1001208877..... 753	1001213938.....91, 331	1001228954 ..... 675
1001201945 ..... 331, 333	1001209097..... 979	1001215630..... 1033	1001228986 ..... 819
1001201983 ..... 331	1001209231..... 723	1001215631..... 1033	1001229023 ..... 349
1001201991 ..... 705	1001209568..... 713	1001215632..... 1033	1001229024 ..... 349
1001201992 ..... 705, 709	1001210093..... 723	1001215778..... 665	1001229025 ..... 349
1001201993 ..... 705, 713	1001210581.. 1075, 1079,	1001215783..... 665	1001229095 ..... 93
1001202059 ..... 733	1083, 1087, 1091, 1095	1001215941 ..... 361	1001229107 ..... 1029
1001202189 ..... 613, 625,	1001210582.. 1075, 1079,	1001216291 99, 101, 109,	1001229117 ..... 345
641	1083, 1087, 1091, 1095	111	1001229210 ..... 345
1001202202 ..... 613, 625,	1001210703..... 604, 608,	1001216295..... 555	1001229457 ..... 1025
641	617, 620, 633, 636	1001216297..... 579	1001229458 .. 1023, 1025
1001202247 ..... 361	1001210776..... 984	1001216455..... 361, 1035	1001229708 ..... 1111
1001202304 ..... 361	1001210777..... 984	1001218358..... 1035	1001229919 ..... 375
1001202384 ..... 769	1001210778..... 984	1001218659.. 1051, 1055,	1001230239 ..... 283
1001202543 ..... 935	1001210779..... 984	1059, 1063, 1067, 1071	1001230241 ..... 283
1001202615 ..... 611, 613	1001210808..... 139	1001219006..... 749	1001230307 . 1051, 1059,
1001202626 . 1054, 1062,	1001210810..... 147	1001219045..... 723	1067
1070, 1078, 1086, 1094	1001210819..... 129, 135,	1001219082..... 361, 1023	1001230309 . 1075, 1083,
1001202627 . 1054, 1062,	139	1001219211.. 1075, 1078,	1091
1071, 1078, 1086,	1001210820..... 143, 147	1083, 1087, 1091,	1001230402 ..... 1035
1095, 1098, 1102, 1106	1001210823..... 713	1095, 1099, 1103, 1107	1001230847 ..... 321
1001202746 ..... 613, 625,	1001210859..... 723	1001219212.. 1051, 1059,	1001231397 .. 1035, 1037
641	1001210860..... 723	1067	1001231398 ..... 1035
1001202904 ..... 279	1001210861..... 723	1001219895... 1023, 1027	1001231400 .. 1035, 1037
1001203181 ..... 361, 1033	1001210862..... 723	1001220260..... 649	1001231401 ..... 1035
1001203328 ..... 307	1001210863..... 723	1001220432..... 854, 862,	1001231402 ..... 1035
1001203503 ..... 275	1001211279..... 854, 862,	870, 880, 888, 896,	1001231404 .. 1035, 1037
1001203969 ..... 331, 333	870, 880, 888, 896,	906, 915, 922	1001231406 ..... 1035
1001203970 ..... 331	906, 914, 922	1001220468..... 1023	1001231560 .... 361, 1037
1001204032 ..... 361, 841	1001211516..... 185	1001221501..... 555	1001231692 ..... 283
1001204045 ..... 139, 147	1001211688..... 297	1001221502..... 579	1001231801 . 1055, 1063,
1001204097 ..... 331, 333	1001211690..... 103, 113	1001223050..... 693, 729	1071
1001204098 ..... 331, 333	1001211697..... 297	1001223052..... 608, 621,	1001232216 ..... 791
1001204099 ..... 331	1001211871.. 1115, 1117,	637, 693	1001232355 ..... 265
1001204692 ..... 1011	1151, 1153	1001223453.. 1051, 1055,	1001232439 ..... 359
1001204707 ..... 701	1001211872.. 1121, 1123,	1059, 1063, 1067,	1001232500 ..... 283
1001205172 ..... 984, 1005	1157, 1159	1071, 1075, 1078,	1001232599 ..... 359
1001205177 ..... 931, 937,	1001211873.. 1127, 1129,	1083, 1087, 1091, 1095	1001232624 ..... 359
941, 949, 953, 957	1163, 1165	1001224093..... 343	1001232750 .... 359, 1039
1001205179 ..... 931, 949	1001211874.. 1133, 1135,	1001224096..... 343, 345	1001233236 ..... 1031
1001205248 ..... 931, 933,	1169, 1171	1001224170 ..... 759	1001233237 ..... 1031
935, 951, 1009	1001211875.. 1139, 1141,	1001226328..... 1029	1001233383 ..... 197
1001205264 ..... 931, 933,	1175, 1177	1001226400..... 1019	1001233384 ..... 201
935, 951	1001211876.. 1145, 1147,	1001226541..... 1021	1001233385 ..... 205
1001205347 ..... 949, 953	1181, 1183	1001226636..... 1021	1001233964 . 1039, 1041,
1001205348 ..... 949, 957	1001212331..... 31	1001226637..... 1021	1043
1001205350 ..... 931, 937	1001212336..... 97	1001226796..... 673	1001234216 . 1039, 1041,
1001205351 ..... 931, 941	1001212337..... 858, 862	1001226799..... 673, 675	1045
1001205674 ..... 931, 949	1001212341..... 1054	1001226856..... 673, 675,	1001234530 ..... 1039
1001205873 ..... 747, 753	1001212342..... 1078	1021	1001235725 ..... 331
1001206542 ..... 1015	1001212670..... 311	1001227066.. 1019, 1029,	1001239250 ..... 675
1001206543 ..... 1017	1001213210..... 339	1031	1001239539 ..... 361
1001206956 ..... 361	1001213430..... 79	1001227068..... 1019	1001239958 ..... 1041
1001206983 ..... 361	1001213431..... 914	1001227077 ..... 361	1001241837 ..... 595
1001206985 ..... 361	1001213432..... 107	1001227207 ..... 99	1001241838 ..... 585, 589
1001207217 . 1051, 1054,	1001213433..... 1070	1001227208..... 109	1001241839 ..... 587, 589
1059, 1063, 1067, 1071	1001213434..... 1094	1001227211 ..... 823	1001241840 ..... 591
1001207218 . 1098, 1103,	1001213435..... 55	1001227266..... 1019	1001241843 ..... 583, 585
1107	1001213436..... 888	1001227379..... 263	1001241844 ..... 581
1001207606 ..... 281	1001213437..... 1062	1001227459..... 673	1001241845 ..... 593, 595
1001207927 ..... 747	1001213438..... 1086	1001227508..... 759, 761,	1001241846 ..... 587
1001207963 ..... 605, 609,	1001213574..... 1017	763, 765	1001241847 ..... 591
617, 621, 633, 637	1001213711..... 27	1001227964..... 361	1001241850 ..... 583
1001208664 ... 19, 23, 31,	1001213712..... 51	1001227989..... 361	1001241851 ..... 581
35, 39, 43, 47, 55, 59,	1001213713..... 884	1001228510..... 101	1001241852 ..... 593
63, 67, 71, 79, 83, 87	1001213714..... 75	1001228512..... 111	1001242260 ..... 597
1001208876 ..... 753	1001213715..... 910	1001228872..... 345	1001242261 ..... 597

# PART NUMBER INDEX

1001244360.....321	1319447 ... 391, 431, 475, 491	1319613 ..... 507	1319700.....521
1005798000.....375, 395	1319464 ... 391, 431, 475, 491	1319614 ..... 507	1319701.....521
1005798100.....375, 435	1319472 ... 391, 431, 475, 491, 1192	1319615 .... 507, 511, 513	1319702.....521, 523
10139087.....1050, 1054, 1058, 1062, 1066, 1070, 1074, 1078, 1082, 1086, 1090, 1094, 1098, 1102, 1106	1319477 ... 391, 431, 475, 491	1319616 ..... 509	1319703.....521, 523
10268515.....311, 315	1319537 ... 387, 429, 471, 489	1319617 .... 509, 513, 515	1319704.....521
10268516.....311	1319539 ... 387, 429, 471, 489	1319618 .... 509, 513, 515	1319705.....521
1060379.....243	1319540 ... 387, 429, 471, 489	1319619 ..... 509	1319707.....521, 523
1060626.....1043, 1045	1319542 ... 387, 429, 471, 489	1319620 .... 509, 513, 515	1319710.....523
1062255....849, 854, 858, 862, 866, 870, 875, 880, 884, 888, 892, 896, 901, 906, 910, 914, 918, 922	1319545 ... 387, 429, 471, 489	1319621 .... 509, 513, 515	1319711.....523
10705034.....189, 191	1319557 ..... 501	1319622 .... 509, 513, 515	1319712.....523
10719267.....309	1319558 ..... 501	1319623 .... 509, 513, 515	1319713.....523
10726099.....723	1319563 ..... 501	1319624 .... 509, 513, 515	1319714.....523
10727374.....693, 727	1319565 ..... 501	1319625 .... 509, 513, 515	1319715.....523
10728823.....723	1319566 ..... 501	1319626 .... 509, 513, 515	1319717.....523
10731702.....499	1319569 ..... 503	1319627 .... 509, 513, 515	1319718.....525
10731709.....521, 523	1319570 ..... 503	1319628 .... 509, 513, 515	1319719.....525
10731744.....503	1319571 ..... 503	1319629 .... 509, 513, 515	1319720.....525
10731748.....499	1319574 ..... 503	1319630 .... 509, 513, 515	1319721.....525
10731751.....499	1319575 ..... 503	1319631 .... 509, 513, 515	1319722.....525
10731789..391, 431, 475, 491	1319576 ..... 503	1319632 .... 509, 513, 515	1319723.....525
10731790..385, 427, 469, 487	1319577 ..... 503	1319633 ..... 509, 517	1319724.....525
10731845...505, 507, 511	1319578 ... 469, 471, 477, 487, 489, 493	1319634 ..... 511	1319725.....525
10731913.....501	1319582 ..... 503, 525	1319635 ..... 511	1319726.....525, 1192
10731949..387, 429, 471, 489	1319583 ..... 503	1319636 ... 511, 513, 515	1320022....333, 343, 345, 608, 620, 636
10731959.....517	1319584 ..... 503	1319637 ..... 513	1320032.....345
10732063.....521, 523	1319585 ..... 503, 525	1319638 ..... 513, 515	1321094....299, 301, 303
10732064.....521	1319586 ..... 503	1319639 ..... 515	1321209....385, 427, 469, 487
10732071.....519	1319587 ..... 503	1319641 ..... 517	1321226.....431, 491
10732072.....519	1319590 ..... 503	1319642 ..... 517	1321228.....391, 475
10732095.....499	1319591 ..... 505	1319648 ..... 517	1321234....385, 427, 469, 487
1073215095, 97, 99, 101, 103, 105, 107, 109, 111, 113	1319592 ..... 505	1319649 ..... 517	1322039....299, 301, 303
10839156.....517	1319593 ... 505, 507, 509, 511, 513, 515	1319650 ..... 519	1322040....299, 301, 303
1101312.....315	1319594 ... 505, 507, 509, 511, 513, 515	1319652 ..... 519, 521	1600429....604, 608, 616, 620, 632, 636, 1192
1101313.....315	1319595 ... 505, 507, 509, 511, 513, 515	1319659 ..... 519	1701509.....243
1101841.....371	1319596 ... 505, 507, 511	1319661 ..... 519, 521	1701640.....1050, 1054, 1058, 1062, 1066, 1070, 1074, 1078, 1082, 1086, 1090, 1094, 1098, 1102, 1106
1170021.....175	1319600 ... 505, 507, 509, 511, 513, 515	1319666 ..... 469, 487	1702300.....1050, 1054, 1058, 1062, 1066, 1070, 1074, 1078, 1082, 1086, 1090, 1094, 1098, 1102, 1106
1170024.....179	1319601 ... 505, 507, 509, 511, 513, 515	1319670 ..... 521, 523	1702631.....1050, 1054, 1058, 1062, 1066, 1070, 1074, 1078, 1082, 1086, 1090, 1094, 1098, 1102, 1106
1170054.....195	1319602 ... 505, 507, 509, 511, 513, 515	1319671 ..... 521	1706098.....1098, 1102, 1106
1170057.....203	1319603 ... 505, 507, 509, 511, 513, 515	1319672 ..... 521	1706279.....1102, 1106
1319203.....499	1319604 ... 505, 507, 509, 511, 513, 515	1319673 ..... 521	1706281.....1098, 1102, 1106
1319204.....499	1319605 ... 505, 507, 511	1319674 ..... 521	1706282.....1098, 1102, 1106
1319205.....499	1319606 ... 505, 507, 511	1319675 ..... 521	1706284.....1098, 1102, 1106
1319209.....499	1319607 ..... 505	1319676 ..... 521	1706285.....1098, 1102, 1106
1319210.....499	1319608 ..... 505, 515	1319677 ..... 521	
1319211.....499	1319609 ..... 505	1319678 ..... 521	
1319213.....499	1319610 ..... 505	1319679 ..... 521	
1319214....387, 429, 471, 489	1319611 ..... 505	1319680 ..... 521	
1319353....380, 422, 464, 482	1319612 ... 505, 507, 509, 511, 513, 515	1319681 ..... 521	
1319423....427, 469, 487		1319682 ..... 521	
1319436....385, 427, 469, 487		1319683 ..... 521	
		1319684 ..... 521	
		1319685 ..... 521	
		1319686 ..... 521	
		1319687 ..... 521	
		1319688 ..... 521	
		1319689 ..... 521	
		1319690 ..... 521	
		1319691 ..... 521	
		1319692 ..... 521	
		1319693 ..... 521	
		1319694 ..... 521	
		1319695 ..... 521	
		1319696 ..... 521, 523	
		1319697 ..... 521	
		1319698 ..... 521	
		1319699 ..... 521	

# PART NUMBER INDEX

1706288 ..... 1098, 1102, 1106	2220603 ..... 735, 753	2900770.....787, 803	3740080 ..... 361
1706296 ..... 1050, 1054, 1058, 1062, 1066, 1070	2220605 ..... 693, 727	2915023.....809, 1193	3760170 ..... 243
1706298 ..... 1050, 1054, 1058, 1062, 1066, 1070	2220606 ..... 711	2940074.....243	3790151 ..... 361
1706299 ..... 1050, 1054, 1058, 1062, 1066, 1070	2220609 ..... 209	31200160.....237	3790152 ..... 361
1706300 ..... 1050, 1054, 1058, 1062, 1066, 1070	2220622 ..... 1043	31200386.....241	3820020 ..... 243
1706301 ..... 1050, 1054, 1058, 1062, 1066, 1070	2220628 ..... 209	31200387.....239	3841203... 195, 197, 199, 201, 203, 205
1706302 ..... 275	2220635 ... 707, 709, 749, 751, 763, 765, 821, 823	31200388.....239	3930610 .... 608, 620, 636
1706306 ..... 1050, 1054, 1058, 1062, 1066, 1070	2220651 ..... 145, 161	3251813..... 1050, 1054, 1058, 1062, 1066, 1070, 1074, 1078, 1082, 1086, 1090, 1094, 1098, 1102, 1106	3931012 ..... 1011
1706306 ..... 1050, 1054, 1058, 1062, 1066, 1070	2220677 ..... 701	3290501.....359	3968141 ..... 399, 439
1706306 ..... 1050, 1054, 1058, 1062, 1066, 1070	2220695 ..... 769	3290505.....361, 1023	4031608 ..... 359
1706306 ..... 1050, 1054, 1058, 1062, 1066, 1070	2220700 ..... 1043	3290601....275, 849, 854, 858, 862, 866, 870, 875, 880, 884, 888, 892, 896, 901, 906, 910, 914, 918, 922	4060803 ..... 627, 643
1706306 ..... 1050, 1054, 1058, 1062, 1066, 1070	2220726 ..... 751	3290801....287, 649, 854, 862, 870, 881, 888, 896, 907, 915, 923	4060804 ... 24, 32, 40, 47, 55, 63, 71, 79, 87
1706306 ..... 1050, 1054, 1058, 1062, 1066, 1070	2220775 ..... 745	3290805....297, 335, 629, 657	4060805... 19, 23, 27, 32, 35, 39, 43, 47, 51, 55, 59, 63, 67, 71, 75, 79, 83, 87
1706306 ..... 1050, 1054, 1058, 1062, 1066, 1070	2220883 ..... 799	3291001....858, 866, 884, 892, 910, 918	4060806... 604, 608, 617, 620, 633, 636
1706306 ..... 1050, 1054, 1058, 1062, 1066, 1070	2220947 ..... 753	3291201.....691	4100181 ..... 1050, 1054, 1058, 1062, 1066, 1070, 1074, 1078, 1082, 1086, 1090, 1094, 1098, 1102, 1106
1706306 ..... 1050, 1054, 1058, 1062, 1066, 1070	2220950 ..... 715	3291205.....327	4105262 ..... 1050, 1054, 1058, 1062, 1066, 1070, 1074, 1078, 1082, 1086, 1090, 1094, 1098, 1102, 1106
1706306 ..... 1050, 1054, 1058, 1062, 1066, 1070	2221042 ..... 715	3300240....173, 175, 177, 179, 181, 183, 185, 195, 197, 199, 201, 203, 205	4107442 ..... 1050, 1054, 1058, 1062, 1066, 1070, 1074, 1078, 1082, 1086, 1090, 1094, 1098, 1102, 1106
1706306 ..... 1050, 1054, 1058, 1062, 1066, 1070	2221048 ..... 749	3300429.....821, 823	4107971 ..... 1058, 1062, 1066, 1070
1706306 ..... 1050, 1054, 1058, 1062, 1066, 1070	2221063 ..... 749	3311401....317, 319, 604, 608, 616, 620, 632, 636	4108302 ..... 1050, 1054, 1058, 1062, 1066, 1070, 1074, 1078, 1082, 1086, 1090, 1094, 1098, 1102, 1106
1706306 ..... 1050, 1054, 1058, 1062, 1066, 1070	2221344 ..... 693, 727	3311405.....243	4110422 ... 215, 217, 219, 277, 283
1706306 ..... 1050, 1054, 1058, 1062, 1066, 1070	2230025 ..... 145, 161	3311502....275, 604, 616, 632	4110473 ..... 189, 191
1706306 ..... 1050, 1054, 1058, 1062, 1066, 1070	2230044 ..... 739	3311601..... 128, 134, 145	4240017 ... 849, 854, 858, 862, 866, 870, 875, 880, 884, 888, 892, 896, 901, 906, 910, 914, 918, 922
1706306 ..... 1050, 1054, 1058, 1062, 1066, 1070	22340037 ..... 255	3311605..... 1017	4240032 ..... 673, 675
1706306 ..... 1050, 1054, 1058, 1062, 1066, 1070	22340038 ..... 259	3331615.....293, 295, 297	4240099 .... 293, 295, 297
1706306 ..... 1050, 1054, 1058, 1062, 1066, 1070	22340039 ..... 269	3391410.....275	4360569 ... 604, 608, 616, 620, 632, 636
1706306 ..... 1050, 1054, 1058, 1062, 1066, 1070	22340045 ..... 257	3421453.....243	4360690 ... 604, 608, 616, 620, 632, 636
1706306 ..... 1050, 1054, 1058, 1062, 1066, 1070	22340046 ..... 267	3423226.... 128, 134, 143	4420037. 95, 97, 99, 101, 103, 105, 107, 109, 111, 113
1706306 ..... 1050, 1054, 1058, 1062, 1066, 1070	2400060 ..... 974, 979	3423227.... 19, 23, 27, 31, 35, 39, 43, 47, 51, 55, 59, 63, 67, 71, 75, 79, 83, 87	4460019... 968, 969, 973, 974, 977, 978, 979, 993, 995
1706306 ..... 1050, 1054, 1058, 1062, 1066, 1070	2400066 ..... 969	3423242.... 177, 179, 199, 201	4460042 ... 966, 972, 973, 978
1706306 ..... 1050, 1054, 1058, 1062, 1066, 1070	24921332 ..... 289, 291	3423248..... 121	4460142 ..... 979
1706306 ..... 1050, 1054, 1058, 1062, 1066, 1070	2600281 ..... 243	3423254....373, 375, 457	4460183 ..... 1013
1706306 ..... 1050, 1054, 1058, 1062, 1066, 1070	2713082 ..... 161, 1192	3423275.... 173, 175, 195, 197	4460234 ..... 673, 675
1706306 ..... 1050, 1054, 1058, 1062, 1066, 1070	2713452 ..... 129, 135	3423276.... 181, 183, 185, 203, 205, 209	
1706306 ..... 1050, 1054, 1058, 1062, 1066, 1070	2713642 ..... 167	3423307.... 195, 197, 199, 201, 203, 205	
1706306 ..... 1050, 1054, 1058, 1062, 1066, 1070	2714973 ... 67, 71, 75, 80, 83, 87, 793	3440620.....283	
1706306 ..... 1050, 1054, 1058, 1062, 1066, 1070	2716563 ... 20, 24, 28, 32, 36, 40, 43, 48, 51, 56, 59, 64, 67, 72, 75, 80, 83, 88, 797	3460383.... 128, 134, 145	
1706306 ..... 1050, 1054, 1058, 1062, 1066, 1070	2716618 ... 129, 135, 143, 787	3460384.... 128, 134, 145	
1706306 ..... 1050, 1054, 1058, 1062, 1066, 1070	2716664 ..... 763, 765	3520030.... 19, 23, 27, 31, 35, 39	
1706306 ..... 1050, 1054, 1058, 1062, 1066, 1070	2716665 ..... 763, 765	3520072.....243	
1706306 ..... 1050, 1054, 1058, 1062, 1066, 1070	2716670 .... 707, 709, 711		
1706306 ..... 1050, 1054, 1058, 1062, 1066, 1070	2716673 ..... 703, 705		
1706306 ..... 1050, 1054, 1058, 1062, 1066, 1070	2716675 ..... 769		
1706306 ..... 1050, 1054, 1058, 1062, 1066, 1070	2716686 ..... 769		
1706306 ..... 1050, 1054, 1058, 1062, 1066, 1070	2716688 ..... 769		
1706306 ..... 1050, 1054, 1058, 1062, 1066, 1070	2716691 ..... 769		
1706306 ..... 1050, 1054, 1058, 1062, 1066, 1070	2716709 ..... 123		
1706306 ..... 1050, 1054, 1058, 1062, 1066, 1070	2716712 ..... 765		
1706306 ..... 1050, 1054, 1058, 1062, 1066, 1070	2716713 ..... 739		
1706306 ..... 1050, 1054, 1058, 1062, 1066, 1070	2716714 .. 697, 699, 1192		
1706306 ..... 1050, 1054, 1058, 1062, 1066, 1070	2716715 ..... 697, 699		
1706306 ..... 1050, 1054, 1058, 1062, 1066, 1070	2717160 ..... 189, 191		
1706306 ..... 1050, 1054, 1058, 1062, 1066, 1070	2717161 ..... 189, 191		
1706306 ..... 1050, 1054, 1058, 1062, 1066, 1070	2717162 ..... 189, 191		
1706306 ..... 1050, 1054, 1058, 1062, 1066, 1070	2717198 ... 20, 24, 28, 32, 36, 40, 44, 48, 52, 56, 60, 64, 67, 72, 75, 80, 83, 88, 801		
1706306 ..... 1050, 1054, 1058, 1062, 1066, 1070	2717201 ..... 123, 803		
1706306 ..... 1050, 1054, 1058, 1062, 1066, 1070	2717283 ..... 189, 191		
1706306 ..... 1050, 1054, 1058, 1062, 1066, 1070	2717287 ..... 209		
1706306 ..... 1050, 1054, 1058, 1062, 1066, 1070	2755060 ..... 697, 699		

# PART NUMBER INDEX

4460247 ....969, 973, 974, 979	4460915 ..... 982, 983	4811702 ... 103, 113, 629, 657, 862, 870, 888, 896, 914, 922	70020666.....825
4460256.....967, 973, 978	4460930 .. 982, 983, 1037	481190095, 99, 105, 109, 287, 289, 291, 335, 629, 657, 849, 854, 858, 862, 866, 870, 875, 880, 884, 888, 892, 896, 901, 906, 910, 914, 918, 922	70020667.....825
4460268.....987	4460931 ... 966, 972, 977, 993, 995, 1035	4812000 ... 287, 297, 305, 307, 327, 858, 866, 884, 892, 910, 918	70020668.....825
4460312....968, 969, 974, 979	4460933 ... 983, 987, 993, 995, 1027	4812100 ... 287, 289, 291, 293, 295, 297, 327, 355, 691, 849, 854, 858, 862, 866, 870, 875, 880, 884, 888, 892, 896, 902, 906, 910, 914, 919, 922	70020669.....825
4460321 .....1035	4460941 . 993, 995, 1001, 1005	4812300 ... 293, 295, 297, 691	70020670.....825
4460326.....987	4460942 ... 982, 987, 993, 995	4831600 ..... 359	70020671.....825
4460419....982, 983, 989, 993, 997, 999, 1001	4460944 ..... 1027	4831700 ..... 935	70020672.....825
4460457 ..... 1003, 1005, 1035	4460945 ..... 1035	4832000 ..... 305, 307	70020673.....825
4460458....966, 967, 968, 969, 972, 973, 974, 977, 978, 979, 983, 984, 999, 1003, 1013, 1035	4460950 ..... 987	4832300 ..... 691	70020674.....825
4460459.....1003	4460955 ... 967, 968, 973, 978, 1005	4891500 ..... 289	70020675.....825
4460464....966, 972, 977, 982, 983, 984, 987, 989, 993, 995, 999, 1001, 1005, 1019, 1021, 1027, 1035, 1037	4460970 .. 982, 984, 1005	4891600 ... 19, 23, 27, 31, 35, 39, 43, 47, 51, 55, 59, 63, 67, 71, 75, 79, 83, 87, 287, 289, 291, 933, 935, 951	70020676.....825
4460465....966, 967, 968, 969, 972, 973, 974, 977, 978, 979, 982, 983, 987, 993, 995, 999, 1001, 1005, 1021, 1035, 1037	4460994 ..... 989	4891800 ... 195, 197, 199, 201, 203, 205	70020677.....825
4460466....966, 968, 969, 972, 973, 974, 977, 979, 982, 983, 984, 987, 993, 995, 1005, 1021, 1027, 1035, 1037	4461006 ..... 968, 969	5240800 ..... 353, 355	70020678.....825
4460475....966, 969, 972, 974, 977, 978, 1003, 1005	4461017 ..... 983, 1009	5242400 ..... 275	70020679.....825
4460476....969, 974, 978, 1003	4461018 .. 995, 997, 1009	5251014 ... 604, 608, 616, 620, 632, 636	70020680.....825
4460508.....983, 1009	4461070 ... 968, 969, 979, 983, 1027	5261200 ..... 691	70020681.....825
4460509....982, 995, 997, 1009	4461095 ... 968, 969, 973, 979	5724622 .... 128, 134, 144	70020682.....825
4460518.982, 1027, 1035	4461103 ..... 1005	5746411 ..... 144	70020683.....825
4460539.....1035	4461157 ... 966, 972, 977, 1005	6604662 ..... 209	70020684.....825
4460608....969, 974, 978	4520527 ... 559, 561, 565, 567	70002219 ..... 805	70020685.....825
4460742.....1005, 1035	4641122 ... 535, 537, 541, 543, 559, 561, 565, 567	70002224 ..... 805	70020686.....825
4460744....967, 972, 977	4641501 ..... 193, 843	70003738 ..... 815	70020687.....825
4460746.....968, 983	4641502 ... 189, 191, 193	70003849 ..... 805	70020688.....825
4460761.....982, 1035	4710600 .... 609, 621, 637	70004637 ..... 799	70020689.....825
4460790.....983, 1009	4711400 ... 243, 317, 319, 627, 643, 849, 854, 858, 862, 866, 870, 875, 880, 884, 888, 892, 896, 901, 906, 910, 914, 918, 922, 1011, 1015	70010239 ..... 1193	70020690.....825
4460809.....1035	4711500 ... 293, 295, 317, 319, 649	70020375 ..... 783, 785	70020691.....825
4460836.....982	4711600 ... 329, 849, 854, 858, 862, 866, 870, 875, 880, 884, 888, 892, 896, 901, 906, 910, 914, 918, 922, 1017, 1050, 1054, 1058, 1062, 1066, 1070, 1074, 1078, 1082, 1086, 1090, 1094, 1098, 1102, 1106	70020404 ..... 681	70020692.....825
4460850....966, 972, 977	4740362 ..... 317, 319	70020425 ..... 519	70020693.....813
4460871.....982	4751400 ... 341, 343, 345, 649	70020426 ..... 519	70020694.....813
4460872.....982	4761400 ... 604, 608, 616, 620, 632, 636, 927	70020427 ..... 523	70020695.....813
4460884....966, 969, 974, 979, 982, 993, 995	4761500 ..... 293, 295	70020428 ..... 809	70020696.....813
4460891....966, 967, 968, 972, 973, 977, 978, 982, 983, 999, 1001, 1005, 1035	4811600 .. 359, 361, 1023	70020430 ..... 517	70020697.....813
4460894...993, 995, 1021	4811700 ... 275, 293, 295, 297, 327, 329, 341, 343, 345, 629, 657, 691, 850, 854, 858, 876, 880, 902, 906, 935	70020431 ..... 517	70020698.....813
4460897....983, 989, 999, 1001		70020555 ..... 247, 281	70020699.....813
4460905.....982		70020562 ..... 235	70020700.....813
4460908.....983		70020652 ..... 655	70020701.....813
4460909.....982		70020658 ..... 803	70020702.....813
		70020659 ..... 825	70020703.....813
		70020660 ..... 825	70020704.....813
		70020661 ..... 825	70020705.....813
		70020662 ..... 825	70020706.....813
		70020663 ..... 825	70020707.....813
		70020665 ..... 825	70020708.....813

## PART NUMBER INDEX

70021981 .....	235	70022211 .	383, 425, 467, 485	70022273.....	477	70022992.....	224
70021982 .....	235	70022213 .	380, 422, 464, 482	70022274.....	477	70022993.....	224
70022028 .....	219, 277	70022215 ..	471, 473, 489	70022275.....	387, 471	70022994.....	224
70022044 .....	809	70022216 .	379, 421, 463, 481	70022276.....	491	70022995.....	224
70022045 .....	809	70022217 .	385, 427, 469, 487	70022277..	385, 427, 469, 487	70022996.....	212
70022046 .....	809	70022218 .	391, 431, 475, 491	70022278.....	477	70022997.....	207
70022170 .....	491	70022220 .	380, 422, 464, 482	70022279.....	477	70022998.....	225
70022171 .	387, 429, 471, 489	70022221 .....	493	70022280.....	481	70023000.....	212
70022172 .	385, 427, 469, 487	70022222 .	391, 431, 475, 491	70022281...393, 433, 493		70023003.....	224
70022173 .	385, 427, 469, 487	70022225 ..	383, 467, 485	70022282.....	429, 489	70023004.....	224
70022174 .	385, 427, 469, 487	70022227 .	383, 425, 467, 485	70022283...393, 433, 493		70023005.....	225
70022175 .	385, 427, 469, 487	70022228 ..	425, 467, 485	70022284.....	425, 485	70023006.....	225
70022176 .	387, 429, 471, 489	70022229 .	383, 425, 467, 485	70022285.....	485	70023007.....	225
70022177 .	385, 427, 469, 487	70022230 ..	431, 475, 491	70022286.....	485	70023008.....	224
70022178 .	385, 427, 469, 487	70022231 .....	463, 481	70022287...219, 235, 277		70023009.....	224
70022179 .	391, 431, 475, 491	70022232 .	391, 431, 475, 491	70022528.....	219, 277	70023010.....	224
70022180 .	385, 427, 469, 487	70022225 ..	383, 467, 485	70022529.....	219, 277	70023014.....	224
70022181 .	385, 427, 469, 487	70022227 .	383, 425, 467, 485	70022563.....	799	70023015.....	225
70022183 .	387, 429, 471, 489	70022228 ..	425, 467, 485	70022564.....	799	70023016.....	224
70022184 .	385, 427, 469, 487	70022229 .	383, 425, 467, 485	70022634...299, 301, 303		70023037.....	825
70022185 ..	383, 467, 485	70022230 ..	431, 475, 491	70022650.....	829	70023038.....	826
70022186 .	387, 429, 471, 489	70022231 .....	463, 481	70022676.....	813	70023039.....	825
70022187 .....	431, 491	70022234 .	391, 431, 475, 491	70022678.....	813	70023040.....	659
70022188 .....	431, 491	70022235 .	387, 429, 471, 489	70022680.....	813	70023139.....	663
70022189 .	387, 429, 471, 489	70022236 ..	429, 471, 489	70022682.....	813	70023174.....	1193
70022190 .	387, 429, 471, 489	70022237 .	391, 431, 475, 491	70022683.....	813	70023330.....	477
70022191 .....	389, 473	70022238 .	391, 431, 475, 491	70022686.....	813	70023400.....	379, 421
70022192 .....	389, 473	70022239 .....	493	70022687.....	813	70023401.....	425
70022193 .	387, 429, 471, 489	70022240 .	391, 431, 475, 491	70022714.....	813	70023402.....	425
70022194 .	387, 429, 471, 489	70022241 .	385, 427, 469, 487	70022724.....	837	70023403.....	425
70022195 .....	389, 473	70022242 ..	393, 433, 493	70022774.....	379, 383	70023404 .	385, 387, 393, 427, 429, 433, 503
70022196 .	387, 429, 471, 489	70022243 .....	433, 493	70022776.....	380	70023405 .	391, 431, 475, 491
70022197 ..	393, 433, 493	70022244 ..	422, 464, 482	70022777.....	427	70023482.....	499
70022198 .	387, 429, 471, 489	70022245 .	380, 422, 464, 482	70022779.....	387	70023483.....	499
70022199 .....	389, 473	70022248 .....	473	70022781.....	431	70023506.....	835
70022201 ..	427, 469, 487	70022249 .....	475, 477	70022782.....	431, 491	70023507.....	835
70022202 .....	389, 473	70022250 .....	429, 489	70022784.....	433	70023508.....	835
70022203 .	391, 431, 475, 491	70022251 .....	389, 473	70022785.....	393, 433	70023509.....	835
70022204 .	385, 427, 469, 487	70022252 .....	389, 473	70022786.....	421	70023519.....	837
70022206 .	385, 427, 469, 487	70022253 .	387, 429, 471, 489	70022787.....	421	70023520.....	837
70022207 .	393, 433, 477, 493	70022254 .	385, 427, 469, 487	70022789..	385, 427, 469, 487	70023521.....	837
70022209 .	387, 429, 471, 489	70022255 .	385, 427, 469, 487	70022797.....	399, 439	70023736 ..	299, 301, 303
		70022257 ..	391, 431, 475	70022799.....	441	70023885.....	503, 525
		70022258 .....	471, 473	70022871.....	1193	70023890.....	659
		70022260 .....	467	70022872.....	1193	70023903.....	380
		70022261 .....	467	70022931.....	224	70023904 ..	425, 467, 485
		70022262 .	383, 425, 467, 485	70022932.....	224	70023906.....	385
		70022263 .....	383, 467	70022934.....	224	70023907.....	385
		70022264 .....	383, 467	70022935.....	225	70023908.....	387
		70022265 .....	475	70022936.....	224	70023910 ..	425, 467, 485
		70022268 .....	475	70022937.....	225	70023925.....	225
		70022269 .....	385, 469	70022939.....	225	70023928.....	843
		70022271 .....	477	70022942.....	225	70023929.....	843
		70022272 .....	463, 467	70022946.....	225	70023933.....	299, 301
				70022949.....	225	70024016 ..	299, 301, 303
				70022950.....	225	70024020.....	805
				70022952.....	225	70024059.....	219, 277
				70022957.....	224	70024060.....	219
				70022960.....	224	70024061.....	219
				70022969.....	224	70024062.....	221
				70022970.....	224	70024123.....	207, 212
				70022980.....	225	70024129.....	771, 839
				70022984.....	224	70024130.....	771
				70022985.....	224	70024152 821, 823, 1192,	
				70022987.....	224	1193	
				70022990.....	225		

# PART NUMBER INDEX

70024186.....815	70024855.....647	70026091.....677	70026233...299, 301, 303
70024189.....815	70024872.....397	70026092.....677	70026234..299, 301, 303, 1192
70024210.....405, 445	70024881 . 397, 401, 437, 441	70026093.....677	70026235...299, 301, 303
70024253...966, 972, 983	70025012.....401	70026097.....689	70026236.....299
70024254...966, 972, 983	70025014.....401	70026098.....689	70026237.....303, 1192
70024255...966, 972, 983	70025480.....627, 643	70026100.....647	70026238.....401, 441
70024256...966, 972, 983	70025555.....399, 439	70026101.....647	70026241...299, 301, 303
70024262.....805	70025556.....399, 439	70026102.....647	70026244.....337, 339
70024306.....273	70025561.....401, 441	70026103.....647	70026245.....337, 339
70024307.....273	70025562 . 399, 401, 439, 441	70026104.....647	70026246.....337
70024319.....681	70025569.....439, 449	70026105.....647	70026247.....337, 339
70024398.....391	70025570.....439, 449	70026106.....647	70026248.....337, 339
70024407.....815	70025570.....439, 449	70026107.....647	70026262.....405
70024408.....815	70025606.....805	70026108.....647	70026269.....817
70024411.....815	70025821.....445	70026109.....647	70026270.....817
70024412.....815	70025822.....445	70026110.....647	70026271.....817
70024414.....815	70025823.....405, 445	70026111.....647	70026272.....817
70024415.....815	70025852.....313, 1192	70026112.....647	70026273.....817
70024416.....815	70025853.....313, 1192	70026113.....647	70026274.....817
70024417.....815	70025859.....729, 829	70026114.....647	70026275.....817
70024519.....437	70025897.....815	70026115.....647	70026276.....817
70024522.....399, 439	70025959.....805	70026116.....647	70026277.....817
70024535.....207	70025981.....405	70026117.....647	70026278.....817
70024536.....207	70026023.....777, 779	70026118.....647	70026279.....817
70024537.....207	70026025.....777, 1192	70026119.....647	70026347.....212
70024538.....207, 212	70026026.....779	70026120.....647	70026352.....655
70024539.....207, 807	70026027.....779	70026121.....647	70026393.....313
70024540.....207	70026028.....779	70026122.....647	70026394.....313
70024541.....207	70026029.....779, 1192	70026123.....647	70026448.....1193
70024542.....207	70026036.....783, 785	70026124.....647	70026453.299, 301, 1192
70024543.....207	70026038.....783, 1192	70026143.....383	70026470.....212
70024544.....207	70026039.....785	70026144.....383	70026471.....212
70024545.....207	70026040.....785	70026145.....383	70026472.....212
70024546.....207	70026041.....785	70026146.....383	70026473.....212
70024547.....807	70026042.....785	70026147.....383	70026476.....212
70024548.....807	70026043.....785, 1192	70026148.....383	70026478.....771
70024549.....807, 1193	70026048.....775, 1192	70026149.....387	70026481.....212
70024550.....207, 212	70026049.....775	70026151.....393	70026482.....212
70024551.....207	70026050.....775	70026189.....813	70026495.....839
70024552.....207	70026052.....781, 1192	70026190.....813	70026497.....839
70024553.....207	70026053.....781	70026191.....813	70026499.....839
70024554.....207	70026054.....781	70026192.....813	70026500.....839
70024555.....207	70026055.....805	70026193.....813	70026501.....212, 839
70024579.....379	70026057.....805	70026194.....813	70026502.....839
70024581.....379	70026058.....805	70026195.....813	70026503.....839
70024584.....379	70026059.....805	70026196.....813	70026505.....839
70024585.....379	70026060.....805	70026197.....813	70026506.....839
70024592.....380	70026061.....805	70026198.....813	70026506.....839
70024593.....380	70026062.....805, 1193	70026200.....813	70026563.....835
70024594.....380	70026064.....681	70026201.....813	70026564.....835
70024596.....380	70026075.....323, 325	70026206.....1193	70026582.....831
70024597.....380	70026076.....323, 325	70026216.....987	70026584...91, 817, 1193
70024598.....380	70026077.....323, 325	70026217 ..969, 974, 987	70026585.....212
70024599.....380	70026078.....323, 325	70026218.....984	70026586.....212
70024600.....380	70026079.....323, 325	70026219.....984	70026587.....212, 839
70024601.....380	70026080.....323	70026220.....299, 301	70026588.....212
70024613..391, 431, 433, 491	70026081.....323, 325	70026222.....303	70026589.....212, 771
70024614.....393	70026082.....323, 325	70026223.....299	70026590.....212
70024615.....385	70026083.....323, 325	70026224 ..299, 301, 303	70026591.....212
70024616.....389	70026084.....833	70026225 ..299, 301, 303	70026592.....212
70024617.....391	70026085.....833	70026226 ..299, 301, 303	70026593.....212
70024618.....391	70026086.....833	70026228 ..299, 301, 303	70026594.....212
70024619.....391	70026087.....833	70026229 .299, 301, 303, 1192	70026595.....212
70024620.....391	70026088.....677	70026230 ..299, 301, 303	70026596.....212
70024621.....391	70026089.....677	70026231 ..299, 301, 303	70026597.....212
70024734.....839	70026090.....677	70026232 ..299, 301, 303	70026598.....212
			70026599.....212

## PART NUMBER INDEX

70026600 ..... 212	70027033 ..... 661	70028945 ..... 402	7029246 ..... 801
70026601 ..... 212	70027034 ..... 661	70028946 ..... 405	7029311 ..... 401, 441
70026602 ..... 212	70027035 ..... 661	70028947 ..... 407, 447	7029327 ..... 789
70026603 ..... 212	70027094 ..... 325	70028948 ..... 407, 447	7029417 ..... 525
70026604 ..... 212	70027244 ..... 799	70028949 ..... 407, 447	7029520 ..... 247
70026605 ..... 212	70027275 ..... 829	70028950 ..... 407, 447	7029521 ..... 247
70026606 ..... 212	70027276 ..... 829	70028951 ..... 407, 447	7029532 .... 507, 509, 517
70026607 ..... 212	70027281 ..... 301, 303	70028952 ..... 407, 447	7029533 .... 507, 509, 517
70026608 ..... 212	70027315 ..... 401, 441	70028974 ..... 397, 437	7029692 ..... 219, 235
70026609 ..... 212	70027317 ..... 405, 445	70028975 ..... 441	7029714 ..... 235
70026610 ..... 839	70027689 ..... 799	70028976 ..... 441	7029785 ..... 445
70026611 ..... 839	70027690 ..... 799	70028977 ..... 442	7029787 ..... 405
70026612 ..... 771	70027691 ..... 799	70029028 ..... 233	7029860 ..... 653
70026613 ..... 771	70027692 ..... 799	70041616...299, 301, 303	7054351 ..... 495
70026614 ..... 771	70027693 ..... 799	70041617...299, 301, 303	7057141 ..... 317, 319
70026615 ..... 771	70027694 ..... 799	70041619...299, 301, 303	7062922 ..... 209
70026616 ..... 771	70027695 ..... 799	70041620...299, 301, 303	7079572 ... 128, 134, 144, 1192
70026617 ..... 771	70027696 ..... 799	7010746 ..... 835	7082311 ... 128, 134, 143, 1192
70026618 ..... 771	70027705 ..... 339	7010769 ..... 833	7082342 ... 128, 134, 143, 1192
70026619 ..... 771	70027706 ..... 339	7010771 ..... 835	7082362 ... 128, 134, 143, 1192
70026620 ..... 771	70027846 ..... 813	7012903 ..... 801	7083992 .... 128, 134, 143
70026621 ..... 771	70027847 ..... 813	7017496 ..... 801	7085552 ..... 151
70026622 ..... 401, 441	70027848 ..... 813	7024441 ... 821, 823, 1193	7085562 ..... 151
70026623 ..... 405	70027849 ..... 813	7024574 ..... 809	7085571 ..... 151
70026631 ..... 399, 439	70027850 ..... 813	7024939 ..... 815	7089722 ..... 787, 789
70026698 ..... 277	70027851 ..... 813	7024943 ..... 815	7090871 ..... 123
70026699 ..... 221	70027852 ..... 795	7024944 ..... 815	7090891 ..... 123
70026742 ..... 791	70027853 ..... 795	7024953 ..... 815	7091373 ..... 123
70026745 ..... 281	70027854 ..... 795	7024954 ..... 815	7095352 .... 128, 134, 143
70026746 ..... 281	70027855 ..... 795	7026404 ..... 968, 974	7095522 .... 128, 134, 143
70026747 ..... 221	70027856 ..... 795	7026579 ..... 783	7096552 .... 128, 134, 143
70026800 ..... 303	70027857 ..... 795	7026758 .... 505, 507, 509, 511, 513, 515	7096562 .... 128, 134, 143
70026801 ..... 303	70028392 ..... 401, 441	7026759 .... 505, 507, 509, 511, 513, 515	7096702 ... 128, 134, 143,
70026803 ..... 401, 441	70028402 ..... 789	7026760 .... 505, 507, 509, 511, 513, 515	7096772 ... 128, 134, 143, 1192
70026806 . 402, 417, 441, 455	70028403 ..... 789	7026798 ..... 659, 661	7096882 ... 128, 134, 143, 1192
70026811 . 401, 417, 441, 455	70028405 ..... 789	7026799 ..... 659	7110172 ..... 145
70026812 . 401, 417, 441, 455	70028406 ..... 789	7026900 ..... 659	7110702 ..... 209
70026854 ..... 645	70028407 ..... 789	7026901 ..... 659	7110712 ..... 209
70026944 ..... 221	70028408 ..... 789	7026902 ..... 659	7110722 ..... 209
70026945 ..... 645	70028450 ..... 299, 301	7026905 ..... 659	7111402 ..... 145, 161
70026946 ..... 221	70028471 ..... 399, 439	7026906 ..... 659	7111572 ... 128, 134, 143, 1192
70026948 ..... 221	70028514 ..... 841	7027217 .... 427, 469, 487	7112452 ..... 143, 167
70026949 ..... 221	70028515 ..... 841	7027273 ..... 517	7112642 ..... 249
70026978 ..... 645	70028516 ..... 841	7028043 ..... 439	7112732 ..... 144
70026979 ..... 645	70028517 ..... 841	7028706 .... 397, 401, 437, 441	7113952 ..... 157
70026980 ..... 645	70028546 ..... 729	7028714 ..... 401, 441	7113982 ..... 157
70026981 ..... 645	70028779 ..... 645	7028716 ..... 401, 441	7114032 ..... 169
70026982 ..... 645	70028780 ..... 645	7028721 ..... 401, 441	7114112 ..... 153
70026983 ..... 645	70028781 ..... 645	7028722 ..... 401, 441	7114922 ..... 144
70026984 ..... 645	70028782 ..... 645	7028731 .... 402, 413, 441, 453	7114941 ..... 251, 253
70026985 ..... 645	70028798 ..... 405, 445	7028732 .... 402, 413, 441, 453	7116572 ..... 993, 995
70026986 ..... 645	70028881 . 401, 413, 441, 453	7028733 ..... 402, 415	7116642 ..... 149
70026987 ..... 645	70028886 ..... 397, 437	7028734 ..... 405	7116652 ..... 149
70026988 ..... 645	70028890 ..... 401, 441	7028735 ..... 405	7116662 ..... 149
70026989 ..... 645	70028891 ..... 401, 441	7028736 ..... 405	7116691 ..... 149
70026990 ..... 645	70028925 . 401, 413, 441, 453	7029037 ..... 519, 521	7116733 ... 128, 134, 143, 149
70026991 ..... 645	70028938 ..... 397, 437	7029039 ..... 521	7116792 .... 128, 134, 143
70027009 ..... 277	70028939 ..... 397, 437	7029127 ..... 407, 447	7116812 ..... 149
70027024 ..... 661	70028940 ..... 399, 409	7029131 .... 399, 409, 439, 449	
70027025 ..... 661	70028941 . 401, 413, 441, 453	7029153 ..... 801	
70027026 ..... 661	70028942 ..... 401		
70027028 ..... 661	70028943 ..... 402, 441		
70027030 ..... 661	70028944 ..... 402, 442		
70027032 ..... 661			

# PART NUMBER INDEX

7117031.....128, 134, 145	7139416.....155, 159	80304088 ..421, 463, 481	80304135..380, 422, 464, 482
7117502.....169	7139504.....697, 699	80304089 .379, 421, 463, 481	80304136..380, 422, 464, 482
7117582.....143	7139505.....697, 699	80304090 .379, 421, 463, 481	80304137..380, 422, 464, 482
7118882.....163	7139560.....529, 531	80304091 .379, 421, 463, 481	80304143..379, 421, 463, 481
7118892....128, 134, 143, 163	7139690...130, 136, 143, 155	80304092 .379, 421, 463, 481	80304144..379, 421, 463, 481
7124301....19, 23, 27, 32, 35, 39, 43, 47, 51, 55, 59, 63, 67, 71, 75, 79, 83, 87	7139692...130, 136, 145, 159	80304093 .379, 421, 463, 481	80304145..379, 421, 463, 481
7124451....19, 23, 27, 31, 35, 39, 43, 47, 51, 55, 59, 63, 67, 71, 75, 79, 83, 87	7139693.....144, 157	80304094 .379, 421, 463, 481	80304146..379, 421, 463, 481
7124471....19, 24, 27, 32, 35, 40, 43, 47, 51, 56, 59, 63, 67, 71, 75, 80, 83, 87, 933, 935, 949, 951	7139863.....151	80304095 .379, 421, 463, 481	80304147..379, 421, 463, 481
7124491.....123	7139864...128, 134, 143, 151	80304096 .379, 421, 463, 481	80304148..379, 421, 463, 481
7125801.....123	7139918.....189, 191	80304097 .380, 422, 464, 482	80304149..379, 421, 463, 481
7125811.....129, 135, 144	7150673.....951, 955	80304099 .380, 422, 464, 482	80304150..379, 421, 463, 481
7125871.....293, 295, 297	7150679....933, 935, 939	80304100 .380, 422, 464, 482	80304151..379, 421, 463, 481
7126662.....153	7150680.....941, 943	80304101 .380, 422, 464, 482	80304152..379, 421, 463, 481
7127852.....145	7150681.....937, 939	80304102 .380, 422, 464, 482	80304153..379, 421, 463, 481
7127862.....145	7150685.....945	80304104 .379, 422, 463, 481	80304154..379, 421, 463, 481
7129521.....604, 616, 632	7150688.....951, 959	80304107 .380, 422, 464, 482	80304155..379, 421, 463, 481
7137142....19, 23, 27, 31, 35, 39, 43, 47, 51, 55, 59, 63, 67, 71, 75, 79, 83, 87	7150689....933, 935, 943	80304110 .379, 421, 463, 481	80304156..379, 421, 463, 481
7138468.....145	7150690...937, 939, 941, 943	80304111 .379, 421, 463, 481	80304157..379, 421, 463, 481
7138634.....495	7150699...931, 933, 935, 945	80304112 ..421, 463, 481	80304158..379, 421, 463, 481
7138638.....365, 367	7150702.....945	80304113 .379, 421, 463, 481	80304159..379, 421, 463, 481
7138639.....365, 369	7150703.....947	80304115 ..421, 463, 481	80304160..379, 421, 463, 481
7138833....604, 608, 616, 620, 632, 636	7150716...931, 933, 935, 947	80304117 ..421, 463, 481	80304161..379, 421, 463, 481
7138836....604, 608, 616, 620, 632, 636	7150717.....947	80304118 .379, 421, 463, 481	80304162..379, 421, 463, 481
7138878....604, 608, 616, 620, 632, 636	7150730...931, 933, 935, 949, 951	80304119 .379, 421, 463, 481	80304163..379, 421, 463, 481
7138882.....601	7300214.....697, 699	80304121 ..422, 464, 482	80304164..379, 421, 463, 481
7138944....604, 608, 616, 620, 632, 636	7300435....293, 295, 297	80304122 ..422, 464, 482	80304165..379, 421, 463, 481
7138958.....627, 643	7300672....128, 134, 144	80304123 ..422, 464, 482	80304166..379, 421, 463, 481
7138977.....128, 134, 143	7300673....128, 134, 144	80304124 .379, 421, 463, 481	80304167..379, 421, 463, 481
7138978.....165	7300674.....143, 161	80304125 .380, 422, 464, 482	80304168..379, 421, 463, 481
7138979.....165	7300675.....143, 161	80304126 ..422, 464, 482	80304169..379, 421, 463, 481
7138986....128, 134, 143, 165	7300678....130, 136, 161	80304127 ..422, 464, 482	80304173..391, 431, 475, 491
7139032.....155, 159	7301295.....187, 189	80304128 ..422, 464, 482	80304227.....477
7139047....105, 107, 109, 111, 113	7301408.....187, 261	80304129 ..422, 464, 482	80304405.....501
7139066....19, 23, 27, 31, 35, 39	7301568.....187, 191	80304130 ..422, 464, 482	80304462..387, 429, 471, 489
7139077...821, 823, 1193	7301721.....699	80304131 ..422, 464, 482	8032694.....833, 837
7139086.....527	7301821.....743, 745	80304132 .380, 422, 464, 482	
7139087.....527, 529	7302010....128, 135, 143	80304133 .380, 422, 464, 482	
7139088.....527, 531	77133133.....629, 657	80304134 .380, 422, 464, 482	
7139180....128, 134, 143	77133134.....629, 657		
7139226.....529, 531	77143006.....925		
7139406..95, 97, 99, 101, 103, 105, 107, 109, 111, 113	8007749.....399		
7139407..95, 97, 99, 101, 103, 105, 107, 109, 111, 113	8007751.....399, 409		
	8007755.....399, 409		
	80204005 .401, 411, 441, 451		
	80204060.....405		
	80204065..401, 415, 441		
	80204071.....401, 441		
	80204108.....405		
	80204117 .401, 405, 441, 445		
	80204144.....407, 447		
	80204281.....405, 445		
	80241137 .19, 23, 27, 31, 35, 39, 43, 47, 51, 55, 59, 63, 67, 71, 75, 79, 83, 87		
	80264138.....689		
	80304082 .380, 422, 464, 482		



# PART NUMBER INDEX

8032695 ..... 833	8036040 ..... 521	59, 63, 67, 71, 75, 79,	8220904 ... 982, 983, 989,
8032790 ..... 835	8036041 ..... 525	83, 87, 373, 375, 457	993, 997, 999, 1001,
8032994 ..... 801	8036042 ..... 525	80604016..982, 983, 987,	1005
80334277 ..... 815	8036050 .... 627, 643, 651	993, 995	8220927 ... 966, 972, 977,
8033786 ..... 809	8036056 .... 627, 643, 653	80604017..989, 997, 999,	983
8034695 .. 791, 793, 1192	8036099 ..... 653	1001	8220929 ... 966, 972, 977,
8034815 ..... 653	8036100 ..... 653	80604018..966, 967, 968,	983
8035109 .... 367, 369, 371	8036145 ..... 787	972, 973, 977, 978,	8223025 ... 849, 858, 866,
8035281 ..... 801	8036146 ..... 787	982, 983, 1001, 1005	875, 884, 892, 901,
8035282 ..... 801	8036147 ..... 787	80604021..966, 974, 979,	910, 918, 935
8035308 .... 777, 779, 787	8036190 .... 507, 509, 517	982, 993, 995	8223037 ... 604, 608, 616,
8035315 ..... 783	8036192 ..... 801	80604023.....993, 995	620, 632, 636
8035321 ..... 787	8036196 ..... 651	80604024..966, 977, 993,	8223038 ..... 961, 963
8035322 ..... 797	8036197 ..... 651	995	8223043... 616, 620, 632,
8035323 ..... 797	8036198 ..... 651	80604025.....982	636
8035324 ..... 797	8036199 ..... 651	80623016.....701	8223044 ... 616, 620, 632,
8035326 ..... 797, 1192	8036209 ..... 945	80634004.....815	636
8035327 .... 787, 797, 803	8036210 ..... 947	8065062.....209	8223054 ... 604, 608, 616,
8035393 ..... 653	8036212 ..... 945, 947	8065063.....123	620, 632, 636
8035409 ..... 653	8036213 ..... 945, 947	8065640....19, 23, 27, 31,	8223057 ..... 931, 933
8035411 ..... 653	8036214 ..... 945, 947	35, 39, 43, 47, 51, 55,	8223059 ... 931, 933, 935,
8035493 ..... 655	8036215 ..... 945, 947	59, 63, 67, 71, 75, 79,	949, 951
8035498 ..... 655, 1193	8036216 ... 933, 939, 943,	83, 87, 128, 134, 144	8223060 .... 931, 933, 935
8035499 ..... 655	945, 947, 951, 955, 959	8065641....19, 23, 27, 31,	8223073 .... 931, 933, 935
8035500 ..... 655	8036218 ... 933, 939, 943,	35, 39, 43, 47, 51, 55,	8223232 ..... 495
8035523 ..... 651	951, 955, 959	59, 63, 67, 71, 75, 79,	8223536 ..... 119
8035536 .... 783, 785, 809	8036219 ..... 939, 943	83, 87	8229233 ..... 984
8035539 ..... 783	8036220 ..... 939, 943	80963061.....983	8229234 ..... 984, 1037
8035545 ..... 777, 779	8036221 ..... 939, 943	80963062...966, 972, 977	8229235 ..... 984, 1035
8035547 ..... 791, 793	8036222 ..... 939, 943	80963067..966, 968, 972,	8229237 ..... 984
8035607 ..... 777	8036250 ..... 525	977	8229238 ..... 984
8035608 ..... 777	80363179 .982, 984, 987,	8124138.....155, 159	8229242 ..... 969, 974
8035609 ..... 777	1005	8127009.....157	8229243 ..... 1005
8035610 ..... 777, 779	8036330 ... 391, 431, 475,	8127022.....155	8229244 ..... 968
8035611 ..... 791, 793	491	8127024.....159	8229261 ..... 984, 1037
8035612 ..... 791, 793	80364095 ..... 689	82033995.....645	8270620 ... 849, 854, 858,
8035613 ..... 791, 793	8036418 ... 385, 427, 469,	82033997.....627, 643	862, 866, 870, 875,
8035615 ..... 783	487	8205655 ..... 809	880, 884, 888, 892,
8035616 ..... 783	8036447 ... 387, 429, 471,	8220007.....989	896, 901, 906, 910,
8035757 ..... 797	489	8220035.....989, 1037	914, 918, 922, 1193
8035758 ..... 797	8036580 ..... 801	8220051....983, 989, 993,	8270621 ... 849, 858, 866,
8035778 ..... 367, 369	8036581 ..... 801	995, 997	875, 884, 892, 901,
8035780 ..... 787, 1192	8036582 ..... 801	8220058....969, 974, 978	910, 918, 1015
8035781 ..... 801	8036726 ..... 645	8220081....967, 969, 972,	8278007 ..... 495
8035800 ..... 783	8036732 ..... 803	974, 977, 978, 983,	8278020 ..... 317, 319
8035807 ... 604, 608, 616,	8036747 ..... 801, 1193	993, 995, 997	8302470 .95, 97, 99, 101,
620, 632, 636, 1193	8036750 .... 787, 789, 803	8220089....968, 983, 984,	103, 105, 107, 109,
8035862 ..... 809	8036758 ... 385, 427, 469,	993, 995, 1009	111, 113
8035863 ..... 809	487	8220097....966, 972, 977,	8303034 ... 611, 613, 623,
8036001 ..... 793	8036759 ... 385, 427, 469,	983	625, 627, 639, 641,
8036021 ..... 499	487	8220098....966, 972, 977	643, 649, 717
8036022 ..... 499	8036784 ..... 803, 1193	8220108.....1037	8303041 .... 128, 134, 144
8036023 ..... 501	8036811 ..... 801, 803	8220124....966, 969, 972,	8303119 ..... 649
8036024 ..... 503	8036825 ..... 801, 803	974, 977, 978, 979, 987	8303519 ..... 747
8036025 ..... 503	8036826 ..... 801	8220125....968, 983, 984	8303540 ... 144, 849, 858,
8036026 ..... 503	8036827 ..... 801	8220160.....968, 974	866, 875, 884, 892,
8036027 ..... 503	8036828 ..... 801	8220164....968, 973, 978	901, 910, 918
8036028 ..... 503	8036837 ..... 803	8220366.....967	8303545 ... 850, 854, 858,
8036029 ... 507, 509, 511,	8036838 ..... 803	8220375.....967	862, 870, 876, 880,
513, 515	8036839 ..... 803	8220525.....983	888, 896, 902, 906,
8036030 ..... 517	8036847 ... 429, 471, 489	8220536....966, 967, 972,	914, 922, 927
8036031 ..... 517	80373094 ..... 315	973, 977, 978	8303615 .95, 97, 99, 101,
8036032 ..... 517	80384207 ..... 653	8220889.....967, 973	103, 105, 107, 109,
8036033 ..... 519	80384213 ..... 653, 1193	8220890....993, 995, 997,	111, 113
8036036 ..... 521	80384218 ..... 627, 643	1013	8303620 ... 128, 134, 144,
8036038 ..... 521	8050001 ... 19, 23, 27, 31,	8220895.....987	608, 620, 636, 755
8036039 ..... 521	35, 39, 43, 47, 51, 55,		8303621 .... 128, 134, 144

# PART NUMBER INDEX

8303622.....144, 161	8305012 ..... 249	8307007 ... 129, 135, 144,	8307911..... 129, 135, 144
8303624..... 128, 134, 144	8305014 ... 19, 23, 27, 31,	249, 251, 253, 759,	8307912..... 121, 373, 375,
8303626....249, 251, 253,	35, 39, 43, 47, 51, 55,	761, 763, 765	457
529, 531, 604, 608,	59, 63, 67, 71, 75, 79,	8307009 ... 19, 23, 27, 31,	8307913..... 121, 373, 375,
616, 620, 632, 636,	83, 87	35, 39, 43, 47, 51, 55,	457
759, 761, 763, 765	8305043 ..... 311, 683	59, 63, 67, 71, 75, 79,	8307918.... 129, 135, 145,
8303628..... 123	8305603 ..... 649	83, 87	209
8303629..... 123	8305619 ..... 151	8307010 ... 19, 23, 27, 31,	8310009.... 341, 343, 345,
8303634.... 128, 134, 144,	8305624 ... 144, 189, 191,	35, 39	347, 349, 697, 699,
189, 191, 209	627, 643, 849, 854,	8307011 ..... 601	737, 739, 769
8303638..... 151	858, 862, 866, 870,	8307023 ... 604, 608, 616,	8310019.... 129, 135, 144
8303655..... 128, 134, 145	875, 880, 884, 888,	620, 632, 636, 721	8310020.... 129, 135, 144
8303658.... 189, 191, 604,	892, 896, 901, 906,	8307024 ..... 1050, 1054,	8310026.... 143, 604, 608,
616, 632	910, 914, 918, 922,	1058, 1062, 1066,	616, 620, 632, 636
8303666.... 128, 134, 144	1015	1070, 1074, 1078,	8310039.... 19, 23, 27, 31,
8303670.... 604, 608, 616,	8305626 ... 19, 23, 27, 31,	1082, 1086, 1090,	35, 39, 43, 47, 51, 55,
620, 632, 636	35, 39, 43, 47, 51, 55,	1094, 1098, 1102, 1106	59, 63, 67, 71, 75, 79,
8303675..... 128, 134	59, 63, 67, 71, 75, 79,	8307025 ..... 527	83, 87
8303679..... 128, 134, 144	83, 87, 128, 134, 145,	8307027 ... 849, 854, 858,	8310046.... 849, 854, 858,
8303681..... 128, 134, 144	604, 608, 616, 620,	862, 866, 870, 875,	862, 866, 870, 875,
8303697.... 128, 134, 144,	632, 636, 933, 935,	880, 884, 888, 892,	880, 884, 888, 892,
604, 608, 616, 620,	939, 943, 949, 951,	896, 901, 906, 910,	896, 901, 906, 910,
632, 636, 821, 823	955, 959	914, 918, 922	914, 918, 922
8303715.... 128, 134, 144,	8305638 ..... 649	8307049 ..... 495	8310066..... 145
209	8305643 ... 128, 134, 144,	8307104 ... 129, 135, 144,	8310067..... 495
8303724..... 495	189, 191, 209	151	8310081..... 144, 161
8303729... 95, 97, 99, 101,	8305644 ... 19, 23, 27, 31,	8307106 ... 129, 135, 145,	8310085.... 613, 625, 641
103, 105, 107, 109,	35, 39, 43, 47, 51, 55,	311, 604, 608, 616,	8310093.... 129, 135, 145
111, 113	59, 63, 67, 71, 75, 79,	620, 632, 636, 849,	8310109..... 627, 643
8303738..... 145	83, 87, 123, 128, 134,	854, 858, 862, 866,	8310113..... 145
8303739.... 604, 616, 632	144, 149, 251, 253,	870, 875, 880, 884,	8310116.... 121, 373, 375,
8303745.... 939, 943, 955,	529, 531, 604, 608,	888, 892, 896, 901,	457
959	616, 620, 632, 636	906, 910, 914, 918, 922	8310151..... 123
8303752.... 19, 23, 27, 31,	8305645. 95, 97, 99, 101,	8307109 ... 604, 608, 616,	8310159..... 743
35, 39, 43, 47, 51, 55,	103, 105, 107, 109,	620, 632, 636, 849,	8310160..... 209
59, 63, 67, 71, 75, 79,	111, 113, 129, 134,	858, 866, 875, 884,	8310161..... 209
83, 87	144, 149, 931, 933,	892, 901, 910, 918	8310164..... 527
8303755..... 721	935, 949, 951, 1050,	8307110 ... 608, 620, 636,	8310205..... 145
8303757.... 741, 743, 755,	1054, 1058, 1062,	755	8310209..... 149
757	1066, 1070, 1074,	8307111 ... 849, 854, 858,	8310210..... 144
8303766..... 755	1078, 1082, 1086,	862, 866, 870, 875,	8310215..... 495
8303771.... 931, 933, 935,	1090, 1094, 1098,	880, 884, 888, 892,	8310235..... 149
949, 951	1102, 1106	896, 901, 906, 910,	8310245..... 149
8303772.... 128, 134, 144	8305646 ... 129, 135, 144	914, 918, 922	8310259.... 373, 375, 457
8303782.... 19, 23, 27, 31,	8305906 ... 129, 135, 143	8307112 ... 251, 253, 529,	8310266..... 163
35, 39, 43, 47, 51, 55,	8305916... 604, 608, 616,	531, 604, 608, 616,	8310276..... 163
59, 63, 67, 71, 75, 79,	620, 632, 636	620, 627, 632, 636, 643	8310281..... 317, 319
83, 87	8307002. 95, 97, 99, 101,	8307202. 95, 97, 99, 101,	8310302..... 189, 191
8303784..... 351	103, 105, 107, 109,	103, 105, 107, 109,	8310356..... 747
8303982.... 604, 608, 616,	111, 113, 849, 858,	111, 113	8310382.... 604, 608, 616,
620, 632, 636	866, 875, 884, 892,	8307203 ... 19, 23, 27, 31,	620, 632, 636
8304608..... 703, 705	901, 910, 918, 1011	35, 39, 43, 47, 51, 55,	8310420..... 743, 747
8305002.... 849, 854, 858,	8307003 ... 849, 854, 858,	59, 63, 67, 71, 75, 79,	8310424..... 335
862, 866, 870, 875,	862, 866, 870, 875,	83, 87, 161, 697, 699	8310425..... 365
880, 884, 888, 892,	880, 884, 888, 892,	8307204. 95, 97, 99, 101,	8310431.... 129, 135, 145
896, 901, 906, 910,	896, 901, 906, 910,	103, 105, 107, 109,	8310435..... 189, 191
914, 918, 922	914, 918, 922	111, 113, 129, 135,	8310475..... 121
8305004.. 95, 97, 99, 101,	8307004 ... 129, 135, 144,	144, 149, 931, 933,	8310478..... 763, 765
103, 105, 107, 109,	341, 343, 345, 347,	935, 949, 951	8310493..... 601
111, 113, 849, 858,	349, 697, 699, 737,	8307206 ... 149, 529, 531,	8310497.... 129, 135, 144
866, 875, 884, 892,	739, 741, 743, 755,	604, 616, 632	8310522.... 19, 23, 27, 31,
901, 910, 918, 1011	757, 769	8307219 ..... 927	35, 39, 43, 47, 51, 55,
8305006.... 19, 23, 27, 31,	8307005 ... 129, 135, 144,	8307220 ..... 527	59, 63, 67, 71, 75, 79,
35, 39, 43, 47, 51, 55,	747, 1011	8307222 ..... 311, 683	83, 87, 747, 763, 765
59, 63, 67, 71, 75, 79,	8307006 ..... 365	8307904 ... 129, 135, 145,	8342808..... 1193
83, 87, 697, 699		209	8380008..... 277
8305008.... 317, 319, 755		8307910 .... 129, 135, 144	

## PART NUMBER INDEX

8405007 ... 331, 333, 629, 657	8580420 .95, 97, 99, 101, 103, 105, 107, 109, 111, 113	8786514....547, 551, 571, 575, 585, 589, 595	91404299..... 627, 643
8405104..... 331, 333	8584001 ... 167, 209, 629, 657, 849, 854, 858, 862, 866, 870, 875, 880, 884, 888, 892, 896, 902, 906, 910, 914, 918, 922, 931, 933, 935, 949, 951, 1011	8786572....391, 431, 475, 491	91404301..... 627, 643
8405201..... 331, 333	8584018 ... 931, 933, 935, 949, 951	8786573....391, 431, 475, 491	91404326..... 689
8405212 .... 331, 333, 361	8584021 ..... 167	88211516...931, 933, 935	91473086..... 693, 727
8405305 ..... 331, 333	85841150 ..... 755	88261015.....297	91474023..... 833
8405307 ..... 311	8630003 ..... 189, 191	8841036.....495, 497	91474028..... 835
8405404 ..... 309	8630019 ..... 747	88411148.. 19, 23, 27, 31, 35, 39, 43, 47, 51, 55, 59, 63, 67, 71, 75, 79, 83, 87	91474434..... 825
8406105 ... 495, 850, 854, 858, 862, 867, 870, 876, 880, 884, 888, 893, 896, 902, 906, 910, 914, 919, 922	8640123 ..... 747	88501005...933, 935, 951	91474435..... 825
8406112 ... 293, 295, 327, 329	8640208 ... 759, 761, 763, 765	88671001..195, 197, 199, 201, 203, 205	91474438..... 825
8406303 ..... 297	8642207 ..... 209	8880218-OM.....365	91474439..... 825
8410007 ..... 309	8642224 .... 129, 135, 144	8880219-OM.....365	91474440..... 825
8410021 ..... 311	8642237 ..... 155, 159	8881800.....297	91474441..... 825
8420053 ... 145, 161, 189, 191, 195, 197, 199, 201, 203, 205, 207, 209, 277	86683122 ..... 359	8902857.....769	91474442..... 825
8420055 ... 145, 161, 189, 191, 195, 197, 199, 201, 203, 205, 207, 209, 277	8750003 .... 129, 135, 144	8902858.....769	91474443..... 825
8430032 ... 693, 725, 727, 749, 751, 753	8750011 ..... 144, 161	8990147....604, 608, 616, 620, 632, 636	91474446..... 825
8430033 ..... 753	8750012 ... 349, 703, 705, 721, 737, 739, 769	90028631.....311	91474447..... 825
8430046 ..... 749	8750017 ... 143, 161, 341, 343, 345, 347, 349, 755, 769	90200003..173, 175, 177, 179, 181, 183, 185, 189, 191, 195, 197, 199, 201, 203, 205, 209	91474450..... 825
8430048 ..... 629, 657	8750025 ... 741, 743, 755, 757	90206196.....927, 929	91474451..... 825
8430081 ..... 725	8750026 ..... 769	90451058.....189, 191	91474452..... 825
8466306..... 1050, 1054, 1058, 1062, 1066, 1070, 1074, 1078, 1082, 1086, 1090, 1094, 1098, 1102, 1106	8750027 ... 703, 705, 721, 737, 739, 769	90554016..219, 221, 235, 277, 281	91474453..... 825
8500066 ..... 961, 963	8750040 ... 741, 743, 757, 769	90554017.....235	91474454..... 825
8500203 .... 931, 933, 935	8760268 .... 749, 751, 769	90554018.....235	91474455..... 825
8520001 ... 19, 23, 27, 31, 35, 39, 43, 47, 51, 55, 59, 63, 67, 71, 75, 79, 83, 87, 129, 135, 145	8760463 ..... 697, 699	90554020.....219, 277	91474456..... 825
8520003 ... 19, 23, 27, 31, 35, 39, 43, 47, 51, 55, 59, 63, 67, 71, 75, 79, 83, 87, 129, 145, 701	8760465 ... 129, 135, 144, 161	90554033.....221	91474458..... 825
8520013 ... 123, 129, 135, 144, 787, 789	8760468 .... 129, 135, 145	90554034.....221	91474459..... 825
8520021 ..... 787, 789	8760477 ..... 697, 699	90554042.....219, 277	91474460..... 825
8522012 ... 19, 23, 27, 31, 35, 39, 43, 47, 51, 55, 59, 63, 67, 71, 75, 79, 83, 87, 129, 135, 143, 155, 159	8760548 ..... 495	90554045.....811	91474461..... 825
8526007 ... 129, 135, 144, 163, 351, 783, 785, 803	8760552 ..... 821, 823	90554054.....219, 277	91474462..... 825
8526011 ... 777, 779, 783, 785, 787, 793, 797, 803	8765204 ... 721, 723, 749, 751, 1043	90554062.....219, 235	91474463..... 825
8526048 ..... 145	8769122 ... 129, 135, 144, 161	90554065.....235	91474464..... 825
8526203 ... 541, 543, 551, 565, 567, 575	8769123 .... 129, 135, 144	90554076.....219, 235	91474465..... 825
8526406 ..... 135, 143	8769127 ... 341, 343, 345, 347, 349	90554080.....247	91474466..... 825
8530030 ..... 747	8769128 ... 129, 135, 145, 341, 343, 345, 347, 349, 737, 739, 769	91043125.....225	91474467..... 825
8546407 ... 759, 761, 763, 765	8769132 ..... 209	91043126.....225	91474468..... 825
8580315 ..... 209	8769139 .... 129, 135, 145	91043147.....629, 657	91474469..... 825
	8769161 .... 129, 135, 161	91053419.....361	91474470..... 825
	8770016 ..... 209	91081640.....925	91474471..... 825
	8770048 ..... 821, 823	91083129.....311	91474472..... 825
	8770109 ..... 725	91163035.....291	91474473..... 825
	8770120 ..... 725	91293003.....311	91474474..... 825
	8770175 ..... 725	91304025.....689	91474475..... 825
	8770189 ..... 123	91364023.....315	91474476..... 825
	8780036 ... 535, 537, 541, 543	91403193...373, 375, 457	91474477..... 825
		91403413..145, 161, 189, 191, 195, 197, 199, 201, 203, 205, 207, 209, 212, 225, 277	91474478..... 825
		91403414..145, 161, 189, 191, 195, 197, 199, 201, 203, 205, 207, 209, 212, 225, 277	91474479..... 825
		91403448.....283	91474480..... 825
		91404011.....689	91474481..... 825
		91404013.....689	91474482..... 825
		91404298.....627, 643	91474483..... 825

## PART NUMBER INDEX

91514149..401, 411, 441, 451	91514181 ..... 401, 441	91514198 ..... 825	91554019.....982
91514154.....405, 445	91514183 ..... 401, 441	91514199 ..... 825	91563164.....663
91514159.....405, 445	91514188 . 397, 401, 437, 441	91514225 ..... 689	91565064.....663
91514175..401, 417, 441, 455	91514189 ..... 401, 441	91554005 ..... 681	N.S.S.301, 401, 441, 445, 813
	91514197 ..... 825	91554009 ..... 681	
		91554014 ..... 982	





31211017



An Oshkosh Corporation Company

**Corporate Office**  
**JLG Industries, Inc.**  
**1 JLG Drive**  
**McConnellsburg, PA 17233-9533 USA**  
☎ **(717) 485-5161 (Corporate)**  
☎ **(877) 554-5438 (Customer Support)**  
☎ **(717) 485-6417**

**Visit our website for JLG Worldwide Locations.**  
**[www.jlg.com](http://www.jlg.com)**