

SKYTRAK[®]

Illustrated Parts Manual

Model
9038

8990087-002
August 1986
S/N 9A0549 and Before

ANSI



JLG[®]

PARTS LIST

GENERAL INFORMATION:

This section has been prepared for ease in identifying and ordering parts for the 9038 series Skytraks.

The illustrations in this section show typical assemblies, plus individual parts, but may not show the exact shape or detail of parts required. However, the purpose for the illustration is to identify parts performing like functions. Whenever possible, illustrations are located at the beginning of each list or immediately adjacent to its applicable list. Parts are identified on each illustration by item numbers. Find the item number of the part desired and locate it in the parts list figure column. The part number for ordering will be opposite the index number.

The information contained in this parts list include:

Part numbers.

Part name including description and dimensions where necessary for proper identification of parts. Remarks for use in showing particular application or other special information.

Quantity used per unit.

Certain parts are shown to maintain assembly relationship, such as complete frame or weldments, and are not normally stocked. Should a need for such a part arise, it may require as much as six months lead time before shipment. No special ordering procedure is required for such parts.

INFORMATION CONTAINED HEREIN IS EFFECTIVE OF DEC. 1, 1984



TABLE OF CONTENTS

Section 1 - Lower	Page
Cab Group	1.1
Frame Group	1.2
Covers Group	1.3
Covers Group	1.3.1
Fenders	1.4
Decals, Paint & Miscellaneous	1.5
Heater Group (Optional)	1.6
Vandalism Prevention Kit (Optional)	1.7
Outrigger Group (Optional)	1.8
 Section 2 - Drive	
Driveline Group	2.1
Engine & Radiator (Ford)	2.2
Engine & Radiator (Ford Turbo)	2.2.1
Engine & Radiator (John Deere)	2.2.2
Engine & Radiator (Deutz)	2.2.3
Transmission Mounting Group	2.3
Wheels & Tires	2.4
Air Cleaner Group (Ford)	2.5
Air Cleaner Group (John Deere)	2.5.1
Air Cleaner Group (Deutz)	2.5.2
Fuel Tank & Lines	2.6
Fuel Tank & Lines (Deutz)	2.6.1
Front & Rear Axles	2.7
Front & Rear Axles (S/N 5H0025 & UP)	2.7.1
Axle Housing Group	2.8
Axle Housing Group (S/N 5H0025 & UP)	2.8.1
Differential Carrier Group	2.9
Differential Carrier Group (S/N 5H0025 & UP)	2.9.1
Pivot Group	2.10
Pivot Group (S/N 5H0025 & UP)	2.10.1
Planetary Wheel End Group	2.11
Planetary Wheel End Group (S/N 5H0025 & UP)	2.11.1
Hydraulic Brake Group	2.12
Hydraulic Brake Group (S/N 5H0025 & UP)	2.12.1
Tie Rod Group	2.13
Tie Rod Group (S/N 5H0025 & UP)	2.13.1
Hydraulic Differential Lock Group	2.14
Hydraulic Differential Lock Group (S/N 5H0025 & UP)	2.14.1
Transmission Front Cover Group	2.15
Transmission Input Midship Group	2.16
Transmission Converter Assembly Group	2.17
Transmission Rear Cover Group	2.18
Transmission Pump Group	2.19
Transmission Clutch Group	2.20
Transmission Clutch Group - 2nd Stage	2.21
Transmission Valve Group	2.22
Transmission Output Retainer	2.23
Transmission Output Group	2.24
Transmission Yoke Group	2.25
Transmission Parking Brake Group	2.26
Drive Shaft	2.27
Drive Shaft	2.28
Drive Shaft (Deutz)	2.28.1





TABLE OF CONTENTS

Section 3 - Controls	Page
Hand Control Group	3.1
Hand Control Group	3.1.1
Brake & Clutch Pedal Group	3.2
Throttle Control/Fuel Shut Down Control Group	3.3
Throttle Control/Fuel Shut Down Control Group (Deutz)	3.3.1
Throttle Control Group(John Deere)	3.3.2
Transmission Shift Group	3.4
Main Valve Mounting Group	3.5
Outrigger Control Group (Optional).....	3.6

3

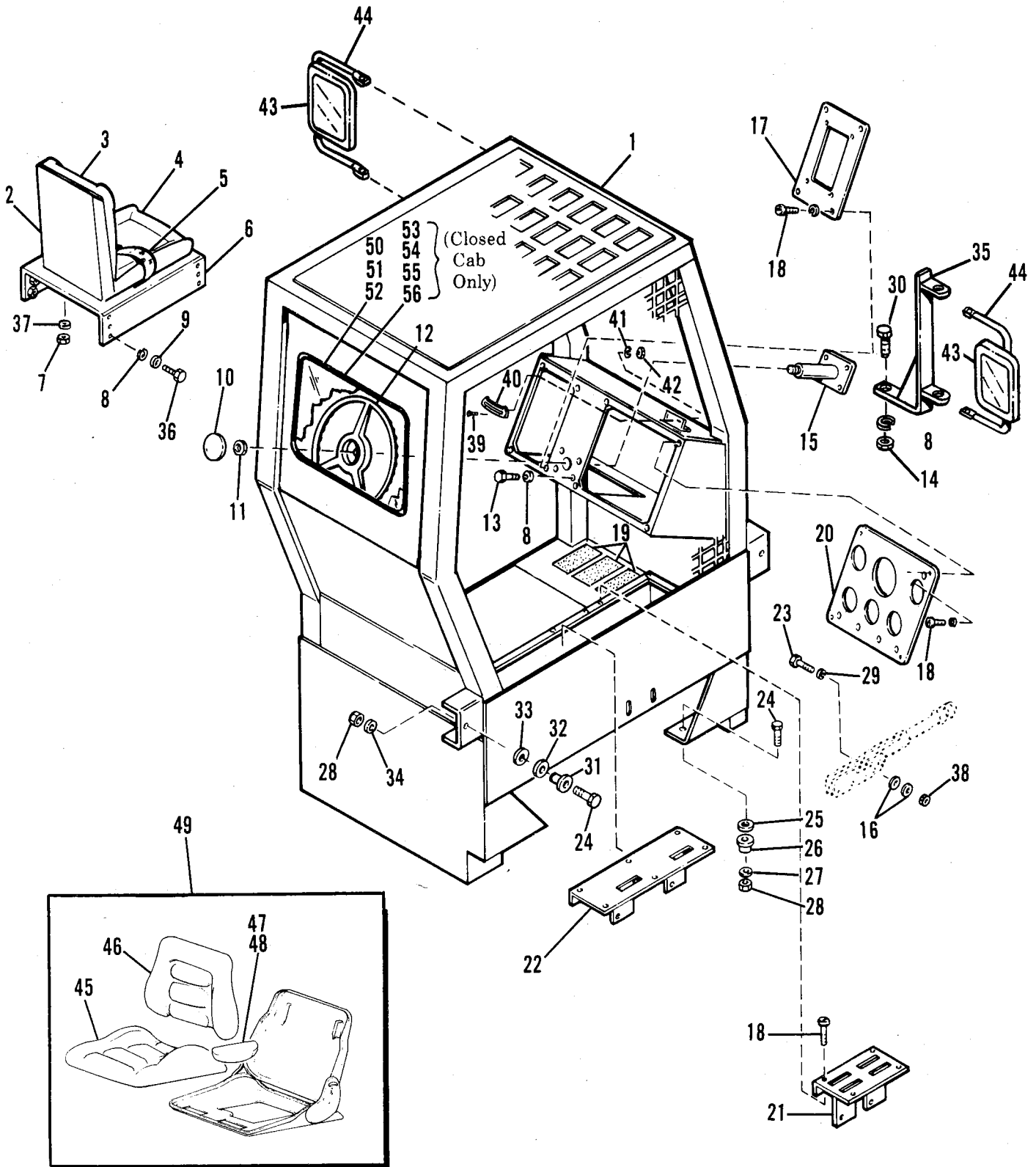
Section 4 - Boom	Page
Outer Boom Group	4.1
Intermediate Boom Group	4.2
Inner Boom Group	4.3
Boom Angle Indicator	4.4
Carriage Group	4.5
Rubbish Bucket (Optional)	4.6
One Yard Concrete Hopper (Optional)	4.7
10 Ft. Mast Extension (Optional)	4.8

4

Section 5 - Hydraulic & Electrical	Page
Reservoir & Pump Group	5.1
Frame Tilt Piping	5.2
Brake Piping	5.3
Power Steering Piping Group	5.4
Boom Extend & Grille Tilt Piping	5.5
Hoist & Slave Cylinder Piping	5.6
Hoist & Slave Cylinder Piping (Deutz & S/N 5K0080 & UP).....	5.6.1
Transmission Piping	5.7
Transmission Piping (Deutz)	5.7.1
Frame Tilt Cylinder	5.8
Boom Extend Cylinder	5.9
Boom Hoist Cylinder	5.10
Slave Cylinder	5.11
Grille Tilt Cylinder	5.12
Steering Cylinder	5.13
Main Control Valve	5.14
Electrical System Group (Ford BSD-44) (Turbo Diesel)	5.15
Electrical System Group (John Deere)	5.16
Lighting Assembly (Optional)	5.17
Outrigger Cylinder	5.18
Outrigger Piping	5.19

5

CAB GROUP

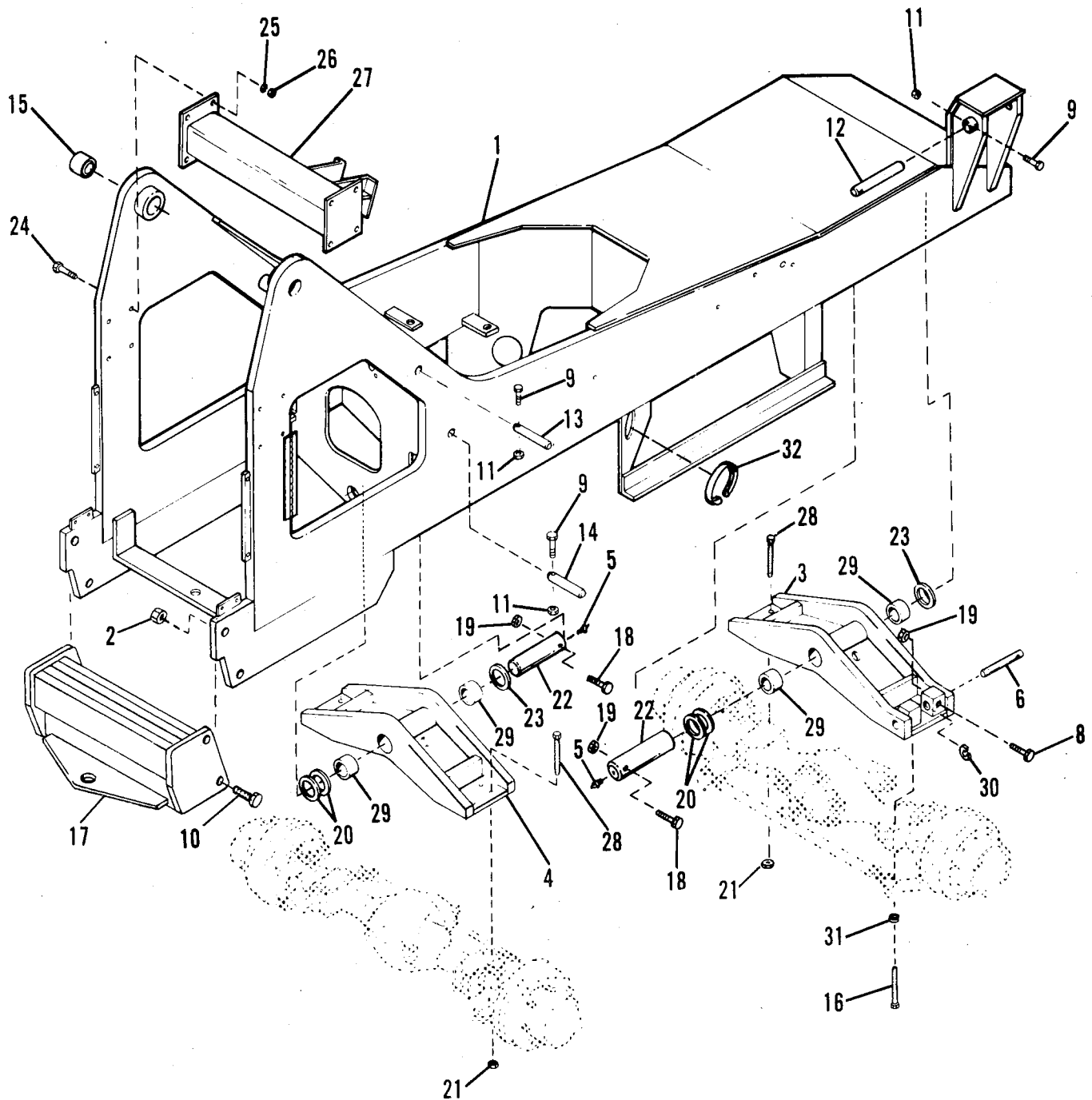


CAB GROUP

Index No.	Part Number	Description	Qty. Req'd.
1	7065905	CAB ASSEMBLY	1
2	8864009	SEAT ASSEMBLY (includes items 3 & 4)	1
3	8864017	CUSHION, Back	1
4	8864016	CUSHION, Bottom	1
5	8864018	SEAT BELT ASSEMBLY	1
3	8864027	CUSHION, Back	1
4	8864028	CUSHION, Bottom	1
5	8864029	SEAT BELT ASSEMBLY	1
6	*	MOUNT, Seat	1
7		NUT, Lock, 5/16 - 18	4
8		WASHER, Lock, 3/8	10
9		WASHER, Flat, 3/8	4
10	8720012	CAP, Steering Wheel	1
11	8305916	NUT, Steering Wheel	1
12	8720011	STEERING WHEEL ASSEMBLY	1
13		SCREW, Hex Hd., 3/8 - 16 x 1 1/4 GR. 5	4
14		NUT, Hex, 3/8	2
15	8721015	COLUMN, Steering	1
16	8160407	WASHER, Flat, 1/4	4
17	*	PANEL, Console	1
18		SCREW, Hex Washer Hd, #10 x 1/2	18
19	7010491	WALK, Safety	4
20	*	PANEL, Gauge	1
21	*	PANEL, Control	1
22	*	PANEL, Control	1
23		SCREW, Hex Hd., 1/4 - 20 x 1 1/4 GR. 5	2
24		SCREW, Hex Hd., 3/4 - 10NC x 3 1/2, GR. 8	4
25	7065841	WASHER, Rubber	2
26	7065882	SPACER, Cab	2
27	7062741	WASHER	2
28		NUT, Hex, 3/4 - 10, Lock, GR. C	2
29		WASHER, Lock, 1/4	2
30		SCREW, Hex Hd., 3/8 - 16 x 1 1/4 GR. 5	2
31	7065882	SPACER, CAB	2
32	7065931	WASHER	2
33	7065841	WASHER RUBBER	2
34	7062741	WASHER	2
35	7068843	BRACKET, Mirror	1
36		SCREW, Hex Hd., 3/8 - 20 x 3/4 GR. 5	4
37		WASHER, Flat, 5/16	4
38		NUT, Hex, 1/4	2
39		SCREW, Rd. Hd. Mach., #8 - 32 x 1 1/4	2
40	8466303	INDICATOR, Frame Tilt	1
41		WASHER, Lock #8	2
42		NUT, Hex, #8 - 32	2
43	8866215	MIRROR ASSEMBLY	2
44	8866216	LOOP, Mirror	2
45	8864023	CUSHION, Bottom	1
46	8864024	CUSHION, Back	1
47	8864025	ARMREST, L.H.	1
48	8864026	ARMREST, R.H.	1
49	8864020	SEAT ASSEMBLY - Option	1
50	8585111	WINDOW, Rear Swing Out, (Closed Cab Only)	1
51	8585112	LATCH, Rear Window, (Closed Cab Only)	1
52	8585117	GLASS, Rear, (Open Cab Only)	1
53	8585113	FRONT GLASS	1
54	8585114	DOOR GLASS	1
55	8585115	R.H. GLASS	1
56	8585116	SKYLIGHT GLASS	1

*INCLUDED WITH 7065905 CAB ASSEMBLY

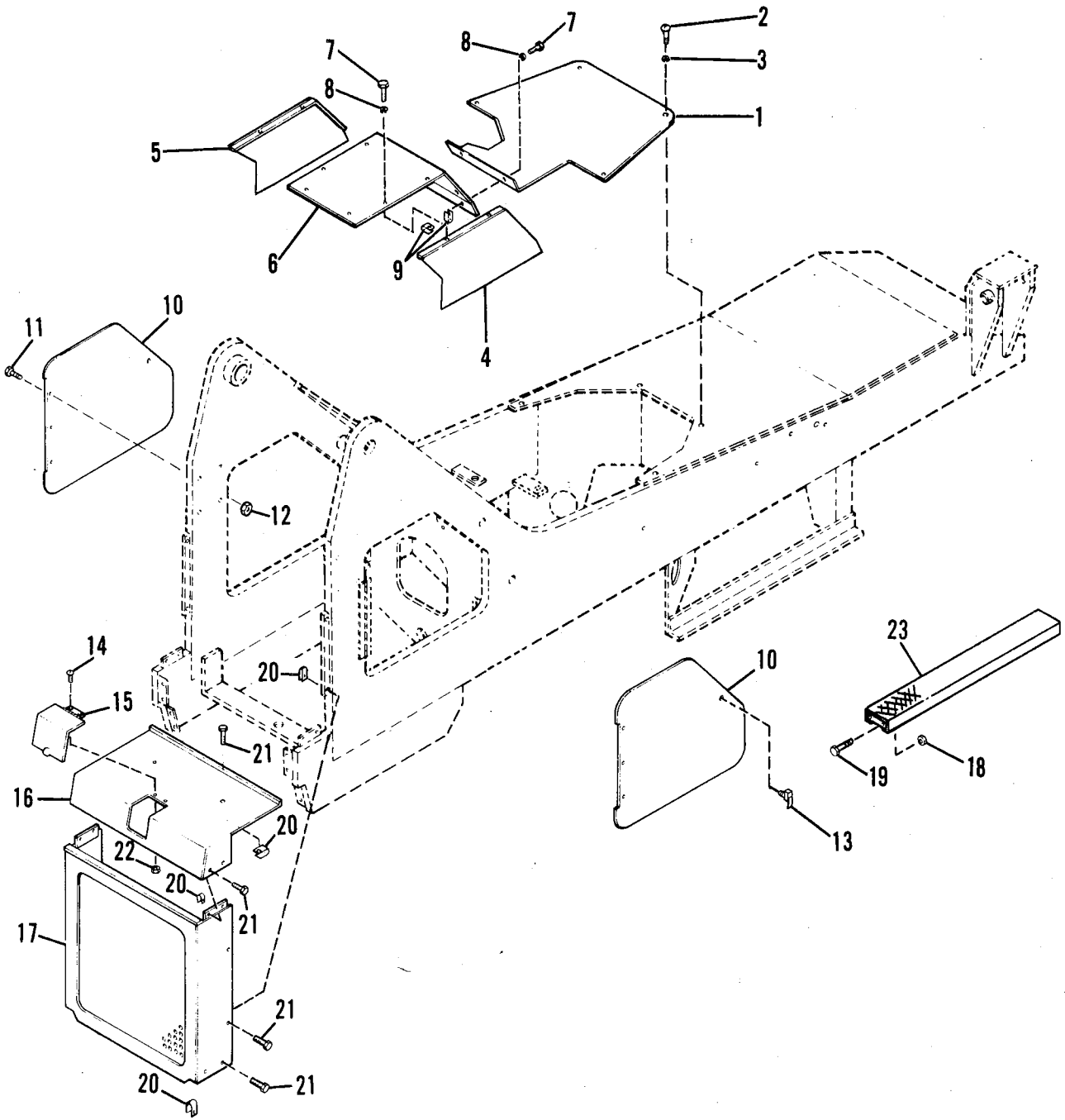
FRAME GROUP



FRAME GROUP

Index No.	Part Number	Description	Qty. Req'd.
1	7068555	FRAME	1
2		NUT, Lock 1" - 8	4
3	7067964	CARRIER, Front Axle	1
4	7067954	CARRIER, Rear Axle	1
5		FITTING, Grease, 1/8 NPT	4
6	7075731	PIN, Frame Tilt Cylinder	1
7	8305644	NUT, Lock 1/2	1
8	8303782	SCREW, Hex Hd., 1/2 - 13 x 4 GR. 5	1
9	8303770	SCREW, Hex Hd., 3/8 - 16 x 2 3/4 GR. 5	5
10		SCREW, Hex Hd., 1 - NC x 3 3/4 GR. 5	4
11	8305645	NUT, Lock, 3/8 - 16	5
12	7065192	PIN, Frame Tilt Cylinder	1
13	7065182	PIN, Slave Cylinder	2
14	7065172	PIN, Lift Cylinder	2
15	7064182	BUSHING, Boom Pivot	2
16	8303605	SCREW, Hex Hd., 1/8 - 9 x 8 1/2 GR. 5	2
17	7071723	COUNTERWEIGHT	1
18	8303655	SCREW, Hex. Hd., 5/8 NC x 4 1/2	2
19	8305643	NUT, Lock, 5/8	2
20	7056051	SPACER, Axle Pivot	8
21	8305634	NUT, Hex Lock 7/8 - 9	14
22	7075762	PIN, Front Axle Pivot	2
23	7072041	SPACER	2
24		SCREW, Hex Hd., 3/4 - 10 x 3 GR. 5	8
25		WASHER, Lock, 3/4	8
26		NUT, Hex, 3/4 - 10	8
27	7061022	SUPPORT, Cross Member	1
27	7055012	SUPPORT, Cross Member (Ford Turbo)	1
27	7070762	SUPPORT, Cross Member (Deere)(Deutz)	1
28		SCREW, Hex Hd., 1/8 NC x 9 GR. 5	4
29	8068407	BUSHING, Axle Pivot	4
30	7068011	WASHER, Frame Tilt Cylinder Spacer	4
31		WASHER, Lock 1/8	2
32	7075852	GUARD, Bulkhead	2

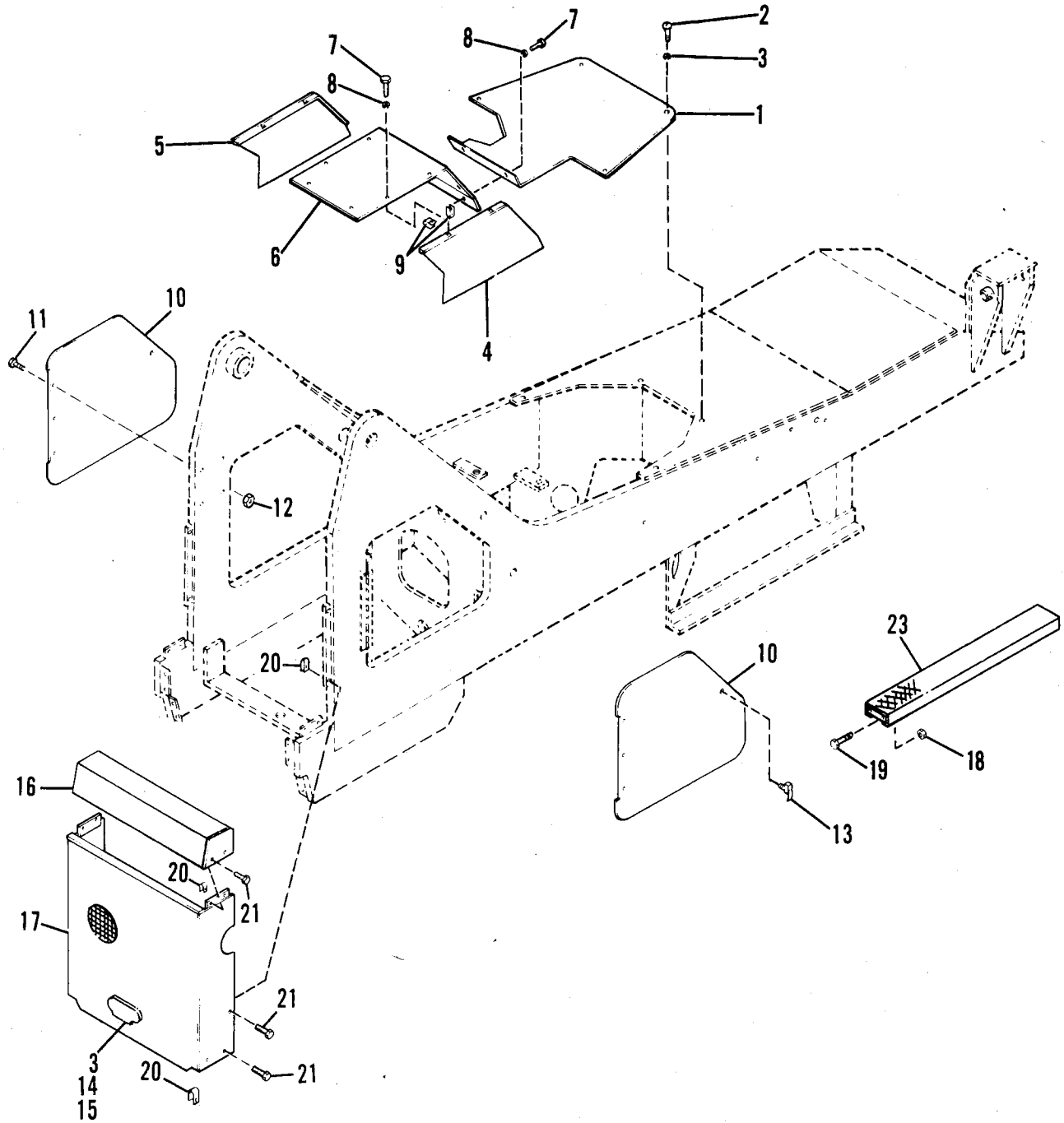
COVERS GROUP



COVERS GROUP

Index No.	Part Number	Description	Qty. Req'd.
1	7054102	COVER, Transmission	1
2		SCREW, Rd. Hd. Mach., ¼ - 20 x ¾	4
3		WASHER, Lock, ¼	4
4	7067923	COVER, Valve, R.H.	1
5	7067913	COVER, Valve, L.H.	1
6	7067903	COVER, Valve, Top	1
7		SCREW, Hex Hd., 5/16 - 18 x ¾ GR. 5	10
8		WASHER, Lock, 5/16	10
9	8305907	RETAINER, 5/16 - 18	10
10	7054803	DOOR	2
11		SCREW, Rd. Hd. Mach., ¼ - 20 x ½ GR. 5	6
12		NUT, Lock, ¼ - 20	6
13	8342404	LATCH, Lift & Turn	2
14		SCREW, Rd. Hd. Mach., #10 x ½	2
15	7054772	DOOR	1
16	7054763	COVER, Top	1
17	7054723	COVER, Radiator	1
18		NUT, Hex ¾ - 16 N.C.	4
19		SCREW, Hex Hd., ¾ - 16 N.C. x 1 GR. 5	4
20	8305907	RETAINER, 5/16 - 18	14
21		SCREW, Hex Hd., 5/16 - 20 x ¾ GR. 5	14
22		NUT, Lock, #10	2
23	7061002	STEP	1

COVERS GROUP DEUTZ ENGINE

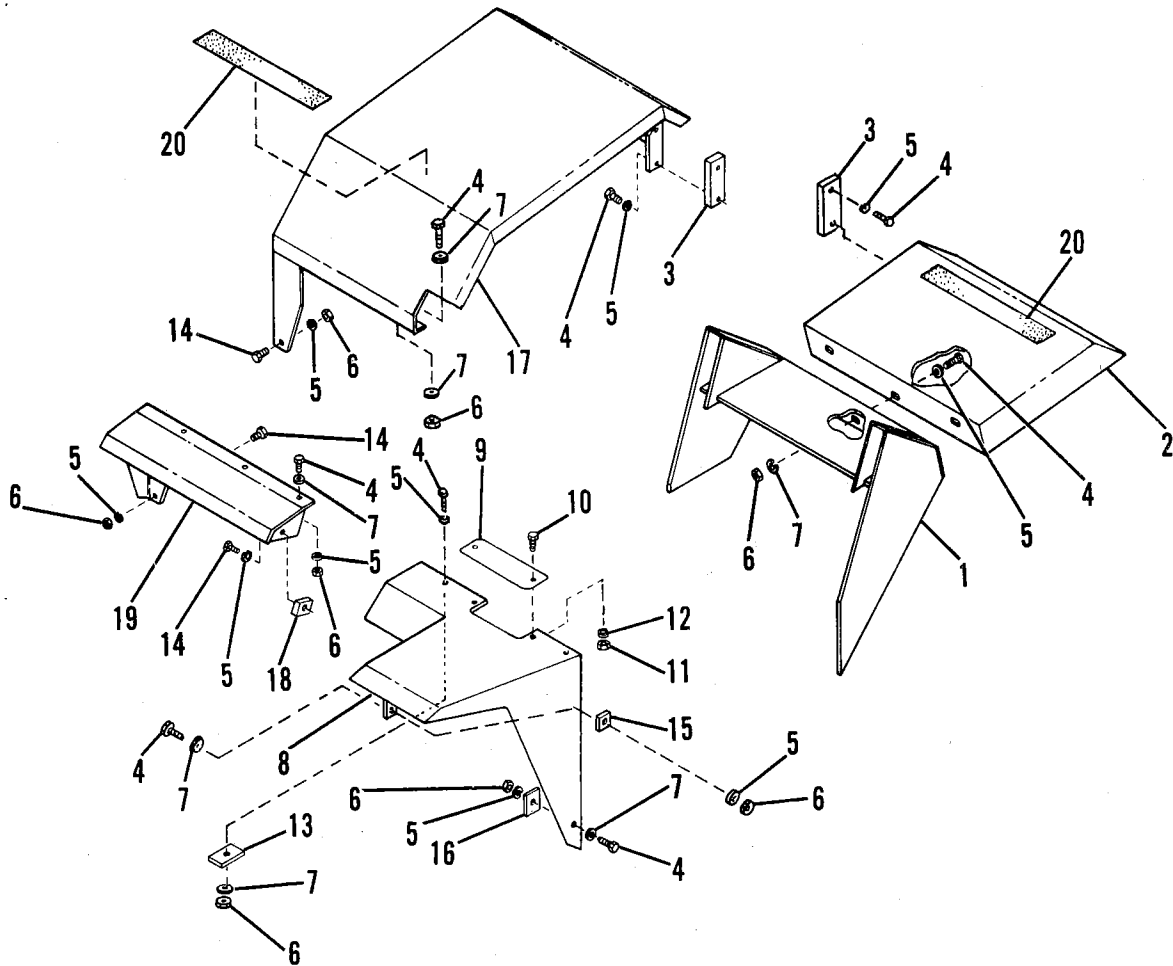


COVERS GROUP

DEUTZ ENGINE

Index No.	Part Number	Description	Qty. Req'd.
1	7054102	COVER, Transmission	1
2		SCREW, Rd. Hd. Mach., ¼ - 20 x ¾	4
3		WASHER, Lock, ¼	8
4	7067923	COVER, Valve, R.H.	1
5	7067913	COVER, Valve, L.H.	1
6	7067903	COVER, Valve, Top	1
7		SCREW, Hex Hd., 5/16 - 18 x ¾ GR. 5	10
8		WASHER, Lock, 5/16	10
9	8305907	RETAINER, 5/16 - 18	10
10	7054803	DOOR	2
11		SCREW, Rd. Hd. Mach., ¼ - 20 x ½ GR. 5	6
12		NUT, Lock, ¼ - 20	6
13	8342404	LATCH, Lift & Turn	2
14	7074991	COVER, Oil Fill	2
15	7054772	SCREW, Hex Hd., ¼ - 16 x 1	4
16	7075143	COVER, Top	1
17	7075023	COVER, Blower	1
18		NUT, Hex ¾ - 16 N.C.	4
19		SCREW, Hex Hd., ¾ - 16 N.C. x 1 GR. 5	4
20	8305907	RETAINER, 5/16 - 18	12
21		SCREW, Hex Hd., 5/16 - 18 x ¾ GR. 5	12
22	7061002	STEP	1

FENDERS (OPTIONAL)

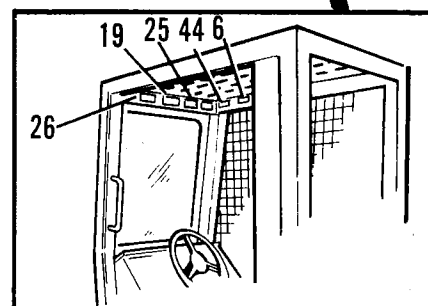
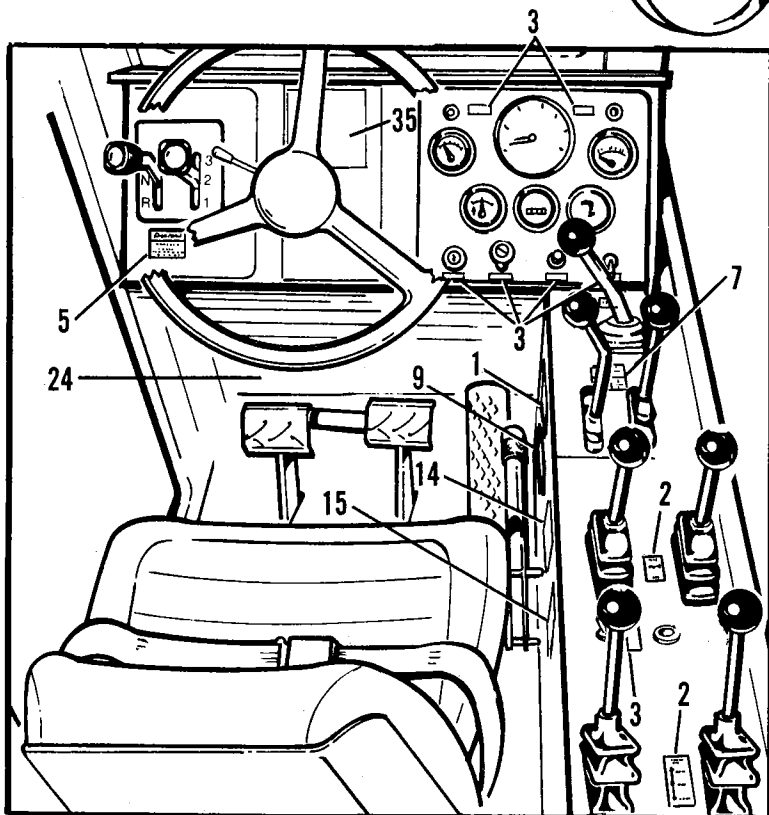
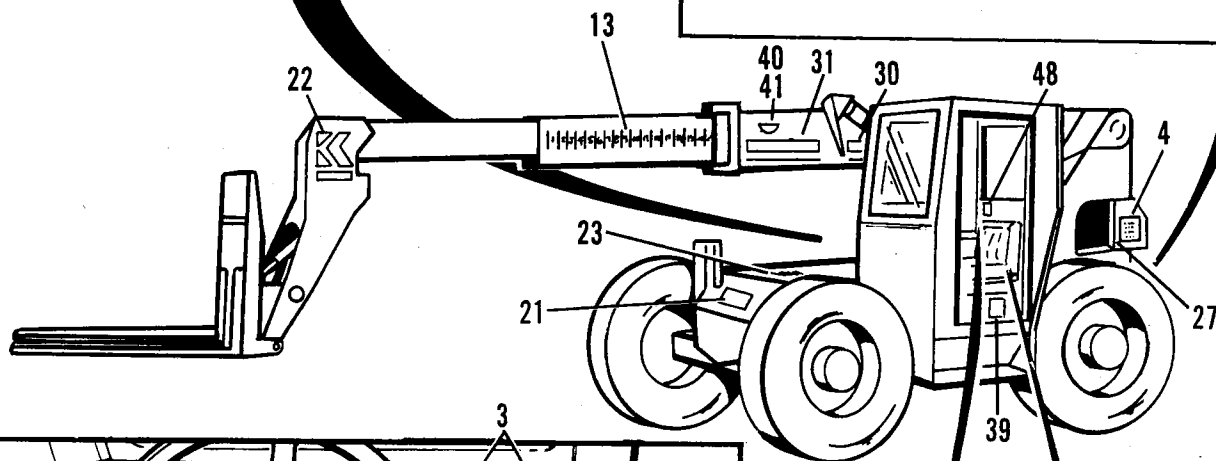
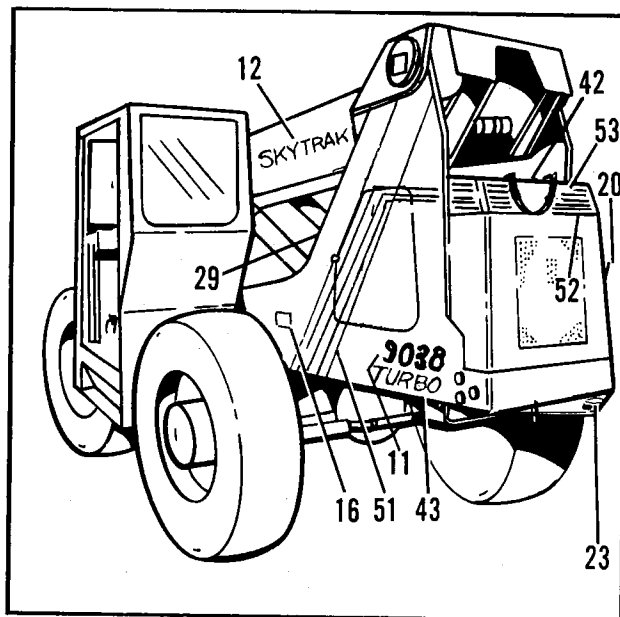
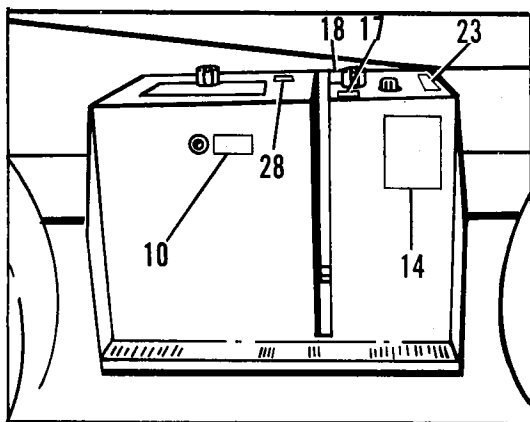


Item No.	Part Number	Description	Qty. Req'd.
1	7067593	BRACKET	1
2	7067654	FENDER, Left Rear	1
3	7067612	FLAT	2
4		SCREW, Hex Hd., ½-13 x 1¼ GR. 5	16
5		WASHER, Lock, ½	20
6		NUT, Hex, ½-13	15
7		WASHER, Flat, ½	16
8	7067863	FENDER, Left Front	1
9	7067781	SHEET	1
10		SCREW, Hex Hd., ¾-13 x 1 GR. 5	2
11		NUT, Hex, ¾-13	2
12		WASHER, Lock, ¾	2
13	7067801	FLAT	2
14		SCREW, Hex Hd., ½-13 x 1	3
15	7067791	FLAT	1
16	7067811	FLAT	1
17	7067715	FENDER, Right Rear	1
18	7067701	FLAT	1
19	7067664	FENDER, Right Front	1
20	7010491	WALK, Safety	12

DECAL, PAINT & MISCELLANEOUS

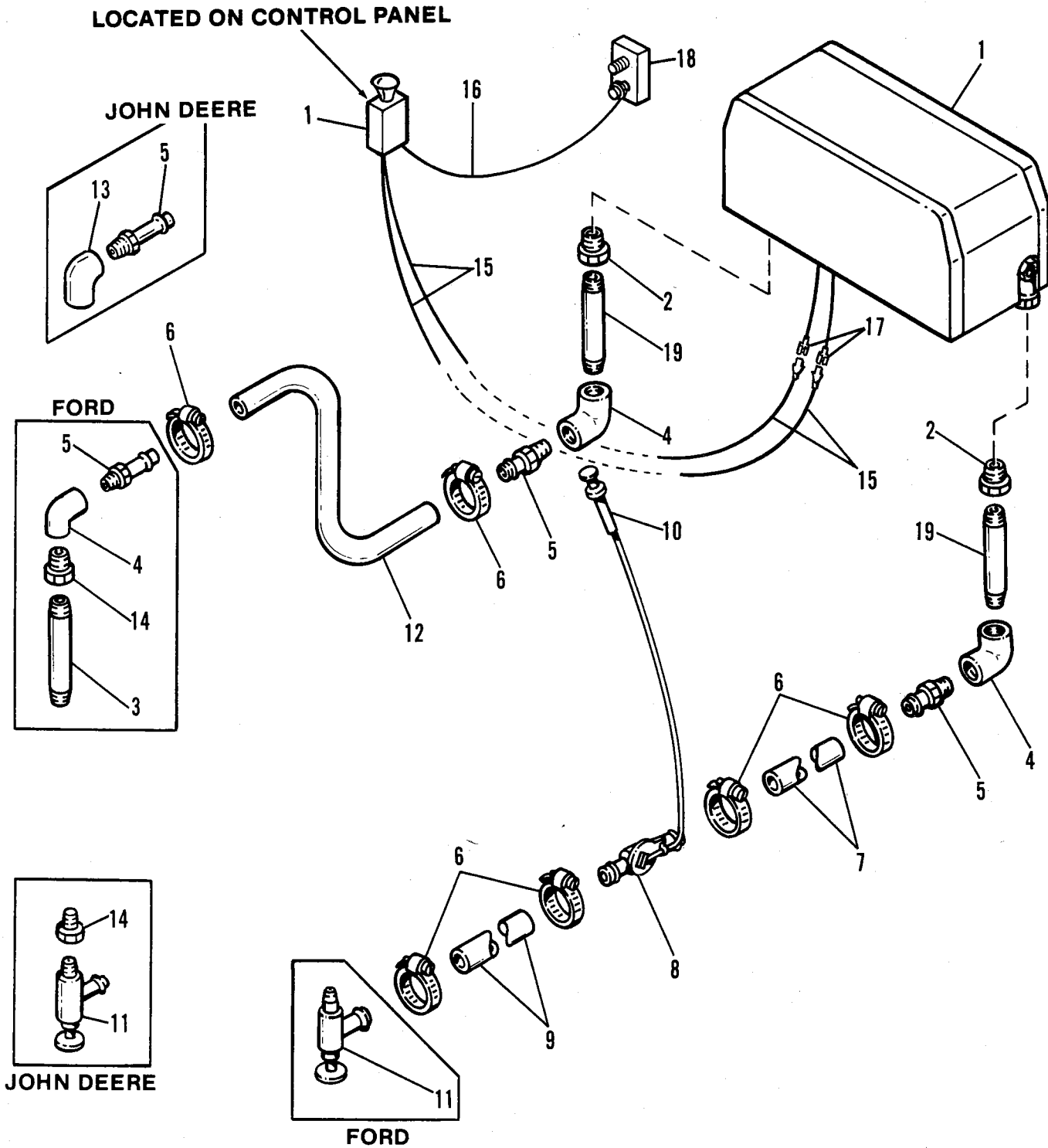
Index No.	Part Number	Description	Qty. Req'd.
	7069971	DECAL KIT, 9038(includes items 1 thru 33)	1
1	4104311	DECAL, Load Elevation	1
2	4105161	DECAL, Frame Tilt, Steering Modes	1
3	4105082	DECAL, Name Tags	1
4	4105383	DECAL, Lubrication & Maintenance	1
5	4105501	DECAL, Warning "Neutral" Lift	1
6	4104101	DECAL, No Riders	1
7	4105071	DECAL, Control Lever	1
8	4104301	DECAL, Radiator Warning	1
9	4105061	DECAL, Parking Brake	1
10	4104291	DECAL, Oil Level	1
11	4105951	DECAL, 9038	2
12	4105841	DECAL, Skytrak	2
13	4105102	DECAL, Boom Extension Markers	1
14	8990048	DECAL, Hand Signal	2
15	4103992	DECAL, Electric Line Danger	1
16	4102962	DECAL, Pinch Points Warning	4
17	4105171	DECAL, Diesel Fuel	1
18	4101901	DECAL, Turn Off Engine	1
19	4101101	DECAL, Danger	1
20	4101911	DECAL, Let Muffler Cool	1
21	4104022	DECAL, Koehring	1
22	4105092	DECAL, Koehring 'K'	2
23	7010491	DECAL, Safety Walk (not shown)	18
24	4105141	DECAL, Circuit Breaker	1
25	4105281	DECAL, Read Operators Manual	1
26	4105291	DECAL, Warning Stay Inside	1
27	4105501	DECAL, Fan	2
28	4105392	DECAL, (Jump START)	1
29	4105302	DECAL, WARNING	1
30	4105342	DECAL, Boom Stripe Center	2
31	4103903	DECAL, Front Boom Stripe	2
32	4105601	DECAL, Joystick Hoist	1
33	4105611	DECAL, Joystick Reach	1
34	4100211	DECAL, Danger	1
35	4105323	PLATE, Capacity	1
36	8990086	MANUAL, Operators	1
37	8990087	MANUAL, Parts	1
38	8990088	MANUAL, Maintenance	1
39	4105531	CAB STANDARDS	1
40	4105262	BOOM ANGLE, Side	1
41	4105272	BOOM ANGLE, Edge	1
42	8582406-0090	MOULDING, Black	1
43	4105831	DECAL, Turbo	2
44	4103491	DECAL, Warning	1
45	4102321	CHAIN KEY	1
46	8528804	PAINT, Orange, 13 oz. Spray Can	A/R
47	8528015	PAINT, Black 13 oz. Spray Can	A/R
48	8277083	EXTINGUISHER, Fire	
49	8801205	WRENCH, Spindle Nut Spanner	
50	4105871	DECAL, Stripe - Right Side	1
51	4105881	DECAL, Stripe - Left Side	1
52	4105891	DECAL, Lower Rear Stripe	1
53	4105901	DECAL, Upper Rear Stripe	1
54	4105911	DECAL, Stripe Right Side	1
55	4105922	DECAL, Stripe Left Side	1

DECAL, PAINT & MISCELLANEOUS



1.5

HEATER GROUP (OPTIONAL)

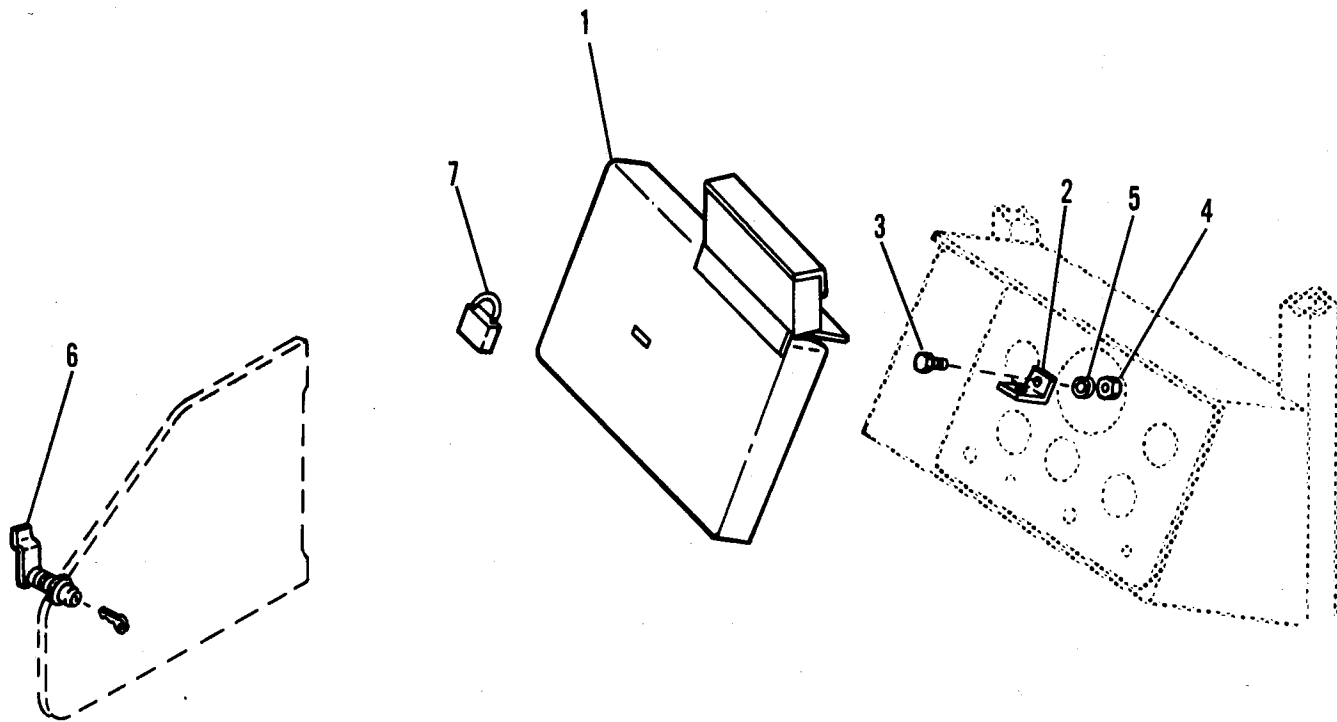


HEATER GROUP (OPTIONAL)

FORD
&
FORD JOHN
TURBO DEERE

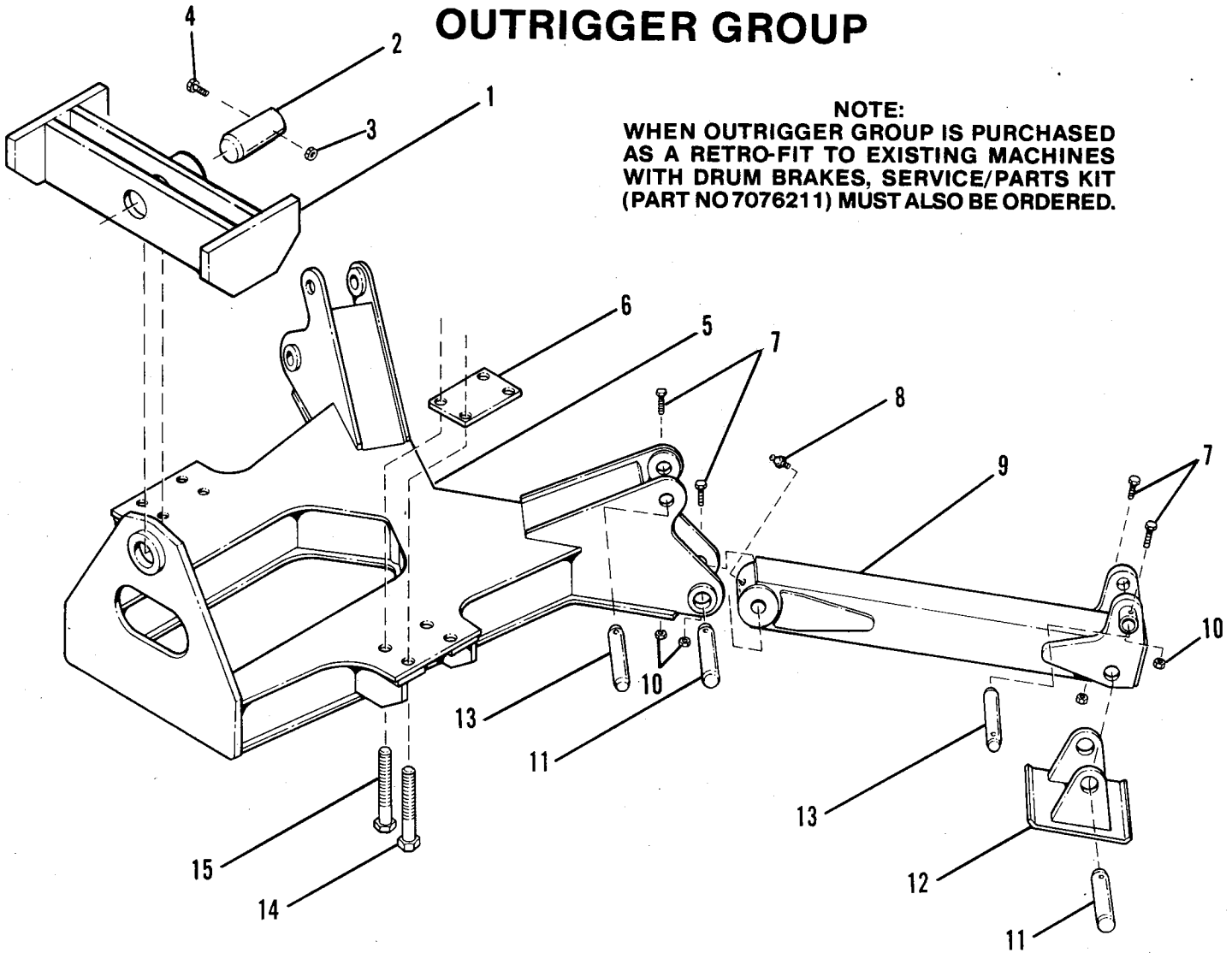
Index No.	Part Number	Description	Qty. Req'd.	Qty. Req'd.
1	8360002	HEATER ASSEMBLY	1	1
2	8540031	REDUCER, ¼ x ½	2	2
3	8551204	NIPPLE, ¾ x 2	1	2
4	8540263	ELBOW, ½	3	2
5	8420201	CONNECTOR, Hose	3	3
6	8405007	CLAMP, Hose	6	6
7	8401012-0035	HOSE, Heater, ¾ I.D.	1	1
8	8360003	CONTROL, Heat	1	1
9	8401012-1200	HOSE, Heater, ¾ I.D.	1	1
10	8360004	CABLE, Heat Control	1	1
11	8360005	VALVE, Shut-off	1	1
12	8401012-1340	HOSE, Heater, ¾ I.D.	1	1
13	8541213	ELBOW, 90°, ½ M x ½ F	—	1
14	8540023	REDUCER, ½ x ¾	1	1
15	7066561	WIRE ASSEMBLY	2	2
16	7066571	WIRE ASSEMBLY	1	1
17	8220050	COUPLER	2	2
18	8229216	BREAKER, Circuit	1	1
19	8551305	NIPPLE, ½ x 2	2	2

VANDALISM PREVENTION KIT (OPTIONAL)



Index No.	Part Number	Description	Qty. Req'd.
1	7070962	COVER, Instrument	1
2	7070981	STRIP, Locking	1
3		SCREW, Hex Hd., ¼-20 x ¾	1
4		NUT, Hex, ¼-20	1
5		WASHER, Lock, ¼	1
6	8342805	LOCK, Disc Tumbler	1
7	8342801	PADLOCK (1-Dashboard, 1-Fuel Tank, 1-Tool Box, 1-Hydraulic Tank)	4

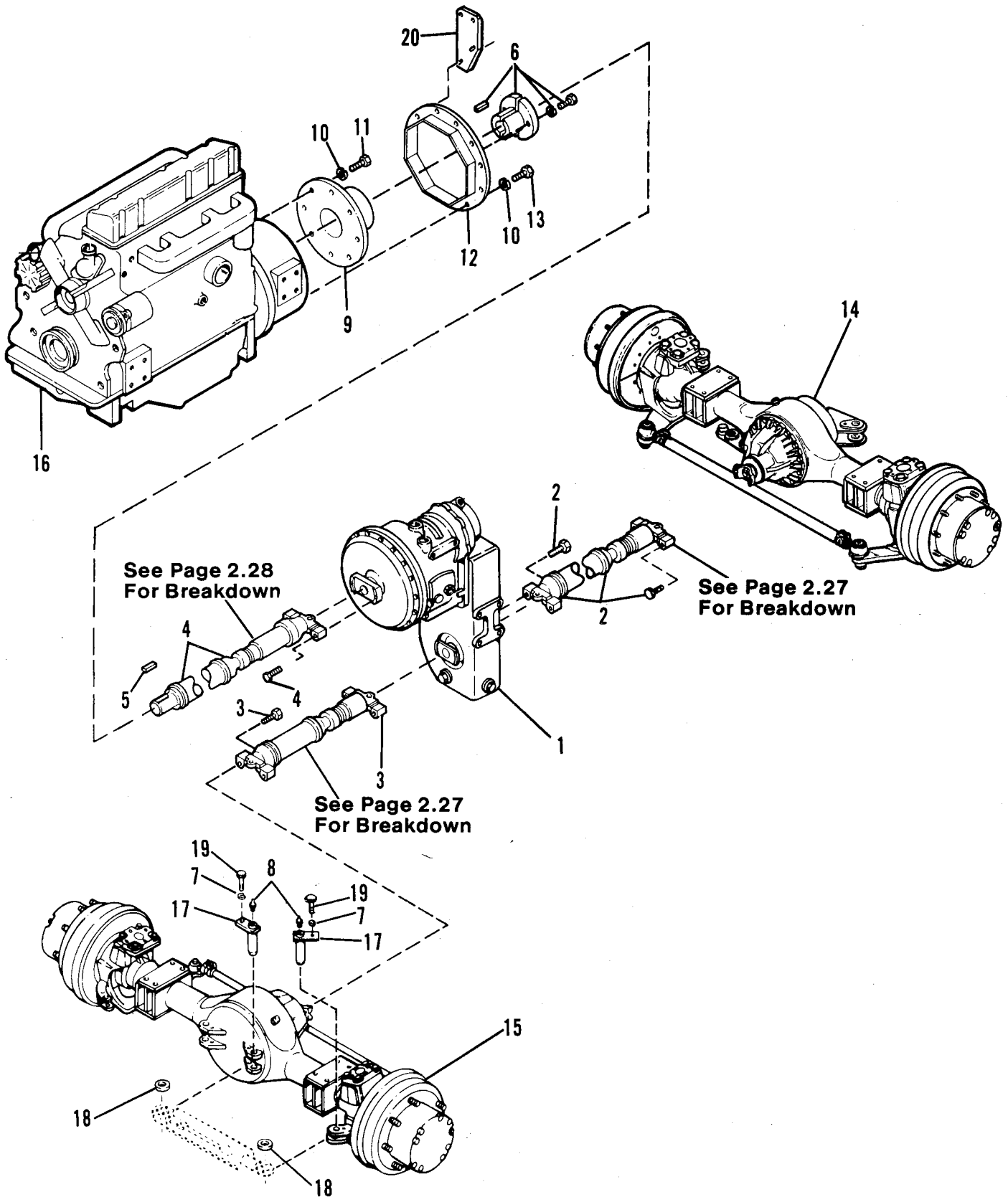
OUTRIGGER GROUP



NOTE:
 WHEN OUTRIGGER GROUP IS PURCHASED
 AS A RETRO-FIT TO EXISTING MACHINES
 WITH DRUM BRAKES, SERVICE/PARTS KIT
 (PART NO 7076211) MUST ALSO BE ORDERED.

Index No.	Part Number	Description	Qty. Req'd.
1	7071443	BRACKET, Outrigger Mount	1
2	7075751	PIN, Mount	1
3		NUT, Lock, 5/8	1
4		SCREW, Hex Hd., 5/8 NC x 4 1/2	1
5	7071675	FRAME, Outrigger	1
6	7067191	SPACER, Axle	2
7		SCREW, Hex Hd., 1/2 - 13 x 3 1/2	8
8		FITTING, Grease, 1/8 NPT	2
9	7071463	LEG ASSEMBLY	2
10		NUT, Lock, 1/2 - 13	8
11	7071711	PIN, Pivot	4
12	7071692	PAD ASSEMBLY	2
13	7071701	PIN, Pivot	4
14		SCREW, Hex Hd., 7/8 - 9 x 10 1/2 Gr. 5	2
15		SCREW, Hex Hd., 7/8 - 9 x 11 1/2 Gr. 5	6

DRIVELINE GROUP

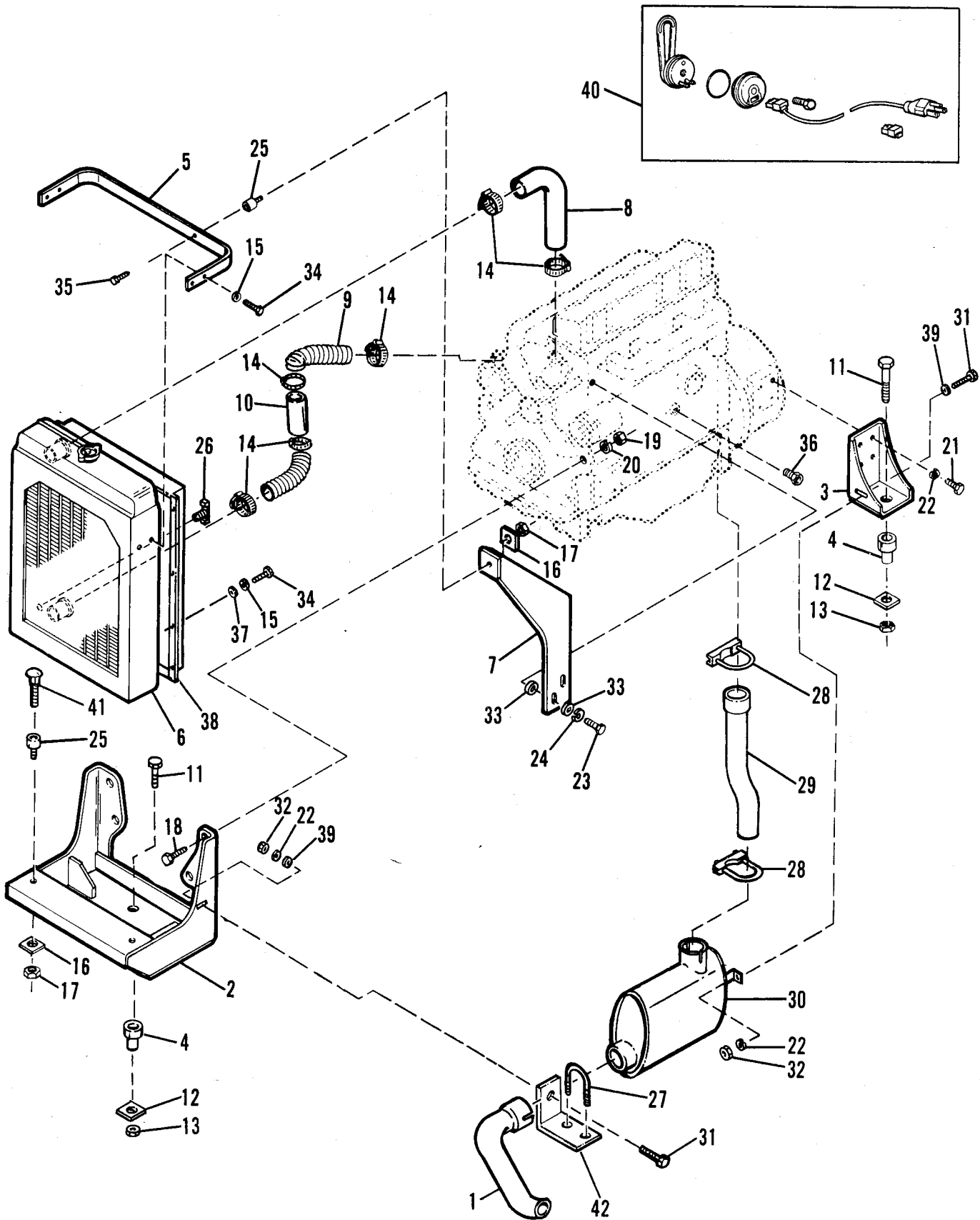


DRIVELINE GROUP

Index No.	Part Number	Description	Qty. Req'd.
1	8841005	TRANSMISSION, 3 Speed	1
2	7068812	SHAFT, Drive Front	1
3	7068822	SHAFT, Drive Rear	1
4	7068832	SHAFT, Drive Transmission	1
4	7074692	SHAFT, Drive Transmission	1
5	7730050-0020	KEY, $\frac{3}{8}$ x $\frac{3}{8}$ x 2" LG.	1
6	8140309	BUSHING, Split Taper	1
7		WASHER, Lock, $\frac{1}{2}$	8
8		FITTING, Grease	8
9	8140012	COUPLING, 10 IN.	1
10		WASHER, Lock, $\frac{3}{8}$	20
11		SCREW, Hex Hd., $\frac{3}{8}$ - 16 x $\frac{3}{4}$ GR.5	8
12	7054632	COVER, Flywheel Ford	1
12	7071232	COVER, Flywheel John Deere	1
12	7054642	COVER, Flywheel (Deutz)	1
13		SCREW, Hex Hd., $\frac{3}{8}$ - 16 x $\frac{3}{4}$ GR.5	12
14	8040214	AXLE ASSEMBLY, Front	1
14	8040217	AXLE ASSEMBLY, Front, w/Disc Brakes	1
15	8040215	AXLE ASSEMBLY, Rear	1
15	8040218	AXLE ASSEMBLY, Rear, w/Disc Brakes	1
16	8262111	ENGINE, Ford BSD-444	1
16	8262112	ENGINE, Ford Turbo Diesel	1
16	8262116	ENGINE, John Deere 4239T	1
16		ENGINE, Deutz	1
17	7060381	PIN, Steering Cylinder	8
18	7060411	SPACER, Steering Cylinder	8
19		SCREW, Hex Hd., $\frac{1}{2}$ - 20 x 1 GR.5	8
20	7069202	MOUNT, Relay	1

2

ENGINE & RADIATOR GROUP (FORD)

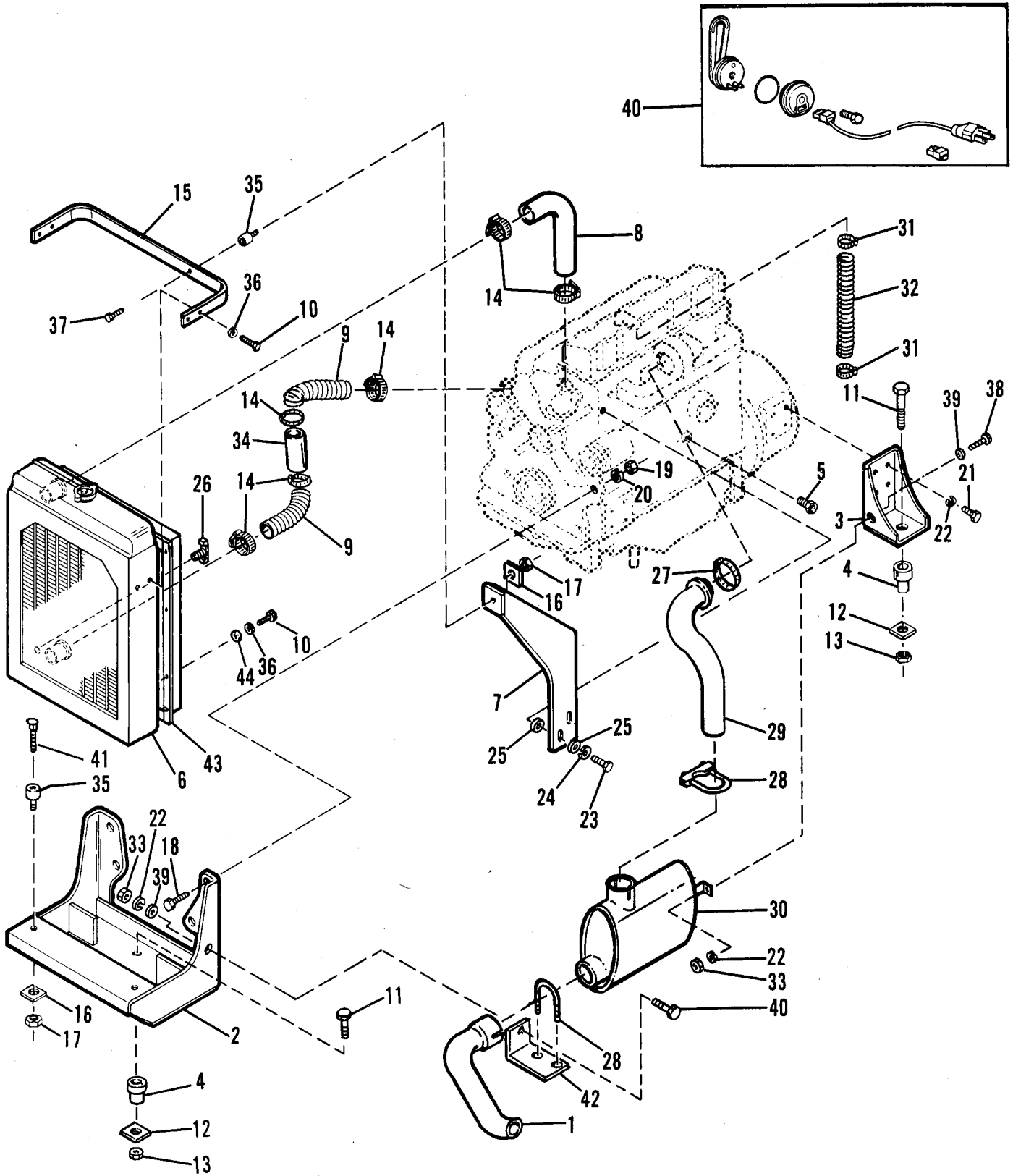


ENGINE & RADIATOR GROUP (FORD)

Index No.	Part Number	Description	Qty. Req'd.
1	7059852	PIPE, Tail	1
2	7054263	BRACKET, Engine & Rad. Mount	1
3	7054212	BRACKET, Engine Mount Rear	2
4	8278007	MOUNT, Rubber	3
5	7058602	BRACKET, Radiator Mount	1
6	7068264	RADIATOR, Diesel Engine	1
7	7067522	BRACKET, Top Rad. Support	1
8	8402013	HOSE, Radiator, 15½ IN.	1
9	7069041	HOSE, Radiator Lower	1
10	7776057-0120	TUBE, 1¾" O.D. x 12" Long	1
11		SCREW, Hex. Hd., ¾ - 10 - 2¾	3
12	7054351	WASHER, Rebound	3
13		NUT, Hex Lock, ¾ - 10	3
14	8405104	CLAMP, Hose 2¼" Max.	14
15		WASHER, Lock ¼	6
16	7057141	WASHER, Rebound	3
17		NUT, Hex Lock ¾ - 16	3
18		SCREW, Hex Hd., ¾ - 10 - 2¾, GR. 5	4
19		NUT, Hex ¾ - 10	4
20		WASHER, Lock ¾	4
21		SCREW, Hex Hd., ½ - 13 x 1, GR. 5	8
22		WASHER, Lock ½	10
23		SCREW, Hex Hd., ¾ - 16 x ¾ GR. 5	2
24		WASHER, Lock 5/16	2
25	8278008	MOUNT, Rubber	3
26	8904001	COCK, Drain, ¼NPT	1
27	8275209	CLAMP, Muffler 2" Dia.	1
28	8275212	CLAMP, Muffler 2½ Dia.	2
29	7059782	PIPE, Exhaust	1
30	7066862	MUFFLER	1
31		SCREW, ½ - 13 x 1½ H.H.C.	2
32		NUT, ½ - 13 Hex	2
33		WASHER, Flat 5/16	4
34		SCREW, Hex Hd., ¼ - 20 x ¾	12
35		SCREW, Hex Hd., ¾ - 16 x 2	1
36	8541030	REDUCER, ¼ NPT to ½ NPT	1
37		WASHER, ¼ Flat	8
38	7069703	SHROUD, Radiator - Ford BSD-444	1
39		WASHER, Flat ½	2
40	8277090	ENGINE, Coolant Heater Assembly (Optional)	
41		BOLT, ¾-16 x 2 Carriage Full Thread	2
42	7072542	BRACKET, Muffler	1

Revised 5/85
90992
91102
91111
91123
91195
91216

ENGINE & RADIATOR GROUP (FORD TURBO DIESEL)



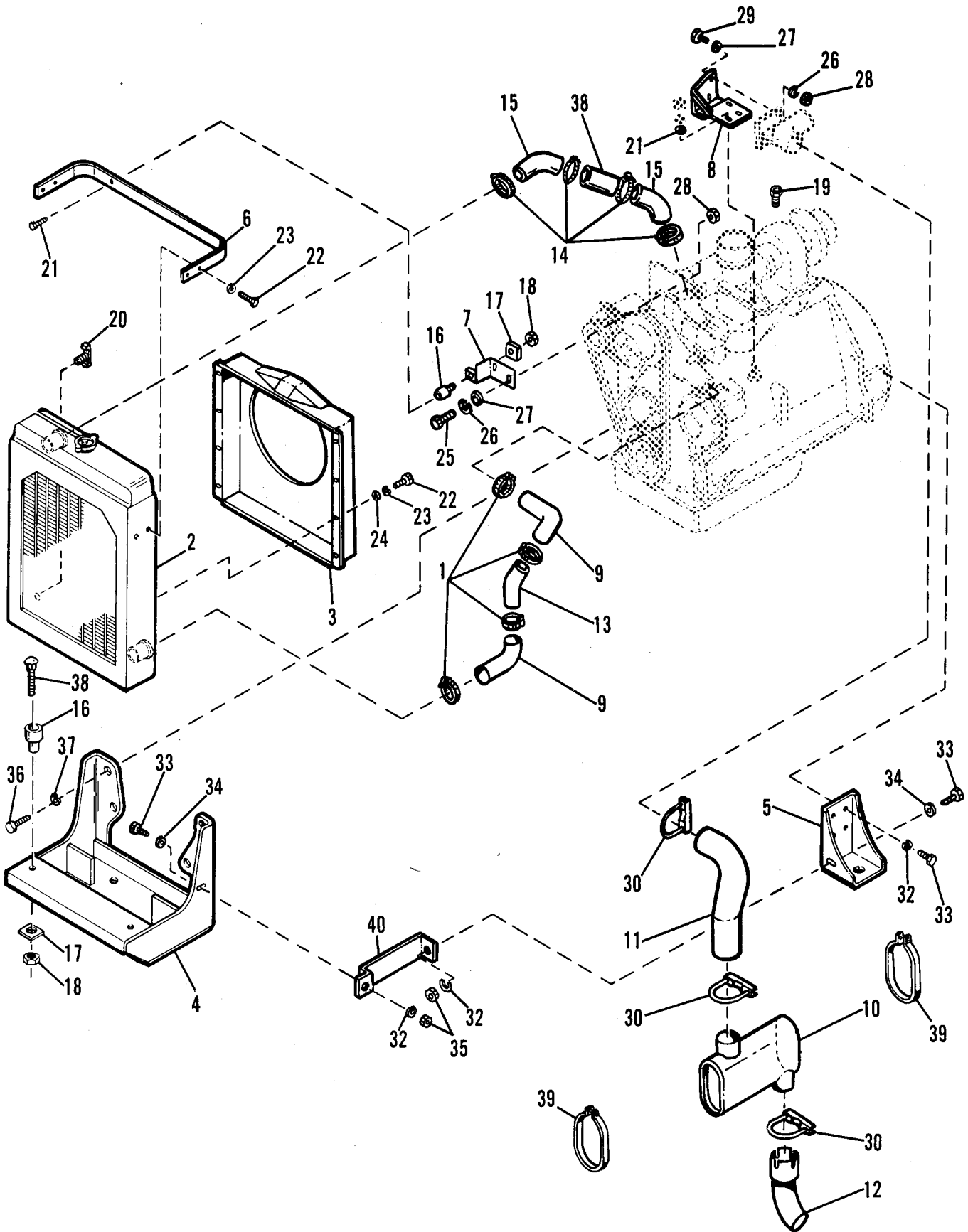
ENGINE & RADIATOR GROUP (FORD TURBO DIESEL)

Index No.	Part Number	Description	Qty. Req'd.
1	7059852	PIPE, Tail	1
2	7054263	BRACKET, Engine & Rad. Mount	1
3	7054212	BRACKET, Engine Mount Rear	2
4	8278007	MOUNT, Rubber	3
5	8541030	REDUCER, ¼ to ½	1
6	7068264	RADIATOR	1
7	7067522	BRACKET, Top Rad. Support	1
8	8402013	HOSE, Radiator, 15½ IN.	1
9	7069041	HOSE, Radiator	1
10		SCREW, Hex. Hd., ¼ - 20 x ⅝ GR. 5	12
11		SCREW, Hex. Hd., ¾ - 10 - 2¾ GR. 5	3
12	7054351	WASHER, Rebound	3
13		NUT, Hex Lock, ¾ - 10	3
14	8405104	CLAMP, Hose 2¼" Max.	6
15	7058602	BRACKET, Radiator Mount	1
16	7057141	WASHER, Rebound	3
17		NUT, Hex. ⅝ - 16	3
18		SCREW, Hex Hd., ¾ - 10 x 2¾ GR. 5	4
19		NUT, Hex ¾ - 10	4
20		WASHER, Lock ¾	4
21		SCREW, Hex Hd., ½ - 13 x 1 GR. 5	8
22		WASHER, Lock ½	10
23		SCREW, Hex Hd., ⅝ - 16 x ¾ GR. 5	2
24		WASHER, Lock 5/16	2
25		WASHER, Flat 5/16	4
26	8904001	COCK, Drain, ¼NPT	1
27	8275233	CLAMP, Muffler "V"	1
28	8275212	CLAMP, Muffler 2½ Dia.	2
29	7059842	PIPE, Exhaust	1
30	7066882	MUFFLER	1
31	8405101	CLAMP, Hose 1½	2
32	8403215-0180	HOSE	1
33		NUT, Hex, ½ - 13	2
34	7776057-0120	TUBE, 1¾ x 12 lg.	1
35	8278008	MOUNT, Rubber	3
36		WASHER, Lock ¼	12
37		SCREW, Hex Hd., ⅝ - 16 x 2	1
38		SCREW, Hex Hd., ½ - 13 x 1½	2
39		WASHER, Flat ½	2
40	8277090	ENGINE, Coolant Heater Assembly (Optional)	1
41		BOLT, ⅝ - 16 x 2 Carriage Full Thread	2
42	7072542	BRACKET, Muffler	1
43	7075703	SHROUD, Radiator	1
44		WASHER, ¼, Flat	8

Revised 11/85

91111
91123
91195
91216
91318

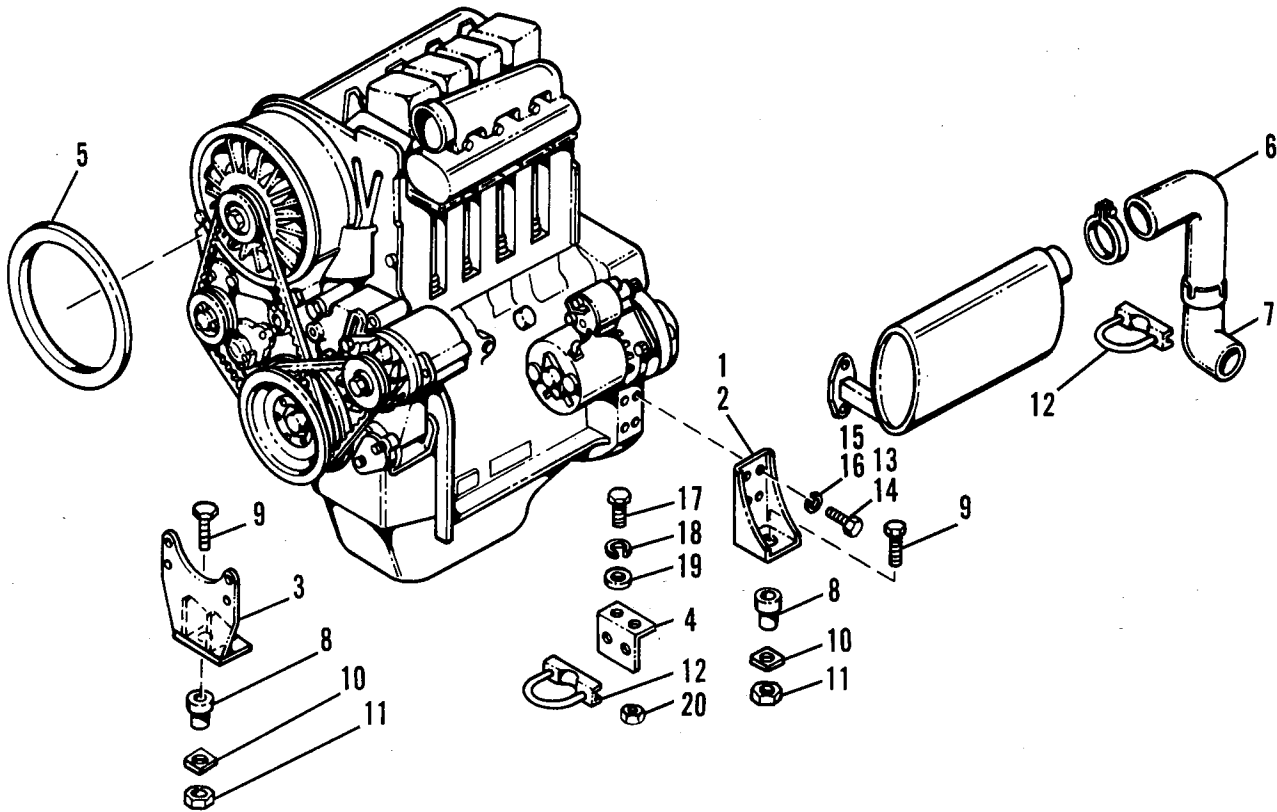
ENGINE & RADIATOR GROUP (JOHN DEERE)



ENGINE & RADIATOR GROUP (JOHN DEERE)

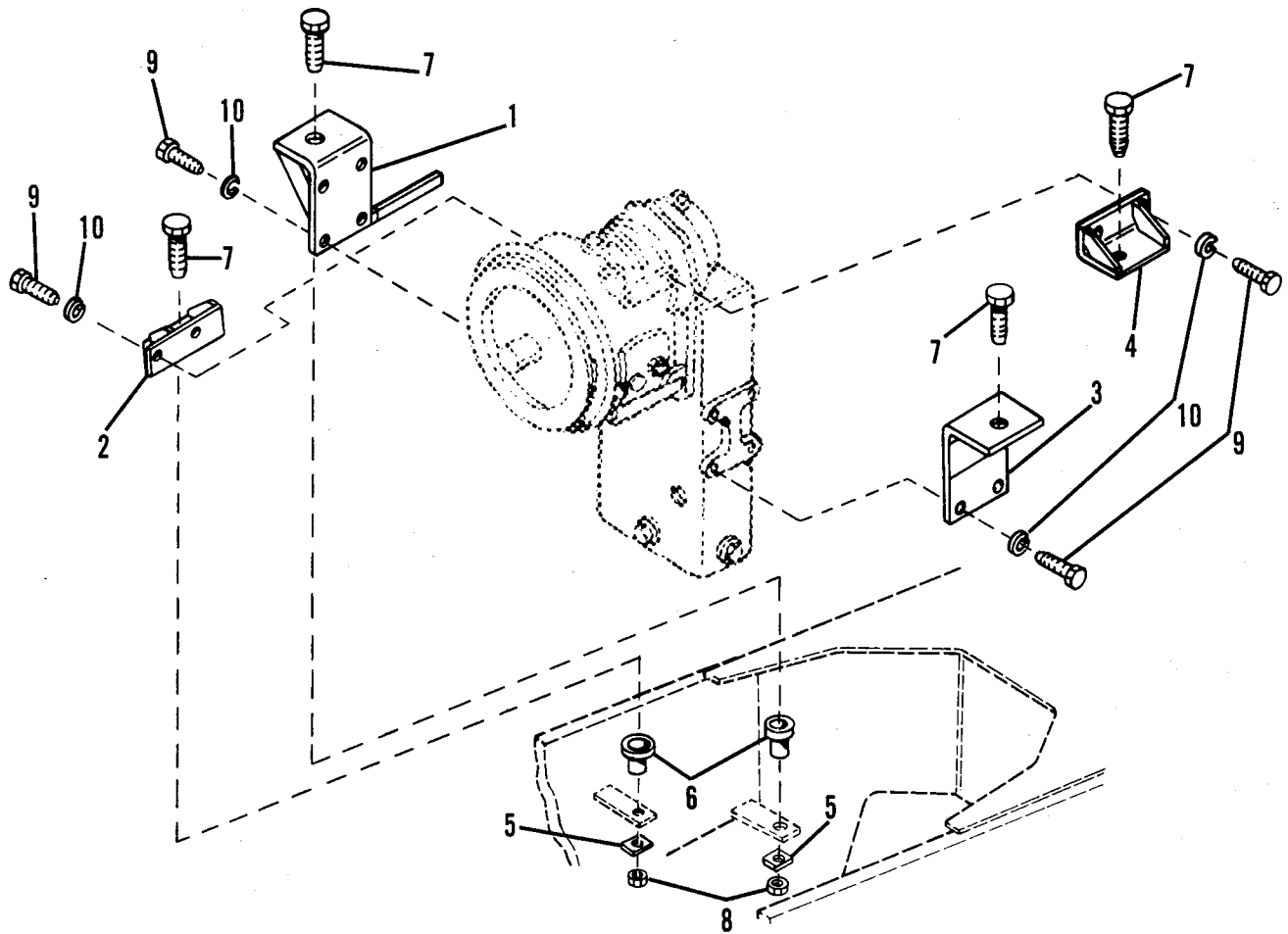
Index No.	Part Number	Description	Qty. Req'd.
1	8405203	CLAMP, Hose	4
2	7070614	RADIATOR, Diesel Engine	1
3	7070703	SHROUD, Radiator	1
4	7070493	BRACKET, Engine & Radiator Mount	1
5	7071202	BRACKET, Engine Mount Rear	2
6	7070572	BRACKET, Radiator Mount	1
7	7070552	BRACKET, Radiator Support	1
8	7070832	BRACKET, Exhaust Mount	1
9	7071332	ELBOW, Hose, 90°	2
10	7070383	MUFFLER	1
11	7070392	PIPE, Exhaust	1
12	7070402	PIPE, Tail	1
13	7071312	TUBE, Water	1
14	8405201	CLAMP, Hose 2½" Max.	2
15	7071622	HOSE, Radiator 2 in. I.D.	1
16	8278008	MOUNT, Rubber	3
17	7057141	WASHER, Rebound	3
18		NUT, Hex, ¾-16	3
19	8541067	REDUCER, ½ x ¾	1
20	8904001	DRAINCOCK, ¼	1
21		SCREW, Hex Hd., ¾-16 UNC x 2"	1
22		SCREW, Hex Hd., ¼-20 UNC x ¾"	12
23		WASHER, Lock, ¼	12
24		WASHER, Flat, ¼	5
25		SCREW, Hex Hd., ¾-16 x 1½	2
26		WASHER, Lock, ¾	5
27		WASHER, Flat, ¾	8
28		NUT, Hex, ¾	5
29		SCREW, Hex Hd., ¾-16 x 1¼	3
30	8275213	CLAMP, Muffler, 4" Dia.	3
31		SCREW, Hex Hd., ½-13 x 1¼	8
32		WASHER, Lock, ½	10
33		SCREW, Hex Hd., ½-13 x 1½	2
34		WASHER, Flat, ½	2
35		NUT, Hex, ½-13 UNC	2
36		SCREW, Hex Hd., ¾-11 UNC x 1¼	4
37		WASHER, Lock, ¾	4
38		BOLT, ¾-16 x 2 Carriage Full Thread	2

ENGINE GROUP DEUTZ



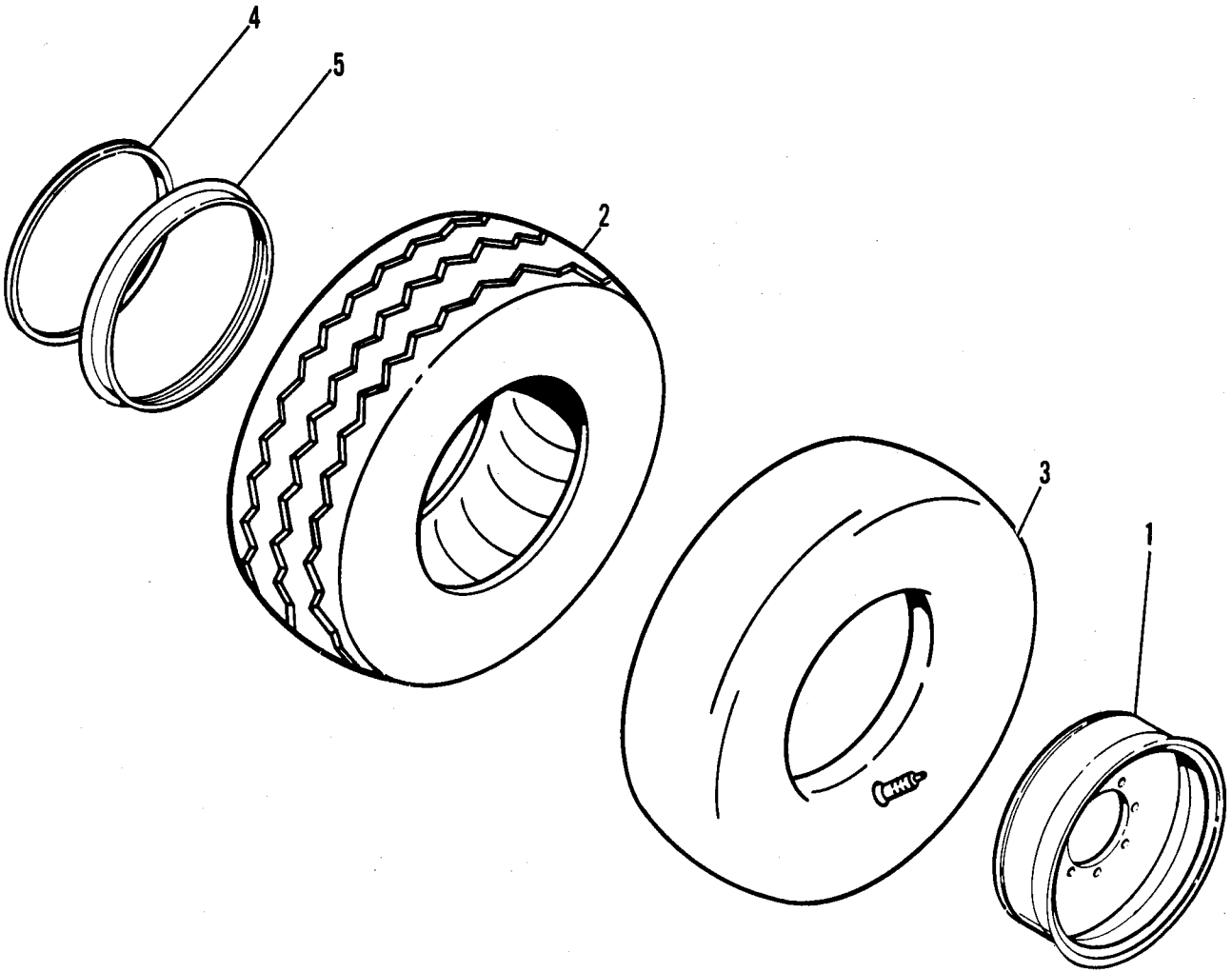
Index No.	Part Number	Description	Qty. Req'd.
1	7074762	BRACKET,Rear Eng. Mt. L.H.	1
2	7074774	BRACKET, Rear Eng. Mt. L.H.	1
3	7074923	BRACKET, Eng. Mount Frt.	1
4	7075031	BRACKET, Muffler Clamp	1
5	7075211	SEAL, Blower	1
6	7074712	PIPE, Exhaust	1
7	7074702	PIPE, Tail	1
8	8278007	MOUNT, Rubber	3
9		SCREW, H.H. 3/4 - 10 NC x 2 1/2	3
10	7054351	WASHER, Rebound	3
11		NUT, Hex Lock 3/4 - 10 NC	3
12	8275209	CLAMP, Muffler 2" Dia.	2
13	8303519	SCREW, Cap H.H. M12 x 1.75 x 35 mm	4
14	8303618	SCREW, Cap H.H. M12 x 1.75 x 35 mm	4
15	8307007	WASHER, Lock M12	8
16		WASHER, Flat 1/2 JAE	8
17	8303670	SCREW, Cap H.H. 5/16 NC x 1	2
18	8307203	WASHER, Flat	4
19	8307004	WASHER, Lock 5/16	2
20	8305006	NUT, Hex 5/16 NC	2

TRANSMISSION MOUNTING GROUP



Index No.	Part Number	Description	Qty. Req'd.
1	7068402	BRACKET, Transmission Left Front	1
2	7068492	BRACKET, Transmission Left Rear	1
3	7068412	BRACKET, Transmission Right Front	1
4	7068462	BRACKET, Transmission Right Rear	1
5	7054351	WASHER, Rebound	4
6	8278007	MOUNT, Rubber	4
7		SCREW, Hex Hd., $\frac{3}{4}$ - 10 x 2 $\frac{1}{2}$ GR. 5	4
8		NUT, Lock $\frac{3}{4}$ - 10	4
9		SCREW, Hex Hd., $\frac{5}{8}$ - 11 x 1 GR. 5	12
10		WASHER, Lock $\frac{5}{8}$	12

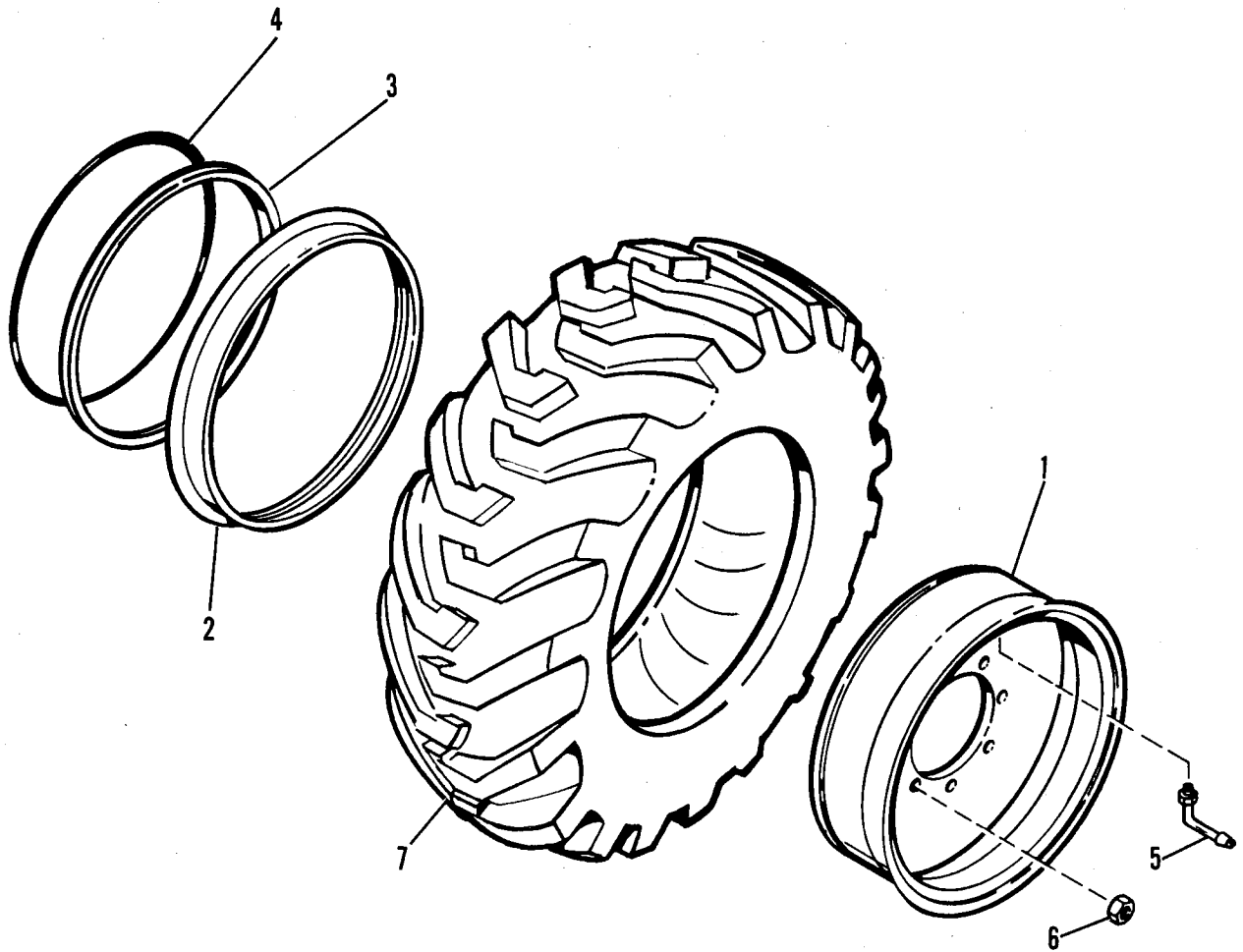
WHEELS & TIRES OPTIONAL



Index No.	Part Number	Description	Qty. Req'd.
1	7069333	WHEEL, Assembly Incl 4 & 5	4
2	8780257	TIRE, Rib Sand	4
3	8782038	TUBE	4
4	8786341	LOCKING, Ring	4
5	8786340	FLANGE	4

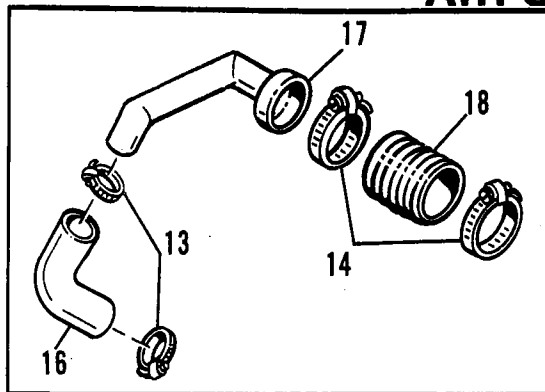
Revised 2/85
91128A

WHEELS & TIRES

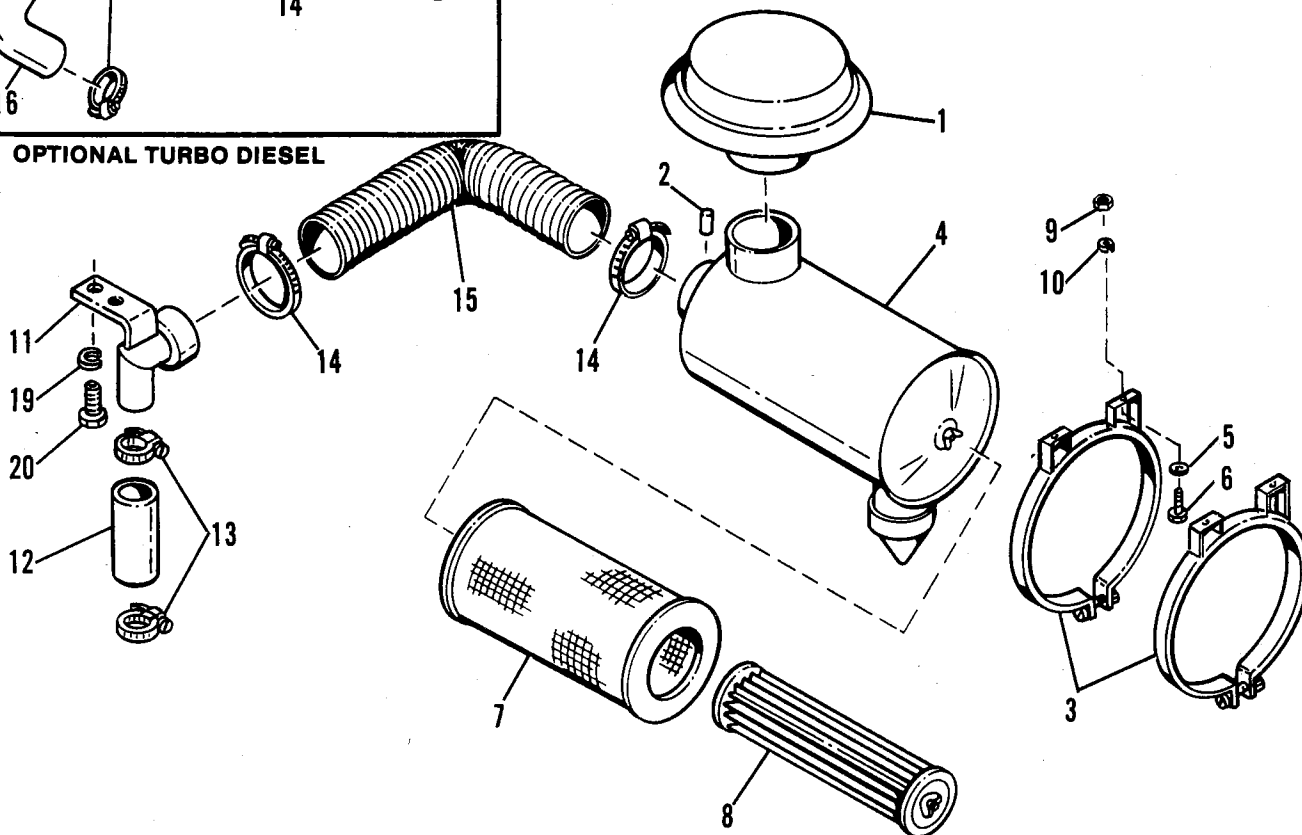


Index No.	Part Number	Description	Qty. Req'd.
1	7049783	WHEEL ASSEMBLY INCL. 2, 3 & 4	4
2	8786543	FLANGE	1
3	8786544	RING, Locking	1
4	8786545	O-RING	1
5	8786512	STEM, Valve	1
6	S75500774	NUT, Lug	10
7	8780254	TIRE, 14.00 - 24, 10 PLY	4

AIR CLEANER GROUP (FORD)

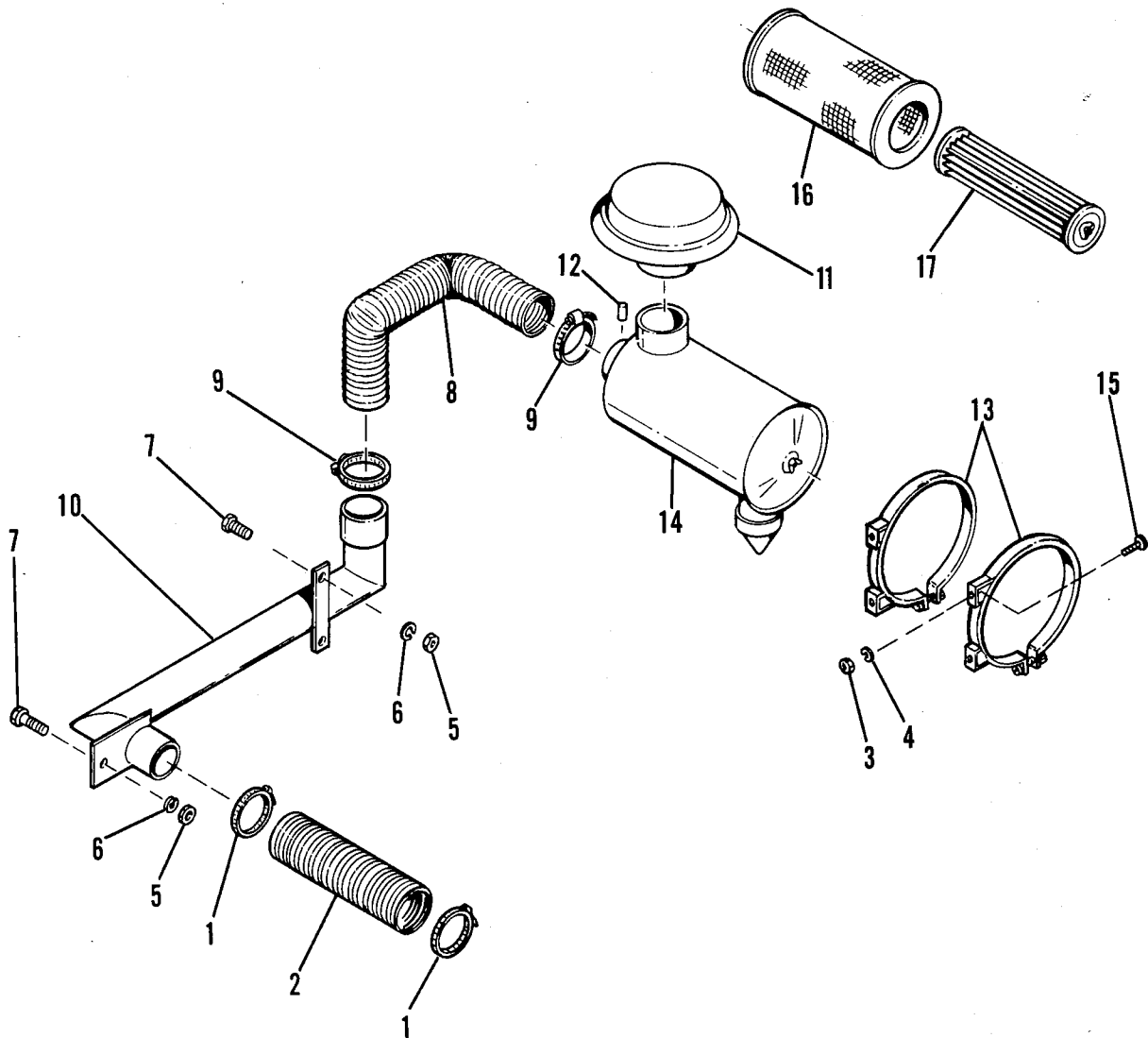


OPTIONAL TURBO DIESEL



Index No.	Part Number	Description	Qty. Req'd.
1	7054371	CAP, Air Inlet	1
2	8273241	INDICATOR, Air Intake, 25"	1
3	8273240	BAND, 8"	2
4	7054362	AIR CLEANER, Modified	1
5		WASHER, Flat, 5/16	4
6		SCREW, Hex Head, 5/16 - 18 x 3/4 GR.5	4
7	8273237	ELEMENT, Primary	1
8	8273238	ELEMENT, Safety	1
9		NUT, Hex, 5/16 - 18	4
10		WASHER, Lock, 5/16	4
11	7059912	ELBOW, Air Inlet	1
12	8273101-0095	HOSE, Air Intake	1
13	8405202	CLAMP, Hose, 2 3/4	2
14	8405301	CLAMP, Hose, 4"	2
15	8273111-0180	HOSE, Air	1
16	8273113	ELBOW, Air Intake	1
17	7069182	ADAPTER, Air Intake Tube	1
18	8273111-0035	HOSE, Air	1
19		WASHER, Lock, 3/8	2
20		SCREW, Hex Hd., 3/8 - 16 x 1 GR.5	2

AIR CLEANER GROUP (JOHN DEERE)

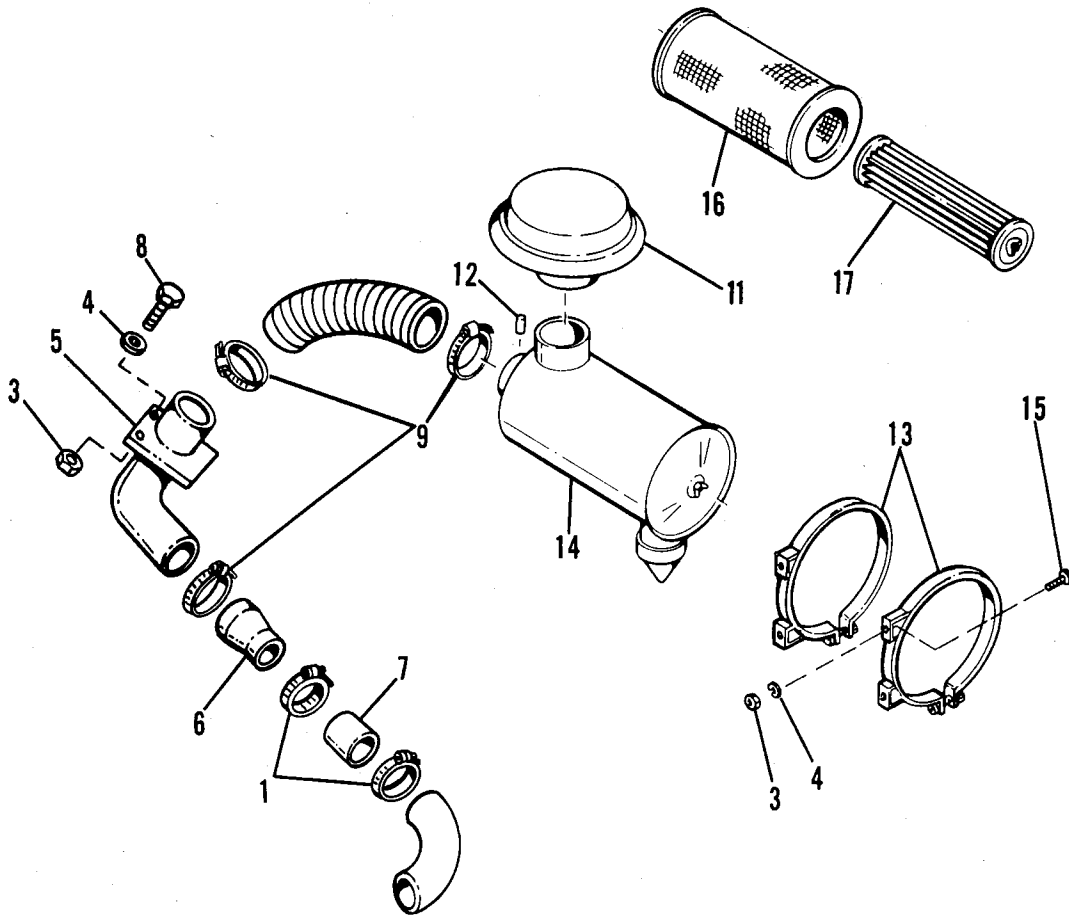


Index No.	Part Number	Description	Qty. Req'd.
1	8405204	CLAMP, Hose, 3¼" Max.	2
2	8273114-0155	HOSE, Air, 3" I.D. x 15½"	1
3		NUT, Hex, 5/16-18 UNC	4
4		WASHER, Lock, 5/16	4
5		NUT, Hex, ¾-16 UNC	3
6		WASHER, Lock, ¾	3
7		SCREW, Hex Hd., ¾-16 x 2	3
8	8273111-0200	HOSE, Air, 3½" I.D. x 20"	1
9	8405301	CLAMP, Hose, 4" Max.	2
10	7070883	ADAPTER, Air Intake	1
11	7054371	CAP, Air Inlet	1
12	8273241	INDICATOR, Air Intake, 25"	1
13	8273240	BAND, 8"	2
14	7054362	AIR CLEANER, Modified	1
15	8303697	SCREW, Hex Hd., 5/16-18 x ¾	4
	8273237	ELEMENT, Primary	1
	8273238	ELEMENT, Safety	1

2.5.1

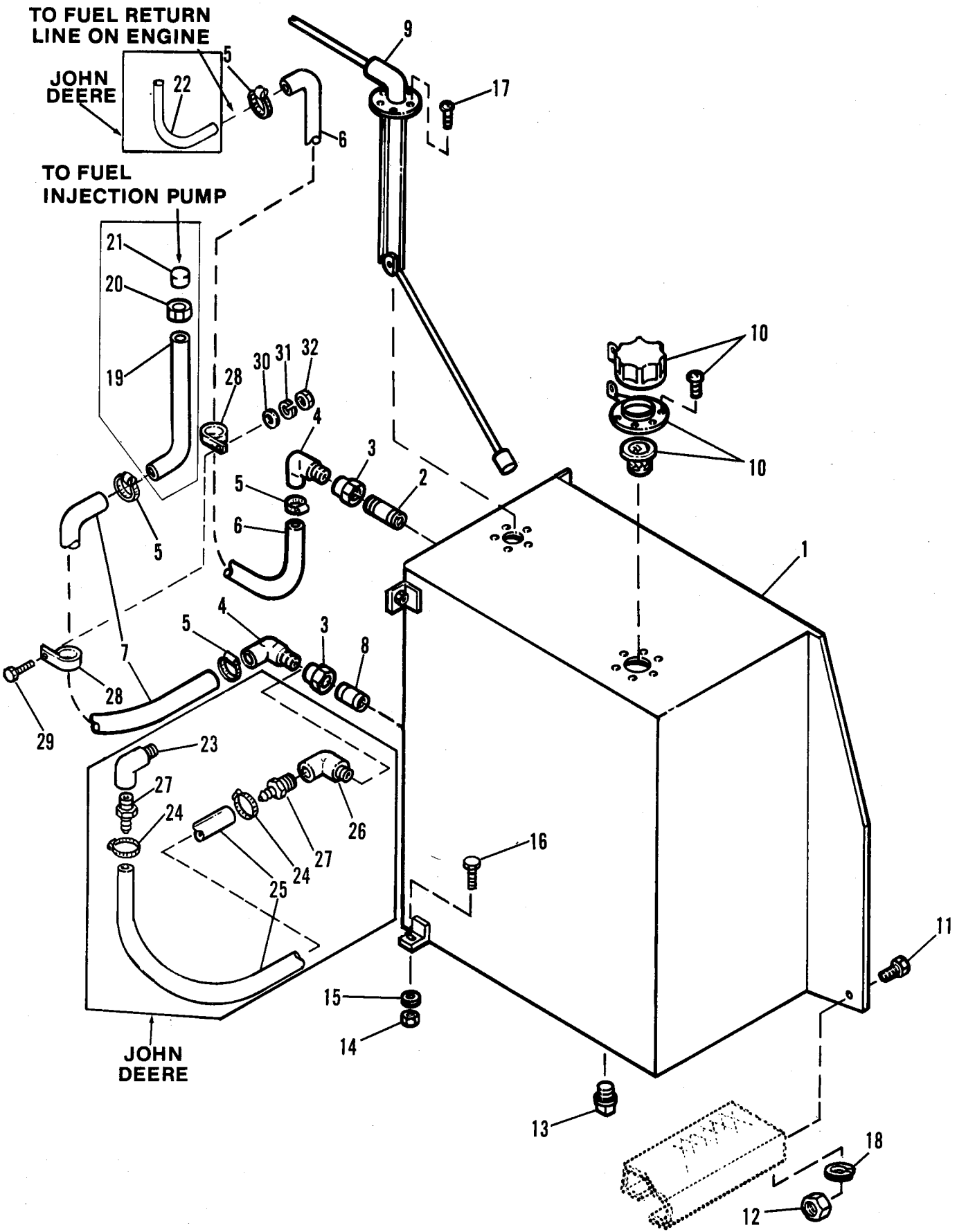
Revised 6/85
91233

AIR CLEANER GROUP DEUTZ ENGINE



Index No.	Part Number	Description	Qty. Req'd.
1	8405204	CLAMP, Hose, 3/4" Max.	3
2	8273115	ELBOW 90°	1
3		NUT, Hex, 5/16 - 18 UNC	6
4		WASHER, Lock 5/16	6
5	7075152	AIR INTAKE ASSEMBLY	1
6	8273116	REDUCER	1
7	7075181	TUBE	1
8		SCREW, Hex Hd, 5/16 - 16 x 2	2
9	8405301	CLAMP, Hose, 4" Max.	3
10	8273238	ELEMENT, Safety	1
11	7054371	CAP, Air Inlet	1
12	8273243	INDICATOR, Air Intake, 20"	1
13	8273240	BAND, 8"	2
14	7054362	AIR CLEANER, Modified	1
15	8303697	SCREW, Hex Hd., 5/16-18 x 3/4	4
16	8273237	ELEMENT, Primary	1

FUEL TANK & LINES



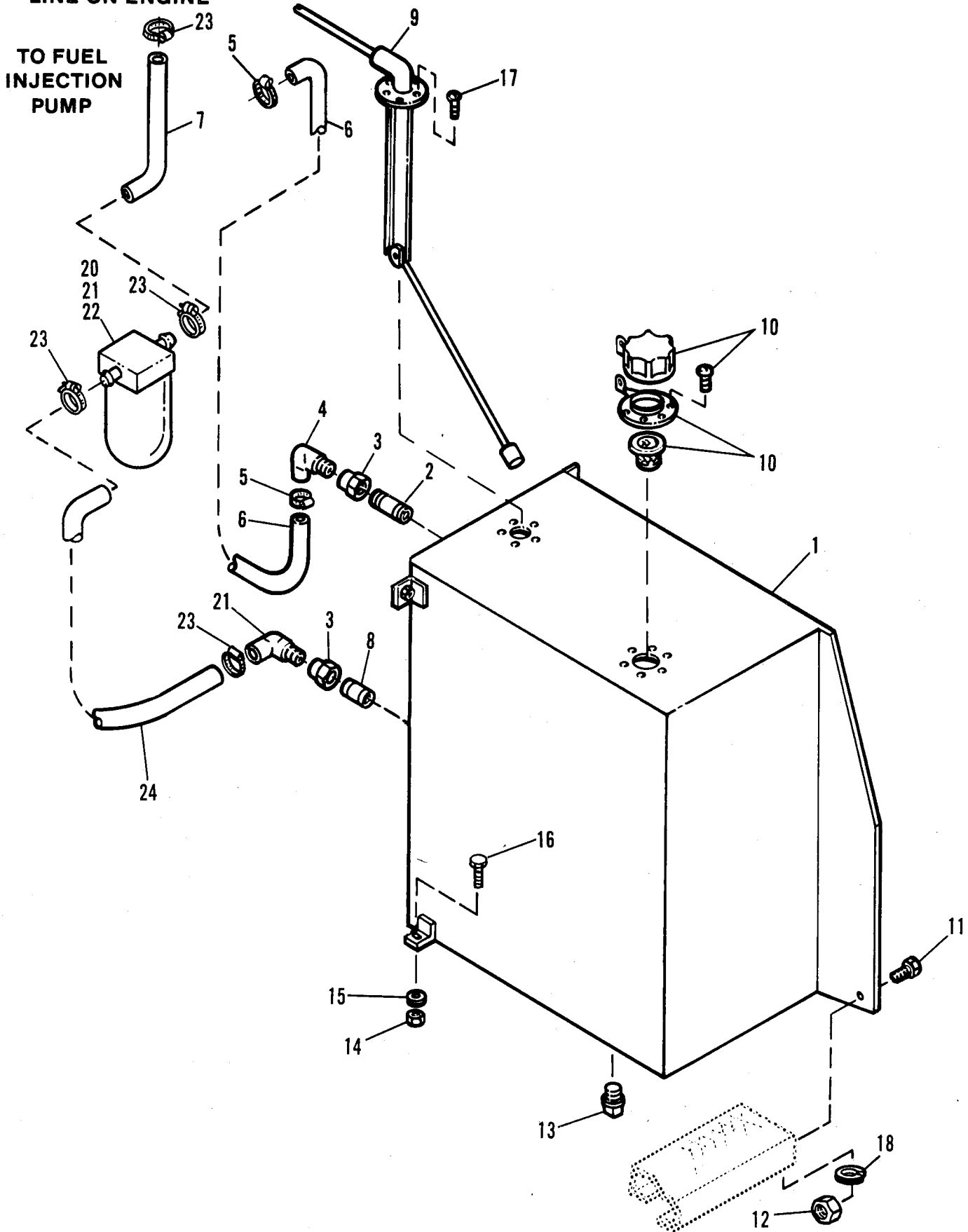
FUEL TANK & LINES

Index No.	Part Number	Description	Qty. Req'd.
1	7060824	FUEL TANK ASSEMBLY	1
2	8551103	NIPPLE, Pipe, ¼ x 2	1
3	8541003	COUPLING, ¼	2
4	8420227	ELBOW, 90°	2
5		CLAMP, Hose, 5/8 max. O.D.	4
6	8403214-1350	HOSE, Fuel,	1
7	8403214-1250	HOSE, Fuel,	1
8	8551102	NIPPLE, Pipe, ¼ x 1½	1
9	7060812	FUEL LEVEL SENDER ASSEMBLY	1
10	8322027	FILLER/BREATHER ASSEMBLY	1
11		SCREW, Hex Hd., ¾ - 16 x 1 GR. 5	2
12		NUT, ¾ Hex.	2
13	8541416	PLUG, Sq. Hd., 1 NPT	1
14		NUT, Hex ¾ - 11	4
15		WASHER, Lock ¾	4
16		SCREW, Hex Hd., ¾ - 11 x 1¼ GR. 5	4
17		SCREW, Pan Hd., #10 x ½ Lg.	5
18		WASHER, Lock ¾	2
19	7047232	TUBE, Elbow ¼	1
20	8274208	NUT, Tube ¼	1
21	8274207	FERRULE, ¼	1
22	7047232	ELBOW, Tube, ¼	1
23	8420213	ELBOW, 90°, ½ NPT x ¼ NPT	1
24	8405006	CLAMP, Hose 29/32 Max.	2
25	8403220-1350	HOSE, ½, I.D. x 135.0 Fuel	1
26	8541207	ELBOW, 90° Street ¼ NPT	1
27	8420232	COUPLING, ½ Hose x ¼ NPT	2
28	8406109	CLAMP, Hose	2
29		SCREW, ¼ x 20 x 1	1
30		WASHER, Flat, ¼	1
31		WASHER, Lock, ¼	1
32		NUT, ¼ x 20	1

FUEL TANK & LINES DEUTZ ENGINE

TO FUEL RETURN
LINE ON ENGINE

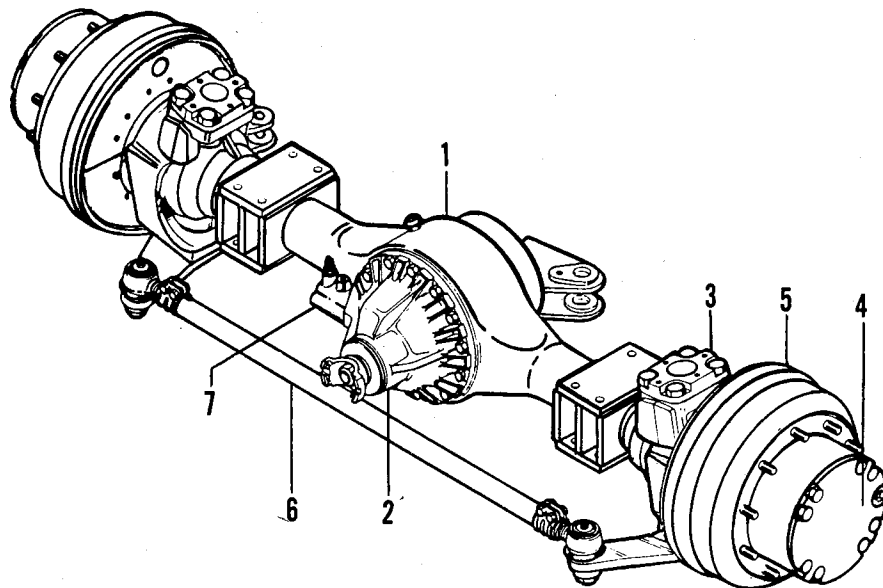
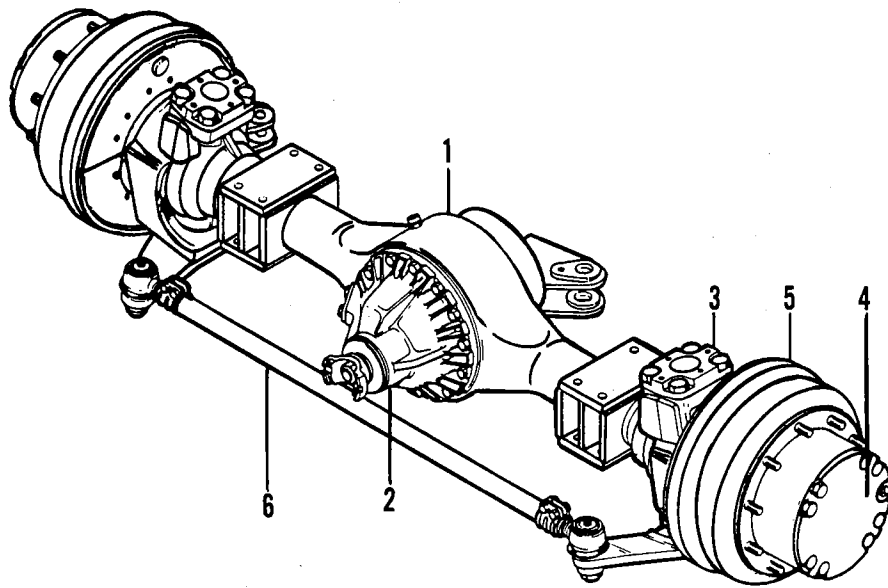
TO FUEL
INJECTION
PUMP



FUEL TANK & LINES DEUTZ ENGINE

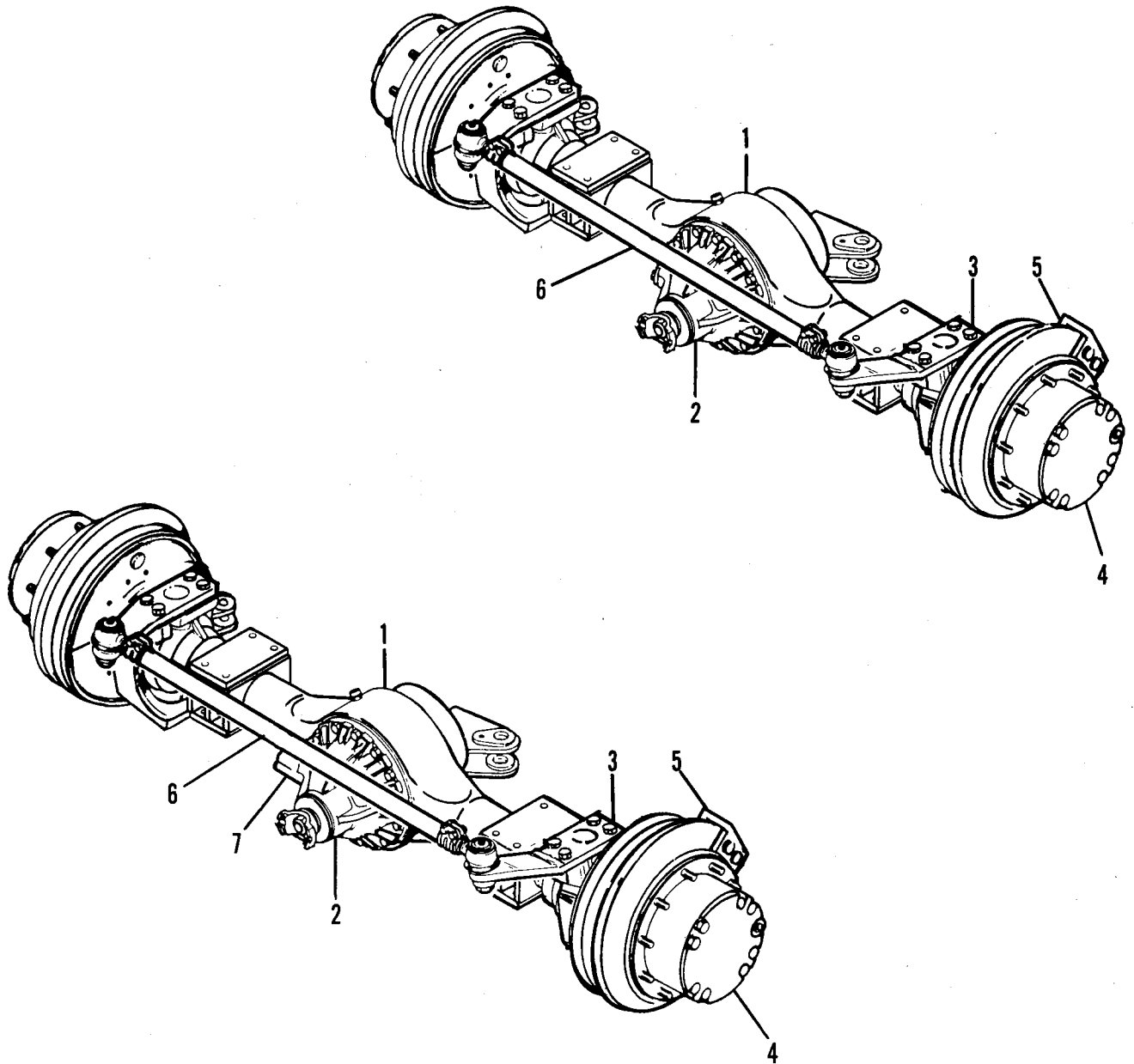
Index No.	Part Number	Description	Qty. Req'd.
1	7060824	FUEL TANK ASSEMBLY	1
2	8551103	NIPPLE, Pipe, ¼ x 2	1
3	8541003	COUPLING, ¼	2
4	8420227	ELBOW, 90°	1
5	8405009	CLAMP, Hose, 5/8 max. O.D.	2
6	8403214-1350	HOSE, Fuel,	1
7	8403217-0300	HOSE, Fuel, ¾ LD. x 30 LG.	1
8	8551102	NIPPLE, Pipe, ¼ x 1½	1
9	7060812	FUEL LEVEL SENDER ASSEMBLY	1
10	8322027	FILLER/BREATHER ASSEMBLY	1
11		SCREW, Hex Hd., ¾ - 16 x 1 GR. 5	2
12		NUT, ¾ Hex.	2
13	8541416	PLUG, Sq. Hd., 1 NPT	1
14		NUT, Hex ¾ - 11	4
15		WASHER, Lock ¾	4
16		SCREW, Hex Hd., ¾ - 11 x 1¾ GR. 5	4
17		SCREW, Pan Hd., #10 x ½ Lg.	5
18		WASHER, Lock ¾	2
19		SCREW Cap H.H. 5/16 NC x ¾	2
20		WASHER LOCK 5/16	2
21	8420229	ELBOW 90°	1
22	8274011	SEPARATOR, Water	1
23	8405006	CLAMP, Hose 29/32 Max.	4
24	8403217-1000	HOSE, ¾ LD. x 1000 Fuel	1

FRONT AND REAR AXLES



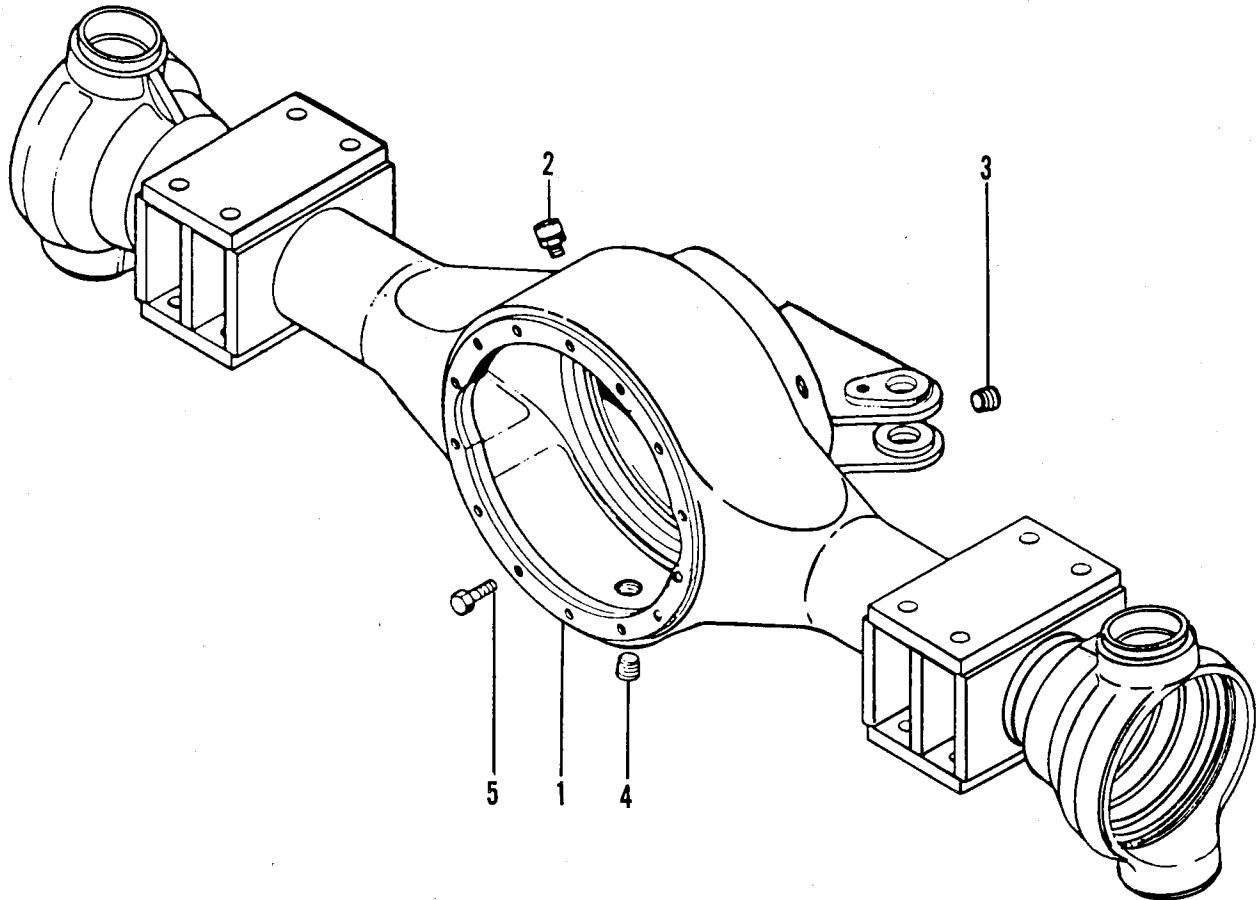
Index No.	Part Number	Description	Qty. Req'd.
1	See Page 2.8	AXLE HOUSING GROUP	2
2	See Page 2.9	DIFFERENTIAL GROUP	2
3	See Page 2.10	PIVOT GROUP	4
4	See Page 2.11	PLANETARY GROUP	4
5	See Page 2.12	BRAKE GROUP	4
6	See Page 2.13	TIE ROD GROUP	2
7	See Page 2.14	HYDRAULIC DIFF. LOCK GROUP	1

FRONT AND REAR AXLES (S/N 5H0025 & UP)



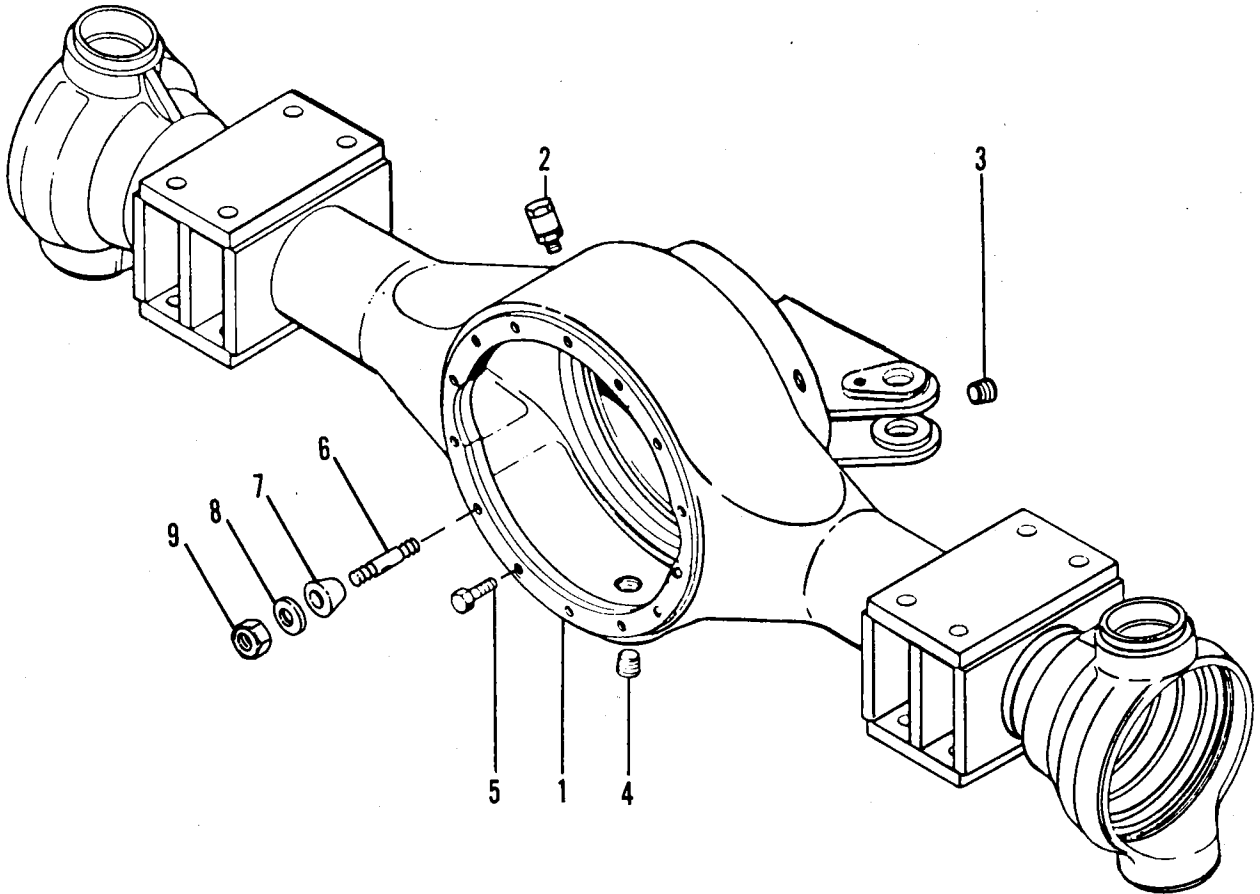
Index No.	Part Number	Description	Qty. Req'd.
1	See Page 2.8.1	AXLE HOUSING GROUP	2
2	See Page 2.9.1	DIFFERENTIAL GROUP	2
3	See Page 2.10.1	PIVOT GROUP	4
4	See Page 2.11.1	PLANETARY GROUP	4
5	See Page 2.12.1	BRAKE GROUP	4
6	See Page 2.13.1	TIE ROD GROUP	2
7	See Page 2.14.1	HYDRAULIC DIFF. LOCK GROUP	1

AXLE HOUSING GROUP



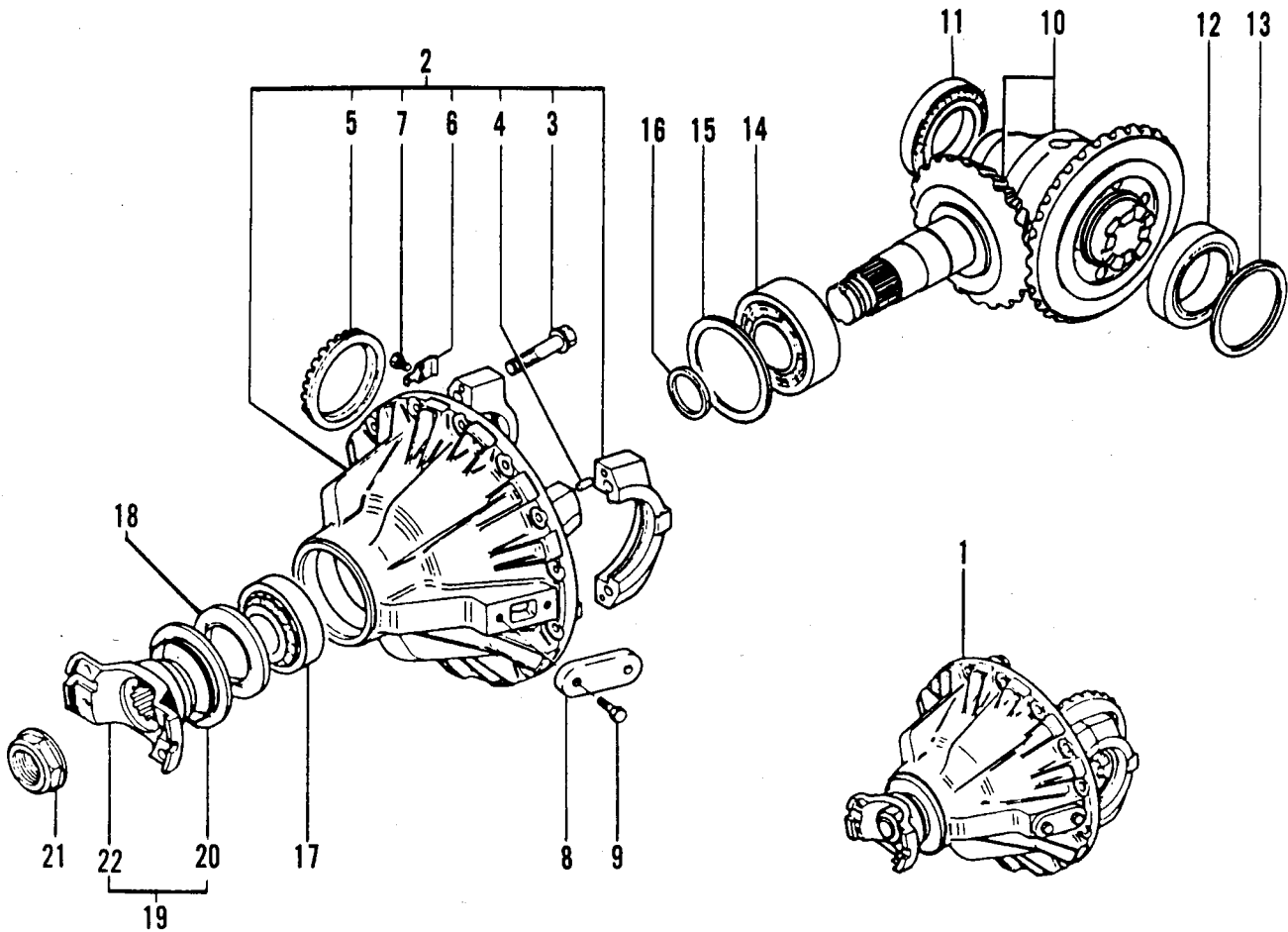
Index No.	Part Number	Description	Qty. Req'd.
1	S87022014	HOUSING AXLE	1
2	S75501708	BREATHER	1
3	S75500438	PLUG, Fill	1
4	S75502616	PLUG, Magnetic Drain	1
5	S75502879	BOLT, HM 14 x 1.50 x 40/40	14

AXLE HOUSING GROUP (S/N 5H0025 & UP)



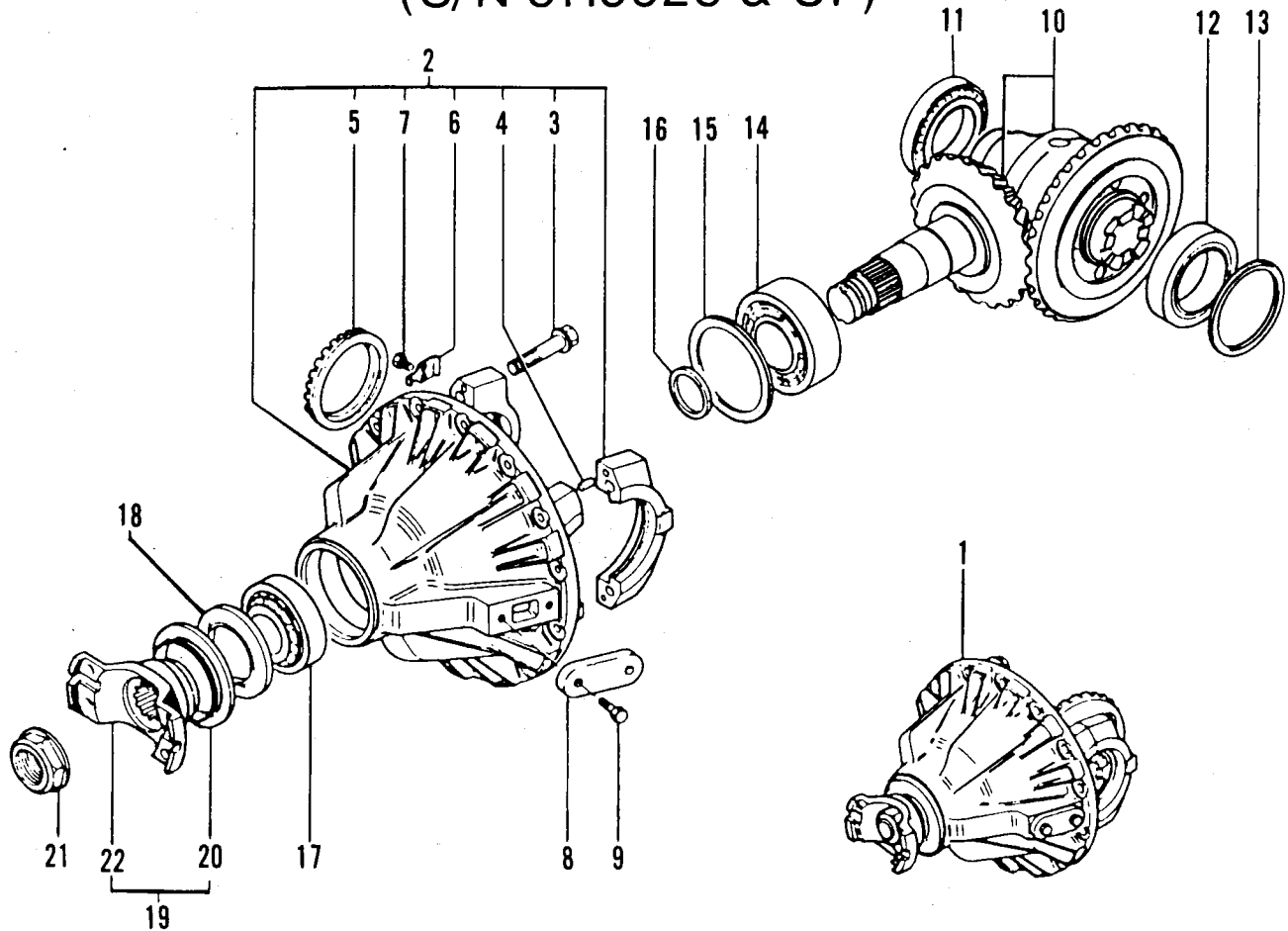
Index No.	Part Number	Description	Qty. Req'd.
1	S87022014	HOUSING AXLE	1
2	S75501708	BREATHER	1
3	S75500438	PLUG, Fill	1
4	S75502616	PLUG, Magnetic Drain	1
5	S75502879	BOLT, HM 14 x 1.50 x 40/40	14
6	S75502834	STUD M 14 x 1.50 x 62/21/21	3
7	S75500381	CONE, Centering	3
8	S75501304	WASHER, Flat W 14	3
9	S75502830	NUT, M 14 x 1.50	3

DIFFERENTIAL CARRIER GROUP



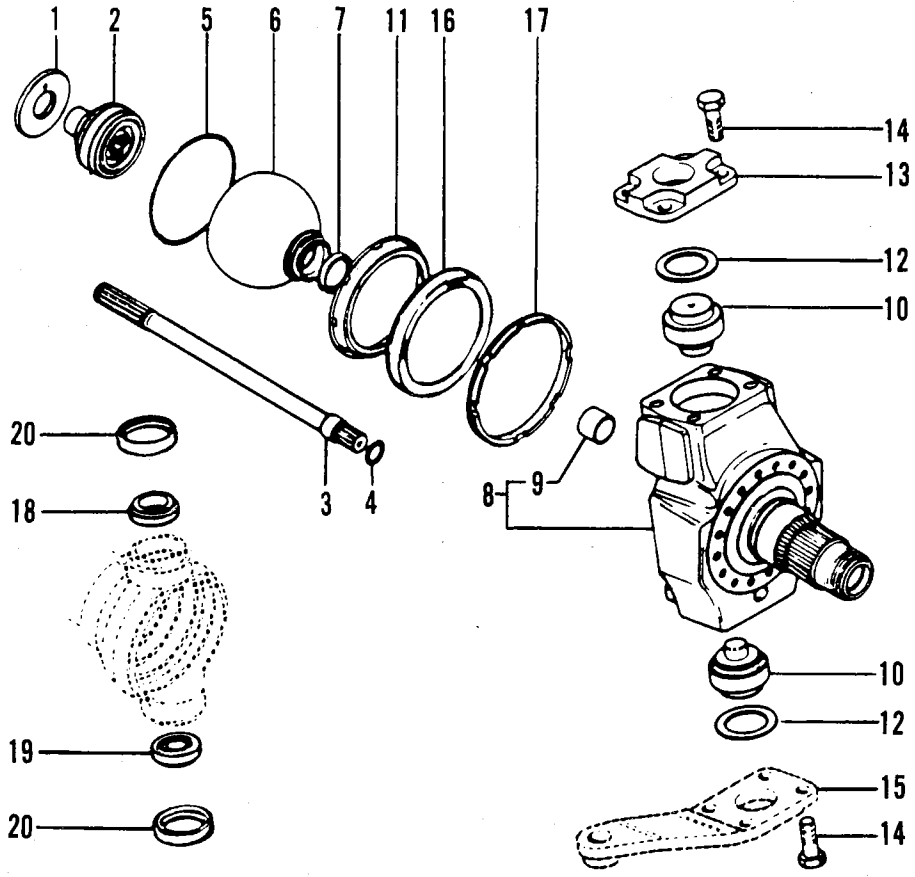
Index No.	Part Number	Description	Qty. Req'd.
1	S86004069	COMPLETE DIFF. ASSEMBLY (Front Axle)	1
1	S86004070	COMPLETE DIFF. ASSEMBLY (Rear Axle)	1
2	S88100010	DIFFERENTIAL HOUSING ASSEMBLY	1
3	S75502646	BOLT, Differential Cap	4
4	S75600337	PIN, Locating	4
5	S88100014	NUT, Adjusting	1
6	S88100015	LOCK, Adjusting Nut	1
7	S75500427	BOLT, Adjusting Nut Lock	1
8	S88100008	PLATE, Cover (Not Used on Front Axle)	1
9	S75502062	BOLT, Cover Plate (Not Used on Front Axle)	2
10	S88110080	DIFFERENTIAL ASSEMBLY	1
11	S75650088	BEARING ASSEMBLY	1
12	S75650169	BEARING ASSEMBLY	1
13	S86010008	KIT, Adjusting Shim	1
14	S75650545	BEARING ASSEMBLY	1
15	S86010009	KIT, Shim	1
16	S86010012	KIT, Shim	1
17	S75650067	BEARING ASSEMBLY	1
18	S75503056	SEAL, Input	1
19	S88140070	6 C INPUT YOKE ASSEMBLY	1
20	S88140025	SHIELD, Dust	1
21	S88140038	NUT, Pinion	1
22	S88140071	YOKE, 6 C Input	1

DIFFERENTIAL CARRIER GROUP (S/N 5H0025 & UP)



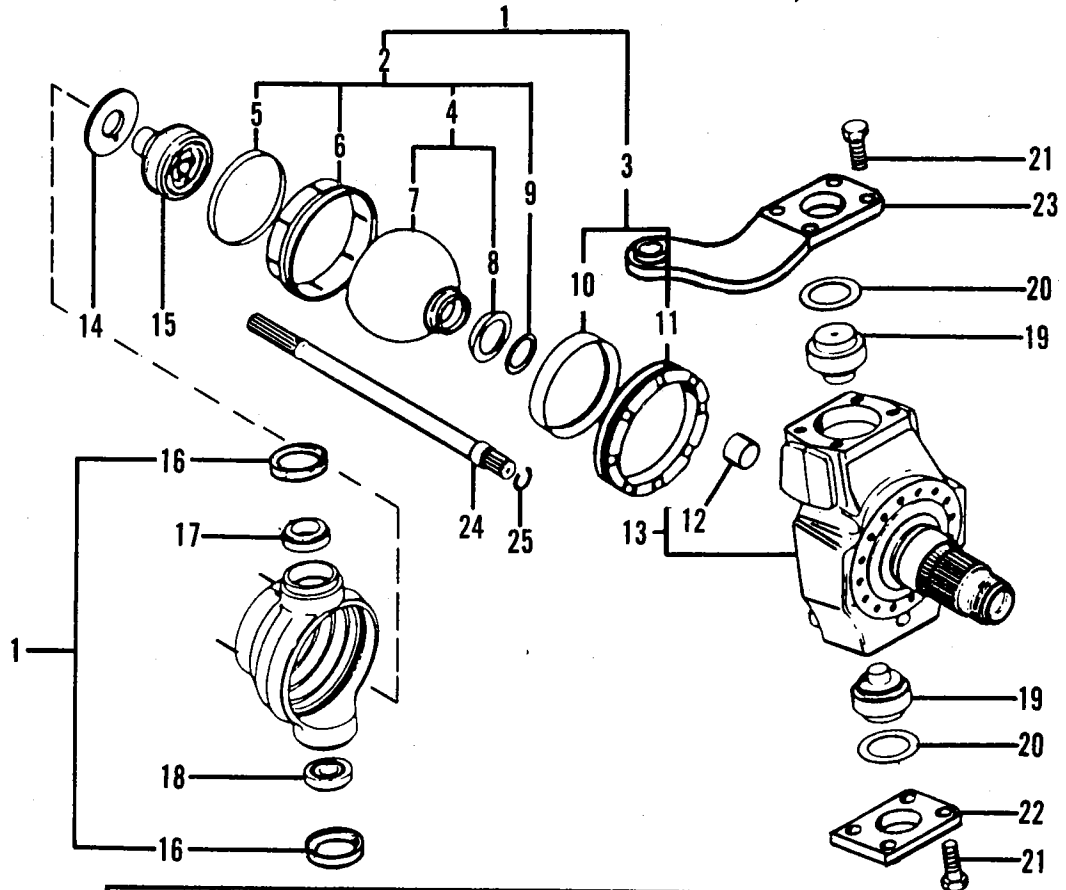
Index No.	Part Number	Description	Qty. Req'd.
1	S86004069	COMPLETE DIFF. ASSEMBLY (Front Axle)	1
1	S86004070	COMPLETE DIFF. ASSEMBLY (Rear Axle)	1
2	S88100010	DIFFERENTIAL HOUSING ASSEMBLY	1
3	S75502646	BOLT, Differential Cap	4
4	S75600337	PIN, Locating	4
5	S88100014	NUT, Adjusting	1
6	S88100015	LOCK, Adjusting Nut	1
7	S75500427	BOLT, Adjusting Nut Lock	1
8	S88100008	PLATE, Cover (Not Used on Front Axle)	1
9	S75502062	BOLT, Cover Plate (Not Used on Front Axle)	2
10	S88110080	DIFFERENTIAL ASSEMBLY	1
11	S75650088	BEARING ASSEMBLY	1
12	S75650169	BEARING ASSEMBLY	1
13	S86010008	KIT, Adjusting Shim	1
14	S75650545	BEARING ASSEMBLY	1
15	S86010009	KIT, Shim	1
16	S86010012	KIT, Shim	1
17	S75650067	BEARING ASSEMBLY	1
18	S75503056	SEAL, Input	1
19	S88140070	6 C INPUT YOKE ASSEMBLY	1
20	S88140025	SHIELD, Dust	1
21	S88140038	NUT, Pinion	1
22	S88140071	YOKE, 6 C Input	1

PIVOT GROUP



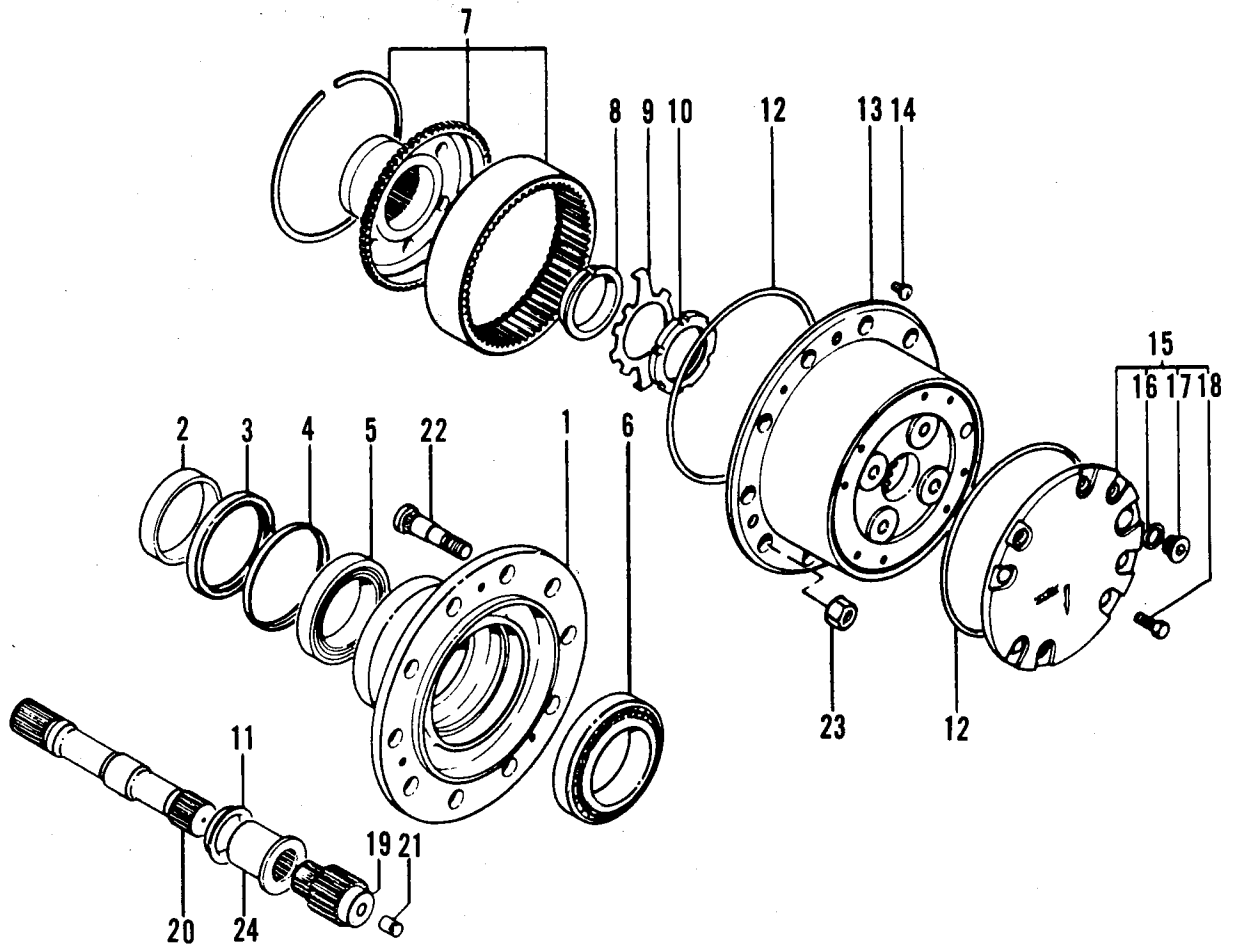
Index No.	Part Number	Description	Qty. Req'd.
1	S88510113	WASHER	1
2	S74009141	JOINT, RF 140 C.V.	1
3	S88700051	SHAFT, Axle	1
4	S75503055	RING, Snap	1
5	S88510141	SPACER	1
6	S88510138	C.V. JOINT COVER & FACE SEAL	1
7	S75502910	O-RING	1
8	S88500241	PDI65 PIVOT & SPINDLE ASSEMBLY (Left)	1
8	S88500242	PDI 65 PIVOT & SPINDLE ASSEM. (Right)	1
9	S75502758	BUSHING, Shaft	1
10	S88510104	TRUNNION	2
11	S88510152	RUNNER, C.V. Joint Cover	1
12	S86020024	KIT, Preload Adjusting Shim	2
13	S88510103	CAP, Pivot	1
14	S75502752	BOLT HM 24 x 2.00 x 50/40	8
15	S88550019	LEVER, Tie Rod (Right)	1
15	S88550020	LEVER, Tie Rod (Left)	1
16	S75501416	SEAL, Cover Oil	1
17	S88510142	NUT, C.V. Joint Cover Nut	1
18	S75650530	UPPER BEARING ASSEMBLY	1
19	S75650561	LOWER BEARING ASSEMBLY	1
20	S75502925	SEAL, Upper & Lower Trunnion	2

PIVOT GROUP (S/N 5H0025 & UP)



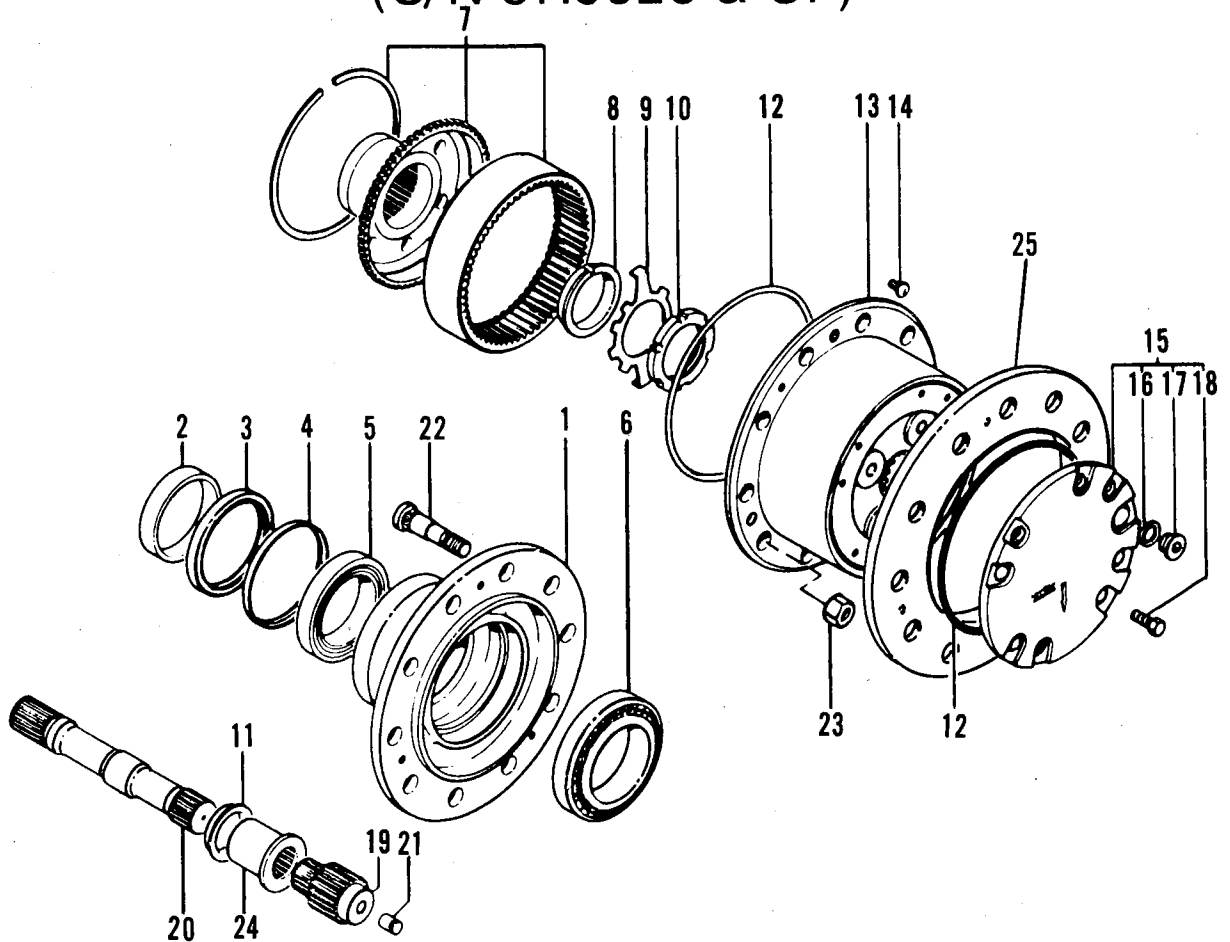
Index No.	Part Number	Description	Qty. Req'd.
1	S75230563	BOWL SEALING KIT, PDI 65 Aluminum C.V.	1
2	S75230565	BOWL SUB-ASSEMBLY, PDI 65 Aluminum C.V.	1
3	S75230566	NUT & SEAL, Bowl, PDI 65 Aluminum C.V.	1
4	S88510138	BOWL & FACE SEAL, PDI 65 Aluminum C.V.	1
5	S88510141	RETAINER, Bowl Bushing, PDI 65	1
6	S88510152	BUSHING, Bowl, Guide, PDI 65 Aluminum C.V.	1
7	S88510139	BOWL, PDI 65 Aluminum C.V.	1
8	S88510032	SEAL, Bowl Face, PDI 65 C.V.	1
9	S75502910	O-RING, Bowl, PDI 65 C.V.	1
10	S75501416	SEAL, Bowl, PDI 65 Aluminum C.V.	1
11	S88510142	NUT, Bowl, PDI 65 Aluminum C.V.	1
12	S75502758	BUSHING, Shaft, Pivot	1
13	S88500240	SPINDLE ASSY. (Right), PDI 65 Pivot & 110 mm	1
13	S88500239	SPINDLE ASSY. (Left), PDI 65 Pivot & 110mm	1
14	S88510113	BAFFLE, Oil	1
15	S74009141	JOINT, RF 140 C.V.	1
16	S75502925	SEAL, Trunnion, PDI 65	2
17	S75650530	UPPER BEARING ASSEMBLY, PDI 65	1
18	S75650561	LOWER BEARING ASSEMBLY, PDI 65	1
19	S88510104	TRUNNION, PDI 65	2
20	S86020024	PIVOT SHIM KIT, PDI 65	2
21	S75502752	BOLT, Pivot, HM 24 x 2.00 x 50/40	8
22	S88510103	CAP, Pivot	1
23	S88550048	LEVER, Tie Rod (Right)	1
	S88550047	LEVER, Tie Rod (Left)	1
24	S88700051	SHAFT, Axle	1
25	S75503055	C-RING	1

PLANETARY GROUP



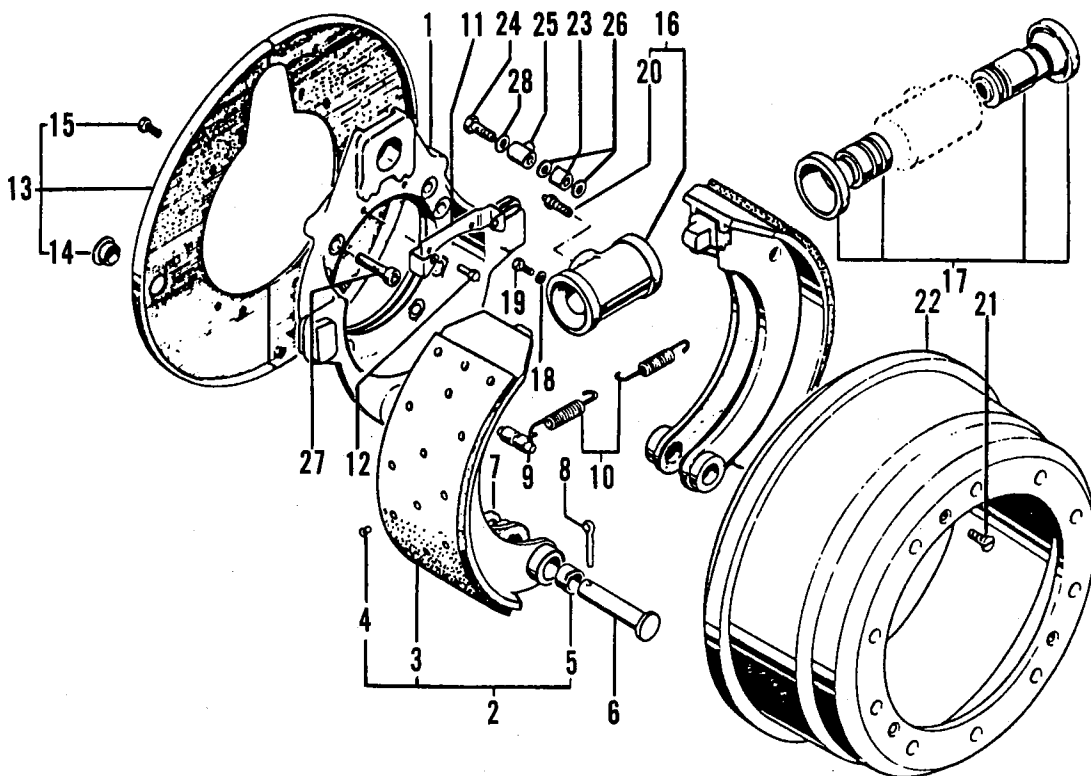
Index No.	Part Number	Description	Qty. Req'd.
1	S88401010	HUB	1
2	S88350022	RUNNER, Seal	1
3	S75503058	SEAL, Hub	1
4	S77000943	EXTRACTOR	1
5		(Same as Item 6)	
6	S75650151	BEARING ASSEMBLY	2
7	S88412000	RING GEAR & CARRIER ASSEMBLY	1
8	S79001048	CONE, Centering	1
9	S88350017	LOCKWASHER, Spindle Nut	1
10	S88350016	NUT, Spindle	1
11	S75101174	RING, Thrust	1
12	S75500345	O-RING	1
13	S88423122	PLANET CARRIER ASSEMBLY	1
14	S75500639	SCREW, Allen Head, M10 x 1.50	3
15	S88434008	COVER ASSEMBLY	1
16	S75500383	SEAL	1
17	S75502740	PLUG, Drain & Fill	1
18	S75500364	BOLT, HM 12 x 1.75 x 25/25	8
19	S88350049	GEAR, Sun	1
20	S88850003	MID-SHAFT	1
21	S86030007	KIT, Thrust Button Shim	1
22	S75502964	STUD, Wheel, 3/4 - 16	10
23	S75500774	NUT, Wheel, 3/4 - 16	10
24	S88350006	COULPER	1

PLANETARY GROUP (S/N 5H0025 & UP)



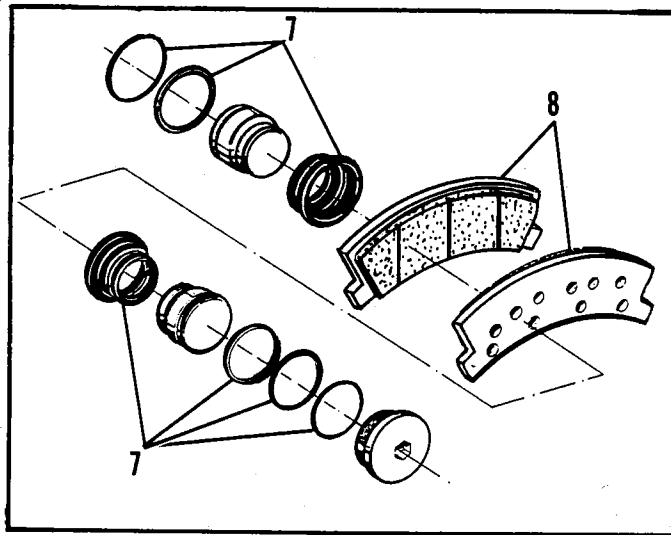
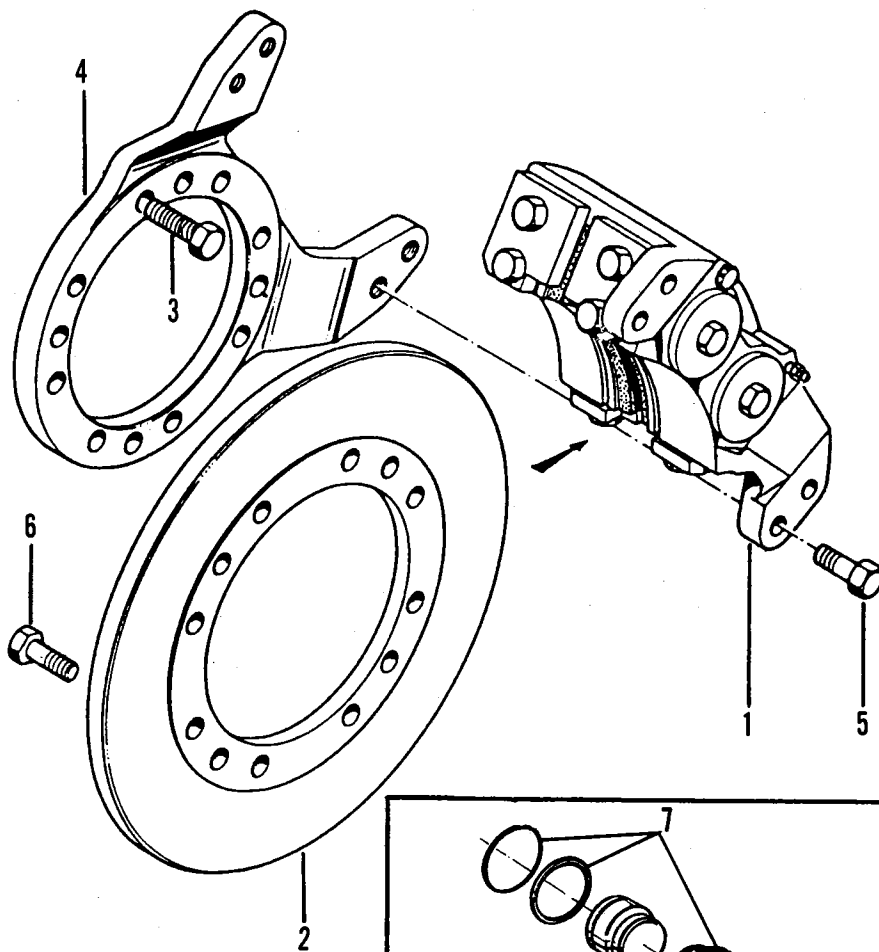
Index No.	Part Number	Description	Qty. Req'd.
1	S88401176	HUB	1
2	S88350022	RUNNER, Seal	1
3	S75503067	SEAL, Hub	1
4	S77000943	EXTRACTOR	1
5		(Same as Item 6)	
6	S75650151	BEARING ASSEMBLY	2
7	S88412000	RING GEAR & CARRIER ASSEMBLY	1
8	S79001048	CONE, Centering	1
9	S88350017	LOCKWASHER, Spindle Nut	1
10	S88350016	NUT, Spindle	1
11	S75101174	RING, Thrust	1
12	S75500345	O-RING	1
13	S88423122	PLANET CARRIER ASSEMBLY	1
14	S75500639	SCREW, Allen Head, M10 x 1.50	3
15	S88434008	COVER ASSEMBLY	1
16	S75500383	SEAL	1
17	S75502740	PLUG, Drain & Fill	1
18	S75500364	BOLT, HM 12 x 1.75 x 25/25	8
19	S88350049	GEAR, Sun	1
20	S88850003	MID-SHAFT	1
21	S86030007	KIT, Thrust Button Shim	1
22	S75502964	STUD, Wheel, 3/4 - 16	10
23	S75500774	NUT, Wheel, 3/4 - 16	10
24	S88350006	COUPLER	1
25	S88900081	SPACER, Wheel	1

BRAKE GROUP



Index No.	Part Number	Description	Qty. Req'd.
	S72015002	414 x 125 HYDRAULIC BRAKE ASSEMBLY	1
1	S72005782	SPIDER, Brake	1
2	S72005707	BRAKE SHOE ASSEMBLY	2
3	S72003849	SHOE, Brake	2
4	S75501303	RIVET	38
5	S75501191	BUSHING, Pin	2
6	S72003887	PIN	2
7	S72003888	WASHER	2
8	S75500447	PIN, Cotter, V5 x 50	2
9	S72005330	RETAINER, Spring	2
10	S72005773	SPRING, Return	2
11	S72005783	PLATE, Spring Retainer	1
12	S75500357	BOLT, HM 8 x 1.25 x 20/20	2
13	S72005685	DUST SHIELD ASSEMBLY	1
14	S75700315	PLUG, Check	2
15	S75501465	BOLT, HM 10 x 1.50 x 16/16	8
16	S75700402	CYLINDER, 2 1/4", Mineral Oil	1
17	S75700419	KIT, Repair, with Pistons	1
17	S75700418	KIT, Repair, without Pistons	1
18	S75550004	WASHER, %	2
19	S75500768	BOLT, % - 16 UNC x 1 1/4/1	2
20	S75700255	SCREW, Bleeder	1
21	S75500639	SCREW, Allen Head, HM 10 x 1.50	3
22	S72012014	DRUM, Brake	1
23	S75230108	SPACER	1
24	S72005040	BOLT, Banfo Fitting	1
25	S75230122	FITTING, Banjo, 7/16 - 20	1
26	S75501431	WASHER, Sealing	2
27	S75502753	SCREW, Allen Head, HM 16 x 1.50 x 40/40	8
28	S75501105	WASHER, Seal	1

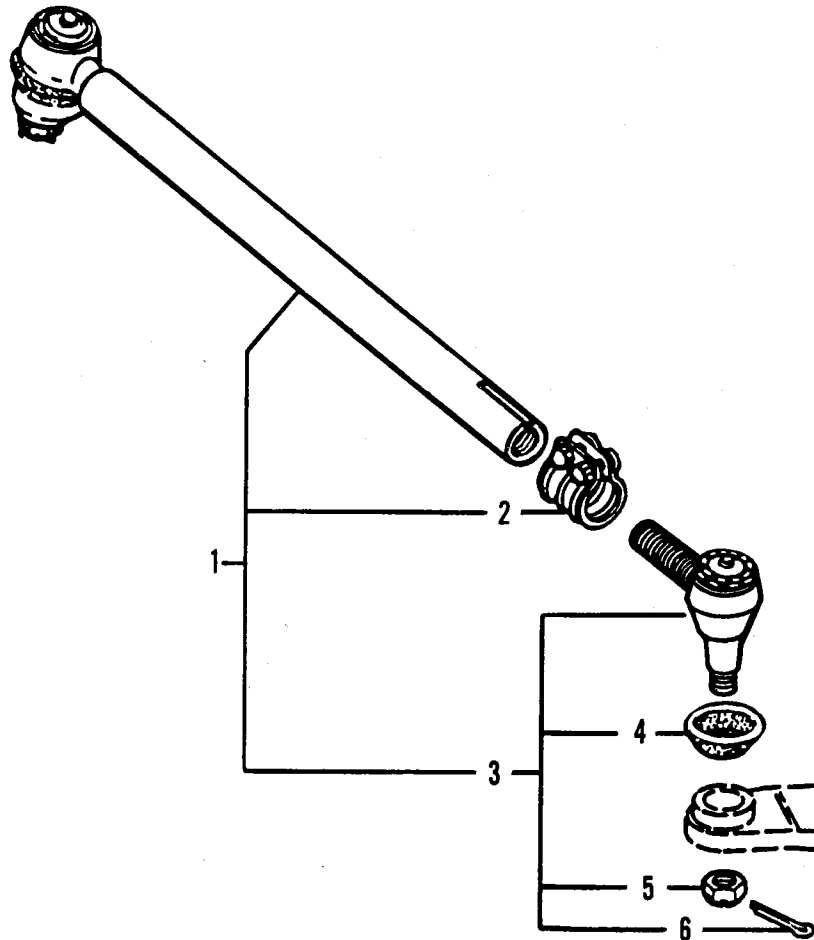
BRAKE GROUP (S/N 5H0025 & UP)



Index No.	Part Number	Description	Qty. Req'd.
1	S75230516*	CALIPER, Brake, SCL 33	1
2	S72006573	DISC, Brake	1
3	S75503078	BOLT, HM 16 x 1.50 x 50 (Bracket)	12
4	S72006571	BRACKET, Caliper	1
5	S75503078	BOLT, HM 16 x 1.50 x 50 (Caliper)	4
6	S75503077	BOLT, HM 16 x 1.50 x 40 (Disc)	12
7	8102612	KIT, Seals & Dust Boots	1
8	8102408	KIT, Linings	1

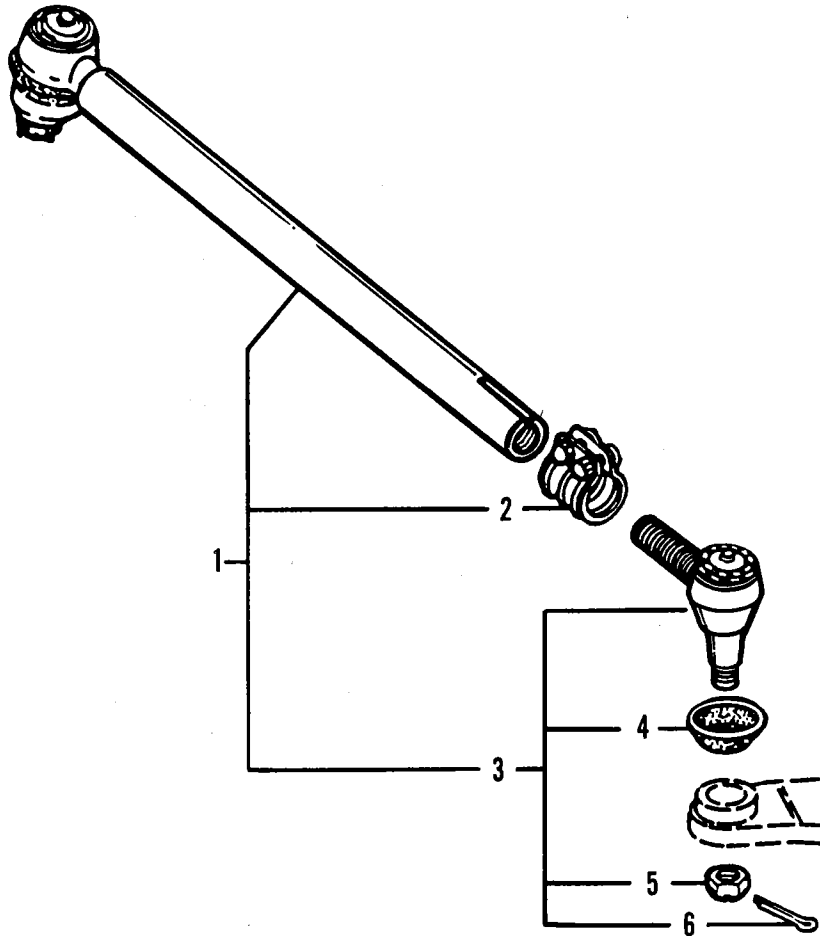
*This brake assembly contains O-Ring seals compatible with Petroleum Base Fluids. Other type fluids may reduce seal life.

TIE ROD GROUP



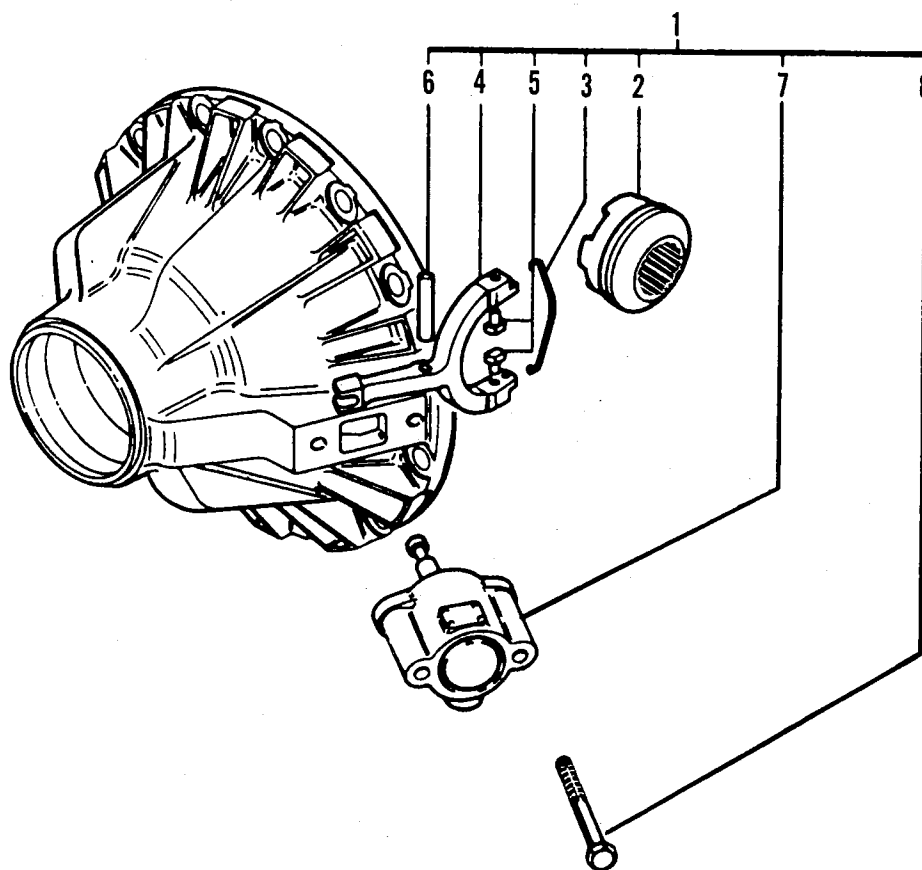
Index No.	Part Number	Description	Qty. Req'd.
1	S75700811	TIE ROD ASSEMBLY	1
2	S75700690	CLAMP, Adjusting	2
3	S75700593	END, Tie Rod (Right)	1
3	S75700594	END, Tie Rod (Left)	1
4	S75700688	SHIELD, Dust	1
5	S75700689	NUT, Castle, HM 30 x 1.50	1
6	S75502994	PIN, Cotter, V6.3 x 56	1

TIE ROD GROUP (S/N 5H0025 & UP)



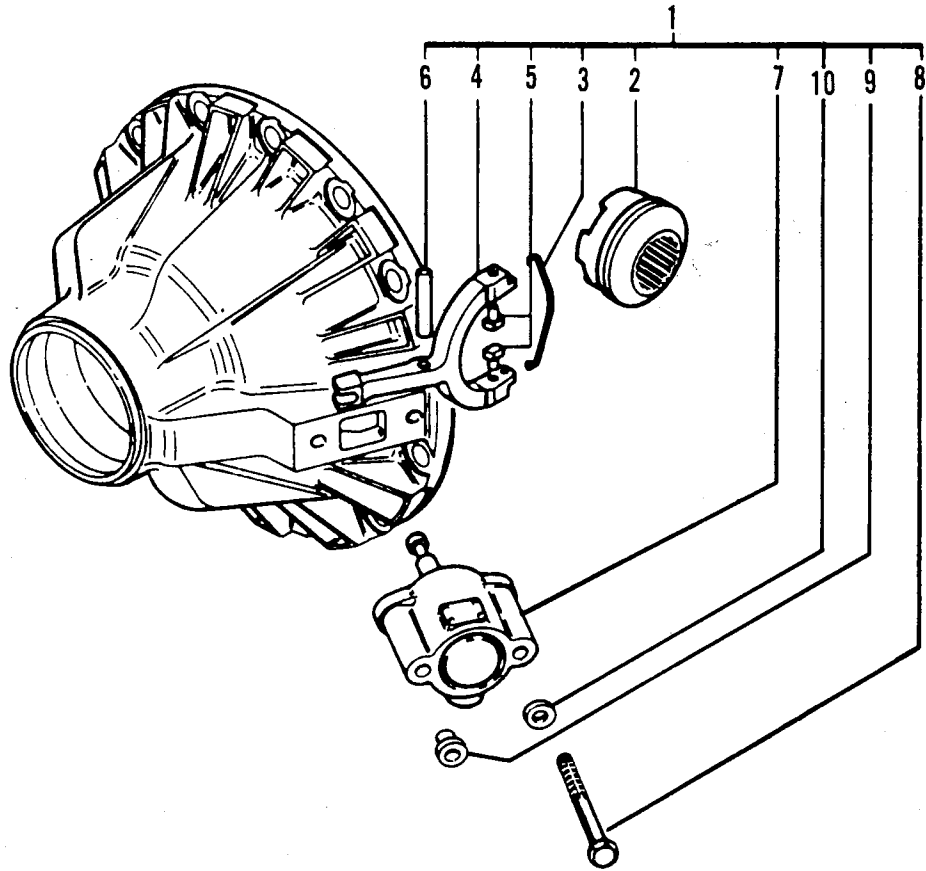
Index No.	Part Number	Description	Qty. Req'd.
1	S75700811	TIE ROD ASSEMBLY	1
2	S75700690	CLAMP, Adjusting	2
3	S75700593	END, Tie Rod (Right)	1
3	S75700594	END, Tie Rod (Left)	1
4	S75700688	SHIELD, Dust	1
5	S75700689	NUT, Castle, HM 30 x 1.50	1
6	S75502994	PIN, Cotter, V6.3 x 56	1

HYDRAULIC DIFFERENTIAL LOCK GROUP



Index No.	Part Number	Description	Qty. Req'd.
1	S88150029	HYDRAULIC DIFF. LOCK ASSEMBLY	1
2	S88150012	DOG, Sliding	1
3	S88150021	CLIP, Spring	1
4	S88150013	FORK	1
5	S88150015	BUTTON, Fork	2
6	S88150014	PIN, Fork	1
7	S88150030	ACTUATOR, Hydraulic Differential Lock	1
8	S75501877	BOLT, HM 10 x 1.50 x 85/26	2

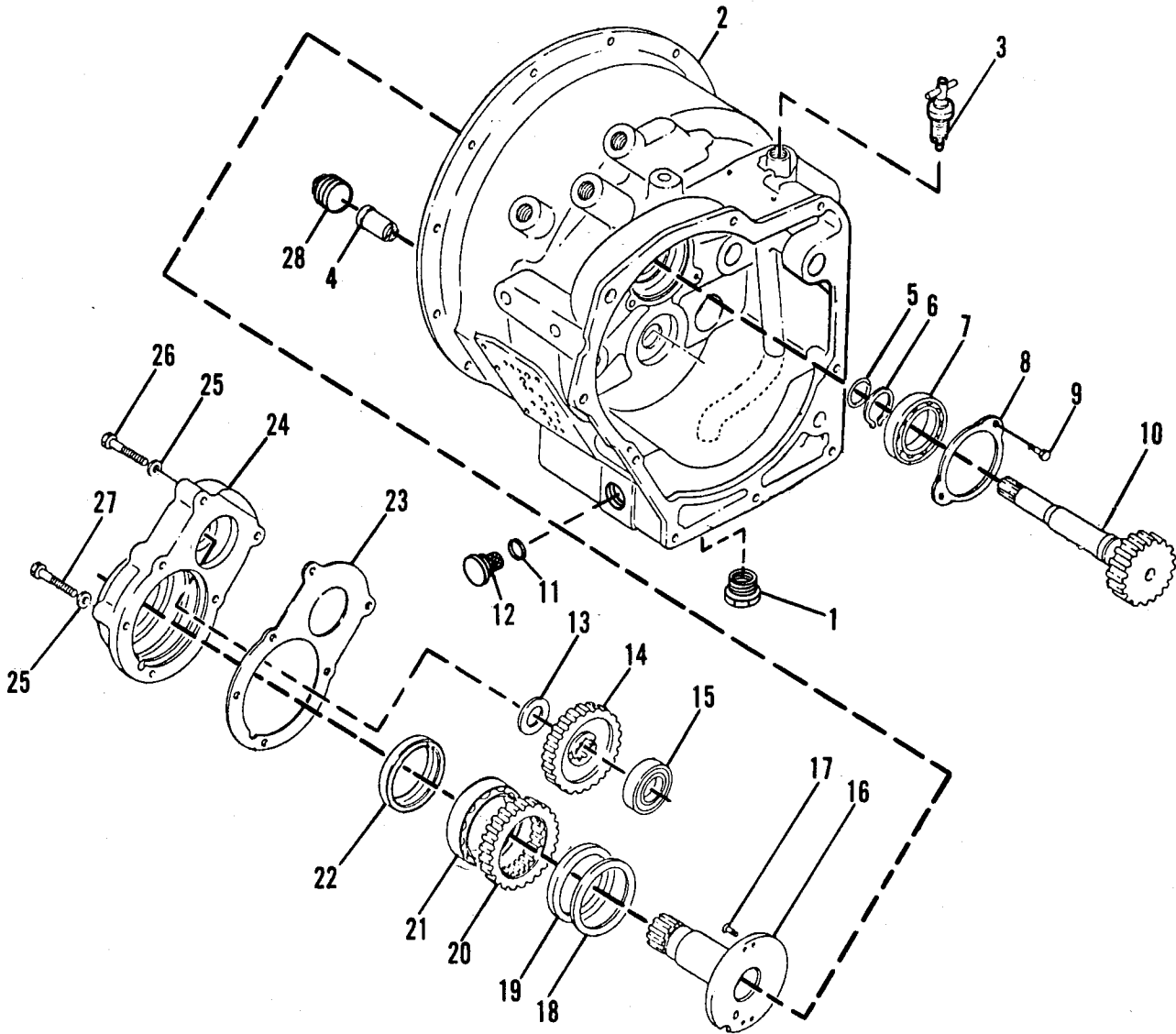
HYDRAULIC DIFFERENTIAL LOCK GROUP (S/N 5H0025 & UP)



Index No.	Part Number	Description	Qty. Req'd.
1	S88150029	HYDRAULIC DIFF. LOCK ASSEMBLY	1
2	S88150012	DOG, Sliding	1
3	S88150021	CLIP, Spring	1
4	S88150013	FORK	1
5	S88150015	BUTTON, Fork	2
6	S88150014	PIN, Fork	1
7	S88150030	ACTUATOR, Hydraulic Differential Lock	1
8	S75503139	BOLT, HM 10 x 1.50 x 85/26	2
9	S75502432	WASHER, Nylon	1
10	S75503342	WASHER, Metal, .126" (3.2) THK.	AR
10	S75503136	WASHER, Metal, .142" (3.6) THK.	AR
10	S75503137	WASHER, Metal, .154" (3.9) THK.	AR
10	S75503138	WASHER, Metal, .165" (4.2) THK.	AR

2.14.1

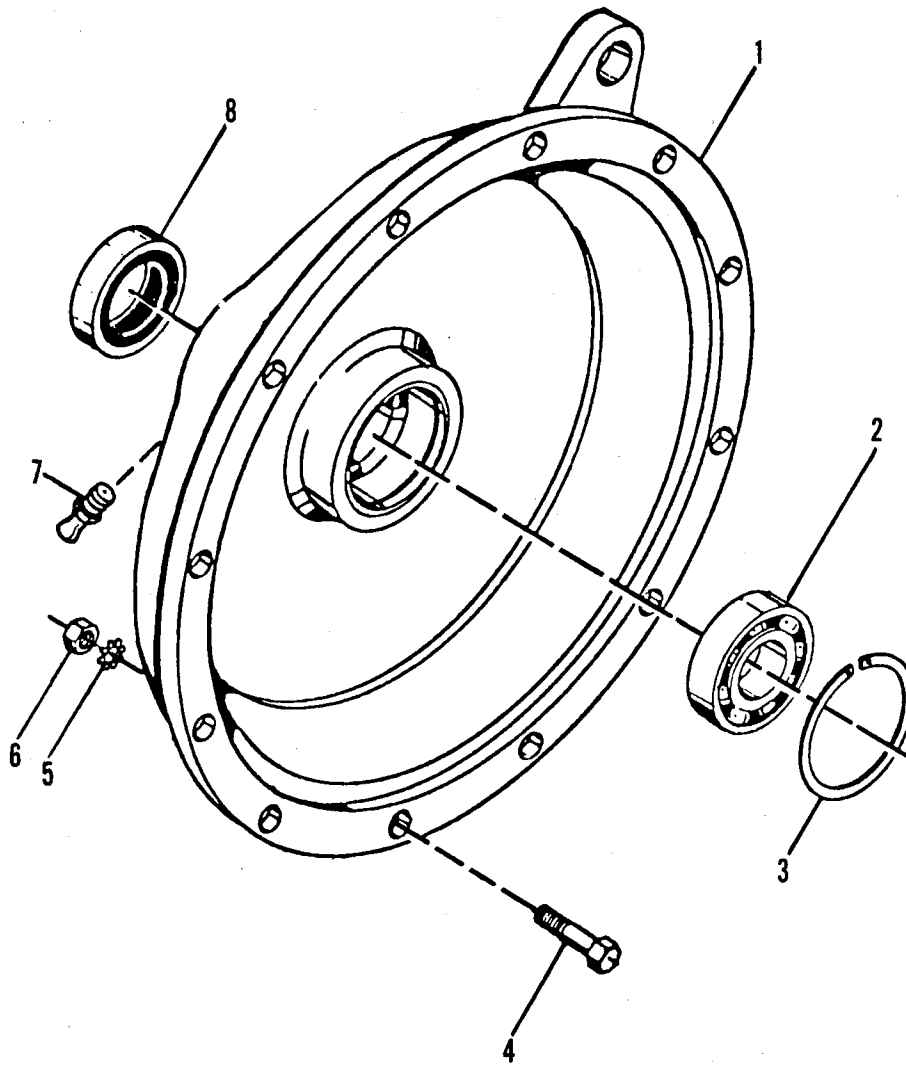
TRANSMISSION FRONT COVER GROUP



TRANSMISSION FRONT COVER GROUP

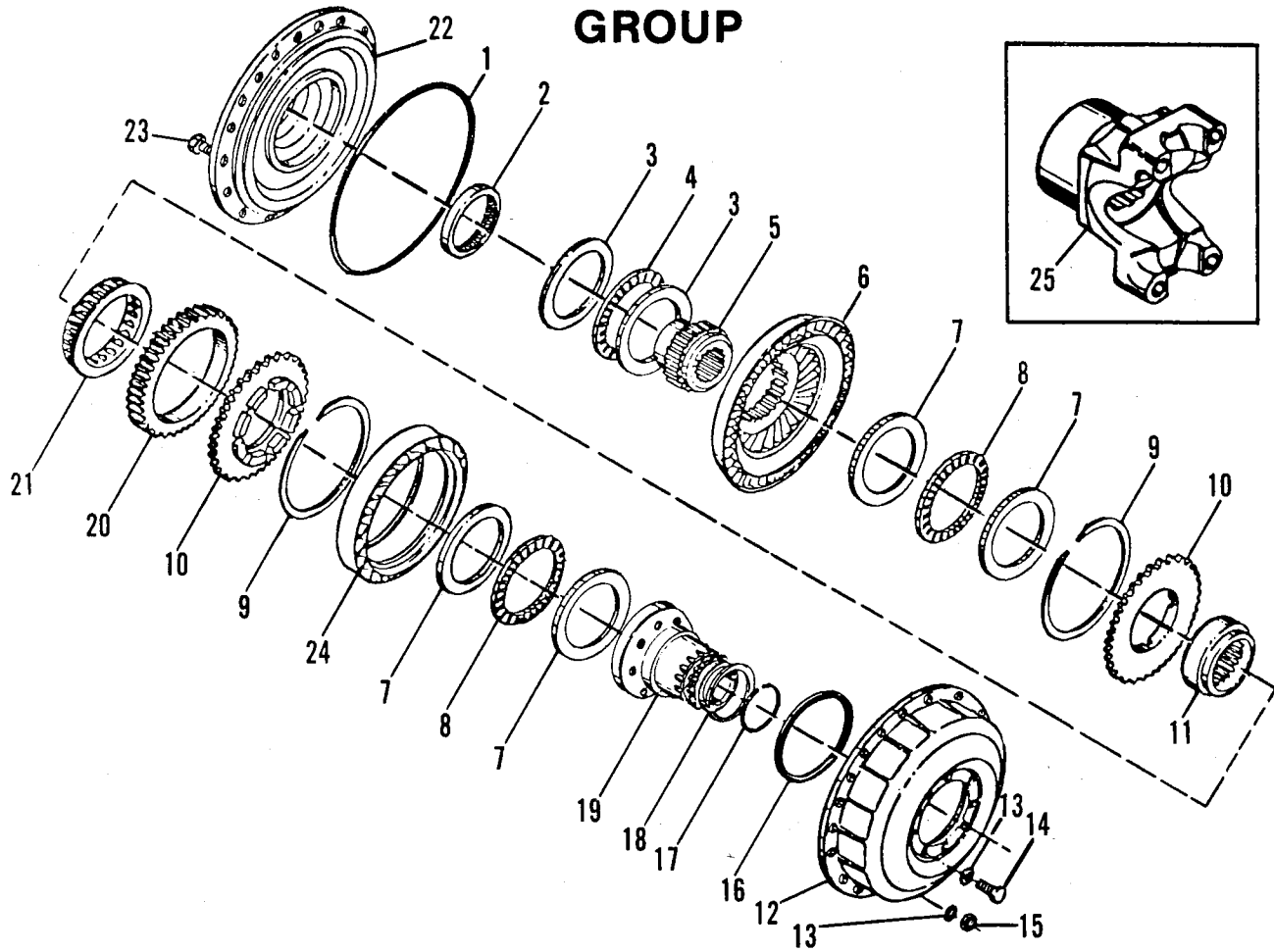
Index No.	Part Number	Description	Qty. Req'd.
1	CFF1900112	PLUG, Pipe	1
2	CF4004972	FRONT COVER ASSEMBLY	1
3	CF4004687	CAP FILL ASSEMBLY	1
4	CF40A1556	VALVE CONVERTOR RELAY, Assy.	1
5	CF4000855	RING, Seal	1
6	CFF39010156	RING, Snap	1
7	CFF41308R	BEARING	1
8	CF4004100	RETAINER, Plate	1
9	CFF100108	CAPSCREW	2
10	CF4004990	SHAFT, 23T	1
11	CF4006404	GASKET	1
12	CF40A6018	PLUG, Sump Screen	1
13	CFF5551625	THRUST, Race	1
14	CF4004111	GEAR, Aux. Pump	1
15	CFF621305K	BEARING	1
16	CF40A4009	SHAFT	1
17	CFF1121810	CAPSCREW	2
18	CFF5524458	THRUST RACE	1
19	CFF5514458	BEARING, Needle Thrust	1
20	CF4004112	GEAR, Aux. Pump Drive	1
21	CFF40113	BEARING	1
22	CF4003091	SEAL, Oil	1
23	CF4004700	GASKET, Housing	1
24	CF4004119	HOUSING, Impeller Gear	1
25	CFF18002	WASHER	6
26	CFF1002032	CAPSCREW	2
27	CFF1100332	CAPSCREW	4
28	CFF1900316	PLUG, Pipe	1

TRANSMISSION INPUT MIDSHIP GROUP



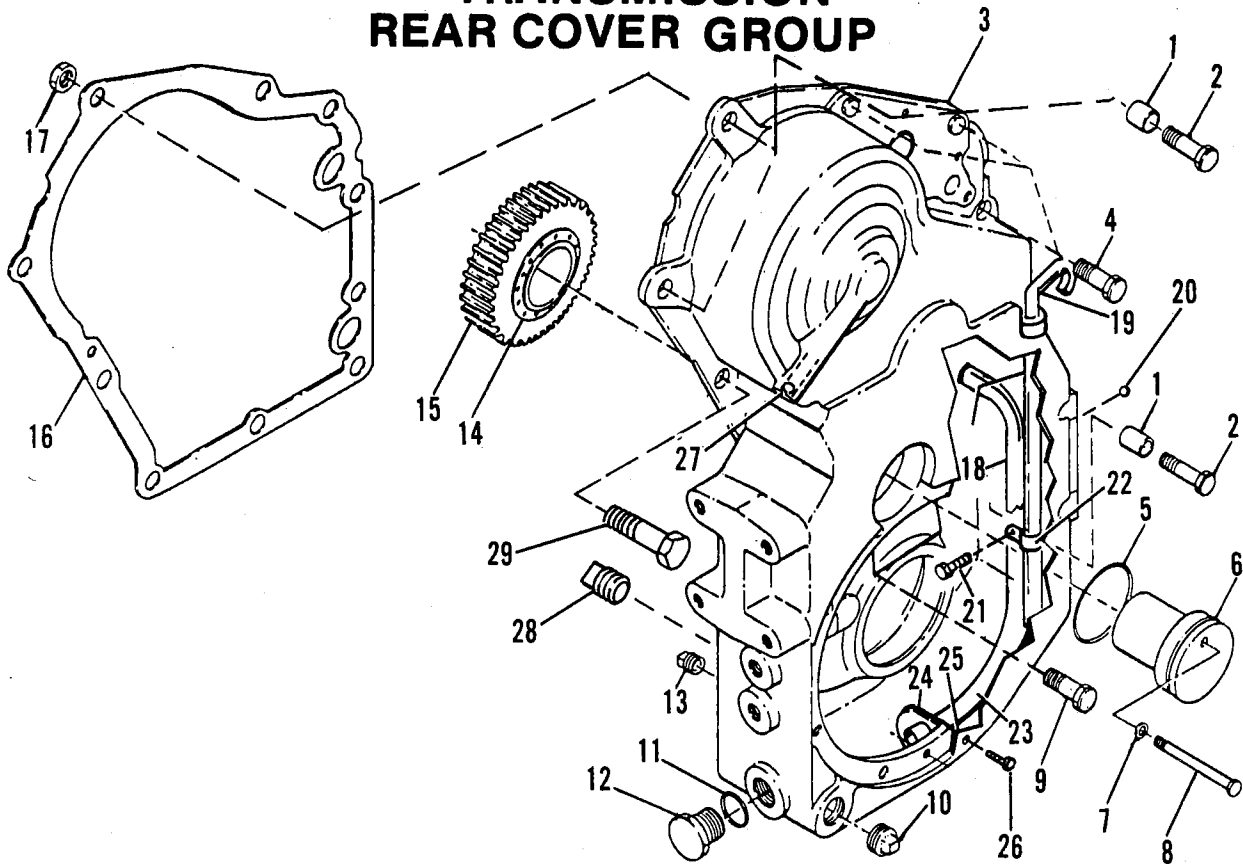
Index No.	Part Number	Description	Qty. Req'd.
1	CF4001899	FRONT HOUSING	1
2	CFF40110S	BEARING	1
3	CFF39000315	RING, Snap	1
4	CFF1003028	CAPSCREW	11
5	CFF15003	STARWASHER	11
6	CFF13005000	NUT, Hex	11
7	CFF66012S	FITTING, Grease	1
8	CFF65214	SEAL, Oil	1

TRANSMISSION CONVERTER ASSEMBLY GROUP



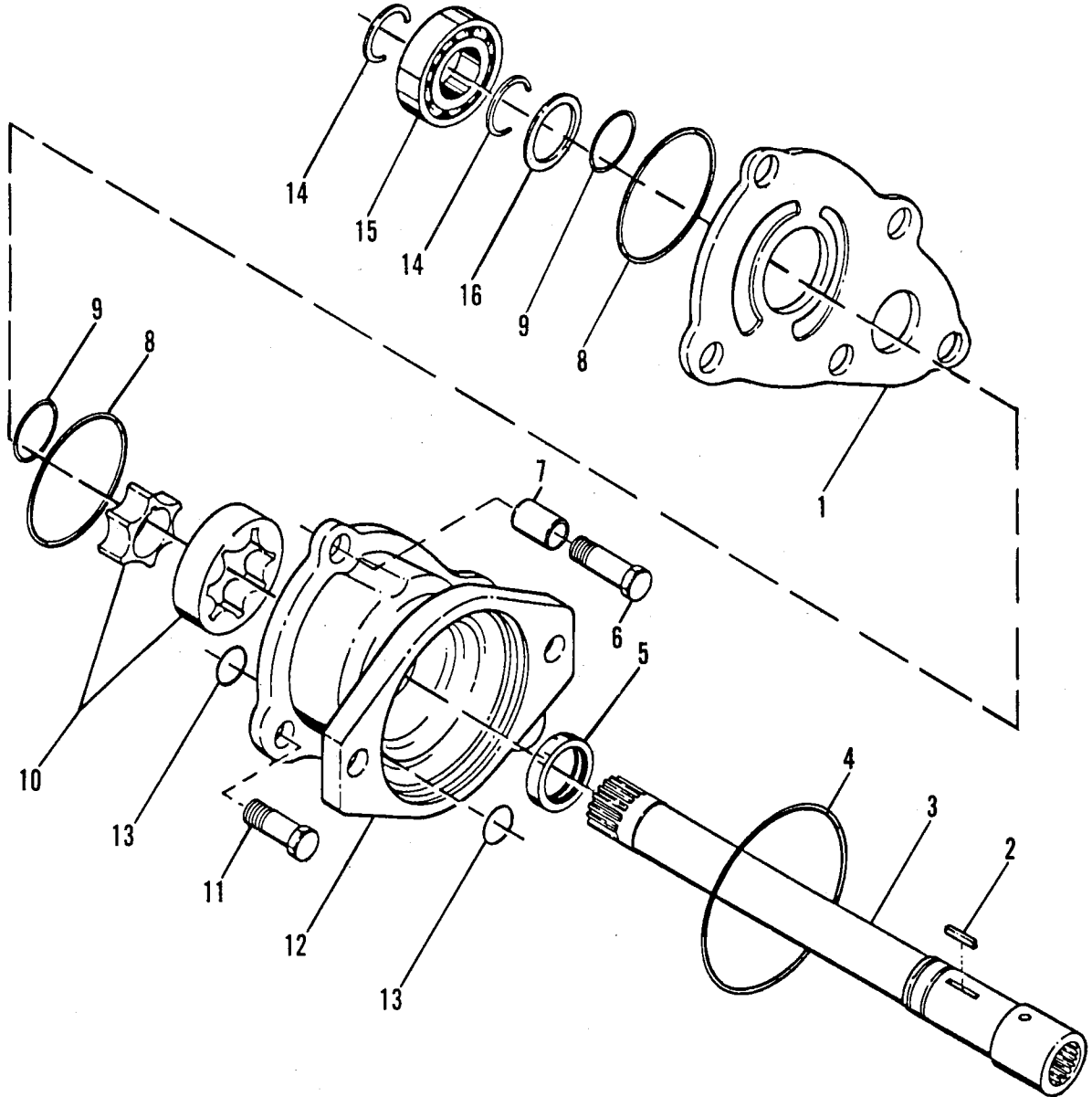
Index No.	Part Number	Description	Qty. Req'd.
1	CF4045236	SEAL	1
2	CFF460268	BEARING	1
3	CFF5543244	THRUST, Race	2
4	CFF5503244	BEARING, Needle Thrust	1
5	CF4045887	HUB, Turbine	1
6	CF4045884	TURBINE	1
7	CF4045901	WASHER, Thrust	4
8	CFF5513650	BEARING, Needle Thrust	2
9	CF4003456	RING, Internal Retaining	2
10	CF4045899	RETAINER, Clutch	2
11	CF4045493	RACE, Inner	1
12	CF4045577	IMPELLER	1
13	CFF17040516	WASHER, Flat	28
14	CFF104208	BOLT, Place	8
15	CFF820516CBO	NUT, Hex	20
16	CFF37010045	O-RING	1
17	CF4000497	SEAL, Ring	1
18	CFF80100231	RING, Retaining	1
19	CF4045607	HUB, Impeller	1
20	CF4045726	RACE, Outer	1
21	CF4045081	SPRAG, Clutch Assy.	1
22	CF4045444	FRONT COVER Assy.	1
23	CFF1002020	CAPSCREW	20
24	CF4045911	STATOR	1
25	CFF84026	YOKE, Front	1

TRANSMISSION REAR COVER GROUP



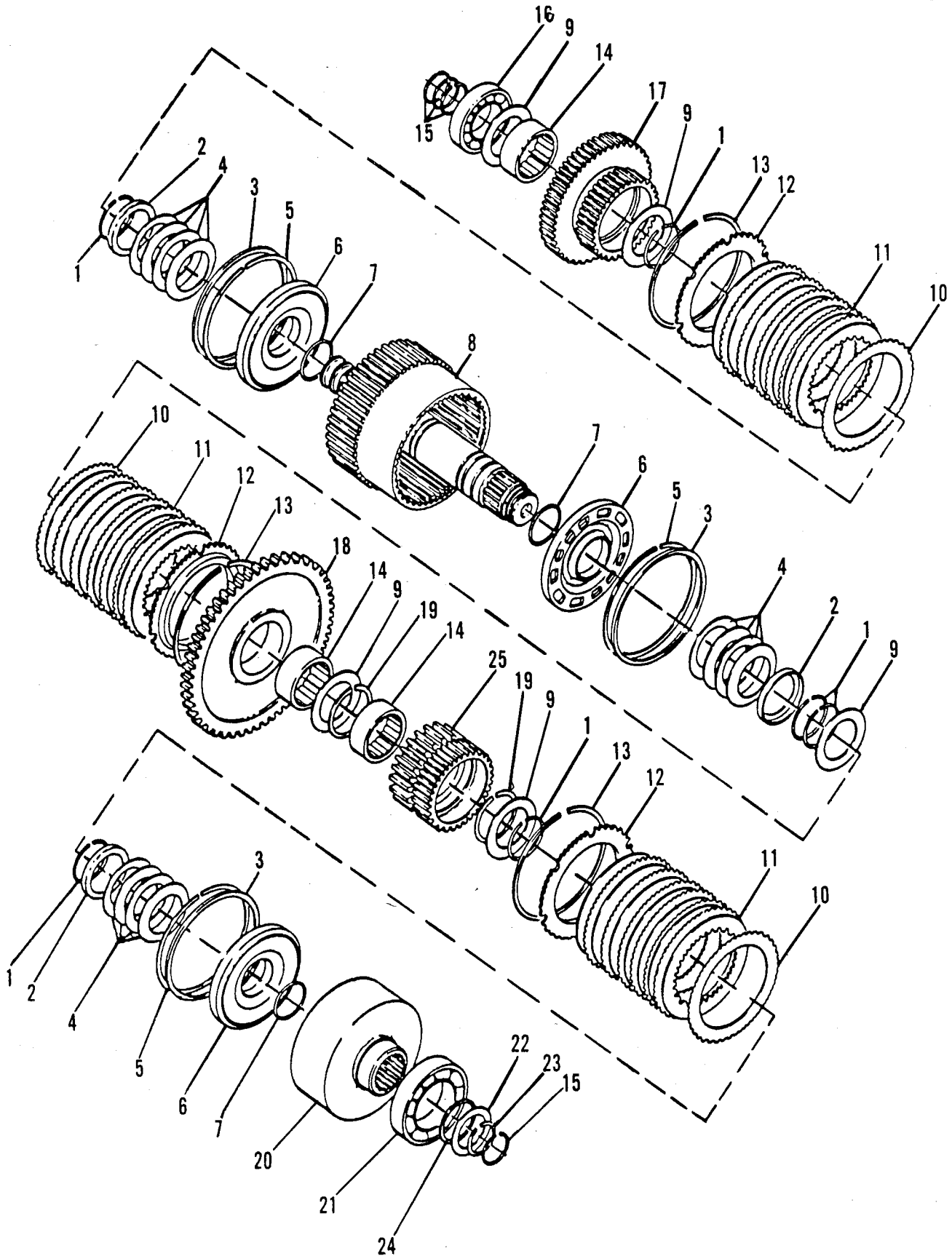
Index No.	Part Number	Description	Qty. Req'd.
1	CF4001123	BUSHING, Locating	2
2	CFF1005032	CAPSCREW	3
3	CF4004933	REAR, Housing Assy.	1
4	CFF1005040	CAPSCREW	3
5	CFF37030231	O-RING	1
6	CF4004518	SHAFT, Idler	1
7	CFF18005	WASHER	1
8	CFF1005088	CAPSCREW	3
9	CFF1005036	CAPSCREW	2
10	CFF1900120	PLUG, Pipe	2
11	CF4001218	O-RING	1
12	CF4004531	DRAIN, Plug Assy.	1
13	CFF190014	PLUG, Pipe	2
14	CFF58602	BEARING	1
15	CF4004519	GEAR, Idler	1
16	CF4004115	GASKET, Main	1
17	CFF13009000	NUT, Hex	2
18	CF4005072	TUBE, Dipstick	1
19	CF4005071	DIPSTICK	1
20	CFF7400012D	BALL	1
21	CFF100108	CAPSCREW	1
22	CF4003473	CLAMP, Dipstick	1
23	CF4004530	TUBE, Suction	1
24	CF4004536	BRACKET, Support	1
25	CFF17001N	WASHER, Flat	3
26	CFF1114516	CAPSCREW	1
27	CFF7400011D	BALL	2
28	CFF1900120	PLUG, Pipe	2
29	CFF1005088	CAPSCREW	3

TRANSMISSION PUMP GROUP



Index No.	Part Number	Description	Qty. Req'd.
1	CF4004939	PLATE, Wear	1
2	CF4004339	KEY, PTO Shaft	1
3	CF40A4146	SHAFT, PTO Assy.	1
4	CFF37030220	O-RING	1
5	CFF65257	SEAL, Oil	1
6	CFF1003024	CAPSCREW	3
7	CFF1003028	CAPSCREW	2
8	CFF37020152	O-RING	1
9	CFF37030220	O-RING	1
10	CF4003256	PUMP, Gerotor	1
12	CF4004940	HOUSING, Pump PTO	1
13	CFF37010014	O-RING	1
14	CFF81400439	RING, Retaining	2
15	CFF42808	BEARING	1
16	CF4004209	SPACER	1

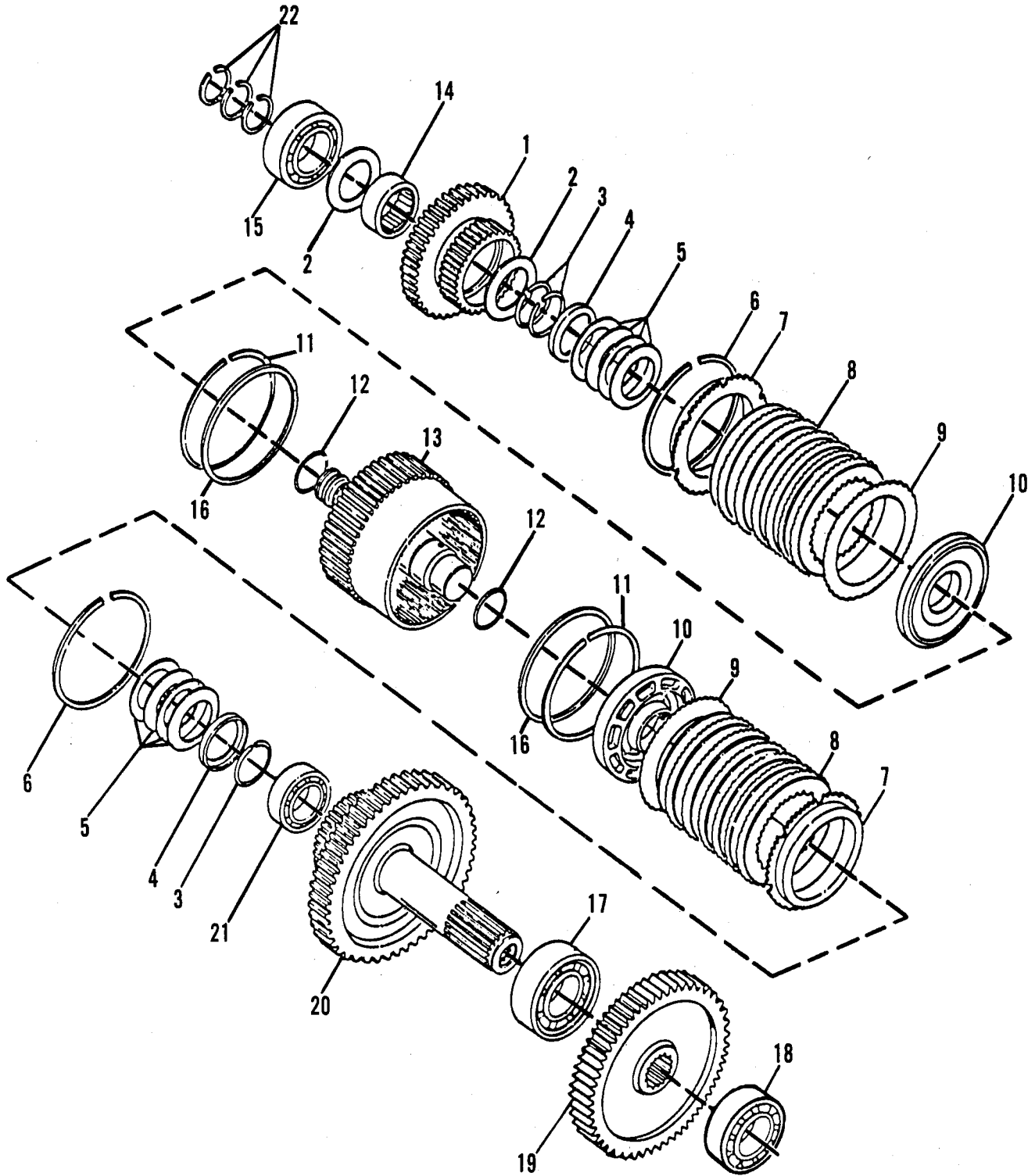
TRANSMISSION CLUTCH ASSEMBLY



TRANSMISSION CLUTCH ASSEMBLY

Index No.	Part Number	Description	Qty. Req'd.
1	CFF81687	RING, Retainer	6
2	CF4004957	RETAINER	3
3	CF4004895	SEAL, Lip Ring	3
4	CF4007180	SPRING	12
5	CF4004995	RING, Backup	3
6	CF40A4006	PISTON, Clutch	3
7	CFF37020131	O-RING	3
8	CF40A4033	CLUTCH, Assembly	1
9	CF4004144	WASHER, Thrust	5
10	CF4004896	PLATE, Clutch	21
11	CF40RC7951	PLATE, Clutch	21
12	CF4004839	RETAINER, Clutch	3
13	CF4TRC7171	RING, Snap	3
14	CFF4903016	BEARING	3
15	CFF4000855	SEAL, Ring	4
16	CFF40208	BEARING	1
17	CF4004161	GEAR AND HUB, Assembly	1
18	CF4004184	GEAR AND HUB, Assembly	1
19	CFF81500225	RING, Snap	2
20	CF40A4034	HUB CLUTCH, Assembly	1
21	CFF40211	BEARING	1
22	CFF5532435	THRUST, Race	1
23	CFF81650	RING, Snap	1
24	CFF37020129	O-RING	1
25	CF4004670	GEAR AND HUB, Assembly	1

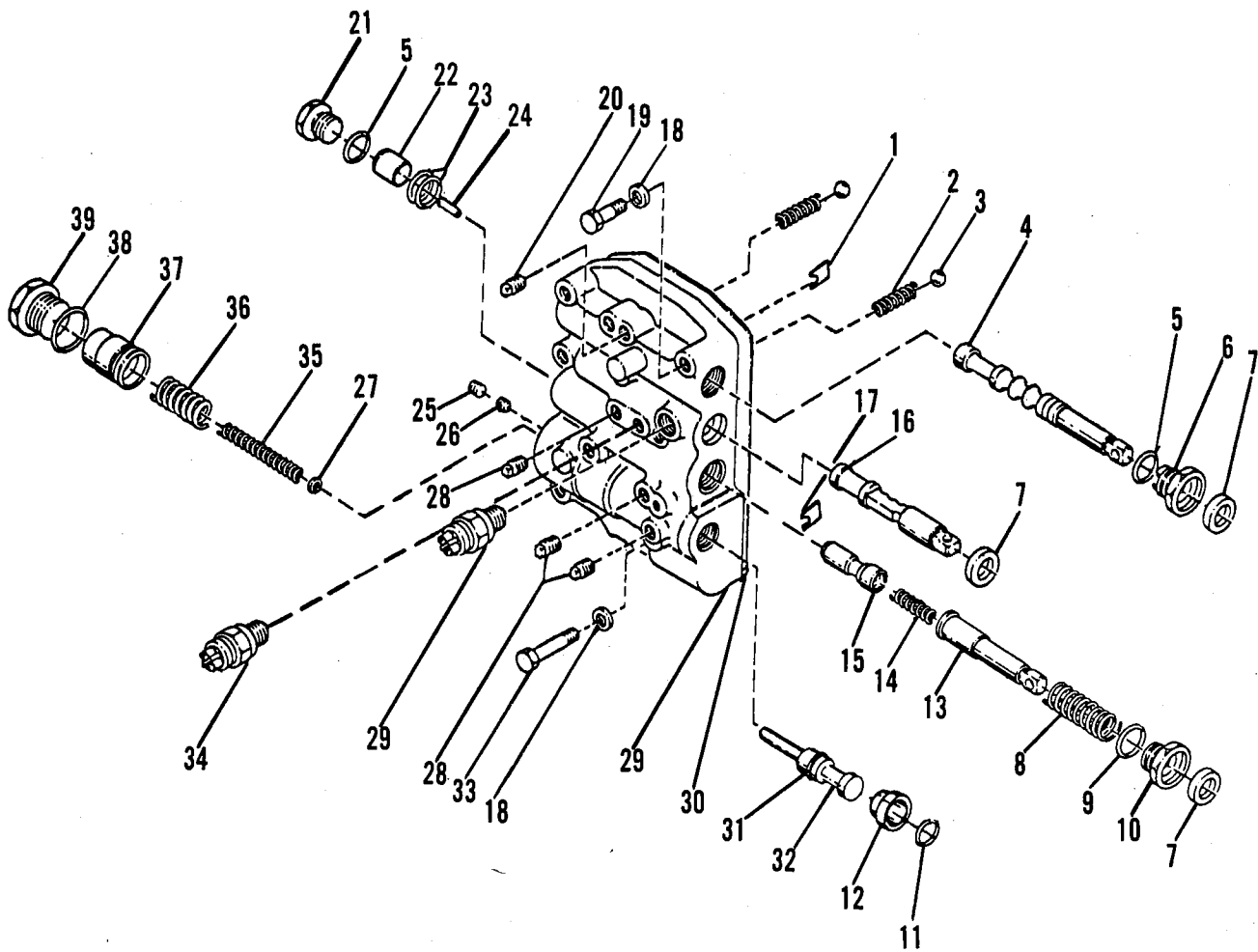
TRANSMISSION CLUTCH ASSEMBLY 2nd STAGE



TRANSMISSION CLUTCH ASSEMBLY 2nd STAGE

Index No.	Part Number	Description	Qty. Req'd.
1	CF4004161	GEAR AND HUB, Assembly	1
2	CF4004144	WASHER, Thrust	2
3	CFF81687	RING, Retainer	3
4	CF4004957	RING, Retainer Snap	2
5	CF4007180	SPRING	8
6	CF4TRC7171	RING, Snap	2
7	CF4004839	RETAINER, Clutch	2
8	CF40RC7951	PLATE, Clutch	14
9	CF4004896	PLATE, Clutch	14
10	CF40A4006	PISTON, Clutch	2
11	CF4004995	RING, Backup	2
12	CFF37020131	O-RING	2
13	CF40A4035	OUTER SHIFT, Assembly	1
14	CFF4903016	BEARING	1
15	CFF40208	BEARING	1
16	CF4004895	SEAL, Ring	2
17	CFF621309BCFA1B	BEARING	1
18	CFF41209	BEARING	1
19	CF4004520	GEAR	1
20	CF4004507	SHAFT & GEAR Assy.	1
21	CFF40108	BEARING	1
22	CF4000855	SEAL, Ring	3

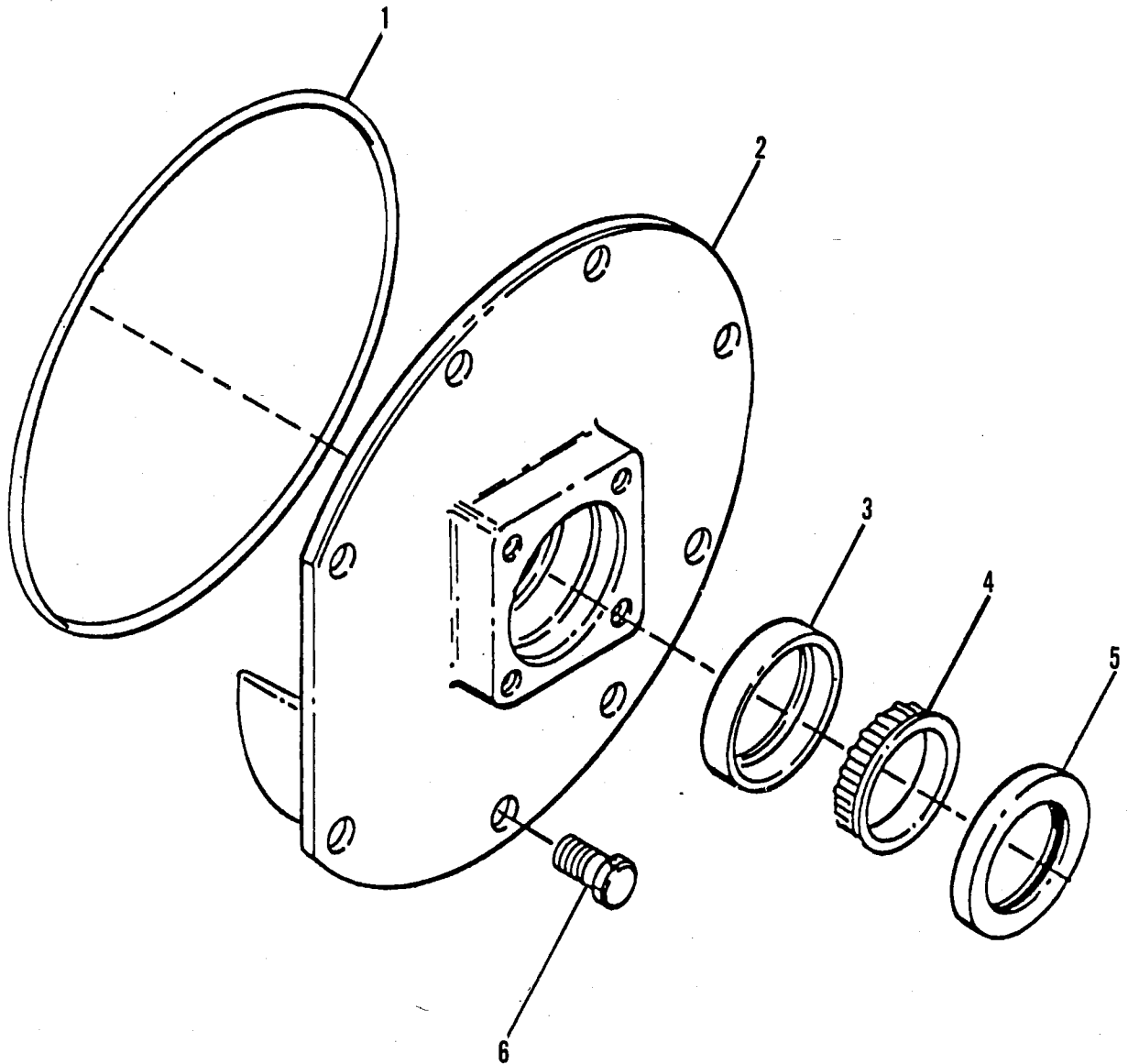
TRANSMISSION VALVE GROUP



TRANSMISSION VALVE GROUP

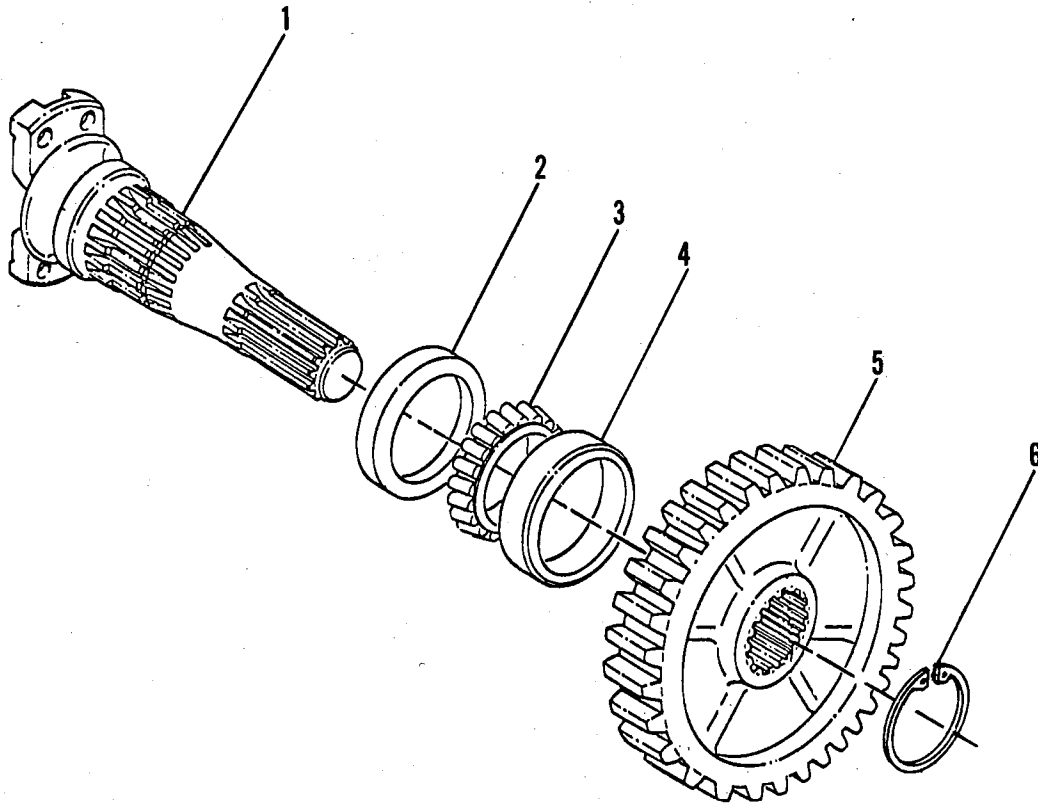
Index No.	Part Number	Description	Qty. Req'd.
1	CF4004699	FORK, Stop	1
2	CF4001079	DENTENT, Spring	2
3	CFF7400012D	BALL	2
4	CF4004737	STEM, Assembly	1
5	CF40392071	O-RING	2
6	CF4001091	PLUG	1
7	CFF65227	SEAL, Oil	3
8	CF4004240	SPRING	1
9	CF4001284	O-RING	1
10	CF4002017	CAP, Feathering	1
11	CFF3900093	RING, Snap	1
12	CF40A4229	SEAT	1
13	CF4004258	STEM, Feathering	1
14	CF4004238	SPRING, Feathering	1
15	CF4004236	REGULATOR, Valve	1
16	CF4004698	STEM	1
17	CF4004246	FORK, Stop	1
18	CFF17030516	WASHER, Flat	10
19	CFF1002036	CAPSCREW	7
20	CFF190012	PLUG, Pipe	1
21	CF4001063	PLUG, Brake Line	1
22	CF40A4291	PISTON	1
23	CF4004237	O-RING	2
24	CFF56870	ROLLER, Needle	1
25	CFF190032	PLUG, Pipe	1
26	CF4004247C	PLUG, Orifice	1
27	CF4004993	SPACER, Spring	3
28	CFF190012	PLUG, Pipe	3
29	CFF91001	SWITCH, Neutral Start	1
30	CF4004231	GASKET, Valve Body	1
31	CFF3901037	SNAP, Ring	1
32	CF40A4258	POPPET	1
33	CFF1002044	CAPSCREW	3
34	CFF91101	SWITCH, Reverse Warning	1
35	CF40A4252	SPRING, Main Reg.	1
36	CF4004243	SPRING, Accumulator	1
37	CF40A4046	PISTON	1
38	CF4001218	O-RING	1
39	CF4001080	PLUG, Dump Valve	1

TRANSMISSION OUTPUT RETAINER



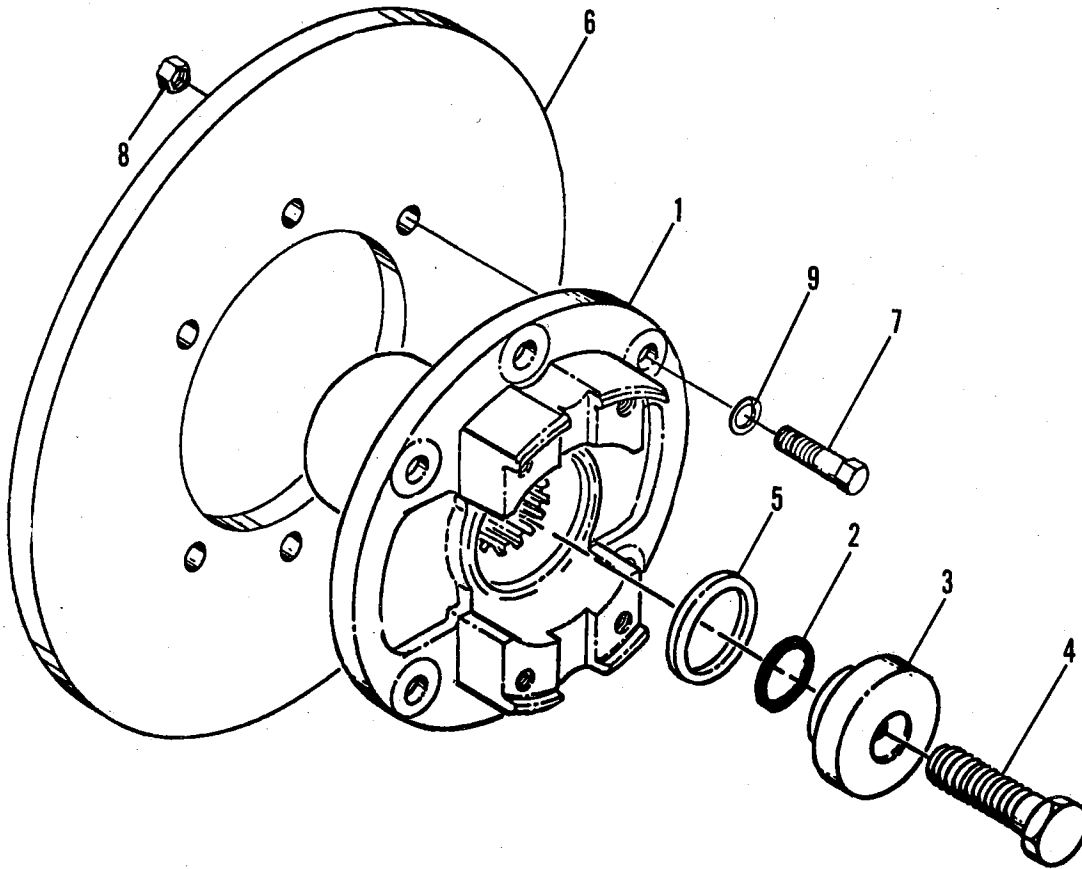
Index No.	Part Number	Description	Qty. Req'd.
1	CFF37030277	O-RING	1
2	CF4004731	BEARING, Retainer	1
3	CFF58540	BEARING	1
4	CFF58047	BEARING	1
5	CFF65270	SEAL, Oil	1
6	CFF1005020	CAPSCREW	8

TRANSMISSION OUTPUT GROUP



Index No.	Part Number	Description	Qty. Req'd.
1	CF4004551	SHAFT, Output	1
2	CFF65239	SEAL, Oil	1
3	CFF58051	BEARING	1
4	CFF58544	BEARING	1
5	CF4004550	GEAR, Output	1
6	CFF39010287	RING, Snap	1

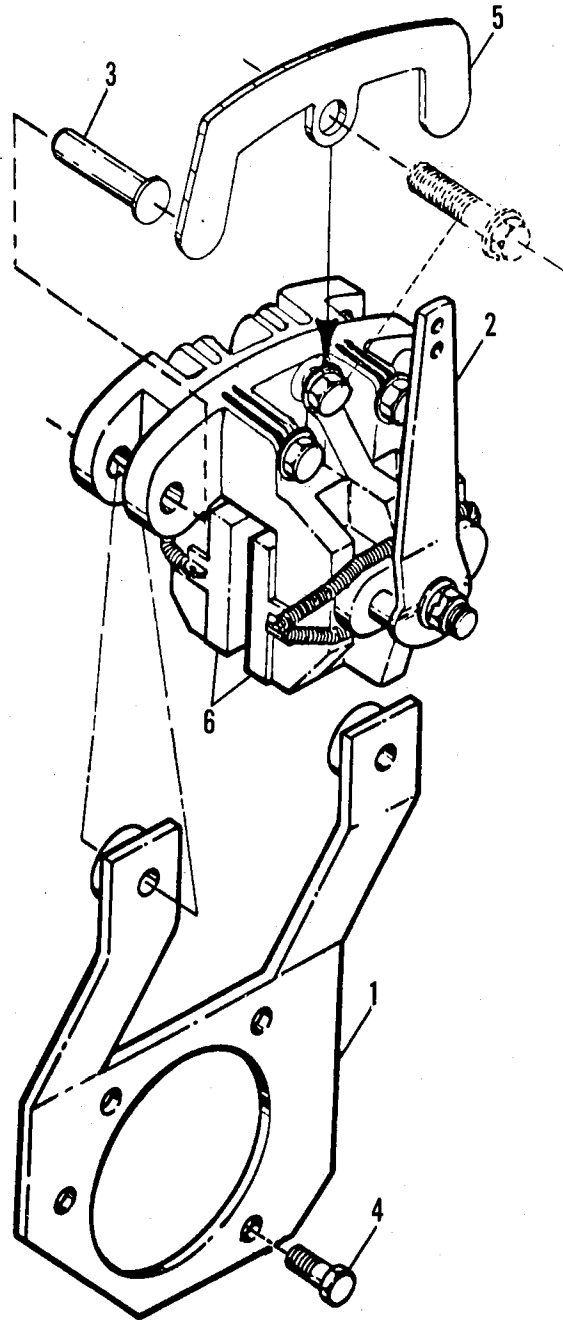
TRANSMISSION YOKE GROUP



Index No.	Part Number	Description	Qty. Req'd.
1	CF4004545	Yoke	1
2	CF4001217	FLANGE, O-Ring	1
3	CF4010464	WASHER, Yoke	1
4	CFF1047520	BOLT, Place	1
5	CF4004534	SHIM PACK	1
5	*	SHIM, .010	2
5	*	SHIM, .005	2
5	*	SHIM, .020	2
5	*	SHIM, .003	2
5	*	SHIM, .002	2
6	CF40A4255	DISK, 11"	1
7	CFF1003520	CAPSCREW	6
8	CFF13006000	NUT, Hex	6
9	CFF16202	WASHER, Lock	6

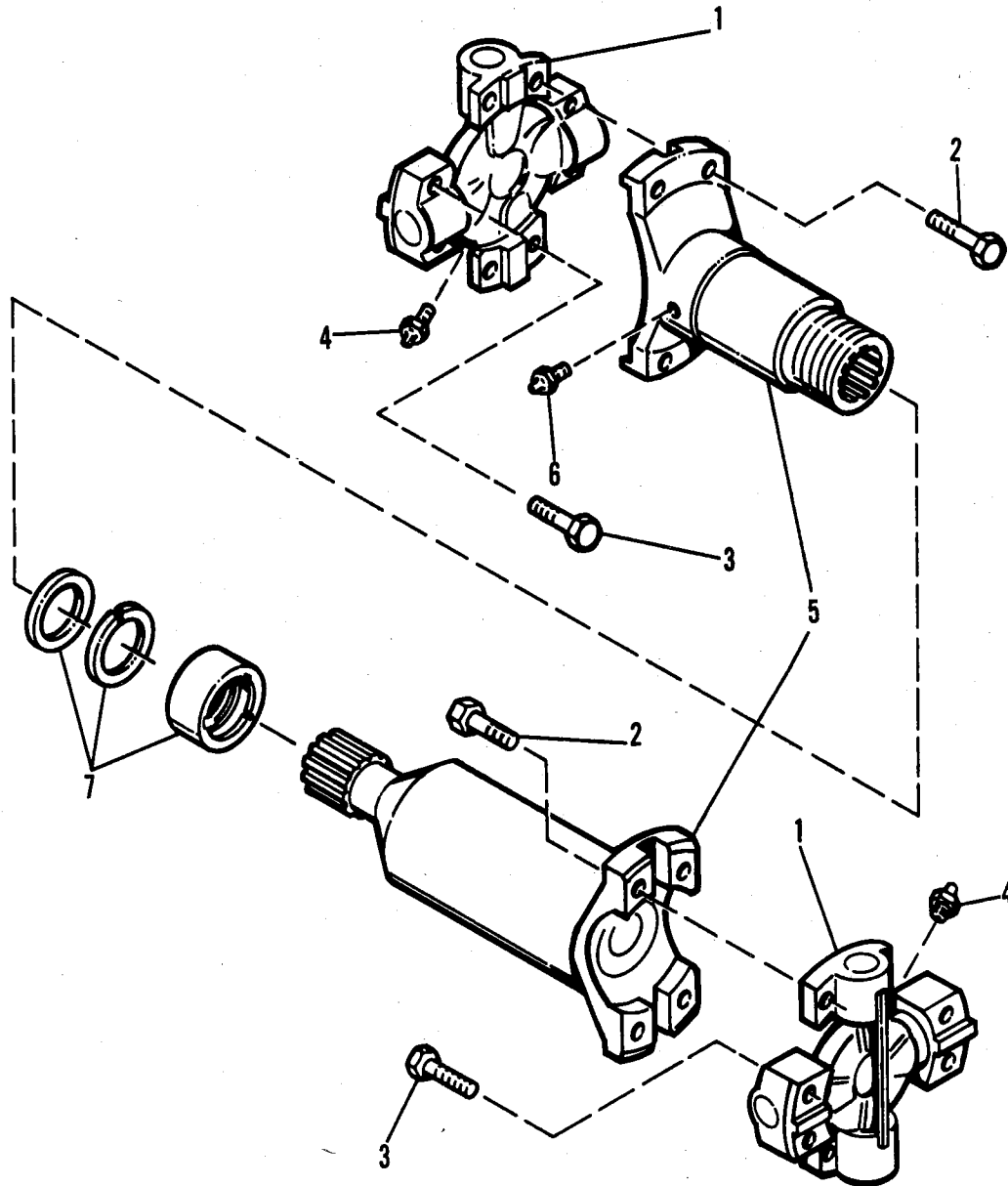
* SHIM PACK CF4004534 Consists of all items 5

PARKING BRAKE GROUP



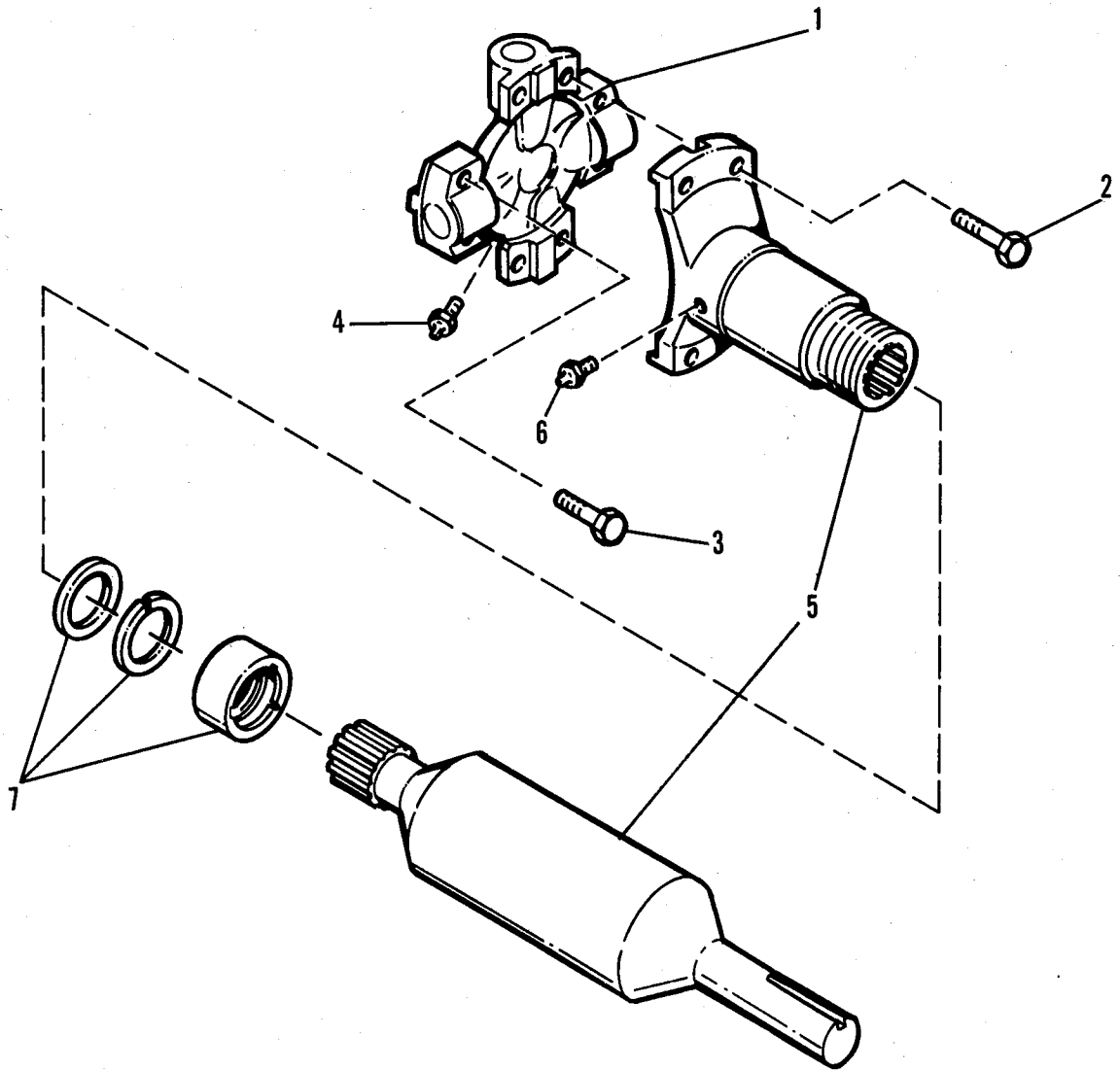
Index No.	Part Number	Description	Qty. Req'd.
1	CF40A4254	BRACKET, Support	1
2	CF4003259	CALIPER ASSEMBLY w/PADS	1
3	CFF2400775	PIN, Clevis	2
4	CFF1005024	CAPSCREW	4
5	CF40A1311	RETAINER, Pin	1
6	8102406	SERVICE KIT, Brake Pads	1

TRANSMISSION DRIVE SHAFT



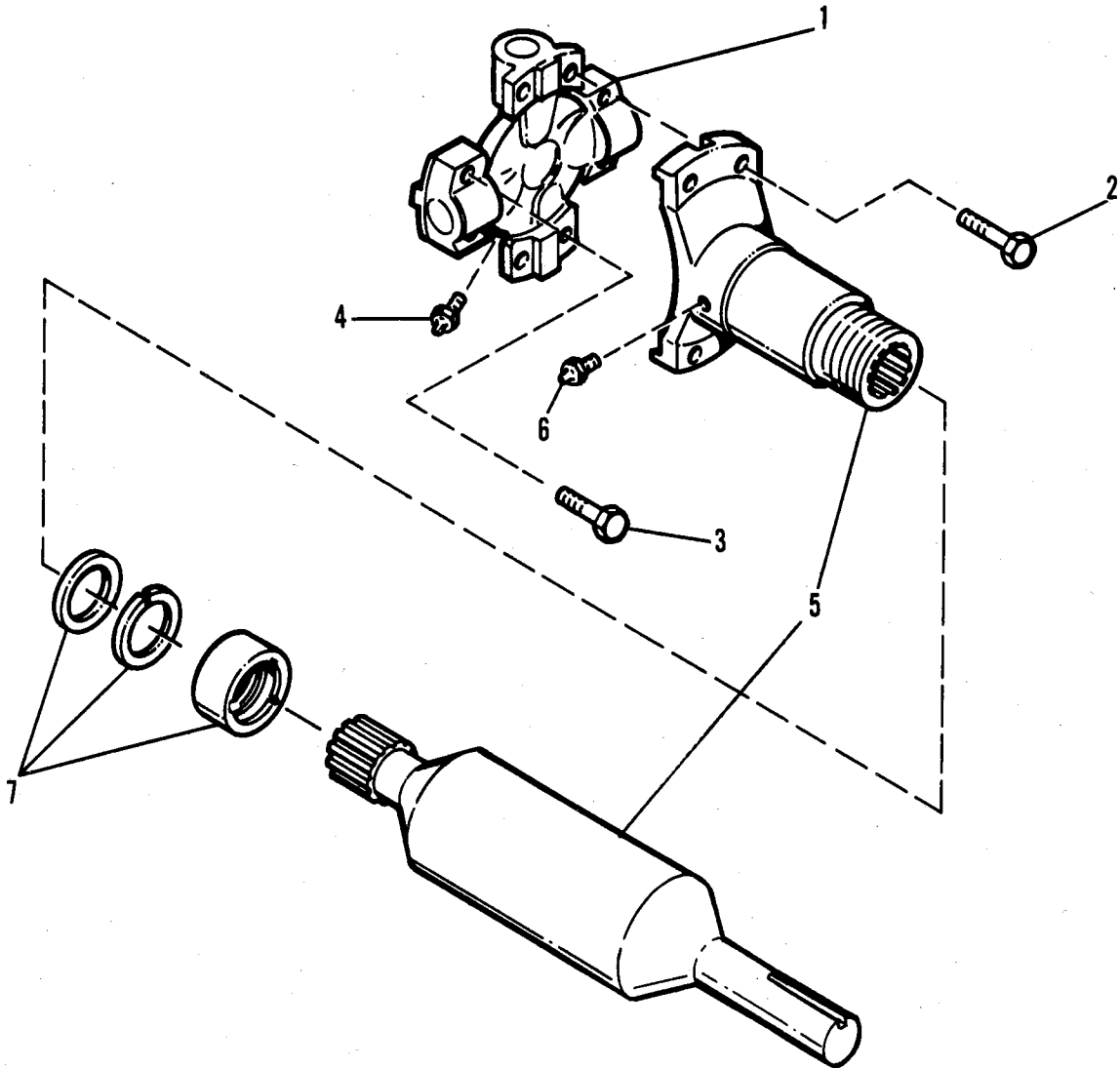
Index No.	Part Number	Description	Qty. Req'd
-	7068812	FRONT, Drive Shaft Assembly	1
-	7068822	REAR, Drive Shaft Assembly	1
1	8880009	SPIDER & BEARING, Assembly (Includes Items 2, 3, & 4)	1
2		SCREW, Hex Hd., $\frac{3}{8}$ -24 NF x 1 GR. 5	8
3		SCREW, Hex Hd., $\frac{3}{8}$ -24 NF x 1 $\frac{3}{4}$ GR. 5	8
4	8520005	FITTING, Grease $\frac{1}{4}$ -28 Taper Thd.	2
5	8880207	SLIP YOKE & TUBE, Assembly (Front) (Includes Items 6 & 7)	1
5	8880208	SLIP YOKE & TUBE, Assembly (Rear) (Includes Items 6 & 7)	1
6	8520001	FITTING, Grease $\frac{1}{8}$ NPT	1
7	8882005	KIT, Dust Cap	1

FRONT & REAR DRIVE SHAFT



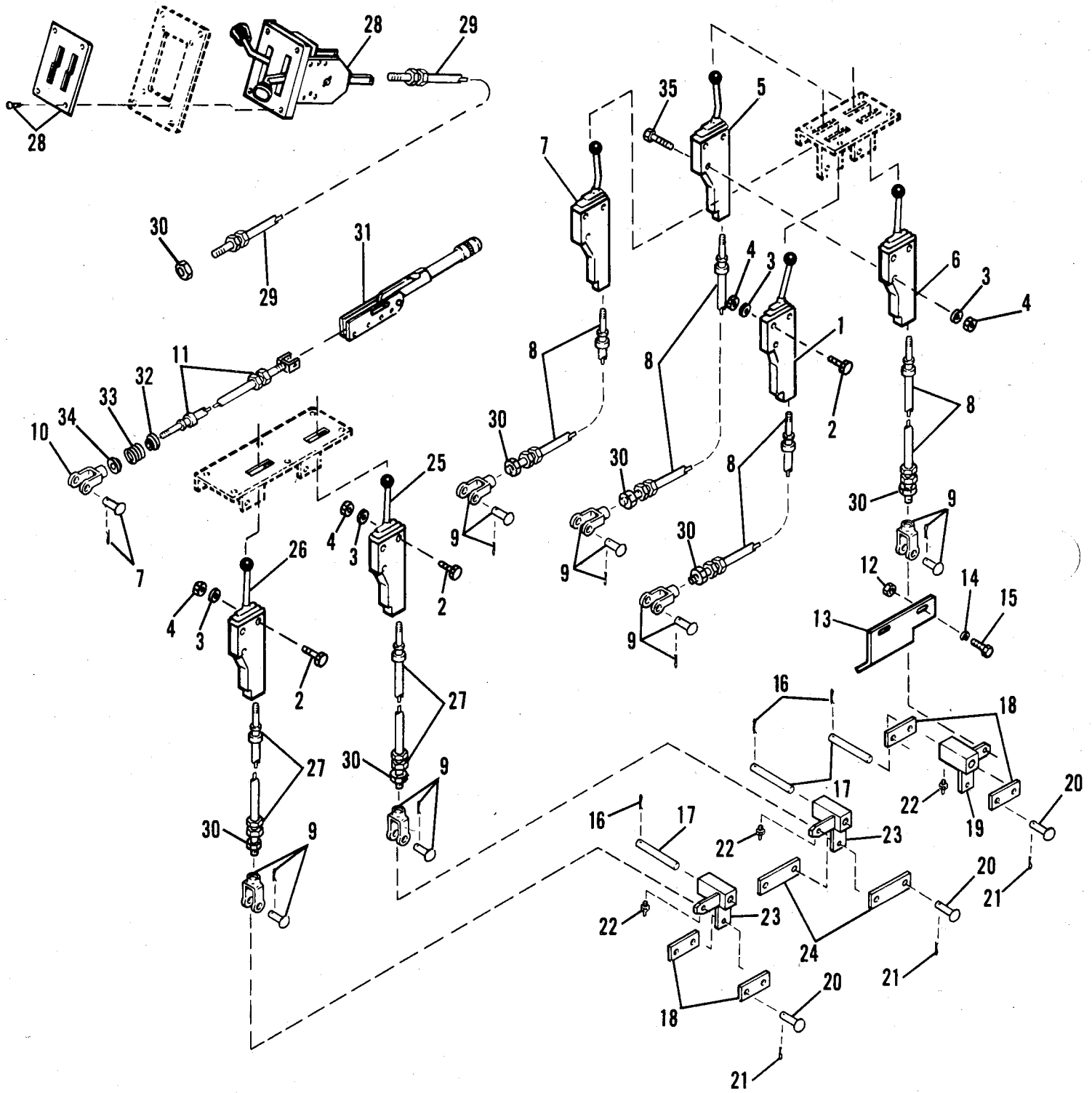
Index No.	Part Number	Description	Qty. Req'd.
-	7068832	TRANSMISSION, Drive Shaft Assembly	1
1	8880009	SPIDER & BEARING, Assembly	1
2		(includes Items 2, 3, & 4)	
2		SCREW, Hex Hd., $\frac{3}{8}$ - 24 NF x 1 GR. 5	4
3		SCREW, Hex Hd., $\frac{3}{8}$ - 24 NF x 1 $\frac{1}{4}$ GR. 5	4
4	8520005	FITTING, Grease $\frac{1}{4}$ - 28 Taper	1
5	8880209	SLIP YOKE & TUBE, Assembly (Includes Items 6 & 7)	1
6	8520001	FITTING, Grease $\frac{1}{8}$ NPT	1
7	8882005	KIT, Dust Cap	1

FRONT & REAR DRIVE SHAFT DEUTZ ENGINE



Index No.	Part Number	Description	Qty. Req'd.
-	7074692	TRANSMISSION, Drive Shaft Assembly	1
1	8880009	SPIDER & BEARING, Assembly	1
2		(includes Items 2, 3, & 4)	
2		SCREW, Hex Hd., $\frac{3}{8}$ - 24 NF x 1 GR. 5	4
3		SCREW, Hex Hd., $\frac{3}{8}$ - 24 NF x 1 $\frac{1}{4}$ GR. 5	4
4	8520005	FITTING, Grease $\frac{1}{4}$ - 28 Taper	1
5		SLIP YOKE & TUBE, Assembly	1
		(Includes Items 6 & 7)	
6	8520001	FITTING, Grease $\frac{1}{8}$ NPT	1
7	8882005	KIT, Dust Cap	1

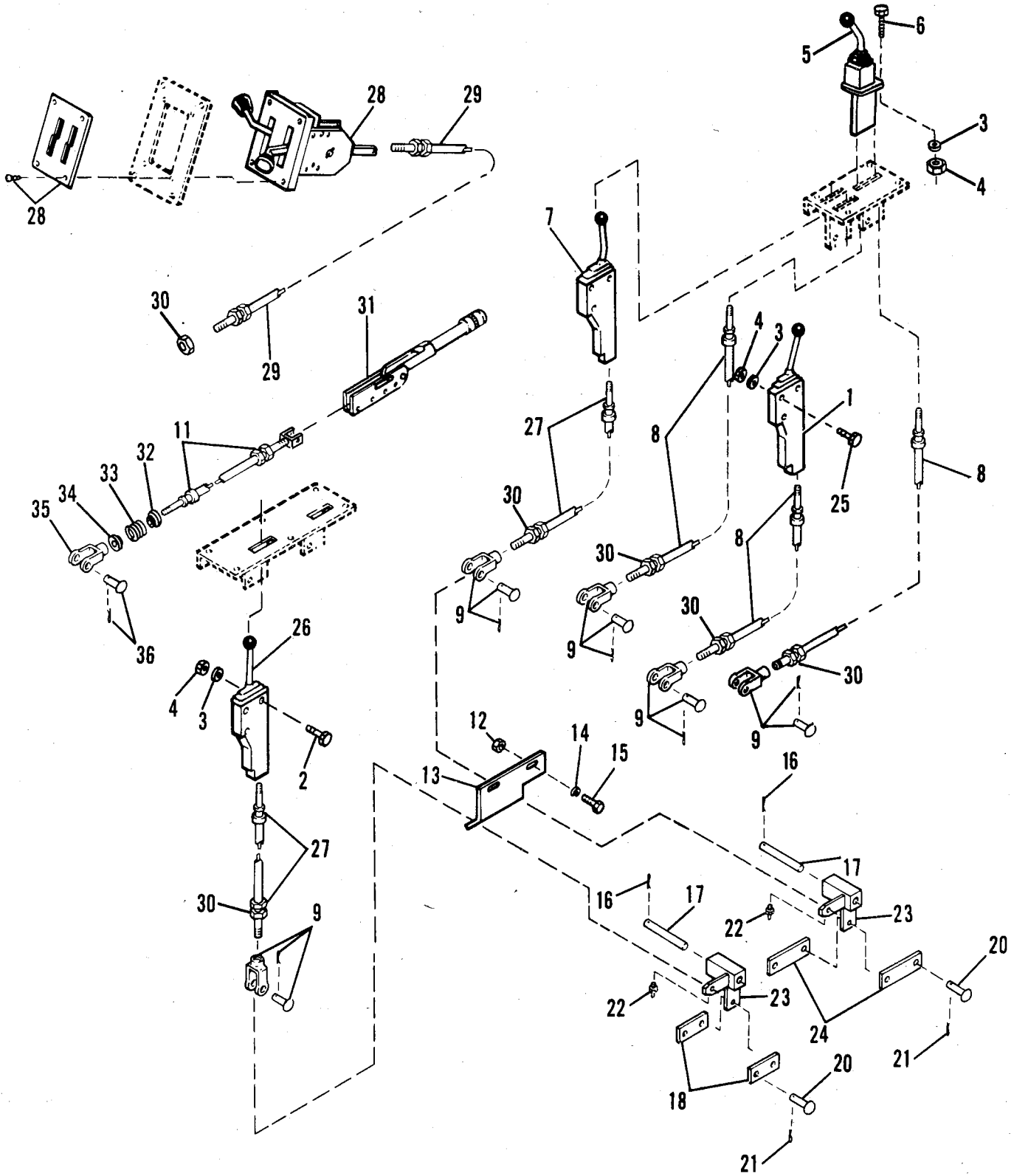
HAND CONTROLS GROUP



HAND CONTROLS GROUP

Index No.	Part Number	Description	Qty. Req'd.
1	7058722	CARRIAGE TILT CONTROL	1
2		SCREW, Hex Hd., ¼ - 20 x 2½ GR. 5	9
3		WASHER, Lock, ¼	9
4		NUT, Hex, ¼ - 20	9
5	8160405	BOOM EXTEND CONTROL	1
6	8160406	BOOMHOIST CONTROL	1
7	8301409	PIN & COTTER	1
8	8160038	CABLE, Control	3
9	8301439	CLEVIS W/PIN & COTTER	5
10	8301004	CLEVIS	1
11	8160035	CABLE, Control	1
12		NUT, Hex Lock, ⅜ - 16	2
13	7058392	BRACKET, Cable	1
14		WASHER, Lock, ⅜	2
15		SCREW, Hex Hd., ⅜ - 16 x ⅜ GR. 5	2
16		PIN, Cotter, 3/32 x 1½	2
17	7057711	PIN	2
18	7057671	LINK	2
19	7057692	LEVER	1
20	8301443	PIN	6
21		PIN, Cotter, 1/16 x ½	6
22		FITTING, Grease, ¼ - 28	2
23	7057702	LEVER	2
24	7057651	LINK	2
25	8160406	FRAME TILT CONTROL	1
26	8160404	STEER SELECT CONTROL	1
27	8160040	CABLE CONTROL	2
28	8160408	DUAL SHIFTER ASSEMBLY	1
29	8160042	CABLE, Control	2
30		NUT, Jam, ¼ - 28	7
31	8162206	PARKING BRAKE LEVER ASSY.	1
32	7070201	UPPER NUT	1
33	8702129	SPRING	1
34	7070211	LOWER NUT	1
35		SCREW, Hex Hd., ¼ - 20 x 4 GR. 5	3

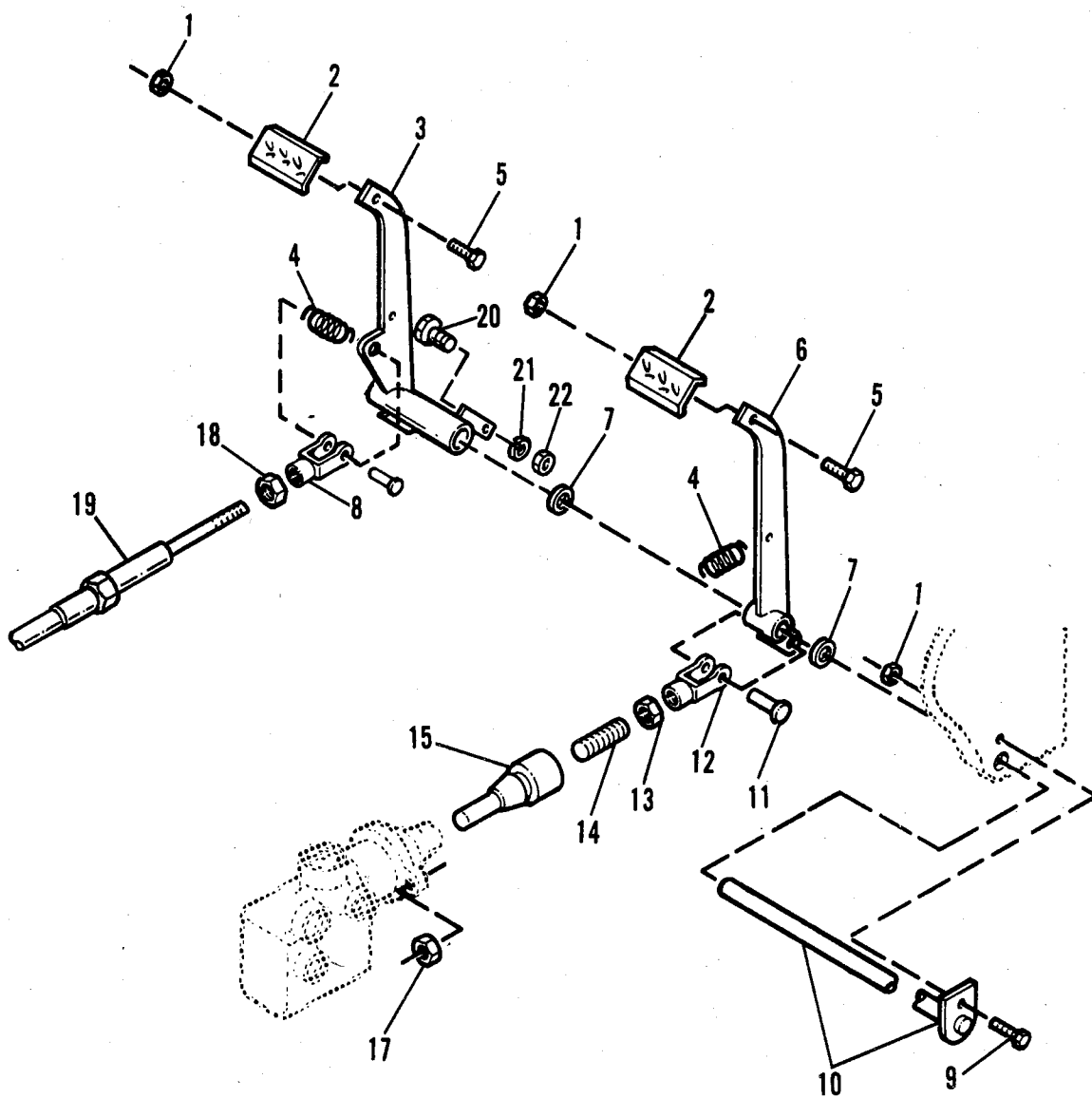
HAND CONTROLS GROUP WITH JOYSTICK



HAND CONTROLS GROUP WITH JOYSTICK

Index No.	Part Number	Description	Qty. Req'd.
1	8160406	CARRIAGE TILT CONTROL	1
2		SCREW, Hex Hd. ¼ - 20 x 2½ GR. 5	3
3		WASHER, Lock, ¼	10
4		NUT, Hex, ¼ -20	10
5	7071353	BOOM EXTEND & HOIST CONTROL	1
6		SCREW, Hex Hd. ¼ - 20 x ¾ GR. 5	4
7	7058722	FRAME TILT CONTROL	1
8	8160038	CABLE, Control	3
9	8301439	CLEVIS W/PIN & COTTER	6
10		CABLE, Control, Optional	1
11	8160035	CABLE, Control	1
12		NUT, Hex Lock, ¾ - 16	2
13	7058392	BRACKET, Cable	1
14		WASHER, Lock, ¾	2
15		SCREW, Hex Hd., ¾ - 16 x ¾ GR. 5	2
16		PIN, Cotter, 3/32 x 1½	2
17	7075911	PIN	2
18	7057671	LINK	2
19	7057692	LEVER	1
20	8301443	PIN	5
21		PIN, Cotter, 1/6 x ½	5
22		FITTING, Grease, ¼ - 28	2
23	7057702	LEVER	2
24	7057651	LINK	2
25		SCREW, Hex Hd., ¼ - 20 x 4	3
26	8160404	STEER SELECT CONTROL	1
27	8160040	CABLE CONTROL	2
28	8160408	DUAL SHIFTER ASSEMBLY	1
29	8160042	CABLE, Control	2
30		NUT, Jam ¼ - 28	7
31	8162206	PARKING BRAKE LEVER ASSY.	1
32	7070201	UPPER NUT	1
33	8702129	SPRING	1
34	7070211	LOWER NUT	1
35	8301004	CLEVIS	1
36	8301409	PIN & COTTER	1

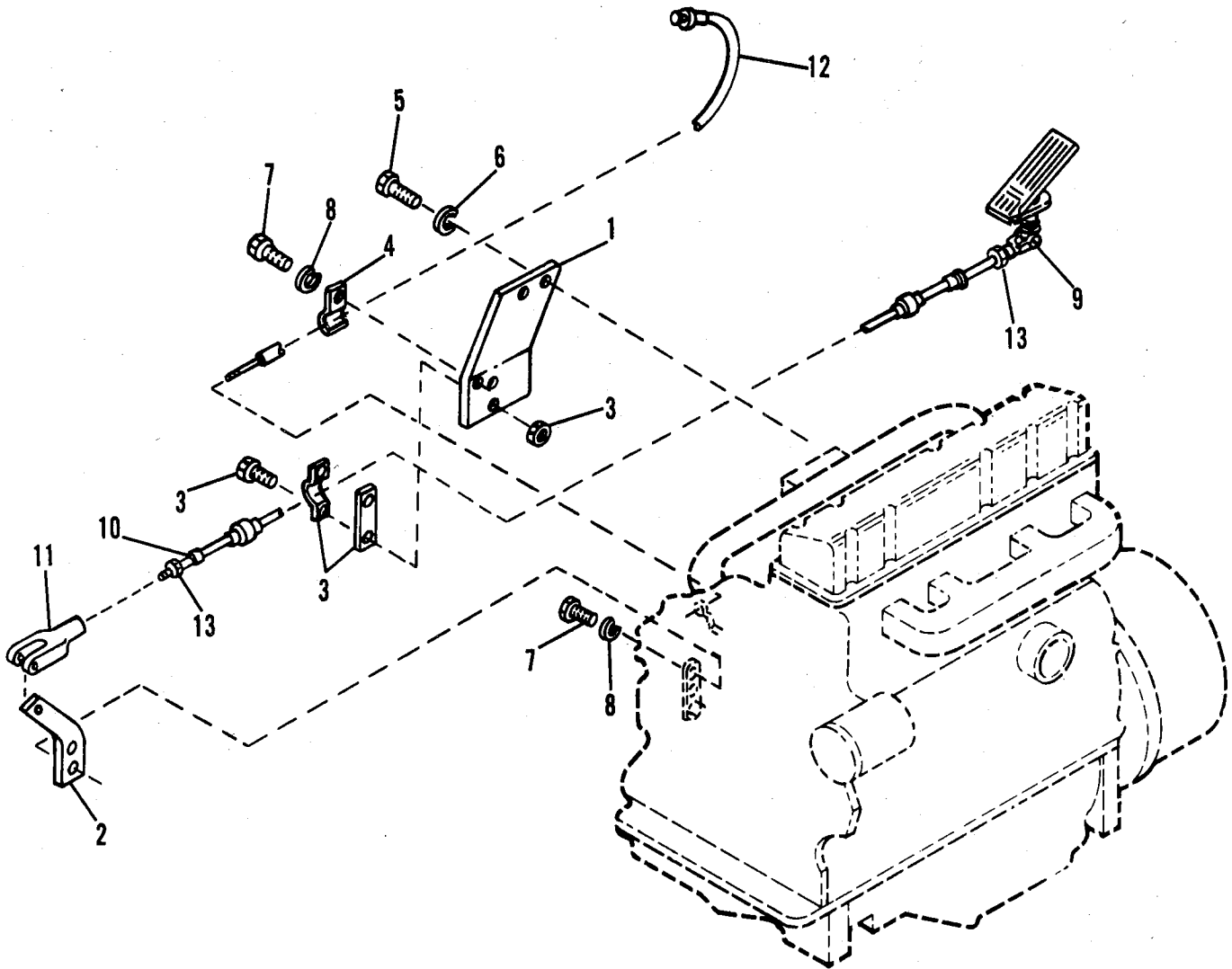
BRAKE & CLUTCH PEDAL GROUP



BRAKE & CLUTCH PEDAL GROUP

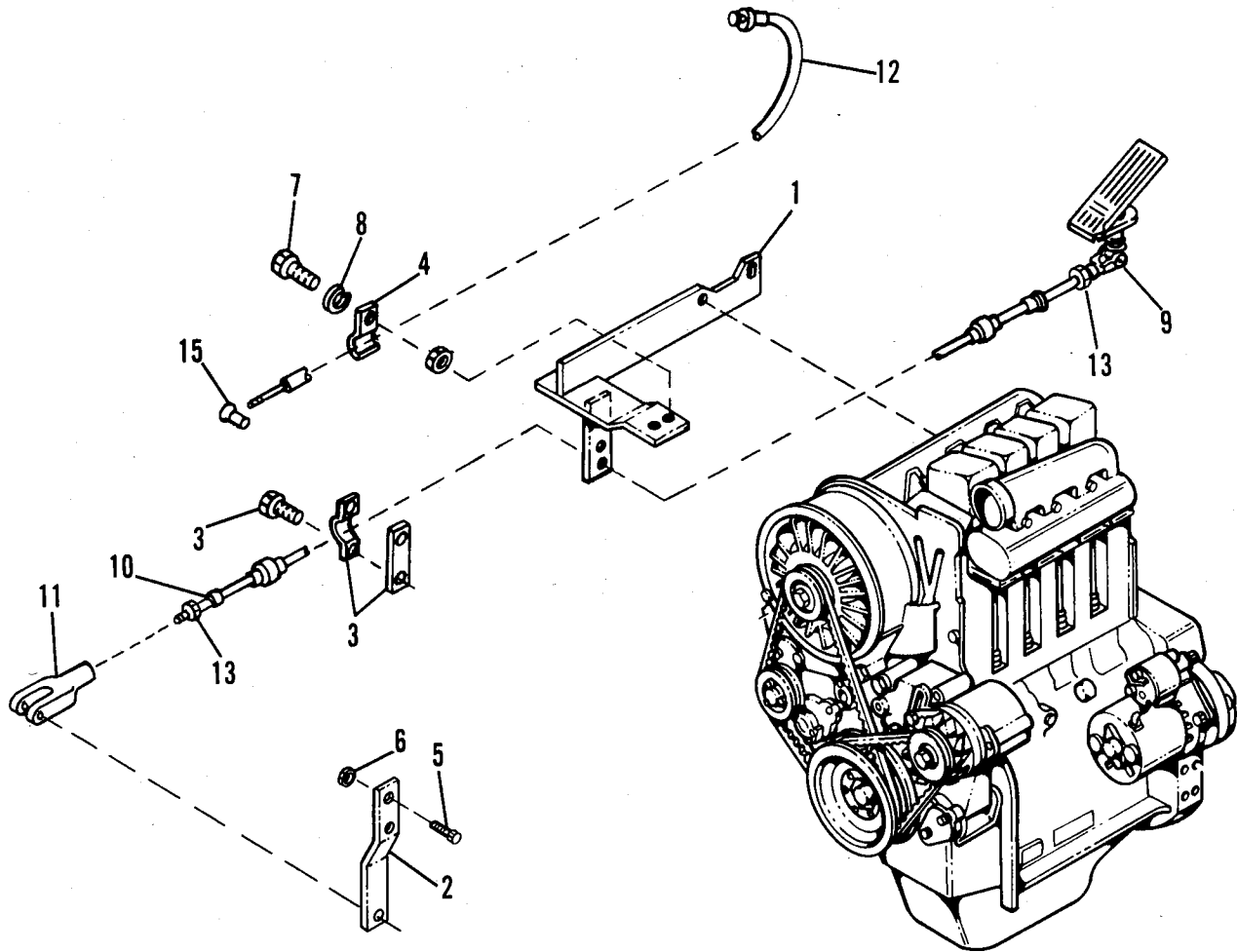
Index No.	Part Number	Description	Qty. Req'd.
1		NUT, Hex, ¼ - 20	2
2	7062512	PEDAL, Pad	2
3	7068283	PEDAL, Inching	1
4	8700110	SPRING, Return	2
5		SCREW, Hex Hd., ¼ - 20 x 1 - ¼ GR.5	2
6	7062573	PEDAL, Brake	1
7		WASHER, Flat, 13/16	3
8	8301439	CLEVIS ASSEMBLY	1
9		SCREW, Hex Hd., ¼ - 20 x ¾ GR. 5	1
10	7062602	SHAFT	1
11	8301441	PIN, Clevis	1
12	8301014	YOKE	1
13		NUT, Jam ⅝ - 18	2
14	7062731	ROD	1
15	8102812	ROD, Push	1
16		SCREW, Hex Hd., 7/16 - 20 GR. 5	3
17		WASHER, Lock, 7/16	3
18		NUT, Jam ¼ - 28	1
19	8160043	CABLE	1
20		SCREW, Hex, ½ - 13 x 1¼ GR. 5	1
21		WASHER, Lock ½	1
22		NUT, Hex, ½ - 13	1

THROTTLE CONTROL/FUEL SHUTDOWN CONTROL GROUP



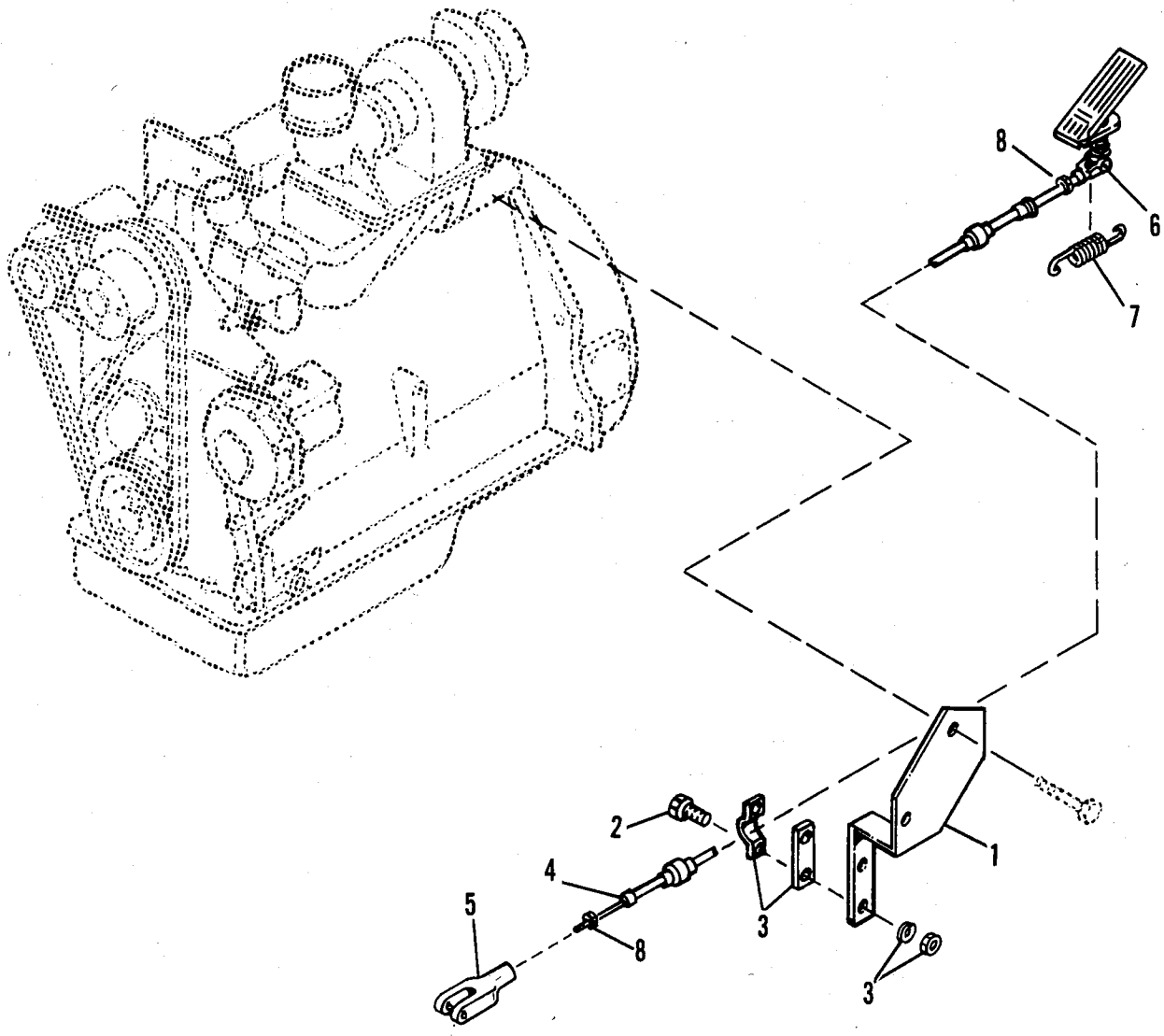
Index No.	Part Number	Description	Qty. Req'd.
1	7057472	BRACKET, Throttle Cable	1
1	7069192	BRACKET, Throttle Cable (Turbo Diesel)	1
2	7068711	LEVER, Throttle	1
3	8160610	CLAMP, Cable	1
4	8160612	CLAMP, Cable	2
5		SCREW, $\frac{3}{8}$ - 16 x $\frac{3}{4}$ GR. 5	2
6		WASHER, Lock $\frac{3}{8}$	2
7		SCREW, # 10 - 24 x $\frac{1}{2}$	4
8		WASHER, #10 Lock	4
9	8162003	THROTTLE CONTROL ASSEMBLY	1
10	8160037	CABLE, Throttle Control	1
11	8301002	CLEVIS ASSEMBLY	1
12	8160036	CABLE, Fuel Shutdown	1
13		NUT, Hex Jam, $\frac{1}{4}$ - 28 NF	2

THROTTLE CONTROL/FUEL SHUTDOWN CONTROL GROUP DEUTZ ENGINE



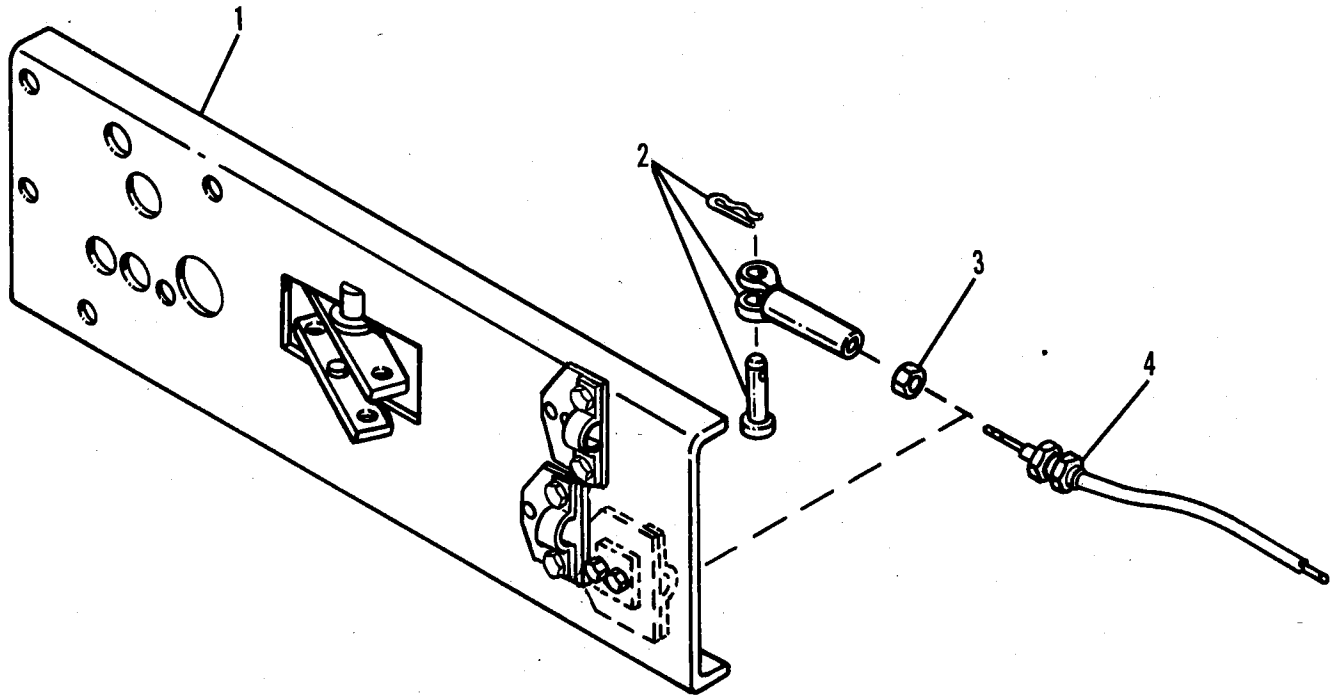
Index No.	Part Number	Description	Qty. Req'd.
1	7075133	BRACKET, Speed Cont. & Eng. Shutoff	1
2	7074732	LEVER, Speed Control	1
3	8160610	CLAMP, Cable	1
4	8160612	CLAMP, Cable	2
5	8303742	SCREW, Cap H.H. 1/4 x 1.0	2
6	8305601	NUT, Lock 1/4	2
7	8303837	SCREW, # 10 - 24 x 3/4	2
8	8307003	WASHER, #10 Lock.	2
9	8162003	THROTTLE CONTROL ASSEMBLY	1
10	8160037	CABLE, Throttle Control	1
11	8301002	CLEVIS ASSEMBLY	1
12	8160036	CABLE, Fuel Shutdown	1
13		NUT, Hex Jam, 1/4 - 28 NF	2
14	8305002	NUT, Hex # 10 - 24	2
15	8160613	SWIVEL ASSEMBLY	1

THROTTLE CONTROL GROUP (JOHN DEERE)



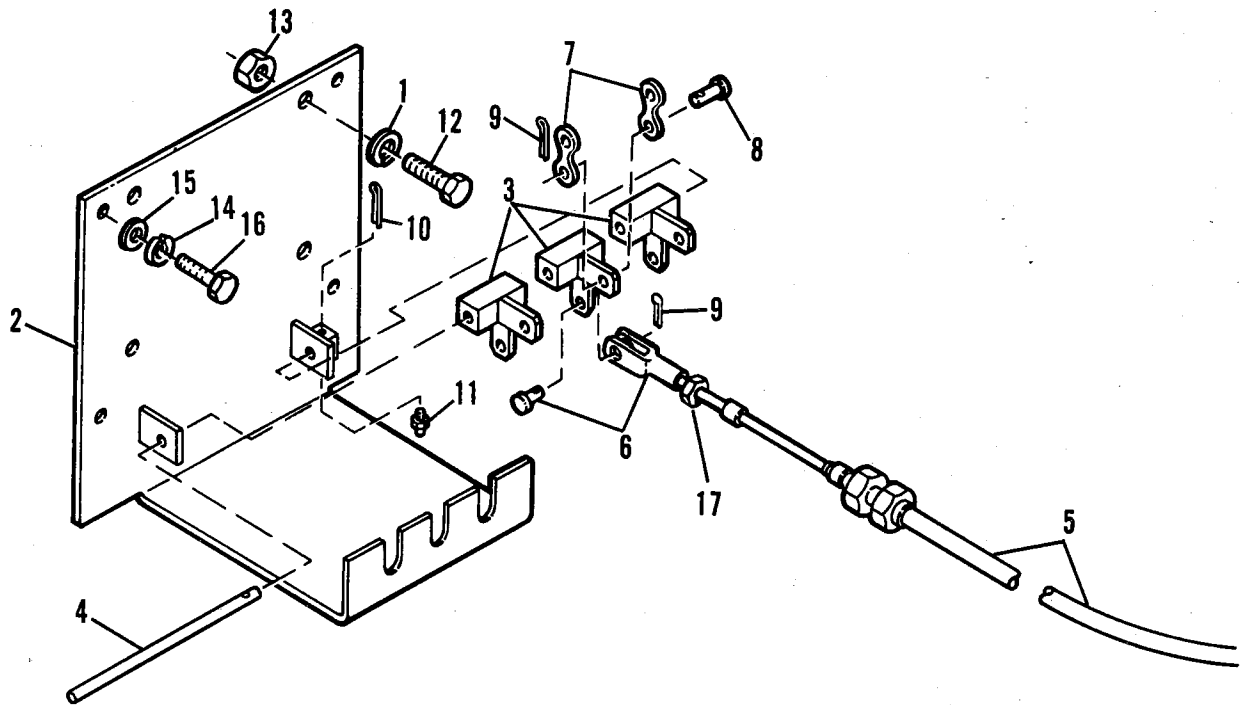
Index No.	Part Number	Description	Qty. Req'd.
1	7071132	BRACKET, THROTTLE	1
2		SCREW, Hex Hd., 1/4-20 x 3/4	2
3	8160610	CLAMP, Cable	1
4	8160046	CABLE, Control, 134" Lg.	1
5	8301015	CLEVIS	1
6	8162003	THROTTLE CONTROL ASSEMBLY	1
7	8700116	SPRING, Throttle Return	1
8		NUT, Hex Jam, 1/4 - 28 NF	2

TRANSMISSION SHIFT GROUP



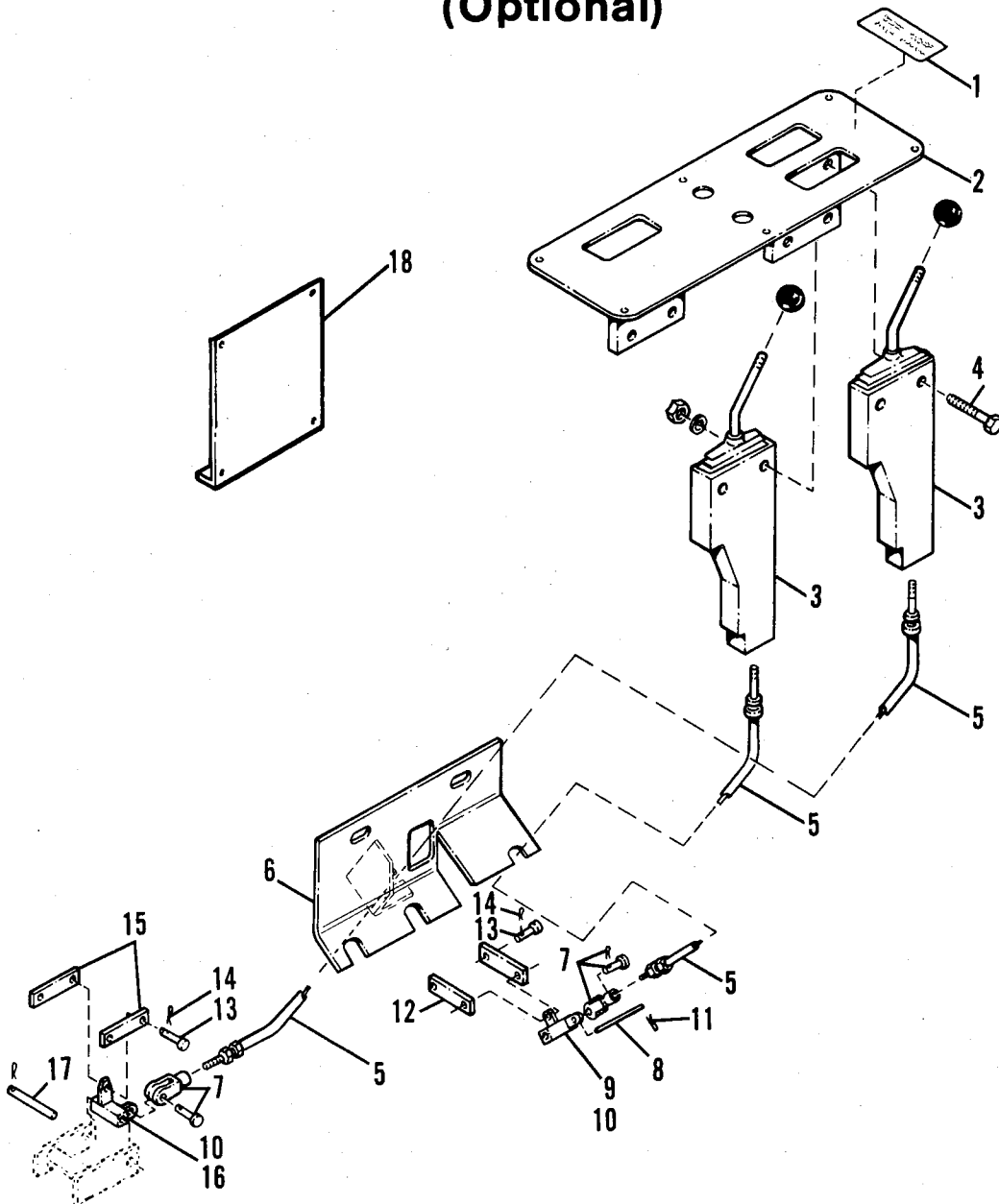
Index No.	Part Number	Description	Qty. Req'd.
1	8160409	TRANSMISSION CONNECTOR ASSEMBLY	1
2	8301439	CLEVIS ASSEMBLY	1
3		NUT, Jam ¼ - 28	1
4	8160043	CABLE, Transmission	1

MAIN VALVE MOUNTING GROUP



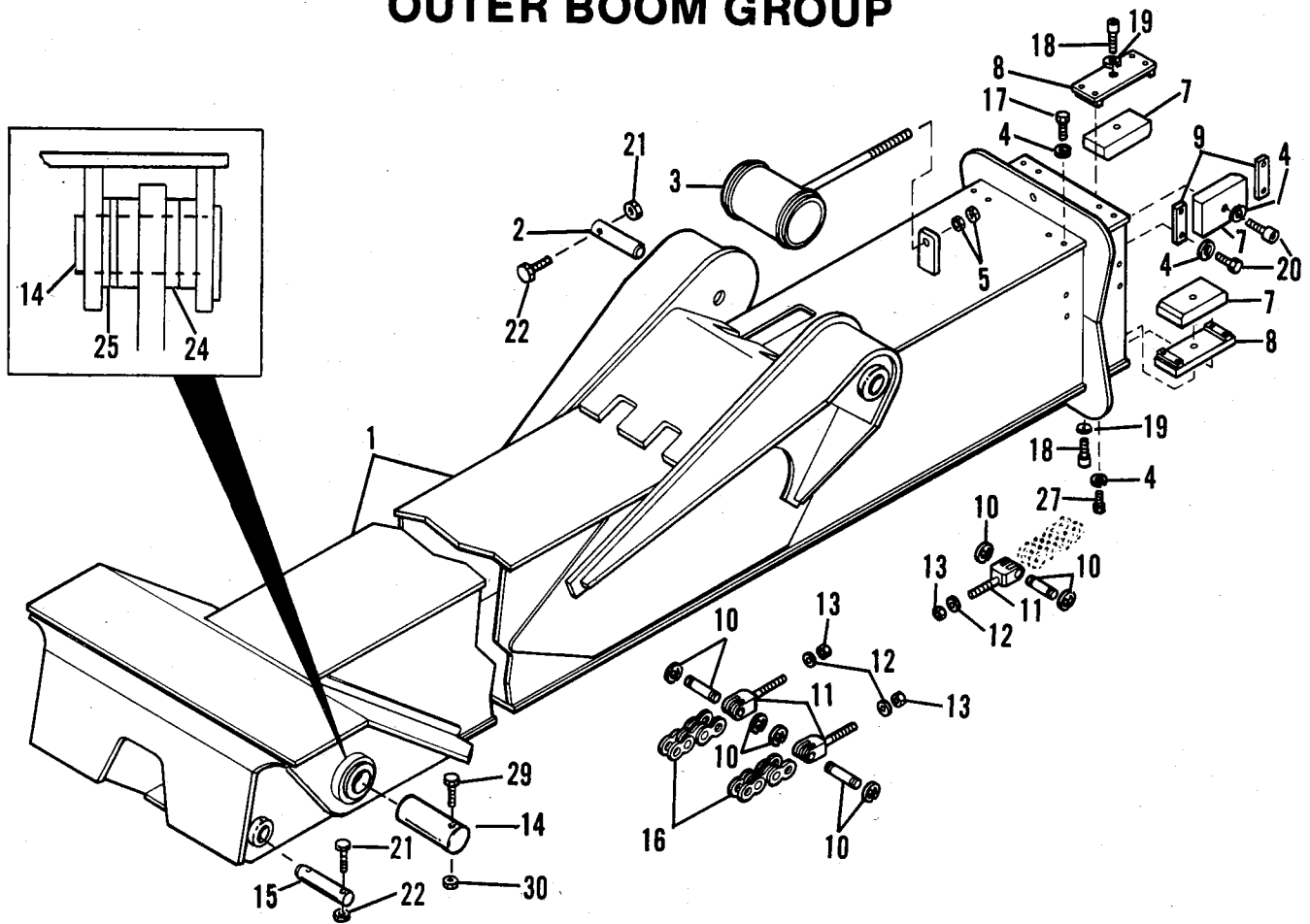
Index No.	Part Number	Description	Qty. Req'd.
1		WASHER, Lock ½	4
2	7054183	BRACKET, Valve	1
3	7054162	LEVER	3
4	7054041	PIN	1
5	8160038	CABLE, Control	3
6	8301439	CLEVIS, w/pin	3
7	8121007	LINK, Side bar	6
8	8301442	PIN, Clevis, 5/16 x 7/8	6
9		PIN, Cotter, ½ x 1	6
10		PIN, Cotter, ½ x 1¼	1
11	8520005	FITTING, Grease	3
12		SCREW, Hex Hd., ½ - 13 x 1¾ GR. 5	4
13		NUT, Hex, ½ - 13	4
14		WASHER, Lock ¾	4
15		WASHER, Flat ¾	4
16		SCREW, Hex Hd., ¾ - 18 x 1¾	4
17		NUT, Jam ¼ - 28 NF	3

OUTRIGGER CONTROL GROUP (Optional)



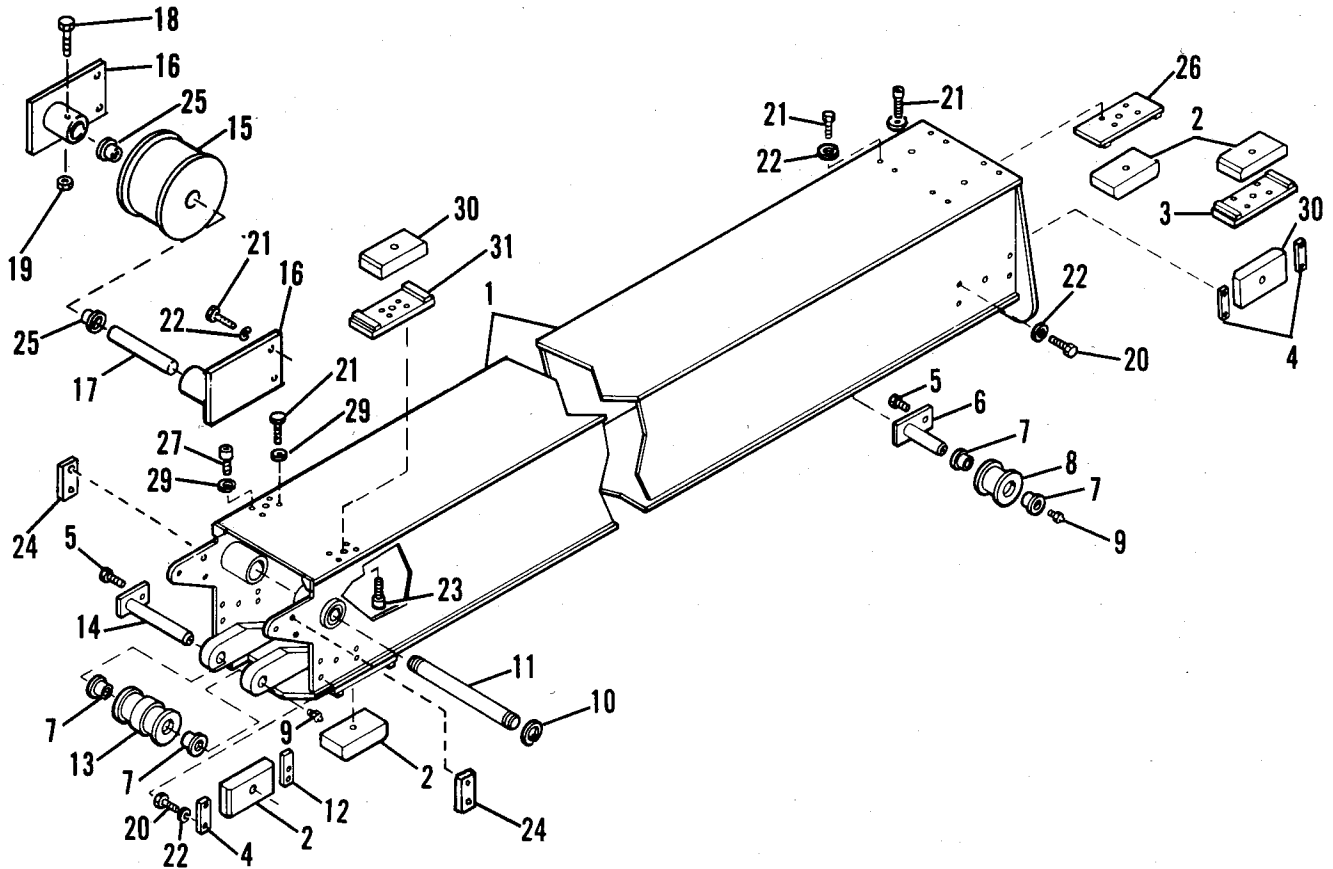
Index No.	Part Number	Description	Qty. Req'd
1	4105591	DECAL	1
2	7072123	COVER, Console	1
3	7058722	CONTROL ASSEMBLY	2
4		SCREW, Hex Hd., ¼ - 20NC x 4 GR. 5	6
5	8160040	CABLE, Push-Pull	2
6	7072342	BRACKET, Cable	1
7	8301439	CLEVIS w/Pin	2
8	7075911	PIN	1
9	7057692	LEVER	1
10	8520005	FITTING, Grease	2
11	8302456	PIN, Cotter 3/32 x 1½	1
12	7057671	LINK	2
13	8301443	PIN, Clevis	4
14	8302449	PIN, Cotter, 1/16 x ½	4
15	7072181	LINK	2
16	7072162	LEVER	1
17	7075921	PIN	1
18	7072382	BRACKET, mounting	1

OUTER BOOM GROUP



Index No.	Part Number	Description	Qty. Req'd.
1	7062125	OUTER BOOM ASSEMBY	1
2	7075651	PIN, Boom Hoist Cylinder	2
3	7065582	ADJUSTING ROD	1
4		WASHER, Lock, $\frac{3}{8}$	26
5		NUT, Hex, $\frac{1}{2}$ - 13	2
6	7065462	BRACKET, Pad	2
7	7065482	WEAR PAD ASSEMBLY	6
8	7065472	BRACKET, Pad	2
9	7065501	FLAT	4
10	8124126	PIN, w/snap rings	3
11	7063472	CLEVIS, Chain	3
12		WASHER, $\frac{3}{4}$	3
13	8305646	NUT, Lock (ESNA) $\frac{3}{4}$ - 16	3
14	7075622	PIN, Boom Pivot	2
15	7075661	PIN, Slave Cylinder	2
16	8127002	CHAIN	2
17		SCREW, Hex Hd., $\frac{3}{8}$ - 16 x $1\frac{1}{4}$ GR. 5	8
18		SCREW, Socket Hd., $\frac{3}{8}$ - 16 x $\frac{1}{2}$ GR. 5	4
19		WASHER, Hi-Collar, $\frac{3}{8}$	2
20		SCREW, Hex Hd., $\frac{3}{8}$ - 16 x $\frac{5}{8}$ GR. 5	10
21	8305645	WASHER, Lock Nut, $\frac{3}{8}$ NC	4
22	8303770	SCREW, Hex Hd., $\frac{3}{8}$ NC x $2\frac{3}{4}$	4
23		GREASE FITTING $\frac{1}{8}$ NPT	2
24	7056051	SPACER	2
25	7072041	SPACER	4
26		WASHER, Flat, $\frac{1}{2}$	1
27		SCREW, Hex. Hd., $\frac{3}{8}$ - 16 x 1	2

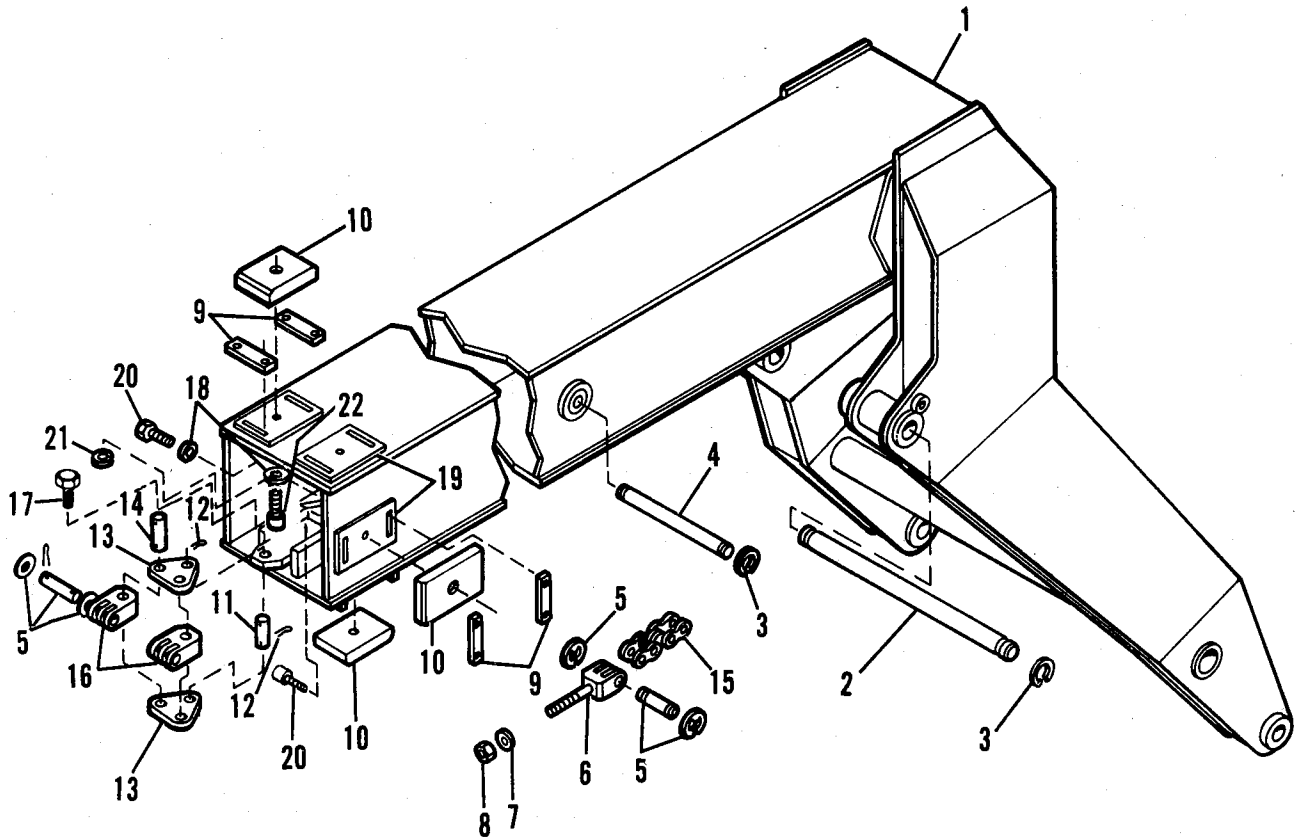
INTERMEDIATE - BOOM GROUP



4

Index No.	Part Number	Description	Qty. Req'd.
1	7063674	INTERMEDIATE BOOM ASSEMBLY	1
2	7065482	PAD, Wear	8
3	7065452	PAD, Bracket	2
4	7065501	FLAT	6
5		SCREW, Hex Hd., 1/2 - 13 x 1, GR. 5	2
6	7063422	PIN	1
7	5906392	BUSHING, Flange	4
8	7063462	SHEAVE	1
9		FITTING, Grease, 1/8 NPT 90°	2
10	8642234	RING, Snap	2
11	7063912	SHAFT	1
12	7052001	FLAT	2
13	7063452	SHEAVE	1
14	7063432	PIN	1
15	7059992	PULLEY, (Includes Bushing Item 25)	1
16	7066491	MOUNT, Pin	2
17	7066501	PIN	1
18	8303703	SCREW, Hex Hd., 1/4 - 20 x 2 1/2, GR. 5	1
19	8305601	NUT, Lock 1/4 - 20	1
20		SCREW, Hex Hd., 3/8 - 16 x 3/4	20
21		SCREW, Hex Hd., 3/8 - 16 x 1	26
22		WASHER, Lock, 3/8	50
23		SCREW, Socket Hd., 3/8 - 16 x 3/4	4
24	7068751	FLAT	2
25	8065202	BUSHING, Oillite	2
26	7058542	PAD, Bracket	2
27		SCREW, Hex Hd., 3/8 - 16 x 1 1/4	4
28		SCREW, Socket Hd., 3/8 - 16 x 1	2
29		WASHER, Hi-Collar, 3/8	6
30	7072452	PAD, Wear	4
31	7072442	PAD, Bracket	2

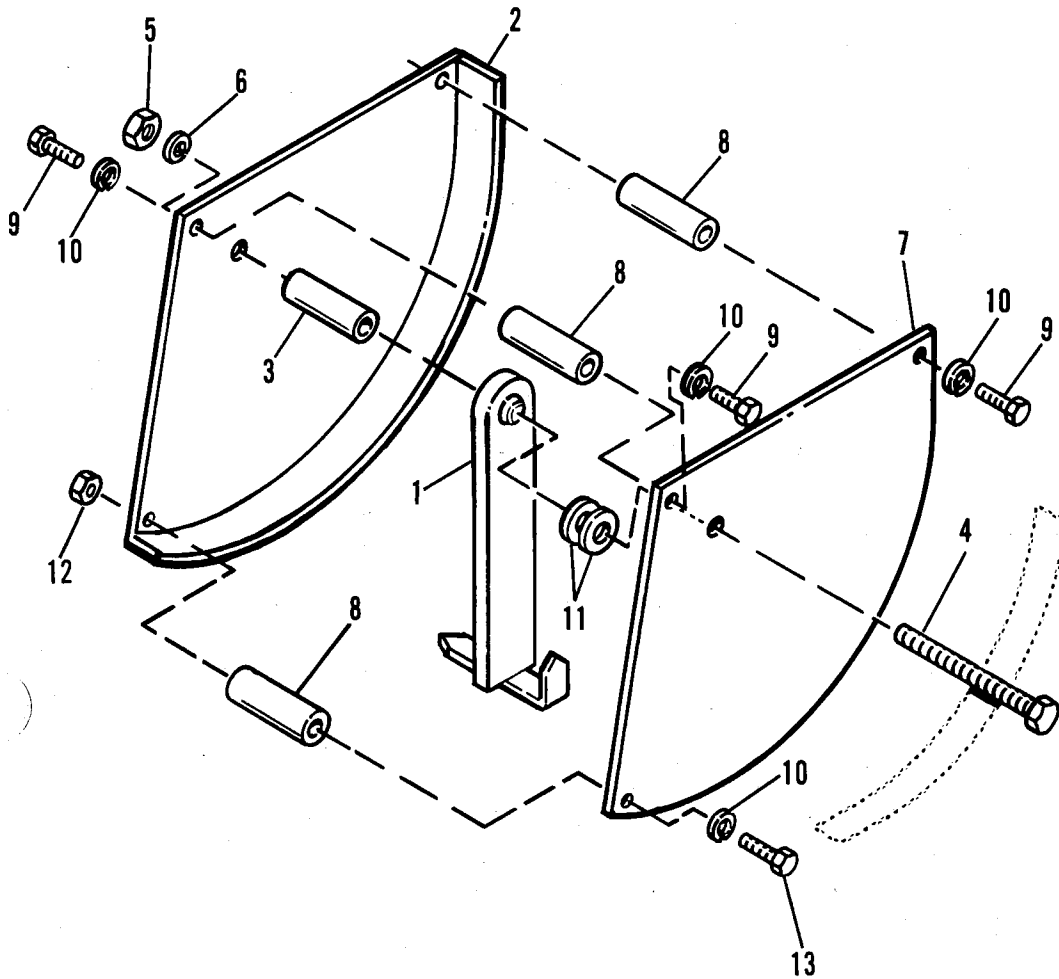
INNER BOOM GROUP



Index No.	Part Number	Description	Qty. Req'd.
1	7063515	INNER BOOM GOOSENECK ASSY.	1
2	7063352	PIN, Tilt Cyl.	1
3	8642234	RING, Snap	4
4	7063922	SHAFT	1
5	8124126	PIN, w/snap rings	3
6	7063472	CLEVIS	1
7		WASHER, $\frac{3}{8}$	1
8	8305646	NUT, Lock, $\frac{3}{8}$ - 16, ESNA	1
9	7065501	FLAT	8
10	7065482	WEAR PAD ASSY.	6
11	7065831	PIN	1
12		PIN, Cotter 5/32 x 1 $\frac{1}{4}$ Hardend	6
13	7063442	YOKE	2
14	7065821	PIN	2
15	8127002	CHAIN	1
16	7063482	CLEVIS	2
17		SCREW, Socket Hd., $\frac{3}{8}$ - 16 x $\frac{3}{4}$ GR. 5	2
18		WASHER, Lock, $\frac{3}{8}$	20
19	7065442	SHIM	As Req'd.
20		SCREW, Hex Hd. $\frac{3}{8}$ - 16 x $\frac{3}{4}$ GR. 5	10
21	7068011	WASHER, Hi-Collar, $\frac{3}{8}$	2
22		SCREW, Hex Hd., $\frac{3}{8}$ - 16 x 1" GR. 5	10

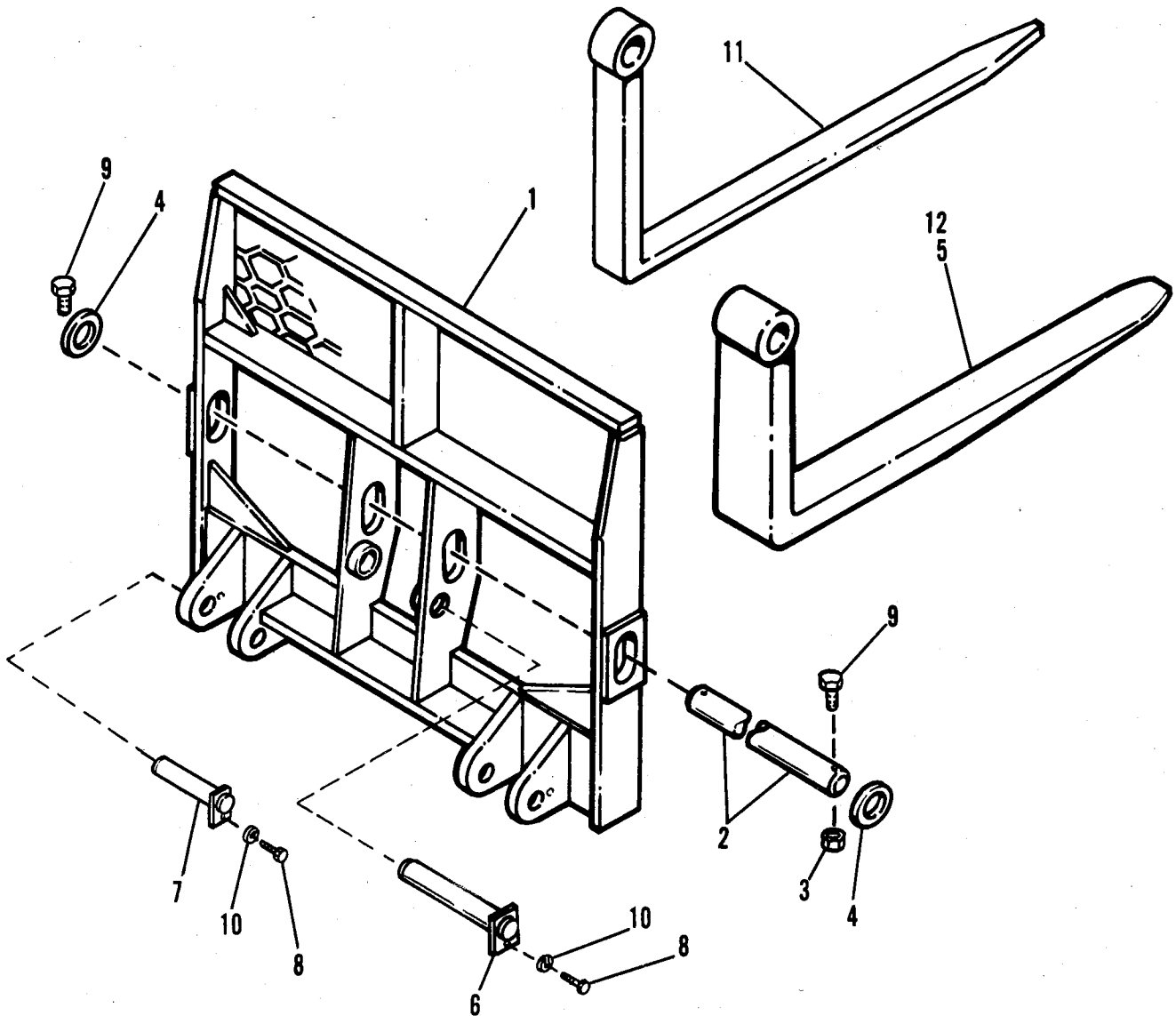
Revised 11/85
 91111
 91194
 91324

BOOM ANGLE INDICATOR



Index No.	Part Number	Description	Qty. Req'd.
1	7058802	ARM, Assy.	1
2	7059682	SIDE, Right Hand	1
3	7770001-0011	TUBE	1
4		ROD, Threaded Screw, Hex Hd., 5/16-18 x 2½	1
5		NUT, Hex. 5/16 - 18	1
6		WASHER, Lock, 5/16	1
7	7059692	PLATE	1
8	7772026-0018	TUBE	3
9		SCREW, Hex Hd., ¼-16 x 2¾ GR. 5	2
10		WASHER, Lock ¾	3
11		WASHER, 5/16	2
12		NUT, Hex ¼-16 NC	1
13		SCREW, Hex Hd., ¼-16 NC x 2½ GR. 5	1

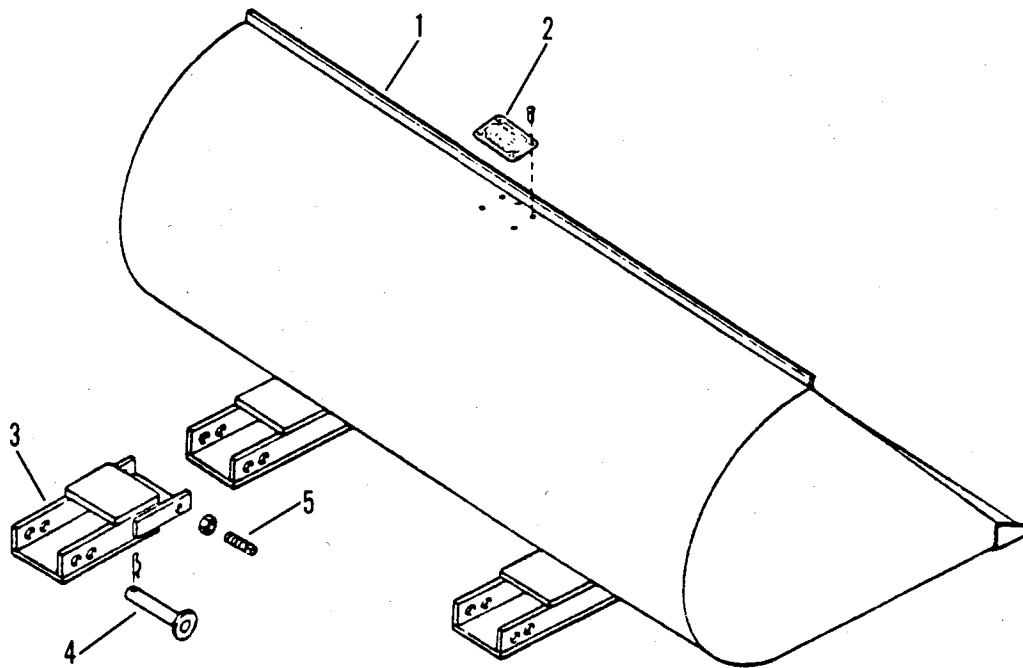
CARRIAGE GROUP



Index No.	Part Number	Description	Qty. Req'd.
1	7070804	CARRIAGE 48"	1
1	7050024	CARRIAGE 72"	1
1	7071164	CARRIAGE 60"	1
2	7075962	SHAFT, Fork Pivot 72"	1
2	7075952	SHAFT, Fork Pivot 60"	1
2	7075942	SHAFT, Fork Pivot 48"	1
3	8305645	NUT, Lock ½ - 13 ESNA	4
4	7070421	COLLAR	2
5	7060333	FORK ASSEMBLY, 48"	2
6	7075671	PIN, Grille Tilt Cylinder	1
7	7075661	PIN, Carriage Pivot	2
8		SCREW, Hex Hd., ½ NC - 13 x 3½ GR. 5	1
9		SCREW, Hex Hd., ½ NC - 16 x 5 GR. 5	2
10		NUT, Lock, ½	1
11	7070623	BLOCKING FORK ASSEMBLY	6
12	7071123	FORK ASSEMBLY, 60"	2
13	8303770	SCREW, Hex Hd., ¾ NC x 2¾ GR. 5	2

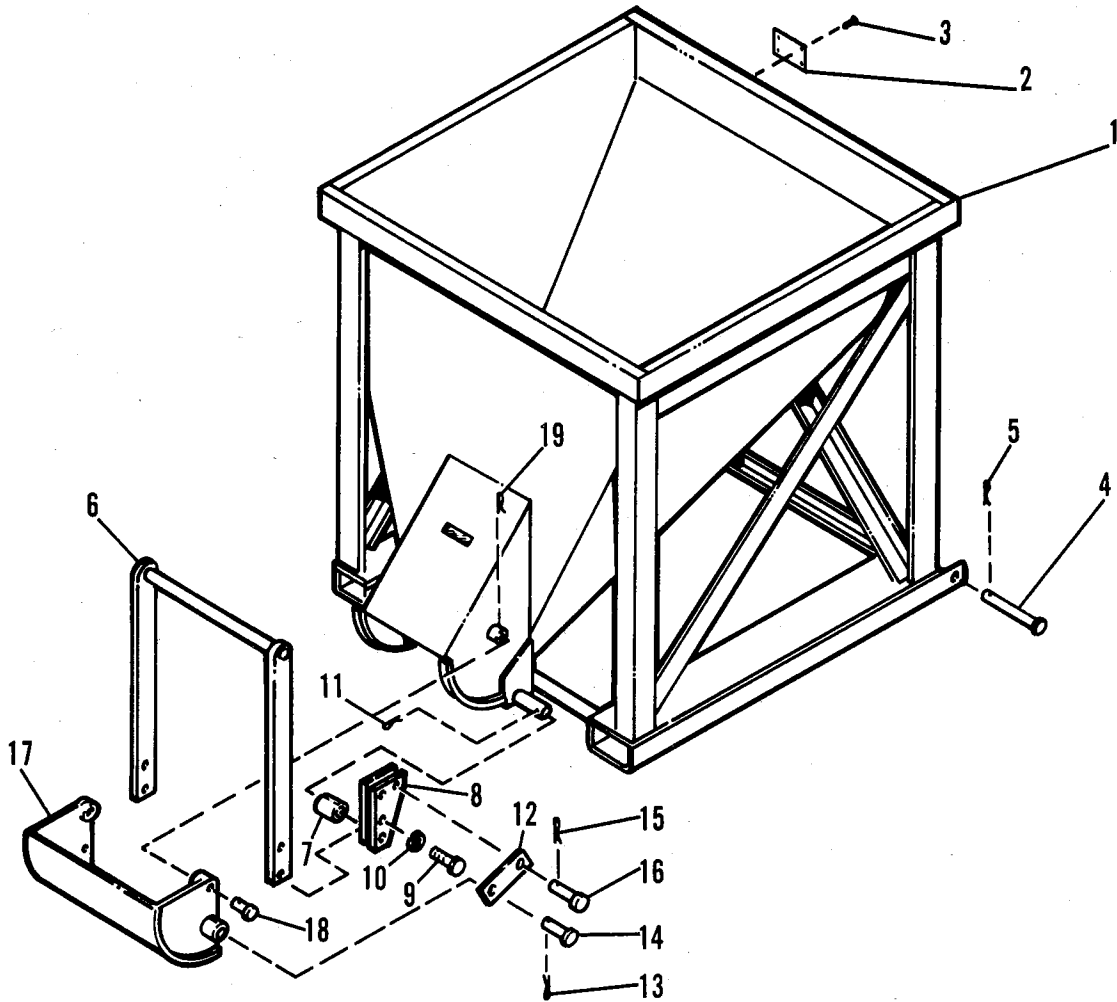
Revised 11/85
 91081
 91089
 91107
 91334

RUBBISH BUCKET (Optional)



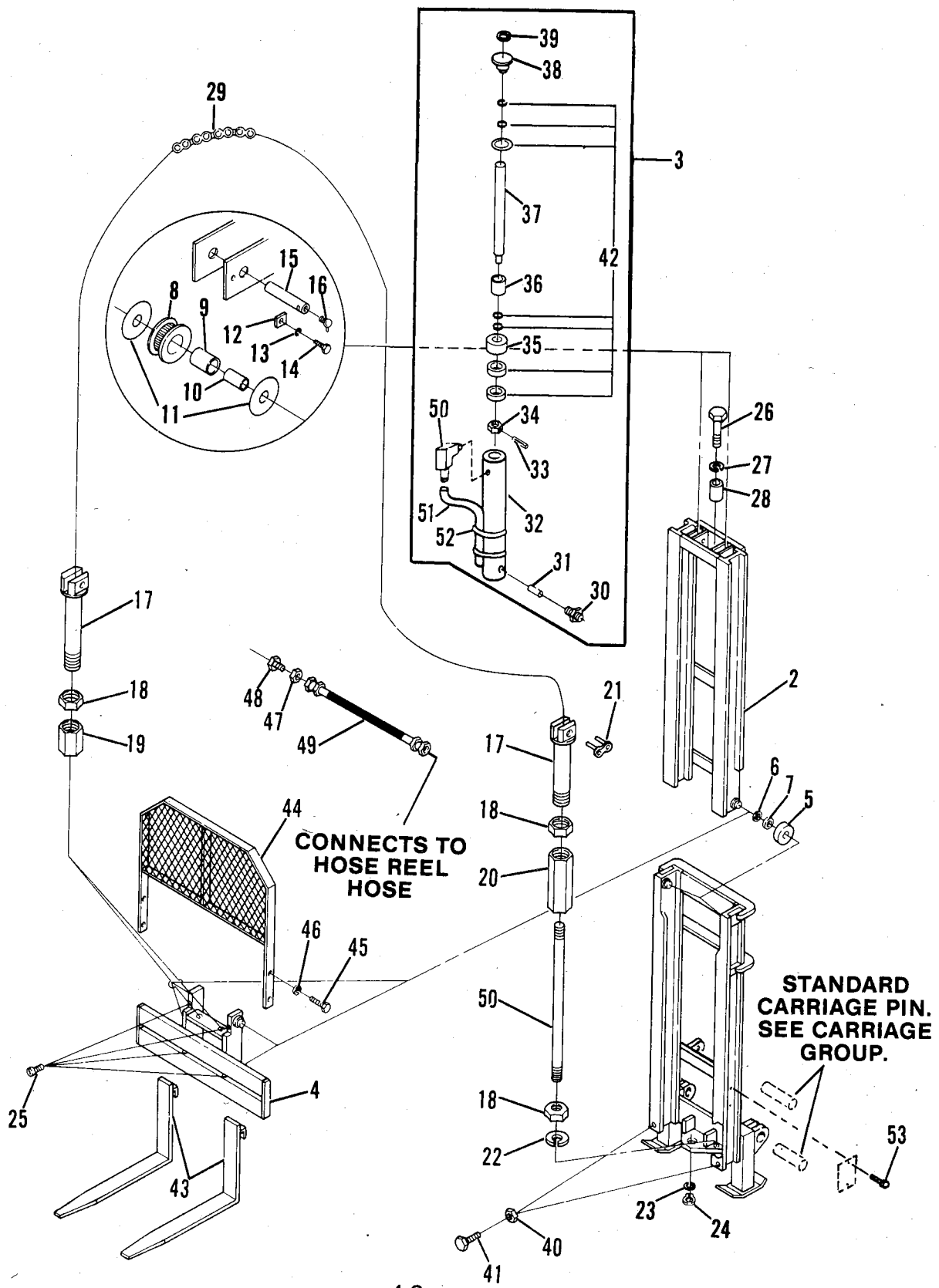
Index No.	Part Number	Description	Qty. Req'd.
1	7006104	BUCKET, Rubbish	1
2	4101991	PLATE, Capacity	1
		SCREW, Tapping, No. 6 x 1/4	4
3	7006162	ADAPTER (Used with 48" forks only)	2
4	7076121	PIN, Retaining	2
	8302446	PIN, Hair cotter	4
5	8304464	SCREW, Set, 3/4-10 x 2	4
	8305017	NUT, Hex, 3/4-10	4

ONE YARD CONCRETE HOPPER (OPTIONAL)



Item No.	Part Number	Description	Qty. Req'd
1	7019814	HOPPER	1
2	4101991	PLATE, Capacity	1
3		SCREW, Tapping #6 x 1/4	4
4	7076121	PIN, Retaining	2
5	8302446	PIN, Hair Cotter	4
6	7006343	LEVER, Gate	1
7	7006531	TUBE	2
8	7006472	PIVOT	2
9		SCREW, Cap 3/16-16 x 3/4	4
10		WASHER, Lock 3/16	4
11	8302418	PIN, Cotter 3/16 x 1 1/2	2
12	7006441	LINK	2
13	8301413	PIN, Clevis 5/8 x 1 3/4	2
14	8302407	PIN, Cotter 1/2 x 1 1/4	2
15	8301428	PIN, Clevis 5/8 x 1 1/2	2
16	8302407	PIN, Cotter 1/2 x 1 1/4	2
17	7006413	CHUTE	1
18	8301434	PIN, Clevis 1 x 2 1/2	2
19	8302428	PIN, Cotter 1/4 x 2	2

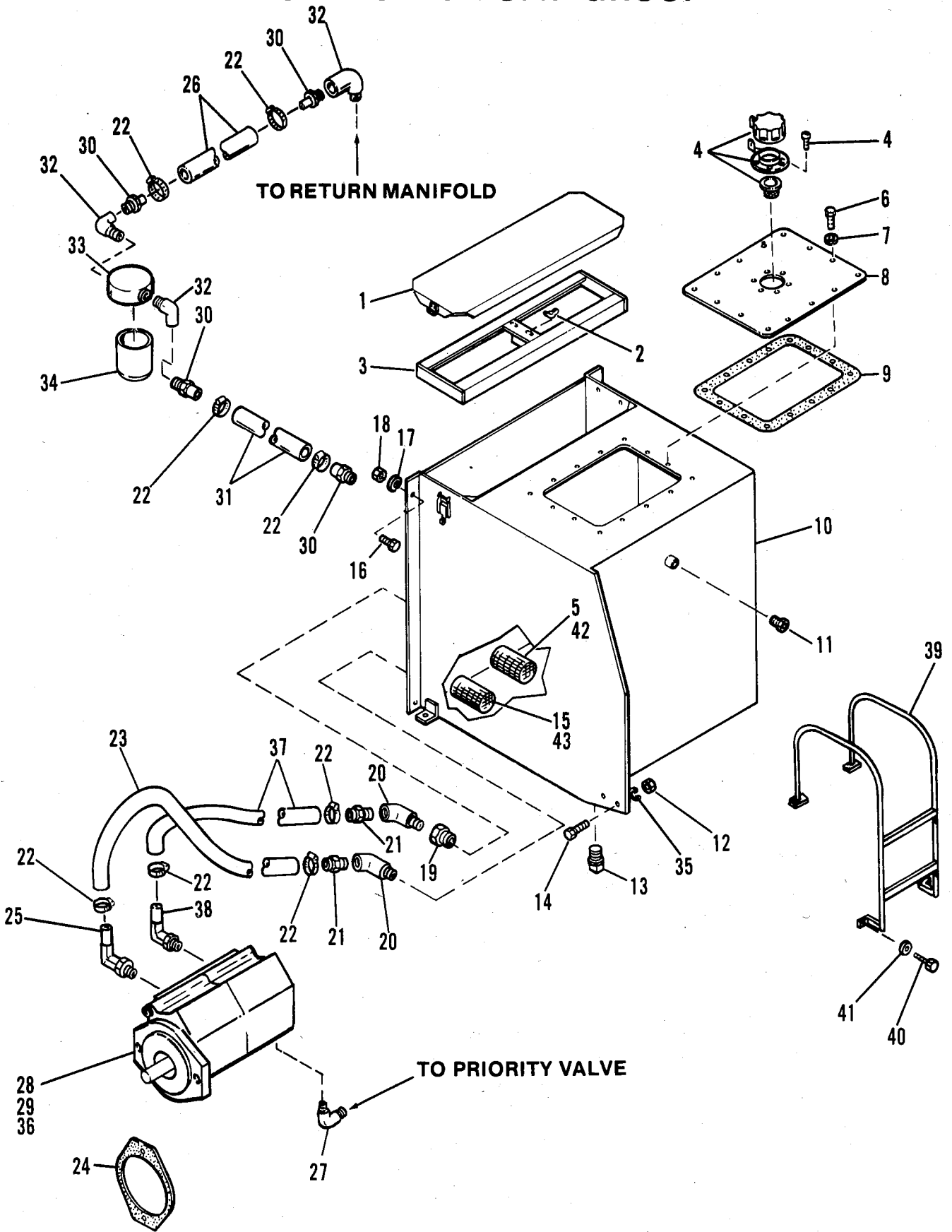
10 FT. MAST EXTENSION (Optional)



10 FT. MAST EXTENSION (Optional)

Index No.	Part Number	Description	Qty. Req'd.
1		RAIL ASSEMBLY, Outer	1
2	8381115	RAIL ASSEMBLY, Inner	1
3	8381116	CYLINDER ASSEMBLY	1
4	8381144	CARRIAGE ASSEMBLY	1
5	8381117	ROLLER, Load	8
6	8381118	SHIM, .030	AR
7	8381119	SHIM, .060	AR
8	8381120	WHEEL, Chain	2
9	8381121	BEARING ASSEMBLY	2
10	8381122	RACE, Inner	2
11	8381123	WASHER	4
12	8381124	LOCK, Shaft	2
13	8381125	WASHER, Lock	2
14	8381126	SCREW, Cap	2
15	8381127	SHAFT, Chain wheel	2
16	8381128	FITTING, Grease	2
17	8381129	END, Rod	4
18	8381130	NUT, Jam	6
19	8381131	NUT, Lock	2
20	8381132	NUT, Turnbuckle	2
21	8381133	LINK SET, Master	4
22	8381134	WASHER, Lock	1
23	8381135	WASHER	1
24	8381136	RING, Retaining	1
25	8381137	FOLLOWER, Cam	4
26	8381138	BOLT, Hex head, grade 5	1
27	8381139	WASHER, Lock	1
28	8381140	BUSHING	1
29	8381141	CHAIN	2
30	8769108	FITTING	1
31	8205474	REGULATOR, Flow	1
32	8205475	TUBE, Cylinder	1
33	8205476	PIN	1
34	8205477	NUT	1
35	8205478	PISTON	1
36	8205479	SPACER	1
37	8205480	ROD, Piston	1
38	8205481	CAP	1
39	8205482	RING, Retaining	1
40	8381142	NUT, Spacer	2
41	8381143	BOLT, Hex head	2
42	8205638	REPAIR KIT, Cylinder	1
43	8381011	FORK, 48"	2
44	7048663	BACKREST, Load	1
45	8303682	SCREW, Hex head	4
46	8307009	WASHER, Lock	4
47	8760407	NUT, Tube	1
48	8760458	REDUCER, Adapter	1
49	2704502	HOSE ASSEMBLY, 3/8" I.D.	1
	4105681	PLATE, Capacity	1
	4104551	DECAL, Oper. Inst.	1
50	8424213	ELBOW	1
51	8582005-0680	TUBE, 3/8" I.D. - 68"	1
52	8584002	TIE	4
53	8303870	SCREW, Self Tap, #6, Type U	4

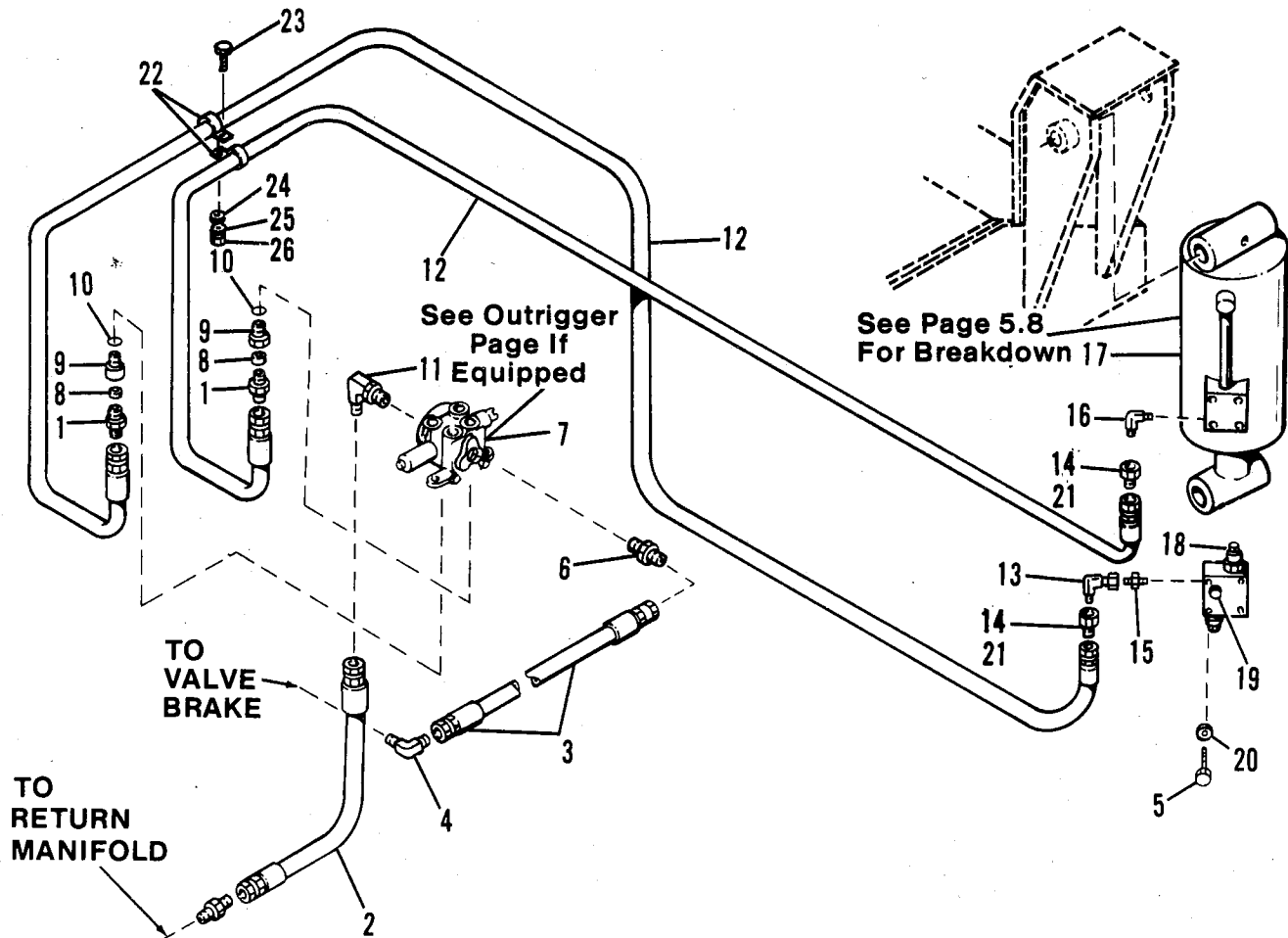
RESERVOIR & PUMP GROUP



RESERVOIR & PUMP GROUP

Index No.	Part Number	Description	Qty. Req'd.
1	7060982	COVER, Battery	1
2		NUT, $\frac{3}{8}$ - 16	2
3	7046352	BRACKET, Battery Hold	1
4	8322027	FILLER CAP ASSEMBLY	1
5	8324010	STRAINER, 1 $\frac{1}{2}$	1
6		SCREW, Hex Hd., 5/16 - 18 x 1 GR. 5	14
7		WASHER, Lock, 5/16	14
8	7070411	COVER, Reservoir	1
9	7024061	GASKET, Cover	1
10	7060734	RESERVOIR, Hydraulic	1
11	8464009	GAUGE, Sight	1
12		NUT, Hex Lock, $\frac{3}{8}$ - 18	2
13	8541421	PLUG, Drain	1
14		SCREW, Hex Hd., 5/16 - 18 x 1	2
15	8324011	STRAINER	1
16		SCREW, Hex Hd., $\frac{5}{8}$ - 11 NC x 1 $\frac{3}{4}$ GR. 5	4
17		WASHER, Lock, $\frac{5}{8}$	3
18		NUT, Hex $\frac{5}{8}$ - 11 NC	3
19	8541045	BUSHING, Reducer, 1 $\frac{1}{2}$ - 1 $\frac{1}{4}$	1
20	8541225	ELBOW, Street, 45°	2
21	8424008	Connector, 1 $\frac{1}{4}$	2
22	8405103	CLAMP, Hose	8
23	8401014-0320	HOSE ASSEMBLY,	1
24	7054902	GASKET, Pump	1
25	8424207	ELBOW, 90°	1
26	8401003-0240	HOSE ASSEMBLY,	1
27	8760309	ELBOW,	1
28	8440206	PUMP ASSEMBLY	1
29	8449116	KIT, Seal	1
30	8424006	CONNECTOR, 1 $\frac{1}{2}$	4
31	8401003-0520	HOSE ASSEMBLY,	1
32	8541231	ELBOW, Street,	3
33	8320230	HOUSING, Filter	1
34	8320231	ELEMENT, Filter	1
35		WASHER, Lock $\frac{3}{8}$	2
36	8449117	REPAIR KIT	1
37	8401014-0370	HOSE	1
38	8420230	ELBOW, 90°	1
39	7070264	LADDER, Boarding	1
40		SCREW, Hex Hd., $\frac{3}{8}$ - 16 x 1 GR. 5	4
41		WASHER, Lock, $\frac{3}{8}$	4
42	8551701	NIPPLE, Closed 1 $\frac{1}{2}$ "	1
43	8551632	NIPPLE, Closed 1 $\frac{1}{4}$ "	1

FRAME TILT PIPING

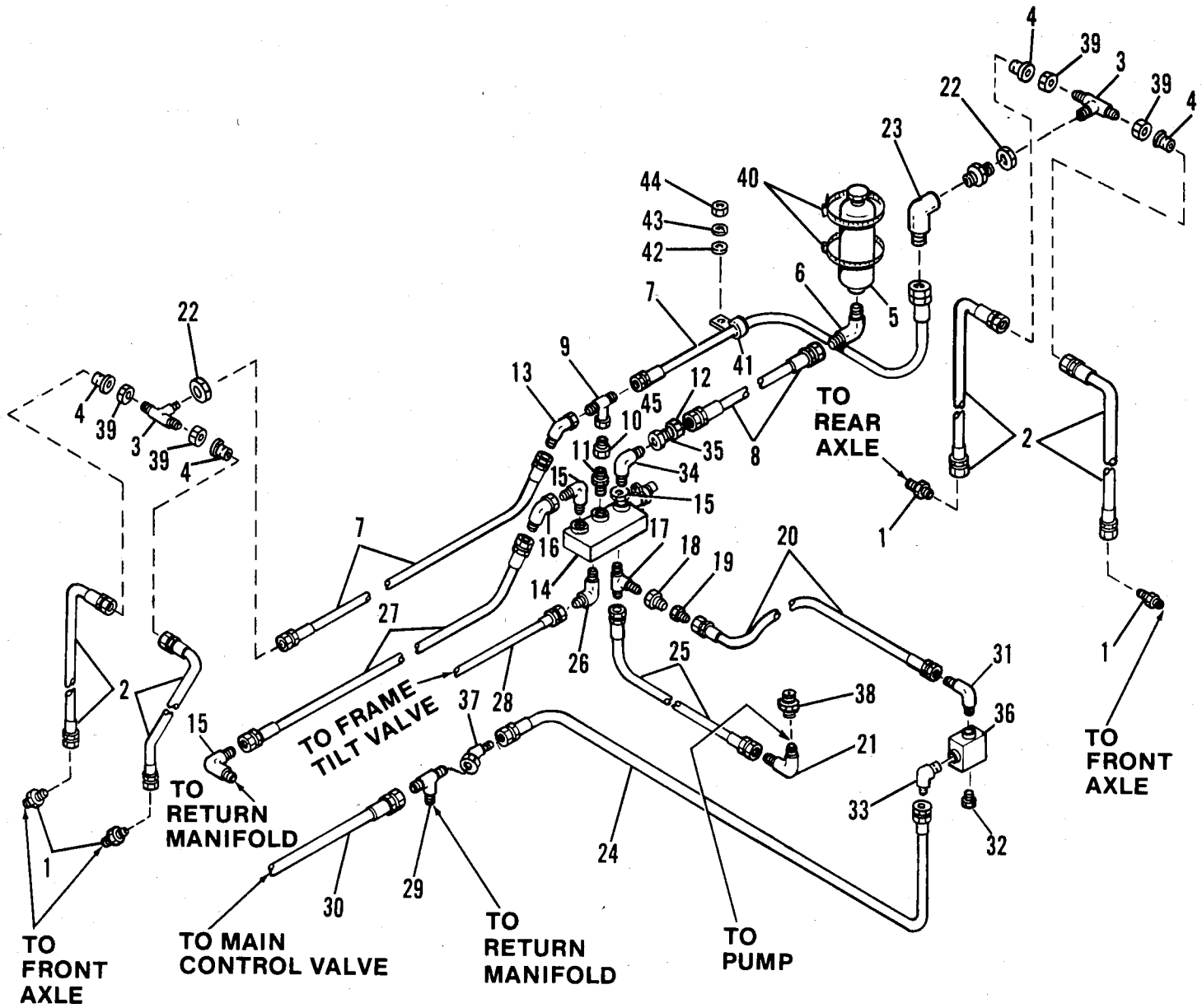


Index No.	Part Number	Description	Qty. Req'd.
1	7072051	CONNECTOR,	2
2	2703482	HOSE ASSEMBLY,	1
3	2710692	HOSE ASSEMBLY,	1
4	8760325	ELBOW, Reducer	1
5		SCREW, Hex Hd., 5/16 - 11 x 2 GR. 5	4
6	8760112	REDUCER	1
7	8902085	VALVE, Frame Tilt	1
8	8902481	RESTRICTOR, Flow	2
9	7072061	PLUG, Flow	2
10	8640025	O-RING	2
11	8760304	ELBOW	1
12	2710752	HOSE ASSEMBLY	2
13	8765204	ELBOW	1
14	8760494	REDUCER	2
15	8760108	REDUCER	1
16	8760203	ELBOW	1
17	2710893	CYLINDER, Frame Tilt	1
18	2709713	VALVE, Counterbalance	1
19	8760419	PLUG	1
20		WASHER, Lock, 5/16	4
21	8760407	NUT	2
22	8406109	HOSE, Clamp	2
23		SCREW, 1/4 - 20 NC x 1	1
24		WASHER, Flat, 1/4	1
25		WASHER, Lock, 1/4	1
26		NUT, 1/4 - 20 NC	1

Revised 11/85
91111
91341
91312



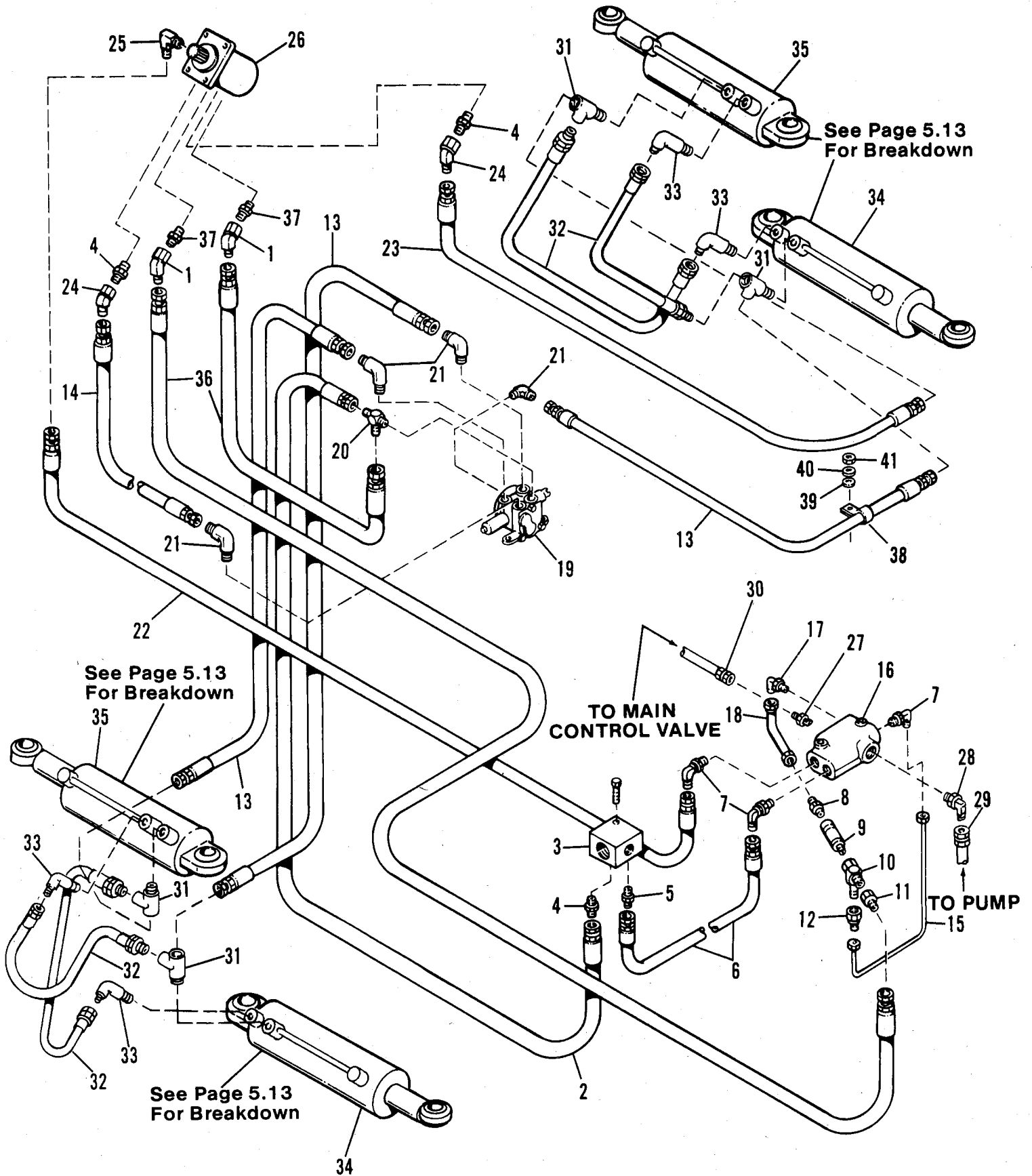
BRAKE PIPING



BRAKE PIPING

Index No.	Part Number	Description	Qty. Req'd.
1	8760113	CONNECTOR	4
2	2701612	HOSE ASSEMBLY	4
3	8760455	TEE	2
4	8760475	REDUCER	4
5	8742005	ACCUMULATOR	1
6	8760303	ELBOW	1
7	2710672	HOSE ASSEMBLY	2
8	2710682	HOSE ASSEMBLY	1
9	8760459	TEE	1
10	8760458	REDUCER	1
11	8760111	REDUCER	1
12	8760401	NUT	1
13	8760276	ELBOW 45°	1
14	8902218	BRAKE VALVE ASSEMBLY	1
15	8760305	ELBOW	3
16	8760286	ELBOW 45°	1
17	8760515	TEE	1
18	8762012	REDUCER	1
19	8762013	REDUCER	1
20	2710652	HOSE ASSEMBLY	1
21	8760253	ELBOW	1
22	8760454	NUT	2
23	8760268	ELBOW, Swivel 90°	1
24	2710742	HOSE ASSEMBLY	1
25	2710702	HOSE ASSEMBLY	1
26	8760325	ELBOW, Reducer	1
27	2710732	HOSE ASSEMBLY	1
28	2710692	HOSE ASSEMBLY	1
29	8760483	TEE	1
30	2710842	HOSE ASSEMBLY, 3/4 x 28 in.	1
31	8760304	ELBOW	1
32	8760420	PLUG	1
33	8760305	ELBOW	1
34	7068892	ELBOW 90°	1
35	8760504	REDUCER	1
36	8902830	RELIEF VALVE	1
37	8760254	ELBOW, 45°	1
38	8760102	CONNECTOR	1
39	8760409	NUT	4
40	8405402	CLAMP	2
41	8406102	CLAMP	1
42		FLAT WASHER, 3/8	1
43		LOCKWASHER, 3/8	1
44		NUT, Hex., 3/8	1
45	8760407	NUT	1

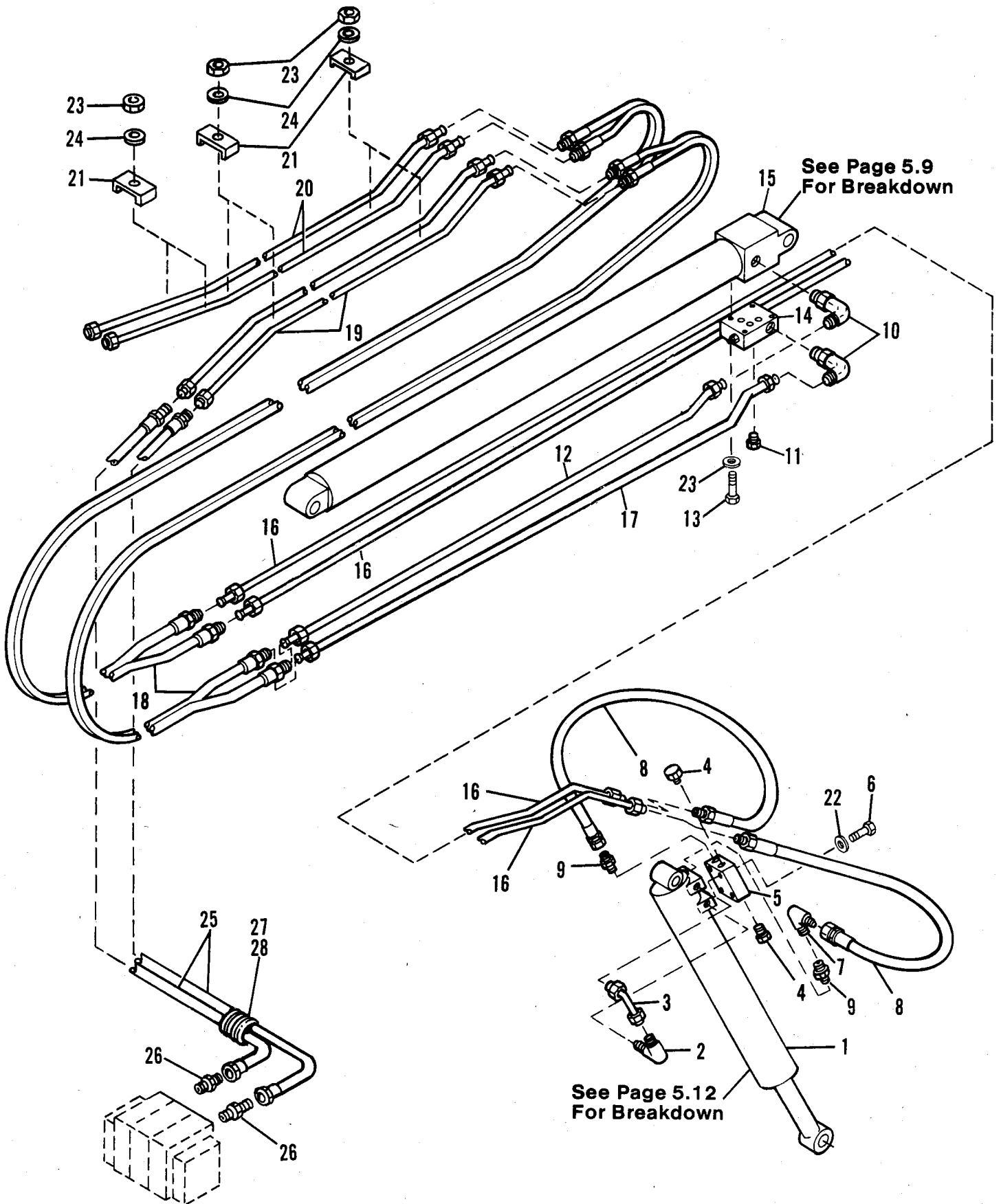
POWER STEERING PIPING GROUP



POWER STEERING PIPING GROUP

Index No.	Part Number	Description	Qty. Req'd.
1	8765205	ELBOW, ½ - 45° Swivel	2
2	2710592	HOSE	1
3	7071382	MANIFOLD, Return	1
4	8760110	CONNECTOR, Reducer	2
5	8760113	CONNECTOR	1
6	2710412	HOSE	1
7	8760322	ELBOW	3
8	8760115	CONNECTOR	1
9	8902831	VALVE, Check	1
10	8760485	TEE, Swivel	1
11	8760468	REDUCER	1
12	8760484	REDUCER	1
13	2710802	HOSE ASSEMBLY	3
14	2710812	HOSE ASSEMBLY	1
15	2710772	TUBE ASSEMBLY	1
16	8902217	VALVE, Priority	1
17	8760304	ELBOW	1
18	2710491	TUBE, Assembly	1
19	8902084	VALVE, Steer	1
20	8760510	TEE	1
21	8760313	ELBOW	4
22	2710572	HOSE	1
23	2710922	HOSE	1
24	8760276	ELBOW, Swivel, 45°	2
25	8760322	ELBOW	1
26	8721019	VALVE, Power Steering	1
27	8760118	CONNECTOR, Reducer	1
28	8760309	ELBOW, 1	1
29	2710702	HOSE ASSEMBLY, 1 x 47 in.	1
30	2710722	HOSE ASSEMBLY, ¾ x 83 in.	1
31	8760449	TEE	4
32	2708992	HOSE	4
33	8760311	ELBOW	4
34	2710903	STEERING CYLINDER ASSEMBLY	2
35	2710913	STEERING CYLINDER ASSEMBLY	2
36	2710622	HOSE ASSEMBLY	2
37	8760107	CONNECTOR, Reducer	2
38	8406102	CLAMP	2
39		WASHER, Flat ¾	2
40		LOCKWASHER, ¾	2
41		NUT, Hex. ¾	2

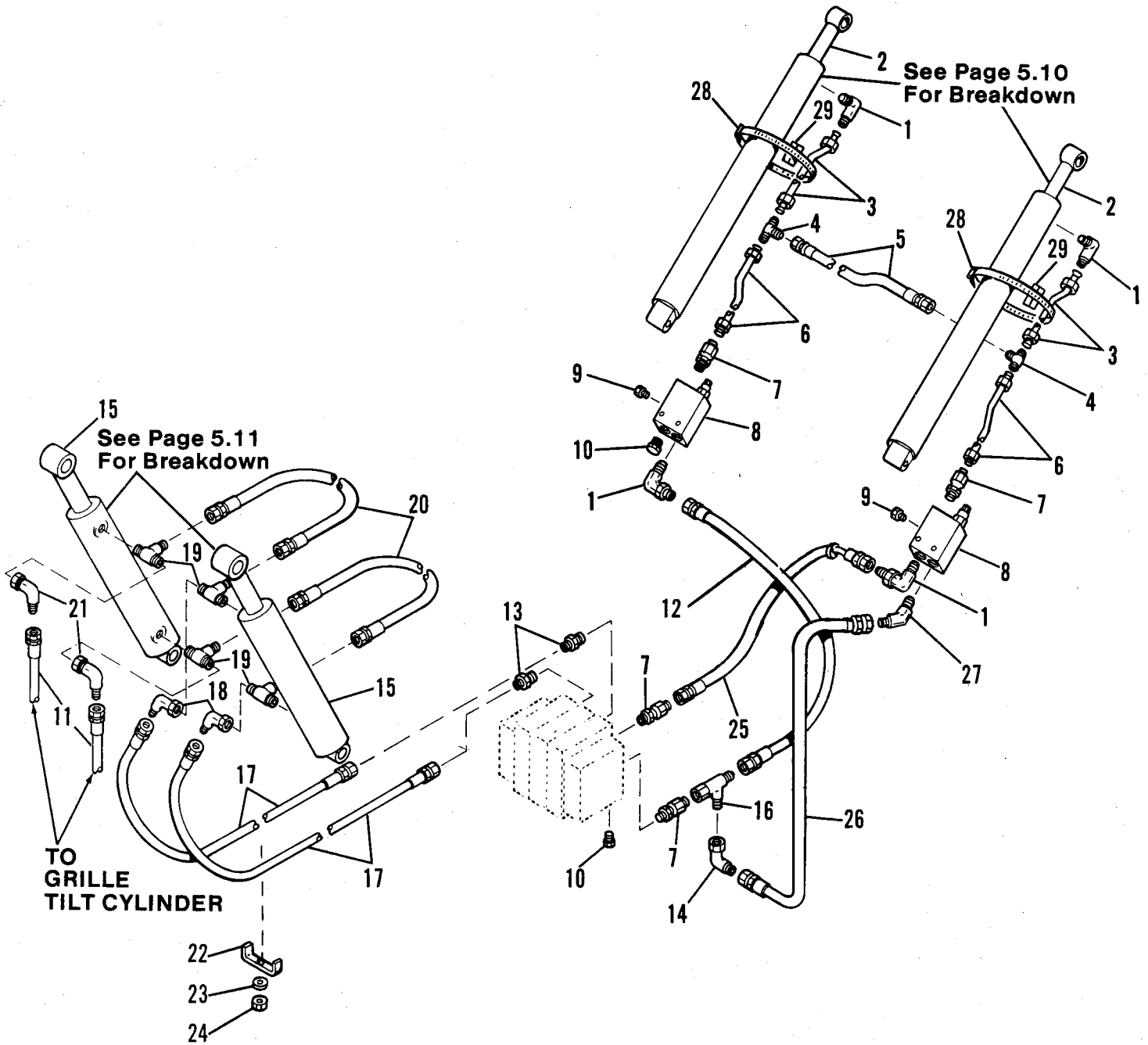
BOOM EXTEND & GRILLE TILT PIPING



BOOM EXTEND & GRILLE TILT PIPING

Index No.	Part Number	Description	Qty. Req'd.
1	2710164	GRILLE TILT CYLINDER ASSEMBLY	1
2	8760322	ELBOW, 90°	2
3	2710581	TUBE ASSEMBLY	1
4	8760431	PLUG, O-Ring	2
5	7060372	COUNTERBALANCE VALVE ASSEMBLY	1
6	8304674	SCREW, Socket Hd., ½ - 13 x 2½ GR. 5	2
7	8760255	ELBOW, 90°	1
8	7065342	HOSE ASSEMBLY	2
9	8760101	ADAPTER	2
10	8760304	ELBOW, 90°	2
11	8760419	PLUG	1
12	7064042	TUBE	1
13		SCREW, Hex Hd., 5/16 - 18 x 2¼ GR. 5	4
14	2710763	DUAL COUNTERBALANCE VALVE ASSEMBLY	1
15	2710343	EXTEND CYLINDER ASSEMBLY	1
16	7064073	TUBE	2
17	7064052	TUBE	1
18	7065742	HOSE ASSEMBLY, Twin Line	2
19	7065253	TUBE ASSEMBLY, R.H.	2
20	7065243	TUBE ASSEMBLY, L.H.	2
21	7065632	CLAMP, Hose	6
22	8307031	WASHER, Hi-Collar	2
23		NUT, Hex, 5/16 - 13	6
24		LOCKWASHER, 5/16	10
25	2710612	HOSE ASSEMBLY	2
26	8760109	CONNECTOR	2
27	7075932	SLEEVE, Protective	1
28	8584002	CLAMP	2

HOIST & SLAVE CYLINDER PIPING

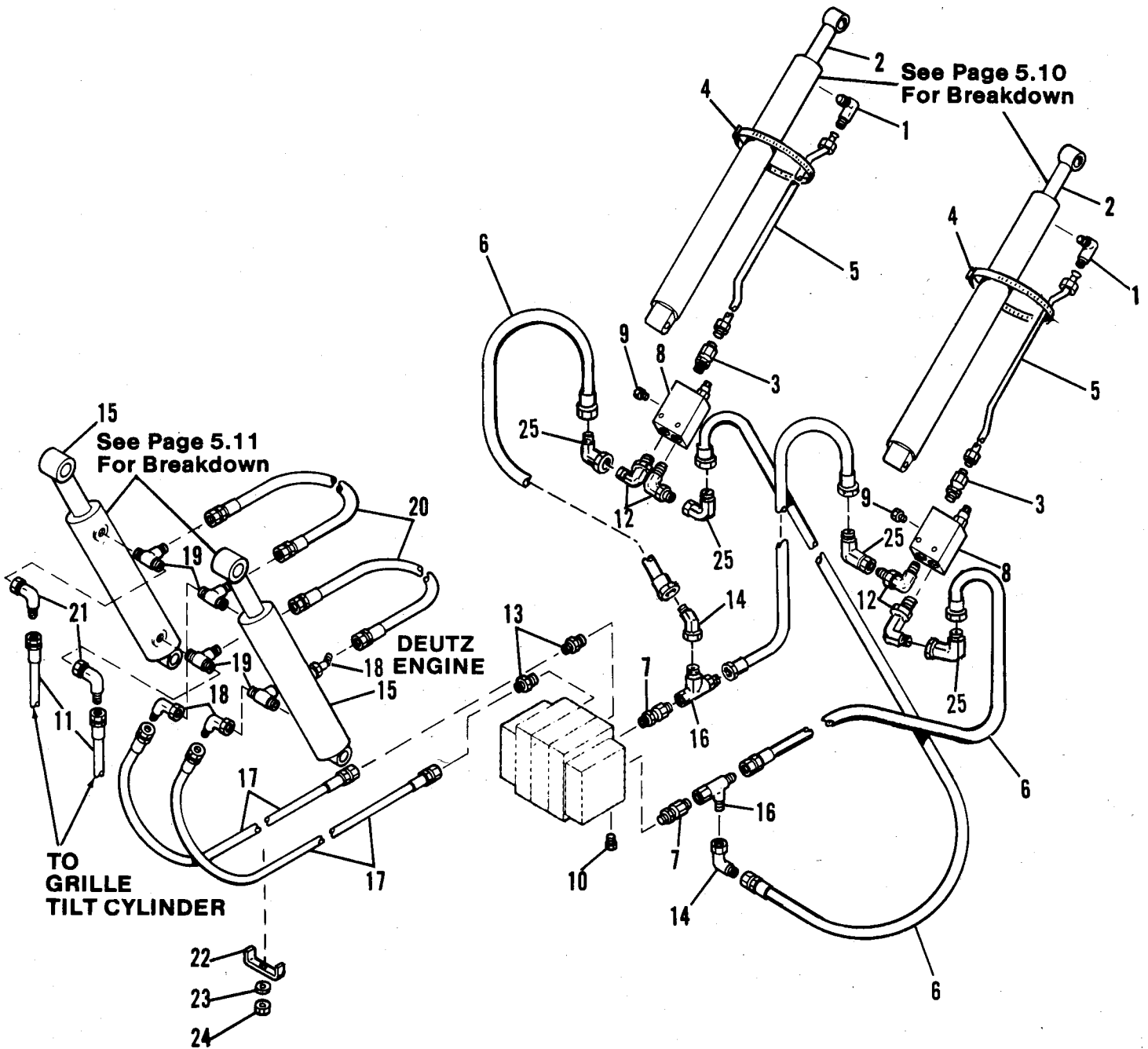


HOIST & SLAVE CYLINDER PIPING

Index No.	Part Number	Description	Qty. Req'd.
1	8760305	ELBOW	1
2	2710364	HOIST CYLINDER ASSEMBLY	2
3	2710502	TUBE ASSEMBLY	2
4	8760469	TEE	2
5	2710712	HOSE	1
6	2710482	TUBE ASSY.	2
7	8760109	CONNECTOR	4
8	7060372	COUNTERBALANCE VALVE ASSEMBLY	2
9	8760478	PLUG	2
10	8760431	PLUG	2
11	2710602	HOSE ASSEMBLY	2
12	2710642	HOSE	1
13	8760111	REDUCER	2
14	8760254	ELBOW, Swivel, 90°	1
15	2710233	SLAVE CYLINDER ASSEMBLY	2
16	8760482	TEE, Swivel	1
17	2710592	HOSE	2
18	8765205	ELBOW, 45°	2
19	8760510	TEE	4
20	2710632	HOSE	2
21	8765204	ELBOW, Swivel, 90°	2
22	7065632	CLAMP	1
23		LOCKWASHER, 5/16	1
24		NUT, Hex, 5/16 - 11	1
25		HOSE ASSEMBLY	4
26	2710712	HOSE ASSEMBLY	1
27	8760317	ELBOW	1
28	8405402	CLAMP	2
29	7073411	SUPPORT	2

HOIST & SLAVE CYLINDER PIPING

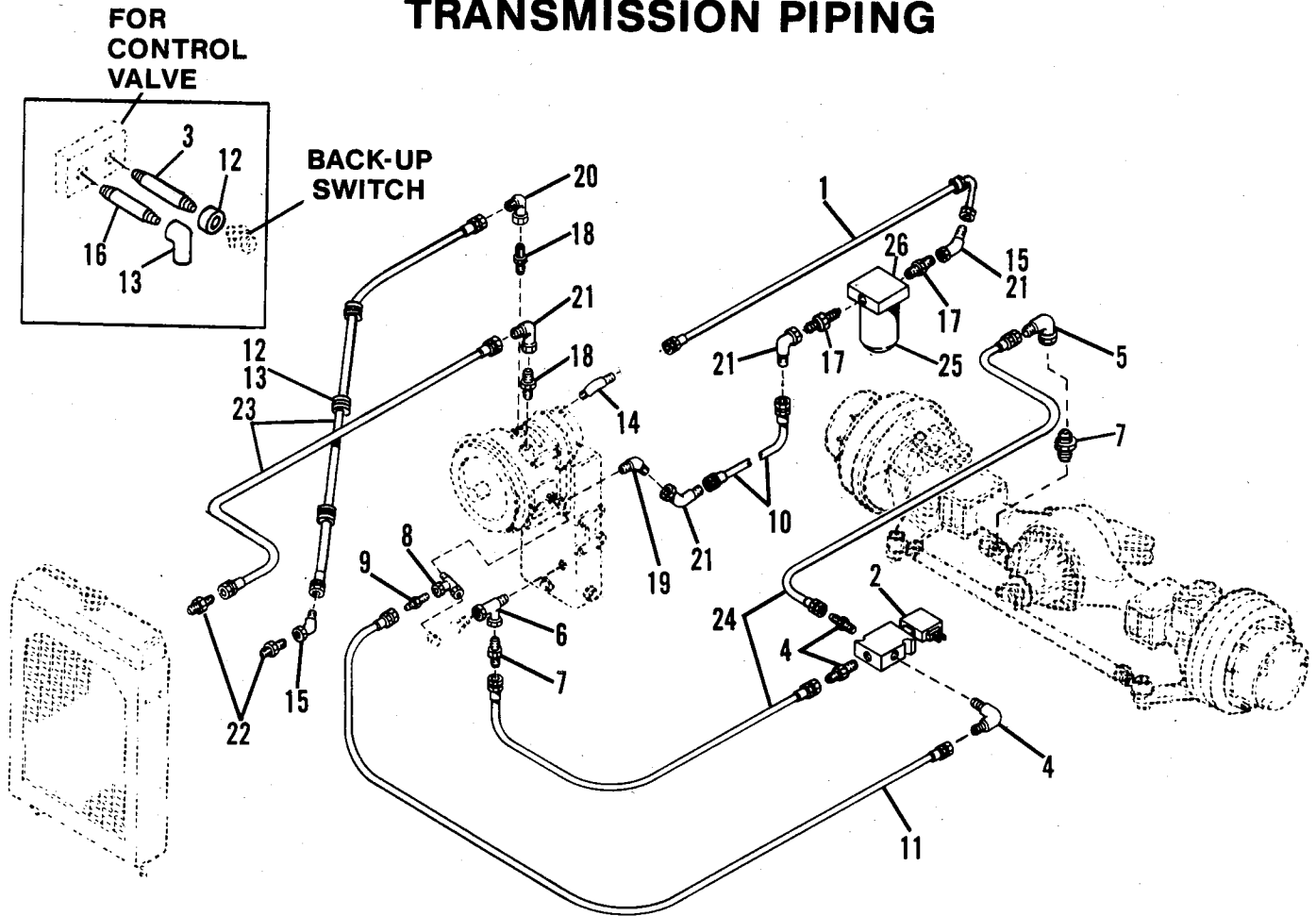
(Deutz & S/N 5K0080 and Up)



HOIST & SLAVE CYLINDER PIPING (Deutz & S/N 5K0080 and Up)

Index No.	Part Number	Description	Qty. Req'd.
1	8760305	ELBOW	2
2	2710364	HOIST CYLINDER ASSEMBLY	2
3	8760109	CONNECTOR	2
4	8405402	CLAMP	2
5	7075792	TUBE ASSEMBLY	2
6	2711242	HOSE ASSEMBLY	4
7	8760101	CONNECTOR	2
8	7060372	COUNTERBALANCE VALVE ASSEMBLY	2
9	8760478	PLUG	2
10	8760431	PLUG	1
11	2710602	HOSE ASSEMBLY	2
12	8760346	ELBOW, 90°	4
13	8760111	REDUCER	2
14	8760271	ELBOW, Swivel, 45°	2
15	2710233	SLAVE CYLINDER ASSEMBLY	2
16	8760485	TEE, Swivel	2
17	2710592	HOSE	2
18	8765205	ELBOW, 45°	2
19	8760510	TEE	4
20	2710632	HOSE	2
21	8765204	ELBOW, Swivel, 90°	2
22	7065632	CLAMP	1
23		LOCKWASHER, 5/16	1
24		NUT, Hex, 5/16 - 11	1
25		HOSE ASSEMBLY	4

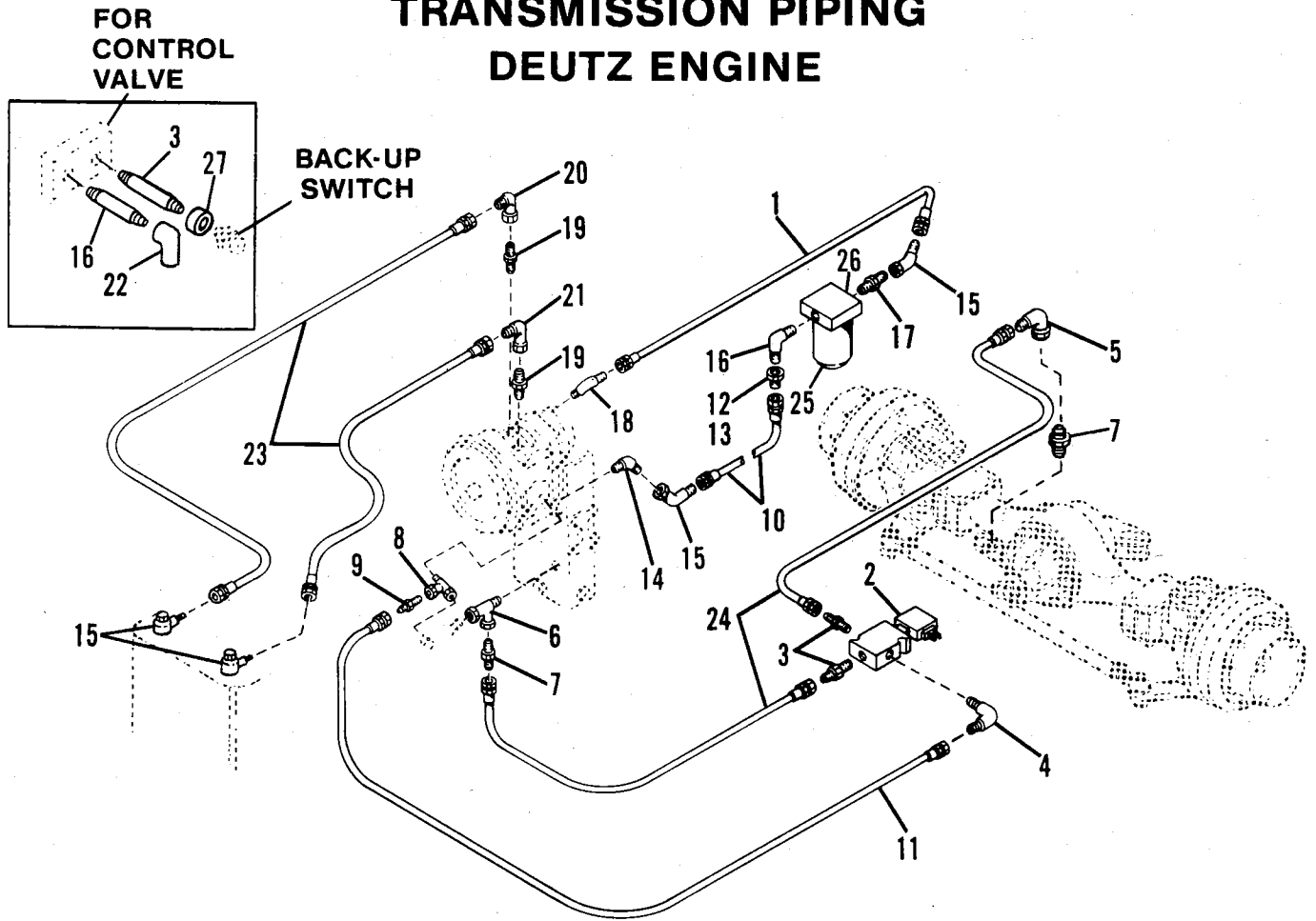
TRANSMISSION PIPING



Index No.	Part Number	Description	Qty. Req'd.
1	2710952	HOSE ASSEMBLY	1
2	8902086	VALVE, Solenoid	1
3		NIPPLE, Pipe, 1/8 x 2 LG.	1
4	8760311	ELBOW, 90°	3
5	8760276	ELBOW, Swivel, 45°	1
6	8540434	TEE, Street	1
7	8760014	CONNECTOR, Male	2
8	8541627	TEE, Street	1
9	8760057	CONNECTOR, Male	1
10	2710642	HOSE ASSEMBLY	1
11	2704502	HOSE ASSEMBLY	1
12	7075932	PROTECTIVE SLEEVE	3
13	8584002	CLAMP	6
14	8760317	ELBOW, 45°	1
15	8760286	ELBOW, Swivel, 45°	1
16		NIPPLE, Pipe, 1/8 x 1 1/2 LG.	1
17	8760118	CONNECTOR	2
18	8760305	ELBOW, 90°	2
19	8760109	CONNECTOR,	1
20	7068892	ELBOW, 90°	1
21	8760254	ELBOW, Swivel, 90°	4
22	8760001	CONNECTOR, Male	2
23	2711042	HOSE ASSEMBLY	2
24	2705122	HOSE ASSEMBLY	2
25	8320237	FILTER ELEMENT	1
26	8320236	FILTER HEAD	1

Revised 11/85
91111
91340

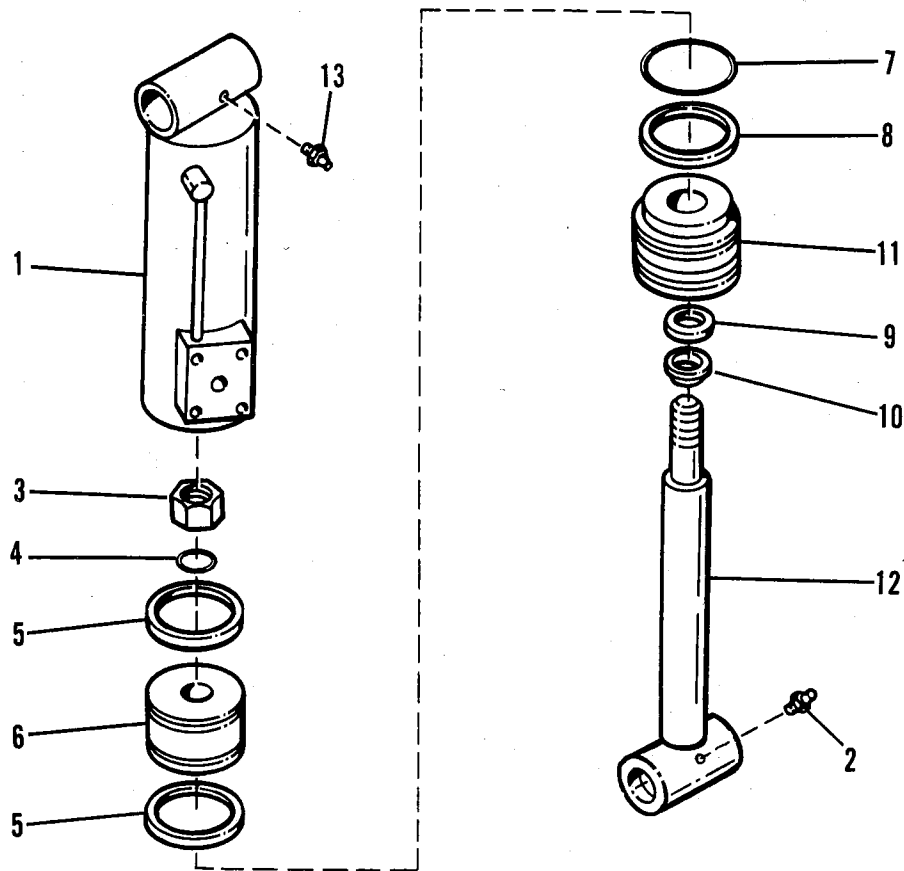
TRANSMISSION PIPING DEUTZ ENGINE



Index No.	Part Number	Description	Qty. Req'd.
1	2710952	HOSE ASSEMBLY	1
2	8902086	VALVE, Solenoid	1
3		NIPPLE, Pipe, 1/8 x 2 LG.	1
4	8760311	ELBOW, 90°	3
5	8760268	ELBOW, 90°	1
6	8540434	TEE, Street	1
7	8760014	CONNECTOR, Male	2
8	8541627	TEE, Street	1
9	8760011	CONNECTOR, Male	1
10	2710642	HOSE ASSEMBLY	1
11	2704502	HOSE ASSEMBLY	1
12	8760470	REDUCER	1
13	8760415	NUT, Tube	1
14	8760317	ELBOW, 45°	2
15	7074972	ADAPTER 90°	1
16		NIPPLE, Pipe, 1/8 x 1 1/2 LG.	1
17	8760118	CONNECTOR	2
18	8760305	ELBOW, 90°	2
19	8760109	CONNECTOR,	1
20	7068892	ELBOW, 90°	1
21	8760254	ELBOW, Swivel, 90°	4
22	8760001	ELBOW, Pipe, 90°, 1/8	1
23	2711042	HOSE ASSEMBLY	2
24	2705122	HOSE ASSEMBLY	2
25	8320237	FILTER ELEMENT	1
26	8320236	FILTER HEAD	1
27		COUPLING, Pipe, 1/8	1

Revised 2/85
91111

FRAME TILT CYLINDER

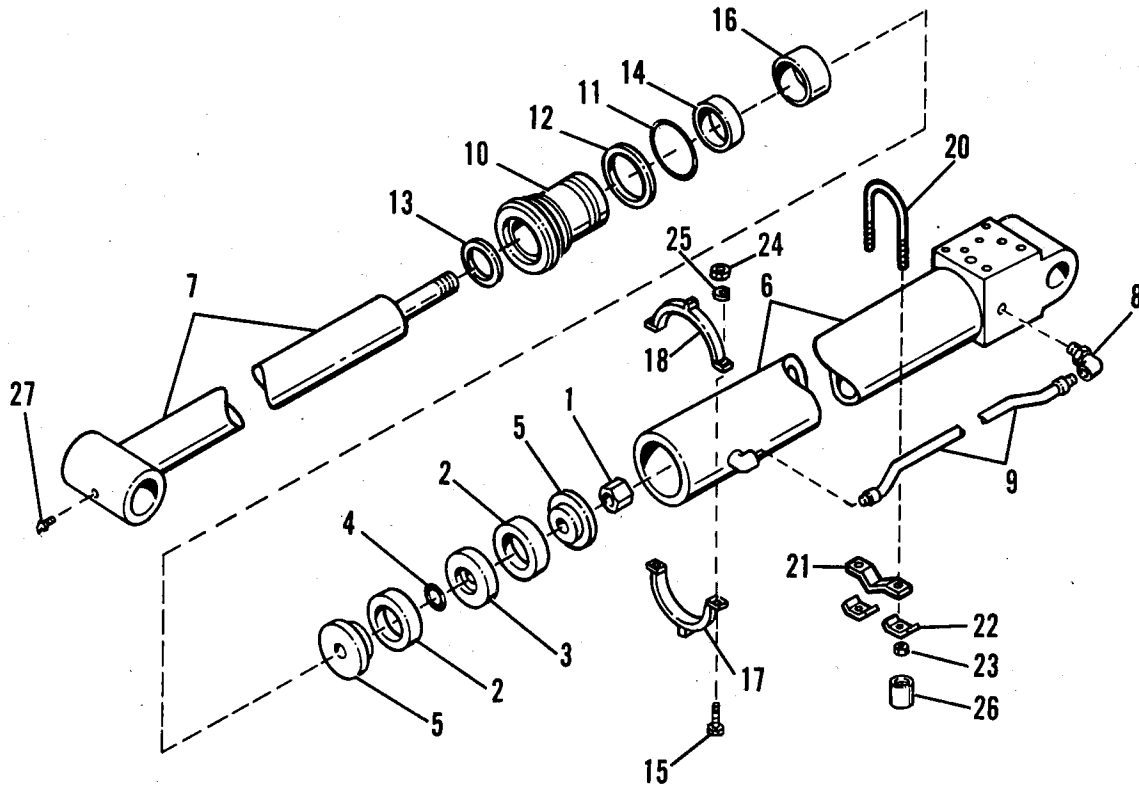


Index No.	Part Number	Description	Qty. Req'd.
	2710893	CYLINDER, Frame tilt	1
1	8205498	BARREL, Assembly	1
2	7049761	FITTING, Grease, 1/8 NPT	1
3	8205499	NUT, Lock	1
4	*	O-RING	1
5	*	PISTON, Seal	2
6	8205500	PISTON	1
7	*	O-RING	1
8	*	RING, Back up	1
9	*	SEAL, Rod	1
10	*	WIPER, Rod	1
11	8205501	GLAND	1
12	8205508	PISTON, Rod	1

Revised 6/85
91227

*PACKING KIT 8205641 CONSISTS OF ITEMS 4, 5, 7, 8, 9 & 10
5.8

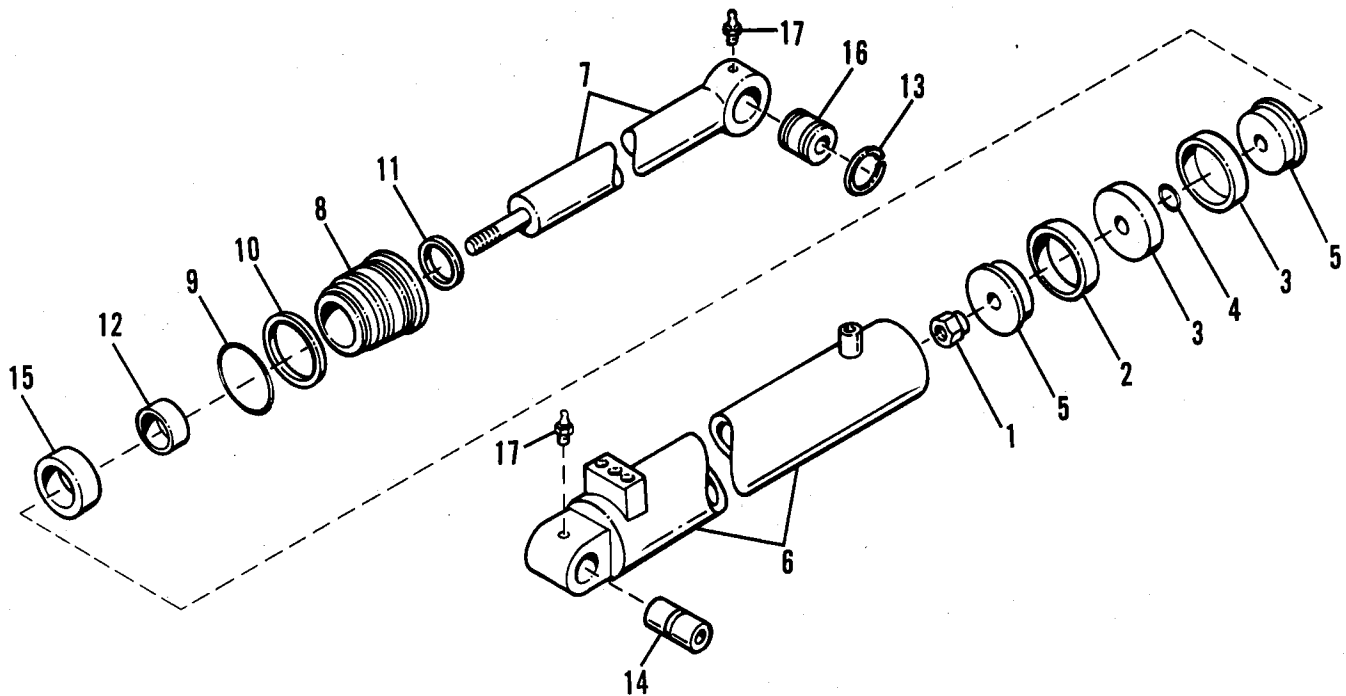
BOOM EXTEND CYLINDER



Index No.	Part Number	Description	Qty. Req'd.
	2710343	CYLINDER, Boom Extend	1
1	8205359	NUT	1
2	*	VEE, Packing	2
3	8205341	PISTON	1
4	*	O-RING	1
5	8205354	PACKING, Adapter	2
6	8205489	BARREL	1
7	8205490	ROD	1
8	8205491	ELBOW	1
9	7057482	TUBE ASSEMBLY,	1
10	8205485	GLAND	1
11	*	O-RING	1
12	*	RING, Back up	1
13	*	WIPER	1
14	*	SEAL, Rod	1
15		SCREW, Hex Hd., 5/16 - 18 x 1 1/4 Gr. 5	1
16	8205492	TUBE, Stop	1
17	7065072	HALF, Lower	1
18	7065062	HALF, Upper	1
19		FITTING, Grease, 1/2 NPT	1
20	8304805	U-BOLT, 1/2 - 13	2
21	7064002	BAR	2
22	7064012	BAR	4
23		NUT, Hex, 1/2 - 13	4
24		NUT, Hex 5/16 - 18	2
25		LOCKWASHER, 5/16	2
26	7063932	SPACER, Threaded	2
27		FITTING, Grease, 30°	1

* PACKING KIT 8205642 CONSISTS OF ITEMS 2, 4, 11, 12, 13 & 14

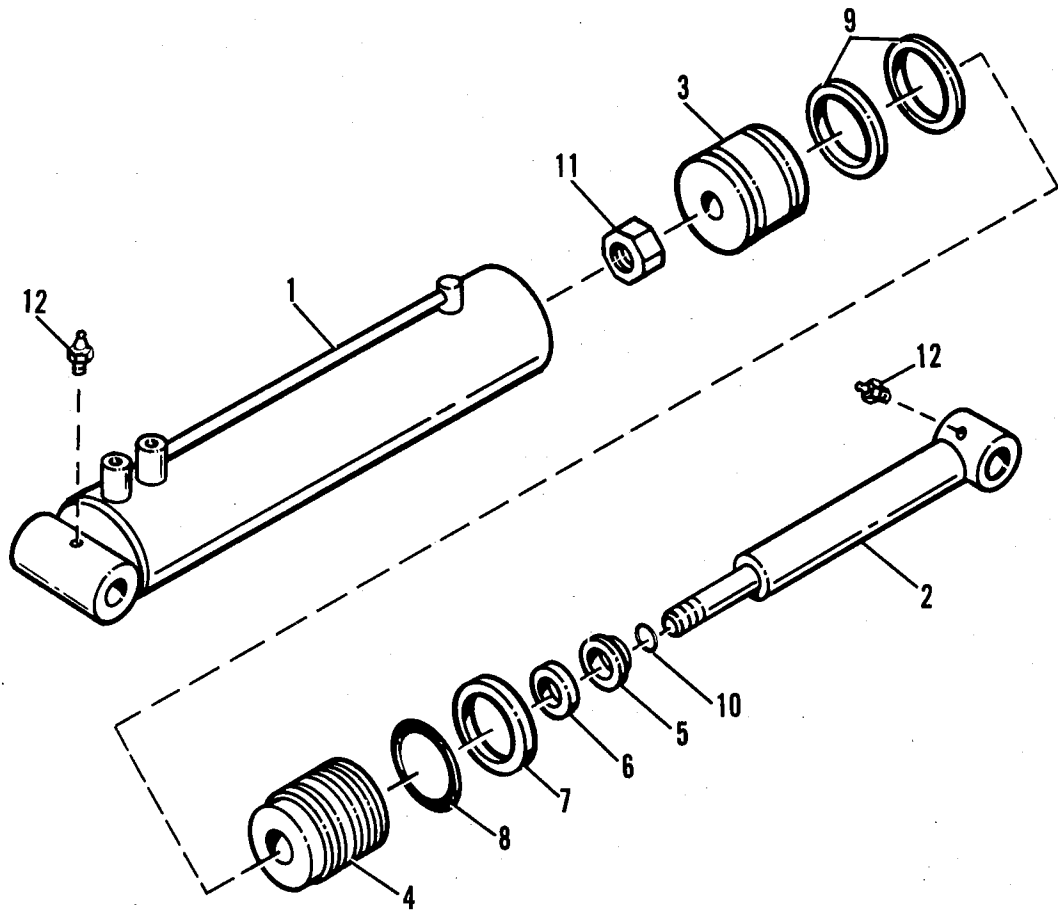
BOOM HOIST CYLINDER



Index No.	Part Number	Description	Qty. Req'd.
	2710364	CYLINDER; Boom Hoist	2
1	8205359	NUT	1
2	*	VEE, Packing	2
3	8205341	PISTON	1
4	*	O-RING	1
5	8205354	PACKING, Adaptor	2
6	8205483	BARREL	1
7	8205484	ROD	1
8	8205485	GLAND	1
9	*	O-RING	1
10	*	BACK-UP	1
11	*	WIPER	1
12	*	ROD SEAL	1
13	8205486	RING, Snap	2
14	7072662	BUSHING, Steel	1
15	8205487	TUBE, Stop	1
16	8205488	BUSHING, Self-aligning	1
17		FITTING, Grease, 1/8 NPT	2

*PACKING KIT 8205642 CONSISTS OF ITEMS 2, 4, 9, 10, 11 & 12

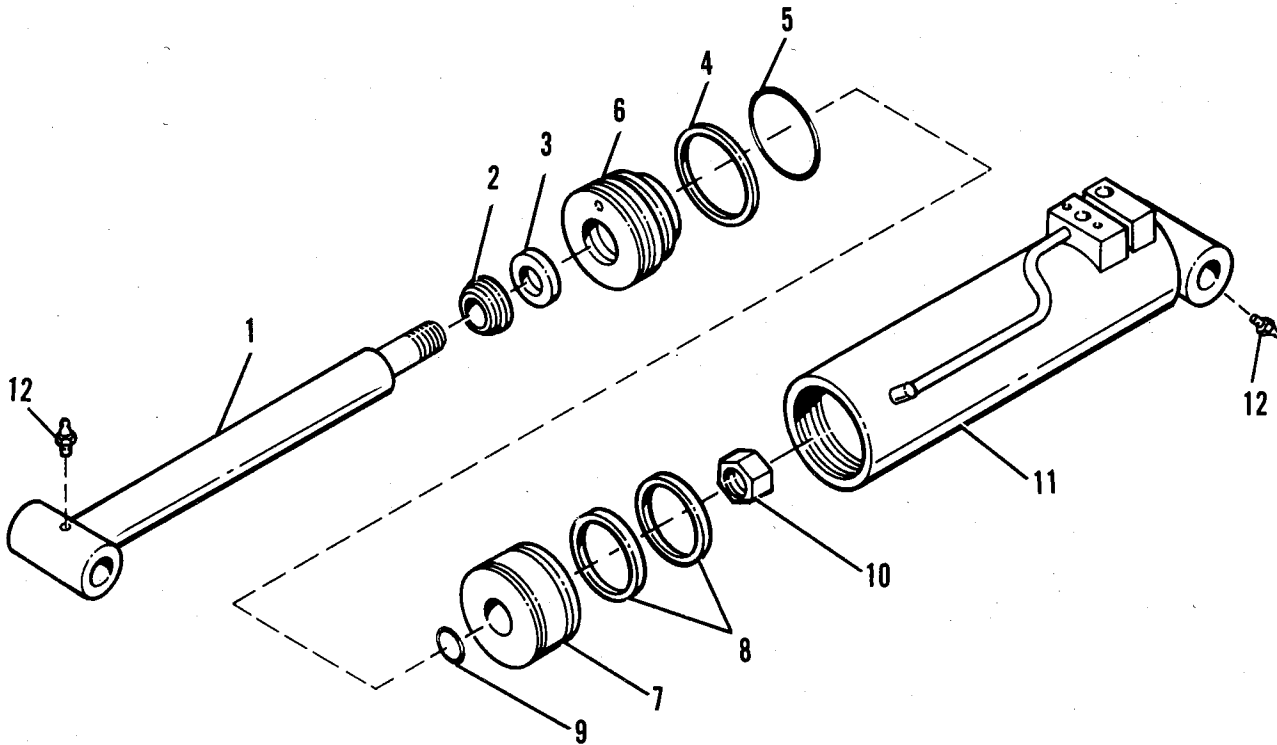
SLAVE CYLINDER



Index No.	Part Number	Description	Qty. Req'd.
	2710233	CYLINDER, Slave	1
1	8205503	BARREL	1
2	8205504	ROD, Piston	1
3	8205505	PISTON	1
4	8205506	GLAND	1
5	*	WIPER, Rod	1
6	*	SEAL, Rod	1
7	*	RING, Back up	1
8	*	O-RING	1
9	*	SEAL, Piston	2
10	*	O-RING	1
11	8205507	NUT, Lock	1
12		FITTING, Grease, 1/8 NPT	2

* PACKING KIT 8205640 CONSISTS OF ITEMS 5, 6, 7, 8, 9 & 10

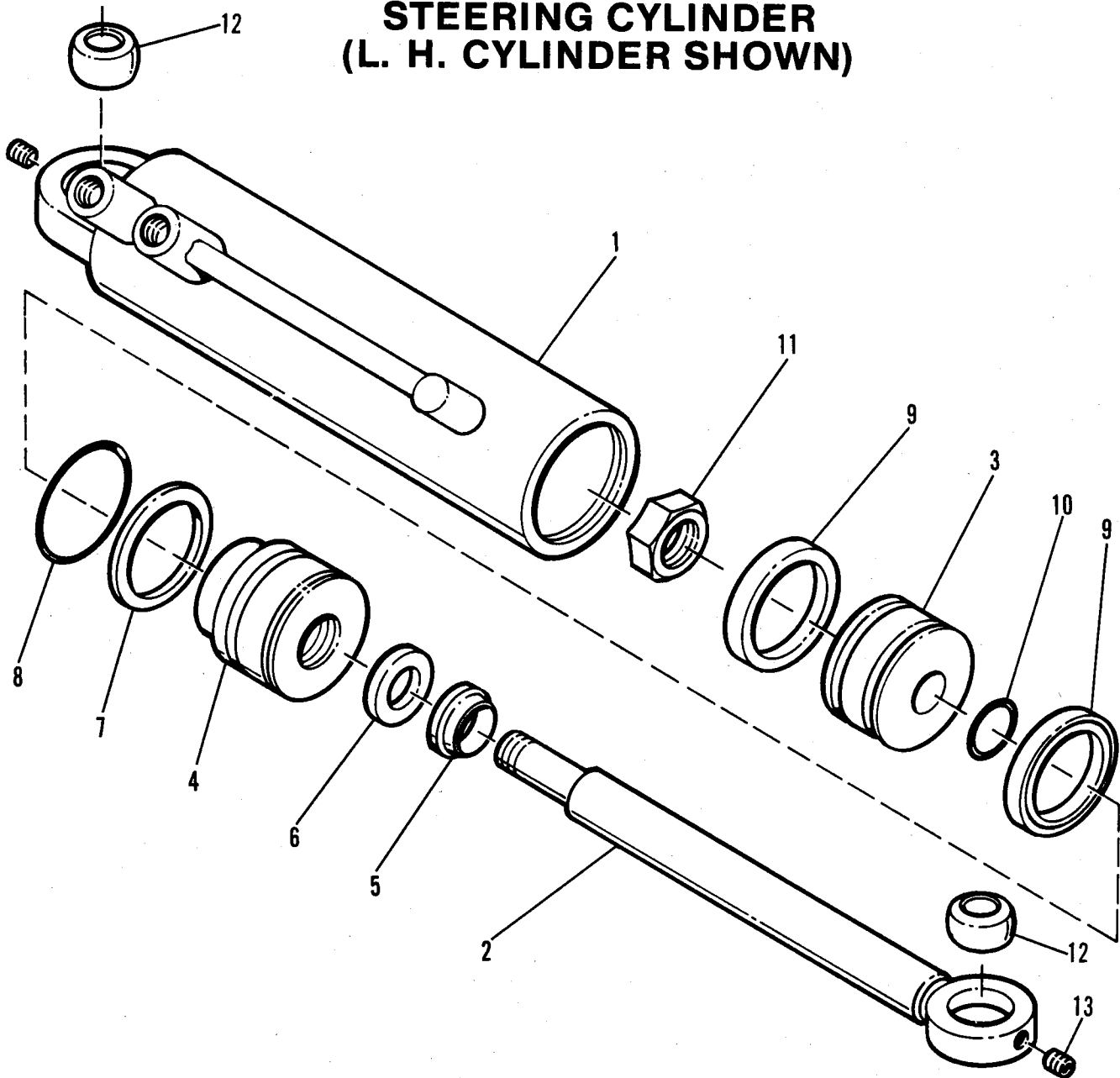
GRILLE TILT CYLINDER



Index No.	Part Number	Description	Qty. Req'd.
	2710164	CYLINDER, Grille Tilt	1
1	8205493	PISTON, Rod	1
2	*	WIPER, Rod	1
3	*	SEAL, Rod	1
4	*	RING, Back-up	1
5	*	O-RING	1
6	8205494	GLAND	1
7	8205495	PISTON	1
8	*	SEAL, Piston	2
9	*	O-RING	1
10	8205496	NUT, Lock	1
11	8205497	BARREL, Assembly	1
12		FITTING, Grease, 1/8 NPT	2

*PACKING KIT 8205639 CONSISTS OF ITEMS 2, 3, 4, 5, 8 & 9

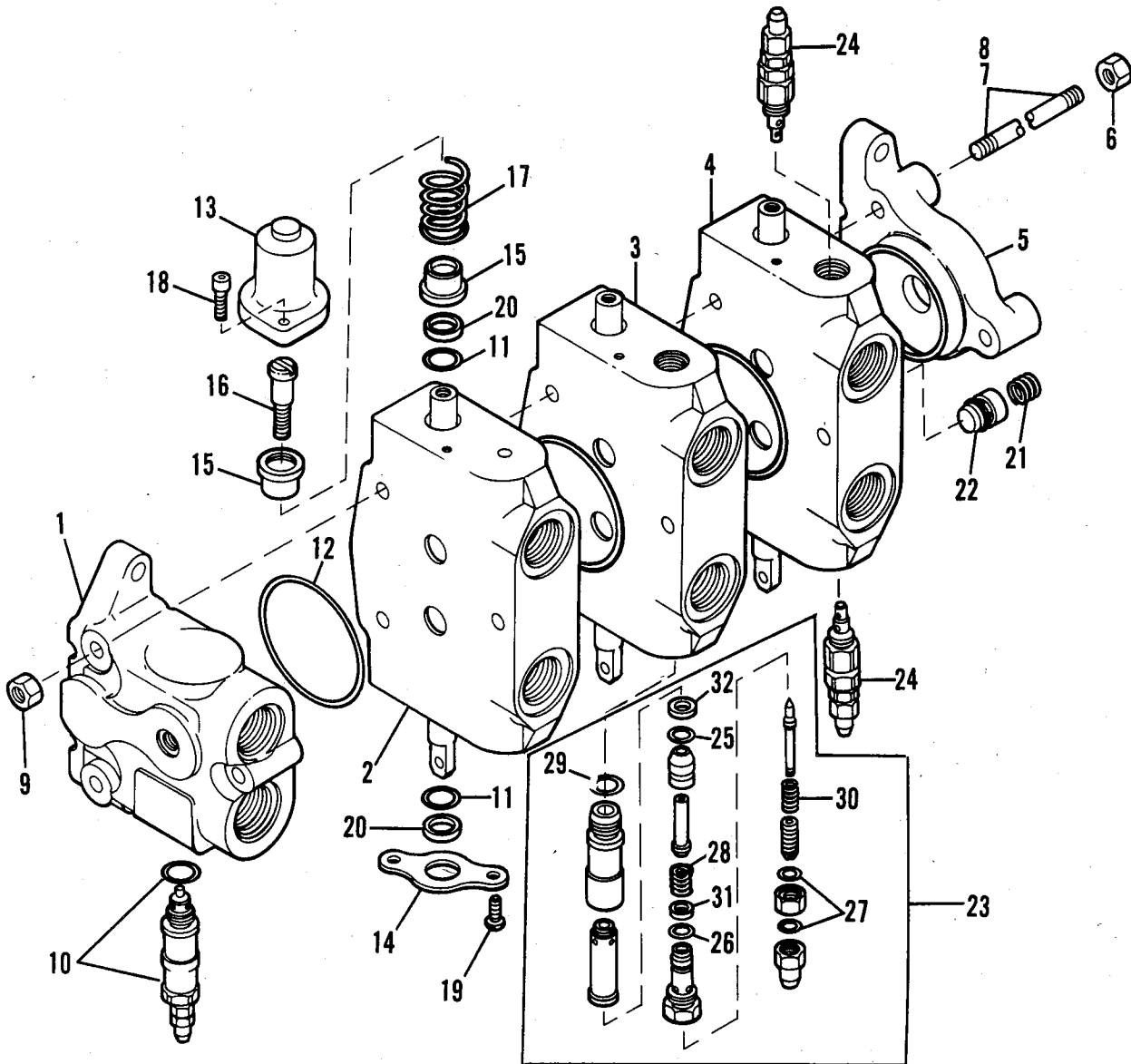
STEERING CYLINDER (L. H. CYLINDER SHOWN)



Index No.	Part Number	Description	Qty. Req'd.
	2710903	CYLINDER ASSEMBLY - R.H.	1
	2710913	CYLINDER ASSEMBLY - L.H.	1
1	8205509	BARREL (R.H.Cylinder Only)	1
1	8205516	BARREL, (L. H. Cylinder Only)	1
2	8205510	ROD, Piston	1
3	8205511	PISTON	1
4	8205512	GLAND	1
5	*	WIPER, Rod	1
6	*	SEAL, Rod	1
7	*	RING, Back-up	1
8	*	O-RING	1
9	*	SEAL, Piston	2
10	*	O-RING	1
11	8205513	NUT, Lock	1
12	8205514	BUSHING, Self Aligning	2
13		SCREW, Set 1/4-20 UNC x .38"	2

*REPAIR KIT 8205643 CONSISTS OF ITEMS 5 THRU 10

MAIN CONTROL VALVE



MAIN CONTROL VALVE

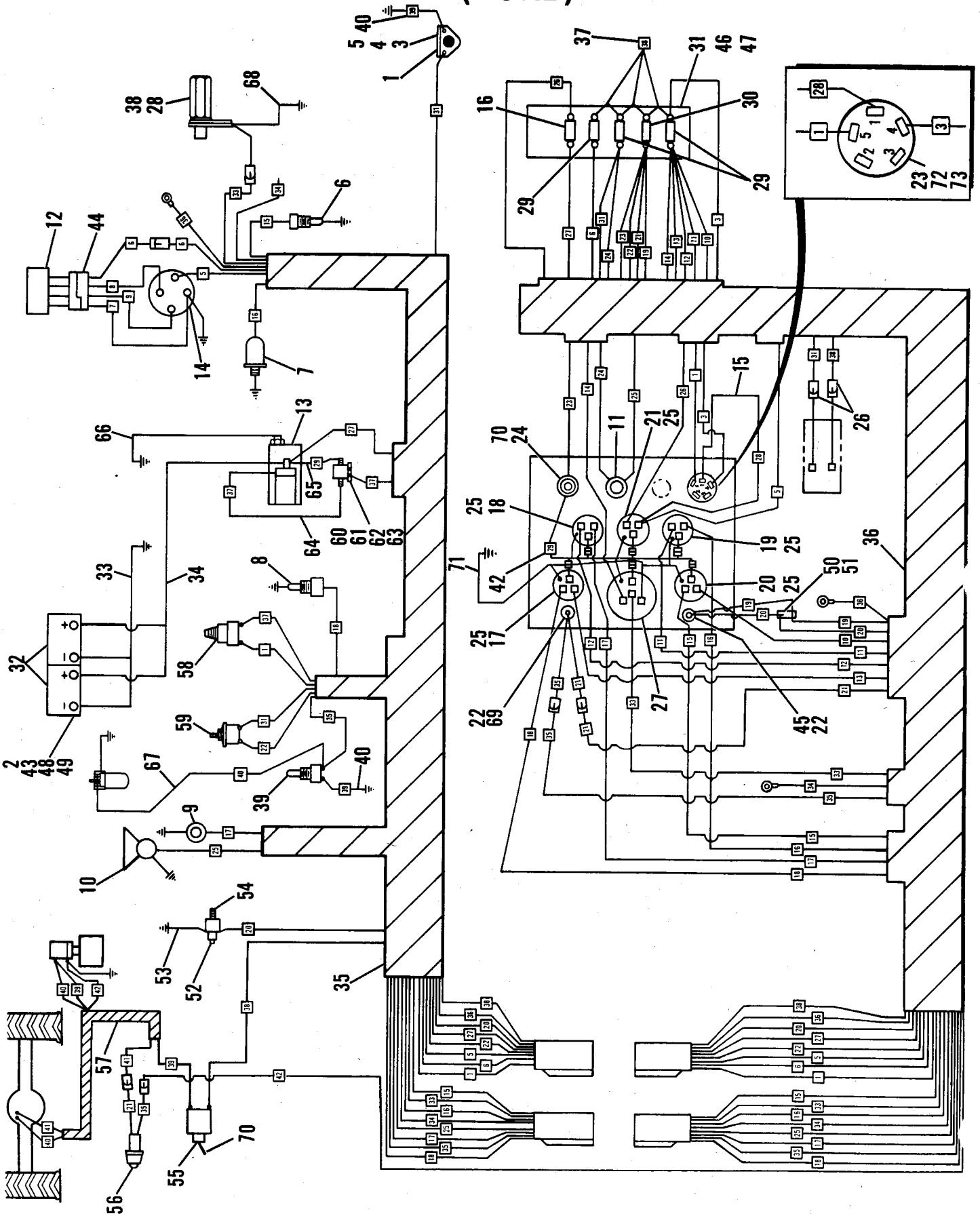
Index No.	Part Number	Description	Qty. Req'd.
-	8902082	VALVE ASSEMBLY	1
1	8902482	SECTION, Inlet	1
2	8902483	SECTION, Boom Hoist	1
3	8902484	SECTION, Boom Extend	1
4	8902485	SECTION, Grille Tilt	1
5	8902486	SECTION, Outlet	1
6	8902487	NUT, Tie Rod	2
7	8902488	ROD, Tie	2
8	8902489	ROD, Tie	1
9	8902490	NUT, Tie Rod	4
10	8902491	VALVE ASSEMBLY, Main Relief	1
11	**	O-RING	2
12	**	O-RING	!
13	**	CAP	1
14	**	PLATE, Seal	2
15	**	SEAT, Spring	2
16	**	SCREW	1
17	**	SPRING	1
18	**	SCREW, Cap	2
19	**	SCREW, Machine	2
20	**	WIPER	2
21	**	SPRING	1
22	**	POPPET	1
23	8902493	VALVE ASSEMBLY, Port Relief	1
24	8902496	VALVE ASSEMBLY, Port Relief	2
25	*†	O-RING	1
26	*†	O-RING	1
27	*†	O-RING	2
28	†	SPRING	1
29	*†	O-RING	1
30	†	SPRING	1
31	*†	RING, Back up	1
32	*†	RING, Back up	1

* SEAL KIT 8902494 CONSISTS OF ITEMS 25, 26, 27, 29, 31, and 32.

† SEAL & SPRING KIT 8902495 CONSISTS OF ITEMS 25 through 32.

** REBUILT KIT 8902492 CONSISTS OF ITEMS 11 through 22.

ELECTRICAL SYSTEM GROUP (FORD)

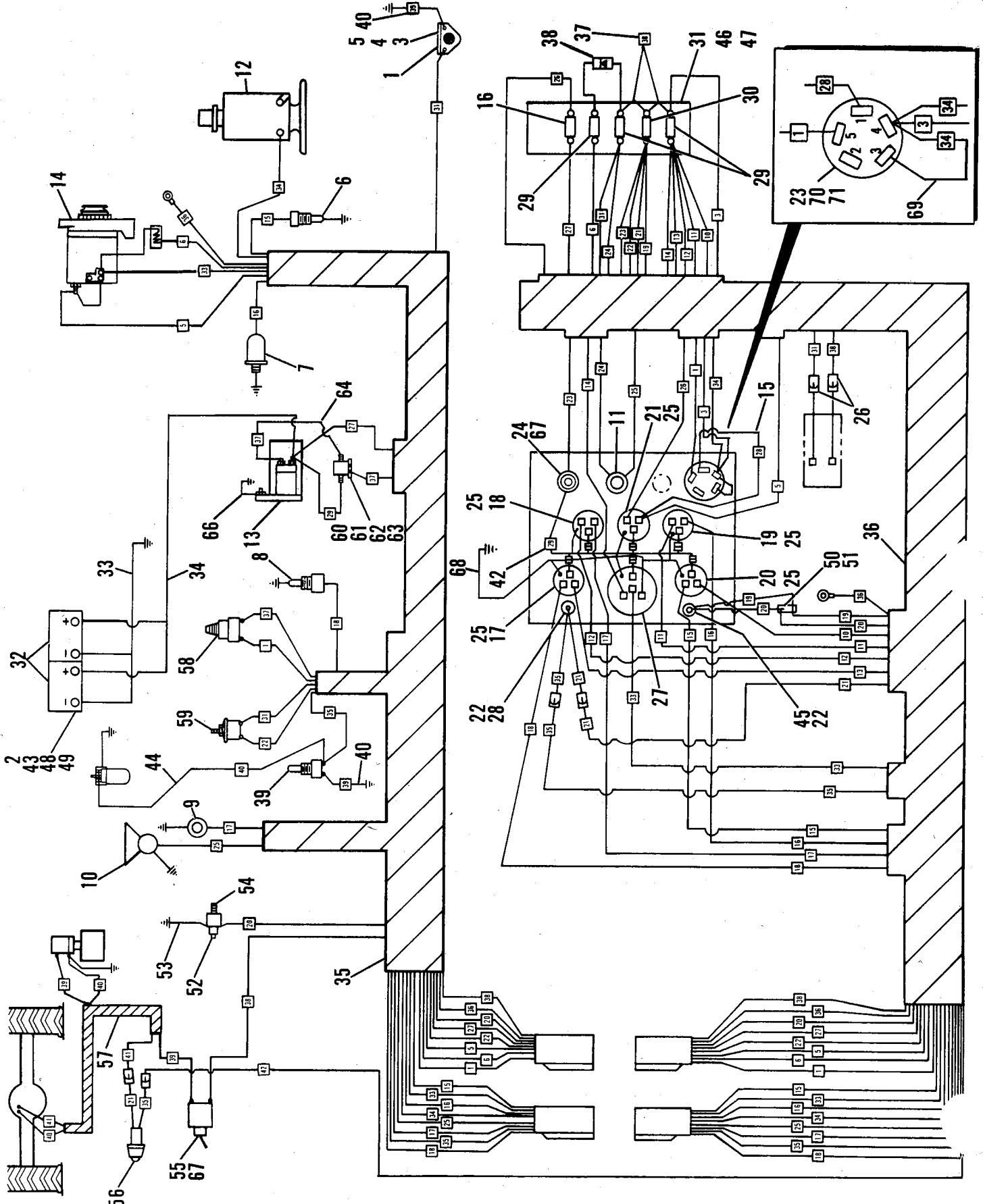


ELECTRICAL SYSTEM GROUP (FORD)

Index No.	Part Number	Description	Qty. Req'd	Index No.	Part Number	Description	Qty. Req'd
1	8270611	ALARM, Back-up	1	35	7068685	HARNESS, Main Wiring	1
2		NUT, Lock, 3/8	2	36	7068675	HARNESS, Main Wiring	1
3		SCREW, Hex Hd., 5/16 - 18 x 1 GR. 5	2	37	7047041	WIRE, Assembly	3
4		NUT, Hex., 5/16 - 18	2	38	8468212	DRIVE, Tachometer	1
5		WASHER, Lock, 5/16	2	39	8223508	SWITCH, Trans. Oil Pressure	1
6	8468013	SENDER, Water Temp.	1	40	7057381	WIRE, Assembly	1
7	8468012	SENDER, Oil Pressure	1	41	7057391	WIRE, Assembly	1
8	8468019	SENDER, Trans. Temp.	1	42	7057401	WIRE, Assembly	1
9	7060812	SENDER, Fuel Level	1	43		WASHER, Flat, 3/8	2
10	8270602	HORN	1	44	7057342	WIRE, Assembly	1
11	8223405	HORN, Push Button	1	45	7058382	LIGHT, Assembly	1
12	8022023	REGULATOR	1	46		SCREW, #10 x 3/8	2
13	See Eng. Man.	MOTOR, Starter	1	47		NUT, #10	2
14	See Eng. Man.	ALTERNATOR	1	48	7046352	BRACKET, Hold Down	1
15	7057361	WIRE, Assembly	1	49		BOLT, Carriage 3/8 NC - 14 x 9" LG	2
16	8229226	BREAKER, Circuit, 40 amp.	1	50	8225102	RELAY, Time Delay	1
17	8462013	GAUGE, Trans. Temp.	1	51	8220060	ADAPTOR	2
18	8464212	GAUGE, Fuel Level	1	52	8223507	SWITCH, Pressure Brakes	1
19	8460024	GAUGE, Oil Pressure	1	53	7067511	WIRE, Assembly	1
20	8462011	GAUGE, Water Temp.	1	54		NIPPLE, Close 1/8	1
21	8466007	GAUGE, Ammeter	1	55	8223010	SWITCH, Differential Lock	1
22	8469012	LAMP, Indicator, Red	2	56	8469013	LAMP, Indicator, Green	1
23	8022020	SWITCH, Ignition - Serial #5D0091 & Up	1	57	7073282	HARNESS	1
23	7072031	SWITCH, Ignition - Serial #5D0085 & Down	1	58	*	SWITCH, Neutral Start } See Page 2.22	1
24	8223010	SWITCH, Instrument Panel Light	1	59	*	SWITCH, Reverse } See Page 2.22	1
25	7058372	LIGHT, Assembly	6	60	8277065	RELAY, Starter	1
26	8220050	TERMINAL	2	61		SCREW, Hex Hd., 1/4 - 20 x 1 1/4 GR. 5	2
27	8467011	TACHOMETER with Hourmeter	1	62		WASHER, Flat, 1/4	2
28	7058732	SENDER, Tachometer	1	63		NUT, Lock, 1/4	2
29	8229215	BREAKER, Circuit, 6 amp.	3	64	7069061	WIRE, Assembly	1
30	8229216	BREAKER, Circuit, 10 amp.	1	65	7069071	WIRE, Assembly	1
31	8229218	BRACKET, Circuit Breaker	1	66	7068651	CABLE, Battery	1
32	8270014	BATTERY	2	67	7069601	WIRE, Assembly	1
33	7057322	CABLE, Battery, Negative	1	68	7071301	WIRE ASSEMBLY	1
34	7057332	CABLE, Battery, Positive	1	69	7071342	WIRE ASSEMBLY	1
				70	8580309	BOOT	1
				71	7057401	WIRE ASSEMBLY	2
				72	8022022	IGNITION KEY	1
				73	8022021	NUT	1

*Furnished with transmission

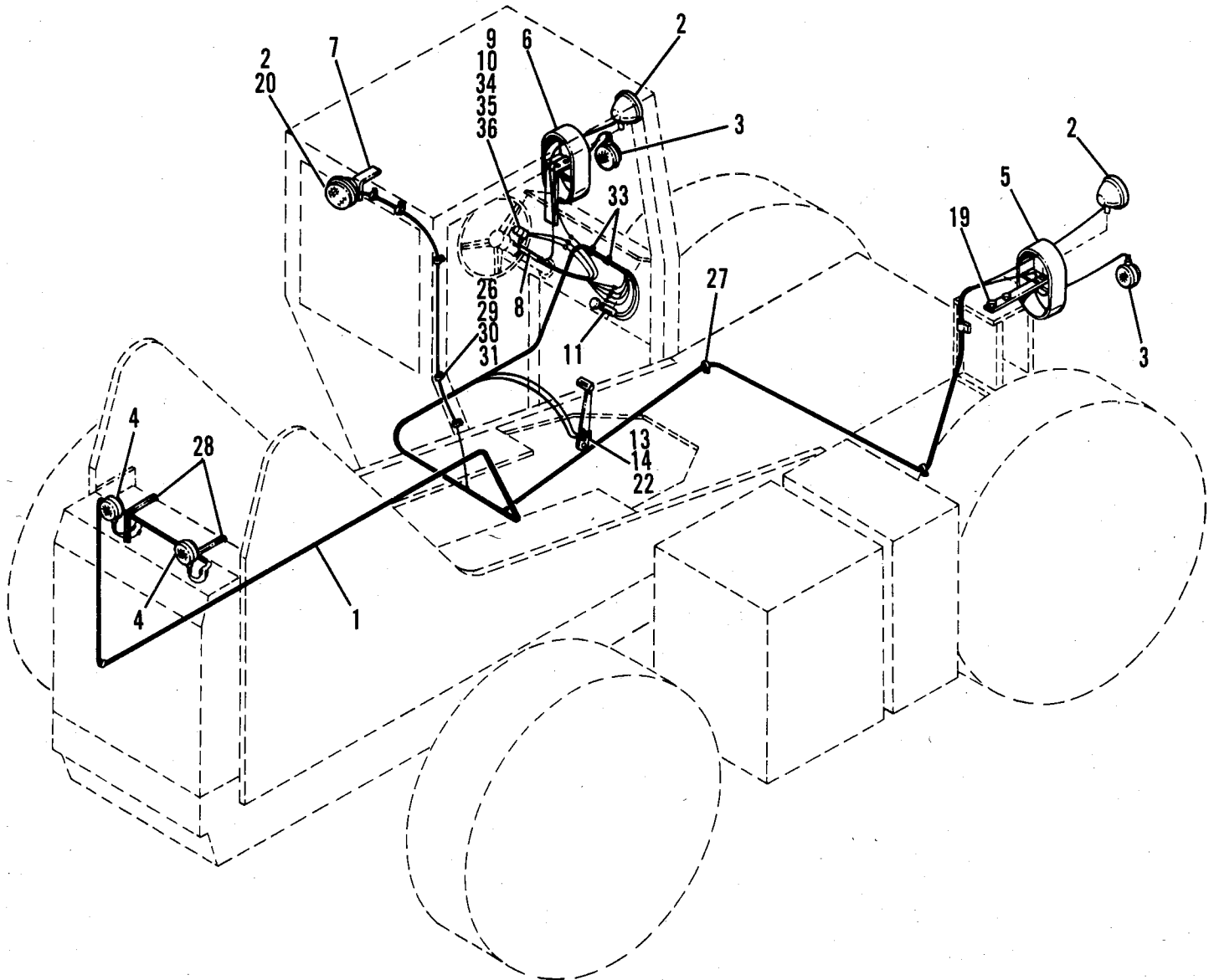
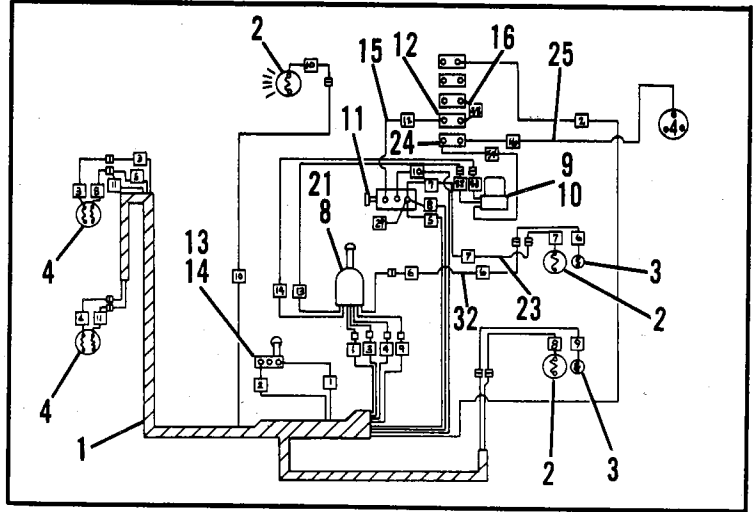
ELECTRICAL SYSTEM GROUP (JOHN DEERE)



ELECTRICAL SYSTEM GROUP (JOHN DEERE)

Index No.	Part Number	Description	Qty. Req'd.
1	8270611	ALARM, Back-up	1
2		NUT, Lock, 3/8	2
3		SCREW, Hex Hd., 5.16-18 x 1 GR. 5	2
4		NUT, Hex., 5/16-18	2
5		WASHER, Lock, 5/16	2
6	8468013	SENDER, Water Temp.	1
7	8468012	SENDER, Oil Pressure	1
8	8468019	SENDER, Tans. Temp.	1
9	7060812	SENDER, Fuel Level	1
10	8270602	HORN	1
11	8223405	HORN, Push Button	1
12	See Eng. Man.	PUMP, Fuel Injection	1
13	See Eng. Man.	MOTOR, Starter	1
14	See Eng. Man.	ALTERNATOR	1
15	7057361	WIRE, Assembly	1
16	8229226	BREAKER, Circuit, 40 amp.	1
17	8462013	GAUGE, Trans. Temp.	1
18	8464212	GAUGE, Fuel Level	1
19	8460024	GAUGE, Oil Pressure	1
20	8462011	GAUGE, Water Temp.	1
21	8466007	GAUGE, Ammeter	1
22	8469012	LAMP, Indicator, Red	2
23	8022020	SWITCH, Ignition, Serial #5D0091 & Up	1
23	7072031	SWITCH, Ignition, Serial # 5D0085 & Down	1
24	8223010	SWITCH, Instrument Panel Light	1
25	7058372	LIGHT, Assembly	6
26	8220050	TERMINAL	2
27	8467012	TACHOMETER with Hourmeter	1
28	7071342	WIRE, Assembly	1
29	8229215	BREAKER, Circuit, 6 amp.	3
30	8229216	BREAKER, Circuit, 10 amp.	1
31	8229218	BRACKET, Circuit Breaker	1
32	8270014	BATTERY	2
33	7057322	CABLE, Battery, negative	1
34	7057332	CABLE, Battery, positive	1
35	7071395	HARNESS, Main Wiring	1
36	7068675	HARNESS, Main Wiring	1
37	7047041	WIRE, Assembly	2
38	7073551	DIODE ASSEMBLY	1
39	8223508	SWITCH, Trans. Oil Pressure	1
40	7057381	WIRE, Assembly	1
41	7057391	WIRE, Assembly	1
42	7057401	WIRE, Assembly	1
43		WASHER, Flat, 3/8	2
44	7069601	WIRE, Assembly	1
45	7058382	LIGHT, Assembly	1
46		SCREW, #10 x 3/8	2
47		NUT, #10	2
48	7046352	BRACKET, Hold Down	1
49		BOLT, Carriage 3/8 NC - 14 x 9" LG	2
50	8225102	RELAY, Time Delay	1
51	8220060	ADAPTOR	2
52	8223507	SWITCH, Pressure	1
53	7067511	WIRE, Assembly	1
54		NIPPLE, Close 3/8	1
55	8223010	SWITCH	1
56	8469013	LAMP, Indicator, Green	1
57	7073282	HARNESS	1
58	*	SWITCH, Neutral Start	1
59	*	SWITCH, Reverse	1
60	8277065	RELAY, Starter	1
61		SCREW, Hex Hd., 1/4-20 x 1 1/4 GR. 5	2
62		WASHER, Flat, 1/4	2
63		NUT, Lock, 1/4	2
63		NUT, Lock, 1/4	2
64	7071401	WIRE, Assembly	1
65	7069071	WIRE, Assembly	1
66	7068651	CABLE, Battery	1
67	8580309	BOOT	2
68	7071322	WIRE, Assembly	1
69	7072521	WIRE ASSEMBLY	1
70	8022022	IGNITION KEY	1
71	8022021	NUT	1

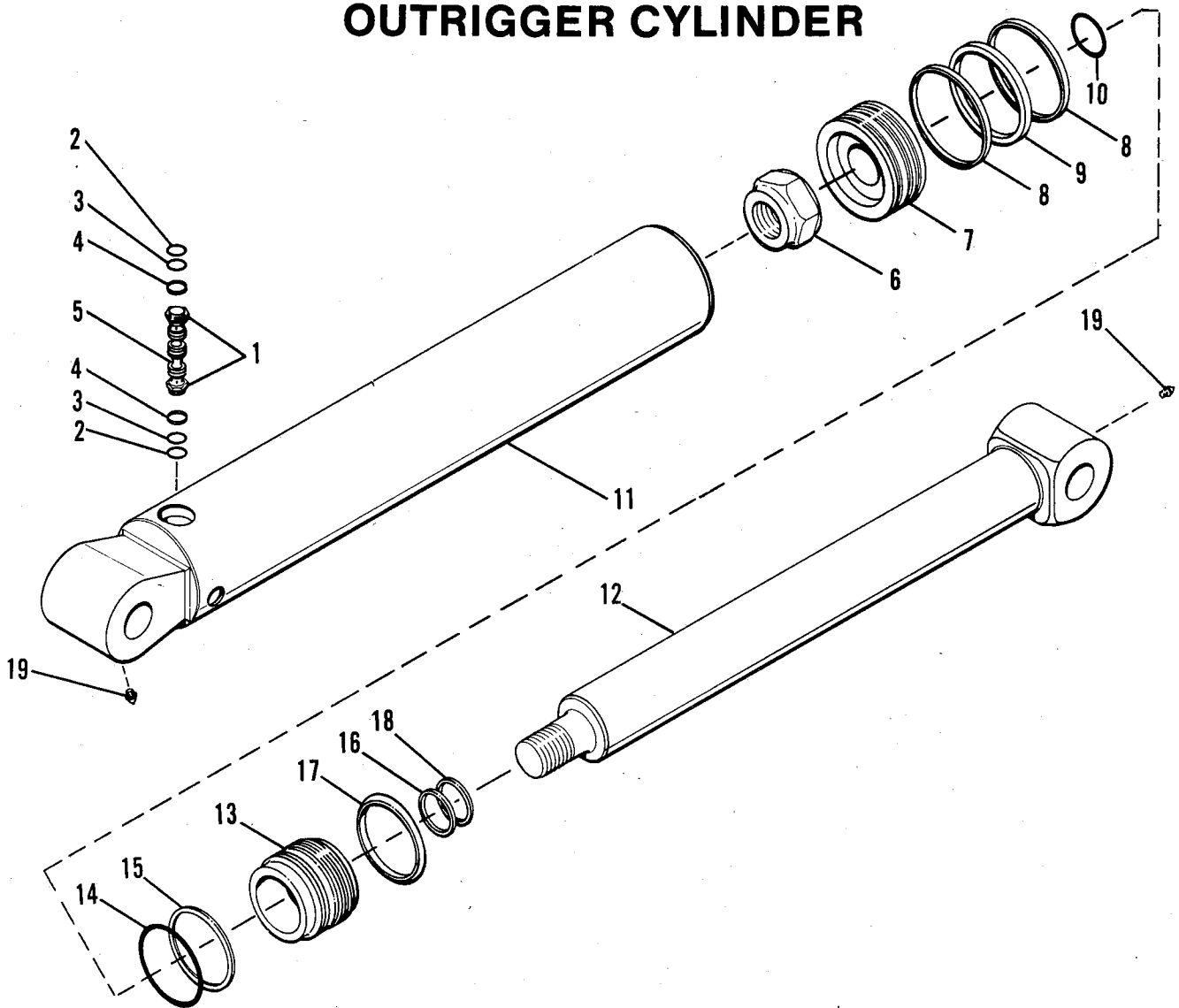
LIGHTING ASSEMBLY (OPTIONAL)



LIGHTING ASSEMBLY (OPTIONAL)

Index No.	Part Number	Description	Qty. Req'd.
1	7069803	HARNESS, Wiring	1
2	7047421	LIGHT, Head Lamp	3
3	7069851	LIGHT, Turn Signal	2
4	7069861	LIGHT, Stop, Tail, Turn	2
5	7069733	BRACKET, Front Right	1
6	7069743	BRACKET, Front Left	1
7	7069792	BRACKET	1
8	8223419	SWITCH, Turn Signal	1
9	8500201	FLASHER	1
10	7047371	MOUNT, Flasher	1
11	8223016	SWITCH, Head Light	1
12	8229217	BREAKER, 15 Amp	1
13	8223414	ACTUATOR, Switch	1
14	8223416	SWITCH, Brake Light	1
15	7069821	WIRE ASSEMBLY	1
16	7047041	WIRE ASSEMBLY	1
17	8580209	GROMMET	1
18	8580203	GROMMET	1
19		SCREW, Hex Hd., 3/8-16 x 1 3/4	2
20	8220050	TERMINAL, Male	2
21	8220051	TERMINAL, Female	7
22	8307206	WASHER, Flat	1
23	7069831	WIRE ASSEMBLY	1
24	8229227	BREAKER, 15 Amp	1
25	7069841	WIRE ASSEMBLY	1
26	8406003	CLAMP	5
27	8584003	TIE, Plastic, 4"	3
28	8584002	TIE, Plastic, 8"	2
29		SCREW, Hex Hd., 5/16-18 x 3/8	7
30		NUT, Hex, 5/16-18	7
31		WASHER, Lock 5/16	7
32	7069811	WIRE ASSEMBLY	1
33	8406109	CLAMP, 1/2	2
34		SCREW, Rd. Hd. Mach., #10-24-3/4	2
35		NUT, Hex, #10-24	2
36		WASHER, Lock	2

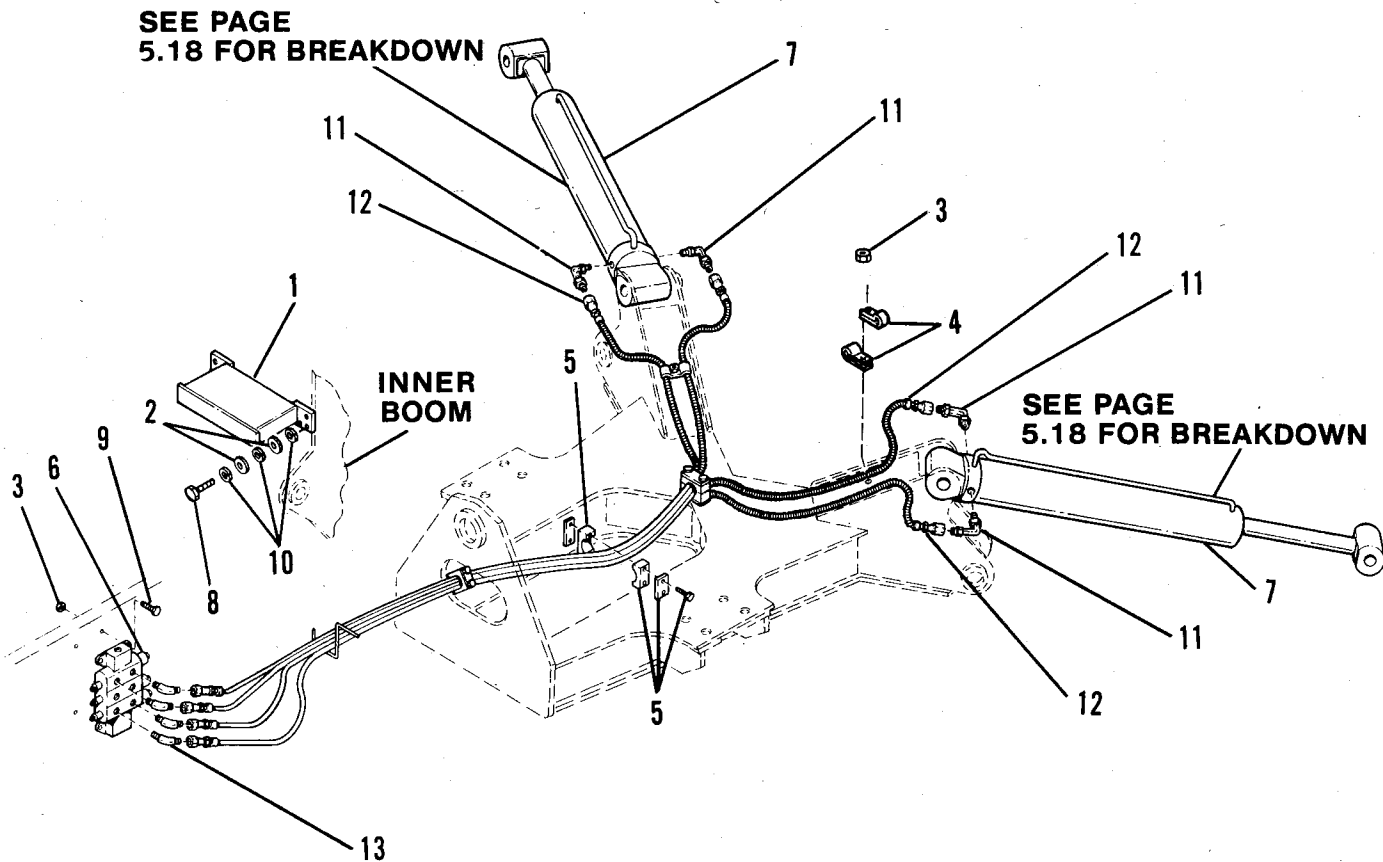
OUTRIGGER CYLINDER



Index No.	Part Number	Description	Qty. Req'd.
	7066893	CYLINDER, Outrigger	2
1	8205522	CARTRIDGE VALVE ASSEMBLY	2
2	8205519*	O-RING	2
3	8205520*	O-RING	2
4	8205521*	RING, Back-up	2
5	8205523	PISTON, Pilot Check	1
6	8205524	NUT	1
7	8205525	PISTON	1
8	*	BEARING	2
9	*	SEAL ASSEMBLY	1
10	*	O-RING	1
11	8205526	BARREL	1
12	8205527	ROD, Piston	1
13	8205528	HEAD	1
14	*	O-RING	1
15	*	RING, Back-up	1
16	*	SEAL	1
17	*	O-RING	1
18	*	WIPER	1
19		FITTING, Grease, 1/8 NPT	2

*REPAIR KIT 8205646 CONSISTS OF ITEMS 2, 3, 4, 8, 9, 10 & 14 THRU 18

OUTRIGGER PIPING



Index No.	Part Number	Description	Qty. Req'd.
1	7072232	STOP, Boom	1
2		WASHER, Flat ½	12
3		NUT, Lock, ¾ - 16	5
4	8406201	CLAMP	4
5	8769106	CLAMP	3
6	2711113	CONTROL VALVE ASSEMBLY	1
7	7066893	OUTRIGGER CYLINDER ASSEMBLY	2
8		SCREW, Hex Hd., ½ - 13 x 1¼ Gr. 5	6
9		SCREW, Hex Hd., ¾ - 16 x 1¼ Gr. 5	3
10		WASHER, Lock, ½	1
11	8760303	ELBOW, 90°	4
12	2710972	HOSE ASSEMBLY	4
13	8760307	ELBOW, 45°	4





Corporate Office
JLG Industries, Inc.
1 JLG Drive
McConnellsburg PA. 17233-9533
USA
Phone: (717) 485-5161
Customer Support Toll Free: (877) 554-5438
Fax: (717) 485-6417

JLG Worldwide Locations

JLG Industries (Australia)
P.O. Box 5119
11 Bolwarra Road
Port Macquarie
N.S.W. 2444
Australia
Phone: (61) 2 65 811111
Fax: (61) 2 65 810122

JLG Industries (UK)
Unit 12, Southside
Bredbury Park Industrial Estate
Bredbury
Stockport
SK6 2sP
England
Phone: (44) 870 200 7700
Fax: (44) 870 200 7711

JLG Deutschland GmbH
Max Planck Strasse 21
D-27721 Ritterhude/lhlpohl
Bei Bremen
Germany
Phone: (49) 421 693 500
Fax: (49) 421 693 5035

JLG Industries (Italia)
Via Po. 22
20010 Pregnana Milanese - MI
Italy
Phone: (39) 02 9359 5210
Fax: (39) 02 9359 5845

JLG Latino Americana Ltda.
Rua Eng. Carlos Stevenson,
80-Suite 71
13092-310 Campinas-SP
Brazil
Phone: (55) 19 3295 0407
Fax: (55) 19 3295 1025

JLG Europe B.V.
Jupiterstraat 234
2132 HJ Foofddorp
The Netherlands
Phone: (31) 23 565 5665
Fax: (31) 23 557 2493

JLG Industries (Norge AS)
Sofeimyrveien 12
N-1412 Sofienyr
Norway
Phone: (47) 6682 2000
Fax: (47) 6682 2001

JLG Polska
Ul. Krolewska
00-060 Warszawa
Poland
Phone: (48) 91 4320 245
Fax: (48) 91 4358 200

JLG Industries (Europe)
Kilmartin Place,
Tannochside Park
Uddingston G71 5PH
Scotland
Phone: (44) 1 698 811005
Fax: (44) 1 698 811055

JLG Industries (Pty) Ltd.
Unit 1, 24 Industrial Complex
Herman Street
Meadowdale
Germiston
South Africa
Phone: (27) 11 453 1334
Fax: (27) 11 453 1342

Plataformas Elevadoras
JLG Iberica, S.L.
Trapadella, 2
P.I. Castellbisbal Sur
08755Castellbisbal
Spain
Phone: (34) 93 77 24700
Fax: (34) 93 77 11762

JLG Industries (Sweden)
Enkopingsvagen 150
Box 704
SE - 175 27 Jarfalla
Sweden
Phone: (46) 8 506 59500
Fax: (46) 8 506 59534
