

# ***SKYTRAK***<sup>®</sup>

---

## ***Illustrated Parts Manual***

### ***Model*** ***8038***

**8990138**  
MARCH 1987

***ANSI***



---

***JLG***<sup>®</sup>



# PARTS LIST

## GENERAL INFORMATION:

This section has been prepared for ease in identifying and ordering parts for the 7038 series Skytraks.

The illustrations in this section show typical assemblies, plus individual parts, but may not show the exact shape or detail of parts required. However, the purpose for the illustration is to identify parts performing like functions. Whenever possible, illustrations are located at the beginning of each list or immediately adjacent to its applicable list. Parts are identified on each illustration by item numbers. Find the item number of the part desired and locate it in the parts list figure column. The part number for ordering will be opposite the index number.

The information contained in this parts list include:

Parts numbers.

Part name including description and dimensions where necessary for proper identification of parts. Remarks for use in showing particular application or other special information.

Quantity used per unit.

Certain parts are shown to maintain assembly relationship, such as complete frame or weldments, and are not normally stocked. Should a need for such a part arise, it may require as much as six months lead time before shipment. No special ordering procedure is required for such parts.

# TABLE OF CONTENTS

<b>Section 1 - Lower</b>	<b>Page</b>
Cab Group .....	1.1
Frame Group .....	1.2
Covers Group .....	1.3
Fenders (Optional) .....	1.4
Decals, Paint & Miscellaneous .....	1.5
Heater Group (Optional) .....	1.6
Vandalism Prevention Kit (Optional) .....	1.7
<b>Section 2 - Drive</b>	
Driveline Group .....	2.1
Engine & Radiator Group .....	2.2
Transmission Mounting Group .....	2.3
Wheels & Tires .....	2.4
Air Cleaner Group .....	2.5
Fuel Tank & Lines .....	2.6
Axle Housing Group .....	2.7
Differential Carrier Group - Front Axle .....	2.8
Differential Carrier Group - Rear Axle .....	2.9
Planetary Hub .....	2.10
Steering Knuckle .....	2.11
Disc Brake .....	2.12
Transmission Front Cover Group .....	2.13
Transmission Input Midship Group .....	2.14
Transmission Converter Assembly Group .....	2.15
Transmission Rear Cover Group .....	2.16
Transmission Pump Group .....	2.17
Transmission Clutch Assembly .....	2.18
Transmission Clutch Assembly - 2nd Stage .....	2.19
Transmission Valve Group .....	2.20
Transmission Output Retainer .....	2.21
Transmission Output Group .....	2.22
Transmission Yoke Group .....	2.23
Transmission Parking Brake Group .....	2.24
Front & Rear Drive Shaft .....	2.25
Transmission Drive Shaft .....	2.26

# TABLE OF CONTENTS

## Section 3 - Controls

Page

Hand Controls Group With Joystick .....	3.1
Brake & Inching Pedal Group .....	3.2
Throttle Control/Fuel Shut Down Control Group .....	3.3
Transmission Shift Group .....	3.4
Main Valve Mounting Group .....	3.5

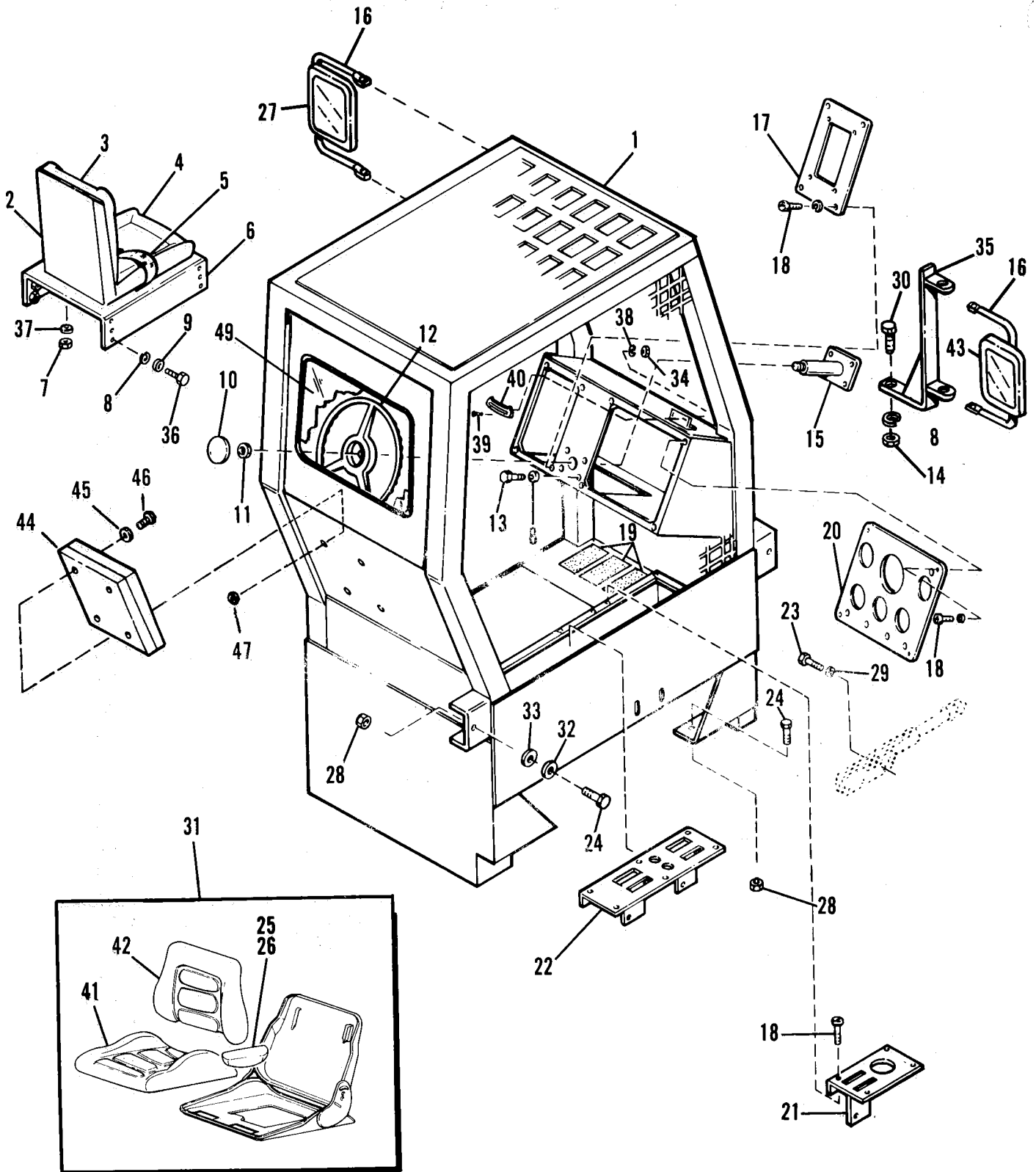
## Section 4 - Boom

Outer Boom Group .....	4.1
Intermediate Boom Group .....	4.2
Inner Boom Group .....	4.3
Carriage Group .....	4.4
Utility Bucket (Optional) .....	4.5
One Yard Concrete Hopper (Optional) .....	4.6
10 Ft. Mast Extension (Optional) .....	4.7

## Section 5 - Hydraulic & Electrical

Reservoir & Pump Group .....	5.1
Frame Tilt Piping .....	5.2
Brake Piping .....	5.3
Power Steering Piping Group .....	5.4
Boom Extend & Grille Tilt Piping .....	5.5
Hoist & Slave Cylinder Piping .....	5.6
Transmission Piping .....	5.7
Brake Lock Piping (Optional) .....	5.8
Hydraulic Joystick Piping (Optional) .....	5.9
Frame Tilt Cylinder .....	5.10
Boom Extend Cylinder .....	5.11
Boom Hoist Cylinder .....	5.12
Slave Cylinder .....	5.13
Grille Tilt Cylinder .....	5.14
Steering Cylinder .....	5.15
Main Control Valve .....	5.16
Electrical System Group (Ford - Funk) .....	5.17
Lighting Assembly (Optional) .....	5.18
Hydraulic Schematic .....	5.19
Hydraulic Schematic (With Optional Joysticks) .....	5.20

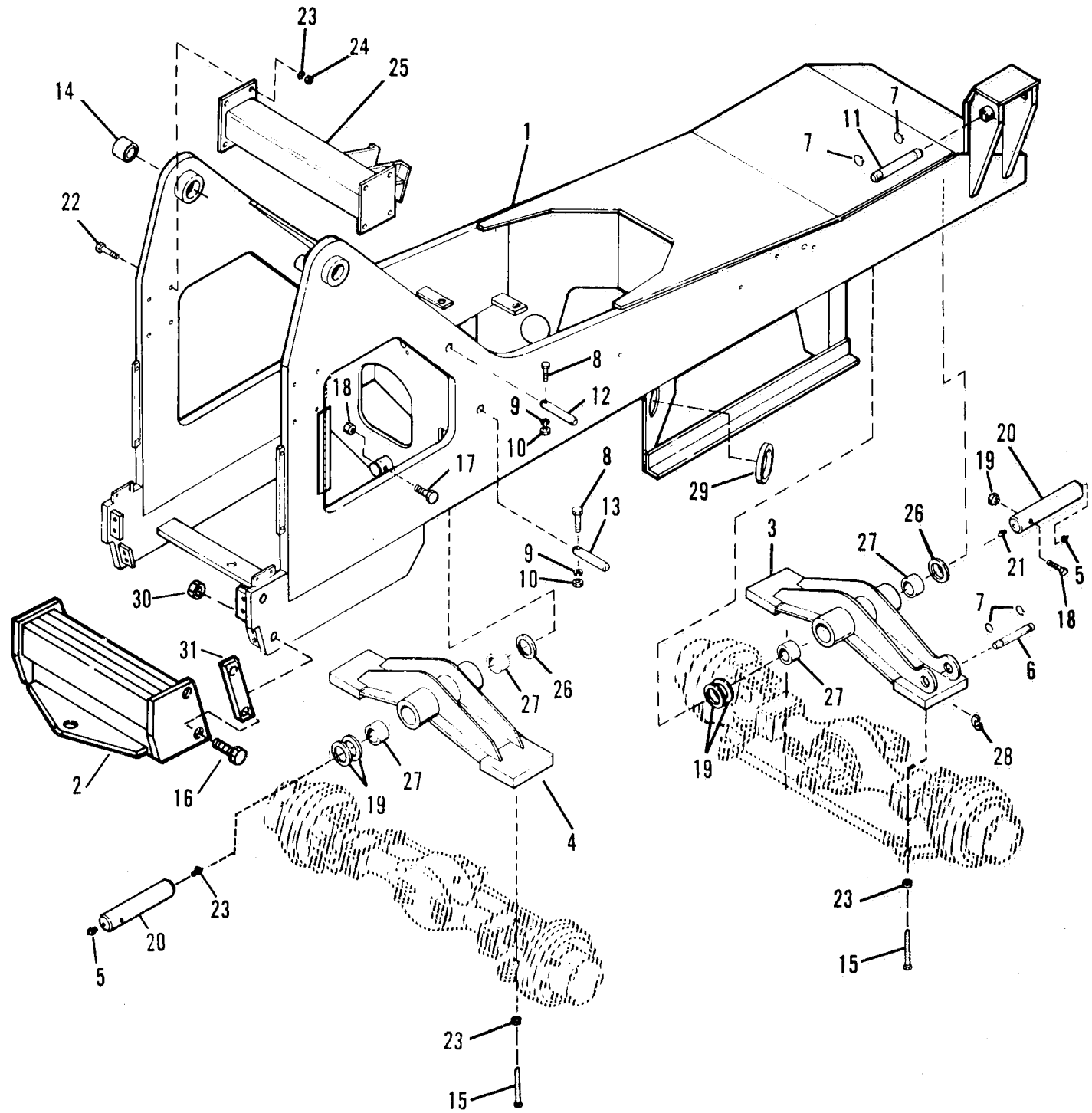
# CAB GROUP



# CAB GROUP

Index No.	Part Number	Description	Qty. Req'd.
1	7065905	CAB ASSEMBLY	1
2	8864009	SEAT ASSEMBLY (includes items 3 & 4)	1
3	8864027	CUSHION, Back	1
4	8864028	CUSHION, Back	1
5	8864029	SEAT BELT ASSEMBLY	1
6	*	MOUNT, Seat	1
7		NUT, Lock, 5/16 - 18	4
8		WASHER, Lock, 3/8	10
9		WASHER, Flat, 3/8	4
10	8720012	CAP, Steering Wheel	1
11	8305916	NUT, Steering Wheel	1
12	8720011	STEERING WHEEL ASSEMBLY	1
13		SCREW, Hex Hd., 3/8 - 16 x 1 1/4 GR.5	4
14		NUT, Hex, 3/8 - 16	2
15	8721015	COLUMN, Steering	1
16	8866216	LOOP, Mirror	2
17	*	PANEL, Console	1
18		SCREW, Machine, #10 x 1/2	18
19	7010491	WALK, Safety	4
20	*	PANEL, Gauge	1
21	7071193	PANEL, Control	1
22	7072123	PANEL, Control	1
23		SCREW, Hex Hd., 5/16 - 18 x 1 3/4 GR.5	2
24		SCREW, Hex Hd., 3/4 - 10NC x 2 1/2 GR.8	4
25	8864025	ARMREST, L.H. - For 8864020	1
26	8864026	ARMREST R.H. - For 8864020	1
27	8866215	MIRROR ASSEMBLY	2
28		NUT, Hex, 3/4 - 10, Lock, GR.C	2
29		WASHER, Lock, 5/16	2
30		SCREW, Hex Hd., 3/8 - 16 x 1 3/4 GR.5	2
31	8864020	SEAT ASSEMBLY - Option	1
32	7065931	WASHER	2
33	7065841	WASHER RUBBER	2
34		NUT, Hex, #8-32	2
35	7068843	BRACKET, Mirror	1
36		SCREW, Hex Hd., 3/8 - 20 x 3/4 GR.5	4
37		WASHER, Flat, 5/16	4
38		WASHER, Lock #8	2
39		SCREW, Rd. Hd. Mach, #8 - 32 x 1 1/4	2
40	8466303	INDICATOR, Frame Tilt	1
41	8864023	CUSHION, Bottom - For 8864020	1
42	8846024	CUSHION, Back - For 8864020	1
43	8866223	CONVEX MIRROR	As Req'd
44	8990122	MANUAL HOLDER	1
45	8307109	WASHER, FLAT, 1/4	As Req'd
46	8303729	HHCS, 1/4 - 20 X 5/8 OPEN CAB	As Req'd
	8303615	HHCS, 1/4 - 20 X 1 1/4 CLOSED CAB	As Req'd
47	8305603	LOCKNUT, 1/4 - 20	As Req'd
48	8866214	MIRROR KIT	As Req'd
	8866215	MIRROR	2
	8866216	LOOP	2
49	8585117	REAR GLASS, (Open Cab)	As Req'd
*	8585111	REAR SWING WINDOW, (Closed Cab)	As Req'd
*	8585112	REAR WINDOW LATCH	As Req'd
*	8585113	FRONT GLASS	As Req'd
*	8585114	DOOR GLASS	As Req'd
*	8585115	RIGHT SIDE GLASS	As Req'd
*	8585116	SKYLIGHT GLASS	As Req'd

# FRAME GROUP

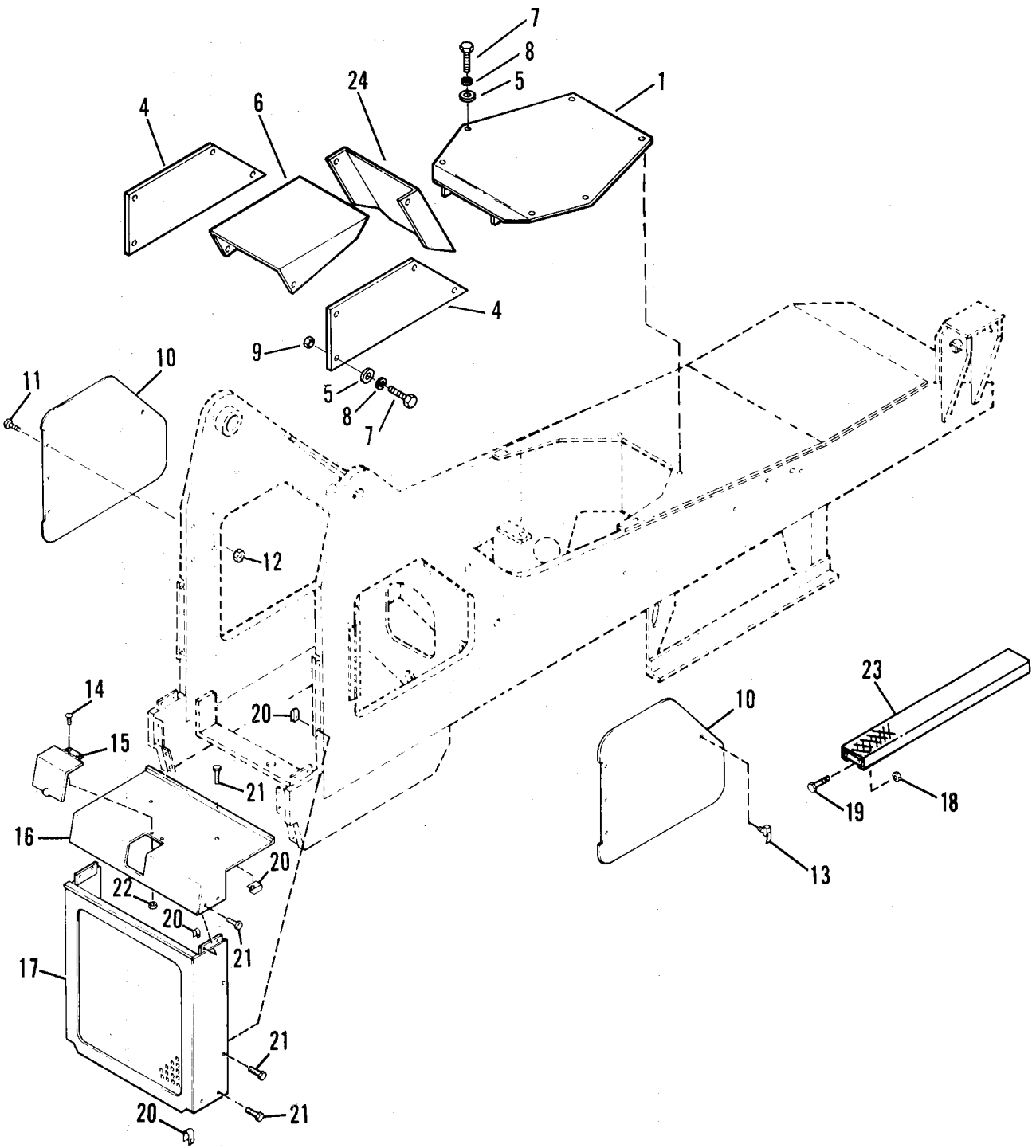




# FRAME GROUP

Index No.	Part Number	Description	Qty. Req'd.
1	7077105	FRAME	1
2	7071723	COUNTERWEIGHT	1
3	7077113	CARRIER, Front Axle	1
4	7077123	CARRIER, Rear Axle	1
5		FITTING, Grease, 1/8 NPT	2
6	7077661	PIN, Frame Tilt Cylinder Rod	1
7	8642207	RING, Snap	4
8		SCREW, Hex Hd., 3/8 - 16 x 2 3/4 GR.5	5
9		WASHER, Lock, 3/8	5
10		NUT, Hex, 3/8 - 16	5
11	7077671	PIN, Frame Tilt Cylinder Base	1
12	7065182	PIN, Slave Cylinder	2
13	7065172	PIN, Lift Cylinder	2
14	7064182	BUSHING, Boom Pivot	2
15	8303516	SCREW, Hex Hd., 3/4 - 10 x 7 GR.5	4
16		SCREW, Hex Hd., 1-NC x 3 1/4 GR. 5	4
17		SCREW, Hex Hd., 3/8-11 x 4 1/2 GR.5	2
18	8305643	NUT, Lock 5/8 - 11 ESNA	2
19	7056051	SPACER, Axle Pivot	4
20	7075762	PIN, Axle Pivot	2
21		FITTING, Grease, 90° x 1/8 NPT	2
22		SCREW, Hex Hd., 3/4 - 10 x 3 GR.5	8
23		WASHER, Lock, 3/4	12
24		NUT, Hex, 3/4 - 10	8
25	7061022	SUPPORT, Cross Member	1
26	7072041	SPACER	2
27	8068407	BUSHING, Axle Pivot	4
28	7068011	WASHER, Frame Tilt Cylinder Spacer	4
29	7075852	BULKHEAD, Guard	2
30		NUT, 1"- 8 Hex	4
31	7080881	SPACER, Counterweight	2

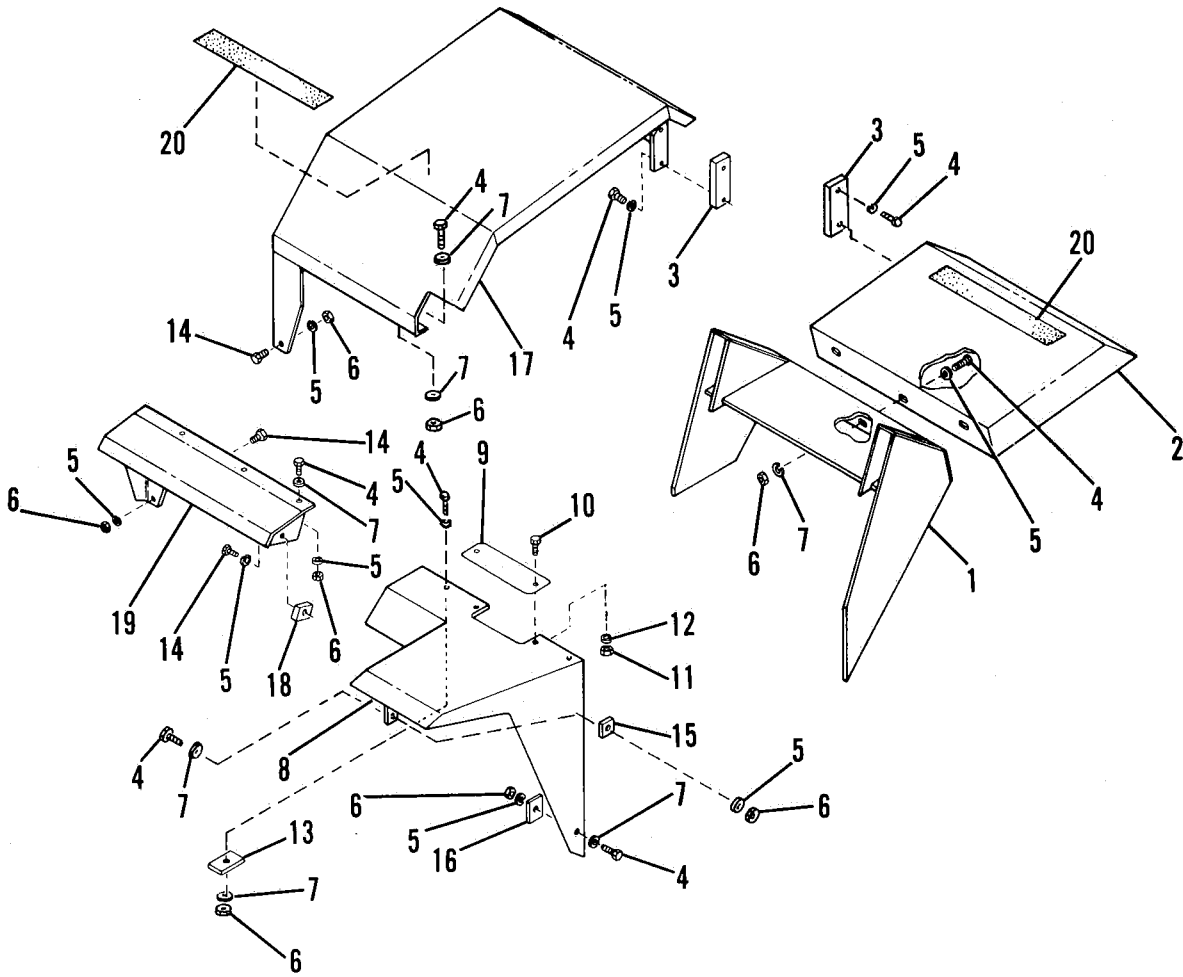
# COVERS GROUP



# COVERS GROUP

Index No.	Part Number	Description	Qty. Req'd.
1	7078453	COVER, Transmission	1
2		SCREW, Rd. Hd. Mach., 1/4 - 20 x 3/4	4
3		WASHER, Lock, 1/4	4
4	7078502	COVER, Valve, Side	2
5		WASHER, Flat 5/16	12
6	7078492	COVER, Valve, Top	1
7		SCREW, Hex Hd., 5/16 - 18 x 3/4 GR.5	12
8		WASHER, Lock, 5/16	12
9	8305907	RETAINER, 5/16 - 18	8
10	7078143	DOOR	2
11		SCREW, Rd. Hd. Mach., 1/4 - 20 x 1/2 GR.5	6
12		NUT, Lock, 1/4 - 20	6
13	8342404	LATCH, Lift & Turn	2
14		SCREW, Rd. Hd. Mach., #10 x 1/2	2
15	7054772	DOOR	1
16	7054763	COVER, Top	1
17	7054723	COVER, Radiator	1
18		NUT, Hex 3/8 - 16 N.C.	4
19		SCREW, Hex Hd., 3/8 - 16 N.C. x 1 GR.5	4
20	8305907	RETAINER, 5/16 - 18	14
21		SCREW, Hex Hd., 5/16 - 20 x 3/4 GR.5	14
22		NUT, Lock, #10	2
23	7061002	STEP	1
24	7078482	COVER, Front	1

# FENDERS (OPTIONAL)

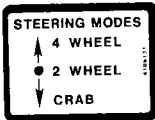


Item No.	Part Number	Description	Qty. Req'd.
1	7072593	BRACKET	1
2	7072614	FENDER, Left Rear	1
3	7067612	FLAT	2
4		SCREW, Hex Hd., ½-13 x 1¼ GR. 5	16
5		WASHER, Lock, ½	20
6		NUT, Hex, ½-13	15
7		WASHER, Flat, ½	16
8	7072643	FENDER, Left Front	1
9	7067781	SHEET	1
10		SCREW, Hex Hd., ¾-13 x 1 GR. 5	2
11		NUT, Hex, ¾-13	2
12		WASHER, Lock, ¾	2
13	7067801	FLAT	2
14		SCREW, Hex Hd., ½-13 x 1	4
15	7067791	FLAT	1
16	7067811	FLAT	1
17	7067715	FENDER, Right Rear	1
18	7067701	FLAT	1
19	7067664	FENDER, Right Front	1
20	7010491	WALK, Safety	12

# DECAL, PAINT & MISCELLANEOUS

Index No.	Part Number	Description	Qty. Req'd.
1	4106131	DECAL, Steering Modes	1
2	4105082	DECAL, Name Tags	1
3	4106183	DECAL, Lubrication & Maintenance	1
4	4104101	DECAL, No Riders	1
5	4104301	DECAL, Radiator Warning	1
6	4105061	DECAL, Parking Brake	1
7	4104291	DECAL, Oil Level	1
8	4106171	DECAL, 8038	2
9	4105841	DECAL, Skytrak	2
10	4106092	DECAL, Boom Extension Markers, 6, 10, 14, 18, 22	1
11	8990048	DECAL, Hand Signal	2
12	4103992	DECAL, Electric Line Danger	1
13	4102962	DECAL, Pinch Points Warning	4
14	4105171	DECAL, Diesel Fuel	1
15	4101101	DECAL, Danger	1
16	4105941	DECAL, "K"	2
17	7010491	DECAL, Safety Walk (not shown)	11
18	4105141	DECAL, Circuit Breaker	1
19	4105281	DECAL, Read Operators Manual	1
20	4105291	DECAL, Warning Stay Inside	1
21	4105501	DECAL, Fan	2
22	4105392	DECAL, Jump Start	1
23	4105302	DECAL, WARNING	1
24	4105861	DECAL, Boom Stripe	6
25	4106393	PLATE, Capacity	1
26	8990136	MANUAL, Operators	1
27	8990138	MANUAL, Parts	1
28	8990137	MANUAL, Maintenance	1
29	4105262	BOOM ANGLE, Side	1
30	8582406-0140	MOULDING, Black	1
31	4105831	DECAL, Turbo (Optional Engine)	2
32	4102321	CHAIN KEY	1
33	8528804	PAINT, Orange 13 oz. Spray Can	As Req'd.
34	8528015	PAINT, Black 13 oz. Spray Can	As Req'd.
35	4105781	DECAL, Koehring	2
36	4105921	DECAL, Stripe Left Side Rear	1
37	4105871	DECAL, Stripe Right Side (Not Shown)	1
38	4105881	DECAL, Stripe Left Side	1
39	4105891	DECAL, Stripe Lower Rear	1
40	4105901	DECAL, Stripe Upper Rear	1
41	4105911	DECAL, Right Side Rear (Not Shown)	1
42	4106101	DECAL, Boom and Reach	1
43	4106111	DECAL, Frame and Tilt	1
44	4105991	DECAL, Stripe Upper Right Side (Not Shown)	1
45	4106001	DECAL, Stripe Upper Left Side	1
46	4106121	DECAL, Frame and Fork Tilt	1
47	4105621	DECAL, Auxillary Attachment	1
48	4100181	DECAL, Hydraulic Oil	1

# DECAL, PAINT & MISCELLANEOUS

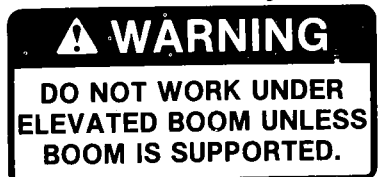
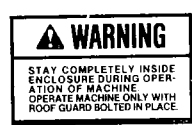
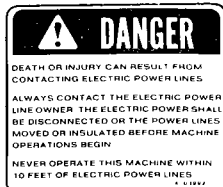
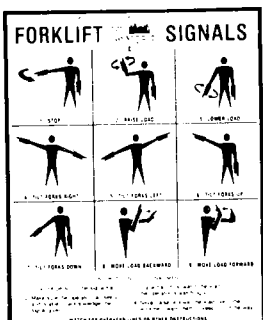
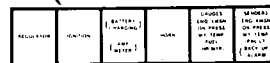


**8038**

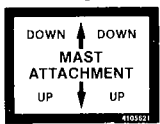
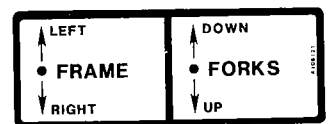
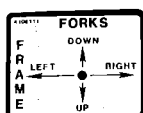
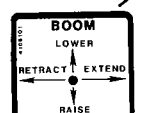
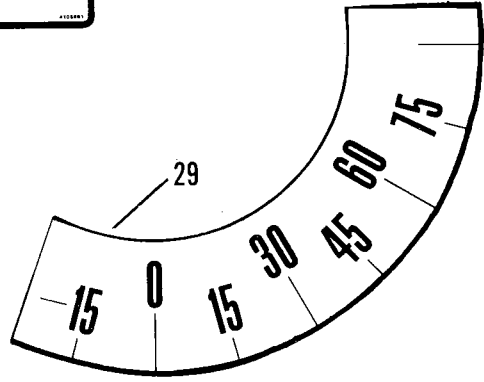
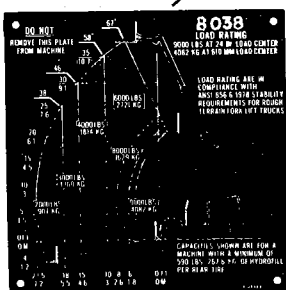
**SKYTRAK**

**610141822**

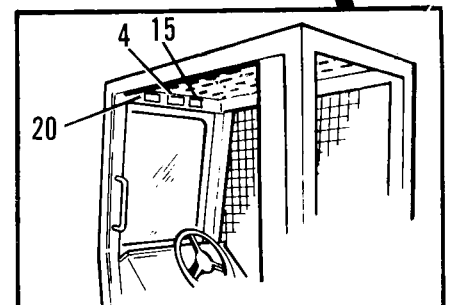
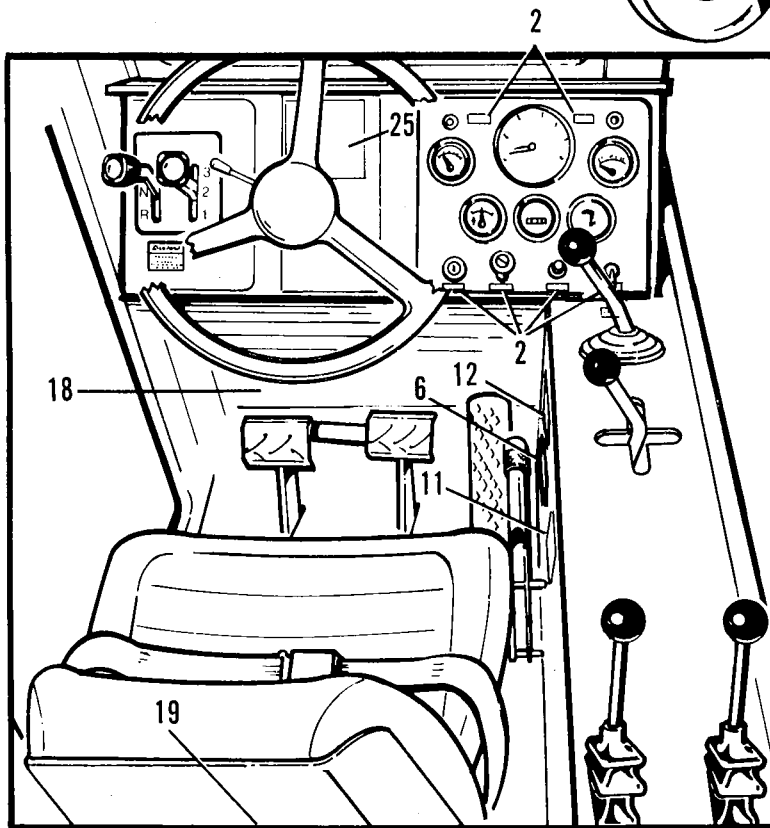
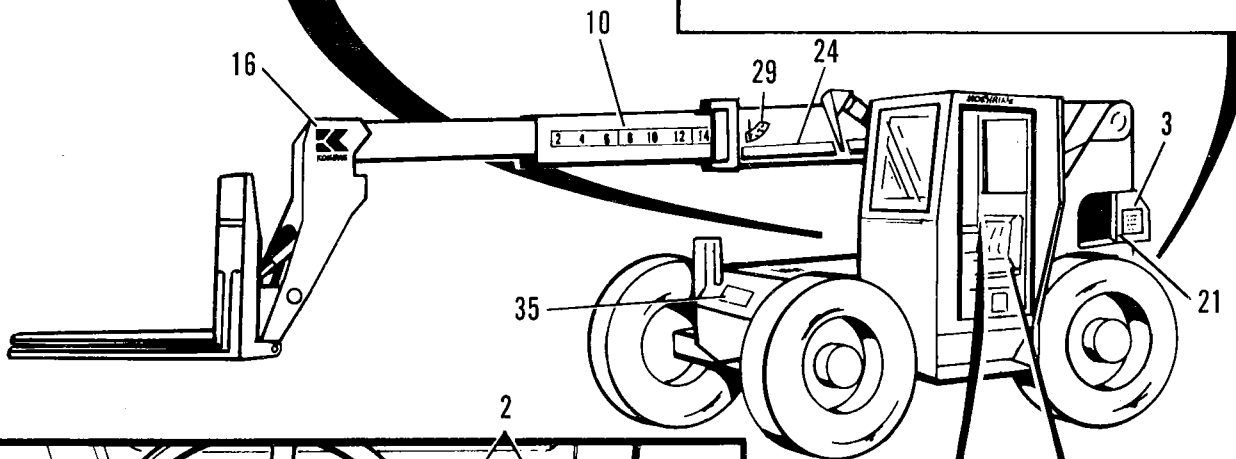
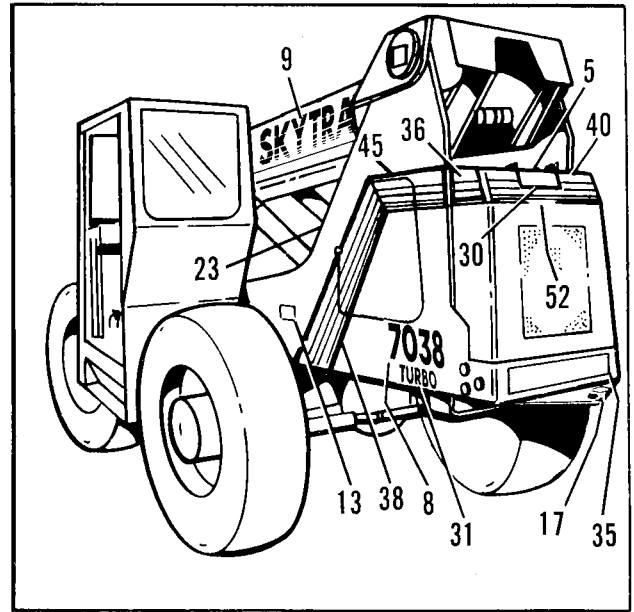
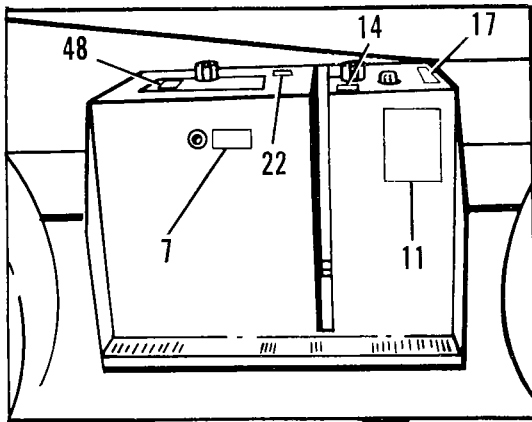
LUBRICATION AND MAINTENANCE						
INTERVAL	ITEM	CHECK	CLEAR	LOSE	CHANGE	ADJUST
DAILY OR 10 HOURS	Engine Oil Level					
	Engine Oil Pressure					
	Water Level in Radiator					
	Hydraulic Oil Level					
	Transmission Oil Level					
	Washer Fluid Level					
	Washer Nozzle					
	Washer Spray Pattern					
	Washer Spray Pressure					
	Washer Spray Angle					
60 HOURS	Engine Oil Level					
	Engine Oil Pressure					
	Water Level in Radiator					
	Hydraulic Oil Level					
	Transmission Oil Level					
	Washer Fluid Level					
	Washer Nozzle					
	Washer Spray Pattern					
	Washer Spray Pressure					
	Washer Spray Angle					
100 HOURS	Engine Oil Level					
	Engine Oil Pressure					
	Water Level in Radiator					
	Hydraulic Oil Level					
	Transmission Oil Level					
	Washer Fluid Level					
	Washer Nozzle					
	Washer Spray Pattern					
	Washer Spray Pressure					
	Washer Spray Angle					
200 HOURS	Engine Oil Level					
	Engine Oil Pressure					
	Water Level in Radiator					
	Hydraulic Oil Level					
	Transmission Oil Level					
	Washer Fluid Level					
	Washer Nozzle					
	Washer Spray Pattern					
	Washer Spray Pressure					
	Washer Spray Angle					
400 HOURS	Engine Oil Level					
	Engine Oil Pressure					
	Water Level in Radiator					
	Hydraulic Oil Level					
	Transmission Oil Level					
	Washer Fluid Level					
	Washer Nozzle					
	Washer Spray Pattern					
	Washer Spray Pressure					
	Washer Spray Angle					
800 HOURS	Engine Oil Level					
	Engine Oil Pressure					
	Water Level in Radiator					
	Hydraulic Oil Level					
	Transmission Oil Level					
	Washer Fluid Level					
	Washer Nozzle					
	Washer Spray Pattern					
	Washer Spray Pressure					
	Washer Spray Angle					
1200 HOURS	Engine Oil Level					
	Engine Oil Pressure					
	Water Level in Radiator					
	Hydraulic Oil Level					
	Transmission Oil Level					
	Washer Fluid Level					
	Washer Nozzle					
	Washer Spray Pattern					
	Washer Spray Pressure					
	Washer Spray Angle					
2400 HOURS	Engine Oil Level					
	Engine Oil Pressure					
	Water Level in Radiator					
	Hydraulic Oil Level					
	Transmission Oil Level					
	Washer Fluid Level					
	Washer Nozzle					
	Washer Spray Pattern					
	Washer Spray Pressure					
	Washer Spray Angle					
SEASONAL	Engine Oil Level					
	Engine Oil Pressure					
	Water Level in Radiator					
	Hydraulic Oil Level					
	Transmission Oil Level					
	Washer Fluid Level					
	Washer Nozzle					
	Washer Spray Pattern					
	Washer Spray Pressure					
	Washer Spray Angle					



**TURBO KOEHRING**

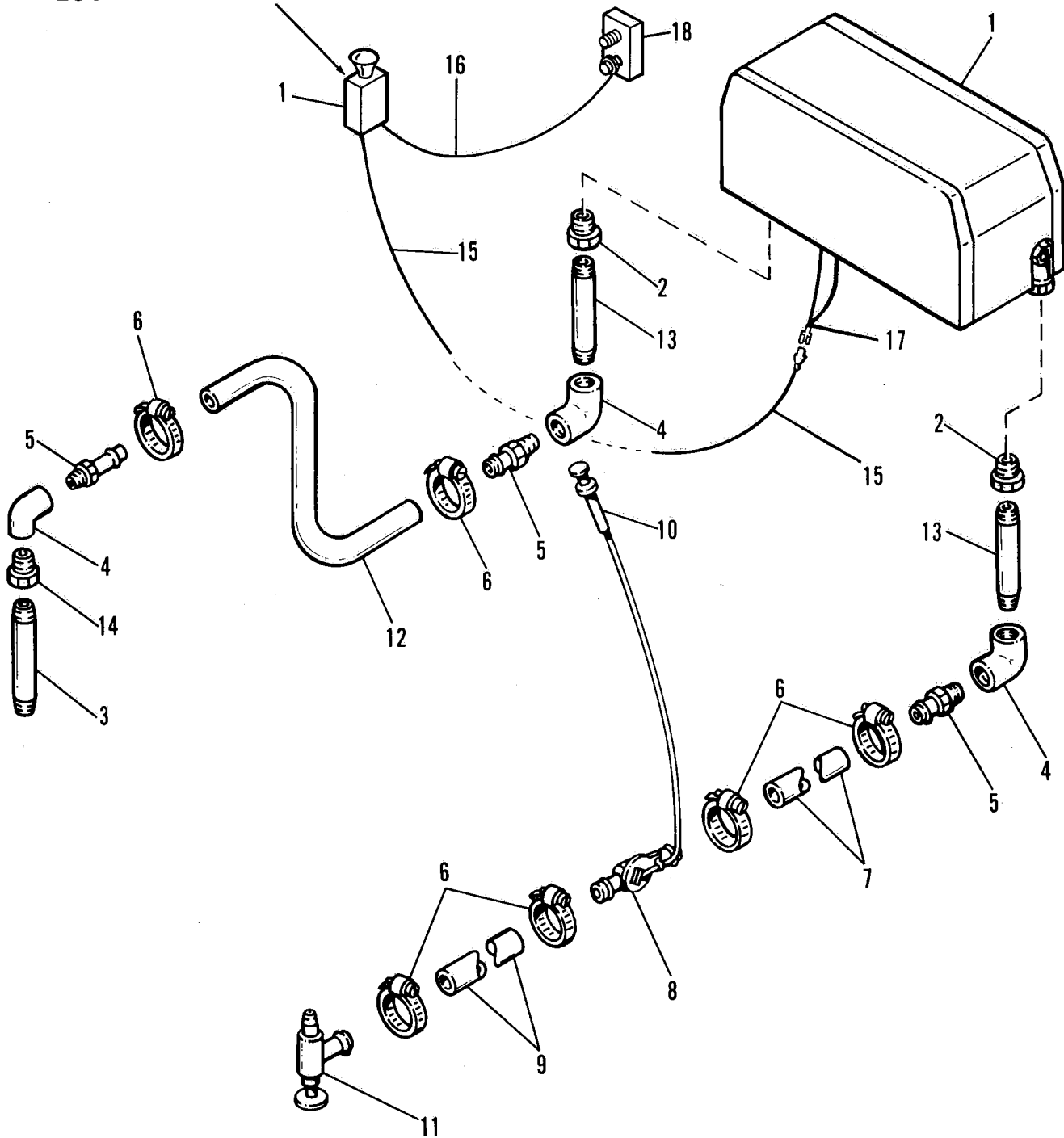


# DECAL, PAINT & MISCELLANEOUS



# HEATER GROUP (OPTIONAL)

LOCATED ON CONTROL PANEL

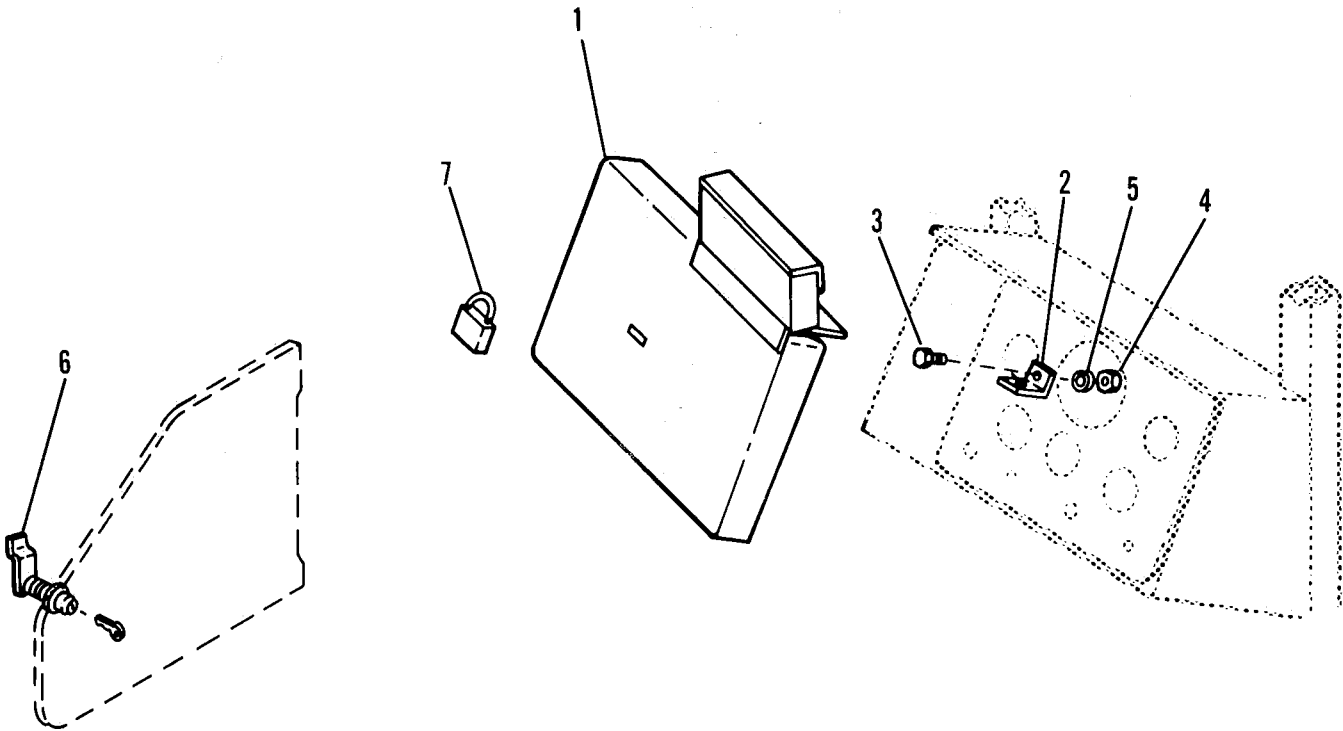




# HEATER GROUP (OPTIONAL)

Index No.	Part Number	Description	Qty. Req'd.
1	8360002	HEATER ASSEMBLY	1
2	8540031	REDUCER, 3/4 x 1/2	2
3	8551204	NIPPLE, 3/8 x 2	1
4	8540263	ELBOW, 1/2	3
5	8420201	CONNECTOR, Hose	3
6	8405007	CLAMP, Hose	6
7	8401012-0120	HOSE, Heater, 5/8 I.D	1
8	8360003	CONTROL, Heat	1
9	8401012-1080	HOSE, Heater, 5/8 I.D.	1
10	8360004	CABLE, Heat Control	1
11	8360005	VALVE, Shut-off	1
12	8401012-1340	HOSE, Heater, 5/8 I.D.	1
13	8551305	NIPPLE, 1/2 x 2	2
14	8540023	REDUCER, 1/2 x 3/8	1
15	7066561	WIRE ASSEMBLY	1
16	7066571	WIRE ASSEMBLY	1
17	8220050	COUPLER	1
18	8229216	BREAKER, Circuit	1

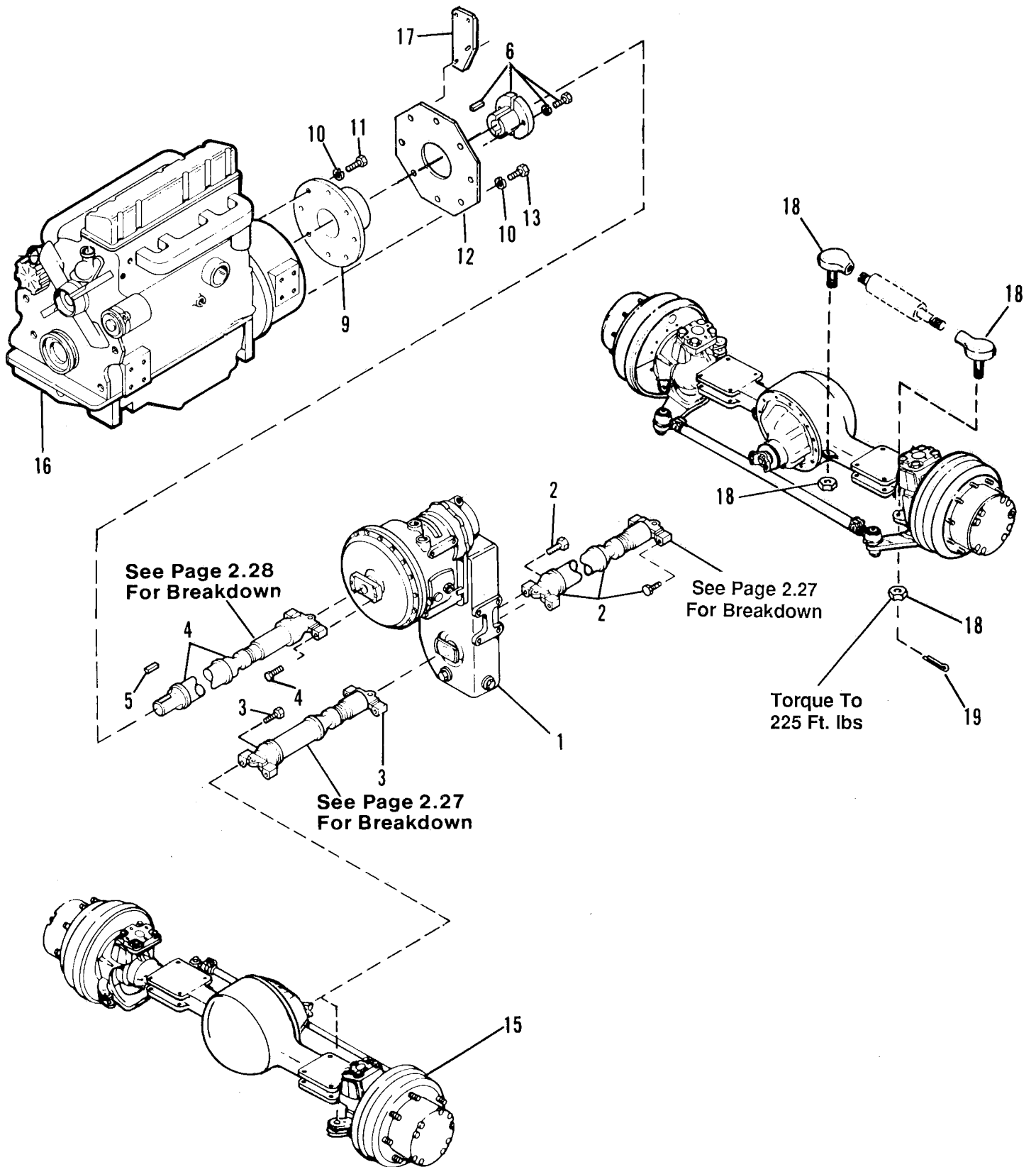
# VANDALISM PREVENTION KIT (OPTIONAL)



Index No.	Part Number	Description	Qty. Req'd.
1	7070962	COVER, Instrument	1
2	7070981	STRIP, Locking	1
3		SCREW, Hex Hd, 1/4-20 x 3/4	1
4		NUT, Hex, 1/4-20	1
5		WASHER, Lock, 1/4	1
6	8342805	LOCK, Disc Tumbler	1
7	8342801	PADLOCK (1-Dashboard, 1-Fuel Tank, 1-Tool Box, 1-Hydraulic Tank)	4



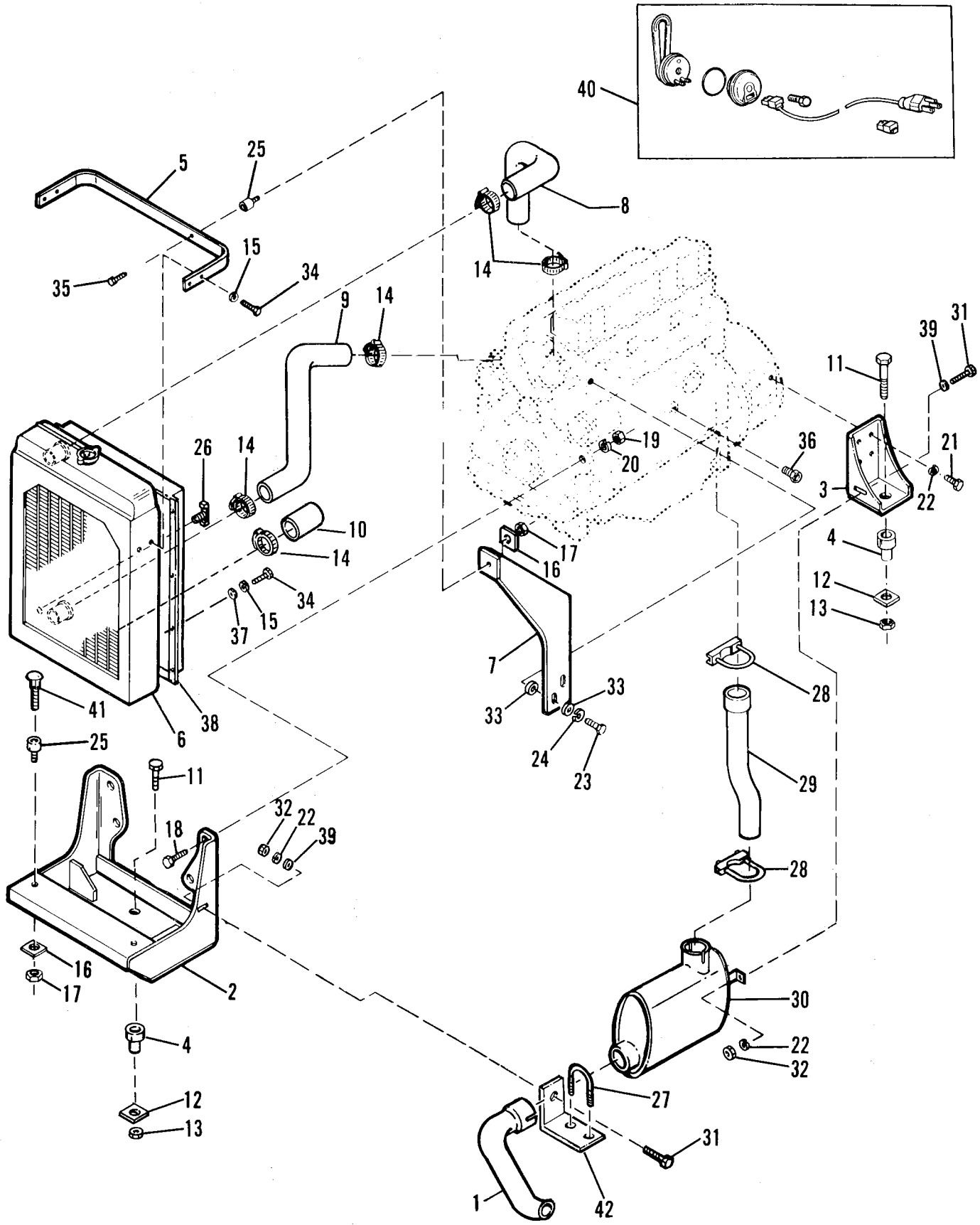
# DRIVELINE GROUP



# DRIVELINE GROUP

Index No.	Part Number	Description	Qty. Req'd.
1	8841005	TRANSMISSION, 3 Speed (Funk)	1
2	7073802	SHAFT, Drive Front	1
3	7077152	SHAFT, Drive Rear	1
4	7068832	SHAFT, Drive Transmission(Ford Perkins)	1
5	7730050-0020	KEY, 3/8 x 3/8 x 2" LG.	1
6	8140309	BUSHING, Split Taper	1
7		WASHER, Lock, 1/2	8
8		FITTING, Grease	8
9	8140012	COUPLING, 10 IN.	1
10		WASHER, Lock, 3/8	20
11		SCREW, Hex Hd., 3/8 - 16 x 3/4 GR.5	8
12	7054632	COVER, Flywheel (Ford Perkins)	1
13		SCREW, Hex Hd., 3/8 - 16 x 5/8 GR.5	12
14	8040219	AXLE ASSEMBLY, Front, w/Disc Brakes	1
15	8040220	AXLE ASSEMBLY, Rear w/Disc Brakes	1
16	8262111	ENGINE, Ford BSD-444	1
16	8262118	ENGINE, Perkins T4. 236 Turbo	1
17	7069202	MOUNT, Relay	1
18	8340025	BALL JOINT ASSEMBLY	8
19		PIN, Cotter 1/8 x 1 3/4	8

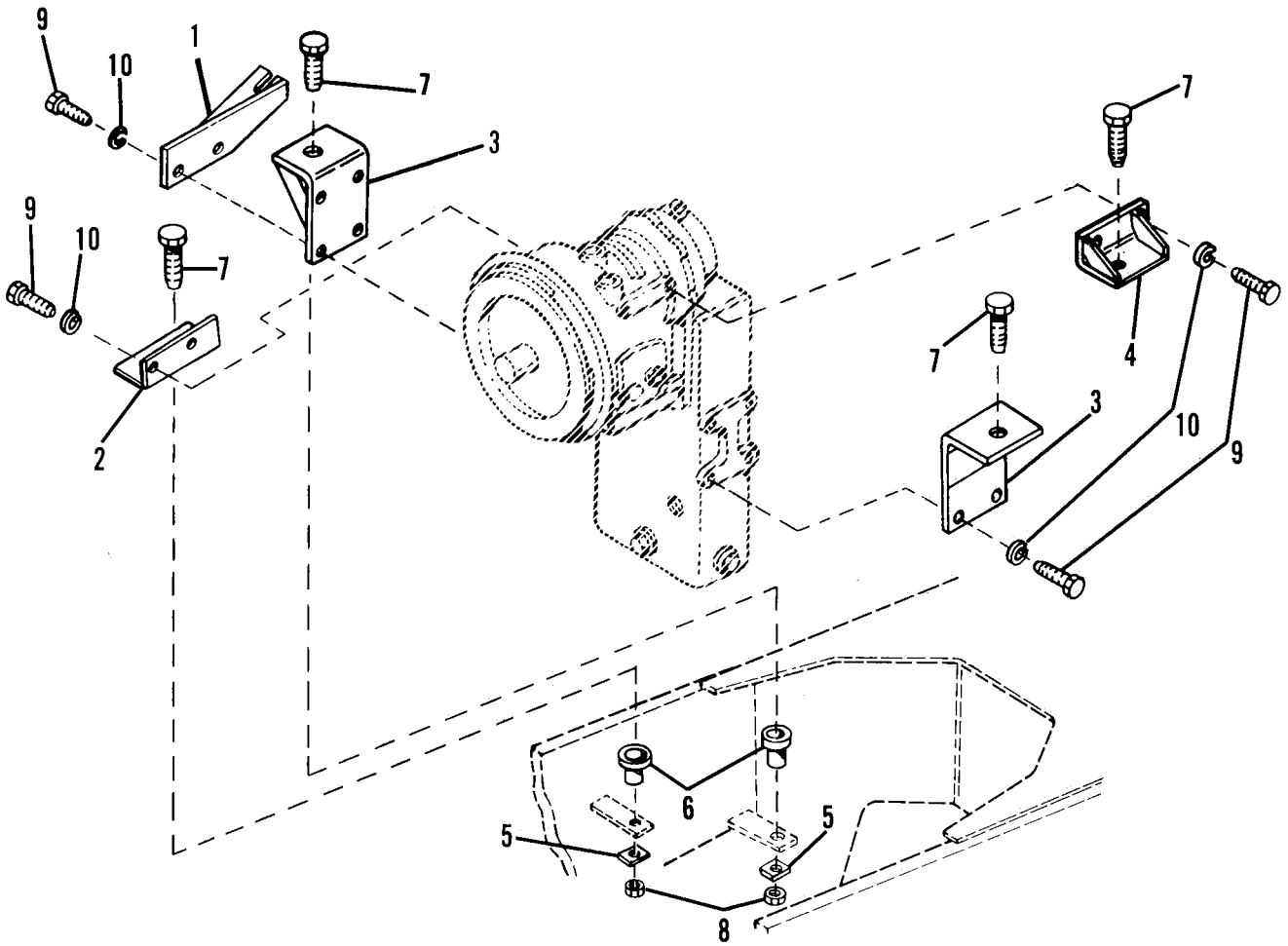
# ENGINE & RADIATOR GROUP



# ENGINE & RADIATOR GROUP

Index No.	Part Number	Description	Qty. Req'd.
1	7059852	PIPE, Tail	1
2	7077813	BRACKET, Engine, Rad & Muffler Mount	1
3	7054212	BRACKET, Engine Mount Rear	2
4	8278007	MOUNT, Rubber	3
5	7058602	BRACKET, Radiator Mount	1
6	7079304	RADIATOR, Diesel Engine	1
7	7067522	BRACKET, Top Rad. Support	1
8	7079322	HOSE, Radiator, 15½ IN.	1
9	7079313	HOSE, Radiator Lower	1
10	8403221	CAP	1
11		SCREW, Hex. Hd., ¾ - 10 - 2¾	3
12	7054351	WASHER, Rebound	3
13		NUT, Hex Lock, ¾ - 10	3
14	8405104	CLAMP, Hose 2¼" Max.	5
15		WASHER, Lock ¼	6
16	7057141	WASHER, Rebound	3
17		NUT, Hex Lock ¾ - 16	3
18		SCREW, Hex Hd., ¾ - 10 - 2¾, GR. 5	4
19		NUT, Hex ¾ - 10	4
20		WASHER, Lock ¾	4
21		SCREW, Hex Hd., ½ - 13 x 1, GR. 5	8
22		WASHER, Lock ½	10
23		SCREW, Hex Hd., ¾ - 16 x ¾ GR. 5	2
24		WASHER, Lock 5/16	2
25	8278008	MOUNT, Rubber	3
26	8904001	COCK, Drain, ¼NPT	1
27	8275212	CLAMP, Muffler 2 1/2 Dia.	2
28	8275209	CLAMP, Muffler 2" Dia.	1
29	7059782	PIPE, Exhaust	1
30	7066862	MUFFLER	1
31		SCREW, ½ - 13 x 1½ H.H.C.	2
32		NUT, ½ - 13 Hex	2
33		WASHER, Flat 5/16	4
34		SCREW, Hex Hd., ¾ - 20 x ¾	4
35		SCREW, Hex Hd., ¾ - 16 x 2	1
36	8541030	REDUCER, ¼ NPT to ¾ NPT	1
37		WASHER, ¼ Flat	8
38	7069703	SHROUD, Radiator - Ford BSD-444	1
39		WASHER, Flat ½	2
40	8277090	ENGINE, Coolant Heater Assembly (Optional)	1
41		BOLT, ¾-16 x 2 Carriage Full Thread	2
42	7072542	BRACKET, Muffler	1

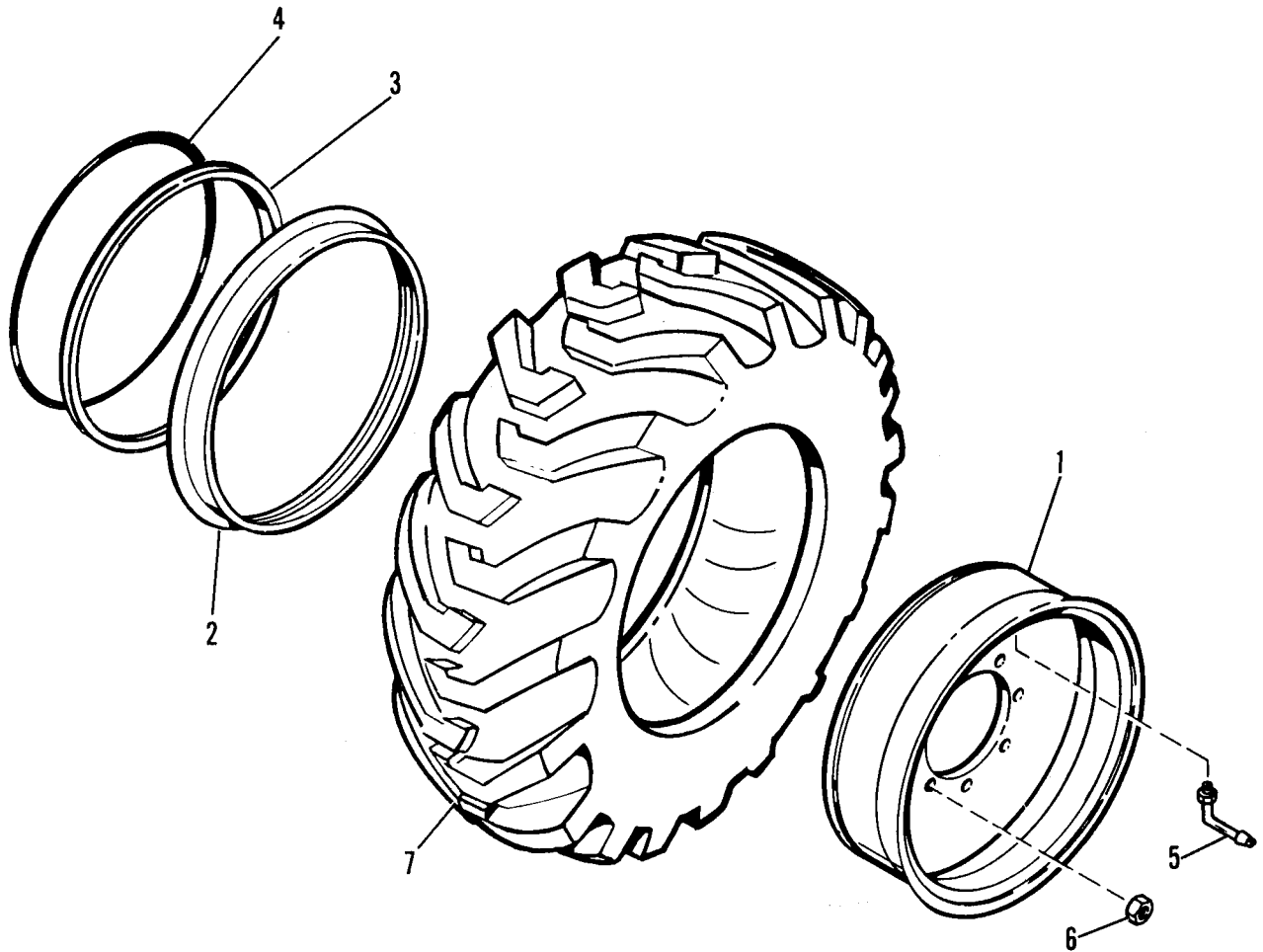
# TRANSMISSION MOUNTING GROUP



Index No.	Part Number	Description	Qty. Req'd.
1	7073612	ANCHOR, Brake Cable	1
2	7068502	BRACKET, Transmission Left Rear	1
3	7068422	BRACKET, Transmission Right & Left Front	2
4	7077692	BRACKET, Transmission Right Rear	1
5	7054351	WASHER, Rebound	4
6	8278007	MOUNT, Rubber	4
7		SCREW, Hex Hd., 3/4 - 10 x 2 3/4 GR.5	4
8		NUT, Lock 3/4 - 10	4
9		SCREW, Hex Hd., 5/8-11 x 1 GR.5	12
10		WASHER, Lock 5/8	12

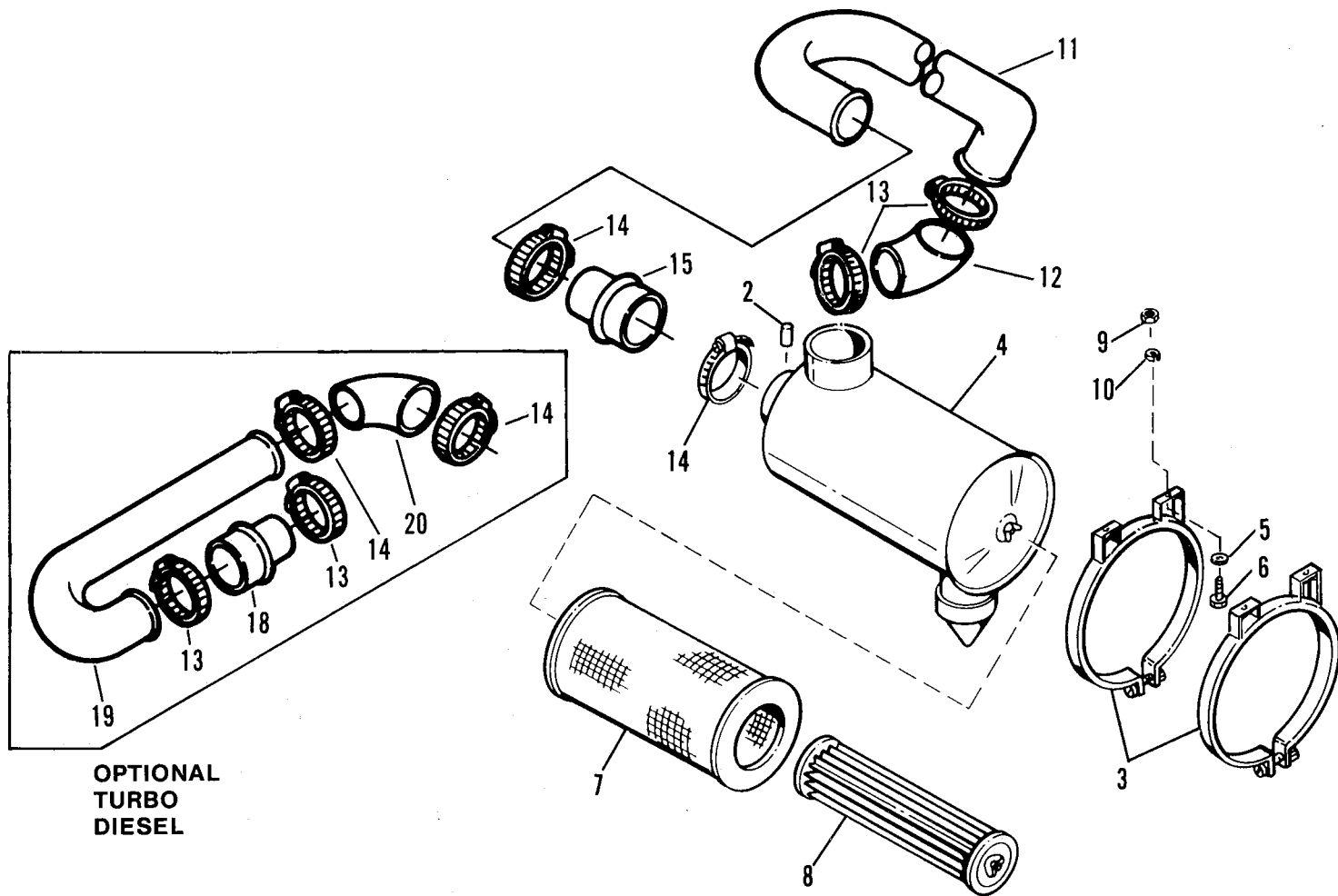


# WHEELS & TIRES



Index No.	Part Number	Description	Qty. Req'd.
1	7069683	WHEEL ASSEMBLY INCL. 2, 3 & 4	4
2	8786543	FLANGE	1
3	8786544	RING, Locking	1
4	8786545	O-RING	1
5	8786549	STEM, Valve	1
6	1199-H-112	NUT, Lug	8
7	8780027	TIRE, 13.00-24, 10 PLY	4

# AIR CLEANER GROUP



**OPTIONAL  
TURBO  
DIESEL**

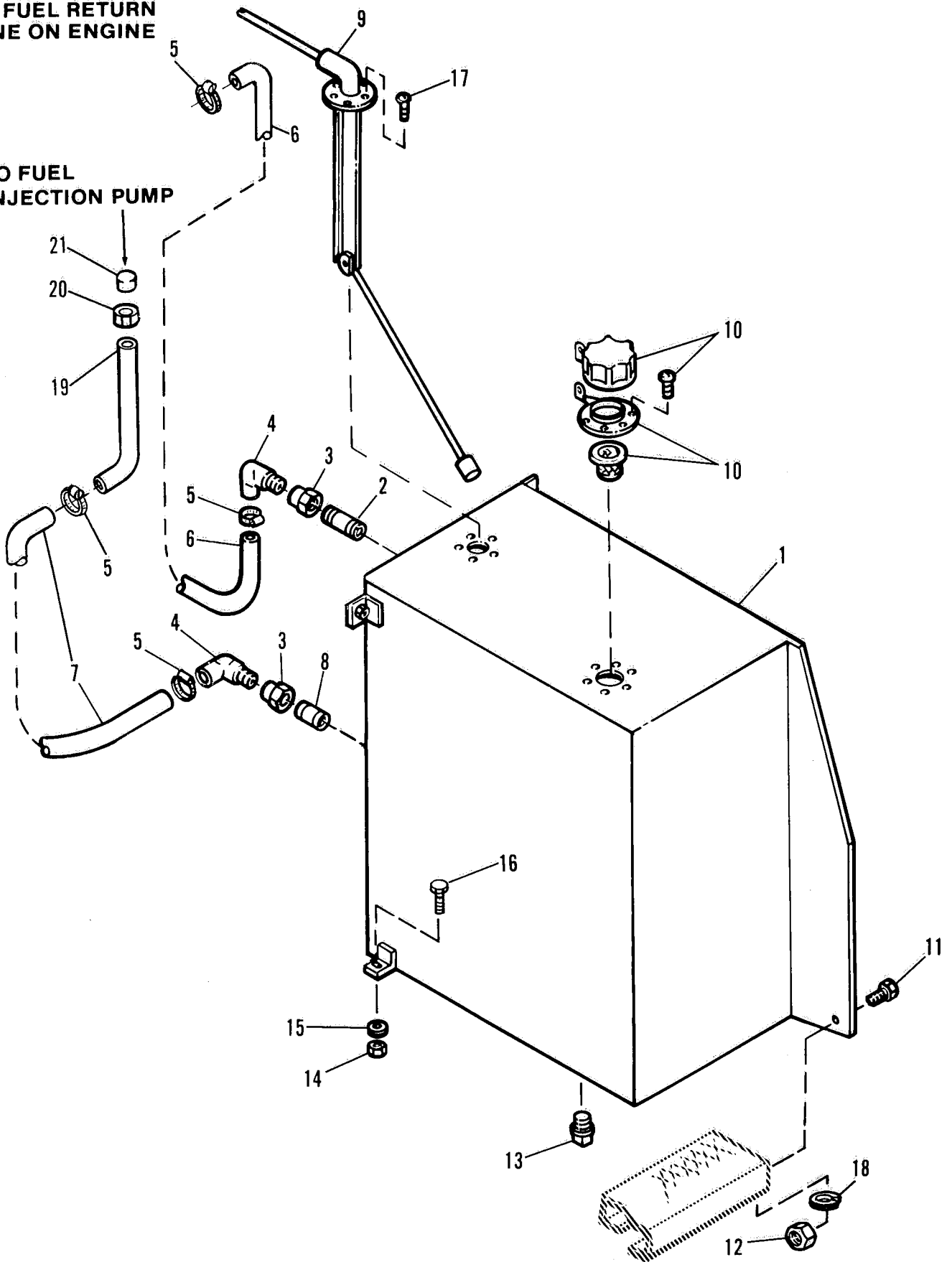
Index No.	Part Number	Description	Qty. Req'd.
1		ITEM, Deleted	
2	8273241	INDICATOR, Air Intake, 25"	1
3	8273240	BAND, 8"	2
4	8273013	AIR CLEANER, Modified	1
5		WASHER, Flat, 5/16	4
6		SCREW, Hex Head, 5/16 - 18 x 3/4 GR. 5	4
7	8273237	ELEMENT, Primary	1
8	8273238	ELEMENT, Safety	1
9		WASHER, Lock, 5/16	4
10		NUT, Hex 5/16-18	4
11	7079002	TUBE, Air Inlet	1
12	8273264	ELBOW, Reducing 2 1/2 to 2	1
13	8405202	CLAMP, Hose, 2 3/4	2
14	8405301	CLAMP, Hose, 4"	2
15	8273117	REDUCER, 3 1/2 to 2 1/2	1
16		WASHER, Lock, 3/8	2
17		SCREW, Hex Hd., 3/8 - 16 x 1 GR. 5	2
18	7079101	REDUCER, 3" to 2 3/8	1
19	7079012	TUBE, Air Intake	1
20	8273262	ELBOW, Reducing 3 1/2 to 3"	1



# FUEL TANK & LINES

TO FUEL RETURN  
LINE ON ENGINE

TO FUEL  
INJECTION PUMP

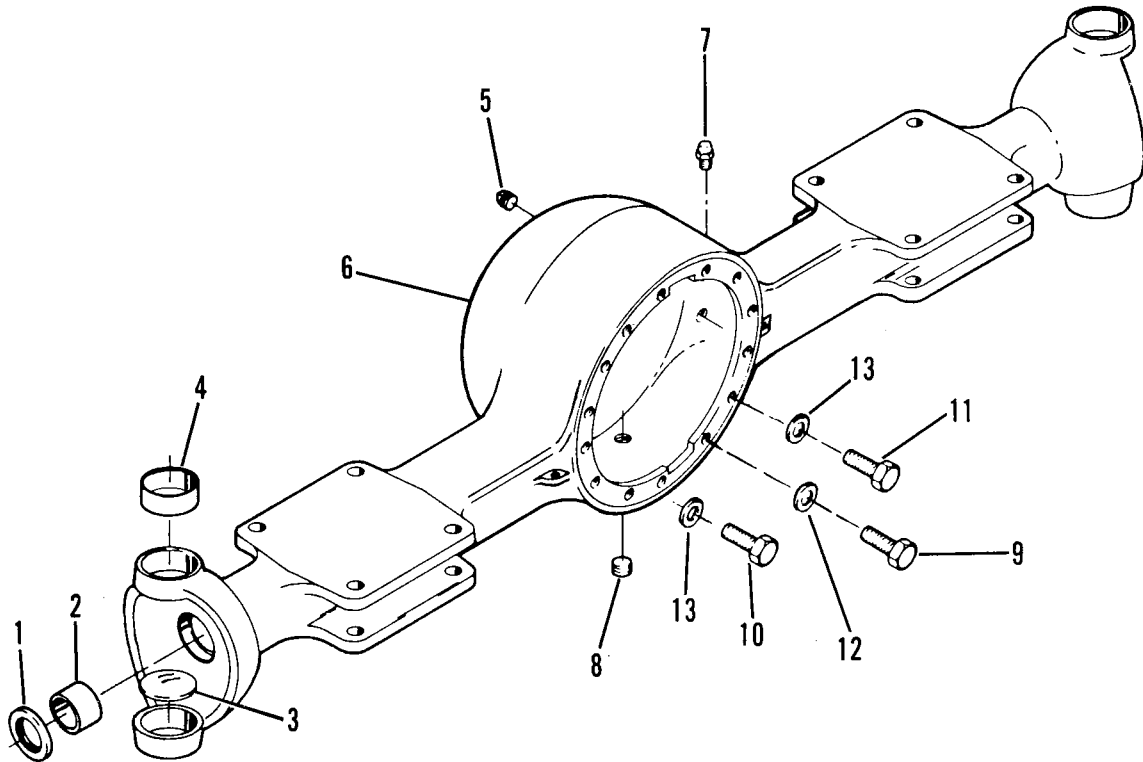


# FUEL TANK & LINES

Index No.	Part Number	Description	Qty. Req'd.
1	7060824	FUEL TANK ASSEMBLY	1
2	8551103	NIPPLE, Pipe, ¼ x 2	1
3	8541003	COUPLING, ¼	2
4	8420227	ELBOW, 90°	2
5		CLAMP, Hose, 5/8 max. O.D.	4
6	8403214-1350	HOSE, Fuel,	1
7	8403214-1250	HOSE, Fuel,	1
8	8551102	NIPPLE, Pipe, ¼ x 1½	1
9	7060812	FUEL LEVEL SENDER ASSEMBLY	1
10	8322022	FILLER/BREATHER ASSEMBLY	1
11		SCREW, Hex Hd., ¾ - 16 x 1 GR. 5	2
12		NUT, ¾ Hex.	2
13	8541416	PLUG, Sq. Hd., 1 NPT	1
14		NUT, Hex ¾ - 11	4
15		WASHER, Lock ¾	4
16		SCREW, Hex Hd., ¾ - 11 x 1¼ GR. 5	4
17		SCREW, Pan Hd., #10 x ½ Lg.	5
18		WASHER, Lock ¾	2
19	7047232	TUBE, Elbow ¼	1
20	8274208	NUT, Tube ¼	1
21	8274207	FERRULE, ¼	1

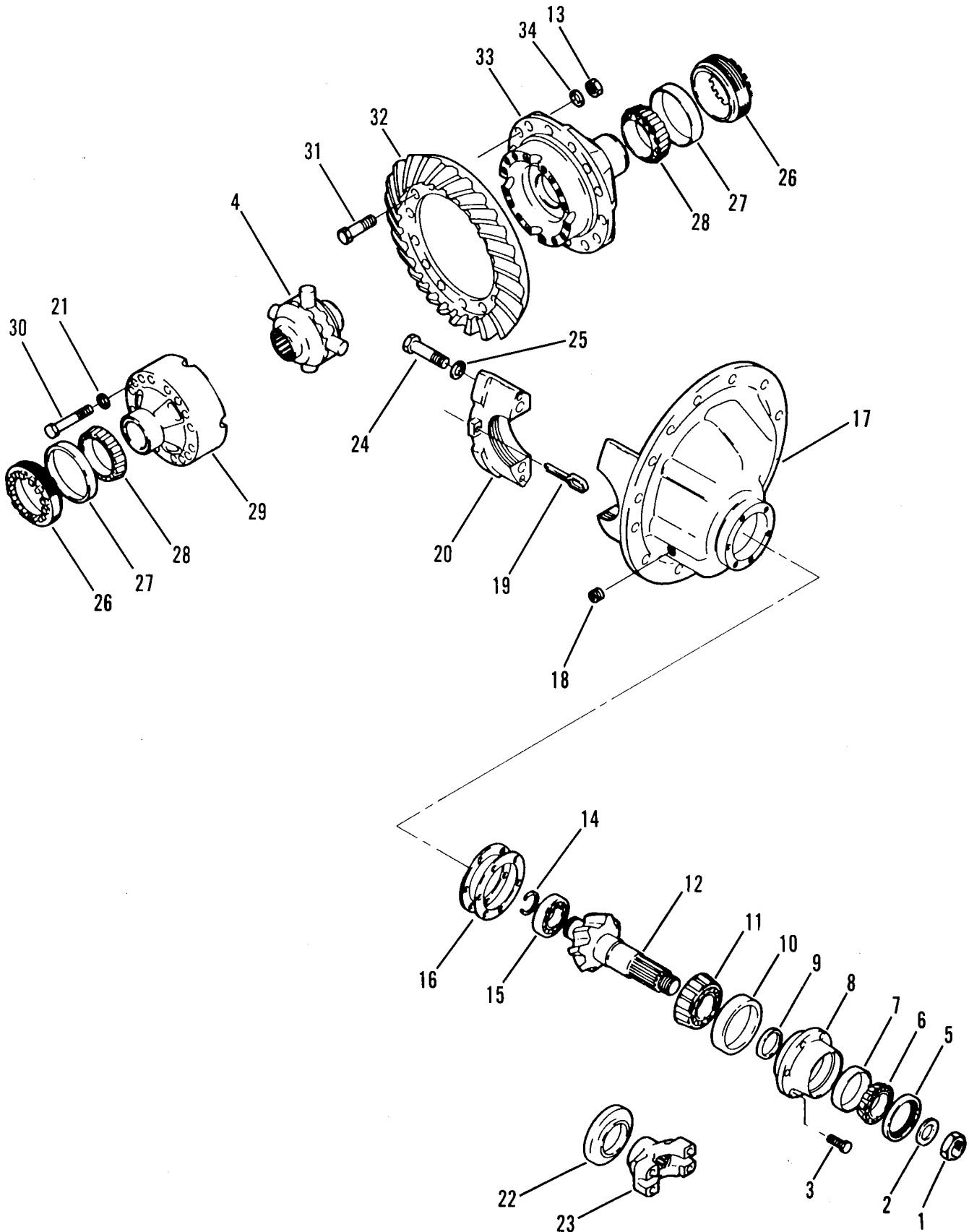


# AXLE HOUSING GROUP



Index No.	Part Number	Description	Qty. Req'd.
1	8040717	OIL SEAL, Universal Joint	2
2	8040622	SLEEVE ASSEMBLY	2
3	8040623	PLUG, Trunnion Arm King Pin	4
4	8040624	BUSHING, Trunnion Arm King Pin	4
5	8040625	PLUG, Oil Fill	1
6	8040626	HOUSING, Assembly (Includes 1-5 & 8)	1
7	8040627	OIL BREATHER, Housing	1
8	8040628	PLUG, Oil Drain	1
9	8040633	CAPSCREW, Carrier To Housing — Short	12
10	8040631	CAPSCREW, Carrier To Housing — Medium	2
11	8040632	CAPSCREW, Carrier To Housing — Long	2
12	8040629	WASHER, Carrier To Housing	12
13	8040630	WASHER, Carrier To Housing	4

# DIFFERENTIAL CARRIER GROUP FRONT AXLE

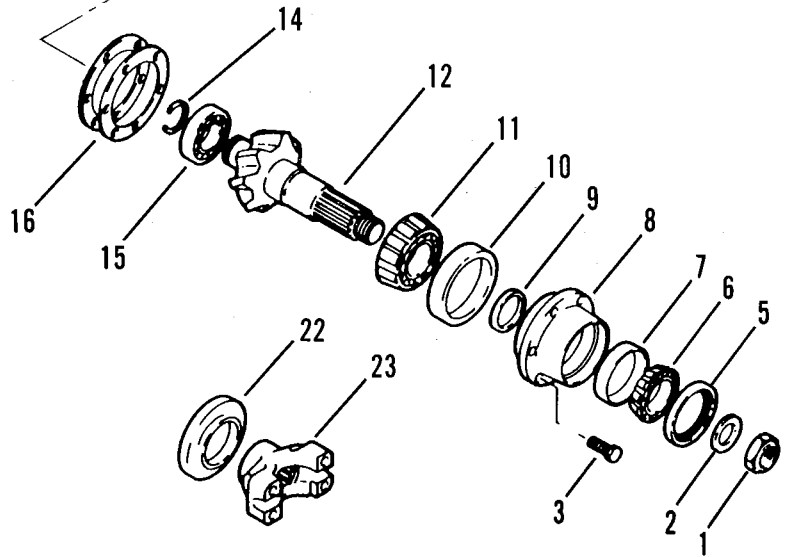
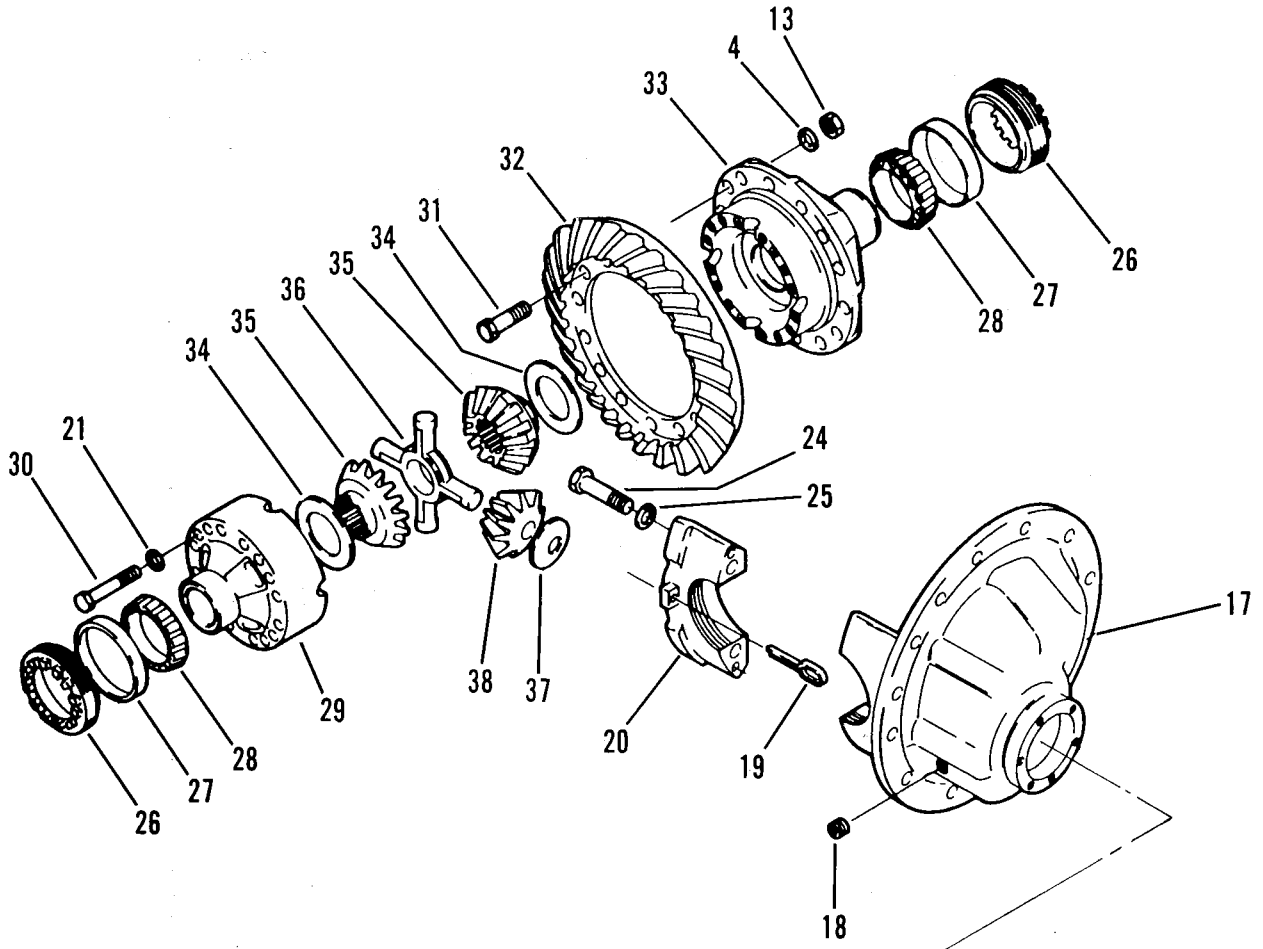




# DIFFERENTIAL CARRIER GROUP FRONT AXLE

Index No.	Part Number	Description	Qty. Req'd.
1	8040634	NUT Bevel Pinion	1
2	8040635	WASHER, Bevel Pinion Nut	1
3	8040636	CAPSCREW, Pinion Bearing Cage	8
4	8040680	NO-SPIN DIFFERENTIAL ASSY.	1
5	8040637	OIL SEAL, Pinion	1
6	8040638	CONE, Bevel Pinion Bearing — Outer	1
7	8040639	CUP, Bevel Pinion Bearing — Outer	1
8	8040640	CAGE, Bevel Pinion Bearing	1
9	8040641	SHIM, Bevel Pinion Bearing — .153	1
9	8040642	SHIM, Bevel Pinion Bearing — .154	1
9	8040643	SHIM, Bevel Pinion Bearing — .155	1
9	8040644	SHIM, Bevel Pinion Bearing — .156	1
9	8040645	SHIM, Bevel Pinion Bearing — .157	1
9	8040646	SHIM, Bevel Pinion Bearing — .158	1
9	8040647	SHIM, Bevel Pinion Bearing — .164	1
9	8040648	SHIM, Bevel Pinion Bearing — .170	1
9	8040649	SHIM, Bevel Pinion Bearing — .182	1
9	8040650	SHIM, Bevel Pinion Bearing — .176	1
10	8040651	CUP, Pinion Bearing Cage — Inner	1
11	8040652	CONE, Pinion Bearing Cage — Inner	1
12	See Index No. 32	PINION, Bevel	1
13	8040678	NUT, Differential Case	12
14	8040679	LOCKRING, Bevel Pinion	1
15	8040653	BEARING, Bevel Pinion — Rear	1
16	8040654	SHIM, Pinion Bearing Cage — .005	1
16	8040655	SHIM, Pinion Bearing Cage — .010	1
16	8040656	SHIM, Pinion Bearing Cage — .003	1
17	8040657	CARRIER, Differential (Including #20)	1
18	8040625	PLUG, Differential Oil Fill	1
19	8040659	COTTER PIN, Differential Bearing	2
20	See Index No. 17	CAP, Differential Carrier	2
21	8040629	WASHER, Differential Case	8
22	8040669	DEFLECTOR, Yoke	1
23	8040670	YOKE, Companion (Including #22)	1
24	8040662	CAPSCREW, Differential Bearing Cap	4
25	8040663	WASHER, Differential Bearing Cap	4
26	8040664	ADJUSTING RING, Differential Bearing	2
27	8040665	CUP, Differential Case Bearing	2
28	8040666	CONE, Differential Case Bearing	2
29	See Index No. 33	DIFFERENTIAL CASE HALF	1
30	8040667	CAPSCREW, Differential Case	8
31	8040674	CAPSCREW, Differential Case	12
32	8040675	BEVEL GEAR(Including #1, 12, 15 & 14)	1
33	8040676	DIFFERENTIAL CASE HALF (Including #29, 30 & 31)	1
34	8040629	WASHER, Differential Case	12

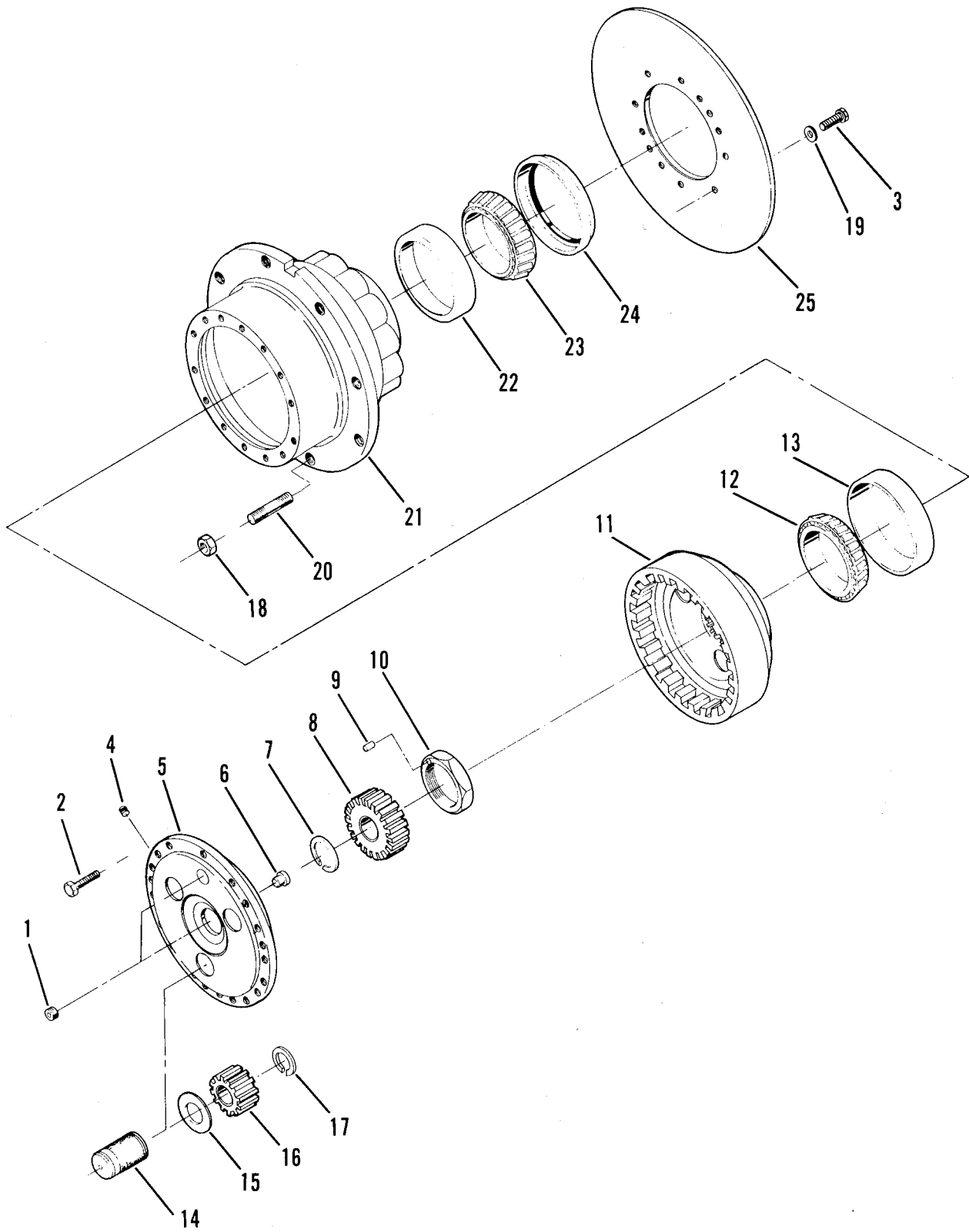
# DIFFERENTIAL CARRIER GROUP REAR AXLE



# DIFFERENTIAL CARRIER GROUP REAR AXLE

Index No.	Part Number	Description	Qty. Req'd.
1	8040634	NUT, Bevel Pinion	1
2	8040635	WASHER, Bevel Pinion Nut	1
3	8040636	CAPSCREW, Pinion Bearing Cage	8
4	8040629	WASHER, Differential Case	12
5	8040637	OIL SEAL, Pinion	1
6	8040638	CONE, Bevel Pinion Bearing -- Outer	1
7	8040639	CUP, Bevel Pinion Bearing -- Outer	1
8	8040640	CAGE, Bevel Pinion Bearing	1
9	8040641	SHIM, Bevel Pinion Bearing -- .153	1
9	8040642	SHIM, Bevel Pinion Bearing -- .154	1
9	8040643	SHIM, Bevel Pinion Bearing -- .155	1
9	8040644	SHIM, Bevel Pinion Bearing -- .156	1
9	8040645	SHIM, Bevel Pinion Bearing -- .157	1
9	8040646	SHIM, Bevel Pinion Bearing -- .158	1
9	8040647	SHIM, Bevel Pinion Bearing -- .164	1
9	8040648	SHIM, Bevel Pinion Bearing -- .170	1
9	8040649	SHIM, Bevel Pinion Bearing -- .182	1
9	8040650	SHIM, Bevel Pinion Bearing -- .176	1
10	8040651	CUP, Pinion Bearing Cage -- Inner	1
11	8040652	CONE, Pinion Bearing Cage -- Inner	1
12	See Index No. 32	PINION, Bevel	1
13	8040678	NUT, Differential Case	12
14	8040679	LOCKRING, Bevel Pinion	1
15	8040653	BEARING, Bevel Pinion -- Rear	1
16	8040654	SHIM, Pinion Bearing Cage -- .005	1
16	8040655	SHIM, Pinion Bearing Cage -- .010	1
16	8040656	SHIM, Pinion Bearing Cage -- .003	1
17	8040657	CARRIER, Differential (Including #20)	1
18	8040625	PLUG, Differential Oil Fill	1
19	8040659	COTTER PIN, Differential Bearing	2
20	See Index No. 17	CAP, Differential Carrier	2
21	8040629	WASHER, Differential Case	8
22	8040669	DEFLECTOR, Yoke	1
23	8040670	YOKE, Companion (Including #32)	1
24	8040662	CAPSCREW, Differential Bearing Cap	4
25	8040663	WASHER, Differential Bearing Cap	4
26	8040664	ADJUSTING RING, Differential Bearing	2
27	8040665	CUP, Differential Case Bearing	2
28	8040666	CONE, Differential Case Bearing	2
29	See Index No. 33	DIFFERENTIAL CASE HALF	1
30	8040667	CAPSCREW, Differential Case	8
31	8040674	CAPSCREW, Differential Case	12
32	8040675	BEVEL GEAR (Including #1,12, 15 & 14)	1
33	8040676	DIFFERENTIAL CASE HALF (Including #29, 30 & 21)	1
34	8040671	THRUST WASHER	2
35	8040672	GEAR, Differential Side	2
36	8040673	SPIDER, Differential	1
37	8040660	THRUST WASHER, Differential Pinion	4
38	8040661	PINION, Differential	4

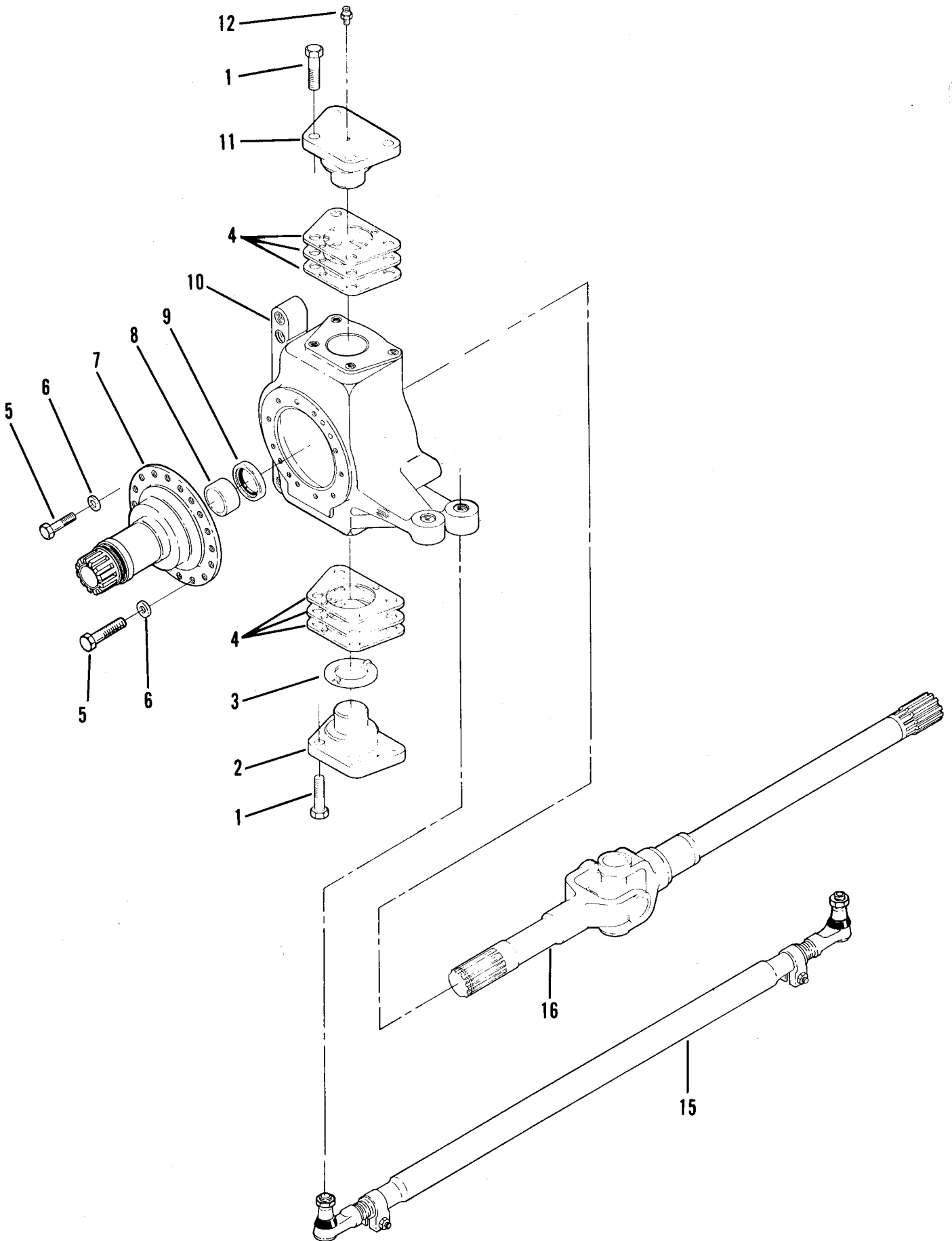
# PLANETARY HUB



# PLANETARY HUB

Index No.	Part Number	Description	Qty. Req'd.
1	8040628	PLUG, Planet Cover Oil Level	1
2	8040682	CAPSCREW, Planet Spider To Hub	16
3	8040705	CAPSCREW, Brake Disc To Hub	16
4	8040683	SETSCREW, Planet Pinion Shaft	3
5	8040684	SPIDER, Planet Gear (Including #4, 6, 14 & 15)	1
6	8040685	THRUST BUTTON, Planet Cover	1
7	8040686	SNAP RING, Universal Joint Retainer	1
8	8040687	GEAR, Planet — Sun	1
9	8040688	PIN, Hub Bearing Adjustment Nut	1
10	8040689	NUT, Hub Bearing (Including #9)	1
11	8040690	GEAR, Planet Ring	1
12	8040691	CONE, Hub Outer Bearing	1
13	8040692	CUP, Hub Outer Bearing	1
14	8040693	SHAFT, Planet Pinion	3
15	8040694	WASHER, Planet Thrust	3
16	8040695	PINION, Planet	3
17	8040696	SNAPRING, Planet Pinion Shaft	3
18	8040697	NUT, Wheel Stud	8
19	8040663	WASHER, Brake Disc To Hub	16
20	8040698	STUD, Wheel	8
21	8040699	HUB, Wheel	1
22	8040691	CONE, Hub Inner Bearing	1
23	8040692	CUP, Hub Inner Bearing	1
24	8040702	OIL SEAL, Hub Bearing	1
25	8040703	DISC, Brake	1

# STEERING KNUCKLE



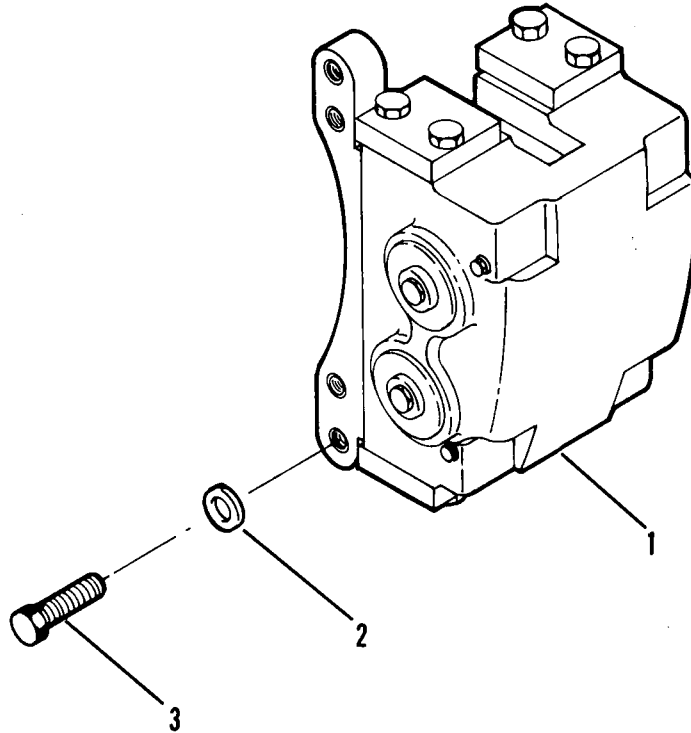
# STEERING KNUCKLE

Index No.	Part Number	Description	Qty. Req'd.
1	8040706	CAPSCREW, Steer Knuckle Stop	8
2	8040707	CAP, Steer Knuckle Lower	1
3	8040708	WASHER, Steer Knuckle Thrust	1
4	8040709	SHIM, Steer Knuckle Cap — .003	5
4	8040710	SHIM, Steer Knuckle Cap — .005	4
4	8040711	SHIM, Steer Knuckle Cap — .020	3
5	8040712	CAPSCREW, Spindle to Knuckle	10
5A	8040713	CAPSCREW, Spindle to Knuckle	4
6	8040663	WASHER, Spindle to Knuckle	14
7	8040715	SPINDLE, Wheel Bearing (Includes Items 8 & 9)	1
8	8040716	BUSHING, Spindle & Universal Joint	1
9	8040717	OIL SEAL, Spindle & Universal Joint	1
10	8040718	FLANGE, Steer Knuckle (Right Rear, Left Front)	1
10	8040719	FLANGE, Steer Knuckle (Left Rear, Right Front)	1
11	8040720	CAP, Steer Knuckle —Upper	1
12	8040721	GREASE FITTING	2
13		Part deleted	
14		Part deleted	
15	8040701	TIE ROD & END ASSEMBLY	1
16	8040700	UNIVERSAL JOINT ASSEMBLY	1



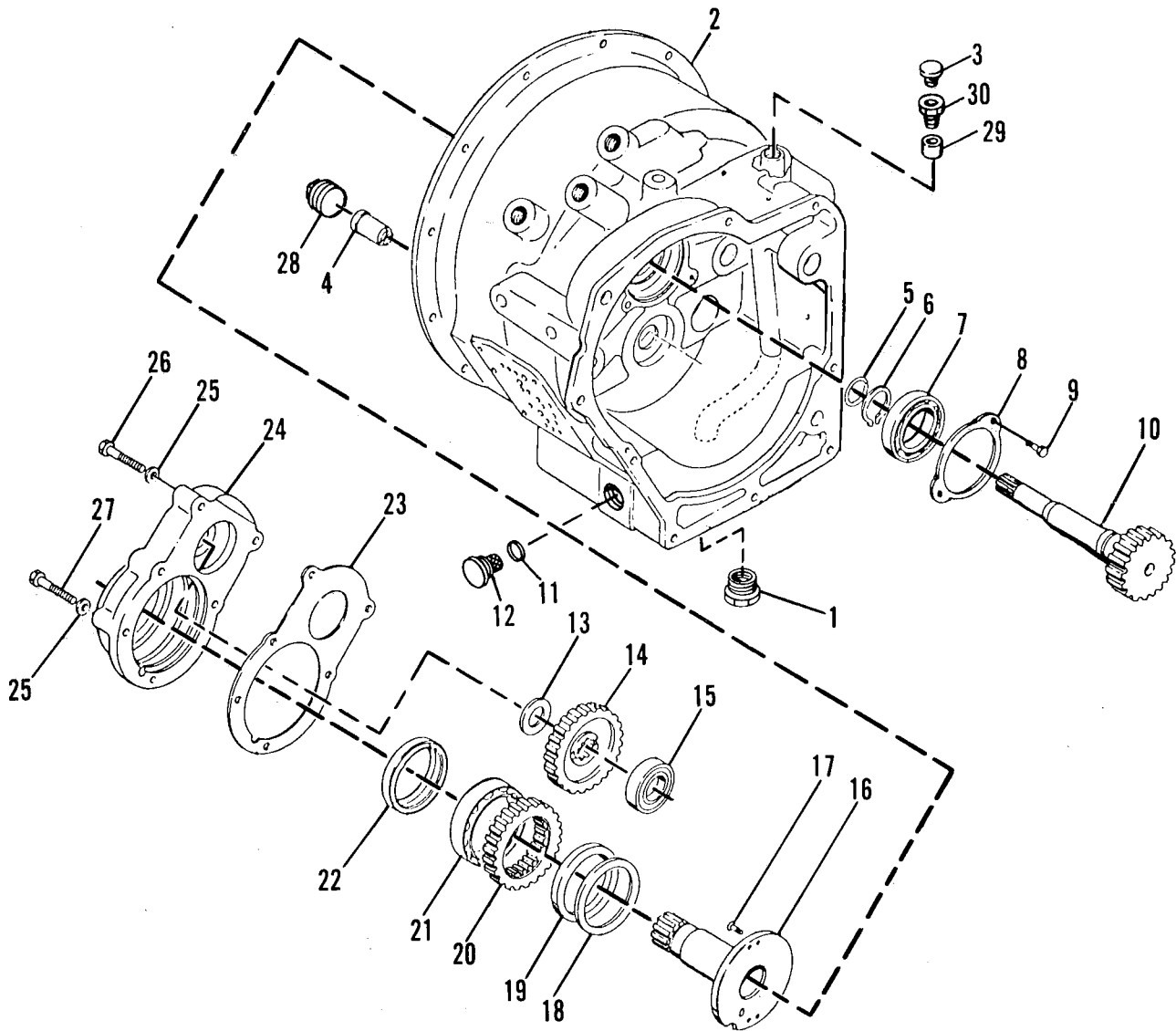


# DISC BRAKE



Index No.	Part Number	Description	Qty. Req'd.
1	8040677	DISC BRAKE ASSEMBLY	1
2	8040668	WASHER	4
3	8040658	CAPSCREW	4
—	8102611	KIT, Seals & Dust Cover	1
—	8102407	KIT, Linings	1

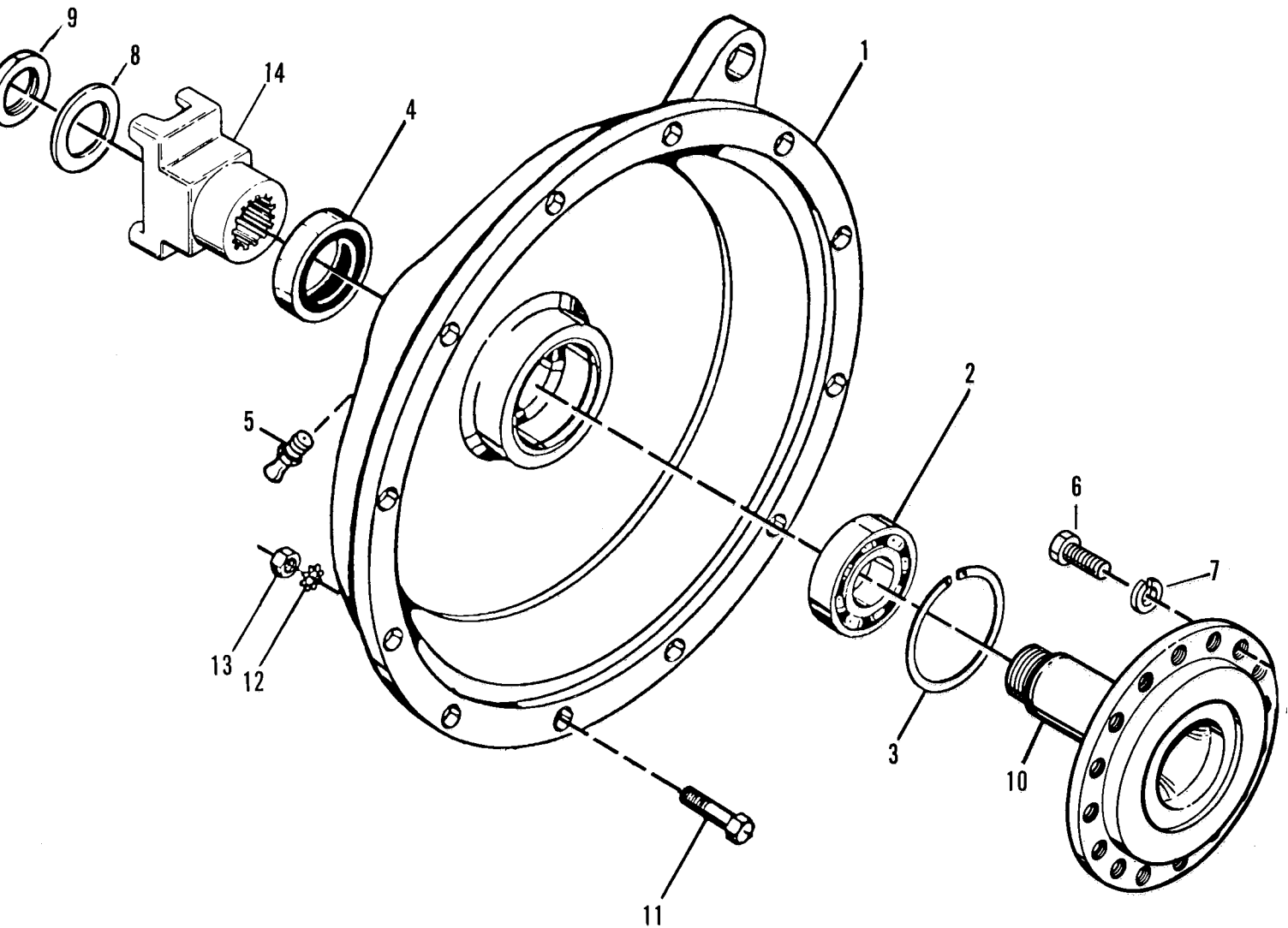
# TRANSMISSION FRONT COVER GROUP



# TRANSMISSION FRONT COVER GROUP

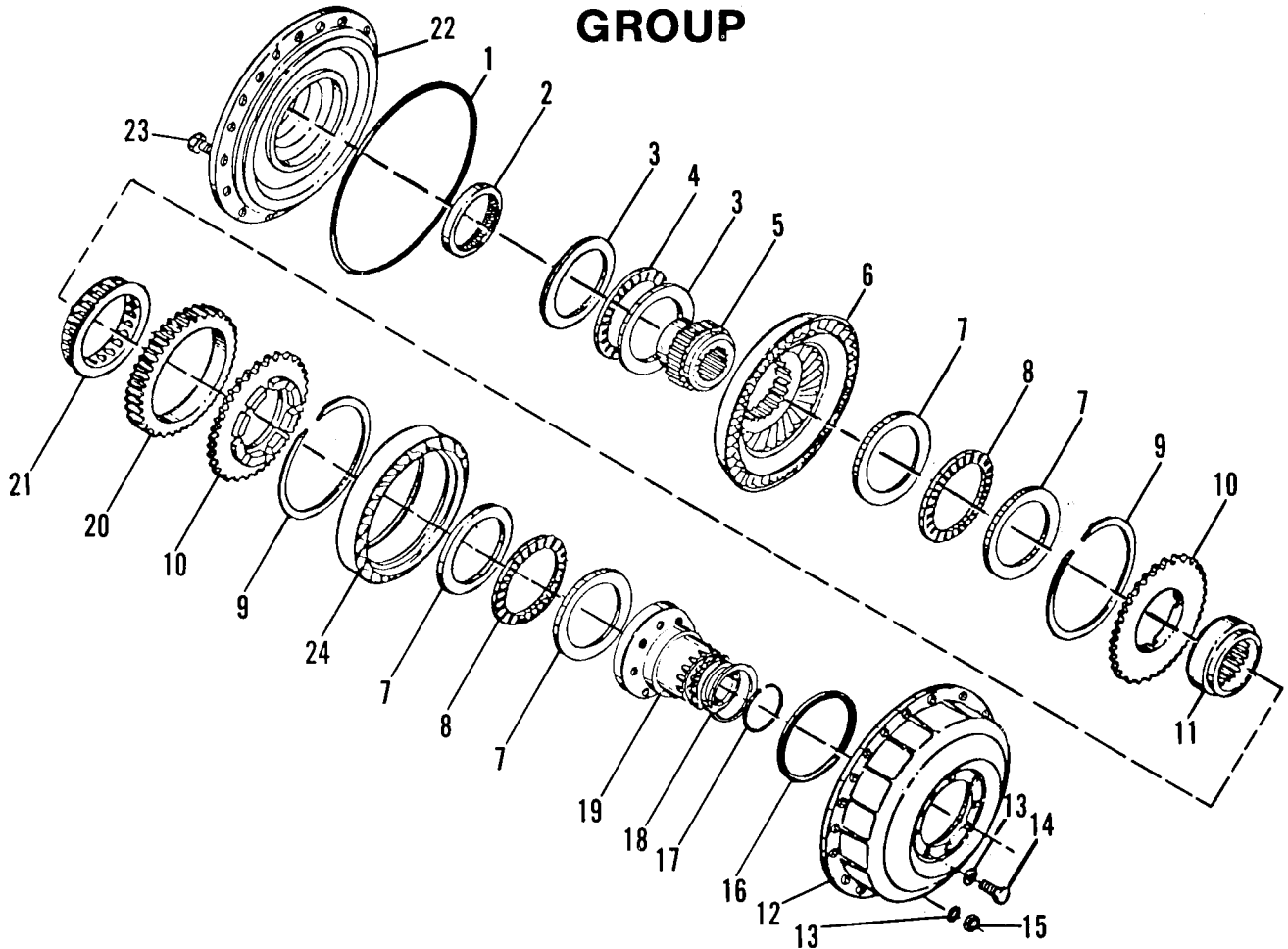
Index No.	Part Number	Description	Qty. Req'd.
1	CFF1900112	PLUG,Pipe	1
2	CF4005430	FRONT COVER ASSEMBLY	1
3	CF4003463	BREATHER	1
4	CF40A1556	VALVE CONVERTER RELAY, Assy.	1
5	CF4000855	RING, Seal	1
6	CFF39010156	RING, Snap	1
7	CFF41308R	BEARING	1
8	CF4004100	RETAINER, Plate	1
9	CFF100108	CAP SCREW	2
10	CF4004990	SHAFT, 23T	1
11	CF4006404	GASKET	1
12	CF40A6018	PLUG, Sump Screen	1
13	CFF5551625	THRUST, Race	1
14	CF4004111	GEAR, Aux. Pump	1
15	CFF621305K	BEARING	1
16	CF40A4009	SHAFT	1
17	CFF1121810	CAP SCREW	2
18	CFF5524458	THRUST RACE	1
19	CFF5514458	BEARING, Needle Thrust	1
20	CF4004112	GEAR, Aux. Pump Drive	1
21	CFF40113	BEARING	1
22	CF4003091	SEAL, Oil	1
23	CF4004700	GASKET,Housing	1
24	CF4004119	HOUSING, Impeller Gear	1
25	CFF18002	WASHER	6
26	CFF1002032	CAP SCREW	2
27	CFF1100332	CAP SCREW	4
28	CFF1900316	PLUG, Pipe	1
29	CF4005429	TUBE, Breather	As Req'd
30	CFF321006	BUSHING, Reducer	As Req'd

# TRANSMISSION INPUT MIDSHIP GROUP



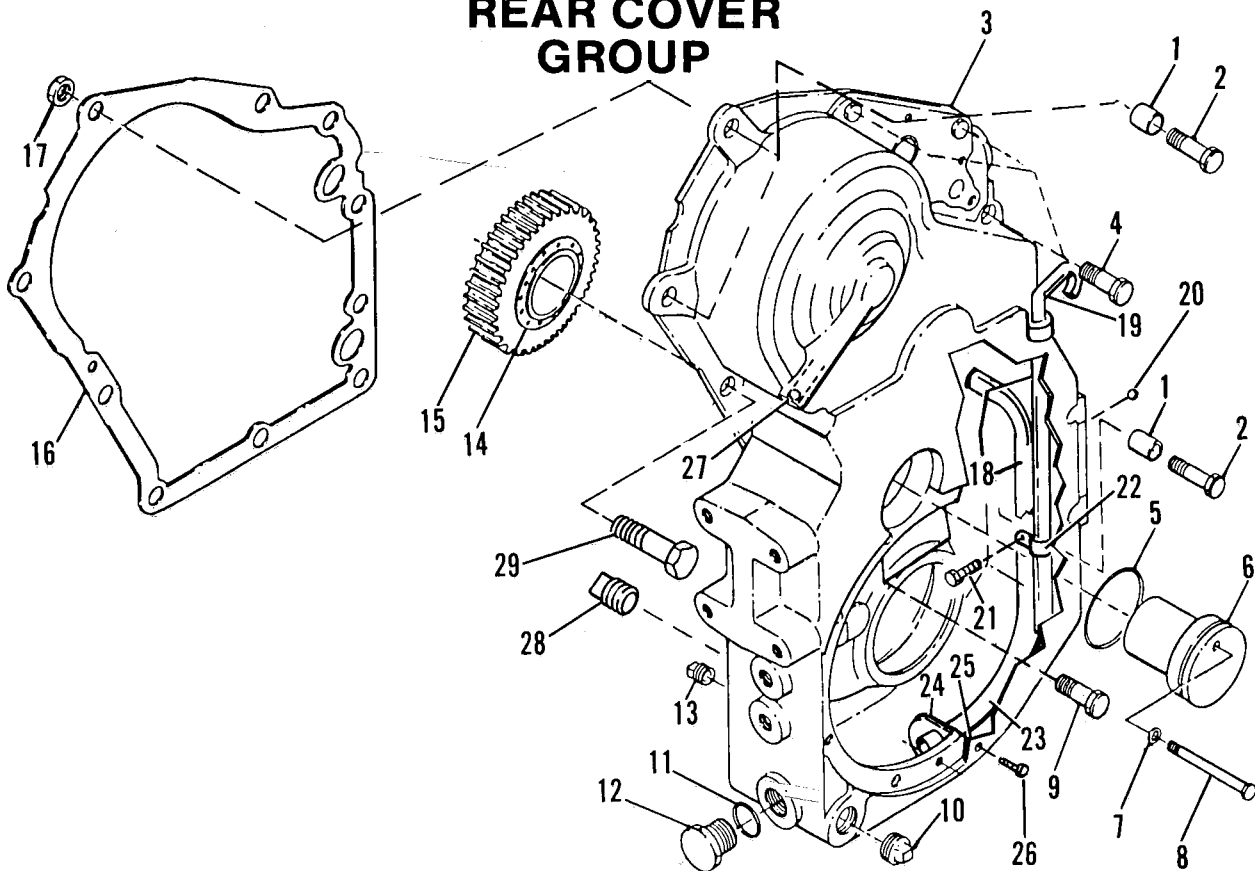
Index No.	Part Number	Description	Qty. Req'd.
1	CF4001899	FRONT, HOUSING	1
2	CFF40208S	BEARING	1
3	CFF39000315	RING, Snap	1
4	CFF65181	SEAL, Oil	1
5	CFF66012S	FITTING, Grease	1
6	CFF1003020	CAP SCREW	12
7	CFF16202	LOCKWASHER	12
8	F4005552	FLAT WASHER	1
9	CFF7828714B	NUT	1
10	F4145082	CONVERTER INPUT SHAFT	1
11	CFF1003028	CAPSCREW	11
12	CFF15003	TOOTH LOCKWASHER	11
13	CFF13005000	NUT, Hex	1
14	CFF84026	YOKE, Front	1

# TRANSMISSION CONVERTER ASSEMBLY GROUP



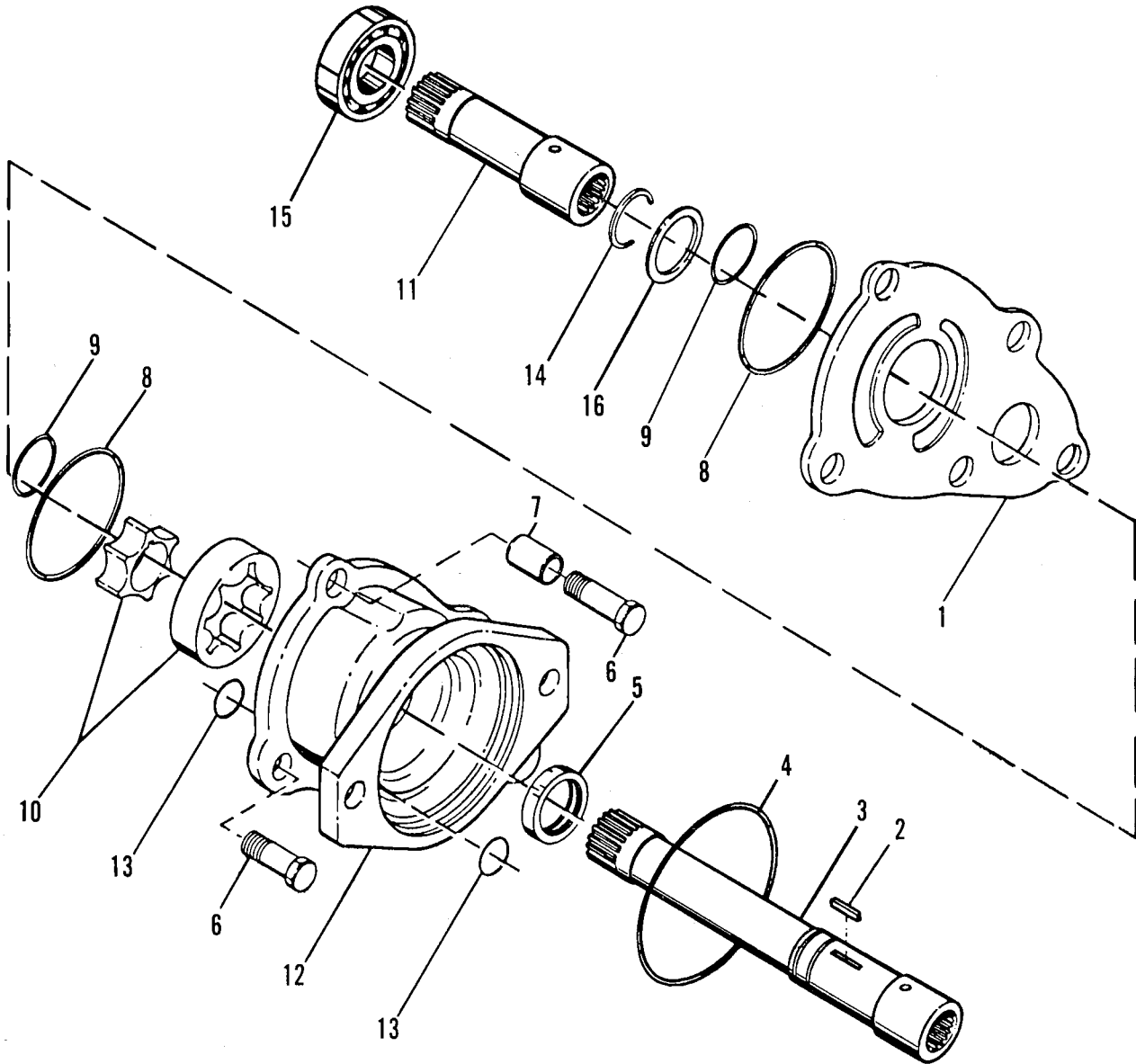
Index No.	Part Number	Description	Qty. Req'd.
1	CF4045236	SEAL	1
2	CFF460268	BEARING	1
3	CFF5543244	THRUST, Race	2
4	CFF5503244	BEARING, Needle Thrust	1
5	CF4045887	HUB, Turbine	1
6	CF4045884	TURBINE	1
7	CF4045901	WASHER, Thrust	4
8	CFF5513650	BEARING, Needle Thrust	2
9	CF4003456	RING, Internal Retaining	2
10	CF4045899	RETAINER, Clutch	2
11	CF4045493	RACE, Inner	1
12	CF4045577	IMPELLER	1
13	CF4003680	WASHER, Flat	28
14	CFF104208	BOLT, Place	8
15	CFF82650H0518B	NUT, Hex	20
16	CFF37010045	O-RING	1
17	CF4000497	SEAL, Ring	1
18	CFF80100231	RING, Retaining	1
19	CF4045607	HUB, Impeller	1
20	CF4045726	RACE, Outer	1
21	CF4045081	SPRAG, Clutch Assy.	1
22	CF4045767	FRONT COVER Assy.	1
23	CFF1002020H8	CAPSCREW	20
24	CF4045911	STATOR	1
25	CFF84026	YOKE, Front	1

# TRANSMISSION REAR COVER GROUP



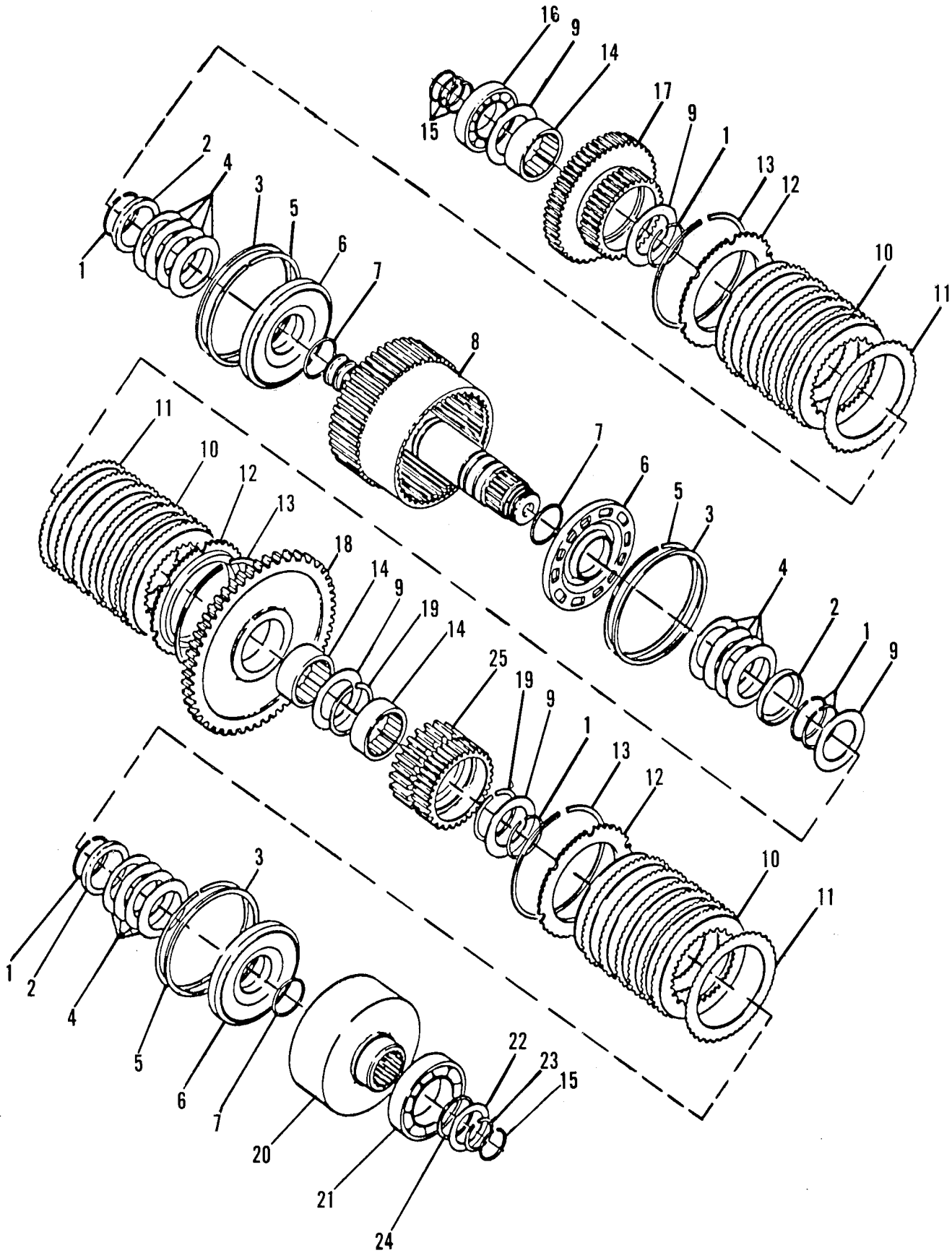
Index No.	Part Number	Description	Qty. Req'd.
1	CF4001123	BUSHING, Locating	2
2	CFF1005032	CAPSCREW	3
3	CF4004933	REAR, Housing Assy.	1
4	CFF1005040	CAPSCREW	3
5	CFF37030231	O-RING	1
6	CF4004518	SHAFT, Idler	1
7	CFF18005	WASHER	1
8	CFF1005088	CAPSCREW	3
9	CFF1005036	CAPSCREW	2
10	CFF1900120	PLUG, Pipe	2
11	CF4001218	O-RING	1
12	CF4004531	DRAIN, Plug Assy.	1
13	CFF190014	PLUG, Pipe	2
14	CFF58602	BEARING	1
15	CF4004519	GEAR, Idler	1
16	CF4004115	GASKET, Main	1
17	CFF13009000	NUT, Hex	2
18	CF4005072	TUBE, Dipstick	1
19	CF4005071	DIPSTICK	1
20	CFF7400012D	BALL	1
21	CFF100108	CAPSCREW	1
22	CF4003473	CLAMP, Dipstick	1
23	CF4004530	TUBE, Suction	1
24	CF4004536	BRACKET, Support	1
25	CFF17001N	WASHER, Flat	3
26	CFF1114516	CAPSCREW	1
27	CFF7400011D	BALL	2
28	CFF1900120	PLUG, Pipe	2
29	CFF1005088	CAPSCREW	3

# TRANSMISSION PUMP GROUP



Index No.	Part Number	Description	Qty. Req'd.
1	CF40A4279	PLATE, Wear	1
2	CF4004339	KEY, PTO Shaft	1
3	CF40A4148	SHAFT, PTO Assy.	1
4	CFF37030242	O-RING	1
5	CFF65257	SEAL, Oil	1
6	CFF1003036	CAP SCREW	3
7	CFF1003040	CAP SCREW	2
8	CFF37020152	O-RING	1
9	CFF37030220	O-RING	1
10	CF4003256	PUMP, Gerotor	1
11	CF4004952	DRIVE SHAFT ASSEMBLY	1
12	CF40A4281	HOUSING, Pump PTO	1
13	CFF37010014	O-RING	1
14	CFF81598	RING, Retaining	2
15	CFF460268	BEARING	1
16	CFF5531625	THRUST RACE	1

# TRANSMISSION CLUTCH ASSEMBLY

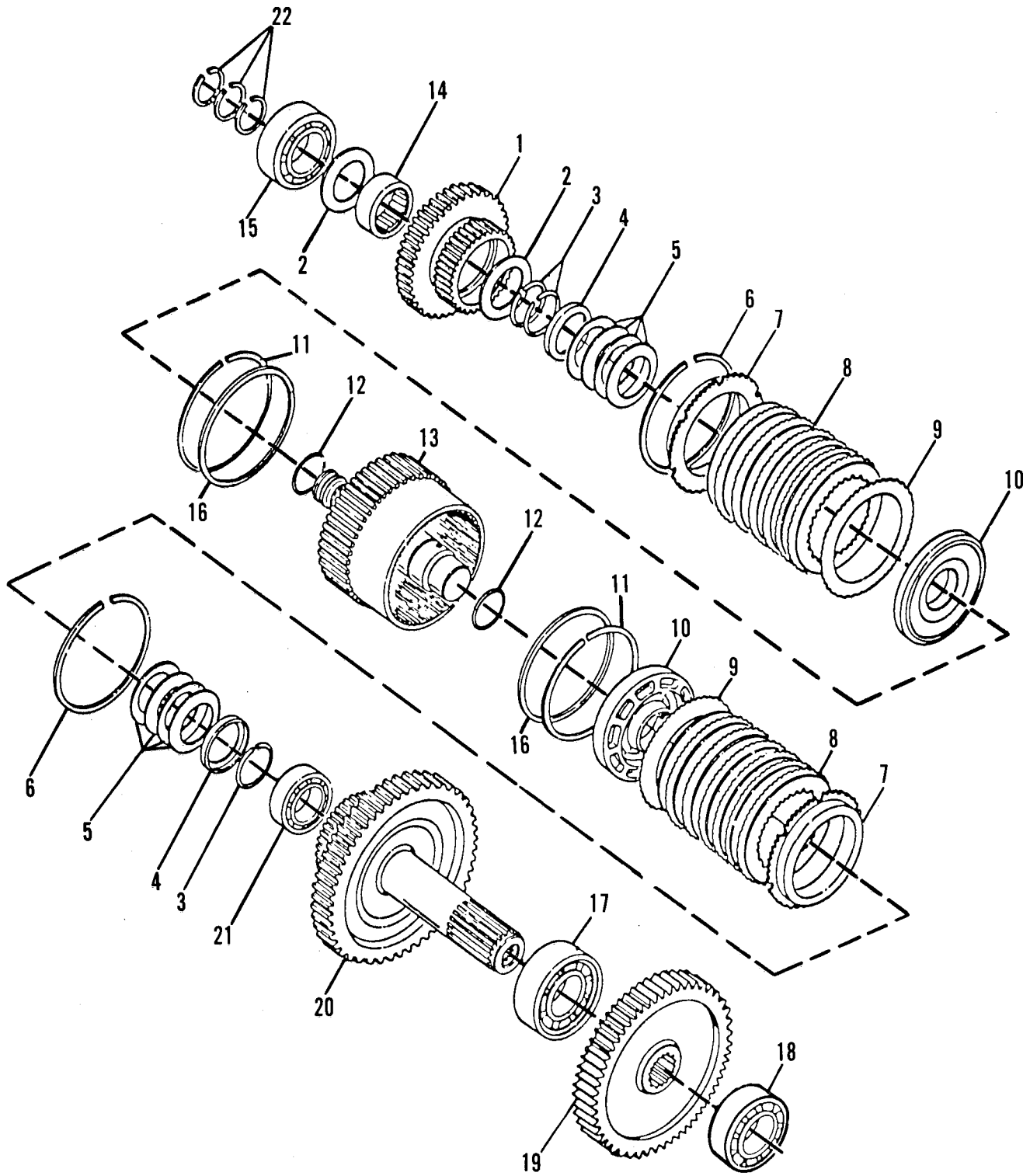




# TRANSMISSION CLUTCH ASSEMBLY

Index No.	Part Number	Description	Qty. Req'd.
1	CFF81687	RING, Retainer	6
2	CF4004957	RETAINER	3
3	CF4005413	SEAL, Lip Ring	3
4	CF4007180	SPRING	12
5	CF4004995	RING, Backup	3
6	CF40A4006	PISTON, Clutch	3
7	CFF37020131	O-RING	3
8	CF4005322	CLUTCH, Shaft Assy.	1
9	CF4004144	WASHER, Thrust	5
10	CF4004896	PLATE, Clutch	21
11	CF40RC7951	PLATE, Clutch Separator	21
12	CF40A4143	RETAINER, Clutch	3
13	CF4003640	RING, Snap	3
14	CFF4903016	BEARING	3
15	CFF4000855	SEAL, Ring	4
16	CFF40208	BEARING	1
17	CF4004161	GEAR AND HUB ASSEMBLY	1
18	CF4004184	GEAR AND HUB ASSEMBLY	1
19	CFF81500225	RING, Snap	2
20	CF40A4034	HUB CLUTCH ASSEMBLY	1
21	CFF40211	BEARING	1
22	CFF5532435	THRUST, Race	1
23	CFF81650	RING, Snap	1
24	CFF37020129	O-RING	1
25	CF4004670	GEAR AND HUB ASSEMBLY	1

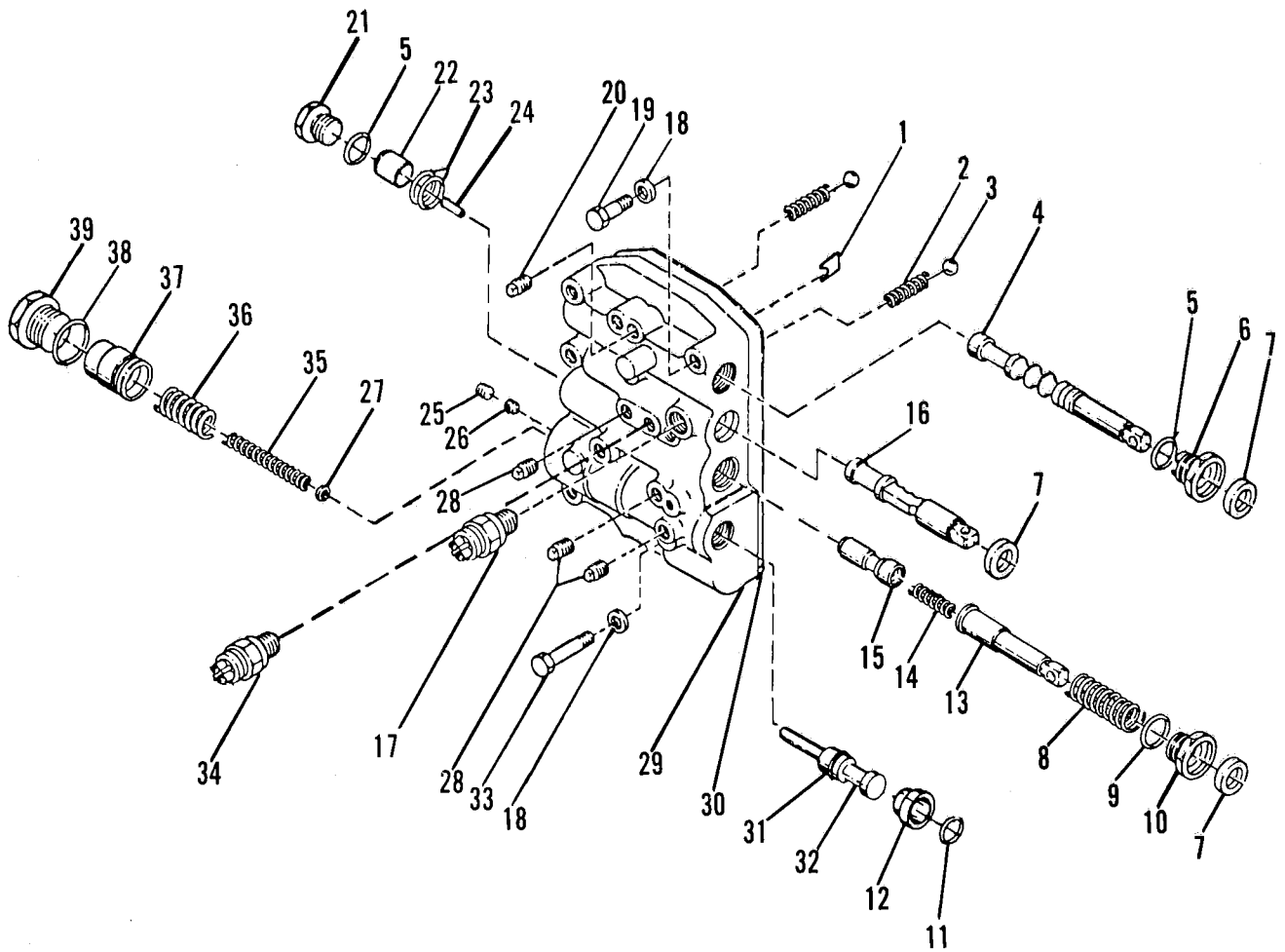
# TRANSMISSION CLUTCH ASSEMBLY 2nd STAGE



# TRANSMISSION CLUTCH ASSEMBLY 2nd STAGE

Index No.	Part Number	Description	Qty. Req'd.
1	CF4004161	GEAR AND HUB, Assembly	1
2	CF4004144	WASHER, Thrust	2
3	CFF81687	RING, Retainer	3
4	CF4004957	RING, Retainer Snap	2
5	CF4007180	SPRING	8
6	CF4003640	RING, Snap	2
7	CF40A4143	RETAINER, Clutch	2
8	CF40RC7951	PLATE, Clutch Separator	14
9	CF4004896	PLATE, Clutch	14
10	CF40A4006	PISTON, Clutch	2
11	CF4004995	RING, Backup	2
12	CFF37020131	O-RING	2
13	CF4005321	OUTER SHIFT, Assembly	1
14	CFF4903016	BEARING	1
15	CFF40208	BEARING	1
16	CF4005413	SEAL, Ring	2
17	CFF621309BCFA1B	BEARING	1
18	CFF41209	BEARING	1
19	CF4004520	GEAR	1
20	CF4004507	SHAFT & GEAR ASSEMBLY	1
21	CFF40108	BEARING	1
22	CF4000855	SEAL, Ring	3

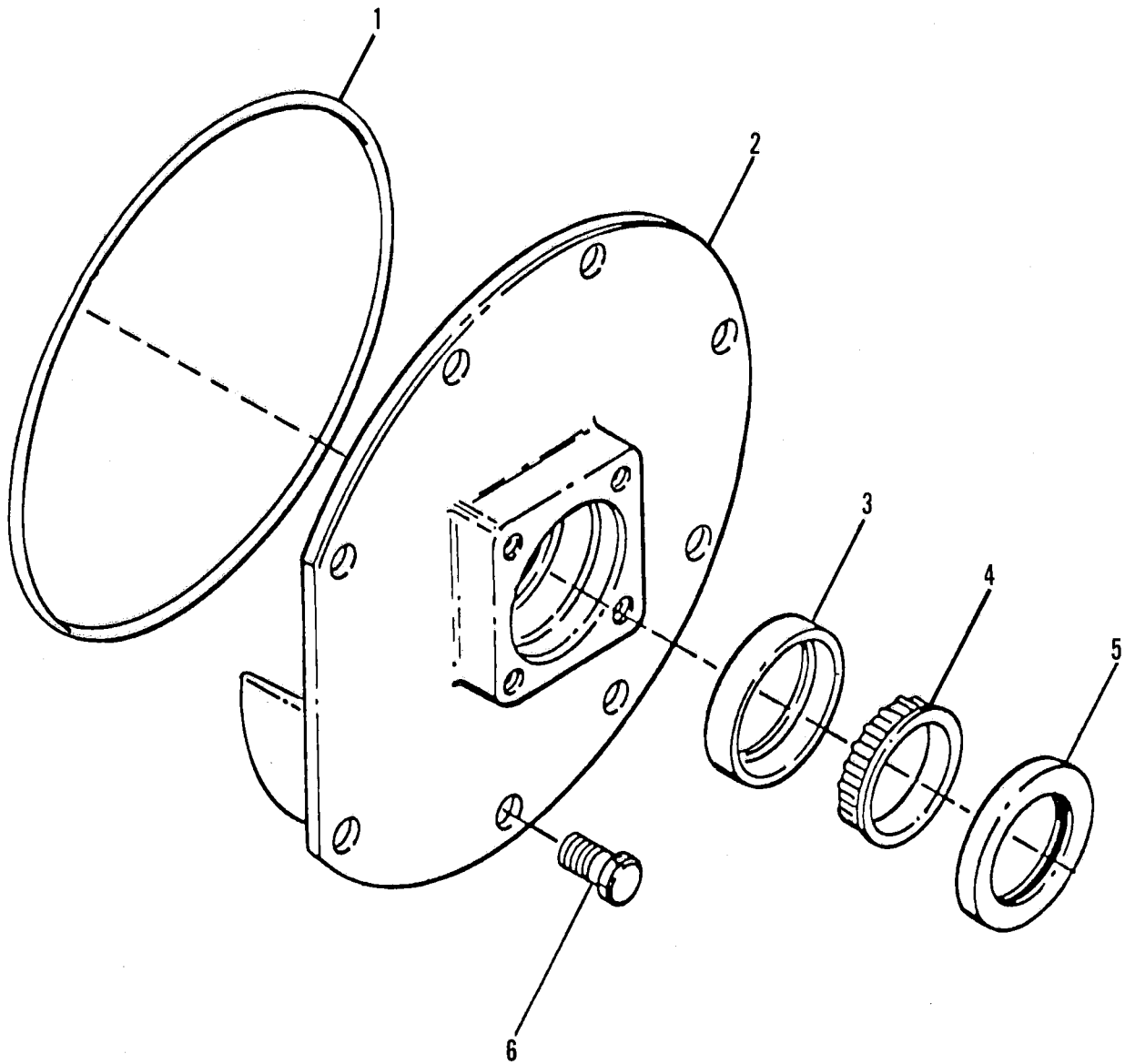
# TRANSMISSION VALVE GROUP



# TRANSMISSION VALVE GROUP

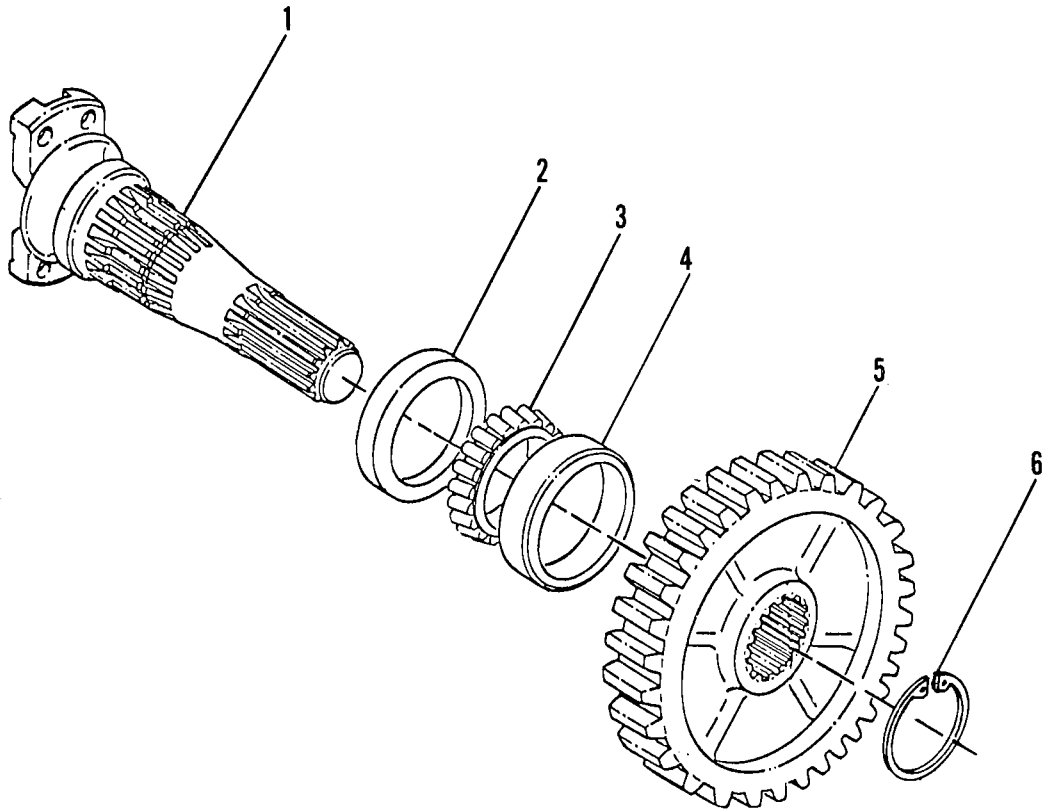
Index No.	Part Number	Description	Qty. Req'd.
1	CF4004699	FORK, Stop	1
2	CF4001079	DENTENT, Spring	2
3	CFF7400012D	BALL	2
4	CF4004737	STEM, Assembly	1
5	CF40392071	O-RING	2
6	CF4001091	PLUG	1
7	CFF65227	SEAL, Oil	3
8	CF4004240	SPRING	1
9	CF4001284	O-RING	1
10	CF4002017	CAP, Feathering	1
11	CFF3900093	RING, Snap	1
12	CF40A4229	SEAT	1
13	CF4004258	STEM, Feathering	1
14	CF4005008	SPRING, Inching	1
15	CF4005007	SPOOL, Inching	1
16	CF4004698	STEM	1
17	CFF91001	SWITCH, Neutral Start	1
18	CFF17030516	WASHER, Flat	10
19	CFF1002136	CAP SCREW	7
20	CFF190012	PLUG, Pipe	1
21	CF4004248	PLUG, Brake Cutoff	1
22	CF40A4291	PISTON	1
23	CF4004237	O-RING	2
24	CFF56870	ROLLER, Needle	1
25	CFF190032	PLUG, Pipe	1
26	CF4004247C	PLUG, Orifice	1
27	CF4004993	SPACER, Spring	3
28	CFF190012	PLUG, Pipe	3
29	CF4005006	VALVE BODY	1
30	CF4004231	GASKET, Valve Body	1
31	CFF3901037	SNAP, Ring	1
32	CF40A4258	POPPET	1
33	CFF1002044	CAP SCREW	3
34	CFF91101	SWITCH, Reverse Warning	1
35	CF40A4252	SPRING, Main Reg.	1
36	CF4004243	SPRING, Accumulator	1
37	CF40A4046	PISTON	1
38	CF4001218	O-RING	1
39	CF4001080	PLUG, Dump Valve	1

# TRANSMISSION OUTPUT RETAINER



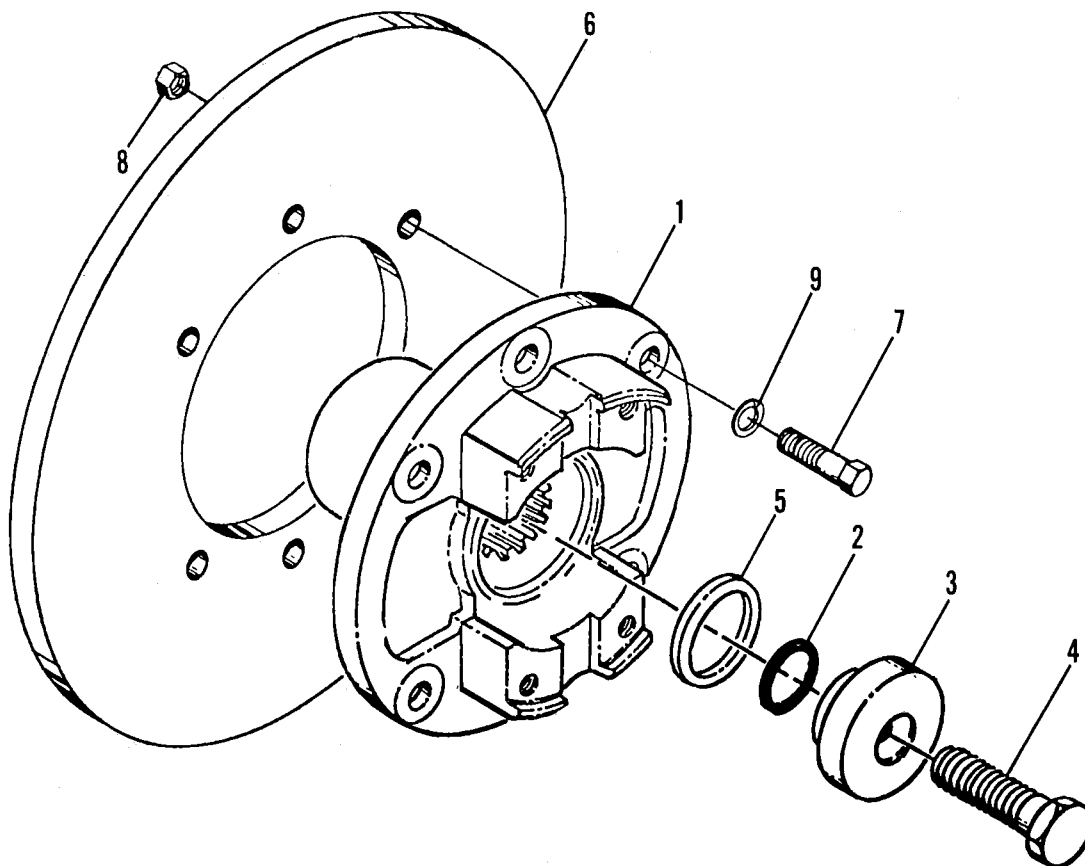
Index No.	Part Number	Description	Qty. Req'd.
1	CFF37030276	O-RING	1
2	CF4004731	BEARING, Retainer	1
3	CFF58540	BEARING	1
4	CFF58047	BEARING	1
5	CFF65270	SEAL, Oil	1
6	CFF1005020	CAPSCREW	8

# TRANSMISSION OUTPUT GROUP



Index No.	Part Number	Description	Qty. Req'd.
1	CF4004551	SHAFT, Output	1
2	CFF65239	SEAL, Oil	1
3	CFF58051	BEARING	1
4	CFF58544	BEARING	1
5	CF4004550	GEAR, Output	1
6	CFF39010287	RING, Snap	1

# TRANSMISSION YOKE GROUP

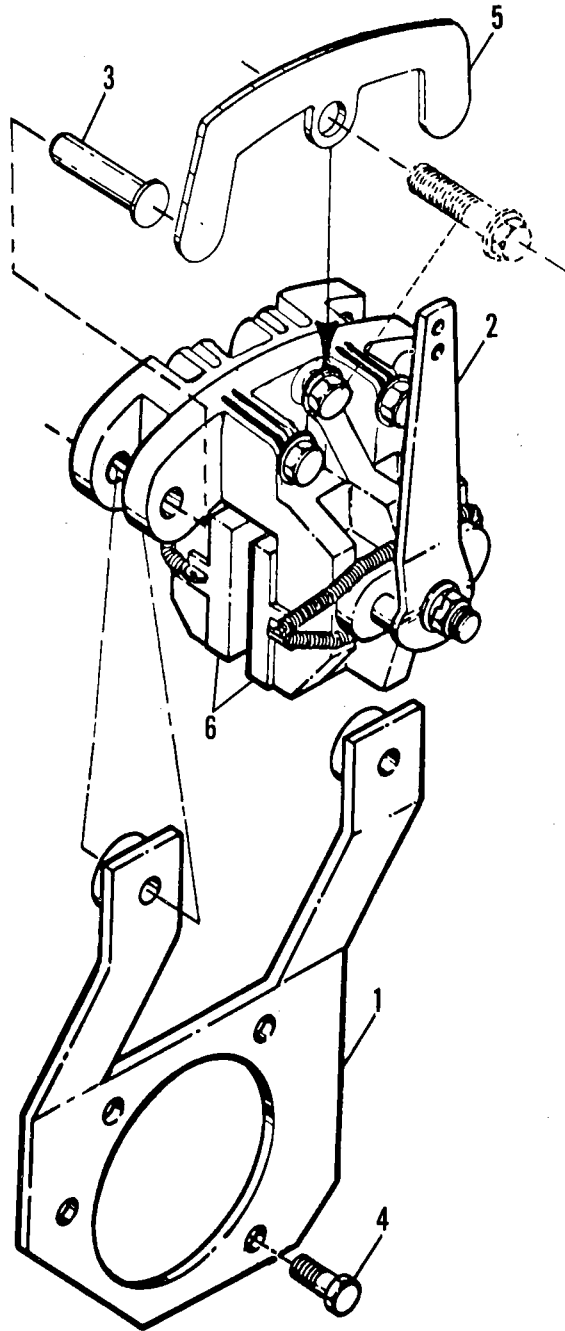


Index No.	Part Number	Description	Qty. Req'd.
1	CF4004545	Yoke	1
2	CF4001217	FLANGE, O-Ring	1
3	CF4010464	WASHER, Yoke	1
4	CFF1047520	BOLT, Place	1
5	CF4004534	SHIM PACK	1
5	*	SHIM, .010	2
5	*	SHIM, .005	2
5	*	SHIM, .020	2
5	*	SHIM, .003	2
5	*	SHIM, .002	2
6	CF40A4255	DISK, 11"	1
7	CFF1003520	CAPSCREW	6
8	CFF13006000	NUT, Hex	6
9	CFF16202	WASHER, Lock	6

\* SHIM PACK CF4004534 Consists of all items 5

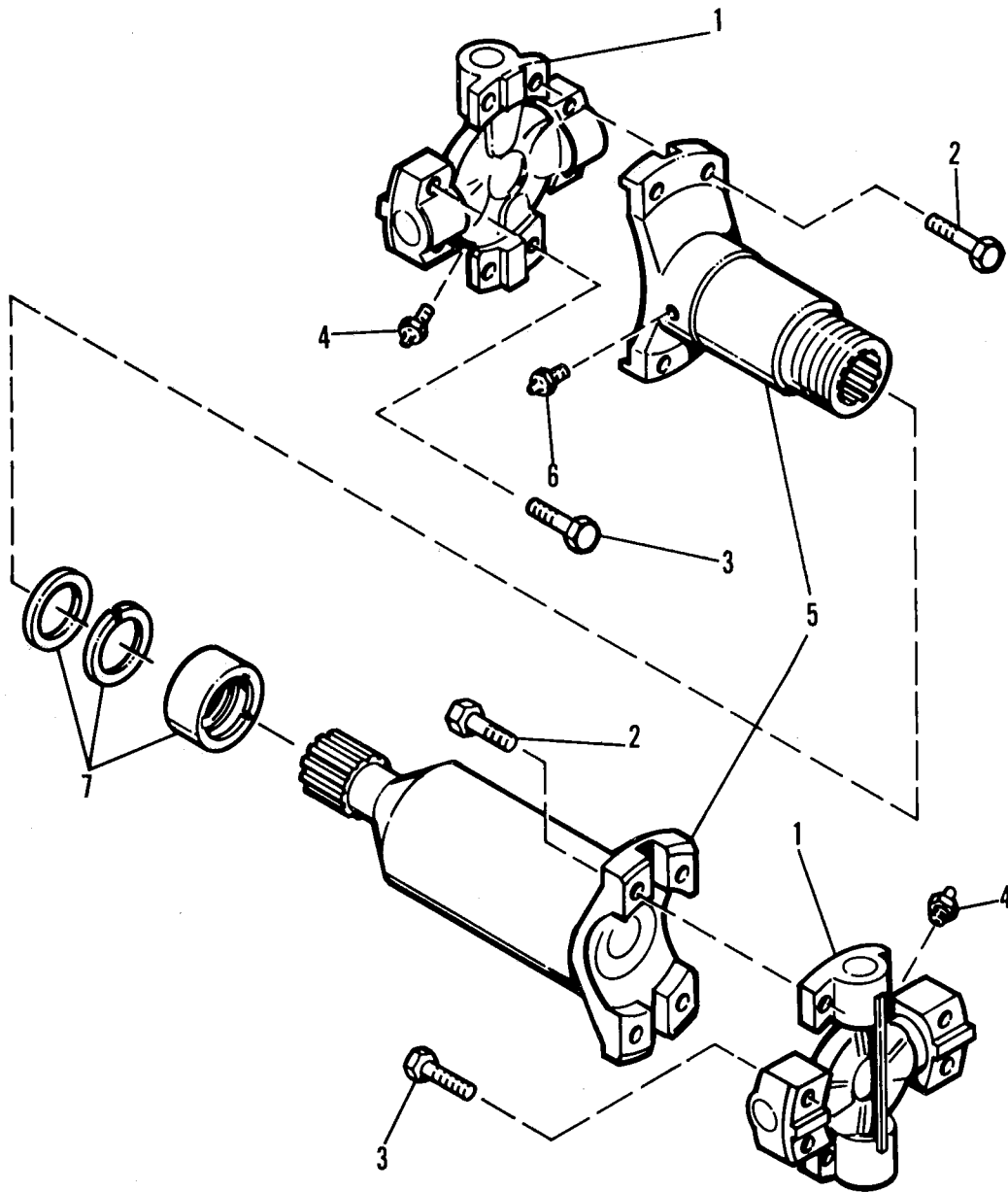


# TRANSMISSION PARKING BRAKE GROUP



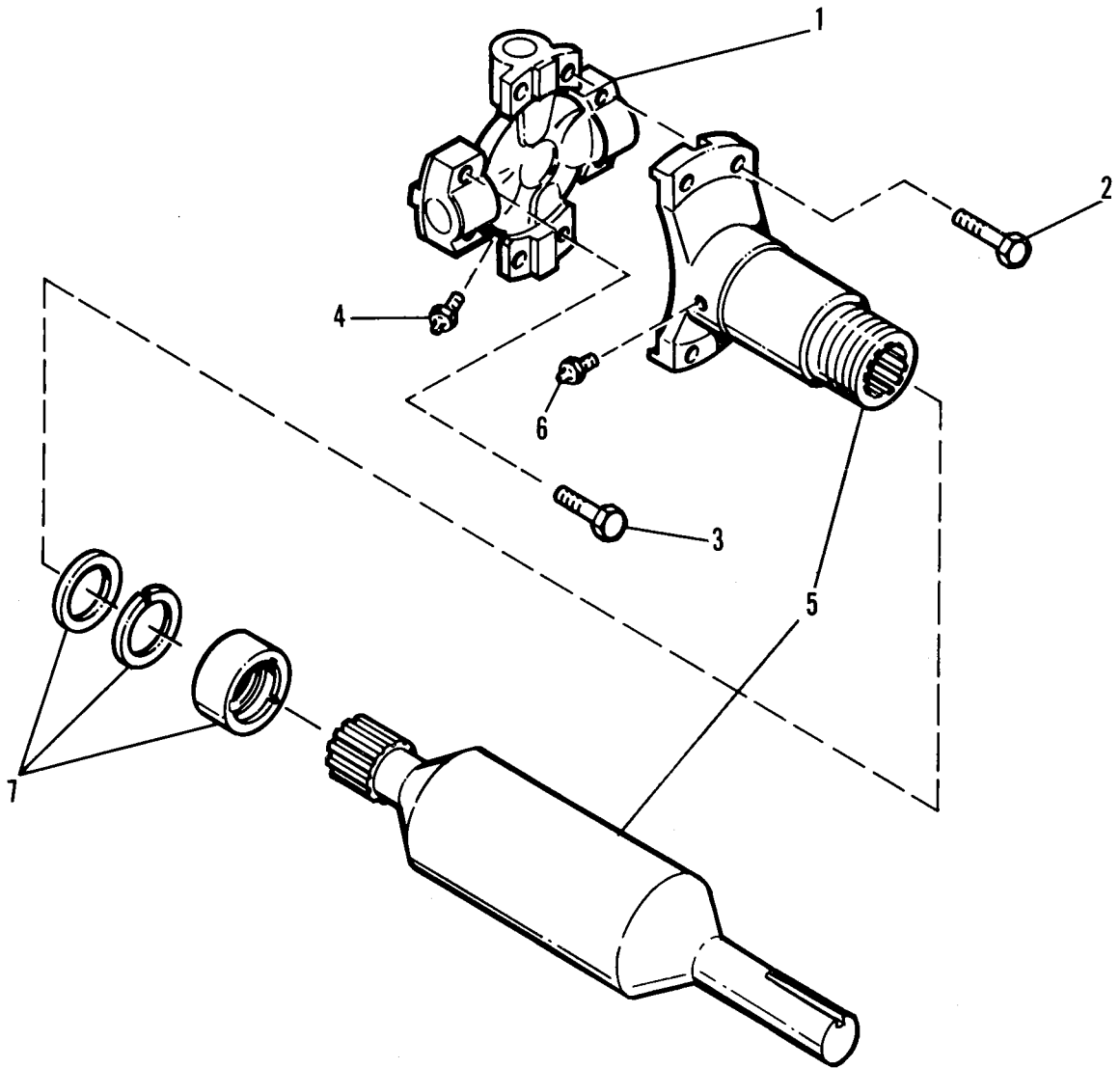
Index No.	Part Number	Description	Qty. Req'd.
1	CF40A4254	BRACKET, Support	1
2	CF4003259	CALIPER ASSEMBLY w/PADS	1
3	CFF2400775	PIN, Clevis	2
4	CFF1005024	CAPSCREW	4
5	CF40A1311	RETAINER, Pin	1
6	8102406	SERVICE KIT, Brake Pads	1

# FRONT & REAR DRIVE SHAFT



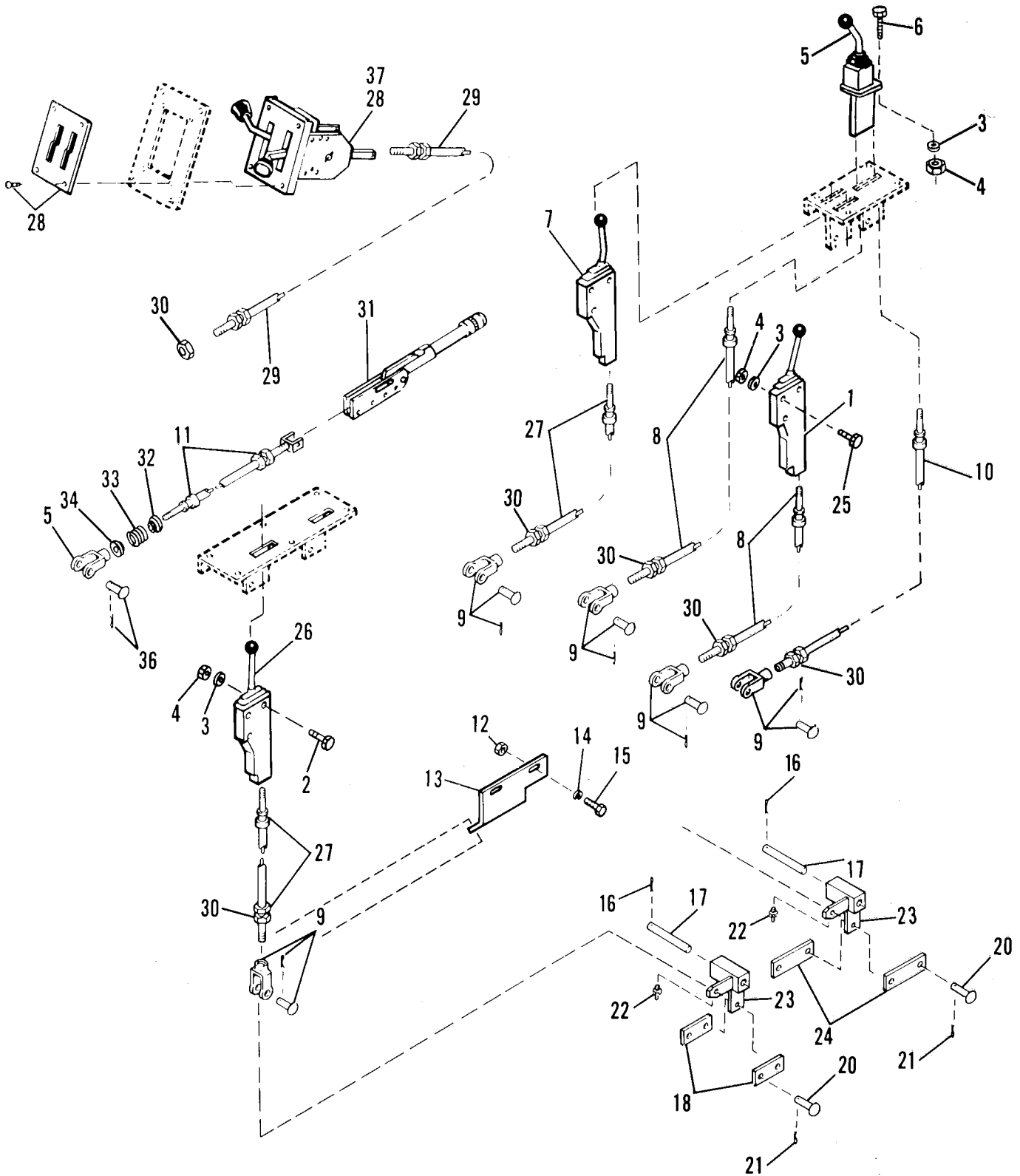
Index No.	Part Number	Description	Qty. Req'd.
-	7073802	FRONT, Drive Shaft Assembly	1
-	7077152	REAR, Drive Shaft Assembly	1
1	8880009	SPIDER & BEARING, Assembly (Includes Items 2, 3, & 4)	1
2		SCREW, Hex Hd., 3/8-24 NF x 1 GR. 5	8
3		SCREW, Hex Hd., 3/8-24 NF x 1-3/4 GR. 5	8
4	8520005	FITTING, Grease 1/4-28 Taper Thd.	2
5	8880211	SLIP YOKE & TUBE, Assembly (Front) (Includes Items 6 & 7)	1
5	*	SLIP YOKE & TUBE, Assembly (Rear) (Includes Items 6 & 7)	1
6	8520001	FITTING, Grease 1/8 NPT	1
7	8882005	KIT, Dust Cap	1

# TRANSMISSION DRIVE SHAFT



Index No.	Part Number	Description	Qty. Req'd.
-	7068832	TRANSMISSION, Drive Shaft Assembly	1
1	8880009	SPIDER & BEARING, Assembly	1
2		(includes Items 2, 3, & 4)	
2		SCREW, Hex Hd., $\frac{3}{8}$ - 24 NF x 1 GR. 5	4
3		SCREW, Hex Hd., $\frac{3}{8}$ - 24 NF x 1 $\frac{3}{4}$ GR. 5	4
4	8520005	FITTING, Grease $\frac{1}{4}$ - 28 Taper	1
5	8880209	SLIP YOKE & TUBE, Assembly	1
		(Includes Items 6 & 7)	
6	8520001	FITTING, Grease $\frac{1}{8}$ NPT	1
7	8882005	KIT, Dust Cap	1

# HAND CONTROLS GROUP WITH JOYSTICK

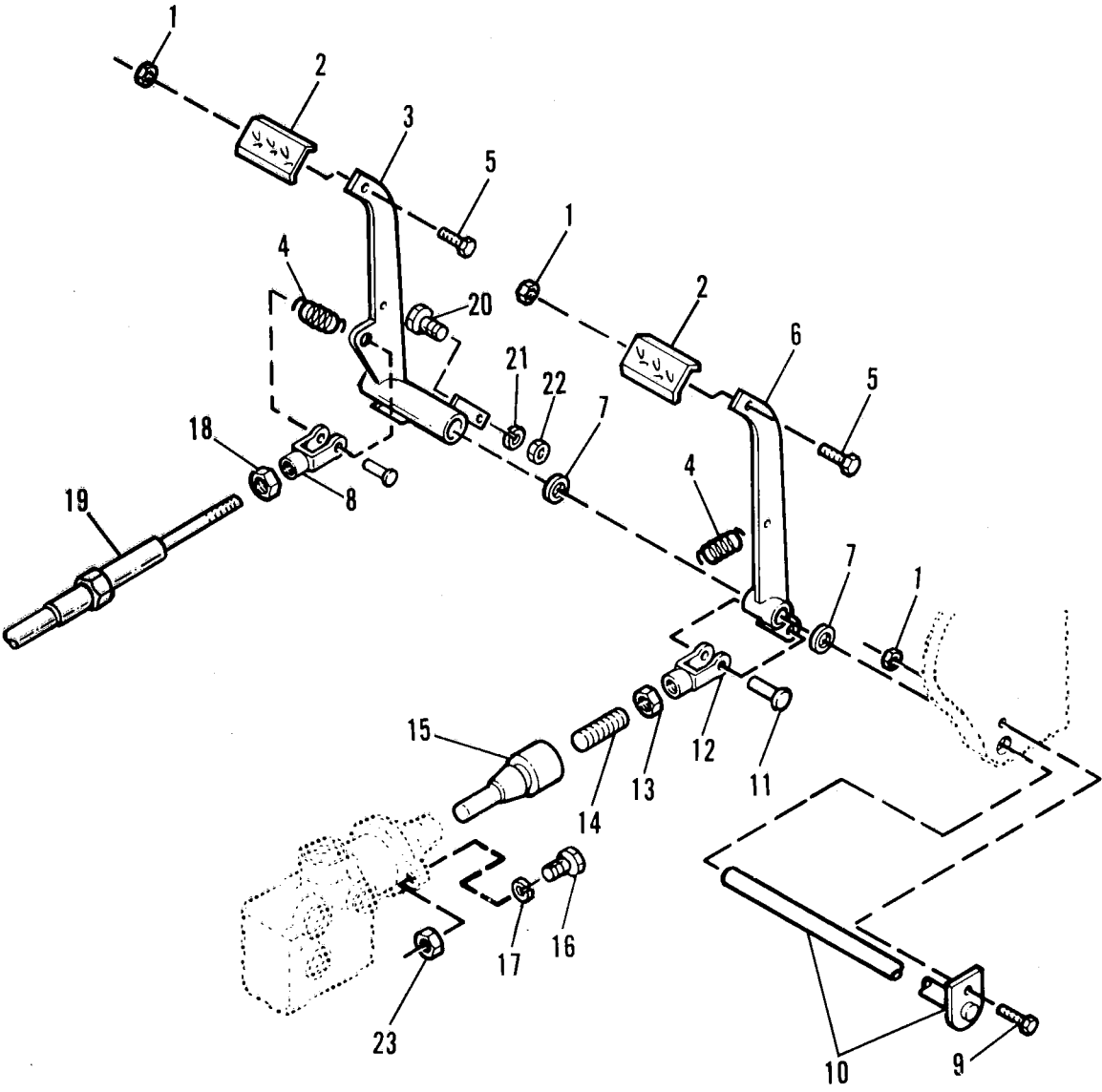


# HAND CONTROLS GROUP WITH JOYSTICK

Index No.	Part Number	Description	Qty. Req'd.
1	8160406	CARRIAGE TILT CONTROL	1
2		SCREW, Hex Hd., 1/4 - 20 x 2 1/2 GR.5	3
3		WASHER, Lock, 1/4	10
4		NUT, Hex, 1/4 - 20	10
5	7071353	BOOM EXTEND & HOIST CONTROL	1
6		SCREW, Hex Hd., 1/4 - 20 x 3/4 GR.5	4
7	7058722	FRAME TILT CONTROL	1
8	8160038	CABLE, Control	3
9	8301439	CLEVIS W/PIN & COTTER	6
10		CABLE, Control, Optional	1
11	7077003	CABLE, Control	1
12		NUT, Hex Lock, 3/8 - 16	2
13	7058392	BRACKET, Cable	1
14		WASHER, Lock, 3/8	2
15		SCREW, Hex Hd., 3/8 - 16 x 7/8 GR.5	2
16		PIN, Cotter, 3/32 x 1 1/2	2
17	7075911	PIN (Brass)	2
18	7057671	LINK	2
19	7057692	LEVER	1
20	8301443	PIN	5
21		PIN, Cotter, 1/6 x 1/2	5
22		FITTING, Grease, 1/4 - 28	2
23	7057702	LEVER	2
24	7057651	LINK	2
25		SCREW, Hex Hd., 1/4 - 20 x 4	3
26	8160404	STEER SELECT CONTROL	1
27	8160040	CABLE CONTROL	2
28	8160407	DUAL SHIFTER ASSEMBLY (ZF)	1
28	8160411	DUAL SHIFTER ASSEMBLY (Funk)	1
29	8160039	CABLE, Control (ZF)	2
29	8160042	CABLE, Control (Funk)	2
30		NUT, Jam 1/4 - 28	7
31	8162206	PARKING BRAKE LEVER ASSEMBLY	1
32	7070201	UPPER NUT	1
33	8702129	SPRING	1
34	7070211	LOWER NUT	1
35	8301004	CLEVIS	1
36	8301409	PIN & COTTER	1
*37	8223214	SWITCH, Neutral Start, Backup Alarm	1

\* Service Only

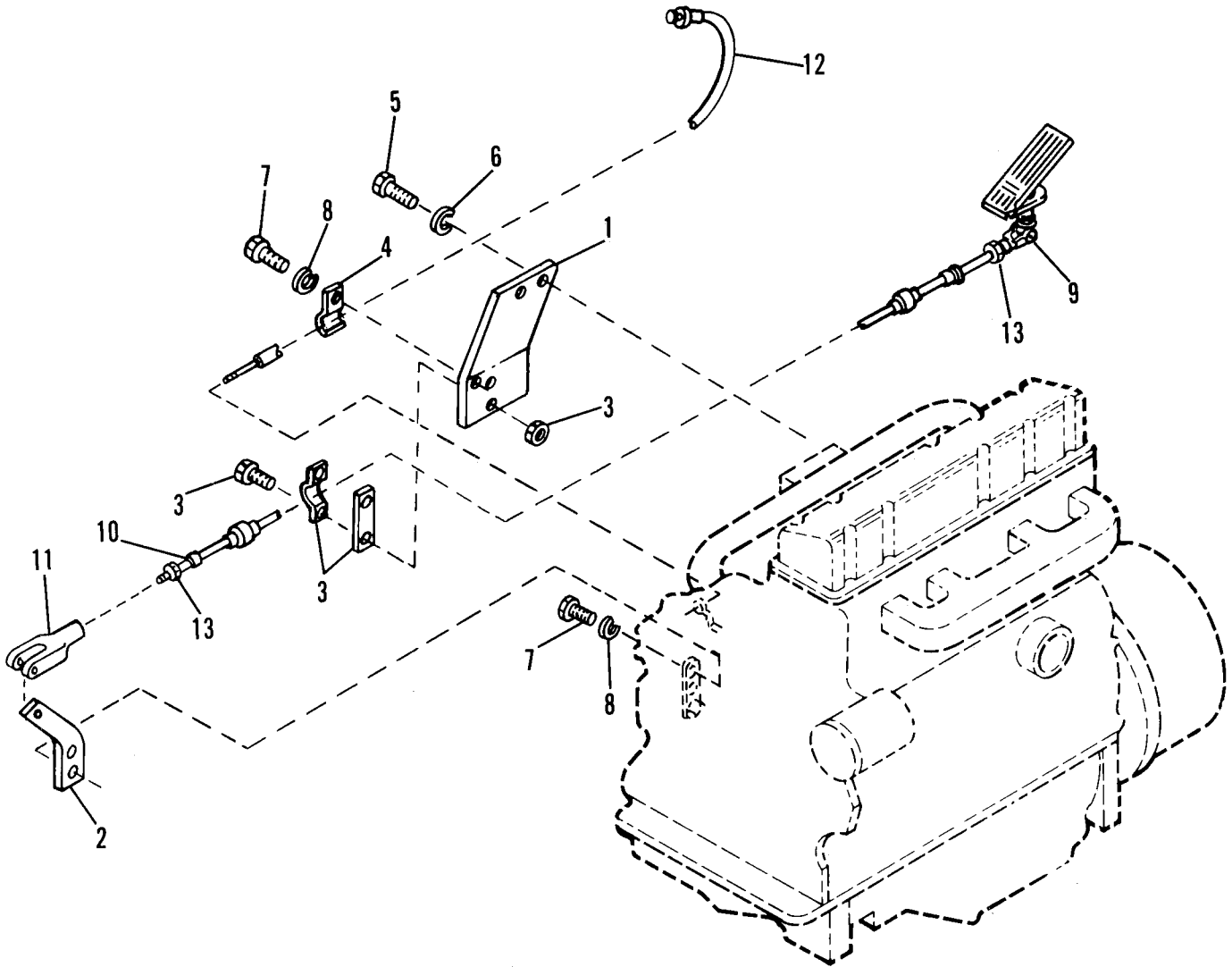
# BRAKE & INCHING PEDAL GROUP



# BRAKE & INCHING PEDAL GROUP

Index No.	Part Number	Description	Qty. Req'd.
1		NUT, Hex, 1/4 - 20	2
2	7062512	PEDAL, Pad	2
3	7068283	Pedal, Inching	1
4	8700110	SPRING, Return	2
5		SCREW, Hex Hd., 1/4 - 20 x 1-1/4 GR.5	2
6	7062573	PEDAL, Brake	1
7		WASHER, Flat 13/16	3
8	8301439	CLEVIS ASSEMBLY	1
9		SCREW, Hex Hd., 1/4-20 x 3/4 GR. 5	1
10	7062602	SHAFT	1
11	8301441	PIN, Clevis	1
12	8301014	YOKE	1
13		NUT, Jam 5/8 - 18	2
14	7062731	ROD	1
15	8102812	ROD, Push	1
16		SCREW, Hex Hd., 7/16 - 20 GR. 5	3
17		WASHER, Lock, 7/16	3
18		NUT, Jam 1/4 - 28	1
19	8160043	CABLE	1
20		SCREW, Hex, 1/2 - 13 x 1-3/4 GR. 5	1
21		WASHER, Lock 1/2	1
22		NUT, Hex, 1/2 - 13	1
23		NUT, Hex, 7/16 - 20	2

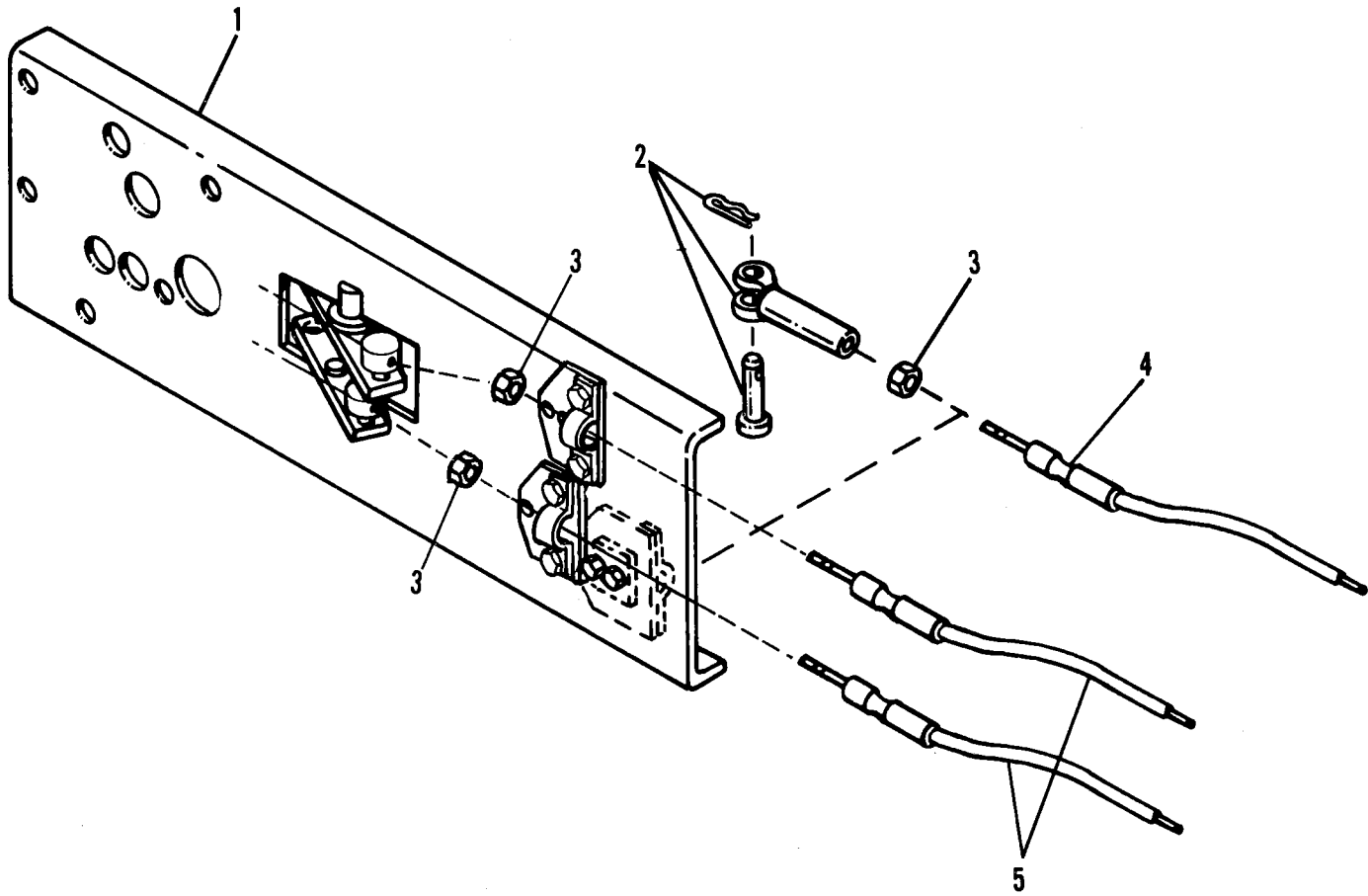
# THROTTLE CONTROL/FUEL SHUTDOWN CONTROL GROUP



Index No.	Part Number	Description	Qty. Req'd.
1	7057472	BRACKET, Throttle Cable	1
1	7069192	BRACKET, Throttle Cable (Turbo Diesel)	1
2	7068711	LEVER, Throttle	1
3	8160610	CLAMP, Cable	1
4	8160612	CLAMP, Cable	2
5		SCREW, $\frac{3}{8}$ - 16 x $\frac{3}{4}$ GR. 5	2
6		WASHER, Lock $\frac{3}{8}$	2
7		SCREW, # 10 - 24 x $\frac{1}{2}$	4
8		WASHER, #10 Lock	4
9	8162003	THROTTLE CONTROL ASSEMBLY	1
10	8160037	CABLE, Throttle Control	1
11	8301002	CLEVIS ASSEMBLY	1
12	7076992	CABLE, Fuel Shutdown	1
13		NUT, Hex Jam, $\frac{1}{4}$ - 28 NF	2

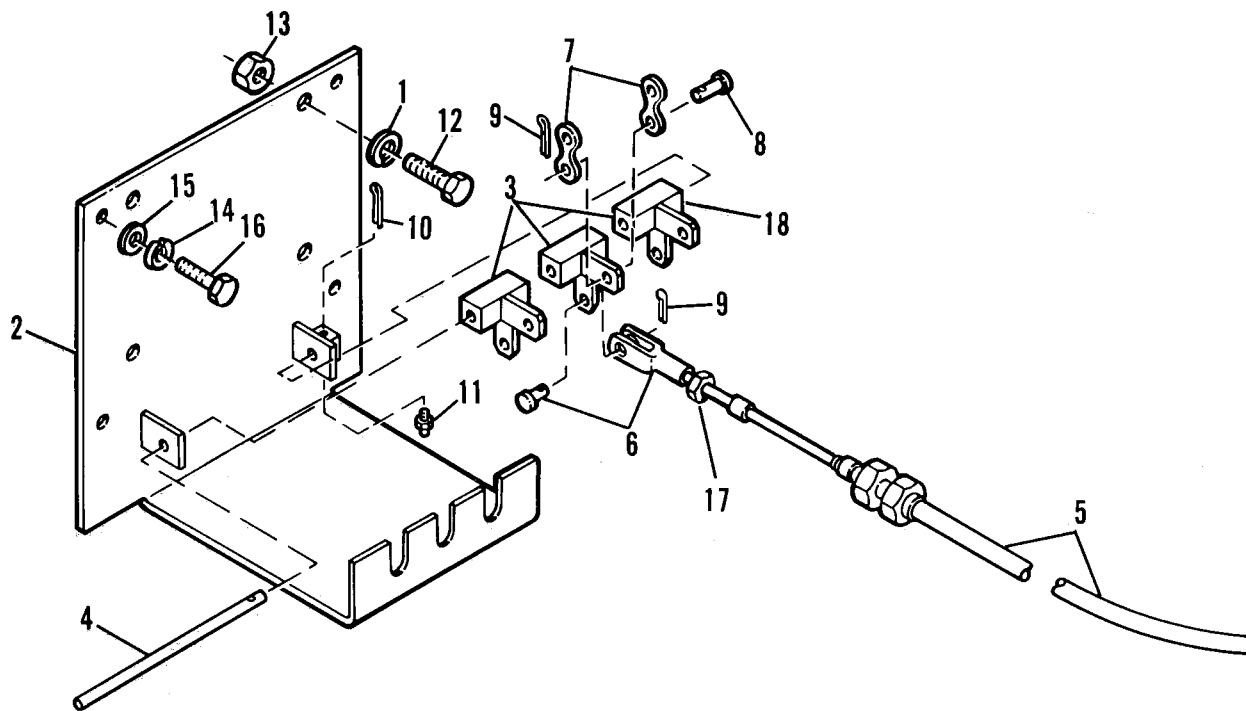


# TRANSMISSION SHIFT GROUP



Index No.	Part Number	Description	Qty. Req'd.
1	8160409	TRANSMISSION CONNECTOR ASSY.	1
2	8301439	CLEVIS ASSEMBLY	1
3		NUT, Jam 1/4 - 28	1
4	8160043	CABLE, Transmission	1
5	8160042	CABLE, Transmission	2

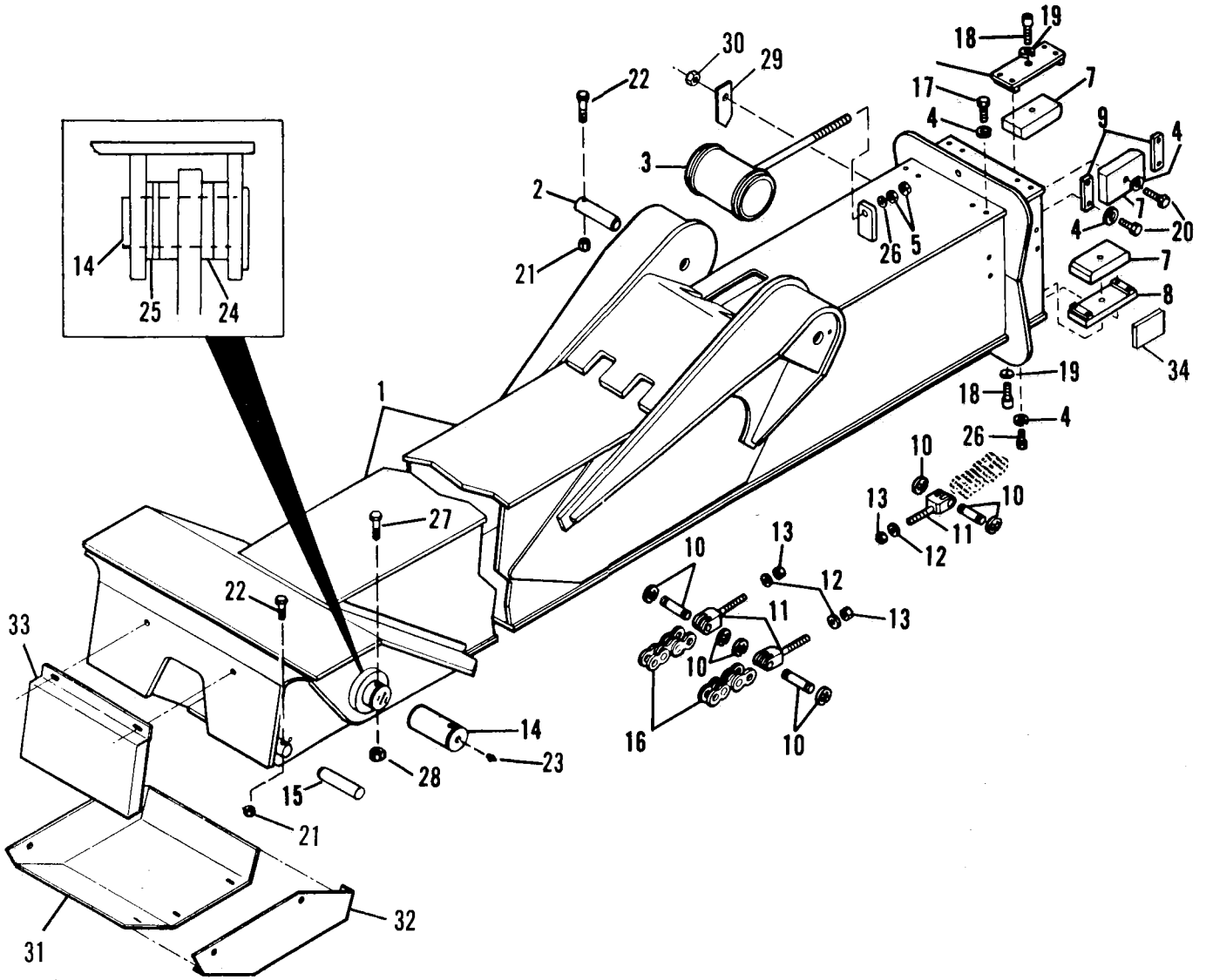
# MAIN VALVE MOUNTING GROUP



Index No.	Part Number	Description	Qty. Req'd.
1		WASHER, Lock ½	4
2	7054183	BRACKET, Valve	1
2	7078812	BRACKET, Valve (New)	1
3	7073192	LEVER	3
4	7054041	PIN, Brass	1
5	8160038	CABLE, Control	3
6	8301439	CLEVIS, w/pin	3
7	8121007	LINK, Side bar	6
8	8301442	PIN, Clevis, 5/16 x 7/8	6
9	8302470	PIN, Hair Cotter	6
10		PIN, Cotter, 1/8 x 1 1/4	1
11	8520005	FITTING, Grease	3
12		SCREW, Hex Hd., 1/2 - 13 x 1 3/4 GR.5	4
13		NUT, Hex, 1/2 - 13	4
14		WASHER, Lock 3/8	4
15		WASHERS, Flat 3/8	4
16		SCREW, Hex Hd., 3/8 - 18 x 1 3/4	4
17		NUT, Jam 1/4 - 28 NF	3
18	8065058	OILITE, Bushing	6



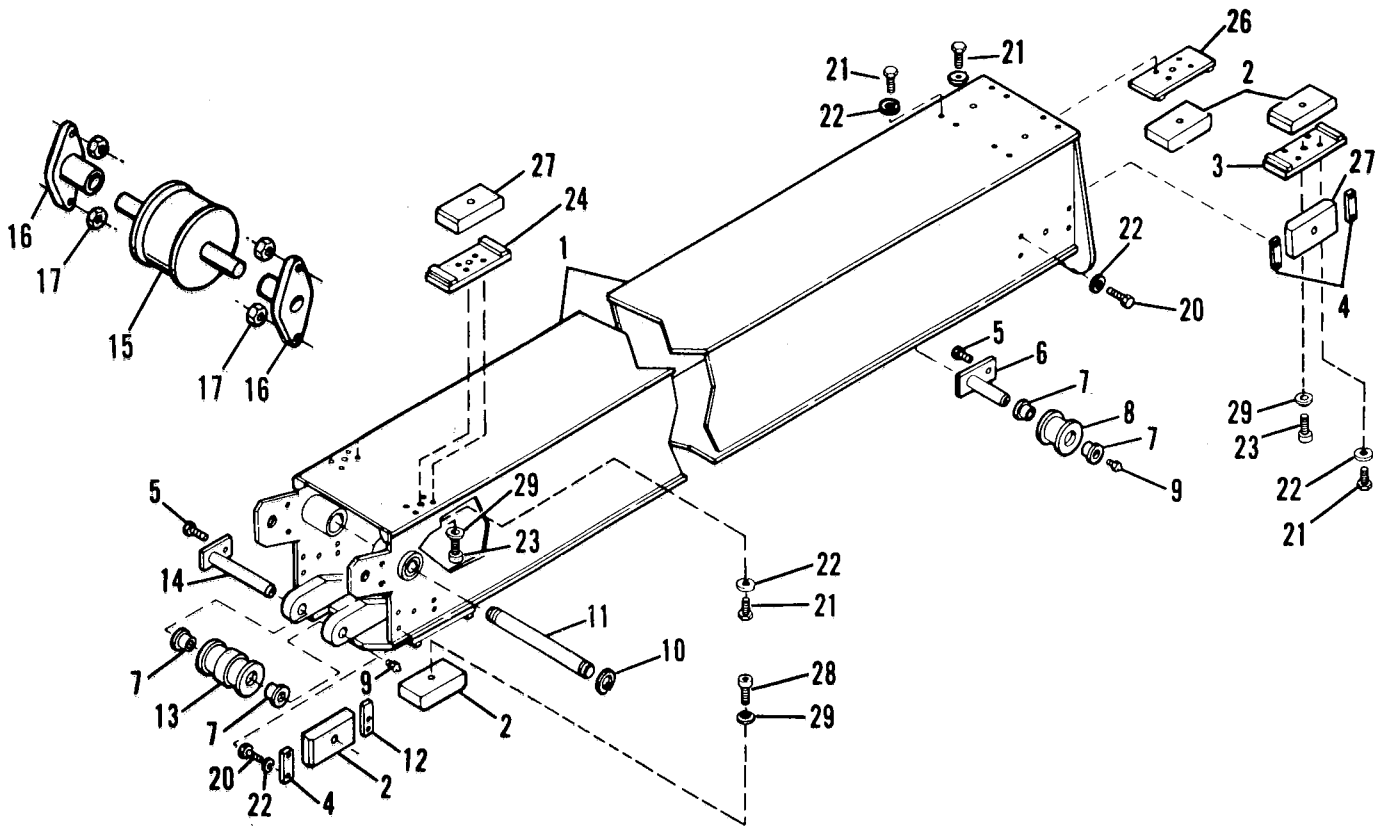
# OUTER BOOM GROUP



# OUTER BOOM GROUP

Index No.	Part Number	Description	Qty. Req'd.
1	7074545	OUTER BOOM ASSEMBLY	1
2	7075651	PIN, Boom Hoist Cylinder	2
3	7065582	ADJUSTING ROD	1
4		WASHER, Lock, 3/8	26
5		NUT, Hex, 1/2 - 13	2
6	7065462	BRACKET, Pad	2
7	7065482	WEAR PAD ASSEMBLY	6
8	7065472	BRACKET, Pad	2
9	7065501	FLAT	4
10	8124126	PIN, w/ snap rings	3
11	7063472	CLEVIS, Chain	3
12		WASHER, 3/4	3
13	8305646	NUT, Hex, 3/4 - 16, ESNA Lock	3
14	7075622	PIN, Boom Pivot	2
15	7075661	PIN, Slave Cylinder	2
16	8127002	CHAIN	2
17		SCREW, Hex Hd., 3/8 - 16 x 1 1/4 GR.5	8
18		SCREW, Socket Hd., 3/8 - 16 x 1 1/4 GR.5	4
19		WASHER, Hi-Collar, 3/8	2
20		SCREW, Hex Hd., 3/8 - 16 x 5/8 GR.5	10
21		NUT, Lock 3/8 - 16	4
22		SCREW, Hex Hd., 3/8 - 16 x 2 3/4 GR.5	4
23		GREASE FITTING 1/8 NPT	2
24	7056051	SPACER	2
25	7072041	SPACER	4
26		WASHER, Flat, 1/2	1
27		SCREW, Hex Hd., 5/8 - 11 x 4 1/2 GR.5	2
28		NUT, Lock 5/8 - 11	2
29	7075611	POINTER, Boom Angle	As Req'd
30	8305647	NUT, Lock 7/16 - 14	As Req'd
31	7058693	BOTTOM COVER	As Req'd
32	7058703	SIDE COVER	As Req'd
33	7059943	TOP COVER	As Req'd
34	7730000-0030	PAD RETAINER, (Service Only)	4

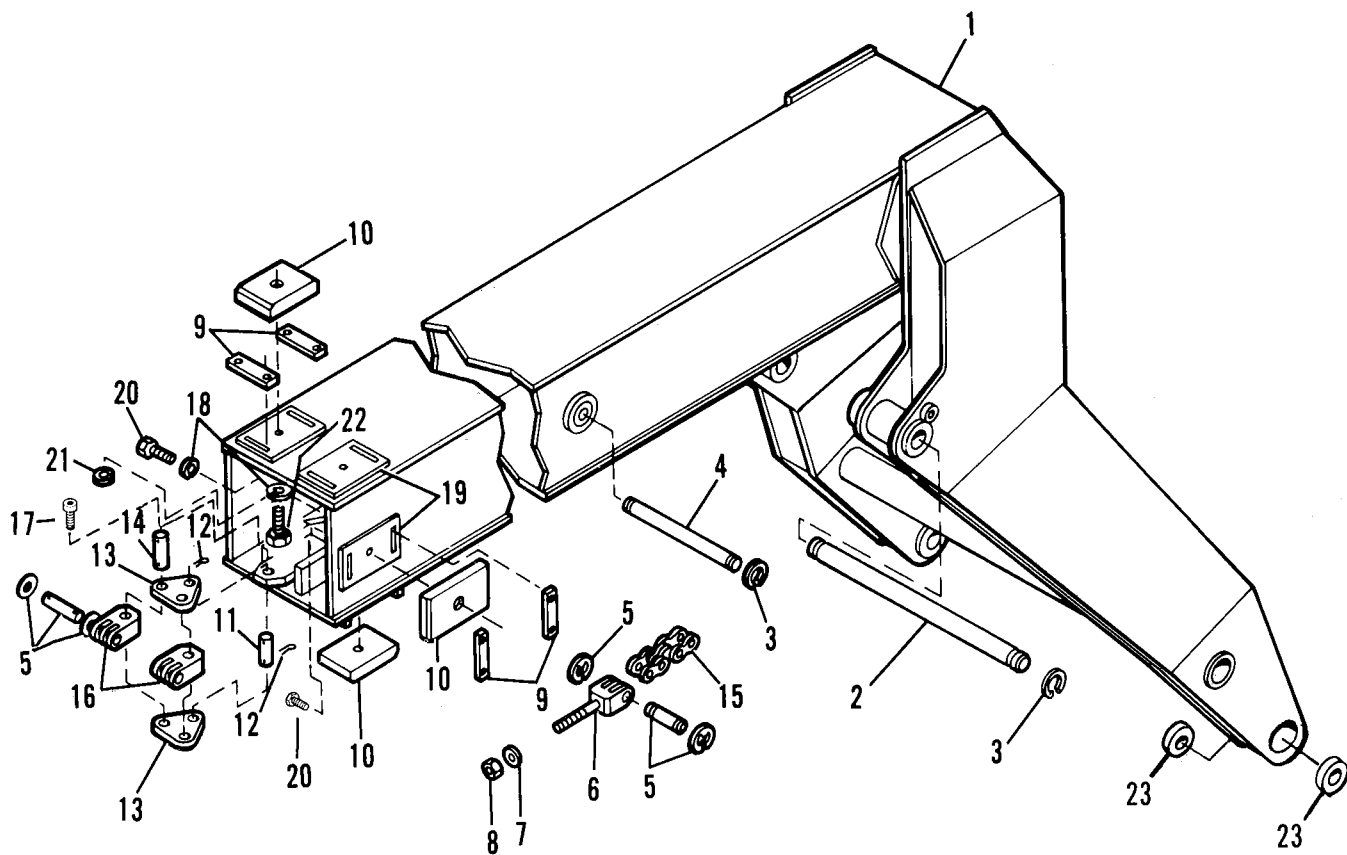
# INTERMEDIATE - BOOM GROUP



# INTERMEDIATE - BOOM GROUP

Index No.	Part Number	Description	Qty. Req'd.
1	7074484	INTERMEDIATE BOOM ASSEMBLY	1
2	7065482	PAD, Wear	8
3	7065452	PAD, Bracket	2
4	7065501	FLAT	6
5		SCREW, Hex Hd., 1/2 - 13 x 1 GR.5	2
6	7063422	PIN	1
7	5906392	BUSHING, Flange	4
8	7063462	SHEAVE	1
9		FITTING, Grease, 1/8 NPT 90°	2
10	8642234	RING, Snap	2
11	7063912	SHAFT	1
12	7052001	FLAT	2
13	7063452	SHEAVE	1
14	7063432	PIN	1
15	7076892	PULLEY	1
16	8065213	BUSHING, Flange Mtg.	2
17	8305626	NUT, Lock 5/16 - 18 ESNA	4
20		SCREW, Hex Hd., 3/8 - 16 x 3/4	20
21		SCREW, Hex Hd., 3/8 - 16 x 1	26
22		WASHER, Lock, 3/8	40
23		SCREW, Socket Hd., 3/8 - 16 x 3/4	4
24	7072442	PAD, Bracket	2
26	7058542	PAD, Bracket	2
27	7072452	PAD, Wear	4
28		SCREW, Socket Hd., 3/8 - 16 x 1	2
29		WASHER, Hi-Collar, 3/8	6
30	7065442	SHIM 1/16 in.	As Req'd
31	7065432	SHIM 1/8 in.	As Req'd
*	7077952	ADAPTER, Hose Reel (Service Only)	2

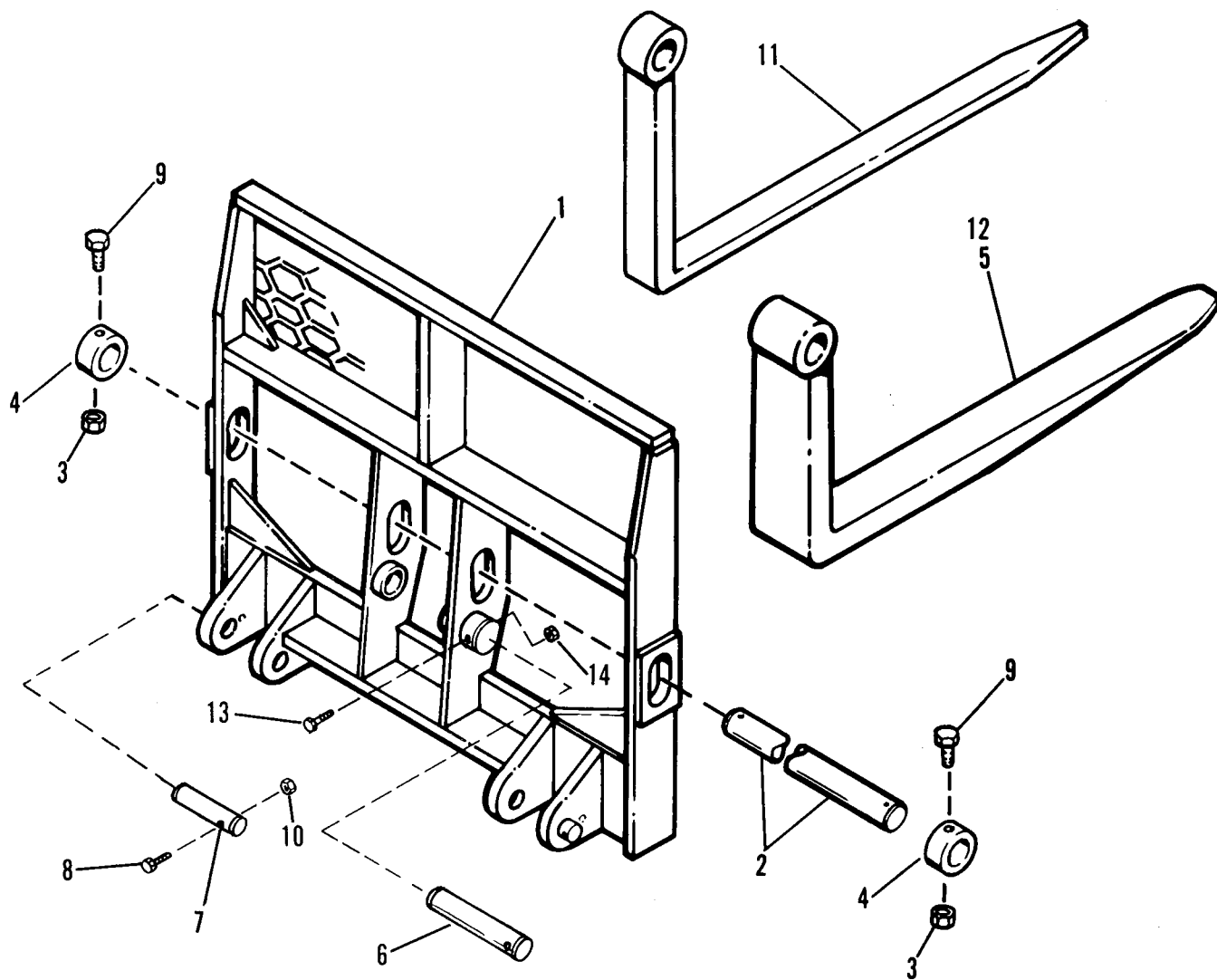
# INNER BOOM GROUP



Index No.	Part Number	Description	Qty. Req'd.
1	7074375	INNER BOOM GOOSENECK ASSY.	1
2	7063352	PIN, Tilt Cyl.	1
3	8642234	RING, Snap	4
4	7063922	PIN, Extend Cylinder	1
5	8124126	PIN, W/Snap Rings	3
6	7063472	CLEVIS	1
7		WASHER, 3/4	1
8	8305646	NUT, Hex 3/4 - 16, ESNA Lock	1
9	7065501	FLAT	8
10	7065482	WEAR PAD ASSY.	6
11	7065831	PIN	1
12	8302472	PIN, Cotter 5/32 x 1 3/4 Hardened	6
13	7063442	YOKE	2
14	7065821	PIN	2
15	8127002	CHAIN	1
16	7063482	CLEVIS	2
17		SCREW, Socket Hd., 3/8 - 16 x 3/4 GR.5	2
18		WASHER, Lock, 3/8	20
19	7065442	SHIM 1/16 in.	As Req'd
20		SCREW, Hex Hd., 3/8 - 16 x 3/4 GR.5	10
21		WASHER, Hi-Collar 3/8	2
22		SCREW, Hex Hd., 3/8 - 16 x 1" GR.5	10
23	7077222	BUSHING	4
24	7065432	SHIM 1/8 in.	As Req'd

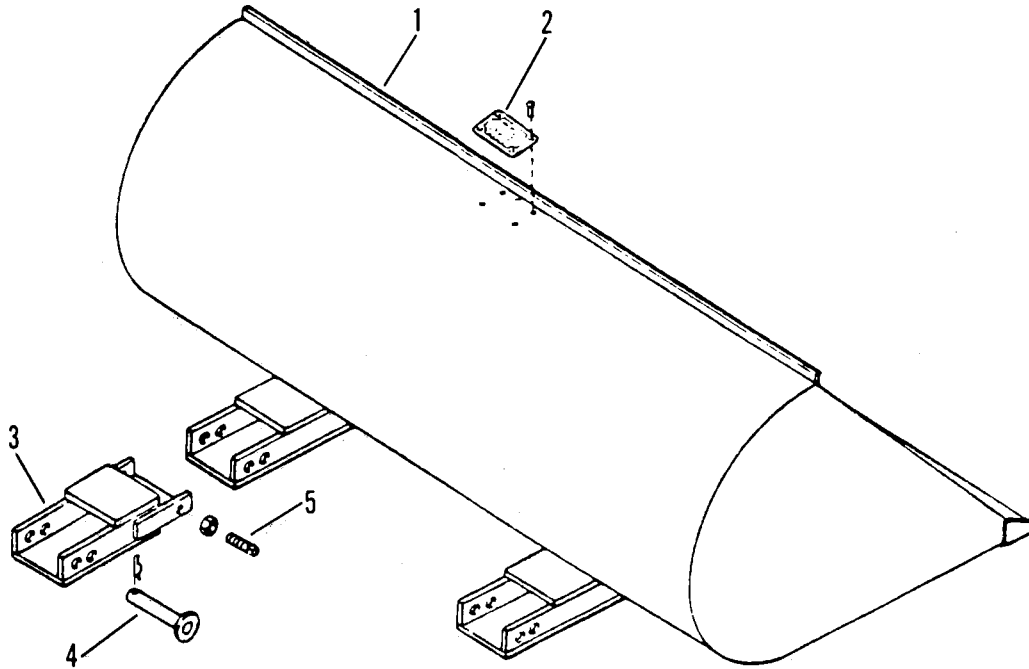


# CARRIAGE GROUP



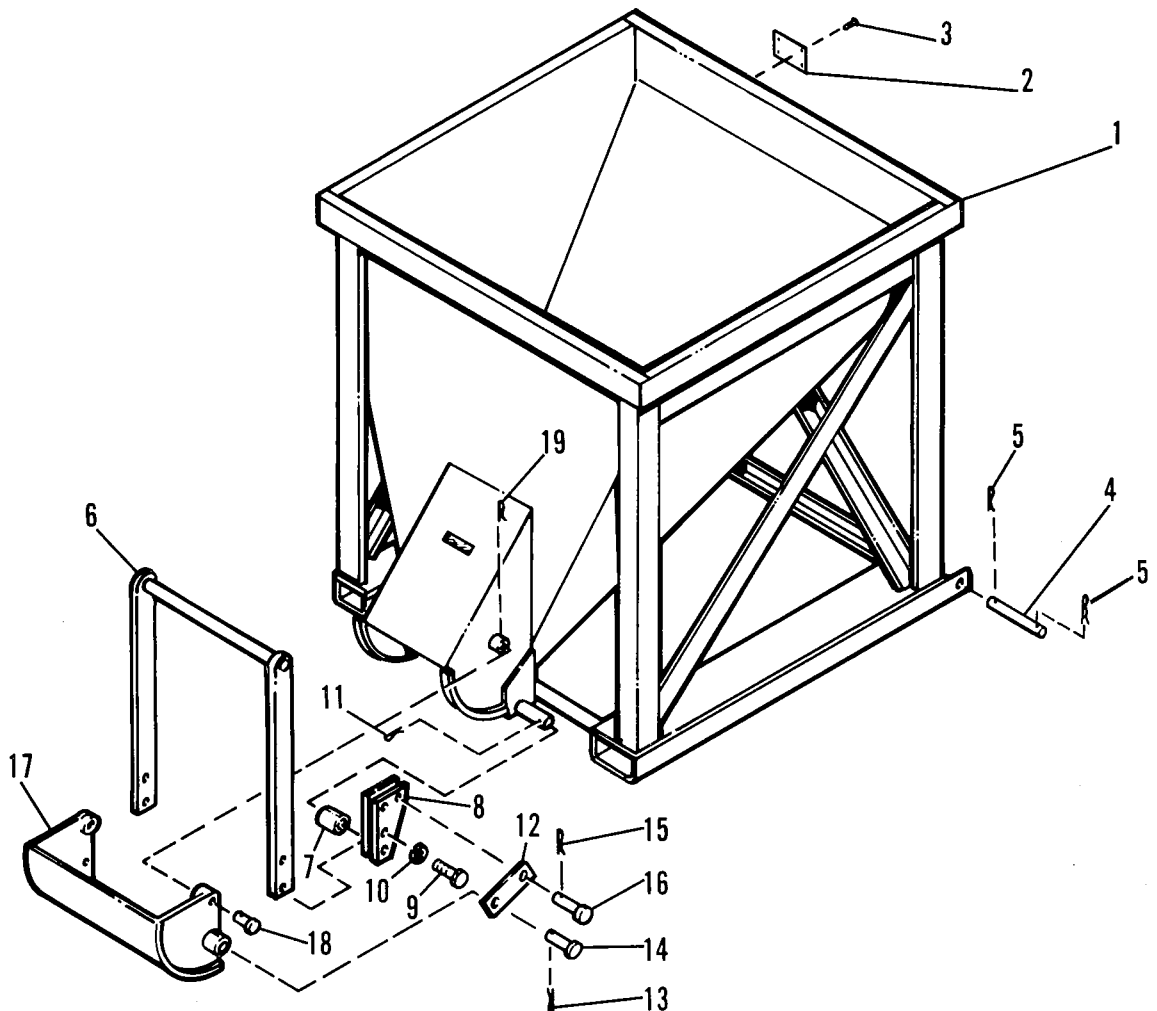
Index No.	Part Number	Description	Qty. Req'd.
1	7070804	CARRIAGE 48"	1
1	7050024	CARRIAGE 72"	1
1	7071164	CARRIAGE 60"	1
2	7075962	SHAFT, Fork Pivot 72"	1
2	7075952	SHAFT, Fork Pivot 60"	1
2	7075942	SHAFT, Fork Pivot 48"	1
3		NUT, Lock ½ - 13 ESNA	2
4	7075871	COLLAR	1
5	7069093	FORK ASSEMBLY, 48"	2
6	7075671	PIN, Grille Tilt Cylinder	1
7	7075661	PIN, Carriage Pivot	2
8		SCREW, Hex Hd., ⅜ - 16 x 2¼ GR. 5	2
9		SCREW, Hex Hd., ½ NC - 13 x 5 GR. 5	1
10		NUT, Lock ⅝ UNC ESNA	2
11	7070623	BLOCKING FORK ASSEMBLY	6
12	7077333	FORK ASSEMBLY 60" Full Taper	2
13		SCREW, Hex Hd., ½ - 13 x 3½ GR.5	1

# UTILITY BUCKET (Optional)



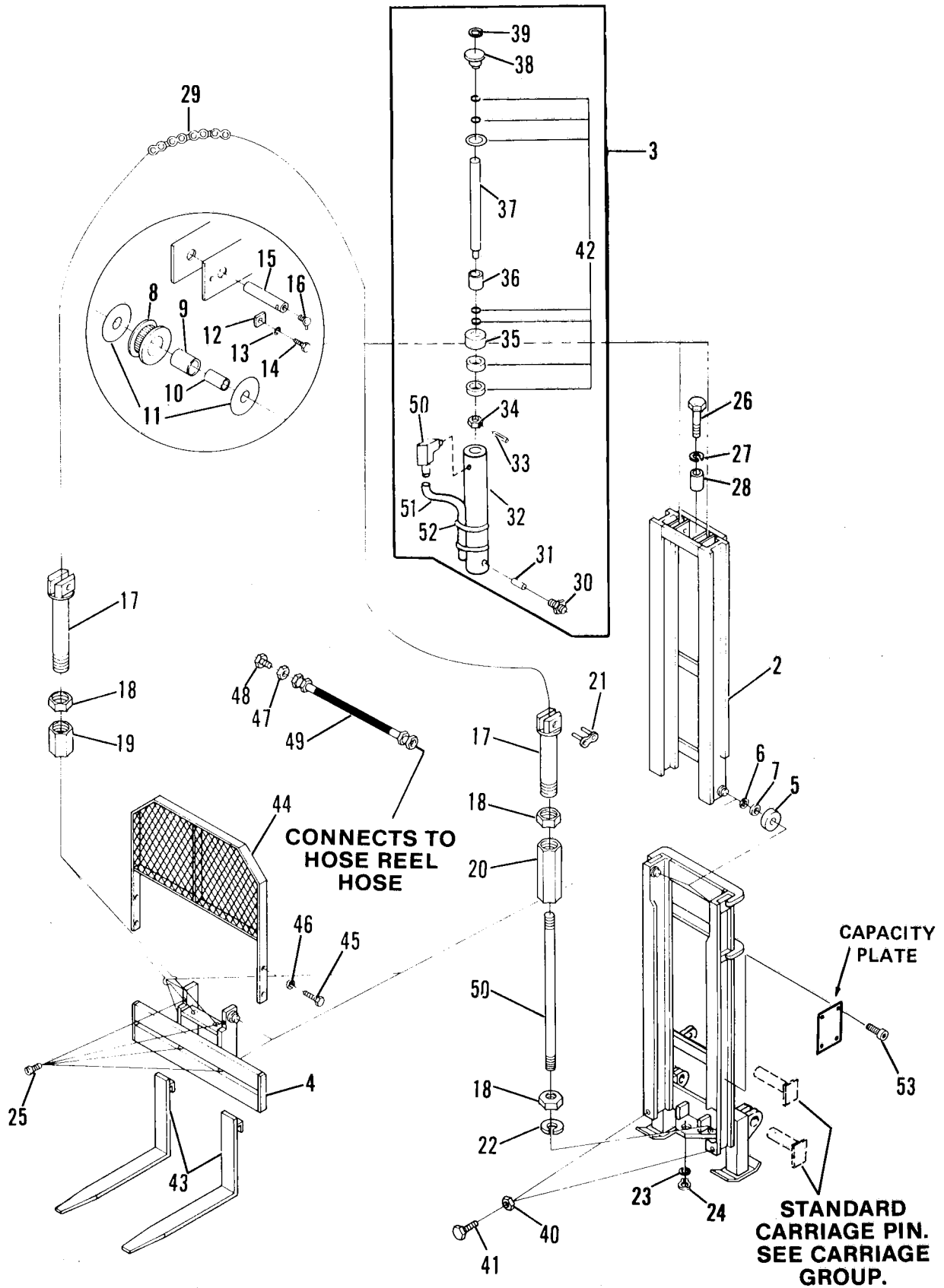
Index No.	Part Number	Description	Qty. Req'd.
1	7006104	BUCKET, Rubbish	1
2	4101991	PLATE, Capacity	1
	-----	SCREW, Tapping, No. 6 x 1/4	4
3	7006162	ADAPTER (Used with 48" forks only)	2
4	7037111	PIN, One hole	2
	8302446	PIN, Hair cotter	2
5	8304464	SCREW, Set, 3/4-10 x 2	4
	8305017	NUT, Hex, 3/4-10	4

# ONE YARD CONCRETE HOPPER (OPTIONAL)



Item No.	Part Number	Description	Qty. Req'd
1	7019814	HOPPER	1
2	4101991	PLATE, Capacity	1
3		SCREW, Tapping #6 x ¼	4
4	7006721	PIN, Retaining	2
5	8302446	PIN, Hair Cotter	4
6	7006343	LEVER, Gate	1
7	7006531	TUBE	2
8	7006472	PIVOT	2
9		SCREW, Cap ⅜-16 x ¾	4
10		WASHER, Lock ⅜	4
11	8302418	PIN, Cotter 3/16 x 1½	2
12	7006441	LINK	2
13	8301413	PIN, Clevis ⅝ x 1¼	2
14	8302407	PIN, Cotter ⅜ x 1¼	2
15	8301428	PIN, Clevis ⅝ x 1½	2
16	8302407	PIN, Cotter ⅜ x 1¼	2
17	7006413	CHUTE	1
18	8301434	PIN, Clevis 1 x 2½	2
19	8302428	PIN, Cotter ¼ x 2	2

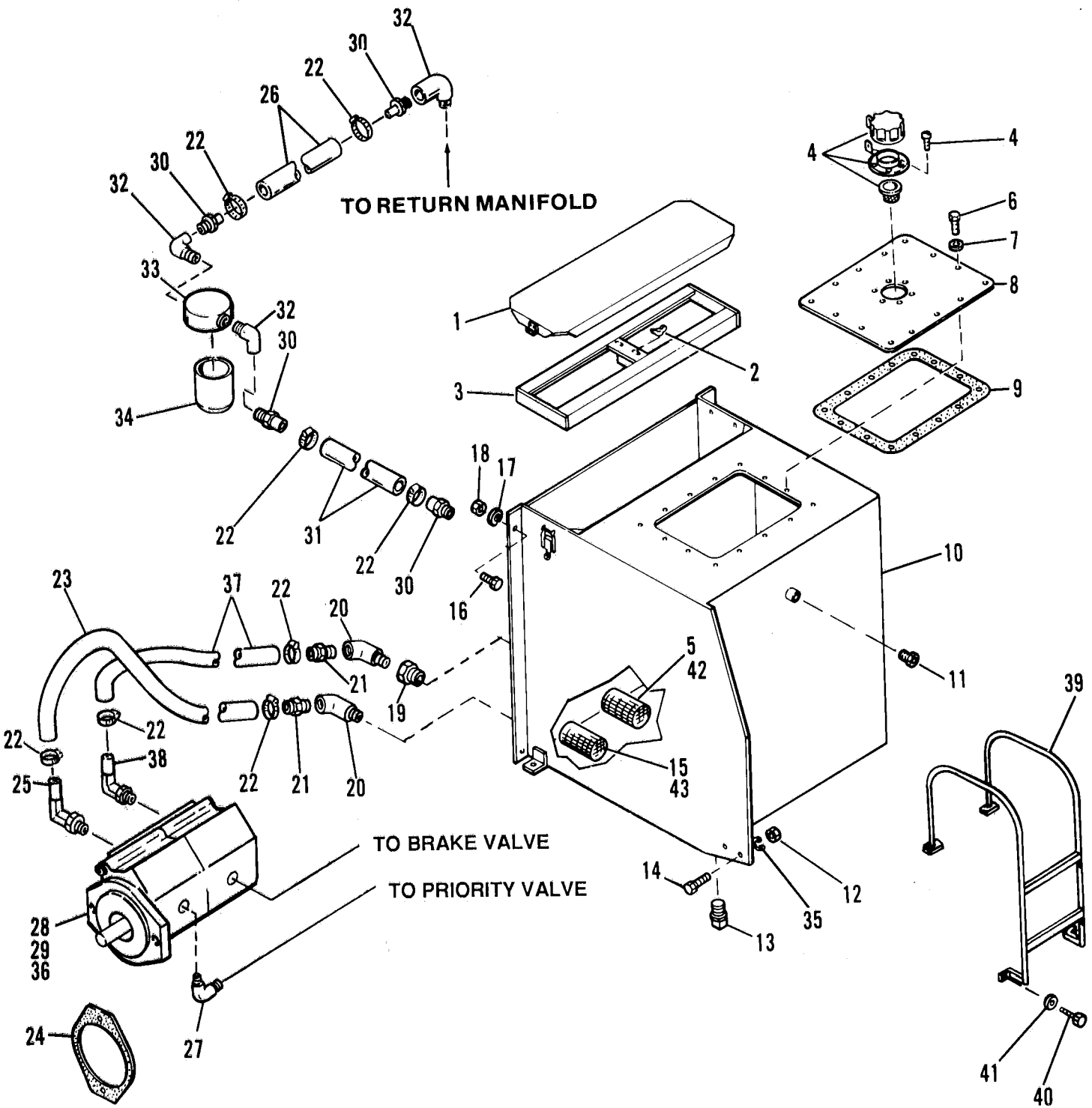
# 10 FT. MAST EXTENSION (Optional)



# 10 FT. MAST EXTENSION (Optional)

Index No.	Part Number	Description	Qty. Req'd.
1		RAIL ASSEMBLY, Outer	1
2	8381115	RAIL ASSEMBLY, Inner	1
3	8381116	CYLINDER ASSEMBLY	1
4	8381144	CARRIAGE ASSEMBLY	1
5	8381117	ROLLER, Load	8
6	8381118	SHIM, .030	AR
7	8381119	SHIM, .060	AR
8	8381120	WHEEL, Chain	2
9	8381121	BEARING ASSEMBLY	2
10	8381122	RACE, Inner	2
11	8381123	WASHER	4
12	8381124	LOCK, Shaft	2
13	8381125	WASHER, Lock	2
14	8381126	SCREW, Cap	2
15	8381127	SHAFT, Chain Wheel	2
16	8381128	FITTING, Grease	2
17	8381129	END, Rod	4
18	8381130	NUT, Jam	6
19	8381131	NUT, Lock	2
20	8381132	NUT, Turnbuckle	2
21	8381133	LINK SET, Master	4
22	8381134	WASHER, Lock	1
23	8381135	WASHER	1
24	8381136	RING, Retaining	1
25	8381137	FOLLOWER, Cam	4
26	8381138	BOLT, Hex head, grade 5	1
27	8381139	WASHER, Lock	1
28	8381140	BUSHING	1
29	8381141	CHAIN	2
30	8769108	FITTING	1
31	8205474	REGULATOR, Flow	1
32	8205475	TUBE, Cylinder	1
33	8205476	PIN	1
34	8205477	NUT	1
35	8205478	PISTON	1
36	8205479	SPACER	1
37	8205480	ROD, Piston	1
38	8205481	CAP	1
39	8205482	RING, Retaining	1
40	8381142	NUT, Spacer	2
41	8381143	BOLT, Hex head	2
42	8205638	REPAIR KIT, Cylinder	1
43	8381011	FORK, 48"	2
44	7048663	BACKREST, Load	1
45	8303682	SCREW, Hex head	4
46	8307009	WASHER, Lock	4
47	8760407	NUT, Tube	1
48	8760458	REDUCER, Adapter	1
49	2704502	HOSE ASSEMBLY, 3/8" I.D.	1
—	4105681	PLATE, Capacity	1
—	4104551	DECAL, Oper. Inst.	1
50	8424213	ELBOW	1
51	8582005-0680	TUBE, 3/8" I.D. - 68" L	1
52	8584002	TIE	4
53	8305870	SCREEN Self Tap #6 Type U	4

# RESERVOIR & PUMP GROUP



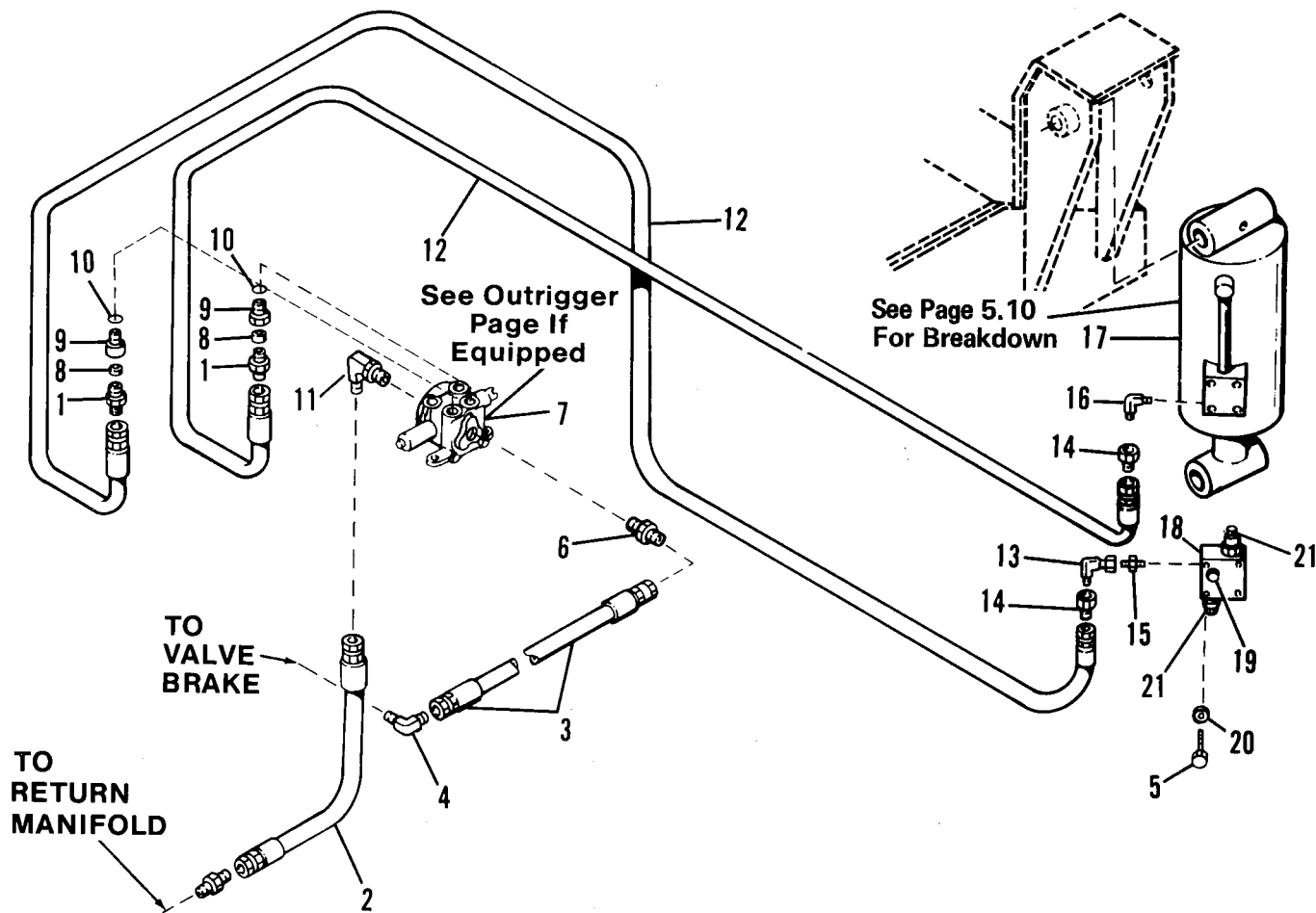
# RESERVOIR & PUMP GROUP

Index No.	Part Number	Description	Qty. Req'd.
1	7060982	COVER, Battery	1
2		NUT, 3/8 - 16	2
3	7046352	BRACKET, Battery Hold	1
4	8322022	FILLER CAP ASSEMBLY	1
5	8324010	STRAINER, 1 1/2	1
6		SCREW, Hex Hd., 5/16-18 x 1 GR.5	14
7		WASHER, Lock, 5/16	14
8	7070411	COVER, Reservoir	1
9	7024061	GASKET, Cover	1
10	7060734	RESERVOIR, Hydraulic	1
11	8464009	GAUGE, Sight	1
12		NUT, Hex Lock, 3/8 - 18	2
13	8541421	PLUG, Drain	1
14		SCREW, Hex Hd., 5/16 - 18 x 1	2
15	8324012	STRAINER	1
16		SCREW, Hex Hd., 5/8 - 11 NC x 1 3/4 GR.5	4
17		WASHER, Lock, 5/8	3
18		NUT, Hex 5/8 - 11 NC	3
19	8541045	BUSHING, Reducer, 1 1/2 - 1 1/4	1
20	8541225	ELBOW, Street, 45°	2
21	8424008	CONNECTOR, 1 1/4	2
22	8405103	CLAMP, Hose	8
23	8401404-0340	HOSE ASSEMBLY (Funk)	1
23	8401404-0370	HOSE ASSEMBLY (ZF)	1
24	7054902	GASKET, Pump	1
25	8424207	ELBOW, 90°, Str. Thd.	1
26	8401003-0240	HOSE ASSEMBLY	1
27	8760309	ELBOW	1
28	8449116	KIT, Seal	1
29	8440206	PUMP ASSEMBLY, (Funk)	1
30	8424006	CONNECTOR, 1 1/2	4
31	8401003-0520	HOSE ASSEMBLY	1
32	8541231	ELBOW, Street	3
33	8320230	HOUSING, Filter	1
34	8320231	ELEMENT, Filter	1
35		WASHER, Lock 3/8	2
36	8449117	REPAIR KIT	1
37	8401014-0370	HOSE	1
38	8420230	ELBOW, 90° Str. Thd.	1
39	7070264	LADDER, Boarding	1
40		SCREW, Hex Hd., 3/8 - 16 x 1 GR.5	4
41		WASHER, Lock, 3/8	4
42	8551701	NIPPLE, Closed 1 1/2"	1
43	8551632	NIPPLE, Closed 1 1/4"	1



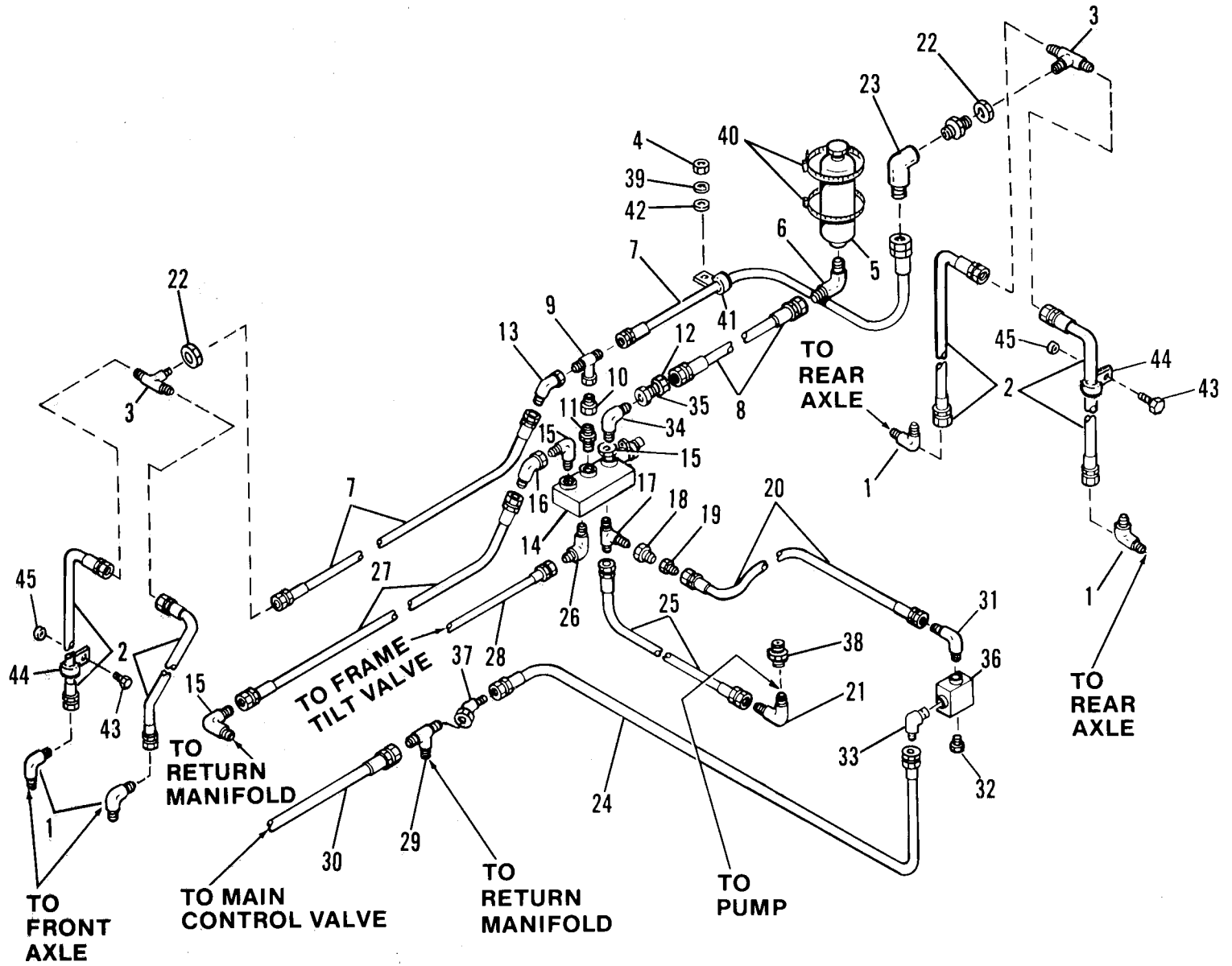


# FRAME TILT PIPING



Index No.	Part Number	Description	Qty. Req'd.
1	7072051	CONNECTOR	2
2	2703482	HOSE ASSEMBLY	1
3	2710692	HOSE ASSEMBLY	1
4	8760325	ELBOW, Reducer	1
5		SCREW, Hex Hd., 5/16 - 11 x 2 GR. 5	4
6	8760112	REDUCER	1
7	8902085	VALVE, Frame Tilt	1
7	8902103	HYDRAULIC ACTUATED	1
8	8902481	RESTRICTOR, Flow	2
9	8902480	PLUG, Flow	2
10	8640025	O-RING	2
11	8760304	ELBOW	1
12	2710752	HOSE ASSEMBLY	2
13	8765204	ELBOW	1
14	8760494	REDUCER	2
15	8760108	REDUCER	1
16	8760203	ELBOW	1
17	2710893	CYLINDER, Frame Tilt	1
18	2709713	VALVE, Counterbalance	1
19	8760419	PLUG	1
20		WASHER, Lock, 5/16	4
21	8902473	CARTRIDGE, Counterbalance Valve	2

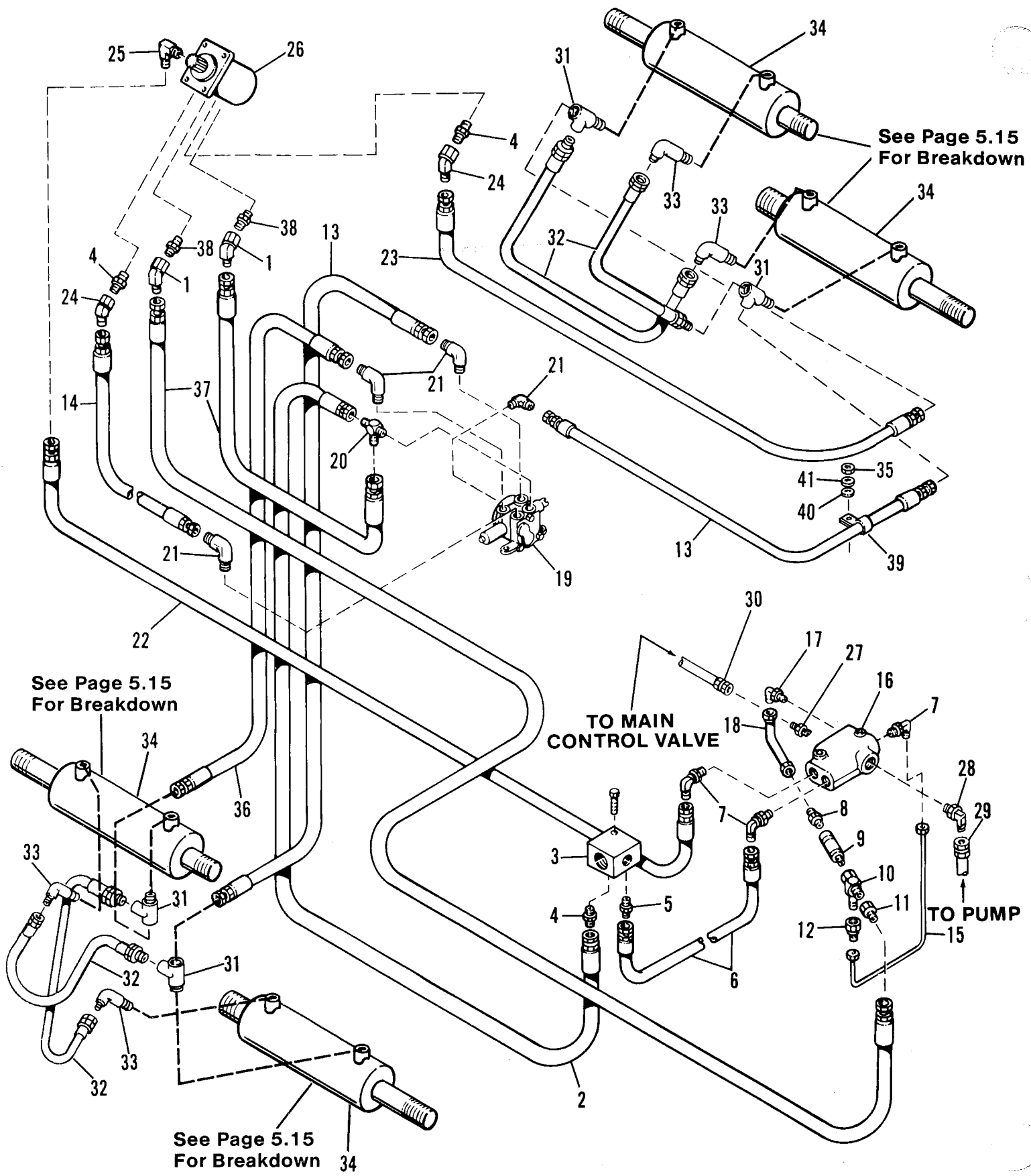
# BRAKE PIPING



# BRAKE PIPING

Index No.	Part Number	Description	Qty. Req'd.
1	8760347	ELBOW, 90° 5/16 SAE - 1/4 JIC	4
2	2711052	HOSE ASSEMBLY	4
3	8760455	TEE	2
4		NUT, Hex., 3/8	1
5	8742005	ACCUMULATOR	1
6	8760303	ELBOW	1
7	2710672	HOSE ASSEMBLY	2
8	2710682	HOSE ASSEMBLY	1
9	8760459	TEE	1
10	8760458	REDUCER	1
11	8760111	REDUCER	1
12	8760401	NUT	1
13	8760276	ELBOW 45°	1
14	8902218	BRAKE VALVE ASSEMBLY	1
15	8760305	ELBOW	3
16	8760286	ELBOW 45°	1
17	8760515	TEE	1
18	8762012	REDUCER	1
19	8762013	REDUCER	1
20	2710652	HOSE ASSEMBLY	1
21	8760253	ELBOW	1
22	8760454	NUT	2
23	8760268	ELBOW, Swivel 90°	1
24	2710742	HOSE ASSEMBLY	1
25	2710702	HOSE ASSEMBLY	1
26	8760325	ELBOW, Reducer	1
27	2710732	HOSE ASSEMBLY	1
28	2710692	HOSE ASSEMBLY	1
29	8760483	TEE	1
30	2710842	HOSE ASSEMBLY, 3/4 x 28 in.	1
31	8760304	ELBOW	1
32	8760420	PLUG	1
33	8760305	ELBOW	1
34	7068892	ELBOW 90°	1
35	8760504	REDUCER	1
36	8902830	RELIEF VALVE	1
37	8760254	ELBOW, 90° 3/4 JIC Swivel	1
38	8760102	CONNECTOR	1
39		LOCKWASHER, 3/8	1
40	8405402	CLAMP	2
41	8406102	CLAMP	1
42		FLAT WASHER, 3/8	1
43	8406111	CLAMP	4
44	7770015-0008	SPACER	4
45	8303680	HHCS 7/16 - 14 x 1 1/4	4

# POWER STEERING PIPING GROUP



# POWER STEERING PIPING GROUP

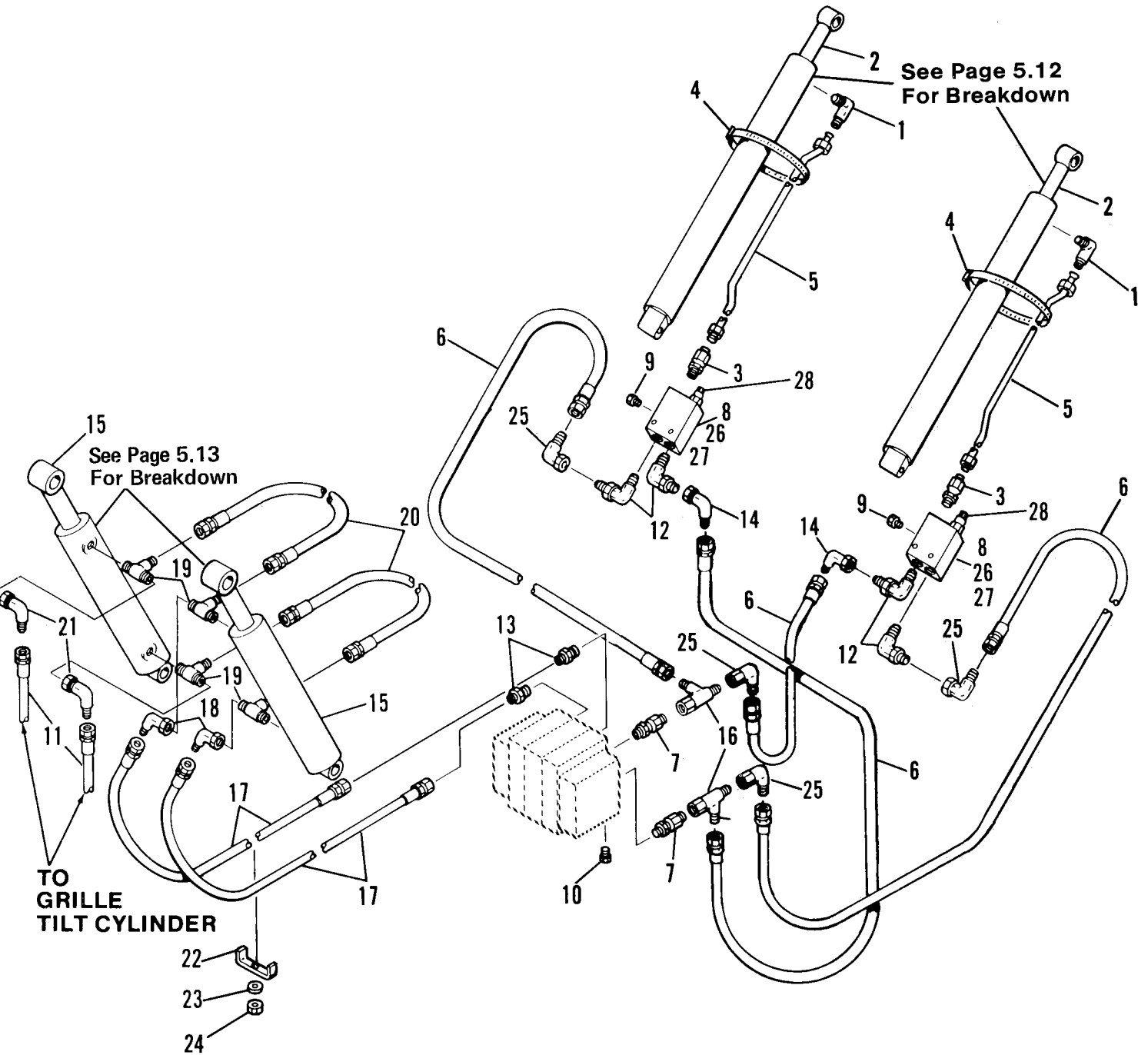
Index No.	Part Number	Description	Qty. Req'd.
1	8765205	ELBOW, ½ - 45° Swivel	2
2	2710592	HOSE	1
3	7071382	MANIFOLD, Return	1
4	8760110	CONNECTOR, Reducer	2
5	8760113	CONNECTOR	1
6	2710412	HOSE	1
7	8760322	ELBOW	3
8	8760002	CONNECTOR	1
9	8902836	VALVE, Check	1
10	8760427	TEE, Swivel	1
11	8760468	REDUCER	1
12	8760484	REDUCER	1
13	2711482	HOSE ASSEMBLY	2
14	2710812	HOSE ASSEMBLY	1
15	2710772	TUBE ASSEMBLY	1
16	8902217	VALVE, Priority	1
17	8760304	ELBOW	1
18	2710491	TUBE, Assembly	1
19	8902084	VALVE, Steer	1
20	8760510	TEE	1
21	8760313	ELBOW	4
22	2710572	HOSE	1
23	2710802	HOSE	1
24	8760276	ELBOW, Swivel, 45°	2
25	8760322	ELBOW	1
26	8721019	VALVE, Power Steering	1
27	8760118	CONNECTOR, Reducer	1
28	8760309	ELBOW, 1	1
29	2710702	HOSE ASSEMBLY, 1 x 47 in.	1
30	2710722	HOSE ASSEMBLY, ¾ x 83 in.	1
31	8760449	TEE	4
32	2711492	HOSE	4
33	8760311	ELBOW	4
34	2711663	STEERING CYLINDER ASSEMBLY	4
35		NUT, Hex. ¾	2
36	2710822	HOSE ASSEMBLY	1
37	2710622	HOSE ASSEMBLY	2
38	8760107	CONNECTOR, Reducer	2
39	8406102	CLAMP	2
40		WASHER, Flat ¾	2
41		LOCKWASHER, ¾	2



# BOOM EXTEND & GRILLE TILT PIPING

Index No.	Part Number	Description	Qty. Req'd.
1	2710164	GRILLE TILT CYLINDER ASSEMBLY	1
2	8760322	ELBOW 90°	2
3	2710581	TUBE ASSEMBLY	1
4	8760431	PLUG, O-Ring	2
5	7060372	COUNTERBALANCE VALVE ASSEMBLY	1
6	8304674	SCREW, Socket Hd., 1/2 - 13 x 2 1/2 GR.5	2
7	8760255	ELBOW, 90°	1
8	7065342	HOSE ASSEMBLY	2
9	8760101	ADAPTER	2
10	8760304	ELBOW, 90°	2
11		ITEM, Deleted	
12	7079142	TUBE, Retract	1
13		ITEM, Deleted	
14		ITEM, Deleted	
15	2711633	EXTENDED CYLINDER ASSEMBLY	1
16	7064073	TUBE	2
17	7079152	TUBE, Extend	1
18	7065742	HOSE ASSEMBLY, Twin Line	2
19	7065253	TUBE ASSEMBLY, R.H.	2
20	7065243	TUBE ASSEMBLY, L.H.	2
21	7065632	CLAMP, Hose	6
22	8307031	WASHER, Hi-Collar	2
23		NUT, Hex, 5/16 - 13	3
24		LOCKWASHER, 5/16	10
25	2710612	HOSE ASSEMBLY	2
26	8760109	CONNECTOR	2
27	8303690	HHCS 5/16 - 18 x 2 GR.5	As Req'd
28	8305602	NUT, Lock 5/16 - 18	As Req'd
29	8769122	CLAMP	As Req'd
30	8769123	COVER PLATE	As Req'd
*	8902473	CARTRIDGE, (C'Balance Valve-Extend)	2
*	8902503	CARTRIDGE, (C'Balance Valve-Grille Tilt)	1

# HOIST & SLAVE CYLINDER PIPING

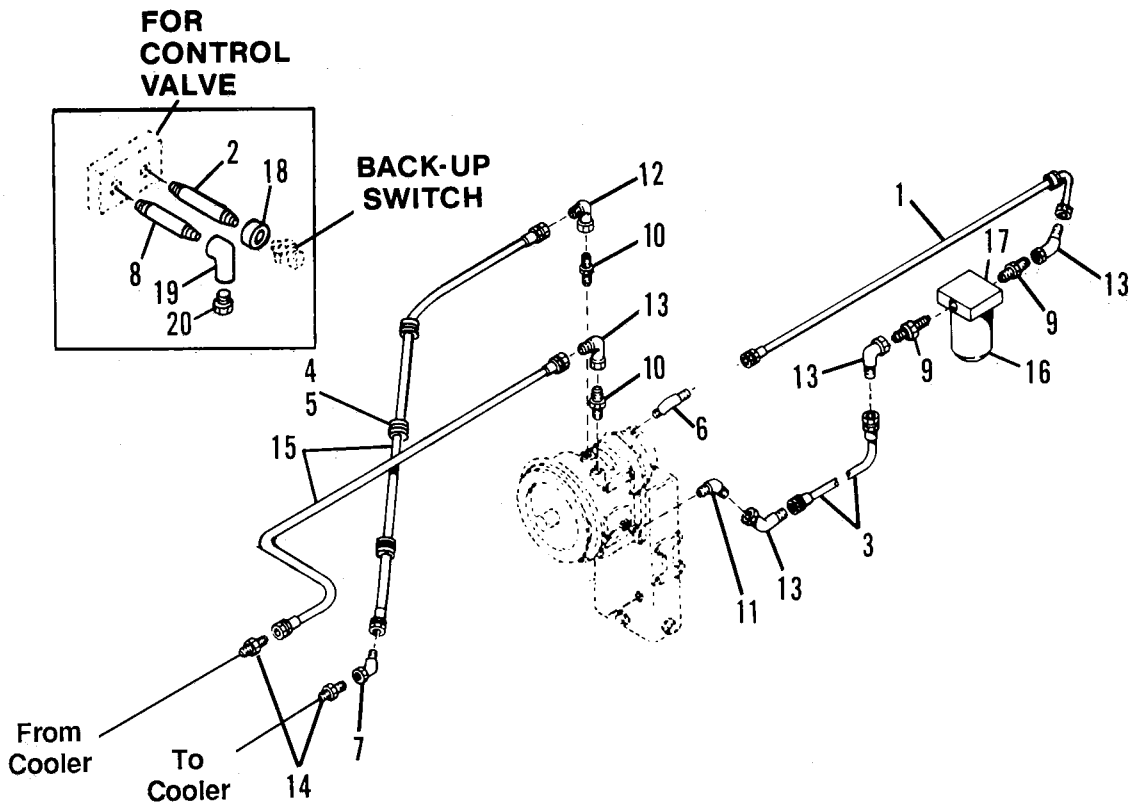




# HOIST & SLAVE CYLINDER PIPING

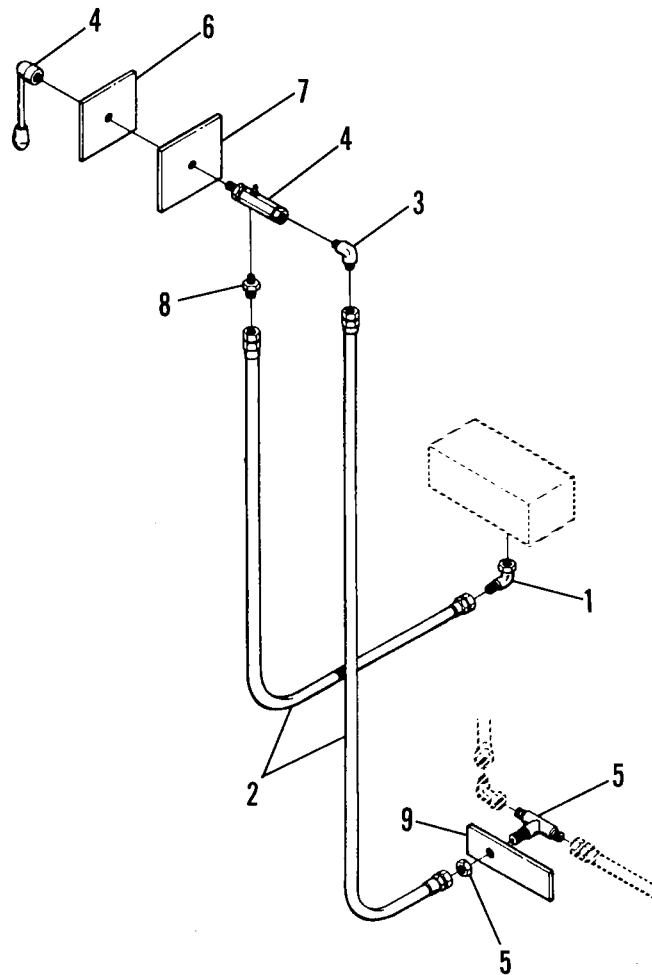
Index No.	Part Number	Description	Qty. Req'd.
1	8760305	ELBOW	2
2	2710364	HOIST CYLINDER ASSEMBLY	2
3	8760109	CONNECTOR	2
4	8405402	CLAMP	2
5	7075792	TUBE ASSEMBLY	2
6	2711242	HOSE ASSEMBLY	4
7	8760101	CONNECTOR	2
8	7060372	COUNTERBALANCE VALVE ASSEMBLY	2
9	8760478	PLUG	2
10	8760431	PLUG	1
11	2710602	HOSE ASSEMBLY	2
12	8760346	ELBOW, 90°	4
13	8760111	REDUCER	2
14	8760271	ELBOW, Swivel 45°	2
15	2710233	SLAVE CYLINDER ASSEMBLY	2
16	8760485	TEE, Swivel	2
17	2710592	HOSE	2
18	8765205	ELBOW, 45°	2
19	8760510	TEE	4
20	2710632	HOSE	2
21	8765204	ELBOW, Swivel 90°	2
22	7065632	CLAMP	1
23		LOCKWASHER, 5/16	1
24		NUT, Hex, 5/16 - 11	1
25	8760255	ELBOW, Swivel 90°	4
26	8304674	SCREW, Socket Head	4
27	8307031	WASHER, Lock, Hi-Collar	4
28	8902503	CARTRIDGE, (C'Balance Valve-Hoist)	2

# TRANSMISSION PIPING



Index No.	Part Number	Description	Qty. Req'd.
1	2710952	HOSE ASSEMBLY	1
2	8551002	NIPPLE, Pipe, 1/8 x 2 LG.	1
3	2710642	HOSE ASSEMBLY	1
4	7075932	PROTECTIVE SLEEVE	3
5	8584002	CLAMP	6
6	8760317	ELBOW, 45°	1
7	8760286	ELBOW, Swivel, 45°	1
8	8551009	NIPPLE, Pipe, 1/8 x 1 1/2 LG.	1
9	8760118	CONNECTOR	2
10	8760305	ELBOW, 90°	2
11	8760109	CONNECTOR	1
12	7068892	ELBOW, 90°	1
13	8760254	ELBOW, Swivel, 90°	4
14	8760001	CONNECTOR, Male	2
15	2711042	HOSE ASSEMBLY	2
16	8320237	FILTER ELEMENT	1
17	8320236	FILTER HEAD	1
18	8541001	COUPLING, Pipe 1/8	1
19	8541201	ELBOW 90°, Pipe 1/8	1
20	8541401	PLUG, Pipe 1/8	2

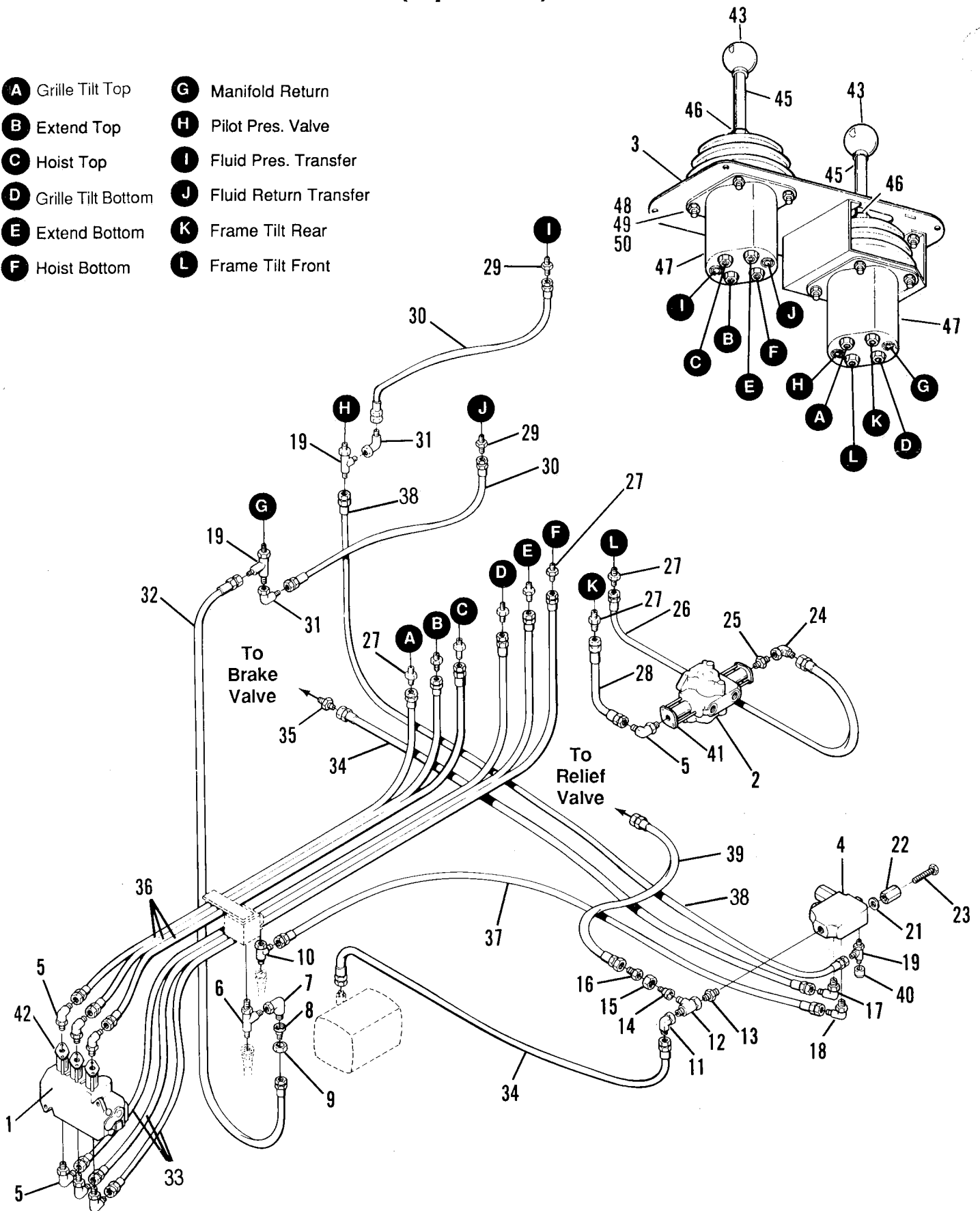
# BRAKE LOCK PIPING (Optional)



Index No.	Part Number	Description	Qty. Req'd.
1	8760268	ELBOW	1
2	2708992	HOSE ASSEMBLY	2
3	8760289	ELBOW	1
4	8902645	LEVER LOCK	1
5	8760455	TEE	1
6	8902502	DASH PLATE	1
7	7074931	MOUNTING PLATE	1
8	8760057	CONNECTOR, Male	1
9	7074941	BRACKET, Bulkhead	1
*	8902647	REPAIR KIT, Mico Brake Lock	1

# HYDRAULIC JOYSTICK PIPING (Optional)

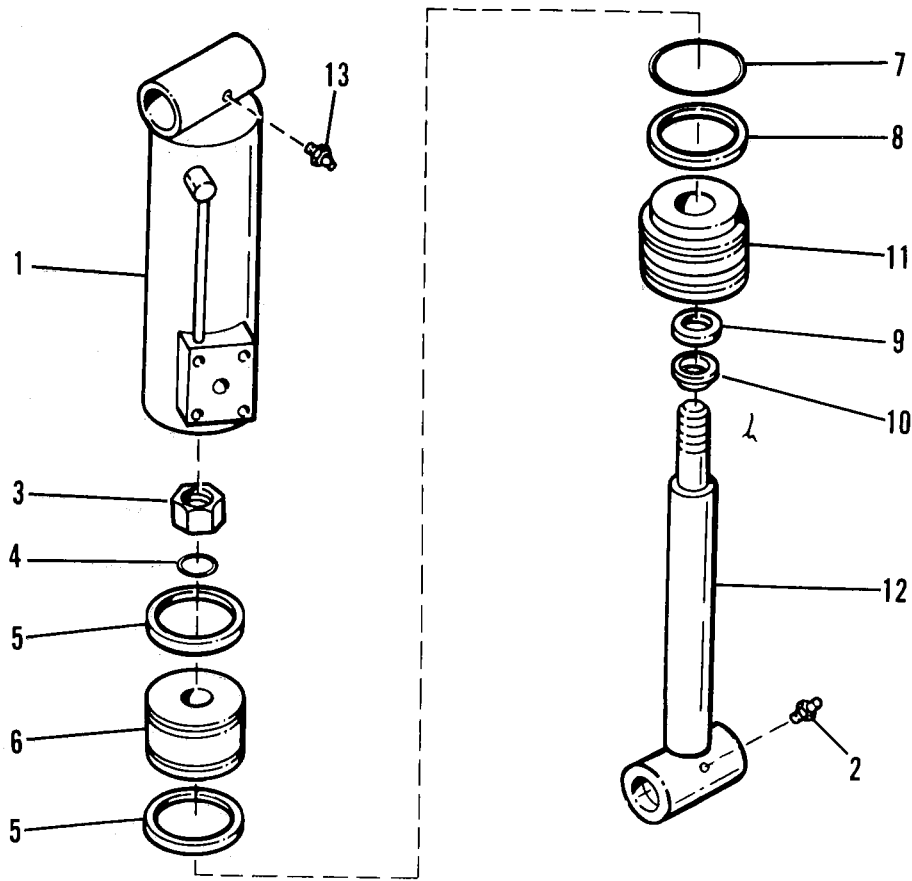
- A** Grille Tilt Top
- B** Extend Top
- C** Hoist Top
- D** Grille Tilt Bottom
- E** Extend Bottom
- F** Hoist Bottom
- G** Manifold Return
- H** Pilot Pres. Valve
- I** Fluid Pres. Transfer
- J** Fluid Return Transfer
- K** Frame Tilt Rear
- L** Frame Tilt Front



# HYDRAULIC JOYSTICK PIPING (Optional)

Index No.	Part Number	Description	Qty. Req'd.
1	2711363	MAIN VALVE	1
2	8902103	FRAME TILT VALVE	1
3	7073512	CONSOLE, Cover	1
4	8902646	PILOT PRESSURE VALVE	1
5	8760311	ELBOW, Straight Thread	7
6	8760510	RUN TEE, Straight Thread	1
7	8765204	ELBOW, Swivel	1
8	8760458	REDUCER, 1/2 to 3/8	1
9	8760407	NUT	1
10	8760482	TEE	1
11	8760253	ELBOW	1
12	8760529	RUN TEE, Swivel Nut	1
13	8760106	REDUCER	1
14	8760415	REDUCER	1
15	8760415	NUT	1
16	8762013	REDUCER, 3/4 to 5/8	1
17	8760305	ELBOW, Straight Thread	1
18	8760327	ELBOW, Straight Thread	1
19	8760449	RUN TEE, Straight Thread	3
20	8760102	CONNECTOR, Straight Thread	1
21	8307109	FLAT WASHER	1
22	8305004	NUT, 1/4	1
23	8303703	SCREW, 1/4 x 2-1/2	1
24	8760268	ELBOW, Swivel Nut	1
25	8760117	CONNECTOR, Straight Thread	1
26	2711352	HOSE ASSEMBLY	1
27	8760136	CONNECTOR	8
28	2711152	HOSE ASSEMBLY	1
29	8760117	CONNECTOR	2
30	2711382	HOSE ASSEMBLY	2
31	8760268	ELBOW	2
32	2710802	HOSE ASSEMBLY	1
33	2711142	HOSE ASSEMBLY	3
34	2710702	HOSE ASSEMBLY	2
35	8760102	CONNECTOR	1
36	2711132	HOSE ASSEMBLY	3
37	2710732	HOSE ASSEMBLY	1
38	2711392	HOSE ASSEMBLY	1
39	2710652	HOSE ASSEMBLY	1
40	8760488	CAP	1
41	8902499	ACTUATOR, KIT - Frame Tilt Valve	1
42	8902498	ACTUATOR, KIT - Main Valve	3
43	8580110	KNOB	2
44		ITEM, Deleted	
45	7073502	HANDLE - Tilt & Boom	2
46	8305410	JAM NUT, 1/2-20	2
47	8902500	JOYSTICK, Valve	2
48	8303705	SCREW, Hex Hd. 1/4 x 20 x 3/4	12
49	8307002	WASHER, 1/4 Lock	12
50	8305004	NUT, 1/4	12

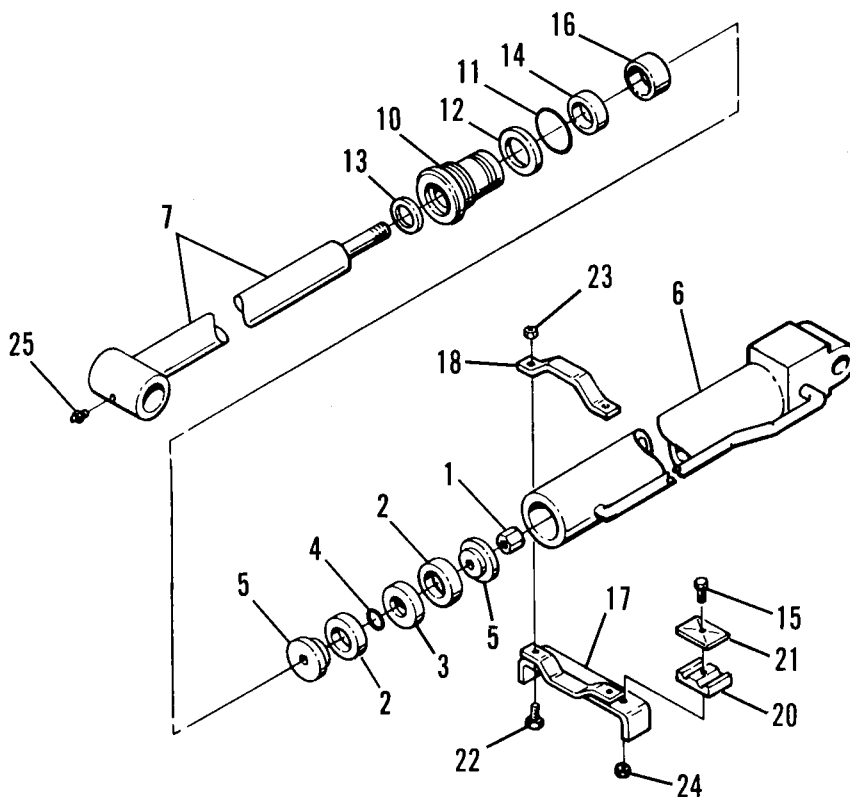
# FRAME TILT CYLINDER



Index No.	Part Number	Description	Qty. Req'd.
	2710893	CYLINDER, Frame tilt	1
1	8205498	BARREL, Assembly	1
2	7049761	FITTING, Grease, 1/8 NPT	1
3	8205499	NUT, Lock	1
4	*	O-RING	1
5	*	PISTON, Seal	2
6	8205500	PISTON	1
7	*	O-RING	1
8	*	RING, Back up	1
9	*	SEAL, Rod	1
10	*	WIPER, Rod	1
11	8205501	GLAND	1
12	8205508	PISTON, Rod	1

\*PACKING KIT 8205641 CONSISTS OF ITEMS 4, 5, 7, 8, 9 & 10

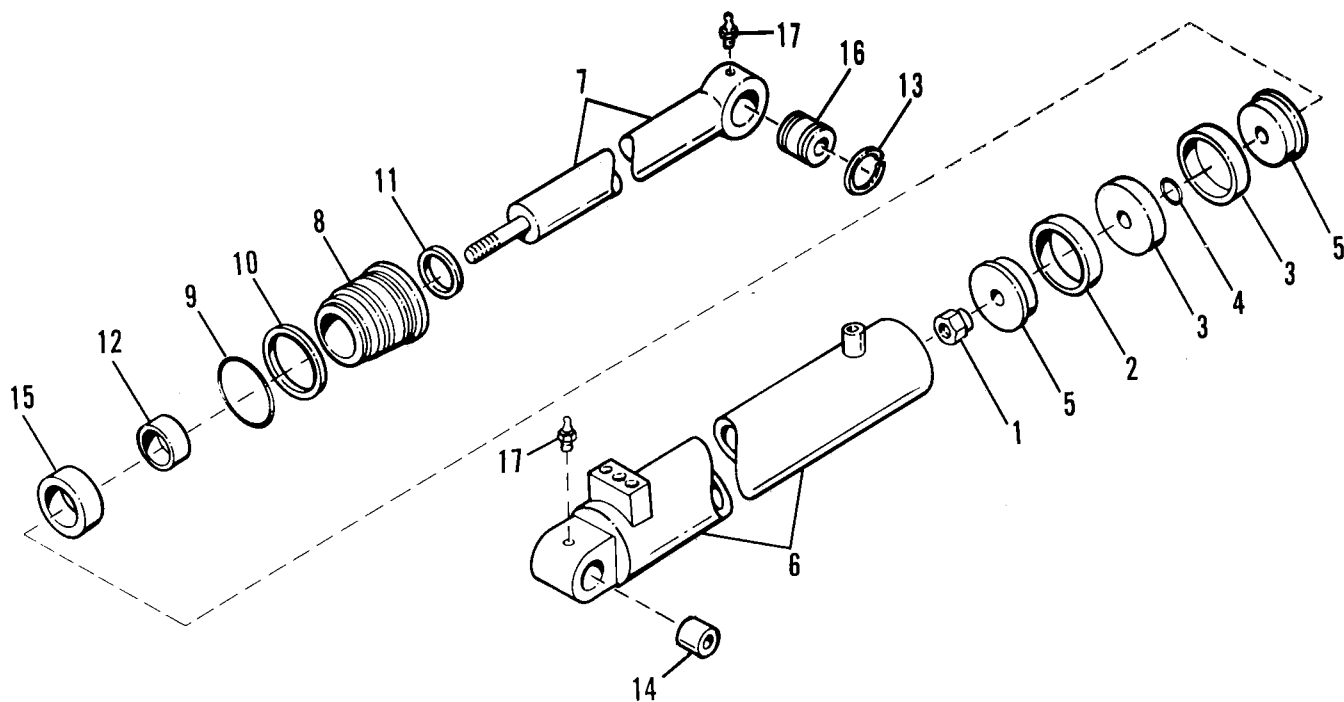
# BOOM EXTEND CYLINDER



Index No.	Part Number	Description	Qty. Req'd.
	2711633	CYLINDER, Boom Extend	1
1	8205359	NUT	1
2	*	VEE, Packing	2
3	8205341	PISTON	1
4	*	O-RING	1
5	8205354	PACKING, Adapter	2
6	8205489	BARREL	1
7	8205490	ROD	1
8		ITEM, Deleted	
9		ITEM, Deleted	
10	8205485	GLAND	1
11	*	O-RING	1
12	*	RING, Back up	1
13	*	WIPER	1
14	*	SEAL, Rod	1
15	8303746	SCREW, Hex Hd., 5/16 - 18 x 1 3/4 GR.5	4
16	8205492	TUBE, Stop	1
17	7079112	BRACKET	2
18	7079122	CLAMP	2
19		FITTING, Grease, 1/8 NPT	1
20	8769122	CLAMP	4
21	8769123	COVER PLATE	4
22	8303782	HHCS 1/2 - 13 X 4 GR.5	4
23	8305604	NUT, Lock, 1/2 - 13	4
24	8305602	NUT, Lock, 5/16 - 18	4
25		FITTING, Grease, 30°	1

\*PACKING KIT 8205659 CONSISTS OF ITEMS 2, 4, 11, 12, 13 & 14

# BOOM HOIST CYLINDER

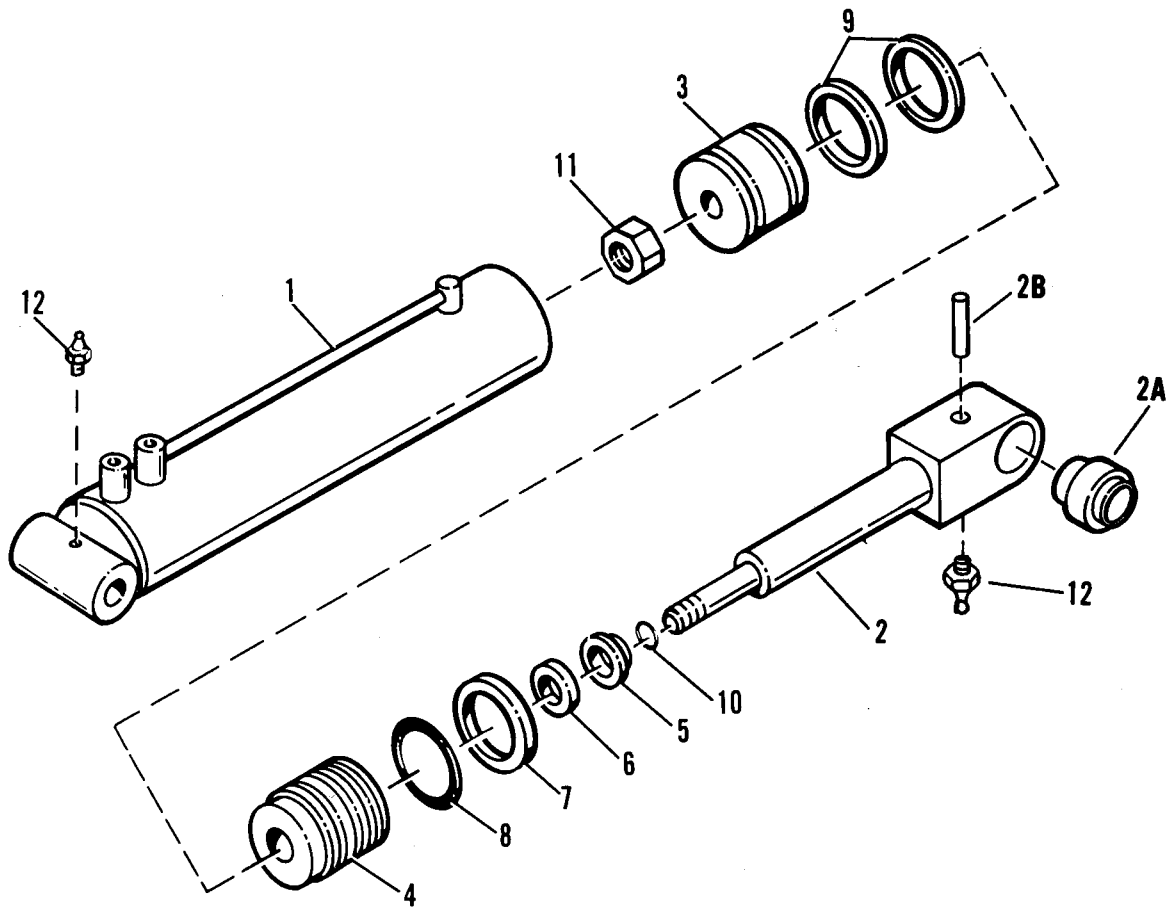


Index No.	Part Number	Description	Qty. Req'd.
	2710364	CYLINDER, Boom Hoist	2
1	8205359	NUT	1
2	*	VEE, Packing	2
3	8205341	PISTON	1
4	*	O-RING	1
5	8205354	PACKING, Adaptor	2
6	8205483	BARREL	1
7	8205484	ROD	1
8	8205485	GLAND	1
9	*	O-RING	1
10	*	BACK-UP	1
11	*	WIPER	1
12	*	ROD SEAL	1
13	8205486	RING, Snap	2
14	7077222	BUSHING, Steel	1
15	8205487	TUBE, Stop	1
16	8205488	BUSHING, Self-aligning	1
17		FITTING, Grease, 1/8 NPT	2

\*PACKING KIT 8205642 CONSISTS OF ITEMS 2, 4, 9, 10, 11 & 12



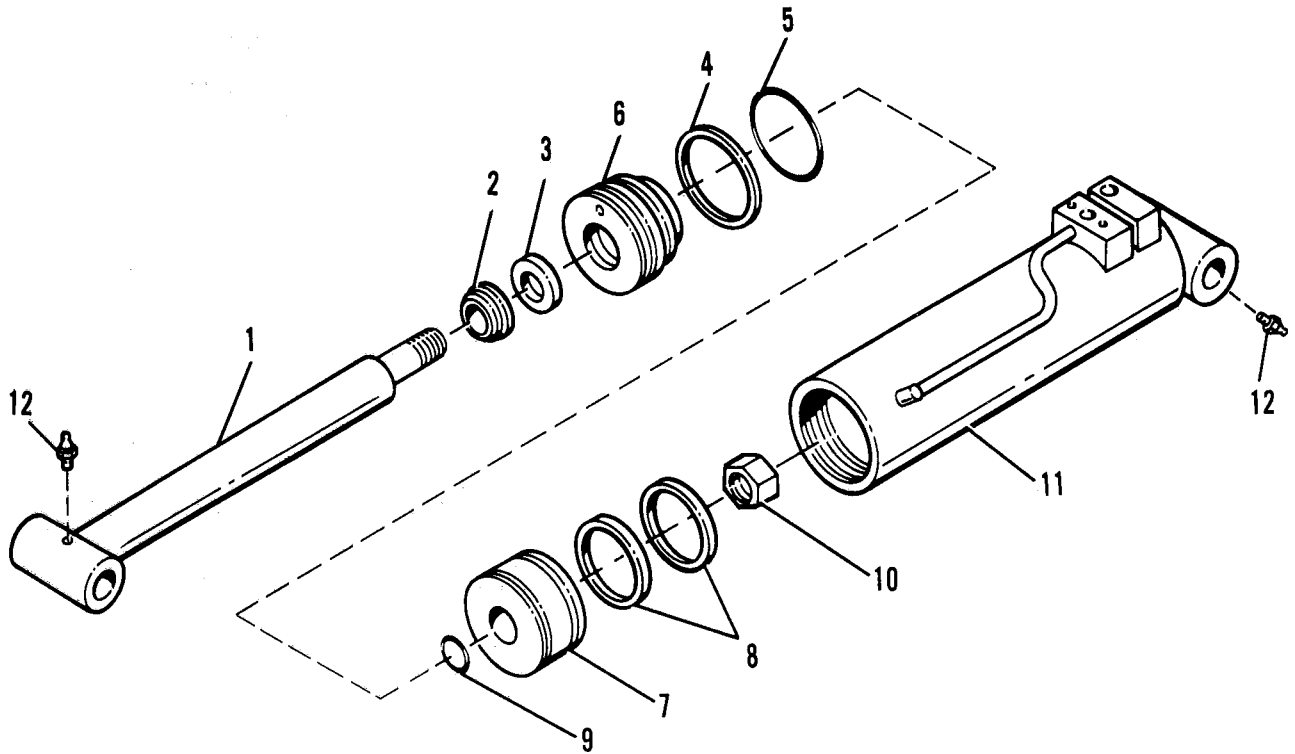
# SLAVE CYLINDER



Index No.	Part Number	Description	Qty. Req'd.
	2711683	CYLINDER, Slave	2
1	8205503	BARREL	1
2	8205542	ROD, Piston	1
2A	8065634	BUSHING	1
2B	8302141	PIN, Roll	1
3	8205505	PISTON	1
4	8205506	GLAND	1
5	*	WIPER, Rod	1
6	*	SEAL, Rod	1
7	*	RING, Back up	1
8	*	O-RING	1
9	*	SEAL, Piston	2
10	*	O-RING	1
11	8205507	NUT, Lock	1
12		FITTING, Grease, 1/8 NPT	2

\* PACKING KIT 8205640 CONSISTS OF ITEMS 5, 6, 7, 8, 9 & 10

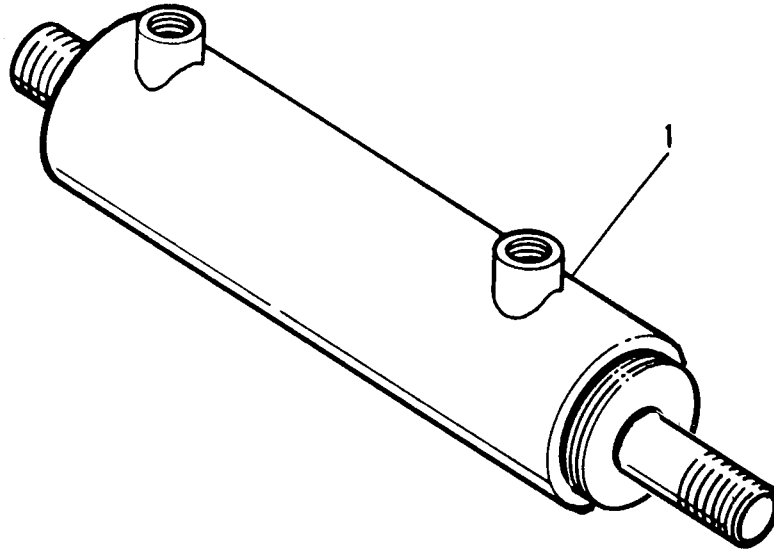
# GRILLE TILT CYLINDER



Index No.	Part Number	Description	Qty. Req'd.
	2710164	CYLINDER, Grille Tilt	1
1	8205493	PISTON, Rod	1
2	*	WIPER, Rod	1
3	*	SEAL, Rod	1
4	*	RING, Back-up	1
5	*	O-RING	1
6	8205494	GLAND	1
7	8205495	PISTON	1
8	*	SEAL, Piston	2
9	*	O-RING	1
10	8205496	NUT, Lock	1
11	8205497	BARREL, Assembly	1
12		FITTING, Grease, 1/8 NPT	2

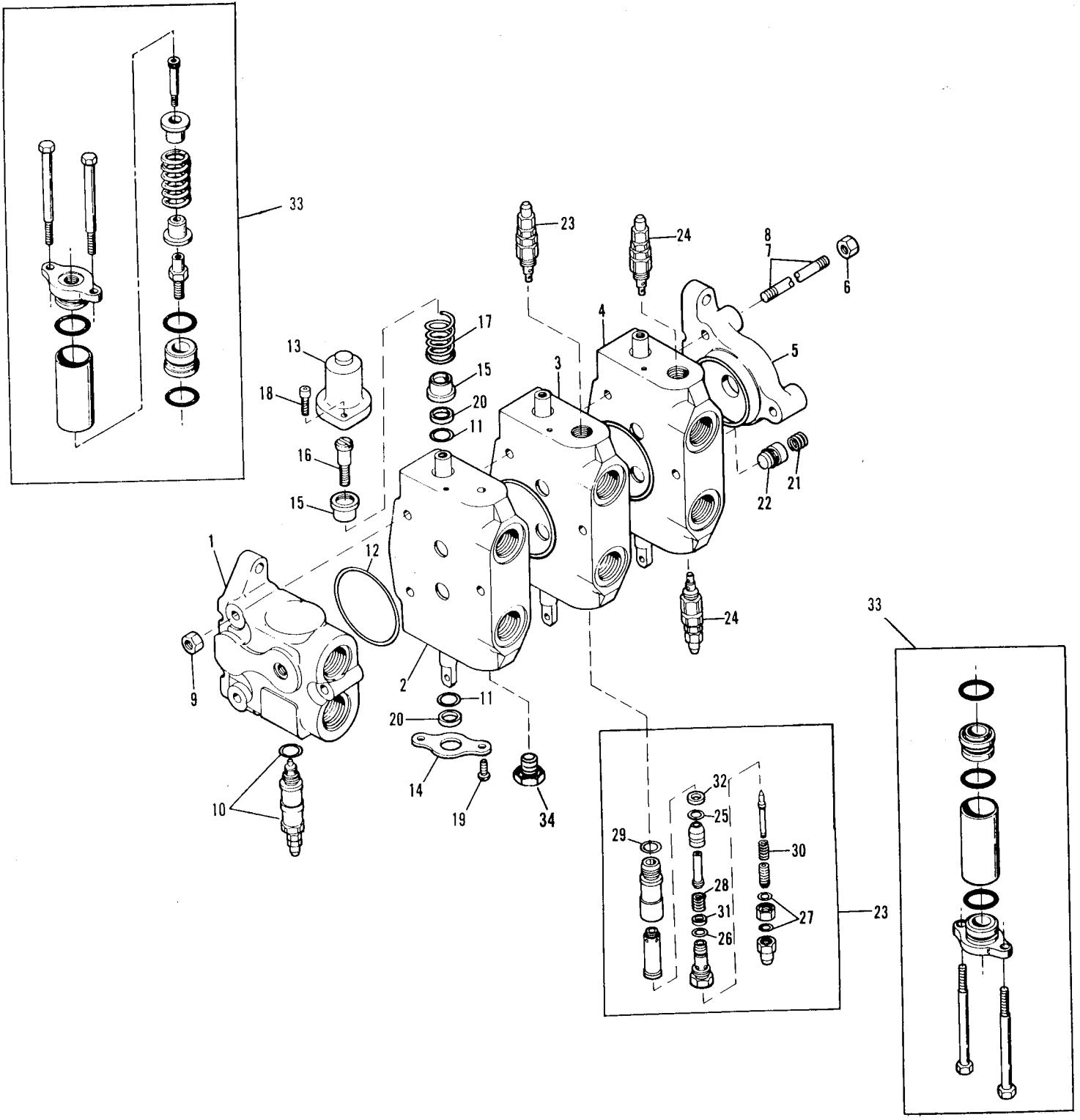
\*PACKING KIT 8205639 CONSISTS OF ITEMS 2, 3, 4, 5, 8 & 9

# STEERING CYLINDER



Index No.	Part Number	Description	Qty. Req'd.
	2711663	CYLINDER ASSEMBLY	4

# MAIN CONTROL VALVE



# MAIN CONTROL VALVE

Index No.	Part Number	Description	Qty. Req'd.
-	8902102	VALVE ASSEMBLY, Hydraulic Actuated	1
-	8902101	VALVE ASSEMBLY, Manually Actuated	1
1	8902504	SECTION, Inlet	1
2	8902505	SECTION, Boom Hoist	1
3	8902506	SECTION, Boom Extend	1
4	8902506	SECTION, Grille Tilt	1
5	8902486	SECTION, Outlet	1
6	8902487	NUT, Tie Rod	2
7	8902488	ROD, Tie	2
8	8902489	ROD, Tie	1
9	8902490	NUT, Tie Rod	4
10	8902491	VALVE ASSEMBLY, Main Relief	1
11	**	O-RING	2
12	**	O-RING	1
13	**	CAP	1
14	**	PLATE, Seal	2
15	**	SEAT, Spring	2
16	**	SCREW	1
17	8702133	SPRING	1
18	**	SCREW, Cap	2
19	**	SCREW, Machine	2
20	**	WIPER	2
21	**	SPRING	1
22	**	POPPET	1
23	8902493	VALVE ASSEMBLY, Port Relief	2
24	8902496	VALVE ASSEMBLY, Port Relief	2
25	*†	O-RING	1
26	*†	O-RING	1
27	*†	O-RING	2
28	†	SPRING	1
29	*†	O-RING	1
30	†	SPRING	1
31	*†	RING, Back-up	1
32	*†	RING, Back up	1
33	8902498	ACTUATOR KIT, (Option- Replaces Ref. Nos. 11, & 13 thru 20)	3
34	8902512	PLUG, w/O-Ring	1

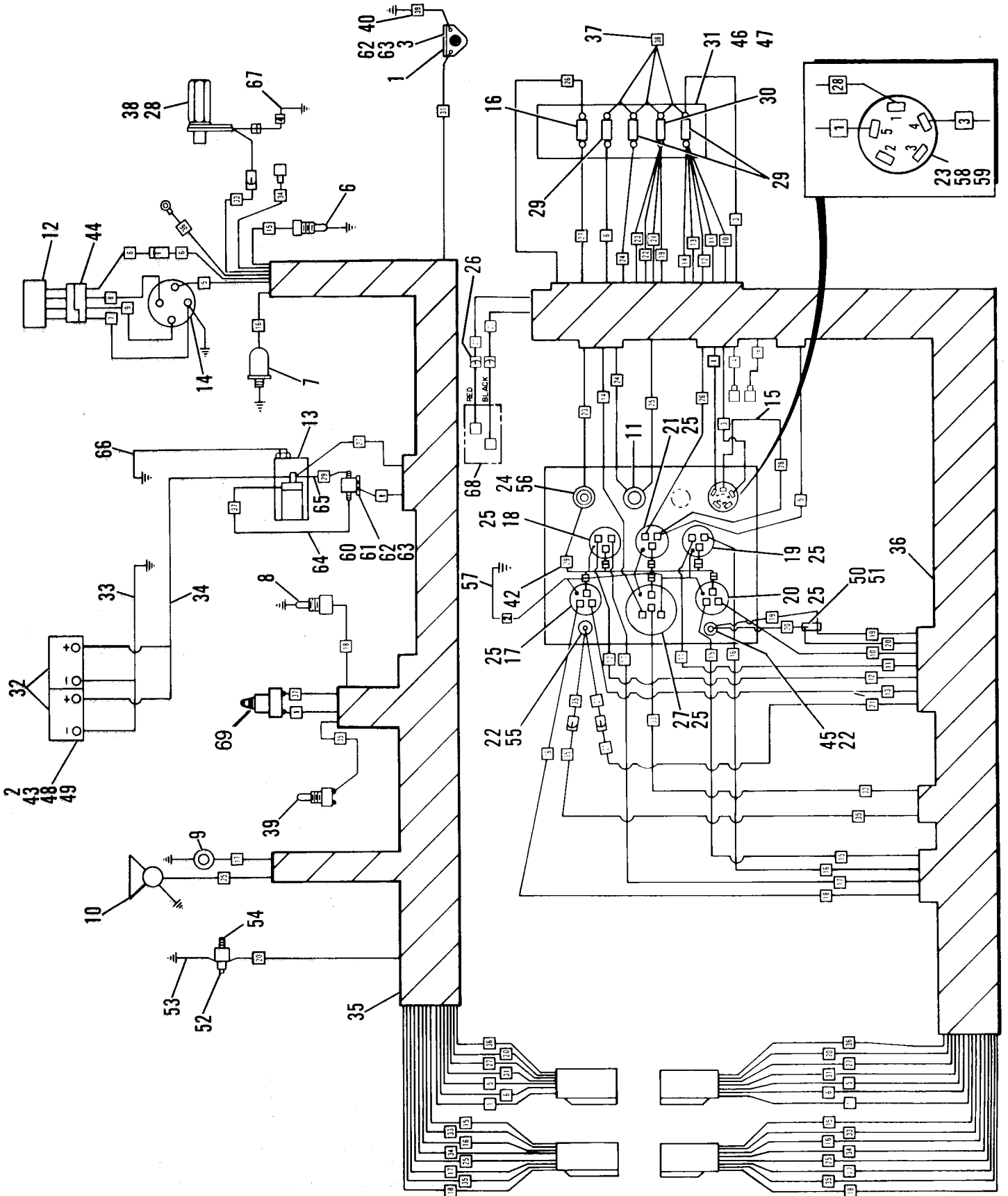
\* SEAL KIT 8902494 CONSISTS OF ITEMS 25,26,27,29, and 32. For 8902493.

† SEAL & SPRING KIT 8902495 CONSISTS OF ITEMS 25 through 32. For 8902493

\*\* REBUILD KIT 8902492 CONSISTS OF ITEMS 11 through 22 For 8902491.

# ELECTRICAL SYSTEM GROUP

(Ford - Funk)

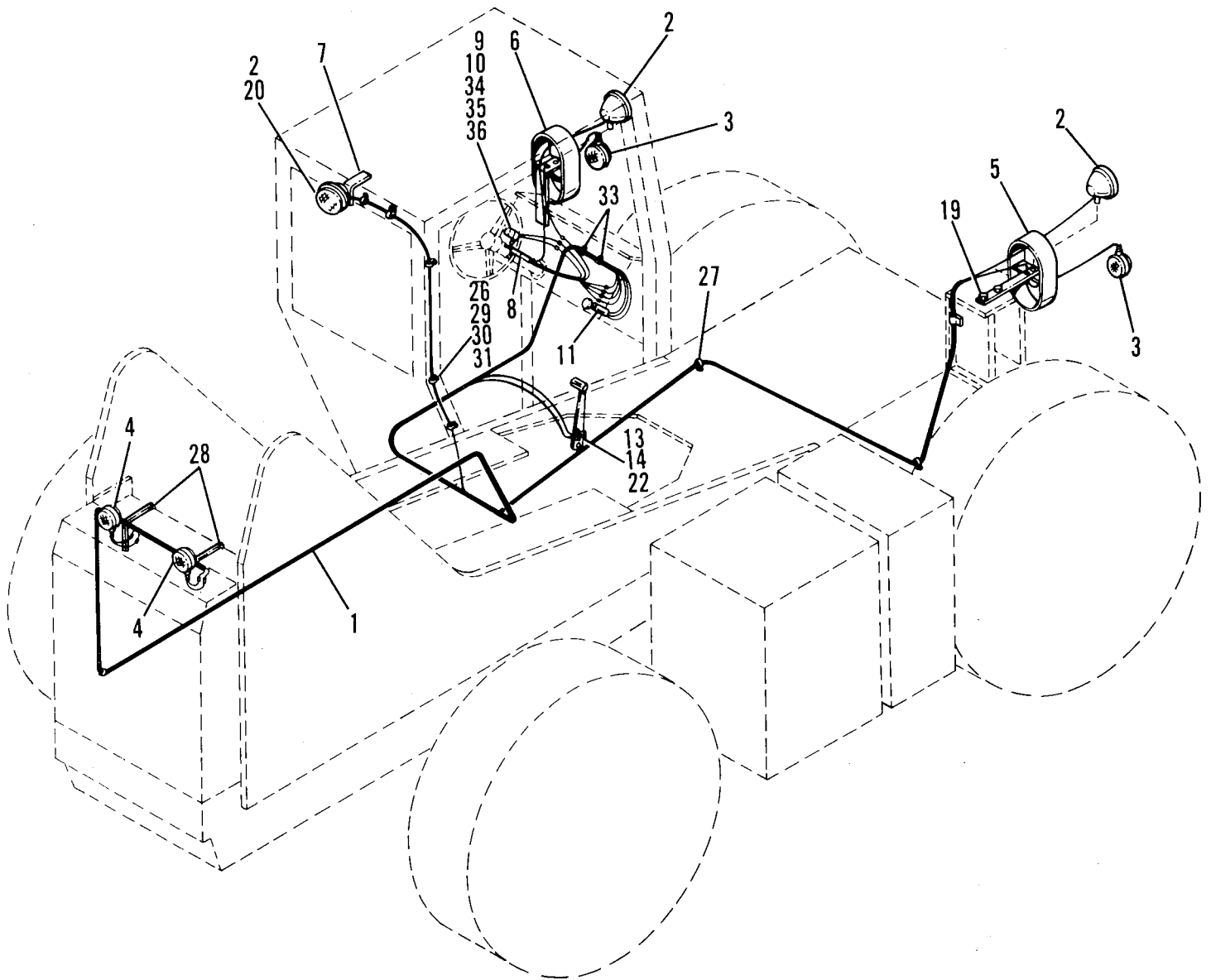
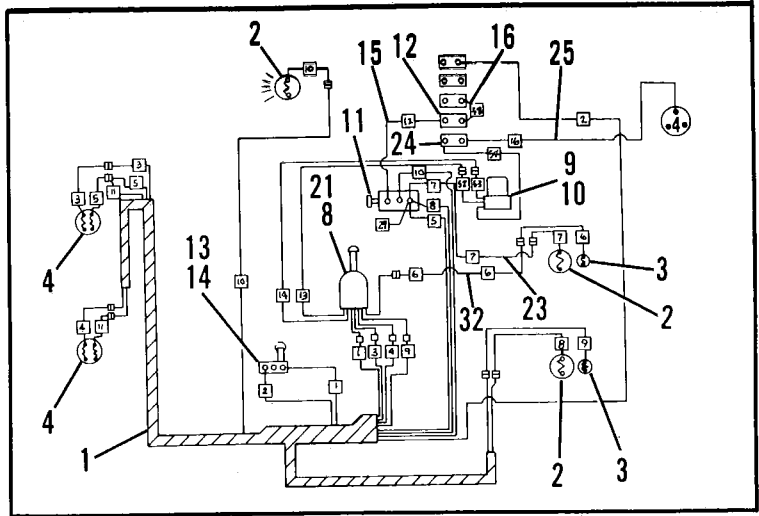


# ELECTRICAL SYSTEM GROUP

(Ford – Funk)

Index No.	Part Number	Description	Qty. Req'd	Index No.	Part Number	Description	Qty. Req'd
1	7077242	ALARM, Back-up 6E0001 & down	1	36	7058625	HARNESS, Main Wiring	1
1	* 8270612	ALARM, Back-up	1	37	7047041	WIRE, Assembly	3
2		NUT, Lock, 3/8	2	38	8468212	DRIVE, Tachometer	1
3		SCREW, Hex Hd. 1/4-20 x 3/4	2	39	8223509	SWITCH, Trans. Oil Pressure	1
6	8468013	SENDER, Water Temp.	1	40	7057381	WIRE, Assembly	1
7	8468012	SENDER, Oil Pressure	1	41	7075041	WIRE, Assembly	1
8	8468015	SENDER, Trans. Temp.	1	42	7057401	WIRE, Assembly	1
9	7060812	SENDER, Fuel Level	1	43		WASHER, Flat, 3/8	2
10	8270602	HORN	1	44	7057342	WIRE, Assembly	1
11	8223405	HORN, Push Button	1	45	7058382	LIGHT, Assembly	1
12	8022023	REGULATOR	1	46		SCREW, #10 x 3/8	2
13	See Eng. Man	MOTOR, Starter	1	47		NUT, #10	2
14	See Eng. Man	ALTERNATOR	1	48	7046352	BRACKET, Hold Down	1
15	7075361	WIRE, Assembly	1	49	8304014	BOLT, Carriage 3/8 NC-14x9" LG	2
16	8229226	BREAKER, Circuit, 40 amp.	1	50	8225102	RELAY, Time Delay	1
17	8462013	GAUGE, Trans. Temp.	1	51	8220060	ADAPTOR	2
18	8464212	GAUGE, Fuel Level	1	52	8223507	SWITCH, Pressure Brakes	1
19	8460024	GAUGE, Oil Pressure	1	53	7067511	WIRE, Assembly	1
20	8462011	GAUGE, Water Temp.	1	54		NIPPLE, Close 1/8	1
21	8466007	GAUGE, Ammeter	1	55	7071342	WIRE ASSEMBLY	1
22	8469012	LAMP, Indicator, Red	2	56	8580309	BOOT	1
23	8223436	SWITCH, Ignition	1	57	7071322	WIRE ASSEMBLY	1
24	8223010	SWITCH, Instrument Panel Light	1	58	8223439	DUST COVER	1
25	7058372	LIGHT, Assembly	6	59	8223437	NUT, Bezel	1
26	8220050	TERMINAL	4	60	8277065	RELAY, Starter	1
27	8467011	TACHOMETER with Hourmeter	1	61		SCREW, Hex Hd., 1/4-20x1 1/4 GR.5	2
28	7058732	SENDER, Tachometer	1	62		WASHER, Flat, 1/4	4
29	8229215	BREAKER, Circuit, 6 amp.	3	63		NUT, Lock, 1/4	4
30	8229216	BREAKER, Circuit, 10 amp.	1	64	7069061	WIRE, Assembly	1
31	8229218	BRACKET, Circuit Breaker	1	65	7069071	WIRE, Assembly	1
32	8270014	BATTERY	2	66	7068651	CABLE, Battery	1
33	7057322	CABLE, Battery, Negative	1	67	7071301	WIRE, Assembly	1
34	7057332	CABLE, Battery, Positive	1	68	8223214	SWITCH, Back-up Alarm	1
35	7058615	HARNESS, Main Wiring	1	69	CFF91001	SWITCH, Neutral Start	1

# LIGHTING ASSEMBLY (OPTIONAL)

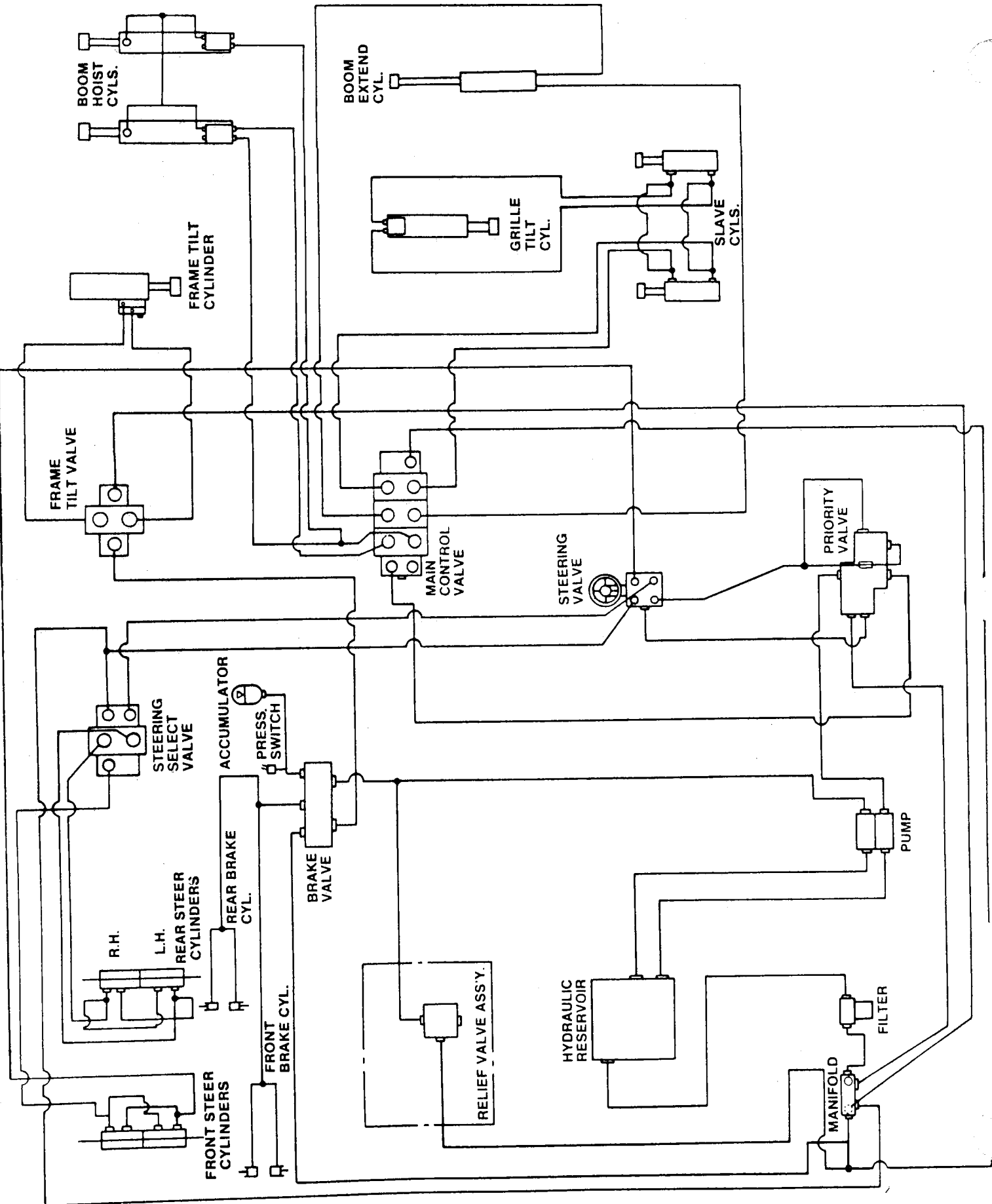




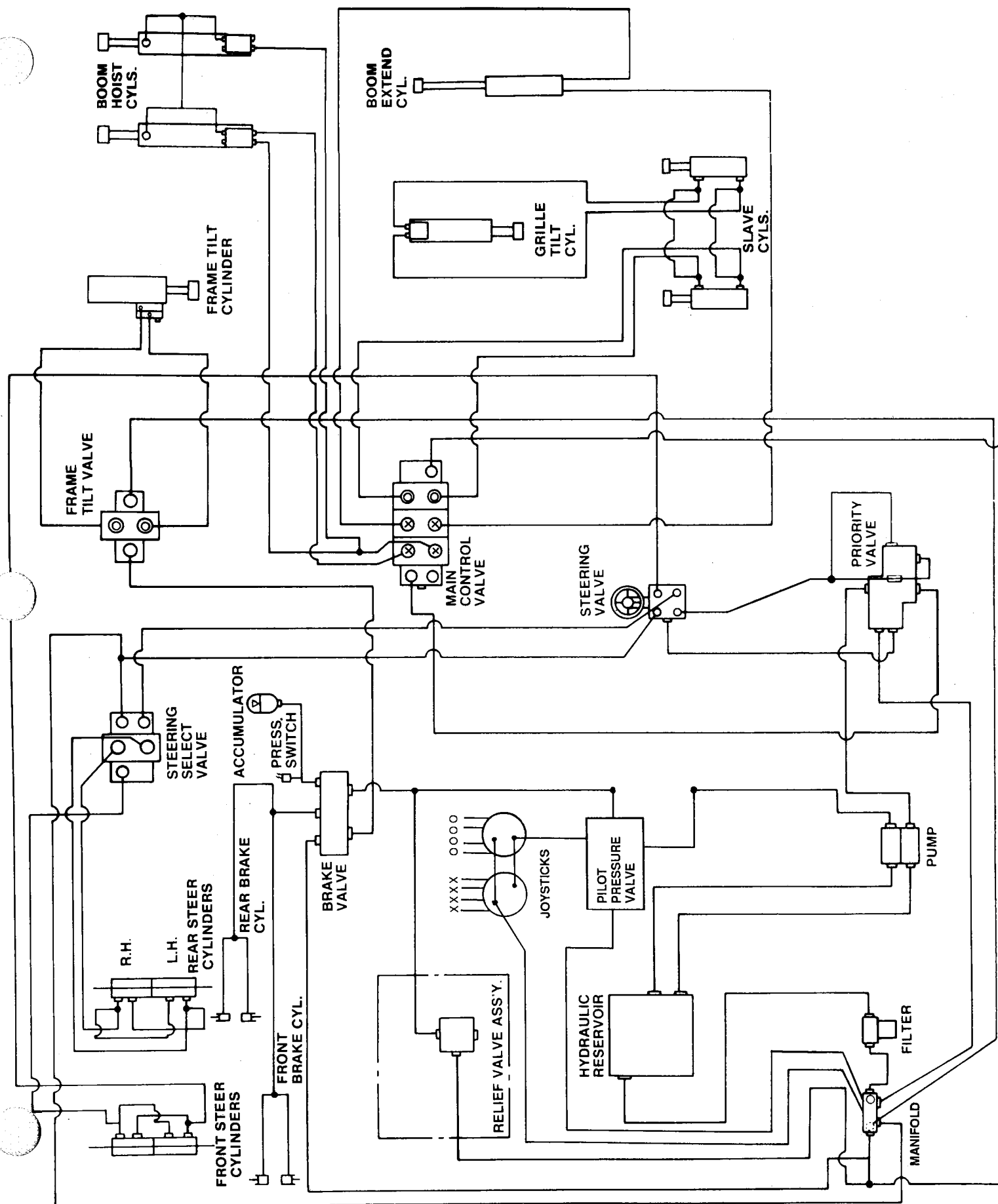
# LIGHTING ASSEMBLY (OPTIONAL)

Index No.	Part Number	Description	Qty. Req'd.
1	7069803	HARNESS, Wiring	1
2	7047421	LIGHT, Head Lamp	3
3	7069851	LIGHT, Turn Signal	2
4	7069861	LIGHT, Stop, Tail, Turn	2
5	7069733	BRACKET, Front Right	1
6	7069743	BRACKET, Front Left	1
7	7069792	BRACKET	1
8	8223419	SWITCH, Turn Signal	1
9	8500201	FLASHER	1
10	7047371	MOUNT, Flasher	1
11	8223016	SWITCH, Head Light	1
12	8229217	BREAKER, 15 Amp	1
13	8223414	ACTUATOR, Switch	1
14	8223416	SWITCH, Brake Light	1
15	7069821	WIRE ASSEMBLY	1
16	7047041	WIRE ASSEMBLY	1
17	8580209	GROMMET	1
18	8580203	GROMMET	1
19		SCREW, Hex Hd., 3/8-16 x 1 1/4	2
20	8220050	TERMINAL, Male	2
21	8220051	TERMINAL, Female	7
22	8307206	WASHER, Flat	1
23	7069831	WIRE ASSEMBLY	1
24	8229227	BREAKER, 15 Amp	1
25	7069841	WIRE ASSEMBLY	1
26	8406003	CLAMP	5
27	8584003	TIE, Plastic, 4"	3
28	8584002	TIE, Plastic, 8"	2
29		SCREW, Hex Hd., 5/16-18 x 7/8	7
30		NUT, Hex, 5/16-18	7
31		WASHER, Lock 5/16	7
32	7069811	WIRE ASSEMBLY	1
33	8406109	CLAMP, 1/2	2
34		SCREW, Rd. Hd. Mach., #10-24-3/4	2
35		NUT, Hex, #10-24	2
36		WASHER, Lock	2

# HYDRAULIC SCHEMATIC



# HYDRAULIC SCHEMATIC — With Optional Joysticks





The parts information in this publication is based on data available at the time it was printed. Because of continual improvement and advancing product design, your vehicle may not be identical to the parts information shown. Whenever there is a question, obtain the latest parts information available from your local dealer. JLG Industries, Inc. continually updates these publications electronically within our *OnLine Services*.



### **Benefits**

- Available 24 hours a day, 7 days a week for your convenience.
- Prices and parts manuals are always current - reduces errors and saves time.
- Improves service to your customers with quick access to valuable information.
- Reduces time required to gather information.
- Reduces processing time for warranty claims.

### **Program Features**

- In a few easy steps you can:
- Look-up prices and availability.
- Identify parts using graphical parts manuals.
- Enter orders using part numbers, or order by selecting from graphical parts manuals.
- Review order status.
- Review invoices and credits.
- Review shipping information.
- Submit warranty claims

**Visit Us at**

**<http://www.jlg.com>**

Model No. \_\_\_\_\_

Serial No. \_\_\_\_\_



**CORPORATE OFFICE  
JLG INDUSTRIES, INC.**

1 JLG Drive  
McConnellsburg, PA. USA  
17233-9533  
Phone: (717) 485-5161  
Toll Free: (877) 554-5438  
Fax: (717) 485-6417

---

*Service Direct: (717) 485-6657 Service Fax: (717) 485-6488 or (717) 485-6815  
Parts Direct: (717) 485-6472 Parts Fax: (800) 733-8939 or (717) 485-6441*

---

JLG Industries (Australia)  
P.O. Box 5119  
11 Bolwarra Road  
Port Macquarie  
N.S.W. 2444  
Australia  
Phone: (61) 2 65 811111  
Fax: (61) 2 65 810122

JLG Industries (UK)  
Unit 12, Southside  
Bredbury Park Industrial  
Estate  
Bredbury  
Stockport  
SK6 2sP  
England  
Phone: (44) 870 200 7700  
Fax: (44) 870 200 7711

JLG Deutschland GmbH  
Max Planck Strasse 21  
D-27721 Ritterhude/Ihlpohl  
Bei Bremen  
Germany  
Phone: (49) 421 693 500  
Fax: (49) 421 693 5035

JLG Industries (Italia)  
Via Po, 22  
20010 Pregnana Milanese-MI  
Italy  
Phone: (39) 02 9359 5210  
Fax: (39) 02 9359 5845

JLG Latino Americana Ltda.  
Rua Eng. Carlos Stevenson,  
80-Suite71  
13092-310 Campinas-SP  
Brazil  
Phone: (55) 19 3295 0407  
Fax: (55) 19 3295 1025

JLG Europe B.V.  
Jupiterstraat 234  
2132 HJ Hoofddorp  
The Netherlands  
Phone: (31) 23 565 5665  
Fax: (31) 23 557 2493

JLG Industries (Norge AS)  
Sofeimyrveien 12  
N-1412 Sofienyr  
Norway  
Phone: (47) 6682 2000  
Fax: (47) 6682 2001

JLG Polska  
Ul. Krolewska  
00-060 Warszawa  
Poland  
Phone: (48) 91 4320 245  
Fax: (48) 91 4358 200

JLG Industries (Europe)  
Kilmartin Place,  
Tannochside Park  
Uddingston G71 5PH  
Scotland  
Phone: (44) 1 698 811005  
Fax: (44) 1 698 811055

JLG Industries (Pty) Ltd.  
Unit 1, 24 Industrial Complex  
Herman Street  
Meadowdale  
Germiston  
South Africa  
Phone: (27) 11 453 1334  
Fax: (27) 11 453 1342

Plataformas Elevadoras  
JLG Iberica, S.L.  
Trapadella, 2  
P.I. Castellbisbal Sur  
08755Castellbisbal  
Spain  
Phone: (34) 93 77 24700  
Fax: (34) 93 77 11762

JLG Industries (Sweden)  
Enkopingsvagen 150  
Box 704  
SE - 175 27 Jarfalla  
Sweden  
Phone: (46) 8 506 59500  
Fax: (46) 8 506 59534

---

Visit our Web Site at: <http://www.jlg.com>