

SKYTRAK[®]

Illustrated Parts Manual

Models ***4270*** ***4290***

8990438

May 2001

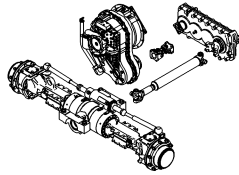
ANSI



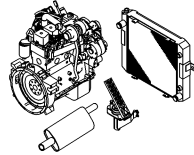
JLG[®]

TABLE OF CONTENTS QUICK REFERENCE

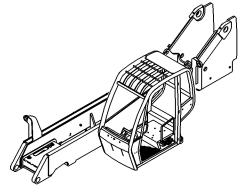
Section 1 — Drive Train



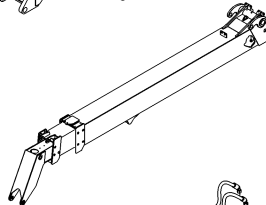
Section 2 — Engine, Radiator and Fuel System



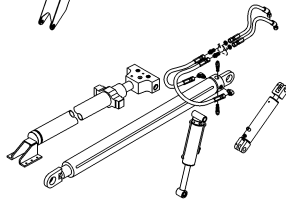
Section 3 — Frame and Operator's Compartment



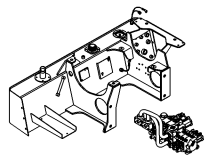
Section 4 — Boom Assembly



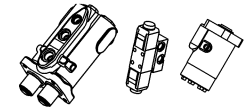
Section 5 — Boom Hydraulic Circuits and Cylinders



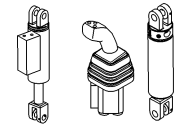
Section 6 — Hydraulic System Components



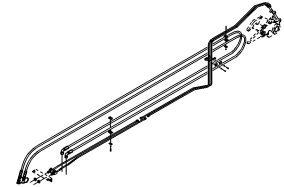
Section 7 — Steering and Brake Hydraulic Circuits



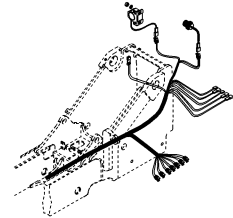
Section 8 — Frame Control Hydraulics



Section 9 — Auxiliary Attachment Hydraulic Circuit (optional)



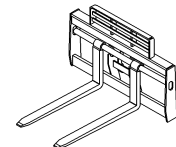
Section 10 — Electrical



Section 11 — Decals and Common Supplies



Section 12 — Attachments



Page 5.1.1
Boom Extend Cylinder

Page 12.4.1
Carriage Tilt Cylinder

Page 8.2.1
Stabil-Trak Cylinder

Page 5.2.1
Attachment Tilt Cylinder

Page 12.2.1
Swing Carriage Cylinder

Page 5.2.1
Slave Cylinder

Page 8.2.1
Frame Tilt Cylinder

Page 5.1.1
Hoist Cylinder

Page 1.9.1
Steer Cylinder

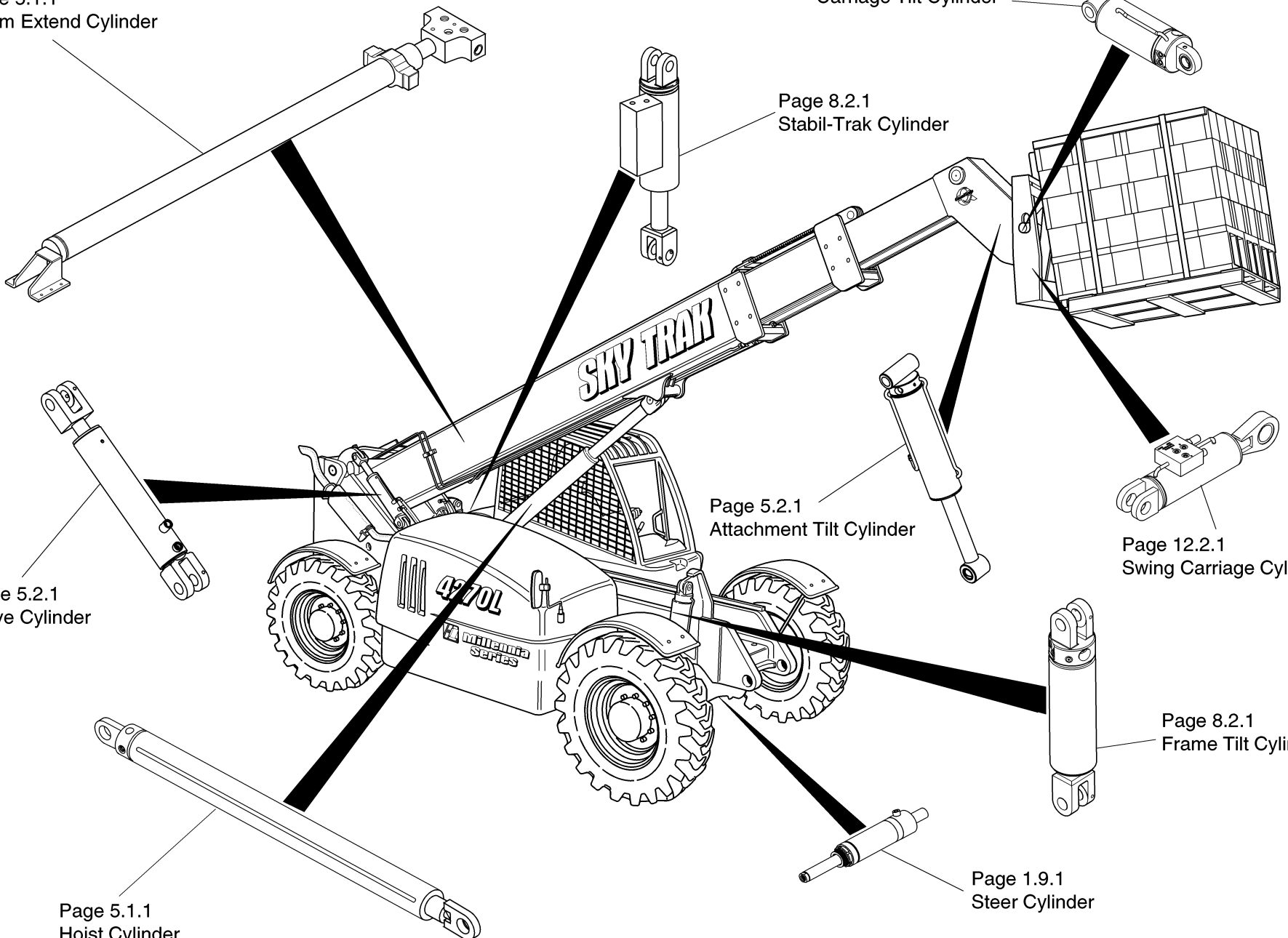


TABLE OF CONTENTS

Origin 05/01

Section 1 — Drive Train

Drive Train Assembly 4270	1.1.1
Drive Train Assembly 4290	1.1.2

Front Axle (MS - T3060)

Front Axle - Input	1.2.1
Front Axle - Limited Slip Differential	1.3.1
Front Axle - Axle Casing	1.4.1
Front Axle - M-Disc Brake	1.5.1
Front Axle - Brake	1.6.1
Front Axle - Joint Housing	1.7.1
Front Axle - Planetary Drive	1.8.1
Steering Cylinder	1.9.1

Rear Axle (MS - T3045)

Rear Axle - Input (1 of 2)	1.10.1
Rear Axle - Input (2 of 2)	1.10.1
Rear Axle - Differential	1.11.1
Rear Axle - Axle Casing	1.12.1
Rear Axle - M-Disc Brake	1.13.1
Rear Axle - Brake	1.14.1
Rear Axle - Joint Housing	1.15.1
Rear Axle - Planetary Drive	1.16.1

Transmission (4WG-98 TS)

Engine Connection & Input Shafts	1.25.1
Gearbox Housing	1.26.1
Coupling Group 1	1.27.1
Coupling Group 2	1.28.1
Coupling Group 3	1.29.1
Coupling Group 4	1.30.1
Reversing Gear Group 1	1.31.1
Reversing Gear Group 2	1.32.1
Output	1.33.1
Control Unit	1.34.1

Valve Housing Assembly	1.35.1
Valve Block Assembly	1.36.1
Oil Pump and Filter	1.37.1
Transmission Oil Cooler Assembly	1.38.1

Transfer Box (TB 92-432)

Transfer Box	1.40.1
------------------------	--------

Drive Shafts

Drive Shaft - Transmission to Transfer Box	1.41.1
Drive Shaft - Transfer Box to Front Axle	1.42.1
Drive Shaft - Transfer Box to Rear Axle	1.43.1

Section 2 — Engine, Radiator and Fuel System

Engine Mounting	2.1.1
Radiator and Oil Cooler Mounting	2.2.1
Exhaust System	2.3.1
Air Cleaner Assembly	2.4.1
Fuel System	2.5.1
Throttle Group Assembly	2.6.1

Section 3 — Frame and Operator's Compartment

Main Frame Assembly	3.1.1
Engine Hood and Covers	3.2.1

Operator's Compartment

Operator's Protective Structure - ROPS/FOPS	3.3.1
Steering Column and Shifter Assembly	3.4.1
Operator's Seat and Seat Belt	3.5.1
Suspension Seat	3.6.1
Mirrors	3.7.1

Open Cab

Outer Panels - Open Cab	3.8.1
Inner Console and Dash Panel - Open Cab	3.9.1

TABLE OF CONTENTS

Origin 05/01

Enclosed Cab

Outer Panels - Enclosed Cab	3.10.1
Inner Console and Dash Panel - Enclosed Cab	3.11.1
Glass - Enclosed Cab	3.12.1
Door Assembly	3.13.1
Rear Window and Wiper Assemblies	3.14.1
Front Windshield Wiper Assembly	3.15.1
Skylight Wiper Assembly	3.16.1
Heater Assembly - Enclosed Cab	3.17.1
Heater Hoses and Vents - Enclosed Cab	3.18.1

Section 4 — Boom Assembly

Outer Boom Assembly (High Pivot)	4.1.1
Outer Boom Assembly (Low Pivot)	4.2.1
Intermediate Boom Assembly	4.3.1
Inner Boom Assembly (High Pivot)	4.4.1
Inner Boom Assembly (Low Pivot)	4.5.1
Boom Extend Chains	4.6.1
Boom Retract Chains	4.7.1
Quick Attach Assembly	4.8.1

Section 5 — Boom Hydraulic Circuits and Cylinders

Boom Lift/Lower & Extend/Retract Circuit (Low Pivot)	5.1.1
Boom Lift/Lower & Extend/Retract Circuit (High Pivot)	5.1.2
Attachment Tilt and Slave Circuit (Low Pivot)	5.2.1
Attachment Tilt and Slave Circuit (High Pivot)	5.2.2
Hoist Cylinder 4270	5.3.1
Hoist Cylinder 4290	5.3.2
Extend Cylinder	5.4.1
Slave Cylinder	5.5.1
Attachment Tilt Cylinder	5.6.1

Section 6 — Hydraulic System Components

Hydraulic Reservoir Assembly	6.1.1
Unloader Valve Hydraulic Circuit	6.2.1
Unloader Valve Assembly	6.3.1
Gear Pump Assembly 4270	6.4.1
Gear Pump Assembly 4290	6.4.2
Valves, Manifold and Brackets	6.5.1
Main Control Valve Assembly (w/o Auxiliary)	6.6.1
Main Control Valve Assembly (w/Auxiliary)	6.6.2
Section Assembly - Boom Extend/Retract	6.7.1
Section Assembly - Boom Lift/Lower	6.8.1
Section Assembly - Frame Tilt	6.9.1
Section Assembly - Attachment Tilt	6.10.1
Section Assembly Auxiliary	6.11.1
Pilot Select Manifold Assembly	6.12.1
Secondary Function Manifold	6.13.1

Section 7 — Steering and Brake Hydraulic Circuits

3 Mode Steering Hydraulic Circuit	7.1.1
3 Mode Steering Directional Control Valve	7.2.1
4 Mode Steering Hydraulic Circuit	7.3.1
4 Mode Steering Directional Control Valve	7.4.1
Service and Parking Brake Hydraulic Circuit	7.5.1
Service Brake Valve and Pedal Mounting	7.6.1

Section 8 — Frame Control Hydraulics

Joystick Hydraulic Circuit	8.1.1
Frame Tilt and Stabil-Trak Circuit	8.2.1
Frame Tilt Cylinder	8.3.1
Stabil-Trak Cylinder	8.4.1
Stabil-Trak Cylinder Valves	8.5.1

TABLE OF CONTENTS

Origin 05/01

Section 9 — Auxiliary Attachment Hydraulic Circuit (optional)

Auxiliary Hydraulic Circuit - Low Pivot (optional)	9.1.1
Auxiliary Hydraulic Circuit - High Pivot (optional).	9.1.2
Aux Hydraulics - Valves, Manifold and Tubing	9.2.1
Aux Detent Hydraulics - Valves, Manifold and Tubing.	9.3.1
Auxiliary Detent Selector Valve.	9.4.1

Section 10 — Electrical

Operators Cab Wiring Harness.	10.1.1
Engine Wiring Harness	10.2.1
Switches and Fuses	10.3.1
Roadlights Assembly	10.4.1
Roadlights - Switchs and Fuses	10.5.1
Worklights Assembly.	10.6.1

Section 11 — Decals and Common Supplies

Decals.	11.1.1
Filters Paint and Common Supplies	11.2.1

Section 12 — Attachments

48", 60" & 72" Standard Carriage & Forks.	12.1.1
Swing Carriage Assembly	12.2.1
Swing Carriage Cylinder	12.3.1
Side Tilt Carriage Assembly	12.4.1
Side Tilt Carriage Cylinder	12.5.1
12 Ft. Truss Boom	12.6.1
Sheet Material Handler Assembly.	12.7.1
Utility Bucket	12.8.1

TABLE OF CONTENTS

Section 1 — Drive Train

Drive Train Assembly 4270	1.1.1
Drive Train Assembly 4290	1.2.1

Front Axle (MS - T3060)

Front Axle - Input	1.2.1
Front Axle - Limited Slip Differential	1.3.1
Front Axle - Axle Casing	1.4.1
Front Axle - M-Disc Brake	1.5.1
Front Axle - Brake	1.6.1
Front Axle - Joint Housing	1.7.1
Front Axle - Planetary Drive	1.8.1
Steering Cylinder	1.9.1

Rear Axle (MS - T3045)

Rear Axle - Input (1 of 2)	1.10.1
Rear Axle - Input (2 of 2)	1.10.1
Rear Axle - Differential	1.11.1
Rear Axle - Axle Casing	1.12.1
Rear Axle - M-Disc Brake	1.13.1
Rear Axle - Brake	1.14.1
Rear Axle - Joint Housing	1.15.1
Rear Axle - Planetary Drive	1.16.1

Transmission (4WG-98 TS)

Engine Connection & Input Shafts	1.25.1
Gearbox Housing	1.26.1
Coupling Group 1	1.27.1
Coupling Group 2	1.28.1
Coupling Group 3	1.29.1
Coupling Group 4	1.30.1
Reversing Gear Group 1	1.31.1
Reversing Gear Group 2	1.32.1
Output	1.33.1

Control Unit	1.34.1
Valve Housing Assembly	1.35.1
Valve Block Assembly	1.36.1
Oil Pump and Filter	1.37.1
Transmission Oil Cooler Assembly	1.38.1

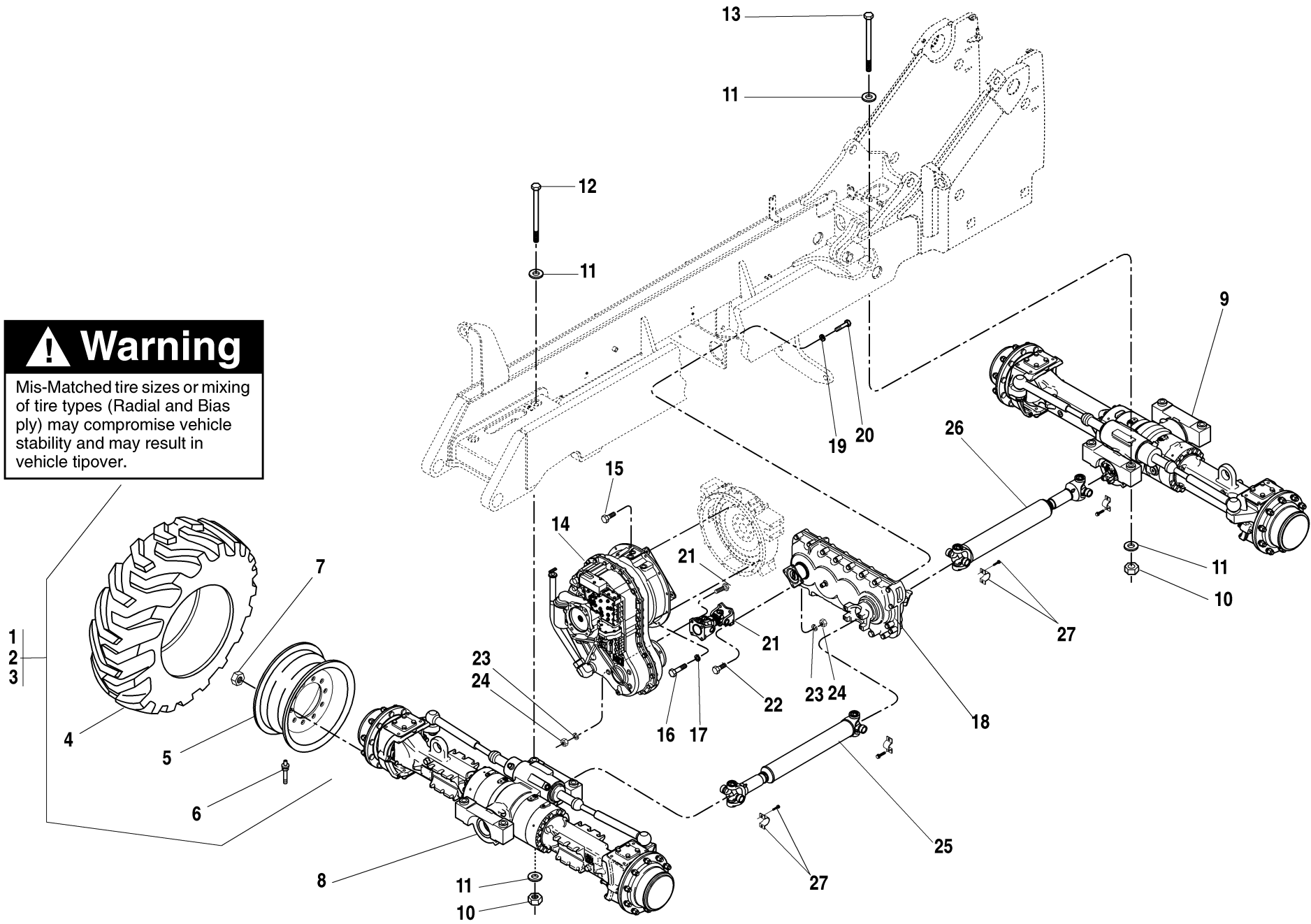
Transfer Box (TB 92-432)

Transfer Box	1.40.1
------------------------	--------

Drive Shafts

Drive Shaft - Transmission to Transfer Box	1.41.1
Drive Shaft - Transfer Box to Front Axle	1.42.1
Drive Shaft - Transfer Box to Rear Axle	1.43.1

⚠ Warning
 Mis-Matched tire sizes or mixing of tire types (Radial and Bias ply) may compromise vehicle stability and may result in vehicle tipover.



ITEM	PART NO.	QTY.	DESCRIPTION
1	7138338	2	Tire and Wheel Assembly, Right Side , 13.00-24, 12 Ply, Solid Filled (4270 Only)
	7138339	2	Tire and Wheel Assembly, Left Side , 13.00-24, 12 Ply, Solid Filled (4270 Only)
2	7138831	2	Tire and Wheel Assembly, Right Side , 13.00-24, 16 Ply, Grader G-2 (Includes Items 4 thru 6) (4270 Only)
	7138832	2	Tire and Wheel Assembly, Left Side , 13.00-24, 16 Ply, Grader G-2 (Includes Items 4 thru 6) (4270 Only)
3	7139573	4	Tire and Wheel Assembly, Rock, 15.5-25, L3, 12 Ply
4	8780046	1	Tire, 13.00-24 TG 16 Ply, Grader (For Item 2)
	8780050	1	Tire, 15.5-25, 12 Ply, SRG, Rock (For Item 3)
5	7138656	1	Rim, 9024GR (For Item 2)
6	8786514	1	Stem, Valve
7	1319478	10	●Nut, Sph. Collar (Lug Nut)
8	8040269	1	Axle, Front (4270 only) (See Pages 1.2.1–1.9.1 for Breakdown)
9	8040270	1	Axle, Rear (4270 only) (See Pages 1.9.1–1.16.1 for Breakdown)
10	8310481	8	Nut, Hex Lock Elastic 1-8
11	8310061	16	Washer, Flat 1"
12	8310480	4	HHCS, 1-8 x 14" Gr. 8
13	8310479	4	HHCS, 1-8 x 11" Gr. 8
14	8841042	1	Transmission - 4 Speed (See Pages 1.25.1–1.37.1 for Breakdown)
15	8303798	4	HHCS, M10-1,5 x 25mm
16	8303769	12	HHCS, M10-1,5 x 45mm
17	8307023	12	Washer, Lock M10
18	8841041	1	Transfer Box (See Page 1.40.1 for Breakdown)
19	8307049	4	Washer, Lock M16
20	8310496	4	HHSC M16-2 x 35mm
21	7138760	1	Drive Shaft, Transmission to Transfer Box (See Page 1.41.1 for Breakdown)
22	8310084	8	HHCS, 1/2-20 NF x 2.00"

ITEM	PART NO.	QTY.	DESCRIPTION
23	8307007	8	Washer, Lock 1/2"
24	8310464	8	Nut, Hex 1/2-20 NF
25	7135912	1	Drive Shaft, Transfer Box to Front Axle (See Page 1.42.1 for Breakdown)
26	7135922	1	Drive Shaft, Transfer Box to Rear Axle (See Page 1.43.1 for Breakdown)
27	8880218	8	Strap Kit

NOTES:

● For Wheel Stud See Page 1.7.1 or Page 1.15.1

Origin
05/01

S/N 14409-

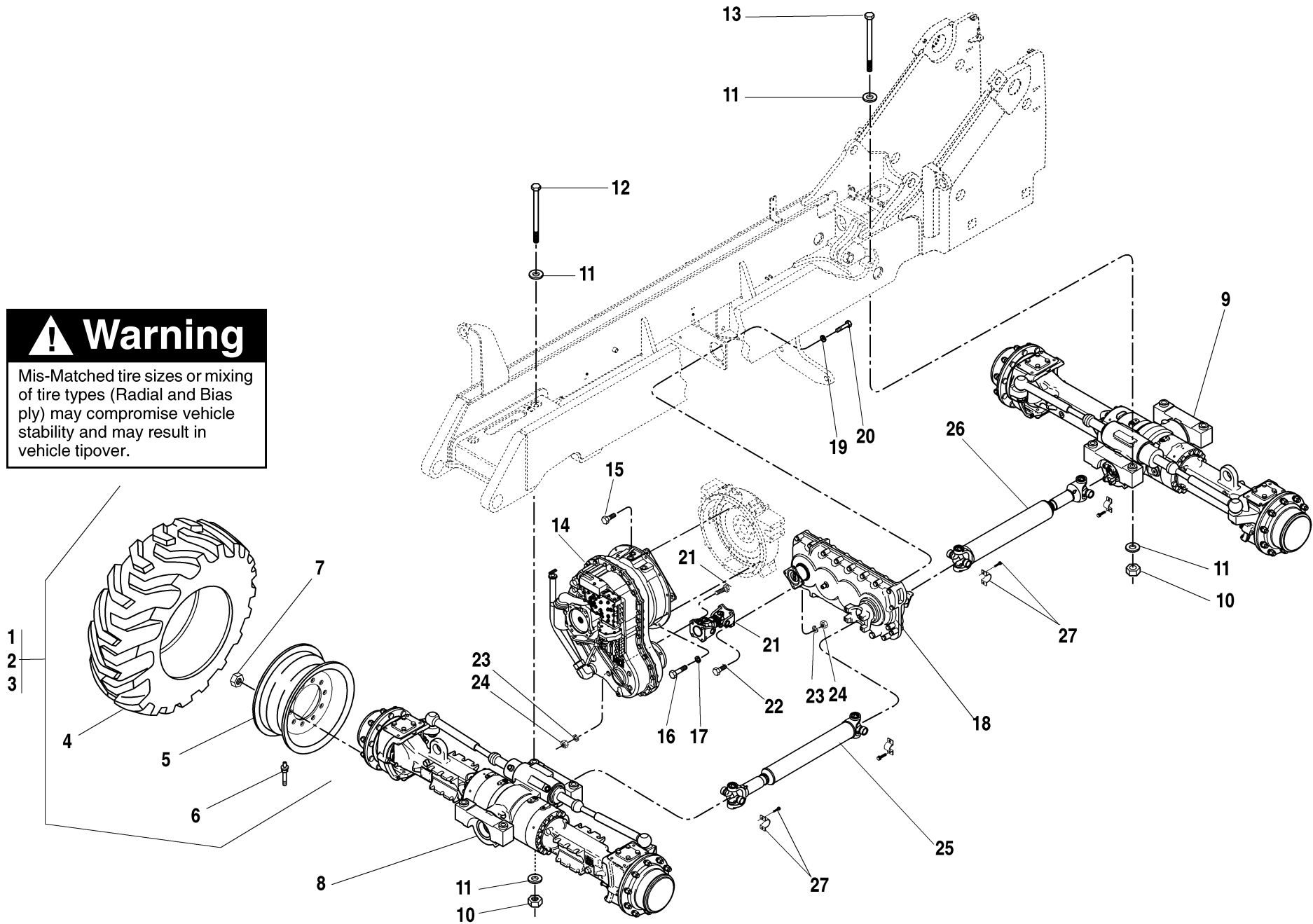
4270H
4270L
4290H
4290L

DRIVE TRAIN ASSEMBLY 4270

1.1.1



Warning
 Mis-Matched tire sizes or mixing of tire types (Radial and Bias ply) may compromise vehicle stability and may result in vehicle tipover.



ITEM	PART NO.	QTY.	DESCRIPTION
1	7138336	2	Tire and Wheel Assembly, Right Side , 15.5-25, 12 Ply, Solid Filled (4290 Only)
	7138337	2	Tire and Wheel Assembly, Left Side , 15.5-25, 12 Ply, Solid Filled (4290 Only)
2	7139332	2	Tire and Wheel Assembly, Right Side , 15.5-25, 12 Ply, (Includes Items 4 thru 6) (4290 Only)
	7139333	2	Tire and Wheel Assembly, Left Side , 15.5-25, 12 Ply, (Includes Items 4 thru 6) (4290 Only)
3	7139573	4	Tire and Wheel Assembly, Rock, 15.5-25, L3, 12 Ply
4	8780036	1	Tire, 15.5-25, 12 Ply Loader Dozer (For Item 2)
	8780050		Tire, 15.5-25, 12 Ply, SRG, Rock (For Item 3)
5	7138657	1	Rim, 1325 LR (For Item 2 and 3)
6	8786514	1	Stem, Valve
7	1319478	10	●Nut, Sph. Collar (Lug Nut)
8	8040261	1	Axle Front (4290 only) (See Pages 1.2.1–1.9.1 for Breakdown)
9	8040262	1	Axle, Rear (4290 only) (See Pages 1.9.1–1.16.1 for Breakdown)
10	8310481	8	Nut, Hex Lock Elastic 1-8
11	8310061	16	Washer, Flat 1"
12	8310480	4	HHCS, 1-8 x 14" Gr. 8
13	8310479	4	HHCS, 1-8 x 11" Gr. 8
14	8841042	1	Transmission - 4 Speed (See Pages 1.25.1–1.37.1 for Breakdown)
15	8303798	4	HHCS, M10-1,5 x 25mm
16	8303769	12	HHCS, M10-1,5 x 45mm
17	8307023	12	Washer, Lock M10
18	8841041	1	Transfer Box (See Page 1.40.1 for Breakdown)
19	8307049	4	Washer, Lock M16
20	8310496	4	HHSC M16-2 x 35mm
21	7138760	1	Drive Shaft, Transmission to Transfer Box (See Page 1.41.1 for Breakdown)
22	8310084	8	HHCS, 1/2-20 NF x 2.00"
23	8307007	8	Washer, Lock 1/2"
24	8310464	8	Nut, Hex 1/2-20 NF

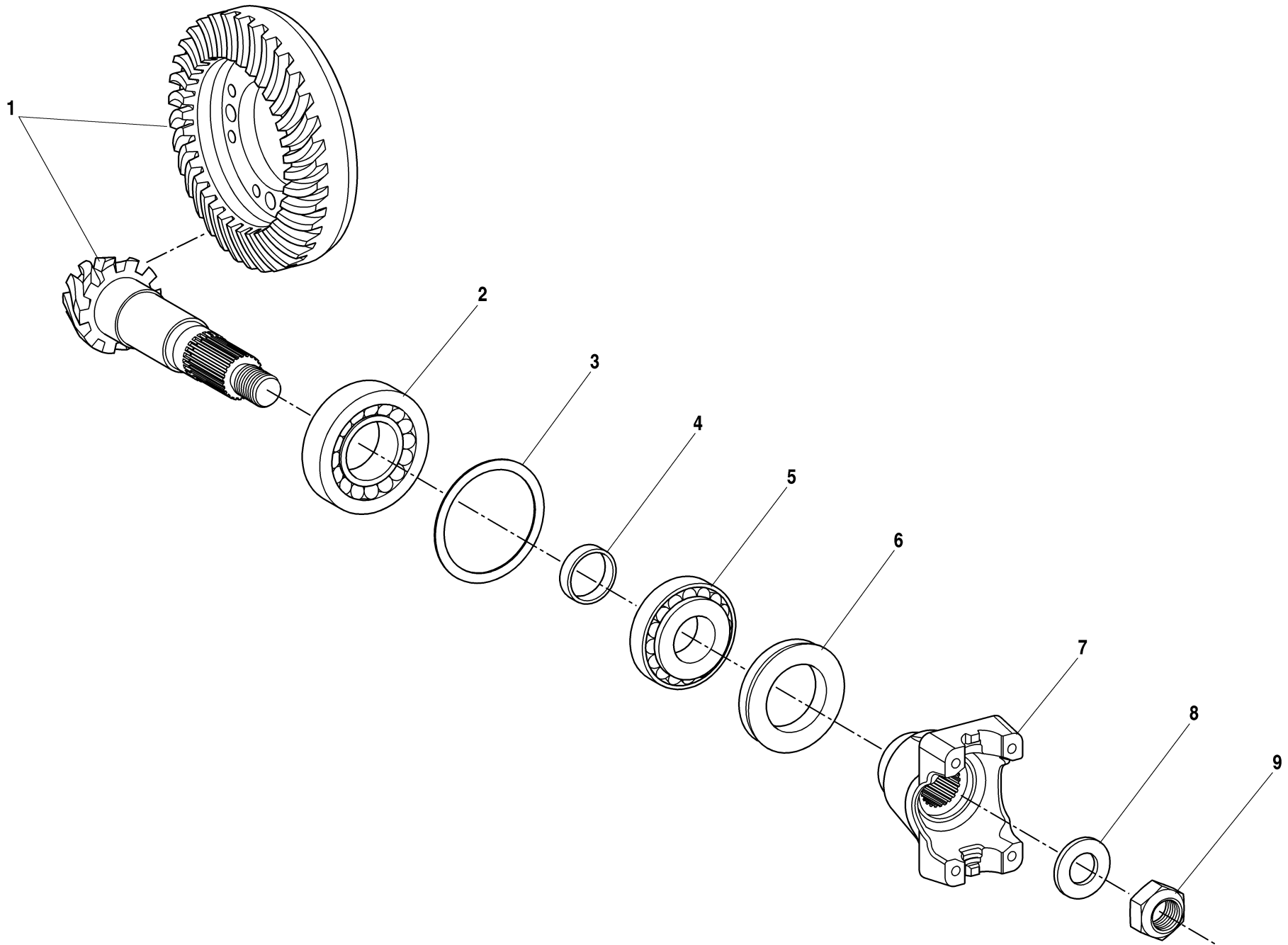
ITEM	PART NO.	QTY.	DESCRIPTION
25	7135912	1	Drive Shaft, Transfer Box to Front Axle (See Page 1.42.1 for Breakdown)
26	7135922	1	Drive Shaft, Transfer Box to Rear Axle (See Page 1.43.1 for Breakdown)
27	8880218	8	Strap Kit

NOTES:
 ● For Wheel Stud See Page 1.7.1 or Page 1.15.1

Origin
05/01

S/N 14409-

4270H
4270L
4290H
4290L
▼



ITEM	PART NO.	QTY.	DESCRIPTION
1	8035870	1	Gear Set Bevel
2	8035880	1	Bearing, Roller
3	1321187	A/R	Shim, Optional S=1,5
	8035871	A/R	Shim, Optional S=0,9
	8035872	A/R	Shim, Optional S=0,95
	8035873	A/R	Shim, Optional S=1,0
	1321186	A/R	Shim, Optional S=1,05
	8035874	A/R	Shim, Optional S=1,1
	8035875	A/R	Shim, Optional S=1,15
	1321185	A/R	Shim, Optional S=1,2
	8035876	A/R	Shim, Optional S=1,25
	8035877	A/R	Shim, Optional S=1,3
	1321189	A/R	Shim, Optional S=0,7
	8035878	A/R	Shim, Optional S=1,75
	8035879	A/R	Shim, Optional S=0,8
	1321190	A/R	Shim, Optional S=0,85
4	8035881	1	Ring, Optional S=11,30
	8035882	1	Ring, Optional S=11,33
	8035883	1	Ring, Optional S=11,36
	8035884	1	Ring, Optional S=11,39
	8035885	1	Ring, Optional S=11,42
	8035886	1	Ring, Optional S=11,45
	1321196	1	Ring, Optional S=11,48
	8035887	1	Ring, Optional S=11,51
	8035888	1	Ring, Optional S=11,54
	8035889	1	Ring, Optional S=11,57
	8035890	1	Ring, Optional S=11,60
	8035891	1	Ring, Optional S=11,63
	1321197	1	Ring, Optional S=11,66
	8035892	1	Ring, Optional S=11,69
	8035893	1	Ring, Optional S=11,72
	8035894	1	Ring, Optional S=11,75
	8035895	1	Ring, Optional S=11,78
	8035896	1	Ring, Optional S=11,81
	1321198	1	Ring, Optional S=11,84
	8035897	1	Ring, Optional S=11,87
	8035898	1	Ring, Optional S=11,90
	8035899	1	Ring, Optional S=11,93
	8035900	1	Ring, Optional S=11,96
	8035901	1	Ring, Optional S=11,99
	8035902	1	Ring, Optional S=12,02
	1321199	1	Ring, Optional S=12,05
	8035903	1	Ring, Optional S=12,08
	8035904	1	Ring, Optional S=12,11
	8035905	1	Ring, Optional S=12,14
	8035906	1	Ring, Optional S=12,17
	1321200	1	Ring, Optional S=12,20
	8035907	1	Ring, Optional S=12,23
	8035908	1	Ring, Optional S=12,26
	8035909	1	Ring, Optional S=12,29
	8035910	1	Ring, Optional S=12,32
	8035911	1	Ring, Optional S=12,35
	1321201	1	Ring, Optional S=12,38
	8035912	1	Ring, Optional S=11,27
	1321204	1	Ring, Optional S=11,24
	8035913	1	Ring, Optional S=11,21
	8035914	1	Ring, Optional S=11,18
	8035915	1	Ring, Optional S=11,15
	8035916	1	Ring, Optional S=11,12
	1321203	1	Ring, Optional S=11,09
	8035917	1	Ring, Optional S=11,06
	8035918	1	Ring, Optional S=11,03
	8035919	1	Ring, Optional S=11,00
	8035920	1	Ring, Optional S=10,97
	1321202	1	Ring, Optional S=10,94
5	1321212	1	Bearing, Roller
6	1321210	1	Ring, Combination
7	1321248	1	Yoke, End
8	1321194	1	Washer
9	8035921	1	Nut, Hex

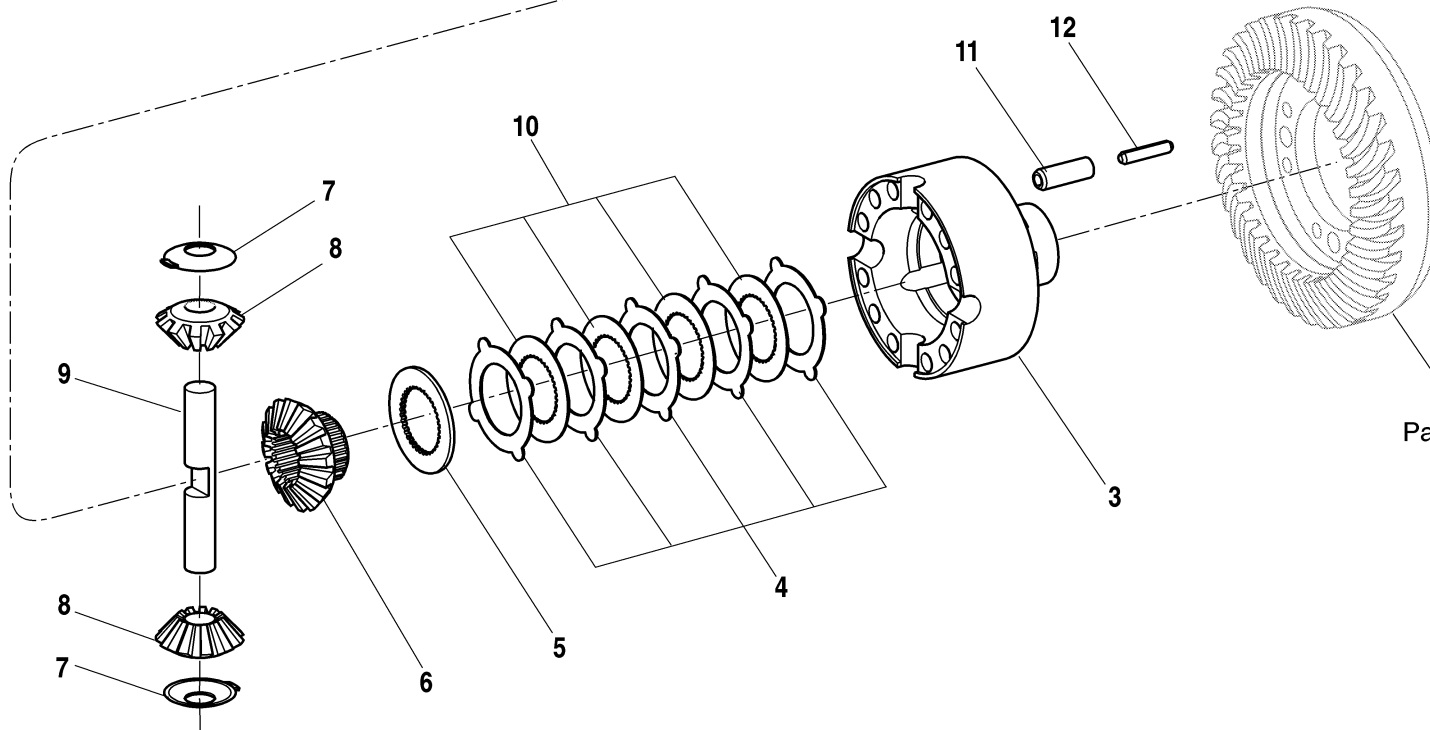
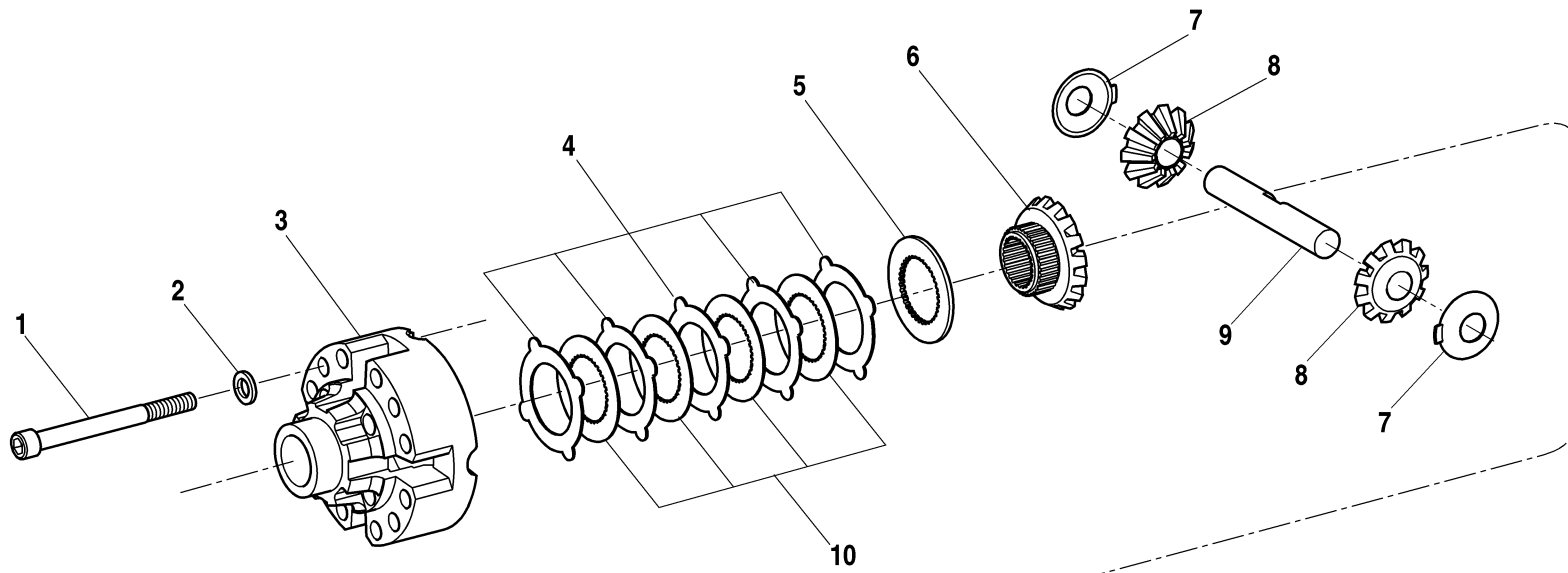
Origin
05/01

S/N 14409-

FRONT AXLE - INPUT

1.2.1

4270H
4270L
4290H
4290L



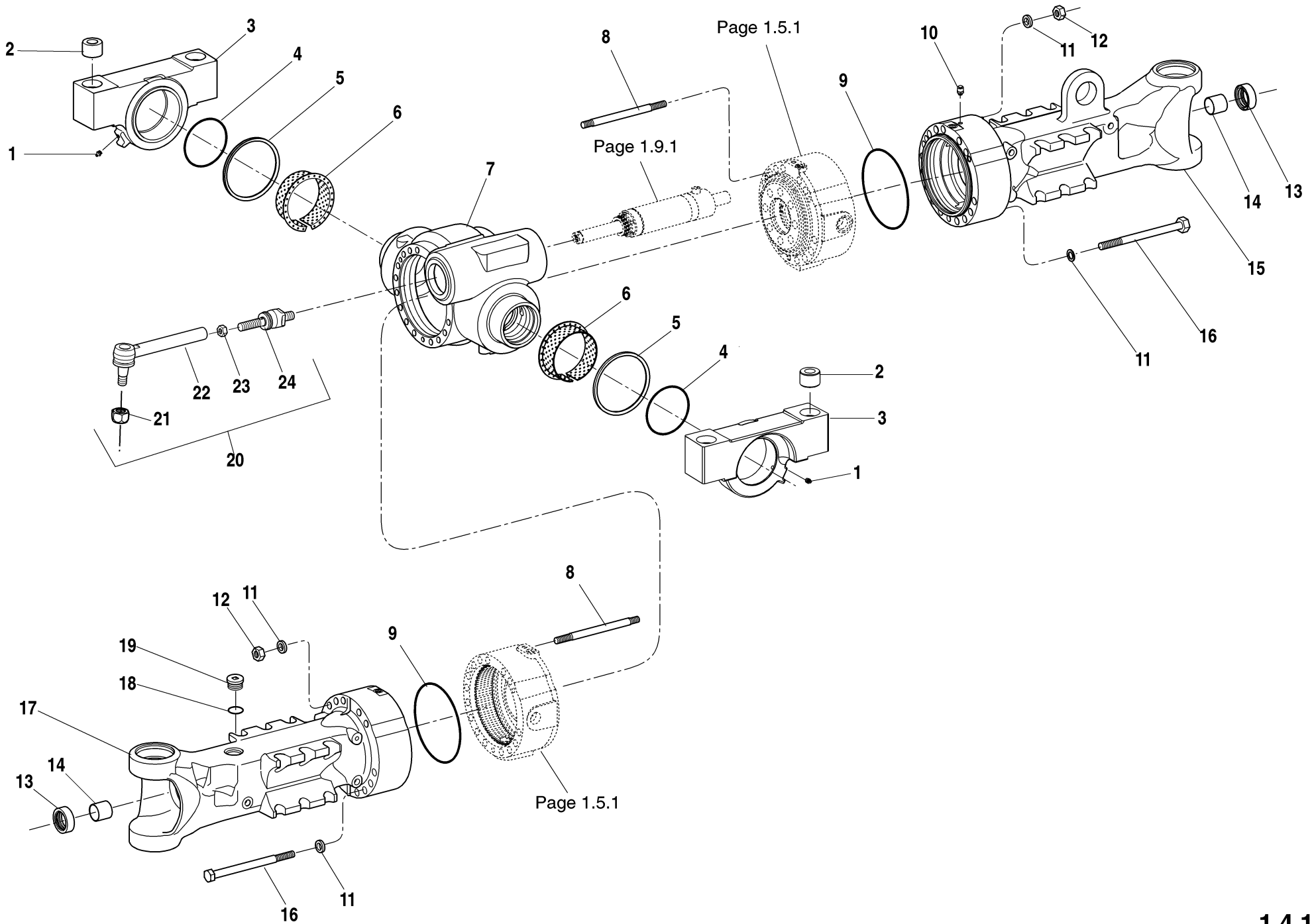
Page 1.2.1

ITEM	PART NO.	QTY.	DESCRIPTION
1	8035923	12	Screw, Cap
2	1321184	12	Washer
3	1321215	1	Case, Differential
4	1321219	10	Disc, O. Clutch - Optional A=1,2
	1321220	10	Disc, O. Clutch - Optional A=1,3
	1321221	10	Disc, O. Clutch - Optional A=1,4
5	1321217	2	Disc, Pressure
6	1321222	2	Gear, Axle Bevel
7	1319415	4	Washer, Thrust
8	8035922	4	Gear, Differential Bevel
9	1321225	2	Axle, Differential
10	1321218	8	Disc, I. Clutch
11	1321153	4	Pin, Slotted
12	1321154	4	Pin, Slotted

Origin
05/01

S/N 14409-

4270H
4270L
4290H
4290L



ITEM	PART NO.	QTY.	DESCRIPTION
1	1319423	2	Fitting, Grease
2	1319441	4	Bushing, Centering
3	8035933	2	Bracket
4	1319439	2	O-Ring
5	1319440	2	V-Ring
6	1319438	2	Bushing, Flange
7	1321252	1	Housing, Axle Drive
8	8035928	8	Stud
9	1319425	2	O-Ring
10	1319436	1	Valve, Vent
11	1319427	30	Washer
12	1319429	8	Nut, Hex
13	1319434	2	Seal, Shaft
14	1319433	2	Bushing
15	8035924	1	Axle Casing, Right Front
16	8035927	22	Screw, Hex
17	8035925	1	Axle Casing, Left Front
18	1319432	1	O-Ring
19	1319506	1	Plug, Screw
20	1321148	2	Coupling Assembly, Axial Joint (Includes Items 21 thru 24)
21	8035931	1	Nut, Locking
22	8035929	1	Coupling, Ball Joint w/Pipe
23	8035932	1	Nut, Hex
24	8035930	1	Coupling, Axial Joint

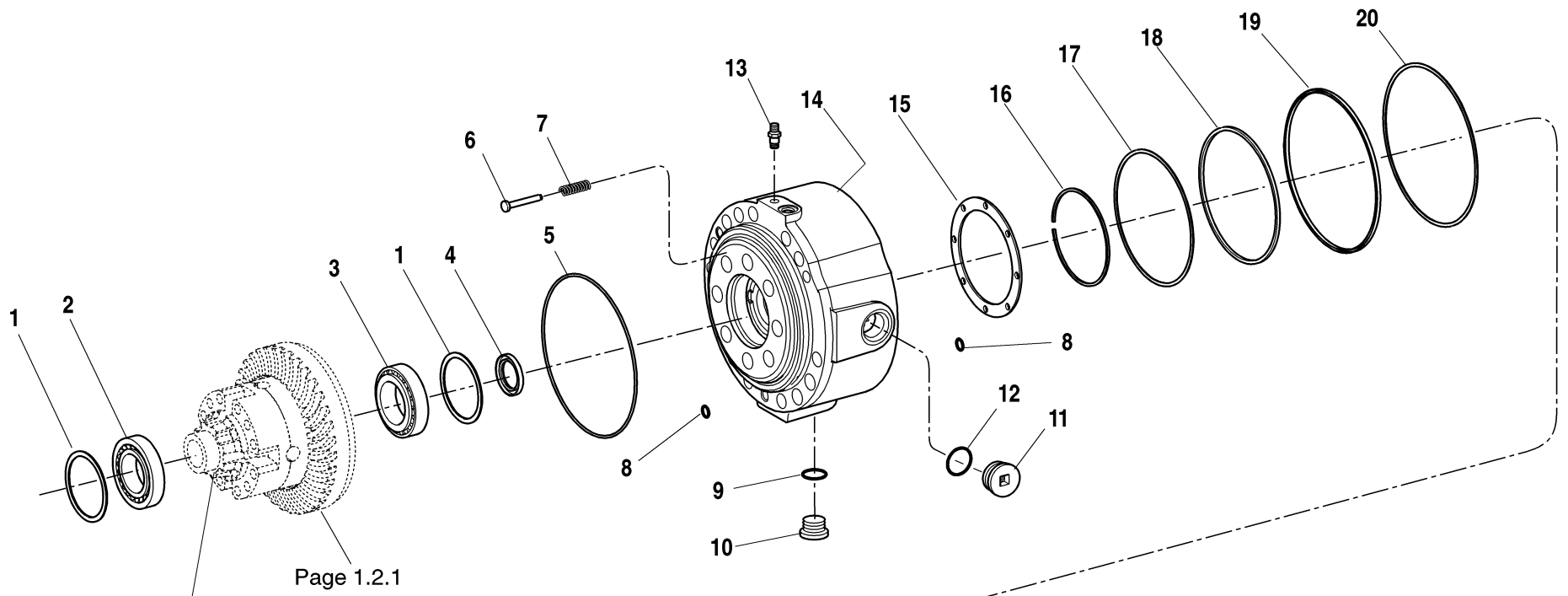
Origin
05/01

S/N 14409-

4270H
4270L
4290H
4290L

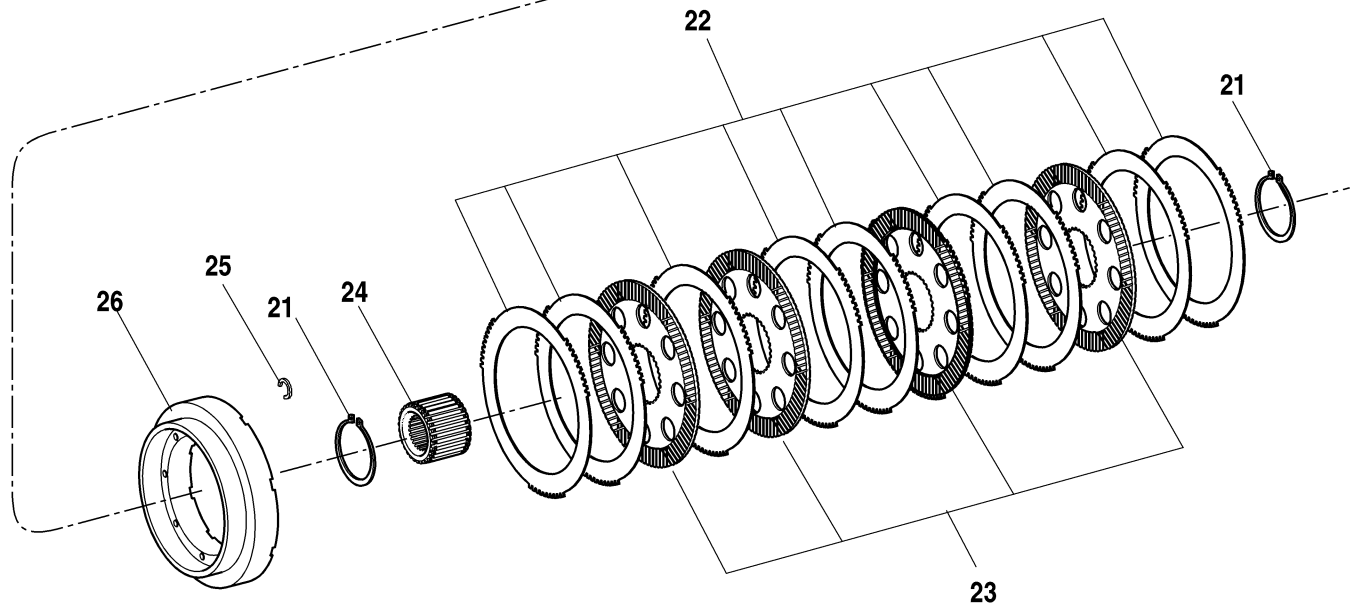
FRONT AXLE - AXLE CASING

1.4.1



Page 1.2.1

Page 1.3.1



ITEM	PART NO.	QTY.	DESCRIPTION	ITEM	PART NO.	QTY.	DESCRIPTION
1	1319531	A/R	Shim, Optional A=0,1		1319511	2	Shim, Optional A=1,95
	1319530	A/R	Shim, Optional A=0,2	2	8035944	2	Bearing, Roller
	1319529	A/R	Shim, Optional A=0,3	3	1321165	2	Bearing, Roller
	8035951	A/R	Shim, Optional A=0,4	4	1321161	2	Seal, Shaft
	1319543	A/R	Shim, Optional A=0,45	5	1319425	2	O-Ring
	1319527	A/R	Shim, Optional A=0,5	6	1319496	16	Pin
	1321158	A/R	Shim, Optional A=0,55	7	1319497	16	Spring, Compression
	1319526	A/R	Shim, Optional A=0,6	8	1319491	12	O-Ring
	1319532	A/R	Shim, Optional A=0,65	9	1321156	2	O-Ring
	1319533	A/R	Shim, Optional A=0,7	10	1319431	2	Plug, Screw
	1319534	A/R	Shim, Optional A=0,75	11	1319506	2	Plug, Screw
	1319525	A/R	Shim, Optional A=0,8	12	1319432	2	O-Ring
	1319535	A/R	Shim, Optional A=0,85	13	1319505	2	Valve, Vent
	1319536	A/R	Shim, Optional A=0,9	14	8035936	1	Housing, Brake - Right Side
	1319537	A/R	Shim, Optional A=0,95		8035939	1	Housing, Brake - Left Side
	1319524	A/R	Shim, Optional A=1,0	15	1319498	2	Washer
	1319525	A/R	Shim, Optional A=1,05	16	1319504	2	Ring, Snap
	1319538	A/R	Shim, Optional A=1,10	17	1321151	2	Ring, Support
	1319539	A/R	Shim, Optional A=1,15	18	8035941	2	U-Ring
	1319523	A/R	Shim, Optional A=1,20	19	8035949	2	U-Ring
	1319540	A/R	Shim, Optional A=1,25	20	8035943	2	Ring, Support
	1319541	A/R	Shim, Optional A=1,30	21	10731949	4	Ring, Retaining
	1319542	A/R	Shim, Optional A=1,35	22	1319501	18	Disc, O. Clutch - Optional S=2,5 (4270)
	1319522	A/R	Shim, Optional A=1,40		1319502	18	Disc, O. Clutch - Optional S=3,0 (4270)
	1319521	A/R	Shim, Optional A=1,45		1319500	18	Disc, O. Clutch - Optional S=2,0 (4270)
	1319520	A/R	Shim, Optional A=1,50		1319501	16	Disc, O. Clutch - Optional S=2,5 (4290)
	1319519	A/R	Shim, Optional A=1,55		1319502	16	Disc, O. Clutch - Optional S=3,0 (4290)
	1319518	A/R	Shim, Optional A=1,60		1319500	16	Disc, O. Clutch - Optional S=2,0 (4290)
	1319517	A/R	Shim, Optional A=1,65	23	1321150	8	Disc, I. Clutch (4270)
	1319510	A/R	Shim, Optional A=2,0		1321150	10	Disc, I. Clutch (4290)
	1321159	A/R	Shim, Optional A=1,47	24	1321174	2	Carrier, Disc
	1319516	A/R	Shim, Optional A=1,70	25	1319499	16	Ring, Crescent
	1319515	A/R	Shim, Optional A=1,75	26	8035940	2	Piston
	1319514	A/R	Shim, Optional A=1,80	NOTES:			
	1319513	A/R	Shim, Optional A=1,85	Quantities Listed are Per Axle.			
	1319512	A/R	Shim, Optional A=1,90				

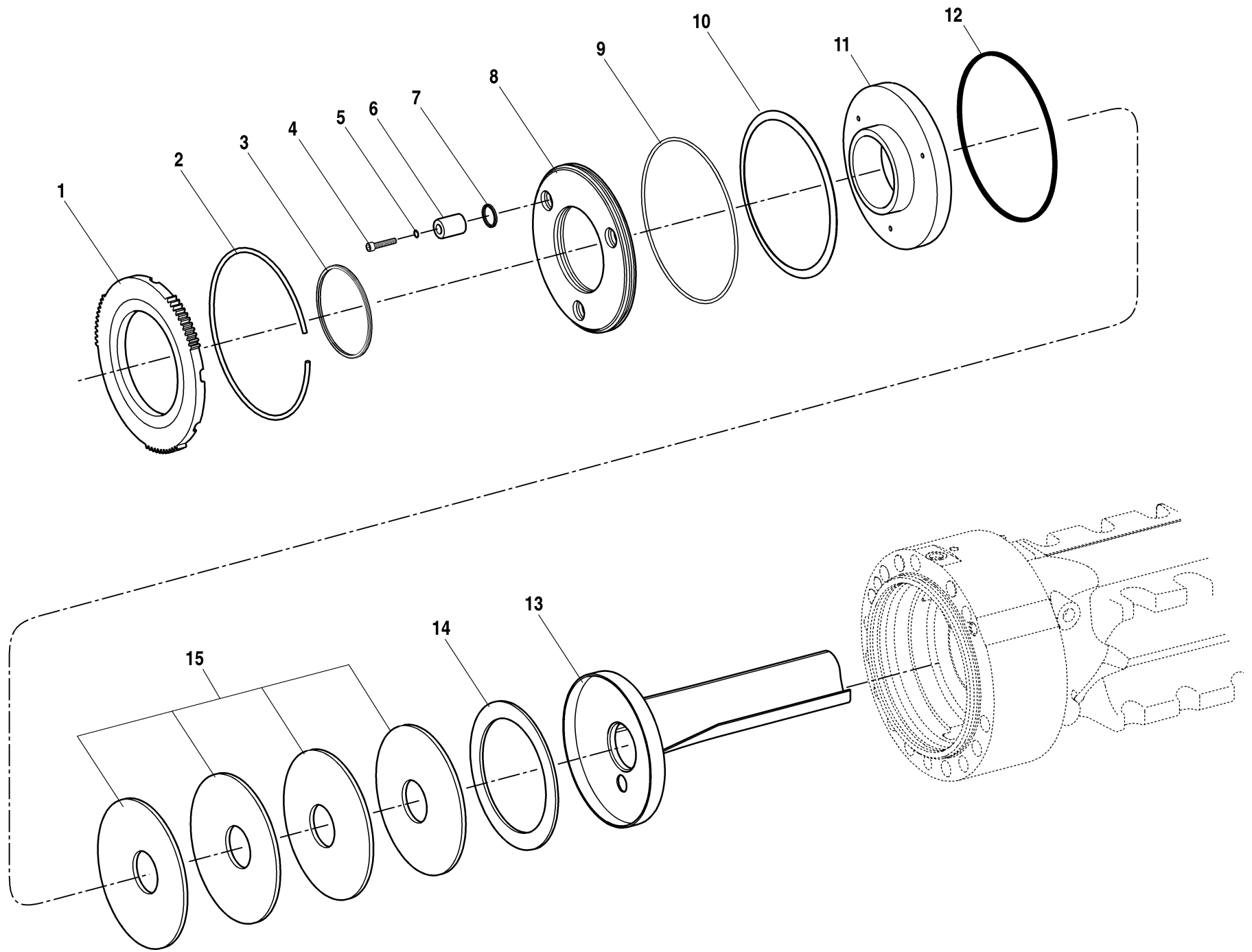
Origin
05/01

S/N 14409-

FRONT AXLE - M-DISC BRAKE

1.5.1

4270H
4270L
4290H
4290L



ITEM PART NO. QTY. DESCRIPTION

1	8035952	2	Shim, End
2	1321206	2	Ring, Snap
3	1321179	2	Ring, Four-Lip
4	8035954	6	Screw, Cap
5	8035955	6	O-Ring
6	1321244	6	Pin, Pressure
7	1321181	6	Ring, Four-Lip
8	8036018	2	Washer, Sealing
9	1321182	2	O-Ring
10	1321208	2	Spring, Cup
11	1321240	2	Piston
12	1321180	2	Ring, Four-Lip
13	1321172	2	Carrier, Pin
14	8035958	2	Washer, Spacing
15	1321207	8	Spring, Cup

NOTES:
Quantities Listed are Per Axle.

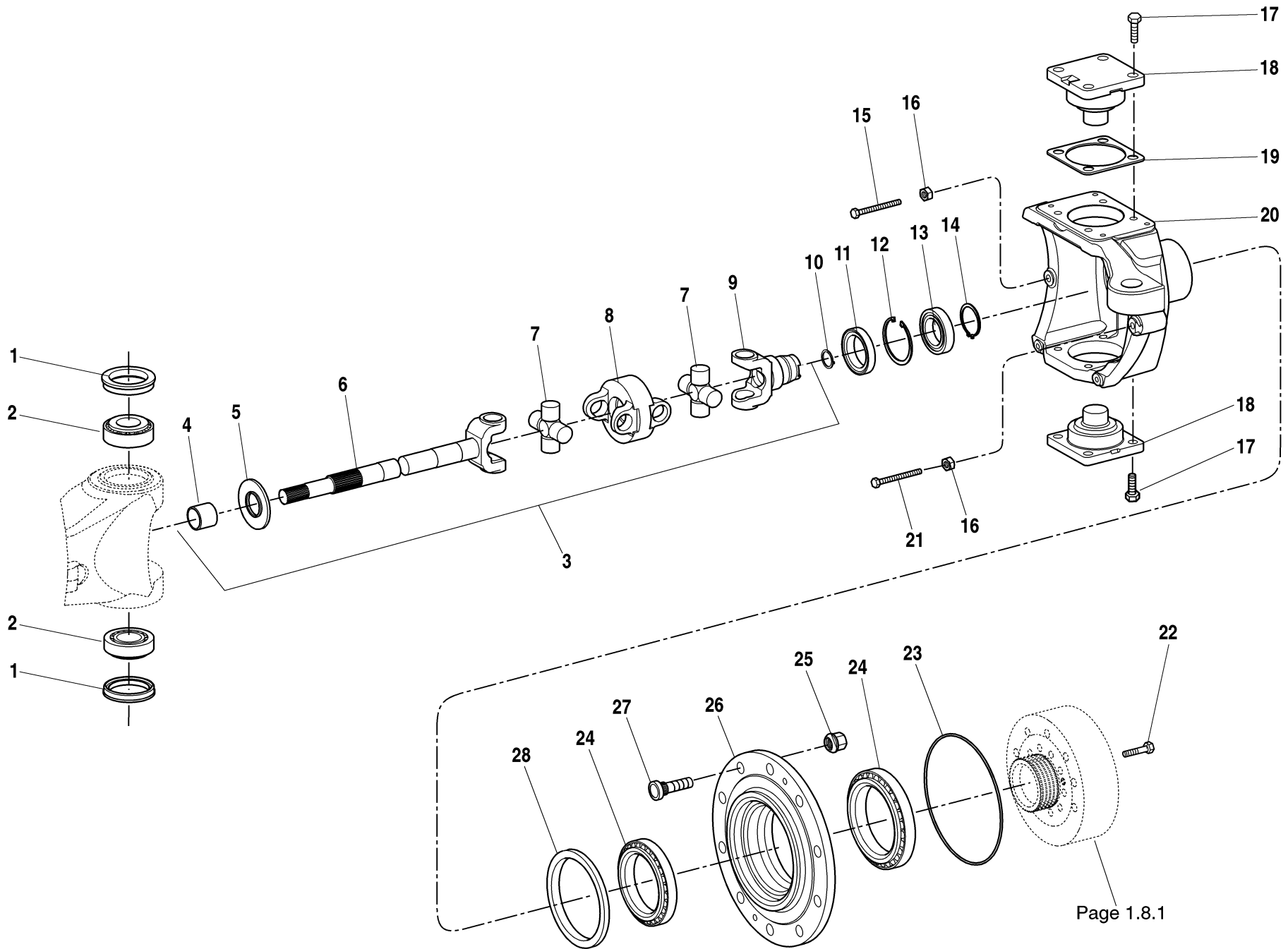
Origin
05/01

S/N 14409-

4270H
4270L
4290H
4290L

FRONT AXLE - BRAKE

1.6.1



ITEM	PART NO.	QTY.	DESCRIPTION
1	1319447	4	Seal, Shaft
2	1319445	4	Bearing, Roller
3	1321175	2	Shaft, D. Universal Coupling (Includes Items 4 thru 9)
4	8035973	1	Bushing
5	8035974	1	Sheet, Screen
6	8035972	1	Fork, Joint Coupling
7	8035970	2	Cross, Joint
8	8035969	1	Central Piece
9	8035971	1	Fork, Joint
10	1321228	2	Ring, Retaining
11	1321164	2	Seal, Shaft
12	1319210	2	Ring, Retaining
13	1321157	2	Bearing, Ball
14	1319564	2	Ring, Retaining
15	1319475	2	Screw, Stop
16	1319477	4	Nut, Hex
17	1319464	16	Screw, Hex
18	1319462	4	Pin, Bearing
19	1321249	A/R	Shim, Optional A=0,2
	8035959	A/R	Shim, Optional A=0,3
	8035960	A/R	Shim, Optional A=0,4
	8035961	A/R	Shim, Optional A=0,5
	8035962	A/R	Shim, Optional A=0,6
	1321250	A/R	Shim, Optional A=0,7
	8035963	A/R	Shim, Optional A=0,8
	8035964	A/R	Shim, Optional A=1,0
	8035965	A/R	Shim, Optional A=1,2
	8035966	A/R	Shim, Optional A=1,4
	1321251	A/R	Shim, Optional A=1,6
	8035967	A/R	Shim, Optional A=1,8
	8035968	A/R	Shim, Optional A=2,0
20	1321256	1	Housing, Joint - Right Side
	1321257	1	Housing, Joint - Left Side
21	1319476	2	Screw, Stop
22	8035975	20	Screw, Hex

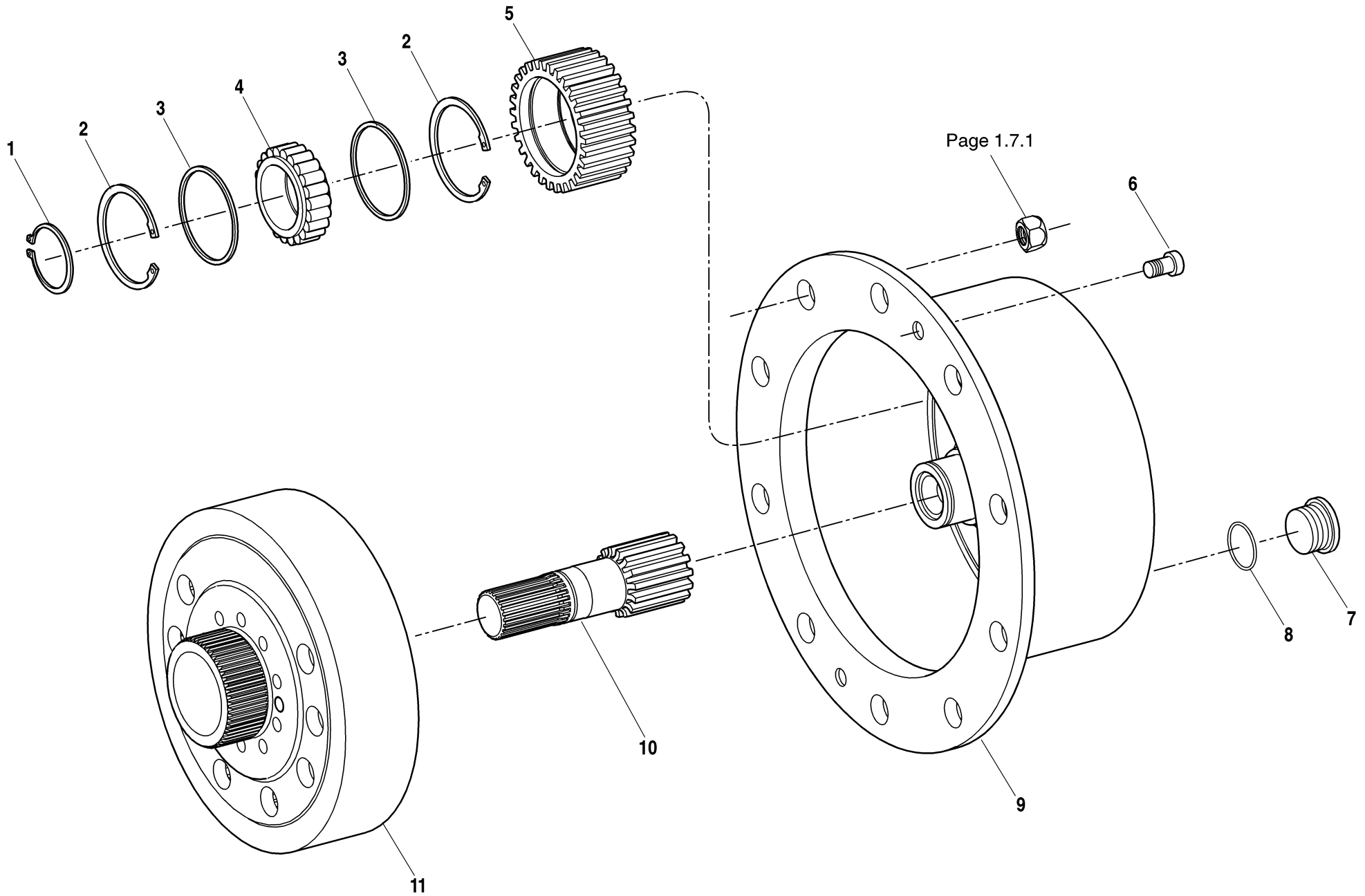
23	1321155	2	O-Ring
24	1319472	4	Bearing, Roller
25	1319478	20	Nut, Sph. Collar (Lug Nut)
26	1321254	2	Hub
27	1101056	20	Bolt, Wheel (Stud)
28	1319471	2	Seal, Shaft

NOTES:
Quantities Listed are Per Axle.

Origin
05/01

S/N 14409-

4270H
4270L
4290H
4290L



ITEM PART NO. QTY. DESCRIPTION

1	1321177	6	Ring, Retaining
2	1321205	12	Ring, Snap
3	1321191	12	Washer
4	1321214	6	Bearing, Roller
5	1321233	6	Gear, Planet
6	8035977	4	Screw, Cap
7	1319506	2	Plug, Screw
8	1319432	2	O-Ring
9	1321232	2	Carrier, Planet
10	1321255	2	Shaft, Sun Gear
11	1321258	2	Gear, Ring

NOTES:
Quantities Listed are Per Axle.

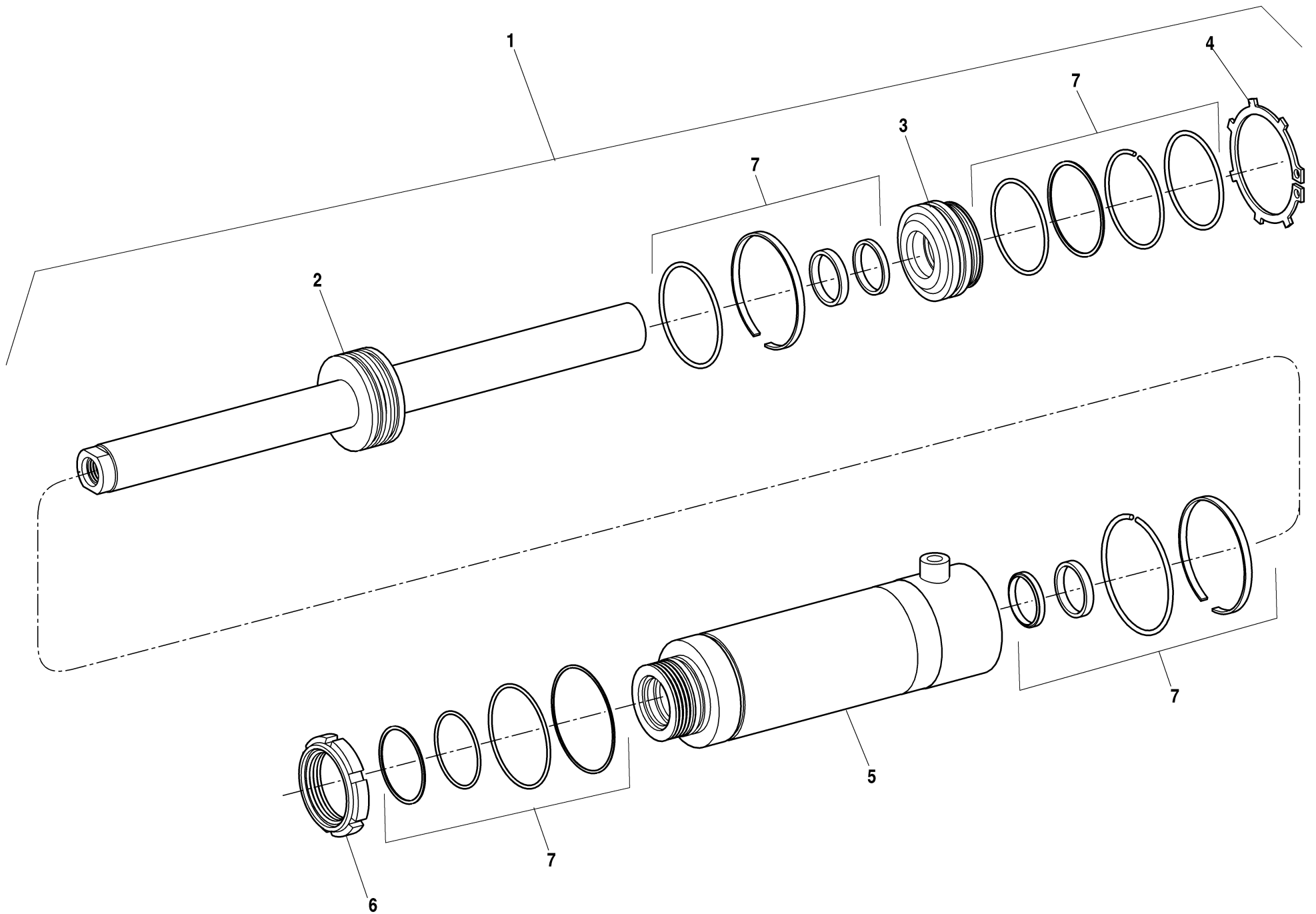
Origin
05/01

S/N 14409-

4270H
4270L
4290H
4290L

FRONT AXLE - PLANETARY DRIVE

1.8.1



ITEM	PART NO.	QTY.	DESCRIPTION
1	1321149		Steer Cylinder Assembly (Includes Items 2 thru 7)
2	1321061	1	Rod, Piston
3	8035980	1	Guide Piece
4	8035978	1	L-Ring
5	8035979	1	Tube, Cylinder
6	1321062	1	Nut, Slotted
7	8035981	1	Kit, Seal

ITEM PART NO. QTY. DESCRIPTION

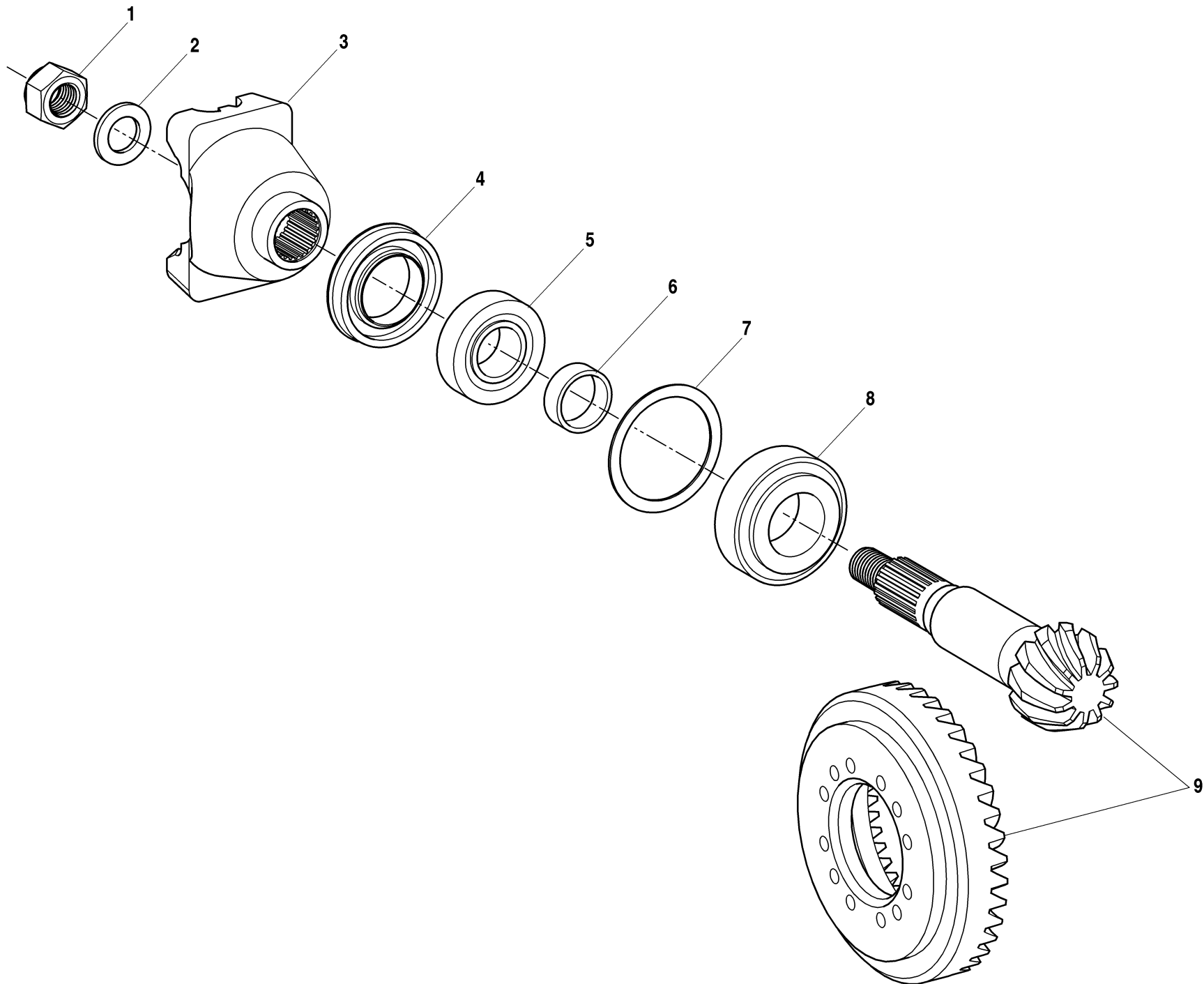
Origin
05/01

S/N 14409-

4270H
4270L
4290H
4290L

STEERING CYLINDER

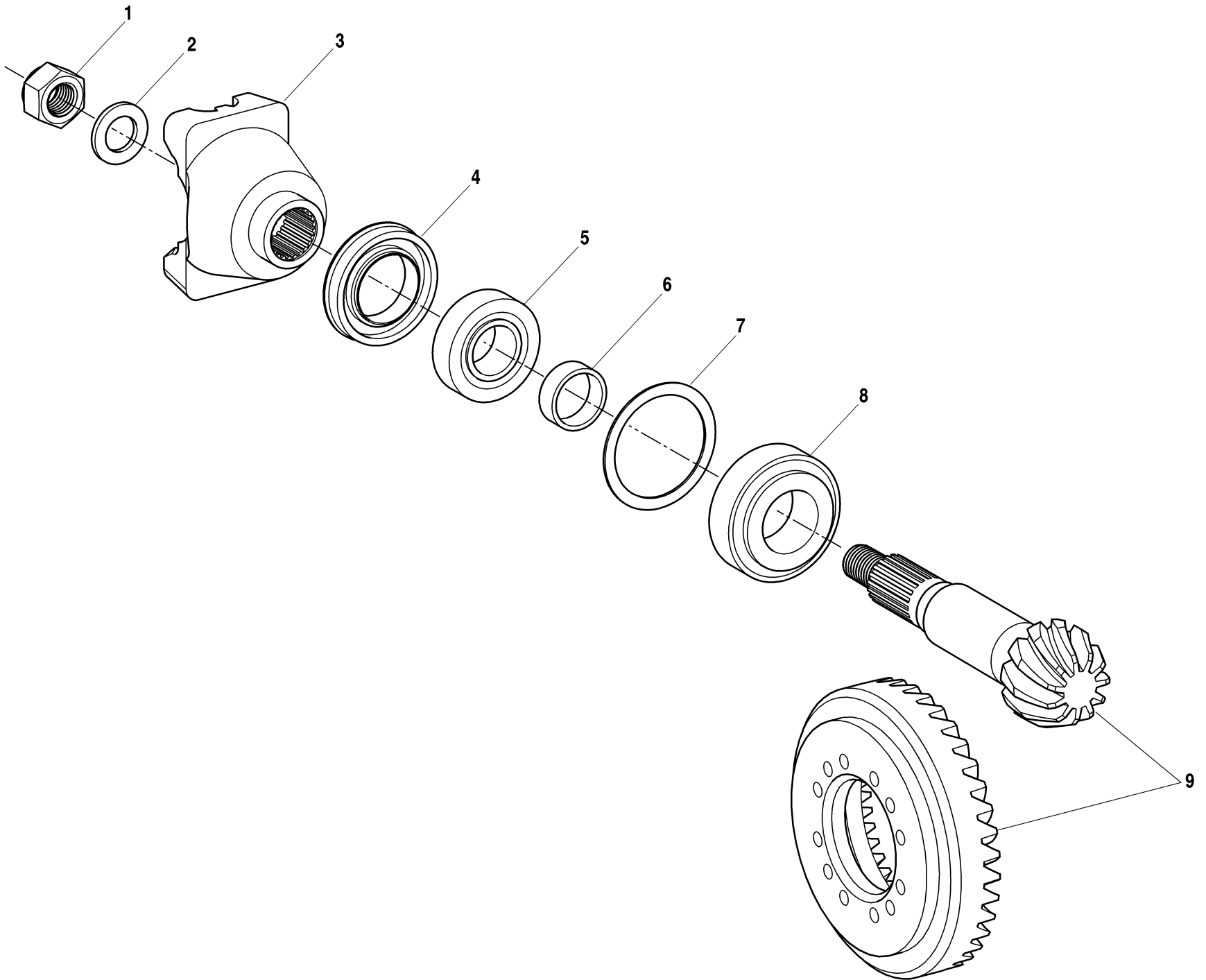
1.9.1



ITEM	PART NO.	QTY.	DESCRIPTION
1	8035983	1	Nut, Hex
2	1319406	1	Washer
3	1321237	1	Yoke, End
4	1321211	1	Ring, Combination
5	1321212	1	Bearing, Roller
6	1319354	1	Ring, Optional S=15,1
	1319355	1	Ring, Optional S=15,2
	1319356	1	Ring, Optional S=15,3
	1319357	1	Ring, Optional S=15,4
	1319358	1	Ring, Optional S=15,5
	1319359	1	Ring, Optional S=15,6
	1319360	1	Ring, Optional S=15,7
	1319361	1	Ring, Optional S=15,8
	1319362	1	Ring, Optional S=15,9
	1319363	1	Ring, Optional S=16,0
	1319364	1	Ring, Optional S=16,1
	1319365	1	Ring, Optional S=16,2
	1319366	1	Ring, Optional S=16,3
	1319367	1	Ring, Optional S=16,4
	8035982	1	Ring, Optional S=16,26
	1319369	1	Ring, Optional S=16,23
	1319370	1	Ring, Optional S=16,16
	1319371	1	Ring, Optional S=16,13
	1319372	1	Ring, Optional S=16,06
	1319373	1	Ring, Optional S=16,03
	1319374	1	Ring, Optional S=15,96
	1319375	1	Ring, Optional S=15,93
	1319376	1	Ring, Optional S=15,86
	1319377	1	Ring, Optional S=15,83
	1319378	1	Ring, Optional S=15,76
	1319379	1	Ring, Optional S=15,73
	1319380	1	Ring, Optional S=15,66
	1319381	1	Ring, Optional S=15,63
	1319382	1	Ring, Optional S=15,56
	1319383	1	Ring, Optional S=15,53
	1319384	1	Ring, Optional S=15,46
	1319385	1	Ring, Optional S=15,43
	1319386	1	Ring, Optional S=15,36
	1319387	1	Ring, Optional S=15,33
	1319388	1	Ring, Optional S=15,26
	1319389	1	Ring, Optional S=15,38
	1319390	1	Ring, Optional S=15,48
	1319391	1	Ring, Optional S=15,58
	1319392	1	Ring, Optional S=15,68
	1319393	1	Ring, Optional S=15,69
	1319394	1	Ring, Optional S=15,72
	1319395	1	Ring, Optional S=15,78
	1319396	1	Ring, Optional S=15,81
	1319397	1	Ring, Optional S=15,84
	1319398	1	Ring, Optional S=15,88
	1319399	1	Ring, Optional S=15,89
	1319400	1	Ring, Optional S=15,91
	1319401	1	Ring, Optional S=15,94
	1319402	1	Ring, Optional S=15,97
7	1319333	A/R	Washer, Optional S=1,0
	1319334	A/R	Washer, Optional S=1,05
	1319335	A/R	Washer, Optional S=1,1
	1319336	A/R	Washer, Optional S=1,15
	1319337	A/R	Washer, Optional S=1,2
	1319338	A/R	Washer, Optional S=1,25
	1319339	A/R	Washer, Optional S=1,3
	1319340	A/R	Washer, Optional S=1,35
	1319341	A/R	Washer, Optional S=1,4
	1319342	A/R	Washer, Optional S=1,45
	1319343	A/R	Washer, Optional S=1,5
	1319344	A/R	Washer, Optional S=1,55
	1319345	A/R	Washer, Optional S=1,6
	1319346	A/R	Washer, Optional S=0,9
	1319347	A/R	Washer, Optional S=0,95
	1319348	A/R	Washer, Optional S=0,65
	1319349	A/R	Washer, Optional S=0,70
	1319350	A/R	Washer, Optional S=0,75

Origin
05/01

4270H
4270L
4290H
4290L

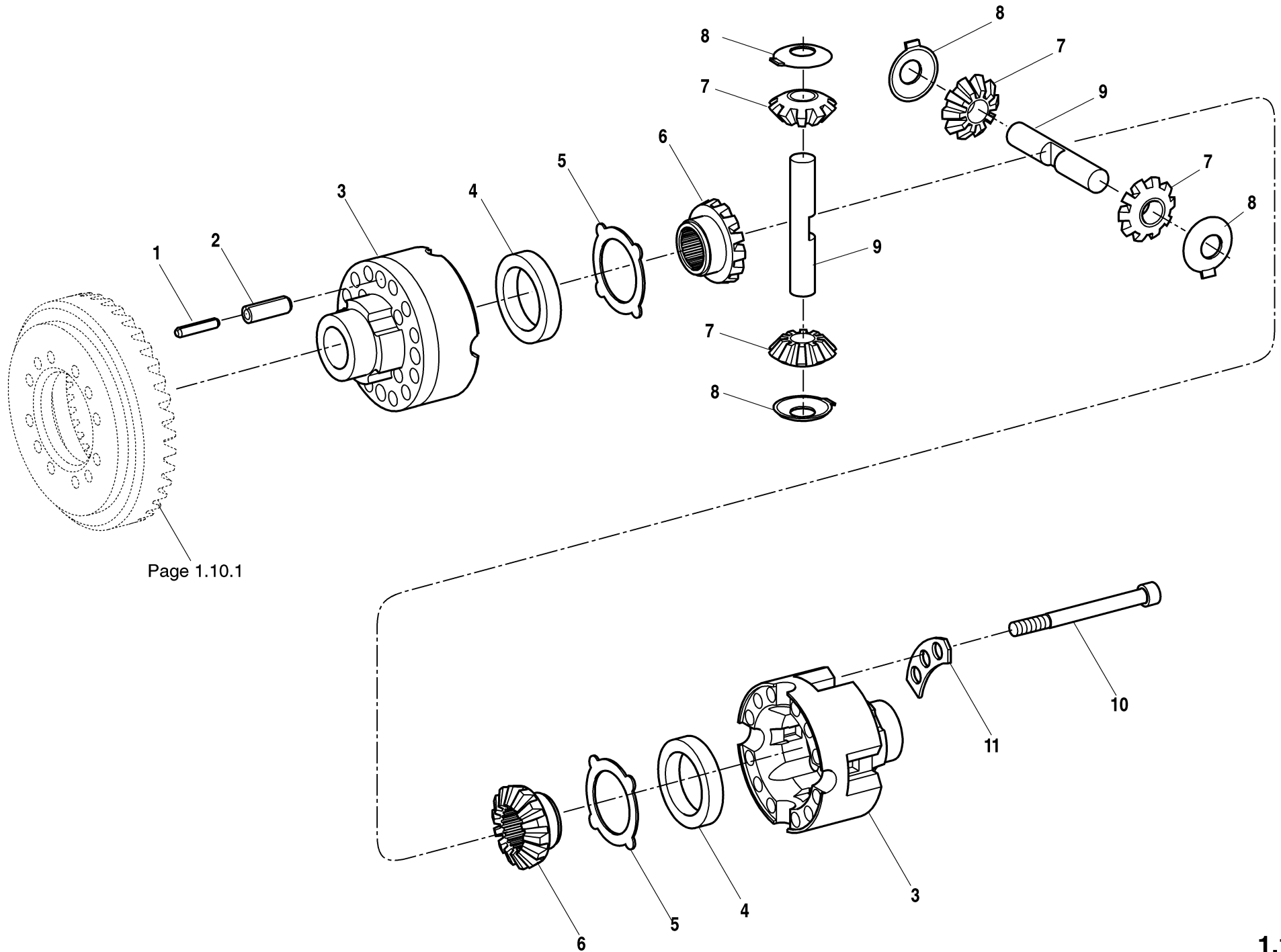


ITEM	PART NO.	QTY.	DESCRIPTION
7	1319351	A/R	Washer, Optional S=0,85
	1319352	A/R	Washer, Optional S=0,80
8	1319353	1	Bearing, Roller
9	1321229	1	Gear Set, Bevel

S/N 14409-

4270H
4270L
4290H
4290L





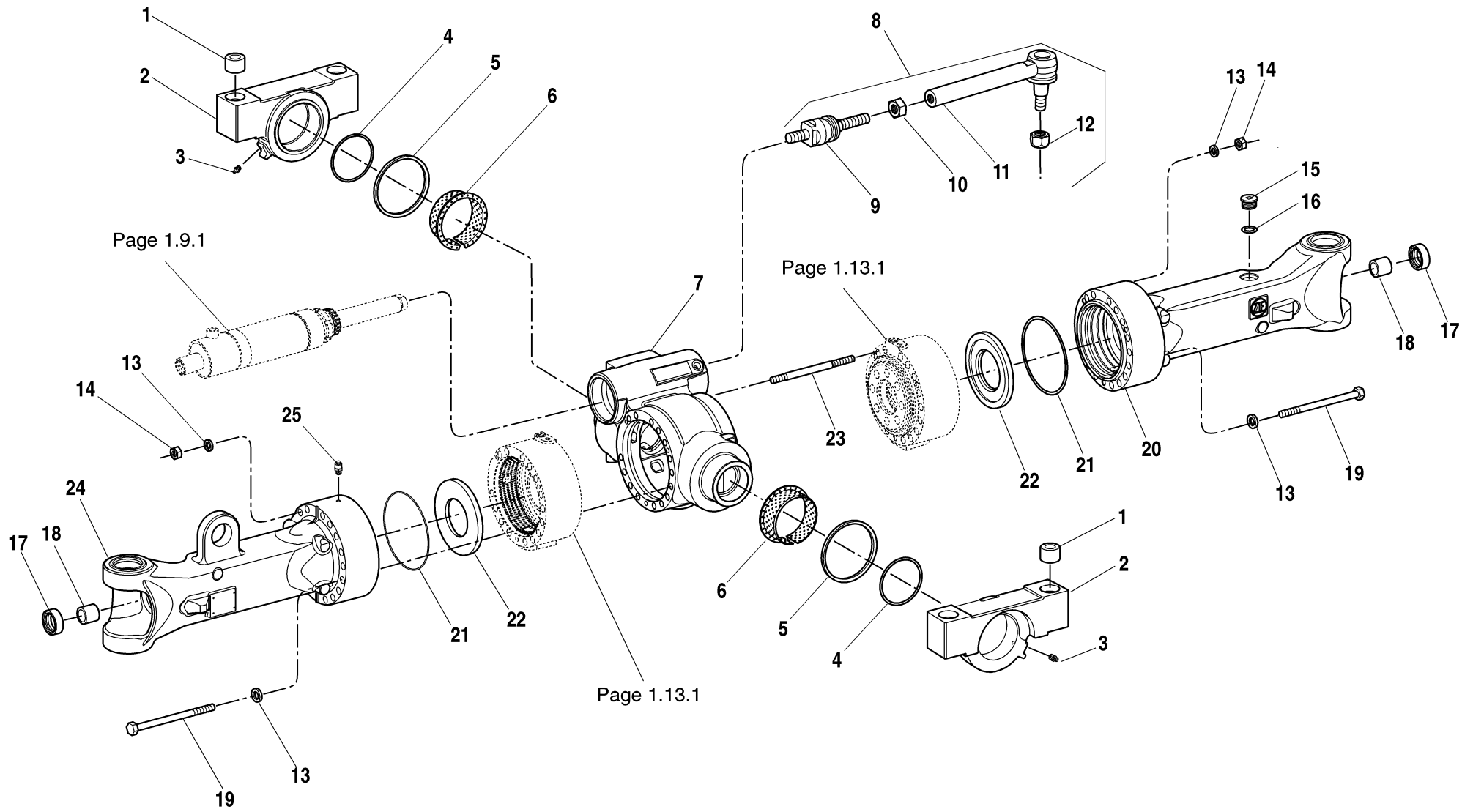
Page 1.10.1

ITEM	PART NO.	QTY.	DESCRIPTION
1	1321154	4	Pin, Slot.
2	1321153	4	Pin, Slot.
3	1321216	1	Case, Differential
4	1321260	2	Ring, Differential A=13,7
	8035984	2	Ring, Differential A=13,6
	1321259	2	Ring, Differential A=13,5
5	1319412	2	Washer, Thrust
6	1321223	2	Gear, Axle Bevel
7	1321262	4	Gear, Differential Bevel
8	1321188	4	Washer, Thrust
9	1321224	2	Axle, Differential
10	8035985	12	Screw, Cap
11	1321227	4	Segment

Origin
05/01

S/N 14409-

4270H
4270L
4290H
4290L



ITEM	PART NO.	QTY.	DESCRIPTION
1	1319441	4	Bushing, Centering
2	8035933	2	Bracket
3	1319423	2	Fitting, Grease
4	1319439	2	O-Ring
5	1319440	2	V-Ring
6	1319438		Bushing, Flange
7	1321236	1	Housing, Axle Drive
8	1321148	2	Coupling Assembly, Axial Joint (Includes Items 9 thru 12)
9	8035930	2	Coupling, Axial Joint
10	8035932	2	Nut, Hex
11	8035929	2	Coupling, Ball Joint w/Pipe
12	8035931	2	Nut, Locking
13	1319427	30	Washer
14	1319429	8	Nut, Hex
15	1319506	1	Plug, Screw
16	1319432	1	O-Ring
17	1319434	2	Seal, Shaft
18	1319433	2	Bushing
19	8035927	22	Screw, Hex
20	8035987	1	Casing, Axle (Left Rear)
21	1319425	2	O-Ring
22	8035990	2	Shim, End
23	8035989	8	Stud
24	8035986	1	Casing, Axle (Right Rear)
25	1319436	1	Valve, Vent

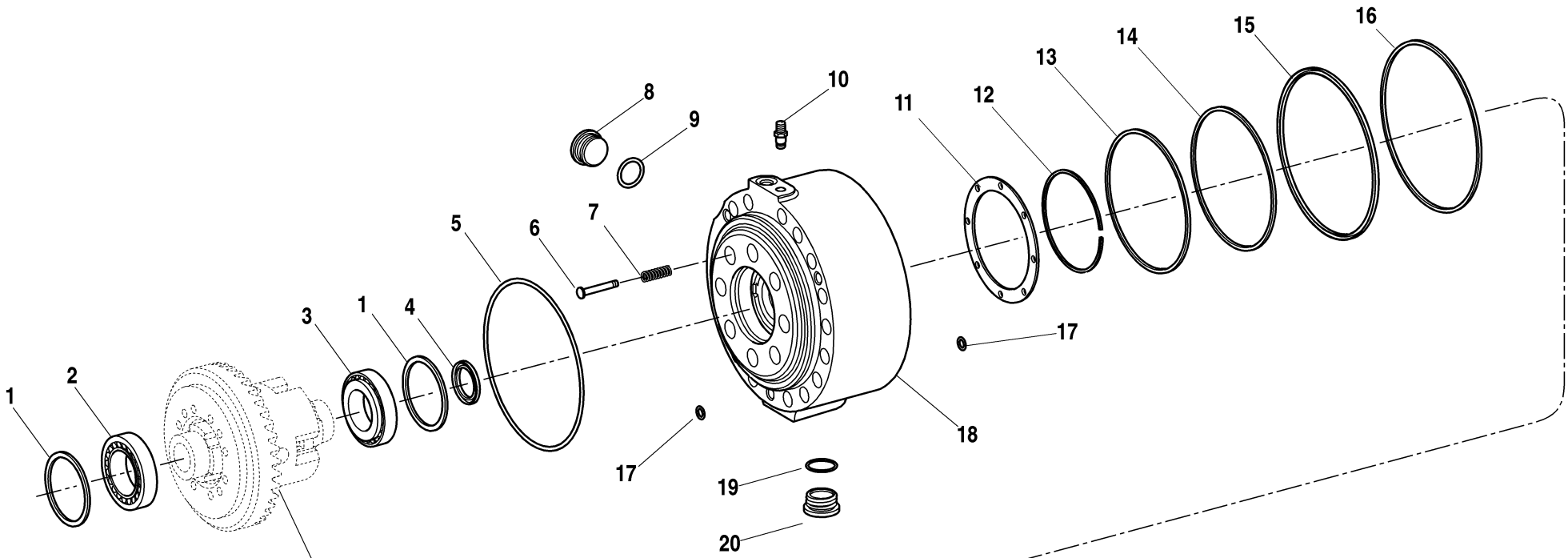
Origin
05/01

S/N 14409-

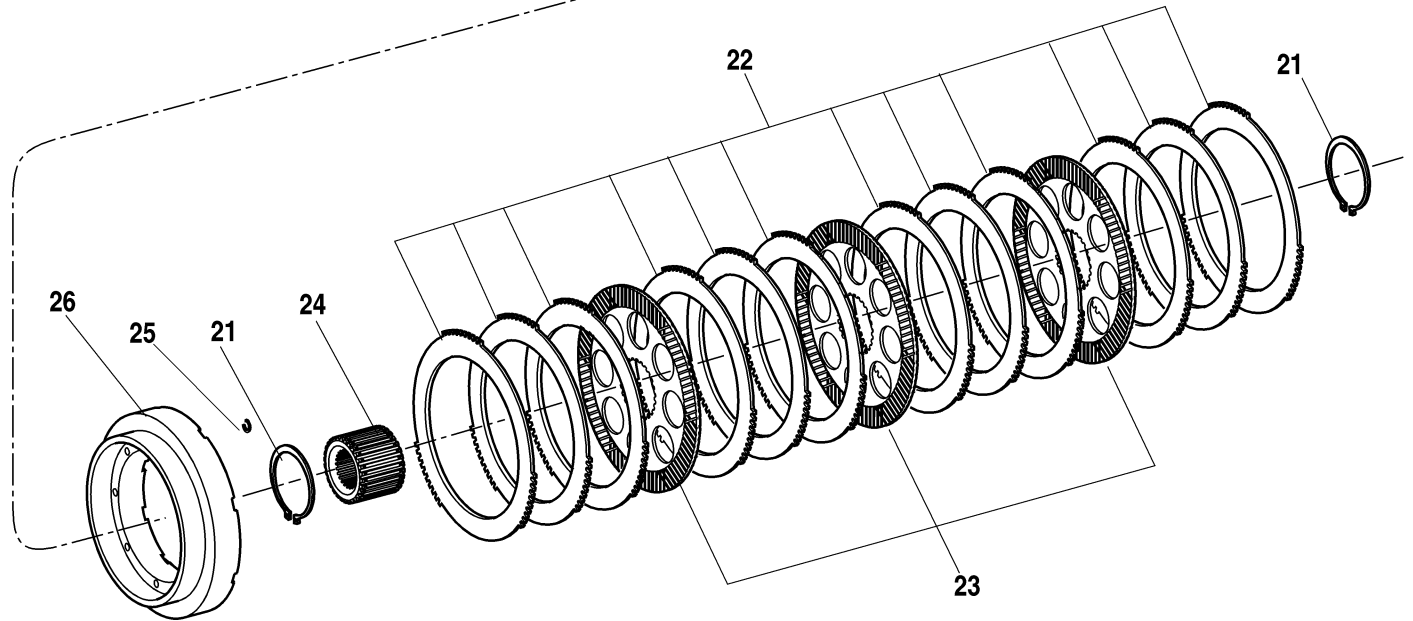
4270H
4270L
4290H
4290L

REAR AXLE - AXLE CASING

1.12.1



Page 1.11.1



ITEM	PART NO.	QTY.	DESCRIPTION	ITEM	PART NO.	QTY.	DESCRIPTION
1	1319531	2	Shim, Optional A=0,1		1319516	2	Shim, Optional A=1,70
	8035945	2	Shim, Optional A=0,15		1319514	2	Shim, Optional A=1,80
	1318539	2	Shim, Optional A=0,2		1319513	2	Shim, Optional A=1,85
	8035946	2	Shim, Optional A=0,25		1319512	2	Shim, Optional A=1,90
	1319529	2	Shim, Optional A=0,3		1319511	2	Shim, Optional A=1,95
	8035947	2	Shim, Optional A=0,35	2	1321165	1	Bearing, Roller
	8035951	2	Shim, Optional A=0,4	3	8035944	1	Bearing, Roller
	1319543	2	Shim, Optional A=0,45	4	1321161	2	Seal, Shaft
	1319527	2	Shim, Optional A=0,5	5	1319425	2	O-Ring
	1321158	2	Shim, Optional A=0,55	6	1319496	16	Pin
	1319526	2	Shim, Optional A=0,6	7	1319497	16	Spring, Compression
	1319532	2	Shim, Optional A=0,65	8	1319506	2	Plug, Screw
	1319533	2	Shim, Optional A=0,7	9	1319432	2	O-Ring
	1319534	2	Shim, Optional A=0,75	10	1319505	2	Valve, Vent
	1319525	2	Shim, Optional A=0,8	11	1319498	2	Washer
	1319535	2	Shim, Optional A=0,85	12	1319504	2	Ring, Snap
	1319536	2	Shim, Optional A=0,90	13	1321151	2	Ring, Support
	1319537	2	Shim, Optional A=0,95	14	1321162	2	U-Ring
	1319524	2	Shim, Optional A=1,0	15	1321163	2	U-Ring
	1319525	2	Shim, Optional A=1,05	16	1321152	2	Ring, Support
	1319538	2	Shim, Optional A=1,10	17	1319491	12	O-Ring
	1319539	2	Shim, Optional A=1,15	18	8035936	1	Housing, Brake - Left Side
	1319523	2	Shim, Optional A=1,2		8035939	1	Housing, Brake - Right Side
	1319540	2	Shim, Optional A=1,25	19	1319432	2	O-Ring
	1319541	2	Shim, Optional A=1,30	20	1319431	2	Plug, Screw
	1319542	2	Shim, Optional A=1,35	21	10731949	4	Ring, Retaining
	1319522	2	Shim, Optional A=1,4	22	1319500	24	Disc, O. Clutch - Optional S=2,0
	1319521	2	Shim, Optional A=1,45		1319501	24	Disc, O. Clutch - Optional S=2,5
	1319520	2	Shim, Optional A=1,50		1319502	24	Disc, O. Clutch - Optional S=3,0
	1319519	2	Shim, Optional A=1,55	23	1321150	6	Disc, I. Clutch
	1319518	2	Shim, Optional A=1,60	24	1321174	2	Carrier, Disc
	1319517	2	Shim, Optional A=1,65	25	1319499	2	Ring, Crescent
	1319510	2	Shim, Optional A=2,0	26	1321173	16	Piston
	1321159	2	Shim, Optional A=1,47				
	8035948	2	Shim, Optional A=1,63				
	1319515	2	Shim, Optional A=1,75				

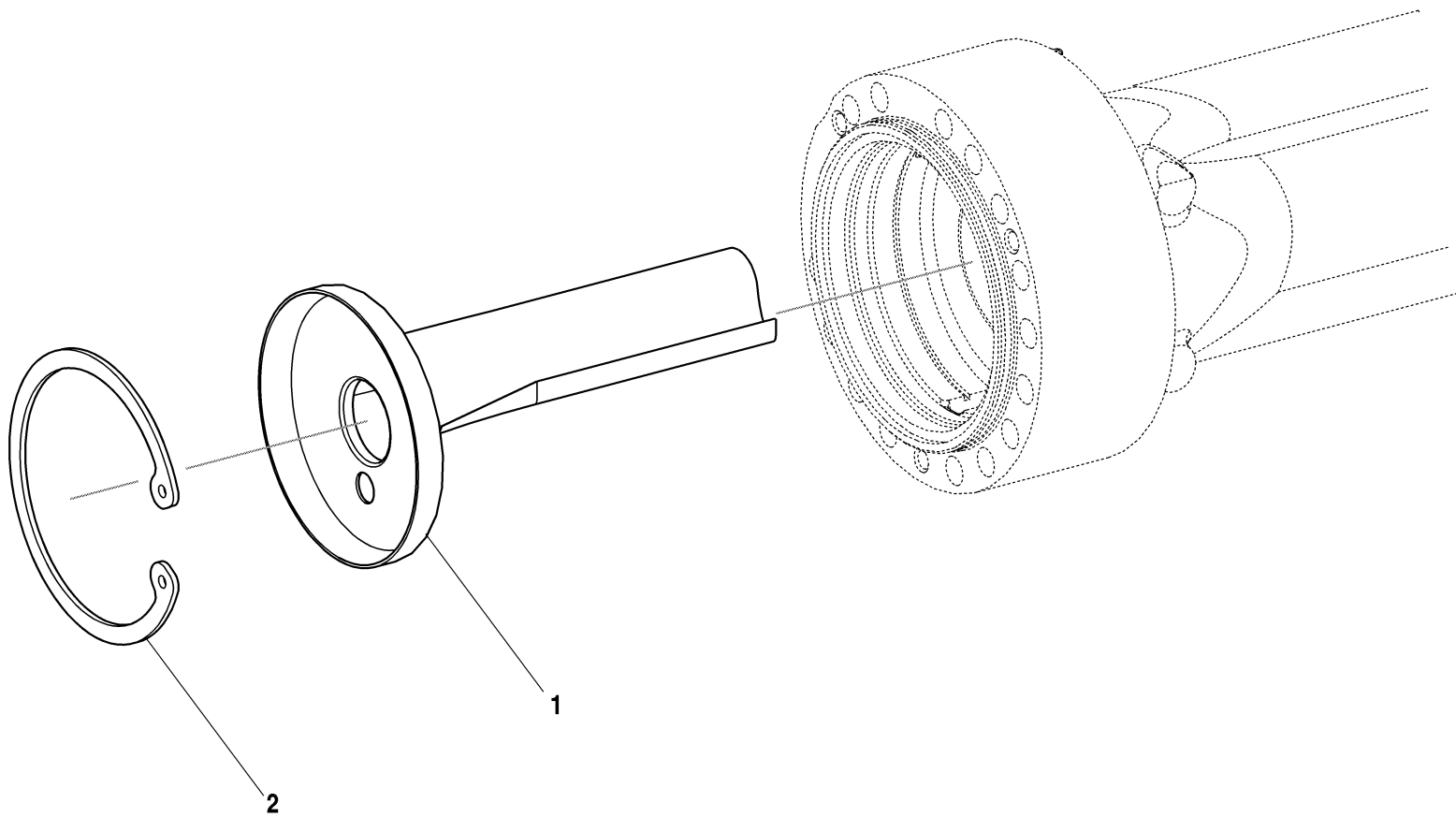
Origin
05/01

S/N 14409-

REAR AXLE - M-DISC BRAKE

1.13.1

4270H
4270L
4290H
4290L



ITEM PART NO. QTY. DESCRIPTION

1	1321172	2	Carrier, Pin
2	1321178	2	Ring, Retaining

NOTES:
Quantities Listed are Per Axle.

Origin
05/01

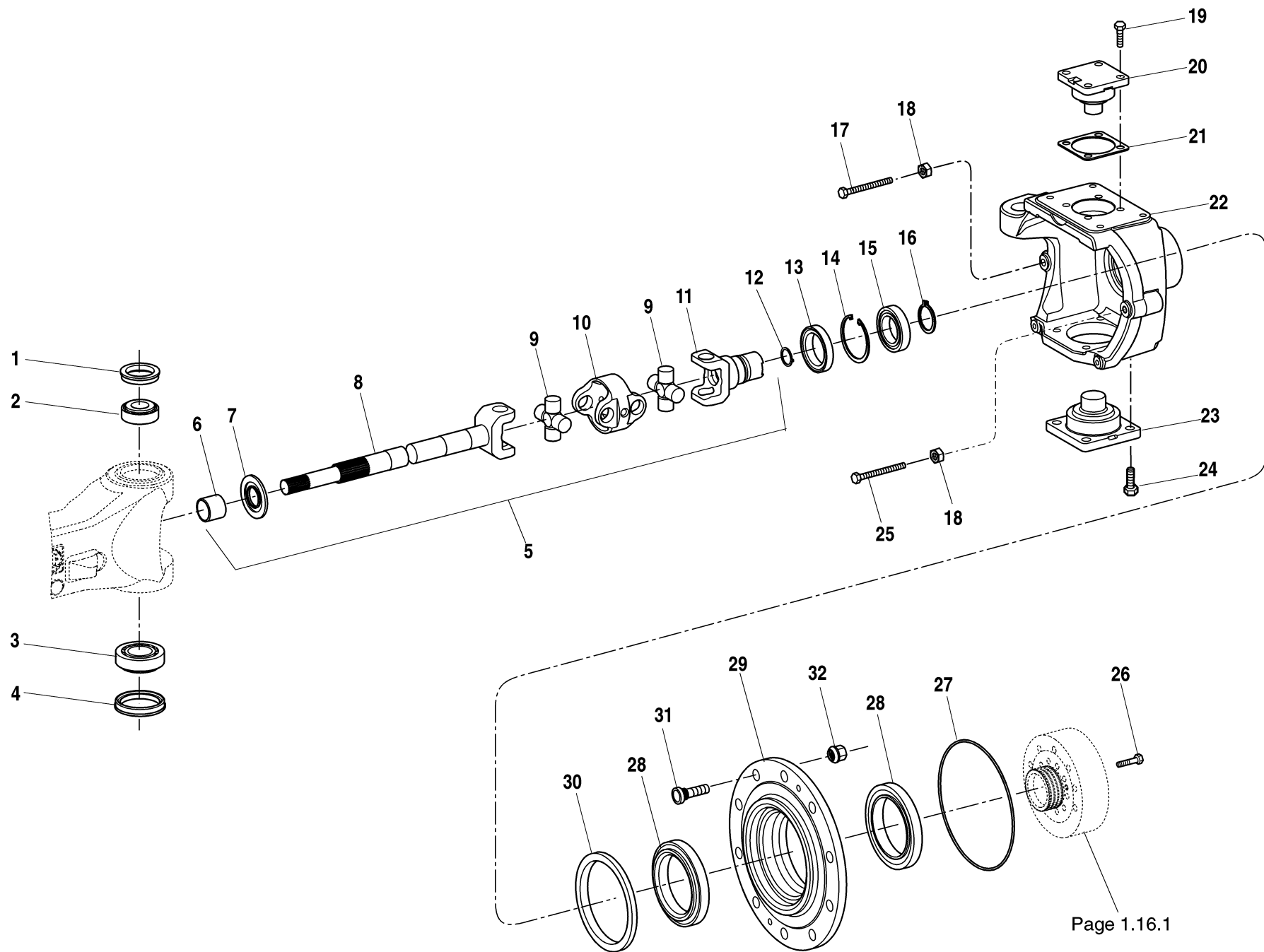
S/N 14409-

4270H
4270L
4290H
4290L

REAR AXLE - BRAKE

1.14.1





Page 1.16.1

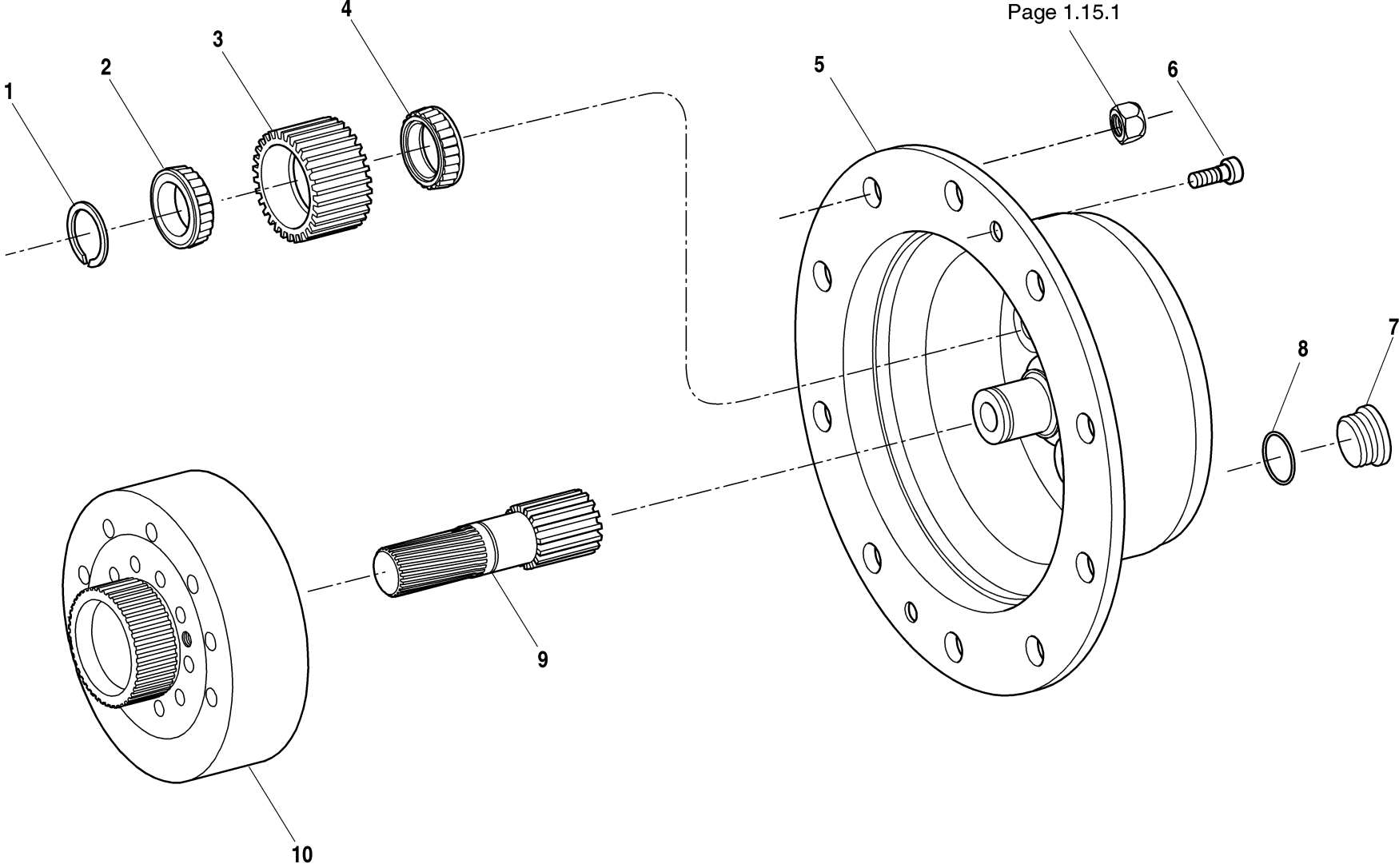
ITEM	PART NO.	QTY.	DESCRIPTION
1	1319446	2	Seal, Shaft
2	1319444	2	Bearing, Roller
3	1319445	2	Bearing, Roller
4	1319447	2	Seal, Shaft
5	1321176	2	Shaft, D. Universal Coupling (Includes Items 6 thru 11)
6	8035973	2	Bushing
7	8035996	2	Sheet, Screen
8	8035995	2	Fork, Joint Coupling
9	8035993	4	Cross, Joint
10	8035992	2	Central Piece
11	8035994	2	Fork, Joint
12	1321226	2	Ring, Retaining
13	1321164	2	Seal, Shaft
14	1319210	2	Ring, Retaining
15	1321157	2	Bearing, Ball
16	1319546	2	Ring, Retaining
17	1319476	2	Screw, Stop
18	1319477	4	Nut, Hex
19	1319463	4	Screw, Hex
20	1319461	2	Pin, Bearing
21	1319448	2	Shim, Optional S=0,2
	1319449	2	Shim, Optional S=0,3
	1319450	2	Shim, Optional S=0,4
	1319451	2	Shim, Optional S=0,6
	1319452	2	Shim, Optional S=0,8
	1319453	2	Shim, Optional S=1,0
	1319454	2	Shim, Optional S=1,2
	1319455	2	Shim, Optional S=1,4
	1319456	2	Shim, Optional S=1,6
	1319457	2	Shim, Optional S=1,8
	1319458	2	Shim, Optional S=2,0
	1319459	2	Shim, Optional S=0,7
	1319460	2	Shim, Optional S=0,5
22	1321245	1	Housing, Joint - Left Side
	1321246	1	Housing, Joint - Right Side

ITEM	PART NO.	QTY.	DESCRIPTION
23	1319462	2	Pin, Bearing
24	1319464	8	Screw, Hex
25	1319475	2	Screw, Stop
26	8035997	16	Screw, Hex
27	1321155	2	O-Ring
28	1319472	4	Bearing, Roller
29	1321239	2	Hub
30	1319471	2	Seal, Shaft
31	1101056	20	Bolt, Wheel
32	1319478	20	Nut, Sph. Collar (Lug Nut)
NOTES: Quantities Listed are Per Axle.			

Origin
05/01

S/N 14409-

4270H
4270L
4290H
4290L



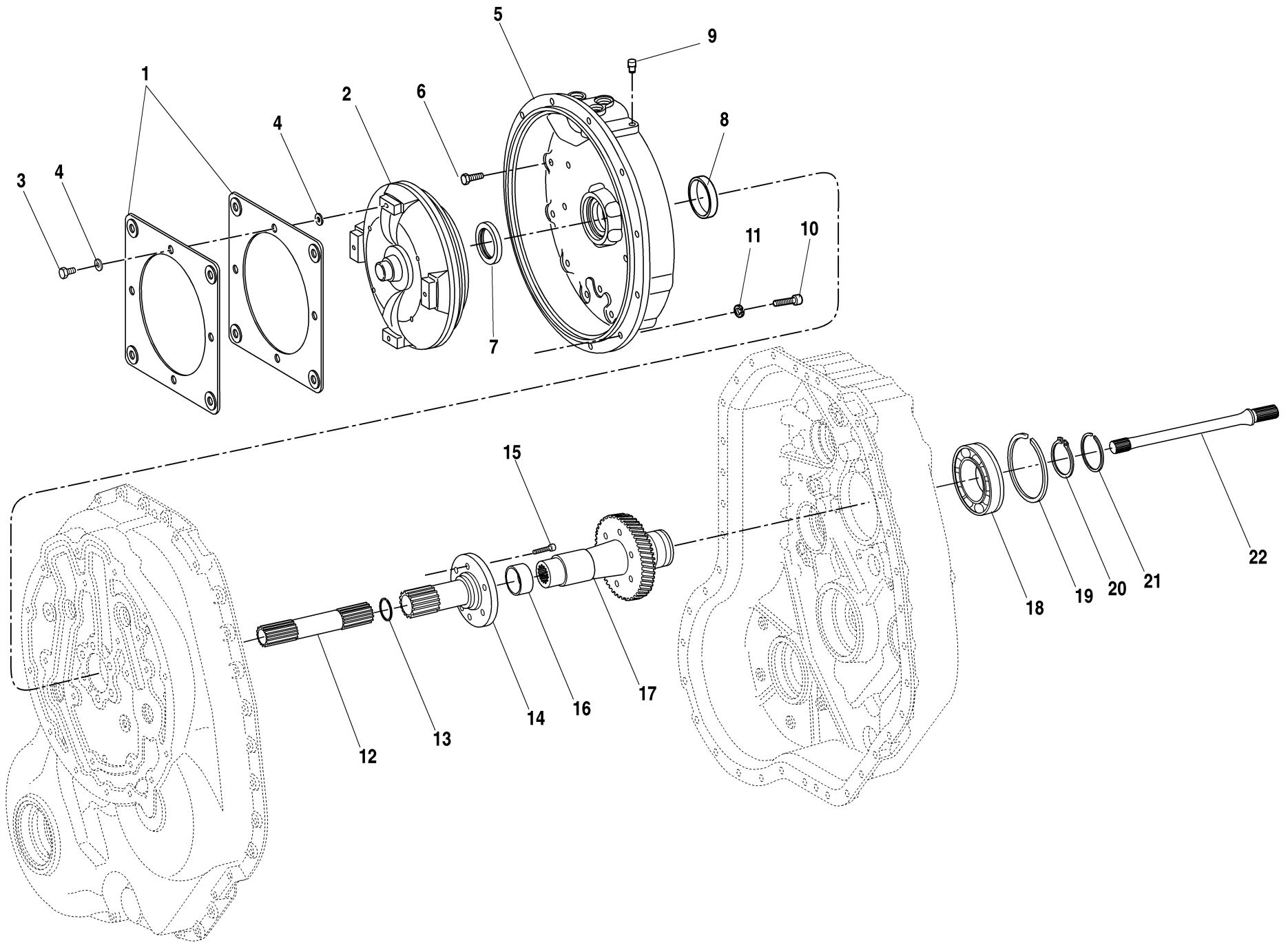
ITEM	PART NO.	QTY.	DESCRIPTION
1	1319485	6	Ring, Snap
2	1319484	6	Ring, Bearing Inner
3	1321231	6	Gear, Planet
4	1319483	6	Ring, Bearing Inner
5	1321238	2	Carrier, Planet
6	8035977	4	Screw, Cap
7	1319500	2	Plug, Screw
8	1319432	2	O-Ring
9	1321242	2	Shaft, Sun Gear
10	1321247	2	Gear, Ring

NOTES:
Quantities Listed are Per Axle.

Origin
05/01

S/N 14409-

4270H
4270L
4290H
4290L

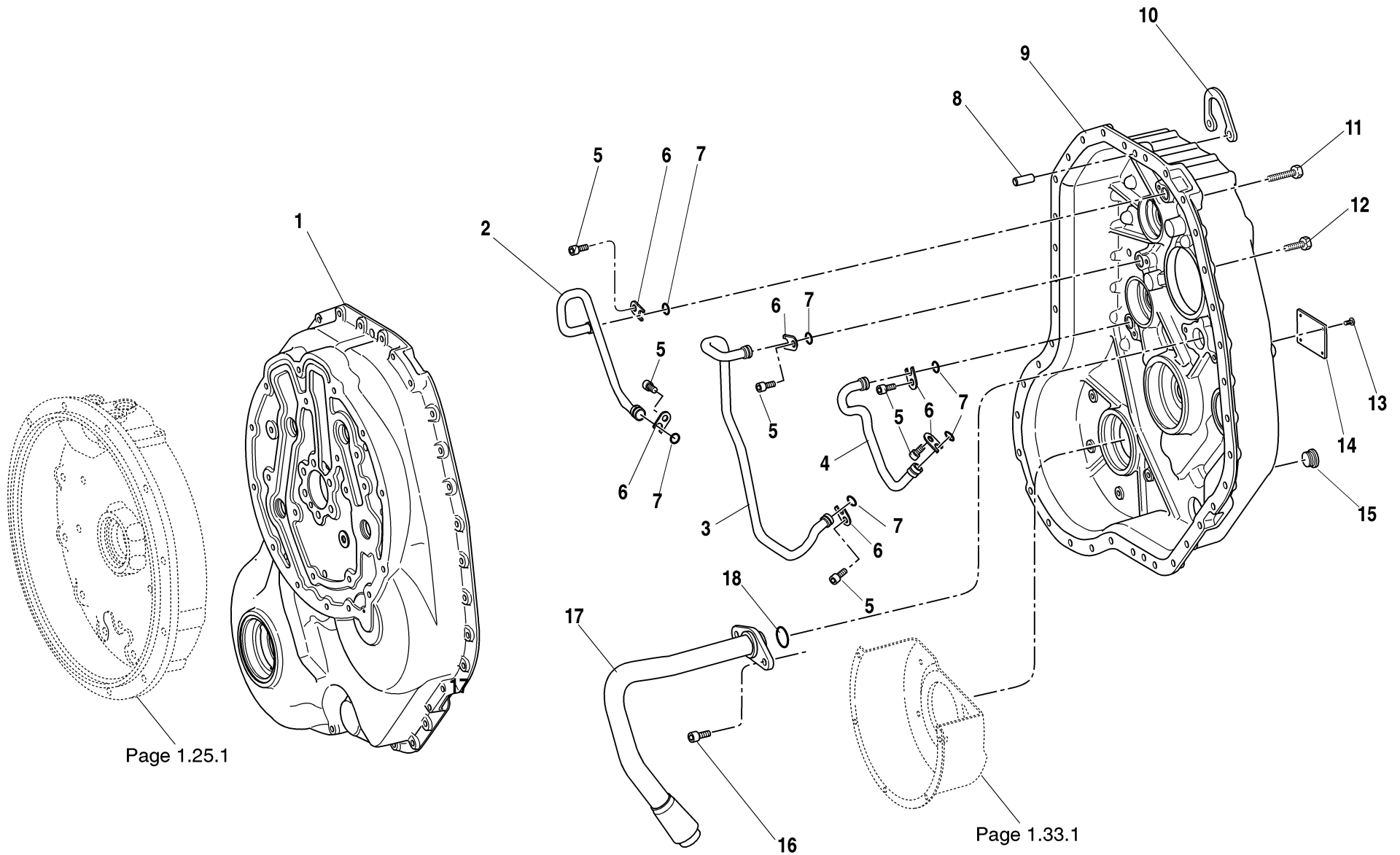


ITEM	PART NO.	QTY.	DESCRIPTION
1	1319229	2	Diaphragm
2	1319258	1	Converter
3	1319231	4	HHCS, M10 x 16mm
4	10731703	8	Washer, Thrust 1,00
5	1319574	1	Bell, Converter
6	1319569	23	HHCS, M10 x 30mm
7	1319576	1	Seal, Shaft
8	1319757	1	Bushing, Bearing
9	10731744	1	Breather
10	8303769	12	HHCS, M10-1,5 x 45mm
11	8307023	12	Washer, Lock M10
12	1319236	1	Shaft, Turbine
13	10731732	1	Ring, Snap 30
14	1319557	1	Shaft, Stator
15	1319577	6	SHCS, M10 x 50mm
16	1319558	1	Bushing, Bearing
17	1319559	1	Shaft, Input
18	1319563	1	Bearing, Ball
19	10731913	1	Ring, Snap 100
20	1319564	1	Ring, Retaining 55 x 2,00
21	1319565	1	Ring, Piston 55 x 3,00
22	1319566	1	Shaft, Central

Origin
05/01

S/N 14409-

4270H
4270L
4290H
4290L



ITEM	PART NO.	QTY.	DESCRIPTION
1	1319567	1	Housing I
2	1319586	1	Pipe
3	1319587	1	Pipe
4	1319588	1	Pipe
5	1319585	11	SHCS, M8 x 16mm
6	1319584	6	Plate, Fixing
7	1319583	6	O-Ring, 14 x 2,00
8	1319571	2	Pin, Cylindrical M6 x 24
9	1319568	1	Housing II
10	1319590	1	Bracket
11	1319570	6	HHCS, M10 x 50mm
12	1319569	30	HHCS, M10 x 30mm
13	1319573	4	Stud, Grooved 3 x 5,00
14	1319572	1	Plate, Type
15	1319578	1	Plug, Drain 7/8-14
16	1319582	2	SHCS, M8 x 20mm
17	1319580	1	Pipe, Oil Suction
18	1319581	1	O-Ring, 30 x 3,00
19	1319576	1	Seal, Shaft

NOTES:

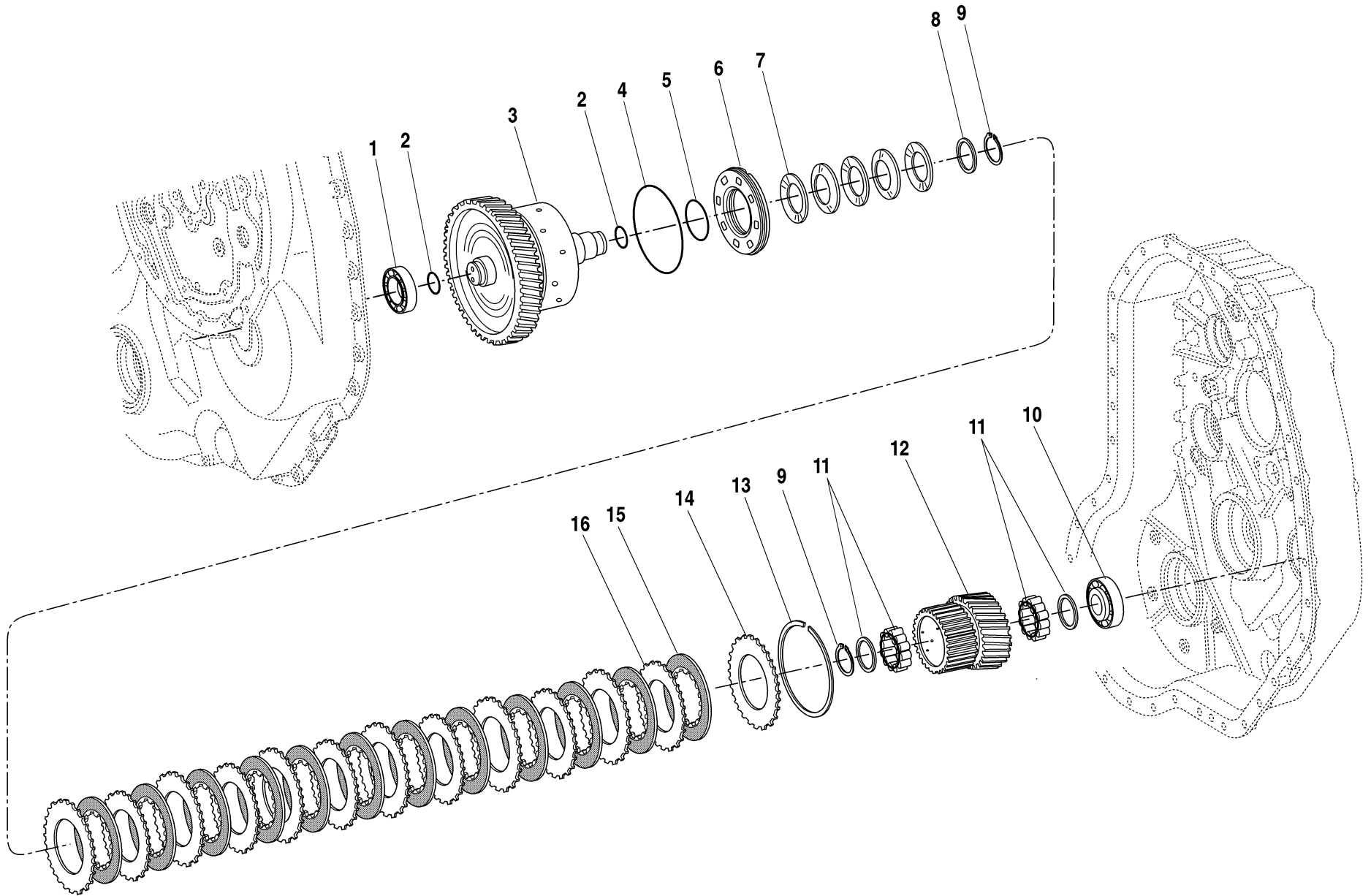
For complete Transmission Assembly (See Page 1.1.1)

Origin
05/01

S/N 14409-

4270H
4270L
4290H
4290L





ITEM	PART NO.	QTY.	DESCRIPTION
1	1319608	1	Bearing, Roller
2	1319612	1	Ring, Piston 30 x 2,00
3	1319591	1	Coupling
4	1319594	1	O-Ring, 115 x 3,00
5	1319593	1	O-Ring, 52 x 3,00
6	1319592	1	Piston
7	1319595	5	Spring, Cup
8	1319596	1	Shim, 2,00
9	10731845	2	Ring, Retaining 40 x 1,75
10	1319609	1	Bearing, Roller
11	1319605	2	Cage, Roller
12	1319607	1	Carrier, Disc
13	1319600	1	Ring, Snap 4,00
	1319601	1	Ring, Snap 3,50
	1319602	1	Ring, Snap 3,00
	1319603	1	Ring, Snap 2,50
	1319604	1	Ring, Snap 2,00
14	1319599	1	Shim, End
15	1319597	12	Disc, Lin. Clutch
16	1319598	12	Disc, O. Clutch

Origin
05/01

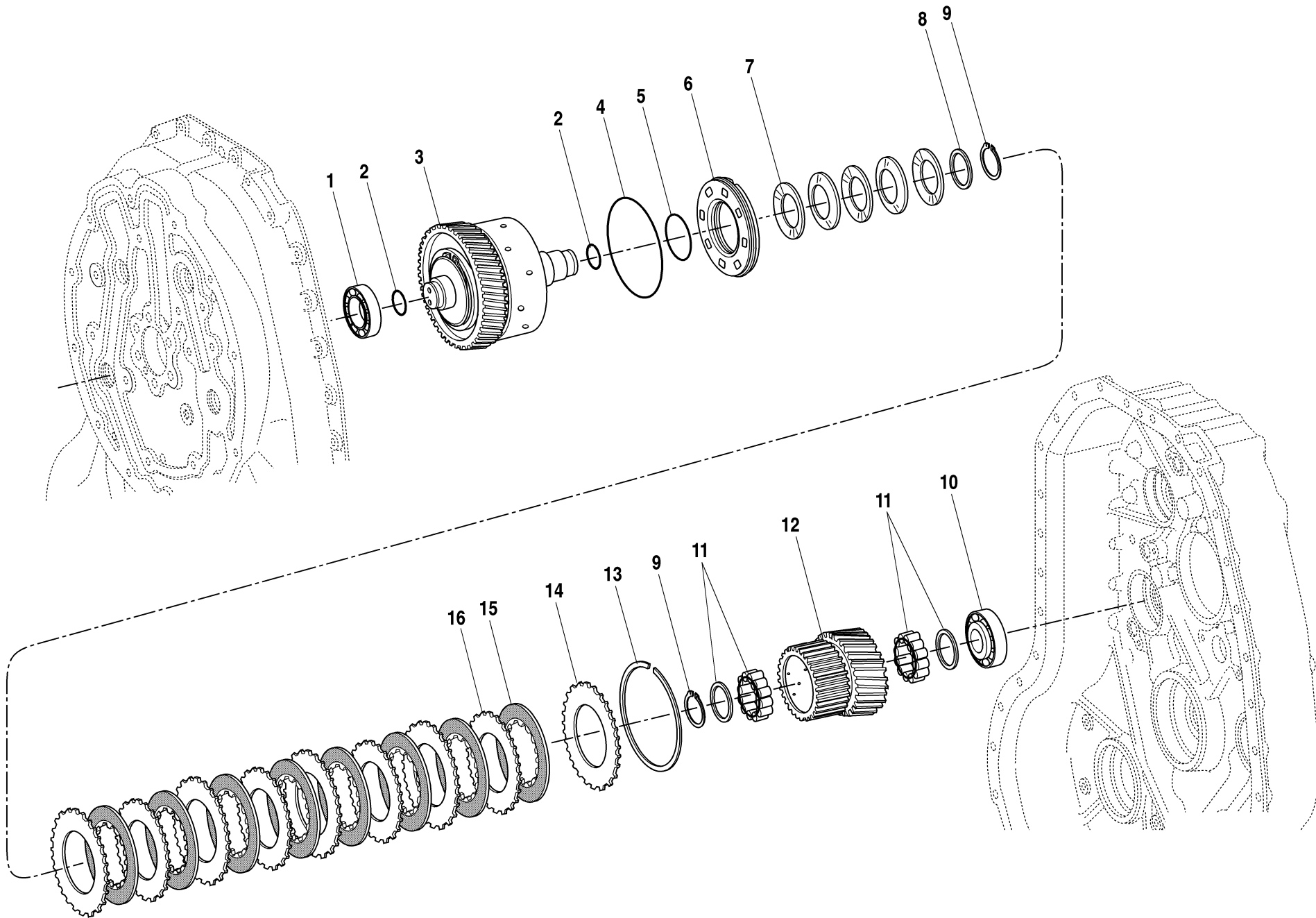
S/N 14409-

4270H
4270L
4290H
4290L

COUPLING GROUP 1

1.27.1





ITEM	PART NO.	QTY.	DESCRIPTION
1	1319615	1	Bearing, Roller
2	1319612	2	Ring, Piston 30 x 2,00
3	1319613	1	Coupling
4	1319594	1	O-Ring 115 x 3,00
5	1319593	1	O-Ring 52 x 3,00
6	1319592	1	Piston
7	1319595	5	Spring, Cup
8	1319596	1	Shim, 2,00
9	10731845	2	Ring, Retaining 40 x 1,75
10	1319609	1	Bearing, Roller
11	1319605	2	Cage, Roller
12	1319614	1	Carrier, Disc
13	1319600	1	Ring, Snap 4,00
	1319601	1	Ring, Snap 3,50
	1319602	1	Ring, Snap 3,00
	1319603	1	Ring, Snap 2,50
	1319604	1	Ring, Snap 2,00
14	1319599	1	Shim. End
15	1319597	8	Disc, Lin. Clutch
16	1319598	8	Disc, O. Clutch

Origin
05/01

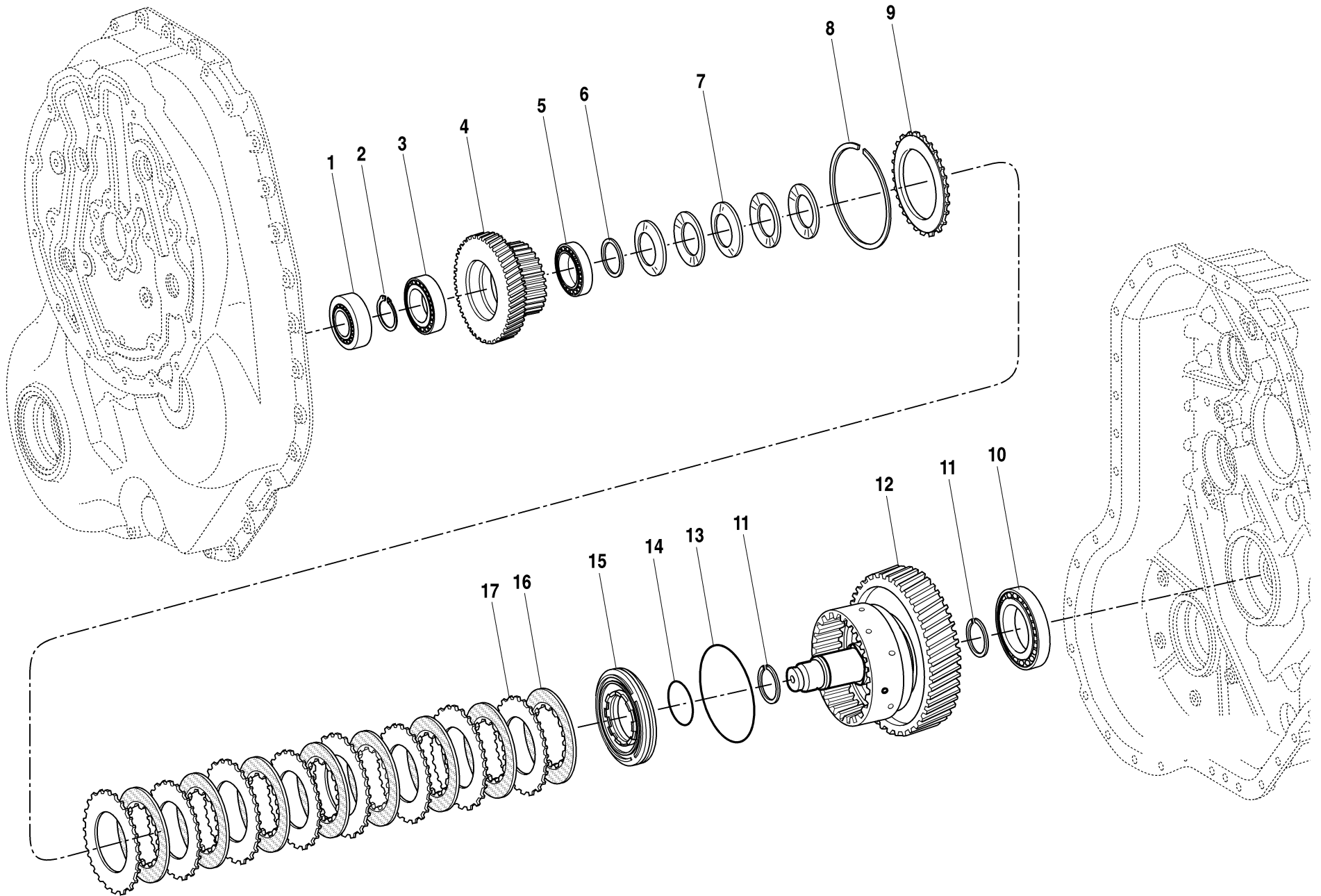
S/N 14409-

4270H
4270L
4290H
4290L

COUPLING GROUP 2

1.28.1





ITEM	PART NO.	QTY.	DESCRIPTION
1	1319606	1	Bearing, Roller
2	1319621	1	Ring, Retaining 3,20
	1319622	1	Ring, Retaining 3,10
	1319623	1	Ring, Retaining 3,00
	1319624	1	Ring, Retaining 2,90
	1319625	1	Ring, Retaining 2,80
	1319626	1	Ring, Retaining 2,70
	1319627	1	Ring, Retaining 2,60
	1319628	1	Ring, Retaining 38 x 2,50
	1319629	1	Ring, Retaining 38 x 2,40
	1319630	1	Ring, Retaining 38 x 2,30
	1319631	1	Ring, Retaining 38 x 2,20
	1319632	1	Ring, Retaining 38 x 2,10
3	1319620	1	Bearing, Roller
4	1319619	1	Carrier, Disc
5	1319618	1	Bearing, Roller
6	1319617	1	Shim, Support
7	1319595	5	Spring, Cup
8	1319600	1	Ring, Snap 4,00
	1319601	1	Ring, Snap 3,50
	1319602	1	Ring, Snap 3,00
	1319603	1	Ring, Snap 2,50
	1319604	1	Ring, Snap 2,00
9	1319599	1	Shim, End
10	1319633	1	Bearing, Roller
11	1319612	2	Ring, Piston 30 x 2,00
12	1319616	1	Coupling
13	1319594	1	O-Ring, 115 x 3,00
14	1319593	1	O-Ring, 52 x 3,00
15	1319592	1	Piston
16	1319597	8	Disc, Lin. Clutch
17	1319598	8	Disc, O. Clutch

Origin
05/01

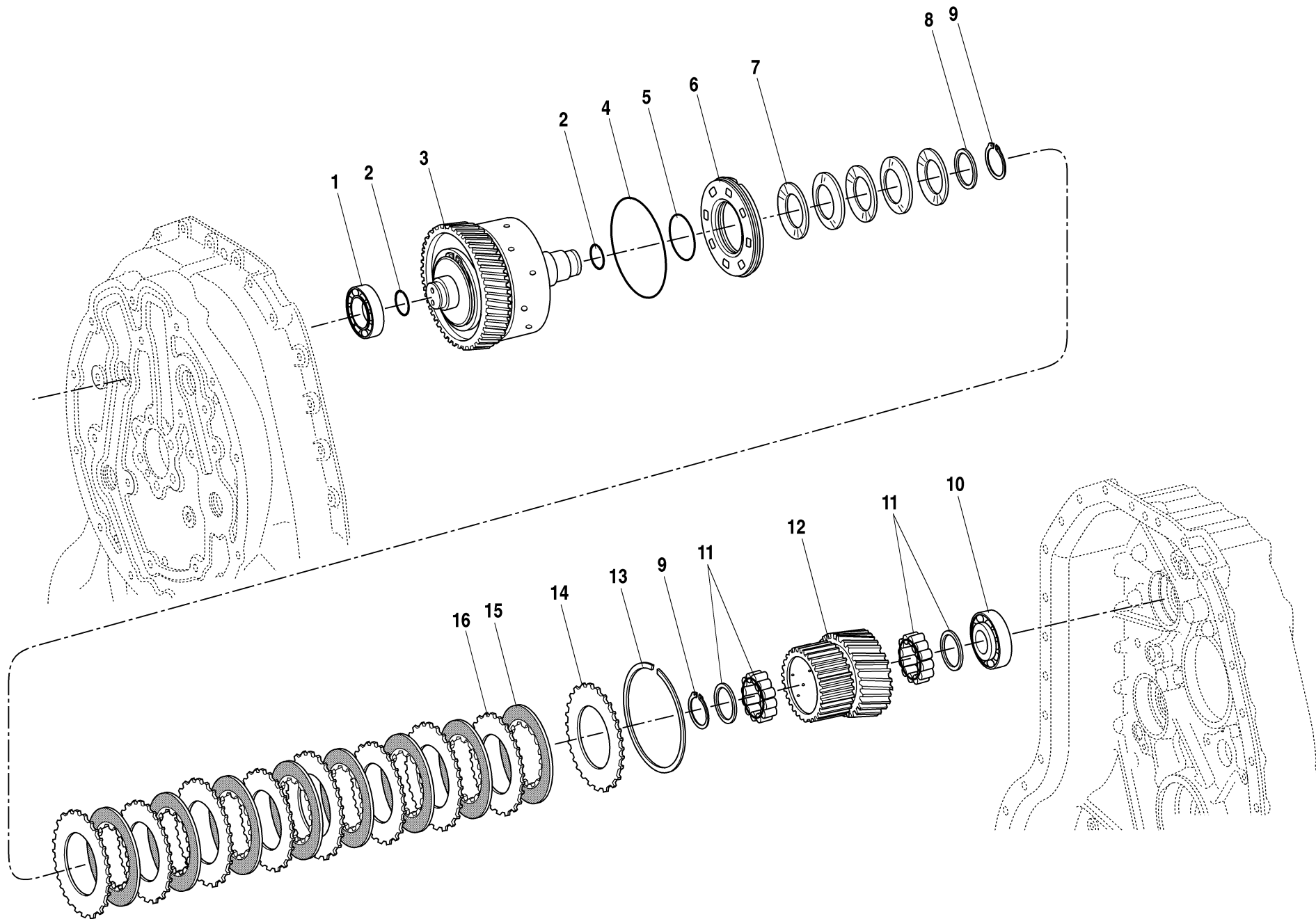
S/N 14409-

4270H
4270L
4290H
4290L

COUPLING GROUP 3

1.29.1





ITEM	PART NO.	QTY.	DESCRIPTION
1	1319615	1	Bearing, Roller
2	1319612	2	Ring, Piston 30 x 2,00
3	1319634	1	Coupling
4	1319594	1	O-Ring 115 x 3,00
5	1319593	1	O-Ring 52 x 3,00
6	1319592	1	Piston
7	1319595	5	Spring, Cup
8	1319596	1	Shim, 2,00
9	10731845	2	Ring, Retaining 40 x 1,75
10	1319636	1	Bearing, Roller
11	1319605	1	Cage, Roller
12	1319635	1	Carrier, Disc
13	1319600	1	Ring, Snap 4,00
	1319601	1	Ring, Snap 3,50
	1319602	1	Ring, Snap 3,00
	1319603	1	Ring, Snap 2,50
	1319604	1	Ring, Snap 2,00
14	1319599	1	Shim. End
15	1319597	8	Disc, Lin. Clutch
16	1319598	8	Disc, O. Clutch

Origin
05/01

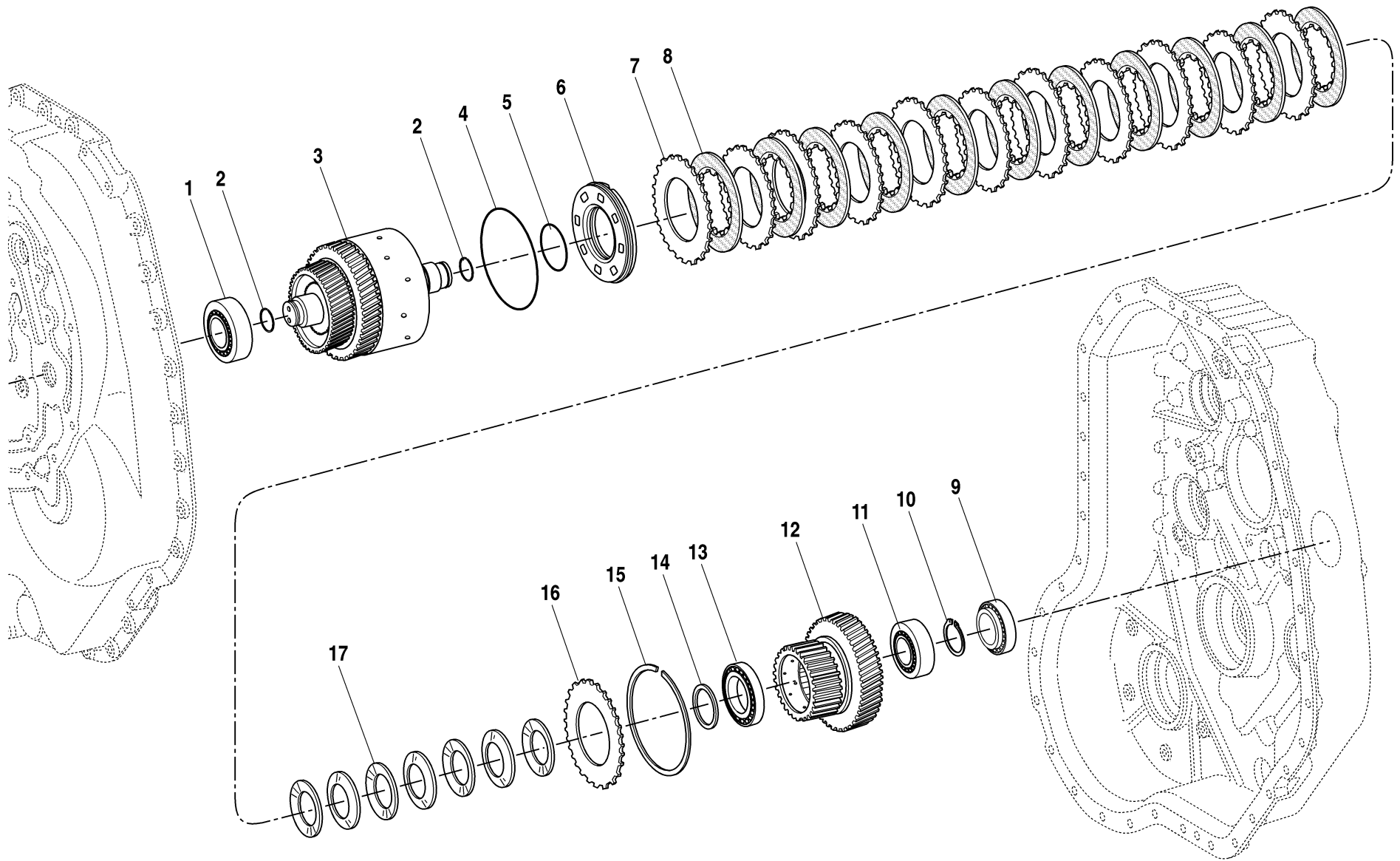
S/N 14409-

4270H
4270L
4290H
4290L

COUPLING GROUP 4

1.30.1





ITEM	PART NO.	QTY.	DESCRIPTION
1	1319615	1	Bearing, Roller
2	1319612	1	Ring, Piston 30 x 2,00
3	1319637	1	Coupling
4	1319594	1	O-Ring 115 x 3,00
5	1319593	1	O-Ring 52 x 3,00
6	1319592	1	Piston
7	1319597	11	Disc, Lin. Clutch
8	1319598	11	Disc, O. Clutch
9	1319636	1	Bearing, Roller
10	1319621	1	Ring, Retaining 3,20
	1319622	1	Ring, Retaining 3,10
	1319623	1	Ring, Retaining 3,00
	1319624	1	Ring, Retaining 2,90
	1319625	1	Ring, Retaining 2,80
	1319626	1	Ring, Retaining 2,70
	1319627	1	Ring, Retaining 2,60
	1319628	1	Ring, Retaining 2,50
	1319629	1	Ring, Retaining 2,40
	1319630	1	Ring, Retaining 2,30
	1319631	1	Ring, Retaining 2,20
	1319632	1	Ring, Retaining 2,10
11	1319620	1	Bearing, Roller
12	1319638	1	Carrier, Disc
13	1319618	1	Bearing, Roller
14	1319617	1	Shim, Support
15	1319600	1	Ring, Snap 4,00
	1319601	1	Ring, Snap 3,50
	1319602	1	Ring, Snap 3,00
	1319603	1	Ring, Snap 2,50
	1319604	1	Ring, Snap 2,00
16	1319599	1	Shim, End
17	1319595	7	Spring, Cup

Origin
05/01

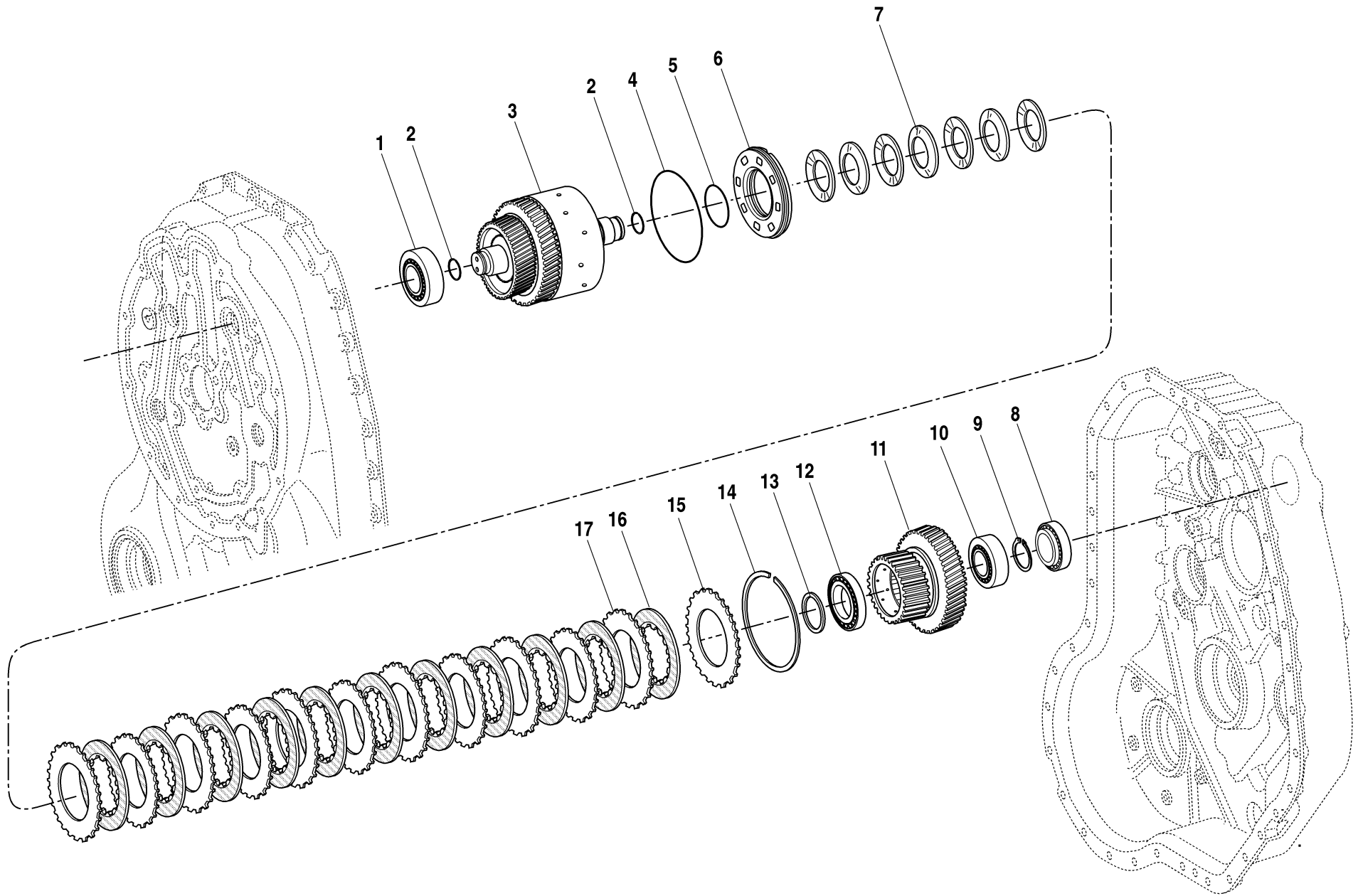
S/N 14409-

4270H
4270L
4290H
4290L

REVERSING GEAR GROUP 1

1.31.1





ITEM	PART NO.	QTY.	DESCRIPTION
1	1319608	1	Bearing, Roller
2	1319612	1	Ring, Piston 30 x 2,00
3	1319639	1	Coupling
4	1319594	1	O-Ring 115 x 3,00
5	1319593	1	O-Ring 52 x 3,00
6	1319592	1	Piston
7	1319595	7	Spring, Cup
8	1319636	1	Bearing, Roller
9	1319621	1	Ring, Retaining 3,20
	1319622	1	Ring, Retaining 3,10
	1319623	1	Ring, Retaining 3,00
	1319624	1	Ring, Retaining 2,90
	1319625	1	Ring, Retaining 2,80
	1319626	1	Ring, Retaining 2,70
	1319627	1	Ring, Retaining 2,60
	1319628	1	Ring, Retaining 2,50
	1319629	1	Ring, Retaining 2,40
	1319630	1	Ring, Retaining 2,30
	1319631	1	Ring, Retaining 2,20
	1319632	1	Ring, Retaining 2,10
10	1319620	1	Bearing, Roller
11	1319638	1	Carrier, Disc
12	1319618	1	Bearing, Roller
13	1319617	1	Shim, Support
14	1319600	1	Ring, Snap 4,00
	1319601	1	Ring, Snap 3,50
	1319602	1	Ring, Snap 3,00
	1319603	1	Ring, Snap 2,50
	1319604	1	Ring, Snap 2,00
15	1319599	1	Shim, End
16	1319597	11	Disc, Lin. Clutch
17	1319598	11	Disc, O. Clutch

Origin
05/01

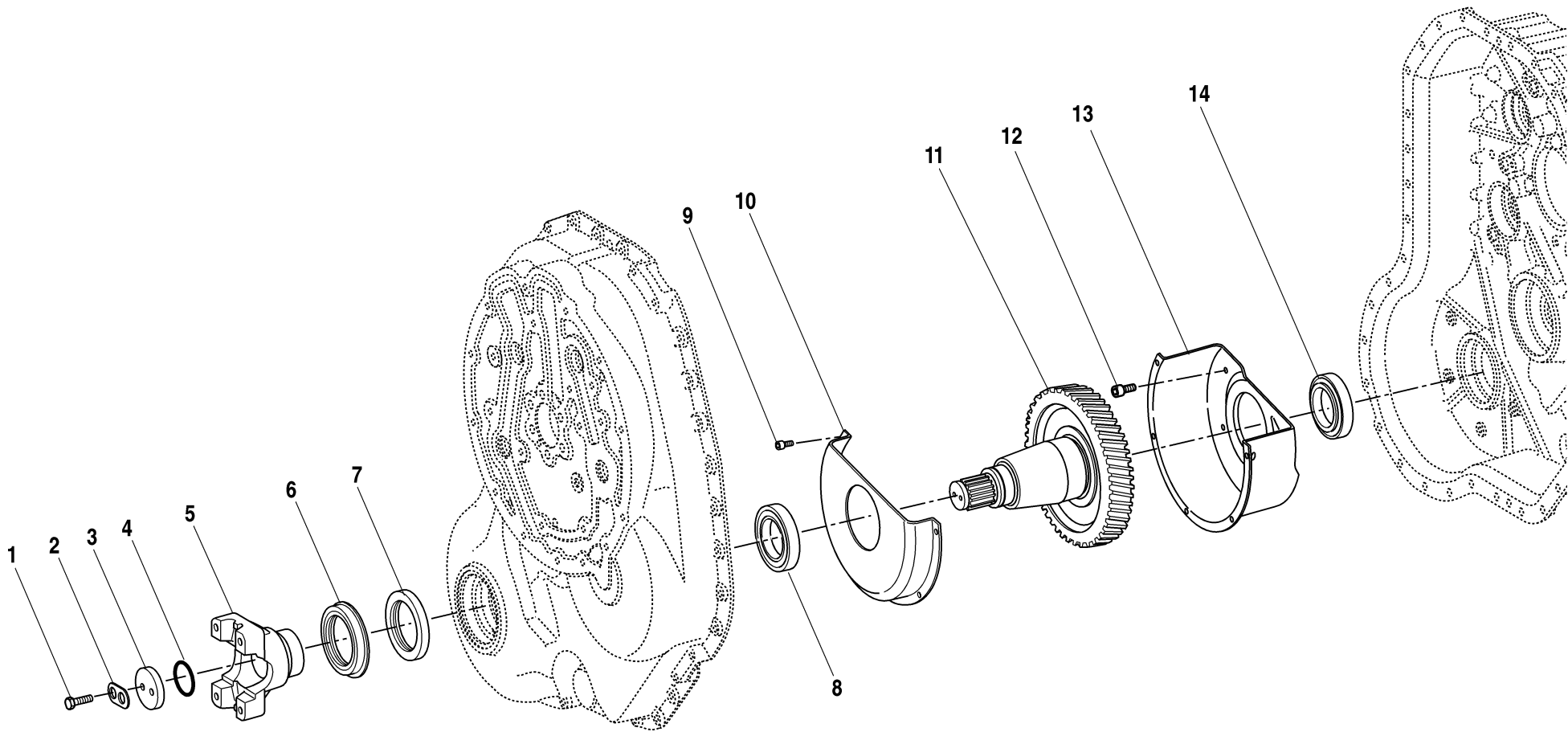
S/N 14409-

4270H
4270L
4290H
4290L

REVERSING GEAR GROUP 2

1.32.1





ITEM	PART NO.	QTY.	DESCRIPTION
------	----------	------	-------------

1	10731959	2	HHCS, M8 x 25mm
2	1319649	1	Washer, Tab
3	1319648	1	Washer, 10,00
4	10839156	1	O-ring 38 x 4.00
5	1319642	1	Flange, Output
6	1319647	1	Screen, Sheet
7	1319641	1	Seal, Shaft
8	1319643	1	Bearing, Roller
9	1319646	5	HHCS, M6 x 10mm
10	1319645	1	Sheet, Screen
11	1319640	1	Shaft
12	1319585	10	SHCS. M6 x 16mm
13	1319589	1	Sheet, Screen
14	1319644	1	Bearing, Roller

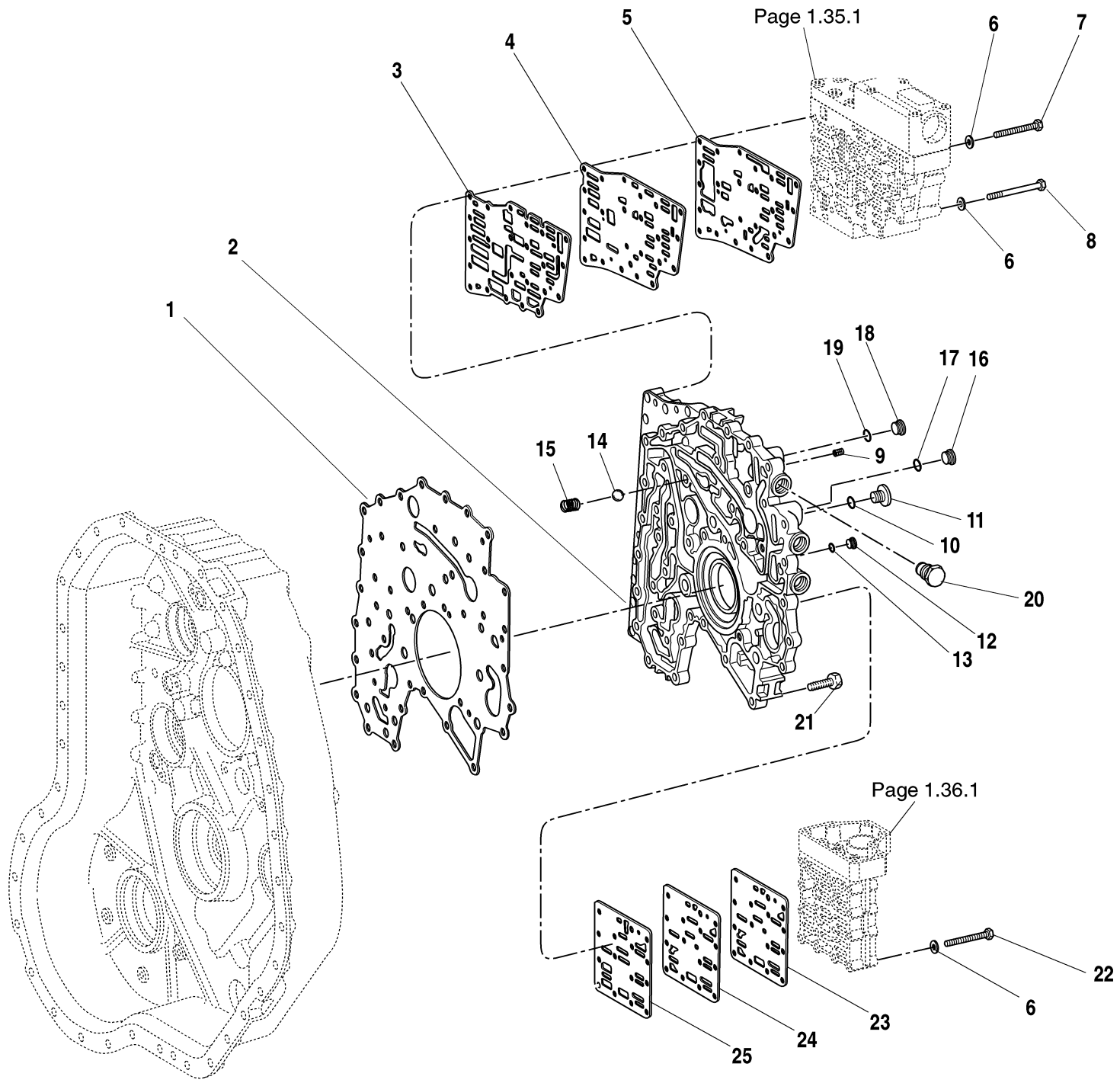
Origin
05/01

S/N 14409-

4270H
4270L
4290H
4290L

OUTPUT

1.33.1

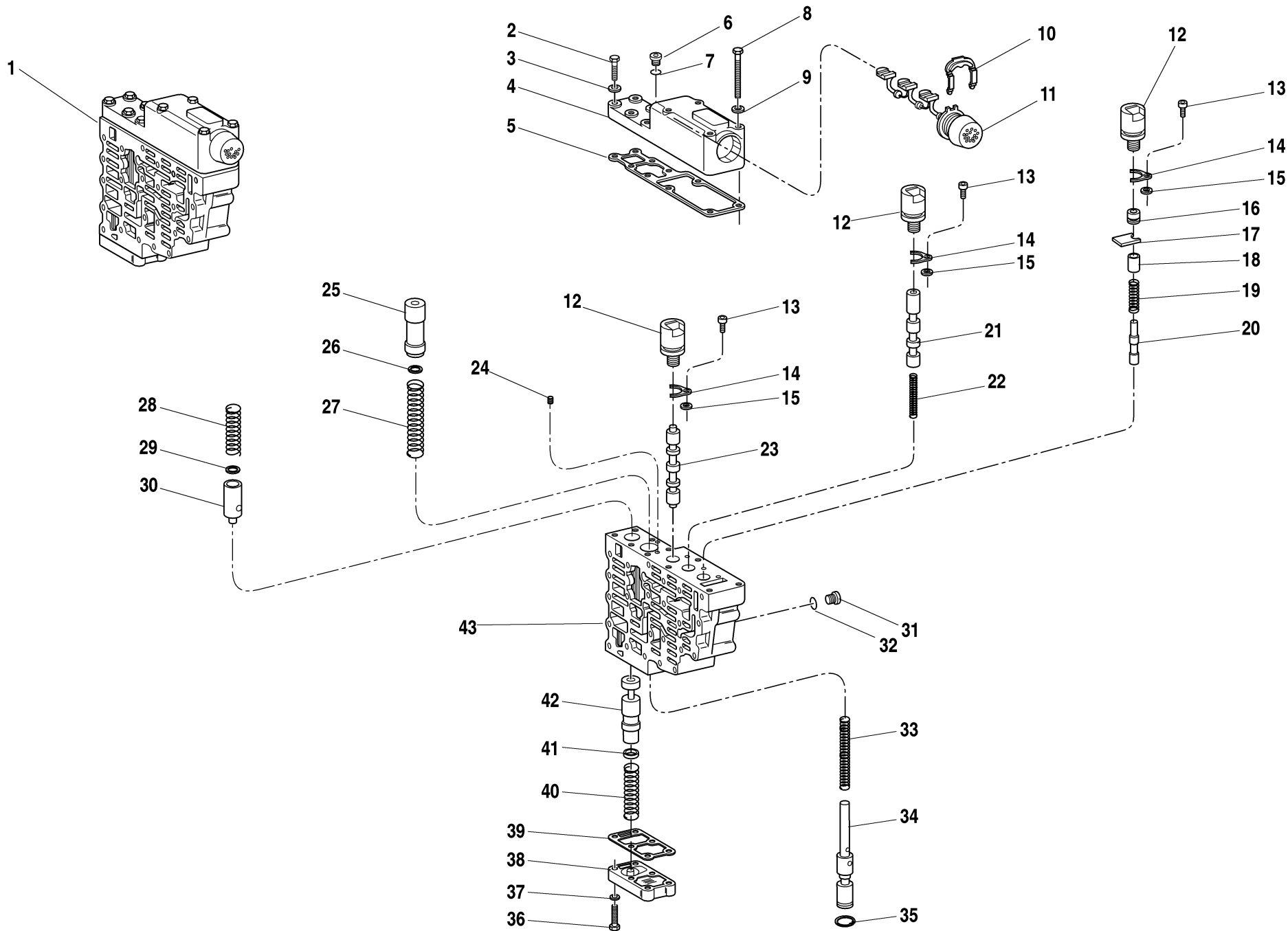


ITEM	PART NO.	QTY.	DESCRIPTION
1	1319650	1	Gasket
2	1319651	1	Plate, Duct
3	1319653	1	Gasket
4	1319654	1	Interm, Sheet
5	1319655	1	Gasket
6	1319661	38	Washer 6,4
7	1319660	4	HHCS, M6 x 75mm
8	1319662	19	HHCS, M6 x 65mm
9	1319652	1	Orifice
10	1319665	1	O-Ring, 10,52 x 1,83
11	1319664	1	Plug, Screw 1/2"-20 UNF
12	1319670	1	Plug, Screw M10 x 1mm
13	10731709	1	O-Ring, 8 x 1,5
14	10732071	1	Ball
15	10732072	1	Spring, Compression
16	1319668	1	Plug, Screw 3/4"-16 UNF
17	1319669	1	O-Ring, 16,36 x 2,21
18	1319666	1	Plug, Screw 9/16"-18 UNF
19	1319667	1	O-Ring 11,89 x 1,98
20	1319663	3	Plug
21	1319659	43	Screw, Torx M8 x 30
22	1319494	15	HHCS, M6 x 55mm
23	1319658	1	Gasket
24	1319657	1	Interm, Sheet
25	1319565	1	Gasket

Origin
05/01

S/N 14409-

4270H
4270L
4290H
4290L



ITEM	PART NO.	QTY.	DESCRIPTION
1	1319716	1	Valve Housing Assembly - Complete (Includes Items 2 thru 43)
2	1319693	6	HHCS, M6 x 25mm
3	1319661	6	Washer, 6,4
4	1319706	1	Cover
5	1319705	1	Gasket
6	1319670	1	Plug, Screw M10 x 1
7	10731709	1	O-Ring, 8 x 1,5
8	1319708	4	HHCS, M6 x 60mm
9	1319661	4	Washer, 6,4
10	1319707	1	Clamp, Retaining
11	1319704	1	Harness, Wiring
12	1319702	3	Valve, Solenoid
13	1319703	3	HHCS, M5 x 12mm
14	10732063	3	Plate, Fixing
15	10732064	3	Washer, 2,00
16	1319700	1	Plug
17	1319701	1	Plate, Fixing
18	1319699	1	Sleeve, Spacer
19	1319698	1	Spring, Compression
20	1319697	1	Piston
21	1319695	1	Piston
22	1319696	1	Spring, Compression
23	1319694	1	Valve
24	1319652	1	Orifice
25	1319690	1	Piston
26	1319685	1	Washer, 2,00
	1319686	1	Washer, 1,00
	1319687	1	Washer, 0,50
	1319688	1	Washer, 0,30
	1319689	1	Washer, 0,20
27	1319683	1	Spring, Compression
28	1319673	1	Spring, Compression
29	10732029	1	Ring, Shim 10 x 16 x 1
30	1319672	1	Piston
31	1319670	1	Plug, Screw M10 x 1

ITEM	PART NO.	QTY.	DESCRIPTION
32	10731709	1	O-Ring, 8 x 1,5
33	1319684	1	Spring, Compression
34	1319681	1	Piston, Control
35	1319682	1	Washer, Lock 12,0
36	1319693	6	HHCS, M6 x 25mm
37	1319661	6	Washer, 6,4
38	1319692	1	Cover
39	1319691	1	Gasket
40	1319680	1	Spring, Compression
41	1319675	1	Ring, Spacer 3,60
	1319676	1	Ring, Spacer 3,20
	1319677	1	Ring, Spacer 2,80
	1319678	1	Ring, Spacer 2,40
	1319679	1	Ring, Spacer 2,00
42	1319674	1	Piston
43	1319671	1	Housing, Valve

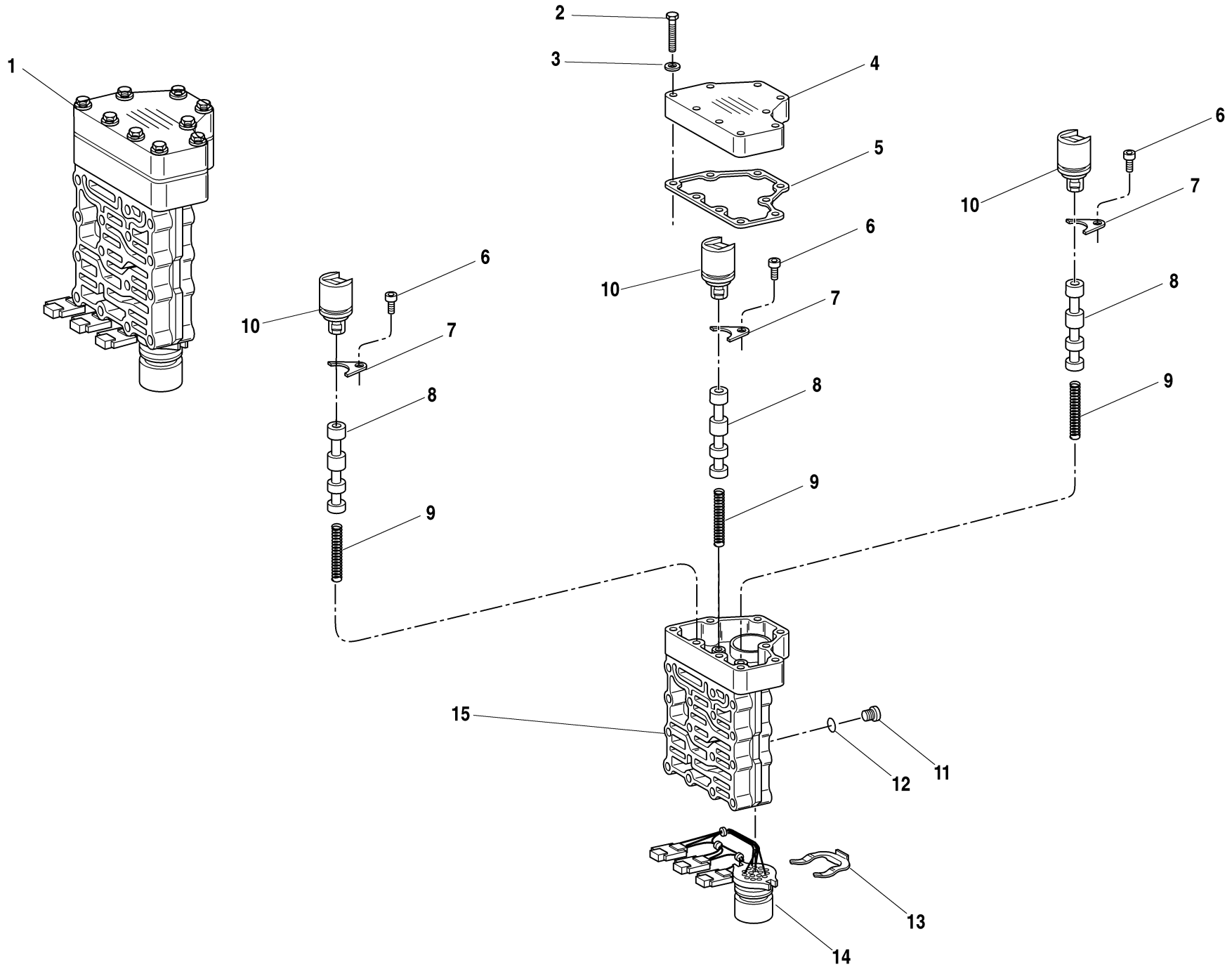
Origin
05/01

S/N 14409-

4270H
4270L
4290H
4290L

VALVE HOUSING ASSEMBLY

1.35.1



ITEM	PART NO.	QTY.	DESCRIPTION
1	1319717	1	Valve Block Assembly - Complete (Includes Items 2 thru 15)
2	1319714	9	HHCS, M5 x 32mm
3	1319715	9	Washer, 5,3
4	1319713	1	Cover
5	1319712	1	Gasket
6	1319703	3	SHCS, M5 x 12mm
7	10732063	3	Plate, Fixing
8	1319710	3	Piston
9	1319696	3	Spring, Compression
10	1319702	3	Valve, Solenoid
11	1319670	3	Plug, Screw M10 x 1
12	10731709	3	O-Ring, 8 x 1,5
13	1319707	1	Clamp, Retaining
14	1319711	1	Harness, Wiring
15	1319709	1	Block, Valve

Origin
05/01

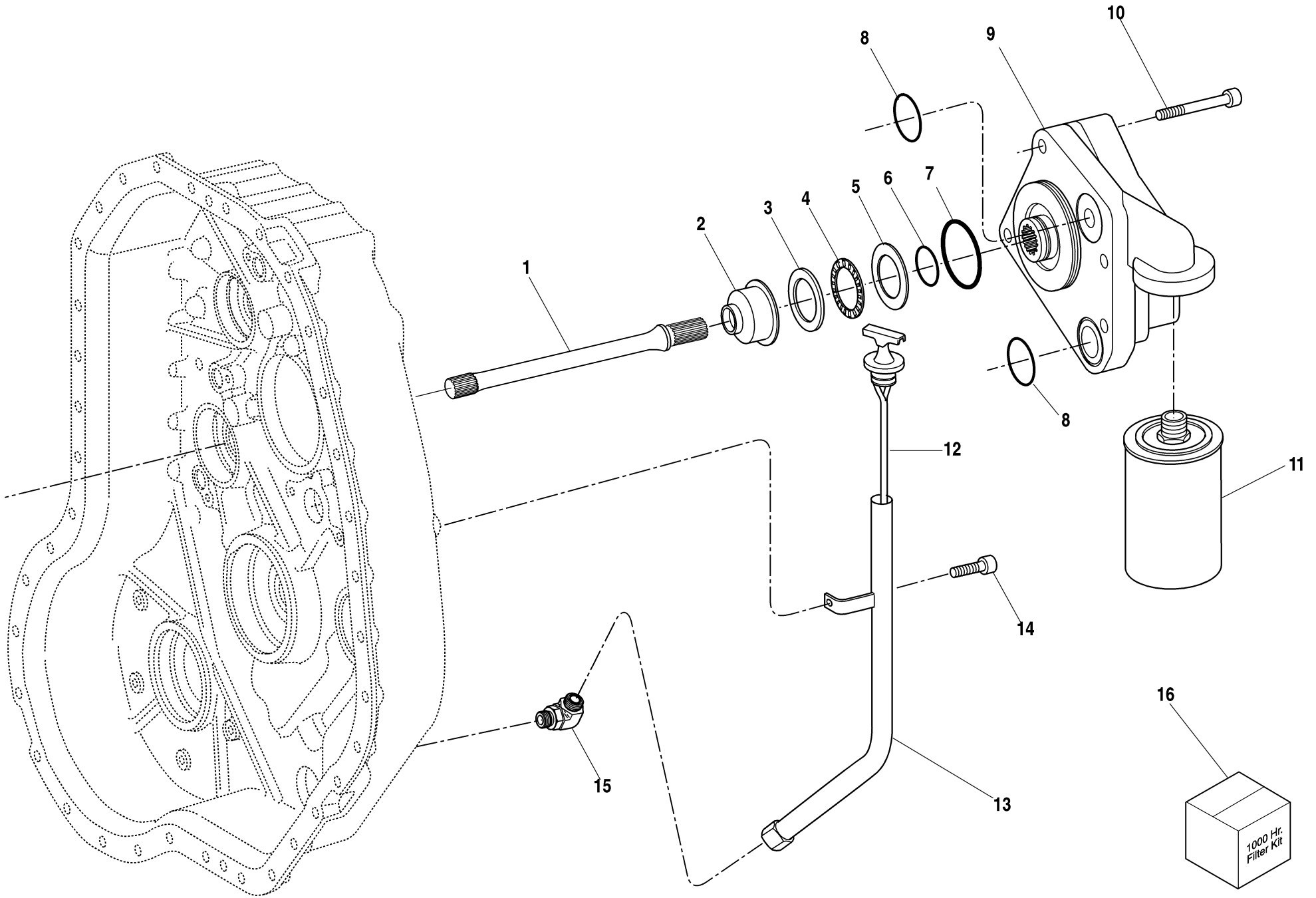
S/N 14409-

4270H
4270L
4290H
4290L

VALVE BLOCK ASSEMBLY

1.36.1





ITEM	PART NO.	QTY.	DESCRIPTION
1	1319566	1	Shaft, Central
2	1319723	1	Bushing, Spacer
3	1319722	1	Disc, Angle
4	1319721	1	Cage, Axial Needle
5	1319720	1	Washer, Axial 40 x 60 x 1
6	1319724	1	O-Ring, 36 x 2,5
7	8036250	1	O-Ring
8	1319719	2	O-Ring, 40,95 x 2,62
9	1319718	1	Pump
10	1319725	4	HHCS, M12 x 115mm
11	1319726	1	Filter, Transmission
12	8036003	1	Dipstick
13	8036002	1	Tube, Dipstick
14	8036005	1	Screw, Cylindrical
15	8036004	1	Fitting
16	7139238		<p>KITS</p> <p>1000 Hour Filter Kit (Includes 6 Filters: Engine Oil Filter, Fuel Filter, Both Air Filters, Transmission Oil Filter & Hydraulic Oil Filter)</p>

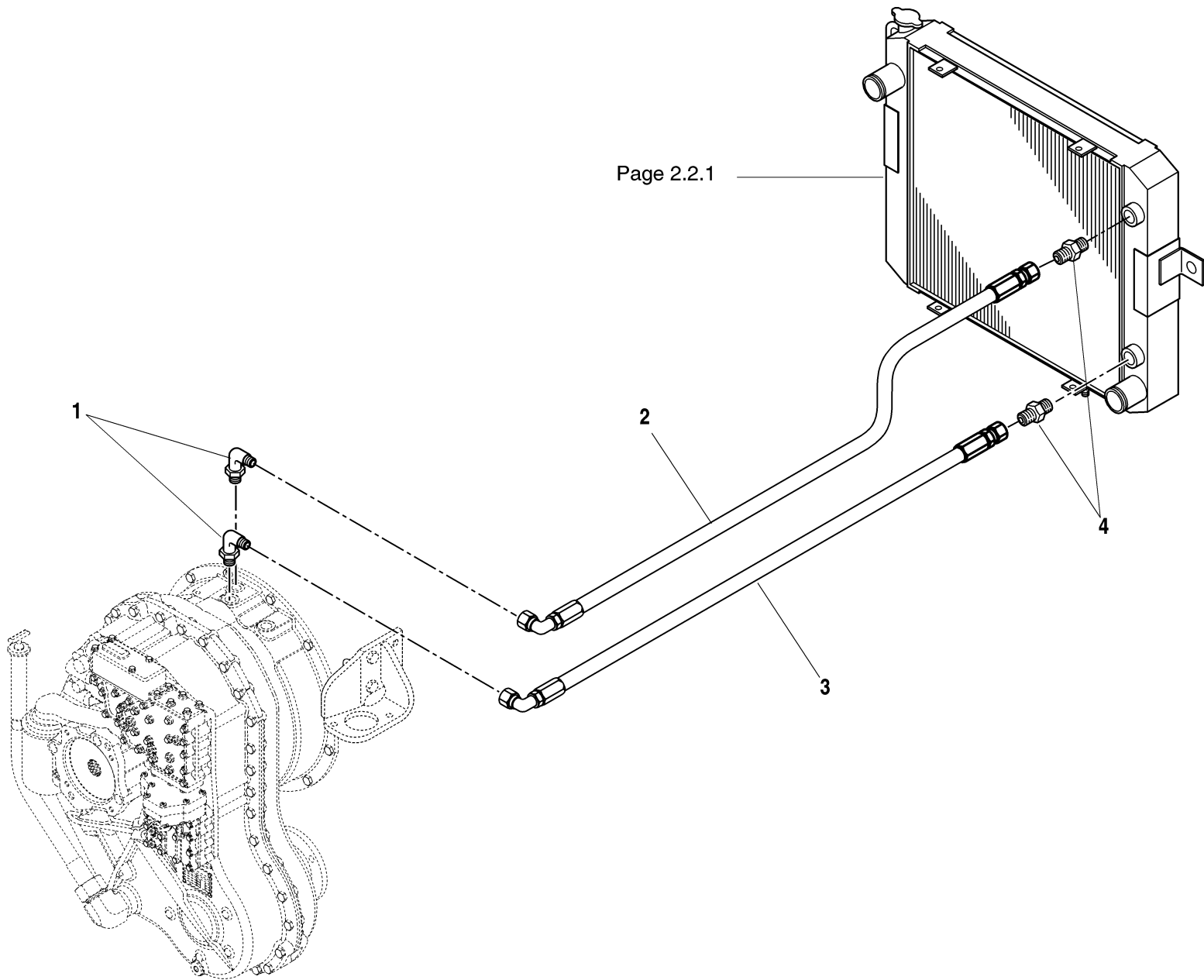
Origin
05/01

S/N 14409-

4270H
4270L
4290H
4290L

OIL PUMP AND FILTER

1.37.1



ITEM	PART NO.	QTY.	DESCRIPTION
1	8770160	2	Elbow, 90°, SAE 12-10 - str. thd. ORB x OFS
2	2716519	12	Hose, 3/4 I.D. x 48" Long
3	2716518	1	Hose, 3/4 I.D. x 42" Long
4	8770070	2	Connector, SAE 12 - str. thd. ORB x OFS

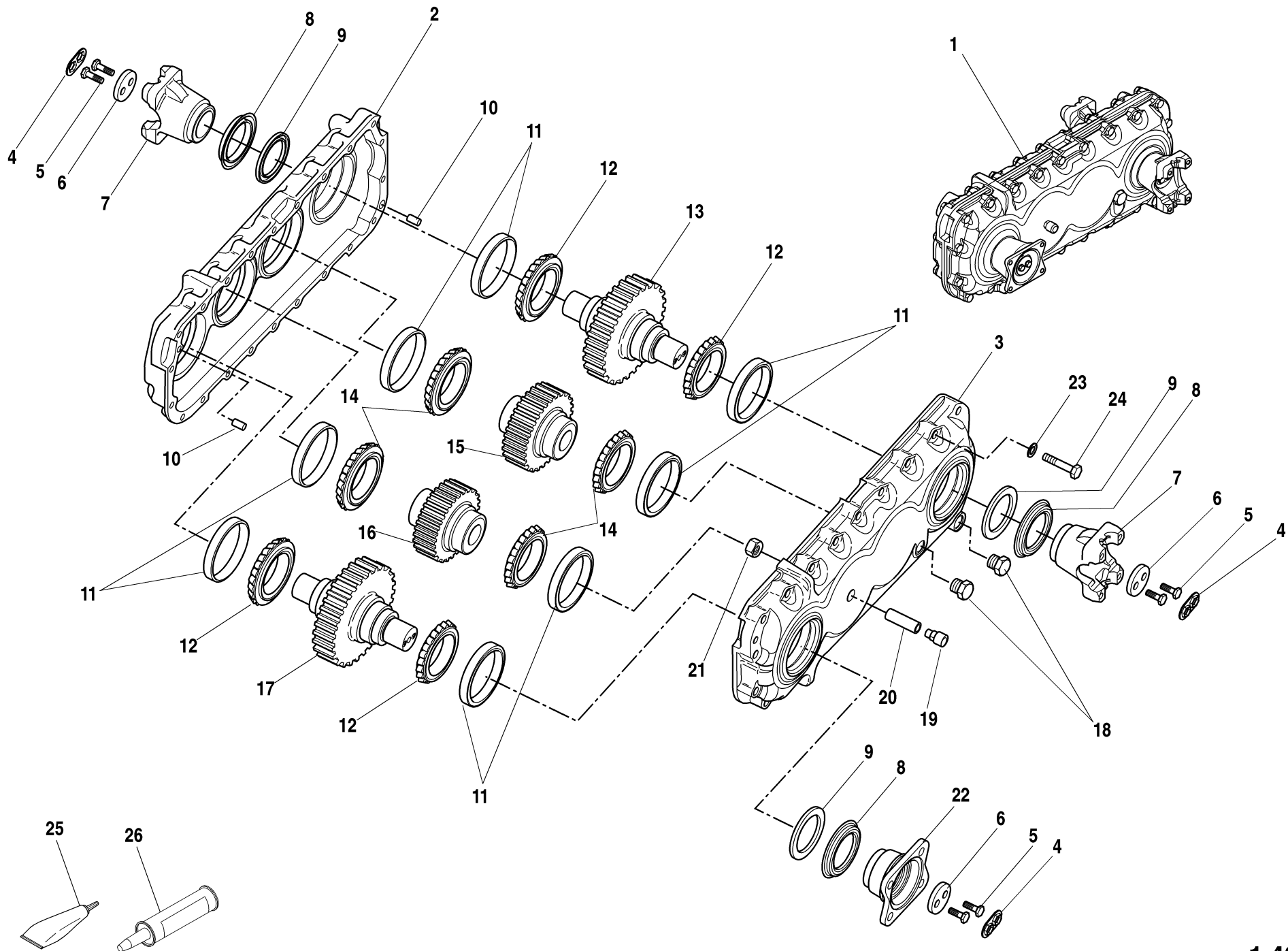
Origin
05/01

S/N 14409-

4270H
4270L
4290H
4290L

TRANSMISSION OIL COOLER ASSEMBLY

1.38.1



ITEM	PART NO.	QTY.	DESCRIPTION
1	8841041	1	Transfer Box Assembly (Includes items 2 thru 24)
2	1320760	1	Housing, Front Half
3	1320989	1	Housing, Rear Half
4	1319649	3	Washer, Tab
5	10731959	6	HHCS, M8 x 25mm
6	1319648	3	Washer, Flange
7	1320756	2	Yoke
8	1319647	3	Shield, Dust
9	1320755	3	Seal, Shaft
10	1320761	2	Dowel, M10 x 24mm
11	1320748	8	Cup, Tapered Roller Bearing
12	1320753	4	Cone, Tapered Roller Bearing
13	1320752	1	Gear, Output 39T
14	1320754	4	Cone, Tapered Roller Bearing
15	1320751	1	Gear, Idle 31T
16	1320750	1	Gear, Idle 28T
17	1320749	1	Gear, Input 36T
18	1320759	2	Plug, Oil 7/8-14
19	1320764	1	Breather, M10 x 1mm
20	1320762	1	Carrier, Breather
21	1320763	1	Nut, Hex M16
22	1320765	1	Flange, Companion
23	1320757	22	Washer, Elastic
24	1320758	22	HHCS, M10 x 60mm
25	8526052	A/R	Thread locker, Loctite #277 (10ml) .34 fl. oz.
26	8526056	A/R	Gasket Eliminator, Loctite #518

NOTES:

See Page 1.1.1 for connecting and mounting hardware

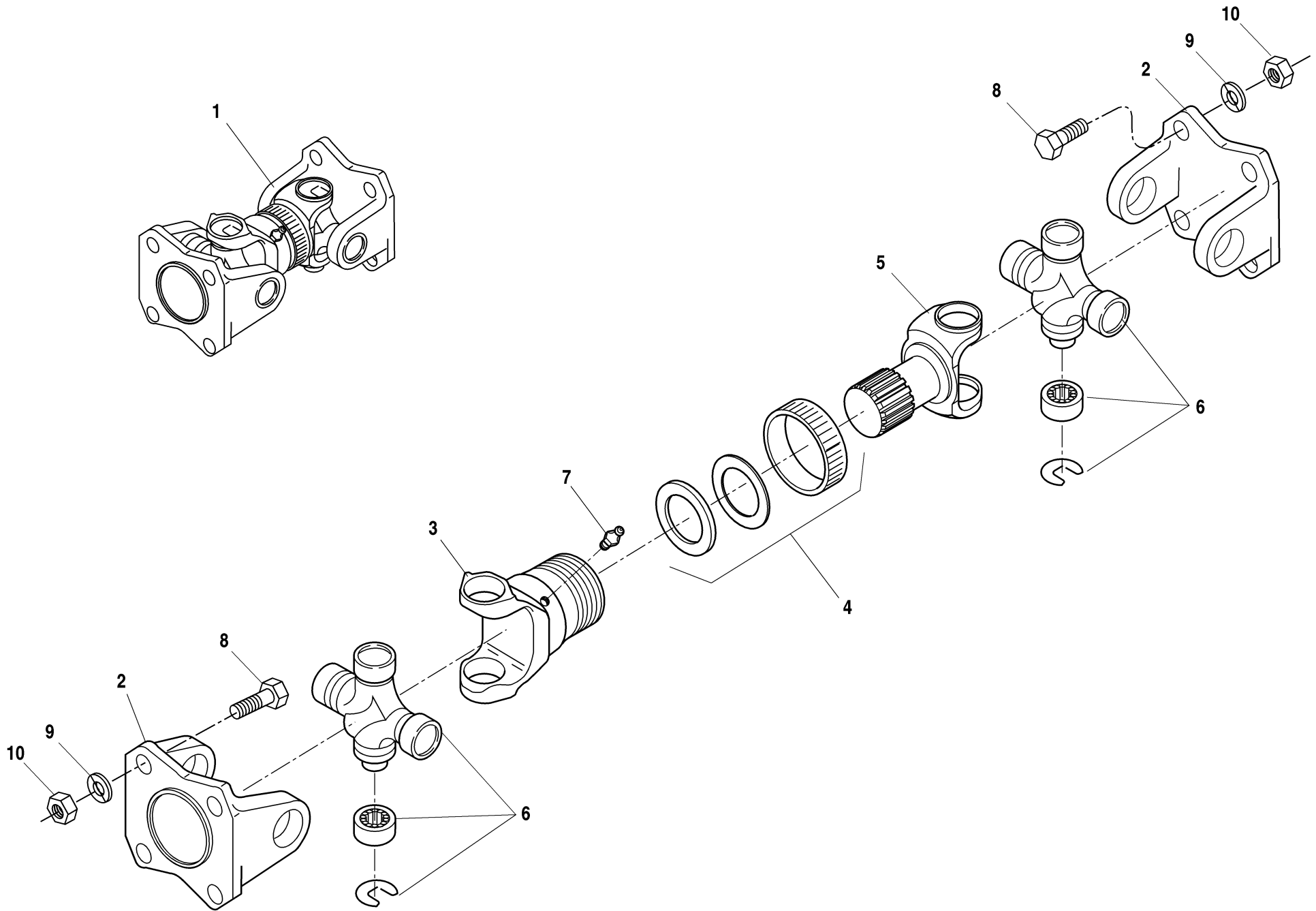
Origin
05/01

S/N 14409-

TRANSFER BOX

1.40.1

4270H
4270L
4290H
4290L



ITEM	PART NO.	QTY.	DESCRIPTION
1	7138760	1	Drive Shaft Assembly - Transmission to Transfer (Includes Items 2 thru 7)
2	●N.S.S	1	Flange, Yoke
3	●N.S.S	1	Yoke, Slip
4	8035779	1	Kit, Dust Cap
5	●N.S.S	1	Shaft, Yoke
6	8035778	2	Kit, Cross & Bearing
7	8033004	1	Fitting, Grease
8	8310084	8	HHCS, 1/2-20 NF x 2.00"
9	8307007	8	Washer, Lock 1/2"
10	8310464	8	Nut, Hex 1/2-20 NF

N.S.S. = Not Sold Separately

NOTES:

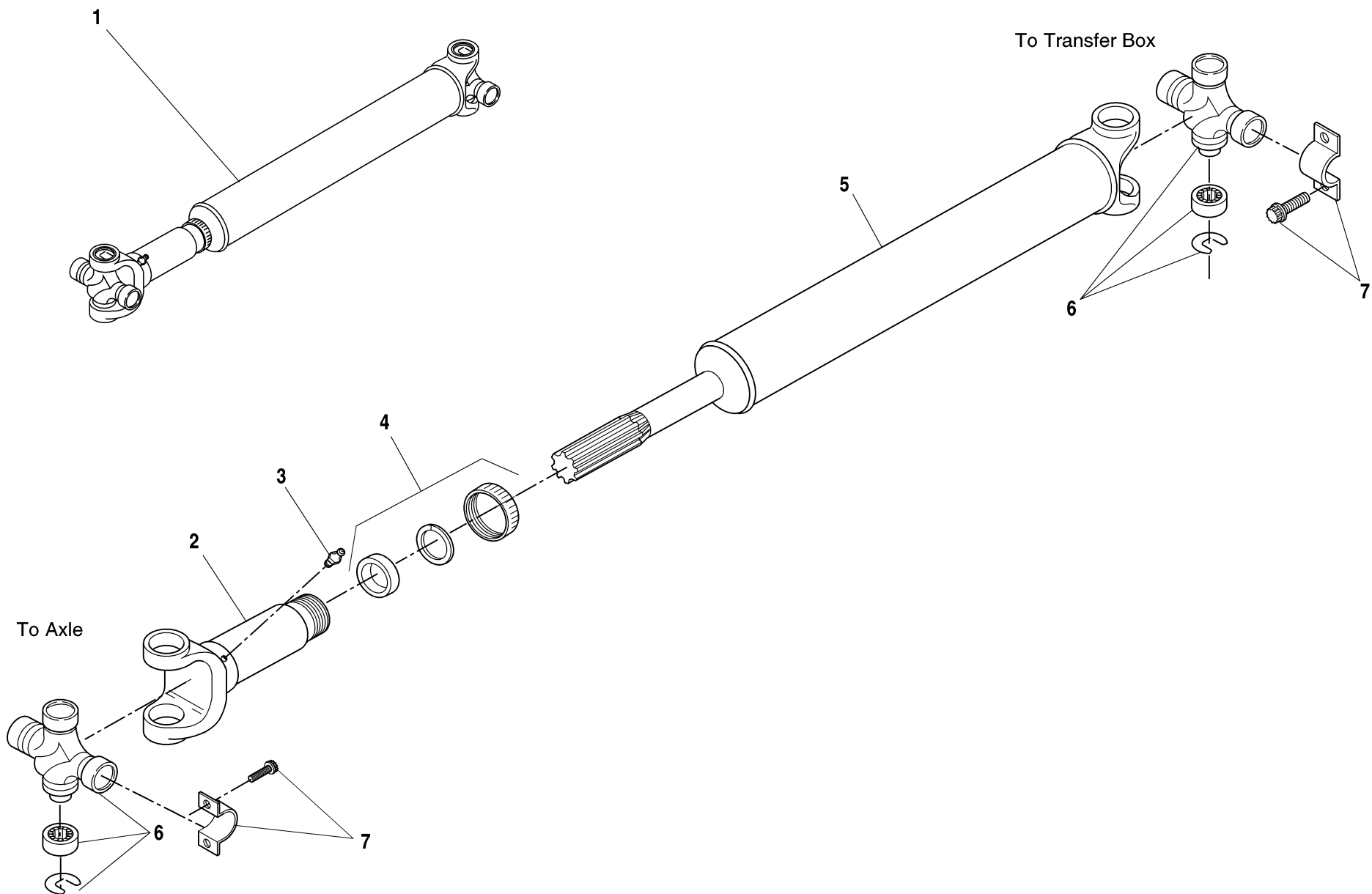
- This is a Balanced Assembly. When Servicing Slip Yoke, Yoke Shaft or Yoke Flange, Order P/N 7138760

Origin
05/01

S/N 14409-

DRIVE SHAFT - TRANSMISSION TO TRANSFER BOX 1.41.1

4270H
4270L
4290H
4290L



ITEM PART NO. QTY. DESCRIPTION

1	7135912	1	Drive Shaft Assembly - Front (Includes Items 2 thru 6)
2	●N.S.S	1	Yoke, Slip
3	8033004	1	Fitting, Grease
4	8035109	1	Kit, Dust Cap
5	●N.S.S	1	Shaft, Yoke
6	8035778	2	Kit, Cross & Bearing
7	8880218	4	Kit, Strap

N.S.S. = Not Sold Separately

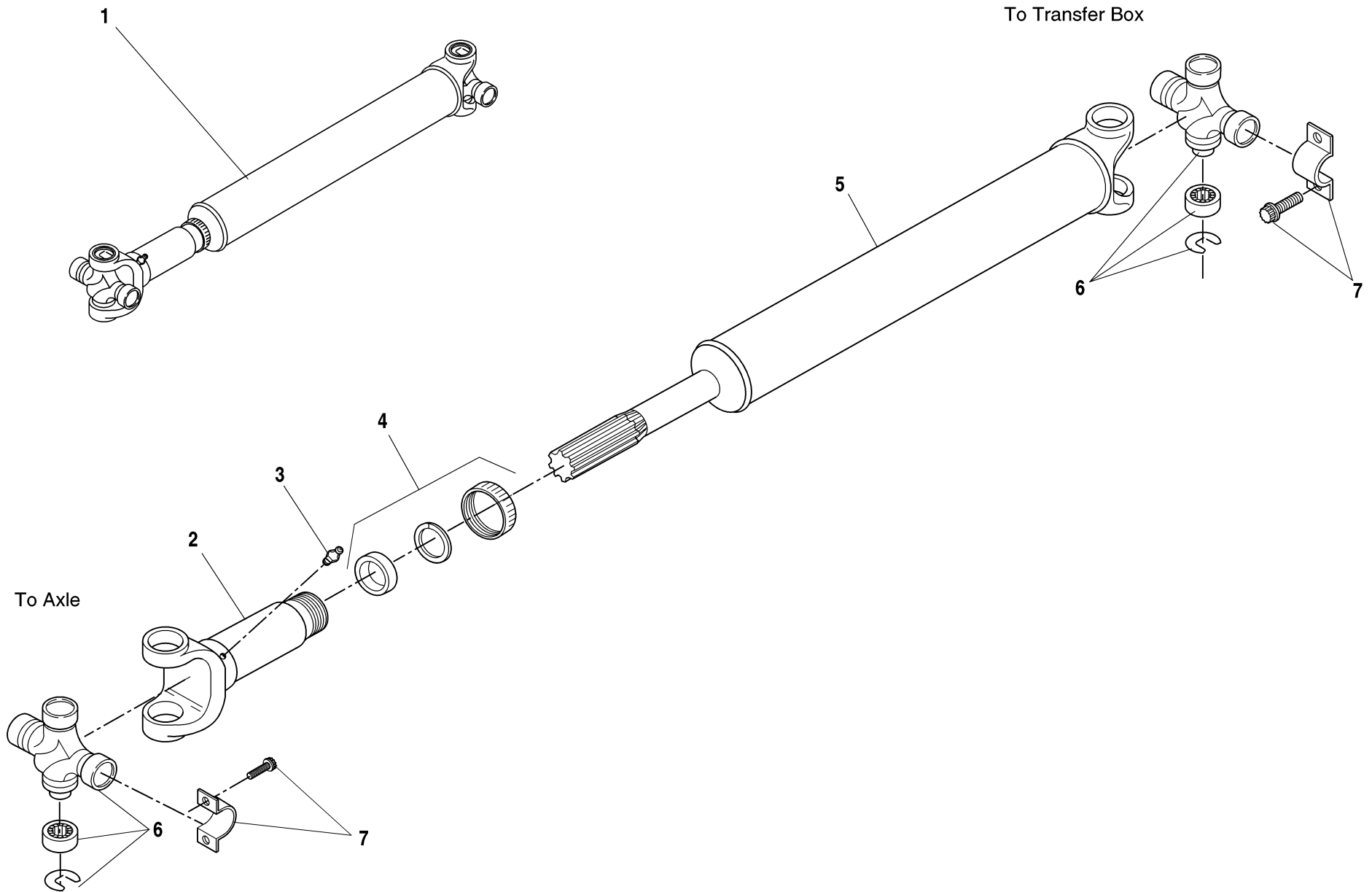
NOTES:

- ① This is a Balanced Assembly. When Servicing Slip Yoke, Yoke Shaft or Yoke Flange, Order P/N 7135912

Origin
05/01

S/N 14409-

4270H
4270L
4290H
4290L



ITEM	PART NO.	QTY.	DESCRIPTION
------	----------	------	-------------

1	7135922	1	Drive Shaft Assembly - Rear (Includes Items 2 thru 6)
2	●N.S.S	1	Yoke, Slip
3	8033004	1	Fitting, Grease
4	8035109	1	Kit, Dust Cap
5	●N.S.S	1	Shaft, Yoke
6	8035778	2	Kit, Cross & Bearing
7	8880218	4	Kit, Strap

N.S.S. = Not Sold Separately

NOTES:

- ① This is a Balanced Assembly. When Servicing Slip Yoke, Yoke Shaft or Yoke Flange, Order P/N 7135922

Origin
05/01

S/N 14409-

DRIVE SHAFT - TRANSFER BOX TO REAR AXLE

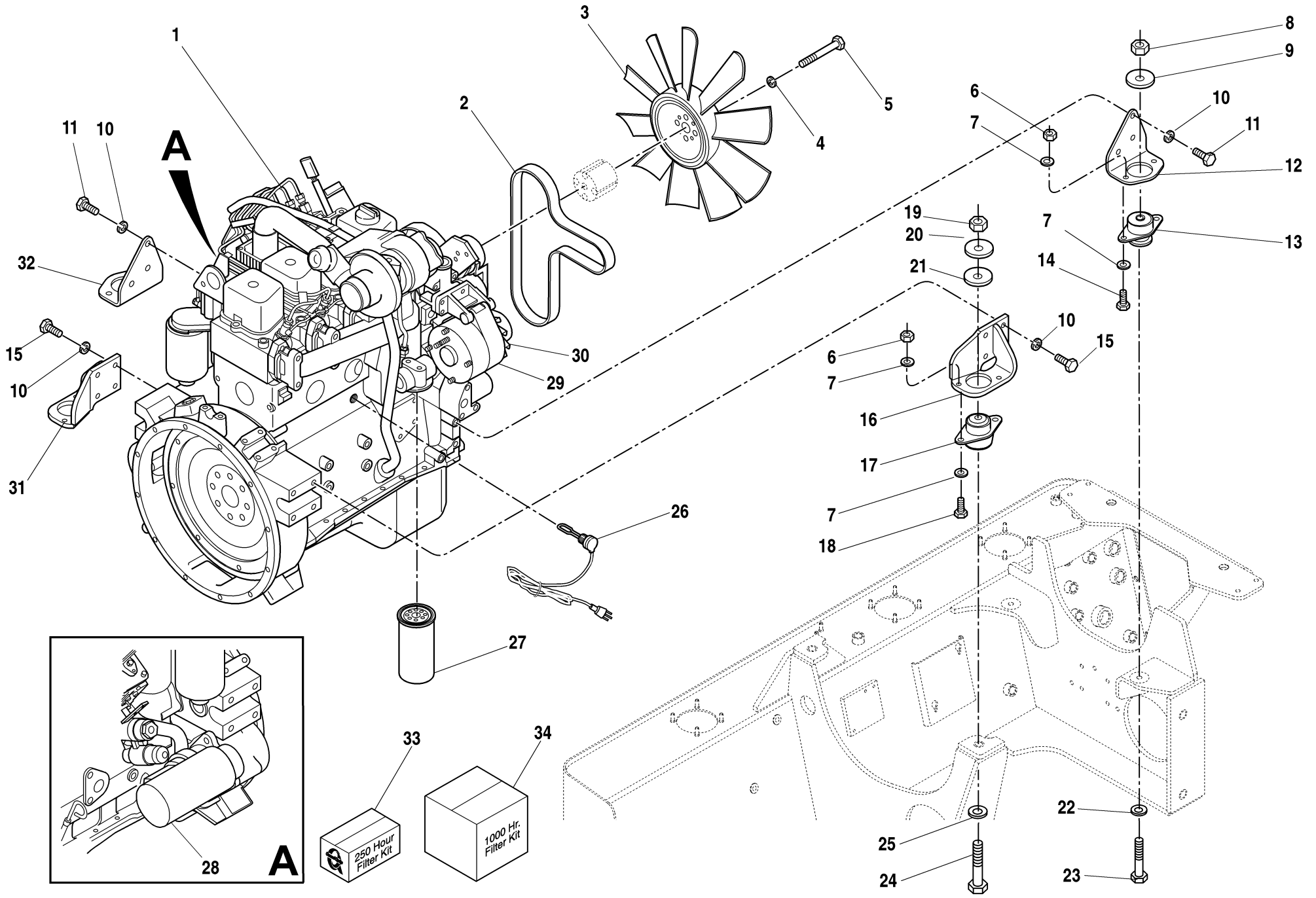
1.43.1

4270H
4270L
4290H
4290L

TABLE OF CONTENTS

Section 2 — Engine, Radiator and Fuel System

Engine Mounting	2.1.1
Radiator and Oil Cooler Mounting	2.2.1
Exhaust System	2.3.1
Air Cleaner Assembly	2.4.1
Fuel System	2.5.1
Throttle Group Assembly	2.6.1



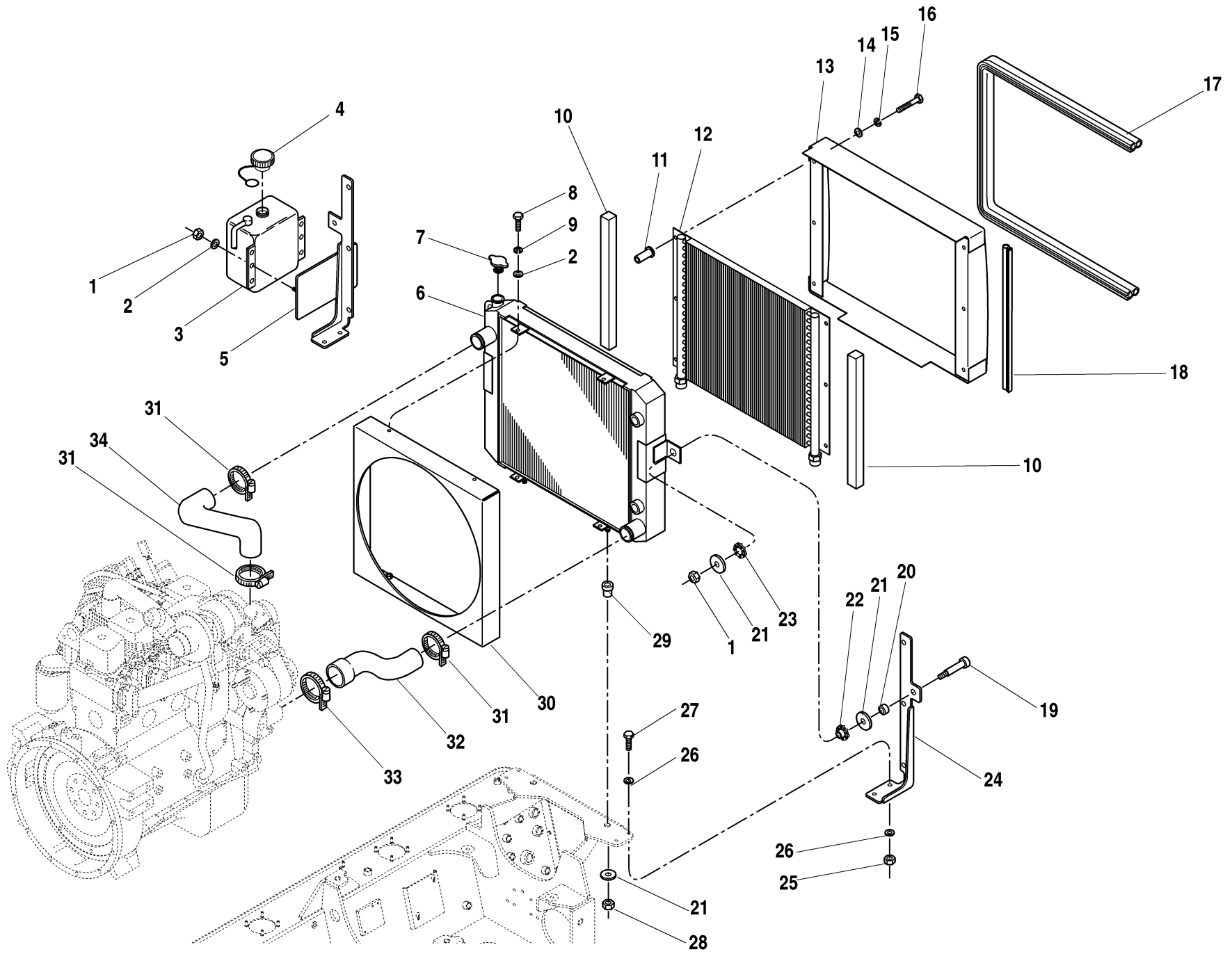
ITEM	PART NO.	QTY.	DESCRIPTION
1	8262150	1	Engine, Cummins 4BT 3.9 Turbo
2	8035100	1	Belt, Fan
3	8272017	1	Fan, 18" Suction
4	8307023	4	Washer, Lock M10
5	8310424	4	HHCS, M8-1,5 x 90mm
6	8305645	8	Nut, Hex Lock Elastic 3/8-16
7	8307110	16	Washer, Flat 3/8" Narrow
8	8310109	2	Nut, Hex Lock Elastic 7/16-14
9	7121951	2	Washer, Rebound 7/16"
10	8307025	14	Washer, Lock M12
11	8303790	6	HHCS, M12-1,75 x 30mm PC 8,8
12	7127562	1	Mount, Engine, Rear Left Side
13	8278021	2	Isolator, Engine
14	8303675	2	HHCS, 3/8-16 x 1-1/4" Gr. 5
15	8310164	8	HHCS, M12-1,75 x 40mm PC 8,8
16	7127492	1	Mount, Engine, Front Left Side
17	8278028	2	Isolator, Engine
18	8303621	4	HHCS, 3/8-16 x 1-1/2" Gr. 5
19	8305643	2	Nut, Hex Lock Elastic 5/8-11
20	7132141	2	Washer, Rebound 5/8"
21	8278030	2	Washer, Snubbing
22	8307113	2	Washer, Flat 7/16" Narrow
23	8310289	2	HHCS, 7/16-14 x 3-1/4" Gr. 8
24	8310333	2	HHCS, 5/8-11 x 4" Gr. 8
25	8307107	2	Washer, Flat 5/8" Narrow
26	8277161	1	Heater, Coolant
27	8320262	1	Filter, Engine Oil (Also Included In Kits, Items 33 & 34)
28	8035278	1	Starter
29	8270221	1	Alternator, 65 Amp
30	8270220	1	Fan, Alternator
31	7127462	1	Mount, Engine, Front Right Side
32	7127552	1	Mount, Engine, Rear Right Side

33	7138288	1	KITS 250 Hour Filter Kit (Includes 2 Filters: Engine Oil Filter & Fuel Filter)
34	7139238	1	1000 Hour Filter Kit (Includes 6 Filters: Engine Oil Filter, Fuel Filter, Both Air Filters, Transmission Oil Filter & Hydraulic Oil Filter)

Origin
05/01

S/N 14409-

4270H
4270L
4290H
4290L



ITEM	PART NO.	QTY.	DESCRIPTION
1	8305626	4	Nut, Hex Lock Elastic 5/16-18
2	8307106	6	Washer, Flat 5/16" Narrow
3	7085422	1	Tank, Overflow 3 Qt. (Includes Item 4)
4	8866341	1	Cap w/Tether
5	7138231	1	Bracket Assembly, Radiator Right Side
6	7138224	1	Radiator Assembly (Includes Item 7)
7	8180311	1	Cap, Radiator - 13 psi (89,6 kpa)
8	8303697	4	HHCS, 5/16-18 x 3/4" Gr. 5
9	8307004	4	Washer, Lock 5/16"
10	7132012	2	Baffle, Foam
11	8580420	6	Nut, Well
12	7129973	1	Cooler, Oil (See Page 6.2.1 for Hose Connection)
13	7138242	1	Baffle Assembly, Radiator
14	8307202	6	Washer, Flat 1/4" Wide
15	8307002	6	Washer, Lock 1/4"
16	8303743	6	HHCS, 1/4-20 x 1-1/2"
17	7131952	1	Seal Bulb
18	7132002	1	Moulding, Seal Bulb
19	8310104	2	Bolt, Shoulder, Socket Hd. 3/8 x 1-1/2 x 5/16-18
20	7130131	2	Spacer
21	7057141	4	Washer, Rebound 3/8"
22	8278023	2	Bushing, Radiator Mount
23	8278024	2	Ring, Radiator Mount
24	7138230	1	Bracket, Radiator Left Side
25	8305645	4	Nut, Hex Lock Elastic 3/8-16
26	8307204	8	Washer, Flat 3/8" Wide
27	8303621	4	HHCS, 3/8-16 x 1-1/2" Gr. 5
28	8305603	2	Nut, Hex Lock 3/8-16
29	8278008	2	Mount, Rubber
30	7131253	1	Shroud, Radiator
31	8405104	3	Clamp, Radiator Hose
32	7138515	1	Hose, Radiator, Return
33	8405203	1	Clamp, Radiator Hose
34	7126703	1	Hose, Radiator, Input

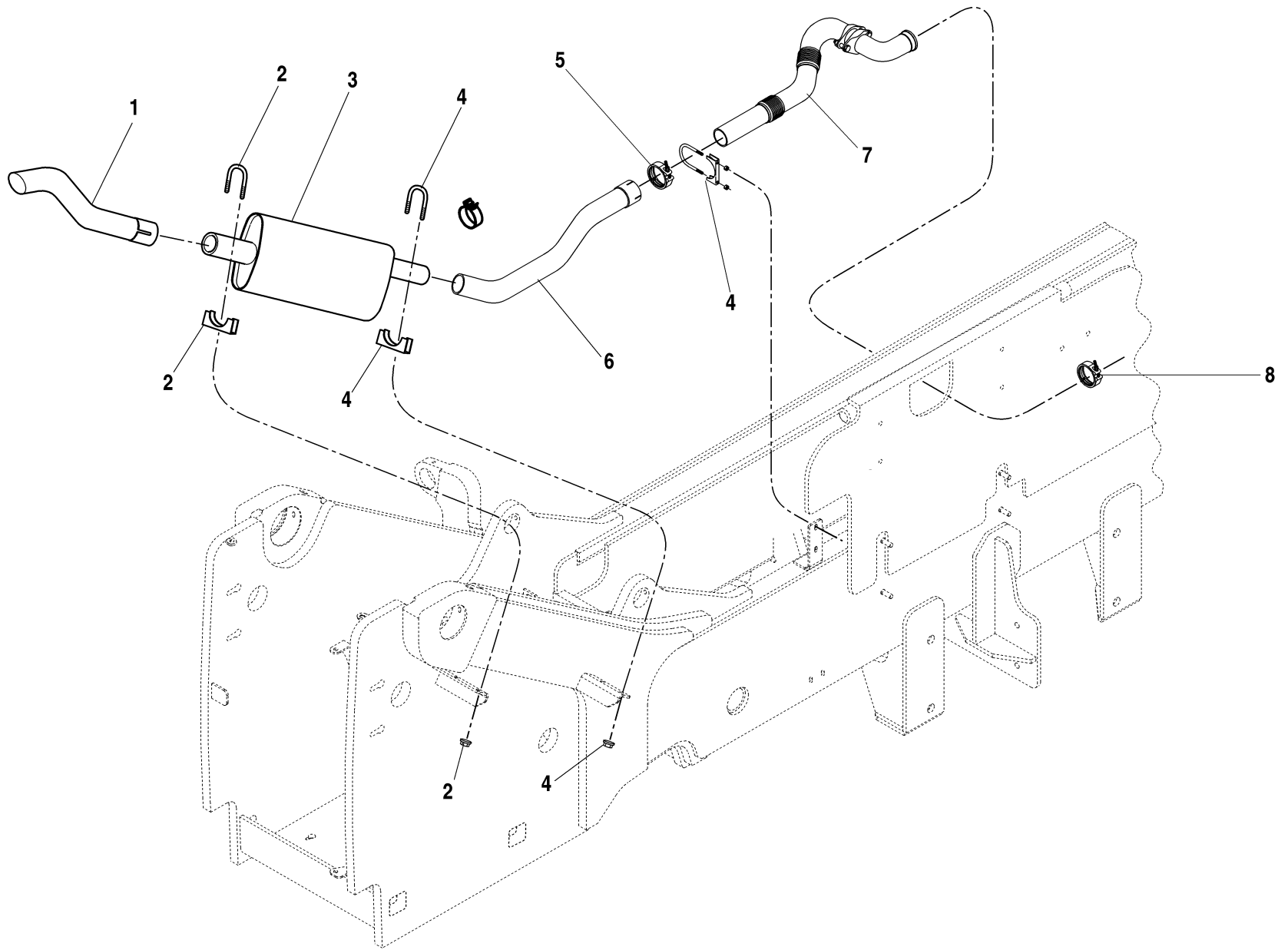
Origin
05/01

S/N 14409-

4270H
4270L
4290H
4290L

RADIATOR AND OIL COOLER MOUNTING

2.2.1



ITEM	PART NO.	QTY.	DESCRIPTION
1	7138686	1	Tail Pipe
2	8275247	1	Clamp, Muffler 3", Heavy Duty
3	8275040	1	Muffler
4	8275212	2	Clamp, Muffler 2-1/2", U-Type
5	8275249	1	Clamp, Accuseal, 2 1/2"
6	7139461	1	Pipe, Exhaust
7	7139460	1	Pipe, Exhaust, Turbo Outlet
8	8275240	1	Clamp, V-Band

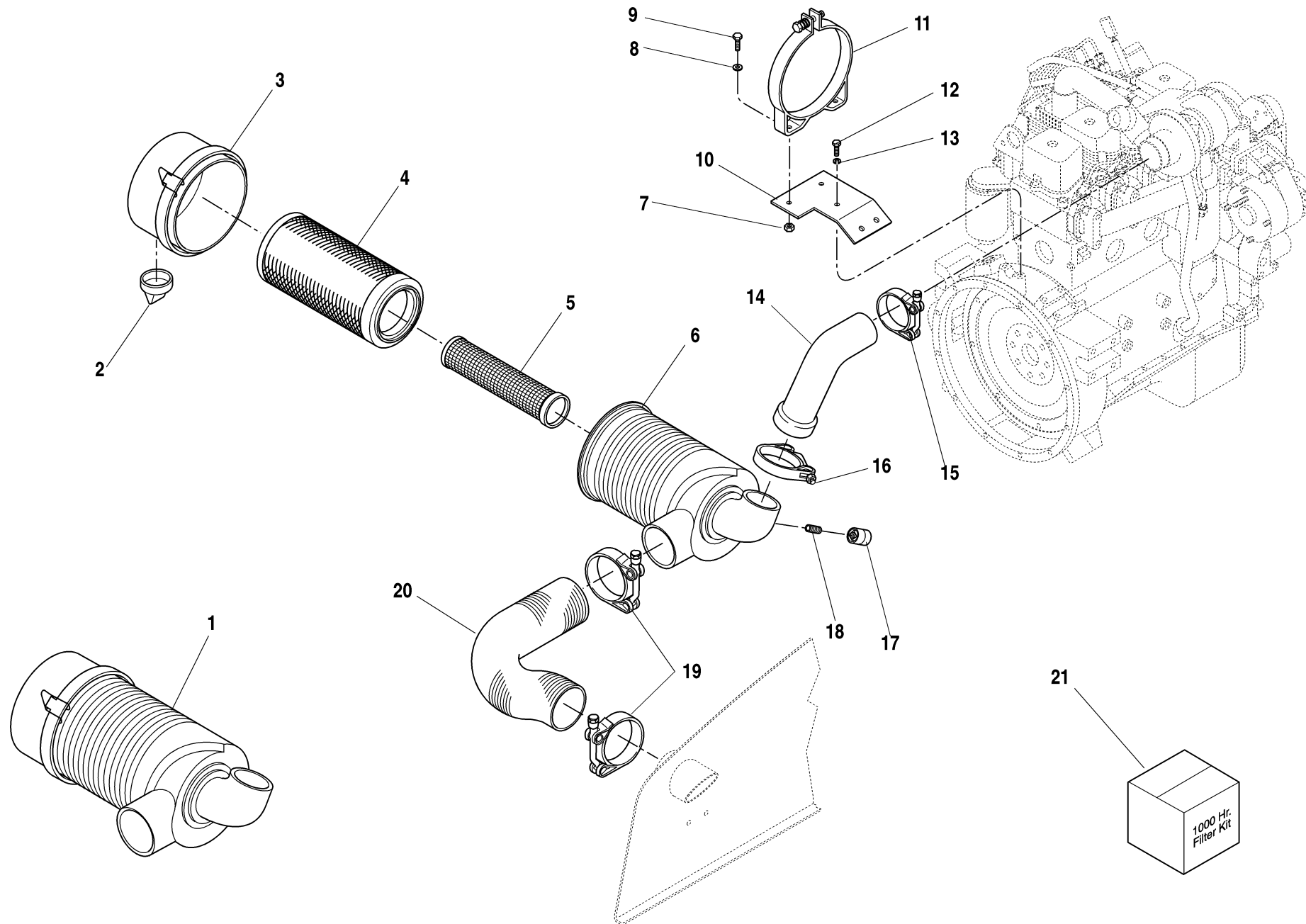
Origin
05/01

S/N 14409-

4270H
4270L
4290H
4290L

EXHAUST SYSTEM

2.3.1



ITEM	PART NO.	QTY.	DESCRIPTION
1	8273022	1	Air Cleaner Assembly (Includes Items 2 thru 6)
2	8032398	1	Valve, Vacuator
3	8035279	1	Cover Assembly
4	8035098	1	Filter, Primary (Also Included In Kit, Item 21)
5	8035099	1	Filter, Safety (Also Included In Kit, Item 21)
6	N.S.S.	1	Body Assembly
7	8305626	2	Nut, Hex Lock Elastic 5/16-18
8	8307106	2	Washer, Flat 5/16" Narrow
9	8303670	2	HHCS, 5/16-18 x 1"
10	7138249	1	Plate, Air Cleaner Mount
11	8273297	1	Band Assembly, Air Cleaner Mount
12	8303675	3	HHCS, 3/8-16 x 1-1/4" Gr. 5
13	8307005	3	Washer, Lock 3/8"
14	7126833	1	Hose, Air Cleaner
15	8405306	1	Clamp, T-Bolt
16	8405307	1	Clamp, T-Bolt, Heavy Duty
17	8223527	1	Switch, Vacuum
18	8551001	1	Nipple, Close, 1/8" NPT
19	8405404	2	Clamp, T-Bolt
20	7138695		Hose, Air Intake
			KITS
21	7139238	1	1000 Hour Filter Kit (Includes 6 Filters: Engine Oil Filter, Fuel Filter, Both Air Filters, Transmission Oil Filter & Hydraulic Oil Filter)
			N.S.S. = Not Sold Separately

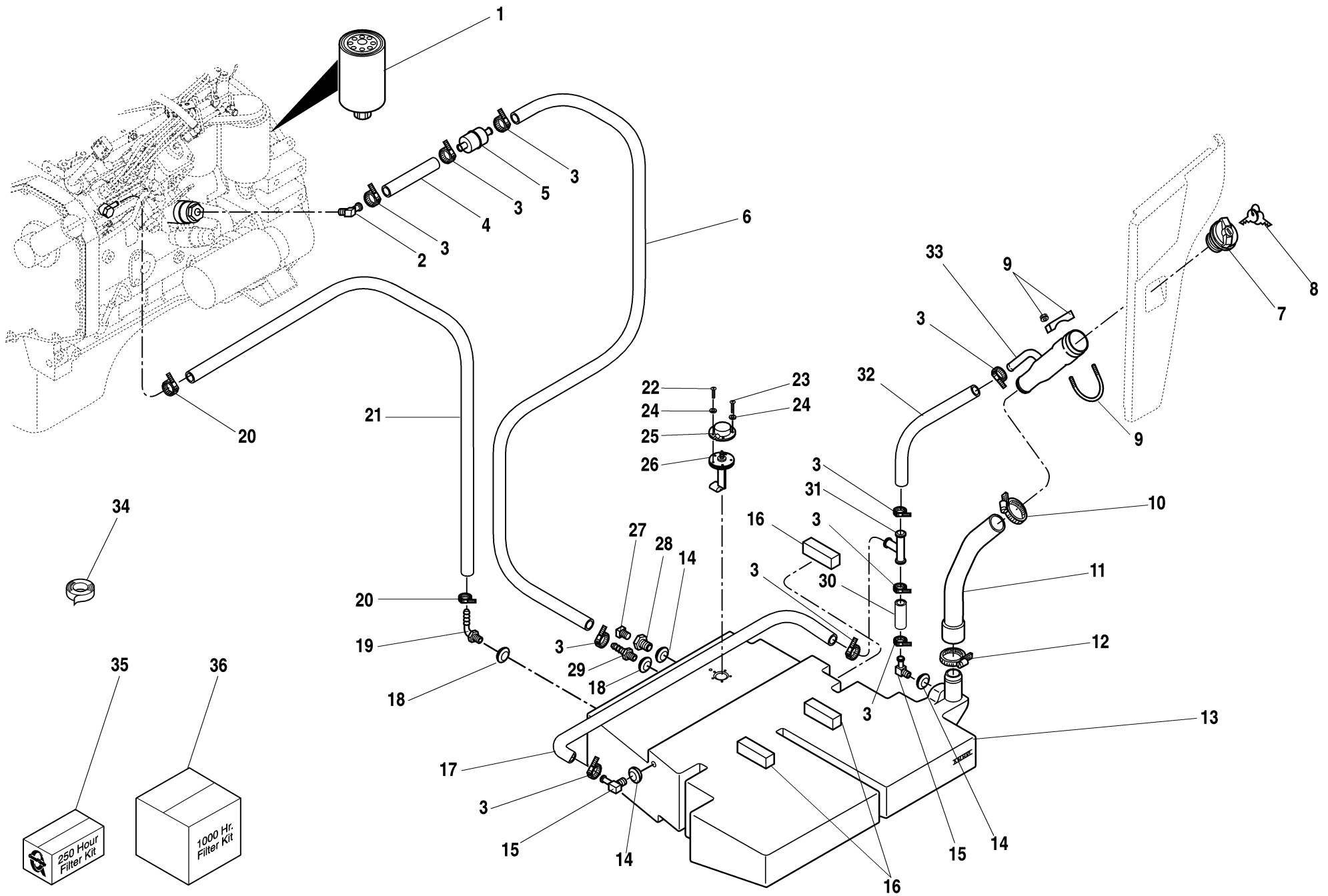
Origin
05/01

S/N 14409-

4270H
4270L
4290H
4290L

AIR CLEANER ASSEMBLY

2.4.1



ITEM	PART NO.	QTY.	DESCRIPTION
1	8320270	1	Filter, Fuel (Also Included In Filter Kits, Items 35 & 36)
2	8420229	1	Hose Fitting, Elbow, 90°, Barbed, SAE 6-4P ❶
3	8410013	10	Clamp, Hose
4	7132131	1	Hose, Fuel 3/8 x 10"
5	8274022	1	Strainer, Fuel
6	7138850	1	Hose, Fuel 3/8" I.D. (Fuel Supply From Tank)
7	8322036	1	Cap, Fuel w/Keys (Includes Item 8)
8	8035292	1	Keys (Set of Two)
9	8275209	1	Clamp, Muffler, U Type 2"
10	8405104	1	Clamp, Hose, Upper SAE Type F
11	7129133	1	Hose, Fuel Filler
12	8405202	1	Clamp, Hose, Lower SAE Type F
13	7138736	1	Tank, Fuel
14	8660011	3	Grommet, 5/8 Fitting
15	8430095	2	Elbow, 5/8" Hose ❶
16	5724742	3	Gasket
17	7129121	1	Hose, Fuel Breather
18	8660010	2	Grommet, 3/8 Fitting
19	8430094	1	Elbow, 5/16" Hose ❶
20	8405009	2	Clamp, Hose, Miniature 7/32" Dia.
21	7132111	1	Hose, Fuel Return
22	8303836	1	Screw, Pan Hd. #10-24 x 5/8"
23	8303837	4	Screw, Pan Hd. #10-24 x 3/4"
24	8307003	5	Washer, Lock #10
25	7131992	1	Cover, Fuel Sender
26	7120613	1	Sender, Fuel w/Gasket
27	8541404	1	Plug, Pipe, Sq. Hd. - 3/8" NPT ❶
28	8430092	1	Drain, Hex 3/8-18 NPT
29	8430093	1	Connector, 3/8" Hose ❶
30	7129111	1	Hose, Fuel Breather
31	8430072	1	Hose Fitting, Tee, Beaded, SAE 10
32	7129101	1	Hose, Fuel Breather
33	7128602	1	Filler, Fuel
34	8526053	A/R	Sealant, Thread, Teflon Tape 1/2"

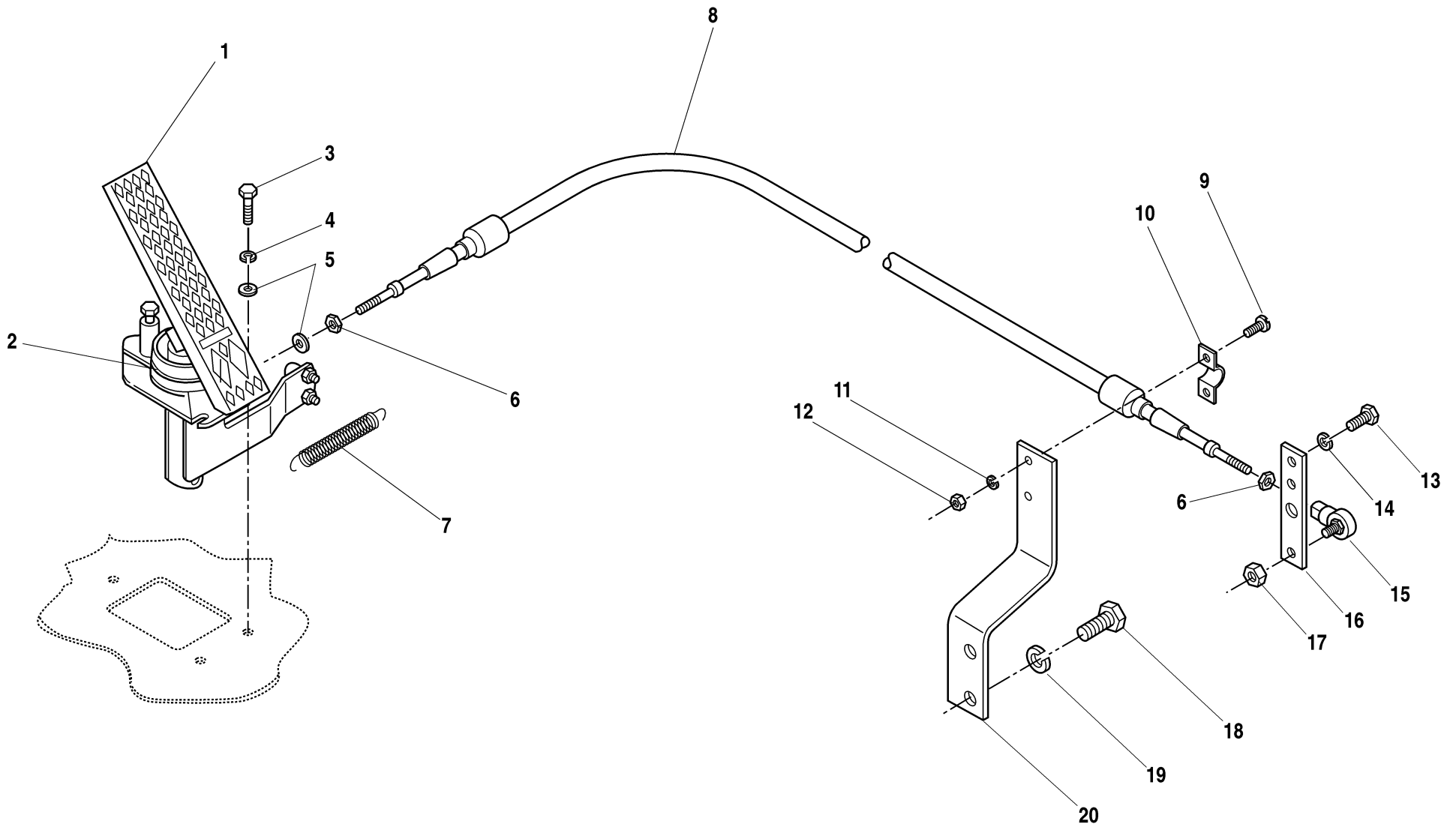
ITEM	PART NO.	QTY.	DESCRIPTION
KITS			
35	7138288	1	250 Hour Filter Kit (Includes 2 Filters: Engine Oil Filter & Fuel Filter)
36	7139238	1	1000 Hour Filter Kit (Includes 6 Filters: Engine Oil Filter, Fuel Filter, Both Air Filters, Transmission Oil Filter & Hydraulic Oil Filter)

NOTES:
❶ Item 34 P/N 8526053 to be used with all Threaded Pipe Fittings.

S/N 14409-

Origin
05/01

4270H
4270L
4290H
4290L



ITEM	PART NO.	QTY.	DESCRIPTION
1	8162003	1	Pedal, Throttle (Includes Item 2)
2	8033178	1	Bellows, Throttle Pedal
3	8303615	3	HHCS, 1/4-20 x 1-1/4"
4	8307002	2	Washer, Lock 1/4"
5	8307109	4	Washer, Flat SAE 1/4"
6	8305402	2	Nut, Hex Jam 1/4-28 NF
7	8700116	1	Spring, Extension
8	8160073	1	Cable, Throttle
9	8303837	2	Screw, Slotted Pan Hd. #10-24 x 3/4"
10	8160610	1	Clamp, Cable
11	8307003	2	Washer, Lock #10
12	8305002	2	Nut, Hex #10-24
13	8303799	2	HHCS, M6-1 x 14mm
14	8307024	2	Washer, Lock M6
15	8340034	1	Rod End 1/4-28 Thd.
16	7127091	1	Extension, Throttle Lever
17	8305650	1	Nut, Hex Lock Elastic 1/4-28 NF
18	8303790	2	HHCS, M12-1,75 x 30mm PC 8,8
19	8307025	2	Washer, Lock M12
20	7127102	1	Bracket, Throttle Cable

Origin
05/01

S/N 14409-

4270H
4270L
4290H
4290L

THROTTLE GROUP ASSEMBLY

2.6.1

TABLE OF CONTENTS

Rev. 000

Section 3 — Frame and Operator's Compartment

Main Frame Assembly	3.1.1
Engine Hood and Covers	3.2.1

Operator's Compartment

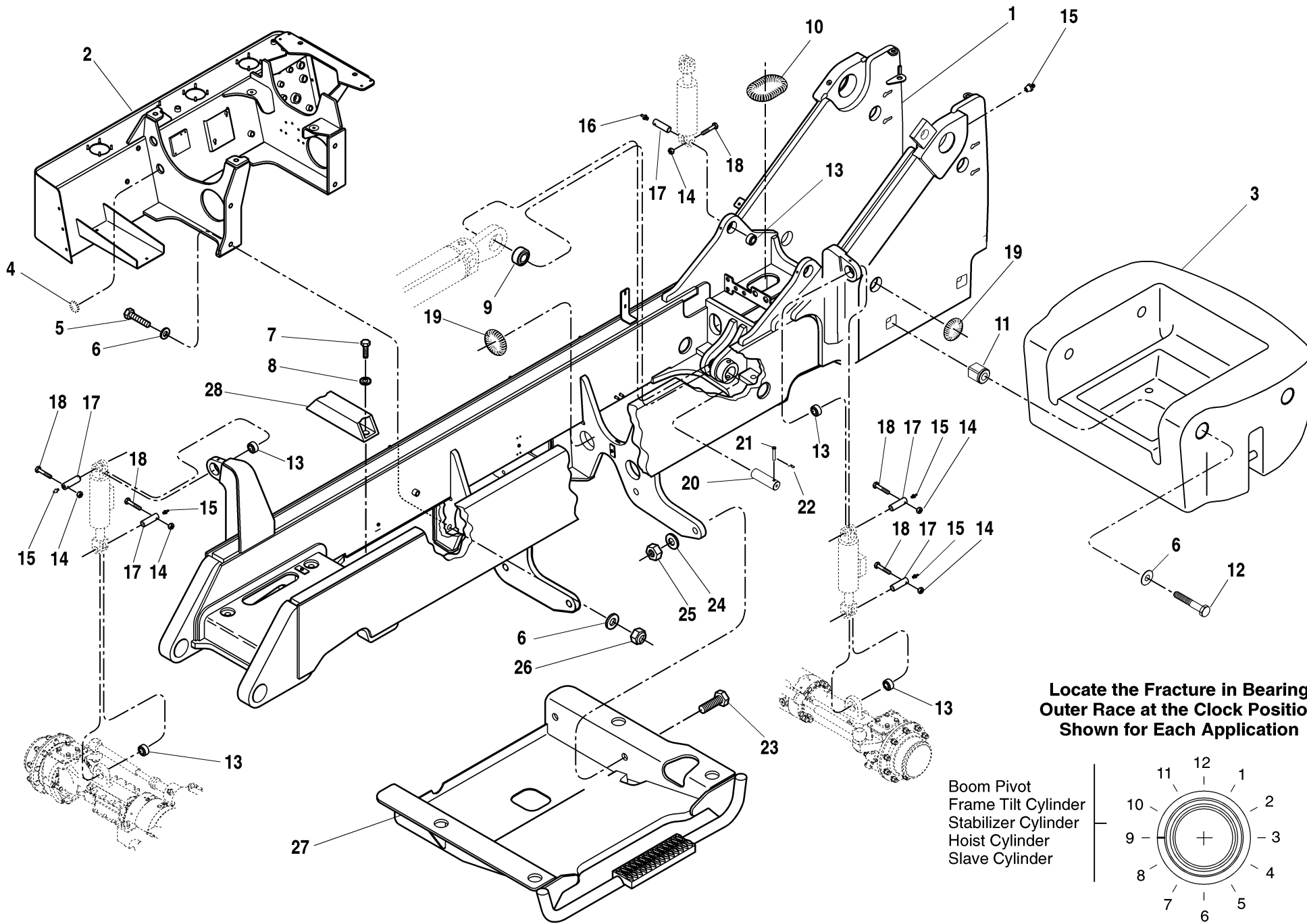
Operator's Protective Structure - ROPS/FOPS	3.3.1
Steering Column and Shifter Assembly	3.4.1
Operator's Seat and Seat Belt	3.5.1
Suspension Seat	3.6.1
Mirrors	3.7.1

Open Cab

Outer Panels - Open Cab	3.8.1
Inner Console and Dash Panel - Open Cab	3.9.1

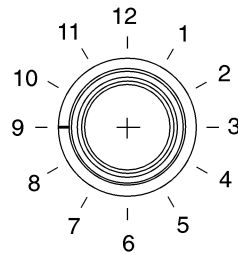
Enclosed Cab

Outer Panels - Enclosed Cab	3.10.1
Inner Console and Dash Panel - Enclosed Cab	3.11.1
Glass - Enclosed Cab	3.12.1
Door Assembly	3.13.1
Rear Window and Wiper Assemblies	3.14.1
Front Windshield Wiper Assembly	3.15.1
Skylight Wiper Assembly	3.16.1
Heater Assembly - Enclosed Cab	3.17.1
Heater Hoses and Vents - Enclosed Cab	3.18.1



**Locate the Fracture in Bearing
Outer Race at the Clock Position
Shown for Each Application**

Boom Pivot
Frame Tilt Cylinder
Stabilizer Cylinder
Hoist Cylinder
Slave Cylinder



ITEM	PART NO.	QTY.	DESCRIPTION
1	Call Factory	1	Frame, Main
2	7137164	1	Hydraulic Reservoir/Engine Mount
3	7139297	1	Counterweight, 4270 (2800 lbs.)
	7138620	1	Counterweight, 4290 (4200 lbs.) (Not Shown)
4	7124331	A/R	Conduit 1/2" Dia. (60" Cut to Fit)
5	8303538	4	HHCS, 1"-8 x 3" Gr. 8
6	8310061	12	Washer, 1" Hardened
7	8303693	2	HHCS, 1/2"-13 x 2-1/2"
8	8307112	2	Washer, Flat 1/2"
9	8050007	1	Bearing, Self Align
10	7139248	A/R	Conduit 3/4" Dia (60" Cut to Fit)
11	7139335	4	Bushing
12	8310090	4	HHCS, 1"-8 x 7" Gr. 8
13	8050001	6	Bearing, Self Align 1-1/2" I.D.
14	8305626	6	Nut, Hex Lock 5/16"-18
15	8520001	4	Fitting, Lube 1/8"
16	8520003	2	Fitting, Lube 90°
17	7137142	6	Pin, Cylinder
18	8303752	6	HHCS, 5/16"-18 x 3-1/2"
19	7139249	A/R	Conduit 1" Dia. (60" Cut to Fit)
20	7139324	1	Pin, Hoist Cylinder
21	7139502	1	Pin, Clevis, Hoist Keeper
22	8130211	1	Hair Pin (Cotter) .143
23	8310285	4	HHCS, 1"-8 x 3" Gr. 8
24	8307211	4	Washer, Flat 1-1/4"
25	8310417	4	Nut, Hex Lock 1-1/4"
26	8310481	4	Nut, Hex Lock 1"
27	7136794	1	Mount, Cab
28	5752022	1	Bumper

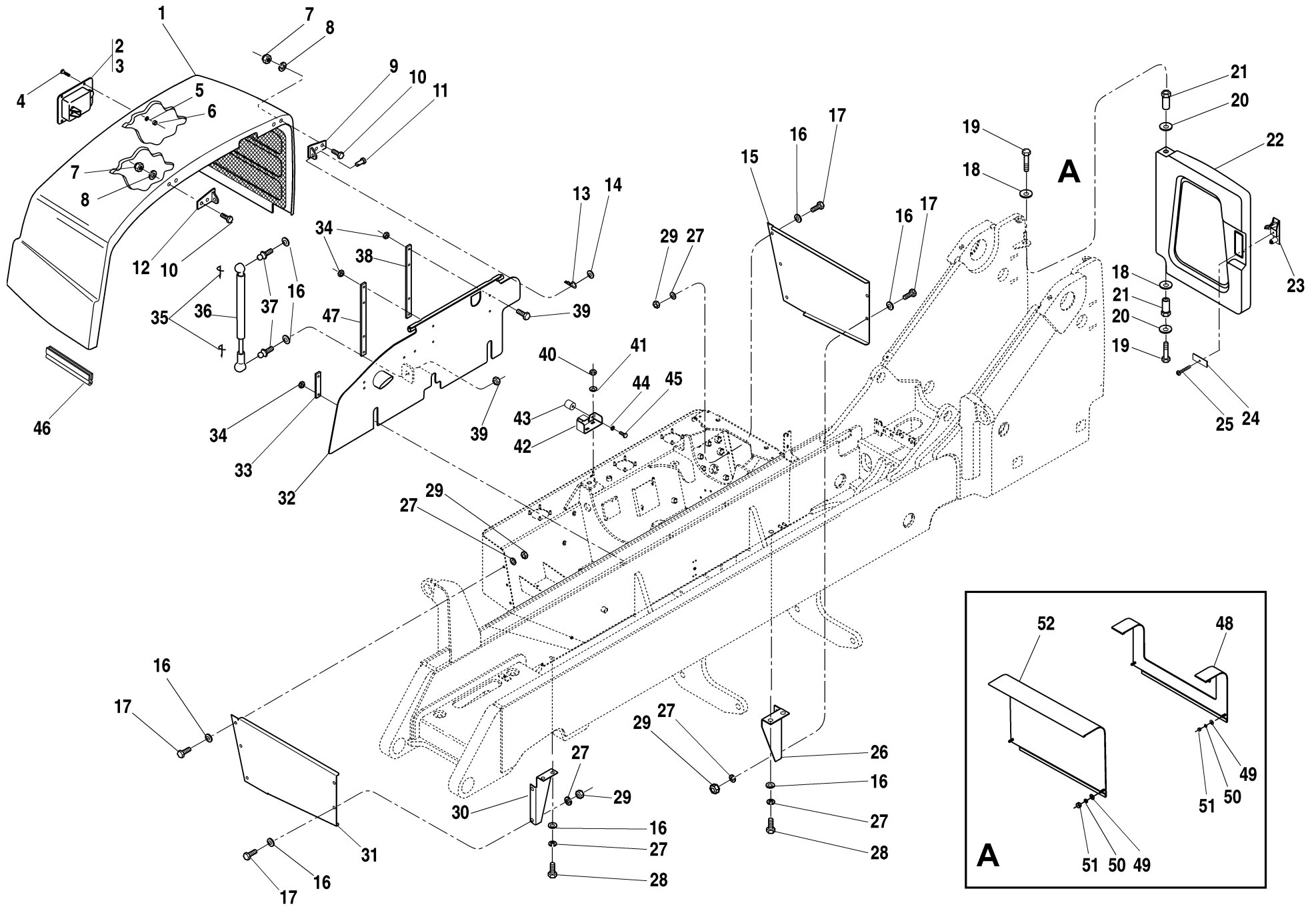
Origin
05/01

S/N 14409-

4270H
4270L
4290H
4290L

MAIN FRAME ASSEMBLY

3.1.1



ITEM	PART NO.	QTY.	DESCRIPTION
1	7139549	1	Hood, Engine (Includes Items 2 thru 6)
2	8342425	1	Handle, Outside Door (includes 2 ea. of Item 3)
3	8342808	2	Key, Handle, Outside Door (Not Shown)
4	8310372	4	BHCS, #10-24 x 5/8"
5	8307111	4	Washer, Plain, #10 SAE Narrow
6	8310085	4	Nut, Hex Lock, #10 x 24
7	8305624	4	Nut, Hex Lock Elastic 1/4"-20
8	8307109	4	Washer, Flat SAE Light 1/4"
9	7138265	1	Hinge, Hood - Rear
10	8303615	4	HHCS, 1/4"-20 x 1-1/4" Gr. 5
11	8310334	2	Pin, Clevis 3/8" Dia. x 1 3/8" LG
12	7138264	1	Hinge, Hood - Front
13	8302470	2	Pin, Cotter
14	8307110	14	Washer, Flat 3/8" Narrow
15	7137343	1	Cover, Engine - Rear
16	8307106	14	Washer, Flat 5/16"
17	8303670	10	HHCS, 5/16"-18 x 1"
18	8307112	2	Washer, Flat 1/2" Heavy
19	8303675	8	HHCS, 3/8"-16 x 1-1/2"
20	8307204	A/R	Washer, Flat 3/8"
21	7138280	2	Bushing, Hinge, Rear Cover
22	7138279	1	Cover, Rear Frame
23	8342416	1	Latch, Adjustable Trigger
24	7138321	1	Plate, Latch
25	8310439	1	Screw, Pan Hd.
26	7138829	1	Bracket, Cover - Rear
27	8307004	14	Washer, Lock 5/16"
28	8303744	4	HHCS, 5/16"-18 x 1/2"
29	8305906	10	Nut, Retainer 5/16"-18
30	7138828	1	Bracket, Cover - Front
31	7137333	1	Cover, Engine - Front
32	7139551	1	Panel, Engine
33	7138843	1	Stiffener, Flat
34	8305644	10	Nut, Hex Lock Elastic 1/2"-13
35	8702157	4	Spring, Clip
36	8702160	2	Spring, Gas

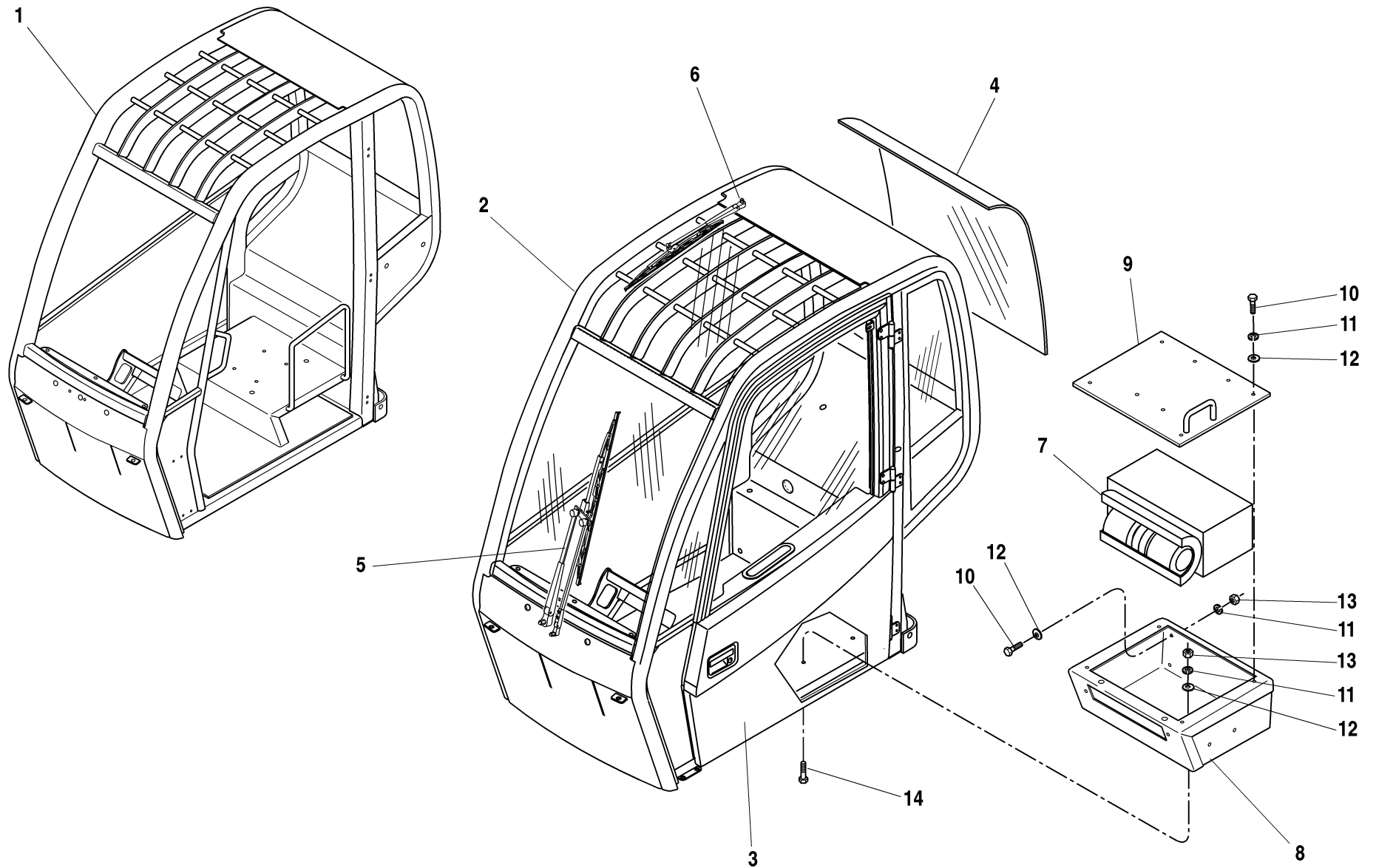
ITEM	PART NO.	QTY.	DESCRIPTION
37	8340035	4	Ball Stud - 13mm
38	7138342	1	Stiffener, Flat
39	8303626	6	HHCS, 1/2"-13 x 1-1/2" Gr. 5
40	8305626	6	Nut, Hex Lock Elastic 5/16"-18
41	8307203	2	Washer, Flat 5/16"
42	7138682	1	Bracket, Striker
43	8660012	1	Bumper
44	8307005	1	Washer, Lock 3/8"
45	8303681	1	HHCS, 3/8"-16 x 3/4"
46	6620751	1	Moulding, Edge
47	7138682	1	Stiffener, Flat
48	7139427	1	Header, High Boom
49	8307202	4	Washer, Plain, 1/4"
50	8307002	4	Washer, Lock, 1/4"
51	8305004	4	Nut, Hex, 1/4"-20
52	7139428	1	Header, Low Boom

Origin
05/01

S/N 14409-

4270H
4270L
4290H
4290L

ENGINE HOOD AND COVERS 3.2.1

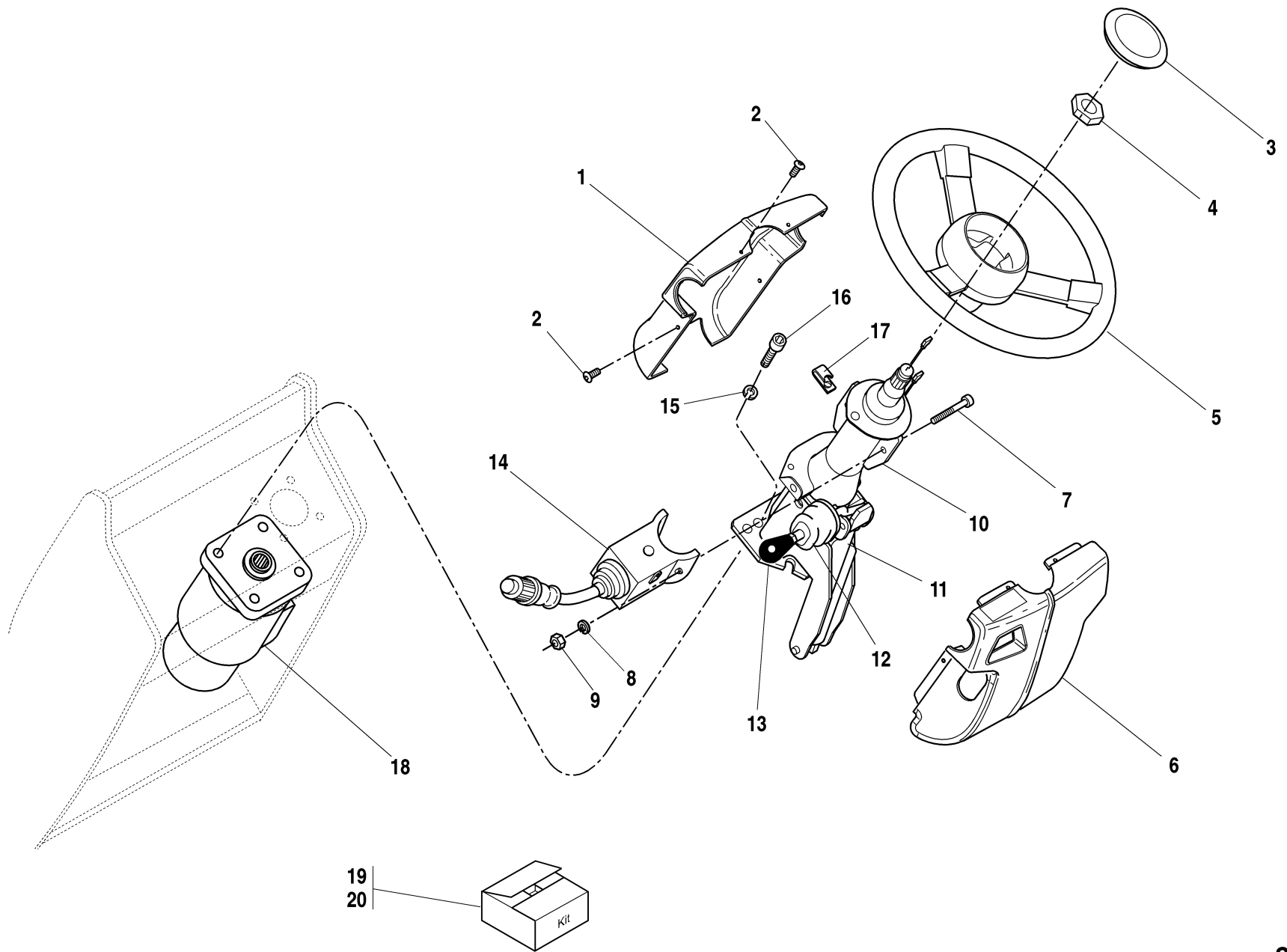


ITEM	PART NO.	QTY.	DESCRIPTION
1	7137634	1	Operator's Protective Structure ROPS/FOPS - Open Cab
2	7138124	1	Operator's Protective Structure Assembly ROPS/FOPS - Enclosed Cab (Includes Items 3 thru 14 and all Items on Page 3.12.1)
3	8035470	1	Door Assembly (See Page 3.13.1 for Breakdown)
4	8035606	1	Rear Window Assembly (See Page 3.14.1 for Breakdown)
5	8036273	1	Front Windshield Wiper Assembly (See Page 3.15.1 for Breakdown)
6	8036275	1	Skylight Wiper Assembly (See Page 3.16.1 for Breakdown)
7	8036272	1	Heater Assembly (See Page 3.17.1 for Breakdown)
8	8036279	1	Seat Support, Enclosed Cab
9	8036278	1	Cover, Support w/Grab Handle
10	8310525	6	Screw, HHC 3/8"-16 NC x 1" Gr. 8
11	8307005	8	Washer, Lock 3/8"
12	8307110	8	Washer, Plain .375-16 NC x 1" Gr. 2
13	8305008	4	Nut, Hex .375-16 NC
14	8304006	2	Bolt, Carriage 3/8"-16 NC x 1" Gr. 2

Origin
05/01

S/N 14409-

4270H
4270L
4290H
4290L



ITEM	PART NO.	QTY.	DESCRIPTION
1	7138756	1	Cover, Steering Column, Top (See Kits)
2	8310372	4	Screw, Button Hd. #10-24 x 5/8"
3	8720017	1	Cover, Horn Button
4	8310315	1	Nut, Thin M18-1,5
5	8720016	1	Wheel, Steering
6	7138757	1	Cover, Steering Column, Bottom (See Kits)
7	8310490	2	Screw, Hex Socket Hd. M4-0,7 x 20mm
8	8310491	2	Washer, Plain M4
9	8310492	2	Nut, Hex M4-0,7
10	7137623	1	Steering Column (Includes Items 11 thru 13)
11	8035803	1	Gas Spring - Steering Column
12	8035804	1	Boot, Tilt Lever
13	8580118	1	Knob, Tilt Steering
14	8223049	1	Transmission Range Selector
15	8307005	1	Washer, Lock 3/8"
16	8304672	4	Screw, Hex Socket Hd. 3/8"-16 x 1"
17	8310359	4	Nut, "J" #10-24
18	8721029	1	Steering Orbital
			KITS
19	7138844	1	Kit, Cab Panels - Open Cab (Includes Items 1, 6 and additional panels 6, 15, 16, and 28 on Page 3.9.1) (Hardware not Included.)
20	7138846	1	Kit, Cab Panels - Enclosed Cab (Includes Items 1, 6 and additional panels 8, 20, 25, and 27 on Page 3.11.1) (Hardware not Included.)

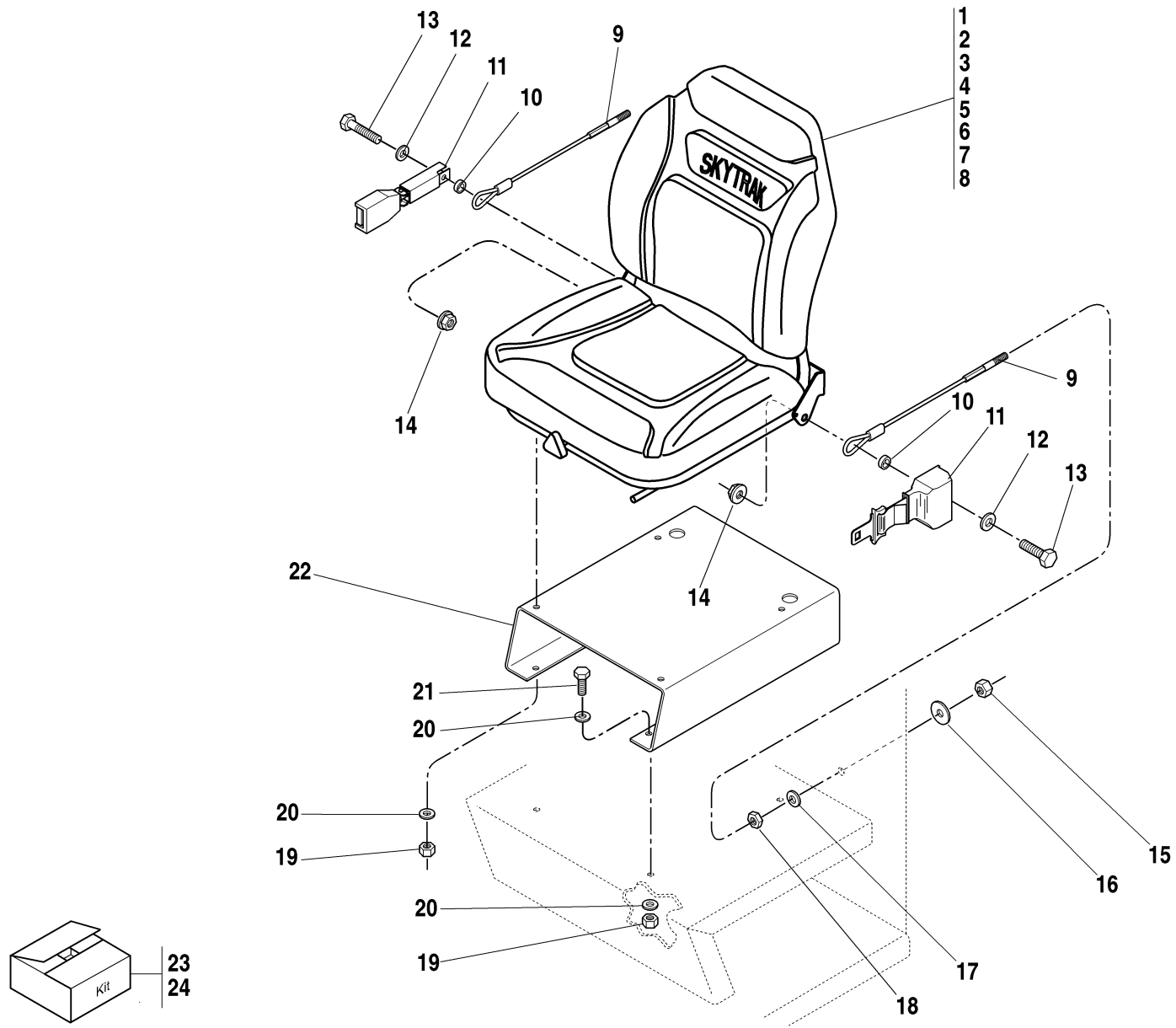
Origin
05/01

S/N 14409-

4270H
4270L
4290H
4290L

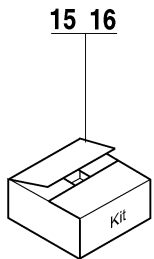
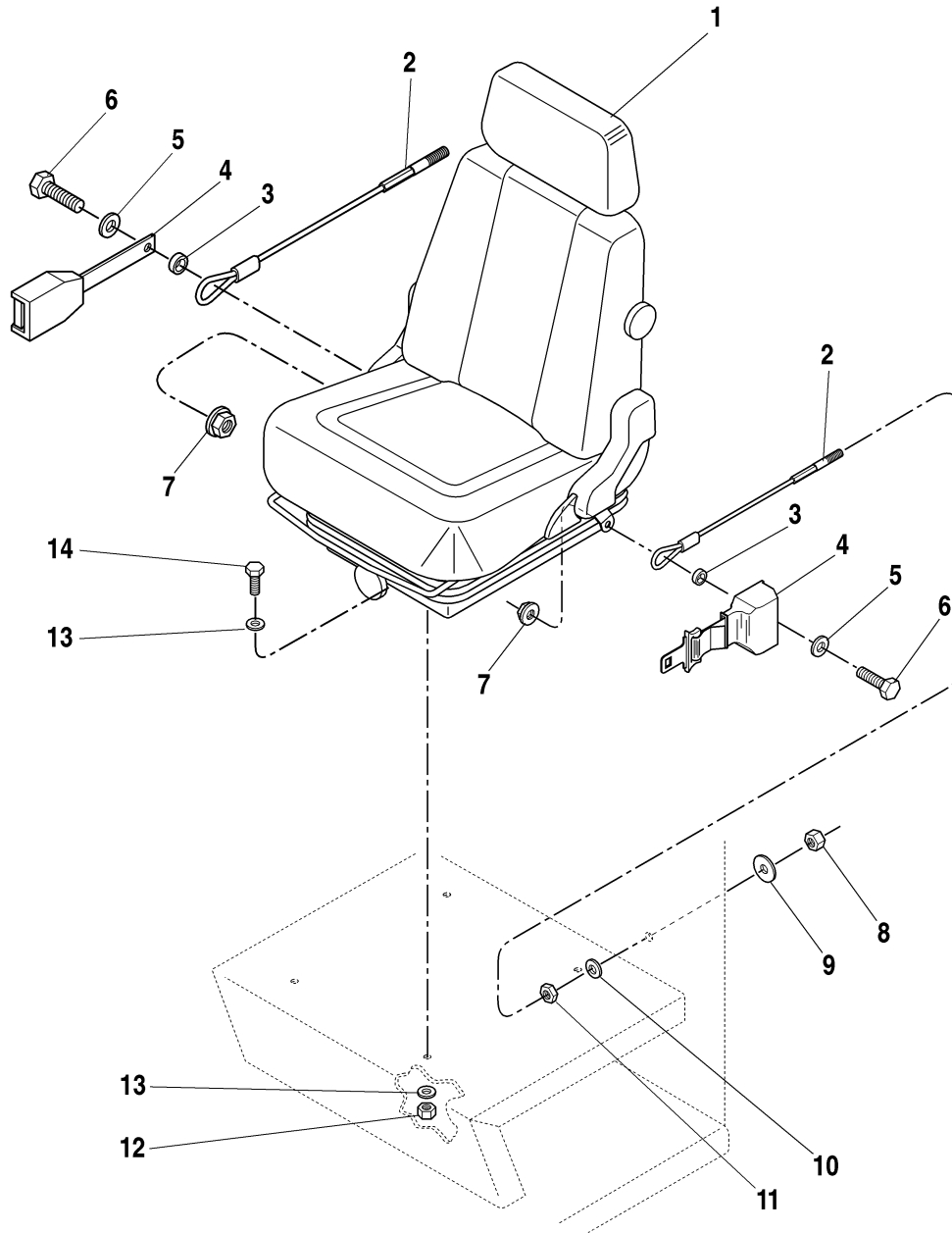
STEERING COLUMN AND SHIFTER ASSEMBLY

3.4.1



ITEM	PART NO.	QTY.	DESCRIPTION
1	8864053	1	Seat Assembly (Includes Items 2 thru 8)
2	8036009	1	Boot, 60/76mm (Not Shown)
3	8036010	1	Adjuster, 6" (Not Shown)
4	8036011	1	Damper (Not Shown)
5	8036013	1	Rollers, Up Stop Bumper/Down Stop Bumper - 7/16" Dia. (Not Shown)
6	8036014	1	Springs and Cable (Not Shown)
7	8036015	1	Hanger/Knob/Tension Shaft (Not Shown)
8	8036017	1	Cushion/Pan Assembly Kit (Not Shown)
9	7130412	2	Tether
10	7096491	2	Spacer
11	8864057	1	Seat Belt Assembly - 2" Retractable (Includes Items 12, 13, and 14)
12	N.S.S.	2	Washer
13	N.S.S.	2	HHCS
14	N.S.S.	2	Nut, Hex
15	8305645	2	Nut, Hex Lock Elastic 3/8"-16
16	7057141	2	Washer, Rebound
17	8307204	2	Washer, Flat 3/8"
18	8305404	2	Nut, Hex Jam 3/8"-16
19	8305626	8	Nut, Hex Lock Elastic 5/16"-18
20	8307106	12	Washer, Flat 5/16" Narrow
21	8303670	4	HHCS, 5/16"-18 x 1" Gr. 5
22	7121543	1	Support, Seat
			KITS
23	8864058	1	Seat Belt Assembly - 3" Retractable (Includes Mounting Hardware)
24	8864019	1	Seat Belt Assembly - 3" Non-Retractable
			N.S.S. = Not Sold Separately

S/N 14409-



ITEM	PART NO.	QTY.	DESCRIPTION
1	8864055	1	Seat, Deluxe Cloth with Suspension
	8864056	1	Seat, Deluxe Vinyl with Suspension
2	7130412	2	Tether
3	7096491	2	Spacer
4	8864060	1	Seat Belt Assembly - 2" Retractable (Includes Items 5, 6, and 7)
5	N.S.S	2	Washer, Flat
6	N.S.S	2	HHCS
7	N.S.S	2	Nut, Hex
8	8305645	2	Nut, Hex Lock Elastic 3/8"-16
9	7057141	2	Washer, Rebound
10	8307204	2	Washer, Flat 3/8"
11	8305404	2	Nut, Hex Jam 3/8"-16
12	8305626	4	Nut, Hex Lock Elastic 5/16"-18
13	8307106	8	Washer, Flat 5/16" Narrow
14	8303670	4	HHCS, 5/16"-18 x 1" Gr. 5
			N.S.S. = Not Sold Separately
			KITS
15	8864058	1	Seat Belt Assembly - 3" Retractable (Includes Mounting Hardware)
16	8864019	1	Seat Belt Assembly - 3" Non-Retractable

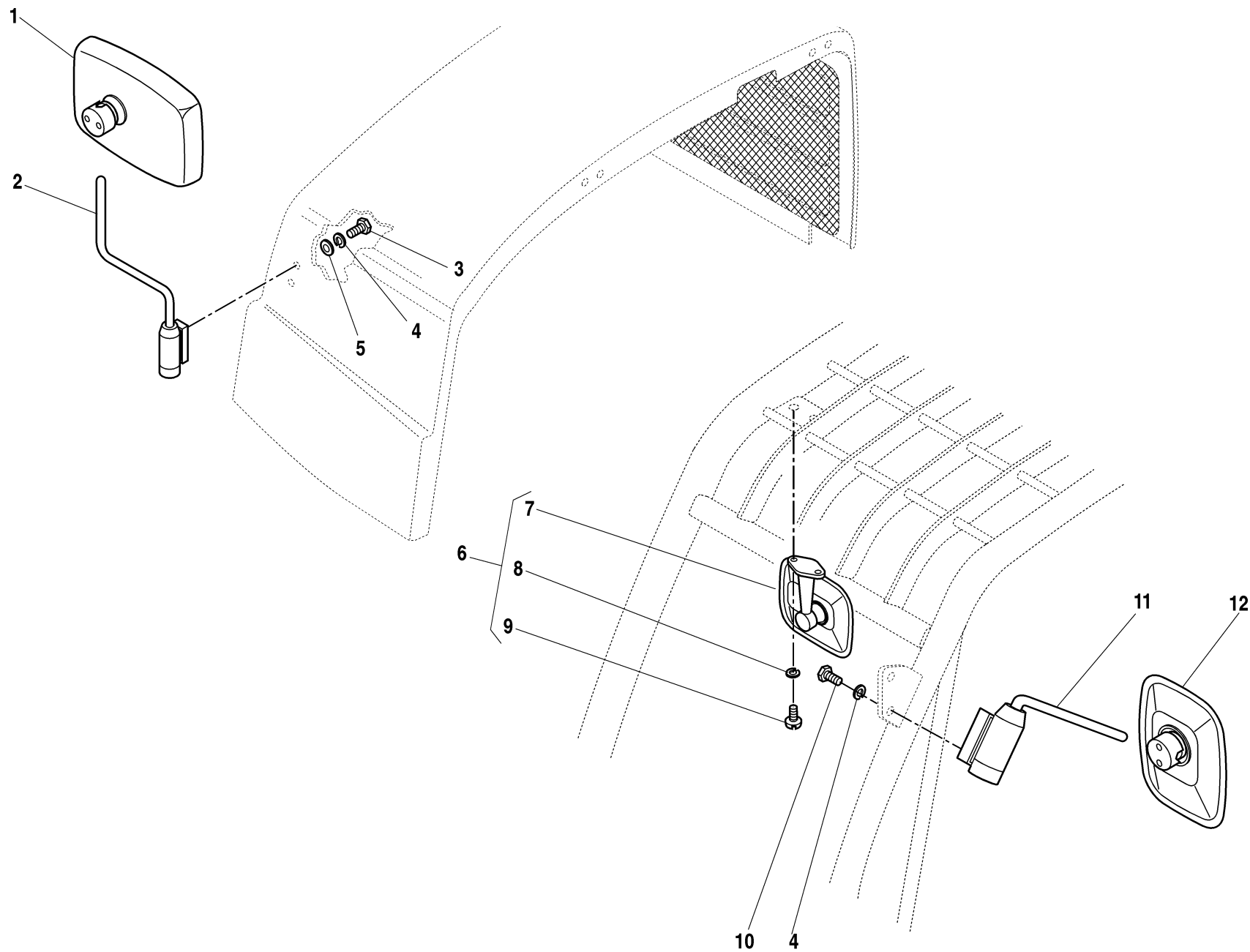
Origin
05/01

S/N 14409-

SUSPENSION SEAT

3.6.1

4270H
4270L
4290H
4290L



ITEM	PART NO.	QTY.	DESCRIPTION
1	8866514	1	Mirror Head, Convex
2	8866515	1	Arm Assembly, Mirror
3	8303544	2	HHCS, M6-1 x 20mm PC 8.8
4	8307024	3	Washer, Lock M6
5	8307219	3	Washer, Flat SAE 1/4" Light
6	7136742	1	Kit, Right Side Mirror - Optional (Includes Items 7, 8, and 9)
7	8866516	1	Mirror Assembly, Rear View
8	8307003	1	Washer, Lock #10
9	8303836	1	Screw, Slotted Round Hd. #10-24 x 5/8"
10	8303799	2	HHCS, M6-1 x 14mm
11	8866530	1	Arm Assembly, Mirror
12	8866529	1	Mirror, Rear View

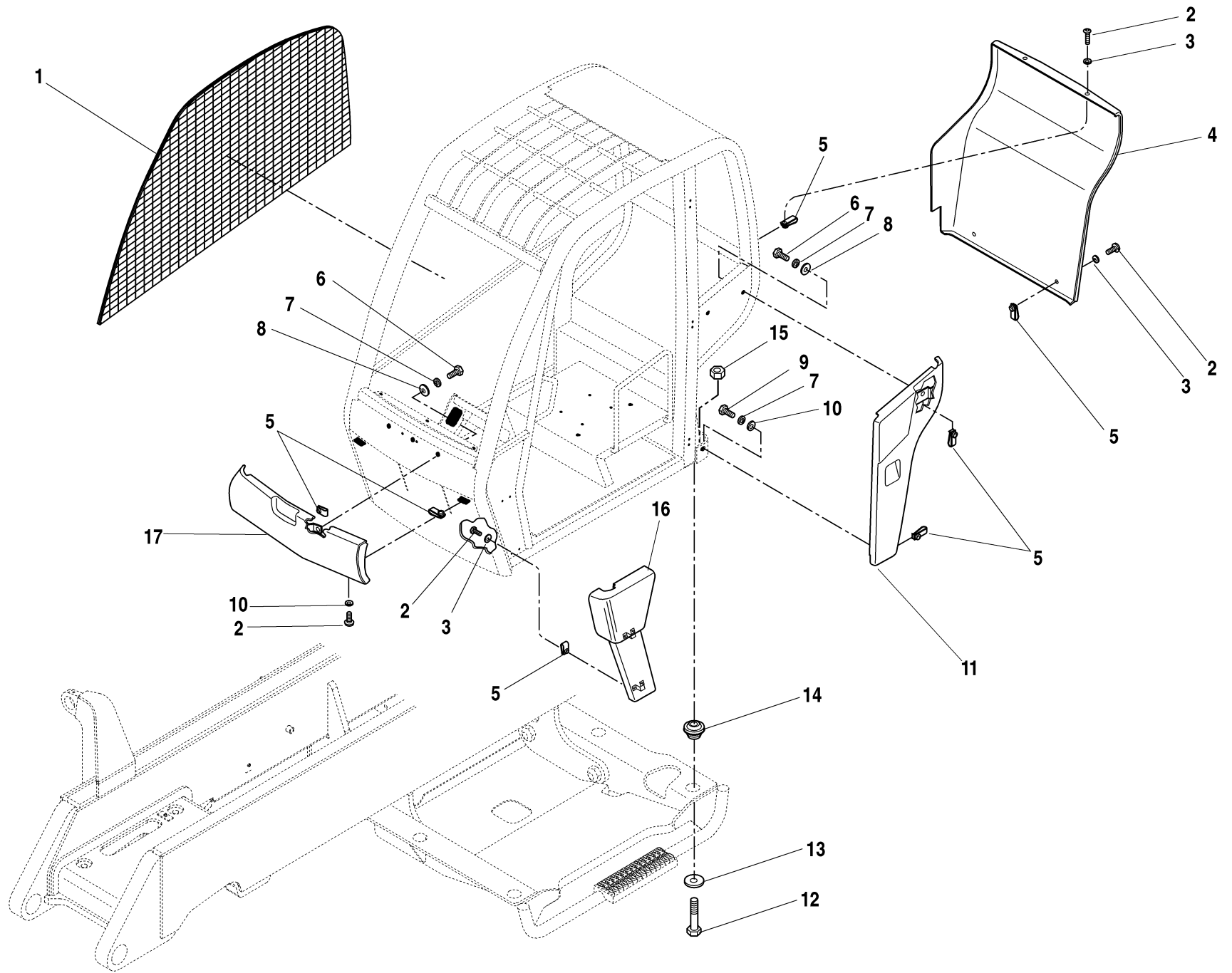
Origin
05/01

S/N 14409-

4270H
4270L
4290H
4290L

MIRRORS

3.7.1



ITEM	PART NO.	QTY.	DESCRIPTION
1	7137152	1	Kit, Mesh Plate - Right Side
2	8310301	10	BHCS, 5/16"-18 x 1"
3	8310124	8	Washer, Flat Plastic 5/16"
4	7130663	1	Panel, Cab Rear
5	8305906	12	Nut, Retaining 5/16"-18
6	8303670	4	HHCS, 5/16"-18 x 1"
7	8307004	5	Washer, Lock 5/16"
8	7057141	4	Washer, Rebound
9	8303739	1	HHCS, 5/16"-18 NC x 1.25"
10	8307203	3	Washer, Flat 5/16"
11	7130653	1	Panel, Cab Rear - Left Side
12	8310375	4	HHCS, 3/4"-10 x 3-3/4" Gr. 8
13	7129441	4	Washer, Rebound
14	8278026	4	Isolator, Cab
15	8310067	2	Nut, Hex Lock Elastic 3/4"-10
16	7134453	1	Panel, Cab Front - Left Side
17	7138864	1	Panel, Cab Front

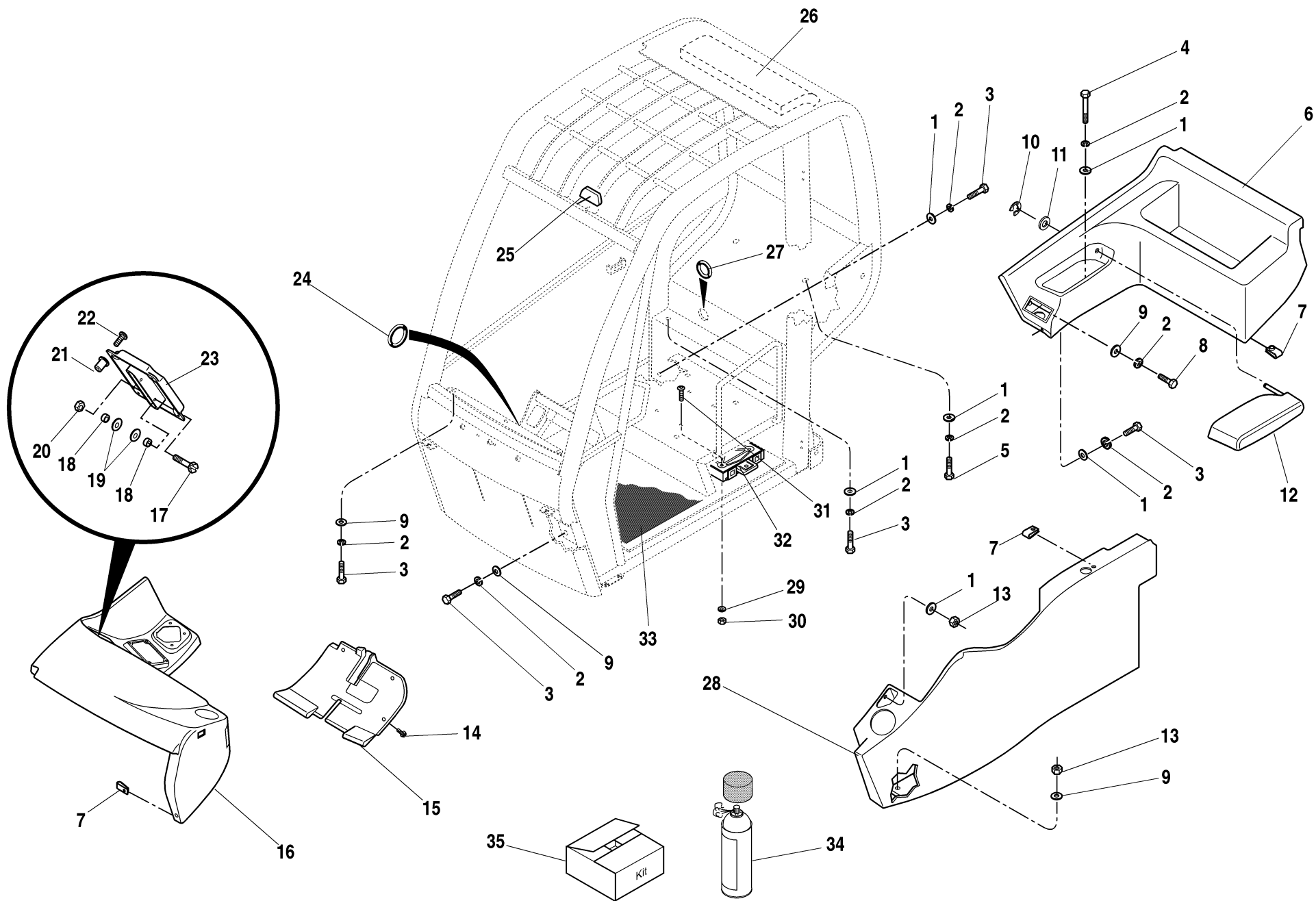
Origin
05/01

S/N 14409-

4270H
4270L
4290H
4290L

OUTER PANELS - OPEN CAB

3.8.1



ITEM	PART NO.	QTY.	DESCRIPTION
1	7057141	7	Washer, Rebound
2	8307004	10	Washer, Lock 5/16"
3	8303739	6	HHCS, 5/16"-18 x 1-1/4"
4	8310009	1	HHCS, 5/16"-18 x 2"
5	8303746	1	HHCS, 5/16"-18 x 1-3/4"
6	7130734	1	Tool Bin, Rear (See Kits)
7	8310374	10	Nut, Retaining 5/16"-18
8	8303697	1	HHCS, 5/16"-18 x 3/4"
9	8307203	5	Washer, Flat 5/16"
10	8630010	1	Ring, Retainer
11	8307206	1	Washer, Flat 1/2"
12	7130862	1	Armrest/Compartment Cover
13	8305626	2	Nut, Hex Lock Elastic 5/16"-18
14	8310353	3	Screw, Self Drilling #12-14 x 1"
15	7130773	1	Cover, Lower Dash (See Kits)
16	7138839	1	Dash, Front (See Kits)
17	8310016	2	HHCS, Slotted #10-24 x 1"
18	8310402	4	Spacer
19	8310360	4	Washer, Fender
20	8310085	2	Nut, Hex Lock Elastic #10-24
21	8580421	4	Nut, Well #10-32 x 1/2" Long
22	8310358	4	BHCS, #10-32 x 3/4"
23	7131003	1	Holder, Load Chart
24	7132751	1	Conduit, 1/4" x 9-1/2" Long
25	8466306	1	Gauge, Tilt Angle
26	7131412	1	Headliner
27	7124531	1	Conduit, 1/4 x 5" Long
28	7130744	1	Support, Console (See Kits)
29	8307202	4	Washer, Flat 1/4"
30	8305624	4	Nut, Hex Lock Elastic 1/4"-20
31	8303034	4	BHCS, 1/4"-20 x 3/4"
32	8990122	1	Holder, Owner/Operator's Manual
33	7138963	1	Mat, Floor (Use Item 34 for Installation)
34	8526042	A/R	Adhesive, 3M #90 High Strength Spray

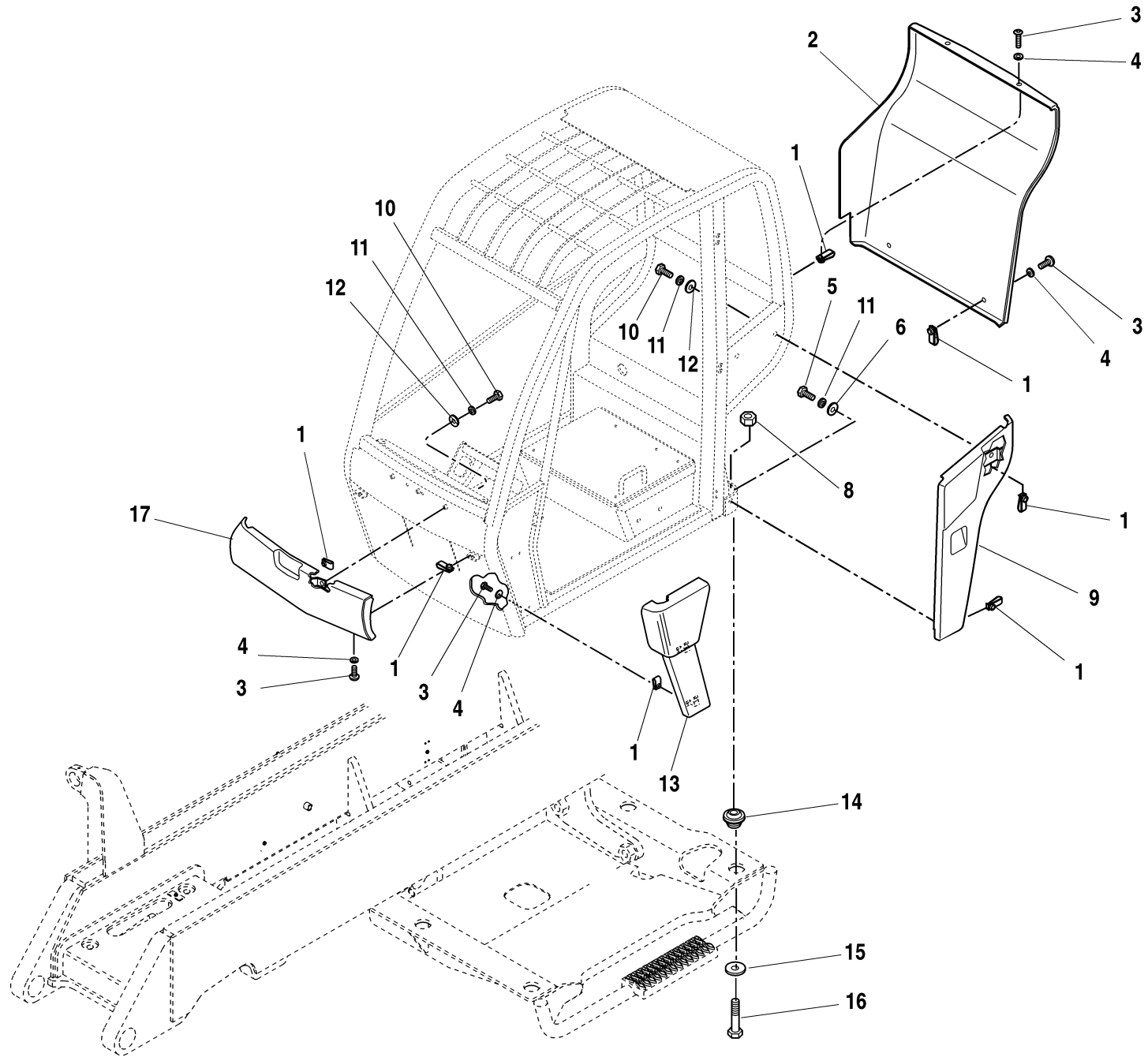
ITEM	PART NO.	QTY.	DESCRIPTION
35	7138844		<p>KITS</p> <p>Kit, Cab Panels - Open Cab (Includes Items 6, 15, 16, 28 and additional panels 1 and 6 on Page 3.4.1) (Hardware not Included.)</p>

Origin
05/01

S/N 14409-

INNER CONSOLE AND DASH PANEL - OPEN CAB 3.9.1

4270H
4270L
4290H
4290L



ITEM	PART NO.	QTY.	DESCRIPTION
1	8305906	12	Nut, Retaining 5/16"-18
2	7130663	1	Panel, Cab Rear
3	8310301	10	BHCS, 5/16"-18 x 1"
4	8310124	8	Washer, Flat Plastic 5/16"
5	8303739	1	HHCS, 5/16"-18 x 1.25" Gr. 5
6	8307203	11	Washer, Plain 5/16" Wide
7	8303670	4	HHCS, 5/16"-18 x 1"
8	8310067	2	Nut, Hex Lock Elastic 3/4"-10
9	7130653	1	Panel, Cab Rear LH
10	8303670	5	HHCS, 5/16"-18 x 1"
11	8307004	5	Washer, Lock 5/16"
12	7057141	4	Washer, Rebound
13	7134453	1	Panel, Cab Front LH
14	8278026	4	Isolator, Cab
15	7129441	4	Washer, Rebound
16	8310375	4	HHCS, 3/4"-10 x 3-3/4" Gr.8
17	7138865	1	Panel, Cab Front

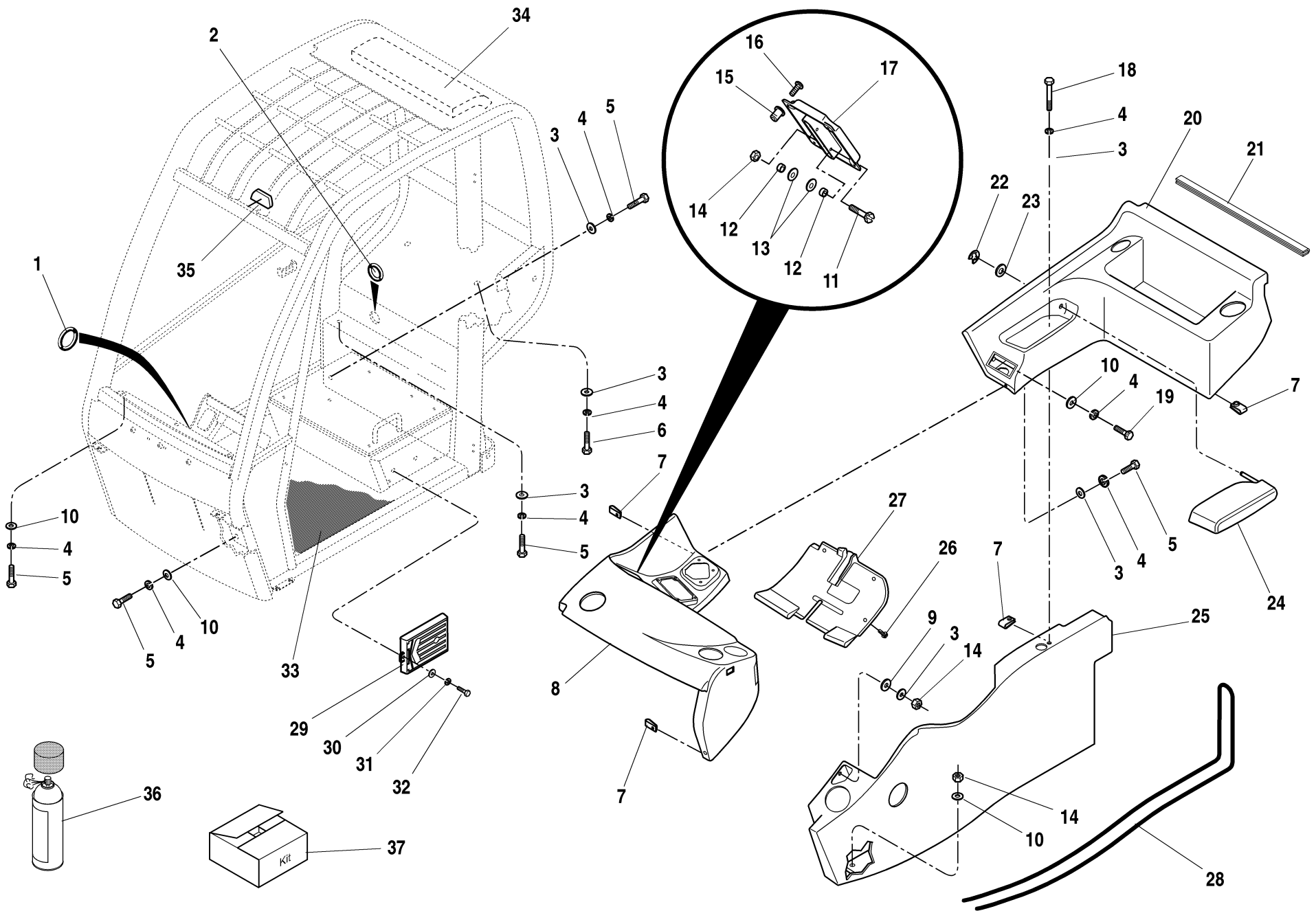
Origin
05/01

S/N 14409-

4270H
4270L
4290H
4290L

OUTER PANELS - ENCLOSED CAB

3.10.1



ITEM	PART NO.	QTY.	DESCRIPTION
1	7132751	1	Conduit, 1/4" x 9-1/2" Long
2	7124531	1	Conduit, 1/4" x 5" Long
3	7057141	7	Washer, Rebound
4	8307004	10	Washer, Lock 5/16"
5	8303739	6	HHCS, 5/16"-18 x 1-1/4"
6	8303746	1	HHCS, 5/16"-18 x 1-3/4"
7	7138841	10	Nut, Retaining 5/16"-18
8	7138841	1	Dash, Front (See Kits)
9	8307203	1	Washer, Flat 5/16"
10	8307203	5	Washer, Flat 5/16"
11	8310016	2	HHCS, Slotted #10-24 x 1"
12	8310402	4	Spacer
13	8310360	4	Washer, Fender
14	8310085	2	Nut, Hex Lock Elastic #10-24
15	8580421	4	Nut, Well #10-32 x 1/2" Long
16	8310358	4	BHCS, #10-32 x 3/4"
17	7131003	1	Holder, Load Chart
18	8310009	1	HHCS, 5/16"-18 x 2"
19	7137664	1	HHCS, 5/16"-18 x 3/4"
20	7137664	1	Tool Bin, Rear (See Kits)
21	7138275	1	Neoprene Strip 1/2" x 1" x 28" Long
22	8630010	1	Ring, Retaining
23	8307206	1	Washer, Flat 1/2"
24	7137364	1	Armrest/Compartment Cover
25	7130744	1	Support, Console (See Kits)
26	8310353	3	Screw, Self Drilling #12-14 x 1"
27	7130773	1	Cover, Lower Dash (See Kits)
28	7138275	1	Foam Strip, PSA 1/4" x 1/2" x 100" Long
29	8990147	1	Holder, Owner/Operator Manual
30	8307109	2	Washer, Flat 1/4"
31	8307002	2	Washer, Lock 1/4"
32	8303540	2	HHCS, 1/4"-20 x 1" Gr. 5
33	7138962	1	Floormat (Use Item 36 for Installation)
34	7131412	1	Headliner
35	8466306	1	Gauge, Tilt Angle
36	8526042	1	Adhesive 3M #90 High Strength Spray

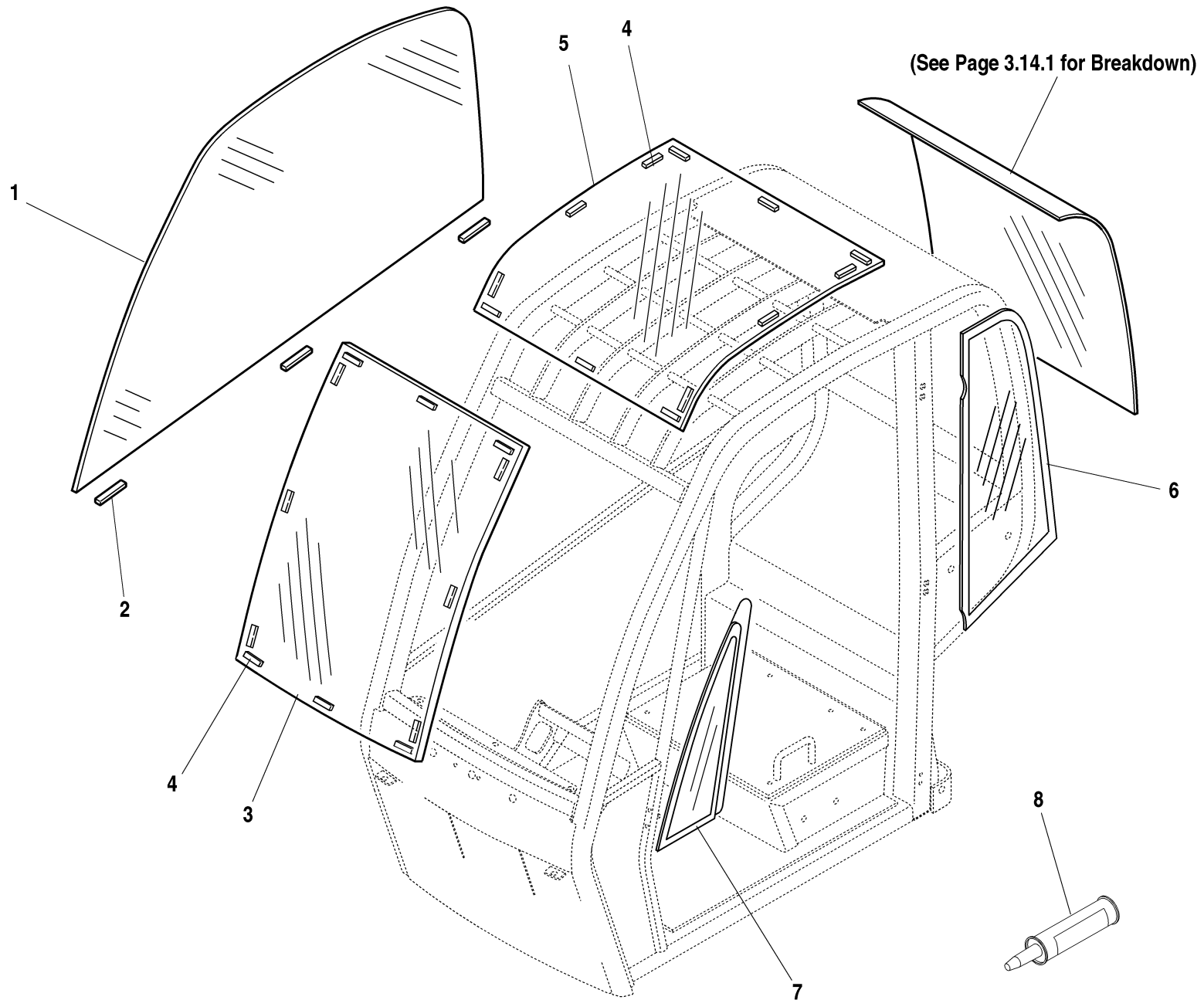
ITEM	PART NO.	QTY.	DESCRIPTION
37	7138846	1	KITS Enclosed Cab - Inner Console Kit (Includes Items 8, 20, 25, 27 and Additional Panels 1 and 6 on Page 3.4.1 - Hardware not Included.)

Origin
05/01

S/N 14409-

INNER CONSOLE AND DASH PANEL - ENCLOSED CAB 3.11.1

4270H
4270L
4290H
4290L



ITEM	PART NO.	QTY.	DESCRIPTION
1	8035294	1	Window, Right Side
2	8035721	3	Block, Setting
3	7136342	1	Windshield Kit, (Includes Glass, Setting Blocks, and Urethane Seal)
4	8035490	24	Block, Setting, 1/8" x 1/4" x 2"
5	8035527	1	Window, Skylight
6	8035525	1	Window, Rear LH (Includes Glass, Frame & Urethane Seal)
7	8035524	1	Window, Front LH (Includes Glass, Frame & Urethane Seal)
8	8305523	1	Sealant, Urethane, High Viscosity

Origin
05/01

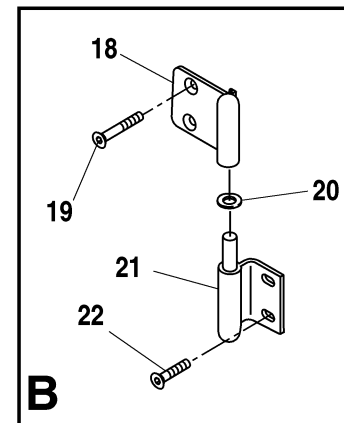
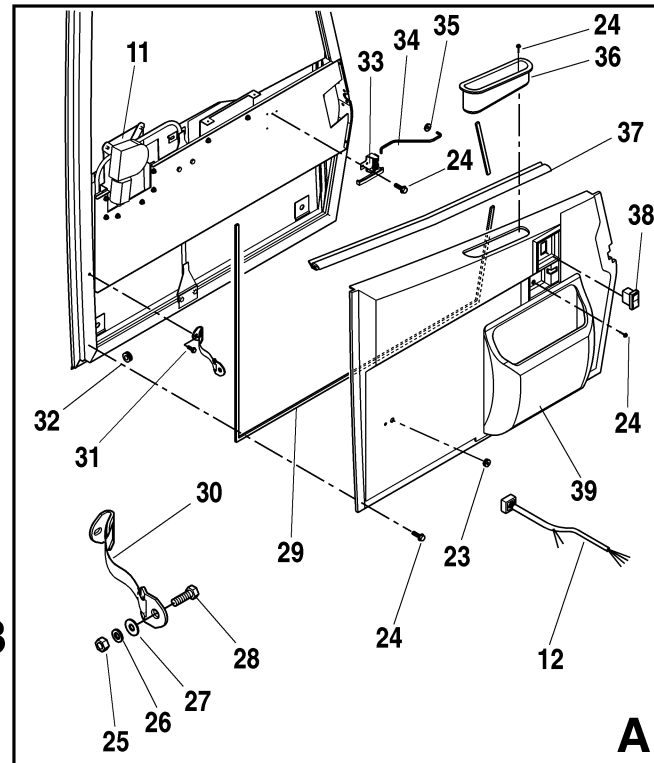
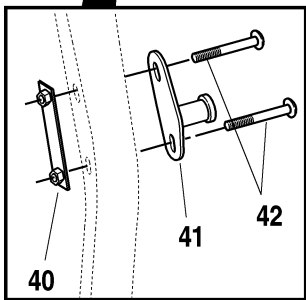
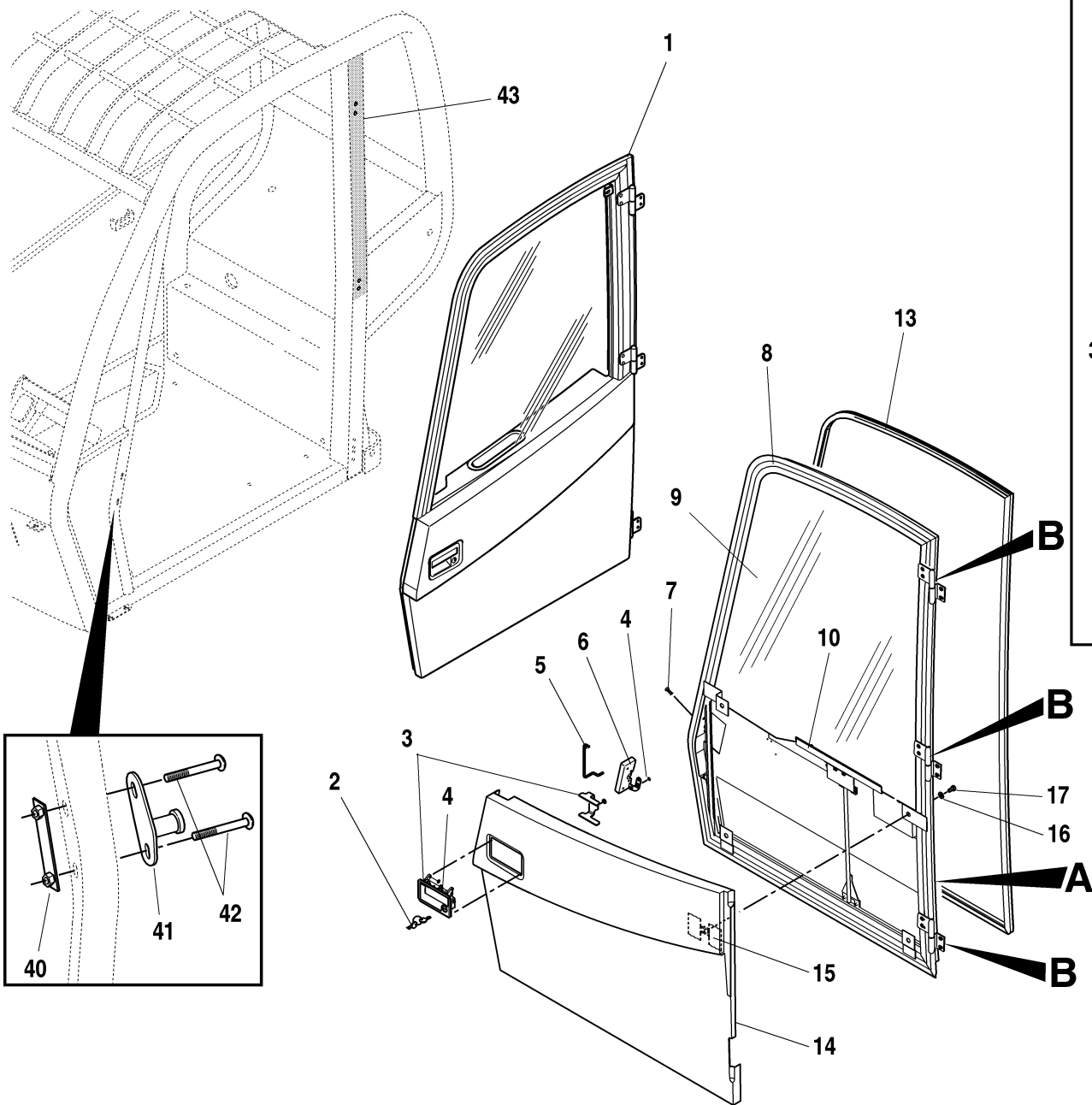
S/N 14409-

4270H
4270L
4290H
4290L

GLASS - ENCLOSED CAB

3.12.1





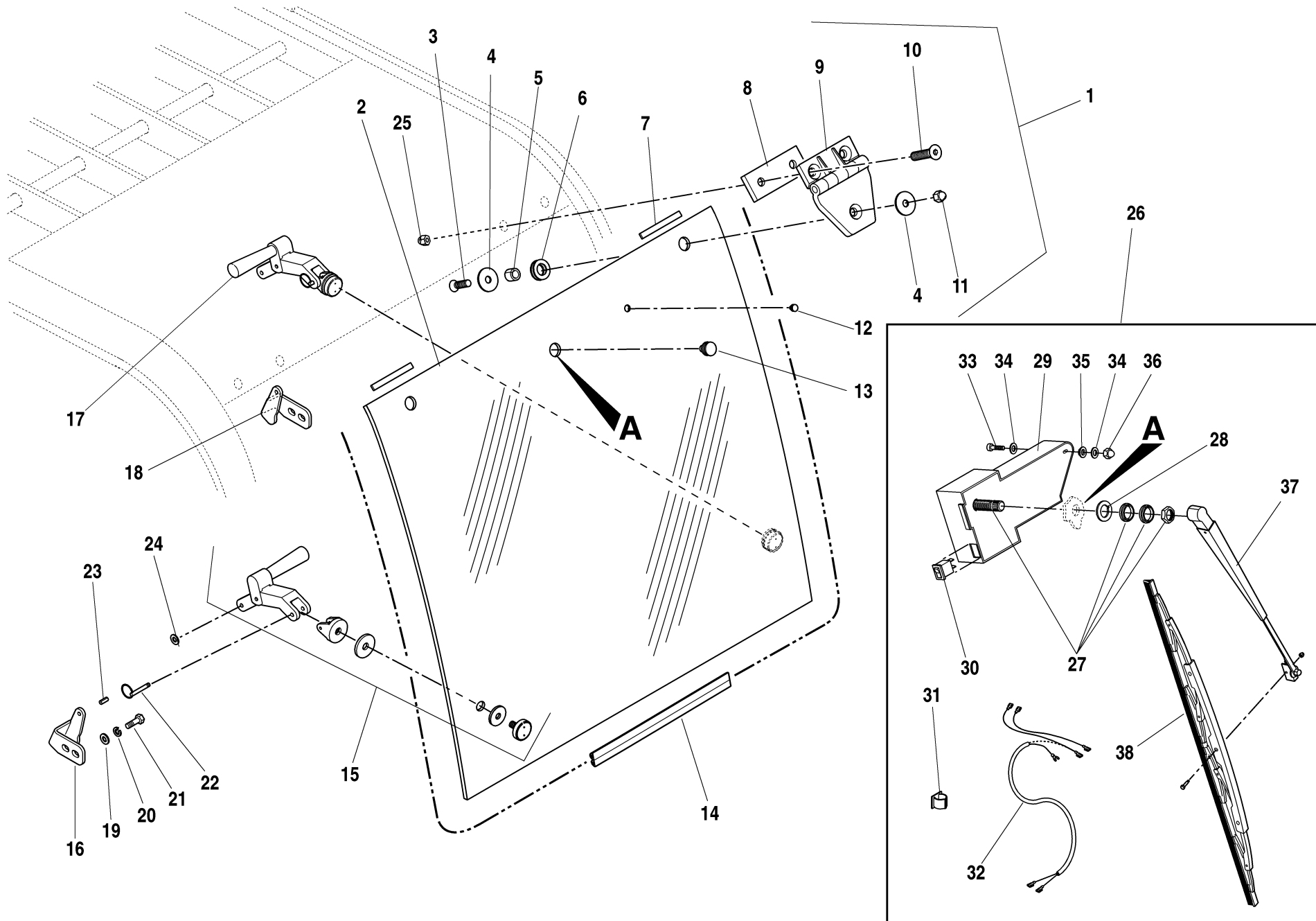
ITEM	PART NO.	QTY.	DESCRIPTION
1	8035470	1	Door Assembly - Enclosed Cab (Includes Items 2 thru 39)
2	8035469	1	Key set, LL22
3	8035441	1	Latch, Paddle - RH Black
4	8035444	2	Retainer, Push On - 3/16" Rod
5	8035452	1	Release Rod, Exterior
6	8035439	1	Latch, Door
7	8035466	4	Screw, Flat Head 1/4"-20 x 3/4"
8	8035449	1	Door Rollup Window Assembly (Includes Items 9, 10 and 11)
9	8035471	1	Glass, Door
10	8035472	1	Channel, Glass
11	8035473	1	Regulator, Electric Window 12V
12	8035456	1	Wire Harness, LH Door
13	8033072	1	Seal, Bulb 90, 192" Long
14	8035451	1	Door Panel, Exterior
15	8035464	4	U-Nut, 1/4"-20
16	8035468	4	Washer, Flat .281 x 1.05 x .065 Thick
17	8035463	4	Screw, Truss Hex Drive 1/4"-20 x 5/8"
18	8035446	1	Top Hinge, Upper Half of
	8035447	1	Center Hinge, Upper Half of
	8035448	1	Bottom Hinge, Upper Half of
19	8035461	6	Screw, Flat Hd Hex Drive 1/4"-20 x 1-1/4"
20	8035460	3	Washer, Hinge Brass
21	8035457	1	Top Hinge, Lower Half of
	8035458	1	Center Hinge, Lower Half of
	8035459	1	Bottom Hinge, Lower Half of
22	8033058	6	Screw, 1/4"-20 x 3/4" Whizlock
23	8035467	1	Grommet, 3/8" I.D. x 5/8" O.D.
24	8035440	10	Screw, Pan Hd #10-16 x 3/4"
25	8034798	1	Nut, Hex 5/16"-18 Gr. 8 Yellow
26	8034799	1	Washer, Lock .315 x .575 x .085 Thick
27	8035435	1	Washer, Lock .315 x .750 x .060 Thick
28	8035445	1	Bolt, Hex 5/16"-18 x 1" Gr. 8
29	8037206	1	Seal, "D" Type Bulb .216 x .354 x 54"
30	8035442	1	Strap, Door Restraint
31	8035437	1	Screw, 1/4"-20 x 3/4"

ITEM	PART NO.	QTY.	DESCRIPTION
32	8035436	1	Grommet, 3/4" O.D. x 1/2" I.D.
33	8035438	1	Handle, Door - Inside
34	8035453	1	Release Rod, Interior
35	8035462	1	Retainer, Clip On
36	8035454	1	Pocket, Interior Door Panel
37	8035443	1	Door Seal w/Flap - 70"
38	8035455	1	Switch, Electric Window
39	8035450	1	Door Panel, Interior
40	8035529	1	Striker Assembly, Blind Nut Plate
41	8035528	1	Weldment, Striker Plate
42	8035526	2	Bolt, .323-18 x 2.0 Truss Black
43	8035722	1	Tape, Vinyl, Matte Black

Origin
05/01

S/N 14409-

4270H
4270L
4290H
4290L



ITEM	PART NO.	QTY.	DESCRIPTION
1	8035606	1	Rear Window Assembly (Includes Items 2 thru 24)
2	8035474	1	Glass
3	8035491	4	Screw, Truss, Hd. 1/4"-20 x 1-1/4"
4	8035468	4	Washer, Flat
5	8035478	2	Bushing, Plastic
6	8035477	2	Grommet
7	8035490	2	Setting Block, 1/8" x 1/4" x 2"
8	8035476	2	Spacer, Hinge
9	8035475	2	Hinge, Plastic
10	8035414	4	Screw, Truss, 1/4"-20 x 1"
11	8035479	2	Nut, Acorn 1/4-20
12	8035488	1	Plug, Plastic 1/2" Dia.
13	8035489	1	Plug, Plastic 7/8" Dia.
14	8037206	1	Seal, Bulb "D"
15	8035480	1	Hold, Open - LH
16	8035482	1	Bracket, Hold Open - LH
17	8035481	1	Hold, Open - RH
18	8035483	1	Bracket, Hold Open - RH
19	8035415	4	Washer, Flat 9/32" x 5/8" Black
20	8035416	4	Washer, Lock 1/4" Black
21	8035487	4	Screw, Truss Hd. 1/4"-20 x 5/8" Black
22	8035484	2	Pin, Detent Ring
23	8035486	2	Pin, Roll
24	8035485	2	Washer, Flat 1/4" x 5/8"
25	8036280	2	Rivnut .250-20
26	8036274	1	Wiper Assembly, Rear Window (Includes Items 27 thru 38)
27	8035506	1	Motor, Wiper - Rear Window (Includes 2 Washers and 1 Nut)
28	8034808	1	Spacer, Nylon
29	8035511	1	Cover, Wiper Motor
30	8035509	1	Switch, Rocker SPST
31	8035501	1	Clip, Wiring - Adhesive Back
32	8035510	1	Harness, Wire - Rear Window
33	8035507	1	Screw, Rd. Hd #10-24 x 7/8"
34	8033087	2	Washer, Flat - Nylon Black
35	8034803	1	Grommet, Rubber T-Style

ITEM	PART NO.	QTY.	DESCRIPTION
36	8034805	1	Nut, Acorn #10-24
37	8035500	1	Arm, Wiper, 10.75 - 15 Black
38	8035508	1	Blade, Wiper 1/4" Flex Black

Origin
05/01

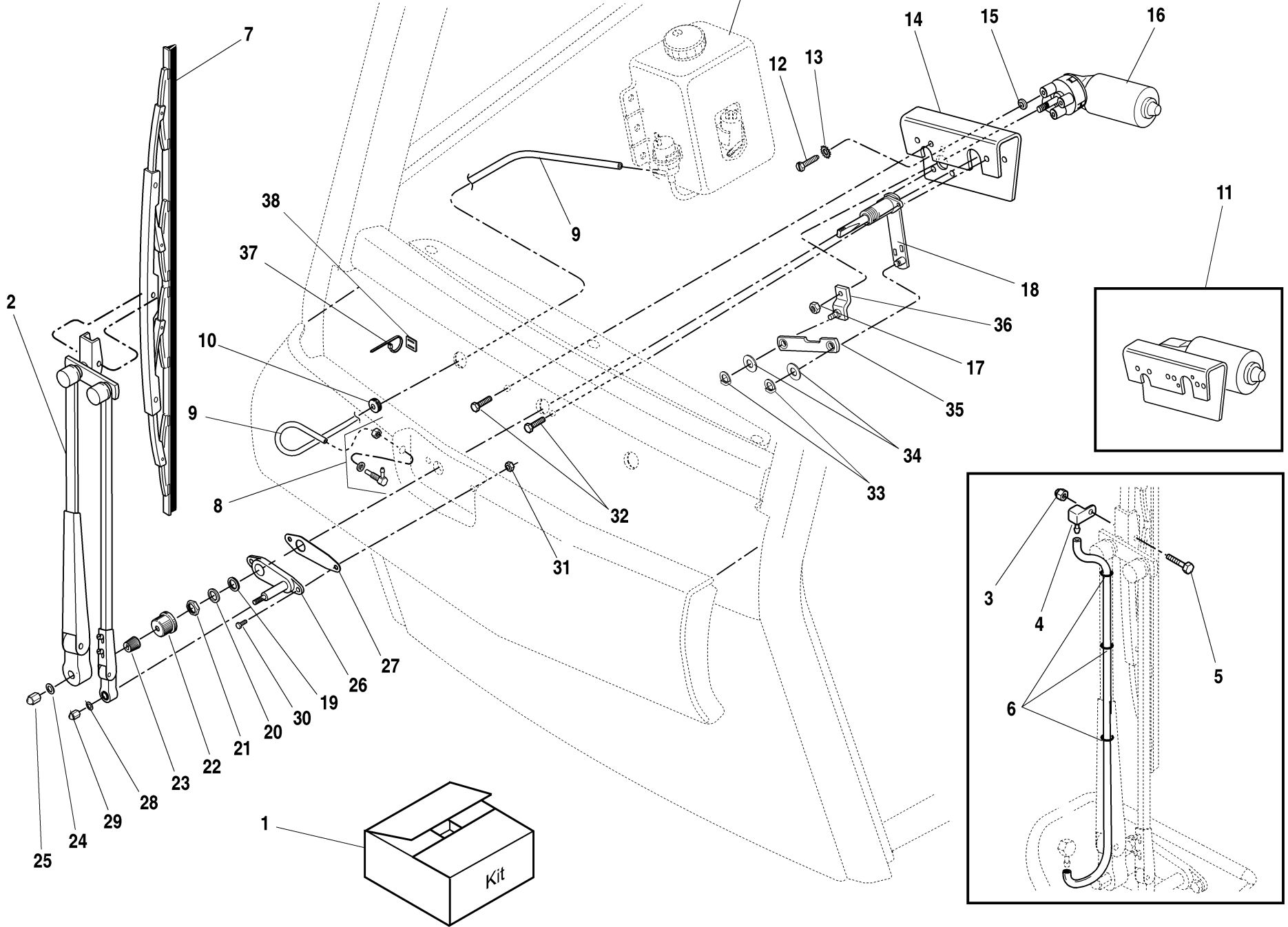
S/N 14409-

4270H
4270L
4290H
4290L

REAR WINDOW AND WIPER ASSEMBLIES

3.14.1

(See Page 3.16.1 for Breakdown)



ITEM	PART NO.	QTY.	DESCRIPTION
1	8036273	1	Front Windshield Wiper Assembly (Kit Includes Items 2 thru 36)
2	8035393	1	Wiper Arm, 24" Flex (Includes Items 3 thru 6)
3	N.S.S.	1	Locknut
4	N.S.S.	1	Sprayer Nozzle
5	N.S.S.	1	Bolt
6	N.S.S.	3	Clips, Hose
7	8035392	1	Blade, Wiper 28"
8	8035390	1	Wet Kit
9	8035395	1	Hose, Clear Vinyl - 144"
10	8035394	1	Grommet, Rubber 1/4" I.D.
11	8033102	1	Wiper Motor Assembly (Includes Items 12 thru 17)
12	N.S.S.	3	HHCS, Slotted 1/4"-28 x 3/4"
13	8310002	3	Washer, External Tooth 1/4"
14	N.S.S.	1	Bracket, Wiper Motor
15	8307203	3	Washer, Flat 5/16"
16	N.S.S.	1	Motor, Wiper
17	8305006	1	Nut, Hex Flanged 5/16"-18
18	8866492	1	Wiper Shaft and Pivot Assembly (Includes Items 19 thru 25)
19	N.S.S.	1	Washer, Cardboard
20	N.S.S.	1	Washer, Metal
21	N.S.S.	1	Nut, Hex Jam 11/16"-24
22	N.S.S.	1	Cap, Rubber
23	N.S.S.	1	Driver, Knurled
24	N.S.S.	1	Washer, Internal Tooth Lock 3/8"
25	N.S.S.	1	Nut, Acorn 1/4"-28
26	8034815	1	Panto Adapter Kit (Includes Items 27 thru 29)
27	N.S.S.	1	Gasket, Panto
28	8310029	1	Washer, Internal Tooth Lock 1/4"
29	N.S.S.	1	Nut, Acorn 1/4"-28
30	8033856	2	Screw, Tress 1/4"-20 x 3/4" - Black
31	8035391	2	Nut, Center Lock - Black
32	8033110	2	Screw, Hex 1/4"-28 x 3/4" - Black
33	N.S.S.	2	Clip, Spring
34	N.S.S.	2	Washer, Special Flat. 560 x .251 x .015
35	8035409	1	Link, Connecting

ITEM	PART NO.	QTY.	DESCRIPTION
36	8035411	1	Drive Arm .95" Long
37	8584001	1	Plastic Tie
38	8584018	1	Mount Tie

N.S.S. = Not Sold Separately

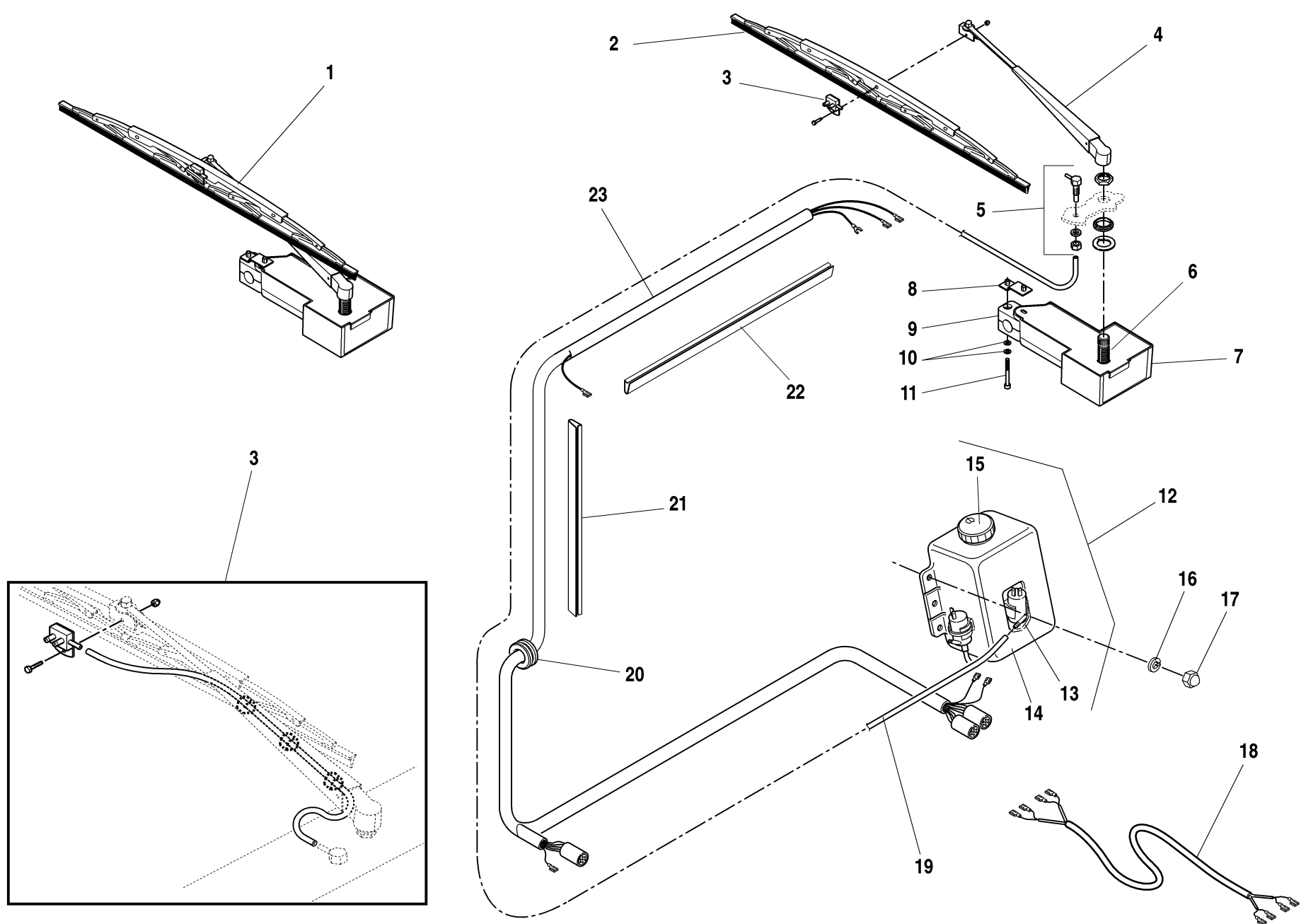
Origin
05/01

S/N 14409-

FRONT WINDSHIELD WIPER ASSEMBLY

3.15.1

4270H
4270L
4290H
4290L



ITEM	PART NO.	QTY.	DESCRIPTION
1	8036275	1	Wiper Assembly, Skylight Window (Includes Items 2 thru 11)
2	8035498	1	Blade, Wiper 20" Flex - Black
3	8035499	1	Wet Arm Kit
4	8035500	1	Arm, Wiper, Black
5	8035390	1	Wet Arm Adapter
6	8035492	1	Motor, Skylight Wiper
7	8035493	1	Cover, Wiper
8	8035497	1	Plate, Blind Nut
9	8035496	1	Clamp, Block 3/4"
10	8035495	1	Washer, Flat - Black (Zinc)
11	8035494	1	Bolt, Socket Head #10-24 x 1-3/4"
12	8035410	1	Washer Reservoir Assembly, (Includes Items 13, 14, and 15)
13	8035531	2	Pump Motor
14	N.S.S.	1	Reservoir
15	N.S.S.	1	Reservoir, Cap
16	8035416	3	Lock Washer, 1/4" x .49 O.D. x .07
17	8035479	3	Nut Acorn, 1/4"-20, Black
18	7138250	1	Jumper Wire Harness, Washer Bottle
19	8035501	1	Hose, Clear
20	8035505	1	Grommet 3/4" O.D. 1/2" I.D.
21	8035504	1	Conduit, Split 30"
22	8036276	1	Conduit, Split
23	8035503	1	Harness, Wiper

N.S.S. = Not Sold Separately

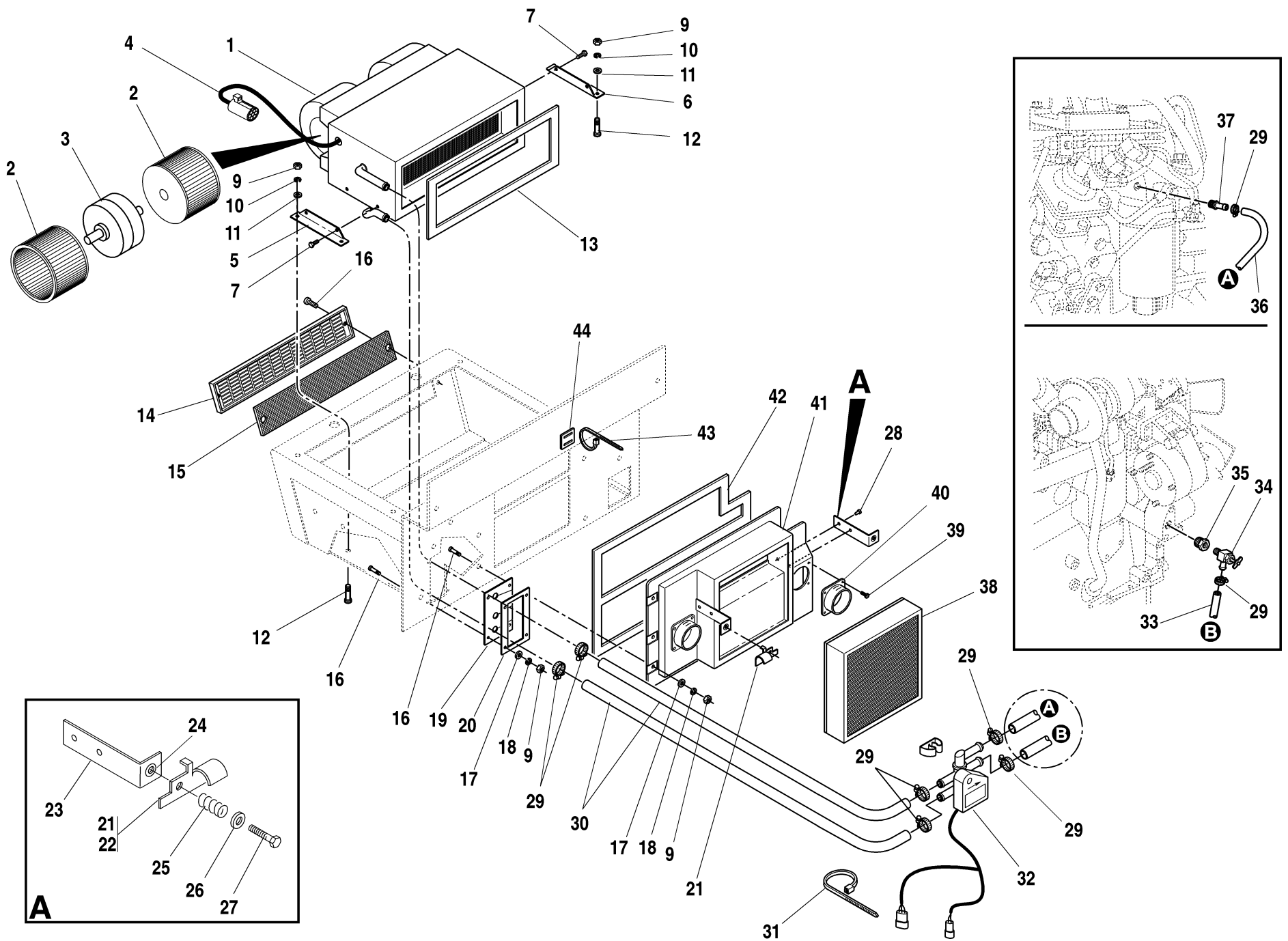
Origin
05/01

S/N 14409-

4270H
4270L
4290H
4290L

SKYLIGHT WIPER ASSEMBLY

3.16.1



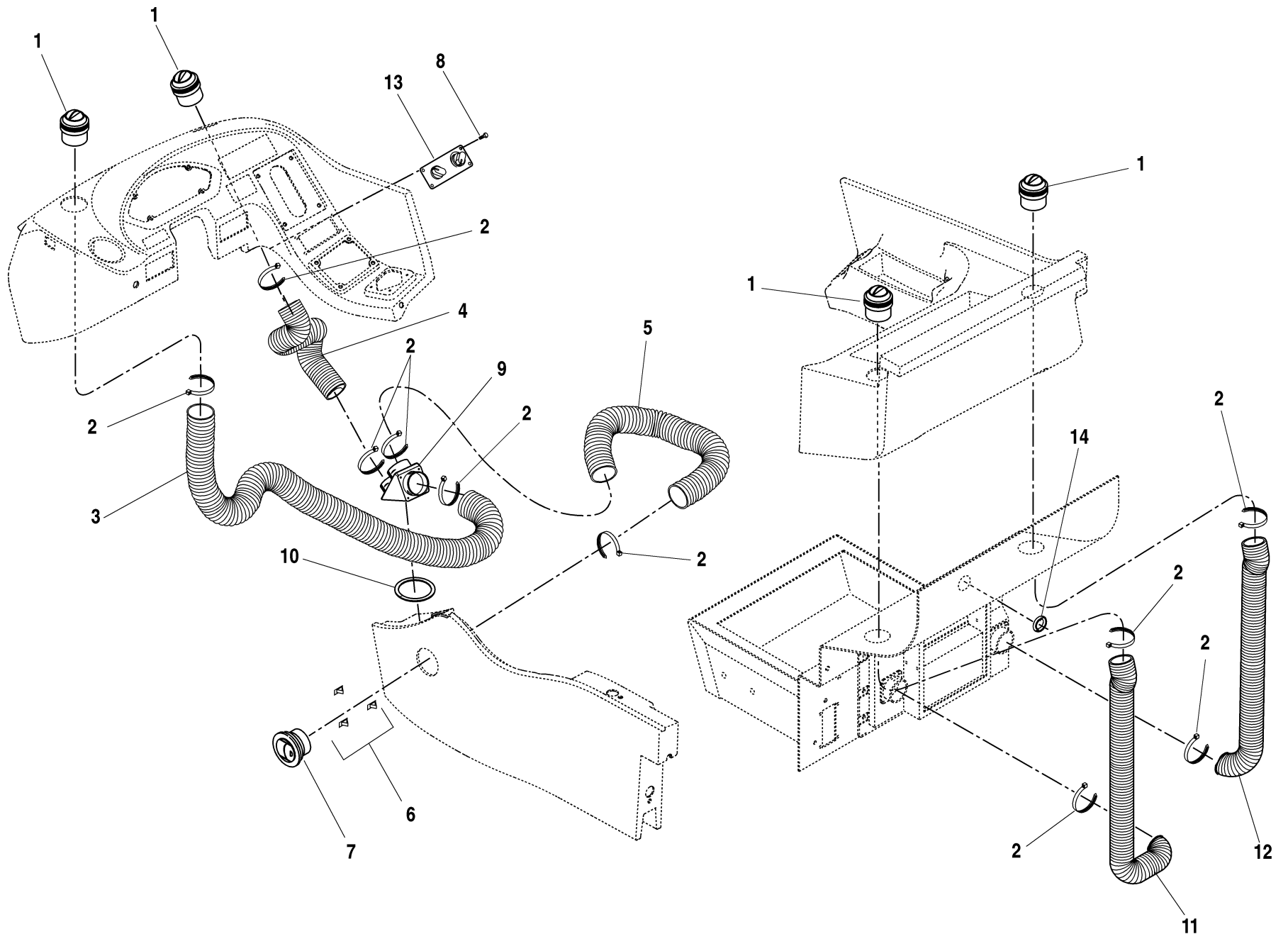
ITEM	PART NO.	QTY.	DESCRIPTION
1	7138530	1	Heater Assembly (Includes Items 2 thru 8)
2	8036301	2	Blower Wheel
3	8036300	1	Motor, 12V
4	8220912	1	Connector, 7 Way 280 Series
5	7139035	1	Angle, LH Side
6	7139036	1	Angle, RH Side
7	8310498	4	Screw, M6 x 12 - Whizlock
8	8036302	1	Resistor, 12V (Not Shown)
9	8035417	13	Nut, Hex 1/4"-20
10	8307002	4	Washer, Lock 1/4"
11	8307109	4	Washer, Plain 1/4"
12	8303736	4	Screw, HHC 1/4-20 x 1/2"
13	8033032	1	Sponge Rubber, Adhesive Backed, 80"
14	8035434	1	Holder, Foam Filter
15	8035389	1	Foam Filter, Recirculate
16	8035414	11	Screw, 1/4"-20 x 1"
17	8035415	9	Washer, Flat .281 x .625
18	8035416	9	Washer, Lock .254 x .480 - Black
19	8035427	1	Grommet
20	8035428	1	Plate, Grommet
21	8035425	1	Latch, LH - Filter Hold Down
22	8035426	1	Latch, RH - Filter Hold Down
23	8035423	2	Angle, Filter Clamp
24	8035424	2	Rivnut, 5/16" Hex
25	8035432	2	Spring, Compression 1/2" x 7/8"
26	8035435	2	Washer, Flat 5/16"
27	8035433	2	Bolt, Hex 5/16"-18 x 1-1/2" Yellow
28	8035422	4	Rivet, Pop 3/16" x 1/2"
29	8410009	8	Clamp, Hose SAE #10
30	7138317	2	Hose, Heater .625 I.D. x 24" Long
31	8035406	10	Plastic Tie
32	8360015	1	Valve, Heater - Motorized w/Harness
33	7139099	1	Hose, Heater, Engine Inlet 86.5"
34	8360005	1	Valve, Shut-Off
35	8540023	1	Reducer, Pipe Thread 8-6P
36	7139101	1	Hose, Heater, Engine Outlet 153"

ITEM	PART NO.	QTY.	DESCRIPTION
37	8430048	1	Reducer, Pipe Thread 10-8P
38	8035388	1	Air Filter w/Seal
39	8036126	8	Screw, Self Tapping #8-32 x 1/2"
40	8035431	2	Adapter, Hose 2-1/2" Dia.
41	8035412	1	Plenum
42	8035430	1	Foam, PSA 3/16" x 5/8" x 84"
43	8584001	2	Plastic Tie
44	8584018	2	Mount, Tie

Origin
05/01

S/N 14409-

4270H
4270L
4290H
4290L



ITEM	PART NO.	QTY.	DESCRIPTION
1	8035398	4	Louver, Ball
2	8035406	10	Tie Strap, Nylon 3/16" Wide x 12" Long
3	8035405	1	Hose, Flex 2-1/2" Dia. Front LH Vent - 40" Long
4	8035404	1	Hose, Flex 2-1/2" Dia. Front RH Vent - 30" Long
5	8035403	1	Hose, Flex 2-1/2" Dia. Center Vent - 18" Long
6	6620971	3	Clips
7	8035402	1	Louver, Round
8	8036126	8	Screw, Self Tapping #8-32 x 1/2"
9	8036299	1	Vent Manifold Assembly
10	8033032	1	Sponge Rubber, Adhesive Backed
11	8035400	1	Hose, Flex 2-1/2" Dia. Rear LH Vent - 37" Long
12	8035399	1	Hose, Flex 2-1/2" Dia. Rear RH Vent - 33" Long
13	7138691	1	Panel, Heater Control
14	7124531	1	Conduit, 1/4" x 5" Long

Origin
05/01

S/N 14409-

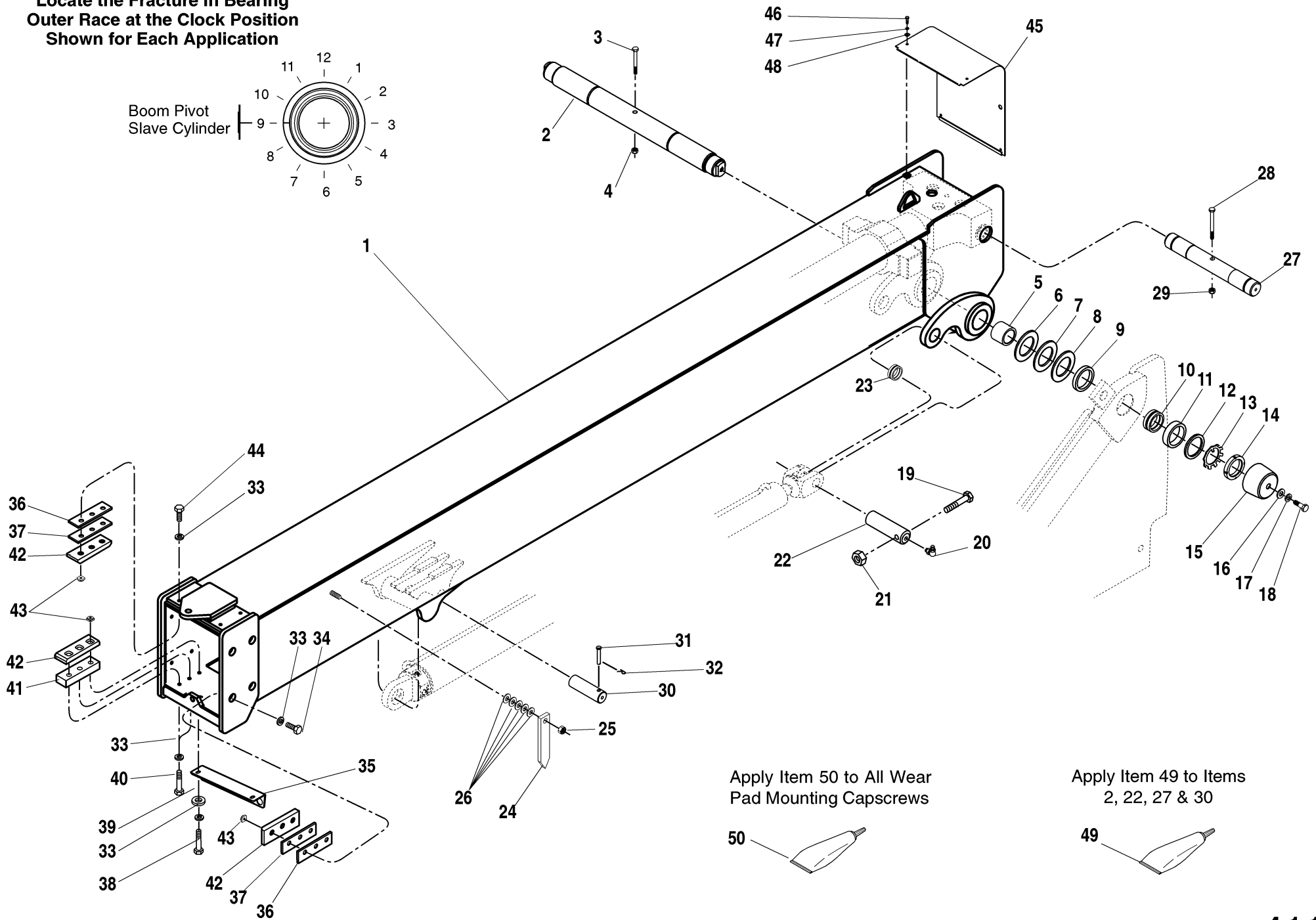
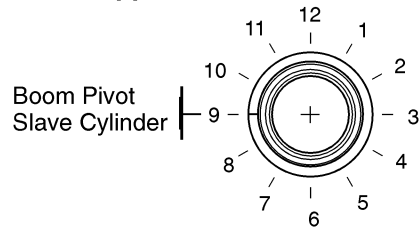
4270H
4270L
4290H
4290L

TABLE OF CONTENTS

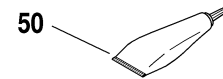
Section 4 — Boom Assembly

Outer Boom Assembly (High Pivot)	4.1.1
Outer Boom Assembly (Low Pivot)	4.2.1
Intermediate Boom Assembly	4.3.1
Inner Boom Assembly (High Pivot)	4.4.1
Inner Boom Assembly (Low Pivot)	4.5.1
Boom Extend Chains	4.6.1
Boom Retract Chains	4.7.1
Quick Attach Assembly	4.8.1

**Locate the Fracture in Bearing
Outer Race at the Clock Position
Shown for Each Application**



Apply Item 50 to All Wear Pad Mounting Capscrews



Apply Item 49 to Items 2, 22, 27 & 30



ITEM	PART NO.	QTY.	DESCRIPTION
1	7138193	1	Boom, Outer, High Pivot
2	7139405	1	Pin, Boom Pivot
3	8310076	1	HHCS, 5/8-11 x 7" Gr. 5
4	8305643	1	Nut, Hex Lock Elastic 5/8"-11
5	7137772	2	Bushing, Boom Pivot
6	8310259	2	Shim, 3.06" x 0.09" x 4.75"
7	8307913	2	Shim, 3.06" x 0.12" x 4.75"
8	8307912	2	Shim, 3.06" x 0.06" x 4.75"
9	7139330	2	Spacer
10	8050007	2	Bearing, Self Align
11	7139331	2	Spacer
12	8310550	2	Bushing, Machine
13	8310531	2	Washer, Lock, Ext. Tooth
14	8310532	2	Nut, Lock, Bearing Retention
15	7139554	2	Cap, Boom Pivot Pin
16	8307104	2	Washer, Flat 3/4"
17	8307010	2	Washer, Lock 3/4"
18	8310549	2	HHCSF 3/4"-10 x 1" GR. 5
19	8303752	2	HHCS, 5/16-18 X 3-1/2"
20	8520003	2	Fitting, Lube, 90°
21	8305626	2	Nut, Hex Lock 5/16"-18
22	7137142	2	Pin, Slave Cylinder
23	8050001	2	Bearing, Self Align
24	7075611	1	Pointer, Boom Angle Indicator
25	8305647	1	Nut, Hex Lock 7/16-14
26	8307113	5	Washer, Plain 7/16" Narrow
27	7139158	1	Pin, Trunnion
28	8310209	1	HHCS 1/2"-13 x 6" Gr. 5
29	8305643	1	Nut, Hex Lock Elastic 5/8"-11
30	7139324	1	Pin, Hoist Cylinder
31	7139502	1	Pin, Clevis, Hoist Keeper
32	8130211	1	Hair Pin (Cotter) .143
33	8307005	18	Washer, Lock 3/8"
34	8303681	18	HHCS, 3/8"-16 X 3/4" Gr. 5
35	7138642	1	Bracket, Bulkhead, Boom Tube
36	7126172	A/R	Shim, Wear Pad .13" Thk.

ITEM	PART NO.	QTY.	DESCRIPTION
37	7126182	A/R	Shim, Wear Pad .07" Thk.
38	8303679	2	HHCS, 3/8"-16 x 3/4" Gr. 5
39	8307204	2	Washer, Plain 3/8" Wide
40	8303621	4	HHCS, 3/8"-16 x 2" Gr. 5
41	7135442	2	Spacer, Wear Pad
42	7111572	8	Wear Pad
43	7135432	18	Insert, Wear Pad
44	8303675	4	HHCS, 3/8"-16 x 1-1/4" Gr. 5
45	7139429	1	Cover, Rear Boom
46	8303005	4	HHCS, 1/4"-20 x 7/8"
47	8307002	4	Washer, Lock, 1/4"
48	8307202	4	Washer, Plain, 1/4"
49	8522012	A/R	Lube, Anti-Seize
50	8526007	A/R	Thread Locking Compound

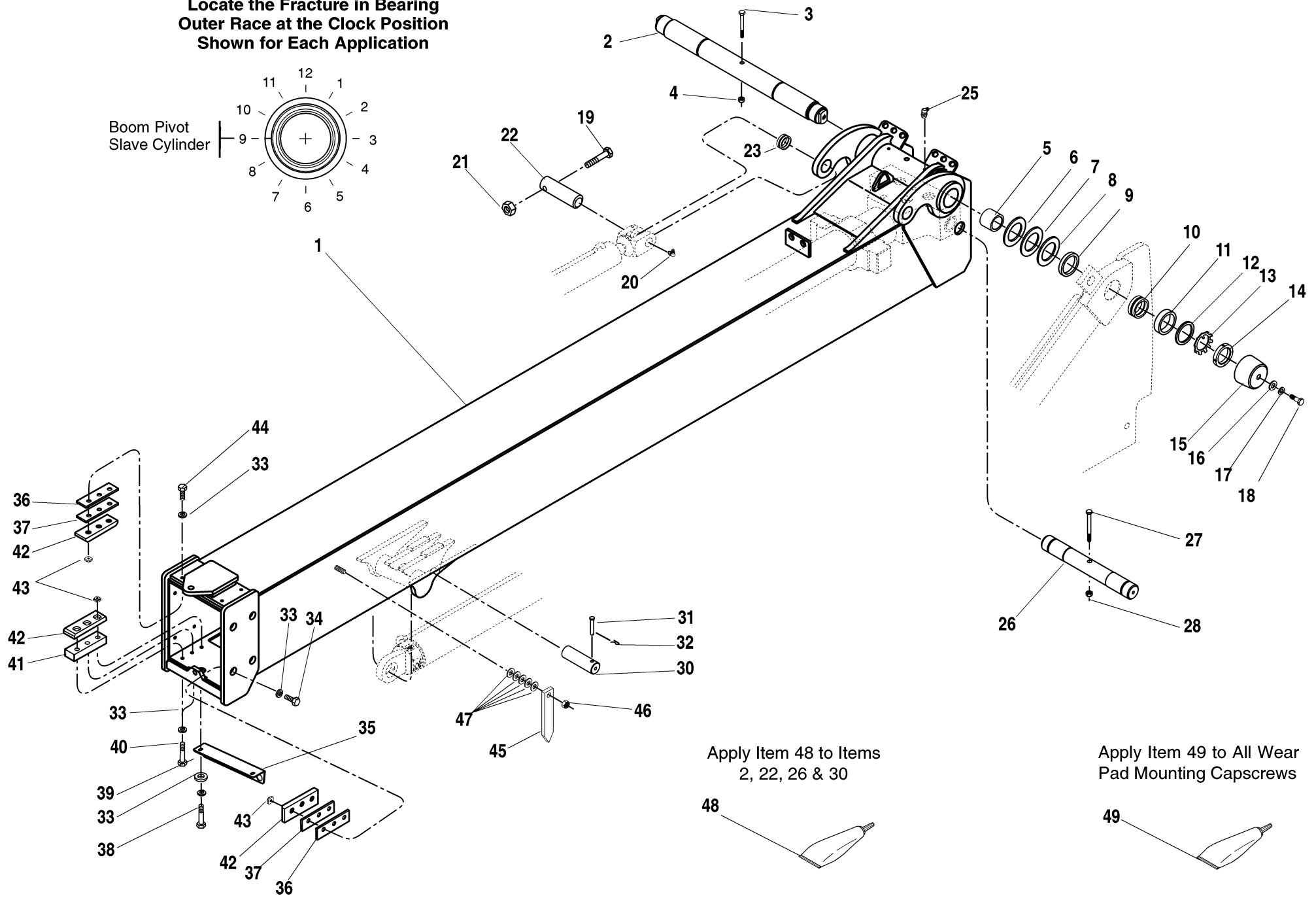
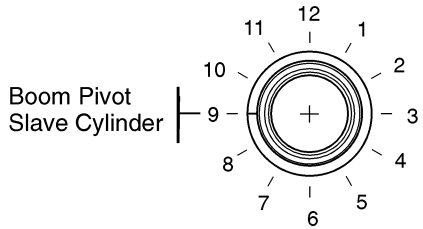
Origin
05/01

S/N 14409-

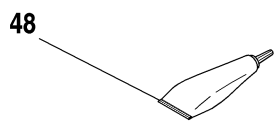
OUTER BOOM ASSEMBLY (HIGH PIVOT) 4.1.1

4270H
4270L
4290H
4290L
▼

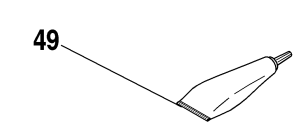
**Locate the Fracture in Bearing
Outer Race at the Clock Position
Shown for Each Application**



Apply Item 48 to Items
2, 22, 26 & 30



Apply Item 49 to All Wear
Pad Mounting Capscrews



ITEM	PART NO.	QTY.	DESCRIPTION
1	7138193	1	Boom, Outer, Low Pivot
2	7136852	1	Pin, Boom Pivot
3	8305643	1	Nut, Hex Lock Elastic 5/8"-11
4	7137772	2	Bushing, Boom Pivot
5	7137772	2	Bushing, Boom Pivot
6	8310259	2	Shim, 3.06" x 0.09" x 4.75"
7	8307913	2	Shim, 3.06" x 0.12" x 4.75"
8	8307912	2	Shim, 3.06" x 0.06" x 4.75"
9	7139330	2	Spacer
10	8050007	2	Bearing, Self Align
11	7139331	2	Spacer
12	8310550	2	Bushing, Machine
13	8310531	2	Washer, Lock, Ext. Tooth
14	8310532	2	Nut, Lock, Bearing Retention
15	7139554	2	Cap, Boom Pivot Pin
16	8307104	2	Washer, Flat 3/4"
17	8307010	2	Washer, Lock 3/4"
18	8310549	2	HHCSF 3/4"-10 x 1" GR. 5
19	8303752	2	HHCS, 5/16-18 X 3-1/2"
20	8520003	2	Fitting, Lube, 90°
21	8305626	2	Nut, Hex Lock 5/16"-18
22	7137142	2	Pin, Slave Cylinder
23	8050001	2	Bearing, Self Align
24	8310076	1	HHCS, 5/8-11 x 7" Gr. 5
25	8520021	2	Fitting, Lubrication 90°
26	7139158	1	Pin, Trunnion
27	8310209	1	HHCS 1/2"-13 x 6" Gr. 5
28	8305643	1	Nut, Hex Lock Elastic 5/8"-11
29	8305643	1	Nut, Hex Lock Elastic 5/8-11
30	7139324	1	Pin, Hoist Cylinder
31	7139502	1	Pin, Clevis, Hoist Keeper
32	8130211	1	Hair Pin (Cotter) .143
33	8307005	18	Washer, Lock 3/8"
34	8303681	8	HHCS, 3/8-16 X 3/4" Gr. 5
35	7138642	1	Bracket, Bulkhead, Boom Tube
36	7126172	A/R	Shim, Wear Pad .13" Thk.
37	7126182	A/R	Shim, Wear Pad .07" Thk.
38	8303679	2	HHCS, 3/8-16 x 3/4" Gr. 5
39	8307204	2	Washer, Plain 3/8" Wide
40	8303621	4	HHCS, 3/8-16 x 2" Gr. 5
41	7135442	2	Spacer, Wear Pad
42	7111572	8	Wear Pad
43	7135432	18	Insert, Wear Pad
44	8303675	4	HHCS, 3/8-16 x 1-1/4" Gr. 5
45	7075611	1	Pointer, Boom Angle Indicator
46	8305647	1	Nut, Hex Lock 7/16-14
47	8307113	5	Washer, Plain 7/16" Narrow
48	8522012	A/R	Lube, Anti-Seize
49	8526007	A/R	Thread Locking Compound

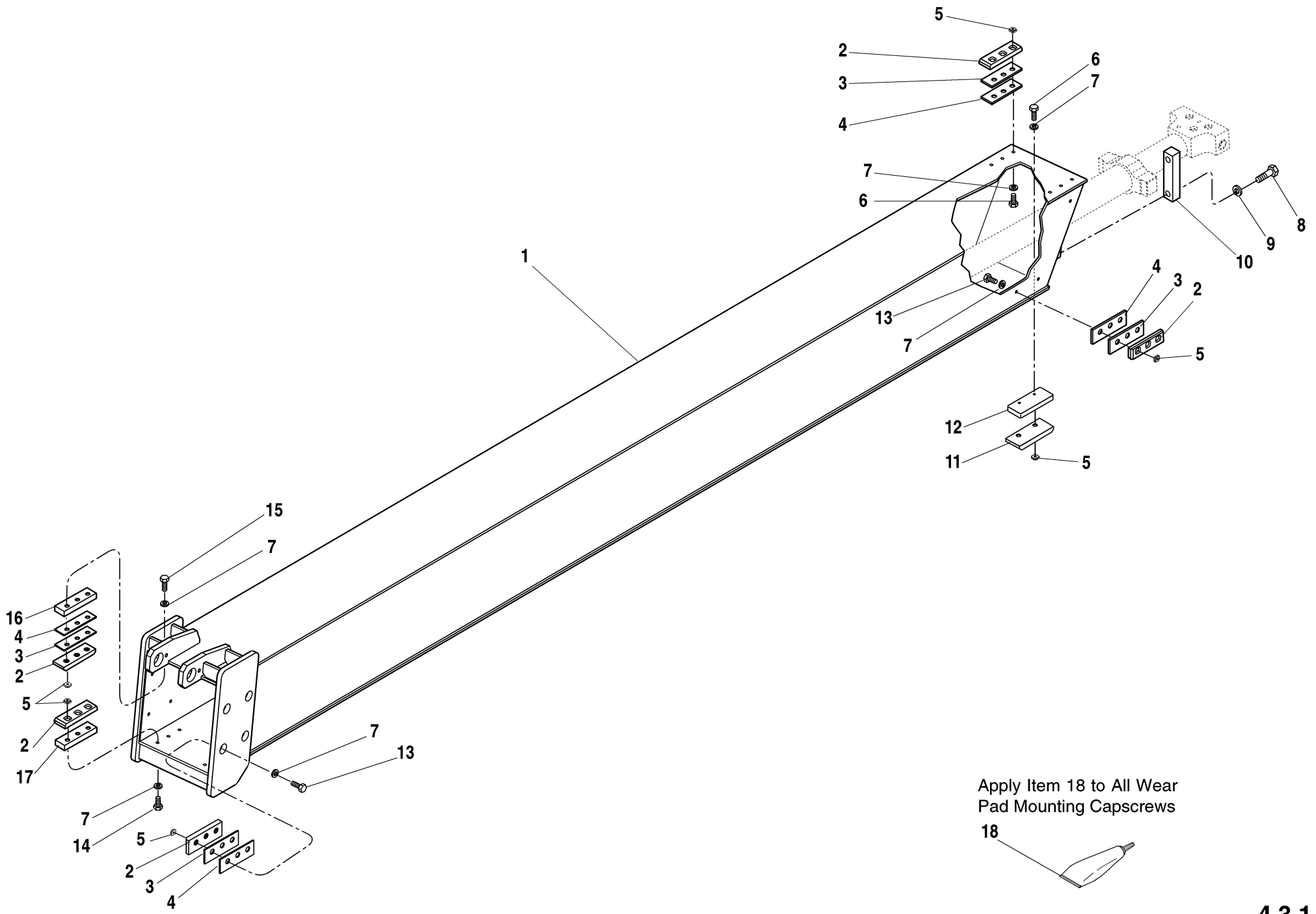
Origin
05/01

S/N 14409-

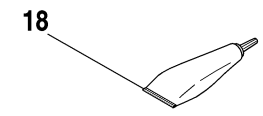
OUTER BOOM ASSEMBLY (LOW PIVOT)

4.2.1

4270H
4270L
4290H
4290L



Apply Item 18 to All Wear
Pad Mounting Capscrews



ITEM	PART NO.	QTY.	DESCRIPTION
1	7138194	1	Boom, Intermediate
2	7111572	14	Pad, Wear
3	7126182	A/R	Shim, Wear Pad .07" thk
4	7126172	A/R	Shim, Wear Pad .04" thk
5	7135432	40	Insert, Wear Pad
6	8303620	10	HHCS, 3/8-16 x 1" Gr.5
7	8307005	36	Washer, Lock 3/8"
8	8303693	4	HHCS, 1/2-13 X 2-1/2" Gr. 5
9	8307007	4	Washer, Lock 1/2"
10	7121461	2	Clamp, Trunnion, Extend Cylinder
11	7139020	2	Pad, Wear
12	7139018	2	Spacer, Wear Pad
13	8303681	16	HHCS, 3/8-16 x 3/4" Gr.5
14	8303621	6	HHCS, 3/8-16 x 1-1/2" Gr.5
15	8303622	4	HHCS, 3/8-16 X 2" Gr. 5
16	7137822	2	Spacer, Wear Pad
17	7135442	2	Spacer, Wear Pad
18	8526007	A/R	Thread Locking Compound

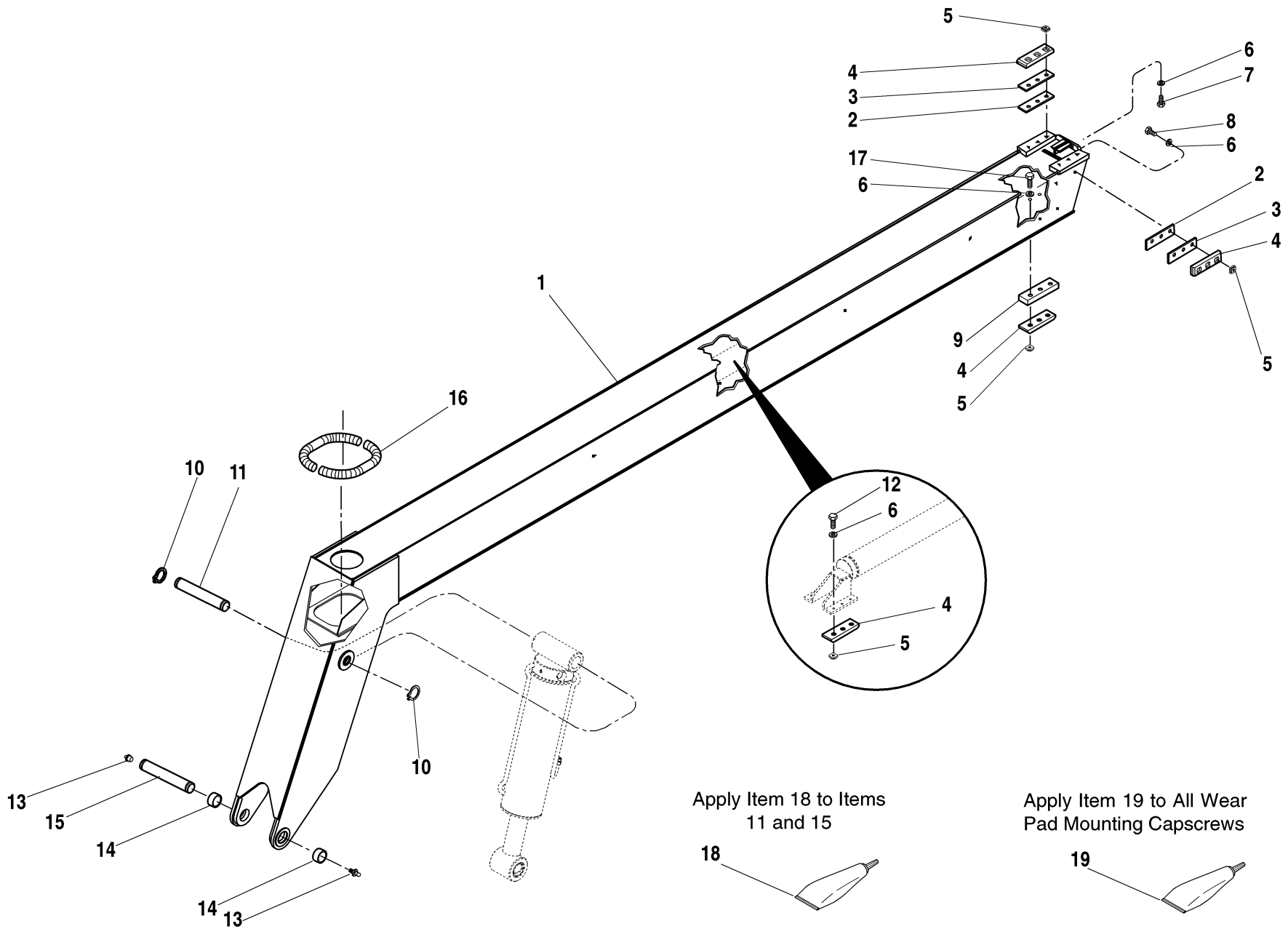
Origin
05/01

S/N 14409-

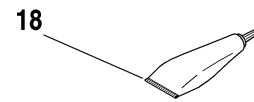
4270H
4270L
4290H
4290L

INTERMEDIATE BOOM ASSEMBLY

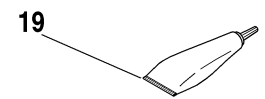
4.3.1



Apply Item 18 to Items
11 and 15



Apply Item 19 to All Wear
Pad Mounting Capscrews



ITEM	PART NO.	QTY.	DESCRIPTION
1	7139309	1	Boom, Inner, High Pivot
2	7126172	A/R	Shim, Wear Pad .13" Thk.
3	7126182	A/R	Shim, Wear Pad .07" Thk.
4	7135413	10	Wear Pad
5	7135432	24	Insert, Wear Pad
6	8307005	24	Washer, Lock 3/8"
7	8303679	6	HHCS, 3/8-16 X 1-3/4" Gr. 5
8	8303681	8	HHCS, 3/8-16 X 3/4" Gr. 5
9	7135442	2	Spacer, Wear Pad
10	8642224	2	Ring, Retaining, External 2"
11	7136322	1	Pin, Attachment Tilt Cylinder Base
12	8303622	6	HHCS, 3/8-16 x 1" Gr. 5
13	8520001	2	Fitting, Lube 1/8" NPT
14	7085542	2	Bushing, Quick Attach Pivot
15	7083922	1	Pin, Carriage Pivot
16	7124331	A/R	Conduit, 0.5 x 60" Lg. (Cut to Fit)
17	8303621	4	HHCS, 3/8-16 X 1-1/2" Gr. 5
18	8522012	A/R	Lube, Anti-Seize
19	8526007	A/R	Thread Locking Compound

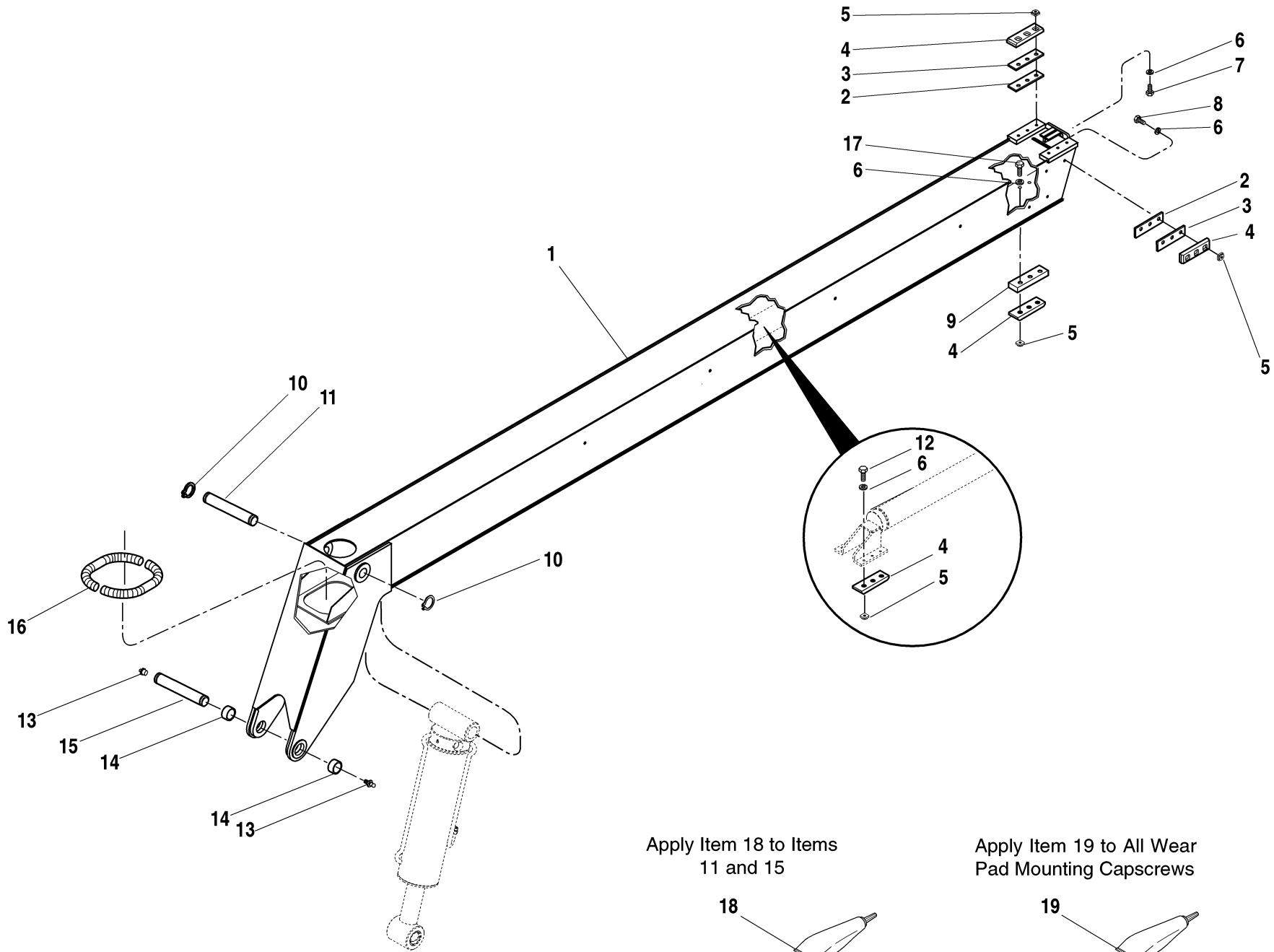
Origin
05/01

S/N 14409-

4270H
4270L
4290H
4290L

INNER BOOM ASSEMBLY (HIGH PIVOT)

4.4.1



ITEM	PART NO.	QTY.	DESCRIPTION
1	7138623	1	Boom, Inner, Low Pivot
2	7126172	A/R	Shim, Wear Pad .13" Thk.
3	7126182	A/R	Shim, Wear Pad .07" Thk.
4	7135413	10	Wear Pad
5	7135432	24	Insert, Wear Pad
6	8307005	24	Washer, Lock 3/8"
7	8303679	6	HHCS, 3/8-16 x 1-3/4" Gr. 5
8	8303681	8	HHCS, 3/8-16 x 3/4" Gr. 5
9	7135442	2	Spacer, Wear Pad
10	8642224	2	Ring, Retaining, External 2"
11	7136322	1	Pin, Attachment Tilt Cylinder Base
12	8303622	6	HHCS, 3/8-16 x 1" Gr. 5
13	8520001	2	Fitting, Lube 1/8" NPT
14	7085542	2	Bushing, Quick Attach Pivot
15	7083922	1	Pin, Carriage Pivot
16	7124331	A/R	Conduit, 0.5 x 60" Lg. (Cut to Fit)
17	8303621	4	HHCS, 3/8-16 X 1-1/2" Gr. 5
18	8522012	A/R	Lube, Anti-Seize
19	8526007	A/R	Thread Locking Compound

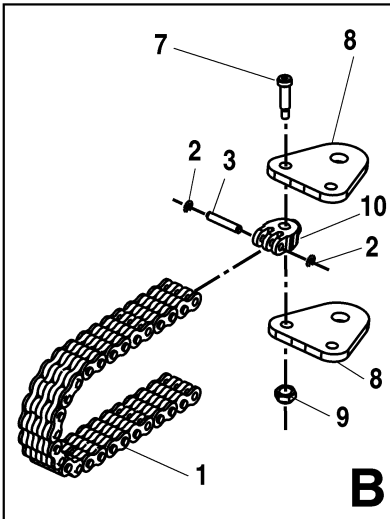
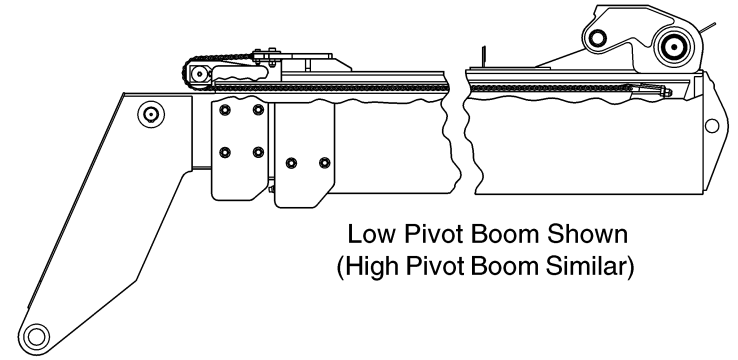
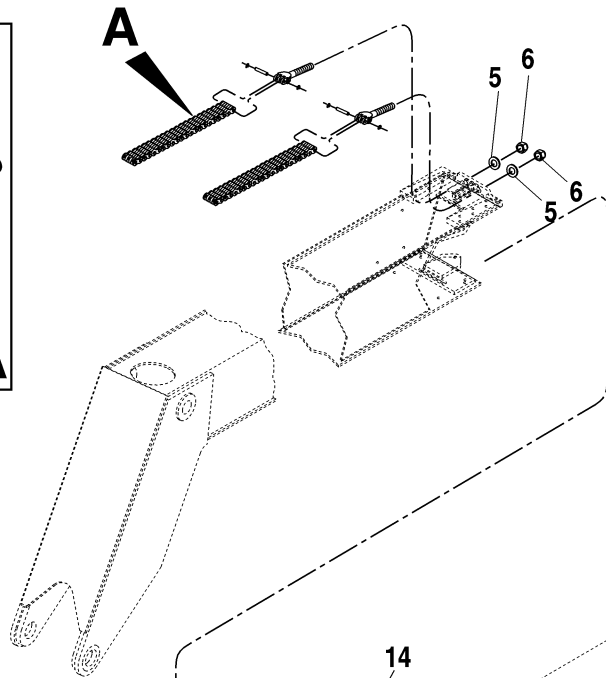
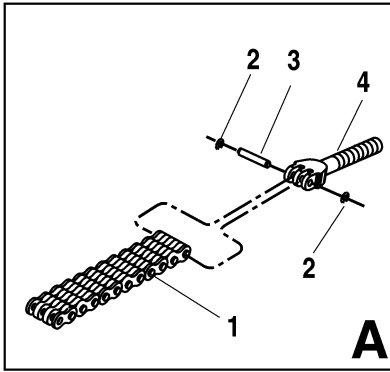
Origin
05/01

S/N 14409-

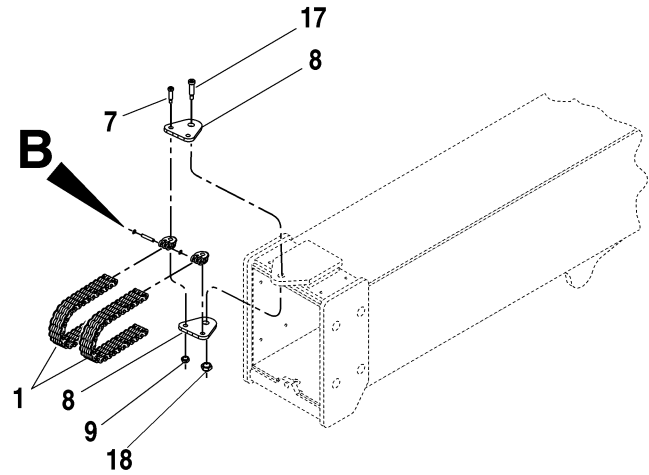
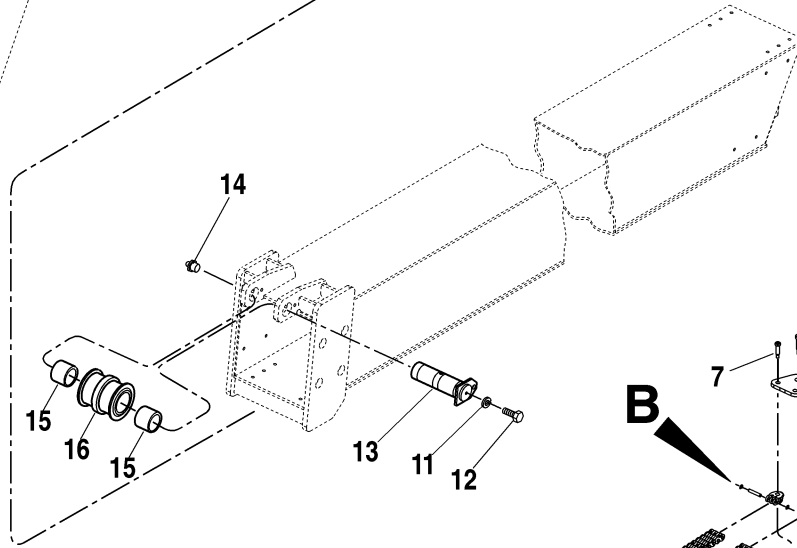
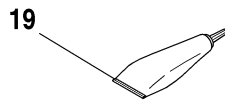
4270H
4270L
4290H
4290L

INNER BOOM ASSEMBLY (LOW PIVOT)

4.5.1



Apply Item 19 to Items 10 and 13



ITEM	PART NO.	QTY.	DESCRIPTION
1	8127018	2	Chain, Extend, Leaf 3/4" Pitch
2	8642237	8	Ring, Retaining
3	8124126	4	Pin, Chain Clevis
4	7119362	3	Clevis, Chain
5	8307104	2	Washer, Flat, 0.75, SAE
6	8305646	2	Nut, Hex Lock 0.75-16 NF
7	8310019	2	SHRS, 0.50 x 1.50 x 3/8-16
8	7134851	2	Yoke, Extend Chain
9	8305645	2	Nut, Hex Lock 0.375-16 NC
10	7119372	3	Clevis, Chain Anchor
11	8307007	2	Washer, Lock 1/2"
12	8303624	2	HHCS, 1/2-13 x 1"
13	7137082	1	Pin, Extend Chain Sheave
14	8520001	1	Lube, Fitting 1/8 NPT
15	7126662	2	Bushing, Chain Sheave
16	7114112	1	Sheave, Extend Chain
17	8310201	1	SHRS, 0.75 x 1.50 x 5/8-11
18	8305643	1	Nut, Hex Lock 0.625-11 NC
19	8522012	A/R	Lube, Anti-Seize

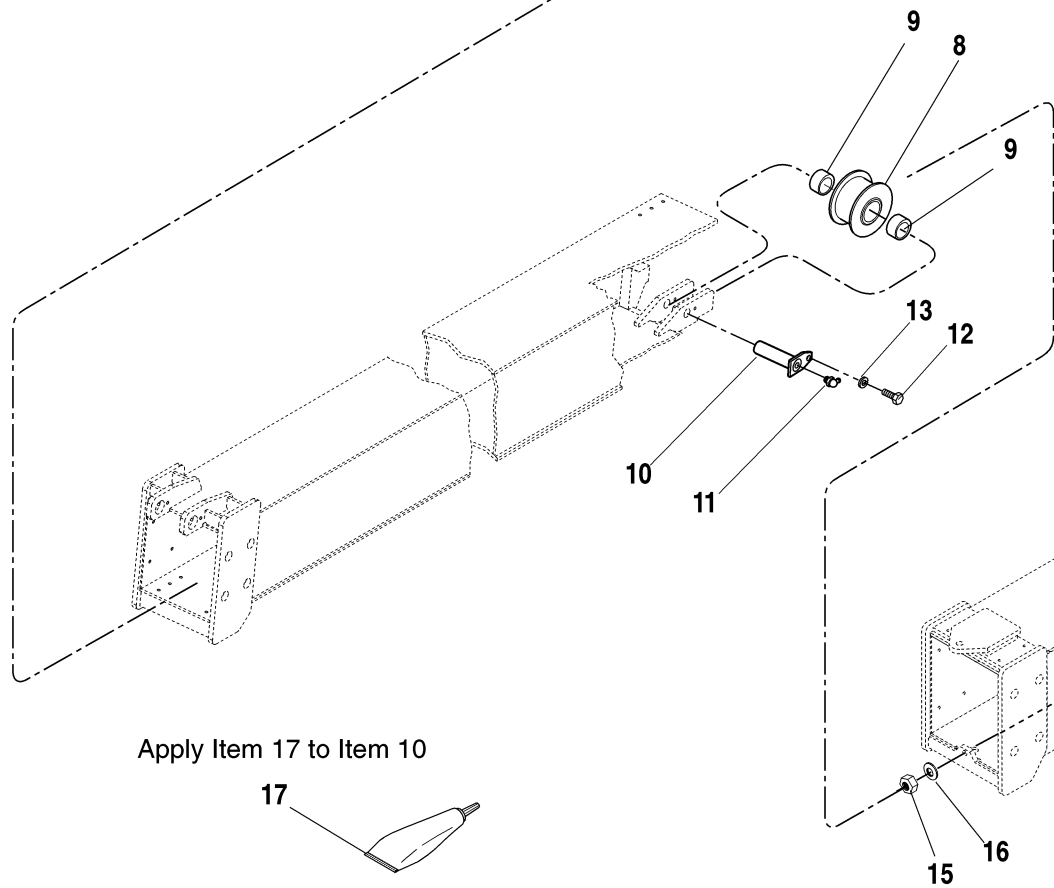
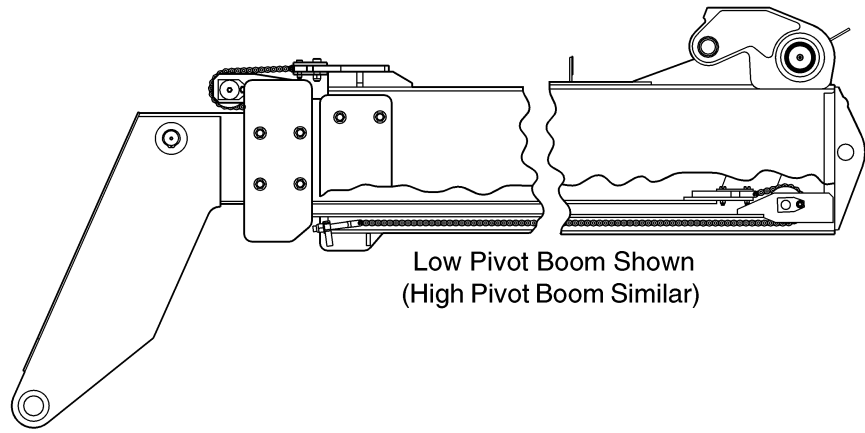
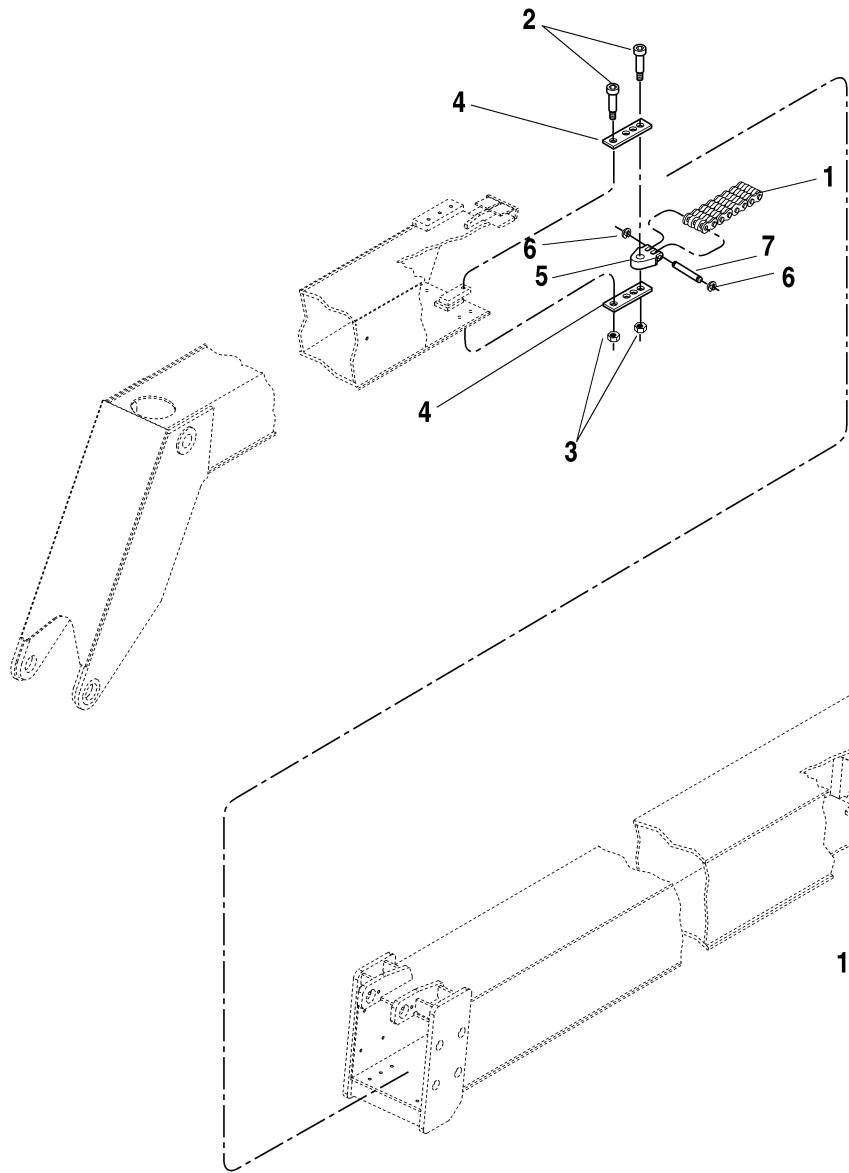
Origin
05/01

S/N 14409-

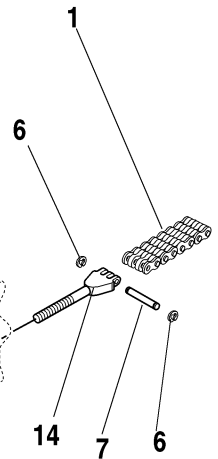
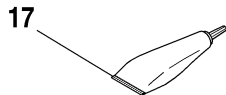
4270H
4270L
4290H
4290L

BOOM EXTEND CHAINS

4.6.1



Apply Item 17 to Item 10



ITEM	PART NO.	QTY.	DESCRIPTION
1	8127016	1	Chain, Retract, Leaf 3/4 Pitch
2	8310019	2	Bolt, Shoulder, HSH. 1/2 x 1-1/2 x 3/8-16
3	8305645	2	Nut, Hex Lock Elastic 3/8-16
4	7121531	2	Link, Retract Chain Anchor
5	7119372	1	Clevis, Chain Anchor
6	8642237	4	Ring, Retaining
7	8124126	2	Pin, Chain Clevis
8	7138986	1	Sheave, Retract Chain (Includes Item 9)
9	7138979	2	Bushing, Retract Chain Sheave
10	7138977	1	Pin, Retract Chain Sheave
11	8520003	1	Fitting, Lube 90°
12	8303624	2	HHCS, 1/2-13 x 1"
13	8307007	2	Washer, Lock 1/2"
14	7119362	1	Clevis, Chain
15	8305646	1	Nut, Hex Lock Elastic 3/4-16 NF
16	8307104	1	Washer, Flat 3/4" Narrow
17	8522012	A/R	Lube, Anti-Seize

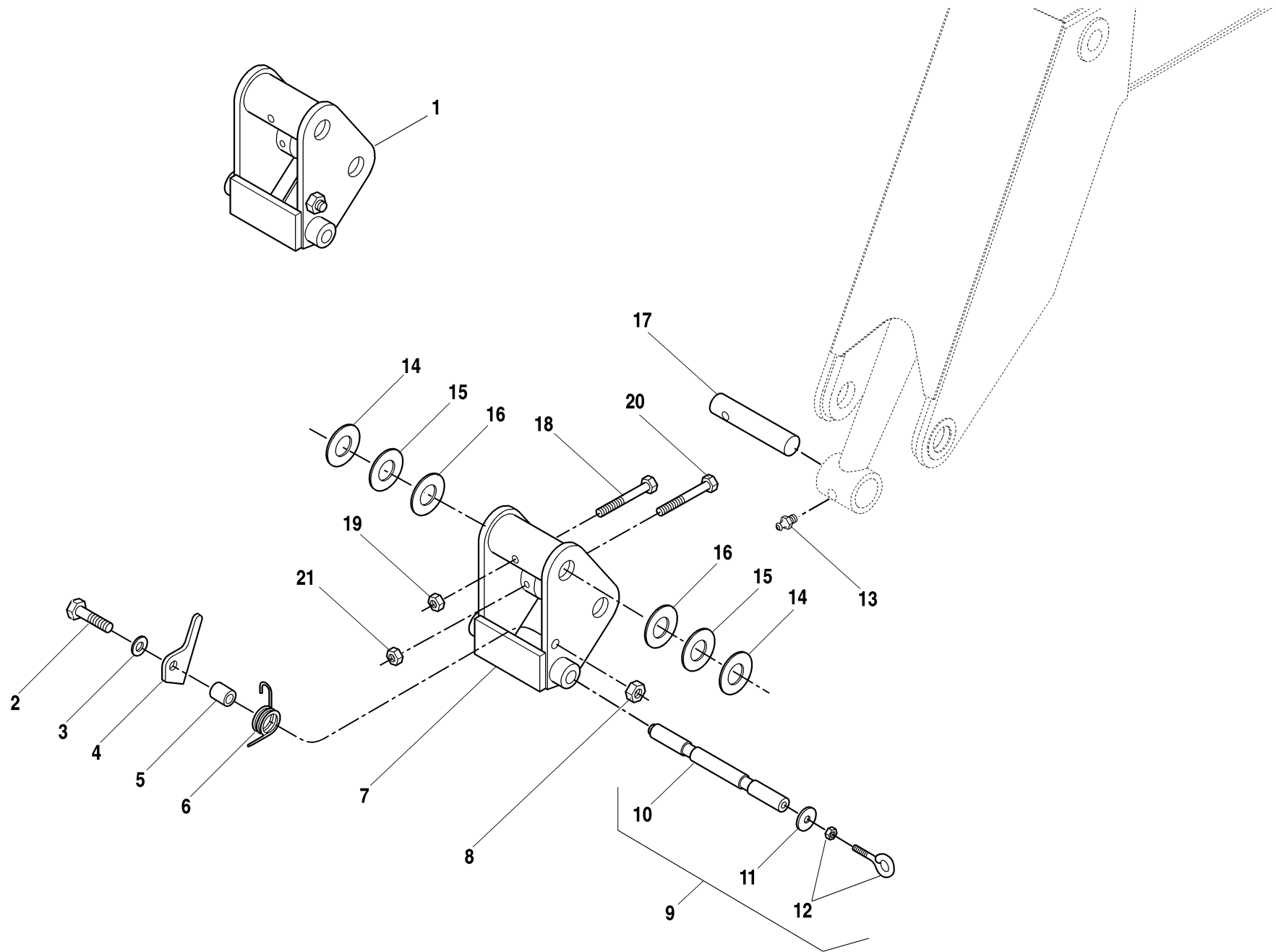
Origin
05/01

S/N 14409-

4270H
4270L
4290H
4290L

BOOM RETRACT CHAINS

4.7.1



ITEM	PART NO.	QTY.	DESCRIPTION
1	7134863	1	Quick Attach Assembly (Includes Items 2 thru 8)
2	8303638	1	HHCS, 3/4-10 x 2-3/4" Gr. 5
3	8307104	1	Washer, Flat SAE 3/4"
4	7121422	1	Latch, Quick Attach
5	7085571	1	Spacer, Quick Attach
6	7085552	1	Spring, Torsion
7	7134873	1	Quick Attach
8	8305619	1	Nut, Hex Lock Elastic 3/4-10
9	7118892	1	Pin, Lock (Includes Items 10 thru 12)
10	7118882	1	Pin
11	8310276	1	Washer
12	8310266	1	Bolt, Eye w/Nut
13	8520013	1	Fitting, Lube, Self Tapping 1/8 NPT
14	8307918	A/R	Washer, Shim 2.00" x .134" x 3.50"
15	8310093	A/R	Washer, Shim 2.00" x .075" x 3.50"
16	8307904	A/R	Washer, Shim 2.00" x .048" x 3.50"
17	7138222	1	Pin, Rod End, Attachment Tilt Cylinder
18	8303666	1	HHCS, 5/8-11 x 5" Gr. 5
19	8305643	1	Nut, Hex Lock Elastic 5/8-11
20	8305644	1	HHCS, 1/2-13 x 5" Gr. 5
21	8303772	1	Nut, Hex Lock Elastic 1/2-13

Origin
05/01

S/N 14409-

4270H
4270L
4290H
4290L

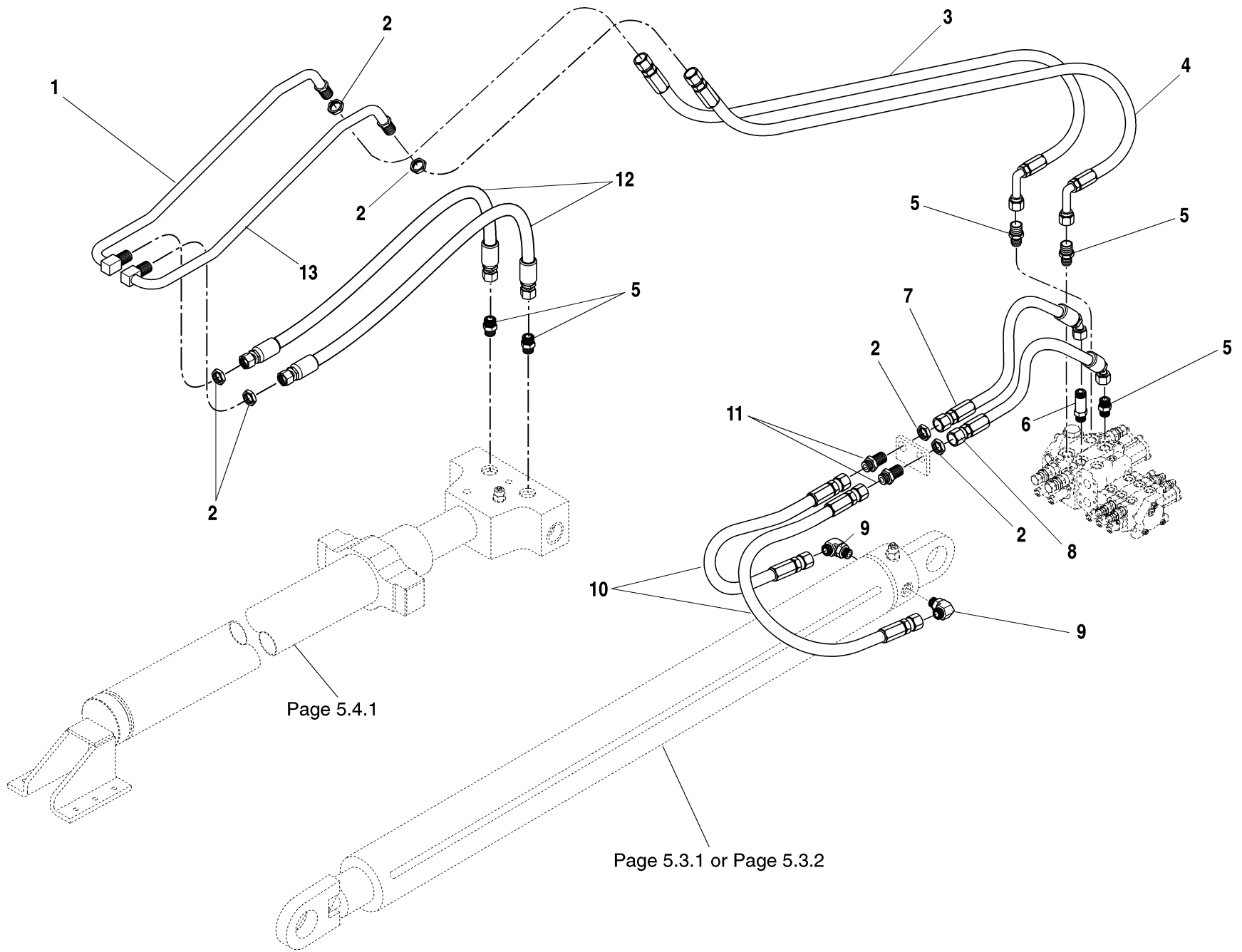
QUICK ATTACH ASSEMBLY

4.8.1

TABLE OF CONTENTS

Section 5 — Boom Hydraulic Circuits and Cylinders

Boom Lift/Lower & Extend/Retract Circuit (Low Pivot)	5.1.1
Boom Lift/Lower & Extend/Retract Circuit (High Pivot)	5.1.2
Attachment Tilt and Slave Circuit (Low Pivot)	5.2.1
Attachment Tilt and Slave Circuit (High Pivot)	5.2.2
Hoist Cylinder 4270	5.3.1
Hoist Cylinder 4290	5.3.2
Extend Cylinder	5.4.1
Slave Cylinder	5.5.1
Attachment Tilt Cylinder	5.6.1



Page 5.4.1

Page 5.3.1 or Page 5.3.2

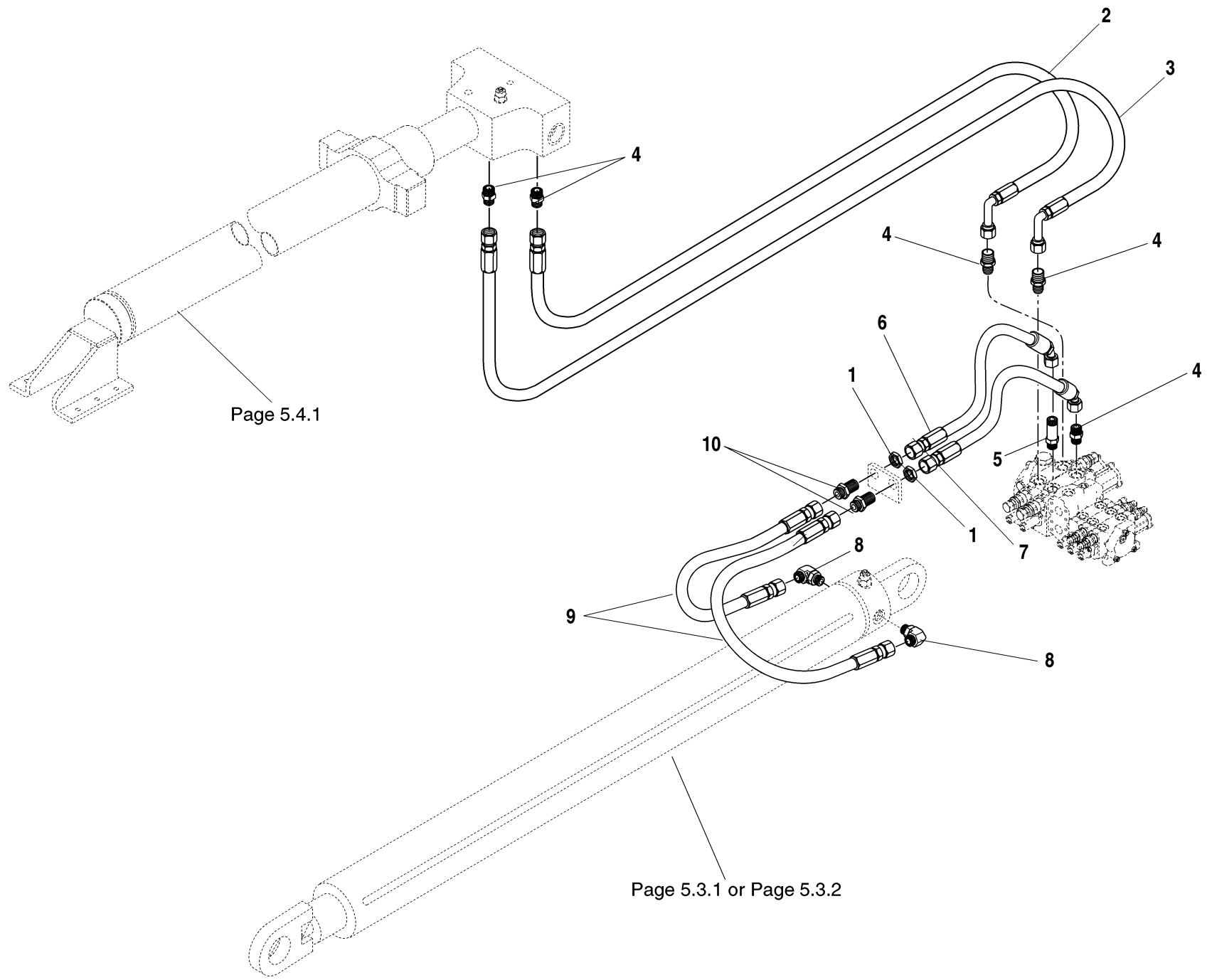
ITEM	PART NO.	QTY.	DESCRIPTION
1	7137603	1	Tube Assembly (Retract)
2	8770085	6	Nut, Bulkhead, SAE 12 - OFS
3	2716643	1	Hose, 0.75 x 43.00" (Retract)
4	2716642	1	Hose, 0.75 x 47.50" (Extend)
5	8770070	5	Connector, SAE 12 - str. thd. ORB x OFS
6	8770163	1	Connector, Long, SAE 12 - str. thd. ORB x OFS
7	2716533	1	Hose, 0.75 x 25.50" (Lower)
8	2716532	1	Hose, 0.75 x 29.50" (Raise)
9	8770079	2	Elbow, 90°, SAE 12 - str. thd. ORB x OFS
10	2715052	2	Hose, 0.75 x 45.00"
11	8770086	2	Connector, Bulkhead, SAE 12 - OFS
12	2716492	2	Hose, 0.75 x 46.50"
13	7137593	1	Tube Assembly (Extend)

Origin
05/01

S/N 14409-

4270H
4270L
4290H
4290L
▼

BOOM LIFT/LOWER & EXTEND/RETRACT CIRCUIT (LOW PIVOT) 5.1.1



ITEM	PART NO.	QTY.	DESCRIPTION
1	8770085	6	Nut, Bulkhead, SAE 12 - OFS
2	2716790	1	Hose, 0.75 x 43.00" (Extend)
3	2716642	1	Hose, 0.75 x 47.50" (Retract)
4	8770070	5	Connector, SAE 12 - str. thd. ORB x OFS
5	8770163	1	Connector, Long, SAE 12 - str. thd. ORB x OFS
6	2716533	1	Hose, 0.75 x 25.50" (Lower)
7	2716532	1	Hose, 0.75 x 29.50" (Raise)
8	8770079	2	Elbow, 90°, SAE 12 - str. thd. ORB x OFS
9	2715052	2	Hose, 0.75 x 45.00"
10	8770086	2	Connector, Bulkhead, SAE 12 - OFS

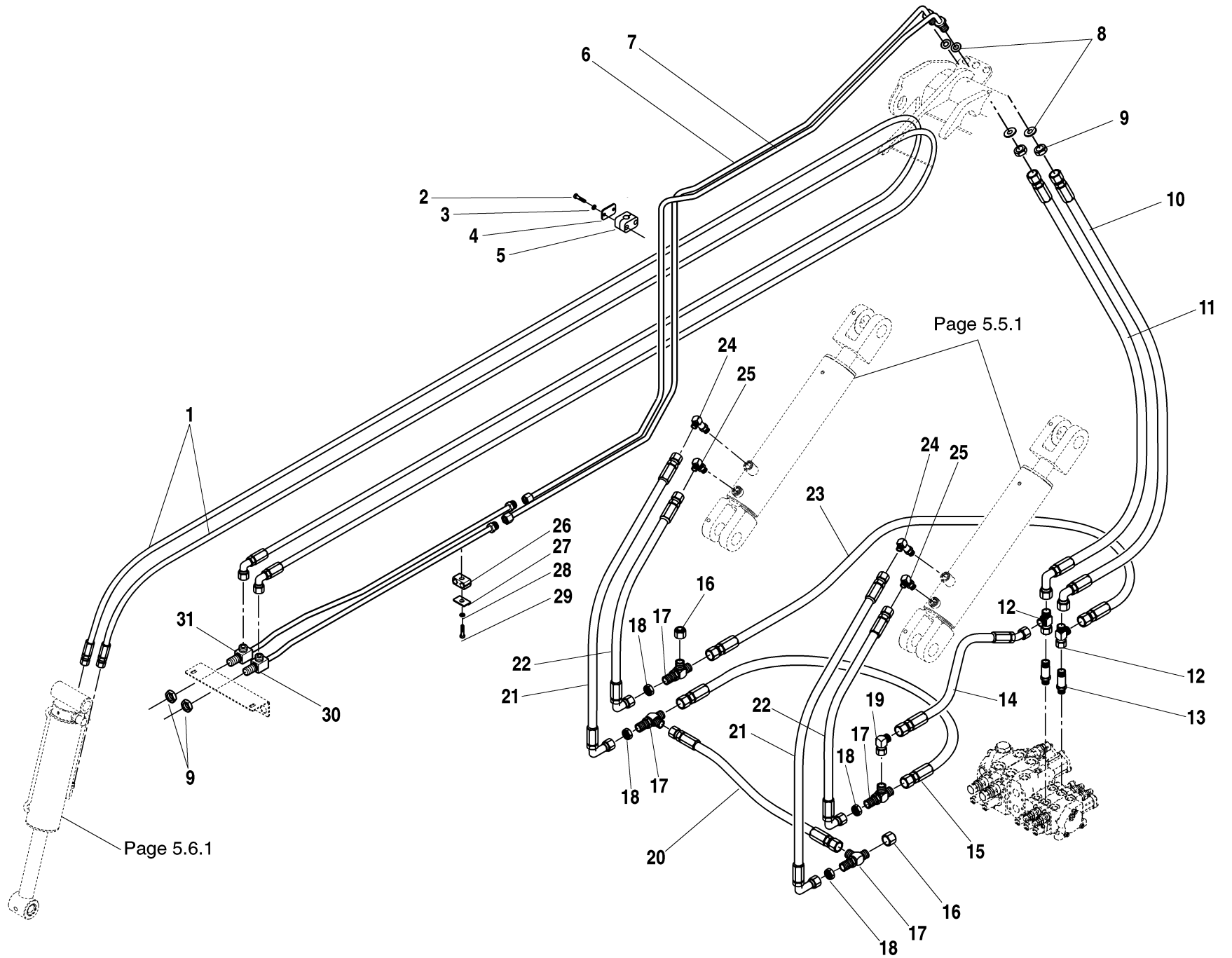
Rev. 000

S/N 14409-

4270H
4270L
4290H
4290L

BOOM LIFT/LOWER & EXTEND/RETRACT CIRCUIT (HIGH PIVOT) 5.1.2



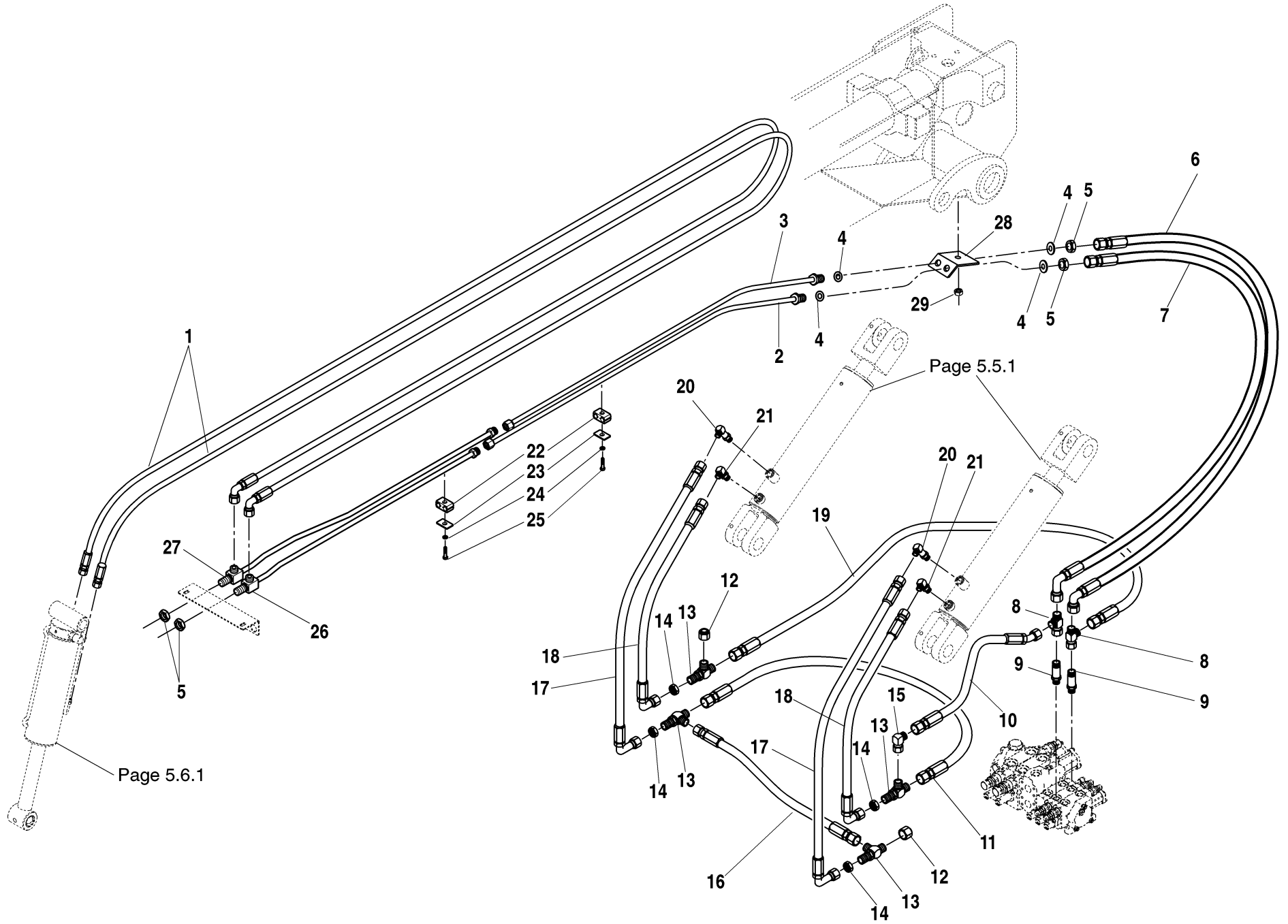


ITEM	PART NO.	QTY.	DESCRIPTION
1	2716620	2	Hose, 0.50 x 407"
2	8303743	4	HHCS, 1/4"-20 x 1-1/2"
3	8307002	4	Washer, Lock, 1/4"
4	8769153	2	Plate, Cover
5	8769154	2	Clamp Set, 5/8"
6	7136133	1	Tube Assembly
7	7136123	1	Tube Assembly
8	5724302	4	Shim
9	8770075	2	Nut, Bulkhead, SAE 10 - OFS
10	2716644	1	Hose, 0.50 x 49.00"
11	2716645	1	Hose, 0.50 x 52.13"
12	8770125	2	Tee, Swivel Run, SAE 8 - OFS
13	8770117	2	Connector, Long, SAE 8 - str. thd. ORB x OFS
14	2716635	1	Hose, 0.50 x 24.38"
15	2716629	1	Hose, 0.50 x 31.00"
16	8770118	4	Cap, SAE 8 - OFS
17	8770167	4	Tee, Run, Bulkhead, SAE 8 - OFS
18	8770129	4	Nut, Bulkhead, SAE 8 - OFS
19	8770115	1	Elbow, 90° Swivel, SAE 8 - OFS
20	2716628	1	Hose, 0.50 x 15.25"
21	2716535	2	Hose, 0.50 x 24.88"
22	2716534	2	Hose, 0.50 x 17.88"
23	2716634	1	Hose, 0.50 x 55.00"
24	8770168	2	Elbow, Long, 90°, SAE 8 - str. thd. ORB x OFS
25	8770114	2	Elbow, 90°, SAE 8 - str. thd. ORB x OFS
26	8769122	2	Clamp Set, 5/8"
27	8769128	2	Plate, Cover
28	8307004	2	Washer, Lock, 5/16"
29	8303715	2	HHCS, 5/16"-18 x 1-1/2"
30	7139230	1	Tube Assembly
31	7139236	1	Tube Assembly

Origin
05/01

S/N 14409-

4270H
4270L
4290H
4290L

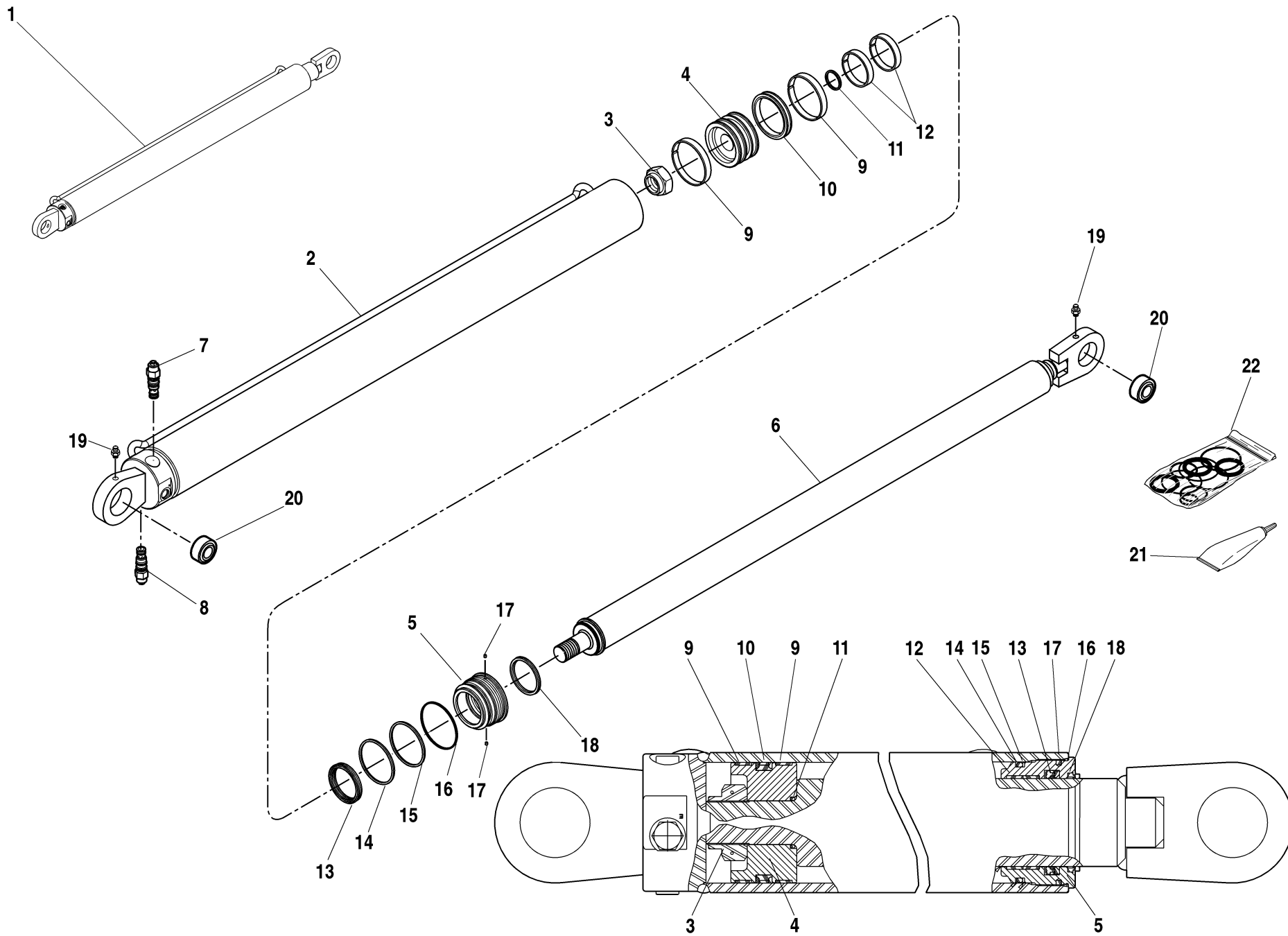


ITEM	PART NO.	QTY.	DESCRIPTION
1	2716620	2	Hose, 0.50 x 407"
2	7139280	1	Tube Assembly
3	7139278	1	Tube Assembly
4	5724302	4	Shim
5	8770075	2	Nut, Bulkhead, SAE 10 - OFS
6	2716644	1	Hose, 0.50 x 49.00"
7	2716645	1	Hose, 0.50 x 52.13"
8	8770125	2	Tee, Swivel Run, SAE 8 - OFS
9	8770117	2	Connector, Long, SAE 8 - str. thd. ORB x OFS
10	2716635	1	Hose, 0.50 x 24.38"
11	2716629	1	Hose, 0.50 x 31.00"
12	8770118	4	Cap, SAE 8 - OFS
13	8770167	4	Tee, Run, Bulkhead, SAE 8 - OFS
14	8770129	4	Nut, Bulkhead, SAE 8 - OFS
15	8770115	1	Elbow, 90° Swivel, SAE 8 - OFS
16	2716628	1	Hose, 0.50 x 15.25"
17	2716535	2	Hose, 0.50 x 24.88"
18	2716534	2	Hose, 0.50 x 17.88"
19	2716634	1	Hose, 0.50 x 55.00"
20	8770168	2	Elbow, Long, 90°, SAE 8 - str. thd. ORB x OFS
21	8770114	2	Elbow, 90°, SAE 8 - str. thd. ORB x OFS
22	8769122	2	Clamp Set, 5/8"
23	8769128	2	Plate, Cover
24	8307004	2	Washer, Lock, 5/16"
25	8303715	2	HHCS, 5/16"-18 x 1-1/2"
26	7139230	1	Tube Assembly
27	7139236	1	Tube Assembly
28	7139443	1	Bracket, Bulkhead
29	8305645	1	Nut, Hex Lock Elastic 3/8-16

Origin
05/01

S/N 14409-

4270H
4270L
4290H
4290L



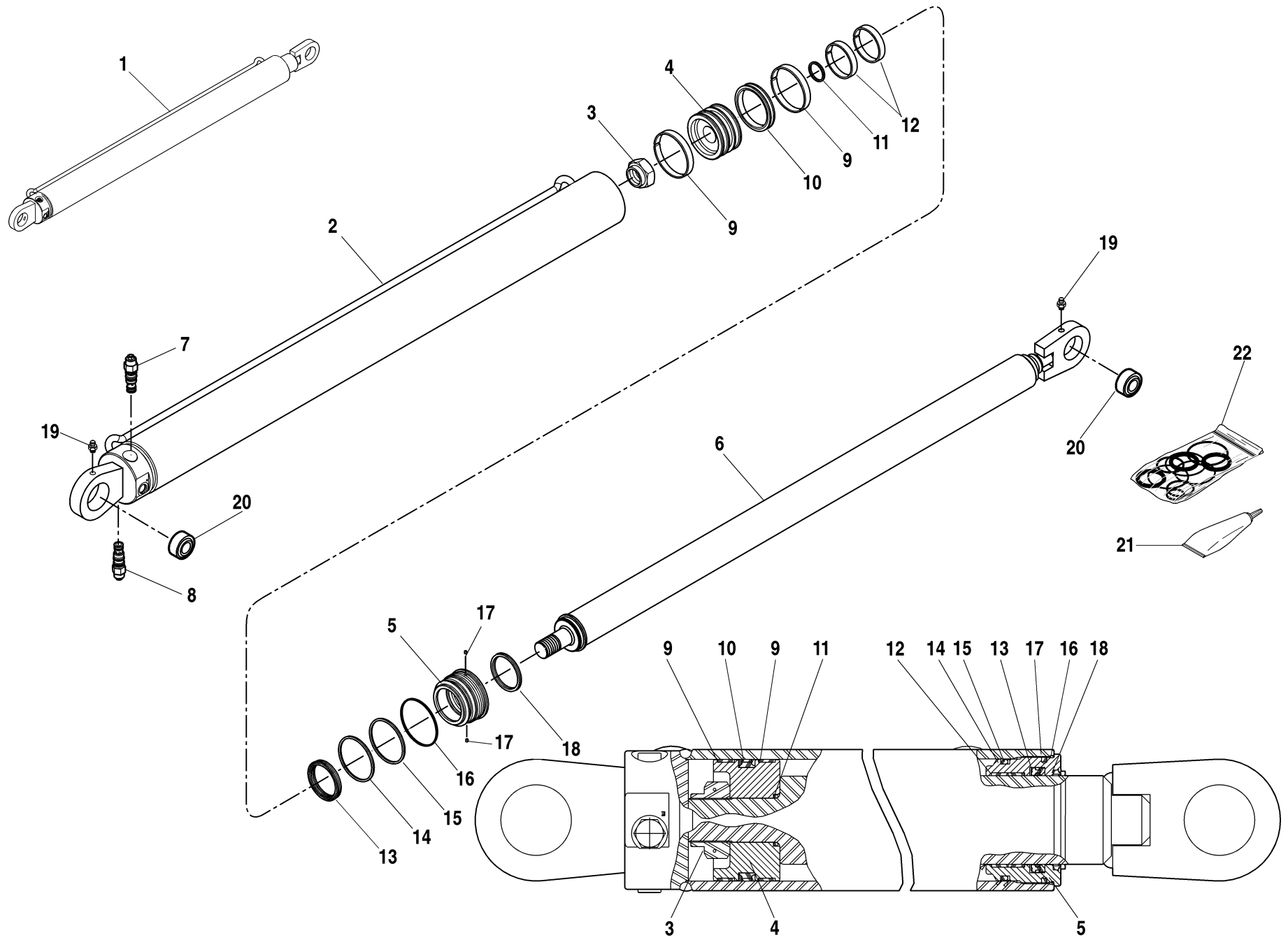
ITEM	PART NO.	QTY.	DESCRIPTION
1	2716737	1	Cylinder, Hoist (Includes Items 2 thru 20)
2	N.S.S	1	Tube, Weldment (Order Item 1)
3	8035308	1	Nut, Hex Lock 2.00-12 UN
4	8035309	1	Piston
5	8035759	1	Gland, Head
6	8036237	1	Rod, Weldment
7	8902271	1	Valve, Counter Balance, M Style
8	8036229	1	PO Check Valve
9	See Kits	2	Wearband, Precision
10	See Kits	1	T-Seal, Capped
11	See Kits	1	O-Ring
12	See Kits	2	Wearband, Precision
13	See Kits	1	Z-Seal, Deep - w/Rod Back-Up
14	See Kits	1	O-Ring
15	See Kits	1	Ring, Back-Up
16	See Kits	1	O-Ring
17	See Kits	2	Locking Insert
18	See Kits	2	Wiper, Hd. Rod - Sealed O.D.
19	8520013	2	Fitting, Lube
20	8050072	2	Bearing, Self Align
21	8526011	A/R	Threadlocker, Loctite #271 (250cc)
			N.S.S. = Not Sold Separately
			<u>KITS</u>
22	8055760		Seal Kit (Includes Items 9 thru 18)

Origin
05/01

S/N 14409-

4270H
4270L
4290H
4290L





ITEM	PART NO.	QTY.	DESCRIPTION
1	2716735	1	Cylinder, Hoist (Includes Items 2 thru 20)
2	N.S.S	1	Tube, Weldment (Order Item 1)
3	8035308	1	Nut, Hex Lock 2.00-12 UN
4	8036241	1	Piston
5	8036240	1	Gland, Head
6	8036238	1	Rod, Weldment
7	8902271	2	Valve, Counter Balance, M Style
8	8036229	1	PO Check Valve
9	See Kits	2	Wearband, Precision
10	See Kits	1	T-Seal, Capped
11	See Kits	1	O-Ring
12	See Kits	2	Wearband, Precision
13	See Kits	1	Z-Seal, Deep - w/Rod Back-Up
14	See Kits	1	O-Ring
15	See Kits	1	Ring, Back-Up
16	See Kits	1	O-Ring
17	See Kits	2	Locking Insert
18	See Kits	2	Wiper, Hd. Rod - Sealed O.D.
19	8520013	2	Fitting, Lube
20	8050072	2	Bearing, Self Align
21	8526011	A/R	Threadlocker, Loctite #271 (250cc)
			N.S.S. = Not Sold Separately
			KITS
22	8036074		Seal Kit (Includes Items 9 thru 18)

Origin
05/01

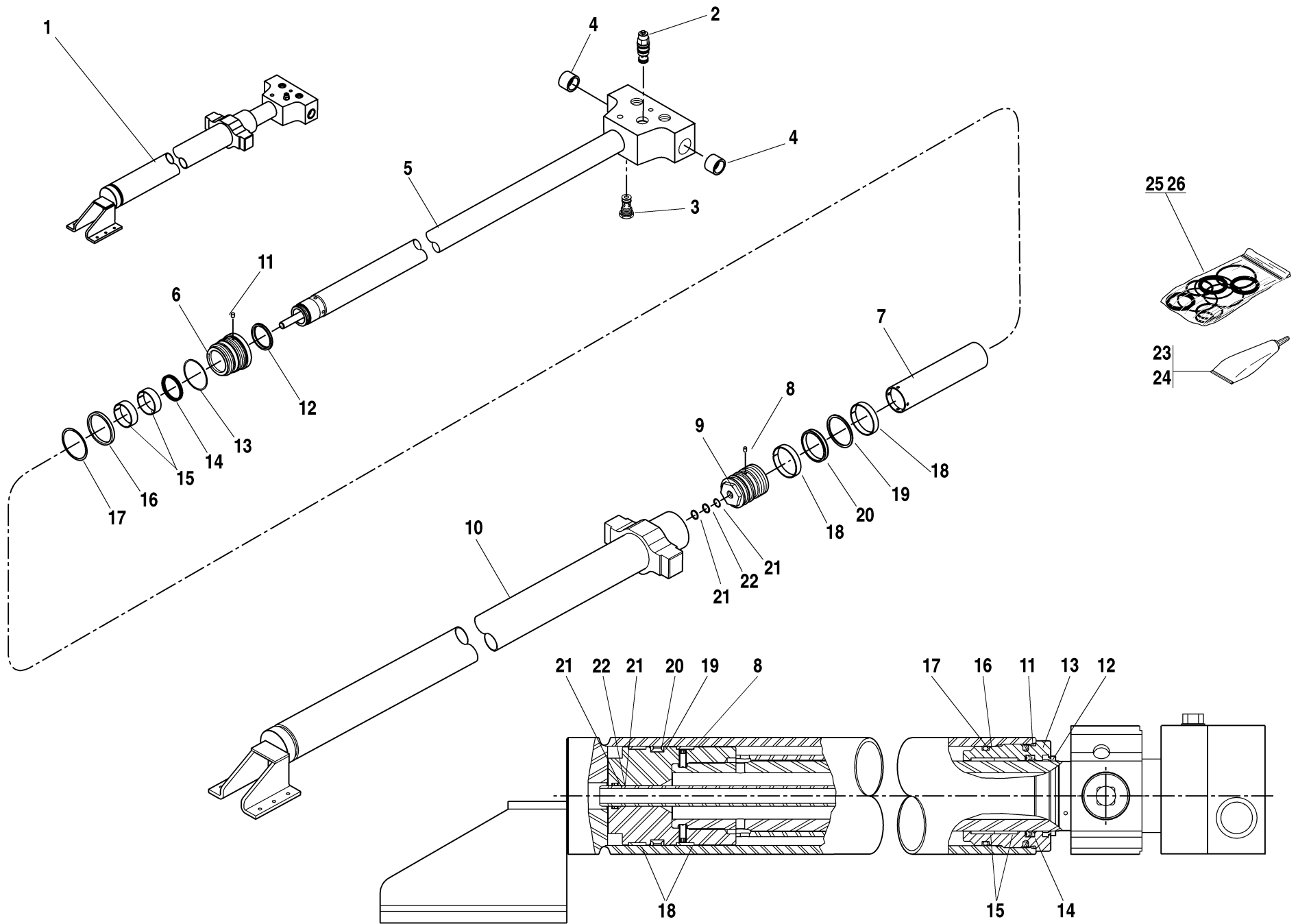
S/N 14409-

4270H
4270L
4290H
4290L

HOIST CYLINDER 4290

5.3.2





ITEM PART NO. QTY. DESCRIPTION

1	2716736	1	Cylinder, Extend (Includes Items 2 thru 22)
2	8902271	1	CB Valve, M Style (4000)
3	8036229	1	PO Check Valve
4	8036230	2	Bushing, DU
5	8035766	1	Rod, Weldment
6	8035764		Gland, Head
7	8035765	1	Spacer, Rod
8	8035769	1	Screw, Set 5/16-18 UNC x .75" Long
9	8035763	1	Piston
10	N.S.S.	1	Tube, Weldment (Order Item 1)
11	See Kits	2	Locking Insert
12	See Kits	1	Wiper, Hd. Rod - Sealed O.D.
13	See Kits	1	O-Ring
14	See Kits	1	Z-Seal, Deep - w/Rod Back-Up
15	See Kits	2	Wearband, Precision
16	See Kits	1	Ring, Back-Up
17	See Kits	1	O-Ring
18	See Kits	2	Wearband, Precision
19	See Kits	1	Square Ring
20	See Kits	1	T-Seal, Capped
21	See Kits	1	O-Ring
22	See Kits	2	Ring, Back-Up - Dynamic
23	8526011	A/R	Threadlocker, Loctite #271 (250cc)
24	8526036	A/R	Threadlocker, Loctite #242 (.02 fl. oz.)
<u>KITS</u>			
25	8036228	1	Seal Kit (Includes Items 11 thru 22)
26	8205656	1	Seal Kit for Items 2 & 3

N.S.S. = Not Sold Separately

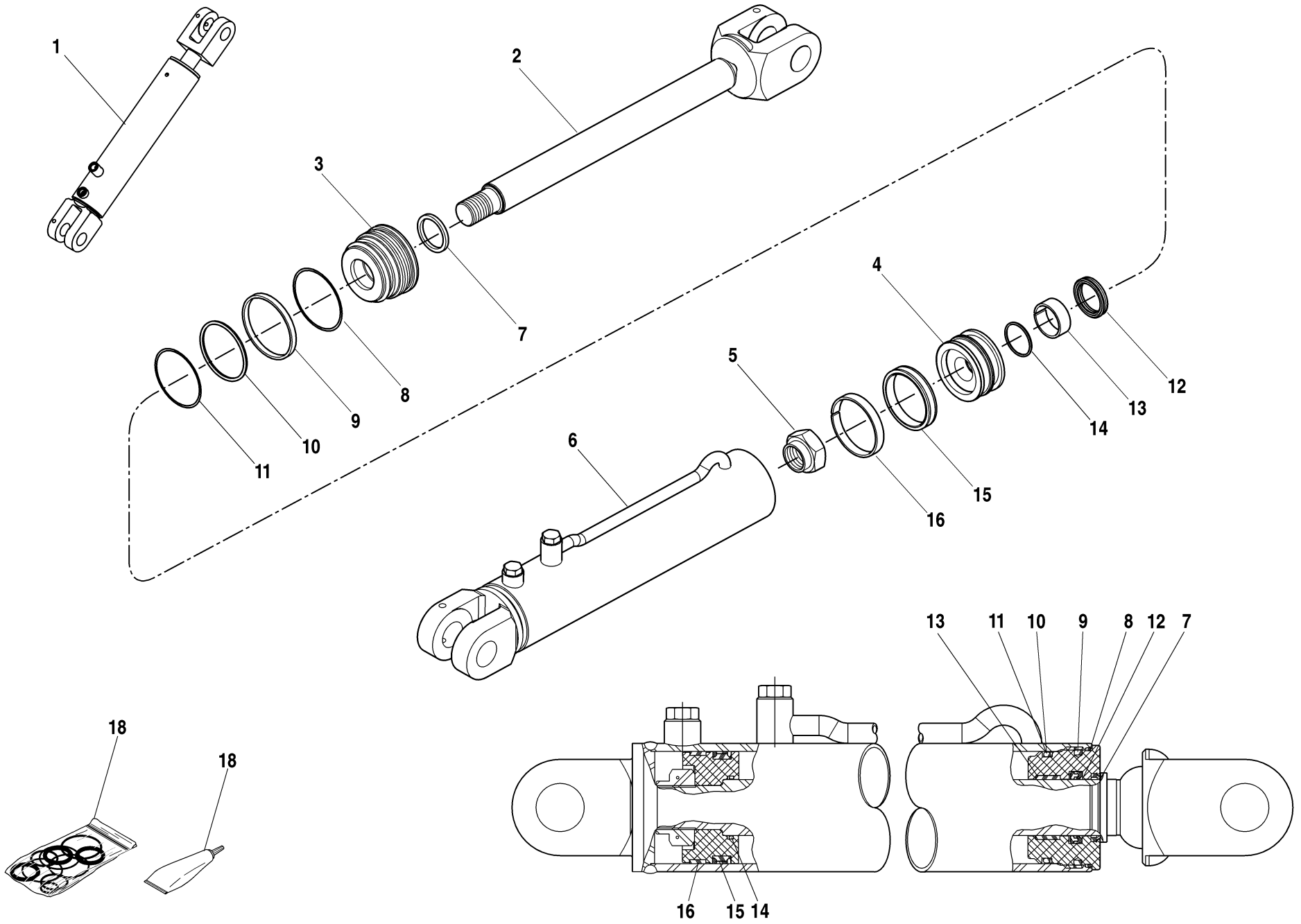
Origin
05/01

S/N 14409-

EXTEND CYLINDER

5.4.1

4270H
4270L
4290H
4290L



ITEM	PART NO.	QTY.	DESCRIPTION
1	2716373	1	Cylinder, Slave (Includes Items 2 thru 16)
2	8035548	1	Rod, Weldment
3	8035549	1	Gland, Head
4	8035550	1	Piston
5	8035547	1	Nut, Hex Lock 1.375-12 UNF
6	N.S.S	1	Tube (Order Item 1)
7	See Kits	1	Wiper, Hd. Rod - Sealed O.D.
8	See Kits	1	O-Ring
9	See Kits	1	Locking Insert
10	See Kits	1	Ring, Back-Up
11	See Kits	1	O-Ring
12	See Kits	1	Z-Seal, Deep - w/Rod Back-Up
13	See Kits	1	Wearband, Precision
14	See Kits	1	O-Ring
15	See Kits	1	T-Seal, Capped
16	See Kits	1	Wearband, Precision
17	8526011	A/R	Threadlocker, Loctite #271 (250cc)
			<u>KITS</u>
18	8035546	1	Seal Kit, Slave Cylinder (Includes Items 7 thru 16)

N.S.S. = Not Sold Separately

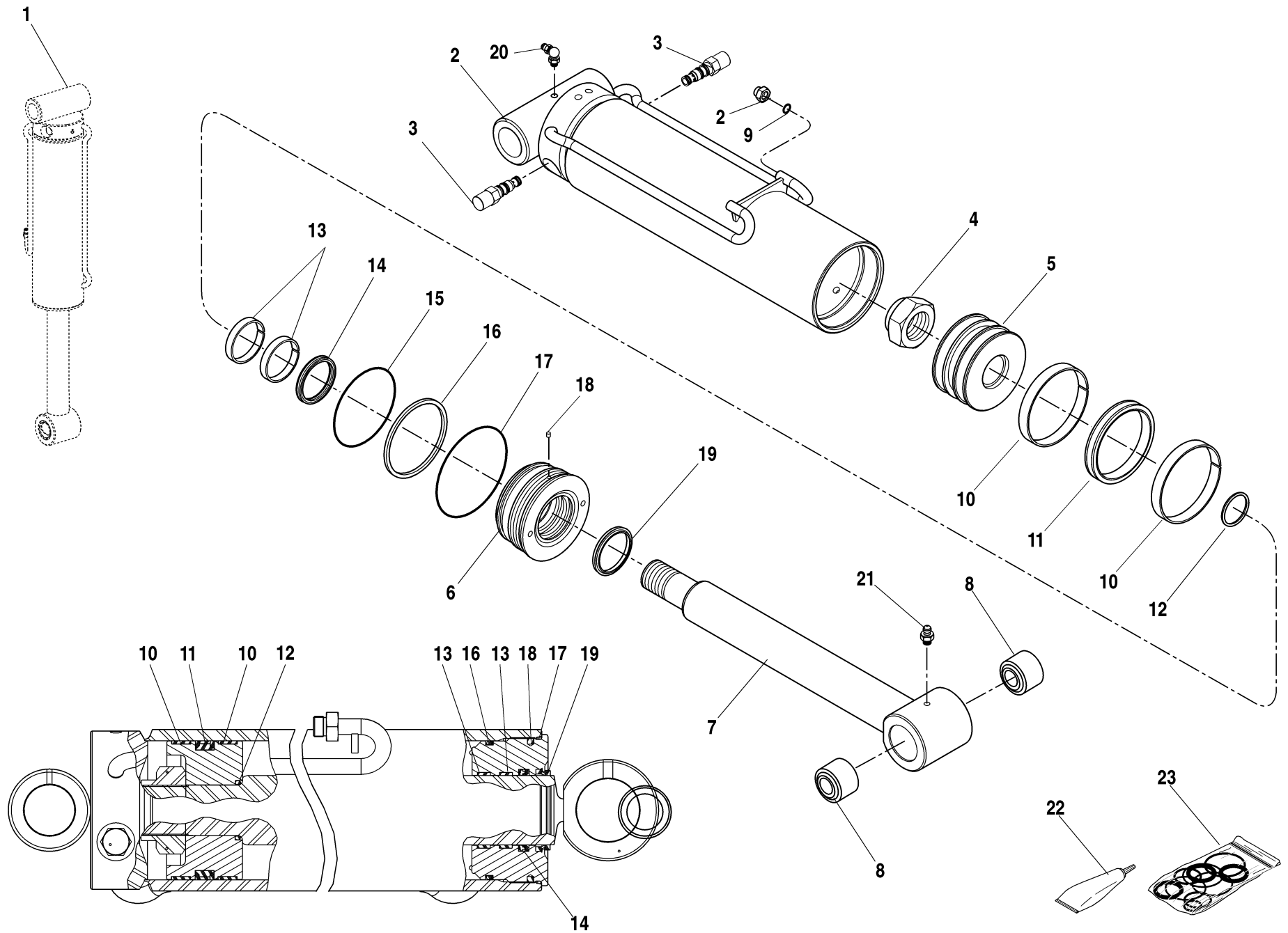
Origin
05/01

S/N 14409-

SLAVE CYLINDER

5.5.1

4270H
4270L
4290H
4290L



ITEM	PART NO.	QTY.	DESCRIPTION
1	7138173	1	Cylinder, Attachment Tilt (Includes Items 2 thru 19)
2	N.S.S	1	Tube Weldment (Order Item 1)
3	8035321	2	Valve, CB - CCC Preset at 4000 psi (275,8 bar)
4	8035308	1	Nut, Hex Lock 2.00-12 UN
5	8035309	1	Piston
6	8035553	1	Gland, Head
7	8035552	1	Rod, Weldment
8	7089722	2	Bushing
9	See Kits	2	O-Ring
10	See Kits	2	Wearband, Precision
11	See Kits	1	T-Seal, Capped
12	See Kits	1	O-Ring
13	See Kits	2	Wearband, Precision
14	See Kits	1	Z-Seal, Deep - w/Rod Back-Up
15	See Kits	1	Ring, Back-Up
16	See Kits	1	O-Ring
17	See Kits	1	O-Ring
18	See Kits	2	Locking Insert
19	See Kits	1	Wiper, Hd. Rod - Sealed O.D.
20	8520021	1	Fitting, Lube 90°
21	8520013	1	Fitting, Lube, Straight
22	8526011	A/R	Threadlocker, Loctite #271 (250cc)
23	8035551		KITS Seal Kit (Includes Items 9 thru 19)

N.S.S. = Not Sold Separately

Origin
05/01

S/N 14409-

4270H
4270L
4290H
4290L

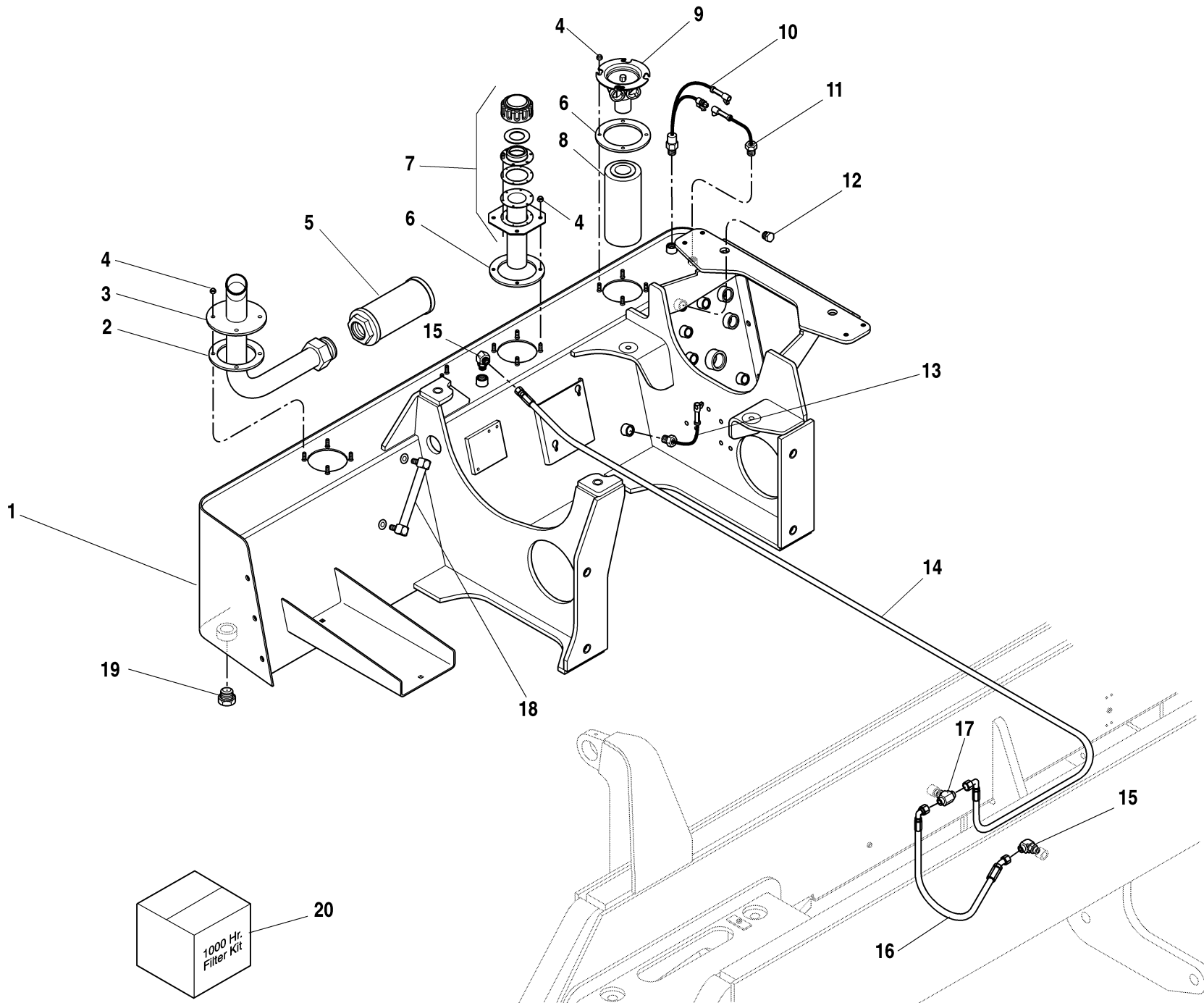
ATTACHMENT TILT CYLINDER

5.6.1

TABLE OF CONTENTS

Section 6 — Hydraulic System Components

Hydraulic Reservoir Assembly	6.1.1
Unloader Valve Hydraulic Circuit	6.2.1
Unloader Valve Assembly	6.3.1
Gear Pump Assembly 4270	6.4.1
Gear Pump Assembly 4290	6.4.2
Valves/Manifold and Brackets.	6.5.1
Main Control Valve Assembly (w/o Auxiliary)	6.6.1
Main Control Valve Assembly (w/Auxiliary)	6.6.2
Section Assembly - Boom Extend/Retract	6.7.1
Section Assembly - Boom Lift/Lower	6.8.1
Section Assembly - Frame Tilt	6.9.1
Section Assembly - Attachment Tilt	6.10.1
Section Assembly Auxiliary	6.11.1
Pilot Select Manifold Assembly	6.12.1
Secondary Function Manifold	6.13.1



ITEM	PART NO.	QTY.	DESCRIPTION
1	7137164	1	Hydraulic Reservoir/Engine Mount
2	7138209	1	Gasket
3	7138210	1	Tube Assembly
4	8305626	12	Nut, Hex Lock 0.312-18 NC
5	8324029	1	Strainer
6	7138209	2	Gasket
7	7136422	1	Fill Neck Assembly
8	8320265	1	Element, Filter (See Kits)
9	7094562	1	Head, Filter
10	8223526	1	Switch, Oil Pressure 20 psi (1,4 kPa)
11	8223227	1	Switch, Temperature 100°F (38°C)
12	8760419	1	Plug, SAE 8, 3/4-16 UNF-2A
13	8223226	1	Switch, Temperature 95°F (35°C)
14	2716647	1	Hose, 0.50 x 64.88"
15	8770114	1	Elbow, 90°
16	2716646	1	Hose, 0.50 x 23.50"
17	8770126	1	Tee, Branch
18	8464013	1	Sight Gauge
19	8770001	1	Plug, 1.875-12 THD
			KITS
20	7139238	1	1000 Hour Filter Kit (Includes 6 Filters: Engine Oil Filter, Fuel Filter, Both Air Filters, Transmission Oil Filter & Hydraulic Oil Filter)

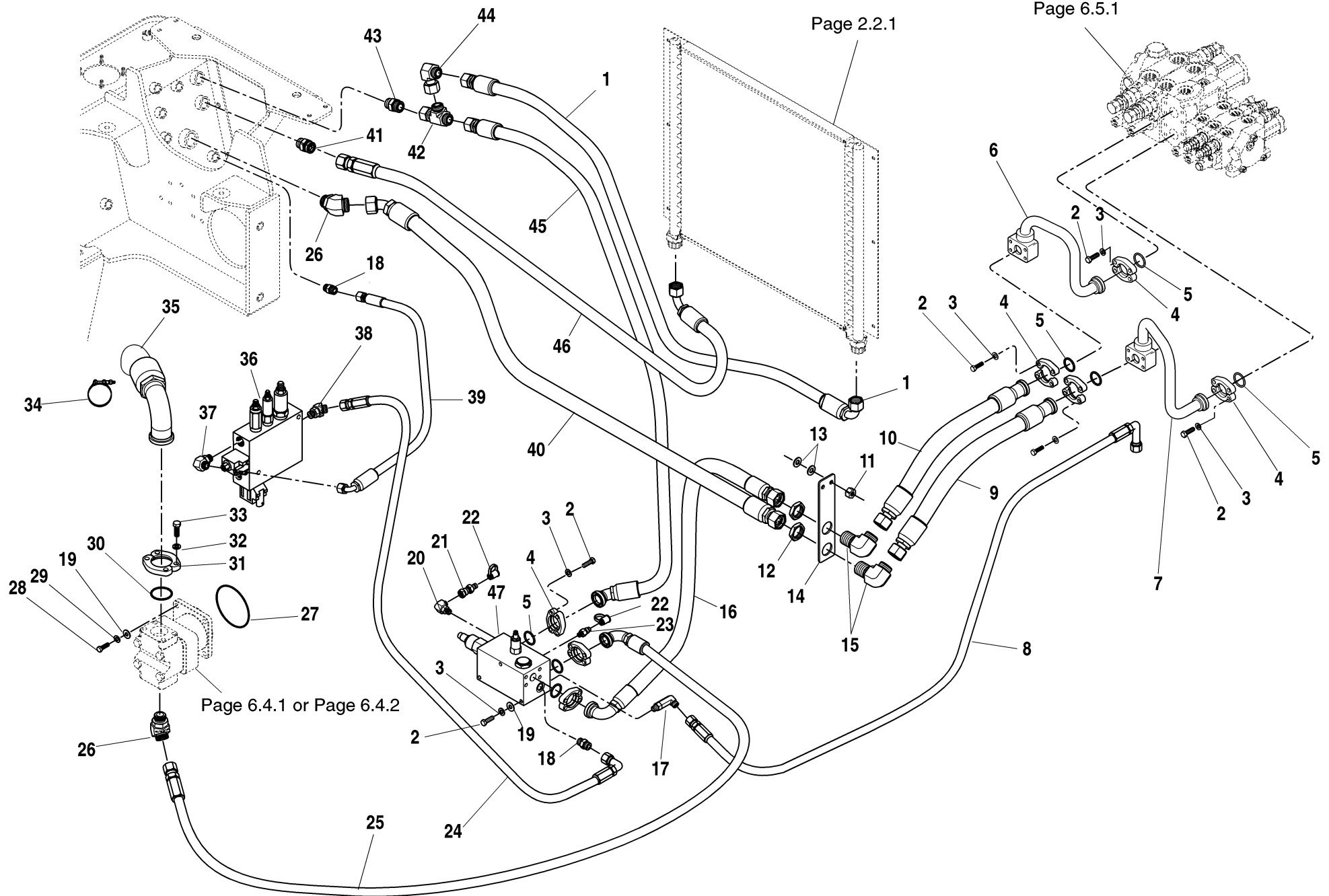
Origin
05/01

S/N 14409-

4270H
4270L
4290H
4290L

HYDRAULIC RESERVOIR ASSEMBLY

6.1.1



ITEM	PART NO.	QTY.	DESCRIPTION
1	2716524	1	Hose, 0.75 x 20.00"
2	8303675	23	HHCS, 3/8-16 NC x 1.25"
3	8307005	23	Washer, Lock 3/8"
4	8530030	10	Flange, Half #16
5	8640123	5	O-Ring, 1.296 I.D.
6	7138784	1	Tube
7	7138785	1	Tube
8	2716641	1	Hose, 0.38 x 99.50"
9	2716530	1	Hose, 1.00 x 51.75"
10	2716531	1	Hose, 1.00 x 49.38"
11	8305603	2	Nut, Hex Lock, 0.375-16 NC
12	8770096	2	Nut, Bulkhead, SAE 16 - OFS
13	8307112	4	Washer, Plain, 0.50" SAE
14	7138284	1	Bracket, High Pressure Lines
15	8770095	2	Elbow, 90°, Bulkhead, SAE 16 - OFS
16	2716631	1	Hose, 0.75 x 18.25"
17	8770068	1	Elbow, 90°, SAE 6 - str. thd. ORB x OFS
18	8770116	2	Connector, SAE 8 - str. thd. ORB x OFS
19	8307220	7	Washer, Plain, M12
20	8770102	1	Elbow, 90°, SAE 6-4 - str. thd. ORB x OFS
21	8430081	1	Nipple, Diagnostic
22	8430032	2	Plug, Dust
23	8430033	1	Nipple, Diagnostic - 1/8 Body
24	2716566	1	Hose, 0.50 x 33.00"
25	2716633	1	Hose, 0.75 x 91.00"
26	8770166	2	Elbow, 45°, SAE 16 - str. thd. ORB x OFS
27	8630016	1	O-Ring, 130 x 3mm
28	8310164	4	HHCS, M12-1,75 x 40mm
29	8307025	4	Washer, Lock M12
30	8640208	1	O-Ring, 2.234 I.D.
31	8546407	2	Flange, Half #32
32	8307007	4	Washer, Lock 0.50"
33	8303626	4	HHCS, 0.50-13 NC x 1.50"
34	8405209	1	Clamp, T-bolt
35	2716520	1	Hose, 2.00 x 21.00"
36	8902196	1	Manifold, Secondary Function (See Page 6.9.1 for Breakdown)

ITEM	PART NO.	QTY.	DESCRIPTION
37	8770114	1	Elbow, 90°, SAE 8 - str. thd. ORB x OFS
38	8770127	1	Elbow, 45°, SAE 8 - str. thd. ORB x OFS
39	2716567	1	Hose, 0.50 x 59.38"
40	2716529	1	Hose, 1.00 x 23.81"
41	8770070	1	Connector, SAE 12 - str. thd. ORB x OFS
42	8770083	1	Tee, Swivel Run, SAE 12 - OFS
43	8770132	1	Connector, Male Flat Face Tube, w/Inlet Check
44	8770080	1	Elbow, 90° Swivel, SAE 12 - OFS
45	2716523	1	Hose, 0.75 x 22.75"
46	2716525	1	Hose, 0.75 x 30.50"
47	8902200	1	Valve, Unloader (See Page 6.3.1 for Breakdown)

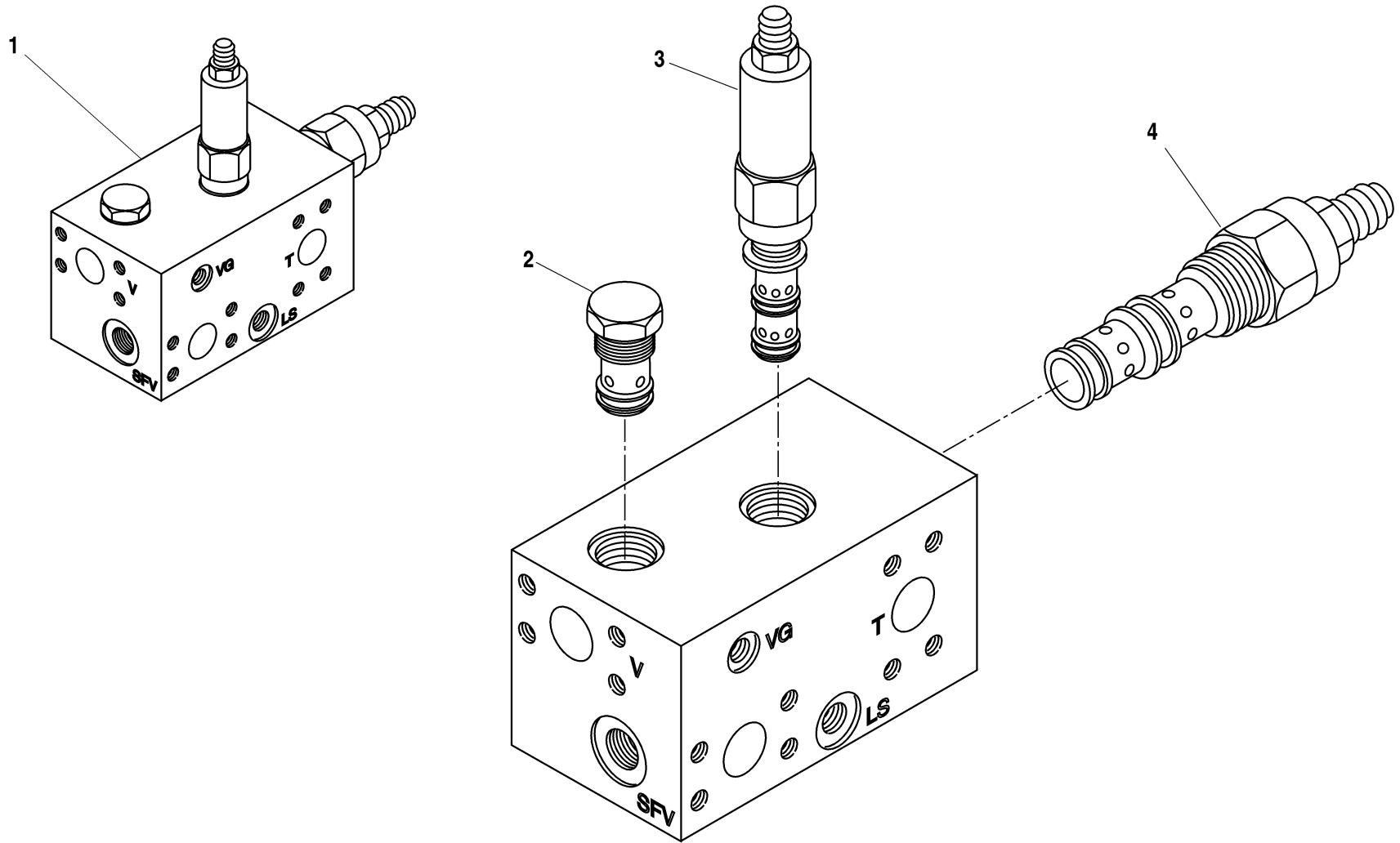
Origin
05/01

S/N 14409-

4270H
4270L
4290H
4290L

UNLOADER VALVE HYDRAULIC CIRCUIT

6.2.1



ITEM	PART NO.	QTY.	DESCRIPTION
1	8902200	1	Valve, Unloader (Includes Items 2 thru 4)
2	8035774	1	Valve, Check - Preset at 125 psi (8,6 bar)
3	8035776	1	Valve, Relief
4	8035775	1	Valve, Differential Pressure Sense

Origin
05/01

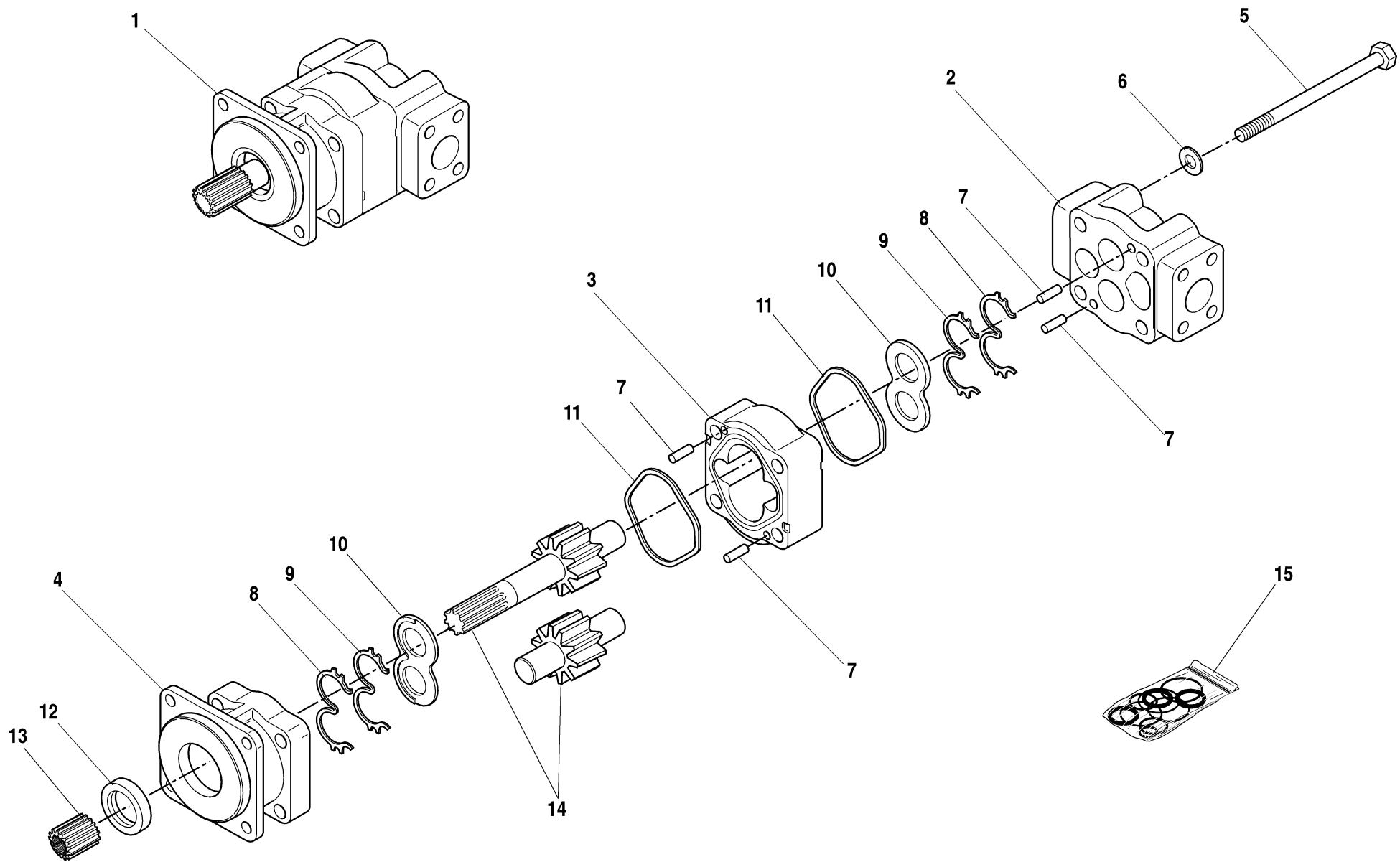
S/N 14409-

4270H
4270L
4290H
4290L

UNLOADER VALVE ASSEMBLY

6.3.1





ITEM	PART NO.	QTY.	DESCRIPTION
1	8440156	1	Pump, Gear (Includes Items 2 thru 14)
2	8035746	1	Housing, PEC
3	8035263	1	Housing, Gear
4	8035747	1	Housing, SEC
5	8035745	4	HHCS
6	8035261	4	Washer
7	8035259	4	Dowel
8	See Kits	2	Seal, Back-Up
9	See Kits	2	Seal, Channel
10	See Kits	2	Plate, Thrust
11	See Kits	2	Seal, Square R
12	See Kits	1	Seal, Lip
13	8035744	1	Adapter, Spline
14	8035262	1	Set, Gear Shaft
			KITS
15	8035093		Seal Kit

Origin
05/01

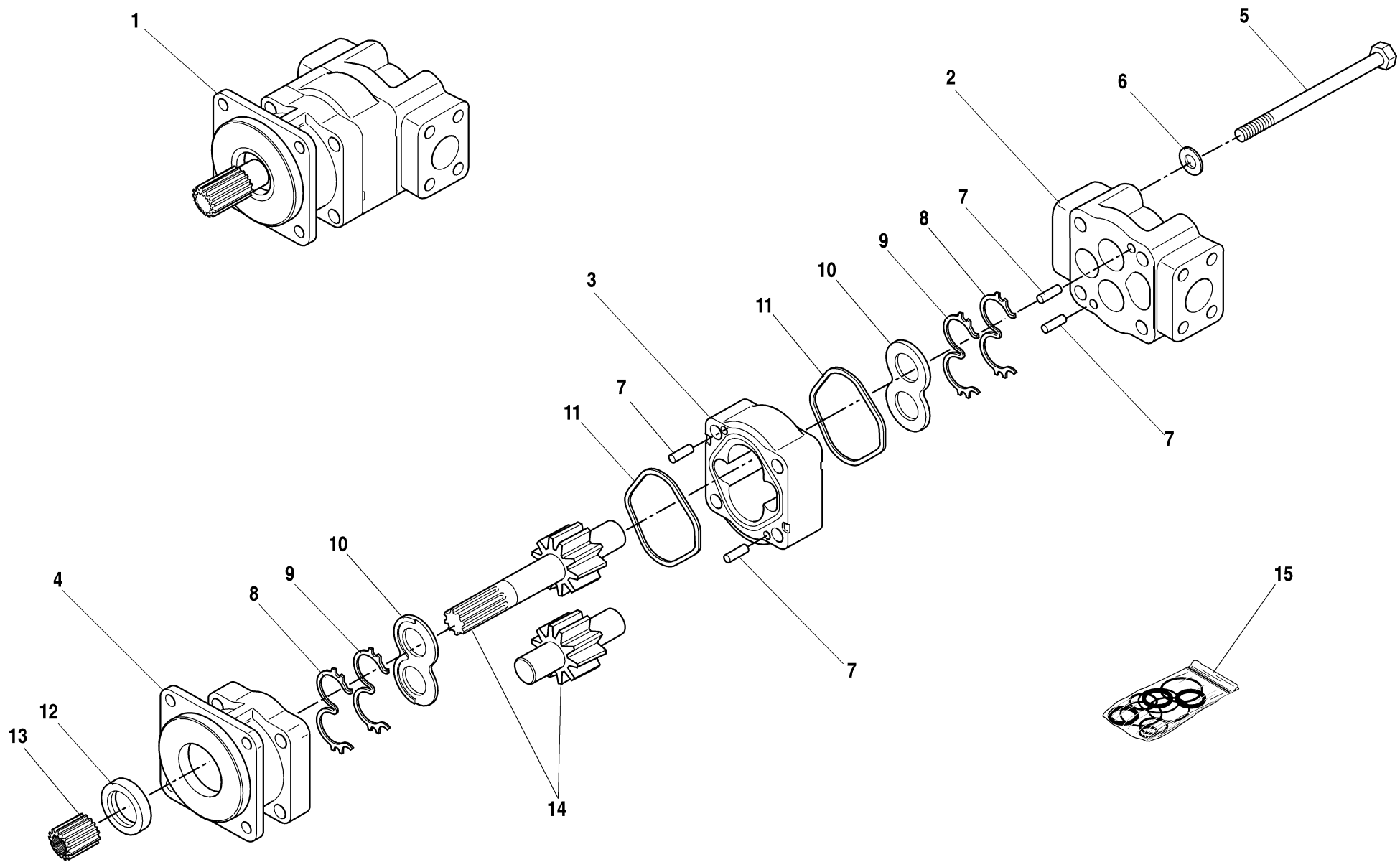
S/N 14409-

4270H
4270L
4290H
4290L

GEAR PUMP ASSEMBLY 4270

6.4.1





ITEM	PART NO.	QTY.	DESCRIPTION
1	8440162	1	Pump, Gear (Includes Items 2 thru 14)
2	8035746	1	Housing, PEC
3	8035263	1	Housing, Gear
4	8035747	1	Housing, SEC
5	8035745	4	HHCS
6	8035261	4	Washer
7	8035259	4	Dowel
8	See Kits	2	Seal, Back-Up
9	See Kits	2	Seal, Channel
10	See Kits	2	Plate, Thrust
11	See Kits	2	Seal, Square R
12	See Kits	1	Seal, Lip
13	8035744	1	Adapter, Spline
14	8036271	1	Set, Gear Shaft
			KITS
15	8036271		Seal Kit

Origin
05/01

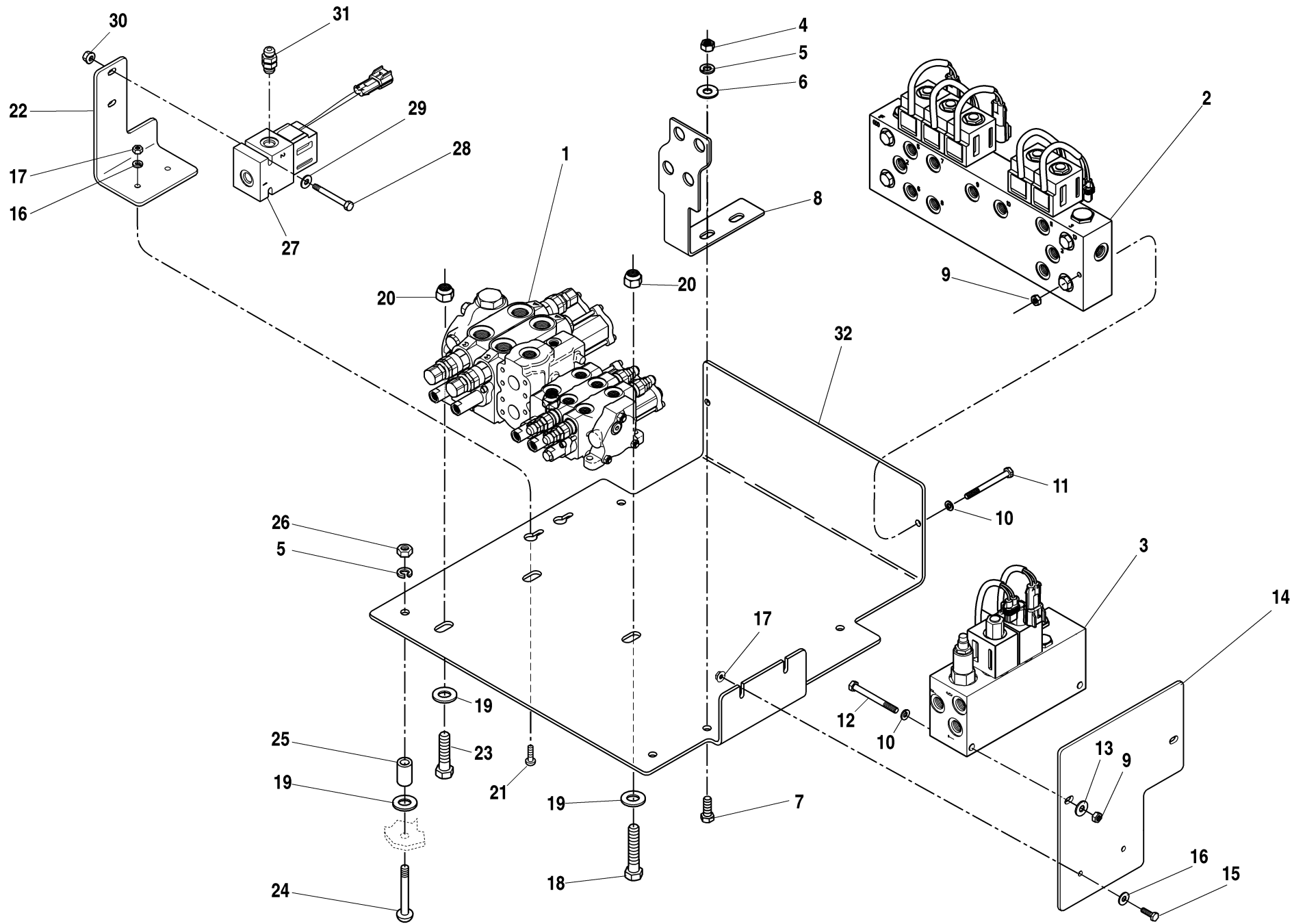
S/N 14409-

4270H
4270L
4290H
4290L

GEAR PUMP ASSEMBLY 4290

6.4.2





ITEM	PART NO.	QTY.	DESCRIPTION
1	8902183	1	Valve, Main Control (w/Auxiliary Hydraulics) (See Pages 6.6.1–6.11.1 for Breakdown)
	8902201	1	Valve, Main Control (w/o Auxiliary Hydraulics) (See Pages 6.6.1–6.11.1 for Breakdown)
2	8902182	1	Manifold, Pilot Select (See Page 6.12.1 for Breakdown)
3	8902180	1	Valve, Auxiliary Detent (See Page 9.3.1 for Tube Connections and Page 9.4.1 for Breakdown)
4	8305008	2	Nut, Hex, 3/8"-16 NC
5	8307005	6	Washer, Lock 3/8"
6	8307204	2	Washer, Plain 3/8"
7	8303620	2	HHCS, 3/8-16 x 1.00"
8	7137022	1	Bracket, Bulkhead, Pilot Valve
9	8305006	4	Nut, Hex 5/16"-18
10	8307004	4	Washer, Lock 5/16"
11	8303766	2	HHCS, 5/16"-18 x 2-3/4"
12	8310380	2	HHCS, 5/16"-18 NC x 3-1/4"
13	8307203	2	Washer, Plain 5/16"
14	7138790	1	Bracket, Aux. Detent Selector Valve
15	8310484	2	Bolt, Carriage 1/4-20 x 1.00"
16	8307002	4	Washer, Lock 1/4"
17	8305004	4	Nut, Hex 1/4"-20
18	8303693	1	HHCS, 1/2"-13 NC x 2-1/2"
19	8307206	7	Washer, Plain 1/2"
20	8305644	3	Nut, Hex Lock Elastic, 1/2"-13
21	8310484	2	Bolt, Carriage, 1/4-20 x 1"
22	7136892	1	Bracket, Dump Valve
23	8303627	2	HHCS, 1/2"-13 NC x 1-3/4"
24	8310281	4	Bolt, Carriage 3/8-16 x 2.25"
25	7116691	4	Spacer
26	8305603	4	Nut, Hex Lock 3/8"-16
27	8902191	1	Valve, Solenoid Dump
28	8303703	2	HHCS, 1/4"-20 x 2-1/2"
29	8307202	2	Washer, Plain 1/4"
30	8310382	2	Nut, Flange, 1/4"-20
31	8770106	1	Connector, SAE 6 - str. thd. ORB x OFS
32	7135773	1	Bracket, Main Valve

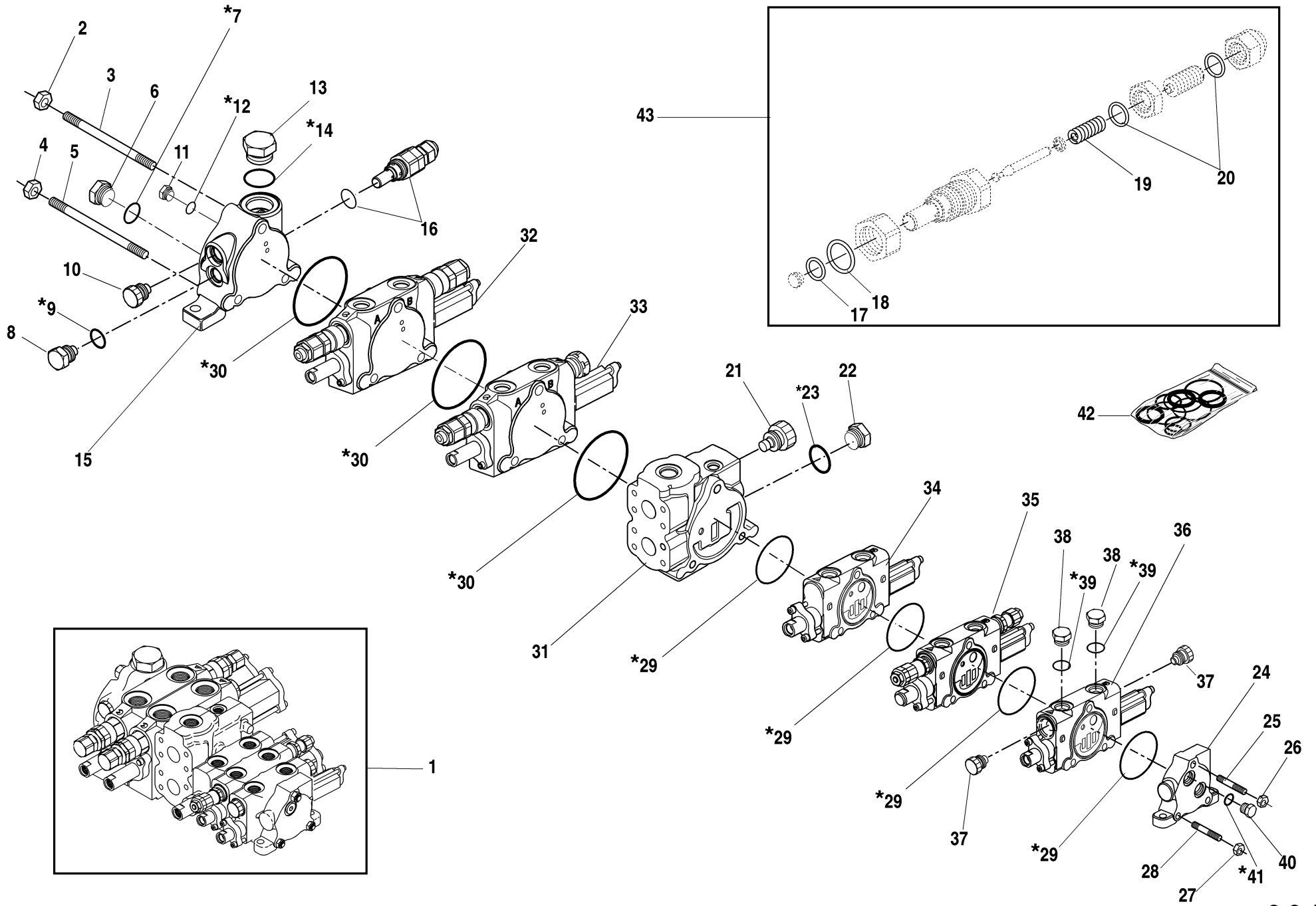
Origin
05/01

S/N 14409-

4270H
4270L
4290H
4290L

VALVES, MANIFOLD AND BRACKETS

6.5.1



ITEM	PART NO.	QTY.	DESCRIPTION
1	8902201	1	Valve, Main Control (w/o Auxiliary Hydraulics) (Includes Items 2 thru 41)
2	8035347	1	Nut
3	8036282	1	Tie Rod
4	8035381	2	Nut
5	8036281	2	Tie Rod
6	8035836	1	Plug
7*	See Kits	1	O-Ring
8	8035834	1	Plug
9*	See Kits	1	O-Ring
10	8035841	1	Shut-Off Plug Assembly
11	8035843	1	Plug
12*	See Kits	1	O-Ring
13	8035835	1	Plug
14*	See Kits	1	O-Ring
15	8036263	1	Outlet Section Assembly
16	8035844	1	Main Relief Valve Assembly Preset at 3800 ±50psi (Includes O-Ring) (For Seal Kit use Item 43)
17	See Kits	1	O-Ring
18	See Kits	1	O-Ring
19	See Kits	1	Spring
20	See Kits	2	O-Ring
21	8035841	1	Shut-Off Plug Assembly
22	8035834	1	Plug
23*	See Kits	1	O-Ring
24	8035345	1	Outlet Section Assembly
25	8036283	1	Tie Rod
26	8035346	1	Nut
27	8035348	2	Nut
28	8036284	2	Tie Rod
29*	8036260	4	O-Ring
30*	8036284	3	O-Ring

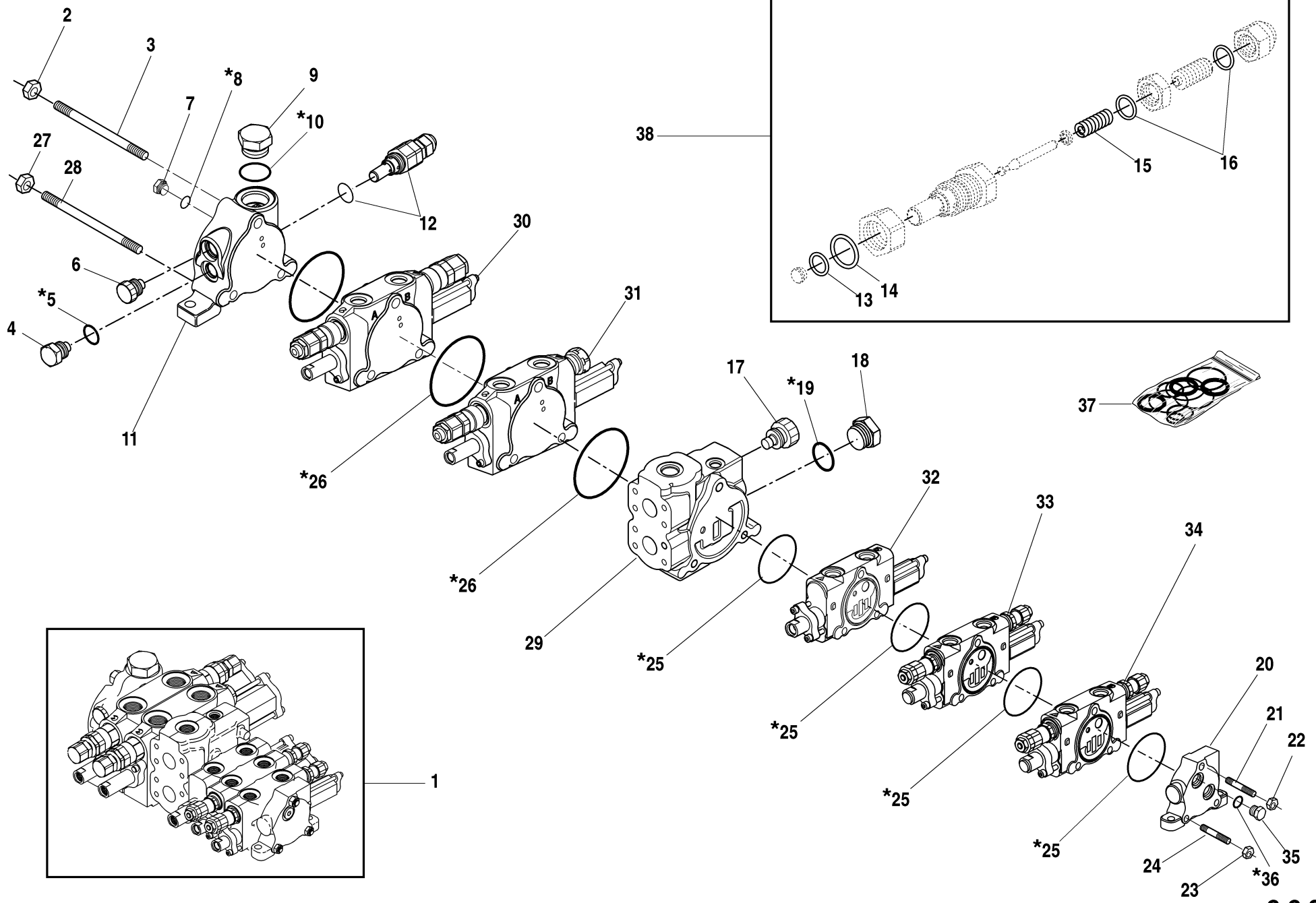
ITEM	PART NO.	QTY.	DESCRIPTION
31	8035849	1	Mid-Inlet Section Assembly (includes 1 each of Item 29 & 30)
32	Page 6.7.1	1	Section Assembly Boom Extend/Retract
33	Page 6.8.1	1	Section Assembly Boom Lift/Lower
34	Page 6.9.1	1	Frame Tilt Section Assembly
35	Page 6.10.1	1	Attachment Tilt Section Assembly
36	Page 6.11.1	1	Auxiliary Section Assembly
37	8760419	2	Plug, Shut Off (w/o Auxiliary Hydraulics)
38	8760419	2	Plug
39*	See Kits	2	O-Ring
40	8035843	2	Plug
41*	See Kits	2	O-Ring
KITS			
42	8036285	1	Seal Kit Entire Valve (Includes Items with * on Page 6.6.1 and 6.7.1 thru 6.11.1)
43	8036183	1	Seal and Spring Kit, Relief Valve (For Item 16) (Includes Items 17, 18, 19 & 20)

Origin
05/01

S/N 14409-

MAIN CONTROL VALVE ASSEMBLY (W/O AUXILIARY) 6.6.1

4270H
4270L
4290H
4290L



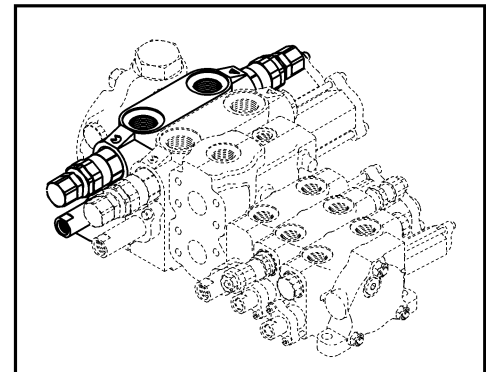
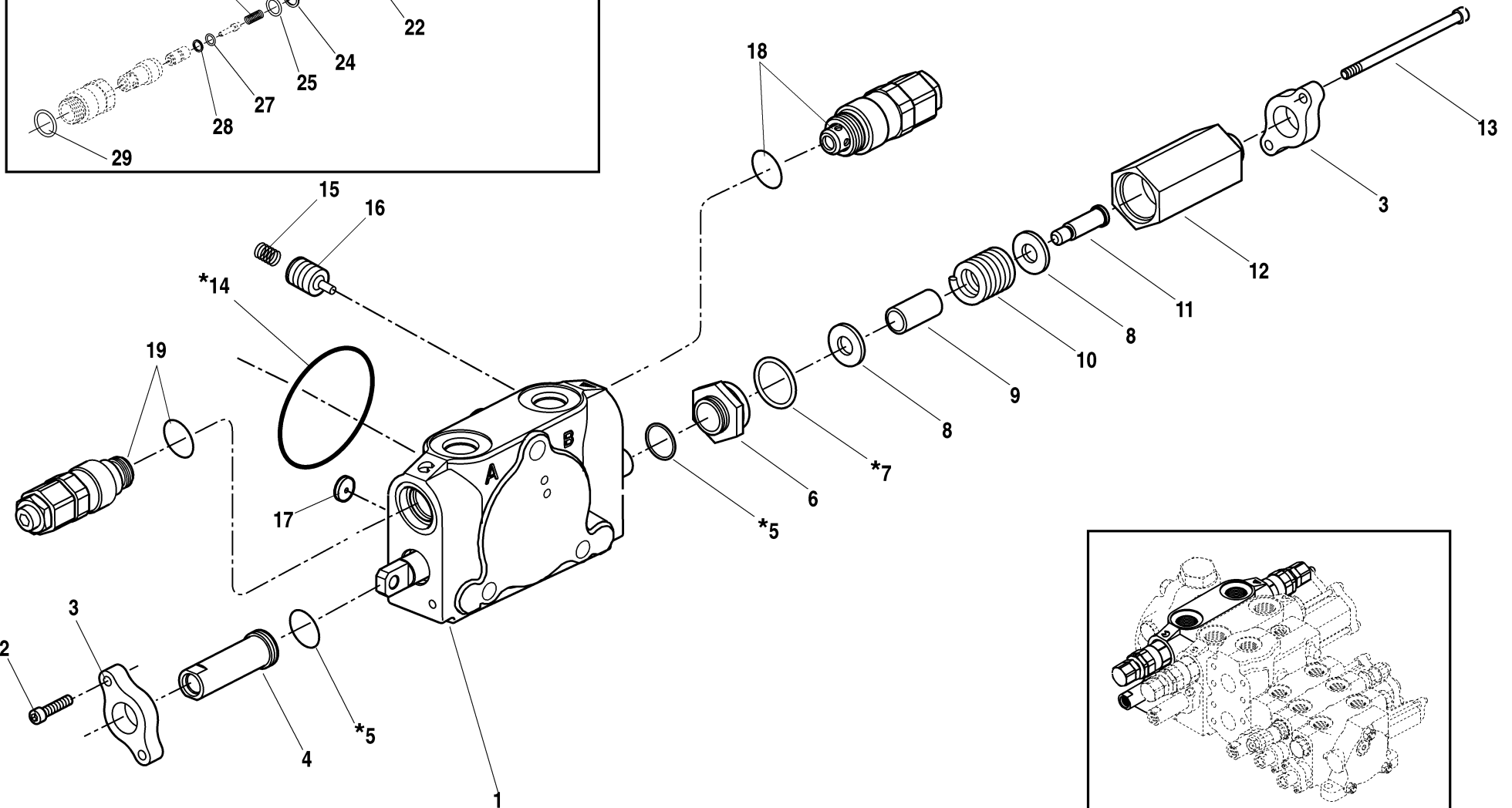
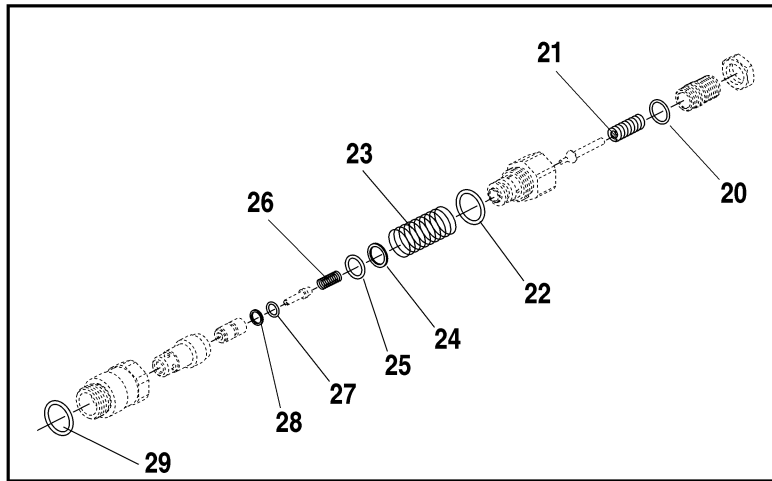
ITEM	PART NO.	QTY.	DESCRIPTION
1	8902183	1	Valve, Main Control (w/Auxiliary Hydraulics) (Includes Items 2 thru 36)
2	8035347	1	Nut
3	8036282	1	Tie Rod
4	8035834	1	Plug (w/o Auxiliary Hydraulics)
5*	See Kits	1	O-Ring (w/o Auxiliary Hydraulics)
6	8035841	1	Shut-Off Plug Assembly
7	8035843	1	Plug
8*	See Kits	1	O-Ring
9	8035835	1	Plug
10*	See Kits	1	O-Ring
11	8036263	1	Outlet Section Assembly
12	8035844	1	Main Relief Valve Assembly Preset at 3800 ± 50 psi (Includes O-Ring) (For Seal Kit use Item 38)
13	See Kits	1	O-Ring
14	See Kits	1	O-Ring
15	See Kits	1	Spring
16	See Kits	2	O-Ring
17	8035841	1	Shut-Off Plug Assembly
18	8035834	1	Plug
19*	See Kits	1	O-Ring
20	8035345	1	Outlet Section Assembly
21	8036283	1	Tie Rod
22	8035346	1	Nut
23	8035348	2	Nut
24	8036284	2	Tie Rod
25*	8036260	4	O-Ring
26*	8034697	3	O-Ring
27	8035381	2	Nut
28	8036281	2	Tie Rod
29	8035849	1	Mid-Inlet Section Assembly (Includes 1 each of Items 25 & 26)

ITEM	PART NO.	QTY.	DESCRIPTION
30	Page 6.7.1	1	Section Assembly Boom Extend/Retract
31	Page 6.8.1	1	Section Assembly Boom Lift/Lower
32	Page 6.9.1	1	Frame Tilt Section Assembly
33	Page 6.10.1	1	Attachment Tilt Section Assembly
34	Page 6.11.1	1	Auxiliary Section Assembly
35	8035843	2	Plug
36*	See Kits	2	O-Ring
KITS			
37	8036285	1	Seal Kit Entire Valve (Includes Items with * on Page 6.6.2 and 6.7.1 thru 6.11.1)
38	8036183	1	Seal and Spring Kit, Relief Valve (For Item12) (Includes Items 13, 14, 15 & 16)

Origin
05/01

S/N 14409-

4270H
4270L
4290H
4290L



ITEM	PART NO.	QTY.	DESCRIPTION
1	8035850	1	Section Assembly Boom Extend/Retract (Includes Items 2 thru 16)
2	8035350	2	SHCS
3	8035368	2	Retainer
4	8035369	1	Cap, Spool
5*	See Kits	2	O-Ring
6	8035378	1	Retainer, Spool Cap
7*	See Kits	1	O-Ring
8	8035361	2	Washer, Flat
9	8035360	1	Spacer
10	8035355	1	Spring
11	8035362	1	Screw, Shoulder Socket Hd.
12	8035370	1	Cap, Spool
13	8035377	2	SHCS
14*	8034697	1	O-Ring
15	8035358	1	Spring
16	8035367	1	Poppet
17	8035845	1	Shuttle
18	8036007	1	Relief Valve Assembly - Preset at 3750 ± 50 psi (258 ± 3,4 bar) (Includes O-Ring) (For Seal Kit Use Item 31)
19	8035839	1	Relief Valve Assembly - Preset at 3000 ± 50 psi (207 ± 3,4 bar) (Includes O-Ring) (For Seal Kit Use Item 31)
20	See Kits	1	O-Ring
21	See Kits	1	Spring
22	See Kits	1	O-Ring
23	See Kits	1	Spring
24	See Kits	1	Ring, Back-Up
25	See Kits	1	O-Ring
26	See Kits	1	Spring
27	See Kits	1	Ring, Back-Up
28	See Kits	1	O-Ring
29	See Kits	1	O-Ring

KITS			
30	8036285	1	Seal Kit, Entire Valve (Includes Items with * on pages 6.6.1 or 6.6.2 thru 6.11.1)
31	8035856	1	Seal and Spring Kit (Includes Items 20 thru 29)

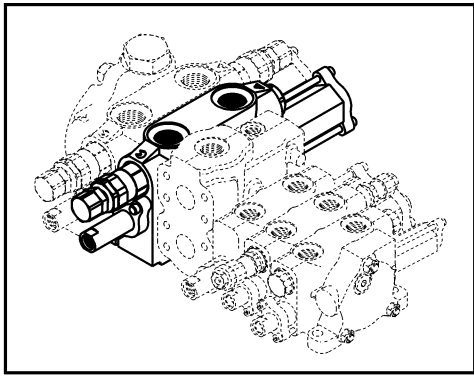
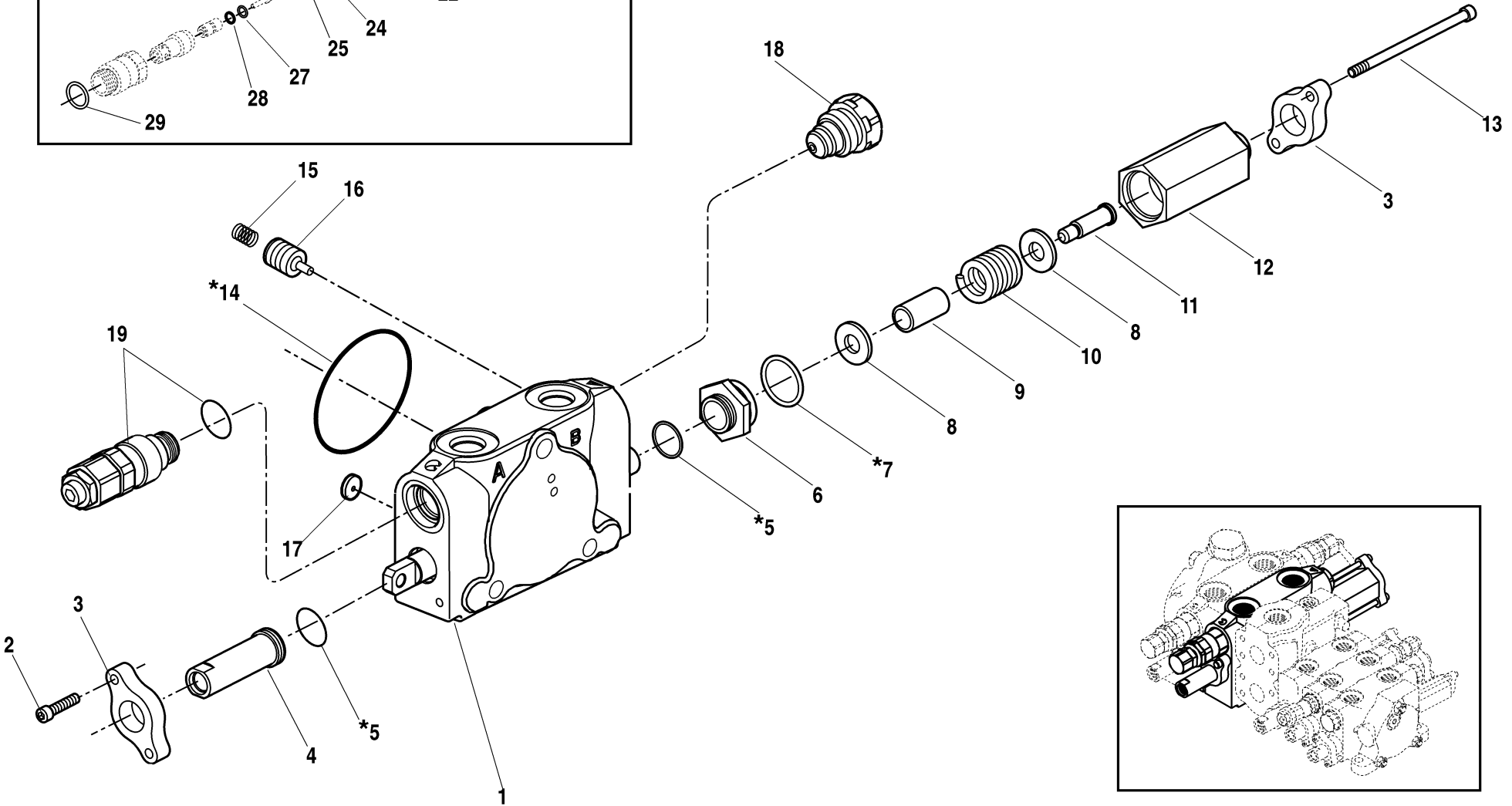
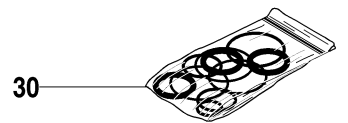
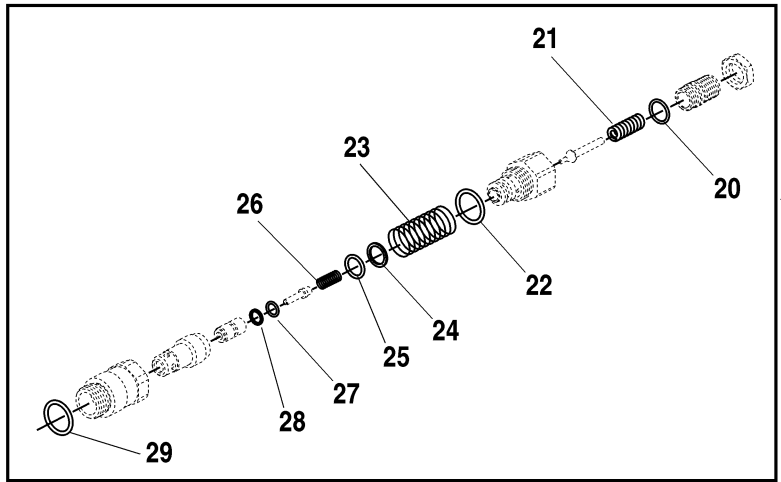
Origin
05/01

S/N 14409-

SECTION ASSEMBLY - BOOM EXTEND/RETRACT

6.7.1

4270H
4270L
4290H
4290L



ITEM	PART NO.	QTY.	DESCRIPTION
1	8035850	1	Section Assembly Boom Lift/Lower (Includes Items 2 thru 16)
2	8035350	2	SHCS
3	8035368	2	Retainer
4	8035369	1	Cap, Spool
5*	See Kits	5	O-Ring
6	8035378	1	Retainer, Spool Cap
7*	See Kits	1	O-Ring
8	8035361	2	Washer, Flat
9	8035360	1	Spacer
10	8035355	1	Spring
11	8035362	1	Screw, Shoulder Socket Hd.
12	8035370	1	Cap, Spool
13	8035377	2	SHCS
14*	8034697	1	O-Ring
15	8035358	1	Spring
16	8035367	1	Poppet
17	8035845	3	Shuttle
18	8035363	1	Anti-Void Assembly
19	8036007	1	Relief Valve Assembly - Preset at 3750 ± 50 psi (258 ± 3,4 bar) (Includes O-Ring) (For Seal Kit Use Item 31)
20	See Kits	1	O-Ring
21	See Kits	1	Spring
22	See Kits	1	O-Ring
23	See Kits	1	Spring
24	See Kits	1	Ring, Back-Up
25	See Kits	1	O-Ring
26	See Kits	1	Spring
27	See Kits	1	Ring, Back-Up
28	See Kits	1	O-Ring
29	See Kits	1	O-Ring

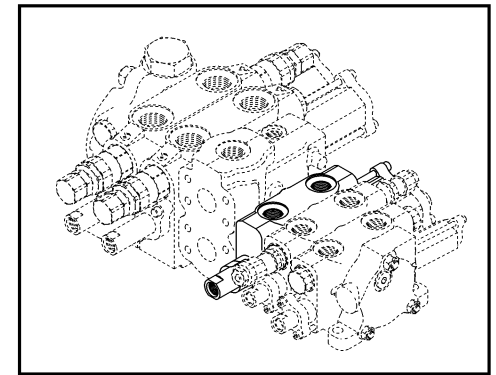
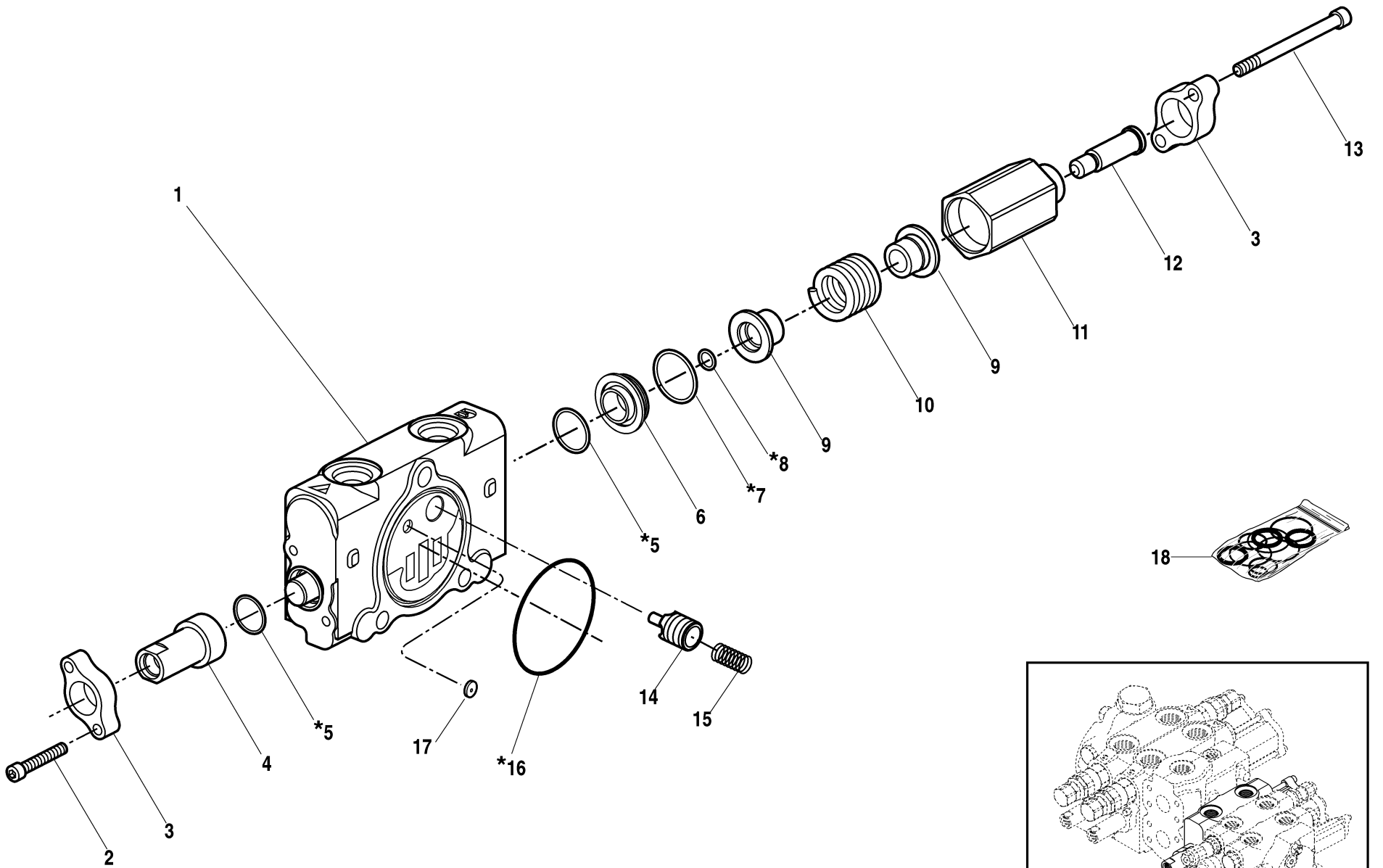
ITEM	PART NO.	QTY.	DESCRIPTION
			KITS
30	8036285	1	Seal Kit, Entire Valve (Includes Items with * on pages 6.6.1 or 6.6.2 thru 6.11.1)
31	8035856		Seal and Spring Kit (Includes Items 20 thru 29)

Origin
05/01

S/N 14409-

SECTION ASSEMBLY - BOOM LIFT/LOWER 6.8.1

4270H
4270L
4290H
4290L



ITEM	PART NO.	QTY.	DESCRIPTION
1	8035846	1	Frame Tilt Section Assembly (Includes Items 2 thru 16)
2	8035357	2	SHCS
3	8035373	2	Retainer
4	8035372	1	Cap, Spool
5*	See Kits	2	O-Ring
6	8035374	2	Retainer, Spool Cap
7*	See Kits	1	O-Ring
8*	See Kits	1	O-Ring
9	8035376	2	Seat, Spring
10	8035356	1	Spring
11	8036286	1	Cap, Spool
12	8035375	1	End, Spool
13	8035359	2	SHCS
14	8035366	1	Poppet
15	8035365	1	Spring
16*	8036260	1	O-Ring
17	8035045	1	Shuttle
			KITS
18	8036285	1	Seal Kit, Entire Valve (Includes Items with * on pages 6.6.1 or 6.6.2 thru 6.11.1)

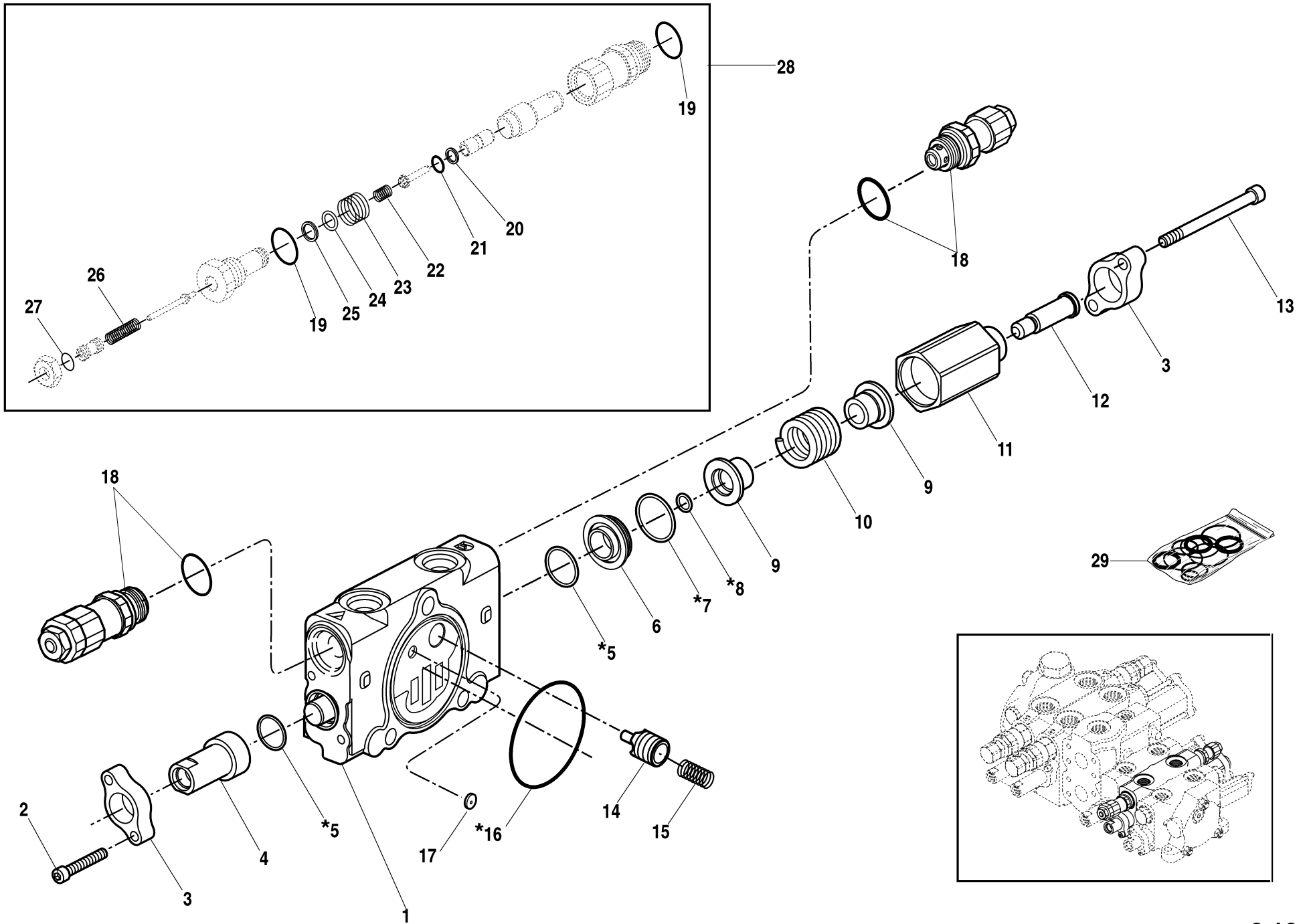
Origin
05/01

S/N 14409-

4270H
4270L
4290H
4290L

SECTION ASSEMBLY - FRAME TILT

6.9.1



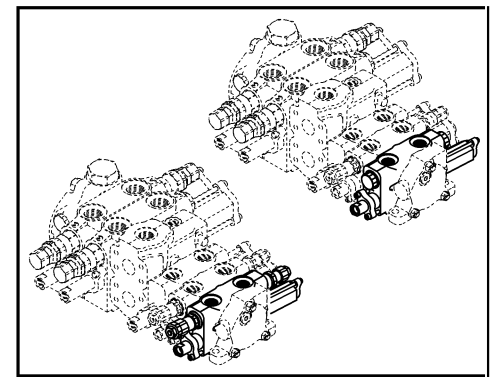
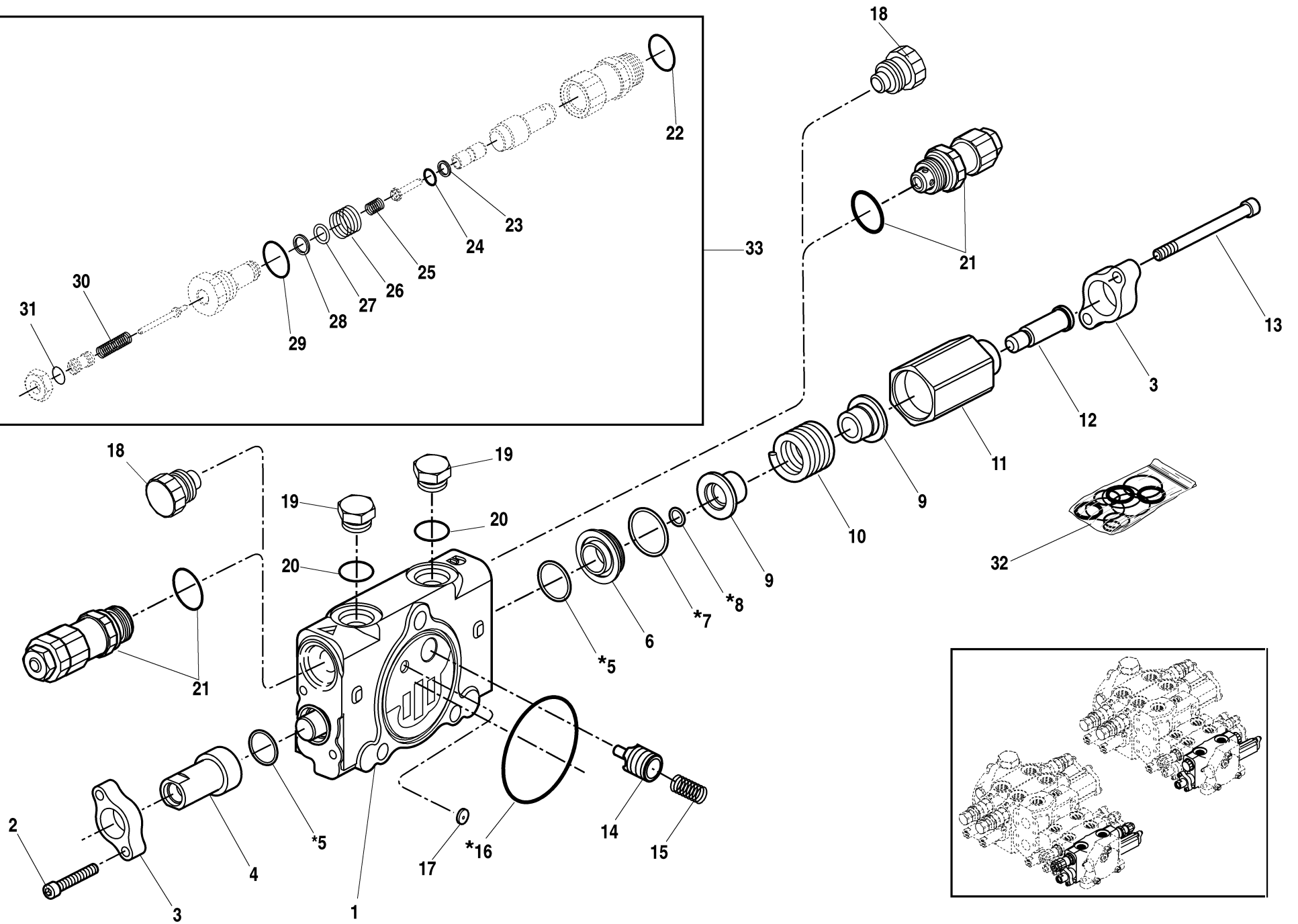
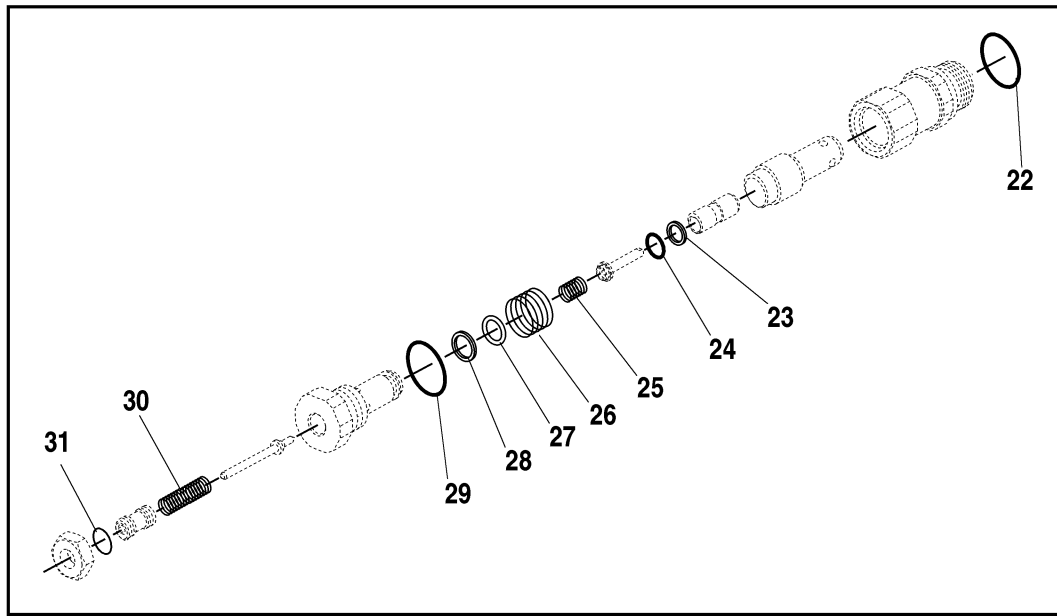
ITEM	PART NO.	QTY.	DESCRIPTION
1	8035847	1	Attachment Tilt Section Assembly (Includes Items 2 thru 16)
2	8035357	2	SHCS
3	8035373	2	Retainer
4	8035372	1	Cap, Spool
5*	See Kits	2	O-Ring
6	8035374	1	Retainer, Spool Cap
7*	See Kits	1	O-Ring
8*	See Kits	1	O-Ring
9	8035376	2	Seat, Spring
10	8035356	1	Spring
11	8036286	1	Cap, Spool
12	8035375	1	End, Spool
13	8035359	2	SHCS
14	8035366	1	Poppet
15	8035365	1	Spring
16*	8036260	1	O-Ring
17	8035845	1	Shuttle
18	8035840	2	Relief Valve Assembly - Preset at 4000 ± 50psi (For Seal Kit use Item 28)
19	See Kits	2	O-Ring
20	See Kits	1	Ring, Back-Up
21	See Kits	1	O-Ring
22	See Kits	1	Spring
23	See Kits	1	Spring
24	See Kits	1	O-Ring
25	See Kits	1	Ring, Back-Up
26	See Kits	1	Spring
27	See Kits	1	O-Ring
			<u>KITS</u>
28	8035855	1	Seal and Spring Kit, Relief Valve (Includes Items 19 thru 27)

ITEM	PART NO.	QTY.	DESCRIPTION
29	8036285	1	Seal Kit, Entire Valve (Includes Items with * on pages 6.6.1 or 6.6.2 thru 6.11.1)

Origin
05/01

S/N 14409-

4270H
4270L
4290H
4290L



ITEM	PART NO.	QTY.	DESCRIPTION
1	8035847	1	Auxiliary Section Assembly (Includes 2 thru 16)
2	8035357	2	SHCS
3	8035373	2	Retainer
4	8035372	1	Cap, Spool
5*	See Kits	2	O-Ring
6	8035374	1	Retainer, Spool Cap
7*	See Kits	1	O-Ring
8*	See Kits	1	O-Ring
9	8035376	2	Seat, Spring
10	8035356	1	Spring
11	8036286	1	Cap, Spool
12	8035375	1	End, Spool
13	8035359	2	SHCS
14	8035366	1	Poppet
15	8035365	1	Spring
16*	8036260	1	O-Ring
17	8035845	1	Shuttle
18	8035842	2	Plug, Shut Off (w/o Auxiliary Hydraulics Only)
19	8760419	2	Plug (w/o Auxiliary Hydraulics Only)
20	8640025	2	O-Ring (w/o Auxiliary Hydraulics Only)
21	8036194	2	Relief Valve - Preset at 3000 ± 50 psi (For seal kit use item 33)
22	See Kits	1	O-Ring
23	See Kits	1	Back Up-Ring
24	See Kits	1	O-Ring
25	See Kits	1	Spring
26	See Kits	1	Spring
27	See Kits	1	Back Up-Ring
28	See Kits	1	O-Ring
29	See Kits	1	O-Ring
30	See Kits	1	Spring
31	See Kits	1	O-Ring
			KITS
32	8036285	1	Seal Kit, Entire Valve (Includes Items with * on pages 6.6.1 or 6.6.2 thru 6.11.1)
33	8036287	1	Seal and Spring Kit, Relief Valve (for Item 21)

Origin
05/01

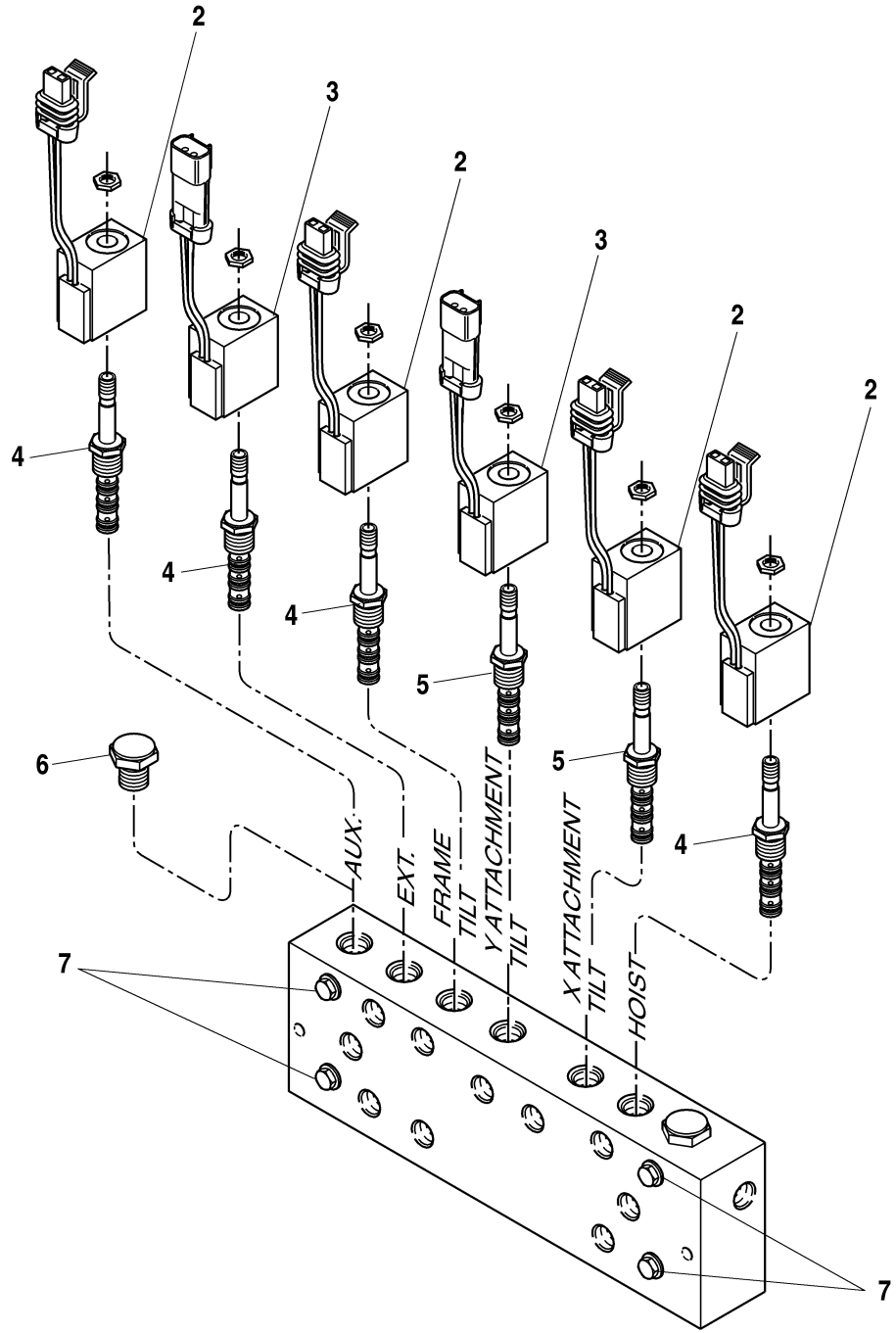
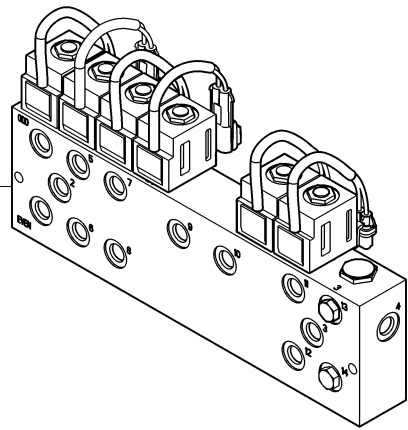
S/N 14409-

4270H
4270L
4290H
4290L

SECTION ASSEMBLY AUXILIARY

6.11.1

1



ITEM	PART NO.	QTY.	DESCRIPTION
1	8902195	1	Manifold, Pilot Select (Includes Items 2 thru 7)
	8902182	1	Manifold, Pilot Select w/Auxiliary/Auxiliary Detent Hydraulics (Includes Items 2 thru 7)
2	8902693	3	Coil, Solenoid w/Female Connector (w/o Auxiliary Hydraulics)
		4	Coil, Solenoid w/Female Connector (w/Auxiliary Hydraulics)
3	8902694	2	Coil, Solenoid w/Male Connector
4	8902695	3	Cartridge, Solenoid Valve (w/o Auxiliary Hydraulics)
		4	Cartridge, Solenoid Valve (w/Auxiliary Hydraulics)
5	8902700	2	Cartridge, Solenoid Valve
6	8035799	2	Plug, Cavity (w/o Auxiliary Hydraulics)
		1	Plug, Cavity (w/Auxiliary Hydraulics)
7	8760451	4	Plug, Hex Hd., SAE 6 - male str. thd. o-ring (w/o Auxiliary Hydraulics)
		2	Plug, Hex Hd., SAE 6 - male str. thd. o-ring w/Auxiliary Hydraulics)

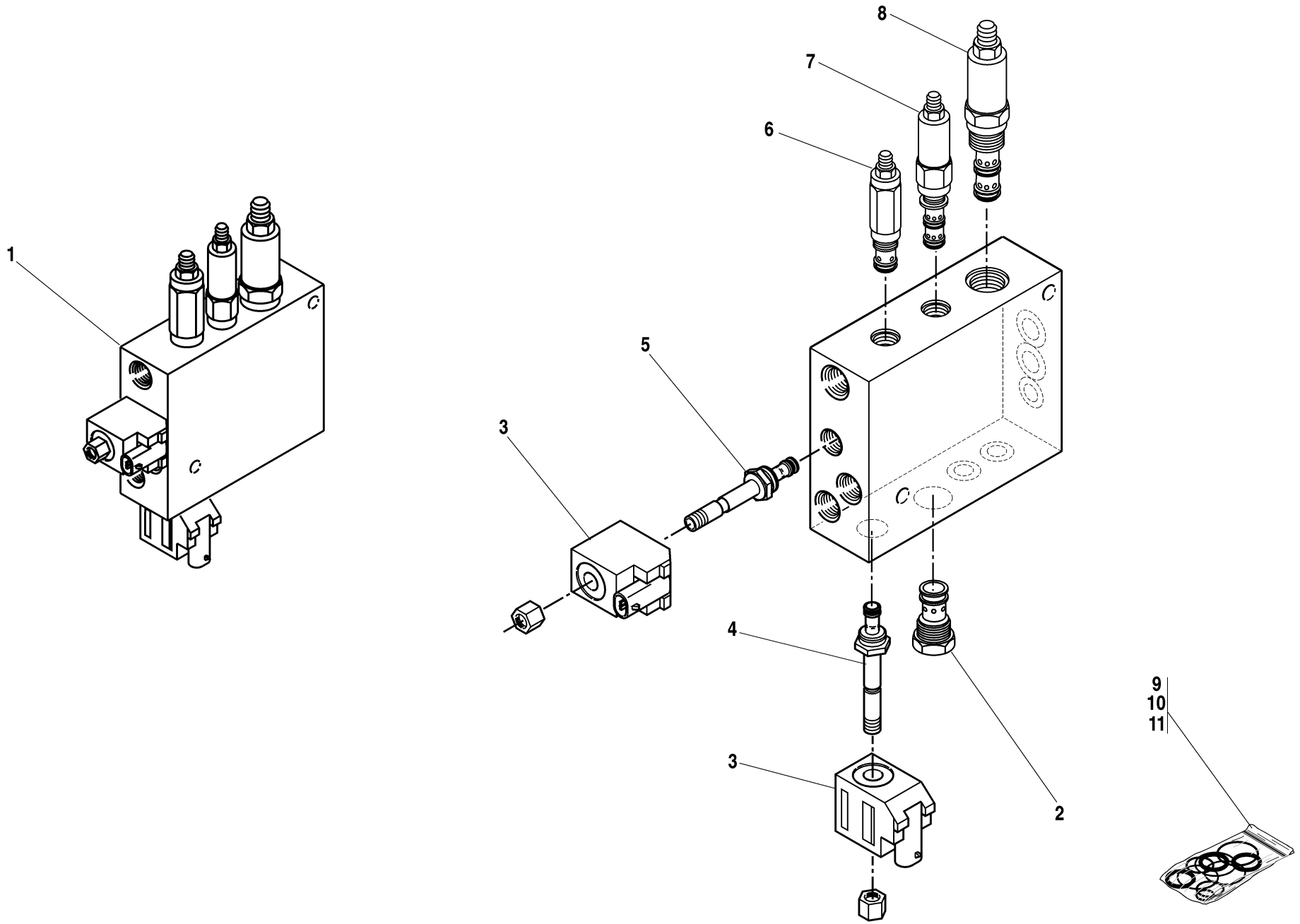
Origin
05/01

S/N 14409-

4270H
4270L
4290H
4290L

PILOT SELECT MANIFOLD ASSEMBLY

6.12.1



ITEM	PART NO.	QTY.	DESCRIPTION
1	8902196	1	Manifold, Secondary Function (Includes Items 2 thru 8)
2	8032995	1	Valve, Check
3	8902698	2	Coil, Solenoid w/Integrated Diode
4	8902696	1	Cartridge, Solenoid Valve
5	8902697	1	Cartridge, Solenoid Valve
6	8032991	1	Valve, Pressure Reducing - Preset at 1400 psi (96 bar)
7	8032993	1	Valve, Pressure Reducing - Preset at 900 psi (62 bar)
8	8032989	1	Valve, Pressure Reducing - Preset at 2500 psi (172 bar)
			<u>KITS</u>
9	8032990	1	Seal Kit (For Servicing Item 8)
10	8032994	1	Seal Kit (For Servicing Items 6 & 7)
11	8032992	1	Seal Kit (For Servicing Items 2, 4 & 5)

Origin
05/01

S/N 14409-

SECONDARY FUNCTION MANIFOLD

6.13.1

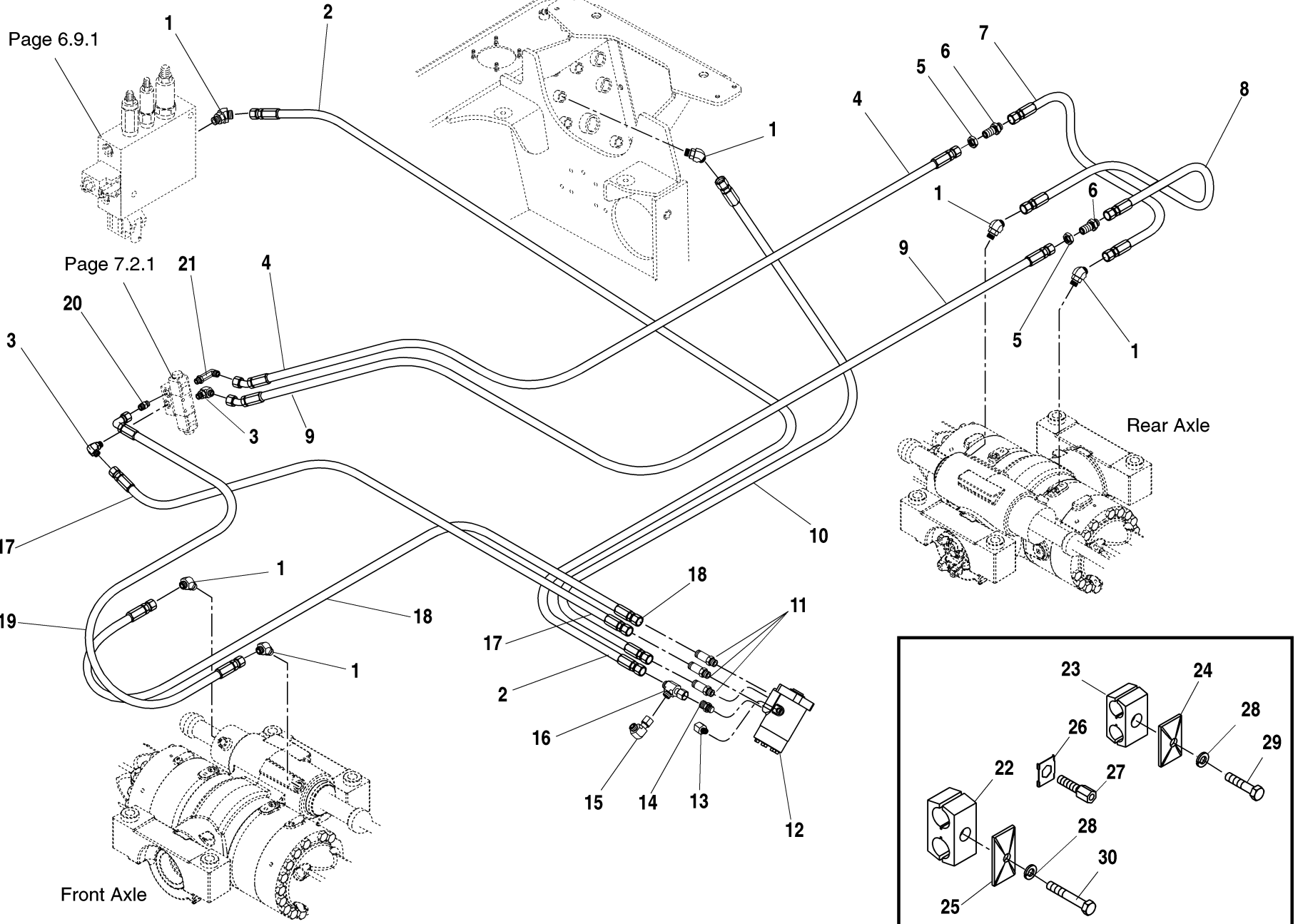
4270H
4270L
4290H
4290L

TABLE OF CONTENTS

Section 7 — Steering and Brake Hydraulic Circuits

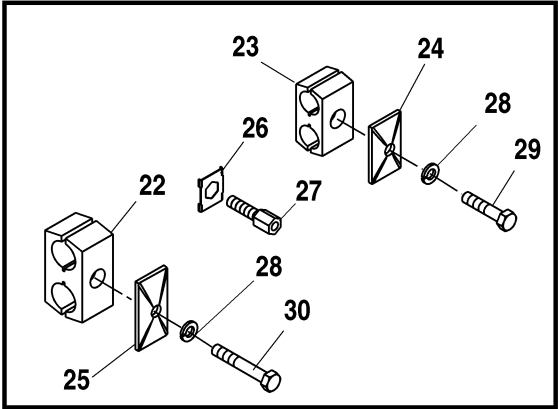
3 Mode Steering Hydraulic Circuit	7.1.1
3 Mode Steering Directional Control Valve	7.2.1
4 Mode Steering Hydraulic Circuit	7.3.1
4 Mode Steering Directional Control Valve	7.4.1
Service & Parking Brake Hydraulic Circuit	7.5.1
Service Brake Pedal Mounting	7.6.1

Page 6.9.1



Front Axle

Rear Axle



ITEM	PART NO.	QTY.	DESCRIPTION
1	8770127	6	Elbow, 45°, SAE 8 - str. thd. ORB x OFS
2	2716578	1	Hose, 0.50 x 108.63"
3	8770114	2	Elbow, 90°, SAE 8 - str. thd. ORB x OFS
4	2716573	1	Hose, 0.50 x 87.75"
5	8770129	2	Nut, Bulkhead, SAE 8 - OFS
6	8770130	2	Connector, Bulkhead, SAE 8 - OFS
7	2716538	1	Hose, 0.50 x 38.63"
8	2716539	1	Hose, 0.50 x 35.25"
9	2716574	1	Hose, 0.50 x 102.75"
10	2716624	1	Hose, 0.50 x 113.00"
11	8770117	3	Connector, Long, SAE 8 - str. thd. ORB x OFS
12	8721029	1	Steering Orbital (See Page 3.14.1 for mounting hardware)
13	8770102	1	Elbow, 90°, SAE 6-4 - str. thd. ORB x OFS
14	8770131	1	Connector, Male Flat face tube, w/Inlet Check
15	8770115	1	Elbow, 90° Swivel, SAE 8 - OFS
16	8770125	1	Tee, Swivel Run, SAE 8 - o-ring face seal
17	2716569	1	Hose, 0.50 x 88.38"
18	2716568	1	Hose, 0.50 x 131.63"
19	2716570	1	Hose, 0.50 x 139.00"
20	8770116	1	Connector, SAE 8 - str. thd. ORB x OFS
21	8770168	1	Elbow, Long, 90°, SAE 8 - str. thd. ORB x OFS
22	8750016	10	Clamp Set, 0.84 Dia. Twin
23	8750015	3	Clamp Set, 0.67 Dia.
24	8769128	4	Plate, Cover, Clamp Set, 0.67 Dia.
25	8769123	3	Plate, Cover, Clamp Set 0.84 Dia.
26	8750017	6	Plate, Locking
27	8750012	3	Bolt, Stacking
28	8307004	7	Washer, Lock 0.312
29	8303715	3	HHCS, 0.312-18 NC x 1.500"
30	8310009	4	HHCS, 0.312-18 NC x 2.000"

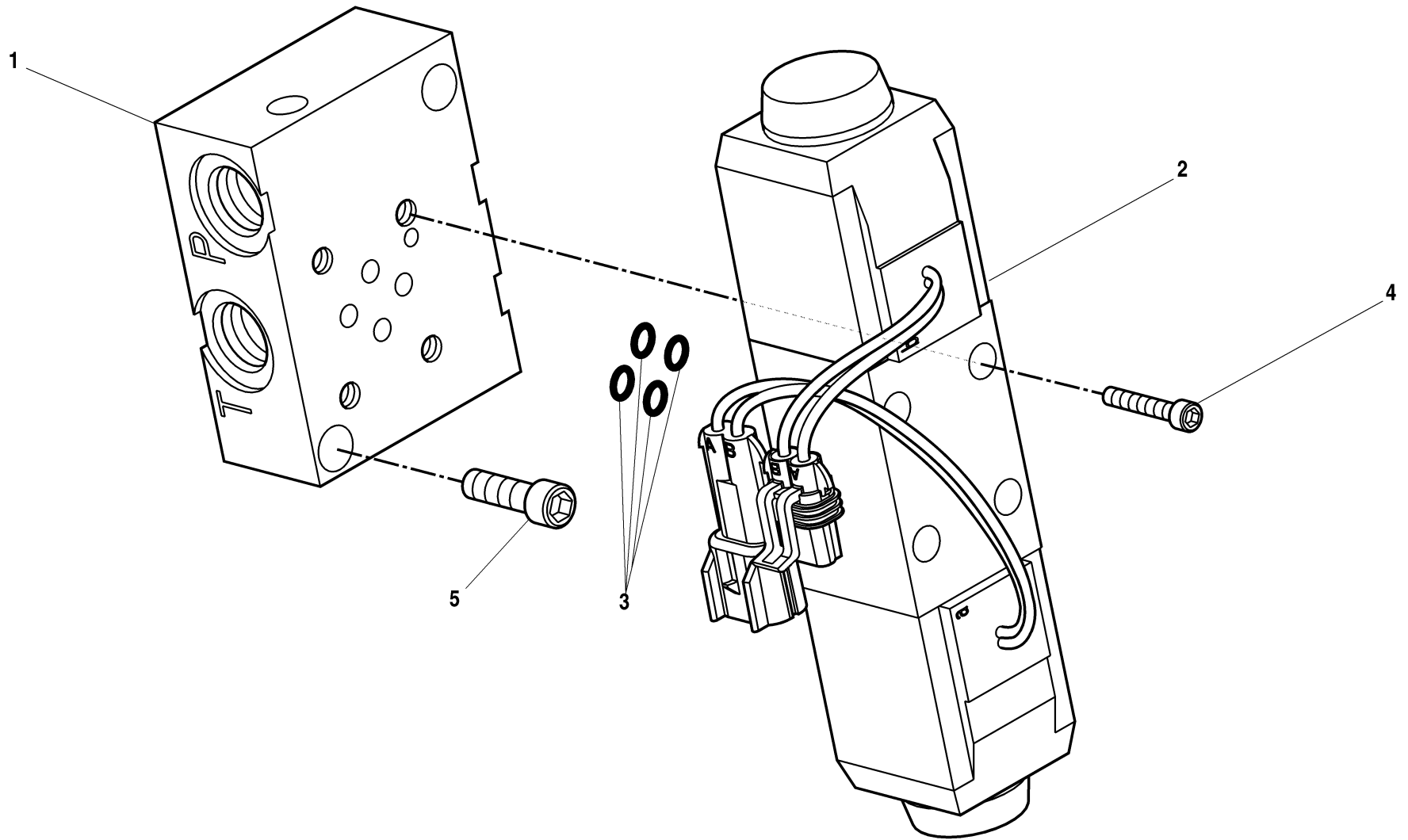
Origin
05/01

S/N 14409-

4270H
4270L
4290H
4290L

3 MODE STEERING HYDRAULIC CIRCUIT

7.1.1



ITEM	PART NO.	QTY.	DESCRIPTION
1	8902111	1	Subplate, Steer Select Valve
2	8902197	1	Valve, Steer Select (Includes Item 3)
3	8640017	A/R	O-Ring
4	8310327	4	SHCS, #10-24 NC x 1 1/8"
5	8310326	2	SHCS, 5/16"-18 NC x 1 1/8"

Origin
05/01

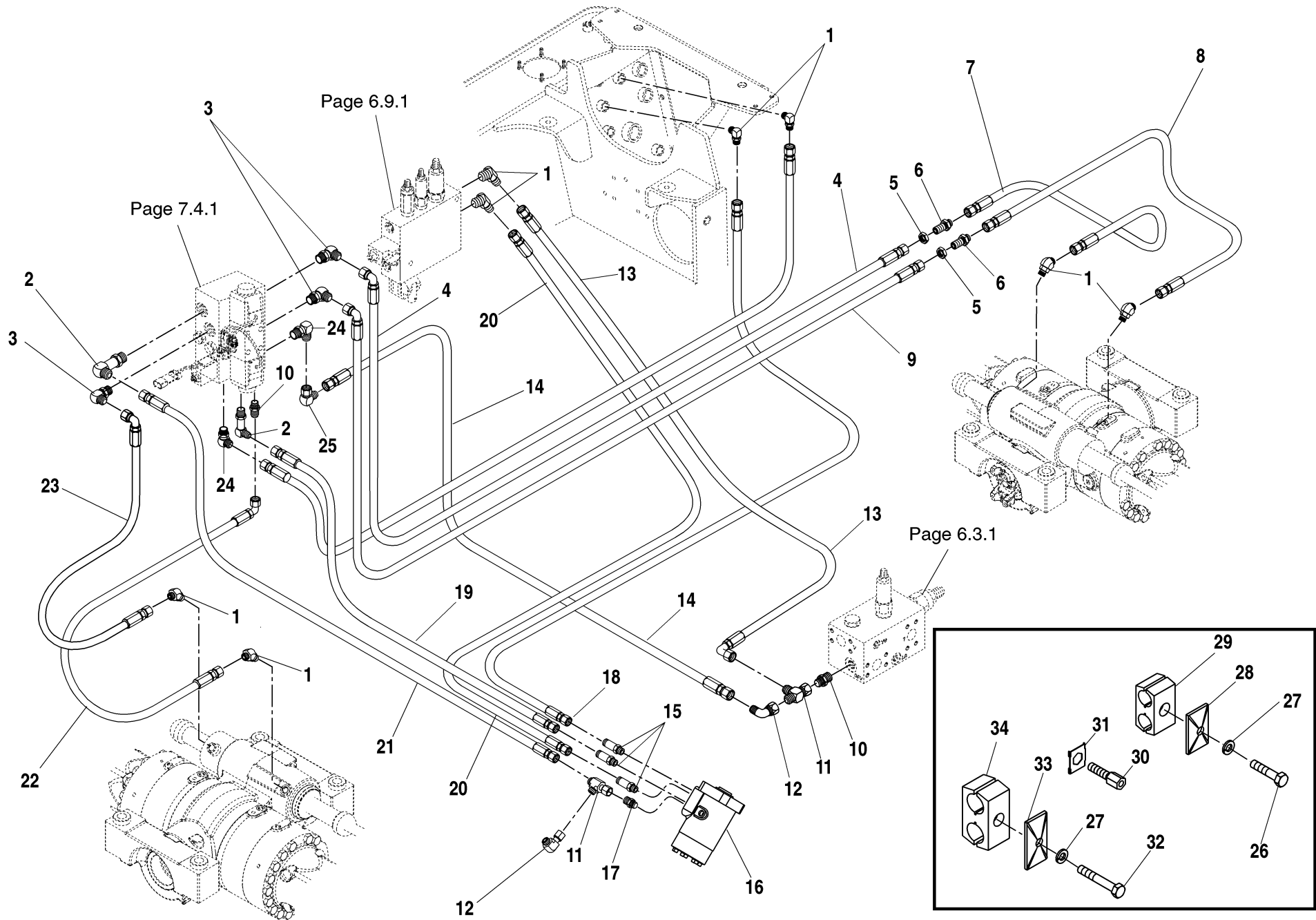
S/N 14409-

4270H
4270L
4290H
4290L

3 MODE STEERING DIRECTIONAL CONTROL VALVE

7.2.1





ITEM	PART NO.	QTY.	DESCRIPTION
1	8770127	8	Elbow, 45°, SAE 8 - str. thd. ORB x OFS
2	8770168	2	Elbow, Long, 90°, SAE 8 - str. thd. ORB x OFS
3	8770114	3	Elbow, 90°, SAE 8 ORB x 8 FF
4	2716574	1	Hose, 0.50 X 98.0"
5	8770129	2	Nut, Bulkhead, SAE 8 - OFS
6	8770130	2	Connector, Bulkhead, SAE 8 - OFS
7	2716539	1	Hose, 0.50 x 35.25"
8	2716538	1	Hose, 0.50 x 38.63"
9	2716573	1	Hose, 0.50 x 87.75"
10	8770116	2	Connector, SAE 8 - str. thd. ORB x OFS
11	8770125	2	Tee, Swivel Run, SAE 8 - o-ring face seal
12	8770115	2	Elbow, 90° Swivel, SAE 8 - OFS
13	2716566	1	Hose, 0.50 x 16.0"
14	2716523	1	Hose, 0.75 X 22.75"
15	8770117	3	Connector, Long, SAE 8 - str. thd. ORB x OFS
16	8721029	1	Steering Orbital (See Page 3.14.1 for mounting hardware)
17	8770131	1	Connector, Male Flat face tube, w/Inlet Check
18	2716624	1	Hose, 0.50 x 113.00"
19	2716569	1	Hose, 0.50 x 30.5"
20	8776578	1	Hose, 0.75 x 87.75"
21	2716569	1	Hose, 0.50 x 82.0"
22	2716570	1	Hose, 0.50 x 115.00"
23	2716720	1	Hose
24	8770068	1	Elbow, 90°, SAE 8 ORB x 8 FF
25	8770105	1	Elbow, 90° Swivel, SAE 8 - OFS
26	8303715	A/R	HHCS, 0.312-18 NC x 1.500"
27	8307004	A/R	Washer, Lock 0.312
28	8769128	A/R	Plate, Cover, Clamp Set, 0.67 Dia.
29	8750015	A/R	Clamp Set, 0.67 Dia.
30	8750012	A/R	Bolt, Stacking
31	8750017	A/R	Plate, Locking
32	8310009	A/R	HHCS, 0.312-18 NC x 2.000"
33	8769123	A/R	Plate, Cover, Clamp Set, 0.84 Dia.
34	8750016	A/R	Clamp Set, 0.84 Dia. Twin

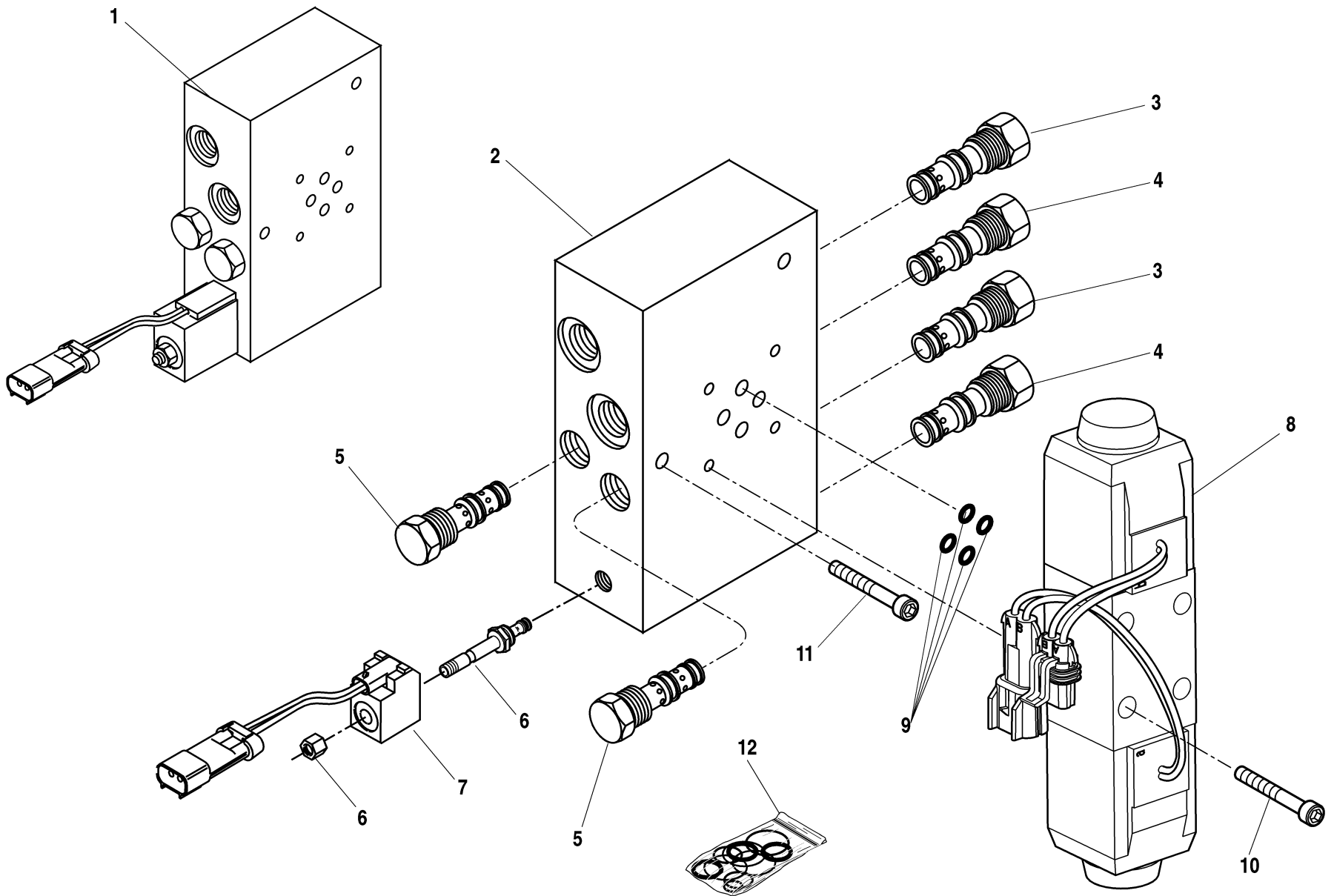
Origin
05/01

S/N 14409-

4 MODE STEERING HYDRAULIC CIRCUIT

7.3.1

4270H
4270L
4290H
4290L



ITEM	PART NO.	QTY.	DESCRIPTION
1	8902202	1	Valve, Rear Steer (includes Items 2-6)
2	N.S.S	1	Valve Block, Rear Steer
3	8036247	2	Valve, LKC
4	8036246	2	Valve, LOC
5	8036245	2	Valve, Shuttle
6	8036256	1	Cartridge, Solenoid Valve
7	8036255	1	Valve, Solenoid
8	8902197	1	Valve, Steer Select (Includes item 9)
9	8640017	4	O-Ring
10	8310327	4	SHCS, #10-24 NC x1.125"
11	8310326	2	SHCS, 0.312-18 NC x 1.125"
12	8036248	6	Seal Kit (For Items 2, 3 & 4)

N.S.S. = Not Sold Separately

Origin
05/01

S/N 14409-

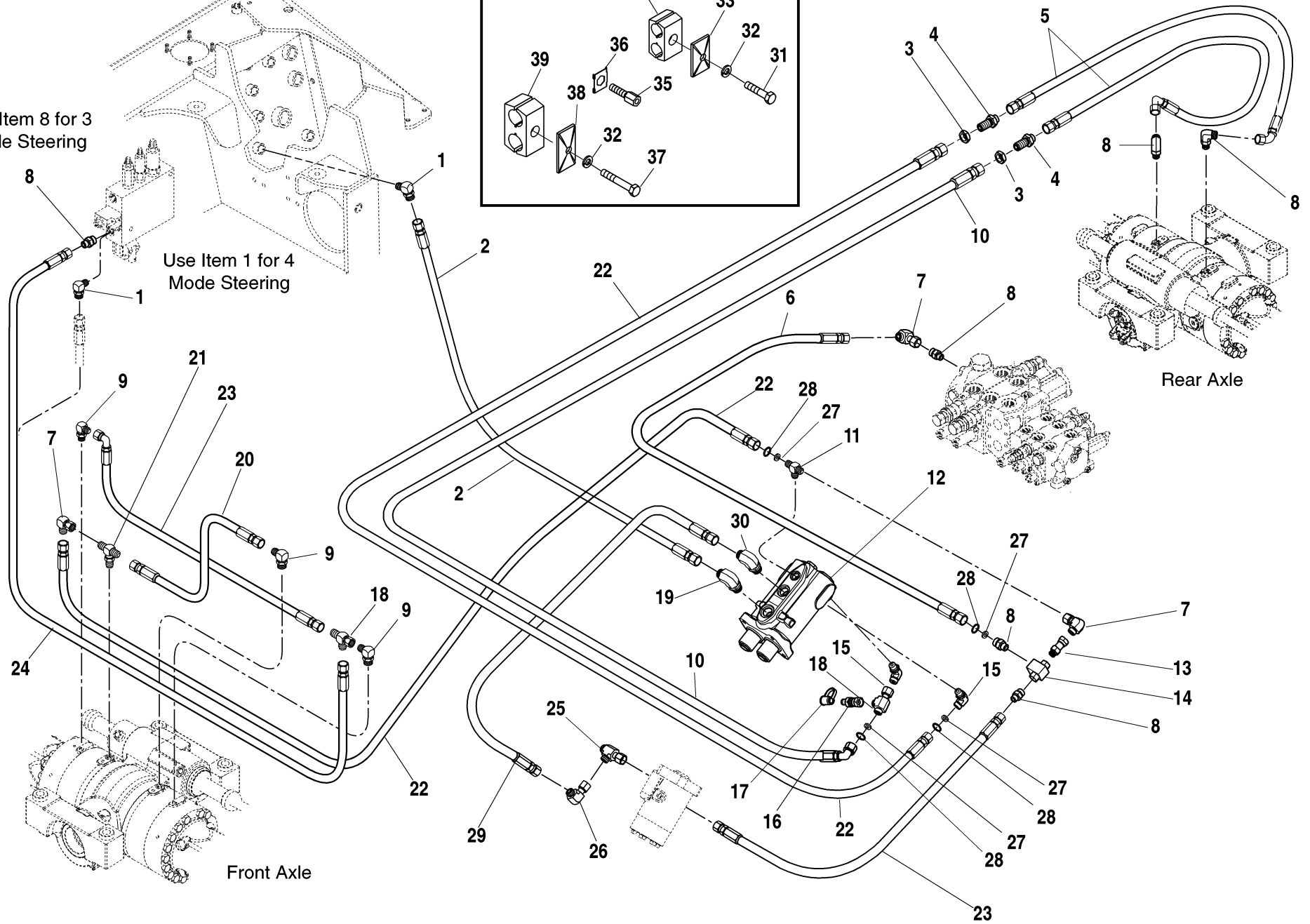
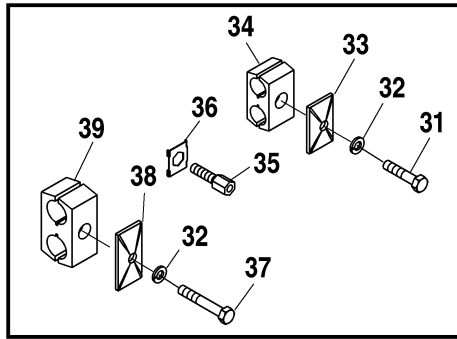
4 MODE STEERING DIRECTIONAL CONTROL VALVE

7.4.1

4270H
4270L
4290H
4290L

Use Item 8 for 3
Mode Steering

Use Item 1 for 4
Mode Steering



ITEM	PART NO.	QTY.	DESCRIPTION
1	8770114	2	Elbow, 90°, SAE 8 - str. thd. ORB x OFS
2	2716623	1	Hose, 0.50 x 124.00"
3	8770155	2	Nut, Bulkhead, SAE 6 - OFS
4	8770169	2	Connector, Bulkhead, SAE 6 - OFS
5	2716537	2	Hose, 0.38 x 31.75"
6	2716650	1	Hose, 0.38 x 155.00"
7	8770105	3	Elbow, 90° Swivel, SAE 6 - OFS
8	8770106	6	Connector, SAE 6 - str. thd. ORB x OFS
9	8770068	3	Elbow, 90°, SAE 6 - str. thd. ORB x OFS
10	2716577	1	Hose, 0.38 x 120.00"
11	8770183	1	Tee, Branch, 6-M14 - metric str. thd. ORB x OFS (Includes O-Ring)
12	8902274	1	Valve, Brake (Includes Items 11, 15, 19 & 30)
13	8770176	1	Connector, Swivel SAE 6 - str. thd. ORB x OFS
14	8902175	1	Valve, Shuttle
15	8770109	2	Elbow, 90°, M14-6 - metric str. thd. ORB x OFS (Includes O-Ring)
16	8430081	1	Nipple, Diagnostic
17	8430032	1	Plug, Dust
18	8770111	2	Tee, Swivel Run, SAE 6 - OFS
19	8770175	1	Elbow, 90°, M22-8 - metric str. thd. ORB x OFS (Includes O-Ring)
20	2716536	1	Hose, 0.38 x 7.50"
21	8770112	1	Tee, Branch, SAE 6 - str. thd. ORB x OFS
22	2716576	2	Hose, 0.38 x 116.00"
23	2716648	2	Hose, 0.38 x 16.50"
24	2716575	1	Hose, 0.38 x 117.50"
25	8770125	2	Tee, Swivel Run, SAE 8 - o-ring face seal
26	8770115	2	Elbow, 90° Swivel, SAE 8 - OFS
27	8630003	4	Disk, Orifice
28	7139212	4	O-Ring
29	2716649	1	Hose .50 x 8.62
30	8770121	1	Elbow, 90° 18mm ORB x 8 FF
31	8303715	A/R	HHCS, 0.312-18 NC x 1.500"
32	8307004	A/R	Washer, Lock 0.312
33	8769128	A/R	Plate, Cover, Clamp Set, 0.67 Dia.

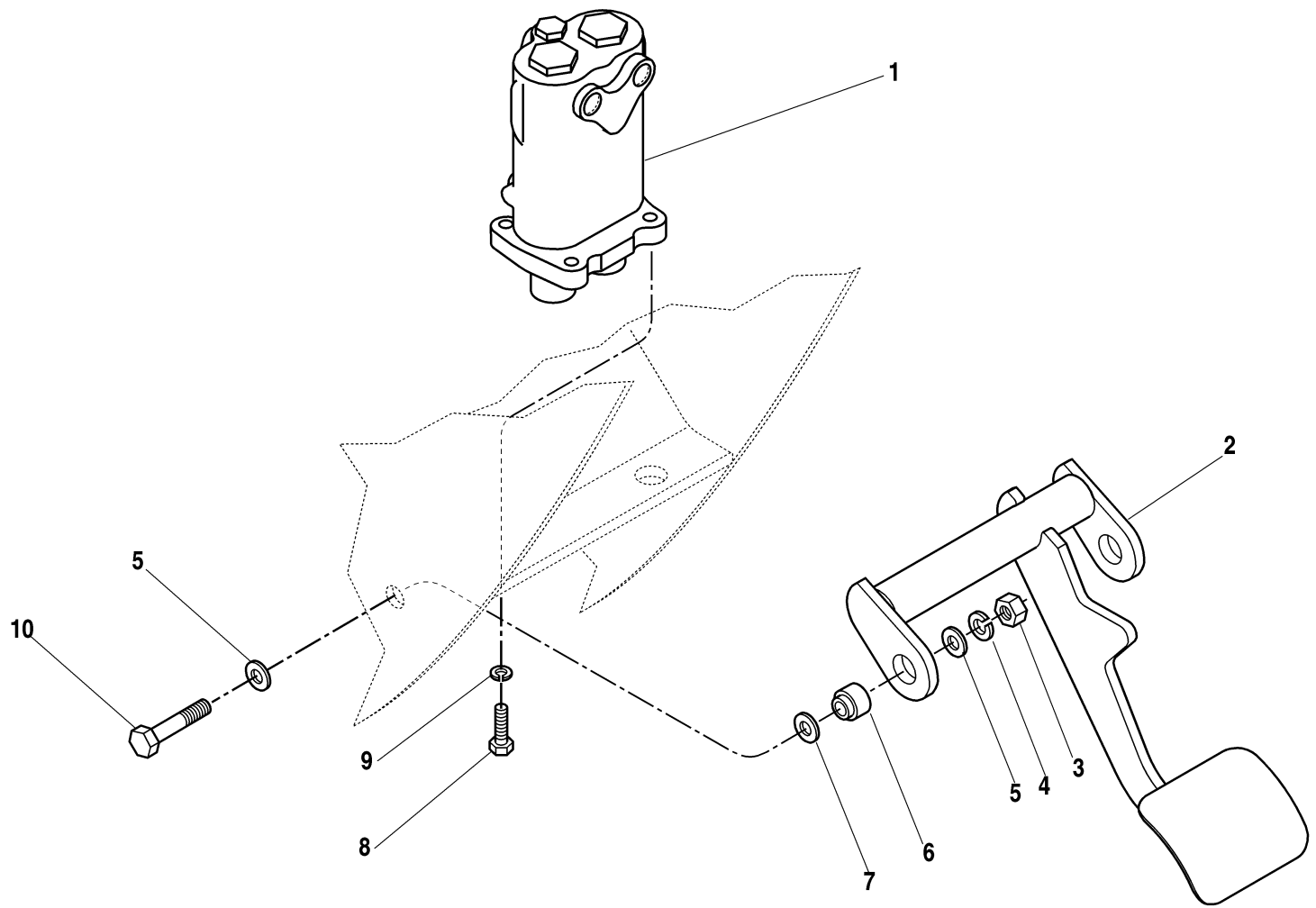
34	8750015	A/R	Clamp Set, 0.67 Dia.
35	8750012	A/R	Bolt, Stacking
36	8750017	A/R	Plate, Locking
37	8310009	A/R	HHCS, 0.312-18 NC x 2.000"
38	8769123	A/R	Plate, Cover, Clamp Set, 0.84 Dia.
39	8750016	A/R	Clamp Set, 0.84 Dia. Twin

Origin
05/01

S/N 14409-

SERVICE AND PARKING BRAKE HYDRAULIC CIRCUIT 7.5.1

4270H
4270L
4290H
4290L



ITEM	PART NO.	QTY.	DESCRIPTION
1	8902274	1	Valve, Brake
2	7136713	1	Pedal, Service Brake
3	8305012	2	Nut, Hex 1/2-13
4	8307007	2	Washer, Lock 1/2"
5	8307206	4	Washer, Flat 1/2"
6	7129521	4	Pivot, Brake Pedal
7	5724302	A/R	Shim
8	8303755	4	HHCS, M10-1,5 x 30mm
9	8307023	4	Washer, Lock M10
10	8303658	4	HHCS, 1/2-13 x 2"

Origin
05/01

S/N 14409-

4270H
4270L
4290H
4290L

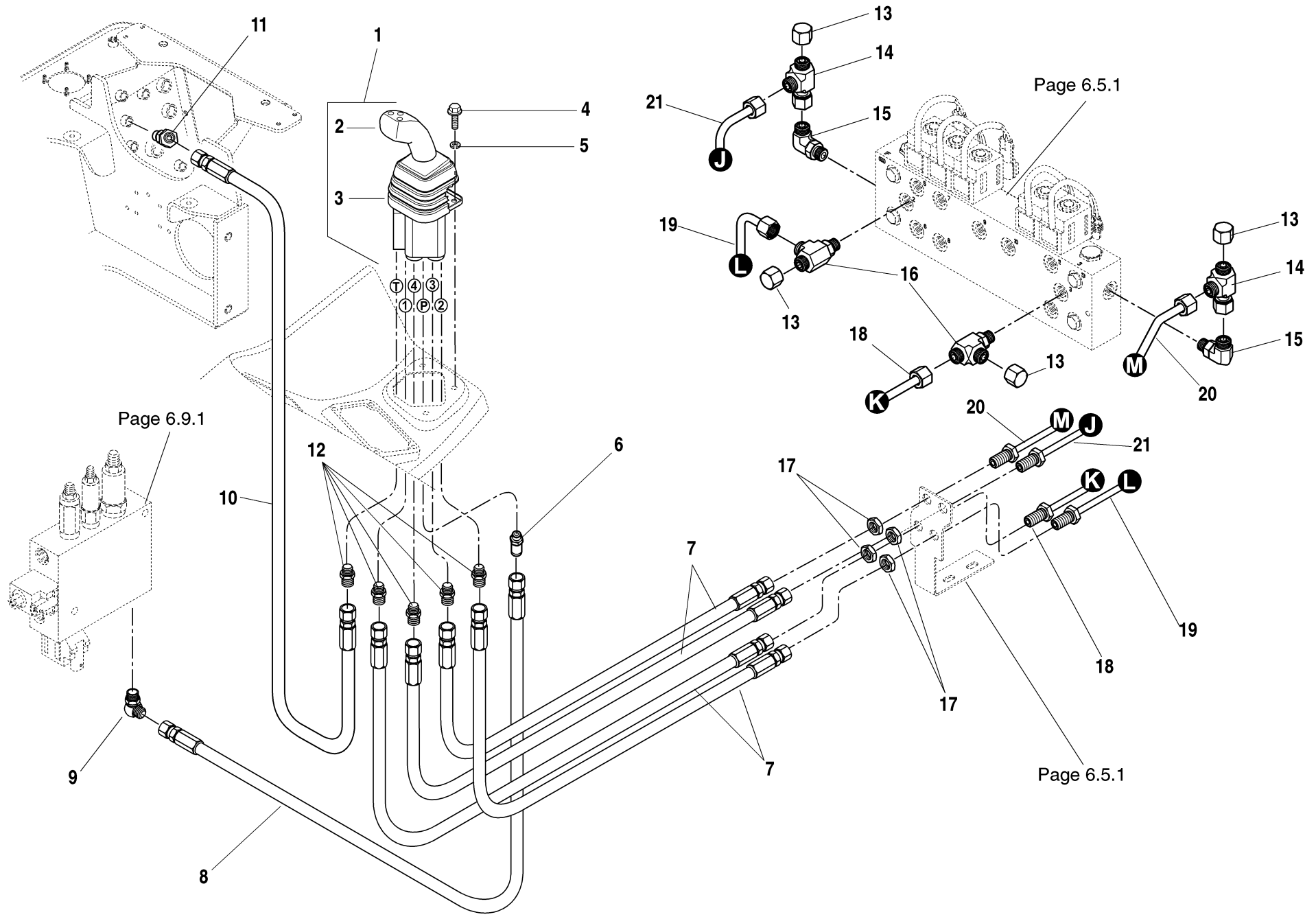
SERVICE BRAKE VALVE AND PEDAL MOUNTING

7.6.1

TABLE OF CONTENTS

Section 8 — Frame Control Hydraulics

Joystick Hydraulic Circuit	8.1.1
Frame Tilt and Stabil-Trak Circuit	8.2.1
Frame Tilt Cylinder	8.3.1
Stabil-Trak Cylinder	8.4.1
Stabil-Trak Cylinder Valves	8.5.1



ITEM	PART NO.	QTY.	DESCRIPTION
1	7133942	1	Valve, Joystick (Includes Items 2 and 3)
2	7133932	1	Handle Assembly
3	8035777	1	Boot, Rubber
4	8303705	3	Screw, Cap Flange Hd. 1/4-20 x 3/4"
5	8307002	3	Washer, Lock 1/4"
6	8770107	1	Connector, Long, SAE 6 - str. thd. ORB x OFS
7	2715312	4	Hose, 0.38 x 120.50"
8	2716572	1	Hose, 0.38 x 98.13"
9	8770114	1	Elbow, 90°, SAE 8 - str. thd. ORB x OFS
10	2716630	1	Hose, 0.38 x 98.00"
11	8770127	1	Elbow, 45°, SAE 8 - str. thd. ORB x OFS
12	8770106	5	Connector, SAE 6 - str. thd. ORB x OFS
13	8770108	8	Cap, SAE 6 - OFS
14	8770111	2	Tee, Swivel Run, SAE 6 - OFS
15	8770068	2	Elbow, 90°, SAE 6 - str. thd. ORB x OFS
16	8770066	6	Tee, Male Run, SAE 6 - ORFS
17	8770155	4	Nut, Bulkhead
18	7138773	1	Tube
19	7138775	1	Tube
20	7138774	1	Tube
21	7138776	1	Tube

Origin
05/01

S/N 14409-

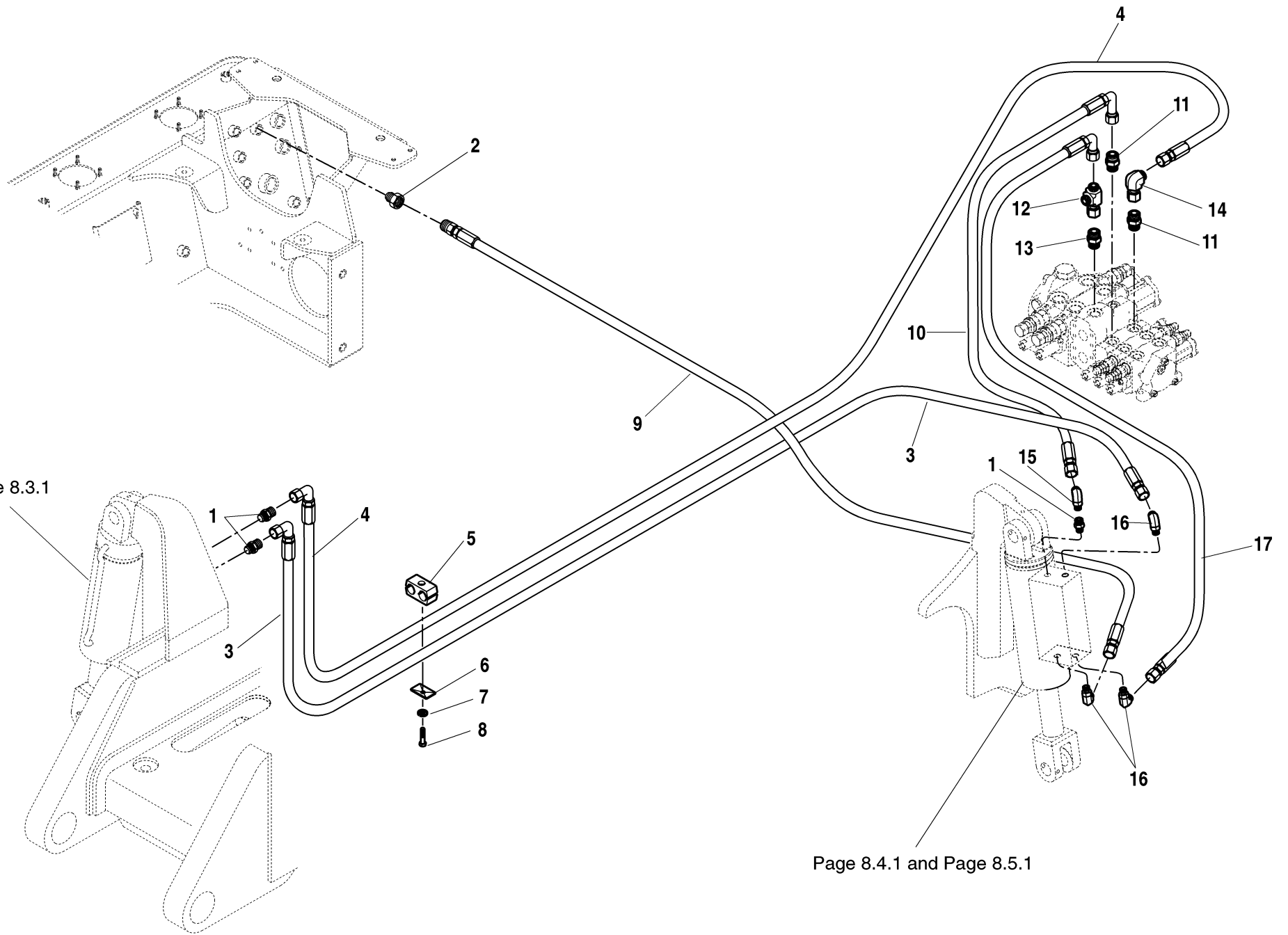
4270H
4270L
4290H
4290L

JOYSTICK HYDRAULIC CIRCUIT

8.1.1

Page 8.3.1

Page 8.4.1 and Page 8.5.1

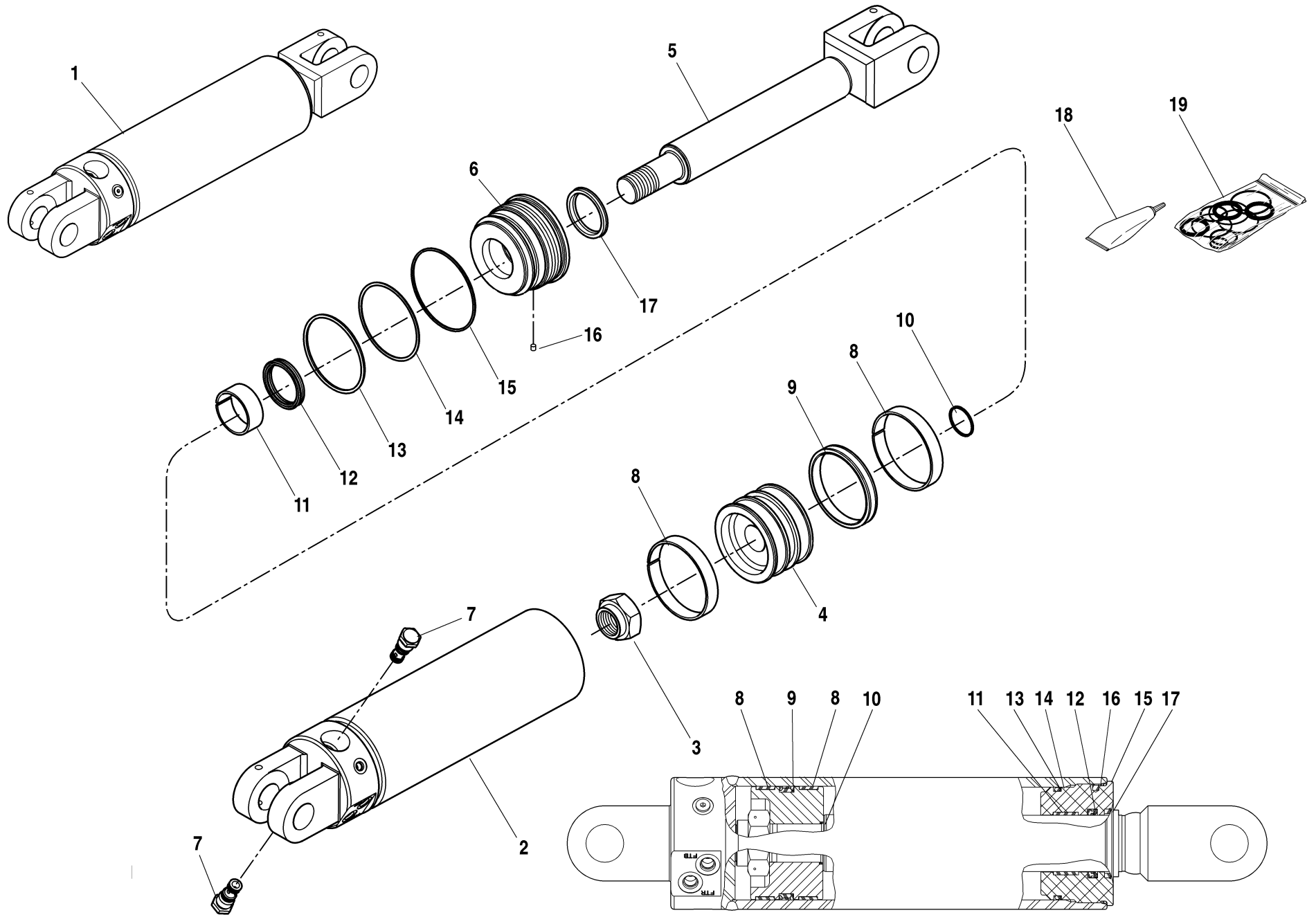


ITEM	PART NO.	QTY.	DESCRIPTION
1	8770106	3	Connector, SAE 6 - str. thd. ORB x OFS
2	8770127	1	Elbow, 45°, SAE 8 - str. thd. ORB x OFS
3	2716636	1	Hose, 0.38 x 207.00"
4	2716637	1	Hose, 0.38 x 208.00"
5	8750015	1	Clamp Set, 0.67" Dia.
6	8769123	1	Plate, Cover
7	8307004	1	Washer, 3/8"
8	8303759	1	HHCS, 3/8"-18 NC x 1-1/4"
9	2716640	1	Hose, 0.38 x 121.25"
10	2716638	1	Hose, 0.38 x 29.88"
11	8770116	2	Connector, SAE 8 - str. thd. ORB x OFS
12	8770124	1	Tee, Male Run, SAE 8
13	8770186	1	Reducer, SAE 10-8
14	8770115	1	Elbow, 90° Swivel, SAE 8 - OFS
15	8770105	1	Elbow, 90° Swivel, SAE 6 - OFS
16	8770068	3	Elbow, 90°, SAE 6 - str. thd. ORB x OFS
17	2716639	1	Hose, 0.38 x 29.88"

Origin
05/01

S/N 14409-

4270H
4270L
4290H
4290L



ITEM PART NO. QTY. DESCRIPTION

1	2716563	1	Cylinder, Frame Tilt (Includes Items 2 thru 17)
2	N.S.S	1	Tube, Weldment (Order 2716563)
3	8035322	1	Nut, Hex Lock 1.50-12 UNF
4	8035323	1	Piston
5	8035758	1	Rod, Weldment
6	8035324	1	Gland, Head
7	8035757	2	Valve, PO Check Valve - Series 10
8	See Kits	2	Wearband, Precision
9	See Kits	1	T-Seal, Type 730 Capped
10	See Kits	1	O-Ring
11	See Kits	1	Wearband, Precision
12	See Kits	1	Z-Seal, Deep - w/Rod Back-Up
13	See Kits	1	O-Ring
14	See Kits	1	Ring, Back-Up
15	See Kits	1	O-Ring
16	See Kits	1	Locking Insert
17	See Kits	1	Wiper, Hd. Rod - Sealed O.D.
18	8526011	A/R	Threadlocker, Loctite #271 (250cc)
			N.S.S. = Not Sold Separately
			<u>KITS</u>
19	8035326		Seal Kit (Includes Items 8 thru 17)

Origin
05/01

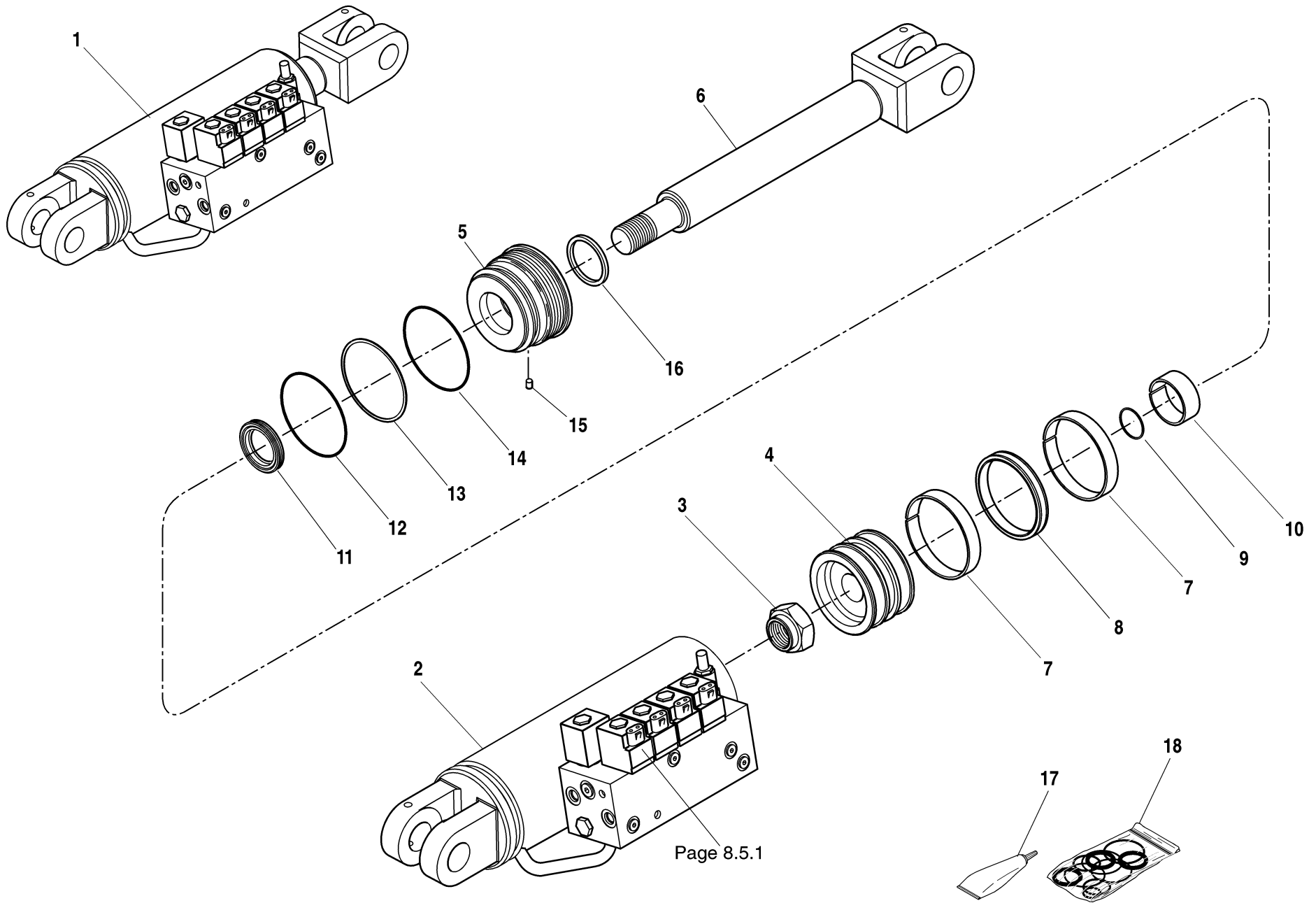
S/N 14409-

4270H
4270L
4290H
4290L

FRAME TILT CYLINDER

8.3.1





ITEM	PART NO.	QTY.	DESCRIPTION
1	2716564	1	Cylinder, Stabil-Trak (Includes Items 2 thru 16 And Items 1 thru 12 on page 8.5.1)
2	N.S.S	1	Tube, Weldment
3	8035322	1	Nut, Lock 1.50-12 UNF
4	8035323	1	Piston
5	8035324	1	Gland, Head
6	8035783	1	Rod, Weldment
7	See Kits	2	Wearband, Precision
8	See Kits	1	T-Seal, Type 730 Capped
9	See Kits	1	O-Ring
10	See Kits	1	Wearband, Precision
11	See Kits	1	Z-Seal, Deep - w/Rod Back-Up
12	See Kits	1	O-Ring
13	See Kits	1	Ring, Back-Up
14	See Kits	1	O-Ring
15	See Kits	1	Locking Insert
16	See Kits		Wiper, Hd. Rod - Sealed O.D.
17	8526011	A/R	Threadlocker, Loctite #271 (250cc)
			N.S.S. = Not Sold Separately
			<u>KITS</u>
18	8035326		Seal Kit (Includes Items 8 thru 16)

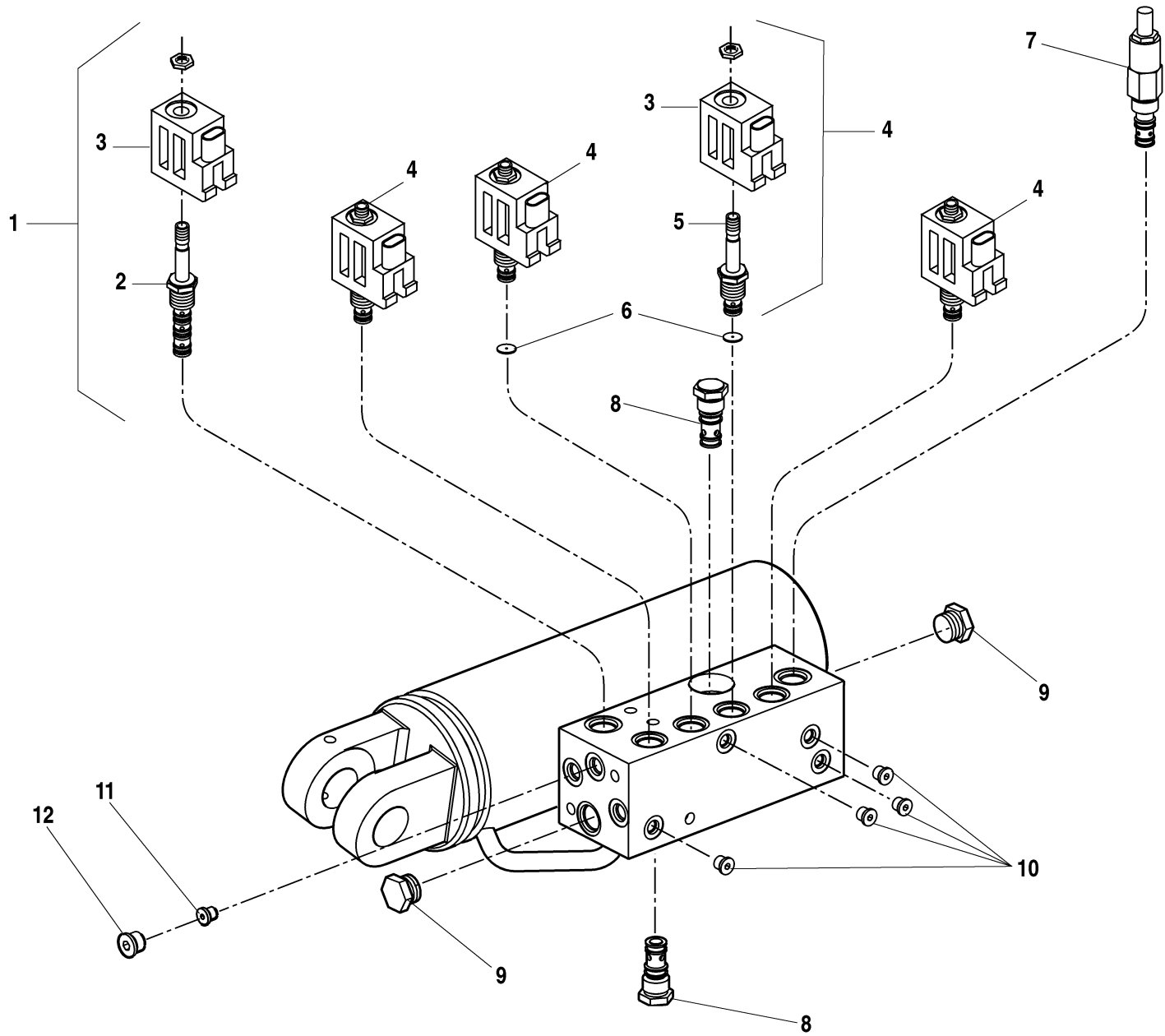
Origin
05/01

S/N 14409-

4270H
4270L
4290H
4290L

STABIL-TRAK CYLINDER

8.4.1



ITEM	PART NO.	QTY.	DESCRIPTION
1	8036020	1	Solenoid Valve Assembly - 4 Way, 12V (Includes Items 2 and 3)
2	8036290	1	Cartridge, Solenoid Valve
3	8036288	5	Coil, Solenoid
4	8036019	4	Solenoid Valve Assembly - 2 Way, NC, 12V (Includes Items 3 and 5)
5	8036289	4	Cartridge, Solenoid Valve
6	8035781	2	Disk, Conical Orifice .060" Dia.
7	8035282	1	Valve, Pressure Reducing (100)
8	8035281	2	Valve, PO Check - Series 10
9	8760420	2	Plug, Hex Hd., SAE 10-male str. thd. o-ring
10	8035785	4	Plug, Hex - SAE #4 Steel Hol.
11	8035782	1	Plug, Orifice .030" Dia.
12	8035784	1	Plug, Hex - SAE #6 Steel Hol.

Origin
05/01

S/N 14409-

4270H
4270L
4290H
4290L

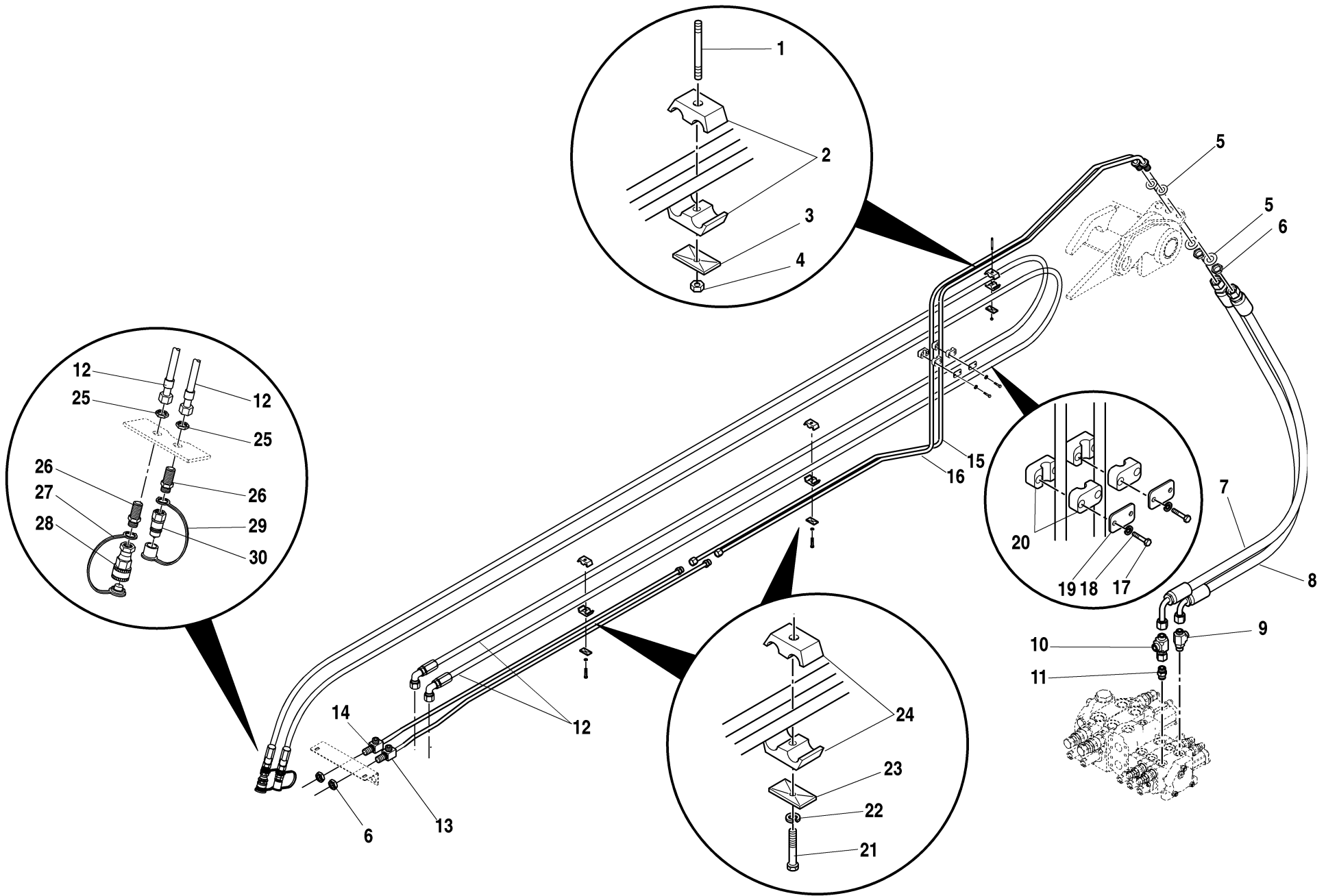
STABIL-TRAK CYLINDER VALVES

8.5.1

TABLE OF CONTENTS

Section 9 — Auxiliary Attachment Hydraulic Circuit (optional)

Auxiliary Hydraulic Circuit Low Pivot (optional)	9.1.1
Auxiliary Hydraulic Circuit High Pivot (optional)	9.1.2
Aux Hydraulics - Valves, Manifold and Tubing	9.2.1
Aux Detent Hydraulics - Valves, Manifold and Tubing.	9.3.1
Auxiliary Detent Selector Valve.	9.4.1



ITEM	PART NO.	QTY.	DESCRIPTION
1	8306407	1	Stud, 5/16-18 x 2.75"
2	8750027	1	Clamp Set
3	8769128	1	Plate, Cover
4	8310453	1	Nut, Hex 5/16-18 NC
5	5724302	4	Shim
6	8770075	4	Nut, Bulkhead
7	2716652	1	Hose, 0.50 x 46.25"
8	2716653	1	Hose, 0.50 x 47.25"
9	8770124	1	Tee, Male Run, SAE 8 - ORFS
10	8770125	1	Tee, Swivel Run, SAE 8 - OFS
11	8770116	1	Connector, SAE 8 - str. thd. ORB x OFS
12	2716619	2	Hose, 0.50 x 422"
13	7136083	1	Tube Assembly
14	7136073	1	Tube Assembly
15	7136113	1	Tube Assembly
16	7136103	1	Tube Assembly
17	8303743	4	HHCS, 1/4"-20 NC x 1 1/2"
18	8307002	4	Washer, Lock
19	8769153	2	Plate, Cover
20	8769154	2	Clamp Set
21	8303715	2	HHCS, 5/16-18 NC x 1 1/2"
22	8307004	2	Washer, Lock
23	8769123	2	Plate, Cover
24	8769122	2	Clamp Set
25	8770129	2	Nut, Bulkhead, SAE 8 - OFS
26	8770136	2	Connector, Bulkhead, SAE 8 - str. thd.
27	8430005	1	Quick Disconnect, Female, SAE 8-8ORB
28	8420055	1	Plug, Dust #8
29	8420053	1	Cap, Dust #8
30	8430006	1	Quick Disconnect, Male, SAE 8-8ORB

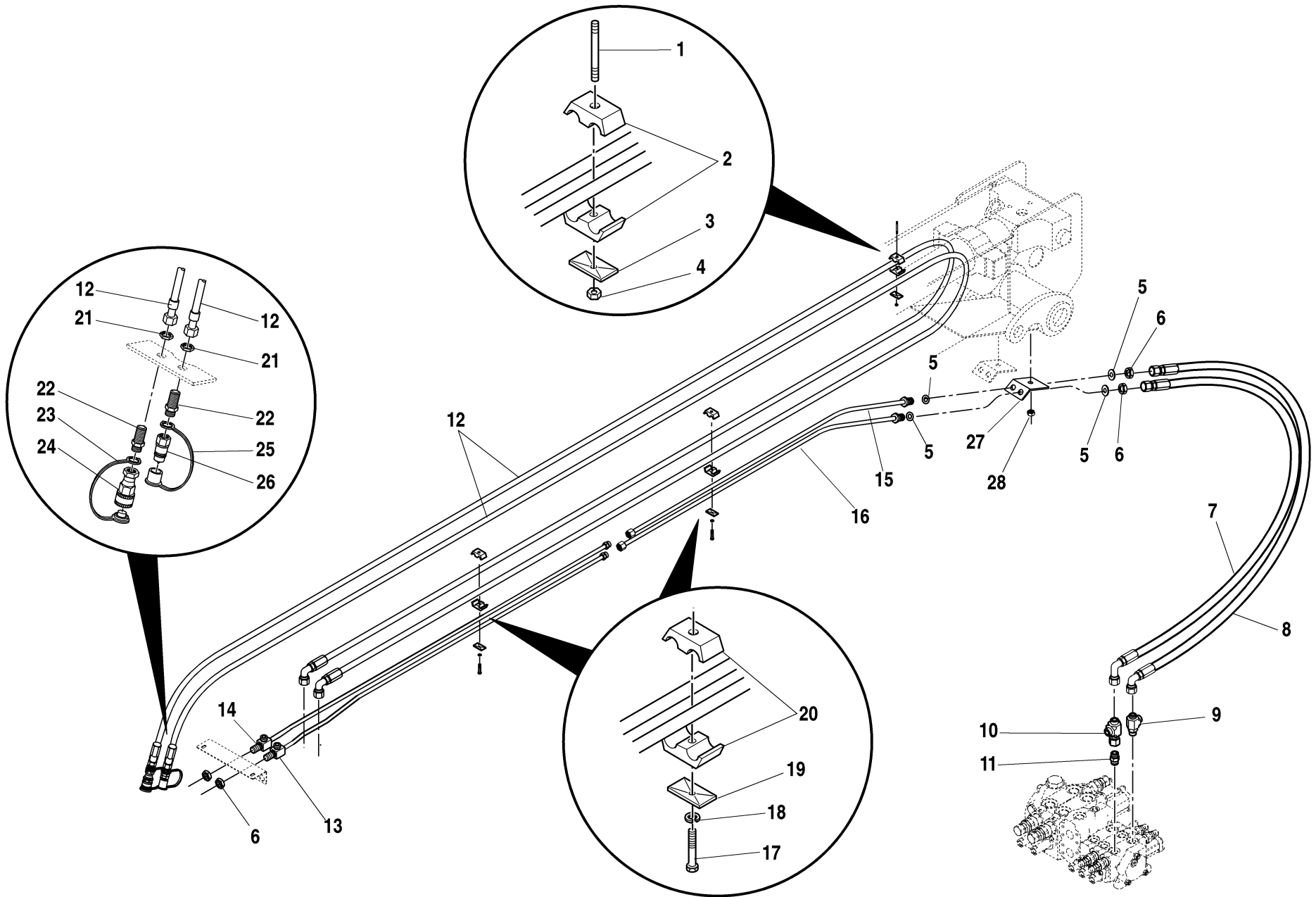
Origin
05/01

S/N 14409-

4270H
4270L
4290H
4290L

AUXILIARY HYDRAULIC CIRCUIT - LOW PIVOT (OPTIONAL)

9.1.1

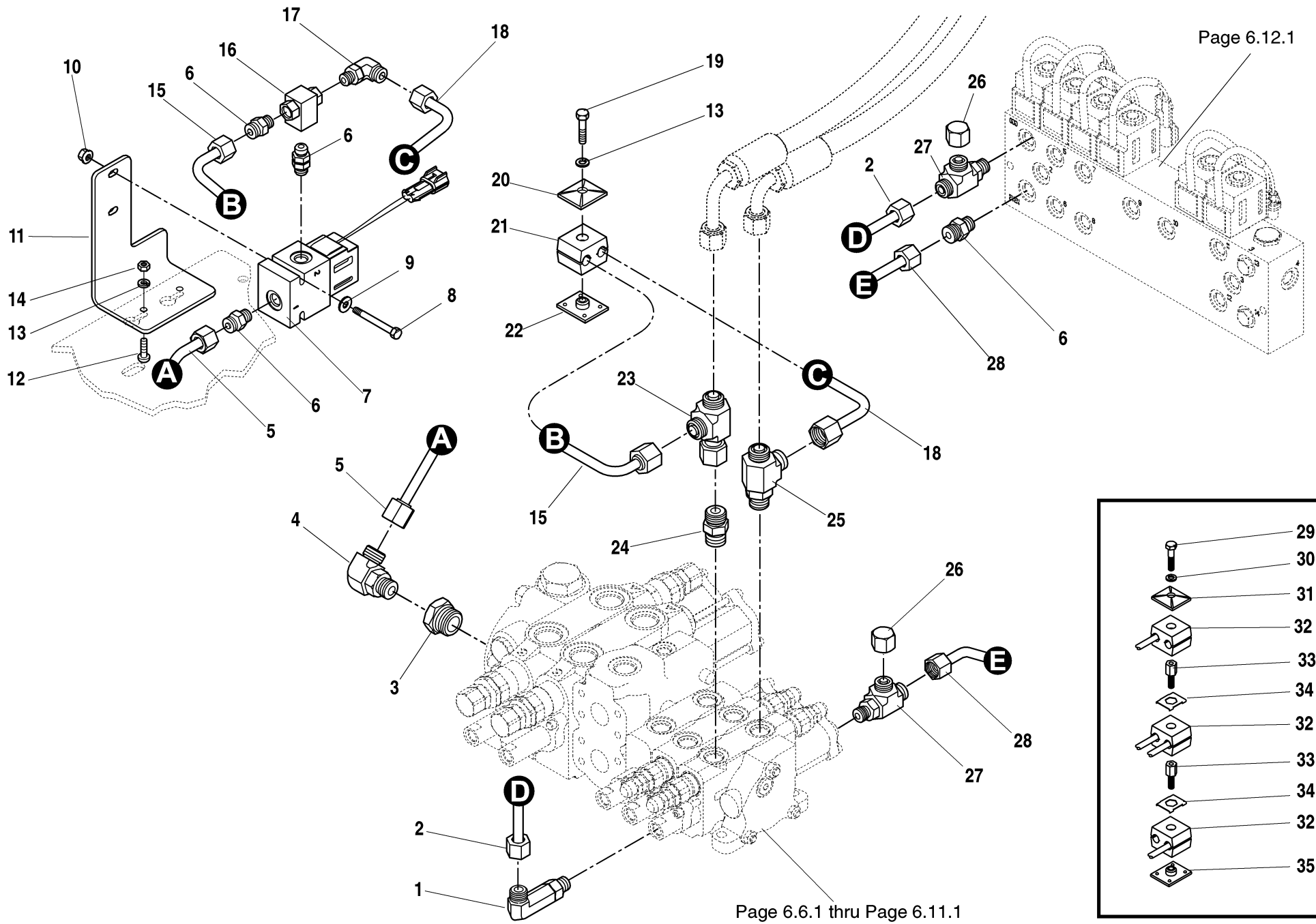


ITEM	PART NO.	QTY.	DESCRIPTION
1	8306407	1	Stud, 5/16-18 x 2.75"
2	8750027	1	Clamp Set
3	8769128	1	Plate, Cover
4	8310453	1	Nut, Hex 5/16-18 NC
5	5724302	4	Shim
6	8770075	4	Nut, Bulkhead
7	2716652	1	Hose, 0.50 x 46.25"
8	2716653	1	Hose, 0.50 x 47.25"
9	8770124	1	Tee, Male Run, SAE 8 - ORFS
10	8770125	1	Tee, Swivel Run, SAE 8 - OFS
11	8770116	1	Connector, SAE 8 - str. thd. ORB x OFS
12	2716752	2	Hose, 0.50 x 422"
13	7139228	1	Tube Assembly
14	7139229	1	Tube Assembly
15	7139279	1	Tube Assembly
16	7139278	1	Tube Assembly
17	8303715	2	HHCS, 5/16-18 NC x 1 1/2"
18	8307004	2	Washer, Lock
19	8769123	2	Plate, Cover
20	8769122	2	Clamp Set
21	8770129	2	Nut, Bulkhead, SAE 8 - OFS
22	8770136	2	Connector, Bulkhead, SAE 8 - str. thd.
23	8430005	1	Quick Disconnect, Female, SAE 8-8ORB
24	8420055	1	Plug, Dust #8
25	8420053	1	Cap, Dust #8
26	8430006	1	Quick Disconnect, Male, SAE 8-8ORB
27	7139443	1	Bracket, Bulkhead
28	8305645	1	Nut, Hex Lock Elastic 3/8-16

Origin
05/01

S/N 14409-

4270H
4270L
4290H
4290L



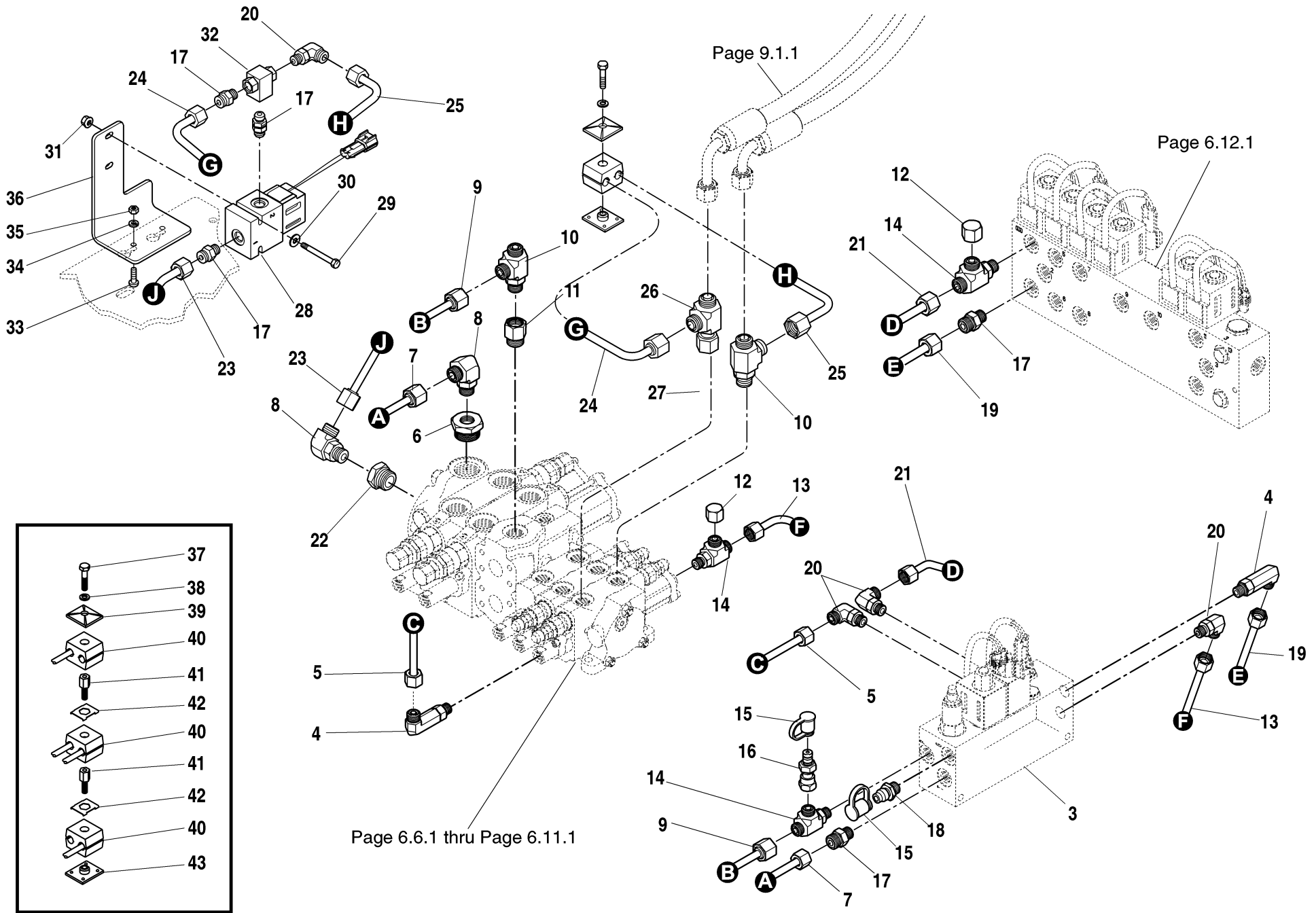
Page 6.6.1 thru Page 6.11.1

ITEM	PART NO.	QTY.	DESCRIPTION
1	8770154	1	Elbow, Long, 90°, SAE 4 - str. thd. ORB x OFS
2	7138770	1	Tube
3	8760535	1	Reducer, SAE 12-8 - male str
4	8770114	1	Elbow, 90°, SAE 8 - str. thd. ORB x OFS
5	7138779	1	Tube
6	8770106	4	Connector, SAE 6 - str. thd. ORB x OFS
7	8902191	1	Valve, Solenoid Dump
8	8303703	4	HHCS, 0.25-20 NC x 2.50"
9	8307202	2	Washer, Plain 0.25"
10	8310382	2	Nut, Flange
11	7136892	1	Bracket, Dump Valve
12	8310484	2	Bolt, Carriage, 1/4-20 NC x 1.00"
13	8307002	2	Washer, Lock 0.25"
14	8305004	2	Nut, Hex 0.25-20 NC
15	7139038	1	Tube
16	8902175	1	Valve, Shuttle
17	8770068	1	Elbow, 90°, SAE 6 - str. thd. ORB x OFS
18	7138778	1	Tube
19	8303743	1	HHCS, 0.25-20 NC x 1.50"
20	8750020	1	Plate, Cover
21	8750018	1	Clamp, Set
22	8750019	1	Plate, Welding
23	8770125	1	Tee, Swivel Run, SAE 8 - OFS
24	8770116	1	Connector, SAE 8 - str. thd. ORB x OFS
25	8770124	1	Tee, Male Run, SAE 8 - ORFS
26	8770108	3	Cap, SAE 6 - OFS
27	8770066	2	Tee, Male Run, SAE 6 - ORFS
28	7138766	1	Tube
29	8303743	1	HHCS, 0.250-20 NC x 1.50"
30	8307002	1	Washer, Lock 0.25"
31	8750020	1	Plate, Cover
32	8750018	3	Clamp Set
33	8750021	2	Bolt, Stacking
34	8750017	2	Plate, Locking
35	8750019	1	Plate, Welding

Origin
05/01

S/N 14409-

4270H
4270L
4290H
4290L



ITEM	PART NO.	QTY.	DESCRIPTION
1	8902183	1	Valve, Main Control (See Pages 6.6.1–6.11.1 for Breakdown)
2	8902182	1	Manifold, Pilot Select
3	8902180	1	Valve, Selector Aux. Hydraulics
4	8770154	2	Elbow, Long, 90°, SAE 4 - str. thd. ORB x OFS
5	7138780	1	Tube
6	8760545	1	Reducer, SAE 16-8
7	7139040	1	Tube
8	8770114	1	Elbow, 90°, SAE 8 - str. thd. ORB x OFS
9	7139039	1	Tube
10	8770124	1	Tee, Male Run, SAE 8
11	8770186	1	Reducer, SAE 10-8
12	8770108	1	Cap, SAE 6 - OFS
13	7138782	1	Tube
14	8770066	1	Tee, Male Run, SAE 6
15	8430032	2	Plug, Dust
16	8430081	1	Nipple, Diagnostic
17	8770106	2	Connector, SAE 6 - str. thd. ORB x OFS
18	8430043	1	Nipple, Diagnostic
19	7138783	1	Tube
20	8770068	4	Elbow, 90°, SAE 6 - str. thd. ORB x OFS
21	7138781	1	Tube
22	8760535	1	Reducer, SAE 12-8
23	7138779	1	Tube
24	7138038	1	Tube
25	7138778	1	Tube
26	8770125	1	Tee, Swivel Run, SAE 8 - OFS
27	8770116	1	Connector, SAE 8 - str. thd. ORB x OFS
28	8902191	1	Valve, Solenoid Dump
29	8303703	2	HHCS, 0.25-20 NC x 2.50"
30	8307202	2	Washer, Plain 0.25"
31	8310382	2	Nut, Flange
32	8902175	1	Valve, Shuttle
33	8310484	2	Bolt, Carriage, 1/4-20 NC x 1.00"
34	8307002	2	Washer, Lock 0.25"
35	8305004	2	Nut, Hex 0.25-20 NC
36	7136892	1	Bracket, Dump Valve

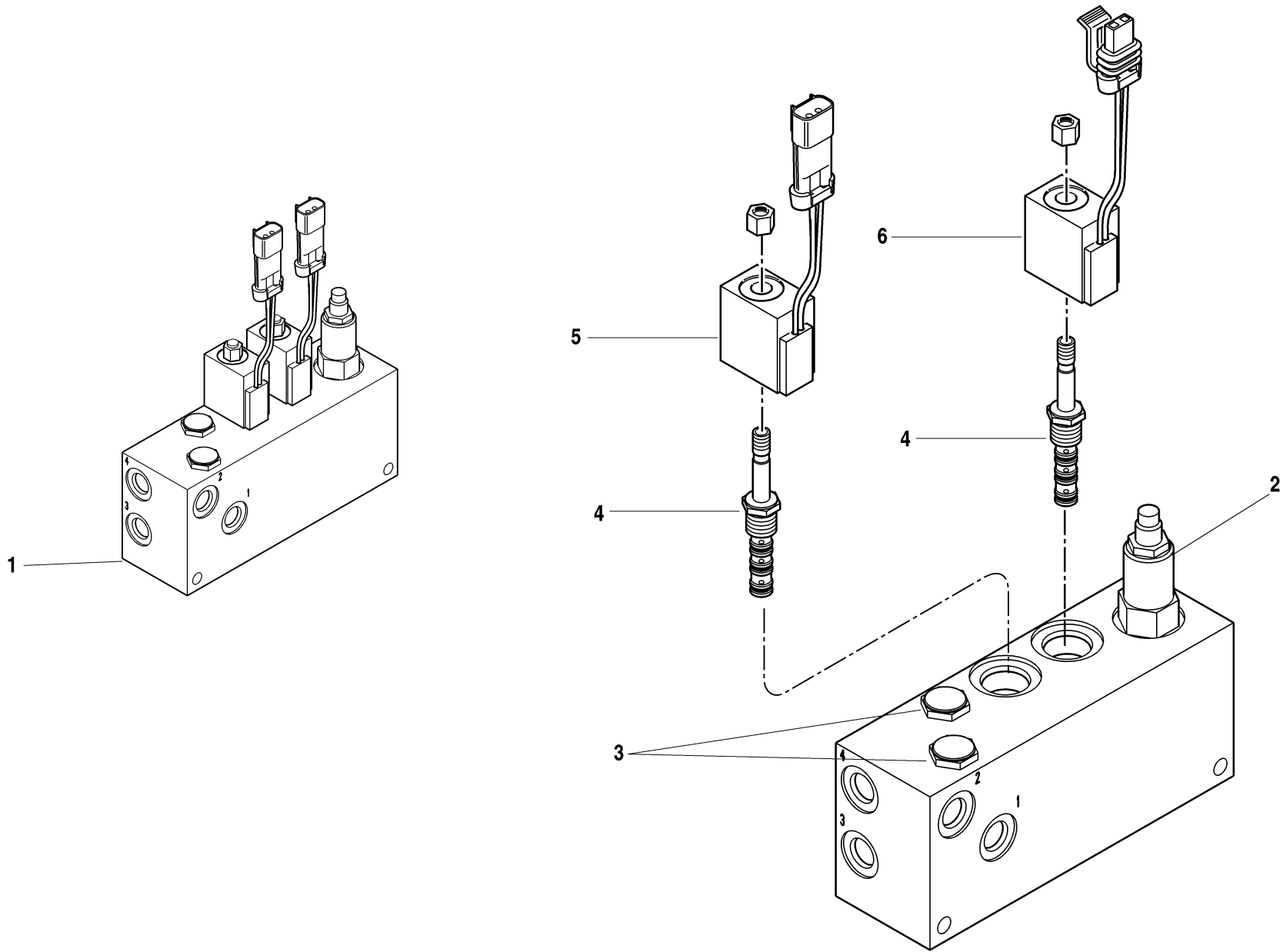
ITEM	PART NO.	QTY.	DESCRIPTION
37	8303743	1	HHCS, 0.250-20 NC x 1.50"
38	8307002	1	Washer, Lock 0.25"
39	8750020	1	Plate, Cover
40	8750018	3	Clamp Set
41	8750021	2	Bolt, Stacking
42	8750017	2	Plate, Locking
43	8750019	1	Plate, Welding

Origin
05/01

S/N 14409-

4270H
4270L
4290H
4290L

AUX DETENT HYDRAULICS - VALVES, MANIFOLD AND TUBING 9.3.1



ITEM	PART NO.	QTY.	DESCRIPTION
1	8902180	1	Valve, Selector (Auxiliary Detent Hydraulics Only) (Includes Items 2 thru 6)
2	8035859	1	Cartridge, Pressure Reducing [550 ± 100 psi (38 ± 7 bar) at 0 G.P.M. (0 liter/sec) (Auxiliary Detent Hydraulics Only)
3	8035858	2	Valve, Shuttle (Auxiliary Detent Hydraulics Only)
4	8035860	2	Cartridge, Solenoid Valve (Auxiliary Detent Hydraulics Only)
5	8902694	1	Coil, Solenoid Valve, Female Connector (Auxiliary Detent Hydraulics Only)
6	8902693	1	Coil, Solenoid Valve, Male Connector (Auxiliary Detent Hydraulics Only)

Origin
05/01

S/N 14409-

4270H
4270L
4290H
4290L

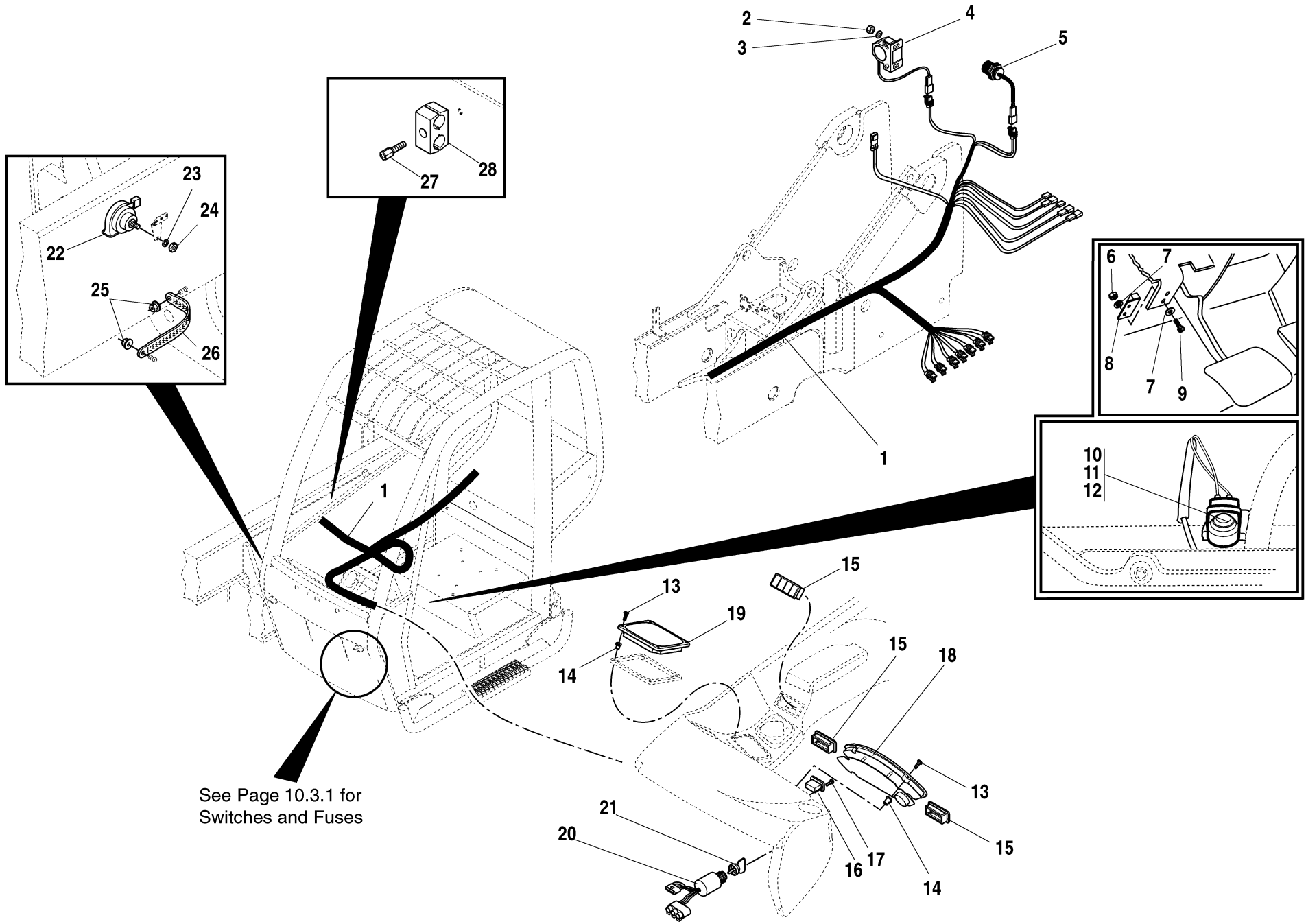
AUXILIARY DETENT SELECTOR VALVE

9.4.1

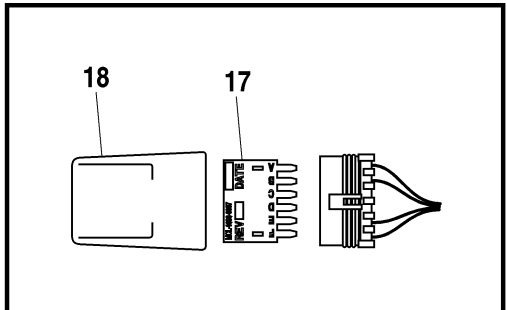
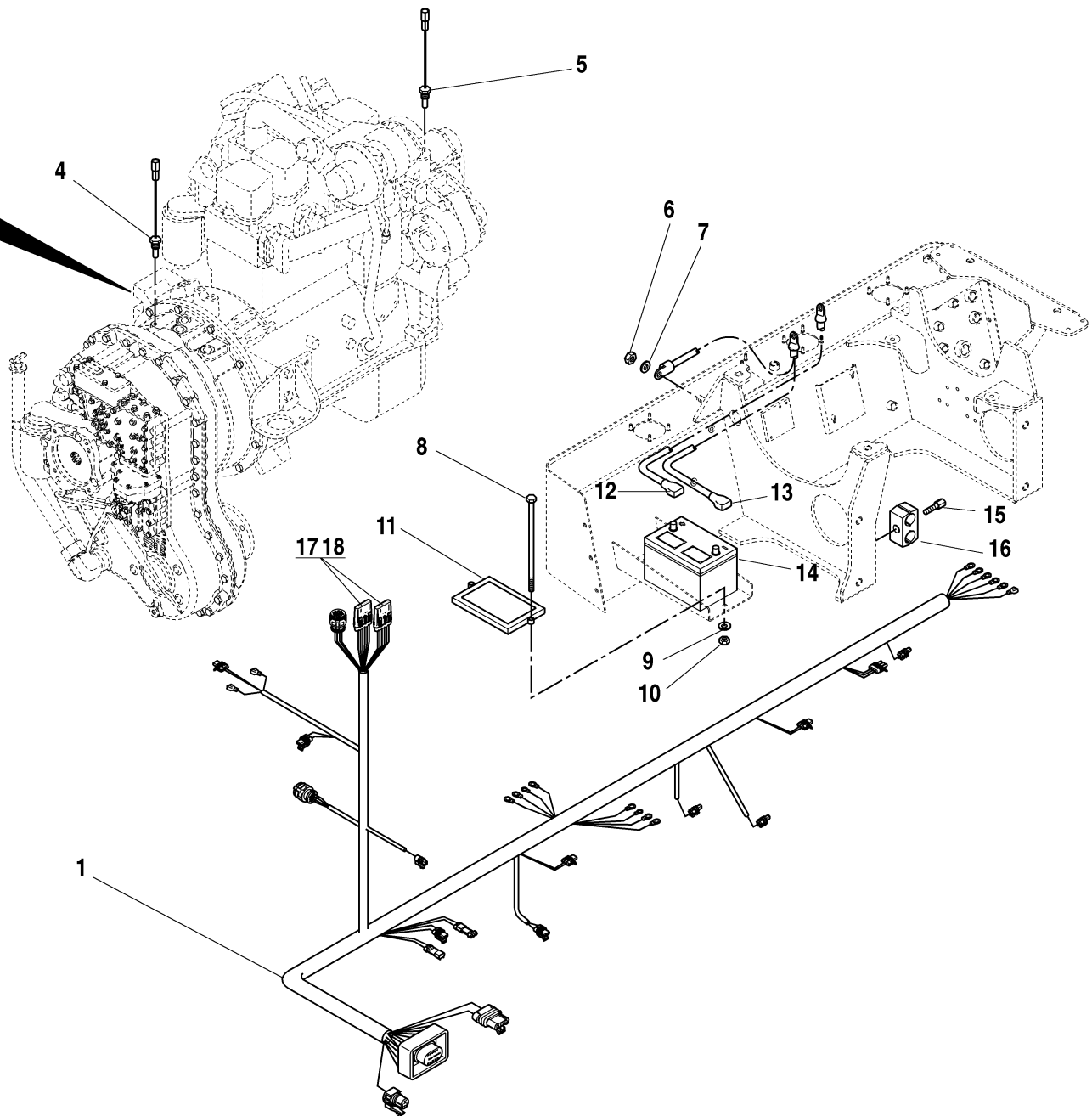
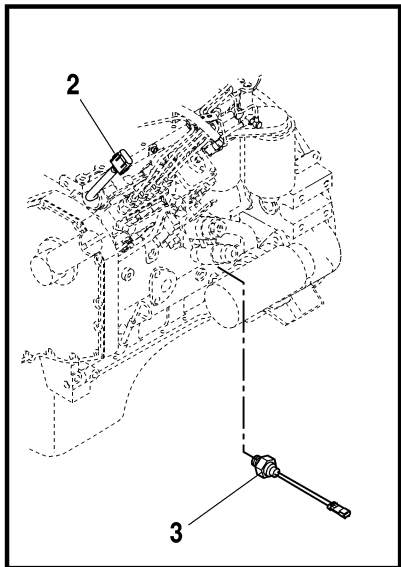
TABLE OF CONTENTS

Section 10 — Electrical

Operators Cab Wiring Harness	10.1.1
Engine Wiring Harness	10.2.1
Switches and Fuses	10.3.1
Roadlights Assembly	10.4.1
Roadlights - Switchs and Fuses	10.5.1
Worklights Assembly	10.6.1



See Page 10.3.1 for
Switches and Fuses



ITEM	PART NO.	QTY.	DESCRIPTION
1	7135044	1	Harness, Engine
2	8035276	1	Solenoid, Fuel Shut Off
3	8223530	1	Switch, Engine Oil Pressure
4	8223232	1	Switch, Transmission Temperature - 250° F (121° C)
5	8223229	1	Switch, Engine Water Temperature - 210° F (99° C)
6	8305603	1	Nut, Hex Lock 3/8-16
7	8307204	1	Washer, Flat 3/8"
8	8310344	2	HHCS, 3/8-16 x 10"
9	8307110	2	Washer, Plain, 3/4"
10	8305645	2	Nut, Hex Lock Elastic 3/8-16
11	7138830	1	Battery Hold Down
12	8270139	1	Cable, Battery - Positive w/Protective Cover
13	8270138	1	Cable, Battery - Negative w/Protective Cover
14	8270134	1	Battery, 12 Volt
15	8750026	1	Bolt, Stacking
16	8750022	1	Clamp Set
17	8220356	1	Board, Diode, Rear Steer
18	8220357	1	Cap, Clear Ves-Pac

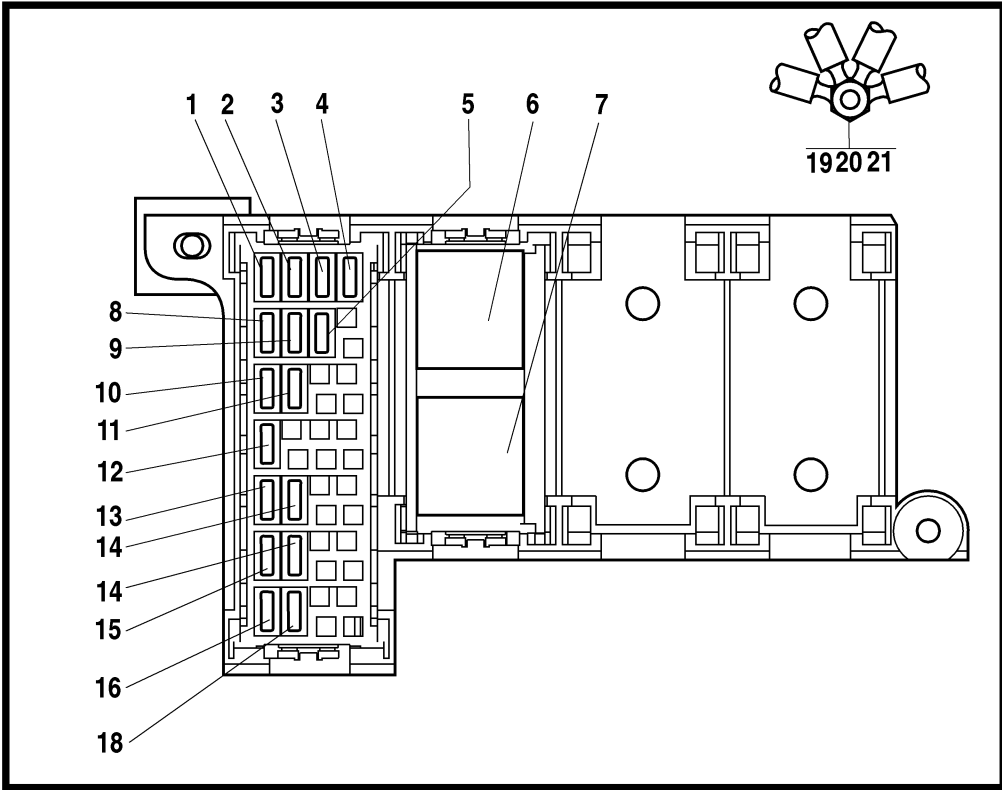
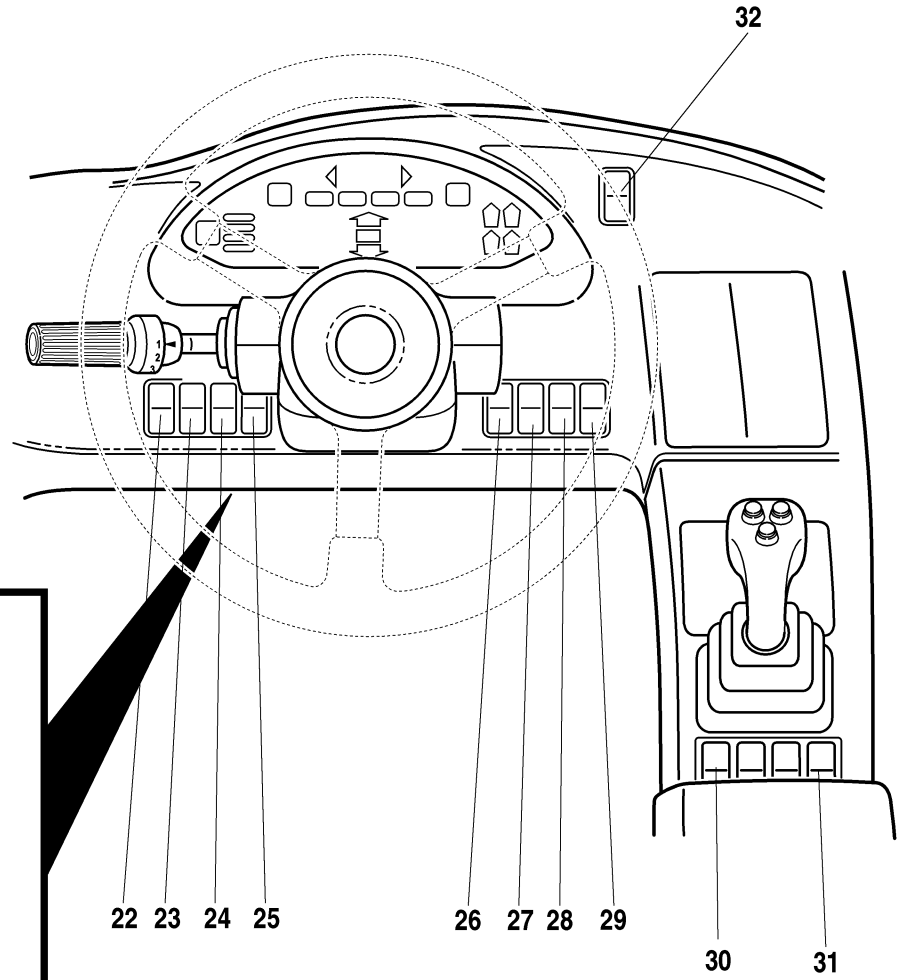
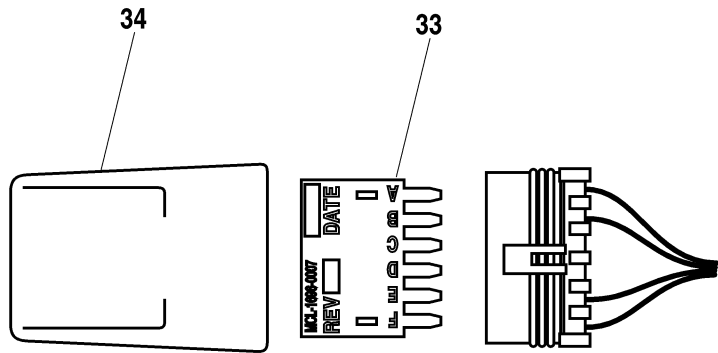
Origin
05/01

S/N 14409-

4270H
4270L
4290H
4290L

ENGINE WIRING HARNESS

10.2.1



ITEM	PART NO.	QTY.	DESCRIPTION
1	8229242	1	Fuse, 5 Amp, Transmission Direction (Tan)
2	8229252	1	Fuse, 1 Amp, Hour Meter (Black)
3	8229247	1	Fuse, 25 Amp, Ignition (White)
4	8229245	1	Fuse, 30 Amp, Main (Green)
5	8229242	1	Fuse, 5 Amp, Rear Steer (Tan)
6	8225119	1	Relay, Sealed 12V - 40A, Rear Steer
7	8225119	1	Relay, Sealed 12V - 40A, Neutral Engage
8	8229242	1	Fuse, 5 Amp, Transmission Gear (Tan)
9	8229244	1	Fuse, 15 Amp, Dash Panel (Blue)
10	8229252	1	Fuse, 1 Amp, Park Brake (Black)
11	8229242	1	Fuse, 5 Amp, Joystick Panel (Tan)
12	8229252	1	Fuse, 1 Amp, Service Brake (Black)
13	8229242	1	Fuse, 5 Amp, Steer Mode
14	8229242	2	Fuse, 5 Amp, Auxiliary Detent
15	8229243	1	Fuse, 7. 5 Amp, Horn (Tan)
16	8229252	1	Fuse, 1 Amp, Switch Lamps (Black)
17	8229242	1	Fuse, 5 Amp, FSOS (Tan)
18	8229243	1	Fuse, 7.5 Amp, Rotating Beacon (Opt) (Brown)
19	8307002	1	Washer, Lock 1/4"
20	8303540	1	HHCS, 1/4-20 x 1.00"
21	8305624	1	Nut, Hex Lock, 1/4"-20
22	8223054	1	Switch, Park Brake
23	8223039	1	Switch, Auxiliary Detent (Optional)
24	8223050	1	Switch, Auxiliary, Dump Valve
25	8223047	1	Switch, Rear Steer Mode
26	8223059	1	Switch, Worklights
27	8223061	1	Switch, Windshield Wiper/Washer
28	8223040	1	Switch, Roof Wiper
29	8223048	1	Switch, Attachment Tilt Mode
30	8223038	1	Switch, Rotating Beacon (Optional)
31	8223051	1	Switch, Steer Select
32	8223060	1	Switch, Hazard Lights
33	8220356	1	Board, Diode, Rear Steer
34	8220357	1	Cap, Clear Ves-Pac

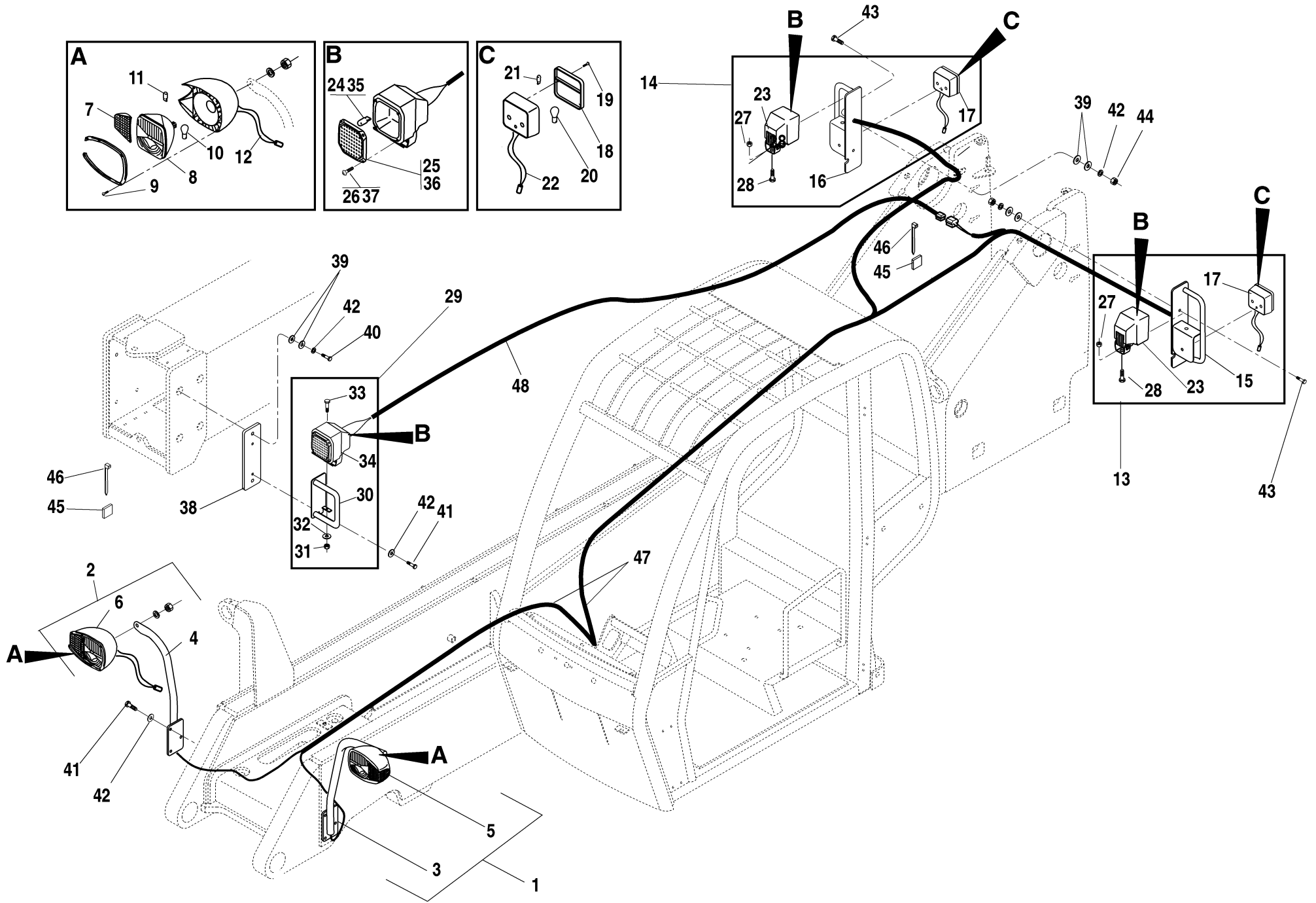
Origin
05/01

S/N 14409-

4270H
4270L
4290H
4290L

SWITCHES AND FUSES

10.3.1



ITEM	PART NO.	QTY.	DESCRIPTION
1	7150699	1	Roadlight Assembly, <u>Left Front</u> (Includes Items 3 and 5)
2	7150716	1	Roadlight Assembly, <u>Right Front</u> (Includes Items 4 and 6)
3	7150685	1	Mount, <u>Left Front</u> Headlight
4	7150717	1	Mount, <u>Right Front</u> Headlight
5	7150702	1	Headlight Assembly, <u>Left Front</u> (See "A" for Breakdown) (Includes Items 7 Thru 12)
6	7150703	1	Headlight Assembly, <u>Right Front</u> (See "A" for Breakdown) (Includes Items 7 thru 12)
7	8036209	1	Lens, Amber <u>Left</u> Headlight (Not Shown)
	8036210	1	Lens, Amber <u>Right</u> Headlight (Shown)
8	8036212	1	Lens, Headlight (Left or Right)
9	8036216	6	Screw, Headlight Lens
10	8036213	1	Bulb, Headlight
11	8036214	1	Bulb, Blinker
12	8036215	1	Wiring Harness (Includes 6-way Connector)
13	7150679	1	Roadlight, Assembly <u>Left Rear</u> (Includes Items 15, 17 one of Item 23 and Items 27, 28)
14	7150689	1	Roadlight, Assembly <u>Right Rear</u> (Includes Items 16, 17 one of Item 23 and Items 27, 28)
15	7150681	1	Mount, <u>Left Rear</u> Tail Light
16	7150680	1	Mount, <u>Right Rear</u> Tail Light
17	7150690	2	Tail Light Assembly (See "C" for Breakdown) (Includes Items 18 thru 22)
18	8036219	1	Lens, Tail Light
19	N.S.S.	4	Screw, Tail Light Lens
20	8036222	1	Bulb, Tail & Brake Light
21	8036221	1	Bulb, Blinker
22	8036220	1	Wiring Harness (Includes 4-way Connector)

ITEM	PART NO.	QTY.	DESCRIPTION
23	7150687	2	Worklight Assembly (See "B" for Breakdown) (Includes Items 24 thru 26)
24	8036218	1	Bulb, Worklight - Halogen
25	8036217	1	Lens, Worklight
26	8036216	4	Screw, Worklight Lens
27	8305626	1	Nut, Hex Lock, 5/16"-18
28	8303745	1	HHCS, 5/16-18 x 5/8"
29	7150688	1	Boom Worklight Assembly (Includes Items 30 thru 34)
30	7150674	1	Mount, Worklight
31	8305626	1	Nut, Hex Lock 5/16"-18
32	8307106	1	Washer, Flat 5/16"
33	8303745	1	HHCS, 5/16-18 x 5/8"
34	7150687	1	Worklight (See "B" for Breakdown) (Includes Items 35 thru 37)
35	8036218	1	Bulb, Worklight - Halogen
36	8036217	1	Lens, Worklight
37	8036216	4	Screw, Worklight Lens
38	7139492	1	Tapping Block, Boom Worklight
39	8307204	12	Washer Plain, 3/8"
40	8303771	2	HHCS, 3/8-16 x 2.25"
41	8303581	8	HHCS 3/8-16 x 3/4"
42	8307005	14	Washer, Lock 3/8"
43	8303622	4	HHCS, 3/8" x 2"
44	8305645	4	Nut, Hex Lock Elastic 3/8"-16
45	8584018	2	Mount, Tie
46	8584001	32	Tie, Plastic, 6.7"
47	7139497	1	Harness, Roadlights
48	7150730	1	Harness, Boom Worklight

N.S.S. = Not Sold Separately

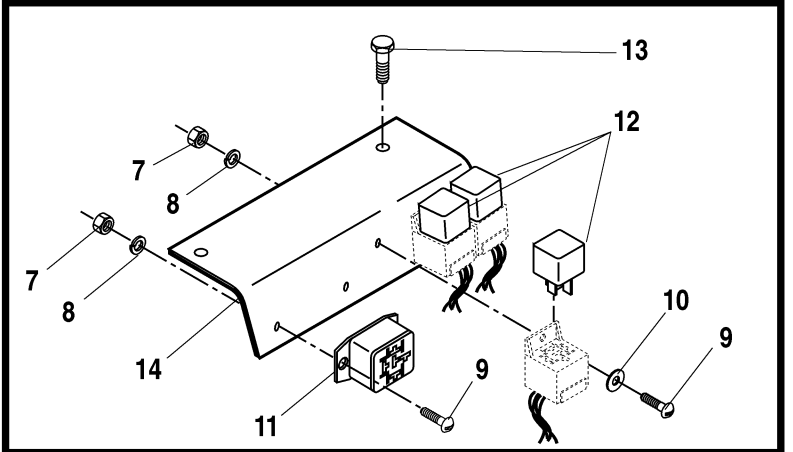
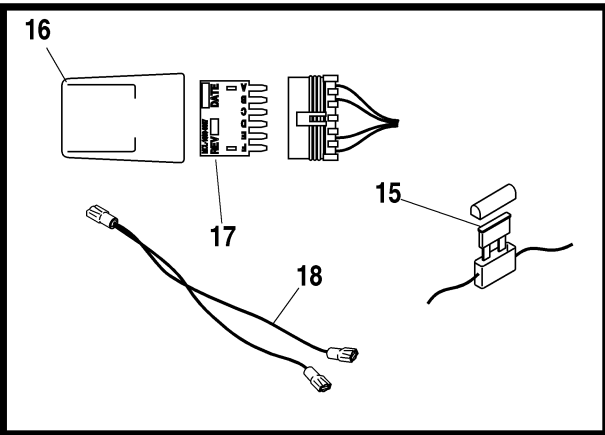
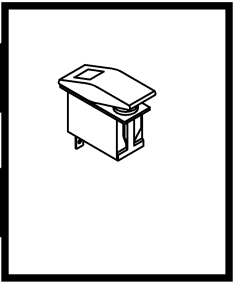
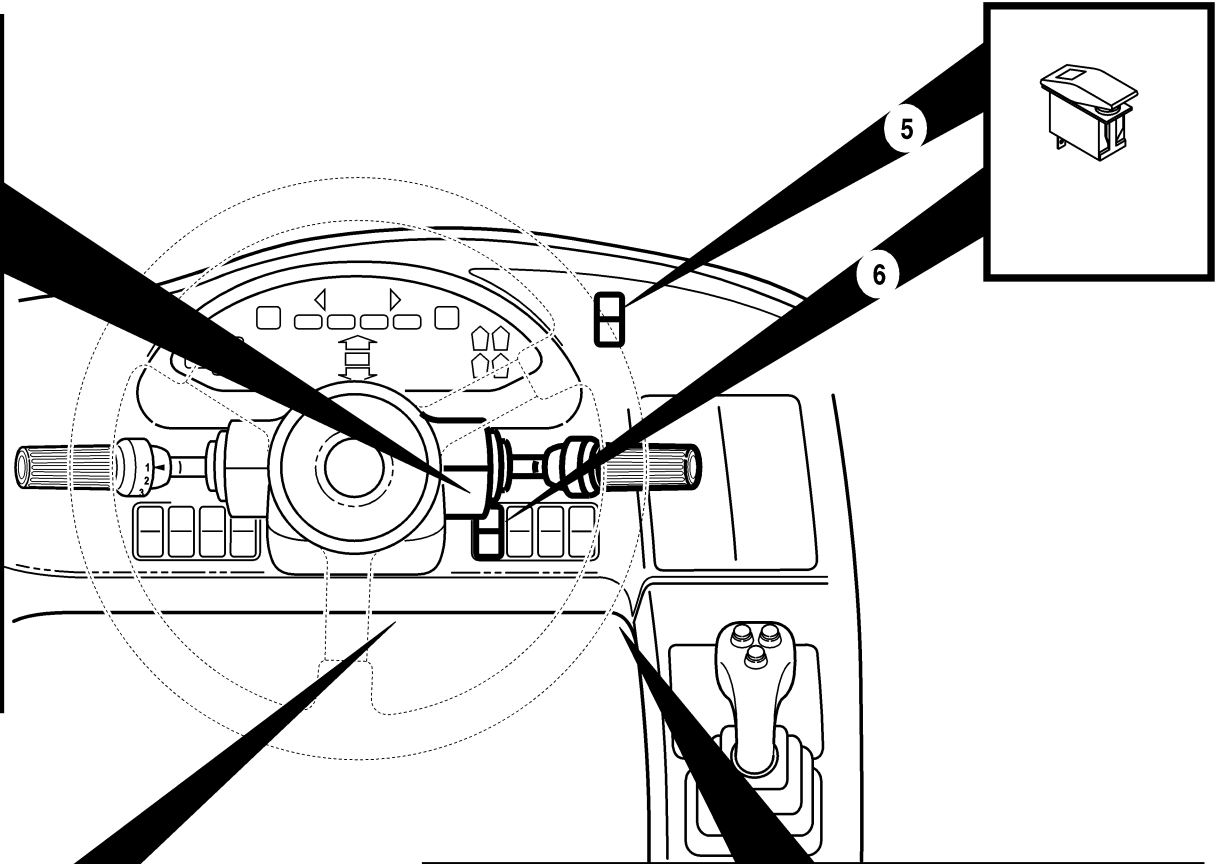
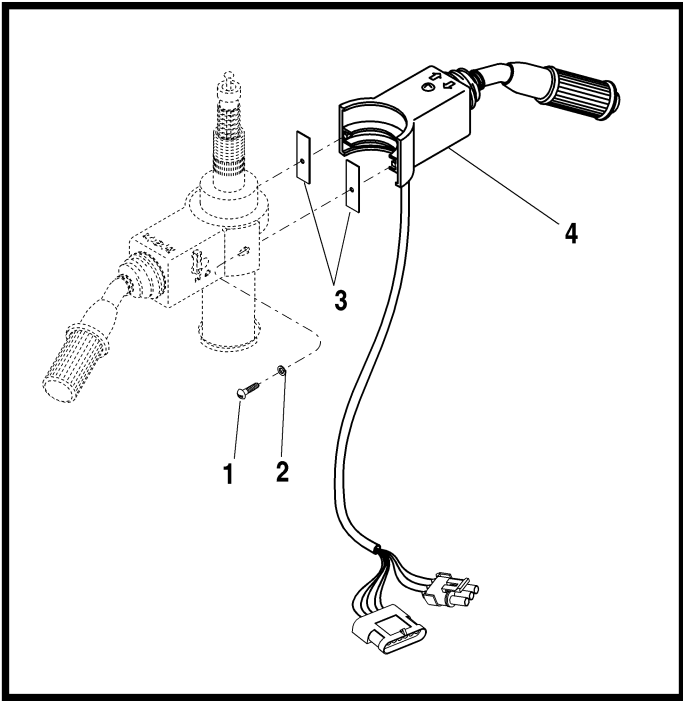
Origin
05/01

S/N 14409-

ROADLIGHTS ASSEMBLY

10.4.1

4270H
4270L
4290H
4290L



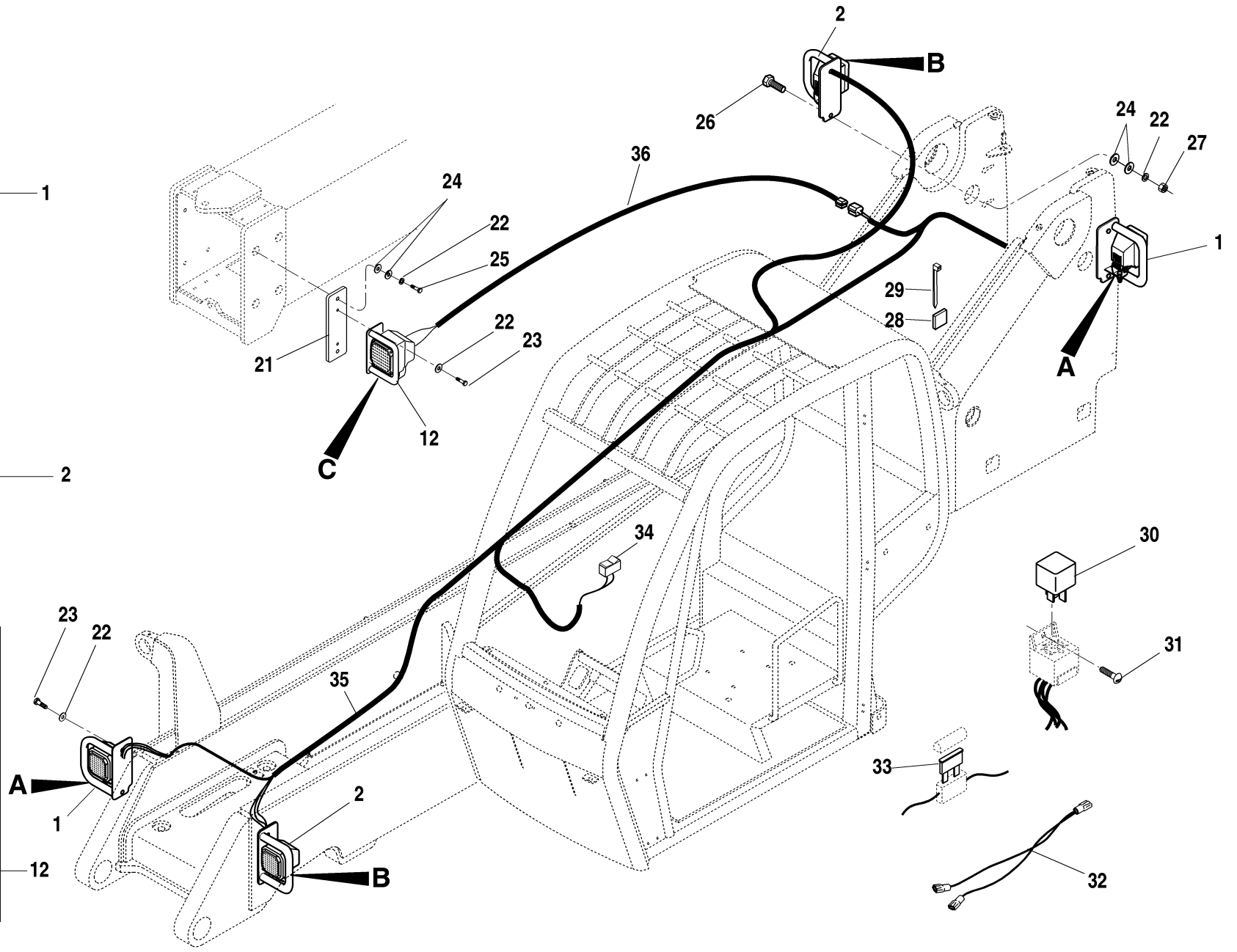
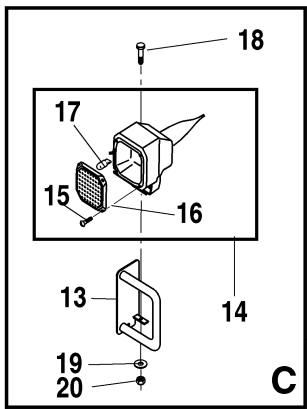
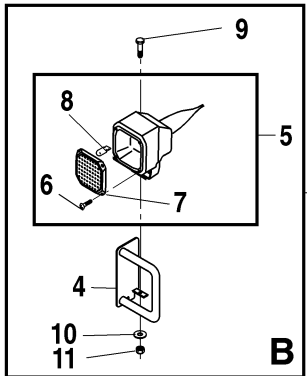
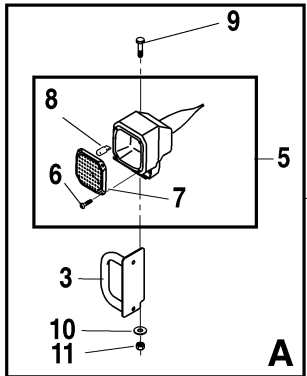
ITEM	PART NO.	QTY.	DESCRIPTION
1	8310559	2	MS, M5 x 25mm
2	8310078	2	Washer, Lock, M5
3	7131961	4	Spacer, Transmission Shifter
4	7150742	1	Lever, Turn Signal
5	8223060	1	Switch, Hazard Lights
6	8223059	1	Switch, Worklight
7	8305002	5	Nut-Hex, #10-24 NC
8	8307003	5	Washer, Lock #10
9	8310362	5	BHCS, #10-24 x 1/2"
10	8307111	3	Washer, Flat #10 SAE
11	8500203	1	Flasher, Hazard Lights
12	8225119	3	Relay, Sealed
13	8303982	2	Screw, Hx., Hd., .250 x .75"
14	7139615	1	Bracket, Relay
15	8229247	1	Fuse, 25 Amp (White)
16	8220357	1	Cap, Clear Ves-Pac
17	8229030	1	Board, Diode 1 Amp
18	7139662	1	Jumper Wire, Acc. Power

Origin
05/01

S/N 14409-

4270H
4270L
4290H
4290L





ITEM	PART NO.	QTY.	DESCRIPTION
1	7150673	2	Frame Worklight Assembly <u>Right Front</u> and <u>Left Rear</u> (See "A" for Breakdown) (Includes Items 3, 5 and 9 thru 11)
2	7150688	2	Frame Work Light Assembly <u>Left Front</u> and <u>Right Rear</u> (See "A" for Breakdown) (Includes Items 4, 5 and 9 thru 11)
3	7150675	1	Mount, <u>Right Front</u> and <u>Left Rear</u> Worklight
4	7150674	1	Mount, <u>Left Front</u> and <u>Right Rear</u> Worklight
5	7150687	1	Worklight Assembly (See "A" or "B" for Breakdown) (Includes Items 6 thru 8)
6	8036216	4	Screw, Worklight Lens
7	8036217	1	Lens, Worklight
8	8036218	1	Bulb, Worklight - Halogen
9	8303745	2	HHCS, 5/16-18 x 5/8"
10	8307106	2	Washer, Flat 5/16"
11	8305626	2	Nut, Hex Lock 5/16"-18
12	7150687	1	Boom Worklight Assembly (See "C" for Breakdown) (Includes Items 13, 14 and 18 thru 20)
13	7150674	1	Mount, Boom Worklight
14	7150687	1	Worklight Assembly (See "C" for Breakdown) (Includes Items 15 thru 17)
15	8036216	4	Screw, Worklight Lens
16	8036217	1	Lens, Worklight
17	8036218	1	Bulb, Worklight - Halogen
18	8303745	1	HHCS, 5/16-18 x 5/8"
19	8307106	1	Washer, Flat 5/16"
20	8305626	1	Nut, Hex Lock 5/16"-18
21	7139492	1	Tapping Block, Boom Worklight
22	8307005	10	Washer, Lock 3/8"
23	8303681	6	HHCS, 3/8-16 x 3/4"
24	8307204	12	Washer Plain, 3/8"
25	8303771	2	HHCS, 3/8-16 x 2.25"
26	8310376	4	HHCS, 3/8-16 x 1.875"
27	8305645	4	Nut, Hex Lock Elastic 3/8-16
28	8584018	9	Mount, Tie
29	8584001	19	Tie, Plastic, 6.7"
30	8225119	1	Relay, Sealed
31	8303982	1	Screw Hex. Hd. Washer Face 1/4-20 x 3/4"
32	7139662	1	Jumper Wire, ACC Power
33	8229247	1	Fuse, 25 Amp (White)
34	8223059	1	Switch, Worklight
35	7139496	1	Harness, Worklight
36	7150730	1	Harness, Boom Worklight

Origin
05/01

S/N 14409-

WORKLIGHTS ASSEMBLY

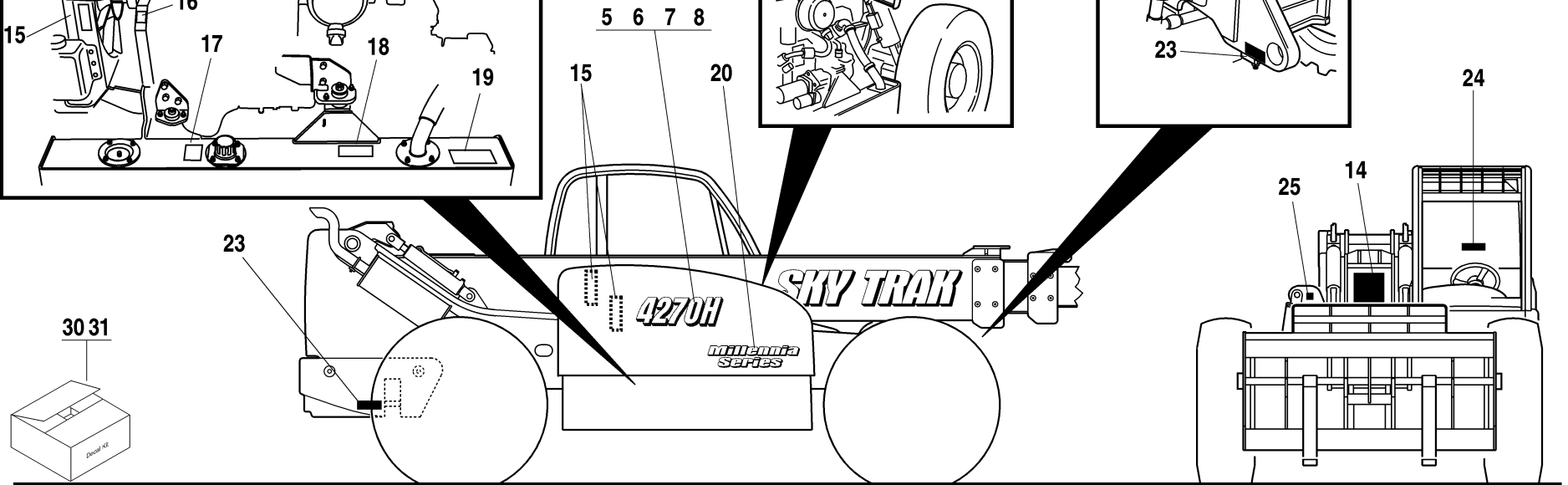
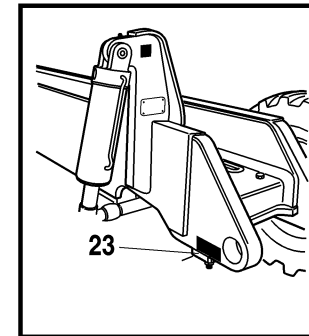
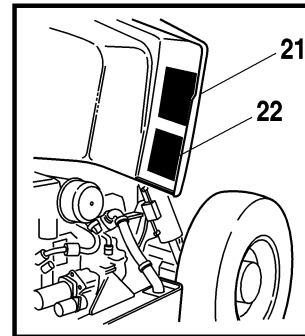
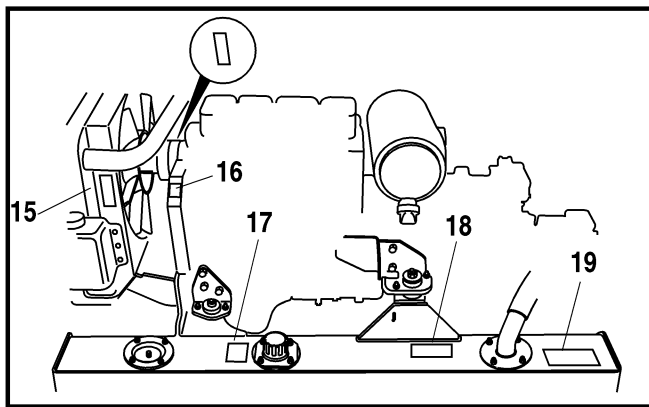
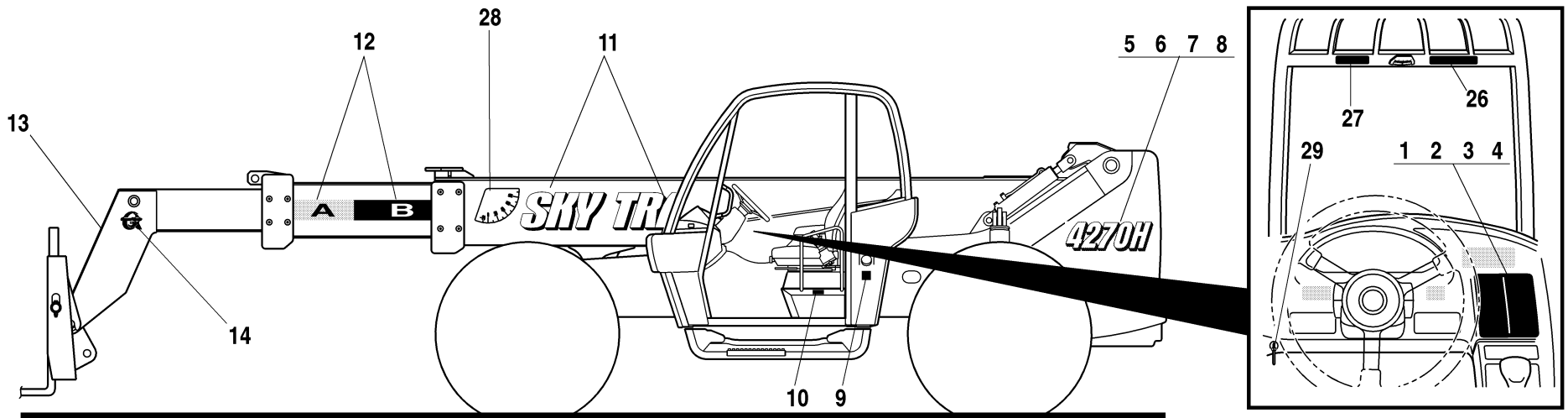
10.6.1

4270H
4270L
4290H
4290L

TABLE OF CONTENTS

Section 11 — Decals and Common Supplies

Decals	11.1.1
Paint and Common Supplies	11.2.1



ITEM	PART NO.	QTY.	DESCRIPTION	ITEM	PART NO.	QTY.	DESCRIPTION
1	7139634	1	Booklet, Load Chart - 4270L				
2	7139635	1	Booklet, Load Chart - 4270H				
3	7139636	1	Booklet, Load Chart - 4290L				
4	7139637	1	Booklet, Load Chart - 4290H				
5	4110241	2	Decal, 4270L				
6	4110240	2	Decal, 4270H				
7	4110239	2	Decal, 4290L				
8	4110238	2	Decal, 4290H				
9	4105171	1	Decal, Diesel Fuel Fill				
10	4109091	1	Decal, Oper. Manual Location				
11	4110131	2	Decal, SKY TRAK 57"				
12	4110130	1	Decal, Boom Extend Stripes				
13	4109041	1	Decal, Carrying Personnel				
14	4110133	2	Decal, OmniQuip Textron Logo 5"				
15	4110184	2	Decal, Fan Warning				
16	4107901	1	Decal, Engine Idle Setting				
17	4100181	1	Decal, Hydraulic Oil Fill				
18	4108302	1	Decal, Hydraulic Oil Level				
19	4110172	1	Decal, Battery Hazard				
20	4110132	1	Decal, Millennia Series 27"				
21	4110116	1	Decal, Lubrication Chart				
22	4110117	1	Decal, Maintenance Chart				
23	4110226	4	Decal, Lift Point/Tie Down				
24	4109791	1	Decal, Emergency Exit (Enclosed Cab Only)				
25	4108181	1	Decal, Made in USA				
26	4110137	1	Decal, Tip Over Hazard				
27	4108991	1	Decal, Electrocutation Hazard				
28	4105262	1	Decal, Boom Angle Indicator				
29	4108201	1	Ring, Key				
			KITS				
30	8024013		Decal Kit, 4270L 4270H (Includes Items 5, 6 and 9 thru 28)				
31	8024014	1	Decal Kit, 4290L 4290H (Includes Items 7, 8 and 9 thru 28)				

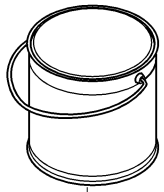
Origin
05/01

S/N 14409-

4270H
4270L
4290H
4290L

DECALS

11.1.1



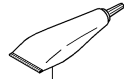
1 2 3



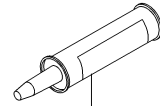
4 5 6



7 8 9



10



11



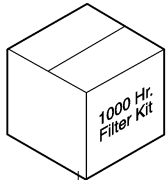
12



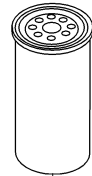
13



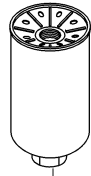
15



16



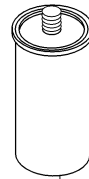
17



18



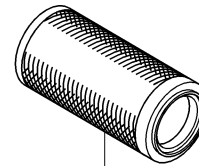
19



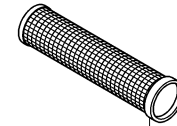
20



21



22



23

ITEM	PART NO.	QTY.	DESCRIPTION
1	8528074	1	Paint, Orange, Acrylic Enamel, Gallon (Service Repaint)
2	8528080	1	Paint, Black, Acrylic Enamel, Gallon (Service Repaint)
3	8528105	1	Paint, Dark Grey, Acrylic Enamel, Gallon (Service Repaint)
4	8528071	1	Paint, Orange, Acrylic Enamel, Can (16 oz. spray - touch-up)
5	8528101	1	Paint, Black, Acrylic Enamel, Can (16 oz. spray - touch-up)
6	8528106	1	Paint, Off White, Acrylic Enamel, Can (16 oz. spray - touch -up)
7	8526007	1	Thread Locker Loctite #242, 250 ml. (Bottle)
8	8526011	1	Thread Locker Loctite #271, 250 ml. (Bottle)
9	8526052	1	Thread Locker Loctite #277, 250 ml. (Bottle)
10	8522012	1	Lube, Anti-Seize
11	8035523	1	Sealant, Urethane, 10 Oz Cartridge
12	8526042	1	Adhesive, Spray
13	8526053	1	Tape, Thread Sealant
14	8526056	1	Gasket Eliminator, Loctite #518
15	7138288	1	Filter Kit, 250 Hour (Includes Items 17 and 18)
16	7139238	1	Filter Kit, 1000 Hour (Includes Items 17 thru 23)
17	8320262	1	Filter, Engine Oil
18	8320270	1	Fuel Filter, Primary
19	8274022	1	Fuel Filter, Inline Strainer
20	1319726	1	Filter, Transmission Oil
21	8320265	1	Filter, Hydraulic Oil
22	8035098	1	Air Filter, Primary
23	8035099	1	Air Filter, Safety Element

Origin
05/01

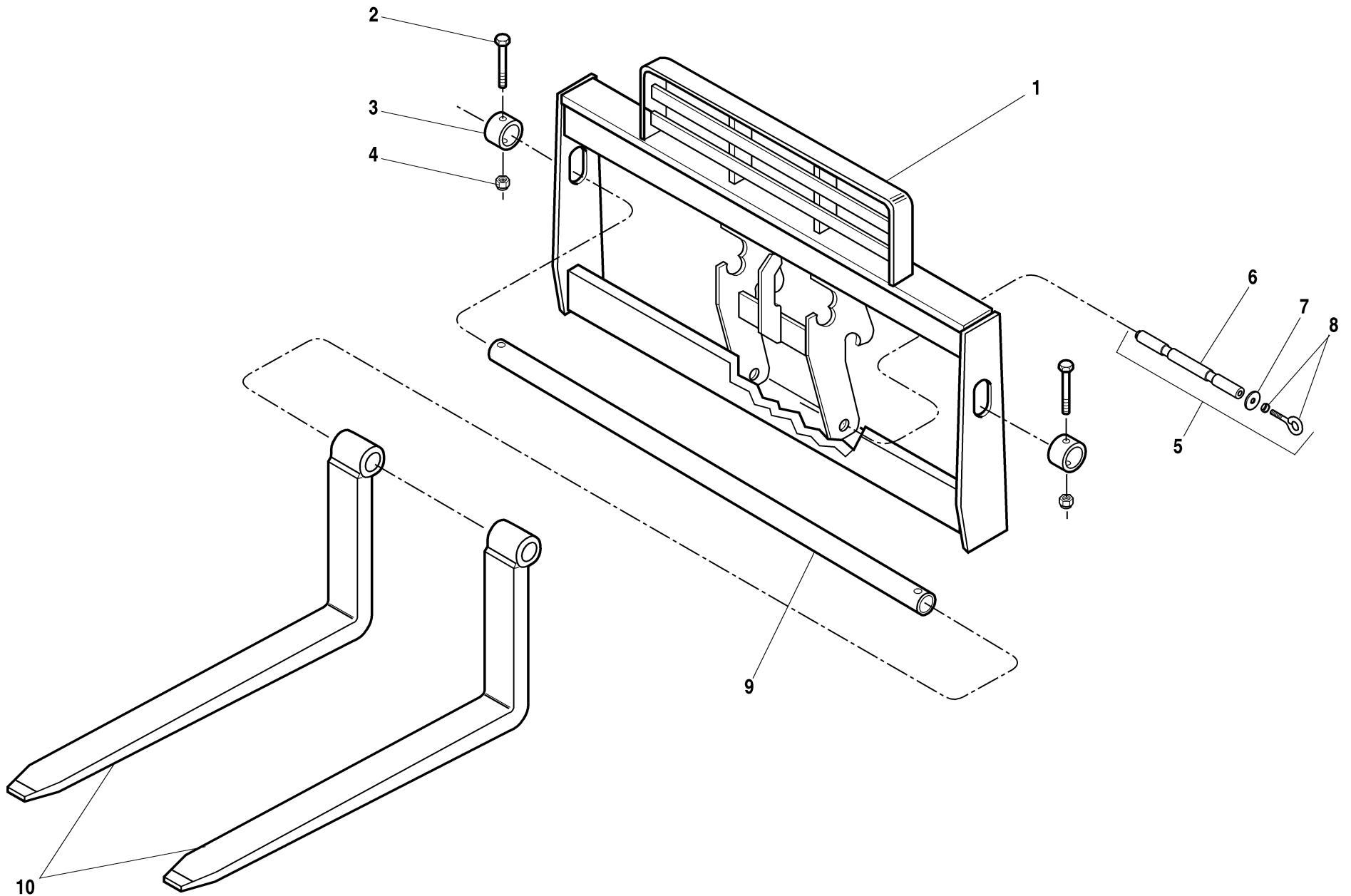
S/N 14409-

4270H
4270L
4290H
4290L

TABLE OF CONTENTS

Section 12 — Attachments

48", 60" & 72" Standard Carriage & Forks	12.1.1
Swing Carriage Assembly	12.2.1
Swing Carriage Cylinder	12.3.1
Side Tilt Carriage Assembly	12.4.1
Side Tilt Carriage Cylinder	12.5.1
12 Ft. Truss Boom	12.6.1
Sheet Material Handler Assembly	12.7.1
Utility Bucket	12.8.1



ITEM	PART NO.	QTY.	DESCRIPTION
1	7083054	1	Carriage, 48" (Standard)
	7086304	1	Carriage, 60" (Optional)
	7090814	1	Carriage, 72" (Optional)
2	8303634	2	HHCS, 5/8-11 x 4"
3	7086471	2	Collar
4	8305643	2	Nut, Hex Lock 5/8-11
5	7118892	1	Pin, Lock (Includes Items 6 thru 8)
6	7118882	1	Pin
7	8310276	1	Washer
8	8310266	1	Bolt, Eye w/Nut
9	7128772	1	Shaft, 48"
	7128792	1	Shaft, 60"
	7128802	1	Shaft, 72"
10	7097523	2	Fork, Pallet 48" x 4" x 2" (4,000 lbs Rating) 4270 Only
	7097543	2	Fork, Pallet 48" x 4" x 2.25" (5,000 lbs Rating) 4290 Only
	7097533	2	Fork, Lumber (Not Shown)
	7085073	6	Fork, Block (Not Shown)

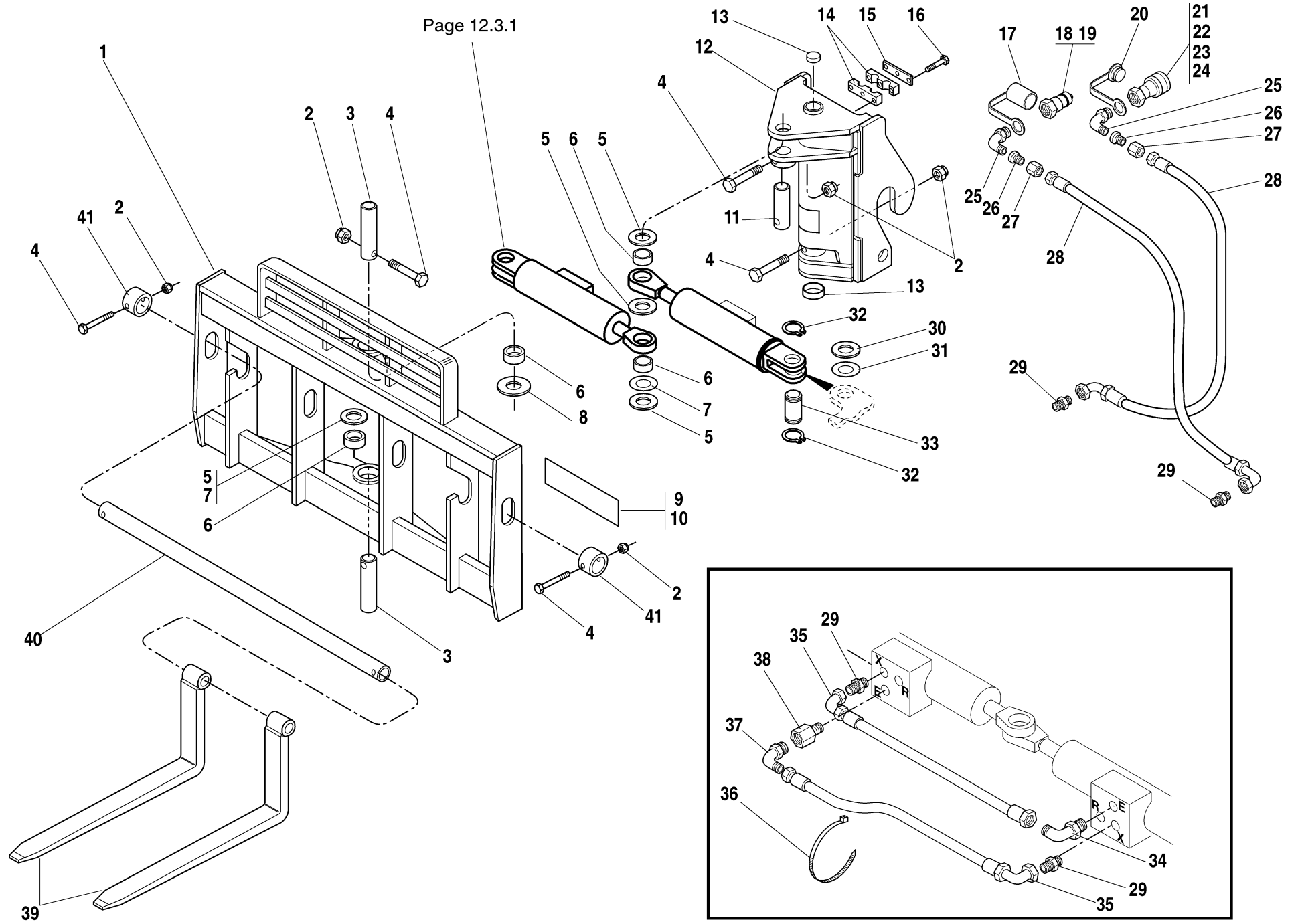
Origin
05/01

S/N 14409-

4270H
4270L
4290H
4290L

48", 60" & 72" STANDARD CARRIAGE & FORKS

12.1.1



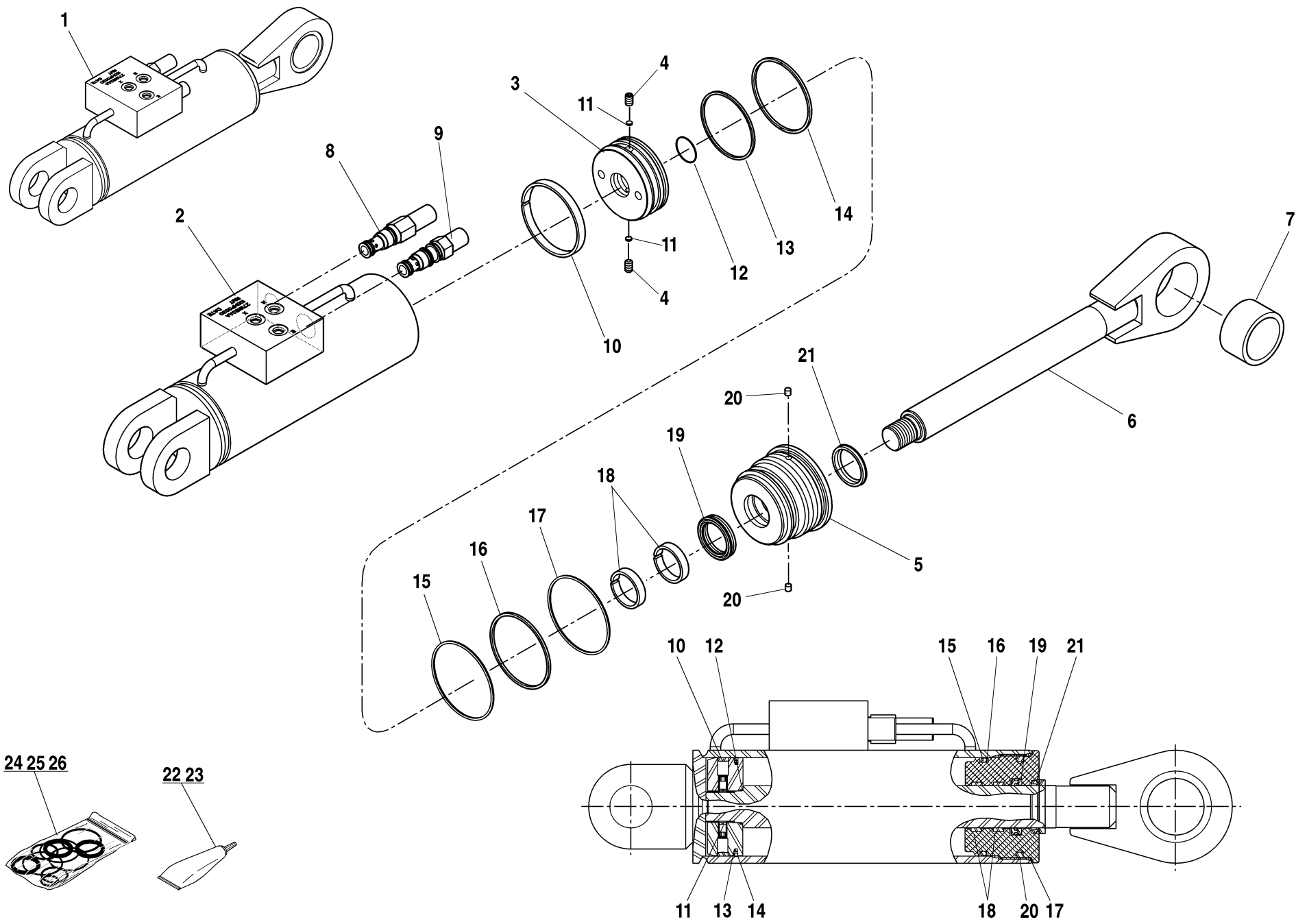
ITEM	PART NO.	QTY.	DESCRIPTION
1	7111994	1	Carriage, 52"
	7110694	1	Carriage, 72"
2	8305643	5	Nut, Hex Lock 5/8-11
3	7110702	2	Pin, Carriage Pivot
4	8303634	5	HHCS, 5/8-11 x 4"
5	8307918	A/R	Shim, 2" I.D. x 10 Ga.
6	8065062	4	Bearing, Self Lube
7	8307904	A/R	Shim, 2" I.D. x 18 Ga.
8	7062922	1	Bearing, Thrust
9	4107702	1	Decal, Danger - Tip Over Hazard
10	4107712	1	Decal, Danger - No Truss Boom
11	7110712	1	Pin, Cylinder Pivot (Rod End)
12	7110494	1	Base, Pivot
13	8580315	2	Plug, Trim 2-1/2" Dia.
14	8769132	2	Clamp, Half
15	6608621	1	Cover, Clamp
16	8303715	3	HHCS, 5/16-18 x 1-1/2"
17	8420053	1	Cap, Dust #8
18	8430006	1	Quick Disconnect, Male, SAE 8-8ORB - female internal (Includes Item 19)
19	8640029	1	Seal, Nose (Not Shown)
20	8420055	1	Plug, Dust #8
21	8430005		Quick Disconnect, Female, SAE 8-8ORB - female internal (Includes Items 22, thru 24)
22	8640029	1	Seal, Nose (Not Shown)
23	8640028	1	Seal, Coupler Body (Not Shown)
24	8640032	1	Back-Up Ring, Coupler Body Seal (Not Shown)
25	8760313	2	Elbow, 90° SAE 6-8 - male JIC 37° x male str
26	8760475	2	Reducer, Tube End, SAE 6-4 - JIC 37°
27	8760409	2	Nut, SAE 6 - JIC 37°
28	6611752	2	Hose Assembly
29	8760113	4	Connector, Straight, SAE 4 - male JIC 37° x male str.
30	8310161	A/R	Shim, 1-1/2" I.D. x 10 Ga.
31	8310160	A/R	Shim, 1-1/2" I.D. x 18 Ga.
32	8642207	4	Ring, Retaining
33	7110722	2	Pin, Cylinder Pivot (Base End)

ITEM	PART NO.	QTY.	DESCRIPTION
34	8770012	1	Elbow, 90° SAE 6-4 - male JIC 37° x male str. thd.
35	6604662	2	Hose Assembly
36	8584001	A/R	Tie Wrap
37	8760311	1	Elbow, 90° SAE 6 - male JIC 37°
38	8770016	1	Reducer, SAE 4-6
39	7097523	2	Fork, Pallet 48" x 4" x 2" (4,000 lbs Rating) 4270 Only
	7097543	2	Fork, Pallet 48" x 4" x 2.25" (5,000 lbs Rating) 4290 Only
	7097533	2	Fork, Lumber (Not Shown)
	7085073	6	Fork, Blocking (Not Shown)
40	7128782	1	Shaft, Fork Pivot 52"
	7128802	1	Shaft, Fork Pivot 72"
41	7086471	2	Hub, Lock

Origin
05/01

S/N 14409-

4270H
4270L
4290H
4290L



ITEM	PART NO.	QTY.	DESCRIPTION
1	2716153	1	Cylinder, Swing Carriage (Includes Items 2 thru 21)
2	N.S.S	1	Tube, Weldment (Order Item 1)
3	8035863	1	Piston
4	8035536	1	Screw, Set 5/16-18 UNC x .5"
5	8035862	1	Gland, Head
6	8035861	1	Rod, Weldment
7	8065062	1	Bearing, Duralon Journal
8	8902842	1	Valve, Relief
9	8033786	1	Valve, Counterbalance
10	See Kits	1	Wearband, Precision
11	See Kits	2	Locking Insert
12	See Kits	1	O-Ring
13	See Kits	1	Ring, Square
14	See Kits	1	Seal, Square Section TFE Piston
15	See Kits	1	O-Ring
16	See Kits	1	Ring, Back-Up
17	See Kits	1	O-Ring
18	See Kits	2	Wearband, Precision
19	See Kits	1	Z-Seal, Deep
20	See Kits	2	Locking Insert
21	See Kits	1	Wiper, Hd. Rod, Sealed
22	8526011	A/R	Threadlocker, Loctite #271 (250cc)
23	8526036	A/R	Threadlocker, Loctite #242 (.02 fl. oz.)
			N.S.S. = Not Sold Separately
			KITS
24	8035830	1	Seal Kit (Includes Items 10 thru 21)
25	8025655	1	Seal Kit, For Item 9 Counterbalance Valve
26	8033790	1	Seal Kit, For Item 8 Relief Valve

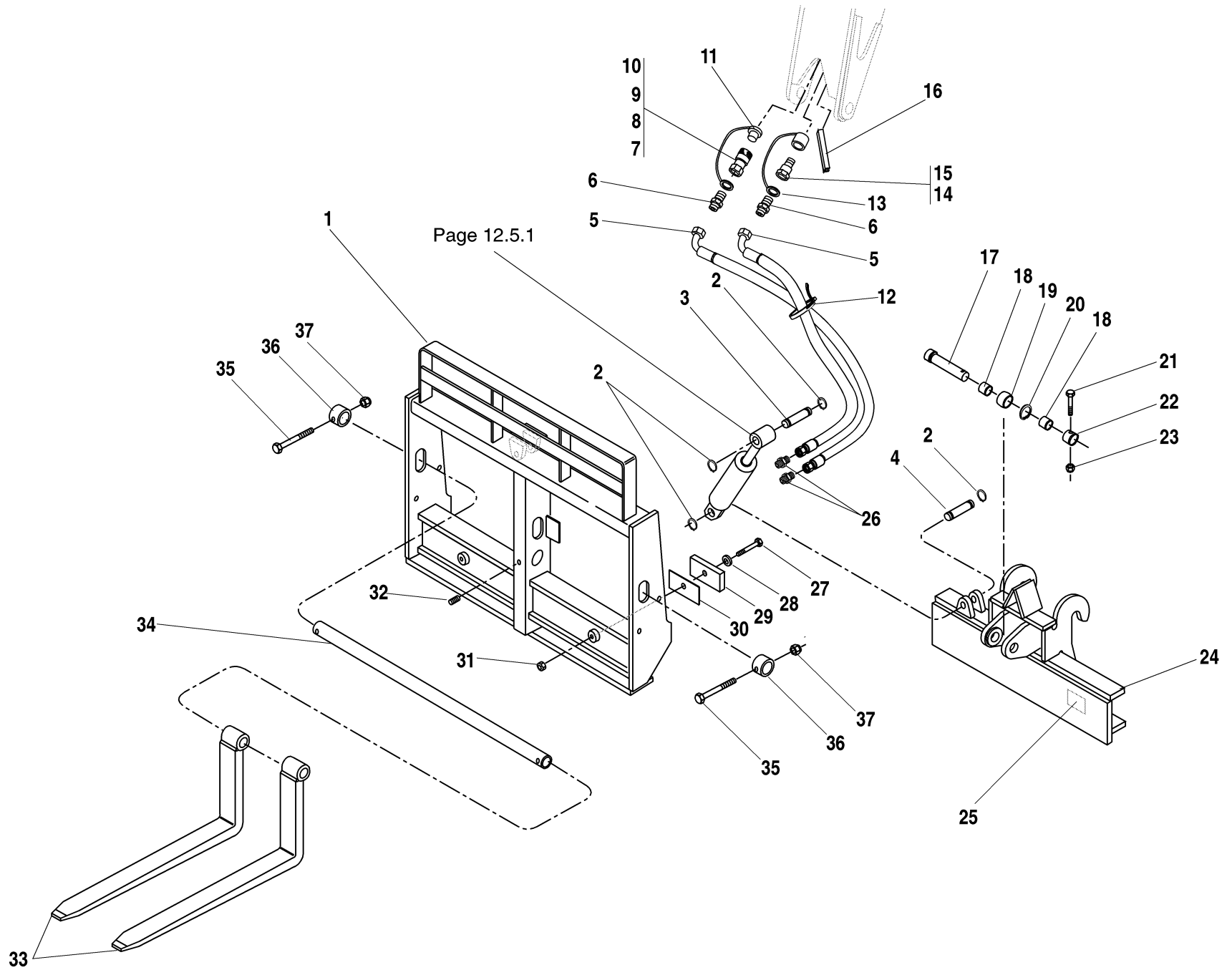
Origin
05/01

S/N 14409-

4270H
4270L
4290H
4290L

SWING CARRIAGE CYLINDER

12.3.1



ITEM	PART NO.	QTY.	DESCRIPTION
1	7117244	1	Carriage, Side Tilt, 48"
	7117254	1	Carriage, Side Tilt, 60"
	7117264	1	Carriage, Side Tilt, 72"
2	8642235	4	Ring, Snap
3	7077511	1	Pin, Cyl. Rod
4	7077501	1	Pin, Cyl. Base
5	2711992	2	Hose Assembly
6	8760110	2	Connector, Straight, SAE 6-8
7	8430005	1	Quick Disconnect, Female, SAE 8-8ORB - female internal (Includes Items 8 thru 10)
8	8640029	1	Seal, Nose (Not Shown)
9	8640028	1	Seal, Coupler Body (Not Shown)
10	8640032	1	Back-Up Ring, Coupler Body Seal (Not Shown)
11	8420055	1	Plug, Dust #8
12	8584001	A/R	Tie Wrap
13	8420053	1	Cap, Dust #8
14	8430006	1	Quick Disconnect, Male, SAE 8-8ORB - female internal (Includes Item 15)
15	8640029	1	Seal, Nose (Not Shown)
16	7125741	1	Molding
17	7085411	1	Pin, Pivot
18	7077481	2	Spacer
19	8065634	1	Bushing, Self Align
20	8642001	1	Ring, Snap
21	8303770	1	HHCS, 3/8-16 x 2-3/4"
22	7085501	1	Collar, Pin Locking
23	8305645	1	Locknut, 3/8-16 ESNA
24	7117204	1	Base, Pivot
25	7119341	1	Plate, Capacity
26	8760117	2	Connector, Straight, SAE 6
27	8303739	2	HHCS, 5/16-18 x 1-1/4"
28	8307203	2	Washer, Flat Heavy
29	7065482	2	Pad, Wear
30	7070191	A/R	Shim
31	8305626	2	Nut, Hex Lock 5/16-18
32	8541433	1	Plug, Pipe, Skt. Hd. - 1/8" NPTF

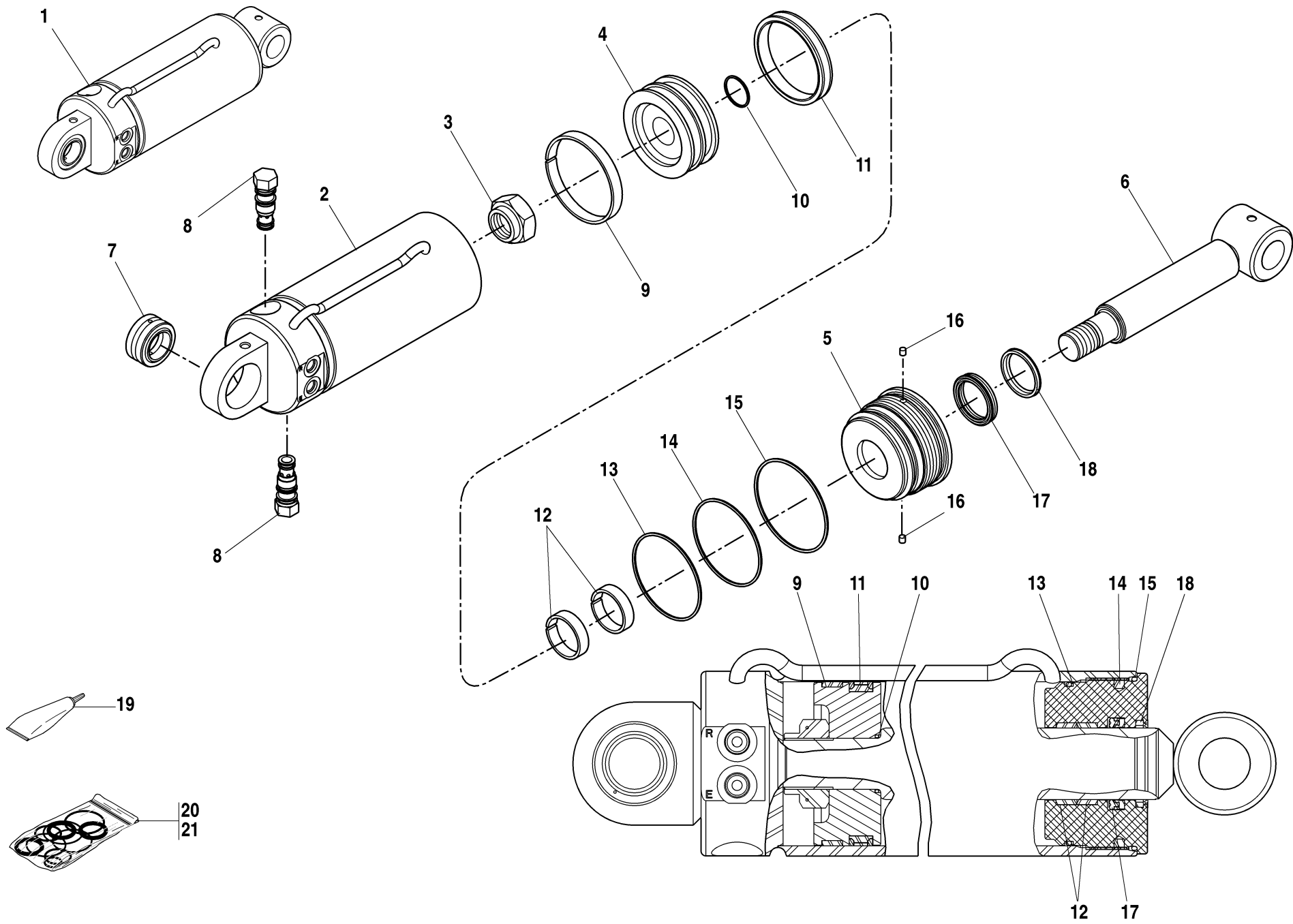
ITEM	PART NO.	QTY.	DESCRIPTION
33	7097523	2	Fork, Pallet 48" x 4" x 2" (4,000 lbs Rating) 4270 Only
	7097543	2	Fork, Pallet 48" x 4" x 2.25" (5,000 lbs Rating) 4290 Only
	7097533	2	Fork, Lumber (Not Shown)
	7085073	6	Fork, Blocking (Not Shown)
34	7128772	1	Shaft, Fork Pivot 48"
	7128792	1	Shaft, Fork Pivot 60"
	7128802	1	Shaft, Fork Pivot 72"
35	8303634	2	HHCS, 5/8-11 x 4"
36	7086471	2	Hub, Lock
37	8305643	2	Nut, Hex Lock 5/8-11

Origin
05/01

S/N 14409-

4270H
4270L
4290H
4290L

SIDE TILT CARRIAGE ASSEMBLY **12.4.1**



ITEM	PART NO.	QTY.	DESCRIPTION
1	2716143	1	Cylinder, Side Tilt Carriage (Includes Items 2 thru 18)
2	NSS	1	Tube, Weldment (Order Item 1)
3	8035865	1	Locknut
4	8035868	1	Piston
5	8035867	1	Gland, Head
6	8035866	1	Rod, Weldment
7	8065634	1	Bearing, Spherical
8	8902511	2	Valve, Check
9	See Kits	1	Wearband, Precision
10	See Kits	1	O-Ring
11	See Kits		T-Seal, Capped
12	See Kits	2	Wearband, Precision
13	See Kits	1	O-Ring
14	See Kits	1	Ring, Back-Up
15	See Kits	1	O-Ring
16	See Kits	2	Locking Insert
17	See Kits	1	Z-Seal, Deep
18	See Kits	1	Wiper, Hd. Rod - Sealed O.D.
19	8526011	A/R	Threadlocker, Loctite #271 (250cc)
			N.S.S. = Not Sold Separately
			KITS
20	8035831	1	Seal Kit (Includes Items 9 thru 18)
21	8205655	2	Seal Kit, For Item 8 Check Valve

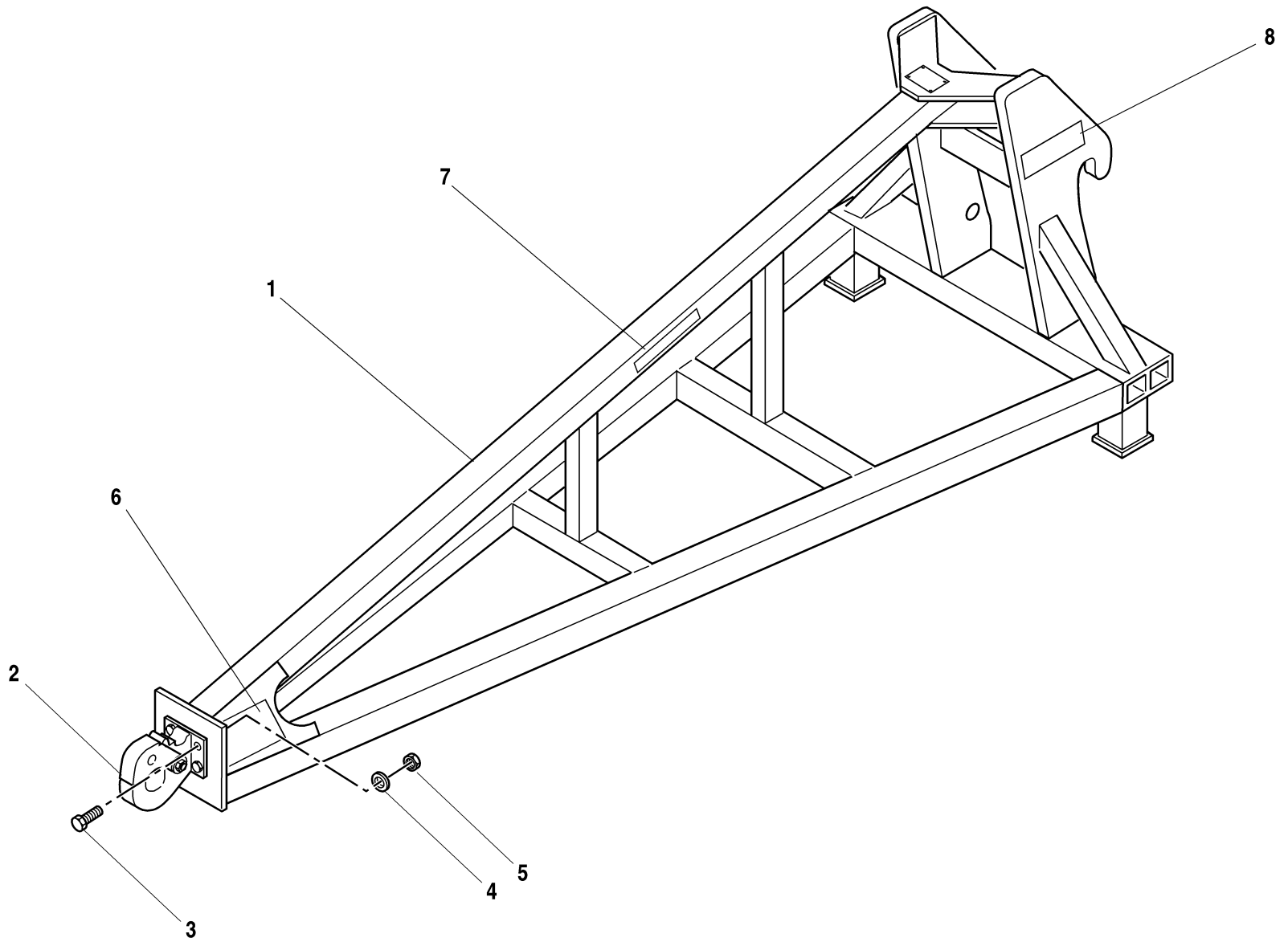
Origin
05/01

S/N 14409-

4270H
4270L
4290H
4290L

SIDE TILT CARRIAGE CYLINDER

12.5.1



ITEM	PART NO.	QTY.	DESCRIPTION
1	7113024	1	12 ft. Truss Boom (Includes Items 2 thru 8)
2	8382017	1	Hook, Pintle
3	8310195	4	HHCS, 1/2-13 x 1-3/4"
4	8307112	4	Washer, Flat SAE 1/2"
5	8305644	4	Nut, Hex Lock Elastic, 1/2"-13
6	4107822	2	Decal, Swing Load
7	4107832	2	Decal, Length/Capacity
8	4107182	2	Decal, Name

Origin
05/01

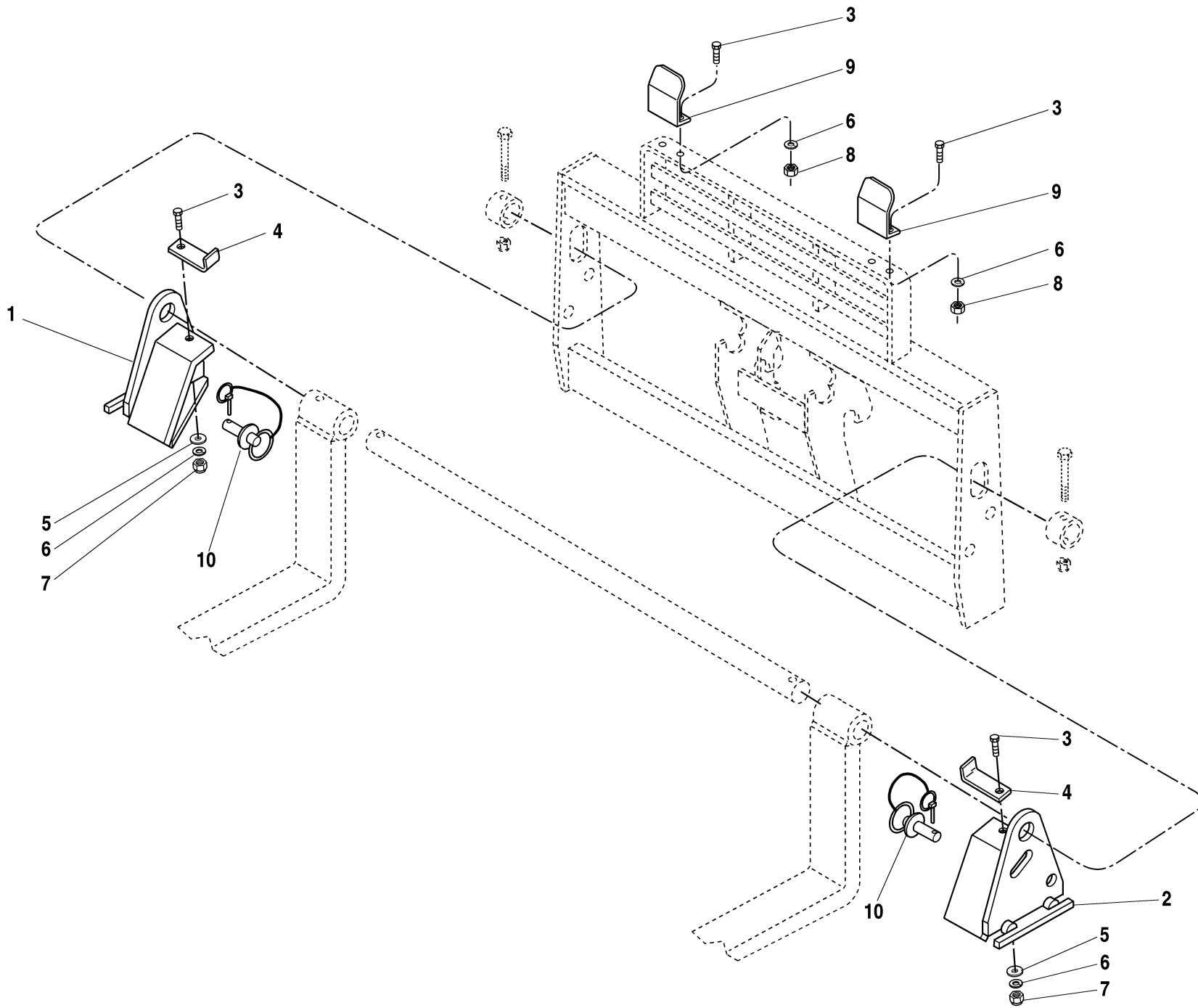
S/N 14409-

4270H
4270L
4290H
4290L

12 FT. TRUSS BOOM

12.6.1



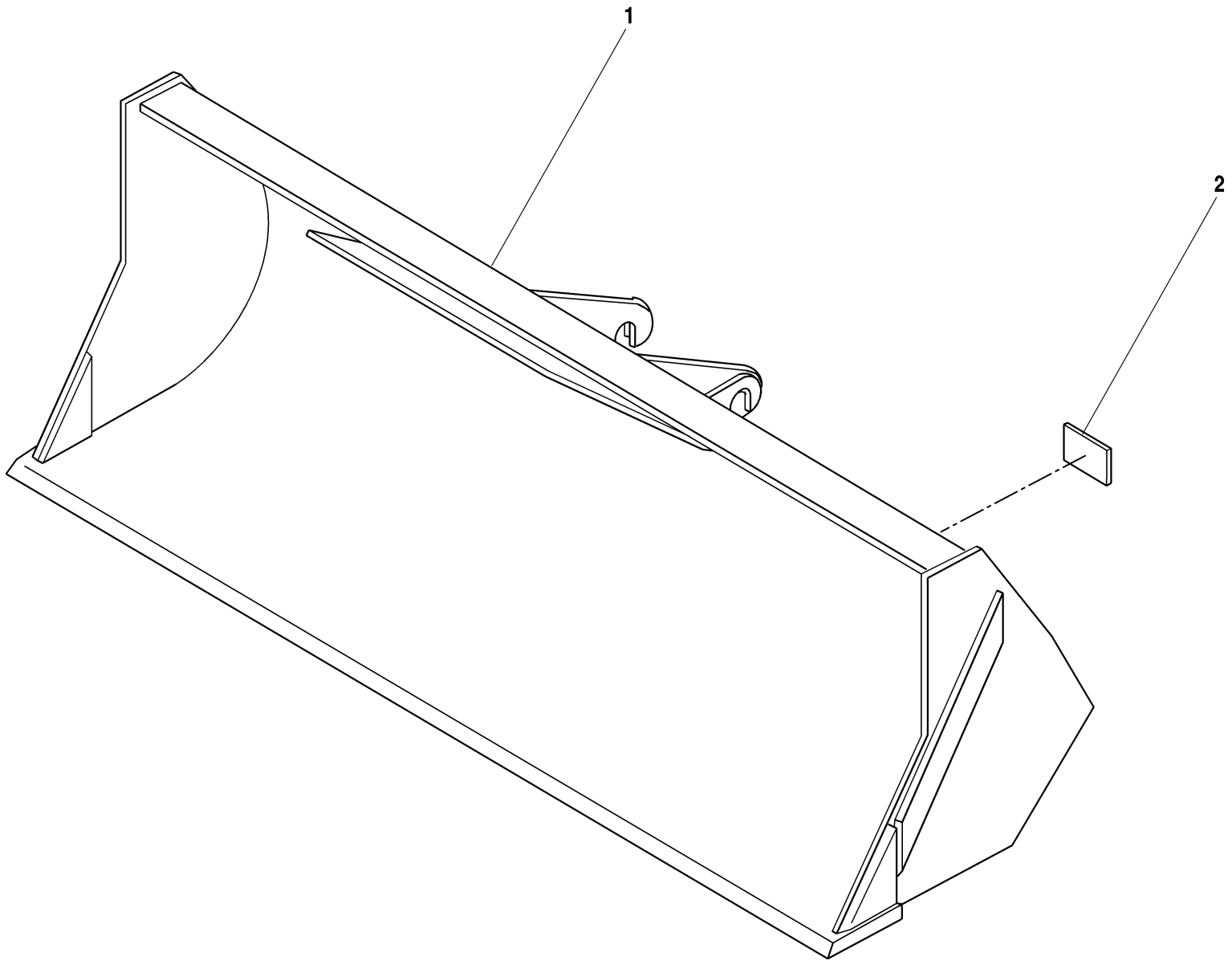


ITEM	PART NO.	QTY.	DESCRIPTION
1	7112533	1	Support, Fork, Right Side
2	7112523	1	Support, Fork, Left Side
3	8303626	6	HHCS, 1/2"-13 x 1-1/2"
4	7114941	2	Bar, Lock
5	8307112	2	Washer, Flat 1/2" LT.
6	8307007	6	Washer, Lock 1/2"
7	8305644	2	Nut, Hex Lock Elastic 1/2"-13
8	8305012	2	Nut, Hex 1/2"-13
9	7112642	2	Extension, Backrest, Top
10	8301456	2	Pin, Hitch

Origin
05/01

S/N 14409-

4270H
4270L
4290H
4290L



ITEM	PART NO.	QTY.	DESCRIPTION
1	7110744	1	Bucket, Utility, 1-1/4 cu. yd. (Includes Item 2)
2	4106561	1	Plate, Capacity

Origin
05/01

S/N 14409-

4270H
4270L
4290H
4290L

UTILITY BUCKET

12.8.1



Part Number	Page(s)	Part Number	Page(s)	Part Number	Page(s)	Part Number	Page(s)	Part Number	Page(s)
107317031.25.1	1319353 1.10.1	1319395 1.10.1	13194591.15.1	1319522 1.5.1, 1.13.1
10731709	1.34.1, 1.35.1, 1.36.1	1319354 1.10.1	1319396 1.10.1	13194601.15.1	1319523 1.5.1, 1.13.1
107317321.25.1	1319355 1.10.1	1319397 1.10.1	13194611.15.1	1319524 1.5.1, 1.13.1
107317441.25.1	1319356 1.10.1	1319398 1.10.1	13194621.7.1	1319525 1.5.1, 1.13.1
10731845	1.27.1, 1.28.1, 1.30.1	1319357 1.10.1	1319399 1.10.1	13194631.15.1	1319526 1.5.1, 1.13.1
107319131.25.1	1319358 1.10.1	1319400 1.10.1	13194641.7.1, 1.15.1	1319527 1.5.1, 1.13.1
107319491.5.1, 1.13.1	1319359 1.10.1	1319401 1.10.1	13194711.7.1, 1.15.1	1319529 1.5.1, 1.13.1
107319591.33.1, 1.40.1	1319360 1.10.1	1319402 1.10.1	13194721.7.1, 1.15.1	1319530 1.5.1
107320291.35.1	1319361 1.10.1	1319406 1.10.1	13194751.7.1, 1.15.1	1319531 1.5.1, 1.13.1
107320631.35.1, 1.36.1	1319362 1.10.1	1319412 1.11.1	13194761.7.1, 1.15.1	1319532 1.5.1, 1.13.1
107320641.35.1	1319363 1.10.1	1319415 1.3.1	13194771.7.1, 1.15.1	1319533 1.5.1, 1.13.1
107320711.34.1	1319364 1.10.1	1319423 1.4.1, 1.12.1	13194781.1.1, 1.1.2, 1.7.1, 1.15.1	1319534 1.5.1, 1.13.1
107320721.34.1	1319365 1.10.1	1319425	.. 1.4.1, 1.5.1, 1.12.1, 1.13.1	13194831.16.1	1319535 1.5.1, 1.13.1
108391561.33.1	1319366 1.10.1	1319427 1.4.1, 1.12.1	13194841.16.1	1319536 1.5.1, 1.13.1
11010561.7.1, 1.15.1	1319367 1.10.1	1319429 1.4.1, 1.12.1	13194851.16.1	1319537 1.5.1, 1.13.1
13185391.13.1	1319369 1.10.1	1319431 1.5.1, 1.13.1	1319491 1.5.1, 1.13.1	1319538 1.5.1, 1.13.1
13192101.7.1, 1.15.1	1319370 1.10.1	1319432 1.4.1, 1.5.1, 1.8.1, 1.12.1, 1.13.1, 1.16.1	13194941.34.1	1319539 1.5.1, 1.13.1
13192291.25.1	1319371 1.10.1	1319433 1.4.1, 1.12.1	1319496 1.5.1, 1.13.1	1319540 1.5.1, 1.13.1
13192311.25.1	1319372 1.10.1	1319434 1.4.1, 1.12.1	1319497 1.5.1, 1.13.1	1319541 1.5.1, 1.13.1
13192361.25.1	1319373 1.10.1	1319436 1.4.1, 1.12.1	1319498 1.5.1, 1.13.1	1319542 1.5.1, 1.13.1
13192581.25.1	1319374 1.10.1	1319438 1.4.1, 1.12.1	1319499 1.5.1, 1.13.1	1319543 1.5.1, 1.13.1
13193331.10.1	1319375 1.10.1	1319439 1.12.1	1319500	.1.5.1, 1.13.1, 1.16.1	1319546 1.15.1
13193341.10.1	1319376 1.10.1	1319440 1.4.1, 1.12.1	1319501 1.5.1, 1.13.1	1319557 1.25.1
13193351.10.1	1319377 1.10.1	1319441 1.4.1, 1.12.1	1319502 1.5.1, 1.13.1	1319558 1.25.1
13193361.10.1	1319378 1.10.1	1319444 1.15.1	1319504 1.5.1, 1.13.1	1319559 1.25.1
13193371.10.1	1319379 1.10.1	1319445 1.7.1, 1.15.1	1319505 1.5.1, 1.13.1	1319563 1.25.1
13193381.10.1	1319380 1.10.1	1319446 1.15.1	13195061.4.1, 1.5.1, 1.8.1, 1.12.1, 1.13.1	1319564 1.7.1, 1.25.1
13193391.10.1	1319382 1.10.1	1319447 1.7.1, 1.15.1	1319510 1.5.1, 1.13.1	1319565 1.25.1, 1.34.1
13193401.10.1	1319383 1.10.1	1319448 1.15.1	1319511 1.5.1, 1.13.1	1319566 1.25.1, 1.37.1
13193411.10.1	1319384 1.10.1	1319449 1.15.1	1319512 1.5.1, 1.13.1	1319567 1.26.1
13193421.10.1	1319385 1.10.1	1319450 1.15.1	1319513 1.5.1, 1.13.1	1319568 1.26.1
13193431.10.1	1319386 1.10.1	1319451 1.15.1	1319514 1.5.1, 1.13.1	1319569 1.25.1, 1.26.1
13193441.10.1	1319387 1.10.1	1319452 1.15.1	1319515 1.5.1, 1.13.1	1319570 1.26.1
13193451.10.1	1319388 1.10.1	1319453 1.15.1	1319516 1.5.1, 1.13.1	1319571 1.26.1
13193461.10.1	1319389 1.10.1	1319454 1.15.1	1319517 1.5.1, 1.13.1	1319572 1.26.1
13193471.10.1	1319390 1.10.1	1319455 1.15.1	1319518 1.5.1, 1.13.1	1319573 1.26.1
13193481.10.1	1319391 1.10.1	1319456 1.15.1	1319519 1.5.1, 1.13.1	1319574 1.25.1
13193491.10.1	1319392 1.10.1	1319457 1.15.1	1319520 1.5.1, 1.13.1	1319576 1.25.1, 1.26.1
13193501.10.1	1319393 1.10.1	1319458 1.15.1	1319521 1.5.1, 1.13.1	1319577 1.25.1
13193511.10.1	1319394 1.10.1					1319578 1.26.1
13193521.10.1							1319580 1.26.1

Part Number	Page(s)	Part Number	Page(s)	Part Number	Page(s)	Part Number	Page(s)	Part Number	Page(s)
13195811.26.1	1319603 1.27.1, 1.28.1,	1319642 1.33.1	13196851.35.1	1319726 1.37.1, 11.2.1
13195821.26.1		1.29.1, 1.30.1,	1319643 1.33.1	13196861.35.1	1319757 1.25.1
13195831.26.1		1.31.1, 1.32.1	1319644 1.33.1	13196871.35.1	1320748 1.40.1
13195841.26.1	1319604 1.27.1, 1.28.1,	1319645 1.33.1	13196881.35.1	1320749 1.40.1
13195851.26.1, 1.33.1		1.29.1, 1.30.1,	1319646 1.33.1	13196891.35.1	1320750 1.40.1
13195861.26.1		1.31.1, 1.32.1	1319647 1.33.1, 1.40.1	13196901.35.1	1320751 1.40.1
13195871.26.1	1319605	1.27.1, 1.28.1, 1.30.1	1319648 1.33.1, 1.40.1	13196911.35.1	1320752 1.40.1
13195881.26.1	1319606 1.29.1	1319649 1.33.1, 1.40.1	13196921.35.1	1320753 1.40.1
13195891.33.1	1319607 1.27.1	1319650 1.34.1	13196931.35.1	1320754 1.40.1
13195901.26.1	1319608 1.27.1	1319651 1.34.1	13196941.35.1	1320755 1.40.1
13195911.27.1	1319609 1.27.1, 1.28.1	1319652 1.34.1, 1.35.1	13196951.35.1	1320756 1.40.1
13195921.27.1, 1.28.1,	1319612 1.27.1, 1.28.1,	1319653 1.34.1	13196961.35.1, 1.36.1	1320757 1.40.1
	1.29.1, 1.30.1,		1.29.1, 1.30.1,	1319654 1.34.1	13196971.35.1	1320758 1.40.1
	1.31.1, 1.32.1		1.31.1, 1.32.1	1319655 1.34.1	13196981.35.1	1320759 1.40.1
13195931.27.1, 1.28.1,	1319613 1.28.1	1319657 1.34.1	13196991.35.1	1320760 1.40.1
	1.29.1, 1.30.1,	1319614 1.28.1	1319658 1.34.1	13197001.35.1	1320761 1.40.1
	1.31.1, 1.32.1	1319615	1.28.1, 1.30.1, 1.31.1	1319659 1.34.1	13197011.35.1	1320762 1.40.1
13195941.27.1, 1.28.1,	1319616 1.29.1	1319660 1.34.1	13197021.35.1, 1.36.1	1320763 1.40.1
	1.29.1, 1.30.1,	1319617	1.29.1, 1.31.1, 1.32.1	1319661 1.34.1, 1.35.1	13197031.35.1, 1.36.1	1320764 1.40.1
	1.31.1, 1.32.1	1319618	1.29.1, 1.31.1, 1.32.1	1319662 1.34.1	13197041.35.1	1320765 1.40.1
13195951.27.1, 1.28.1,	1319619 1.29.1	1319663 1.34.1	13197051.35.1	1320989 1.40.1
	1.29.1, 1.30.1,	1319620	1.29.1, 1.31.1, 1.32.1	1319664 1.34.1	13197061.35.1	1321061 1.1.1
	1.31.1, 1.32.1	1319621	1.29.1, 1.31.1, 1.32.1	1319665 1.34.1	13197071.35.1, 1.36.1	1321062 1.1.1
1319596	1.27.1, 1.28.1, 1.30.1	1319622	1.29.1, 1.31.1, 1.32.1	1319666 1.34.1	13197081.35.1	1321148 1.4.1, 1.12.1
13195971.27.1, 1.28.1,	1319623	1.29.1, 1.31.1, 1.32.1	1319667 1.34.1	13197091.36.1	1321149 1.1.1
	1.29.1, 1.30.1,	1319624	1.29.1, 1.31.1, 1.32.1	1319668 1.34.1	13197101.36.1	1321150 1.5.1, 1.13.1
	1.31.1, 1.32.1	1319625	1.29.1, 1.31.1, 1.32.1	1319669 1.34.1	13197111.36.1	1321151 1.5.1, 1.13.1
13195981.27.1, 1.28.1,	1319626	1.29.1, 1.31.1, 1.32.1	1319670	1.34.1, 1.35.1, 1.36.1	13197121.36.1	1321152 1.13.1
	1.29.1, 1.30.1,	1319627	1.29.1, 1.31.1, 1.32.1	1319671 1.35.1	13197131.36.1	1321153 1.3.1, 1.11.1
	1.31.1, 1.32.1	1319628	1.29.1, 1.31.1, 1.32.1	1319672 1.35.1	13197141.36.1	1321154 1.3.1, 1.11.1
13195991.27.1, 1.28.1,	1319629	1.29.1, 1.31.1, 1.32.1	1319673 1.35.1	13197151.36.1	1321155 1.7.1, 1.15.1
	1.29.1, 1.30.1,	1319630	1.29.1, 1.31.1, 1.32.1	1319674 1.35.1	13197161.35.1	1321156 1.5.1
	1.31.1, 1.32.1	1319631	1.29.1, 1.31.1, 1.32.1	1319675 1.35.1	13197171.36.1	1321157 1.7.1, 1.15.1
13196001.27.1, 1.28.1,	1319632	1.29.1, 1.31.1, 1.32.1	1319676 1.35.1	13197181.37.1	1321158 1.5.1, 1.13.1
	1.29.1, 1.30.1,	1319633 1.29.1	1319677 1.35.1	13197191.37.1	1321159 1.5.1, 1.13.1
	1.31.1, 1.32.1	1319634 1.30.1	1319678 1.35.1	13197201.37.1	1321161 1.5.1, 1.13.1
13196011.27.1, 1.28.1,	1319635 1.30.1	1319679 1.35.1	13197211.37.1	1321162 1.13.1
	1.29.1, 1.30.1,	1319636	1.30.1, 1.31.1, 1.32.1	1319681 1.35.1	13197221.37.1	1321163 1.13.1
	1.31.1, 1.32.1	1319637 1.31.1	1319682 1.35.1	13197231.37.1	1321164 1.7.1, 1.15.1
13196021.27.1, 1.28.1,	1319638 1.31.1, 1.32.1	1319683 1.35.1	13197241.37.1	1321165 1.5.1, 1.13.1
	1.29.1, 1.30.1,	1319640 1.33.1	1319684 1.35.1	13197251.37.1	1321172 1.14.1
	1.31.1, 1.32.1	1319641 1.33.1						

Part Number	Page(s)	Part Number	Page(s)	Part Number	Page(s)	Part Number	Page(s)	Part Number	Page(s)
13211731.13.1	1321227 1.11.1	27165306.2.1	27166435.1.1	4110226 11.1.1
13211741.5.1, 1.13.1	1321228 1.7.1	27165316.2.1	27166445.2.1, 5.2.2	4110238 11.1.1
13211751.7.1	1321229 1.10.1	27165325.1.1, 5.2.1	27166455.2.1, 5.2.2	4110239 11.1.1
13211761.15.1	1321231 1.16.1	27165335.1.1, 5.2.1	27166466.1.1	4110240 11.1.1
13211771.8.1	1321232 1.8.1	27165345.2.1, 5.2.2	27166476.1.1	4110241 11.1.1
13211781.14.1	1321233 1.8.1	27165355.2.1, 5.2.2	27166508.3.1	5724302 5.2.1, 5.2.2, 8.4.1, 9.1.1, 9.1.2
13211841.3.1	1321236 1.12.1	27165368.3.1	27166529.1.1, 9.1.2	5724742 2.5.1
13211851.2.1	1321237 1.10.1	27165378.3.1	27166539.1.1, 9.1.2	5752022 3.1.1
13211861.2.1	1321238 1.16.1	27165387.1.1, 8.3.1	27167208.3.1	6604662 12.2.1
13211871.2.1	1321239 1.15.1	27165397.1.1, 8.3.1	27167355.3.2	6608621 12.2.1
13211881.11.1	1321242 1.16.1	27165638.3.1	27167365.4.1	6611752 12.2.1
13211891.2.1	1321245 1.15.1	27165648.4.1	27167375.3.1	6620751 3.2.1
13211901.2.1	1321246 1.15.1	27165666.2.1, 8.3.1	27167529.1.2	6620971 3.10.1
13211911.8.1	1321247 1.16.1	27165676.2.1	27167905.2.1	7057141 2.2.1, 3.5.1, 3.6.1, 3.8.1, 3.9.1, 3.10.1, 3.11.1
13211941.2.1	1321248 1.2.1	27165687.1.1	38105253.3.1	7062922 12.2.1
13211961.2.1	1321249 1.7.1	27165697.1.1, 8.3.1	410018111.1.1	7065482 12.4.1
13211971.2.1	1321250 1.7.1	27165707.1.1, 8.3.1	410517111.1.1	7070191 12.4.1
13211981.2.1	1321251 1.7.1	27165728.1.1	410526211.1.1	7075611 4.1.1, 4.2.1
13211991.2.1	1321252 1.4.1	27165737.1.1, 8.3.1	410656112.8.1	7077481 12.4.1
13212001.2.1	1321254 1.7.1	27165747.1.1, 8.3.1	410718212.6.1	7077501 12.4.1
13212011.2.1	1321255 1.8.1	27165768.3.1	410770212.2.1	7077511 12.4.1
13212021.2.1	1321256 1.7.1	27165778.3.1	410771212.2.1	7083054 12.1.1
13212031.2.1	1321257 1.7.1	27165787.1.1	410771212.2.1	7083922 4.4.1, 4.5.1
13212041.2.1	1321258 1.8.1	27165787.1.1	410782212.6.1	7085073 12.1.1, 12.2.1
13212051.8.1	1321258 1.8.1	27166199.1.1	410783212.6.1	7085411 12.4.1
13212101.2.1	1321259 1.11.1	27166205.2.1, 5.2.2	410783212.6.1	7085422 2.2.1
13212111.10.1	1321260 1.11.1	27166238.3.1	410790111.1.1	7085501 12.4.1
13212121.2.1, 1.10.1	1321262 1.11.1	27166247.1.1, 8.3.1	410818111.1.1	7085542 4.4.1, 4.5.1
13212141.8.1	2711992 12.4.1	27166247.1.1, 8.3.1	410820111.1.1	7085552 4.7.1
13212151.3.1	2715052 5.1.1, 5.2.1	27166285.2.1, 5.2.2	410830211.1.1	7085571 4.7.1
13212161.11.1	27153128.1.1	27166295.2.1, 5.2.2	410899111.1.1	7086304 12.1.1
13212171.3.1	271614312.5.1	27166308.1.1	410904111.1.1	7086471	12.1.1, 12.2.1, 12.4.1
13212181.3.1	271615312.3.1	27166316.2.1	410909111.1.1	7089722 5.6.1
13212191.3.1	27163735.5.1	27166336.2.1	410979111.1.1	7090814 12.1.1
13212201.3.1	27164925.1.1	27166345.2.1, 5.2.2	411011611.1.1	7094562 6.1.1
13212211.3.1	27165181.38.1	27166355.2.1, 5.2.2	411011711.1.1	7096491 3.5.1, 3.6.1
13212221.3.1	27165191.38.1	27166368.2.1	411013011.1.1	7097523	12.1.1, 12.2.1, 12.4.1
13212231.11.1	27165206.2.1	27166378.2.1	411013111.1.1	7097533	12.1.1, 12.2.1, 12.4.1
13212241.11.1	27165236.2.1, 8.3.1	27166388.2.1	411013211.1.1		
13212251.3.1	27165246.2.1	27166398.2.1	411013311.1.1		
13212261.15.1	27165256.2.1	27166408.2.1	411013711.1.1		
		27165296.2.1	27166416.2.1	411017211.1.1		
				27166425.1.1, 5.2.1	411018411.1.1		

Part Number	Page(s)	Part Number	Page(s)	Part Number	Page(s)	Part Number	Page(s)	Part Number	Page(s)
7097543	12.1.1, 12.2.1, 12.4.1	7127102 2.6.1	7134851 4.6.1	7137822 4.3.1	7138760 1.1.1, 1.1.2, 1.2.1
7110494 12.2.1	7127462 2.1.1	7134863 4.7.1	7138038 9.3.1	7138766 9.2.1
7110694 12.2.1	7127492 2.1.1	7134873 4.7.1	7138124 3.3.1	7138770 9.2.1
7110702 12.2.1	7127552 2.1.1	7135034 10.1.1	7138173 5.6.1	7138773 8.1.1
7110712 12.2.1	7127562 2.1.1	7135044 10.2.1	7138193 4.1.1, 4.2.1	7138774 8.1.1
7110722 12.2.1	7128602 2.5.1	7135413 4.4.1, 4.5.1	7138194 4.3.1	7138775 8.1.1
7110744 12.8.1	7128772 12.1.1, 12.4.1	7135432 4.1.1, 4.2.1, 4.3.1, 4.4.1, 4.5.1	7138209 6.1.1	7138776 8.1.1
7111572 4.1.1, 4.2.1, 4.3.1	7128782 12.2.1	7135442 4.1.1, 4.2.1, 4.3.1, 4.4.1, 4.5.1	7138210 6.1.1	7138778 9.2.1, 9.3.1
7111994 12.2.1	7128792 12.1.1, 12.4.1	7135773 6.5.1	7138222 4.7.1	7138779 9.2.1, 9.3.1
7112523 12.7.1	7128802	12.1.1, 12.2.1, 12.4.1	7135912 1.1.1, 1.1.2, 1.3.1	7138224 2.2.1	7138780 9.3.1
7112533 12.7.1	7129101 2.5.1	7135922 1.1.1, 1.1.2, 1.4.1	7138230 2.2.1	7138781 9.3.1
7112642 12.7.1	7129111 2.5.1	7136073 9.1.1	7138231 2.2.1	7138782 9.3.1
7113024 12.6.1	7129121 2.5.1	7136083 9.1.1	7138242 2.2.1	7138783 9.3.1
7114112 4.6.1	7129133 2.5.1	7136103 9.1.1	7138250 3.16.1	7138784 6.2.1
7114941 12.7.1	7129441 3.8.1, 3.10.1	7136113 9.1.1	7138264 3.2.1	7138785 6.2.1
7116691 6.5.1	7129521 8.4.1	7136123 5.2.1	7138265 3.2.1	7138790 6.5.1
7117204 12.4.1	7129973 2.2.1	7136133 5.2.1	7138275 3.11.1	7138828 3.2.1
7117244 12.4.1	7130131 2.2.1	7136322 4.4.1, 4.5.1	7138279 3.2.1	7138829 3.2.1
7117254 12.4.1	7130412 3.5.1, 3.6.1	7136342 3.12.1	7138280 3.2.1	7138830 10.2.1
7117264 12.4.1	7130653 3.8.1, 3.10.1	7136422 6.1.1	7138284 6.2.1	7138831 1.1.1
7118882 4.7.1, 12.1.1	7130663 3.8.1, 3.10.1	7136713 8.4.1	7138288 2.1.1, 2.5.1, 11.2.1	7138832 1.1.1
7118892 4.7.1, 12.1.1	7130682 10.1.1	7136742 3.7.1	7138317 3.17.1	7138839 3.9.1
7119341 12.4.1	7130734 3.9.1	7136794 3.1.1	7138321 3.2.1	7138841 3.11.1
7119362 4.6.1, 4.7.1	7130744 3.9.1, 3.11.1	7136852 4.2.1	7138336 1.1.2	7138843 3.2.1
7119372 4.6.1, 4.7.1	7130773 3.9.1, 3.11.1	7136892 6.5.1, 9.2.1, 9.3.1	7138337 1.1.2	7138844 3.4.1, 3.9.1
7120613 2.5.1	7130862 3.9.1	7137022 6.5.1	7138338 1.1.1	7138846 3.4.1, 3.11.1
7121422 4.7.1	7131003 3.9.1, 3.11.1	7137082 4.6.1	7138339 1.1.1	7138850 2.5.1
7121461 4.3.1	7131253 2.2.1	7137142 3.1.1, 4.1.1, 4.2.1	7138342 3.2.1	7138864 3.8.1
7121531 4.7.1	7131412 3.9.1, 3.11.1	7137152 3.8.1	7138515 2.2.1	7138865 3.10.1
7121543 3.5.1	7131952 2.2.1	7137164 3.1.1, 6.1.1	7138530 3.17.1	7138962 3.11.1
7121951 2.1.1	7131961 10.4.1	7137333 3.2.1	7138620 3.1.1	7138963 3.9.1
7124331 3.1.1, 4.4.1, 4.5.1	7131992 2.5.1	7137343 3.2.1	7138623 4.5.1	7138977 4.7.1
7124531 3.9.1, 3.11.1, 3.10.1	7132002 2.2.1	7137364 3.11.1	7138642 4.1.1, 4.2.1	7138979 4.7.1
7125741 12.4.1	7132012 2.2.1	7137593 5.1.1	7138656 1.1.1	7138986 4.7.1
7126172 4.1.1, 4.2.1, 4.3.1, 4.4.1, 4.5.1	7132111 2.5.1	7137603 5.1.1	7138657 1.1.2	7139018 4.3.1
7126182 4.1.1, 4.2.1, 4.3.1, 4.4.1, 4.5.1	7132131 2.5.1	7137623 3.4.1	7138682 3.2.1	7139020 4.3.1
7126662 4.6.1	7132141 2.1.1	7137629 3.10.1	7138686 2.3.1	7139035 3.17.1
7126703 2.2.1	7132751 3.9.1, 3.11.1	7137634 3.3.1	7138691 3.10.1	7139036 3.17.1
7127091 2.6.1	7133932 8.1.1	7137664 3.11.1	7138736 2.5.1	7139038 9.2.1
		7133942 8.1.1	7137772 4.1.1, 4.2.1	7138756 3.4.1	7139039 9.3.1
		7134453 3.8.1, 3.10.1			7138757 3.4.1	7139040 9.3.1

Part Number	Page(s)	Part Number	Page(s)	Part Number	Page(s)	Part Number	Page(s)	Part Number	Page(s)
71390993.17.1	7150673 10.4.1	8035045 6.9.1	80353706.7.1, 6.8.1	8035436 3.13.1
71391013.17.1	7150674 10.4.1	8035093 6.4.1	8035372	.6.9.1, 6.10.1, 6.11.1	8035437 3.13.1
71391584.1.1, 4.2.1	7150675 10.4.1	8035098 11.2.1	8035373	.6.9.1, 6.10.1, 6.11.1	8035438 3.13.1
71392289.1.2	7150679 10.4.1	8035099 11.2.1	8035374	.6.9.1, 6.10.1, 6.11.1	8035439 3.13.1
71392299.1.2	7150680 10.4.1	8035100 2.1.1	8035375	.6.9.1, 6.10.1, 6.11.1	8035440 3.13.1
71392305.2.1, 5.2.2	7150681 10.4.1	8035109 1.3.1, 1.4.1	8035376	.6.9.1, 6.10.1, 6.11.1	8035441 3.13.1
71392365.2.1, 5.2.2	7150685 10.4.1	8035259 6.4.1, 6.4.2	80353776.7.1, 6.8.1	8035442 3.13.1
71392382.1.1, 2.5.1, 6.1.1, 11.2.1	7150687 10.4.1	8035261 6.4.1, 6.4.2	80353786.7.1, 6.8.1	8035443 3.13.1
71392483.1.1	7150688 10.4.1	8035262 6.4.1	80353816.6.1	8035444 3.13.1
71392493.1.1	7150689 10.4.1	8035263 6.4.1, 6.4.2	80353883.17.1	8035445 3.13.1
71392785.2.2, 9.1.2	7150690 10.4.1	8035276 10.2.1	80353893.17.1	8035446 3.13.1
71392799.1.2	7150699 10.4.1	8035278 2.1.1	80353903.15.1, 3.16.1	8035447 3.13.1
71392805.2.2	7150702 10.4.1	8035281 8.5.1	80353933.15.1	8035448 3.13.1
71392973.1.1	7150716 10.4.1	8035282 8.5.1	80353943.15.1	8035449 3.13.1
71393094.4.1	7150717 10.4.1	8035292 2.5.1	80353983.10.1	8035450 3.13.1
71393243.1.1, 4.1.1, 4.2.1	7150730 10.4.1	8035294 3.12.1	80353993.10.1	8035452 3.13.1
71393304.1.1, 4.2.1	7150742 10.4.1	8035299 3.12.1	80354003.10.1	8035453 3.13.1
71393314.1.1, 4.2.1	8024013 11.1.1	8035308 5.3.1, 5.3.2, 5.6.1	80354013.10.1	8035454 3.13.1
71393321.1.2	8024014 11.1.1	8035309 5.3.1, 5.6.1	80354023.10.1	8035455 3.13.1
71393331.1.2	8025655 12.3.1	8035321 5.6.1	80354043.10.1	8035456 3.13.1
71393353.1.1	8032989 6.12.1	8035322 8.3.1, 8.4.1	80354053.10.1	8035457 3.13.1
71394054.1.1	8032990 6.12.1	8035323 8.3.1, 8.4.1	80354063.17.1, 3.10.1	8035458 3.13.1
71394273.2.1	8032991 6.12.1	8035324 8.3.1, 8.4.1	80354103.16.1	8035459 3.13.1
71394283.2.1	8032992 6.12.1	8035326 8.3.1, 8.4.1	80354123.17.1	8035460 3.13.1
71394294.1.1	8032993 6.12.1	8035345 6.6.1	80354143.17.1	8035461 3.13.1
71394435.2.2, 9.1.2	8032994 6.12.1	8035346 6.6.1	80354153.17.1	8035462 3.13.1
71394602.3.1	8032995 6.12.1	8035347 6.6.1	80354163.16.1	8035463 3.13.1
71394612.3.1	8032995 6.12.1	8035348 6.6.1	80354173.17.1	8035464 3.13.1
713949210.4.1	8033004 1.2.1, 1.3.1, 1.4.1	8035350 6.7.1, 6.8.1	80354223.17.1	8035466 3.13.1
713949610.4.1	8033032 3.17.1, 3.10.1	8035355 6.7.1, 6.8.1	80354233.17.1	8035467 3.13.1
713949710.4.1	8033058 3.13.1	8035356	.6.9.1, 6.10.1, 6.11.1	80354243.17.1	8035468 3.13.1
71395023.1.1, 4.1.1, 4.2.1	8033072 3.13.1	8035357	.6.9.1, 6.10.1, 6.11.1	80354253.17.1	8035469 3.13.1
71395544.1.1, 4.2.1	8033178 2.6.1	8035358 6.7.1, 6.8.1	80354263.17.1	8035470 3.3.1, 3.13.1
71395731.1.1, 1.1.2	8033786 12.3.1	8035359	.6.9.1, 6.10.1, 6.11.1	80354273.17.1	8035471 3.13.1
713961510.4.1	8033790 12.3.1	8035360 6.7.1, 6.8.1	80354283.17.1	8035472 3.13.1
713963411.1.1	8034697 6.6.1, 6.7.1, 6.8.1	8035361 6.7.1, 6.8.1	80354303.17.1	8035474 3.14.1
713963511.1.1	8034798 3.13.1	8035362 6.7.1, 6.8.1	80354313.17.1	8035479 3.16.1
713963611.1.1	8034799 3.13.1	8035363	.6.9.1, 6.10.1, 6.11.1	80354323.17.1	8035485 3.14.1
713963711.1.1	8034803 3.14.1	8035365	.6.9.1, 6.10.1, 6.11.1	80354333.17.1	8035488 3.14.1
713966210.4.1	8034805 3.14.1	8035366	.6.9.1, 6.10.1, 6.11.1	80354343.17.1	8035489 3.14.1
		8034808 3.14.1	8035367 6.7.1, 6.8.1	80354353.13.1, 3.17.1	8035490 3.12.1
		8034815 3.15.1	8035368 6.7.1, 6.8.1				
				8035369 6.7.1, 6.8.1				

Part Number	Page(s)	Part Number	Page(s)	Part Number	Page(s)	Part Number	Page(s)	Part Number	Page(s)
8035492	3.16.1	8035759	5.3.1	8035859	9.4.1	8035903	1.2.1	8035951	1.5.1, 1.13.1
8035493	3.16.1	8035763	5.4.1	8035860	9.4.1	8035904	1.2.1	8035959	1.7.1
8035494	3.16.1	8035764	5.4.1	8035861	12.3.1	8035905	1.2.1	8035960	1.7.1
8035495	3.16.1	8035765	5.4.1	8035862	12.3.1	8035906	1.2.1	8035961	1.7.1
8035496	3.16.1	8035766	5.4.1	8035863	12.3.1	8035907	1.2.1	8035962	1.7.1
8035497	3.16.1	8035769	5.4.1	8035865	12.5.1	8035908	1.2.1	8035963	1.7.1
8035498	3.16.1	8035774	6.3.1	8035866	12.5.1	8035909	1.2.1	8035964	1.7.1
8035499	3.16.1	8035775	6.3.1	8035867	12.5.1	8035910	1.2.1	8035965	1.7.1
8035500	3.16.1	8035776	6.3.1	8035868	12.5.1	8035911	1.2.1	8035966	1.7.1
8035501	3.14.1, 3.16.1	8035777	8.1.1	8035870	1.2.1	8035912	1.2.1	8035967	1.7.1
8035503	3.16.1	8035778	1.2.1, 1.3.1, 1.4.1	8035871	1.2.1	8035913	1.2.1	8035968	1.7.1
8035504	3.16.1	8035779	1.2.1	8035872	1.2.1	8035914	1.2.1	8035969	1.7.1
8035505	3.16.1	8035781	8.5.1	8035873	1.2.1	8035915	1.2.1	8035970	1.7.1
8035507	3.14.1	8035782	8.5.1	8035874	1.2.1	8035916	1.2.1	8035971	1.7.1
8035509	3.14.1	8035783	8.4.1	8035875	1.2.1	8035917	1.2.1	8035972	1.7.1
8035523	11.2.1	8035784	8.5.1	8035876	1.2.1	8035918	1.2.1	8035973	1.7.1, 1.15.1
8035524	3.12.1	8035785	8.5.1	8035877	1.2.1	8035919	1.2.1	8035974	1.7.1
8035525	3.12.1	8035799	6.12.1	8035878	1.2.1	8035920	1.2.1	8035975	1.7.1
8035526	3.13.1	8035803	3.4.1	8035879	1.2.1	8035921	1.2.1	8035977	1.8.1, 1.16.1
8035527	3.12.1	8035804	3.4.1	8035880	1.2.1	8035922	1.3.1	8035978	1.1.1
8035528	3.13.1	8035807	10.1.1	8035881	1.2.1	8035923	1.3.1	8035979	1.1.1
8035529	3.13.1	8035830	12.3.1	8035882	1.2.1	8035924	1.4.1	8035980	1.1.1
8035531	3.16.1	8035831	12.5.1	8035883	1.2.1	8035925	1.4.1	8035981	1.1.1
8035536	12.3.1	8035834	6.6.1	8035884	1.2.1	8035927	1.4.1	8035982	1.10.1
8035546	5.5.1	8035835	6.6.1	8035886	1.2.1	8035928	1.4.1	8035983	1.10.1
8035547	5.5.1	8035836	6.6.1	8035887	1.2.1	8035929	1.4.1, 1.12.1	8035984	1.11.1
8035548	5.5.1	8035839	6.7.1	8035888	1.2.1	8035930	1.4.1, 1.12.1	8035985	1.11.1
8035549	5.5.1	8035840	6.10.1	8035889	1.2.1	8035931	1.4.1, 1.12.1	8035986	1.12.1
8035550	5.5.1	8035841	6.6.1	8035890	1.2.1	8035932	1.4.1, 1.12.1	8035987	1.12.1
8035551	5.6.1	8035842	6.11.1	8035891	1.2.1	8035933	1.4.1, 1.12.1	8035989	1.12.1
8035552	5.6.1	8035843	6.6.1	8035892	1.2.1	8035936	1.5.1, 1.13.1	8035990	1.12.1
8035553	5.6.1	8035844	6.6.1	8035893	1.2.1	8035939	1.5.1, 1.13.1	8035992	1.15.1
8035606	3.3.1	8035845	6.7.1, 6.8.1, 6.10.1, 6.11.1	8035894	1.2.1	8035940	1.5.1	8035993	1.15.1
8035721	3.12.1	8035846	6.9.1	8035895	1.2.1	8035941	1.5.1	8035994	1.15.1
8035722	3.13.1	8035847	6.10.1, 6.11.1	8035896	1.2.1	8035943	1.5.1	8035995	1.15.1
8035744	6.4.1, 6.4.2	8035849	6.6.1	8035897	1.2.1	8035944	1.5.1, 1.13.1	8035996	1.15.1
8035745	6.4.1, 6.4.2	8035850	6.7.1, 6.8.1	8035898	1.2.1	8035945	1.13.1	8035997	1.15.1
8035746	6.4.1, 6.4.2	8035855	6.10.1	8035899	1.2.1	8035946	1.13.1	8036002	1.37.1
8035747	6.4.1, 6.4.2	8035856	6.7.1, 6.8.1	8035900	1.2.1	8035947	1.13.1	8036003	1.37.1
8035757	8.3.1	8035858	9.4.1	8035901	1.2.1	8035948	1.13.1	8036004	1.37.1
8035758	8.3.1			8035902	1.2.1	8035949	1.5.1	8036005	1.37.1

Part Number	Page(s)	Part Number	Page(s)	Part Number	Page(s)	Part Number	Page(s)	Part Number	Page(s)
80360076.7.1, 6.8.1	8036271 6.4.2	81803112.2.1	827013910.2.1	8303670 3.2.1, 3.5.1, 3.6.1, 3.8.1, 3.10.1
80360093.5.1	8036272 3.3.1	8205655 12.5.1	82702202.1.1	8303675 2.1.1, 4.1.1, 4.2.1, 6.2.1
80360103.5.1	8036273 3.3.1, 3.15.1	8205656 5.4.1	82702212.1.1	8303679 4.1.1, 4.2.1, 4.4.1, 4.5.1
80360113.5.1	8036274 3.14.1	8220344 10.1.1	827062110.1.1	8303681 3.2.1, 4.1.1, 4.2.1, 4.3.1, 4.4.1, 4.5.1, 10.4.1
80360133.5.1	8036275 3.3.1, 3.16.1	8220346 10.1.1	82720172.1.1	8303693 3.1.1, 4.3.1, 6.5.1
80360143.5.1	8036276 3.16.1	8220356 10.2.1, 10.3.1	82740222.5.1, 11.2.1	8303697 2.2.1, 3.9.1
80360153.5.1	8036278 3.3.1	8220357	10.2.1, 10.3.1, 10.4.1	82750402.3.1	8303703 6.5.1, 9.2.1, 9.3.1
80360173.5.1	8036279 3.3.1	82209123.17.1	82752092.5.1	8303705 8.1.1
80360198.5.1	8036281 6.6.1	8223038 10.3.1	82752122.3.1	8303715 5.2.1, 5.2.2, 7.1.1, 8.3.1, 9.1.1, 9.1.2, 12.2.1
80360208.5.1	8036282 6.6.1	8223039 10.3.1	82752402.3.1	8303736 3.17.1
80360745.3.2	8036283 6.6.1	8223040 10.3.1	82752472.3.1	8303739	.. 3.8.1, 3.9.1, 3.10.1, 3.11.1, 12.4.1
80361263.17.1, 3.10.1	8036284 6.6.1	8223046 10.1.1	82752492.3.1	8303743 2.2.1, 5.2.1, 9.1.1, 9.2.1, 9.3.1
8036183 6.6.1	8036285 6.6.1, 6.7.1, 6.8.1, 6.9.1, 6.10.1, 6.11.1	8223047 10.3.1	82771612.1.1	8303744 3.2.1
80361946.11.1	8036286 6.9.1, 6.10.1	8223048 10.3.1	82780082.2.1	8303745 10.4.1
803620910.4.1	8036287 6.11.1	8223049 3.4.1	82780212.1.1	8303746 3.9.1, 3.11.1
803621010.4.1	8036288 8.5.1	8223050 10.3.1	82780232.2.1	8303752 3.1.1, 4.1.1, 4.2.1
803621210.4.1	8036289 8.5.1	8223051 10.3.1	82780242.2.1	8303755 8.4.1
803621310.4.1	8036290 8.5.1	8223053 10.1.1	82780263.8.1, 3.10.1	8303759 8.2.1
803621410.4.1	8036299 3.10.1	8223054 10.3.1	82780282.1.1	8303766 6.5.1
803621510.4.1	8036299 3.10.1	8223059 10.3.1, 10.4.1	82780302.1.1	8303769	.. 1.1.1, 1.1.2, 1.25.1
803621610.4.1	8036300 3.17.1	8223060 10.3.1, 10.4.1	830145612.7.1	8303770 12.4.1
803621710.4.1	8036301 3.17.1	8223061 10.3.1	83030054.1.1	8303771 10.4.1
803621810.4.1	8036302 3.17.1	8223066 6.1.1	83030343.9.1	8303772 4.7.1
803621910.4.1	8037206 3.13.1	8223226 6.1.1	83035383.1.1	8303790 2.1.1, 2.6.1
803622010.4.1	8040261 1.1.2	8223227 6.1.1	83035403.11.1, 10.3.1	8303798 1.1.1, 1.1.2
803622110.4.1	8040262 1.1.2	8223229 10.2.1	83035443.7.1	8303799 2.6.1, 3.7.1
803622210.4.1	8040269 1.1.1	8223231 10.1.1	830358110.4.1	8303836 2.5.1, 3.7.1
80362285.4.1	8040270 1.1.1	8223232 10.2.1	83036152.6.1, 3.2.1	8303837 2.5.1, 2.6.1
80362295.3.1, 5.3.2, 5.4.1	8040270 1.1.1	8223453 10.1.1	83036204.3.1, 6.5.1	8303982 10.4.1
80362305.4.1	8050001 3.1.1, 4.1.1, 4.2.1	8223526 6.1.1	83036212.1.1, 2.2.1, 3.2.1, 4.1.1, 4.2.1, 4.3.1, 4.4.1, 4.5.1	8304006 3.3.1
80362375.3.1	8050007 3.1.1, 4.1.1, 4.2.1	8223530 10.2.1	83036224.3.1, 10.4.1	8304672 3.4.1
80362385.3.2	8050072 5.3.1, 5.3.2	8225119 10.3.1, 10.4.1	83036244.6.1, 4.7.1	8305002 2.6.1, 10.4.1
80362405.3.2	8055760 5.3.1	8229030 10.4.1	83036263.2.1, 6.2.1, 12.7.1		
80362415.3.2	8065062 12.2.1, 12.3.1	8229242 10.3.1	83036276.5.1		
80362458.4.1	8065634 12.4.1, 12.5.1	8229243 10.3.1	8303634	12.1.1, 12.2.1, 12.4.1		
80362468.4.1	8124126 4.6.1, 4.7.1	8229244 10.3.1	83036384.7.1		
80362478.4.1	8127016 4.7.1	8229245 10.3.1	83036588.4.1		
80362478.4.1	8127018 4.6.1	8229247 10.3.1, 10.4.1	83036664.7.1		
80362488.4.1	8130211 3.1.1, 4.1.1, 4.2.1	8229247 10.3.1, 10.4.1				
8036260	...6.6.1, 6.9.1, 6.10.1, 6.11.1	8160073 2.6.1	8229252 10.3.1				
80362636.6.1	8160073 2.6.1	8262150 2.1.1				
		8160610 2.6.1	8270134 10.2.1				
		8162003 2.6.1	8270138 10.2.1				

Part Number	Page(s)	Part Number	Page(s)	Part Number	Page(s)	Part Number	Page(s)	Part Number	Page(s)
83050043.2.1, 6.5.1, 9.2.1, 9.3.1	8307005 3.2.1, 3.3.1, 3.4.1, 4.1.1, 4.2.1, 4.3.1, 4.4.1, 4.5.1, 6.2.1, 6.5.1, 10.4.1	83079184.7.1, 12.2.1	831036610.1.1	84052032.2.1
83050066.5.1	8307007 1.1.1, 1.1.2, 1.2.1, 4.3.1, 4.6.1, 4.7.1, 6.2.1, 8.4.1, 12.7.1	8310009	..3.9.1, 3.11.1, 7.1.1, 8.3.1	83103723.4.1	84052096.2.1
83050083.3.1, 6.5.1	8307010 4.1.1, 4.2.1	8310016	..3.9.1, 3.11.1, 10.1.1	83103743.9.1	84100093.17.1
83050128.4.1, 12.7.1	8307023 1.1.1, 1.1.2, 2.1.1, 8.4.1	83100194.6.1, 4.7.1	83103753.8.1, 3.10.1	84100132.5.1
83054022.6.1	8307024 2.6.1, 3.7.1	83100293.15.1	831037610.4.1	8420053	.. 9.1.1, 9.1.2, 12.2.1, 12.4.1
83054043.5.1, 3.6.1	8307025 2.1.1, 2.6.1, 6.2.1	8310061 1.1.1, 1.1.2, 3.1.1	83103806.5.1	8420055	.. 9.1.1, 9.1.2, 12.2.1, 12.4.1
83055233.12.1	8307049 1.1.1, 1.1.2	83100673.8.1, 3.10.1	83103826.5.1, 9.2.1, 9.3.1	84202292.5.1
83056032.2.1, 6.2.1, 6.5.1, 10.2.1	8307104 4.1.1, 4.2.1, 4.6.1, 4.7.1	83100764.1.1, 4.2.1	83104023.9.1, 3.11.1	8430005	.. 9.1.1, 9.1.2, 12.2.1, 12.4.1
83056194.7.1	8307106 2.2.1, 3.2.1, 3.5.1, 3.6.1, 10.4.1	831007810.4.1	83104173.1.1	8430006	.. 9.1.1, 9.1.2, 12.2.1, 12.4.1
8305624	...3.2.1, 3.9.1, 10.1.1, 10.3.1	8307107 2.1.1	8310084 1.1.1, 1.1.2, 1.2.1	83104242.1.1	8430032 6.2.1, 8.3.1, 9.3.1
83056262.2.1, 3.1.1, 3.2.1, 3.5.1, 3.6.1, 3.9.1, 4.1.1, 4.2.1, 6.1.1, 10.4.1, 12.4.1	8307109	.. 2.6.1, 3.2.1, 3.11.1, 3.17.1, 10.1.1	8310085	..3.9.1, 3.11.1, 10.1.1	83104393.2.1	84300336.2.1
83056432.1.1, 4.1.1, 4.2.1, 4.6.1, 4.7.1, 12.1.1, 12.2.1, 12.4.1	8307110 2.1.1, 3.2.1, 3.3.1, 10.2.1	83100903.1.1	83104539.1.1, 9.1.2	84300439.3.1
83056443.2.1, 4.7.1, 6.5.1, 12.6.1, 12.7.1	8307111 10.1.1, 10.4.1	83100934.7.1	83104641.1.1, 1.1.2, 1.2.1	84300483.17.1
83056452.1.1, 2.2.1, 3.5.1, 3.6.1, 4.6.1, 4.7.1, 5.2.2, 9.1.2, 10.2.1, 10.4.1, 12.4.1	8307112 3.1.1, 3.2.1, 6.2.1, 12.6.1, 12.7.1	83101042.2.1	83104791.1.1, 1.1.2	84300722.5.1
83056464.6.1, 4.7.1	8307113 2.1.1, 4.1.1, 4.2.1	83101092.1.1	83104801.1.1, 1.1.2	8430081 6.2.1, 8.3.1, 9.3.1
83056474.1.1, 4.2.1	8307202 2.2.1, 3.2.1, 3.9.1, 4.1.1, 6.5.1, 9.2.1, 9.3.1	83101243.8.1, 3.10.1	83104811.1.1, 1.1.2, 3.1.1	84300922.5.1
83056502.6.1	8307203 3.2.1, 3.8.1, 3.9.1, 3.10.1, 3.11.1, 6.5.1, 12.4.1	831016012.2.1	83104846.5.1, 9.2.1, 9.3.1	84300932.5.1
83059063.2.1, 3.8.1, 3.10.1	8307204 2.2.1, 3.2.1, 3.5.1, 3.6.1, 4.1.1, 4.2.1, 6.5.1, 10.2.1, 10.4.1	831016112.2.1	83104903.4.1	84300942.5.1
83064079.1.1, 9.1.2	8307206	.. 3.9.1, 3.11.1, 6.5.1, 8.4.1	83101642.1.1, 6.2.1	83104913.4.1	84300952.5.1
83070022.2.1, 2.6.1, 3.2.1, 3.11.1, 3.17.1, 4.1.1, 5.2.1, 6.5.1, 8.1.1, 9.1.1, 9.2.1, 9.3.1, 10.3.1	8307211 3.1.1	831019512.6.1	83104923.4.1	84401566.4.1
83070032.5.1, 2.6.1, 3.7.1, 10.4.1	8307219 3.7.1	83102014.6.1	83104961.1.1, 1.1.2	84401626.4.2
83070042.2.1, 3.2.1, 3.8.1, 3.9.1, 3.10.1, 3.11.1, 5.2.1, 5.2.2, 6.5.1, 7.1.1, 8.3.1, 8.2.1, 9.1.1, 9.1.2	8307220 6.2.1	83102094.1.1, 4.2.1	83104983.17.1	84640136.1.1
		8307904 4.7.1, 12.2.1	83102594.1.1, 4.2.1	83105314.1.1, 4.2.1	84663063.9.1, 3.11.1
		8307912 4.1.1, 4.2.1	83102664.7.1, 12.1.1	83105324.1.1, 4.2.1	846701710.1.1
		8307913 4.1.1, 4.2.1	83102764.7.1, 12.1.1	83105494.1.1, 4.2.1	850020310.4.1
				83102816.5.1	83105504.1.1, 4.2.1	8520001 3.1.1, 4.4.1, 4.5.1, 4.6.1
				83102853.1.1	831055910.4.1	8520003 3.1.1, 4.1.1, 4.2.1, 4.7.1
				83102892.1.1	83202622.1.1, 11.2.1	8520013 4.7.1, 5.3.1, 5.6.1
				83103013.8.1, 3.10.1	83202656.1.1, 11.2.1	85200214.2.1, 5.6.1
				83103153.4.1	83202702.5.1, 11.2.1	852201211.2.1
				83103268.4.1	83220362.5.1	852600711.2.1
				83103278.4.1	83240296.1.1	8526011 5.3.1, 5.4.1, 5.5.1, 5.6.1, 8.3.1, 8.4.1, 11.2.1, 12.3.1, 12.5.1
				83103332.1.1	83400342.6.1	85260365.4.1, 12.3.1
				83103343.2.1	83400353.2.1	8526042	.. 3.9.1, 3.11.1, 11.2.1
				831034410.2.1	83424163.2.1		
				83103533.9.1, 3.11.1	83600053.17.1		
				8310358	..3.9.1, 3.11.1, 10.1.1	83600153.17.1		
				83103593.4.1	838201712.6.1		
				83103603.9.1, 3.11.1	84050092.5.1		
				831036210.4.1	84051042.2.1, 2.5.1		
						84052022.5.1		

Numerical Index

Part Number	Page(s)	Part Number	Page(s)	Part Number	Page(s)	Part Number	Page(s)	Part Number	Page(s)
85260521.40.1, 11.2.1	8720016 3.4.1	8770068 6.2.1, 8.3.1, 8.1.1, 8.2.1, 9.2.1, 9.3.1	87701295.2.1, 5.2.2, 7.1.1, 8.3.1, 9.1.1, 9.1.2	8880218 1.1.1, 1.1.2, 1.3.1, 1.4.1
85260532.5.1, 11.2.1	8720017 3.4.1	8770070	..1.38.1, 5.1.1, 5.2.1, 6.2.1	87701307.1.1, 8.3.1	8902175 8.3.1, 9.2.1, 9.3.1
85260561.40.1, 11.2.1	8721029 3.4.1, 7.1.1, 8.3.1	8770075 5.2.1, 5.2.2, 9.1.1, 9.1.2	87701318.3.1	8902180 6.5.1, 9.3.1, 9.4.1
852807111.2.1	8750012 7.1.1, 8.3.1	8770079 5.1.1, 5.2.1	87701326.2.1	8902182	.. 6.5.1, 6.12.1, 9.3.1
852807411.2.1	8750015 7.1.1, 8.3.1, 8.2.1	8770080 6.2.1	87701369.1.1, 9.1.2	8902183 6.5.1, 6.6.1, 9.3.1
852808011.2.1	8750016 7.1.1, 8.3.1	8770083 6.2.1	87701549.2.1, 9.3.1	8902191 6.5.1, 9.2.1, 9.3.1
852810111.2.1	8750017 7.1.1, 8.3.1, 9.2.1, 9.3.1	8770085 5.1.1, 5.2.1	87701558.3.1, 8.1.1	8902195 6.12.1
852810511.2.1	8750018 9.2.1, 9.3.1	8770086 5.1.1, 5.2.1	87701601.38.1	8902196 6.2.1, 6.12.1
852810611.2.1	8750019 9.2.1, 9.3.1	8770088 5.1.1, 5.2.1	8770163 5.1.1, 5.2.1	8902197 8.4.1
85300306.2.1	8750020 9.2.1, 9.3.1	8770095 6.2.1	8770166 6.2.1	8902200 6.2.1, 6.3.1
85400233.17.1	8750021 9.2.1, 9.3.1	8770096 6.2.1	8770167 5.2.1, 5.2.2	8902201 6.5.1, 6.6.1
85414042.5.1	8750022 10.2.1	8770102 6.2.1, 7.1.1	8770168 5.2.1, 5.2.2, 7.1.1, 8.3.1	8902202 8.4.1
854143312.4.1	8750026 10.2.1	8770105 8.3.1, 8.2.1	8770169 8.3.1	8902271 5.3.1, 5.3.2, 5.4.1
85464076.2.1	8750027 9.1.1, 9.1.2	8770106 6.5.1, 8.3.1, 8.1.1, 8.2.1, 9.2.1, 9.3.1	8770175 8.3.1	8902274 8.3.1, 8.4.1
85801183.4.1	8760110 12.4.1	8770107 8.1.1	8770176 8.3.1	8902511 12.5.1
858031512.2.1	8760113 12.2.1	8770108 8.1.1, 9.2.1, 9.3.1	8770183 8.3.1	8902693 6.12.1, 9.4.1
85804202.2.1	8760117 12.4.1	8770109 8.3.1	8770186 8.2.1, 9.3.1	8902694 6.12.1, 9.4.1
8580421	..3.9.1, 3.11.1, 10.1.1	8760311 12.2.1	8770111 8.3.1, 8.1.1	8776578 8.3.1	8902696 6.12.1
85840013.17.1, 10.1.1, 10.4.1, 12.2.1, 12.4.1	8760313 12.2.1	8770112 8.3.1	8780036 1.1.2	8902697 6.12.1
8584018	3.17.1, 10.1.1, 10.4.1	8760409 12.2.1	8770114 5.2.1, 5.2.2, 6.1.1, 6.2.1, 7.1.1, 8.3.1, 8.1.1, 9.2.1, 9.3.1	8780046 1.1.1	8902698 6.12.1
86300103.9.1, 3.11.1	8760419	.. 6.1.1, 6.6.1, 6.11.1	8770115 5.2.1, 5.2.2, 7.1.1, 8.3.1, 8.2.1	8780050 1.1.1, 1.1.2	8902700 6.12.1
86300166.2.1	8760420 8.5.1	8770116 6.2.1, 7.1.1, 8.3.1, 8.2.1, 9.1.1, 9.1.2, 9.2.1, 9.3.1	8786514 1.1.1, 1.1.2	8902842 12.3.1
86400178.4.1	8760451 6.12.1	8770117 5.2.1, 5.2.2, 7.1.1, 8.3.1	8841041	..1.1.1, 1.1.2, 1.40.1	8990122 3.9.1
86400256.11.1	8760475 12.2.1	8770118 5.2.1, 5.2.2	8841042 1.1.1, 1.1.2	8990147 3.11.1
864002812.2.1, 12.4.1	8760535 9.2.1, 9.3.1	8770124 8.2.1, 9.1.1, 9.1.2, 9.2.1, 9.3.1	8864019 3.5.1, 3.6.1		
864002912.2.1, 12.4.1	8760545 9.3.1	8770125 5.2.1, 5.2.2, 7.1.1, 8.3.1, 9.1.1, 9.1.2, 9.2.1, 9.3.1	8864053 3.5.1		
864003212.2.1, 12.4.1	8769122 5.2.1, 5.2.2, 9.1.1, 9.1.2	8770126 6.1.1	8864055 3.6.1		
86401236.2.1	8769123 7.1.1, 8.3.1, 8.2.1, 9.1.1, 9.1.2	8770127 6.2.1, 7.1.1, 8.3.1, 8.1.1, 8.2.1	8864056 3.6.1		
86402086.2.1	8769128 5.2.1, 5.2.2, 7.1.1, 8.3.1, 9.1.1, 9.1.2			8864057 3.5.1		
864200112.4.1	8769132 12.2.1			8864058 3.5.1, 3.6.1		
864220712.2.1	8769153 5.2.1, 9.1.1			8864060 3.6.1		
8642224 4.4.1, 4.5.1	8769154 5.2.1, 9.1.1			8866341 2.2.1		
864223512.4.1	8770001 6.1.1			8866492 3.15.1		
8642237 4.6.1, 4.7.1	8770002 12.2.1			8866514 3.7.1		
86600102.5.1	8770006 8.1.1, 9.2.1, 9.3.1			8866515 3.7.1		
86600112.5.1					8866516 3.7.1		
86600123.2.1					8866529 3.7.1		
87001162.6.1					8866530 3.7.1		
87021573.2.1								
87021603.2.1								

The parts information in this publication is based on data available at the time it was printed. Because of continual improvement and advancing product design, your vehicle may not be identical to the parts information shown. Whenever there is a question, obtain the latest parts information available from your local dealer. JLG Industries, Inc. continually updates these publications electronically within our *OnLine Services*.



Benefits

- Available 24 hours a day, 7 days a week for your convenience.
- Prices and parts manuals are always current - reduces errors and saves time.
- Improves service to your customers with quick access to valuable information.
- Reduces time required to gather information.
- Reduces processing time for warranty claims.

Program Features

- In a few easy steps you can:
- Look-up prices and availability.
- Identify parts using graphical parts manuals.
- Enter orders using part numbers, or order by selecting from graphical parts manuals.
- Review order status.
- Review invoices and credits.
- Review shipping information.
- Submit warranty claims

Visit Us at

<http://www.jlg.com>

CORPORATE OFFICE
JLG INDUSTRIES, INC.
1 JLG Drive
McConnellsburg, PA, USA
17233-9533
Phone: (717) 485-5161
Toll Free: (877) 554-5438
Fax: (717) 485-6417

Service Direct: (717) 485-6657 Service Fax: (717) 485-6488 or (717) 485-6815
Parts Direct: (717) 485-6472 Parts Fax: (800) 733-8939 or (717) 485-6441

JLG Industries (Australia) P.O. Box 5119 11 Bolwarra Road Port Macquarie N.S.W. 2444 Australia Phone: (61) 2 65 811111 Fax: (61) 2 65 810122	JLG Industries (UK) Unit 12, Southside Bredbury Park Industrial Estate Bredbury Stockport SK6 2SP England Phone: (44) 870 200 7700 Fax: (44) 870 200 7711	JLG Deutschland GmbH Max Planck Strasse 21 D-27721 Ritterhude/Ihlpohl Bei Bremen Germany Phone: (49) 421 693 500 Fax: (49) 421 693 5035	JLG Polska Ul. Krolewska 00-060 Warszawa Poland Phone: (48) 91 4320 245 Fax: (48) 91 4358 200	JLG Europe B.V. Jupiterstraat 234 2132 HJ Hooftdorp The Netherlands Phone: (31) 23 565 5665 Fax: (31) 23 557 2493	JLG Industries (Norge AS) Sofemyrveien 12 N-1412 Sofienyr Norway Phone: (47) 6682 2000 Fax: (47) 6682 2001	JLG Industries (Sweden) Enkopingsvagen 150 Box 704 SE - 175 27 Jarfalla Sweden Phone: (46) 8 506 59500 Fax: (46) 8 506 59534	JLG Industries (Europe) Kilmartin Place, Tannochside Park Uddingston G7 5PH Scotland Phone: (44) 1 698 811005 Fax: (44) 1 698 811055	JLG Industries (Pty) Ltd. Unit 1, 24 Industrial Complex Herman Street Meadowdale Germiston South Africa Phone: (27) 11 453 1334 Fax: (27) 11 453 1342	Plataformas Elevadoras JLG Iberica, S.L. Trapadella, 2 P.I. Castellbisbal Sur 08755Castellbisbal Spain Phone: (34) 93 77 24700 Fax: (34) 93 77 11762
---	--	---	--	--	---	--	--	--	---

Visit our Web Site at: <http://www.jlg.com>