

SKYTRAK[®]

Illustrated Parts Manual

Model
5030
6034

8990041-001

June 1985

ANSI



JLG[®]

CONTENTS

	Page
General Information	1
Frame Group	3
Frame and Related Parts	5
Outer Boom	7
Inner Boom and Grille	8
Air Cleaner Group	9
Front Axle, 5030-2 and 6034-2	11
Front Axle, 5030-4 and 6034-4	13
Wheels and Tires	14
Sand Tire, Optional	14A
Oil Cooler Group	15
Muffler and Radiator	17
Hood and Instrument Panel Group	19
Hydraulic Reservoir Group	21
Front Assist Group, 5030-4 and 6034-4 (Page 1 of 2)	23
Front Assist Group, 5030-4 and 6034, (Page 2 of 2)	25
Main Pump Group	27
Power Steering Pump and Piping Group	29
Boom Cylinder Plumbing Group	30,30A
Boom Cylinder Plumbing Group W/Holding Load Valve	30B
Boom Cylinder Plumbing Group W/Double Load Holding Valve	31
Lift Cylinder Plumbing Group	33
Tilt and Slave Cylinder Group (Page 1 of 2)	35
Tilt and Slave Cylinder Group (Page 2 of 2)	37
Stabilizer Cylinder Group	39
Front Assist Hub, 5030-4 and 6034-4	41
Boom Cylinder, 5030	42
Boom Cylinder, 6034	43
Lift Cylinder	44
Tilt and Slave Cylinder	45
Stabilization Cylinder	46
Steering Cylinder	47
Main Control Valve Levers	49
Throttle Linkage and Miscellaneous Controls	51
Electrical System	53
Decals, Paint and Miscellaneous	55
Lighting Electrical (Optional)	56
Diesel Cold Start (Optional)	57
10 Foot Mast Extension (Optional)	59
Hydraulic Plumbing (Optional)	61
Counterbalance Valve (Optional)	63
Side-Tilt Carriage (Optional)	65
Fenders (Optional)	66
Concrete Hopper (Optional)	67
Rear Wheel Weights (Optional)	68
Rubbish Bucket (Optional)	69
Crane Hook (Optional)	70
Forks (Optional)	71
Vandalism Kit (Optional)	72
Cab Assembly (Optional)	73
Side-Tilt Carriage (Optional)	74
Carriage Cylinder - 3 in. Diameter	76
Carriage Cylinder - 4 in. Diameter	77
10 Foot Mast Extension (Optional) 5,000 lbs.	79
Floating Shaft Type Grille & Forks (Optional)	80



PARTS LIST

GENERAL INFORMATION:

This section has been prepared for ease in identifying and ordering parts for the 5030 and 6034 series Skytraks.

The illustrations in this section show typical assemblies, plus individual parts, but may not show the exact shape or detail of parts required. However, the purpose for the illustration is to identify parts performing like functions. Whenever possible, illustrations are located at the beginning of each list or immediately adjacent to its applicable list. Parts are identified on each illustration by item numbers. Find the item number of the part desired and locate it in the parts list figure column. The part number for ordering will be opposite the index number.

The information contained in this parts list include:

Part numbers.

Part name including description and dimensions where necessary for proper identification of parts. Remarks for use in showing particular application or other special information.

Quantity used per unit.

Certain parts are shown to maintain assembly relationship, such as complete frame or weldments, and are not normally stocked. Should a need for such a part arise, it may require as much as six months lead time before shipment. No special ordering procedure is required for such parts.

All pure seven (7) digit part numbers, i.e. 7034593, 8305437, are to be obtained from Skytrak dealer who will obtain them from Koehring.

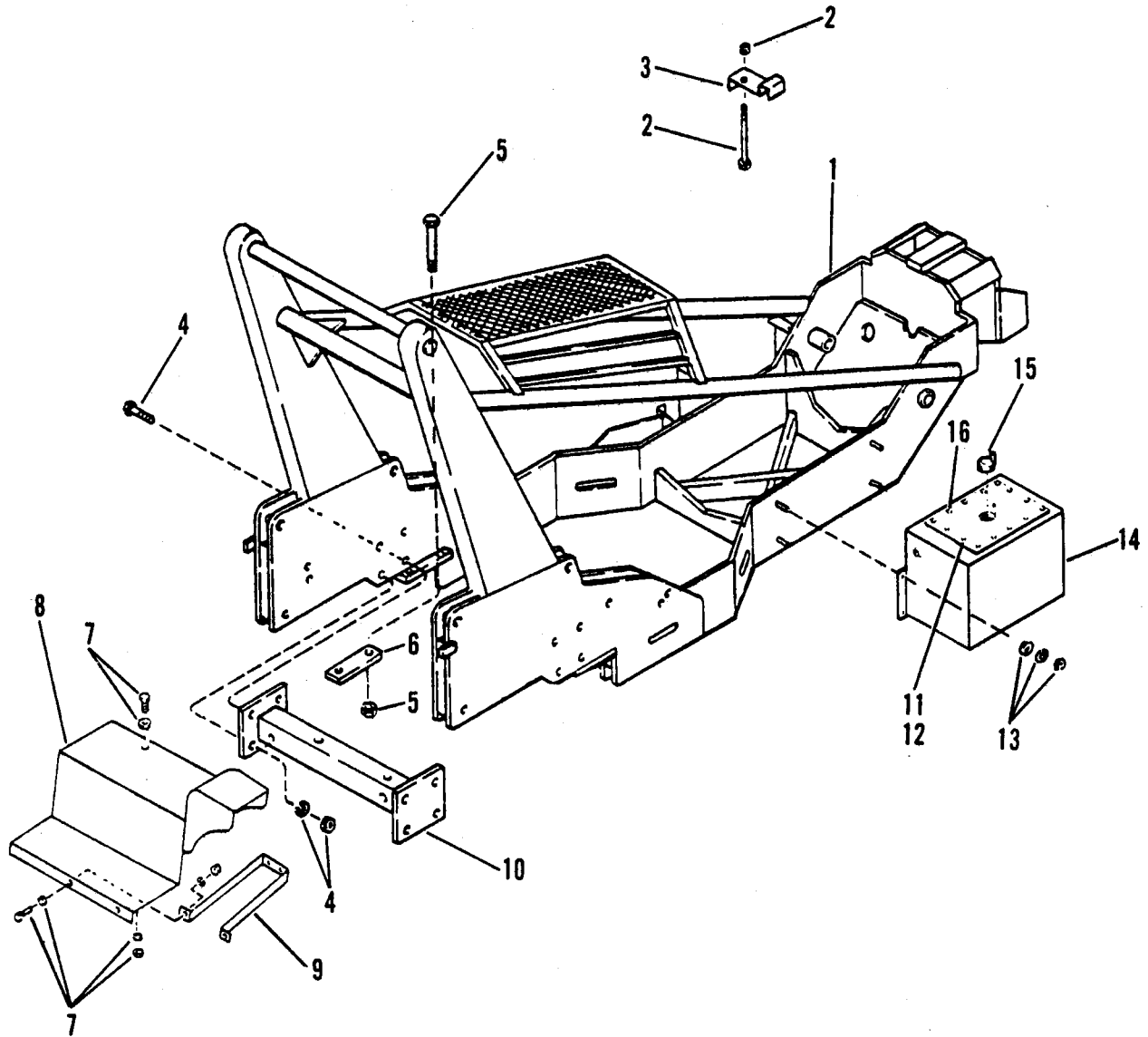
INFORMATION CONTAINED HEREIN IS EFFECTIVE AS OF

AUGUST 1, 1980, W/REVISED PAGES

NOTE ON HARDWARE

ITEMS NOTED —S— ARE STANDARD HARDWARE.
OBTAIN LOCALLY WHERE POSSIBLE.

FRAME GROUP

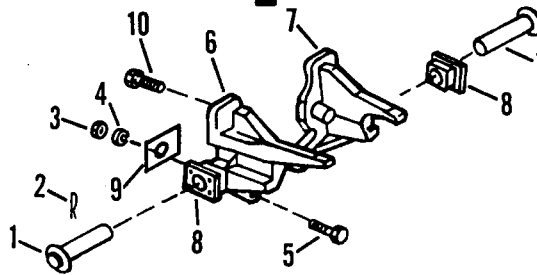
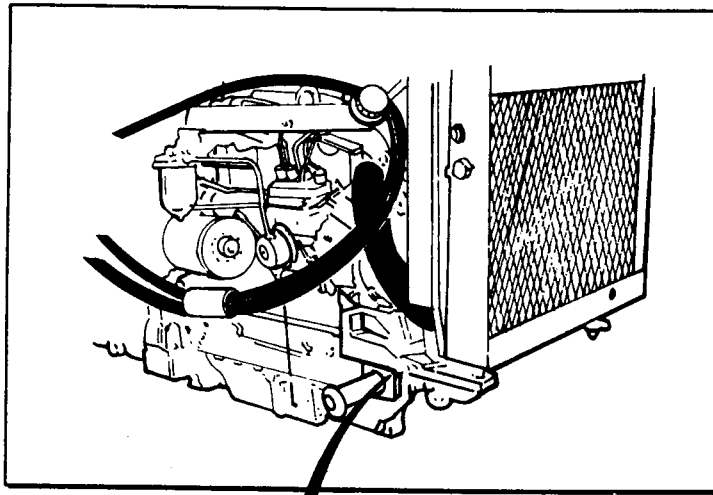


FRAME GROUP

Index No.	Part Number	Description	Qty. Req'd.
1	7035015	FRAME (5030)	1
	7036285	FRAME (6034)	1
2	8304014	BOLT, Carriage, 3/8 NC x 9	1
	—S—	NUT, Hex, 3/8 NC	1
3	7036712	CLAMP, Battery	1
4	—S—	SCREW, Cap, 3/4-10x4 GR-5	8
	—S—	WASHER, Lock, 3/4	8
	—S—	NUT, Hex, 3/4-10	8
5	8303717	SCREW, Cap, 5/8-11x7-1/2 GR-5	8
	8305605	NUT, Lock, 5/8-11	8
6	5601291	PLATE, Axle mounting	4
7	—S—	SCREW, Cap, 3/8-16x1 GR-5	4
	—S—	WASHER, Flat, 3/8	4
	—S—	WASHER, Lock, 3/8	4
	—S—	NUT, Hex, 3/8-16	4
8	7037123	STEP	1
9	7036223	SUPPORT, Step	1
10	7035563	SPREADER	1
11	7036751	COVER, Reservoir	1
12	7024061	GASKET	1
13	8305014	NUT, Lock, 5/8-11	4
	—S—	WASHER, Lock, 5/8	4
	—S—	WASHER, Flat, 5/8	4
14	7036664	RESERVOIR	1
15	8322022	BREATHER AND FILLER NECK, w/Screws	1
16	—S—	SCREW, Cap, 5/16-18x5/8 GR-5	14
	—S—	WASHER, Lock, 5/16	14

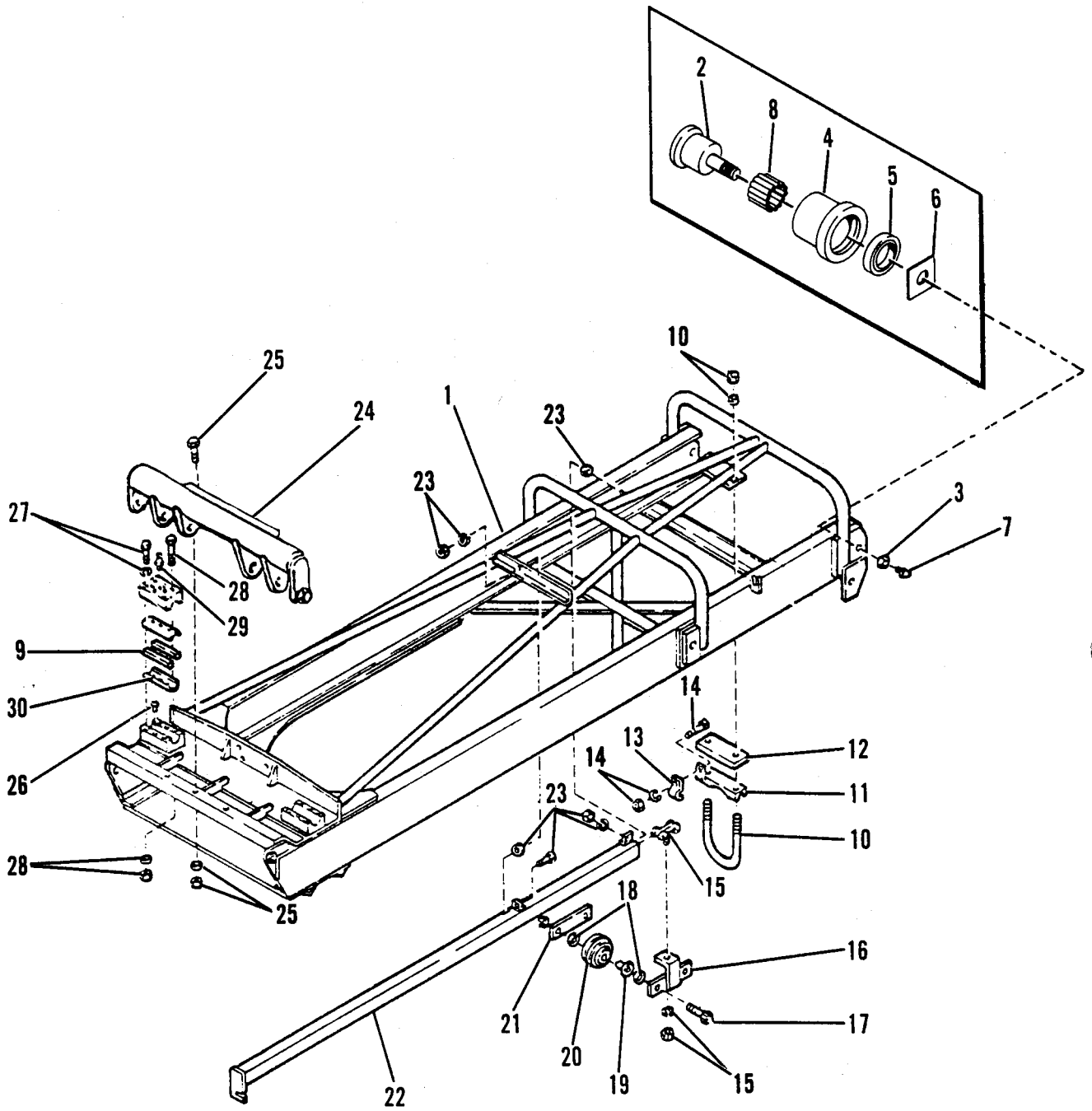


FRAME AND RELATED PARTS



Index No.	Part Number	Description	Qty. Req'd.
1	8022036	PIN ASSEMBLY, Engine mount	2
2	8302437	COTTER, 3/8 x 3-1/2	2
3	—S—	NUT, Hex *3/4 x 10 Grade (5)	2
4	—S—	LOCKWASHER 3/4 ID x 1-1/4 OD x 3/16 T	2
5	—S—	HEX BOLT 3/4 x 10 x 3-1/2 Grade (5)	2
6	8022082	BRACKET, Engine mount, R.H.	1
7	8022083	BRACKET, Engine mount, L.H.	1
8	8022035	BEARING, Engine mount (Ford)	2
9	8022084	SHIM, Bracket to engine (.014-.015)	AR
	8022085	SHIM, Bracket to engine (.017-.018)	AR
	8022086	SHIM, Bracket to engine (.020-.022)	AR
	8022087	SHIM, Bracket to engine (.023-.025)	AR
	8022088	SHIM, Bracket to engine (.026-.028)	AR
10	—S—	BOLT, Hex Head 3/4 x 10 x 2-3/4 Grade (5)	4
	—S—	LOCKWASHER, 3/4 ID x 1-1/4 OD x 3/16 T	4

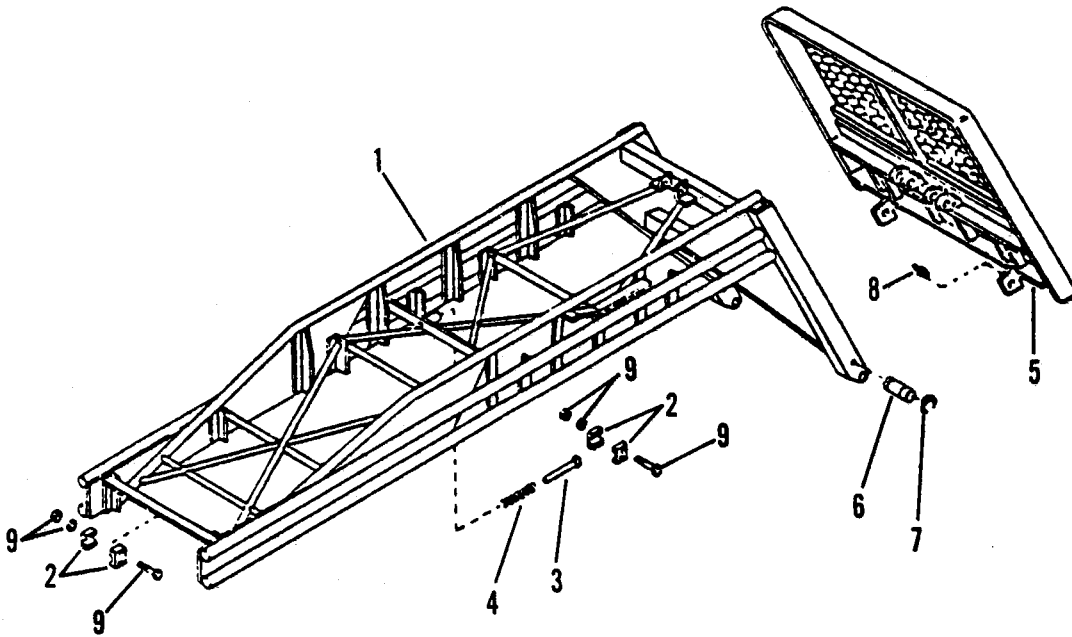
OUTER BOOM



OUTER BOOM

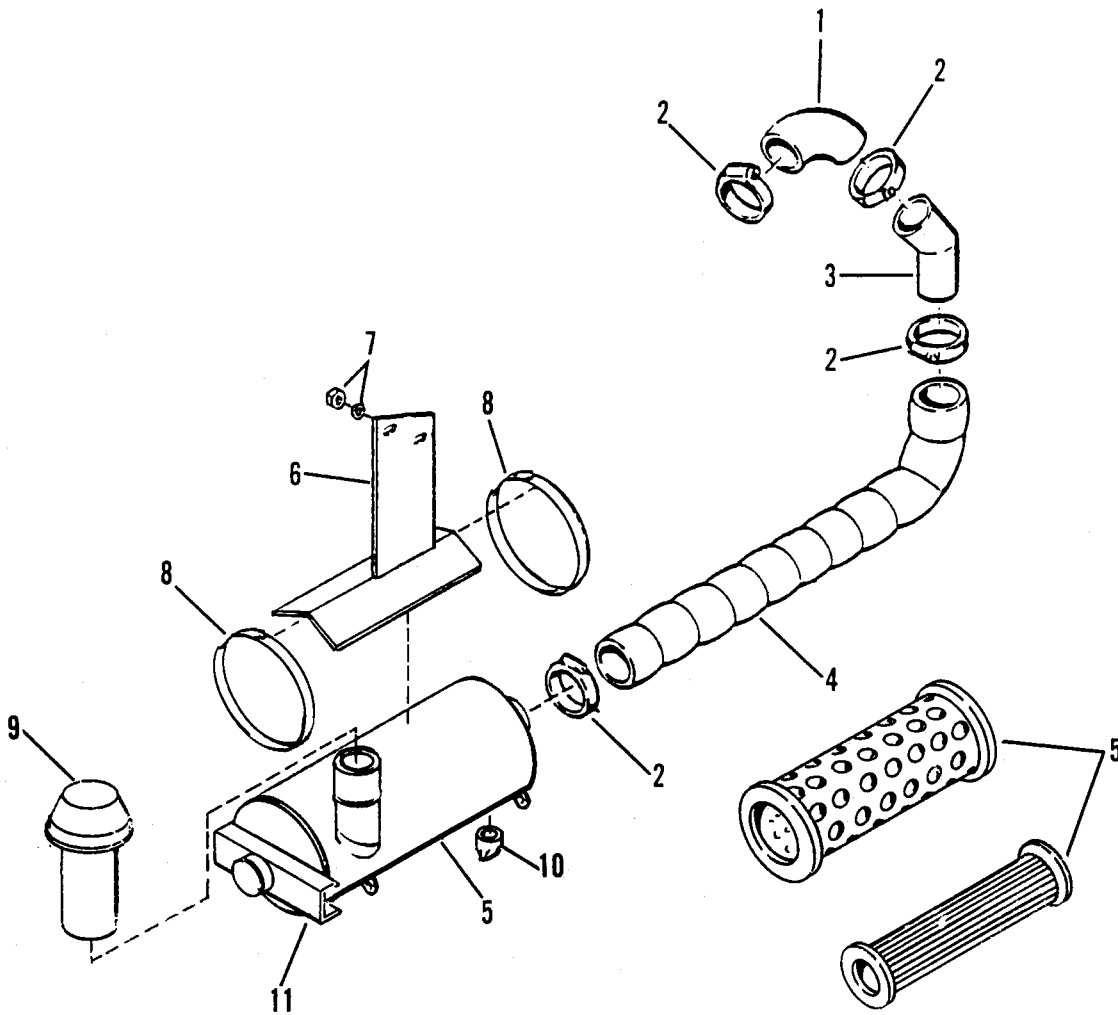
Index No.	Part Number	Description	Qty. Req'd.
1	7035064	BOOM, Outer (5030)	1
	7039754	BOOM, Outer (6034)	1
2	7039563	SHAFT, Eccentric (5030)	4
	7039022	SHAFT, Eccentric (6034)	4
3	8305028	NUT, Lock, 1-1/2 - 12	4
4	7002562	ROLLER, Boom (5030)	4
	7032702	ROLLER, Boom (6034)	4
5	8069204	BEARING, Thrust (5030)	4
	8069206	BEARING, Thrust (6034)	4
6	7036441	SHIM, Roller	4
7	—S—	FITTING, Grease 1/8 NPT	4
8	8064901	BEARING, Needle (5030)	112
	8064903	BEARING, Needle (6034)	144
9	8683203-0060	STRIP, Felt (6" long)	4
10	8309016	U-BOLT	1
	—S—	NUT, Hex, 1/2-13	4
11	7004182	SUPPORT	1
12	7004951	SHIM, 3/4" thick	1
12	9301091	SHIM, 10 Gauge thick	3
	9301071	SHIM, 20 Gauge thick	3
13	8227206	CLAMP, Conduit	1
14	—S—	SCREW, Cap, 5/16-18x1 GR-5	1
	—S—	WASHER, Lock, 5/16	2
	—S—	NUT, Hex, 5/16-18	1
15	7010582	TROLLEY, Hanger	1
16	7002482	HANGER	1
17	8304801	BOLT, Axle	2
18	8307703	WASHER, Thrust	4
19	8065611	BUSHING, Flanged	2
20	7002472	PULLEY, Hose	2
21	7002501	PLATE, Hanger	1
22	7002512	TRACK, Pulley (5030)	1
	7036582	TRACK, Pulley (6034)	1
23	—S—	SCREW, Cap, 1/4-20x1 GR-5	1
	—S—	WASHER, Flat, 1/4	2
	—S—	WASHER, Lock, 1/4	1
	—S—	NUT, Hex, 1/4-20	2
24	7006573	BRACKET, Cylinder	1
25	—S—	SCREW, Cap, 1/2-13x1-1/4 GR-5	3
	—S—	WASHER, Lock, 1/2	3
	—S—	NUT, Hex, 1/2-13	3
26	—S—	SCREW, Tapping, No. 6 x 1/4	8
27	—S—	SCREW, Cap, 5/8-11x3-1/2 GR-5	4
	—S—	WASHER, Lock, 5/8	4
28	—S—	SCREW, Cap, 5/8-11x5 GR-5	8
	—S—	WASHER, Lock, 5/8	8
	—S—	NUT, Hex, 5/8-11	8
29	—S—	FITTING, Grease, 1/8 NPT	2
30	7002462	BEARING, Graphite (both halves)	2

INNER BOOM & GRILLE



Index No.	Part Number	Description	Qty. Req'd.
1	7035054	BOOM, Inner (5030)	1
	7032245	Items 3 & 4 Order Separately BOOM, Inner (6034)	
2	8769107	Items 3 & 4 Order Separately CLAMP, Hose, 3/4"	2
	7038621	GUIDE, Hose	
3	7039281	SPRING	1
5	7037434	GRILLE, 48" (5030)	1
	7037444	GRILLE, 60" (5030)	Opt.
	7037444	GRILLE, 60" (6034)	1
	7037434	GRILLE, 48" (6034)	Opt.
	7037454	GRILLE, 72" (5030 & 6034)	Opt.
6	7038081	PIN	2
7	8642404	KLIPRING	4
8	—S—	FITTING, Grease, 1/8 NPT	2
9	—S—	SCREW, Cap, 1/4-20x1-3/4 GR-5	4
	—S—	WASHER, Lock, 1/4"	4
	—S—	NUT, Hex, 1/4" x 20	4
	—S—		

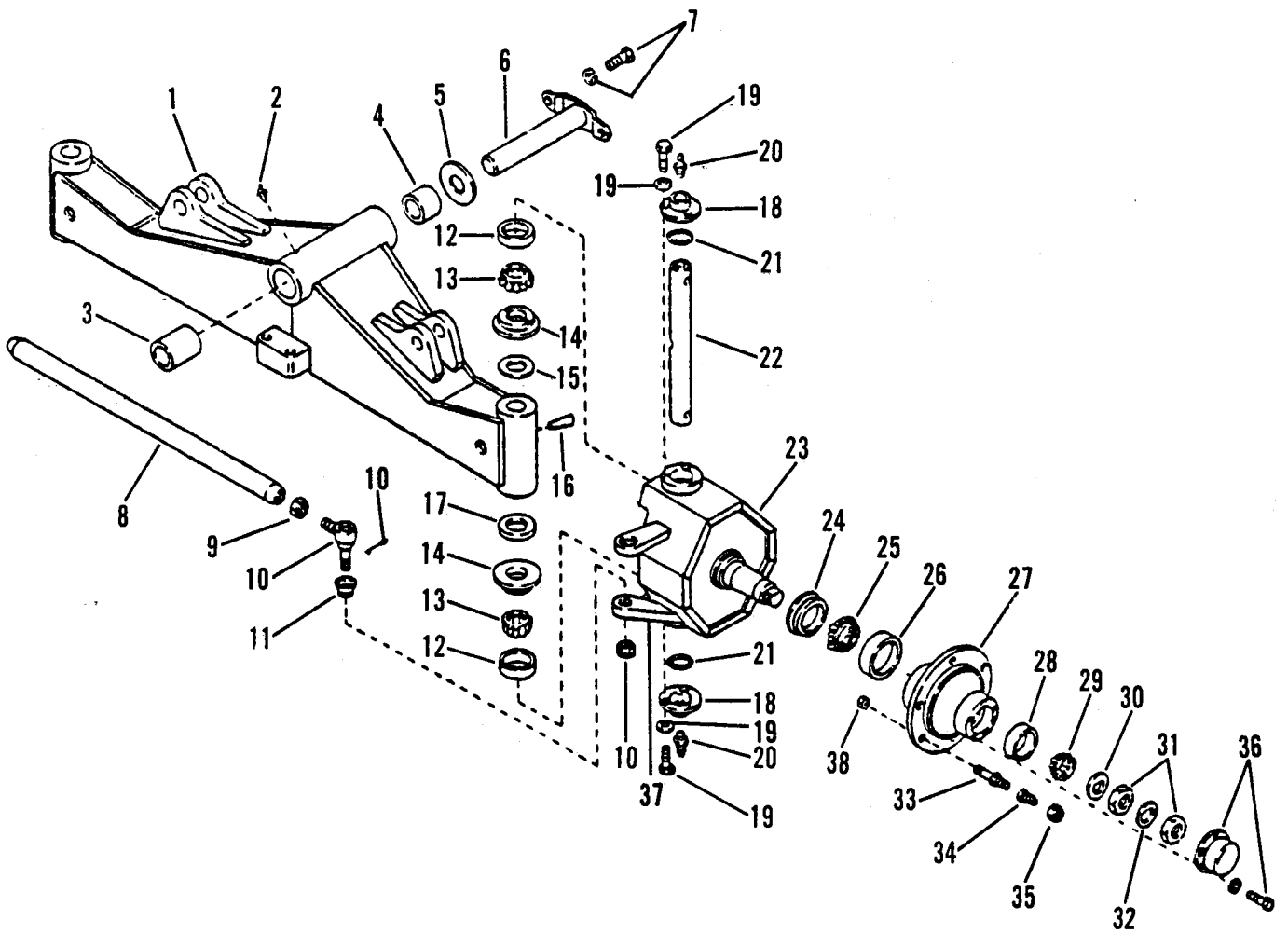
AIR CLEANER GROUP



Index No.	Part Number	Description	Qty. Req'd.
1	8273103	HOSE, Intake	1
2	8405202	CLAMP, Hose	4
3	7034332	ELBOW, Air intake	1
4	8273109 0450	TUBING, Air cleaner	1
5	8022018	CLEANER, Air	1
	8825161	ELEMENT, Outer	1
	8825162	ELEMENT, Inner	1
6	7037922	BRACKET, Air cleaner	1
7	—S—	WASHER, Lock, 3/8	2
	—S—	NUT, Hex, 3/8-16	2
8	8405602	CLAMP, Hose	2
9	8022019	CAP ASSEMBLY	1
10	8022095	COLLECTOR	1
11	8022096	BAR ASSEMBLY	1

S/N 8H0101 & Up

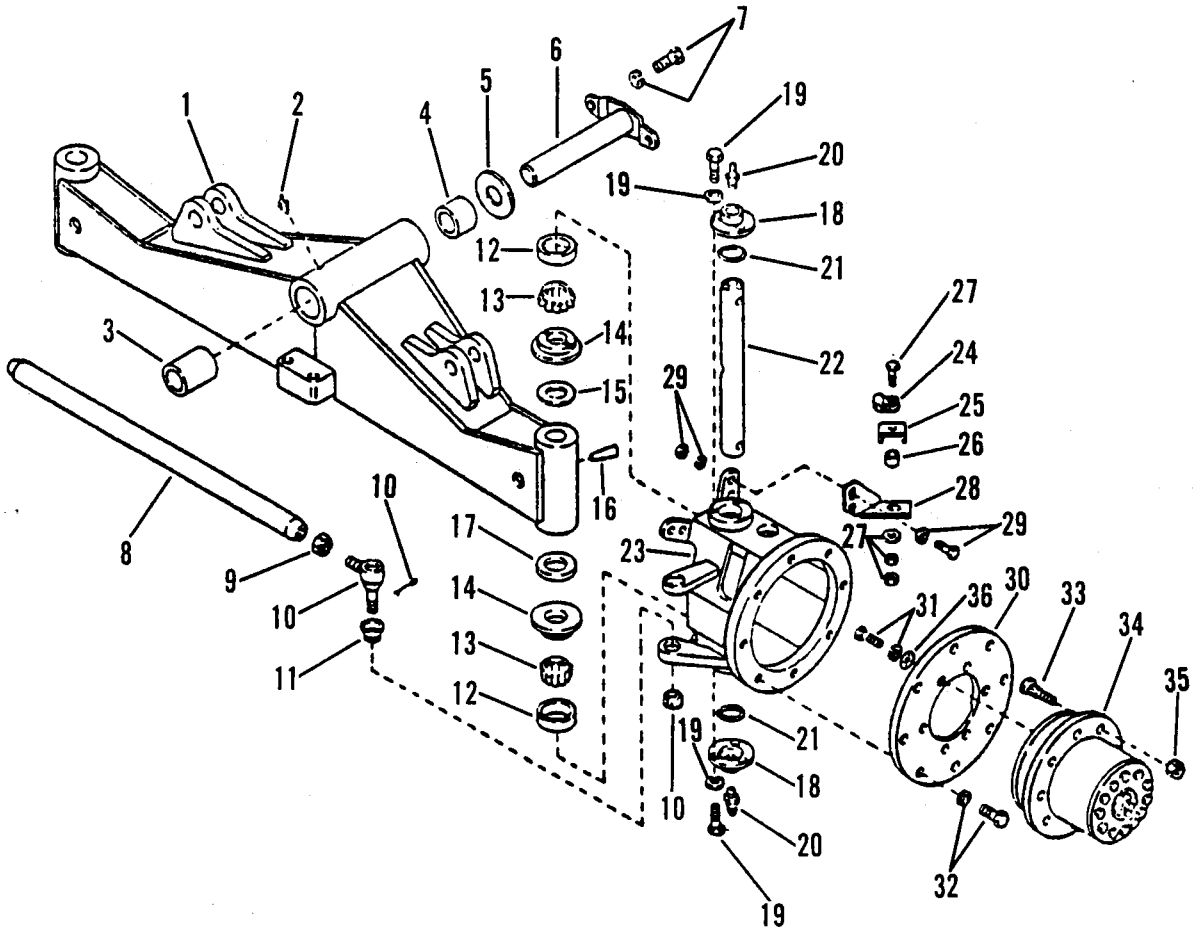
FRONT AXLE, 5030-2 & 6034-2



FRONT AXLE, 5030-2 & 6034-2

Index No.	Part Number	Description	Qty. Req'd.
1	7013605	AXLE (Includes items 3 & 4)	1
2	—S—	FITTING, Grease 1/8 NPT 90°	4
3	8022031	BUSHING, Rear	1
4	8022032	BUSHING, Front	1
5	8022034	WASHER, Thrust	1
6	8022033	PIN, Axle	1
7	—S—	SCREW, Cap, 1/2-13x1-1/4 GR-5	2
	—S—	WASHER, Lock, 1/2	2
8	7023331	ROD, Tie	1
9	8305024	NUT, Rh. thd.	1
	8305037	NUT, Lh. thd.	1
10	8825159	END, Rod rh. thd.	1
	8825160	END, Rod lh. thd.	1
	—S—	PIN, Cotter, 1/8 x 1-1/2	2
	8305826	NUT, Slotted, 7/8-14	2
11	8022089	COVER, Rubber	2
12	8064208	BEARING, Outer ring	4
13	8064209	BEARING, Inner ring	4
14	7011622	RETAINER, Bearing	4
15	8307904	BUSHING	AR
16	8302904	PIN, Taper	2
17	8068203	BEARING, Thrust	2
18	7024611	COVER, Bearing	4
19	—S—	SCREW, Cap, 1/4-20 x 3/4, Gr. 5	12
	—S—	WASHER, Lock, 1/4	12
20	—S—	FITTING, Grease 1/8 NPT 90°	4
21	8640303	RING, "O"	4
22	7011652	PIN, King	2
23	7013934	BRACKET, Wheel, RH (Incl. items 30, 31 & 32)	1
	7013924	BRACKET, Wheel LH (Incl. items 30, 31 & 32)	1
24	8681102	RETAINER, Grease	2
25	8063231	BEARING, Cone	2
26	8062512	BEARING, Cup	2
27	8786109	HUB, Wheel (Incl. items 26, 28, 33-36)	2
28	8062413	BEARING, Cup	2
29	8063131	BEARING, Cone	2
30	8040403	WASHER, Thick	4
31	8040405	NUT, Spindle	2
32	8040404	WASHER, Thin	2
33	8786537	STUD, Shoulder	12
34	8786518	NUT, Inner cap	12
35	8786517	NUT, Wheel	12
36	8786409	HUB, Cap	2
37	7069221	KIT, Tie rod lug service	1
38	8305018	NUT, Hex head	12

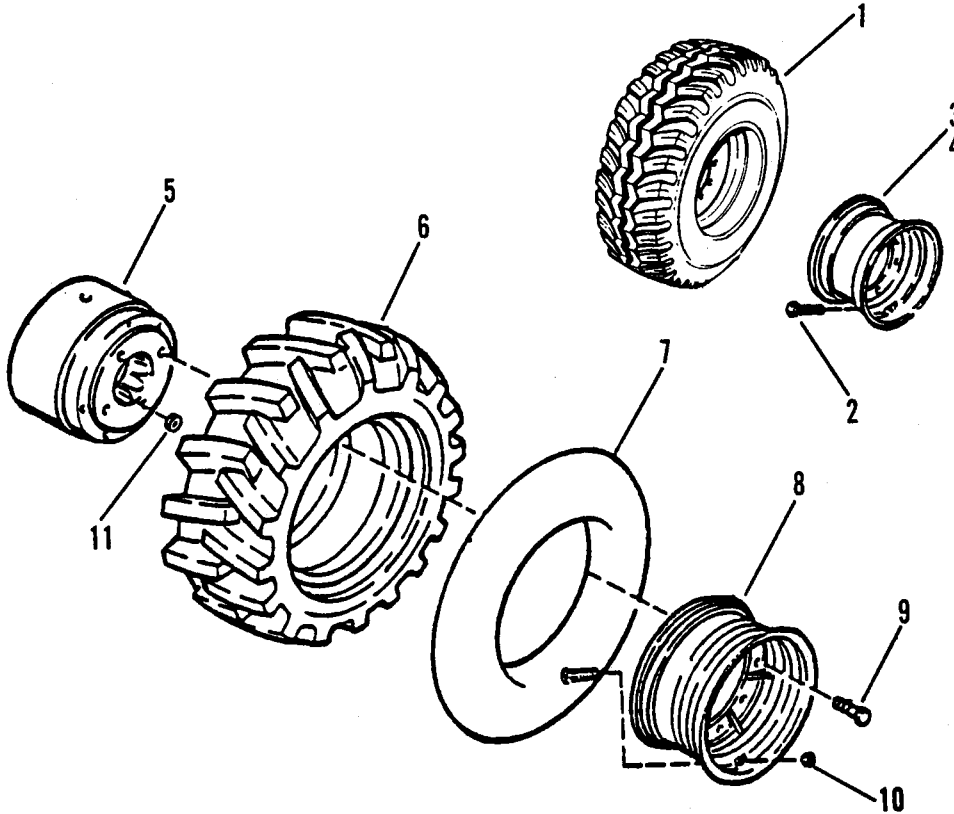
FRONT AXLE, 5030-4 & 6034-4



FRONT AXLE, 5030-4 & 6034-4

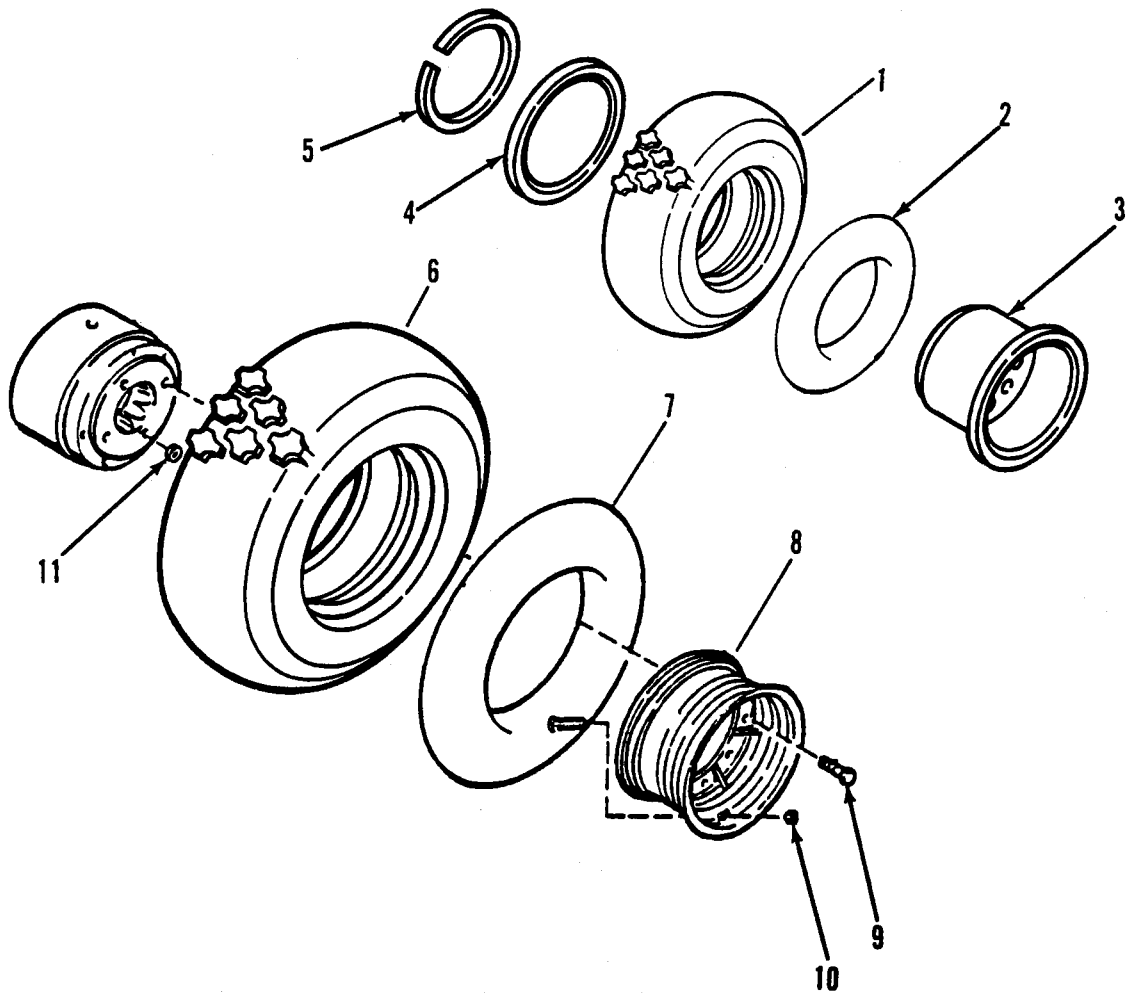
Index No.	Part Number	Description	Qty. Req'd.
1	7013605	AXLE, (Includes items 3 & 4)	1
2	—S—	FITTING, Grease 1/8 NPT 90°	1
3	8022031	BUSHING, Rear	1
4	8033032	BUSHING, Front	1
5	8022034	WASHER, Thrust	1
6	8022033	PIN, Axle	1
7	—S—	SCREW, Cap, 1/2-13x1-1/4 GR-5	2
	—S—	WASHER, Lock, 1/2	2
8	7023331	ROD, Tie	1
9	8305024	NUT, Rh. thd.	1
	8305037	NUT, Lh. thd.	1
10	8825159	END, Rod rh. thd.	1
	8825160	END, Rod lh. thd.	1
		PIN, Cotter, 1/8 x 1-1/2	2
	8305826	NUT, Slotted, 7/8-14	2
11	8022089	COVER, Rubber	2
12	8064208	BEARING, Outer ring	4
13	8064209	BEARING, Inner ring	4
14	7011622	RETAINER, Bearing	4
15	8307904	BUSHING	AR
16	8302904	PIN, Taper	2
17	8068203	BEARING, Thrust	2
18	7024611	COVER, Bearing	4
19	—S—	SCREW, Cap, 1/4-20 x 3/4, Gr. 5	12
	—S—	WASHER, Lock, 1/4	12
20		FITTING, Grease 1/8 NPT 90°	4
21	8640303	RING, "O"	4
22	7011652	PIN, King	2
23	7013824	BRACKET, Wheel, RH	1
	7013814	BRACKET, Wheel, LH	1
24	8406101	CLAMP, Hose	2
25	7020281	CLAMP	2
26	7770003 0014	SPACER	2
27	—S—	SCREW, Cap, 3/8-16x3 GR-5	2
	—S—	WASHER, Flat, 3/8	2
	—S—	WASHER, Lock, 3/8	2
	—S—	NUT, Hex, 3/8-16	2
28	7020462	BRACKET, Hose, RH	1
	7020452	BRACKET, Hose, LH	1
29	—S—	SCREW, Cap, 1/2-13x1-3/4 GR-5	4
	—S—	WASHER, Flat, 1/2	4
	—S—	WASHER, Lock, 1/2	4
	—S—	NUT, Hex, 1/2-13	4
30	7037493	DISC, Mounting	2
31	—S—	SCREW, Cap, 5/8-11x1-3/4 GR-5	8
	—S—	WASHER, Lock, 5/8	8
32	—S—	SCREW, Cap, 1/2-13 x 1-1/2, Gr. 5	16
	—S—	WASHER, Lock, 1/2	16
33	8022013	STUD, Wheel	18
34	8840011	DRIVE, Wheel (Includes Item 33)	2
35	8786508	NUT, Wheel	18
36	7036391	WASHER, Clipped	4

WHEELS AND TIRES



Index No.	Part Number	Description	Qty. Req'd.
1	8780006	TIRE (5030-2, 5030-4) 15-19.5, 12 Ply super all-traction duplex	2
	8780020	TIRE (6034-2, 6034-4) 15-19.5, 14 Ply super all-traction duplex	2
2	8786532	VALVE	2
3	7036333	WHEEL (5030-2, 6034-2)	2
4	7011633	WHEEL (5030-4, 6034-4)	2
5	7012774	WEIGHT, Wheel	2
6	8780233	TIRE (5030-2, 5030-4) 16.9-24 8 Ply R1	2
	8780236	TIRE (6034-2, 6034-4) 16.9-28 10 Ply R1	2
7	8782031	TUBE, Inner (5030-2, 5030-4) 16.9-24	2
	8782034	TUBE, Inner (6034-2, 6034-4) 16.9-28	2
8	7028732	WHEEL (5030-2, 5030-4)	2
	7034743	WHEEL (6034-2, 6034-4)	2
9	8303630	SCREW, Cap, 5/8-11 x 2, Grade 5	16
10	8786533	NUT, Rim	2
11	8825163	NUT, Lug	16

SAND TIRE, OPTIONAL



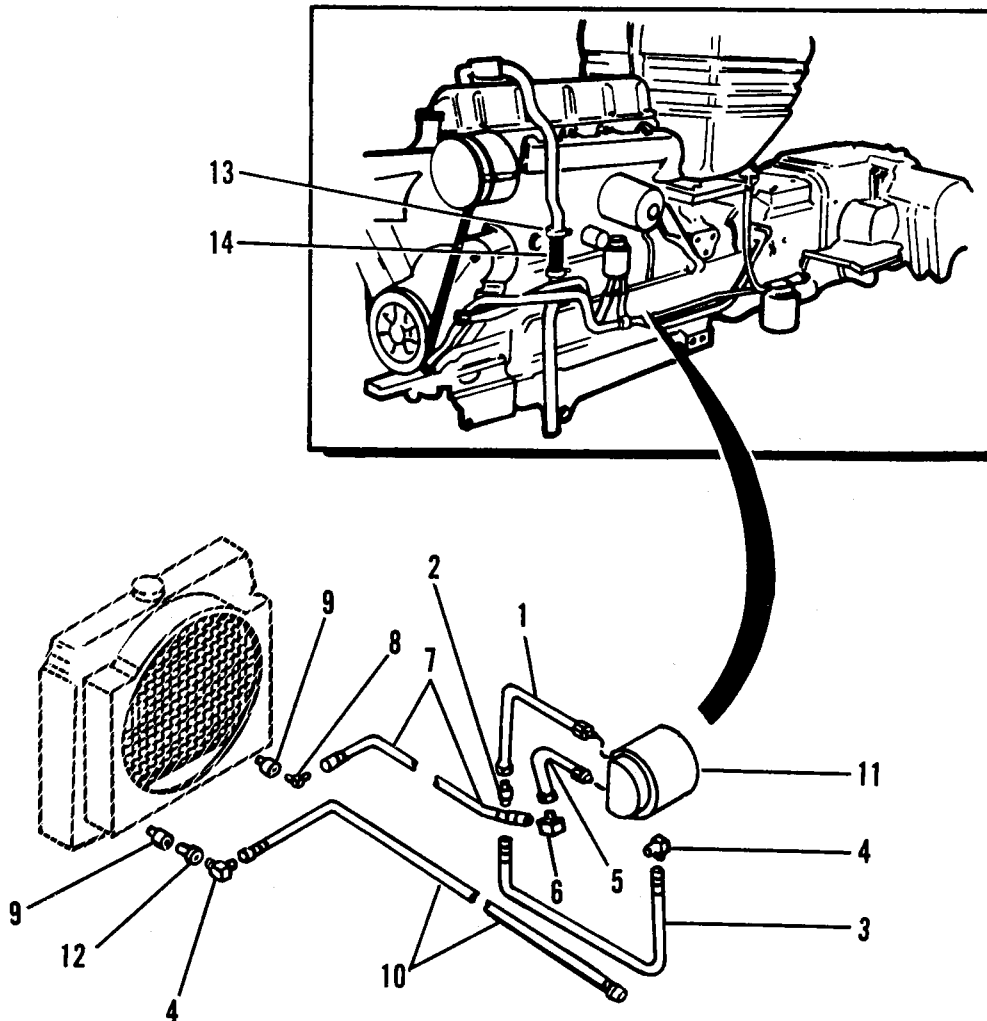
REF.	PART NO.	DESCRIPTION	QTY.
1	8780257	Tire (6034) 16:00-20	2
2	8782038	Tube (6034) 16:00-20	2
3	7066423	Wheel Rim	2
		(Includes Following 2 Items)	
4	8786340	Wheel Rim Flange	2
5	8786341	Wheel Rim Lock Ring	2
6	8780253	Tire (0034) 23.1-26 8 Ply	2
7	8782036	Tube (0034) 23.1-26	2
8	7049843	Wheel Assembly	2
9	8303630	Screw, Cap, 5/8-11x2,	16
		Grade 5	
10	8786533	Nut, Rim	2
11	8825163	Nut, Lug	16

Calcium Chloride Solution - Rear Wheels

Hydrofill Rear Sand Tires with 200 lbs. of calcium chloride & 67 gallons of water to attain a total weight of 750 lbs. per wheel.

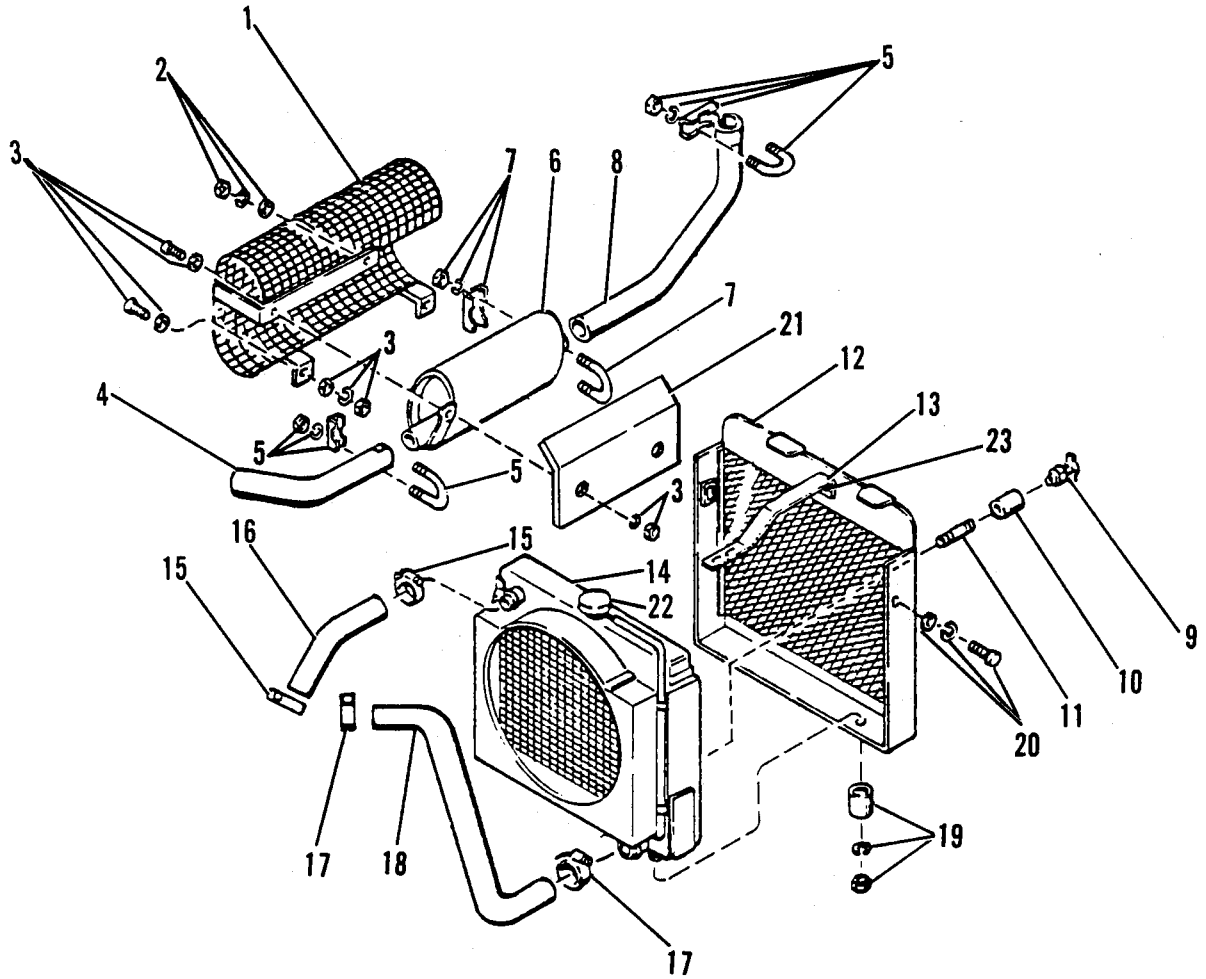


OIL COOLER GROUP



Index No.	Part Number	Description	Qty. Req'd.
1	7039462	TUBE	1
2	8760031	CONNECTOR	1
3	2707552	HOSE	1
4	8760255	ELBOW	2
5	7039473	TUBE	1
6	8760239	ELBOW	1
7	2707562	HOSE	1
8	8760232	ELBOW	1
9	8540026	REDUCER	2
10	2707572	HOSE	1
11	8825164	FILTER ASSEMBLY, Oil	1
12	8760002	CONNECTOR	1
13	8405101	CLAMP	2
14	8403215	HOSE	1

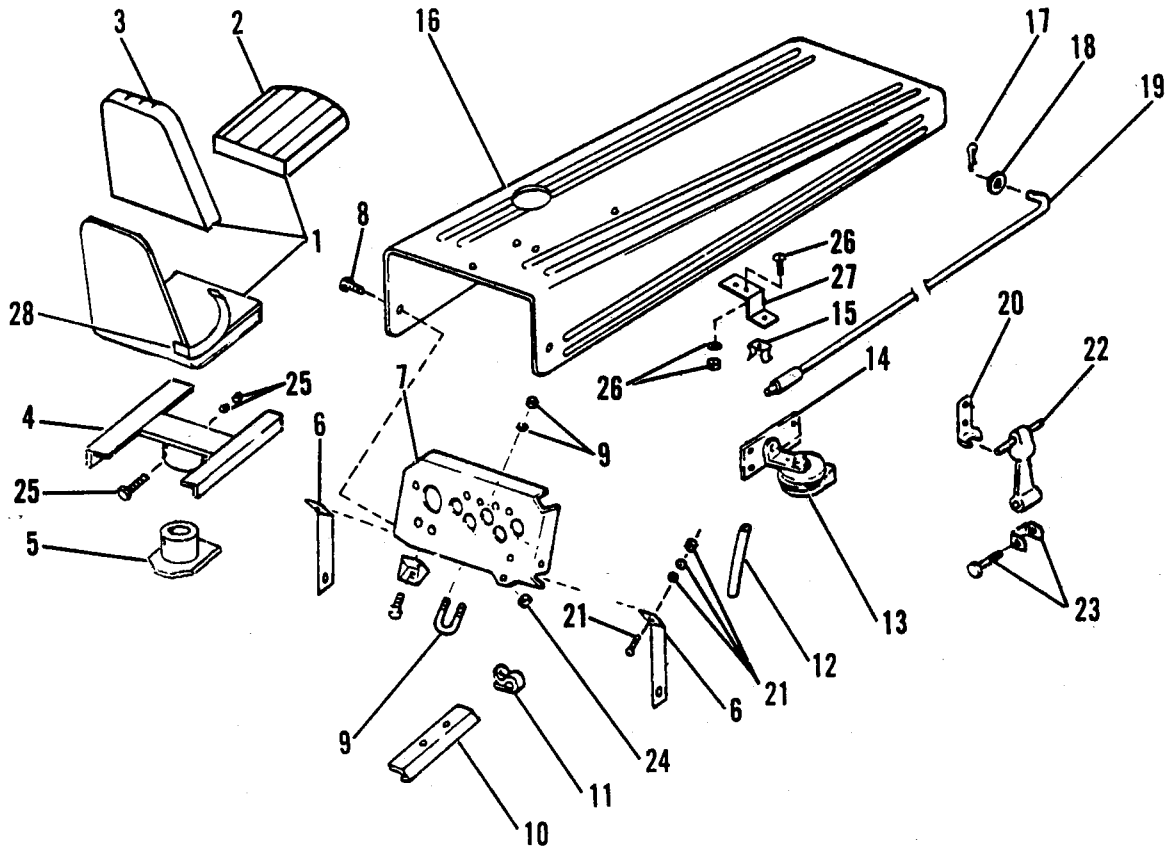
MUFFLER AND RADIATOR



MUFFLER AND RADIATOR

Index No.	Part Number	Description	Qty. Req'd.
1	7036782	GUARD, Muffler	1
	—S—	SCREW, Cap, 3/8 GR-5	2
2	—S—	WASHER, Flat, 3/8	4
	—S—	WASHER, Lock, 3/8	2
	—S—	NUT, Hex, 3/8-16	2
3	—S—	SCREW, Cap, 1/2-13x1 GR-5	2
	—S—	WASHER, Flat, 1/2	4
	—S—	WASHER, Lock, 1/2	2
	—S—	NUT, Hex, 1/2-13	2
4	7005012	PIPE	1
5	8275209	CLAMP, Muffler	2
6	8022017	MUFFLER	1
7	8275206	CLAMP, Muffler	1
8	7005003	PIPE	1
9	8940008	COCK, Drain	1
10	8541003	COUPLING, Pipe, 1/4	1
11	8551106	NIPPLE, Pipe, 1/4 x 2-1/2	1
12	7039383	GRILL	1
13	7036081	SUPPORT, Radiator	1
14	8180206	RADIATOR	1
15	8405104	CLAMP, Hose	2
16	8402103	HOSE	1
17	8405104	CLAMP, Hose	2
18	8022015	HOSE	1
19	—S—	WASHER, Lock, 1/2	2
	—S—	NUT, Hex, 1/2-13	2
	7770016 0020	SPACER 3/4 x 2.00	2
20	—S—	SCREW, Cap, 3/8-16 x 1-1/4 GR-5	2
	—S—	WASHER, Flat, 3/8	2
	—S—	WASHER, Lock, 3/8	2
21	7034122	SHIELD, Heat	1
22	8180300	CAP, Radiator	2
23	—S—	BOLT, Carriage, 3/8 x 1	1
	—S—	WASHER, Flat, 3/8	1
	—S—	WASHER, Lock, 3/8	1
	—S—	NUT, Hex 3/8 - 16	1

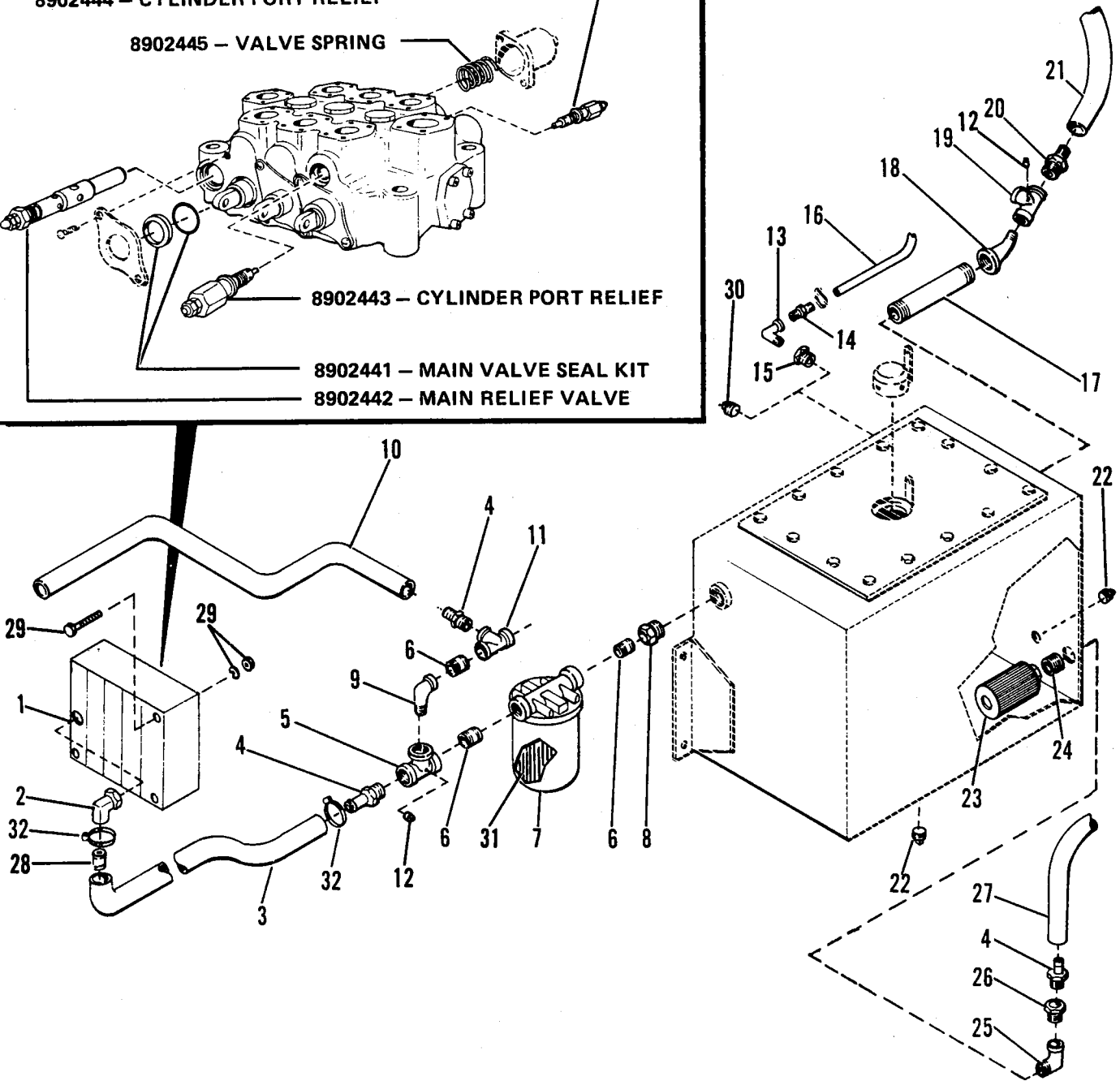
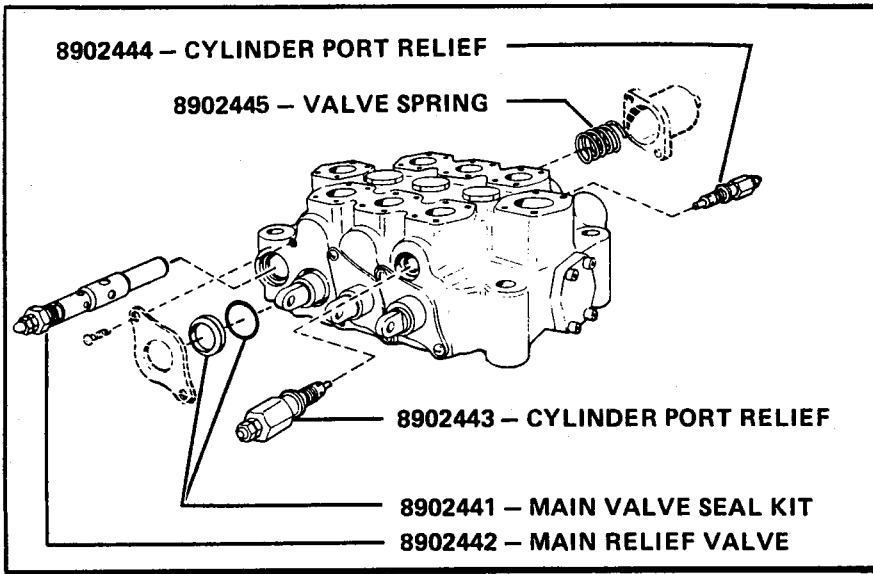
HOOD AND INSTRUMENT PANEL GROUP



HOOD AND INSTRUMENT PANEL GROUP

Index No.	Part Number	Description	Qty. Req'd.
1	8864009	SEAT (Includes items 2 & 3)	1
2	8864016	CUSHION, Bottom	1
3	8864017	CUSHION, Back	1
4	7034702	BRACKET, Seat	1
5	7034712	MOUNT, Seat	1
6	7036071	SUPPORT, Panel	2
7	7035153	PANEL, Instrument	1
8	—S—	SCREW, Cap, 5/16x1 GR-5	2
	—S—	WASHER, Flat, 5/16	2
9	8275204	CLAMP, Steering column	1
10	7028812	GUARD, Wire	1
11	8406105	CLAMP	1
12	8403215 0180	HOSE, Crankcase breather	1
13	8270602	HORN	1
14	7036432	BRACKET, Mounting	1
15	8342008	CLIP, Gripper	1
16	7039373	HOOD	1
17	—S—	PIN, Cotter, 1/8 x 1	1
18	—S—	WASHER, Flat, 3/8	1
19	7036211	STAND, Hood	1
20	8342103	BRACKET, Hood	2
21	—S—	SCREW, Cap, 3/8 x 1-1/4	2
	—S—	NUT, 3/8	2
	—S—	L.W., 3/8	2
	—S—	WASHER, Flat, 3/8	2
22	8342102	HOOK, Rubber	2
23	8342104	ANCHOR, Bracket	2
24	8580203	GROMMET, Rubber	1
25	—S—	SCREW, Cap, 1/2x3-1/2 GR-5	1
	—S—	NUT, 1/2	1
	—S—	L.W., 1/2	1
26	—S—	SCREW, Machine, 10-24 x 1/2	3
	—S—	NUT, Hex, 10-24	3
	—S—	L.W., 3/16	3
27	7039361	BRACKET, Hood rod	1
28	8864018	SEAT BELT ASSEMBLY	1

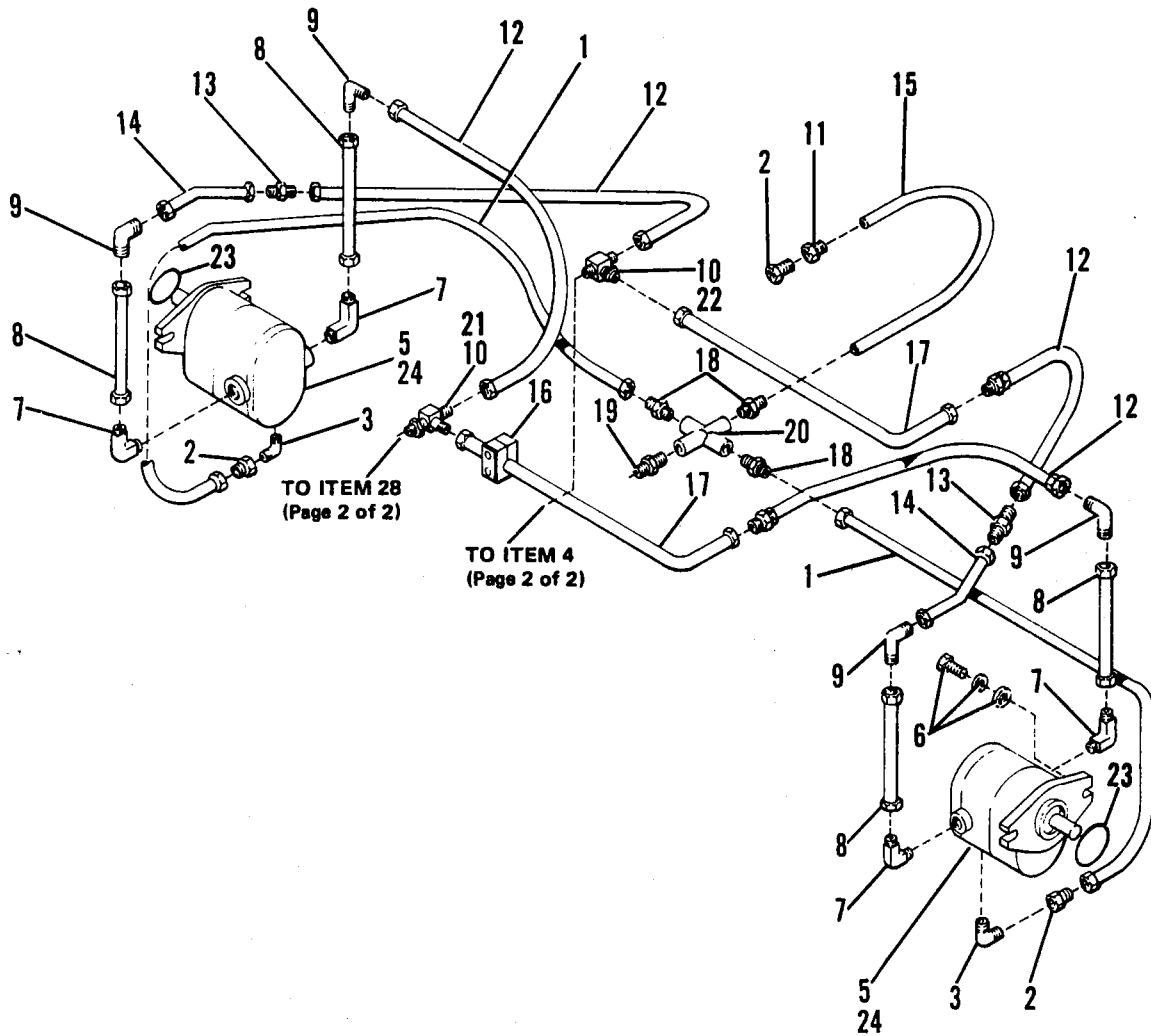
HYDRAULIC RESERVOIR GROUP



HYDRAULIC RESERVOIR GROUP

Index No.	Part Number	Description	5030-2 Qty.	5030-4 Qty.	6034-2 Qty.	6034-4 Qty.
1	8902072	VALVE, Main control	1	1	1	1
2	8760306	ELBOW	1	1	1	1
3	8401014 0600	HOSE ASSEMBLY	1	1	1	1
4	8424008	NIPPLE, Hose, 1-1/4 NPT	1	3	1	3
5	7035721	TEE	1	1	1	1
6	8551632	NIPPLE	2	3	2	3
7	8320031	FILTER ASSEMBLY	1	1	1	1
	8320223	ELEMENT, Filter (only)	1	1	1	1
8	8541051	REDUCER	1	1	1	1
9	9541226	ELBOW, Street	—	1	—	1
10	8401014 0520	HOSE ASSEMBLY	—	1	—	1
11	8541610	TEE	—	1	—	1
12	8541401	PIPE, Plug	2	2	2	2
13	8541222	ELBOW	—	1	—	1
14	8420217	CONNECTOR	—	1	—	1
15	8541039	REDUCER	—	1	—	1
16	8401006 0650	HOSE	—	1	—	1
17	8551715	NIPPLE, 1-1/2 x 10"	1	1	1	1
18	8541230	ELBOW, Street, 45°	1	1	1	1
19	7035711	TEE, Pipe, 1-1/2 NPT	1	1	1	1
20	8424006	NIPPLE, Hose, 1-1/2 NPT	1	1	1	1
21	8401003 0220	HOSE	1	1	—	—
	8401003 0360	HOSE	—	—	1	1
22	8541421	PIPE, Plug	2	1	2	1
23	8324005	STRAINER	1	2	1	2
24	8551701	NIPPLE, Close	1	2	1	2
25	8541230	ELBOW, Street	—	—	1	1
26	8541045	REDUCER	—	1	—	1
27	8401014 0520	HOSE	—	1	—	—
	8401014 0650	HOSE	—	—	—	1
28	8424015	NIPPLE, Hose	1	1	1	1
29	—S—	SCREW, Cap, 1/2x4 GR-5	2	2	2	2
	—S—	NUT, 1/2-13 NC	2	2	2	2
	—S—	LOCKWASHER, 1/2	2	2	2	2
30	8541416	PLUG	1	—	1	—
31	8320223	ELEMENT, Filter (only)	1	1	1	1
32	8405104	CLAMPS, Hose	2	2	2	2

FRONT ASSIST GROUP, 5030-4 & 6034-4 (Page 1 of 2)

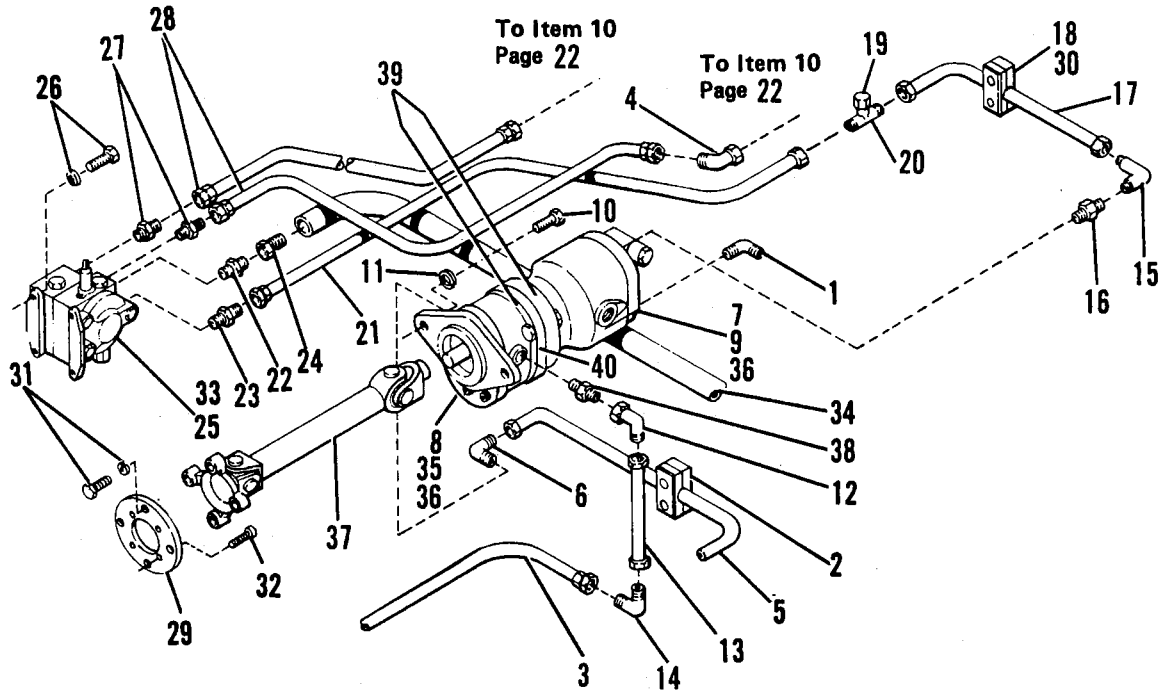


FRONT ASSIST GROUP, 5030-4 & 6034-4

(Page 1 of 2)

Index No.	Part Number	Description	Qty. Req'd.
1	8401015 0640	HOSE	2
2	8420202	COUPLING	3
3	8760220	ADAPTER	2
4	8840011	DRIVE, Torque hub (not shown)	2
5	8449013	MOTOR, Gear	2
6	—S—	SCREWS 1/2 - 13 x 1 1/2	4
	8307031	LOCKWASHER	4
	7036391	WASHER, Special	4
7	8760325	ELBOW	4
8	7015482	TUBE	4
9	8760210	ELBOW, 90°	4
10	8760514	TEE, Bulkhead	2
11	8760110	CONNECTOR	1
12	2704862	HOSE	4
13	8760008	CONNECTOR	2
14	7015492	TUBE	2
15	8401015 0100	HOSE	1
16	8769105	CLAMP	4
17	7035922	TUBE	2
18	8420204	CONNECTOR	3
19	8420217	CONNECTOR	1
20	8541624	PIPE, Cross	1
	8401015 0100	HOSE	1
	8760110	CONNECTOR	1
21	7035971	BRACKET, Mounting	1
22	7035982	BRACKET, Mounting	1
23	8640405	"O" RING	2
24	8449111	KIT, Seal	1
	8584001	TIES, Plastic (not shown)	AR

FRONT ASSIST GROUP, 5030-4 & 6034-4 (Page 2 of 2)



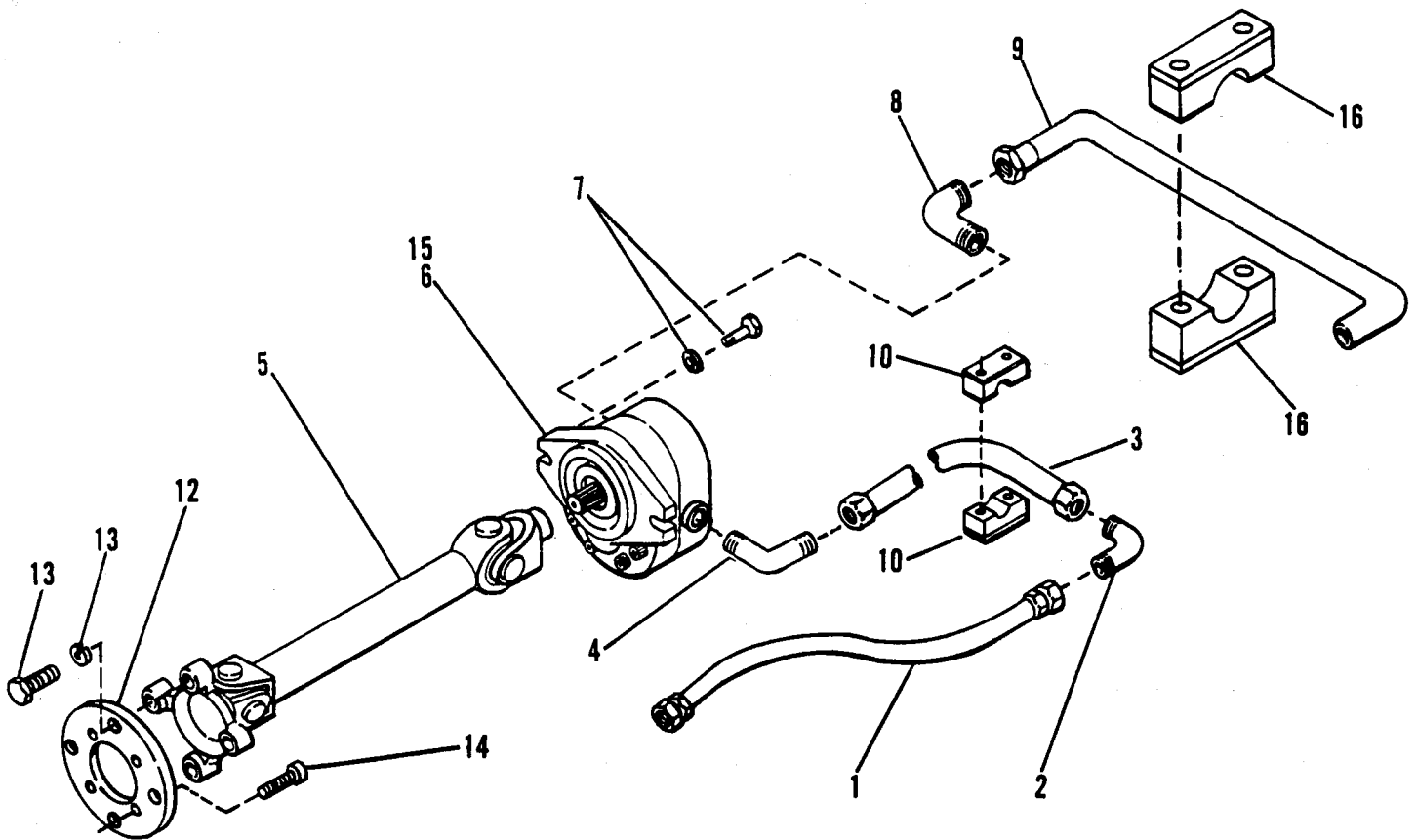
FRONT ASSIST GROUP, 5030-4 & 6034-4

(Page 2 of 2)

Index No.	Part Number	Description	Qty. Req'd.
1	8424207	ELBOW	1
2	8769106	CLAMP	1
3	2704892	HOSE ASSEMBLY, to valve (5030-4)	1
	2709412	HOSE ASSEMBLY, to valve (6034-4)	1
4	8760273	ELBOW, 90°	1
5	7035903	TUBE ASSEMBLY, 1-1/2"	1
6	8760309	ELBOW, 90°	1
7	8440135	PUMP, Hydraulic (Incl. Items 8 & 9)	1
8	8440136	PUMP, Gear	1
9	8444208	PUMP, Piston	1
10	—S—	SCREW, Cap, 1/2-12x1-1/2 GR-5	2
11	—S—	LOCKWASHER, 1/2	2
12	8760253	ELBOW, Swivel, 90°	1
13	7035912	TUBE ASSEMBLY	1
14	8760258	ELBOW, 90°	1
15	8760254	ELBOW, 90°	1
16	8760109	CONNECTOR	1
17	7035962	TUBE ASSEMBLY	1
18	8769107	CLAMP	1
19	8760472	CAP	1
20	8760482	TEE, 3/4"	1
21	2709292	HOSE (5030-4)	1
	2709342	HOSE (6034-4)	1
22	8760131	CONNECTOR, Straight	1
23	8760103	CONNECTOR, Straight	1
24	8424015	NIPPLE, Hose, 1-1/4	1
25	8902071	VALVE, Front assist	1
26	—S—	SCREW, Cap, 1/2-13x1-1/2 GR-5	2
	—S—	WASHER, Lock, 1/2	2
	—S—	NUT	2
27	8760130	CONNECTOR, Straight	2
28	2709302	HOSE (5030-4)	2
	2709352	HOSE (6034-4)	2
29	7035513	ADAPTER	1
30	7736024 0025	BLOCK, Mounting	1
31	—S—	SCREW, Cap, 5/16x1-1/4 GR-5	4
	—S—	LOCKWASHER, 5/16	4
32	8304661	SCREW, Socket hd. cap, 7/16 x 1-1/4	4
33	8902447	KIT, Relief Valve	1
34	8401014 0520	HOSE	1
35	8448018	KIT, Gear pump repair	1
36	8448020	COUPLING, Pump	1
37	7036772	SHAFT, Drive (5030-4)	1
	7036382	SHAFT, Drive (6034-4)	1
38	8760102	CONNECTOR	1
39	8448029	GASKETS	2
40	8448028	SPACER	1

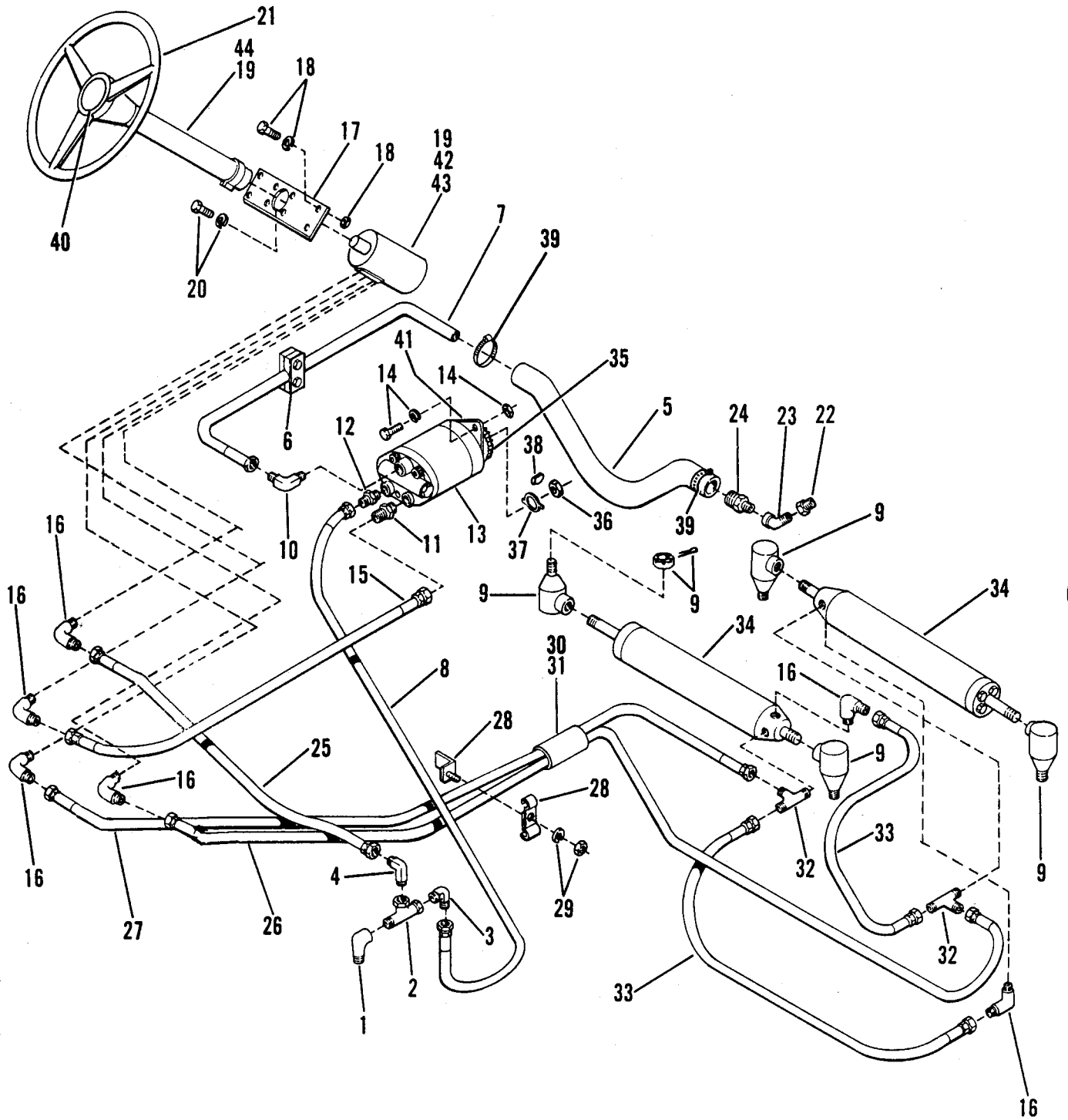


MAIN PUMP GROUP



Index No.	Part Number	Description	Qty. Req'd.
1	2704892	HOSE (5030)	1
	2709412	HOSE (6034)	1
2	8760258	ELBOW, 90°	1
3	7035942	TUBE ASSEMBLY	1
4	8760309	ELBOW, 90°	1
5	7036772	SHAFT, Drive (5030)	1
	7036382	SHAFT, Drive (6034)	1
6	8440127	PUMP, Hydraulic	1
7	—S—	SCREW, Cap, 1/2-13x1-1/2 GR-5	2
	—S—	WASHER, Lock, 1/2	2
8	8760306	ELBOW, 90°	1
9	7035933	TUBE ASSEMBLY	1
10	8769105	CLAMP ASSEMBLY	1
12	7035513	ADAPTER	1
13	—S—	SCREW, Cap, 5/16x1-1/4 GR-5	4
14	8304661	SCREW, Socket cap, 7/16 x 1-1/4	4
15	8448018	KIT, Seal	1
16	8769106	CLAMP ASSEMBLY	2

POWER STEERING PUMP AND PIPING GROUP

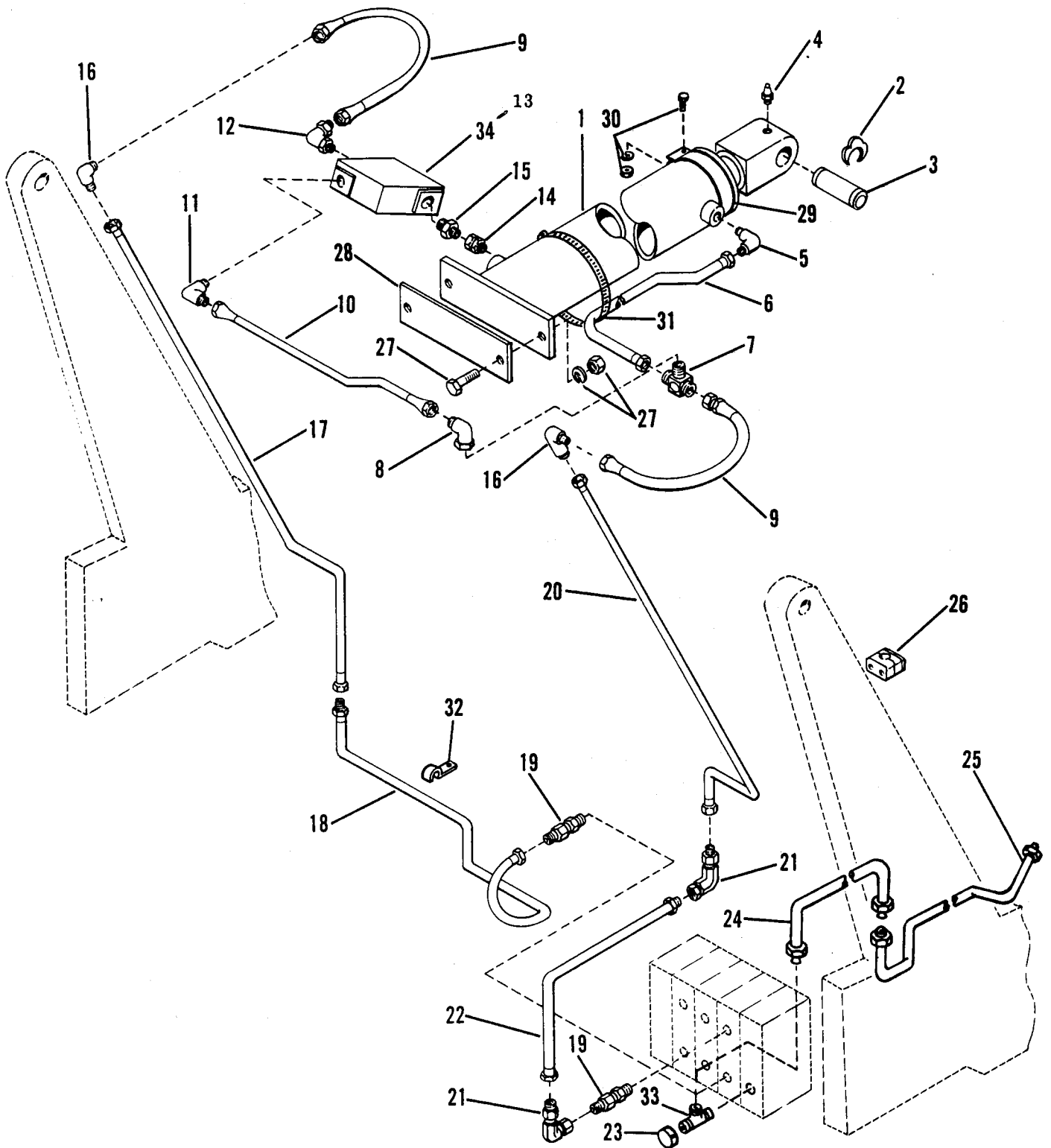


POWER STEERING PUMP AND PIPING GROUP

Index No.	Part Number	Description	Qty. Req'd.
1	8541213	ELBOW, Street, 90°	1
2	8541623	TEE, Street	1
3	8760232	ELBOW, Male	1
4	8760238	ELBOW, Male	1
5	8401013-0260	HOSE	1
6	8769105	CLAMP, Tube	1
7	7035863	TUBE	1
8	2703482	HOSE	1
9	8340007	STUD ASSEMBLY, Ball	4
10	8760327	ELBOW	1
11	8760110	CONNECTOR,	1
12	8760116	CONNECTOR	1
13*	8440140	PUMP, Gear	1
14	—S—	SCREW, Cap, 3/8-16x3 GR-5	2
	—S—	WASHER, Lock, 3/8	2
	—S—	NUT, Hex, 3/8-16	2
15	2705122	HOSE	1
16	8760311	ELBOW, 90°	6
17	7013592	PLATE, Motor mount	1
18	—S—	SCREW, Cap, 5/16-18x1 GR-5	4
	—S—	WASHER, Lock, 5/16	4
	—S—	NUT, Hex, 5/16-18	4
19	8721004	MOTOR AND COLUMN, Steering	1
20	—S—	SCREW, Cap, 5/16-18x3/4 GR-5	4
	—S—	WASHER, Lock, 5/16	4
21	8720005	WHEEL, Steering	1
22	8541046	REDUCER, 1-1/2 to 1	1
23	8541221	ELBOW, Street, 45°	1
24	8424005	NIPPLE, Hose	1
25	2700982	HOSE	1
26	2704572	HOSE (5030)	1
	2709382	HOSE (6034)	1
27	2704502	HOSE (5030)	1
	2709392	HOSE (6034)	1
28	8406102	CLAMP	3
	7007162	BRACKET, Clamp	1
29	—S—	NUT, Hex, 1/4-20	2
	—S—	WASHER, Lock, 1/4	2
30	8584007	TIE, Cable (not shown)	1
31	7019461	GUARD, Hose	1
32	8760449	TEE	2
33	2703512	HOSE	2
34	8206000	CYLINDER, Steering	2
35	8276012	GEAR, Power steering pump	1
36	8305408	NUT, Lock, 7/16-20	1
37	8276013	WASHER, Tab	1
38	8302711	KEY, Woodruff	1
39	8405101	CLAMP, Hose	2
40	8720008	CAP	1
41	8448017	KIT, Power steering	1
42	8721009	KIT, Shaft seal	1
43	8721010	KIT, Lower seal	1
44	8721013	KIT, Column	1

*Changed gear pump priority flow divider GPM flow from 8 GPM to 6 GPM to have additional GPM's available on the secondary port for various hydraulic option at lower engine RPM.

BOOM CYLINDER PLUMBING GROUP



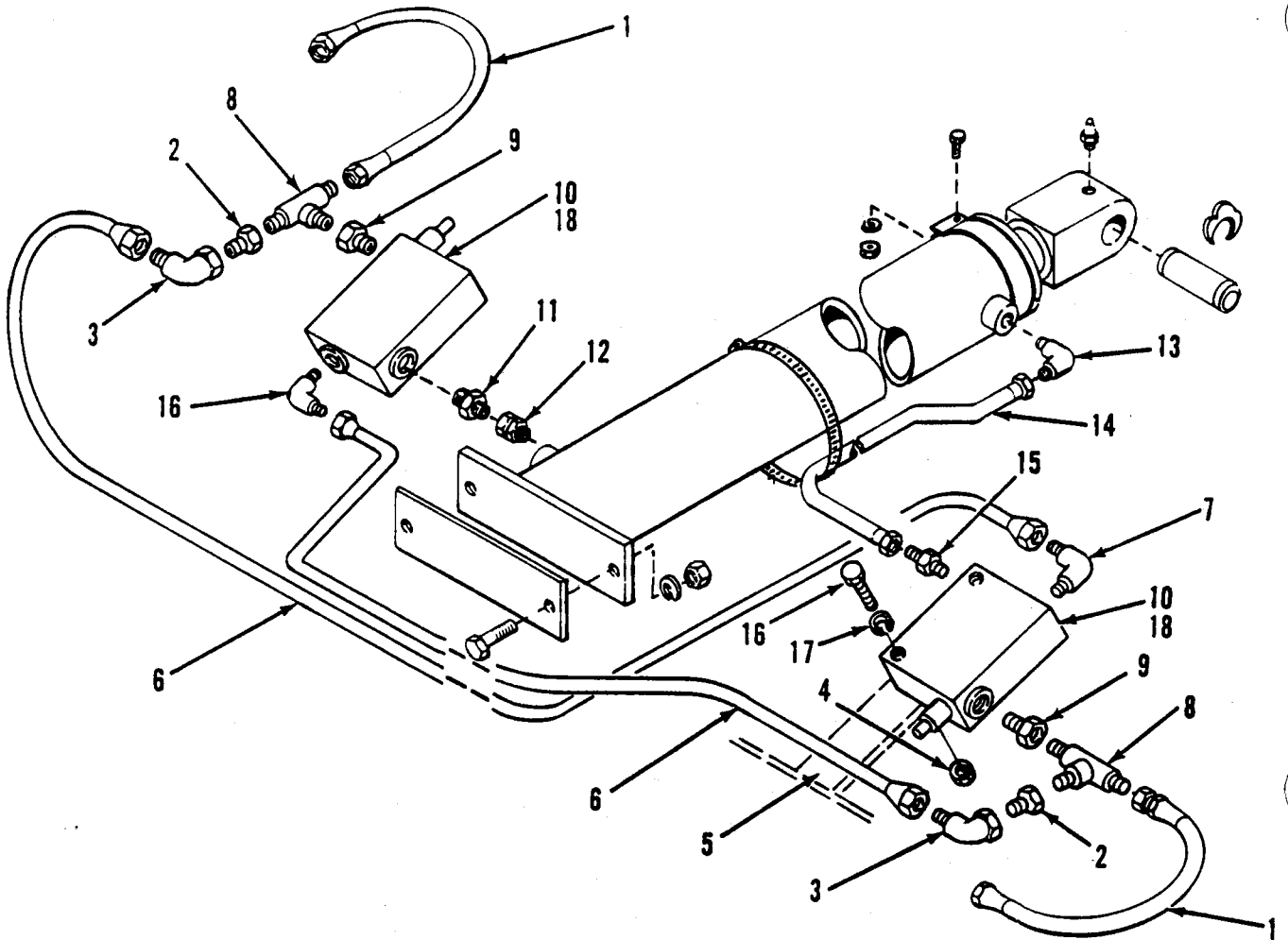
* For tube on top of boom, see page 36 Item 19

BOOM CYLINDER PLUMBING GROUP

Index No.	Part Number	Description	Qty. Req'd.
1	2700733	CYLINDER, Extend (5030)	1
	2707813	CYLINDER, Extend (6034)	1
2	8642404	KLIPRING	2
3	7038101	PIN (5030)	1
	7037701	PIN (6034)	1
4	—S—	FITTING, Grease, 1/8 NPT	1
5	8760204	ELBOW, 90°	1
6	7003743	TUBE ASSEMBLY (5030)	1
	7036843	TUBE ASSEMBLY (6034)	1
7	8760426	TEE	1
8	8760238	ELBOW, 90°	1
9	2701132	HOSE ASSEMBLY	2
10	2700982	HOSE ASSEMBLY	1
11	8760220	ELBOW, 90°	1
12	8760209	ELBOW, 90°	1
13	8902204	VALVE, Counterbalance	1
14	8540016	CONNECTOR, 1/2 x 1/2 NPT	1
15	7034591	CONNECTOR, 3/4 x 1/2 NPT	1
16	8760239	ELBOW, 90°	2
17	7035893	TUBE ASSEMBLY	1
18	7035743	TUBE ASSEMBLY	1
19	8760115	CONNECTOR	2
20	7035763	TUBE ASSEMBLY	1
21	8760255	ELBOW, Swivel	2
22	7035793	TUBE ASSEMBLY	1
23	8760491	CAP	1
24	7035853	TUBE	1
25	7035873	TUBE	1
26	8769104	CLAMP, Single, 5/8" tube	4
27	—S—	SCREW, Cap, 5/8-11NCx3(5030)GR-5	2
	—S—	SCREW, Cap, 5/8-11NCx2(6034)GR-5	2
	—S—	WASHER, Lock, 5/8"	2
	—S—	NUT, Hex, 5/8-11 NC	2
28	7004091	SHIM, 3/8" (6034)	1
	7040151	SHIM, 1" (5030)	1
29	7039092	CLAMP, Cylinder (5030)	1
	7039082	CLAMP, Cylinder (6034)	1
30	—S—	SCREW, Hex Cap, 1/4-20NCx1-1/4 GR-5	1
	—S—	NUT, Hex, 1/4-20 NC	1
	—S—	WASHER, Lock, 1/4"	1
31	8405402	CLAMP	3
32	7037651	CLAMP, Tube	1
33	8760515	TEE	1
34	8902478	SEAL Kit F/8902204	1

REVISED 6/85 S/N 0E0089

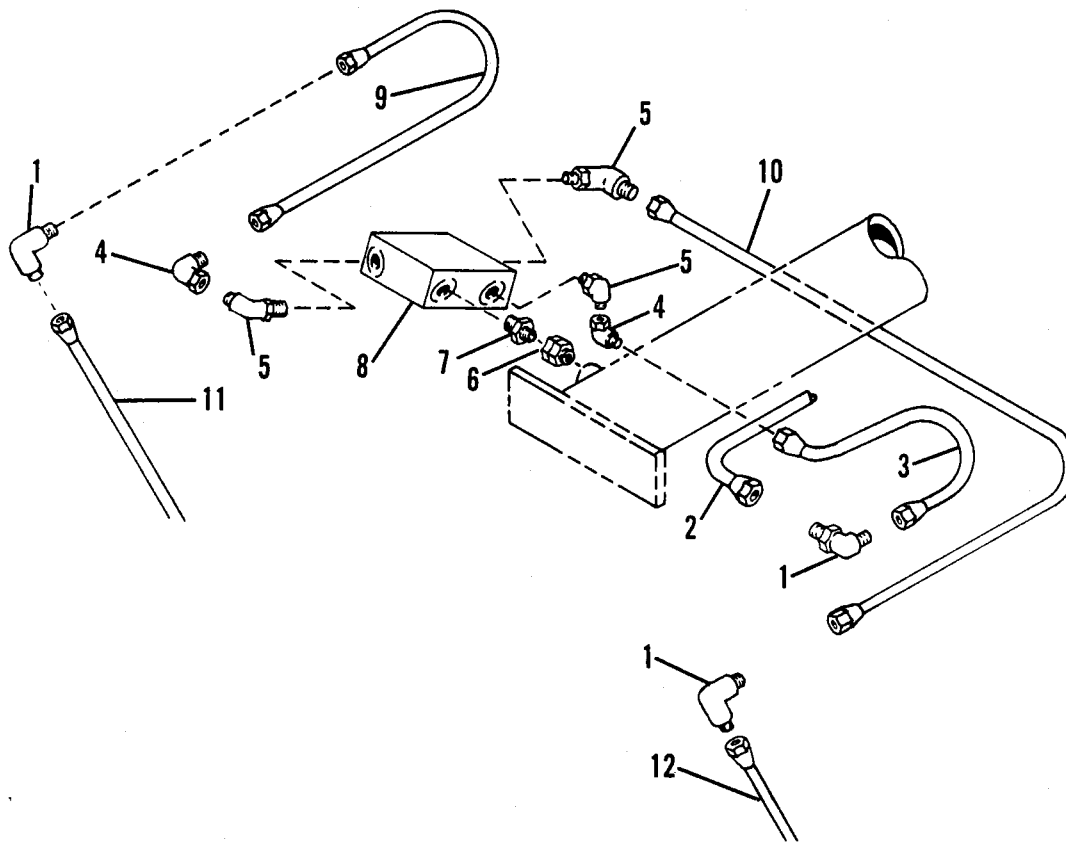
BOOM CYLINDER PLUMBING GROUP W/LOAD HOLDING VALVES



REF.	PART NO.	DESCRIPTION	QTY.
1	2701132	Hose Assembly	2
2	8760511	Reducer	2
3	8760268	Elbow, Swivel	2
4	-S-	Nut 5/16" -18	2
5	7068802	Bracket	1
6	2701662	Hose Assembly	2
7	8760220	Elbow	2
8	8760425	Tee	2
9	8541035	Reducer	2
10	8902204	Valve, Counterbalance	2
11	7034591	Connector 3/4x1/2 NPT	1
12	8540016	Connector 1/2x1/2 NPT	1
13	8760204	Elbow, 90°	1
14	7003743	Tube Assembly (5030)	1
15	7036843	Tube Assembly (6034)	1
16	8760007	Connector	1
17	-S-	Screw, Cap, Hex Hd. 5/16" -18 NCx3"	2
18	-S-	Washer, Lock, 5/16"	2
	8902478	Seal Kit F/8902204	2

S/N #4H0224 to 4H0226
#4H0228 to 4M0032

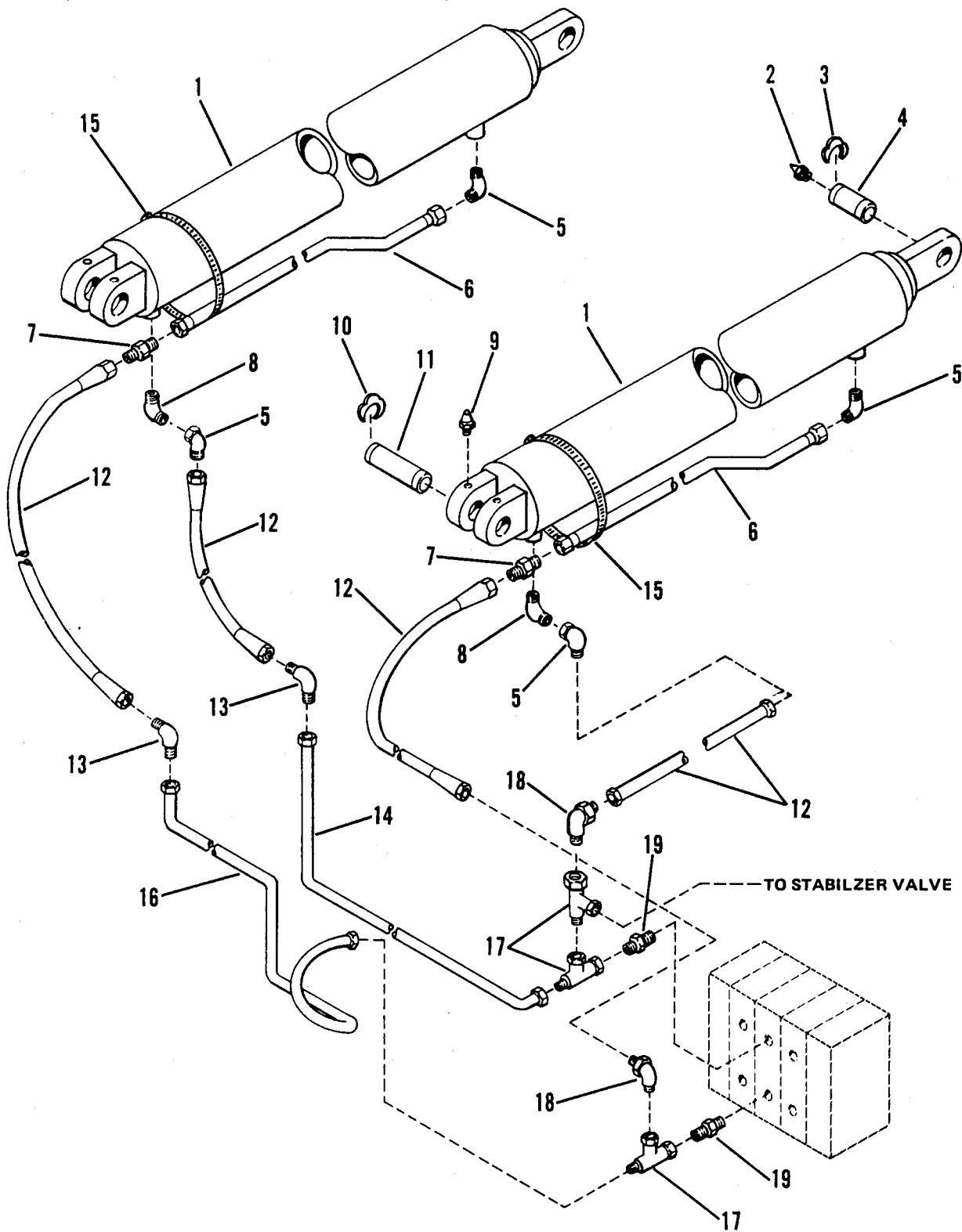
BOOM CYLINDER PLUMBING GROUP W/DOUBLE LOAD HOLDING VALVE



REF.	PART NO.	DESCRIPTION	QTY.
1	8760239	Elbow, 90°	3
2	7003743	Tube Assembly (5030)	1
	7036843	Tube Assembly (6034)	1
3	2700892	Hose Assembly	1
4	8760255	Elbow, 90°	3
5	8760209	Elbow, 90°	3
6	8540016	Connector 1/2x1/2 NPT	1
7	7034591	Connector 1/2x1/2 NPT	1
8	8902219	Valve, Counterbalance	1
9	2701132	Hose Assembly	1
10	2700912	Hose Assembly	1
11	7035893	Assembly, Tube	1
12	7035763	Assembly, Tube	1

S/N 4M0033 & UP

LIFT CYLINDER PLUMBING GROUP

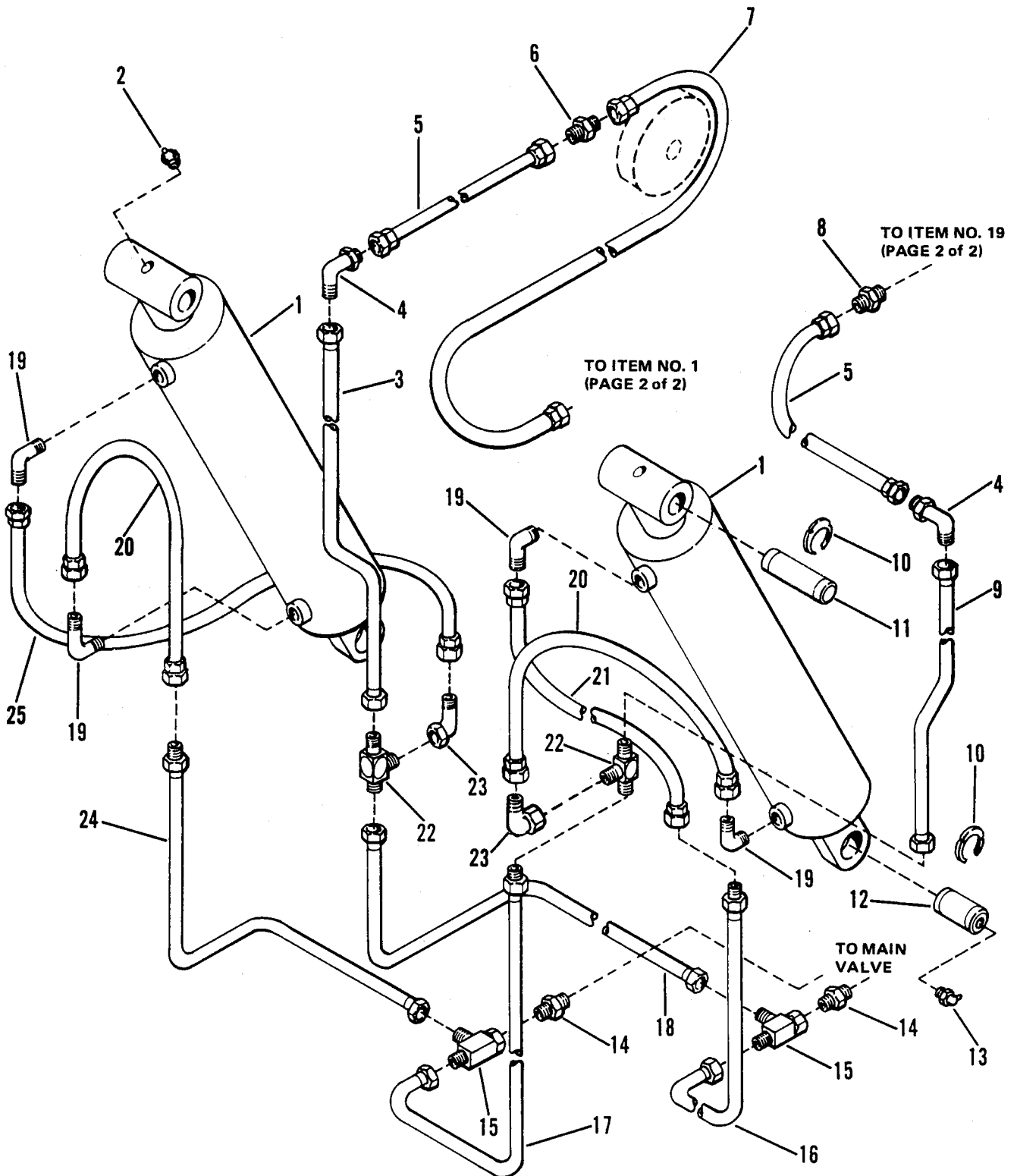


LIFT CYLINDER PLUMBING GROUP

Index No.	Part Number	Description	Qty. Req'd.
1	2700713	CYLINDER, Lift (5030)	2
	2707823	CYLINDER, Lift (6034)	2
2	—S—	FITTING, Grease, 1/4-28	2
3	8642404	KLIPRING	4
4	7038071	PIN	2
5	8760204	ELBOW	1
6	7002923	TUBE ASSEMBLY	2
7	8760031	CONNECTOR	2
8	8540218	ELBOW	2
9	—S—	FITTING, Grease, 1/8	4
10	8642404	KLIPRING	4
11	7038101	PIN	2
12	2701132	HOSE ASSEMBLY	4
13	8760239	ELBOW, 90°	2
14	7035733	TUBE ASSEMBLY	1
15	8405402	CLAMP	6
16	7035753	TUBE ASSEMBLY	1
17	8760485	TEE	3
18	8760255	ELBOW, Swivel, 90°	2
19	8760115	CONNECTOR	2

TILT AND SLAVE CYLINDER GROUP

(Page 1 of 2)



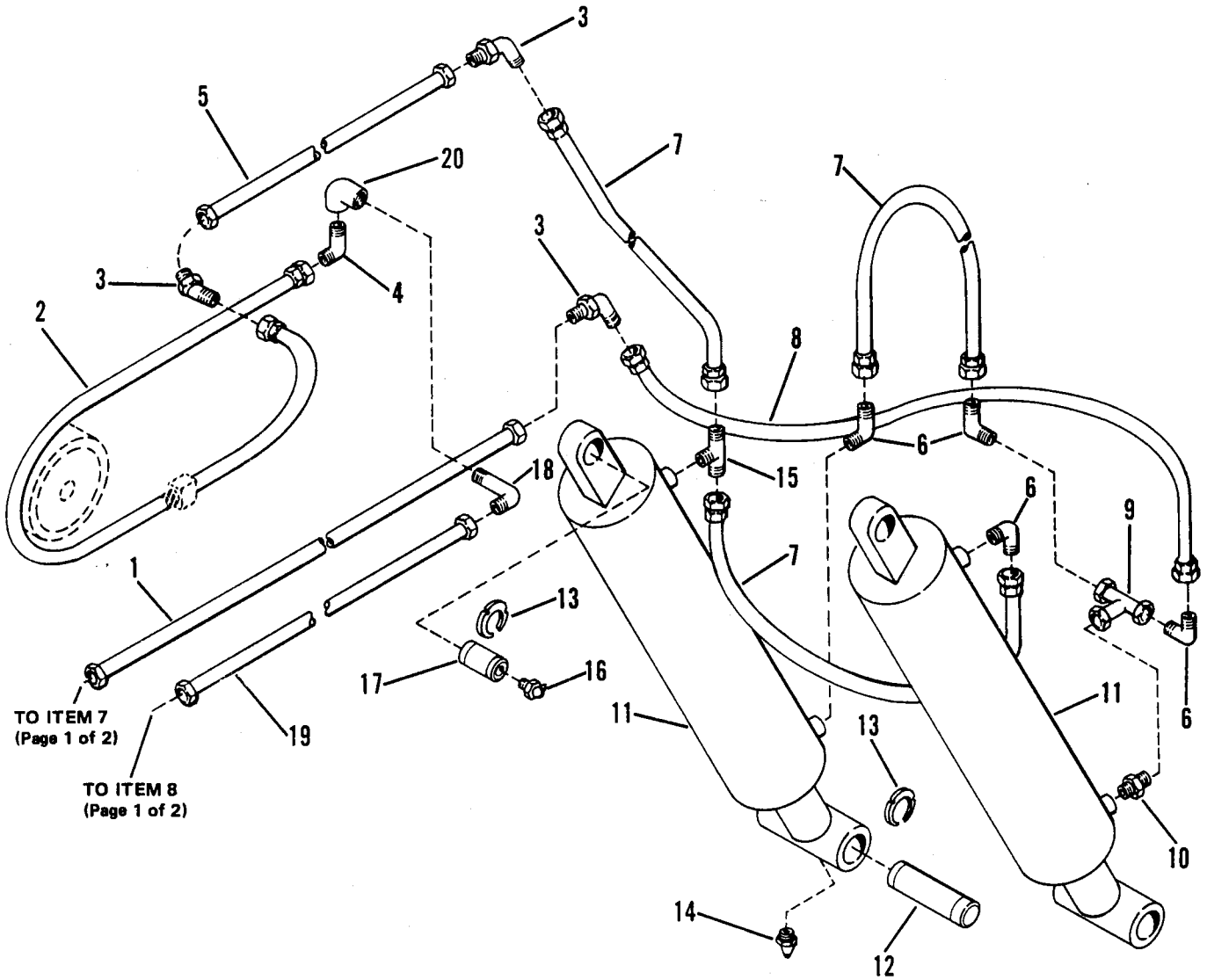
TILT AND SLAVE CYLINDER GROUP

(Page 1 of 2)

Index No.	Part Number	Description	Qty. Req'd.
1	2701043	CYLINDER, Slave	2
2	—S—	FITTING, Grease, 1/8 NPT	2
3	7039044	TUBE ASSEMBLY	1
4	8760239	ELBOW	2
5	2701172	HOSE ASSEMBLY	2
6	8760249	FITTING, Bulkhead	1
7	2709522	HOSE ASSEMBLY (5030)	1
	2709532	HOSE ASSEMBLY (6034)	1
8	8760031	CONNECTOR	1
9	7039054	TUBE ASSEMBLY	1
10	8642404	KLIPRING	8
11	7038121	PIN	2
12	7038111	PIN	2
13	—S—	FITTING, Grease, 1/4-28	2
14	8760115	CONNECTOR	2
15	8760485	TEE	2
16	7035803	TUBE ASSEMBLY	1
17	7035783	TUBE ASSEMBLY	1
18	7035823	TUBE ASSEMBLY	1
19	8760204	ELBOW	4
20	2700892	HOSE ASSEMBLY	2
21	2700912	HOSE ASSEMBLY	1
22	8760429	TEE, Union	2
23	8760255	ELBOW	2
24	7035813	TUBE ASSEMBLY	1
25	2700912	HOSE ASSEMBLY (6034)	1
	2701132	HOSE ASSEMBLY (5030)	1

TILT AND SLAVE CYLINDER GROUP

(Page 2 of 2)

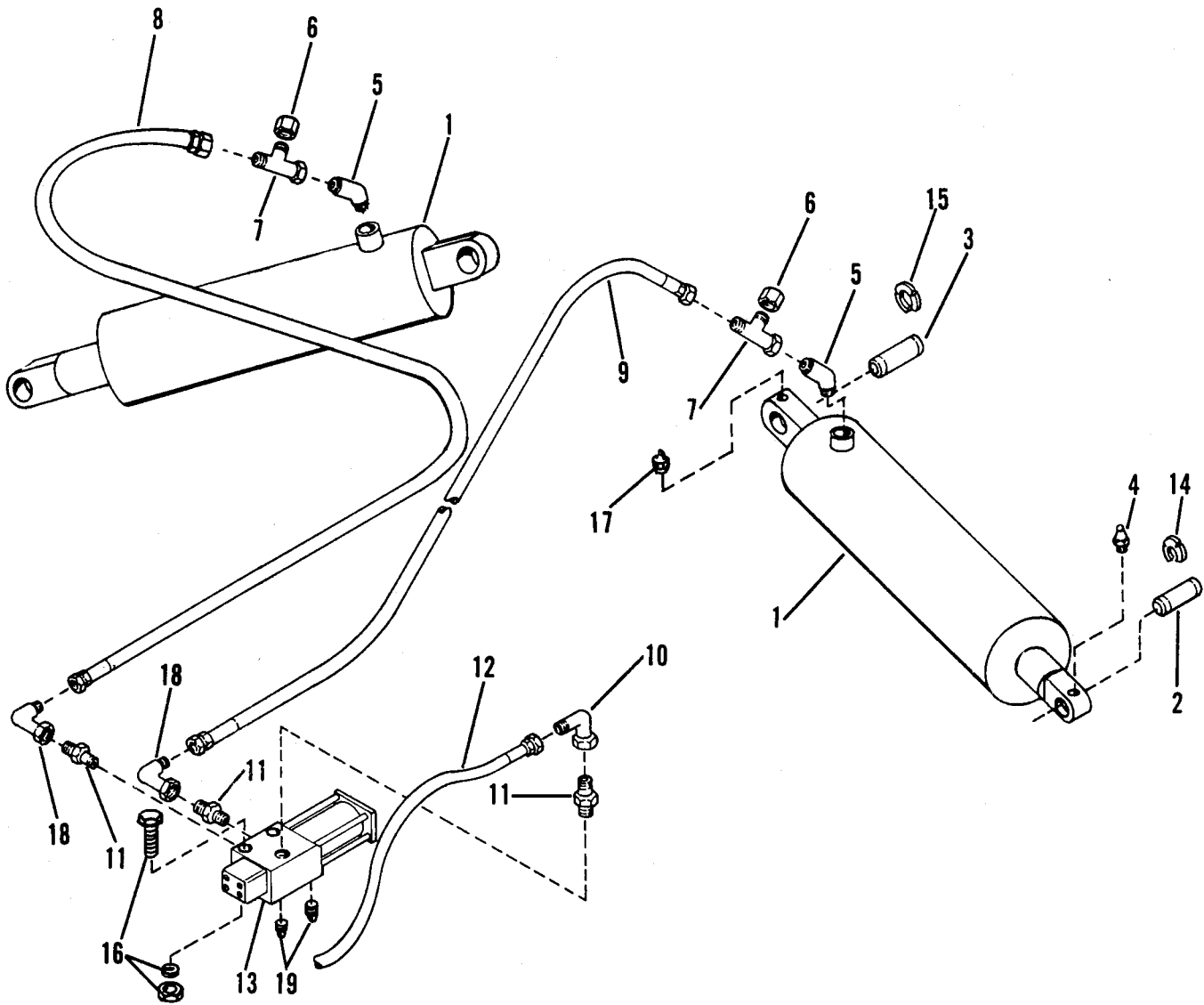


TILT AND SLAVE CYLINDER GROUP

(Page 2 of 2)

Index No.	Part Number	Description	Qty. Req'd.
1	7035833	TUBE ASSEMBLY (5030)	1
	7036293	TUBE ASSEMBLY (6034)	1
2	2709542	HOSE ASSEMBLY (5030)	1
	2709552	HOSE ASSEMBLY (6034)	1
3	8760249	UNION, 45° Bulkhead	3
4	8760203	ELBOW	1
5	7035843	TUBE ASSEMBLY	1
6	8760204	ELBOW	4
7	2700892	HOSE ASSEMBLY	3
8	2700912	HOSE ASSEMBLY	1
9	8540411	TEE	1
10	8540033	NIPPLE	1
11	2701043	CYLINDER, Tilt	2
12	7038101	PIN	2
13	8642404	KLIPRING	8
14	—S—	FITTING, Grease, 1/8 NPT	2
15	8760425	TEE	1
16	—S—	FITTING, Grease, 1/4-28, 90°	2
17	7038062	PIN	2
18	8760233	ELBOW	1
19	7003733	TUBE ASSEMBLY (5030)	1
	7036833	TUBE ASSEMBLY (6034)	1
20	8540263	ELBOW, 90°	1

STABILIZER CYLINDER GROUP

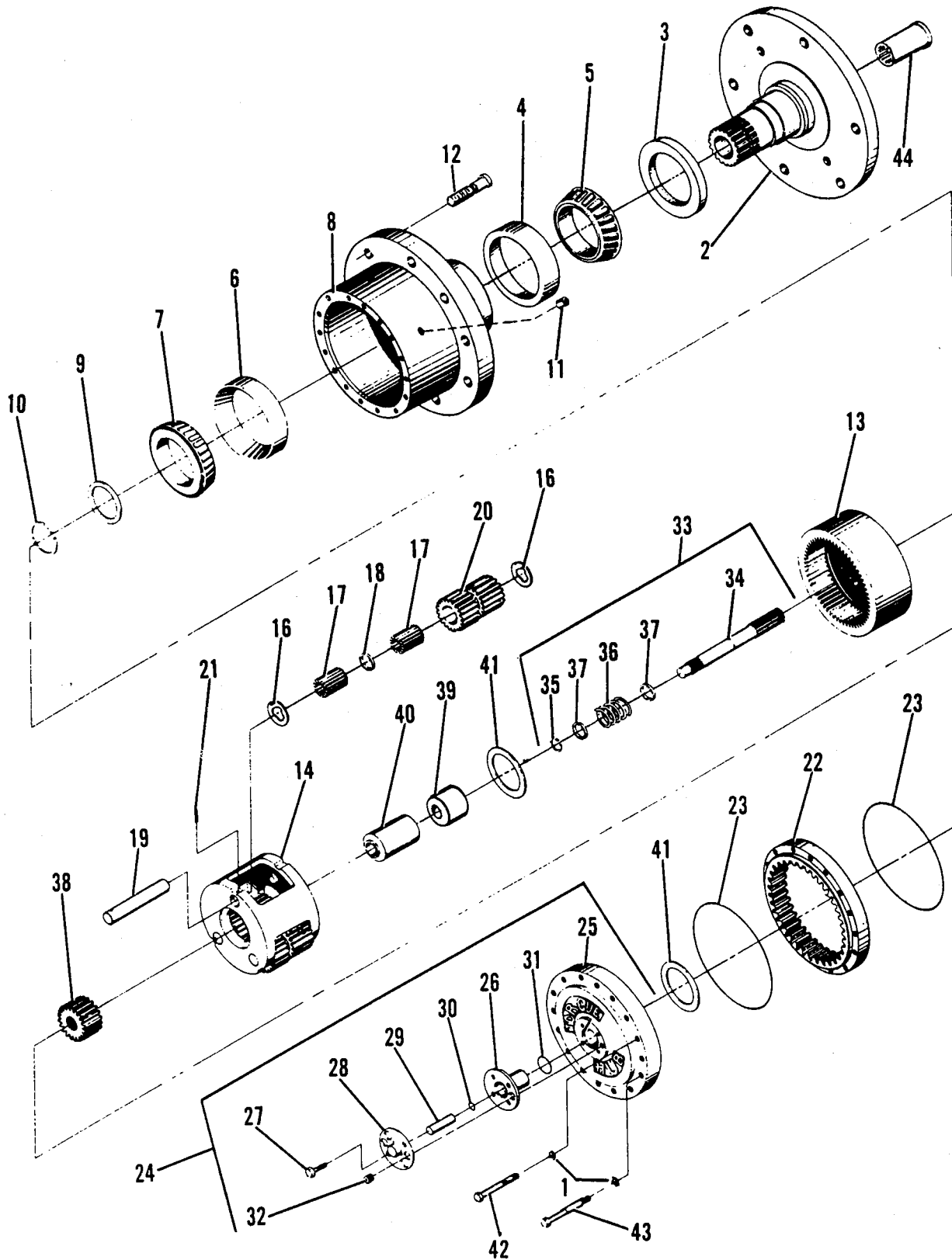


STABILIZER CYLINDER GROUP

Index No.	Part Number	Description	Qty. Req'd.
1	2701013	CYLINDER, Stabilizer	2
2	7038581	PIN, Rod end	2
3	7038092	PIN, Base end	2
4	—S—	FITTING, Grease, 1/8 NPT	2
5	8760227	ELBOW, 45°	2
6	8760489	CAP	2
7	8760493	TEE	2
8	2709372	HOSE ASSEMBLY (6034)	1
	2709272	HOSE ASSEMBLY (5030)	1
9	2709362	HOSE ASSEMBLY (6034)	1
	2709282	HOSE ASSEMBLY (5030)	1
10	8765205	ELBOW, Swivel, 45°	1
11	8760003	CONNECTOR	3
12	2709402	HOSE ASSEMBLY	1
13A	8902448	KIT, F/8902073 Valve	1
13	8902073	VALVE, Stabilizer locking	1
14	8642405	KLIPRING, 1-1/2"	4
15	8642407	KLIPRING, 2"	4
16	—S—	BOLT	2
	—S—	NUT, Hex	2
	—S—	WASHER, Lock	2
17	—S—	FITTING, Grease, 1/8 NPT, 90°	2
18	8765204	ELBOW, 90°	2
19	8540438	PLUG, Pipe	2

S/N 9H0003 & Up

FRONT ASSIST HUB, 5030-4 & 6034-4



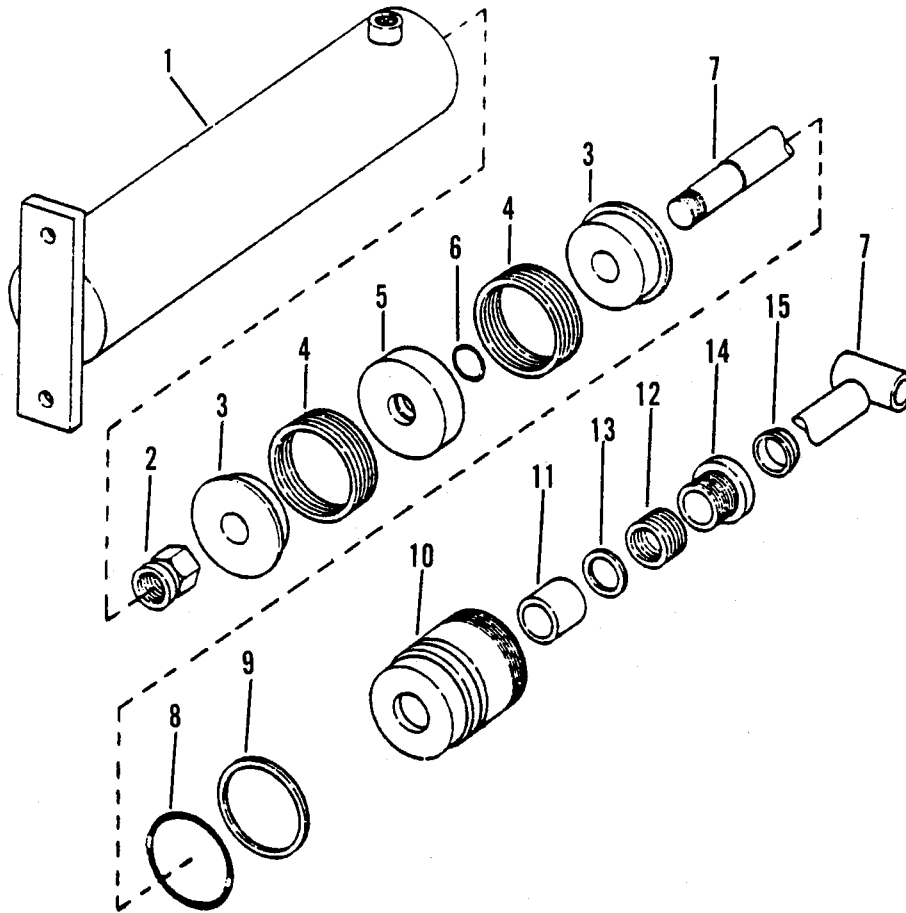
FRONT ASSIST HUB, 5030-4 & 6034-4

Index No.	Part Number	Description	Qty. Req'd.
—	8840009	TORQUE HUB R/B 8840011	1
—	8840011	TORQUE HUB (S/N 9M0020 & Up)	1
1	8022077	WASHER	16
2	8021007	SPINDLE (8840009)	1
	8022009	SPINDLE (8840011)	1
3	8021008	SEAL (884009)	1
	8022010	SEAL (8840011)	1
4	8021009	CUP, Bearing (8840009)	1
	8022011	CUP, Bearing (8840011)	1
5	8021010	CONE, Bearing (8840009)	1
	8022012	CONE, Bearing (8840011)	1
6	8021011	CUP, Bearing	1
7	8021012	CONE, Bearing	1
8	8021013	HOUSING (8840009)	1
	8022014	HOUSING (8840011)	1
9	8840608	SPACER	1
10	8840609	RING, Retaining	1
11	8021014	PLUG, Pipe	1
12	8022013	STUD	9
13	8021015	GEAR, Internal	1
14	8021016	CARRIER ASSEMBLY (Includes Items 15 through 21)	1
15	8021017	CARRIER	1
16	8021018	WASHER, Thrust	6
17	8021019	ROLLER, Needle	96
18	8021020	SPACER	3
19	8021021	SHAFT, Planet	3
20	8021022	GEAR, Cluster	3
21	8021023	PIN, Roll	3
22	8021024	GEAR, Ring	1
23	8640616	RING, "O"	2
24	8021025	COVER ASSEMBLY (Includes Items 25 through 32)	1
25	8021026	COVER	1
26	8021027	CAP, Cover	1
27	8021028	BOLT	4
28	8021029	CAP, Disconnect	1
29	8021030	ROD, Disconnect	1
30	8640911	RING, "O"	1
31	8021031	RING, "O"	1
32	8021172	PLUG, Pipe	1
33	8840606	INPUT SHAFT ASSEMBLY (Includes Items 34 through 37)	1
34	8840606	SHAFT, Input Assembly	1
35	8021033	RING, Retaining	1
36	8021034	SPRING	1
37	8021020	SPACER	2
38	8021036	GEAR, Input	1
39	8021037	SPACER, Thrust	1
40	8021038	SPACER, Thrust	1
41	8021039	WASHER, Thrust	2
42	8021040	BOLT	12
43	8021041	BOLT, Shoulder	4
44	8840612	COUPLING	1

Seal Kit 8840602 consists of Items 3, 10, 23, 27, 30, 31, 42 and 43, includes Item 3 for either model hub.

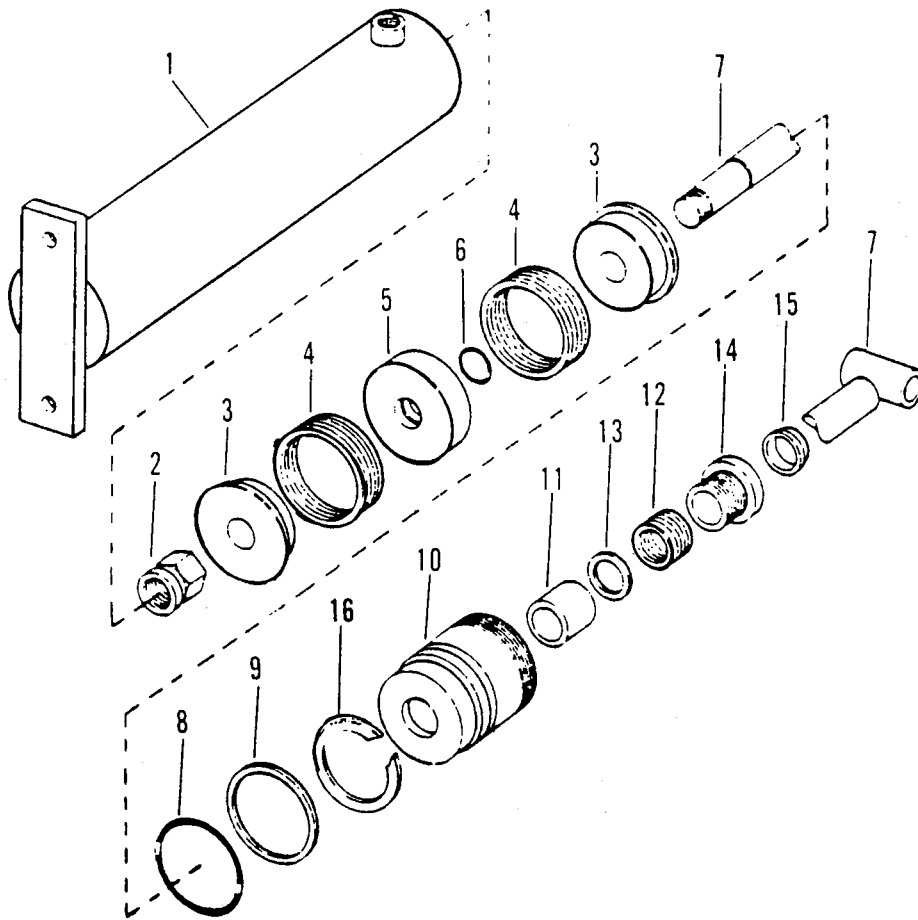
Bearing Kit 8840603 consists of Items 9, 16, 17, 18, 19, 21, 39, 40 and 41, does not include spindle bearing.

BOOM CYLINDER, 5030



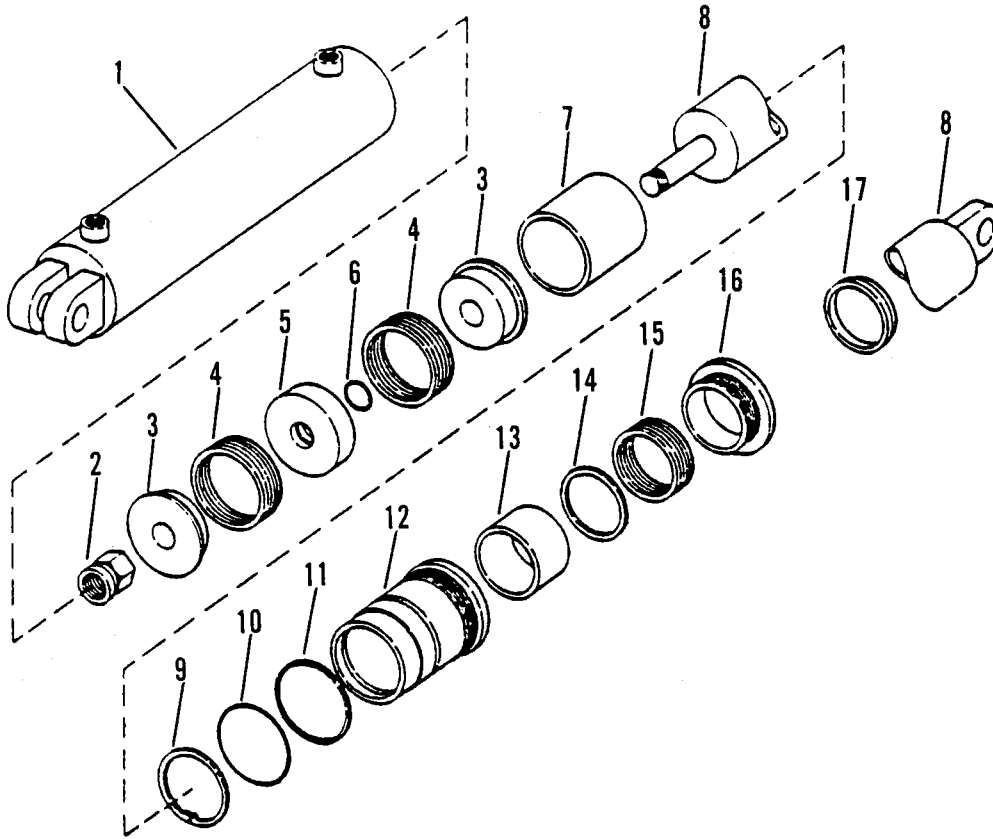
Index No.	Part Number	Description	Qty. Req'd.
—	2700733	CYLINDER, Boom	1
1	8021001	BARREL	1
2	8205359	NUT	1
3	8205354	ADAPTER, Packing	2
4		PACKING, Vee	2
5	8205341	PISTON	1
6		RING, "O"	1
7	8205428	ROD	1
8		RING, "O"	1
9		RING, Back-up	1
10	8205423	GLAND	1
11	8205422	BUSHING	1
12		PACKING, Vee	1
13		WASHER, Spring	1
14	8205424	NUT, Gland	1
15		WIPER	1
16	8205645	Packing Kit Items 4, 6, 8, 9, 12, 13, 15	1

BOOM CYLINDER, 6034



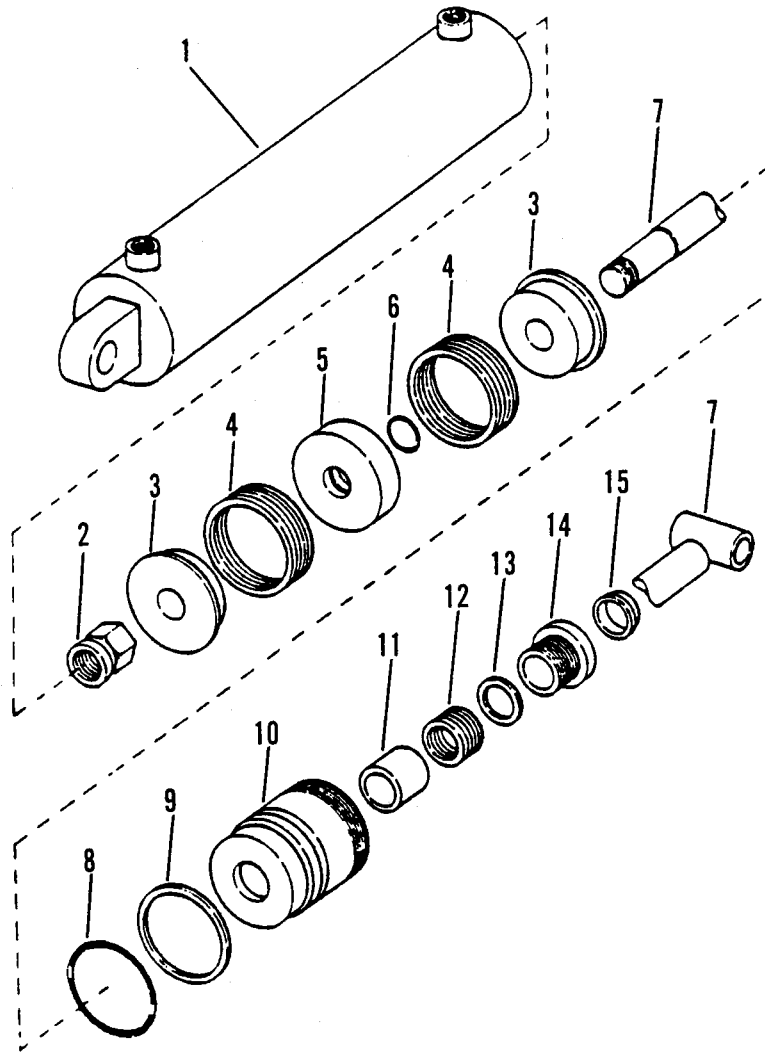
Index No.	Part Number	Description	Qty. Req'd.
—	2707813	CYLINDER, Boom	1
1	8205433	BARREL	1
2	8205359	NUT	1
3	8205354	ADAPTER, Packing	2
4		PACKING, Vee	2
5	8205341	PISTON	1
6		RING, "O"	1
7	8205434	ROD	1
8		RING, "O"	1
9		RING, Back-up	1
10	8205419	GLAND	1
11	8205421	BUSHING	1
12		PACKING, Vee	1
13		WASHER, Spring	1
14	8205420	NUT, Gland	1
15		WIPER	1
16	8642109	RING, Retaining	1
17	8205644	KIT, Packing (Consists of Items 4,6,8,9,12,13,15)	1

LIFT CYLINDER



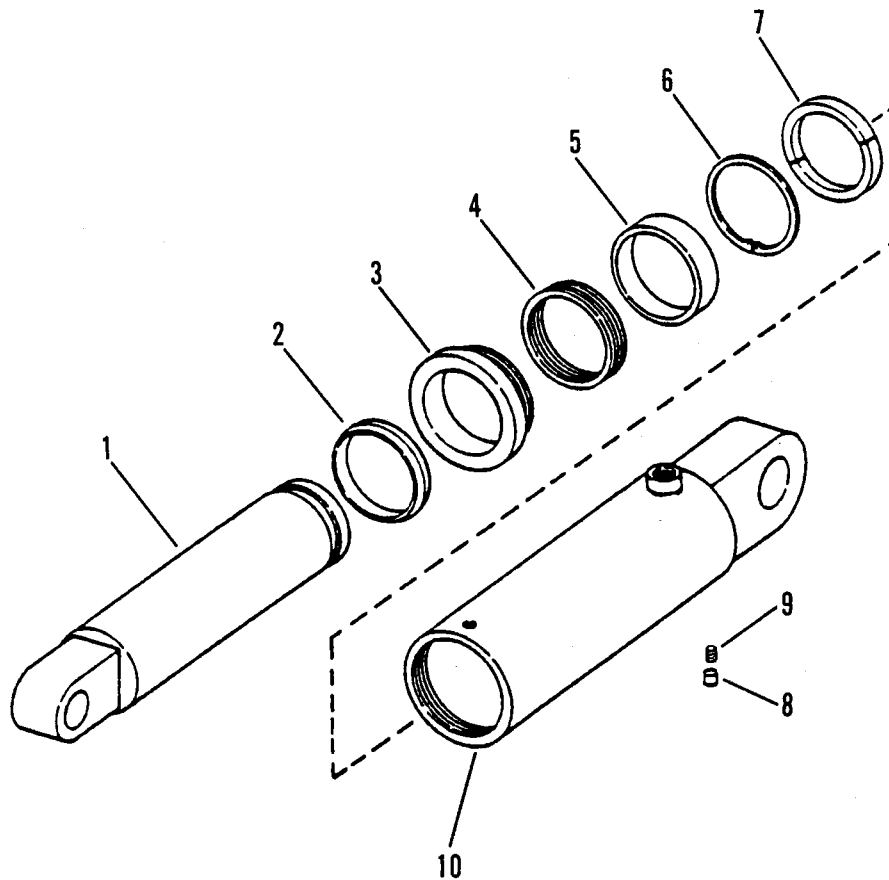
Index No.	Part Number	Description	Qty. Req'd.
—	2700713	CYLINDER, Lift (5030)	2
—	2707823	CYLINDER, Lift (6034)	2
1	8021002	BARREL	1
2	8205359	NUT	1
3	8205354	ADAPTER, Packing	2
4		PACKING, Vee	2
5	8205341	PISTON	1
6		RING, "O"	1
7	8205371	SPACER (5030)	1
	8205435	SPACER (6034)	1
8	8205429	ROD (5030)	1
	8205436	ROD (6034)	1
9	8642109	RING, Retaining	1
10		RING, "O"	1
11		RING, Back-up	1
12	8205419	GLAND	1
13	8205421	BUSHING	1
14		WASHER, Spring	1
15		PACKING, Vee	1
16	8205420	NUT, Gland	1
17		WIPER	1
18	8205644	KIT, Packing (Consists of Items 4,6,10,11,14,15 and 17)	1

TILT AND SLAVE CYLINDER



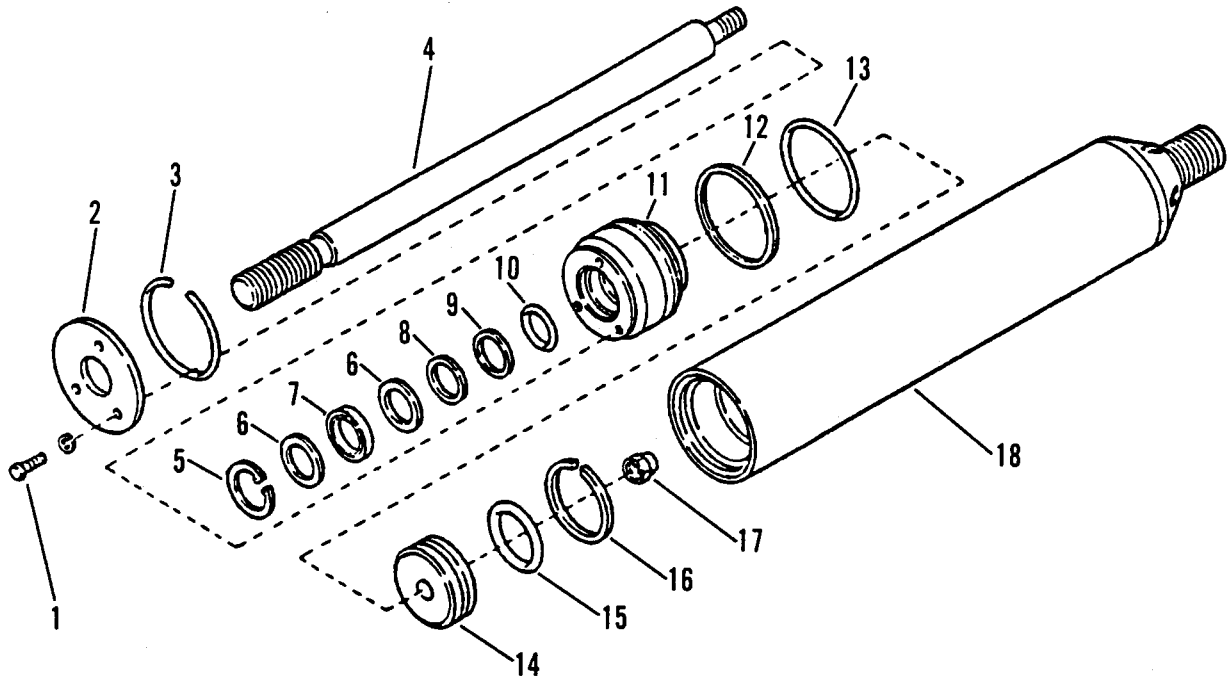
Index No.	Part Number	Description	Qty. Req'd.
—	2701043	CYLINDER, Tilt & Slave	4
1	8021003	BARREL	1
2	8205359	NUT	1
3	8205354	ADAPTER	2
4		PACKING, Vee	2
5	8205341	PISTON	1
6		"O" RING	1
7	8205427	ROD	1
8		"O" RING	1
9		RING, Back-up	1
10	8205386	GLAND	1
11	8205389	BUSHING	1
12		PACKING, Vee	1
13		WASHER, Spring	1
14	8205388	NUT, Gland	1
15		WIPER	1
16	8205604	KIT, Packing (Consists of Items 4,6,8,9,12,13 and 15)	1

STABILIZER CYLINDER



Index No.	Part Number	Description	Qty. Req'd.
—	2701013	CYLINDER, Stabilizer	2
1	8205426	ROD	1
2		WIPER	1
3	8205418	GLAND	1
4		PACKING, Vee	1
5	8205417	BUSHING	1
6	8642116	RING, Snap	1
7	8205415	PISTON	1
8		PLUG, Nylon	1
9		SCREW, Set	1
10	8021005	BARREL	1
11	8205601	KIT, Packing (Consists of Items 2,4,8 & 9)	1

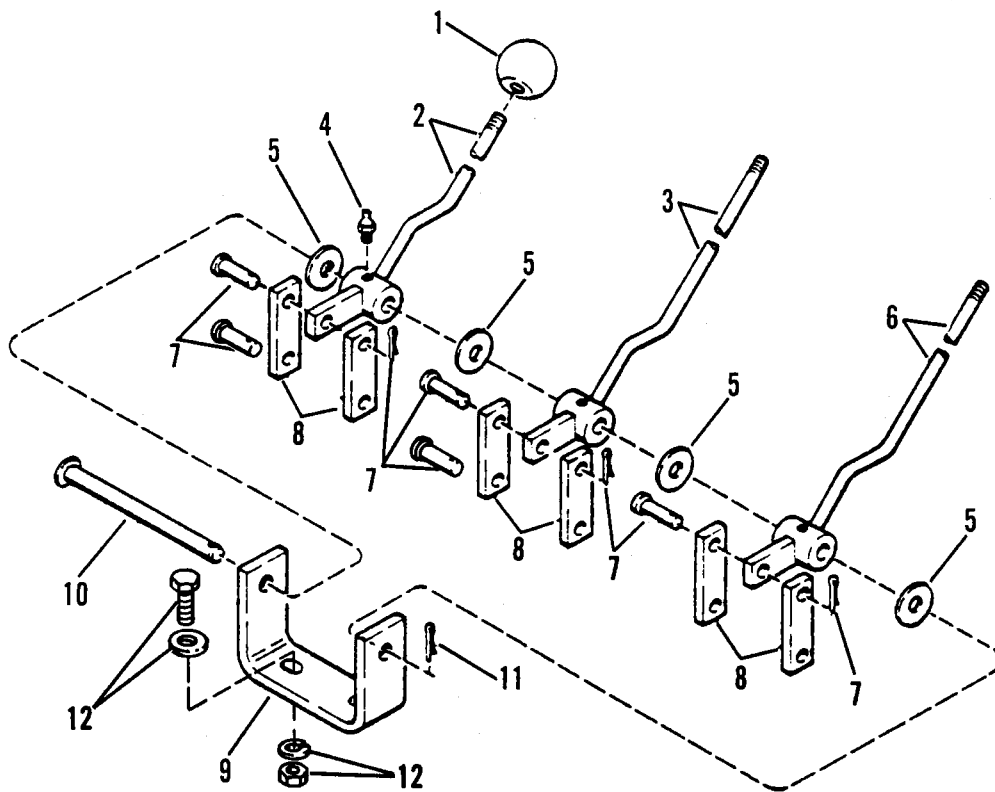
STEERING CYLINDER



Index No.	Part Number	Description	Qty. Req'd.
—	8206000	CYLINDER, Steering	2
1	8303729	SCREW, Cap, 1/4-20 x 5/8, Gr. 5	3
	8307002	WASHER, Lock, 1/4	3
2	8021043	COVER, End	1
3	8021044	RING, Retaining	1
4	8021042	ROD, Piston	1
5		RING, Retaining	1
6		RING, Back-up	2
7		SEAL, Oil	1
8		WASHER	1
9		RING, Back-up	1
10		RING, "O"	1
11		GLAND	1
12		RING, Back-up	1
13		RING, "O"	1
14	8021054	PISTON	1
15		RING, "O"	1
16		RING, Piston	1
17	8021057	NUT, Lock	1
18		BARREL	1
19	8205629	KIT, Gland Seal (Consists of Items 5 through 13)	
20	8205630	KIT, Piston Seal (Consists of Items 15 & 16)	

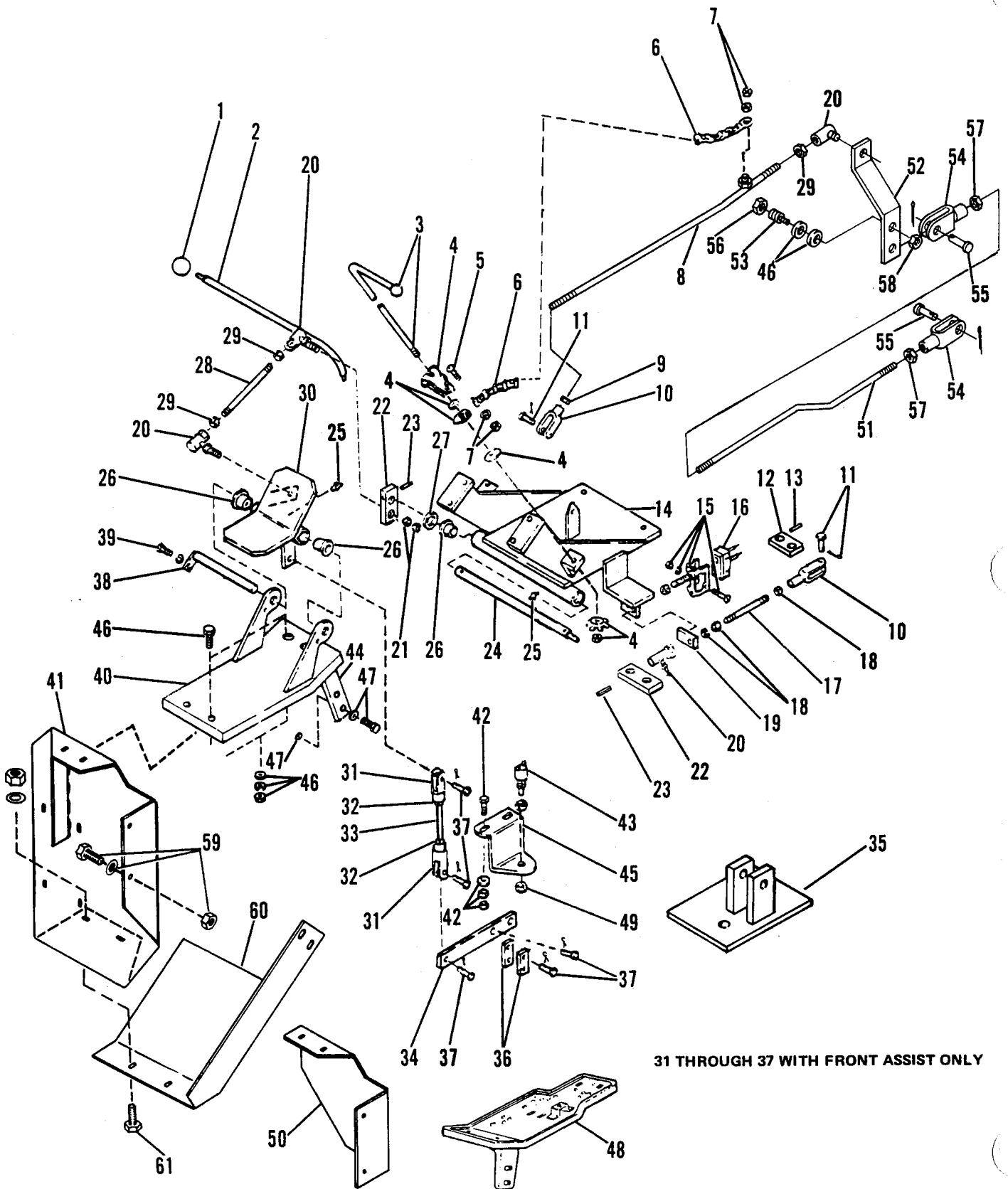


MAIN CONTROL VALVE LEVERS



Index No.	Part Number	Description	Qty. Req'd.
1	8580105	BALL	3
2	7035632	HANDLE, Tilt	1
3	7035482	HANDLE, Lift	1
4	—S—	FITTING, Grease, 1/4-28	3
5	—S—	WASHER, Flat, 1/2"	4
6	7035472	HANDLE, Extend,	1
7	8301409	PIN, Clevis, 3/8 x 1-1/16 (Incl. 3/32 x 5/8 cotter pin)	6
8	7035441	LINK	6
9	7036192	BRACKET, Lever	1
10	7035451	SHAFT	1
11	—S—	PIN, Cotter, 1/8 x 1"	1
12	—S—	SCREW, Hex head cap, 1/2-13 NCx1-1/2 GR-5	2
	—S—	NUT, Hex, 1/2-13 NC	2
	—S—	WASHER, Flat, 1/2"	2
	—S—	WASHER, Lock, 1/2"	2

THROTTLE LINKAGE AND MISCELLANEOUS CONTROLS



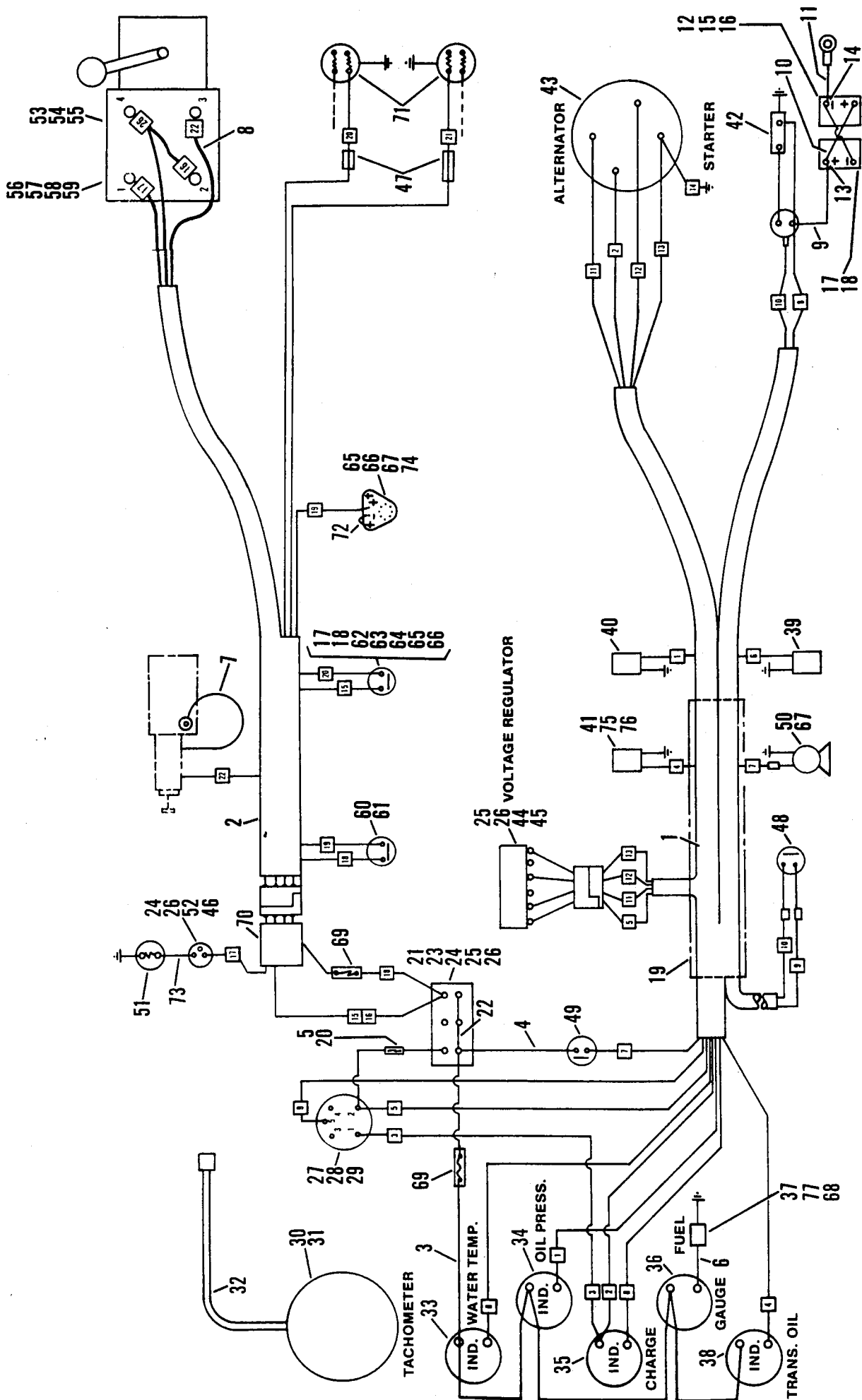
31 THROUGH 37 WITH FRONT ASSIST ONLY

THROTTLE LINKAGE AND MISCELLANEOUS CONTROLS

Index No.	Part Number	Description	Qty. Req'd.
1	8825155	KNOB	1
2	7039971	EXTENSION, Shift lever	1
3	8022090	LEVER, Throttle	1
4	8022091	DISC, Friction	1
	8022093	PLATE ASSY.	1
	—S—	WASHER	1
	—S—	WASHER, 3/4 ID x 1" OD .084 Thick	1
	—S—	LOCK NUT, 3/8 - 24 Gr 5	1
	8022097	ARM ASSEMBLY (Ford)	1
5	—S—	SCREW, Rd. hd., No. 10-24 x 5/8	1
	—S—	WASHER, Lock, No. 10	1
	—S—	NUT, Hex, No. 10-24	1
6	7007192	CHAIN, Sash	1
7	—S—	NUT, Jam, 3/8-24	2
8	7047972	ROD, Throttle	1
9	—S—	NUT, Jam, 3/8-24	1
	—S—	WASHER, Flat, 1/4	AR
	—S—	PIN, Cotter, 3/32 x 1/2	1
10	8301004	YOKE	2
11	—S—	PIN, Clevis, 3/8 x 1-1/16 (Includes 3/32 x 5/8 cotter)	2
12	7038451	ARM	1
13	8302130	PIN, Roller, lever to shaft	1
14	7038713	BRACKET, Steering column (mtg. hardware part of tractor)	1
15	8223415	ACTUATOR (Includes mtg. hardware)	1
16	8223416	SWITCH, Micro	1
17	8309015 0045	ROD, Clutch	1
18	—S—	WASHER, Lock, 3/8	2
	—S—	NUT, Jam, 3/8-24	3
19	7028621	ARM	1
20	8340002	JOINT, Ball	4
21	—S—	WASHER, Lock, 3/8	3
	—S—	NUT, Hex, 3/8-24	3
22	7038861	LEVER	2
23	8302127	PIN, Roll	2
24	7038642	CLUTCH, Shaft	1
25	8520006	FITTING, Grease, 45° 1/4 - 28 UNF	2
26	8065207	BUSHING, Flanged - clutch	4
27	—S—	WASHER, Flat, 3/4	2
28	8309015 0067	ROD, Clutch	1
29	—S—	NUT, Jam, 3/8-24	3

Index No.	Part Number	Description	Qty. Req'd.
30	7035552	PEDAL SHUTTLE, Clutch	1
31	8301004	ROD END	2
32	8305008	NUT	2
33	8309015	ROD, Threaded	1
34	7035071	ARM, Bar	1
35	7036031	LINKAGE, Pivot plate	1
36	7035661	ARM	2
37	8301409	PIN, Clevis	5
38	7014502	SHAFT	1
39	—S—	SCREW, Cap, 1/4-20x5/8 GR-5	1
	—S—	WASHER, Lock, 1/4	1
40	7028222	SUPPORT, Pedal	1
41	7071852	PLATE, Mounting (w/front assist)	1
42	—S—	SCREW, Cap, 3/8-16x1 GR-5	2
	—S—	WASHER, Lock, 3/8	2
	—S—	NUT, Hex, 3/8-16	2
43	8223423	SWITCH, Brake light	1
44	7036522	BRACKET	1
45	7034602	MOUNT, Switch	1
46	—S—	SCREW, Cap, 3/8x1-1/4 GR-5	6
	—S—	NUT, Hex, 3/8	6
	—S—	LOCKWASHER, 3/8	6
	—S—	WASHER, Flat, 3/8	6
47	—S—	SCREW, Hex cap, 3/8x1-1/4 GR-5	2
	—S—	LOCKWASHER, 3/8	2
	—S—	WASHER, Flat, 3/8	2
48	8022094	PLATFORM, R.H.	1
49	8305432	NUT, Hex special	1
50	7071842	PLATE, Mounting (w/o front assist)	1
51	7047952	ROD, Throttle	1
52	7047932	LEVER, Bell crank	1
53	7047941	PIN, Pivot	1
54	8301002	YOKE	2
55	8301402	PIN, Clevis w/cotter pin	2
56	—S—	NUT, Hex jam, 3/4-10	1
57	—S—	NUT, Hex jam, 1/4-28	2
58	—S—	NUT, Hex lock, 3/8-24	1
59	—S—	SCREW, Hex Cap, 3/8 x 1-3/4GR5	2
	—S—	LOCKWASHER	2
60	7068143	GUARD	1
61	—S—	SCREW, Cap 3/8 x 1"	2
	—S—	NUT, Lock 3/8	2
	—S—	WASHER, Flat 3/8	2

ELECTRICAL SYSTEM

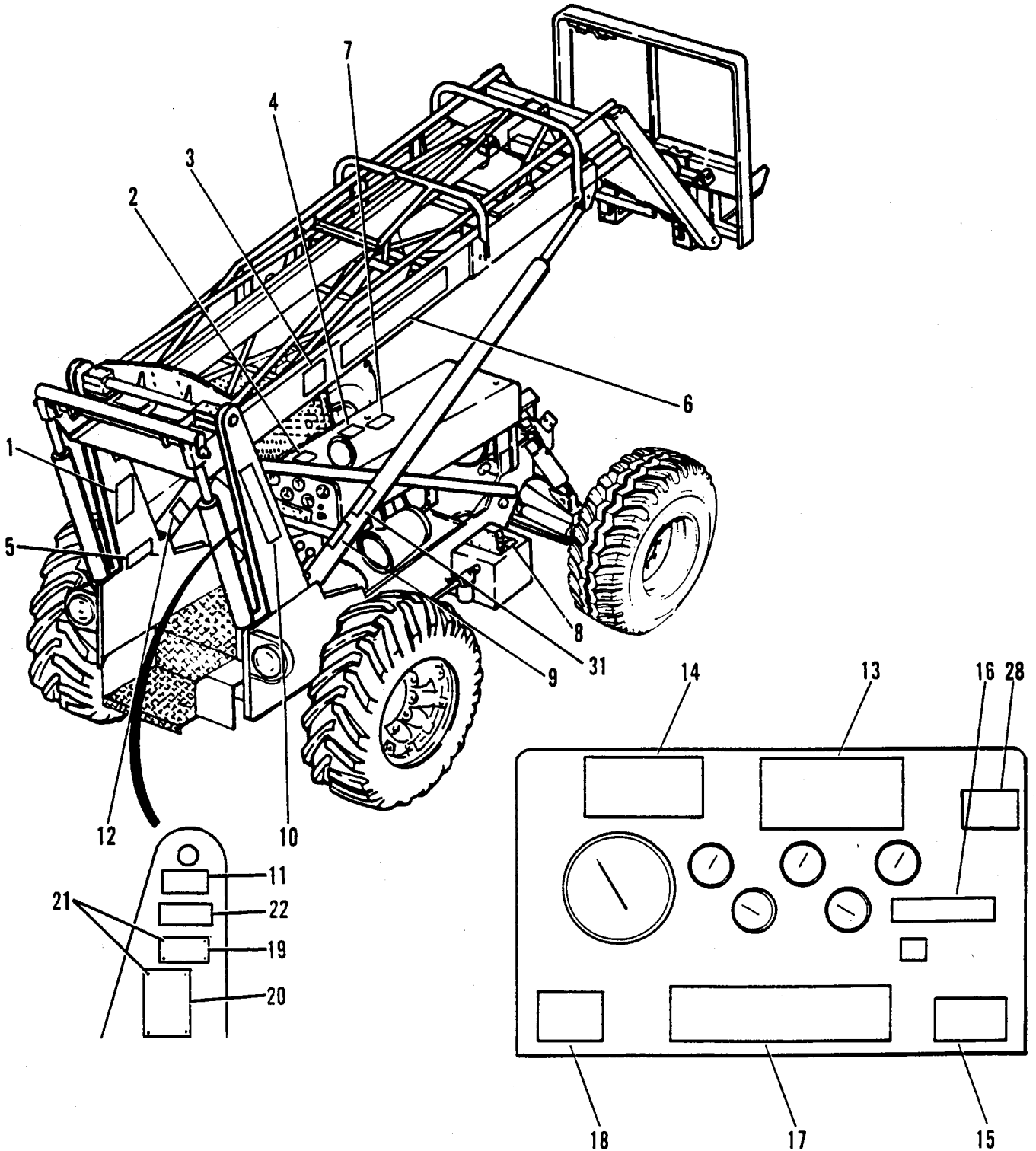


ELECTRICAL SYSTEM

Index No.	Part Number	Description	Qty. Req'd.
1	7034375	WIRE, Harness	1
2	7038024	WIRE, Harness	1
3	7039141	WIRE, Harness	1
4	7013001	WIRE, Harness	1
5	7013071	HOLDER, Fuse, 20 amp	1
6	7037721	WIRE, Harness	1
7	7037071	WIRE, Harness	1
8	7038024	WIRE, Harness	1
9	7039931	CABLE, Battery	1
10	8270104	CABLE, Battery	1
11	8270120	STRAP, Ground	1
12	8270014	BATTERY	2
13	8220030	TERMINAL (POS)	1
14	8220049	TERMINAL (NEG)	1
15	7036712	CLAMP, Battery	1
16	8304014	BOLT, Carr., 3/8 NC x 9 lg.	1
17	--S--	WASHER, Lock, 3/8	1
18	--S--	NUT, Hex, 3/8-16	1
19	8221010 0410	CONDUIT, lg.	1
20	8228201	FUSE, 20 Amp	1
21	8220312	BLOCK, Terminal	1
22	8220037	JUMPER	1
23	7013041	BRACKET	1
24	--S--	SCREW, Machine, rd. hd., 10-24 x 3/4	2
25	--S--	WASHER, Lock, No. 10	2
26	8305002	NUT, Hex, 10-24	2
27	8022020	SWITCH, Ignition	1
28	8022022	KEY, Ignition	2
29	8022021	NUT	1
30	8022028	TACHOMETER	1
31	8022029	BRACKET, Tachometer	1
32	8022030	CABLE, Tachometer	1
33	8825165	INDICATOR, Water temp.	1
34	8825166	INDICATOR, Oil Pressure	1
35	8466006	INDICATOR, Charge	1
36	8464211	GAUGE, Fuel	1
37	8825167	FUEL SENDER ASSY.	1
38	8825168	INDICATOR, Trans. oil	1
39	8825169	SENDER ASSY., Water Temp	1

Item No.	Part Number	Description	Qty. Req'd.
40	8825170	SENDER ASSY., Oil pressure	1
41	8825171	SENDER ASSY., Transmission temperature	1
42	8825172	STARTER	1
43	8825173	ALTERNATOR	1
44	8022023	REGULATOR, Voltage	1
45	8303835	SCREW, Machine ROH-10-24 x 1/2	2
46	8307003	WASHER, Lock	1
47	8585105 0410	SLEEVE, Insulating	2
48	8825174	SWITCH ASSY., Neutral start	1
49	8223405	BUTTON, Horn	1
50	8270602	HORN	1
51	7007001	LIGHT, Boom warning	1
52	8500201	FLASHER	1
53	8223202	SWITCH, Limit	1
54	8227004	FITTING, Grip cable	1
55	--S--	SCREW, Machine, RDH 10-24 x 1-1/2	2
56	8406002	CLAMP, Hose	3
57	--S--	WASHER, Lock, 1/4 std.	3
58	--S--	NUT, Hex, 1/4-20	3
59	8584007	TIE, Cable	1
60	8223416	SWITCH, Back-up	1
61	8223415	ACTUATOR	1
62	8223423	SWITCH, BK LT	1
63	7034602	BRACKET	1
64	8303670	SCREW, Cap, 4/16-18 x 1	2
65	8307004	WASHER, Lock, 5/16	2
66	8305006	NUT, Hex, 5/16-18	4
67	8270611	ALARM, Reverse	4
68	8825125	RETAINER	1
69	8229206	FUSE, 5 Amp	1
70	7038043	WIRE, Harness	2
71	7015531	LIGHT, Stop	1
72	7039581	HARNES, Wire	2
73	7039401	HARNES, Wire	1
74	8303697	SCREW, Cap, 5/16 x 3/4	1
75	8541062	BUSHING, Red	2
76	--S--	NUT, Hex, 10-32 NF	1
77	8825176	GASKET, Fuel	1

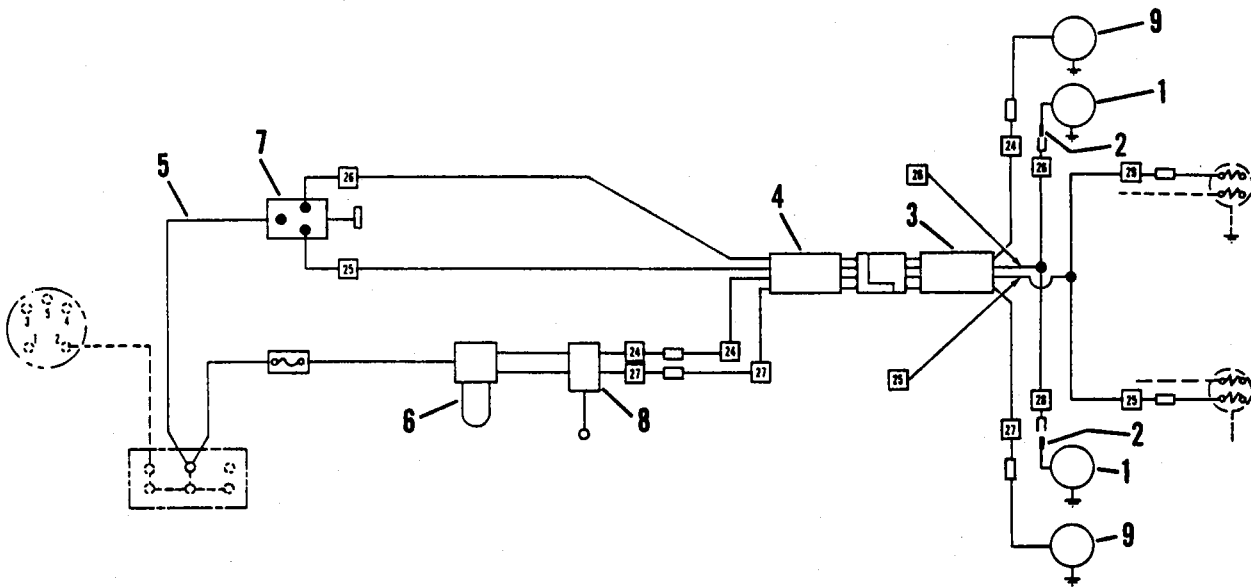
DECALS, PAINT AND MISCELLANEOUS



DECALS, PAINT AND MISCELLANEOUS

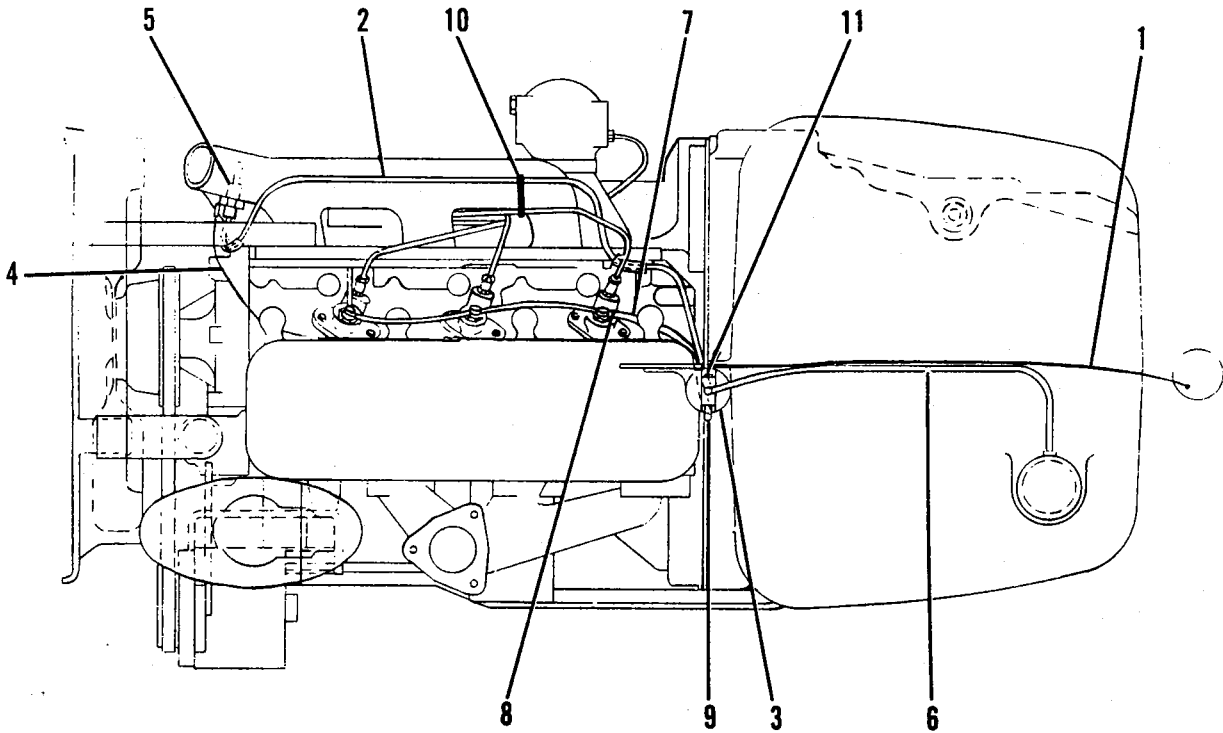
Index No.	Part Number	Description	Qty. Req'd.
1	4103362	DECAL, Lube chart	1
2	4103992	DECAL, Danger Electric Lines	1
		DECAL, Koehring "K" — Delete	
4	4105171	DECAL, Diesel Fuel	1
5	4100102	DECAL, Packing Adjustment	1
6	4103563	DECAL, Skytrak	2
7	4101901	DECAL, Turn Off Engine	1
8	4100181	DECAL, Hydraulic Oil	1
9	4102451	DECAL, Control Levers	1
10	4103583	DECAL (6034)	2
	4103573	DECAL (5030)	2
11	4100211	DECAL, Do Not Remove Guards	1
12	4102462	DECAL, Shuttle Pedal	1
13	4101101	DECAL, Load Elevation	1
14	4102471	DECAL, Boom Caution	1
15	8022057	DECAL, Throttle	1
16	8022059	DECAL, Parking Brake	1
17	8022060	DECAL, Shift Pattern	1
18	8022058	DECAL, Caution	1
19	4102662	PLATE, Name and Serial	1
20	4103593	PLATE, Capacity (5030)	1
	4103503	PLATE, Capacity (6034)	1
21	8303870	SCREW, Tapping, No. 6 x 1/4	8
22	4103331	DECAL, Tire Pressure (6034)	1
	4103601	DECAL, Tire Pressure (5030)	1
23	4102321	CHAIN, Key (not shown)	1
24	8528004	PAINT, Orange - 13 oz. spray (not shown)	AR
24A	8528015	PAINT, Black - 13 oz. spray can	AR
25	7027761	KIT, Hydraulic test (not shown)	1
26	8584007	TIE, Plastic (not shown)	AR
27	8584002	TIE, Plastic, to 8" dia. (not shown)	AR
28	4103491	DECAL, Handle Mat Only	1
30	8990041	PARTS BOOK	1
31	8990048	SIGNALS, Fork lift	1
	4103522	DECAL, Slow moving vehicle (not shown)	
	7045531	DECAL KIT (5030)	
	7045541	DECAL KIT (6034)	

LIGHTING ELECTRICAL (Optional)



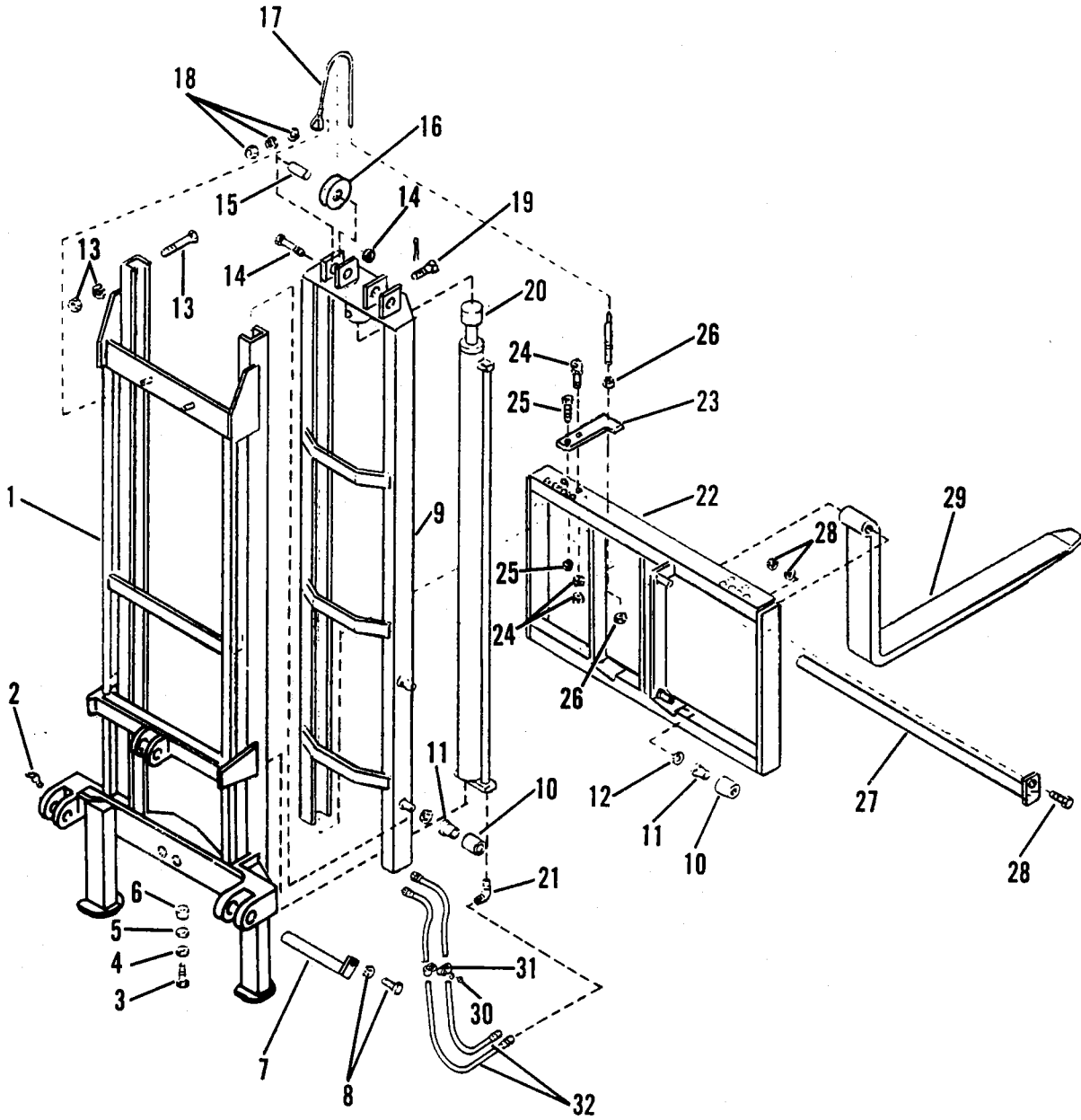
Index No.	Part Number	Description	Qty. Req'd.
1	8500023	LIGHT, Head	2
2	8220053	PLUG	2
3	7038034	HARNESS, Wire	1
4	7038053	HARNESS, Wire	1
5	7013001	HARNESS, Wire	1
6	8500201	FLASHER	1
7	8223009	SWITCH, Light	1
8	7038132	SWITCH, Turn signal	1
9	7020841	LIGHT, Turn signal	2

DIESEL COLD START (Optional)



Index No.	Part Number	Description	Qty. Req'd.
1	7039621	WIRE ASSEMBLY	1
2	7039643	TUBE, Heater in.	1
3	8022076	RESERVOIR	1
4	8022075	WIRE ASSEMBLY	1
5	8022074	PLUG ASSEMBLY	1
6	7039633	TUBE, Fuel return	1
7	8401110-0100	HOSE, 10''	1
8	8022071	CLAMP	4
9	8022069	TUBE ASSEMBLY	1
10	8022064	STRAP	1
11	8022062	PLUG	1

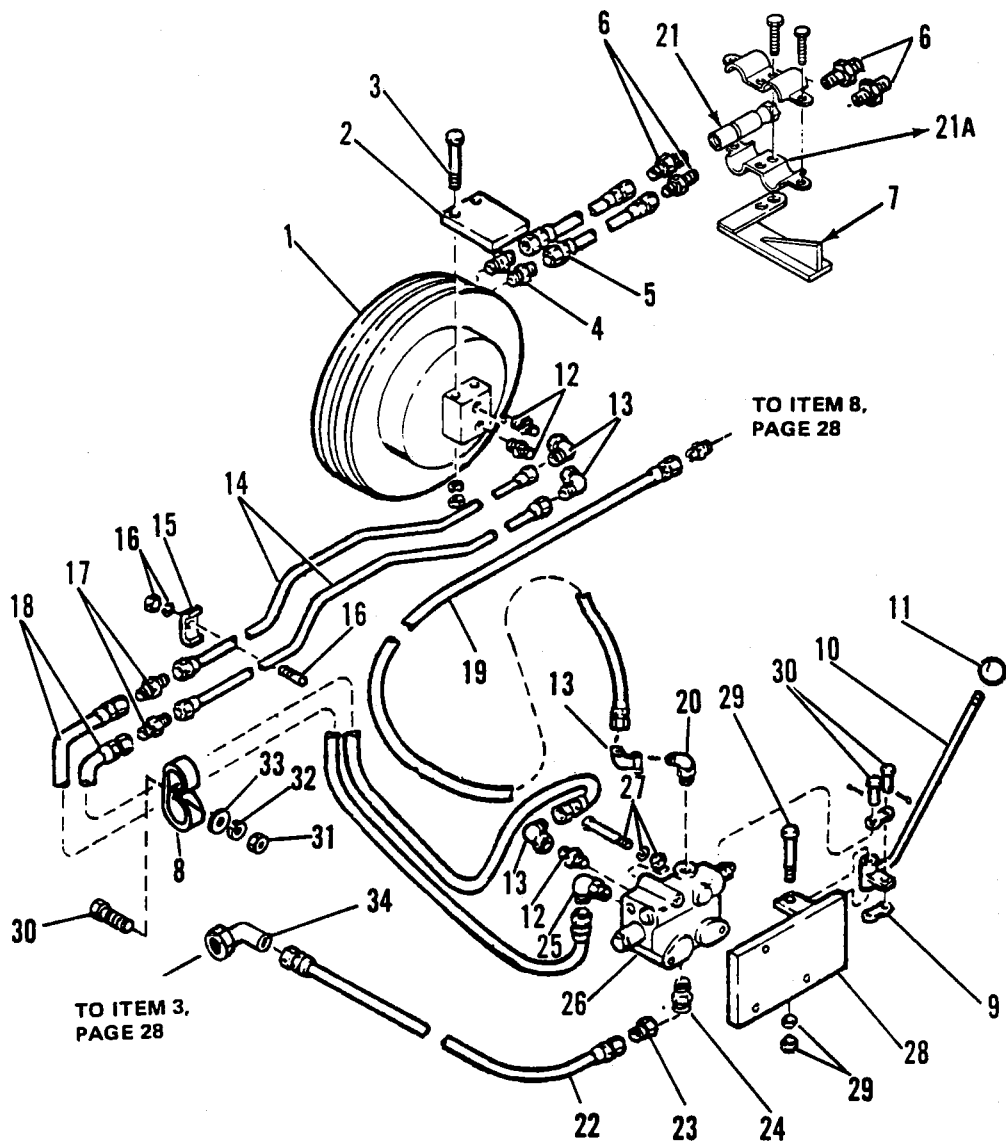
10 FOOT MAST EXTENSION (Optional)



10 FOOT MAST EXTENSION (Optional)

Index No.	Part Number	Description	Qty. Req'd.
1	7033445	RAIL, Outer	1
2	—S—	FITTING, Grease, 1/8 NPT x 90	2
3	—S—	SCREW, Cap, 1/2-13 x 1-1/4, Gr. 5	2
4	9300261	WASHER, Steel	2
5	8582604	WASHER, Rubber	2
6	4204651	SPACER	2
7	7033462	PIN	2
8	—S—	SCREW, Cap, 3/8-16 x 1, Gr. 5	2
	—S—	WASHER, Lock, 3/8	2
9	4203765	RAIL, Inner	1
10	4202301	ROLLER (includes Item 11)	8
11	8065201	BUSHING, Flanged	8
12	4201341	WASHER	AR
13	—S—	SCREW, Cap, 3/8-16x3-1/2 GR-5	2
	—S—	WASHER, Lock, 3/8	2
	—S—	NUT, Hex, 3/8-16	2
14	8304801	BOLT, Axle (includes 162-20 Lock Nut)	2
15	4200931	BUSHING, Sleeve	2
16	4200921	SHEAVE	2
17	4205561	CABLE ASSEMBLY	2
18	—S—	WASHER, Flat, 1/2	2
	—S—	WASHER, Lock, 1/2	2
	—S—	NUT, Hex, 1/2-13	2
19	4201611	PIN, Pivot	1
	—S—	PIN, Cotter, 1/8 x 1-1/4	2
20	2705133	CYLINDER, Hydraulic	1
20A	8205617	KIT, Repair F/2705133	1
21	8760270	ELBOW	2
22	4203964	CARRIAGE	1
23	4205281	ARM	2
24	4205291	PIN	2
	—S—	NUT, Jam, 3/8-16	4
25	—S—	SCREW, Cap, 3/8-16 x 1-1/2, Gr. 5	2
	—S—	NUT, Jam, 3/8-16	4
26	—S—	NUT, Jam, 1/2-13	4
27	4204002	PIN	1
28	—S—	SCREW, Cap, 1/2-13 x 1-1/2, Gr. 5	1
	—S—	WASHER, Lock, 1/2	1
	—S—	NUT, Hex, 1/2-13	1
29	4206572	FORK	2
30	—S—	WASHER, Lock, 3/8	1
	—S—	NUT, Hex, 3/8-16	1
31	8406105	CLAMP, Hose	2
32	2704502	HOSE ASSEMBLY	2
—	4102501	DECAL, Control Instructions	1
—	4101991	PLATE, Capacity	2
—	—S—	SCREW, Tapping, No. 6 x 1/4 (One on Attachment & one on Frame Upright)	8

HYDRAULIC PLUMBING (Optional)

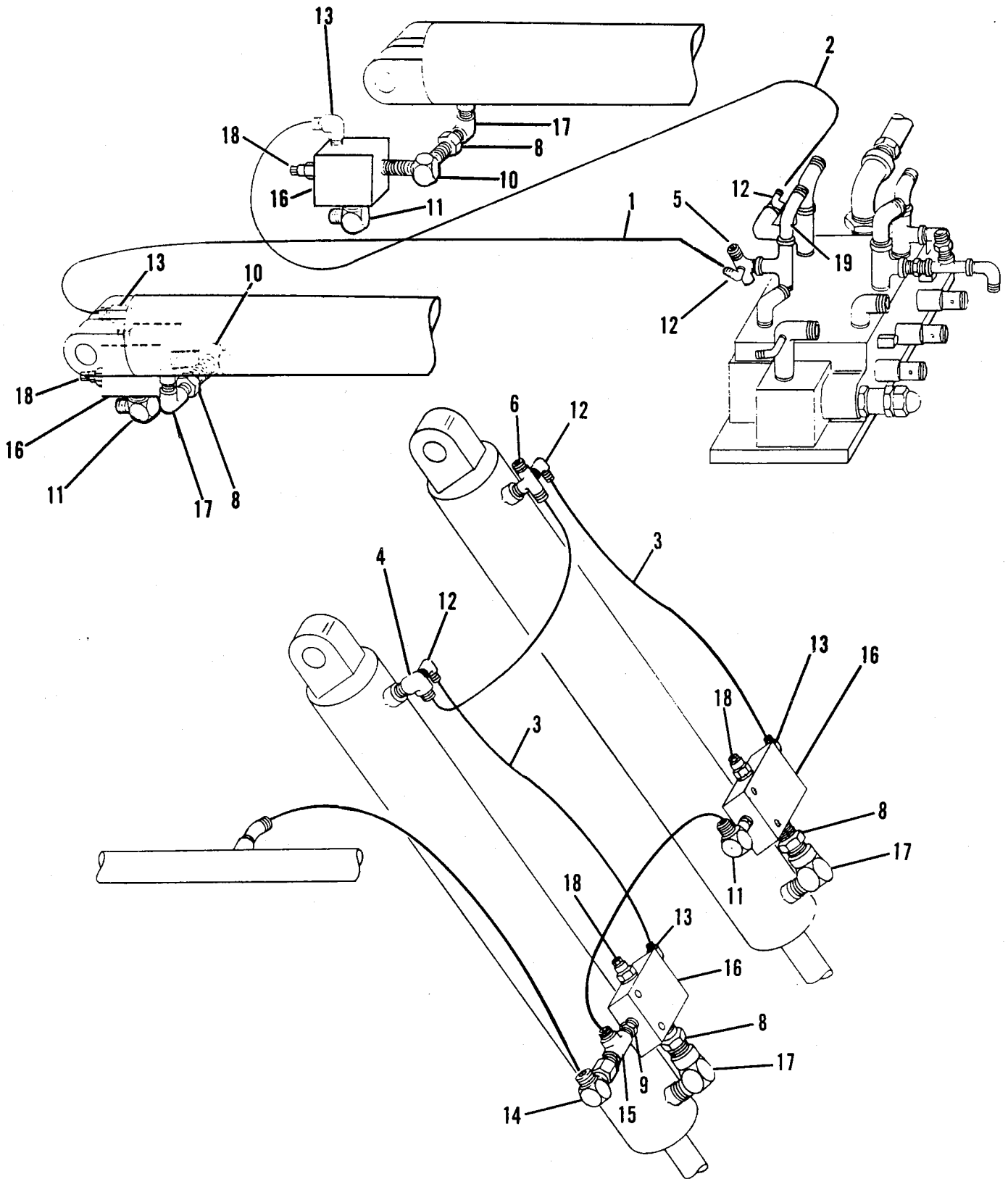


HYDRAULIC PLUMBING (Optional)

Index No.	Part Number	Description	Qty. Req'd.
1	8406904	REEL, Hose (5030)	1
	8406906	REEL, Hose (6034)	1
1A	8406909	KIT, Hose Reel	1
2	7032901	BRACKET	1
3	—S—	SCREW, Cap, 1/2-13x3-1/4 GR-5	2
	—S—	WASHER, Lock, 1/2"	2
	—S—	NUT, Hex, 1/2-13	2
4	8760110	CONNECTOR	2
5	2707532	HOSE ASSEMBLY (5030)	2
	2709462	HOSE ASSEMBLY (6034)	2
6	8760036	CONNECTOR	4
7	7034031	BRACKET	1
8	8406205	CLAMP	6
9	8121007	BAR, Slide	2
10	7032952	LEVER, Control	1
11	8580105	KNOB	1
12	8760107	CONNECTOR	3
13	8765204	ELBOW	4
14	7032922	TUBE ASSEMBLY (5030)	2
	7037673	TUBE ASSEMBLY (6034)	2
15	7033271	CLAMP	2
16	—S—	STUD, Weld, 1/4-20 x 1-1/4	2
	—S—	WASHER, Lock, 1/4"	2
	—S—	NUT, Hex, 1/4-20	2
17	8760012	CONNECTOR	2
18	2707832	HOSE ASSEMBLY	2
19	2707842	HOSE ASSEMBLY	1
20	8760308	ELBOW	1
21	8420031	KIT, Quick Disconnect (Includes Item 21A)	1
21A	8420051	CLAMP, Double Breakaway	1
22	2704882	HOSE ASSEMBLY	1
23	8760466	REDUCER	1
24	8760109	FITTING, Straight	1
25	8760303	ELBOW	1
26	8902059	VALVE	1
27	—S—	SCREW, Cap, 3/8-16x3-3/4 GR-5	3
	—S—	WASHER, Flat, 3/8	3
	—S—	WASHER, Lock, 3/8	3
28	7032892	PLATE, Valve mounting	1
29	—S—	SCREW, Cap, 3/8-16 x 3-1/4	1
	—S—	NUT, Jam, 3/8-16	2
30	8301405	PIN, Yoke, 5/16 x 15/16 (Includes 3/32 x 1/2 cotter)	2
	—S—	CAPSCREW, Hex head	2
31	—S—	NUT, 3/8-16	2
32	—S—	WASHER, Lock, 3/8	2
33	—S—	WASHER, Flat, 3/8	2
34	8760255	ELBOW, Swivel, 90°	1
—	7033244	DRAWING, Inner Boom Assembly (5030)	1
—	7033254	DRAWING, Outer Boom Assembly (5030)	1
—	7033264	DRAWING, Valve Plate Assembly (5030)	1
—	7039152	DRAWING, Inner Boom Assembly (6034)	1
—	7033264	DRAWING, Valve Plate Assembly (6034)	1
—	7039172	DRAWING, Outer Boom Assembly (6034)	1

When ordering parts be sure to state model and serial number of machine.

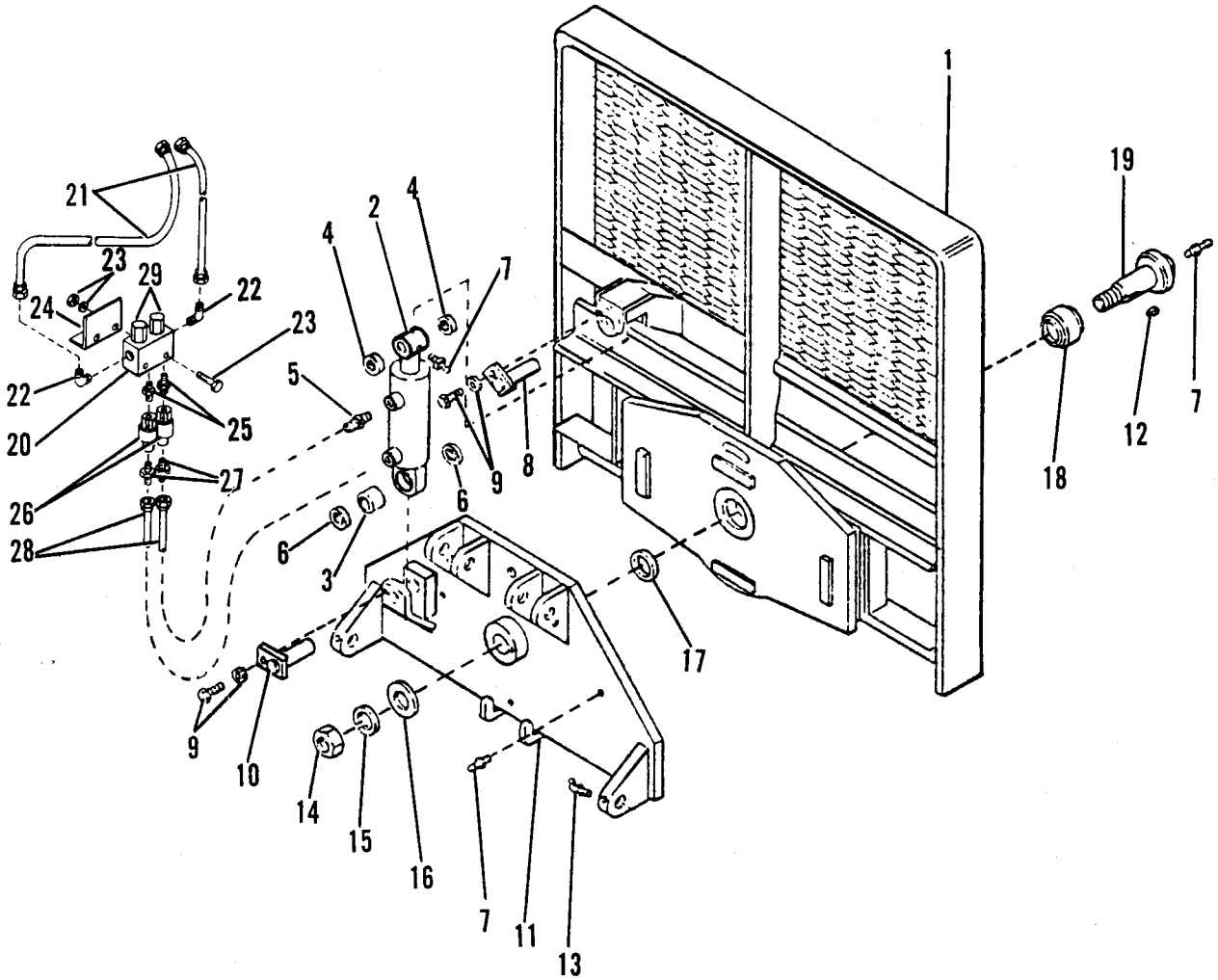
COUNTERBALANCE VALVE (Optional)



COUNTERBALANCE VALVE (Optional)

Index No.	Part Number	Description	Qty. Req'd.
1	2707472	HOSE ASSEMBLY, 1/4" x 37"	1
2	2707352	HOSE ASSEMBLY, 1/4" x 70"	1
3	2707362	HOSE ASSEMBLY, 1/4" x 26"	2
4	7027131	ELBOW	1
5	7038731	TEE	1
6	7027381	TEE	1
7	8540024	CONNECTOR	2
8	7034591	NIPPLE, Pipe	2
9	8540031	BUSHING, Hex	1
10	8540220	ELBOW, 90°	2
11	8760209	ELBOW, 90°	3
12	8760279	ELBOW, 90°	4
13	8760211	ELBOW, 90°	4
14	8760255	ELBOW, 90°	1
15	8760427	TEE	1
16	8902633	VALVE ASSEMBLY	4
17	8540218	ELBOW, 90°	4
18	8902212	CARTRIDGE, Counterbalance	4
19	7069981	ELBOW, 45°	1

SIDE-TILT CARRIAGE (Optional)



SIDE-TILT CARRIAGE (Optional)

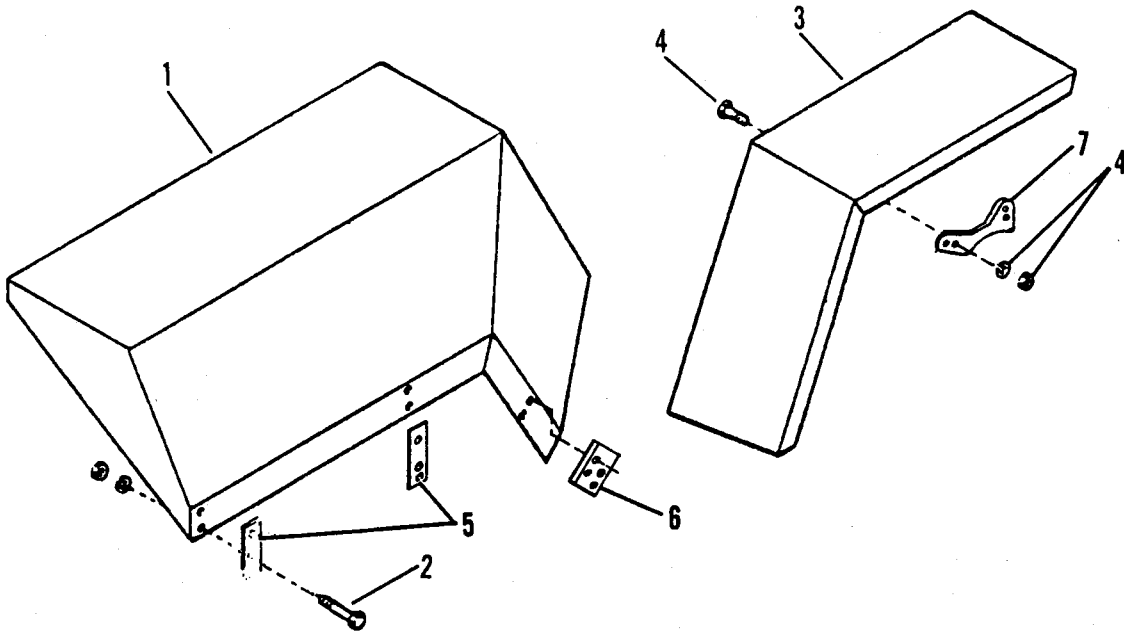
Index No.	Part Number	Description	Qty. Req'd.
1	7037514	CARRIAGE, 48"	1
	7037524	CARRIAGE, 60"	1
	7037534	CARRIAGE, 72"	1
2	2707523	CYLINDER, Hydraulic (Inc. Item3)	1
3	8065620	BUSHING, Self-aligning	1
4	—S—	WASHER, Flat, 1	2
5	8760014	CONNECTOR	2
6	7776000 0025	WASHER, Special	2
7	—S—	FITTING, Grease, 1/8NPT	7
8	7028681	PIN	1
9	—S—	SCREW, Cap 3/8-16 x 1, Grade 5	2
	—S—	WASHER, Lock, 3/8	2
10	7032441	PIN	1
11	7037613	PLATE, Mount	1
12	7730050 0015	KEY, 3/8 x 3/8 x 1-1/2	1
13	—S—	FITTING, Grease, 1/8 NPT x 90	2
14	—S—	NUT, Hex. 1-1/2-12	1
15	—S—	WASHER, Lock, 1-1/2	1
16	—S—	WASHER, Flat, 1-1/2	1
17	9300311	WASHER, Special	1
18	8065619	BUSHING	1
19	7069921	PIN, Pivot	1
20	8902214	VALVE, Body	1
21	2701662	HOSE ASSEMBLY	2
22	8760214	ELBOW	2
23	—S—	SCREW, Cap, 3/8-16x2-1/4 GR-5	2
	—S—	NUT, Hex, 3/8-16	2
	—S—	WASHER, Lock, 3/8	2
24	7039411	BRACKET, Valve	1
25	8540001	NIPPLE	2
26	8902213	VALVE, Flow Control	2
27	8760030	CONNECTOR	2
28	2701162	HOSE ASSEMBLY	2
29	8902212	CARTRIDGE, Counterbalance	2
—	4102491	DECAL, Control instructions	1
—	4101991	PLATE, Capacity	1
—	—S—	SCREW, Tapping, No. 6 x 1/4	4
—	7039422	DRAWING (For Mounting Counter Balance Valve Assembly)	

NOTE: Two Side Tilt Carriage's were used.

(1) Old Style has a 3" Dia. Hyd. Cylinder in horizontal position.

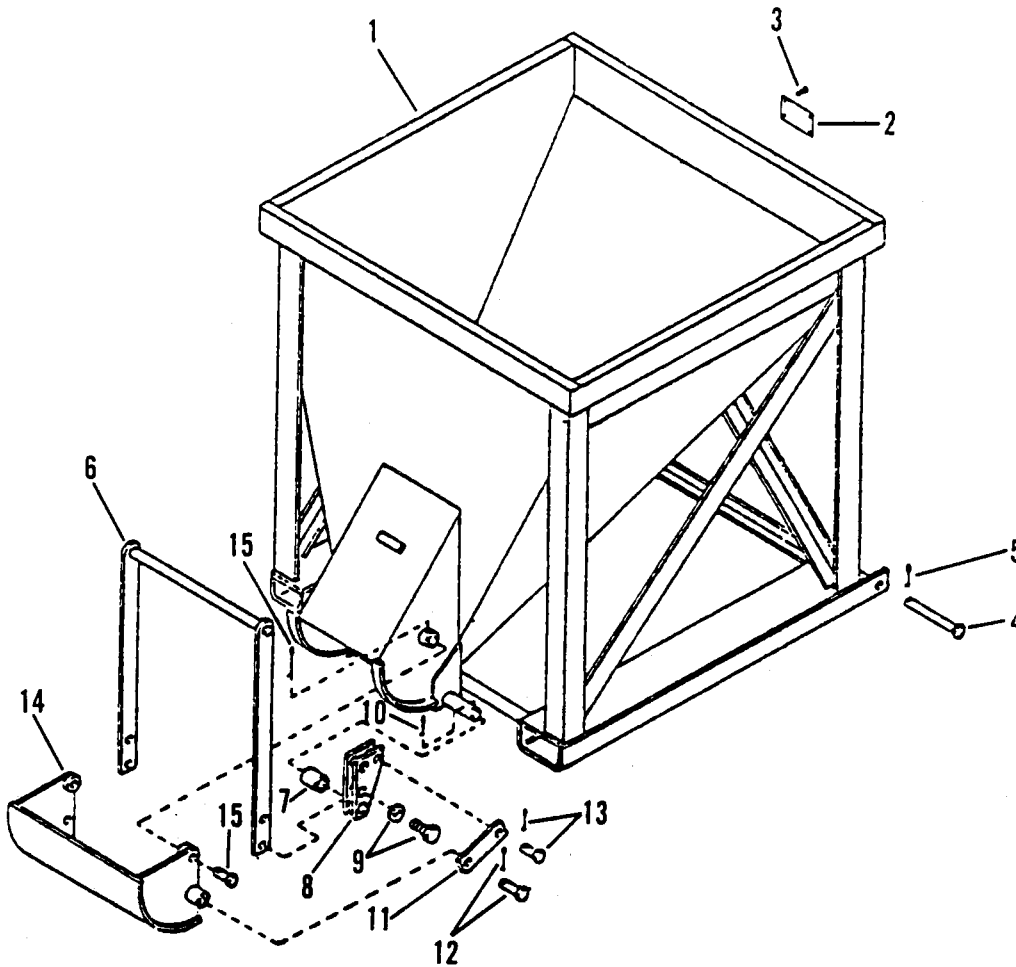
(2) Current model has a 4" Dia. Hyd. Cylinder in Vertical position. Reference page 74 & 75.

FENDERS (Optional)



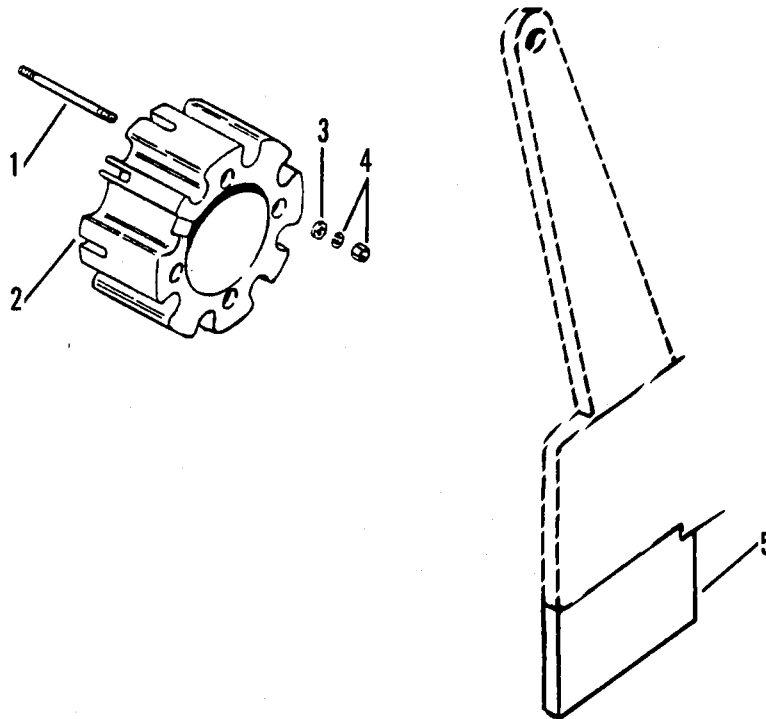
Index No.	Part Number	Description	5030 Qty.	6034 Qty.
1	7012854	FENDER, Rear, L.H.	1	1
	7012864	FENDER, Rear, R.H.	1	1
2	—S—	SCREW, Cap, 1/2-13x4-1/2 GR-5	12	8
	—S—	WASHER, Lock, 1/2	12	20
	—S—	NUT, Hex, 1/2-13	12	12
	—S—	SCREW, Cap, 1/2-13x2 GR-5	8	8
	—S—	SCREW, Cap, 1/2-13x5-1/2 GR-5	4	4
3	7036894	FENDER, Front, L.H.	1	1
	7036904	FENDER, Front, R.H.	1	1
4	—S—	SCREW, Cap, 1/2-13x2 GR-5	8	8
	—S—	WASHER, Lock, 1/2	8	8
	—S—	NUT, Hex, 1/2-13	8	8
5	7036351	BAR, Mounting	—	4
6	7036362	PLATE, Mounting	—	2
7	7036924	BRACKET, Fender (2 Wheel only)	1	1

CONCRETE HOPPER (Optional)



Index No.	Part Number	Description	Qty. Req'd.
1	7006554	HOPPER, 3/4 Yard	1
2	4101991	PLATE, Capacity	1
3	-S-	SCREW, Tapping, No. 6 x 1/4	4
4	7006721	PIN, One hole	2
5	8302446	PIN, Hair cotter	2
6	7006343	LEVER, Gate	1
7	7006531	TUBE	2
8	7006472	PIVOT	2
9	-S-	SCREW, Cap, 3/8-16x3/4 GR-5	4
	-S-	WASHER, Lock, 3/8	4
10	-S-	PIN, Cotter, 3/16 x 1-1/2	2
11	7006441	LINK	2
12	8301413	PIN, Clevis, 5/8 x 1-3/4	2
	-S-	PIN, Cotter, 1/8 x 1-1/4	2
13	8301428	PIN, Clevis, 5/8 x 1-1/2	2
	-S-	PIN, Cotter, 1/8 x 1-1/4	2
14	7006413	CHUTE	1
15	8301434	PIN, Clevis, 1 x 2-1/2	2
	-S-	PIN, Cotter, 1/4 x 2	2

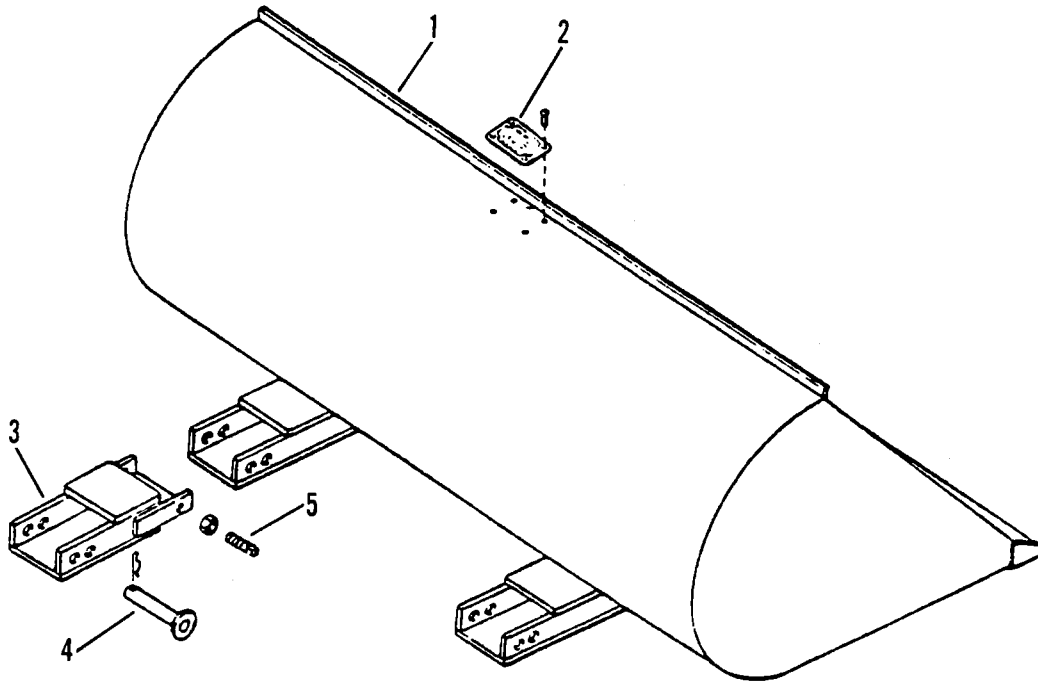
REAR WHEEL WEIGHTS (Optional)



Index No.	Part Number	Description	Qty. Req'd.
1	7020801	STUD	8
2	7020764	COUNTERWEIGHT, Rear wheel	2
3	7021781	WASHER, Special	8
4	—S—	WASHER, Lock, 5/8	8
	—S—	NUT, Hex, 5/8-11	8
5	7038291	COUNTERWEIGHT, Weldment	2

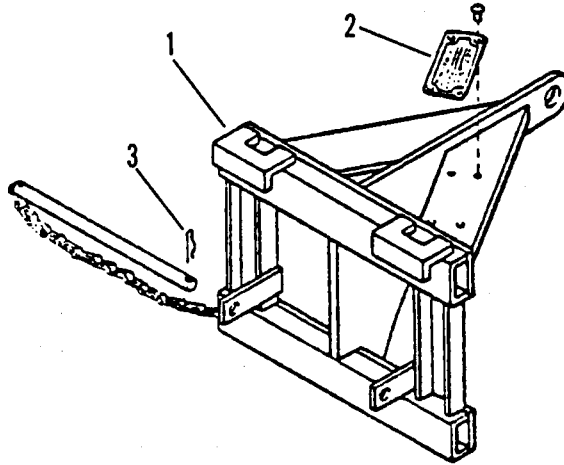
* These weights are used in lieu of hydrofill.

RUBBISH BUCKET (Optional)



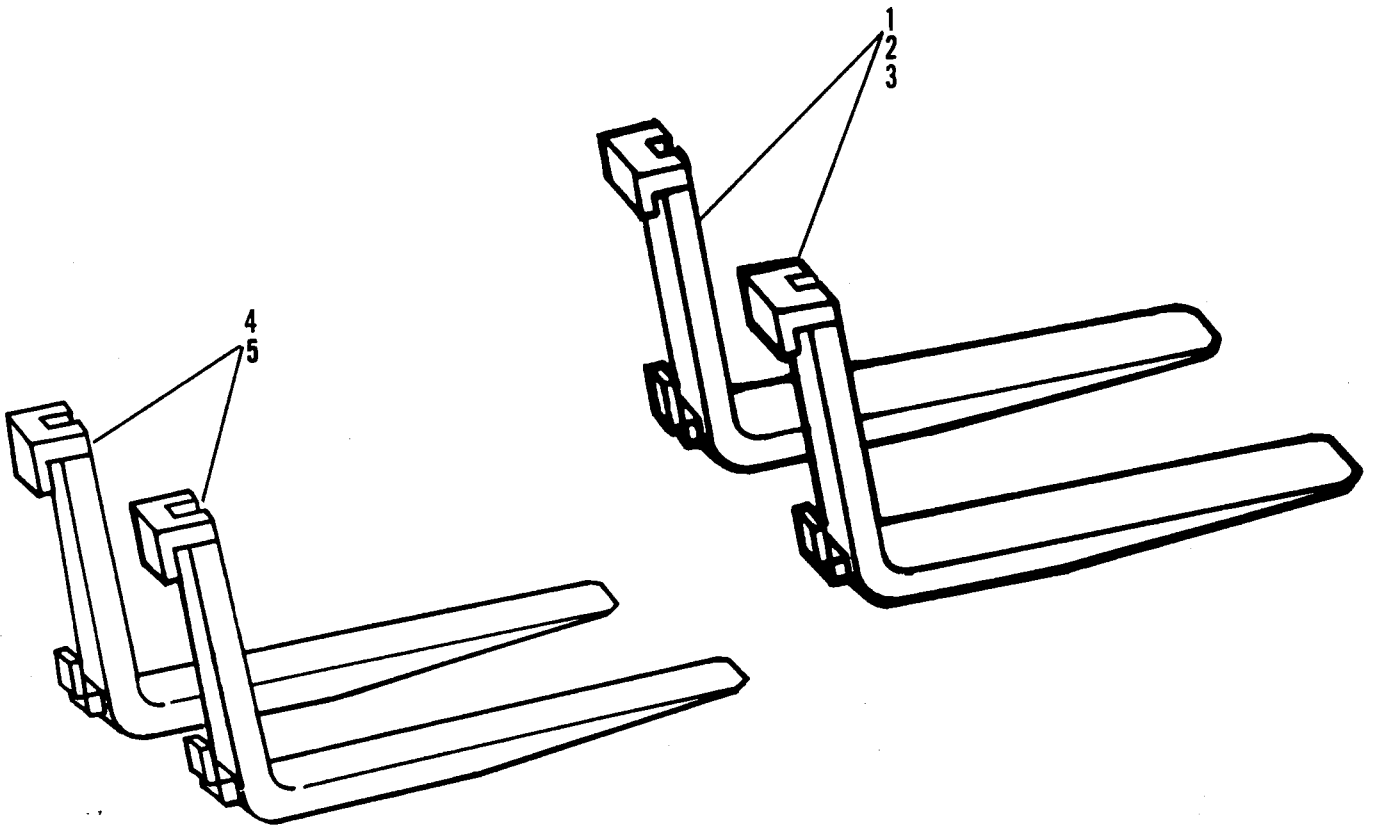
Index No.	Part Number	Description	Qty. Req'd.
1	7006104	BUCKET, Rubbish	1
2	4101991	PLATE, Capacity	1
	—S—	SCREW, Tapping, No. 6 x 1/4	4
3	7006162	ADAPTER (Used with 48" forks only)	2
4	7037111	PIN, One hole	2
	8302446	PIN, Hair cotter	2
5	8304464	SCREW, Set, 3/4-10 x 2	4
	—S—	NUT, Hex, 3/4-10	4

CRANE HOOK (Optional)



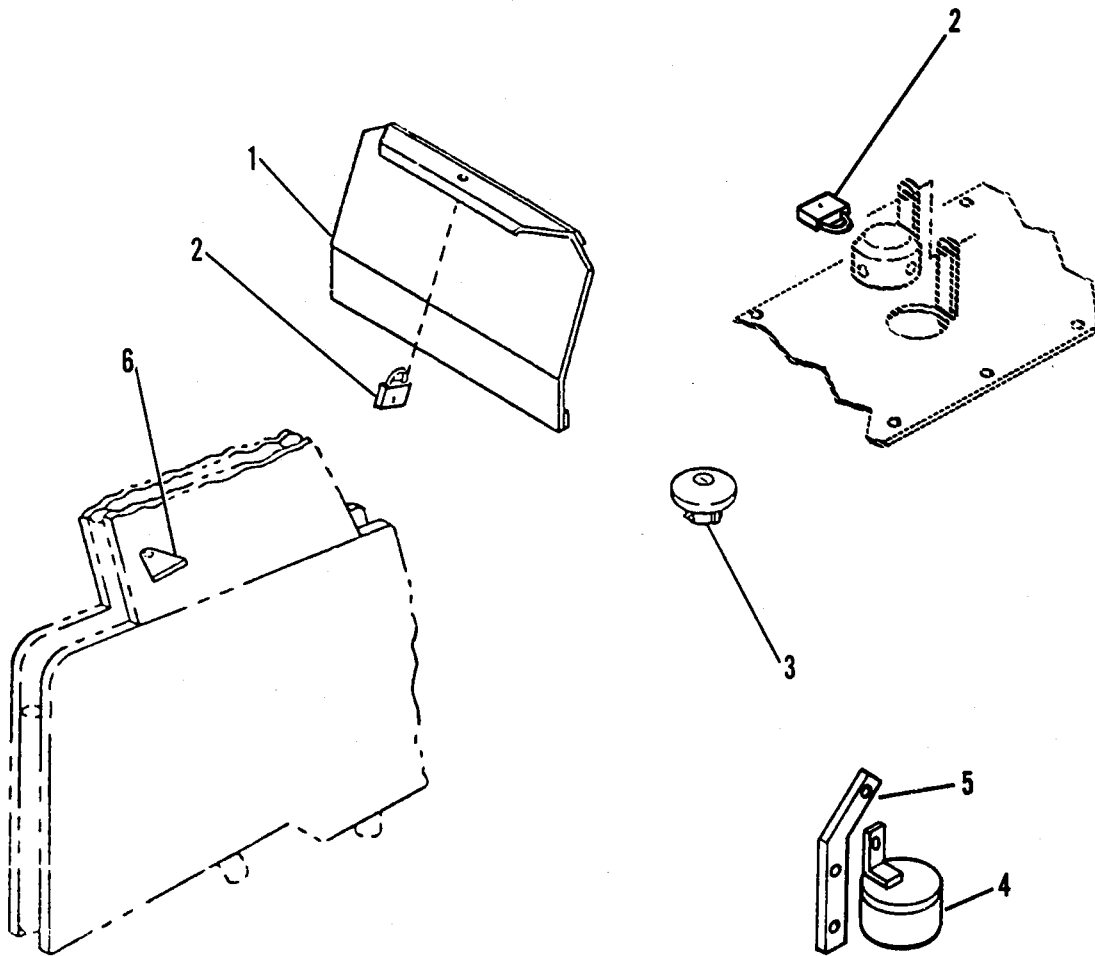
Index No.	Part Number	Description	Qty. Req'd.
1	7005914	HOOK, Crane (Incl. Items 4 & 5)	1
2	4101991	PLATE, Capacity	1
	—S—	SCREW, Tapping, No. 6 x 1/4	4
3	9302751	PIN, Two hole	1
	8302448	PIN, Hair cotter	1
	8124007	CHAIN, Sash No. 35	18"

FORKS (Optional)



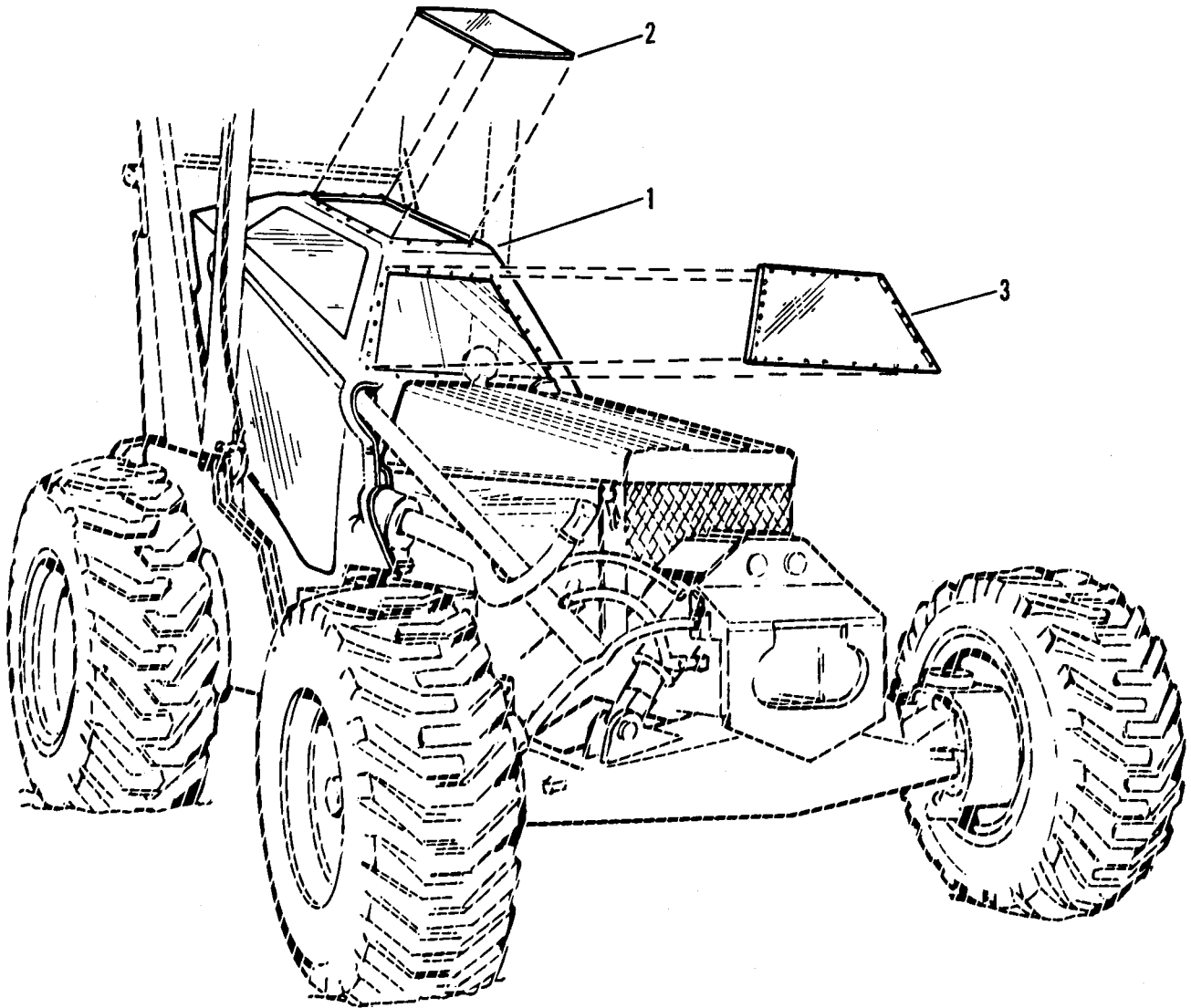
Item No.	Part Number	Description	Qty. Req'd.
1	7004172	FORK, 4 x 36 (5030)	2
2	7003822	FORK, 4 x 48 (5030)	2
3	7065523	FORK, 4 x 48 (6034) S/N 4FO153 & UP	2
4	7004432	FORK, Block, 2 x 48, 4000#	4
5	7004432	FORK, Block, 2 x 48, 6000#	6

VANDALISM KIT (Optional)



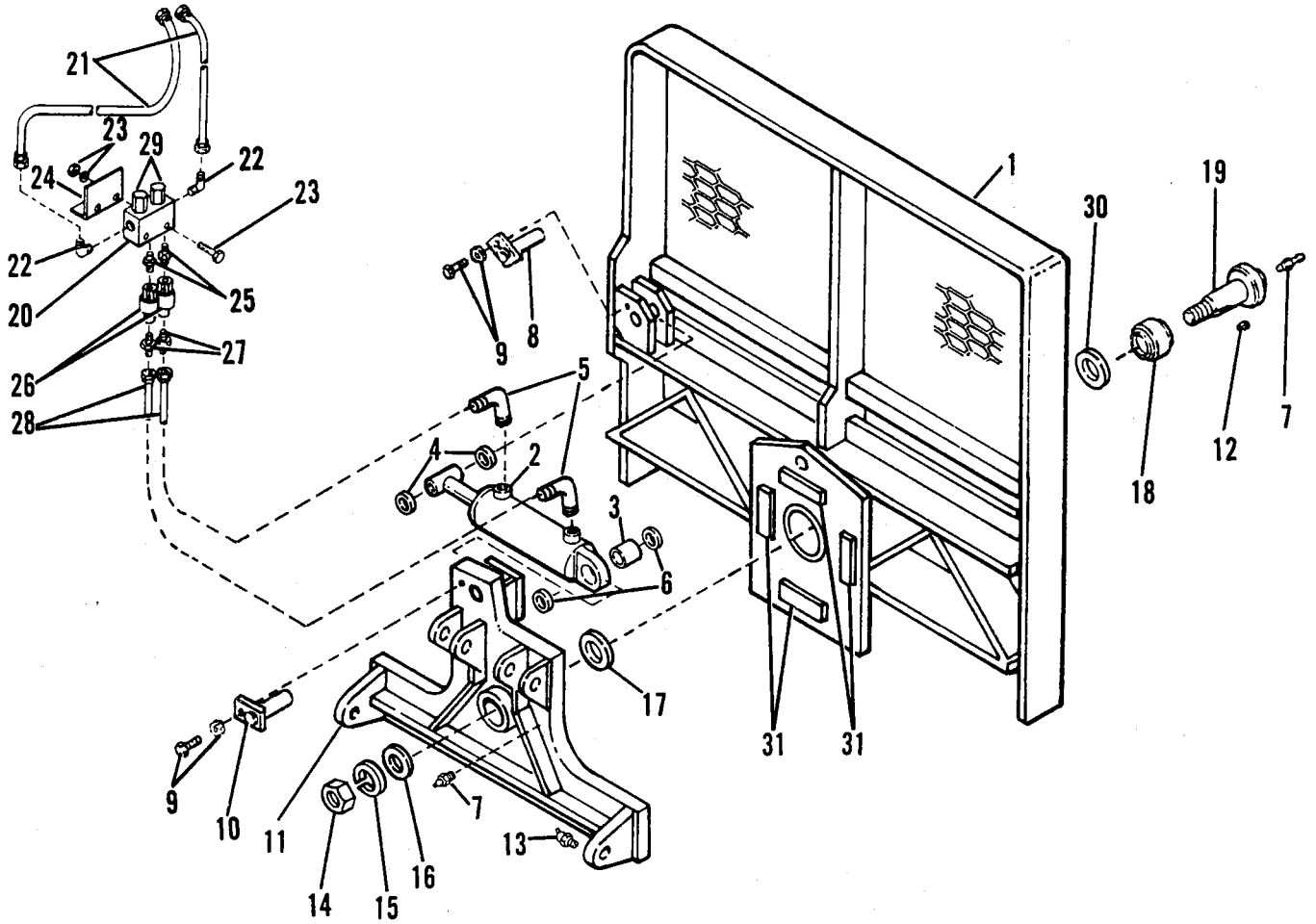
Index No.	Part Number	Description	Qty. Req'd.
1	7020522	COVER, Instrument panel	1
2	8342801	PADLOCK	4
3	8740210	CAP, Gas locking	1
4	7035231	CAP	1
5	7034531	BRACKET	1
6	7020581	LUG (Welded to main frame)	1
—	7020572	DRAWING, Installation	1

CAB ASSEMBLY (Optional)



Item No.	Part Number	Description	Qty. Req'd.
1	7040501	CAB ASSEMBLY — Complete	1
2	7045641	GLASS, Top	1
3	7045631	GLASS, Front	1

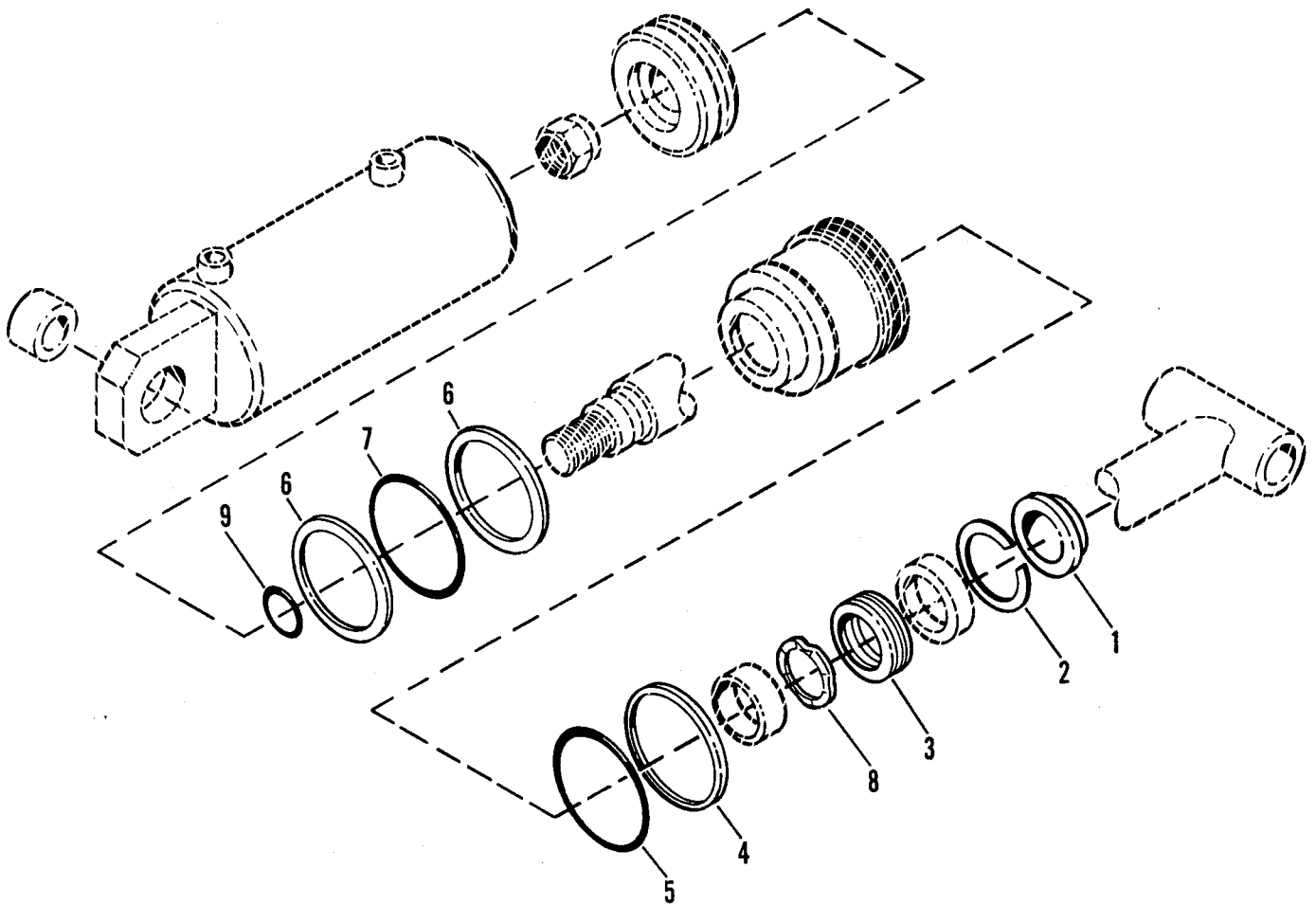
SIDE-TILT CARRIAGE (Optional)



SIDE-TILT CARRIAGE (Optional)

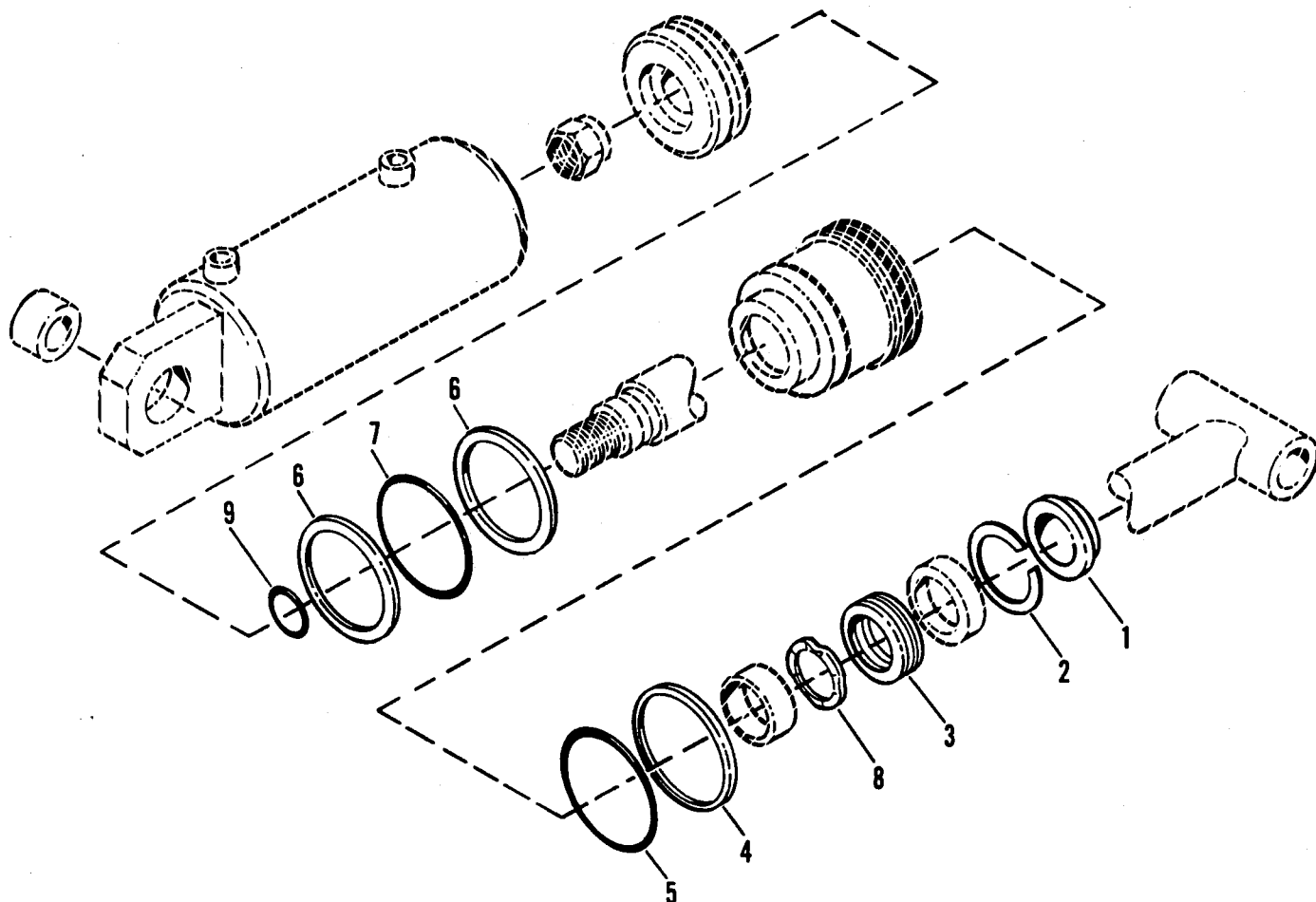
Item No.	Part Number	Description	Qty. Req'd.
1	7045024	CARRIAGE, 48"	1
	7045494	CARRIAGE, 60"	1
2	2709703	CYLINDER, 4" Hydraulic (Incl. Item 3)	1
3	8065620	BUSHING, Self-aligning	1
4		WASHER, Flat, 1-1/4	2
5	8760220	ELBOW	2
6	7776000 0003	WASHER, Special	2
7		FITTING, Grease, 1/8 NPT	7
8	7045101	PIN ASSEMBLY	1
9	—S—	SCREW, Cap, 3/8-16 x 1, Grade 5	2
	—S—	WASHER, Lock, 3/8	2
10	7032441	PIN	1
11	7045013	PLATE, Mount	1
12	7730050 0015	KEY, 3/8 x 3/8 x 1-1/2	1
13	—S—	FITTING, Grease, 1/8 NPT x 90	2
14		NUT, Hex, 1-1/2 - 12	1
15		WASHER, Lock, 1-1/2	1
16		WASHER, Flat, 1-1/2	1
17	9300311	WASHER, Special	1
18	8065619	BUSHING	1
19	7069921	PIN, Pivot	1
20	8902216	VALVE ASSEMBLY	1
21	2701662	HOSE ASSEMBLY	2
22	8760214	ELBOW	2
23	—S—	SCREW, Cap, 3/8-16x2-1/4 GR-5	2
		NUT, Hex, 3/8-16	2
		WASHER, Lock, 3/8	2
24	7039411	BRACKET, Valve	1
25	8540001	NIPPLE	2
26	8902213	VALVE, FLow control	2
27	8760030	CONNECTOR	2
28	2701232	HOSE ASSEMBLY	2
29	8902212	CARTRIDGE, Counterbalance	2
30	7038851	SHIM	AR
31	7911000-0050	FL. BRASS	4
—	4102491	DECAL, Control instructions	1
—	4101991	PLATE, Capacity	1
—	—S—	SCREW, Tapping, No. 6 x 1/4	4
—	7039422	DRAWING (For Mounting Counter Balance Valve Assembly)	

CARRIAGE CYLINDER



Item No.	Part Number	Description	Qty. Req'd.
—	2707523	CYLINDER, Carriage, 3" dia.	1
—	8205632	REPAIR KIT (Consists of Items 1 thru 9)	1
1		WIPER	1
2		RING, Retaining	1
3		PACKING, Vee	1
4		RING, Back-up	1
5		"O" RING	1
6		RING, Back-up	2
7		"O" RING	1
8		WASHER, Wave	1
9		"O" RING	1

CARRIAGE CYLINDER

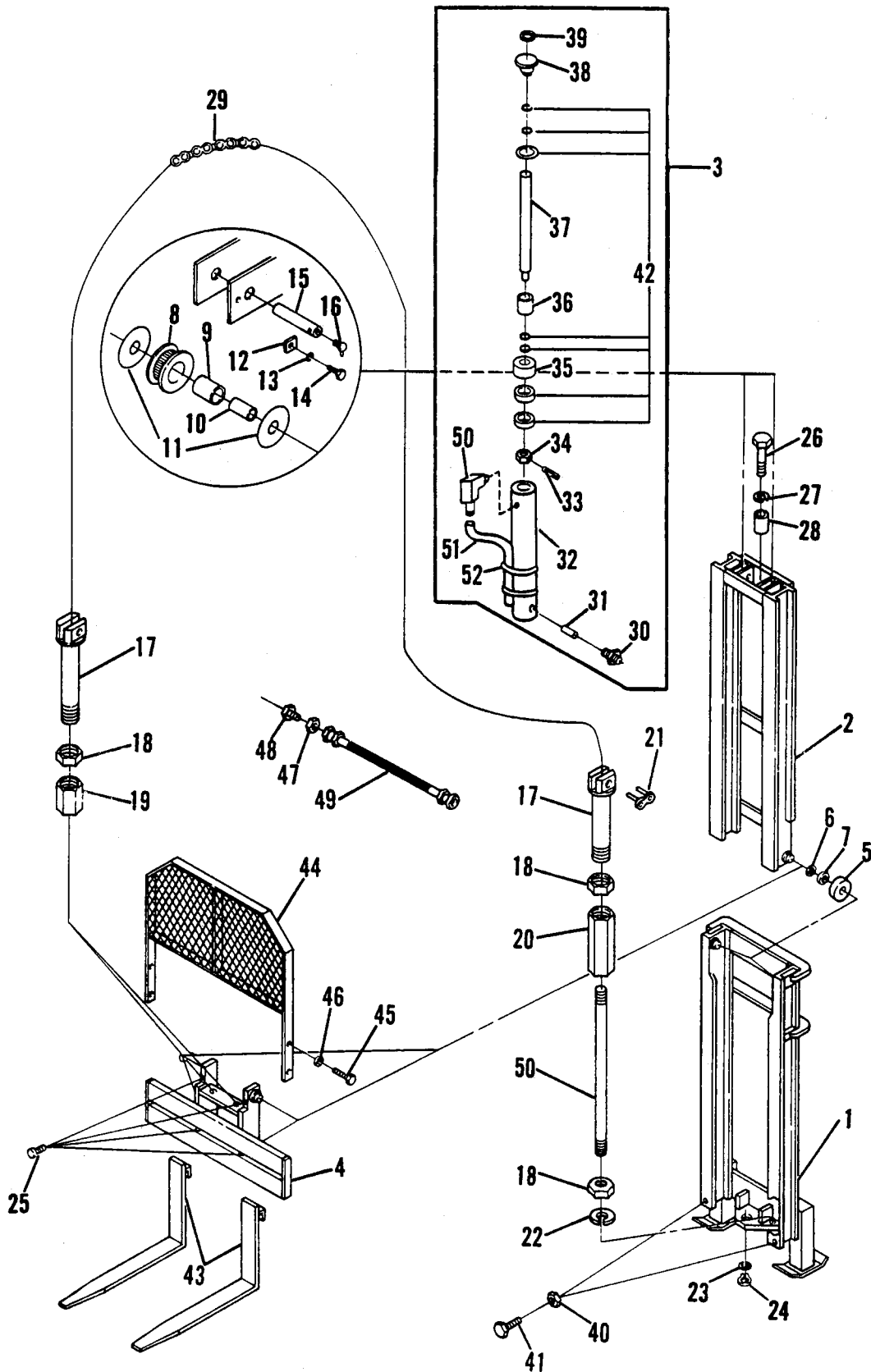


Index No.	Part Number	Description	Qty. Req'd.
—	2709703	CYLINDER, Carriage, 4" dia.	1
—	8205633	REPAIR KIT (Consists of Items 1 thru 9)	1
1		WIPER	1
2		RING, Retaining	1
3		PACKING, Vee	1
4		RING, Back-up	1
5		"O" RING	1
6		RING, Back-up	2
7		"O" RING	1
8		WASHER, Wave	1
9		"O" RING	1

10 FT. MAST EXTENSION (Optional)

Pick & Carry Capacity: 5030 - 4,000 Lb., 6034 - 5,000 Lb.

Capacity At Max. Lift Height: 5030 - 2,500 Lb., 6034 - 2,500 Lb.



10 FT. MAST EXTENSION (Optional)

Pick & Carry Capacity: 5030 - 4,000 Lb., 6034 - 5,000 Lb.
Capacity At Max. Lift Height: 5030 - 2,500 Lb., 6034 - 2,500 Lb.

Index No.	Part Number	Description	Qty. Req'd.
1		RAIL ASSEMBLY, Outer	1
2	8381115	RAIL ASSEMBLY, Inner	1
3	8381116	CYLINDER ASSEMBLY	1
4	8381144	CARRIAGE ASSEMBLY	1
5	8381117	ROLLER, Load	8
6	8381118	SHIM, .030	AR
7	8381119	SHIM, .060	AR
8	8381120	WHEEL, Chain	2
9	8381121	BEARING ASSEMBLY	2
10	8381122	RACE, Inner	2
11	8381123	WASHER	4
12	8381124	LOCK, Shaft	2
13	8381125	WASHER, Lock	2
14	8381126	SCREW, Cap	2
15	8381127	SHAFT, Chain wheel	2
16	8381128	FITTING, Grease	2
17	8381129	END, Rod	4
18	8381130	NUT, Jam	6
19	8381131	NUT, Lock	2
20	8381132	NUT, Turnbuckle	2
21	8381133	LINK SET, Master	4
22	8381134	WASHER, Lock	1
23	8381135	WASHER	1
24	8381136	RING, Retaining	1
25	8381137	FOLLOWER, Cam	4
26	8381138	BOLT, Hex head, grade 5	1
27	8381139	WASHER, Lock	1
28	8381140	BUSHING	1
29	8381141	CHAIN	2
30	8760108	FITTING	1
31	8205474	REGULATOR, Flow	1
32	8205475	TUBE, Cylinder	1
33	8205476	PIN	1
34	8205477	NUT	1
35	8205478	PISTON	1
36	8205479	SPACER	1
37	8205480	ROD, Piston	1
38	8205481	CAP	1
39	8205482	RING, Retaining	1
40	8381142	NUT, Spacer	2
41	8381143	BOLT, Hex head	2
42	8205638	REPAIR KIT, Cylinder	1
43	8381011	FORK, 48"	2
44	7048663	BACKREST, Load	1
45	8304636	SCREW, Socket head	4
46	8307009	WASHER, Lock	4
47	8760407	NUT, Tube	1
48	8760458	REDUCER, Adapter	1
49	2704502	HOSE ASSEMBLY, 3/8" I.D.	1
—	4101991	PLATE, Capacity	1
—	4104551	DECAL, Oper. Inst.	1
50	8424213	ELBOW	1
51	8582005-1320	TUBE, 3/8" I.D. — 132"L	1
52	8584002	TIE	4



The parts information in this publication is based on data available at the time it was printed. Because of continual improvement and advancing product design, your vehicle may not be identical to the parts information shown. Whenever there is a question, obtain the latest parts information available from your local dealer. JLG Industries, Inc. continually updates these publications electronically within our *OnLine Services*.



Benefits

- Available 24 hours a day, 7 days a week for your convenience.
- Prices and parts manuals are always current - reduces errors and saves time.
- Improves service to your customers with quick access to valuable information.
- Reduces time required to gather information.
- Reduces processing time for warranty claims.

Program Features

- In a few easy steps you can:
- Look-up prices and availability.
- Identify parts using graphical parts manuals.
- Enter orders using part numbers, or order by selecting from graphical parts manuals.
- Review order status.
- Review invoices and credits.
- Review shipping information.
- Submit warranty claims

Visit Us at

<http://www.jlg.com>



Corporate Office
JLG Industries, Inc.
1 JLG Drive
McConnellsburg PA. 17233-9533
USA
Phone: (717) 485-5161
Fax: (717) 485-6417

JLG Worldwide Locations

JLG Industries (Australia)
P.O. Box 5119
11 Bolwarra Road
Port Macquarie
N.S.W. 2444
Australia
Phone: (61) 2 65 811111
Fax: (61) 2 65 810122

JLG Latino Americana Ltda.
Rua Eng. Carlos Stevenson,
80-Suite 71
13092-310 Campinas-SP
Brazil
Phone: (55) 19 3295 0407
Fax: (55) 19 3295 1025

JLG Industries (UK)
Unit 12, Southside
Bredbury Park Industrial Estate
Bredbury
Stockport
SK6 2sP
England
Phone: (44) 870 200 7700
Fax: (44) 870 200 7711

JLG Deutschland GmbH
Max Planck Strasse 21
D-27721 Ritterhude/Inlpohl
Bei Bremen
Germany
Phone: (49) 421 693 500
Fax: (49) 421 693 5035

JLG Industries (Italia)
Via Po. 22
20010 Pregnana Milanese - MI
Italy
Phone: (39) 02 9359 5210
Fax: (39) 02 9359 5845

JLG Europe B.V.
Jupiterstraat 234
2132 HJ Foofddorp
The Netherlands
Phone: (31) 23 565 5665
Fax: (31) 23 557 2493

JLG Polska
Ul. Krolewska
00-060 Warszawa
Poland
Phone: (48) 91 4320 245
Fax: (48) 91 4358 200

JLG Industries (Europe)
Wright Business Centre,
1 Lonmay Road
Queenslie, Glasgow
Scotland
Phone: (44) (0) 141 781 6725
Fax: (44) (0) 141 773 1908

JLG Industries (Pty) Ltd.
Unit 1, 24 Industrial Complex
Herman Street
Meadowdale
Germiston
South Africa
Phone: (27) 11 453 1334
Fax: (27) 11 453 1342

Plataformas Elevadoras
JLG Iberica, S.L.
Trapadella, 2
P.I. Castellbisbal Sur
08755Castellbisbal
Spain
Phone: (34) 93 77 24700
Fax: (34) 93 77 11762

JLG Industries (Sweden)
Enkopingsvagen 150
Box 704
SE - 175 27 Jarfalla
Sweden
Phone: (46) 8 506 59500
Fax: (46) 8 506 59534