

SKYTRAK[®]

Illustrated Parts Manual

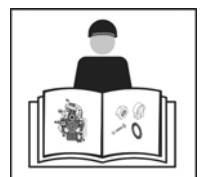
Model
3606

P/N - 8990299

Revised May 25, 2007



JLG[®]



EFFECTIVITY PAGE

May 25, 2007 - A - Revised Manual

EFFECTIVITY PAGE

Table of Contents

	Page		Page
SECTION 1 – MAIN FRAME AND COVERS			
Main Frame	1.1	Wheel Hub Assembly - Front/Rear Axles	3.29
Covers And Guards	1.3	Axle Shafts - Front/Rear Axles	3.31
SECTION 2 – OPERATOR’S CAB AND CONTROLS		Differential Assembly - Rear Axle	3.33
Open Cab - Outer Panels	2.1	Transmission Case, Plate & Converter Housing (4 Speed)	3.35
Open Cab - Inner Console & Dash Panel	2.3	Torque Converter And Drive Plates (4 Speed)	3.37
Operator’s Seat And Seat Belt	2.5	Charging Pump, Drive, Filter & Reverse Idler (4 Speed)	3.39
Operator’s Seat And Seat Belt (Optional)	2.7	Forward And Reverse Shaft Group (4 Speed)	3.41
Mirrors	2.9	First And Second Shaft Group (4 Speed)	3.43
Throttle Pedal Control (Cummins)	2.11	High, Third And Output Shaft Group (4 Speed)	3.45
Throttle Pedal Control (Perkins)	2.13	Output Shaft Group (4 Speed)	3.47
Service Brake Pedal Mounting	2.15	Electric Control Group (4 Speed)	3.49
Joystick Mounting	2.17	Wheels And Tires	3.51
Steering Column, Steering Wheel & Shifter	2.19	Transmission & Transfer Box Mounting	3.53
Cab Door (Optional)	2.21	SECTION 4 – POWER PLANT	
Closed Cab - Outer Panels (Optional)	2.23	Engine Mounting - Cummins (S/N 9179 and Before)	4.1
Closed Cab - Inner Console & Dash Panel (Optional)	2.25	Engine Mounting - Cummins (S/N 9180 and After)	4.3
Cab Heater (Optional)	2.27	Radiator And Oil Cooler (Cummins)	4.5
Front Windshield Wiper (Optional)	2.29	Exhaust System (Cummins)	4.7
Skylight Windshield Wiper (Optional)	2.31	Air Cleaner (Cummins)	4.9
Rear Window & Rear Windshield Wiper (Optional)	2.33	Fuel System (Cummins)	4.11
Soft Cab Enclosure (Optional)	2.35	Engine Mounting (Perkins Natural & Turbo)	4.13
Fenders (Optional)	2.37	Radiator And Oil Cooler (Perkins Natural & Turbo)	4.15
SECTION 3 – DRIVE TRAIN		Exhaust System (Perkins Natural & Turbo)	4.17
Drive Shaft - Transfer Box To Front Axle	3.1	Air Cleaner (Perkins Natural & Turbo)	4.19
Drive Shaft - Transfer Box To Rear Axle	3.3	Fuel System (Perkins Natural & Turbo)	4.21
Drive Shaft - Transmission To Transfer Box	3.5	Cold Start Kit (Cummins)	4.23
Transfer Box Housing And Covers	3.7	SECTION 5 – HYDRAULIC CIRCUITS	
Transfer Box Gears And Shafts	3.9	Power Steering Circuit	5.1
Axle Housing - Front Axle	3.11	Unloader Valve Circuit	5.3
Axle Housing - Rear Axle	3.13	Boom Raise/Lower & Extend/Retract Circuit	5.5
Steer Cylinder And Swivels - Front Axle	3.15	Attachment Tilt And Slave Circuit	5.7
Steer Cylinder And Swivels - Rear Axle	3.17		
Differential Assembly - Front Axle	3.19		
Bevel Gear And Pinion Set - Front/Rear Axles	3.21		
Brake Assembly - Front Axle	3.23		
Brake Assembly - Rear Axle	3.25		
Reduction Gears - Front/Rear Axles	3.27		

	Page
Frame Tilt & Stabilizer Circuit (S/N 9883 and Before)	5.9
Frame Tilt & Stabilizer Circuit (S/N 9884 and After)	5.11
Service Brake & De-Clutch Circuit.....	5.13
Valve Plate Assy. w/o Aux. Hydraulics	5.15
Valve Plate Assy. w/ Aux. Hydraulics	5.17
Transmission Cooling Circuit (Cummins)	5.19
Transmission Cooling Circuit (Perkins).....	5.21
Auxiliary Hydraulic Circuit (Optional)	5.23
Joystick Circuit.....	5.25

SECTION 6 – HYDRAULIC COMPONENTS

Main Pump	6.1
Directional Control Valves	6.3
Unloader Valve	6.5
Slave Cylinder	6.7
Frame Tilt/Stabilizer Cylinder	6.9
Attachment Tilt Cylinder	6.11
Hoist Cylinder	6.13
Extend Cylinder	6.15
Swing Carriage Cylinder (Optional)	6.17
Side Tilt Carriage Cylinder (Optional)	6.19
Hydraulic Reservoir	6.21
Main Control Valve (Boom Raise/Lower & Extend/Retract Sections)	6.23
Main Control Valve (Attachment Tilt & Frame Tilt Sections)	6.25

SECTION 7 – ELECTRICAL

Electrical System - Cab Harness (S/N 8249 and Before)	7.1
Electrical System - Cab Harness (S/N 8250 and After)	7.3
Electrical System - Engine Harness	7.5
Electrical System - Closed Cab	7.7
Lighting System (Optional)	7.9

SECTION 8 – DECALS AND PAINT

Decals And Paint (Early Production)	1.11
Decals And Paint (Current Production)	1.13

SECTION 9 – BOOM AND ATTACHMENTS

	Page
Inner Boom.....	9.1
Intermediate Boom	9.3
Outer Boom	9.5
Boom Extend Chain	9.7
Boom Retract Chain.....	9.9
Quick Attach.....	9.11
48" Carriage	9.13
60" Carriage (Optional)	9.15
72" Carriage (Optional)	9.17
Swing Carriage (Optional)	9.19
Side Tilt Carriage (Optional)	9.21
12 Ft. Truss Boom (Optional)	9.23
Utility Bucket (Optional)	9.25
Sheet Material Handler (Optional)	9.27

PART NUMBER INDEX

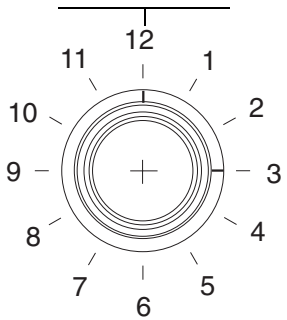
Table of Contents

Page

Page

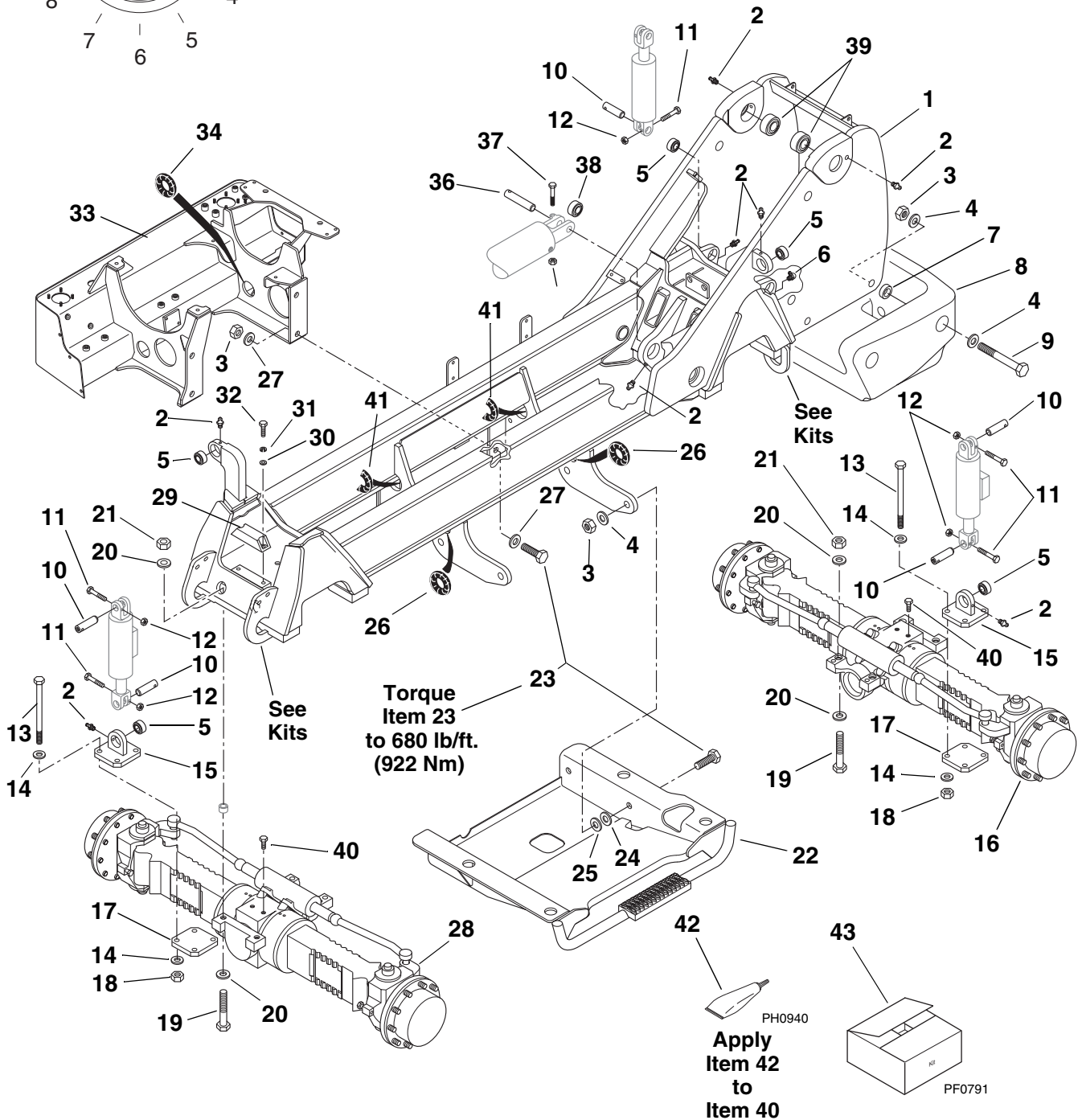
MAIN FRAME

Hoist Cylinder



Orient Fracture In Bearing Race at Clock Position Shown For Each Application

Boom Pivot
Frame Tilt Cylinder
Stabilizer Cylinder
Slave Cylinder

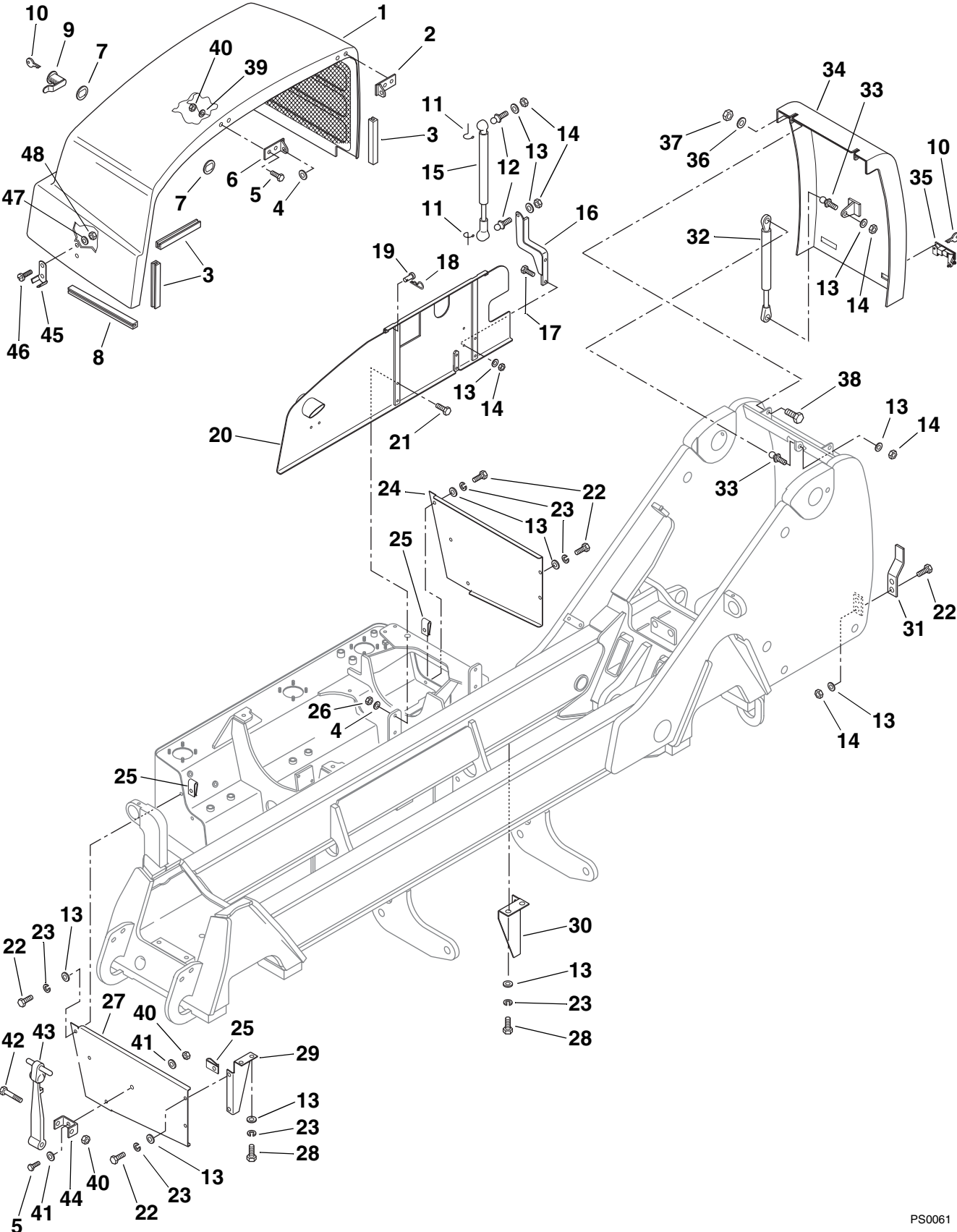


PS0041

MAIN FRAME

Item No.	Part Number	Qty.	Description
1	Call Factory	1	Frame, Main
2	8520013	8	Fitting, Lube, 1/8 Self Tapping
3	8310116	12	Nut, Hex Lock 1-8
4	8307210	12	Washer, Flat 1"
5	8050001	6	Bearing, Self Align 1-1/2" I.D.
6	8520021	1	Fitting, Lube, 90° 1/8 Self Tapping
7	7088341	4	Spacer
8	7127934	1	Counterweight
9	8310050	4	HHCS, 1-8 x 6" Gr.5
10	7130322	6	Pin, Cylinder Mount 1.5 Dia.
11	8303752	6	HHCS, 5/16-18 x 3-1/2"
12	8305626	6	Nut, Hex Lock 5/16-18
13	8310339	8	HHCS, 7/8-9 x 12"
14	8310060	16	Washer, Flat 7/8" Hardened
15	7129362	2	Anchor, Cylinder
16	8040253	1	Axle, Rear
17	7132592	2	Plate, Anchor
18	8305634	8	Nut, Hex Lock 7/8-9
19	8310295	8	HHCS, 3/4-10 x 5-1/2" Gr.8
20	8307703	16	Washer, Flat 3/4" Hardened
21	8310067	8	Nut, Hex Lock Elastic 3/4-10
22	7127214	1	Mount, Cab
23	8303538	8	HHCS, 1-8 x 3" Gr.8
24	5724302	AR	Shim
25	8310066	4	Washer, Flat SAE 1"
26	7124471	2	Conduit, 1" I.D. x 12-1/2"
27	8310061	8	Washer, 1" Hardened
28	8040252	1	Axle, Front
29	5752022	1	Bumper
30	8307112	2	Washer, Flat 1/2"
31	8307007	2	Washer, Lock 1/2"
32	8303625	2	HHCS, 1/2-13 x 1-1/4"
33	7127394	1	Hydraulic Reservoir/Engine Mount
34	7125861	1	Conduit, 3/4" (60" Cut to Fit)
35	8305644	1	Nut, Hex Lock 1/2-13
36	7120662	1	Pin, Hoist Cylinder Mount 2" Dia.
37	8303782	1	HHCS, 1/2-13 x 4"
38	8065640	1	Bearing, Self Align 2" I.D.
39	8050002	2	Bearing, Self Align 2-1/2" I.D.
40	8303551	4	HHCS, M10-1,5 x 16mm
41	7124491	2	Conduit, 1" I.D. x 15-1/2"
42	8526049	AR	Adhesive Sealant
			KITS
43	7137694	1	Kit, Tie Down (S/N 8083 and Before)

COVERS AND GUARDS

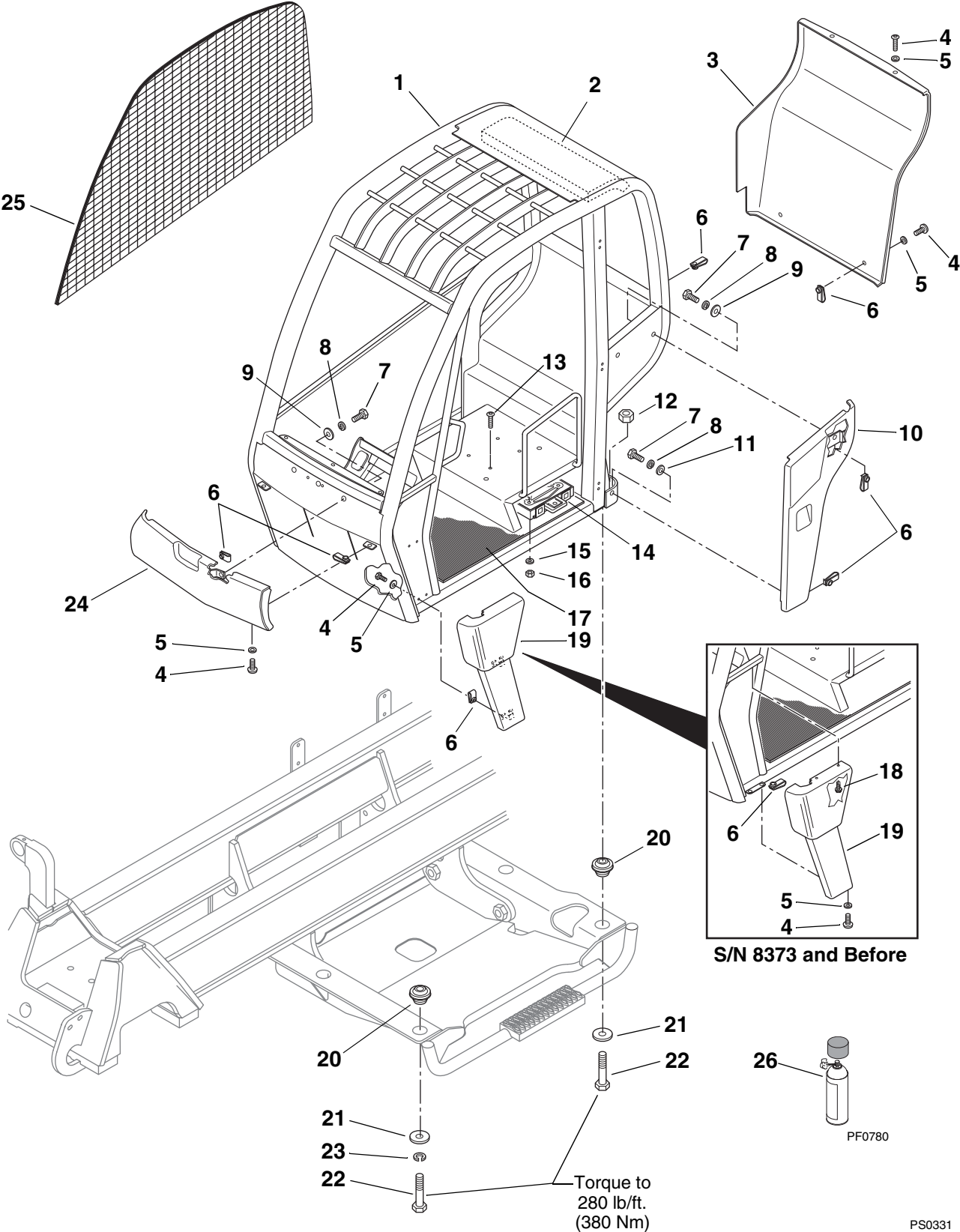


PS0061

COVERS AND GUARDS

Item No.	Part Number	Qty.	Description
1	7130814	1	Hood, Engine
2	7129922	1	Hinge, Hood - Rear
3	7125731	4	Moulding, Black 7" Long
4	8307110	6	Washer, Flat 3/8" Narrow
5	8303540	6	HHCS, 1/4-20 x 1"
6	7129912	1	Hinge, Hood - Front
7	7131782	2	Retainer Ring, Latch
8	6620002	1	Moulding, Black 16" Long
9	8342807	1	Latch w/Key (Includes Item 10)
10	8342808	AR	Key
11	8702157	2	Spring, Clip
12	8340035	2	Ball Stud - 13mm
13	8307106	24	Washer, Flat 5/16"
14	8305626	10	Nut, Hex Lock Elastic 5/16-18
15	8702156	1	Spring, Gas
16	7130072	1	Support, Cover
17	8303739	2	HHCS, 5/16-18 x 1-1/4"
18	8302406	2	Pin, Cotter
19	8310334	2	Pin, Clevis 3/8" Dia.
20	7132844	1	Panel, Engine
21	8303679	4	HHCS, 3/8-16 x 1-3/4" Gr.5
22	8303670	14	HHCS, 5/16-18 x 1"
23	8307004	14	Washer, Lock 5/16"
24	7129663	1	Cover, Engine, Rear
25	8305906	10	Nut, Retainer 5/16-18
26	8305645	4	Nut, Hex Lock Elastic 3/8-16
27	7129653	1	Cover, Engine, Front
28	8303744	4	HHCS, 5/16-18 x 1/2"
29	7129612	1	Bracket, Cover - Front
30	7129622	1	Bracket, Cover - Rear
31	7131652	2	Striker, Rear Door
32	8702158	1	Spring, Gas
33	8340036	2	Ball Stud - 10mm
34	7130173	1	Cover, Rear
35	8342416	2	Latch, Adjustable Trigger
36	8307112	2	Washer, Flat 1/2" Heavy
37	8305644	2	Nut, Hex Lock Elastic 1/2-13
38	8303625	2	HHCS, 1/2-13 x 1-1/4"
39	8307109	4	Washer, Flat SAE Light 1/4"
40	8305624	8	Nut, Hex Lock Elastic 1/4-20
41	8307202	4	Washer, Flat 1/4"
42	8303114	2	HHCS, 1/4-20 x 2-1/4" Gr.5
43	7134132	2	Hook, Rubber
44	7134122	2	Bracket, Anchor
45	7134142	2	Bracket, Hook
46	8303836	4	Screw, Slotted Pan Hd. #10-24 x 5/8"
47	8307111	4	Washer, Flat #10
48	8310085	4	Nut, Hex Lock Elastic #10-24

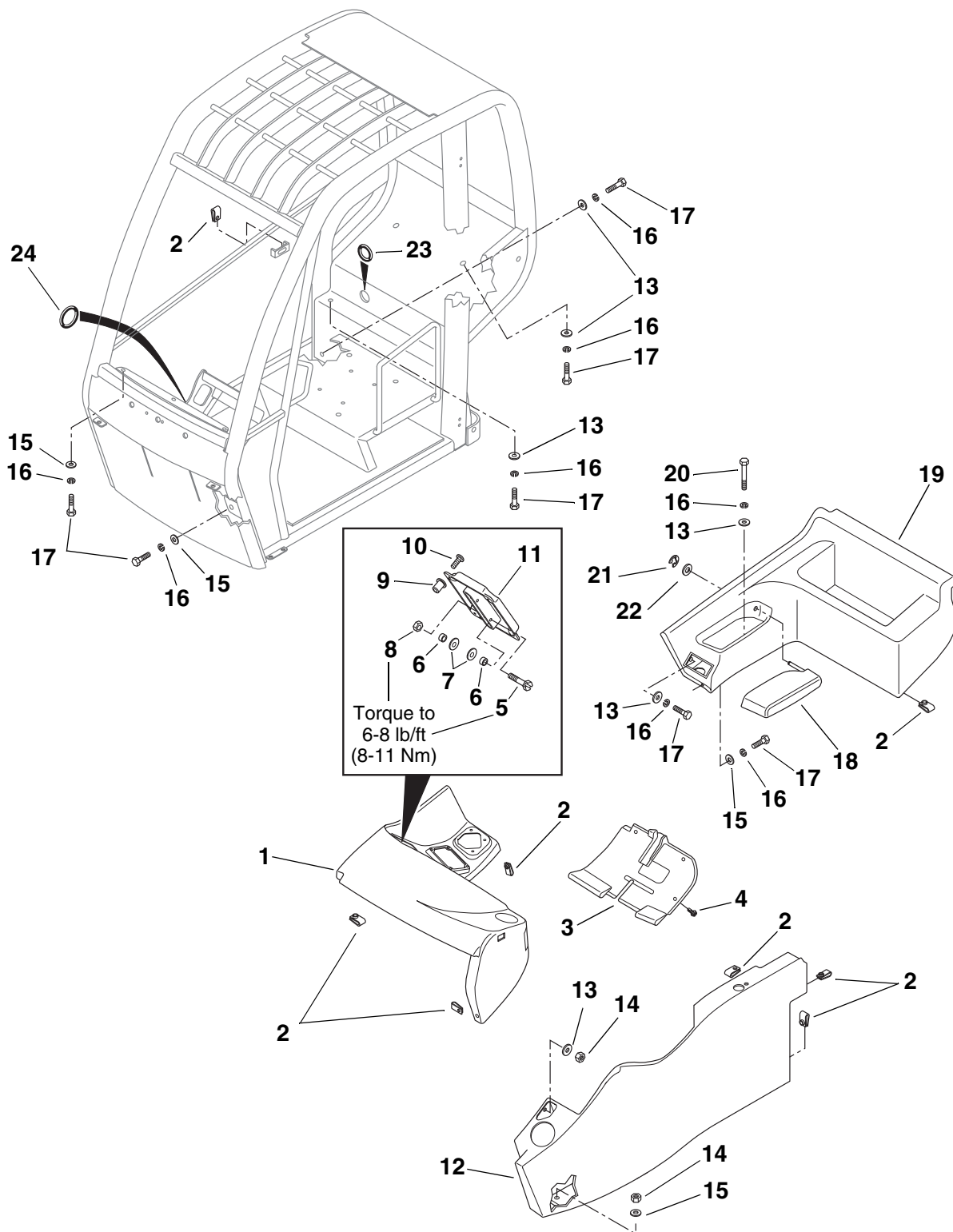
OPEN CAB - OUTER PANELS



OPEN CAB - OUTER PANELS

Item No.	Part Number	Qty.	Description
1	7126534	1	Operator's Protective Structure - ROPS/FOPS
2	7131412	1	Headliner
3	7130663	1	Panel, Cab Rear
4	8310301	8	BHCS, 5/16-18 x 1" (S/N 8373 and Before)
		10	BHCS, 5/16-18 x 1" (S/N 8374 and After)
5	8310124	8	Washer, Flat Plastic 5/16" (S/N 8373 and Before)
		10	Washer, Flat Plastic 5/16" (S/N 8374 and After)
6	8305906	13	Nut, Retaining 5/16-18
7	8303670	5	HHCS, 5/16-18 x 1"
8	8307004	5	Washer, Lock 5/16"
9	7057141	4	Washer, Rebound
10	7130653	1	Panel, Cab Rear LH
11	8307203	1	Washer, Flat 5/16"
12	8310067	2	Nut, Hex Lock Elastic 3/4-10
13	8303034	4	BHCS, 1/4-20 x 3/4"
14	8990122	1	Holder, Owner/Operator Manual
15	8307202	4	Washer, Flat 1/4"
16	8305624	4	Nut, Hex Lock Elastic 1/4-20
17	7131493	1	Mat, Floor
18	8310353	2	Screw, Self Drilling #12-14 x 1" (S/N 8373 and Before)
19	7130643	1	Panel, Cab Front LH (S/N 8373 and Before)
	7134453	1	Panel, Cab Front LH (S/N 8374 and After)
20	8278026	4	Isolator, Cab
21	7129441	4	Washer, Rebound
22	8310375	4	HHCS, 3/4-10 x 3-3/4" Gr.8
23	8307010	2	Washer, Lock 3/4"
24	7130633	1	Panel, Cab Front
25	7137152	1	Kit, Mesh Plate - Right Side (Includes Urethane & Installation Instructions)
26	8526042	AR	Adhesive, 10 Oz Spray Can (For Item 17)

OPEN CAB - INNER CONSOLE & DASH PANEL

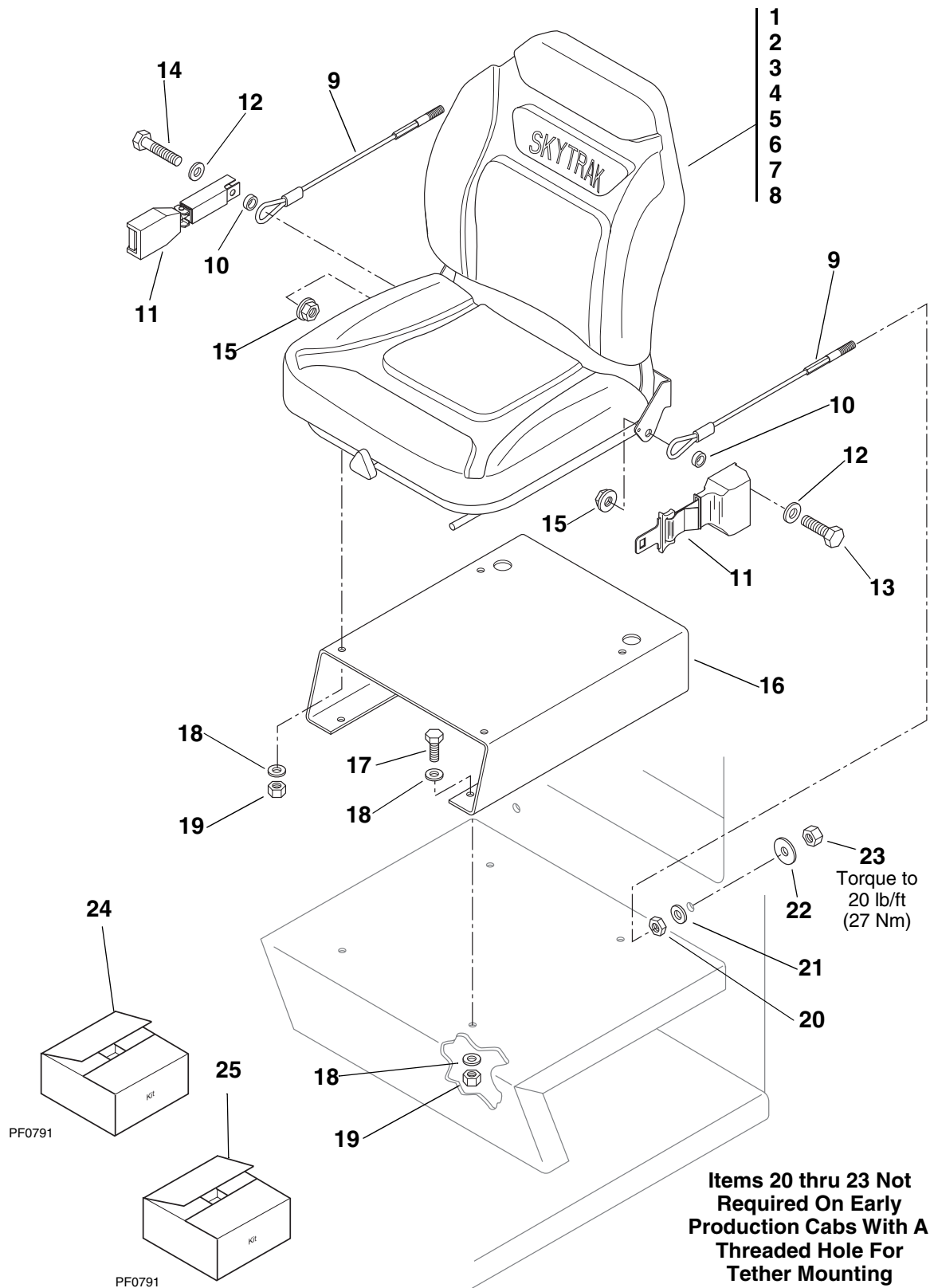


PS0701

OPEN CAB - INNER CONSOLE & DASH PANEL

Item No.	Part Number	Qty.	Description
1	7130724	1	Dash, Front
2	8305906	10	Nut, Retaining 5/16-18
3	7130773	1	Cover, Lower Dash
4	8310353	3	Screw, Self Drilling #12-14 x 1"
5	8310016	2	HHCS, Slotted #10-24 x 1"
6	8310402	4	Spacer
7	8310360	4	Washer, Fender
8	8310085	2	Nut, Hex Lock Elastic #10-24
9	8580421	4	Nut, Well #10-32 x 1/2" Long
10	8310358	4	BHCS, #10-32 x 3/4"
11	7131003	1	Holder, Load Chart
12	7130744	1	Support, Console
13	7057141	7	Washer, Rebound
14	8305626	2	Nut, Hex Lock Elastic 5/16-18
15	8307203	5	Washer, Flat 5/16"
16	8307004	10	Washer, Lock 5/16"
17	8303739	9	HHCS, 5/16-18 x 1-1/4"
18	7130862	1	Armrest
19	7130734	1	Tool Bin, Rear
20	8310009	1	HHCS, 5/16-18 x 2"
21	8630010	1	Ring, Retaining
22	8307206	1	Washer, Flat 1/2"
23	7124531	1	Conduit, 1/4 x 5" Long
24	7132751	1	Conduit, 1/4 x 9-1/2" Long

OPERATOR'S SEAT AND SEAT BELT



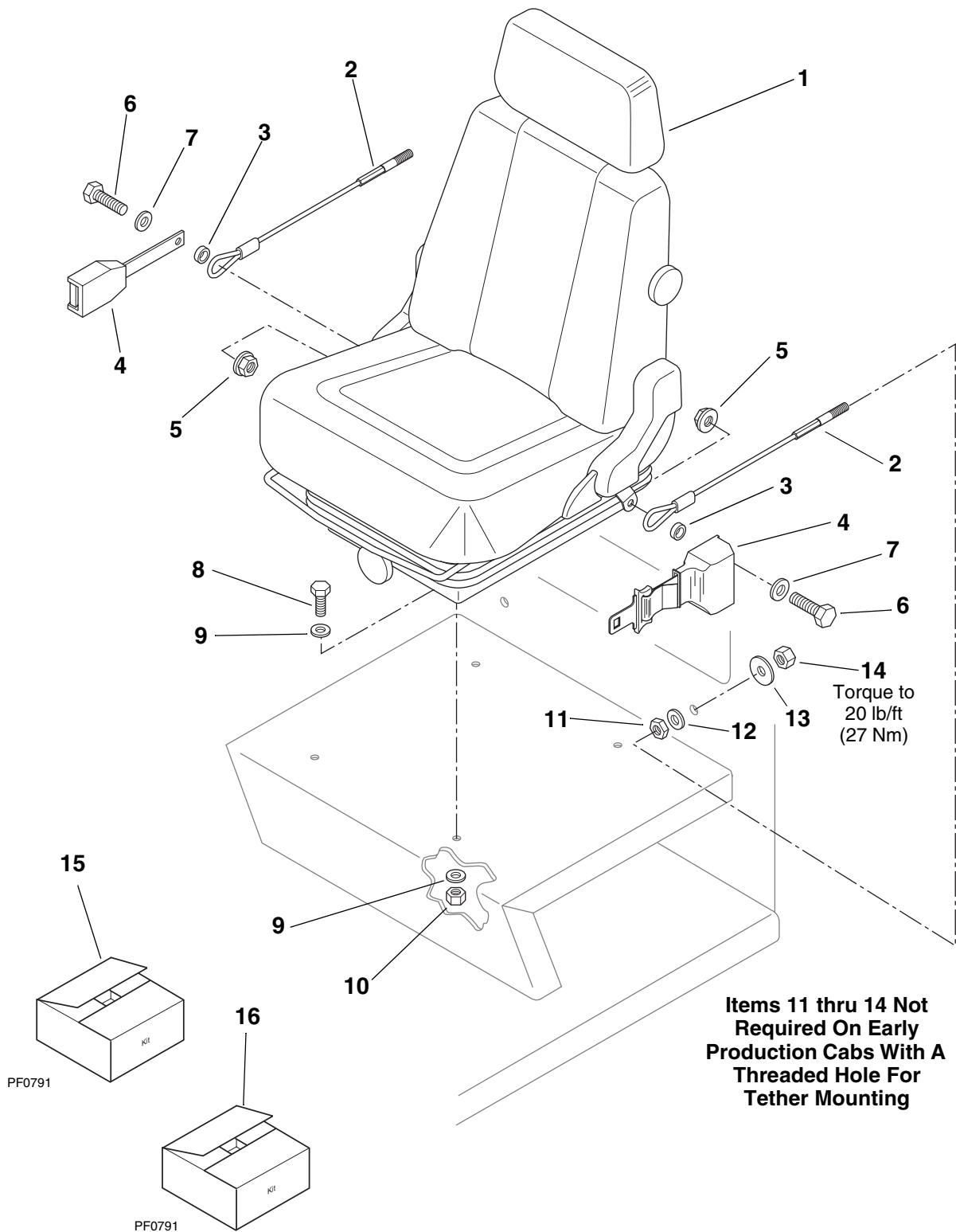
PS0120

OPERATOR'S SEAT AND SEAT BELT

Item No.	Part Number	Qty.	Description
1	8864053	1	Seat
2	8036009	1	Boot, 60/76mm (Not Shown)
3	8036010	1	Adjuster, 6" (Not Shown)
4	8036011	1	Damper (Not Shown)
5	8036013	4	Rollers, Up Stop Bumper/Down Stop Bumper- 7/16" Dia.(Not Shown)
6	8036014	1	Springs and Cable (Not Shown)
7	8036015	1	Hanger Knob Tension Shaft (Not Shown)
8	8036017	1	Cushion/Pan Assembly Kit (Not Shown)
9	7130412	2	Tether
10	7096491	2	Spacer
11	8864057	1	Seat Belt Assembly - 2" Retractable (Includes Items 12 thru 15)
12	NSS	2	Washer
13	NSS	1	Hex Hd Capscrew
14	NSS	1	Hex Hd Capscrew
15	NSS	2	Nut, Hex
16	7121543	1	Support, Seat
17	8303670	4	HHCS, 5/16-18 x 1" Gr. 5
18	8307106	12	Washer, Flat 5/16" Narrow
19	8305626	8	Nut, Hex Lock Elastic 5/16-18
20	8305404	2	Nut, Hex Jam 3/8-16
21	8307204	2	Washer, Flat 3/8"
22	7057141	2	Washer, Rebound
23	8305645	2	Nut, Hex Lock Elastic 3/8-16
24	8864058	1	Seat Belt Assembly - 3" Retractable (Includes mounting hardware)
25	8864019	1	Seat Belt Assembly - 3" Non-Retractable

OPERATOR'S SEAT AND SEAT BELT

(Optional)

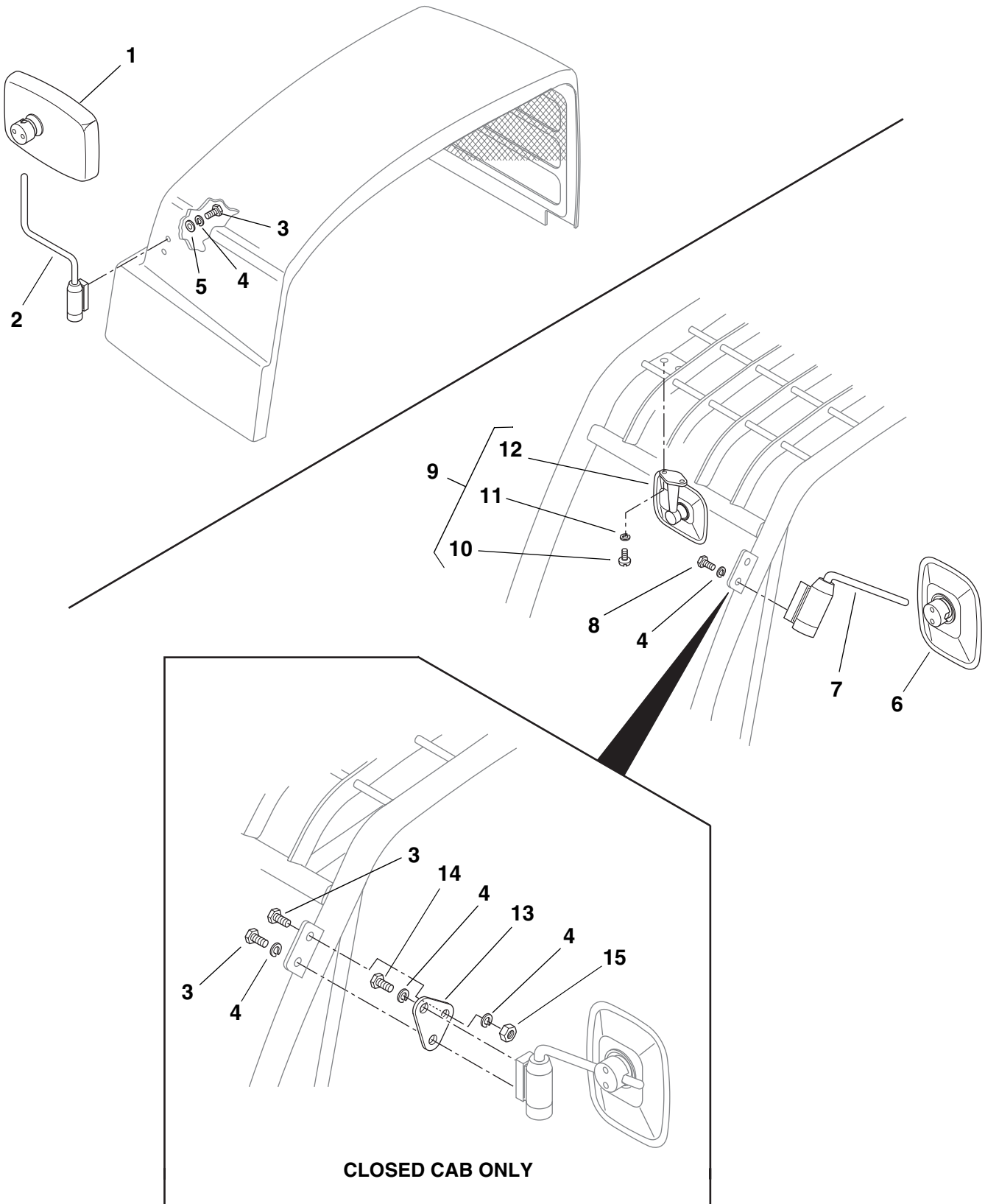


PS0310

OPERATOR'S SEAT AND SEAT BELT (Optional)

Item No.	Part Number	Qty.	Description
1	8864055	1	Seat, Deluxe Cloth with Suspension
	8864056	1	Seat, Deluxe Vinyl with Suspension
2	7130412	2	Tether
3	7096491	2	Spacer
4	8864060	1	Seat Belt Assembly - 2" Retractable (Includes Items 5 thru 7)
5	NSS	2	Nut, Hex
6	NSS	2	Hex Hd Capscrew
7	NSS	2	Washer, Flat
8	8303670	4	HHCS, 5/16-18 x 1" Gr. 5
9	8307106	8	Washer, Flat 5/16" Narrow
10	8305626	4	Nut, Hex Lock Elastic 5/16-18
11	8305404	2	Nut, Hex Jam 3/8-16
12	8307204	2	Washer, Flat 3/8"
13	7057141	2	Washer, Rebound
14	8305645	2	Nut, Hex Lock Elastic 3/8-16
15	8864058	1	Seat Belt Assembly - 3" Retractable (Includes mounting hardware)
16	8864019	1	Seat Belt Assembly - 3" Non-Retractable

MIRRORS

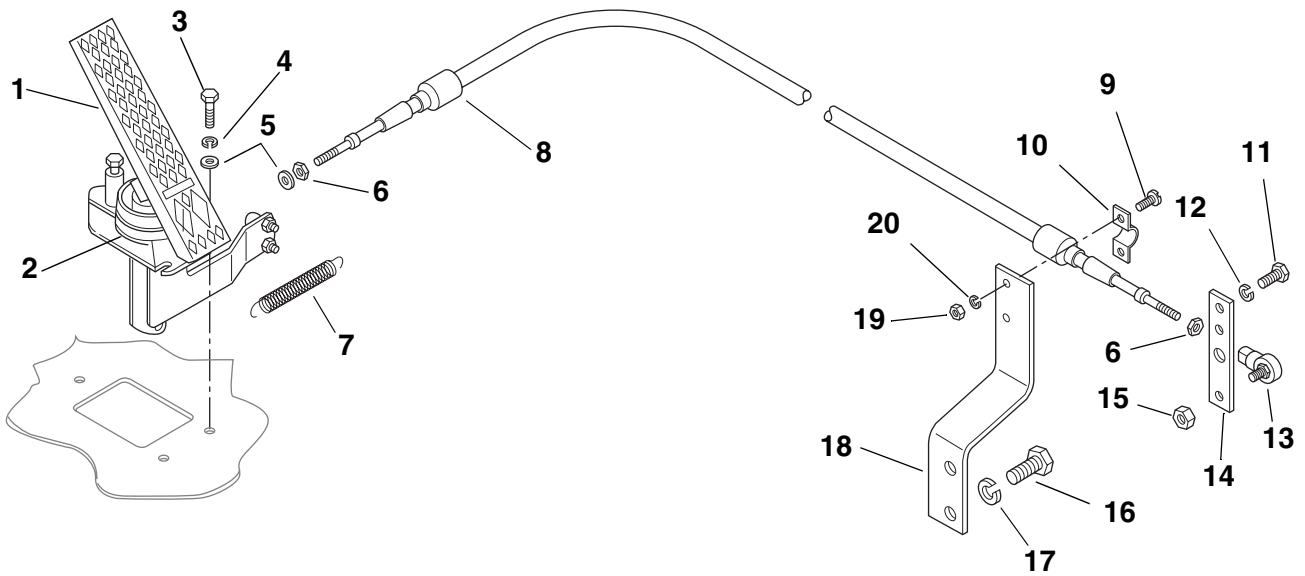


PS0321

MIRRORS

Item No.	Part Number	Qty.	Description
1	8866514	1	Mirror Head, Convex
2	8866515	1	Arm Assembly, Mirror
3	8303548	2	HHCS, M6-1 x 19mm
4	8307024	A/R	Washer, Lock M6 (Qty 2 for Open Cab, Qty 3 for Closed Cab)
5	8307109	2	Washer, Flat SAE 1/4" Light
6	8866529	1	Mirror, Rear View
7	8866530	1	Arm Assembly, Mirror
8	8303799	2	HHCS, M6-1 x 14mm
9	7136742	1	Kit, RH Mirror - Optional (Includes Item 10, 11 & 12)
10	8303836	2	Screw, Slotted Round Hd. #10-24 x 5/8"
11	8307003	2	Washer, Lock #10
12	8866516	1	Mirror Assembly, Rear View
13	7138366	1	Bracket, Mirror (Closed Cab Only)
14	8303799	1	HHCS, M6-1 x 14mm (Closed Cab Only)
15	8305047	1	Nut, Hex M6-1 (Closed Cab Only)

THROTTLE PEDAL CONTROL (Cummins)



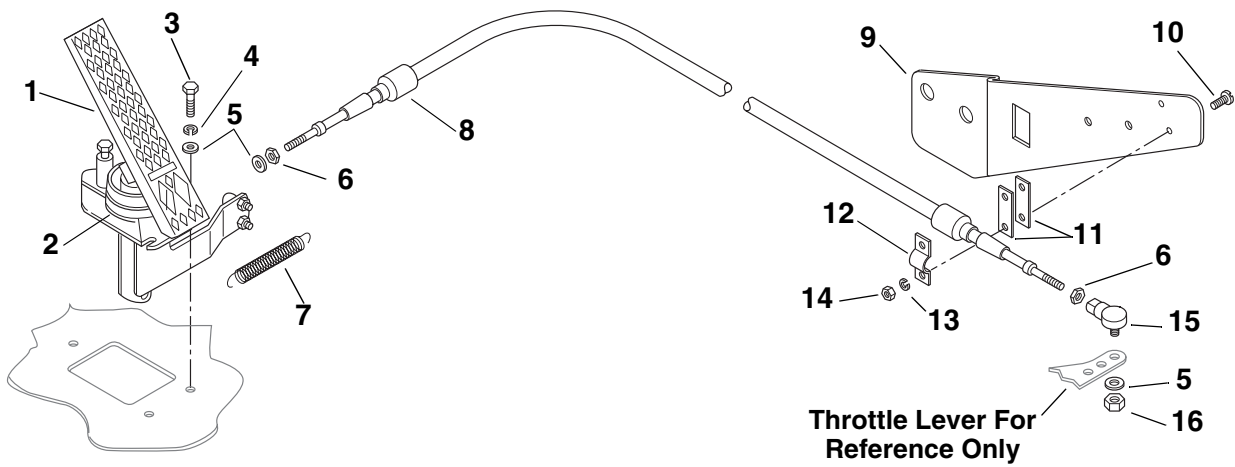
PS0430

THROTTLE PEDAL CONTROL

(Cummins)

Item No.	Part Number	Qty.	Description
1	8162003	1	Pedal, Throttle (Includes Item 2)
2	8033178	1	Bellows, Throttle Pedal
3	8303615	3	HHCS, 1/4-20 x 1-1/4"
4	8307002	3	Washer, Lock 1/4"
5	8307109	4	Washer, Flat SAE 1/4"
6	8305402	2	Nut, Hex Jam 1/4-28 NF
7	8700116	1	Spring, Extension
8	8160073	1	Cable, Throttle
9	8303837	2	Screw, Slotted Pan Hd. #10-24 x 3/4"
10	8160610	1	Clamp, Cable
11	8303799	2	HHCS, M6 x 14mm
12	8307024	2	Washer, Lock M6
13	8340034	1	Rod End 1/4-28 Thd.
14	7127091	1	Extension, Throttle Lever
15	8305650	1	Nut, Hex Lock Elastic 1/4-28 NF
16	8303790	2	HHCS, M12x1.75 x 30mm PC 8,8
17	8307025	2	Washer, Lock M12
18	7127102	1	Bracket, Throttle Cable
19	8305002	2	Nut, Hex #10-24
20	8307003	2	Washer, Lock #10

THROTTLE PEDAL CONTROL (Perkins)

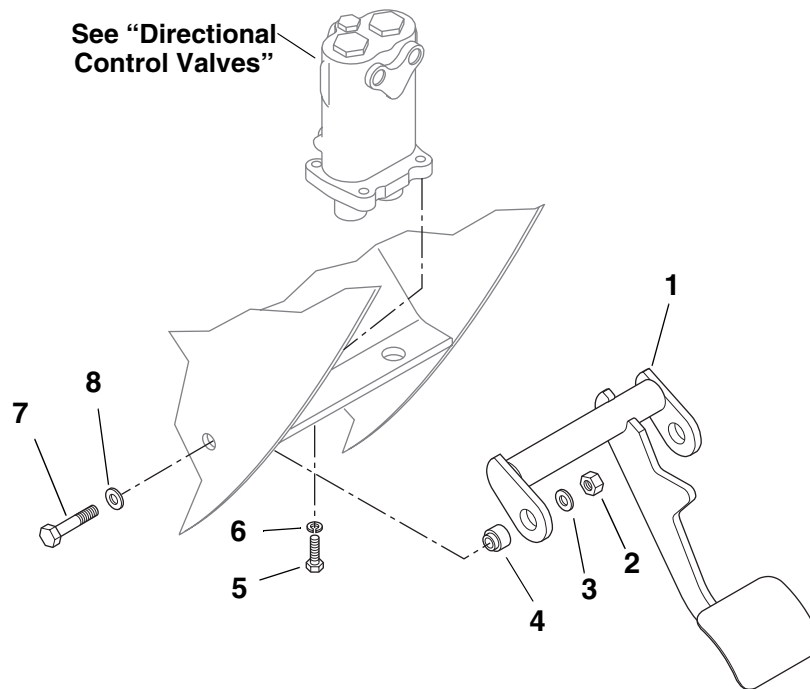


PS0470

THROTTLE PEDAL CONTROL (Perkins)

Item No.	Part Number	Qty.	Description
1	8162003	1	Pedal, Throttle (Includes Item 2)
2	8033178	1	Bellows, Throttle Pedal
3	8303615	3	HHCS, 1/4-20 x 1-1/4"
4	8307002	3	Washer, Lock 1/4"
5	8307109	5	Washer, Flat SAE 1/4 Narrow
6	8305402	2	Nut, Hex Jam 1/4-28 NF
7	8700116	1	Spring, Extension
8	8160073	1	Cable, Throttle
9	7128252	1	Bracket, Throttle
10	8303837	2	Screw, Slotted Pan Hd. #10-24 x 3/4"
11	8162213	2	Shim
12	8160610	1	Clamp, Cable
13	8307003	2	Washer, Lock #10
14	8305002	2	Nut, Hex #10-24
15	8340034	1	Rod End 1/4-28 Thd.
16	8305650	1	Nut, Hex Lock Elastic 1/4-28 NF

SERVICE BRAKE PEDAL MOUNTING

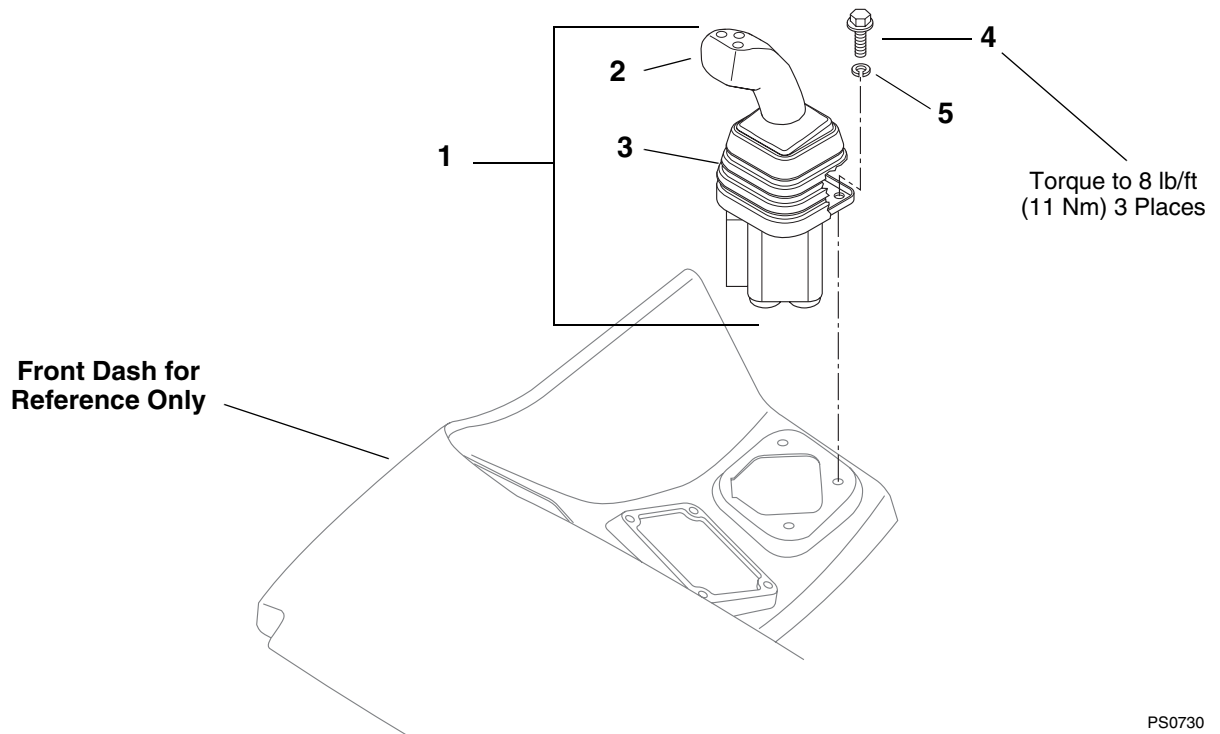


PS0530

SERVICE BRAKE PEDAL MOUNTING

Item No.	Part Number	Qty.	Description
1	7128403	1	Pedal, Service Brake
2	8305644	2	Nut, Hex Lock Elastic 1/2-13
3	8307206	2	Washer, Flat 1/2"
4	7129521	2	Pivot, Brake Pedal
5	8303755	4	HHCS, M10-1,5 x 30mm
6	8307023	4	Washer, Lock M10
7	8303658	2	HHCS, 1/2-13 x 2"
8	8307112	2	Washer, Flat 1/2" Narrow

JOYSTICK MOUNTING

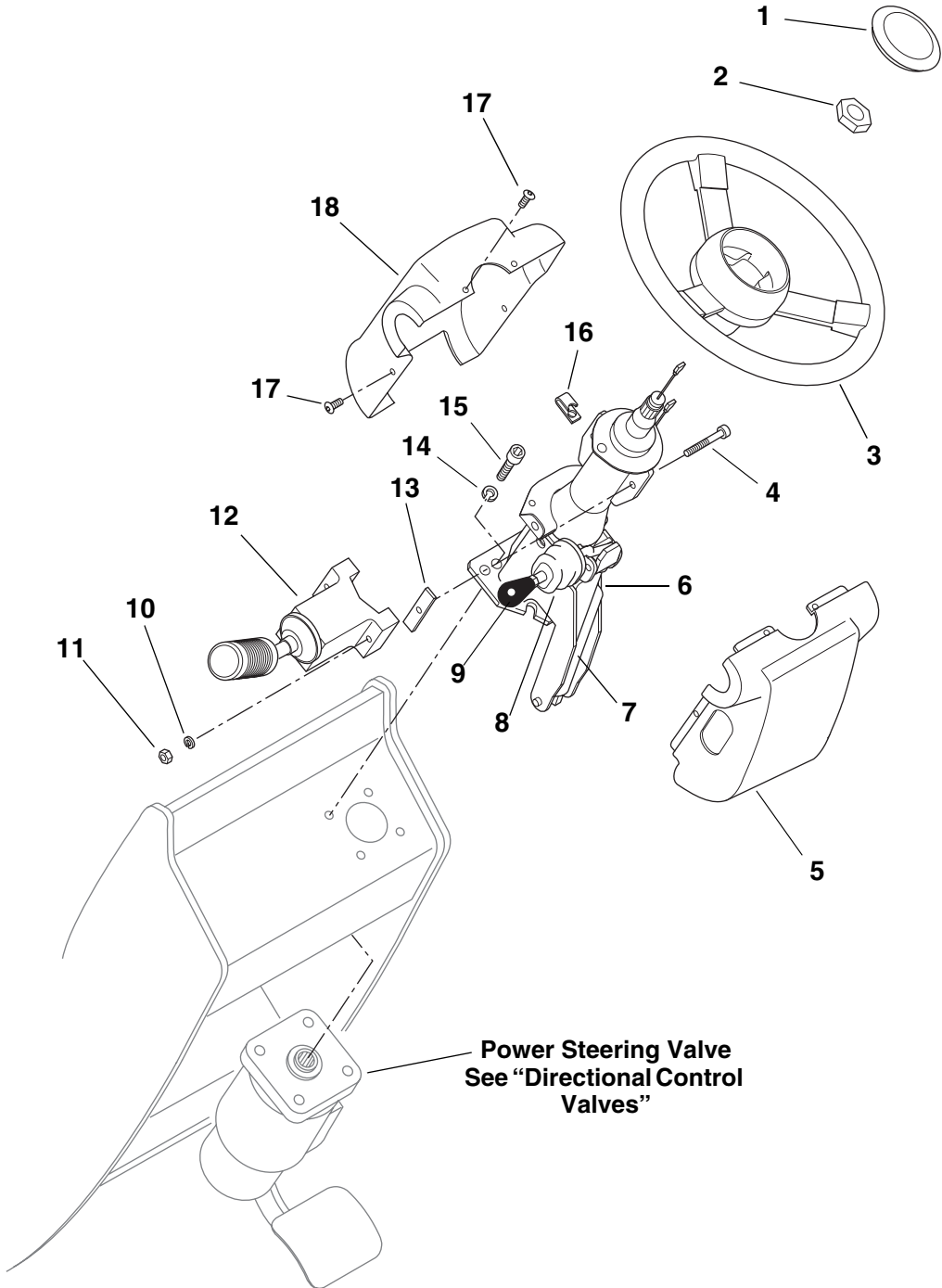


PS0730

JOYSTICK MOUNTING

Item No.	Part Number	Qty.	Description
1	7133942	1	Joystick Assembly (Includes Item 2 and 3)
2	7133932	1	Handle Assembly
3	8035777	1	Rubber Boot
4	8303705	3	Flange Hd. Capscrew 1/4-20 x 3/4"
5	8307002	3	Washer, Lock 1/4"

STEERING COLUMN, STEERING WHEEL & SHIFTER

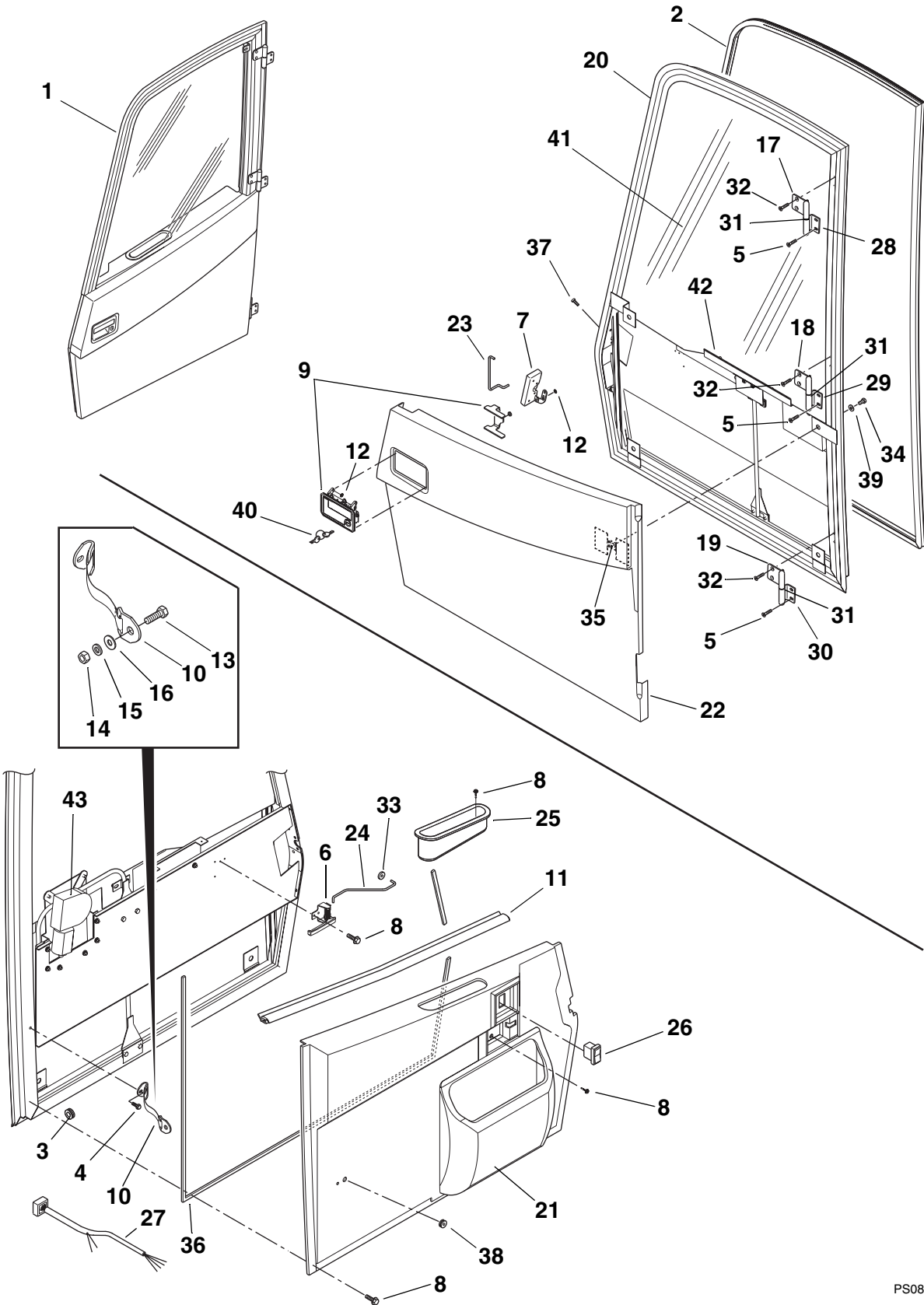


PS0541

STEERING COLUMN, STEERING WHEEL & SHIFTER

Item No.	Part Number	Qty.	Description
1	8720017	1	Cover, Horn Button
2	8310315	1	Nut, Thin M18-1,5
3	8720016	1	Wheel, Steering
4	8310350	2	Screw, Hex Socket Hd. #10-32 x 1-1/2"
5	7130763	1	Cover, Steering Column, Bottom
6	7121523	1	Steering Column (Includes Item 7 thru 9)
7	8035803	1	Gas Spring - Steering Column
8	8035804	1	Boot, Tilt Lever
9	8580118	1	Knob, Tilt Steering
10	8307003	2	Washer, Lock #10
11	8305003	2	Nut, Hex #10-32
12	8223029	1	Switch, Transmission Shift Control
13	7131961	2	Spacer, Transmission Shifter
14	8307005	4	Washer, Lock 3/8"
15	8304672	4	Screw, Hex Socket Hd. 3/8-16 x 1"
16	8310359	4	Nut, "J" #10-24
17	8310372	4	Screw, Button Hd. #10-24 x 5/8"
18	7130753	1	Cover, Steering Column, Top

CAB DOOR (Optional)

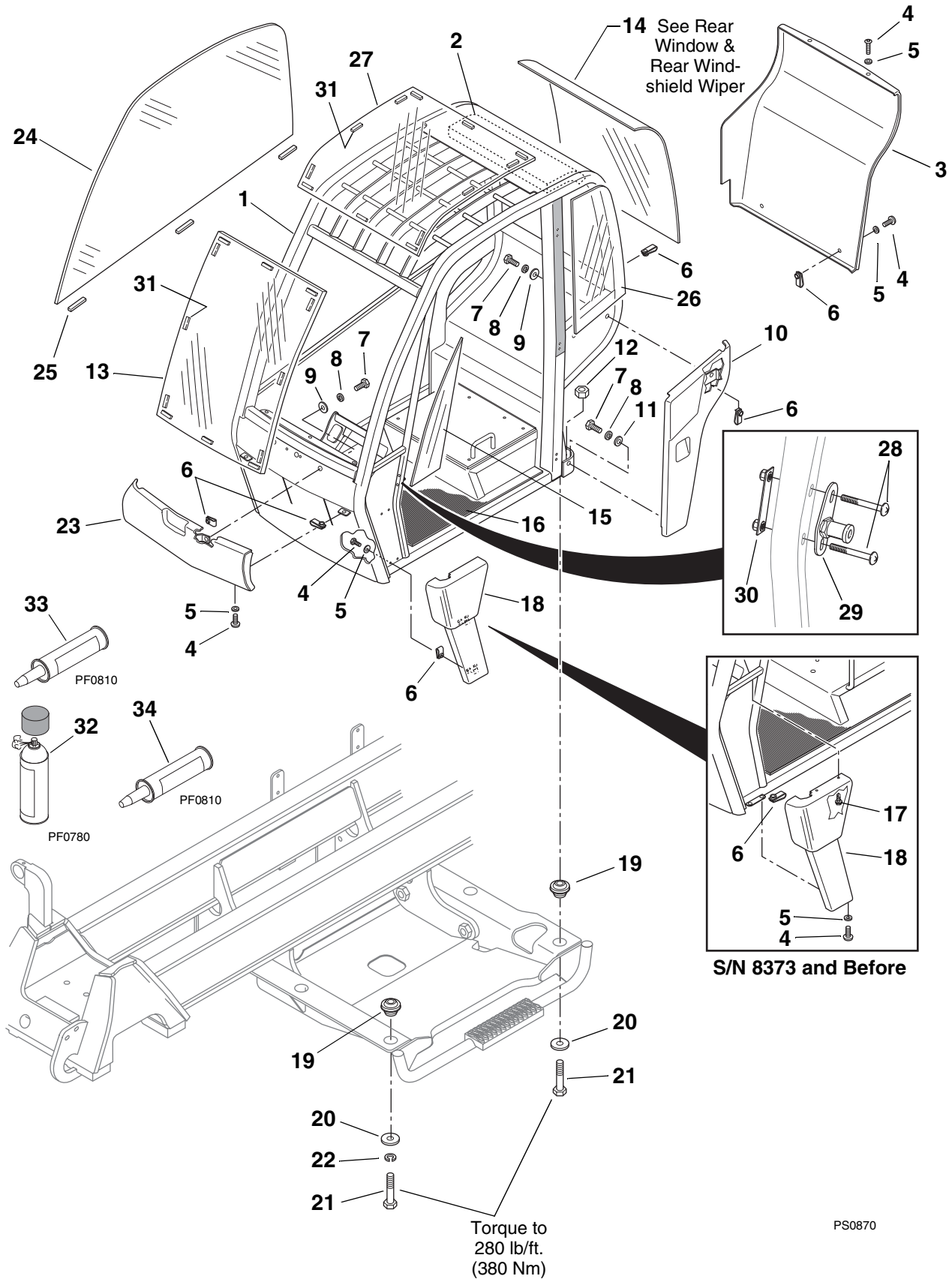


PS0860

CAB DOOR (Optional)

Item No.	Part Number	Qty.	Description
1	8035470	1	Door Assembly - Closed Cab (Includes Items 2-40)
2	8033072	1	Seal, Bulb 90°, 192" Long
3	8035436	1	Grommet, 3/4 OD x 1/2 ID
4	8035437	1	Screw, 1/4-20 x 3/4"
5	8033058	6	Screw, 1/4-20 x 3/4" Whizlock
6	8035438	1	Handle, Door - Inside
7	8035439	1	Latch, Door
8	8035440	10	Screw, Pan Hd #10-16 x 3/4"
9	8035441	1	Latch, Paddle - RH Black
10	8035442	1	Strap, Door Restraint
11	8035443	1	Door Seal w/Flap - 70"
12	8035444	2	Retainer, Push On - 3/16" Rod
13	8035445	1	Bolt, Hex 5/16-18 x 1" Gr 8
14	8034798	1	Nut, Hex 5/16-18 Gr 8 Yellow
15	8034799	1	Washer, Lock .315 x .575 x .085 Thick
16	8035435	1	Washer, Flat .313 x .750 x .060 Thick
17	8035446	1	Door Hinge, Top
18	8035447	1	Door Hinge, Center
19	8035448	1	Door Hinge, Bottom
20	8035449	1	Window Assembly-LH Door
21	8035450	1	Door Panel, Interior
22	8035451	1	Door Panel, Exterior
23	8035452	1	Release Rod, Exterior
24	8035453	1	Release Rod, Interior
25	8035454	1	Pocket, Interior Door Panel
26	8035455	1	Switch, Electric Window
27	8035456	1	Wire Harness, LH Door
28	8035457	1	Hinge, Top
29	8035458	1	Hinge, Center
30	8035459	1	Hinge, Bottom
31	8035460	3	Washer, Hinge Brass
32	8035461	6	Screw, Flat Hd Hex Drive 1/4-20 x 1-1/4"
33	8035462	1	Retainer, Clip On
34	8035463	4	Screw, Truss Hex Drive 1/4-20 x 5/8"
35	8035464	4	U-Nut, 1/4-20
36	8037206	1	Seal, "D"Type Bulb .216 x .354 x 54"
37	8035466	4	Screw, Flat Head 1/4-20 x 3/4"
38	8035467	1	Grommet, 3/8 ID x 5/8 OD
39	8035468	4	Washer, Flat .281 x 1.05 x .065 Thick
40	8342808	1	Key Set, LL22
41	8035471	1	Glass, Door - Closed Cab
42	8035472	1	Channel, Glass
43	8035473	1	Regulator, Electric Window 12V

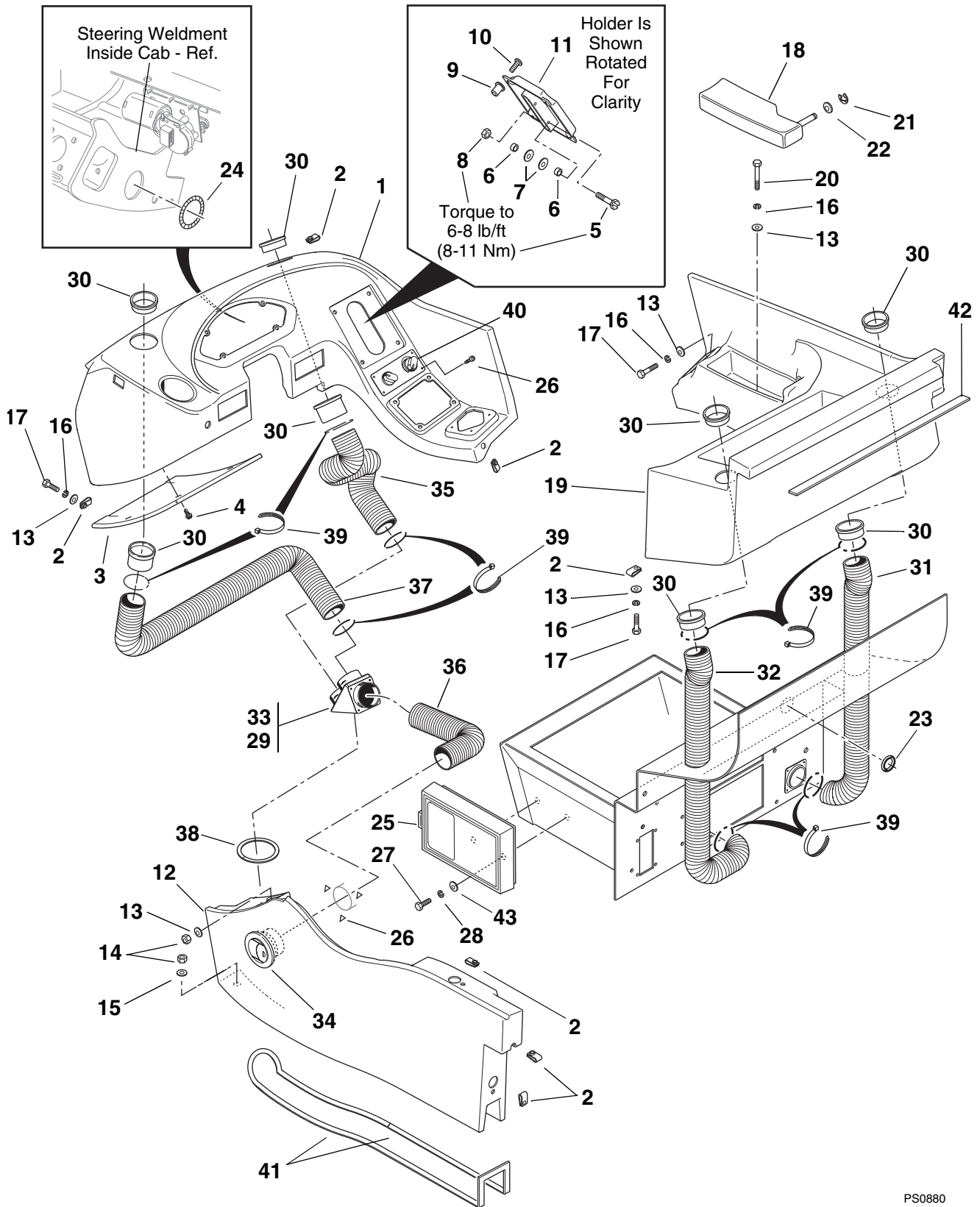
CLOSED CAB - OUTER PANELS (Optional)



CLOSED CAB - OUTER PANELS (Optional)

Item No.	Part Number	Qty.	Description
1	NSS	1	Operator's Protective Structure - ROPS/FOPS
2	7131412	1	Headliner
3	7130663	1	Panel, Cab Rear
4	8310301	8	BHCS, 5/16-18 x 1" (S/N 8373 and Before)
		10	BHCS, 5/16-18 x 1" (S/N 8374 and After)
5	8310124	8	Washer, Flat Plastic 5/16" (S/N 8373 and Before)
		10	Washer, Flat Plastic 5/16" (S/N 8374 and After)
6	8305906	13	Nut, Retaining 5/16-18
7	8303670	5	HHCS, 5/16-18 x 1"
8	8307004	5	Washer, Lock 5/16"
9	7057141	4	Washer, Rebound
10	7130653	1	Panel, Cab Rear LH
11	8307203	1	Washer, Flat 5/16"
12	8310067	2	Nut, Hex Lock Elastic 3/4-10
13	7136342	1	Windshield, Front (Includes Glass, Setting Blocks & Urethane Seal)
14	8035474	1	Glass, Rear
	8035606	1	Rear Window Assy. (Includes Glass, Hinges, Brackets, Seal and Hardware)
15	8035524	1	Window, Front LH (Includes Glass, Frame & Urethane Seal)
16	7138234	1	Mat, Floor
17	8310353	2	Screw, Self Drilling #12-14 x 1" (S/N 8373 and Before)
18	7130643	1	Panel, Cab Front LH (S/N 8373 and Before)
	7134453	1	Panel, Cab Front LH (S/N 8374 and After)
19	8278026	4	Isolator, Cab
20	7129441	4	Washer, Rebound
21	8310375	4	HHCS, 3/4-10 x 3-3/4" Gr.8
22	8307010	2	Washer, Lock 3/4"
23	7137733	1	Panel, Cab Front
24	8035294	1	Window, Right Side
25	8035721	3	Block, Setting
26	8035525	1	Window, Rear LH (Includes Glass, Frame & Urethane Seal)
27	8035527	1	Window, Skylight
28	8035526	2	Bolt, Truss 5/16-18 x 2" Black
29	8035528	1	Striker Assembly
30	8035529	1	Striker Plate, Blind Nut
31	8035490	24	Block, Setting
32	8526042	AR	Adhesive, 10 Oz Spray Can (For Item 17)
33	8035523	1	Urethane Seal, Tube - Black
34	8035723	1	Caulk, Tube - Orange

CLOSED CAB - INNER CONSOLE & DASH PANEL (Optional)

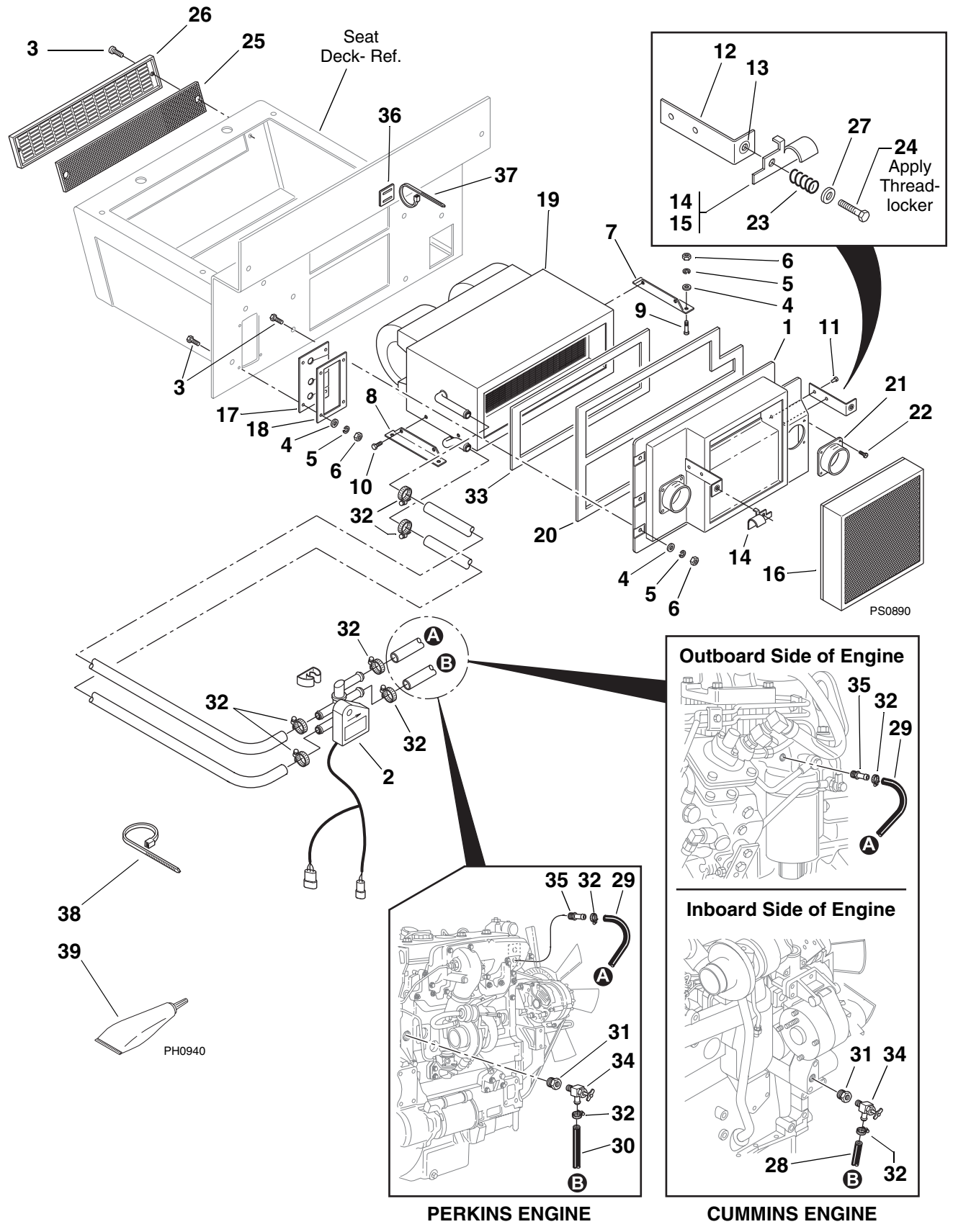


PS0880

CLOSED CAB - INNER CONSOLE & DASH PANEL (Optional)

Item No.	Part Number	Qty.	Description
1	7137654	1	Dash, Front
2	8305906	10	Nut, Retaining 5/16-18
3	7130773	1	Cover, Lower Dash
4	8310353	3	Screw, Self Drilling #12-14 x 1"
5	8310016	2	HHCS, Slotted #10-24 x 1"
6	8310402	4	Spacer
7	8310360	4	Washer, Fender
8	8310085	2	Nut, Hex Lock Elastic #10-24
9	8580421	4	Nut, Well #10-32
10	8310358	4	BHCS, #10-32 x 3/4"
11	7131003	1	Holder, Load Chart
12	7137364	1	Support, Console
13	7057141	7	Washer, Rebound
14	8305626	2	Nut, Hex Lock Elastic 5/16-18
15	8307203	5	Washer, Flat 5/16"
16	8307004	10	Washer, Lock 5/16"
17	8303739	9	HHCS, 5/16-18 x 1-1/4"
18	7130862	1	Armrest
19	7137664	1	Tool Bin, Rear
20	8310009	1	HHCS, 5/16-18 x 2"
21	8630010	1	Ring, Retaining
22	8307206	1	Washer, Flat 1/2"
23	7124531	1	Conduit, 1/4 x 5" Long
24	7132751	1	Conduit, 1/4 x 9-1/2" Long
25	8990147	1	Holder, Owner/Operator Manual
26	6620971	3	Clip, Retainer
27	8303540	2	HHCS, 1/4-20 x 1" Gr5
28	8307002	2	Washer, Lock
29	8035397	24	Screw, Self Tapping #8-32 x 1/2"
30	8035398	4	Louver, Ball
31	8035399	1	Hose, Flex 2-1/2" Dia. Rear RH Vent - 33" Long
32	8035400	1	Hose, Flex 2-1/2" Dia. Rear LH Vent - 37" Long
33	8035401	1	Weldment, Vent Manifold
34	8035402	1	Louver, Round
35	8035403	1	Hose, Flex 2-1/2" Dia. Center Vent - 30" Long
36	8035404	1	Hose, Flex 2-1/2" Dia. Front RH Vent - 18" Long
37	8035405	1	Hose, Flex 2-1/2" Dia. Front LH Vent - 40" Long
38	8033032	2	Sponge Rubber, Adhesive Backed 80" Long
39	8035406	10	Tie Sprap, Nylon 3/16 Wide x 12" Long
40	8035407	1	Panel, Heater Control
	8035521	1	Panel, Heater & A/C Control
41	8035599	1	Foam Strip - PSA 1/4 x 1/2 x 100"
42	7138275	1	Neoprene Strip 1/2 x 1 x 28"
43	8307109	2	Washer, Flat

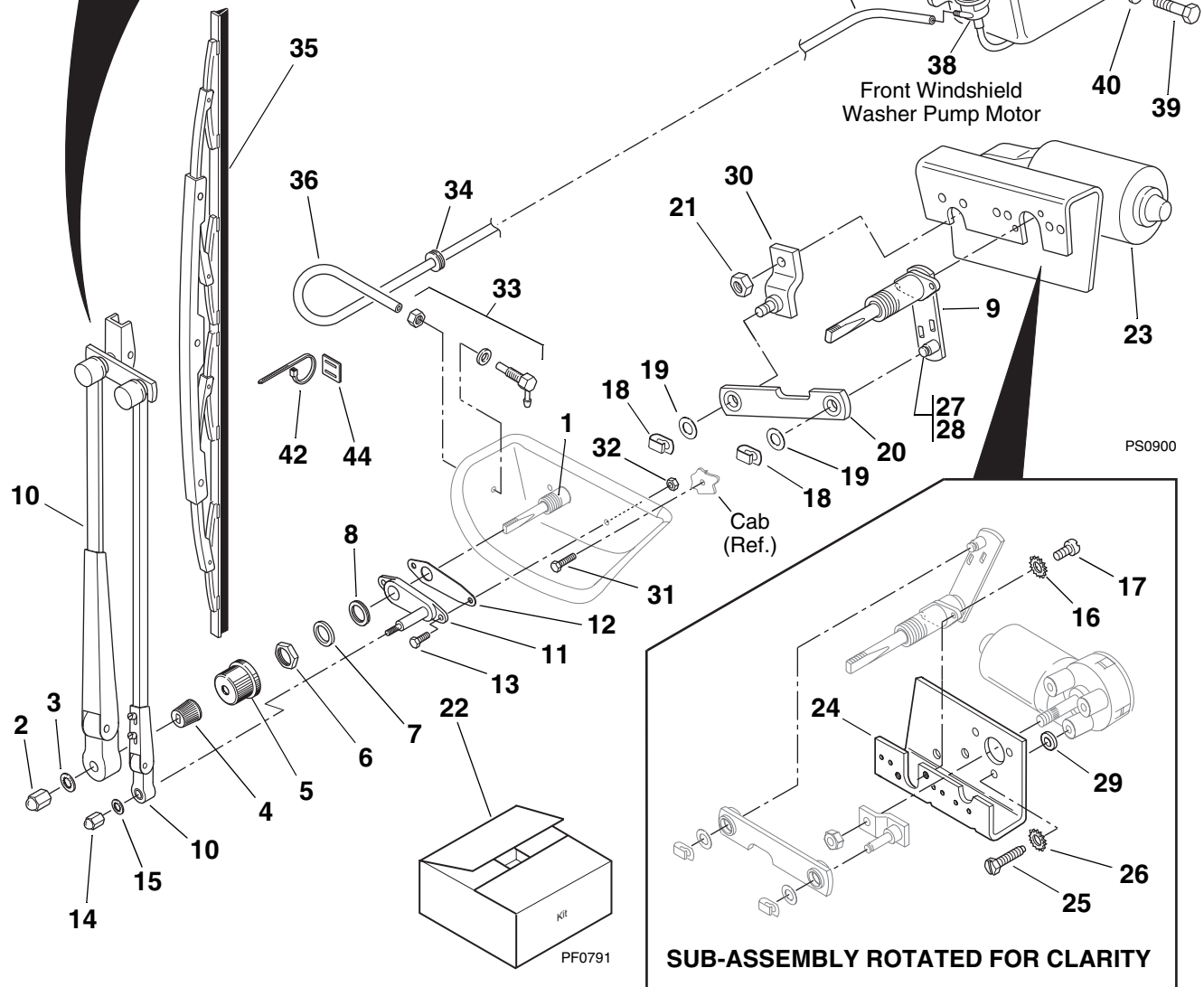
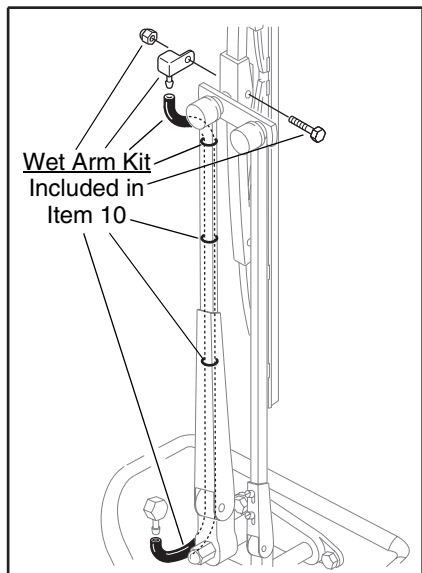
CAB HEATER (Optional)



CAB HEATER (Optional)

Item No.	Part Number	Qty.	Description
1	8035412	1	Plenum
2	8035413	1	Valve, Heater - Motorized w/Module & Harness
3	8035414	11	Screw, 1/4-20 x 1"
4	8035415	13	Washer, Flat .281 x .625
5	8035416	13	Washer, Lock .254 x .480 - Black
6	8035417	13	Nut, Hex 1/4-20 - Black
7	8035418	1	Angle, RH Side
8	8035419	1	Angle, LH Side
9	8035420	4	Bolt, Carriage 1/4-20 x 1"
10	8035421	4	Screw, M6 x 12 - Whizlock
11	8035422	4	Rivet, Pop 3/16 x 1/2"
12	8035423	2	Angle, Filter Clamp
13	8035424	2	Rivnut, 5/16 Hex
14	8035425	1	Latch, LH - Filter Hold Down
15	8035426	1	Latch, RH - Filter Hold Down
16	8035388	1	Air Filter w/Seal - Closed Cab
17	8035427	1	Grommet
18	8035428	1	Plate, Grommet
19	8035429	1	Heater Unit
20	8035430	1	Foam, PSA 3/16 x 5/8 x 84"
21	8035431	5	Adapter, Hose 2-1/2" Dia.
22	8035397	24	Screw, Self Tapping #8-32 x 1/2"
23	8035432	2	Spring, Compression 1/2 x 7/8"
24	8035433	2	Bolt, Hex 5/16-18 x 1-1/2" Yellow
25	8035389	1	Foam Filter, Recirculate - Closed Cab
26	8035434	1	Holder, Foam Filter
27	8035435	2	Washer, Flat 5/16
28	7137741	1	Heater Hose, 5/8 x 126" Used with Both Engines
29	7137751	1	Heater Hose, 5/8 x 144" Cummins Engine Only
30	7129881	1	Heater Hose, 5/8 x 72" - Perkins Engine Only
31	8541036	1	Bushing, Hex 12P - 6P
32	8410009	8	Clamp, Hose SAE #10
33	8033032	1	Foam, PSA 1/8 x 3/8 x 164"
34	8360005	1	Valve, Shut-Off - Used with Both Engines
35	8420201	1	Connector, 5/8 x 12 NPT - Used with Both Engines
36	8584018	2	Mount, Tie
37	8584001	2	Plastic Tie
38	8035406	10	Plastic Tie
39	8526036	1	Threadlocker 242 General Purpose (.02 fl. oz.)

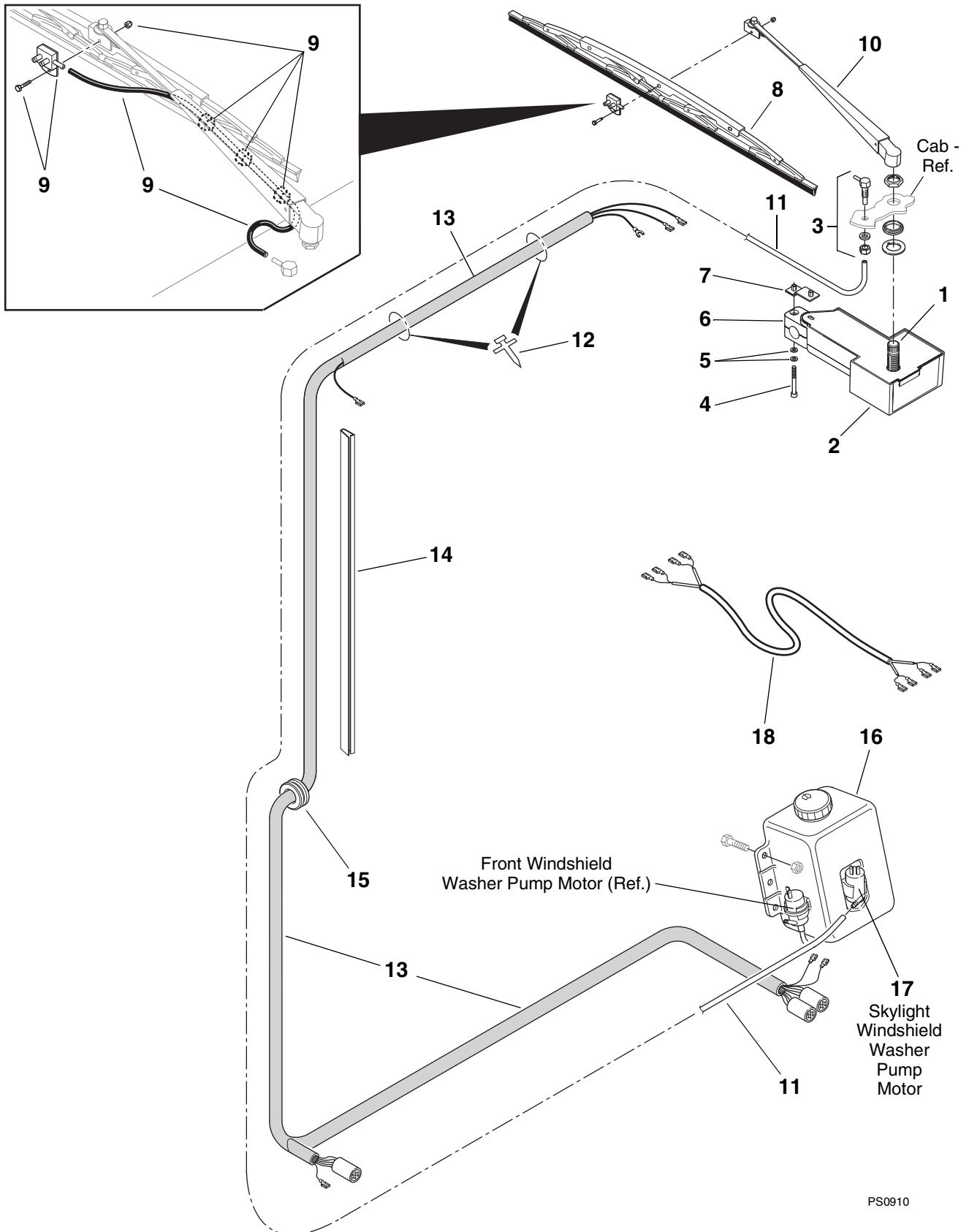
FRONT WINDSHIELD WIPER (Optional)



FRONT WINDSHIELD WIPER (Optional)

Item No.	Part Number	Qty.	Description
1	8866492	1	Pivot Arm and Shaft Assembly (Includes Items 2 thru 9)
2	NSS	1	Nut, Acorn 3/8-24 (Serviced Only In Pivot Arm & Shaft Assy, Item 1)
3	NSS	1	Washer, Int. Tooth Lock 3/8" (Serviced Only In Pivot Arm & Shaft Assy, Item 1)
4	NSS	1	Driver, Knurled (Serviced Only In Pivot Arm & Shaft Assy, Item 1)
5	NSS	1	Cap, Rubber (Serviced Only In Pivot Arm & Shaft Assy, Item 1)
6	NSS	1	Nut, Hex Jam 11/16-24 (Serviced Only In Pivot Arm & Shaft Assy, Item 1)
7	NSS	1	Washer, Metal (Serviced Only In Pivot Arm & Shaft Assy, Item 1)
8	NSS	1	Washer, Cardboard (Serviced Only In Pivot Arm & Shaft Assy, Item 1)
9	8035408	1	Shaft Assembly
10	8035393	1	Wiper Arm, 24" Flex (Includes Wet Arm Kit)
11	8034815	1	Panto Adapter Kit (Includes Items 13, 15 & 16)
12	NSS	1	Gasket, Panto (Serviced Only In Panto Adapter Kit, Item 12)
13	8033856	2	Screw, Truss 1/4-20 x 3/4" Black
14	NSS	1	Nut, Acorn 1/4-28 (Serviced Only In Panto Adapter Kit, Item 12)
15	8310029	1	Washer, Internal Tooth Lock 1/4"
16	8307052	2	Washer, External Tooth Lock #10
17	8303839	2	Screw, Slotted Pan Head #10-32 x 1/2"
18	NSS	2	Clip, Spring (Serviced Only In Wiper Motor Assembly, Item 24)
19	NSS	2	Washer, Special Flat .560 x .251 x .015 (Serviced Only In Wiper Motor Assembly)
20	8035409	1	Link, Connecting
21	8305006	1	Nut, Hex Flanged 5/16-18
22	7112511	1	Wiper Motor Kit (Includes Item 24 - 27)
23	8033102	1	Wiper Motor Assembly (Includes Mtg Brkt, Motor, Link & Hardware)
24	NSS	1	Bracket, Wiper Motor
25	NSS	3	HHCS, Slotted 1/4-28 x 3/4"
26	8310002	3	Washer, External Tooth 1/4"
27	NSS	1	Pin, Shoulder (Serviced Only in Pivot Arm & Shaft Assy, Item 1)
28	8305005	1	Nut, Hex 1/4-28
29	8307203	3	Washer, Flat 5/16"
30	8035411	1	Drive Arm .95 Long
31	8033110	2	Screw, Hex 1/4-28 x 3/4" - Black
32	8035391	2	Nut, Center Lock - Black
33	91334019	1	Wet Arm Adapter
34	8035394	1	Grommet, Rubber 1/4" ID
35	8035392	1	Wiper Blade - 28"
36	8035395	1	Hose, Clear Vinyl - 144"
37	8035410	1	Washer Reservoir Assembly (Includes Reservoir, Cap & Pump Motors)
38	8035531	2	Pump Motor 12V
39	8303670	2	HHCS, 5/16-18 x 1"
40	8307203	2	Washer, Flat 5/16"
41	8305626	2	Nut, Hex Lock 5/16-18
42	8584001	1	Plastic Tie
43	7138250	1	Jumper Cable, Washer Bottle
44	8584018	1	Mount, Tie

SKYLIGHT WINDSHIELD WIPER (Optional)

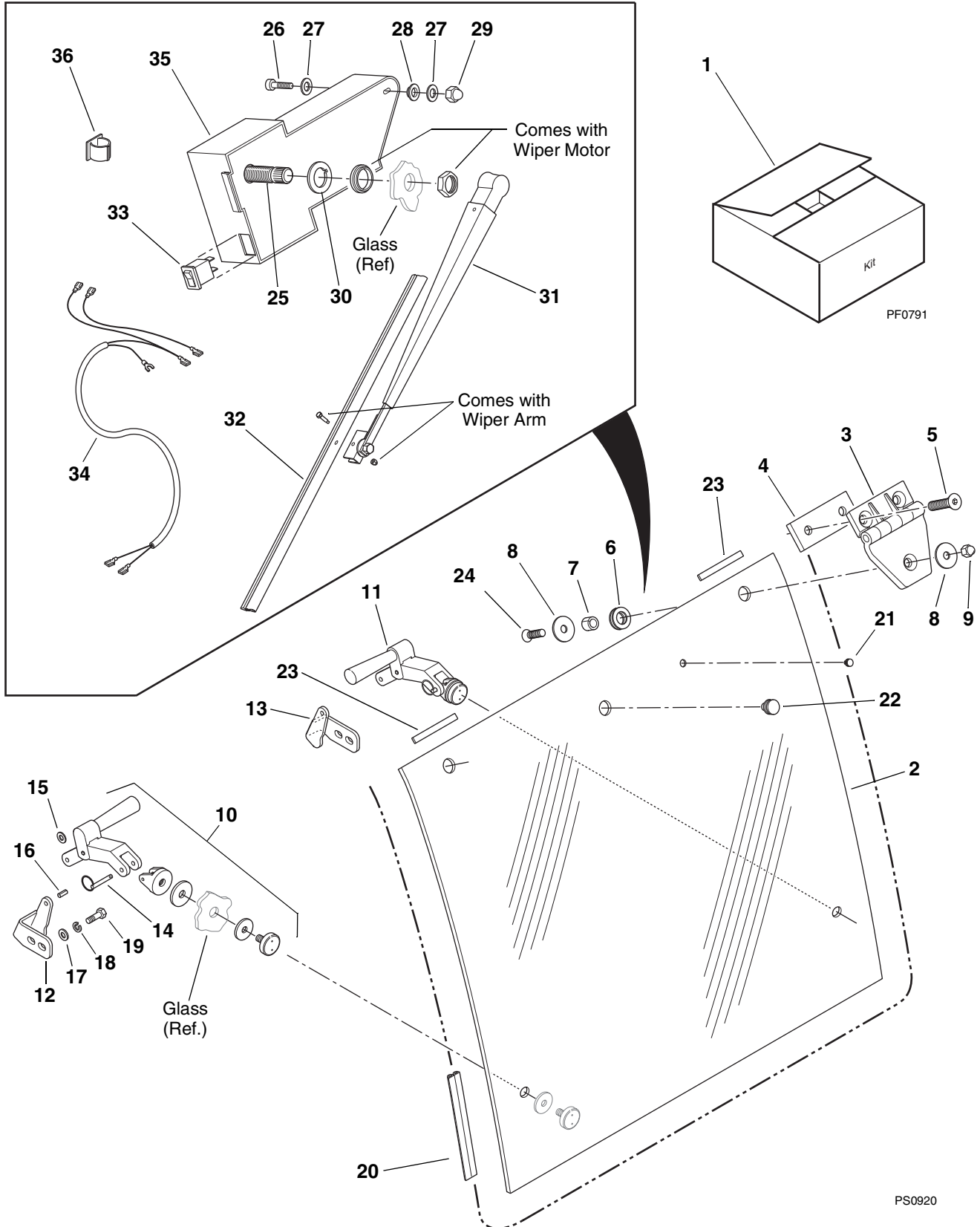


PS0910

SKYLIGHT WINDSHIELD WIPER (Optional)

Item No.	Part Number	Qty.	Description
1	8035492	1	Motor, Skylight Wiper
2	8035493	1	Cover, Wiper
3	8035390	1	Wet Arm Adapter
4	8035494	2	Bolt, Socket Head #10-24 x 1-3/4"
5	8035495	4	Washer, Flat - Black (Zinc)
6	8035496	1	Clamp, Block 3/4"
7	8035497	1	Plate, Blind Nut
8	8035498	1	Blade, Wiper 20" Flex - Black
9	8035499	1	Wet Arm Kit
10	8035500	1	Arm, Wiper - Black
11	8035501	1	Hose, Clear
12	8035502	2	Clip, Wiring
13	8035503	1	Harness, Wiper
14	8035504	1	Conduit, Split 30"
15	8035505	1	Grommet 3/4" OD 1/2" ID
16	8035410	1	Washer Reservoir Assembly (Includes Reservoir, Cap & Pump Motors)
17	8035531	2	Pump Motor 12V
18	7138250	1	Jumper Wire, Washer Bottle

REAR WINDOW & REAR WINDSHIELD WIPER (Optional)



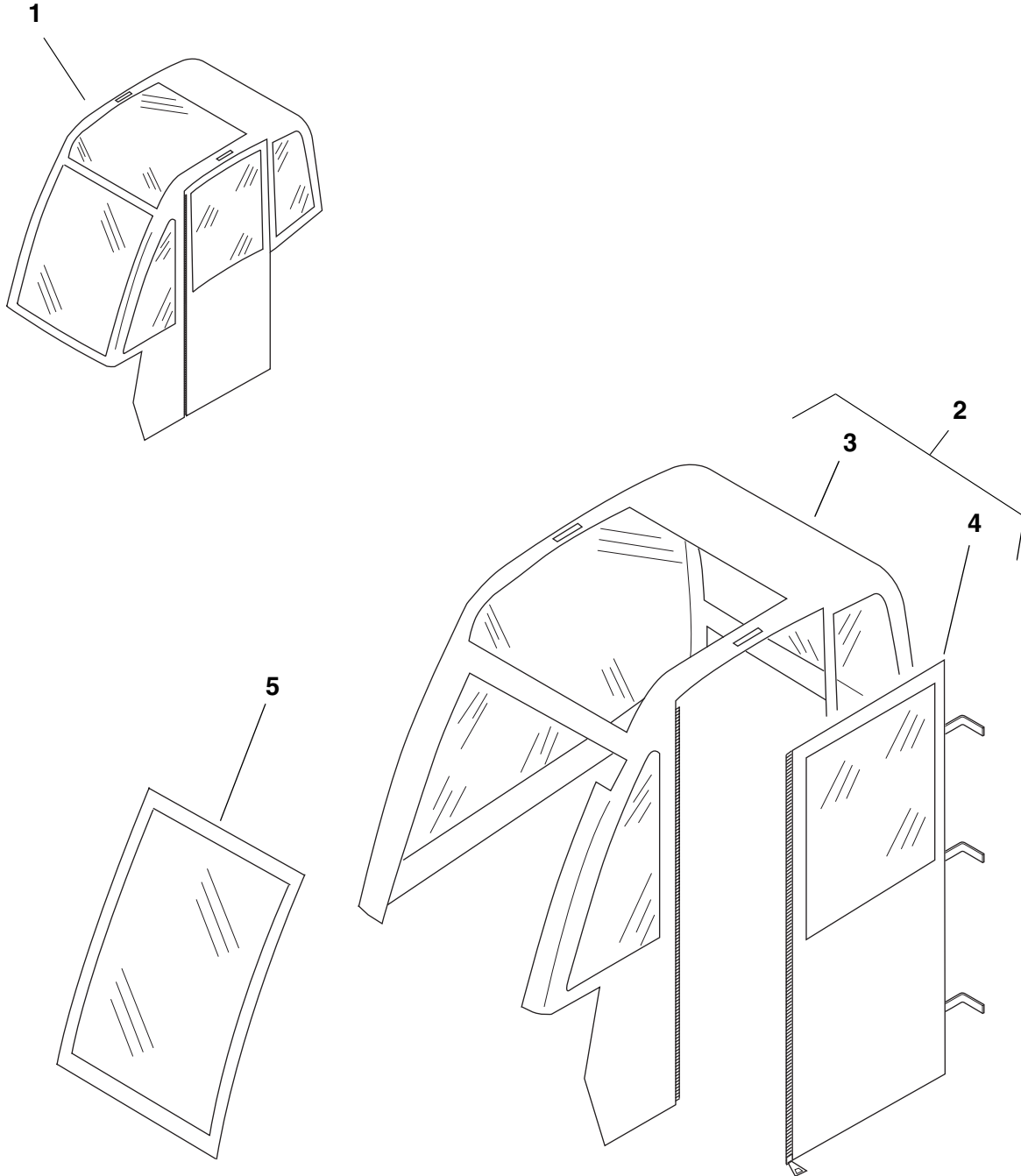
PF0791

PS0920

REAR WINDOW & REAR WINDSHIELD WIPER (Optional)

Item No.	Part Number	Qty.	Description
1	8035606	1	Rear Window Assembly (Includes Items 2-24)
2	8035474	1	Glass, Rear Window
3	8035475	2	Hinge, Plastic
4	8035476	2	Spacer, Hinge
5	8035414	4	Screw, Truss 1/4-20 x 1"
6	8035477	2	Grommet
7	8035478	2	Bushing, Plastic
8	8035468	6	Washer, Flat
9	8035479	2	Nut, Acorn 1/4-20
10	8035480	1	Hold, Open - LH
11	8035481	1	Hold, Open - RH
12	8035482	1	Bracket, Hold Open - LH
13	8035483	1	Bracket, Hold Open - RH
14	8035484	2	Pin, Detent Ring
15	8035485	2	Washer, Flat 1/4 ID x 9/16 OD
16	8035486	2	Pin, Roll
17	8035415	4	Washer, Flat 9/32 x 5/8" Black
18	8035416	4	Washer, Lock 1/4" Black
19	8035487	4	Screw, Truss Hd. 1/4-20 x 5/8" Black
20	8037206	1	Seal, Bulb "D"
21	8035488	1	Plug, Plastic 1/2" Dia.
22	8035489	1	Plug, Plastic 7/8" Dia.
23	8035490	2	Setting Block, 1/8 x 1/4 x 2"
24	8035491	2	Screw, Truss 1/4-20 x 1-1/4"
25	8035506	1	Motor, Wiper - Rear Window
26	8035507	1	Screw, Rd Hd #10-24 x 7/8"
27	8033087	2	Washer, Flat - Nylon Black
28	8034803	1	Grommet, Rubber T-Style
29	8034805	1	Nut, Acorn #10-24
30	8034808	1	Spacer, Nylon
31	8035500	1	Arm, Wiper Adj. Black
32	8035508	1	Blade, Wiper 14" Flex
33	8035509	1	Switch, Rocker SPST
34	8035510	1	Harness, Wire - Rear Wiper
35	8035511	1	Cover, Wiper Motor - Rear Window
36	8035501	1	Clip, Wiring - Adhesive Backed

SOFT CAB ENCLOSURE (Optional)

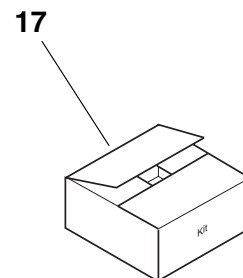
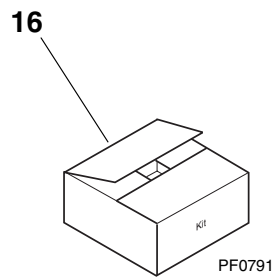
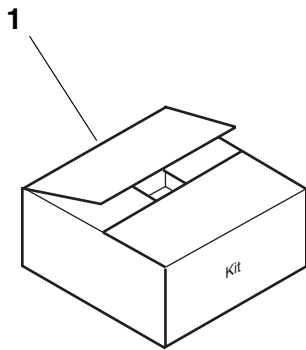
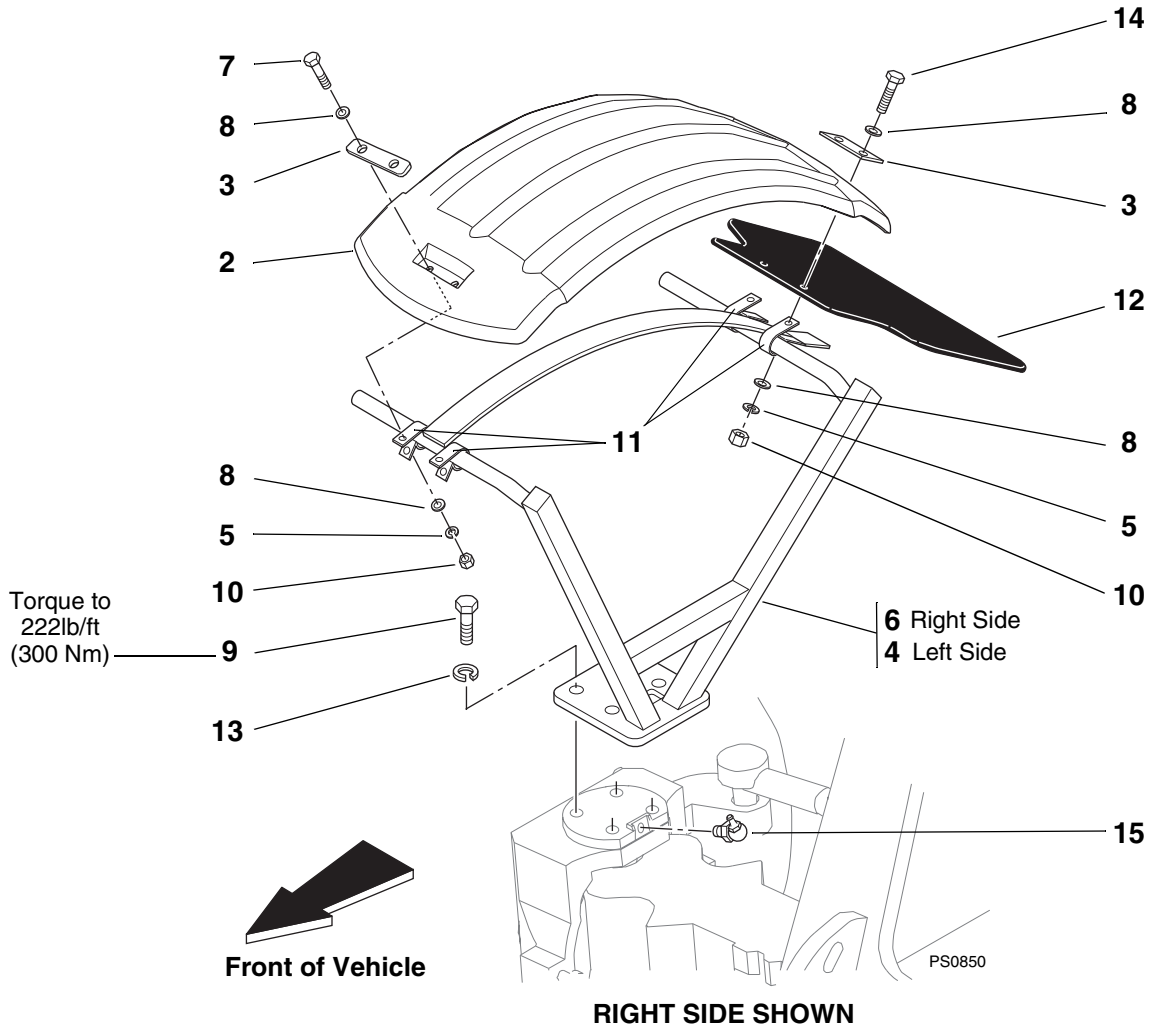


PS0840

SOFT CAB ENCLOSURE (Optional)

Item No.	Part Number	Qty.	Description
1	7135682	1	Soft Cab Enclosure Kit - Complete (Includes Items 2 and 5)
2	7136352	1	Soft Cab Enclosure Kit (Includes Items 3 & 4 plus Installation Instructions)
3	7136832	1	Main Cab Enclosure - Soft
4	7136822	1	Door Section- Soft
5	7136302	1	Front Windshield Kit (Includes Installation Instructions)

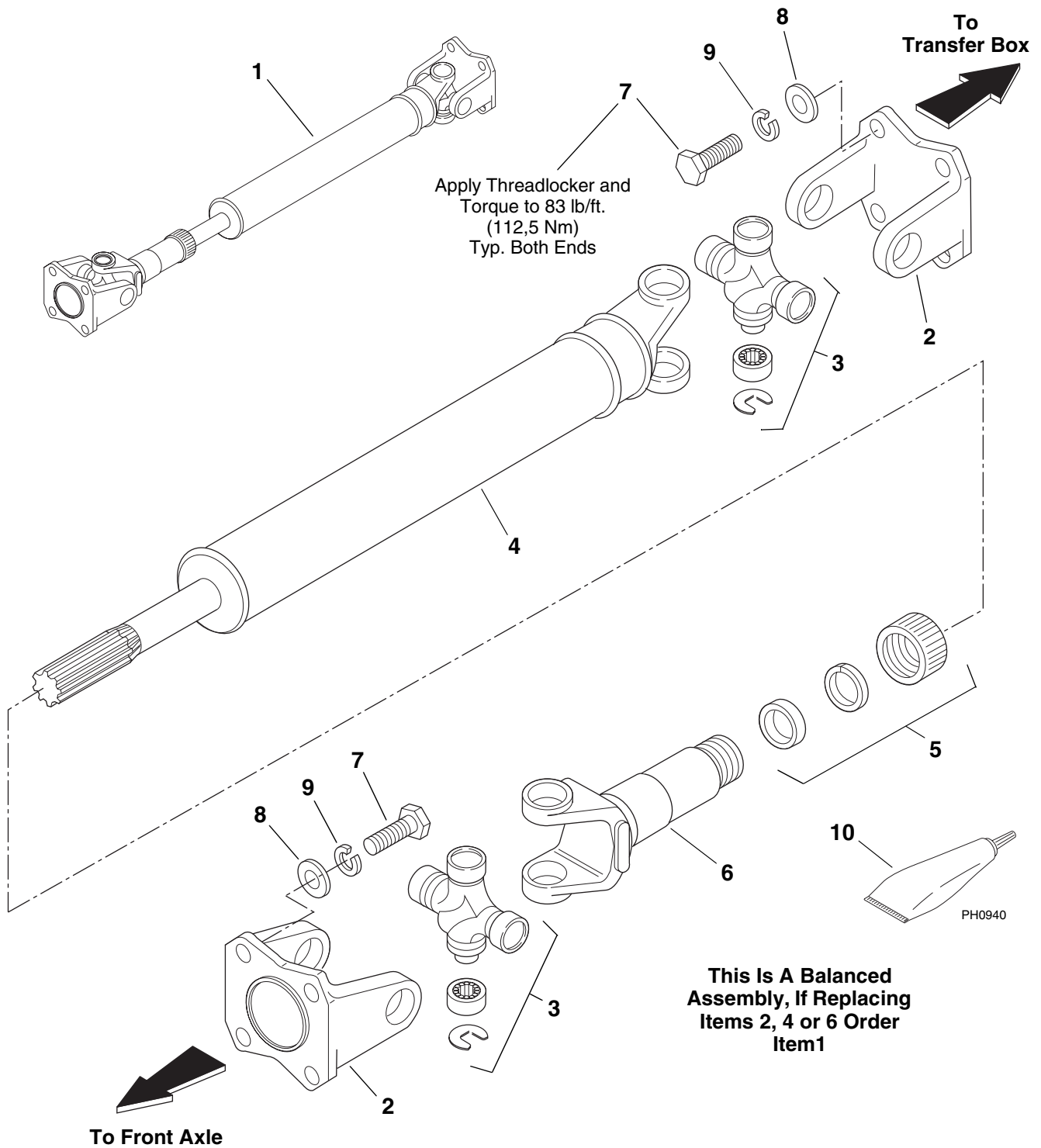
FENDERS (Optional)



FENDERS (Optional)

Item No.	Part Number	Qty.	Description
1	7140600	1	Four Fender Assembly - Complete (Includes Items 2 thru 15)
2	7132653	4	Fender - Millennia Series
3	7132921	8	Plate, Top Fender
4	7138350	2	Support, Fender - Left Side
5	8307005	16	Washer, Lock 3/8"
6	7138351	2	Support, Fender - Right Side
7	8303675	8	HHCS, 3/8-16 x 1-1/4"
8	8307110	32	Washer, Plain 3/8" SAE
9	8310388	16	HHCS, 3/8-16 x 1-1/4" Gr5
10	8305008	16	Nut, Hex 3/8-16
11	8406201	16	Clip, Tube 1"
12	7134922	4	Flap, Extension
13	8307049	16	Washer, Lock M16
14	8303621	8	HHCS, 3/8-16 x 1-1/2" Gr5
15	8520031	4	Fitting, Lube 90° (For easier access to top axle lubrication point)
16	7142800	1	Single Fender Kit - Left Side
17	7144500	1	Single Fender Kit - Right Side

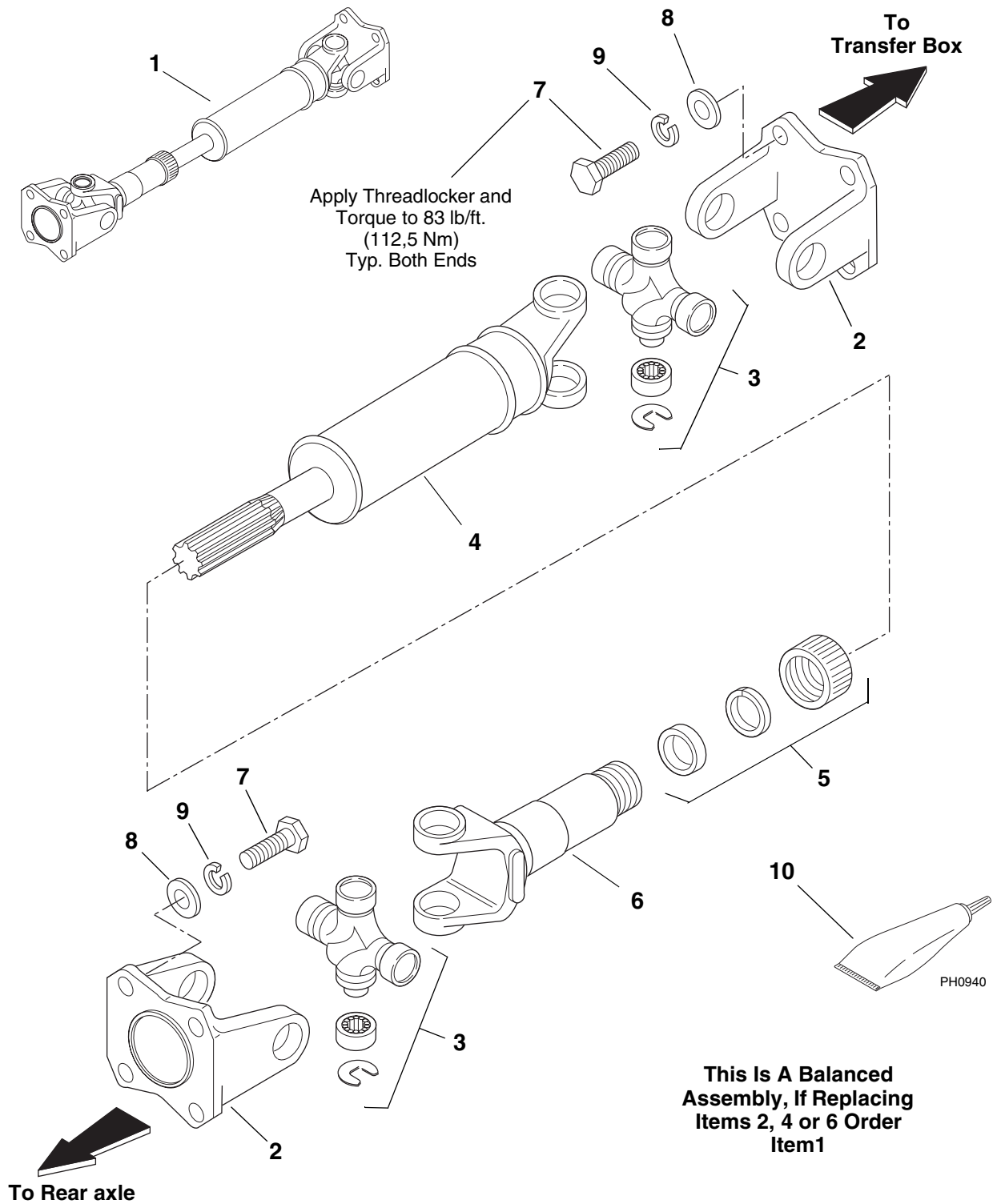
DRIVE SHAFT - TRANSFER BOX TO FRONT AXLE



DRIVE SHAFT - TRANSFER BOX TO FRONT AXLE

Item No.	Part Number	Qty.	Description
1	7128952	1	Drive Shaft Assembly (Consists of Items 2 thru 6)
2	NSS	2	Yoke, Flange (See Note)
3	8035106	2	Cross and Bearing Assembly
4	NSS	1	Tube Assembly (See Note)
5	8035109	1	Dust Cap Kit
6	NSS	1	Yoke, Slip (See Note)
7	8310297	8	HHCS, M12-1,75 x 35mm
8	8310356	8	Washer, Flat M12 Hardened
9	8307025	8	Washer, Lock M12
10	8526036	AR	Threadlocker 242 General Purpose (.02 fl. oz.)
			<p>NOTE: This is a balanced assembly. When servicing Items 2, 4 or 6 order Item 1</p>

DRIVE SHAFT - TRANSFER BOX TO REAR AXLE

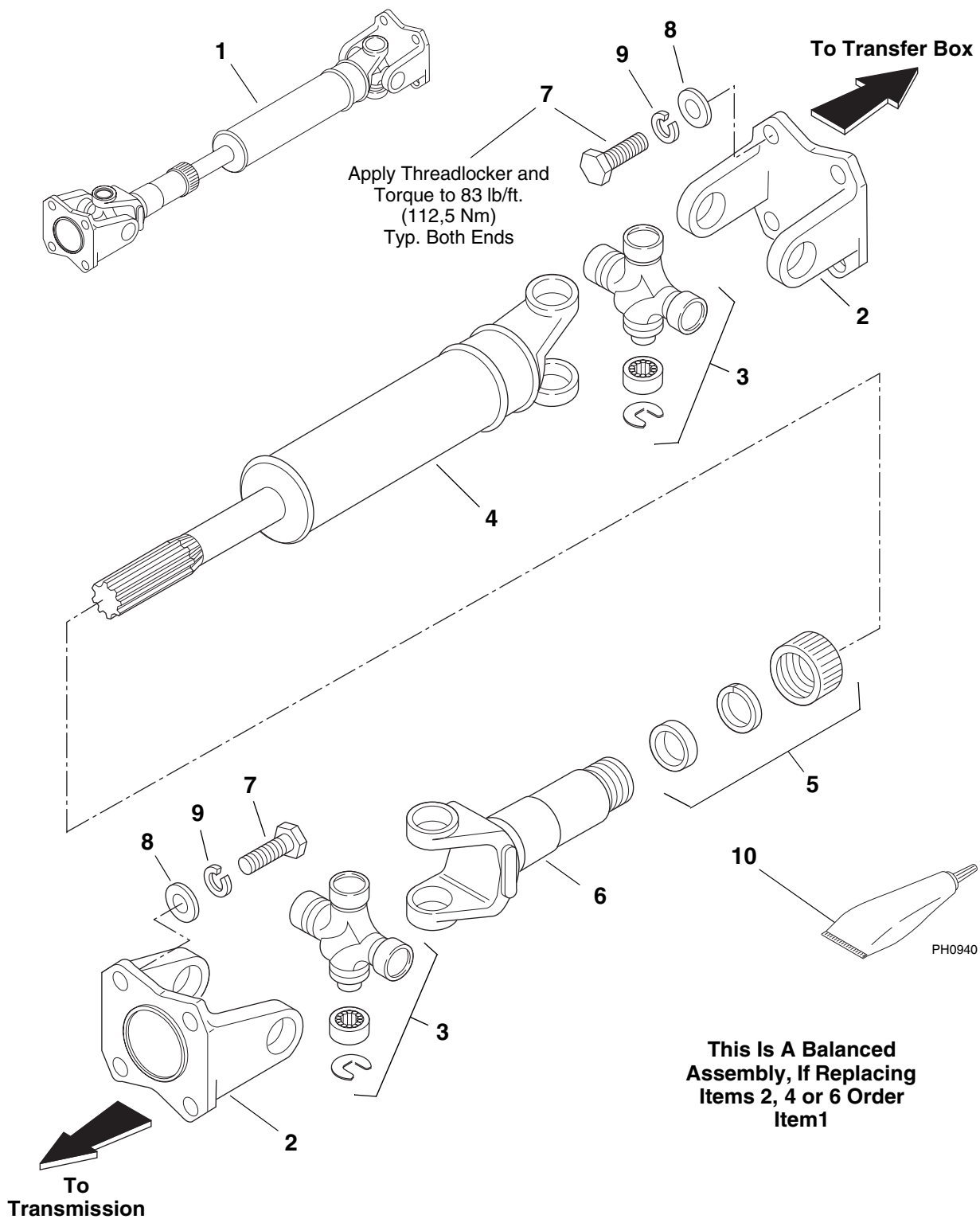


PS0161

DRIVE SHAFT - TRANSFER BOX TO REAR AXLE

Item No.	Part Number	Qty.	Description
1	7128932	1	Drive Shaft Assembly (Consists of Items 2 thru 6)
2	NSS	2	Yoke, Flange (See Note)
3	8035106	2	Cross and Bearing Assembly
4	NSS	1	Tube Assembly (See Note)
5	8035109	1	Dust Cap Kit
6	NSS	1	Yoke, Slip (See Note)
7	8310297	8	HHCS, M12-1,75 x 35mm
8	8310356	8	Washer, Flat M12 Hardened
9	8307025	8	Washer, Lock M12
10	8526036	AR	Threadlocker 242 General Purpose (.02 fl. oz.)
			<p>NOTE: This is a balanced assembly. When servicing Items 2, 4 or 6 order Item 1</p>

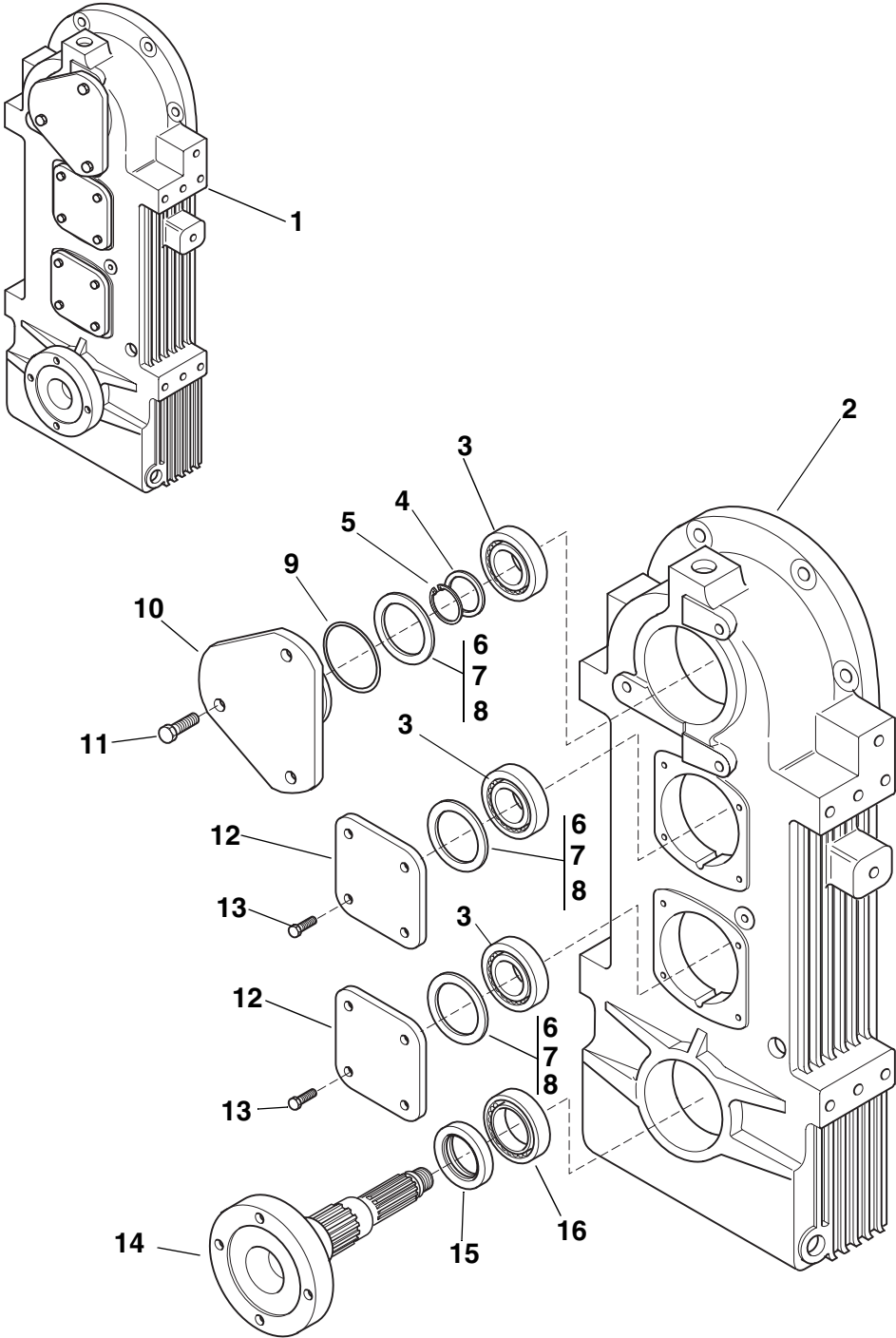
DRIVE SHAFT - TRANSMISSION TO TRANSFER BOX



DRIVE SHAFT - TRANSMISSION TO TRANSFER BOX

Item No.	Part Number	Qty.	Description
1	7128942	1	Drive Shaft Assembly (Consists of Items 2 thru 6)
2	NSS	2	Yoke, Flange (See Note)
3	8035106	2	Cross and Bearing Assembly
4	NSS	1	Tube Assembly (See Note)
5	8035109	1	Dust Cap Kit
6	NSS	1	Yoke, Slip (See Note)
7	8310297	8	HHCS, M12-1,75 x 35mm
8	8310356	8	Washer, Flat M12 Hardened
9	8307025	8	Washer, Lock M12
10	8526036	AR	Threadlocker 242 General Purpose (.02 fl. oz.)
			<p>NOTE: This is a balanced assembly. When servicing Items 2, 4 or 6 order Item 1</p>

TRANSFER BOX HOUSING AND COVERS

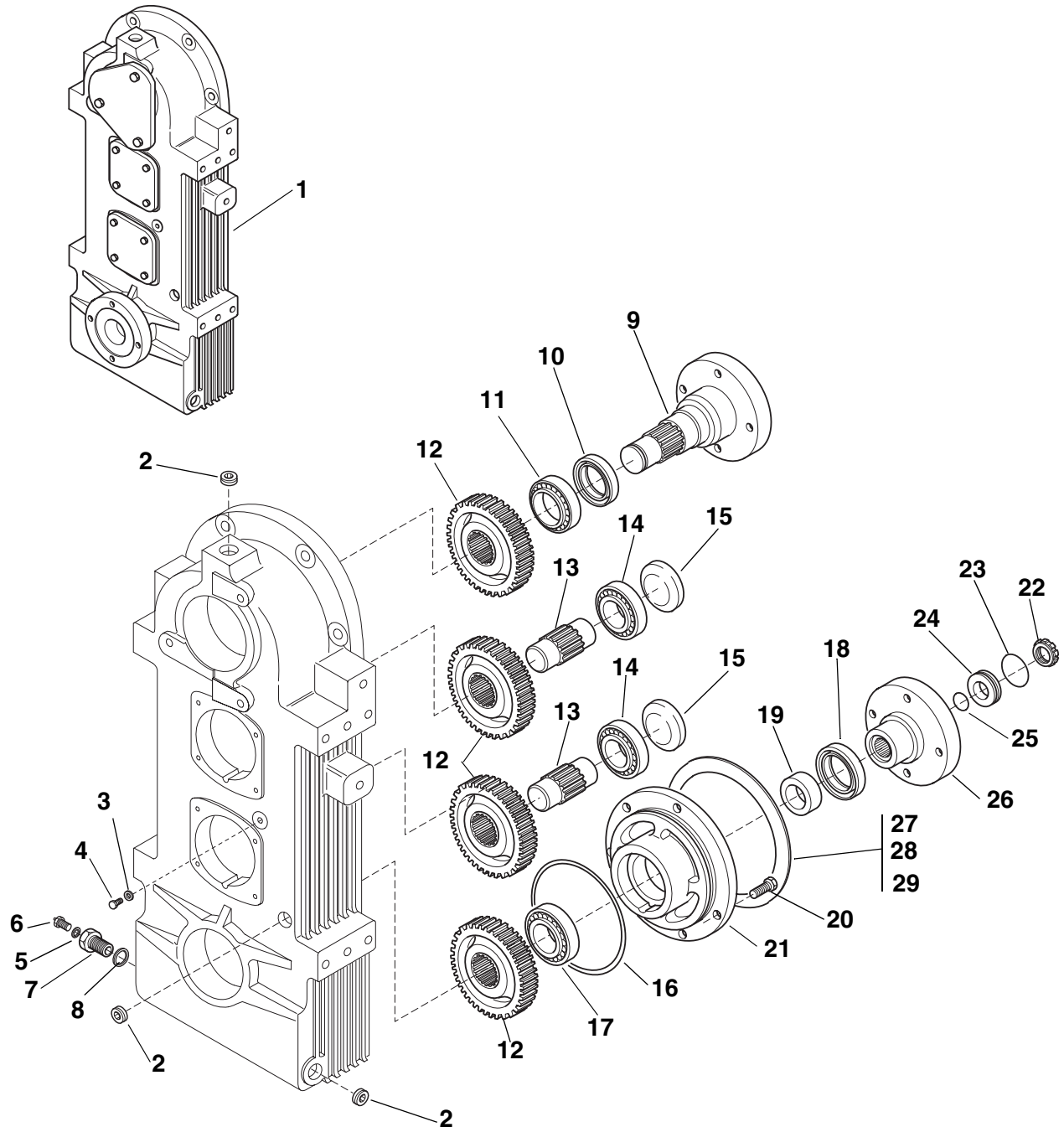


PS0190

TRANSFER BOX HOUSING AND COVERS

Item No.	Part Number	Qty.	Description
1	8841031	1	Transfer Box Assembly (Consists of Items 2 thru 16)
2	8035240	1	Housing, Transfer Box
3	8033626	3	Bearing
4	8033631	1	Washer
5	8033623	1	Snap Ring
6	8033628	AR	Shim, 0,30mm
7	8033629	AR	Shim, 0,10mm
8	8033630	AR	Shim, 0,05mm
9	8033627	1	O-ring
10	8033622	1	Cover, Shaft
11	8033604	3	Bolt, M12 x 30mm
12	8033618	2	Cover
13	8035241	8	Bolt, M8 x 22mm
14	8035242	1	Shaft
15	8033624	1	Ring, Oil Seal
16	8033625	1	Bearing

TRANSFER BOX GEARS AND SHAFTS

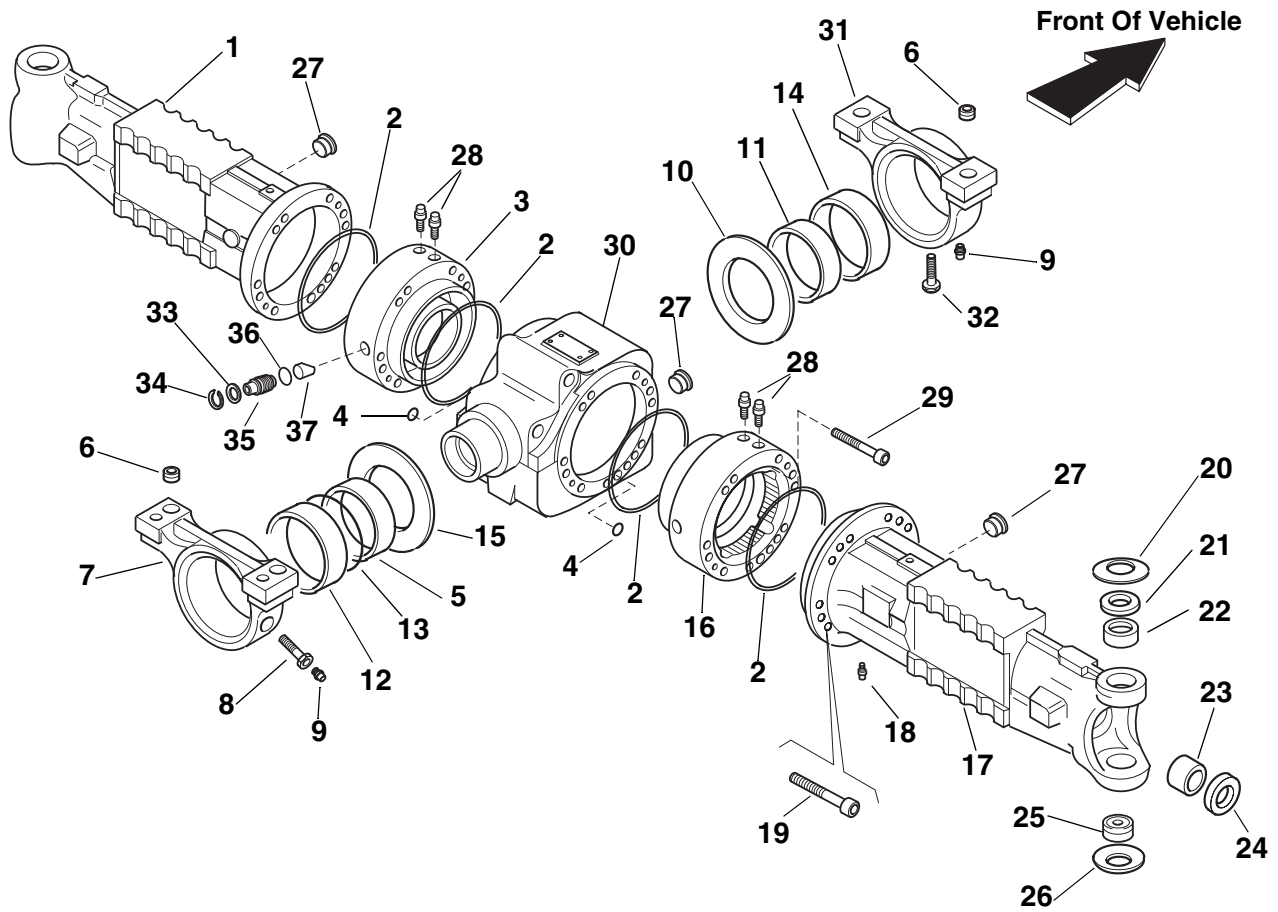


PS0180

TRANSFER BOX GEARS AND SHAFTS

Item No.	Part Number	Qty.	Description
1	8841031	1	Transfer Box Assembly (Consists of Items 2 thru 29)
2	8035243	3	Plug, Oil M22-1,5
3	8033608	1	Washer
4	8033613	1	Bolt
5	8033609	1	Washer
6	8033612	1	Breather, M10-1
7	8033619	1	Extension, Breather
8	8033610	1	Washer
9	8035244	1	Shaft
10	8033624	1	Ring, Oil Seal
11	8033625	1	Bearing
12	8033633	4	Gear Z=37
13	8033632	2	Pin, Gear
14	8033626	2	Bearing
15	8033614	2	Plug
16	8033611	1	O-Ring
17	8033594	1	Bearing
18	8033591	1	Ring, Oil Seal
19	8033599	1	Spacer
20	8033603	5	Bolt, M10 x 30mm
21	8033620	1	Cover, Drop Box
22	8033590	1	Nut, Ring M25-1,5
23	8033596	1	O-Ring
24	8033597	1	Ring, Centering
25	8033595	1	O-Ring
26	8035245	1	Flange
27	8033615	AR	Shim, 0,10mm
28	8033616	AR	Shim, 0,19mm
29	8033617	AR	Shim, 0,35mm

AXLE HOUSING - FRONT AXLE

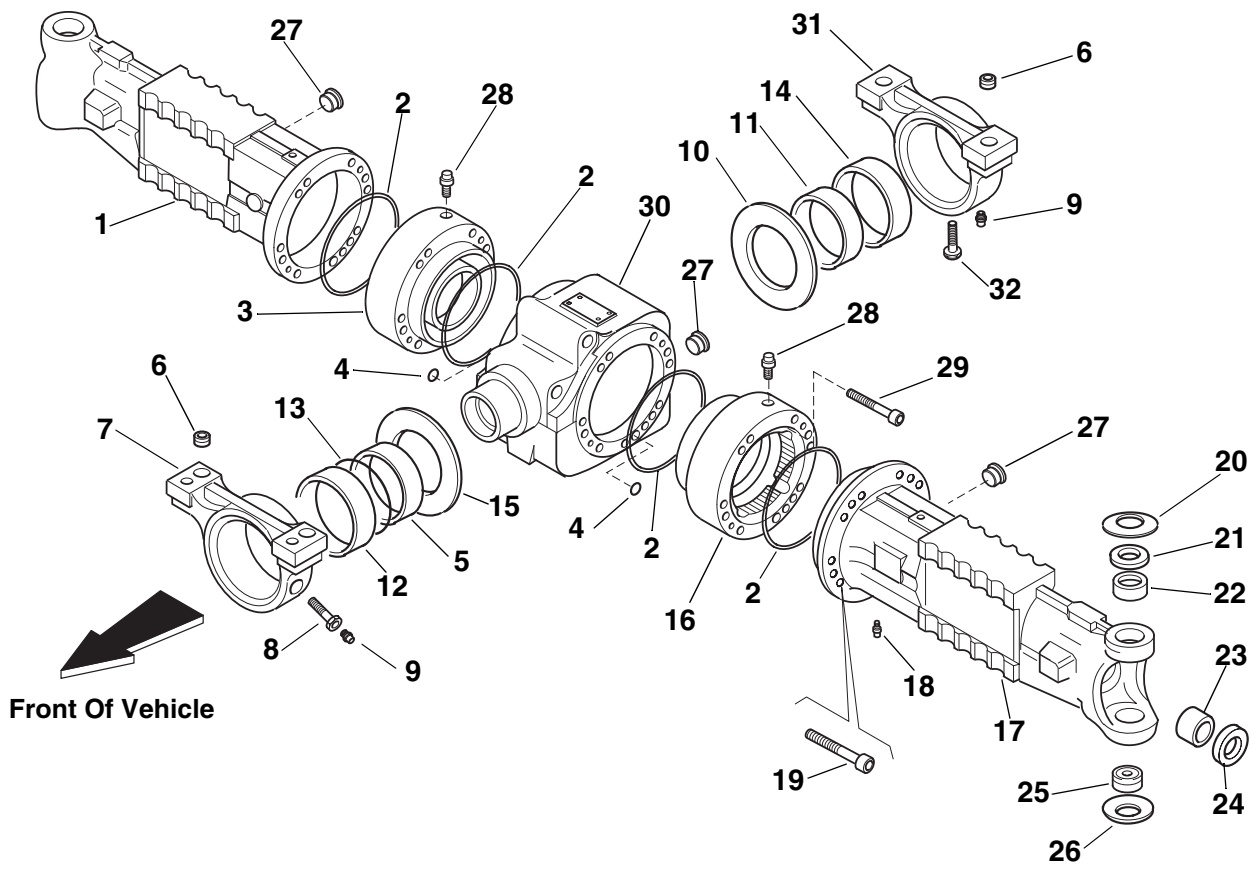


PS0200

AXLE HOUSING - FRONT AXLE

Item No.	Part Number	Qty.	Description
1	8035114	1	Beam Trumpet - Left Front
2	8035115	4	O-Ring
3	8035116	1	Brake Flange - Left Front
4	8035117	2	O-Ring
5	8035118	1	Bushing
6	8035119	4	Bushing
7	8035120	1	Support, Rear
8	8035121	1	Bolt
9	8035122	2	Grease Nipple M8-1
10	8035123	1	Washer, Thrust
11	8035124	1	Bushing
12	8035125	1	Bushing
13	8035126	1	O-Ring
14	8035127	1	Bushing
15	8035128	1	Washer, Thrust
16	8035129	1	Brake Flange - Right Front
17	8035130	1	Beam Trumpet - Right Front
18	8035131	1	Breather M10-1
19	8035132	24	Bolt
20	8035133	2	Washer, Belleville
21	8035134	2	Shim
22	8035135	2	Bushing
23	8035136	2	Bushing
24	8035137	2	Seal, Oil
25	8035138	2	Bearing, Spherical
26	8035139	2	Washer, Belleville
27	8033582	3	Plug, Oil M30-2
28	8033561	4	Breather M10-1
29	8035140	4	Bolt M12 x 110mm
30	8035141	1	Body, Central
31	8035142	1	Support, Front
32	8035143	1	Bolt
33	8035144	6	Washer
34	8035145	6	Ring, Snap Internal
35	8035146	6	Bolt, M16-1,5
36	8035147	6	O-Ring
37	8035148	6	Pin

AXLE HOUSING - REAR AXLE

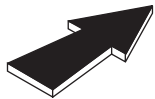
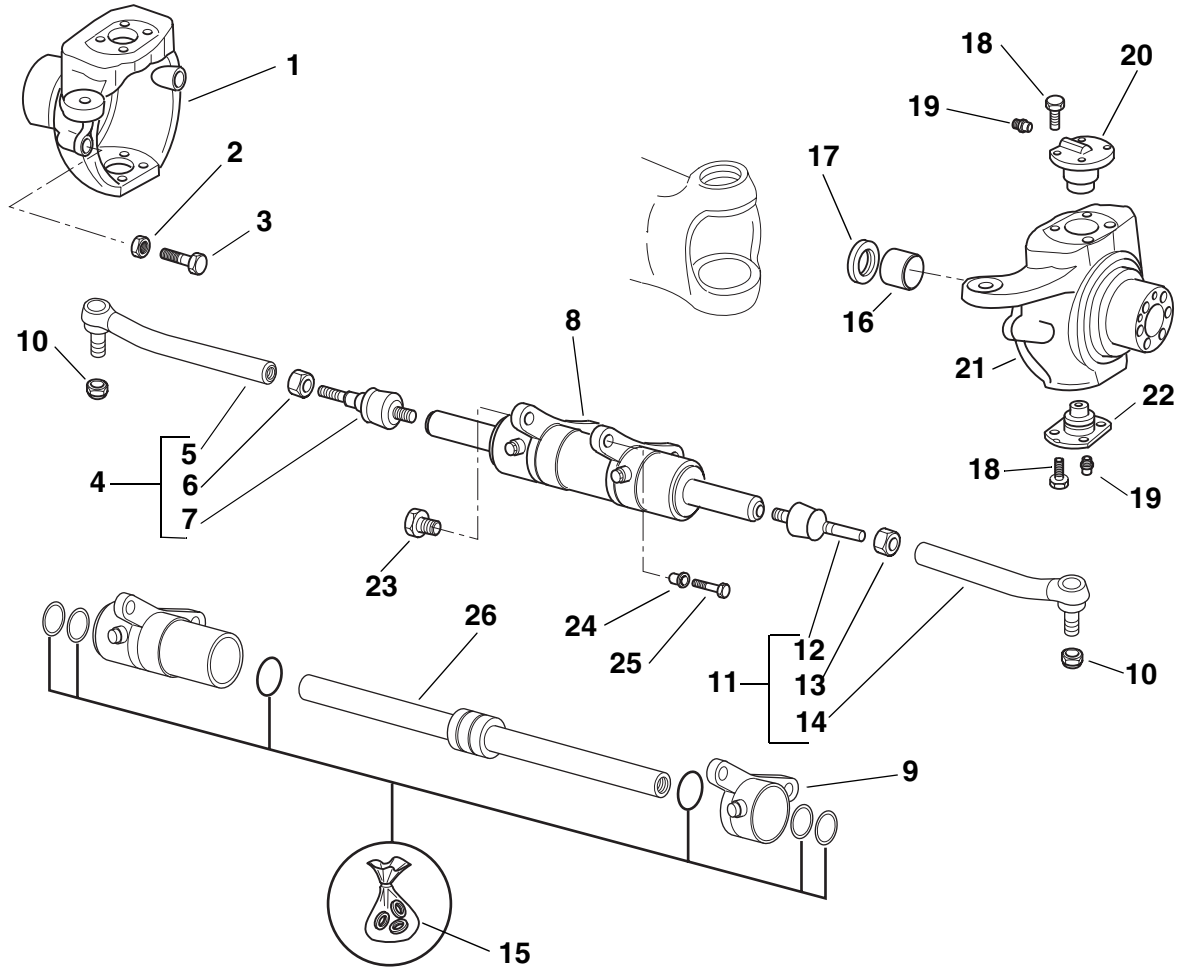


PS0280

AXLE HOUSING - REAR AXLE

Item No.	Part Number	Qty.	Description
1	8035114	1	Beam Trumpet - Right Rear
2	8035115	4	O-Ring
3	8035236	1	Brake Flange - Right Rear
4	8035117	2	O-Ring
5	8035118	1	Bushing
6	8035119	4	Bushing
7	8035120	1	Support, Rear
8	8035121	1	Bolt
9	8035122	2	Grease Nipple M8-1
10	8035123	1	Washer, Thrust
11	8035124	1	Bushing
12	8035125	1	Bushing
13	8035126	1	O-Ring
14	8035127	1	Bushing
15	8035128	1	Washer, Thrust
16	8035237	1	Brake Flange - Left Rear
17	8035130	1	Beam Trumpet - Left Rear
18	8035131	1	Breather M10-1
19	8035132	24	Bolt
20	8035133	2	Washer, Belleville
21	8035134	2	Shim
22	8035135	2	Bushing
23	8035136	2	Bushing
24	8035137	2	Seal, Oil
25	8035138	2	Bearing, Spherical
26	8035139	2	Washer, Belleville
27	8033582	3	Plug, Oil M30-2
28	8033561	2	Breather M10-1
29	8035140	4	Bolt, M12 x 110mm
30	8035141	1	Body, Central
31	8035142	1	Support, Front
32	8035143	1	Bolt

STEER CYLINDER AND SWIVELS - FRONT AXLE



Looking Toward Front
of Vehicle
(Input Side Of Axle)

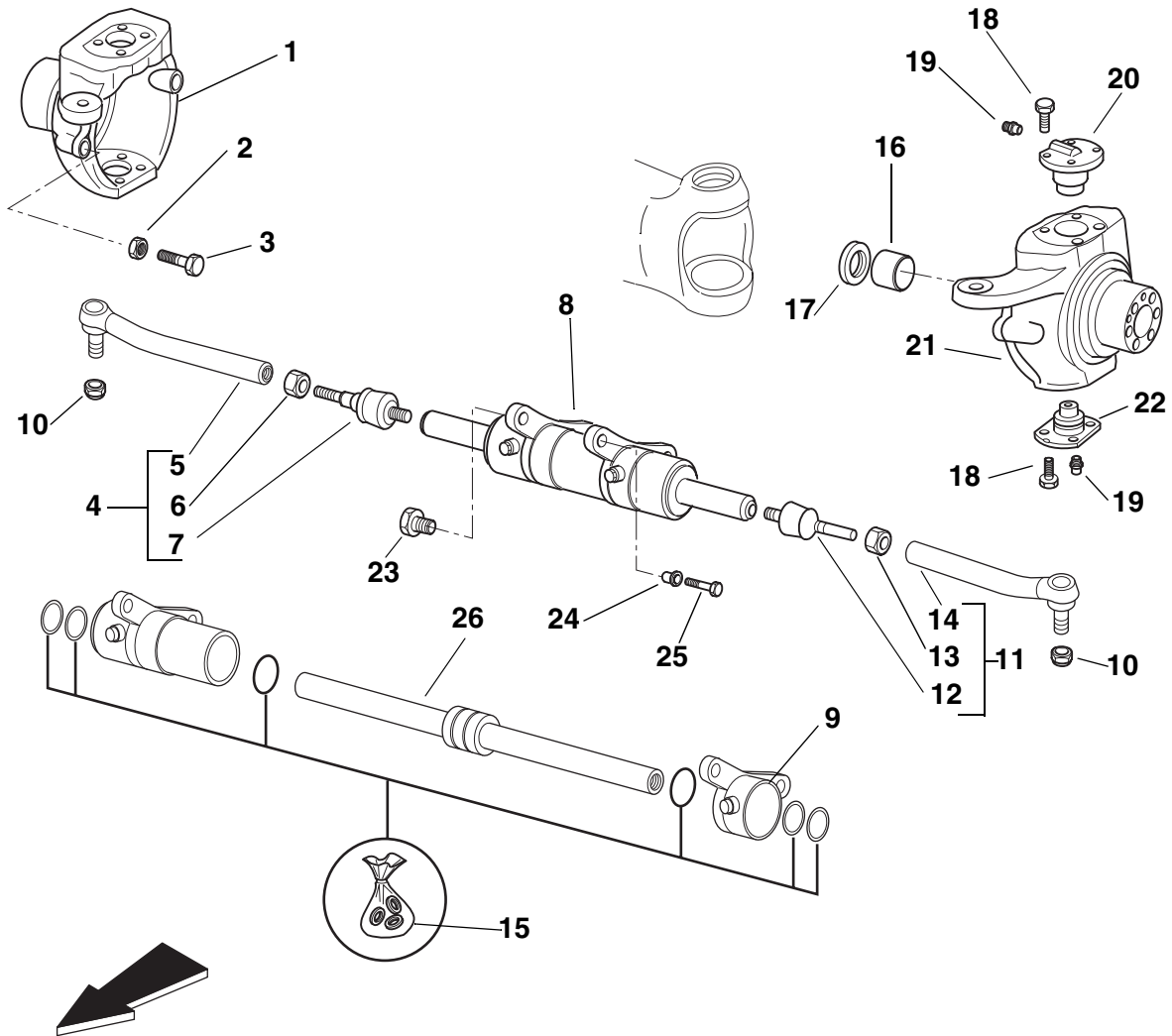
PS0210

STEER CYLINDER AND SWIVELS - FRONT AXLE

Item No.	Part Number	Qty.	Description
1	8035149	1	Housing, Swivel - Left Side (See Note on Art)
2	8033510	4	Nut, Hex M14 (Axle S/N 101 thru 107)
	8035302	4	Nut, Hex M16 (Axle S/N 108 & After)
3	8035150	4	Bolt, M14 x 95mm (Axle S/N 101 thru 107)
	8035303	4	Bolt, M16 x 100mm (Axle S/N 108 & After)
4	8035249	1	Steering Arm Assembly - Left Side (Includes Items 5 thru 7)
5	8035248	1	Arm, Steering - Left Side (See Note on Art)
6	8035152	1	Nut, M24-1,5
7	8035151	1	Ball Joint
8	8035304	1	Cylinder, Steering (Axle S/N 101 thru 107)
	8035250	1	Cylinder, Steering (Axle S/N 108 & After)
9	8035252	1	Head, Cylinder (Axle S/N 101 thru 107)
	8035305	1	Head, Cylinder (Axle S/N 108 & After)
10	8035152	2	Nut M24-1,5
11	8035254	1	Steering Arm Assembly - Right Side (See Note on Art) (Includes Items 12 thru 14)
12	8035151	1	Ball Joint
13	8035152	1	Nut, M24-1,5
14	8035251	1	Arm, Steering - Right Side (See Note on Art)
15	8035253	1	Kit, Oil Seal
16	8035153	2	Bushing
17	8035154	2	Seal, Oil
18	8035155	16	Bolt, M16-2 x 38mm
19	8035156	4	Grease Nipple M6-1
20	8035157	2	King Pin - Upper
21	8035158	1	Housing, Swivel - Right Side (See Note on Art)
22	8035159	2	King Pin - Lower
23	8035255	2	Bolt, M22-1,5 x 55mm
24	8035256	2	Bushing
25	8035223	2	Bolt, M14-1,5 x 65mm
26	91474088	1	Rod, Steering Cylinder

NOTE: When replacing items 1 or 21 on axle S/N 101 thru 107 also order item 2 part number 8035302 and item 3 part number 8035303.

STEER CYLINDER AND SWIVELS - REAR AXLE



Looking Toward Rear
of Vehicle
(Input Side Of Axle)

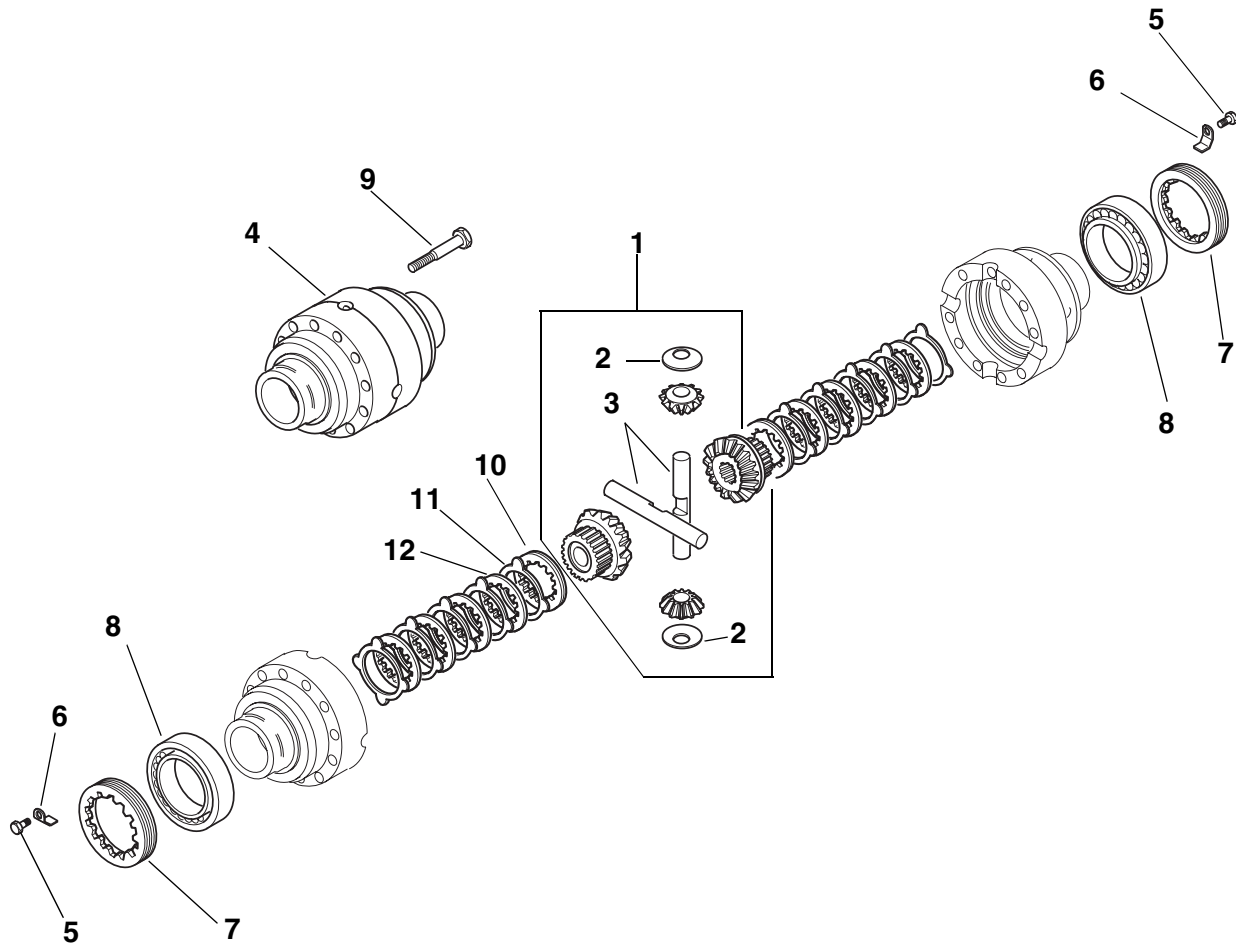
PS0210

STEER CYLINDER AND SWIVELS - REAR AXLE

Item No.	Part Number	Qty.	Description
1	8035149	1	Housing, Swivel - Left Side (See Note on Art)
2	8033510	4	Nut, Hex M14 (Axle S/N 101 thru 112)
	8035302	4	Nut, Hex M16 (Axle S/N 113 & After)
3	8035150	4	Bolt, M14 x 95mm (Axle S/N 101 thru 112)
	8035303	4	Bolt, M16 x 100mm (Axle S/N 113 & After)
4	8035249	1	Steering Arm Assembly - Left Side (See Note on Art) (Includes Items 5 thru 7)
5	8035248	1	Arm, Steering - Left Side (See Note on Art)
6	8035152	1	Nut, M24-1,5
7	8035151	1	Ball Joint
8	8035304	1	Cylinder, Steering (Axle S/N 101 thru 112)
	8035250	1	Cylinder, Steering (Axle S/N 113 & After)
9	8035252	1	Head, Cylinder (Axle S/N 101 thru 112)
	8035305	1	Head, Cylinder (Axle S/N 113 & After)
10	8033894	2	Nut, M24-1,5
11	8035254	1	Steering Arm Assembly - Right Side (See Note on Art) (Includes Items 12 thru 14)
12	8035151	1	Ball Joint
13	8035152	1	Nut, M24-1,5
14	8035251	1	Arm, Steering - Right Side (See Note on Art)
15	8035253	1	Kit, Oil Seal
16	8035153	2	Bushing
17	8035154	2	Seal, Oil
18	8035155	16	Bolt, M16- 2 x 38mm
19	8035156	4	Grease Nipple M6-1
20	8035157	2	King Pin - Upper
21	8035158	1	Housing, Swivel - Right Side (See Note on Art)
22	8035159	2	King Pin - Lower
23	8035255	2	Bolt, M22-1,5 x 55mm
24	8035256	2	Bushing
25	8035223	2	Bolt, M14-1,5 x 65mm
26	91474088	1	Rod, Steering Cylinder

NOTE: When replacing items 1 or 21 on axle S/N 101 thru 112 also order item 2 part number 8035302 and item 3 part number 8035303.

DIFFERENTIAL ASSEMBLY - FRONT AXLE

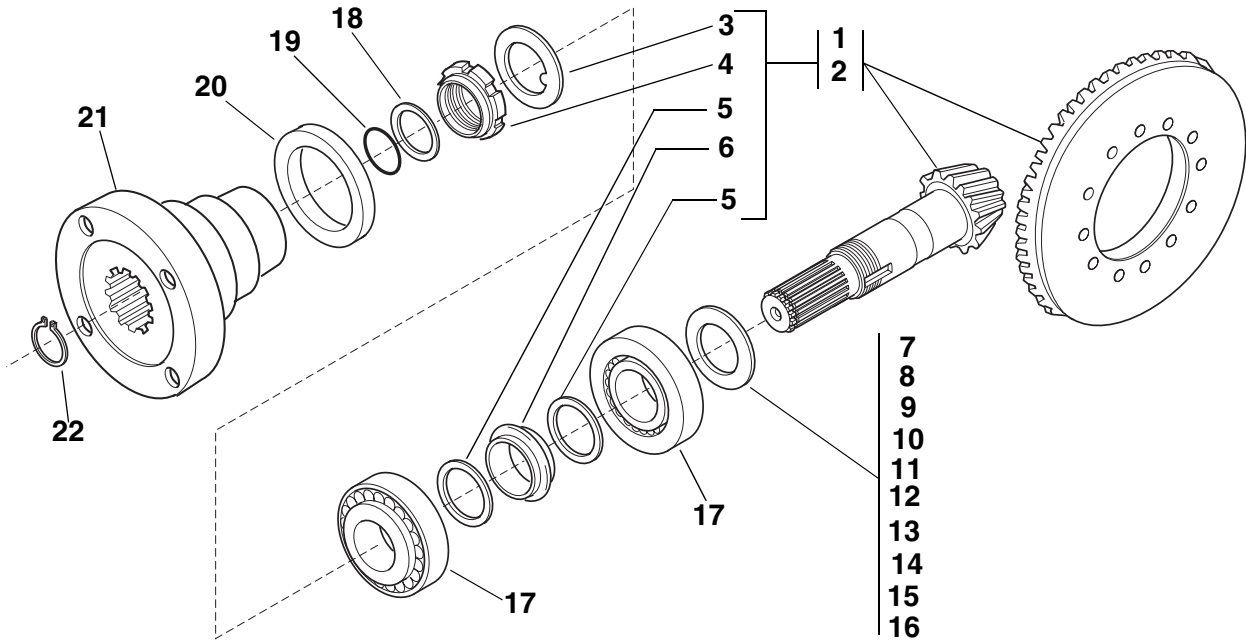


PS0230

DIFFERENTIAL ASSEMBLY - FRONT AXLE

Item No.	Part Number	Qty.	Description
1	8035176	1	Kit, Differential (Includes Items 2 and 3)
2	8035177	4	Washer, Thrust
3	8035178	2	Shaft
4	8035179	1	Differential Housing - Two Halves
5	8035180	2	Bolt, M6-1 x 10mm
6	8035181	2	Plate, Locking
7	8035182	2	Nut, Ring
8	8035183	2	Bearing
9	8033544	12	Bolt, M10-1,5 x 75mm
10	8035184	2	Plate
11	8035185	10	Plate, Drive
12	8035186	8	Plate

BEVEL GEAR AND PINION SET - FRONT/REAR AXLES

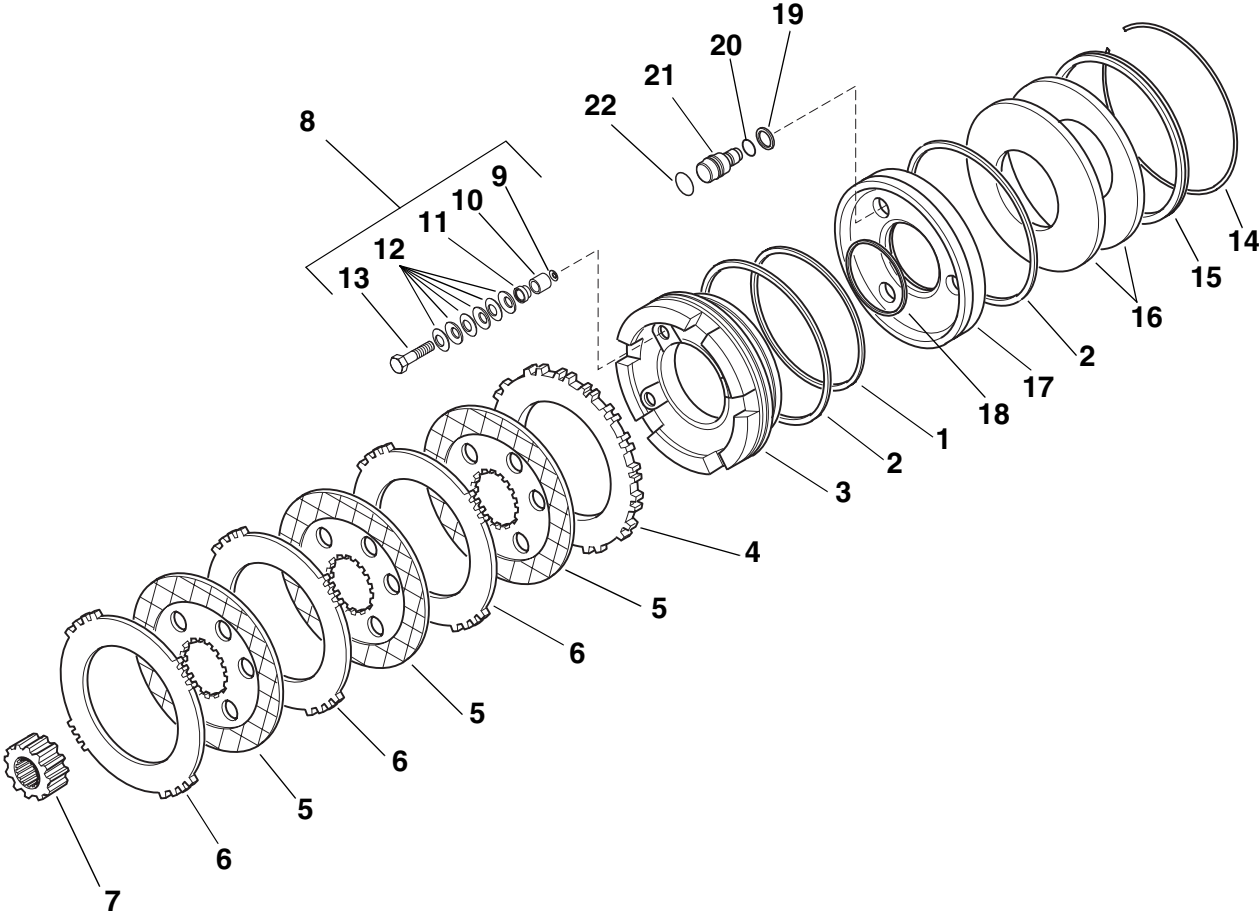


PS0220

BEVEL GEAR AND PINION SET - FRONT/REAR AXLES

Item No.	Part Number	Qty.	Description
			NOTE: Quantities listed below are for one complete axle
1	8035257	1	Bevel Gear And Pinion Set - Front Axle (Includes Items 3 thru 6)
2	8035258	1	Bevel Gear And Pinion Set - Rear Axle (Includes Items 3 thru 6)
3	8033536	1	Lockwasher
4	8033537	1	Nut, Ring M40-1,5
5	8033541	2	Washer
6	8033540	1	Spacer, Collapsible
7	8035160	AR	Shim, 2,50mm
8	8035161	AR	Shim, 2,60mm
9	8035162	AR	Shim, 2,70mm
10	8035163	AR	Shim, 2,80mm
11	8035164	AR	Shim, 2,90mm
12	8035165	AR	Shim, 3,00mm
13	8035166	AR	Shim, 3,10mm
14	8035167	AR	Shim, 3,20mm
15	8035168	AR	Shim, 3,30mm
16	8035169	AR	Shim, 3,40mm
17	8035170	2	Bearing
18	8035171	1	Washer
19	8035172	1	O-Ring
20	8035173	1	Seal, Oil
21	8035174	1	Flange
22	8035175	1	Snap Ring

BRAKE ASSEMBLY - FRONT AXLE

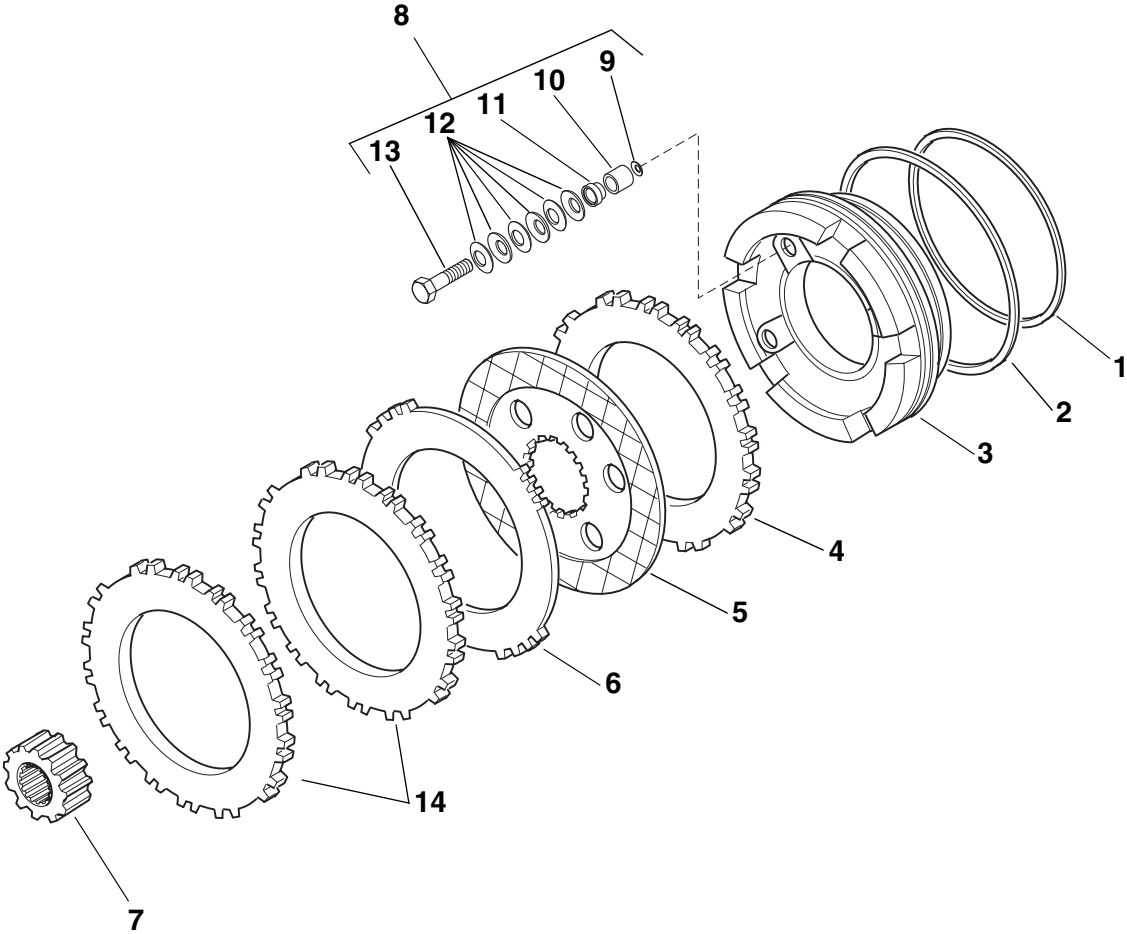


PS0250

BRAKE ASSEMBLY - FRONT AXLE

Item No.	Part Number	Qty.	Description
			NOTE: Quantities listed below are for one complete axle
1	8033575	2	Quadring
2	8035196	4	Quadring
3	8035197	2	Piston, Brake (Positive)
4	8035198	2	Plate, Drive
5	8035199	6	Disc, Brake
6	8035200	6	Plate, Drive
7	8035201	2	Sleeve
8	8035216	2	Kit, Self-Adjust (Includes Items 9 thru 13)
9	NSS	3	Washer, Belleville
10	NSS	3	Pin, Split
11	NSS	3	Spacer
12	NSS	18	Washer, Belleville
13	NSS	3	Bolt
14	8035207	2	Ring
15	8035208	2	Sleeve
16	8035209	4	Washer, Belleville
17	8035210	2	Piston, Brake (Negative)
18	8035211	2	Quadring
19	8035212	6	Washer
20	8035213	6	O-Ring
21	8035214	6	Shaft
22	8035215	6	O-Ring

BRAKE ASSEMBLY - REAR AXLE

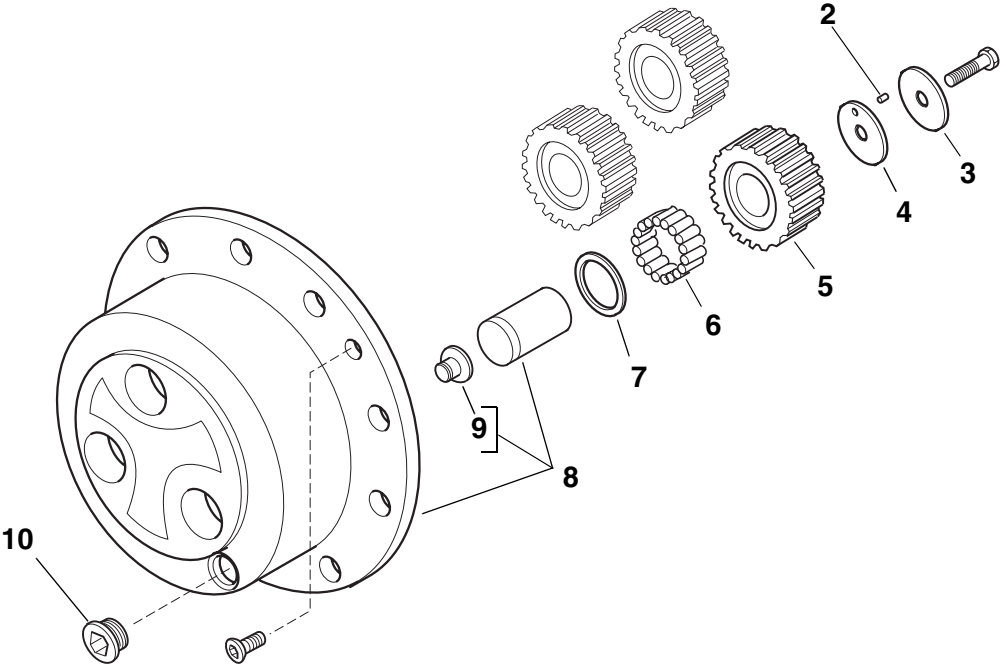


PS0300

BRAKE ASSEMBLY - REAR AXLE

Item No.	Part Number	Qty.	Description
			NOTE: Quantities listed below are for one complete axle
1	8033575	2	Quadring
2	8035196	4	Quadring
3	8035197	2	Piston, Brake (Positive)
4	8035198	2	Plate, Drive
5	8035199	2	Disc, Brake
6	8035200	2	Plate, Drive
7	8035201	2	Sleeve
8	8035216	2	Kit, Self-Adjust (Includes Items 9 thru 13)
9	NSS	3	Washer, Belleville
10	NSS	3	Pin, Split
11	NSS	3	Spacer
12	NSS	18	Washer, Belleville
13	NSS	3	Bolt
14	8035239	4	Plate, Drive

REDUCTION GEARS - FRONT/REAR AXLES

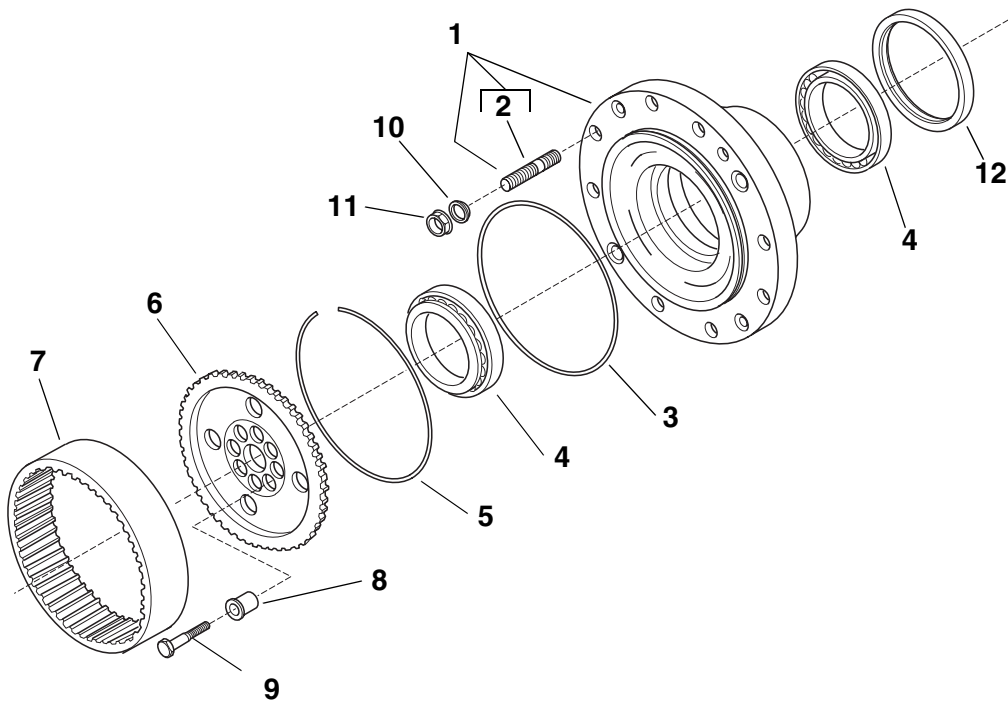


PS0270

REDUCTION GEARS - FRONT/REAR AXLES

Item No.	Part Number	Qty.	Description
			NOTE: Quantities listed below are for one complete axle
1	8035226	6	Bolt, M10-1,25 x 50mm
2	8035227	6	Pin
3	8035228	6	Washer, Thrust
4	8035229	6	Washer, Thrust
5	8035230	6	Gear, Planetary
6	8035231	17	Bearing, Needle (sold in sets of ten - 168 bearings required)
7	8035232	6	Washer, Thrust
8	91474169	2	Planetary Carrier Assembly (Includes Item 8)
9	8035234	1	Pad
10	8033582	2	Plug, Oil M30-2
11	8035235	4	Bolt, M8 x 20mm

WHEEL HUB ASSEMBLY - FRONT/REAR AXLES

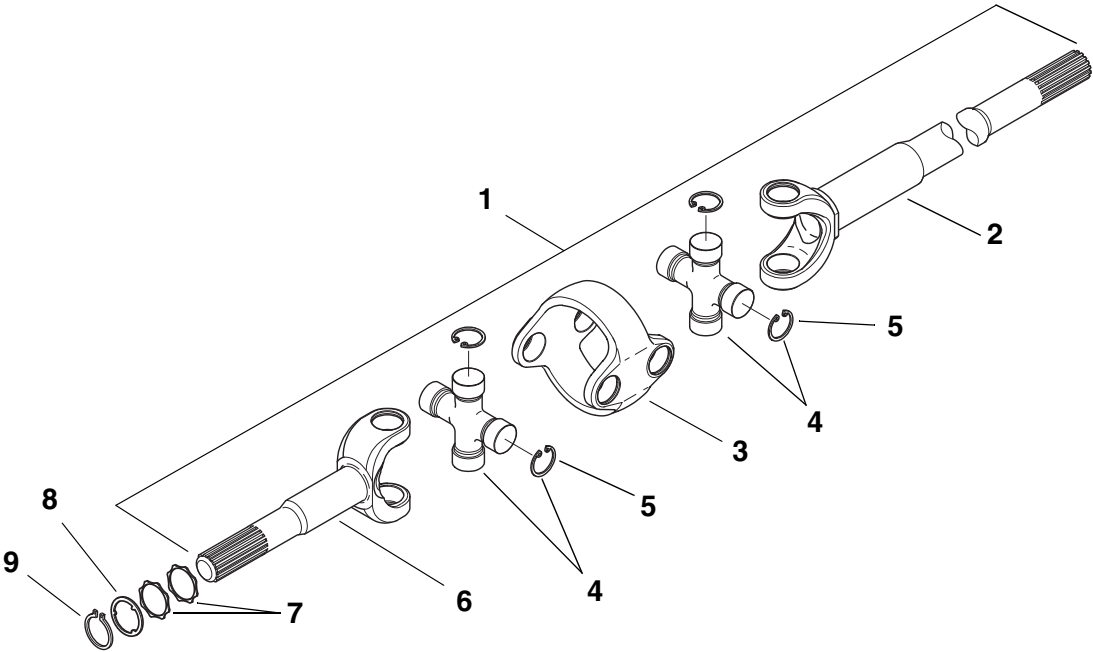


PS0260

WHEEL HUB ASSEMBLY - FRONT/REAR AXLES

Item No.	Part Number	Qty.	Description
			NOTE: Quantities listed below are for one complete axle
1	8035218	2	Wheel Hub Assembly (Includes Item 2)
2	8035217	10	Stud
3	8035219	2	O-Ring
4	8030464	4	Bearing
5	8035220	2	Lockring
6	8035221	2	Carrier, Wheel
7	8035222	2	Gear, Crown Z=77
8	8030470	16	Bushing, Centering
9	8035223	16	Bolt, M14-1,5 x 65mm
10	8035224	20	Washer
11	8035225	20	Nut, M22-1,5
12	8033557	2	Seal, Cassette

AXLE SHAFTS - FRONT/REAR AXLES

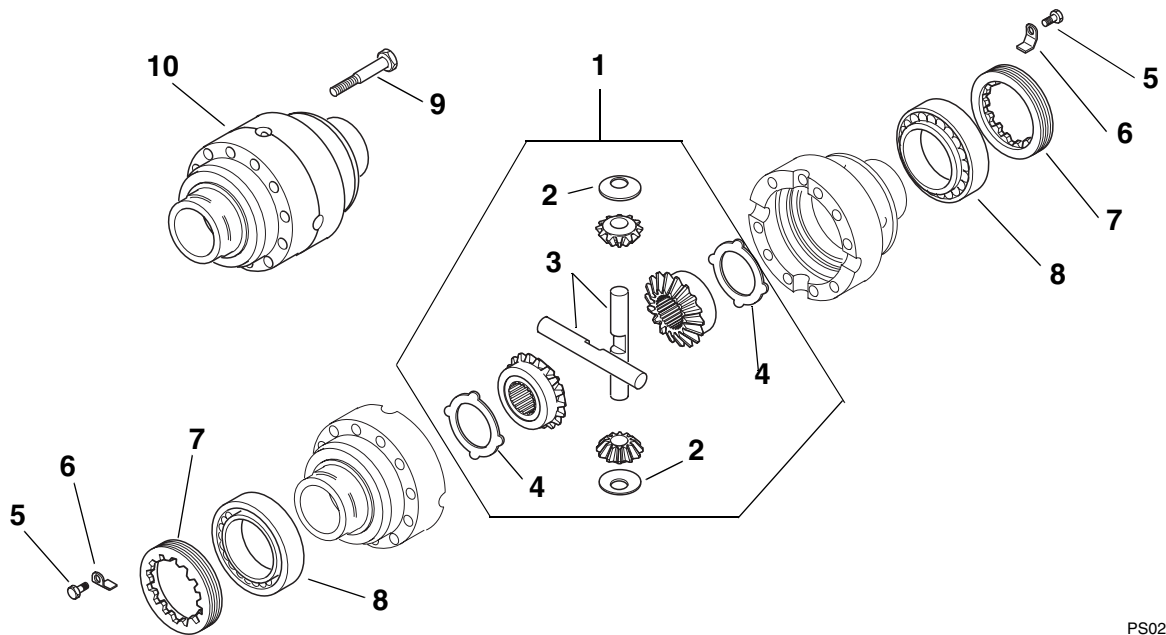


PS0240

AXLE SHAFTS - FRONT/REAR AXLES

Item No.	Part Number	Qty.	Description
			NOTE: Quantities listed below are for one complete axle
1	8035187	2	Drive Shaft Assembly (Includes Items 2 thru 6)
2	8035188	1	Shaft, Half - Differential Side
3	8035189	1	Body, Central
4	8035190	2	Spider Assembly (Includes Item 5)
5	8035191	4	Snap Ring
6	8035192	1	Shaft, Half - Wheel Side
7	8035193	4	Washer, Thrust
8	8035194	2	Washer
9	8035195	2	Snap Ring

DIFFERENTIAL ASSEMBLY - REAR AXLE

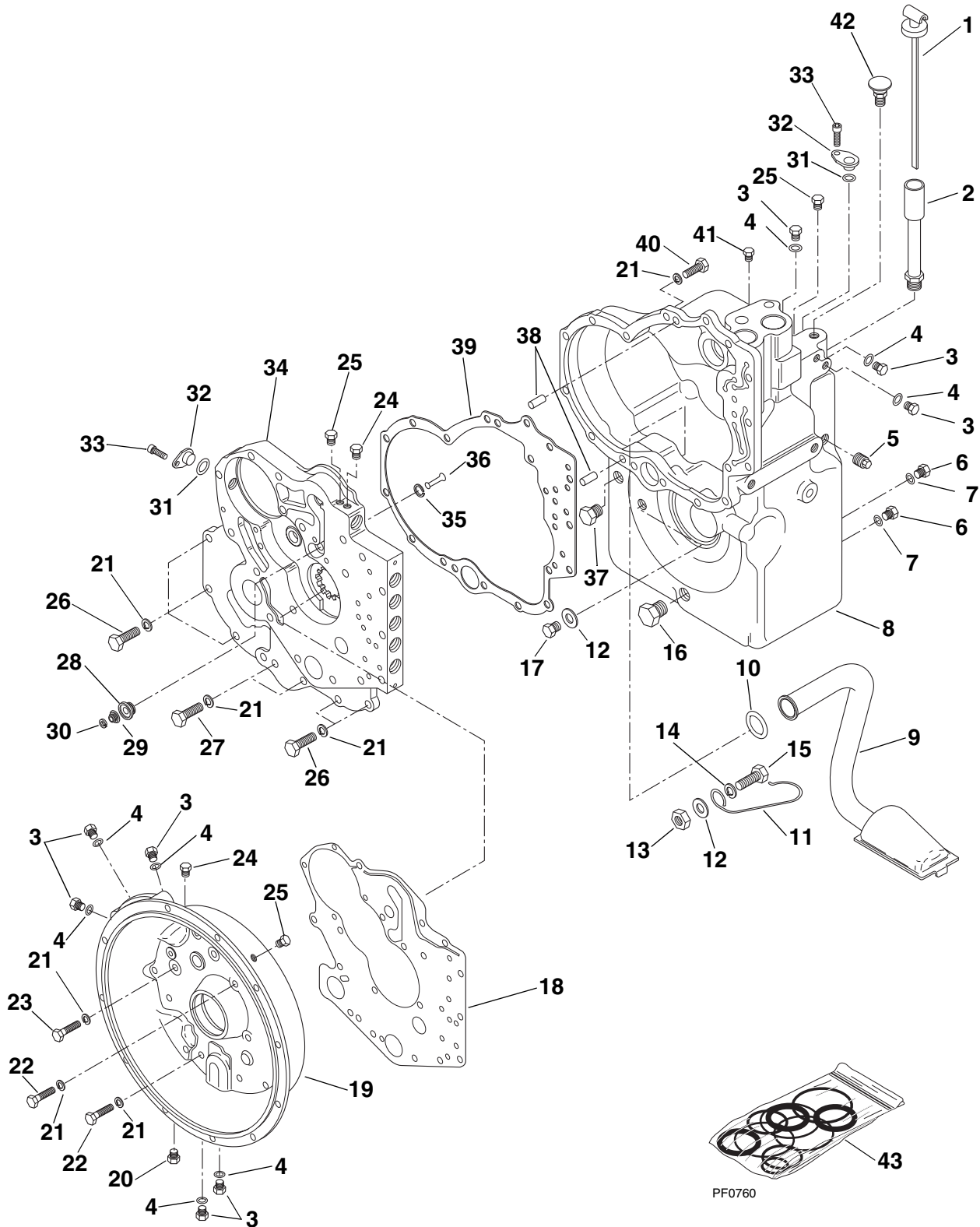


PS0290

DIFFERENTIAL ASSEMBLY - REAR AXLE

Item No.	Part Number	Qty.	Description
1	8036488	1	Kit, Differential (Includes Items 2, 3 and 4)
2	8035177	4	Washer, Thrust
3	8035178	2	Shaft
4	8035238	2	Plate, Drive
5	8035180	2	Bolt, M6-1 x 10mm
6	8035181	2	Plate, Locking
7	8035182	2	Nut, Ring
8	8035183	2	Bearing
9	8033544	12	Bolt, M10-1,5 x 75mm
10	8035179	1	Differential Housing - Two Halves

TRANSMISSION CASE, PLATE & CONVERTER HOUSING (4 Speed)



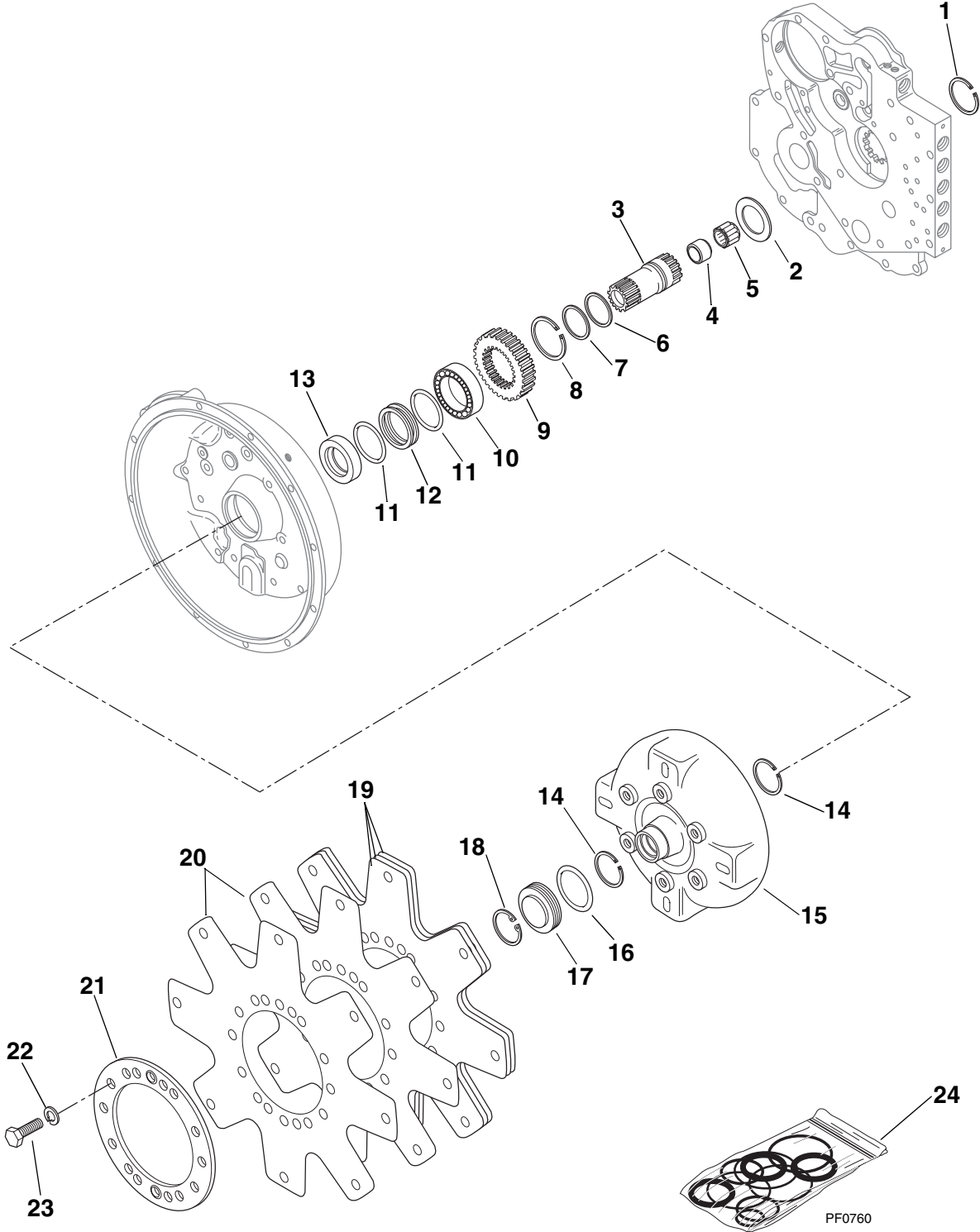
PS0010

TRANSMISSION CASE, PLATE & CONVERTER HOUSING (4 Speed)

Item No.	Part Number	Qty.	Description
1	8034965	1	Dipstick Assembly
2	8034964	1	Tube, Dipstick
3	8034930	8	Plug
4	8034931	8	O-Ring
5	8034947	1	Plug, Sensor Port
6	8034949	2	Plug, Oil Level
7	8034948	2	O-Ring - Oil Level Plug
8	8034945	1	Case, Transmission
9	8034950	1	Tube And Screen Assembly
10	8034951	1	Seal Ring, Oil Supply Tube
11	8034956	1	Retainer Clip, Oil Supply Tube
12	8034953	2	Washer, Seal
13	8034955	1	Nut, Clip Retainer Screw
14	8034954	1	Washer, Clip Retainer Screw
15	8034952	1	Screw, Retainer Clip
16	8032528	1	Drain Plug, Magnetic
17	8034966	1	Screw
18	8034932	1	Gasket, Converter Housing To Plate
19	8034933	1	Housing, Converter
20	8035092	1	Plug, Temperature Pickup
21	8034934	32	Washer, Lock
22	8034935	16	Screw
23	8034936	6	Screw
24	8032508	2	Plug
25	8034942	3	Plug
26	8034936	7	Screw
27	8034960	2	Screw
28	8034963	1	Seat, Safety Valve
29	8034962	1	Spring, Safety Valve
30	8034961	1	Washer, Poppet
31	8034939	2	O-Ring - Sensor
32	8034938	2	Plug, Sensor Port
33	8034940	2	Screw, Speed Sensor Plug
34	8034941	1	Plate, Spacer
35	8034959	1	Snap Ring - Seat
36	8034958	1	Poppet, Converter Safety Valve
37	8034957	1	Plug, Drain Back Port
38	8034944	2	Pin, Dowel - Spacer Plate To Transmission Case
39	8034943	1	Gasket, Spacer Plate To Transmission Case
40	8034937	1	Screw, Transmission Case To Spacer Plate
41	8034946	1	Plug, Filler
42	8032509	1	Breather, Air
43	8035089	1	KITS Transmission Gasket And Sealing Kit (Services Entire Transmission)

TORQUE CONVERTER AND DRIVE PLATES

(4 Speed)

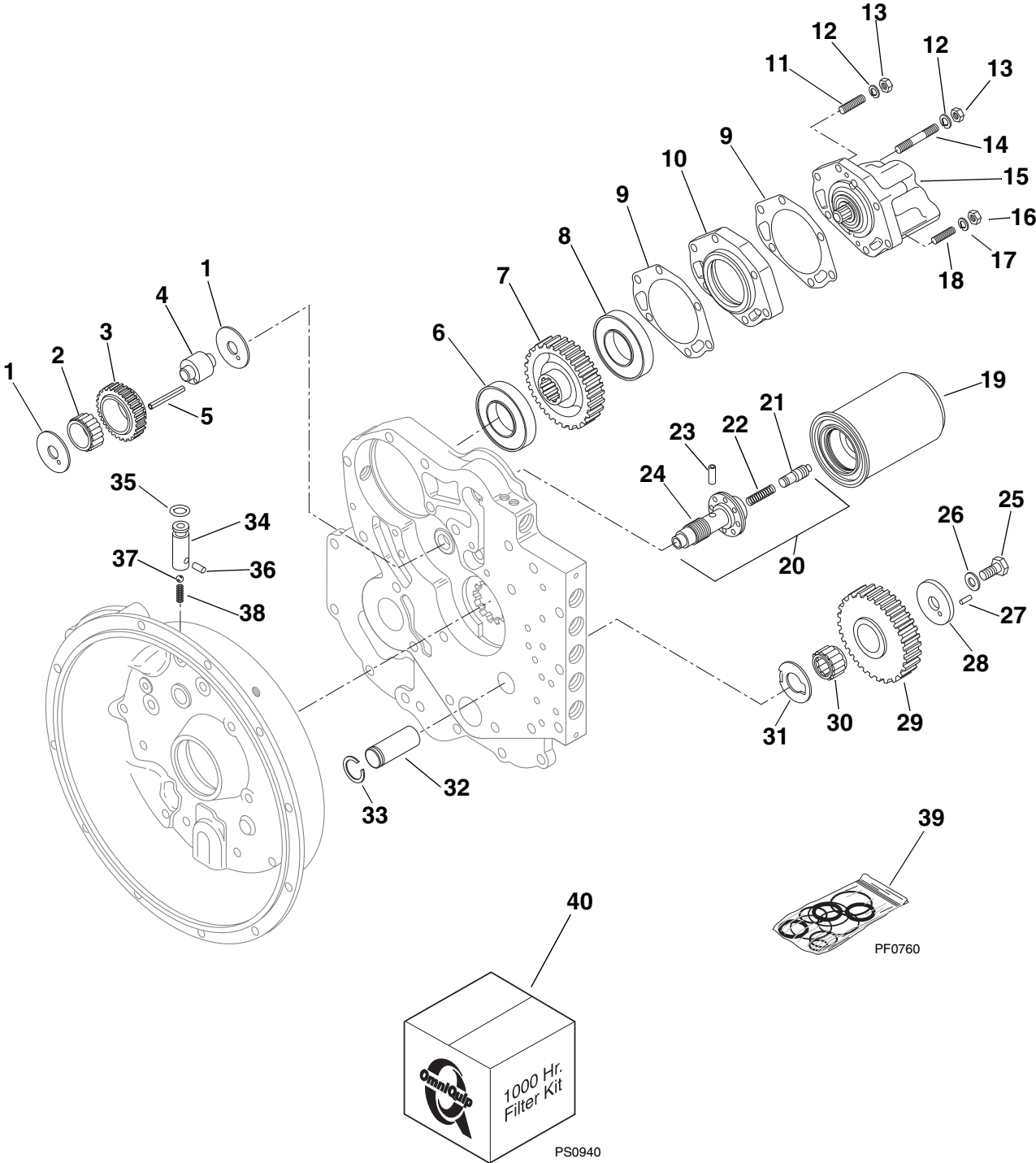


PS0030

TORQUE CONVERTER AND DRIVE PLATES (4 Speed)

Item No.	Part Number	Qty.	Description
1	8034981	1	Snap Ring, Stator Support
2	8034980	1	Washer, Impeller Hub Gear
3	8034978	1	Stator Support Assembly (Includes Items 4 and 5)
4	8034979	1	Bushing
5	8034982	1	Bearing
6	8034977	1	Piston Ring Expander, Stator Support
7	8034976	1	Piston Ring, Stator Support
8	8034975	1	Snap Ring, Stator Support
9	8034974	1	Gear, Impeller Hub (35T)
10	8034973	1	Bearing, Torque Converter
11	8034971	2	O-Ring, Oil Distributor Ring
12	8034972	1	Ring, Oil Distributor
13	8034970	1	Oil Seal, Converter Housing
14	8034968	2	Snap Ring, Impeller Hub
15	8034969	1	Torque Converter Assembly
16	8034967	1	O-Ring, Torque Converter Plug
17	8032599	1	Plug, Torque Converter
18	8032600	1	Snap Ring, Plug
19	8035088	1	Drive Plate Assembly Kit (Includes Items 20 thru 23)
20	NSS		Drive Plate
21	8032602	1	Backing Ring, Drive Plate
22	8307005	6	Washer, Lock - Drive Plate Mounting
23	8035087	6	Screw, Drive Plate Mounting
			<u>KITS</u>
24	8035089	1	Transmission Gasket And Sealing Kit (Services Entire Transmission)

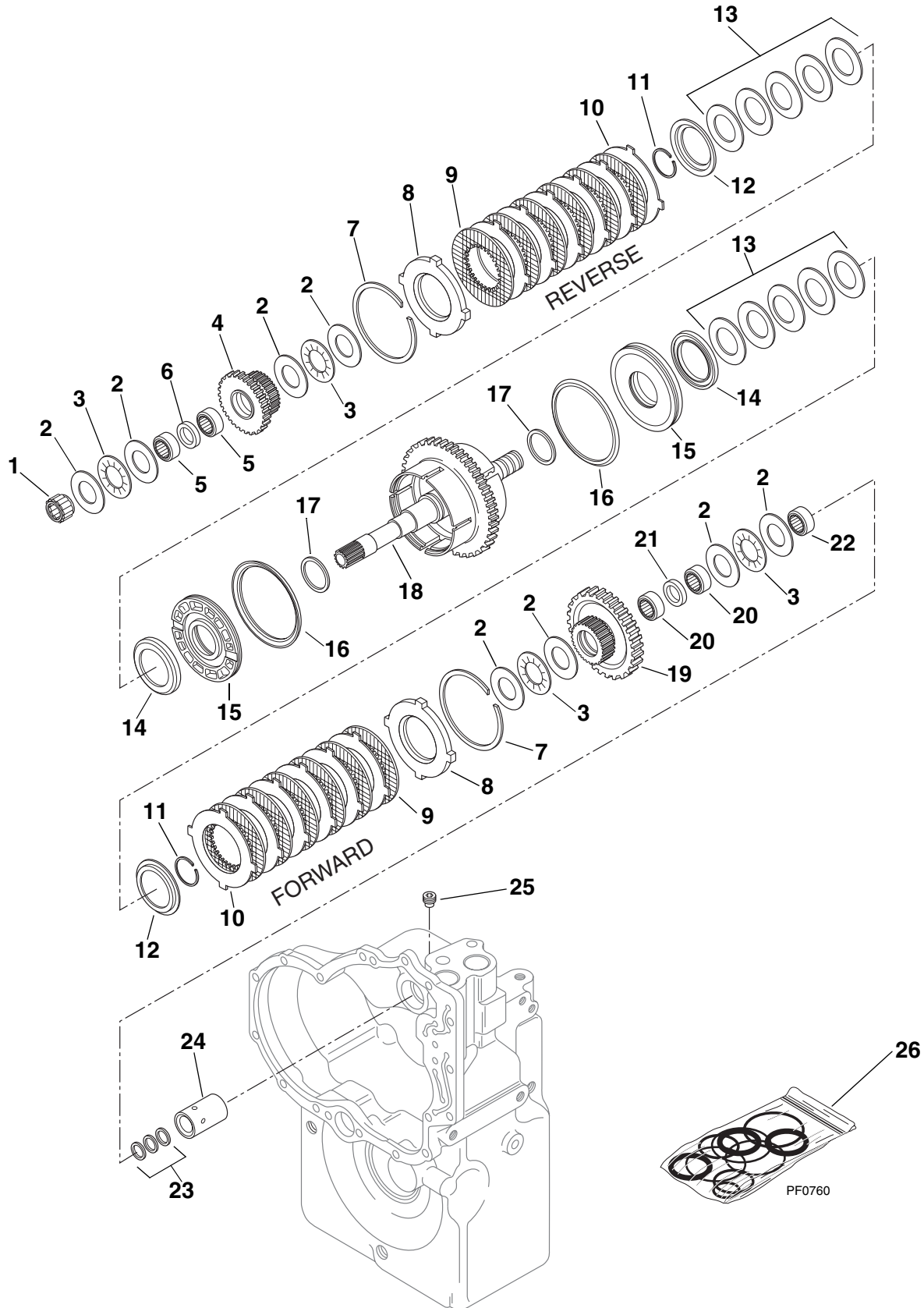
CHARGING PUMP, DRIVE, FILTER & REVERSE IDLER (4 Speed)



CHARGING PUMP, DRIVE, FILTER & REVERSE IDLER (4 Speed)

Item No.	Part Number	Qty.	Description
1	8034983	2	Thrust Washer, Pump Drive Idler
2	8034984	1	Bearing, Idler Gear
3	8034985	1	Gear, Pump Drive Idler (31T)
4	8034986	1	Pump Drive Idler Shaft And Pin Assembly (Includes Item 5)
5	8034987	1	Pin, Roll
6	8034988	1	Bearing, Pump Drive Gear
7	8034989	1	Gear, Pump Drive (34T)
8	8034990	1	Bearing, Pump Drive Gear
9	8034996	2	Gasket, Adaptor
10	8034997	1	Adaptor, Pump To Plate
11	8034998	1	Stud, Pump Mounting
12	8034999	5	Washer, Lock - Pump Mounting Stud
13	8035000	5	Nut, Pump Mounting Stud
14	8035001	4	Stud, Pump Mounting
15	8035090	1	Pump, Charging
16	8035002	1	Nut, Pump Mounting
17	8034934	1	Washer, Lock - Pump Mounting Stud
18	8035003	1	Stud, Pump Mounting
19	8035004	1	Filter Assembly (Also Included in Filter Kit, Item 40)
20	8035009	1	Regulator Valve Assembly (Includes Items 21 thru 24)
21	8035005	1	Piston
22	8035006	1	Spring
23	8035007	1	Pin
24	8035008	1	Sleeve
25	8035016	1	Capscrew, Reverse Idler End Plate
26	8035015	1	Washer, End Plate Capscrew
27	8035017	1	Roll Pin, End Plate To Shaft
28	8035014	1	Plate, End
29	8034917	1	Gear, Reverse Idler (28T)
30	8035013	1	Bearing, Reverse Idler Gear
31	8035012	1	Washer, Thrust
32	8035011	1	Shaft, Idler And Pilot
33	8035010	1	Snap Ring, Idler Shaft
34	8034992	1	Ball Check Valve Assembly (Includes Items 35 thru 38)
35	8034991	1	O-Ring
36	8034993	1	Pin
37	8034994	1	Ball
38	8034995	1	Spring
			<u>KITS</u>
39	8035089	1	Transmission Gasket And Sealing Kit (Services Entire Transmission)
40	7138298	1	1000 Hour Filter Kit for Cummins Turbo (Includes 6 Filters; Engine Oil Filter, Fuel Filter, Both Air Filters, Transmission Oil Filter & Hydraulic Oil Filter
	7138299	1	1000 Hour Filter Kit for Perkins <u>Natural</u> (Includes 6 Filters; Engine Oil Filter, Fuel Filter, Both Air Filters, Transmission Oil Filter & Hydraulic Oil Filter
	7138432	1	1000 Hour Filter Kit for Perkins <u>Turbo</u> (Includes 6 Filters; Engine Oil Filter, Fuel Filter, Both Air Filters, Transmission Oil Filter & Hydraulic Oil Filter

FORWARD AND REVERSE SHAFT GROUP (4 Speed)

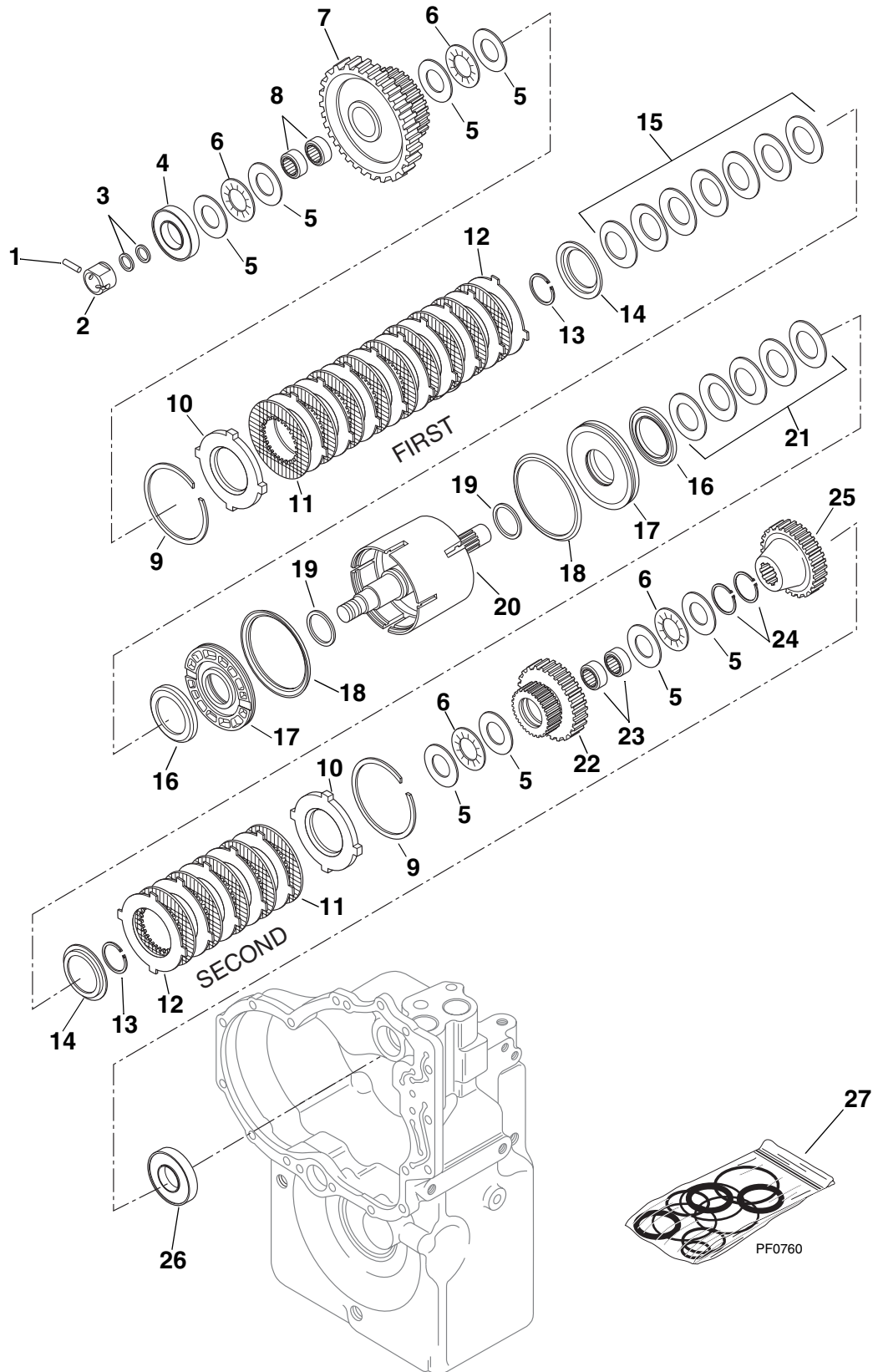


PS0070

FORWARD AND REVERSE SHAFT GROUP (4 Speed)

Item No.	Part Number	Qty.	Description
1	8034982	1	Bearing, Front Turbine Shaft
2	8035018	8	Washer, Thrust - Clutch Gear
3	8035019	4	Bearing, Clutch Gear Thrust Washer
4	8034920	1	Reverse Clutch Gear And Bearing Assembly (Includes Items 5 and 6)
5	8034918	2	Bearing
6	8034919	1	Spacer
7	8035020	2	Snap Ring, End Plate
8	8035021	2	Plate, End
9	8035022	12	Inner Disc - Clutch
10	8035023	12	Outer Disc - Clutch
11	8035024	2	Snap Ring, Retainer
12	8035025	2	Retainer, Snap Ring
13	8035026	2	Disc Washer (Spring) Assembly (Consists Of 5 Washers)
14	8035027	2	Wear Plate, Clutch Piston
15	8035028	2	Clutch Piston And Seals assembly (Includes Items 16 and 17)
16	8035029	1	Seal, Clutch Piston - Outer
17	8035030	1	Seal, Clutch Piston - Inner
18	8035031	1	Turbine Shaft Drum And Plug Assembly
19	8034921	1	Forward Clutch Gear And Bearing Assembly (Includes Items 20 and 21)
20	8034918	2	Bearing
21	8034919	1	Spacer
22	8035032	1	Bearing, Rear Turbine Shaft
23	8035033	3	Ring, Piston
24	8035034	1	Sleeve, Oil Distributor
25	8035035	1	Screw, Retainer
			<u>KITS</u>
26	8035089	1	Transmission Gasket And Sealing Kit (Services Entire Transmission)

FIRST AND SECOND SHAFT GROUP (4 Speed)

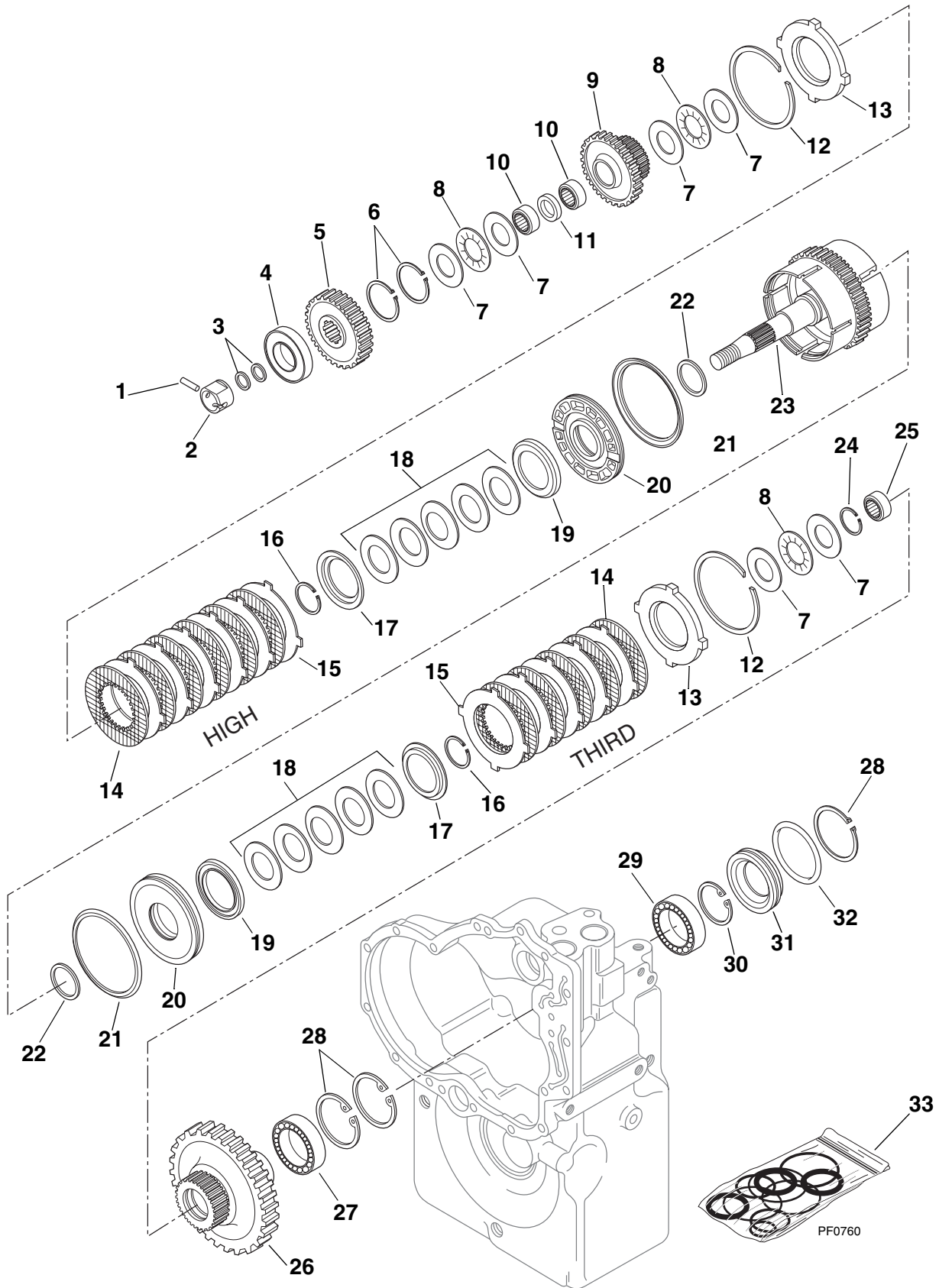


PS0090

FIRST AND SECOND SHAFT GROUP (4 Speed)

Item No.	Part Number	Qty.	Description
1	8035036	1	Screw, Locating Sleeve
2	8035050	1	Sleeve, Oil Distributor
3	8035033	2	Ring, Piston
4	8035038	1	Bearing And Seal Assembly
5	8035018	8	Washer, Thrust - Clutch Gear
6	8035019	4	Bearing, Clutch Gear Thrust Washer
7	8034925	1	First Clutch Gear And Bearing Assembly (Includes Item 8)
8	8034918	2	Bearing
9	8035020	2	Snap Ring, End Plate
10	8035021	2	Plate, End
11	8035022	15	Inner Disc - Clutch (10 Required for First and 5 Required for Second)
12	8035023	15	Outer Disc - Clutch (10 Required for First and 5 Required for Second)
13	8035024	2	Snap Ring, Retainer
14	8035025	2	Retainer, Snap Ring
15	8035051	1	First Clutch Disc Spring Assembly (Consists Of 7 Spring Washers)
16	8035027	2	Wear Plate, Clutch Piston
17	8035052	2	Clutch Piston And Seal Assembly (Includes Items 18 and 19)
18	8035029	1	Seal, Clutch Piston - Outer
19	8035030	1	Seal, Clutch Piston - Inner
20	8035053	1	First And Second Shaft, Drum And Plug Assembly
21	8035026	1	Second Clutch Disc Spring Assembly (Consists Of 5 Spring Washers)
22	8034926	1	Second Clutch Gear And Bearing Assembly (Includes Item 23)
23	8034927	2	Bearing
24	8035039	2	Snap Ring, Second Clutch Gear Hub
25	8034928	1	Gear, Third Driven
26	8035054	1	Bearing, Rear
			<u>KITS</u>
27	8035089	1	Transmission Gasket And Sealing Kit (Services Entire Transmission)

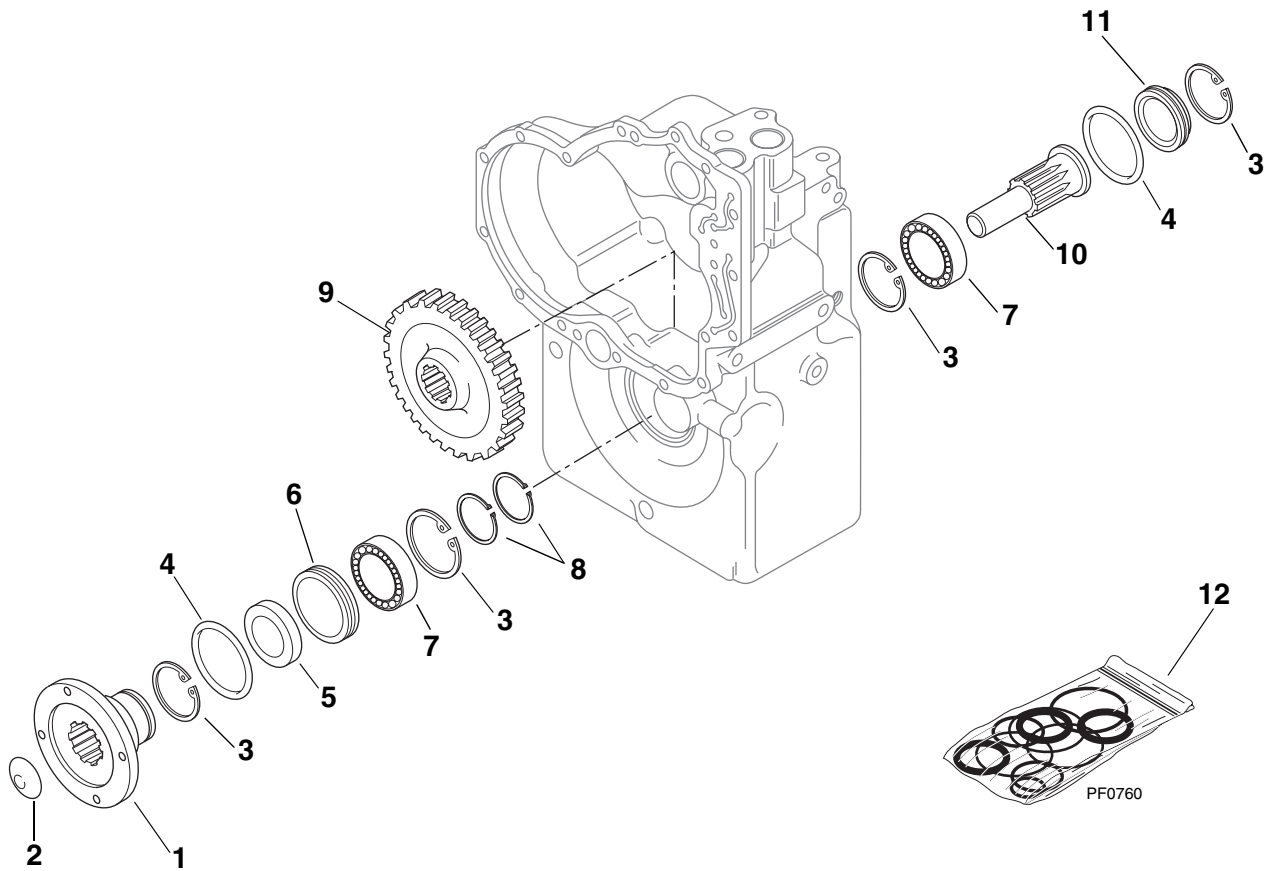
HIGH, THIRD AND OUTPUT SHAFT GROUP (4 Speed)



HIGH, THIRD AND OUTPUT SHAFT GROUP (4 Speed)

Item No.	Part Number	Qty.	Description
1	8035036	1	Screw, Locating Sleeve
2	8035037	1	Sleeve, Oil Distributor
3	8035033	2	Ring, Piston
4	8035038	1	Bearing And Seal Assembly
5	8034922	1	Gear, First Drive
6	8035039	2	Snap Ring, Gear Hub
7	8035018	6	Washer, Thrust - Clutch Gear
8	8035019	3	Bearing, Clutch Gear Thrust Washer
9	8034923	1	Fourth Clutch Gear And Bearing Assembly (Includes Items 10 and 11)
10	8034918	2	Bearing
11	8034919	1	Spacer, Bearing
12	8035020	2	Snap Ring, End Plate
13	8035021	2	Plate, End
14	8035022	11	Inner Disc - Clutch (6 Required for High and 5 Required for Third)
15	8035023	11	Outer Disc - Clutch (6 Required for High and 5 Required for Third)
16	8035024	2	Snap Ring, Retainer
17	8035025	2	Retainer, Snap Ring
18	8035026	2	Disc Washer (Spring) Assembly (Consists Of 5 Washers)
19	8035027	2	Wear Plate, Clutch Piston
20	8035040	2	Clutch Piston And Ball Seat Assembly (Includes Items 21 and 22)
21	8035029	1	Seal, Clutch Piston - Outer
22	8035030	1	Seal, Clutch Piston - Inner
23	8035041	1	High And Third Shaft, Drum And Plug Assembly
24	8035042	1	Snap Ring, Retaining Thrust Washer
25	8035043	1	Bearing, Third Clutch Gear
26	8034924	1	Third Gear And Shaft
27	8035044	1	Bearing, Rear
28	8035045	3	Snap Ring, Retaining Rear Bearing
29	8035046	1	Bearing, Output Shaft
30	8035047	1	Snap Ring, Retaining Output Shaft Bearing
31	8035048	1	Plug, Capped End
32	8035049	1	O-Ring, Oil Seal Sleeve
			<u>KITS</u>
33	8035089	1	Transmission Gasket And Sealing Kit (Services Entire Transmission)

OUTPUT SHAFT GROUP (4 Speed)



PS0101

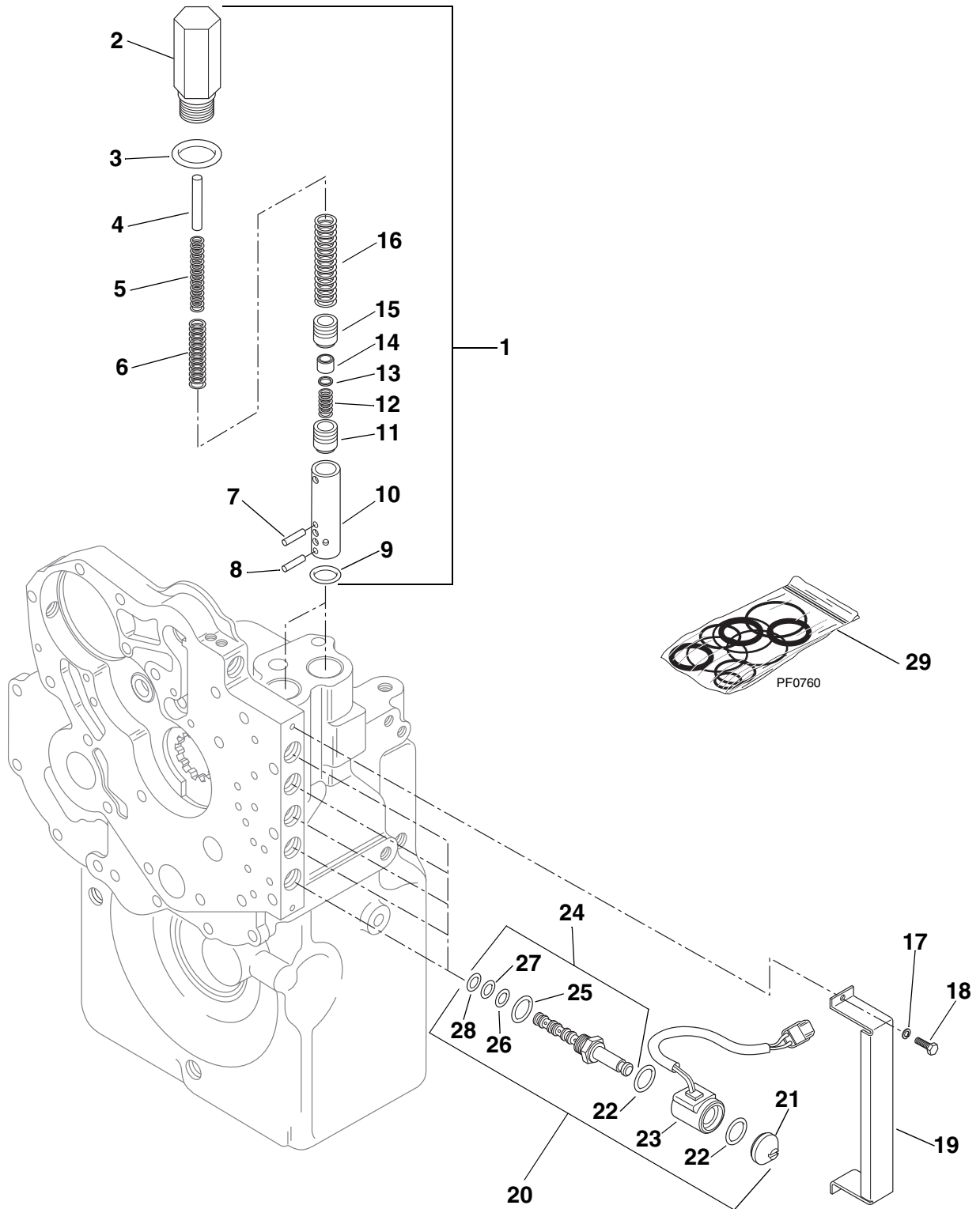
OUTPUT SHAFT GROUP

(4 Speed)

Item No.	Part Number	Qty.	Description
1	8035056	1	Output Flange And Plug Assembly (Includes Item 2)
2	8035055	1	Plug, Flange
3	8035045	4	Snap Ring, Output Shaft Bearing And Plug
4	8035049	2	O-Ring, Oil Seal Sleeve And Plug
5	8035057	1	Seal, Oil - Output Shaft
6	8035058	1	Sleeve, Oil Seal
7	8035046	2	Bearing, Output Shaft
8	8035047	2	Ring, Retaining - Flange
9	8034929	1	Gear, Output Shaft
10	8035059	1	Shaft, Output
11	8035048	1	Plug, Output Shaft Bore
			<u>KITS</u>
12	8035089	1	Transmission Gasket And Sealing Kit (Services Entire Transmission)

3.48

ELECTRIC CONTROL GROUP (4 Speed)



PS0110

ELECTRIC CONTROL GROUP

(4 Speed)

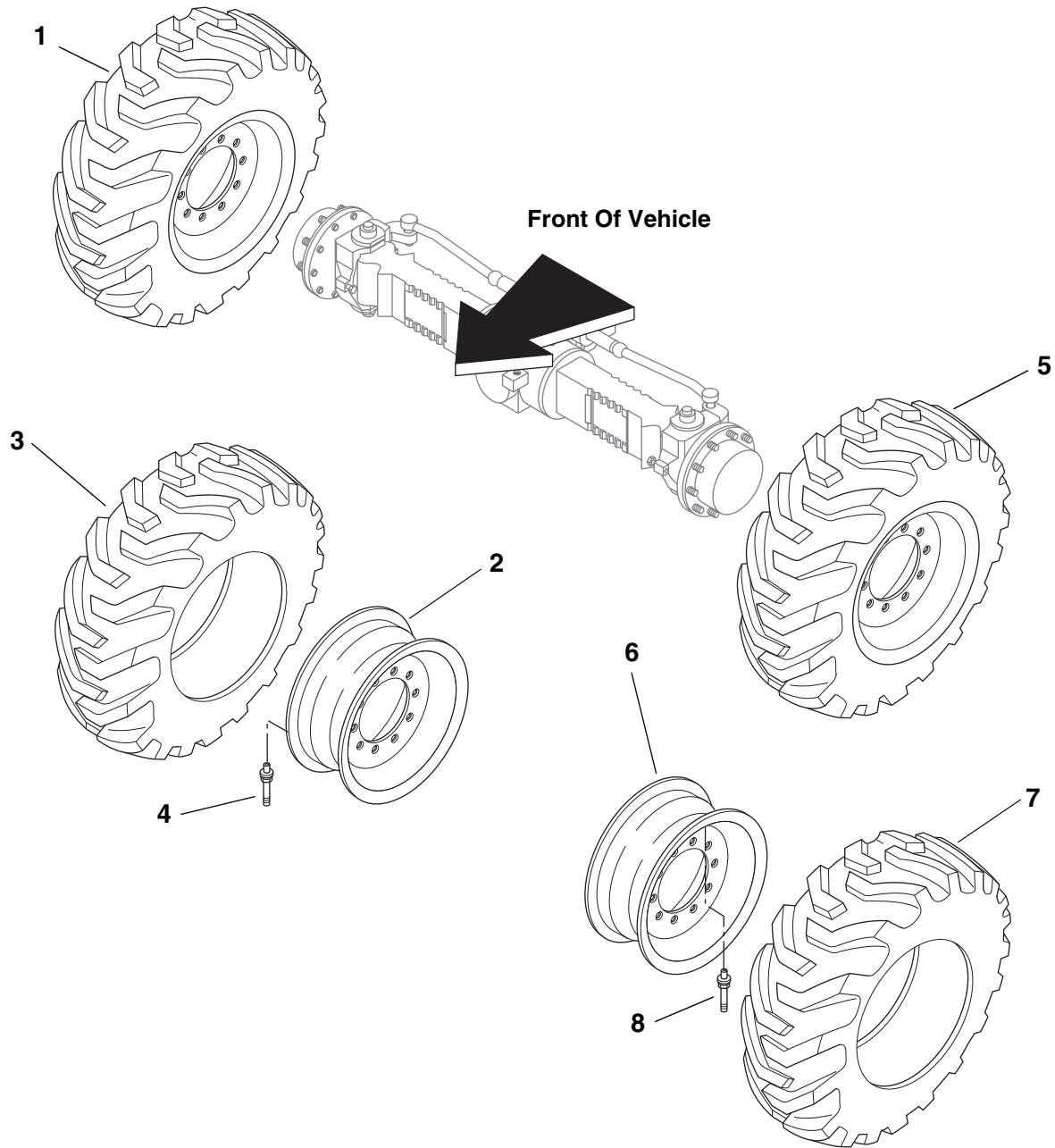
Item No.	Part Number	Qty.	Description
1	8035091	2	Modulation Valve Assembly (Includes Items 2 thru 16)
2	8035060	1	Housing, Modulator Valve
3	8035061	1	O-Ring, Modulator Housing
4	8035062	1	Pin, Stop
5	8035063	1	Spring, Inner
6	8035064	1	Spring, Middle
7	8035065	1	Pin, Upper
8	8035066	1	Pin, Lower
9	8035067	1	O-Ring, Sleeve
10	8035068	1	Sleeve, Modulator Housing
11	8035069	1	Spool, Regulator
12	8035070	1	Spring
13	8035071	1	Spacer, Spring
14	8035072	1	Retainer, Spring
15	8035073	1	Spool, Accumulator
16	8035074	1	Spring, Outer
17	8035075	2	Washer, Lock - Cover Screw
18	8035076	2	Screw, Cover
19	8035077	1	Cover, Protective
20	8035086	5	Spool Type Solenoid Cartridge Assembly (Includes Items 21 thru 24)
21	8035078	1	Retainer Nut, Valve Cartridge
22	8035079	2	O-Ring, Coil
23	8035080	1	Coil, Solenoid - 12 Volt
24	8035085	1	Cartridge, Valve - 4 Way (Includes Items 25 thru 28)
25	8035084	1	O-Ring, Cartridge
26	8035083	1	O-Ring, Cartridge
27	8035082	1	O-Ring, Cartridge
28	8035081	1	O-Ring, Cartridge
			KITS
29	8035089	1	Transmission Gasket And Sealing Kit (Services Entire Transmission)

3.50

WHEELS AND TIRES

Warning

Mis-Matched tire sizes, ply ratings or mixing of tire types (Radial and Bias ply) may compromise vehicle stability and may result in vehicle tipover.

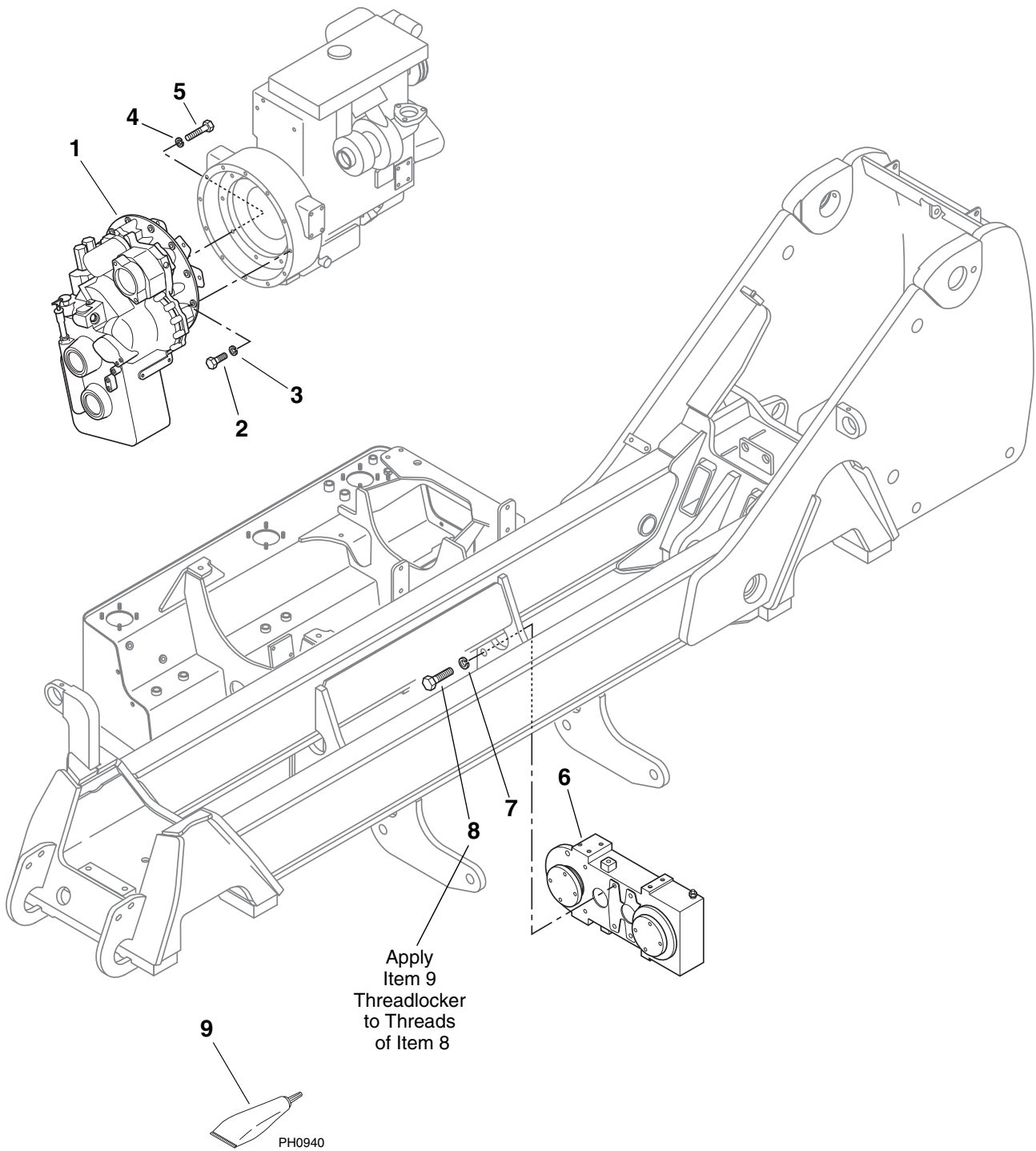


PS0340

WHEELS AND TIRES

Item No.	Part Number	Qty.	Description
1	7128282	2	Tire And Wheel Assembly, Right Side, 13.00-24, 12 Ply (Includes Items 2 thru 4)
2	7128263	1	Wheel, 9024GR
3	8780031	1	Tire, 13.00-24, 12 Ply
4	8786514	1	Stem, Valve
5	7128272	2	Tire And Wheel Assembly, Left Side, 13.00-24, 12 Ply (Includes Items 6 thru 8)
6	7128263	1	Wheel, 9024GR
7	8780031	1	Tire, 13.00-24, 12 Ply
8	8786514	1	Stem, Valve

TRANSMISSION & TRANSFER BOX MOUNTING



PS0351

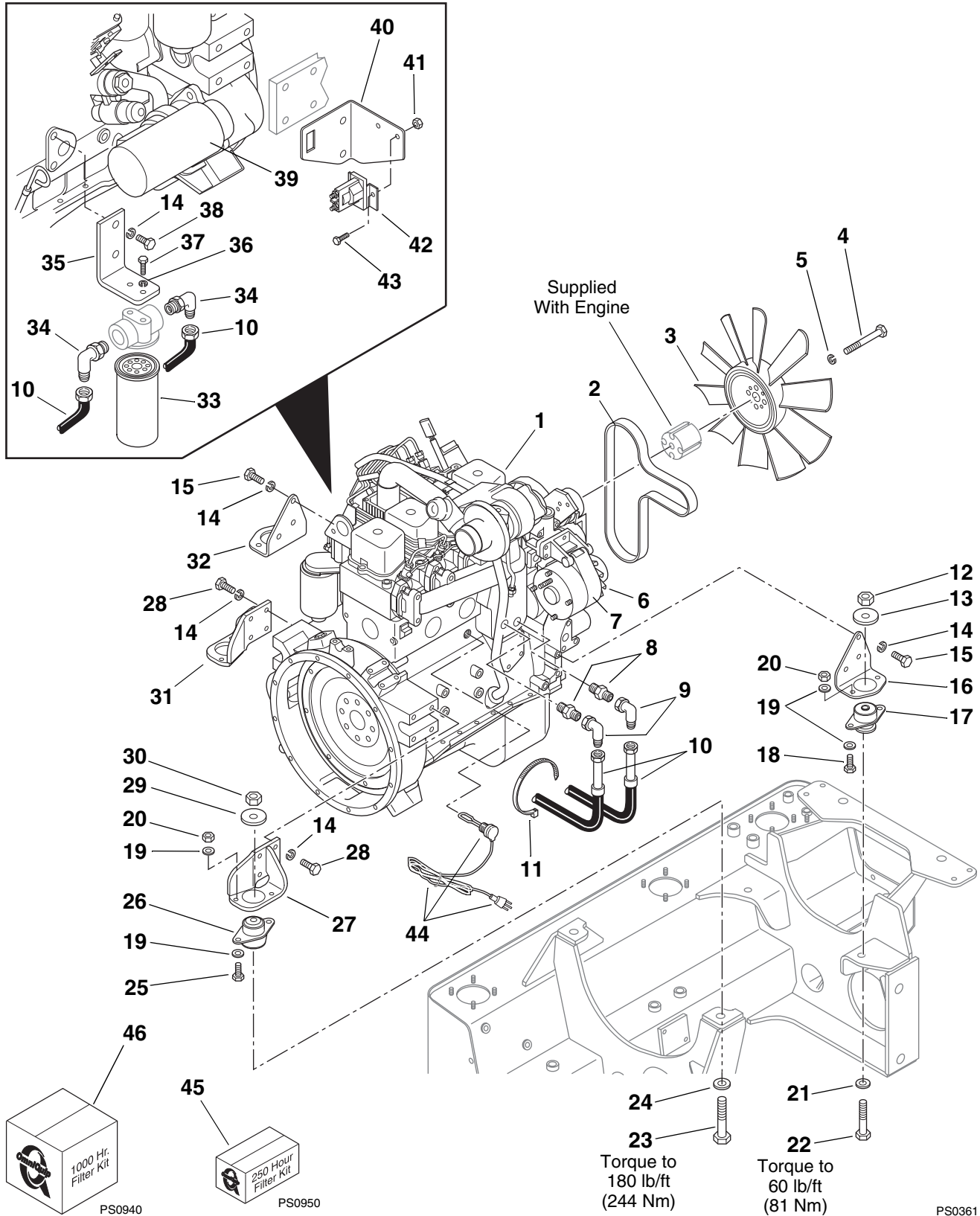
TRANSMISSION & TRANSFER BOX MOUNTING

Item No.	Part Number	Qty.	Description
1	8841030	1	Transmission - 4 Speed (Used On Cummins and Perkins Turbo Only)
	8841032	1	Transmission - 3 Speed (Used On Perkins Naturally Aspirated Only)
2	8303755	12	HHCS, M10-1,5 x 30mm PC 8,8
3	8307023	12	Washer, Lock M10
4	8307005	8	Washer, Lock 3/8"
5	8303116	8	HHCS, 3/8-24 x 2" NF Gr.8 (Perkins Engines Only)
	8310038	8	HHCS, 3/8-24 x 1-3/4" NF Gr.8 (Cummins Engines Only)
6	8841031	1	Transfer Box
7	8307049	4	Washer, Lock M16
8	8310317	4	HHCS, M16-2,0 x 75mm
9	8526007	AR	Threadlocker Adhesive Sealant (.01 fl.oz.)

ENGINE MOUNTING - CUMMINS

(S/N 9179 and Before)

Right Side of Engine



ENGINE MOUNTING - CUMMINS

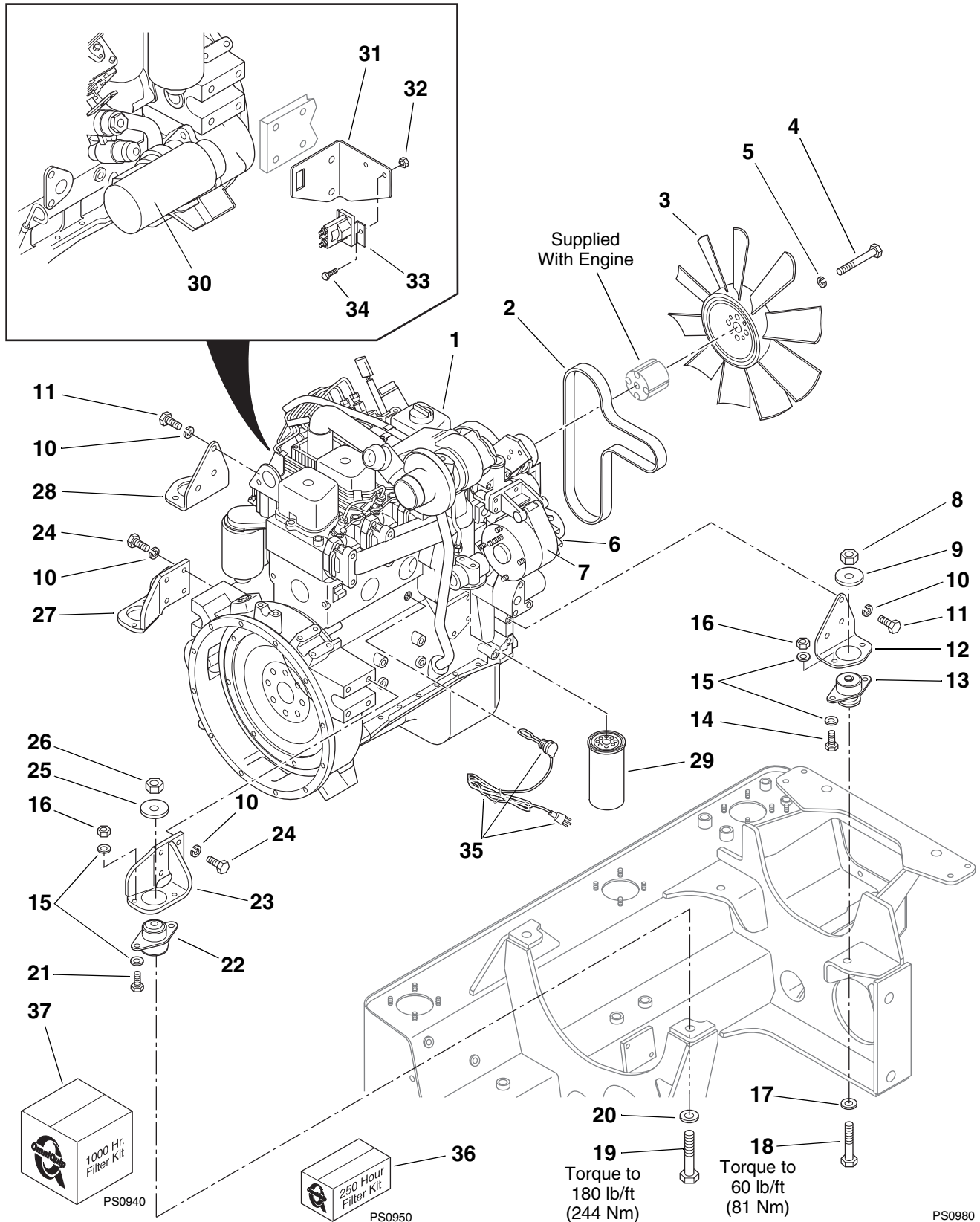
(S/N 9179 and Before)

Item No.	Part Number	Qty.	Description
1	8262139	1	Engine, Cummins 4BT 3.9 Turbo
2	8035100	1	Belt, Fan
3	8272017	1	Fan, 18" Suction
4	8310364	4	HHCS, M10-1,5 x 90mm
5	8307023	4	Washer, Lock M10
6	8270220	1	Fan, Alternator
7	8270221	1	Alternator, 65 Amp
8	8770077	2	Connector, Straight, #10 ORB x #12 Flat Face
9	8770080	2	Elbow, Swivel 90°, #12 Flat Face
10	2715082	2	Hose Assembly, Remote Oil Filter
11	8584003	1	Tie Wrap
12	8310109	2	Nut, Hex Lock Elastic 7/16-14
13	7121951	2	Washer, Rebound 7/16"
14	8307025	16	Washer, Lock M12
15	8303790	6	HHCS, M12-1,75 x 30mm PC 8,8
16	7127562	1	Mount, Engine, Rear Left Side
17	8278021	2	Mount, Engine
18	8303675	4	HHCS, 3/8-16 x 1-1/4" Gr. 5
19	8307110	16	Washer, Flat 3/8" Narrow
20	8305645	8	Nut, Hex Lock Elastic 3/8-16
21	8307113	2	Washer, Flat 7/16" Narrow
22	8310289	2	HHCS, 7/16-14 x 3-1/4" Gr. 8
23	8310333	2	HHCS, 5/8-11 x 4" Gr. 8
24	8307107	2	Washer, Flat 5/8" Narrow
25	8303621	4	HHCS, 3/8-16 x 1-1/2" Gr. 5
26	8278022	2	Mount, Engine
27	7127492	1	Mount, Engine, Front Left Side
28	8310164	8	HHCS, M12-1,75 x 40mm PC 8,8
29	7132141	2	Washer, Rebound 5/8"
30	8305643	2	Nut, Hex Lock Elastic 5/8-11
31	7127462	1	Mount, Engine, Front Right Side
32	7127552	1	Mount, Engine, Rear Right Side
33	8320262	1	Filter, Engine Oil (Also Included In Filter Kits, Items 45 & 46)
34	8770079	2	Elbow, 90°, #12 ORB x #12 Flat Face
35	7128592	1	Bracket, Oil Filter
36	8307002	2	Washer, Lock 1/4"
37	8303729	2	HHCS, 1/4-20 x 5/8"
38	8303618	2	HHCS, M12-1,75 x 25mm
39	8035278	1	Starter
40	7131753	1	Mount, Starter Relay
41	8305624	2	Nut, Hex Lock Elastic 1/4-20
42	8277162	1	Relay, Starter (S/N 10964 and After)
	7138510	1	Kit, Sealed Relay (S/N 10963 and Before)
43	8310026	2	HHCS, 1/4-20 x 3/4"
44	8277161	1	Heater, Coolant
			<u>KITS</u>
45	7138288	1	250 Hour Filter Kit (Includes 2 Filters; Engine Oil Filter & Fuel Filter)
46	7138298	1	1000 Hour Filter Kit (Includes 6 Filters; Engine Oil Filter, Fuel Filter, Both Air Filters, Transmission Oil Filter & Hydraulic Oil Filter)

ENGINE MOUNTING - CUMMINS

(S/N 9180 and After)

Right Side of Engine

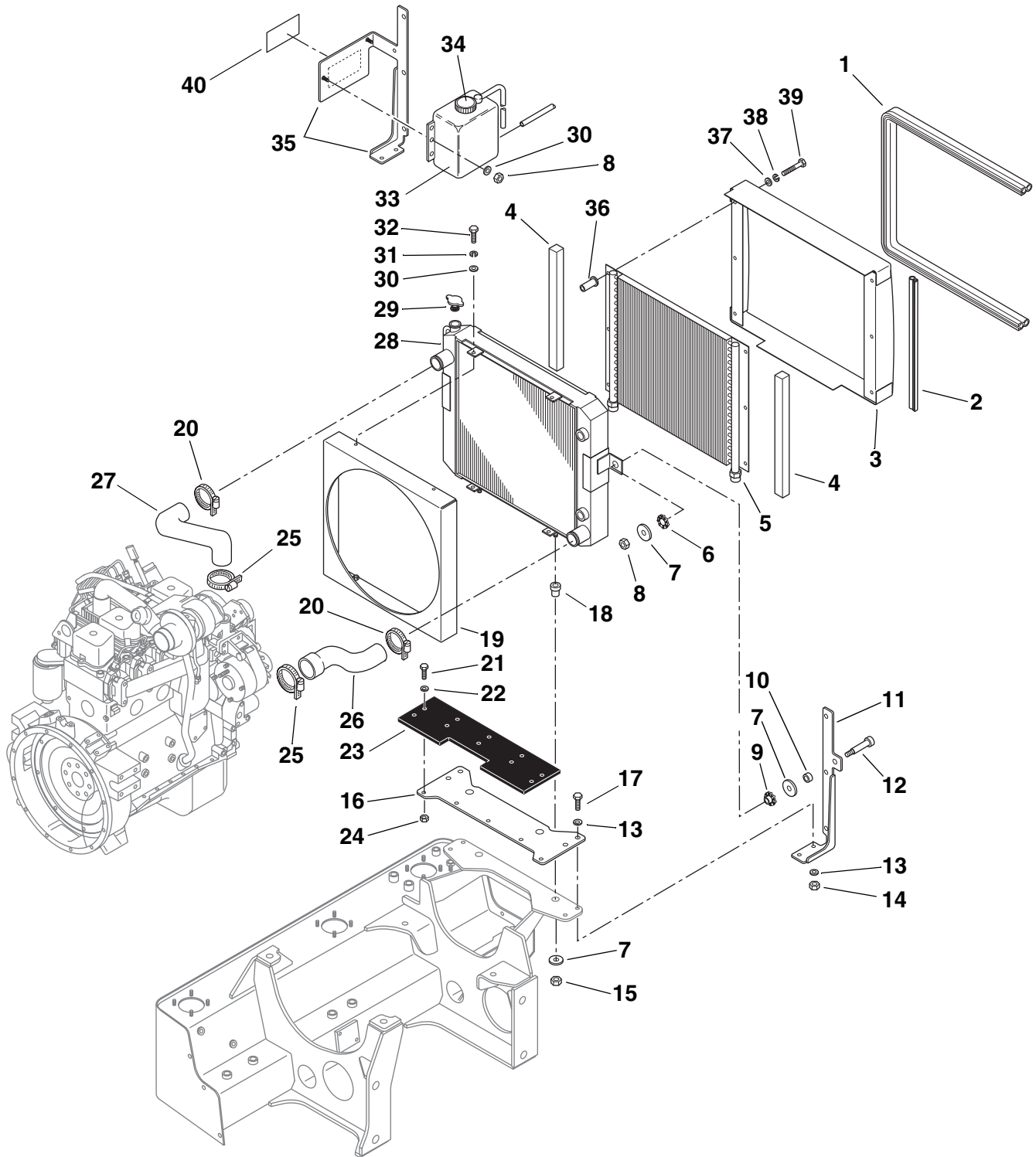


ENGINE MOUNTING - CUMMINS

(S/N 9180 and After)

Item No.	Part Number	Qty.	Description
1	8262139	1	Engine, Cummins 4BT 3.9 Turbo
2	8035100	1	Belt, Fan
3	8272017	1	Fan, 18" Suction
4	8310364	4	HHCS, M10-1,5 x 90mm
5	8307023	4	Washer, Lock M10
6	8270220	1	Fan, Alternator
7	8270221	1	Alternator, 65 Amp
8	8310109	2	Nut, Hex Lock Elastic 7/16-14
9	7121951	2	Washer, Rebound 7/16"
10	8307025	14	Washer, Lock M12
11	8303790	6	HHCS, M12-1,75 x 30mm PC 8,8
12	7127562	1	Mount, Engine, Rear Left Side
13	8278021	2	Mount, Engine
14	8303675	4	HHCS, 3/8-16 x 1-1/4" Gr. 5
15	8307110	16	Washer, Flat 3/8" Narrow
16	8305645	8	Nut, Hex Lock Elastic 3/8-16
17	8307113	2	Washer, Flat 7/16" Narrow
18	8310289	2	HHCS, 7/16-14 x 3-1/4" Gr. 8
19	8310333	2	HHCS, 5/8-11 x 4" Gr. 8
20	8307107	2	Washer, Flat 5/8" Narrow
21	8303621	4	HHCS, 3/8-16 x 1-1/2" Gr. 5
22	8278022	2	Mount, Engine
23	7127492	1	Mount, Engine, Front Left Side
24	8310164	8	HHCS, M12-1,75 x 40mm PC 8,8
25	7132141	2	Washer, Rebound 5/8"
26	8305643	2	Nut, Hex Lock Elastic 5/8-11
27	7127462	1	Mount, Engine, Front Right Side
28	7127552	1	Mount, Engine, Rear Right Side
29	8320262	1	Filter, Engine Oil (Also Included In Kits, Items 36 & 37)
30	8035278	1	Starter
31	7131753	1	Mount, Starter Relay
32	8305624	2	Nut, Hex Lock Elastic 1/4-20
33	8277162	1	Relay, Starter (S/N 10964 and After)
	7138510	1	Kit, Sealed Relay (S/N 10963 and Before)
34	8310026	2	HHCS, 1/4-20 x 3/4"
35	8277161	1	Heater, Coolant
			KITS
36	7138288	1	250 Hour Filter Kit (Includes 2 Filters; Engine Oil Filter & Fuel Filter)
37	7138298	1	1000 Hour Filter Kit (Includes 6 Filters; Engine Oil Filter, Fuel Filter, Both Air Filters, Transmission Oil Filter & Hydraulic Oil Filter)

RADIATOR AND OIL COOLER (Cummins)



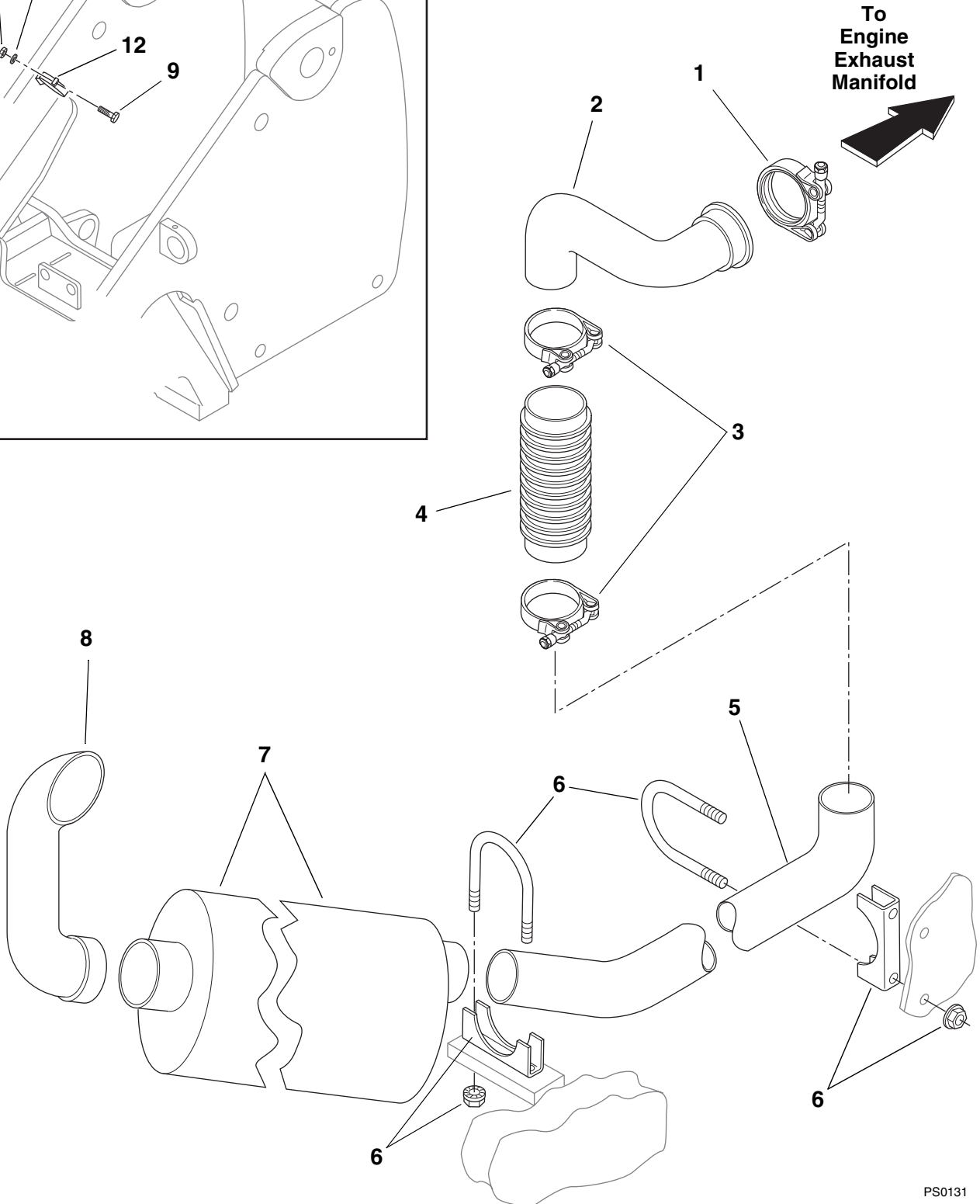
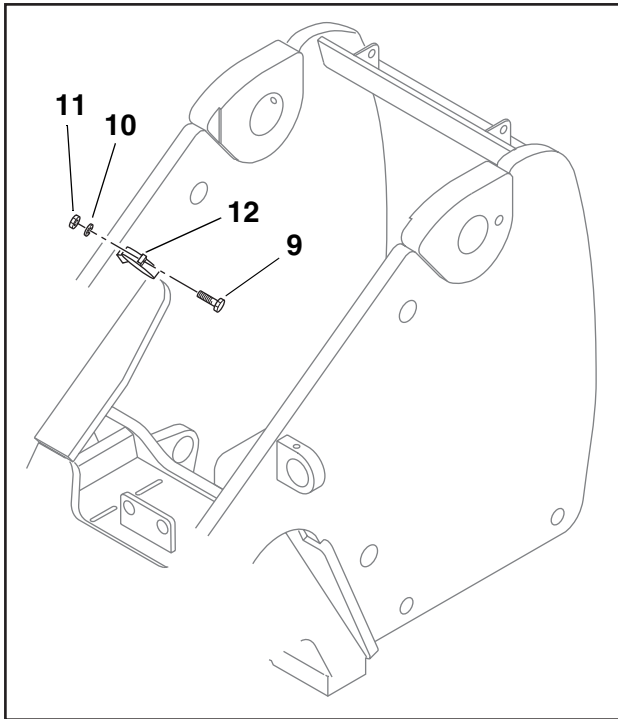
PS0371

RADIATOR AND OIL COOLER

(Cummins)

Item No.	Part Number	Qty.	Description
1	7131952	1	Seal Bulb
2	7132002	1	Moulding, Seal Bulb
3	7131443	1	Baffle Assembly, Radiator
4	7132012	2	Baffle, Foam
5	7129973	1	Cooler, Oil
6	8278024	2	Ring, Radiator Mount
7	7057141	6	Washer, Rebound 3/8"
8	8305626	4	Nut, Hex Lock Elastic 5/16-18
9	8278023	2	Bushing, Radiator Mount
10	7130131	2	Spacer
11	7130042	1	Bracket, Radiator L.H.
12	8310104	2	Bolt, Shoulder, Hex Socket Hd. 3/8 x 1-1/2 x 5/16-18
13	8307204	8	Washer, Flat 3/8" Wide
14	8305645	4	Nut, Hex Lock Elastic 3/8-16
15	8305603	2	Nut, Hex Lock 3/8-16
16	7130422	1	Sheet
17	8303621	4	HHCS, 3/8-16 x 1-1/2" Gr. 5
18	8278008	2	Mount, Rubber
19	7131253	1	Shroud, Radiator
20	8405104	2	Clamp, Radiator Hose - Radiator
21	8310026	5	HHCS, 1/4-20 x 3/4"
22	8307109	5	Washer, Flat 1/4" Narrow
23	7130532	1	Baffle
24	8305624	5	Nut, Hex Lock Elastic 1/4-20
25	8405203	2	Clamp, Radiator Hose - Engine
26	7126693	1	Hose, Radiator, Return
27	7126703	1	Hose, Radiator, Input
28	7126514	1	Radiator Assembly (Includes Item 29)
29	8180311	1	Cap, Radiator - 13 psi (89,6 kPa)
30	8307106	6	Washer, Flat 5/16" Narrow
31	8307004	4	Washer, Lock 5/16"
32	8303697	4	HHCS, 5/16-18 x 3/4" Gr. 5
33	7085422	1	Tank, Overflow 3 Qt. (Includes Item 34)
34	8866341	1	Cap w/Tether
35	7130052	1	Bracket Assembly, Radiator R.H.
36	8580420	6	Nut, Well
37	8307202	6	Washer, Flat 1/4" Wide
38	8307002	6	Washer, Lock 1/4"
39	8303743	6	HHCS, 1/4-20 x 1-1/2"
40	4108981	1	Decal, Fan Warning

EXHAUST SYSTEM (Cummins)



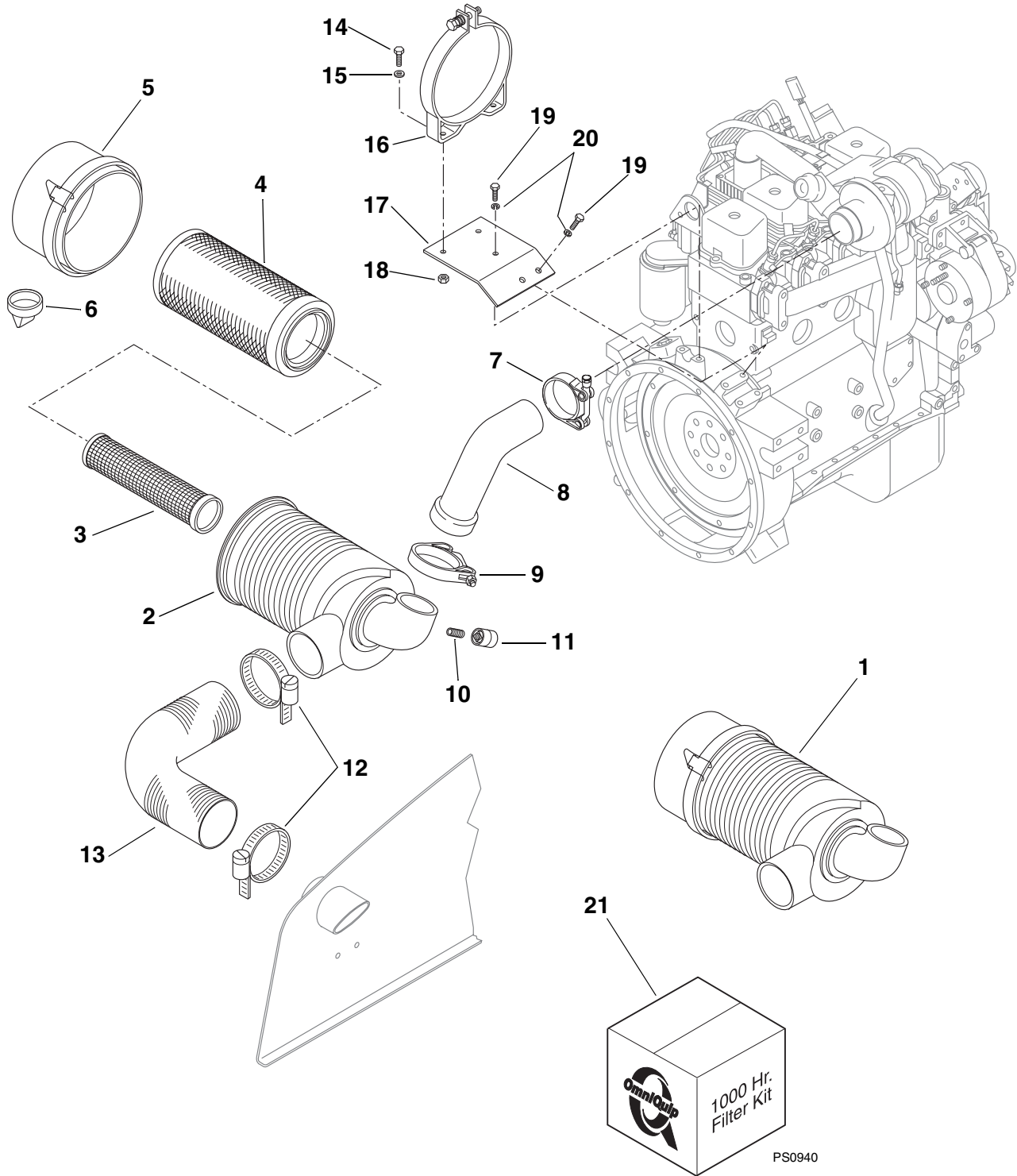
PS0131

EXHAUST SYSTEM

(Cummins)

Item No.	Part Number	Qty.	Description
1	8275240	1	Clamp, V-Band
2	7128102	1	Pipe, Exhaust
3	8405209	2	Clamp, T Bolt Band - Heavy Duty
4	8275037	1	Bellows, Exhaust
5	7128092	1	Pipe, Exhaust
6	8275212	2	Clamp, Muffler 2-1/2" Heavy Duty
7	8275036	1	Muffler, Exhaust
8	7128072	1	Pipe, Tail Exhaust
9	8310412	1	HHCS, 7/16-14 x 1-3/4" Gr. 5
10	8307006	1	Washer, Lock 7/16"
11	8310415	1	Nut, Hex 7/16-14
12	7128142	1	Clamp, Muffler - Welded

AIR CLEANER (Cummins)

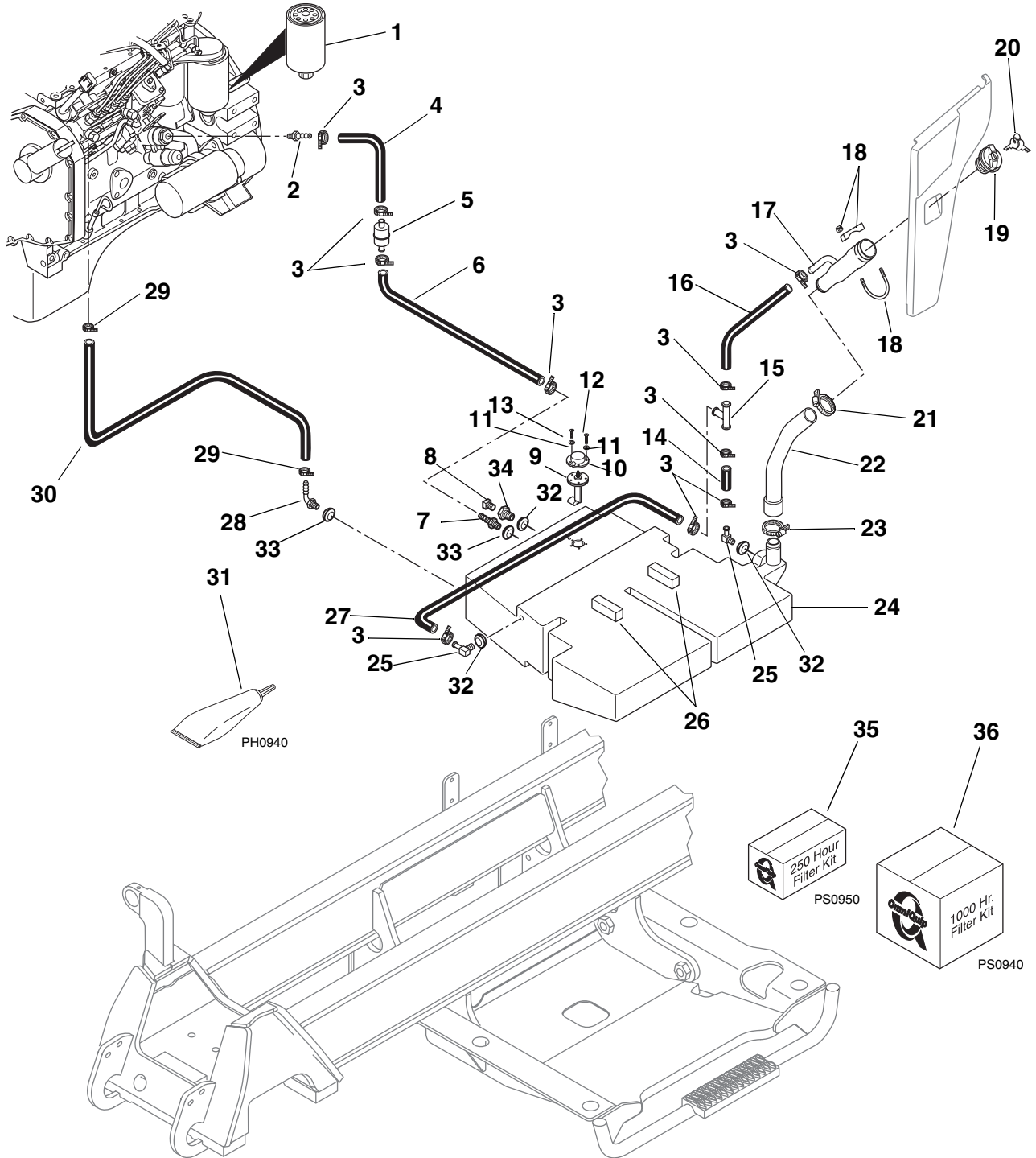


AIR CLEANER (Cummins)

Item No.	Part Number	Qty.	Description
1	8273022	1	Air Cleaner Assembly (Includes Items 2 thru 6)
2	NSS	1	Body Assembly
3	8035099	1	Filter, Safety (Also Included In Kit, Item 21)
4	8035098	1	Filter, Primary (Also Included In Kit, Item 21)
5	8035279	1	Cover Assembly
6	8032398	1	Valve, Vacuator
7	8405307	1	Clamp, T Bolt, Heavy Duty
8	7126833	1	Hose, Air Cleaner
9	8405306	1	Clamp, T Bolt
10	8551001	1	Nipple, Close #2
11	8223527	1	Switch, Vacuum
12	8405301	2	Clamp, Hose SAE Type F
13	7132022	1	Hose, Air Intake
14	8303697	2	HHCS, 5/16-18 x 3/4"
15	8307106	2	Washer, Flat 5/16" Narrow
16	8273297	1	Band Assembly, Air Cleaner Mount
17	7127742	1	Plate, Air Cleaner Mount
18	8305626	2	Nut, Hex Lock Elastic 5/16-18
19	8303675	3	HHCS, 3/8-16 x 1-1/4" Gr. 5
20	8307005	3	Washer, Lock 3/8"
			<u>KITS</u>
21	7138298	1	1000 Hour Filter Kit (Includes 6 Filters; Engine Oil Filter, Fuel Filter, Both Air Filters, Transmission Oil Filter & Hydraulic Oil Filter)

FUEL SYSTEM (Cummins)

Engine Rotated For Clarity



PS0442

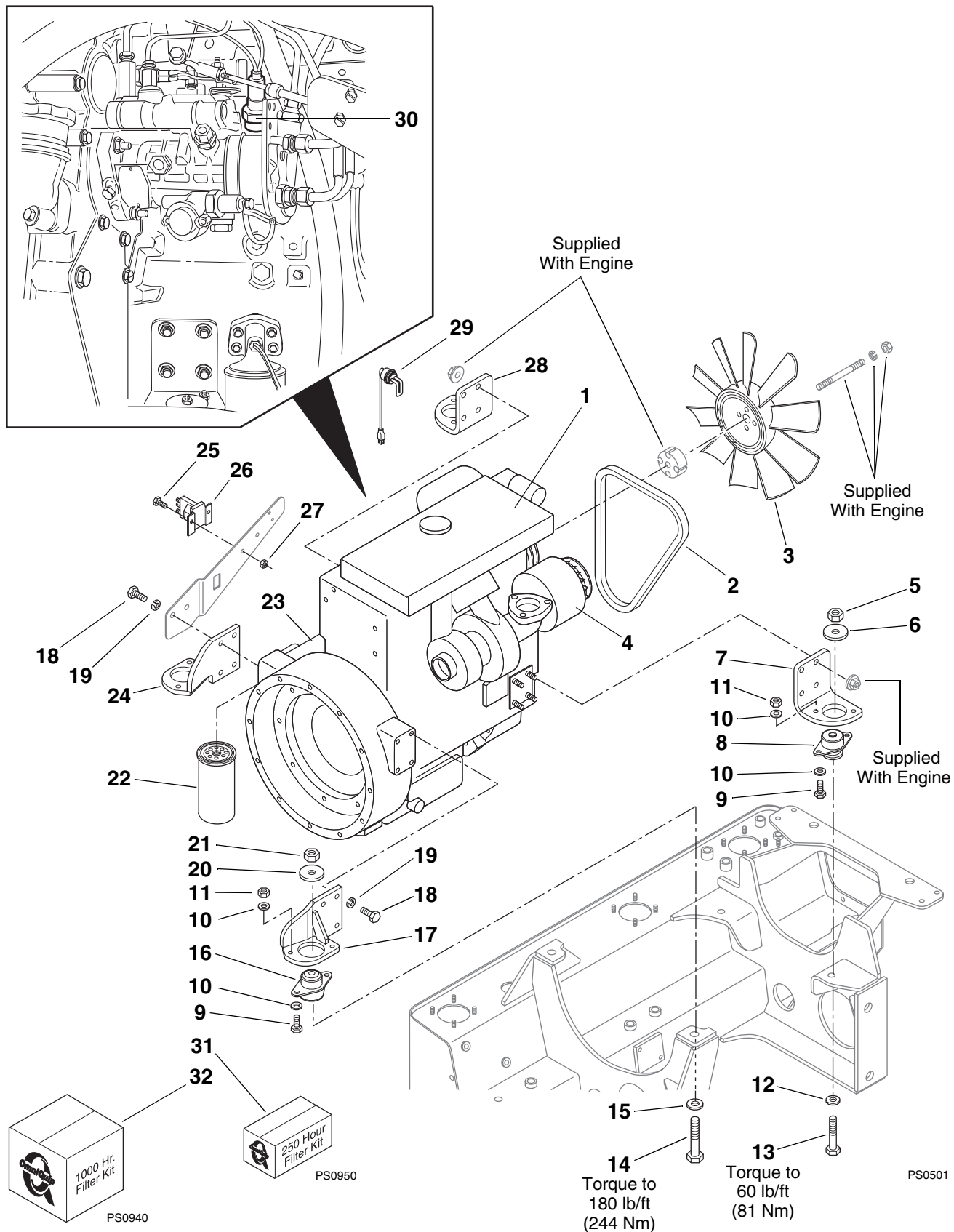
FUEL SYSTEM

(Cummins)

Item No.	Part Number	Qty.	Description
1	8320270	1	Filter, Fuel (Also Included In Filter Kits, Items 32 & 33)
2	8430007	1	Connector, Straight Barb #6-4P
3	8410009	10	Clamp, Hose, SAE Type F
4	7132131	1	Hose, Fuel 3/8 x 10"
5	8274022	1	Strainer, Fuel
6	7132121	1	Hose, Fuel 3/8 x 85" (Fuel Supply From Tank)
7	8430093	1	Connector 3/8" Hose (See Item 31 Note)
8	8541404	1	Plug, Square Hd. Black MI #6P (See Item 31 Note)
9	7120613	1	Sender, Fuel w/Gasket
10	7131992	1	Cover, Fuel Sender
11	8307003	5	Washer, Lock #10
12	8303837	4	Screw, Pan Hd. #10-24 x 3/4"
13	8303836	1	Screw, Pan Hd. #10-24 x 5/8"
14	7129111	1	Hose, Fuel Breather
15	8430072	1	Tee, Beaded, Hose
16	7129101	1	Hose, Fuel Breather
17	7128602	1	Filler, Fuel
18	8275209	1	Clamp, Muffler, U Type 2"
19	8322036	1	Cap, Fuel w/Keys (Includes Item 20)
20	8035292	1	Keys (Set of Two)
21	8405104	1	Clamp, Hose, Upper SAE Type F
22	7129133	1	Hose, Fuel Filler
23	8405202	1	Clamp, Hose, Lower SAE Type F
24	7138736	1	Tank, Fuel
25	8430095	2	Elbow, 5/8" (See Item 31 Note)
26	5724742	2	Gasket
27	7129121	1	Hose, Fuel Breather
28	8430094	1	Elbow, 5/16" Hose (See Item 31 Note)
29	8405009	2	Clamp, Hose, Minature 7/32" Dia.
30	7132111	1	Hose, Fuel Return
31	8526015	AR	Sealant, Pipe Thread w/Teflon 8oz (Note: To Be Used With ALL Threaded Fittings)
32	8660011	3	Grommet, 5/8" Fitting
33	8660010	2	Grommet, 3/8" Fitting
34	8430092	1	Drain, Hex - 3/8"-18 NPT
			<u>KITS</u>
35	7138288	1	250 Hour Filter Kit (Includes 2 Filters; Engine Oil Filter & Fuel Filter)
36	7138298	1	1000 Hour Filter Kit (Includes 6 Filters; Engine Oil Filter, Fuel Filter, Both Air Filters, Transmission Oil Filter & Hydraulic Oil Filter)

ENGINE MOUNTING

(Perkins Natural & Turbo)



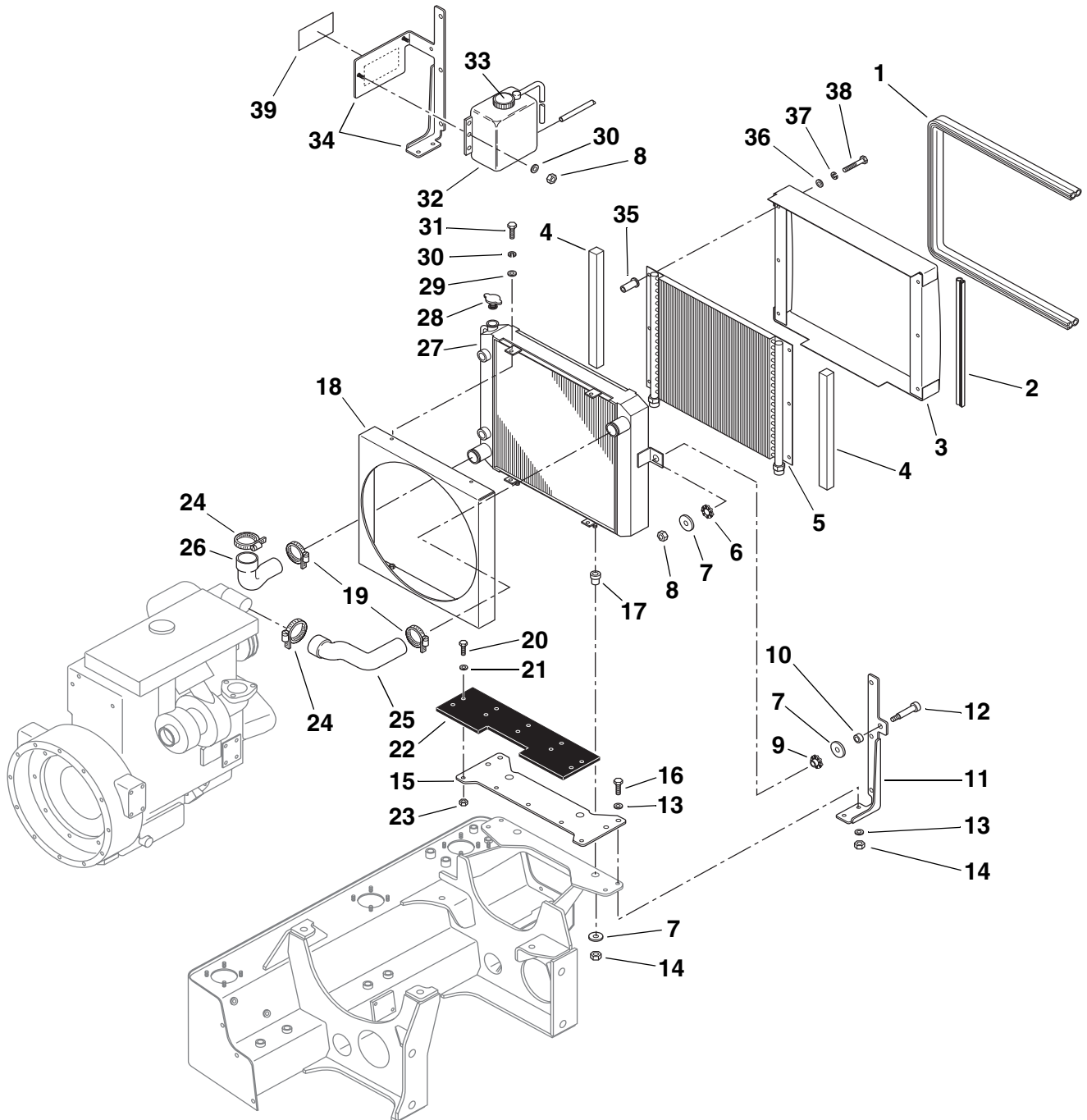
ENGINE MOUNTING

(Perkins Natural & Turbo)

Item No.	Part Number	Qty.	Description
1	8262134	1	Engine, Perkins Naturally Aspirated 1004.42
	8262135	1	Engine, Perkins Turbo 1004.40T
2	8035095	1	Belt, Fan (Set Of Two)
3	8272013	1	Fan, 10 Blade 18" Suction
4	8035299	1	Alternator 65 Amp
5	8310109	2	Nut, Hex Lock Elastic 7/16-14
6	7121951	2	Washer, Rebound 7/16"
7	7127762	1	Mount, Engine, Rear Left Side
8	8278021	2	Mount, Engine
9	8303621	8	HHCS, 3/8-16 x 1-1/2" Gr. 5
10	8307110	16	Washer, Flat 3/8" Narrow
11	8305645	8	Nut, Hex Lock Elastic 3/8-16
12	8307113	2	Washer, Flat 7/16" Narrow
13	8310289	2	HHCS, 7/16-14 x 3-1/4" Gr. 8
14	8310333	2	HHCS, 5/8-11 x 4" Gr. 8
15	8307107	2	Washer, Flat 5/8" Narrow
16	8278022	2	Mount, Engine
17	7127782	1	Mount, Engine, Front Left Side
18	8310164	8	HHCS, M12-1,75 x 40mm PC 8,8
19	8307025	8	Washer, Lock M12
20	7132141	2	Washer, Rebound 5/8"
21	8305643	2	Nut, Hex Lock Elastic 5/8-11
22	8035097	1	Filter, Engine Oil - Turbo (Also Included In Filter Kits, Items 31 & 32)
	8320242	1	Filter, Engine Oil - Natural (Also Included In Filter Kits, Items 31 & 32)
23	8035298	1	Starter
24	7127772	1	Mount, Engine, Front Right Side
25	8310026	2	HHCS, 1/4-20 x 3/4"
26	8277143	1	Relay, Starter
27	8305624	2	Nut, Hex Lock Elastic 1/4-20
28	7127752	1	Mount, Engine, Rear Right Side
29	7131592	1	Heater, Engine Block
30	8035719	1	Solenoid, Fuel Shut-off
			<u>KITS</u>
31	7138285	1	250 Hour Filter Kit - Perkins <u>Natural</u> (Includes 2 Filters; Engine Oil Filter & Fuel Filter)
	7138286	1	250 Hour Filter Kit - Perkins <u>Turbo</u> (Includes 2 Filters; Engine Oil Filter & Fuel Filter)
32	7138299	1	1000 Hour Filter Kit - Perkins <u>Natural</u> (Includes 6 Filters; Engine Oil Filter, Fuel Filter, Both Air Filters, Transmission Oil Filter & Hydraulic Oil Filter)
	7138432	1	1000 Hour Filter Kit - Perkins <u>Turbo</u> (Includes 6 Filters; Engine Oil Filter, Fuel Filter, Both Air Filters, Transmission Oil Filter & Hydraulic Oil Filter)

RADIATOR AND OIL COOLER

(Perkins Natural & Turbo)



PS0491

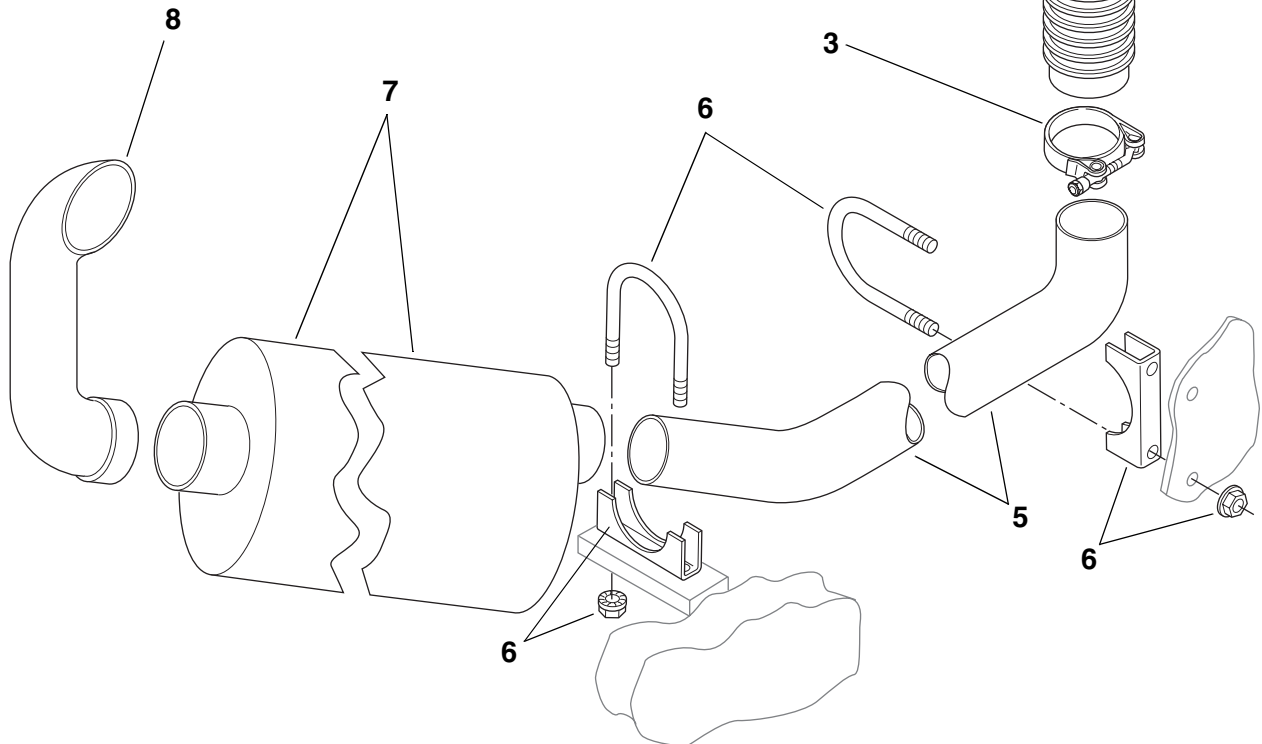
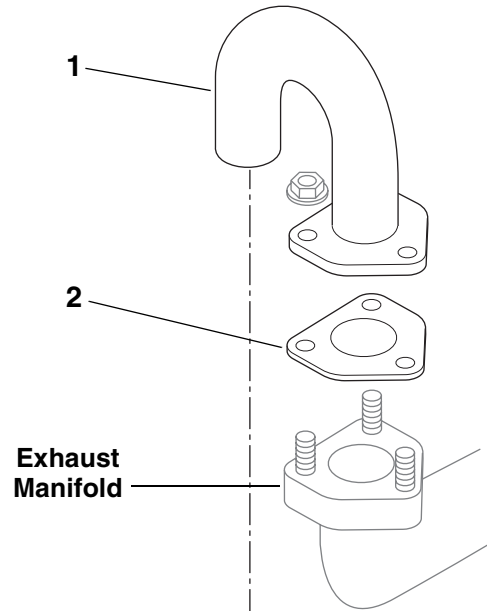
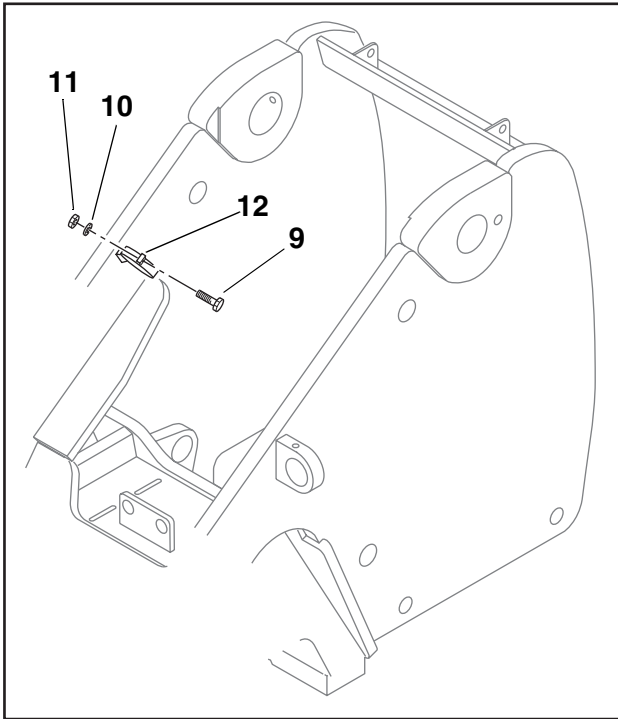
RADIATOR AND OIL COOLER

(Perkins Natural & Turbo)

Item No.	Part Number	Qty.	Description
1	7131952	1	Seal Bulb
2	7132002	1	Moulding, Seal Bulb
3	7131443	1	Baffle Assembly, Radiator
4	7132012	2	Baffle, Foam
5	7129973	1	Cooler, Oil
6	8278024	2	Ring, Radiator Mount
7	7057141	6	Washer, Rebound 3/8"
8	8305626	4	Nut, Hex Lock Elastic 5/16-18
9	8278023	2	Bushing, Radiator Mount
10	7130131	2	Spacer
11	7130042	1	Bracket, Radiator L.H.
12	8310104	2	Bolt, Shoulder, Hex Socket Hd. 3/8 x 1-1/2 x 5/16-18
13	8307204	8	Washer, Flat 3/8" Wide
14	8305645	6	Nut, Hex Lock Elastic 3/8-16
15	7130422	1	Sheet
16	8303621	4	HHCS, 3/8-16 x 1-1/2" Gr. 5
17	8278008	2	Mount, Rubber
18	7131253	1	Shroud, Radiator
19	8405104	2	Clamp, Radiator Hose - Radiator
20	8310026	5	HHCS, 1/4-20 x 3/4"
21	8307109	5	Washer, Flat 1/4" Narrow
22	7130532	1	Baffle
23	8305624	5	Nut, Hex Lock Elastic 1/4-20
24	8405203	2	Clamp, Radiator Hose - Engine
25	7133383	1	Hose, Radiator, Input
26	7119613	1	Hose, Radiator, Return
27	7119744	1	Radiator Assembly (Includes Item 28)
28	8180311	1	Cap, Radiator - 13 psi (89,6 kPa)
29	8307106	6	Washer, Flat 5/16" Narrow
30	8307004	4	Washer, Lock 5/16"
31	8303697	4	HHCS, 5/16-18 x 3/4" Gr. 5
32	7085422	1	Tank, Overflow 3 Qt. (Includes Item 33)
33	8866341	1	Cap w/Tether
34	7130052	1	Bracket Assembly, Radiator R.H.
35	8580420	6	Nut, Well
36	8307202	6	Washer, Flat 1/4" Wide
37	8307002	6	Washer, Lock 1/4"
38	8303743	6	HHCS, 1/4-20 x 1-1/2"
39	4108981	1	Decal, Fan Warning

EXHAUST SYSTEM

(Perkins Natural & Turbo)



PS0141

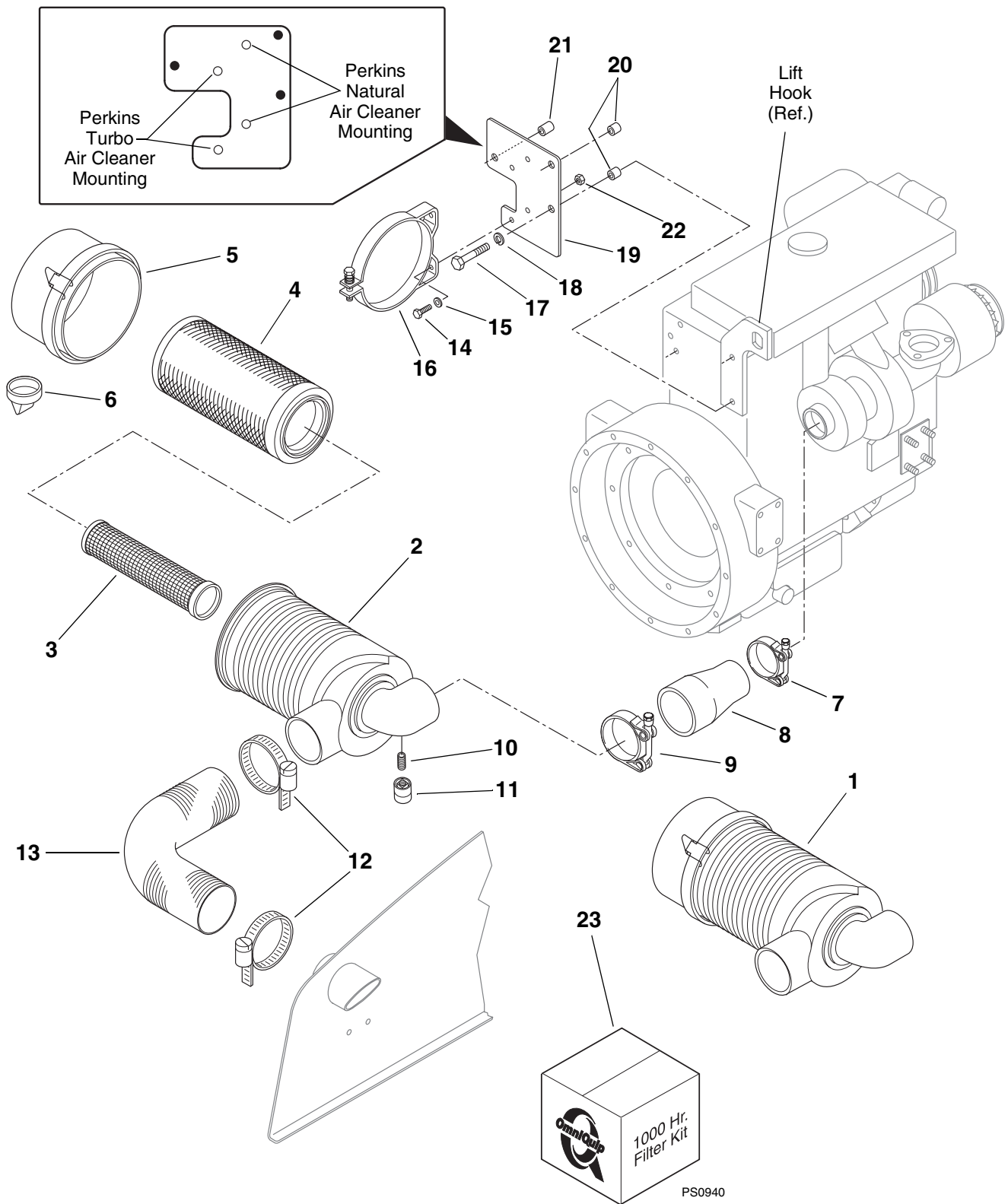
EXHAUST SYSTEM

(Perkins Natural & Turbo)

Item No.	Part Number	Qty.	Description
1	7128342	1	Pipe, Exhaust Manifold to Bellows (Turbo Only)
	7132722	1	Pipe, Exhaust Manifold to Bellows (Natural Only)
2	8866471	1	Gasket, Exhaust
3	8405209	2	Clamp, T Bolt Band - Heavy Duty
4	8275037	1	Bellows, Exhaust
5	7128332	1	Pipe, Exhaust - Turbo Only
	7132732	1	Pipe, Exhaust - Natural Only
6	8275212	2	Clamp, Muffler 2-1/2" Heavy Duty
7	8275036	1	Muffler, Exhaust
8	7128072	1	Pipe, Tail Exhaust
9	8310412	1	HHCS, 7/16-14 x 1-3/4" Gr. 5
10	8307006	1	Washer, Lock 7/16"
11	8310415	1	Nut, Hex 7/16-14
12	7128142	1	Clamp, Muffler - Welded

AIR CLEANER

(Perkins Natural & Turbo)



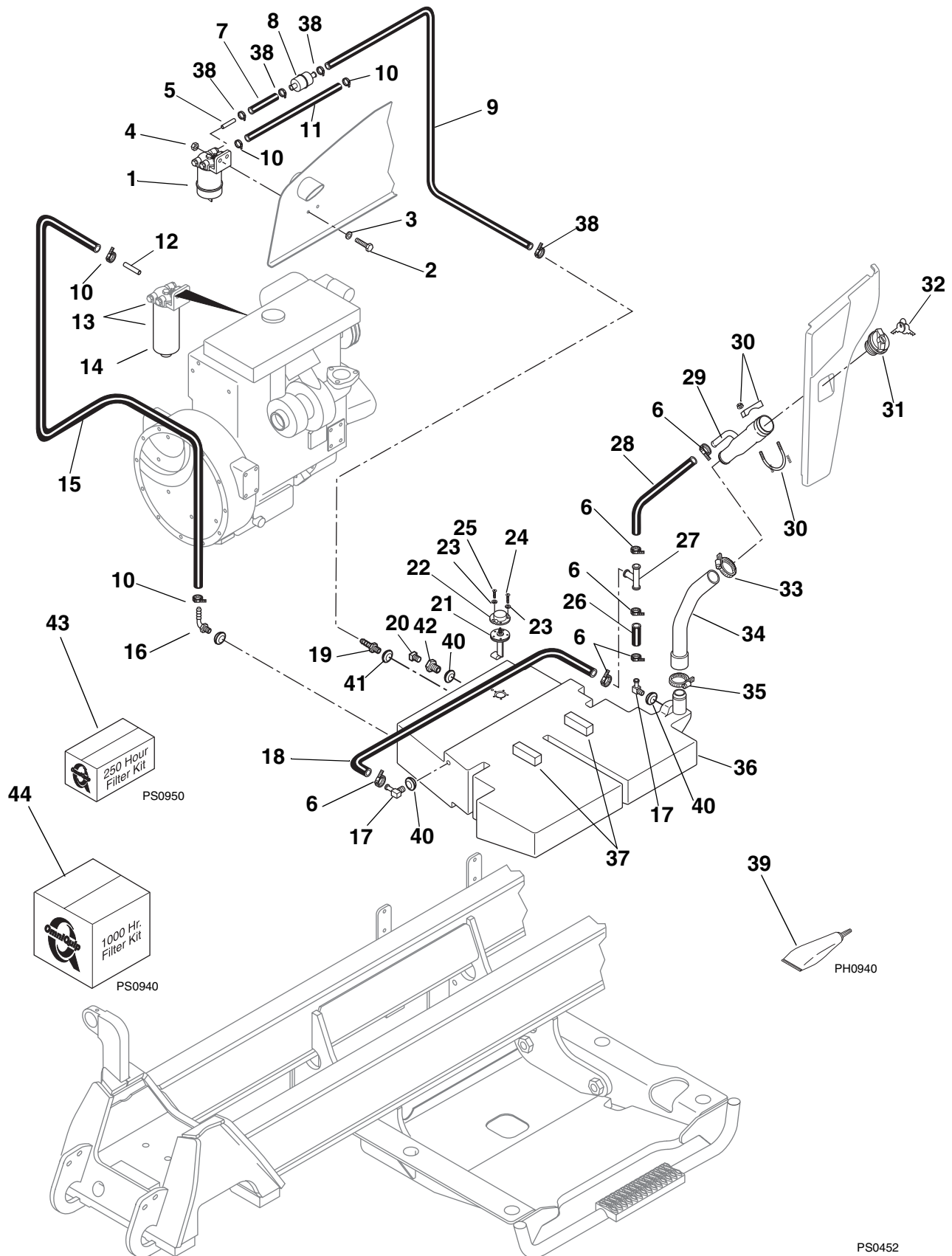
AIR CLEANER

(Perkins Natural & Turbo)

Item No.	Part Number	Qty.	Description
1	8273022	1	Air Cleaner Assembly (Includes Items 2 thru 6)
2	NSS	1	Body Assembly
3	8035099	1	Filter, Safety (Also Included In Filter Kit, Item 23)
4	8035098	1	Filter, Primary (Also Included In Filter Kit, Item 23)
5	8035279	1	Cover Assembly
6	8032398	1	Valve, Vacuator
7	8405305	1	Clamp, T Bolt, Heavy Duty (Natural Only)
	8405212	1	Clamp, T Bolt, Heavy Duty (Turbo Only)
8	7132712	1	Hose, Air Cleaner (Natural Only)
	7125942	1	Hose, Air Cleaner (Turbo Only)
9	8405307	1	Clamp, T Bolt, Heavy Duty
10	8551001	1	Nipple, Close #2
11	8223527	1	Switch, Vacuum
12	8405301	2	Clamp, Hose SAE Type F
13	7132022	1	Hose, Air Intake
14	8303697	2	HHCS, 5/16-18 x 3/4"
15	8307106	2	Washer, Flat 5/16" Narrow
16	8273297	1	Band Assembly, Air Cleaner Mount
17	8303778	3	HHCS, M10-1,5 x 40mm PC 8,8
18	8307023	3	Washer, Lock M10
19	7121402	1	Plate, Air Cleaner Mount
20	7130131	2	Spacer .49 Long
21	7130121	1	Spacer .71 Long
22	8305626	2	Nut, Hex Lock Elastic 5/16-18
			KITS
23	7138299	1	1000 Hour Filter Kit - Perkins <u>Natural</u> (Includes 6 Filters; Engine Oil Filter, Fuel Filter, Both Air Filters, Transmission Oil Filter & Hydraulic Oil Filter)
	7138432	1	1000 Hour Filter Kit - Perkins <u>Turbo</u> (Includes 6 Filters; Engine Oil Filter, Fuel Filter, Both Air Filters, Transmission Oil Filter & Hydraulic Oil Filter)

FUEL SYSTEM

(Perkins Natural & Turbo)



PS0452

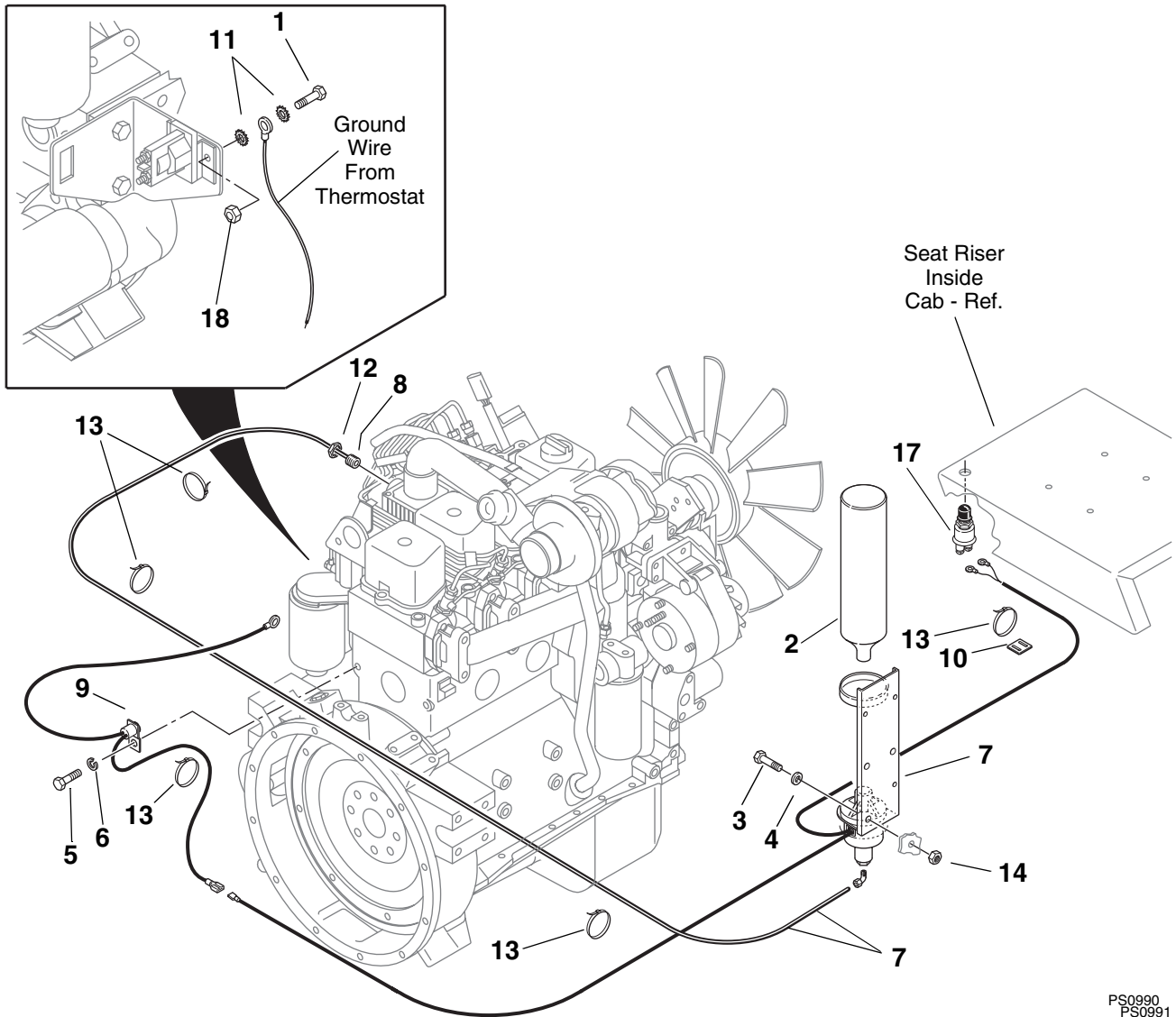
FUEL SYSTEM

(Perkins Natural & Turbo)

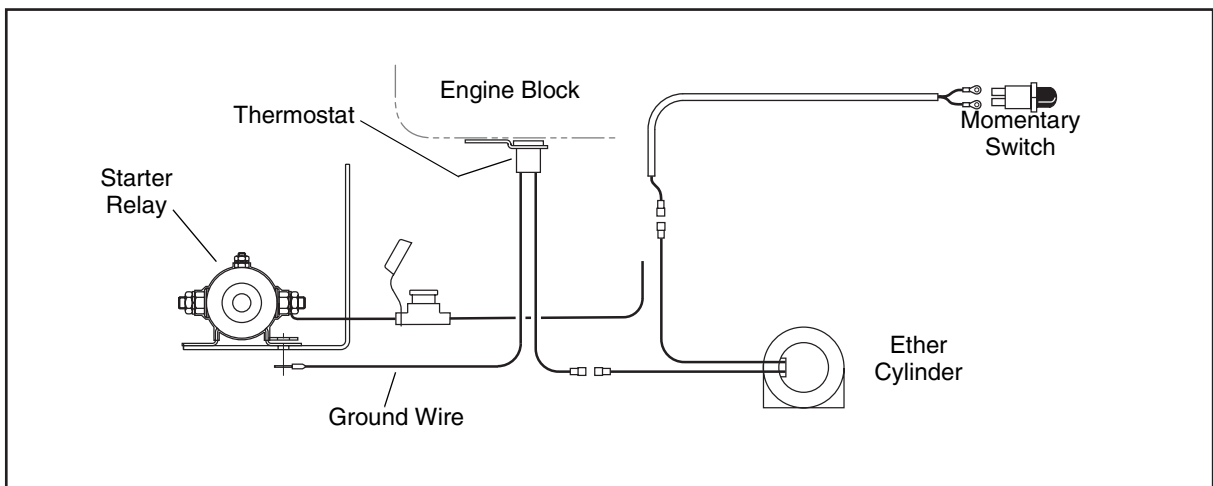
Item No.	Part Number	Qty.	Description
1	8035297	1	Separator, Fuel/Water
2	8303739	2	HHCS, 5/16-18 x 1-1/4"
3	8307106	2	Washer, Flat 5/16" Narrow
4	8305626	2	Nut, Hex Lock Elastic 5/16-18
5	7129681	1	Union, 5/16" -13/32" Tube
6	8410009	6	Clamp, Hose, SAE Type F
7	7127881	1	Hose, Fuel 3/8 x 4"
8	8274022	1	Strainer, Fuel
9	7132661	1	Hose, Fuel 3/8 x 68" (Fuel Supply From Tank)
10	8405009	4	Clamp, Hose, Minature 7/32" Dia.
11	7132671	1	Hose, Fuel 5/16 x 18"
12	7129691	1	Union, 1/4" -5/16" Tube
13	8035096	1	Filter, Fuel Assembly (Includes Item 14)
14	8034092	1	Filter, Fuel (Also Included in Filter Kits, Items 40 & 41)
15	7132111	1	Hose, Fuel Return
16	8430094	1	Elbow, 90° 5/16" Hose (See Item 39 Note)
17	8430095	2	Elbow, 90° 5/8" Hose(See Item 39 Note)
18	7129121	1	Hose, Fuel Breather
19	8430093	1	Connector 3/8" Hose (See Item 39 Note)
20	8541404	1	Plug, Square Hd. Black MI #6P (See Item 39 Note)
21	7120613	1	Sender, Fuel w/Gasket
22	7131992	1	Cover, Fuel Sender
23	8307003	5	Washer, Lock #10
24	8303837	4	Screw, Pan Hd. #10-24 x 3/4"
25	8303836	1	Screw, Pan Hd. #10-24 x 5/8"
26	7129111	1	Hose, Fuel Breather
27	8430072	1	Tee, Beaded, Hose
28	7129101	1	Hose, Fuel Breather
29	7128602	1	Filler, Fuel
30	8275209	1	Clamp, Muffler, U Type 2"
31	8322036	1	Cap, Fuel w/Keys (Includes Item 32)
32	8035292	1	Keys (Set of Two)
33	8405104	1	Clamp, Hose, Upper SAE Type F
34	7129133	1	Hose, Fuel Filler
35	8405202	1	Clamp, Hose, Lower SAE Type F
36	7138736	1	Tank, Fuel
37	5724742	2	Gasket
38	8410013	4	Clamp, Hose SAE Type F #6
39	8526015	AR	Sealant, Pipe Thread w/Teflon 8oz (Note: To Be Used With ALL Threaded Fittings)
40	8660011	3	Grommet, 5/8" Fitting
41	8660010	2	Grommet, 3/8" Fitting
42	8430092	1	Drain, Hex - 3/8"-18 NPT
			KITS
43	7138285	1	250 Hour Filter Kit - Perkins <u>Natural</u> (Includes 2 Filters; Engine Oil Filter & Fuel Filter)
	7138286	1	250 Hour Filter Kit - Perkins <u>Turbo</u> (Includes 2 Filters; Engine Oil Filter & Fuel Filter)
44	7138299	1	1000 Hour Filter Kit - Perkins <u>Natural</u> (Includes 6 Filters; Engine Oil Filter, Fuel Filter, Both Air Filters, Transmission Oil Filter & Hydraulic Oil Filter)
	7138432	1	1000 Hour Filter Kit - Perkins <u>Turbo</u> (Includes 6 Filters; Engine Oil Filter, Fuel Filter, Both Air Filters, Transmission Oil Filter & Hydraulic Oil Filter)

COLD START KIT (Cummins)

RIGHT SIDE OF ENGINE



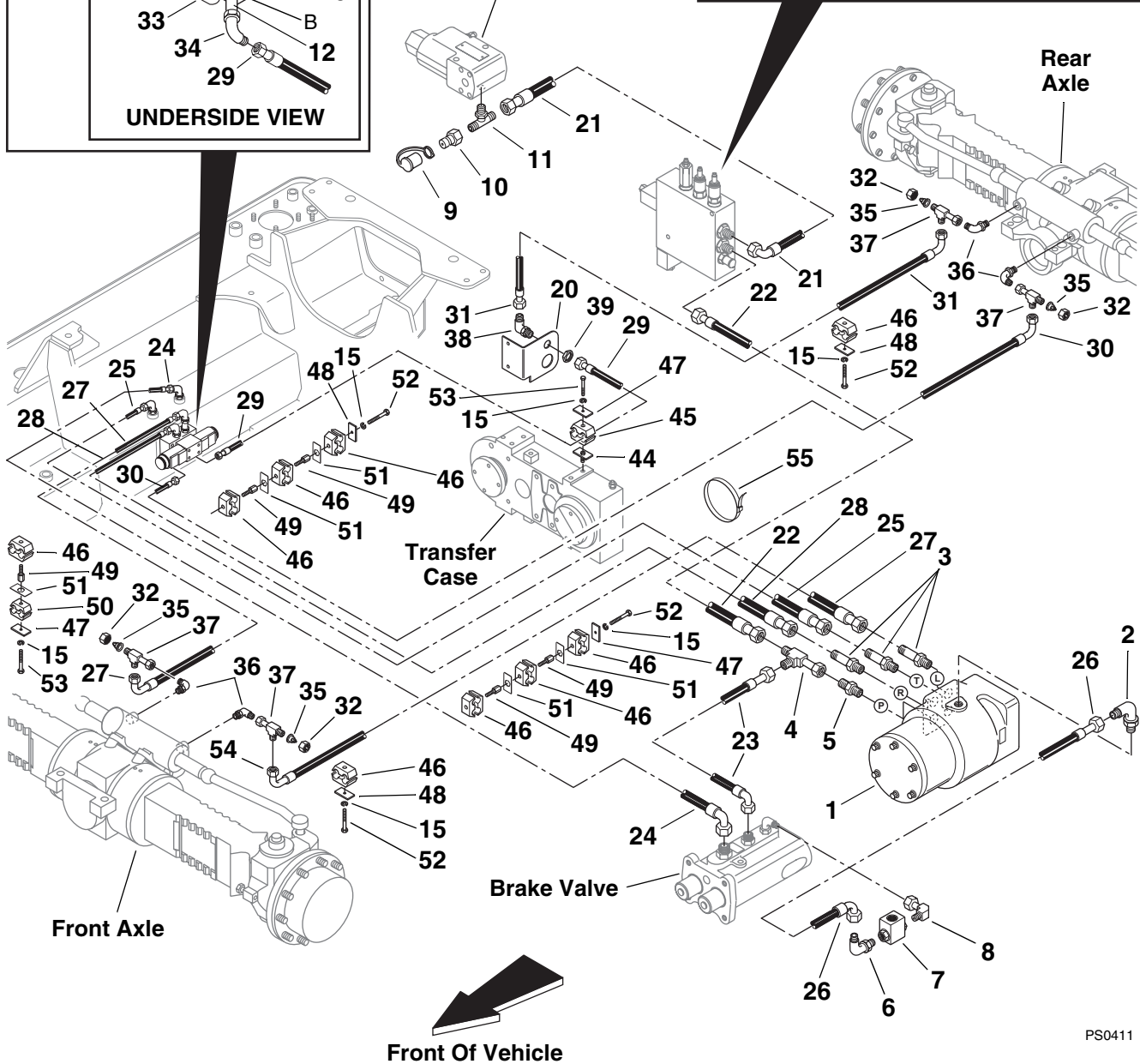
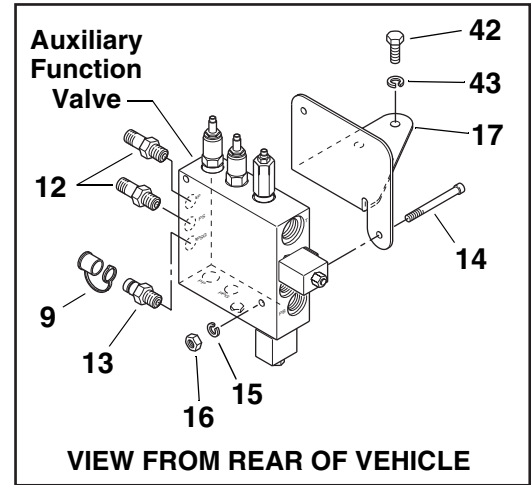
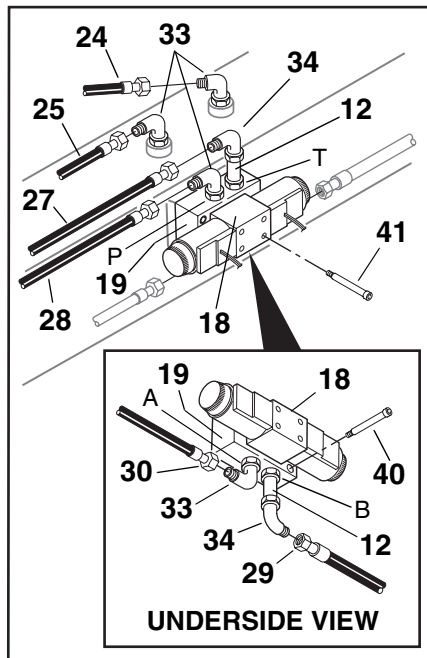
PS0990
PS0991



COLD START KIT (Cummins)

Item No.	Part Number	Qty.	Description
1	8310026	2	HHCS, 1/4-20 x 3/4"
2	8277098	1	Cylinder, Ether Fluid 18oz.
3	8303725	2	HHCS, 7/16-14 x 3/4" Gr. 5
4	8307113	2	Washer, Plain 7/16"
5	8303533	1	HHCS, M12 x 1-3/4 x 20mm
6	8307025	1	Washer, Lock M12
7	7138529	1	Kit, Ether Start
8	8277101	1	Atomizer, Ether Start
9	7138531	1	Thermostat
10	8584018	3	Tie Mount
11	8310002	2	Washer, External Tooth Lock 1/4"
12	8530024	1	Bushing, Hex 12P-2P
13	8584001	8	Tie, Plastic
14	8310109	2	Nut, Lock Elastic 7/16-14
15	8229244	1	Minifuse - 15 Amp
16	7138538	1	Harness, Wire Ether Start
17	8223454	1	Switch, Momentary Push Button
18	8305624	2	Nut, Hex Lock Elastic 1/4-20

POWER STEERING CIRCUIT

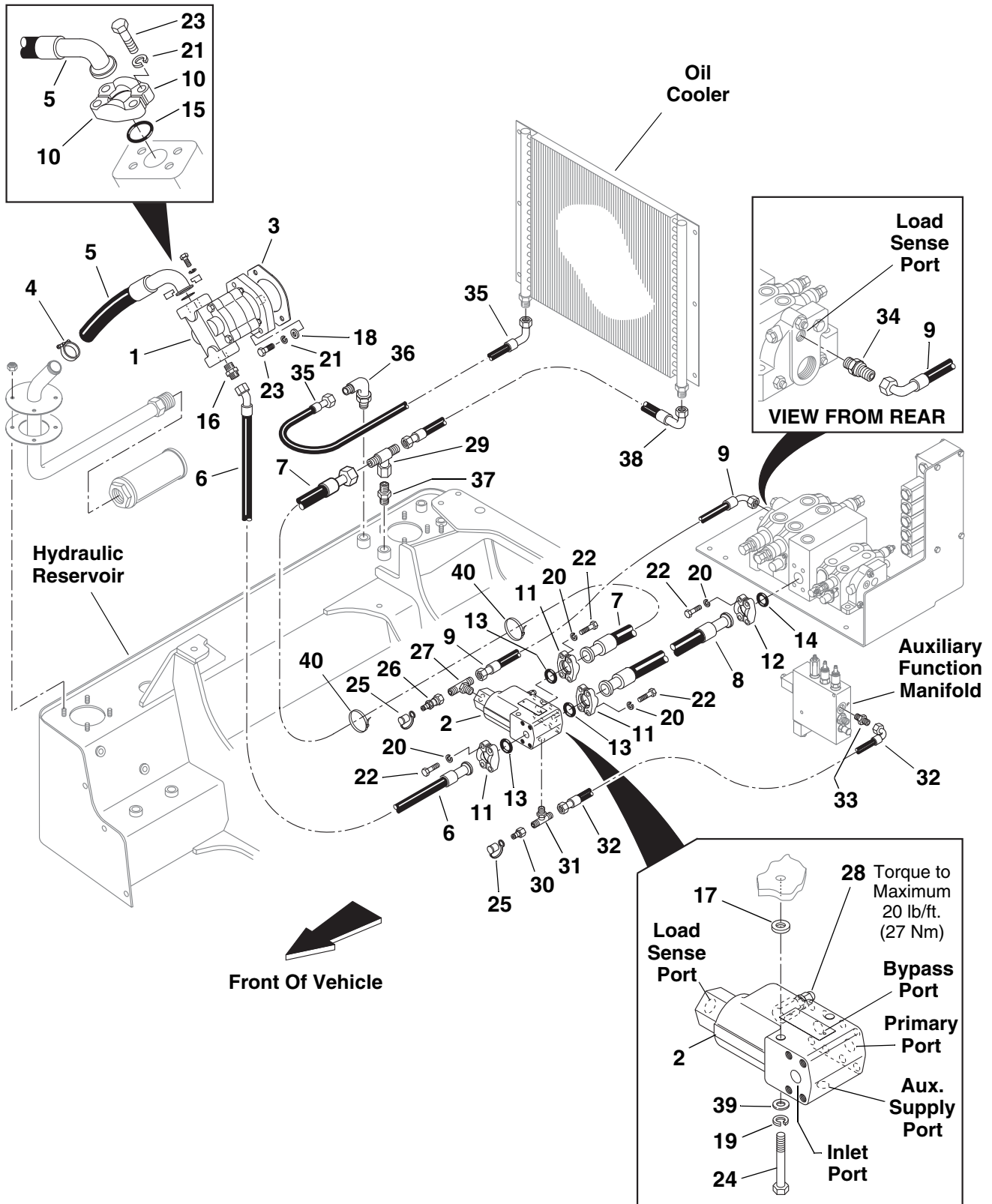


PS0411

POWER STEERING CIRCUIT

Item No.	Part Number	Qty.	Description
1	8721029	1	Steering Unit
2	8770102	1	Elbow, 90°, SAE 6-4 - str. thd. ORB x o-ring face seal
3	8770117	3	Connector, Long, SAE 8 - str. thd. ORB x o-ring face seal
4	8770131	1	Check Valve 8-8
5	8770125	1	Tee, Swivel Run, SAE 6 - o-ring face seal
6	8770068	1	Elbow, 90°, SAE 6 - str. thd. ORB x o-ring face seal
7	8902175	1	Valve, Shuttle
8	8770104	1	Elbow, 90°, SAE 6 - str. thd. ORB x o-ring face seal swivel
9	8430032	2	Plug, Dust
10	8430082	1	Nipple, Diagnostic
11	8770126	1	Tee, Branch, SAE 8 - str. thd. ORB x o-ring face seal
12	8770116	4	Connector, SAE 8 - str. thd. ORB x o-ring face seal
13	8430043	1	Nipple, Diagnostic 9/16-18
14	8303757	2	HHCS, 5/16-18 x 2-1/2"
15	8307004	9	Washer, Lock 5/16"
16	8305006	2	Nut, Hex 5/16-18
17	7129572	1	Bracket, Auxiliary Valve Mounting
18	8902170	1	Valve, Steer Select
19	8902111	1	Manifold, Steer Select
20	7129582	1	Bracket, Bulkhead Fittings
21	2715462	1	Hose, 1/2" I.D. x 28.3" Long
22	2715412	1	Hose, 1/2" I.D. x 84" Long
23	2715282	1	Hose, 1/2" I.D. x 14" Long
24	2715252	1	Hose, 1/2" I.D. x 98" Long
25	2715242	1	Hose, 1/2" I.D. x 87" Long
26	2715232	1	Hose, 3/8" I.D. x 13" Long
27	2715152	1	Hose, 1/2" I.D. x 76-1/2" Long
28	2715162	1	Hose, 1/2" I.D. x 78" Long
29	2715142	1	Hose, 1/2" I.D. x 42" Long
30	2715122	1	Hose, 1/2" I.D. x 112" Long
31	2715112	1	Hose, 1/2" I.D. x 30" Long
32	8770113	4	Nut, SAE 8
33	8770114	4	Elbow, 90°, SAE 8 - str. thd. ORB x o-ring face seal
34	8770115	2	Elbow, 90° Swivel, SAE 8 - o-ring face seal
35	8770119	4	Cap, Bleed Adapter, 8 - o-ring face seal
36	8770120	4	Elbow, 90°, M18-8 - metric str. thd. ORB x o-ring face seal
37	8770125	4	Tee, Swivel Run, SAE 8 - o-ring face seal
38	8770128	1	Elbow, 90°, Bulkhead, SAE 8 - o-ring face seal
39	8770129	1	Nut, Bulkhead, SAE 8 - o-ring face seal
40	8310326	2	SHCS, 5/16-18 x 1-1/8"
41	8310327	4	SHCS, #10-24 x 1-1/8"
42	8310165	2	HHCS, M14-2,0 x 20mm
43	8310089	2	Washer, Lock M14
44	7125932	1	Base, Clamp
45	8750014	1	Twin Clamp Set - .62 Hose
46	8750016	9	Twin Clamp Set - .78 Hose
47	8769123	3	Cover Weld - Twin
48	8769128	4	Cover Weld - Twin
49	8750012	5	Stacking Bolt 1-1/8" Long
50	8750015	1	Twin Clamp Set - .68 Hose
51	8750017	5	Locking Plate
52	8310009	4	HHCS, 5/16-18 x 2"
53	8303715	3	HHCS, 5/16-18 x 1-1/2" Gr. 8
54	2715172	1	Hose, 1/2" I.D. x 74" Long
55	8584003	4	Tie Wrap

UNLOADER VALVE CIRCUIT

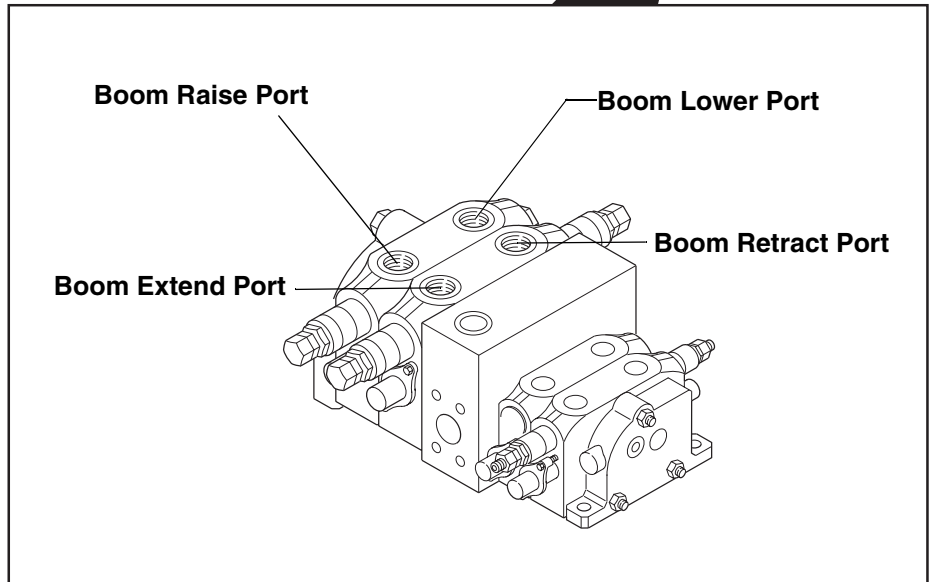
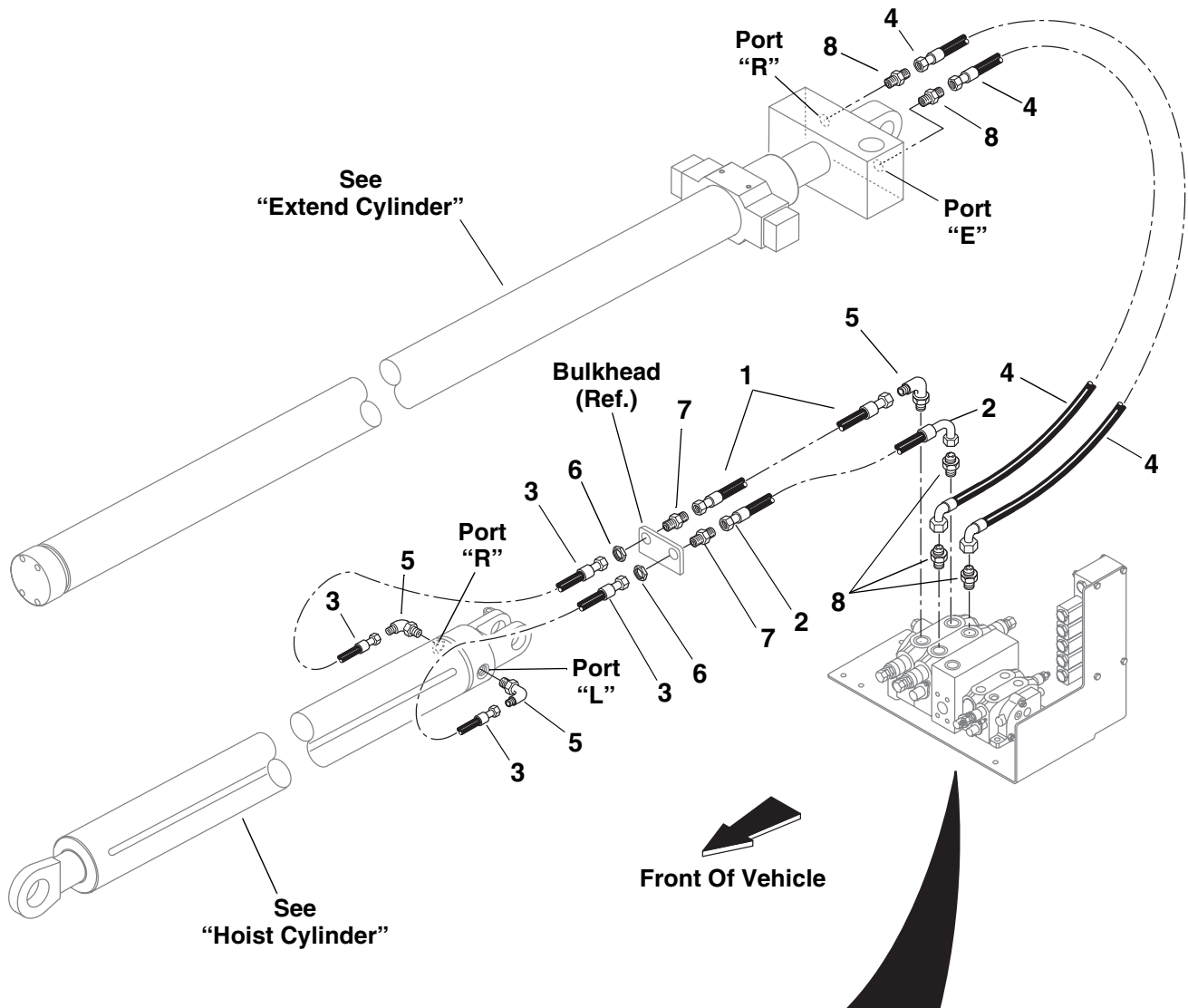


PS0671

UNLOADER VALVE CIRCUIT

Item No.	Part Number	Qty.	Description
1	8440154	1	Pump, Main Gear
2	8904056	1	Valve, Unloader
3	7054902	1	Gasket, Main Gear Pump
4	8405210	1	Clamp, T-Bolt Band
5	2715512	1	Hose, 1-1/2" I.D. x 19" Long
6	2715502	1	Hose, 3/4" I.D. x 39" Long
7	2716517	1	Hose, 3/4" I.D. x 83" Long
8	2715482	1	Hose, 3/4" I.D. x 81-1/2" Long
9	2715472	1	Hose, 3/8" I.D. x 89-1/2" Long
10	8530036	2	Flange Half, 1-1/2"
11	8530035	6	Flange Half, 3/4"
12	8530030	2	Flange Half, 1"
13	8630008	3	O-Ring, 3/4" SF
14	8640123	1	O-Ring, 1" SF
15	8630009	1	O-Ring, 1-1/2" SF
16	8770078	1	Connector, SAE 12-16 - str. thd. ORB x o-ring face seal
17	8307203	2	Washer, Plain 5/16"
18	8307206	2	Washer, Plain 1/2"
19	8307004	2	Washer, Lock 5/16"
20	8307005	12	Washer, Lock 3/8"
21	8307007	6	Washer, Lock 1/2"
22	8303675	16	HHCS, 3/8-16 x 1-1/4"
23	8303626	6	HHCS, 1/2-13 x 1-1/2"
24	8310380	2	HHCS, 5/16-18 x 3-1/4"
25	8430032	2	Dust Plug
26	8430081	1	Nipple, Diagnostic
27	8770112	1	Tee, Swivel Run, SAE 12 - o-ring face seal
28	8035288	1	Relief Valve Assembly - Preset at 3500 psi (241 bar)
29	8770084	1	Tee, Swivel Branch, SAE 12 - o-ring face seal
30	8430082	1	Nipple, Diagnostic
31	8770126	1	Tee, Branch, SAE 8 - str. thd. ORB x o-ring face seal
32	2715462	1	Hose, 1/2" I.D. x 28.3" Long
33	8770116	1	Connector, SAE 8 - str. thd. ORB x o-ring face seal
34	8770106	1	Connector, SAE 6 - str. thd. ORB x o-ring face seal
35	2715102	1	Hose, 3/4" I.D. x 28" Long
36	8770079	1	Elbow, 90°, SAE 12 - str. thd. ORB x o-ring face seal
37	8770132	1	Connector, Male Flat Face Tube, w/Inlet Check 8ORB-8FF
38	2716547	1	Hose, 3/4" I.D. x 34" Long
39	8307106	2	Washer, SAE 5/16"
40	8584003	4	Tie Wrap

BOOM RAISE/LOWER & EXTEND/RETRACT CIRCUIT



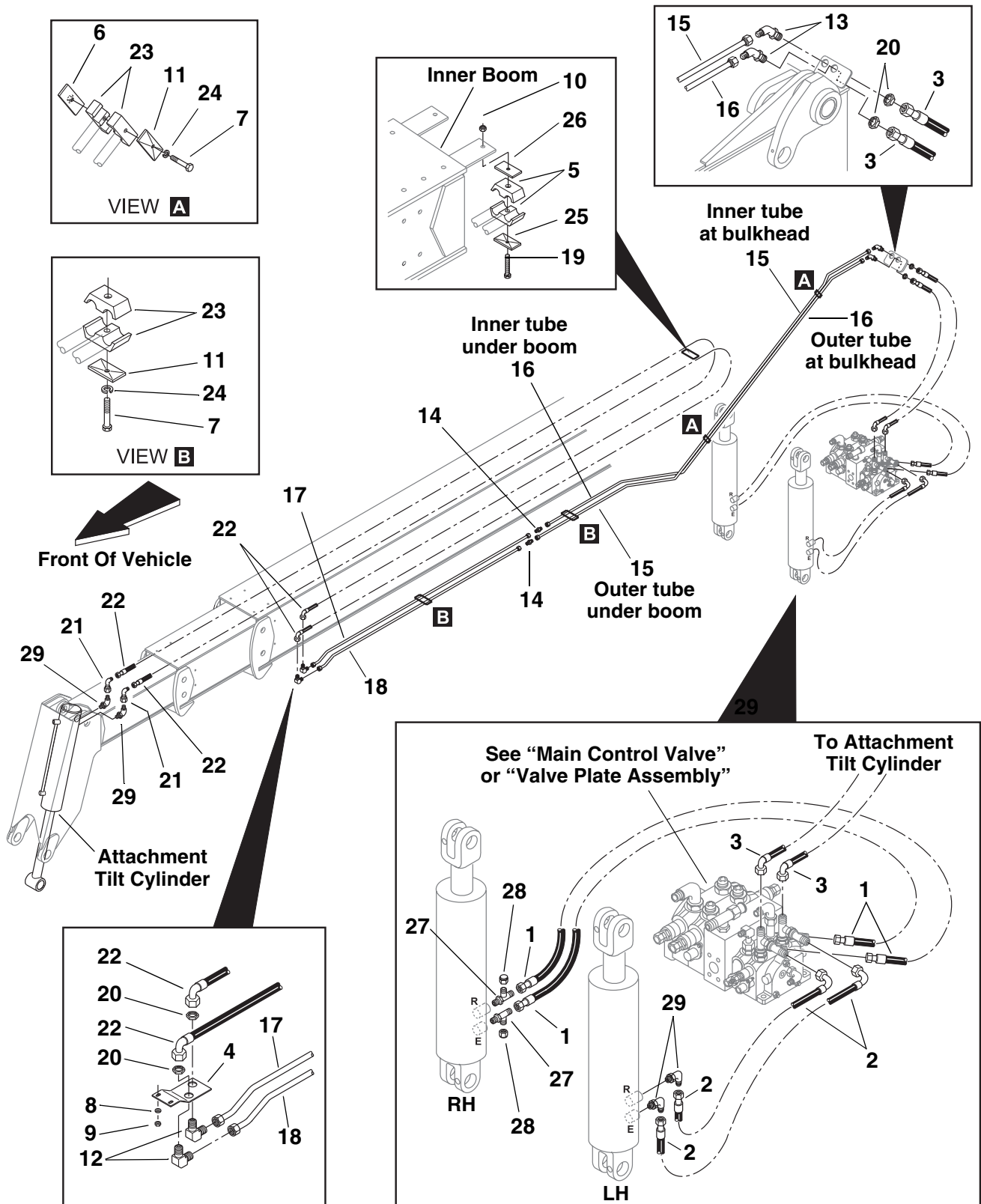
PS0690
PS0461

BOOM RAISE/LOWER & EXTEND/RETRACT CIRCUIT

Item No.	Part Number	Qty.	Description
1	2715072	1	Hose, 3/4" I.D. x 21-1/2" Long
2	2715062	1	Hose, 3/4" I.D. x 27" Long
3	2715052	2	Hose, 3/4" I.D. x 45" Long
4	2715042	2	Hose, 3/4" I.D. x 36" Long
5	8770079	3	Elbow, 90°, SAE 12 - str. thd. ORB x o-ring face seal
6	8770085	2	Nut, Bulkhead, SAE 12 - o-ring face seal
7	8770086	2	Connector, Bulkhead, SAE 12 - o-ring face seal
8	8770070	5	Connector, SAE 12 - str. thd. ORB x o-ring face seal

PS0830

ATTACHMENT TILT AND SLAVE CIRCUIT



PS0390

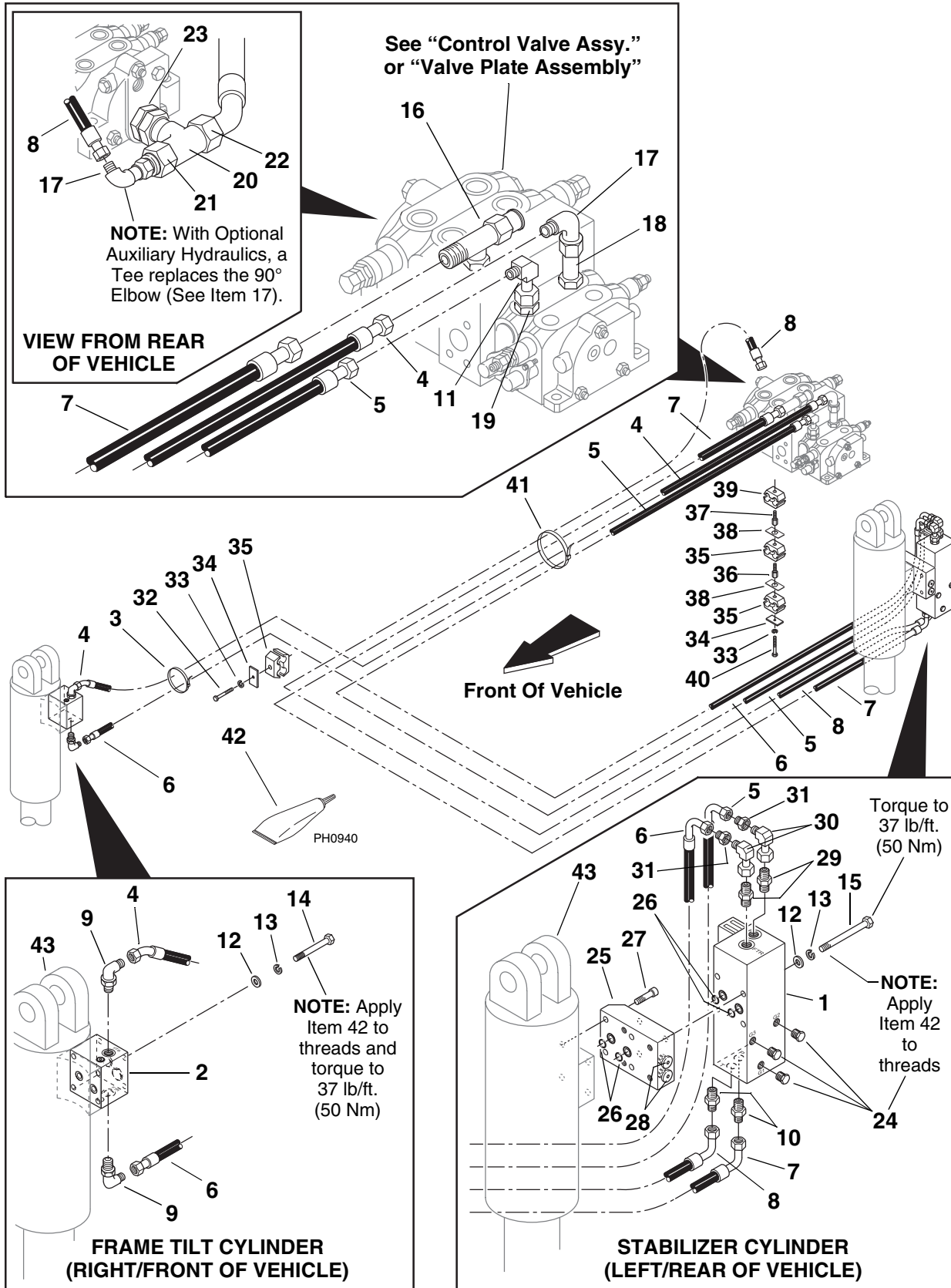
PS0711

ATTACHMENT TILT AND SLAVE CIRCUIT

Item No.	Part Number	Qty.	Description
1	2715222	2	Hose, 1/2" I.D. x 33-1/2" Long
2	2715132	2	Hose, 1/2" I.D. x 16" Long
3	2715372	2	Hose, 1/2" I.D. x 39" Long
4	7132402	1	Support, Bulkhead Fitting
5	8750016	1	Twin Clamp Set .78 Hoses
6	8769136	2	Welding Plate, Twin
7	8303715	4	HHCS, 5/16-18 x 1-1/2"
8	8307202	2	Washer, Plain 1/4"
9	8305624	2	Nut, Hex Lock 1/4-20
10	8305626	1	Nut, Hex Lock 5/16-18
11	8769123	4	Plate, Cover
12	8770074	2	Elbow, 90°, Bulkhead, SAE 10 - o-ring face seal
13	8770076	2	Elbow, 45°, Bulkhead, SAE 10 - o-ring face seal
14	8770072	2	Connector, Union, SAE 10 - o-ring face seal
15	7134062	1	Tube, Assembly-Attachment Tilt Retract
16	7134072	1	Tube, Assembly-Attachment Tilt Extend
17	7132312	1	Tube Assembly
18	7132302	1	Tube Assembly
19	8310357	1	Bolt, Tap 5/16-18 x 2-1/2" Gr. 5 (Fully Threaded)
20	8770075	4	Nut, Bulkhead, SAE 10 - o-ring face seal
21	8770115	2	Elbow, 90° Swivel, SAE 8 - o-ring face seal
22	2715292	2	Hose, 1/2" I.D. x 321" Long
23	8750014	4	Twin Clamp Set .62 Hoses
24	8307004	4	Washer, Lock 5/16"
25	8769128	1	Plate, Cover
26	8750009	1	Welding Plate, Twin
27	8770124	2	Tee, Male Run, SAE 8 - ORFS tube end x str. thd. o-ring
28	8770118	2	Cap, SAE 8 - o-ring face seal
29	8770114	4	Elbow, 90°, SAE 8 - str. thd. ORB x o-ring face seal

PS0380

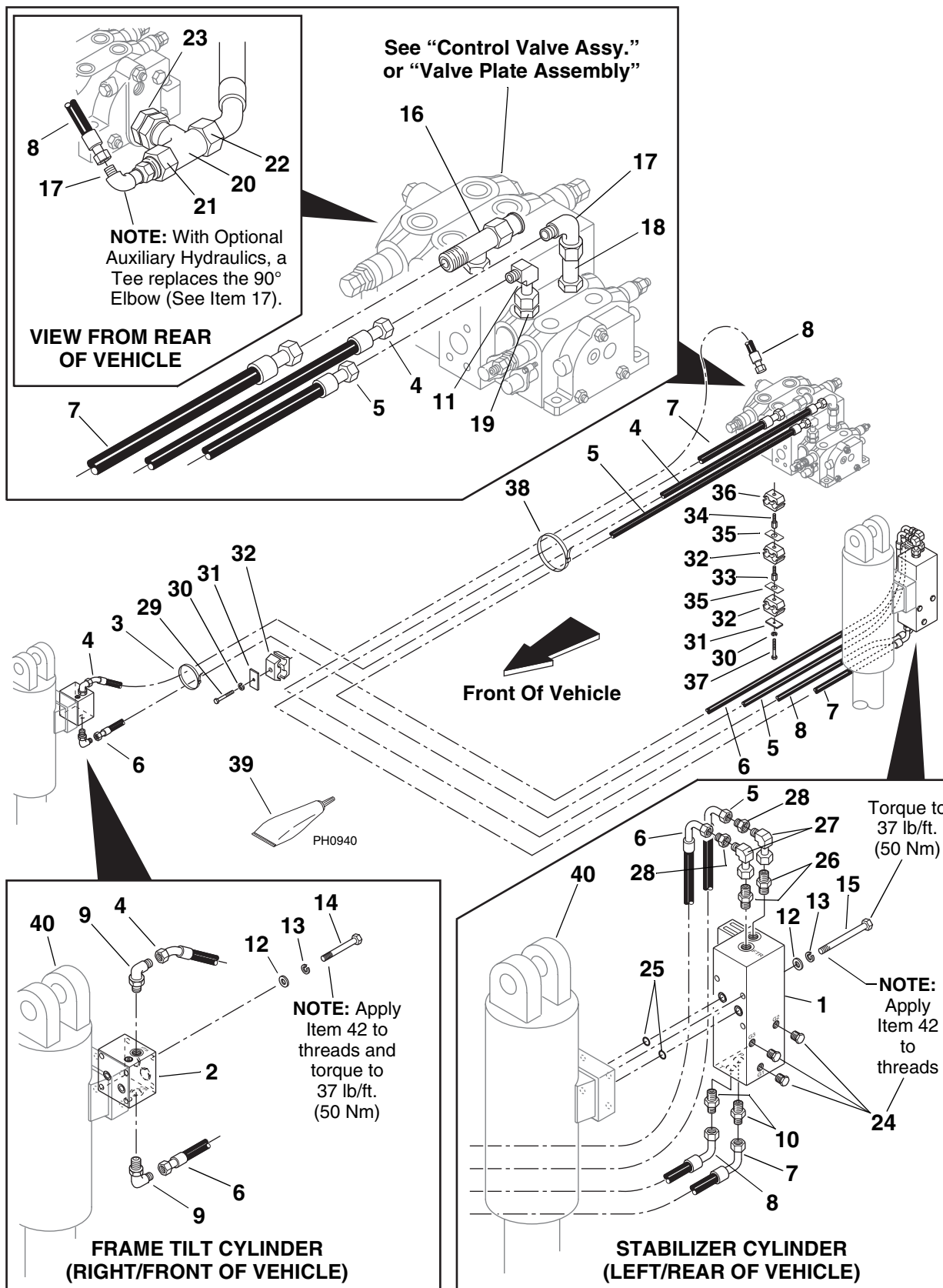
FRAME TILT & STABILIZER CIRCUIT (S/N 9883 and Before)



FRAME TILT & STABILIZER CIRCUIT (S/N 9883 and Before)

Item No.	Part Number	Qty.	Description
1	8904057	1	Manifold, Stabil-TRAK
2	8904058	1	Manifold, Dual Pilot Operated Check
3	8584001	2	Tie Wrap
4	2715742	1	Hose, 3/8" I.D. x 156" Long
5	2715752	1	Hose, 3/8" I.D. x 104" Long
6	2715762	1	Hose, 3/8" I.D. x 160" Long
7	2715772	1	Hose, 3/8" I.D. x 93" Long
8	2715782	1	Hose, 3/8" I.D. x 117" Long
9	8770068	2	Elbow, 90°, SAE 6 - str. thd. ORB x o-ring face seal
10	8770106	2	Connector, SAE 6 - str. thd. ORB x o-ring face seal
11	8770105	1	Elbow, 90° Swivel, SAE 6 - o-ring face seal
12	8307110	8	Washer, SAE 3/8"
13	8307005	8	Washer, Lock 3/8"
14	8310345	4	HHCS, 3/8-16 x 3-3/4" Gr. 8
15	8310346	4	HHCS, 3/8-16 x 4-3/4" Gr. 8
16	8770126	1	Tee, Branch, SAE 8 - str. thd. ORB x o-ring face seal
17	8770115	2	Elbow, 90° Swivel, SAE 8 - o-ring face seal (w/o Aux. Hydraulics Option)
	8770125	1	Tee, Swivel Run, SAE 8 - o-ring face seal (w/ Aux. Hydraulics Option)
18	8770117	1	Connector, Long, SAE 8 - str. thd. ORB x o-ring face seal
19	8770069	1	Connector, SAE 6-8 - str. thd. ORB x o-ring face seal
20	8770094	1	Tee, Swivel Branch, SAE 16 - o-ring face seal
21	8770088	1	Reducer, SAE 16 - o-ring face seal x SAE 8 - o-ring face seal
22	8770089	1	Nut, Tube, SAE 16 - o-ring face seal
23	8770087	1	Connector, SAE 16-12 - str. thd. ORB x o-ring face seal
24	8760478	3	Plug, Hex Hd., SAE 4 - male str. thd. o-ring
25	2714943	1	Manifold
26	8630014	4	O-Ring
27	8310395	4	SHCS, 3/8-16 x 1-1/2"
28	8760451	2	Plug, Hex Hd., SAE 6 - male str. thd. o-ring
29	8770144	2	Connector, SAE 8-6 - str. thd. ORB x o-ring face seal
30	8770115	2	Elbow, 90° Swivel, SAE 8 - o-ring face seal
31	8770145	2	Reducer, SAE 8 - o-ring face seal x SAE 6 - o-ring face seal
32	8303759	1	HHCS, 5/16-18 x 1-1/4"
33	8307004	2	Washer, Lock 5/16"
34	8769123	2	Cover, Twin Clamp
35	8750015	3	Twin Clamp Set .68 Hoses
36	8750011	1	Stacking Bolt 5/8" Long
37	8750012	1	Stacking Bolt 1-1/8" Long
38	8750017	2	Locking Plate
39	8750016	1	Twin Clamp Set .78 Hoses
40	8303715	1	HHCS, 5/16-18 x 1-1/2" Gr. 8
41	8584003	4	Tie Wrap
42	8526051	AR	Loctite .5 oz
43	7134593	2	Cylinder, Frame Tilt/Stabilizer

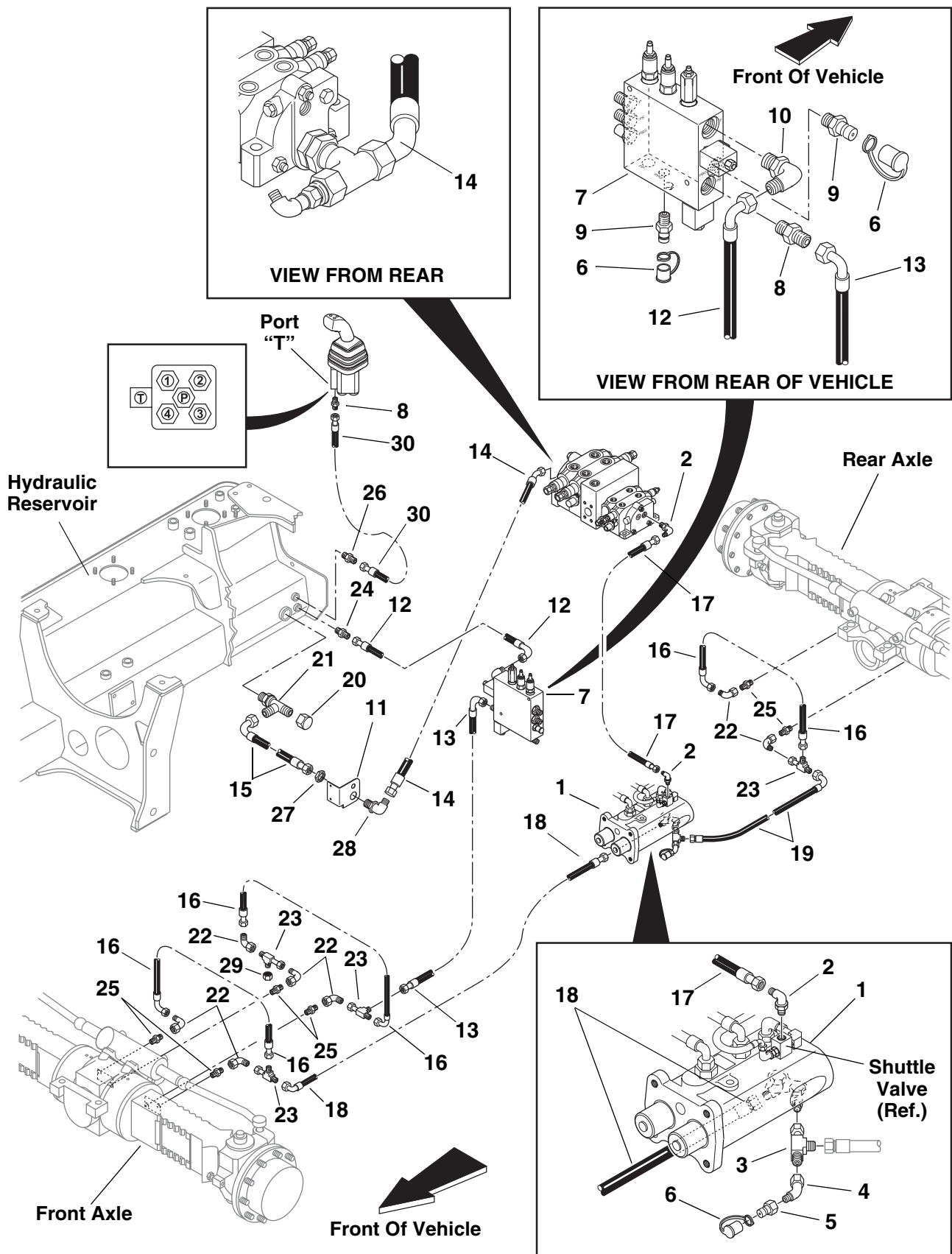
FRAME TILT & STABILIZER CIRCUIT (S/N 9884 and After)



FRAME TILT & STABILIZER CIRCUIT (S/N 9884 and After)

Item No.	Part Number	Qty.	Description
1	8904057	1	Manifold, Stabil-TRAK
2	8904058	1	Manifold, Dual Pilot Operated Check
3	8584001	2	Tie Wrap
4	2715742	1	Hose, 3/8" I.D. x 156" Long
5	2715752	1	Hose, 3/8" I.D. x 104" Long
6	2715762	1	Hose, 3/8" I.D. x 160" Long
7	2715772	1	Hose, 3/8" I.D. x 93" Long
8	2715782	1	Hose, 3/8" I.D. x 117" Long
9	8770068	2	Elbow, 90°, SAE 6 - str. thd. ORB x o-ring face seal
10	8770106	2	Connector, SAE 6 - str. thd. ORB x o-ring face seal
11	8770105	1	Elbow, 90° Swivel, SAE 6 - o-ring face seal
12	8307110	8	Washer, SAE 3/8"
13	8307005	8	Washer, Lock 3/8"
14	8310345	4	HHCS, 3/8-16 x 3-3/4" Gr. 8
15	8310346	4	HHCS, 3/8-16 x 4-3/4" Gr. 8
16	8770126	1	Tee, Branch, SAE 8 - str. thd. ORB x o-ring face seal
17	8770115	2	Elbow, 90° Swivel, SAE 8 - o-ring face seal (w/o Aux. Hydraulics Option)
	8770125	1	Tee, Swivel Run, SAE 8 - o-ring face seal (w/ Aux. Hydraulics Option)
18	8770117	1	Connector, Long, SAE 8 - str. thd. ORB x o-ring face seal
19	8770069	1	Connector, SAE 6-8 - str. thd. ORB x o-ring face seal
20	8770094	1	Tee, Swivel Branch, SAE 16 - o-ring face seal
21	8770088	1	Reducer, SAE 16 - o-ring face seal x SAE 8 - o-ring face seal
22	8770089	1	Nut, Tube, SAE 16 - o-ring face seal
23	8770087	1	Connector, SAE 16-12 - str. thd. ORB x o-ring face seal
24	8760478	3	Plug, Hex Hd., SAE 4 - male str. thd. o-ring
25	8630014	2	O-Ring
26	8770144	2	Connector, SAE 8-6 - str. thd. ORB x o-ring face seal
27	8770115	2	Elbow, 90° Swivel, SAE 8 - o-ring face seal
28	8770145	2	Reducer, SAE 8 - o-ring face seal x SAE 6 - o-ring face seal
29	8303759	1	HHCS, 5/16-18 x 1-1/4"
30	8307004	2	Washer, Lock 5/16"
31	8769123	2	Cover, Twin Clamp
32	8750015	3	Twin Clamp Set .68 Hoses
33	8750011	1	Stacking Bolt 5/8" Long
34	8750012	1	Stacking Bolt 1-1/8" Long
35	8750017	2	Locking Plate
36	8750016	1	Twin Clamp Set .78 Hoses
37	8303715	1	HHCS, 5/16-18 x 1-1/2" Gr. 8
38	8584003	4	Tie Wrap
39	8526051	AR	Loctite .5 oz
40	7134593	2	Cylinder, Frame Tilt/Stabilizer

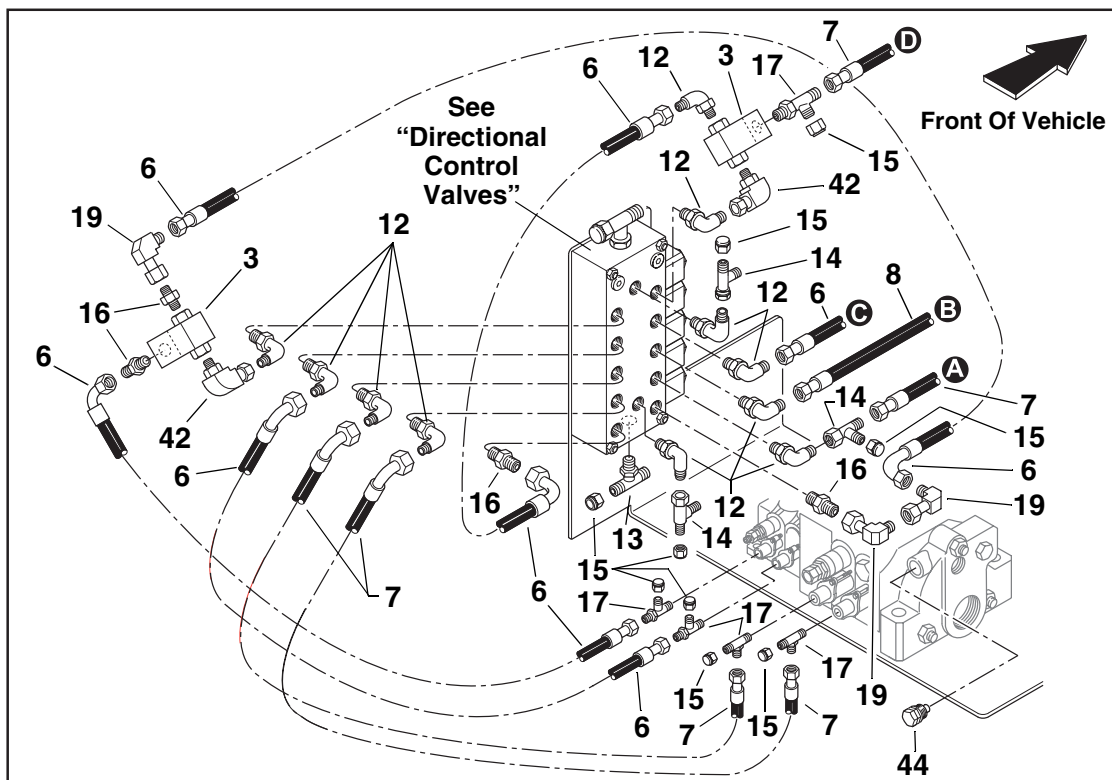
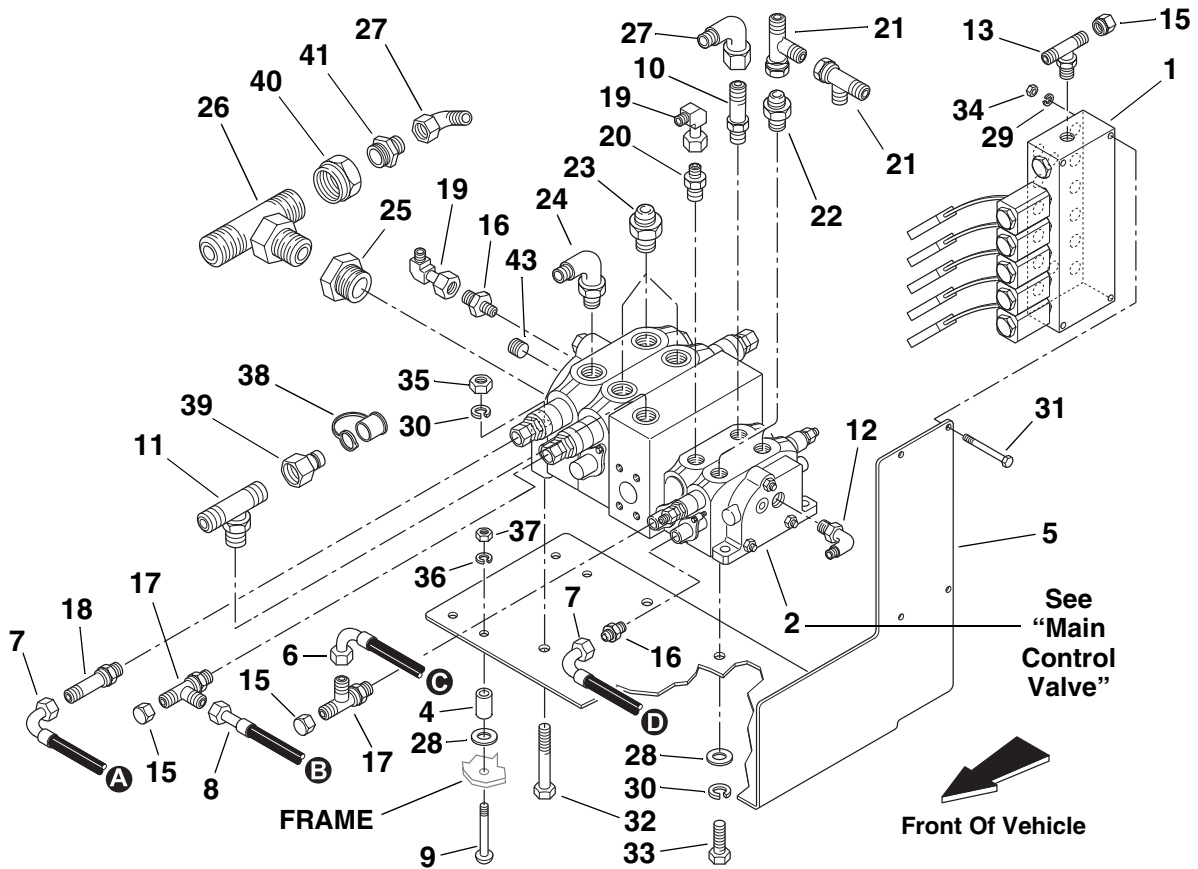
SERVICE BRAKE & DE-CLUTCH CIRCUIT



SERVICE BRAKE & DE-CLUTCH CIRCUIT

Item No.	Part Number	Qty.	Description
1	8902164	1	Valve, Brake
2	8770068	1	Elbow, 90°, SAE 6 - str. thd. ORB x o-ring face seal
3	8770111	1	Tee, Swivel Run, SAE 6 - o-ring face seal
4	8770105	1	Elbow, 90° Swivel, SAE 6 - o-ring face seal
5	8430081	1	Nipple, Diagnostic
6	8430032	3	Plug, Dust
7	8902169	1	Manifold, Auxiliary Function
8	8770106	2	Connector, SAE 6 - str. thd. ORB x o-ring face seal
9	8430043	2	Nipple, Diagnostic 9/16-18
10	8770114	1	Elbow, 90°, SAE 8 - str. thd. ORB x o-ring face seal
11	7129582	1	Bracket, Bulkhead Fitting
12	2715452	1	Hose, 1/2" I.D. x 17" Long
13	2715442	1	Hose, 3/8" I.D. x 106" Long
14	2715402	1	Hose, 1" I.D. x 62" Long
15	2715392	1	Hose, 1" I.D. x 19.3" Long
16	2715342	3	Hose, 3/8" I.D. x 32" Long
17	2715212	1	Hose, 3/8" I.D. x 136-1/2" Long
18	2715202	1	Hose, 3/8" I.D. x 81" Long
19	2715192	1	Hose, 3/8" I.D. x 111" Long
20	8770091	1	Cap, SAE 16 - o-ring face seal
21	8770093	1	Tee, Male Run, SAE 16 - ORFS tube end x str. thd. o-ring
22	8770097	7	Elbow, 90° Swivel, SAE 4 - o-ring face seal
23	8770100	4	Tee, Swivel Run, SAE 4 - o-ring face seal
24	8770116	1	Connector, SAE 8 - str. thd. ORB x o-ring face seal
25	8902691	6	Connector, M10-4 - metric str. thd. ORB x o-ring face seal
26	8770069	1	Connector, SAE 6-8 - str. thd. ORB x o-ring face seal
27	8770096	1	Nut, Bulkhead, SAE 16 - o-ring face seal
28	8770095	1	Elbow, 90°, Bulkhead, SAE 16 - o-ring face seal
29	8770098	1	Cap, SAE 4 - o-ring face seal
30	2715262	1	Hose, 3/8" I.D. x 81-1/2" Long

VALVE PLATE ASSY. w/o AUX. HYDRAULICS



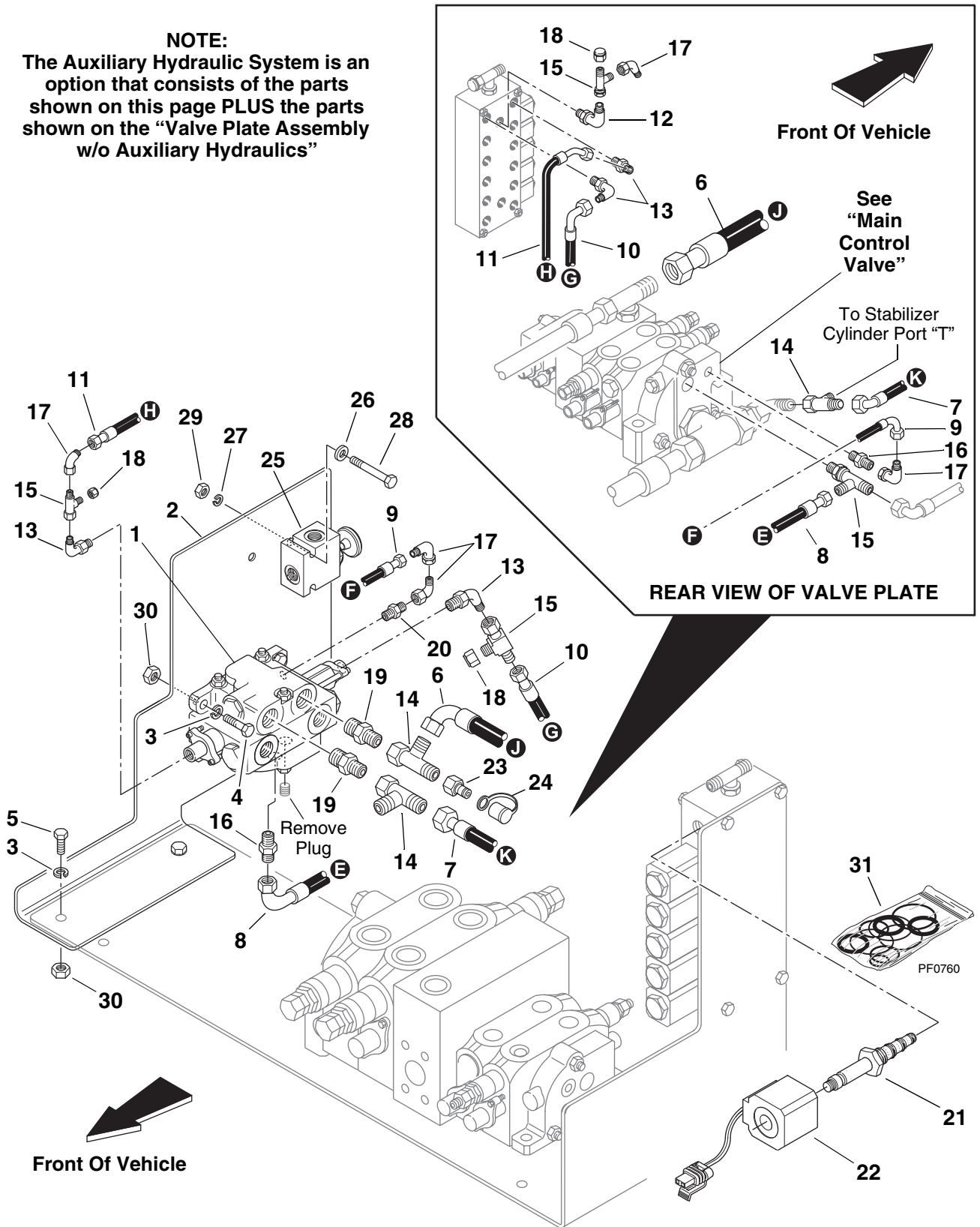
REAR VIEW OF VALVE PLATE AND VEHICLE

VALVE PLATE ASSY. w/o AUX. HYDRAULICS

Item No.	Part Number	Qty.	Description
1	8902172	1	Valve, Pilot Select
2	8902167	1	Valve, Main Control
3	8902175	2	Valve, Shuttle
4	7116691	4	Spacer
5	7128964	1	Bracket, Main Valve
6	2715382	5	Hose, 3/8" I.D. x 18" Long
7	2715352	4	Hose, 3/8" I.D. x 19.3" Long
8	2715322	1	Hose, 3/8" I.D. x 20" Long
9	8310281	4	Bolt, Carriage 3/8-16 x 2-1/4"
10	8770117	1	Connector, Long, SAE 8 - str. thd. ORB x o-ring face seal
11	8770126	1	Tee, Branch, SAE 8 - str. thd. ORB x o-ring face seal
12	8770068	12	Elbow, 90°, SAE 6 - str. thd. ORB x o-ring face seal
13	8770112	2	Tee, Branch, SAE 6 - str. thd. ORB x o-ring face seal
14	8770111	3	Tee, Swivel Run, SAE 6 - o-ring face seal
15	8770108	12	Cap, SAE 6 - o-ring face seal
16	8770106	6	Connector, SAE 6 - str. thd. ORB x o-ring face seal
17	8770066	7	Tee, Male Run, SAE 6 - ORFS tube end x str. thd. o-ring
18	8770107	1	Connector, Long, SAE 6 - str. thd. ORB x o-ring face seal
19	8770105	4	Elbow, 90° Swivel, SAE 6 - o-ring face seal
20	8770069	1	Connector, SAE 6-8 - str. thd. ORB x o-ring face seal
21	8770125	4	Tee, Swivel Run, SAE 8 - o-ring face seal
22	8770116	2	Connector, SAE 8 - str. thd. ORB x o-ring face seal
23	8770070	3	Connector, SAE 12 - str. thd. ORB x o-ring face seal
24	8770079	1	Elbow, 90°, SAE 12 - str. thd. ORB x o-ring face seal
25	8770087	1	Connector, SAE 16-12 - str. thd. ORB x o-ring face seal
26	8770094	1	Tee, Swivel Branch, SAE 16 - o-ring face seal
27	8770115	2	Elbow, 90° Swivel, SAE 8 - o-ring face seal
28	8307206	5	Washer, Plain 1/2"
29	8307002	4	Washer, Lock 1/4"
30	8307007	3	Washer, Lock 1/2"
31	8303703	4	HHCS, 1/4-20 x 2-1/2" Gr. 5
32	8303683	2	HHCS, 1/2-13 x 3-1/2" Gr. 5
33	8303624	1	HHCS, 1/2-13 x 1" Gr. 5
34	8305004	4	Nut, Hex 1/4-20
35	8305012	2	Nut, Hex 1/2-13
36	8307005	4	Washer, Lock 3/8"
37	8305008	4	Nut, Hex 3/8-16
38	8430032	1	Plug, Dust
39	8430082	1	Nipple, Diagnostic
40	8770089	1	Nut, Tube, SAE 16 - o-ring face seal
41	8770088	1	Reducer, SAE 16 - o-ring face seal x SAE 8 - o-ring face seal
42	8770104	2	Elbow, 90°, SAE 6 - str. thd. ORB x o-ring face seal swivel
43	8760451	1	Plug, Hex Hd., SAE 6 - male str. thd. o-ring
44	7132762	1	Plug, Shut-off

VALVE PLATE ASSY. w/ AUX. HYDRAULICS

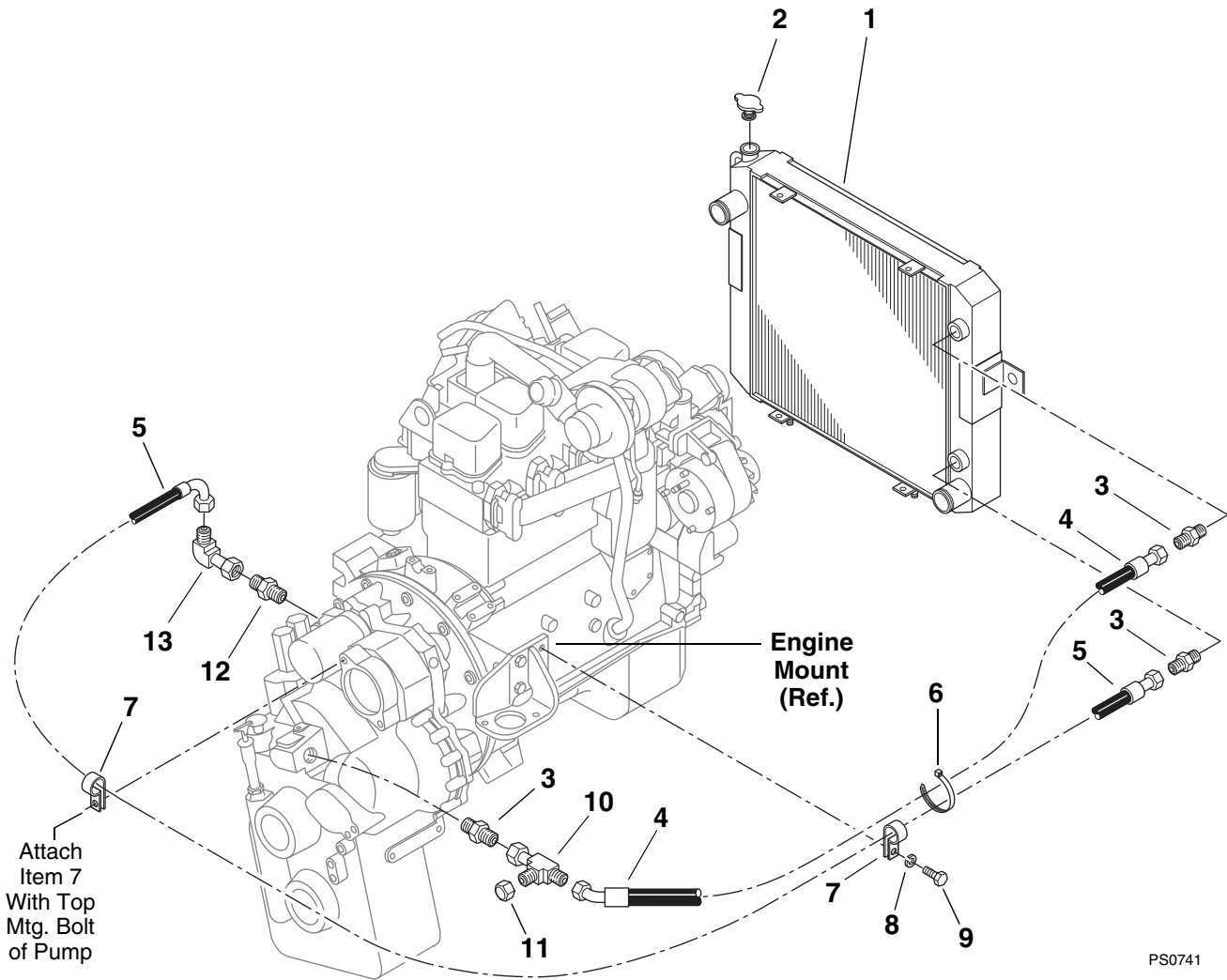
NOTE:
The Auxiliary Hydraulic System is an option that consists of the parts shown on this page PLUS the parts shown on the "Valve Plate Assembly w/o Auxiliary Hydraulics"



VALVE PLATE ASSY. w/ AUX. HYDRAULICS

Item No.	Part Number	Qty.	Description
1	8902174	1	Valve, Auxiliary Control
2	7137104	1	Bracket, Auxiliary Control Valve Mtg. (Current Production)
	7132453	1	Bracket, Auxiliary Control Valve Mtg. (Early Production with Weldnuts)
3	8307005	3	Washer, Lock 3/8"
4	8303675	3	HHCS, 3/8-16 x 1-1/4"
5	8303681	2	HHCS, 3/8-16 x 3/4" Gr. 5
6	2716012	1	Hose, 1/2" I.D. x 21" Long
7	2716022	1	Hose, 1/2" I.D. x 26" Long
8	2716042	1	Hose, 3/8" I.D. x 21-1/2" Long
9	2716052	1	Hose, 3/8" I.D. x 11-1/4" Long
10	2716062	1	Hose, 3/8" I.D. x 26" Long
11	2716072	1	Hose, 3/8" I.D. x 41" Long
12	7133051	1	Elbow, 90° (Modified), SAE 6 - str. thd. ORB x o-ring face seal
13	8770068	4	Elbow, 90°, SAE 6 - str. thd. ORB x o-ring face seal
14	8770125	3	Tee, Swivel Run, SAE 8 - o-ring face seal
15	8770111	3	Tee, Swivel Run, SAE 6 - o-ring face seal
16	8770106	2	Connector, SAE 6 - str. thd. ORB x o-ring face seal
17	8770105	5	Elbow, 90° Swivel, SAE 6 - o-ring face seal
18	8770108	3	Cap, SAE 6 - o-ring face seal
19	8770047	2	Connector, SAE 8-10 - str. thd. ORB x o-ring face seal
20	8770137	1	Connector, Union, SAE 6-4 - o-ring face seal x o-ring face seal
21	8035101	1	Solenoid Valve (For Service Order Kit, Item 31)
22	8035104	1	Coil w/Female Pins
23	8430082	1	Nipple, Diagnostic
24	8430032	1	Plug, Dust
25	8902181	1	Valve, Manually Operated Release
26	8307202	2	Washer, Plain 1/4"
27	8307002	2	Washer, Lock 1/4"
28	8303758	2	HHCS, 1/4-20 x 2" (Used with Item 2 with weldnuts)
	8303090	2	HHCS, 1/4-20 x 1-3/4" (Used with Item 2 without weldnuts)
29	8305004	2	Nut, 1/4-20
30	8305008	5	Nut, 3/8-16
			KITS
31	8035102	1	Kit, Valve Seal

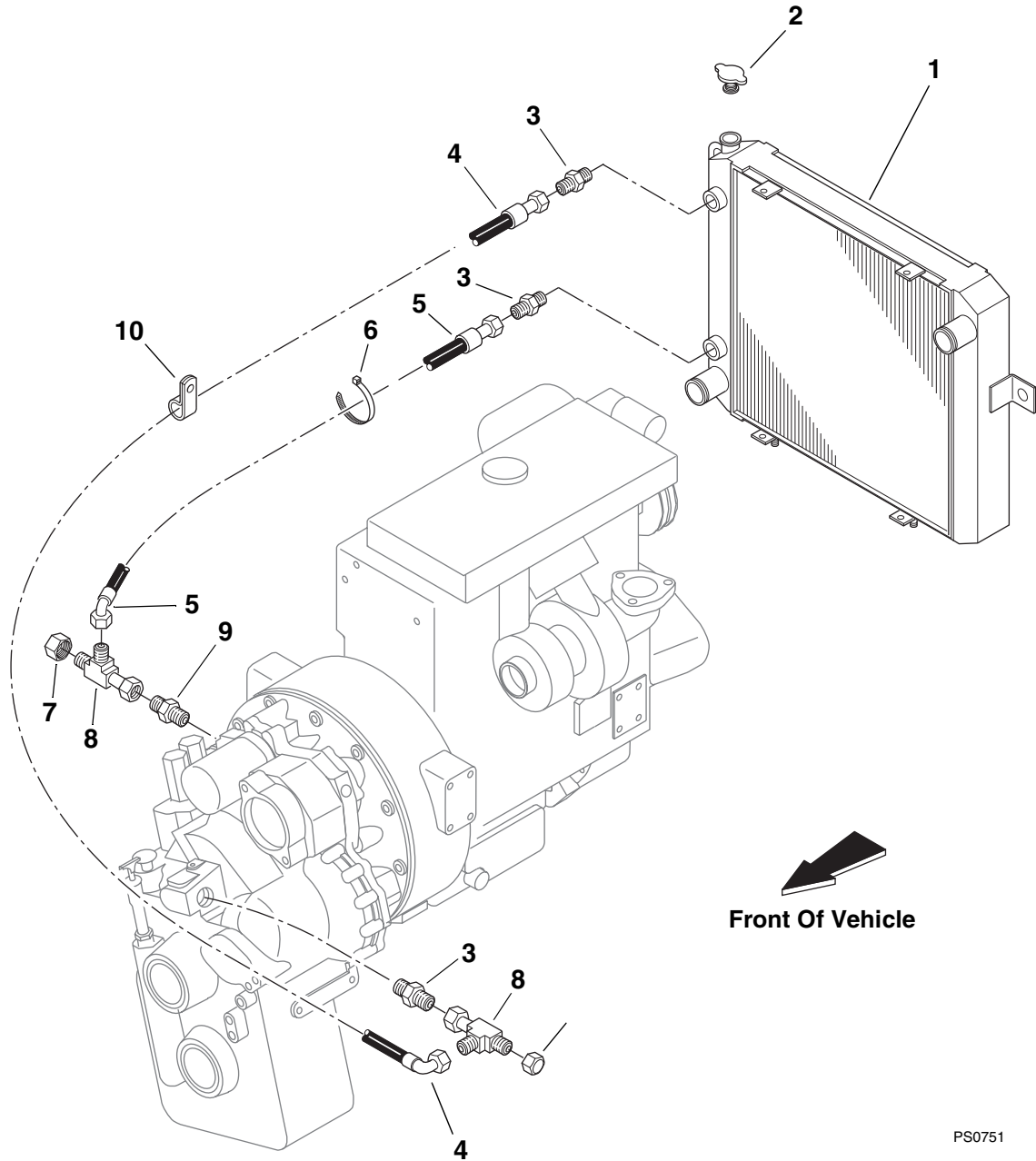
TRANSMISSION COOLING CIRCUIT (Cummins)



TRANSMISSION COOLING CIRCUIT (Cummins)

Item No.	Part Number	Qty.	Description
1	7126514	1	Radiator Assembly (Includes Item 2)
2	8180311	1	Cap, Radiator - 13 psi (89,6 kPa)
3	8770070	3	Connector, SAE 12 - str. thd. ORB x o-ring face seal
4	2715422	1	Hose, 3/4 I.D. x 41" Long
5	2715362	1	Hose, 3/4 I.D. x 62-1/2" Long
6	8584003	1	Tie Wrap
7	8406302	2	Clip, Tube 1-1/4" Dia.
8	8307025	1	Washer, Lock M12
9	8310164	1	HHCS, M12-1,75 x 40mm PC 8,8
10	8770083	1	Tee, Swivel Run, SAE 12 - o-ring face seal
11	8770081	1	Cap, SAE 12 - o-ring face seal
12	8770077	1	Connector, SAE 12-10 - str. thd. ORB x o-ring face seal
13	8770080	1	Elbow, 90° Swivel, SAE 12 - o-ring face seal

TRANSMISSION COOLING CIRCUIT (Perkins)

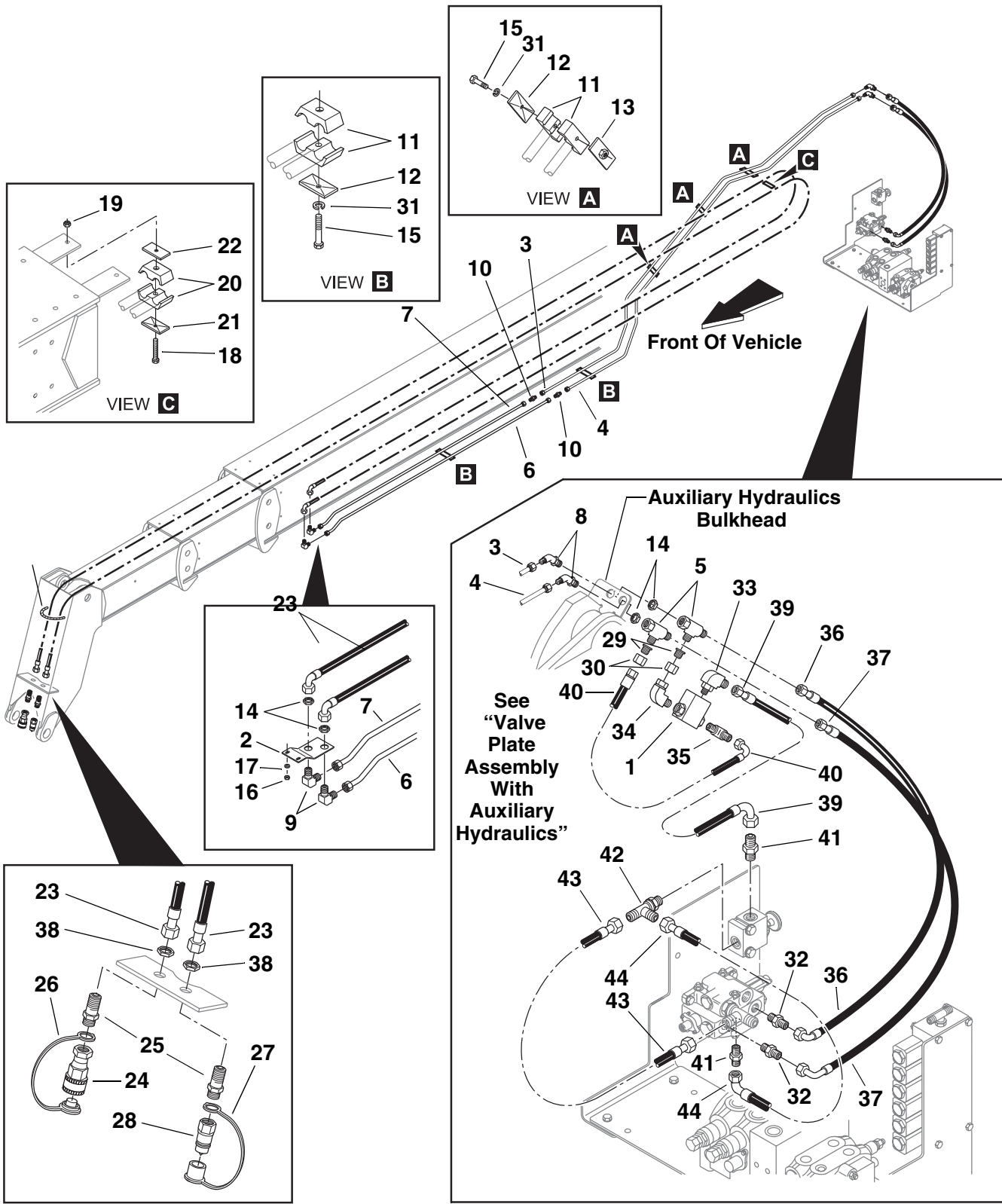


PS0751

TRANSMISSION COOLING CIRCUIT (Perkins)

Item No.	Part Number	Qty.	Description
1	7119744	1	Radiator Assembly (Includes Item 2)
2	8180311	1	Cap, Radiator - 13 psi (89,6 kPa)
3	8770070	3	Connector, SAE 12 - str. thd. ORB x o-ring face seal
4	2715362	1	Hose, 3/4" I.D. x 62-1/2" Long
5	2715432	1	Hose, 3/4" I.D. x 41" Long
6	8584003	1	Tie Wrap
7	8770081	2	Cap, SAE 12 - o-ring face seal
8	8770083	2	Tee, Swivel Run, SAE 12 - o-ring face seal
9	8770077	1	Connector, SAE 12-10 - str. thd. ORB x o-ring face seal
10	8406302	1	Clip, Tube 1-1/4"

AUXILIARY HYDRAULIC CIRCUIT (Optional)

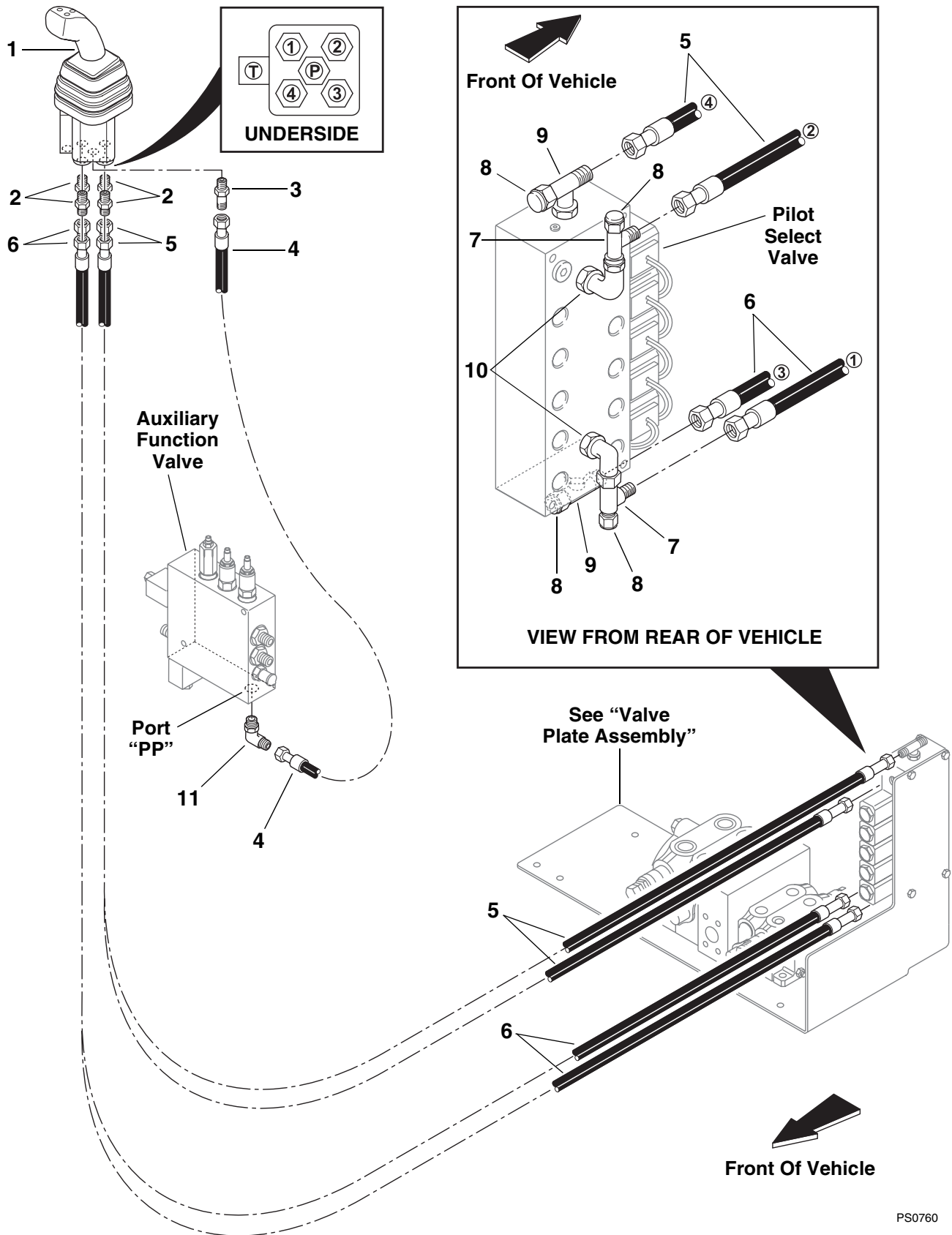


PS0521

AUXILIARY HYDRAULIC CIRCUIT (Optional)

Item No.	Part Number	Qty.	Description
1	8902175	1	Valve, Shuttle
2	7132342	1	Bracket, Bulkhead Fitting Support
3	7134092	1	Tube Assembly, Outer-Aux. Hydraulics (Rear)
4	7134082	1	Tube Assembly, Inner-Aux. Hydraulics (Rear)
5	8770141	2	Tee, SW Run #10
6	7134052	1	Tube Assembly, Inside-Aux. Hydraulics (Front)
7	7134102	1	Tube Assembly, Outside-Aux. Hydraulics (Front)
8	8770076	2	Elbow, 45°, Bulkhead, SAE 10 - o-ring face seal
9	8770074	2	Elbow, 90°, Bulkhead, SAE 10 - o-ring face seal
10	8770072	2	Connector, Union, SAE 10 - o-ring face seal
11	8750014	5	Twin Clamp Set .62 Hoses
12	8769123	5	Cover Plate
13	8769136	3	Weld Plate, Twin
14	8770075	4	Nut, Bulkhead, SAE 10 - o-ring face seal
15	8303715	5	HHCS, 5/16-18 x 1-1/2"
16	8305624	2	Nut, Hex Lock Elastic 1/4-20
17	8307202	2	Washer, Plain 1/4"
18	8310357	1	Bolt, Hex Hd. Tap 5/16 x 2-1/2" Gr. 5
19	8305626	1	Nut, Hex Lock Elastic 5/16-18
20	8750016	1	Clamp, Twin .79 Dia.
21	8769128	1	Cover Plate
22	8750009	1	Welding Plate, Twin
23	2715092	2	Hose, 1/2" I.D. x 340" Long
24	8430005	1	Quick Disconnect, Female, SAE 8-8 ORB - female internal
25	8770136	2	Connector, Bulkhead, SAE 8 - str. thd. ORB x o-ring face seal
26	8420055	1	Dust Plug
27	8420053	1	Dust Cap
28	8430006	1	Quick Disconnect, Male, SAE 8-8 ORB - female internal
29	8770142	2	Reducer, SAE 10 - o-ring face seal x SAE 6 - o-ring face seal
30	8770143	2	Nut, Tube, SAE 10 - o-ring face seal
31	8307004	5	Washer, Spring Lock 5/16"
32	8770116	2	Connector, SAE 8 - str. thd. ORB x o-ring face seal
33	8770068	1	Elbow, 90°, SAE 6 - str. thd. ORB x o-ring face seal
34	8770104	1	Elbow, 90°, SAE 6 - str. thd. ORB x o-ring face seal swivel
35	8770140	1	Elbow, 45°, SAE 6 - str. thd. ORB x o-ring face seal
36	2716082	1	Hose, 1/2" I.D. x 35-1/2" Long
37	2716032	1	Hose, 1/2" I.D. x 39" Long
38	8770129	2	Nut, Bulkhead, SAE 8 - o-ring face seal
39	2716222	1	Hose, 3/8" I.D. x 31-1/2" Long
40	2716212	1	Hose, 3/8" I.D. x 18" Long
41	8770106	2	Connector, SAE 6 - str. thd. ORB x o-ring face seal
42	8770066	1	Tee, Male Run, SAE 6 - ORFS tube end x str. thd. o-ring
43	2716232	1	Hose, 3/8" I.D. x 18" Long
44	2716242	1	Hose, 3/8" I.D. x 22" Long
45	7132631	1	Conduit, 3/4 Dia. x 13" Long

JOYSTICK CIRCUIT

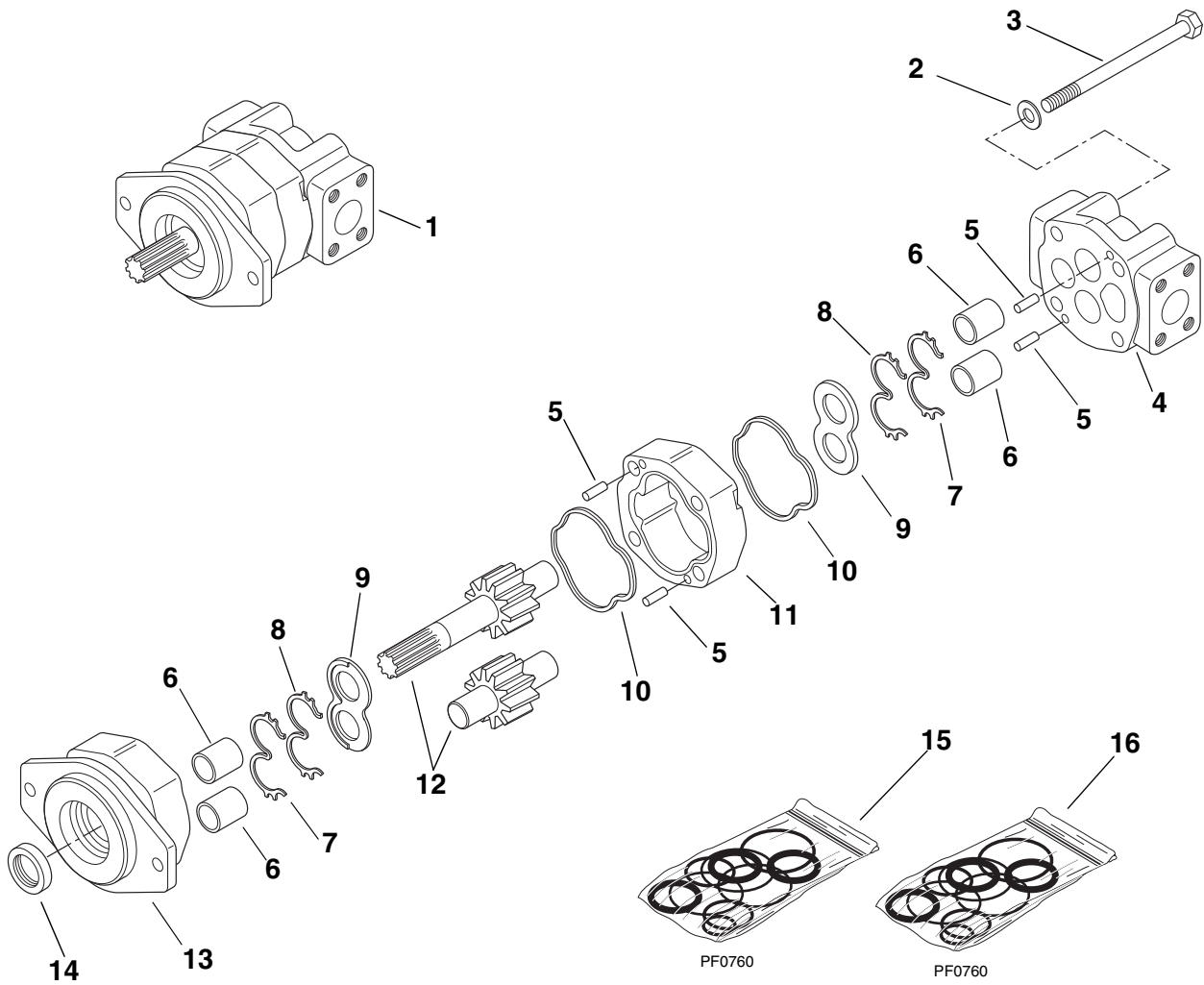


PS0760

JOYSTICK CIRCUIT

Item No.	Part Number	Qty.	Description
1	7133942	1	Valve, Joystick
2	8770106	4	Connector, SAE 6 - str. thd. ORB x o-ring face seal
3	8770107	1	Connector, Long, SAE 6 - str. thd. ORB x o-ring face seal
4	2715272	1	Hose, 3/8" I.D. x 67" Long
5	2715312	2	Hose, 3/8" I.D. x 120-1/2" Long
6	2715302	2	Hose, 3/8" I.D. x 116" Long
7	8770111	2	Tee, Swivel Run, SAE 6 - o-ring face seal
8	8770108	4	Cap, SAE 6 - o-ring face seal
9	8770112	2	Tee, Branch, SAE 6 - str. thd. ORB x o-ring face seal
10	8770068	2	Elbow, 90°, SAE 6 - str. thd. ORB x o-ring face seal
11	8770103	1	Elbow, 90°, SAE 6-8 - str. thd. ORB x o-ring face seal

MAIN PUMP

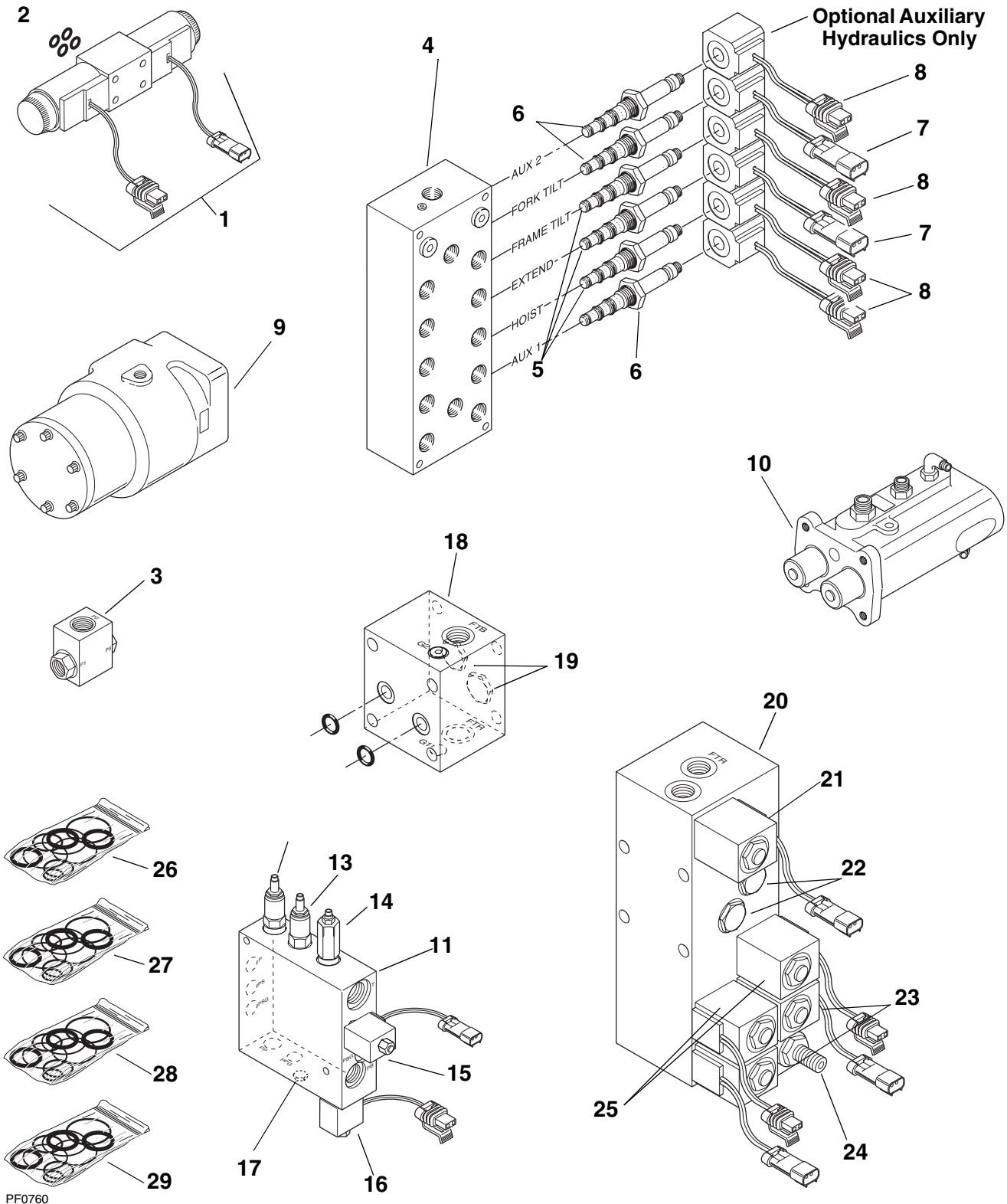


PS0020

MAIN PUMP

Item No.	Part Number	Qty.	Description
1	8440154	1	Pump, Main (Includes Items 2 thru 14)
2	8035261	4	Washer
3	8035260	4	Capscrew
4	8035264	1	Housing, PEC
5	8035259	4	Pin, Dowel
6	8035266	4	Bushing
7	See Kits	2	Seal, Back Up
8	See Kits	2	Seal, Channel
9	See Kits	2	Plate, Thrust
10	See Kits	2	Seal, Square R
11	8035263	1	Housing, Gear
12	8035262	1	Gear Set
13	8035265	1	Housing, SEC
14	See Kits	1	Seal, Lip
			<u>KITS</u>
15	8035094	1	Seal Kit (Includes Items 7, 8, 10 & 14)
16	8035093	1	Seal Kit w/Thrust Plates (Includes Items 7, 8, 9, 10 & 14)

DIRECTIONAL CONTROL VALVES



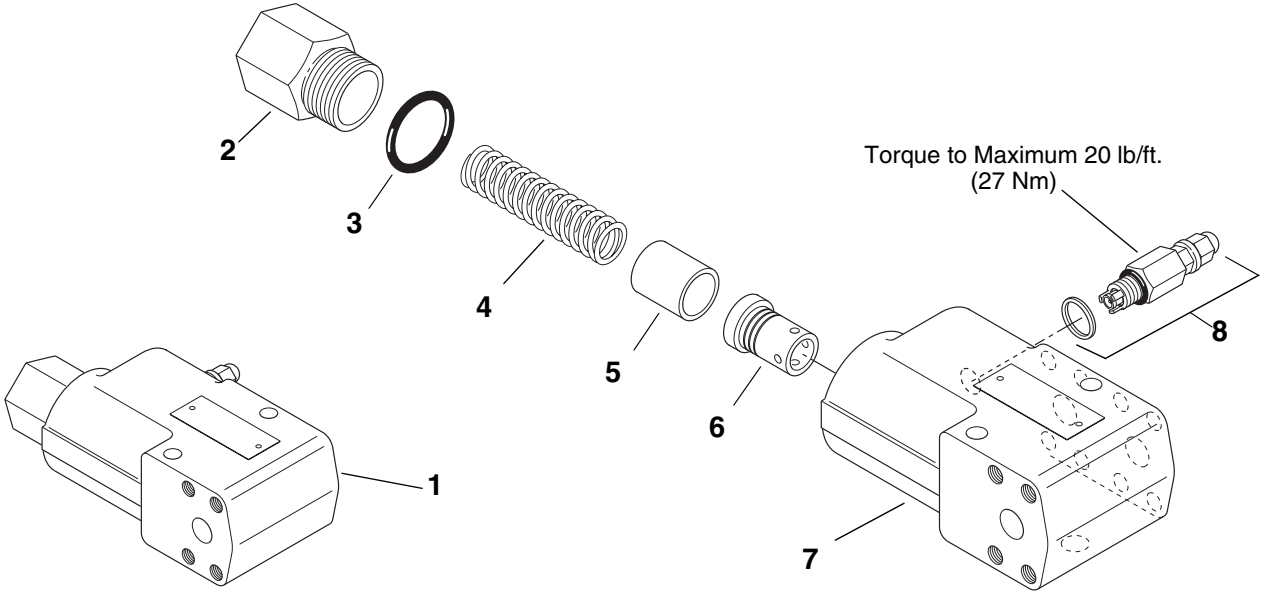
PF0760

PS0400

DIRECTIONAL CONTROL VALVES

Item No.	Part Number	Qty.	Description
1	8902170	1	Valve, Steer Select (Includes Item 2)
2	8640017	4	O-Ring
3	8902175	1	Valve, Shuttle
4	8902272	1	Manifold, Pilot Select (Includes Items 5 thru 8)
5	8035101	3	Valve Cartridge (To Service Seals Order Item 26)
6	8908701	2	Valve Cartridge (w/o Auxiliary Hydraulics) (To Service Seals Order Item 26)
		3	Valve Cartridge (w/ Auxiliary Hydraulics) (To Service Seals Order Item 26)
7	8035103	2	Coil w/Male Pins
8	8035104	3	Coil w/Female Pins (w/o Auxiliary Hydraulics)
		4	Coil w/Female Pins (w/Auxiliary Hydraulics)
9	8721029	1	Valve, Power Steering
10	8902164	1	Valve, Brake
11	8902169	1	Manifold, Auxiliary Function (Includes Items 12 thru 17)
12	8032989	1	Pressure Reducing Valve-PS - Set at 2500 psi (172 bar)
13	8032993	1	Pressure Reducing Valve-PB - Set at 550 psi (38 bar)
14	8032991	1	Pressure Relief Valve - Set at 650 psi (45 bar)
15	8032997	1	Solenoid Valve, Park Brake
16	8032996	1	Solenoid Valve, Park Brake
17	8032995	1	Check Valve
18	8904058	1	Valve, Dual Pilot Operated Check (Includes Item 19 and 2 O-Rings)
19	8035281	2	Check Valve
20	8904057	1	Manifold, Stabil-TRAK (Includes Items 21 thru 25)
21	8035285	1	Solenoid Valve
22	8035281	2	Check Valve
23	8035283	2	Solenoid Valve
24	8035282	1	Pressure Reducing Valve - Set at 100 psi (7 bar)
25	8035284	2	Solenoid Valve
			<u>KITS</u>
26	8035102	1	Seal Kit, Solenoid (For One Item 5 and 6)
27	8032990	1	Seal Kit, Pressure Reducing Valve-PS (For Item 12)
28	8032994	1	Seal Kit, Pressure Reducing Valve-PB (For Item 13)
29	8032992	1	Rework Kit (For Items 14 thru 17)

UNLOADER VALVE

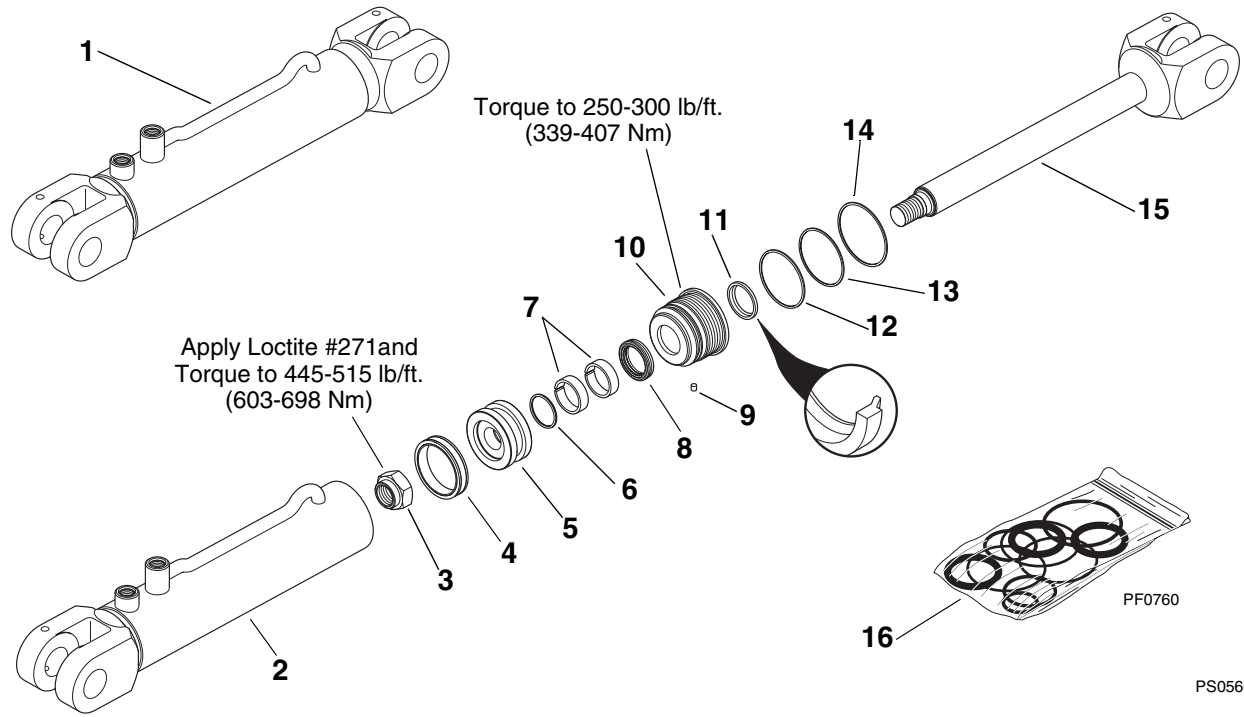


PS0510

UNLOADER VALVE

Item No.	Part Number	Qty.	Description
1	8904056	1	Valve, Unloader (Includes Items 2 thru 8)
2	N.S.S.	1	Cap
3	N.S.S.	1	O-Ring
4	N.S.S.	1	Spring, Spool
5	N.S.S.	1	Spacer, Tube
6	N.S.S.	1	Spool
7	N.S.S.	1	Housing, Valve
8	N.S.S.	1	Relief Valve Assembly - Preset at 3500 psi \pm 100 psi (241 bar \pm 7 bar)

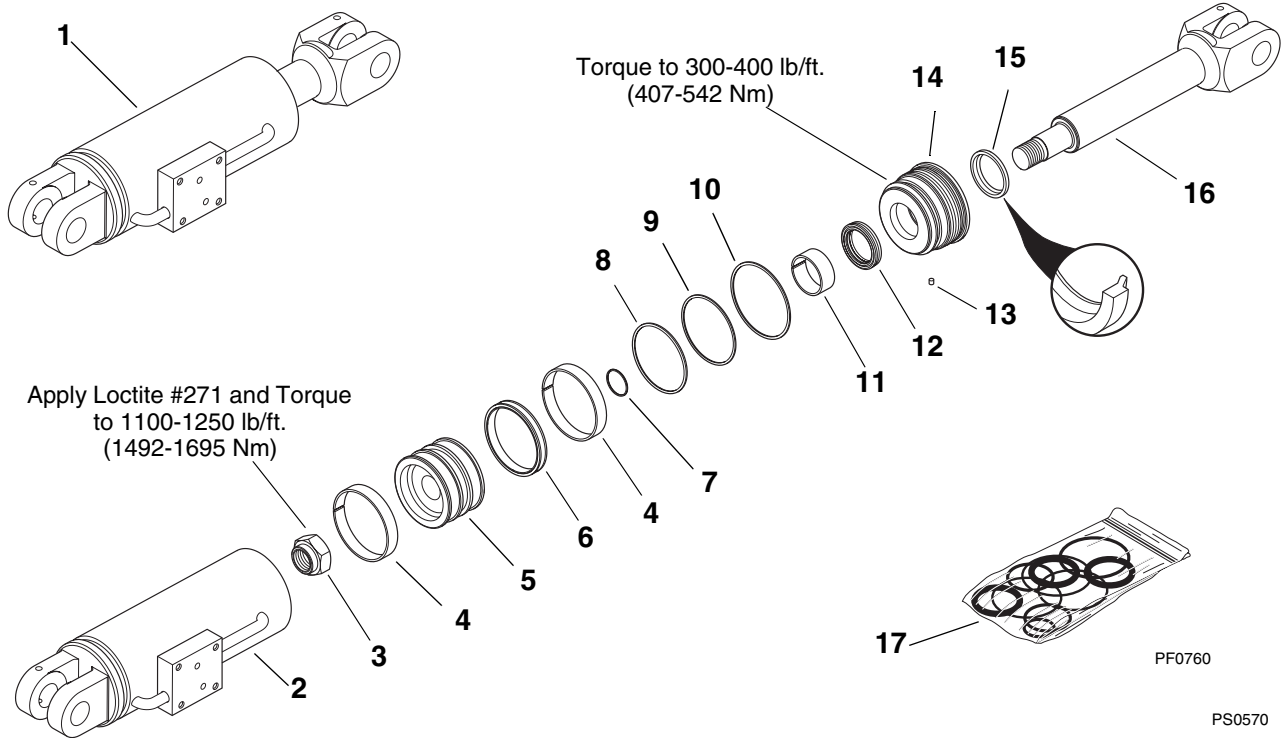
SLAVE CYLINDER



SLAVE CYLINDER

Item No.	Part Number	Qty.	Description
1	2714503	1	Cylinder, Slave (Includes Items 2 thru 15)
2	NSS	1	Tube
3	8037080	1	Nut, Lock 1.125-12 NF
4	See Kits	1	Capped T-Seal
5	8035329	1	Piston
6	See Kits	1	O-Ring
7	See Kits	2	Precision Wearband
8	See Kits	1	Deep Z-Seal with Rod Backup
9	See Kits	1	Locking Insert
10	8035330	1	Head Gland
11	See Kits	1	HD Rod Wiper Sealed OD
12	See Kits	1	O-Ring
13	See Kits	1	Backup Ring
14	See Kits	1	O-Ring
15	8035331	1	Rod, Weldment
			KITS
16	8035332	1	Seal Kit (Includes Items 4, 6-9 & 11-14)

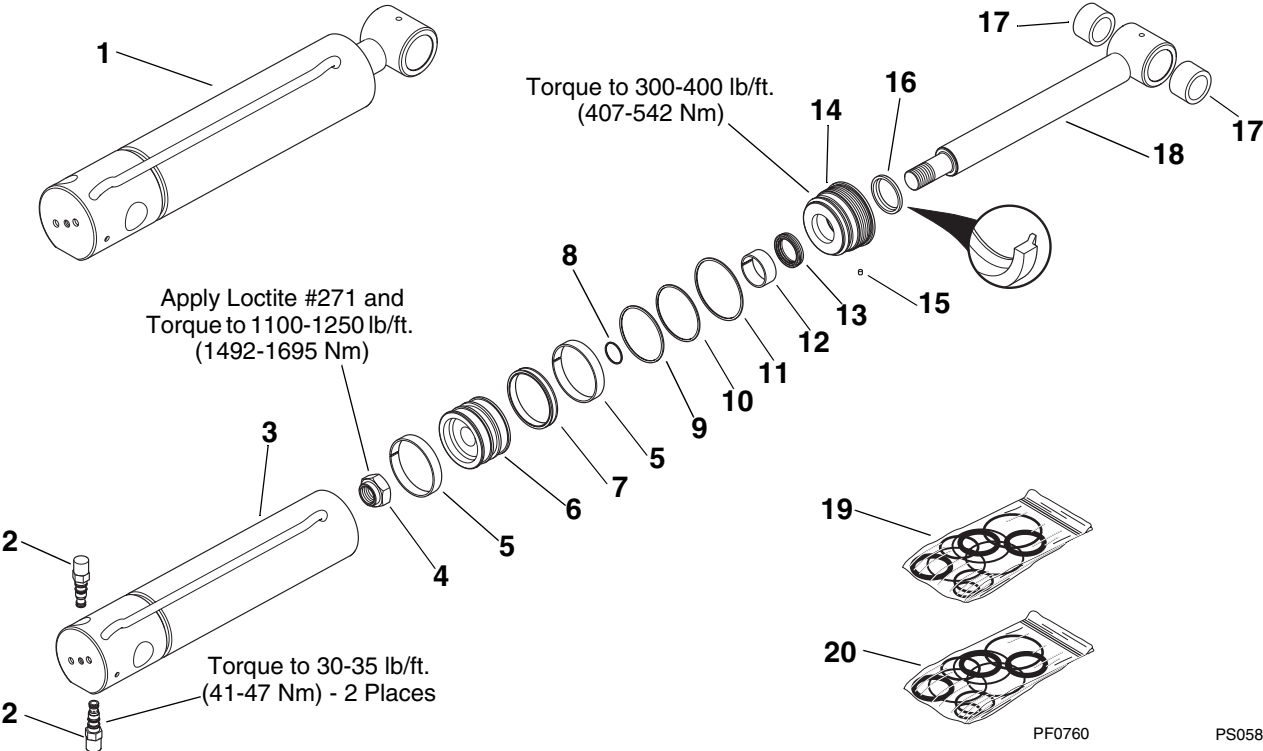
FRAME TILT/STABILIZER CYLINDER



FRAME TILT/STABILIZER CYLINDER

Item No.	Part Number	Qty.	Description
1	7134593	1	Cylinder, Frame Tilt/Stabilizer (Includes Items 2 thru 16)
2	N.S.S.	1	Tube
3	8035322	1	Nut, Lock 1.50-12 NF
4	See Kits	2	Precision Wearband
5	8035323	1	Piston
6	See Kits	1	Type 730 Capped T-Seal
7	See Kits	1	O-Ring
8	See Kits	1	O-Ring
9	See Kits	1	Backup Ring
10	See Kits	1	O-Ring
11	See Kits	1	Precision Wearband
12	See Kits	1	Deep Z-Seal with Rod Backup
13	See Kits	1	Locking Insert
14	8035324	1	Head Gland
15	See Kits	1	HD Rod Wiper, Sealed OD
16	8035328	1	Rod Weldment
			KITS
17	8035326	1	Seal Kit (Includes Items 4, 6-13 & 15)

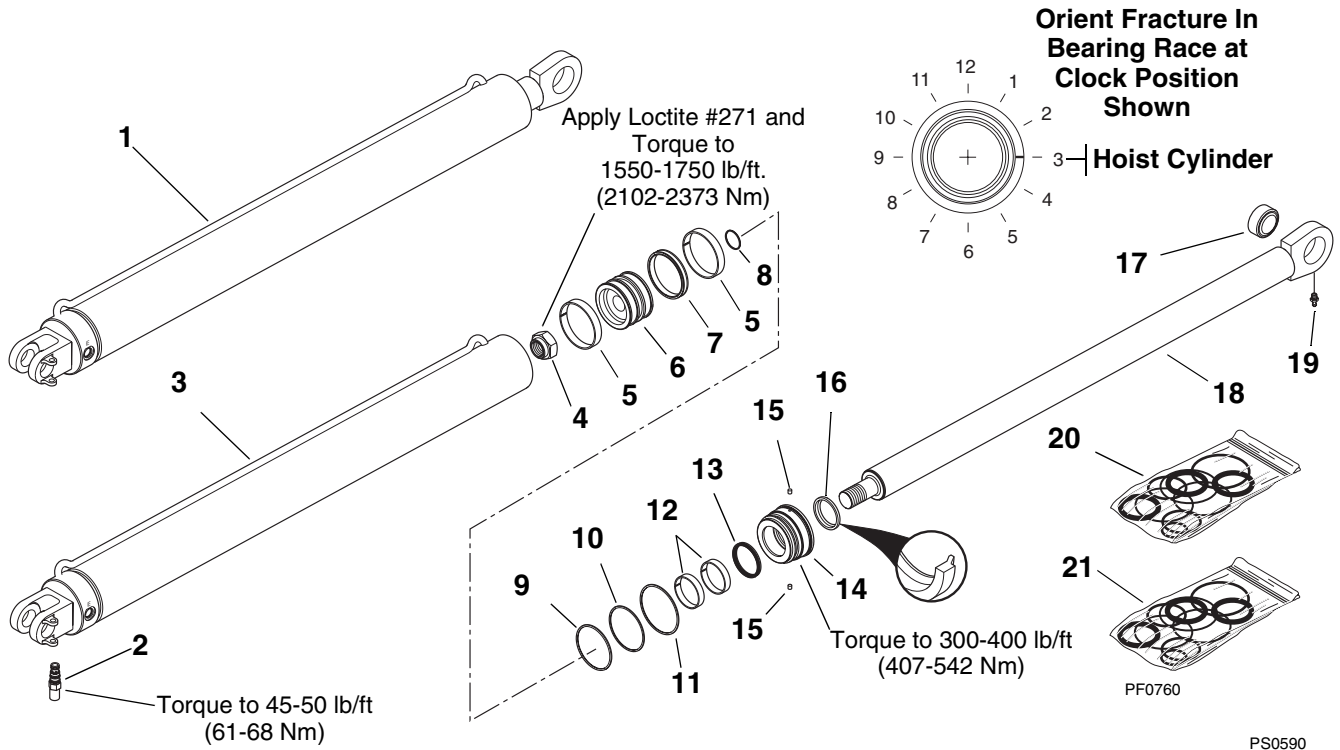
ATTACHMENT TILT CYLINDER



ATTACHMENT TILT CYLINDER

Item No.	Part Number	Qty.	Description
1	2715722	1	Cylinder, Attachment Tilt w/Bushings (Includes Items 2 thru 18)
2	8035321	2	Counterbalance Valve - Set at 4000 psi (276 bar)
3	NSS	1	Tube
4	8035322	1	Nut, Lock 1.50-12 NF
5	See Kits	2	Precision Wearband
6	8035323	1	Piston
7	See Kits	1	Type 730 Capped T-Seal
8	See Kits	1	O-Ring
9	See Kits	1	O-Ring
10	See Kits	1	Backup Ring
11	See Kits	1	O-Ring
12	See Kits	1	Precision Wearband
13	See Kits	1	Deep Z-Seal with Rod Backup
14	8035324	1	Head Gland
15	See Kits	1	Locking Insert
16	See Kits	1	HD Rod Wiper, Sealed OD
17	7089722	2	Bushing
18	8035325	1	Rod Weldment
			<u>KITS</u>
19	8035326	1	Seal Kit (Includes Items 5,7-13 & 15-16)
20	8035327	1	Seal Kit (For Item 2)

HOIST CYLINDER

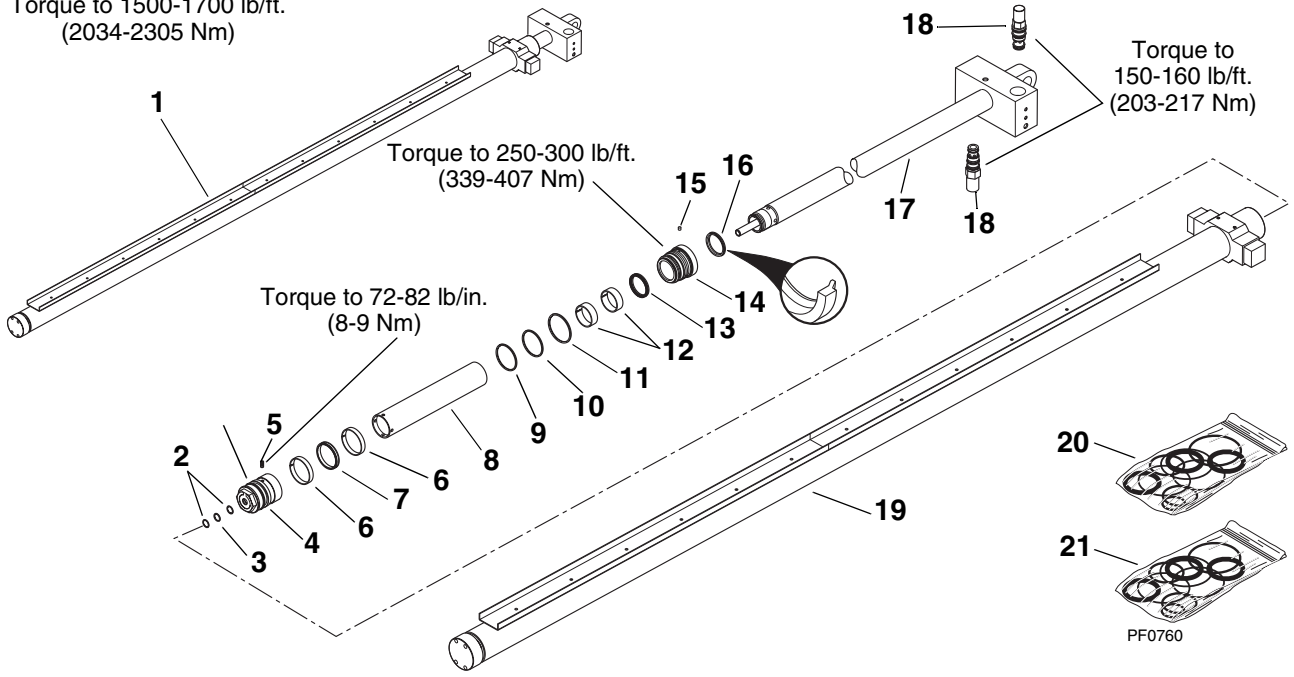


HOIST CYLINDER

Item No.	Part Number	Qty.	Description
1	2716562	1	Cylinder, Hoist w/Bearing (Includes Items 2 thru 18)
2	8902271	1	Counterbalance Valve - Set at 4000 psi (276 bar)
3	N.S.S.	1	Tube
4	8035308	1	Nut, Lock 2.00-12 UN
5	See Kits	2	Precision Wearband
6	8035309	1	Piston
7	See Kits	1	Capped T-Seal
8	See Kits	1	O-Ring
9	See Kits	1	O-Ring
10	See Kits	1	Backup Ring
11	See Kits	1	O-Ring
12	See Kits	2	Precision Wearband
13	See Kits	1	Deep Z-Seal with Rod Backup
14	8035310	1	Head Gland
15	See Kits	2	Locking Insert
16	See Kits	1	HD Rod Wiper, Sealed OD
17	8065640	1	Bearing, Self Align
18	8035311	1	Rod Weldment
19	8520013	1	Fitting, Lube, Self Tapping 1/8 NPT
			<u>KITS</u>
20	8035312	1	Seal Kit (Includes Items 5, 7-13 & 15-16)
21	8205656	1	Seal Kit (For Item 2)

EXTEND CYLINDER

Apply Loctite #271 and
Torque to 1500-1700 lb/ft.
(2034-2305 Nm)

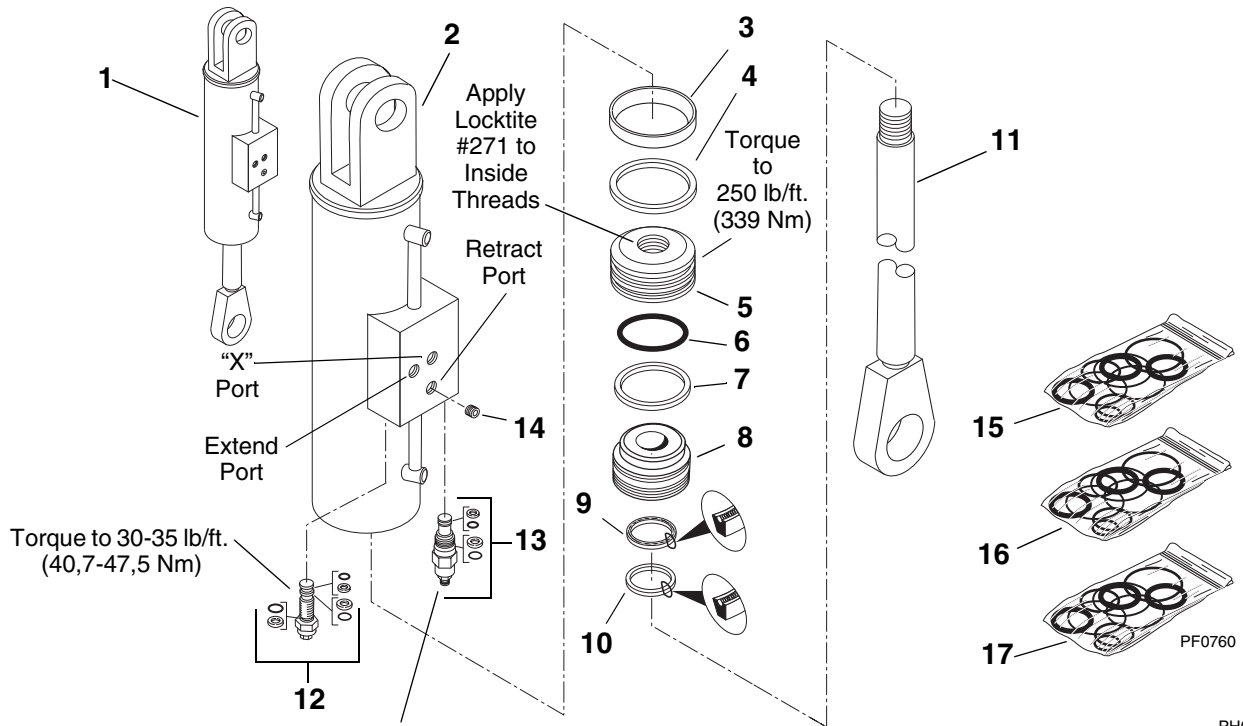


PS0600

EXTEND CYLINDER

Item No.	Part Number	Qty.	Description
1	2716253	1	Cylinder, Extend (Includes Items 2 thru 19)
2	See Kits	2	Hytrek Backup Ring
3	See Kits	1	O-Ring
4	8035314	1	Piston
5	8035315	1	Setscrew 5/16-18 UNC x .63
6	See Kits	2	Precision Wearband
7	See Kits	1	Type 730 Capped T-Seal
8	8035316	1	Rod Spacer
9	See Kits	1	O-Ring
10	See Kits	1	Backup Ring
11	See Kits	1	O-Ring
12	See Kits	2	Precision Wearband
13	See Kits	1	Deep Z-Seal with Rod Backup
14	8035317	1	Head Gland
15	See Kits	1	Locking Insert
16	See Kits	1	HD Rod Wiper, Sealed OD
17	8035318	1	Rod Weldment
18	8035293	2	Counterbalance Valve - Set at 4000 psi (276 bar)
19	NSS	1	Tube
			<u>KITS</u>
20	8035319	1	Seal Kit (Includes Items 2-3, 6-7, 9-13 & 15-16)
21	8035320	1	Seal Kit (For Item 18)

SWING CARRIAGE CYLINDER (Optional)



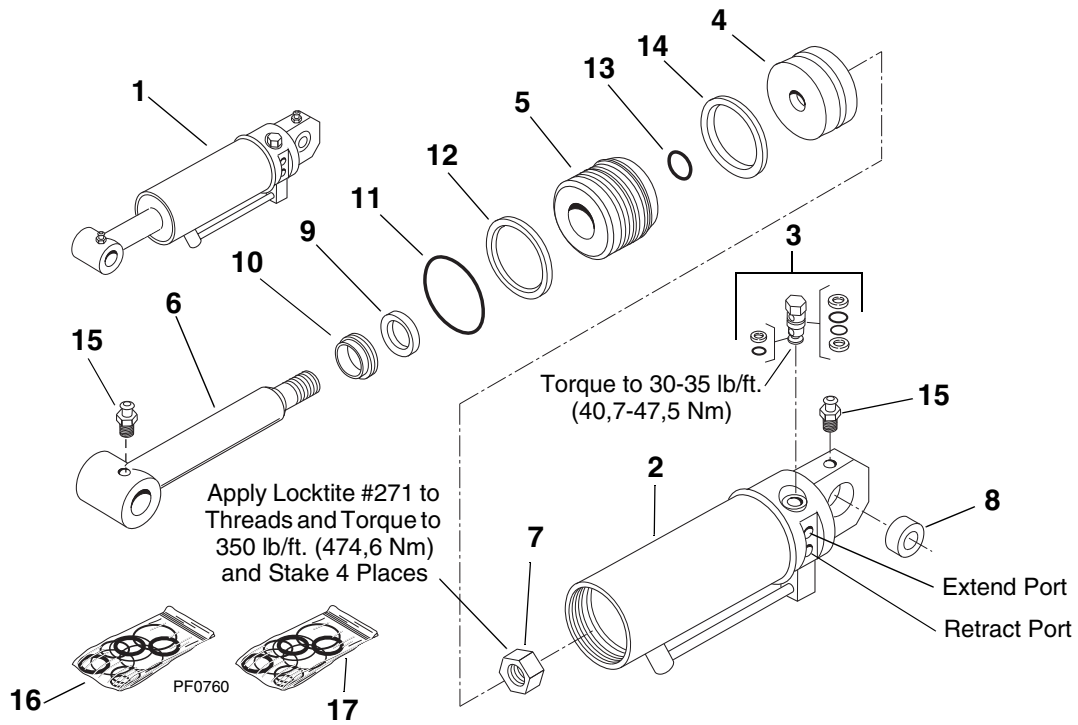
PH0441

SWING CARRIAGE CYLINDER

(Optional)

Item No.	Part Number	Qty.	Description
1	2713363	1	Cylinder, Swing Carriage (Includes Items 2 thru 14)
2	N.S.S.	1	Tube, Cylinder
3	See Kits	1	Ring, Wear
4	See Kits	1	Seal, Piston
5	8033783	1	Piston
6	See Kits	1	O-Ring
7	See Kits	1	Ring, Back-Up
8	8033784	1	Gland
9	See Kits	1	Seal, Rod
10	See Kits	1	Wiper
11	8033785	1	Rod
12	8033786	1	Valve, Counterbalance Cartridge - Preset to 3000 psi (207 bar)
13	70020428	1	Valve Cartridge, Direct Acting Relief - Preset to 2000 psi (138 bar)
14	8033788	1	Orifice .038 Dia.
			<u>KITS</u>
15	8033789	1	Seal Kit, Swing Carriage Cylinder (Includes Items 3, 4, 6, 7, 9 & 10)
16	8205655	1	Seal Kit, Valve For Item 12 (Includes 3 O-Rings & 3 Back-Up Rings)
17	8033790	1	Seal Kit, Valve For Item 13 (Includes 2 O-Rings, 1 Back-Up Ring & 1 Glyd Ring)

SIDE TILT CARRIAGE CYLINDER (Optional)

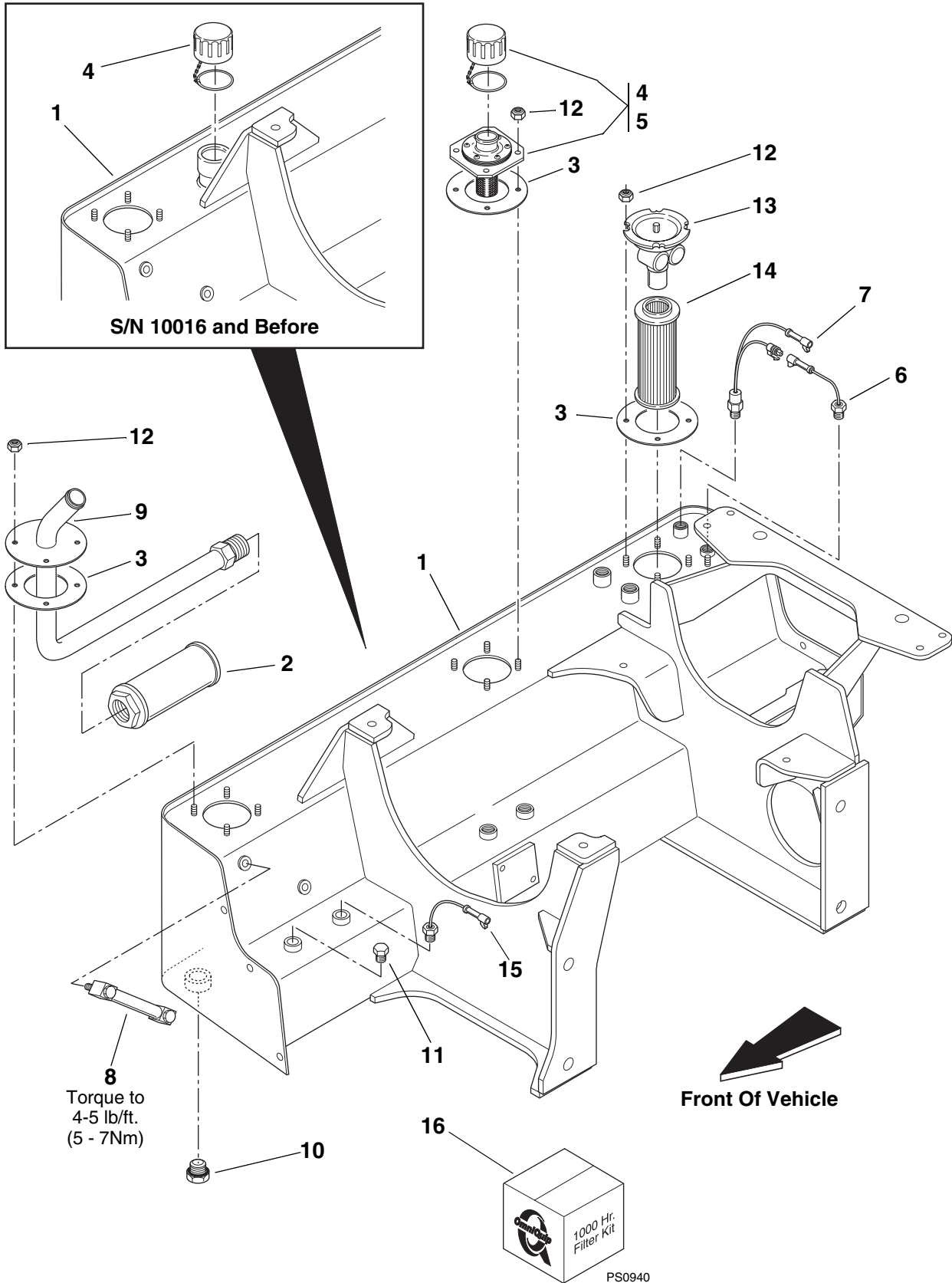


PH0800

SIDE TILT CARRIAGE CYLINDER (Optional)

Item No.	Part Number	Qty.	Description
1	2711613	1	Cylinder, Side Tilt Carriage (Includes Items 2 thru 14)
2	NSS	1	Tube, Cylinder
3	8902511	2	Valve, Pilot Check
4	8205545	1	Piston
5	8205546	1	Gland
6	8205547	1	Rod
7	8205548	1	Nut, Piston
8	8205514	1	Bearing, Self Aligning
9	See Kits	1	Seal, Rod
10	See Kits	1	Wiper
11	See Kits	1	O-Ring
12	See Kits	1	Ring, Back-Up
13	See Kits	1	O-Ring
14	See Kits	1	Seal, Piston
15	8520013	2	Fitting, Grease
			KITS
16	8205661	1	Seal Kit, Side Tilt Carriage Cylinder (Includes Items 9 - 14)
17	8205655	1	Seal Kit, For Item 3 Pilot Check Valve

HYDRAULIC RESERVOIR

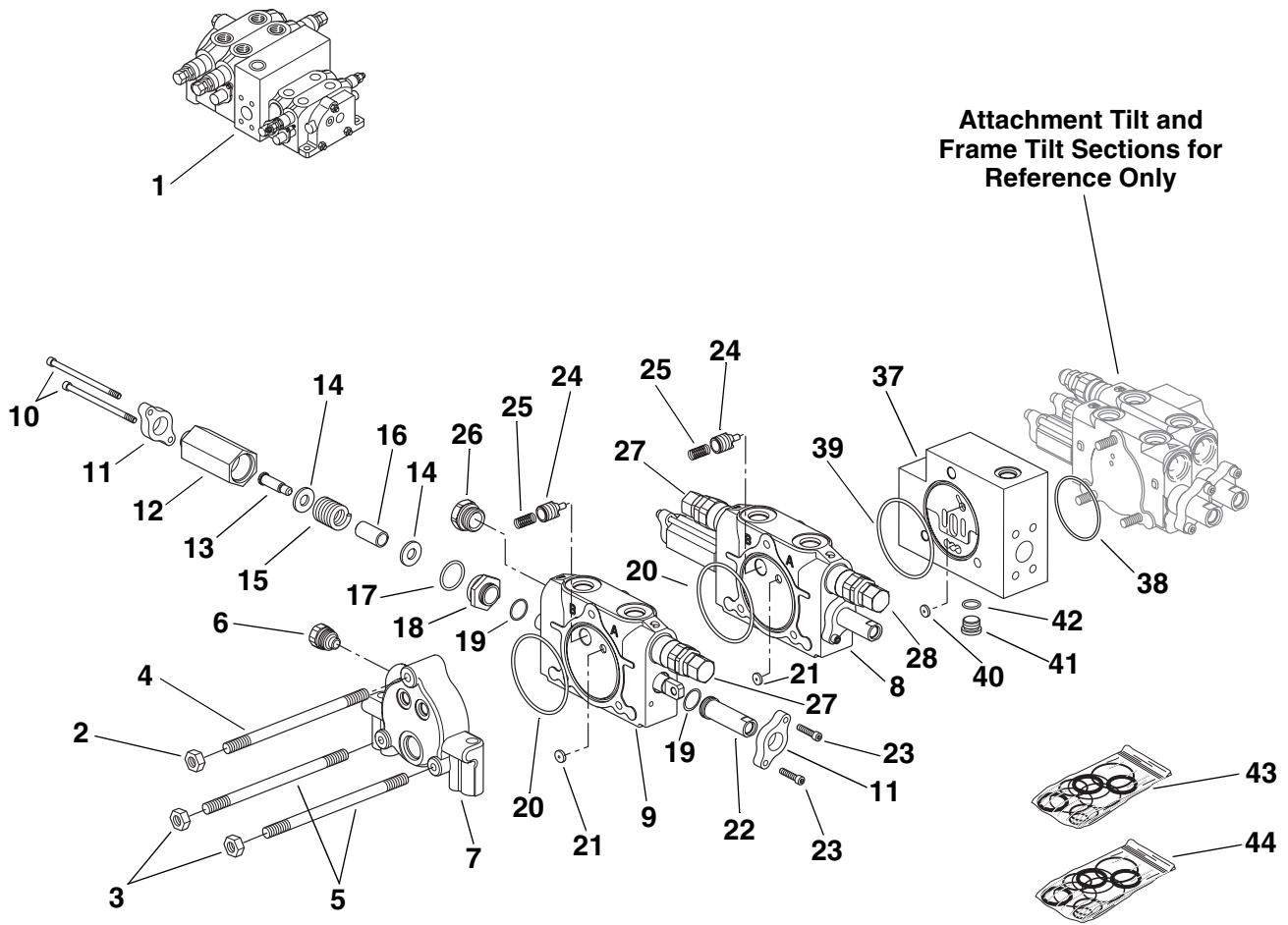


HYDRAULIC RESERVOIR

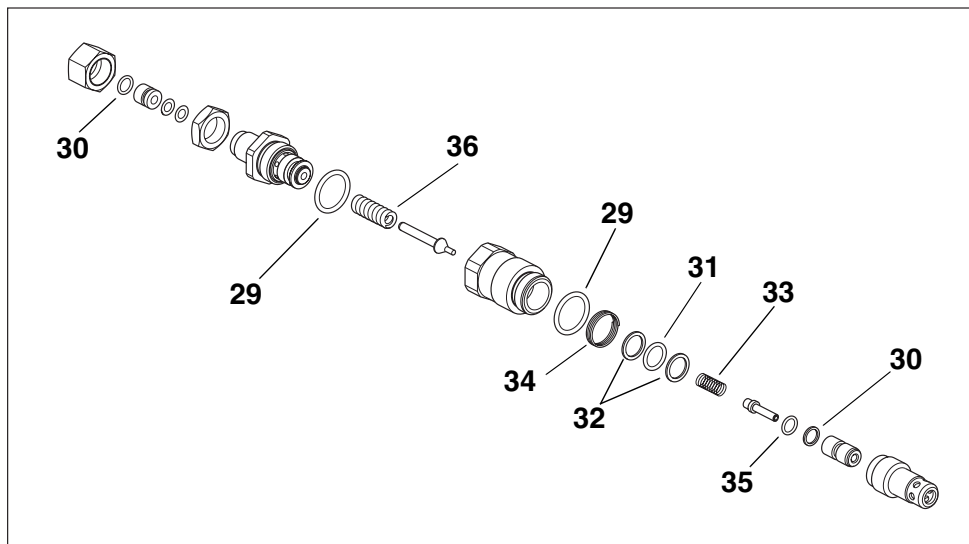
Item No.	Part Number	Qty.	Description
1	7127394	1	Hydraulic Reservoir/Engine Mount
2	8324029	1	Strainer
3	7094552	3	Gasket
4	8322034	1	Breather - S/N 10016 and Before
	8322039	1	Filler Neck w/Breather Cap - S/N 10017 and After (Includes Item 5)
5	8322040	1	Cap, Breather - 5 psi
6	8223227	1	Switch, Temperature 100° F (38° C)
7	8223526	1	Switch, Oil Pressure 20 psi (1,4 kPa)
8	8464013	1	Gage, Sight (Includes Seals & Fasteners)
9	7128994	1	Inlet Tube Assembly
10	8770001	1	Drain Plug, Magnetic 24 ORB
11	8760419	1	Plug, 8 ORB
12	8305626	8	Nut, Lock 5/16-18 Elastic (Qty 12; S/N 10017 And After)
13	7094562	1	Filter Head
14	8320265	1	Filter Element
15	8223226	1	Switch, Hydraulic Oil HI Temperature 195° F (76° C)
			KITS
16	7138298	1	1000 Hour Filter Kit for Cummins Turbo (Includes 6 Filters; Engine Oil Filter, Fuel Filter, Both Air Filters, Transmission Oil Filter & Hydraulic Oil Filter)
	7138299	1	1000 Hour Filter Kit for Perkins <u>Natural</u> (Includes 6 Filters; Engine Oil Filter, Fuel Filter, Both Air Filters, Transmission Oil Filter & Hydraulic Oil Filter)
	7138432	1	1000 Hour Filter Kit for Perkins <u>Turbo</u> (Includes 6 Filters; Engine Oil Filter, Fuel Filter, Both Air Filters, Transmission Oil Filter & Hydraulic Oil Filter)

MAIN CONTROL VALVE

(Boom Raise/Lower & Extend/Retract Sections)



PF0760



PS0770

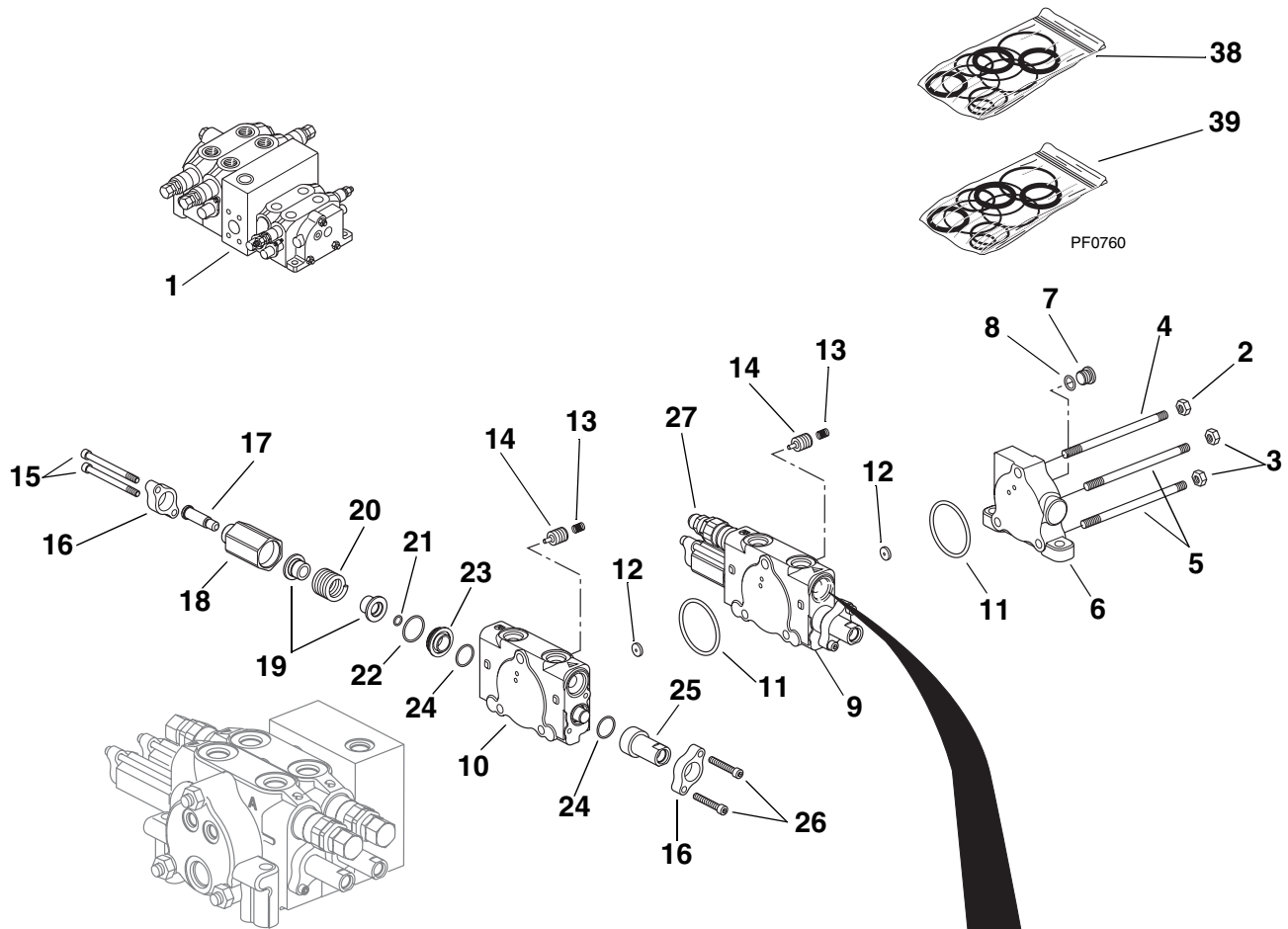
MAIN CONTROL VALVE

(Boom Raise/Lower & Extend/Retract Sections)

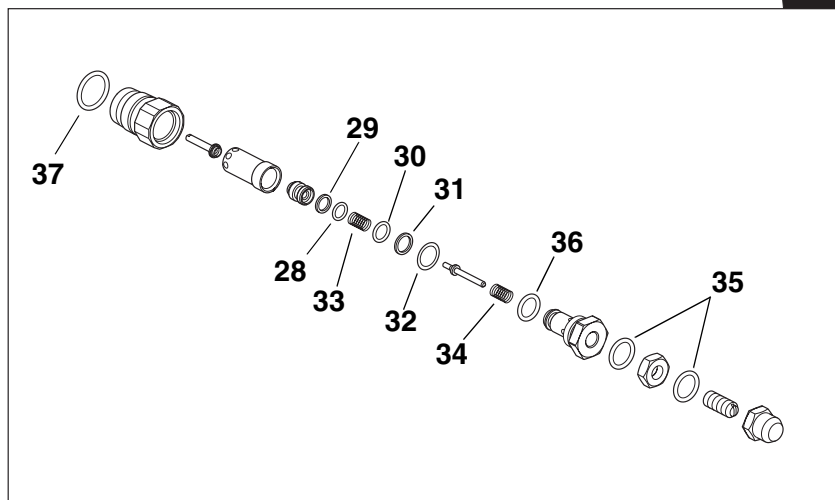
Item No.	Part Number	Qty.	Description
1	8902167	1	Main Control Valve Assembly (Includes Items 2 thru 42)
2	8035347	1	Nut, Special - Upper
3	8035381	2	Nut, Special - Lower
4	8035380	1	Tie Rod, Upper
5	8035379	2	Tie Rod, Lower
6	8034539	1	Plug Assembly, Shut Off - Orifice
7	8035342	1	Outlet Section Assembly
8	8035341	1	Section Assembly - Boom Extend/Retract (Includes Items 10 thru 25)
9	8035341	1	Section Assembly - Boom Raise/Lower (Includes Items 10 thru 26)
10	8035377	2	Capscrew, Socket Hd.
11	8035368	2	Retainer
12	8035370	1	Cap, Spool
13	8035362	1	Screw, Shoulder Socket Hd.
14	8035361	2	Washer, Flat
15	8035355	1	Spring
16	8035360	1	Spacer
17	See Kits	1	O-Ring
18	8035378	1	Retainer, Spool Cap
19	See Kits	2	O-Ring
20	8034697	1	O-Ring (See Kits)
21	8035364	1	Shuttle
22	8035369	1	Cap, Spool
23	8035350	2	Capscrew, Socket Hd.
24	8035367	1	Poppet
25	8035358	1	Spring
26	8035363	1	Anti - Void Assembly
27	8035354	2	Relief Valve Assembly - Preset at 3750 ±50 psi (258 ±3,5 bar) (Includes Items 29 thru 36)
28	8034538	1	Relief Valve Assembly - Preset at 3200 ±50 psi (220 bar ±3,5 bar) (Includes Items 29 thru 36)
29	See Kits	2	O-Ring
30	See Kits	2	O-Ring
31	See Kits	1	O-Ring
32	See Kits	2	Ring, Back Up
33	See Kits	1	Spring
34	See Kits	1	Spring
35	See Kits	1	Ring, Back Up
36	See Kits	1	Spring
37	8035340	1	Mid Inlet Section Assembly (Includes Items 38 thru 40)
38	See Kits	1	O-Ring
39	8034697	1	O-Ring
40	8035364	1	Shuttle
41	8035382	1	Plug Assembly - SAE
42	See Kits	1	O-Ring
			KITS
43	8035384	1	Seal Kit, Entire Valve (Includes Items 17, 19, 20 & 42 and Additional Items On "Main Control Valve Attachment Tilt & Frame Tilt Sections")
44	8034540	1	Seal & Spring Kit, Relief Valve (Includes Items 29 thru 36)

MAIN CONTROL VALVE

(Attachment Tilt & Frame Tilt Sections)



Boom Raise/Lower & Extend/Retract
Sections for Reference Only



PS0780

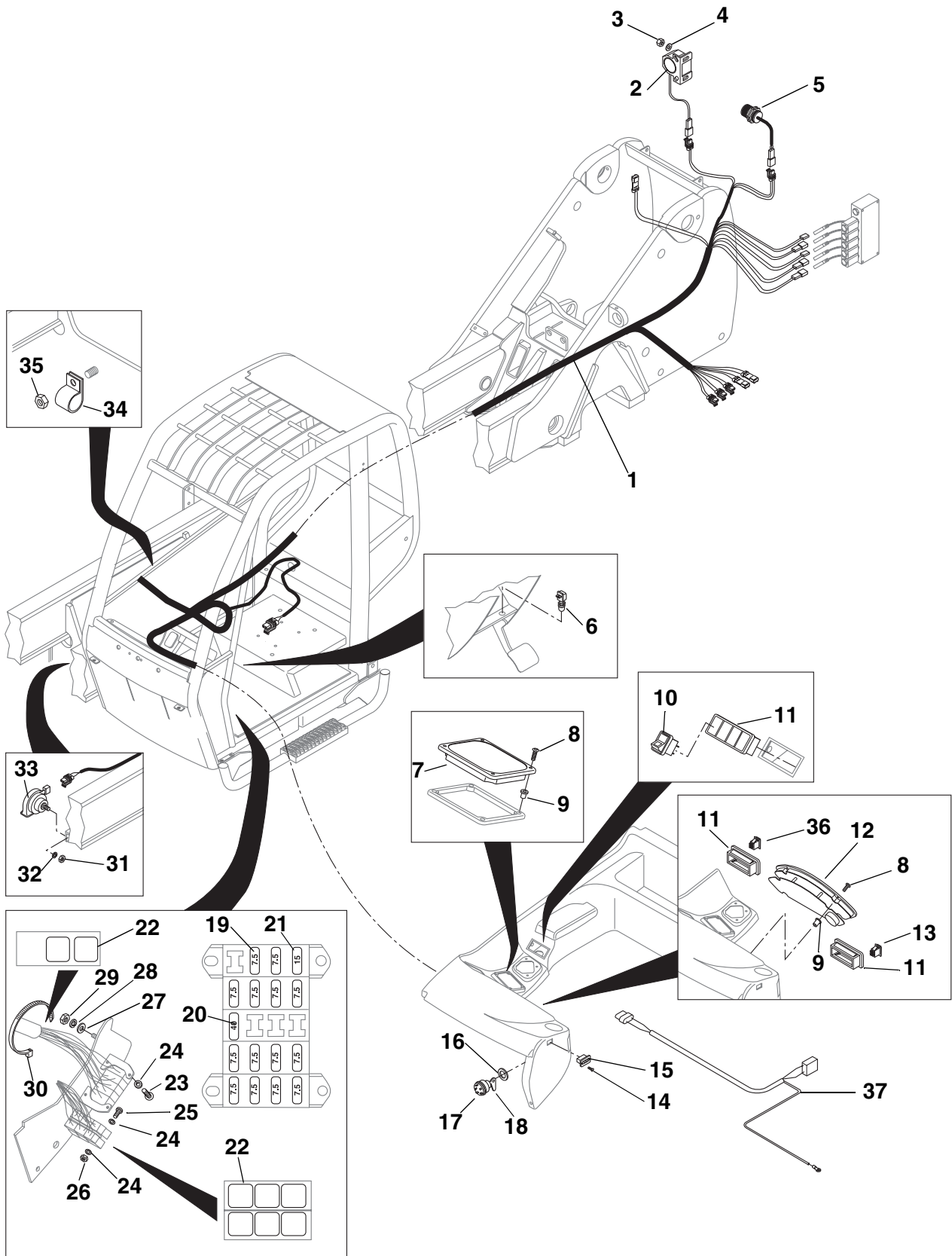
MAIN CONTROL VALVE

(Attachment Tilt & Frame Tilt Sections)

Item No.	Part Number	Qty.	Description
1	8902167	1	Main Control Valve Assembly (Includes Items 2 thru 37)
2	8035346	1	Nut, Special - Upper
3	8035348	2	Nut, Special - Lower
4	8035353	1	Tie Rod, Upper
5	8035352	2	Tie Rod, Lower
6	8035345	1	Outlet Section Assembly
7	8035349	1	Plug, SAE
8	See Kits	1	O-Ring
9	8035344	1	Section Assembly - Attachment Tilt (Includes Items 11 thru 26)
10	8035343	1	Section Assembly - Frame Tilt (Includes Items 11 thru 26)
11	See Kits	1	O-Ring
12	8035364	1	Shuttle
13	8035365	1	Spring
14	8035366	1	Piston, Compensator C.V.
15	8035359	2	Capscrew, Socket Hd.
16	8035373	2	Plate, Seal
17	8035375	1	End, Spool
18	8035371	1	Cap, Spool
19	8035376	2	Seat, Spring
20	8035356	1	Spring
21	See Kits	1	O-Ring
22	See Kits	1	O-Ring
23	8035374	1	Retainer, Spool Cap
24	See Kits	2	O-Ring
25	8035372	1	Cap, Spool
26	8035357	2	Capscrew, Socket Hd.
27	8035351	2	Relief Valve Assembly - Preset at 3700 ±50 psi (255 ±3,5 bar) (Includes Items 28 thru 37)
28	See Kits	1	O-Ring
29	See Kits	1	Ring, Back Up
30	See Kits	1	O-Ring
31	See Kits	1	Ring, Back Up
32	See Kits	1	Spring, Wave
33	See Kits	1	Spring
34	See Kits	1	Spring
35	See Kits	2	O-Ring
36	See Kits	1	O-Ring
37	See Kits	1	O-Ring
			KITS
38	8035383	1	Seal & Spring Kit, Relief Valve (Includes Items 28 thru 37)
39	8035384	1	Seal Kit, Entire Valve (Includes Items 8, 11, 21, 22 & 24 and Additional Items On "Main Control Valve Boom Raise/Lower & Extend/Retract Sections")

ELECTRICAL SYSTEM - CAB HARNESS

(S/N 8249 and Before)



PS0790A

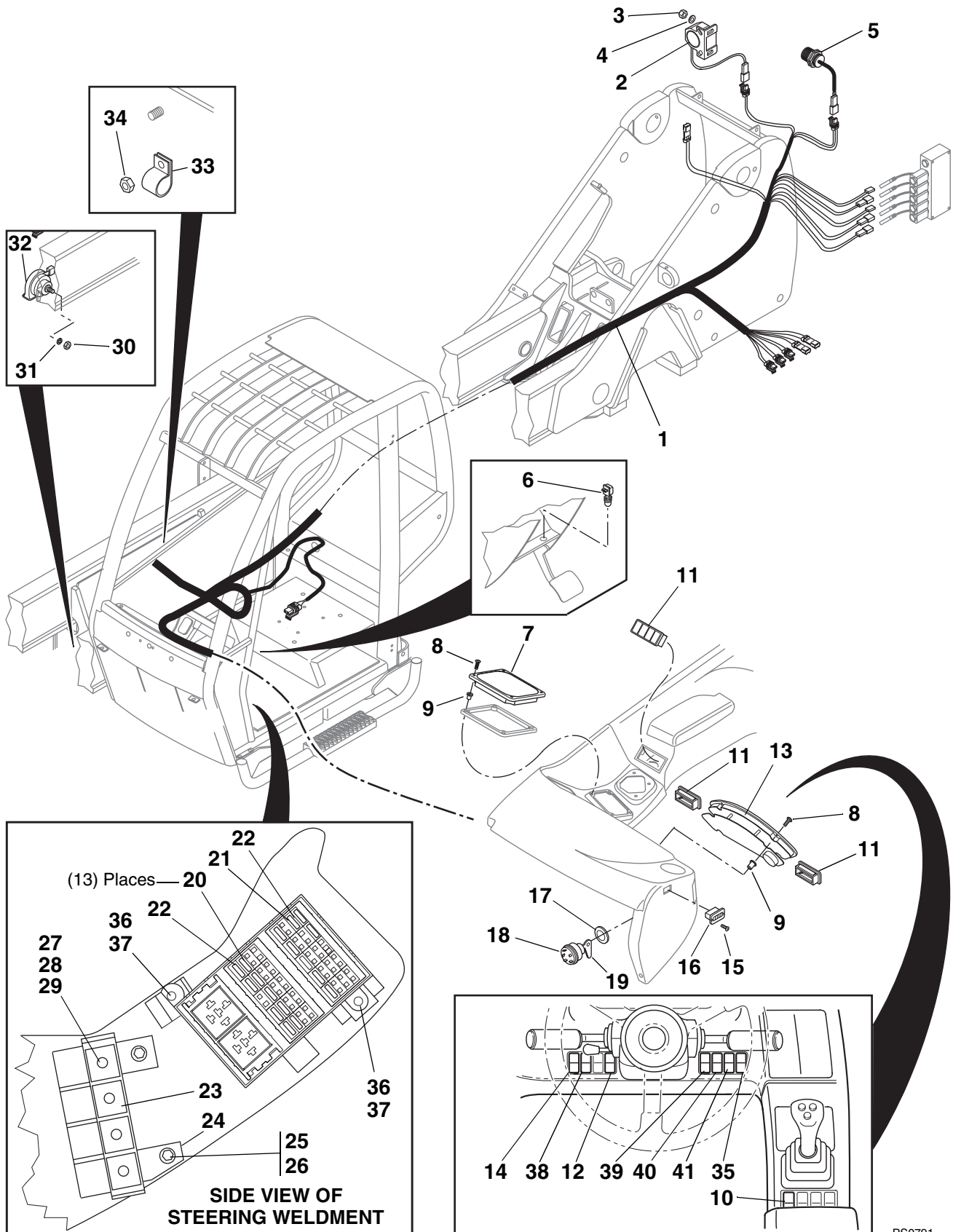
ELECTRICAL SYSTEM - CAB HARNESS

(S/N 8249 and Before)

Item No.	Part Number	Qty.	Description
1	7133774	1	Harness, Cab
2	8270621	1	Alarm, Back-up
3	8305624	2	Nut, Hex Lock Elastic 1/4-20
4	8307109	2	Washer, Flat 1/4"
5	7130682	1	Sensor, Boom
6	8223025	1	Switch, Service Brake
7	8220346	1	Panel, Logic
8	8310358	8	BHCS, #10-32 x 3/4"
9	8580421	8	Nut, Well #10-32
10	8223037	1	Switch, Steer Select
11	8223046	3	Bezel, Switch
12	8220345	1	Panel, Display
13	8223036	1	Switch, Park Brake
14	8310366	2	Screw, Wood, Round Hd. #6 x 1/2"
15	8467017	1	Hourmeter
16	8310300	1	Washer, Machine Bushing .63 ID
17	8223436	1	Switch, Ignition (Includes Item 18)
18	8223438	1	Key, Ignition - Set of 2
19	8229233	14	Fuse, 7.5 Amp
20	8229238	1	Fuse, 40 Amp
21	8229237	1	Fuse, 15 Amp (Optional Cold Start Only)
22	8225117	8	Relay, Sealed 12V - 40A
23	8303837	4	Screw, Slotted Pan Hd. #10-24 x 3/4"
24	8307111	8	Washer, Flat #10 Narrow
25	8303836	2	Screw, Slotted Pan Hd. #10-24 x 5/8"
26	8310085	2	Nut, Hex Lock Elastic #10-24
27	8307202	1	Washer, Flat 1/4"
28	8307002	1	Washer, Lock 1/4"
29	8305004	1	Nut, Hex 1/4-20
30	8584003	1	Tie, Plastic
31	8305439	1	Nut, Hex Jam M6-1 Cl4
32	8307024	1	Washer, Lock M6
33	8270620	1	Horn, Signal
34	8406302	1	Clip, Tube
35	8305644	1	Nut, Hex Lock 1/2-13
36	8223048	1	Switch, Attachment Tilt Mode
37	7133783	1	Harness, Attachment Tilt Direction

ELECTRICAL SYSTEM - CAB HARNESS

(S/N 8250 and After)



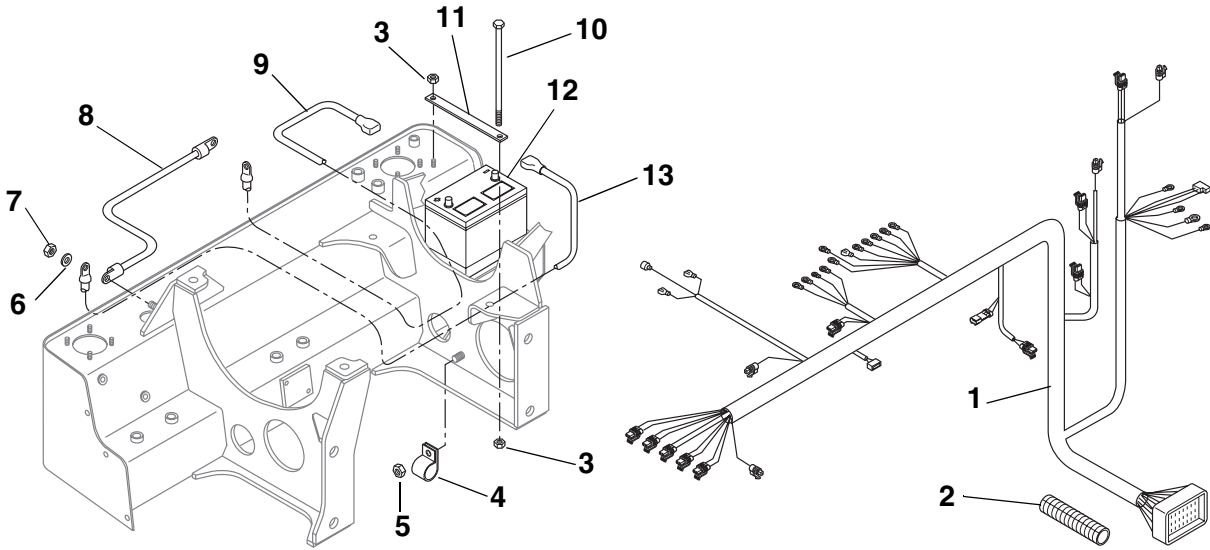
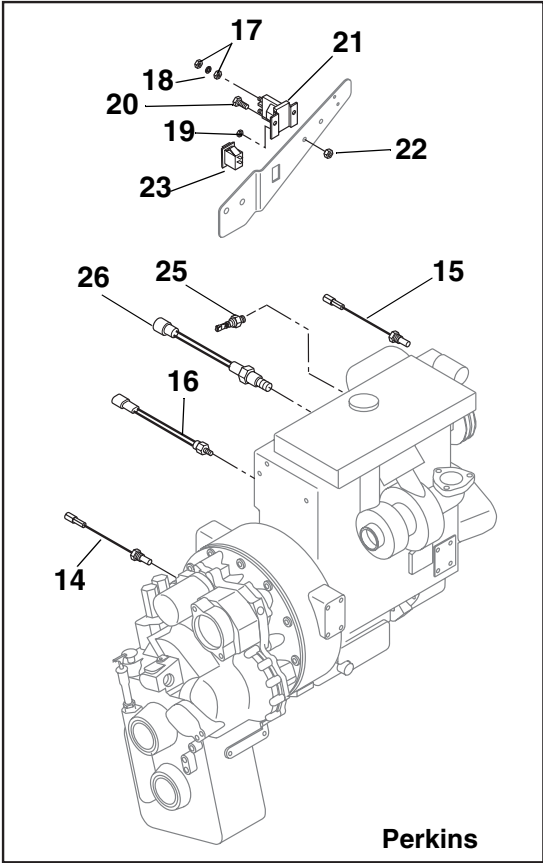
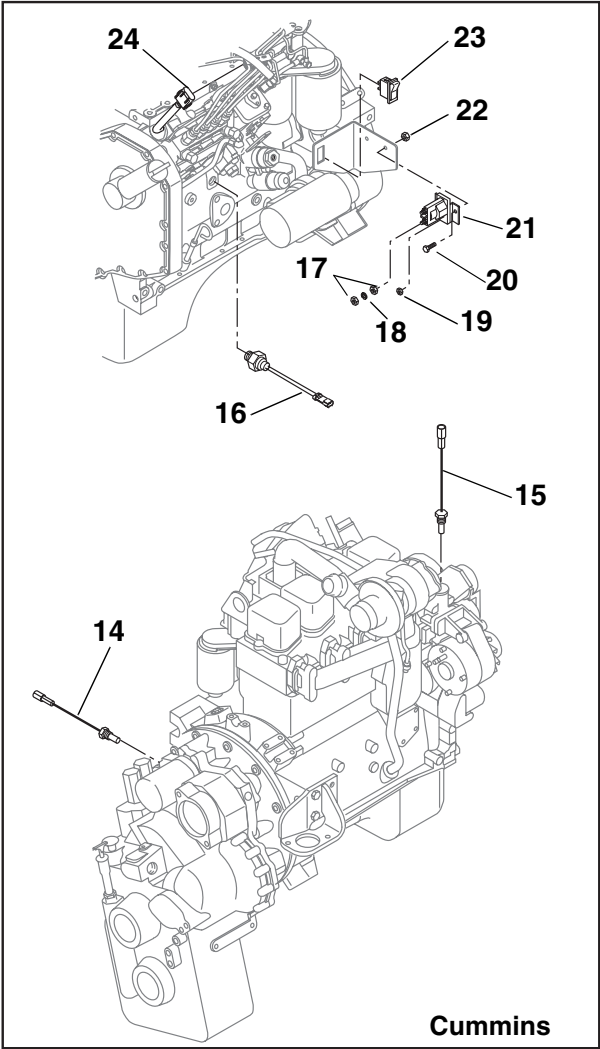
PS0791

ELECTRICAL SYSTEM - CAB HARNESS

(S/N 8250 and After)

Item No.	Part Number	Qty.	Description
1	7133774	1	Harness, Cab
2	8270621	1	Alarm, Back-up
3	8305624	2	Nut, Hex Lock Elastic 1/4-20
4	8307109	2	Washer, Flat 1/4"
5	7130682	1	Sensor, Boom
6	8223025	1	Switch, Service Brake
7	8220346	1	Panel, Logic
8	8310358	8	BHCS, #10-32 x 3/4"
9	8580421	8	Nut, Well #10-32
10	8223037	1	Switch, Steer Select
11	8223046	3	Bezel, Switch
12	8223039	1	Switch, Auxiliary Detent (Optional)
13	8220345	1	Panel, Display
14	8223036	1	Switch, Park Brake
15	8310366	2	Screw, Wood, Round Hd. #6 x 1/2"
16	8467017	1	Hourmeter
17	8310300	1	Washer, Machine Bushing .63 ID
18	8223436	1	Switch, Ignition (Includes Item 18)
19	8223438	1	Key, Ignition - Set of 2
20	8229243	13	Mini-Fuse, 7.5 Amp
21	8229245	1	Mini-Fuse, 30 Amp
22	8229244	2	Mini-Fuse, 15 Amp (Optional Cold Start Only)
23	8225117	8	Relay, Sealed 12V - 40A
24	7133862	1	Bracket, Relay (Cab S/N 301 and After)
25	8310026	4	HHCS, 1/4-20 x 3/4"
26	8305004	4	Nut, Hex 1/4"
27	8303836	4	Screw, Slotted Pan Hd #10-24 x 5/8"
28	8307003	4	Washer, Lock #10
29	8305002	4	Nut, Hex #10-24
30	8305439	1	Nut, Hex Jam M6-1 Cl4
31	8307024	1	Washer, Lock M6
32	8270620	1	Horn, Signal
33	8406302	1	Clip, Tube
34	8305644	1	Nut, Hex Lock 1/2-13
35	8223048	1	Switch, Attachment Tilt Mode
36	7134671	2	Tab, Dual Locking
37	8582426	2	Stud, Dual Locking
38	8501046	1	Switch, Headlight/Worklight (Optional)
39	8223044	1	Switch, Front Washer (Optional)
40	8223043	1	Switch, Front Wiper (Optional)
41	8223040	1	Switch, Skylight Wiper/Washer (Optional)

ELECTRICAL SYSTEM - ENGINE HARNESS

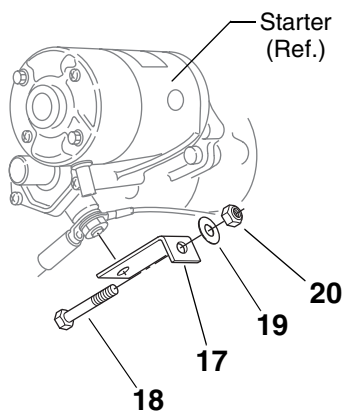
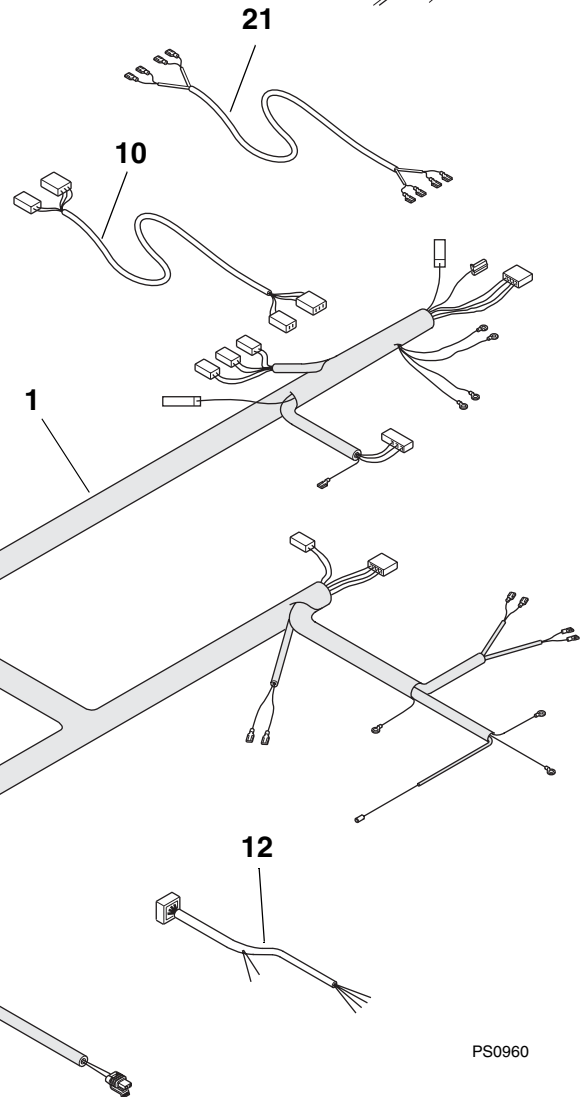
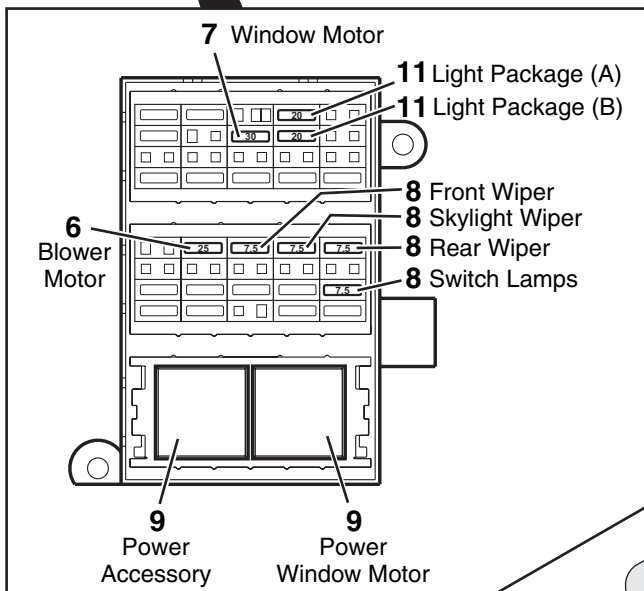
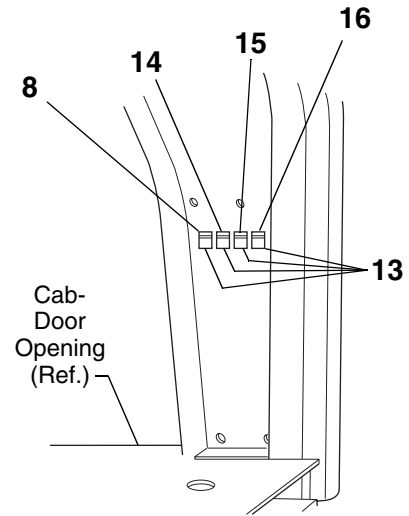
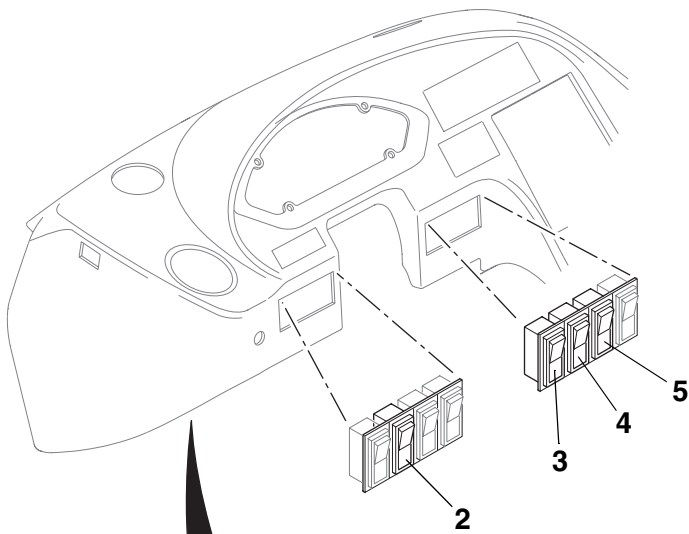


PS0801

ELECTRICAL SYSTEM - ENGINE HARNESS

Item No.	Part Number	Qty.	Description
1	7130444	1	Harness, Engine
2	7132042	1	Conduit, 3/4" x 10" Long
3	8305645	2	Nut, Hex Lock Elastic 3/8-16
4	8406302	1	Clip, Tube
5	8305644	1	Nut, Hex Lock Elastic 1/2-13
6	8307204	1	Washer, Flat 3/8"
7	8305603	1	Nut, Hex Lock 3/8-16
8	8270135	1	Cable, Battery Ground
9	8270136	1	Cable, Battery - Positive w/Protective Cover
10	8310318	1	HHCS, 3/8-16 x 9-1/2"
11	7129501	1	Strip, Battery Hold Down
12	8270134	1	Battery, 12 Volt
13	8270137	1	Cable, Battery - Negative w/Protective Cover
14	8223228	1	Switch, Transmission Temperature - 250° F. (121° C.)
15	8223229	1	Switch, Engine Water Temperature
16	8223533	1	Switch, Engine Oil Pressure (Cummins Only)
	8223529	1	Switch, Engine Oil Pressure (Perkins Only)
17	8305004	4	Nut, Hex 1/4-20
18	8307002	2	Washer, Lock 1/4"
19	8305003	1	Nut, Hex #10-32
20	8310026	2	HHCS, 1/4-20 x 3/4"
21	7138510	1	Relay, Starter (S/N 10963 and Before)
	8277162	1	Relay, Starter (S/N 10964 and After)
22	8305624	2	Nut, Hex Lock Elastic 1/4-20
23	8223045	1	Switch, Lube Reset
24	8035276	1	Solenoid, Fuel Shut Off (Cummins Only)
25	8036479	1	Switch, Cold Start Temp.
26	8035719	1	Solenoid, Electric Shut-Off

ELECTRICAL SYSTEM - CLOSED CAB

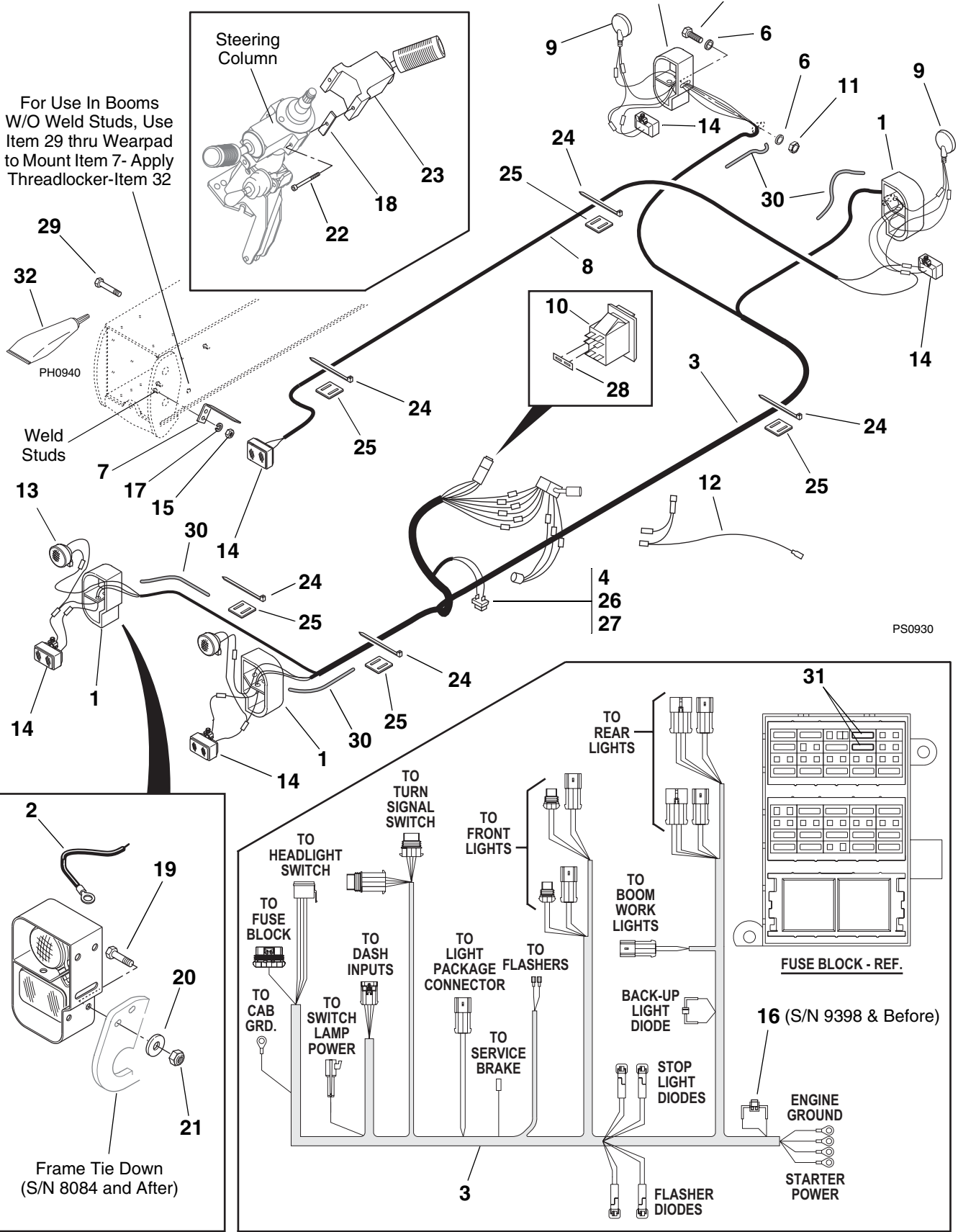


PS0960

ELECTRICAL SYSTEM - CLOSED CAB

Item No.	Part Number	Qty.	Description
1	7135694	1	Harness, Closed Cab
2	8501046	1	Switch, Headlight/Worklight
3	8223044	1	Switch, Front Washer
4	8223043	1	Switch, Front Wiper
5	8223040	1	Switch, Skylight Wiper/Washer
6	8229247	1	Mini-Fuse, 25 Amp
7	8229245	1	Mini-Fuse, 30 Amp
8	8229243	5	Mini-Fuse, 7.5 Amp
9	8225117	2	Relay, 40 Amp
10	7133732	1	Harness, Pigtail Heater Valve
11	8229246	2	Mini-Fuse, 20 Amp
12	8035456	1	Harness, LH Door
13	8582008	4	Clip, Spare Fuse
14	8229244	1	Mini-Fuse 15 Amp
15	8229247	1	Mini-Fuse 25 Amp
16	8229245	1	Mini-Fuse 30 Amp
17	6621412	1	Terminal, Starter 90°
18	8303620	1	HHCS, 3/8-16 x 1"
19	8307110	1	Washer, Plain 3/8 SAE Light
20	8305645	1	Nut, Hex Lock Elas 3/8-16
21	7138250	1	Jumper Wire, Washer Bottle

LIGHTING SYSTEM (Optional)



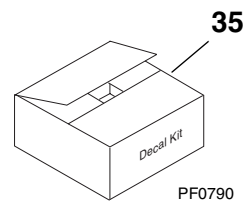
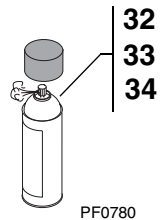
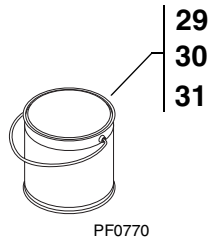
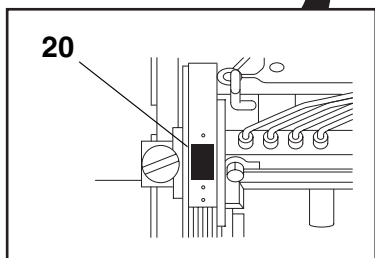
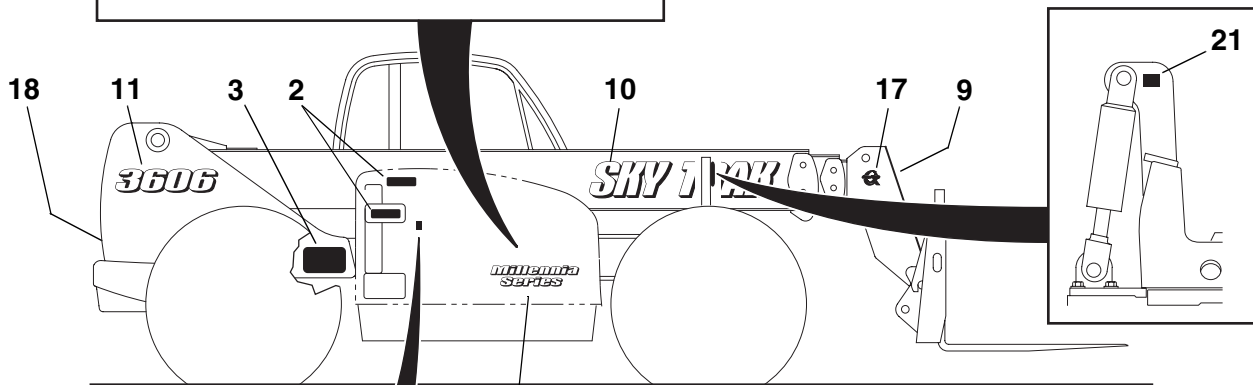
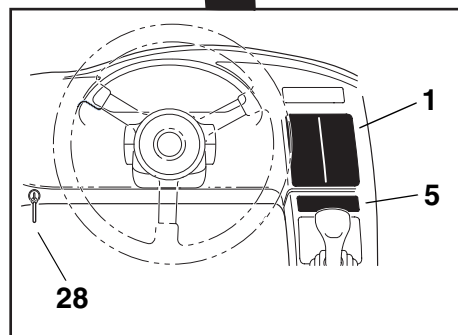
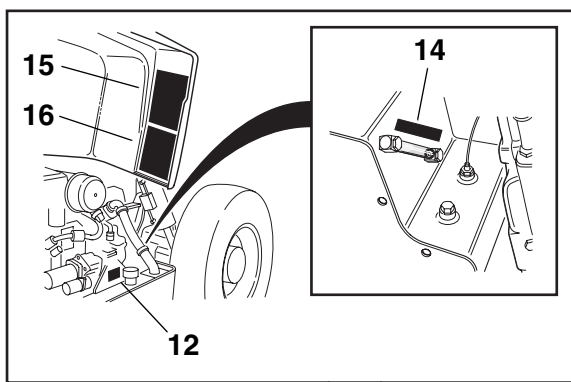
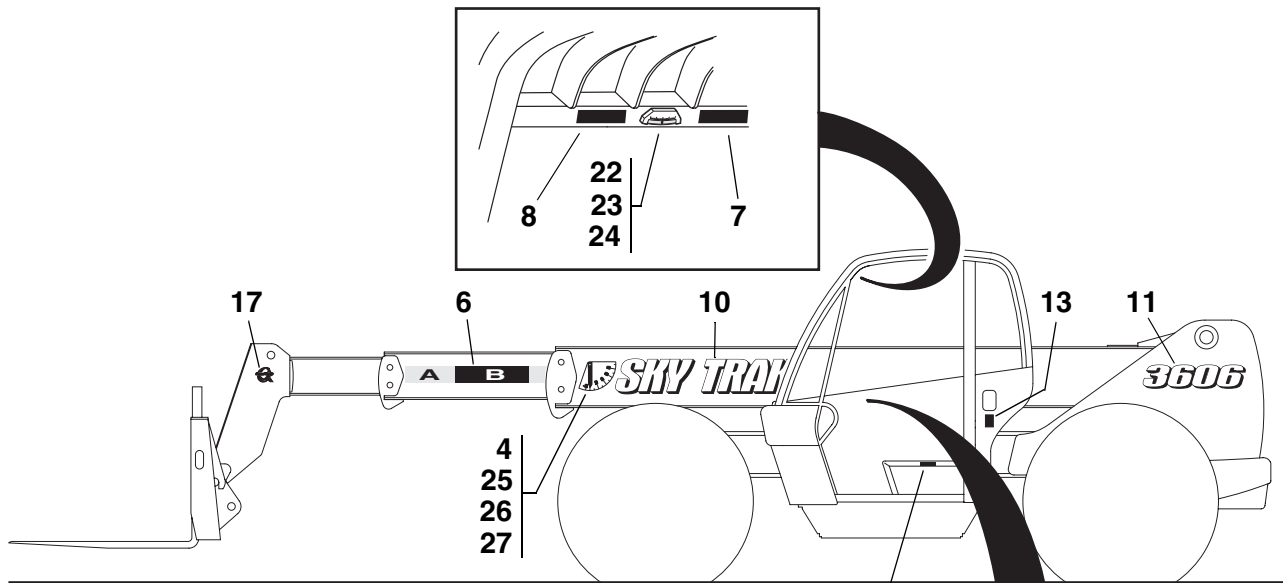
PS0930

LIGHTING SYSTEM (Optional)

Item No.	Part Number	Qty.	Description
1	7129722	4	Bracket, Light Mounting - Black
2	7137411	4	Ground Wire
3	7137374	1	Harness, Standard Light Package
4	7138369	1	Flasher, 12V
5	8303735	4	HHCS, 1/2-13 x 1"
6	8307112	4	Washer, 1/2 SAE Light
7	7133242	1	Bracket, Boom Light
8	7133312	1	Cord, Boom Work Light
9	8500009	2	Lamp, Red Stop/Signal - Rear
10	8501046	1	Switch, Work Light
11	8305604	4	Nut, Lock 1/2-13
12	7138367	1	Harness, Jumper
13	8500036	2	Lamp, Amber Signal - Front
14	8500060	5	Headlight
15	8305645	2	Nut, Hex Lock 3/8-16
16	8229245	1	Mini-Fuse - 30 Amp (S/N 9398 & Before)
17	8307110	2	Washer, Plain 3/8" SAE Narrow
18	7131961	2	Spacer, Shifter
19	8303632	2	HHCS, 5/8-11 x 2-1/2"
20	8307207	12	Washer, 5/8 Heavy
21	8305643	2	Nut, Hex Lock 5/8-11
22	8310387	2	SCHCS, #10-32 x 2-1/4" NF
23	8501045	1	Shifter, Turn Signal
24	8584001	24	Tie, Plastic
25	8584018	14	Mount, Tie
26	7134671	2	Tab, Dual Locking
27	8582426	2	Stud, Dual Locking
28	7138493	1	Jumper Clip (Attached to Worklight Switch - Item 10)
29	8303620	1	HHCS, 3/8-16 x 1" Gr. 5
30	7138368	4	Conduit, 1/4" Dia. x 22" Lg.
31	8229246	2	Mini-Fuse - 20 Amp
32	8526036	AR	Threadlocker 242 General Purpose (.02 fl.oz.)

DECALS AND PAINT

(Early Production)



PS0620

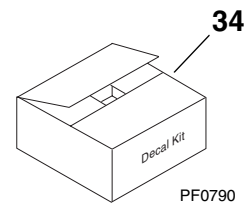
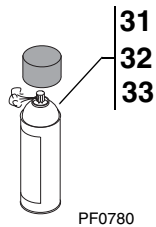
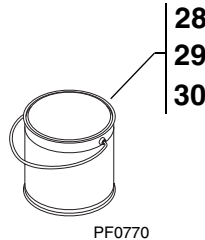
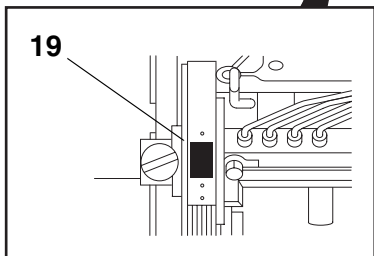
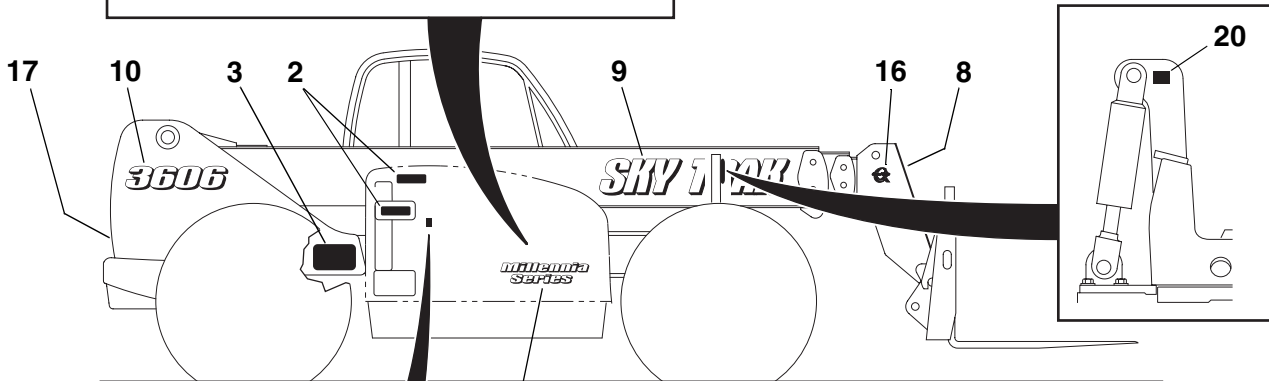
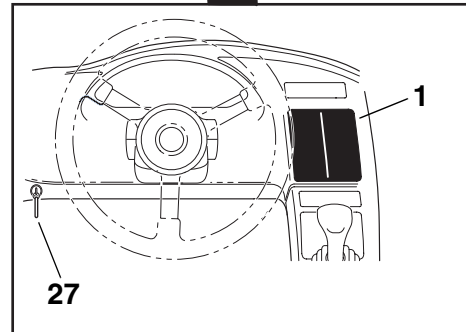
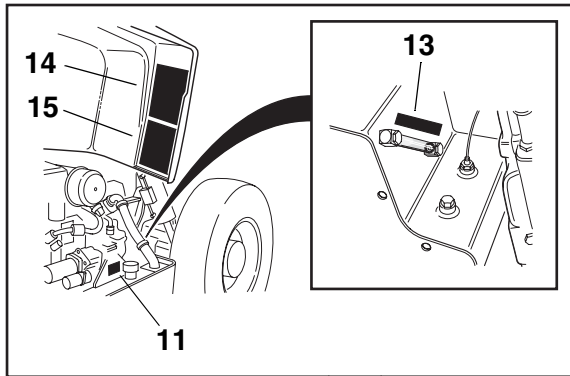
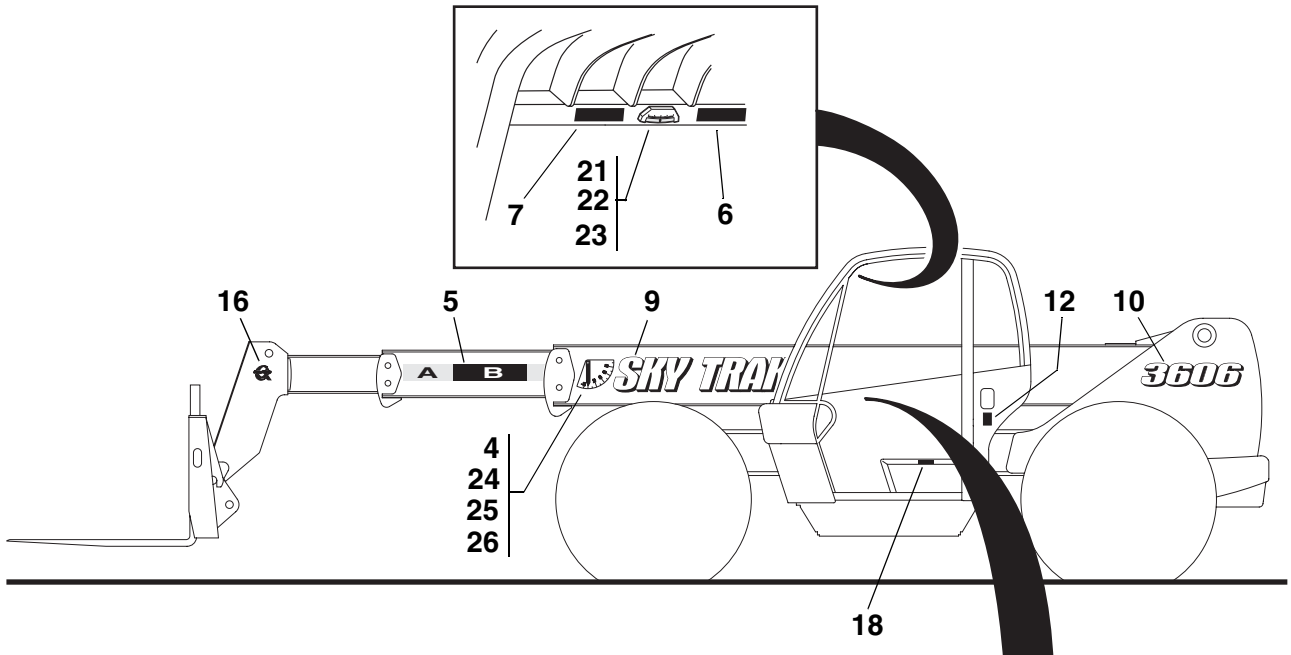
DECALS AND PAINT

(Early Production)

Item No.	Part Number	Qty.	Description
1	7134483	1	Booklet, Load Chart
2	4108981	2	Decal, Fan Warning
3	4109021	1	Decal, Battery Hazard
4	4105262	1	Decal, Boom Angle Indicator
5	4109371	1	Decal, Safety Instructions
6	4108841	1	Decal, Boom Extend Stripes
7	4109151	1	Decal, Maintain Proper Tire Pressure
8	4108991	1	Decal, Electrocution Hazard
9	4109041	1	Decal, Carrying Personnel
10	4108851	2	Decal, SKY TRAK
11	4108861	2	Decal, 3606
12	4100181	1	Decal, Hydraulic Oil Fill
13	4105171	1	Decal, Diesel Fuel Fill
14	4108302	1	Decal, Hydraulic Oil Level
15	4108802	1	Decal, Lubrication Chart
16	4108812	1	Decal, Maintenance Chart (Vehicles with Cummins Engine)
	4108962	1	Decal, Maintenance Chart (Vehicles with Perkins Engine)
17	4108951	2	Decal, OmniQuip - 5" Dark Grey
18	4109051	2	Decal, Millennia Series
19	4109091	1	Decal, Operator's Manual Location
20	4107901	1	Decal, Low Engine Idle
21	4108181	1	Decal, Made in USA
22	8466310	1	Indicator, Frame Level
23	8310347	2	SHCS, #4-40 x 7/8"
24	8310348	2	Nut, Flat #4-40
25	7075611	1	Pointer, Boom Angle Indicator
26	8305647	1	Nut, Hex Lock 7/16-14
27	8307113	5	Washer, Plain 7/16 Narrow
28	4108201	1	Ring, Key
29	8528074	1gal	Paint, Orange, Acrylic Enamel (Service Repaint)
30	8528080	1gal	Paint, Black, Acrylic Enamel (Service Repaint)
31	8528105	1gal	Paint, Dark Grey, Acrylic Enamel (Service Repaint)
32	8528071	1can	Paint, Orange, Acrylic Enamel (16oz spray touch-up)
33	8528101	1can	Paint, Black, Acrylic Enamel (16oz spray touch-up)
34	8528106	1can	Paint, Dark Grey, Acrylic Enamel (16oz spray touch-up)
35	7133592	1	KITS Kit, Decal Set - Domestic (Includes Items 2 thru 21)

DECALS AND PAINT

(Current Production)

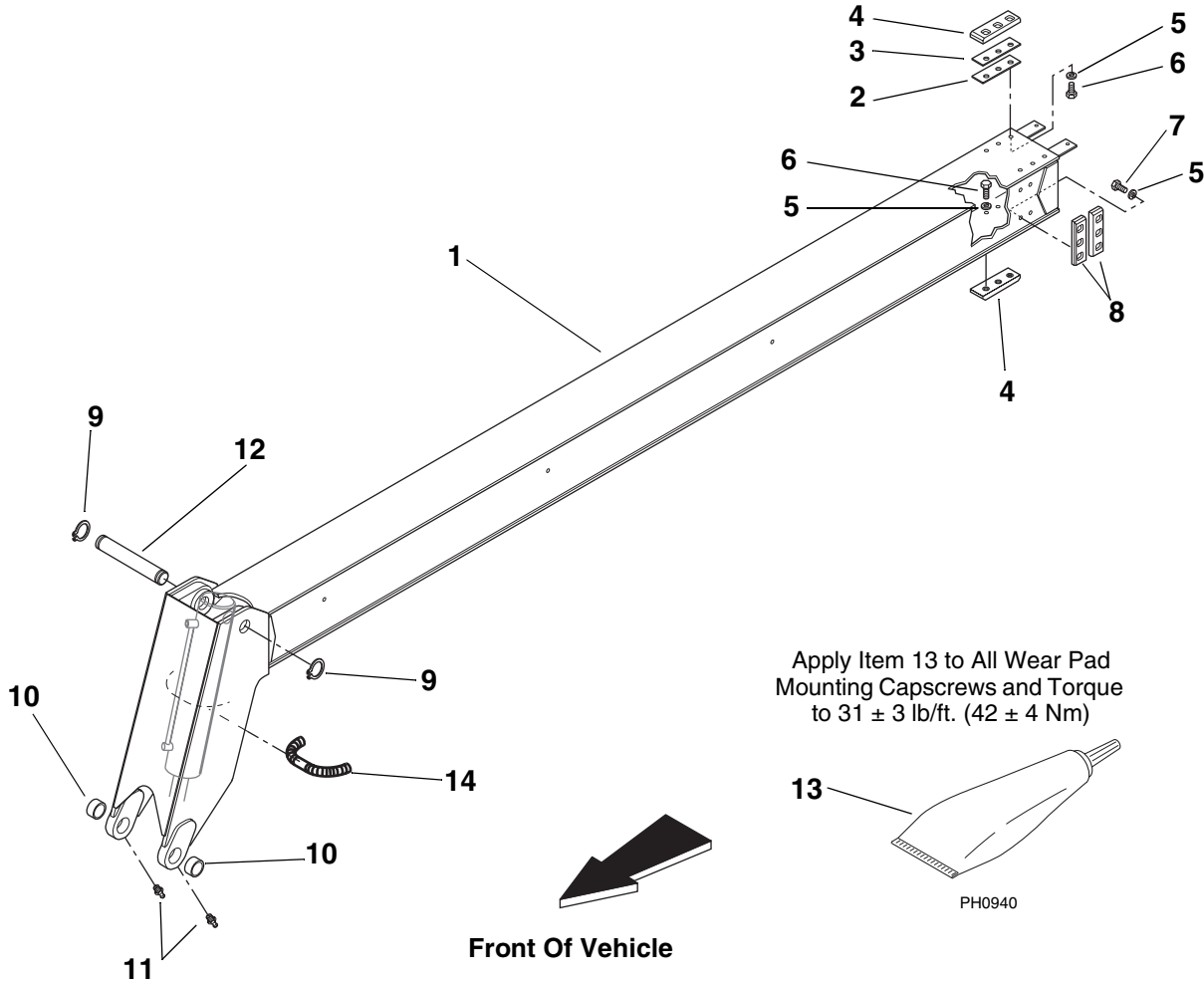


DECALS AND PAINT

(Current Production)

Item No.	Part Number	Qty.	Description
1	7134483	1	Booklet, Load Chart
2	4108981	2	Decal, Fan Warning
3	4109021	1	Decal, Battery Hazard
4	4105262	1	Decal, Boom Angle Indicator
5	4108841	1	Decal, Boom Extend Stripes
6	4109011	1	Decal, Tipover Hazard
7	4108991	1	Decal, Electrocutation Hazard
8	4109041	1	Decal, Carrying Personnel
9	4108851	2	Decal, SKY TRAK
10	4108861	2	Decal, 3606
11	4100181	1	Decal, Hydraulic Oil Fill
12	4105171	1	Decal, Diesel Fuel Fill
13	4108302	1	Decal, Hydraulic Oil Level
14	4108802	1	Decal, Lubrication Chart
15	4108812	1	Decal, Maintenance Chart (Vehicles with Cummins Engine)
	4108962	1	Decal, Maintenance Chart (Vehicles with Perkins Engine)
16	4108951	2	Decal, OmniQuip - 5" Dark Grey
17	4109051	2	Decal, Millennia Series
18	4109091	1	Decal, Operator's Manual Location
19	4107901	1	Decal, Low Engine Idle
20	4108181	1	Decal, Made in USA
21	8466310	1	Indicator, Frame Level
22	8310347	2	SHCS, #4-40 x 7/8"
23	8310348	2	Nut, Flat #4-40
24	7075611	1	Pointer, Boom Angle Indicator
25	8305647	1	Nut, Hex Lock 7/16-14
26	8307113	5	Washer, Plain 7/16 Narrow
27	4108201	1	Ring, Key
28	8528074	1gal	Paint, Orange, Acrylic Enamel (Service Repaint)
29	8528080	1gal	Paint, Black, Acrylic Enamel (Service Repaint)
30	8528105	1gal	Paint, Dark Grey, Acrylic Enamel (Service Repaint)
31	8528071	1can	Paint, Orange, Acrylic Enamel (16oz spray touch-up)
32	8528101	1can	Paint, Black, Acrylic Enamel (16oz spray touch-up)
33	8528106	1can	Paint, Dark Grey, Acrylic Enamel (16oz spray touch-up)
			<u>KITS</u>
34	7133792	1	Kit, Decal Set - Domestic (Includes Items 2 thru 20)

INNER BOOM

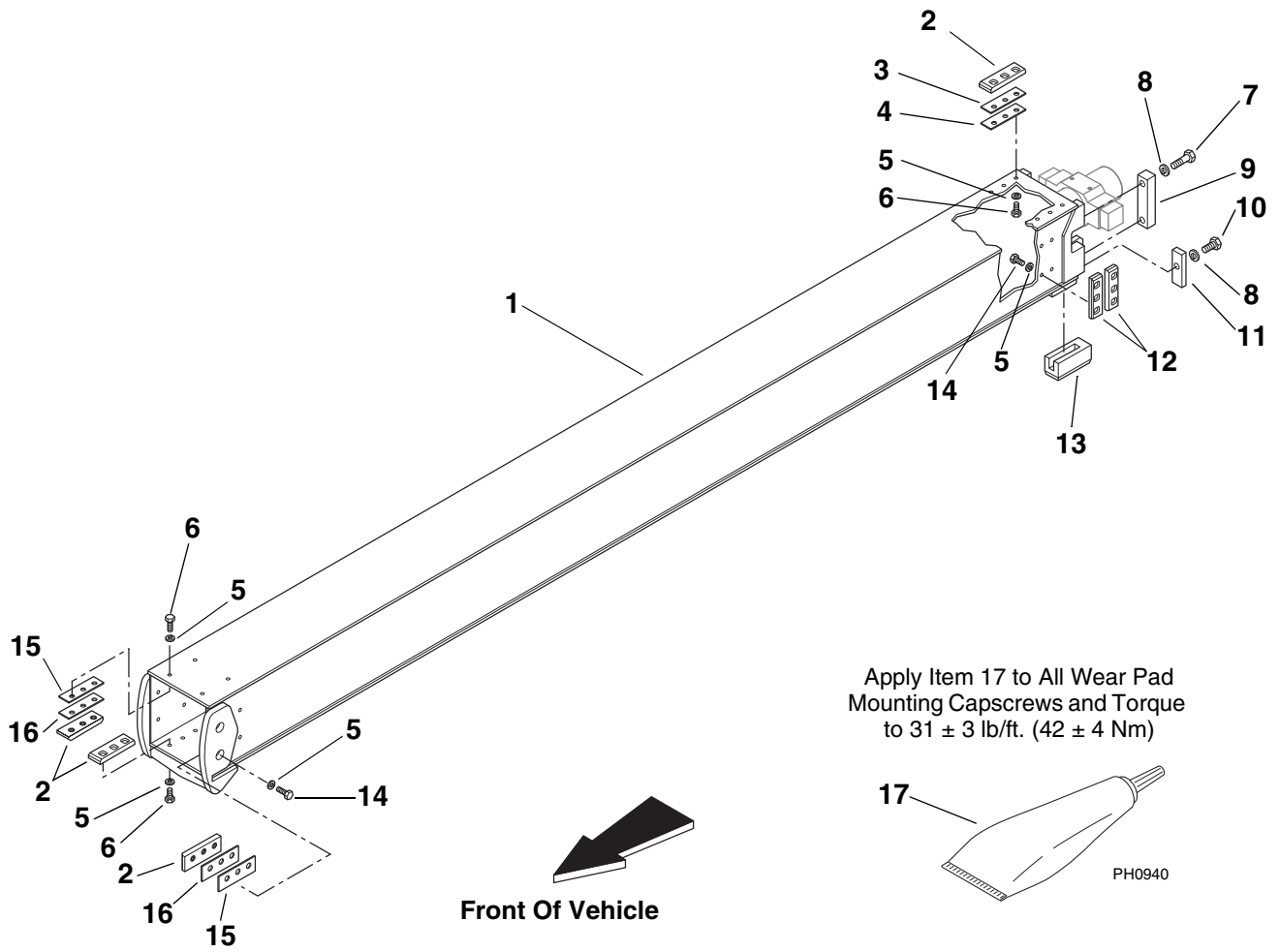


PS0631

INNER BOOM

Item No.	Part Number	Qty.	Description
1	7120204	1	Boom, Inner
2	7126172	2	Shim, Wear Pad .13 Thk.
3	7126182	2	Shim, Wear Pad .07 Thk.
4	7120082	4	Pad, Wear w/Inserts
5	8307005	20	Washer, Lock 3/8"
6	8303620	12	HHCS, 3/8-16 x 1" Gr.5
7	8303681	8	HHCS, 3/8-16 x 3/4" Gr.5
8	7120092	4	Pad, Wear w/Inserts
9	8642224	2	Ring, Retaining, External 2"
10	7095312	2	Bushing, Quick Attach Pivot
11	8520013	2	Fitting, Lube, Self Tapping 1/8 NPT
12	7095522	1	Pin, Attachment Tilt Cylinder Base
13	8526036	AR	Threadlocker 242 General Purpose (.02 fl. oz.)
14	7132631	1	Conduit, 3/4 Dia. x 13" Lg.

INTERMEDIATE BOOM



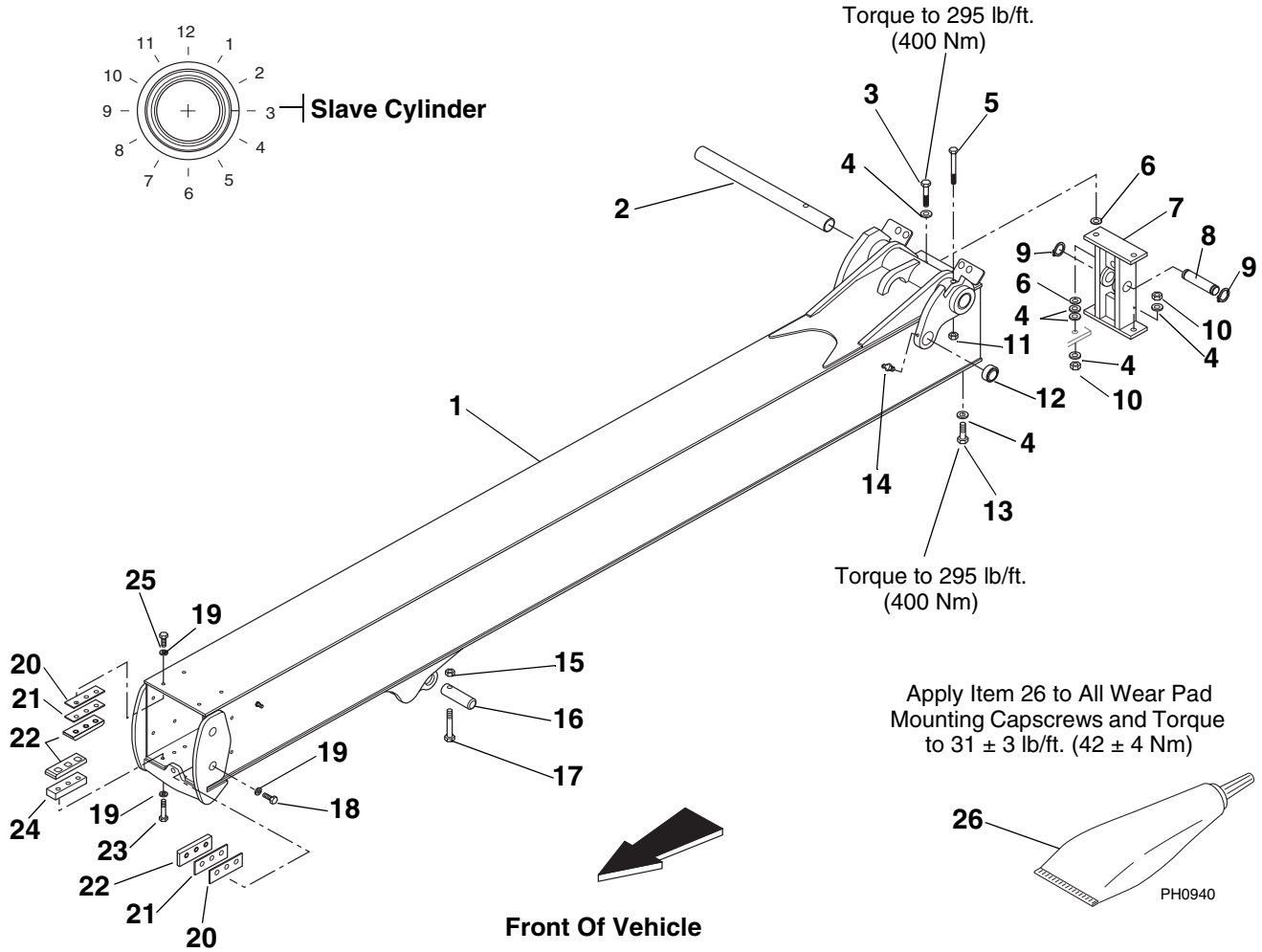
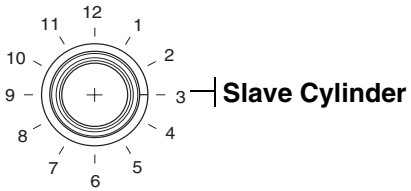
PS0640

INTERMEDIATE BOOM

Item No.	Part Number	Qty.	Description
1	7120923	1	Boom, Intermediate
2	7120082	10	Pad, Wear w/Inserts
3	7126182	2	Shim, Wear Pad .07 Thk.
4	7126172	2	Shim, Wear Pad .13 Thk.
5	8307005	32	Washer, Lock 3/8"
6	8303620	16	HHCS, 3/8-16 x 1" Gr.5
7	8303713	4	HHCS, 1/2-13 x 2-1/4" Gr.5
8	8307007	6	Washer, Lock 1/2"
9	7121461	2	Clamp, Trunnion, Extend Cylinder
10	8303625	2	HHCS, 1/2-13 x 1-1/4"
11	7121511	2	Retainer, Wear Pad
12	7120092	4	Pad, Wear w/Inserts
13	7120182	2	Pad, Wear
14	8303681	16	HHCS, 3/8-16 x 3/4" Gr.5
15	7121622	6	Shim, Wear Pad .13 Thk.
16	7121842	6	Shim, Wear Pad .07 Thk.
17	8526036	AR	Threadlocker 242 General Purpose (.02 fl. oz.)

OUTER BOOM

Orient Fracture In Bearing Race at Clock Position Shown

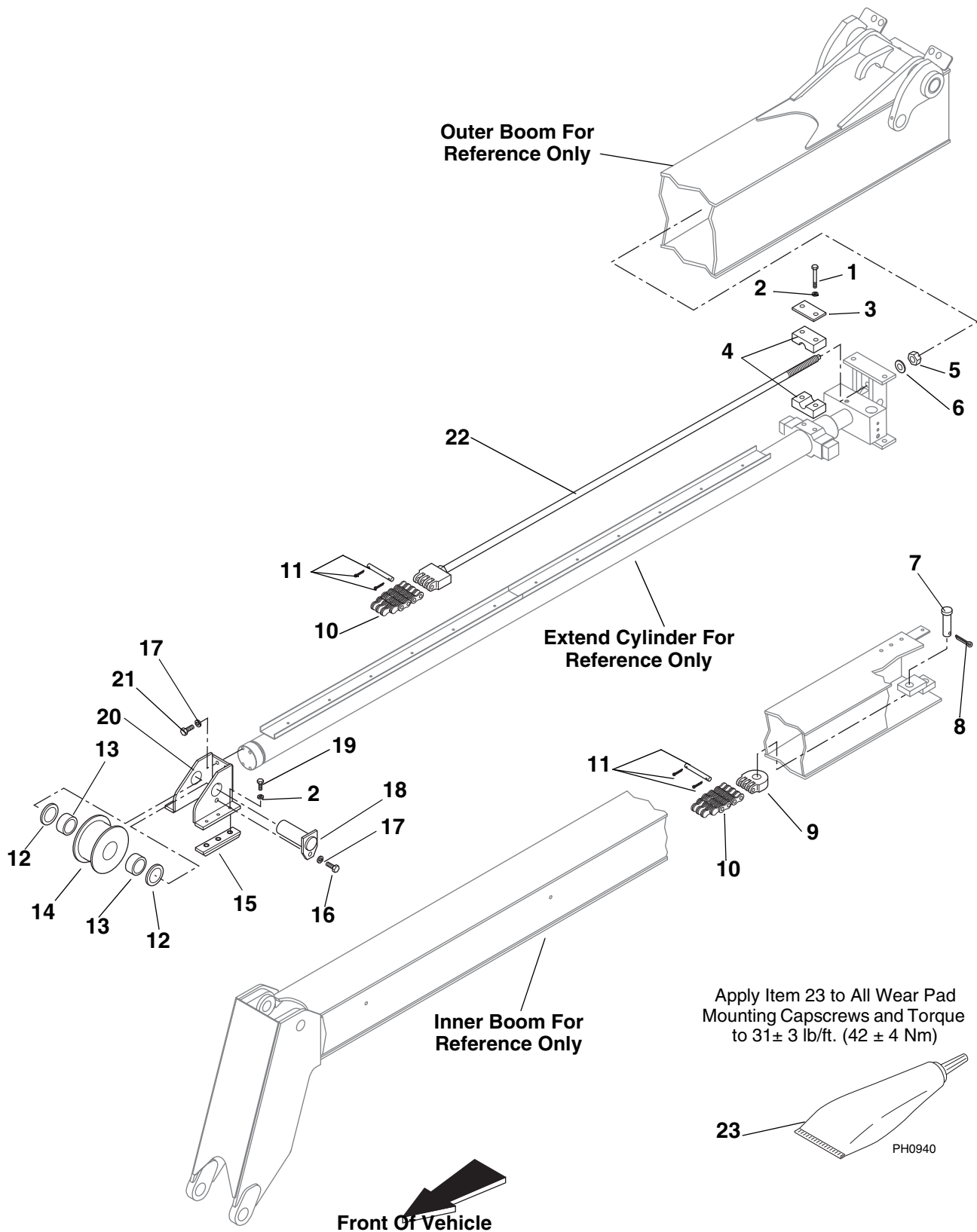


PS0651

OUTER BOOM

Item No.	Part Number	Qty.	Description
1	7121173	1	Boom, Outer
2	7120592	1	Pin, Boom Pivot
3	8303794	2	HHCS, 3/4-10 x 3-1/2" Gr.8
4	8307703	12	Washer, Hardened 3/4"
5	8310269	1	HHCS, 5/8-11 x 6-1/2" Gr.5
6	5713331	4	Washer, Shim 19mm ID x 32mm OD x 1,22mm
7	7121183	1	Bracket Assembly, Cylinder Mount
8	7120602	1	Pin, Extend Cylinder Rod
9	8642234	2	Ring, Retaining, External 1-3/4"
10	8310067	4	Nut, Hex Lock Elastic 3/4-10
11	8305643	1	Nut, Hex Lock Elastic 5/8-11
12	8050001	2	Bearing, Self Align
13	8303660	2	HHCS, 3/4-10 x 2-1/2" Gr.8
14	8520013	2	Fitting, Lube, Self Tapping 1/8 NPT
15	8305644	1	Nut, Hex Lock 1/2-13
16	7120662	1	Pin, 2" Dia.
17	8303782	1	HHCS, 1/2-13 x 4"
18	8303681	8	HHCS, 3/8-16 x 3/4" Gr.5
19	8307005	18	Washer, Lock 3/8"
20	7121622	6	Shim, Wear Pad .13 Thk.
21	7121842	6	Shim, Wear Pad .07 Thk.
22	7120082	8	Pad, Wear w/Inserts
23	8303622	6	HHCS, 3/8-16 x 2" Gr.5
24	7121632	2	Spacer, Wear Pad
25	8303620	4	HHCS, 3/8-16 x 1" Gr.5
26	8526036	AR	Threadlocker 242 General Purpose (.02 fl. oz.)

BOOM EXTEND CHAIN

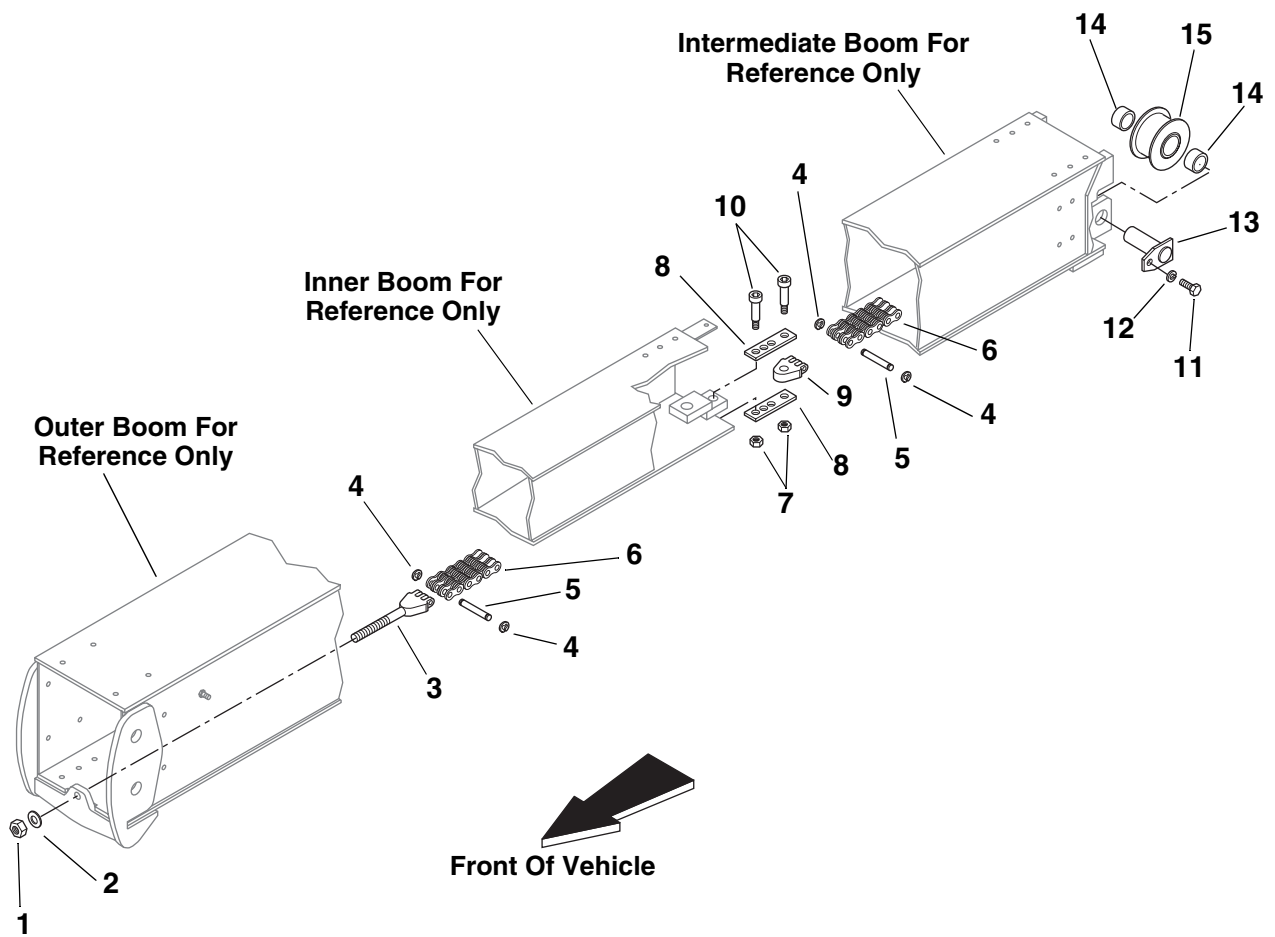


PS0661

BOOM EXTEND CHAIN

Item No.	Part Number	Qty.	Description
1	8303771	2	HHCS, 3/8-16 x 2-1/4" Gr.5
2	8307005	8	Washer, Lock 3/8"
3	7121851	1	Plate, Cover
4	7120471	2	Guide, Half, Extend Chain Adjustment Rod
5	8310355	1	Nut, Hex Lock Elastic 1-14 NC
6	8310061	1	Washer, Flat 1" Narrow
7	7131731	1	Pin, Clevis, Extend Chain Anchor
8	8302418	1	Pin, Cotter 3/16 x 1-1/2"
9	7120232	1	Clevis, Extend Chain Anchor
10	8127012	1	Chain, Extend, Leaf 8x8 Lacing
11	7121501	2	Pin, Extend Chain Clevis w/Cotter Pins
12	8310284	2	Washer, Thrust Pack
13	8065062	2	Bushing, Chain Sheave
14	7120512	1	Sheave, Extend Chain
15	7120092	2	Pad, Wear w/Inserts
16	8303735	1	HHCS, 1/2-13 x 3/4" Gr.5
17	8307007	5	Washer, Lock 1/2"
18	7120672	1	Pin, Extend Chain Sheave
19	8303620	6	HHCS, 3/8-16 x 1" Gr.5
20	7121243	1	Bracket, Extend Cylinder
21	8303625	4	HHCS, 1/2-13 x 1-1/4"
22	7120502	1	Rod, Clevis, Extend Chain
23	8526036	AR	Threadlocker 242 General Purpose (.02 fl. oz.)

BOOM RETRACT CHAIN

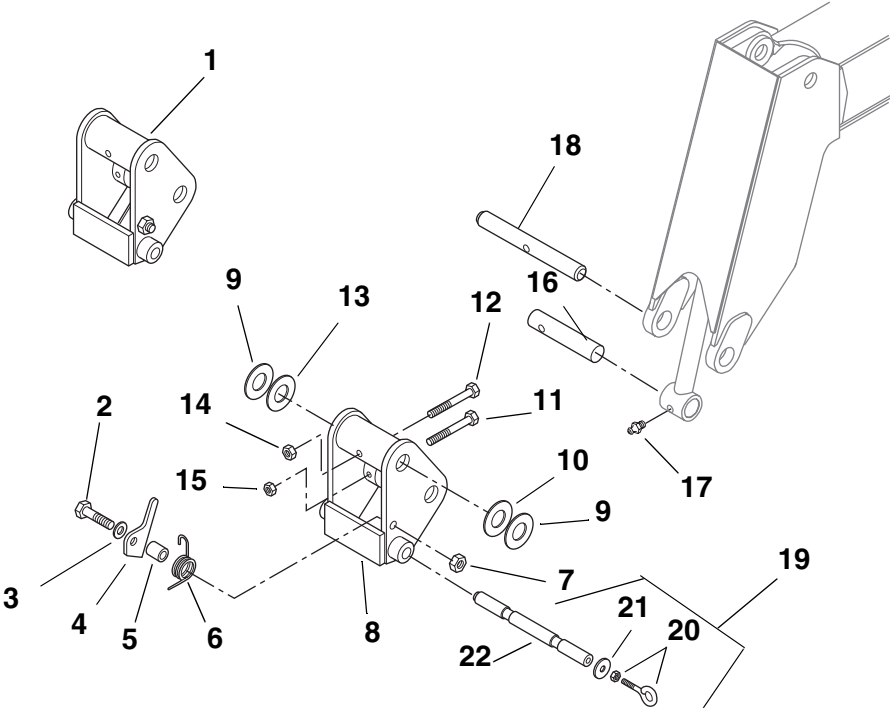


PS0680

BOOM RETRACT CHAIN

Item No.	Part Number	Qty.	Description
1	8305646	1	Nut, Hex Lock Elastic 3/4-16 NF
2	8307104	1	Washer, Flat 3/4" Narrow
3	7119362	1	Clevis, Retract Chain
4	8642237	4	E-Ring, Retaining
5	8124126	2	Pin, Retract Chain Clevis
6	8127013	1	Chain, Retract, Leaf 6x6 Lacing
7	8305645	2	Nut, Hex Lock Elastic 3/8-16
8	7121531	2	Link, Retract Chain Anchor
9	7119372	1	Clevis, Retract Chain
10	8310019	2	Bolt, Shoulder, Hex Socket Hd. 1/2 x 1-1/2 x 3/8-16
11	8303624	1	HHCS, 1/2-13 x 1" Gr.5
12	8307007	1	Washer, Lock 1/2"
13	7110642	1	Pin, Retract Chain Sheave
14	8065061	2	Bushing, Retract Chain Sheave
15	7110582	1	Sheave, Retract Chain

QUICK ATTACH

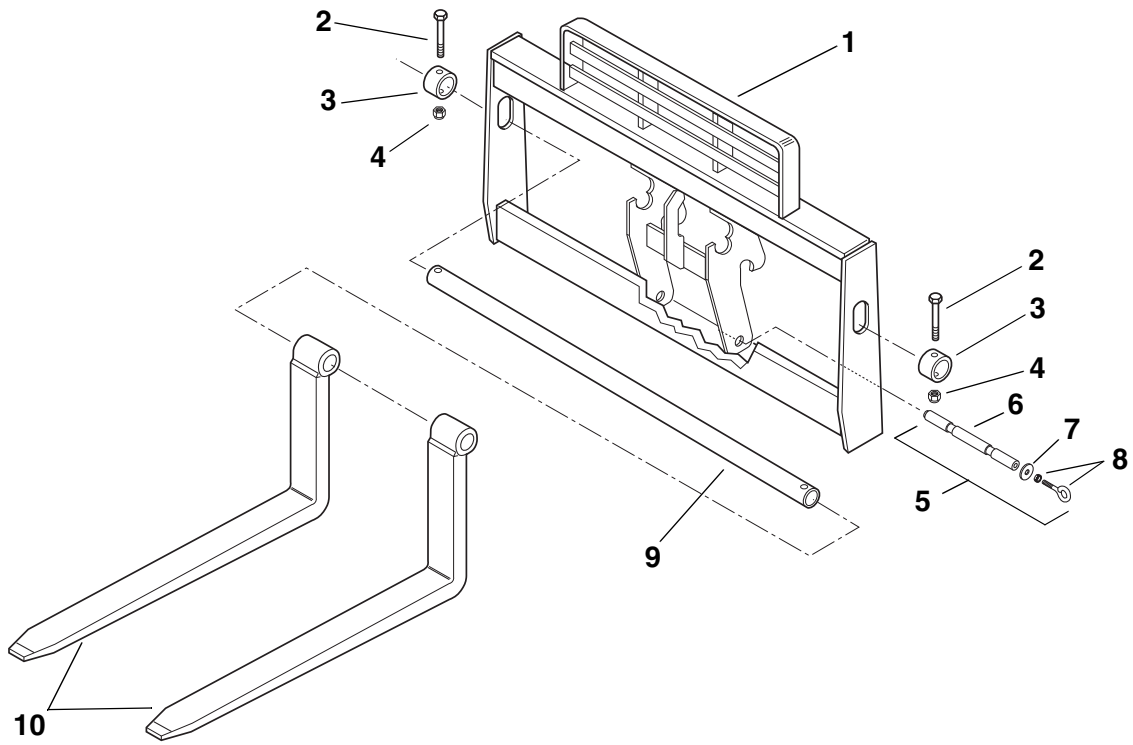


PS0610

QUICK ATTACH

Item No.	Part Number	Qty.	Description
1	7121412	1	Quick Attach Assembly (Includes Items 2 thru 8)
2	8303638	1	HHCS, 3/4-10 x 2-3/4" Gr.5
3	8307104	1	Washer, Flat SAE 3/4"
4	7121422	1	Latch, Quick Attach
5	7085571	1	Spacer, Quick Attach
6	7085552	1	Spring, Torsion
7	8305619	1	Nut, Hex Lock Elastic 3/4-10
8	7120983	1	Quick Attach
9	8307918	2	Washer, Shim 2.00 x .134 x 3.50
10	8310093	1	Washer, Shim 2.01 x .075 x 3.50
11	8303772	1	HHCS, 1/2-13 x 5" Gr.5
12	8303666	1	HHCS, 5/8-11 x 5" Gr.5
13	8307904	1	Washer, Shim 2.00 x .048 x 3.50
14	8305643	1	Nut, Hex Lock Elastic 5/8-11
15	8305644	1	Nut, Hex Lock Elastic 1/2-13
16	7083992	1	Pin, Rod End, Attachment Tilt Cylinder
17	8520013	1	Fitting, Lube, Self Tapping 1/8 NPT
18	7095352	1	Pin, Carriage Pivot
19	7118892	1	Pin, Lock (Includes Items 20 thru 22)
20	8310266	1	Bolt, Eye w/Nut
21	8310276	1	Washer
22	7118882	1	Pin

48" CARRIAGE

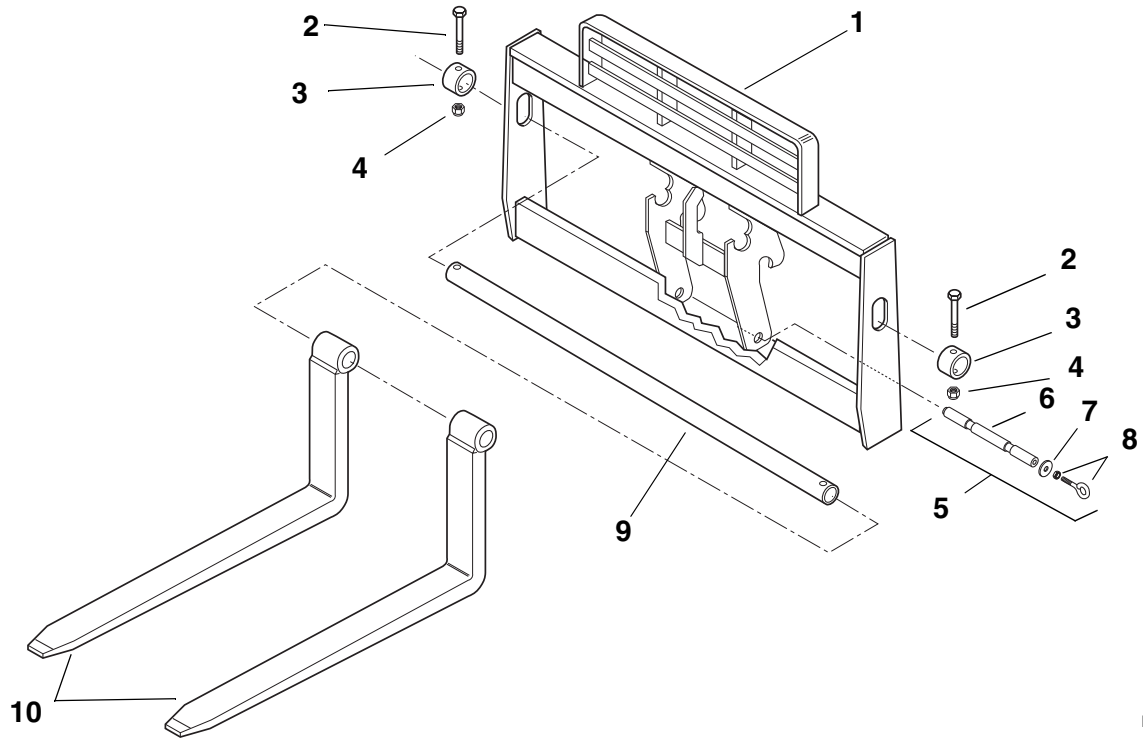


PA0744

48" CARRIAGE

Item No.	Part Number	Qty.	Description
1	7083054	1	Carriage, 48"
2	8303634	2	HHCS, 5/8-11 x 4"
3	7086471	2	Collar
4	8305643	2	Nut, Hex Lock 5/8-11
5	7118892	1	Pin, Lock (Includes Items 6 thru 8)
6	7118882	1	Pin
7	8310276	1	Washer
8	8310266	1	Bolt, Eye w/Nut
9	7128772	1	Shaft, 48"
10	7097523	2	Fork, Pallet 48" x 4" x 2" (4,000 lb Rating)
	7097533	2	Fork, Lumber (Not Shown)
	7085073	6	Fork, Block (Not Shown)

60" CARRIAGE (Optional)

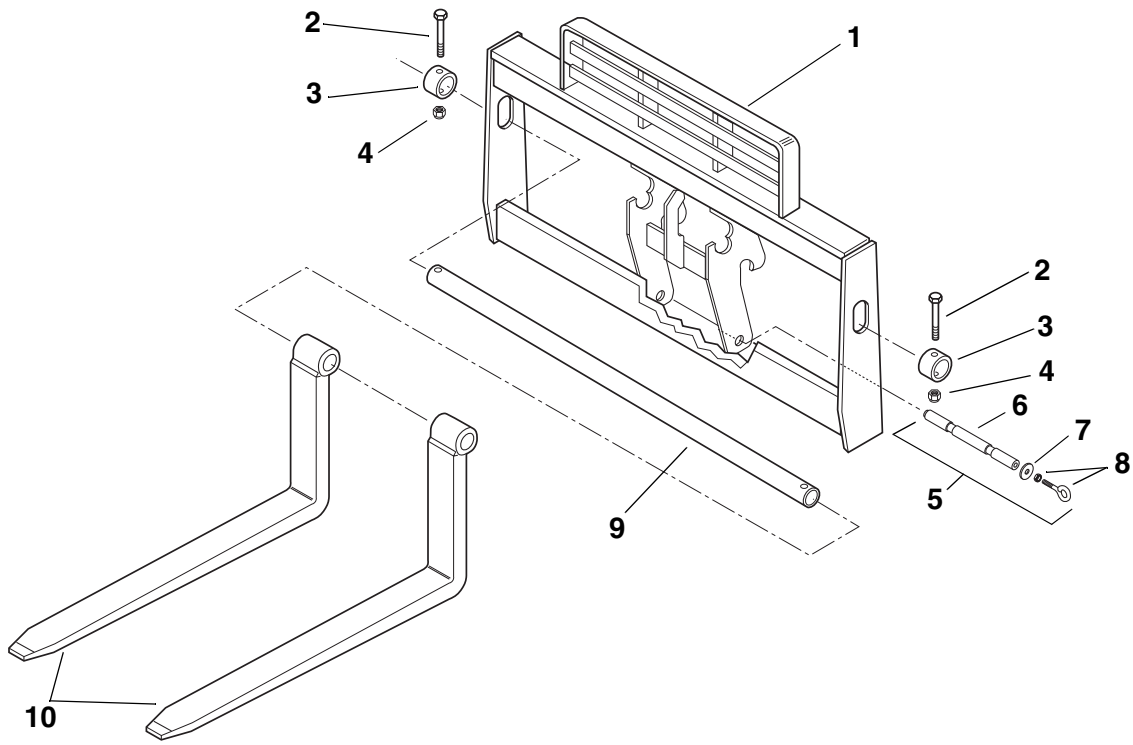


PA0744

60" CARRIAGE (Optional)

Item No.	Part Number	Qty.	Description
1	7086304	1	Carriage, 60"
2	8303634	2	HHCS, 5/8-11 x 4"
3	7086471	2	Collar
4	8305643	2	Nut, Hex Lock 5/8-11
5	7118892	1	Pin, Lock (Includes Items 6 thru 8)
6	7118882	1	Pin
7	8310276	1	Washer
8	8310266	1	Bolt, Eye w/Nut
9	7128792	1	Shaft, 60"
10	7097523	2	Fork, Pallet 48" x 4" x 2" (4,000 lb Rating)
	7097533	2	Fork, Lumber (Not Shown)
	7085073	6	Fork, Block (Not Shown)

72" CARRIAGE (Optional)

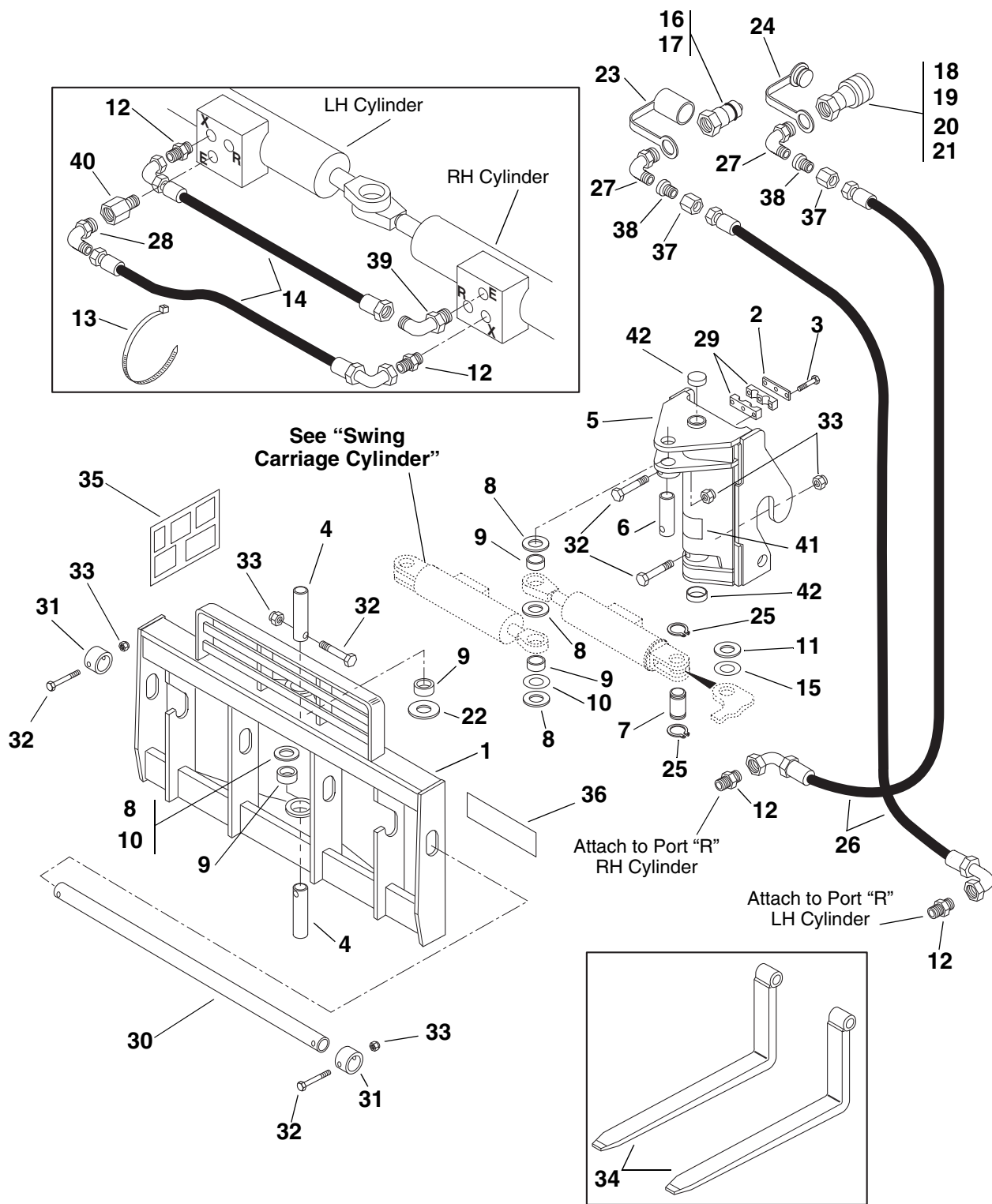


PA0744

72" CARRIAGE (Optional)

Item No.	Part Number	Qty.	Description
1	7090814	1	Carriage, 72"
2	8303634	2	HHCS, 5/8-11 x 4"
3	7086471	2	Collar
4	8305643	2	Nut, Hex Lock 5/8-11
5	7118892	1	Pin, Lock (Includes Items 6 thru 8)
6	7118882	1	Pin
7	8310276	1	Washer
8	8310266	1	Bolt, Eye w/Nut
9	7128802	1	Shaft, 72"
10	7097523	2	Fork, Pallet 48" x 4" x 2" (4,000 lb Rating)
	7097533	2	Fork, Lumber (Not Shown)
	7085073	6	Fork, Block (Not Shown)

SWING CARRIAGE (Optional)



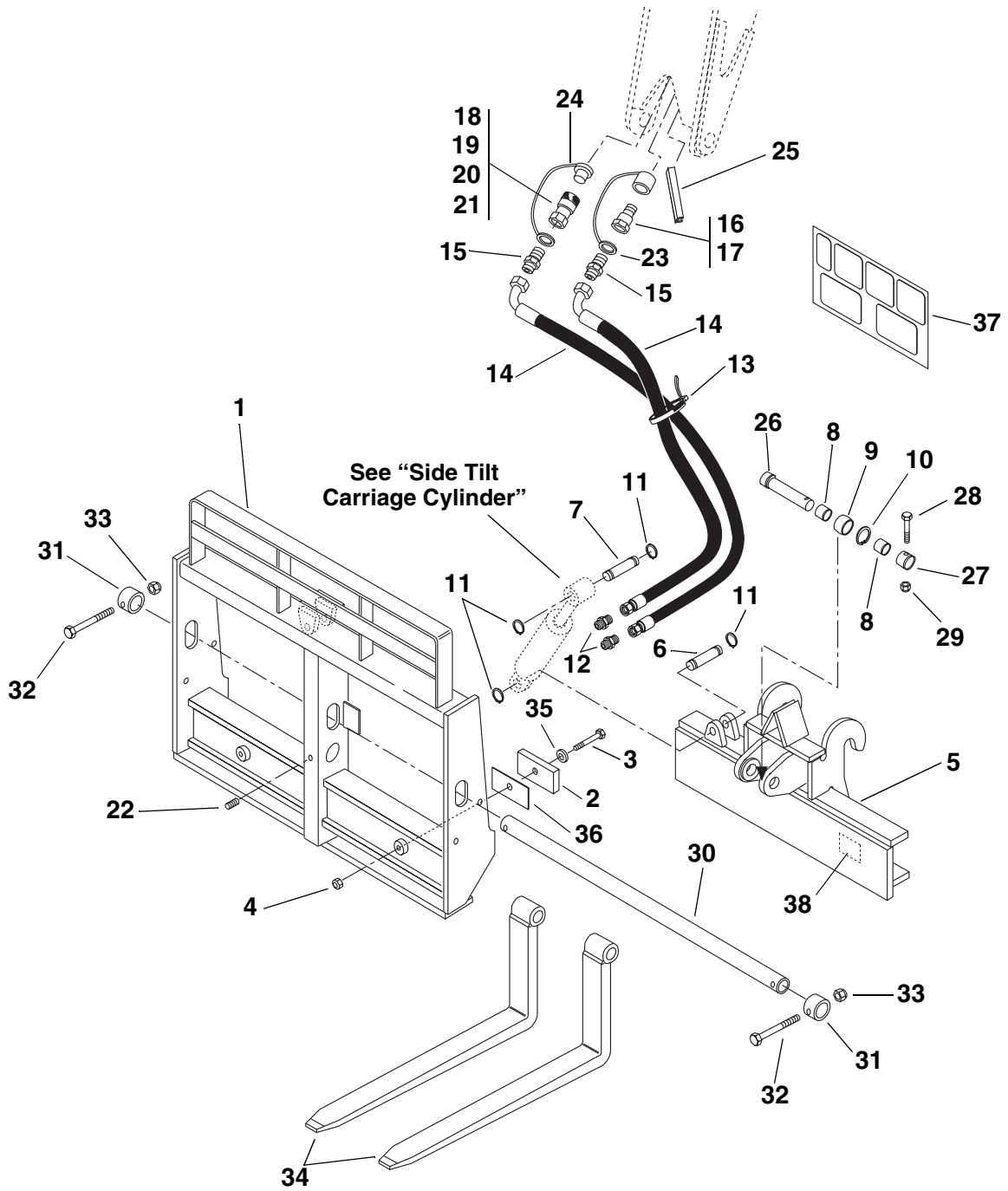
PH0560

SWING CARRIAGE

(Optional)

Item No.	Part Number	Qty.	Description
1	7111994	1	Carriage, 52"
	7110694	1	Carriage, 72"
2	6608621	1	Cover, Clamp
3	8303715	3	HHCS, 5/16-18 x 1-1/2"
4	7110702	2	Pin, Carriage Pivot
5	7110494	1	Base, Pivot
6	7110712	1	Pin, Cylinder Pivot (Rod End)
7	7110722	2	Pin, Cylinder Pivot (Base End)
8	8307918	AR	Shim, 2" I.D. x 10 Ga.
9	8065062	4	Bearing, Self Lube
10	8307904	AR	Shim, 2" I.D. x 18 Ga.
11	8310161	AR	Shim, 1-1/2" I.D. x 10 Ga.
12	8760113	4	Connector, Straight, SAE 4 - male JIC 37° x male str. thd. o-ring
13	8584001	4	Tie Wrap
14	6604662	2	Hose Assembly
15	8310160	AR	Shim, 1-1/2" I.D. x 18 Ga.
16	8430006	1	Quick Disconnect, Male, SAE 8-8ORB - female internal (Includes Item 17)
17	8640029	1	Seal, Nose (Not Shown)
18	8430005	1	Quick Disconnect, Female, SAE 8-8ORB - female internal (Includes Items 19, thru 21)
19	8640029	1	Seal, Nose (Not Shown)
20	8640028	1	Seal, Large, Coupler Body (Not Shown)
21	8640032	1	Back-up Ring for Large Seal (Not Shown)
22	7062922	1	Bearing, Thrust
23	8420053	1	Cap, Dust
24	8420055	1	Plug, Dust
25	8642207	4	Ring, Retaining
26	6611752	2	Hose Assembly
27	8760313	2	Elbow, 90° SAE 6-8 - male JIC 37° x male str. thd. o-ring
28	8760311	1	Elbow, 90° SAE 6 - male JIC 37° x male str. thd. o-ring
29	8769132	2	Clamp, Half
30	7128782	1	Shaft, Fork Pivot 52"
	7128802	1	Shaft, Fork Pivot 72"
31	7086471	2	Hub, Lock
32	8303634	5	HHCS, 5/8-11 x 4"
33	8305643	5	Nut, Hex Lock 5/8-11
34	7097523	2	Fork, Pallet 48" x 4" x 2" (4,000 lb Rating)
	7097533	2	Fork, Lumber (Not Shown)
	7085073	6	Fork, Blocking (Not Shown)
35	4107692	2	Chart, Capacity
36	4107702	1	Decal, Danger - Tip Over Hazard
37	8760409	2	Nut, SAE 6 - JIC 37°
38	8760475	2	Reducer, Tube End, SAE 6-4 - JIC 37°
39	8770012	1	Elbow, 90° SAE 6-4 - male JIC 37° x male str. thd. o-ring
40	8770016	1	Reducer, SAE 4-6 - male str. thd. o-ring x female internal o-ring boss
41	4107712	1	Decal, Danger - No Truss Boom
42	8580315	2	Plug, Trim 2-1/2" Dia.

SIDE TILT CARRIAGE (Optional)



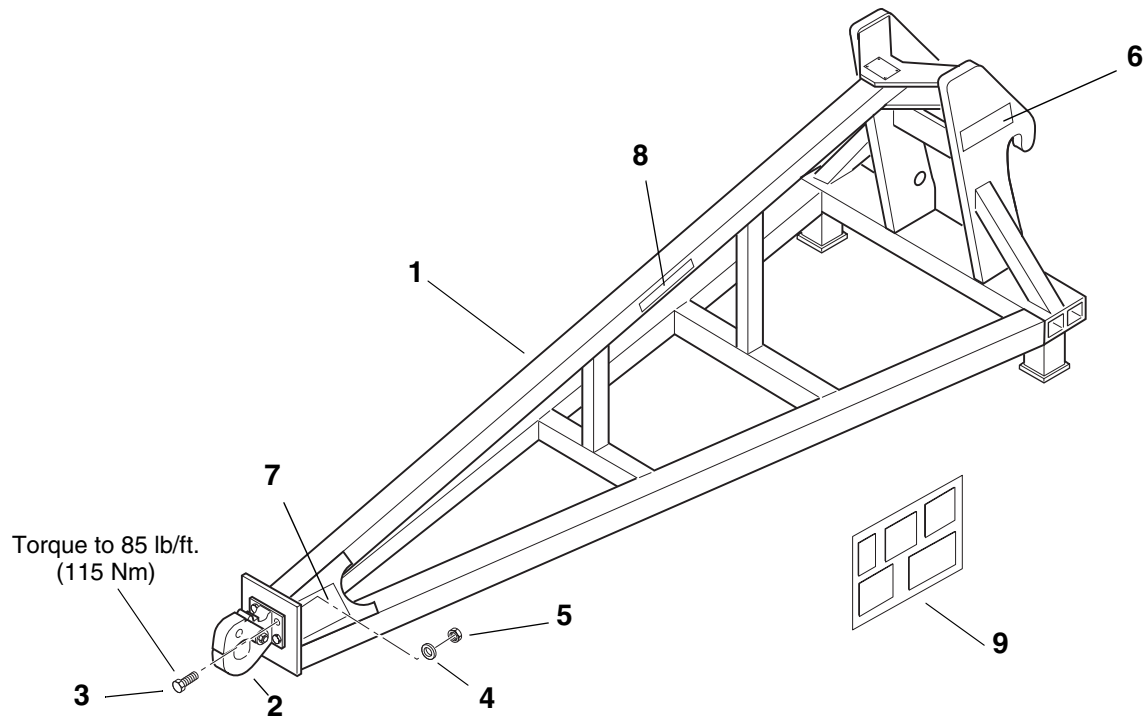
PA1592

SIDE TILT CARRIAGE

(Optional)

Item No.	Part Number	Qty.	Description
1	7117244	1	Carriage, Side Tilt, 48"
	7117254	1	Carriage, Side Tilt, 60"
	7117264	1	Carriage, Side Tilt, 72"
2	7065482	2	Pad, Wear
3	8303739	2	HHCS, 5/16-18 x 1-1/4"
4	8305626	2	Nut, Hex Lock 5/16-18
5	7117204	1	Base, Pivot
6	7077501	1	Pin, Cyl. Base
7	7077511	1	Pin, Cyl. Rod
8	7077481	2	Spacer
9	8065634	1	Bushing, Self Align
10	8642001	1	Ring, Snap
11	8642235	4	Ring, Snap
12	8760117	2	Connector, Straight SAE 6-6P - male JIC 37° x male str. thd. o-ring
13	8584001	1	Tie Wrap
14	2711992	2	Hose Assembly
15	8760110	2	Connector, Straight, SAE 6-8 - male JIC 37° x male str. thd. o-ring
16	8430006	1	Quick Disconnect, Male, SAE 8-8ORB - female internal (Includes Item 17)
17	8640029	1	Seal, Nose (Not Shown)
18	8430005	1	Quick Disconnect, Female, SAE 8-8ORB - female internal (Includes Items 19 thru 21)
19	8640029	1	Seal, Nose (Not Shown)
20	8640028	1	Seal, Large, Coupler Body (Not Shown)
21	8640032	1	Back-up Ring for Large Seal (Not Shown)
22	8541433	1	Plug, Pipe Hex Skt 1/8" NPT
23	8420053	1	Cap, Dust
24	8420055	1	Plug, Dust
25	7125741	1	Molding
26	7085411	1	Pin, Pivot
27	7085501	1	Collar, Pin Locking
28	8303770	1	HHCS, 3/8-16 x 2-3/4"
29	8305645	1	Locknut, 3/8-16 ESNA
30	7128772	1	Shaft, Fork Pivot 48"
	7128792	1	Shaft, Fork Pivot 60"
	7128802	1	Shaft, Fork Pivot 72"
31	7086471	2	Hub, Lock
32	8303634	2	HHCS, 5/8-11 x 4"
33	8305643	2	Nut, Hex Lock 5/8-11
34	7097523	2	Fork, Pallet 48" x 4" x 2" (4,000 lb Rating)
	7097533	2	Fork, Lumber (Not Shown)
	7085073	6	Fork, Blocking (Not Shown)
35	8307203	2	Washer, Flat Heavy
36	7070191	AR	Shim
37	4108232	1	Decal, Capacity Chart
38	7119341	1	Plate, Capacity

12 FT. TRUSS BOOM (Optional)



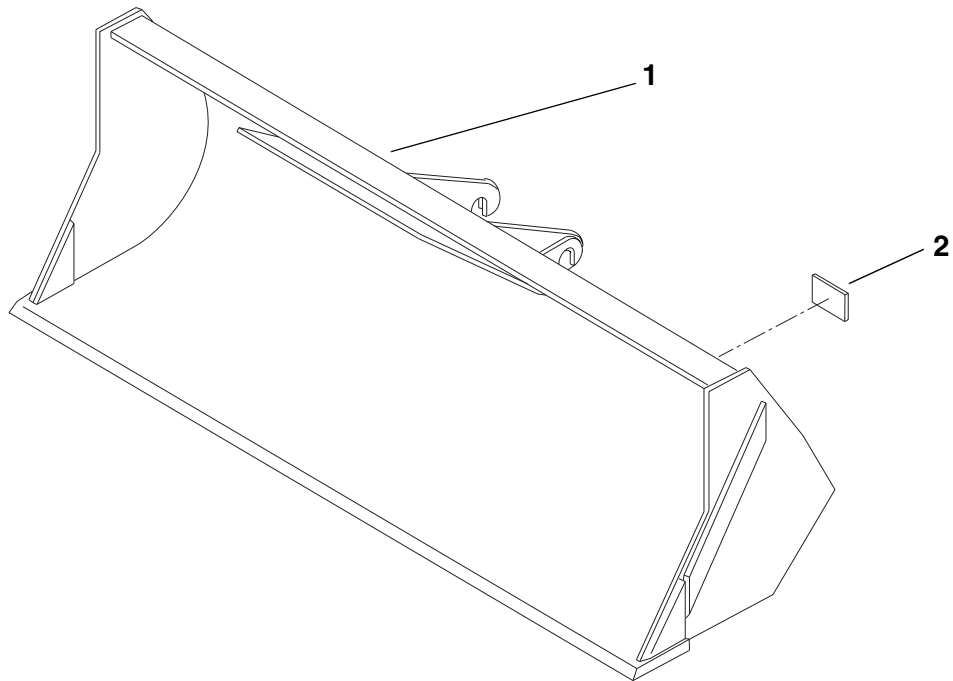
PG0980

12 FT. TRUSS BOOM (Optional)

Item No.	Part Number	Qty.	Description
1	7113024	1	12 ft. Truss Boom (Includes Items 2 thru 9)
2	8382017	1	Hook, Pintle
3	8310195	4	HHCS, 1/2-13 x 1-3/4"
4	8307112	4	Washer, Flat SAE 1/2"
5	8305644	4	Nut, Hex Lock Elastic 1/2-13
6	4107182	2	Decal, Name
7	4107822	2	Decal, Swinging Load
8	4107832	2	Decal, Length/Capacity
9	4107812	1	Chart, Capacity

UTILITY BUCKET

(Optional)



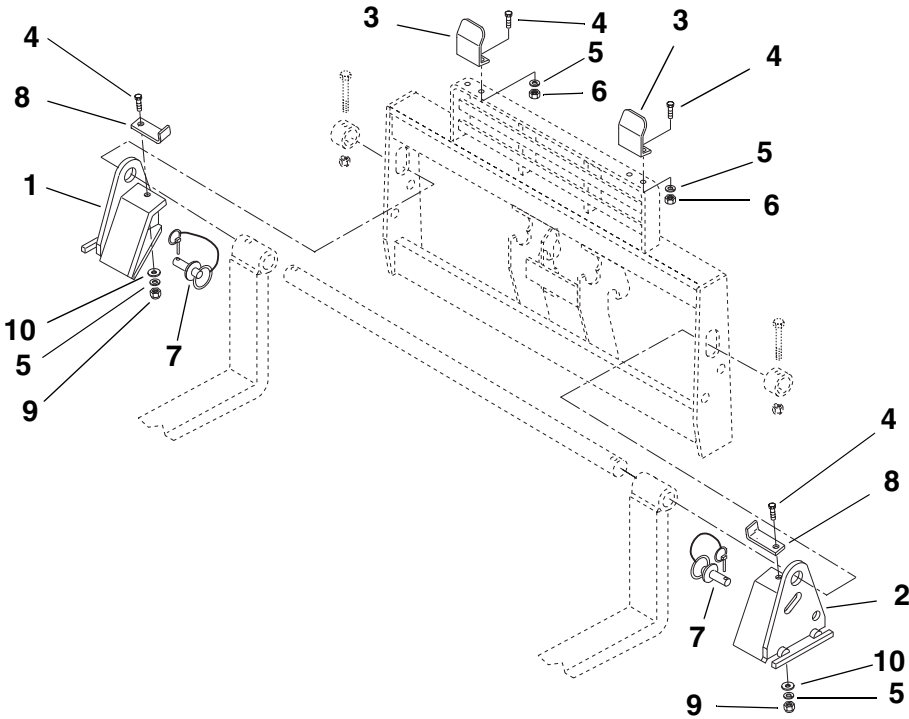
PA0782

UTILITY BUCKET

(Optional)

Item No.	Part Number	Qty.	Description
1	7110744	1	Bucket, Utility, 1-1/4 cu. yd. (Includes Item 2)
2	4106561	1	Plate, Capacity

SHEET MATERIAL HANDLER (Optional)



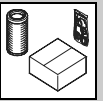
PK0041

SHEET MATERIAL HANDLER

(Optional)

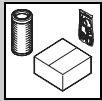
Item No.	Part Number	Qty.	Description
1	7112533	1	Support, Fork, RH
2	7112523	1	Support, Fork, LH
3	7112642	2	Extension, Backrest, Top
4	8303626	6	HHCS, 1/2-13 x 1-1/2"
5	8307007	6	Washer, Lock 1/2"
6	8305012	4	Nut, Hex 1/2-13
7	8301456	2	Pin, Hitch
8	7114941	2	Bar, Lock
9	8305644	2	Nut, Hex Lock Elastic 1/2-13
10	8307112	2	Washer, Flat 1/2" LT

RECOMMENDED SPARE PARTS



The following list will service fleets of machines (built to current production per date on the front cover) with repair parts which can be installed in the field. Parts from the list should be replaced when inventory is depleted to keep service parts stock supplied. For further information, contact your JLG dealer or the JLG Industries Parts Department.

Part Number	Description	Qty./Machine
8050001	Bearing, Self Align	4
8342808	Keys	6
8342807	Latch w/Key	3
8342416	Latch, Adjustable Trigger	2
8866529	Mirror, Rear View	2
8866514	Mirror, Rear View	2
8160073	Cable, Throttl	2
8340034	Rod End	2
8700116	Spring, Extension	1
8223029	Switch, Transmission Shift Control	1
8035106	Cross & Bearing Assembly	2
8035133	Washer, Belleville	2
8035135	Bushing	2
8035136	Bushing	2
8035137	Seal, Oil	2
8033561	Breather, Air	2
8035138	Bearing, Spherical	2
8035157	King Pin, Upper	1
8035156	Grease Nipple	5
8035153	Bushing	2
8035154	Seal, Oil	2
8035253	Kit, Oil Seal	2
8035217	Wheel Stud	5
8035224	Wheel Stud Washer	10
8035225	Wheel Nut	10
8035190	Spider Assembly	2
8034965	Dipstick - Transmission	1
8032509	Breather, Air	1
8035004	Filter, Transmission	6
8035080	Coil, Solenoid	1
8035085	Cartridge, Valve	1
8320262	Filter, Engine Oil (Cummins Only)	4
8277143	Starter Relay	1
8035100	Fan Belt (Cummins Only)	1
7126693	Lower Radiator Hose (Cummins Only)	1
7126703	Upper Radiator Hose (Cummins Only)	1
8035098	Primary Air Filter	2
8035099	Safety Air Filter	1
8320270	Fuel Filter (Cummins Only)	6
8322036	Fuel Cap	1
8035292	Keys - Fuel Cap	10
8274022	Fuel Strainer	6
8035097	Filter, Engine Oil (Perkins Turbo Only)	6
8320242	Filter, Engine Oil (Perkins Natural Only)	6

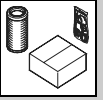


RECOMMENDED SPARE PARTS

The following list will service fleets of machines (built to current production per date on the front cover) with repair parts which can be installed in the field. Parts from the list should be replaced when inventory is depleted to keep service parts stock supplied. For further information, contact your JLG dealer or the JLG Industries Parts Department.

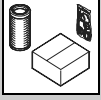
Part Number	Description	Qty./Machine
8035095	Fan Belt Set Of 2 (Perkins Only)	1
7119623	Upper Radiator Hose (Perkins Only)	1
7119613	Lower Radiator Hose (Perkins Only)	1
8180311	Radiator Cap	1
8034092	Fuel Filter (Perkins Only)	6
8035104	Coil, w/Female Pins	2
8035093	Seal Kit w/Thrust Plate	1
8035103	Coil w/Male Pins	2
8035102	Seal Kit, Solenoid	1
8032997	Solenoid, Valve	1
8032996	Solenoid, Valve	1
8035285	Solenoid, Valve	1
8035283	Solenoid, Valve	2
8035284	Solenoid, Valve	2
8035332	Seal Kit	2
8035326	Seal Kit	1
8035326	Seal Kit	2
8035327	Seal Kit	2
8035312	Seal Kit	2
8035313	Seal Kit	2
8065640	Bearing, Self Aligning	1
8035319	Seal Kit	1
8035320	Seal Kit	2
8033789	Seal Kit	1
8205661	Seal Kit	1
8320265	Filter, Hydraulic.	4
8322034	Breather, Air	1
8223227	Switch, Temperature - Hydraulic Oil	1
8223526	Switch, Oil Pressure - Hydraulic	1
8035384	Seal Kit	1
8035383	Seal Kit	1
8270621	Backup Alarm	1
7130682	Boom Sensor	2
8223025	Service Brake Switch	1
8223036	Park Brake Switch	1
8223436	Ignition Switch W/keys	2
8223438	Keys, Ignition	6
8229233	7.5 Amp Fuse	5
8229238	40 Amp Fuse	5
8229237	15 Amp Fuse (Perkins Cold Start Only)	2
8035276	Fuel Shut Off Solenoid (Cummins Only)	1
7131183	Load Chart	2
8466310	Indicator, Level	2
7126172	Shim	AR

RECOMMENDED SPARE PARTS



The following list will service fleets of machines (built to current production per date on the front cover) with repair parts which can be installed in the field. Parts from the list should be replaced when inventory is depleted to keep service parts stock supplied. For further information, contact your JLG dealer or the JLG Industries Parts Department.

Part Number	Description	Qty./Machine
7126182	Shim	AR
7120082	Wear Pad	22
7120092	Wear Pad	8
7095312	Bushing	2
7120182	Wear Pad	2
7118892	Lock Pin	1



RECOMMENDED SPARE PARTS

The following list will service fleets of machines (built to current production per date on the front cover) with repair parts which can be installed in the field. Parts from the list should be replaced when inventory is depleted to keep service parts stock supplied. For further information, contact your JLG dealer or the JLG Industries Parts Department.

Part Number	Description	Qty./Machine

PART NUMBER INDEX

Part Number	Page	Part Number	Page	Part Number	Page	Part Number	Page
2711613	6.20	5.12		4.16		9.22	
2711992	9.22	2715772	5.10	1.12		7088341	1.2
2713363	6.18	5.12		1.14		7089722	6.12
2714503	6.8	2715782	5.10	4108991	1.12	7090814	9.18
2714943	5.10	5.12		1.14		7094552	6.22
2715042	5.6	2716012	5.18	4109011	1.14	7094562	6.22
2715052	5.6	2716022	5.18	4109021	1.12	7095312	9.2
2715062	5.6	2716032	5.24	1.14		7095352	9.12
2715072	5.6	2716042	5.18	4109041	1.12	7095522	9.2
2715082	4.2	2716052	5.18	1.14		7096491	2.6
2715092	5.24	2716062	5.18	4109051	1.12	2.8	
2715102	5.4	2716072	5.18	1.14		7097523	9.14
2715112	5.2	2716082	5.24	4109091	1.12	9.16	
2715122	5.2	2716212	5.24	1.14		9.18	
2715132	5.8	2716222	5.24	4109151	1.12	9.20	
2715142	5.2	2716232	5.24	4109371	1.12	9.22	
2715152	5.2	2716242	5.24	5713331	9.6	7097533	9.14
2715162	5.2	2716253	6.16	5724302	1.2	9.16	
2715172	5.2	2716517	5.4	5724742	4.12	9.18	
2715192	5.14	2716547	5.4	4.22		9.20	
2715202	5.14	2716562	6.14	5752022	1.2	9.22	
2715212	5.14	4100181	1.12	6604662	9.20	7110494	9.20
2715222	5.8	1.14		6608621	9.20	7110582	9.10
2715232	5.2	4105171	1.12	6611752	9.20	7110642	9.10
2715242	5.2	1.14		6620002	1.4	7110694	9.20
2715252	5.2	4105262	1.12	70020428	6.18	7110702	9.20
2715262	5.14	1.14		7054902	5.4	7110712	9.20
2715272	5.26	4106561	9.26	7057141	2.2	7110722	9.20
2715282	5.2	4107182	9.24	2.4		7110744	9.26
2715292	5.8	4107692	9.20	2.6		7111994	9.20
2715302	5.26	4107702	9.20	2.8		7112523	9.28
2715312	5.26	4107712	9.20	2.24		7112533	9.28
2715322	5.16	4107712	9.20	4.6		7112642	9.28
2715342	5.14	4107812	9.24	4.16		7113024	9.24
2715352	5.16	4107822	9.24	7062922	9.20	7114941	9.28
2715362	5.20	4107832	9.24	7065482	9.22	7116691	5.16
5.22		4107901	1.12	7070191	9.22	7117204	9.22
2715372	5.8	1.14		7075611	1.12	7117244	9.22
2715382	5.16	4108181	1.12	1.14		7117254	9.22
2715392	5.14	1.14		7077481	9.22	7117264	9.22
2715402	5.14	4108201	1.12	7077501	9.22	7118882	9.12
2715412	5.2	1.14		7077511	9.22	9.14	
2715422	5.20	4108232	9.22	7083054	9.14	9.16	
2715432	5.22	4108302	1.12	7083992	9.12	9.18	
2715442	5.14	1.14		7085073	9.14	7118892	9.12
2715452	5.14	4108802	1.12	9.16		9.14	
2715462	5.2	1.14		9.18		9.16	
5.4		4108812	1.12	9.20		9.18	
2715472	5.4	1.14		9.22		7119341	9.22
2715482	5.4	4108841	1.12	7085411	9.22	7119362	9.10
2715502	5.4	1.14		7085422	4.6	7119372	9.10
2715512	5.4	4108851	1.12	4.16		7119613	4.16
2715722	6.12	1.14		7085501	9.22	7119744	4.16
2715742	5.10	4108861	1.12	7085552	9.12	5.22	
5.12		1.14		7085571	9.12	7120082	9.2
2715752	5.10	4108951	1.12	7086304	9.16	9.4	
5.12		1.14		7086471	9.14	9.6	
2715762	5.10	4108962	1.12	9.16		7120092	9.2
		1.14		9.18		9.4	
		4108981	4.6	9.20		9.8	

PART NUMBER INDEX

Part Number	Page	Part Number	Page	Part Number	Page	Part Number	Page
7120182	9.4	7127492	4.2	7129663	1.4	7131992	4.12
7120204	9.2	4.4		7129681	4.22	4.22	
7120232	9.8	7127552	4.2	7129691	4.22	7132002	4.6
7120471	9.8	4.4		7129912	1.4	4.16	
7120502	9.8	7127562	4.2	7129922	1.4	7132012	4.6
7120512	9.8	4.4		7129973	4.6	4.16	
7120592	9.6	7127742	4.10	4.16		7132022	4.10
7120602	9.6	7127752	4.14	7130042	4.6	4.20	
7120613	4.12	7127762	4.14	4.16		7132042	7.6
4.22		7127772	4.14	7130052	4.6	7132111	4.12
7120662	1.2	7127782	4.14	4.16		4.22	
9.6		7127881	4.22	7130072	1.4	7132121	4.12
7120672	9.8	7127934	1.2	7130121	4.20	7132131	4.12
7120923	9.4	7128072	4.8	7130131	4.6	7132141	4.2
7120983	9.12	4.18		4.16		4.4	
7121173	9.6	7128092	4.8	4.20		4.14	
7121183	9.6	7128102	4.8	7130173	1.4	7132302	5.8
7121243	9.8	7128252	2.14	7130322	1.2	7132312	5.8
7121402	4.20	7128263	3.52	7130412	2.6	7132342	5.24
7121412	9.12	7128272	3.52	2.8		7132402	5.8
7121422	9.12	7128282	3.52	7130422	4.6	7132592	1.2
7121461	9.4	7128332	4.18	4.16		7132631	9.2
7121501	9.8	7128342	4.18	7130444	7.6	7132661	4.22
7121511	9.4	7128403	2.16	7130532	4.6	7132671	4.22
7121523	2.20	7128592	4.2	4.16		7132712	4.20
7121531	9.10	7128602	4.12	7130633	2.2	7132722	4.18
7121543	2.6	4.22		7130643	2.2	7132732	4.18
7121622	9.4	7128772	9.14	2.24		7132751	2.4
9.6		9.22		7130653	2.2	7132762	5.16
7121632	9.6	7128782	9.20	2.24		7132844	1.4
7121842	9.4	7128792	9.16	7130663	2.2	7133051	5.18
9.6		9.22		2.24		7133383	4.16
7121851	9.8	7128802	9.18	7130682	7.2	7133592	1.12
7121951	4.2	9.20		7.4		7133774	7.2
4.4		9.22		7130724	2.4	7.4	
4.14		7128932	3.4	7130734	2.4	7133783	7.2
7124471	1.2	7128942	3.6	7130744	2.4	7133792	1.14
7124531	2.4	7128952	3.2	7130753	2.20	7133862	7.4
7125731	1.4	7128964	5.16	7130763	2.20	7133932	2.18
7125741	9.22	7128994	6.22	7130773	2.4	7133942	2.18
7125861	1.2	7129101	4.12	7130814	1.4	5.26	
7125932	5.2	4.22		7130862	2.4	7134052	5.24
7125942	4.20	7129111	4.12	7131003	2.4	7134062	5.8
7126172	9.2	4.22		7131253	4.6	7134072	5.8
9.4		7129121	4.12	4.16		7134082	5.24
7126182	9.2	4.22		7131412	2.2	7134092	5.24
9.4		7129133	4.12	2.24		7134102	5.24
7126514	4.6	4.22		7131443	4.6	7134122	1.4
5.20		7129362	1.2	4.16		7134132	1.4
7126693	4.6	7129441	2.2	7131493	2.2	7134142	1.4
7126703	4.6	2.24		7131592	4.14	7134453	2.24
7126833	4.10	7129501	7.6	7131652	1.4	7134483	1.12
7127091	2.12	7129521	2.16	7131731	9.8	1.14	
7127102	2.12	7129572	5.2	7131753	4.2	7134593	5.10
7127214	1.2	7129582	5.2	4.4		5.12	
7127394	1.2	5.14		7131782	1.4	7134671	7.4
6.22		7129612	1.4	7131952	4.6	7136342	2.24
7127462	4.2	7129622	1.4	4.16		7137104	5.18
4.4		7129653	1.4	7131961	2.20	7137152	2.2

PART NUMBER INDEX

Part Number	Page	Part Number	Page	Part Number	Page	Part Number	Page
7137733	2.24	8033610	3.10	8034931	3.36	8034987	3.40
7138234	2.24	8033611	3.10	8034932	3.36	8034988	3.40
7138285	4.22	8033612	3.10	8034933	3.36	8034989	3.40
7138286	4.22	8033613	3.10	8034934	3.36	8034990	3.40
7138288	4.12	8033614	3.10	3.40		8034991	3.40
7138298	4.12	8033615	3.10	8034935	3.36	8034992	3.40
7138510	7.6	8033616	3.10	8034936	3.36	8034993	3.40
7138736	4.12	8033617	3.10	8034937	3.36	8034994	3.40
4.22		8033618	3.8	8034938	3.36	8034995	3.40
8030464	3.30	8033619	3.10	8034939	3.36	8034996	3.40
8030470	3.30	8033620	3.10	8034940	3.36	8034997	3.40
8032398	4.10	8033622	3.8	8034941	3.36	8034998	3.40
4.20		8033623	3.8	8034942	3.36	8034999	3.40
8032508	3.36	8033624	3.8	8034943	3.36	8035000	3.40
8032509	3.36	3.10		8034944	3.36	8035001	3.40
8032528	3.36	8033625	3.8	8034945	3.36	8035002	3.40
8032599	3.38	3.10		8034946	3.36	8035003	3.40
8032600	3.38	8033626	3.8	8034947	3.36	8035004	3.40
8032602	3.38	3.10		8034948	3.36	8035005	3.40
8032989	6.4	8033627	3.8	8034949	3.36	8035006	3.40
8032990	6.4	8033628	3.8	8034950	3.36	8035007	3.40
8032991	6.4	8033629	3.8	8034951	3.36	8035008	3.40
8032992	6.4	8033630	3.8	8034952	3.36	8035009	3.40
8032993	6.4	8033631	3.8	8034953	3.36	8035010	3.40
8032994	6.4	8033632	3.10	8034954	3.36	8035011	3.40
8032995	6.4	8033633	3.10	8034955	3.36	8035012	3.40
8032996	6.4	8033783	6.18	8034956	3.36	8035013	3.40
8032997	6.4	8033784	6.18	8034957	3.36	8035014	3.40
8033058	2.22	8033785	6.18	8034958	3.36	8035015	3.40
8033072	2.22	8033786	6.18	8034959	3.36	8035016	3.40
8033178	2.12	8033788	6.18	8034960	3.36	8035017	3.40
2.14		8033789	6.18	8034961	3.36	8035018	3.42
8033510	3.16	8033790	6.18	8034962	3.36	3.44	
3.18		8033894	3.18	8034963	3.36	3.46	
8033536	3.22	8034092	4.22	8034964	3.36	8035019	3.42
8033537	3.22	8034538	6.24	8034965	3.36	3.44	
8033540	3.22	8034539	6.24	8034966	3.36	3.46	
8033541	3.22	8034540	6.24	8034967	3.38	8035020	3.42
8033544	3.20	8034697	6.24	8034968	3.38	3.44	
3.34		8034798	2.22	8034969	3.38	3.46	
8033557	3.30	8034799	2.22	8034970	3.38	8035021	3.42
8033561	3.12	8034917	3.40	8034971	3.38	3.44	
3.14		8034918	3.42	8034972	3.38	3.46	
8033575	3.24	3.44		8034973	3.38	8035022	3.42
3.26		3.46		8034974	3.38	3.44	
8033582	3.12	8034919	3.42	8034975	3.38	3.46	
3.14		3.46		8034976	3.38	8035023	3.42
3.28		8034920	3.42	8034977	3.38	3.44	
8033590	3.10	8034921	3.42	8034978	3.38	3.46	
8033591	3.10	8034922	3.46	8034979	3.38	8035024	3.42
8033594	3.10	8034923	3.46	8034980	3.38	3.44	
8033595	3.10	8034924	3.46	8034981	3.38	3.46	
8033596	3.10	8034925	3.44	8034982	3.38	8035025	3.42
8033597	3.10	8034926	3.44	3.42		3.44	
8033599	3.10	8034927	3.44	8034983	3.40	3.46	
8033603	3.10	8034928	3.44	8034984	3.40	8035026	3.42
8033604	3.8	8034929	3.48	8034985	3.40	3.44	
8033608	3.10	8034930	3.36	8034986	3.40	3.46	
8033609	3.10					8035027	3.42
						3.44	

PART NUMBER INDEX

Part Number	Page	Part Number	Page	Part Number	Page	Part Number	Page
3.46		8035072	3.50	8035119	3.12	8035152.....	3.16
8035028	3.42	8035073	3.50	3.14		3.18	
8035029	3.42	8035074	3.50	8035120	3.12	8035153.....	3.16
3.44		8035075	3.50	3.14		3.18	
3.46		8035076	3.50	8035121	3.12	8035154.....	3.16
8035030	3.42	8035077	3.50	3.14		3.18	
3.44		8035078	3.50	8035122	3.12	8035155.....	3.16
3.46		8035079	3.50	3.14		3.18	
8035031	3.42	8035080	3.50	8035123	3.12	8035156.....	3.16
8035032	3.42	8035081	3.50	3.14		3.18	
8035033	3.42	8035082	3.50	8035124	3.12	8035157.....	3.16
3.44		8035083	3.50	3.14		3.18	
3.46		8035084	3.50	8035125	3.12	8035158.....	3.16
8035034	3.42	8035085	3.50	3.14		3.18	
8035035	3.42	8035086	3.50	8035126	3.12	8035159.....	3.16
8035036	3.44	8035087	3.38	3.14		3.18	
3.46		8035088	3.38	8035127	3.12	8035160.....	3.22
8035037	3.46	8035089	3.36	3.14		8035161.....	3.22
8035038	3.44	3.38		8035128	3.12	8035162.....	3.22
3.46		3.40		3.14		8035163.....	3.22
8035039	3.44	3.42		8035129	3.12	8035164.....	3.22
3.46		3.44		8035130	3.12	8035165.....	3.22
8035040	3.46	3.46		3.14		8035166.....	3.22
8035041	3.46	3.48		8035131	3.12	8035167.....	3.22
8035042	3.46	3.50		3.14		8035168.....	3.22
8035043	3.46	8035090	3.40	8035132	3.12	8035169.....	3.22
8035044	3.46	8035091	3.50	3.14		8035170.....	3.22
8035045	3.46	8035092	3.36	8035133	3.12	8035171.....	3.22
3.48		8035093	6.2	3.14		8035172.....	3.22
8035046	3.46	8035094	6.2	8035134	3.12	8035173.....	3.22
3.48		8035095	4.14	3.14		8035174.....	3.22
8035047	3.46	8035096	4.22	8035135	3.12	8035175.....	3.22
3.48		8035097	4.14	3.14		8035176.....	3.20
8035048	3.46	8035098	4.10	8035136	3.12	8035177.....	3.20
3.48		4.20		3.14		3.34	
8035049	3.46	8035099	4.10	8035137	3.12	8035178.....	3.20
3.48		4.20		3.14		3.34	
8035050	3.44	8035100	4.2	8035138	3.12	8035179.....	3.20
8035051	3.44	4.4		3.14		3.34	
8035052	3.44	8035101	5.18	8035139	3.12	8035180.....	3.20
8035053	3.44	6.4		3.14		3.34	
8035054	3.44	8035102	5.18	8035140	3.12	8035181.....	3.20
8035055	3.48	6.4		3.14		3.34	
8035056	3.48	8035104	5.18	8035141	3.12	8035182.....	3.20
8035057	3.48	6.4		3.14		3.34	
8035058	3.48	8035106	3.2	8035142	3.12	8035183.....	3.20
8035059	3.48	3.4		3.14		3.34	
8035060	3.50	3.6		8035143	3.12	8035184.....	3.20
8035061	3.50	8035109	3.2	3.14		8035185.....	3.20
8035062	3.50	3.4		8035144	3.12	8035186.....	3.20
8035063	3.50	3.6		8035145	3.12	8035187.....	3.32
8035064	3.50	8035114	3.12	8035146	3.12	8035188.....	3.32
8035065	3.50	3.14		8035147	3.12	8035189.....	3.32
8035066	3.50	8035115	3.12	8035148	3.12	8035190.....	3.32
8035067	3.50	3.14		8035149	3.16	8035191.....	3.32
8035068	3.50	8035116	3.12	3.18		8035192.....	3.32
8035069	3.50	8035117	3.12	8035150	3.16	8035193.....	3.32
8035070	3.50	3.14		3.18		8035194.....	3.32
8035071	3.50	8035118	3.12	8035151	3.16	8035195.....	3.32
		3.14		3.18			

PART NUMBER INDEX

Part Number	Page	Part Number	Page	Part Number	Page	Part Number	Page
8035196	3.24	8035251	3.16	8035320	6.16	8035380	6.24
3.26		3.18		8035321	6.12	8035381	6.24
8035197	3.24	8035252	3.16	8035322	6.10	8035382	6.24
3.26		3.18		6.12		8035383	6.26
8035198	3.24	8035253	3.16	8035323	6.10	8035384	6.24
3.26		3.18		6.12		6.26	
8035199	3.24	8035254	3.16	8035324	6.10	8035435	2.22
3.26		3.18		6.12		8035436	2.22
8035200	3.24	8035255	3.16	8035325	6.12	8035437	2.22
3.26		3.18		8035326	6.10	8035438	2.22
8035201	3.24	8035256	3.16	6.12		8035439	2.22
3.26		3.18		8035327	6.12	8035440	2.22
8035207	3.24	8035257	3.22	8035328	6.10	8035441	2.22
8035208	3.24	8035258	3.22	8035329	6.8	8035442	2.22
8035209	3.24	8035259	6.2	8035330	6.8	8035443	2.22
8035210	3.24	8035260	6.2	8035331	6.8	8035444	2.22
8035211	3.24	8035261	6.2	8035332	6.8	8035445	2.22
8035212	3.24	8035262	6.2	8035340	6.24	8035446	2.22
8035213	3.24	8035263	6.2	8035341	6.24	8035447	2.22
8035214	3.24	8035264	6.2	8035342	6.24	8035448	2.22
8035215	3.24	8035265	6.2	8035343	6.26	8035449	2.22
8035216	3.24	8035266	6.2	8035344	6.26	8035450	2.22
3.26		8035276	7.6	8035345	6.26	8035451	2.22
8035217	3.30	8035278	4.2	8035346	6.26	8035452	2.22
8035218	3.30	4.4		8035347	6.24	8035453	2.22
8035219	3.30	8035279	4.10	8035348	6.26	8035454	2.22
8035220	3.30	4.20		8035349	6.26	8035455	2.22
8035221	3.30	8035281	6.4	8035350	6.24	8035456	2.22
8035222	3.30	8035282	6.4	8035351	6.26	8035457	2.22
8035223	3.16	8035283	6.4	8035352	6.26	8035458	2.22
3.18		8035284	6.4	8035353	6.26	8035459	2.22
3.30		8035285	6.4	8035354	6.24	8035460	2.22
8035224	3.30	8035288	5.4	8035355	6.24	8035461	2.22
8035225	3.30	8035292	4.12	8035356	6.26	8035462	2.22
8035226	3.28	4.22		8035357	6.26	8035463	2.22
8035227	3.28	8035293	6.16	8035358	6.24	8035464	2.22
8035228	3.28	8035294	2.24	8035359	6.26	8035466	2.22
8035229	3.28	8035297	4.22	8035360	6.24	8035467	2.22
8035230	3.28	8035298	4.14	8035361	6.24	8035468	2.22
8035231	3.28	8035299	4.14	8035362	6.24	8035470	2.22
8035232	3.28	8035302	3.16	8035363	6.24	8035471	2.22
8035234	3.28	3.18		8035364	6.24	8035472	2.22
8035235	3.28	8035303	3.16	6.26		8035473	2.22
8035236	3.14	3.18		8035365	6.26	8035474	2.24
8035237	3.14	8035304	3.16	8035366	6.26	8035490	2.24
8035238	3.34	3.18		8035367	6.24	8035523	2.24
8035239	3.26	8035305	3.16	8035368	6.24	8035524	2.24
8035240	3.8	3.18		8035369	6.24	8035525	2.24
8035241	3.8	8035308	6.14	8035370	6.24	8035526	2.24
8035242	3.8	8035309	6.14	8035371	6.26	8035527	2.24
8035243	3.10	8035310	6.14	8035372	6.26	8035528	2.24
8035244	3.10	8035311	6.14	8035373	6.26	8035529	2.24
8035245	3.10	8035312	6.14	8035374	6.26	8035606	2.24
8035248	3.16	8035314	6.16	8035375	6.26	8035719	7.6
3.18		8035315	6.16	8035376	6.26	8035721	2.24
8035249	3.16	8035316	6.16	8035377	6.24	8035723	2.24
3.18		8035317	6.16	8035378	6.24	8035803	2.20
8035250	3.16	8035318	6.16	8035379	6.24	8035804	2.20
3.18		8035319	6.16				

PART NUMBER INDEX

Part Number	Page	Part Number	Page	Part Number	Page	Part Number	Page
8036009	2.6	8223045	7.6	8277143	4.14	2.6	
8036010	2.6	8223046	7.2	8277162	4.2	2.8	
8036011	2.6	7.4		4.4		2.24	
8036013	2.6	8223048	7.2	7.6		8303675	4.2
8036014	2.6	7.4		8278008	4.6	4.4	
8036015	2.6	8223226	6.22	4.16		4.10	
8036017	2.6	8223227	6.22	8278021	4.2	5.4	
8036479	7.6	8223228	7.6	4.4		5.18	
8036488	3.34	8223229	7.6	4.14		8303679	1.4
8037080	6.8	8223436	7.2	8278022	4.2	8303681	5.18
8037206	2.22	7.4		4.4		9.2	
8040252	1.2	8223438	7.2	4.14		9.4	
8040253	1.2	7.4		8278023	4.6	9.6	
8050001	1.2	8223526	6.22	4.16		8303683	5.16
9.6		8223527	4.10	8278024	4.6	8303697	4.6
8050002	1.2	4.20		4.16		4.10	
8065061	9.10	8223529	7.6	8278026	2.2	4.16	
8065062	9.8	8223533	7.6	2.24		4.20	
9.20		8225117	7.2	8301456	9.28	8303703	5.16
8065634	9.22	7.4		8302406	1.4	8303705	2.18
8065640	1.2	8229233	7.2	8302418	9.8	8303713	9.4
6.14		8229237	7.2	8303034	2.2	8303715	5.2
8124126	9.10	8229238	7.2	8303114	1.4	5.8	
8127012	9.8	8229243	7.4	8303116	3.54	5.10	
8127013	9.10	8229244	7.4	8303538	1.2	5.12	
8160073	2.12	8229245	7.4	8303540	1.4	5.24	
2.14		8262134	4.14	8303548	2.10	9.20	
8160610	2.12	8262135	4.14	8303551	1.2	8303729	4.2
2.14		8262139	4.2	8303615	2.12	8303735	9.8
8162003	2.12	4.4		2.14		8303739	1.4
2.14		8270134	7.6	8303618	4.2	2.4	
8162213	2.14	8270135	7.6	8303620	9.2	4.22	
8180311	4.6	8270136	7.6	9.4		9.22	
4.16		8270137	7.6	9.6		8303743	4.6
5.20		8270220	4.2	9.8		4.16	
5.22		4.4		8303621	4.2	8303744	1.4
8205514	6.20	8270221	4.2	4.4		8303752	1.2
8205545	6.20	4.4		4.6		8303755	2.16
8205546	6.20	8270620	7.2	4.14		3.54	
8205547	6.20	7.4		4.16		8303757	5.2
8205548	6.20	8270621	7.2	8303622	9.6	8303758	5.18
8205655	6.18	7.4		8303624	5.16	8303759	5.10
6.20		8272013	4.14	9.10		5.12	
8205661	6.20	8272017	4.2	8303625	1.2	8303770	9.22
8220345	7.2	4.4		1.4		8303771	9.8
7.4		8273022	4.10	9.4		8303772	9.12
8220346	7.2	4.20		9.8		8303778	4.20
7.4		8273297	4.10	8303626	5.4	8303782	1.2
8223025	7.2	4.20		9.28		9.6	
7.4		8274022	4.12	8303634	9.14	8303790	2.12
8223029	2.20	4.22		9.16		4.2	
8223036	7.2	8275036	4.8	9.18		4.4	
7.4		4.18		9.20		8303794	9.6
8223037	7.2	8275037	4.8	9.22		8303799	2.10
7.4		4.18		8303638	9.12	2.12	
8223039	7.4	8275209	4.12	8303658	2.16	8303836	1.4
8223040	7.4	4.22		8303660	9.6	2.10	
8223043	7.4	8275212	4.8	8303666	9.12	4.12	
8223044	7.4	4.18		8303670	1.4	4.22	
		8275240	4.8	2.2		7.2	
						7.4	

PART NUMBER INDEX

Part Number	Page	Part Number	Page	Part Number	Page	Part Number	Page
8303837	2.12	9.18		3.38		4.2	
2.14		9.20		3.54		4.4	
4.12		9.22		4.10		4.14	
4.22		8305644	1.2	5.4		5.10	
7.2		1.4		5.10		5.12	
8304672	2.20	2.16		5.12		8307111	1.4
8305002	2.12	7.2		5.16		7.2	
2.14		7.4		5.18		8307112	1.2
7.4		7.6		9.2		1.4	
8305003	2.20	9.6		9.4		9.24	
7.6		9.12		9.6		9.28	
8305004	5.16	9.24		9.8		8307113	4.2
7.2		9.28		8307007	1.2	4.4	
7.4		8305645	1.4	5.4		4.14	
7.6		2.6		5.16		1.12	
8305006	5.2	2.8		9.4		1.14	
8305008	5.16	4.2		9.8		8307202	1.4
8305012	5.16	4.4		9.10		2.2	
9.28		4.6		9.28		4.6	
8305402	2.12	4.14		8307010	2.2	4.16	
2.14		4.16		2.24		5.8	
8305404	2.6	7.6		8307023	2.16	5.18	
2.8		9.10		3.54		5.24	
8305439	7.2	9.22		4.2		7.2	
7.4		8305646	9.10	4.4		8307203	2.2
8305603	4.6	8305647	1.12	4.20		2.4	
7.6		1.14		8307024	2.10	2.24	
8305619	9.12	8305650	2.12	2.12		5.4	
8305624	1.4	2.14		7.2		9.22	
2.2		8305906	1.4	7.4		8307204	2.6
4.2		2.2		8307025	2.12	2.8	
4.4		2.4		3.2		4.6	
4.6		2.24		3.4		4.16	
4.14		8307002	2.12	3.6		7.6	
4.16		2.14		4.2		8307206	2.4
5.8		2.18		4.4		2.16	
5.24		4.2		4.14		5.4	
7.2		4.6		5.20		5.16	
7.4		4.16		8307049	3.54	8307210	1.2
7.6		5.16		8307104	9.10	8307703	1.2
8305626	1.2	5.18		9.12		9.6	
1.4		7.2		8307106	1.4	8307904	9.12
2.4		7.6		2.6		9.20	
2.6		8307003	2.10	2.8		8307918	9.12
2.8		2.12		4.6		9.20	
4.6		2.14		4.10		8310009	2.4
4.10		2.20		4.16		5.2	
4.16		4.12		4.20		8310016	2.4
4.20		4.22		4.22		8310019	9.10
4.22		7.4		5.4		8310026	4.2
5.8		8307004	1.4	8307107	4.2	4.4	
5.24		2.2		4.4		4.6	
6.22		2.4		4.14		4.14	
9.22		2.24		8307109	1.4	4.16	
8305634	1.2	4.6		2.10		7.4	
8305643	4.2	4.16		2.12		7.6	
4.4		5.2		2.14		8310038	3.54
4.14		5.4		4.6		8310050	1.2
9.6		5.8		4.16		8310060	1.2
9.12		5.10		7.2		8310061	1.2
9.14		5.12		7.4		9.8	
9.16		5.24		8307110	1.4	8310066	1.2

PART NUMBER INDEX

Part Number	Page	Part Number	Page	Part Number	Page	Part Number	Page
8310067	1.2	5.12		8405210	5.4	6.20	
2.2		8310347	1.12	8405212	4.20	9.2	
2.24		1.14		8405301	4.10	9.6	
9.6		8310348	1.12	4.20		9.12	
8310085	1.4	1.14		8405305	4.20	8520021	1.2
2.4		8310350	2.20	8405306	4.10	8526015	4.12
7.2		8310353	2.2	8405307	4.10	4.22	
8310089	5.2	2.4		4.20		8526036	3.4
8310093	9.12	2.24		8406302	5.20	3.6	
8310104	4.6	8310355	9.8	7.2		9.2	
4.16		8310356	3.2	7.4		9.4	
8310109	4.2	3.4		7.6		9.6	
4.4		3.6		8410009	4.12	9.8	
4.14		8310357	5.8	4.22		8526042	2.2
8310116	1.2	5.24		8410013	4.22	2.24	
8310124	2.2	8310358	2.4	8420053	5.24	8526049	1.2
2.24		7.2		9.20		8526051	5.10
8310160	9.20	7.4		9.22		5.12	
8310161	9.20	8310359	2.20	8420055	5.24	8528071	1.12
8310164	4.2	8310360	2.4	9.20		1.14	
4.4		8310364	4.2	9.22		8528074	1.12
4.14		4.4		8430005	5.24	1.14	
5.20		8310366	7.2	9.20		8528080	1.12
8310165	5.2	7.4		9.22		1.14	
8310195	9.24	8310372	2.20	8430006	5.24	8528101	1.12
8310266	9.12	8310375	2.2	9.20		1.14	
9.14		2.24		9.22		8528105	1.12
9.16		8310380	5.4	8430007	4.12	1.14	
9.18		8310395	5.10	8430032	5.2	1.14	
8310269	9.6	8310402	2.4	5.4		8530030	5.4
8310276	9.12	8320242	4.14	5.14		8530035	5.4
9.14		8320262	4.2	5.16		8530036	5.4
9.16		4.4		5.18		8541404	4.12
9.18		8320265	6.22	8430043	5.2	4.22	
8310281	5.16	8320270	4.12	5.14		8541433	9.22
8310284	9.8	8322034	6.22	8430072	4.12	8551001	4.10
8310289	4.2	8322036	4.12	4.22		4.20	
4.4		4.22		8430081	5.4	8580118	2.20
4.14		8324029	6.22	5.14		8580315	9.20
8310295	1.2	8340034	2.12	8430082	5.2	8580420	4.6
8310297	3.2	2.14		5.4		4.16	
3.4		8340035	1.4	5.16		8580421	2.4
3.6		8340036	1.4	5.18		7.2	
8310300	7.2	8342416	1.4	8430092	4.12	7.4	
7.4		8342807	1.4	4.22		8582426	7.4
8310301	2.2	8342808	1.4	8430093	4.12	8584001	5.10
2.24		2.22		4.22		5.12	
8310315	2.20	8382017	9.24	8430094	4.12	9.20	
8310317	3.54	8405009	4.12	4.22		9.22	
8310318	7.6	4.22		4.22		8584003	4.2
8310326	5.2	8405104	4.6	8440154	5.4	5.2	
8310327	5.2	4.12		6.2		5.10	
8310333	4.2	4.16		8464013	6.22	5.12	
4.4		4.22		8466310	1.12	5.20	
4.14		8405202	4.12	1.14		5.22	
8310334	1.4	4.22		8467017	7.2	7.2	
8310339	1.2	8405203	4.6	7.4		8630008	5.4
8310345	5.10	4.16		8501046	7.4	8630009	5.4
5.12		8405209	4.8	8520013	1.2	8630010	2.4
8310346	5.10	4.18		6.14		8630014	5.10

PART NUMBER INDEX

Part Number	Page	Part Number	Page	Part Number	Page	Part Number	Page
5.12		5.12		8770088	5.10	5.10	
8640017	6.4	8769123	5.2	5.12		5.12	
8640028	9.20	5.8		5.16		5.16	
9.22		5.10		8770089	5.10	8770118	5.8
8640029	9.20	5.12		5.12		8770119	5.2
9.22		5.24		5.16		8770120	5.2
8640032	9.20	8769128	5.2	8770091	5.14	8770124	5.8
9.22		5.8		8770093	5.14	8770125	5.2
8640123	5.4	5.24		8770094	5.10	5.10	
8642001	9.22	8769132	9.20	5.12		5.12	
8642207	9.20	8769136	5.8	5.16		5.16	
8642224	9.2	5.24		8770095	5.14	5.18	
8642234	9.6	8770001	6.22	8770096	5.14	8770126	5.2
8642235	9.22	8770012	9.20	8770097	5.14	5.4	
8642237	9.10	8770016	9.20	8770098	5.14	5.10	
8660010	4.12	8770047	5.18	8770100	5.14	5.12	
4.22		8770066	5.16	8770102	5.2	5.16	
8660011	4.12	5.24		8770103	5.26	8770128	5.2
4.22		8770068	5.2	8770104	5.2	8770129	5.2
8700116	2.12	5.10		5.16		5.24	
2.14		5.12		5.24		8770131	5.2
8702156	1.4	5.14		8770105	5.10	8770132	5.4
8702157	1.4	5.16		5.12		8770136	5.24
8702158	1.4	5.18		5.14		8770137	5.18
8720016	2.20	5.24		5.16		8770140	5.24
8720017	2.20	5.26		5.18		8770141	5.24
8721029	5.2	8770069	5.10	8770106	5.4	8770142	5.24
6.4		5.12		5.10		8770143	5.24
8750009	5.8	5.14		5.12		8770144	5.10
5.24		5.16		5.14		5.12	
8750011	5.10	8770070	5.6	5.16		8770145	5.10
5.12		5.16		5.18		5.12	
8750012	5.2	5.20		5.24		8780031	3.52
5.10		5.22		5.26		8786514	3.52
5.12		8770072	5.8	8770107	5.16	8841030	3.54
8750014	5.2	5.24		5.26		8841031	3.8
5.8		8770074	5.8	8770108	5.16	3.10	
5.24		5.24		5.18		3.54	
8750015	5.2	8770075	5.8	5.26		8841032	3.54
5.10		5.24		8770111	5.14	8864019	2.6
5.12		8770076	5.8	5.16		8864053	2.6
8750016	5.2	5.24		5.18		8864055	2.8
5.8		8770077	4.2	5.26		8864056	2.8
5.10		5.20		8770112	5.4	8864057	2.6
5.12		5.22		5.16		8864058	2.6
5.24		8770078	5.4	5.26		8864060	2.8
8750017	5.2	8770079	4.2	8770113	5.2	8866341	4.6
5.10		5.4		8770114	5.2	4.16	
5.12		5.6		5.8		8866471	4.18
8760110	9.22	5.16		5.14		8866514	2.10
8760113	9.20	8770080	4.2	8770115	5.2	8866515	2.10
8760117	9.22	8770081	5.20	5.8		8866516	2.10
8760311	9.20	5.22		5.10		8866529	2.10
8760313	9.20	8770083	5.20	5.12		8866530	2.10
8760409	9.20	5.22		5.16		8902111	5.2
8760419	6.22	8770084	5.4	8770116	5.2	8902164	5.14
8760451	5.10	8770085	5.6	5.4		6.4	
5.16		8770086	5.6	5.14		8902167	5.16
8760475	9.20	8770087	5.10	5.16		6.24	
8760478	5.10	5.12		5.24		6.26	
		5.16		8770117	5.2		

PART NUMBER INDEX

Part Number	Page	Part Number	Page	Part Number	Page	Part Number	Page
8902169	5.14						
6.4							
8902170	5.2						
6.4							
8902172	5.16						
8902174	5.18						
8902175	5.2						
5.16							
5.24							
6.4							
8902181	5.18						
8902271	6.14						
8902511	6.20						
8902691	5.14						
8904056	5.4						
6.6							
8904057	5.10						
5.12							
6.4							
8904058	5.10						
5.12							
6.4							
8990122	2.2						
91474088	3.16						
3.18							
91474169	3.28						
NSS	2.24						

SKYTRAK®



*JLG Industries, Inc.
1 JLG Drive
McConnellsburg PA. 17233-9533
USA
Phone: (717) 485-5161
Customer Support Toll Free: (877) 554-5438
Fax: (717) 485-6417*

JLG Worldwide Locations

JLG Industries (Australia)
P.O. Box 5119
11 Bolwarra Road
Port Macquarie
N.S.W. 2444
Australia
Phone: (61) 265 811 111
Fax: (61) 265 810 122

JLG Latino Americana Ltda.
Rua Eng. Carlos Stevenson,
80-Suite 71
13092-310 Campinas-SP
Brazil
Phone: (55) 193 295 0407
Fax: (55) 193 295 1025

JLG Industries (UK)
Unit 4 & 5
Bentley Avenue
M24 2GP Middleton
Stockport
England
Phone: (44) 161 654 1000
Fax: (44) 161 654 1003

JLG EQS
Z.I. De Beaulieu
47400 FUILLET
France
Phone: (33) 553 848 584
Fax: (33) 553 848 588

JLG Deutschland GmbH
Max Planckstrasse 21
D-27721 Ritterhude/Ilhpohl
Bei Bremen
Germany
Phone: (49) 421 693 500
Fax: (49) 421 693 5035

JLG Equipment Services Ltd.
Rm 1107 Landmark North
39 Lung Sum Avenue
Sheung Shui N.T.
Hong Kong
Phone: (852) 2639 5783
Fax: (852) 2639 5797

JLG Industries (Italia)
Via Po. 22
20010 Pregnana Milanese - MI
Italy
Phone: (39) 029 359 5210
Fax: (39) 029 359 5845

JLG Europe B.V.
Polaris Avenue 63
2132 JH Hoofddorp
The Netherlands
Phone: (31) 235 655 665
Fax: (31) 235 572 493

JLG Polska
Ul. Krolewska
00-060 Warszawa
Poland
Phone: (48) 914 320 245
Fax: (48) 914 358 200

JLG Industries (Scotland)
Wright Business Centre
1 Lonmay Road
Queenslie, Glasgow G33 4EL
Scotland
Phone: (44) 141 781 6700
Fax: (44) 141 773 1907

Plataformas Elevadoras
JLG Iberica, S.L.
Trapadella, 2
P.I. Castellbisbal Sur
08755Castellbisbal, Barcelona
Spain
Phone: (34) 937 724 700
Fax: (34) 937 711 762

JLG Industries (Sweden)
Enkopingsvagen 150
Box 704
SE - 17527 Jarfalla
Sweden
Phone: (46) 850 659 500
Fax: (46) 850 659 534
