

SKYTRAK[®]

Illustrated Parts Manual

Model ***4266***

8990367

July 2000

ANSI



JLG[®]

Table of Contents

	Page		Page
SECTION 1 – MAIN FRAME AND GUARDS		SECTION 4 – POWER PLANT	
Main Frame	2	Engine Mounting	94
Covers and Guards	4	Radiator and Oil Cooler	96
SECTION 2 – OPERATOR’S CAB AND CONTROLS		Exhaust System	98
Open Cab - Outer Panels	6	Air Cleaner	100
Open Cab - Inner Console and Dash Panel	8	Fuel System	102
Operator’s Seat and Seat Belt	10	SECTION 5 – HYDRAULIC CIRCUITS	
Operator’s Seat and Seat Belt (Optional)	12	Power Steering Circuit	104
Mirrors	14	Unloader Valve Circuit	106
Throttle Pedal Control	16	Boom Lift/Lower & Extend/Retract Circuit	108
Service Brake Pedal Mounting	18	Attachment Tilt and Slave Circuit	110
Joystick Mounting	20	Frame Tilt and Stabilizer Circuit	112
Steering Column, Steering Wheel and Shifter	22	Service Brake and De-Clutch Circuit	114
SECTION 3 – DRIVE TRAIN		Valve Plate Assy w/o Aux Hydraulics	116
Drive Shaft - Transfer Box to Front Axle	24	Valve Plate Assy w/Aux Hydraulics	118
Drive Shaft - Transfer Box to Rear Axle	26	Valve Plate Assy w/Aux Detent Hydraulics	120
Drive Shaft - Transmission to Transfer Box	28	Transmission Cooling Circuit	122
Transfer Box	30	Auxiliary Hydraulic Circuit (Optional)	124
Front Axle - Input	32	Joystick Circuit	126
Front Axle - Limited Slip Differential	34	SECTION 6 – HYDRAULIC COMPONENTS	
Front Axle - Axle Casing	36	Main Pump	128
Front Axle - M-Disc Brake	38	Directional Control Valves 1 of 2	130
Front Axle - Brake	40	Directional Control Valves 2 of 2	132
Front Axle - Joint Housing	42	Stabil-Trak Cylinder	134
Front Axle - Planetary Drive	44	Unloader Valve	136
Rear Axle - Input	46	Slave Cylinder	138
Rear Axle - Differential	48	Frame Tilt Cylinder	140
Rear Axle - Axle Casing	50	Attachment Tilt Cylinder	142
Rear Axle - M-Disc Brake	52	Hoist Cylinder	144
Rear Axle - Brake	54	Extend Cylinder	146
Rear Axle - Joint Housing	56	Swing Carriage Cylinder (Early Production) (Optional)	148
Rear Axle - Planetary Drive	58	Swing Carriage Cylinder (Current Production) (Optional)	150
Steering Cylinder	60	Side Tilt Carriage Cylinder (Early Production) (Optional)	152
Engine Connection and Converter	62	Side Tilt Carriage Cylinder (Current Production) (Optional)	154
Input Shafts	64	Hydraulic Reservoir	156
Gearbox Housing	66	Main Control Valve (Boom Extend & Hoist Sections)	158
Coupling Group 1	68	Main Control Valve (Frame Tilt, Attachment Tilt & Auxiliary Hydraulic Sections)	160
Coupling Group 2	70	SECTION 7 – ELECTRICAL	
Coupling Group 3	72	Electrical System - Cab Harness	162
Coupling Group 4	74	Electrical System - Engine Harness	164
Reversing Gear Group 1	76		
Reversing Gear Group 2	78		
Output	80		
Control Unit	82		
Valve Housing Assembly	84		
Valve Block Assembly	86		
Oil Pump and Filter	88		
Wheels and Tires	90		
Transmission and Transfer Box Mounting	92		

Page

SECTION 8 – DECALS AND PAINT

Decals and Paint 166

SECTION 9 – BOOM AND ATTACHMENTS

Inner Boom 168
Intermediate Boom 170
Outer Boom 172
Boom Extend Chain..... 174
Boom Retract Chain 176
Quick Attach 178
48" Carriage 180
60" Carriage
 (Optional) 182
72" Carriage
 (Optional) 184
Swing Carriage
 (Optional) 186
Side Tilt Carriage
 (Optional) 188
12 Ft Truss Boom
 (Optional) 190
Utility Bucket
 (Optional) 192
Sheet Material Handler
 (Optional) 194

PART NUMBER INDEX

The parts information in this publication is based on data available at the time it was printed. Because of continual improvement and advancing product design, your vehicle may not be identical to the parts information shown. Whenever there is a question, obtain the latest parts information available from your local dealer. JLG Industries, Inc. continually updates these publications electronically within our *OnLine Services*.



Benefits

- Available 24 hours a day, 7 days a week for your convenience.
- Prices and parts manuals are always current - reduces errors and saves time.
- Improves service to your customers with quick access to valuable information.
- Reduces time required to gather information.
- Reduces processing time for warranty claims.

Program Features

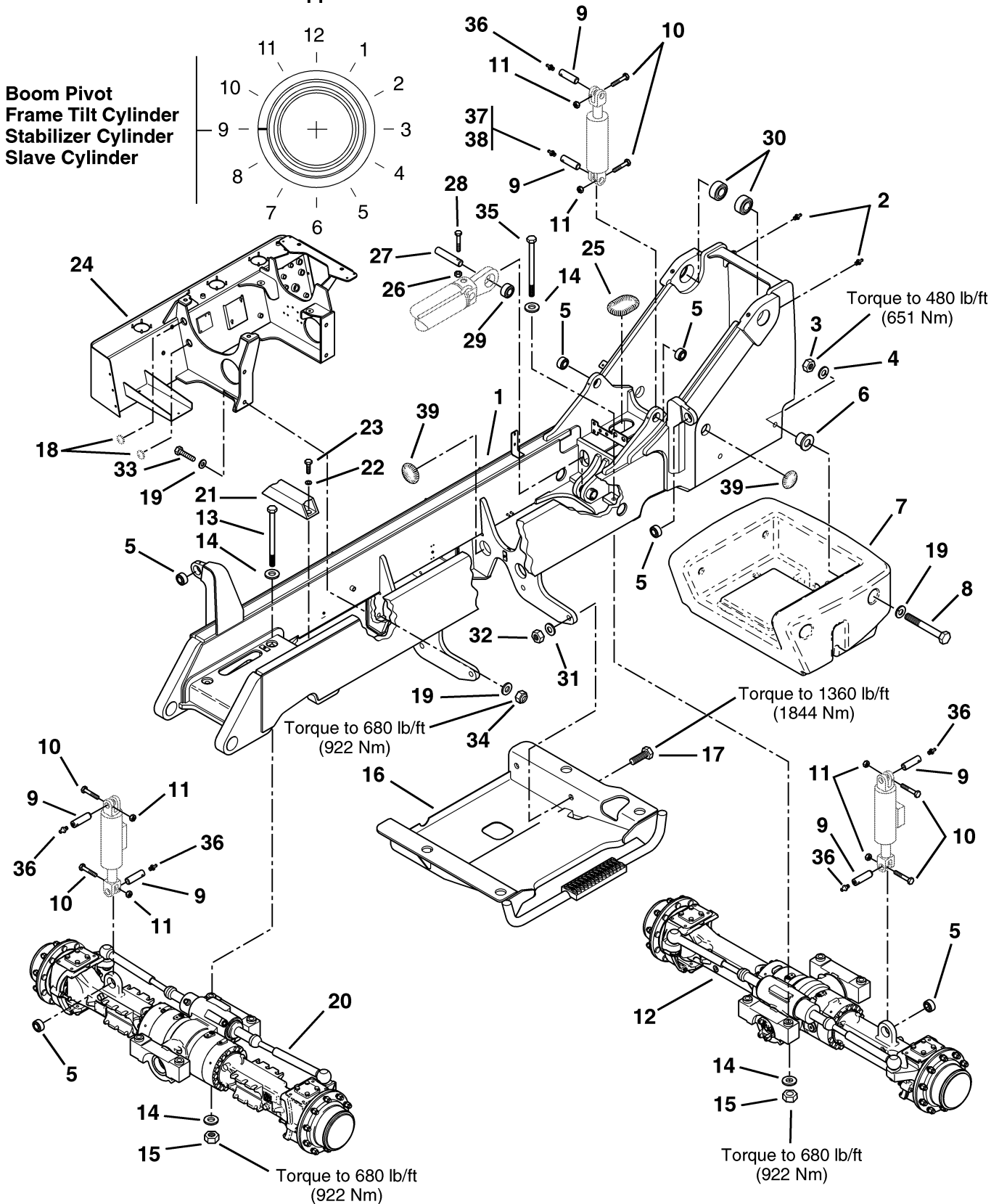
- In a few easy steps you can:
- Look-up prices and availability.
- Identify parts using graphical parts manuals.
- Enter orders using part numbers, or order by selecting from graphical parts manuals.
- Review order status.
- Review invoices and credits.
- Review shipping information.
- Submit warranty claims

Visit Us at

<http://www.jlg.com>

MAIN FRAME

Orient Fracture in Bearing Outer Race at Clock Position Shown for Each Application

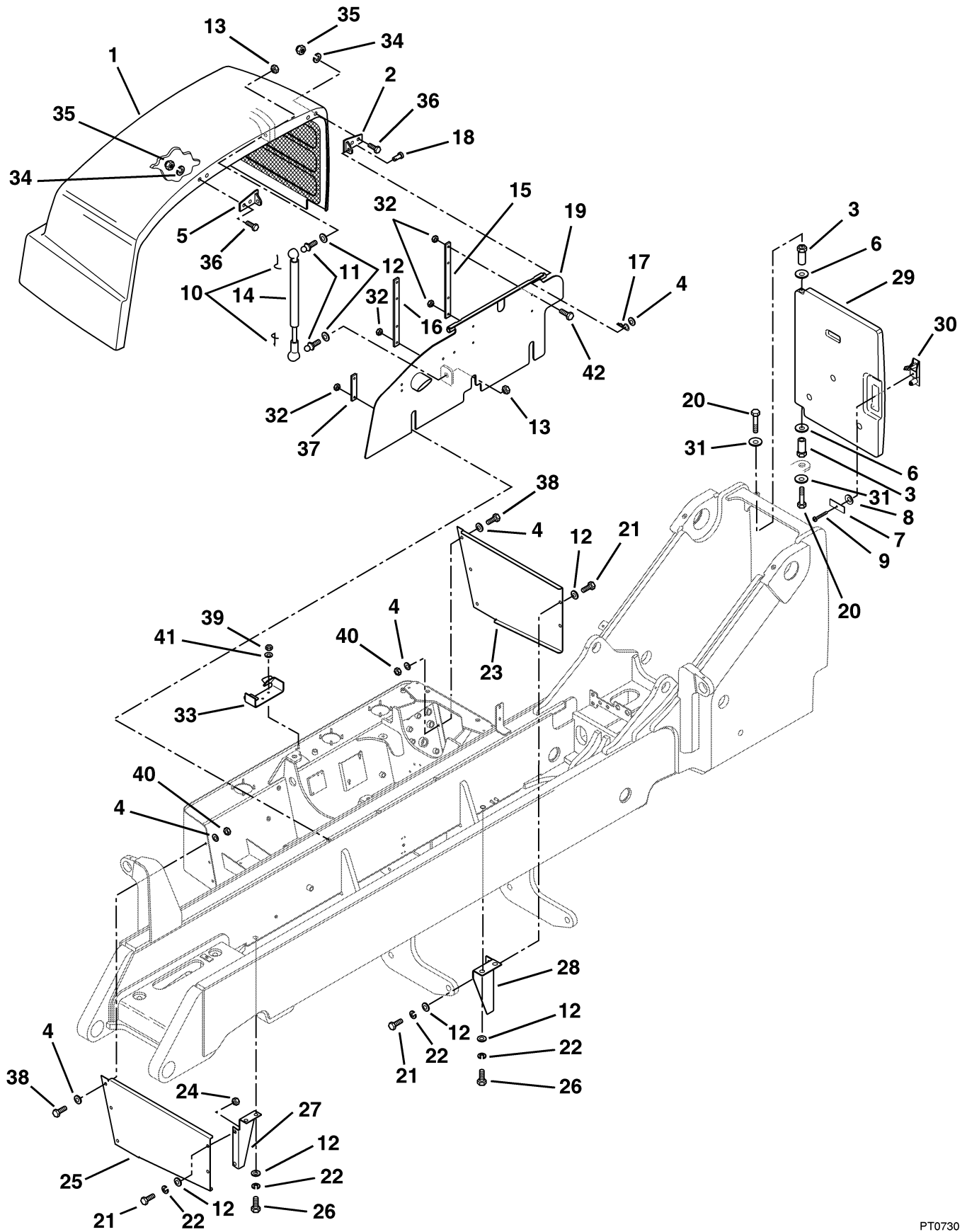


PT0700

MAIN FRAME

Item No.	Part Number	Qty.	Description
1	7138741	1	Frame, Main
2	8520013	2	Fitting, Lube, 1/8 Self Tapping
3	8310116	4	Nut, Hex Lock 1-8
4	8310512	4	Shim
5	8050001	6	Bearing, Self Align 1-1/2" I.D.
6	7139095	4	Bushing
7	7138837	1	Counterweight
8	8310080	4	HHCS, 1-8 x 7" Gr. 8
9	7137142	8	Pin, Slave Cylinder
10	8303752	8	HHCS, 5/16-18 x 3-1/2"
11	8305626	8	Nut, Hex Lock 5/16-18
12	8040270	1	Axle, Rear
13	8310480	4	HHCS, 1-8 x 14" Gr. 8
14	8310061	16	Washer, Flat 1"
15	8310481	8	Nut, Hex Lock Elastic 1-8
16	7136794	1	Mount, Cab
17	8310285	4	HHCS, 1-8 x 3" Gr. 8
18	7124331	2	Conduit 1/2" Dia. (60" Cut to Fit)
19	8310061	12	Washer, 1" Hardened
20	8040269	1	Axle, Front
21	5752022	1	Bumper
22	8307112	2	Washer, Flat 1/2"
23	8303693	2	HHCS, 1/2-13 x 2-1/2"
24	7137164	1	Hydraulic Reservoir/Engine Mount
25	7139248	4	Conduit 3/4" Dia (60" Cut to Fit)
26	8305644	1	Nut, Hex Lock 1/2-13
27	7137092	1	Pin, Hoist Cylinder
28	8303782	1	HHCS, 1/2-13 x 4"
29	8065640	1	Bearing, Self Align 2" I.D.
30	8050007	2	Bearing, Self Align 2-1/2" I.D.
31	8307211	4	Washer, Flat 1-1/4"
32	8310417	4	Nut, Hex Lock 1-1/4"
33	8303538	4	HHCS, 1-8 x 3" Gr. 8
34	8310481	4	Nut, Hex Lock 1"
35	8310479	4	HHCS, 1-8 x 11" Gr. 8
36	8520001	6	Fitting, Lube 1/8
37	8520003	1	Fitting, Grease - Right Side Cylinder
38	8520001	1	Fitting, Lube 1/8 - Left Side Cylinder
39	7139249	9	Conduit 1" Dia. (60" Cut to Fit)

COVERS AND GUARDS

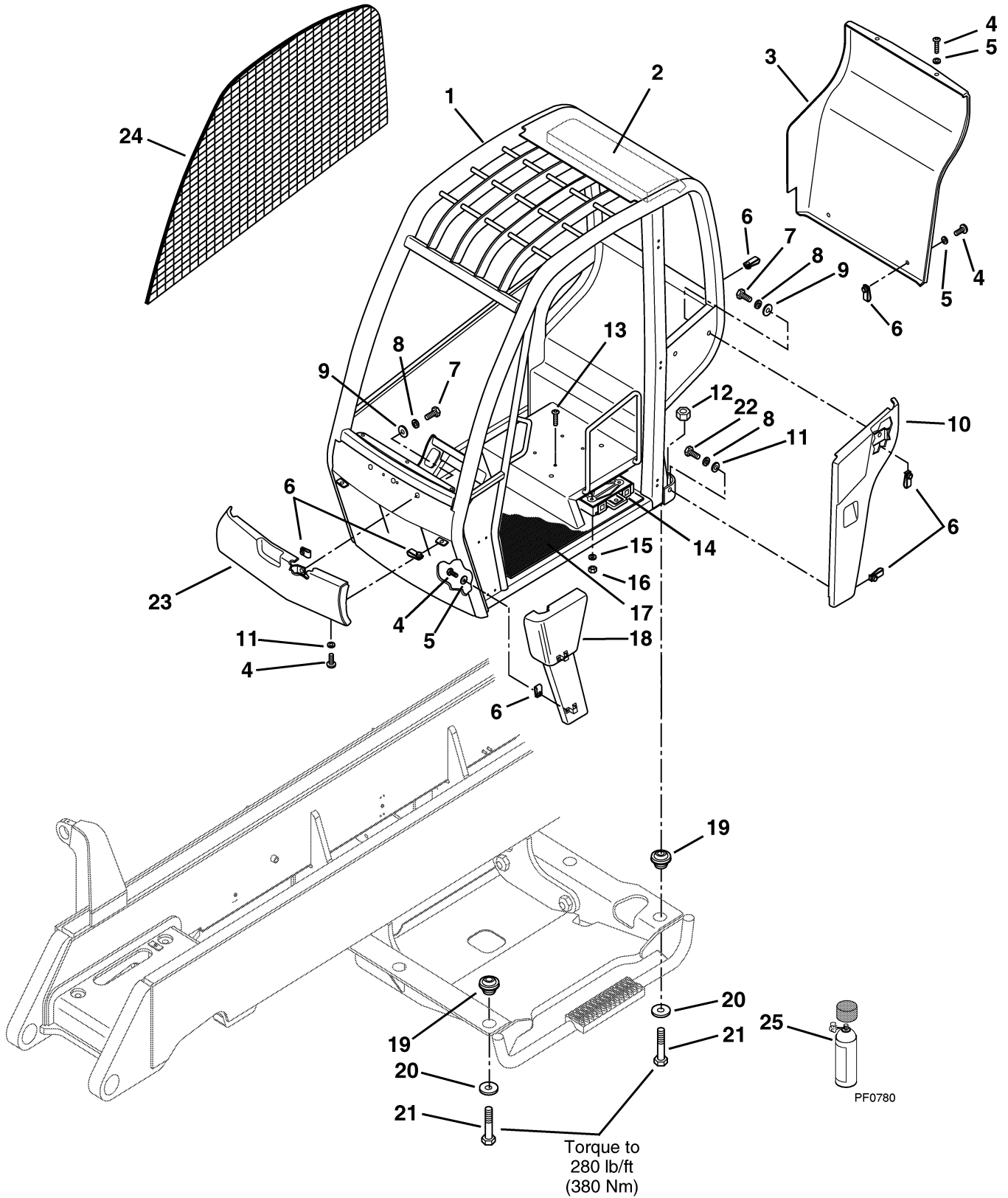


PT0730

COVERS AND GUARDS

Item No.	Part Number	Qty.	Description
1	7138260	1	Hood, Engine
2	7138265	1	Hinge, Hood - Rear
3	7138280	2	Bushing
4	8307110	14	Washer, Flat 3/8" Narrow
5	7138264	1	Hinge, Hood - Front
6	8307204	AR	Washer, Flat 3/8"
7	7138321	1	Plate, Latch
8	8310441	1	Spacer, Round
9	8310439	1	Screw, Pan Hd.
10	8702157	4	Spring, Clip
11	8340035	4	Ball Stud - 13mm
12	8307106	12	Washer, Flat 5/16"
13	8305626	10	Nut, Hex Lock Elastic 5/16-18
14	8702160	2	Spring, Gas
15	7138342	1	Stiffener, Flat
16	7138682	1	Stiffener, Flat
17	8302406	2	Pin, Cotter
18	8310334	2	Pin, Clevis 3/8" Dia.
19	7138262	1	Panel, Engine
20	8303621	2	HHCS, 3/8-16 x 1-1/2"
21	8303670	8	HHCS, 5/16-18 x 1"
22	8307004	8	Washer, Lock 5/16"
23	7137343	1	Cover, Engine - Rear
24	8305906	4	Nut, Retainer 5/16-18
25	7137333	1	Cover, Engine - Front
26	8303744	4	HHCS, 5/16-18 x 1/2"
27	7138828	1	Bracket, Cover - Front
28	7138829	1	Bracket, Cover - Rear
29	7138279	1	Cover, Rear
30	8342416	2	Latch, Adjustable Trigger
31	8307112	2	Washer, Flat 1/2" Heavy
32	8305644	10	Nut, Hex Lock Elastic 1/2-13
33	7138271	1	Bracket, Striker
34	8307109	4	Washer, Flat SAE Light 1/4"
35	8305624	4	Nut, Hex Lock Elastic 1/4-20
36	8303615	4	HHCS, 1/4-20 x 1-1/4" Gr. 5
37	7138843	1	Stiffener, Flat
38	8303738	6	HHCS, 3/8-16 x 7/8" Gr. 5
39	8305006	2	Nut, Hex 5/16-18
40	8305008	6	Nut, Hex 3/8-16
41	8307203	2	Washer, Flat 5/16"
42	8303626	4	HHCS, 1/2-13 x 1-1/2" Gr. 5

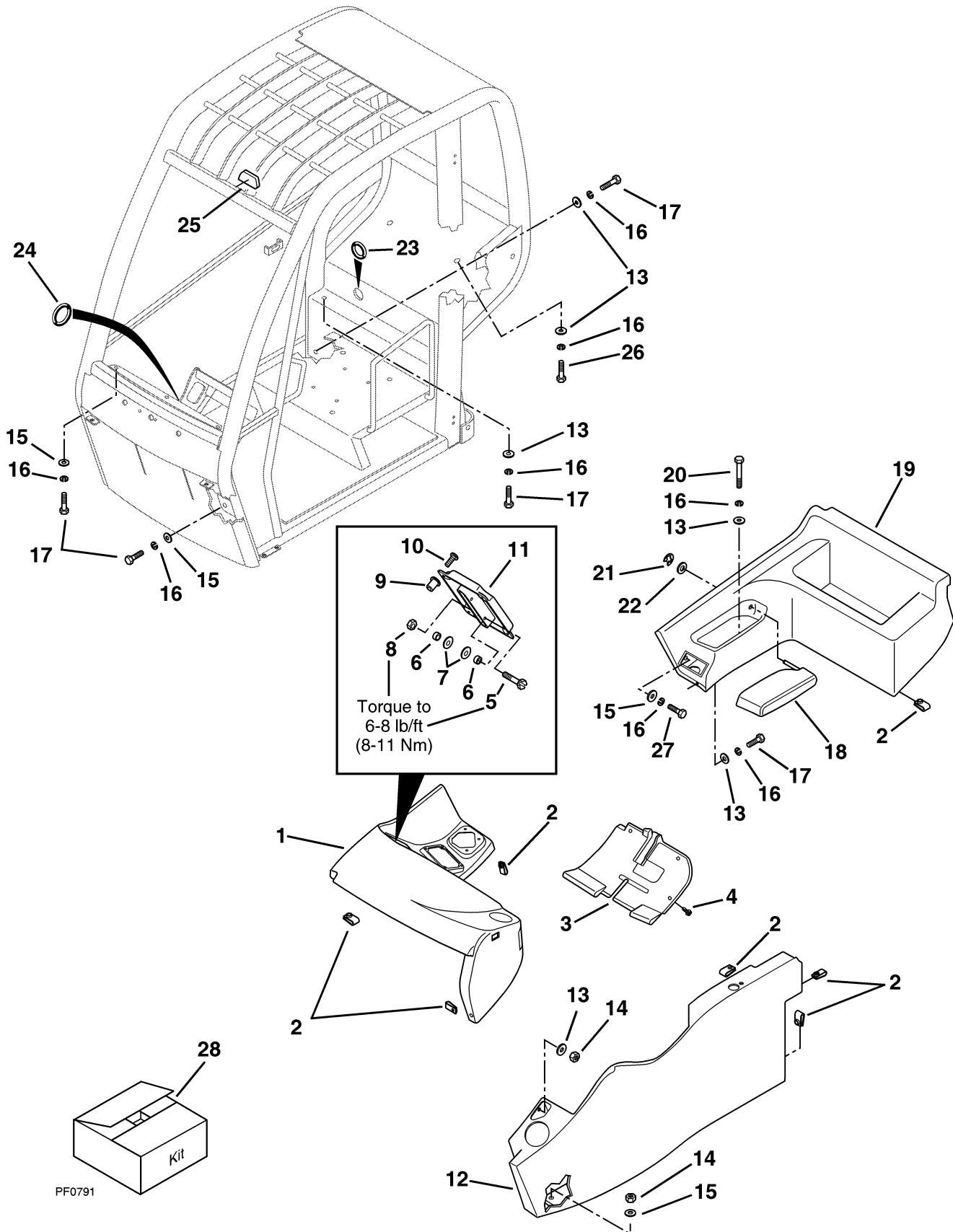
OPEN CAB - OUTER PANELS



OPEN CAB - OUTER PANELS

Item No.	Part Number	Qty.	Description
1	7137634	1	Operator's Protective Structure - ROPS/FOPS
2	7131412	1	Headliner
3	7130663	1	Panel, Cab Rear
4	8310301	10	BHCS, 5/16-18 x 1"
5	8310124	8	Washer, Flat Plastic 5/16"
6	8305906	13	Nut, Retaining 5/16-18
7	8303670	4	HHCS, 5/16-18 x 1"
8	8307004	5	Washer, Lock 5/16"
9	7057141	4	Washer, Rebound
10	7130653	1	Panel, Cab Rear - Left Side
11	8307203	3	Washer, Flat 5/16"
12	8310067	2	Nut, Hex Lock Elastic 3/4-10
13	8303034	4	BHCS, 1/4-20 x 3/4"
14	8990122	1	Holder, Owner/Operator Manual
15	8307202	4	Washer, Flat 1/4"
16	8305624	4	Nut, Hex Lock Elastic 1/4-20
17	7138963	1	Mat, Floor
18	7134453	1	Panel, Cab Front - Left Side
19	8278026	4	Isolator, Cab
20	7129441	4	Washer, Rebound
21	8310375	4	HHCS, 3/4-10 x 3-3/4" Gr. 8
22	8303739	1	HHCS, 5/16-18 NC x 1.25"
23	7138864	1	Panel, Cab Front
24	7137152	1	Kit, Mesh Plate - Right Side (Includes Urethane & Installation Instructions)
25	8526042	AR	Adhesive, 10 oz. Spray Can (For Item 17)

OPEN CAB - INNER CONSOLE AND DASH PANEL



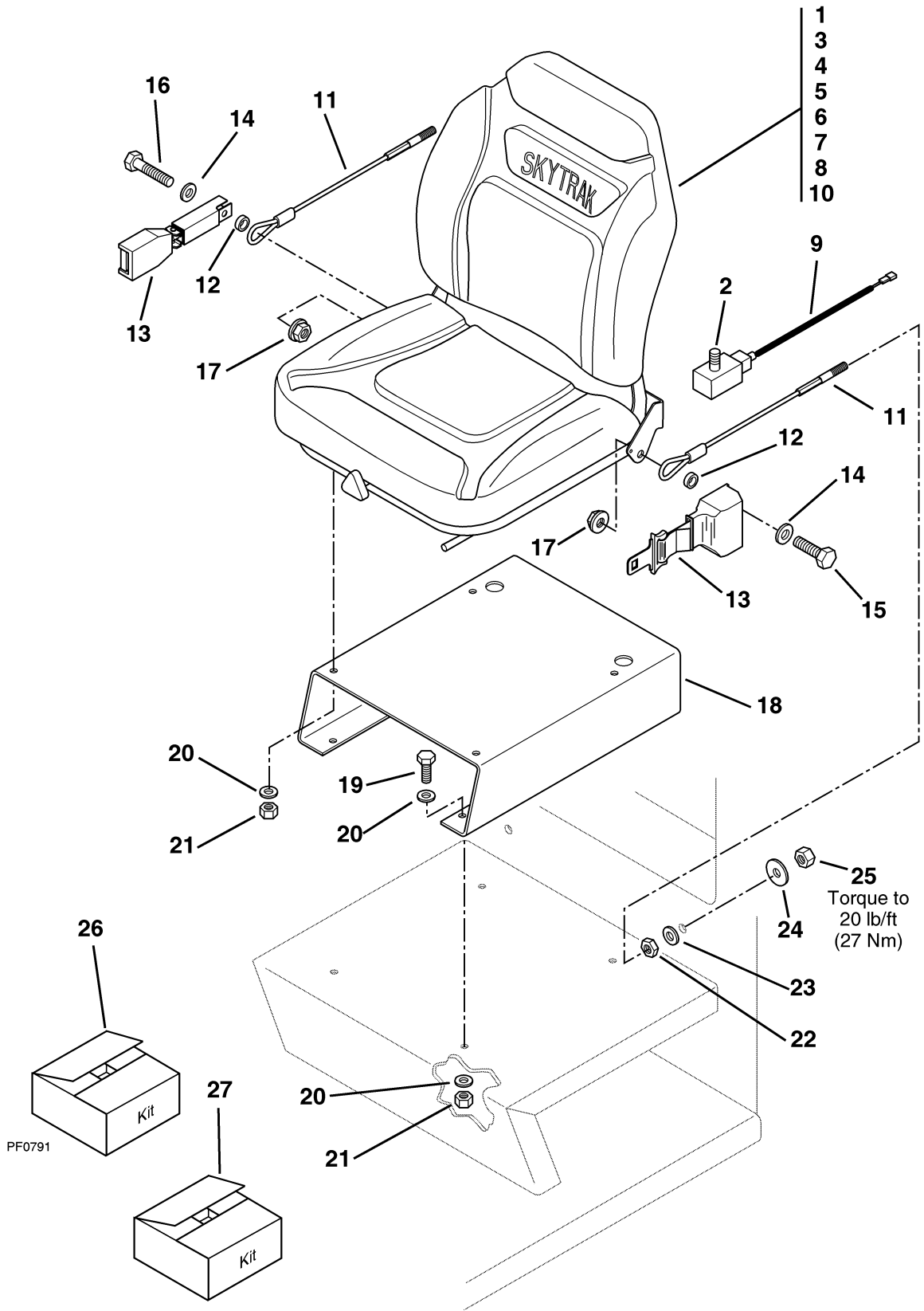
PF0791

PT0710

OPEN CAB - INNER CONSOLE AND DASH PANEL

Item No.	Part Number	Qty.	Description
1	7138839	1	Dash, Front (See Kits)
2	8310374	10	Nut, Retaining 5/16-18
3	7130773	1	Cover, Lower Dash (See Kits)
4	8310353	3	Screw, Self Drilling #12-14 x 1"
5	8310016	2	HHCS, Slotted #10-24 x 1"
6	8310402	4	Spacer
7	8310360	4	Washer, Fender
8	8310085	2	Nut, Hex Lock Elastic #10-24
9	8580421	4	Nut, Well #10-32 x 1/2" Long
10	8310358	4	BHCS, #10-32 x 3/4"
11	7131003	1	Holder, Load Chart
12	7130744	1	Support, Console (See Kits)
13	7057141	7	Washer, Rebound
14	8305626	2	Nut, Hex Lock Elastic 5/16-18
15	8307203	5	Washer, Flat 5/16"
16	8307004	10	Washer, Lock 5/16"
17	8303739	6	HHCS, 5/16-18 x 1-1/4"
18	7130862	1	Armrest
19	7130734	1	Tool Bin, Rear (See Kits)
20	8310009	1	HHCS, 5/16-18 x 2"
21	8630010	1	Ring, Retaining
22	8307206	1	Washer, Flat 1/2"
23	7124531	1	Conduit, 1/4 x 5" Long
24	7132751	1	Conduit, 1/4 x 9-1/2" Long
25	8466306	1	Gauge, Tilt Angle
26	8303746	1	HHCS, 5/16-18 x 1-3/4"
27	8303697	1	HHCS, 5/16-18 x 3/4"
			<u>KITS</u>
28	7138844	1	Kit, Cab Panels (Includes Items 1, 3, 12, 19 and additional panels on page 23)

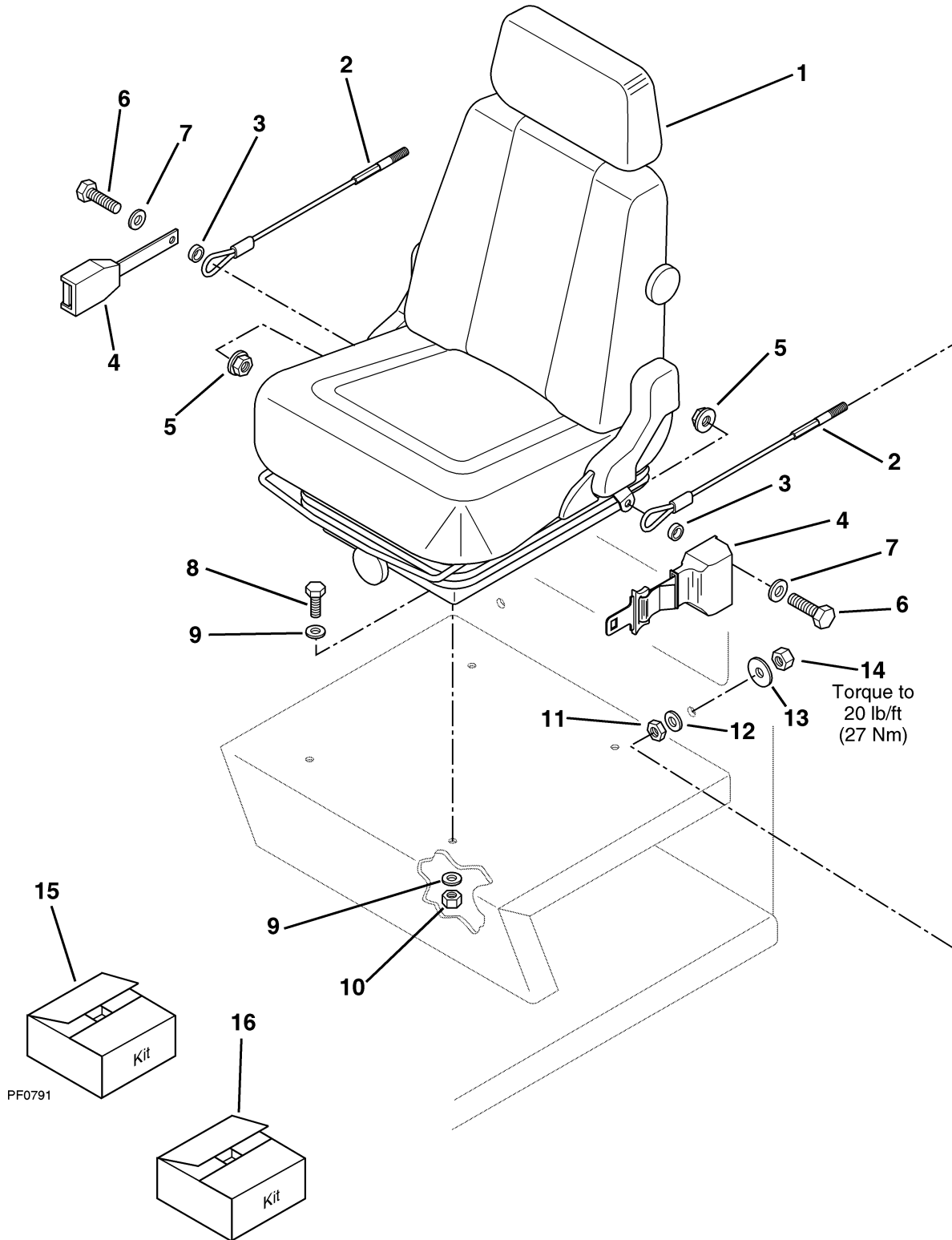
OPERATOR'S SEAT AND SEAT BELT



OPERATOR'S SEAT AND SEAT BELT

Item No.	Part Number	Qty.	Description
1	8864053	1	Seat Assembly (Includes Items 2 thru 10)
2	8036008	1	Seat Switch Assembly
3	8036009	1	Boot, 60/76mm (Not Shown)
4	8036010	1	Adjuster, 6" (Not Shown)
5	8036011	1	Damper (Not Shown)
6	8036013	4	Rollers, Up Stop Bumper/Down Stop Bumper - 7/16" Dia. (Not Shown)
7	8036014	1	Springs and Cable (Not Shown)
8	8036015	1	Hanger/Knob/Tension Shaft (Not Shown)
9	8036016	1	Wire Harness Kit
10	8036017	1	Cushion/Pan Assembly Kit (Not Shown)
11	7130412	2	Tether
12	7096491	2	Spacer
13	8864057	1	Seat Belt Assembly - 2" Retractable (Includes Items 14 thru 17)
14	NSS	2	Washer
15	NSS	1	HHCS
16	NSS	1	HHCS
17	NSS	2	Nut, Hex
18	7121543	1	Support, Seat
19	8303670	4	HHCS, 5/16-18 x 1" Gr. 5
20	8307106	12	Washer, Flat 5/16" Narrow
21	8305626	8	Nut, Hex Lock Elastic 5/16-18
22	8305404	2	Nut, Hex Jam 3/8-16
23	8307204	2	Washer, Flat 3/8"
24	7057141	2	Washer, Rebound
25	8305645	2	Nut, Hex Lock Elastic 3/8-16
26	8864058	1	Seat Belt Assembly - 3" Retractable (Includes mounting hardware)
27	8864019	1	Seat Belt Assembly - 3" Non-Retractable

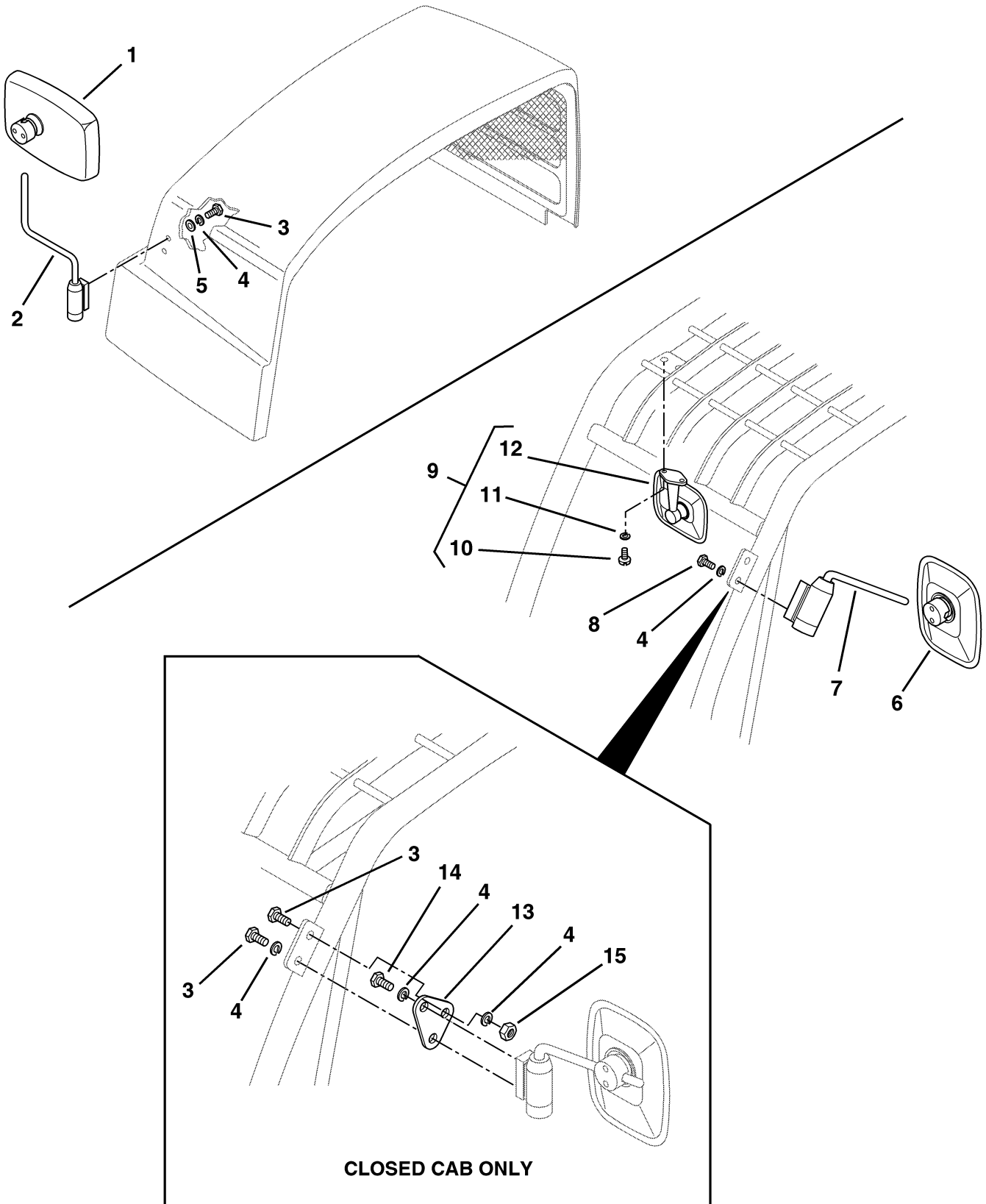
OPERATOR'S SEAT AND SEAT BELT (Optional)



OPERATOR'S SEAT AND SEAT BELT (Optional)

Item No.	Part Number	Qty.	Description
1	8864055	1	Seat, Deluxe Cloth with Suspension
	8864056	1	Seat, Deluxe Vinyl with Suspension
2	7130412	2	Tether
3	7096491	2	Spacer
4	8864060	1	Seat Belt Assembly - 2" Retractable (Includes Items 5 thru 7)
5	NSS	2	Nut, Hex
6	NSS	2	HHCS
7	NSS	2	Washer, Flat
8	8303670	4	HHCS, 5/16-18 x 1" Gr. 5
9	8307106	8	Washer, Flat 5/16" Narrow
10	8305626	4	Nut, Hex Lock Elastic 5/16-18
11	8305404	2	Nut, Hex Jam 3/8-16
12	8307204	2	Washer, Flat 3/8"
13	7057141	2	Washer, Rebound
14	8305645	2	Nut, Hex Lock Elastic 3/8-16
15	8864058	1	Seat Belt Assembly - 3" Retractable (Includes mounting hardware)
16	8864019	1	Seat Belt Assembly - 3" Non-Retractable

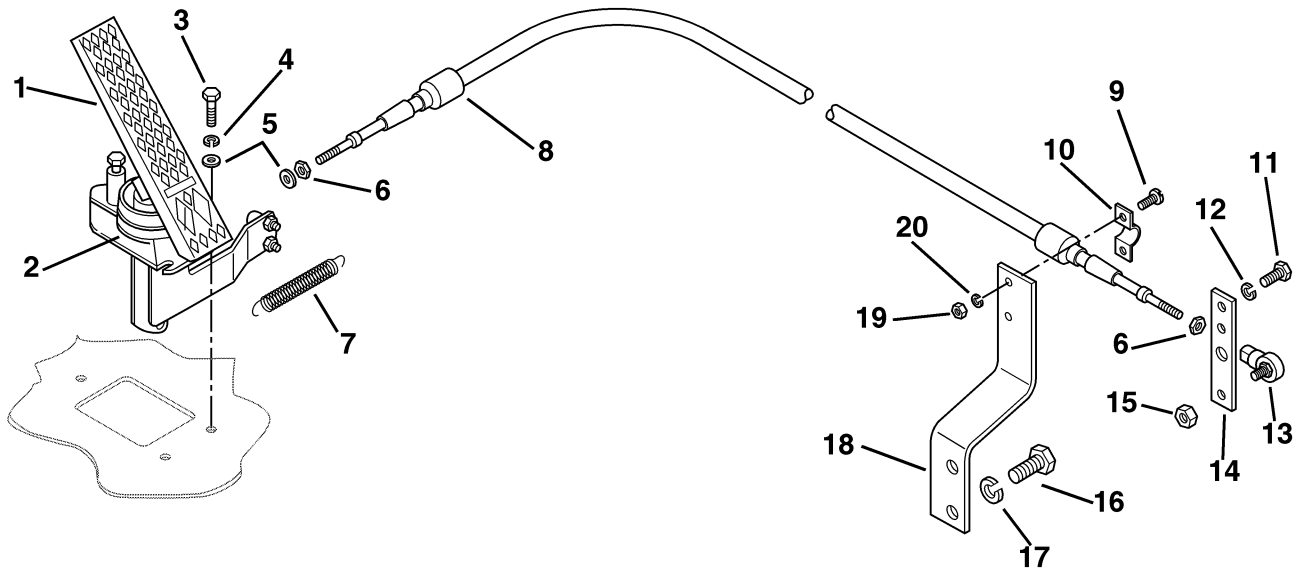
MIRRORS



MIRRORS

Item No.	Part Number	Qty.	Description
1	8866514	1	Mirror Head, Convex
2	8866515	1	Arm Assembly, Mirror
3	8303548	2	HHCS, M6-1 x 19mm
4	8307024	AR	Washer, Lock M6 (Qty 2 for Open Cab, Qty 3 for Closed Cab)
5	8307109	2	Washer, Flat SAE 1/4" Light
6	8866529	1	Mirror, Rear View
7	8866530	1	Arm Assembly, Mirror
8	8303799	2	HHCS, M6-1 x 14mm
9	7136742	1	Kit, Right Side Mirror - Optional (Includes Items 10 thru 12)
10	8303836	2	Screw, Slotted Round Hd. #10-24 x 5/8"
11	8307003	2	Washer, Lock #10
12	8866516	1	Mirror Assembly, Rear View
13	7138366	1	Bracket, Mirror (Closed Cab Only)
14	8303799	1	HHCS, M6-1 x 14mm (Closed Cab Only)
15	8305047	1	Nut, Hex M6-1 (Closed Cab Only)

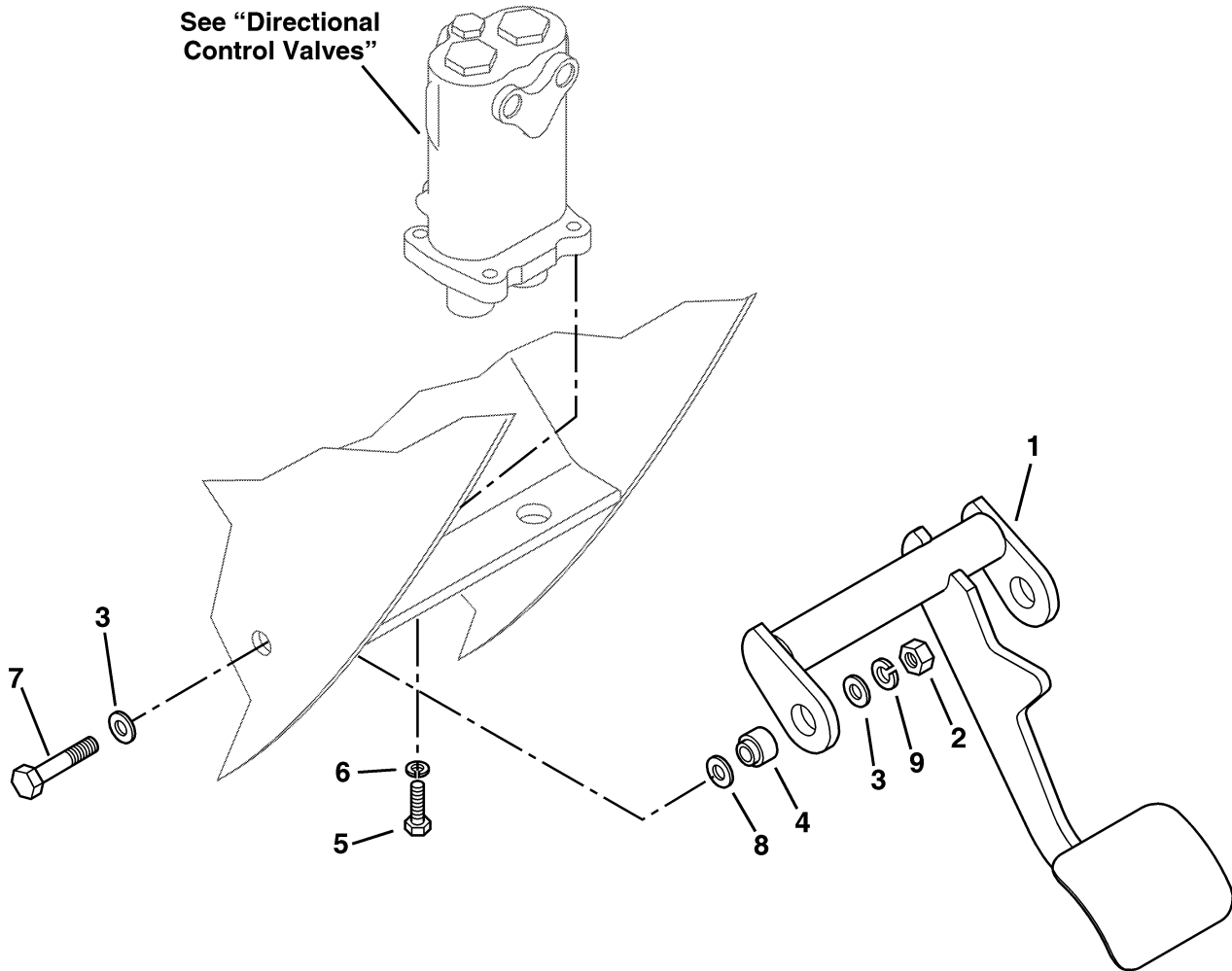
THROTTLE PEDAL CONTROL



THROTTLE PEDAL CONTROL

Item No.	Part Number	Qty.	Description
1	8162003	1	Pedal, Throttle (Includes Item 2)
2	8033178	1	Bellows, Throttle Pedal
3	8303615	3	HHCS, 1/4-20 x 1-1/4"
4	8307002	3	Washer, Lock 1/4"
5	8307109	4	Washer, Flat SAE 1/4"
6	8305402	2	Nut, Hex Jam 1/4-28 NF
7	8700116	1	Spring, Extension
8	8160073	1	Cable, Throttle
9	8303837	2	Screw, Slotted Pan Hd. #10-24 x 3/4"
10	8160610	1	Clamp, Cable
11	8303799	2	HHCS, M6-1 x 14mm
12	8307024	2	Washer, Lock M6
13	8340034	1	Rod End 1/4-28 Thd.
14	7127091	1	Extension, Throttle Lever
15	8305650	1	Nut, Hex Lock Elastic 1/4-28 NF
16	8303790	2	HHCS, M12-1,75 x 30mm PC 8,8
17	8307025	2	Washer, Lock M12
18	7127102	1	Bracket, Throttle Cable
19	8305002	2	Nut, Hex #10-24
20	8307003	2	Washer, Lock #10

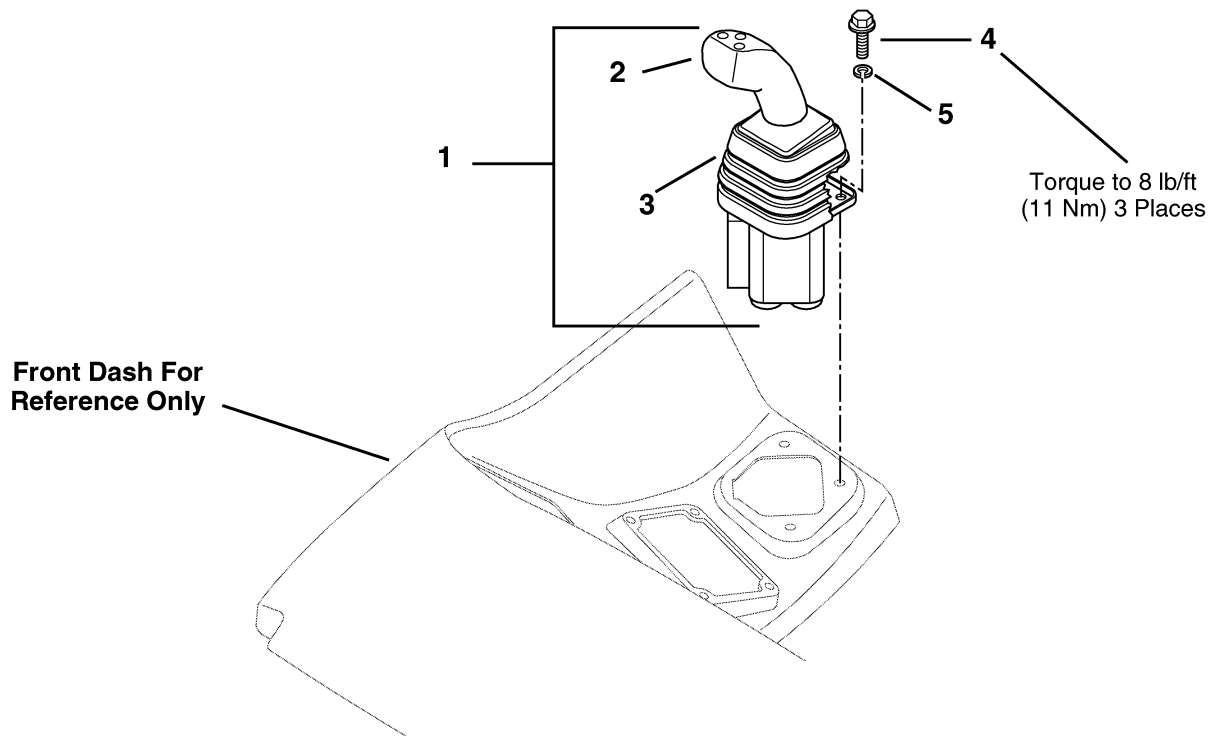
SERVICE BRAKE PEDAL MOUNTING



SERVICE BRAKE PEDAL MOUNTING

Item No.	Part Number	Qty.	Description
1	7136713	1	Pedal, Service Brake
2	8305012	2	Nut, Hex 1/2-13
3	8307206	4	Washer, Flat 1/2"
4	7129521	2	Pivot, Brake Pedal
5	8303755	4	HHCS, M10-1,5 x 30mm
6	8307023	4	Washer, Lock M10
7	8303658	2	HHCS, 1/2-13 x 2"
8	5724302	AR	Shim
9	8307007	2	Washer, Lock 1/2"

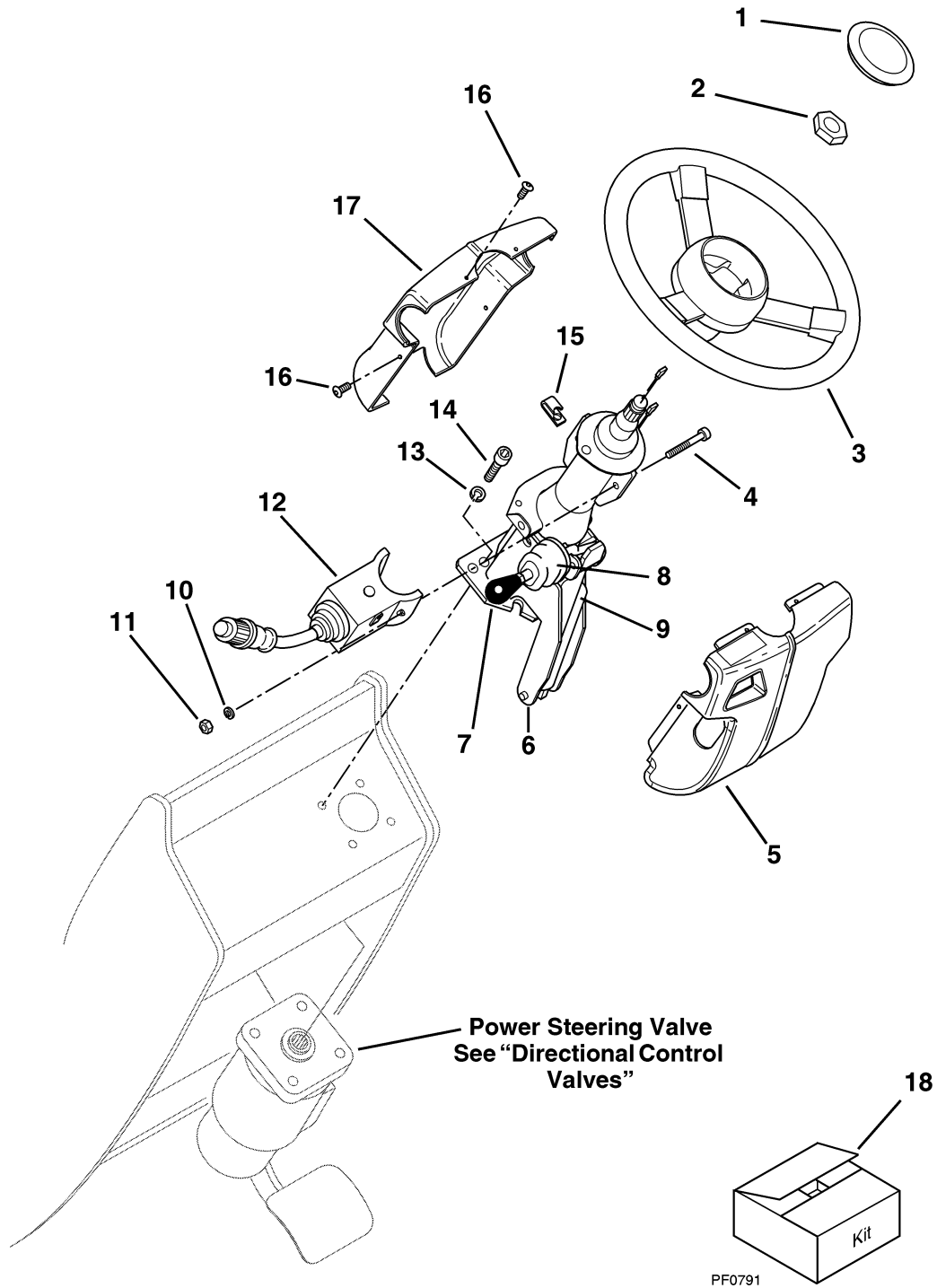
JOYSTICK MOUNTING



JOYSTICK MOUNTING

Item No.	Part Number	Qty.	Description
1	7133942	1	Joystick Assembly (Includes Items 2 and 3)
2	7133932	1	Handle Assembly
3	8035777	1	Boot, Rubber
4	8303705	3	Screw, Cap Flange Hd. 1/4-20 x 3/4"
5	8307002	3	Washer, Lock 1/4"

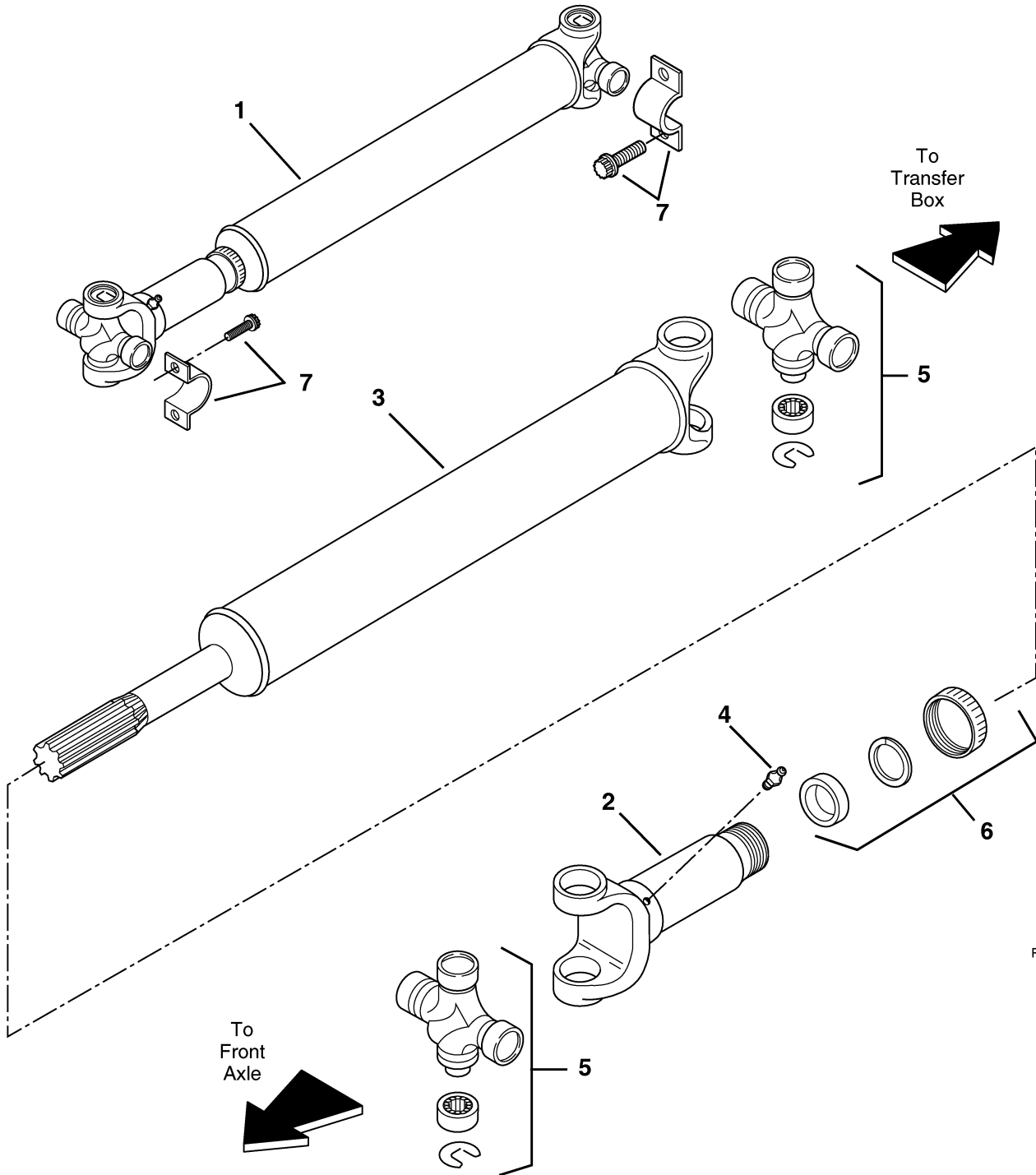
STEERING COLUMN, STEERING WHEEL AND SHIFTER



STEERING COLUMN, STEERING WHEEL AND SHIFTER

Item No.	Part Number	Qty.	Description
1	8720017	1	Cover, Horn Button
2	8310315	1	Nut, Thin M18-1,5
3	8720016	1	Wheel, Steering
4	8310490	2	Screw, Hex Socket Hd. M4-0,7 x 20mm
5	7138757	1	Cover, Steering Column, Bottom (See Kits)
6	7137623	1	Steering Column (Includes Items 7 thru 9)
7	8580118	1	Knob, Tilt Steering
8	8035804	1	Boot, Tilt Lever
9	8035803	1	Gas Spring - Steering Column
10	8310491	2	Washer, Plain M4
11	8310492	2	Nut, Hex M4-0,7
12	8223049	1	Transmission Range Selector
13	8307005	4	Washer, Lock 3/8"
14	8304672	4	Screw, Hex Socket Hd. 3/8-16 x 1"
15	8310359	4	Nut, "J" #10-24
16	8310372	4	Screw, Button Hd. #10-24 x 5/8"
17	7138756	1	Cover, Steering Column, Top (See Kits)
			<u>KITS</u>
18	7138844	1	Kit, Cab Panels (Includes Items 5, 17 and additional panels on page 9)

DRIVE SHAFT - TRANSFER BOX TO FRONT AXLE

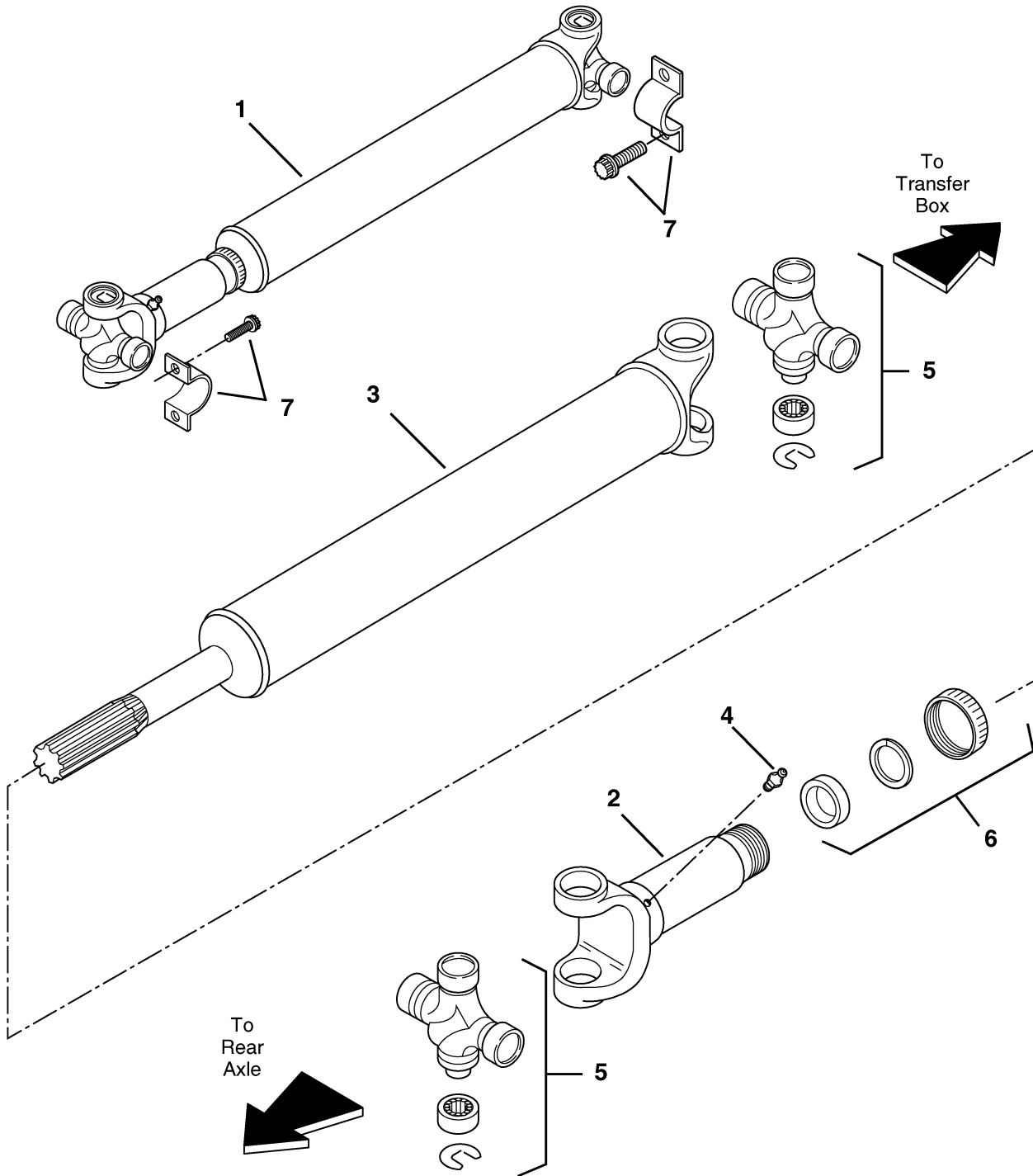


PT0290

DRIVE SHAFT - TRANSFER BOX TO FRONT AXLE

Item No.	Part Number	Qty.	Description
1	7135912	1	Drive Shaft Assembly - Front (Includes Items 2 thru 6)
2	NSS	1	Yoke, Slip (See Note)
3	NSS	1	Shaft, Yoke (See Note)
4	8033004	1	Fitting, Grease
			<u>KITS</u>
5	8035778	2	Kit, Cross & Bearing
6	8035109	1	Kit, Dust Cap
7	8880218	2	Kit, Strap
			NOTE: This Is a Balanced Assembly. When Servicing Slip Yoke or Yoke Shaft, Order P/N 7135912.

DRIVE SHAFT - TRANSFER BOX TO REAR AXLE

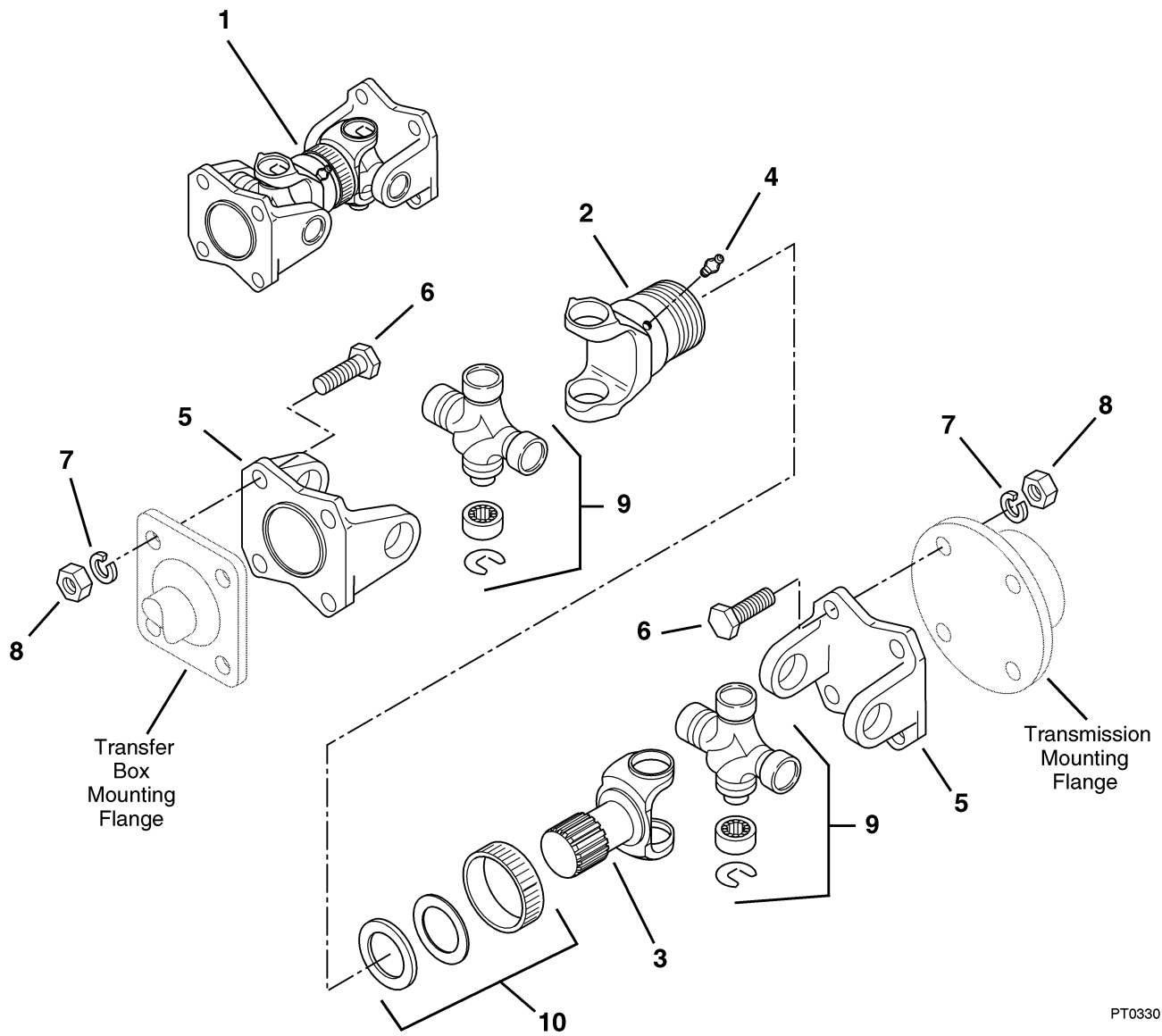


PT0290

DRIVE SHAFT - TRANSFER BOX TO REAR AXLE

Item No.	Part Number	Qty.	Description
1	7135922	1	Drive Shaft Assembly - Front (Includes Items 2 thru 6)
2	NSS	1	Yoke, Slip (See Note)
3	NSS	1	Shaft, Yoke (See Note)
4	8033004	1	Fitting, Grease
			<u>KITS</u>
5	8035778	2	Kit, Cross & Bearing
6	8035109	1	Kit, Dust Cap
7	8880218	2	Kit, Strap
			NOTE: This Is a Balanced Assembly. When Servicing Slip Yoke or Yoke Shaft, Order P/N 7135922.

DRIVE SHAFT - TRANSMISSION TO TRANSFER BOX

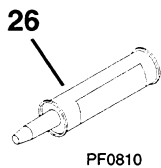
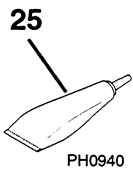
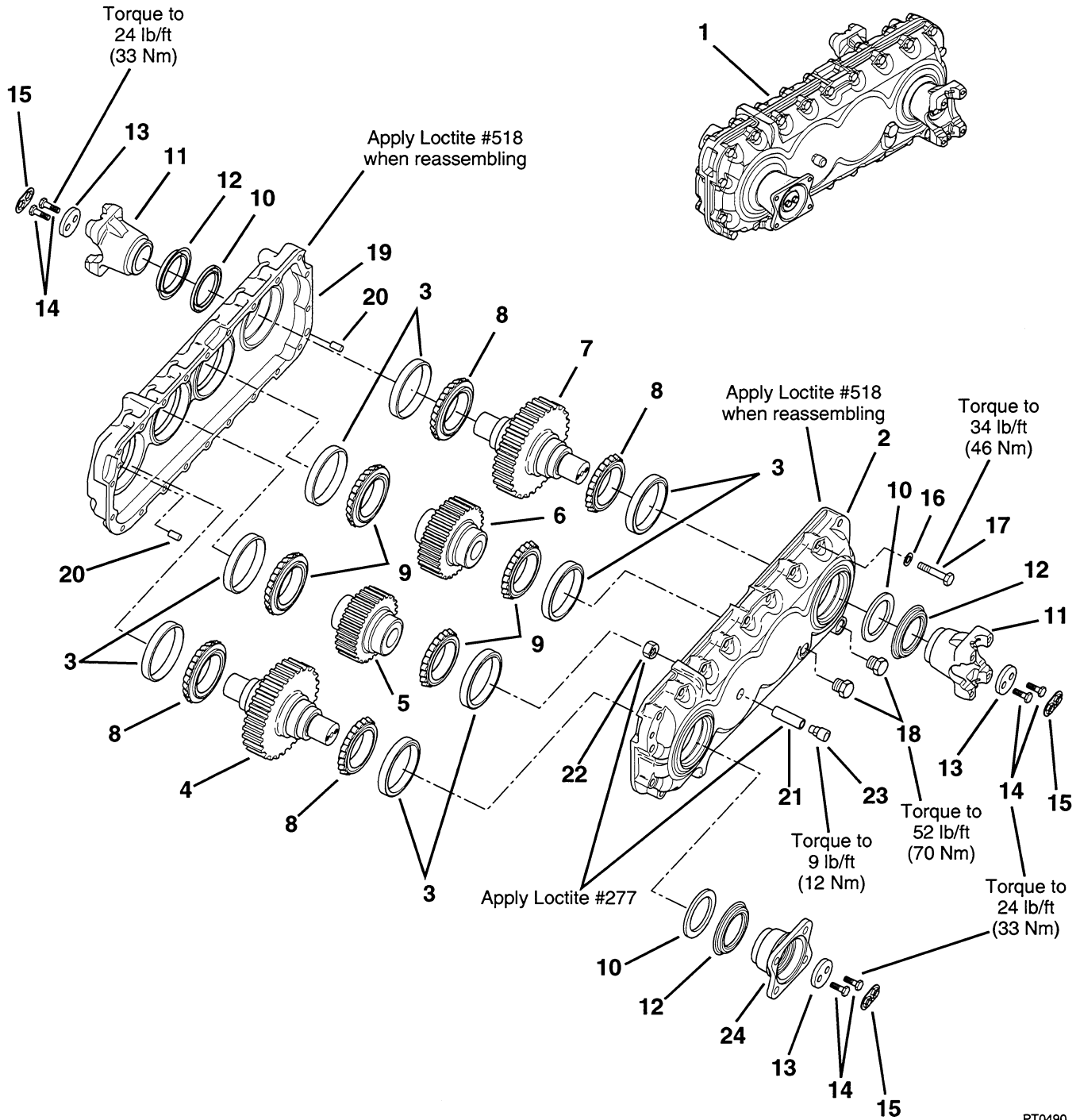


PT0330

DRIVE SHAFT - TRANSMISSION TO TRANSFER BOX

Item No.	Part Number	Qty.	Description
1	7138760	1	Drive Shaft Assembly - Front (Includes Items 2 thru 5 and Items 9 & 10)
2	NSS	1	Yoke, Slip (See Note)
3	NSS	1	Shaft, Yoke (See Note)
4	8033004	1	Fitting, Grease
5	NSS	2	Flange, Yoke (See Note)
6	8310084	8	HHCS, 1/2-20 NF x 2.00"
7	8307007	8	Washer, Lock 1/2"
8	8310464	8	Nut, Hex 1/2-20 NF
			KITS
9	8035778	2	Kit, Cross & Bearing
10	8035779	1	Kit, Dust Cap
			NOTE: This Is a Balanced Assembly. When Servicing Slip Yoke, Yoke Shaft or Yoke Flange, Order P/N 7138760.

TRANSFER BOX

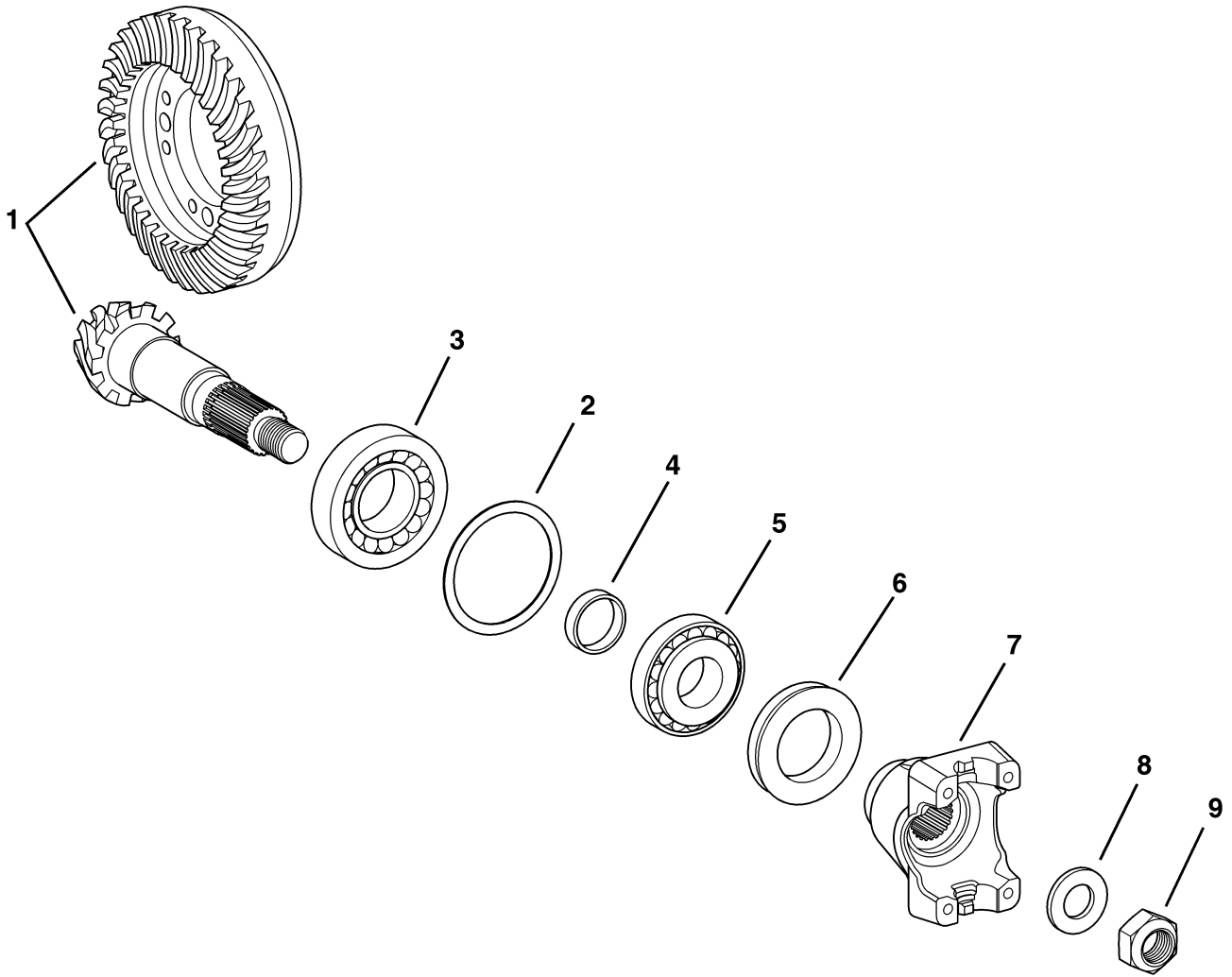


PT0490

TRANSFER BOX

Item No.	Part Number	Qty.	Description
1	8841041	1	Transfer Box - Complete (Includes Items 2 thru 24)
2	1320989	1	Housing, Rear Half
3	1320748	8	Cup, Tapered Roller Bearing
4	1320749	1	Gear, Input 36T
5	1320750	1	Gear, Idle 28T
6	1320751	1	Gear, Idle 31T
7	1320752	1	Gear, Output 39T
8	1320753	4	Cone, Tapered Roller Bearing
9	1320754	4	Cone, Tapered Roller Bearing
10	1320755	3	Seal, Shaft
11	1320756	2	Yoke
12	1319647	3	Shield, Dust
13	1319648	3	Washer, Flange
14	10731959	6	HHCS, M8 x 25mm
15	1319649	3	Washer, Tab
16	1320757	22	Washer, Elastic
17	1320758	22	HHCS, M10 x 60mm
18	1320759	2	Plug, Oil 7/8-14
19	1320760	1	Housing, Front Half
20	1320761	2	Dowel, M10 x 24mm
21	1320762	1	Carrier, Breather
22	1320763	1	Nut, Hex M16
23	1320764	1	Breather, M10 x 1mm
24	1320765	1	Flange, Companion
25	8526052	1	Threadlocker, Loctite #277 (10ml bottle) .34 fl. oz.
26	8526056	1	Gasket Eliminator, Loctite #518

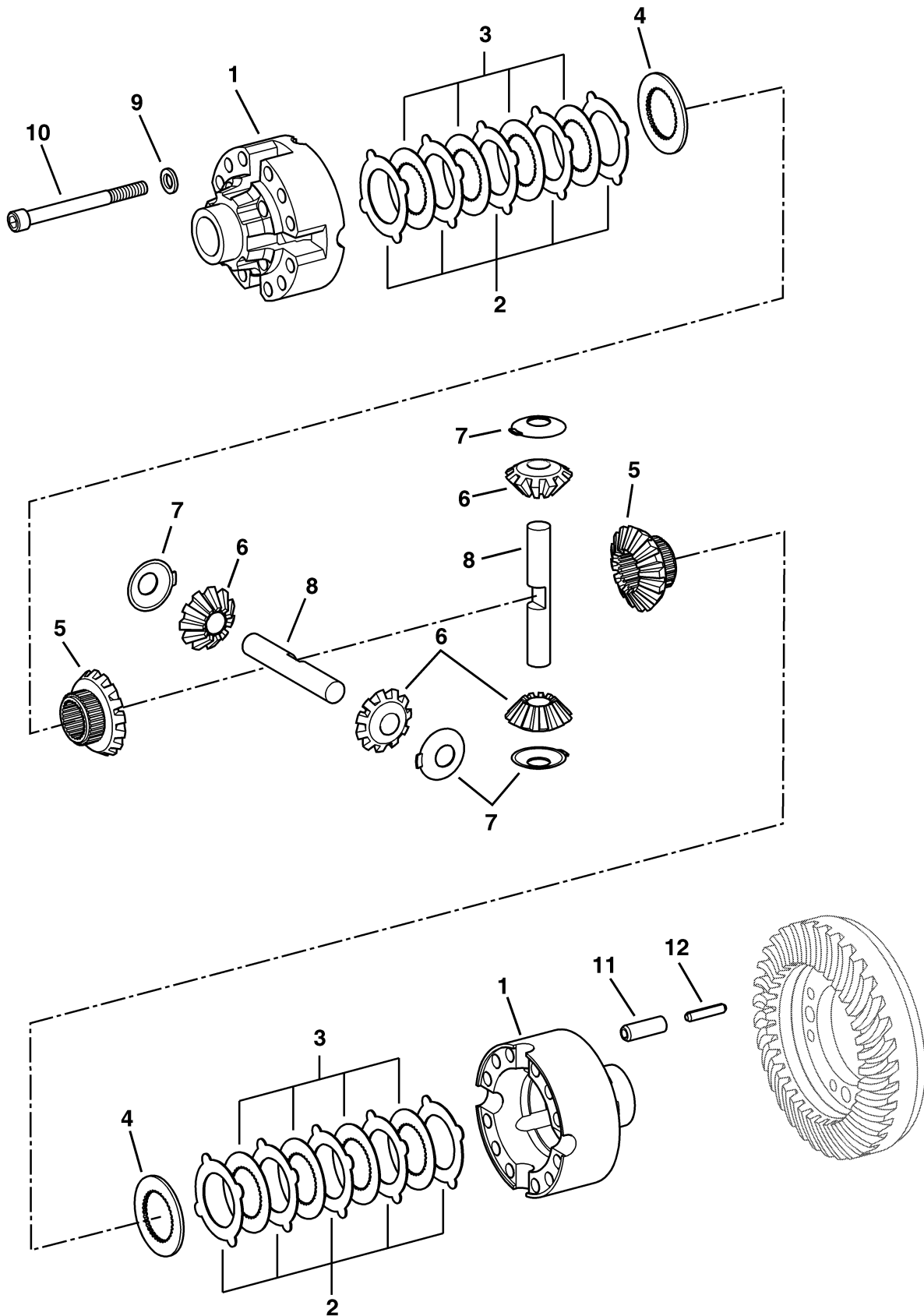
FRONT AXLE - INPUT



FRONT AXLE - INPUT

Item No.	Part Number	Qty.	Description
1	8035870	1	Gear Set, Bevel
2	1321187	1	Shim, Optional S=1,5
	8035871	1	Shim, Optional S=0,9
	8035872	1	Shim, Optional S=0,95
	8035873	1	Shim, Optional S=1,0
	1321186	1	Shim, Optional S=1,05
	8035874	1	Shim, Optional S=1,1
	8035875	1	Shim, Optional S=1,15
	1321185	1	Shim, Optional S=1,2
	8035876	1	Shim, Optional S=1,25
	8035877	1	Shim, Optional S=1,3
	1321189	1	Shim, Optional S=0,7
	8035878	1	Shim, Optional S=0,75
	8035879	1	Shim, Optional S=0,8
	1321190	1	Shim, Optional S=0,85
3	8035880	1	Bearing, Roller
4	8035881	1	Ring, Optional S=11,30
	8035882	1	Ring, Optional S=11,33
	8035883	1	Ring, Optional S=11,36
	8035884	1	Ring, Optional S=11,39
	8035885	1	Ring, Optional S=11,42
	8035886	1	Ring, Optional S=11,45
	1321196	1	Ring, Optional S=11,48
	8035887	1	Ring, Optional S=11,51
	8035888	1	Ring, Optional S=11,54
	8035889	1	Ring, Optional S=11,57
	8035890	1	Ring, Optional S=11,60
	8035891	1	Ring, Optional S=11,63
	1321197	1	Ring, Optional S=11,66
	8035892	1	Ring, Optional S=11,69
	8035893	1	Ring, Optional S=11,72
	8035894	1	Ring, Optional S=11,75
	8035895	1	Ring, Optional S=11,78
	8035896	1	Ring, Optional S=11,81
	1321198	1	Ring, Optional S=11,84
	8035897	1	Ring, Optional S=11,87
	8035898	1	Ring, Optional S=11,90
	8035899	1	Ring, Optional S=11,93
	8035900	1	Ring, Optional S=11,96
	8035901	1	Ring, Optional S=11,99
	8035902	1	Ring, Optional S=12,02
	1321199	1	Ring, Optional S=12,05
	8035903	1	Ring, Optional S=12,08
	8035904	1	Ring, Optional S=12,11
	8035905	1	Ring, Optional S=12,14
	8035906	1	Ring, Optional S=12,17
	1321200	1	Ring, Optional S=12,20
	8035907	1	Ring, Optional S=12,23
	8035908	1	Ring, Optional S=12,26
	8035909	1	Ring, Optional S=12,29
	8035910	1	Ring, Optional S=12,32
	8035911	1	Ring, Optional S=12,35
	1321201	1	Ring, Optional S=12,38
	8035912	1	Ring, Optional S=11,27
	1321204	1	Ring, Optional S=11,24
	8035913	1	Ring, Optional S=11,21
	8035914	1	Ring, Optional S=11,18
	8035915	1	Ring, Optional S=11,15
	8035916	1	Ring, Optional S=11,12
	1321203	1	Ring, Optional S=11,09
	8035917	1	Ring, Optional S=11,06
	8035918	1	Ring, Optional S=11,03
	8035919	1	Ring, Optional S=11,00
	8035920	1	Ring, Optional S=10,97
	1321202	1	Ring, Optional S=10,94
5	1321212	1	Bearing, Roller
6	1321210	1	Ring, Combination
7	1321248	1	Yoke, End
8	1321194	1	Washer
9	8035921	1	Nut, Hex

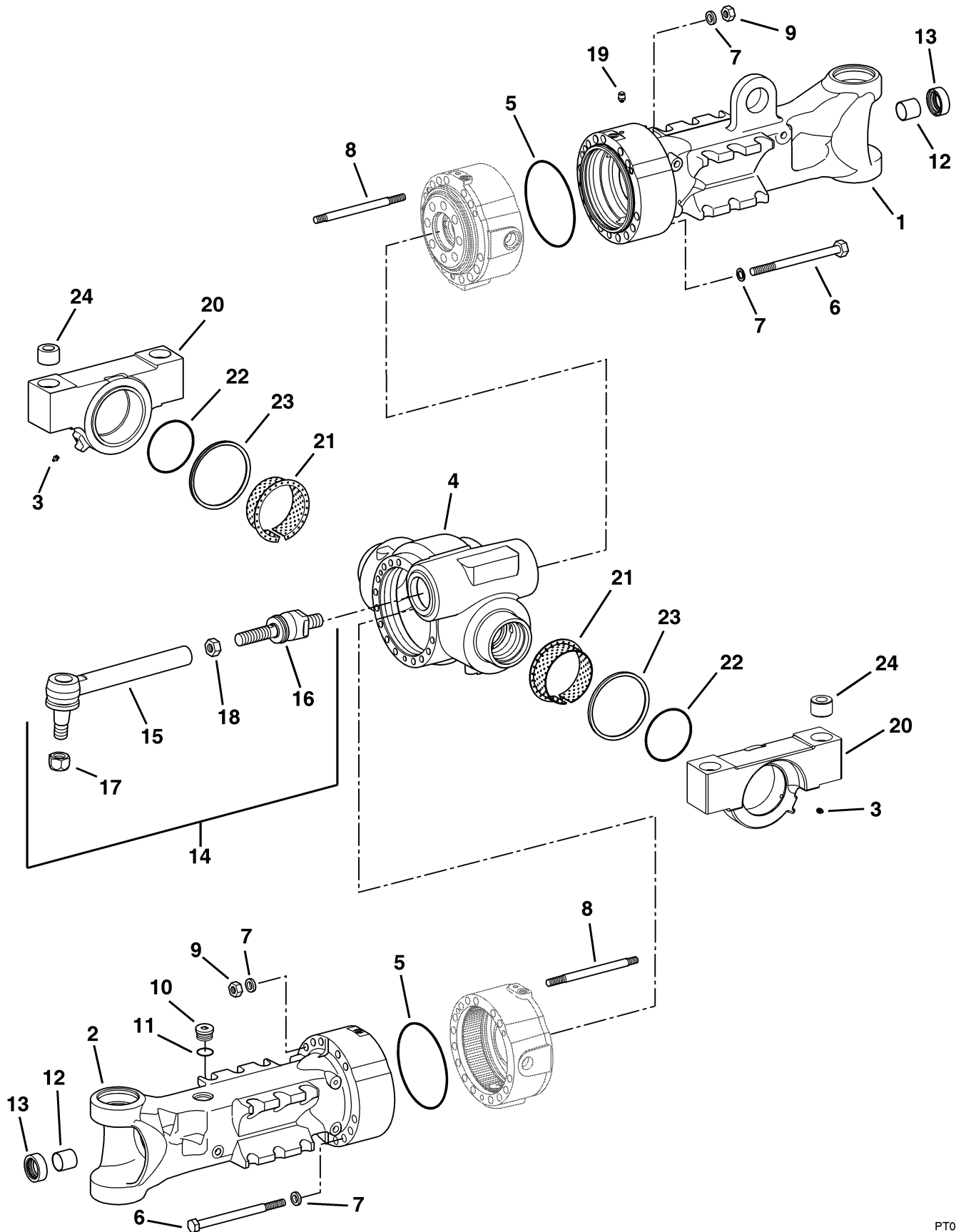
FRONT AXLE - LIMITED SLIP DIFFERENTIAL



FRONT AXLE - LIMITED SLIP DIFFERENTIAL

Item No.	Part Number	Qty.	Description
1	1321215	1	Case, Differential
2	1321219	10	Disc, O. Clutch - Optional A=1,2
	1321220	10	Disc, O. Clutch - Optional A=1,3
	1321221	10	Disc, O. Clutch - Optional A=1,4
3	1321218	8	Disc, I. Clutch
4	1321217	2	Disc, Pressure
5	1321222	2	Gear, Axle Bevel
6	8035922	4	Gear, Differential Bevel
7	1319415	4	Washer, Thrust
8	1321225	2	Axle, Differential
9	1321184	12	Washer
10	8035923	12	Screw, Cap
11	1321153	4	Pin, Slotted
12	1321154	4	Pin, Slotted

FRONT AXLE - AXLE CASING

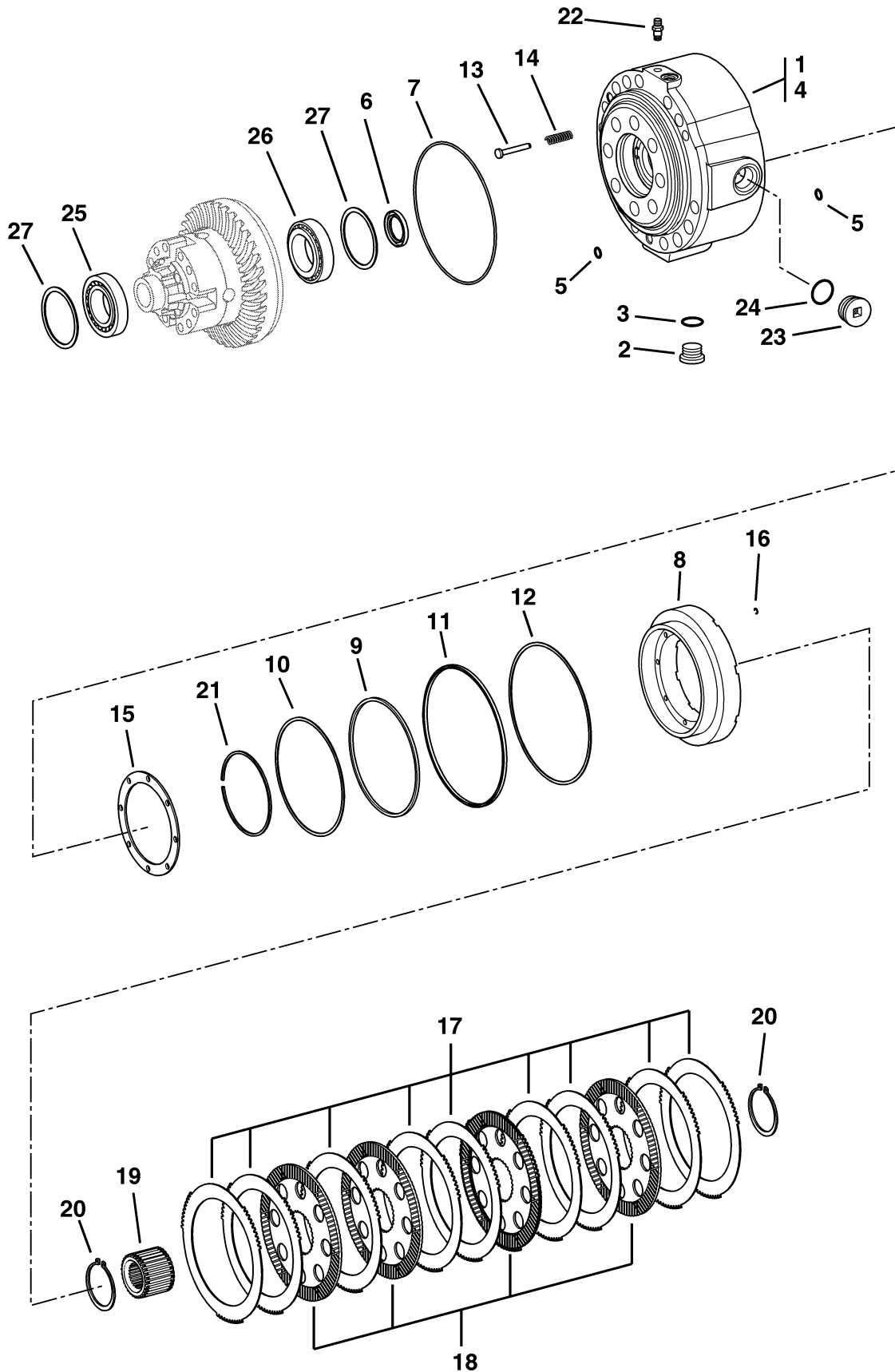


PT0850

FRONT AXLE - AXLE CASING

Item No.	Part Number	Qty.	Description
1	8035924	1	Axle Casing
2	8035925	1	Axle Casing
3	1319423	2	Nipple, Lubrication
4	8035926	1	Housing, Axle Drive (Terminating Date)
	1321252	1	Housing, Axle Drive (Introduction Date)
5	1319425	2	O-Ring
6	8035927	22	Screw, Hex
7	1319427	30	Washer
8	8035928	8	Stud
9	1319429	8	Nut, Hex
10	1319431	1	Plug, Screw (Terminating Date)
	1319506	1	Plug, Screw (Introduction Date)
11	1319432	1	O-Ring
12	1319433	2	Bushing
13	1319434	2	Seal, Shaft
14	1321148	2	Rod, Track (Includes Items 15 thru 18)
15	8035929	2	Ball Joint
16	8035930	2	Axle Joint
17	8035931	2	Nut, Locking
18	8035932	2	Nut, Hex
19	1319436	1	Valve, Vent
20	1319437	2	Bracket (Terminating Date)
	8035933	2	Bracket (Introduction Date)
21	1319438	2	Bushing, Flange
22	1319439	2	O-Ring
23	1319440	2	V-Ring
24	1319441	4	Bushing, Centering

FRONT AXLE - M-DISC BRAKE

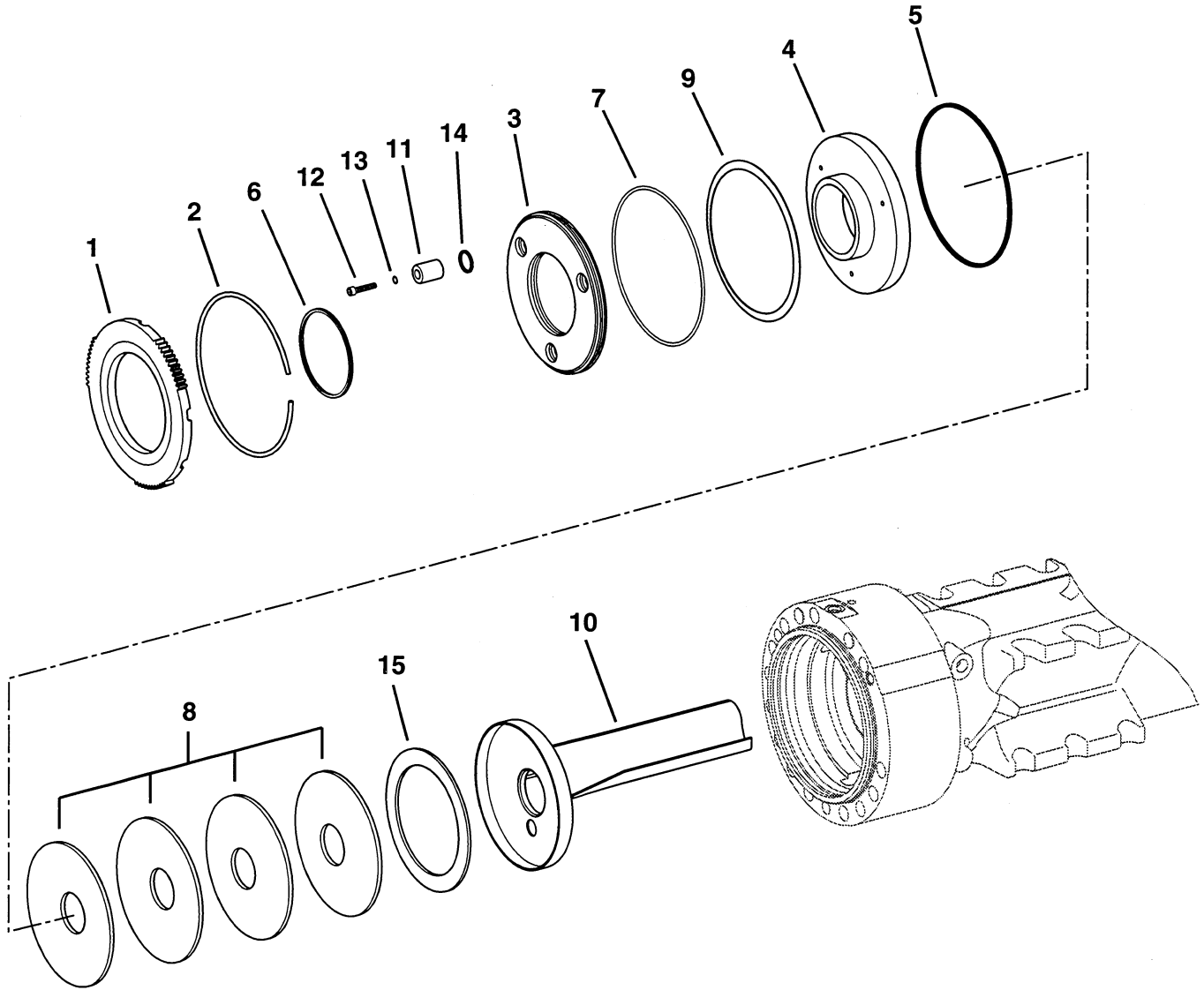


PT0860

FRONT AXLE - M-DISC BRAKE

Item No.	Part Number	Qty.	Description
1	8035935	1	Housing, Brake - Right Side (Terminating Date)
	8035936	1	Housing, Brake - Right Side (Introduction Date)
2	8035937	2	Plug, Screw (Terminating Date)
	1319431	2	Plug, Screw (Introduction Date)
3	1319432	2	O-Ring (Terminating Date)
	1321156	2	O-Ring (Introduction Date)
4	8035938	1	Housing, Brake - Left Side (Terminating Date)
	8035939	1	Housing, Brake - Left Side (Introduction Date)
5	1319491	12	O-Ring
6	1321161	2	Seal, Shaft
7	1319425	2	O-Ring
8	8035940	2	Piston (Terminating Date)
	1321173	2	Piston (Introduction Date)
9	8035941	2	U-Ring (Terminating Date)
	1321162	2	U-Ring (Introduction Date)
10	8035942	2	Ring, Support (Terminating Date)
	1321151	2	Ring, Support (Introduction Date)
11	8035949	2	U-Ring (Terminating Date)
	1321163	2	U-Ring (Introduction Date)
12	8035943	2	Ring, Support (Terminating Date)
	8035950	2	Ring, Support (Introduction Date)
13	1319496	16	Pin
14	1319497	16	Spring, Compression
15	1319498	2	Washer
16	1319499	16	Ring, Crescent
17	1319500	18	Disc, O. Clutch - Optional S=2,0
	1315501	18	Disc, O. Clutch - Optional S=2,5
	1319502	18	Disc, O. Clutch - Optional S=3,0
18	1321150	8	Disc, I. Clutch
19	1321174	2	Carrier, Disc
20	10731949	4	Ring, Retaining
21	1319504	2	Ring, Snap
22	1319505	2	Valve, Vent
23	1319506	2	Plug, Screw
24	1319432	2	O-Ring
25	8035944	1	Bearing, Roller
26	1321165	1	Bearing, Roller
27	1319531	2	Shim, Optional A=0,1
	1319530	2	Shim, Optional A=0,2
	1311529	2	Shim, Optional A=0,3
	8035951	2	Shim, Optional A=0,4
	1319543	2	Shim, Optional A=0,45
	1319527	2	Shim, Optional A=0,5
	1321158	2	Shim, Optional A=0,55
	1319526	2	Shim, Optional A=0,6
	1319532	2	Shim, Optional A=0,65
	1319533	2	Shim, Optional A=0,70
	1319534	2	Shim, Optional A=0,75
	1319525	2	Shim, Optional A=0,8
	1319535	2	Shim, Optional A=0,85
	1319536	2	Shim, Optional A=0,90
	1319537	2	Shim, Optional A=0,95
	1319524	2	Shim, Optional A=1,0
	1319525	2	Shim, Optional A=1,05
	1319538	2	Shim, Optional A=1,10
	1319539	2	Shim, Optional A=1,15
	1319523	2	Shim, Optional A=1,20
	1319540	2	Shim, Optional A=1,25
	1319541	2	Shim, Optional A=1,30
	1319542	2	Shim, Optional A=1,35
	1319522	2	Shim, Optional A=1,40
	1319521	2	Shim, Optional A=1,45
	1319520	2	Shim, Optional A=1,50
	1319519	2	Shim, Optional A=1,55
	1319518	2	Shim, Optional A=1,60
	1319517	2	Shim, Optional A=1,65
	1319510	2	Shim, Optional A=2,0
	1321159	2	Shim, Optional A=1,47
	1319516	2	Shim, Optional A=1,70
	1319515	2	Shim, Optional A=1,75
	1319514	2	Shim, Optional A=1,80
	1319513	2	Shim, Optional A=1,85
	1319512	2	Shim, Optional A=1,90
	1319511	2	Shim, Optional A=1,95

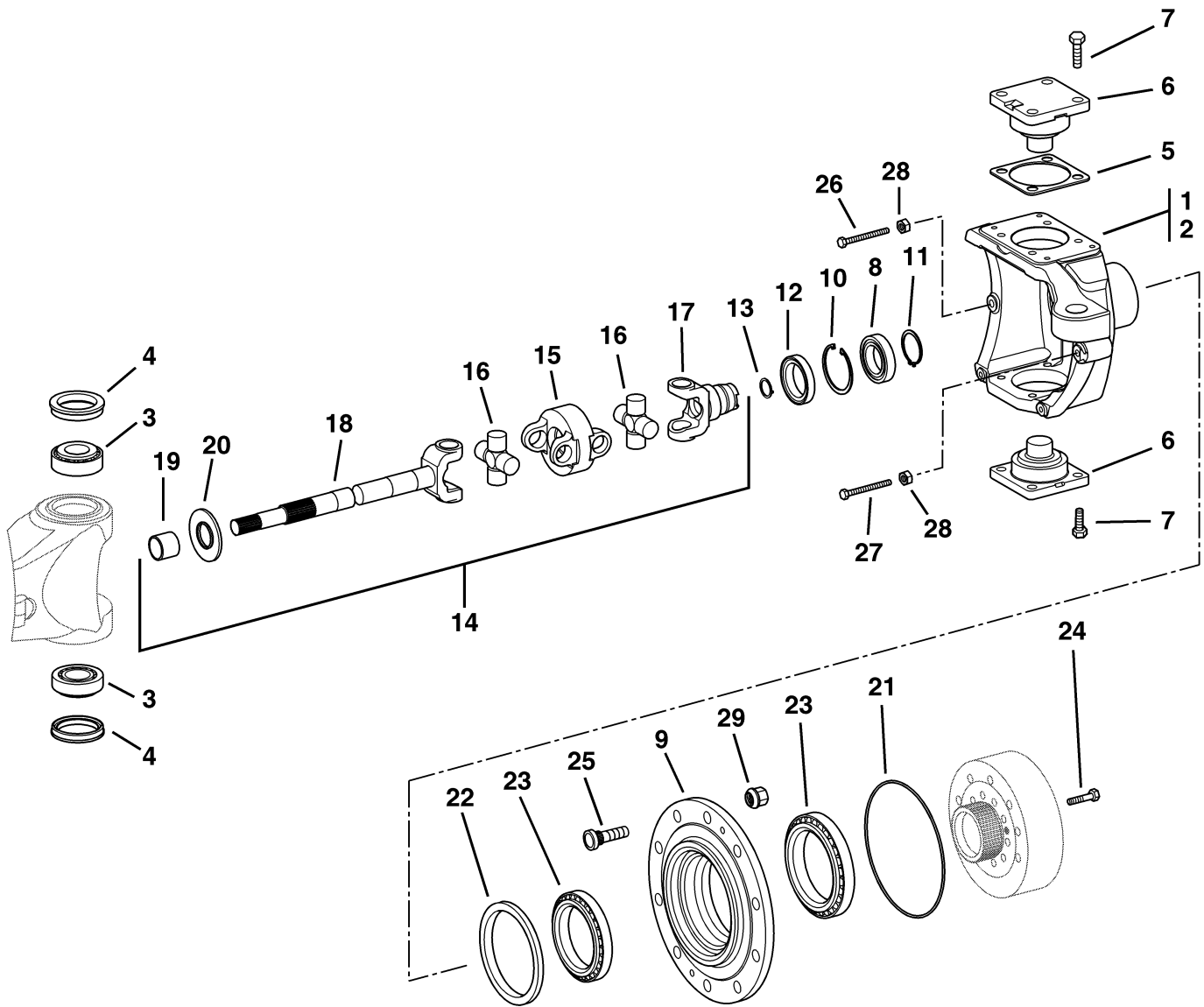
FRONT AXLE - BRAKE



FRONT AXLE - BRAKE

Item No.	Part Number	Qty.	Description
1	8035952	2	Shim, End
2	1321206	2	Ring, Snap
3	8036018	2	Washer, Sealing
4	1321240	2	Piston
5	1321180	2	Ring, Four-Lip
6	1321179	2	Ring, Four-Lip
7	1321182	2	O-Ring
8	1321207	8	Spring, Cup
9	1321208	2	Spring, Cup
10	1321172	2	Carrier, Pin
11	1321244	6	Pin, Pressure
12	8035954	6	Screw, Cap
13	8035955	6	O-Ring
14	1321181	6	Ring, Four-Lip
15	8035958	2	Washer, Spacing

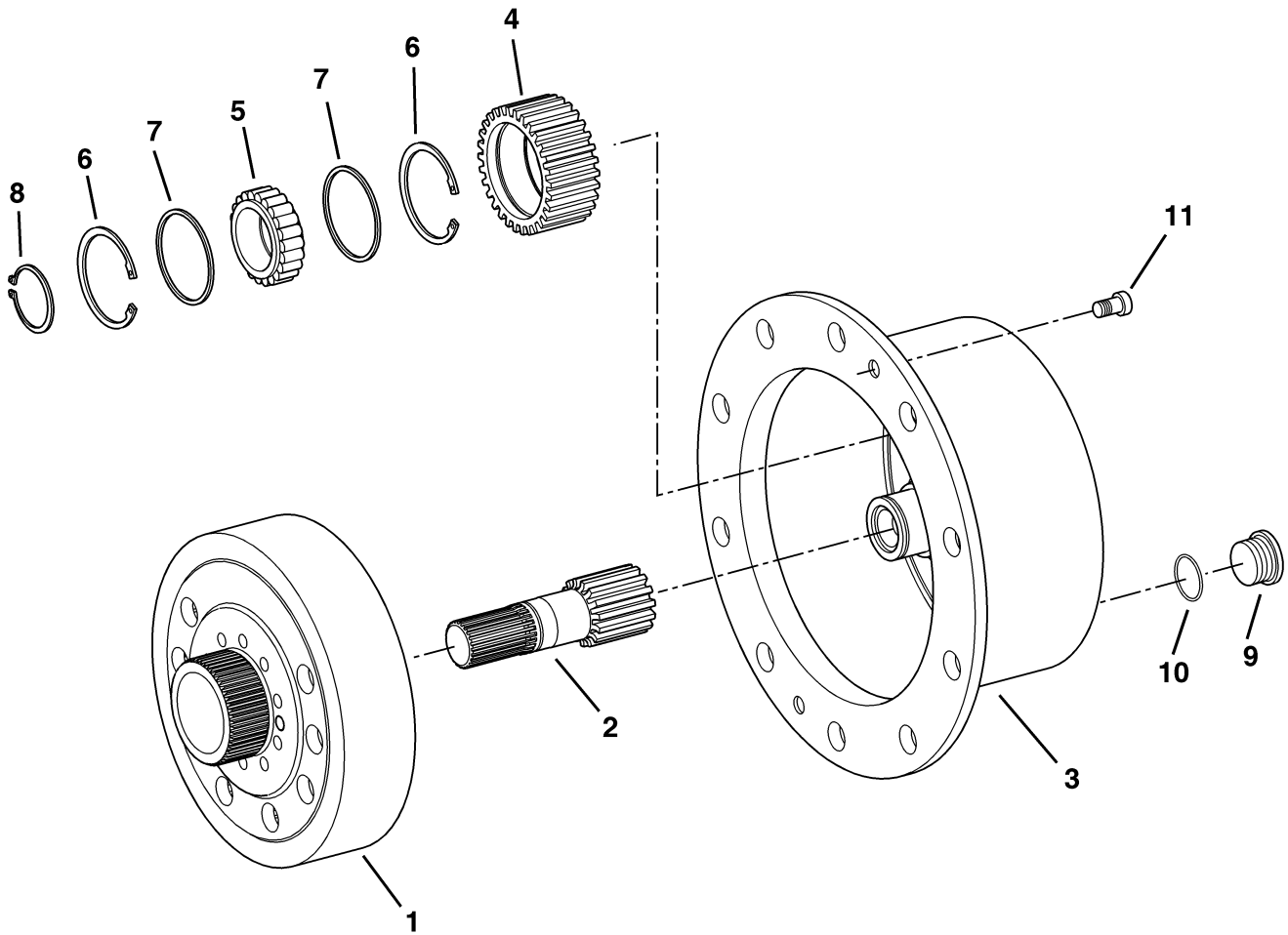
FRONT AXLE - JOINT HOUSING



FRONT AXLE - JOINT HOUSING

Item No.	Part Number	Qty.	Description
1	1321256	1	Housing, Joint - Right Side
2	1321257	1	Housing, Joint - Left Side
3	1319445	4	Bearing, Roller
4	1319447	4	Seal, Shaft
5	1321249	2	Shim, Optional A=0,2
	8035959	2	Shim, Optional A=0,3
	8035960	2	Shim, Optional A=0,4
	8035961	2	Shim, Optional A=0,5
	8035962	2	Shim, Optional A=0,6
	1321250	2	Shim, Optional A=0,7
	8035963	2	Shim, Optional A=0,8
	8035964	2	Shim, Optional A=1,0
	8035965	2	Shim, Optional A=1,2
	8035966	2	Shim, Optional A=1,4
	1321251	2	Shim, Optional A=1,6
	8035967	2	Shim, Optional A=1,8
	8035968	2	Shim, Optional A=2,0
6	1319462	4	Pin, Bearing
7	1319464	16	Screw, Hex
8	1321157	2	Bearing, Ball
9	1321254	2	Hub
10	1319210	2	Ring, Retaining
11	1319564	2	Ring, Retaining
12	1321164	2	Seal, Shaft
13	1321228	2	Ring, Retaining
14	1321175	2	Shaft, D. Universal Coupling (Includes Items 15 thru 20)
15	8035969	2	Central Piece
16	8035970	4	Cross, Joint
17	8035971	2	Fork, Joint
18	8035972	2	Fork, Joint Coupling
19	8035973	2	Bushing
20	8035974	2	Sheet, Screen
21	1321155	2	O-Ring
22	1319471	2	Seal, Shaft
23	1319472	4	Bearing, Roller
24	8035975	20	Screw, Hex
25	1101056	20	Bolt, Wheel
26	1319475	2	Screw, Stop
27	1319476	2	Screw, Stop
28	1319477	4	Nut, Hex
29	1319478	20	Nut, Sph. Collar

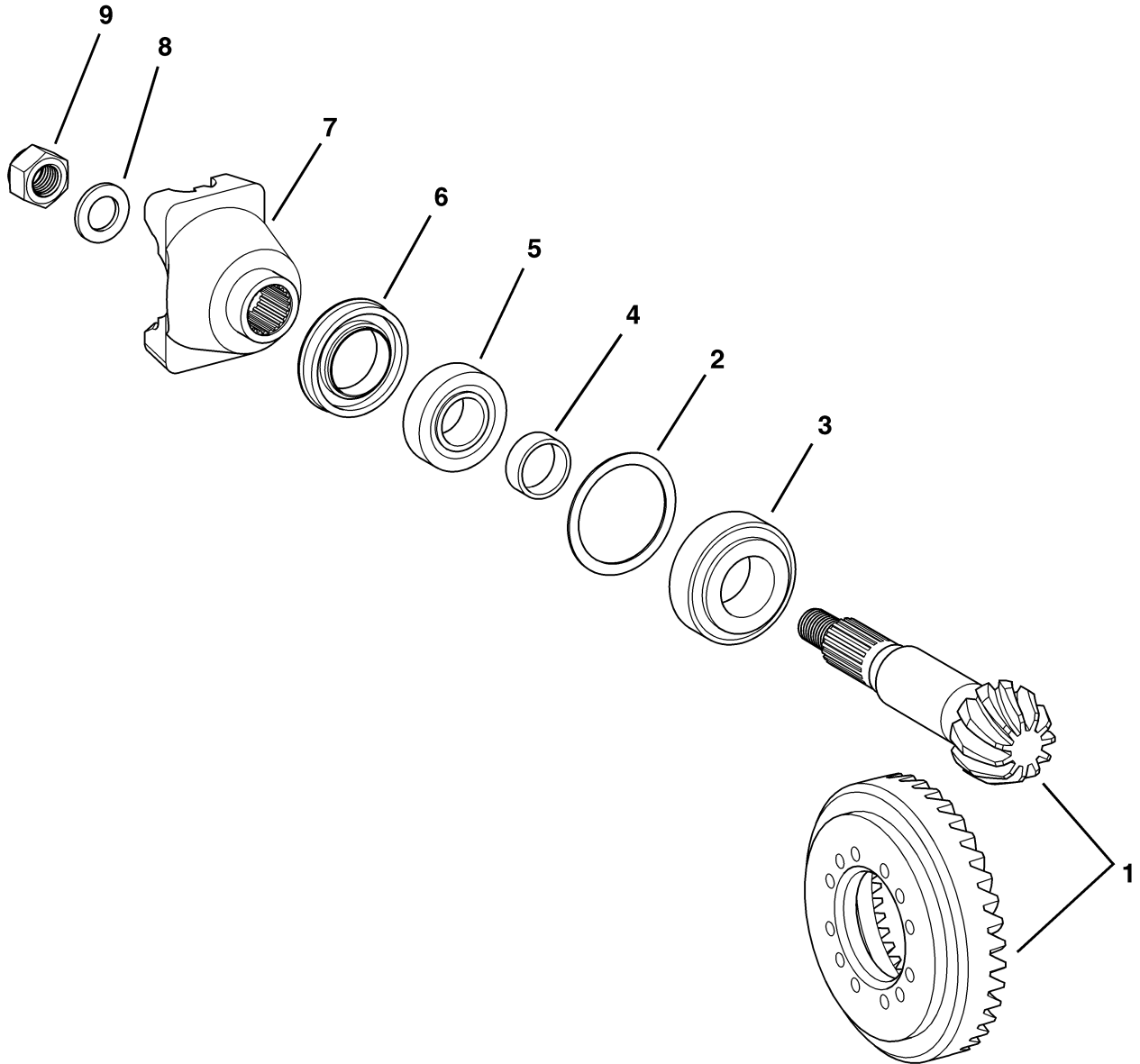
FRONT AXLE - PLANETARY DRIVE



FRONT AXLE - PLANETARY DRIVE

Item No.	Part Number	Qty.	Description
1	8035976	2	Gear, Ring (Terminating Date)
	1321258	2	Gear, Ring (Introduction Date)
2	1321255	2	Shaft, Sun Gear
3	1321232	2	Carrier, Planet
4	1321233	6	Gear, Planet
5	1321214	6	Bearing, Roller
6	1321205	12	Ring, Snap
7	1321191	12	Washer
8	1321177	6	Ring, Retaining
9	1319506	2	Plug, Screw
10	1319432	2	O-Ring
11	8035977	4	Screw, Cap

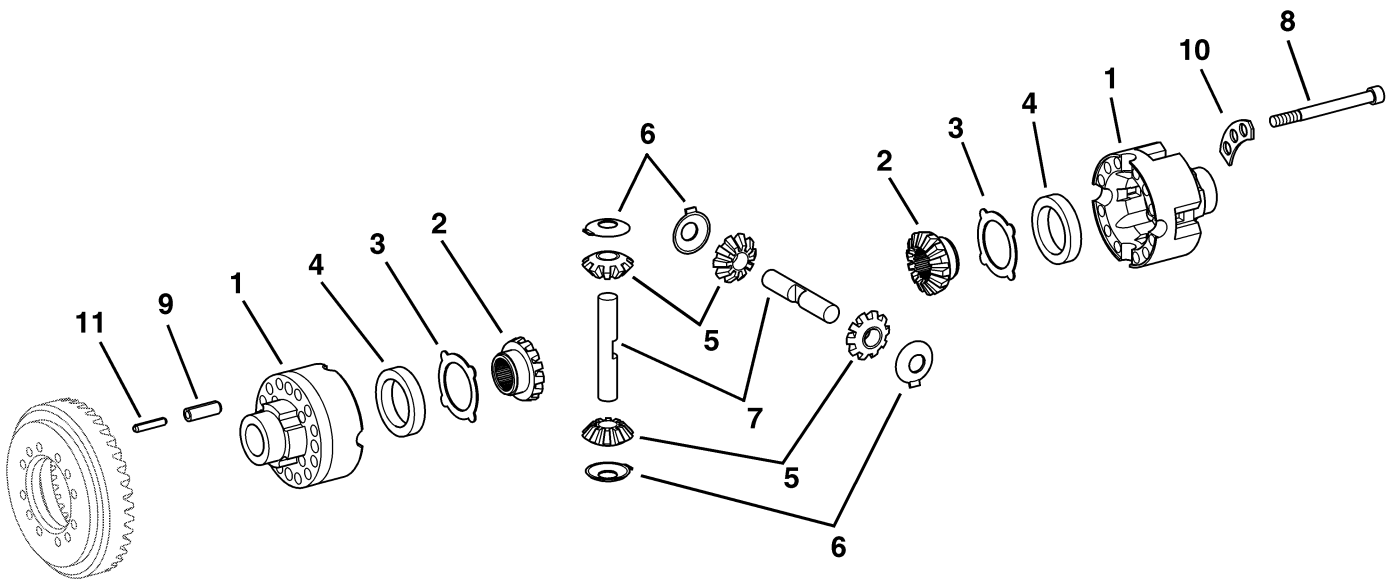
REAR AXLE - INPUT



REAR AXLE - INPUT

Item No.	Part Number	Qty.	Description
1	1321229	1	Set, Bevel Gear
2	1319333	1	Washer, Optional S=1,0
	1319334	1	Washer, Optional S=1,05
	1319335	1	Washer, Optional S=1,1
	1319336	1	Washer, Optional S=1,15
	1319337	1	Washer, Optional S=1,2
	1319338	1	Washer, Optional S=1,25
	1319339	1	Washer, Optional S=1,3
	1319340	1	Washer, Optional S=1,35
	1319341	1	Washer, Optional S=1,4
	1319342	1	Washer, Optional S=1,45
	1319343	1	Washer, Optional S=1,5
	1319344	1	Washer, Optional S=1,55
	1319345	1	Washer, Optional S=1,6
	1319346	1	Washer, Optional S=0,9
	1319347	1	Washer, Optional S=0,95
	1319348	1	Washer, Optional S=0,65
	1319349	1	Washer, Optional S=0,70
	1319350	1	Washer, Optional S=0,75
	1319351	1	Washer, Optional S=0,85
	1319352	1	Washer, Optional S=0,80
3	1319353	1	Bearing, Roller
4	1319354	1	Ring, Optional S=15,1
	1319355	1	Ring, Optional S=15,2
	1319356	1	Ring, Optional S=15,3
	1319357	1	Ring, Optional S=15,4
	1319358	1	Ring, Optional S=15,5
	1319359	1	Ring, Optional S=15,6
	1319360	1	Ring, Optional S=15,7
	1319361	1	Ring, Optional S=15,8
	1319362	1	Ring, Optional S=15,9
	1319363	1	Ring, Optional S=16,0
	1319364	1	Ring, Optional S=16,1
	1319365	1	Ring, Optional S=16,2
	1319366	1	Ring, Optional S=16,3
	1319367	1	Ring, Optional S=16,4
	8035982	1	Ring, Optional S=16,26
	1319369	1	Ring, Optional S=16,23
	1319370	1	Ring, Optional S=16,16
	1319371	1	Ring, Optional S=16,13
	1319372	1	Ring, Optional S=16,06
	1319373	1	Ring, Optional S=16,03
	1319374	1	Ring, Optional S=15,96
	1319375	1	Ring, Optional S=15,93
	1319376	1	Ring, Optional S=15,86
	1319377	1	Ring, Optional S=15,83
	1319378	1	Ring, Optional S=15,76
	1319379	1	Ring, Optional S=15,73
	1319380	1	Ring, Optional S=15,66
	1319381	1	Ring, Optional S=15,63
	1319382	1	Ring, Optional S=15,56
	1319383	1	Ring, Optional S=15,53
	1319384	1	Ring, Optional S=15,46
	1319385	1	Ring, Optional S=15,43
	1319386	1	Ring, Optional S=15,36
	1319387	1	Ring, Optional S=15,33
	1319388	1	Ring, Optional S=15,26
	1319389	1	Ring, Optional S=15,38
	1319390	1	Ring, Optional S=15,48
	1319391	1	Ring, Optional S=15,58
	1319392	1	Ring, Optional S=15,68
	1319393	1	Ring, Optional S=15,69
	1319394	1	Ring, Optional S=15,72
	1319395	1	Ring, Optional S=15,78
	1319396	1	Ring, Optional S=15,81
	1319397	1	Ring, Optional S=15,84
	1319398	1	Ring, Optional S=15,88
	1319399	1	Ring, Optional S=15,89
	1319400	1	Ring, Optional S=15,91
	1319401	1	Ring, Optional S=15,94
	1319402	1	Ring, Optional S=15,97
5	1319444	1	Bearing, Roller
6	1321211	1	Ring, Multi Seal
7	1321237	1	Yoke, End
8	1319406	1	Washer
9	8035983	1	Nut, Hex

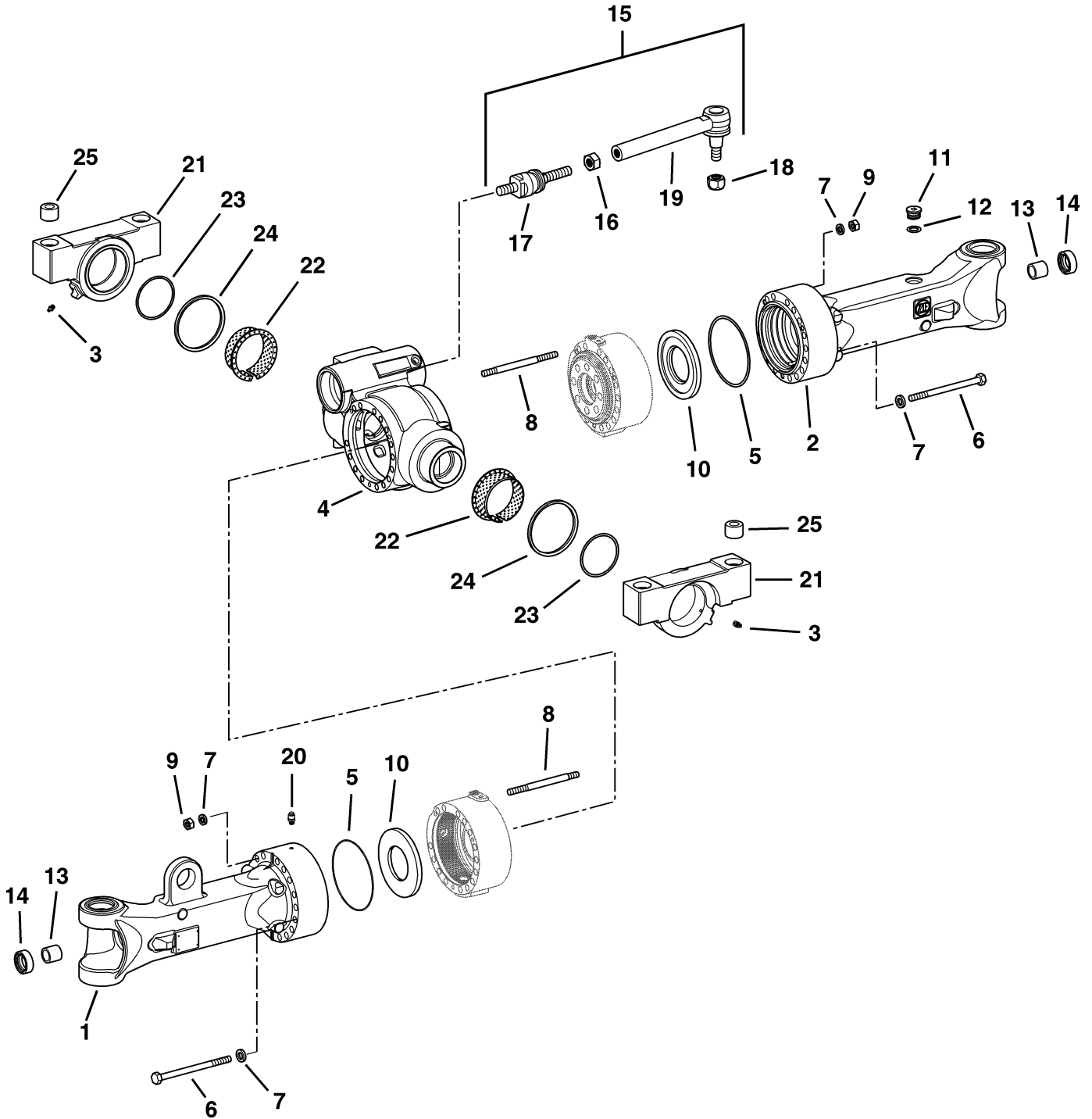
REAR AXLE - DIFFERENTIAL



REAR AXLE - DIFFERENTIAL

Item No.	Part Number	Qty.	Description
1	1321216	1	Case, Differential
2	1321223	2	Gear, Axle Bevel
3	1319412	2	Washer, Thrust
4	1321260	2	Ring, Differential A=13,7
	8035984	2	Ring, Differential A=13,6
	1321259	2	Ring, Differential A=13,5
5	1321262	4	Gear, Differential Bevel
6	1321188	4	Washer, Thrust
7	1321224	2	Axle, Differential
8	8035985	12	Screw, Cap
9	1321153	4	Pin, Slot.
10	1321227	4	Segment
11	1321154	4	Pin, Slot.

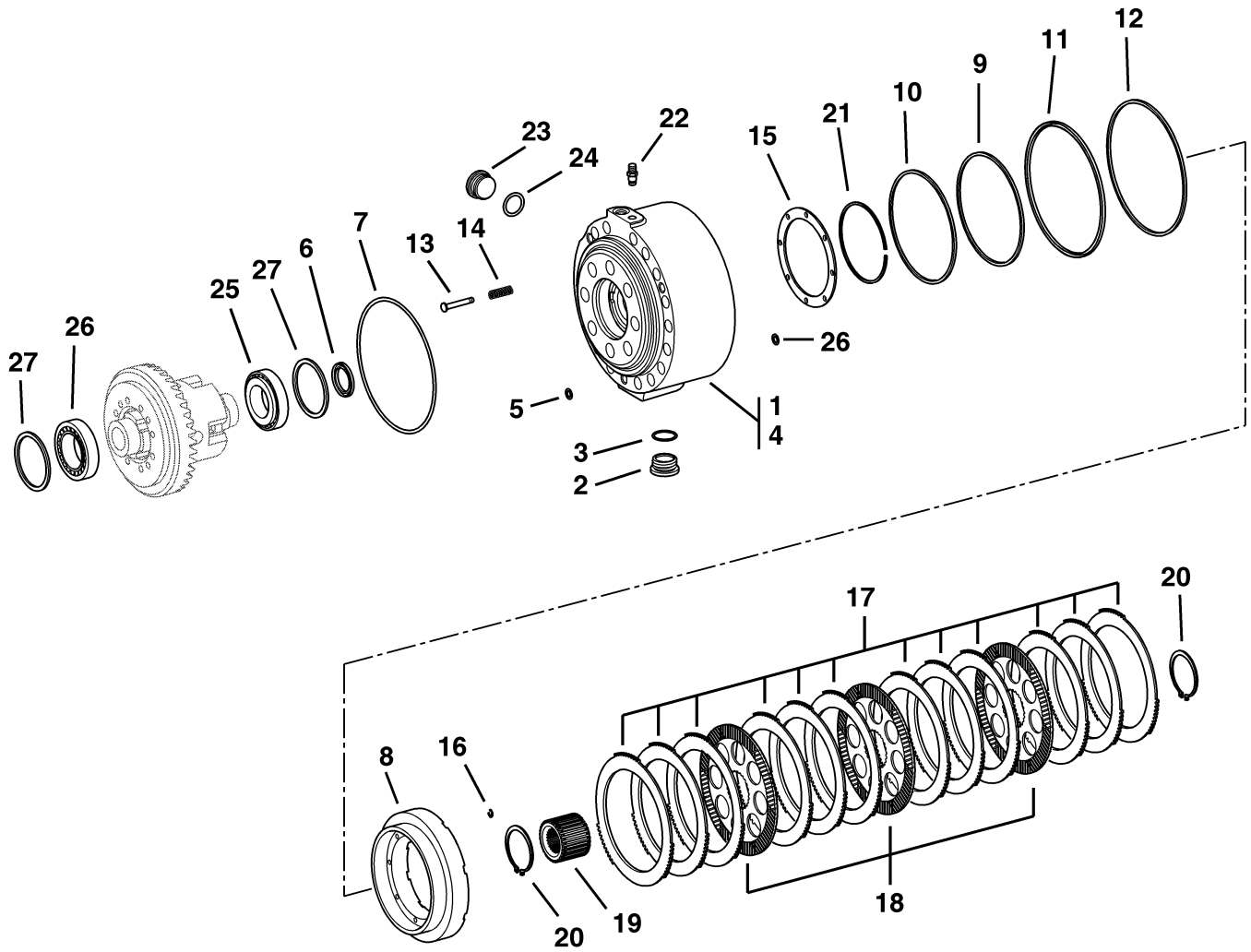
REAR AXLE - AXLE CASING



REAR AXLE - AXLE CASING

Item No.	Part Number	Qty.	Description
1	8035986	1	Casing, Axle
2	8035987	1	Casing, Axle
3	1319423	2	Nipple, Lubrication
4	8035991	1	Housing, Axle Drive (Terminating Date)
	1321236	1	Housing, Axle Drive (Introduction Date)
5	1319425	2	O-Ring
6	8035927	22	Screw, Hex
7	1319427	30	Washer
8	8035989	8	Stud
9	1319429	8	Nut, Hex
10	1319430	2	Shim, End (Terminating Date)
	8035990	2	Shim, End (Introduction Date)
11	1319506	1	Plug, Screw
12	1319432	1	O-Ring
13	1319433	2	Bushing
14	1319434	2	Seal, Shaft
15	1321148	2	Coupling, Axial Joint (Includes Items 16 thru 19)
16	8035929	2	Coupling, Ball Joint w/Pipe
17	8035930	2	Coupling, Axial Joint
18	8035931	2	Nut, Locking
19	8035932	2	Nut, Hex
20	1319436	1	Valve, Vent
21	1319437	2	Bracket (Terminating Date)
	8035933	2	Bracket (Introduction Date)
22	1319438	2	Bushing, Flange
23	1319439	2	O-Ring
24	1319440	2	V-Ring
25	1319441	2	Bushing, Centering

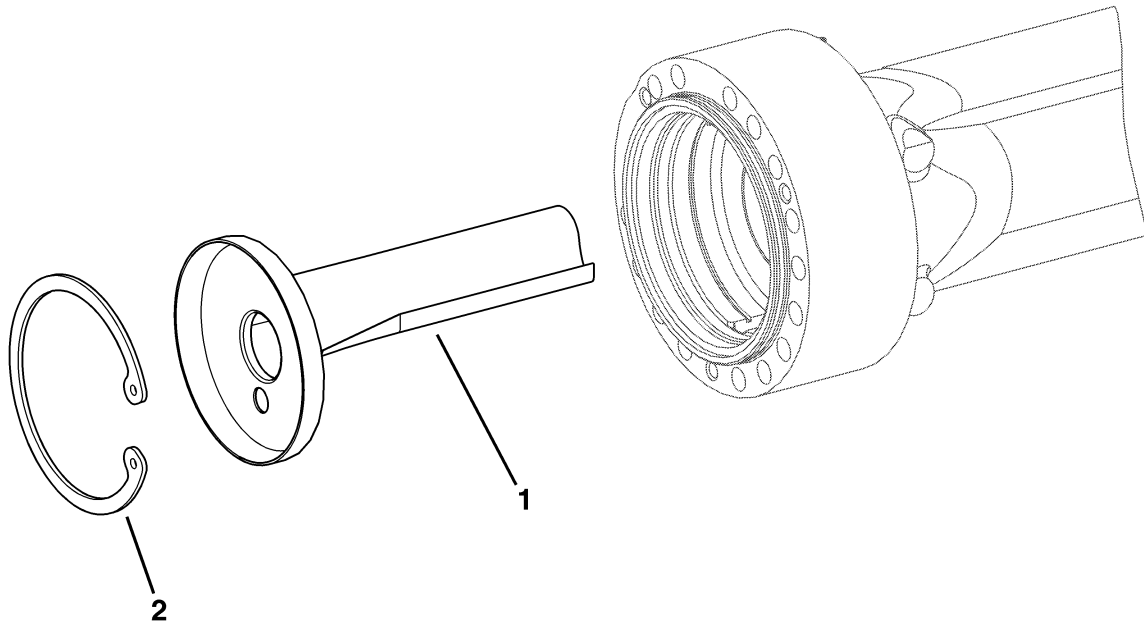
REAR AXLE - M-DISC BRAKE



REAR AXLE - M-DISC BRAKE

Item No.	Part Number	Qty.	Description
1	8035935	1	Housing, Brake - Left Side (Terminating Date)
	8035936	1	Housing, Brake - Left Side (Introduction Date)
2	8035937	2	Plug, Screw (Terminating Date)
	1319431	2	Plug, Screw (Introduction Date)
3	1321156	2	O-Ring (Terminating Date)
	1319432	2	O-Ring (Introduction Date)
4	8035938	1	Housing, Brake - Right Side (Terminating Date)
	8035939	1	Housing, Brake - Right Side (Introduction Date)
5	1319491	12	O-Ring
6	1321161	2	Seal, Shaft
7	1319425	2	O-Ring
8	8035940	2	Piston (Terminating Date)
	1321173	2	Piston (Introduction Date)
9	8035941	2	U-Ring (Terminating Date)
	1321162	2	U-Ring (Introduction Date)
10	8035942	2	Ring, Support (Terminating Date)
	1321151	2	Ring, Support (Introduction Date)
11	8035949	2	U-Ring (Terminating Date)
	1321163	2	U-Ring (Introduction Date)
12	8035943	2	Ring, Support (Terminating Date)
	1321152	2	Ring, Support (Introduction Date)
13	1319496	16	Pin
14	1319497	16	Spring, Compression
15	1319498	2	Washer
16	1319499	16	Ring, Crescent
17	1319500	24	Disc, O. Clutch - Optional S=2,0
	1319501	24	Disc, O. Clutch - Optional S=2,5
	1319502	24	Disc, O. Clutch - Optional S=3,0
18	1321150	6	Disc, I. Clutch
19	1321174	2	Carrier, Disc
20	10731949	4	Ring, Retaining
21	1319504	2	Ring, Snap
22	1319505	2	Valve, Vent
23	1319506	2	Plug, Screw
24	1319432	2	O-Ring
25	8035944	1	Bearing, Roller
26	1321165	1	Bearing, Roller
27	1319531	2	Shim, Optional A=0,1
	8035945	2	Shim, Optional A=0,15
	1318539	2	Shim, Optional A=0,2
	8035946	2	Shim, Optional A=0,25
	1311529	2	Shim, Optional A=0,3
	8035947	2	Shim, Optional A=0,35
	8035951	2	Shim, Optional A=0,4
	1319543	2	Shim, Optional A=0,45
	1319527	2	Shim, Optional A=0,5
	1321158	2	Shim, Optional A=0,55
	1319526	2	Shim, Optional A=0,6
	1319532	2	Shim, Optional A=0,65
	1319533	2	Shim, Optional A=0,70
	1319534	2	Shim, Optional A=0,75
	1319525	2	Shim, Optional A=0,8
	1319535	2	Shim, Optional A=0,85
	1319536	2	Shim, Optional A=0,90
	1319537	2	Shim, Optional A=0,95
	1319524	2	Shim, Optional A=1,0
	1319525	2	Shim, Optional A=1,05
	1319538	2	Shim, Optional A=1,10
	1319539	2	Shim, Optional A=1,15
	1319523	2	Shim, Optional A=1,2
	1319540	2	Shim, Optional A=1,25
	1319541	2	Shim, Optional A=1,30
	1319542	2	Shim, Optional A=1,35
	1319522	2	Shim, Optional A=1,4
	1319521	2	Shim, Optional A=1,45
	1319520	2	Shim, Optional A=1,50
	1319519	2	Shim, Optional A=1,55
	1319518	2	Shim, Optional A=1,60
	1319517	2	Shim, Optional A=1,65
	1319510	2	Shim, Optional A=2,0
	1321159	2	Shim, Optional A=1,47
	8035948	2	Shim, Optional A=1,63
	1319515	2	Shim, Optional A=1,75
	1319516	2	Shim, Optional A=1,70
	1319514	2	Shim, Optional A=1,80
	1319513	2	Shim, Optional A=1,85
	1319512	2	Shim, Optional A=1,90
	1319511	2	Shim, Optional A=1,95

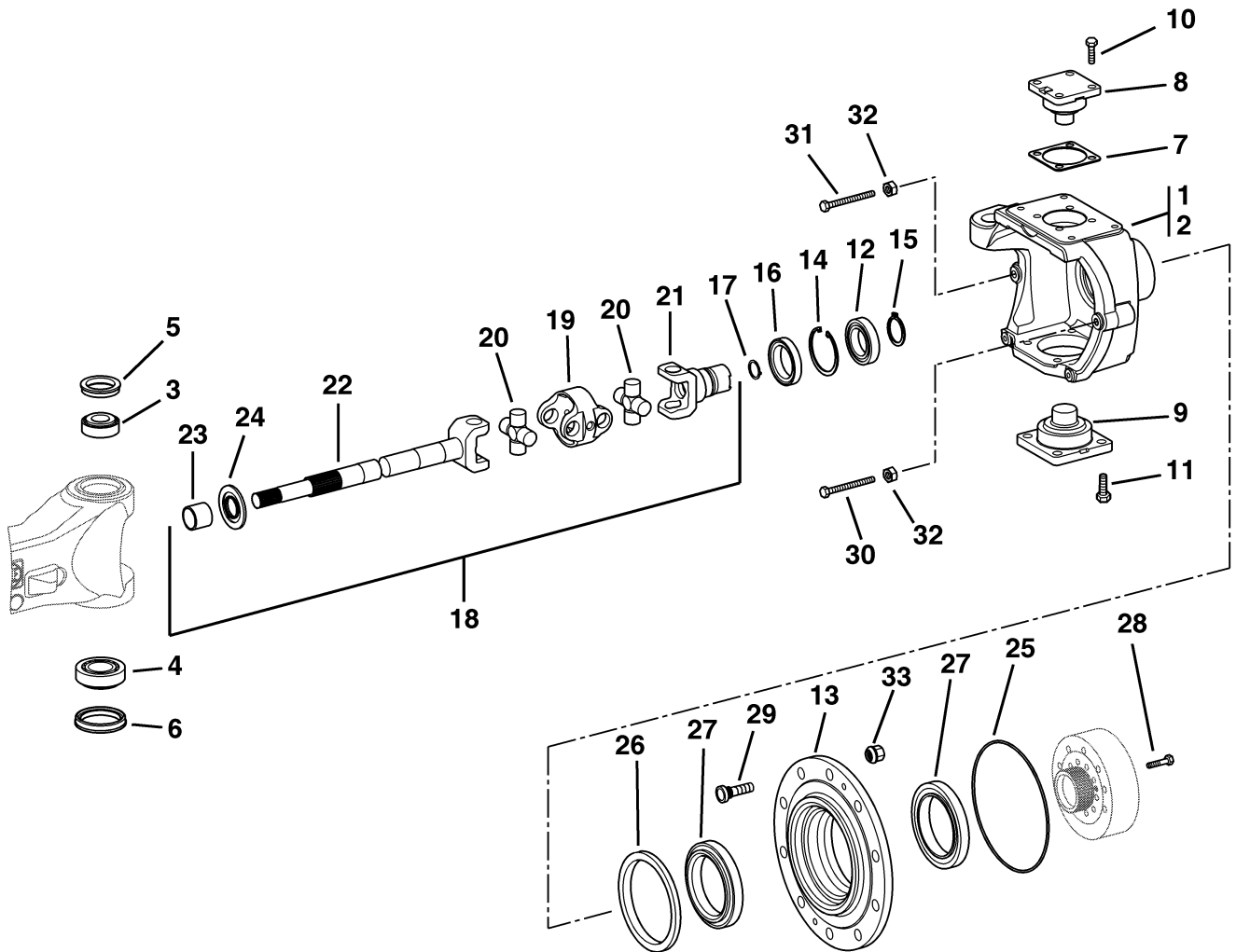
REAR AXLE - BRAKE



REAR AXLE - BRAKE

Item No.	Part Number	Qty.	Description
1	1321172	2	Carrier, Pin
2	1321178	2	Ring, Retaining

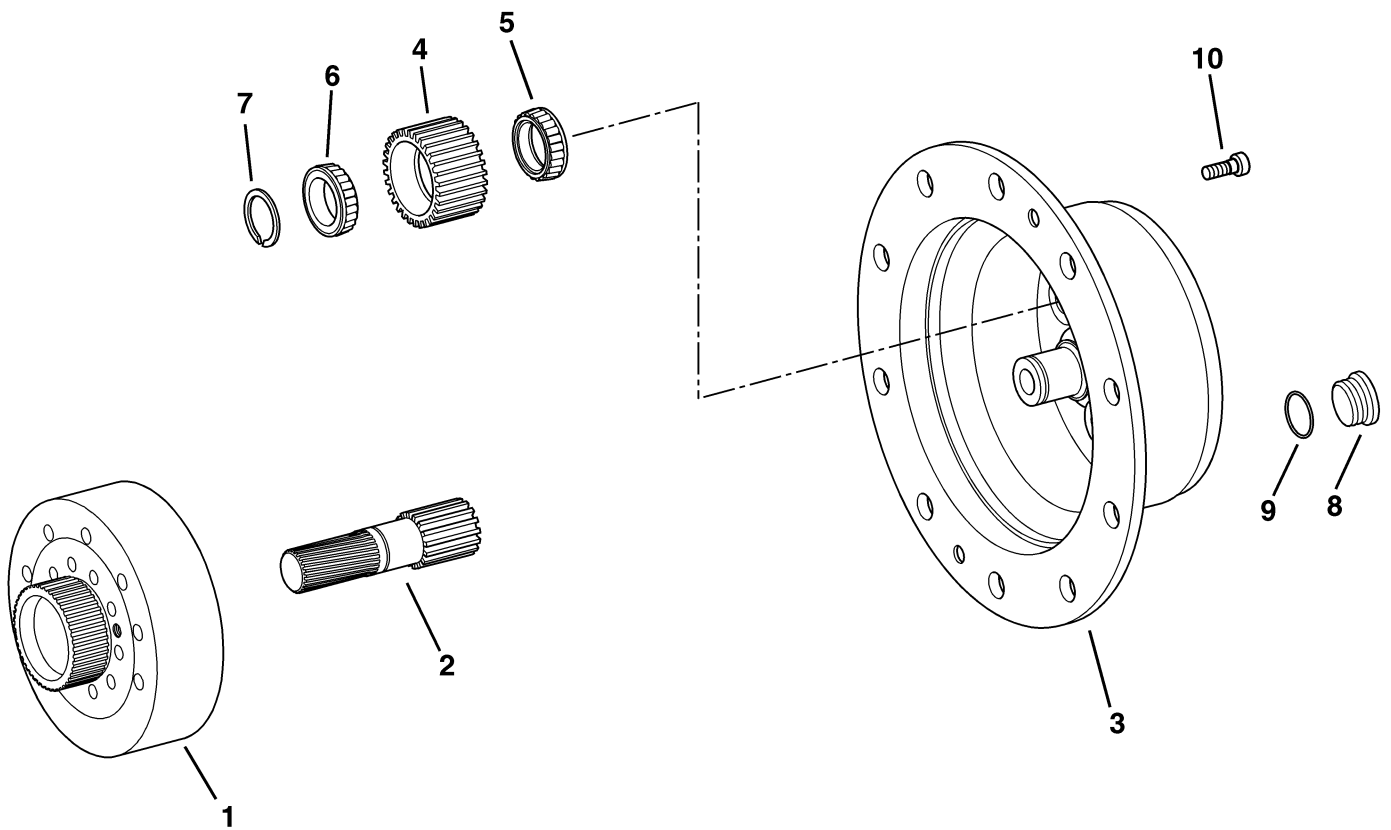
REAR AXLE - JOINT HOUSING



REAR AXLE - JOINT HOUSING

Item No.	Part Number	Qty.	Description
1	1321245	1	Housing, Joint - Left Side
2	1321246	1	Housing, Joint - Right Side
3	1319444	2	Bearing, Roller
4	1319445	2	Bearing, Roller
5	1319446	2	Seal, Shaft
6	1319447	2	Seal, Shaft
7	1319448	2	Shim, Optional S=0,2
	1319449	2	Shim, Optional S=0,3
	1319450	2	Shim, Optional S=0,4
	1319451	2	Shim, Optional S=0,6
	1319452	2	Shim, Optional S=0,8
	1319453	2	Shim, Optional S=1,0
	1319454	2	Shim, Optional S=1,2
	1319453	2	Shim, Optional S=1,4
	1319456	2	Shim, Optional S=1,6
	1319457	2	Shim, Optional S=1,8
	1319458	2	Shim, Optional S=2,0
	1319459	2	Shim, Optional S=0,7
	1319460	2	Shim, Optional S=0,5
8	1319461	2	Pin, Bearing
9	1319462	2	Pin, Bearing
10	1319463	8	Screw, Hex
11	1319464	8	Screw, Hex
12	1321157	2	Bearing, Ball
13	1321239	2	Hub
14	1319210	2	Ring, Retaining
15	1319546	2	Ring, Retaining
16	1321164	2	Seal, Shaft
17	1321226	2	Ring, Retaining
18	1321176	2	Shaft, D. Universal Coupling (Includes Items 19 thru 24)
19	8035992	2	Central Piece
20	8035993	4	Cross, Joint
21	8035994	2	Fork, Joint
22	8035995	2	Fork, Joint Coupling
23	8035973	2	Bushing
24	8035996	2	Sheet, Screen
25	1321155	2	O-Ring
26	1319471	2	Seal, Shaft
27	1319472	4	Bearing, Roller
28	8035997	16	Screw, Hex
29	1101056	20	Bolt, Wheel
30	1319475	2	Screw, Stop
31	1319476	2	Screw, Stop
32	1319477	4	Nut, Hex
33	1319478	20	Nut, Sph. Collar

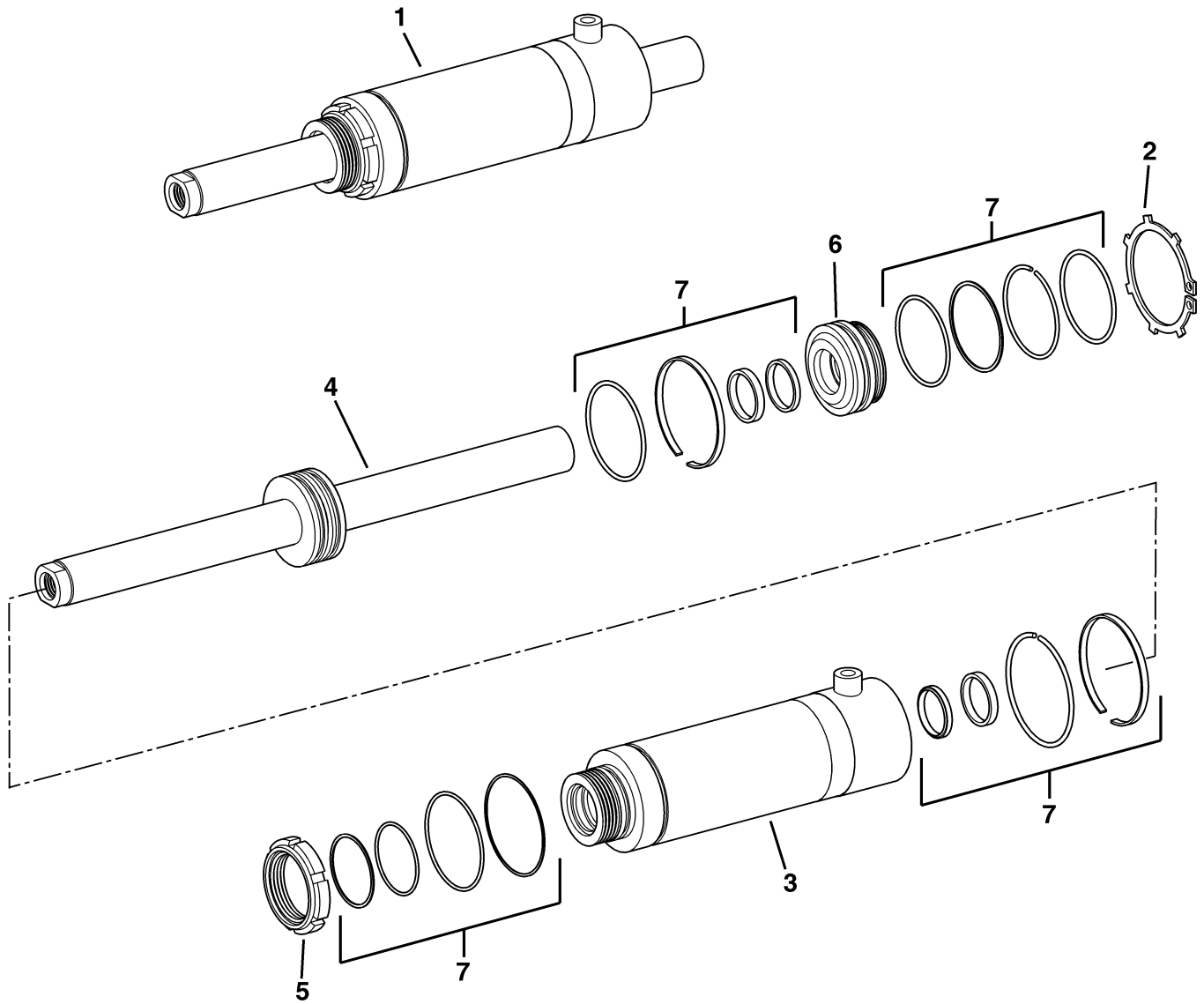
REAR AXLE - PLANETARY DRIVE



REAR AXLE - PLANETARY DRIVE

Item No.	Part Number	Qty.	Description
1	1321247	2	Gear, Ring
2	1321242	2	Shaft, Sun Gear
3	1321238	2	Carrier, Planet
4	1321231	6	Gear, Planet
5	1319483	6	Ring, Bearing Inner
6	1319484	6	Ring, Bearing Inner
7	1319485	6	Ring, Snap
8	1319500	2	Plug, Screw
9	1319432	2	O-Ring
10	8035977	4	Screw, Cap

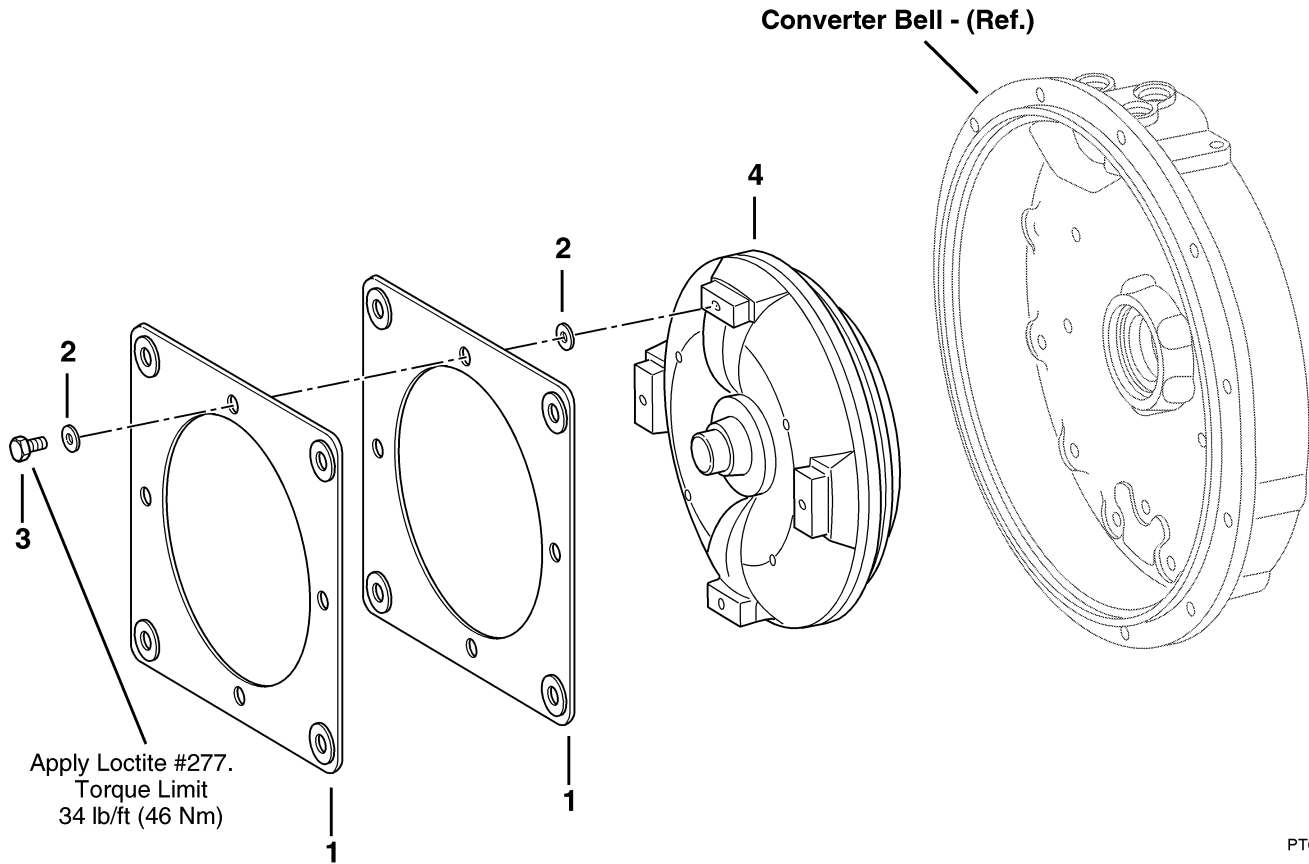
STEERING CYLINDER



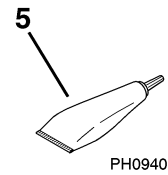
STEERING CYLINDER

Item No.	Part Number	Qty.	Description
1	1321149	1	Steering Cylinder Assembly (Includes Items 2 thru 7)
2	8035978	1	L-Ring
3	8035979	1	Tube, Cylinder
4	1321061	1	Rod, Piston
5	1321062	1	Nut, Slotted
6	8035980	1	Guide Piece
7	8035981	1	Kit, Seal

ENGINE CONNECTION AND CONVERTER



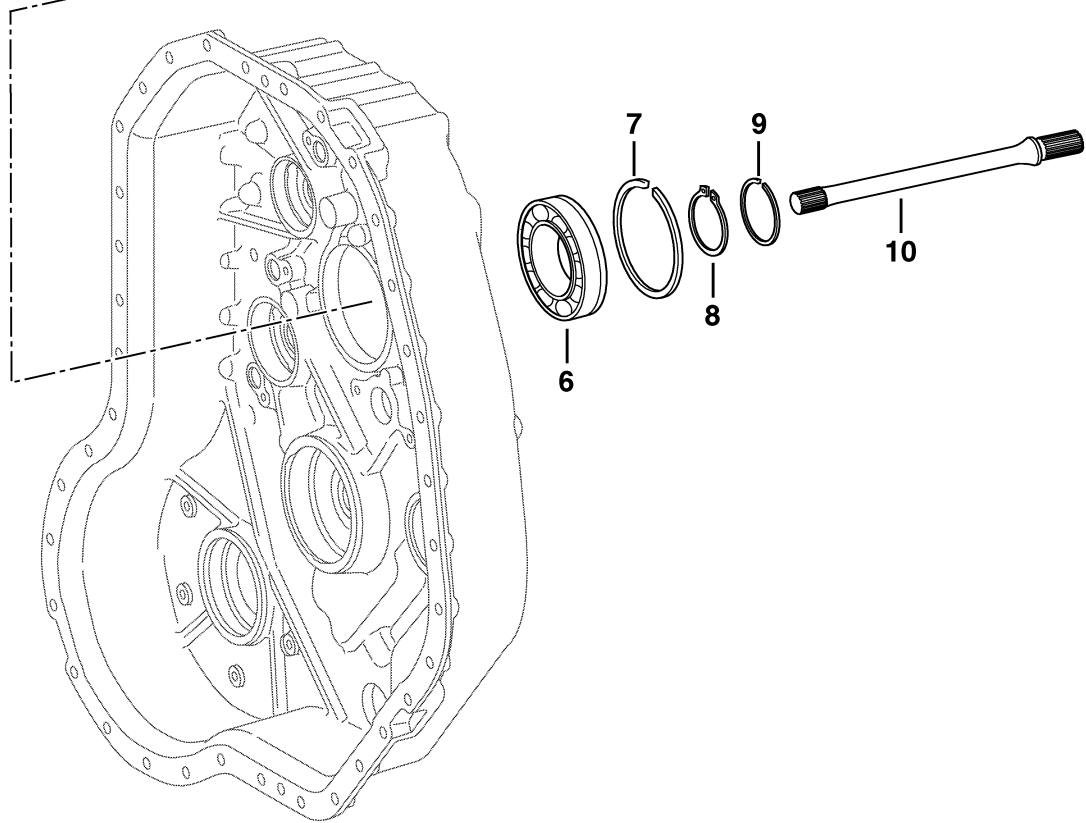
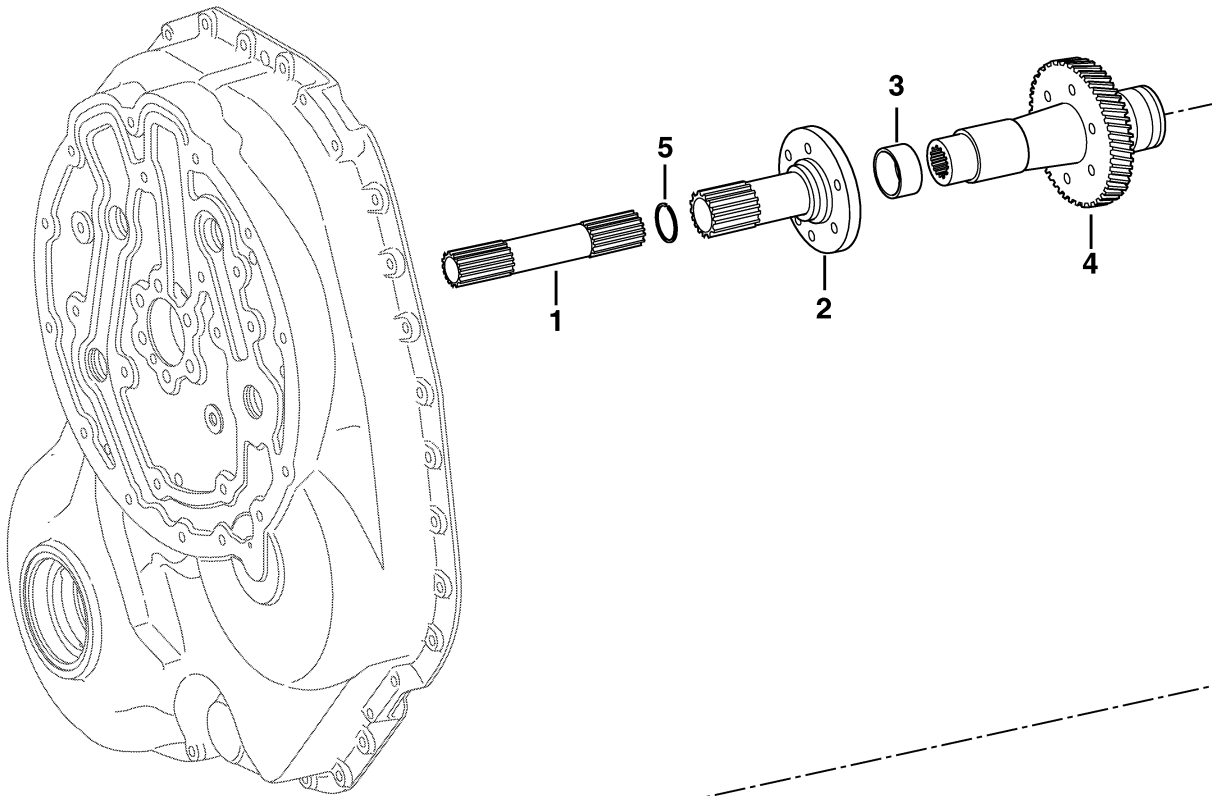
PT0130



ENGINE CONNECTION AND CONVERTER

Item No.	Part Number	Qty.	Description
1	1319229	2	Diaphragm
2	10731703	8	Washer, Thrust 1,00
3	1319231	4	HHCS, M10 x 16mm
4	1319258	1	Converter
5	8526052	1	Threadlocker, Loctite #277 (10ml bottle) .34 fl. oz.

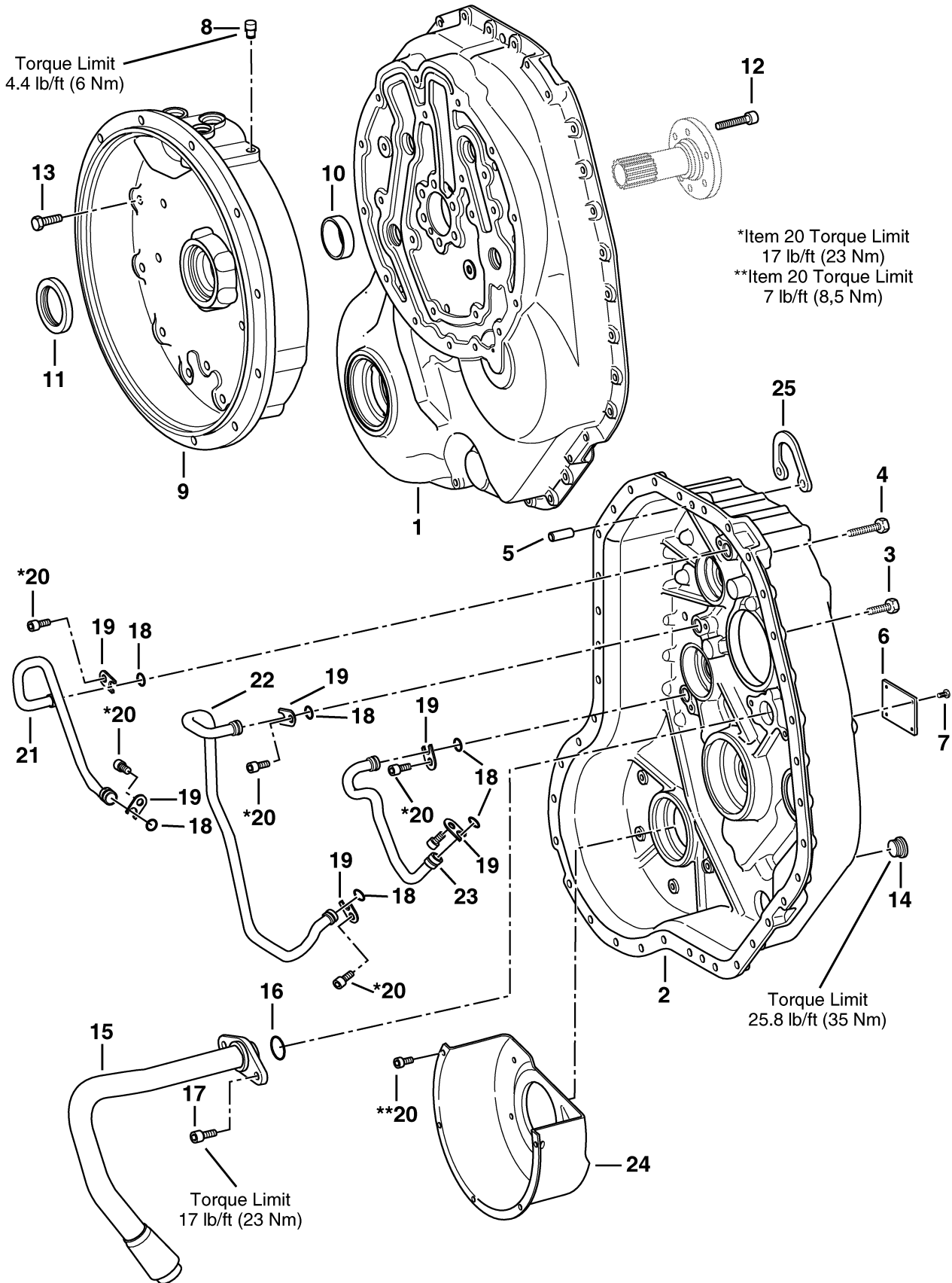
INPUT SHAFTS



INPUT SHAFTS

Item No.	Part Number	Qty.	Description
1	1319236	1	Shaft, Turbine
2	1319557	1	Shaft, Stator
3	1319558	1	Bushing, Bearing
4	1319559	1	Shaft, Input
5	10731732	1	Ring, Snap 30
6	1319563	1	Bearing, Ball
7	10731913	1	Ring, Snap 100
8	1319564	1	Ring, Retaining 55 x 2,00
9	1319565	1	Ring, Piston 55 x 3,00
10	1319566	1	Shaft, Central

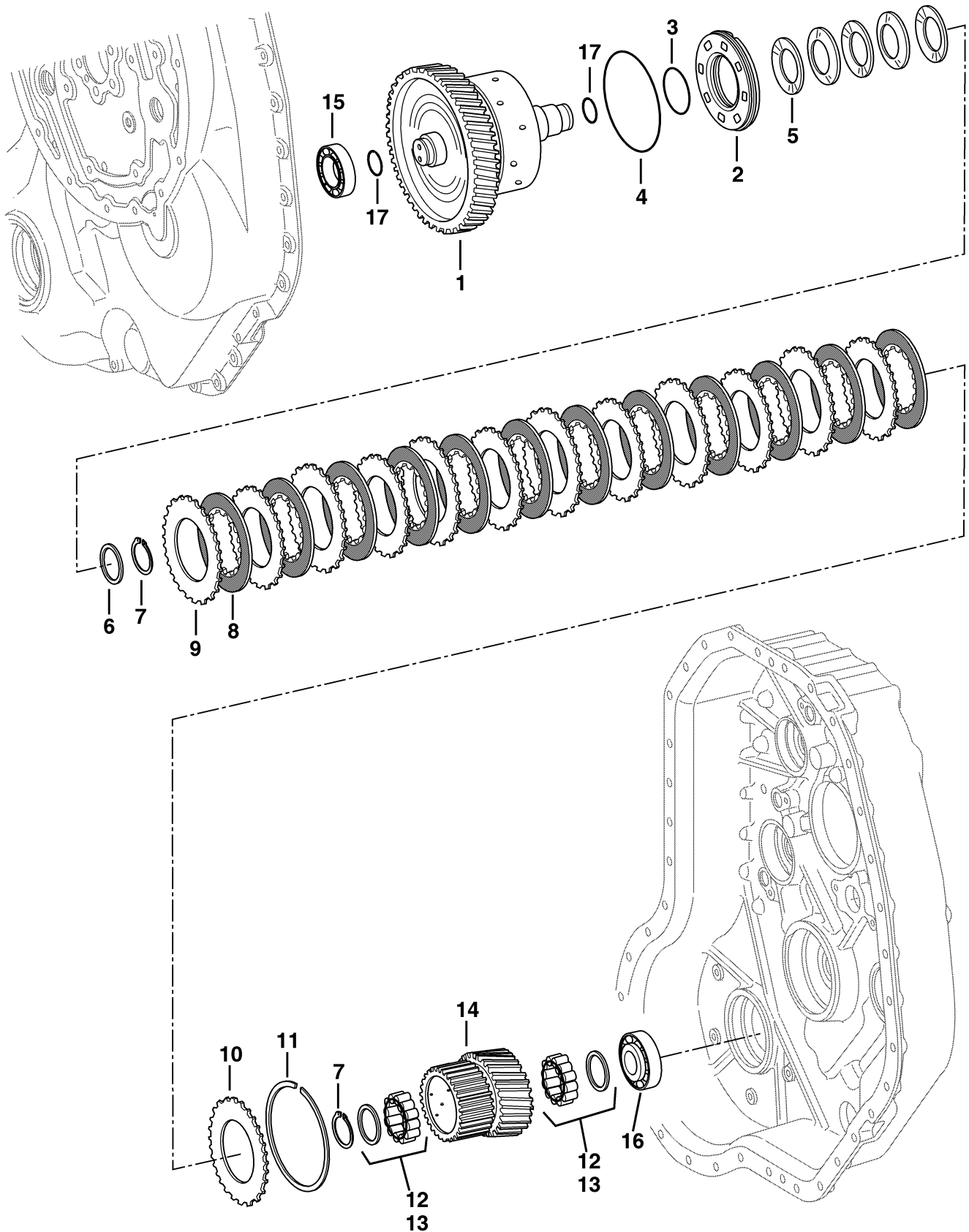
GEARBOX HOUSING



GEARBOX HOUSING

Item No.	Part Number	Qty.	Description
1	1319567	1	Housing I
2	1319568	1	Housing II
3	1319569	30	HHCS, M10 x 30mm
4	1319570	6	HHCS, M10 x 50mm
5	1319571	2	Pin, Cylindrical M6 x 24
6	1319572	1	Plate, Type
7	1319573	4	Stud, Grooved 3 x 5,00
8	10731744	1	Breather
9	1319574	1	Bell, Converter
10	1319575	1	Bushing, Bearing
11	1319576	1	Seal, Shaft
12	1319577	6	SHCS, M10 x 50mm
13	1319569	23	HHCS, M10 x 30mm
14	1319578	1	Plug, Drain 7/8-14
15	1319580	1	Pipe, Oil Suction
16	1319581	1	O-Ring, 30 x 3,00
17	1319582	2	SHCS, M8 x 20mm
18	1319583	6	O-Ring, 14 x 2,00
19	1319584	6	Plate, Fixing
20	1319585	11	SHCS, M8 x 16mm
21	1319586	1	Pipe
22	1319587	1	Pipe
23	1319588	1	Pipe
24	1319587	1	Sheet, Screen
25	1319590	1	Bracket

COUPLING GROUP 1

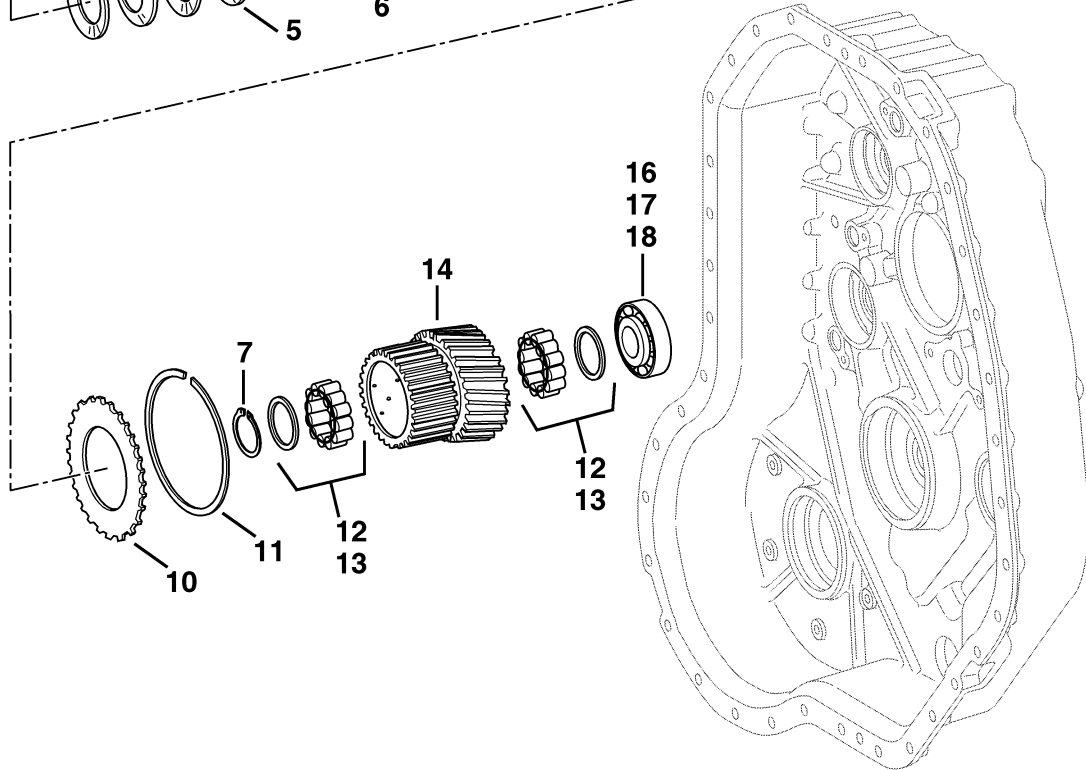
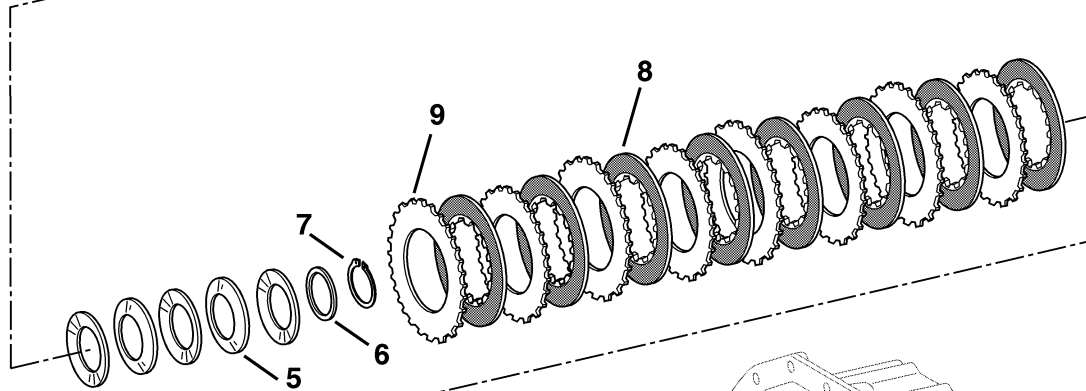
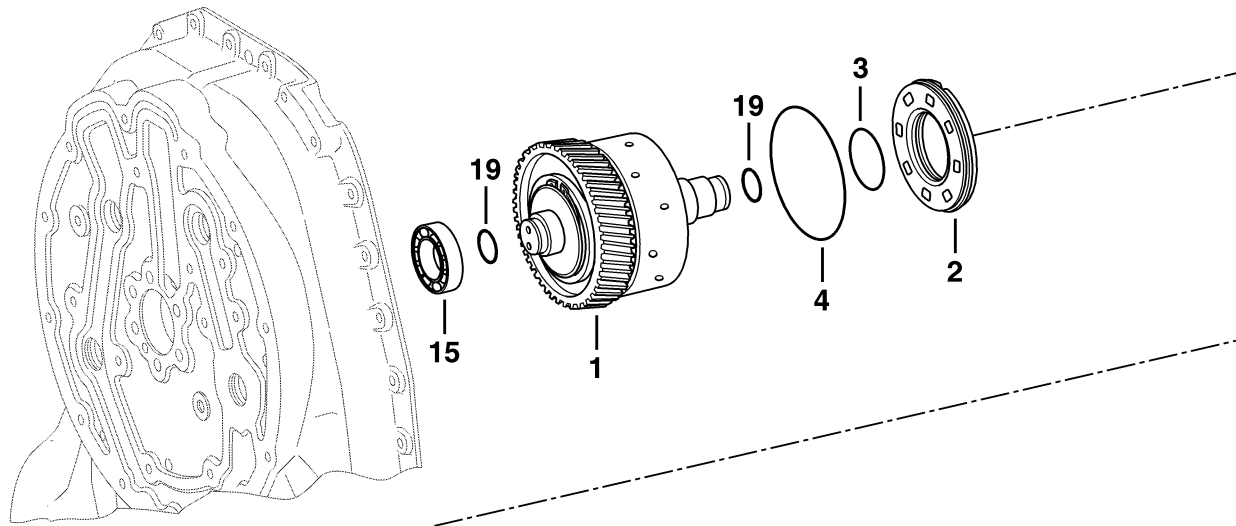


PT0160

COUPLING GROUP 1

Item No.	Part Number	Qty.	Description
1	1319591	1	Coupling
2	1319592	1	Piston
3	1319593	1	O-Ring, 52 x 3,00
4	1319594	1	O-Ring, 115 x 3,00
5	1319595	5	Spring, Cup
6	1319596	1	Shim, 2,00
7	10731845	2	Ring, Retaining 40 x 1,75
8	1319597	12	Disc, Lin. Clutch
9	1319598	12	Disc, O. Clutch
10	1319599	1	Shim, End
11	1319600	1	Ring, Snap 4,00
	1319601	1	Ring, Snap 3,50
	1319602	1	Ring, Snap 3,00
	1319603	1	Ring, Snap 2,50
	1319604	1	Ring, Snap 2,00
12	1319605	2	Cage, Roller
13	1319606	2	Cage, Roller
14	1319607	1	Carrier, Disc
15	1319608	1	Bearing, Roller
16	1319609	1	Bearing, Roller
	1319610	1	Bearing, Roller
	1319611	1	Bearing, Roller
17	1319612	2	Ring, Piston 30 x 2,00

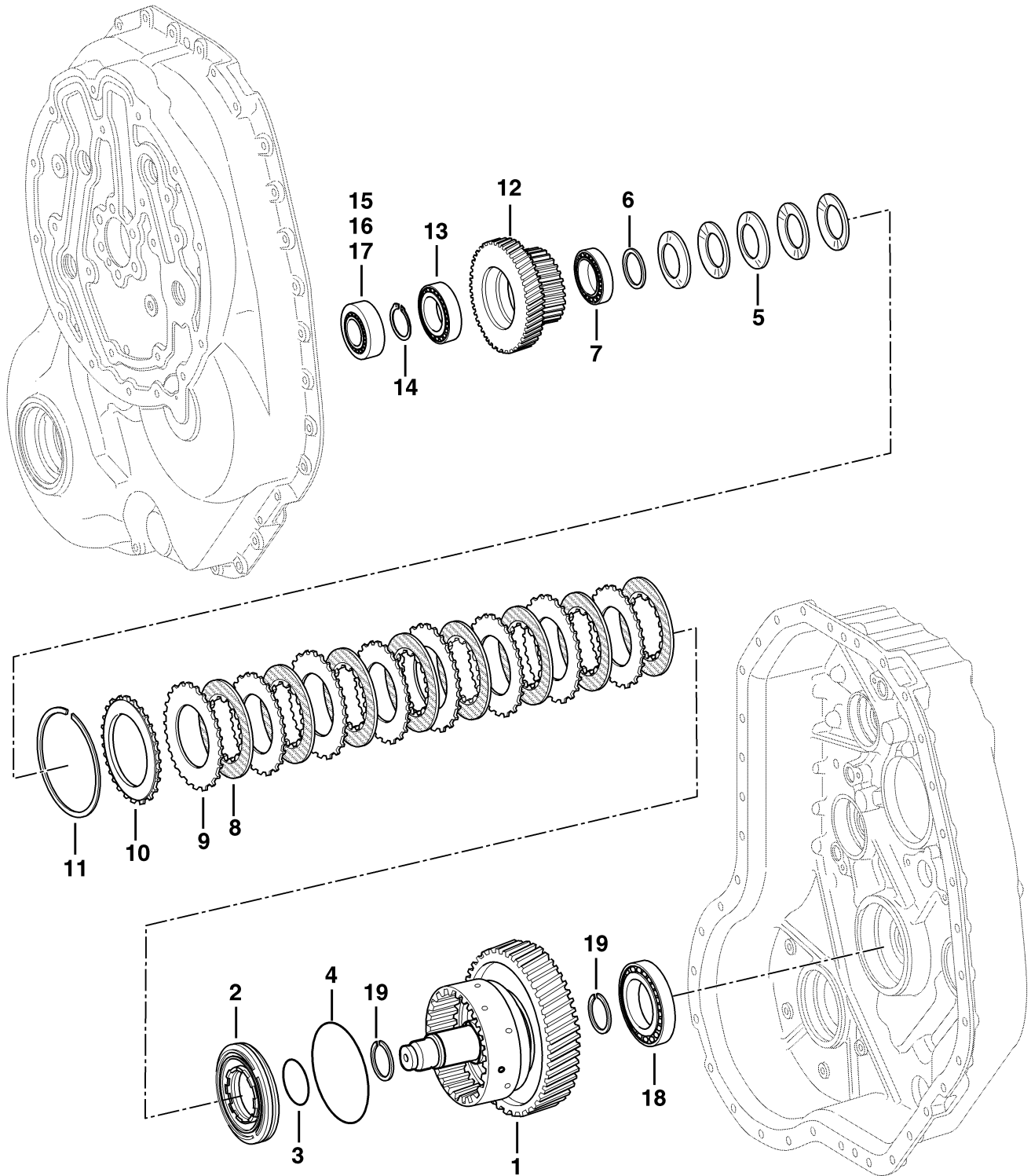
COUPLING GROUP 2



COUPLING GROUP 2

Item No.	Part Number	Qty.	Description
1	1319613	1	Coupling
2	1319592	1	Piston
3	1319593	1	O-Ring 52 x 3,00
4	1319594	1	O-Ring 115 x 3,00
5	1319595	5	Spring, Cup
6	1319596	1	Shim, 2,00
7	10731845	2	Ring, Retaining 40 x 1,75
8	1319597	8	Disc, Lin. Clutch
9	1319598	8	Disc, O. Clutch
10	1319599	1	Shim, End
11	1319600	1	Ring, Snap 4,00
	1319601	1	Ring, Snap 3,50
	1314602	1	Ring, Snap 3,00
	1319603	1	Ring, Snap 2,50
	1319604	1	Ring, Snap 2,00
12	1319605	2	Cage, Roller
13	1319606	2	Cage, Roller
14	1319614	1	Carrier, Disc
15	1319615	1	Bearing, Roller
16	1319609	1	Bearing, Roller
17	1319610	1	Bearing, Roller
18	1319611	1	Bearing, Roller
19	1319612	2	Ring, Piston 30 x 2,00

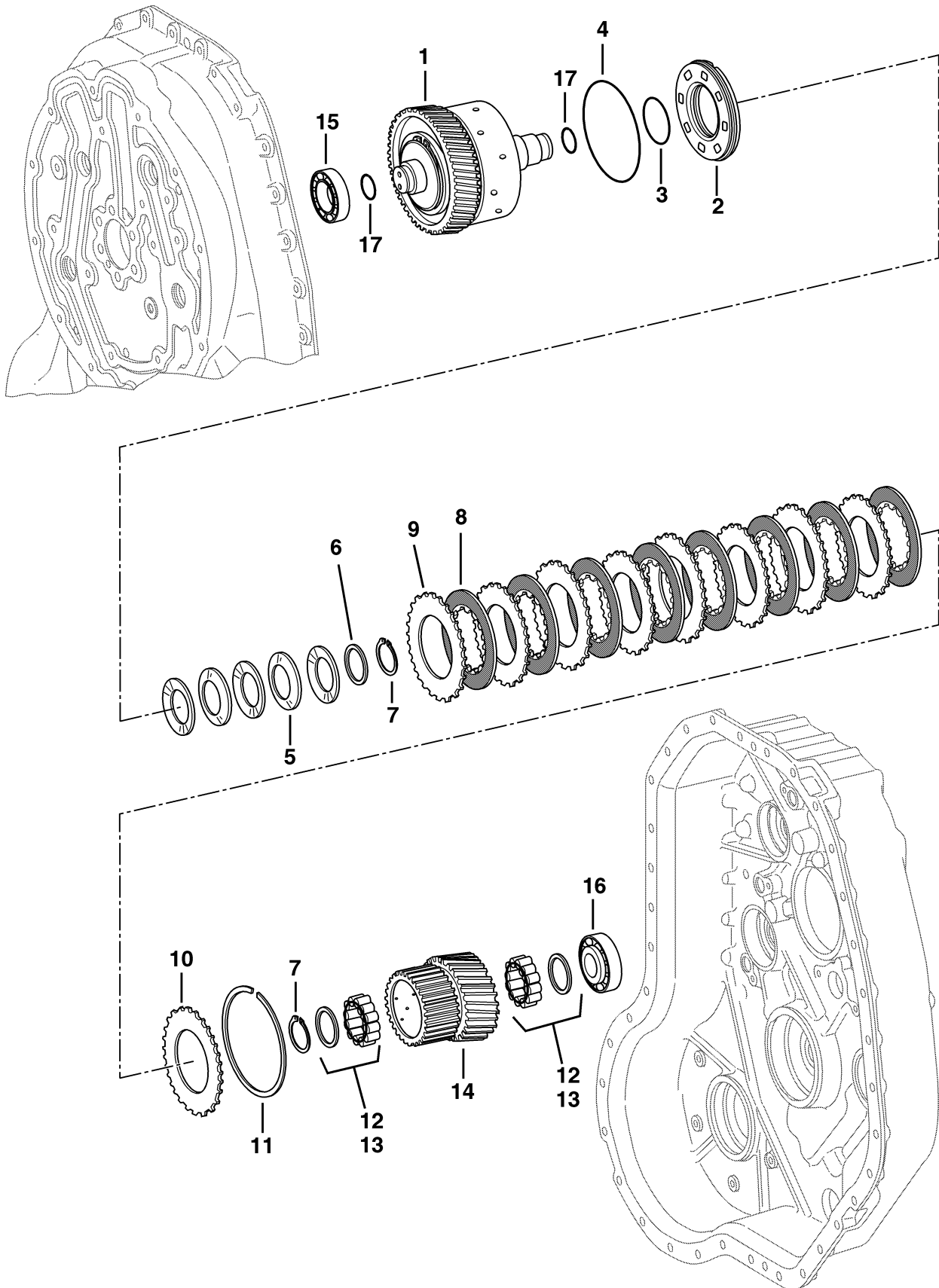
COUPLING GROUP 3



COUPLING GROUP 3

Item No.	Part Number	Qty.	Description
1	1319616	1	Coupling
2	1319592	1	Piston
3	1319593	1	O-Ring, 52 x 3,00
4	1319594	1	O-Ring, 115 x 3,00
5	1319595	5	Spring, Cup
6	1319617	1	Shim, Support
7	1319618	1	Bearing, Roller
8	1319597	8	Disc, Lin. Clutch
9	1319598	8	Disc, O. Clutch
10	1319599	1	Shim, End
11	1319600	1	Ring, Snap 4,00
	1319601	1	Ring, Snap 3,50
	1319602	1	Ring, Snap 3,00
	1319603	1	Ring, Snap 2,50
	1319604	1	Ring, Snap 2,00
12	1319619	1	Carrier, Disc
13	1319620	1	Bearing, Roller
14	1319621	1	Ring, Retaining 3,20
	1319622	1	Ring, Retaining 3,10
	1319623	1	Ring, Retaining 3,00
	1319624	1	Ring, Retaining 2,90
	1319625	1	Ring, Retaining 2,80
	1319626	1	Ring, Retaining 2,70
	1319627	1	Ring, Retaining 2,60
	1319628	1	Ring, Retaining 38 x 2,50
	1319629	1	Ring, Retaining 38 x 2,40
	1319630	1	Ring, Retaining 38 x 2,30
	1319631	1	Ring, Retaining 38 x 2,20
	1319632	1	Ring, Retaining 38 x 2,10
15	1319609	1	Bearing, Roller
16	1319610	1	Bearing, Roller
17	1319611	1	Bearing, Roller
18	1319633	1	Bearing, Roller
19	1319612	2	Ring, Piston 30 x 2,00

COUPLING GROUP 4

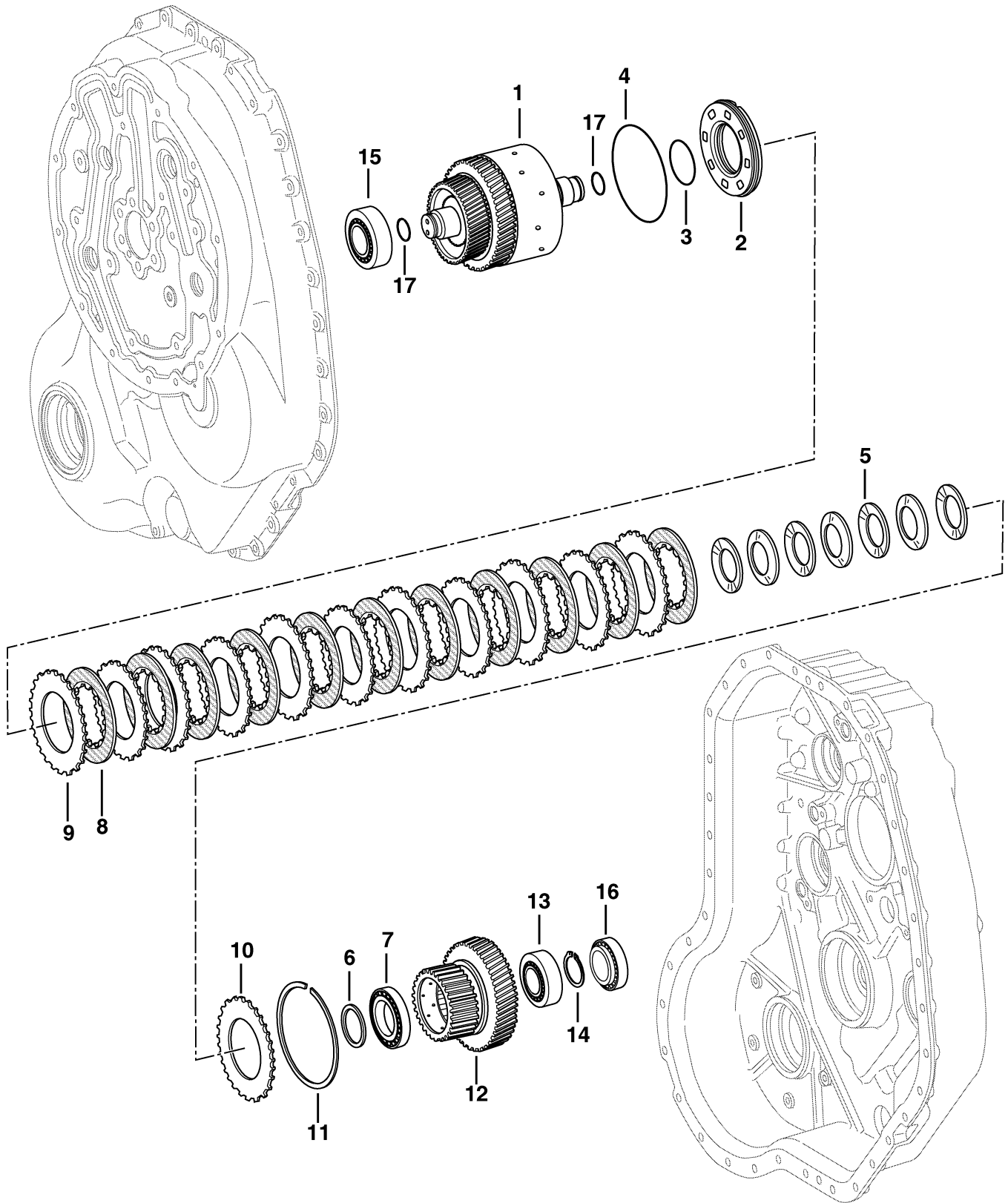


PT0170

COUPLING GROUP 4

Item No.	Part Number	Qty.	Description
1	1319634	1	Coupling
2	1319592	1	Piston
3	1319593	1	O-Ring, 52 x 3,00
4	1319594	1	O-Ring, 115 x 3,00
5	1319595	5	Spring, Cup
6	1319596	1	Shim, 2,00
7	10731845	2	Ring, Retaining 40 x 1,75
8	1319597	8	Disc, Lin. Clutch
9	1319598	8	Disc, O. Clutch
10	1319599	1	Shim, End
11	1319600	1	Ring, Snap 4,00
	1319601	1	Ring, Snap 3,50
	1319602	1	Ring, Snap 3,00
	1319603	1	Ring, Snap 2,50
	1319604	1	Ring, Snap 2,00
12	1319605	2	Cage, Roller
13	1319606	2	Cage, Roller
14	1319635	1	Carrier, Disc
15	1319615	1	Bearing, Roller
16	1319636	1	Bearing, Roller
17	1319612	2	Ring, Piston 30 x 2,00

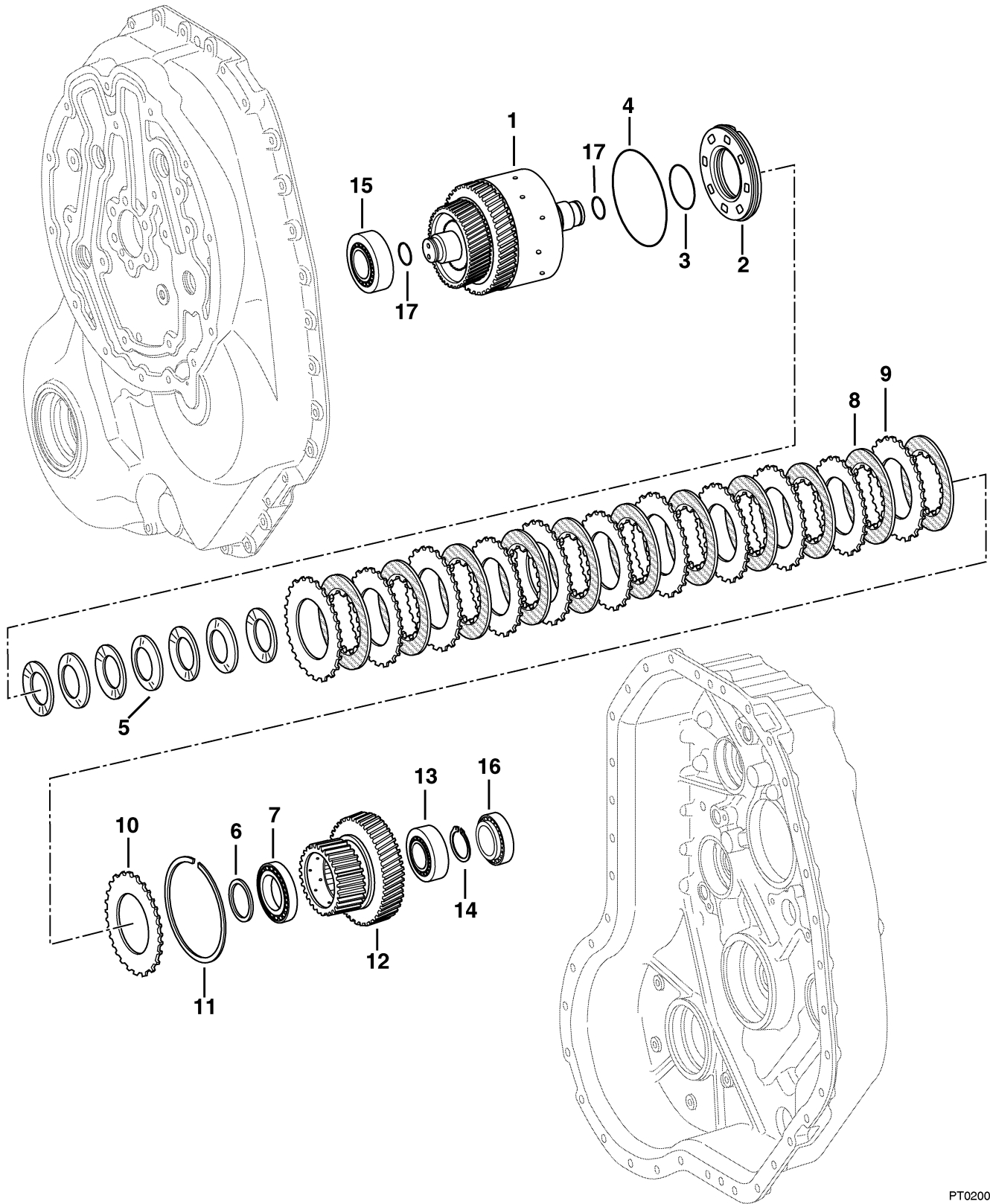
REVERSING GEAR GROUP 1



REVERSING GEAR GROUP 1

Item No.	Part Number	Qty.	Description
1	1319637	1	Coupling
2	1319592	1	Piston
3	1319593	1	O-Ring, 52 x 3,00
4	1319594	1	O-Ring, 115 x 3,00
5	1319595	7	Spring, Cup
6	1319617	1	Shim, Support
7	1319618	1	Bearing, Roller
8	1319597	11	Disc, Lin. Clutch
9	1319598	11	Disc, O. Clutch
10	1319599	1	Shim, End
11	1319600	1	Ring, Snap 4,00
	1319601	1	Ring, Snap 3,50
	1319602	1	Ring, Snap 3,00
	1319603	1	Ring, Snap 2,50
	1319604	1	Ring, Snap 2,00
12	1319638	1	Carrier, Disc
13	1319620	1	Bearing, Roller
14	1319621	1	Ring, Retaining 3,20
	1319622	1	Ring, Retaining 3,10
	1319623	1	Ring, Retaining 3,00
	1319624	1	Ring, Retaining 2,90
	1319625	1	Ring, Retaining 2,80
	1319626	1	Ring, Retaining 2,70
	1319627	1	Ring, Retaining 2,60
	1319628	1	Ring, Retaining 2,50
	1319629	1	Ring, Retaining 2,40
	1319630	1	Ring, Retaining 2,30
	1319631	1	Ring, Retaining 2,20
	1319632	1	Ring, Retaining 2,10
15	1319615	1	Bearing, Roller
16	1319636	1	Bearing, Roller
17	1319612	2	Ring, Piston 30 x 2,00

REVERSING GEAR GROUP 2

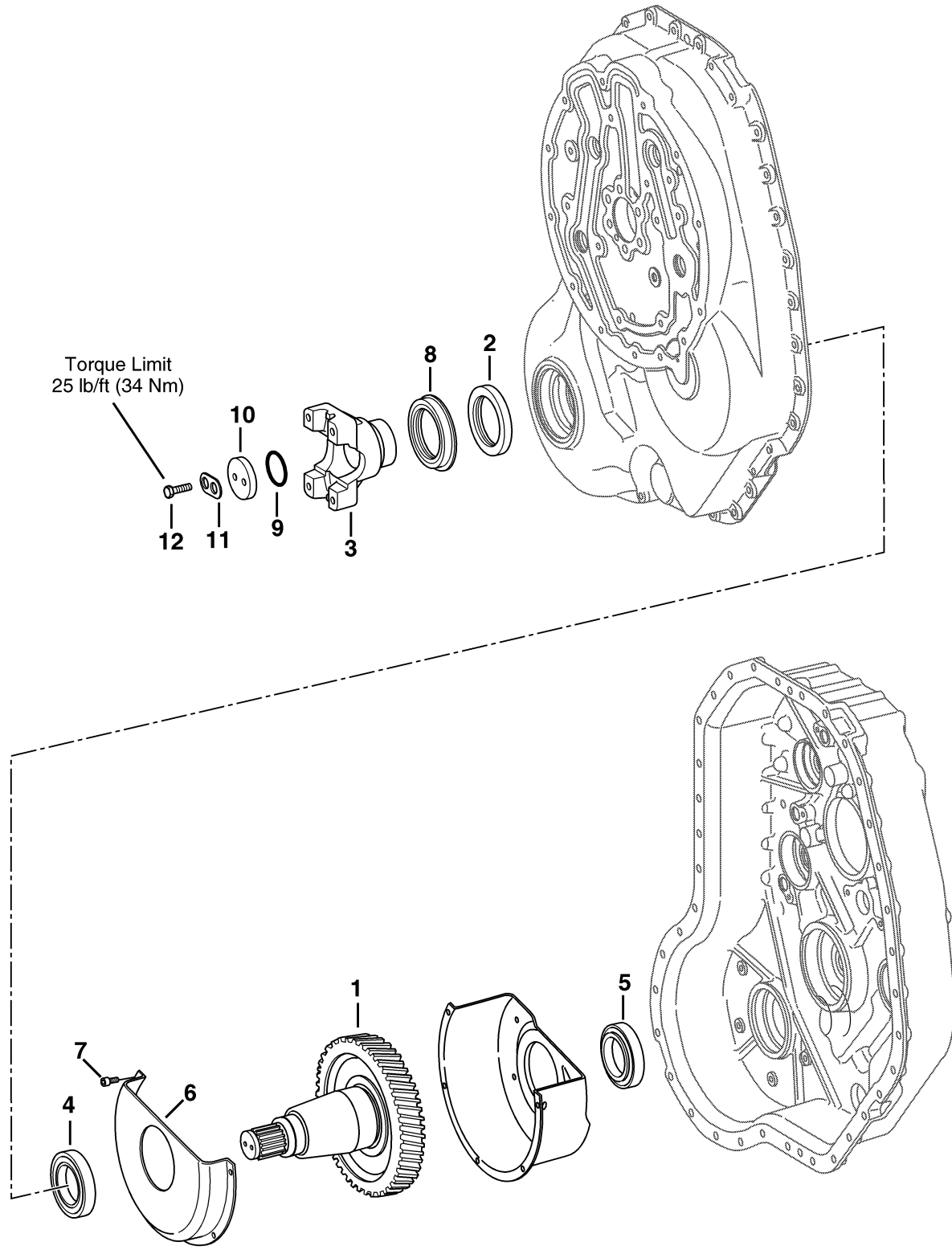


PT0200

REVERSING GEAR GROUP 2

Item No.	Part Number	Qty.	Description
1	1319639	1	Coupling
2	1319592	1	Piston
3	1319593	1	O-Ring, 52 x 3,00
4	1319594	1	O-Ring, 115 x 3,00
5	1319595	7	Spring, Cup
6	1319617	1	Shim, Support
7	1319618	1	Bearing, Roller
8	1319597	11	Disc, Lin. Clutch
9	1319598	11	Disc, O. Clutch
10	1319599	1	Shim, End
11	1319600	1	Ring, Snap 4,00
	1319601	1	Ring, Snap 3,50
	1319602	1	Ring, Snap 3,00
	1319603	1	Ring, Snap 2,50
	1319604	1	Ring, Snap 2,00
12	1319638	1	Carrier, Disc
13	1319620	1	Bearing, Roller
14	1319621	1	Ring, Retaining 3,20
	1319622	1	Ring, Retaining 3,10
	1319623	1	Ring, Retaining 3,00
	1319624	1	Ring, Retaining 2,90
	1319625	1	Ring, Retaining 2,80
	1319626	1	Ring, Retaining 2,70
	1319627	1	Ring, Retaining 2,60
	1319628	1	Ring, Retaining 2,50
	1319629	1	Ring, Retaining 2,40
	1319630	1	Ring, Retaining 2,30
	1319631	1	Ring, Retaining 2,20
	1319632	1	Ring, Retaining 2,10
15	1319608	1	Bearing, Roller
16	1319636	1	Bearing, Roller
17	1319612	2	Ring, Piston 30 x 2,00

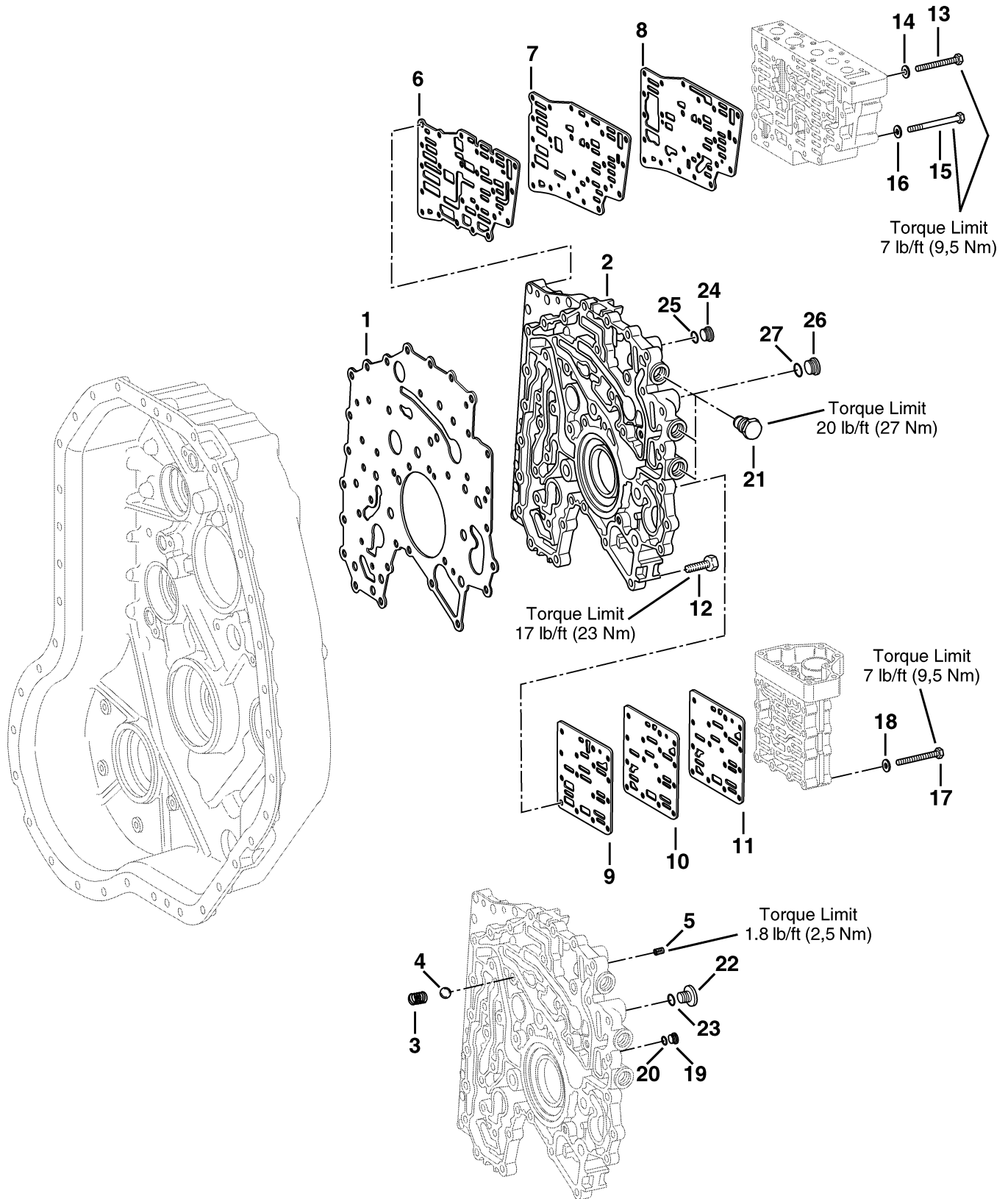
OUTPUT



OUTPUT

Item No.	Part Number	Qty.	Description
1	1319640	1	Shaft
2	1319641	1	Seal, Shaft
3	1319642	1	Flange, Output
4	1319643	1	Bearing, Roller
5	1319644	1	Bearing, Roller
6	1319645	1	Screen Sheet
7	1319646	5	HHCS, M6 x 10mm
8	1319647	1	Screen Sheet
9	10839156	1	O-Ring, 38 x 4,00
10	1319648	1	Washer, 10,00
11	1319649	1	Washer, Tab
12	10731959	2	HHCS, M8 x 25mm

CONTROL UNIT

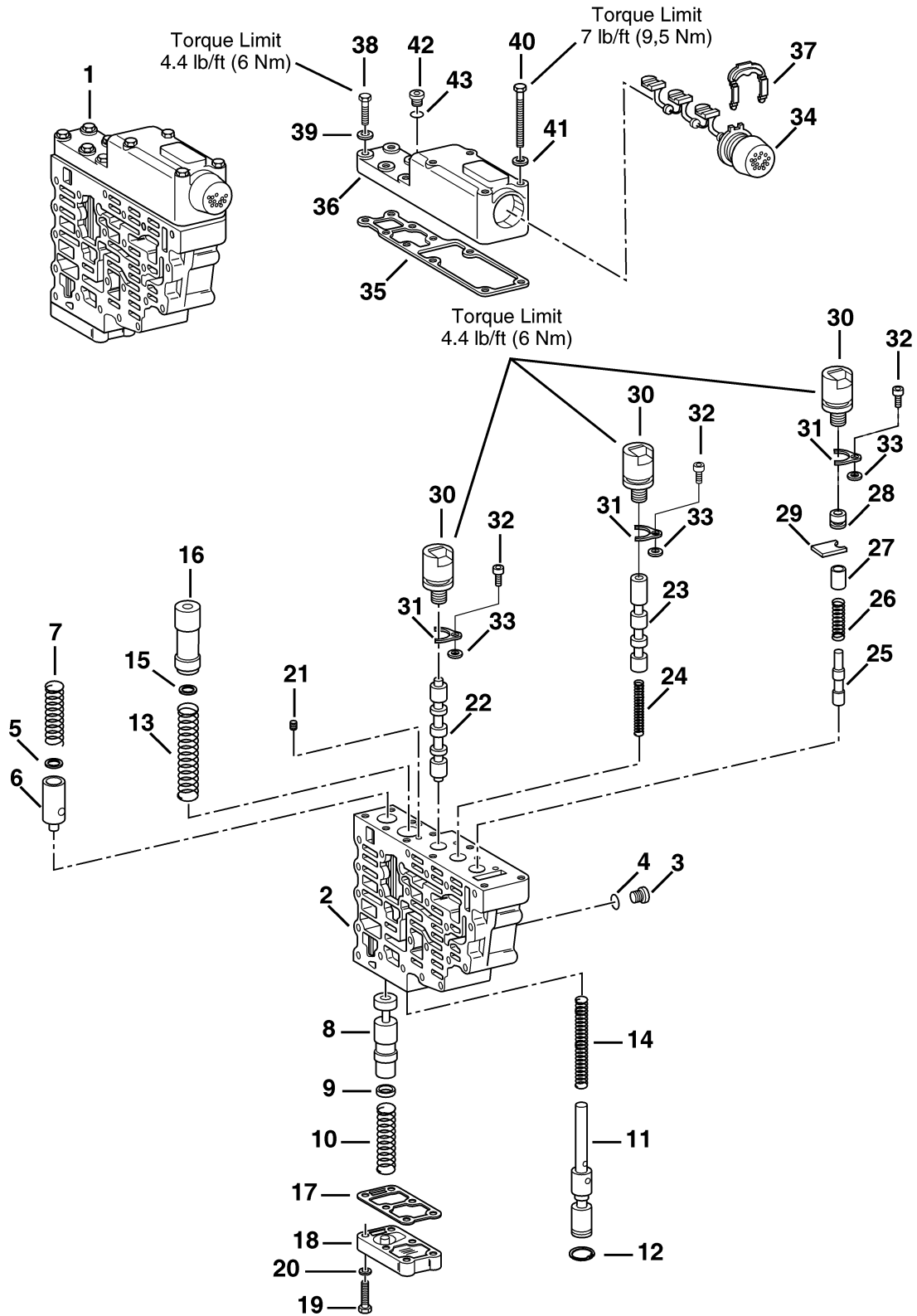


PT0220

CONTROL UNIT

Item No.	Part Number	Qty.	Description
1	1319650	1	Gasket
2	1319651	1	Plate, Duct
3	10732072	1	Spring, Compression
4	10732071	1	Ball
5	1319652	1	Orifice
6	1319653	1	Gasket
7	1319654	1	Interm. Sheet
8	1319655	1	Gasket
9	1319656	1	Gasket
10	1319657	1	Interm. Sheet
11	1319658	1	Gasket
12	1319659	43	Screw, Torx M8 x 30
13	1319660	4	HHCS, M6 x 75mm
14	1319661	4	Washer, 6,4
15	1319662	19	HHCS, M6 x 65mm
16	1319661	19	Washer, 6,4
17	1319494	15	HHCS, M6 x 55mm
18	1319661	15	Washer, 6,4
19	1319670	1	Plug, Screw M10 x 1mm
20	10731709	1	O-Ring, 8 x 1,5
21	1319663	3	Plug
22	1319664	1	Plug, Screw 1/2-20 UNF
23	1319665	1	O-Ring, 10,52 x 1,83
24	1319666	1	Plug, Screw 9/16-18 UNF
25	1319667	1	O-Ring, 11,89 x 1,98
26	1319668	1	Plug, Screw 3/4-16 UNF
27	1319669	1	O-Ring, 16,36 x 2,21

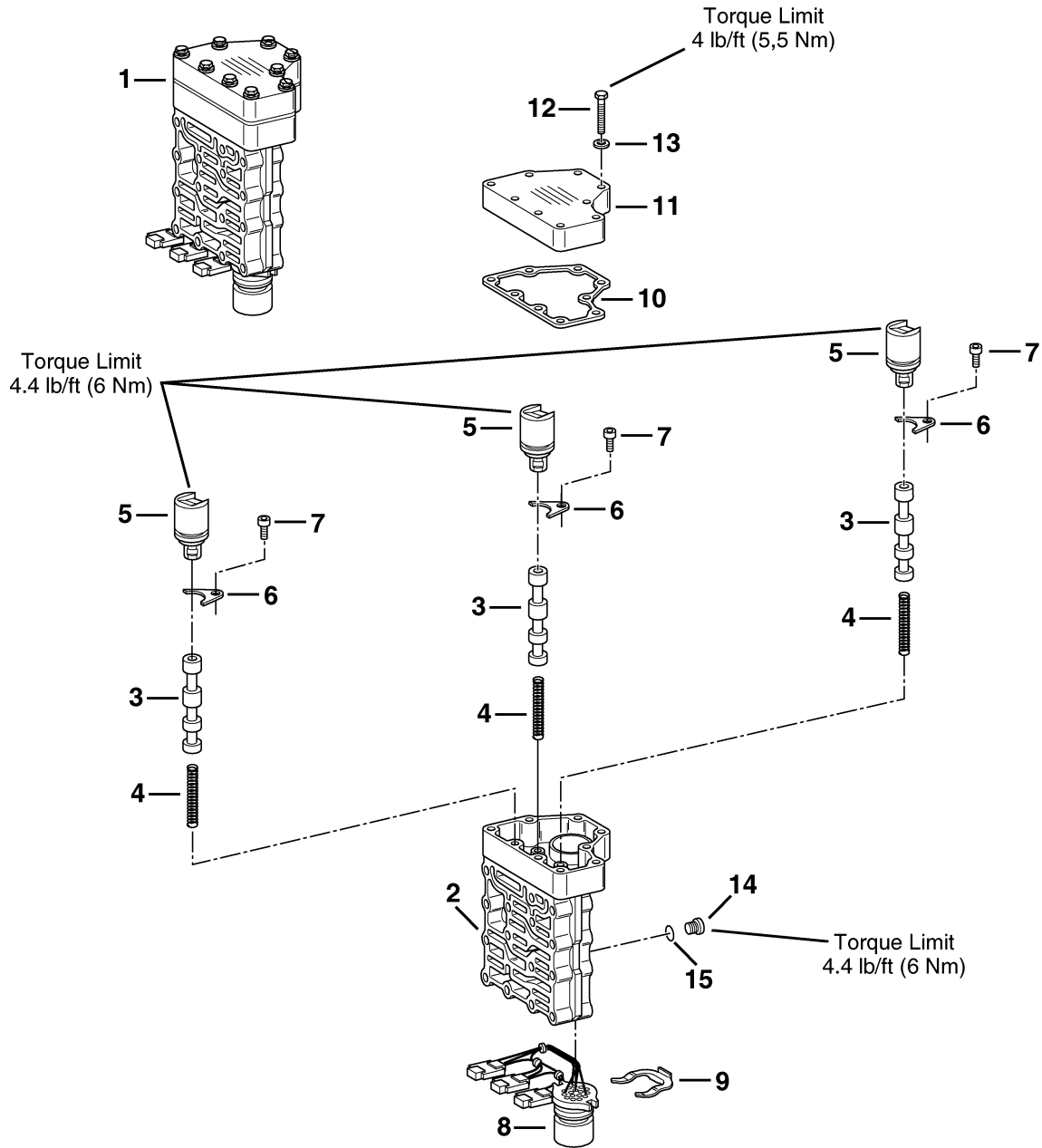
VALVE HOUSING ASSEMBLY



VALVE HOUSING ASSEMBLY

Item No.	Part Number	Qty.	Description
1	1319716	1	Valve Housing Assembly - Complete (Includes Items 2 thru 43)
2	1319671	1	Housing, Valve
3	1319670	7	Plug, Screw M10 x 1
4	10731709	7	O-Ring, 8 x 1,5
5	10732029	1	Ring, Shim 10 x 16 x 1
6	1319672	1	Piston
7	1319673	1	Spring, Compression
8	1319674	1	Piston
9	1319675	1	Ring, Spacer 3,60
	1319676	1	Ring, Spacer 3,20
	1319677	1	Ring, Spacer 2,80
	1319678	1	Ring, Spacer 2,40
	1319679	1	Ring, Spacer 2,00
10	1319680	1	Spring, Compression
11	1319681	1	Piston, Control
12	1319682	1	Washer, Lock 12,0
13	1314683	1	Spring, Compression
14	1319684	1	Spring, Compression
15	1319685	1	Washer, 2,00
	1319686	1	Washer, 1,00
	1319687	1	Washer, 0,50
	1319688	1	Washer, 0,30
	1319689	1	Washer, 0,20
16	1319690	1	Piston
17	1319691	1	Gasket
18	1319692	1	Cover
19	1319693	6	HHCS, M6 x 25mm
20	1319661	6	Washer, 6,4
21	1319652	1	Orifice
22	1319694	1	Valve
23	1319695	1	Piston
24	1319696	1	Spring, Compression
25	1319697	1	Piston
26	1319698	1	Spring, Compression
27	1319699	1	Sleeve, Spacer
28	1319700	1	Plug
29	1319701	1	Plate, Fixing
30	1319702	3	Valve, Solenoid
31	10732063	3	Plate, Fixing
32	1319703	3	HHCS, M5 x 12mm
33	10732064	3	Washer, 2,00
34	1319704	1	Harness, Wiring
35	1319705	1	Gasket
36	1319706	1	Cover
37	1319707	1	Clamp, Retaining
38	1319693	6	HHCS, M6 x 25mm
39	1319661	6	Washer, 6,4
40	1319708	4	HHCS, M6 x 60mm
41	1319661	4	Washer, 6,4
42	1319670	1	Plug, Screw M10 x 1
43	10731709	1	O-Ring, 8 x 1,5

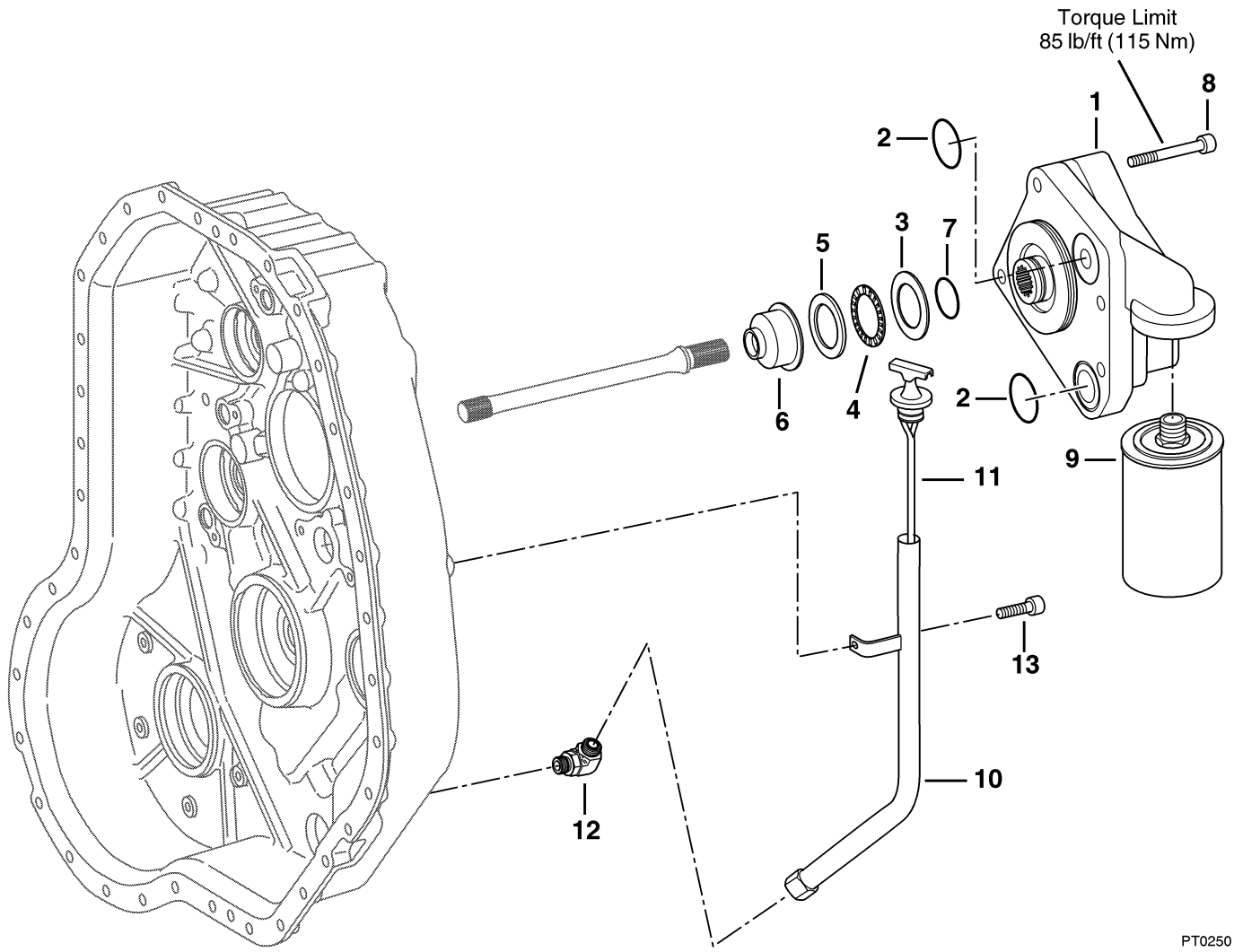
VALVE BLOCK ASSEMBLY



VALVE BLOCK ASSEMBLY

Item No.	Part Number	Qty.	Description
1	1319717	1	Valve Block Assembly - Complete (Includes Items 2 thru 15)
2	1319709	1	Block, Valve
3	1319710	3	Piston
4	1319696	3	Spring, Compression
5	1319702	3	Valve, Solenoid
6	10732063	3	Plate, Fixing
7	1319703	3	SHCS, M5 x 12mm
8	1319711	1	Harness, Wiring
9	1319707	1	Clamp, Retaining
10	1319712	1	Gasket
11	1319713	1	Cover
12	1319714	9	HHCS, M5 x 32mm
13	1319715	9	Washer, 5,3
14	1319670	3	Plug, Screw M10 x 1
15	10731709	3	O-Ring, 8 x 1,5

OIL PUMP AND FILTER



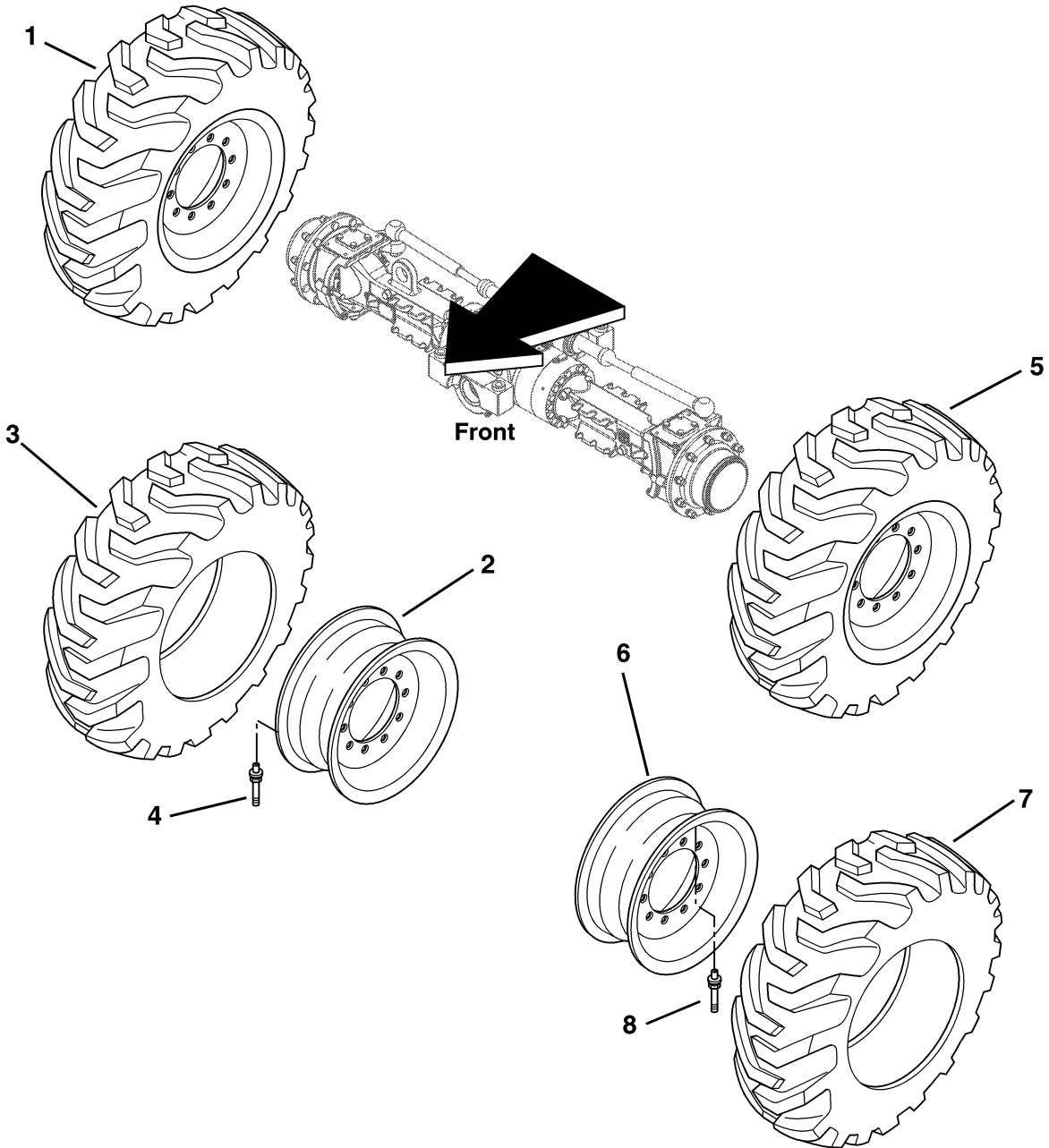
PT0250

OIL PUMP AND FILTER

Item No.	Part Number	Qty.	Description
1	1319718	1	Pump
2	1319719	2	O-Ring, 40,95 x 2,62
3	1319720	1	Washer, Axial 40 x 60 x 1
4	1319721	1	Cage, Axial Needle
5	1319722	1	Disc, Angle
6	1319723	1	Bushing, Spacer
7	1319724	1	O-Ring, 36 x 2,5
8	1319725	4	HHCS, M12 x 115mm
9	1319726	1	Filter, Transmission
10	8036002	1	Tube, Dipstick
11	8036003	1	Dipstick
12	8036004	1	Fitting
13	8036005	1	Screw, Cylindrical

WHEELS AND TIRES

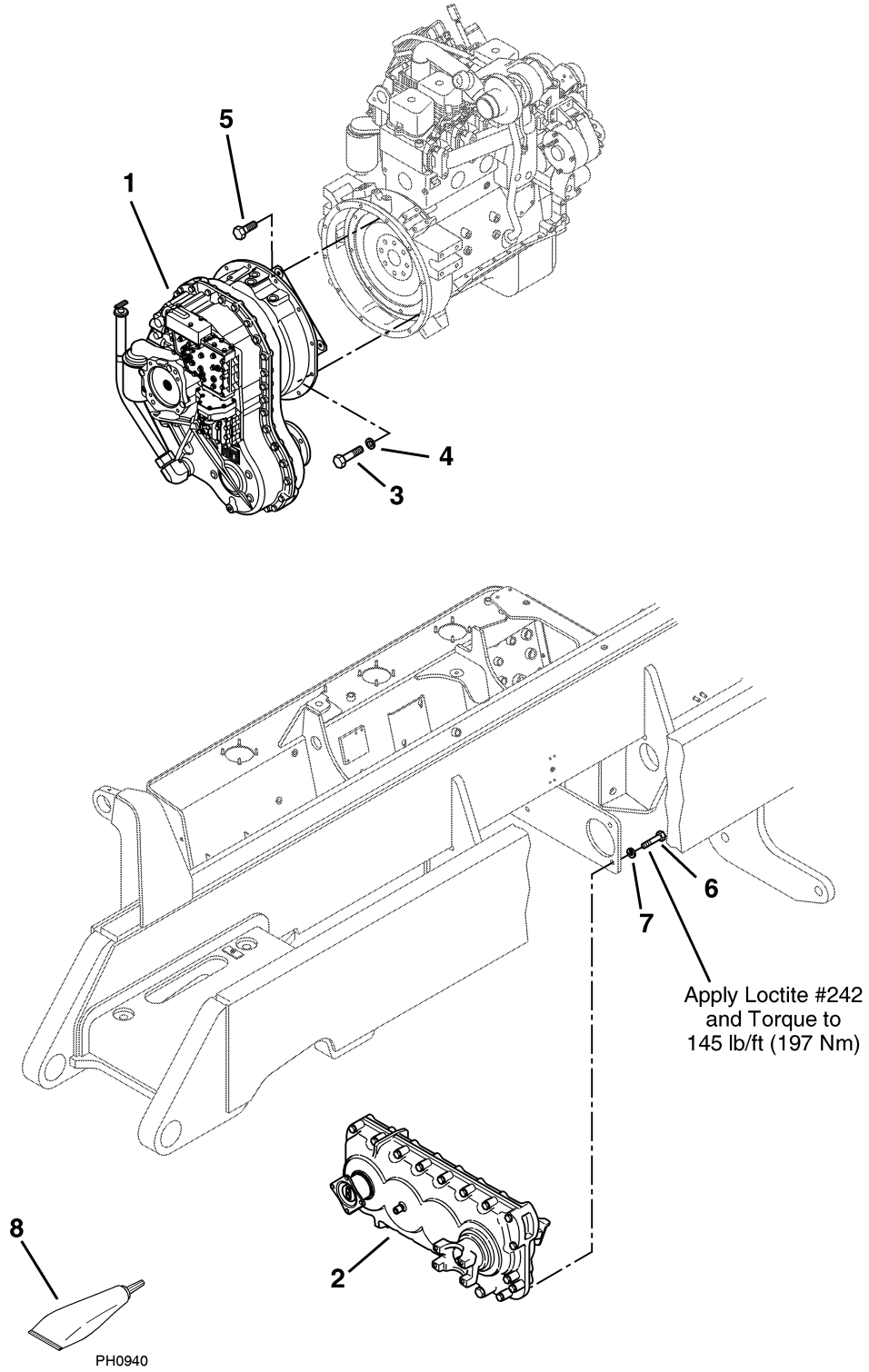
⚠ Warning
Mis-Matched tire sizes, ply ratings or mixing of tire types (Radial and Bias ply) may compromise vehicle stability and may result in vehicle tipover.



WHEELS AND TIRES

Item No.	Part Number	Qty.	Description
1	7138831	2	Tire and Wheel Assembly, Right Side, 13.00-24, 16 Ply (Includes Items 2 thru 4)
2	7138656	1	Wheel, 9024GR
3	8780046	1	Tire, 13.00-24, 16 Ply
4	8786514	1	Stem, Valve
5	7138832	2	Tire and Wheel Assembly, Left Side, 13.00-24, 16 Ply (Includes Items 6 thru 8)
6	7138656	1	Wheel, 9024GR
7	8780046	1	Tire, 13.00-24, 16 Ply
8	8786514	1	Stem, Valve

TRANSMISSION AND TRANSFER BOX MOUNTING

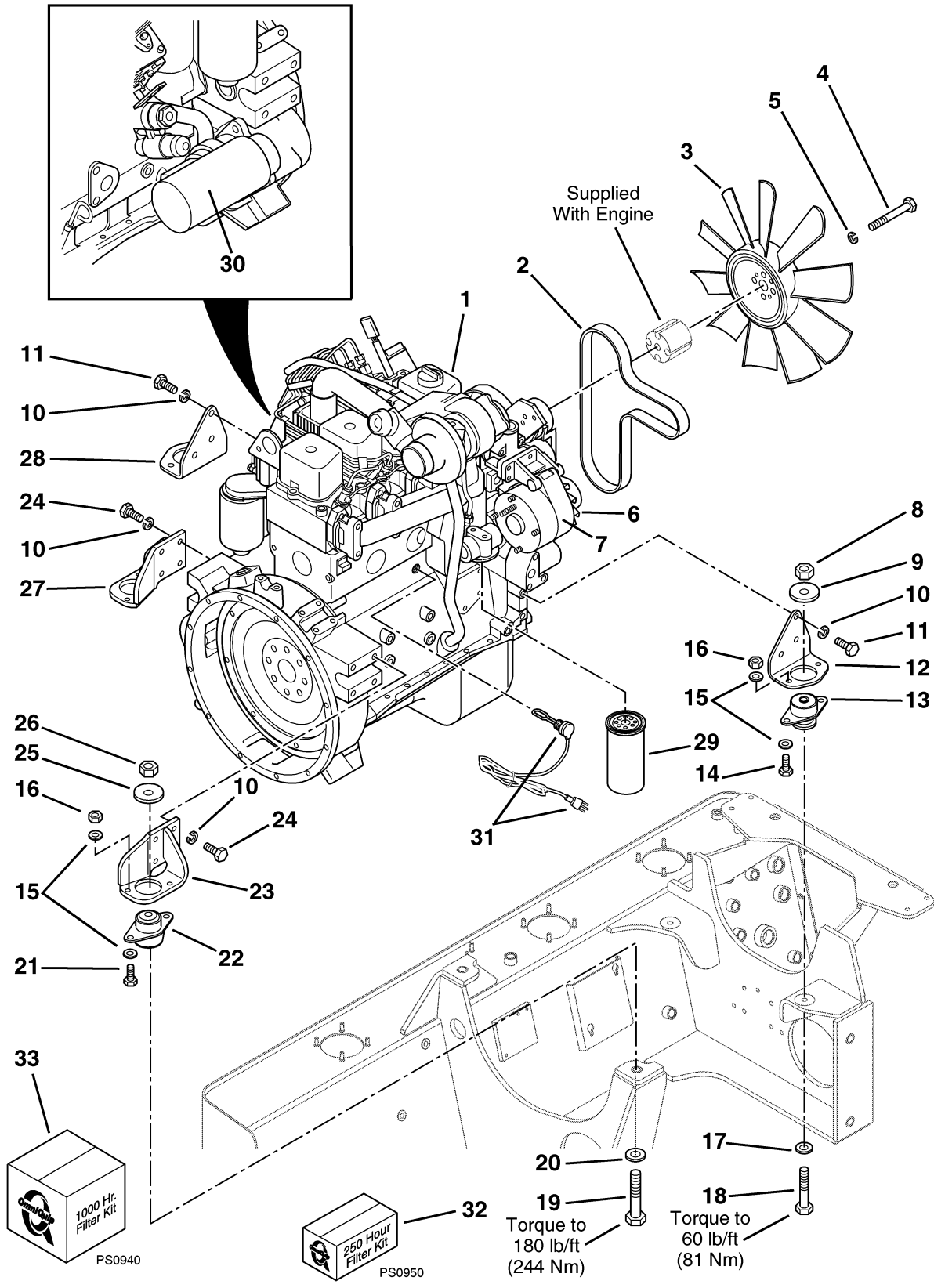


TRANSMISSION AND TRANSFER BOX MOUNTING

Item No.	Part Number	Qty.	Description
1	8841042	1	Transmission - 4 Speed
2	8841041	1	Transfer Box
3	8303769	12	HHCS, M10-1,5 x 45mm
4	8307023	12	Washer, Lock M10
5	8303798	4	HHCS, M10-1,5 x 25mm
6	8310496	4	HHCS, M16-2 x 35mm
7	8307049	4	Washer, Lock M16
8	8526007	AR	Loctite #242

ENGINE MOUNTING

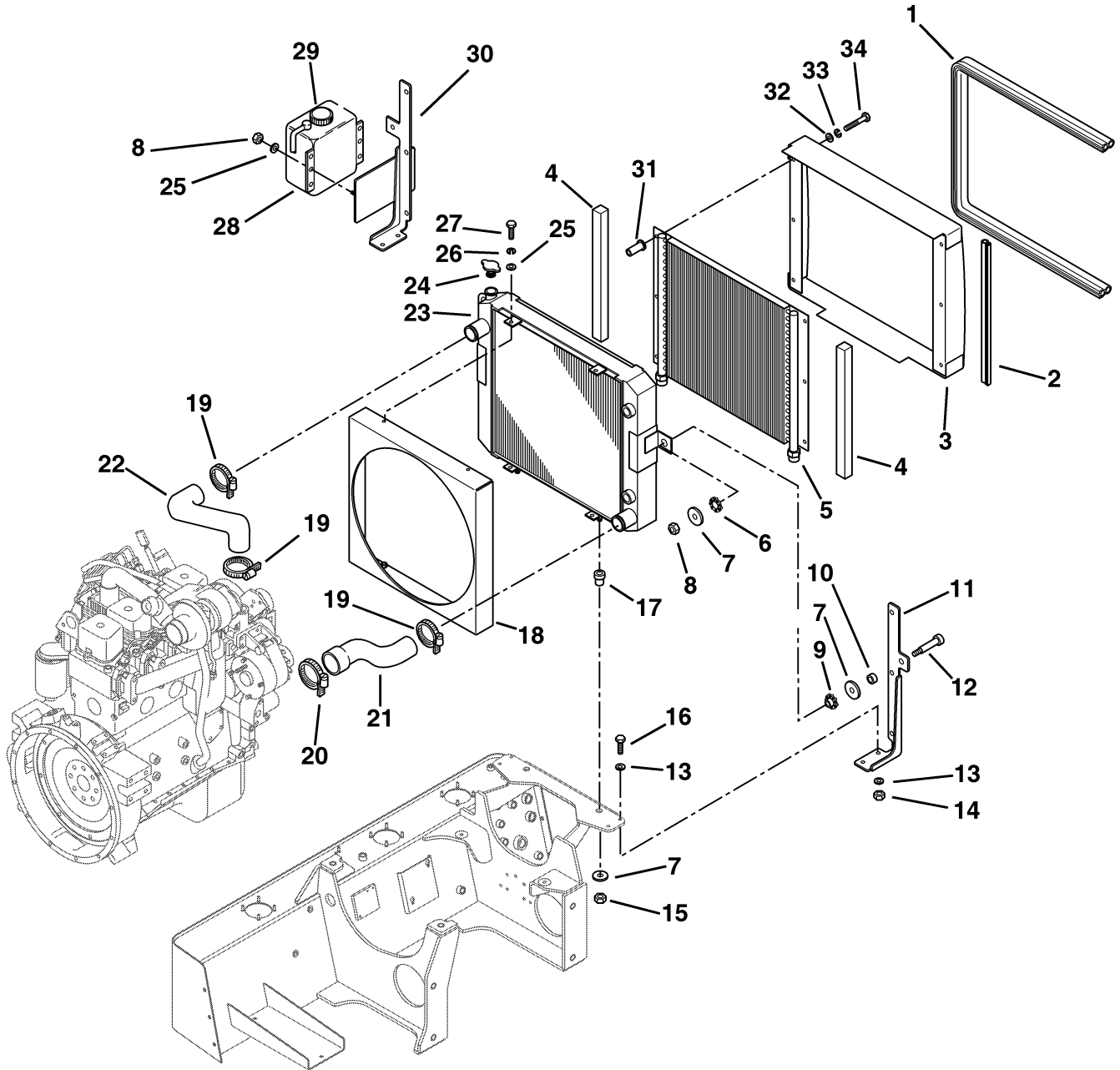
Right Side of Engine



ENGINE MOUNTING

Item No.	Part Number	Qty.	Description
1	8262150	1	Engine, Cummins 4BT 3.9 Turbo
2	8035100	1	Belt, Fan
3	8272017	1	Fan, 18" Suction
4	8310424	4	HHCS, M8-1,5 x 90mm
5	8307023	4	Washer, Lock M10
6	8270220	1	Fan, Alternator
7	8270221	1	Alternator, 65 Amp
8	8310109	2	Nut, Hex Lock Elastic 7/16-14
9	7121951	2	Washer, Rebound 7/16"
10	8307025	14	Washer, Lock M12
11	8303790	6	HHCS, M12-1,75 x 30mm PC 8,8
12	7127562	1	Mount, Engine, Rear Left Side
13	8278021	2	Isolator, Engine
14	8303675	4	HHCS, 3/8-16 x 1-1/4" Gr. 5
15	8307110	16	Washer, Flat 3/8" Narrow
16	8305645	8	Nut, Hex Lock Elastic 3/8-16
17	8307113	2	Washer, Flat 7/16" Narrow
18	8310289	2	HHCS, 7/16-14 x 3-1/4" Gr. 8
19	8310333	2	HHCS, 5/8-11 x 4" Gr. 8
20	8307107	2	Washer, Flat 5/8" Narrow
21	8303621	4	HHCS, 3/8-16 x 1-1/2" Gr. 5
22	8278028	2	Isolator, Engine
23	7127492	1	Mount, Engine, Front Left Side
24	8310164	8	HHCS, M12-1,75 x 40mm PC 8,8
25	7132141	2	Washer, Rebound 5/8"
26	8305643	2	Nut, Hex Lock Elastic 5/8-11
27	7127462	1	Mount, Engine, Front Right Side
28	7127552	1	Mount, Engine, Rear Right Side
29	8320262	1	Filter, Engine Oil (Also Included In Kits, Items 32 & 33)
30	8035278	1	Starter
31	8277161	1	Heater, Coolant
			<u>KITS</u>
32	7138288	1	250 Hour Filter Kit (Includes 2 Filters: Engine Oil Filter & Fuel Filter)
33	7139238	1	1000 Hour Filter Kit (Includes 6 Filters: Engine Oil Filter, Fuel Filter, Both Air Filters, Transmission Oil Filter & Hydraulic Oil Filter)

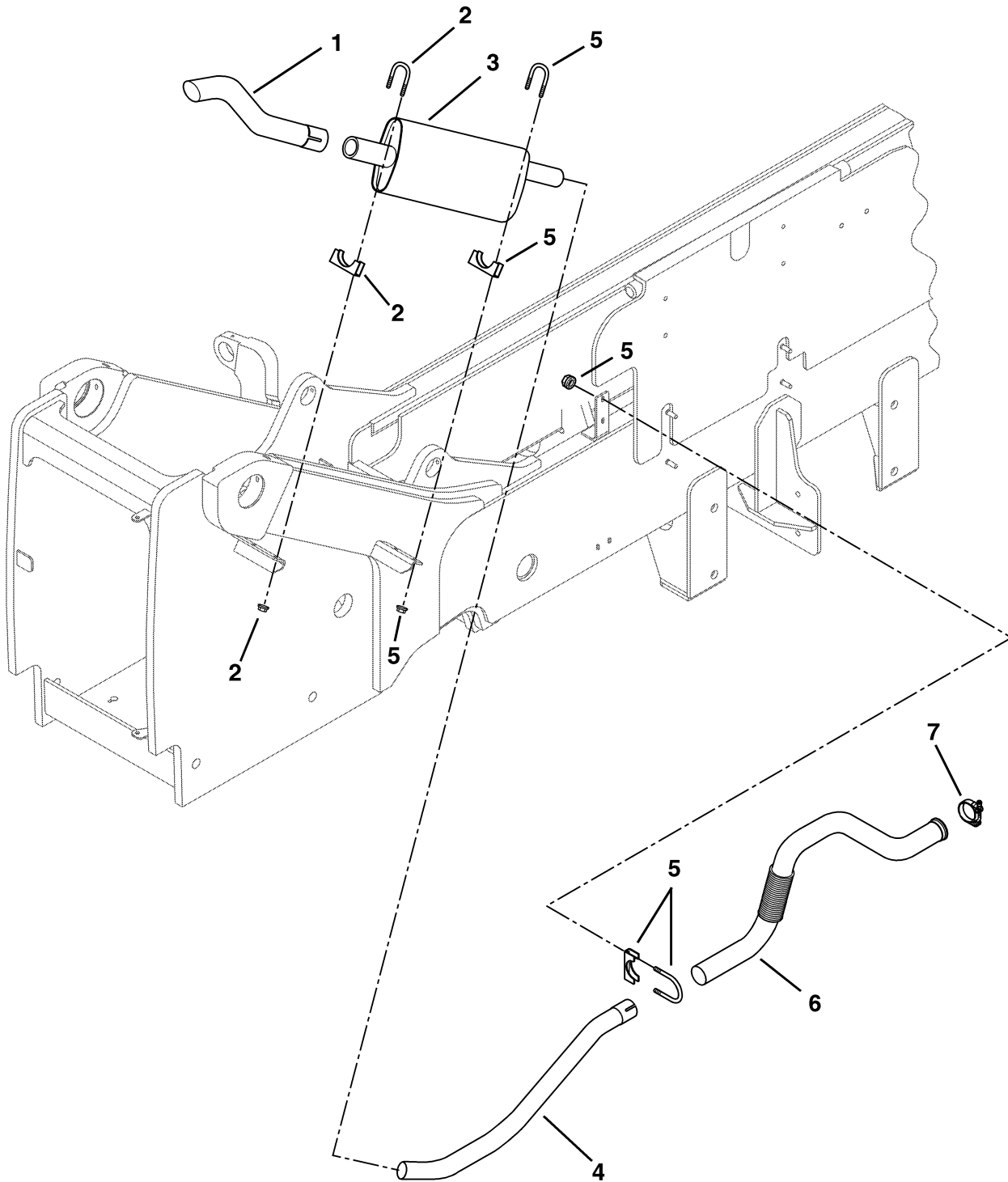
RADIATOR AND OIL COOLER



RADIATOR AND OIL COOLER

Item No.	Part Number	Qty.	Description
1	7131952	1	Seal Bulb
2	7132002	1	Moulding, Seal Bulb
3	7138242	1	Baffle Assembly, Radiator
4	7132012	2	Baffle, Foam
5	7129973	1	Cooler, Oil
6	8278024	2	Ring, Radiator Mount
7	7057141	6	Washer, Rebound 3/8"
8	8305626	4	Nut, Hex Lock Elastic 5/16-18
9	8278023	2	Bushing, Radiator Mount
10	7130131	2	Spacer
11	7138230	1	Bracket, Radiator Left Side
12	8310104	2	Bolt, Shoulder, Hex Socket Hd. 3/8 x 1-1/2 x 5/16-18
13	8307204	8	Washer, Flat 3/8" Wide
14	8305645	4	Nut, Hex Lock Elastic 3/8-16
15	8305603	2	Nut, Hex Lock 3/8-16
16	8303621	4	HHCS, 3/8-16 x 1-1/2" Gr. 5
17	8278008	2	Mount, Rubber
18	7131253	1	Shroud, Radiator
19	8405104	3	Clamp, Radiator Hose
20	8405203	1	Clamp, Radiator Hose
21	7138515	1	Hose, Radiator, Return
22	7126703	1	Hose, Radiator, Input
23	7138224	1	Radiator Assembly (Includes Item 24)
24	8180311	1	Cap, Radiator - 13 psi (89,6 kPa)
25	8307106	6	Washer, Flat 5/16" Narrow
26	8307004	4	Washer, Lock 5/16"
27	8303697	4	HHCS, 5/16-18 x 3/4" Gr. 5
28	7085422	1	Tank, Overflow 3 Qt. (Includes Item 29)
29	8866341	1	Cap w/Tether
30	7138231	1	Bracket Assembly, Radiator Right Side
31	8580420	6	Nut, Well
32	8307202	6	Washer, Flat 1/4" Wide
33	8307002	6	Washer, Lock 1/4"
34	8303743	6	HHCS, 1/4-20 x 1-1/2"

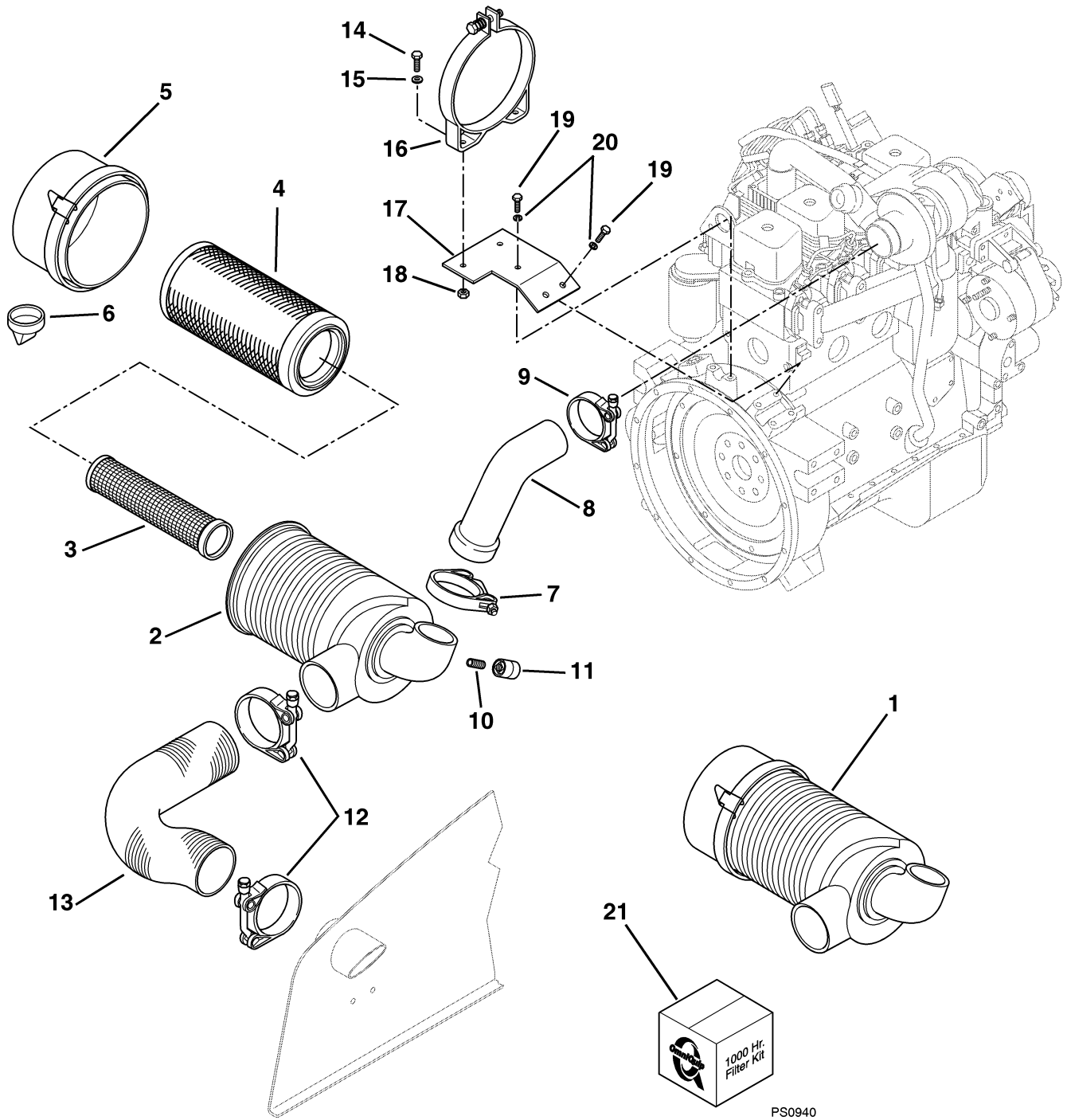
EXHAUST SYSTEM



EXHAUST SYSTEM

Item No.	Part Number	Qty.	Description
1	7138686	1	Tail Pipe
2	8275247	1	Clamp, Muffler 3", Heavy Duty
3	8275040	1	Muffler
4	7138685	1	Pipe, Exhaust
5	8275212	2	Clamp, Muffler 2-1/2", U-Type
6	7138588	1	Pipe, Exhaust, Turbo Outlet
7	8275240	1	Clamp, V-Band

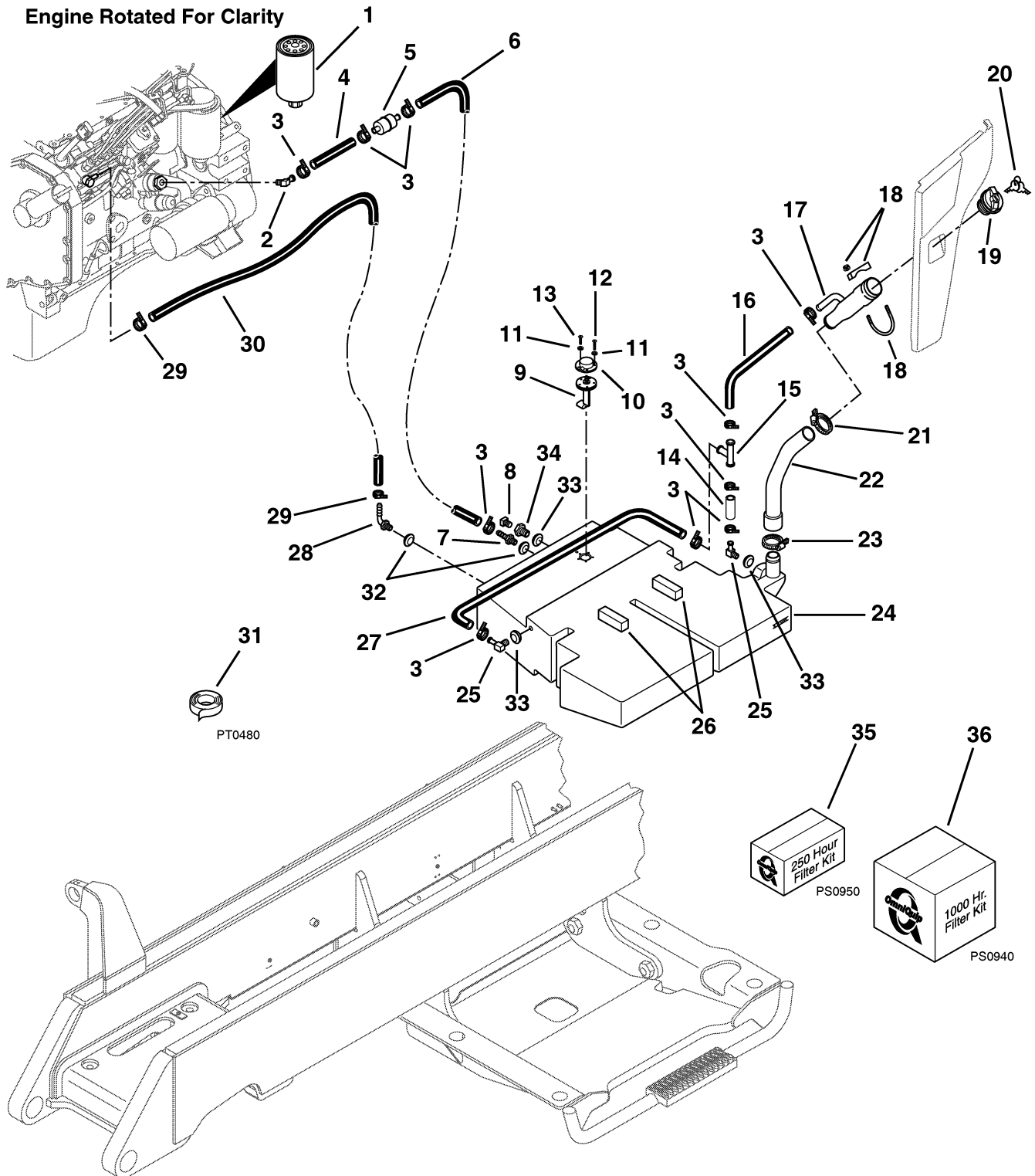
AIR CLEANER



AIR CLEANER

Item No.	Part Number	Qty.	Description
1	8273022	1	Air Cleaner Assembly (Includes Items 2 thru 6)
2	NSS	1	Body Assembly
3	8035099	1	Filter, Safety (Also Included In Kit, Item 21)
4	8035098	1	Filter, Primary (Also Included In Kit, Item 21)
5	8035279	1	Cover Assembly
6	8032398	1	Valve, Vacuator
7	8405307	1	Clamp, T-Bolt, Heavy Duty
8	7126833	1	Hose, Air Cleaner
9	8405306	1	Clamp, T-Bolt
10	8551001	1	Nipple, Close, 1/8" NPT
11	8223527	1	Switch, Vacuum
12	8405404	2	Clamp, T-Bolt
13	7138695	1	Hose, Air Intake
14	8303670	2	HHCS, 5/16-18 x 1"
15	8307106	2	Washer, Flat 5/16" Narrow
16	8273297	1	Band Assembly, Air Cleaner Mount
17	7138249	1	Plate, Air Cleaner Mount
18	8305626	2	Nut, Hex Lock Elastic 5/16-18
19	8303675	3	HHCS, 3/8-16 x 1-1/4" Gr. 5
20	8307005	3	Washer, Lock 3/8"
			KITS
21	7139238	1	1000 Hour Filter Kit (Includes 6 Filters: Engine Oil Filter, Fuel Filter, Both Air Filters, Transmission Oil Filter & Hydraulic Oil Filter)

FUEL SYSTEM

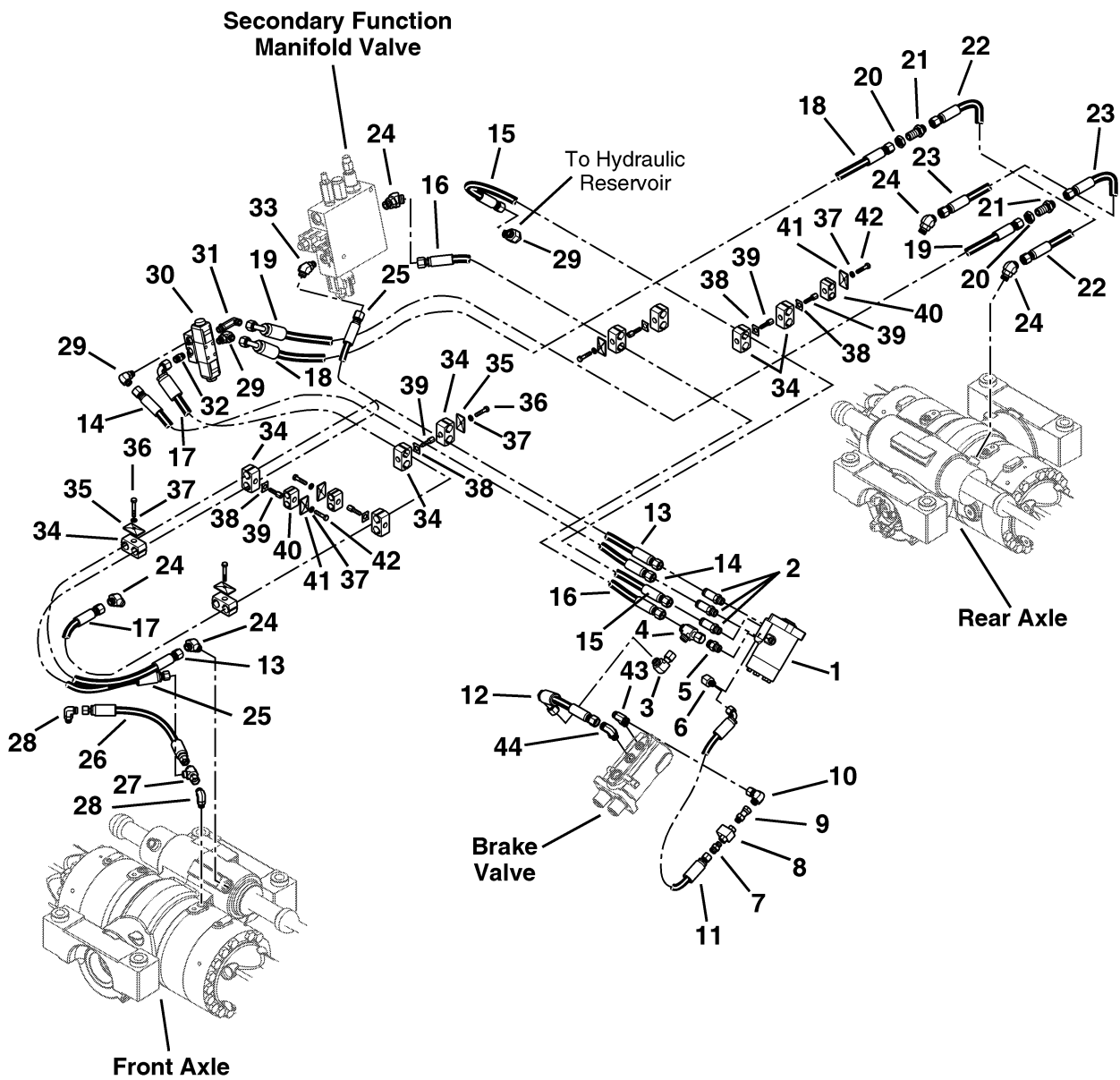


PT0470

FUEL SYSTEM

Item No.	Part Number	Qty.	Description
1	8320270	1	Filter, Fuel (Also Included In Filter Kits, Items 11 & 12)
2	8420229	1	Hose Fitting, Elbow, 90°, Barbed, SAE 6-4P - hose I.D. x male NPT (See Item 31 Note)
3	8410013	10	Clamp, Hose
4	7132131	1	Hose, Fuel 3/8 x 10"
5	8274022	1	Strainer, Fuel
6	7138850	1	Hose, Fuel 3/8" I.D. (Fuel Supply From Tank)
7	8430093	1	Connector, 3/8" Hose (See Item 31 Note)
8	8541404	1	Plug, Pipe, Sq. Hd. - 3/8" NPT (See Item 31 Note)
9	7120613	1	Sender, Fuel w/Gasket
10	7131992	1	Cover, Fuel Sender
11	8307003	5	Washer, Lock #10
12	8303837	4	Screw, Pan Hd. #10-24 x 3/4"
13	8303836	1	Screw, Pan Hd. #10-24 x 5/8"
14	7129111	1	Hose, Fuel Breather
15	8430072	1	Hose Fitting, Tee, Beaded, SAE 10
16	7129101	1	Hose, Fuel Breather
17	7128602	1	Filler, Fuel
18	8275209	1	Clamp, Muffler, U Type 2"
19	8322036	1	Cap, Fuel w/Keys (Includes Item 20)
20	8035292	1	Keys (Set of Two)
21	8405104	1	Clamp, Hose, Upper SAE Type F
22	7129133	1	Hose, Fuel Filler
23	8405202	1	Clamp, Hose, Lower SAE Type F
24	7138788	1	Tank, Fuel
25	8430095	2	Elbow, 5/8" Hose (See Item 31 Note)
26	5724742	2	Gasket
27	7129121	1	Hose, Fuel Breather
28	8430094	1	Elbow, 5/16" Hose (See Item 31 Note)
29	8405009	2	Clamp, Hose, Miniature 7/32" Dia.
30	7132111	1	Hose, Fuel Return
31	8526053	AR	Sealant, Thread, Teflon Tape 1/2" (Note: To Be Used with All Threaded Pipe Fittings)
32	8660010	2	Grommet, 3/8 Fitting
33	8660011	3	Grommet, 5/8 Fitting
34	8430092	1	Drain, Hex 3/8-18 NPT
			KITS
35	7138288	1	250 Hour Filter Kit (Includes 2 Filters: Engine Oil Filter & Fuel Filter)
36	7139238	1	1000 Hour Filter Kit (Includes 6 Filters: Engine Oil Filter, Fuel Filter, Both Air Filters, Transmission Oil Filter & Hydraulic Oil Filter)

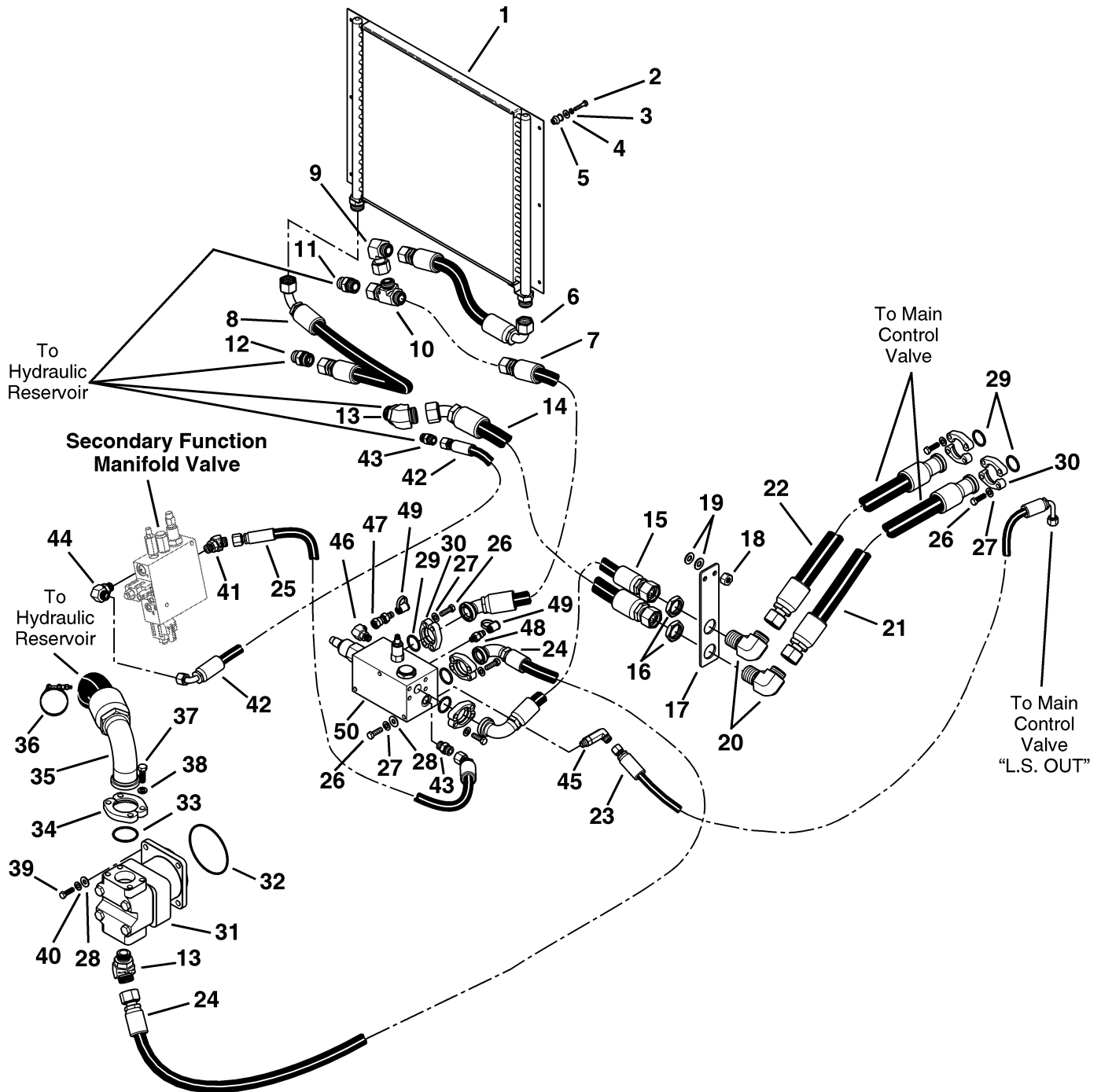
POWER STEERING CIRCUIT



POWER STEERING CIRCUIT

Item No.	Part Number	Qty.	Description
1	8721029	1	Steering Unit
2	8770117	3	Connector, Long, SAE 8 - str. thd. ORB x o-ring face seal
3	8770115	1	Elbow, 90° Swivel, SAE 8 - o-ring face seal
4	8770125	1	Tee, Swivel Run, SAE 8 - o-ring face seal
5	8770131	1	Connector, Male Flat Face Tube, w/Inlet Check 8ORB-8FF
6	8770102	1	Elbow, 90°, SAE 6-4 - str. thd. ORB x o-ring face seal
7	8770106	1	Connector, SAE 6 - str. thd. ORB x o-ring face seal
8	8902175	1	Valve, Shuttle
9	8770176	1	Connector, Swivel SAE 6 - str. thd. ORB x o-ring face seal
10	8770105	1	Elbow, 90° Swivel, SAE 6 - o-ring face seal
11	2716648	1	Hose, 0.38 x 16.50"
12	2716649	1	Hose, 0.50 x 9.50"
13	2716570	1	Hose, 0.50 x 139.00"
14	2716569	1	Hose, 0.50 x 88.38"
15	2716624	1	Hose, 0.50 x 113.00"
16	2716578	1	Hose, 0.50 x 108.63"
17	2716568	1	Hose, 0.50 x 131.63"
18	2716573	1	Hose, 0.50 x 87.75"
19	2716574	1	Hose, 0.50 x 102.75"
20	8770129	2	Nut, Bulkhead, SAE 8 - o-ring face seal
21	8770130	2	Connector, Bulkhead, SAE 8 - o-ring face seal
22	2716538	1	Hose, 0.50 x 38.63"
23	2716539	1	Hose, 0.50 x 35.25"
24	8770127	3	Elbow, 45°, SAE 8 - str. thd. ORB x o-ring face seal
25	2716575	1	Hose, 0.38 x 117.50"
26	2716540	1	Hose, 0.38 x 16.50"
27	8770111	1	Tee, Swivel Run, SAE 6 - o-ring face seal
28	8770068	2	Elbow, 90°, SAE 6 - str. thd. ORB x o-ring face seal
29	8770114	1	Elbow, 90°, SAE 8 - str. thd. ORB x o-ring face seal
30	8902197	1	Valve, Directional Control - Steering
31	8770168	1	Elbow, Long, 90°, SAE 8 - str. thd. ORB x o-ring face seal
32	8770116	1	Connector, SAE 8 - str. thd. ORB x o-ring face seal
33	8770140	1	Elbow, 45°, SAE 6 - str. thd. ORB x o-ring face seal
34	8750016	10	Clamp Set, 0.84 Dia. Twin
35	8769128	4	Plate, Cover
36	8310009	4	HHCS, 0.312-18 NC x 2.000"
37	8307004	7	Washer, Lock 0.312
38	8750017	6	Plate, Locking
39	8750012	6	Bolt, Stacking
40	8750015	3	Clamp Set, 0.67 Dia.
41	8769123	3	Plate, Cover
42	8303715	3	HHCS, 0.312-18 NC x 1.500"
43	8770183	1	Tee, Branch, 6-M14 - metric str. thd. ORB x o-ring face seal
44	8770120	1	Elbow, 90°, M18-8 - metric str. thd. ORB x o-ring face seal

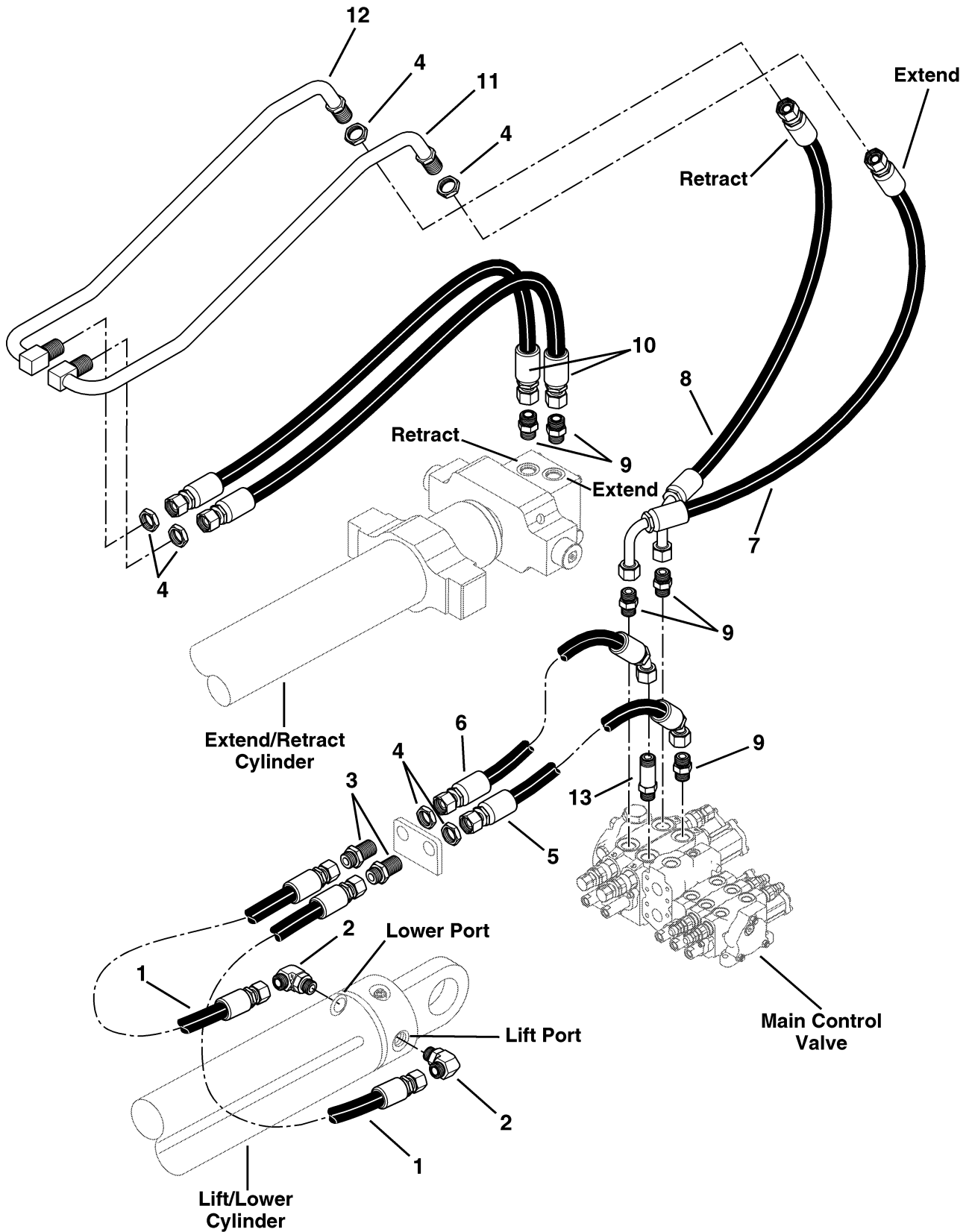
UNLOADER VALVE CIRCUIT



UNLOADER VALVE CIRCUIT

Item No.	Part Number	Qty.	Description
1	7129973	1	Cooler, Oil
2	8303615	6	HHCS, 0.25-20 NC x 1.25" Gr. 5
3	8307002	6	Washer, Lock 0.25"
4	8307202	6	Washer, Plain 0.25"
5	8580420	6	Nut, Well
6	2716524	1	Hose, 0.75 x 20.00"
7	2716523	1	Hose, 0.75 x 22.75"
8	2716525	1	Hose, 0.75 x 30.50"
9	8770080	1	Elbow, 90° Swivel, SAE 12 - o-ring face seal
10	8770083	1	Tee, Swivel Run, SAE 12 - o-ring face seal
11	8770132	1	Connector, Male Flat Face Tube, w/Inlet Check 8ORB-8FF
12	8770070	1	Connector, SAE 12 - str. thd. ORB x o-ring face seal
13	8770166	2	Elbow, 45°, SAE 16 - str. thd. ORB x o-ring face seal
14	2716529	1	Hose, 1.00 x 23.81"
15	2716631	1	Hose, 0.75 x 18.25"
16	8770096	2	Nut, Bulkhead, SAE 16 - o-ring face seal
17	7138284	1	Bracket, High Pressure Lines
18	8305603	2	Nut, Hex Lock, 0.375-16 NC
19	8307112	4	Washer, Plain, 0.50" SAE
20	8770095	2	Elbow, 90°, Bulkhead, SAE 16 - o-ring face seal
21	2716530	1	Hose, 1.00 x 51.75"
22	2716531	1	Hose, 1.00 x 49.38"
23	2716641	1	Hose, 0.38 x 99.50"
24	2716633	1	Hose, 0.75 x 91.00"
25	2716566	1	Hose, 0.50 x 33.00"
26	8303675	23	HHCS, 3/8-16 NC x 1.25"
27	8307005	23	Washer, Lock 3/8"
28	8307220	7	Washer, Plain, M12
29	8640123	5	O-Ring, 1.296 I.D.
30	8530030	10	Flange, Half #16
31	8440156	1	Pump, Gear
32	8630016	1	O-Ring, 130 x 3mm
33	8640208	1	O-Ring, 2.234 I.D.
34	8546407	2	Flange, Half #32
35	2716520	1	Hose, 2.00 x 21.00"
36	8405209	1	Clamp, T-bolt
37	8303626	4	HHCS, 0.50-13 NC x 1.50"
38	8307007	4	Washer, Lock 0.50"
39	8310164	4	HHCS, M12-1,75 x 40mm
40	8307025	4	Washer, Lock M12
41	8770127	1	Elbow, 45°, SAE 8 - str. thd. ORB x o-ring face seal
42	2716567	1	Hose, 0.50 x 59.38"
43	8770116	2	Connector, SAE 8 - str. thd. ORB x o-ring face seal
44	8770114	1	Elbow, 90°, SAE 8 - str. thd. ORB x o-ring face seal
45	8770068	1	Elbow, 90°, SAE 6 - str. thd. ORB x o-ring face seal
46	8770102	1	Elbow, 90°, SAE 6-4 - str. thd. ORB x o-ring face seal
47	8430081	1	Nipple, Diagnostic
48	8430033	1	Nipple, Diagnostic - 1/8 Body
49	8430032	2	Plug, Dust
50	8902200	1	Valve, Unloader

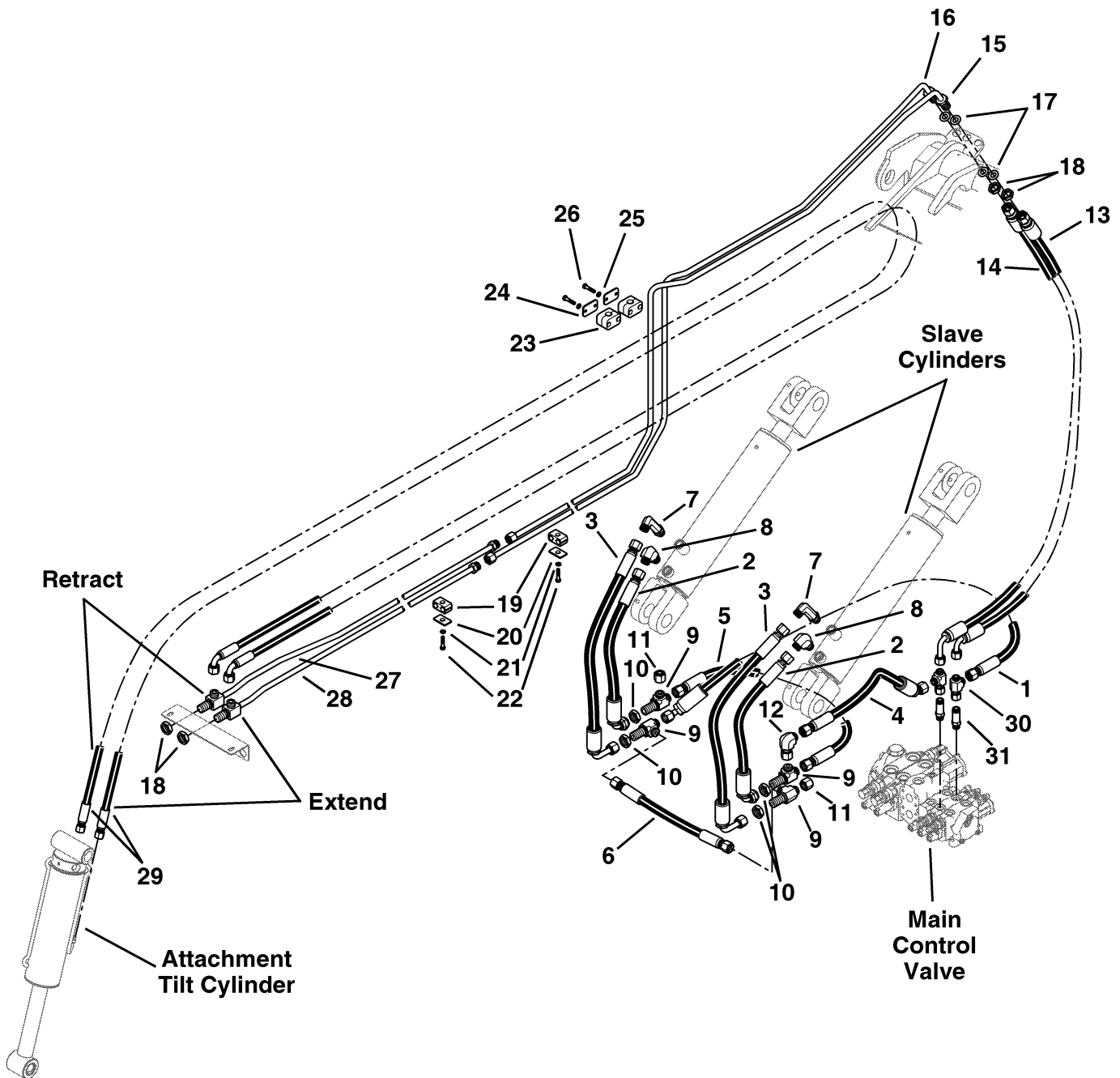
BOOM LIFT/LOWER & EXTEND/RETRACT CIRCUIT



BOOM LIFT/LOWER & EXTEND/RETRACT CIRCUIT

Item No.	Part Number	Qty.	Description
1	2715052	2	Hose, 0.75 x 45.00"
2	8770079	2	Elbow, 90°, SAE 12 - str. thd. ORB x o-ring face seal
3	8770086	2	Connector, Bulkhead, SAE 12 - o-ring face seal
4	8770085	6	Nut, Bulkhead, SAE 12 - o-ring face seal
5	2716532	1	Hose, 0.75 x 29.50"
6	2716533	1	Hose, 0.75 x 25.50"
7	2716642	1	Hose, 0.75 x 47.50"
8	2716643	1	Hose, 0.75 x 43.00"
9	8770070	5	Connector, SAE 12 - str. thd. ORB x o-ring face seal
10	2716492	2	Hose, 0.75 x 46.50"
11	7137593	1	Tube Assembly
12	7137603	1	Tube Assembly
13	8770163	1	Connector, Long, SAE 12 - str. thd. ORB x o-ring face seal

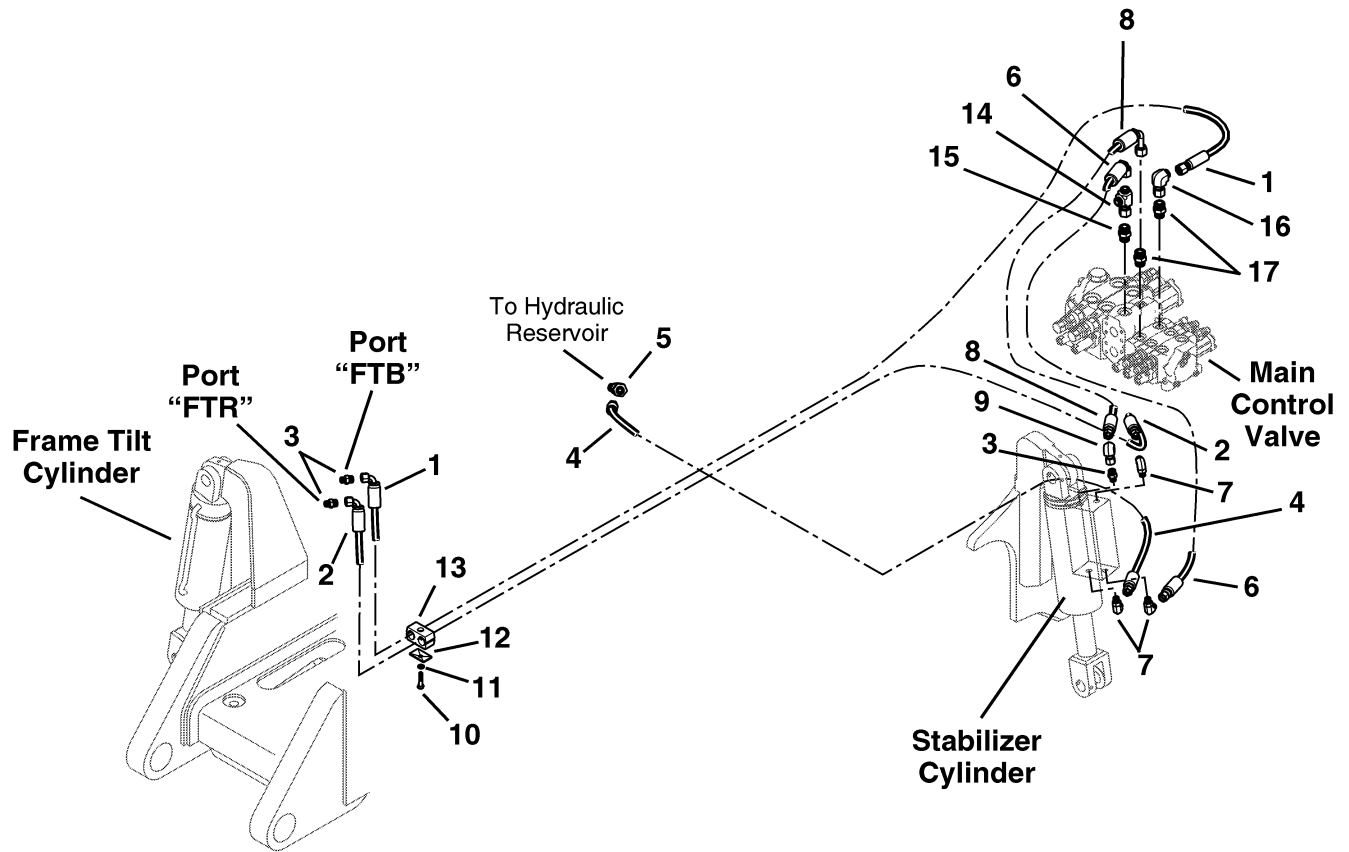
ATTACHMENT TILT AND SLAVE CIRCUIT



ATTACHMENT TILT AND SLAVE CIRCUIT

Item No.	Part Number	Qty.	Description
1	2716634	1	Hose, 0.50 x 55.00"
2	2716534	2	Hose, 0.50 x 17.88"
3	2716535	2	Hose, 0.50 x 24.88"
4	2716635	1	Hose, 0.50 x 24.38"
5	2716629	1	Hose, 0.50 x 31.00"
6	2716628	1	Hose, 0.50 x 15.25"
7	8770168	2	Elbow, Long, 90°, SAE 8 - str. thd. ORB x o-ring face seal
8	8770114	2	Elbow, 90°, SAE 8 - str. thd. ORB x o-ring face seal
9	8770167	4	Tee, Run, Bulkhead, SAE 8 - o-ring face seal
10	8770129	4	Nut, Bulkhead, SAE 8 - o-ring face seal
11	8770118	2	Cap, SAE 8 - o-ring face seal
12	8770115	1	Elbow, 90° Swivel, SAE 8 - o-ring face seal
13	2716644	1	Hose, 0.50 x 49.00"
14	2716645	1	Hose, 0.50 x 52.13"
15	7136123	1	Tube Assembly
16	7136133	1	Tube Assembly
17	5724302	4	Shim
18	8770075	2	Nut, Bulkhead, SAE 10 - o-ring face seal
19	8769122	2	Clamp Set, 0.625 Dia.
20	8769128	2	Plate, Cover
21	8307004	2	Washer, Lock 0.312
22	8303715	2	HHCS, 0.312-18 x 1.500"
23	8769154	2	Clamp Set, 0.625 Dia.
24	8769153	2	Plate, Cover
25	8307002	4	Washer, Lock 0.250
26	8303743	4	HHCS, 0.250-20 x 1.500"
27	7136093	1	Tube Assembly
28	7136073	1	Tube Assembly
29	2716620	2	Hose, 0.50 x 407"
30	8770125	2	Tee, Swivel Run, SAE 8 - o-ring face seal
31	8770117	2	Connector, Long, SAE 8 - str. thd. ORB x o-ring face seal

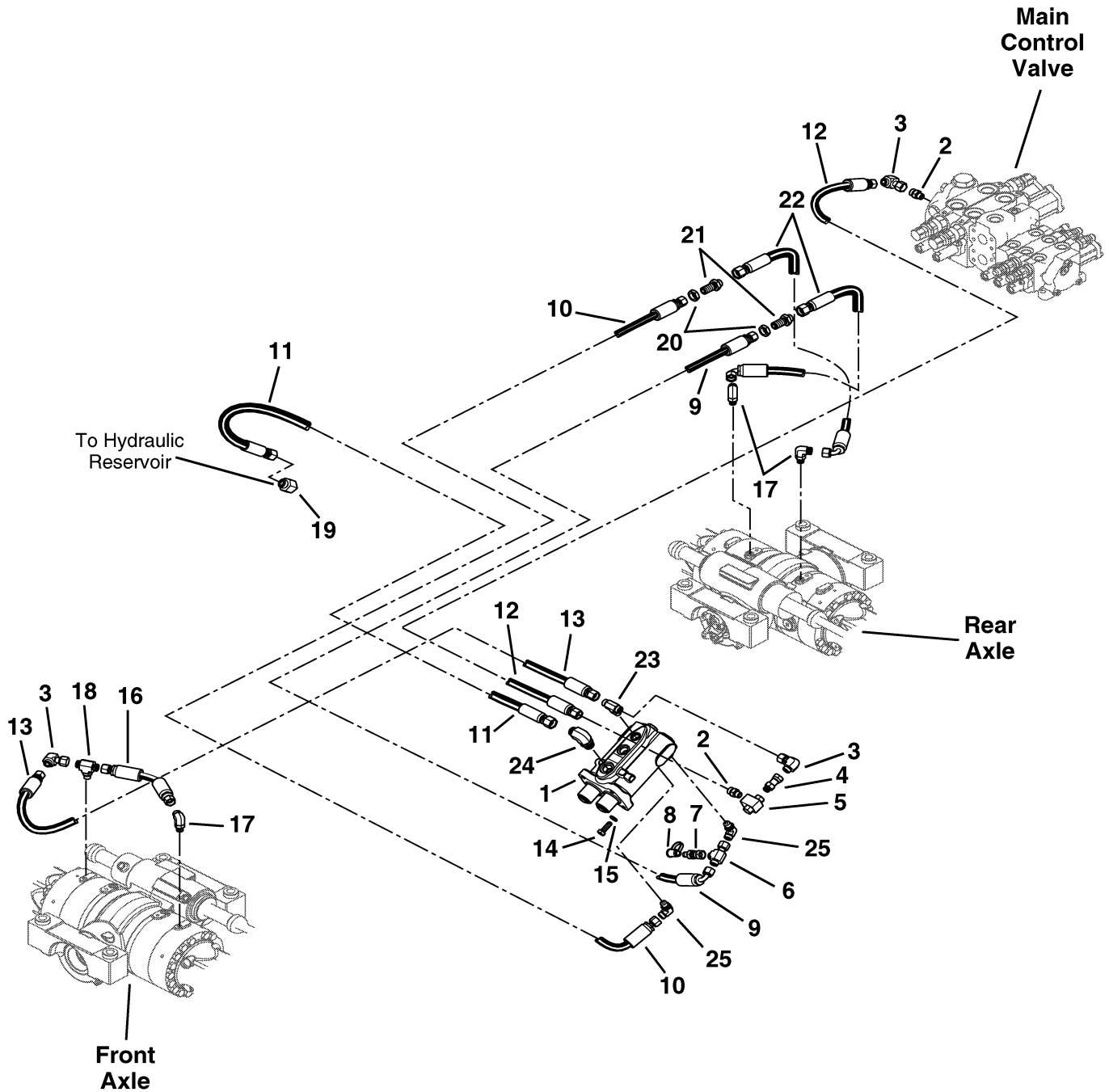
FRAME TILT AND STABILIZER CIRCUIT



FRAME TILT AND STABILIZER CIRCUIT

Item No.	Part Number	Qty.	Description
1	2716637	1	Hose, 0.38 x 208.00"
2	2716636	1	Hose, 0.38 x 207.00"
3	8770106	3	Connector, SAE 6 - str. thd. ORB x o-ring face seal
4	2716640	1	Hose, 0.38 x 121.25"
5	8770127	1	Elbow, 45°, SAE 8 - str. thd. ORB x o-ring face seal
6	2716639	1	Hose, 0.38 x 29.88"
7	8770068	3	Elbow, 90°, SAE 6 - str. thd. ORB x o-ring face seal
8	2716638	1	Hose, 0.38 x 34.00"
9	8770105	1	Elbow, 90° Swivel, SAE 6 - o-ring face seal
10	8303759	1	HHCS, 0.312-18 NC x 1.25"
11	8307004	1	Washer, Lock 0.312"
12	8769123	1	Plate, Cover
13	8750015	1	Clamp Set, 0.67" Dia.
14	8770124	1	Tee, Male Run, SAE 8 - ORFS tube end x str. thd. o-ring
15	8770186	1	Reducer, SAE 10-8 - male str. thd. o-ring x female internal o-ring boss
16	8770115	1	Elbow, 90° Swivel, SAE 8 - o-ring face seal
17	8770116	2	Connector, SAE 8 - str. thd. ORB x o-ring face seal

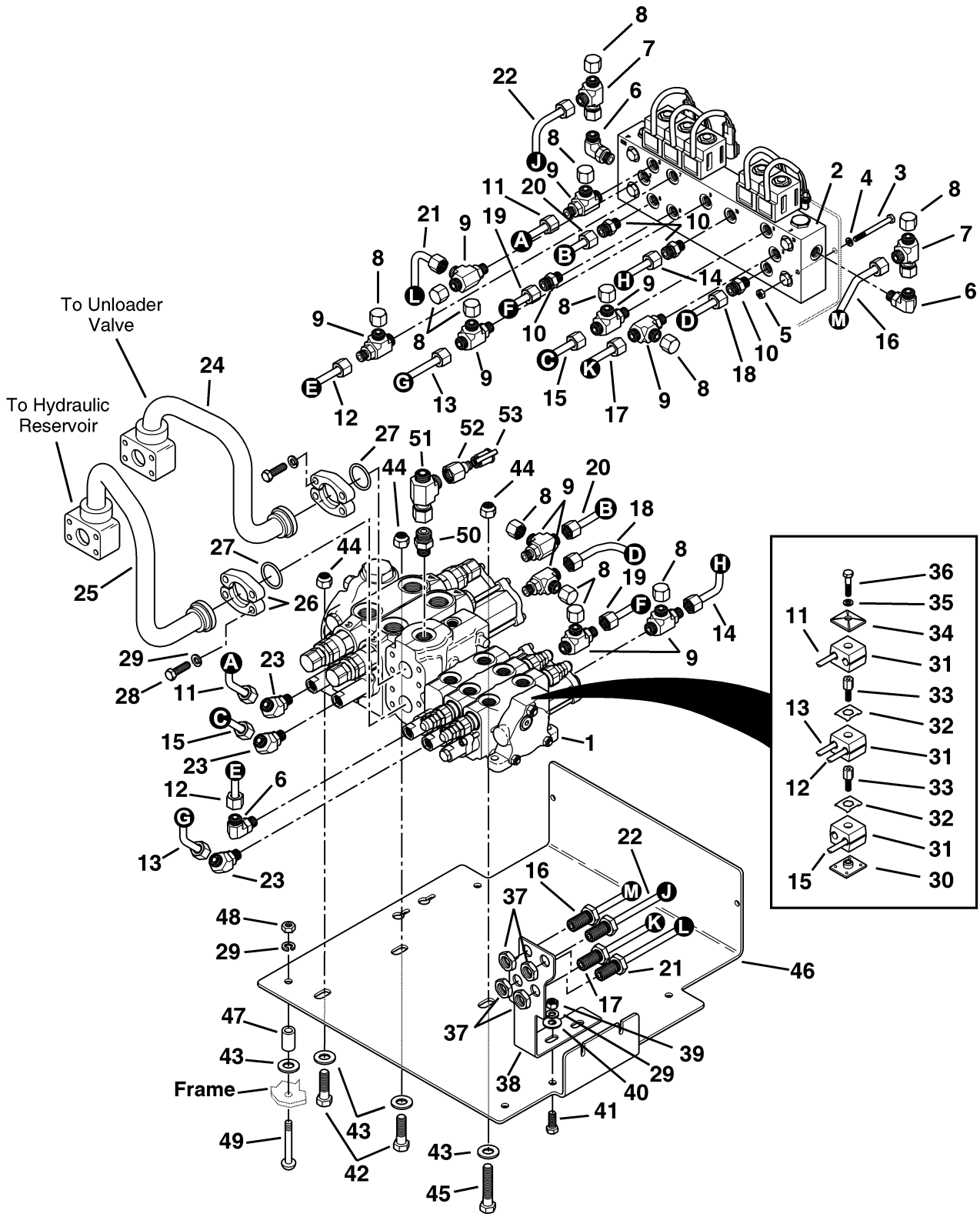
SERVICE BRAKE AND DE-CLUTCH CIRCUIT



SERVICE BRAKE AND DE-CLUTCH CIRCUIT

Item No.	Part Number	Qty.	Description
1	8902274	1	Valve, Brake
2	8770106	2	Connector, SAE 6 - str. thd. ORB x o-ring face seal
3	8770105	3	Elbow, 90° Swivel, SAE 6 - o-ring face seal
4	8770176	1	Connector, Swivel SAE 6 - str. thd. ORB x o-ring face seal
5	8902175	1	Valve, Shuttle
6	8770111	1	Tee, Swivel Run, SAE 6 - o-ring face seal
7	8430081	1	Nipple, Diagnostic
8	8430032	1	Plug, Dust
9	2716577	1	Hose, 0.38 x 120.00"
10	2716689	1	Hose, 0.38 x 121.00"
11	2716623	1	Hose, 0.50 x 124.00"
12	2716650	1	Hose, 0.38 x 155.00"
13	2716576	1	Hose, 0.38 x 134.00"
14	8303755	4	HHCS, M10-1,5 x 30mm
15	8307023	4	Washer, Lock M10
16	2716536	1	Hose, 0.38 x 8.50"
17	8770068	3	Elbow, 90°, SAE 6 - str. thd. ORB x o-ring face seal
18	8770112	1	Tee, Branch, SAE 6 - str. thd. ORB x o-ring face seal
19	8770114	1	Elbow, 90°, SAE 8 - str. thd. ORB x o-ring face seal
20	8770155	2	Nut, Bulkhead, SAE 6 - o-ring face seal
21	8770169	2	Connector, Bulkhead, SAE 6 - o-ring face seal
22	2716537	2	Hose, 0.38 x 31.75"
23	8770183	1	Tee, Branch, 6-M14 - metric str. thd. ORB x o-ring face seal
24	8770175	1	Elbow, 90°, M22-8 - metric str. thd. ORB x o-ring face seal
25	8770109	2	Elbow, 90°, M14-6 - metric str. thd. ORB x o-ring face seal

VALVE PLATE ASSY w/o AUX HYDRAULICS

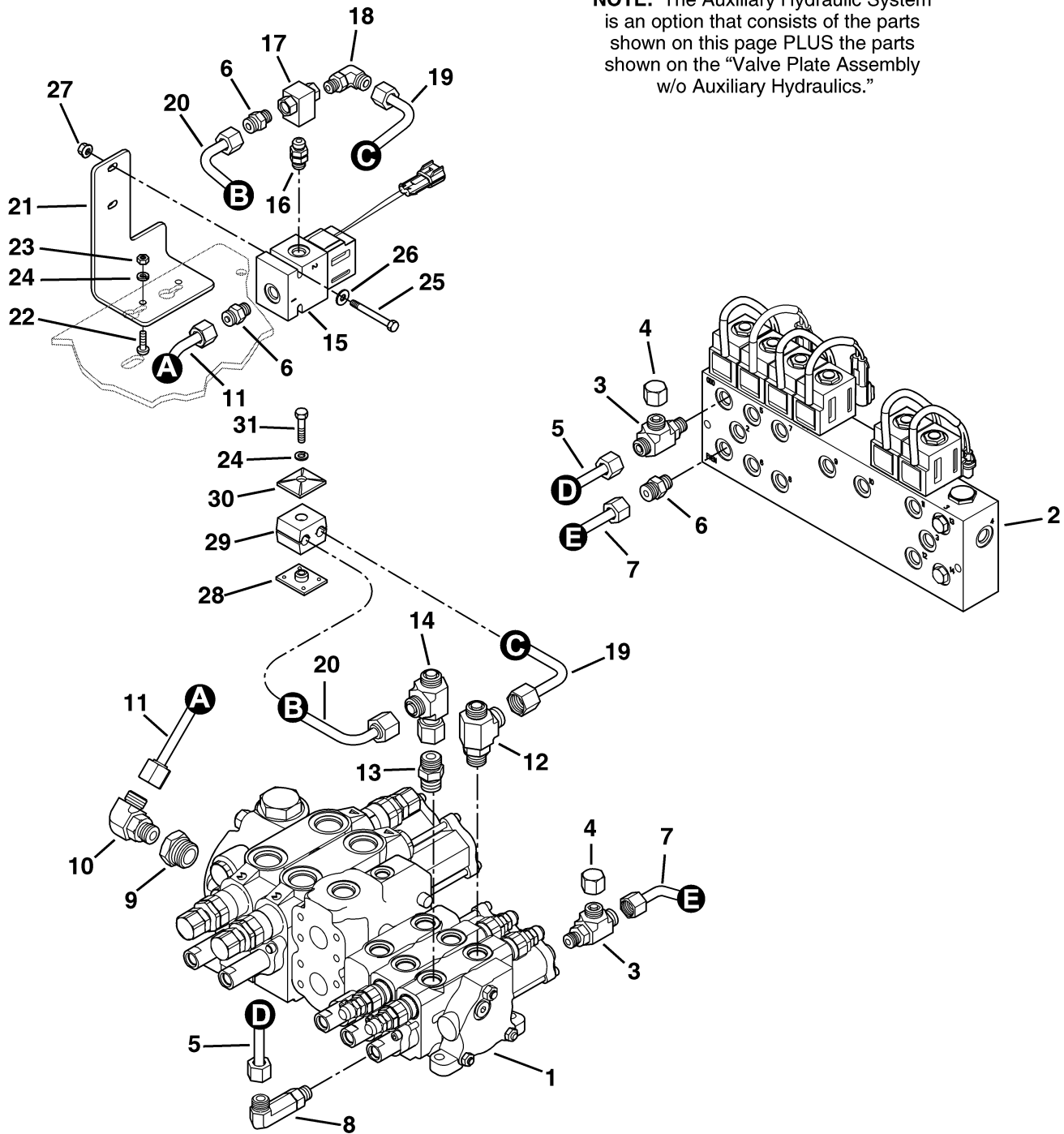


VALVE PLATE ASSY w/o AUX HYDRAULICS

Item No.	Part Number	Qty.	Description
1	8902201	1	Valve, Main Control
2	8902195	1	Manifold, Pilot Select
3	8303766	2	HHCS, 0.312-18 NC x 2.75"
4	8307004	2	Washer, Lock 0.312"
5	8305006	2	Nut, Hex 5/16-18
6	8770068	3	Elbow, 90°, SAE 6 - str. thd. ORB x o-ring face seal
7	8770111	2	Tee, Swivel Run, SAE 6 - o-ring face seal
8	8770108	12	Cap, SAE 6 - o-ring face seal
9	8770066	10	Tee, Male Run, SAE 6 - ORFS tube end x str. thd. o-ring
10	8770106	4	Connector, SAE 6 - str. thd. ORB x o-ring face seal
11	7138769	1	Tube
12	7138772	1	Tube
13	7138771	1	Tube
14	7138767	1	Tube
15	7138768	1	Tube
16	7138774	1	Tube
17	7138773	1	Tube
18	7138763	1	Tube
19	7138765	1	Tube
20	7138764	1	Tube
21	7138775	1	Tube
22	7138776	1	Tube
23	8770140	3	Elbow, 45°, SAE 6 - str. thd. ORB x o-ring face seal
24	7138784	1	Tube
25	7138785	1	Tube
26	8530030	4	Flange, Half #16
27	8640123	2	O-Ring, 1.296" I.D.
28	8303675	8	HHCS, 3/8-16 NC x 1.25"
29	8307005	14	Washer, Lock 3/8"
30	8750019	1	Plate, Welding
31	8750018	3	Clamp Set
32	8750017	2	Plate, Locking
33	8750021	2	Bolt, Stacking
34	8750020	1	Plate, Cover
35	8307002	1	Washer, Lock 0.25"
36	8303743	1	HHCS, 0.250-20 NC x 1.50"
37	8770155	4	Nut, Bulkhead
38	7137022	1	Bracket, Bulkhead, Pilot Valve
39	8305008	2	Nut, Hex, 0.375-16 NC
40	8307204	2	Washer, Plain 3/8"
41	8303620	2	HHCS, 3/8-16 NC x 1.00"
42	8303627	2	HHCS, 0.5-13 NC x 1.75"
43	8307206	7	Washer, Plain 0.50"
44	8305644	3	Nut, Hex Lock ELAS, 0.50-13 NC
45	8303693	1	HHCS, 0.50-13 NC x 2.50"
46	7135773	1	Bracket, Main Valve
47	7116691	4	Spacer
48	8305603	4	Nut, Hex Lock 0.375-16 NC
49	8310281	4	Bolt, Carriage 3/8-16 NC x 2.25"
50	8770186	1	Reducer, SAE 10-8 - male str. thd. o-ring x female internal o-ring boss
51	8770124	1	Tee, Male Run, SAE 8 - ORFS tube end x str. thd. o-ring
52	8430082	1	Nipple, Diagnostic
53	8430032	1	Plug, Dust

VALVE PLATE ASSY w/AUX HYDRAULICS

NOTE: The Auxiliary Hydraulic System is an option that consists of the parts shown on this page PLUS the parts shown on the "Valve Plate Assembly w/o Auxiliary Hydraulics."

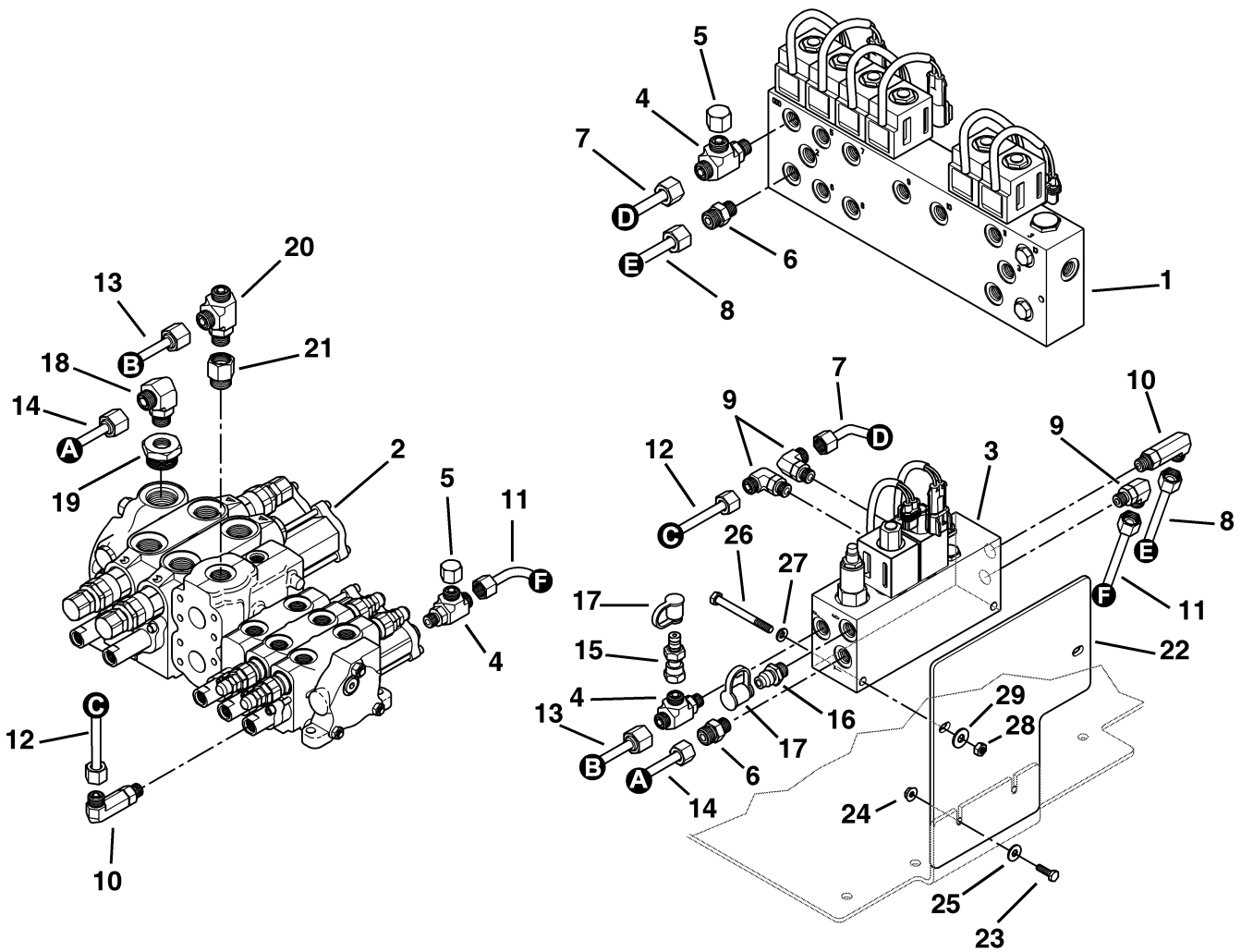


VALVE PLATE ASSY w/AUX HYDRAULICS

Item No.	Part Number	Qty.	Description
1	8902183	1	Valve, Main Control
2	8902182	1	Manifold, Pilot Select
3	8770066	2	Tee, Male Run, SAE 6 - ORFS tube end x str. thd. o-ring
4	8770108	1	Cap, SAE 6 - o-ring face seal
5	7138770	1	Tube
6	8770106	3	Connector, SAE 6 - str. thd. ORB x o-ring face seal
7	7138766	1	Tube
8	8770154	1	Elbow, Long, 90°, SAE 4 - str. thd. ORB x o-ring face seal
9	8760535	1	Reducer, SAE 12-8 - male str. thd. o-ring x female internal o-ring boss
10	8770114	1	Elbow, 90°, SAE 8 - str. thd. ORB x o-ring face seal
11	7138779	1	Tube
12	8770124	1	Tee, Male Run, SAE 8 - ORFS tube end x str. thd. o-ring
13	8770116	1	Connector, SAE 8 - str. thd. ORB x o-ring face seal
14	8770125	1	Tee, Swivel Run, SAE 8 - o-ring face seal
15	8902191	1	Valve, Solenoid Dump
16	8770152	1	Union, SAE 6 - male str. thd. o-ring
17	8902175	1	Valve, Shuttle
18	8770068	1	Elbow, 90°, SAE 6 - str. thd. ORB x o-ring face seal
19	7138778	1	Tube
20	7138038	1	Tube
21	7136892	1	Bracket, Dump Valve
22	8310484	2	Bolt, Carriage, 1/4-20 NC x 1.00"
23	8305004	2	Nut, Hex 0.25-20 NC
24	8307002	2	Washer, Lock 0.25"
25	8303703	2	HHCS, 0.25-20 NC x 2.50"
26	8307202	2	Washer, Plain 0.25"
27	8310382	2	Nut, Flange
28	8750019	1	Plate, Welding
29	8750018	1	Clamp, Set
30	8750020	1	Plate, Cover
31	8303743	1	HHCS, 0.25-20 NC x 1.50"

VALVE PLATE ASSY w/AUX DETENT HYDRAULICS

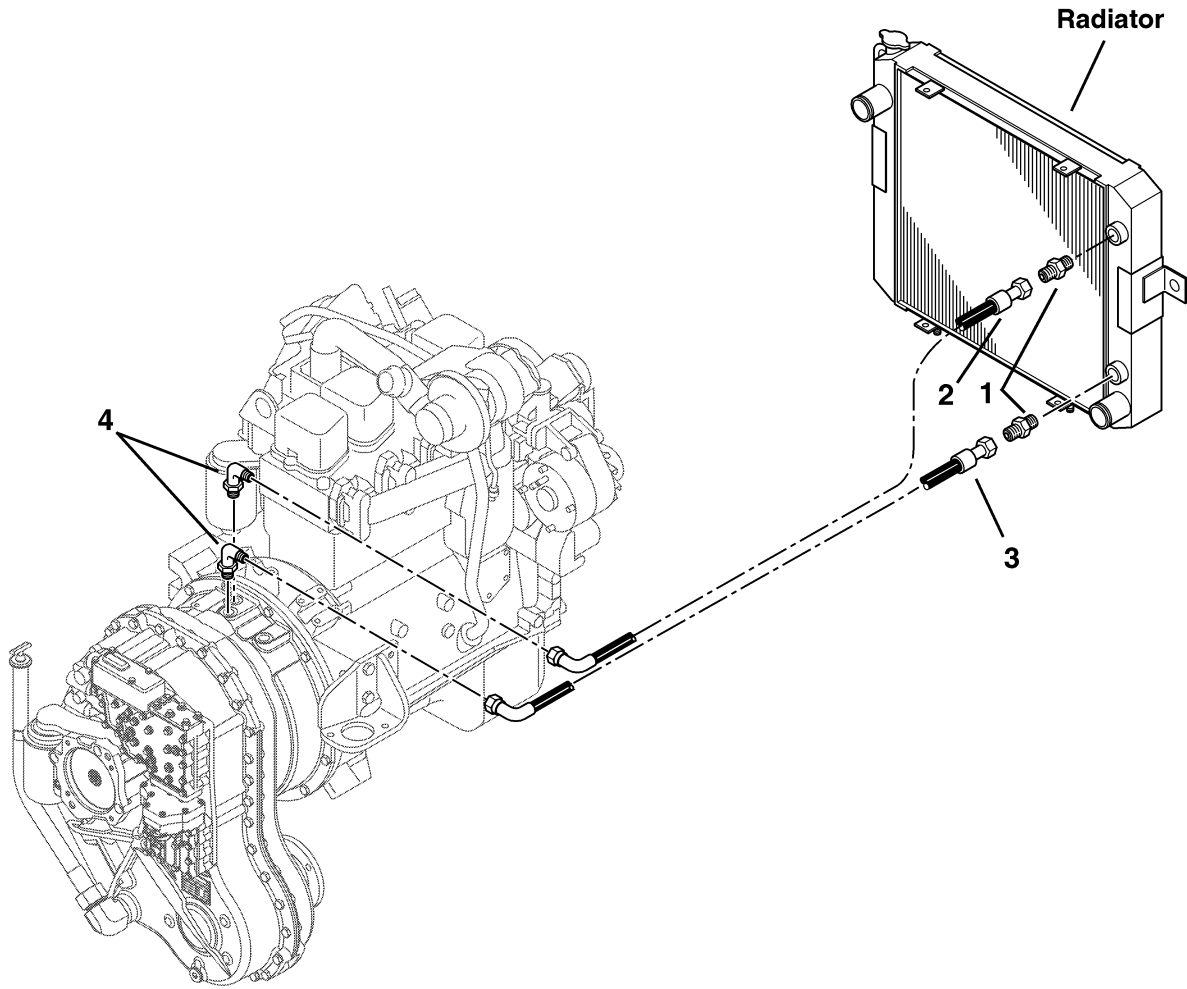
NOTE: The Auxiliary Hydraulic System with Detent is an option that consists of the parts shown on this page PLUS the parts shown on the "Valve Plate Assembly w/o Auxiliary Hydraulics" and "Valve Plate Assembly w/Auxiliary Hydraulics."



VALVE PLATE ASSY w/AUX DETENT HYDRAULICS

Item No.	Part Number	Qty.	Description
1	8902182	1	Manifold, Pilot Select
2	8902183	1	Valve, Main Control
3	8902180	1	Valve, Selector Aux. Hydraulics
4	8770066	3	Tee, Male Run, SAE 6 - ORFS tube end x str. thd. o-ring
5	8770108	2	Cap, SAE 6 - o-ring face seal
6	8770106	2	Connector, SAE 6 - str. thd. ORB x o-ring face seal
7	7138781	1	Tube
8	7138783	1	Tube
9	8770068	3	Elbow, 90°, SAE 6 - str. thd. ORB x o-ring face seal
10	8770154	2	Elbow, Long, 90°, SAE 4 - str. thd. ORB x o-ring face seal
11	7138782	1	Tube
12	7138780	1	Tube
13	7139039	1	Tube
14	7139040	1	Tube
15	8430081	1	Nipple, Diagnostic
16	8430043	1	Nipple, Diagnostic
17	8430032	2	Plug, Dust
18	8770114	1	Elbow, 90°, SAE 8 - str. thd. ORB x o-ring face seal
19	8760545	1	Reducer, SAE 16-8 - male str. thd. o-ring x female internal o-ring boss
20	8770124	1	Tee, Male Run, SAE 8 - ORFS tube end x str. thd. o-ring
21	8770186	1	Reducer, SAE 10-8 - male str. thd. o-ring x female internal o-ring boss
22	7138790	1	Bracket, Detent Valve
23	8310484	2	Bolt, Carriage 1/4-20 NC x 1.00"
24	8305004	2	Nut, Hex 0.25-20 NC
25	8307002	2	Washer, Lock 0.25"
26	8310380	2	HHCS, 0.312-18 NC x 3.25"
27	8307004	2	Washer, Lock 0.312"
28	8305006	2	Nut, Hex 5/16-18 NC
29	8307203	2	Washer, Plain 0.312"

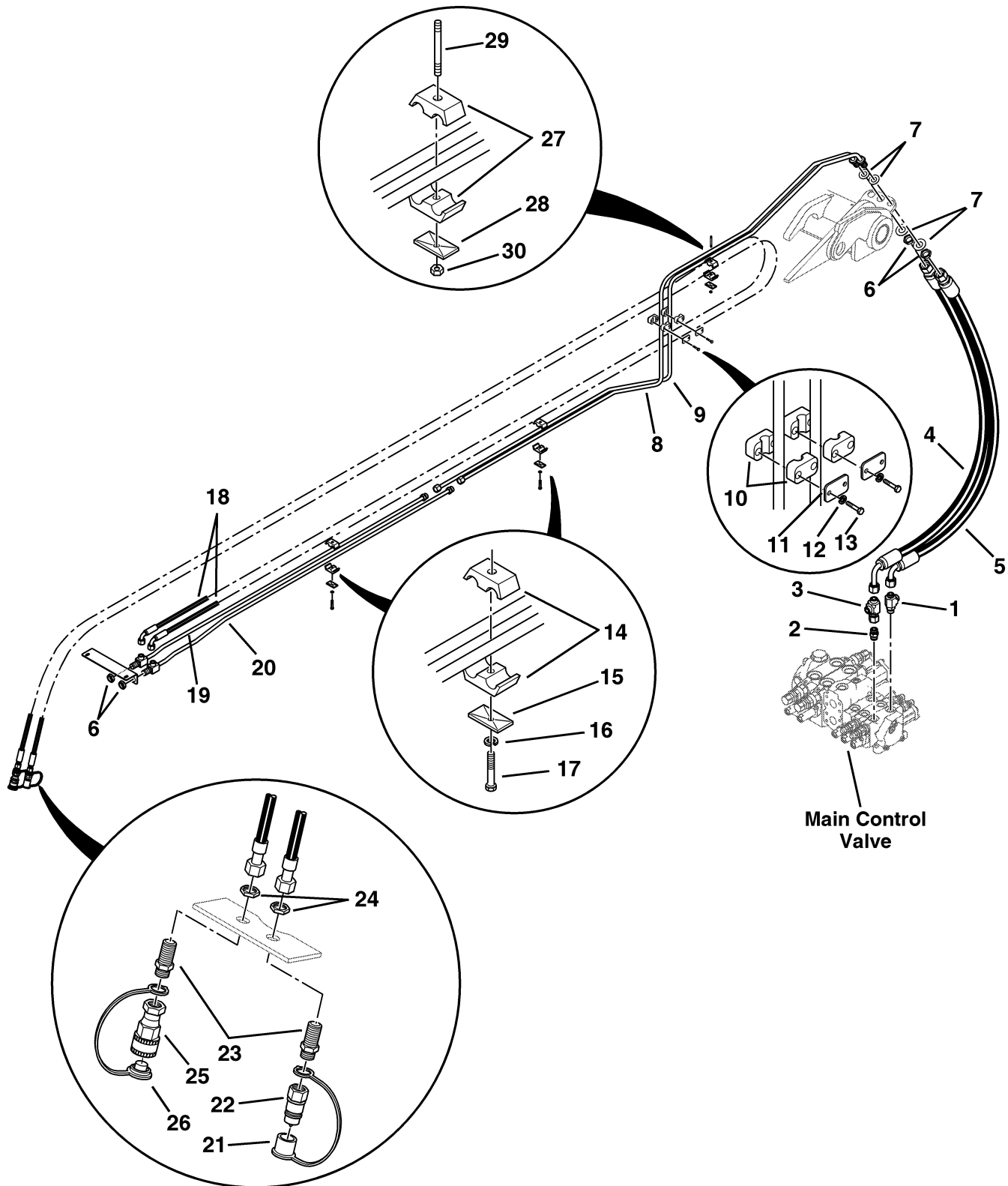
TRANSMISSION COOLING CIRCUIT



TRANSMISSION COOLING CIRCUIT

Item No.	Part Number	Qty.	Description
1	8770070	2	Connector, SAE 12 - str. thd. ORB x o-ring face seal
2	2716519	1	Hose, 3/4 I.D. x 48" Long
3	2716518	1	Hose, 3/4 I.D. x 42" Long
4	8770160	2	Elbow, 90°, SAE 12-10 - str. thd. ORB x o-ring face seal

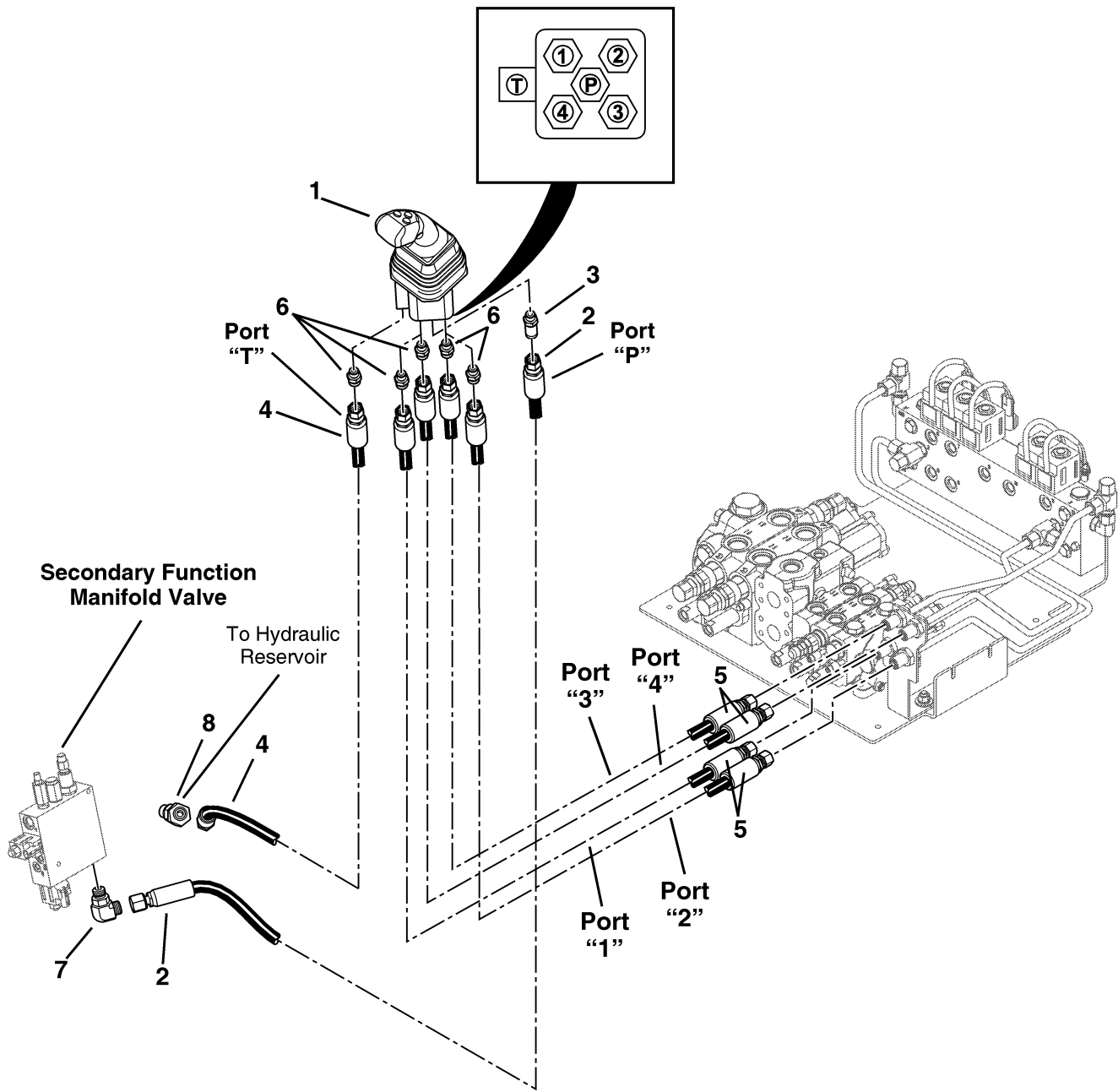
AUXILIARY HYDRAULIC CIRCUIT (Optional)



AUXILIARY HYDRAULIC CIRCUIT (Optional)

Item No.	Part Number	Qty.	Description
1	8770124	1	Tee, Male Run, SAE 8 - ORFS tube end x str. thd. o-ring
2	8770116	1	Connector, SAE 8 - str. thd. ORB x o-ring face seal
3	8770125	1	Tee, Swivel Run, SAE 8 - o-ring face seal
4	2716652	1	Hose, 0.50 x 46.25"
5	2716653	1	Hose, 0.50 x 47.25"
6	8770075	4	Nut, Bulkhead
7	5724302	4	Shim
8	7136103	1	Tube Assembly
9	7136113	1	Tube Assembly
10	8769154	2	Clamp Set
11	8769153	2	Plate, Cover
12	8307002	4	Washer, Lock
13	8303743	4	HHCS, 0.25-20 NC x 1.5"
14	8769122	2	Clamp Set
15	8769123	2	Plate, Cover
16	8307004	2	Washer, Lock
17	8303715	2	HHCS, 0.312-18 NC x 1.5"
18	2716619	2	Hose, 0.50 x 422"
19	7136073	1	Tube Assembly
20	7136083	1	Tube Assembly
21	8420053	1	Cap, Dust #8
22	8430006	1	Quick Disconnect, Male, SAE 8-8ORB - female internal
23	8770136	2	Connector, Bulkhead, SAE 8 - str. thd. ORB x o-ring face seal
24	8770129	2	Nut, Bulkhead, SAE 8 - o-ring face seal
25	8430005	1	Quick Disconnect, Female, SAE 8-8ORB - female internal
26	8420055	1	Plug, Dust #8
27	8750027	1	Clamp Set
28	8769128	1	Plate, Cover
29	8306407	1	Stud, 5/16-18 x 2.75"
30	8310453	1	Nut, Hex 5/16-18 NC

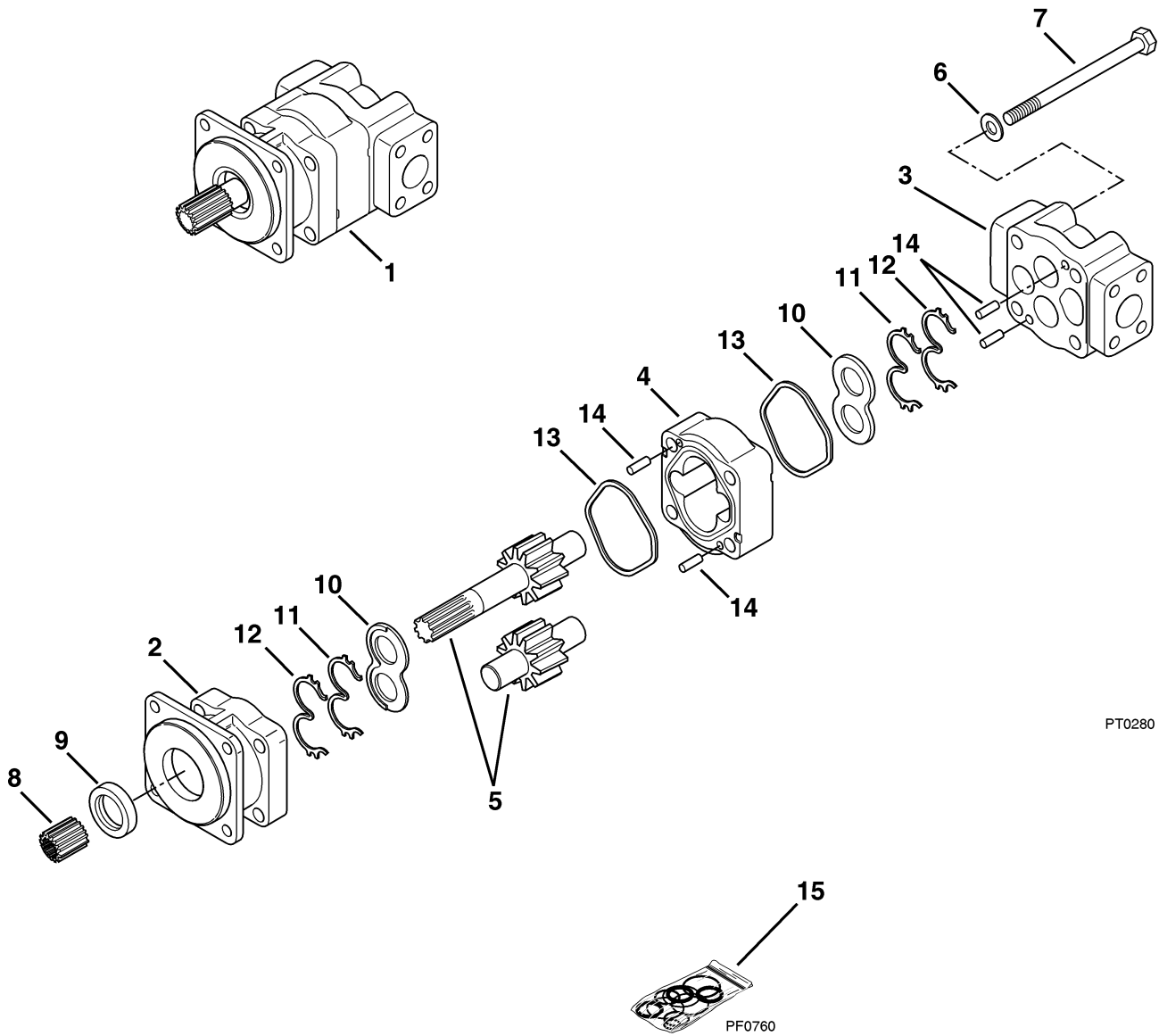
JOYSTICK CIRCUIT



JOYSTICK CIRCUIT

Item No.	Part Number	Qty.	Description
1	7133942	1	Valve, Joystick
2	2716572	1	Hose, 0.38 x 98.13"
3	8770107	1	Connector, Long, SAE 6 - str. thd. ORB x o-ring face seal
4	2716630	1	Hose, 0.38 x 98.00"
5	2715312	4	Hose, 0.38 x 120.50"
6	8770106	5	Connector, SAE 6 - str. thd. ORB x o-ring face seal
7	8770114	1	Elbow, 90°, SAE 8 - str. thd. ORB x o-ring face seal
8	8770127	1	Elbow, 45°, SAE 8 - str. thd. ORB x o-ring face seal

MAIN PUMP

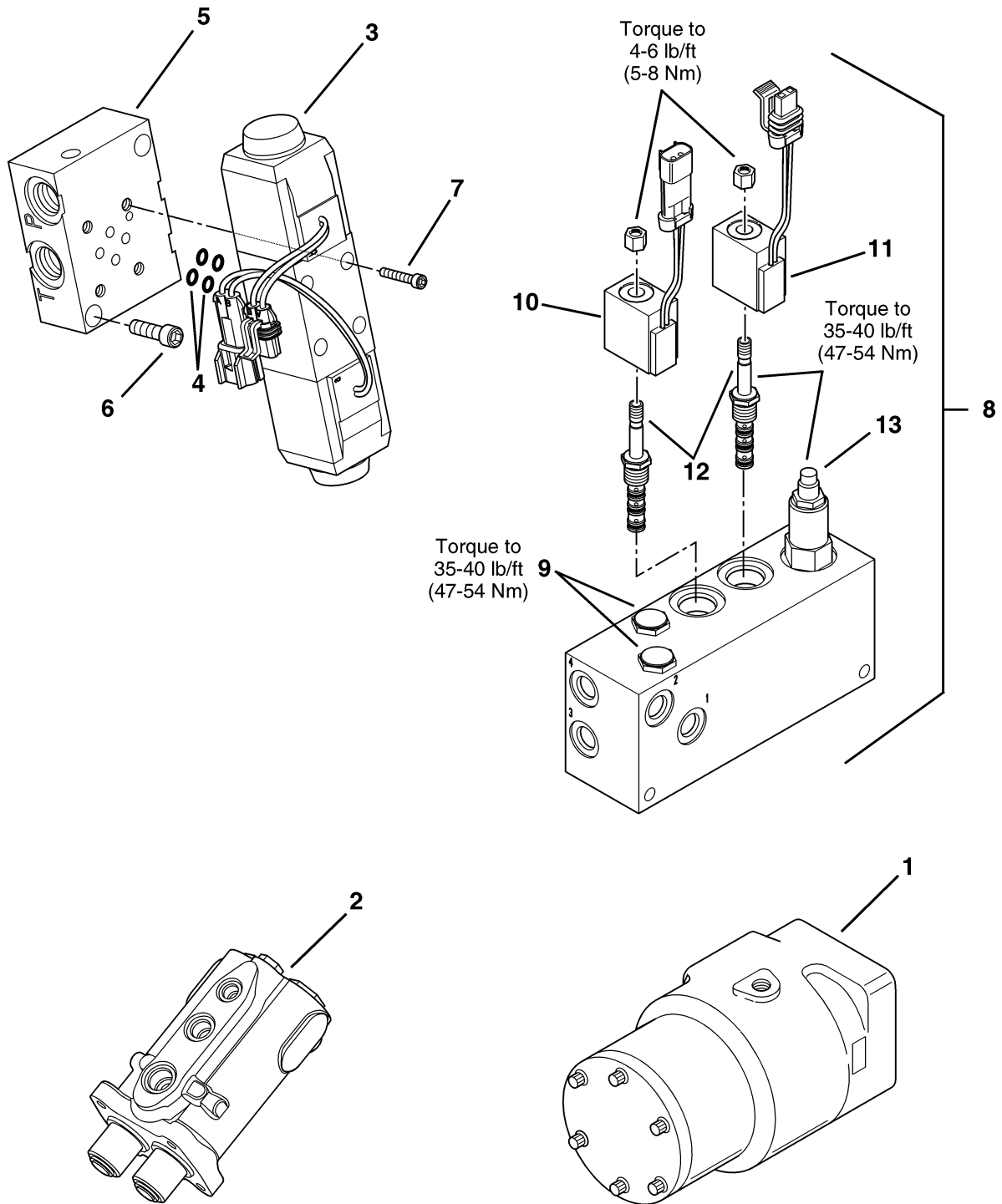


PT0280

MAIN PUMP

Item No.	Part Number	Qty.	Description
1	8440156	1	Pump, Gear (Includes Items 2 thru 14)
2	8035747	1	Housing, SEC
3	8035746	1	Housing, PEC
4	8035263	1	Housing, Gear
5	8035262	1	Set, Gear Shaft
6	8035261	4	Washer
7	8035745	4	HHCS
8	8035744	1	Adapter, Spline
9	See Kits	1	Seal, Lip
10	See Kits	2	Plate, Thrust
11	See Kits	2	Seal, Channel
12	See Kits	2	Seal, Back-Up
13	See Kits	2	Seal, Square R
14	8035259	4	Pin, Dowel
			<u>KITS</u>
15	8035093	1	Seal Kit

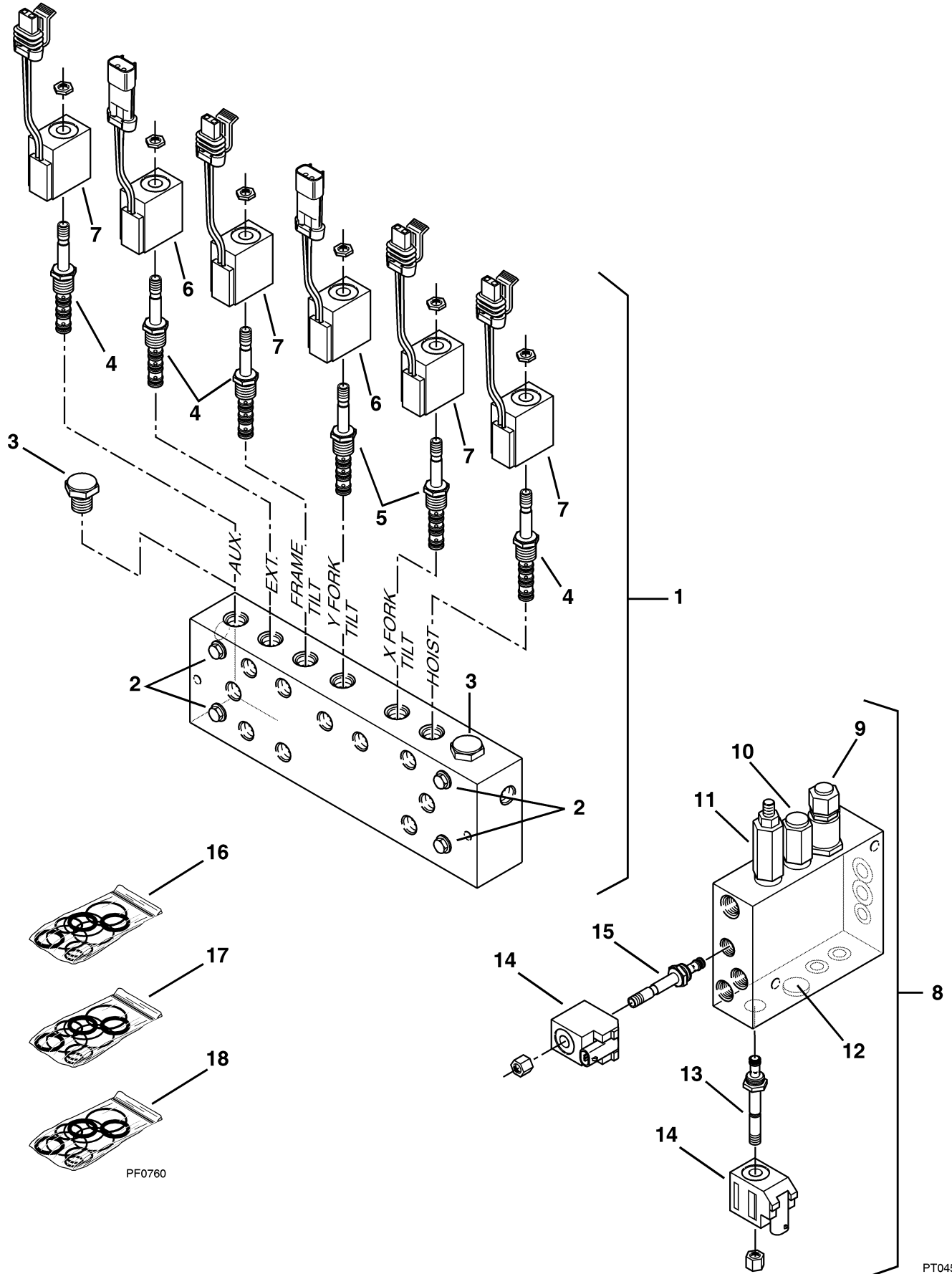
DIRECTIONAL CONTROL VALVES 1 OF 2



DIRECTIONAL CONTROL VALVES 1 OF 2

Item No.	Part Number	Qty.	Description
1	8721029	1	Valve, Power Steering
2	8902274	1	Valve, Brake
3	8902197	1	Valve, Steer Select (Includes Item 4)
4	8640017	AR	O-Ring
5	8902111	1	Subplate, Steer Select Valve
6	8310326	2	SCHS, 0.312-18 NC x 1.125"
7	8310327	4	SCHS, #10-24 NC x 1.125"
8	8902180	1	Valve, Selector (Auxiliary Detent Hydraulics Only) (Includes Items 9 thru 13)
9	8035858	2	Valve, Shuttle (Auxiliary Detent Hydraulics Only)
10	8902694	1	Coil, Solenoid Valve, Female Connector (Auxiliary Detent Hydraulics Only)
11	8902693	1	Coil, Solenoid Valve, Male Connector (Auxiliary Detent Hydraulics Only)
12	8035860	2	Cartridge, Solenoid Valve (Auxiliary Detent Hydraulics Only)
13	8035859	1	Cartridge, Pressure Reducing [550 ± 100 psi (38 ± 7 bar) at 0 G.P.M. (0 liter/sec)] (Auxiliary Detent Hydraulics Only)

DIRECTIONAL CONTROL VALVES 2 OF 2



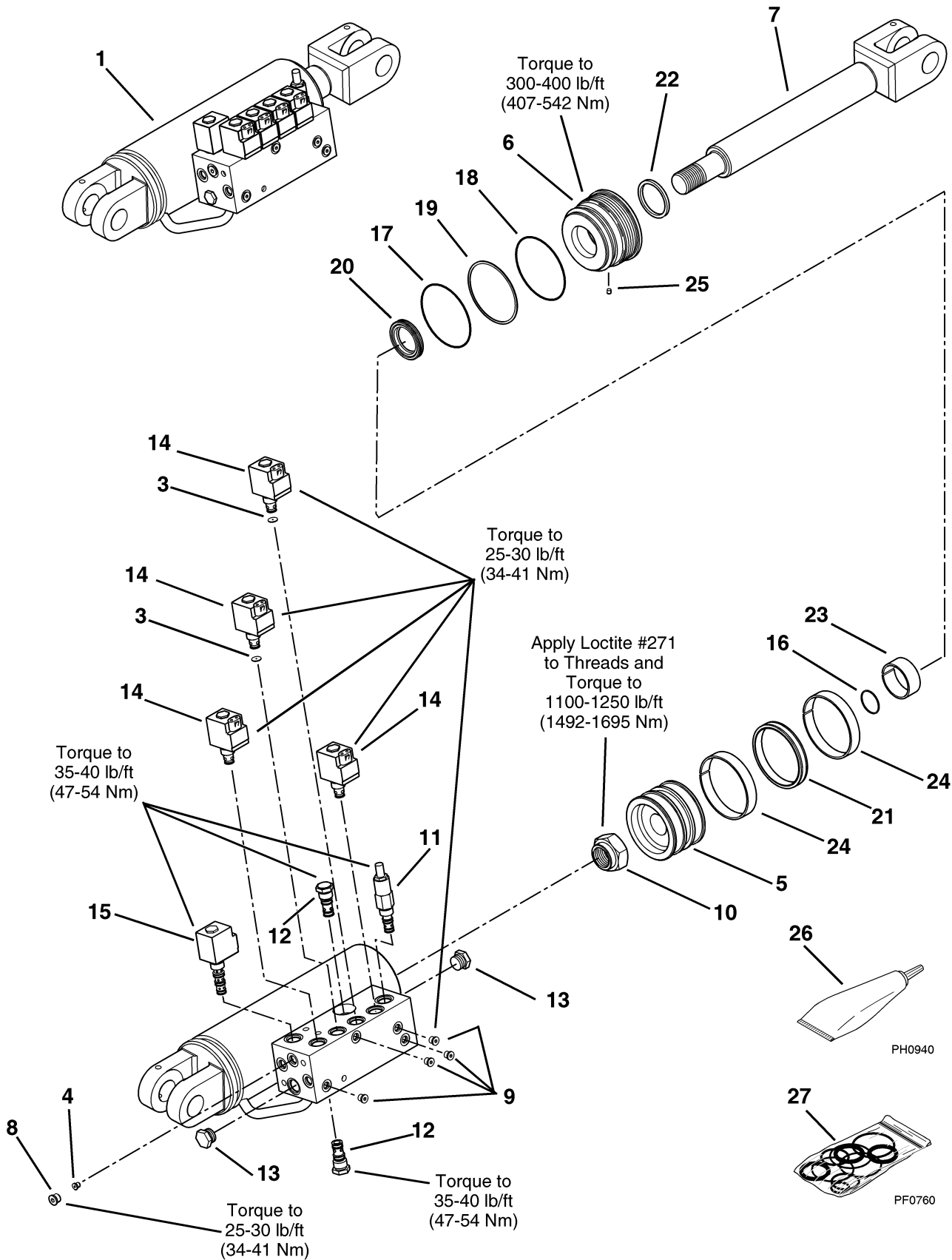
PF0760

PT0450

DIRECTIONAL CONTROL VALVES 2 OF 2

Item No.	Part Number	Qty.	Description
1	8902195	1	Manifold, Pilot Select (Includes Items 2 thru 7)
	8902183	1	Manifold, Pilot Select w/Auxiliary Hydraulics (Includes Items 2 thru 7)
	8902182	1	Manifold, Pilot Select w/Auxiliary Detent Hydraulics (Includes Items 2 thru 7)
2	8760451	4	Plug, Hex Hd., SAE 6 - male str. thd. o-ring (w/o Auxiliary Hydraulics)
		2	Plug, Hex Hd., SAE 6 - male str. thd. o-ring (w/Auxiliary Hydraulics)
3	8035799	2	Plug, Cavity (w/o Auxiliary Hydraulics)
		1	Plug, Cavity (w/Auxiliary Hydraulics)
4	8902695	3	Cartridge, Solenoid Valve (w/o Auxiliary Hydraulics)
		4	Cartridge, Solenoid Valve (w/Auxiliary Hydraulics)
5	8902700	2	Cartridge, Solenoid Valve
6	8902694	2	Coil, Solenoid w/Male Connector
7	8902693	3	Coil, Solenoid w/Female Connector (w/o Auxiliary Hydraulics)
		4	Coil, Solenoid w/Female Connector (w/Auxiliary Hydraulics)
8	8902196	1	Manifold, Secondary Function (Includes Items 9 thru 15)
9	8032989	1	Valve, Pressure Reducing - Preset at 2500 psi (172 bar)
10	8032993	1	Valve, Pressure Reducing - Preset at 900 psi (62 bar)
11	8032991	1	Valve, Pressure Reducing - Preset at 1400 psi (96 bar)
12	8032995	1	Valve, Check
13	8902696	1	Cartridge, Solenoid Valve
14	8902698	2	Coil, Solenoid w/Integrated Diode
15	8902697	1	Cartridge, Solenoid Valve
			KITS
16	8032990	1	Seal Kit (For Servicing Item 9)
17	8032994	1	Seal Kit (For Servicing Items 10 & 11)
18	8032992	1	Seal Kit (For Servicing Items 12, 13 & 15)

STABIL-TRAK CYLINDER

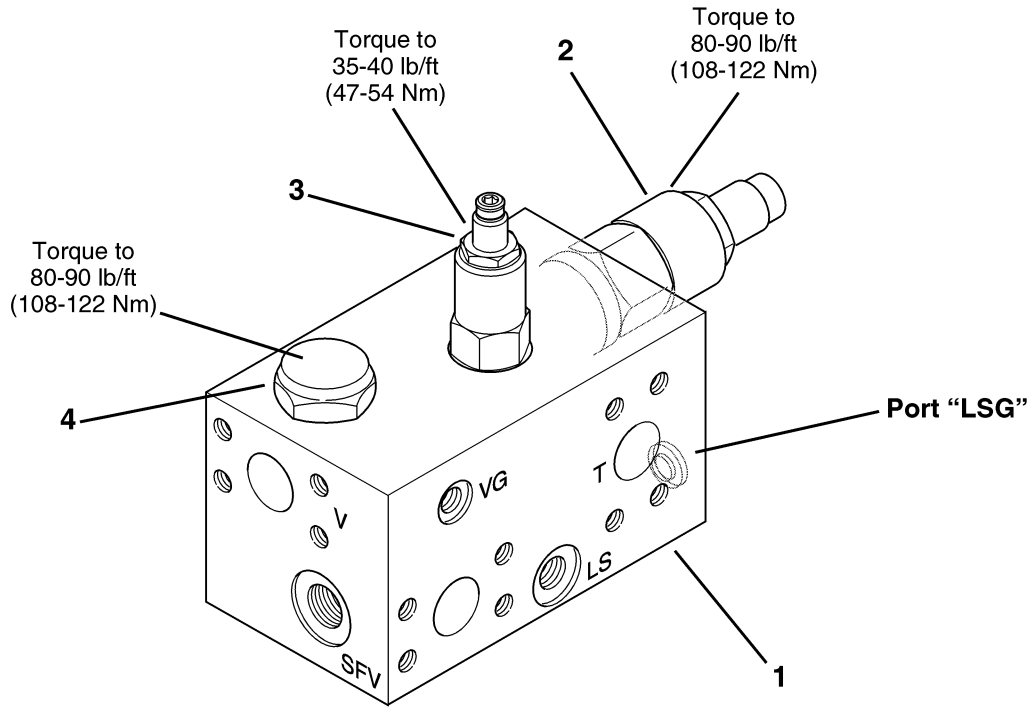


PT0370

STABIL-TRAK CYLINDER

Item No.	Part Number	Qty.	Description
1	2716564	1	Cylinder, Stabil-Trak (Includes Items 2 thru 25)
2	NSS	1	Tube, Weldment
3	8035781	2	Disk, Conical Orifice .060" Dia.
4	8035782	1	Plug, Orifice .030" Dia.
5	8035323	1	Piston
6	8035324	1	Gland, Head
7	8035783	1	Rod, Weldment
8	8035784	1	Plug, Hex - SAE #6 Steel Hol.
9	8035785	4	Plug, Hex - SAE #4 Steel Hol.
10	8035322	1	Nut, Lock 1.50-12 UNF
11	8035282	1	Valve, Pressure Reducing (100)
12	8035281	2	Valve, PO Check - Series 10
13	8760420	2	Plug, Hex Hd., SAE 10-male str. thd. o-ring
14	8036019	4	Valve, Solenoid - 2 Way, NC, 12V
15	8036020	1	Valve, Solenoid - 4 Way, 12V
16	See Kits	1	O-Ring
17	See Kits	1	O-Ring
18	See Kits	1	O-Ring
19	See Kits	1	Ring, Back-Up
20	See Kits	1	Z-Seal, Deep - w/Rod Back-Up
21	See Kits	1	T-Seal, Type 730 Capped
22	See Kits	1	Wiper, Hd. Rod - Sealed O.D.
23	See Kits	1	Wearband, Precision
24	See Kits	2	Wearband, Precision
25	See Kits	1	Locking Insert
26	8526011	1	Threadlocker, Loctite #271 (250cc)
			KITS
27	8035326	1	Seal Kit (Includes Items 16 thru 25)

UNLOADER VALVE

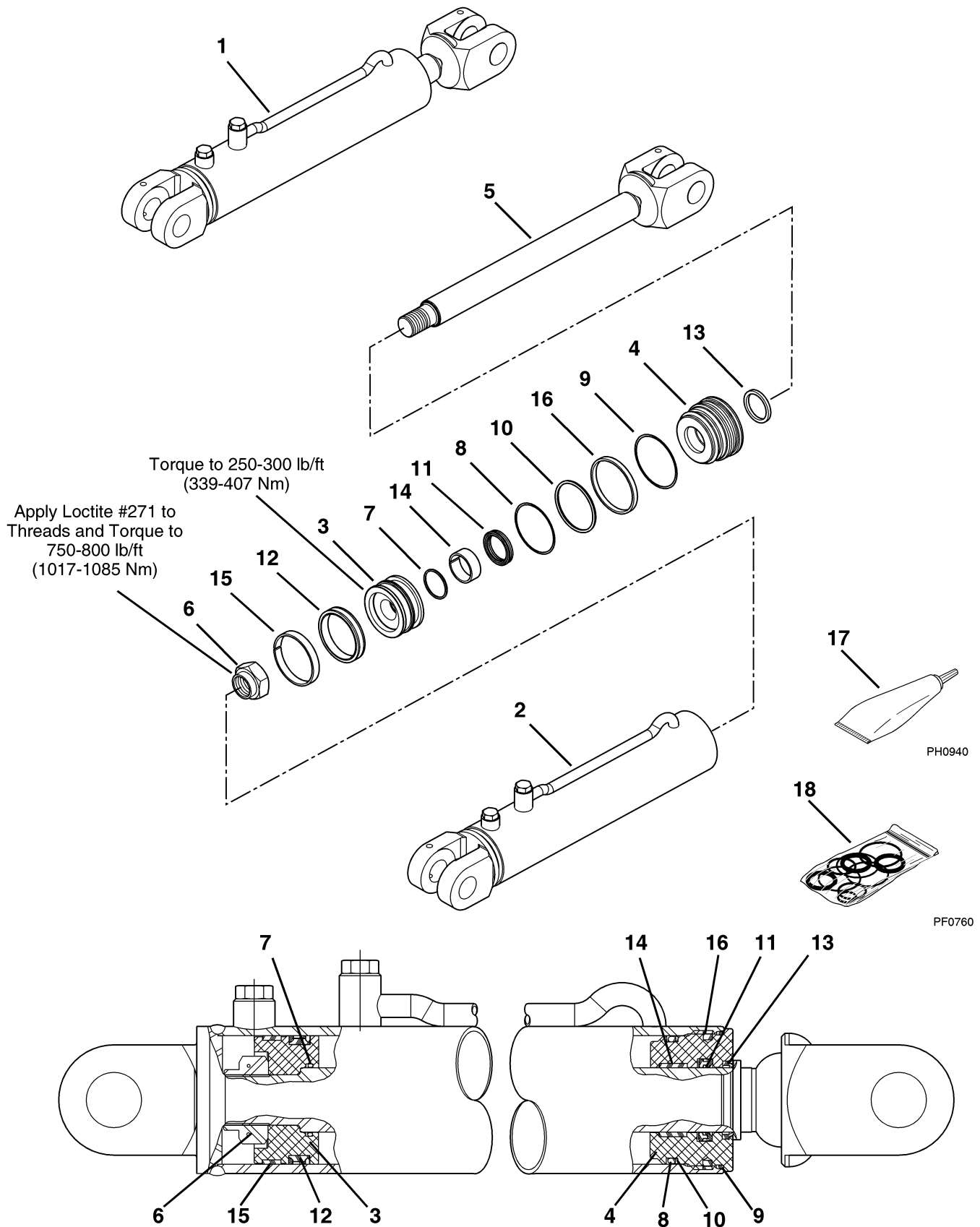


PT0360

UNLOADER VALVE

Item No.	Part Number	Qty.	Description
1	8902200	1	Valve, Unloader (Includes Items 2 thru 4)
2	8035775	1	Valve, Differential Pressure Sense
3	8035776	1	Valve, Relief
4	8035774	1	Valve, Check - Preset at 125 psi (8,6 bar)

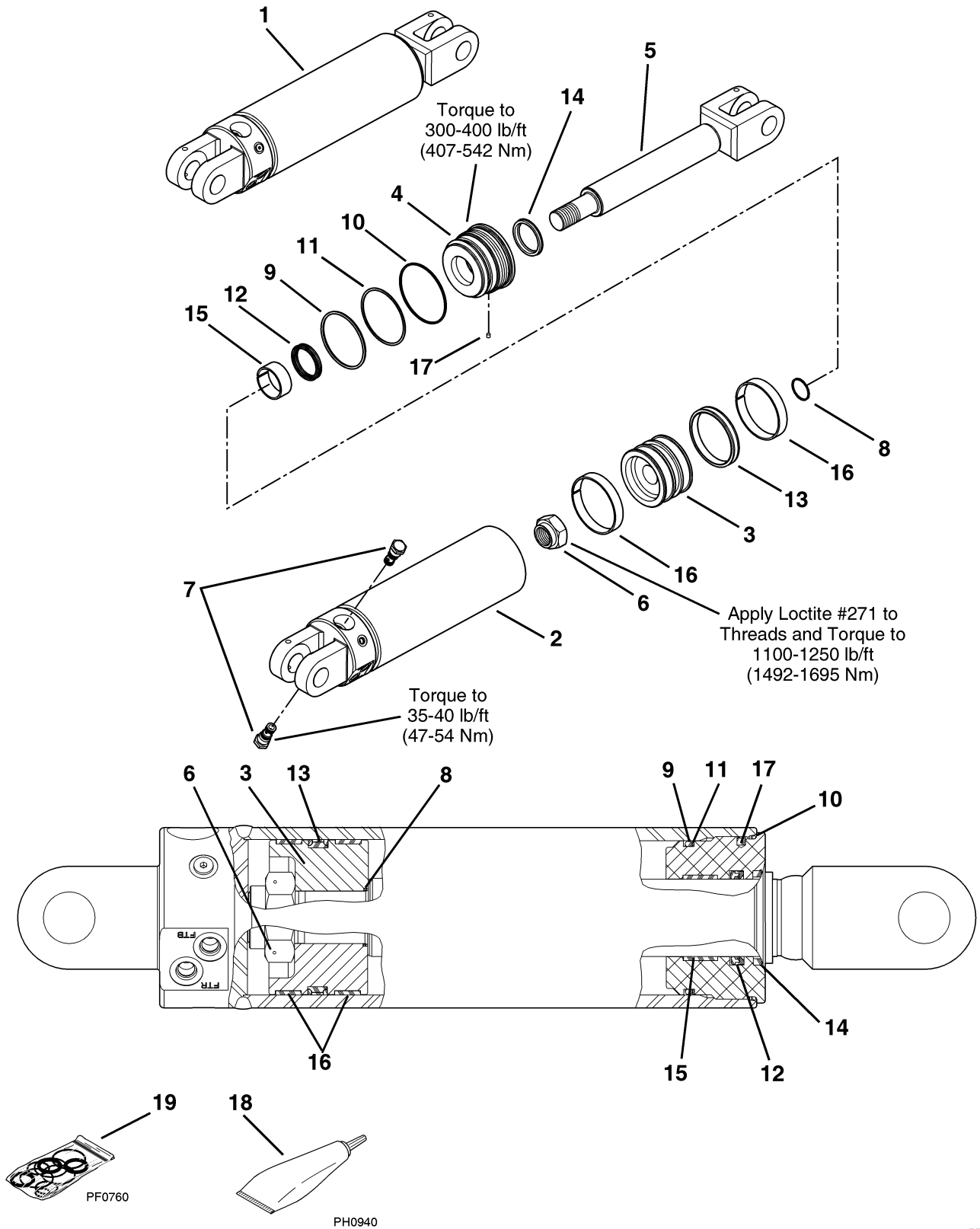
SLAVE CYLINDER



SLAVE CYLINDER

Item No.	Part Number	Qty.	Description
1	2716373	1	Cylinder, Slave (Includes Items 2 thru 16)
2	NSS	1	Tube
3	8035550	1	Piston
4	8035549	1	Gland, Head
5	8035548	1	Rod, Weldment
6	8035547	1	Nut, Hex Lock 1.375-12 UNF
7	See Kits	1	O-Ring
8	See Kits	1	O-Ring
9	See Kits	1	O-Ring
10	See Kits	1	Ring, Back-Up
11	See Kits	1	Z-Seal, Deep - w/Rod Back-Up
12	See Kits	1	T-Seal, Capped
13	See Kits	1	Wiper, Hd. Rod - Sealed O.D.
14	See Kits	1	Wearband, Precision
15	See Kits	1	Wearband, Precision
16	See Kits	1	Locking Insert
17	8526011	AR	Threadlocker, Loctite #271 (250cc)
			<u>KITS</u>
18	8035546	1	Seal Kit, Slave Cylinder (Includes Items 7 thru 16)

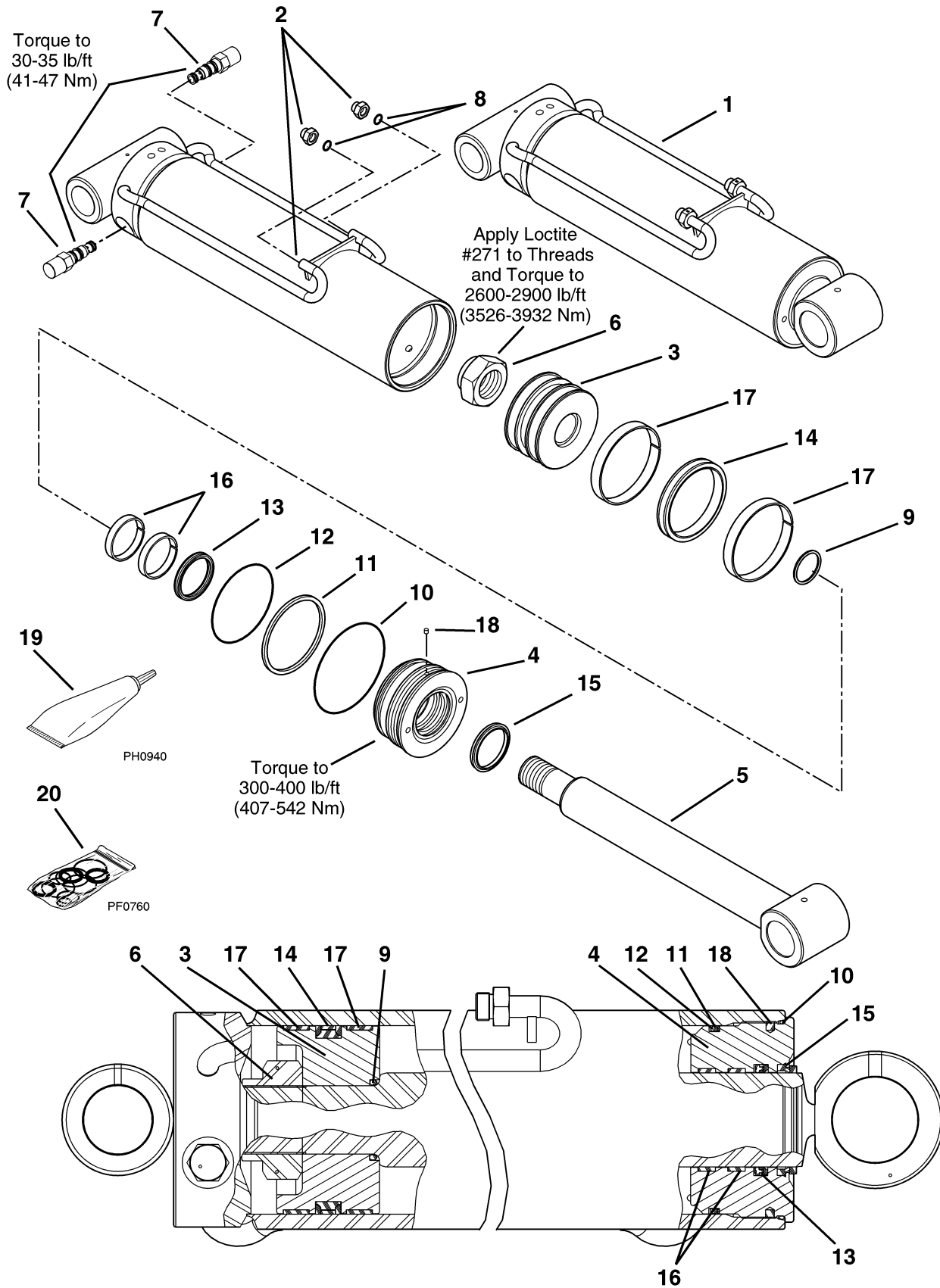
FRAME TILT CYLINDER



FRAME TILT CYLINDER

Item No.	Part Number	Qty.	Description
1	2716563	1	Cylinder, Frame Tilt (Includes Items 2 thru 17)
2	NSS	1	Tube, Weldment
3	8035323	1	Piston
4	8035324	1	Gland, Head
5	8035758	1	Rod, Weldment
6	8035322	1	Nut, Hex Lock 1.50-12 UNF
7	8035757	2	Valve, PO Check Valve - Series 10
8	See Kits	1	O-Ring
9	See Kits	1	O-Ring
10	See Kits	1	O-Ring
11	See Kits	1	Ring, Back-Up
12	See Kits	1	Z-Seal, Deep - w/Rod Back-Up
13	See Kits	1	T-Seal, Type 730 Capped
14	See Kits	1	Wiper, Hd. Rod - Sealed O.D.
15	See Kits	1	Wearband, Precision
16	See Kits	2	Wearband, Precision
17	See Kits	1	Locking Insert
18	8526011	AR	Threadlocker, Loctite #271 (250cc)
			<u>KITS</u>
19	8035326	1	Seal Kit (Includes Items 8 thru 17)

ATTACHMENT TILT CYLINDER

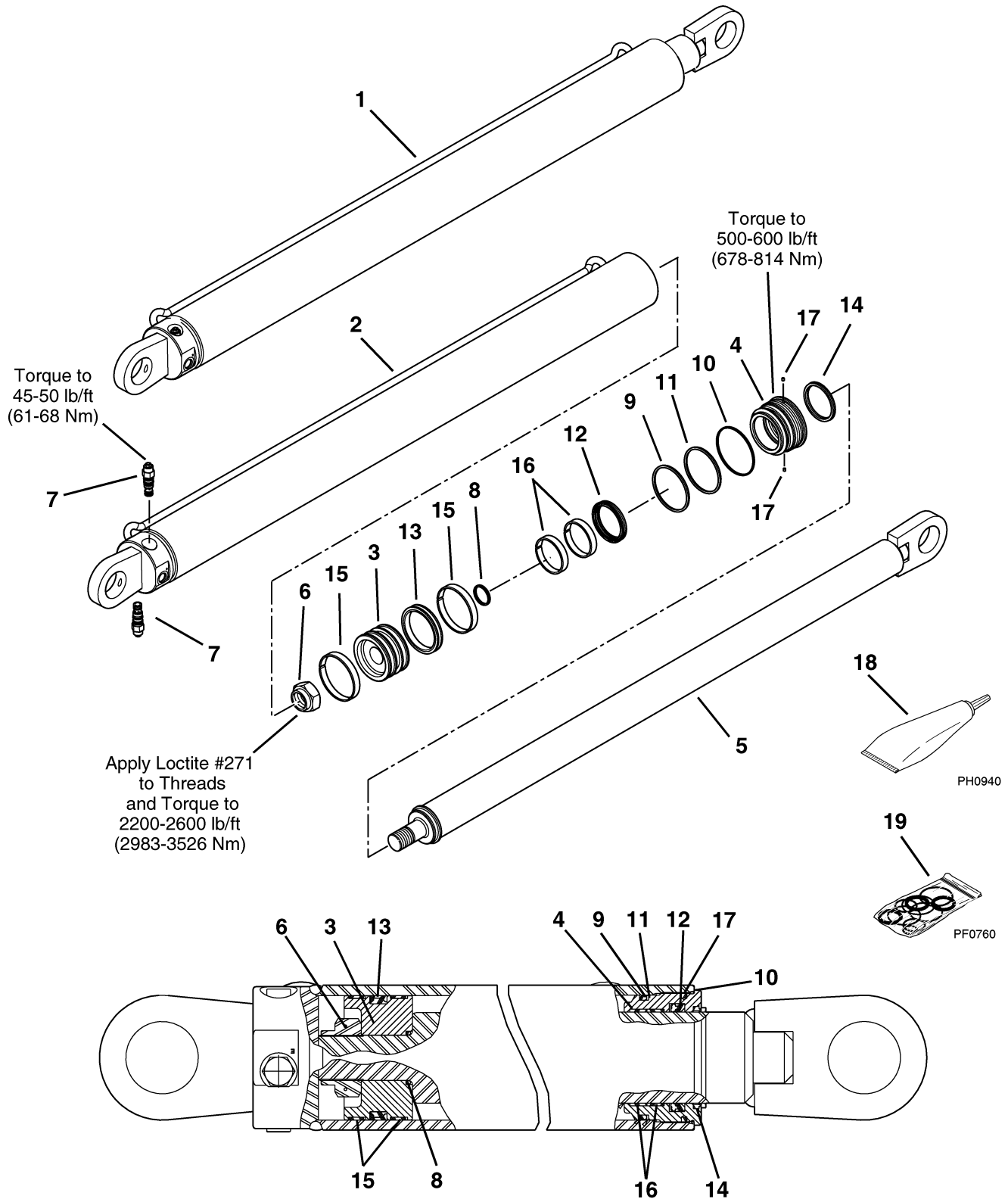


PT0020

ATTACHMENT TILT CYLINDER

Item No.	Part Number	Qty.	Description
1	2716333	1	Cylinder, Attachment Tilt (Includes Items 2 thru 18)
2	NSS	1	Tube
3	8035309	1	Piston
4	8035553	1	Gland, Head
5	8035552	1	Rod, Weldment
6	8035308	1	Nut, Hex Lock 2.00-12 UN
7	8035321	2	Valve, CB - CCC Preset at 4000 psi (275,8 bar)
8	See Kits	2	O-Ring
9	See Kits	1	O-Ring
10	See Kits	1	O-Ring
11	See Kits	1	O-Ring
12	See Kits	1	Ring, Back-Up
13	See Kits	1	Z-Seal, Deep - w/Rod Back-Up
14	See Kits	1	T-Seal, Capped
15	See Kits	1	Wiper, Hd. Rod - Sealed O.D.
16	See Kits	2	Wearband, Precision
17	See Kits	2	Wearband, Precision
18	See Kits	2	Locking Insert
19	8526011	AR	Threadlocker, Loctite #271 (250cc)
			<u>KITS</u>
20	8035551	1	Seal Kit (Includes Items 8 thru 18)

HOIST CYLINDER

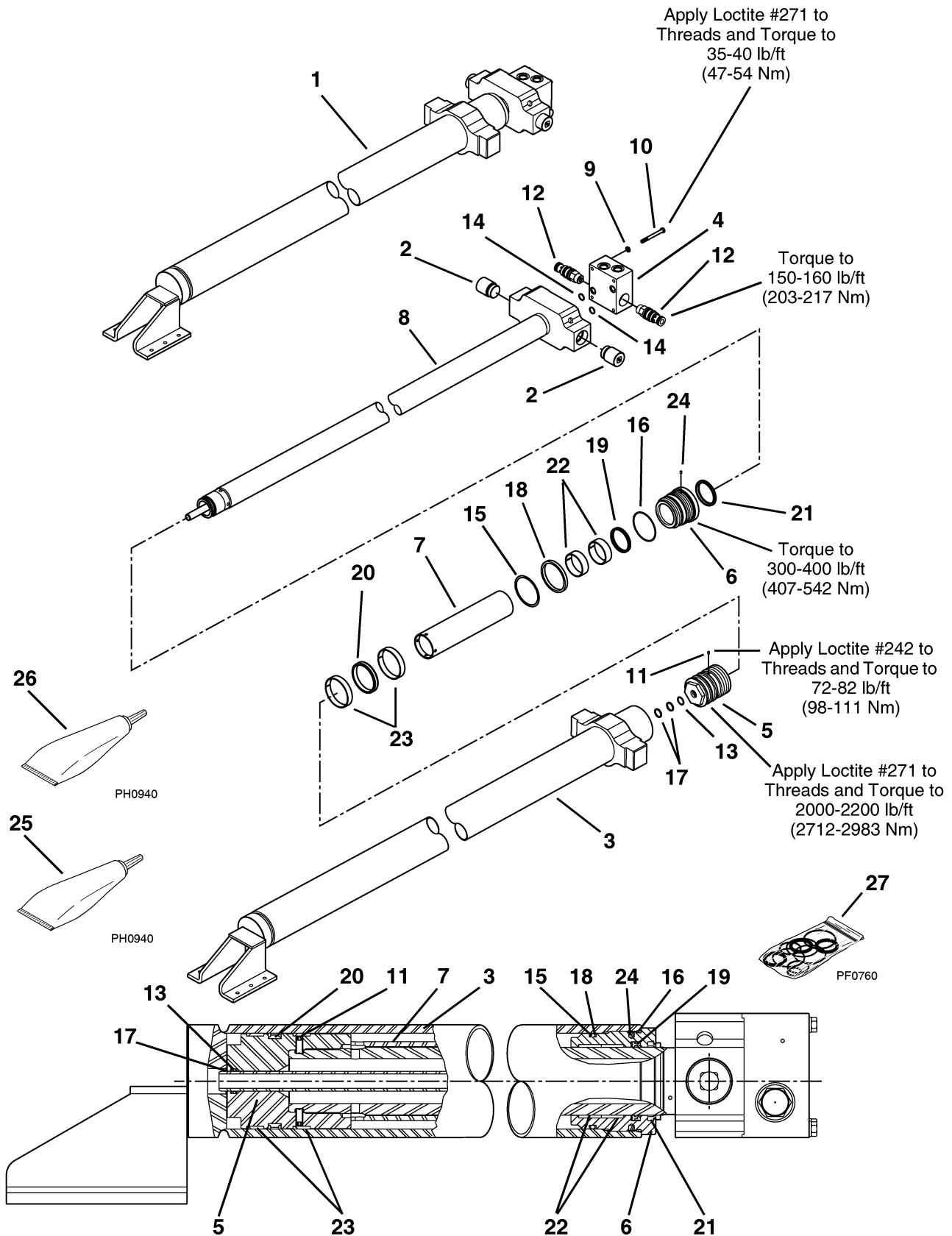


PT0350

HOIST CYLINDER

Item No.	Part Number	Qty.	Description
1	2716423	1	Cylinder, Hoist (Includes Items 2 thru 17)
2	NSS	1	Tube, Weldment
3	8035309	1	Piston
4	8035759	1	Gland, Head
5	8035543	1	Rod, Weldment
6	8035308	1	Nut, Hex Lock 2.00-12 UN
7	8035542	2	Valve, CB - CBEA-LHN 4000 psi (275,8 bar)
8	See Kits	1	O-Ring
9	See Kits	1	O-Ring
10	See Kits	1	O-Ring
11	See Kits	1	Ring, Back-Up
12	See Kits	1	Z-Seal, Deep - w/Rod Back-Up
13	See Kits	1	T-Seal, Capped
14	See Kits	1	Wiper, Hd. Rod - Sealed O.D.
15	See Kits	2	Wearband, Precision
16	See Kits	2	Wearband, Precision
17	See Kits	2	Locking Insert
18	8526011	AR	Threadlocker, Loctite #271 (250cc)
			<u>KITS</u>
19	8035760	1	Seal Kit (Includes Items 8 thru 17)

EXTEND CYLINDER



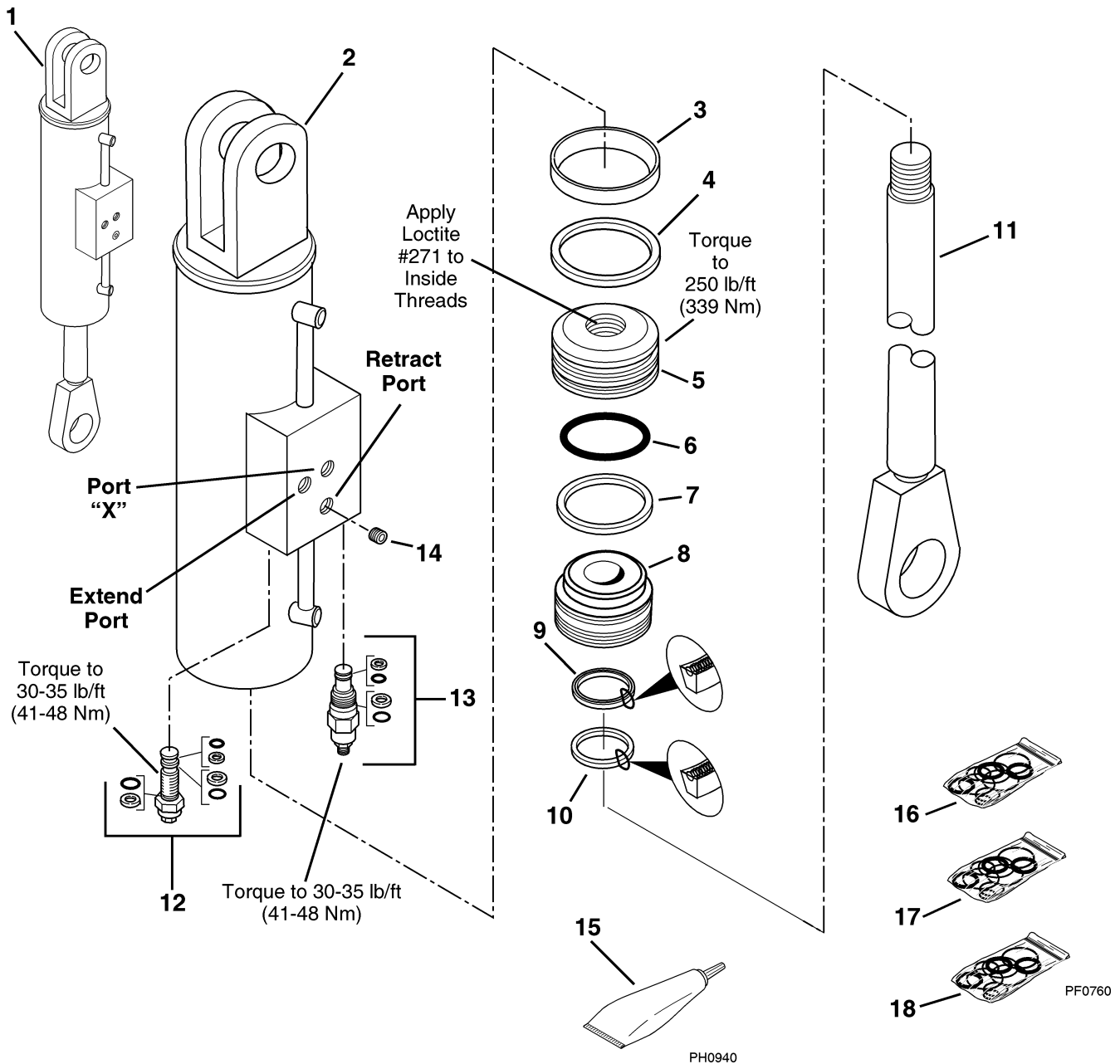
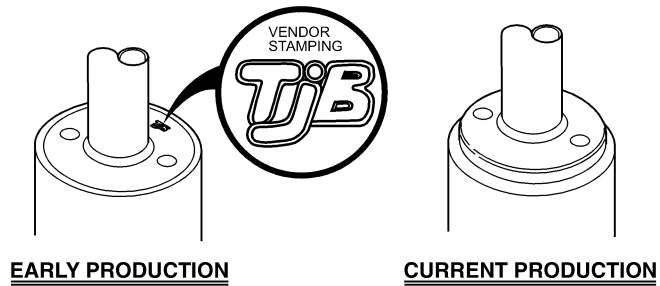
EXTEND CYLINDER

Item No.	Part Number	Qty.	Description
1	2716473	1	Cylinder, Extend (Includes Items 2 thru 24)
2	8035761	2	Trunnion Pin Assembly
3	NSS	1	Tube, Weldment
4	8035762	1	Block, Aluminum Manifold
5	8035763	1	Piston
6	8035764	1	Gland, Head
7	8035765	1	Spacer, Rod
8	8035766	1	Rod, Weldment
9	8035767	4	Washer, Lock Spring 3/8" ZP
10	8035768	4	HHCS, 3/8-16 UNC x 1.75" Gr. 8 Z
11	8035769	1	Screw, Set 5/16-18 UNC x .75" Long
12	8035770	2	Valve, CB - CFBF-LHN 4000 psi (275,8 bar)
13	See Kits	1	O-Ring
14	See Kits	2	O-Ring
15	See Kits	1	O-Ring
16	See Kits	1	O-Ring
17	See Kits	2	Ring, Back-Up - Dynamic
18	See Kits	1	Ring, Back-Up
19	See Kits	1	Z-Seal, Deep - w/Rod Back-Up
20	See Kits	1	T-Seal, Capped
21	See Kits	1	Wiper, Hd. Rod - Sealed O.D.
22	See Kits	2	Wearband, Precision
23	See Kits	2	Wearband, Precision
24	See Kits	2	Locking Insert
25	8526011	AR	Threadlocker, Loctite #271 (250cc)
26	8526036	AR	Threadlocker, Loctite #242 (.02 fl. oz.)
			KITS
27	8035771	1	Seal Kit (Includes Items 13 thru 24)

SWING CARRIAGE CYLINDER (Early Production) (Optional)

IMPORTANT:

There are two similar but distinctly different Swing Carriage Cylinders. Make sure you know which version you have before ordering replacement parts. On "Early Production" cylinders, the gland is installed flush with the cylinder tube and has "TJB" stamped on the gland. On the "Current Production" cylinders, the gland has a lip that bottoms out against the cylinder tube.



SWING CARRIAGE CYLINDER

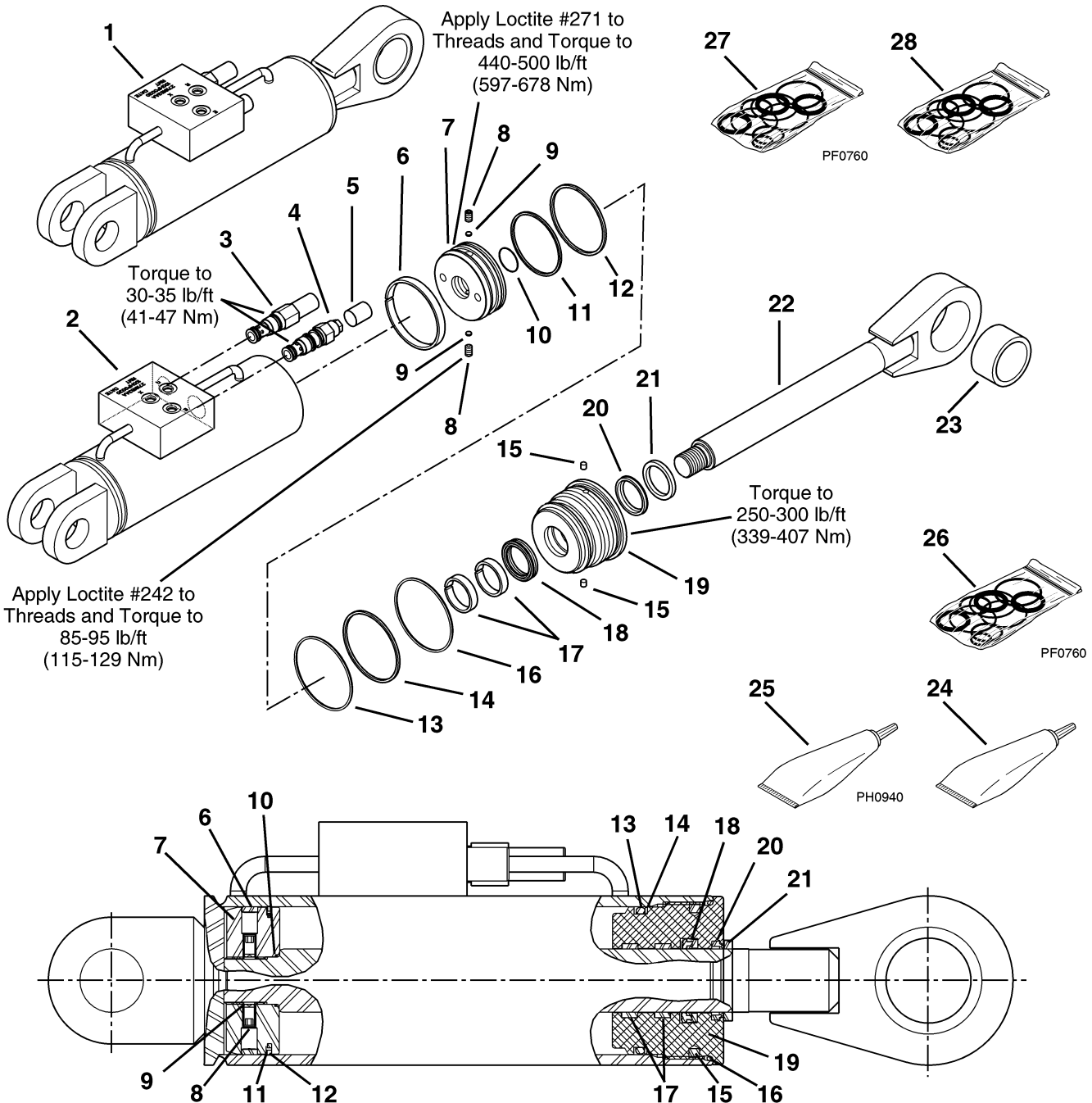
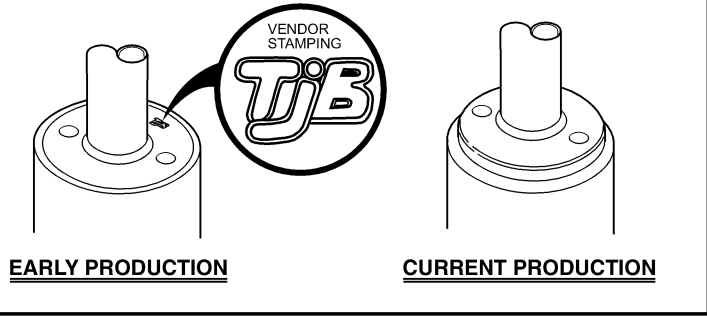
(Early Production) (Optional)

Item No.	Part Number	Qty.	Description
1	2713363	1	Cylinder, Swing Carriage (Includes Items 2 thru 14)
2	NSS	1	Tube, Cylinder
3	See Kits	1	Ring, Wear
4	See Kits	1	Seal, Piston
5	8033783	1	Piston
6	See Kits	1	O-Ring
7	See Kits	1	Ring, Back-Up
8	8033784	1	Gland
9	See Kits	1	Seal, Rod
10	See Kits	1	Wiper
11	8033785	1	Rod
12	8033786	1	Valve, Counterbalance Cartridge - Preset to 3000 psi (207 bar)
13	8902842	1	Valve, Direct Acting Relief - Preset to 2000 psi (138 bar)
14	8033788	1	Orifice .038 Dia.
15	8526011	AR	Threadlocker, Loctite #271 (250cc)
			KITS
16	8033789	1	Seal Kit, Swing Carriage Cylinder (Includes Items 3, 4, 6, 7, 9 & 10)
17	8205655	1	Seal Kit, Valve For Item 12 (Includes 3 o-rings & 3 back-up rings)
18	8033790	1	Seal Kit, Valve For Item 13 (Includes 2 o-rings, 1 back-up ring & 1 glyd ring)

SWING CARRIAGE CYLINDER (Current Production) (Optional)

IMPORTANT:

There are two similar but distinctly different Swing Carriage Cylinders. Make sure you know which version you have before ordering replacement parts. On "Early Production" cylinders, the gland is installed flush with the cylinder tube and has "TJB" stamped on the gland. On the "Current Production" cylinders, the gland has a lip that bottoms out against the cylinder tube.



PT0920

SWING CARRIAGE CYLINDER

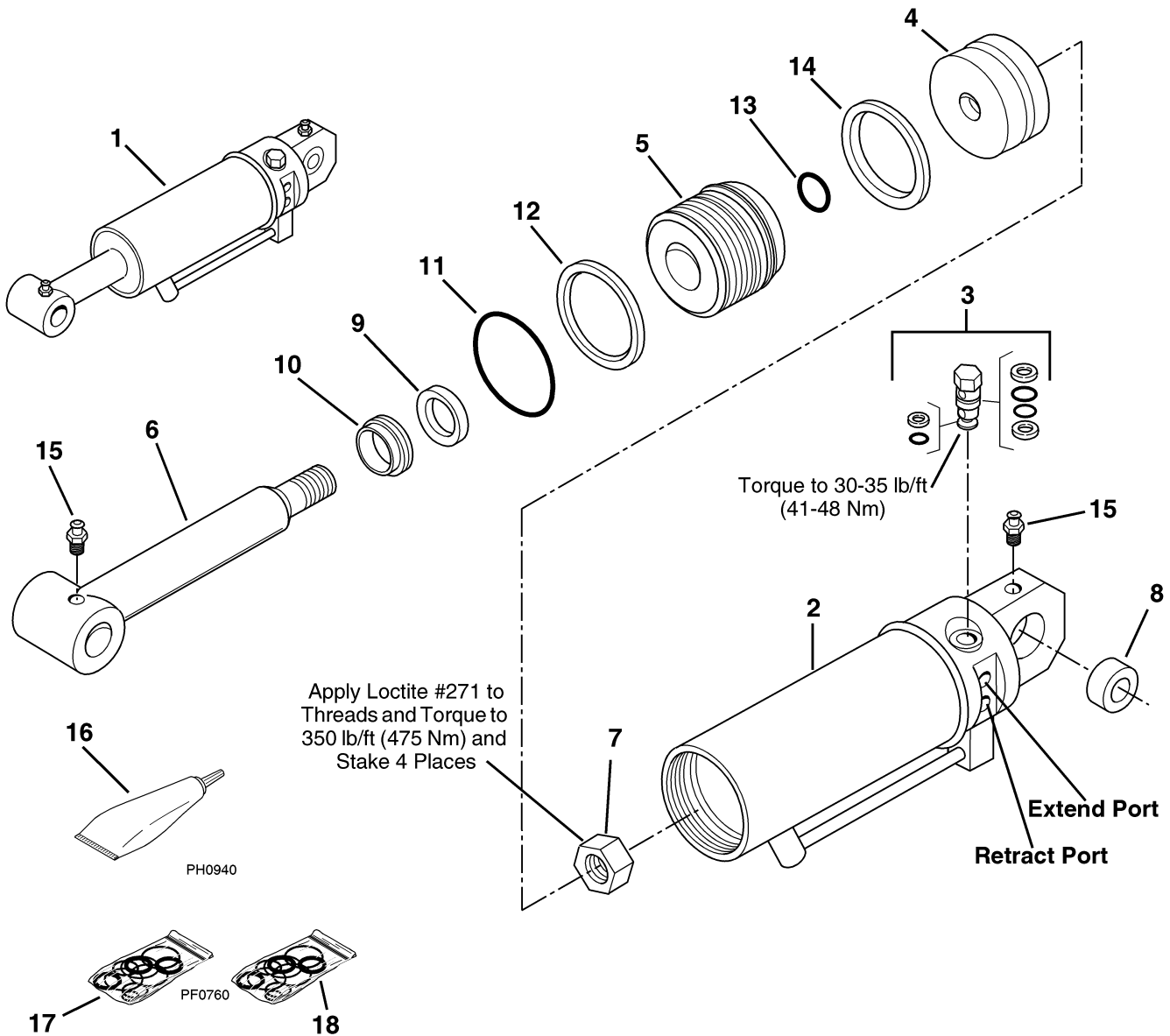
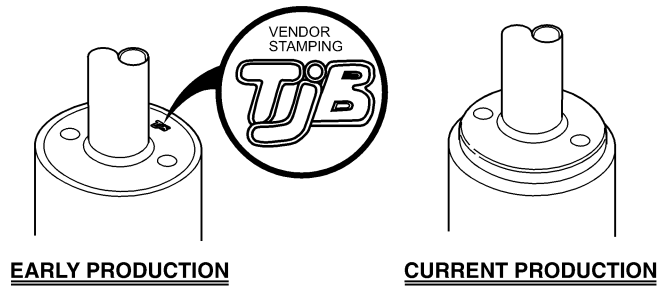
(Current Production) (Optional)

Item No.	Part Number	Qty.	Description
1	2716153	1	Cylinder, Side Tilt Carriage
2	8035864	1	Tube, Weldment
3	8902842	1	Valve, Relief
4	8033786	1	Valve, Counterbalance
5	NSS	1	Cap
6	See Kits	1	Wearband, Precision
7	8035863	1	Piston
8	8035536	2	Screw, Set 5/16-18 UNC x .5"
9	See Kits	2	Locking Insert
10	See Kits	1	O-Ring
11	See Kits	1	Ring, Square
12	See Kits	1	Seal, Square Section TFE Piston
13	See Kits	1	O-Ring
14	See Kits	1	Ring, Back-Up
15	See Kits	2	Locking Insert
16	See Kits	1	O-Ring
17	See Kits	2	Wearband, Precision
18	See Kits	1	Z-Seal, Deep
19	8035862	1	Gland, Head
20	See Kits	1	Wiper, Hd. Rod, Sealed
21	NSS	1	Ring, Square
22	8035861	1	Rod, Weldment
23	8065062	1	Bearing, Duralon Journal
24	8526011	AR	Threadlocker, Loctite #271 (250cc)
25	8526036	AR	Threadlocker, Loctite #242 (.02 fl. oz.)
			<u>KITS</u>
26	8035830	1	Seal Kit (Includes Items 6, 9 thru 18 & 20)
27	8025655	1	Seal Kit, For Item 4 Counterbalance Valve
28	8033790	1	Seal Kit, For Item 3 Relief Valve

SIDE TILT CARRIAGE CYLINDER (Early Production) (Optional)

IMPORTANT:

There are two similar but distinctly different Side Tilt Carriage Cylinders. Make sure you know which version you have before ordering replacement parts. On "Early Production" cylinders, the gland is installed flush with the cylinder tube and has "TJB" stamped on the gland. On the "Current Production" cylinders, the gland has a lip that bottoms out against the cylinder tube.



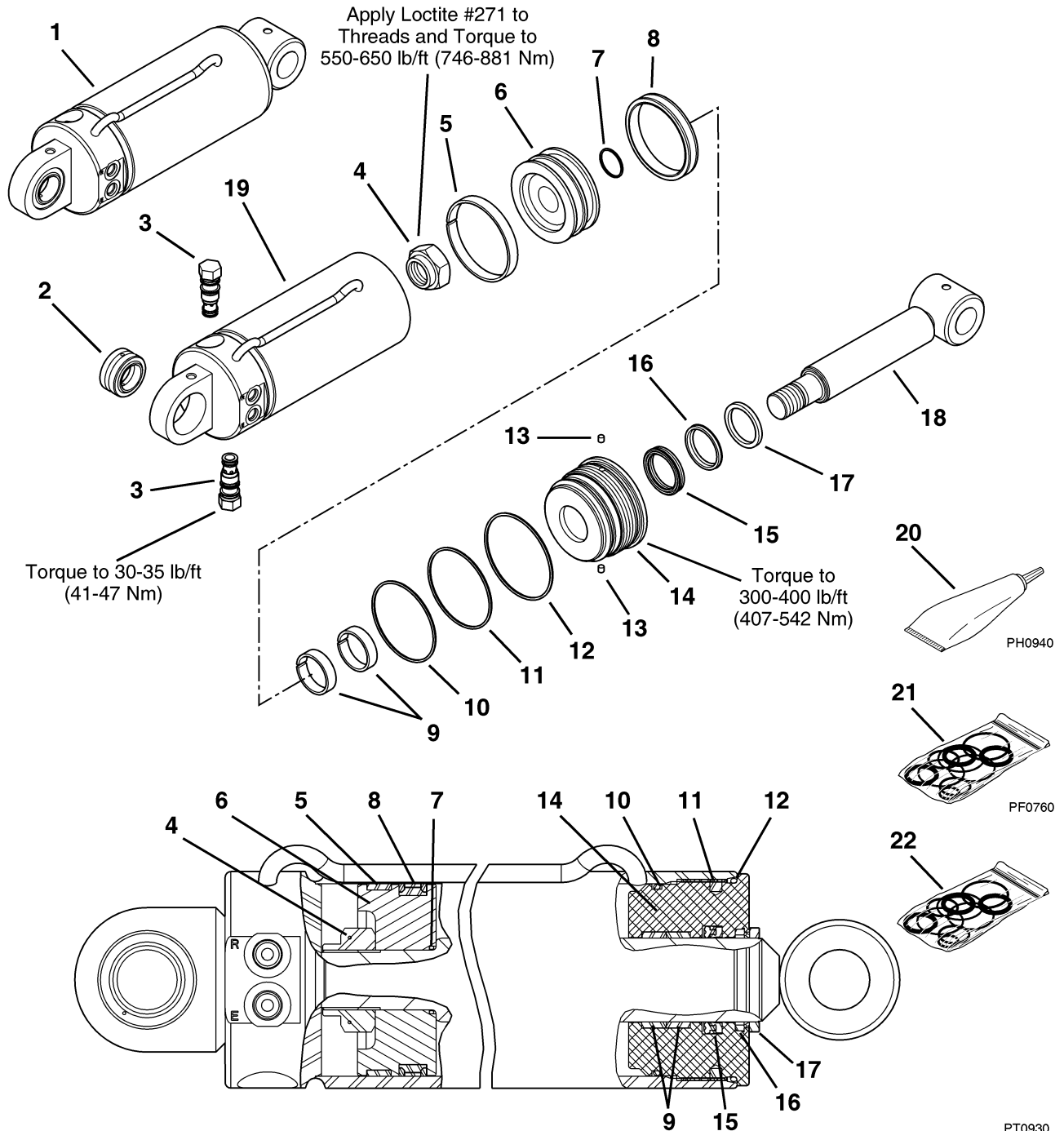
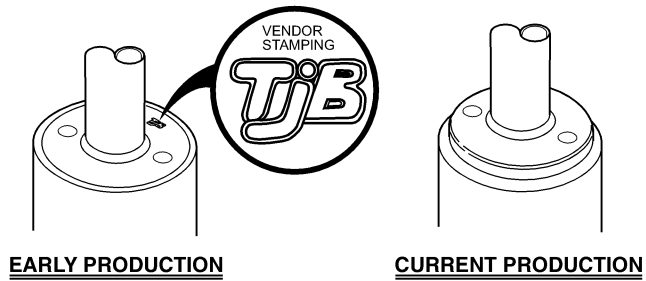
SIDE TILT CARRIAGE CYLINDER (Early Production)(Optional)

Item No.	Part Number	Qty.	Description
1	2711613	1	Cylinder, Side Tilt Carriage (Includes Items 2 thru 14)
2	NSS	1	Tube, Cylinder
3	8902511	2	Valve, Pilot Check
4	8205545	1	Piston
5	8205546	1	Gland
6	8205547	1	Rod
7	8205548	1	Nut, Piston
8	8205514	1	Bearing, Self Aligning
9	See Kits	1	Seal, Rod
10	See Kits	1	Wiper
11	See Kits	1	O-Ring
12	See Kits	1	Ring, Back-Up
13	See Kits	1	O-Ring
14	See Kits	1	Seal, Piston
15	8520013	2	Fitting, Grease
16	8526011	AR	Threadlocker, Loctite #271 (250cc)
			<u>KITS</u>
17	8205661	1	Seal Kit, Side Tilt Carriage Cylinder (Includes Items 9 thru 14)
18	8205655	1	Seal Kit, For Item 3 Pilot Check Valve

SIDE TILT CARRIAGE CYLINDER (Current Production) (Optional)

IMPORTANT:

There are two similar but distinctly different Side Tilt Carriage Cylinders. Make sure you know which version you have before ordering replacement parts. On "Early Production" cylinders, the gland is installed flush with the cylinder tube and has "TJB" stamped on the gland. On the "Current Production" cylinders, the gland has a lip that bottoms out against the cylinder tube.

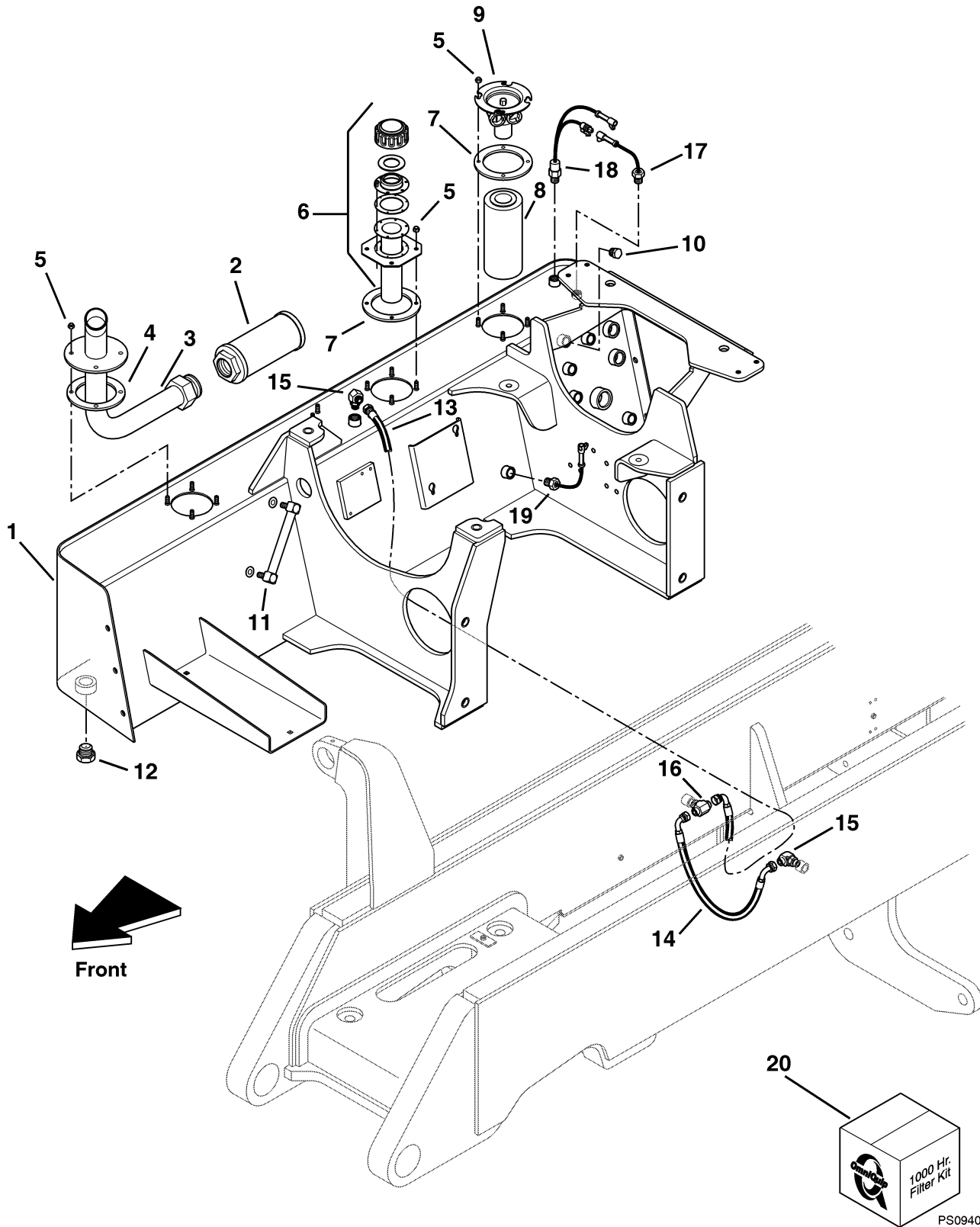


SIDE TILT CARRIAGE CYLINDER

(Current Production) (Optional)

Item No.	Part Number	Qty.	Description
1	2716143	1	Cylinder, Side Tilt Carriage (Includes Items 2 thru 19)
2	8065634	1	Bearing, Spherical
3	8902511	2	Valve, Check
4	8035865	1	Locknut
5	See Kits	1	Wearband, Precision
6	8035868	1	Piston
7	See Kits	1	O-Ring
8	See Kits	1	T-Seal, Capped
9	See Kits	2	Wearband, Precision
10	See Kits	1	O-Ring
11	See Kits	1	Ring, Back-Up
12	See Kits	1	O-Ring
13	See Kits	2	Locking Insert
14	8035867	1	Gland, Head
15	See Kits	1	Z-Seal, Deep
16	See Kits	1	Wiper, Hd. Rod - Sealed O.D.
17	NSS	1	Ring, Square
18	8035866	1	Rod, Weldment
19	8035869	1	Tube, Weldment
20	8526011	1	Threadlocker, Loctite #271 (250cc)
			KITS
21	8035831	1	Seal Kit (Includes Items 5, 7 thru 13, 15 & 16)
22	8205655	1	Seal Kit, For Item 3 Check Valve

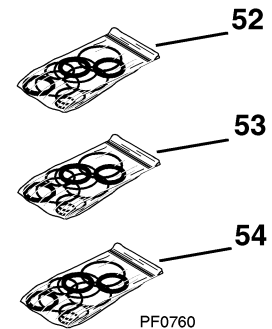
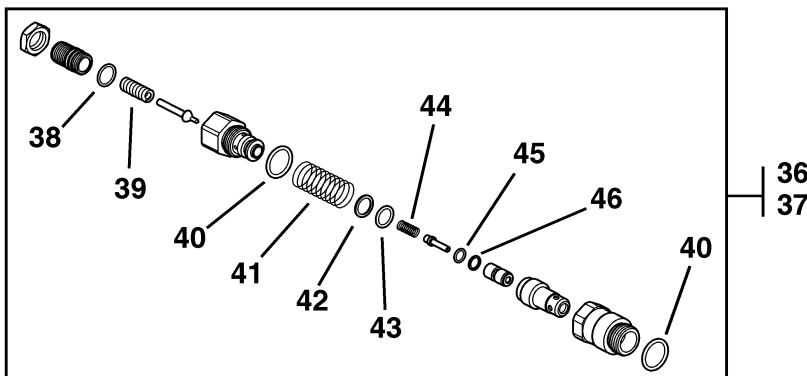
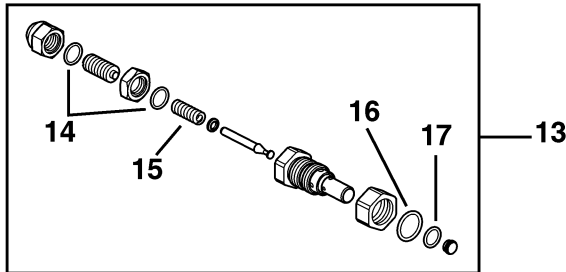
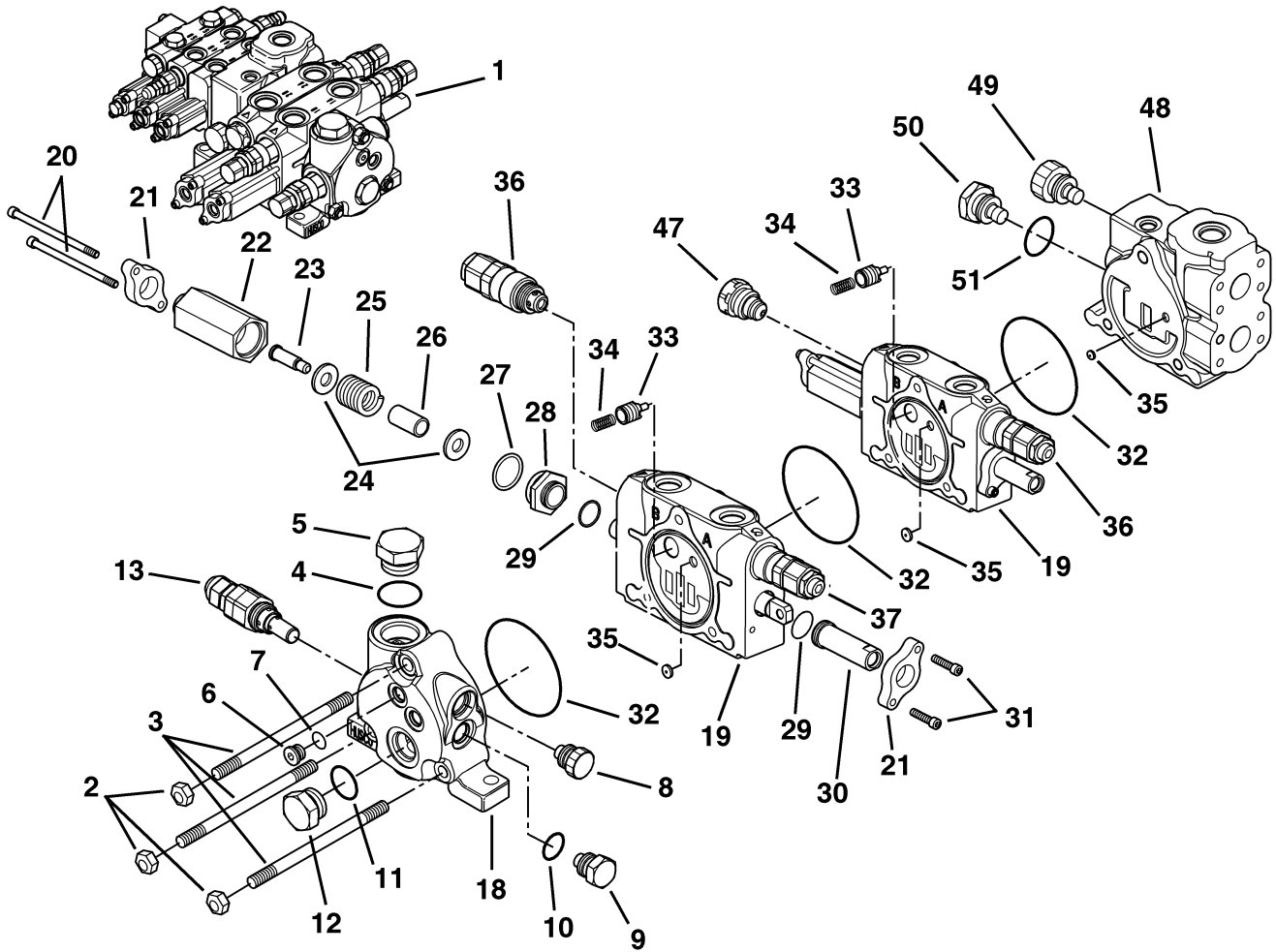
HYDRAULIC RESERVOIR



HYDRAULIC RESERVOIR

Item No.	Part Number	Qty.	Description
1	7137164	1	Hydraulic Reservoir/Engine Mount
2	8324029	1	Strainer
3	7138210	1	Tube Assembly
4	7094552	1	Gasket
5	8305626	12	Nut, Hex Lock 0.312-18 NC
6	7136422	1	Fill Neck Assembly
7	7138209	2	Gasket
8	8320265	1	Element, Filter (See Kits)
9	7094562	1	Head, Filter
10	8760419	1	Plug, SAE 8, 3/4-16 UNF-2A
11	8464013	1	Sight Gauge
12	8770001	1	Plug, 1.875-12 THD
13	2716647	1	Hose, 0.50 x 64.88"
14	2716646	1	Hose, 0.50 x 23.50"
15	8770114	2	Elbow, 90°
16	8770126	1	Tee, Branch
17	8223227	1	Switch, Temperature 100°F (38°C)
18	8223526	1	Switch, Oil Pressure 20 psi (1,4 kPa)
19	8223226	1	Switch, Temperature 95°F (35°C)
			<u>KITS</u>
20	7139238	1	1000 Hour Filter Kit (Includes 6 Filters: Engine Oil Filter, Fuel Filter, Both Air Filters, Transmission Oil Filter & Hydraulic Oil Filter)

MAIN CONTROL VALVE (Boom Extend & Hoist Sections)



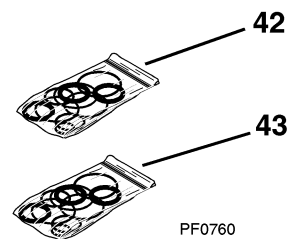
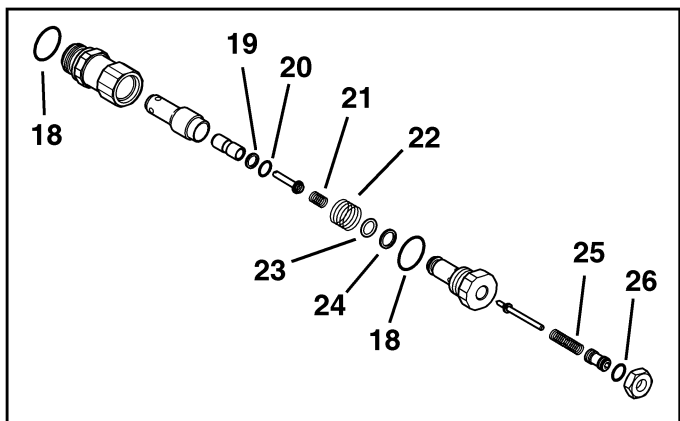
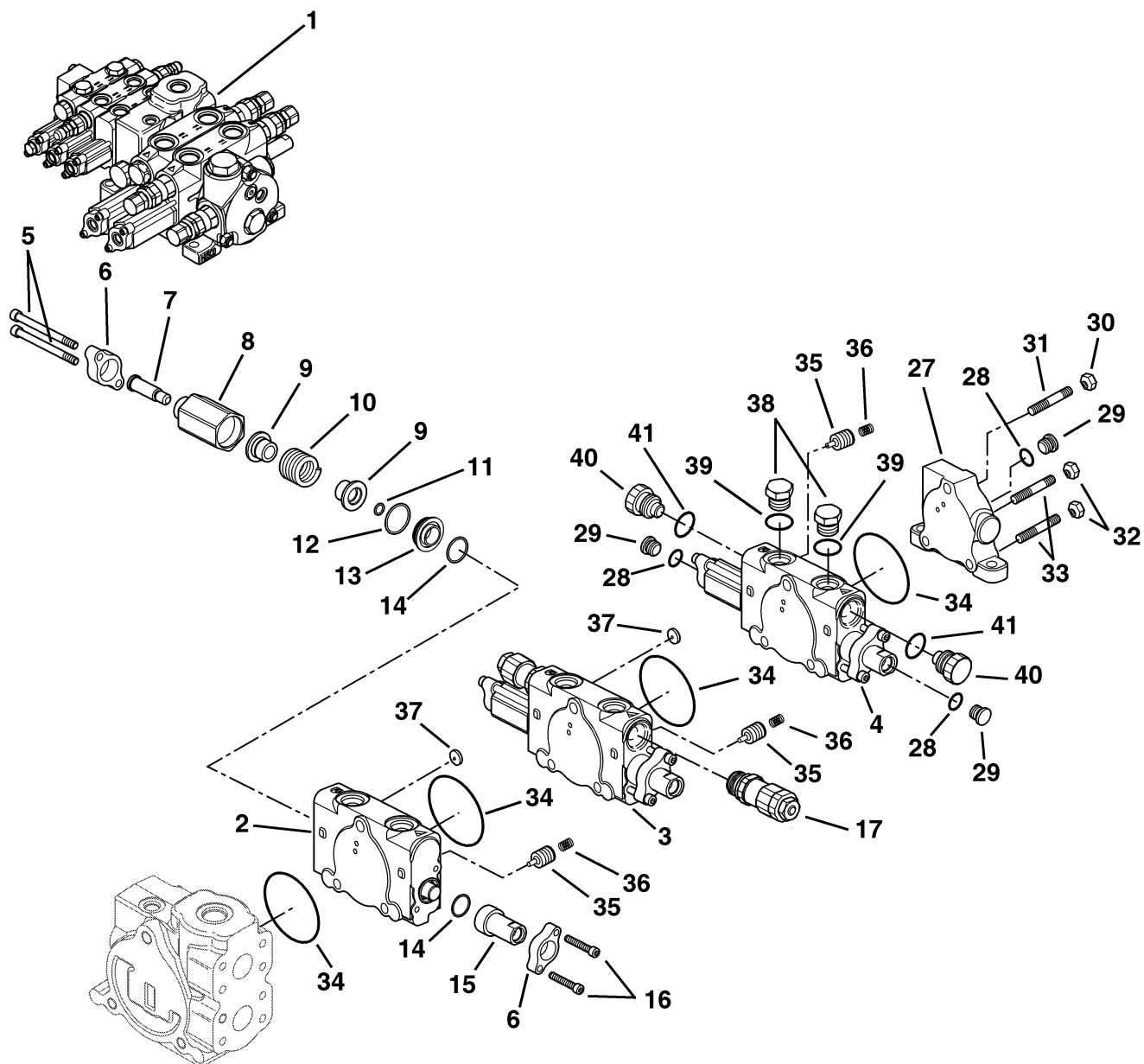
MAIN CONTROL VALVE

(Boom Extend & Hoist Sections)

Item No.	Part Number	Qty.	Description
1	8902189	1	Valve, Main Control (w/Auxiliary Hydraulics) (Includes Items 2, 3, 8, 13 thru 49 & Additional Items on Frame Tilt and Attachment Tilt Section)
	8902201	1	Valve, Main Control (w/o Auxiliary Hydraulics) (Includes Items 2 thru 51 & Additional Items on Frame Tilt and Attachment Tilt Section)
2	8035347	3	Nut
3	8035380	3	Tie Rod
4	See Kits	1	O-Ring (w/o Auxiliary Hydraulics)
5	8035835	1	Plug (w/o Auxiliary Hydraulics)
6	8035843	1	Plug (w/o Auxiliary Hydraulics)
7	See Kits	1	O-Ring (w/o Auxiliary Hydraulics)
8	8035841	1	Shut-Off Plug Assembly
9	8035834	1	Plug (w/o Auxiliary Hydraulics)
10	See Kits	1	O-Ring (w/o Auxiliary Hydraulics)
11	See Kits	1	O-Ring (w/o Auxiliary Hydraulics)
12	8035836	1	Plug (w/o Auxiliary Hydraulics)
13	8035844	1	Main Relief Valve Assembly
14	See Kits	1	O-Ring
15	See Kits	1	Spring
16	See Kits	1	O-Ring
17	See Kits	1	O-Ring
18	8035851	1	Outlet Section Assembly
19	8035850	1	Section Assembly - Boom Extend (Includes Items 20 thru 31)
20	8035377	2	SHCS
21	8035368	2	Retainer
22	8035370	1	Cap, Spool
23	8035362	1	Screw, Shoulder Socket Hd.
24	8035361	2	Washer, Flat
25	8035355	1	Spring
26	8035360	2	Spacer
27	See Kits	1	O-Ring
28	8035378	1	Retainer, Spool Cap
29	See Kits	2	O-Ring
30	8035369	1	Cap, Spool
31	8035350	2	SHCS
32	8034697	3	O-Ring
33	8035367	2	Poppet
34	8035358	2	Spring
35	8035845	3	Shuttle
36	8036007	2	Relief Valve Assembly - Preset at 3750 ± 50 psi (258 ± 3,4 bar) (Includes Items 38 thru 46)
37	8035839	1	Relief Valve Assembly - Preset at 3000 ± 50 psi (207 ± 3,4 bar) (Includes Items 38 thru 46)
38	See Kits	1	O-Ring
39	See Kits	1	Spring
40	See Kits	1	O-Ring
41	See Kits	1	Spring
42	See Kits	1	Ring, Back-Up
43	See Kits	1	O-Ring
44	See Kits	1	Spring
45	See Kits	1	O-Ring
46	See Kits	1	Ring, Back-Up
47	8035363	1	Anti-Void Assembly
48	8035849	1	Mid-Inlet Section Assembly
49	8035841	1	Shut-Off Plug Assembly
50	8035834	1	Plug (w/o Auxiliary Hydraulics)
51	See Kits	1	O-Ring (w/o Auxiliary Hydraulics)
			KITS
52	8035852	1	Seal Kit (Includes Items 4, 7, 10, 11, 27, 32, 51 & Additional Items on Frame Tilt and Attachment Tilt Section)
53	8035856	1	Seal and Spring Kit, Relief Valve (Includes Items 38 thru 46)
54	8035857	1	Seal and Spring Kit, Relief Valve (Includes Items 14 thru 17)

MAIN CONTROL VALVE

(Frame Tilt, Attachment Tilt & Auxiliary Hydraulic Sections)



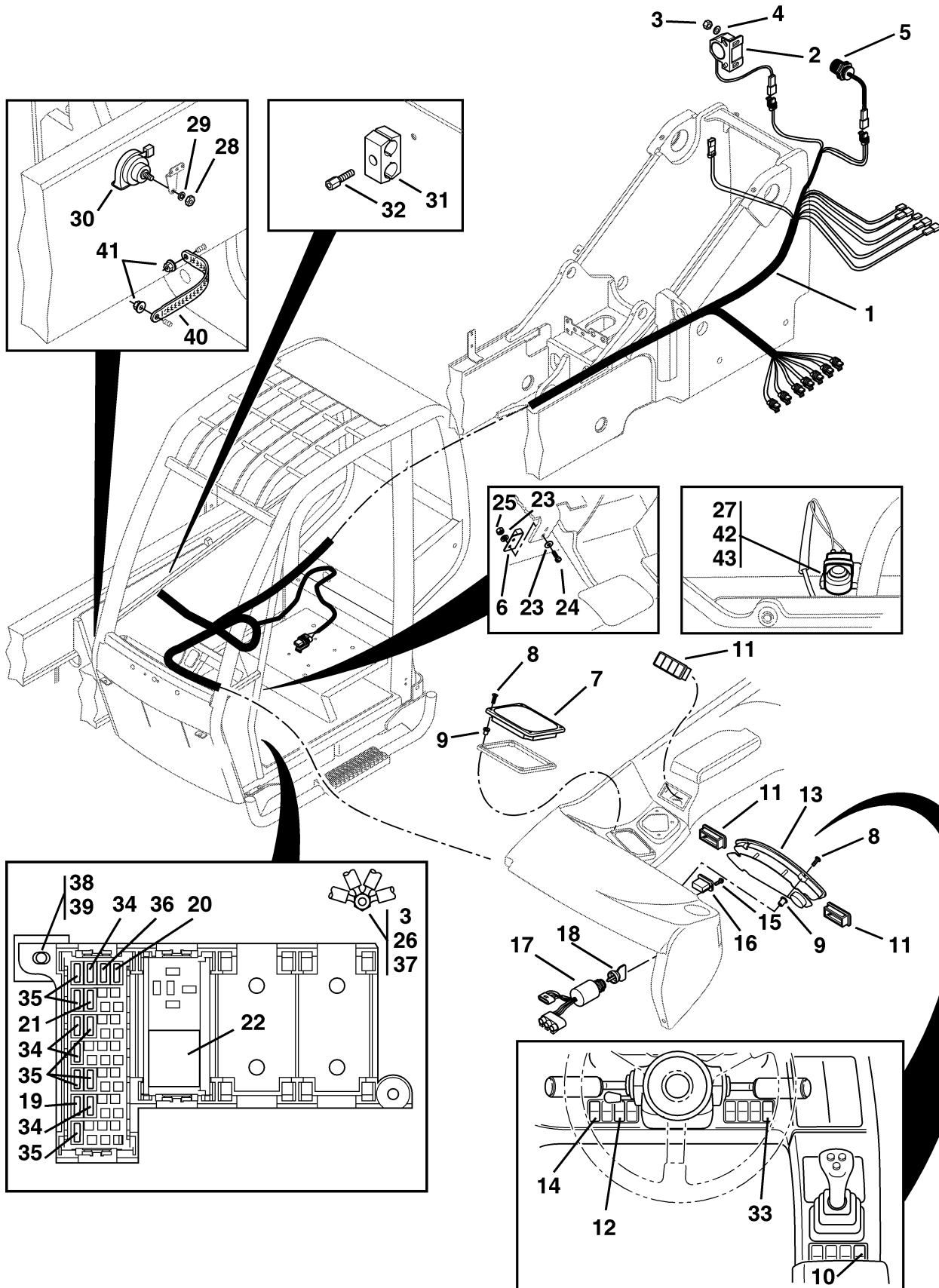
PF0760

MAIN CONTROL VALVE

(Frame Tilt, Attachment Tilt & Auxiliary Hydraulic Sections)

Item No.	Part Number	Qty.	Description
1	8902189	1	Valve, Main Control (w/Auxiliary Hydraulics) (Includes Items 2 thru 27, 30 thru 37 & Additional Items on Boom Extend and Hoist Section)
	8902201	1	Valve, Main Control (w/o Auxiliary Hydraulics) (Includes Items 2 thru 41 & Additional Items on Boom Extend and Hoist Section)
2	8035846	1	Frame Tilt Section Assembly (Includes Items 5 thru 16)
3	8035847	1	Attachment Tilt Section Assembly (Includes Items 5 thru 26)
4	8035847	1	Auxiliary Section Assembly (Includes Items 5 thru 16)
5	8035359	2	SHCS
6	8035373	2	Retainer
7	8035375	1	End, Spool
8	8035371	1	Cap, Spool
9	8035376	1	Seat, Spring
10	8035356	1	Spring
11	See Kits	1	O-Ring
12	See Kits	1	O-Ring
13	8035374	1	Retainer, Spool Cap
14	See Kits	2	O-Ring
15	8035372	1	Cap, Spool
16	8035357	1	SHCS
17	8035840	2	Relief Valve Assembly (Includes Items 18 thru 26)
18	See Kits	2	O-Ring
19	See Kits	1	Ring, Back-Up
20	See Kits	1	O-Ring
21	See Kits	1	Spring
22	See Kits	1	Spring
23	See Kits	1	O-Ring
24	See Kits	1	Ring, Back-Up
25	See Kits	1	Spring
26	See Kits	1	O-Ring
27	8035848	1	Outlet Section Assembly
28	See Kits	4	O-Ring (w/o Auxiliary Hydraulics)
29	8035843	4	Plug (w/o Auxiliary Hydraulics)
30	8035346	1	Nut
31	8035838	1	Tie Rod
32	8035348	2	Nut
33	8035837	2	Tie Rod
34	See Kits	4	O-Ring
35	8035366	3	Poppet
36	8035365	3	Spring
37	8035045	2	Shuttle
38	8035834	2	Plug (w/o Auxiliary Hydraulics Only)
39	See Kits	2	O-Ring (w/o Auxiliary Hydraulics Only)
40	8035842	2	Plug, Shut-Off (w/o Auxiliary Hydraulics Only)
41	See Kits	2	O-Ring (w/o Auxiliary Hydraulics Only)
			KITS
42	8035852	1	Seal Kit, Entire Valve (Includes Items 11, 12, 14, 28, 34, 39 & Additional Items on Boom Extend and Hoist Sections)
43	8035855	1	Seal and Spring Kit, Relief Valve (Includes Items 18 thru 26)

ELECTRICAL SYSTEM - CAB HARNESS

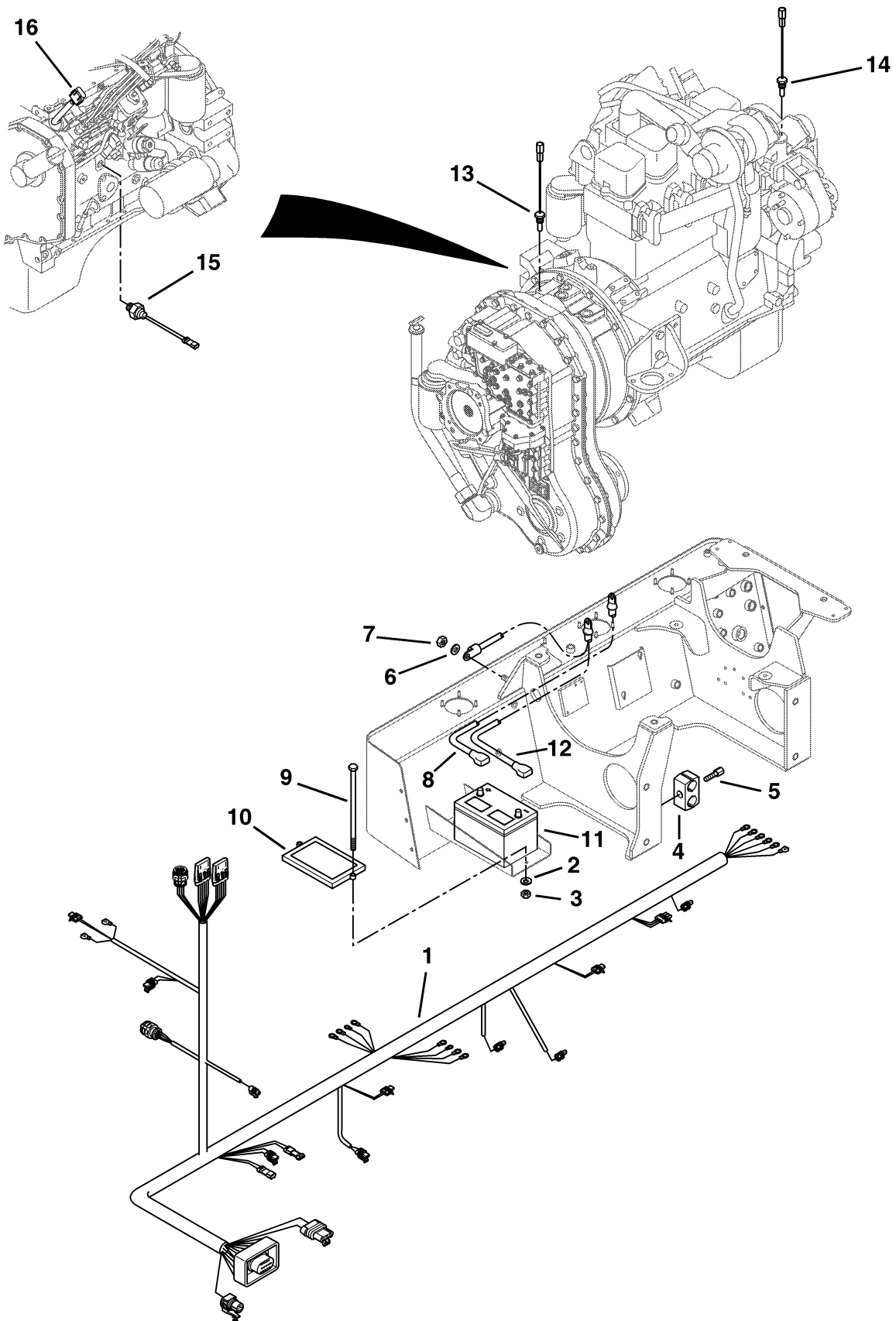


PT0690

ELECTRICAL SYSTEM - CAB HARNESS

Item No.	Part Number	Qty.	Description
1	7135034	1	Harness, Cab
2	8270621	1	Alarm, Back-up
3	8305624	3	Nut, Hex Lock Elastic 1/4-20
4	8307109	2	Washer, Flat 1/4"
5	7130682	1	Sensor, Boom
6	8223231	1	Switch, Magnetic Proximity
7	8220346	1	Panel, Side Console (Logic Board)
8	8310358	8	BHCS, #10-32 x 3/4"
9	8580421	8	Nut, Well #10-32
10	8223051	1	Switch, Steer Select
11	8223046	3	Bezel, Switch
12	8223050	1	Switch, Auxiliary Detent (Optional)
13	8220344	1	Dash, Front Console
14	8223054	1	Switch, Park Brake
15	8310366	2	Screw, Wood, Round Hd. #6 x 1/2"
16	8467017	1	Hourmeter
17	8223453	1	Switch, Ignition (Includes Item 18)
18	8035807	1	Key, Ignition - Set of 2
19	8229243	1	Fuse, 7.5 Amp
20	8229245	1	Fuse, 30 Amp
21	8229244	1	Fuse, 15 Amp
22	8225119	1	Relay, Sealed 12V - 40A
23	8307111	4	Washer, Flat #10 Narrow
24	8310016	2	Screw, Slotted Pan Hd. #10-24 x 1"
25	8310085	2	Nut, Hex Lock Elastic #10-24
26	8307002	2	Washer, Lock 1/4"
27	8584001	1	Tie, Plastic
28	8305439	1	Nut, Hex Jam M6-1
29	8307024	1	Washer, Lock M6
30	8270620	1	Horn, Signal
31	8750022	1	Clamp Set
32	8750026	1	Bolt, Stacking
33	8223048	1	Switch, Attachment Tilt Mode
34	8229252	4	Fuse, 1 Amp
35	8229242	6	Fuse, 5 Amp (Qty of 5 for non-auxiliary hydraulics)
36	8229247	1	Fuse, 25 Amp
37	8303540	1	HHCS, 1/4-20 x 1.00"
38	7134671	2	Tab, Dual Locking
39	8582426	2	Stud, Dual Locking
40	6611172	1	Ground Cable, Cab to Frame
41	8305645	2	Nut, Hex Lock, 3/8-16 NC
42	8223053	1	Switch, Maintenance Reset
43	8584018	1	Mount, Cable Tie

ELECTRICAL SYSTEM - ENGINE HARNESS

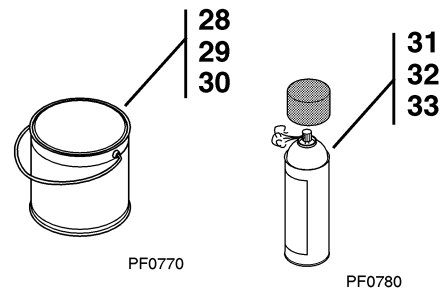
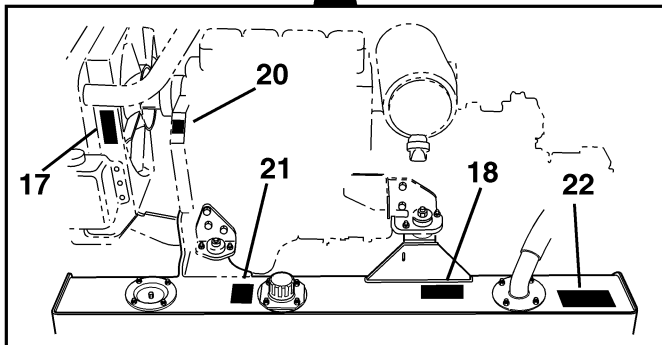
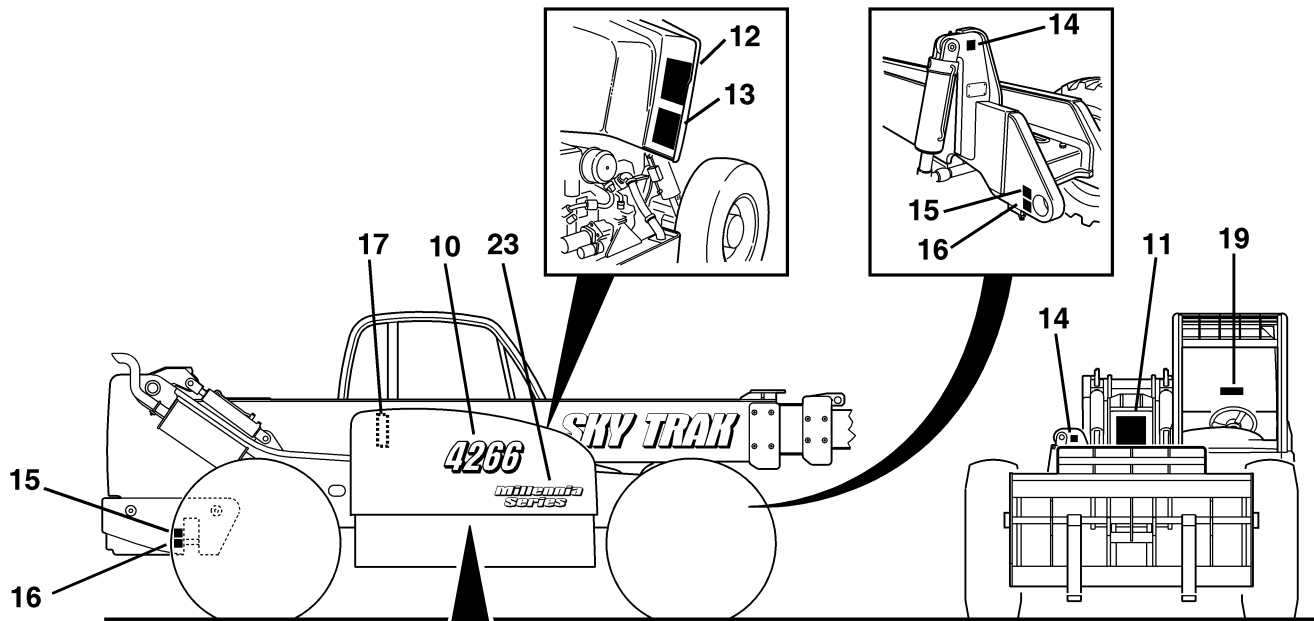
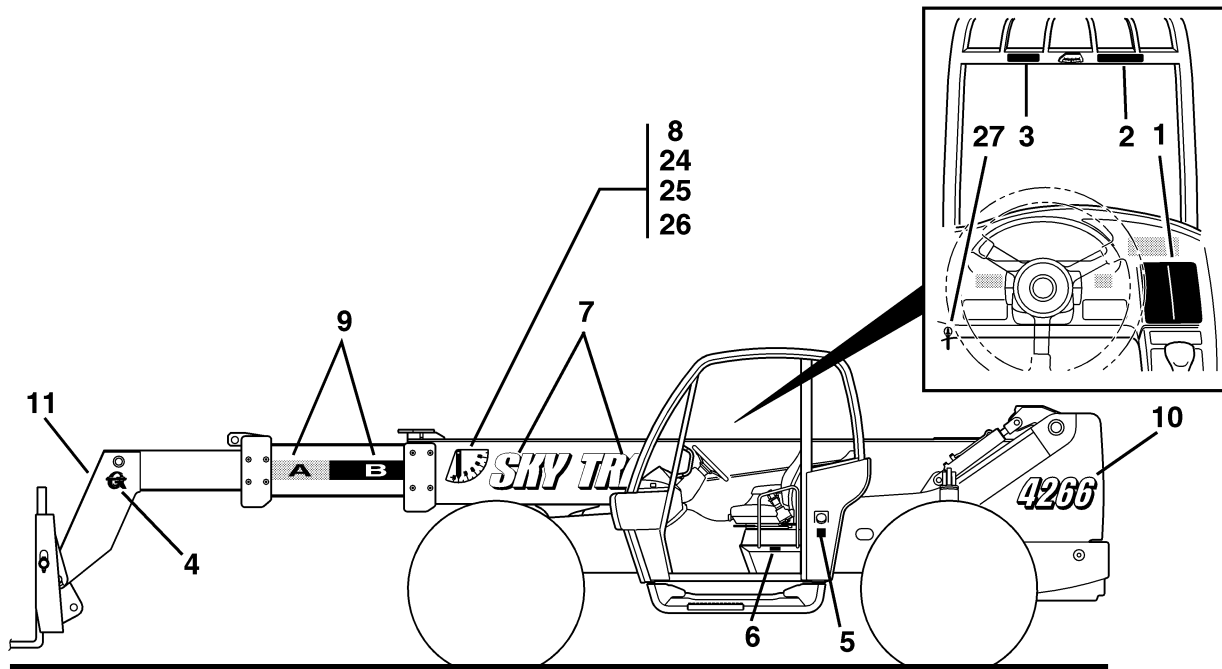


PT0680

ELECTRICAL SYSTEM - ENGINE HARNESS

Item No.	Part Number	Qty.	Description
1	7135044	1	Harness, Engine
2	8307110	2	Washer, Plain, 3/4"
3	8305645	2	Nut, Hex Lock Elastic 3/8-16
4	8750022	1	Clamp Set
5	8750026	1	Bolt, Stacking
6	8307204	1	Washer, Flat 3/8"
7	8305603	1	Nut, Hex Lock 3/8-16
8	8270139	1	Cable, Battery - Positive w/Protective Cover
9	8310344	2	HHCS, 3/8-16 x 10"
10	7138830	1	Battery Hold Down
11	8270134	1	Battery, 12 Volt
12	8270138	1	Cable, Battery - Negative w/Protective Cover
13	8223232	1	Switch, Transmission Temperature - 250° F (121° C)
14	8223229	1	Switch, Engine Water Temperature - 210° F (99° C)
15	8223530	1	Switch, Engine Oil Pressure
16	8035276	1	Solenoid, Fuel Shut Off

DECALS AND PAINT

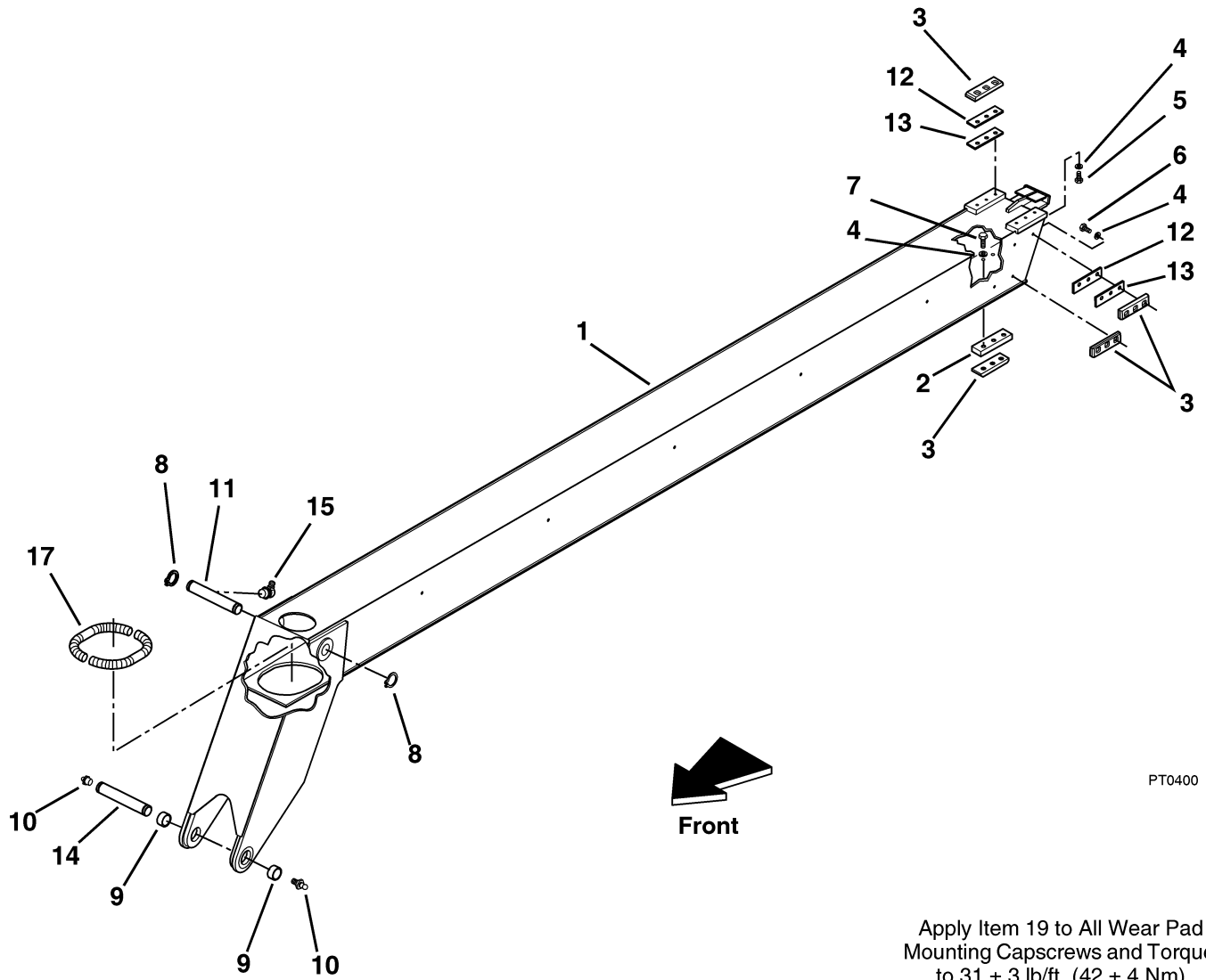


PT0270

DECALS AND PAINT

Item No.	Part Number	Qty.	Description
1	7138759	1	Booklet, Load Chart - Standard
	7139216	1	Booklet, Load Chart - Metric (Optional)
2	4110137	1	Decal, Tip Hazard
3	4108991	1	Decal, Electrocutation Hazard
4	4110133	2	Decal, OmniQuip w/ Textron 5"
5	4105171	1	Decal, Diesel Fuel Fill
6	4109091	1	Decal, Oper. Manual Location
7	4110131	2	Decal, SKY TRAK 57"
8	4105262	1	Decal, Boom Angle Indicator
9	4110130	1	Decal, Boom Extend Stripes
10	4110071	2	Decal, 4266
11	4109041	1	Decal, Carrying Personnel
12	4110116	1	Decal, Lubrication Chart
13	4110117	1	Decal, Maintenance Chart
14	4108181	1	Decal, Made in USA
15	4109941	4	Decal, Lift Point
16	4109801	4	Decal, Tie Down Point
17	4108981	2	Decal, Fan Warning
18	4108302	1	Decal, Hydraulic Oil Level
19	4109791	1	Decal, Emergency Exit
20	4107901	1	Decal, Engine Idle Setting
21	4100181	1	Decal, Hydraulic Oil Fill
22	4110172	1	Decal, Battery Hazard
23	4110132	1	Decal, Millennia Series 27"
24	7075611	1	Pointer, Boom Angle Indicator
25	8305647	1	Nut, Hex Lock 7/16-14
26	8307113	5	Washer, Plain 7/16" Narrow
27	4108201	1	Ring, Key
28	8528074	1gal	Paint Orange, Acrylic Enamel (Service Repaint)
29	8528080	1gal	Paint Black, Acrylic Enamel (Service Repaint)
30	8528105	1gal	Paint Dark Grey, Acrylic Enamel (Service Repaint)
31	8528071	1can	Paint Orange, Acrylic Enamel (16 oz spray touch-up)
32	8528101	1can	Paint Black, Acrylic Enamel (16 oz spray touch-up)
33	8528106	1can	Paint Dark Grey, Acrylic Enamel (16 oz spray touch-up)

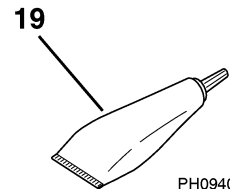
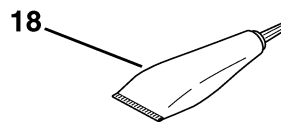
INNER BOOM



PT0400

Apply Item 19 to All Wear Pad
Mounting Capscrews and Torque
to 31 ± 3 lb/ft. (42 ± 4 Nm)

Apply Item 18 to Items 11 and 14

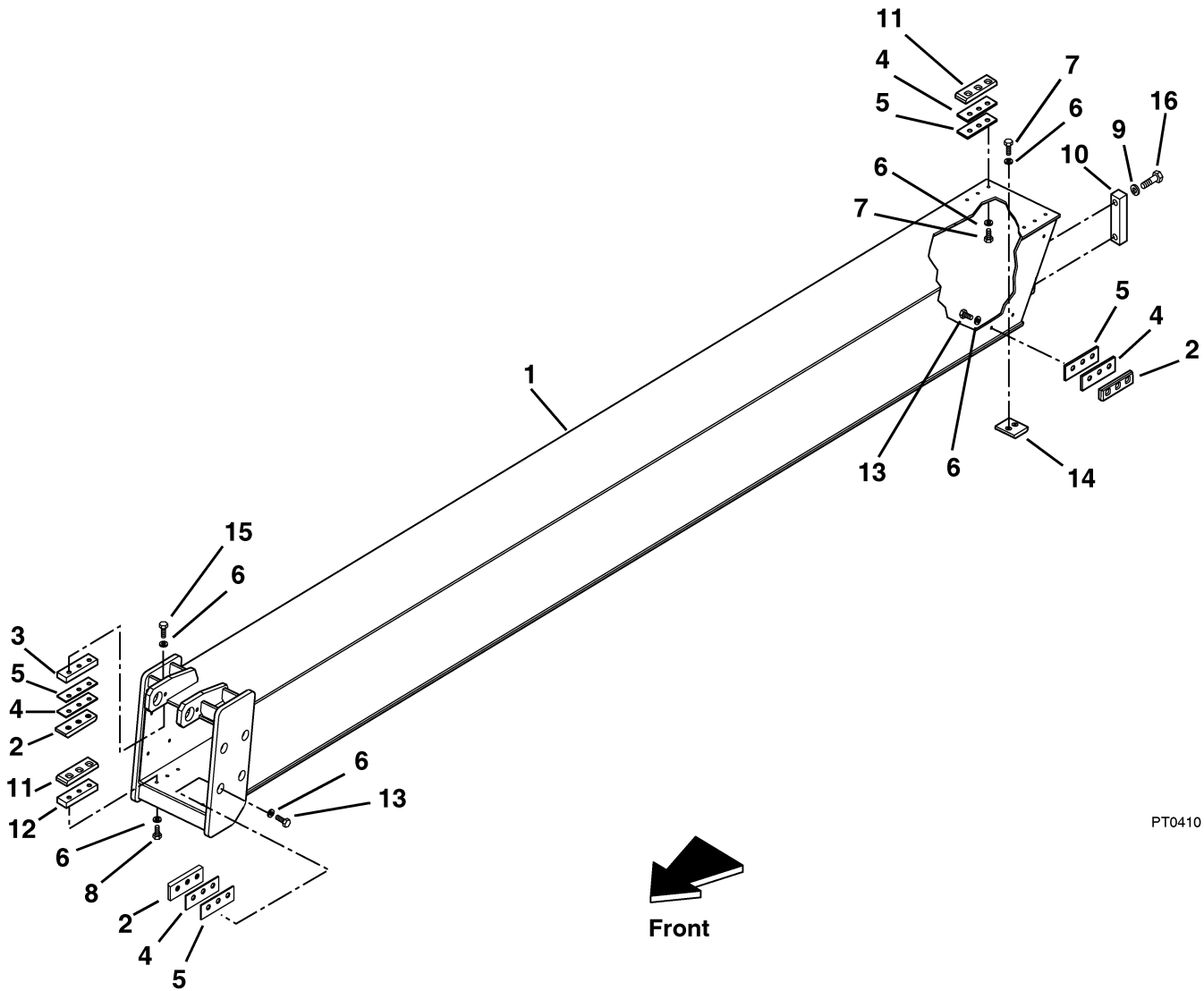


PH0940

INNER BOOM

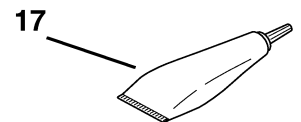
Item No.	Part Number	Qty.	Description
1	7138623	1	Boom, Inner
2	7135442	2	Spacer, Wear Pad
3	7136592	8	Wear Pad, Molded
4	8307005	18	Washer, Lock 3/8"
5	8303679	6	HHCS, 3/8-16 X 1-3/4" Gr. 5
6	8303681	8	HHCS, 3/8-16 X 3/4" Gr. 5
7	8303621	4	HHCS, 3/8-16 X 1-1/2" Gr. 5
8	8642224	2	Ring, Retaining, External 2"
9	7085542	2	Bushing, Quick Attach Pivot
10	8520001	2	Fitting, Lube 1/8 NPT
11	7136322	1	Pin, Attachment Tilt Cylinder Base
12	7126182	AR	Shim, Wear Pad
13	7126172	AR	Shim, Wear Pad
14	7083922	1	Pin, Carriage Pivot
15	8520021	1	Fitting, Lube 90°
16	7135413	2	Wear Pad
17	7124331	2	Conduit, 0.5 x 60" Lg. (Cut to Fit)
18	8522012	AR	Lube, Anti-Seize
19	8526007	AR	Thread Locking Compound

INTERMEDIATE BOOM



PT0410

Apply Item 17 to All Wear Pad
Mounting Capscrews and Torque
to 31 ± 3 lb/ft. (42 ± 4 Nm)



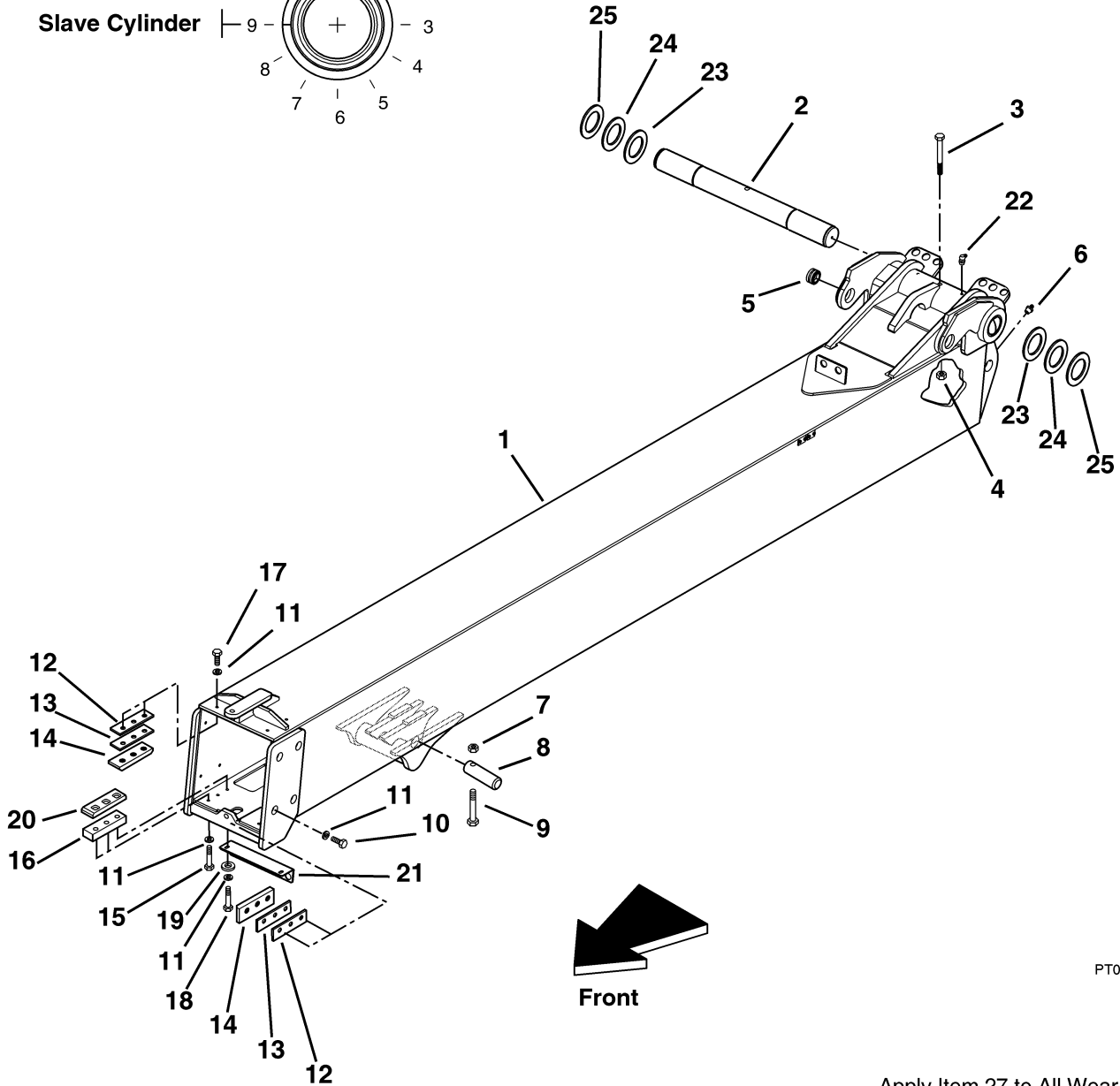
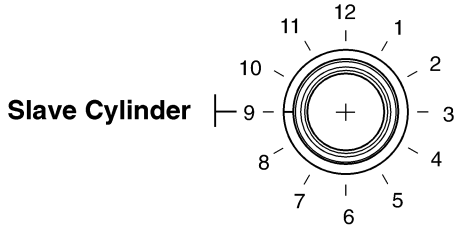
PH0940

INTERMEDIATE BOOM

Item No.	Part Number	Qty.	Description
1	7138194	1	Boom, Intermediate
2	7136592	10	Pad, Wear w/Inserts
3	7137822	2	Spacer, Wear Pad
4	7126182	AR	Shim, Wear Pad
5	7126172	AR	Shim, Wear Pad
6	8307005	16	Washer, Lock 3/8"
7	8303620	6	HHCS, 3/8-16 x 1" Gr.5
8	8303621	6	HHCS, 3/8-16 x 1-1/2" Gr.5
9	8307007	16	Washer, Lock 1/2"
10	7121461	2	Clamp, Trunnion, Extend Cylinder
11	7135413	4	Pad, Wear w/Inserts
12	7135442	2	Spacer, Wear Pad
13	8303681	16	HHCS, 3/8-16 x 3/4" Gr.5
14	7136452	1	Pad, Wear
15	8303622	4	HHCS, 3/8-16 X 2" Gr. 5
16	8303693	4	HHCS, 1/2-13 X 2-1/2" Gr. 5
17	8526007	AR	Thread Locking Compound

OUTER BOOM

Orient Fracture In Bearing Race at Clock Position Shown



PT0420

Apply Item 26 to Items 2 and 8



Apply Item 27 to All Wear Pad Mounting Capscrews and Torque to 31 ± 3 lb/ft. (42 ± 4 Nm)

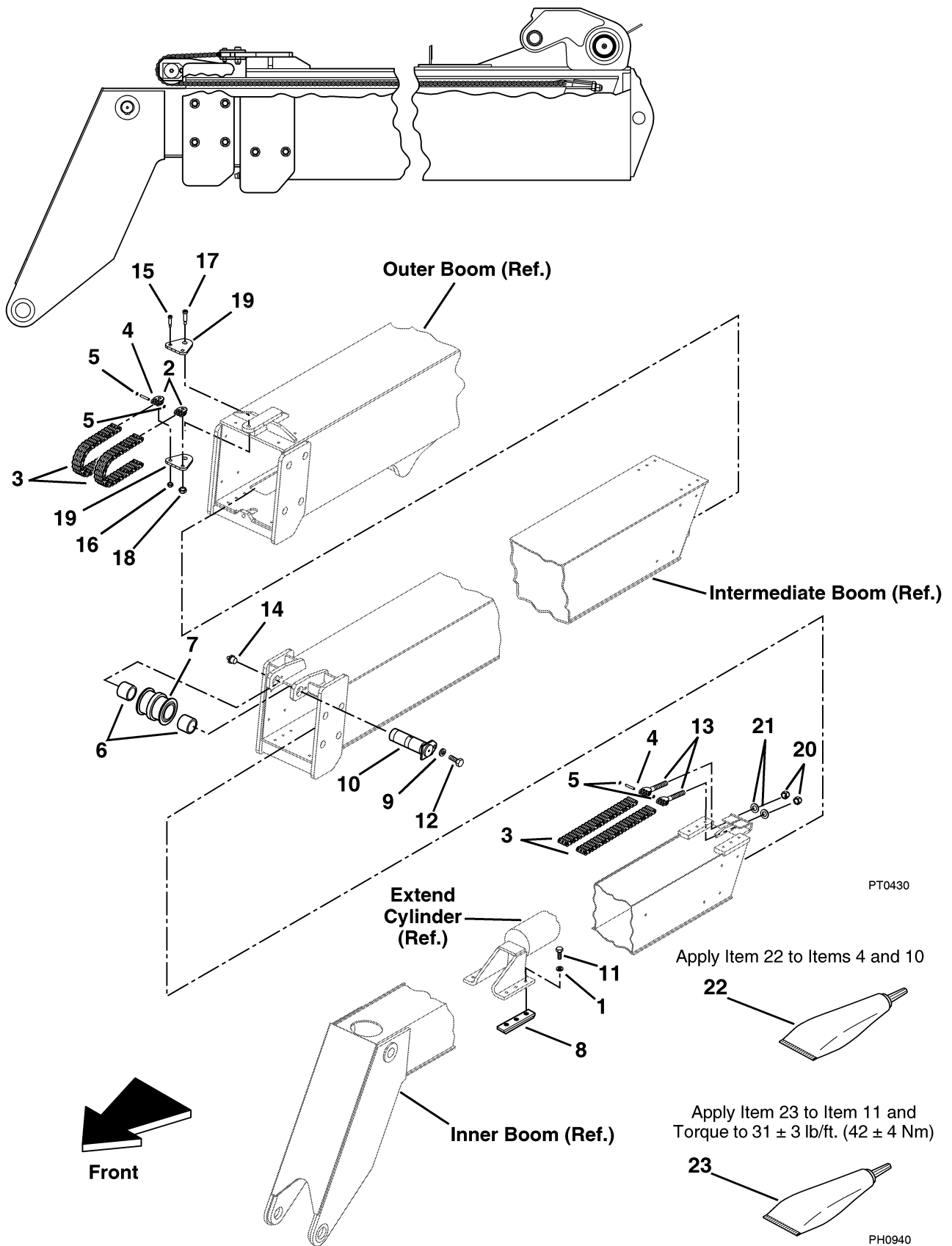


PH0940

OUTER BOOM

Item No.	Part Number	Qty.	Description
1	7138193	1	Boom, Outer
2	7136852	1	Pin, Boom Pivot
3	8310076	1	HHCS, 5/8-11 x 7" Gr. 5
4	8305643	1	Nut, Hex Lock Elastic 5/8-11
5	8050001	2	Bearing, Self Align
6	8520013	2	Fitting, Lube, Self Tapping 1/8 NPT
7	8305644	1	Nut, Hex Lock 1/2-13
8	7120662	1	Pin, 2" Dia.
9	8303782	1	HHCS, 1/2-13 x 4"
10	8303681	8	HHCS, 3/8-16 X 3/4" Gr. 5
11	8307005	18	Washer, Lock 3/8"
12	7126172	6	Shim, Wear Pad .13" Thk.
13	7126182	6	Shim, Wear Pad .07" Thk.
14	7136592	8	Pad, Wear w/Inserts
15	8303621	4	HHCS, 3/8-16 x 2" Gr. 5
16	7135442	2	Spacer, Wear Pad
17	8303675	4	HHCS, 3/8-16 x 1-1/4" Gr. 5
18	8303679	2	HHCS, 3/8-16 x 3/4" Gr. 5
19	8307204	2	Washer, Plain 3/8" Wide
20	7135413	2	Wear Pad
21	7138642	1	Bracket, Bulkhead, Boom Tube
22	8520021	2	Fitting, Lubrication 90°
23	8307912	2	Shim, 3.06" x 0.06" x 4.75"
24	8307913	2	Shim, 3.06" x 0.12" x 4.75"
25	8310259	2	Shim, 3.06" x 0.09" x 4.75"
26	8522012	AR	Lube, Anti-Seize
27	8526007	AR	Thread Locking Compound

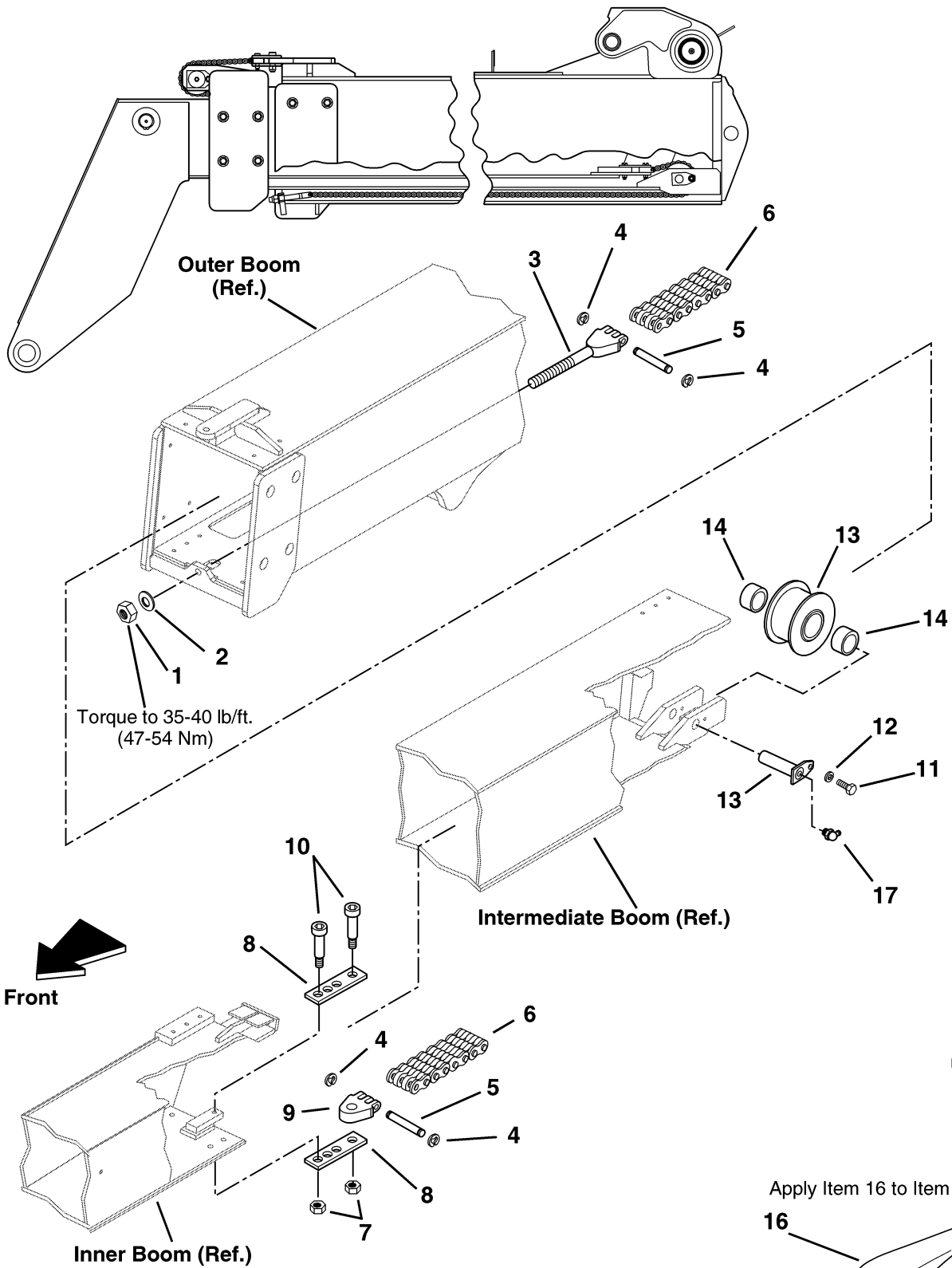
BOOM EXTEND CHAIN



BOOM EXTEND CHAIN

Item No.	Part Number	Qty.	Description
1	8307005	8	Washer, Lock 3/8"
2	7119372	2	Clevis, Extend Chain Anchor
3	8127018	2	Chain, Extend, Leaf 3/4" Pitch
4	8124126	4	Pin, Extend Chain Clevis
5	8642237	8	Ring, Retaining
6	7126662	2	Bushing, Chain Sheave
7	7114112	1	Sheave, Extend Chain
8	7135413	2	Pad, Wear
9	8307007	5	Washer, Lock 1/2"
10	7137082	1	Pin, Extend Chain Sheave
11	8303620	6	HHCS, 3/8-16 x 1" Gr.5
12	8303624	4	HHCS, 1/2-13 x 1"
13	7119362	2	Clevis, Extend Chain
14	8520001	1	Lube, Fitting 1/8 NPT
15	8310019	2	SHRS, 0.50 x 1.50 x 3/8-16
16	8305645	2	Nut, Hex Lock 0.375-16 NC
17	8310201	1	SHRS, 0.75 x 1.50 x 5/8-11
18	8305643	1	Nut, Hex Lock 0.625-11 NC
19	7134851	2	Yoke, Extend Chain
20	8305646	2	Nut, Hex Lock 0.75-16 NF
21	8307104	2	Washer, Flat, 0.75, SAE
22	8522012	AR	Lube, Anti-Seize
23	8526007	AR	Thread Locking Compound

BOOM RETRACT CHAIN

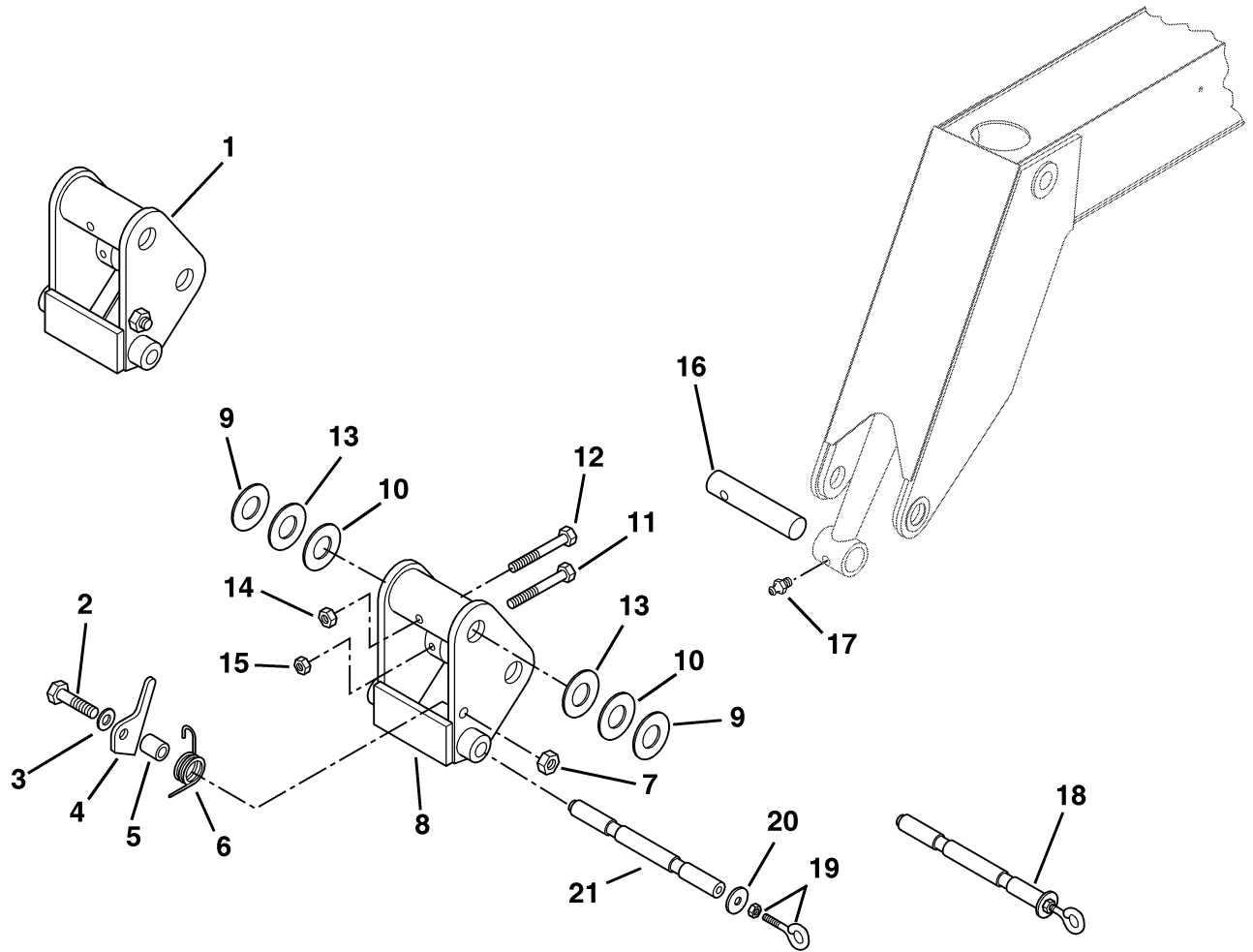


PT0440

BOOM RETRACT CHAIN

Item No.	Part Number	Qty.	Description
1	8305646	1	Nut, Hex Lock Elastic 3/4-16 NF
2	8307104	1	Washer, Flat 3/4" Narrow
3	7119362	1	Clevis, Retract Chain
4	8642237	4	E-Ring, Retaining
5	8124126	2	Pin, Retract Chain Clevis
6	8127016	1	Chain, Retract, Leaf 3/4 Pitch
7	8305645	2	Nut, Hex Lock Elastic 3/8-16
8	7121531	2	Link, Retract Chain Anchor
9	7119372	1	Clevis, Retract Chain
10	8310019	2	Bolt, Shoulder, Hex Socket Hd. 1/2 x 1-1/2 x 3/8-16
11	8303624	1	HHCS, 1/2-13 x 1" Gr. 5
12	8307007	1	Washer, Lock 1/2"
13	7138977	1	Pin, Retract Chain Sheave
14	7138986	1	Sheave, Retract Chain (Includes Item 15)
15	7138979	2	Bushing, Retract Chain Sheave
16	8522012	AR	Lube, Anti-Seize
17	8520003	1	Fitting, Lube 90°

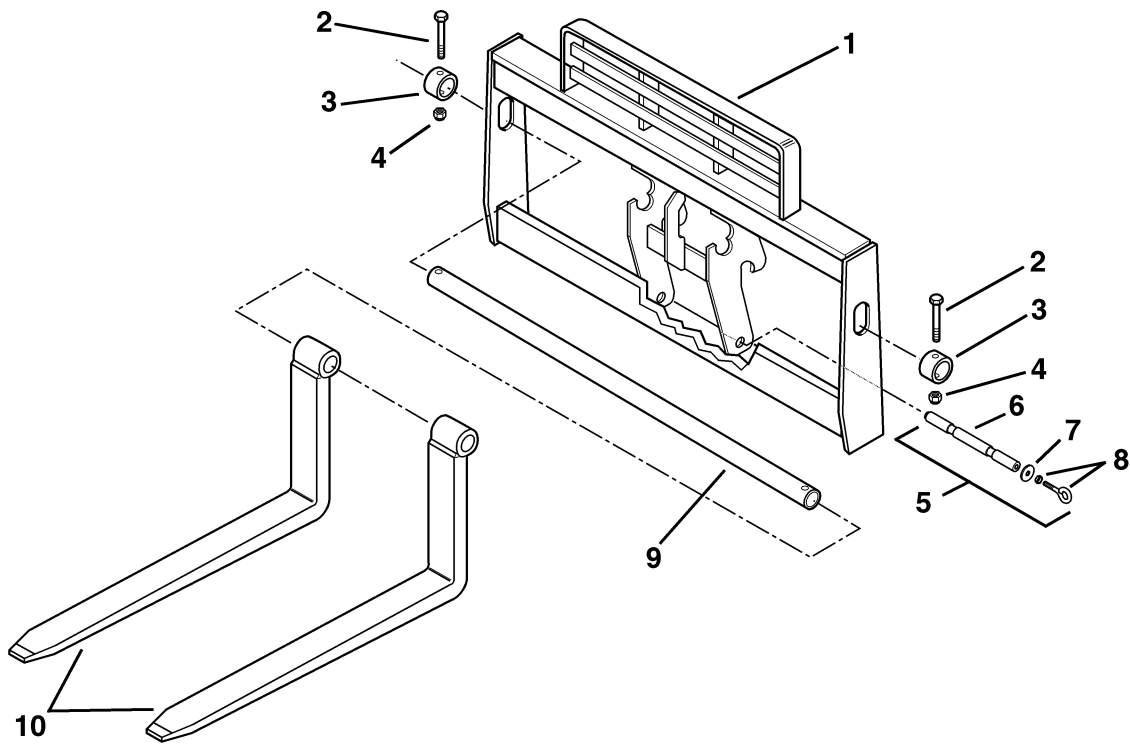
QUICK ATTACH



QUICK ATTACH

Item No.	Part Number	Qty.	Description
1	7134863	1	Quick Attach Assembly (Includes Items 2 thru 8)
2	8303638	1	HHCS, 3/4-10 x 2-3/4" Gr. 5
3	8307104	1	Washer, Flat SAE 3/4"
4	7121422	1	Latch, Quick Attach
5	7085571	1	Spacer, Quick Attach
6	7085552	1	Spring, Torsion
7	8305619	1	Nut, Hex Lock Elastic 3/4-10
8	7134873	1	Quick Attach
9	8307918	AR	Washer, Shim 2.00" x .134" x 3.50"
10	8310093	AR	Washer, Shim 2.00" x .075" x 3.50"
11	8305644	1	HHCS, 1/2-13 x 5" Gr. 5
12	8303666	1	HHCS, 5/8-11 x 5" Gr. 5
13	8307904	AR	Washer, Shim 2.00" x .048" x 3.50"
14	8305643	1	Nut, Hex Lock Elastic 5/8-11
15	8303772	1	Nut, Hex Lock Elastic 1/2-13
16	7138222	1	Pin, Rod End, Attachment Tilt Cylinder
17	8520013	1	Fitting, Lube, Self Tapping 1/8 NPT
18	7118892	1	Pin, Lock (Includes Items 19 thru 21)
19	8310266	1	Bolt, Eye w/Nut
20	8310276	1	Washer
21	7118882	1	Pin

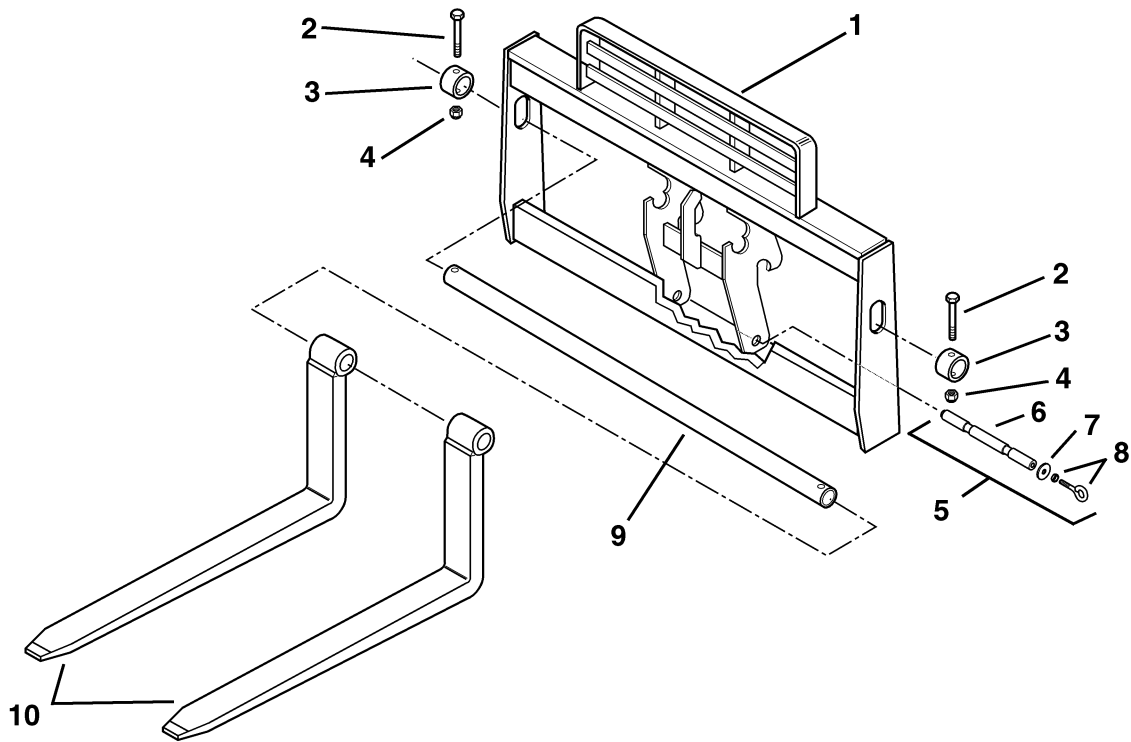
48" CARRIAGE



48" CARRIAGE

Item No.	Part Number	Qty.	Description
1	7083054	1	Carriage, 48"
2	8303634	2	HHCS, 5/8-11 x 4"
3	7086471	2	Collar
4	8305643	2	Nut, Hex Lock 5/8-11
5	7118892	1	Pin, Lock (Includes Items 6 thru 8)
6	7118882	1	Pin
7	8310276	1	Washer
8	8310266	1	Bolt, Eye w/Nut
9	7128772	1	Shaft, 48"
10	7097523	2	Fork, Pallet 48" x 4" x 2" (4,000 lb Rating)
	7097533	2	Fork, Lumber (Not Shown)
	7085073	6	Fork, Block (Not Shown)

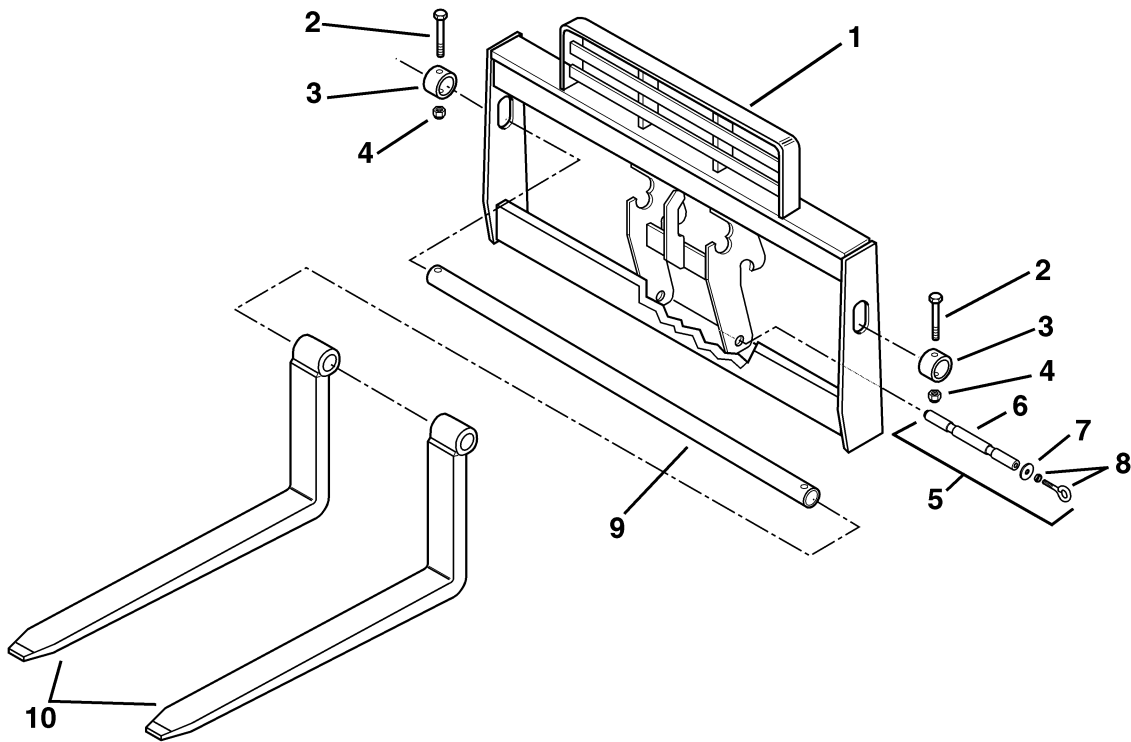
60" CARRIAGE (Optional)



60" CARRIAGE (Optional)

Item No.	Part Number	Qty.	Description
1	7086304	1	Carriage, 60"
2	8303634	2	HHCS, 5/8-11 x 4"
3	7086471	2	Collar
4	8305643	2	Nut, Hex Lock 5/8-11
5	7118892	1	Pin, Lock (Includes Items 6 thru 8)
6	7118882	1	Pin
7	8310276	1	Washer
8	8310266	1	Bolt, Eye w/Nut
9	7128792	1	Shaft, 60"
10	7097523	2	Fork, Pallet 48" x 4" x 2" (4,000 lb Rating)
	7097533	2	Fork, Lumber (Not Shown)
	7085073	6	Fork, Block (Not Shown)

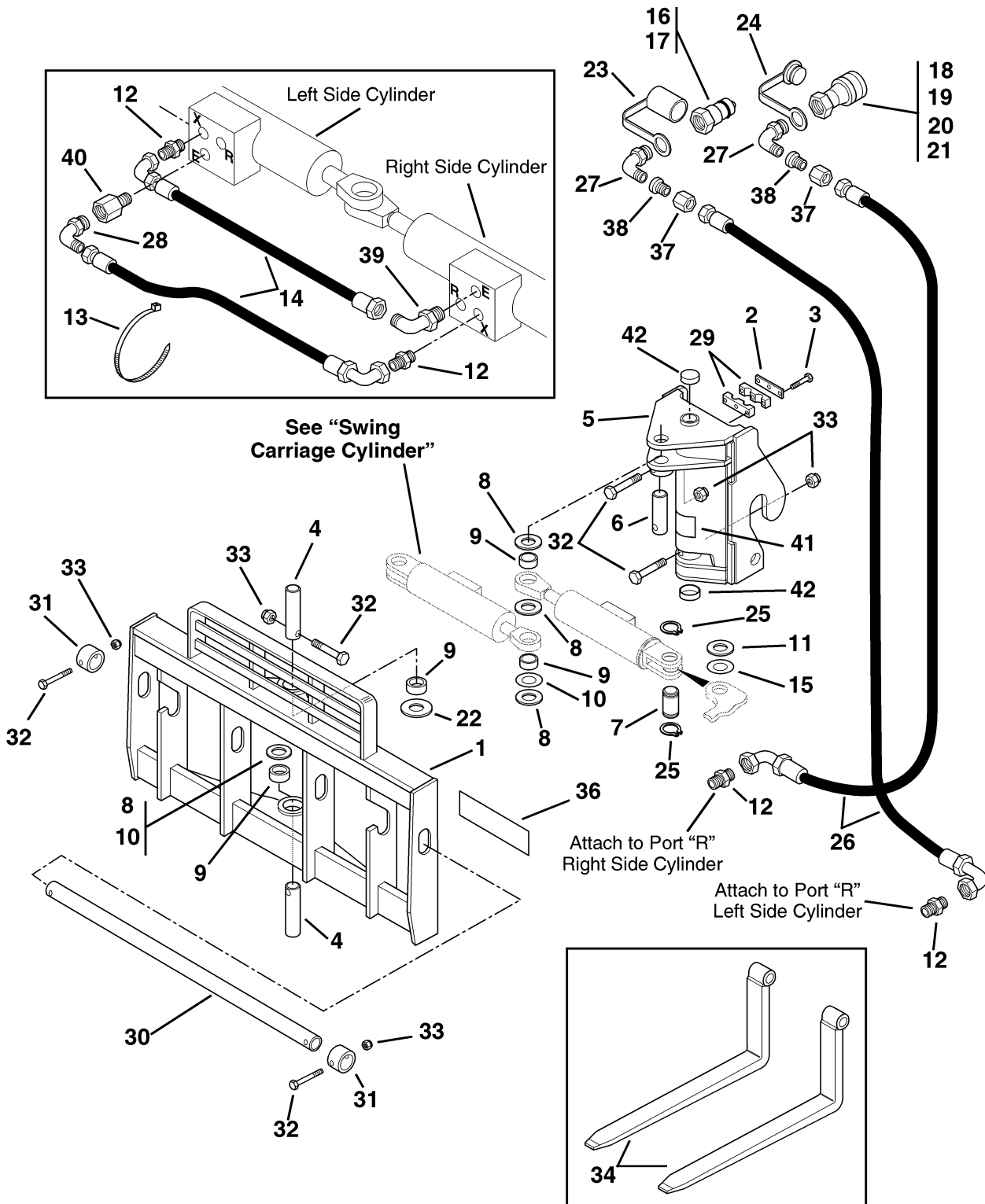
72" CARRIAGE (Optional)



72" CARRIAGE (Optional)

Item No.	Part Number	Qty.	Description
1	7090814	1	Carriage, 72"
2	8303634	2	HHCS, 5/8-11 x 4"
3	7086471	2	Collar
4	8305643	2	Nut, Hex Lock 5/8-11
5	7118892	1	Pin, Lock (Includes Items 6 thru 8)
6	7118882	1	Pin
7	8310276	1	Washer
8	8310266	1	Bolt, Eye w/Nut
9	7128802	1	Shaft, 72"
10	7097523	2	Fork, Pallet 48" x 4" x 2" (4,000 lb Rating)
	7097533	2	Fork, Lumber (Not Shown)
	7085073	6	Fork, Block (Not Shown)

SWING CARRIAGE (Optional)

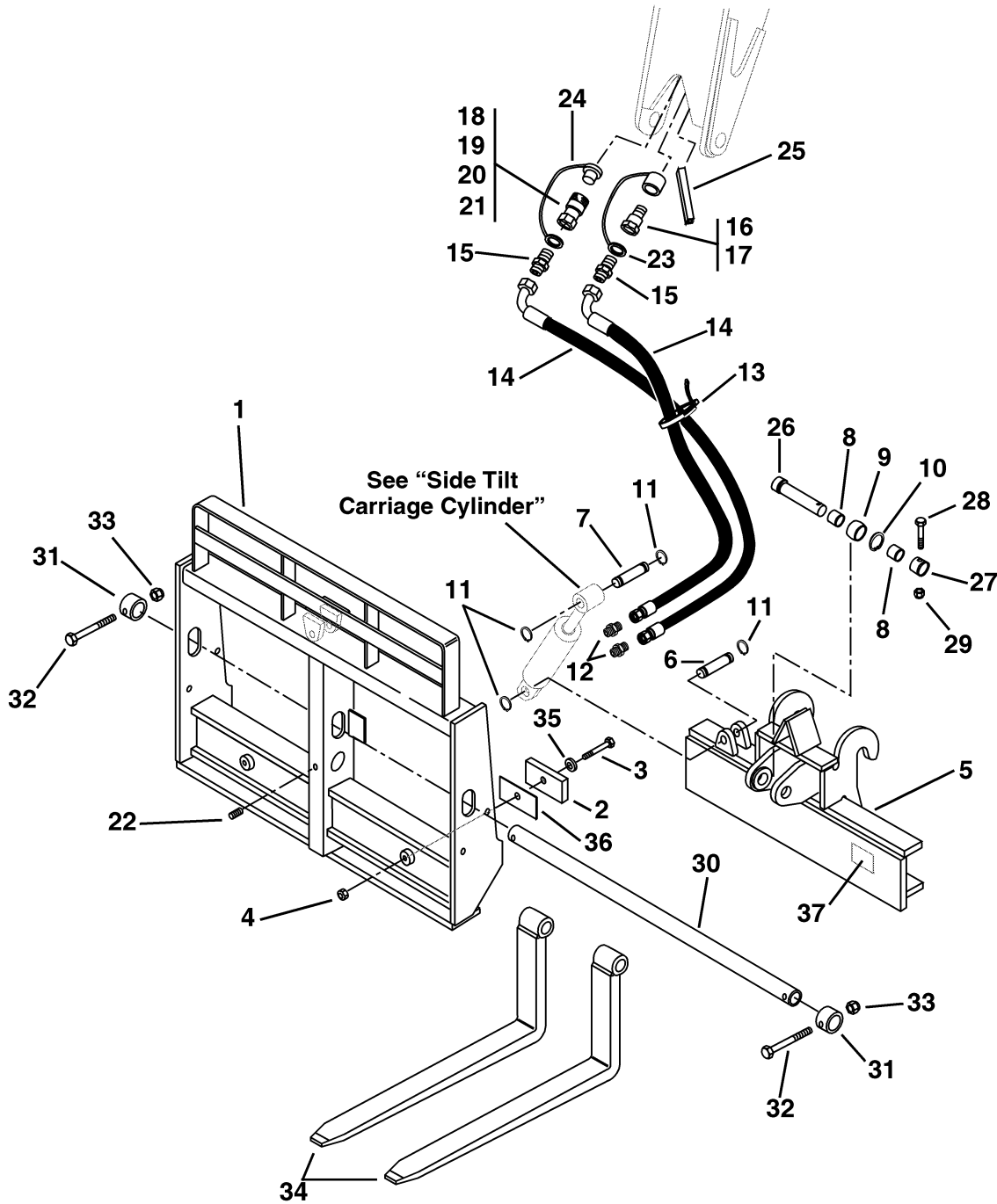


SWING CARRIAGE

(Optional)

Item No.	Part Number	Qty.	Description
1	7111994	1	Carriage, 52"
	7110694	1	Carriage, 72"
2	6608621	1	Cover, Clamp
3	8303715	3	HHCS, 5/16-18 x 1-1/2"
4	7110702	2	Pin, Carriage Pivot
5	7110494	1	Base, Pivot
6	7110712	1	Pin, Cylinder Pivot (Rod End)
7	7110722	2	Pin, Cylinder Pivot (Base End)
8	8307918	AR	Shim, 2" I.D. x 10 Ga.
9	8065062	4	Bearing, Self Lube
10	8307904	AR	Shim, 2" I.D. x 18 Ga.
11	8310161	AR	Shim, 1-1/2" I.D. x 10 Ga.
12	8760113	4	Connector, Straight, SAE 4 - male JIC 37° x male str. thd. o-ring
13	8584001	4	Tie Wrap
14	6604662	2	Hose Assembly
15	8310160	AR	Shim, 1-1/2" I.D. x 18 Ga.
16	8430006	1	Quick Disconnect, Male, SAE 8-8ORB - female internal (Includes Item 17)
17	8640029	1	Seal, Nose (Not Shown)
18	8430005	1	Quick Disconnect, Female, SAE 8-8ORB - female internal (Includes Items 19, thru 21)
19	8640029	1	Seal, Nose (Not Shown)
20	8640028	1	Seal, Coupler Body (Not Shown)
21	8640032	1	Back-Up Ring, Coupler Body Seal (Not Shown)
22	7062922	1	Bearing, Thrust
23	8420053	1	Cap, Dust #8
24	8420055	1	Plug, Dust #8
25	8642207	4	Ring, Retaining
26	6611752	2	Hose Assembly
27	8760313	2	Elbow, 90° SAE 6-8 - male JIC 37° x male str. thd. o-ring
28	8760311	1	Elbow, 90° SAE 6 - male JIC 37° x male str. thd. o-ring
29	8769132	2	Clamp, Half
30	7128782	1	Shaft, Fork Pivot 52"
	7128802	1	Shaft, Fork Pivot 72"
31	7086471	2	Hub, Lock
32	8303634	5	HHCS, 5/8-11 x 4"
33	8305643	5	Nut, Hex Lock 5/8-11
34	7097523	2	Fork, Pallet 48" x 4" x 2" (4,000 lb Rating)
	7097533	2	Fork, Lumber (Not Shown)
	7085073	6	Fork, Blocking (Not Shown)
35	4107692	2	Chart, Capacity
36	4107702	1	Decal, Danger - Tip Over Hazard
37	8760409	2	Nut, SAE 6 - JIC 37°
38	8760475	2	Reducer, Tube End, SAE 6-4 - JIC 37°
39	8770012	1	Elbow, 90° SAE 6-4 - male JIC 37° x male str. thd. o-ring
40	8770016	1	Reducer, SAE 4-6 - male str. thd. o-ring x female internal o-ring boss
41	4107712	1	Decal, Danger - No Truss Boom
42	8580315	2	Plug, Trim 2-1/2" Dia.

SIDE TILT CARRIAGE (Optional)

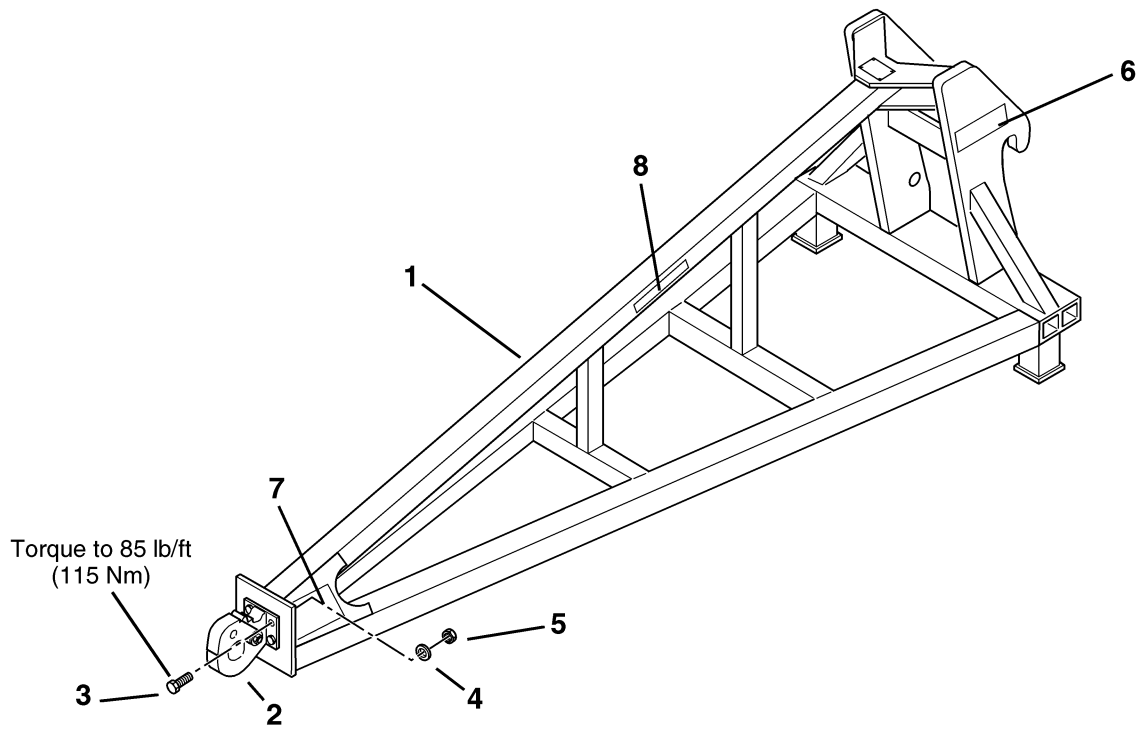


SIDE TILT CARRIAGE

(Optional)

Item No.	Part Number	Qty.	Description
1	7117244	1	Carriage, Side Tilt, 48"
	7117254	1	Carriage, Side Tilt, 60"
	7117264	1	Carriage, Side Tilt, 72"
2	7065482	2	Pad, Wear
3	8303739	2	HHCS, 5/16-18 x 1-1/4"
4	8305626	2	Nut, Hex Lock 5/16-18
5	7117204	1	Base, Pivot
6	7077501	1	Pin, Cyl. Base
7	7077511	1	Pin, Cyl. Rod
8	7077481	2	Spacer
9	8065634	1	Bushing, Self Align
10	8642001	1	Ring, Snap
11	8642235	4	Ring, Snap
12	8760117	2	Connector, Straight, SAE 6 - male JIC 37° x male str. thd. o-ring
13	8584001	1	Tie Wrap
14	2711992	2	Hose Assembly
15	8760110	2	Connector, Straight, SAE 6-8 - male JIC 37° x male str. thd. o-ring
16	8430006	1	Quick Disconnect, Male, SAE 8-8ORB - female internal (Includes Item 17)
17	8640029	1	Seal, Nose (Not Shown)
18	8430005	1	Quick Disconnect, Female, SAE 8-8ORB - female internal (Includes Items 19 thru 21)
19	8640029	1	Seal, Nose (Not Shown)
20	8640028	1	Seal, Coupler Body (Not Shown)
21	8640032	1	Back-Up Ring, Coupler Body Seal (Not Shown)
22	8541433	1	Plug, Pipe, Skt. Hd. - 1/8" NPTF
23	8420053	1	Cap, Dust #8
24	8420055	1	Plug, Dust #8
25	7125741	1	Molding
26	7085411	1	Pin, Pivot
27	7085501	1	Collar, Pin Locking
28	8303770	1	HHCS, 3/8-16 x 2-3/4"
29	8305645	1	Locknut, 3/8-16 ESNA
30	7128772	1	Shaft, Fork Pivot 48"
	7128792	1	Shaft, Fork Pivot 60"
	7128802	1	Shaft, Fork Pivot 72"
31	7086471	2	Hub, Lock
32	8303634	2	HHCS, 5/8-11 x 4"
33	8305643	2	Nut, Hex Lock 5/8-11
34	7097523	2	Fork, Pallet 48" x 4" x 2" (4,000 lb Rating)
	7097533	2	Fork, Lumber (Not Shown)
	7085073	6	Fork, Blocking (Not Shown)
35	8307203	2	Washer, Flat Heavy
36	7070191	AR	Shim
37	7119341	1	Plate, Capacity

12 FT TRUSS BOOM (Optional)

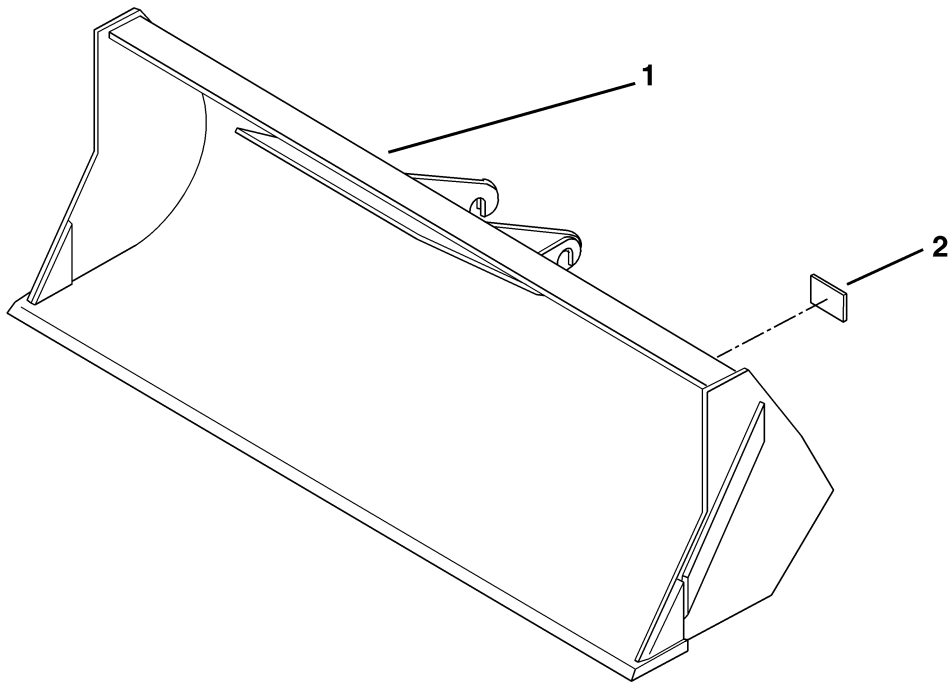


12 FT TRUSS BOOM

(Optional)

Item No.	Part Number	Qty.	Description
1	7113024	1	12 ft. Truss Boom (Includes Items 2 thru 8)
2	8382017	1	Hook, Pintle
3	8310195	4	HHCS, 1/2-13 x 1-3/4"
4	8307112	4	Washer, Flat SAE 1/2"
5	8305644	4	Nut, Hex Lock Elastic 1/2-13
6	4107182	2	Decal, Name
7	4107822	2	Decal, Swinging Load
8	4107832	2	Decal, Length/Capacity

UTILITY BUCKET (Optional)

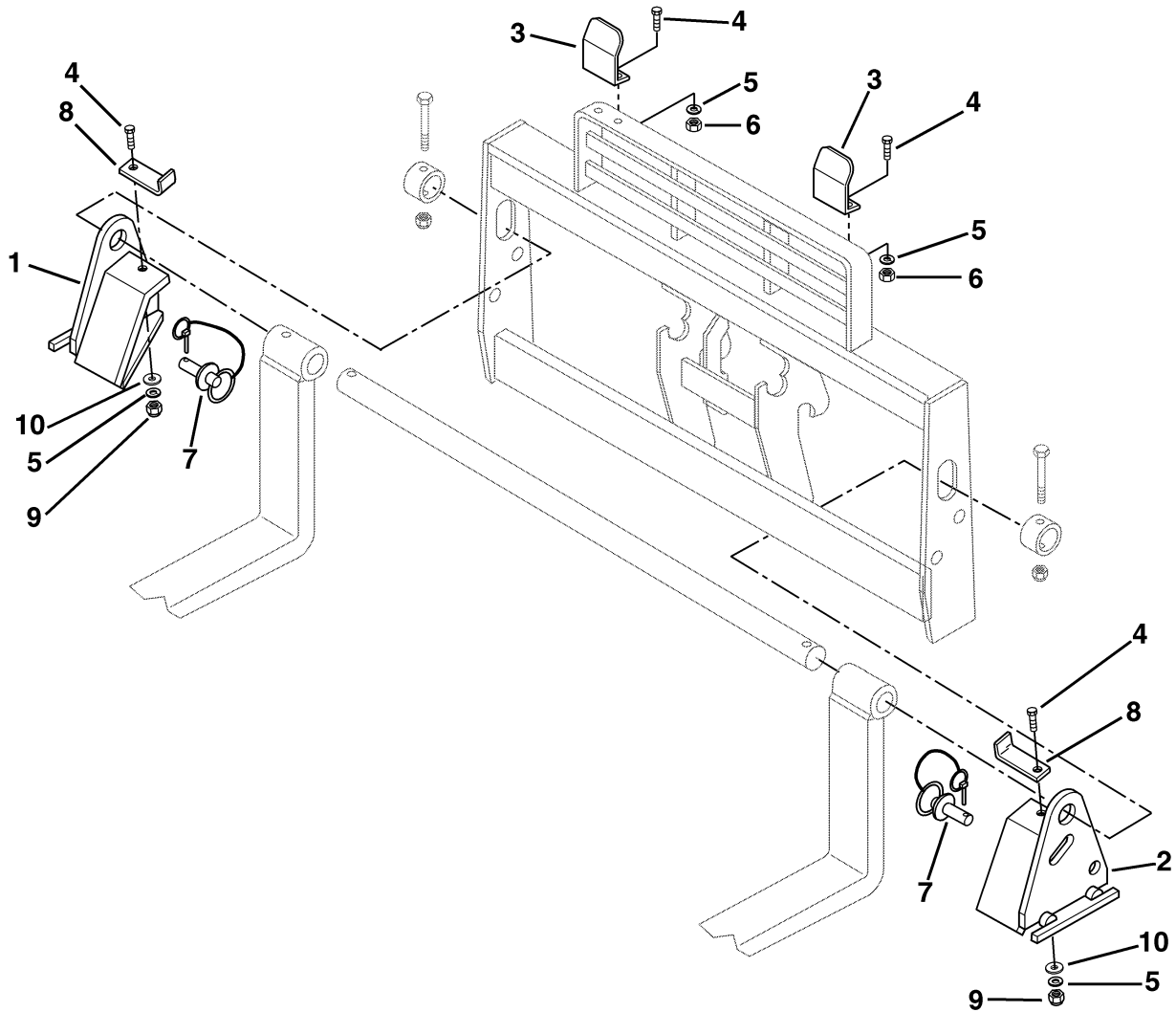


UTILITY BUCKET

(Optional)

Item No.	Part Number	Qty.	Description
1	7110744	1	Bucket, Utility, 1-1/4 cu. yd. (Includes Item 2)
2	4106561	1	Plate, Capacity

SHEET MATERIAL HANDLER (Optional)



SHEET MATERIAL HANDLER

(Optional)

Item No.	Part Number	Qty.	Description
1	7112533	1	Support, Fork, Right Side
2	7112523	1	Support, Fork, Left Side
3	7112642	2	Extension, Backrest, Top
4	8303626	6	HHCS, 1/2-13 x 1-1/2"
5	8307007	6	Washer, Lock 1/2"
6	8305012	4	Nut, Hex 1/2-13
7	8301456	2	Pin, Hitch
8	7114941	2	Bar, Lock
9	8305644	2	Nut, Hex Lock Elastic 1/2-13
10	8307112	2	Washer, Flat 1/2" LT

PART NUMBER INDEX

Part Number	Page	Part Number	Page	Part Number	Page	Part Number	Page
10731703	63	1319365	47	1319447	43, 57	1319532	39, 53
10731709	83, 85, 87	1319366	47	1319448	57	1319533	39, 53
10731732	65	1319367	47	1319449	57	1319534	39, 53
10731744	67	1319369	47	1319450	57	1319535	39, 53
10731845	69, 71, 75	1319370	47	1319451	57	1319536	39, 53
10731913	65	1319371	47	1319452	57	1319537	39, 53
10731949	39, 53	1319372	47	1319453	57	1319538	39, 53
10731959	31, 81	1319373	47	1319454	57	1319539	39, 53
10732029	85	1319374	47	1319456	57	1319540	39, 53
10732063	85, 87	1319375	47	1319457	57	1319541	39, 53
10732064	85	1319376	47	1319458	57	1319542	39, 53
10732071	83	1319377	47	1319459	57	1319543	39, 53
10732072	83	1319378	47	1319460	57	1319546	57
10839156	81	1319379	47	1319461	57	1319557	65
1101056	43, 57	1319380	47	1319462	43, 57	1319558	65
1311529	39, 53	1319381	47	1319463	57	1319559	65
1313932	47	1319382	47	1319464	43, 57	1319563	65
1314602	71	1319383	47	1319471	43, 57	1319564	43, 65
1314683	85	1319384	47	1319472	43, 57	1319565	65
1315501	39	1319385	47	1319475	43, 57	1319566	65
1318539	53	1319386	47	1319476	43, 57	1319567	67
1319210	43, 57	1319387	47	1319477	43, 57	1319568	67
1319229	63	1319388	47	1319478	43, 57	1319569	67
1319231	63	1319389	47	1319483	59	1319570	67
1319236	65	1319390	47	1319484	59	1319571	67
1319258	63	1319391	47	1319485	59	1319572	67
1319333	47	1319393	47	1319491	39, 53	1319573	67
1319334	47	1319394	47	1319494	83	1319574	67
1319335	47	1319395	47	1319496	39, 53	1319575	67
1319336	47	1319396	47	1319497	39, 53	1319576	67
1319337	47	1319397	47	1319498	39, 53	1319577	67
1319338	47	1319398	47	1319499	39, 53	1319578	67
1319339	47	1319399	47	1319500	39, 53, 59	1319580	67
1319340	47	1319400	47	1319501	53	1319581	67
1319341	47	1319401	47	1319502	39, 53	1319582	67
1319342	47	1319402	47	1319504	39, 53	1319583	67
1319343	47	1319406	47	1319505	39, 53	1319584	67
1319344	47	1319412	49	1319506	37, 39, 45, 51, 53	1319585	67
1319345	47	1319415	35	1319510	39, 53	1319586	67
1319346	47	1319423	37, 51	1319511	39, 53	1319587	67
1319347	47	1319425	37, 39, 51, 53	1319512	39, 53	1319588	67
1319348	47	1319427	37, 51	1319513	39, 53	1319590	67
1319349	47	1319429	37, 51	1319514	39, 53	1319591	69
1319350	47	1319430	51	1319515	39, 53	1319592	69, 71, 73, 75, 77, 79
1319351	47	1319431	37, 39, 53	1319516	39, 53	1319593	69, 71, 73, 75, 77, 79
1319352	47	1319432	37, 39, 45, 51, 53, 59	1319517	39, 53	1319594	69, 71, 73, 75, 77, 79
1319353	47	1319433	37, 51	1319518	39, 53	1319595	69, 71, 73, 75, 77, 79
1319354	47	1319434	37, 51	1319519	39, 53	1319596	69, 71, 75
1319355	47	1319436	37, 51	1319520	39, 53	1319597	69, 71, 73, 75, 77, 79
1319356	47	1319437	37, 51	1319521	39, 53	1319598	69, 71, 73, 75, 77, 79
1319357	47	1319438	37, 51	1319522	39, 53	1319599	69, 71, 73, 75, 77, 79
1319358	47	1319439	37, 51	1319523	39, 53		
1319359	47	1319440	37, 51	1319524	39, 53		
1319360	47	1319441	37, 51	1319525	39, 53		
1319361	47	1319444	47, 57	1319526	39, 53		
1319362	47	1319445	43, 57	1319527	39, 53		
1319363	47	1319446	57	1319530	39		
1319364	47			1319531	39, 53		

PART NUMBER INDEX

Part Number	Page	Part Number	Page	Part Number	Page	Part Number	Page
1319600	69, 71, 73, 75, 77, 79	1319653	83	1319712	87	1321177	45
1319601	69, 71, 73, 75, 77, 79	1319654	83	1319713	87	1321178	55
1319602	69, 73, 75, 77, 79	1319655	83	1319714	87	1321179	41
1319603	69, 71, 73, 75, 77, 79	1319656	83	1319715	87	1321180	41
1319604	69, 71, 73, 75, 77, 79	1319657	83	1319716	85	1321181	41
1319605	69, 71, 75	1319658	83	1319717	87	1321182	41
1319606	69, 71, 75	1319659	83	1319718	89	1321184	35
1319607	69	1319660	83	1319719	89	1321185	33
1319608	69, 79	1319661	83, 85	1319720	89	1321186	33
1319609	69, 71, 73	1319662	83	1319721	89	1321187	33
1319610	69, 71, 73	1319663	83	1319722	89	1321188	49
1319611	69, 71, 73	1319664	83	1319723	89	1321189	33
1319612	69, 71, 73, 75, 77, 79	1319665	83	1319724	89	1321190	33
1319613	71	1319666	83	1319725	89	1321191	45
1319614	71	1319667	83	1319726	89	1321194	33
1319615	71, 75, 77	1319668	83	1320748	31	1321196	33
1319616	73	1319669	83	1320749	31	1321197	33
1319617	73, 77, 79	1319670	83, 85, 87	1320750	31	1321198	33
1319618	73, 77, 79	1319671	85	1320751	31	1321199	33
1319619	73	1319672	85	1320752	31	1321200	33
1319620	73, 77, 79	1319673	85	1320753	31	1321201	33
1319621	73, 77, 79	1319674	85	1320754	31	1321202	33
1319622	73, 77, 79	1319675	85	1320755	31	1321203	33
1319623	73, 77, 79	1319676	85	1320756	31	1321204	33
1319624	73, 77, 79	1319677	85	1320757	31	1321205	45
1319625	73, 77, 79	1319678	85	1320758	31	1321206	41
1319626	73, 77, 79	1319679	85	1320759	31	1321207	41
1319627	73, 77, 79	1319680	85	1320760	31	1321208	41
1319628	73, 77, 79	1319681	85	1320761	31	1321210	33
1319629	73, 77, 79	1319682	85	1320762	31	1321211	47
1319630	73, 77, 79	1319684	85	1320763	31	1321212	33
1319631	73, 77, 79	1319685	85	1320764	31	1321214	45
1319632	73, 77, 79	1319686	85	1320765	31	1321215	35
1319633	73	1319687	85	1320989	31	1321216	49
1319634	75	1319688	85	1321061	61	1321217	35
1319635	75	1319689	85	1321062	61	1321218	35
1319636	75, 77, 79	1319690	85	1321148	37, 51	1321219	35
1319637	77	1319691	85	1321149	61	1321220	35
1319638	77, 79	1319692	85	1321150	39, 53	1321221	35
1319639	79	1319693	85	1321151	39, 53	1321222	35
1319640	81	1319694	85	1321152	53	1321223	49
1319641	81	1319695	85	1321153	35, 49	1321224	49
1319642	81	1319696	85, 87	1321154	35, 49	1321225	35
1319643	81	1319697	85	1321155	43, 57	1321226	57
1319644	81	1319698	85	1321156	39, 53	1321227	49
1319645	81	1319699	85	1321157	43, 57	1321228	43
1319646	81	1319700	85	1321158	39, 53	1321229	47
1319647	31, 81	1319701	85	1321159	39, 53	1321231	59
1319648	31, 81	1319702	85, 87	1321161	39, 53	1321232	45
1319649	31, 81	1319703	85, 87	1321162	39, 53	1321233	45
1319650	83	1319704	85	1321163	39, 53	1321236	51
1319651	83	1319705	85	1321164	43, 57	1321237	47
1319652	83, 85	1319706	85	1321165	39, 53	1321238	59
		1319707	85, 87	1321172	41, 55	1321239	57
		1319708	85	1321173	39, 53	1321240	41
		1319709	87	1321174	39, 53	1321242	59
		1319710	87	1321175	43	1321244	41
		1319711	87	1321176	57	1321245	57

PART NUMBER INDEX

Part Number	Page	Part Number	Page	Part Number	Page	Part Number	Page
1321246	57	2716578	105	4110137	167	7118892	179, 181, 183, 185
1321247	59	2716619	125	4110172	167	7119341	189
1321248	33	2716620	111	5724302	19, 111, 125	7119362	175, 177
1321249	43	2716623	115	5724742	103	7119372	175, 177
1321250	43	2716624	105	5752022	3	7120613	103
1321251	43	2716628	111	6604662	187	7120662	173
1321252	37	2716629	111	6608621	187	7121422	179
1321254	43	2716630	127	6611172	163	7121461	171
1321255	45	2716631	107	6611752	187	7121531	177
1321256	43	2716633	107	7057141	7, 9, 11, 13, 97	7121543	11
1321257	43	2716634	111	7062922	187	7121951	95
1321258	45	2716635	111	7065482	189	7124331	3, 169
1321259	49	2716636	113	7070191	189	7124531	9
1321260	49	2716637	113	7075611	167	7125741	189
1321262	49	2716638	113	7077481	189	7126172	169, 171, 173
2711613	153	2716639	113	7077501	189	7126182	169, 171, 173
2711992	189	2716640	113	7077511	189	7126662	175
2713363	149	2716641	107	7083054	181	7126703	97
2715052	109	2716642	109	7083922	169	7126833	101
2715312	127	2716643	109	7085073	181, 183, 185, 187, 189	7127091	17
2716143	155	2716644	111	7085411	189	7127102	17
2716153	151	2716645	111	7085422	97	7127462	95
2716333	143	2716646	157	7085501	189	7127492	95
2716373	139	2716647	157	7085542	169	7127552	95
2716423	145	2716648	105	7085552	179	7127562	95
2716473	147	2716649	105	7085571	179	7128602	103
2716492	109	2716650	115	7086304	183	7128772	181, 189
2716518	123	2716652	125	7086471	181, 183, 185, 187, 189	7128782	187
2716519	123	2716653	125	7090814	185	7128792	183, 189
2716520	107	2716689	115	7094552	157	7128802	185, 187, 189
2716523	107	4100181	167	7094562	157	7129101	103
2716524	107	4105171	167	7096491	11, 13	7129111	103
2716525	107	4105262	167	7097523	181, 183, 185, 187, 189	7129121	103
2716529	107	4106561	193	7097533	181, 183, 185, 187, 189	7129133	103
2716530	107	4107182	191	7110494	187	7129441	7
2716531	107	4107692	187	7110694	187	7129521	19
2716532	109	4107702	187	7110702	187	7129973	97, 107
2716533	109	4107712	187	7110712	187	7130131	97
2716534	111	4107822	191	7110722	187	7130412	11, 13
2716535	111	4107832	191	7110744	193	7130653	7
2716536	115	4107901	167	7111994	187	7130663	7
2716537	115	4108181	167	7112523	195	7130682	163
2716538	105	4108201	167	7112533	195	7130734	9
2716539	105	4108302	167	7112642	195	7130744	9
2716540	105	4108981	167	7113024	191	7130773	9
2716563	141	4108991	167	7114112	175	7130862	9
2716564	135	4109041	167	7114941	195	7131003	9
2716566	107	4109091	167	7116691	117	7131253	97
2716567	107	4109791	167	7117204	189	7131412	7
2716568	105	4109801	167	7117244	189	7131952	97
2716569	105	4109941	167	7117254	189	7131992	103
2716570	105	4110071	167	7117264	189	7132002	97
2716572	127	4110116	167	7118882	179, 181, 183, 185	7132012	97
2716573	105	4110117	167			7132111	103
2716574	105	4110130	167			7132131	103
2716575	105	4110131	167			7132141	95
2716576	115	4110132	167			7132751	9
2716577	115	4110133	167				

PART NUMBER INDEX

Part Number	Page	Part Number	Page	Part Number	Page	Part Number	Page
7133932	21	7138265	5	7138963	7	8035356	161
7133942	21, 127	7138271	5	7138977	177	8035357	161
7134453	7	7138279	5	7138979	177	8035358	159
7134671	163	7138280	5	7138986	177	8035359	161
7134851	175	7138284	107	7139039	121	8035360	159
7134863	179	7138288	95, 103	7139040	121	8035361	159
7134873	179	7138321	5	7139095	3	8035362	159
7135034	163	7138342	5	7139216	167	8035363	159
7135044	165	7138366	15	7139238	95, 101, 103, 157	8035365	161
7135413	169, 171, 173, 175	7138515	97	7139248	3	8035366	161
7135442	169, 171, 173	7138588	99	7139249	3	8035367	159
7135773	117	7138623	169	8025655	151	8035368	159
7135912	25	7138642	173	8032398	101	8035369	159
7135922	27	7138656	91	8032989	133	8035370	159
7136073	111, 125	7138682	5	8032990	133	8035371	161
7136083	125	7138685	99	8032991	133	8035372	161
7136093	111	7138686	99	8032992	133	8035373	161
7136103	125	7138695	101	8032993	133	8035374	161
7136113	125	7138741	3	8032994	133	8035375	161
7136123	111	7138756	23	8032995	133	8035376	161
7136133	111	7138757	23	8033004	25, 27, 29	8035377	159
7136322	169	7138759	167	8033178	17	8035378	159
7136422	157	7138760	29	8033783	149	8035380	159
7136452	171	7138763	117	8033784	149	8035536	151
7136592	169, 171, 173	7138764	117	8033785	149	8035542	145
7136713	19	7138765	117	8033786	149, 151	8035543	145
7136742	15	7138766	119	8033788	149	8035546	139
7136794	3	7138767	117	8033789	149	8035547	139
7136852	173	7138768	117	8033790	149, 151	8035548	139
7136892	119	7138769	117	8034697	159	8035549	139
7137022	117	7138770	119	8035045	161	8035550	139
7137082	175	7138771	117	8035093	129	8035551	143
7137092	3	7138772	117	8035098	101	8035552	143
7137142	3	7138773	117	8035099	101	8035553	143
7137152	7	7138774	117	8035100	95	8035744	129
7137164	3, 157	7138775	117	8035109	25, 27	8035745	129
7137333	5	7138776	117	8035259	129	8035746	129
7137343	5	7138778	119	8035261	129	8035747	129
7137593	109	7138779	119	8035262	129	8035757	141
7137603	109	7138780	121	8035263	129	8035758	141
7137623	23	7138781	121	8035266	129	8035759	145
7137634	7	7138782	121	8035276	165	8035760	145
7137822	171	7138783	121	8035278	95	8035761	147
7138038	119	7138784	117	8035279	101	8035762	147
7138193	173	7138785	117	8035281	135	8035763	147
7138194	171	7138785	117	8035282	135	8035764	147
7138209	157	7138788	103	8035292	103	8035765	147
7138210	157	7138790	121	8035308	143, 145	8035766	147
7138222	179	7138828	5	8035309	143, 145	8035767	147
7138224	97	7138829	5	8035321	143	8035768	147
7138230	97	7138830	165	8035322	135, 141	8035769	147
7138231	97	7138831	91	8035323	135, 141	8035770	147
7138242	97	7138832	91	8035324	135, 141	8035771	147
7138249	101	7138837	3	8035326	135, 141	8035775	137
7138260	5	7138839	9	8035346	161	8035776	137
7138262	5	7138843	5	8035347	159	8035777	21
7138264	5	7138844	9, 23	8035348	161	8035778	25, 27, 29
		7138850	103	8035350	159		
		7138864	7	8035355	159		

PART NUMBER INDEX

Part Number	Page	Part Number	Page	Part Number	Page	Part Number	Page
8035779	29	8035882	33	8035941	39, 53	8036008	11
8035781	135	8035883	33	8035942	39, 53	8036009	11
8035782	135	8035884	33	8035943	39, 53	8036010	11
8035783	135	8035885	33	8035944	39, 53	8036011	11
8035784	135	8035886	33	8035945	53	8036013	11
8035785	135	8035887	33	8035946	53	8036014	11
8035799	133	8035888	33	8035947	53	8036015	11
8035803	23	8035889	33	8035948	53	8036016	11
8035804	23	8035890	33	8035949	39, 53	8036017	11
8035807	163	8035891	33	8035950	39	8036018	41
8035830	151	8035892	33	8035951	39, 53	8036019	135
8035831	155	8035893	33	8035952	41	8036020	135
8035834	159, 161	8035894	33	8035954	41	8040269	3
8035835	159	8035895	33	8035955	41	8040270	3
8035836	159	8035896	33	8035958	41	8050001	3, 173
8035837	161	8035897	33	8035959	43	8050007	3
8035838	161	8035898	33	8035960	43	8065062	151, 187
8035839	159	8035899	33	8035961	43	8065634	155, 189
8035840	161	8035900	33	8035962	43	8065640	3
8035841	159	8035901	33	8035963	43	8124126	175, 177
8035842	161	8035902	33	8035964	43	8127016	177
8035843	159, 161	8035903	33	8035965	43	8127018	175
8035844	159	8035904	33	8035966	43	8160073	17
8035845	159	8035905	33	8035967	43	8160610	17
8035846	161	8035906	33	8035968	43	8162003	17
8035847	161	8035907	33	8035969	43	8180311	97
8035848	161	8035908	33	8035970	43	8205514	153
8035849	159	8035909	33	8035971	43	8205545	153
8035850	159	8035910	33	8035972	43	8205546	153
8035851	159	8035911	33	8035973	43, 57	8205547	153
8035852	159, 161	8035912	33	8035974	43	8205548	153
8035855	161	8035913	33	8035975	43	8205655	149, 153, 155
8035856	159	8035914	33	8035976	45	8205661	153
8035857	159	8035915	33	8035977	45, 59	8220344	163
8035858	131	8035916	33	8035978	61	8220346	163
8035859	131	8035917	33	8035979	61	8223046	163
8035860	131	8035918	33	8035980	61	8223048	163
8035861	151	8035919	33	8035981	61	8223049	23
8035862	151	8035920	33	8035982	47	8223050	163
8035863	151	8035921	33	8035983	47	8223051	163
8035864	151	8035922	35	8035984	49	8223053	163
8035865	155	8035923	35	8035985	49	8223054	163
8035866	155	8035924	37	8035986	51	8223226	157
8035867	155	8035925	37	8035987	51	8223227	157
8035868	155	8035926	37	8035989	51	8223229	165
8035869	155	8035927	37, 51	8035990	51	8223231	163
8035870	33	8035928	37	8035991	51	8223232	165
8035871	33	8035929	37, 51	8035992	57	8223453	163
8035872	33	8035930	37, 51	8035993	57	8223526	157
8035873	33	8035931	37, 51	8035994	57	8223527	101
8035874	33	8035932	37, 51	8035995	57	8223530	165
8035875	33	8035933	37, 51	8035996	57	8225119	163
8035876	33	8035935	39, 53	8035997	57	8229242	163
8035877	33	8035936	39, 53	8036002	89	8229243	163
8035878	33	8035937	39, 53	8036003	89	8229244	163
8035879	33	8035938	39, 53	8036004	89	8229245	163
8035880	33	8035939	39, 53	8036005	89	8229247	163
8035881	33	8035940	39, 53	8036007	159	8229252	163

PART NUMBER INDEX

Part Number	Page	Part Number	Page	Part Number	Page	Part Number	Page
8262150	95	8303744	5	8307110	5, 95, 165	8310382	119
8270134	165	8303746	9	8307111	163	8310402	9
8270138	165	8303752	3	8307112	3, 5, 107, 191, 195	8310417	3
8270139	165	8303755	19, 115	8307113	95, 167	8310424	95
8270220	95	8303759	113	8307202	7, 97, 107, 119	8310439	5
8270221	95	8303766	117	8307203	5, 7, 9, 121, 189	8310441	5
8270620	163	8303769	93	8307204	5, 11, 13, 97, 117, 165, 173	8310453	125
8270621	163	8303770	189	8307206	9, 19, 117	8310464	29
8272017	95	8303772	179	8307211	3	8310479	3
8273022	101	8303782	3, 173	8307220	107	8310480	3
8273297	101	8303790	17, 95	8307904	179, 187	8310481	3
8274022	103	8303798	93	8307912	173	8310484	119, 121
8275040	99	8303799	15, 17	8307913	173	8310490	23
8275209	103	8303836	15, 103	8307918	179, 187	8310491	23
8275212	99	8303837	17, 103	8310009	9, 105	8310492	23
8275240	99	8304672	23	8310016	9, 163	8310496	93
8275247	99	8305002	17	8310019	175, 177	8310512	3
8277161	95	8305004	119, 121	8310061	3	8320262	95
8278008	97	8305006	5, 117, 121	8310067	7	8320265	157
8278021	95	8305008	5, 117	8310076	173	8320270	103
8278023	97	8305012	19, 195	8310080	3	8322036	103
8278024	97	8305047	15	8310084	29	8324029	157
8278026	7	8305402	17	8310085	9, 163	8340034	17
8278028	95	8305404	11, 13	8310093	179	8340035	5
8301456	195	8305439	163	8310104	97	8342416	5
8302406	5	8305603	97, 107, 117, 165	8310109	95	8382017	191
8303034	7	8305619	179	8310116	3	8405009	103
8303538	3	8305624	5, 7, 163	8310124	7	8405104	97, 103
8303540	163	8305626	3, 5, 9, 11, 13, 97, 101, 157, 189	8310160	187	8405202	103
8303548	15	8305643	95, 173, 175, 179, 181, 183, 185, 187, 189	8310161	187	8405203	97
8303615	5, 17, 107	8305644	3, 5, 117, 173, 179, 191, 195	8310164	95, 107	8405209	107
8303620	117, 171, 175	8305645	11, 13, 95, 97, 163, 165, 175, 177, 189	8310195	191	8405306	101
8303621	5, 95, 97, 169, 171, 173	8305646	175, 177	8310201	175	8405307	101
8303622	171	8305647	167	8310259	173	8405404	101
8303624	175, 177	8305650	17	8310266	179, 181, 183, 185	8410013	103
8303626	5, 107, 195	8305906	5, 7	8310276	179, 181, 183, 185	8420053	125, 187, 189
8303627	117	8306407	125	8310281	117	8420055	125, 187, 189
8303634	181, 183, 185, 187, 189	8307002	17, 21, 97, 107, 111, 117, 119, 121, 125, 163	8310285	3	8420229	103
8303638	179	8307003	15, 17, 103	8310289	95	8430005	125, 187, 189
8303658	19	8307004	5, 7, 9, 97, 105, 111, 113, 117, 121, 125	8310301	7	8430006	125, 187, 189
8303666	179	8307005	23, 101, 107, 117, 169, 171, 173, 175	8310315	23	8430032	107, 115, 117, 121
8303670	5, 7, 11, 13, 101	8307007	19, 29, 107, 171, 175, 177, 195	8310326	131	8430033	107
8303675	95, 101, 107, 117, 173	8307023	19, 93, 95, 115	8310327	131	8430043	121
8303679	169, 173	8307024	15, 17, 163	8310333	95	8430072	103
8303681	169, 171, 173	8307025	17, 95, 107	8310334	5	8430081	107, 115, 121
8303693	3, 117, 171	8307049	93	8310344	165	8430082	117
8303697	9, 97	8307104	175, 177, 179	8310353	9	8430092	103
8303703	119	8307106	5, 11, 13, 97, 101	8310358	9, 163	8430093	103
8303705	21	8307107	95	8310359	23	8430094	103
8303715	105, 111, 125, 187	8307109	5, 15, 17, 163	8310360	9	8430095	103
8303738	5			8310366	163	8440156	107, 129
8303739	7, 9, 189			8310372	23	8464013	157
8303743	97, 111, 117, 119, 125			8310374	9	8466306	9
				8310375	7	8467017	163
				8310380	121	8520001	3, 169, 175
						8520003	3, 177
						8520013	3, 153, 173, 179

PART NUMBER INDEX

Part Number	Page	Part Number	Page	Part Number	Page	Part Number	Page
8520021	169, 173	8750020	117, 119	8770125	105, 111, 119, 125	8902695	133
8522012	169, 173, 175, 177	8750021	117	8770126	157	8902696	133
8526007	93, 169, 171, 173, 175	8750022	163, 165	8770127	105, 107, 113, 127	8902697	133
8526011	135, 139, 141, 143, 145, 147, 149, 151, 153, 155	8750026	163, 165	8770129	105, 111, 125	8902698	133
8526036	147, 151	8750027	125	8770130	105	8902700	133
8526042	7	8760110	189	8770131	105	8902842	149, 151
8526052	31, 63	8760113	187	8770132	107	8990122	7
8526053	103	8760117	189	8770136	125		
8526056	31	8760311	187	8770140	105, 117		
8528071	167	8760313	187	8770152	119		
8528074	167	8760409	187	8770154	119, 121		
8528080	167	8760419	157	8770155	115, 117		
8528101	167	8760420	135	8770160	123		
8528105	167	8760451	133	8770163	109		
8528106	167	8760475	187	8770166	107		
8530030	107, 117	8760535	119	8770167	111		
8541404	103	8760545	121	8770168	105, 111		
8541433	189	8769122	111, 125	8770169	115		
8546407	107	8769123	105, 113, 125	8770175	115		
8551001	101	8769128	105, 111, 125	8770176	105, 115		
8580118	23	8769132	187	8770183	105, 115		
8580315	187	8769153	111, 125	8770186	113, 117, 121		
8580420	97, 107	8769154	111, 125	8780046	91		
8580421	9, 163	8770001	157	8786514	91		
8582426	163	8770012	187	8841041	31, 93		
8584001	163, 187, 189	8770016	187	8841042	93		
8584018	163	8770066	117, 119, 121	8864019	11, 13		
8630010	9	8770068	105, 107, 113, 115, 117, 119, 121	8864053	11		
8630016	107	8770070	107, 109, 123	8864055	13		
8640017	131	8770075	111, 125	8864056	13		
8640028	187, 189	8770079	109	8864057	11		
8640029	187, 189	8770080	107	8864058	11, 13		
8640032	187, 189	8770083	107	8864060	13		
8640123	107, 117	8770085	109	8866341	97		
8640208	107	8770086	109	8866514	15		
8642001	189	8770095	107	8866515	15		
8642207	187	8770096	107	8866516	15		
8642224	169	8770102	105, 107	8866529	15		
8642235	189	8770105	105, 113, 115	8866530	15		
8642237	175, 177	8770106	105, 113, 115, 117, 119, 121, 127	8880218	25, 27		
8660010	103	8770107	127	8902111	131		
8660011	103	8770108	117, 119, 121	8902175	105, 115, 119		
8700116	17	8770109	115	8902180	121, 131		
8702157	5	8770111	105, 115, 117	8902182	119, 121, 133		
8702160	5	8770112	115	8902183	119, 121, 133		
8720016	23	8770114	105, 107, 111, 115, 119, 121, 127, 157	8902189	159, 161		
8720017	23	8770115	105, 111, 113	8902191	119		
8721029	105, 131	8770116	105, 107, 113, 119, 125	8902195	117, 133		
8750012	105	8770117	105, 111	8902196	133		
8750015	105, 113	8770118	111	8902197	105, 131		
8750016	105	8770120	105	8902200	107, 137		
8750017	105, 117	8770124	113, 117, 119, 121, 125	8902201	117, 159, 161		
8750018	117, 119			8902274	115, 131		
8750019	117, 119			8902511	153, 155		
				8902693	131, 133		
				8902694	131, 133		

The parts information in this publication is based on data available at the time it was printed. Because of continual improvement and advancing product design, your vehicle may not be identical to the parts information shown. Whenever there is a question, obtain the latest parts information available from your local dealer. JLG Industries, Inc. continually updates these publications electronically within our *OnLine Services*.



Benefits

- Available 24 hours a day, 7 days a week for your convenience.
- Prices and parts manuals are always current - reduces errors and saves time.
- Improves service to your customers with quick access to valuable information.
- Reduces time required to gather information.
- Reduces processing time for warranty claims.

Program Features

- In a few easy steps you can:
- Look-up prices and availability.
- Identify parts using graphical parts manuals.
- Enter orders using part numbers, or order by selecting from graphical parts manuals.
- Review order status.
- Review invoices and credits.
- Review shipping information.
- Submit warranty claims

Visit Us at

<http://www.jlg.com>

Model No. _____

Serial No. _____



**CORPORATE OFFICE
JLG INDUSTRIES, INC.**

1 JLG Drive
McConnellsburg, PA. USA
17233-9533
Phone: (717) 485-5161
Toll Free: (877) 554-5438
Fax: (717) 485-6417

*Service Direct: (717) 485-6657 Service Fax: (717) 485-6488 or (717) 485-6815
Parts Direct: (717) 485-6472 Parts Fax: (800) 733-8939 or (717) 485-6441*

JLG Industries (Australia)
P.O. Box 5119
11 Bolwarra Road
Port Macquarie
N.S.W. 2444
Australia
Phone: (61) 2 65 811111
Fax: (61) 2 65 810122

JLG Industries (UK)
Unit 12, Southside
Bredbury Park Industrial
Estate
Bredbury
Stockport
SK6 2sP
England
Phone: (44) 870 200 7700
Fax: (44) 870 200 7711

JLG Deutschland GmbH
Max Planck Strasse 21
D-27721 Ritterhude/Ihlpohl
Bei Bremen
Germany
Phone: (49) 421 693 500
Fax: (49) 421 693 5035

JLG Industries (Italia)
Via Po, 22
20010 Pregnana Milanese-MI
Italy
Phone: (39) 02 9359 5210
Fax: (39) 02 9359 5845

JLG Latino Americana Ltda.
Rua Eng. Carlos Stevenson,
80-Suite71
13092-310 Campinas-SP
Brazil
Phone: (55) 19 3295 0407
Fax: (55) 19 3295 1025

JLG Europe B.V.
Jupiterstraat 234
2132 HJ Hoofddorp
The Netherlands
Phone: (31) 23 565 5665
Fax: (31) 23 557 2493

JLG Industries (Norge AS)
Sofeimyrveien 12
N-1412 Sofienyr
Norway
Phone: (47) 6682 2000
Fax: (47) 6682 2001

JLG Polska
Ul. Krolewska
00-060 Warszawa
Poland
Phone: (48) 91 4320 245
Fax: (48) 91 4358 200

JLG Industries (Europe)
Kilmartin Place,
Tannochside Park
Uddingston G71 5PH
Scotland
Phone: (44) 1 698 811005
Fax: (44) 1 698 811055

JLG Industries (Pty) Ltd.
Unit 1, 24 Industrial Complex
Herman Street
Meadowdale
Germiston
South Africa
Phone: (27) 11 453 1334
Fax: (27) 11 453 1342

Plataformas Elevadoras
JLG Iberica, S.L.
Trapadella, 2
P.I. Castellbisbal Sur
08755Castellbisbal
Spain
Phone: (34) 93 77 24700
Fax: (34) 93 77 11762

JLG Industries (Sweden)
Enkopingsvagen 150
Box 704
SE - 175 27 Jarfalla
Sweden
Phone: (46) 8 506 59500
Fax: (46) 8 506 59534

Visit our Web Site at: <http://www.jlg.com>