

SKYTRAK[®]

Illustrated Parts Manual

Models ***8042, 10042,*** ***10054***

S/N 13198 thru 19987
& 0160002332 thru 0160045249
including 0160045255 excluding
0160042754, 0160042762,
0160042877, 0160042911,
0160043185, 0160043220 &
0160043244

8990395

Revised
July 7, 2017

JLG[®]
An Oshkosh Corporation Company

EFFECTIVITY PAGE

June 3, 2005 - D - Revised Manual

May 11, 2006 - E - Revised Manual

February 23, 2007 - F - Revised Manual

October 9, 2007 - G - Revised Manual

April 17, 2008 - H - Revised Manual (Manual edited to B/M 8042 - 0010622 Revision 32)
(Manual edited to B/M 10042 - 0010623 Revision 27)
(Manual edited to B/M 10054 - 0010624 Revision 28)

January 19, 2008 - I - Revised Manual

August 5, 2009 - J - Revised Manual

July 1, 2010 - K - Revised Manual

February 11, 2011 - L - Revised Manual

August 25, 2011 - M - Revised Manual

November 11, 2011 - N - Revised Manual

April 9, 2012 - O - Revised Manual

June 12, 2012 - P - Revised Manual

July 1, 2015 - Q - Revised Manual

July 9, 2015 - R - Revised Manual

October 19, 2016 - S - Revised Manual

May 25, 2017 - T - Revised Manual

July 7, 2017 - U - Revised Manual

TABLE OF CONTENTS

SECTION 1 - FRAME AND ATTACHING PARTS.....	13
FIGURE 1-1. MAIN FRAME COMPONENTS (SN 13198 through 19987, SN 0160002332 through 0160004669).....	14
FIGURE 1-2. MAIN FRAME COMPONENTS (8042 SN 0160004670 through 0160033642; 10042 SN 0160004670 through 0160033649; 10054 SN 0160004670 through 0160033644).....	16
FIGURE 1-3. MAIN FRAME COMPONENTS (8042 SN 0160033643 to Present; 10042 SN 0160033650 to Present; 10054 SN 0160033645 to Present).....	20
FIGURE 1-4. HOODS AND GUARDS (8042 SN 13198 through 0160029592; 10042 SN 13198 through 0160029606; 10054 SN 13198 through 0160029593).....	22
FIGURE 1-5. HOODS AND GUARDS (8042 SN 0160029593 to Present; 10042 SN 0160029607 to Present; 10054 SN 0160029594 to Present).....	24
FIGURE 1-6. OUTRIGGER MOUNTING 10042/10054.....	26
SECTION 2 - BOOM.....	29
FIGURE 2-1. FIRST BOOM SECTION (SN 13198 through 19987, SN 0160002332 through 0160004670).....	30
FIGURE 2-2. FIRST BOOM SECTION (SN 0160004671 through 0160015024).....	32
FIGURE 2-3. FIRST BOOM SECTION (SN 0160015042 to Present).....	34
FIGURE 2-4. SECOND BOOM SECTION 8042/10042.....	38
FIGURE 2-5. SECOND BOOM SECTION 10054.....	40
FIGURE 2-6. THIRD BOOM SECTION 8042/10042.....	42
FIGURE 2-7. THIRD BOOM SECTION 10054.....	44
FIGURE 2-8. FOURTH BOOM SECTION 10054.....	46
FIGURE 2-9. QUICK ATTACH.....	48
FIGURE 2-10. BOOM EXTEND CHAINS 8042/10042.....	50
FIGURE 2-11. BOOM EXTEND CHAINS 10054.....	52
FIGURE 2-12. BOOM RETRACT CHAINS 8042/10042.....	54
FIGURE 2-13. BOOM RETRACT CHAINS 10054.....	56
SECTION 3 - ATTACHMENTS.....	59
FIGURE 3-1. BUCKETS.....	60
FIGURE 3-2. TILT CARRIAGE (8042 SN 13198 through 19987, SN 0160002332 through 0160034158; 10042 SN 13198 through 19987, SN 0160002332 through 0160033709; 10054 SN 13198 through 19987, SN 0160002332 through 0160034159).....	62
FIGURE 3-3. TILT CARRIAGE (8042 SN 0160034159 to Present; 10042 SN 0160033710 to Present; 10054 SN 0160034160 to Present).....	64
FIGURE 3-4. SIDE TILT CARRIAGE (8042 Prior to SN 0160037799; 10042 Prior to SN 0160037798; 10054 Prior to SN 0160037793).....	66
FIGURE 3-5. SIDE TILT CARRIAGE (8042 SN 0160037799 to Present; 10042 SN 0160037798 to Present; 10054 SN 0160037793 to Present).....	68
FIGURE 3-6. SWING CARRIAGE (8042 Prior to SN 0160037799; 10042 Prior to SN 0160037798; 10054 Prior to SN 0160037793).....	70
FIGURE 3-7. SWING CARRIAGE (8042 SN 0160037799 to Present; 10042 SN 0160037798 to Present; 10054 SN 0160037793 to Present).....	72
FIGURE 3-8. SHEET MATERIAL HANDLER (8042 Prior to SN 0160037799; 10042 Prior to SN 0160037798; 10054 Prior to SN 0160037793).....	74
FIGURE 3-9. SHEET MATERIAL HANDLER (8042 SN 0160037799 to Present; 10042 SN 0160037798 to Present; 10054 SN 0160037793 to Present).....	76
FIGURE 3-10. 3 FT TRUSS BOOM WITH WINCH.....	78
FIGURE 3-11. 12 FT TRUSS BOOM WITH WINCH.....	80
FIGURE 3-12. TRUSS BOOM (8042 Prior to SN 0160037799; 10042 Prior to SN 0160037798; 10054 Prior to SN 0160037793).....	82
FIGURE 3-13. TRUSS BOOM (8042 SN 0160037799 to Present; 10042 SN 0160037798 to Present; 10054 SN 0160037793 to Present).....	84
FIGURE 3-14. LIFTING HOOK.....	86
FIGURE 3-15. FORKS.....	88
FIGURE 3-16. CONCRETE BUCKET.....	90
FIGURE 3-17. SWEEPER ASSEMBLY.....	92
FIGURE 3-18. FORK MOUNTED PLATFORM.....	94
FIGURE 3-19. GRAPPLE BUCKET.....	98
FIGURE 3-20. FORK PIN LOCK INSTALLATION.....	100
FIGURE 3-21. DUAL FORK POSITIONING CARRIAGE ASSEMBLY.....	102
FIGURE 3-22. 8 FT STANDARD MAST.....	104
FIGURE 3-23. SIDE SHIFT CARRIAGE ASSEMBLY (50 INCH), (INCLUDES ALL ITEMS).....	108
SECTION 4 - ENGINE AND ATTACHING PARTS.....	111

TABLE OF CONTENTS

FIGURE 4-1. ENGINE MOUNTING (8042 SN 13198 through 18990; 10042 SN 13198 through 19030; 10054 SN 13198 through 19079).....	112
FIGURE 4-2. ENGINE MOUNTING (8042 SN 18991 through 19987, SN 0160002332 through 0160029586; 10042 SN 19031 through 19987, SN 0160002332 through 0160029586; 10054 SN 19080 through 19987, SN 0160002332 through 0160029586).....	114
FIGURE 4-3. ENGINE MOUNTING (8042 SN 0160029593 through 0160038983; 10054 SN 0160029593 through 0160038983; 10042 SN 0160029593 through 0160038370).....	118
FIGURE 4-4. ENGINE MOUNTING (8042 & 10054 SN 0160038984 through 0160040218, Excluding 0160039850, 0160040126, 0160040127, 0160040128, 0160040129 and 0160040171; 10042 SN 0160038371 through 0160040218, Excluding 0160039850, 0160040126, 0160040127, 0160040128, 0160040129 and 0160040171).....	122
FIGURE 4-5. ENGINE MOUNTING (SN 0160040220 to Present, Including 0160039850, 0160040126, 0160040127, 0160040128, 0160040129 and 0160040171).....	126
FIGURE 4-6. FUEL SYSTEM (8042 SN 13198 through 18990; 10042 SN 13198 through 19030; 10054 SN 13198 through 19079).....	130
FIGURE 4-7. FUEL SYSTEM (8042 SN 18991 through 19987, SN 0160002332 through 0160029592; 10042 SN 19031 through 19987, SN 0160002332 through 0160029606; 10054 SN 19080 through 19987, SN 0160002332 through 0160029593).....	132
FIGURE 4-8. FUEL SYSTEM (8042 & 10054 SN 0160029593 through 0160040218, Excluding 0160039850, 0160040126, 0160040127, 0160040128, 0160040129 and 0160040171; 10042 SN 0160029607 through 0160040218, Excluding 0160039850, 0160040126, 0160040127, 0160040128, 0160040129 and 0160040171).....	134
FIGURE 4-9. FUEL SYSTEM (SN 0160040220 to Present, SN 0160040126 through 0160040129, Including 0160039850 and 0160040171).....	136
FIGURE 4-10. RADIATOR AND OIL COOLER MOUNTING (8042 SN 13198 through 18990; 10042 SN 13198 through 19030; 10054 SN 13198 through 19079).....	138
FIGURE 4-11. RADIATOR AND OIL COOLER MOUNTING (8042 SN 18991 through 19987, SN 0160002332 through 0160010788; 10042 SN 19031 through 19987, SN 0160002332 through 0160010788; 10054 SN 19080 through 19987, SN 0160002332 through 0160010788).....	140
FIGURE 4-12. RADIATOR AND OIL COOLER MOUNTING (8042 SN 0160010789 through 0160029592; 10042 SN 0160010789 through 0160029606; 10054 SN 0160010789 through 0160029592).....	144
FIGURE 4-13. RADIATOR AND OIL COOLER MOUNTING (8042 & 10054 SN 0160029593 through 0160038983; 10042 SN 0160029607 through 0160038370).....	146
FIGURE 4-14. RADIATOR AND OIL COOLER MOUNTING (8042 SN 0160038984 through 0160040218, Excluding 0160039850, 0160040126, 0160040127, 0160040128, 0160040129 and 0160040171; 10054 SN 0160038984 through 0160040218, Excluding 0160039850, 0160040126, 0160040127, 0160040128, 0160040129 and 0160040171; 10042 SN 0160038371 through 0160040218, Excluding 0160039850, 0160040126, 0160040127, 0160040128, 0160040129 and 0160040171).....	150
FIGURE 4-15. RADIATOR AND OIL COOLER MOUNTING (SN 0160040220 to Present, Including 0160039850, 0160040126, 0160040127, 0160040128, 0160040129 and 0160040171).....	154
FIGURE 4-16. AIR CLEANER ASSEMBLY (8042 SN 13198 through 18990; 10042 SN 13198 through 19030; 10054 SN 13198 through 19079).....	156
FIGURE 4-17. AIR CLEANER ASSEMBLY (8042 SN 18991 through 19987, SN 0160002332 through 0160029592; 10042 SN 19031 through 19987, SN 0160002332 through 0160029606; 10054 SN 19080 through 19987, SN 0160002332 through 0160029592).....	158
FIGURE 4-18. AIR CLEANER ASSEMBLY (8042 SN 0160029593 through 0160040218, Excluding 0160039850, 0160040126, 0160040127, 0160040128, 0160040129 and 0160040171; 10054 SN 0160029593 through 0160040218, Excluding 0160039850, 0160040126, 0160040127, 0160040128, 0160040129 and 0160040171; 10042 SN 0160029607 through 0160040218, Excluding 0160039850, 0160040126, 0160040127, 0160040128, 0160040129 and 0160040171).....	160
FIGURE 4-19. AIR CLEANER ASSEMBLY (SN 0160040220 to Present, Including 0160039850, 0160040126, 0160040127, 0160040128, 0160040129 and 0160040171).....	162
FIGURE 4-20. EXHAUST SYSTEM (8042 SN 13198 through 18990; 10042 SN 13198 through 19030; 10054 SN 13198 through 19079).....	164
FIGURE 4-21. EXHAUST SYSTEM (8042 SN 18991 through 19987, SN 0160002332 through 0160029592; 10042 SN 19031 through 19987, SN 0160002332 through 0160029606; 10054 SN 19080 through 19987, SN 0160002332 through 0160029592).....	166
FIGURE 4-22. EXHAUST SYSTEM (8042 SN 0160029593 through 0160035236; 10042 SN 0160029607 through 0160035245; 10054 SN 0160029594 through 0160035235).....	168
FIGURE 4-23. EXHAUST SYSTEM (8042 SN 0160035236 through 0160040218, Excluding 0160039850, 0160040126, 0160040127, 0160040128, 0160040129 and 0160040171; 10054 SN 0160035236 through 0160040218, Excluding 0160039850, 0160040126, 0160040127, 0160040128, 0160040129 and 0160040171; 10042 SN 0160035246 through 0160040218, Excluding 0160039850, 0160040126, 0160040127, 0160040128, 0160040129 and 0160040171).....	170
FIGURE 4-24. EXHAUST SYSTEM (SN 0160040220 to Present, Including 0160039850, 0160040126, 0160040127, 0160040128, 0160040129 and 0160040171).....	172
FIGURE 4-25. ISOLATION COUPLER (8042 SN 13198 through 18990; 10042 SN 13198 through 19030; 10054 SN 13198 through 19079).....	174
FIGURE 4-26. ISOLATION COUPLER (8042 SN 18991 through 19987, SN 0160002332 to Present; 10042 SN 19031 through 19987, SN 0160002332 to Present; 10054 SN 19080 through 19987, SN 0160002332 to Present).....	176
SECTION 5 - DRIVE TRAIN.....	179

TABLE OF CONTENTS

FIGURE 5-26. REAR AXLE - M-DISC BRAKE (8042 Prior to SN 0160038967, Including 0160038971 and 0160038984; 10042 Prior to SN 0160038368, Including 0160038375, 0160038378, 0160038379, 0160038381 and 0160038383; 10054 Prior to SN 0160038740, Excluding 0160021270, 0160036713, 0160036715, 0160036721 and 0160036723)	250
FIGURE 5-27. REAR AXLE - M-DISC BRAKE (8042 SN 0160038967 to Present, Excluding 0160038971 and 0160038984; 10042 SN 0160038368 to Present, Excluding 0160038375, 0160038378, 0160038379, 0160038381 and 0160038383; 10054 SN 0160038740 to Present, Including 0160021270, 0160036713, 0160036715, 0160036721 and 0160036723)	254
FIGURE 5-28. REAR AXLE - BRAKE (8042 Prior to SN 0160038967, Including 0160038971 and 0160038984; 10042 Prior to SN 0160038368, Including 0160038375, 0160038378, 0160038379, 0160038381 and 0160038383; 10054 Prior to SN 0160038740, Excluding 0160021270, 0160036713, 0160036715, 0160036721 and 0160036723)	256
FIGURE 5-29. REAR AXLE - JOINT HOUSING (8042 Prior to SN 0160038967, Including 0160038971 and 0160038984; 10042 Prior to SN 0160038368, Including 0160038375, 0160038378, 0160038379, 0160038381 and 0160038383; 10054 Prior to SN 0160038740, Excluding 0160021270, 0160036713, 0160036715, 0160036721 and 0160036723)	258
FIGURE 5-30. REAR AXLE - JOINT HOUSING (8042 SN 0160038967 to Present, Excluding 0160038971 and 0160038984; 10042 SN 0160038368 to Present, Excluding 0160038375, 0160038378, 0160038379, 0160038381 and 0160038383; 10054 SN 0160038740 to Present, Including 0160021270, 0160036713, 0160036715, 0160036721 and 0160036723)	262
FIGURE 5-31. REAR AXLE - PLANETARY DRIVE (8042 Prior to SN 0160038967, Including 0160038971 and 0160038984; 10042 Prior to SN 0160038368, Including 0160038375, 0160038378, 0160038379, 0160038381 and 0160038383; 10054 Prior to SN 0160038740, Excluding 0160021270, 0160036713, 0160036715, 0160036721 and 0160036723)	264
FIGURE 5-32. REAR AXLE - PLANETARY DRIVE (8042 SN 0160038967 to Present, Excluding 0160038971 and 0160038984; 10042 SN 0160038368 to Present, Excluding 0160038375, 0160038378, 0160038379, 0160038381 and 0160038383; 10054 SN 0160038740 to Present, Including 0160021270, 0160036713, 0160036715, 0160036721 and 0160036723)	266
FIGURE 5-33. ZF TRANSMISSION	268
FIGURE 5-34. ZF TRANSMISSION - ENGINE CONNECTION AND CONVERTOR	270
FIGURE 5-35. ZF TRANSMISSION - INPUT SHAFTS	272
FIGURE 5-36. ZF TRANSMISSION - GEARBOX HOUSING	274
FIGURE 5-37. ZF TRANSMISSION - COUPLING GROUP 1	276
FIGURE 5-38. ZF TRANSMISSION - COUPLING GROUP 2	278
FIGURE 5-39. ZF TRANSMISSION - COUPLING GROUP 3	280
FIGURE 5-40. ZF TRANSMISSION - COUPLING GROUP 4	282
FIGURE 5-41. ZF TRANSMISSION - REVERSING GEAR GROUP 1	284
FIGURE 5-42. ZF TRANSMISSION - REVERSING GEAR GROUP 2	286
FIGURE 5-43. ZF TRANSMISSION - OUTPUT	288
FIGURE 5-44. ZF TRANSMISSION - CONTROL UNIT	290
FIGURE 5-45. ZF TRANSMISSION - VALVE HOUSING ASSEMBLY	292
FIGURE 5-46. ZF TRANSMISSION - VALVE BLOCK ASSEMBLY	294
FIGURE 5-47. ZF TRANSMISSION - OIL PUMP AND FILTER	296
FIGURE 5-48. DRIVE SHAFTS	298
FIGURE 5-49. TIRES AND RIMS 8042	300
FIGURE 5-50. TIRES AND RIMS 10042 AND 10054	304
SECTION 6 - CAB	307
FIGURE 6-1. OPEN CAB	308
FIGURE 6-2. CLOSED CAB (SN 13198 through 19987, SN 0160002332 through 0160008806)	312
FIGURE 6-3. CLOSED CAB (SN 0160008822 to Present)	316
FIGURE 6-4. SOFT CAB ENCLOSURE	320
FIGURE 6-5. CAB DOOR	322
FIGURE 6-6. CAB DOOR (SN 0160050420 to Present, Excluding 0160050281, 0160050282, 0160050283 and 0160050284)	324
FIGURE 6-7. OPERATORS SEAT (SN 13198 through 19987, SN 0160002332 through 0160010386)	326
FIGURE 6-8. OPERATORS SEAT (SN 0160010401 to Present)	328
FIGURE 6-9. FRONT WINDSHIELD WIPER	330
FIGURE 6-10. SKYLIGHT WINDSHIELD WIPER	332
FIGURE 6-11. CAB HEATER (8042 SN 13198 through 19987, SN 0160002332 through 0160031884; 10042 SN 13198 through 19987, SN 0160002332 through 0160031656; 10054 SN 13198 through 19987, SN 0160002332 through 0160031886)	334
FIGURE 6-12. CAB HEATER (8042 SN 0160031885 to Present; 10042 SN 0160031657 to Present; 10054 SN 0160031887 to Present)	336
SECTION 7 - CONTROLS	339
FIGURE 7-1. SERVICE BRAKE PEDAL CONTROL	340
FIGURE 7-2. THROTTLE PEDAL CONTROL (8042 SN 13198 through 18990; 10042 SN 13198 through 19030; 10054 SN 13198 through 19079)	342
FIGURE 7-3. THROTTLE PEDAL CONTROL (8042 SN 18991 through 19987, SN 0160002332 through 0160016590; 10042 SN 19031 through 19987, SN 0160002332 through 0160016667; 10054 SN 19080 through 19987, SN 0160002332 through 0160016706)	344
FIGURE 7-4. THROTTLE PEDAL CONTROL (8042 SN 0160016610 to Present; 10042 SN 0160016668 to Present; 10054 SN 0160016729 to Present)	346

TABLE OF CONTENTS

FIGURE 7-5. STEERING WHEEL AND SHIFTER	348
FIGURE 7-6. CONTROL CONSOLE (8042 SN 13198 through 18990; 10042 SN 13198 through 19030; 10054 SN 13198 through 19079)	350
FIGURE 7-7. CONTROL CONSOLE (8042 SN 18991 through 19987, SN 0160002332 to Present; 10042 SN 19031 through 19987, SN 0160002332 to Present; 10054 SN 19080 through 19987, SN 0160002332 to Present)	352
FIGURE 7-8. BOOM LIFT/LOWER AND EXTEND/RETRACT CONTROL	354
FIGURE 7-9. FRAME SWAY AND ATTACHMENT TILT CONTROL	356
FIGURE 7-10. AUXILIARY HYDRAULIC CONTROL	358
SECTION 8 - HYDRAULIC CIRCUITS.....	361
FIGURE 8-1. SERVICE BRAKE AND DE-CLUTCH ; ; (8042 Prior to SN 0160038967, Including 0160038971 and 0160038984; 10042 Prior to SN 0160038368, Including 0160038375, 0160038378, 0160038379, 0160038381 and 0160038383; 10054 Prior to SN 0160038740; Excluding 0160021270, 0160036713, 0160036715, 0160036721 and 0160036723)	362
FIGURE 8-2. SERVICE BRAKE AND DE-CLUTCH ; ; (8042 SN 0160038967 to Present, Excluding 0160038971 and 0160038984; 10042 SN 0160038368 to Present, Excluding 0160038375, 0160038378, 0160038379, 0160038381 and 0160038383; 10054 SN 0160038740 to Present, Including 0160021270, 0160036713, 0160036715, 0160036721 and 0160036723)	366
FIGURE 8-3. BOOM LIFT/LOWER AND EXTEND/RETRACT (Prior to SN 0160040220, Excluding 0160039850, 0160040126, 0160040127, 0160040128, 0160040129 and 0160040171).....	370
FIGURE 8-4. BOOM LIFT/LOWER AND EXTEND/RETRACT (SN 0160040220 to Present, Including 0160039850, 0160040126, 0160040127, 0160040128, 0160040129 and 0160040171).....	374
FIGURE 8-5. ATTACHMENT TILT AND SLAVE	376
FIGURE 8-6. FRAME SWAY AND STABIL-TRAK	378
FIGURE 8-7. OUTRIGGERS 10042/10054	382
FIGURE 8-8. POWER STEERING	384
FIGURE 8-9. CONTROL VALVE (8042 SN 13198 through 18990; 10042 SN 13198 through 19030; 10054 SN 13198 through 19079)	388
FIGURE 8-10. CONTROL VALVE (8042 SN 18991 through 19987, SN 0160002332 through 0160003203; 10042 SN 19031 through 19987, SN 0160002332 through 0160003631; 10054 SN 19080 through 19987, SN 0160002332 through 0160003204)	392
FIGURE 8-11. CONTROL VALVE (8042 SN 0160003204 through 0160029592; 10042 SN 0160003632 through 0160029606; 10054 SN 0160003205 through 0160029593).....	396
FIGURE 8-12. CONTROL VALVE (8042 SN 0160029593 through 0160038983; 10054 SN 0160029593 through 0160038983; 10042 SN 0160029607 through 0160038370).....	400
FIGURE 8-13. CONTROL VALVE (8042 SN 0160038984 through 0160040218, Except SN 0160040126 through 0160040129, Excluding 0160039850 and 0160040171; 10054 SN 0160038984 through 0160040218, Except SN 0160040126 through 0160040129, Excluding 0160039850 and 0160040171; 10042 SN 0160038371 through 160040218, Except SN 0160040126 through 0160040129, Excluding 0160039850 and 0160040171)	404
FIGURE 8-14. CONTROL VALVE (SN 0160040220 to Present, Including 0160039850, 0160040126, 0160040127, 0160040128, 0160040129 and 0160040171).....	408
FIGURE 8-15. AUXILIARY HYDRAULIC.....	412
FIGURE 8-16. TRANSMISSION COOLER (8042 SN 13198 through 18990; 10042 SN 13198 through 19030; 10054 SN 13198 through 19079)	416
FIGURE 8-17. TRANSMISSION COOLER (8042 SN 18991 through 19987, SN 0160002332 through 0160029592; 10042 SN 19031 through 19987, SN 0160002332 through 0160029606; 10054 SN 19080 through 19987, SN 0160002332 through 0160029593)	418
FIGURE 8-18. TRANSMISSION COOLER AND (8042 SN 0160029593 through 0160038983, Excluding 39850, 40126, 40127, 40128, 40129 and 40171; 10054 SN 0160029593 through 0160038983; 10042 SN 0160029607 through 0160038370).....	420
FIGURE 8-19. TRANSMISSION COOLER (8042 SN 0160038984 through 0160040218, Excluding 39850, 40126, 40127, 40128, 40129 and 40171; 10054 SN 0160038984 through 0160040218, Excluding 39850, 40126, 40127, 40128, 40129 and 40171; 10042 SN 0160038371 through 0160040218, Excluding 39850, 40126, 40127, 40128, 40129 and 40171).....	422
FIGURE 8-20. TRANSMISSION COOLER (SN 0160040220 to Present, Including 0160039850, 0160040126, 0160040127, 0160040128, 0160040129 and 0160040171).....	424
SECTION 9 - HYDRAULIC COMPONENTS	427
FIGURE 9-1. EXTEND/RETRACT CYLINDER (8042 SN 13198 through 19987, SN 0160002332 to Present; 10042 SN 13198 through 18397; 10054 SN 13198 through 19987, SN 0160002332 to Present)	428
FIGURE 9-2. EXTEND/RETRACT CYLINDER (10042 SN 18398 through 19987, SN 0160002332 to Present)	430
FIGURE 9-3. LIFT/LOWER CYLINDER (8042 SN 13198 through 19145; 10042 SN 13198 through 19241; 10054 SN 13198 through 19113)	432
FIGURE 9-4. LIFT/LOWER CYLINDER (8042 SN 19146 through 19987, SN 0160002332 through 0160004653; 10042 SN 19242 through 19987, SN 0160002332 through 0160004259; 10054 SN 19114 through 19987, SN 0160002332 through 0160004654)	434
FIGURE 9-5. LIFT/LOWER CYLINDER (8042 SN 0160004670 through 0160014285; 10042 SN 0160004673 through 0160015021; 10054 SN 0160004667 through 0160015024).....	436

TABLE OF CONTENTS

FIGURE 9-6. LIFT/LOWER CYLINDER (8042 SN 0160015042 through 0160030716; 10042 SN 0160015195 through 0160030708; 10054 SN 0160015044 through 0160030712)	438
FIGURE 9-7. LIFT/LOWER (8042 SN 0160030721 to Present; 10042 SN 0160030767 to Present; 10054 SN 0160030719 to Present).....	440
FIGURE 9-8. ATTACHMENT TILT CYLINDER (8042 SN 13198 through 19791; 10042 SN 13198 through 19788; 10054 SN 13198 through 19745).....	442
FIGURE 9-9. ATTACHMENT TILT CYLINDER (8042 SN 19792 through 19987, SN 0160002332 through 0160004653; 10042 SN 19789 through 19987, SN 0160002332 through 0160004558; 10054 SN 19746 through 19987, SN 0160002332 through 0160006099).....	444
FIGURE 9-10. ATTACHMENT TILT CYLINDER (8042 SN 0160004670 to Present; 10042 SN 0160004673 to Present; 10054 SN 0160006120 to Present).....	446
FIGURE 9-11. FRAME SWAY CYLINDER (8042 SN 13198 through 19987, SN 0160002332 through 0160004653; 10042 SN 13198 through 19987, SN 0160002332 through 0160004558; 10054 SN 13198 through 19987, SN 0160002332 through 0160004654).....	448
FIGURE 9-12. FRAME SWAY CYLINDER (8042 SN 0160004670 through 0160005649; 10042 SN 0160004673 through 0160005333; 10054 SN 0160004673 through 0160005650)	450
FIGURE 9-13. FRAME SWAY CYLINDER (8042 SN 0160005695 to Present; 10042 SN 0160005669 to Present; 10054 SN 0160005697 to Present).....	452
FIGURE 9-14. STABIL-TRAK CYLINDER (8042 SN 13198 through 19145; 10042 SN 13198 through 19241; 10054 SN 13198 through 19113).....	454
FIGURE 9-15. STABIL-TRAK CYLINDER (8042 SN 19146 through 19987, SN 0160002332 to Present; 10042 SN 19242 through 19987, SN 0160002332 to Present; 10054 SN 19114 through 19987, SN 0160002332 to Present; Including).....	456
FIGURE 9-16. SLAVE CYLINDER (8042 SN 13198 through 19987, SN 0160002332 through 0160003866; 10042 SN 13198 through 19987, SN 0160002332 through 0160003858; 10054 SN 13198 through 19987, SN 0160002332 through 0160003864)	458
FIGURE 9-17. SLAVE CYLINDER (8042 SN 0160003866 through 0160004653; 10042 SN 0160003899 through 0160004558; 10054 SN 0160003587 through 0160004667)	460
FIGURE 9-18. SLAVE CYLINDER (8042 SN 0160004670 to Present; 10042 SN 0160004673 to Present; 10054 SN 0160004676 to Present).....	462
FIGURE 9-19. OUTRIGGER CYLINDER (SN 13198 through 19987, SN 0160002332 through 0160002914).....	464
FIGURE 9-20. OUTRIGGER CYLINDER (SN 0160002940 to Present)	466
FIGURE 9-21. PISTON PUMP	468
FIGURE 9-22. PISTON PUMP	472
FIGURE 9-23. PISTON PUMP	474
FIGURE 9-24. PISTON PUMP	476
FIGURE 9-25. MAIN CONTROL VALVE.....	478
FIGURE 9-26. DIRECTIONAL CONTROL VALVE.....	482
FIGURE 9-27. FUEL/HYDRAULIC TANK ASSEMBLY	486
FIGURE 9-28. SIDE TILT CARRIAGE CYLINDER	488
FIGURE 9-29. SIDE TILT CARRIAGE CYLINDER	490
FIGURE 9-30. 72 IN 90, SWING CARRIAGE CYLINDER	492
FIGURE 9-31. GRAPPLE BUCKET CYLINDER	494
FIGURE 9-32. BRAKE VALVE (8042 Prior to SN 0160038988; 10042 Prior to SN 0160038383; 10054 Prior to SN 0160038738)	496
FIGURE 9-33. BRAKE VALVE (8042 SN 0160038988 to Present; 10042 SN 0160038383 to Present; 10054 SN 0160038738 to Present).....	498
FIGURE 9-34. SIDE SHIFT CARRIAGE CYLINDER, 50 INCH, (INCLUDES ALL ITEMS).....	502
SECTION 10 - ELECTRICAL.....	505
FIGURE 10-1. CAB HARNESS (Prior to SN 0160040220, Excluding 0160039850, 0160040126, 0160040127, 0160040128, 0160040129 and 0160040171)	506
FIGURE 10-2. CAB HARNESS (SN 0160040220 to Present, Including 0160039850, 0160040126, 0160040127, 0160040128, 0160040129 and 0160040171)	510
FIGURE 10-3. ENGINE HARNESS (8042 SN 13198 through 18990; 10042 SN 13198 through 19030; 10054 SN 13198 through 19079).....	514
FIGURE 10-4. ENGINE HARNESS (8042 SN 18991 through 19987, SN 0160002332 through 0160014865; 10042 SN 19031 through 19987, SN 0160002332 through 0160014697; 10054 SN 19080 through 19987, SN 0160002332 through 0160014864)	516
FIGURE 10-5. ENGINE HARNESS (8042 SN 0160014888 through 0160029584; 10042 SN 0160014861 through 0160029583; 10054 SN 0160014890 through 0160029586)	520
FIGURE 10-6. ENGINE HARNESS (8042 SN 0160029593 through 0160040218, Excluding 0160039850, 0160040126, 0160040127, 0160040128, 0160040129 and 0160040171; 10054 SN 0160029593 through 0160040218, Excluding 0160040126, 0160040127, 0160040128, 0160040129 and 0160040171; 10042 SN 0160029607 through 0160040218, Excluding 0160040126, 0160040127, 0160040128, 0160040129 and 0160040171).....	524
FIGURE 10-7. ENGINE HARNESS THRU (SN 0160040220 to Present, Including 0160039850, 0160040126, 0160040127, 0160040128, 0160040129 and 0160040171)	530

TABLE OF CONTENTS

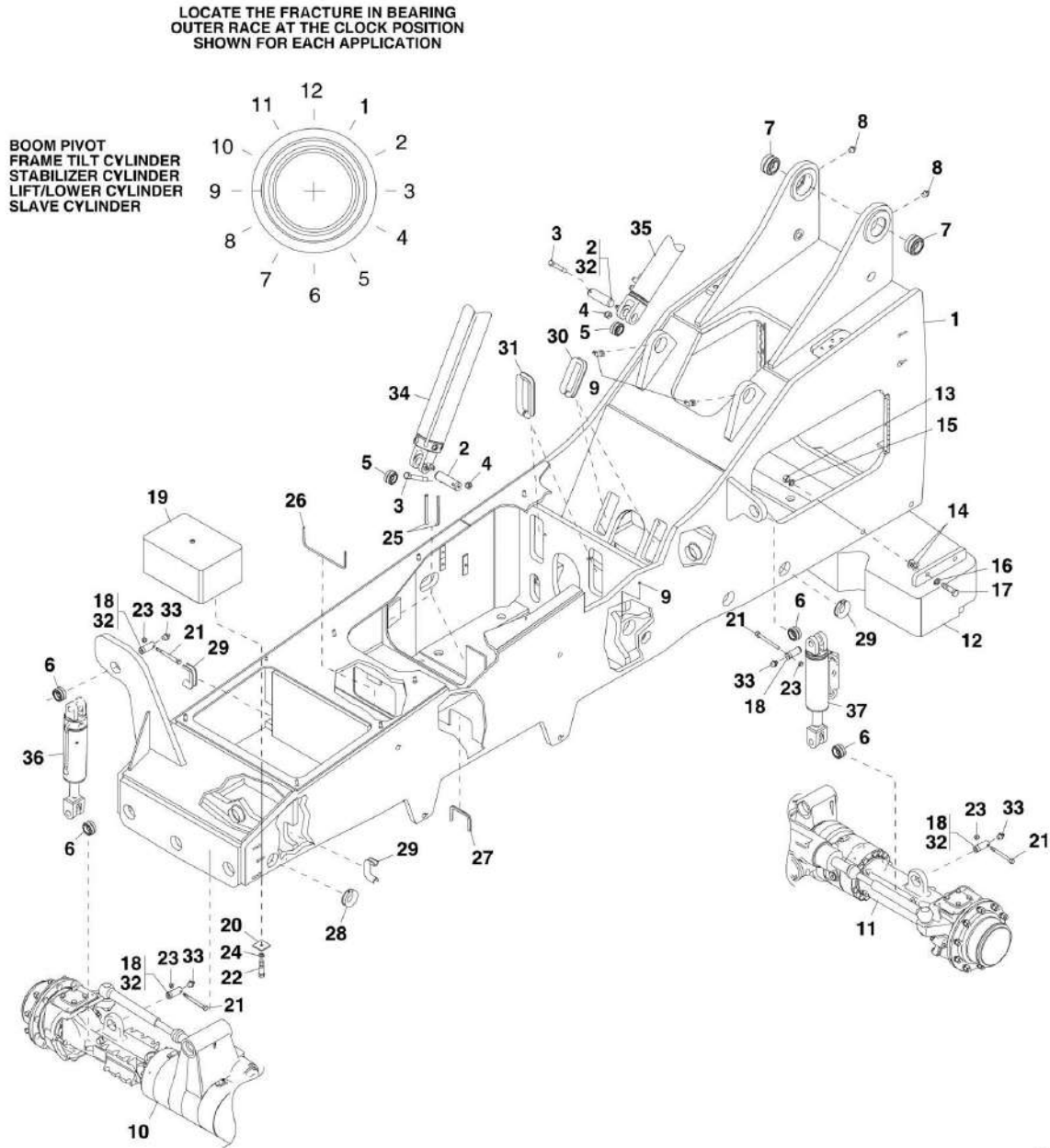
FIGURE 10-8. OUTRIGGER HARNESS	534
FIGURE 10-9. JUMPER HARNESS (Prior to SN 0160040220, Excluding 0160039850, 0160040126, 0160040127, 0160040128, 0160040129 and 0160040171).....	536
SECTION 11 - DECALS	539
FIGURE 11-1. DECALS (Prior to SN 0160029593).....	540
FIGURE 11-2. DECALS (SN 0160029593 to Present)	544
SECTION 12 - OPTIONS	549
FIGURE 12-1. WORKLIGHT SYSTEM.....	550
FIGURE 12-2. ROADLIGHT SYSTEM (SN 13198 through 19987, SN 0160002332 through 0160015215)	552
FIGURE 12-3. ROADLIGHT SYSTEM (SN 0160015216 to Present).....	556
FIGURE 12-4. SWING CARRIAGE CYLINDER (8042 SN 13198 through 19234; 10042 SN 13198 through 19241; 10054 SN 13198 through 19080)	560
FIGURE 12-5. SWING CARRIAGE CYLINDER (8042 SN 19235 through 19987, SN 0160002332 to Present; 10042 SN 19242 through 19987, SN 0160002332 to Present; 10054 SN 19081 through 19987, SN 0160002332 to Present)	562
FIGURE 12-6. SIDE TILT CARRIAGE CYLINDER (SN 13198 through 19987, SN 0160002332 to Present)	564
FIGURE 12-7. FENDER INSTALLATION 8042	566
FIGURE 12-8. FENDER INSTALLATION 10042 & 10054.....	568
FIGURE 12-9. ROTATING BEACON INSTALLATION	570
FIGURE 12-10. FIRST BOOM SECTION SERVICE KIT	572
FIGURE 12-11. REMOTE OIL FILLER (8042 SN 18991 through 19987, SN 0160002332 to Present; 10042 SN 19031 through 19987, SN 0160002332 to Present; 10054 SN 19080 through 19987, SN 0160002332 to Present)	574
FIGURE 12-12. IGNITION SWITCH WEATHER KIT (8042 SN 13198 through 19987, SN 0160002332 through 0160023104; 10042 SN 13198 through 19987, SN 0160002332 through 0160023093; 10054 SN 13198 through 19987, SN 0160002332 through 0160023101)	576
FIGURE 12-13. EXHAUST UPGRADE KIT	578
SECTION 13 - RECOMMENDED SPARE PARTS	581
FIGURE 13-1. RECOMMENDED SPARE PARTS	582
PART NUMBER INDEX	587

SECTION 1 - FRAME AND ATTACHING PARTS

SECTION 1 - FRAME AND ATTACHING PARTS

SECTION 1 - FRAME AND ATTACHING PARTS

FIGURE 1-1. MAIN FRAME COMPONENTS (SN 13198 through 19987, SN 0160002332 through 0160004669)



PH3190

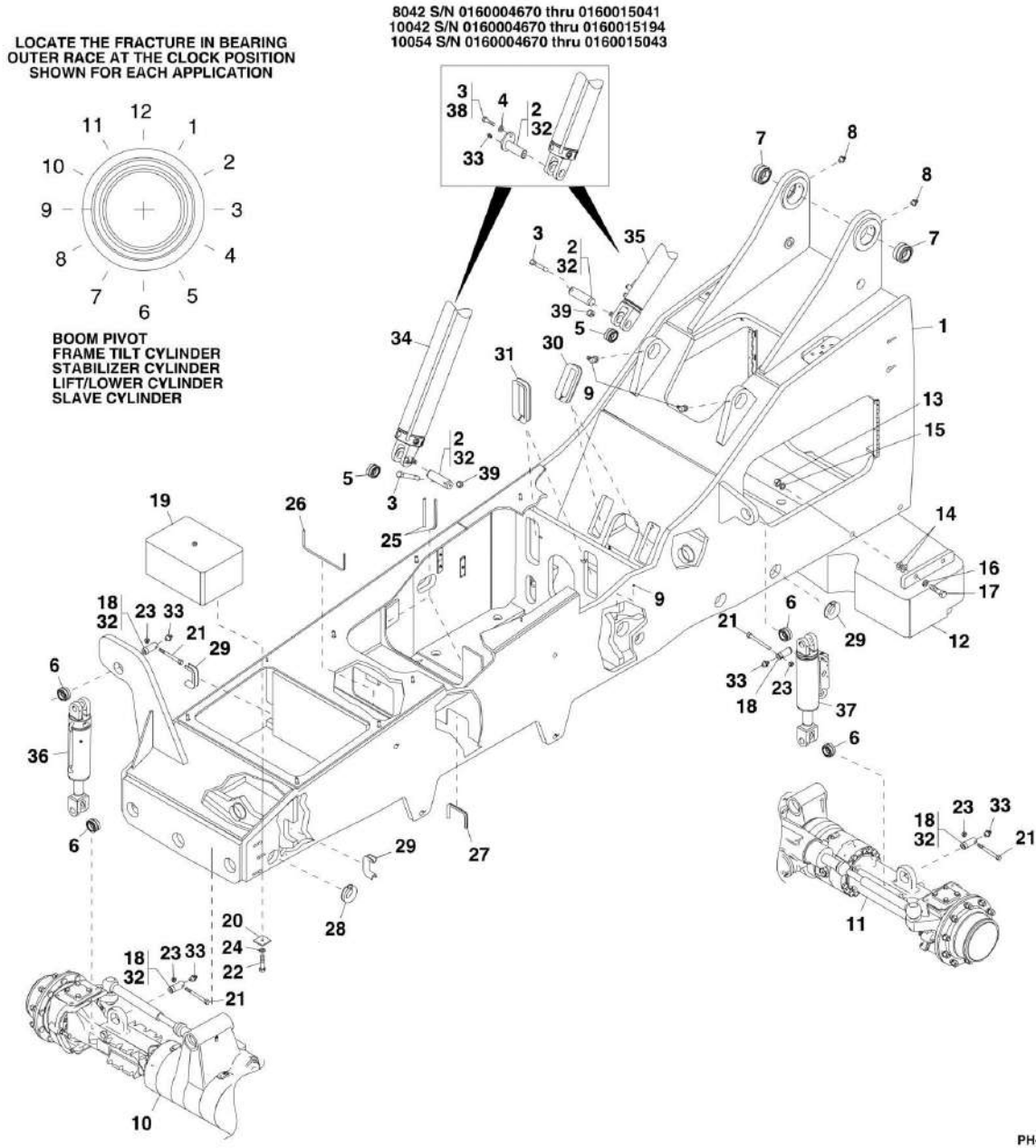
SECTION 1 - FRAME AND ATTACHING PARTS

FIGURE 1-1. MAIN FRAME COMPONENTS (SN 13198 through 19987, SN 0160002332 through 0160004669)

ITEM	PART NUMBER	QTY	DESCRIPTION	REV
1	N.S.S.	1	FRAME WELDMENT	
2	7092292	4	LIFT/LOWER AND SLAVE CYLINDER PINS, (base and rod ends)	
3	8303782	4	HEX HD CAPSCREW, 1/2-13X4	
4	8305644	4	HEX LOCKNUT, 1/2-13	
5	8065640	2	BEARING, (Self Align)	
6	8050001	4	BEARING, (Self Align)	
7	8065641	2	BEARING, (Self Align)	
8	8520013	2	GREASE FITTING, STRAIGHT	
9	8520021	4	GREASE FITTING, 90	
10		Ref	FRONT AXLE, (See DRIVE TRAIN SECTION for Breakdown)	
11		Ref	REAR AXLE, (See DRIVE TRAIN SECTION for Breakdown)	
12	7138879	1	COUNTERWEIGHT	
13	8305021	4	HEX NUT, 1-8	
14	5724302	AR	WASHER, SHIM 0.06	
15	8307012	4	LOCKWASHER, 1	
16	8310066	AR	FLAT WASHER, 0.134	
17	8310051	4	HEX HD CAPSCREW, 1-8X4	
18	7137142	4	TILT AND STABIL-TRAK CYLINDER PINS	
19	7138888	1	FRONT COUNTERWEIGHT, (8042)	
20	7139066	2	COUNTERWEIGHT HOLD DOWN PLATE, (8042)	
21	8303752	4	HEX HD CAPSCREW, 0.312-18X3.5	
22	8303794	2	HEX HD CAPSCREW, 0.750-10X3.5, GR8, (8042)	
23	8305626	4	HEX LOCKNUT, 0.312-18	
24	8307010	2	LOCKWASHER, 0.750, (8042)	
25	7125871	AR	CONDUIT, 0.50X8, (cut to fit)	
26	7138368	AR	CONDUIT, 0.25X2, (cut to fit)	
27	7124301	AR	CONDUIT, 0.5X15.5, (cut to fit)	
28	7124471	AR	CONDUIT, 1 DIAX12.5, (cut to fit)	
29	7124451	AR	CONDUIT, 1 IDX8, (cut to fit)	
30	7139157	AR	CONDUIT, 1 IDX4, (cut to fit)	
31	7139156	AR	CONDUIT, 1 IDX28, (cut to fit)	
32	8522012	AR	ANTI-SEIZE LUBE, (apply to items 2 & 24)	
33	8520001	4	GREASE FITTING, STRAIGHT	
34		Ref	BOOM LIFT AND LOWER CYLINDER, (See HYDRAULIC COMPONENTS SECTION for Breakdown)	
35		Ref	SLAVE CYLINDER, (See HYDRAULIC COMPONENTS SECTION for Breakdown)	
36		Ref	FRAME SWAY CYLINDER, (See HYDRAULIC COMPONENTS SECTION for Breakdown)	
37		Ref	STABIL-TRAK CYLINDER, (See HYDRAULIC COMPONENTS SECTION for Breakdown)	

SECTION 1 - FRAME AND ATTACHING PARTS

FIGURE 1-2. MAIN FRAME COMPONENTS (8042 SN 0160004670 through 0160033642; 10042 SN 0160004670 through 0160033649; 10054 SN 0160004670 through 0160033644)



PH4562

SECTION 1 - FRAME AND ATTACHING PARTS

FIGURE 1-2. MAIN FRAME COMPONENTS (8042 SN 0160004670 through 0160033642; 10042 SN 0160004670 through 0160033649; 10054 SN 0160004670 through 0160033644)

ITEM	PART NUMBER	QTY	DESCRIPTION	REV
1	N.S.S.	1	FRAME WELDMENT	
2	7302039	4	LIFT/LOWER AND SLAVE CYLINDER PINS, (base and rod ends), (8042 SN 0160004670 through 0160015041; 10042 SN 0160004670 through 0160015194; 10054 SN 0160004670 through 0160015043)	
2	3423227	4	LIFT/LOWER AND SLAVE CYLINDER PINS, (base and rod ends), (8042 SN 0160015042 to Present; 10042 SN 0160015195 to Present; 10054 SN 0160015044 to Present)	
3	8303625	4	HEX HD CAPSCREW, 1/2-13X1.25, GR5, (8042 SN 0160004670 through 0160015041; 10042 SN 0160004670 through 0160015194; 10054 SN 0160004670 through 0160015043)	
3	8303782	4	HEX HD CAPSCREW, 1/2-13X4.0, GR5, (8042 SN 0160015042 to Present; 10042 SN 0160015195 to Present; 10054 SN 0160015044 to Present)	
4	8310056	4	PLAIN WASHER, 1/2, (8042 SN 0160004670 through 0160015041; 10042 SN 0160004670 through 0160015194; 10054 SN 0160004670 through 0160015043)	
5	8065640	4	BEARING, (Self Align)	
6	8050001	4	BEARING, (Self Align)	
7	8065641	2	BEARING, (Self Align)	
8	8520013	2	GREASE FITTING, STRAIGHT	
9	8520021	4	GREASE FITTING, 90	
10		Ref	FRONT AXLE, (See DRIVE TRAIN SECTION for Breakdown)	
11		Ref	REAR AXLE, (See DRIVE TRAIN SECTION for Breakdown)	
12	7138879	NLA	COUNTERWEIGHT, (no longer available, use 1001094786 (1), 4892600 (4), 8310051 (4), 0642222 (4), 4892200 (4) & 1001094877 (2) for replacement)	
13	8305021	4	HEX NUT, 1-8	
14	5724302	AR	WASHER, SHIM 0.06	
15	8307012	4	LOCKWASHER, 1	
16	8310066	AR	FLAT WASHER, 0.134	
17	8310051	4	HEX HD CAPSCREW, 1-8X4	
18	7137142	4	TILT AND STABIL-TRAK CYLINDER PINS	
19	7138888	NLA	FRONT COUNTERWEIGHT, (8042), (no longer available, use 1001094787 (1) & 0642216 (2) for replacement)	
20	7139066	2	COUNTERWEIGHT HOLD DOWN PLATE, (8042)	
21	8303752	4	HEX HD CAPSCREW, 0.312-18X3.5	
22	8303794	2	HEX HD CAPSCREW, 0.750-10X3.5, GR8, (8042)	
23	8305626	4	HEX LOCKNUT, 0.312-18	
24	8307010	2	LOCKWASHER, 0.750, (8042)	
25	7125871	AR	CONDUIT, 0.50X8, (cut to fit)	
26	7138368	AR	CONDUIT, 0.25X2, (cut to fit)	
27	7124301	AR	CONDUIT, 0.5X15.5, (cut to fit)	
28	7124471	AR	CONDUIT, 1 DIA X12.5, (cut to fit)	
29	7124451	AR	CONDUIT, 1 IDX8, (cut to fit)	
30	7139157	AR	CONDUIT, 1 IDX4, (cut to fit)	
31	7139156	AR	CONDUIT, 1 IDX28, (cut to fit)	
32	8522012	AR	ANTI-SEIZE LUBE, (apply to items 2 & 24)	
33	8520001	8	GREASE FITTING, STRAIGHT	
34		Ref	BOOM LIFT AND LOWER CYLINDER, (See HYDRAULIC COMPONENTS SECTION for Breakdown)	
35		Ref	SLAVE CYLINDER, (See HYDRAULIC COMPONENTS SECTION	

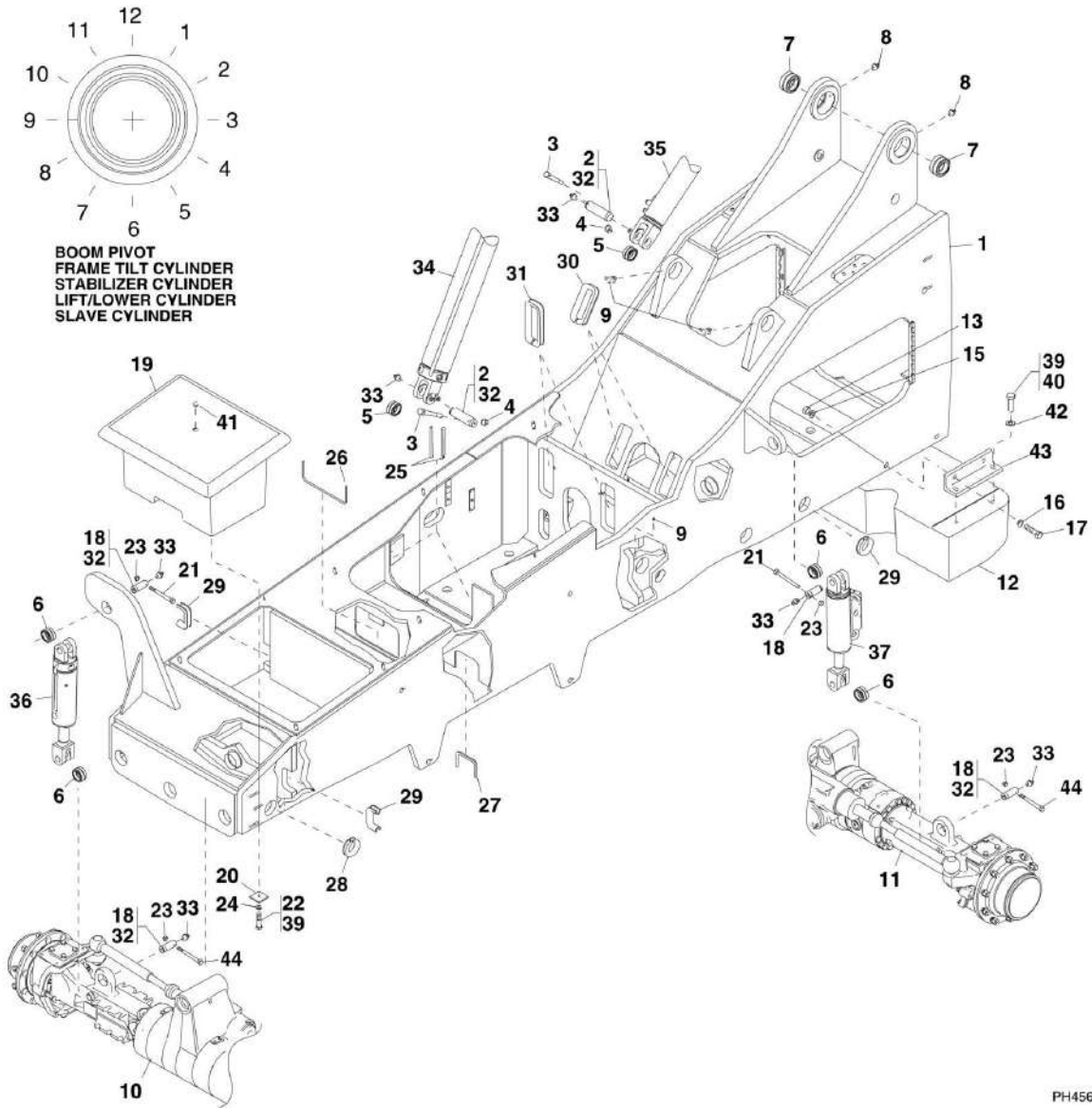
SECTION 1 - FRAME AND ATTACHING PARTS

ITEM	PART NUMBER	QTY	DESCRIPTION	REV
36		Ref	for Breakdown) FRAME SWAY CYLINDER, (See HYDRAULIC COMPONENTS SECTION for Breakdown)	
37		Ref	STABIL-TRAK CYLINDER, (See HYDRAULIC COMPONENTS SECTION for Breakdown)	
38	8526007	AR	LOCTITE 242, (apply to item 3), (8042 SN 0160004670 through 0160015041; 10042 SN 0160004670 through 0160015194; 10054 SN 0160004670 through 0160015043)	
39	8305644	4	HEX LOCKNUT, 1/2-13, (8042 SN 0160015042 to Present; 10042 SN 0160015195 to Present; 10054 SN 0160015044 to Present)	

SECTION 1 - FRAME AND ATTACHING PARTS

FIGURE 1-3. MAIN FRAME COMPONENTS (8042 SN 0160033643 to Present; 10042 SN 0160033650 to Present; 10054 SN 0160033645 to Present)

LOCATE THE FRACTURE IN BEARING
OUTER RACE AT THE CLOCK POSITION
SHOWN FOR EACH APPLICATION



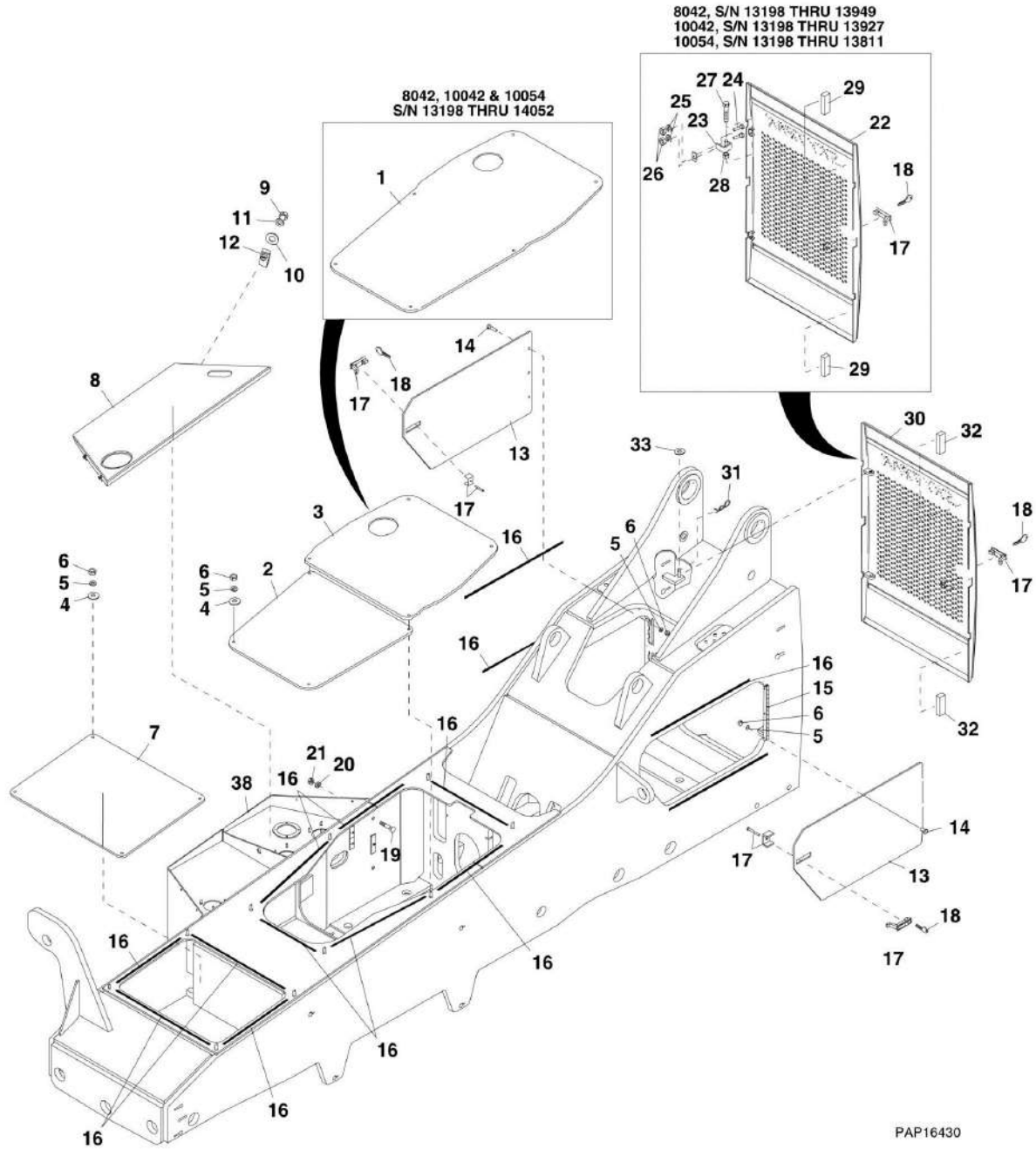
SECTION 1 - FRAME AND ATTACHING PARTS

FIGURE 1-3. MAIN FRAME COMPONENTS (8042 SN 0160033643 to Present; 10042 SN 0160033650 to Present; 10054 SN 0160033645 to Present)

ITEM	PART NUMBER	QTY	DESCRIPTION	REV
1	N.S.S.	1	FRAME WELDMENT	
2	3423227	4	LIFT/LOWER AND SLAVE CYLINDER PINS, (base and rod ends)	
3	8303782	4	HEX HD CAPSCREW, 1/2-13X4.0, GR5	
4	8305644	4	HEX LOCKNUT, 1/2-13	
5	8065640	4	BEARING, (Self Align)	
6	8050001	4	BEARING, (Self Align)	
7	8065641	2	BEARING, (Self Align)	
8	8520013	2	GREASE FITTING, STRAIGHT	
9	8520021	4	GREASE FITTING, 90	
10		Ref	FRONT AXLE, (See DRIVE TRAIN SECTION for Breakdown)	
11		Ref	REAR AXLE, (See DRIVE TRAIN SECTION for Breakdown)	
12	1001094786	1	COUNTERWEIGHT	
13	8305021	4	HEX NUT, 1-8	
15	4762600	4	LOCKWASHER, 1	
16	4892600	4	FLAT WASHER, 1	
17	0642628	4	HEX HD CAPSCREW, 1-8X3-1/2	
18	7137142	4	TILT AND STABIL-TRAK CYLINDER PINS	
19	1001094787	1	FRONT COUNTERWEIGHT, (8042)	
20	7139066	2	COUNTERWEIGHT HOLD DOWN PLATE, (8042)	
21	8303752	4	HEX HD CAPSCREW, 0.312-18X3.5	
22	0642216	2	HEX HD CAPSCREW, 0.750-10X2, GR5, (8042)	
23	8305626	4	HEX LOCKNUT, 0.312-18	
24	8307010	2	LOCKWASHER, 0.750, (8042)	
25	7125871	AR	CONDUIT, 0.50X8, (cut to fit)	
26	7138368	AR	CONDUIT, 0.25X2, (cut to fit)	
27	7124301	AR	CONDUIT, 0.5X15.5, (cut to fit)	
28	7124471	AR	CONDUIT, 1 DIA X12.5, (cut to fit)	
29	7124451	AR	CONDUIT, 1 ID X8, (cut to fit)	
30	7139157	AR	CONDUIT, 1 ID X4, (cut to fit)	
31	7139156	AR	CONDUIT, 1 ID X28, (cut to fit)	
32	8522012	AR	ANTI-SEIZE LUBE, (apply to items 2 & 24)	
33	8520001	8	GREASE FITTING, STRAIGHT	
34		Ref	BOOM LIFT AND LOWER CYLINDER, (See HYDRAULIC COMPONENTS SECTION for Breakdown)	
35		Ref	SLAVE CYLINDER, (See HYDRAULIC COMPONENTS SECTION for Breakdown)	
36		Ref	FRAME SWAY CYLINDER, (See HYDRAULIC COMPONENTS SECTION for Breakdown)	
37		Ref	STABIL-TRAK CYLINDER, (See HYDRAULIC COMPONENTS SECTION for Breakdown)	
39	0100019	AR	LOCTITE 271, (apply to items 22 & 40)	
40	0642222	4	HEX HD CAPSCREW, 0.750-10X2-3/4	
41	3520030	1	PLUG, HOLE, (8042)	
42	4892200	4	FLAT WASHER, 0.750	
43	1001094877	2	COUNTERWEIGHT MOUNTING ANGLE	
44	8310039	2	HEX HD CAPSCREW, 5/16-18X3-3/4, GR5	

SECTION 1 - FRAME AND ATTACHING PARTS

FIGURE 1-4. HOODS AND GUARDS (8042 SN 13198 through 0160029592; 10042 SN 13198 through 0160029606; 10054 SN 13198 through 0160029593)



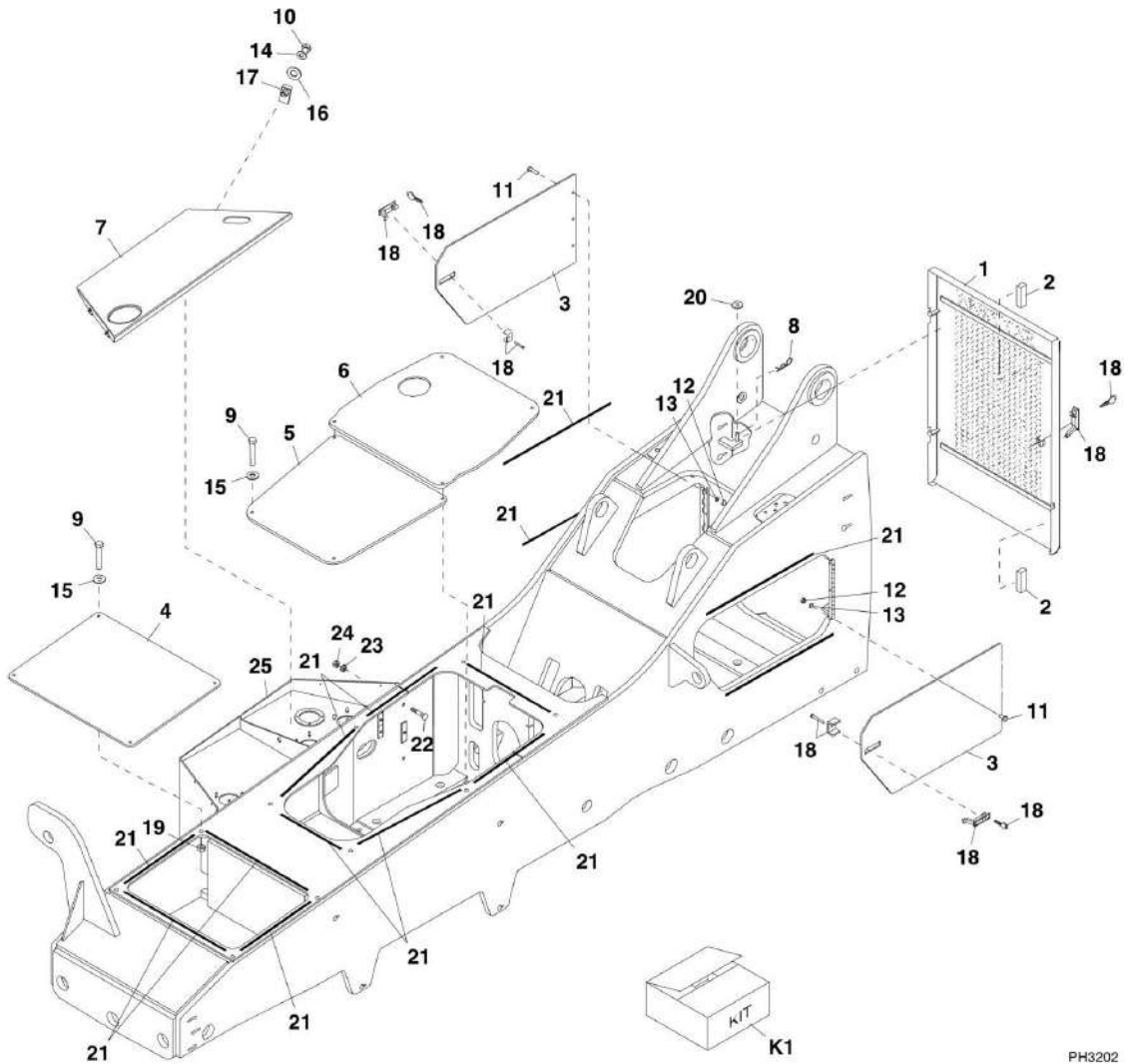
SECTION 1 - FRAME AND ATTACHING PARTS

FIGURE 1-4. HOODS AND GUARDS (8042 SN 13198 through 0160029592; 10042 SN 13198 through 0160029606; 10054 SN 13198 through 0160029593)

ITEM	PART NUMBER	QTY	DESCRIPTION	REV
1	7138730	NLA	TRANSMISSION COVER, (no longer available, use items 2 & 3 for replacement) (SN 13198 through 14052)	
2	7139406	1	LOWER TRANSMISSION COVER (SN 14053 through 0160029592)	
3	7139407	1	UPPER TRANSMISSION COVER (SN 14053 through 0160029592)	
4	8307202	10	FLAT WASHER, 1/4	
5	8307002	16	LOCKWASHER, 1/4	
6	8305004	16	HEX NUT, 1/4-20	
7	7139047	1	COUNTERWEIGHT COVER	
8	7150661	1	FUEL/HYDRAULIC TANK COVER	
9	8303656	4	HEX HD CAPSCREW, 5/16-18X7/8	
10	8307203	4	FLAT WASHER, 5/16	
11	8307004	4	LOCKWASHER, 5/16	
12	8310658	4	RETAINING NUT, 5/16	
13	7138709	2	SIDE ACCESS COVER	
14	8303729	6	HEX HD CAPSCREW, 1/4-20X5/8	
15	7094682	2	SIDE ACCESS COVER HINGE	
16	8581007	AR	FOAM TAPE, 230 IN, (sold by the inch)	
17	8342416	2	LATCH ASSY, WITH LOCK AND KEY, (includes item 18)	
18	8342808	AR	KEY SET	
19	8310129	4	CARRIAGE BOLT, 5/8-11X2-1/2	
20	8307009	4	LOCKWASHER, 5/8	
21	8305014	4	HEX NUT, 5/8-11	
		Ref	8042 SN 13198 through 13949; 10042 SN 13198 through 13927; 10054 SN 13198 through 13811 (Illustration and Parts List Usage)	
22	7150692	1	RADIATOR COVER	
23	7150653	2	REAR DOOR HINGE	
24	8303540	4	HEX HD CAPSCREW, 1/4-20X1	
25	8307002	4	LOCKWASHER, 1/4	
26	8305004	4	HEX NUT, 1/4-20	
27	8303622	2	HEX HD CAPSCREW, 3/8-16X2	
28	8305008	2	HEX NUT, 3/8-16	
29	5724742	2	GASKET	
		Ref	8042 SN 13950 through 0160029592; 10042 SN 13928 through 0160029592; 10054 SN 13812 through 0160029592 (Illustration and Parts List Usage)	
30	7139462	1	RADIATOR COVER	
31	8302470	2	COTTER PIN	
32	5724742	2	GASKET	
33	10732150	AR	FLAT WASHER, M10	
38		Ref	FUEL/HYDRAULIC TANK ASSY, (See HYDRAULIC COMPONENTS SECTION for Breakdown)	

SECTION 1 - FRAME AND ATTACHING PARTS

FIGURE 1-5. HOODS AND GUARDS (8042 SN 0160029593 to Present; 10042 SN 0160029607 to Present; 10054 SN 0160029594 to Present)



PH3202

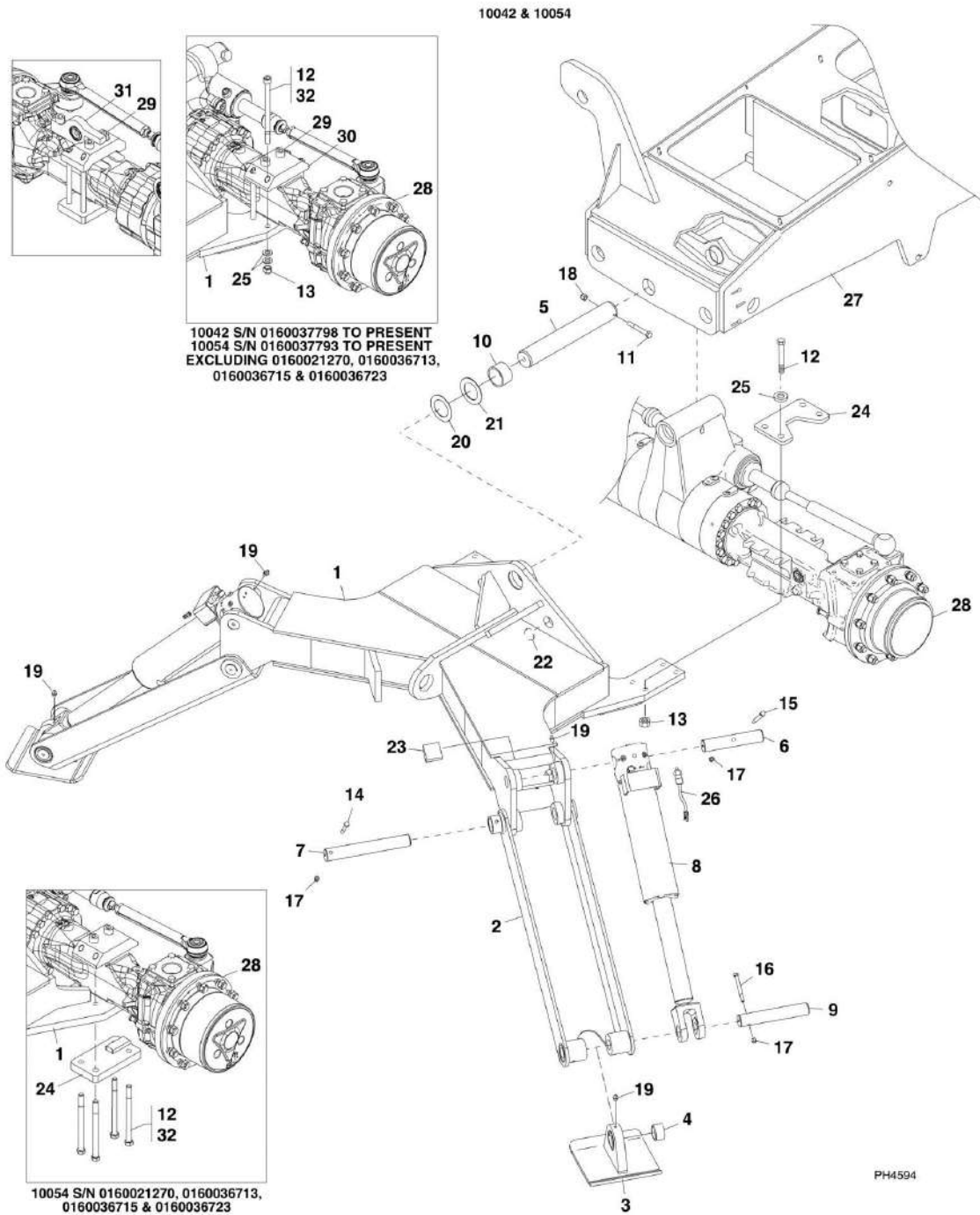
SECTION 1 - FRAME AND ATTACHING PARTS

FIGURE 1-5. HOODS AND GUARDS (8042 SN 0160029593 to Present; 10042 SN 0160029607 to Present; 10054 SN 0160029594 to Present)

ITEM	PART NUMBER	QTY	DESCRIPTION	REV
1	1001094897	1	RADIATOR COVER (SN 0160031620 through 0160040019)	
1	1001125530	1	RADIATOR COVER (SN 0160040020 to Present)	
2	90206196	AR	GASKET	
3	7138709	2	SIDE ACCESS COVER (SN 0160029593 through 0160040219, Except SN 0160040126 through 0160040129, Excluding 0160040171 and 0160039850)	
3	1001111568	1	LEFT SIDE ACCESS COVER (SN 0160040220 to Present, SN 0160040126 through 0160040129, Including 0160039850 and 0160040171)	
3	1001111569	1	RIGHT SIDE ACCESS COVER (SN 0160040220 to Present, SN 0160040126 through 0160040129, Including 0160039850 and 0160040171)	
4	7139047	1	COUNTERWEIGHT COVER, (10042 & 10054)	
4	7139047	1	COUNTERWEIGHT COVER, (8042 SN 0160029593 through 0160033643)	
5	7139406	1	LOWER TRANSMISSION COVER	
6	7139407	1	UPPER TRANSMISSION COVER	
7	7150661	1	FUEL/HYDRAULIC TANK COVER	
8	8302470	2	COTTER PIN	
9	8303615	10	HEX HD CAPSCREW, 1/4-20X1-1/4, GR5	
10	8303656	4	HEX HD CAPSCREW, 5/16-18X7/8	
11	8303729	6	HEX HD CAPSCREW, 1/4-20X5/8	
12	8305004	6	HEX NUT, 1/4-20	
13	8307002	16	LOCKWASHER, 1/4	
14	8307004	4	LOCKWASHER, 5/16	
15	8307202	10	FLAT WASHER, 1/4	
16	8307203	4	FLAT WASHER, 5/16	
17	8310658	4	RETAINING NUT, 5/16	
18	Kit	NLA	LATCH ASSY, WITH LOCK AND KEY, (1001094075 is no longer available)	
18	1001131179	3	LATCH ASSY, WITH LOCK AND KEY (SN 0160043513 to Present)	
18	8342808	AR	KEY SET	
19	8580420	10	WELL NUT	
20	10732150	8	FLAT WASHER, M10	
21	4420037	AR	FOAM TAPE	
22	8310129	4	CARRIAGE BOLT, 5/8-11X2-1/2	
23	8307009	4	LOCKWASHER, 5/8	
24	8305014	4	HEX NUT, 5/8-11	
25		Ref	FUEL/HYDRAULIC TANK ASSY, (See HYDRAULIC COMPONENTS SECTION for Breakdown)	
K1	1001132458	1	LATCH WITH PLATE REPLACEMENT KIT, (includes item 18)	

SECTION 1 - FRAME AND ATTACHING PARTS

FIGURE 1-6. OUTRIGGER MOUNTING 10042/10054



SECTION 1 - FRAME AND ATTACHING PARTS

FIGURE 1-6. OUTRIGGER MOUNTING 10042/10054

ITEM	PART NUMBER	QTY	DESCRIPTION	REV
1	7138601	1	OUTRIGGER FRAME, (10042 Prior to SN 0160038368; 10054 Prior to SN 0160038740)	E
1	1001110483	1	OUTRIGGER FRAME (10042 Including 0160038375, 0160038378, 0160038379, 0160038381 and 0160038383; 10054 Including 0160021270, 0160036713, 0160036715, 0160036721 and 0160036723)	C
1	1001107692	1	OUTRIGGER FRAME, (10042 SN 0160038368 to Present, Excluding 0160038375, 0160038378, 0160038379, 0160038381 and 0160038383; 10054 SN 0160038740 to Present, Excluding 0160021270, 0160036713, 0160036715, 0160036721 and 0160036723)	A
2	7091373	2	OUTRIGGER LEG	
3	7090822	2	OUTRIGGER PAD, (includes item 4)	
4	8065640	1	BEARING, (Self Align)	
5	7090832	1	AXLE PIVOT PIN (10042 SN 13198 through 19987, SN 0160002332 through 0160018244; 10054 SN 13198 through 19987, SN 0160002332 through 0160018374)	
5	3423248	1	AXLE PIVOT PIN, (10042 SN 0160018395 to Present; 10054 SN 0160018382 to Present)	
6	7090871	2	CYLINDER PIVOT PIN	
7	7090891	2	LEG PIVOT PIN	
8		Ref	OUTRIGGER CYLINDER, (See HYDRAULIC COMPONENTS SECTION for Breakdown)	
9	7090951	2	PAD PIVOT PIN	
10	8065063	1	BUSHING, 3 IDX2	
11	8303655	1	HEX HD CAPSCREW, 5/8X4-1/2, GR5 (10042 SN 13198 through 19987, SN 0160002332 through 0160018244; 10054 SN 13198 through 19987, SN 0160002332 through 0160018374)	
11	0642640	1	HEX HD CAPSCREW, 1-8X5, (10042 SN 0160018395 to Present; 10054 SN 0160018382 to Present)	
12	8310475	8	HEX HD CAPSCREW, 3/4X10, GR8, (torque to 260 lb-ft)	
12	1001106346	8	SOC HD CAPSCREW, 3/4-10X11, GR8, (torque to 260 lb-ft) (10042 Including 0160038375, 0160038378, 0160038379, 0160038381 and 0160038383; 10054 Including 0160021270, 0160036713, 0160036715, 0160036721 and 0160036723)	
13	8310067	8	LOCKNUT, 3/4, (10042 Prior to SN 0160038368, Including 0160038375, 0160038378, 0160038379, 0160038381 and 0160038383; 10054 Prior to SN 016008740, Including 0160021270, 0160036713, 0160036715, 0160036721 and 0160036723)	
14	8303628	2	HEX HD CAPSCREW, 1/2X3-3/4, GR5	
15	8310151	2	HEX HD CAPSCREW, 1/2X7, GR5	
16	8303629	2	HEX HD CAPSCREW, 1/2X4-1/2, GR5	
17	8305644	6	LOCKNUT, 1/2	
18	8305643	1	LOCKNUT, 5/8 (10042 SN 13198 through 19987, SN 0160002332 through 0160018244; 10054 SN 13198 through 19987, SN 0160002332 through 0160018374)	
18	8310116	1	LOCKNUT, 1/8, (10042 SN 0160018395 to Present; 10054 SN 0160018382 to Present)	
19	8520013	10	GREASE FITTING	
20	8307912	AR	SHIM, 0.06	
21	8307913	AR	SHIM, 0.12	
22	7124491	2	CONDUIT, 1 IDX15.5	
23	7125801	4	CONDUIT, 0.75 IDX4	
24	7138609	2	MOUNT PLATE, (10042 Prior to SN 0160038368, Including	

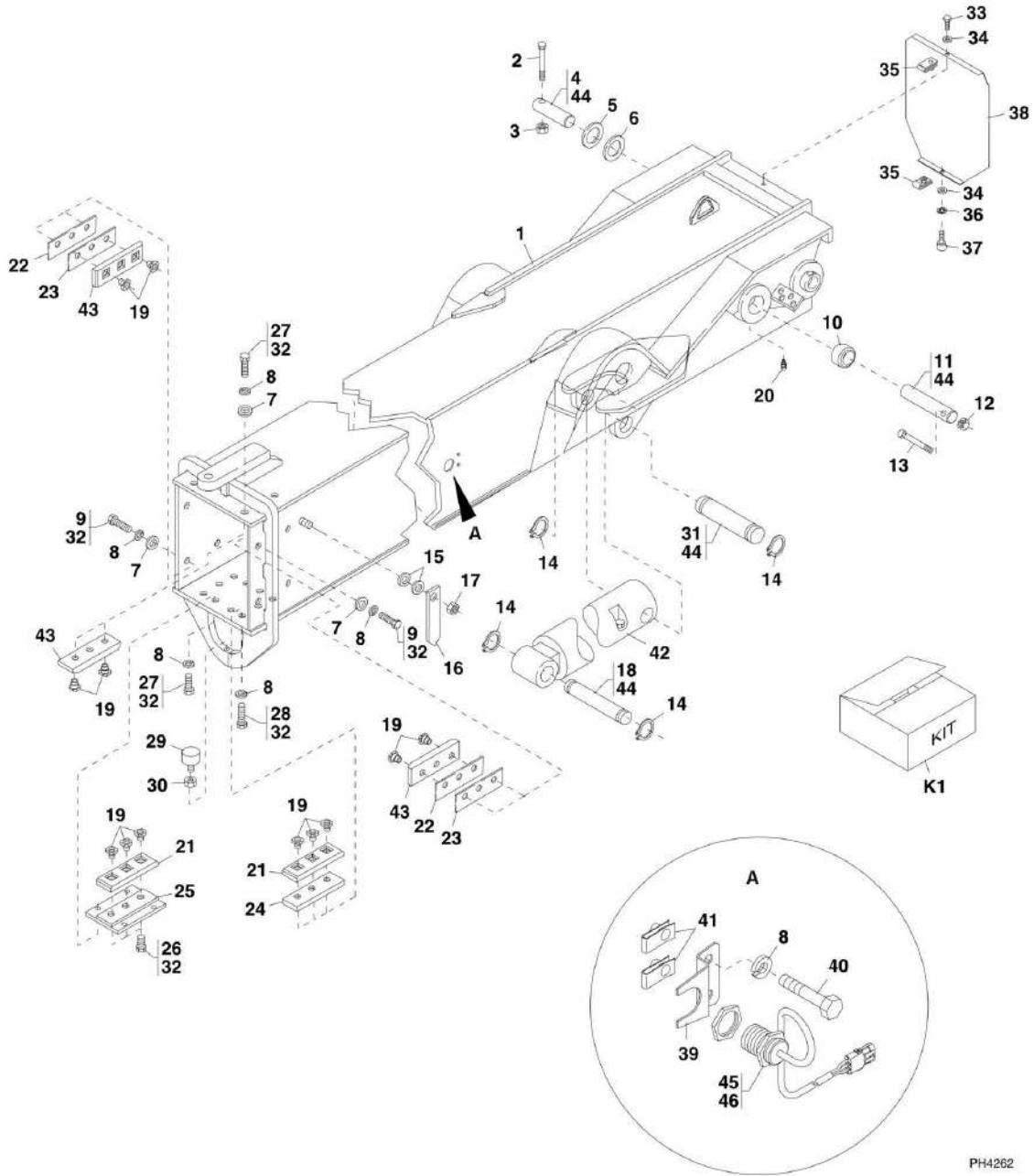
SECTION 1 - FRAME AND ATTACHING PARTS

ITEM	PART NUMBER	QTY	DESCRIPTION	REV
24	1001107664	2	0160038375, 0160038378, 0160038379, 0160038381 and 0160038383; 10054 Prior to SN 0160038740, Excluding 0160021270, 0160036713, 0160036715, 0160036721 and 0160036723) MOUNT PLATE, (10042 SN 0160038368 to Present, Excluding 0160038375, 0160038378, 0160038379, 0160038381 and 0160038383; 10054 SN 0160038740 to Present, Including 0160036713, 0160036715, 0160036721 and 0160036723; Including 0160021270)	
25	8307104	8	PLAIN WASHER, 3/4, (10042 Prior to SN 0160038368; 10054 Prior to SN 0160038740)	
25	8307104	16	PLAIN WASHER, 3/4 (10042 Including 0160038375, 0160038378, 0160038379, 0160038381 and 0160038383; 10054 Including 0160021270, 0160036713, 0160036715, 0160036721 and 0160036723)	
26	8223536	2	PRESSURE SWITCH, (10054)	
27		Ref	MAIN FRAME, (See MAIN FRAME COMPONENTS for Breakdown)	
28		Ref	FRONT AXLE, (See DRIVE TRAIN SECTION for Breakdown)	
29	1001103619	5	SOCKET HD CAPSCREW, M22X1.5X80, (10042 SN 0160037798 to Present; 10054 SN 0160037793 to Present)	
30	1001097046	1	MOUNTING BRACE (10042 Including 0160038375, 0160038378, 0160038379, 0160038381 and 0160038383; 10054 Including 0160021270, 0160036713, 0160036715, 0160036721 and 0160036723)	
30	1001107744	1	MOUNTING BRACE, (10042 SN 0160038368 to Present, Excluding 0160038375, 0160038378, 0160038379, 0160038381 and 0160038383; 10054 SN 0160038740 to Present, Excluding 0160021270 and 0160036713; 10056 Excluding 0160036715 and 0160036721; Excluding 0160036723)	
31	1001105428	1	LUG (10042 Including 0160038375, 0160038378, 0160038379, 0160038381 and 0160038383; 10054 Including 0160021270, 0160036713, 0160036715, 0160036721 and 0160036723)	
31	1001107746	1	LUG, (10042 SN 0160038368 to Present, Excluding 0160038375, 0160038378, 0160038379, 0160038381 and 0160038383; 10054 SN 0160038740 to Present; 10056 Excluding 0160021270, 0160036713, 0160036715, 0160036721 and 0160036723)	
32	0100019	AR	LOCTITE 271	

SECTION 2 - BOOM

SECTION 2 - BOOM

FIGURE 2-1. FIRST BOOM SECTION (SN 13198 through 19987, SN 0160002332 through 0160004670)



PH4262

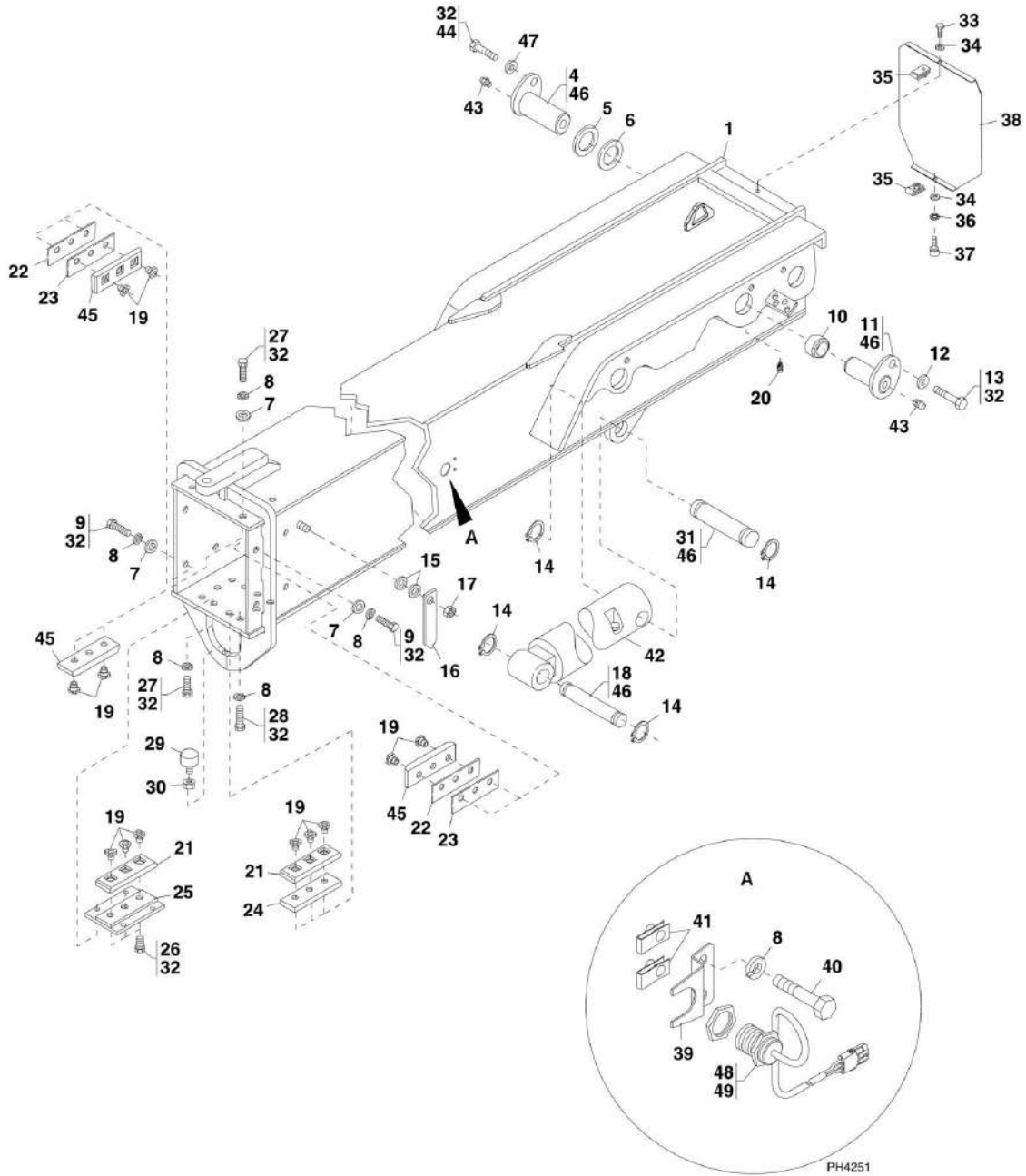
SECTION 2 - BOOM

FIGURE 2-1. FIRST BOOM SECTION (SN 13198 through 19987, SN 0160002332 through 0160004670)

ITEM	PART NUMBER	QTY	DESCRIPTION	REV
1	Kit	1	FIRST BOOM SECTION, (See FIRST BOOM SECTION for Breakdown)	
2	8303655	2	HEX HD CAPSCREW, 5/8-11X4.50	
3	8305643	2	HEX LOCKNUT, 5/8-11	
4	7097682	2	BOOM PIVOT PIN	
5	8307910	AR	WASHER, SHIM, 2.75 DIAx.075	
6	8307911	AR	WASHER, SHIM, 2.75 DIAx.135	
7	8307204	12	FLAT WASHER, 3/8	
8	8307005	24	LOCKWASHER, 3/8	
9	8303681	8	HD HEX CAPSCREW, 3/8-16X3/4, (Loctite and torque to 31 lb-ft)	
10	8065640	4	BEARING, 2 DIA, (self align)	
11	7092292	4	HOIST AND SLAVE CYLINDER PINS	
12	8305644	4	HEX LOCKNUT, 1/2-13	
13	8303782	4	HEX HD CAPSCREW, 1/2-13X4	
14	8642224	4	RETAINING RING, 2 DIA	
15	8307113	2	FLAT WASHER, 7/16	
16	7075611	1	POINTER	
17	8305647	1	HEX LOCKNUT, 7/16-14	
18	7096562	1	EXTEND CYLINDER PIN, (rod end)	
19	7082311	21	WEAR PAD INSERT	
20	8520013	4	LUBE FITTING, STRAIGHT, 1/8	
21	7111572	3	WEAR PAD	
22	7082342	AR	SHIM, WEAR PAD, 0.07	
23	7082362	AR	SHIM, WEAR PAD, 0.13	
24	7096882	2	SPACER, WEAR PAD, 0.62	
25	7096772	1	SPACER, WEAR PAD, (special)	
26	8303041	3	HEX HD CAPSCREW, 3/8-16X1/2, (Loctite and torque to 31 lb-ft)	
27	8303620	8	HEX HD CAPSCREW, 3/8-16X1, (Loctite and torque to 31 lb-ft)	
28	8303621	6	HEX HD CAPSCREW, 3/8-16X1-1/2, (Loctite and torque to 31 lb-ft)	
29	5724622	1	RUBBER BUMPER	
30	8305645	1	HEX LOCKNUT, 3/8-16	
31	7096552	1	EXTEND CYLINDER PIN, (base end)	
32	8526007	AR	LOCTITE 242, (apply to items 9, 26, 27 & 28)	
33	8303697	1	HEX HD CAPSCREW, 5/16-18X3/4	
34	8307106	2	FLAT WASHER, 5/16	
35	8305906	2	RETAINER NUT, 5/16-18	
36	8310431	1	LOCKWASHER, 5/16, (internal tooth)	
37	8310497	1	THUMB SCREW, 5/16-18X1.50	
38	7116792	1	REAR BOOM COVER	
39	7138468	1	PROXIMITY SWITCH CLIP	
40	8303738	2	HEX HD CAPSCREW, 0.375-16X.88	
41	8310113	2	CAGE NUT, 0.375-16	
42		Ref	EXTEND/RETRACT CYLINDER, (See HYDRAULIC COMPONENTS SECTION for Breakdown)	
43	7079572	6	WEAR PAD	
44	8522012	AR	ANTI-SEIZE LUBE, (apply to items 4, 11, 18 & 31)	
45	7099882	1	BOOM ANGLE SENSOR, (8042 & 10042)	
46	7099882	2	BOOM ANGLE AND BOOM INTERLOCK SENSOR, (10054 only)	
K1	7302086	1	FIRST BOOM SECTION SERVICE KIT, (includes item 1)	

SECTION 2 - BOOM

FIGURE 2-2. FIRST BOOM SECTION (SN 0160004671 through 0160015024)



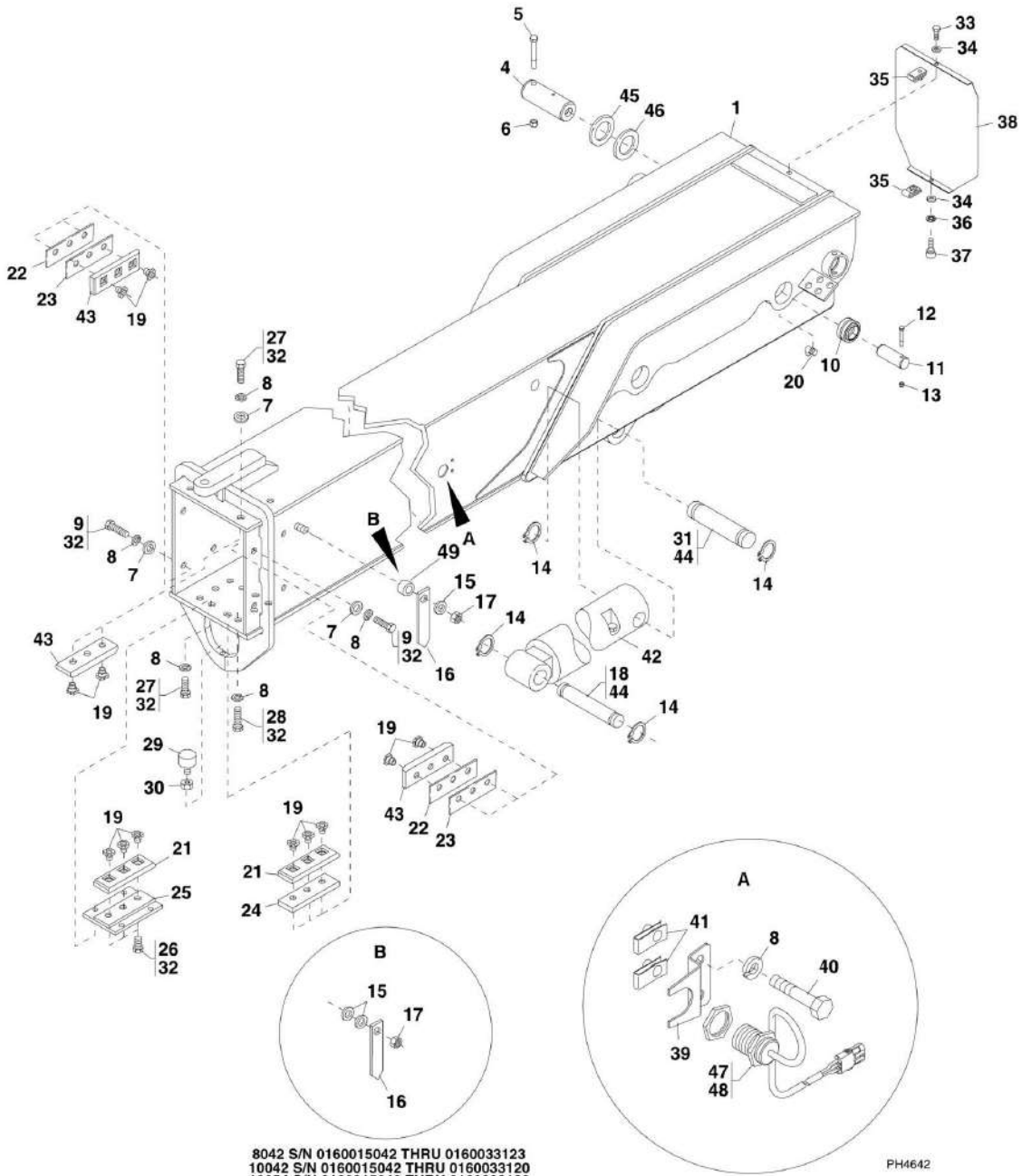
SECTION 2 - BOOM

FIGURE 2-2. FIRST BOOM SECTION (SN 0160004671 through 0160015024)

ITEM	PART NUMBER	QTY	DESCRIPTION	REV
1	7302010	1	FIRST BOOM SECTION	
4	7302024	2	BOOM PIVOT PIN	
5	8307910	AR	WASHER, SHIM, 2.75 DIAx.075	
6	8307911	AR	WASHER, SHIM, 2.75 DIAx.135	
7	8307204	12	FLAT WASHER, 3/8	
8	8307005	24	LOCKWASHER, 3/8	
9	8303681	8	HD HEX CAPSCREW, 3/8-16X3/4, (Loctite and torque to 31 lb-ft)	
10	8065640	4	BEARING, 2 DIA, (self align)	
11	7302039	4	HOIST AND SLAVE CYLINDER PINS	
12	8310056	4	PLAIN WASHER, 1/2	
13	8303625	4	HEX HD CAPSCREW, 1/2-13X1.25, GR5	
14	8642224	4	RETAINING RING, 2 DIA	
15	8307113	2	FLAT WASHER, 7/16	
16	7075611	1	POINTER	
17	8305647	1	HEX LOCKNUT, 7/16-14	
18	7096562	1	EXTEND CYLINDER PIN, (rod end)	
19	7082311	21	WEAR PAD INSERT	
20	8520013	4	LUBE FITTING, STRAIGHT, 1/8	
21	7111572	3	WEAR PAD	
22	7082342	AR	SHIM, WEAR PAD, (.07)	
23	7082362	AR	SHIM, WEAR PAD, (.13)	
24	7096882	2	SPACER, WEAR PAD, (.62)	
25	7096772	1	SPACER, WEAR PAD, (special)	
26	8303041	3	HEX HD CAPSCREW, 3/8-16X1/2, (Loctite and torque to 31 lb-ft)	
27	8303620	8	HEX HD CAPSCREW, 3/8-16X1, (Loctite and torque to 31 lb-ft)	
28	8303621	6	HEX HD CAPSCREW, 3/8-16X1-1/2, (Loctite and torque to 31 lb-ft)	
29	5724622	1	RUBBER BUMPER	
30	8305645	1	HEX LOCKNUT, 3/8-16	
31	7096552	1	EXTEND CYLINDER PIN, (base end)	
32	8526007	AR	LOCTITE 242, (apply to items 9, 13, 26, 27 & 28)	
33	8303697	1	HEX HD CAPSCREW, 5/16-18X3/4	
34	8307106	2	FLAT WASHER, 5/16	
35	8305906	2	RETAINER NUT, 5/16-18	
36	8310431	1	LOCKWASHER, 5/16, (internal tooth)	
37	8310497	1	THUMB SCREW, 5/16-18X1.50	
38	7116792	1	REAR BOOM COVER	
39	7138468	1	PROXIMITY SWITCH CLIP	
40	8303738	2	HEX HD CAPSCREW, 0.375-16X.88	
41	8310113	2	CAGE NUT, 0.375-16	
42		Ref	EXTEND/RETRACT CYLINDER, (See HYDRAULIC COMPONENTS SECTION for Breakdown)	
43	8520001	6	LUBE FITTING, 1/8	
44	8303712	2	HEX HD CAPSCREW, 5/8-11X1-1/2, GR5	
45	7079572	6	WEAR PAD	
46	8522012	AR	ANTI-SEIZE LUBE, (apply to items 4, 11, 18 & 31)	
47	8310058	2	PLAIN WASHER, 5/8	
48	7099882	1	BOOM ANGLE SENSOR, (8042 & 10042)	
49	7099882	2	BOOM ANGLE AND BOOM INTERLOCK SENSOR, (10054)	

SECTION 2 - BOOM

FIGURE 2-3. FIRST BOOM SECTION (SN 0160015042 to Present)



SECTION 2 - BOOM

FIGURE 2-3. FIRST BOOM SECTION (SN 0160015042 to Present)

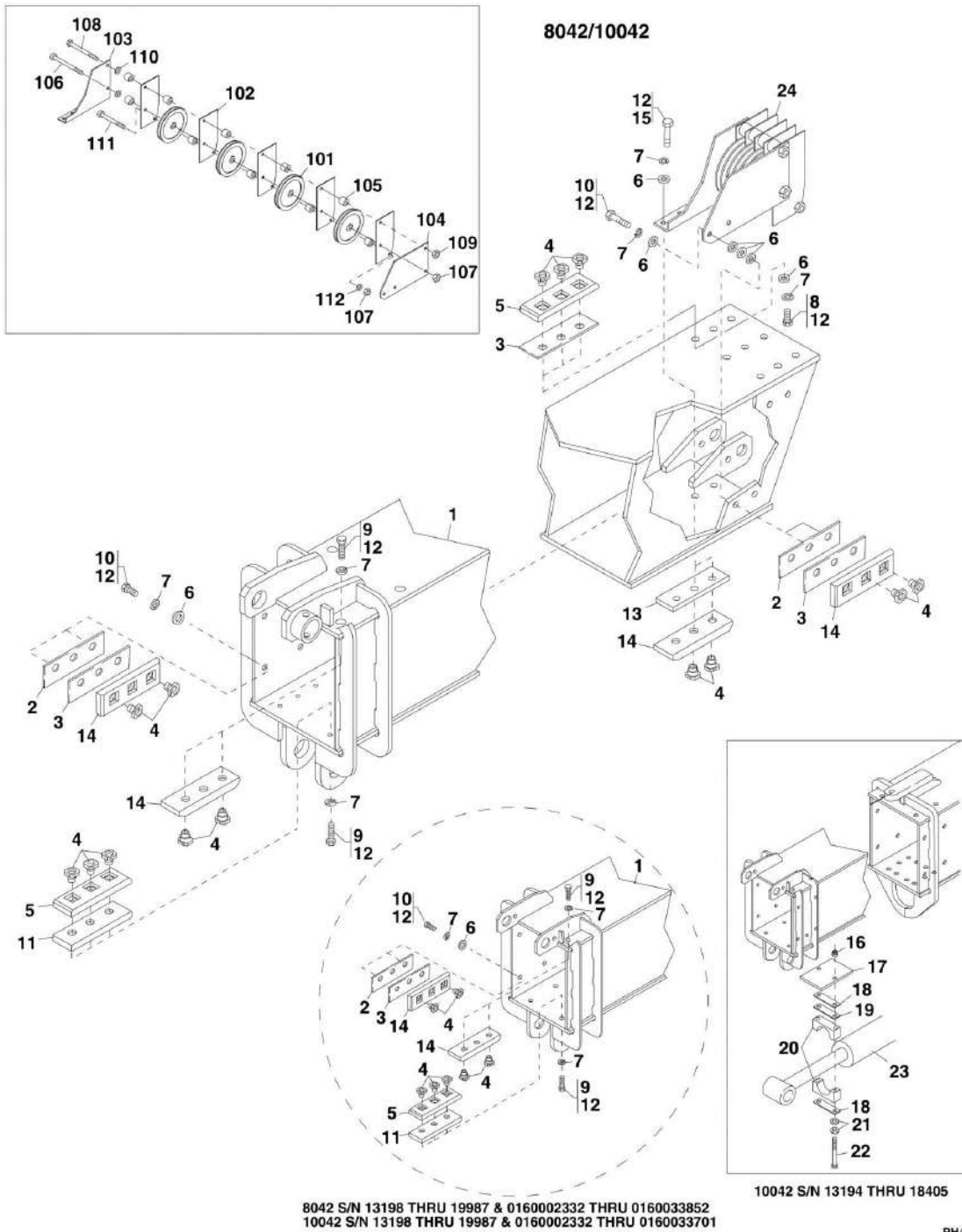
ITEM	PART NUMBER	QTY	DESCRIPTION	REV
1	7302010	1	FIRST BOOM SECTION	
4	3423226	2	BOOM PIVOT PIN	
5	8303655	2	HEX HD CAPSCREW, 5/8-11X4-1/2, GR5	
6	8305643	2	LOCKNUT, 5/8-11	
7	8307204	12	FLAT WASHER, 3/8	
8	8307005	24	LOCKWASHER, 3/8	
9	8303681	8	HD HEX CAPSCREW, 3/8-16X3/4, (Loctite and torque to 31 lb-ft)	
10	8065640	4	BEARING, 2 DIA, (self align)	
11	3423227	4	HOIST AND SLAVE CYLINDER PINS	
12	8303782	4	HEX HD CAPSCREW, 1/2-13X4, GR5	
13	8305644	4	LOCKNUT, 1/2-13	
14	8642224	4	RETAINING RING, 2 DIA	
15	8307113	2	FLAT WASHER, 7/16 (8042 SN 0160015042 through 0160033123; 10042 SN 0160015042 through 0160033120; 10054 SN 0160015042 through 0160033122)	
15	4711600	1	FLAT WASHER, 3/8 (8042 SN 0160033124 to Present; 10042 SN 0160033121 to Present; 10054 SN 0160033123 to Present)	
16	7075611	1	POINTER (8042 SN 0160015042 through 0160033123; 10042 SN 0160015042 through 0160033120; 10054 SN 0160015042 through 0160033122)	
16	1001098769	1	POINTER (8042 SN 0160033124 to Present; 10042 SN 0160033121 to Present; 10054 SN 0160033123 to Present)	
17	8305647	1	HEX LOCKNUT, 7/16-14 (8042 SN 0160015042 through 0160033123; 10042 SN 0160015042 through 0160033120; 10054 SN 0160015042 through 0160033122)	
17	8305645	1	HEX LOCKNUT, 3/8-16, (torque to 12 lb-ft) (8042 SN 0160033124 to Present; 10042 SN 0160033121 to Present; 10054 SN 0160033123 to Present)	
18	7096562	1	EXTEND CYLINDER PIN, (rod end)	
19	7082311	21	WEAR PAD INSERT	
20	8520003	4	LUBE FITTING, 90, 1/8	
21	7111572	3	WEAR PAD	
22	7082342	AR	SHIM, WEAR PAD, 0.07	
23	7082362	AR	SHIM, WEAR PAD, 0.13	
24	7096882	2	SPACER, WEAR PAD, 0.62	
25	7096772	1	SPACER, WEAR PAD, (special)	
26	8303041	3	HEX HD CAPSCREW, 3/8-16X1/2, (Loctite and torque to 31 lb-ft)	
27	8303620	8	HEX HD CAPSCREW, 3/8-16X1, (Loctite and torque to 31 lb-ft)	
28	8303621	6	HEX HD CAPSCREW, 3/8-16X1-1/2, (Loctite and torque to 31 lb-ft)	
29	5724622	1	RUBBER BUMPER	
30	3311601	1	HEX LOCKNUT, 3/8-16, (apply item 32)	
31	7096552	1	EXTEND CYLINDER PIN, (base end)	
32	8526007	AR	LOCTITE 242, (apply to items 9, 13, 26, 27, 28 & 30)	
33	8303697	1	HEX HD CAPSCREW, 5/16-18X3/4	
34	8307106	2	FLAT WASHER, 5/16	
35	8305906	2	RETAINER NUT, 5/16-18	
36	8310431	1	LOCKWASHER, 5/16, (internal tooth)	
37	8310497	1	THUMB SCREW, 5/16-18X1.50	
38	7116792	1	REAR BOOM COVER	
39	7138468	1	PROXIMITY SWITCH CLIP	
40	8303738	2	HEX HD CAPSCREW, 0.375-16X.88	
41	8310113	2	CAGE NUT, 0.375-16	

SECTION 2 - BOOM

ITEM	PART NUMBER	QTY	DESCRIPTION	REV
42		Ref	EXTEND/RETRACT CYLINDER, (See HYDRAULIC COMPONENTS SECTION for Breakdown)	
43	7079572	6	WEAR PAD	
44	8522012	AR	ANTI-SEIZE LUBE, (apply to items 4, 11, 18 & 31)	
45	8307910	AR	WASHER, SHIM, 2.75 DIAx.075	
46	8307911	AR	WASHER, SHIM, 2.75 DIAx.135	
47	7099882	1	BOOM ANGLE SENSOR, (8042 & 10042)	
48	7099882	2	BOOM ANGLE AND BOOM INTERLOCK SENSOR, (10054)	
49	1001096404	1	SPACER, ANGLE INDICATOR (8042 SN 0160033124 to Present; 10042 SN 0160033121 to Present; 10054 SN 0160033123 to Present)	

SECTION 2 - BOOM

FIGURE 2-4. SECOND BOOM SECTION 8042/10042



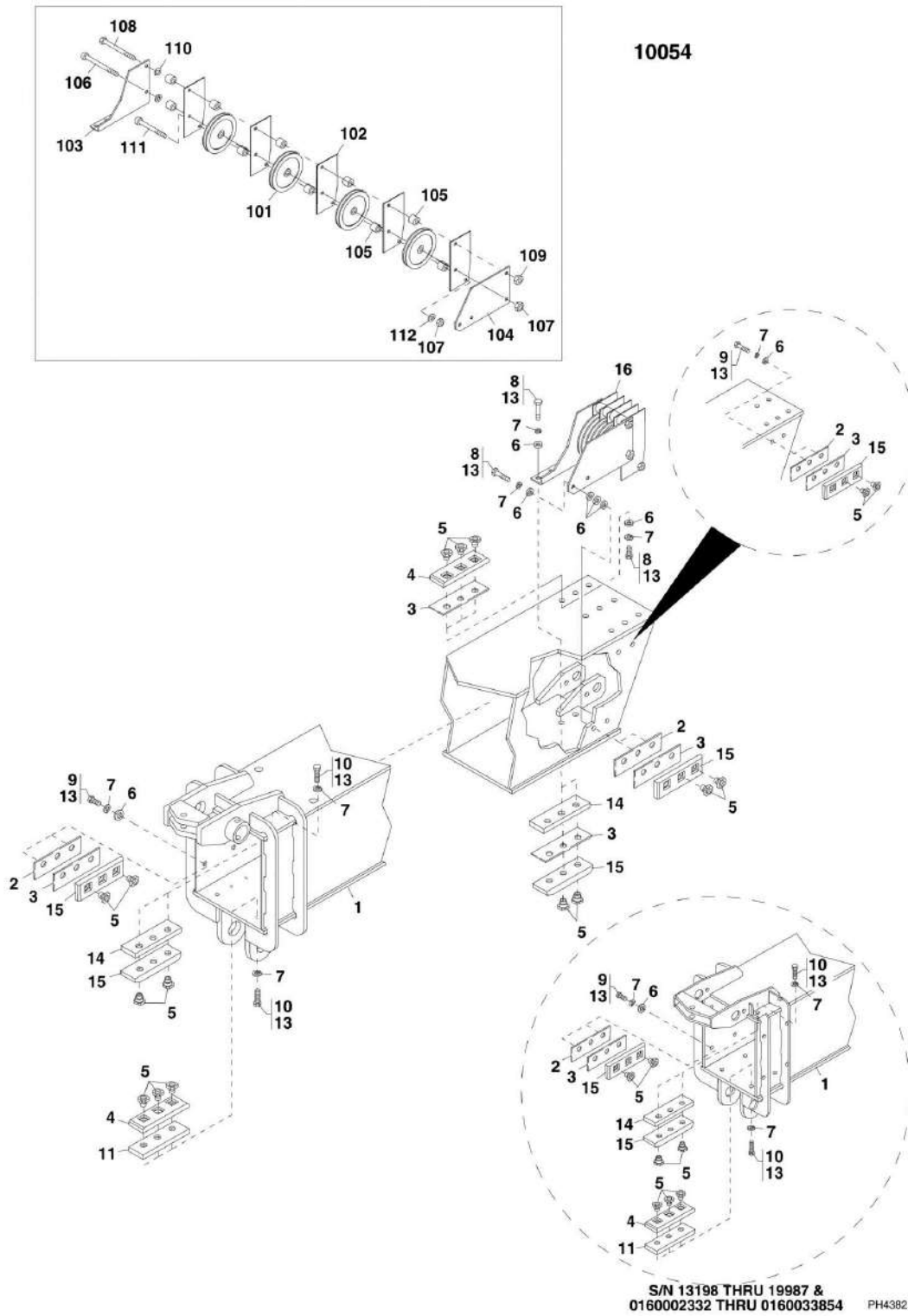
SECTION 2 - BOOM

FIGURE 2-4. SECOND BOOM SECTION 8042/10042

ITEM	PART NUMBER	QTY	DESCRIPTION	REV
1	7116784	NLA	SECOND BOOM SECTION, (no longer available, use 1001098089, 1001097735, 8305643 & 8303634 for replacement) (8042 SN 13198 through 19987, SN 0160002332 through 0160033852; 10042 SN 13198 through 19987, SN 0160002332 through 0160033701)	
1	1001098089	1	SECOND BOOM SECTION, (8042 SN 0160033853 to Present; 10042 SN 0160033702 to Present)	
2	7082362	AR	SHIM, WEAR PAD, (.13)	
3	7082342	AR	SHIM, WEAR PAD, (.07)	
4	7082311	37	WEAR PAD INSERT	
5	7111572	5	WEAR PAD	
6	8307204	27	FLAT WASHER, 3/8	
7	8307005	37	LOCKWASHER, 3/8	
8	8303620	9	HEX HD CAPSCREW, 3/8-16X1, (Loctite and torque to 31 lb-ft)	
9	8303621	10	HEX HD CAPSCREW, 3/8-16X1-1/2, (Loctite and torque to 31 lb-ft)	
10	8303681	16	HEX HD CAPSCREW, 3/8-16X3/4, (Loctite and torque to 31 lb-ft)	
11	7096882	2	WEAR PAD SPACER, (0.62 thick)	
13	7096702	3	WEAR PAD SPACER, (0.5)	
14	7079572	11	WEAR PAD	
15	8303675	2	HEX HD CAPSCREW, 3/8-16X1-1/4, (Loctite and torque to 31 lb-ft)	
16	8305643	2	HEX LOCKNUT, 5/8-11	
17	7110002	1	BOOM STOP PLATE	
18	8769159	2	COVER PLATE	
19	8769160	1	SAFETY PLATE	
20	8769158	1	SINGLE CLAMP, 3	
21	8307107	AR	FLAT WASHER, 5/8	
22	8303717	2	HEX HD CAPSCREW, 5/8-11X7-1/2, GR5	
23		Ref	EXTEND/RETRACT CYLINDER, (See HYDRAULIC COMPONENTS SECTION for Breakdown)	
24	7116733	1	HOSE PULLEY ASSY, (includes items 101 thru 112)	C
101	7116812	4	ROLLER PULLEY	
102	7116642	5	DIVIDER	
103	7116652	1	BRACKET, (right side)	
104	7116662	1	BRACKET, (left side)	
105	7116691	10	SPACER	
106	8310235	1	SHOULDER SCREW, 1/2X5	
107	8305645	2	LOCKNUT, 3/8-16	
108	8310209	1	HEX HD CAPSCREW, 1/2-13X6	
109	8305644	1	LOCKNUT, 1/2-13	
110	8307206	2	FLAT WASHER, 1/2	
111	8310245	1	SHOULDER SCREW, 1/2X4	
112	8307204	1	FLAT WASHER, 3/8	

SECTION 2 - BOOM

FIGURE 2-5. SECOND BOOM SECTION 10054



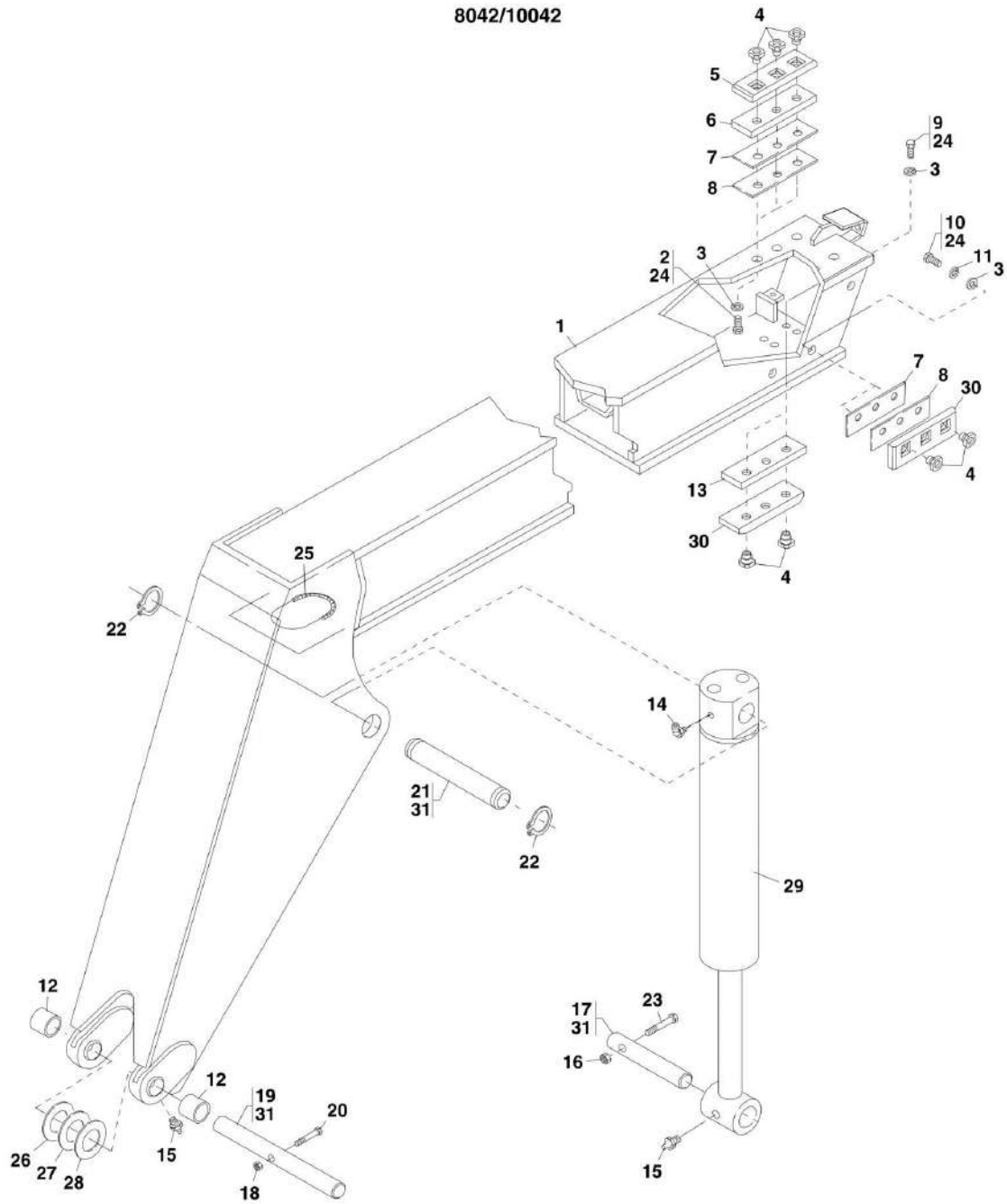
SECTION 2 - BOOM

FIGURE 2-5. SECOND BOOM SECTION 10054

ITEM	PART NUMBER	QTY	DESCRIPTION	REV
1	7118854	NLA	SECOND BOOM SECTION, (no longer available, use 1001097721, 1001097735, 8305643 & 8303634 for replacement) (1005 SN 13198 through 19987; 10054 SN 0160002332 through 0160033854)	
1	1001097721	1	SECOND BOOM SECTION (SN 0160033855 to Present)	
2	7082362	AR	SHIM, WEAR PAD, 0.13	
3	7082342	AR	SHIM, WEAR PAD, 0.075	
4	7111572	5	WEAR PAD	
5	7082311	36	WEAR PAD INSERT	
6	8307204	26	FLAT WASHER, 3/8	
7	8307005	36	LOCKWASHER, 3/8	
8	8303620	8	HEX HD CAPSCREW, 3/8-16X1	
9	8303681	14	HEX HD CAPSCREW, 3/8-16X3/4, (Loctite and torque to 31 lb-ft)	
10	8303621	12	HEX HD CAPSCREW, 3/8-16X1-1/2, (Loctite and torque to 31 lb-ft)	
11	7096882	2	SPACER, WEAR PAD, 0.62	
13	8526007	AR	LOCTITE 242, (apply to items 8, 9 & 10)	
14	7096702	3	SPACER, WEAR PAD, (1/2)	
15	7079572	11	WEAR PAD	
16	7116733	1	HOSE PULLEY ASSY, (includes items 101 thru 112)	C
101	7116812	4	ROLLER PULLEY	
102	7116642	5	DIVIDER	
103	7116652	1	BRACKET, (right side)	
104	7116662	1	BRACKET, (left side)	
105	7116691	10	SPACER	
106	8310235	1	SHOULDER SCREW, 1/2X5	
107	8305645	2	LOCKNUT, 3/8-16	
108	8310209	1	HEX HD CAPSCREW, 1/2-13X6	
109	8305644	1	LOCKNUT, 1/2-13	
110	8307206	2	FLAT WASHER, 1/2	
111	8310245	1	SHOULDER SCREW, 1/2X4	
112	8307204	1	FLAT WASHER, 3/8	

SECTION 2 - BOOM

FIGURE 2-6. THIRD BOOM SECTION 8042/10042



PH4280

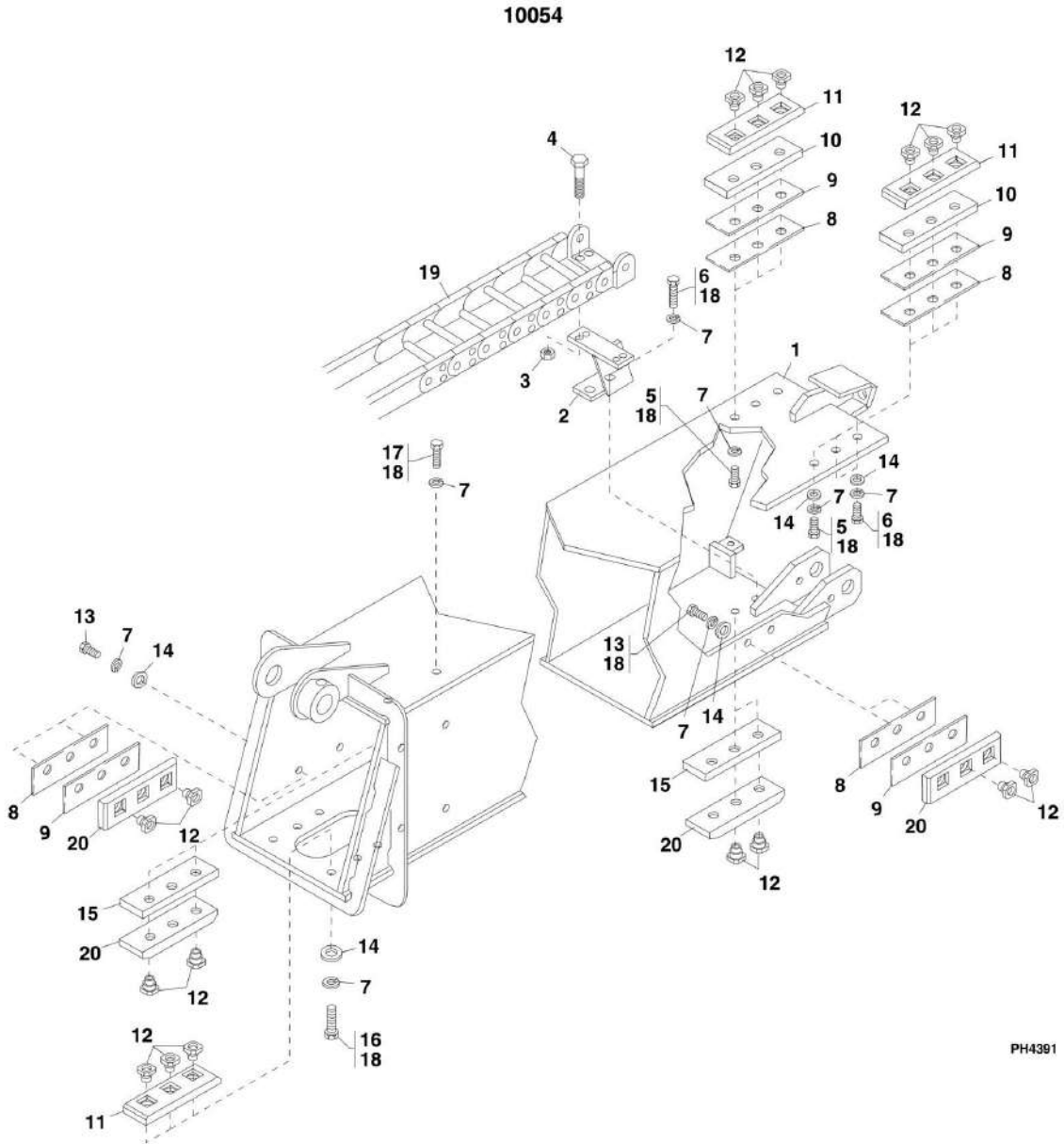
SECTION 2 - BOOM

FIGURE 2-6. THIRD BOOM SECTION 8042/10042

ITEM	PART NUMBER	QTY	DESCRIPTION	REV
1	7117113	1	THIRD BOOM SECTION	
2	8303679	6	HEX HD CAPSCREW, 3/8-16X1-3/4, (Loctite and torque to 31 lb-ft)	
3	8307005	16	LOCKWASHER, 3/8	
4	7082311	16	WEAR PAD INSERT	
5	7111572	2	WEAR PAD	
6	7096882	2	SPACER, WEAR PAD, 0.62	
7	7082362	AR	SHIM, WEAR PAD, 0.13	
8	7082342	AR	SHIM, WEAR PAD, 0.07	
9	8303675	2	HEX HD CAPSCREW, 3/8-16X1-1/4, (Loctite and torque to 31 lb-ft)	
10	8303681	8	HEX HD CAPSCREW, 3/8-16X3/4, (Loctite and torque to 31 lb-ft)	
11	8307204	8	FLAT WASHER, 3/8	
12	7095312	2	QUICK ATTACH PIVOT BUSHING	
13	7096702	1	SPACER, WEAR PAD, 0.5	
14	8520021	1	LUBE FITTING, 90, 1/8	
15	8520013	3	LUBE FITTING, STRAIGHT, 1/8	
16	8305644	1	HEX LOCKNUT, 1/2-13	
17	7083992	1	ATTACHMENT TILT CYLINDER PIN, (rod end)	
18	8305643	1	HEX LOCKNUT, 5/8-11	
19	7095352	1	QUICK ATTACH PIVOT PIN	
20	8303666	1	HEX HD CAPSCREW, 5/8-11X5	
21	7095522	1	ATTACHMENT TILT CYLINDER PIN, (base end)	
22	8642224	2	RETAINING RING, 2 DIA	
23	8303772	1	HEX HD CAPSCREW, 1/2-13X5	
25	7125811	1	PLASTIC CONDUIT, 3/4X8	
26	8307918	2	WASHER, SHIM 2X3.5X.134	
27	8310093	AR	WASHER, SHIM 2X3.5X.75	
28	8307904	AR	WASHER, SHIM 2X3.5X.048	
29		Ref	ATTACHMENT TILT CYLINDER, (See HYDRAULIC COMPONENTS SECTION for Breakdown)	
30	7079572	5	WEAR PAD	
31	8522012	AR	ANTI SEIZE LUBE, (apply to items 17, 19 & 21)	

SECTION 2 - BOOM

FIGURE 2-7. THIRD BOOM SECTION 10054



PH4391

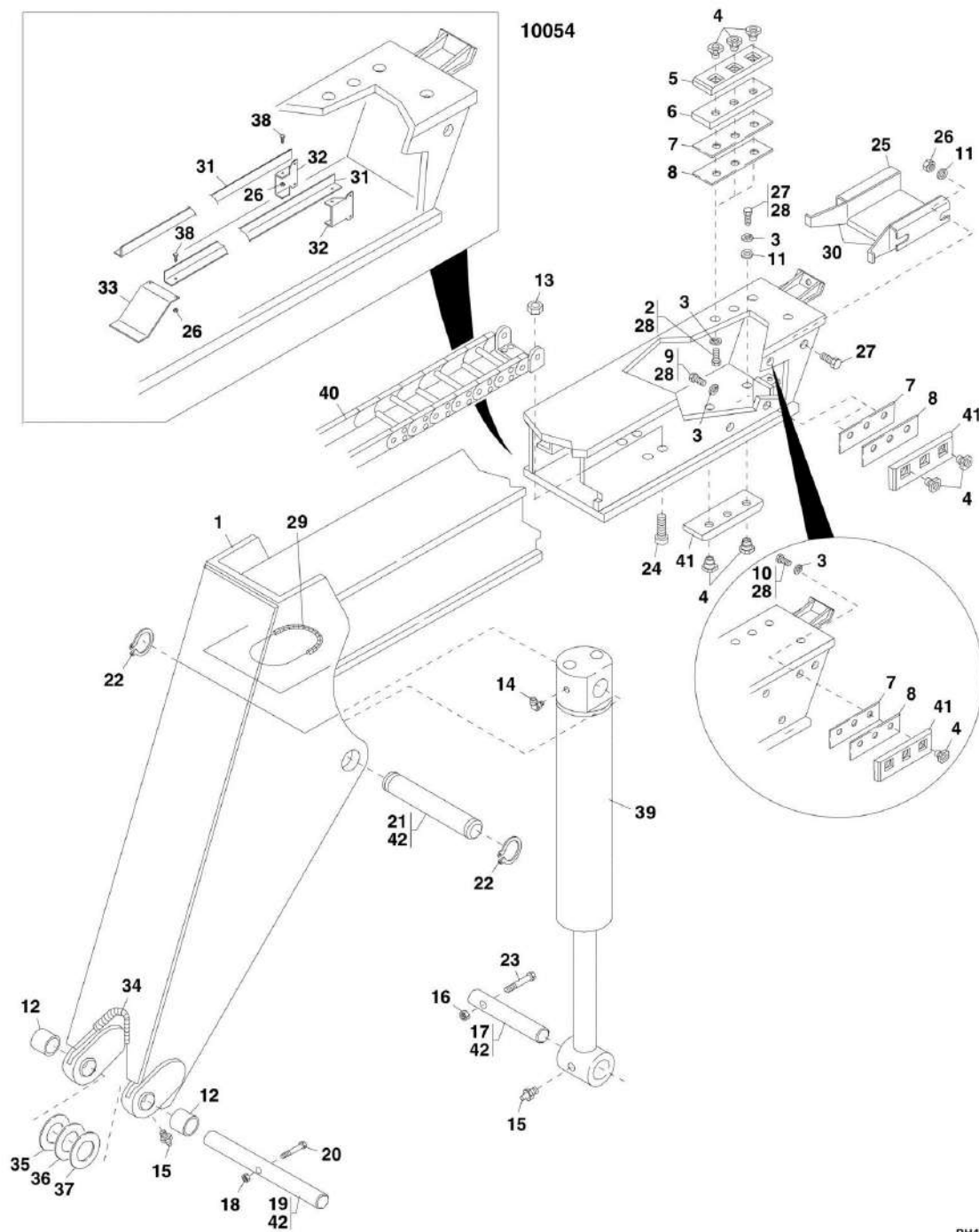
SECTION 2 - BOOM

FIGURE 2-7. THIRD BOOM SECTION 10054

ITEM	PART NUMBER	QTY	DESCRIPTION	REV
1	7117414	1	THIRD BOOM SECTION	
2	7112732	1	HOSE CLAMP SUPPORT	
3	8305624	4	HEX LOCKNUT, 1/4-20	
4	8310026	4	HEX HD CAPSCREW, 1/4-20X3/4	
5	8303679	4	HEX HD CAPSCREW, 3/8-16X1-3/4, (Loctite and torque to 31 lb-ft)	
6	8303622	2	HEX HD CAPSCREW, 3/8-16X2, (Loctite and torque to 31 lb-ft)	
7	8307005	34	LOCKWASHER, 3/8	
8	7082362	AR	SHIM, WEAR PAD, 0.13	
9	7082342	AR	SHIM, WEAR PAD, 0.07	
10	7096882	2	SPACER, WEAR PAD, 0.62	
11	7111572	5	WEAR PAD	
12	7082311	34	WEAR PAD INSERT	
13	8303681	16	HEX HD CAPSCREW, 3/8-16X3/4, (Loctite and torque to 31 lb-ft)	
14	8307204	25	FLAT WASHER, 3/8	
15	7096702	3	SPACER, WEAR PAD, 0.50	
16	8303620	6	HEX HD CAPSCREW, 3/8-16X1, (Loctite and torque to 31 lb-ft)	
17	8303621	4	HEX HD CAPSCREW, 3/8-16X1-1/2, (Loctite and torque to 31 lb-ft)	
19		Ref	HOSE CARRIER, (See HYDRAULIC CIRCUITS SECTION for Breakdown)	
20	7079572	11	WEAR PAD	

SECTION 2 - BOOM

FIGURE 2-8. FOURTH BOOM SECTION 10054



PH4400

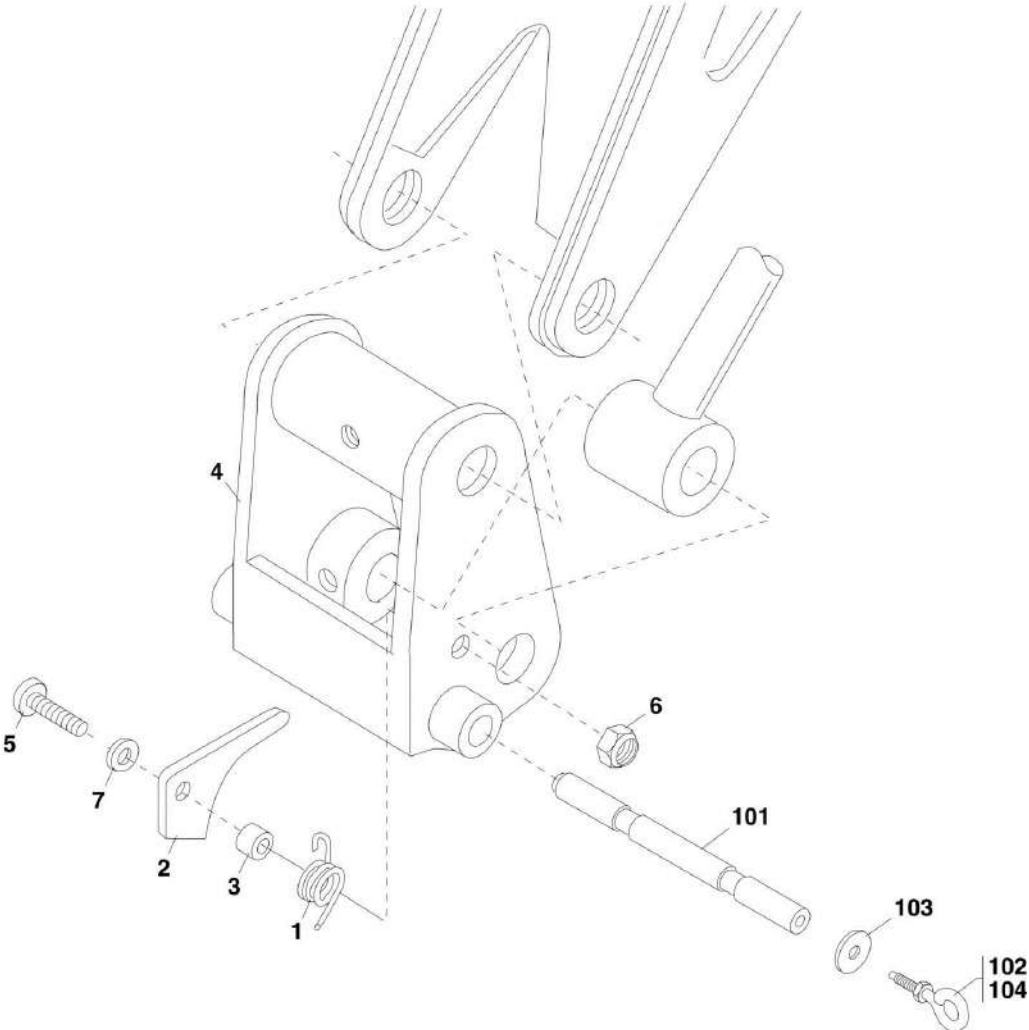
SECTION 2 - BOOM

FIGURE 2-8. FOURTH BOOM SECTION 10054

ITEM	PART NUMBER	QTY	DESCRIPTION	REV
1	7117133	1	FOURTH BOOM SECTION	
2	8303621	6	HEX HD CAPSCREW, 3/8-16X1-1/2, (Loctite and torque to 31 lb-ft)	
3	8307005	16	LOCKWASHER, 3/8	
4	7082311	16	WEAR PAD INSERT	
5	7111572	7	WEAR PAD	
6	7096702	2	SPACER, WEAR PAD, 0.50	
7	7082362	AR	SHIM, WEAR PAD, 0.13	
8	7082342	AR	SHIM, WEAR PAD, 0.07	
9	8303681	6	HEX HD CAPSCREW, 3/8-16X3/4, (lower left and right side - all fasteners and upper left and right side - front fasteners only)	
10	8303620	2	HEX HD CAPSCREW, 3/8-16X1, (upper left and right side - rear fasteners only)	
11	8307204	6	FLAT WASHER, 3/8	
12	7095312	2	QUICK ATTACH PIVOT BUSHING	
13	8305624	4	HEX LOCKNUT, 1/4-20	
14	8520021	1	LUBE FITTING, 90, 1/8	
15	8520013	3	LUBE FITTING, STRAIGHT, 1/8	
16	8305644	1	HEX LOCKNUT, 1/2-13	
17	7083992	1	ATTACHMENT TILT CYLINDER PIN, (rod end)	
18	8305643	1	HEX LOCKNUT, 5/8-11	
19	7095352	1	QUICK ATTACH PIVOT PIN	
20	8303666	1	HEX HD CAPSCREW, 5/8-11X5	
21	7095522	1	ATTACHMENT TILT CYLINDER PIN, (base end)	
22	8642224	2	RETAINING RING, 2 DIA	
23	8303772	1	HEX HD CAPSCREW, 1/2-13X5	
24	8303540	4	HEX HD CAPSCREW, 1/4-20X1	
25	7114922	1	GUIDE	
26	8305645	6	HEX LOCKNUT, 3/8-16	
27	8303620	2	HEX HD CAPSCREW, 3/8-16X1, (Loctite and torque to 31 lb-ft)	
29	7125811	1	PLASTIC CONDUIT, 3/4X8	
30	5746411	2	MOLDING, 3	
31	7110172	2	HOSE CARRIER GUIDE	
32	7127862	2	GUIDE SUPPORT, (rear)	
33	7127852	1	GUIDE SUPPORT, (front)	
34	7125741	1	EDGE PROTECTOR MOLDING	
35	8307918	2	WASHER, SHIM 2X3.5X.134	
36	8310093	AR	WASHER, SHIM 2X3.5X.075	
37	8307904	AR	WASHER, SHIM 2X3.5X.048	
38	8303738	4	HEX HD CAPSCREW, 3/8-16X.88	
39		Ref	ATTACHMENT TILT CYLINDER, (See HYDRAULIC COMPONENTS SECTION for Breakdown)	
40		Ref	HOSE CARRIER, (See HYDRAULIC CIRCUITS SECTION for Breakdown)	
41	7079572	4	WEAR PAD	
42	8522012	AR	ANTI SEIZE LUBE, (apply to items 17, 19 & 21)	

SECTION 2 - BOOM

FIGURE 2-9. QUICK ATTACH



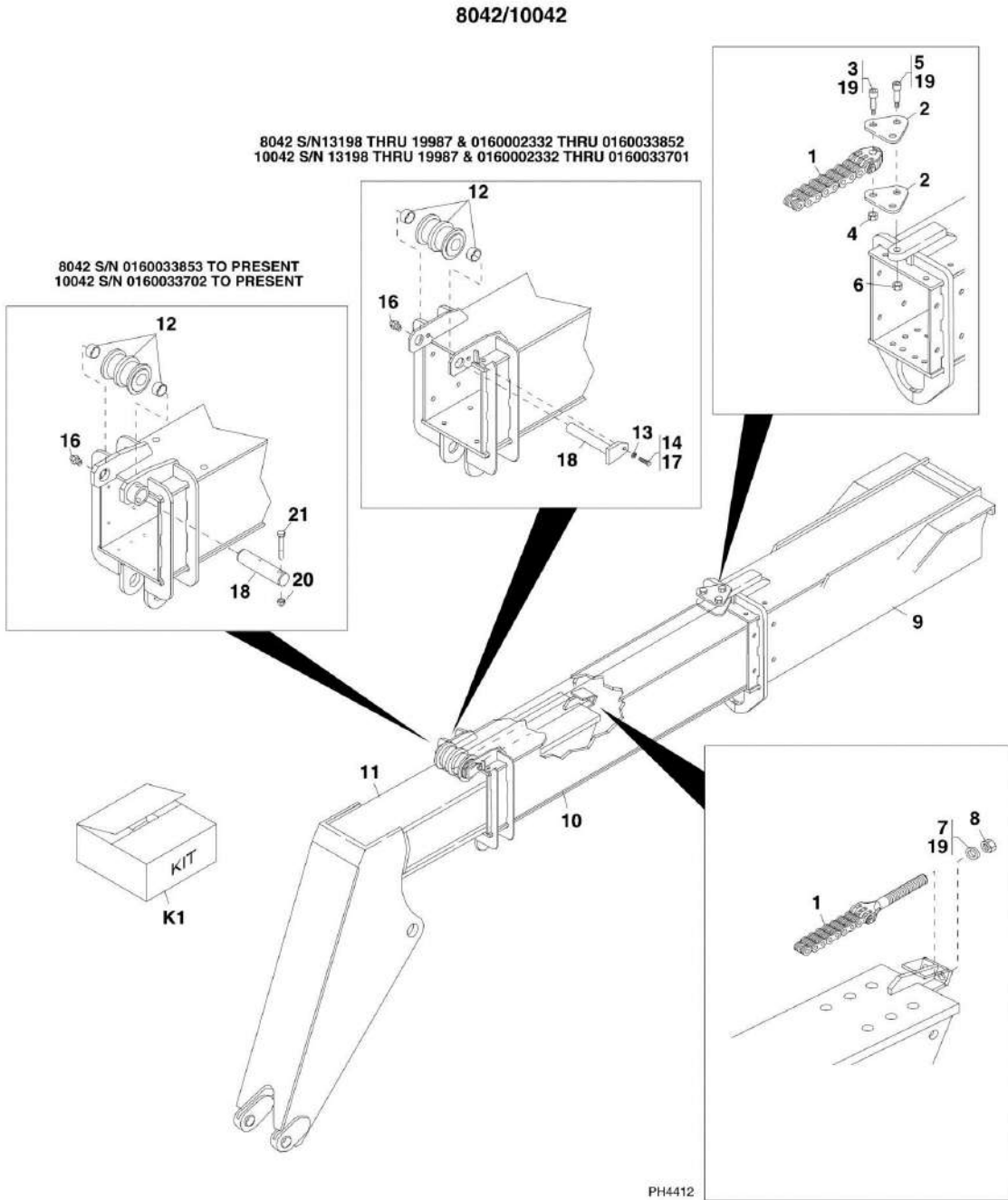
PA3810

FIGURE 2-9. QUICK ATTACH

ITEM	PART NUMBER	QTY	DESCRIPTION	REV
	7139864	1	QUICK ATTACH ASSY, (includes items 1 thru 7)	B
1	7085552	1	TORSION SPRING	
2	7085562	1	LATCH	
3	7085571	1	SPACER	
4	7139863	1	QUICK ATTACH	
5	8303638	1	HEX HD CAPSCREW, 3/4-10X2-3/4	
6	8305619	1	HEX LOCKNUT, 3/4-10	
7	8307104	1	FLAT WASHER, 3/4	
	7118892	1	LOCK PIN ASSY, (includes items 101 thru 104)	B
101	7118882	1	PIN	
102	8310266	1	SHANK BOLT EYE, 1/2-13X2	
103	8310276	1	FLAT WASHER, 0.51X1.88X0.125	
104	8526007	AR	LOCTITE 242, (apply to item 101)	

SECTION 2 - BOOM

FIGURE 2-10. BOOM EXTEND CHAINS 8042/10042



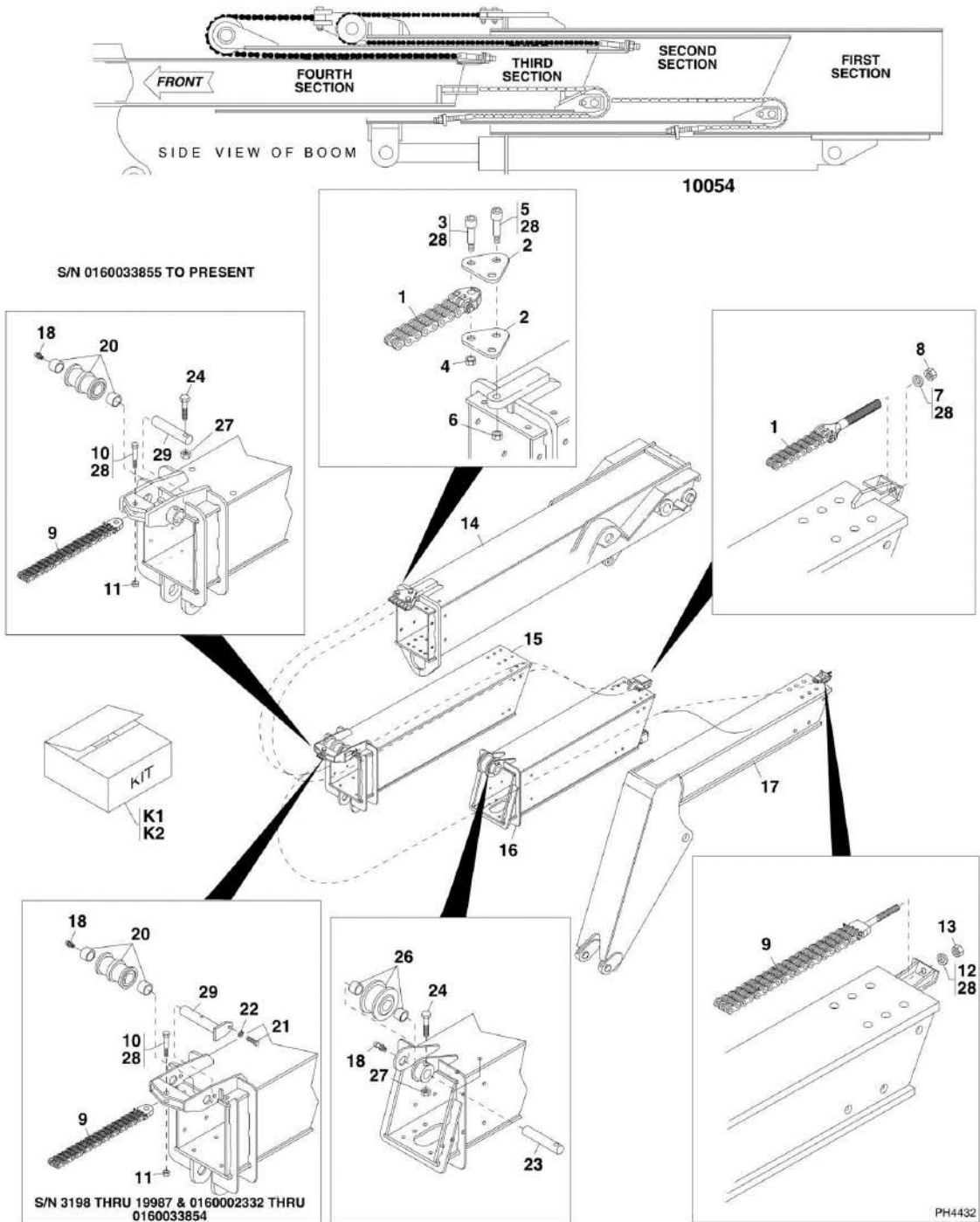
SECTION 2 - BOOM

FIGURE 2-10. BOOM EXTEND CHAINS 8042/10042

ITEM	PART NUMBER	QTY	DESCRIPTION	REV
1	Kit	2	EXTEND CHAIN AND CLEVIS ASSY, 194.25 IN LONG	
2	7139180	2	EXTEND CHAIN YOKE	
3	8310019	2	SOCKET HD SHOULDER SCREW, 1/2X1-1/2X3/8-16	
4	8305645	2	HEX LOCKNUT, 3/8-16	
5	8310020	1	SOCKET HD SHOULDER SCREW, 5/8X1-1/2X1/2-13	
6	8305644	1	HEX LOCKNUT, 1/2-13	
7	8307104	2	PLAIN WASHER, 3/4	
8	8305646	2	HEX LOCKNUT, 3/4-16	
9		Ref	FIRST BOOM SECTION, (See FIRST BOOM SECTION for Breakdown)	
10		Ref	SECOND BOOM SECTION, (See SECOND BOOM SECTION for Breakdown)	
11		Ref	THIRD BOOM SECTION, (See THIRD BOOM SECTION for Breakdown)	
12	1001101845	1	BUSHING SHEAVE ASSY	
12	7114112	1	EXTEND CHAIN SHEAVE	
12	7126662	2	CHAIN SHEAVE BUSHING	
13	8307007	1	LOCKWASHER, 1/2 (8042 SN 13198 through 19987, SN 0160002332 through 0160033852; 10042 SN 13198 through 19987, SN 0160002332 through 0160033701)	
14	8303624	1	HEX HD CAPSCREW, 1/2-13X1 (8042 SN 13198 through 19987, SN 0160002332 through 0160033852; 10042 SN 13198 through 19987, SN 0160002332 through 0160033701)	
16	8520001	1	LUBE FITTING, STRAIGHT, 1/8	
18	7117572	1	EXTEND CHAIN SHEAVE PIN (8042 SN 13198 through 19987, SN 0160002332 through 0160033852; 10042 SN 13198 through 19987, SN 0160002332 through 0160033701)	
18	1001097735	1	EXTEND CHAIN SHEAVE PIN, (8042 SN 0160033853 to Present; 10042 SN 0160033702 to Present)	
19	8522012	AR	ANTI SEIZE LUBE, (apply to items 3, 5 & 7)	
20	8305643	1	HEX LOCKNUT, 5/8-11, (8042 SN 0160033853 to Present; 10042 SN 0160033702 to Present)	
21	8303634	1	HEX HD CAPSCREW, 5/8-11X4, (8042 SN 0160033853 to Present; 10042 SN 0160033702 to Present)	
K1	8024032	1	EXTEND CHAINS SERVICE KIT, (includes items 1 thru 8)	

SECTION 2 - BOOM

FIGURE 2-11. BOOM EXTEND CHAINS 10054



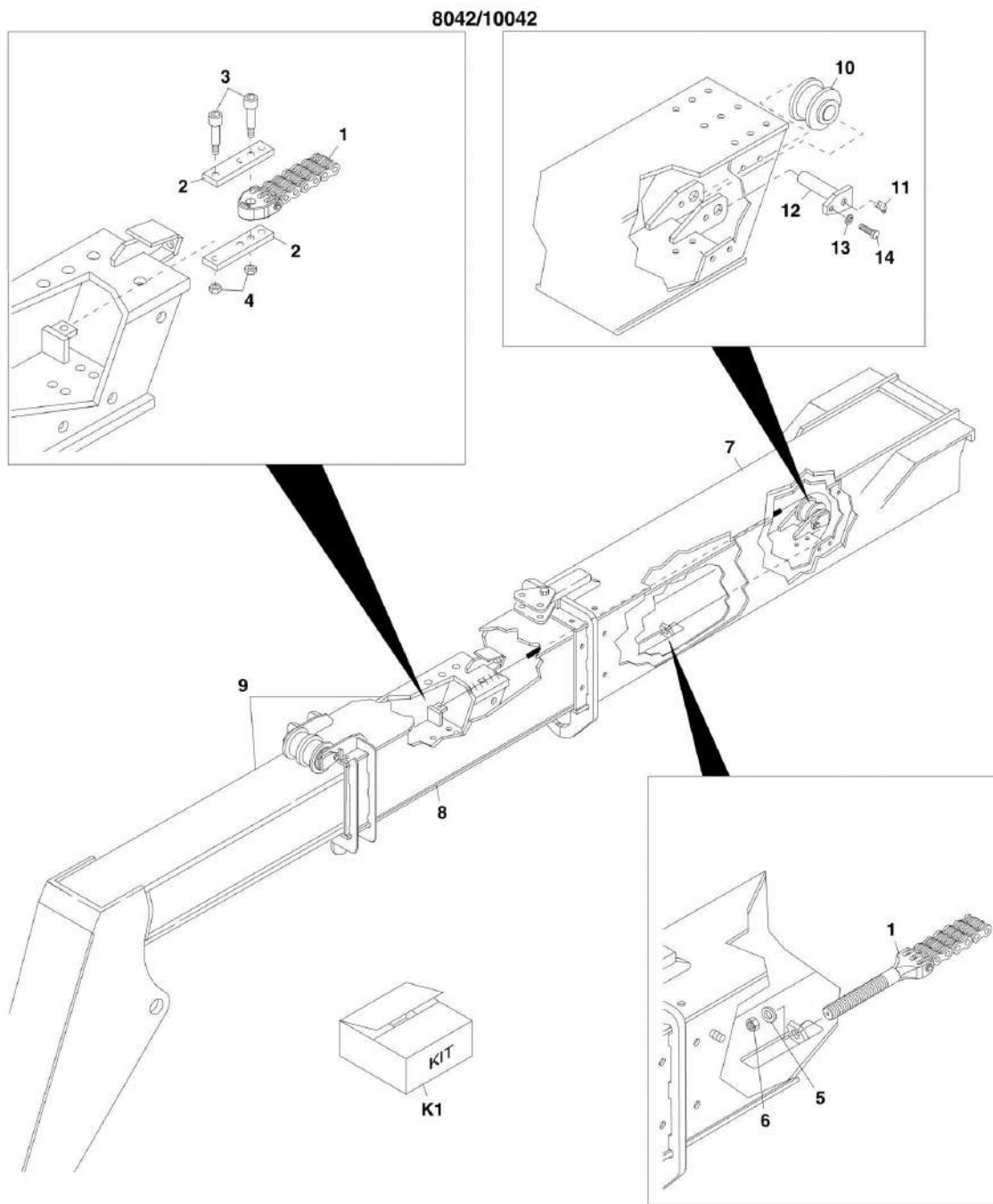
SECTION 2 - BOOM

FIGURE 2-11. BOOM EXTEND CHAINS 10054

ITEM	PART NUMBER	QTY	DESCRIPTION	REV
1	Kit	2	THIRD BOOM SECTION EXTEND CHAIN AND CLEVIS ASSY, 194.25 IN LONG	
2	7139180	2	EXTEND CHAIN YOKE	
3	8310019	2	SOCKET HD SHOULDER SCREW, 1/2X1-1/2X3/8-16	
4	8305645	2	HEX LOCKNUT, 3/8-16	
5	8310020	1	SOCKET HD SHOULDER SCREW, 5/8X1-1/2X1/2-13	
6	8305644	1	HEX LOCKNUT, 1/2-13	
7	8307104	2	PLAIN WASHER, 3/4	
8	8305646	2	HEX LOCKNUT, 3/4-16	
9	Kit	1	FOURTH BOOM SECTION EXTEND CHAIN AND CLEVIS ASSY, 193 IN LONG	
10	8310205	1	SOCKET HD SHOULDER SCREW, 3/4X2-1/2	
11	8305643	1	HEX LOCKNUT, 5/8-11	
12	8310066	1	PLAIN WASHER, 1	
13	8310210	1	HEX LOCKNUT, 1-14	
14		Ref	FIRST BOOM SECTION, (See FIRST BOOM SECTION for Breakdown)	
15		Ref	SECOND BOOM SECTION, (See SECOND BOOM SECTION for Breakdown)	
16		Ref	THIRD BOOM SECTION, (See THIRD BOOM SECTION for Breakdown)	
17		Ref	FOURTH BOOM SECTION, (See FOURTH BOOM SECTION for Breakdown)	
18	8520001	1	LUBE FITTING, STRAIGHT, 1/8	
20	1001101845	1	BUSHING SHEAVE ASSY	
20	7114112	1	EXTEND CHAIN SHEAVE	
20	7126662	2	CHAIN SHEAVE BUSHING	
21	8303624	1	HEX HD CAPSCREW, 1/2-13X1 (SN 13198 through 19987, SN 0160002332 through 0160033854)	
22	8307007	2	LOCKWASHER, 1/2 (SN 13198 through 19987, SN 0160002332 through 0160033854)	
23	7117582	1	EXTEND CHAIN SHEAVE PIN	
24	8303634	2	HEX HD CAPSCREW, 5/8-11X4	
26	1001101867	1	BUSHING SHEAVE ASSY	
26	7114032	1	EXTEND CHAIN SHEAVE	
26	7117502	2	CHAIN SHEAVE BUSHING	
27	8305643	2	HEX LOCKNUT, 5/8-11	
28	8522012	AR	ANTI SEIZE LUBE, (apply to items 3, 5, 7, 10 & 12)	
29	7117572	1	PIN (SN 13198 through 19987, SN 0160002332 through 0160033854)	
29	1001097735	1	PIN (SN 0160033855 to Present)	
K1	8024032	1	THIRD BOOM SECTION EXTEND CHAINS SERVICE KIT, (includes items 1 thru 8)	
K2	8024053	1	FOURTH BOOM SECTION EXTEND CHAIN SERVICE KIT, (includes items 10 thru 13)	

SECTION 2 - BOOM

FIGURE 2-12. BOOM RETRACT CHAINS 8042/10042



SECTION 2 - BOOM

FIGURE 2-12. BOOM RETRACT CHAINS 8042/10042

ITEM	PART NUMBER	QTY	DESCRIPTION	REV
1	Kit	1	RETRACT CHAIN AND CLEVIS ASSY	
2	7117031	4	RETRACT CHAIN ANCHOR LINK	
3	8310019	4	SOCKET HD SHOULDER SCREW, 1/2X1-1/2X3/8-16	
4	8305645	4	HEX LOCKNUT, 3/8-16	
5	8307104	4	PLAIN WASHER, 3/4	
6	8305646	4	HEX LOCKNUT, 3/4-16	
7		Ref	FIRST BOOM SECTION, (See FIRST BOOM SECTION for Breakdown)	
8		Ref	SECOND BOOM SECTION, (See SECOND BOOM SECTION for Breakdown)	
9		Ref	THIRD BOOM SECTION, (See THIRD BOOM SECTION for Breakdown)	
10	7138986	2	RETRACT CHAIN SHEAVE WITH BUSHINGS	
11	8520003	2	LUBE FITTING, 90, 1/8	
12	7138977	2	RETRACT CHAIN SHEAVE PIN	
13	8307007	2	LOCKWASHER, 1/2	
14	8303624	2	HEX HD CAPSCREW, 1/2-13X1	
K1	8024033	1	RETRACT CHAIN SERVICE KIT, (includes items 1 thru 6)	

SECTION 2 - BOOM

FIGURE 2-13. BOOM RETRACT CHAINS 10054

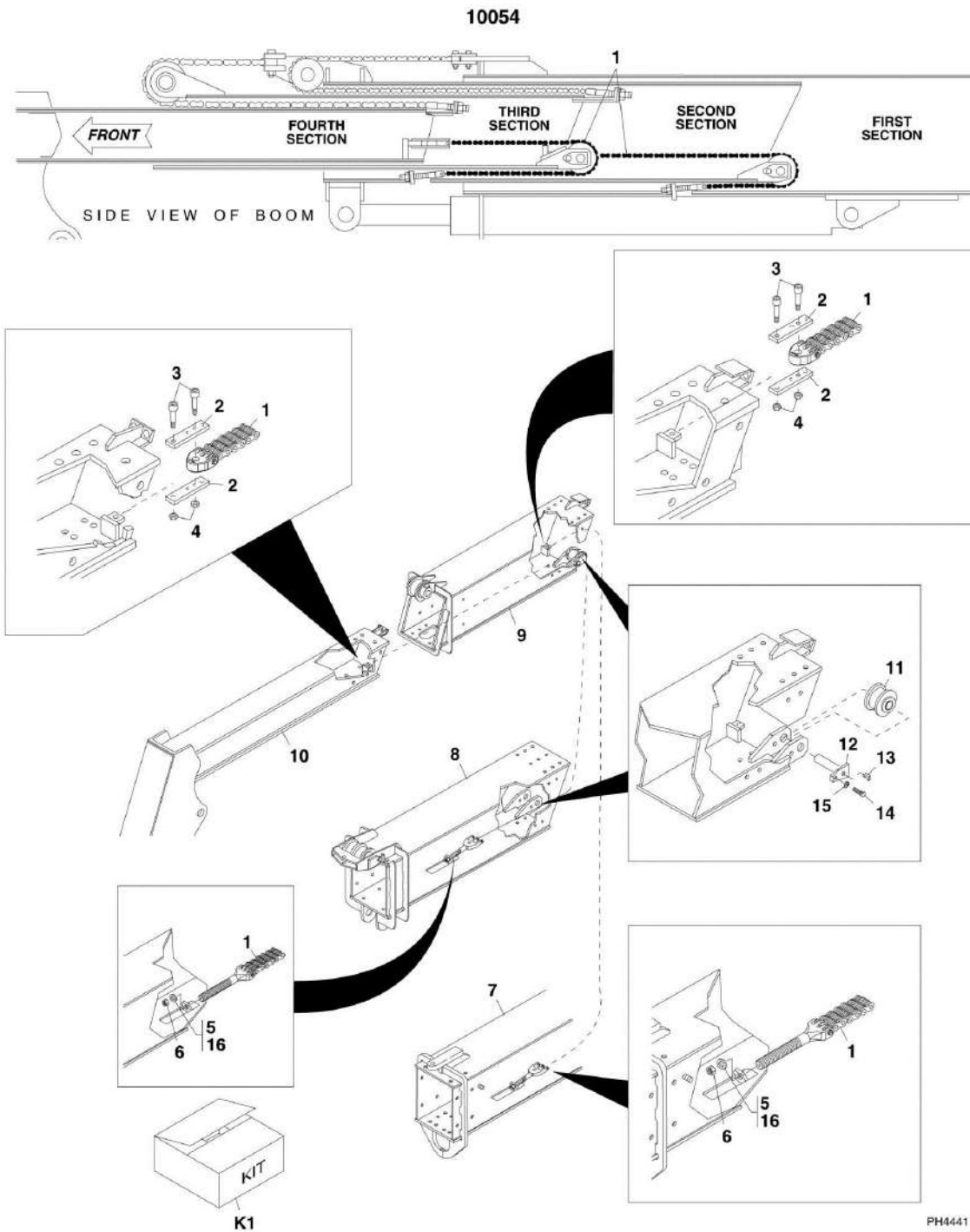


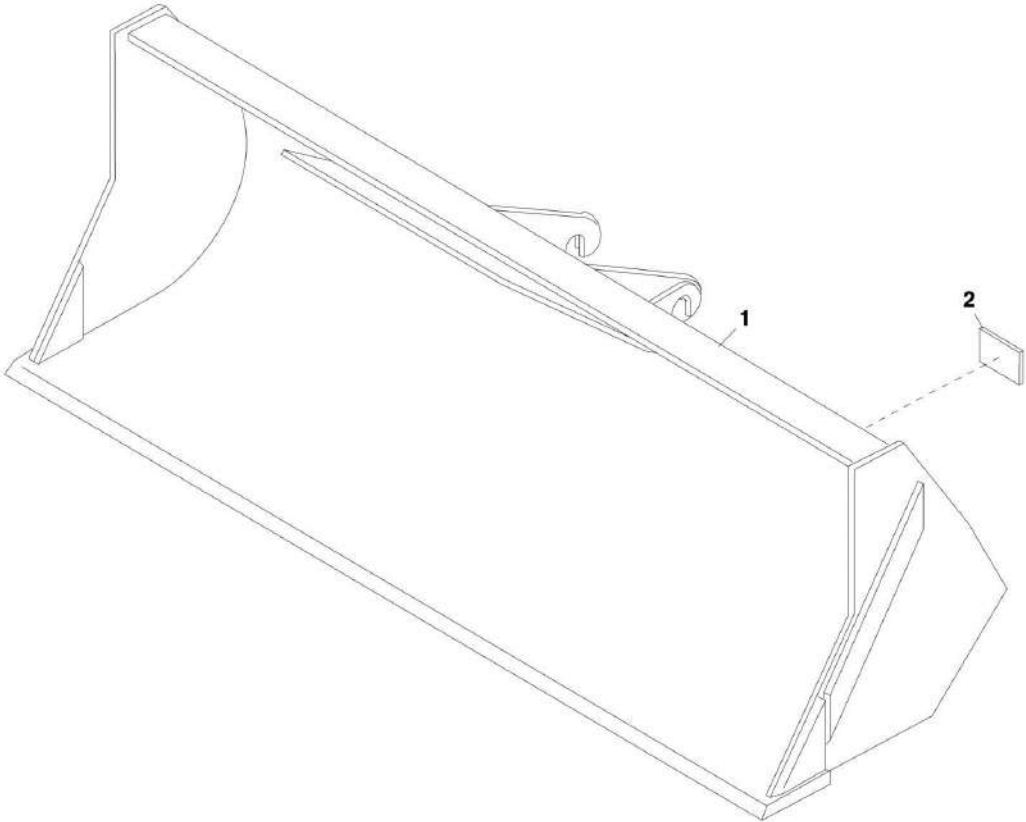
FIGURE 2-13. BOOM RETRACT CHAINS 10054

ITEM	PART NUMBER	QTY	DESCRIPTION	REV
1	Kit	1	RETRACT CHAIN AND CLEVIS ASSY	
2	7117031	4	RETRACT CHAIN ANCHOR LINK	
3	8310019	4	SOCKET HD SHOULDER SCREW, 1/2X1-1/2X3/8-16	
4	8305645	4	HEX LOCKNUT, 3/8-16	
5	8307104	4	PLAIN WASHER, 3/4	
6	8305646	4	HEX LOCKNUT, 3/4-16	
7		Ref	FIRST BOOM SECTION, (See FIRST BOOM SECTION for Breakdown)	
8		Ref	SECOND BOOM SECTION, (See SECOND BOOM SECTION for Breakdown)	
9		Ref	THIRD BOOM SECTION, (See THIRD BOOM SECTION for Breakdown)	
10		Ref	FOURTH BOOM SECTION, (See FOURTH BOOM SECTION for Breakdown)	
11	7138986	2	RETRACT CHAIN SHEAVE WITH BUSHINGS	
12	7138977	2	RETRACT CHAIN SHEAVE PIN	
13	8520003	2	LUBE FITTING, 90, 1/8	
14	8303624	3	HEX HD CAPSCREW, 1/2-13X1	
15	8307007	2	LOCKWASHER, 1/2	
16	8522012	AR	ANTI SEIZE LUBE, (apply to item 5)	
K1	8024033	2	RETRACT CHAIN SERVICE KIT, (includes items 1 thru 6)	

SECTION 3 - ATTACHMENTS

SECTION 3 - ATTACHMENTS

FIGURE 3-1. BUCKETS



PH4370

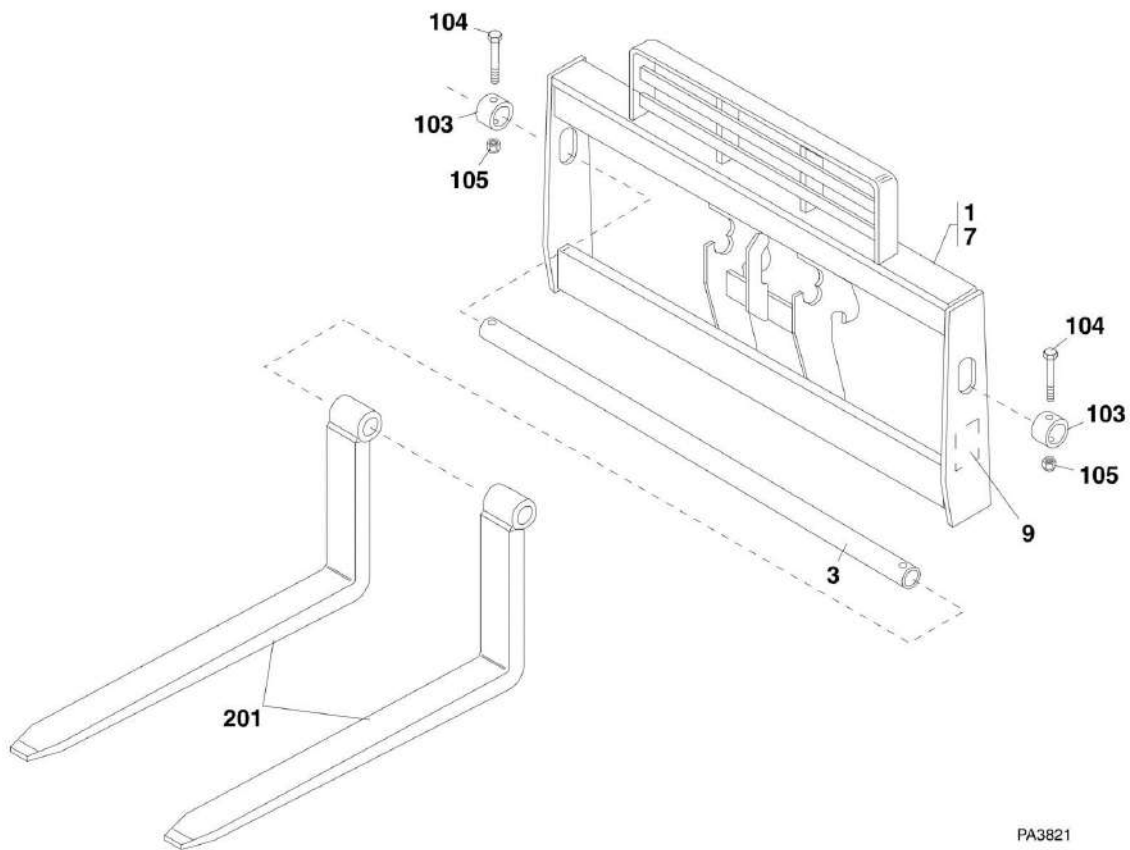
SECTION 3 - ATTACHMENTS

FIGURE 3-1. BUCKETS

ITEM	PART NUMBER	QTY	DESCRIPTION	REV
1	7110744	1	UTILITY BUCKET, 1-1/4 YD, (includes item 2) (Prior to SN 0160037788)	E
1	1001100822	1	72 IN BUCKET, 1.0 YD, (includes item 2) (SN 0160037689 to Present)	B
1	1001100823	1	96 IN BUCKET, 1.5 YD, (includes item 2) (SN 0160037689 to Present)	B
1	1001100824	1	102 IN BUCKET, 2.0 YD, (includes item 2) (SN 0160037689 to Present)	B
2	N.S.S.	1	S/N PLATE	

SECTION 3 - ATTACHMENTS

FIGURE 3-2. TILT CARRIAGE (8042 SN 13198 through 19987, SN 0160002332 through 0160034158; 10042 SN 13198 through 19987, SN 0160002332 through 0160033709; 10054 SN 13198 through 19987, SN 0160002332 through 0160034159)



PA3821

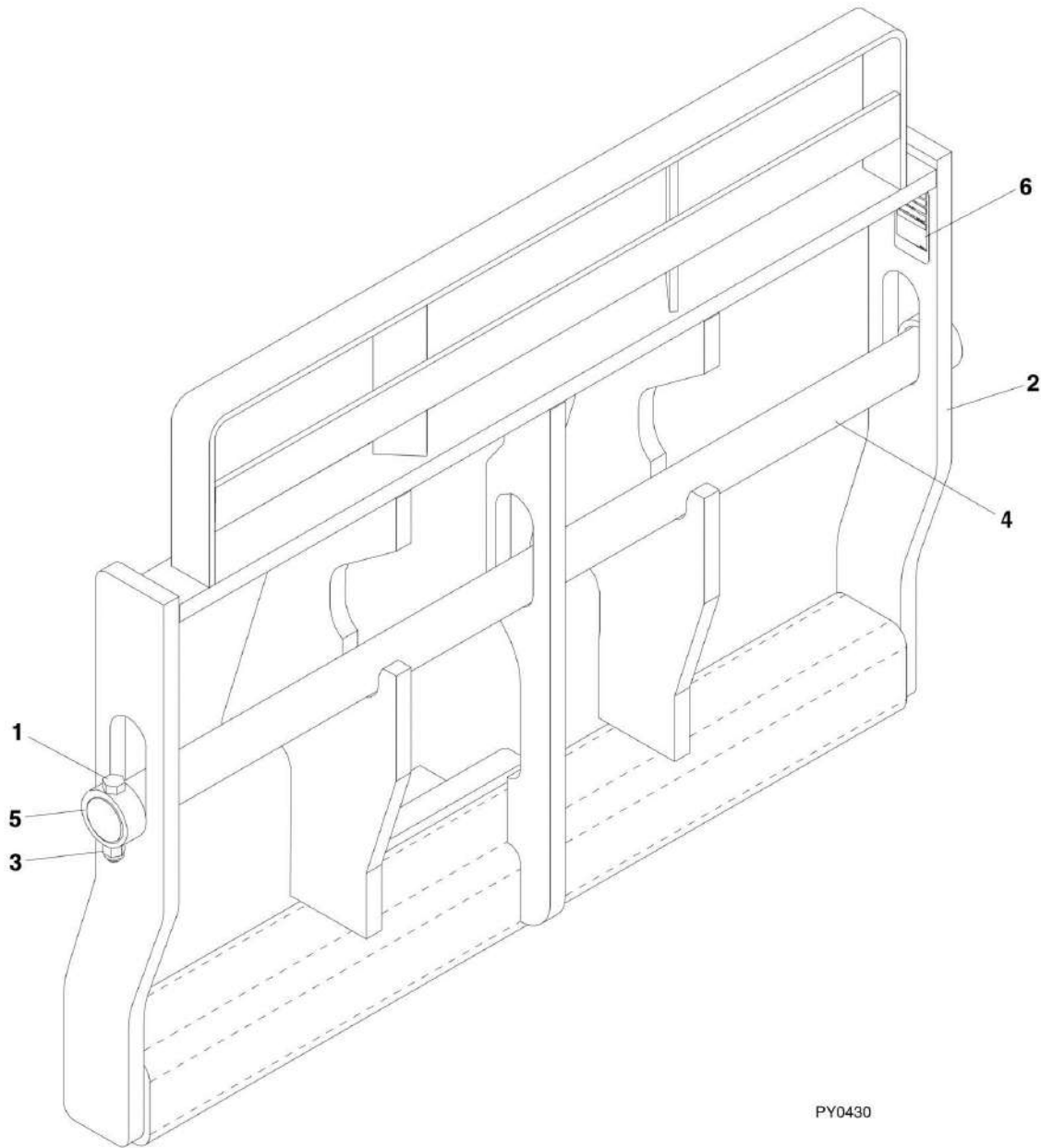
SECTION 3 - ATTACHMENTS

**FIGURE 3-2. TILT CARRIAGE (8042 SN 13198 through 19987, SN 0160002332 through 0160034158;
10042 SN 13198 through 19987, SN 0160002332 through 0160033709; 10054 SN 13198 through
19987, SN 0160002332 through 0160034159)**

ITEM	PART NUMBER	QTY	DESCRIPTION	REV
	6040500	1	48 IN CARRIAGE, (includes items 1 thru 9)	6
	6040600	1	60 IN CARRIAGE, (includes items 1 thru 9)	4
	6040700	1	72 IN CARRIAGE, (includes items 1 thru 9)	5
1	N.S.S.	1	CARRIAGE	
3	7128772	1	FORK PIVOT SHAFT, (48 in carriage)	
3	90451058	1	FORK PIVOT SHAFT, (50 in carriage)	
3	7128792	1	FORK PIVOT SHAFT, (60 in carriage)	
3	90551013	1	FORK PIVOT SHAFT, (72 in carriage)	
7	7118993	Ref	STANDARD CARRIAGE ASSSY, (not available to order, see items 103 thru 105 for service)	G
9	N.S.S.	1	S/N PLATE	
103	90200003	2	COLLAR	
104	8303634	2	HEX HD CAPSCREW, 5/8-11X4	
105	8305643	2	HEX LOCKNUT, 5/8-11	
201		Ref	FORKS, (See Forks for Breakdown)	

SECTION 3 - ATTACHMENTS

FIGURE 3-3. TILT CARRIAGE (8042 SN 0160034159 to Present; 10042 SN 0160033710 to Present; 10054 SN 0160034160 to Present)



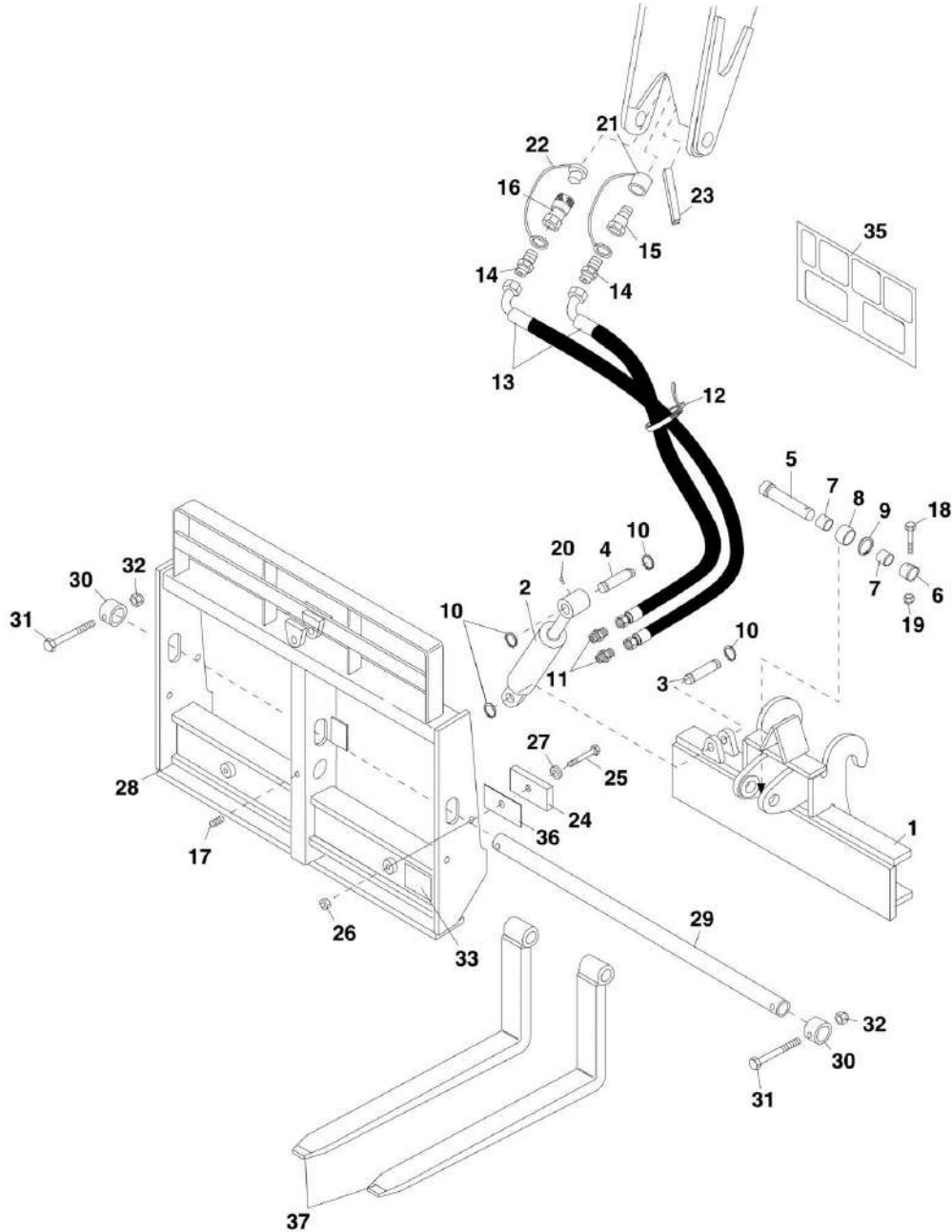
SECTION 3 - ATTACHMENTS

**FIGURE 3-3. TILT CARRIAGE (8042 SN 0160034159 to Present; 10042 SN 0160033710 to Present;
10054 SN 0160034160 to Present)**

ITEM	PART NUMBER	QTY	DESCRIPTION	REV
	1170021	1	50 IN TILT CARRIAGE, (includes items 1 thru 6)	D
	1170024	1	60 IN TILT CARRIAGE, (includes items 1 thru 6)	D
	1001132514	1	72 IN TILT CARRIAGE, (includes items 1 thru 6)	A
1	0642032	2	HEX HD CAPSCREW, 5/8-11X4, GR5	
2	N.S.S.	1	TILT CARRIAGE	
3	3300240	2	LOCKNUT, 5/8-11	
4	3423275	1	50 IN FORK PIN	
4	3423242	1	60 IN FORK PIN	
4	3423276	1	72 IN FORK PIN	
5	90200003	2	COLLAR	
6	N.S.S.	1	S/N PLATE	

SECTION 3 - ATTACHMENTS

FIGURE 3-4. SIDE TILT CARRIAGE (8042 Prior to SN 0160037799; 10042 Prior to SN 0160037798; 10054 Prior to SN 0160037793)



PA3851

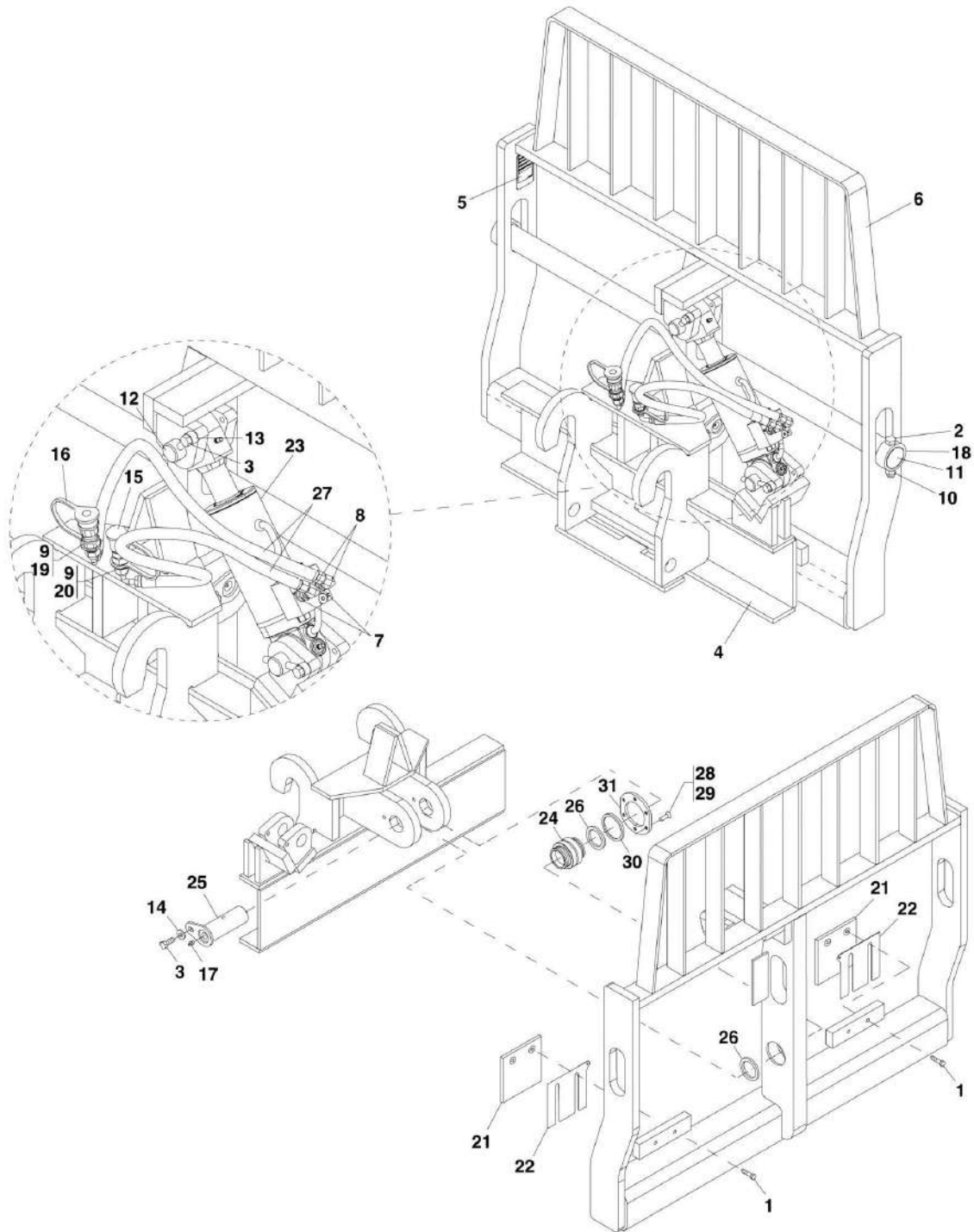
SECTION 3 - ATTACHMENTS

**FIGURE 3-4. SIDE TILT CARRIAGE (8042 Prior to SN 0160037799; 10042 Prior to SN 0160037798;
10054 Prior to SN 0160037793)**

ITEM	PART NUMBER	QTY	DESCRIPTION	REV
	7117214	1	SIDE TILT CARRIAGE ASSY, (includes items 1 thru 36)	N
1	7117204	1	PIVOT BASE	
2		Ref	SIDE TILT CYLINDER, (See OPTIONS SECTION for Breakdown)	
3	7077501	1	CYLINDER BASE PIN	
4	7077511	1	CYLINDER ROD PIN	
5	7085411	1	PIVOT PIN	
6	7085501	1	PIN LOCKING COLLAR	
7	7077481	2	SPACER	
8	8065634	1	SELF ALIGN BUSHING	
9	8642001	1	SNAP RING	
10	8642235	4	SNAP RING	
11	2220371	2	STRAIGHT CONNECTOR	
12	8584001	1	TIE WRAP	
13	2711992	2	HOSE ASSY	
14	2220372	2	STRAIGHT CONNECTOR	
15	91403414	1	MALE QUICK DISCONNECT	
15	8640029	1	NOSE SEAL, (not shown)	
16	91403413	1	FEMALE QUICK DISCONNECT	
16	8640029	1	NOSE SEAL, (not shown)	
16	8640028	1	COUPLER BODY SEAL, (not shown)	
16	8640032	1	COUPLER BODY SEAL BACK-UP RING, (not shown)	
17	88761001	1	GREASE FITTING	
18	8303770	1	HEX HD CAPSCREW, 3/8-16X2-3/4	
19	8305645	1	HEX LOCKNUT, 3/8-16	
20	8520013	2	LUBE FITTING	
21	8420053	1	DUST CAP, #8	
22	8420055	1	DUST PLUG, #8	
23	7125741	1	MOULDING	
24	7065482	2	WEAR PAD	
25	8303739	2	HEX HD CAPSCREW, 5/16-18X1-1/4	
26	8305626	2	HEX LOCKNUT, 5/16-18	
27	8307203	2	FLAT HEAVY WASHER	
28	7117244	1	48 IN SIDE TILT CARRIAGE	
28	7300983	1	50 IN SIDE TILT CARRIAGE	
28	7117254	1	60 IN SIDE TILT CARRIAGE	
28	7117264	1	72 IN SIDE TILT CARRIAGE	
29	7128772	1	FORK PIVOT SHAFT, (48 in carriage)	
29	90451058	1	FORK PIVOT SHAFT, (50 in carriage)	
29	7128792	1	FORK PIVOT SHAFT, (60 in carriage)	
29	90551013	1	FORK PIVOT SHAFT, (72 in carriage)	
30	90200003	2	COLLAR	
31	8303634	2	HEX HD CAPSCREW, 5/8-11X4	
32	8305643	2	HEX LOCKNUT, 5/8-11	
33	N.S.S.	1	S/N PLATE	
35	4108232	1	CAPACITY CHART DECAL	
36	7070191	AR	SHIM	
37		Ref	FORKS, (See FORKS for Breakdown)	

SECTION 3 - ATTACHMENTS

FIGURE 3-5. SIDE TILT CARRIAGE (8042 SN 0160037799 to Present; 10042 SN 0160037798 to Present; 10054 SN 0160037793 to Present)



ART_8990395-3-5

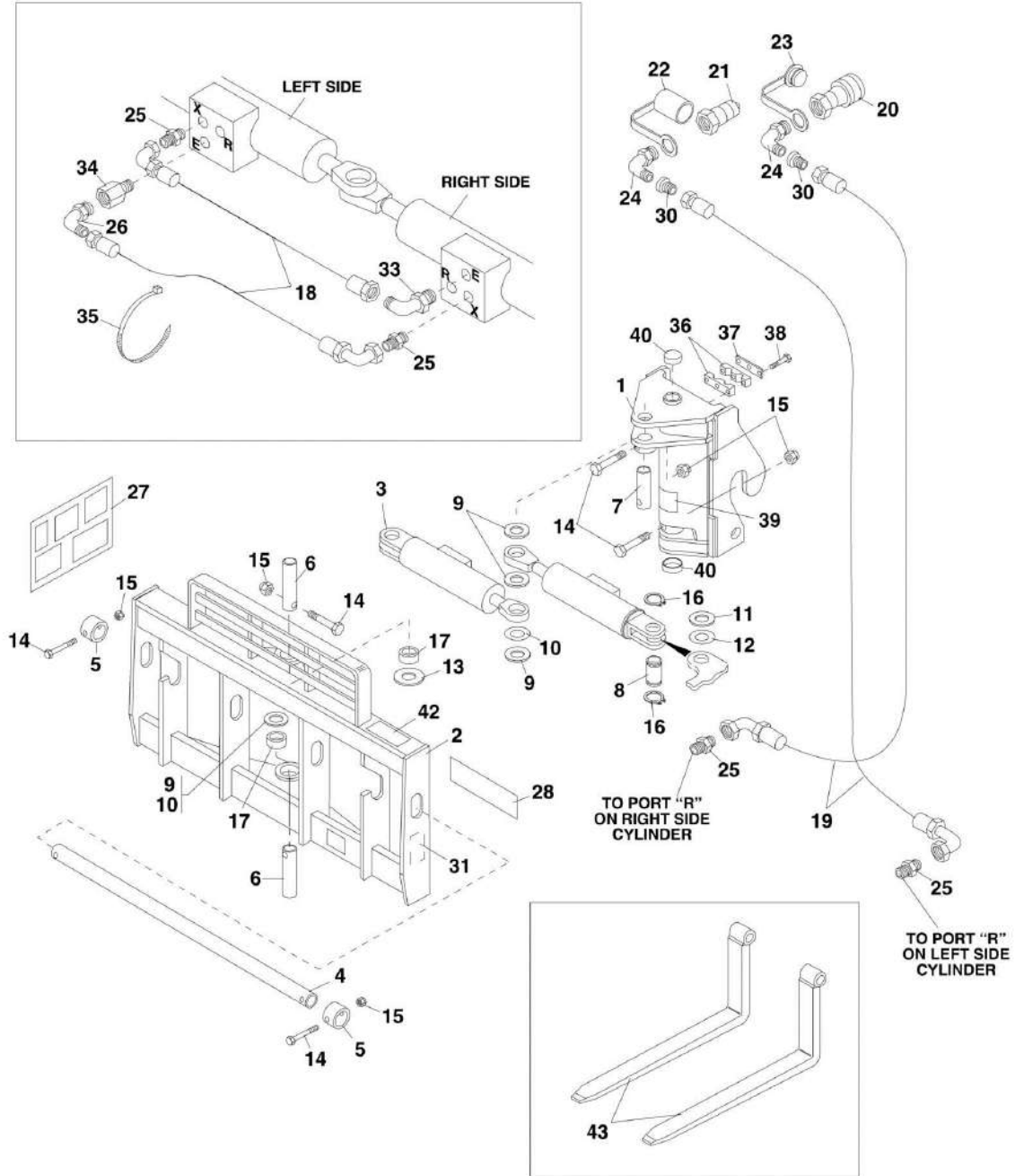
SECTION 3 - ATTACHMENTS

FIGURE 3-5. SIDE TILT CARRIAGE (8042 SN 0160037799 to Present; 10042 SN 0160037798 to Present; 10054 SN 0160037793 to Present)

ITEM	PART NUMBER	QTY	DESCRIPTION	REV
	1170054	1	50 IN SIDE TILT CARRIAGE, (includes all items)	I
	1001101956	1	60 IN SIDE TILT CARRIAGE, (includes all items)	J
	1170057	1	72 IN SIDE TILT CARRIAGE, (includes all items)	I
1	0641612	4	HEX HD CAPSCREW, 3/8-16X1-1/2	
2	0642032	2	HEX HD CAPSCREW, 5/8-11X4	
3	0681810	3	HEX HD CAPSCREW, 1/2-13X1-1/4	
4	1001133072	1	CARRIAGE BASE	
5	N.S.S.	1	S/N PLATE	
6	N.S.S.	1	CARRIAGE, SIDE TILT	
7	2110606	2	CONNECTOR	
8	2172106	2	CONNECTOR, 90	
9	2110808	2	CONNECTOR, (50 IN Side Tilt Carriage)	
9	2110808	2	CONNECTOR, (60 IN Side Tilt Carriage)	
9	2110808	2	CONNECTOR, (72 IN Side Tilt Carriage)	
10	3300240	2	LOCK NUT, 5/8-11	
11	3423275	1	50 IN FORK PIN	
11	3423242	1	60 IN FORK PIN	
11	3423276	1	72 IN FORK PIN	
12	3423307	2	PIN	
13	3841203	2	KEEPER	
14	4891800	1	WASHER, 1/2	
15	8420053	1	DUST CAP	
16	8420055	1	DUST PLUG	
17	88671001	1	GREASE FITTING	
18	90200003	2	COLLAR	
19	91403413	1	CONNECTOR	
20	91403414	1	CONNECTOR	
21	1001090063	2	WEAR PAD	
22	1001090064	AR	SHIM	
23		Ref	HYDRAULIC CYLINDER, (See HYDRAULIC COMPONENTS SECTION for Breakdown)	
24	1001090140	1	BEARING	
25	1001099113	1	PIN	
26	1001099115	2	SLEEVE	
27	1001102378	2	HOSE ASSY, 3/8X39	
28	0100011	AR	LOCTITE 242	
29	0741610	6	FLAT HEAD SOCKET SCREW, 3/8-16	
30	1001120914	1	BEARING RETAINER SHIM	
31	1001120915	1	BEARING RETAINER PLATE	

SECTION 3 - ATTACHMENTS

FIGURE 3-6. SWING CARRIAGE (8042 Prior to SN 0160037799; 10042 Prior to SN 0160037798; 10054 Prior to SN 0160037793)



PH4760

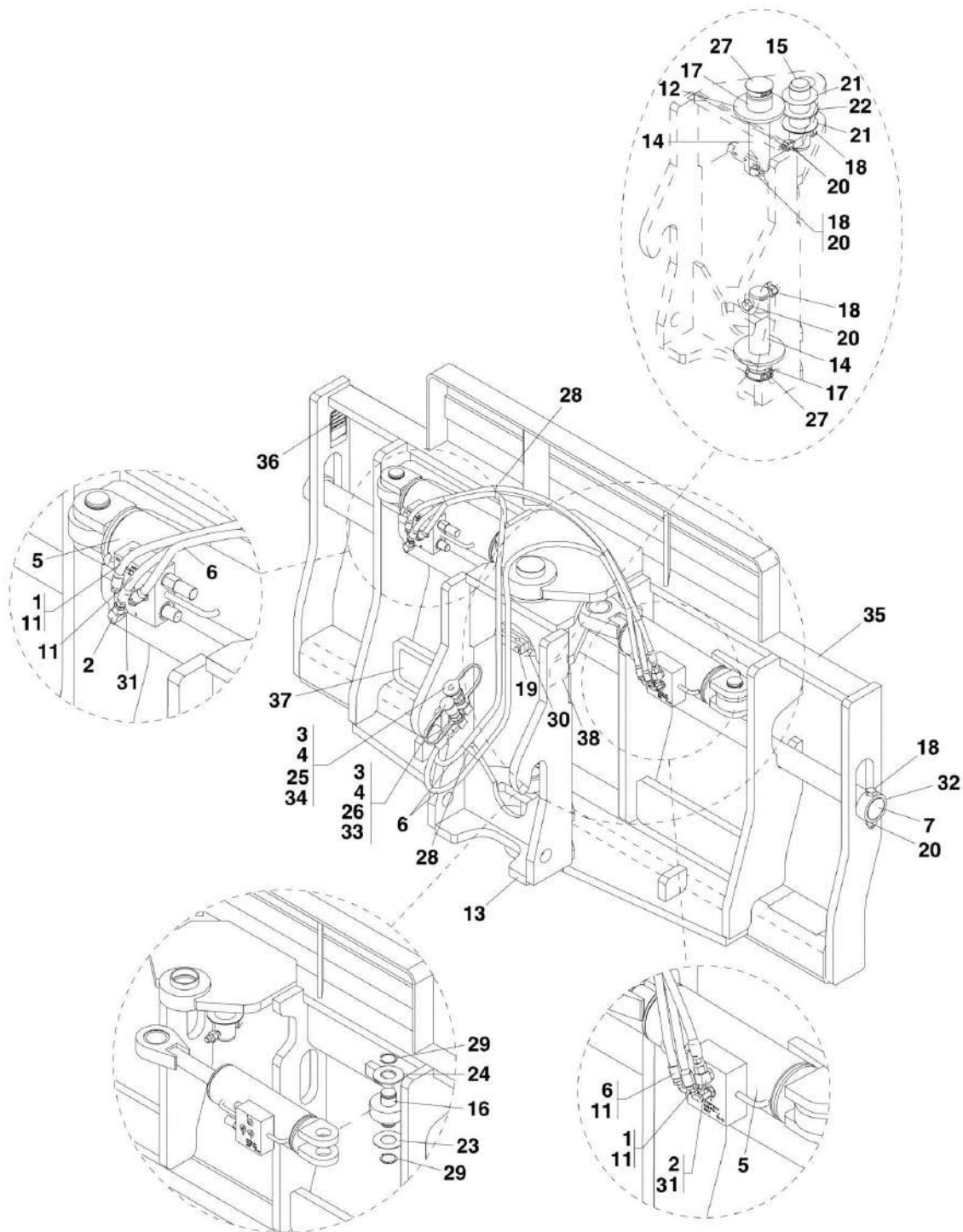
SECTION 3 - ATTACHMENTS

FIGURE 3-6. SWING CARRIAGE (8042 Prior to SN 0160037799; 10042 Prior to SN 0160037798; 10054 Prior to SN 0160037793)

ITEM	PART NUMBER	QTY	DESCRIPTION	REV
	7125800	1	72 IN SWING CARRIAGE ASSY, (includes items 1 thru 42)	O
1	7110494	1	PIVOT BASE	
2	7110694	1	72 IN CARRIAGE	
3		Ref	SWING CARRIAGE CYLINDER, (See OPTIONS SECTION for Breakdown)	
4	90551013	1	FORK PIVOT SHAFT	
5	7086471	NLA	LOCK HUB, (no longer available, use 90200003 for replacement)	
5	90200003	2	LOCK HUB	
6	7110702	2	CARRIAGE PIVOT PIN	
7	7110712	1	CYLINDER PIVOT PIN, (rod end)	
8	7110722	2	CYLINDER PIVOT PIN, (base end)	
9	8307918	AR	SHIM, 2 IDX10GA	
10	8307904	AR	SHIM, 2 IDX18GA	
11	8310161	AR	SHIM, 1-1/2 IDX10GA	
12	8310160	AR	SHIM, 1-1/2 IDX18GA	
13	7062922	1	THRUST BEARING	
14	8303634	5	HEX HD CAPSCREW, 5/8-11X4	
15	8305643	5	HEX LOCKNUT, 5/8-11	
16	8642207	4	RETAINING RING	
17	8065062	2	SELF LUBE BEARING	
18	6604662	2	HOSE ASSY	
19	2717287	2	HOSE ASSY	
20	91403413	1	FEMALE QUICK DISCONNECT	
21	91403414	1	MALE QUICK DISCONNECT	
21	8640029	1	NOSE SEAL, (not shown)	
22	8420053	1	DUST CAP, #8	
23	8420055	1	DUST PLUG, #8	
24	2220628	2	ELBOW, 90	
25	2220415	4	STRAIGHT CONNECTOR	
26	2220473	1	ELBOW, 90	
27	4107692	2	CAPACITY CHART DECAL	
28	4107702	1	TIP OVER HAZARD, DANGER DECAL	
30	2220609	2	TUBE END REDUCER, 6-4	
31	N.S.S.	1	S/N PLATE	
33	2220775	1	ELBOW, 90	
34	8770016	1	STRAIGHT CONNECTOR	
35	8584001	5	TIE WRAP	
36	8769132	2	CLAMP HALF	
37	6608621	1	CLAMP COVER	
38	8303715	3	HEX HD CAPSCREW, 5/16-18X1-1/2	
39	4107712	1	NO TRUSS BOOM DANGER DECAL	
40	8580315	2	TRIM PLUG, 2-1/2 DIA	
42	4110473	1	HOSE ROUTING DECAL	
43		Ref	FORKS, (See FORKS for Breakdown)	

SECTION 3 - ATTACHMENTS

FIGURE 3-7. SWING CARRIAGE (8042 SN 0160037799 to Present; 10042 SN 0160037798 to Present; 10054 SN 0160037793 to Present)



PAP3360

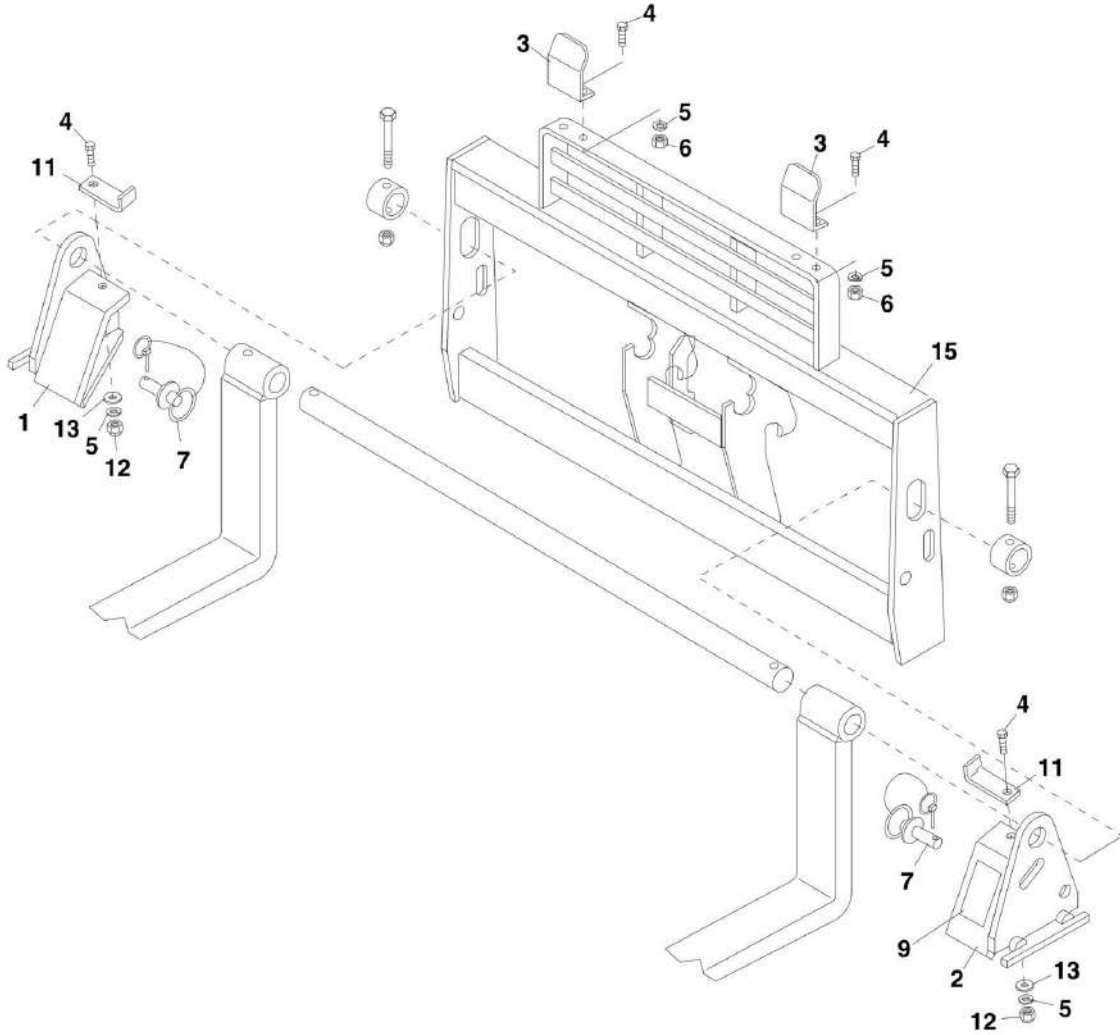
SECTION 3 - ATTACHMENTS

**FIGURE 3-7. SWING CARRIAGE (8042 SN 0160037799 to Present; 10042 SN 0160037798 to Present;
10054 SN 0160037793 to Present)**

ITEM	PART NUMBER	QTY	DESCRIPTION	REV
	1001095418	1	90, SWING CARRIAGE, 72 IN, (includes all items)	K
1	2220415	4	CONNECTOR	
2	2220473	2	CONNECTOR, 90	
3	2220609	2	CONNECTOR	
4	2220628	2	CONNECTOR, 90	
5		Ref	SWING CYLINDER, (See HYDRAULIC COMPONENTS SECTION for Breakdown)	
6	2717287	2	HOSE ASSY, 1/4X58	
7	3423276	1	PIN	
11	6604662	2	HOSE ASSY, 1/4X40.5	
12	7062922	1	WASHER	
13	N.S.S.	1	PIVOT WELDMENT	
14	7110702	2	PIVOT PIN	
15	7110712	1	PIN	
16	7110722	2	PIN	
17	8065062	2	BUSHING	
18	8303634	5	HEX HD CAPSCREW, 5/8-11X4, GR5	
19	8303715	3	HEX HD CAPSCREW, 5/16-18X1.5, GR5	
20	8305643	5	HEX NUT, 5/8-11	
21	8307904	AR	SHIM	
22	8307918	AR	SHIM	
23	8310160	AR	SHIM	
24	8310161	AR	SHIM	
25	8420053	1	DUST CAP	
26	8420055	1	DUST PLUG	
27	8580315	2	PLUG	
28	8584001	5	DUST PLUG	
29	8642207	4	RETAINING RING	
30	8769132	2	CLAMP	
31	8770016	2	CONNECTOR	
32	90200003	2	COLLAR	
33	91403413	1	CONNECTOR	
34	91403414	1	CONNECTOR	
35	N.S.S.	1	CARRIAGE FRAME	
36	N.S.S.	1	S/N PLATE	
37	1001110704	1	WARNING CRUSH HAZARD DECAL	
38	1001111190	2	WARNING DECAL	

SECTION 3 - ATTACHMENTS

FIGURE 3-8. SHEET MATERIAL HANDLER (8042 Prior to SN 0160037799; 10042 Prior to SN 0160037798; 10054 Prior to SN 0160037793)



PH4750

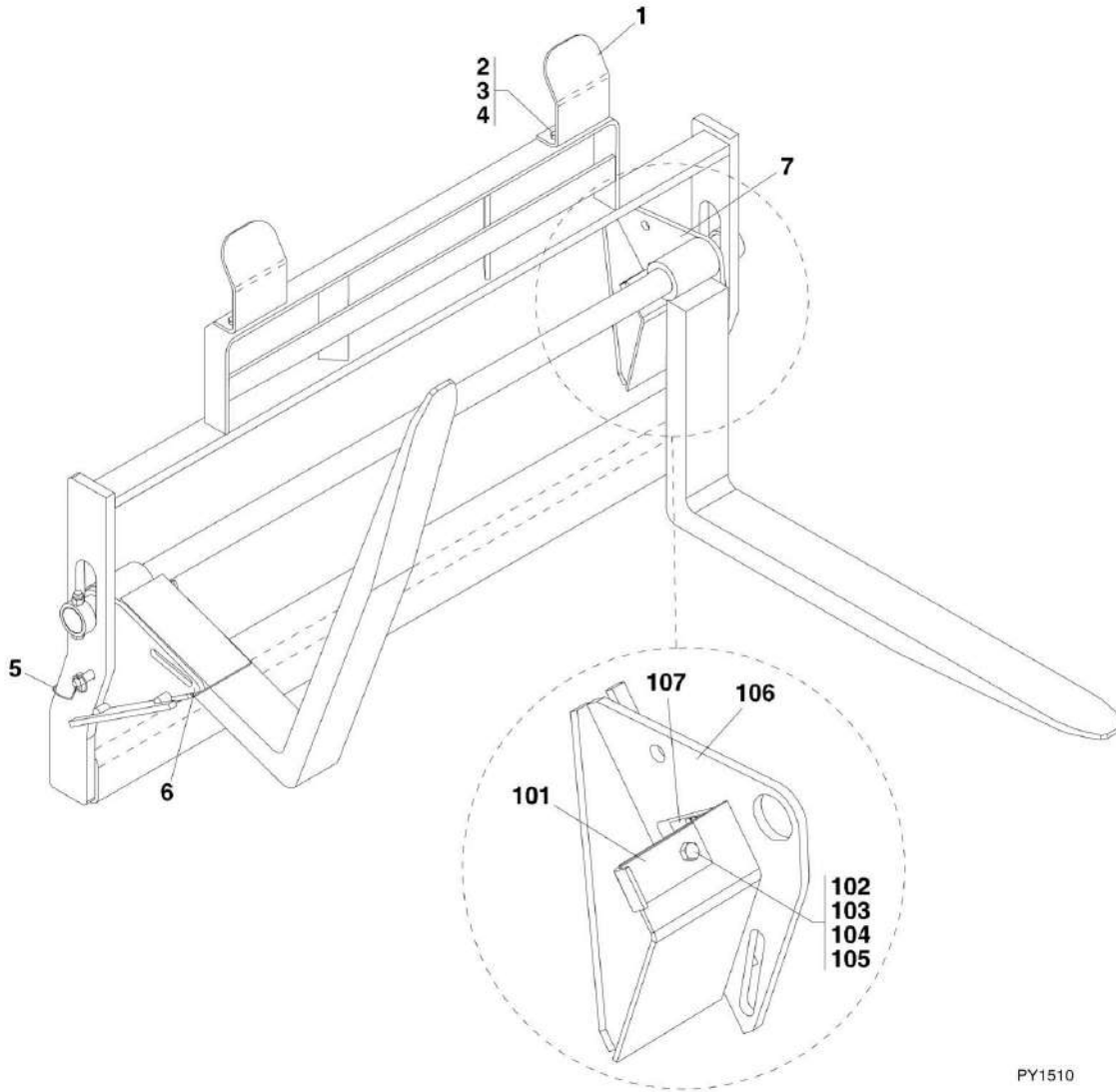
SECTION 3 - ATTACHMENTS

FIGURE 3-8. SHEET MATERIAL HANDLER (8042 Prior to SN 0160037799; 10042 Prior to SN 0160037798; 10054 Prior to SN 0160037793)

ITEM	PART NUMBER	QTY	DESCRIPTION	REV
	7129300	1	SHEET MATERIAL HANDLER WITH 72 IN SWING CARRIAGE ASSY, (includes items 1 thru 13)	
	7112704	1	SHEET MATERIAL HANDLER WITH 72 IN SWING CARRIAGE ASSY, (includes items 1 thru 13)	E
1	7112533	1	RIGHT SIDE FORK SUPPORT	
2	7112523	1	LEFT SIDE FORK SUPPORT	
3	7112642	2	BACKREST EXTENSION	
4	8303626	6	HEX HD CAPSCREW, 1/2-13X1-1/2	
5	8307007	6	LOCKWASHER, 1/2	
6	8305012	4	HEX NUT, 1/2-13	
7	8301456	2	HITCH PIN	
9	N.S.S.	1	S/N CAPACITY PLATE	
11	7114941	2	LOCK BAR	
12	8305644	2	HEX LOCKNUT, 1/2-13	
13	8307112	2	FLAT WASHER, 1/2	
15		Ref	72 IN SWING CARRIAGE, (See SWING CARRIAGE for Breakdown)	

SECTION 3 - ATTACHMENTS

FIGURE 3-9. SHEET MATERIAL HANDLER (8042 SN 0160037799 to Present; 10042 SN 0160037798 to Present; 10054 SN 0160037793 to Present)



PY1510

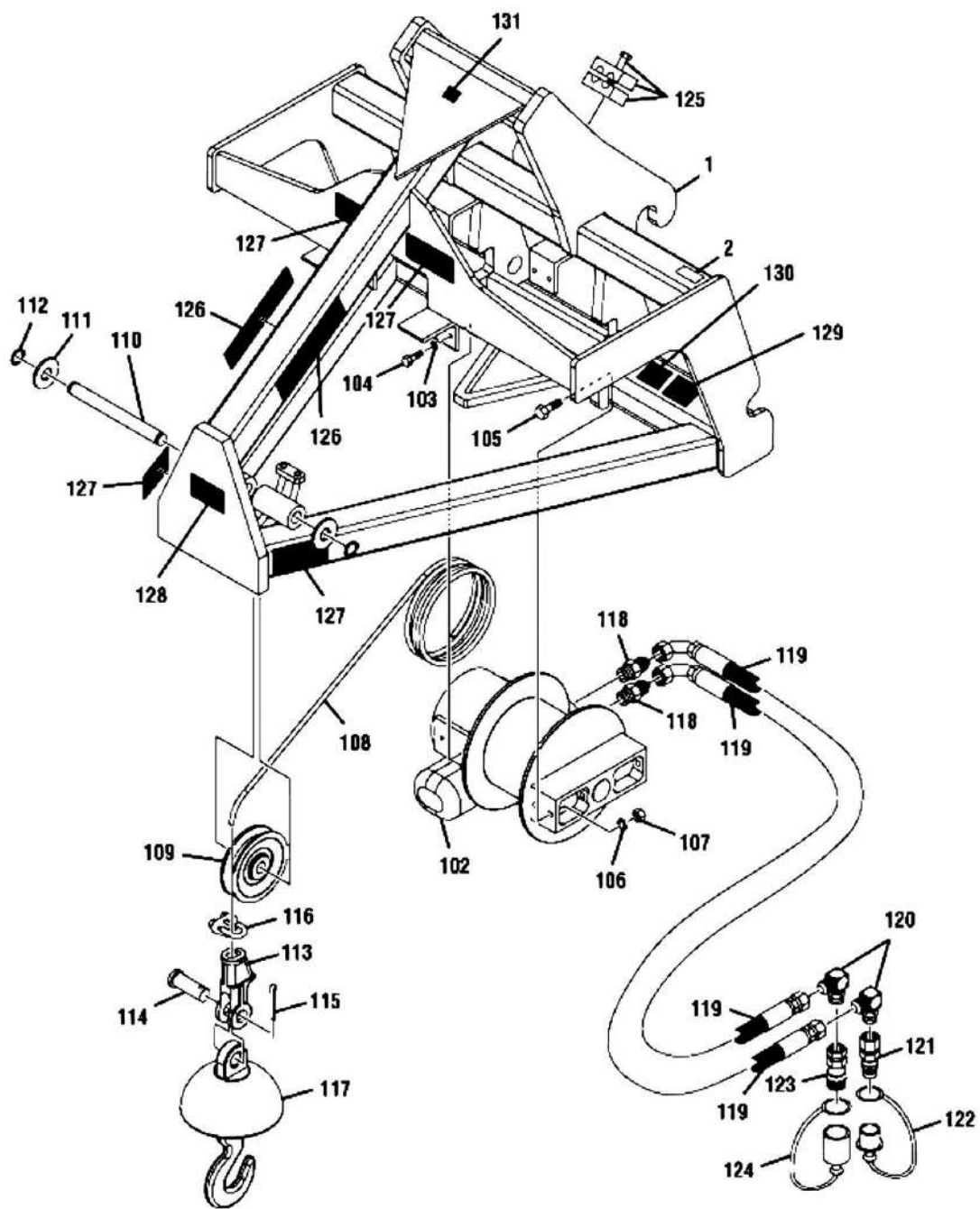
SECTION 3 - ATTACHMENTS

FIGURE 3-9. SHEET MATERIAL HANDLER (8042 SN 0160037799 to Present; 10042 SN 0160037798 to Present; 10054 SN 0160037793 to Present)

ITEM	PART NUMBER	QTY	DESCRIPTION	REV
	1001100227	1	SHEET MATERIAL HANDLER ASSY, (includes all items)	A
1	7112642	2	BACKREST EXTENSION	
2	8303626	4	HEX HD CAPSCREW, 1/2-13X1-1/2 GR5	
3	8305012	4	HEX NUT, 1/2-13	
4	8307007	4	LOCK WASHER, 1/2	
5	1001093377	2	HITCH PIN	
6	1001101115	1	FORK SUPPORT ASSY, RH, (includes items 101 thru 107)	A
7	1001101116	1	FORK SUPPORT ASSY, LH, (includes items 101 thru 107)	B
101	7114941	1	LOCK BAR	
102	8303626	1	HEX HD CAPSCREW, 1/2-13X1-1/2 GR5	
103	8305644	1	HEX LOCK NUT, 1/2-13	
104	8307007	1	LOCK WASHER, 1/2	
105	8307112	1	WASHER, 1/2	
106	1001100228	1	FORK SUPPORT, RH (not shown)	
106	1001100229	1	FORK SUPPORT, LH (shown)	
107	N.S.S.	1	S/N PLATE	

SECTION 3 - ATTACHMENTS

FIGURE 3-10. 3 FT TRUSS BOOM WITH WINCH



PU1811

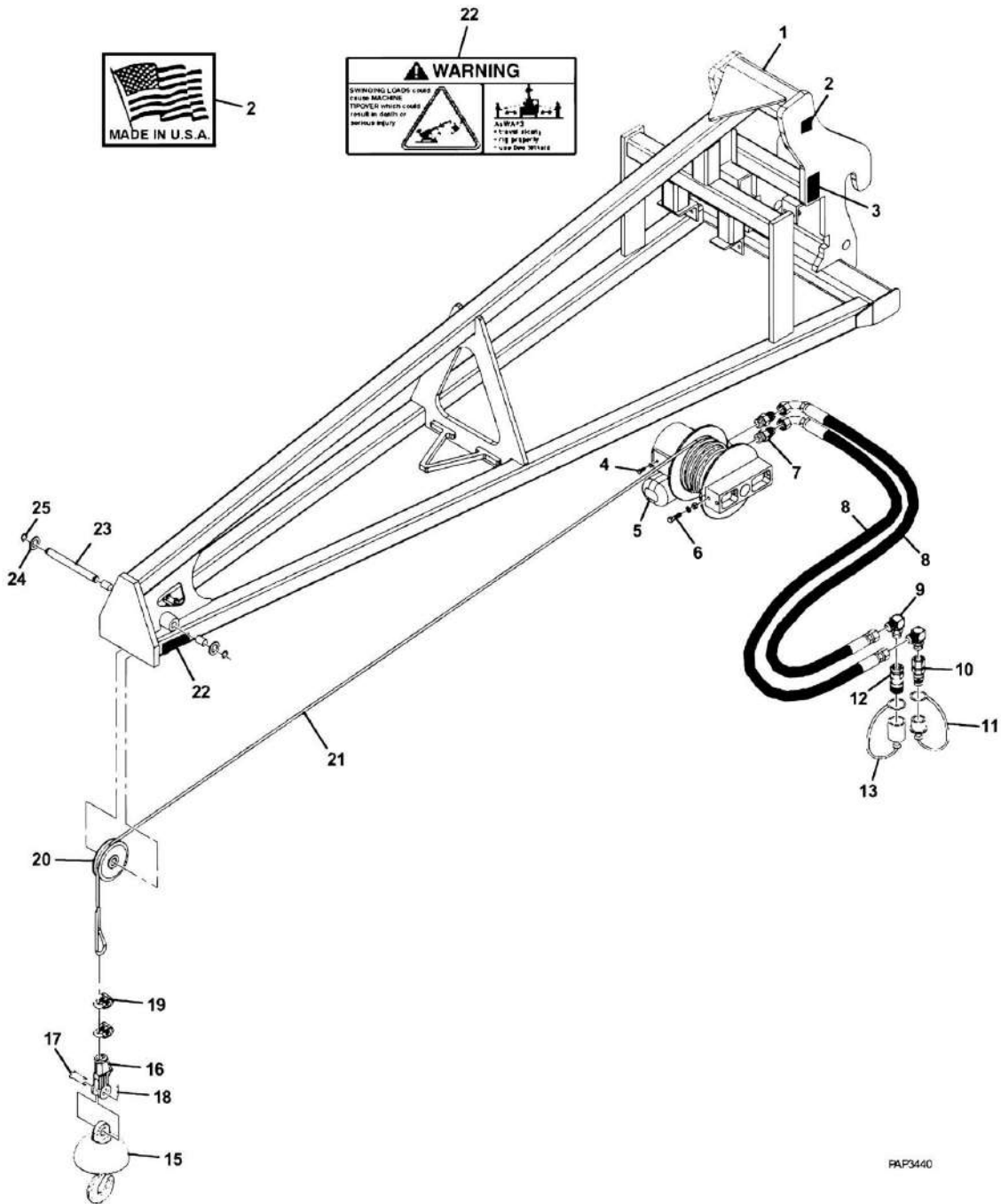
SECTION 3 - ATTACHMENTS

FIGURE 3-10. 3 FT TRUSS BOOM WITH WINCH

ITEM	PART NUMBER	QTY	DESCRIPTION	REV
	7139608	1	3 FT TRUSS BOOM WITH WINCH, (includes all items) (8042 SN 13198 through 19987, SN 016002332 through 0160034050; 10042 SN 13198 through 19987, SN 016002332 through 0160033706; 10054 SN 13198 through 19987, SN 016002332 through 0160033738)	G
	1001100967	1	3 FT TRUSS BOOM WITH WINCH, (includes items 1 & 2) (8042 SN 0160034051 to Present; 10042 SN 0160033707 to Present; 10054 SN 0160033739 to Present)	A
1	8380008	1	3 FT TRUSS BOOM WITH WINCH, (includes items 102 thru 131)	
2	N.S.S.	1	S/N CAPACITY PLATE	
3	7301040	1	LOAD CHART BOOKLET (not shown)	
102	70021921	1	WINCH	
103	90554042	4	LOCKWASHER, 3/8	
104	70021349	4	HEX HD CAPSCREW, 3/8X1	
105	70024059	2	HEX HD CAPSCREW, 1/2X1-3/4	
106	90554020	2	LOCKWASHER, 1/2	
107	90554054	2	HEX NUT, 1/2	
108	70022028	1	CABLE	
109	70021935	1	PULLEY	
110	70022529	1	PIN	
111	70024060	2	HARDENED FLAT WASHER	
112	70024061	2	SNAP RING	
113	70021979	1	SOCKET ASSY, (includes items 114 & 115)	
114	N.S.S.	1	PIN	
115	N.S.S.	1	COTTER PIN	
116	70022528	1	CLAMP	
117	70021978	1	BALL SWIVEL WITH SAFETY HOOK	
118	2220371	2	CONNECTOR	
119	70021977	2	HOSE ASSY, 3/8X32	
120	2220628	2	ELBOW, 90	
121	91403413	1	QUICK DISCONNECT COUPLER	
122	91043126	1	DUST CAP	
123	91403414	1	QUICK DISCONNECT NIPPLE	
124	91043125	1	DUST PLUG	
125	70021387	1	CLAMP	
126	70024062	2	CAPACITY DECAL	
127	70024063	4	ROTATING PART DECAL	
128	70024064	1	DO NOT TOW DECAL	
129	N.S.S.	1	S/N PLATE	
130	90554018	1	WARNING HIGH PRESSURE DECAL	
131	90554016	1	MADE IN USA DECAL	

SECTION 3 - ATTACHMENTS

FIGURE 3-11. 12 FT TRUSS BOOM WITH WINCH



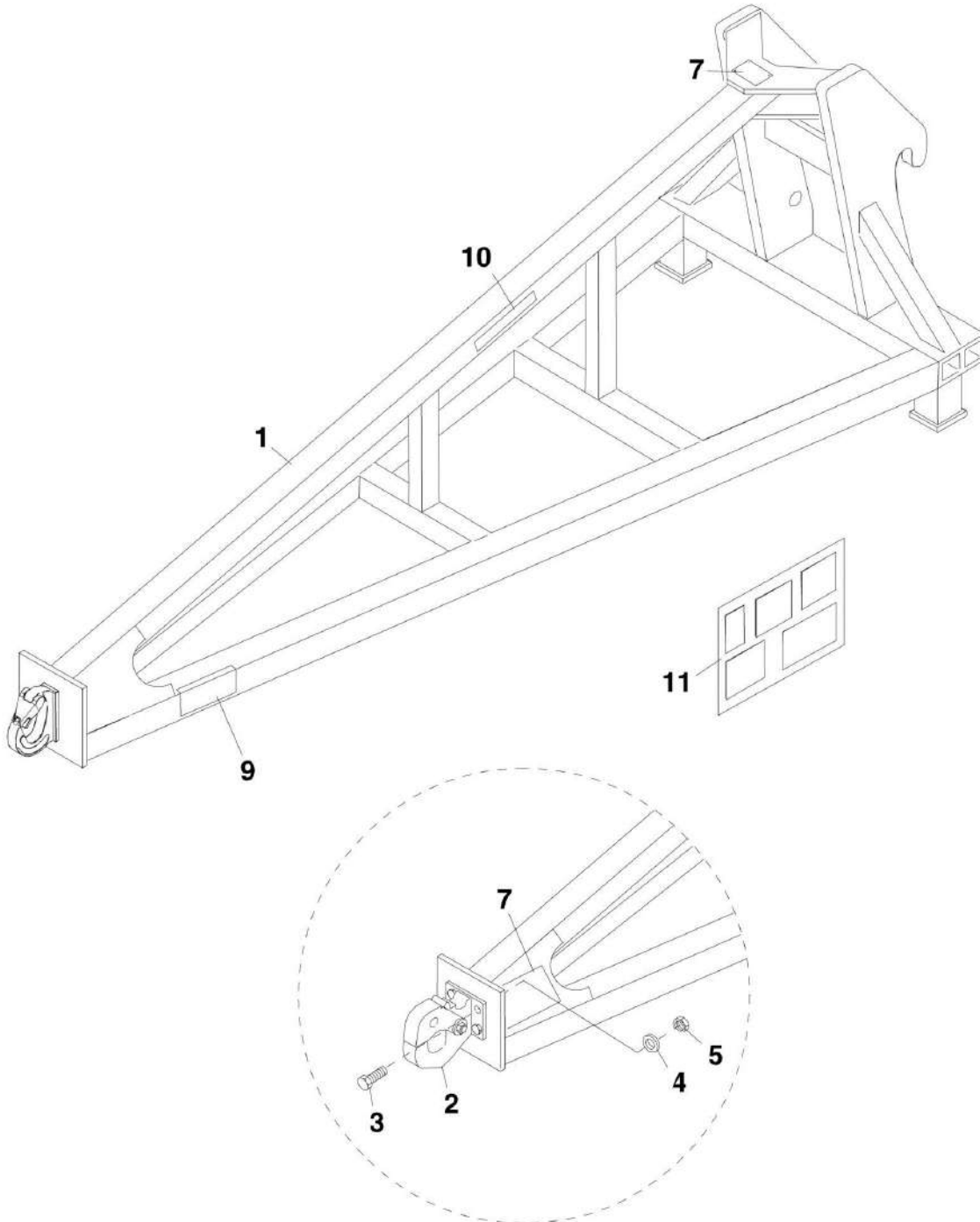
SECTION 3 - ATTACHMENTS

FIGURE 3-11. 12 FT TRUSS BOOM WITH WINCH

ITEM	PART NUMBER	QTY	DESCRIPTION	REV
	1001099351	1	12 FT TRUSS BOOM WITH WINCH, (includes all items)	F,C
1	N.S.S.	1	TRUSS BOOM FRAME	
2	90554016	1	USA DECAL	
3	N.S.S.	1	S/N PLATE	
4	70021349	4	HEX HD CAPSCREW, 3/8X1	
4	90554042	4	LOCK WASHER, 3/8	
5	70021921	1	TRUSS BOOM WINCH MOTOR	
6	N.S.S.	1	HEX HD CAPSCREW, 1/2X1.75	
6	90554020	2	LOCK WASHER, 1/2	
6	90554054	2	HEX NUT, 1/2	
7	70021415	2	CONNECTOR	
8	70021977	2	HOSE ASSY, 3/8X32	
9	N.S.S.	1	ELBOW, 90	
10	7029692	1	MALE QUICK COUPLER	
11	90554062	1	DUST CAP	
12	70021342	1	FEMALE QUICK COUPLER	
13	90554076	1	DUST COVER	
15	70021978	1	BALL SWIVEL WITH SAFETY HOOK	
16	70021979	1	SOCKET ASSY, (includes items 17 & 18)	
17	N.S.S.	1	PIN	
18	N.S.S.	1	COTTER PIN	
19	N.S.S.	1	CLAMP	
20	70021935	1	PULLEY	
21	70022028	1	CABLE	
22	4110422	2	WARNING SWINGING LOADS DECAL	
23	N.S.S.	1	PIN	
24	N.S.S.	1	FLAT WASHER, 1	
25	N.S.S.	1	SNAP RING	

SECTION 3 - ATTACHMENTS

FIGURE 3-12. TRUSS BOOM (8042 Prior to SN 0160037799; 10042 Prior to SN 0160037798; 10054 Prior to SN 0160037793)



8042 S/N 13198 THRU 19987 & 0160002332 THRU 0160032260,
10042 S/N 13198 THRU 19987 & 0160002332 THRU 0160031656,
10054 S/N 13198 THRU 19987 & 0160002332 THRU 0160032228

PH4451

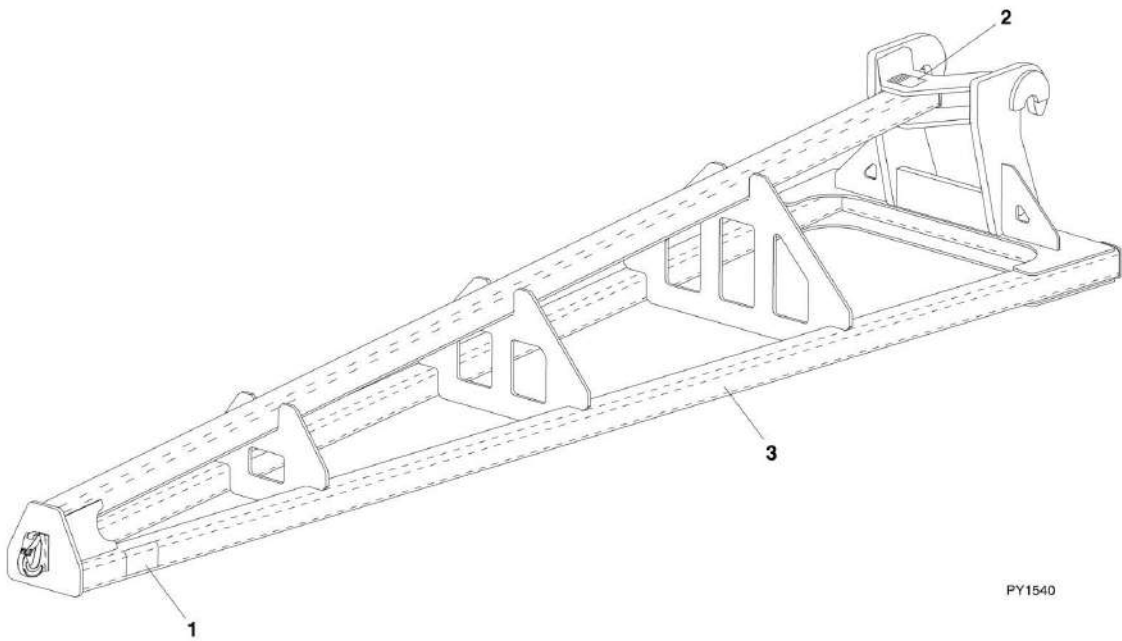
SECTION 3 - ATTACHMENTS

FIGURE 3-12. TRUSS BOOM (8042 Prior to SN 0160037799; 10042 Prior to SN 0160037798; 10054 Prior to SN 0160037793)

ITEM	PART NUMBER	QTY	DESCRIPTION	REV
	7113024	1	12 FT TRUSS BOOM ASSY, (8042), (includes all items)	
	7119800	1	15 FT TRUSS BOOM ASSY, (10042 & 10054), (includes all items)	
	7112804	1	15 FT TRUSS BOOM ASSY, (10042 & 10054), (includes all items)	
1	7113034		TRUSS BOOM WELDMENT, (8042)	
1	7112814		TRUSS BOOM WELDMENT, (10042 & 10054)	
2	8382017	1	PINTLE HOOK (8042 SN 13198 through 19987, SN 0160002332 through 0160032259; 10042 SN 13198 through 19987, SN 0160002332 through 0160031656; 10054 SN 13198 through 19987, SN 0160002332 through 0160032261)	
3	8310195	4	HEX HD CAPSCREW, 1/2-13X1.75 (8042 SN 13198 through 19987, SN 0160002332 through 0160032259; 10042 SN 13198 through 19987, SN 0160002332 through 0160031656; 10054 SN 13198 through 19987, SN 0160002332 through 0160032261)	
4	8307112	4	PLAIN WASHER, 1/2 (8042 SN 13198 through 19987, SN 0160002332 through 0160032259; 10042 SN 13198 through 19987, SN 0160002332 through 0160031656; 10054 SN 13198 through 19987, SN 0160002332 through 0160032261)	
5	8305644	4	HEX LOCKNUT, 1/2-13 (8042 SN 13198 through 19987, SN 0160002332 through 0160032259; 10042 SN 13198 through 19987, SN 0160002332 through 0160031656; 10054 SN 13198 through 19987, SN 0160002332 through 0160032261)	
7	N.S.S.	1	S/N/CAPACITY PLATE	
9	4110422	2	SWINGING LOAD DECAL	
10	4107832	2	LENGTH/CAPACITY DECAL	
11		Ref	CAPACITY CHART, (See DECALS SECTION for Breakdown)	

SECTION 3 - ATTACHMENTS

FIGURE 3-13. TRUSS BOOM (8042 SN 0160037799 to Present; 10042 SN 0160037798 to Present; 10054 SN 0160037793 to Present)



PY1540

SECTION 3 - ATTACHMENTS

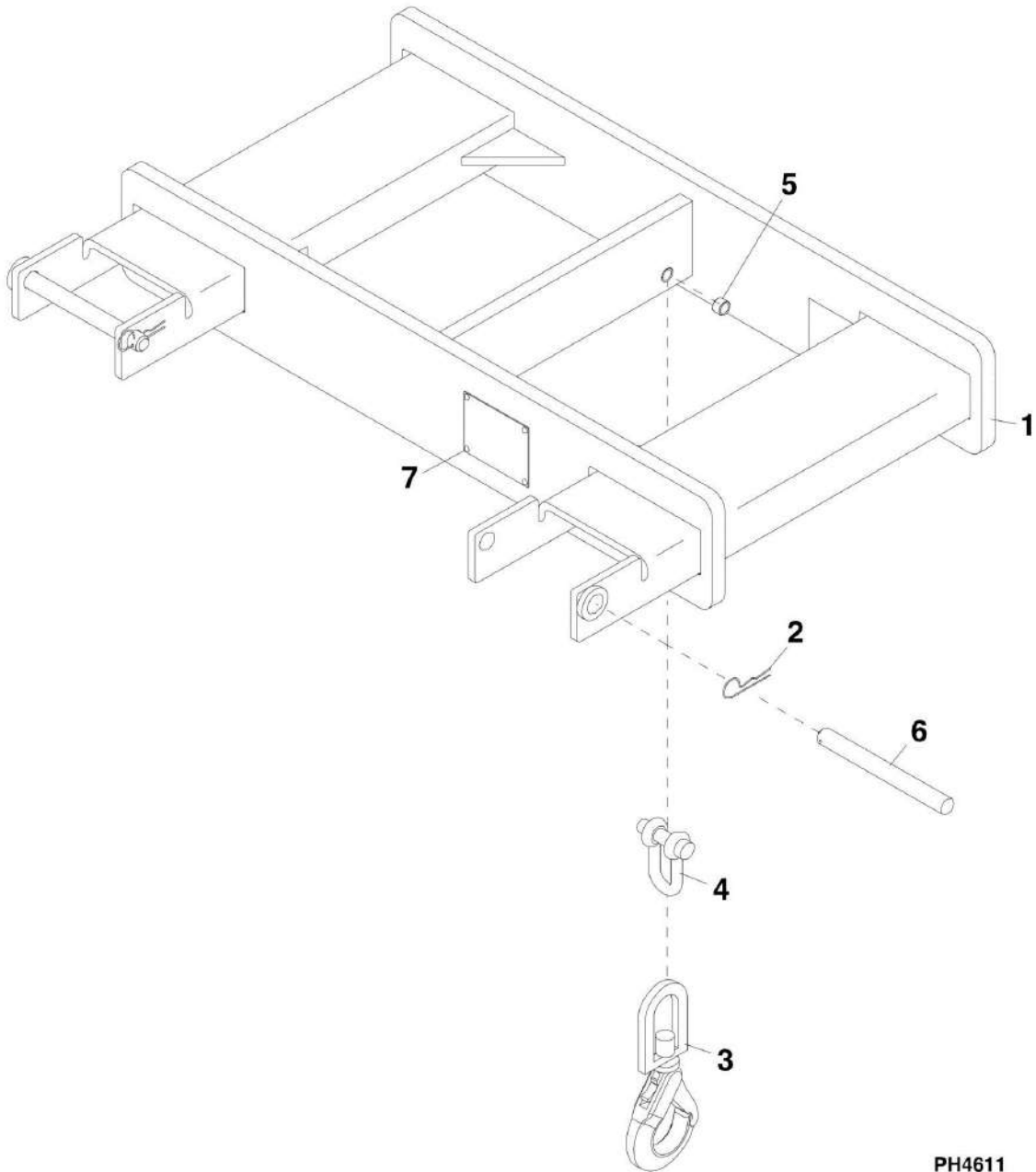
FIGURE 3-13. TRUSS BOOM (8042 SN 0160037799 to Present; 10042 SN 0160037798 to Present; 10054 SN 0160037793 to Present)

ITEM	PART NUMBER	QTY	DESCRIPTION	REV
	1001099902	1	12 FT TRUSS BOOM, (includes all items)	
	1001099901	1	15 FT TRUSS BOOM, (includes all items)	
1	4110422	2	WARNING SWINGING LOADS DECAL	
2	N.S.S.	1	S/N PLATE	
3	N.S.S.	1	TRUSS BOOM	

SECTION 3 - ATTACHMENTS

FIGURE 3-14. LIFTING HOOK

NOTE: PALLET/LUMBER FORKS OF AN APPROPRIATE LOAD RATING MUST BE USED.



PH4611

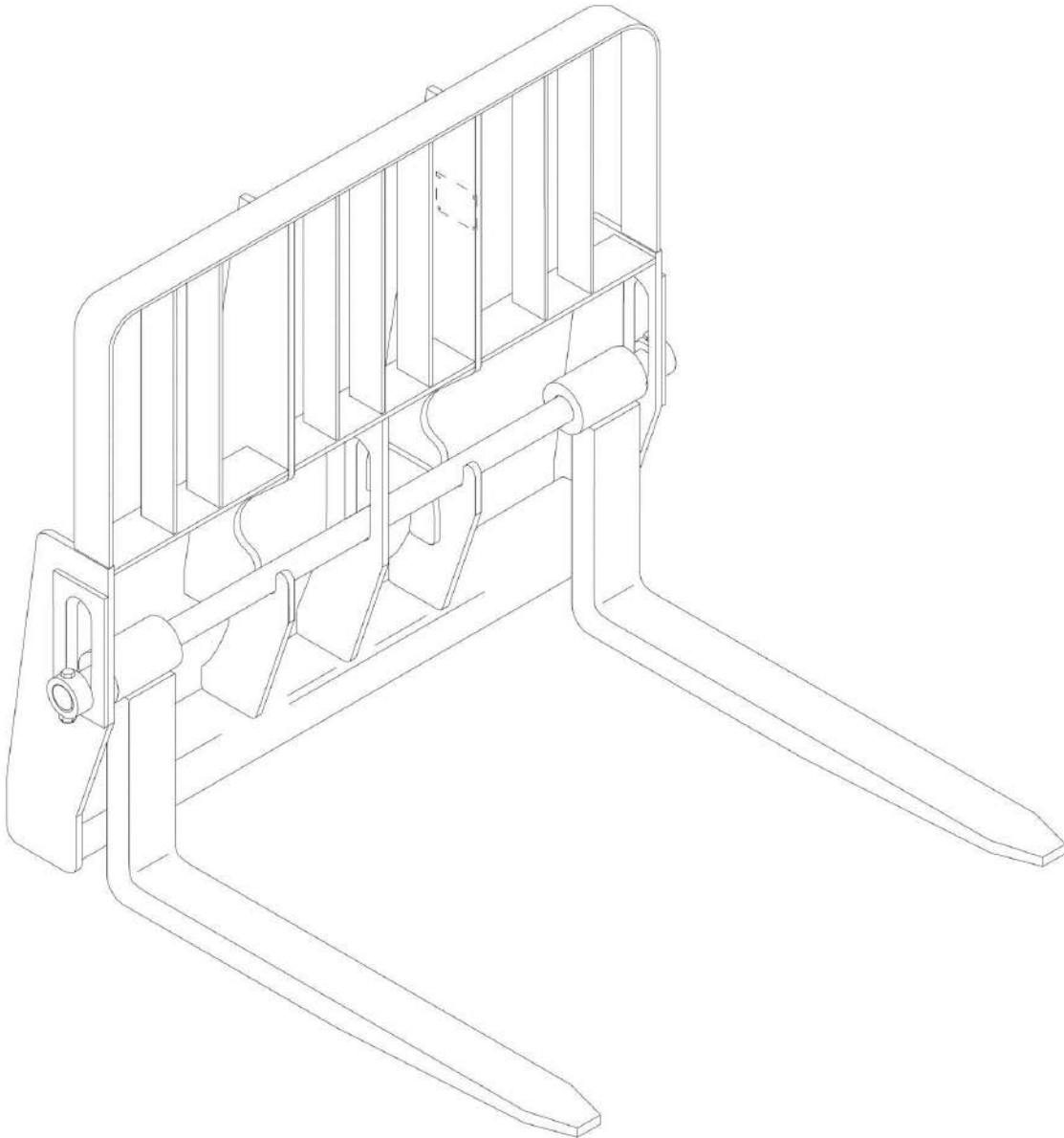
SECTION 3 - ATTACHMENTS

FIGURE 3-14. LIFTING HOOK

ITEM	PART NUMBER	QTY	DESCRIPTION	REV
1	91565094	1	LIFTING HOOK ATTACHMENT, (includes all items)	F
2	7029520	2	HAIRPIN CLIP	
3	90554080	1	SLING HOOK	
4	7029521	1	CHAIN SHACKLE ASSY, (includes pin),12,000LB	
5	70020555	1	SPRING BUSHING	
6	1001093171	2	PIN	
7	N.S.S.	1	S/N ATTACHMENT PLATE	

SECTION 3 - ATTACHMENTS

FIGURE 3-15. FORKS



PV1550

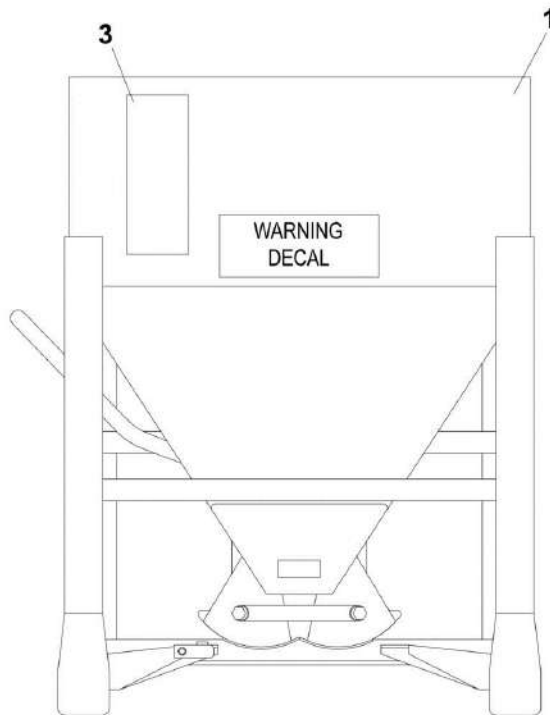
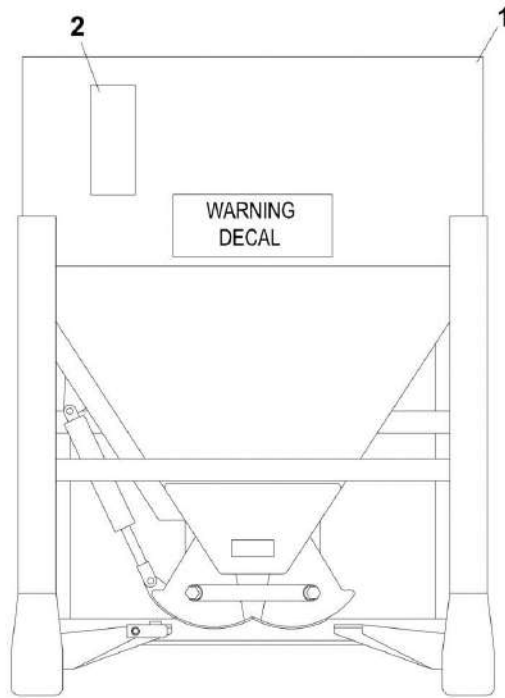
SECTION 3 - ATTACHMENTS

FIGURE 3-15. FORKS

ITEM	PART NUMBER	QTY	DESCRIPTION	REV
	2340037	6	CUBING FORK, 48X2X2, 11,640 lbs	A
	7301408	2	PALLET FORK, 48X4X2.25	D
	2340045	2	PALLET FORK, 48X4X2.36, 10,950 lbs	B
	2340038	2	PALLET FORK, 48X5X2.36, 13,700 lbs	B
	7139747	2	BLOCKING FORK, 48X2X2	C
	2340039	2	DUAL TAPER FORK, 60X6X2.36, 16,300 lbs	B
	7139746	2	LUMBER FORK, 60X7X1.75	C
	2340046	2	DUAL TAPER FORK, 60X7X1.75, 10,800 lbs	B
	1001092391	2	DUAL TAPER FORK, 72X6X2, 11,300 lbs	B
	1001137512	2	90 IN FORK EXTENSION, (not shown), (includes items 1 & 2)	D
1	70024306	1	PIN, (not shown)	
2	70024307	1	CLIP, (not shown)	
N1	Note	Ref	FORKS RATED LESS THAN THE ATTACHMENT OR MACHINE'S CAPACITY DECREASES CAPACITY OF THE ATTACHMENT OR MACHINE TO THAT OF THE FORKS. FORKS RATED MORE THAN THE ATTACHMENT OR MACHINE'S CAPACITY DO NOT INCREASE ATTACHMENT OR MACHINE'S CAPACITY.	
N2	Note	Ref	PLEASE CONSULT JLG PARTS DEPARTMENT TO DETERMINE THE CORRECT FORKS APPLICABLE TO YOUR SPECIFIC CARRIAGE ASSEMBLY AND APPLICATION.	

SECTION 3 - ATTACHMENTS

FIGURE 3-16. CONCRETE BUCKET



PH4741

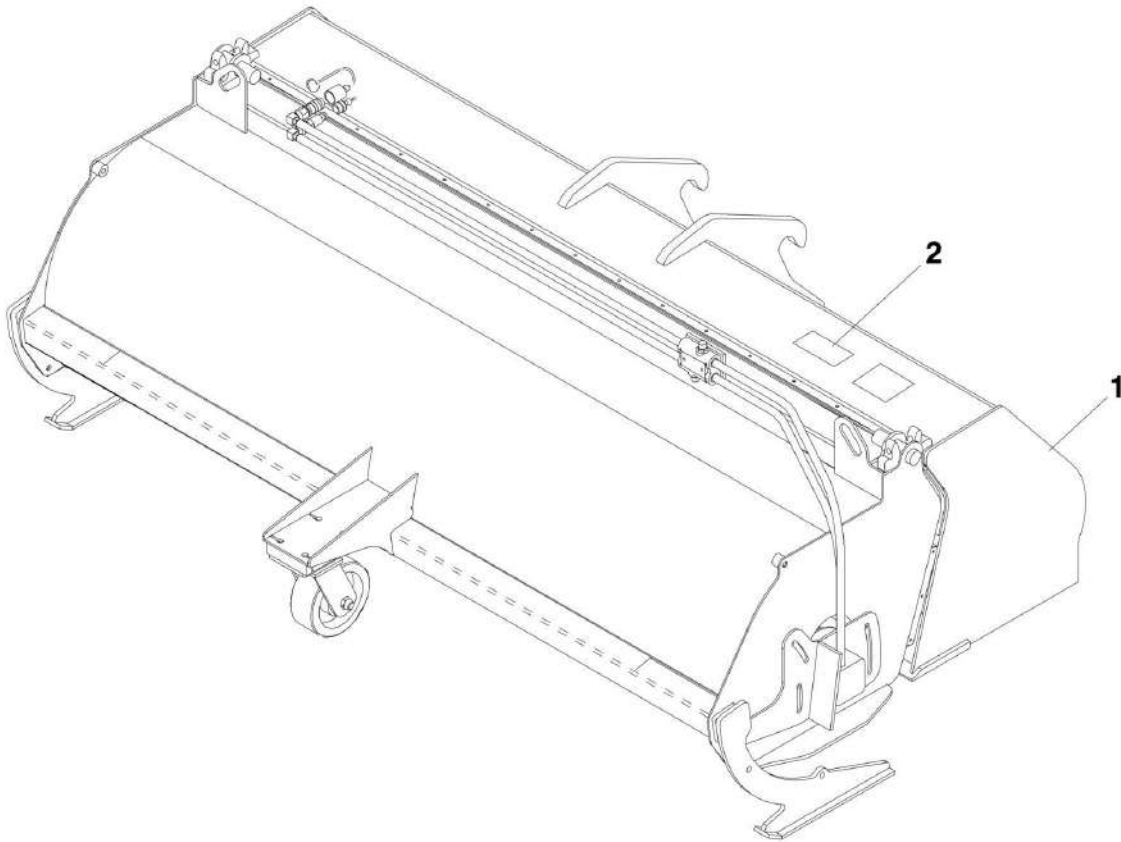
SECTION 3 - ATTACHMENTS

FIGURE 3-16. CONCRETE BUCKET

ITEM	PART NUMBER	QTY	DESCRIPTION	REV
1	8866442	1	CONCRETE BUCKET, 1/2 YD ³ , HYDRAULIC, (includes item 2)	B
1	8866444	1	CONCRETE BUCKET, 1/2 YD ³ , MANUAL, (includes item 2)	B
1	8866441	1	CONCRETE BUCKET, 1 YD ³ , HYDRAULIC, (10042/10054), (includes item 3)	B
1	8866443	1	CONCRETE BUCKET, 1 YD ³ , MANUAL, (10042/10054), (includes item 3)	B
2	N.S.S.	1	S/N PLATE	
3	N.S.S.	1	S/N PLATE	
4	8866446	1	4 IN DISCHARGE HOSE, (not shown)	
4	8866561	1	4 IN DISCHARGE HOSE WITH GATE, (not shown)	
5	8866464	1	6 IN DISCHARGE HOSE, (not shown)	
6	8866560	1	8 IN DISCHARGE HOSE, (not shown)	
7	8866445	1	RUBBER SIDE DISCHARGE CHUTE, (not shown)	

SECTION 3 - ATTACHMENTS

FIGURE 3-17. SWEEPER ASSEMBLY



PH4770

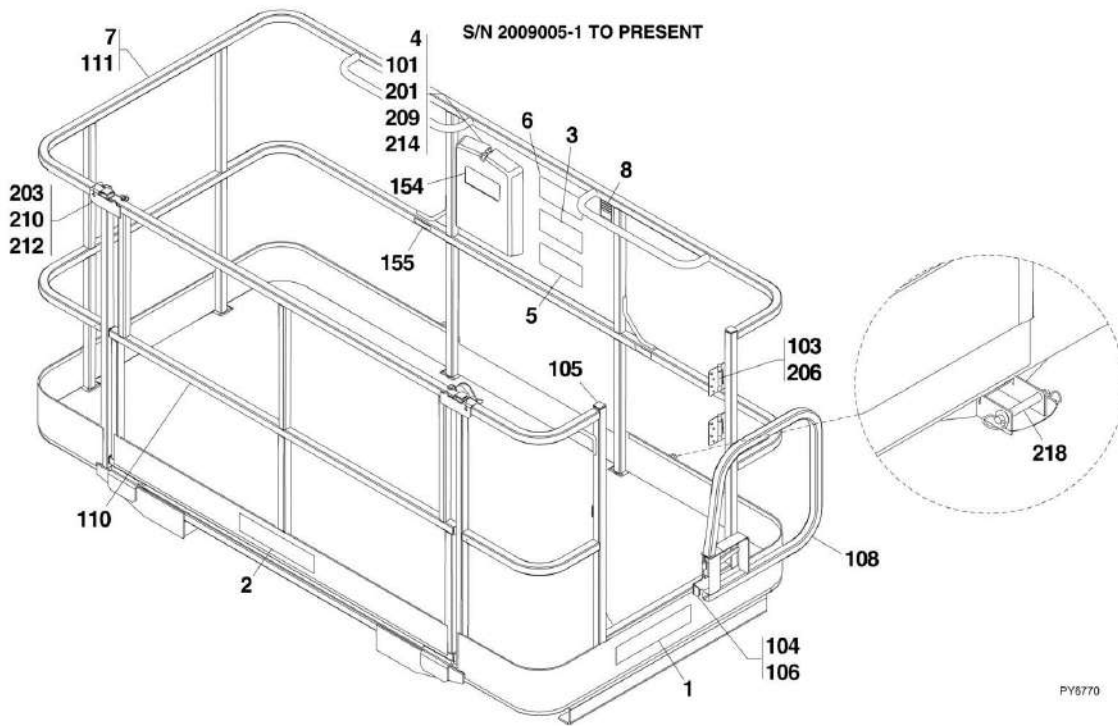
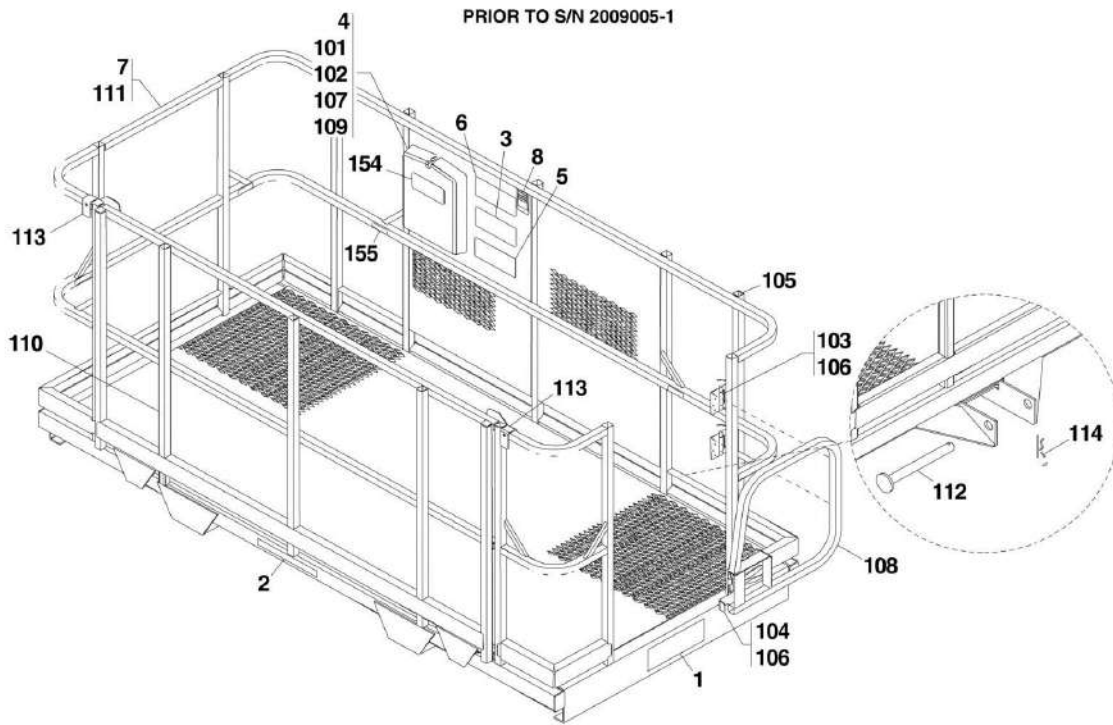
SECTION 3 - ATTACHMENTS

FIGURE 3-17. SWEEPER ASSEMBLY

ITEM	PART NUMBER	QTY	DESCRIPTION	REV
	7301180	1	SWEEPER ASSY, (includes all items)	B
1	7301718	1	24 IN SWEEPER WITH BUCKET	
2	N.S.S.	1	S/N PLATE	
4	4110461	1	WARNING DECAL, (not shown)	

SECTION 3 - ATTACHMENTS

FIGURE 3-18. FORK MOUNTED PLATFORM



PY6770

SECTION 3 - ATTACHMENTS

FIGURE 3-18. FORK MOUNTED PLATFORM

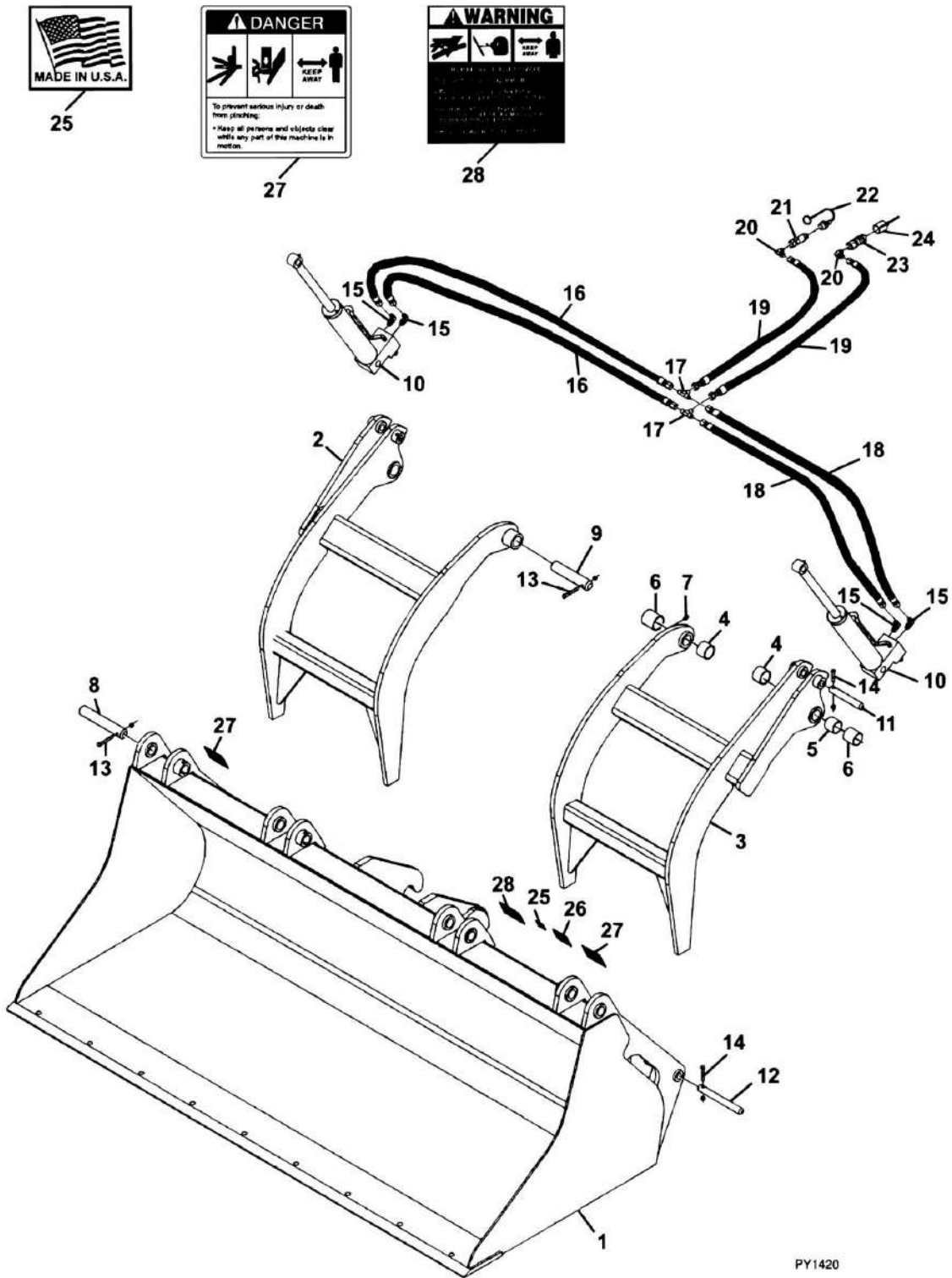
ITEM	PART NUMBER	QTY	DESCRIPTION	REV
	1001092280	NLA	FORK MOUNTED PLATFORM, (ASME), (no longer available, order 1001103637 for replacement or items 1 thru 8 for service) (Prior to S/N 2009005-1)	E
	1001103637	1	FORK MOUNTED PLATFORM, (ASME), (includes items 1 thru 8) (S/N 2009005-1 to Present)	B
	1001096306	NLA	FORK MOUNTED PLATFORM, (ISO), (no longer available, order 1001103730 for replacement or items 1 thru 8 for service) (Prior to S/N 2009005-1)	C
	1001103730	1	FORK MOUNTED PLATFORM, (ISO), (includes items 1 thru 8) (S/N 2009005-1 to Present)	B
	1001097072	NLA	FORK MOUNTED PLATFORM-1, (ASME - FRENCH), (no longer available, order 1001103736 for replacement or items 1 thru 8 for service) (Prior to S/N 2009005-1),	C
	1001103736	1	FORK MOUNTED PLATFORM, (ASME - FRENCH), (includes 1 thru 8) (S/N 2009005-1 to Present)	B
1	1702773	2	JLG DECAL	
2	1704885	1	WEBSITE DECAL	
3	1706892	1	PLATFORM WARNING DECAL, (ASME)	
3	1001096025	1	PLATFORM WARNING DECAL, (ISO)	
3	1001096024	1	PLATFORM WARNING DECAL, (ASME - FRENCH)	
4	31200160	1	OPERATION AND SAFETY MANUAL, (ASME)	
4	31200387	1	OPERATION AND SAFETY MANUAL, (ISO - SPANISH)	
4	31200388	1	OPERATION AND SAFETY MANUAL, (ISO - PORTUGUESE)	
4	31200386	1	OPERATION AND SAFETY MANUAL, (ASME - FRENCH)	
5	1001092481	1	WARNING DECAL, (ASME)	
5	1001096021	1	WARNING DECAL, (ISO)	
5	1001096019	1	WARNING DECAL, (ASME - FRENCH)	
6	1001092482	1	CAPACITY DECAL, (ASME)	
6	1001096023	1	CAPACITY DECAL, (ISO)	
6	1001096020	1	CAPACITY DECAL, (ASME - FRENCH)	
7	N.S.S.	1	FORK MOUNTED PLATFORM-1, (includes items 101 thru 114, 154 & 155) (Prior to SN 2009005)	B
7	N.S.S.	1	FORK MOUNTED PLATFORM, (S/N 2009005-1 to Present), (includes items 101, 103 thru 106, 108, 110, 111, 154, 155, 201, 203, 206, 210, 212, 214 & 218)	H
8	N.S.S.	1	S/N PLATE	
101	0860520	1	MANUAL STORAGE BOX	
102	2080044	4	RIVNUT FASTENER 1/4-20	
103	2600281	2	HINGE	
104	2940074	1	LATCH	
105	3520198	21	PLUG, (Prior to SN 2009005-1)	
105	3520072	10	PLUG, (SN 2009005-1 to Present)	
106	3820020	20	POP RIVET-1, (Prior to SN 2009005-1)	
106	3820020	4	POP RIVET, (SN 2009005-1 to Present)	
107	4751400	4	WASHER, 1/4	
108	4846452	1	GATE WELDMENT	
109	80263012	4	SCREW WHIZ LOCK 1/4-20 X 1/2	
110	1001093140	1	GATE WELDMENT, (Prior to SN 2009005-1)	
110	1001095810	1	GATE WELDMENT, (SN 2009005-1 to Present)	
111	N.S.S.	1	PLATFORM WELDMENT	
112	1001093171	2	PIN	
113	1001097168	2	PIN, SAFETY SNAP, WITH LANYARD	

SECTION 3 - ATTACHMENTS

ITEM	PART NUMBER	QTY	DESCRIPTION	REV
114	1001098582	2	LYNCH PIN 3/16 WITH LANYARD	
154	1701509	1	MANUAL DECAL	
155	1704277	3	LANYARD ATTACH DECAL	
201	0641405	4	HEX HD CAPSCREW, 1/4-20X5/8	
203	1060379	2	6 IN LANYARD CABLE	
206	2080040	16	FASTENER	
209	3311405	4	HEX NUT, 1/4-20	
210	3421453	2	PIN	
212	3760170	4	RING	
214	4711400	8	WASHER, 1/4	
218	1001102813	2	HITCH PIN	

SECTION 3 - ATTACHMENTS

FIGURE 3-19. GRAPPLE BUCKET



PY1420

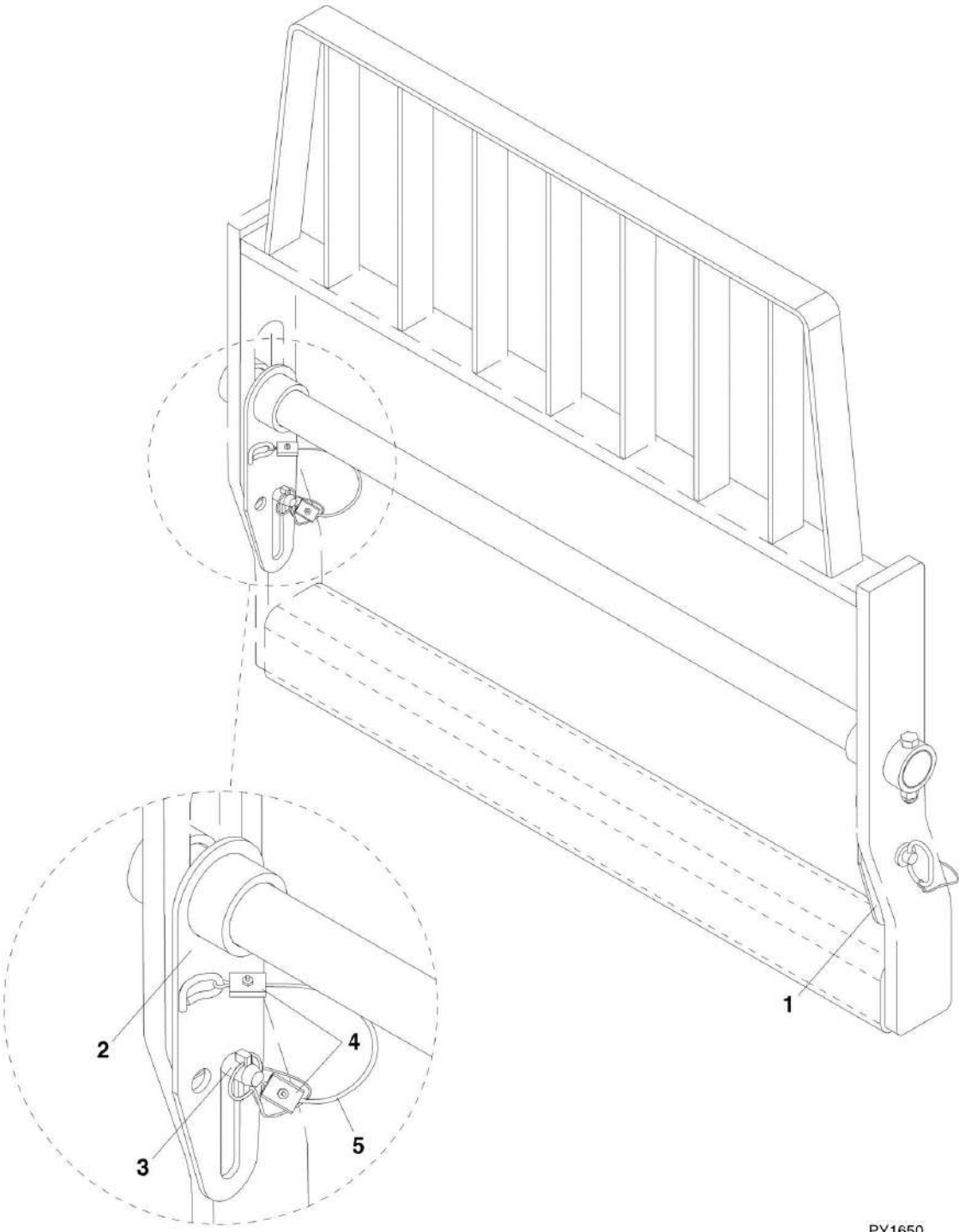
SECTION 3 - ATTACHMENTS

FIGURE 3-19. GRAPPLE BUCKET

ITEM	PART NUMBER	QTY	DESCRIPTION	REV
	0930020	1	GRAPPLE BUCKET, (includes all items)	G
1	N.S.S.	1	BUCKET	
1	70021387	4	HOSE CLAMP	
2	70021391	1	RIGHT GRAPPLE HOOK	
3	70021392	1	LEFT GRAPPLE HOOK	
4	70021358	4	BUSHING	
5	70021359	2	SPACER	
6	70021360	4	BUSHING	
7	7029714	4	GREASE FITTING	
8	70021361	2	OUTER PIVOT PIN	
9	70021362	2	INNER PIVOT PIN	
10		Ref	CYLINDER ASSY, (See HYDRAULIC COMPONENTS SECTION for Breakdown)	
11	70021364	2	PIN	
12	70021365	2	PIN	
13	70021366	4	HEX HD CAPSCREW, 3/8X2.75	
13	70021367	4	LOCK NUT, 3/8	
14	70021399	4	HEX HD CAPSCREW, 3/8X2.25	
14	70021367	4	LOCK NUT, 3/8	
15	90554065	4	ELBOW, 90	
16	70021980	2	HOSE ASSY, 3/8X73	
17	70020562	2	FITTING, TEE	
18	70021981	2	HOSE ASSY, 3/8X46	
19	70021982	2	HOSE ASSY, 3/8X34	
20	70022527	2	ELBOW, 90	
21	7029692	1	MALE QUICK COUPLER	
22	90554062	1	DUST COVER	
23	70021342	1	FEMALE QUICK COUPLER	
24	90554076	1	DUST COVER	
25	90554016	1	USA DECAL	
26	N.S.S.	1	S/N PLATE	
27	90554017	2	DANGER PINCH POINT DECAL	
28	90554018	1	HIGH PRESSURE WARNING DECAL	

SECTION 3 - ATTACHMENTS

FIGURE 3-20. FORK PIN LOCK INSTALLATION



PY1650

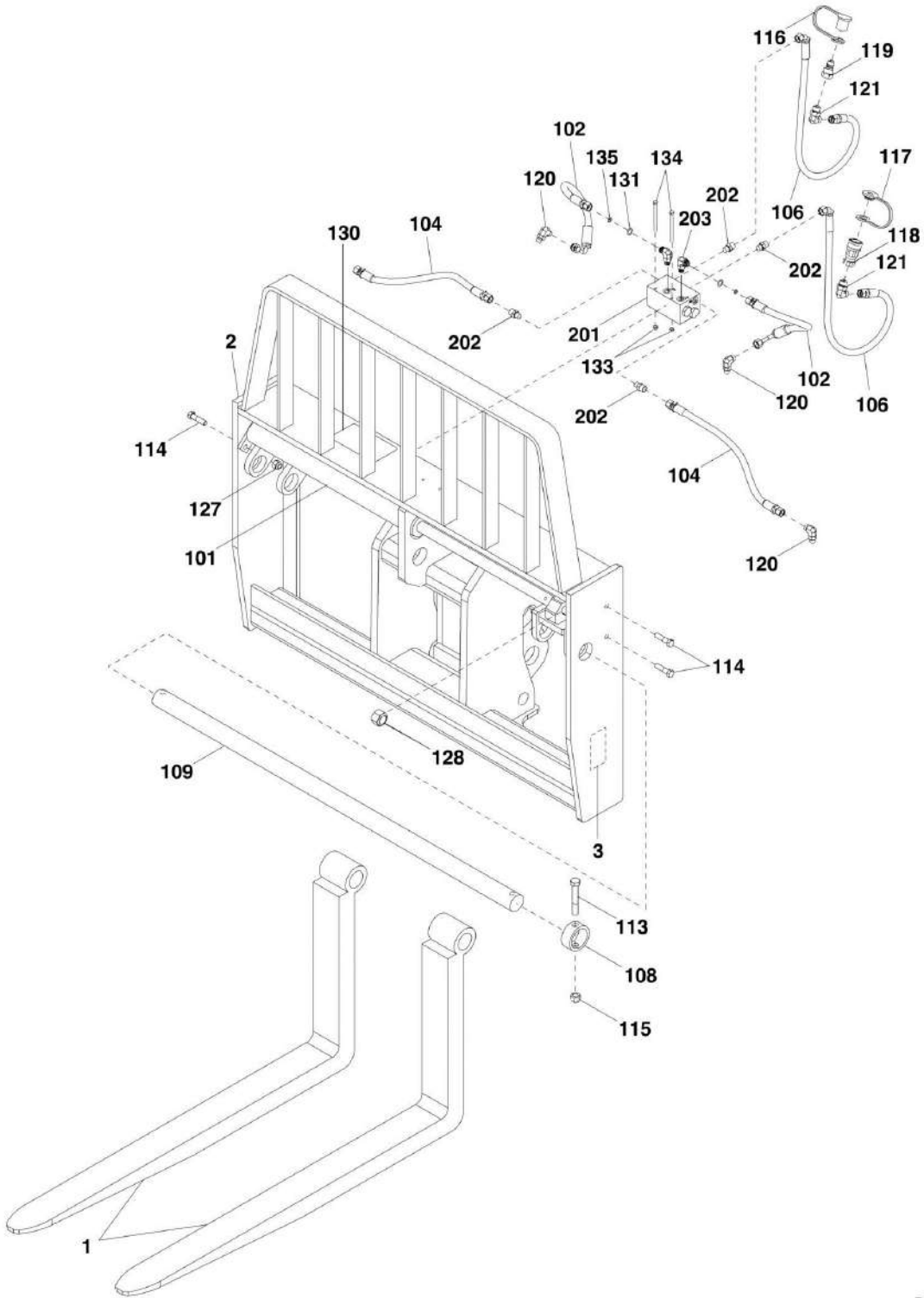
SECTION 3 - ATTACHMENTS

FIGURE 3-20. FORK PIN LOCK INSTALLATION

ITEM	PART NUMBER	QTY	DESCRIPTION	REV
	1001093465	1	FORK PIN LOCK INSTALLATION, (includes all items)	
1	0240156	1	FORK PIN LOCK, LH	
2	1001093273	1	FORK PIN LOCK, RH	
3	1001093377	2	HITCH PIN	
4	1001094830	4	CLAMP	
5	1001094330	2	LANYARD	

SECTION 3 - ATTACHMENTS

FIGURE 3-21. DUAL FORK POSITIONING CARRIAGE ASSEMBLY



PH5130

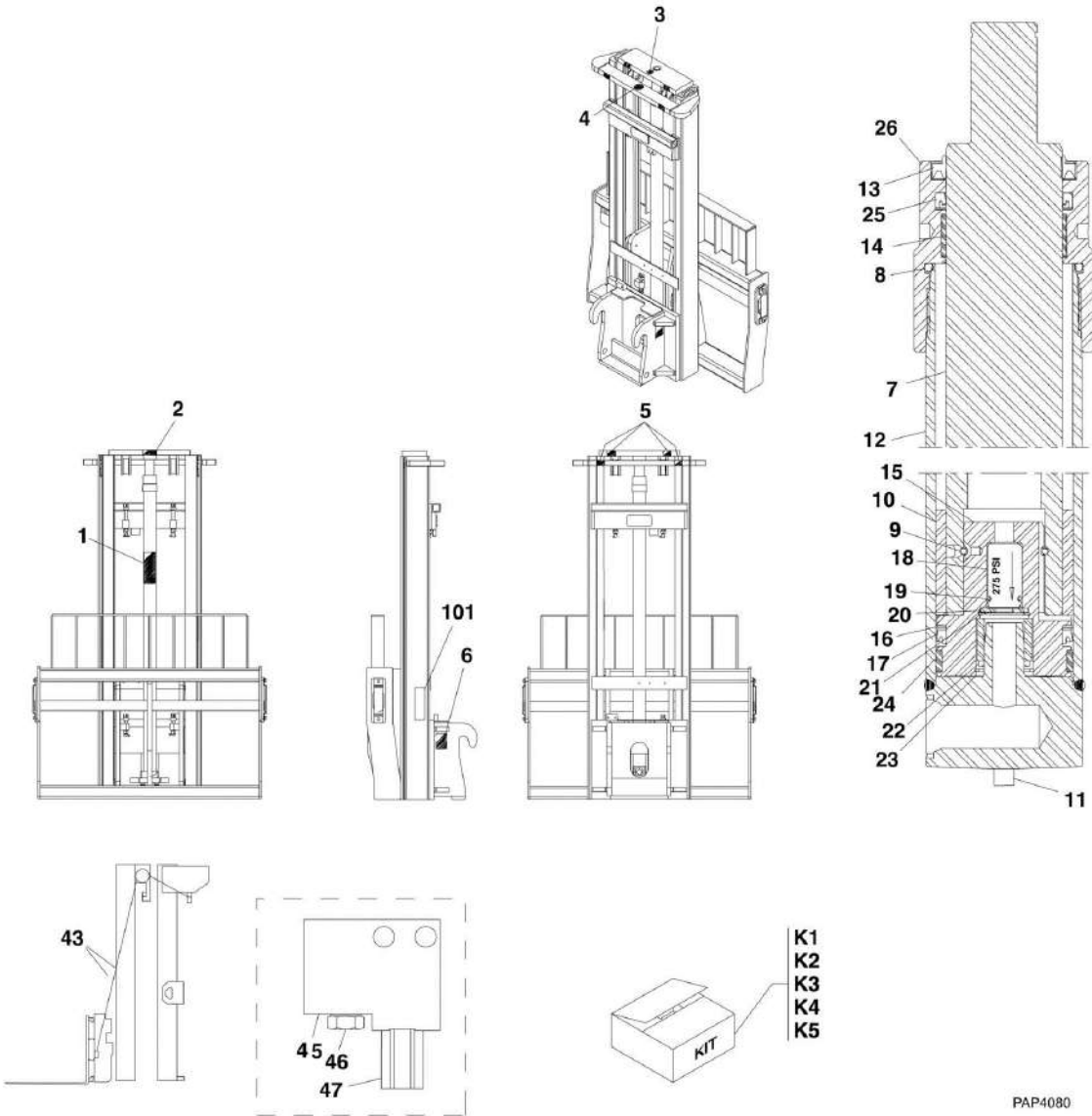
SECTION 3 - ATTACHMENTS

FIGURE 3-21. DUAL FORK POSITIONING CARRIAGE ASSEMBLY

ITEM	PART NUMBER	QTY	DESCRIPTION	REV
	7301295	1	50 IN DUAL FORK CARRIAGE ASSY, (includes items 1 thru 3)	F
1	7301408	2	PALLET FORK, (60X100X1220mm)	
2	7301568	1	50 IN CARRIAGE, (includes items 101 thru 135)	I
3	N.S.S.	1	S/N PLATE	
101	2717283	2	FORK POSITIONING CYLINDER	
102	2717160	2	HOSE ASSY	
104	2717161	2	HOSE ASSY	
106	2717162	2	HOSE ASSY	
108	90200003	1	COLLAR, FORK PIN	
109	90451058	1	FORK SHAFT	
113	8303634	2	HEX HD CAPSCREW, 5/8-11X4, GR5	
114	8303658	4	HEX HD CAPSCREW, 1/2-13X2, GR5	
115	8305643	2	HEX LOCKNUT, 5/8-11	
116	8420053	1	DUST CAP	
117	8420055	1	DUST PLUG	
118	91403413	1	CONNECTOR	
119	91403414	1	CONNECTOR	
120	2130606	4	ELBOW, 90, (includes o-ring)	
121	2130608	2	ELBOW, 90, (includes o-ring)	
127	8310302	4	HEX LOCKNUT, 1/2-13	
128	10705034	2	HEX LOCKNUT, 1-14	
130	4110473	1	HOSE ROUTING DECAL	
131	7139918	2	ORIFICE DISK	
132	4641502	1	VALVE ASSY, (includes items 201 thru 203)	B
133	8305624	2	HEX LOCKNUT, 1/4-20	
134	8310435	2	HEX HD CAPSCREW, 1/4-20X3-3/4, GR5	
135	8630003	2	O-RING	
201	4641501	1	FLOW DIVIDER VALVE	
202	2110606	4	CONNECTOR	
203	2130606	2	ELBOW, 90, (includes o-ring)	

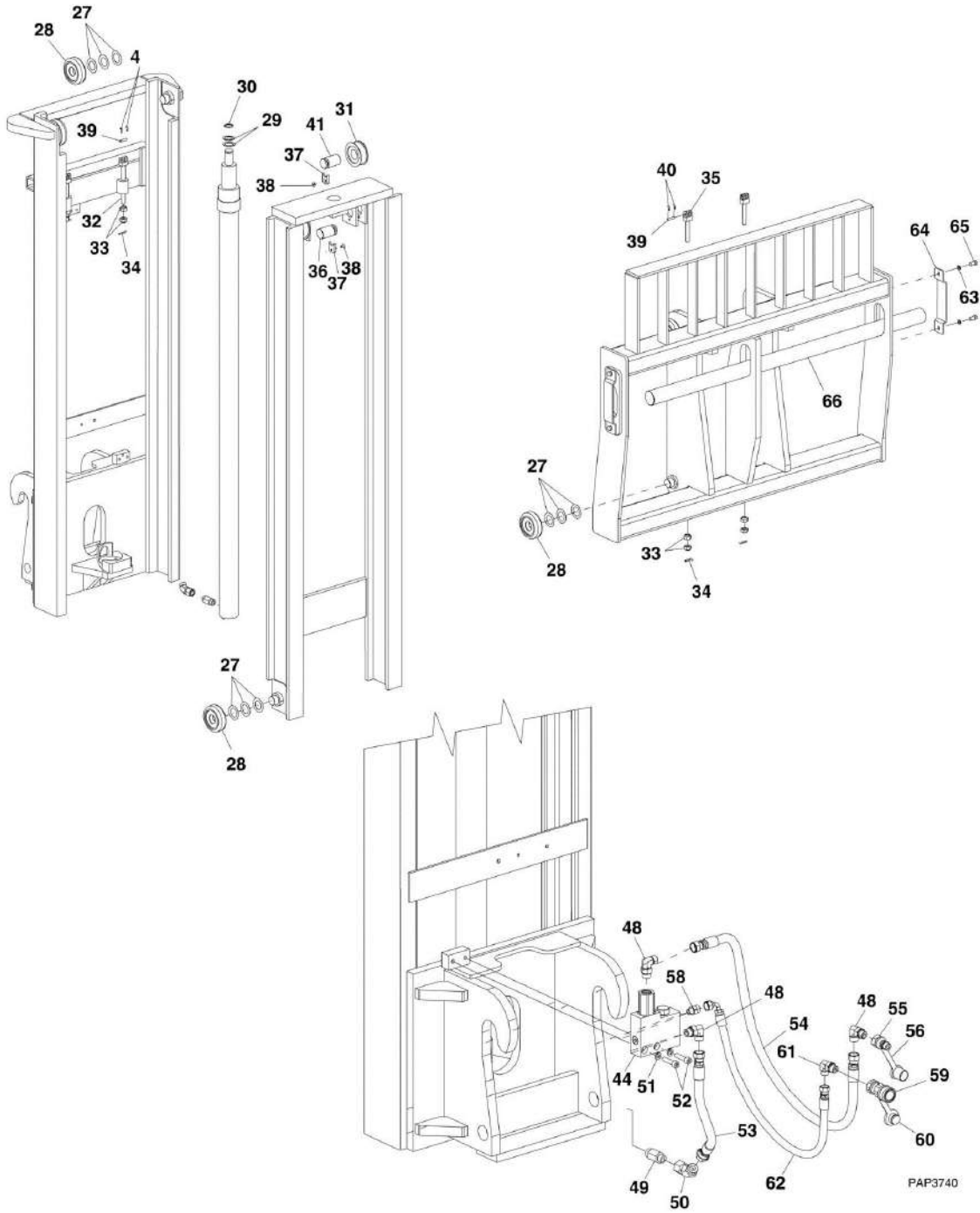
SECTION 3 - ATTACHMENTS

FIGURE 3-22. 8 FT STANDARD MAST



PAP4080

SECTION 3 - ATTACHMENTS



SECTION 3 - ATTACHMENTS

FIGURE 3-22. 8 FT STANDARD MAST

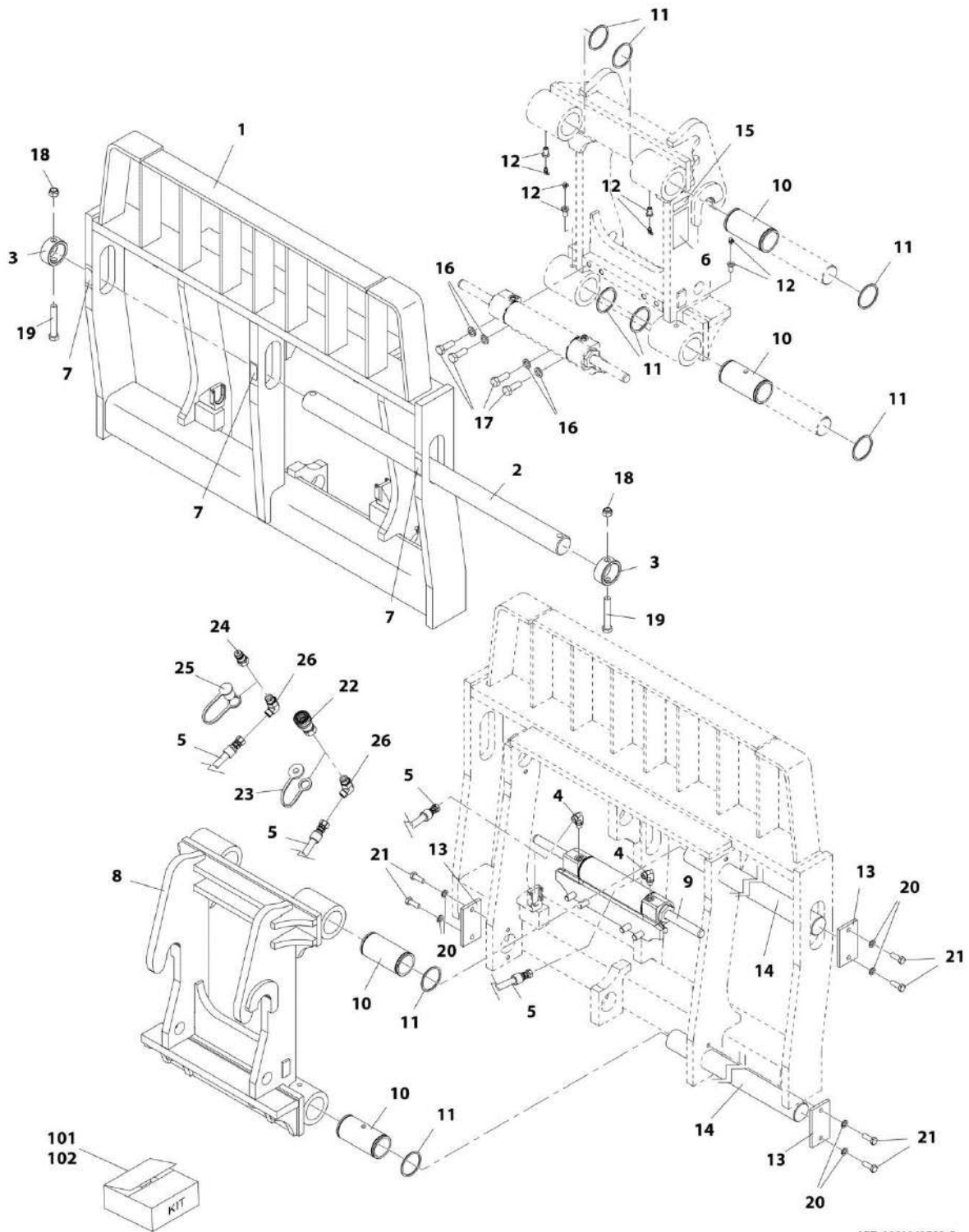
ITEM	PART NUMBER	QTY	DESCRIPTION	REV
	1001108668	1	8 FT STANDARD MAST, (includes all items)	B
1	Kit	1	WARNING DECAL	
2	Kit	1	WARNING DECAL	
3	Kit	1	NO STEP DECAL	
4	Kit	1	NO STEP DECAL	
5	Kit	4	HANDS OFF DECAL	
6	1001111190	2	HOSE ROUTING	
6	70023008	1	MAIN LIFT CYLINDER	
7	N.S.S.	1	ROD/PLUNGER	
8	Kit	1	O-RING	
9	Kit	1	PULL WIRE	
10	N.S.S.	1	SPACER	
11	N.S.S.	1	ROLL PIN	
12	N.S.S.	1	BARREL	
13	Kit	1	WIPER	
14	Kit	1	BUSHING	
15	N.S.S.	1	PISTON	
16	Kit	1	NYLON RING	
17	Kit	1	PISTON SEAL	
18	Kit	1	CHECK VALVE	
19	Kit	1	O-RING	
20	Kit	1	WASHER	
21	Kit	1	CIRCLIP	
	N.S.S.	1	SLEEVE	
23	Kit	1	RETAINING RING	
24	Kit	1	WEAR RING	
25	Kit	1	ROD SEAL	
26	70023004	1	RETAINER/GLAND	
27	70023014	24	SHIM	
28	70022987	8	BALL BEARING	
29	Kit	2	WASHER SHIM	
30	70023016	1	SNAP RING	
31	70022969	2	SHEAVE ASSY	
32	70022960	2	CHAIN ANCHOR	
33	70022957	8	NUT, 0.625-18UNF	
34	70022993	4	COTTER PIN	
35	70022995	2	CHAIN ANCHOR	
36	70022984	1	SHEAVE SHAFT	
37	70022970	2	RETAINER BAR	
38	70023003	2	FLAT HD CAPSCREW	
39	70022994	4	CHAIN ANCHOR PIN	
40	70022992	8	COTTER PIN	
41	70022985	1	SHEAVE SHAFT	
43	70023009	2	LIFT CHAIN	
44	70022932	1	PO CHECK VALVE ASSY, (includes items 45, 46 & 47)	
45	N.S.S.	1	MANIFOLD	
46	70022931	1	PO CHECK VALVE CARTRIDGE	
47	70023010	1	P.O. CHECK	
48	70022934	3	FITTING, 90	
49	70022936	1	FLOW LIMITER	

SECTION 3 - ATTACHMENTS

ITEM	PART NUMBER	QTY	DESCRIPTION	REV
50	70022937	1	FITTING, 45	
51	70022949	2	LOCKWASHER, M10	
52	70022950	2	HEX SOCKET CAPSCREW	
53	70022942	1	HOSE ASSY	
54	70022952	1	HOSE ASSY	
55	91403414	1	MALE QUICK DISCONNECT COUPLING	
56	91043126	1	DUST CAP	
58	70022939	1	STRAIGHT FITTING, #6	
59	91403413	1	FEMALE QUICK DISCONNECT COUPLING	
60	91043125	1	DUST PLUG	
61	70022935	1	ELBOW, STRAIGHT THREAD	
62	70022946	1	HOSE ASSY	
63	70022949	4	LOCKWASHER, M10	
64	70022980	2	FORK PIN KEEPER	
65	70022998	4	CAPSCREW, M10X20 LG	
66	70022990	1	FORK PIN	
101	N.S.S.	1	S/N PLATE	
K1	70023925	1	DECAL KIT, (includes items 1 thru 6)	
K2	70023005	1	SEAL KIT, MAIN LIFT CYLINDER, (includes items 8, 9, 13, 14, 16, 17, 19, 21, 23, 24 & 25)	
K3	70023006	1	CHECK VALVE KIT, (includes items 18, 19, 20, 21 & 23)	
K4	70023007	1	SHIM KIT	
K5	70023015	1	MAST COMMON PARTS KIT, (includes items 27 thru 42)	

SECTION 3 - ATTACHMENTS

FIGURE 3-23. SIDE SHIFT CARRIAGE ASSEMBLY (50 INCH), (INCLUDES ALL ITEMS)



ART_1001142790-C

SECTION 3 - ATTACHMENTS

FIGURE 3-23. SIDE SHIFT CARRIAGE ASSEMBLY (50 INCH), (INCLUDES ALL ITEMS)

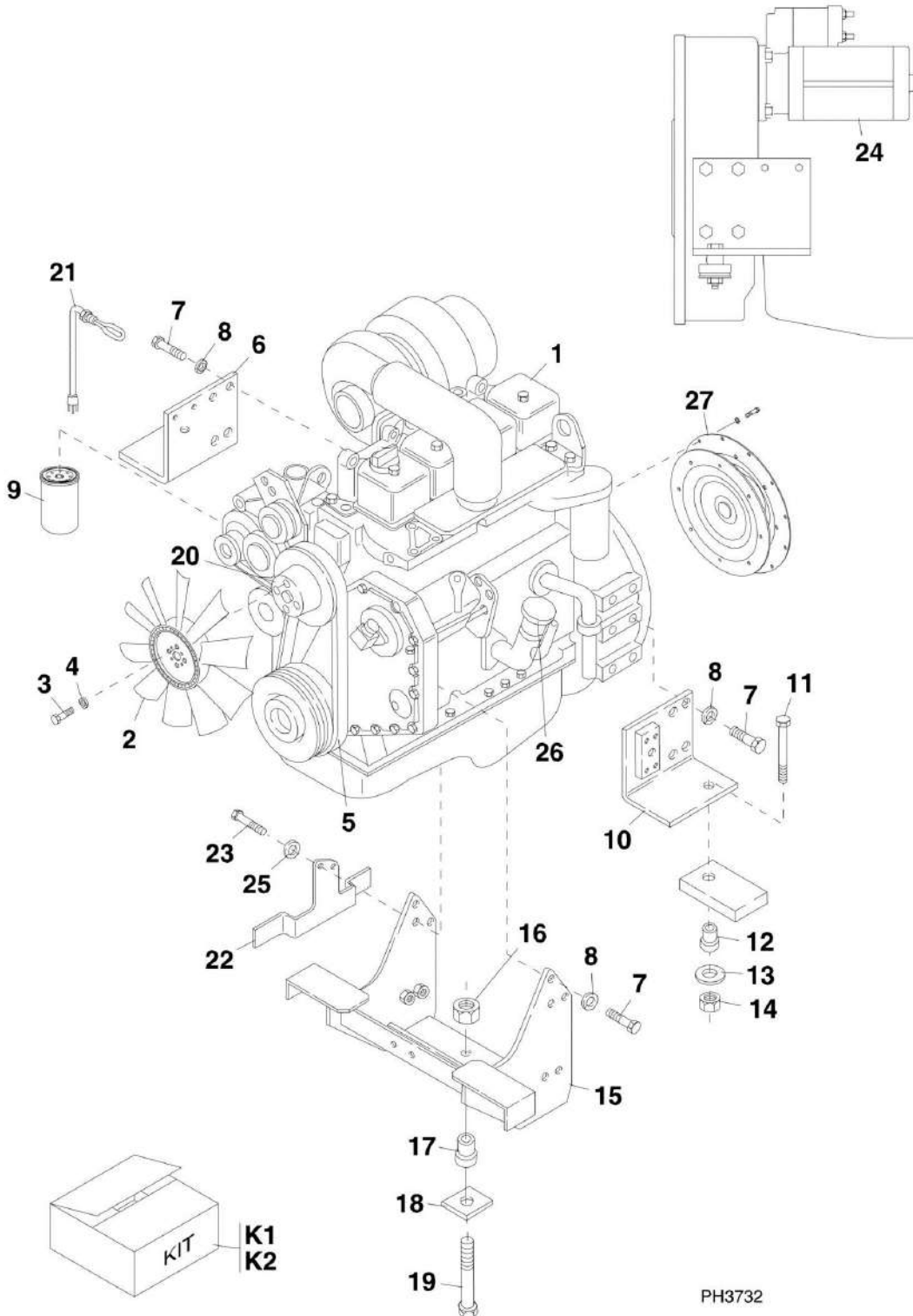
ITEM	PART NUMBER	QTY	DESCRIPTION	REV
	1001142790	Ref	SIDE SHIFT CARRIAGE ASSEMBLY (50 INCH)	C
1	N.S.S.	1	WELDMENT	
2	70024535	1	SHAFT	
3	70024536	2	COLLAR	
4	70024123	2	ADAPTER, 90 (includes o-ring)	
5	70024537	2	HOSE	
6	N.S.S.	1	S/N PLATE	
7	70024538	3	DECAL, WARNING	
8	N.S.S.	1	WELDMENT	
9	70024539	1	CYLINDER, SIDE SHIFT CARRIAGE (50 INCH) (See HYDRAULIC COMPONENTS SECTION for Breakdown)	
10	70024540	4	BUSHING	
11	70024541	8	CIRCLIP	
12	70024542	4	FITTING, GREASE	
13	70024543	4	RETAINER	
14	70024544	2	SHAFT	
15	N.S.S.	1	S/N PLATE	
16	70024551	4	WASHER, LOCK 16	
17	70024552	4	BOLT, M16X45	
18	70024553	2	NUT, HEX M16	
19	70024554	2	BOLT, M16X100	
20	70022997	8	WASHER, LOCK 12	
21	70024555	8	BOLT, M12X35	
22	91403413	1	ADAPTER, FEMALE QUICK DISCONNECT	
23	8420055	1	PLUG, DUST	
24	91403414	1	ADAPTER, MALE QUICK DISCONNECT	
25	8420053	1	CAP, DUST	
26	70024550	2	ADAPTER, 90 (includes o-ring)	
101	70024545	1	KIT, HYDRAULIC REPAIR (includes items 5 and 22 thru 26)	
102	70024546	1	KIT, RETAINER (includes items 13, 20 and 21)	

SECTION 4 - ENGINE AND ATTACHING PARTS

SECTION 4 - ENGINE AND ATTACHING PARTS

SECTION 4 - ENGINE AND ATTACHING PARTS

FIGURE 4-1. ENGINE MOUNTING (8042 SN 13198 through 18990; 10042 SN 13198 through 19030; 10054 SN 13198 through 19079)



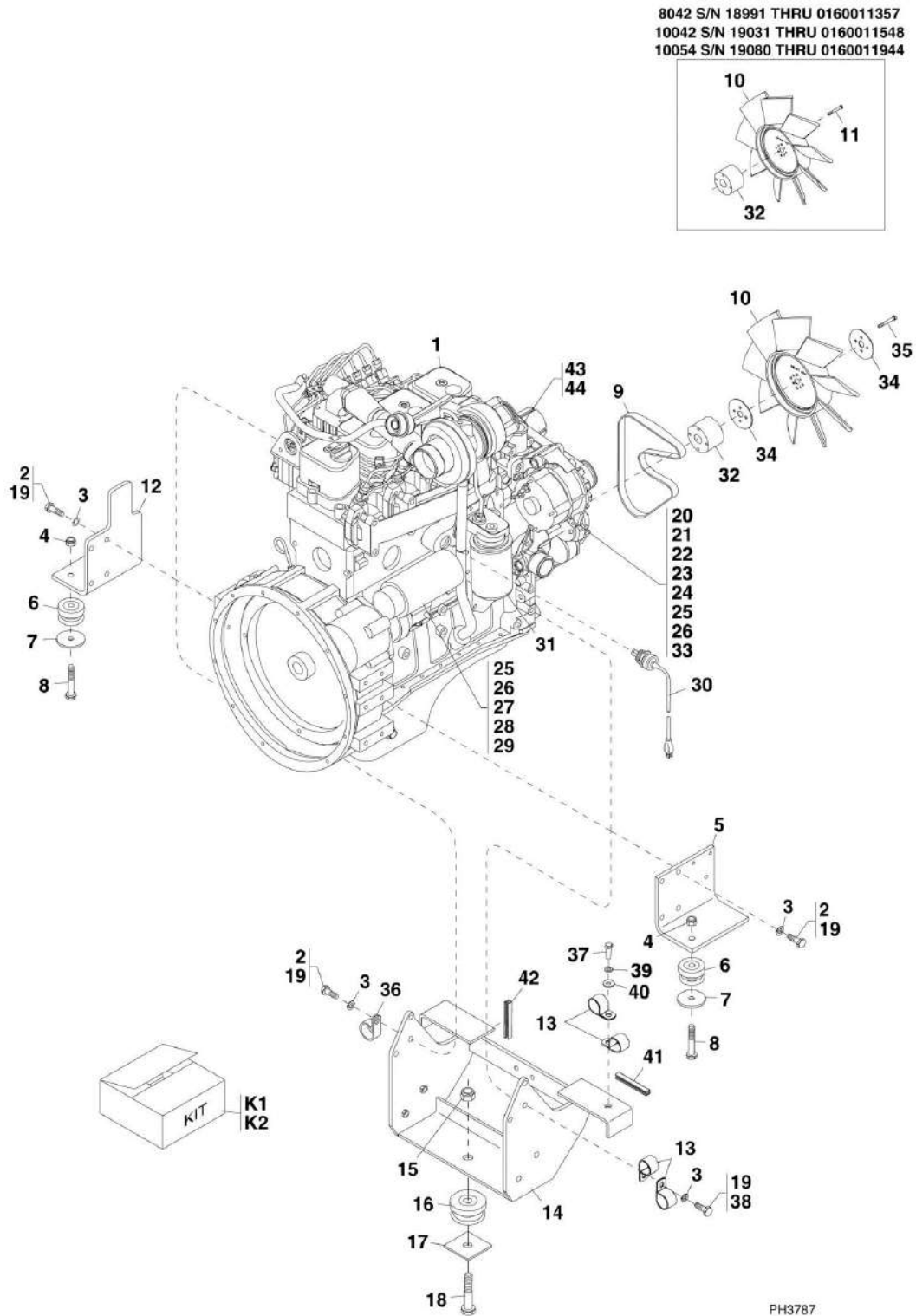
SECTION 4 - ENGINE AND ATTACHING PARTS

FIGURE 4-1. ENGINE MOUNTING (8042 SN 13198 through 18990; 10042 SN 13198 through 19030; 10054 SN 13198 through 19079)

ITEM	PART NUMBER	QTY	DESCRIPTION	REV
1	8262319	1	CUMMINS ENGINE, 4BT 3.9 TURBO, (8042)	
1	8262320	1	CUMMINS ENGINE, 4BTA 3.9 AFTER COOLED TURBO, (10042 & 10054)	
2	8272017	1	Fan	
3	8310424	4	HEX HD CAPSCREW, M8X60mm	
4	8307222	4	FLAT WASHER, M8	
5	8080613	1	ENGINE FAN BELT	
6	7095272	1	ENGINE MOUNT, LH	
7	8303790	12	HEX HD CAPSCREW, M12X30mm	
8	8307025	12	LOCKWASHER, M12	
9	8320262	1	ENGINE OIL FILTER ELEMENT	
10	7138881	1	ENGINE MOUNT, RH	
11	8303702	2	HEX HD CAPSCREW, 1/2-13X3	
12	8278012	2	VIBRATION MOUNT	
13	7095831	2	REBOUND WASHER	
14	8305644	2	HEX LOCKNUT, 1/2-13	
15	7138813	1	ENGINE MOUNT	
16	8310067	1	HEX LOCKNUT, 3/4-10	
17	8278007	1	VIBRATION MOUNT	
18	7054351	1	REBOUND WASHER	
19	8303724	1	HEX HD CAPSCREW, 3/4-10X3-1/2	
20	8036544	1	FAN SPACER	
21	8277161	1	COOLANT HEATER	
22	7138318	1	MUFFLER BRACKET	
23	8303519	2	HEX HD CAPSCREW, M12X35mm	
24	8033340	1	STARTER, 12V, (includes solenoid)	
25	8307025	2	LOCKWASHER, M12	
26	83673130	1	OIL FILL CAP	
27		Ref	ISOLATION COUPLER, (See ISOLATION COUPLER for Breakdown)	
K1	7138290	1	ENGINE FILTER KIT, 250 HOUR, (includes 3 filters: engine oil, primary fuel and in-line fuel)	
K2	8024000	1	ENGINE FILTER KIT, 1000 HOUR, (includes 7 filters: transmission oil, hydraulic oil, primary air, safety element air, engine oil, in-line fuel, primary fuel)	

SECTION 4 - ENGINE AND ATTACHING PARTS

FIGURE 4-2. ENGINE MOUNTING (8042 SN 18991 through 19987, SN 016002332 through 0160029586; 10042 SN 19031 through 19987, SN 016002332 through 0160029586; 10054 SN 19080 through 19987, SN 016002332 through 0160029586)



SECTION 4 - ENGINE AND ATTACHING PARTS

FIGURE 4-2. ENGINE MOUNTING (8042 SN 18991 through 19987, SN 0160002332 through 0160029586; 10042 SN 19031 through 19987, SN 0160002332 through 0160029586; 10054 SN 19080 through 19987, SN 0160002332 through 0160029586)

ITEM	PART NUMBER	QTY	DESCRIPTION	REV
1	8262162	1	CUMMINS ENGINE, QSB 4.5T (8042 SN 18991 through 0160026167; 10042 SN 19031 through 0160026167; 10054 SN 19080 through 0160026167)	
1	2000392	1	CUMMINS ENGINE, QSB 4.5T (SN 0160026196 through 0160029586)	
1	70020367	1	RELAY, 12V	
1	7029829	1	ENGINE HEATER CABLE	
1	7029830	1	ENGINE HEATER	
1	7029831	1	TEMPERATURE SENDER	
1	7029991	1	TRANSFER FUEL PUMP	
1	1321797	1	GASKET, TRANSFER FUEL PUMP	
1	7026666	1	STARTER	
1	1321976	1	DIPSTICK TUBE, (shorter, one piece design) (Prior to SN 0160026195)	
1	1321968	1	DIPSTICK, (shorter, one piece design) (Prior to SN 0160026195)	
1	70021810	1	EXPANSION PLUG	
1	91164113	1	OIL GAUGE TUBE END, (use with longer, two piece design)	
1	91164114	1	SPRING HOSE CLAMP, (use with longer, two piece design)	
1	70023625	1	OIL GAUGE TUBE, LONG, (use with longer, two piece design)	
1	70023626	1	DIPSTICK, (use with longer, two piece design)	
1	70023627	1	BRACE TUBE, (use with longer, two piece design)	
1	70023628	1	OIL GAUGE TUBE, SHORT, (use with longer, two piece design)	
1	70023296	1	DIPSTICK TUBE (SN 0160026196 through 0160029586)	
1	70023297	1	DIPSTICK (SN 0160026196 through 0160029586)	
1	70023790	1	FUEL INJECTION PUMP	
1	7029164	1	WATER PUMP KIT, (includes gasket)	
1	70027870	1	TUBE, INJECTOR FUEL SUPPLY	
1	70027871	1	TUBE, INJECTOR FUEL SUPPLY	
1	70024288	1	TUBE, INJECTOR FUEL SUPPLY	
1	70024376	1	TUBE, INJECTOR FUEL SUPPLY	
1	1322087	12	ISOLATOR, VIBRATION	
1	70021456	1	TUBE, TURBO OIL DRAIN WITH SEALS	
2	0701214	13	HEX HD CAPSCREW, 12X30mm, PC8.8, (apply Loctite and torque to 126-135 Nm)	
3	8307025	14	LOCKWASHER, M12	
4	8305644	2	HEX LOCKNUT, 1/2-13	
5	7095272	1	ENGINE MOUNT, LH	
6	8278012	2	CENTER BONDED MOUNT	
7	7095831	2	REBOUND WASHER	
8	8310290	2	HEX HD CAPSCREW, 500-13 NC X 3.500, GR8 (torque to 80-90 lb-ft)	
9	8036605	1	FAN BELT (8042 SN 18991 through 0160014865; 10042 SN 19031 through 0160014861; 10054 SN 19080 through 0160014864)	
9	7029270	1	FAN BELT (8042 SN 0160014880 through 0160029592; 10042 SN 0160015021 through 0160029606; 10054 SN 0160014890 through 0160029593)	
10	8272027	1	21IN PUSHER FAN	
11	N.S.S.	NLA	HEX HD CAPSCREW, M8-1.5X90mm, PC8.8, (no longer available, use items 34 & 35 for replacement) (8042 SN 18991 through	

SECTION 4 - ENGINE AND ATTACHING PARTS

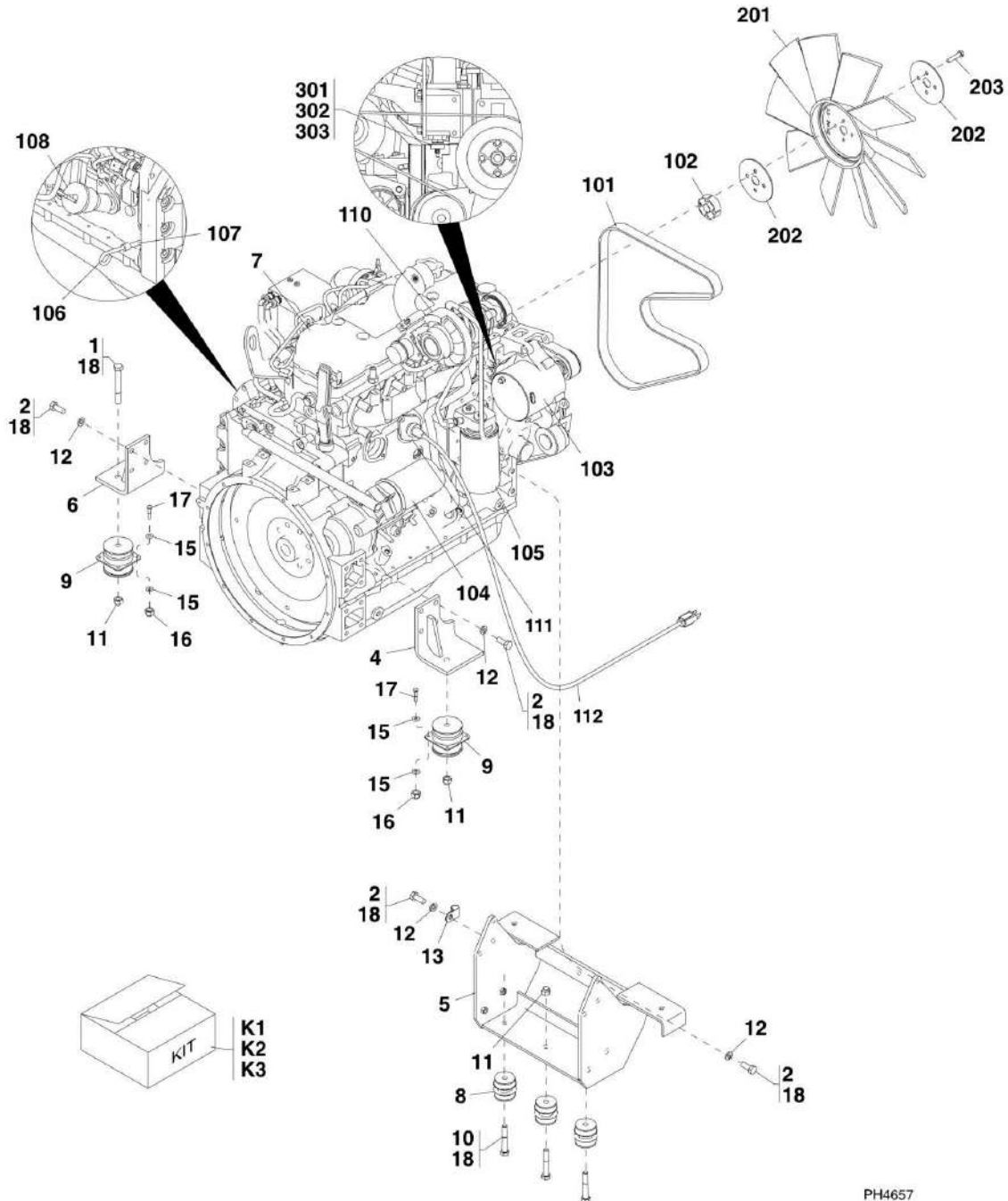
ITEM	PART NUMBER	QTY	DESCRIPTION	REV
			0160011357; 10042 SN 19031 through 0160011548; 10054 SN 19080 through 0160011944)	
12	4341004	1	ENGINE MOUNT, RH	
13	8406302	4	HOSE CLAMP, 1-1/4 DIA	
14	7138813	1	ENGINE MOUNT	
15	8310067	1	HEX LOCKNUT, 3/4-10	
16	8278007	1	RUBBER MOUNT	
17	7054351	1	REBOUND WASHER	
18	8303724	1	HEX HD CAPSCREW, 3/4-10X3-1/2, GR5, (torque to 285-320 Nm)	
19	8526007	AR	LOCTITE 242, (apply to items 2 & 38)	
20		Ref	ALTERNATOR, (no longer available, use following Kit, Cable Assy, Fan Belt 7029270 & Alternator 7029525 for replacement) (8042 SN 18991 through 0160014888; 10042 SN 19031 through 0160014861; 10054 SN 19080 through 0160014890)	
20	2915170	1	ALTERNATOR SERVICE KIT	
20	7310012	1	CABLE ASSY	
20	7029525	1	ALTERNATOR (8042 SN 0160014880 through 0160029592; 10042 SN 0160015021 through 0160029606; 10054 SN 0160014890 through 0160029593)	
21	8270220	1	ALTERNATOR FAN (8042 SN 18991 through 0160014865; 10042 SN 19031 through 0160014861; 10054 SN 19080 through 0160014864)	
22	80974028	1	ALTERNATOR PULLEY	
23	8307022	1	LOCKWASHER, M8	
24	8305043	1	HEX NUT, M8-1.25	
25	8310077	3	HEX JAM NUT, M5-0.8	
26	8310078	3	LOCKWASHER, M5	
27	7026666	1	STARTER, (includes starter solenoid)	
28	8307023	1	LOCKWASHER, M10	
29	8305438	1	HEX JAM NUT, M10	
30	8277161	1	COOLANT HEATER	
31	8320275	1	ENGINE OIL FILTER ELEMENT	
32	7028783	1	FAN SPACER	
33	80974033	1	SPLIT BUSHING	
34	3575947	2	FAN HUB PLATE (8042 SN 0160014880 through 0160029592; 10042 SN 0160015021 through 0160029606; 10054 SN 0160014890 through 0160029593)	
35	8310354	4	HEX HD CAPSCREW, M10-1.5X80mm, PC8.8 (8042 SN 0160014880 through 0160029592; 10042 SN 0160015021 through 0160029606; 10054 SN 0160014890 through 0160029593)	
36	8406105	1	TUBE CLIP	
37	8303675	1	HEX HD CAPSCREW, 3-8-16X1-1/4, GR5	
38	0701215	1	HEX HD CAPSCREW, 12X35mm, (apply Loctite and torque to 126-135 Nm)	
39	8307005	1	LOCKWASHER, 3/8	
40	8307204	1	WASHER, 3/8	
41	4060805	10 in	SHIELD FLEXIBLE TRIM, 1/4	
42	4060807	7 in	SHIELD FLEXIBLE TRIM, 3/8	
43	7029944	1	THERMOSTAT	
44	7029945	1	THERMOSTAT GASKET	
K1	8024049	1	250 HOUR FILTER KIT, (includes 5 filters: engine oil, primary fuel, in-line fuel, primary air filter and safety air filter)	
K2	8024050	1	1000 HOUR FILTER KIT, (includes 8 filters: transmission oil, hydraulic oil, primary air filter, safety air filter, engine oil, in-line fuel,	

SECTION 4 - ENGINE AND ATTACHING PARTS

ITEM	PART NUMBER	QTY	DESCRIPTION	REV
			primary fuel and filler breather)	

SECTION 4 - ENGINE AND ATTACHING PARTS

FIGURE 4-3. ENGINE MOUNTING (8042 SN 0160029593 through 0160038983; 10054 SN 0160029593 through 0160038983; 10042 SN 0160029593 through 0160038370)



SECTION 4 - ENGINE AND ATTACHING PARTS

FIGURE 4-3. ENGINE MOUNTING (8042 SN 0160029593 through 0160038983; 10054 SN 0160029593 through 0160038983; 10042 SN 0160029593 through 0160038370)

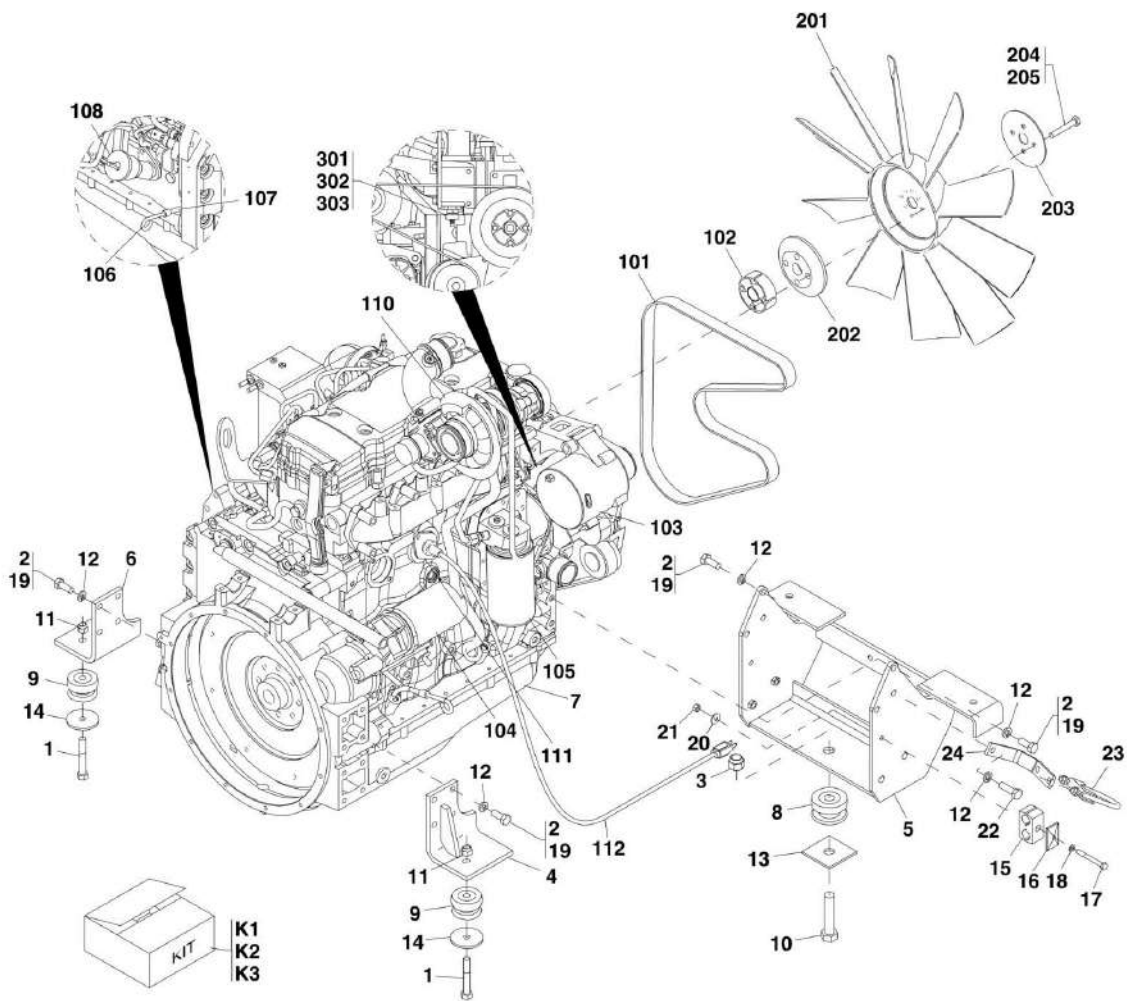
ITEM	PART NUMBER	QTY	DESCRIPTION	REV
	2000395	1	ENGINE ASSY, (includes items 1 thru 18)	H
1	0641832	2	HEX HD CAPSCREW, 1/2-13X4, (torque to 120 lb-ft)	
2	0701214	14	HEX HD CAPSCREW, M12X30, PC8.8, (torque to 97 Nm)	
4	0903642	1	ENGINE MOUNT, LH	
5	0903643	1	REAR ENGINE MOUNT	
6	0903677	1	ENGINE MOUNT, RH	
7	2000397	1	CUMMINS ENGINE, QSB4.5, (includes items 101 thru 118)	D
8	1001091082	3	ISOLATOR	
9	4341396	2	ISOLATOR	
10	8303702	3	HEX HD CAPSCREW, 1/2-13X3, GR5, (torque to 85 lb-ft)	
11	8305644	5	HEX LOCKNUT, 1/2-13, (torque to 59-66 lb-ft)	
12	8307025	14	LOCKWASHER, M12	
13	8406105	1	HOSE CLAMP	
15	4891500	16	WASHER, 5/16	
16	3311505	8	HEX LOCKNUT, 5/16-18, GR2	
17	0641510	8	HEX HD CAPSCREW, 5/16-18X1-1/4	
18	0100011	AR	LOCTITE 242, (apply to items 1, 2 & 10)	
101	70020357	1	FAN BELT	
102	70020347	1	FAN SPACER	
103	7029525	1	ALTERNATOR (Prior to SN 0160038965)	
103	70024310	1	ALTERNATOR (SN 0160038965 to Present)	
104	70020352	1	STARTER	
105	70020358	1	ENGINE OIL FILTER ELEMENT	
106	70020350	1	DIPSTICK	
107	70020351	1	DIPSTICK TUBE	
108	83673130	1	OIL FILL CAP	
109	70020356	1	THERMOSTAT, (not shown)	
110	70023194	1	TURBOCHARGER KIT, (includes turbocharger and mounting gaskets)	
111	70023443	1	BLOCK HEATER, (includes o-ring)	
112	70023444	1	CABLE, BLOCK HEATER	
113	70022634	1	FLYWHEEL, (includes item 114), (not shown)	
114	70023736	1	RING GEAR, (not shown)	
115	70026437	1	SENSOR, INTAKE MANIFOLD, (not shown)	
116	70026403	1	GASKET, OIL DRAIN, (not shown)	
117	70026402	1	GASKET, TURBO OIL DRAIN, (not shown)	
118	70026557	1	TUBE, FUEL SUPPLY, (not shown)	
	2060046	1	FAN ASSY, (includes items 201 thru 203)	E
201	2060045	1	22 IN PUSHER FAN	
202	3575947	2	FAN HUB PLATE	
203	8310748	4	HEX HD CAPSCREW, M10X1.5X50, PC8.8, (torque to 25-45 lb-ft)	
	1001094010	1	SENSORS INSTALLATION, (includes items 301 thru 303)	B
301	8223244	1	WATER TEMPERATURE SWITCH	
302	8220073	1	TAB TERMINAL	
303	2221154	1	REDUCER (8042 SN 0160033553 to Present; 10042 SN 0160033550 to Present; 10054 SN 0160033552 to Present)	
K1	1001101080	1	SENSOR KIT, (includes item 303 and plug) (8042 SN 0160029593 through 0160033552; 10042 SN 0160029607 through 0160033549; 10054 SN 0160029594 through 0160033551)	
K2	1001111849	1	250 HOUR FILTER KIT, (includes 5 filters: engine oil, primary fuel,	

SECTION 4 - ENGINE AND ATTACHING PARTS

ITEM	PART NUMBER	QTY	DESCRIPTION	REV
K3	1001111850	1	in-line fuel, primary air filter and safety air filter) 1000 HOUR FILTER KIT, (includes 8 filters: transmission oil, hydraulic oil, primary air filter, safety air filter, engine oil, in-line fuel, primary fuel and filler breather)	

SECTION 4 - ENGINE AND ATTACHING PARTS

FIGURE 4-4. ENGINE MOUNTING (8042 & 10054 SN 0160038984 through 0160040218, Excluding 0160039850, 0160040126, 0160040127, 0160040128, 0160040129 and 0160040171; 10042 SN 0160038371 through 0160040218, Excluding 0160039850, 0160040126, 0160040127, 0160040128, 0160040129 and 0160040171)



PAP3950

SECTION 4 - ENGINE AND ATTACHING PARTS

FIGURE 4-4. ENGINE MOUNTING (8042 & 10054 SN 0160038984 through 0160040218, Excluding 0160039850, 0160040126, 0160040127, 0160040128, 0160040129 and 0160040171; 10042 SN 0160038371 through 0160040218, Excluding 0160039850, 0160040126, 0160040127, 0160040128, 0160040129 and 0160040171)

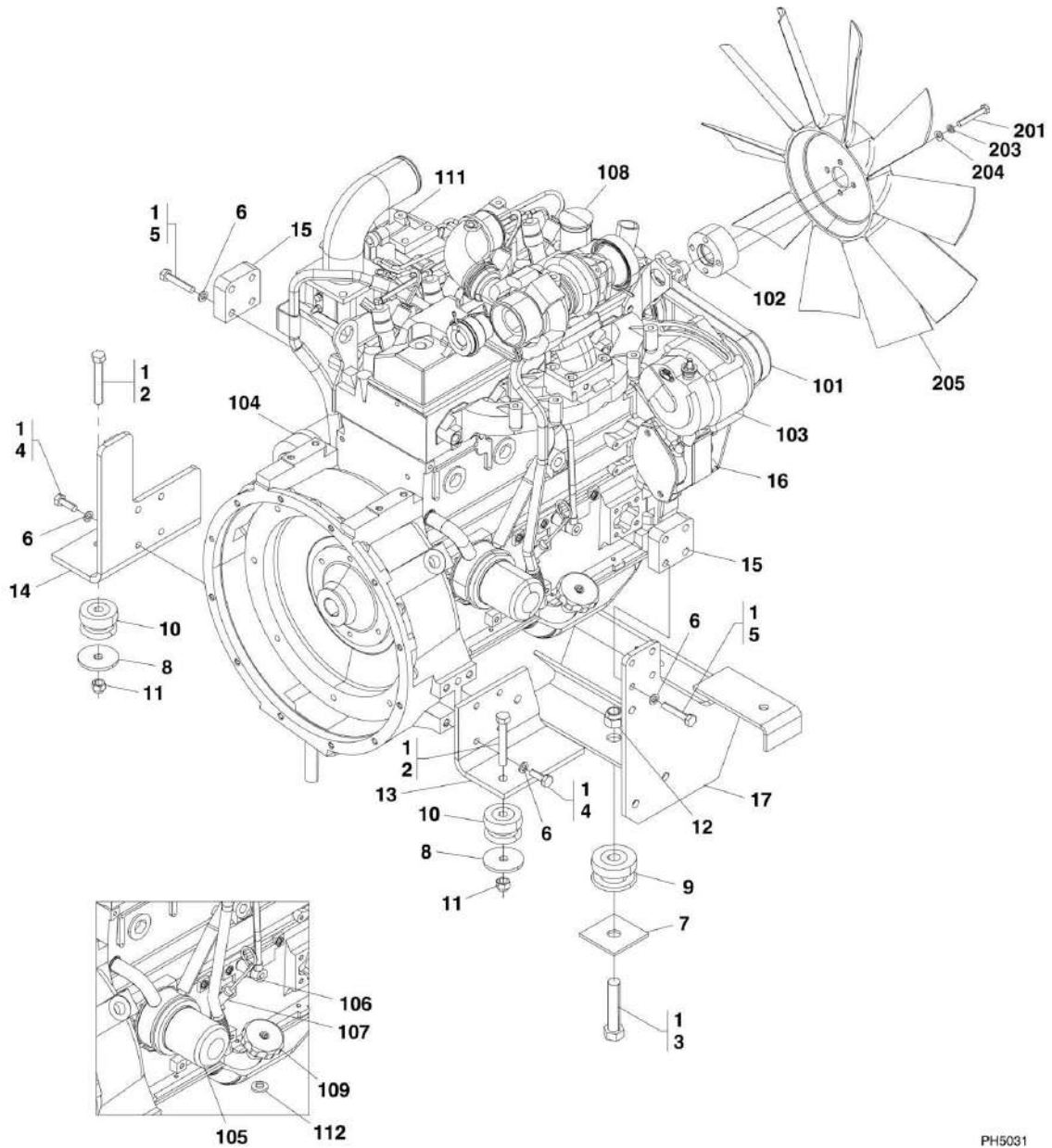
ITEM	PART NUMBER	QTY	DESCRIPTION	REV
	1001106380	1	ENGINE ASSY, (includes items 1 thru 24)	C
1	0641826	2	HEX HD CAPSCREW, 1/2-13X3-1/4, GR5, (torque to 75 lb-ft)	
2	0701214	13	HEX HD CAPSCREW, M12X30, (torque to 97 Nm)	
3	8310067	1	HEX LOCKNUT, 3/4-10	
4	0903642	1	ENGINE MOUNT WELDMENT, LH	
5	1001106376	1	REAR ENGINE MOUNT	
6	0903677	1	ENGINE MOUNT WELDMENT, RH	
7	2000397	1	CUMMINS ENGINE, QSB 4.5, (includes items 101 thru 121)	D
8	8278007	1	RUBBER MOUNT	
9	8278012	2	CENTER BONDED MOUNT	
10	0642228	1	HEX HD CAPSCREW, 3/4-10X3-1/2, GR5, (torque to 260 lb-ft)	
11	8305644	2	HEX LOCKNUT, 1/2-13	
12	8307025	14	LOCKWASHER, M12	
13	7054351	1	REBOUND WASHER	
14	7095831	2	REBOUND WASHER	
15	8750027	1	CLAMP SET	
16	8769128	1	TWIN COVER PLATE	
17	0641522	1	HEX HD CAPSCREW, 5/16-18X2-3/4, GR5	
18	4761500	1	LOCKWASHER, 5/16	
19	0100011	AR	LOCTITE 242	
20	4751500	1	WASHER, 5/16	
21	3311505	1	HEX LOCKNUT, 5/16-18	
22	0701216	1	HEX HEAD CAP SCREW GR8.8	
23	8275247	2	MUFFLER CLAMP, 3 INCH	
24	1001120928	1	MUFFLER BRACKET	
101	70020357	1	FAN BELT	
102	70020347	1	FAN SPACER	
103	7029525	1	ALTERNATOR	
104	70020352	1	STARTER	
105	70020358	1	ENGINE OIL FILTER ELEMENT	
106	70020350	1	DIPSTICK	
107	70020351	1	DIPSTICK TUBE	
108	83673130	1	OIL FILL CAP	
109	70020356	1	THERMOSTAT KIT, (includes thermostat and thermostat seal), (not shown)	
110	70023194	1	TURBOCHARGER KIT, (includes turbocharger and mounting gaskets)	
111	70023443	1	BLOCK HEATER, (includes o-ring)	
112	70023444	1	CABLE, BLOCK HEATER	
113	1322073	1	FAN PULLEY, (not shown)	
114	70021794	1	FUEL INJECTION PUMP, (not shown)	
115	70021809	1	BELT TENSIONER, (not shown)	
116	70022634	1	FLYWHEEL KIT, (includes flywheel and flywheel ring gear), (not shown)	
117	70023736	1	FLYWHEEL RING GEAR, (not shown)	
118	80974028	1	ALTERNATOR PULLEY, (not shown)	
119	70023284	1	ALTERNATOR SUPPORT, (not shown)	

SECTION 4 - ENGINE AND ATTACHING PARTS

ITEM	PART NUMBER	QTY	DESCRIPTION	REV
120	70023285	1	ALTERNATOR BRACE, (not shown)	
121	70023286	1	MOUNTING SPACER, (not shown)	
	1001105897	1	FAN ASSY, (includes items 201 thru 205)	B
201	1001105996	1	24 IN FAN	
202	1001105991	1	FAN SPACER PLATE	
203	3575947	1	FAN HUB PLATE	
204	0701021	4	HEX HD CAPSCREW, 10X65mm, GR 8.8	
205	0100011	AR	LOCTITE 242	
	1001094010	1	SENSORS INSTALLATION, (includes items 301 thru 303)	B
301	8223244	1	WATER TEMPERATURE SWITCH	
302	8220073	1	TAB TERMINAL	
303	2221154	1	REDUCER (8042 SN 0160033553 to Present; 10042 SN 0160033550 to Present; 10054 SN 0160033552 to Present)	
K1	1001101080	1	SENSOR KIT, (includes item 303 and plug) (8042 SN 0160029593 through 0160033552; 10042 SN 0160029607 through 0160033549; 10054 SN 0160029594 through 0160033551)	
K2	1001111849	1	250 HOUR FILTER KIT, (includes 5 filters: engine oil, primary fuel, in-line fuel, primary air filter and safety air filter)	
K3	1001111850	1	1000 HOUR FILTER KIT, (includes 8 filters: transmission oil, hydraulic oil, primary air filter, safety air filter, engine oil, in-line fuel, primary fuel and filler breather)	

SECTION 4 - ENGINE AND ATTACHING PARTS

FIGURE 4-5. ENGINE MOUNTING (SN 0160040220 to Present, Including 0160039850, 0160040126, 0160040127, 0160040128, 0160040129 and 0160040171)



PH5031

SECTION 4 - ENGINE AND ATTACHING PARTS

FIGURE 4-5. ENGINE MOUNTING (SN 0160040220 to Present, Including 0160039850, 0160040126, 0160040127, 0160040128, 0160040129 and 0160040171)

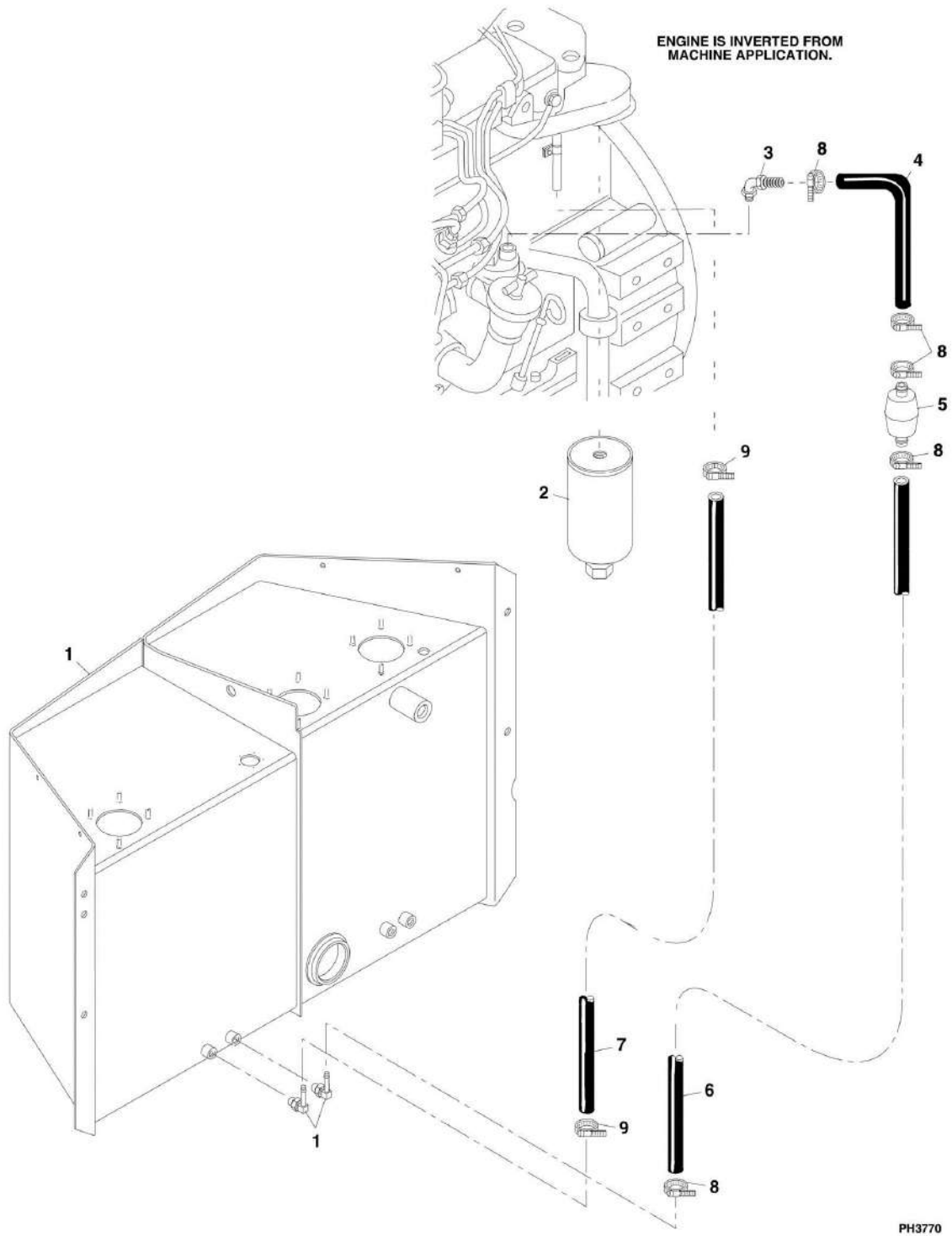
ITEM	PART NUMBER	QTY	DESCRIPTION	REV
	1001111559	Ref	ENGINE ASSY, (not available to order, see items 1 thru 17 for service)	C
1	0100011	AR	LOCTITE 242	
2	0681826	2	HEX HD CAPSCREW, 1/2-13X3-1/4, GR8, (torque to 95 lb-ft)	
3	0682228	1	HEX HD CAPSCREW, 3/4-10X3-1/2, GR8, (torque to 340 lb-ft)	
4	0711014	8	HEX HD CAPSCREW, 10X30mm, GR10.9, (torque to 62-68 Nm)	
5	0711019	8	HEX HD CAPSCREW, 10X55mm, GR10.9, (torque to 62-68 Nm)	
6	4832000	16	SPRING LOCKWASHER, 10mm	
7	7054351	1	REBOUND WASHER	
8	7095831	2	REBOUND WASHER	
9	8278007	1	RUBBER MOUNT	
10	8278012	2	CENTER BONDED MOUNT	
11	8305644	2	HEX LOCKNUT, 1/2-13	
12	8310067	1	HEX LOCKNUT, 3/4-10	
13	1001096459	1	ENGINE MOUNT PLATE, LH	
14	1001096462	1	ENGINE MOUNT WELD, RH	
15	1001097566	2	ENGINE MOUNT SPACER	
16	1001103291	1	CUMMINS ENGINE, QSB3.3, 110HP TIER III, (includes items 101 thru 119) (Prior to SN 0160045227)	B
16	1001137289	1	CUMMINS ENGINE, QSB3.3, 110HP TIER III, (includes items 101 thru 119) (SN 0160045227 to Present)	A
17	1001096479	1	REAR ENGINE BRACKET	
101	70021852	1	FAN BELT	
102	70023564	1	FAN SPACER	
103	70021849	1	ALTERNATOR	
104	70021850	1	STARTER	
105	8036204	1	ENGINE OIL FILTER ELEMENT	
106	70021854	1	DIPSTICK	
107	70023565	1	DIPSTICK TUBE	
108	70022842	1	OIL FILL CAP, UPPER	
109	70022843	1	OIL FILL CAP, LOWER	
110	70021847	1	THERMOSTAT KIT, (includes gasket), (not shown)	
111	70022846	1	SECONDARY FUEL FILTER	
112	70022844	1	OIL PAN PLUG	
112	70022845	1	GASKET	
113	70023808	1	BLOCK HEATER WITH CORD, (not shown)	
114		Ref	PRIMARY FUEL FILTER ASSY, (not shown), (See FUEL SYSTEM for Breakdown)	
115	70024901	1	FUEL PUMP, (not shown)	
116	70026815	1	FLYWHEEL, (not shown)	
117	70027061	1	RING GEAR, (not shown)	
118	70026829	1	ACTUATOR, FUEL PUMP, (not shown)	
119	7029947	1	OIL PRESSURE SWITCH WITH O-RING, (not shown)	
120	70027874	8	SEAL, VALVE STEM, (not shown)	
121	70027875	1	O-RING, OIL SUCTION TUBE, (not shown)	
122	70021847	1	THERMOSTAT KIT, (includes o-ring), (not shown)	
123	70023888	1	GASKET, EXHAUST, (not shown)	
124	70023887	1	GASKET, HEAD, (not shown)	
125	70024395	1	WATER PUMP KIT, (includes o-ring), (not shown)	
126	70027876	4	PISTON RING KIT, (not shown)	

SECTION 4 - ENGINE AND ATTACHING PARTS

ITEM	PART NUMBER	QTY	DESCRIPTION	REV
127	70023791	2	HEATER GASKET, (not shown)	
128	70027877	4	BEARING KIT, (not shown)	
129	70027878	2	GASKET, TURBO, (not shown)	
130	70026829	1	ACTIVATOR FUEL PUMP, (not shown)	
	1001096429	Ref	ENGINE FAN ASSY, (not available to order, see items 201 thru 205 for service)	B
201	0700812	4	HEX HD CAPSCREWS, 8X25mm, GR8.8	
203	4811900	4	WASHER, 8mm	
204	4831900	4	SPRING LOCKWASHER, 8mm	
205	1001098559	1	FAN	

SECTION 4 - ENGINE AND ATTACHING PARTS

FIGURE 4-6. FUEL SYSTEM (8042 SN 13198 through 18990; 10042 SN 13198 through 19030; 10054 SN 13198 through 19079)



PH3770

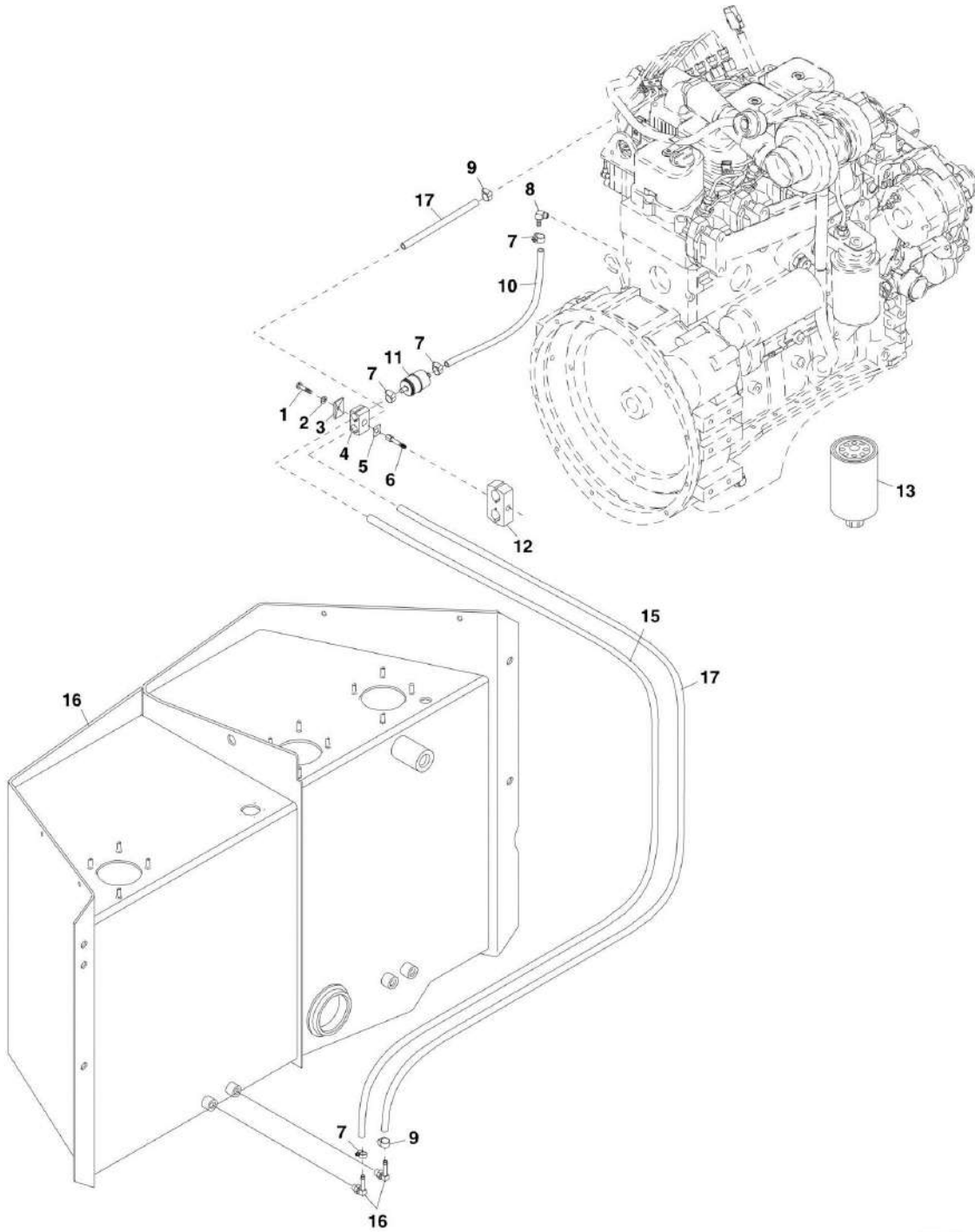
SECTION 4 - ENGINE AND ATTACHING PARTS

FIGURE 4-6. FUEL SYSTEM (8042 SN 13198 through 18990; 10042 SN 13198 through 19030; 10054 SN 13198 through 19079)

ITEM	PART NUMBER	QTY	DESCRIPTION	REV
1		Ref	FUEL AND HYDRAULIC TANK, (See HYDRAULIC COMPONENTS SECTION for Breakdown)	
2	8320270	1	FUEL FILTER ELEMENT	
3	8420229	1	HOSE BARB ELBOW, 90	
4	7127881	1	FUEL SUPPLY HOSE ASSY	
5	8274022	1	FUEL STRAINER	
6	7127871	1	FUEL SUPPLY HOSE ASSY	
7	7127081	1	FUEL RETURN HOSE ASSY	
8	8410013	5	GEAR CLAMP, 0.78 MAX DIA	
9	8405009	2	GEAR CLAMP, 0.62 MAX DIA	

SECTION 4 - ENGINE AND ATTACHING PARTS

FIGURE 4-7. FUEL SYSTEM (8042 SN 18991 through 19987, SN 0160002332 through 0160029592; 10042 SN 19031 through 19987, SN 0160002332 through 0160029606; 10054 SN 19080 through 19987, SN 0160002332 through 0160029593)



PH3821

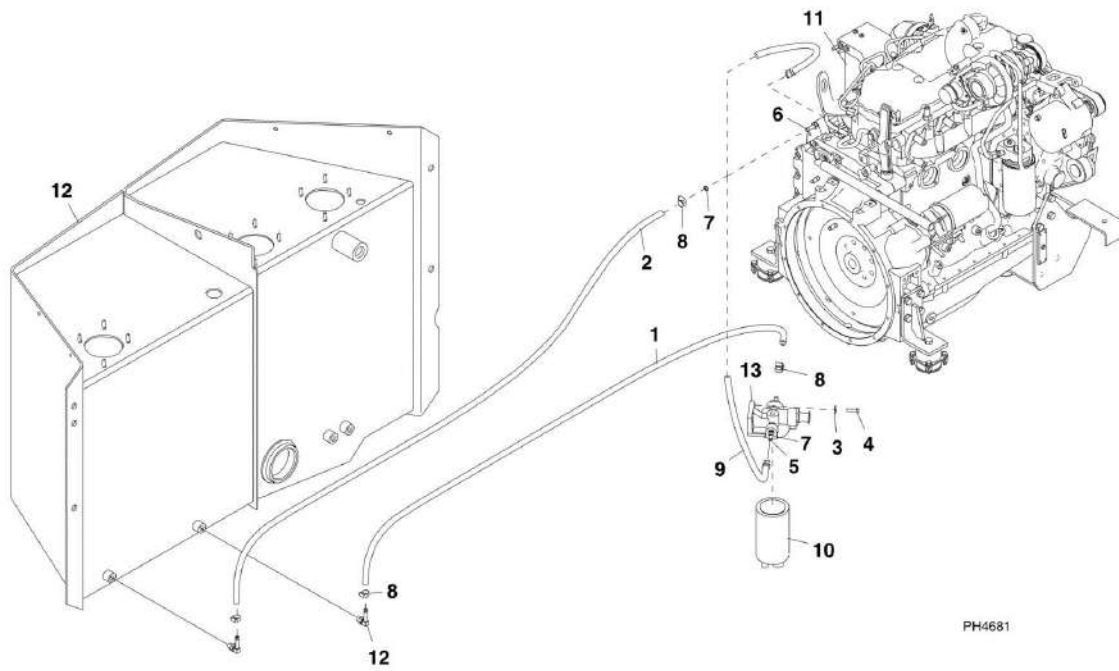
SECTION 4 - ENGINE AND ATTACHING PARTS

**FIGURE 4-7. FUEL SYSTEM (8042 SN 18991 through 19987, SN 0160002332 through 0160029592;
10042 SN 19031 through 19987, SN 0160002332 through 0160029606; 10054 SN 19080 through
19987, SN 0160002332 through 0160029593)**

ITEM	PART NUMBER	QTY	DESCRIPTION	REV
1	8303715	1	HEX HD CAPSCREW, 5/16-18X1-1/2, GR5	
2	8307004	1	LOCKWASHER, 5/16	
3	8769123	1	TWIN COVER PLATE	
4	8750015	1	CLAMP SET, 0.67 DIA	
5	8750017	1	TWIN CLAMP LOCKING PLATE	
6	8750026	1	BOLT STACKING	
7	8410013	4	HOSE CLAMP, 0.78 DIA	
8	8420229	1	ELBOW, 90	
9	8405009	2	HOSE CLAMP, 0.62 DIA	
10	7300377	1	FUEL SUPPLY HOSE ASSY	
11	8274022	1	FUEL STRAINER	
12	8750024	1	TWIN CLAMP SET, 1.18 DIA	
13	8320278	1	FUEL FILTER	
15	7127871	1	FUEL SUPPLY HOSE ASSY (SN 13198 through 19887)	
15	2720551	1	FUEL SUPPLY HOSE ASSY (8042 SN 0160002332 through 0160029592; 10042 SN 0160002332 through 0160029606; 10054 SN 0160002332 through 0160029593)	
16		Ref	FUEL AND HYDRAULIC TANK (See HYDRAULIC COMPONENTS SECTION for Breakdown)	
17	7127081	1	FUEL RETURN HOSE ASSY (SN 13198 through 19887)	
17	7302085	1	FUEL RETURN HOSE ASSY (8042 SN 0160002332 through 0160029592; 10042 SN 0160002332 through 0160029606; 10054 SN 0160002332 through 0160029593)	

SECTION 4 - ENGINE AND ATTACHING PARTS

FIGURE 4-8. FUEL SYSTEM (8042 & 10054 SN 0160029593 through 0160040218, Excluding 0160039850, 0160040126, 0160040127, 0160040128, 0160040129 and 0160040171; 10042 SN 0160029607 through 0160040218, Excluding 0160039850, 0160040126, 0160040127, 0160040128, 0160040129 and 0160040171)



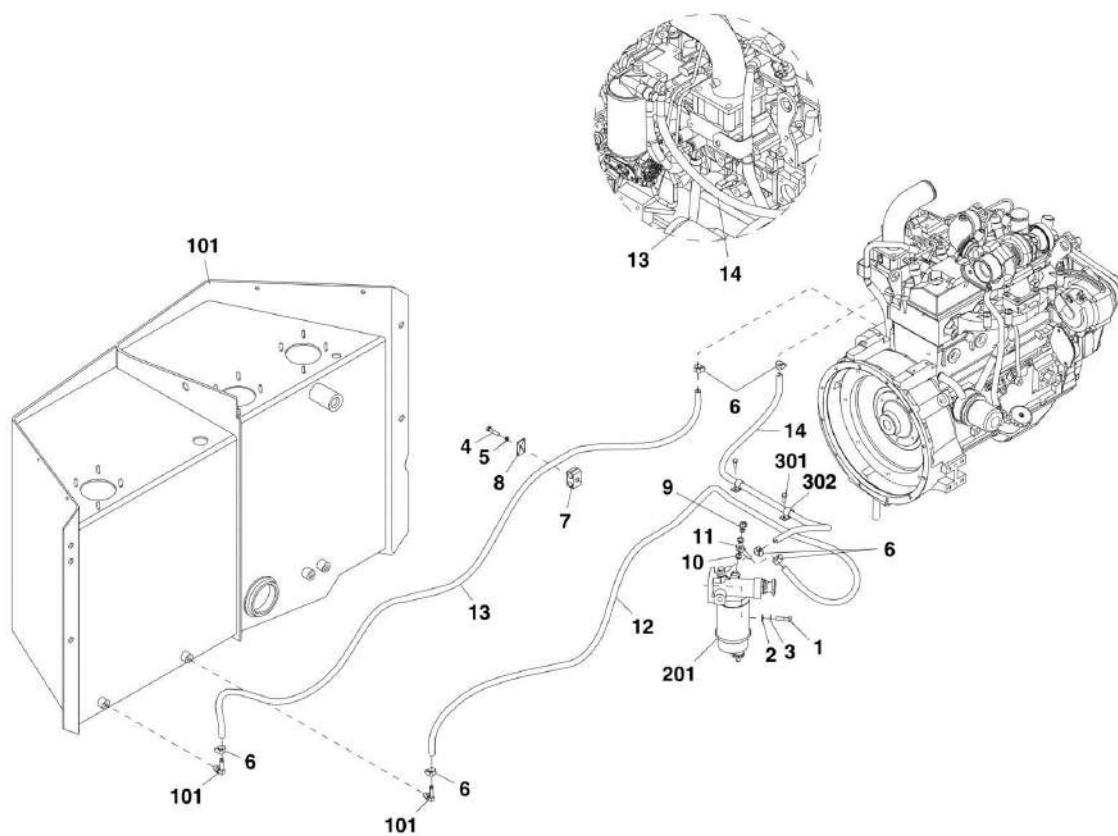
SECTION 4 - ENGINE AND ATTACHING PARTS

FIGURE 4-8. FUEL SYSTEM (8042 & 10054 SN 0160029593 through 0160040218, Excluding 0160039850, 0160040126, 0160040127, 0160040128, 0160040129 and 0160040171; 10042 SN 0160029607 through 0160040218, Excluding 0160039850, 0160040126, 0160040127, 0160040128, 0160040129 and 0160040171)

ITEM	PART NUMBER	QTY	DESCRIPTION	REV
	0275861	1	FUEL PUMP INSTALLATION, (includes items 1 thru 8)	C
1	2720643	1	FUEL SUPPLY HOSE ASSY	
2	7302085	1	FUEL RETURN HOSE ASSY	
3	8310200	2	WASHER, 3/8	
4	10700205	2	HEX HD CAPSCREW, 3/8-16X1-1/4	
5	1001093891	1	COUPLING	
6	1001093892	1	COUPLING	
7	1001093944	3	SEALING WASHER	
8	8410013	4	CLAMP, (torque to 16-20 lb-ft)	
9	70020353	1	FLEXIBLE FUEL HOSE	
10	70020349	1	PRIMARY FUEL FILTER	
11	70020348	1	SECONDARY FUEL FILTER	
12		Ref	FUEL AND HYDRAULIC TANK, (See HYDRAULIC COMPONENTS SECTION for Breakdown)	
13	70021410	1	PRIMARY FUEL FILTER HEAD	

SECTION 4 - ENGINE AND ATTACHING PARTS

FIGURE 4-9. FUEL SYSTEM (SN 0160040220 to Present, SN 0160040126 through 0160040129, Including 0160039850 and 0160040171)



PH4910

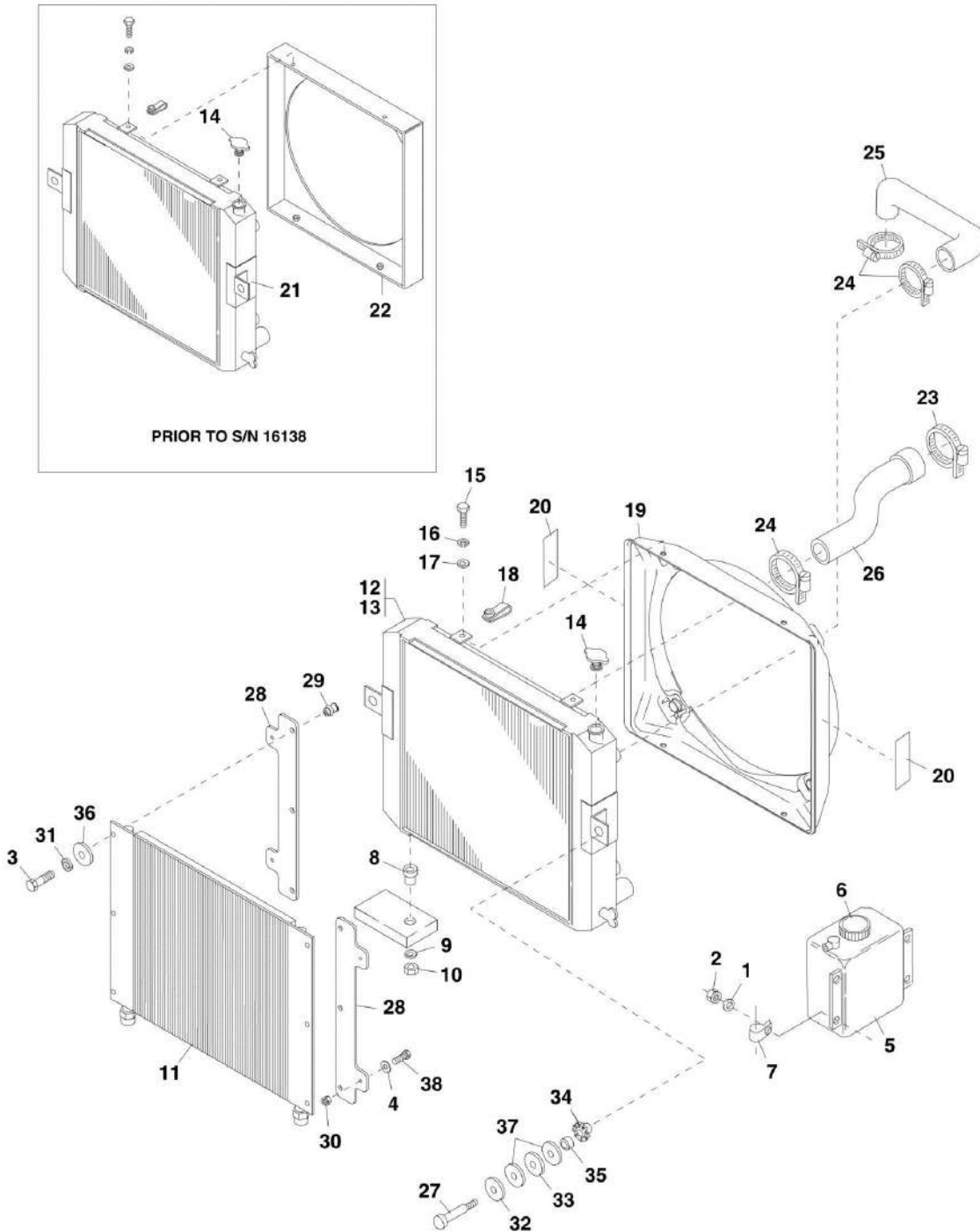
SECTION 4 - ENGINE AND ATTACHING PARTS

FIGURE 4-9. FUEL SYSTEM (SN 0160040220 to Present, SN 0160040126 through 0160040129, Including 0160039850 and 0160040171)

ITEM	PART NUMBER	QTY	DESCRIPTION	REV
	1001112749	Ref	FUEL PLUMBING INSTALLATION, (not available to order, see items 1 thru 14 for service)	A
1	0641612	2	HEX HD CAPSCREW, 3/8-16X1-1/2, GR5	
2	4711600	2	WASHER, 3/8	
3	4761600	2	LOCKWASHER, 3/8	
4	8303715	1	HEX HD CAPSCREW, 5/16-18X1-1/2, GR5	
5	8307004	1	LOCKWASHER, 5/16	
6	8410013	6	GEAR CLAMP	
7	8750015	1	CLAMP SET	
8	8769123	1	TWIN COVER PLATE	
9	1001102931	1	BANJO BOLT, 14mm	
10	1001102933	2	COPPER RING SEAL	
11	1001113511	1	BANJO BOLT ADAPTER, 14mmX3/8	
12	1001097568	1	FUEL HOSE	
13	1001097569	1	FUEL HOSE	
14	1001100217	1	FUEL HOSE	
101		Ref	FUEL AND HYDRAULIC TANK, (See HYDRAULIC COMPONENTS SECTION for Breakdown)	
201	70023950	1	PRIMARY FUEL FILTER ASSY	
201	70023947	1	PRIMARY FUEL FILTER SENSOR	
201	70023948	1	PRIMARY FUEL FILTER BOWL	
201	70021851	1	PRIMARY FUEL FILTER ELEMENT	
202	70023949	1	PRIMARY FUEL FILTER JUMPER HARNESS, (not shown)	
301	0760810	2	HEX HD CAPSCREW, 8-1.25X20mm, GR 8.8	
302	91143122	2	SUPPORT CLAMP	

SECTION 4 - ENGINE AND ATTACHING PARTS

FIGURE 4-10. RADIATOR AND OIL COOLER MOUNTING (8042 SN 13198 through 18990; 10042 SN 13198 through 19030; 10054 SN 13198 through 19079)



PH4490

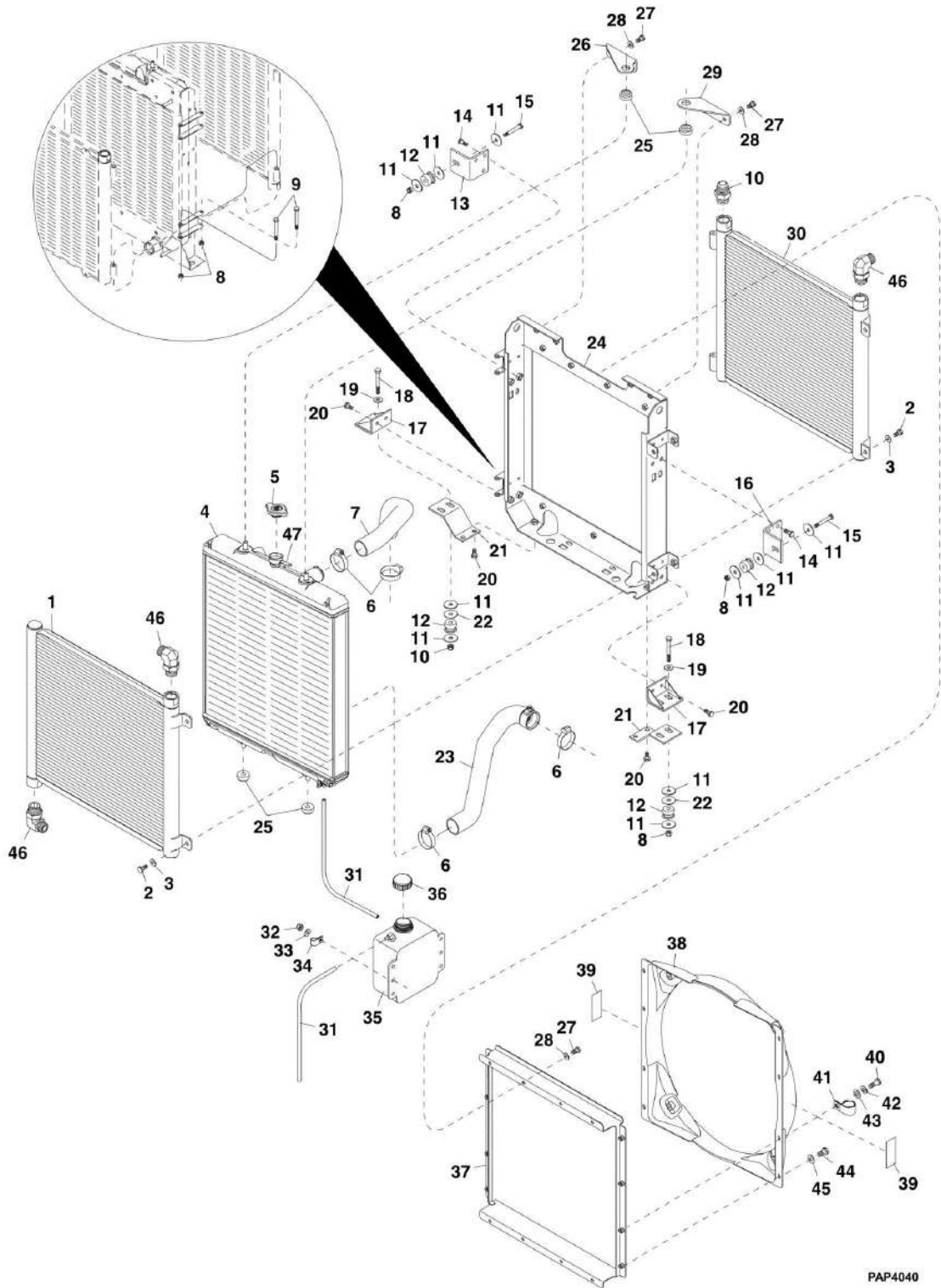
SECTION 4 - ENGINE AND ATTACHING PARTS

FIGURE 4-10. RADIATOR AND OIL COOLER MOUNTING (8042 SN 13198 through 18990; 10042 SN 13198 through 19030; 10054 SN 13198 through 19079)

ITEM	PART NUMBER	QTY	DESCRIPTION	REV
1	8307109	2	FLAT WASHER, 1/4	
2	8305624	2	HEX LOCKNUT, 1/4-20	
3	8303615	6	HEX HD CAPSCREW, 1/4-20X1.25	
4	8307106	4	PLAIN WASHER, 5/13	
5	7085422	1	RADIATOR OVERFLOW TANK, (includes item 6)	
6	8866341	1	CAP WITH TETHER	
7	8406101	1	HOSE SUPPORT, 5/8	
8	8278008	2	VIBRATION MOUNT	
9	7057141	2	REBOUND WASHER	
10	8305645	2	HEX LOCKNUT, 3/8-16	
11	7129973	1	OIL COOLER	
12	8024030	1	RADIATOR ASSY KIT, (includes items 13 thru 20), (for first time orders, item 20 on Figure4-1 must also be ordered) (SN 13198 through 16138)	
13	N.S.S.	1	RADIATOR, (not available to order, see item 12 for service)	
14	8180311	1	RADIATOR CAP	
15	8303697	4	HEX HD CAPSCREW, 5/16-18X3/4	
16	8307004	4	LOCKWASHER, 5/16	
17	8307106	4	PLAIN WASHER, 5/16	
18	8036546	4	SPEED NUT, 5/16-18	
19	8024031	1	RADIATOR SHROUD KIT, (includes item 20)	
20		Ref	DECAL, (See DECALS SECTION for Breakdown)	
21	N.S.S.	1	RADIATOR (not available to order, see item 12 for service) (SN 13198 through 16138)	
22	7131253	1	RADIATOR SHROUD (SN 13198 through 16138)	
23	8405203	1	HOSE CLAMP, 3	
24	8405104	3	HOSE CLAMP, 2-1/4	
25	7126703	1	UPPER RADIATOR HOSE	
26	7138515	1	LOWER RADIATOR HOSE	
27	8310104	2	HEX SOCKET HD SHOULDER SCREW, 3/8X1-1/2X5/16-18	
28	7138712	2	COOLER MOUNT PLATE	
29	8580420	6	WELL NUT	
30	8310420	4	HEX FLANGE NUT, 5/16-18	
31	8307002	6	LOCKWASHER, 1/4	
32	8278023	2	RADIATOR BUSHING MOUNT	
33	8278024	2	RADIATOR MOUNT	
34	8305626	2	HEX LOCKNUT, 0.312-18	
35	7130131	2	SPACER, 1/2	
36	8307202	6	FLAT WASHER, 1/4	
37	7057141	4	FLAT WASHER	
38	8303670	4	HEX HD CAPSCREW, 5/16-18X1	

SECTION 4 - ENGINE AND ATTACHING PARTS

FIGURE 4-11. RADIATOR AND OIL COOLER MOUNTING (8042 SN 18991 through 19987, SN 016002332 through 0160010788; 10042 SN 19031 through 19987, SN 016002332 through 0160010788; 10054 SN 19080 through 19987, SN 016002332 through 0160010788)



PAP4040

SECTION 4 - ENGINE AND ATTACHING PARTS

FIGURE 4-11. RADIATOR AND OIL COOLER MOUNTING (8042 SN 18991 through 19987, SN 0160002332 through 0160010788; 10042 SN 19031 through 19987, SN 0160002332 through 0160010788; 10054 SN 19080 through 19987, SN 0160002332 through 0160010788)

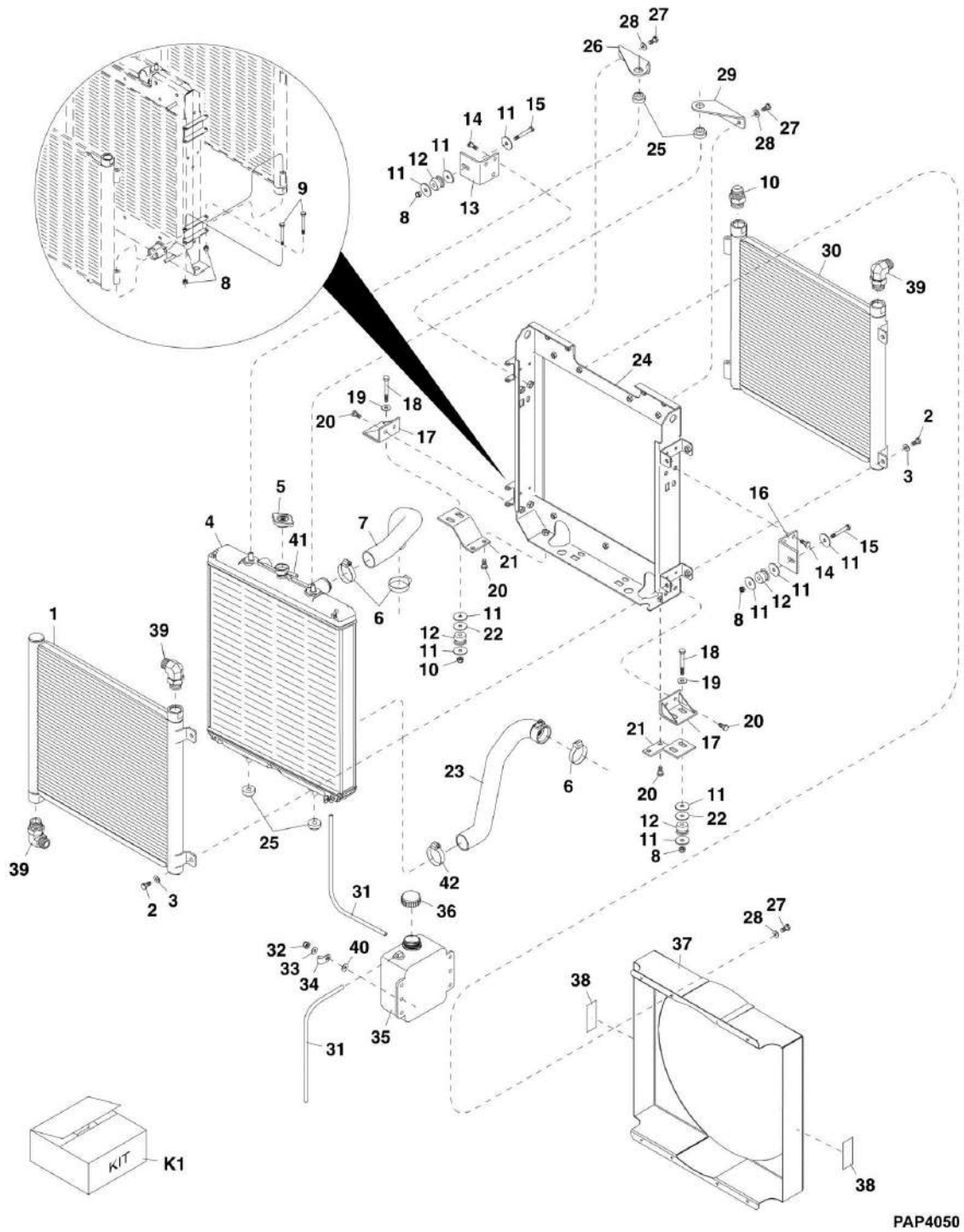
ITEM	PART NUMBER	QTY	DESCRIPTION	REV
	3620059	Ref	RADIATOR ASSY, (includes items 1 thru 5, qty 4 of item 8, 9, 10, 24 thru 31, 37, 38, 46 & 47)	
1	8180216	1	TRANSMISSION OIL COOLER	
2	8303798	8	HEX HD CAPSCREW, M10-1.5X25mm, PC8.8	
3	8307221	8	PLAIN WASHER, M10	
4	8036816	1	RADIATOR	
5	8180311	1	RADIATOR PRESSURE CAP, 13 PSI	
6	8405104	4	HOSE CLAMP, #28	
7	7301833	1	UPPER RADIATOR HOSE	
8	8305645	8	HEX NUT, 3/8-16	
9	8303107	4	HEX HD CAPSCREW, 3/8-16X3-1/4	
10	8770078	1	STRAIGHT CONNECTOR	
11	7057141	AR	FLAT REBOUND WASHER	
12	8278020	4	RUBBER ISOLATOR MOUNT	
13	7301649	1	UPPER LEFT RADIATOR SUPPORT BRACKET	
14	8303798	6	HEX HD CAPSCREW, M10-1.5X25mm, PC8.8	
15	8303106	2	HEX HD CAPSCREW, 3/8-16X2-1/5, GR5	
16	7301648	1	UPPER RIGHT RADIATOR SUPPORT BRACKET	
17	7301653	2	LOWER RADIATOR SUPPORT BRACKET	
18	8303704	2	HEX HD CAPSCREW, 3/8-16X3, GR5	
19	8310200	2	PLAIN WASHER, 3/8	
20	8303784	6	HEX HD CAPSCREW, M10-1.5X20mm, PC8.8	
21	7301651	2	LOWER RADIATOR MOUNT BRACKET	
22	8310246	AR	FENDER WASHER, 0.375X.048X1.5	
23	2720555	1	LOWER RADIATOR HOSE	
24	8036812	1	FRAME	
25	8180324	4	RUBBER CUSHION	
26	8180326	1	LEFT FRAME BRACKET	
27	8303606	12	HEX HD CAPSCREW, M8-1.25X22mm, PC8.8	
28	8307222	12	PLAIN WASHER, M8	
29	8180325	1	RIGHT FRAME BRACKET	
30	8180215	1	HYDRAULIC OIL COOLER	
31	8180335	1	OVERFLOW TANK HOSE, 75mm LG	
32	8305624	2	HEX LOCKNUT, 1/4-20	
33	8307109	2	PLAIN WASHER, 1/4	
34	8406101	1	TUBE CLIP, 5/8	
35	7085422	1	OVERFLOW TANK, (includes item 36)	
36	8866341	1	OVERFLOW TANK CAP	
37		Ref	SHROUD SPACER, (no longer available, use kit 2915054 on RADIATOR AND OIL COOLER MOUNTING with SN ranges 8042:160010789 thru 0160029592, 10042:0160010789 thru 0160029606 & 10054:0160010789 thru 01600295593 for replacement)	
38		Ref	RADIATOR SHROUD, (no longer available, use kit 2915054 on RADIATOR AND OIL COOLER MOUNTING with SN ranges 8042:0160010789 thru 0160029592, 10042:0160010789 thru 0160029606 & 10054:0160010789 thru 01600295593 for replacement), (includes item 39)	
39		Ref	MOVING PARTS WARNING DECAL, (See DECALS SECTION for Breakdown)	

SECTION 4 - ENGINE AND ATTACHING PARTS

ITEM	PART NUMBER	QTY	DESCRIPTION	REV
40	8303670	1	HEX HD CAPSCREW, 5/16-18X1, GR5	
41	8406302	1	HOSE CLAMP, 1-1/4 DIA	
42	8307004	1	LOCKWASHER, 5/16	
43	8307106	1	PLAIN WASHER, 5/16	
44	8303656	7	HEX HD CAPSCREW, 5/16-18X7/8	
45	8307106	7	PLAIN WASHER, 0.312X0.344X0.688X0.065	
46	2131216	3	ELBOW, 90	
47	70023968	1	DRAIN HOSE	

SECTION 4 - ENGINE AND ATTACHING PARTS

FIGURE 4-12. RADIATOR AND OIL COOLER MOUNTING (8042 SN 0160010789 through 0160029592; 10042 SN 0160010789 through 0160029606; 10054 SN 0160010789 through 0160029592)



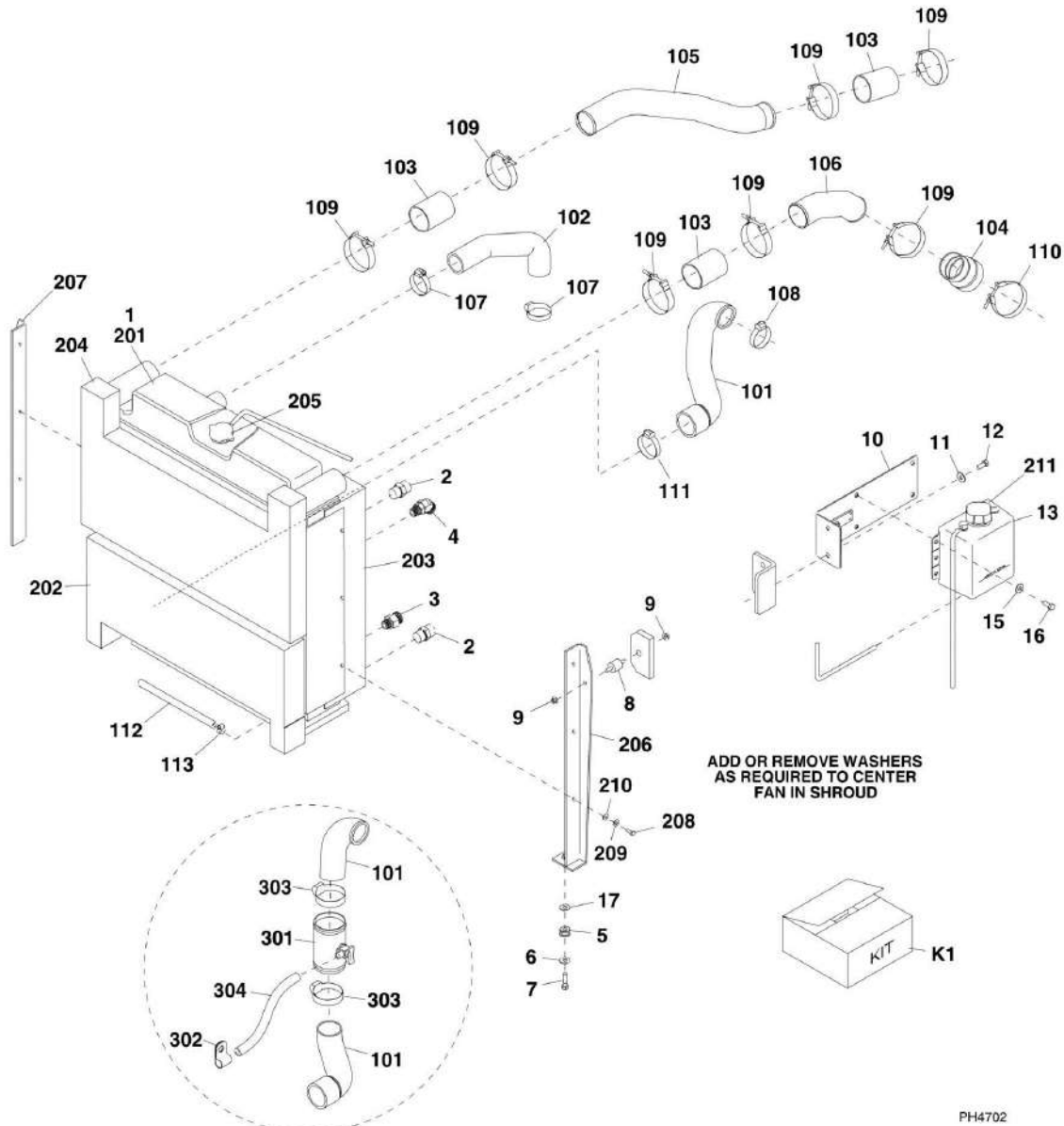
SECTION 4 - ENGINE AND ATTACHING PARTS

**FIGURE 4-12. RADIATOR AND OIL COOLER MOUNTING (8042 SN 0160010789 through 0160029592;
10042 SN 0160010789 through 0160029606; 10054 SN 0160010789 through 0160029592)**

ITEM	PART NUMBER	QTY	DESCRIPTION	REV
	3620059	Ref	RADIATOR ASSY, (includes items 1 thru 5, qty 4 of item 8, 9, 10, 24 thru 31, 37, 39 & 40)	D
1	8180216	1	TRANSMISSION OIL COOLER ASSY	
2	8303798	4	HEX HD CAPSCREW, M10-1.5X25mm, PC8.8, (torque to 25-45 lb-ft)	
3	8307221	4	PLAIN WASHER, M10	
4	8036816	1	RADIATOR ASSY	
5	8180311	1	RADIATOR PRESSURE CAP, 13 PSI	
6	8405104	3	HOSE CLAMP, #28	
7	7301833	1	UPPER RADIATOR HOSE	
8	8305645	8	HEX NUT, 3/8-16	
9	8303107	4	HEX HD CAPSCREW, 3/8-16X3-1/4, (torque to 13-23 lb-ft)	
10	8770078	1	STRAIGHT CONNECTOR	
11	7057141	AR	FLAT REBOUND WASHER	
12	8278020	4	RUBBER ISOLATOR MOUNT	
13	7301649	1	UPPER LEFT RADIATOR SUPPORT BRACKET	
14	8303798	6	HEX HD CAPSCREW, M10-1.5X25mm, PC8.8	
15	8303106	2	HEX HD CAPSCREW, 3/6-16X2-1/5, GR5	
16	7301648	1	UPPER RIGHT RADIATOR SUPPORT BRACKET	
17	7301653	2	LOWER RADIATOR SUPPORT BRACKET	
18	8303704	2	HEX HD CAPSCREW, 3/8-16X3, GR5	
19	8310200	2	PLAIN WASHER, 3/8	
20	8303784	6	HEX HD CAPSCREW, M10-1.5X20mm, PC8.8	
21	7301651	2	LOWER RADIATOR MOUNT BRACKET	
22	8310246	AR	FENDER WASHER, 0.375X.048X1.5	
23	2720555	1	LOWER RADIATOR HOSE	
24	8036812	1	FRAME ASSY	
25	8180324	4	RUBBER CUSHION	
26	8180326	1	LEFT FRAME BRACKET	
27	8303606	12	HEX HD CAPSCREW, M8-1.25X22mm, PC8.8	
28	8307222	12	PLAIN WASHER, M8	
29	8180325	1	RIGHT FRAME BRACKET	
30	8180215	1	HYDRAULIC OIL COOLER ASSY	
31	8180335	1	OVERFLOW TANK HOSE, 75mm LG	
32	8305004	2	HEX NUT, 1/4-20	
33	8307024	2	LOCK WASHER, M6	
34	8406101	1	TUBE CLIP, 5/8	
35	7085422	1	OVERFLOW TANK, (includes item 36)	
36	8866341	1	OVERFLOW TANK CAP	
37	7029005	1	RADIATOR SHROUD	
38		Ref	MOVING PARTS WARNING DECAL, (See DECALS SECTION for Breakdown)	
39	2131216	3	ELBOW, 90	
40	4711400	2	WASHER, 1/4	
41	70023968	1	DRAIN HOSE	
42	8405202	1	GEAR CLAMP, 2.75 MAX DIA	
K1	2915054	1	FAN SHROUD KIT, (includes items 6, 23, 27, 28 & 37)	

SECTION 4 - ENGINE AND ATTACHING PARTS

FIGURE 4-13. RADIATOR AND OIL COOLER MOUNTING (8042 & 10054 SN 0160029593 through 0160038983; 10042 SN 0160029607 through 0160038370)



8042 S/N 0160029593 THRU 0160030947
 10042 S/N 0160029607 THRU 0160030949
 10054 S/N 0160029594 THRU 0160030956

PH4702

SECTION 4 - ENGINE AND ATTACHING PARTS

FIGURE 4-13. RADIATOR AND OIL COOLER MOUNTING (8042 & 10054 SN 0160029593 through 0160038983; 10042 SN 0160029607 through 0160038370)

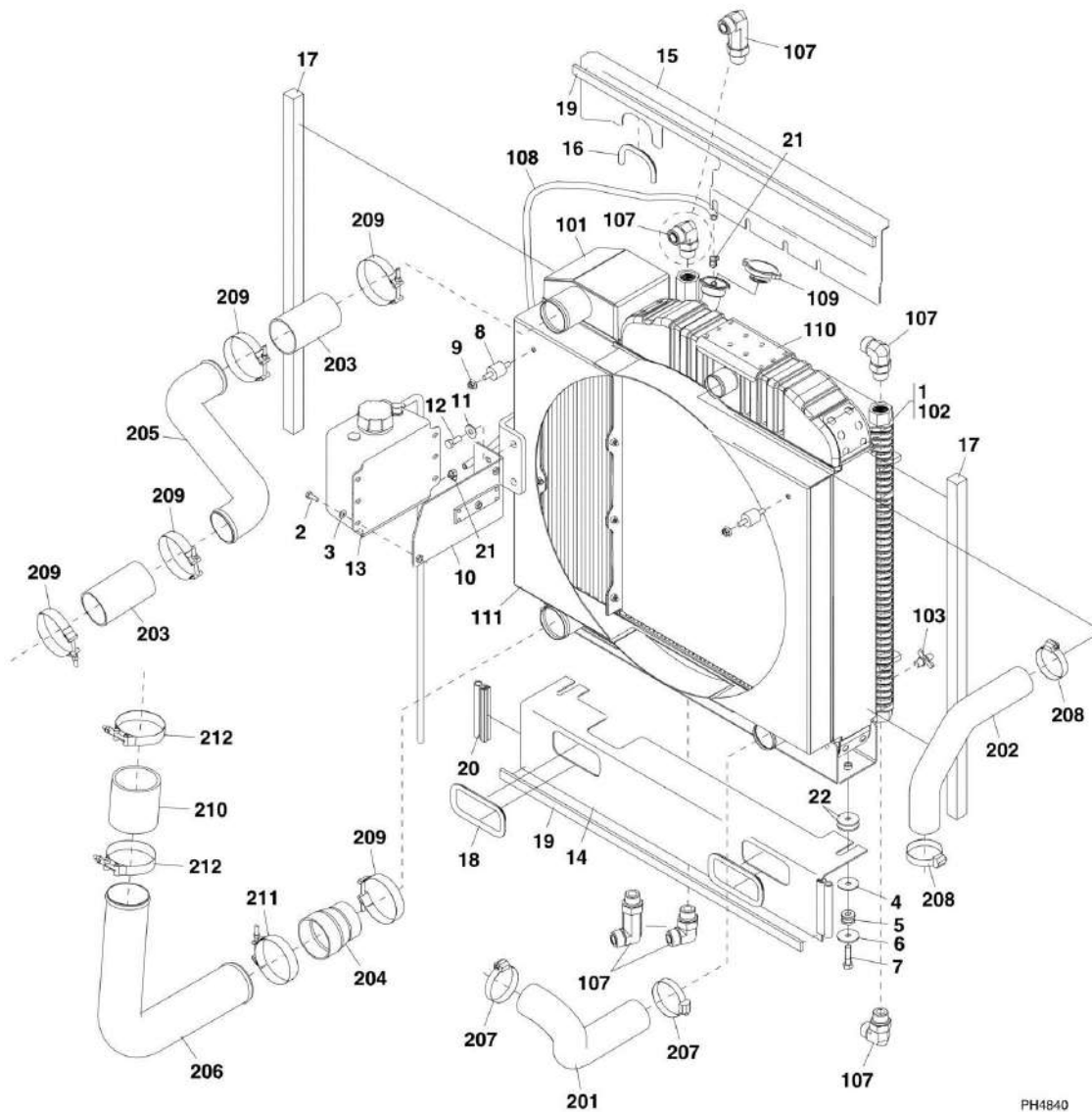
ITEM	PART NUMBER	QTY	DESCRIPTION	REV
	0275819	1	COOLING INSTALLATION, (includes items 1 thru 17)	F
1	3620081	1	RADIATOR ASSY, (includes items 201 thru 210)	E
2	2111212	2	STRAIGHT ADAPTOR, 12-12	
3	2111210	1	STRAIGHT ADAPTOR, 12-10	
4	2151210	1	45, ADAPTOR, 12-10	
5	83683308	2	MOUNTING PAD	
6	7057141	2	FLAT WASHER, REBOUND	
7	0641611	2	HEX HD CAPSCREW, 3/8-16X1-3/8	
8	91033137	2	SHOCK MOUNT	
9	77143006	4	LOCKNUT, 5/16-18	
10	1001091992	1	MOUNTING PLATE	
11	88561004	2	FLAT WASHER, 3/8	
12	0641607	2	HEX HD CAPSCREW, 3/8-16X7/8	
13	1001001413	1	OVERFLOW TANK, (includes item 211)	
15	4711400	2	NARROW WASHER, 1/4	
16	0641406	2	HEX HD CAPSCREW, 1/4-20X3/4	
17	8310246	AR	FENDER WASHER, 3/8	
	0275810	1	COOLANT PLUMBING INSTALLATION, (includes items 101 thru 112, 301 & 302) (8042 SN 0160029593 through 0160030947; 10042 SN 0160029607 through 0160030949; 10054 SN 0160029594 through 0160030956)	E
	1001096328	1	COOLANT PLUMBING INSTALLATION, (includes items 101 thru 113) (8042 SN 0160030948 through 0160038983; 10054 SN 0160030957 through 0160038983; 10042 Including SN 0160030950; Including 0160038370)	D
101	2720634	1	LOWER RADIATOR HOSE	
102	2720635	1	UPPER RADIATOR HOSE	
103	1001114495	3	HUMP HOSE	
104	2720645	1	REDUCER HOSE	
105	3460591	1	TURBO TO CHARGE AIR COOLER HOSE	
106	3460592	1	CHARGE AIR COOLER TO INTAKE HOSE, (torque to 60 lb-in)	
107	8405104	2	GEAR CLAMP, 2.25IN MAX DIA	
108	8405201	1	GEAR CLAMP, 2.50IN MAX DIA	
109	1001001853	7	BAND CLAMP	
110	91163129	1	HEAVY DUTY BAND CLAMP	
111	1320016	1	CLAMP, 2.5 DIA	
112	71 32131	1	COOLANT DRAIN HOSE	
113	8405009	1	CLAMP, 0.65 DIA	
201	70020359	1	RADIATOR/TRANSMISSION COOLER	
202	70020360	1	HYDRAULIC OIL COOLER	
203	70020361	1	FAN SHROUD	
204	70020362	1	CHARGE AIR COOLER	
205	70020363	1	RADIATOR CAP	
206	70020364	1	MOUNTING BRACKET, RH	
207	70020365	1	MOUNTING BRACKET, LH	
208	0641506	24	HEX HD CAPSCREW, 5/16-18-3/4	
209	4761500	24	LOCKWASHER, 5/16	
210	4711500	24	FLAT WASHER, 5/16	
211	7026726	1	OVERFLOW TANK CAP	
301	1001096333	1	DRAIN TUBE ASSY	

SECTION 4 - ENGINE AND ATTACHING PARTS

ITEM	PART NUMBER	QTY	DESCRIPTION	REV
302	8406105	1	CLIP 3/4	
303	8405201	2	GEAR CLAMP, 2.50 IN MAX DIA	
304	7132131	1	COOLANT DRAIN HOSE	
K1	1001096452	1	DRAIN TUBE ASSY KIT,(includes items 301 thru 304), (for field installation when radiator has no petcock) (8042 SN 0160029593 through 0160030947; 10054 SN 0160029594 through 0160030956; 10042 SN 0160029607 through 0160030949)	

SECTION 4 - ENGINE AND ATTACHING PARTS

FIGURE 4-14. RADIATOR AND OIL COOLER MOUNTING (8042 SN 0160038984 through 0160040218, Excluding 0160039850, 0160040126, 0160040127, 0160040128, 0160040129 and 0160040171; 10054 SN 0160038984 through 0160040218, Excluding 0160039850, 0160040126, 0160040127, 0160040128, 0160040129 and 0160040171; 10042 SN 0160038371 through 0160040218, Excluding 0160039850, 0160040126, 0160040127, 0160040128, 0160040129 and 0160040171)



SECTION 4 - ENGINE AND ATTACHING PARTS

FIGURE 4-14. RADIATOR AND OIL COOLER MOUNTING (8042 SN 0160038984 through 0160040218, Excluding 0160039850, 0160040126, 0160040127, 0160040128, 0160040129 and 0160040171; 10054 SN 0160038984 through 0160040218, Excluding 0160039850, 0160040126, 0160040127, 0160040128, 0160040129 and 0160040171; 10042 SN 0160038371 through 0160040218, Excluding 0160039850, 0160040126, 0160040127, 0160040128, 0160040129 and 0160040171)

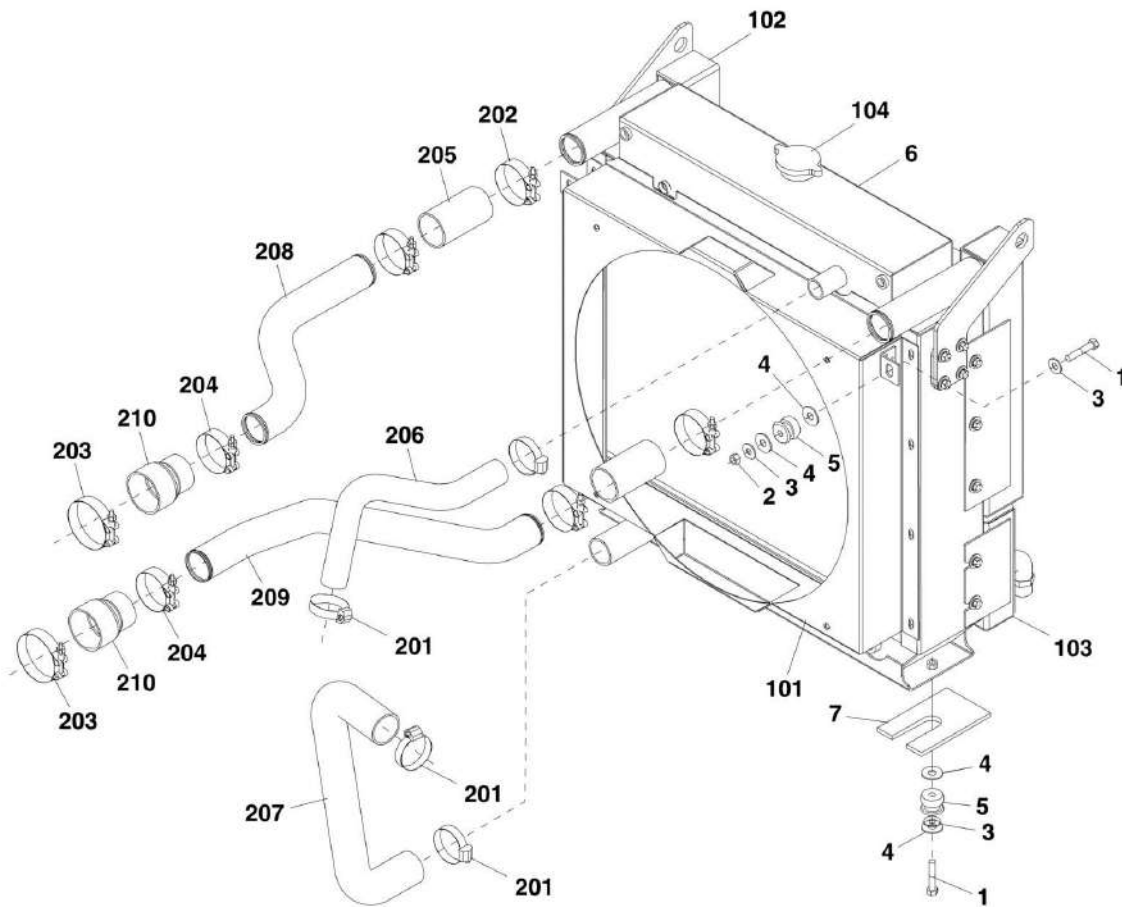
ITEM	PART NUMBER	QTY	DESCRIPTION	REV
	0275912	Ref	COOLING INSTALLATION, (not available to order, see items 1 thru 22 for service)	D
1	3620083	1	RADIATOR ASSY, (includes items 101 thru 111)	C
2	0641406	2	HEX HD CAPSCREW, 1/4-20X3/4, GR5	
3	4711400	2	WASHER, 1/4	
4	8310246	2	FENDER WASHER, 3/8	
5	83683308	2	MOUNTING PAD	
6	7057141	2	FLAT WASHER	
7	0641612	2	HEX HD CAPSCREW, 3/8-16X1-1/2, GR5	
8	91033137	2	SHOCK MOUNT	
9	77143006	2	WHIZ-LOCK NUT, 5/16-18	
10	1001105976	1	MOUNTING PLATE	
11	4751600	2	WASHER, 3/8	
12	0641607	2	HEX HD CAPSCREW, 3/8-16X7/8, GR5	
13	1001001413	1	COOLANT RECOVERY TANK	
14	1001109010	1	AIR DAM PLATE, (bottom)	
15	1001109011	1	AIR DAM PLATE, (top)	
16	6620551	1	CONDUIT	
17	1001109230	2	FOAM GASKET	
18	6620561	2	CONDUIT	
19	90200755	AR	GASKA-TAPE	
20	91513197	AR	BULB SEAL	
21	1320022	2	BAND CLAMP	
22	1001114780	2	SHIM, (as required)	
101	70023054	1	CHARGE AIR COOLER	
102	70023055	1	TRANSMISSION COOLER	
103	70023056	1	PET COCK	
107	2131212	4	ADAPTER, 90, SHORT, (includes o-ring)	
107	2170212	2	ADAPTER, 90, LONG, (includes o-ring)	
108	70023057	1	OVERFLOW HOSE	
109	70023058	1	RADIATOR CAP, 15PSI	
110	70023059	1	RADIATOR	
111	70023060	1	FAN SHROUD	
	0275913	Ref	ENGINE COOLANT PLUMBING INSTALLATION, (not available to order, see items 201 thru 212 for service)	C
201	2720648	1	COOLANT HOSE, LOWER	
202	2720649	1	COOLANT HOSE, UPPER	
203	1001114495	2	HOSE	
204	2720645	1	REDUCER HOSE	
205	3460595	1	TURBO PIPE	
206	3460596	1	INTAKE PIPE	
207	8405202	2	GEAR CLAMP, (torque to 40 lb-in)	
208	8405201	2	GEAR CLAMP, (torque to 40 lb-in)	
209	1001001853	5	BAND CLAMP	
210	2720650	1	HUMP HOSE	
211	91163129	1	HEAVY DUTY BAND CLAMP, (torque to 75 lb-in)	

SECTION 4 - ENGINE AND ATTACHING PARTS

ITEM	PART NUMBER	QTY	DESCRIPTION	REV
212	90028488	2	T-BOLT CLAMP, (torque to 75 lb-in)	

SECTION 4 - ENGINE AND ATTACHING PARTS

FIGURE 4-15. RADIATOR AND OIL COOLER MOUNTING (SN 0160040220 to Present, Including 0160039850, 0160040126, 0160040127, 0160040128, 0160040129 and 0160040171)



PAP4090

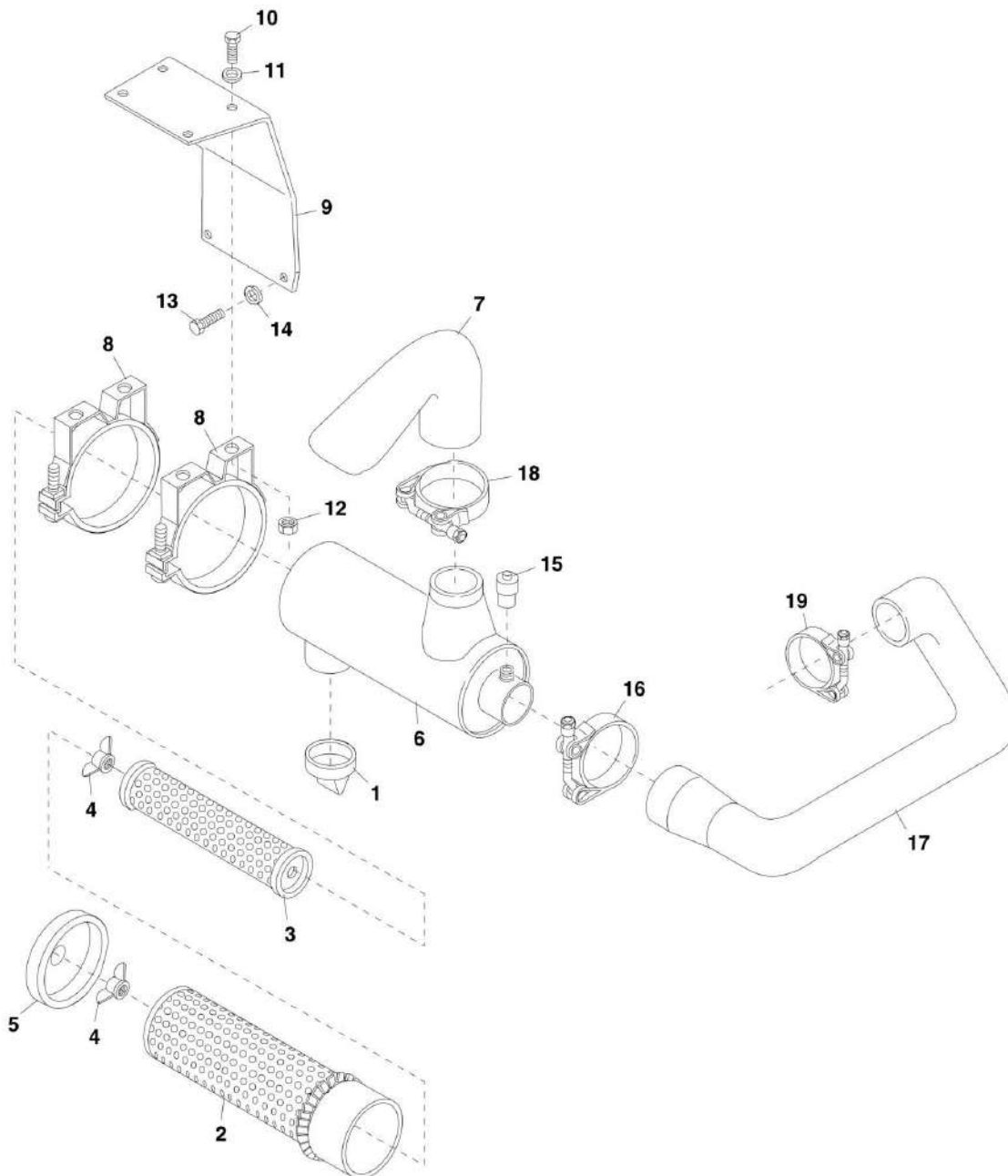
SECTION 4 - ENGINE AND ATTACHING PARTS

FIGURE 4-15. RADIATOR AND OIL COOLER MOUNTING (SN 0160040220 to Present, Including 0160039850, 0160040126, 0160040127, 0160040128, 0160040129 and 0160040171)

ITEM	PART NUMBER	QTY	DESCRIPTION	REV
	1001111562	Ref	COOLING INSTALLATION, (not available to order, see items 1 thru 6 for service)	B
1	0691616	4	HEX HD CAPSCREW, 3/8-24X2, GR8	
2	3281605	2	HEX LOCKNUT, 3/8-24	
3	4751600	6	WASHER, 3/8	
4	4751700	8	WASHER, 7/16	
5	8278020	4	RUBBER-ISOLATOR MOUNT	
6	1001111821	1	RADIATOR ASSY, (includes item 101 thru 104)	B
7	1001114780	2	SHIM	
101	70022694	1	SHROUD	
102	N.S.S.	1	CHARGE AIR COOLER	
103	70023601	1	HYDRAULIC OIL COOLER	
104	70022695	1	CAP	
	1001112774	Ref	COOLING PLUMBING INSTALL, (not available to order, see items 201 thru 210 for service)	B
201	8405104	4	GEAR CLAMP	
202	8405209	4	T-BOLT CLAMP	
203	8405212	2	T-BOLT CLAMP	
204	8410012	2	T-BOLT CLAMP	
205	91563070	2	RUBBER HOSE COUPLING, 2IN	
206	1001096435	1	UPPER RADIATOR HOSE	
207	1001096436	1	LOWER RADIATOR HOSE	
208	1001097565	1	PIPE	
209	1001112775	1	PIPE	
210	1001117244	2	REDUCER COUPLING	

SECTION 4 - ENGINE AND ATTACHING PARTS

FIGURE 4-16. AIR CLEANER ASSEMBLY (8042 SN 13198 through 18990; 10042 SN 13198 through 19030; 10054 SN 13198 through 19079)



PH3760

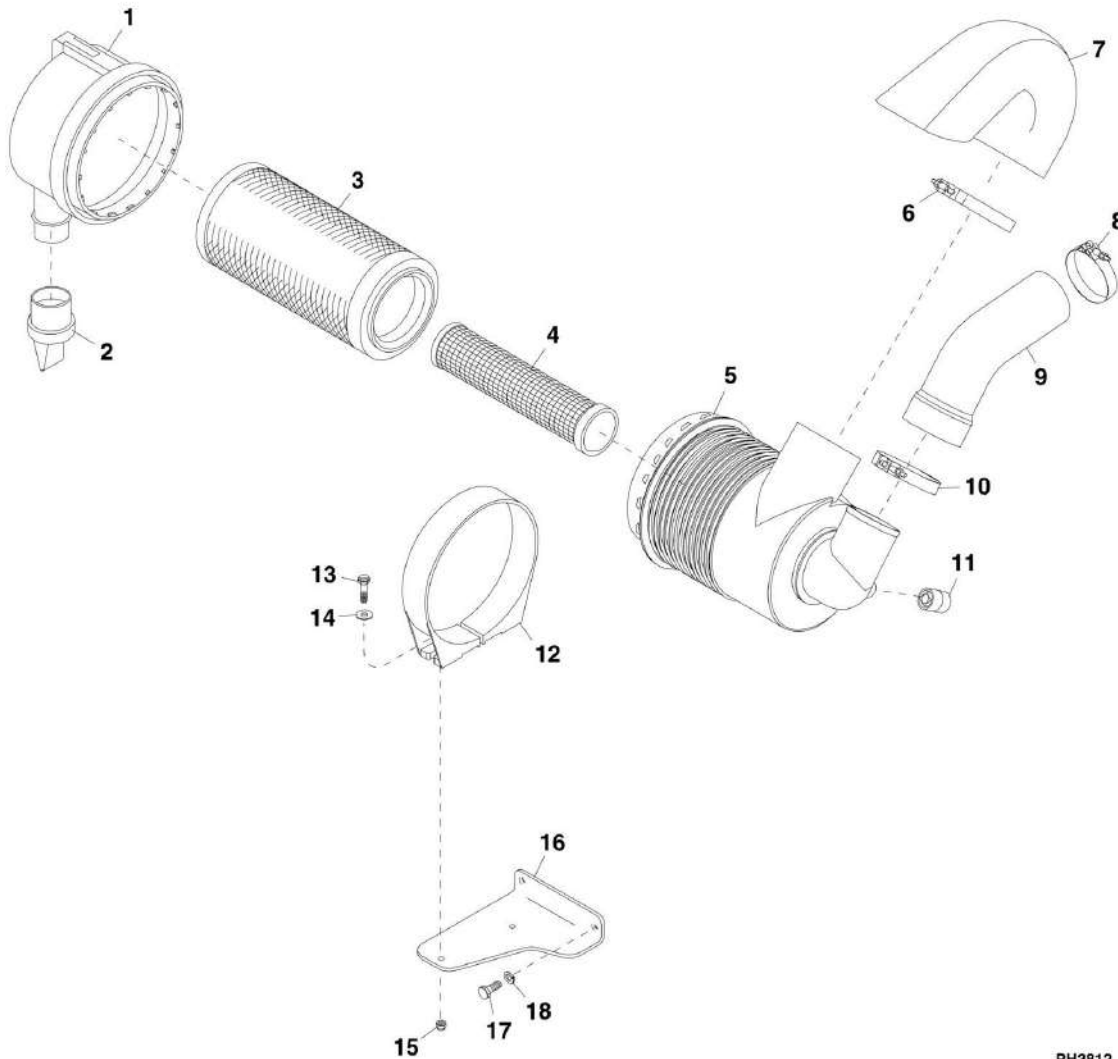
SECTION 4 - ENGINE AND ATTACHING PARTS

FIGURE 4-16. AIR CLEANER ASSEMBLY (8042 SN 13198 through 18990; 10042 SN 13198 through 19030; 10054 SN 13198 through 19079)

ITEM	PART NUMBER	QTY	DESCRIPTION	REV
	8273013	1	AIR CLEANER ASSY, (includes items 1 thru 6)	
1	8032764	1	VACUATOR VALVE	
2	8273237	1	PRIMARY FILTER ELEMENT	
3	8273238	1	SECONDARY FILTER ELEMENT	
4	8273272	2	ASSY NUT	
5	8032762	1	END COVER	
6	N.S.S.	1	AIR CLEANER BODY	
7	7097323	1	AIR INTAKE SCOOP	
8	8273240	2	AIR CLEANER MOUNTING BAND	
9	7095302	1	AIR CLEANER MOUNTING BRACKET	
10	8303697	4	HEX HD CAPSCREW, 0.31X0.75	
11	8307203	4	FLAT WASHER, 5/16	
12	8305626	4	HEX LOCKNUT, 5/16	
13	8303618	2	HEX HD CAPSCREW, M12X25mm	
14	8307025	2	LOCKWASHER, M12	
15	8273241	1	25IN SERVICE INDICATOR	
16	8405307	1	T-BOLT CLAMP, 3-13/16 ID	
17	7095393	1	AIR INTAKE HOSE	
18	8405404	1	T-BOLT BAND CLAMP, 4.38 ID	
19	8405305	1	T-BOLT BAND CLAMP, 3.38 ID	

SECTION 4 - ENGINE AND ATTACHING PARTS

FIGURE 4-17. AIR CLEANER ASSEMBLY (8042 SN 18991 through 19987, SN 0160002332 through 0160029592; 10042 SN 19031 through 19987, SN 0160002332 through 0160029606; 10054 SN 19080 through 19987, SN 0160002332 through 0160029592)



PH3812

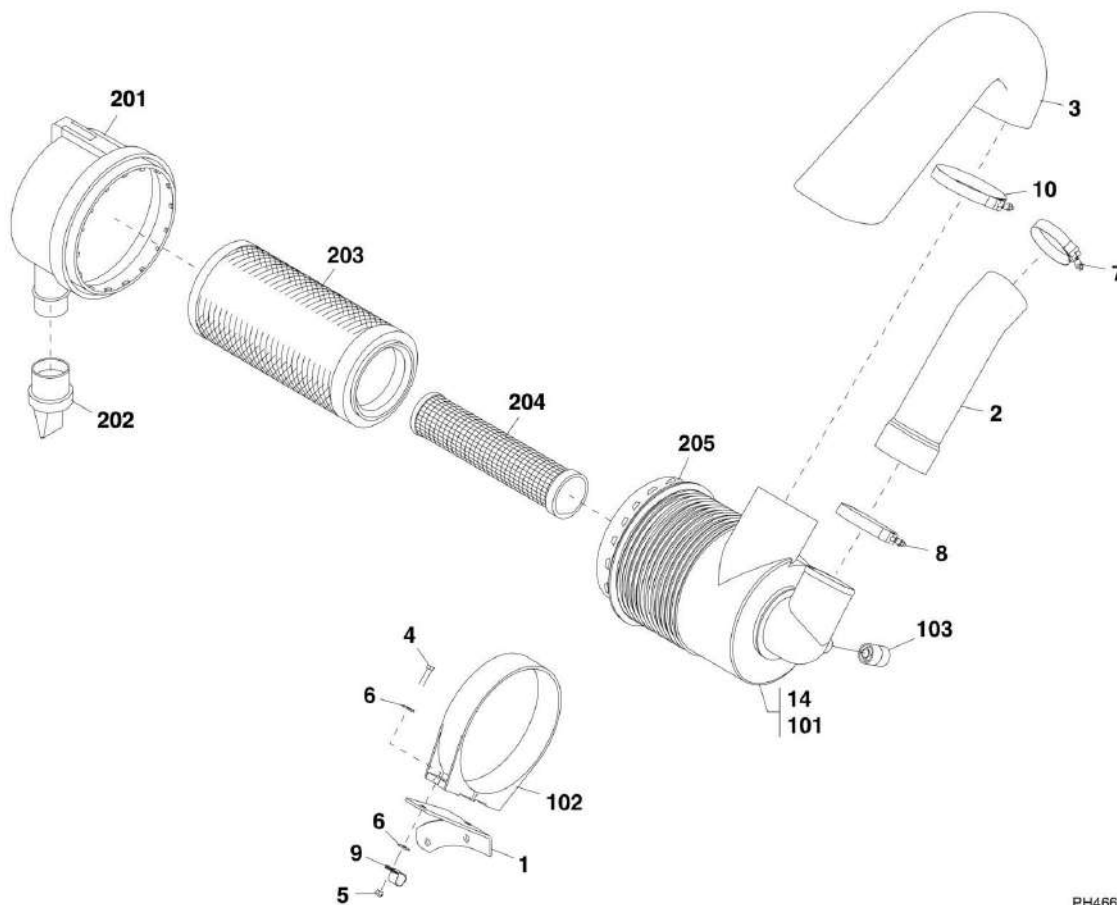
SECTION 4 - ENGINE AND ATTACHING PARTS

FIGURE 4-17. AIR CLEANER ASSEMBLY (8042 SN 18991 through 19987, SN 0160002332 through 0160029592; 10042 SN 19031 through 19987, SN 0160002332 through 0160029606; 10054 SN 19080 through 19987, SN 0160002332 through 0160029592)

ITEM	PART NUMBER	QTY	DESCRIPTION	REV
	10268515	1	AIR CLEANER ASSY, (includes items 1 thru 5)	
1	91364023	1	COVER ASSY	
2	10733183	1	VACUATOR VALVE	
3	1101312	1	PRIMARY FILTER ELEMENT	
4	1101313	1	SECONDARY FILTER ELEMENT	
5	N.S.S.	1	AIR CLEANER BODY	
6	8410021	1	T-BOLT BAND CLAMP, 5 ID	
7	7300972	1	AIR INTAKE SCOOP	
8	8405305	1	T-BOLT BAND CLAMP, 3.38 ID	
9	2720549	1	AIR CLEANER HOSE	
10	8405505	1	T-BOLT BAND CLAMP	
11	8273241	1	AIR INTAKE RESTRICTION INDICATOR	
12	10268516	1	AIR CLEANER MOUNTING BAND	
13	8303739	2	HEX HD CAPSCREW, 5/16-18X1-1/4	
14	8307203	2	PLAIN WASHER, 5/16	
15	8305626	2	HEX LOCKNUT, 5/16-18	
16	4341012	1	AIR CLEANER BRACKET	
17	8303618	2	HEX HD CAPSCREW, M12-1.75X25mm, PC8.8	
18	8307025	2	LOCKWASHER, M12	

SECTION 4 - ENGINE AND ATTACHING PARTS

FIGURE 4-18. AIR CLEANER ASSEMBLY (8042 SN 0160029593 through 0160040218, Excluding 0160039850, 0160040126, 0160040127, 0160040128, 0160040129 and 0160040171; 10054 SN 0160029593 through 0160040218, Excluding 0160039850, 0160040126, 0160040127, 0160040128, 0160040129 and 0160040171; 10042 SN 0160029607 through 0160040218, Excluding 0160039850, 0160040126, 0160040127, 0160040128, 0160040129 and 0160040171)



PH4663

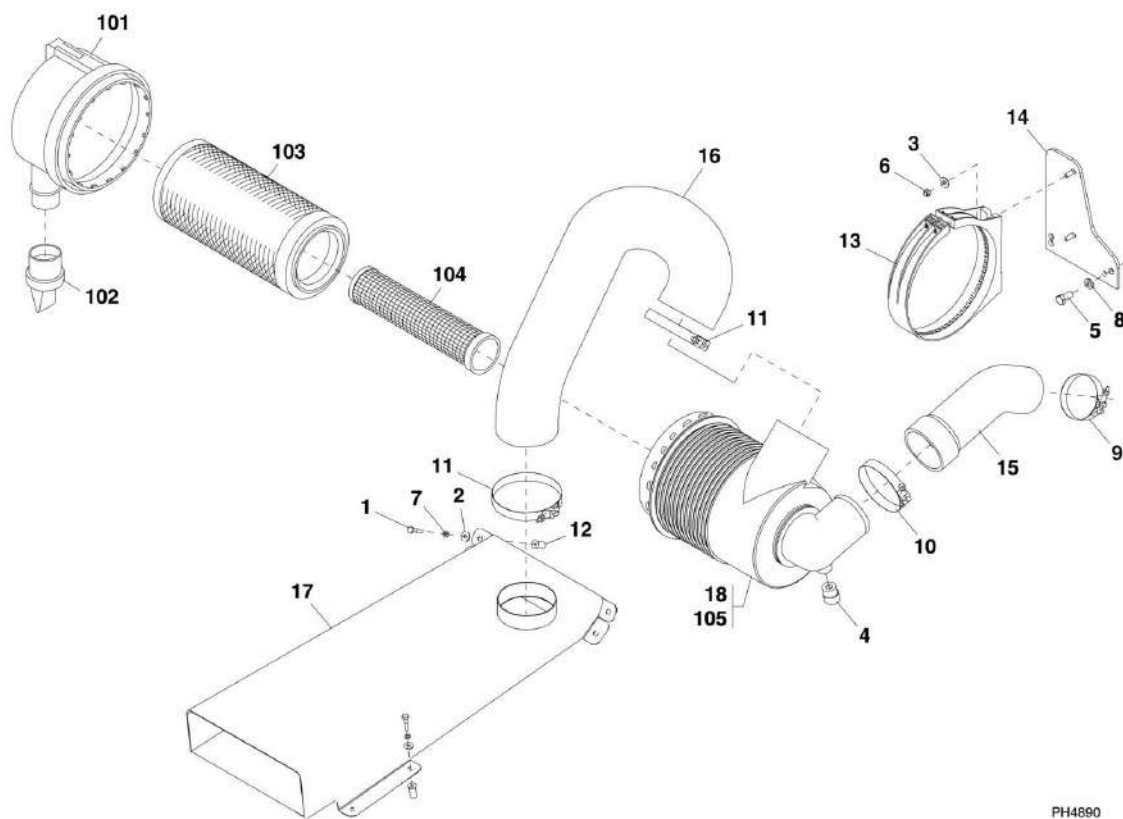
SECTION 4 - ENGINE AND ATTACHING PARTS

FIGURE 4-18. AIR CLEANER ASSEMBLY (8042 SN 0160029593 through 0160040218, Excluding 0160039850, 0160040126, 0160040127, 0160040128, 0160040129 and 0160040171; 10054 SN 0160029593 through 0160040218, Excluding 0160039850, 0160040126, 0160040127, 0160040128, 0160040129 and 0160040171; 10042 SN 0160029607 through 0160040218, Excluding 0160039850, 0160040126, 0160040127, 0160040128, 0160040129 and 0160040171)

ITEM	PART NUMBER	QTY	DESCRIPTION	REV
	2120223	1	AIR CLEANER ASSY, (includes items 1 thru 14)	D
1	0903638	1	AIR CLEANER BRACKET	
2	2720636	1	AIR CLEANER HOSE	
3	2720637	1	AIR INTAKE SCOOP	
4	0641510	2	HEX HD CAPSCREW, 5/16-18X1-1/4	
5	8305626	2	HEX LOCKNUT, 5/16-18	
6	4751500	2	PLAIN WASHER, 5/16	
7	8405305	1	T-BOLT BAND CLAMP, 3.38 ID	
8	8405505	1	T-BOLT BAND CLAMP	
9	8406102	1	WIRE CLIP	
10	8410021	1	T-BOLT BAND CLAMP, 5 ID	
14	1001097585	1	AIR CLEANER ASSY, (includes items 101 thru 103)	A
101	10268515	1	AIR CLEANER, (includes items 201 thru 205)	C
102	10268516	1	AIR CLEANER MOUNTING BAND	
103	8273241	1	AIR RESTRICTION INDICATOR	
201	91364023	1	COVER ASSY	
202	10733183	1	VACUATOR VALVE	
203	1101312	1	PRIMARY FILTER ELEMENT	
204	1101313	1	SECONDARY FILTER ELEMENT	
205	N.S.S.	1	AIR CLEANER BODY	

SECTION 4 - ENGINE AND ATTACHING PARTS

FIGURE 4-19. AIR CLEANER ASSEMBLY (SN 0160040220 to Present, Including 0160039850, 0160040126, 160040127, 160040128, 160040129 and 0160040171)



PH4890

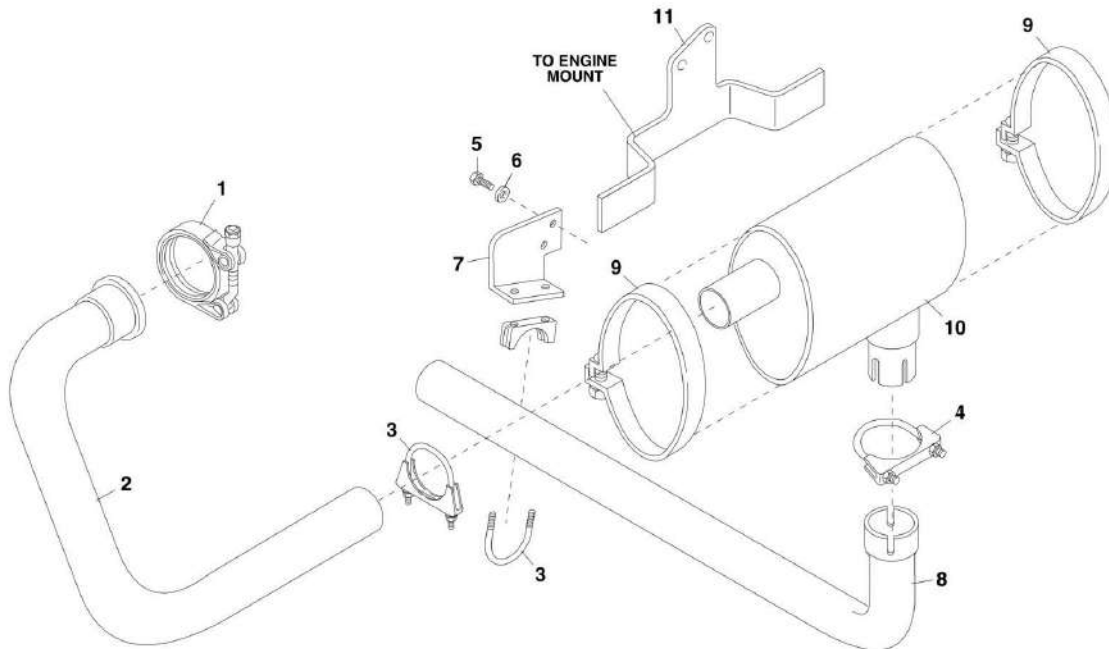
SECTION 4 - ENGINE AND ATTACHING PARTS

FIGURE 4-19. AIR CLEANER ASSEMBLY (SN 0160040220 to Present, Including 0160039850, 0160040126, 160040127, 160040128, 160040129 and 0160040171)

ITEM	PART NUMBER	QTY	DESCRIPTION	REV
	1001111556	Ref	AIR INTAKE INSTALLATION, (not available to order, see items 1 thru 18 for service)	A
1	0641410	4	HEX HD CAPSCREW, 1/4-20X1-1/4, GR 5	
2	4751400	4	WASHER, 1/4	
3	4751500	2	WASHER, 5/16	
4	8273241	1	AIR INTAKE RESTRICTION INDICATOR	
5	8303618	2	HEX HD CAPSCREW, 12X1-3/4X25mm	
6	8305626	2	HEX LOCKNUT, 5/16-18	
7	8307002	4	LOCKWASHER, 1/4	
8	8307025	2	LOCKWASHER, 12mm	
9	84055305	1	T-BOLT CLAMP	
10	8405505	1	T-BOLT CLAMP	
11	8410021	2	T-BOLT CLAMP	
12	8580420	4	WELL NUT	
13	10268516	1	MOUNTING BAND	
14	1001096484	1	AIR CLEANER SUPPORT	
15	1001098977	1	AIR INTAKE PIPE	
16	1001111557	1	INTAKE HOSE	
17	1001112747	1	AIR INTAKE DUCT WELDMENT	
18	10268515	1	AIR CLEANER, (includes items 101 thru 105)	C
101	91364023	1	COVER ASSY	
102	80373094	1	VACUATOR VALVE	
103	1101312	1	PRIMARY FILTER ELEMENT	
104	1101313	1	SECONDARY FILTER ELEMENT	
105	N.S.S.	1	AIR CLEANER BODY	

SECTION 4 - ENGINE AND ATTACHING PARTS

FIGURE 4-20. EXHAUST SYSTEM (8042 SN 13198 through 18990; 10042 SN 13198 through 19030; 10054 SN 13198 through 19079)



PH3750

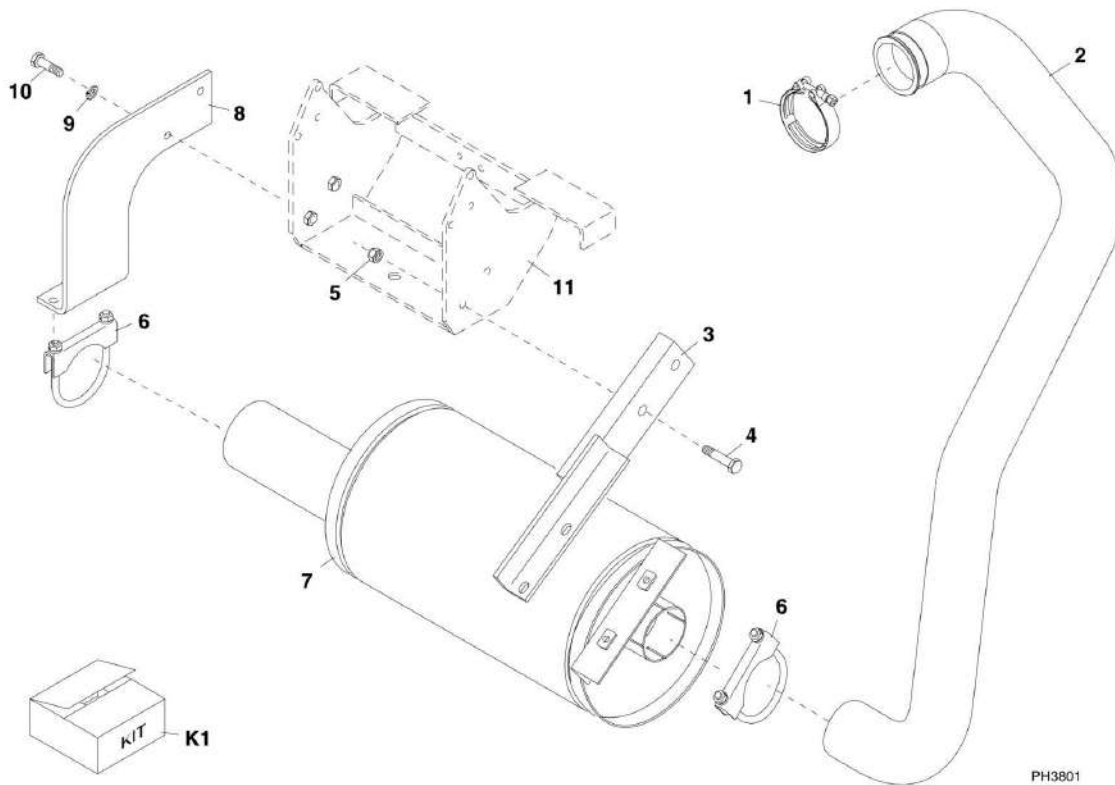
SECTION 4 - ENGINE AND ATTACHING PARTS

FIGURE 4-20. EXHAUST SYSTEM (8042 SN 13198 through 18990; 10042 SN 13198 through 19030; 10054 SN 13198 through 19079)

ITEM	PART NUMBER	QTY	DESCRIPTION	REV
1	8275240	1	V-BAND CLAMP	
2	7138871	1	EXHAUST PIPE	
3	8275247	2	CLAMP, MUFFLER 3 IN, HEAVY DUTY TYPE	
4	8275248	1	CLAMP, MUFFLER 2-3/4 IN, HEAVY DUTY TYPE	
5	8303675	2	SCR HHC,3/8-16NC X 1.25 GR5	
6	8307005	2	LOCKWASHER, 3/8	
7	7138815	1	EXHAUST PIPE SUPPORT	
8	7138587	1	TAIL PIPE	
9	7126992	2	BAND CLAMP	
10	7150642	1	MUFFLER	
11		Ref	MUFFLER BRACKET, (See ENGINE MOUNTING for Breakdown)	

SECTION 4 - ENGINE AND ATTACHING PARTS

FIGURE 4-21. EXHAUST SYSTEM (8042 SN 18991 through 19987, SN 0160002332 through 0160029592; 10042 SN 19031 through 19987, SN 0160002332 through 0160029606; 10054 SN 19080 through 19987, SN 0160002332 through 0160029592)



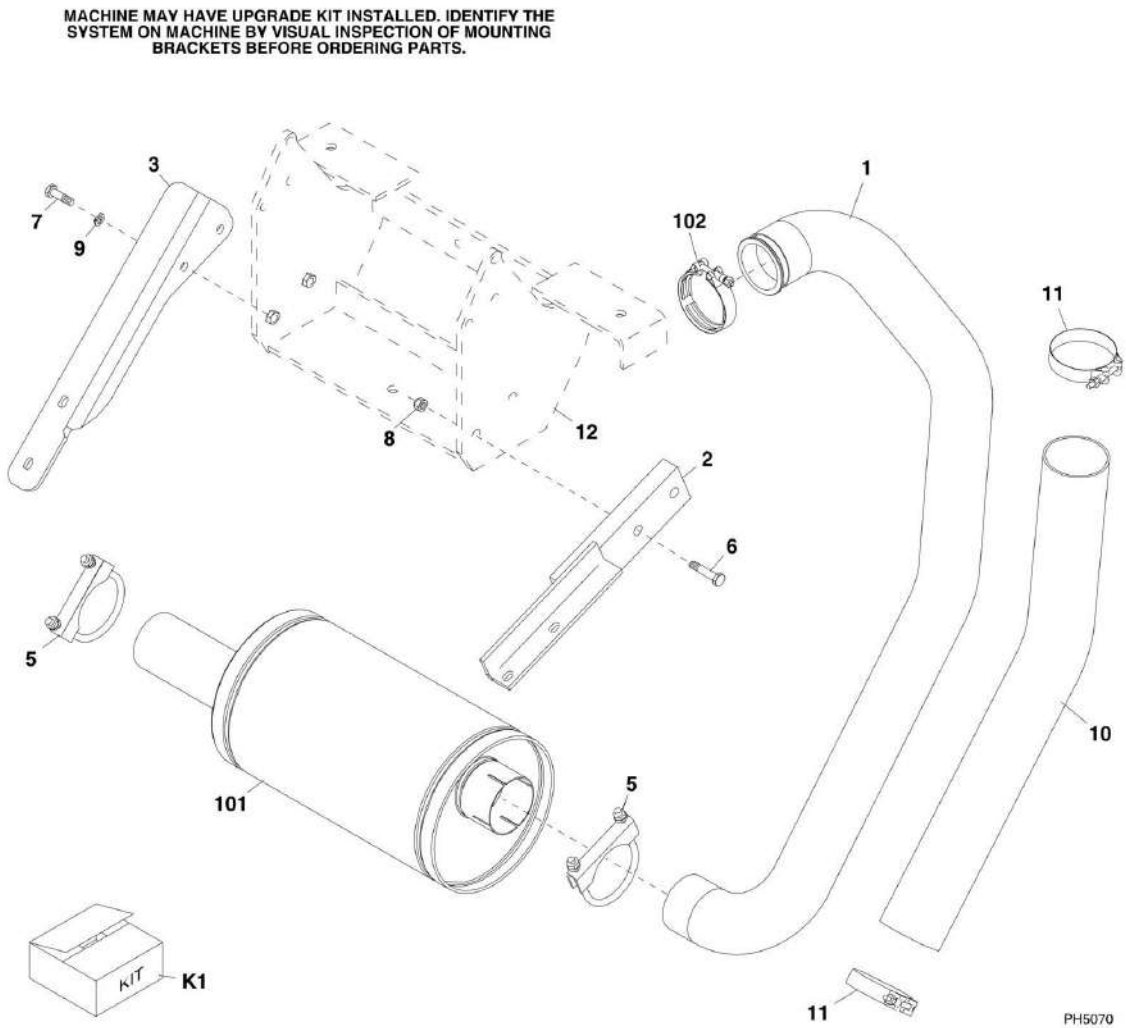
SECTION 4 - ENGINE AND ATTACHING PARTS

FIGURE 4-21. EXHAUST SYSTEM (8042 SN 18991 through 19987, SN 0160002332 through 0160029592; 10042 SN 19031 through 19987, SN 0160002332 through 0160029606; 10054 SN 19080 through 19987, SN 0160002332 through 0160029592)

ITEM	PART NUMBER	QTY	DESCRIPTION	REV
	7301498	Ref	EXHAUST INSTALLATION, (includes items 1 thru 10)	I
1	8275240	1	V BAND CLAMP	
2	7301505	1	EXHAUST PIPE	
3	7301506	1	EXHAUST MUFFLER MOUNTING BRACKET	
4	8303622	2	HEX HD CAPSCREW, 3/8-16X2	
5	8305645	2	HEX LOCKNUT, 3/8-16	
6	8275247	2	MUFFLER CLAMP, 3	
7	8275045	1	ROUND MUFFLER	
8	7138815	1	EXHAUST PIPE BRACKET	
9	8307005	2	LOCKWASHER, 3/8	
10	8303675	2	HEX HD CAPSCREW, 3/8-16X1-1/4	
11		Ref	ENGINE MOUNT, (See ENGINE MOUNTING for Breakdown)	
K1	1001102305	1	EXHAUST UPGRADE KIT, (See EXHAUST UPGRADE KIT for Breakdown)	

SECTION 4 - ENGINE AND ATTACHING PARTS

FIGURE 4-22. EXHAUST SYSTEM (8042 SN 0160029593 through 0160035236; 10042 SN 0160029607 through 0160035245; 10054 SN 0160029594 through 0160035235)



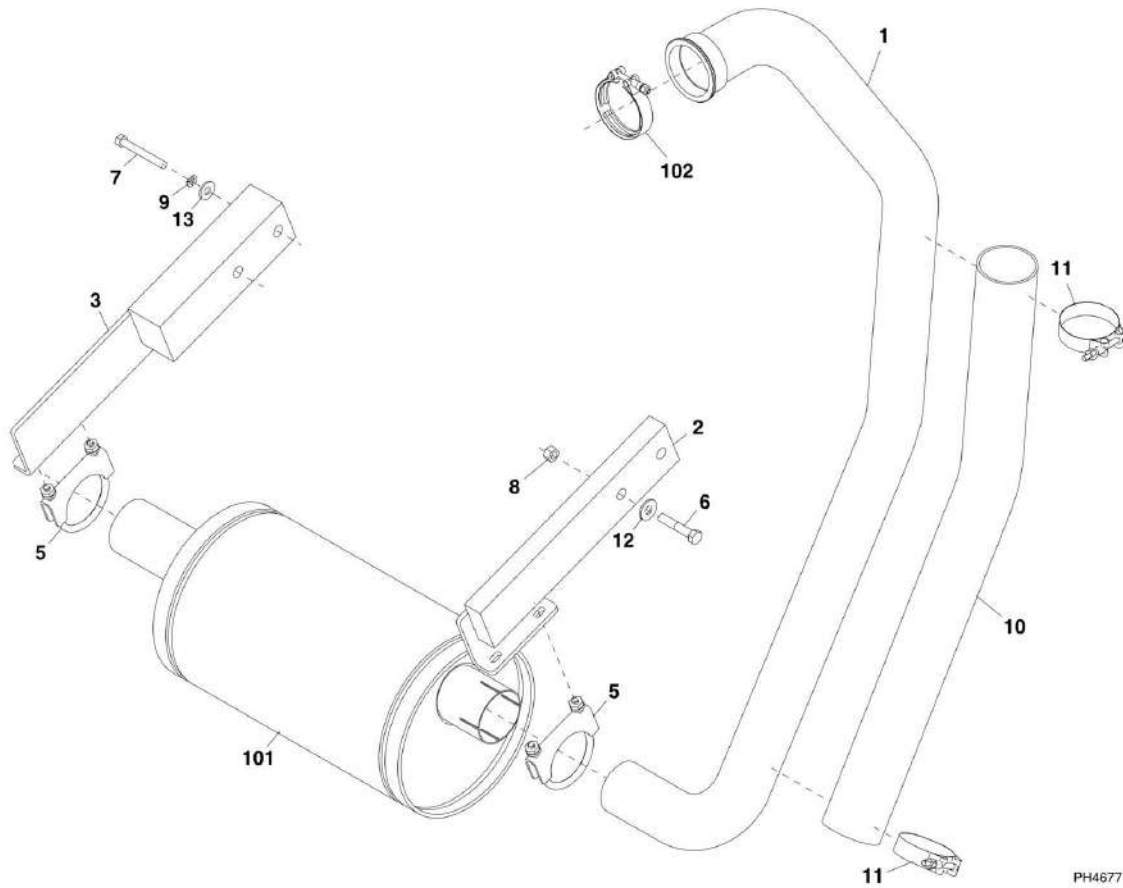
SECTION 4 - ENGINE AND ATTACHING PARTS

FIGURE 4-22. EXHAUST SYSTEM (8042 SN 0160029593 through 0160035236; 10042 SN 0160029607 through 0160035245; 10054 SN 0160029594 through 0160035235)

ITEM	PART NUMBER	QTY	DESCRIPTION	REV
	1001093303	Ref	EXHAUST INSTALLATION, (includes items 1 thru 11)	D
1	4569499	1	EXHAUST PIPE	
2	1001094357	1	EXHAUST BRACKET	
3	7302304	1	EXHAUST BRACKET	
5	8275247	2	CLAMP, 3 IN	
6	0641712	2	HEX HD CAPSCREW, 7/16-14X1-1/2, (torque to 35-45 lb-ft)	
7	8303675	2	HEX HD CAPSCREW, 7/16-14X1-1/4, GR5, (torque to 23-28 lb-ft)	
8	8310109	2	HEX LOCKNUT, 7/16-14	
9	8307005	2	LOCKWASHER	
10	4100109	1	FIBERGLASS SLEEVE, 3 IN DIA	
11	90028488	2	CLAMP, T-BOLT	
12		Ref	ENGINE MOUNT, (See ENGINE MOUNTING for Breakdown)	
101	8275045	1	MUFFLER	
102	8275240	1	V BAND CLAMP	
K1	1001102306	1	EXHAUST UPGRADE KIT	

SECTION 4 - ENGINE AND ATTACHING PARTS

FIGURE 4-23. EXHAUST SYSTEM (8042 SN 0160035236 through 0160040218, Excluding 0160039850, 0160040126, 0160040127, 0160040128, 0160040129 and 0160040171; 10054 SN 0160035236 through 0160040218, Excluding 0160039850, 0160040126, 0160040127, 0160040128, 0160040129 and 0160040171; 10042 SN 0160035246 through 0160040218, Excluding 0160039850, 0160040126, 0160040127, 0160040128, 0160040129 and 0160040171)



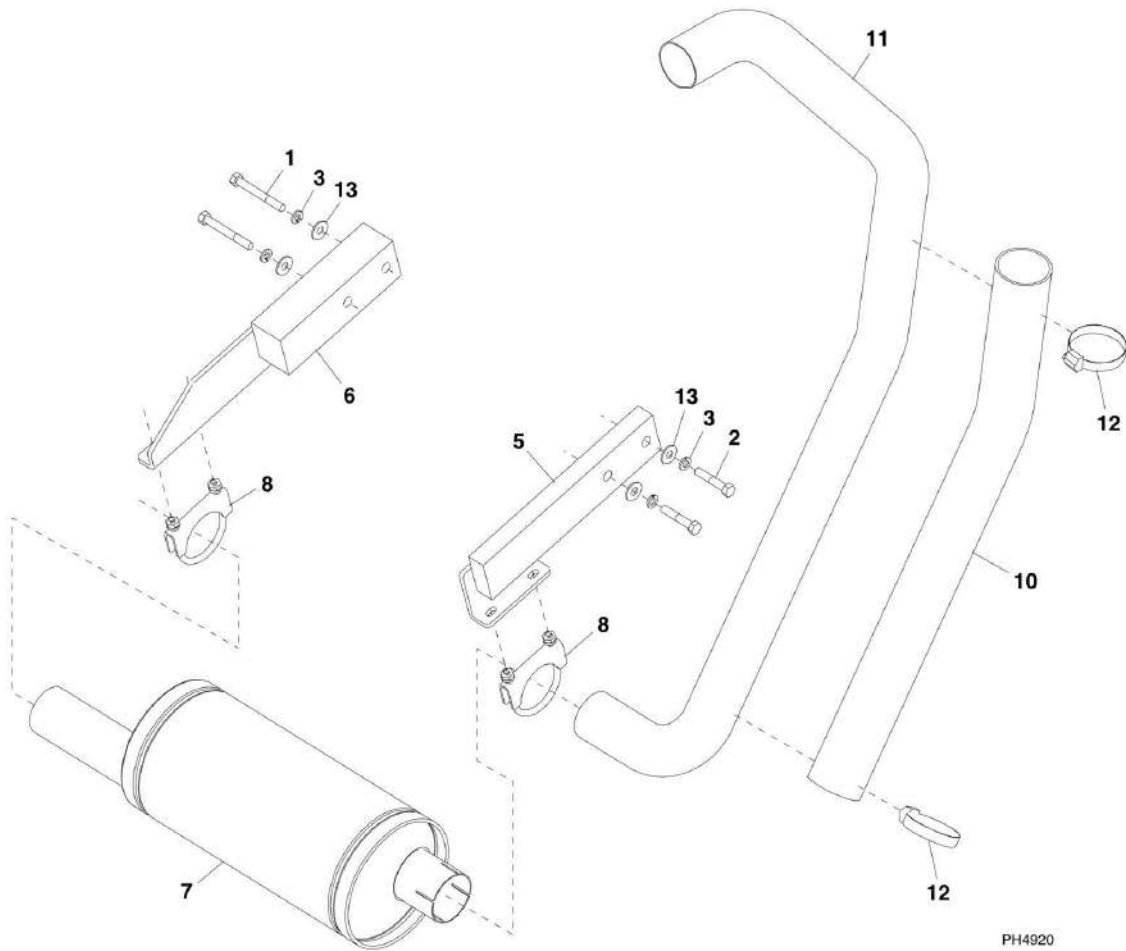
SECTION 4 - ENGINE AND ATTACHING PARTS

FIGURE 4-23. EXHAUST SYSTEM (8042 SN 0160035236 through 0160040218, Excluding 0160039850, 0160040126, 0160040127, 0160040128, 0160040129 and 0160040171; 10054 SN 0160035236 through 0160040218, Excluding 0160039850, 0160040126, 0160040127, 0160040128, 0160040129 and 0160040171; 10042 SN 0160035246 through 0160040218, Excluding 0160039850, 0160040126, 0160040127, 0160040128, 0160040129 and 0160040171)

ITEM	PART NUMBER	QTY	DESCRIPTION	REV
	1001093303	Ref	EXHAUST INSTALLATION, (includes items 1 thru 13)	G
1	1001100296	1	EXHAUST PIPE	
2	1001100257	1	EXHAUST BRACKET	
3	1001100258	1	EXHAUST BRACKET	
5	83683175	2	CLAMP, 2-1/2 IN	
6	0641718	2	HEX HD CAPSCREW, 7/16-14X2-1/4, GR5, (torque to 35-45 lb-ft)	
7	0641624	2	HEX HD CAPSCREW, 3/8-16X3, GR5, (torque to 23-28 lb-ft)	
8	8310109	2	HEX LOCKNUT, 7/16-14	
9	8307005	2	LOCKWASHER	
10	1001101193	2 ft	FIBERGLASS SLEEVE, 2-1/2 IN DIA, (sold by the foot)	
11	8405209	2	CLAMP, T-BOLT	
12	4751700	2	WASHER, 7/16	
13	4751600	2	WASHER, 3/8	
101	1001100978	1	MUFFLER	
102	8275240	1	V BAND CLAMP	

SECTION 4 - ENGINE AND ATTACHING PARTS

FIGURE 4-24. EXHAUST SYSTEM (SN 0160040220 to Present, Including 0160039850, 0160040126, 0160040127, 0160040128, 0160040129 and 0160040171)



PH4920

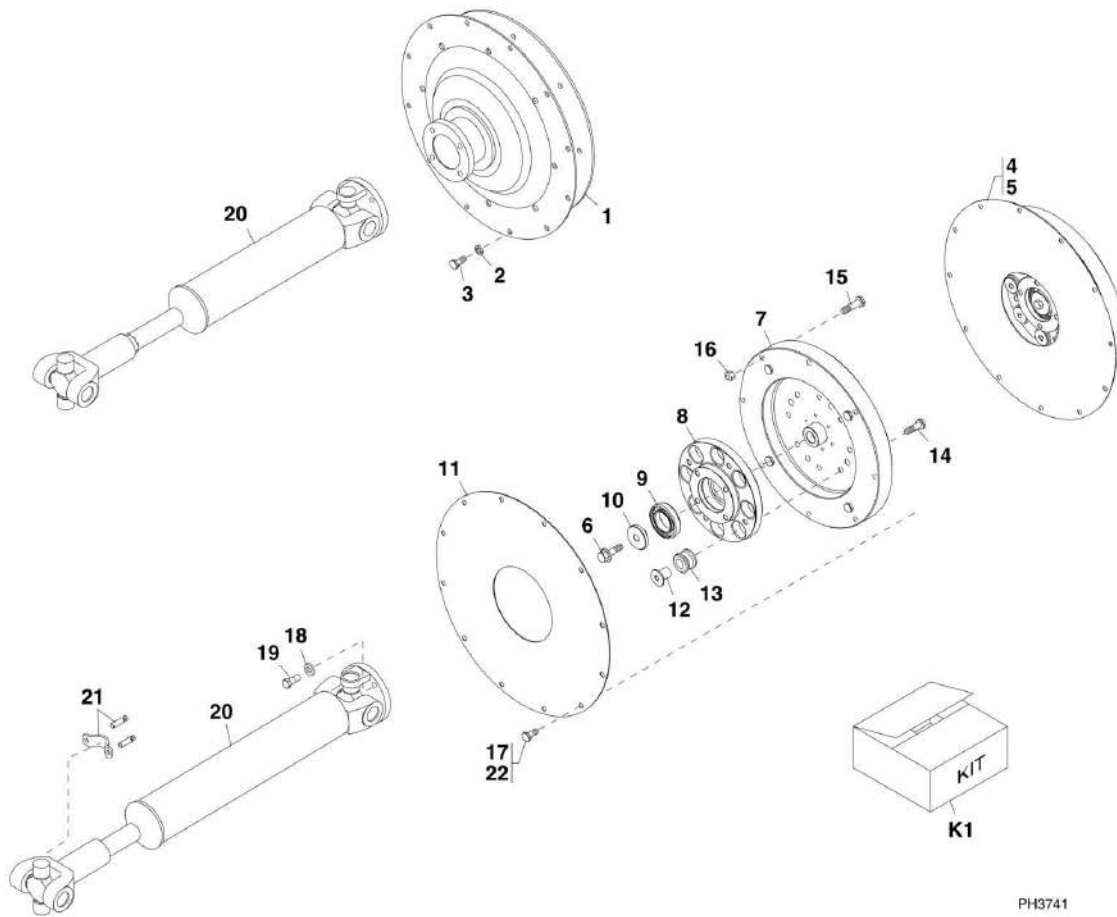
SECTION 4 - ENGINE AND ATTACHING PARTS

FIGURE 4-24. EXHAUST SYSTEM (SN 0160040220 to Present, Including 0160039850, 0160040126, 0160040127, 0160040128, 0160040129 and 0160040171)

ITEM	PART NUMBER	QTY	DESCRIPTION	REV
	1001096425	Ref	EXHAUST INSTALL, (not available to order, see items 1 thru 13 for service)	E
1	0641624	2	HEX HD CAPSCREW, 3/8-16X3, GR5, (torque to 25-30 lb-ft)	
2	0641616	2	HEX HD CAPSCREW, 3/8-16X2, GR5, (torque to 25-30 lb-ft)	
3	8307005	4	LOCKWASHER, 3/8	
5	1001114012	1	EXHAUST BRACKET, INLET	
6	1001114013	1	EXHAUST BRACKET, OUTLET	
7	1001100978	1	MUFFLER	
8	83683175	2	CLAMP	
10	1001101193	29 in	FIBERGLASS SLEEVE, (sold by the foot)	
11	1001114040	1	EXHAUST PIPE	
12	8405202	2	GEAR CLAMP	
13	4751600	4	WASHER, 3/8	

SECTION 4 - ENGINE AND ATTACHING PARTS

FIGURE 4-25. ISOLATION COUPLER (8042 SN 13198 through 18990; 10042 SN 13198 through 19030; 10054 SN 13198 through 19079)



PH3741

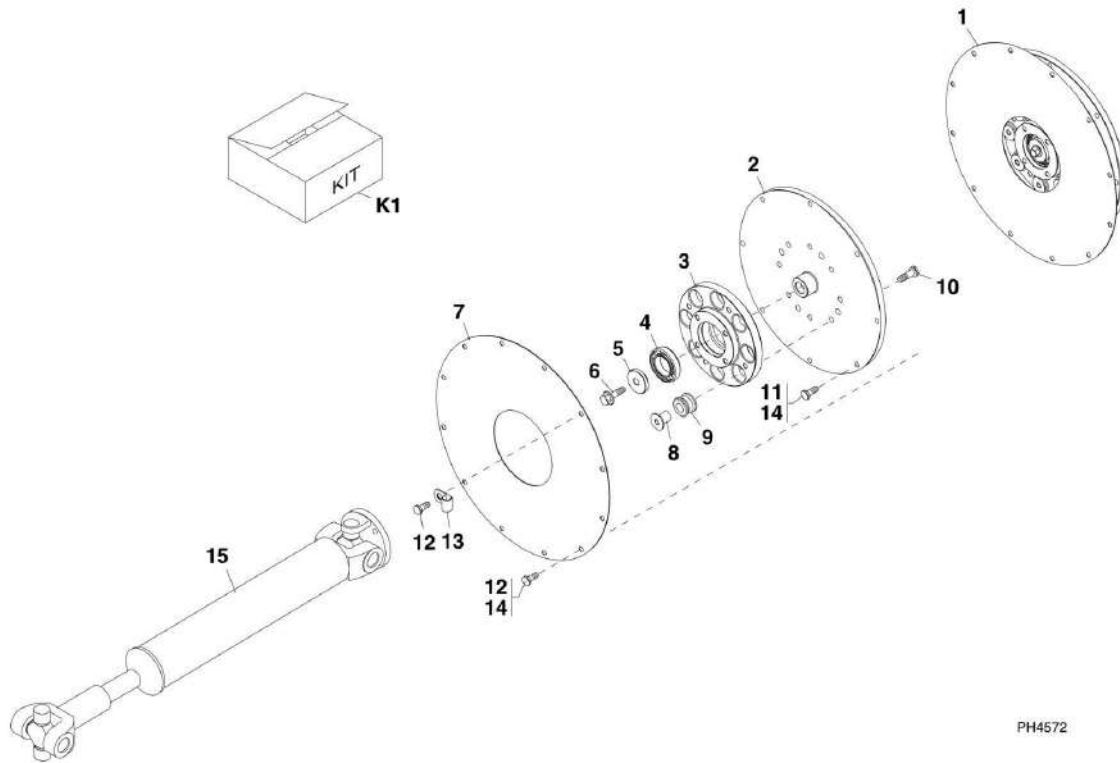
SECTION 4 - ENGINE AND ATTACHING PARTS

FIGURE 4-25. ISOLATION COUPLER (8042 SN 13198 through 18990; 10042 SN 13198 through 19030; 10054 SN 13198 through 19079)

ITEM	PART NUMBER	QTY	DESCRIPTION	REV
1	N.S.S.	1	ISOLATION COUPLER ASSY, (not available to order, use 7302031 for replacement)	
2	8307023	12	LOCKWASHER, M10	
3	8303784	12	HEX HD CAPSCREW, M10X20mm	
4	7302031	1	ISOLATION COUPLER REPLACEMENT KIT, (includes items 5 thru 22)	
5	8841318	1	ISOLATION COUPLER ASSY, (includes items 6 thru 14)	
6	Kit	1	HEX HD CAPSCREW, 7/16-20X1-1/2, GR8	
7	N.S.S.	1	FLYWHEEL PLATE, (not available to order, use 8841318 for replacement)	
8	7029264	1	COUPLING HUB	
9	N.S.S.	1	BALL BEARING, (not available to order, use 8841318 for replacement)	
10	Kit	1	THRU BUSHING	
11	7029265	1	COVER PLATE	
12	Kit	8	THREADED BUSHING	
13	Kit	8	NEOPRENE INSERT	
14	Kit	8	HEX HD CAPSCREW, 7/16-20X1-1/4, GR8	
15	0761015	4	HEX HD BOLT, M10X1.5X35mm	
16	8305630	8	HEX LOCKNUT, M10X1.50	
17	8303784	12	HEX HD CAPSCREW, M10-1.5X20mm, PC8	
18	8307006	4	SPRING LOCKWASHER, 7/16	
19	8310425	4	HEX HD CAPSCREW, 7/16 -20X1.25, GR8	
20		Ref	DRIVE SHAFT, (engine input), (See DRIVE TRAIN for Breakdown)	
21	8880219	1	STRAP KIT, (includes 2 straps with hardware)	
K1	70020228	1	ISOLATION COUPLER SERVICE KIT, (includes items 6, 10, 12, 13 & 14)	

SECTION 4 - ENGINE AND ATTACHING PARTS

**FIGURE 4-26. ISOLATION COUPLER (8042 SN 18991 through 19987, SN 0160002332 to Present;
10042 SN 19031 through 19987, SN 0160002332 to Present; 10054 SN 19080 through 19987, SN
0160002332 to Present)**



PH4572

SECTION 4 - ENGINE AND ATTACHING PARTS

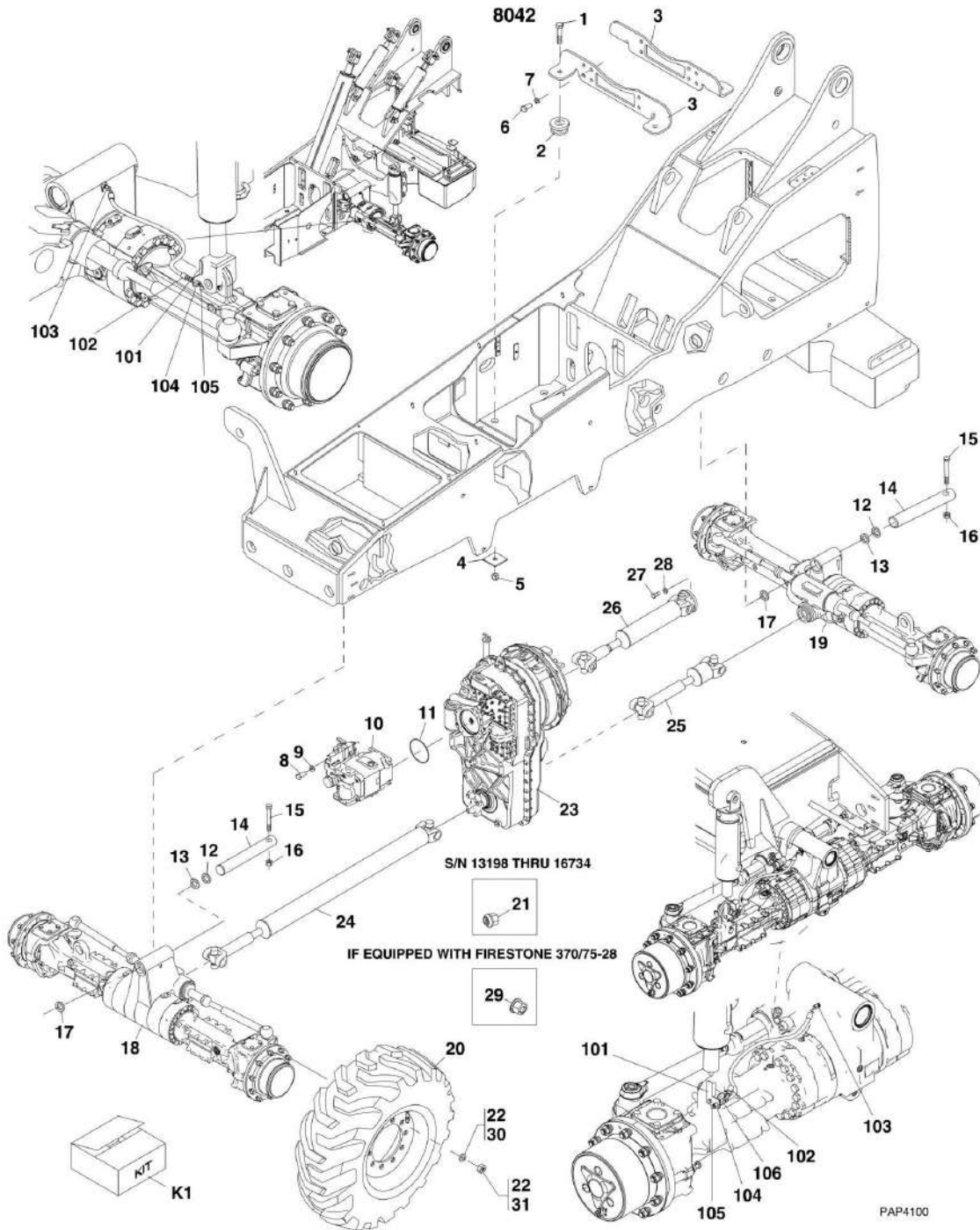
**FIGURE 4-26. ISOLATION COUPLER (8042 SN 18991 through 19987, SN 0160002332 to Present;
10042 SN 19031 through 19987, SN 0160002332 to Present; 10054 SN 19080 through 19987, SN
0160002332 to Present)**

ITEM	PART NUMBER	QTY	DESCRIPTION	REV
1	8841319	1	ISOLATION COUPLER ASSY, (includes items 2 thru 10)	
2	N.S.S.	1	FLYWHEEL PLATE, (not available to order, use 8841319 for replacement)	
3	7029264	1	COUPLING HUB	
4	N.S.S.	1	BALL BEARING, (not available to order, use 8841319 for replacement)	
5	Kit	1	THRU BUSHING	
6	Kit	5	HEX HD CAPSCREW, 7/16-20X1-1/2, GR8	
7	7029265	1	COVER PLATE	
8	Kit	8	THREADED BUSHING	
9	Kit	8	NEOPRENE INSERT	
10	Kit	8	HEX HD CAPSCREW, 7/16-20X1-1/4, GR8	
11	8303755	8	HEX HD CAPSCREW, M10-1.5X30mm, PC8.8, (torque to 54-61 Nm)	
12	8303784	12	HEX HD CAPSCREW, M10-1.5X20mm, PC8, (torque to 54-61 Nm)	
13	8406105	1	TUBE CLIP, 3/4 DIA	
14	8526007	AR	LOCTITE 242, (apply to items 11 & 12)	
15		Ref	DRIVE SHAFT, (engine input), (See DRIVE TRAIN SECTION for Breakdown)	
K1	70020228	1	ISOLATION COUPLER SERVICE KIT, (includes items 5, 6, 8, 9 & 10)	

SECTION 5 - DRIVE TRAIN

SECTION 5 - DRIVE TRAIN

FIGURE 5-1. DRIVE TRAIN COMPONENTS 8042



SECTION 5 - DRIVE TRAIN

FIGURE 5-1. DRIVE TRAIN COMPONENTS 8042

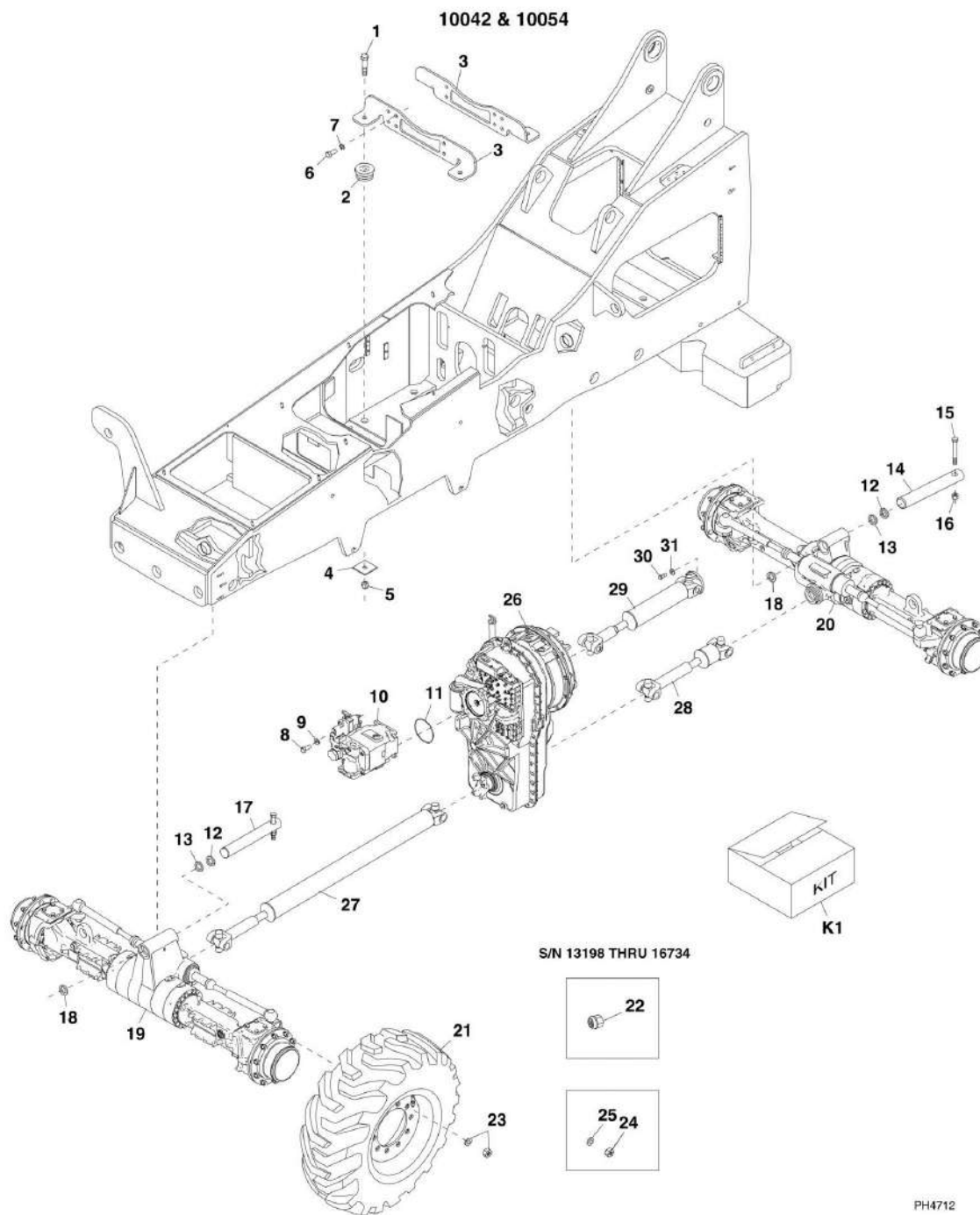
ITEM	PART NUMBER	QTY	DESCRIPTION	REV
1	8303724	4	HEX HD CAPSCREW, 0.75-10X3.5, (torque to 180-320 lb-ft)	
2	8278007	4	RUBBER MOUNT	
3	7138634	2	TRANSMISSION MOUNT BRACKET	
4	7054351	4	REBOUND WASHER	
5	8310067	4	LOCK NUT, 0.75-10	
6	8310215	8	HEX HD CAPSCREW, M16X2X40mm, PC8.8, (torque to 145-260 Nm)	
7	8307049	8	LOCKWASHER, M16	
8	8303519	4	HEX HD CAPSCREW, M12X1.75X35mm, PC8.8	
9	8310356	4	HARDENED WASHER, 12mm	
10		Ref	MAIN PUMP ASSY, (See HYDRAULIC COMPONENTS SECTION for Breakdown)	
11	8630019	1	O-RING	
12	8307913	AR	SPACER, WASHER 0.12	
13	8307912	AR	SPACER, WASHER 0.06	
14	7079442	2	AXLE PIVOT PIN (SN 13198 through 19987, SN 016002332 through 0160018373)	
14	3423254	2	AXLE PIVOT PIN (SN 0160018381 to Present)	
15	0682036	2	HEX HD CAPSCREW, 5/8-11X4-1/2 (SN 13198 through 19987, SN 016002332 through 0160018373)	
15	0642640	2	HEX HD CAPSCREW, 1-8X5 (SN 0160018381 to Present)	
16	8305643	2	HEX LOCKNUT, 5/8-11 (SN 13198 through 19987, SN 016002332 through 0160018373)	
16	8310116	2	HEX LOCKNUT, 1-8 (SN 0160018381 to Present)	
17	8310259	AR	SPACER, WASHER 0.09	
18		Ref	FRONT AXLE, (See FRONT AXLE for Breakdown)	
19		Ref	REAR AXLE, (See REAR AXLE for Breakdown)	
20		Ref	TIRE AND RIM ASSY, (See TIRES AND RIMS for Breakdown)	
21	Kit	NLA	SPHERICAL COLLAR WHEEL NUT, (no longer available, first time order use kit 7301738 to replace all one piece wheel nuts) (SN 13198 through 16734)	
22	8024035	40	FLANGE WHEEL NUT AND SPHERICAL WASHER SERVICE KIT, (not required with Firestone 370/75-28) (SN 16735 through 19987, SN 016002332 through 0160039921)	
23		Ref	ZF TRANSMISSION, (See ZF TRANSMISSION for Breakdown)	
24		Ref	DRIVE SHAFT, (front axle), (See DRIVE SHAFT for Breakdown)	
25		Ref	DRIVE SHAFT, (rear axle), (See DRIVE SHAFT for Breakdown)	
26		Ref	DRIVE SHAFT, (engine to transmission), (See DRIVE SHAFT for Breakdown)	
27	8310425	4	HEX HD CAPSCREW, 0.438-20X2.25	
28	8307006	4	LOCKWASHER, 0.438	
29	91403193	40	WHEEL NUT, (torque to 430-470 lb-ft), (if equipped with Firestone 370/75-28)	
30	8786573	40	WASHER, (not required with Firestone 370/75-28) (SN 0160039932 to Present)	
31	8786572	40	WHEEL NUT, (torque to 430-470 lb-ft), (not required with Firestone 370/75-28) (SN 0160039932 to Present)	
	1001107525	Ref	AXLE PIN LUBE KIT INSTALLATION, (not available to order, see items 101 thru 106 for service)	D
101	1001099687	2	BRACKET	
102	1001099688	NLA	HOSE (no longer available, use 1001204707 for replacement)	
102	1001204707	2	HOSE	
103	1001107589	2	ADAPTER	

SECTION 5 - DRIVE TRAIN

ITEM	PART NUMBER	QTY	DESCRIPTION	REV
104	80623016	2	BULKHEAD ADAPTER	
105	88671022	NLA	LUBE FITTING, 90 (no longer available, use 8520003 for replacement)	
105	8520003	2	LUBE FITTING, 90	
106	2220677	1	ADAPTER, 45	
K1	7301738	4	WHEEL NUT KIT, (single wheel replacement), (includes 10 flange wheel nuts and 10 spherical washers)	

SECTION 5 - DRIVE TRAIN

FIGURE 5-2. DRIVE TRAIN COMPONENTS 10042 AND 10054



SECTION 5 - DRIVE TRAIN

FIGURE 5-2. DRIVE TRAIN COMPONENTS 10042 AND 10054

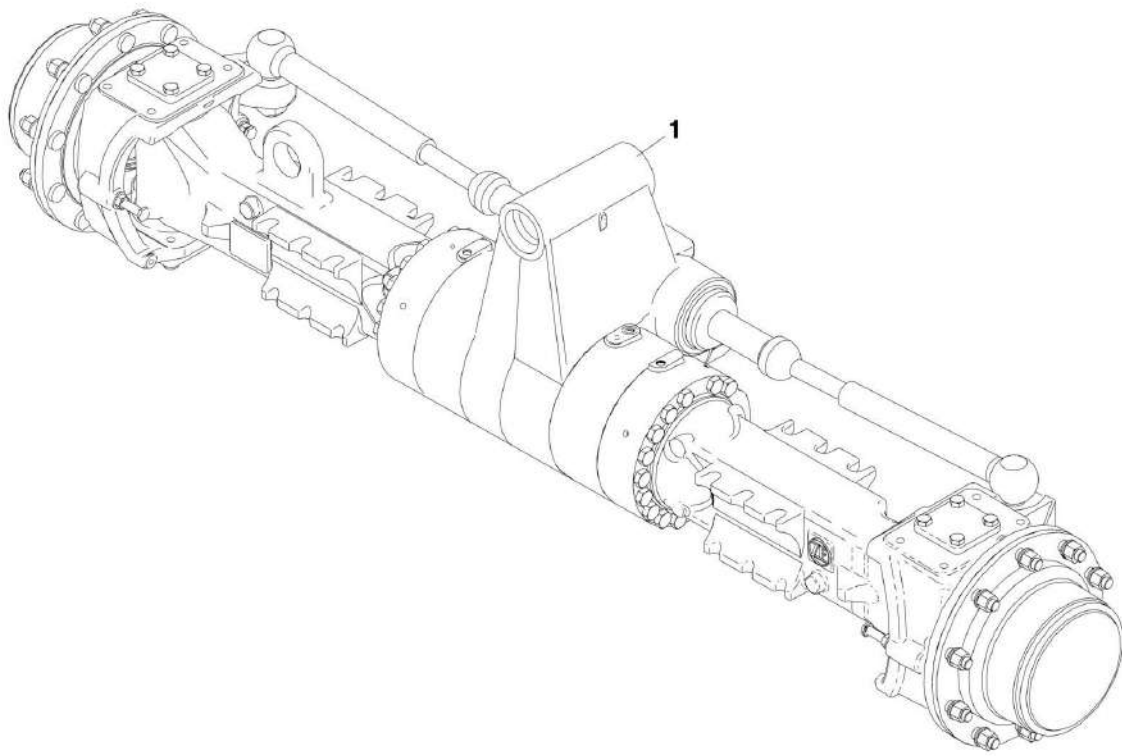
ITEM	PART NUMBER	QTY	DESCRIPTION	REV
1	8303724	4	HEX HD CAPSCREW, 0.75-10X3.5, (torque to 180-320 lb-ft)	
2	8278007	4	RUBBER MOUNT	
3	7138634	2	TRANSMISSION MOUNT BRACKET	
4	7054351	4	REBOUND WASHER	
5	8310067	4	LOCK NUT, 0.75-10	
6	8310215	8	HEX HD CAPSCREW, M16X2X40mm, PC8.8, (torque to 145-260 Nm)	
7	8307049	8	LOCKWASHER, M16	
8	8303519	4	HEX HD CAPSCREW, M12X1.75X35mm, PC8.8	
9	8310356	4	HARDENED WASHER, 12mm	
10		Ref	MAIN PUMP ASSY, (See HYDRAULIC COMPONENTS SECTION for Breakdown)	
11	8630019	1	O-RING	
12	8307913	AR	SPACER, WASHER 0.12	
13	8307912	AR	SPACER, WASHER 0.06	
14	7079442	1	REAR AXLE PIVOT PIN, (See OUTRIGGER MOUNTING for Front Axle Pivot Pin) (10042 SN 13198 through 19987, SN 0160002332 through 0160018244; 10054 SN 13198 through 19987, SN 0160002332 through 0160018374)	
14	3423254	1	REAR AXLE PIVOT PIN (10042 SN 0160018395 to Present; 10054 SN 0160018382 to Present)	
15	0682036	1	HEX HD CAPSCREW, 5/8-11X4-1/2 (10042 SN 13198 through 19987; 10054 SN 13198 through 19987, SN 0160002332 through 0160018374; 1042 SN 0160002332 through 0160018244)	
15	0642640	1	HEX HD CAPSCREW, 1-8X5 (10042 SN 0160018395 to Present; 10054 SN 0160018382 to Present)	
16	8305643	1	LOCKNUT, 5/8-11 (10042 SN 13198 through 19987, SN 0160002332 through 0160018244; 10054 SN 13198 through 19987, SN 0160002332 through 0160018374)	
16	8310116	1	LOCKNUT, 1-8 (10042 SN 0160018395 to Present; 10054 SN 0160018382 to Present)	
17		Ref	FRONT AXLE PIVOT PIN, (See OUTRIGGER MOUNTING for Breakdown)	
18	8310259	AR	SPACER, WASHER 0.09	
19		Ref	FRONT AXLE, (See FRONT AXLE for Breakdown)	
20		Ref	REAR AXLE, (See REAR AXLE for Breakdown)	
21		Ref	TIRE AND RIM ASSY, (See TIRES AND RIMS for Breakdown)	
22	Kit	NLA	SPHERICAL COLLAR WHEEL NUT, (no longer available, first time order use kit 7301738 to replace all one piece wheel nuts) (SN 13198 through 16734)	
23	8024035	40	FLANGE WHEEL NUT AND SPHERICAL WASHER SERVICE KIT (SN 16735 through 19987, SN 0160002332 through 0160038967)	
24	8786572	40	WHEEL NUT, (not required with Firestone 400/75-28) (10042 SN 0160038368 to Present, Excluding 0160038375, 0160038378, 0160038379, 0160038381 and 0160038383; 10054 SN 0160038740 to Present, Including 0160021270, 0160036713, 0160036715, 0160036721 and 0160036723)	
24	91403193	40	WHEEL NUT, (if equipped with Firestone 400/75-28) (10042 SN 0160038368 to Present, Excluding 0160038375, 0160038378, 0160038379, 0160038381 and 0160038383; 10054 SN 0160038740 to Present, Including 0160021270, 0160036713, 0160036715, 0160036721 and 0160036723)	
25	8786573	40	SPRING WASHER, (not required with Firestone 400/75-28) (10042 SN 0160038368 to Present, Excluding 0160038375, 0160038378, 0160038379, 0160038381 and 0160038383; 10054 SN	

SECTION 5 - DRIVE TRAIN

ITEM	PART NUMBER	QTY	DESCRIPTION	REV
			0160038740 to Present, Including 0160021270, 0160036713, 0160036715, 0160036721 and 0160036723)	
26		Ref	ZF TRANSMISSION, (See ZF TRANSMISSION for Breakdown)	
27		Ref	DRIVE SHAFT, (front axle), (See DRIVE SHAFT for Breakdown)	
28		Ref	DRIVE SHAFT, (rear axle), (See DRIVE SHAFT for Breakdown)	
29		Ref	DRIVE SHAFT, (engine to transmission), (See DRIVE SHAFT for Breakdown)	
30	8310425	4	HEX HD CAPSCREW, 0.438-20X2.25	
31	8307006	4	LOCKWASHER, 0.438	
K1	7301738	4	WHEEL NUT KIT, (single wheel replacement), (includes 10 flange wheel nuts AND 10 spherical washers) (SN 16735 through 19987, SN 0160002332 through 0160038967)	

SECTION 5 - DRIVE TRAIN

FIGURE 5-3. FRONT AXLE



PH4470

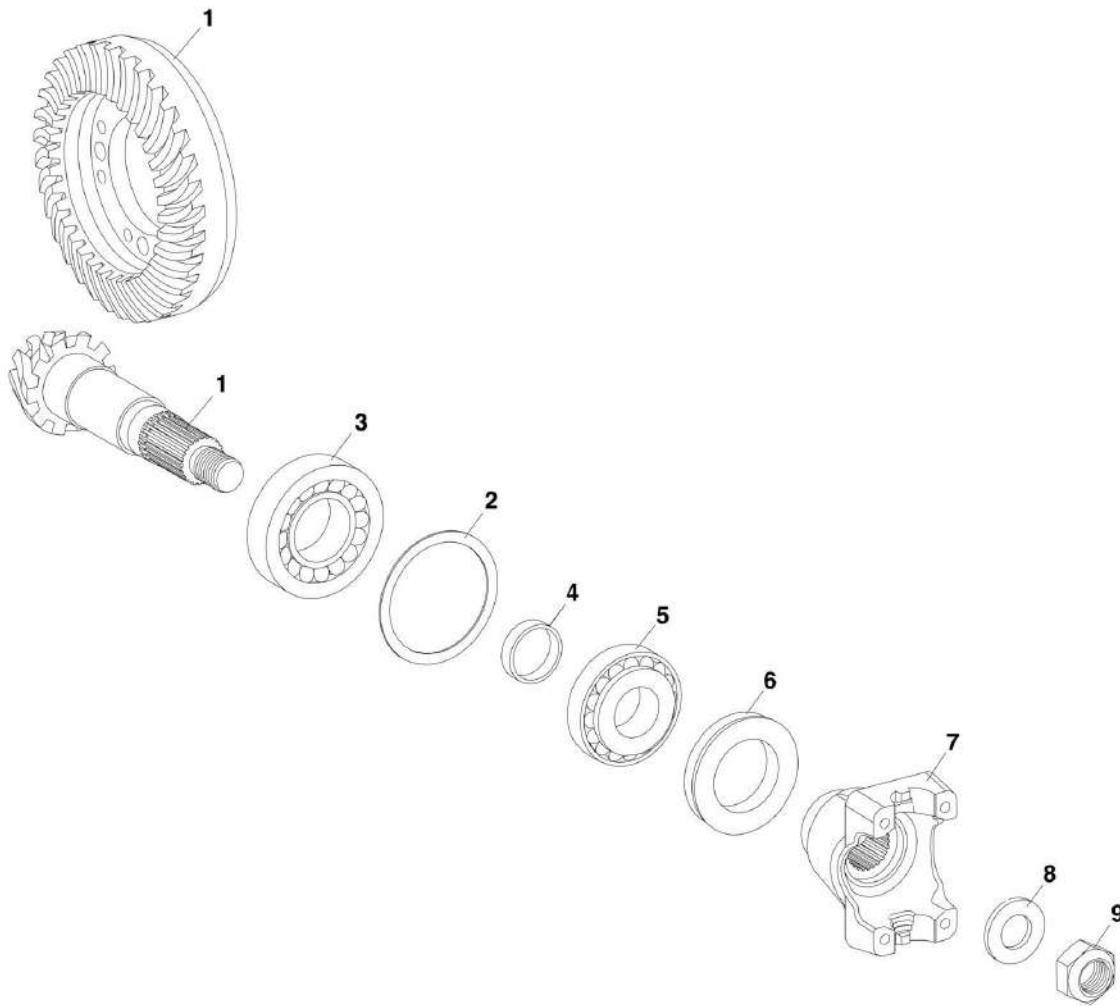
SECTION 5 - DRIVE TRAIN

FIGURE 5-3. FRONT AXLE

ITEM	PART NUMBER	QTY	DESCRIPTION	REV
1	8040263	1	FRONT AXLE, (8042 Prior to SN 0160038967, Including 0160038971 and 0160038984)	
1	1001103628	1	FRONT AXLE, (8042 SN 0160038967 to Present, Excluding 0160038971 and 0160038984)	
1	8040271	1	FRONT AXLE, (10042 Prior to SN 0160038368, Including 0160038375, 0160038378, 0160038379, 0160038381 and 0160038383; 10054 Prior to SN 0160038740, Excluding 0160021270, 0160036713, 0160036715, 0160036721 and 0160036723)	
1	1001103629	1	FRONT AXLE, (10042 SN 0160038368 to Present, Excluding 0160038375, 0160038378, 0160038379, 0160038381 and 0160038383; 10054 SN 0160038740 to Present, Including 0160021270; Including 0160036713, 0160036715, 0160036721 and 0160036723)	
1		Ref	INPUT, (See FRONT AXLE-INPUT for Breakdown)	
1		Ref	LIMITED SLIP DIFFERENTIAL, (See FRONT AXLE-LIMITED SLIP DIFFERENTIAL for Breakdown)	
1		Ref	AXLE CASING, (See FRONT AXLE-AXLE CASING for Breakdown)	
1		Ref	M-DISC BRAKE, (See FRONT AXLE-M-DISC BRAKE for Breakdown)	
1		Ref	BRAKE, (See FRONT AXLE-BRAKE for Breakdown)	
1		Ref	JOINT HOUSING, (See FRONT AXLE-JOINT HOUSING for Breakdown)	
1		Ref	PLANETARY DRIVE, (See FRONT AXLE-PLANETARY DRIVE for Breakdown)	

SECTION 5 - DRIVE TRAIN

FIGURE 5-4. FRONT AXLE - INPUT (8042 Prior to SN 0160038967, Including 0160038971 and 0160038984; 10042 Prior to SN 0160038368, Including 0160038375, 0160038378, 0160038379, 0160038381 and 0160038383; 10054 Prior to SN 0160038740, Excluding 0160021270, 0160036713, 0160036715, 0160036721 and 0160036723)



PH4860

SECTION 5 - DRIVE TRAIN

FIGURE 5-4. FRONT AXLE - INPUT (8042 Prior to SN 0160038967, Including 0160038971 and 0160038984; 10042 Prior to SN 0160038368, Including 0160038375, 0160038378, 0160038379, 0160038381 and 0160038383; 10054 Prior to SN 0160038740, Excluding 0160021270, 0160036713, 0160036715, 0160036721 and 0160036723)

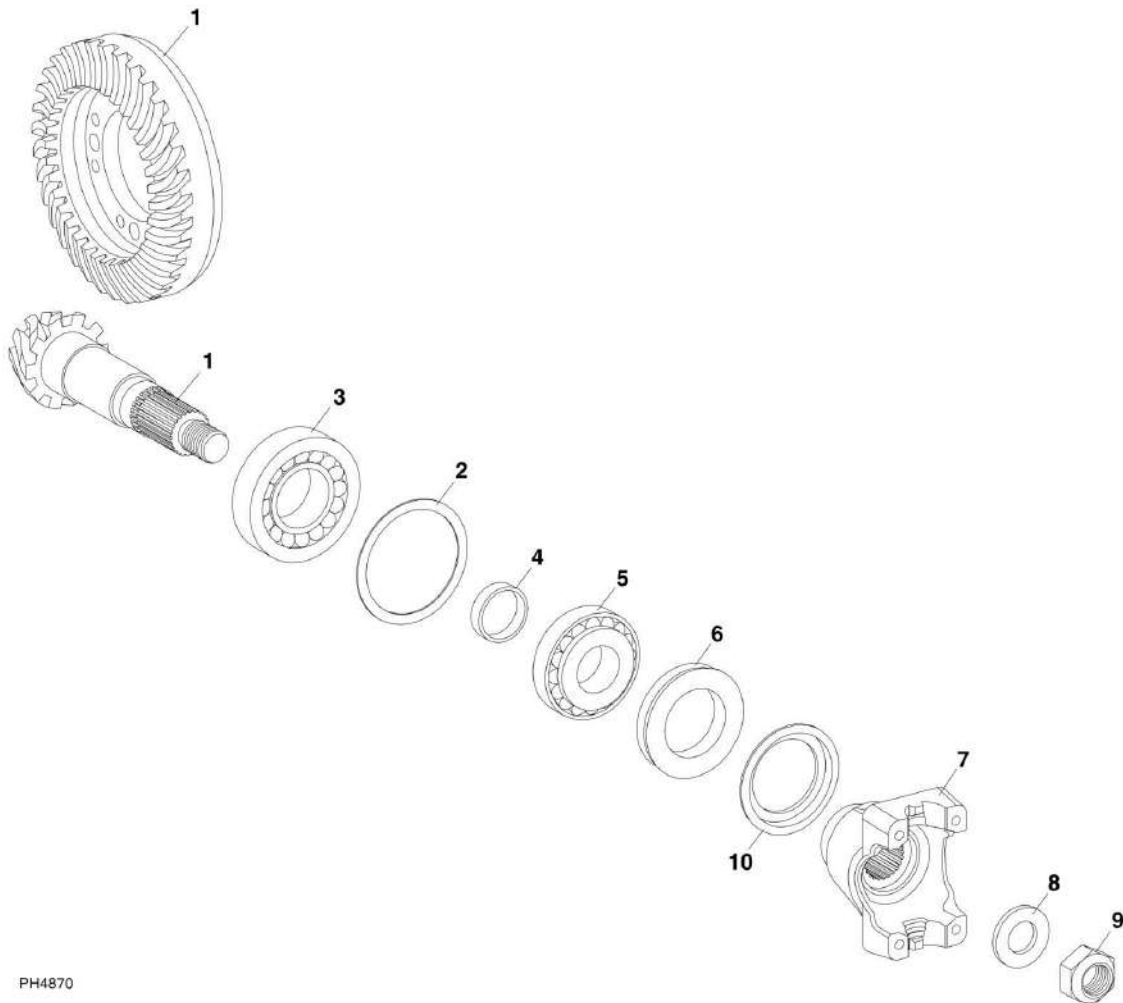
ITEM	PART NUMBER	QTY	DESCRIPTION	REV
1	1321230	1	BEVEL GEAR SET	
2	1321187	1	SHIM, S=1.5	
2	8035871	1	SHIM, S=0.9	
2	8035872	1	SHIM, S=0.95	
2	8035873	1	SHIM, S=1.0	
2	1321186	1	SHIM, S=1.05	
2	8035874	1	SHIM, S=1.1	
2	8035875	1	SHIM, S=1.15	
2	1321185	1	SHIM, S=1.2	
2	8035876	1	SHIM, S=1.25	
2	8035877	1	SHIM, S=1.3	
2	1321189	1	SHIM, S=0.7	
2	8035878	1	SHIM, S=0.75	
2	8035879	1	SHIM, S=0.8	
2	1321190	1	SHIM, S=0.85	
3	1321213	1	ROLLER BEARING	
4	8035881	1	RING, S=11.30	
4	8035882	1	RING, S=11.33	
4	8035883	1	RING, S=11.36	
4	8035884	1	RING, S=11.39	
4	8035885	1	RING, S=11.42	
4	8035886	1	RING, S=11.45	
4	1321196	1	RING, S=11.48	
4	8035887	1	RING, S=11.51	
4	8035888	1	RING, S=11.54	
4	8035889	1	RING, S=11.57	
4	8035890	1	RING, S=11.60	
4	8035891	1	RING, S=11.63	
4	1321197	1	RING, S=11.66	
4	8035892	1	RING, S=11.69	
4	8035893	1	RING, S=11.72	
4	8035894	1	RING, S=11.75	
4	8035895	1	RING, S=11.78	
4	8035896	1	RING, S=11.81	
4	1321198	1	RING, S=11.84	
4	8035897	1	RING, S=11.87	
4	8035898	1	RING, S=11.90	
4	8035899	1	RING, S=11.93	
4	8035900	1	RING, S=11.96	
4	8035901	1	RING, S=11.99	
4	8035902	1	RING, S=12.02	
4	1321199	1	RING, S=12.05	
4	8035903	1	RING, S=12.08	
4	8035904	1	RING, S=12.11	
4	8035905	1	RING, S=12.14	
4	8035906	1	RING, S=12.17	
4	8036841	1	RING, S=12.20	

SECTION 5 - DRIVE TRAIN

ITEM	PART NUMBER	QTY	DESCRIPTION	REV
4	8035907	1	RING, S=12.23	
4	8035908	1	RING, S=12.26	
4	8035909	1	RING, S=12.29	
4	8035910	1	RING, S=12.32	
4	8035911	1	RING, S=12.35	
4	1321201	1	RING, S=12.38	
4	8035912	1	RING, S=11.27	
4	1321204	1	RING, S=11.24	
4	8035913	1	RING, S=11.21	
4	8035914	1	RING, S=11.18	
4	8035915	1	RING, S=11.15	
4	8035916	1	RING, S=11.12	
4	1321203	1	RING, S=11.09	
4	8035917	1	RING, S=11.06	
4	8035918	1	RING, S=11.03	
4	8035919	1	RING, S=11.00	
4	8035920	1	RING, S=10.97	
4	1321202	1	RING, S=10.94	
5	1321212	1	ROLLER BEARING	
6	1321210	1	COMBINATION RING	
7	1321248	1	END YOKE	
8	1321194	1	WASHER	
9	8035921	1	HEX NUT	

SECTION 5 - DRIVE TRAIN

FIGURE 5-5. FRONT AXLE - INPUT (8042 SN 0160038967 to Present, Excluding 0160038971 and 0160038984; 10042 SN 0160038368 to Present, Excluding 0160038375, 0160038378, 0160038379, 0160038381 and 0160038383; 10054 SN 0160038740 to Present, Including 0160021270, 0160036713, 0160036715, 0160036721 and 0160036723)



PH4870

SECTION 5 - DRIVE TRAIN

FIGURE 5-5. FRONT AXLE - INPUT (8042 SN 0160038967 to Present, Excluding 0160038971 and 0160038984; 10042 SN 0160038368 to Present, Excluding 0160038375, 0160038378, 0160038379, 0160038381 and 0160038383; 10054 SN 0160038740 to Present, Including 0160021270, 0160036713, 0160036715, 0160036721 and 0160036723)

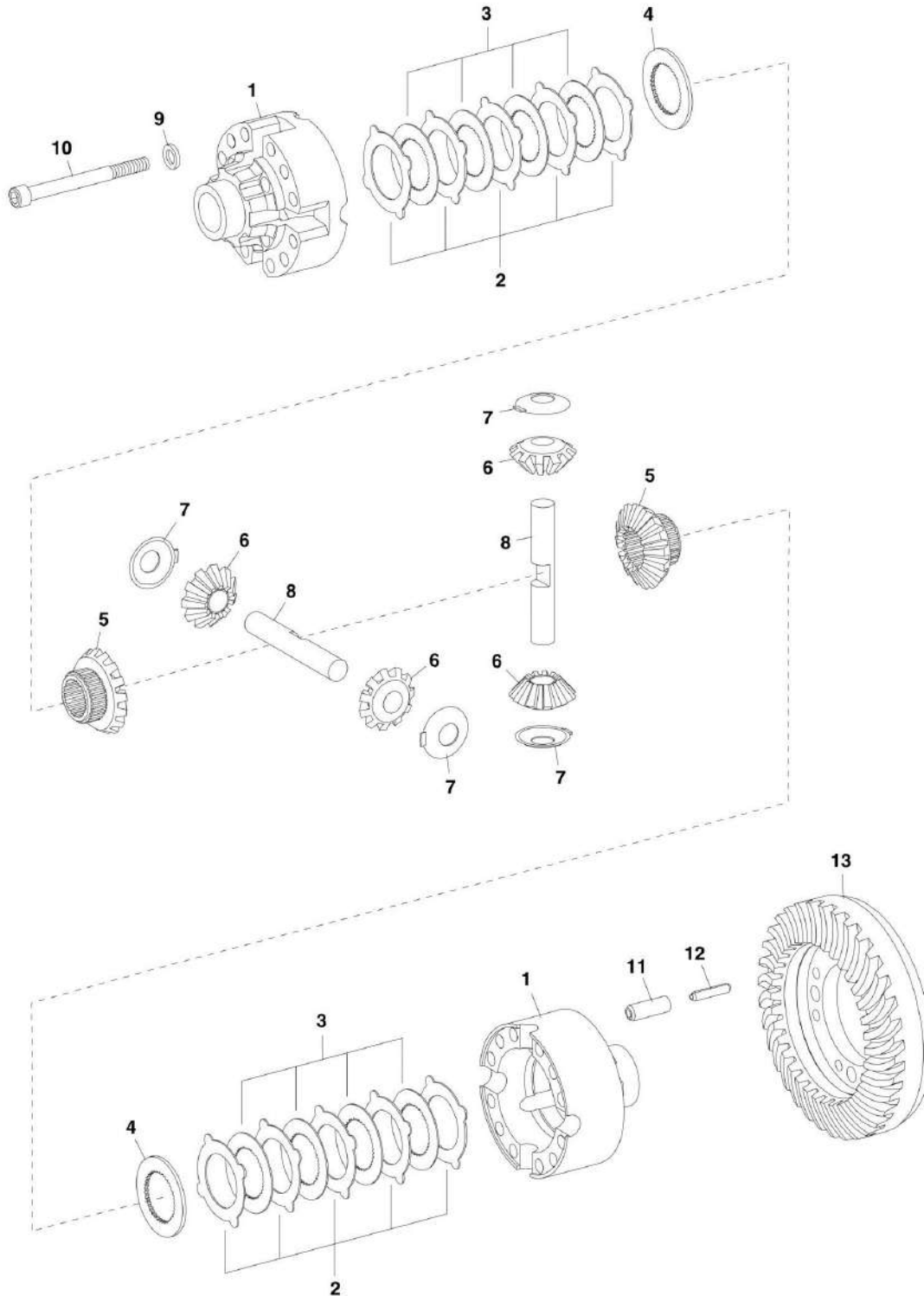
ITEM	PART NUMBER	QTY	DESCRIPTION	REV
1	70022232	1	BEVEL GEAR SET, (8042)	
1	70022272	1	BEVEL GEAR SET, (10042 & 10054)	
2	80304160	1	SHIM, S=0.1	
2	80304159	1	SHIM, S=0.2	
2	80304158	1	SHIM, S=0.3	
2	80304157	1	SHIM, S=0.5	
2	80304156	1	SHIM, S=0.6	
2	80304162	1	SHIM, S=0.65	
2	80304155	1	SHIM, S=0.7	
2	80304161	1	SHIM, S=0.75	
2	80304154	1	SHIM, S=0.8	
2	80304153	1	SHIM, S=0.9	
2	80304152	1	SHIM, S=1.0	
2	80304146	1	SHIM, S=1.2	
2	80304163	1	SHIM, S=1.25	
2	80304151	1	SHIM, S=1.3	
2	80304164	1	SHIM, S=1.35	
2	80304150	1	SHIM, S=1.4	
2	80304165	1	SHIM, S=1.45	
2	80304145	1	SHIM, S=1.5	
2	80304166	1	SHIM, S=1.55	
2	80304149	1	SHIM, S=1.6	
2	80304167	1	SHIM, S=1.65	
2	80304148	1	SHIM, S=1.7	
2	80304168	1	SHIM, S=1.75	
2	80304144	1	SHIM, S=1.8	
2	80304169	1	SHIM, S=1.85	
2	80304147	1	SHIM, S=1.9	
2	80304143	1	SHIM, S=2.0	
3	70022231	1	ROLLER BEARING	
4	80304088	1	RING, S=16.0	
4	80304089	1	RING, S=16.1	
4	80304090	1	RING, S=16.2	
4	80304091	1	RING, S=16.3	
4	80304092	1	RING, S=16.4	
4	80304093	1	RING, S=16.5	
4	80304110	1	RING, S=16.56	
4	80304094	1	RING, S=16.6	
4	80304111	1	RING, S=16.62	
4	80304112	1	RING, S=16.64	
4	80304124	1	RING, S=16.66	
4	80304113	1	RING, S=16.68	
4	80304095	1	RING, S=16.7	
4	70022216	1	RING, S=16.72	
4	80304115	1	RING, S=16.74	
4	80304117	1	RING, S=16.76	
4	80304118	1	RING, S=16.78	

SECTION 5 - DRIVE TRAIN

ITEM	PART NUMBER	QTY	DESCRIPTION	REV
4	80304096	1	RING, S=16.8	
4	80304119	1	RING, S=16.82	
4	80304120	1	RING, S=16.84	
4	80304104	1	RING, S=16.86	
4	80304121	1	RING, S=16.88	
4	80304122	1	RING, S=16.9	
4	80304097	1	RING, S=16.92	
4	80304123	1	RING, S=16.94	
4	80304125	1	RING, S=16.96	
4	80304107	1	RING, S=16.98	
4	80304126	1	RING, S=17.0	
4	80304127	1	RING, S=17.02	
4	80304108	1	RING, S=17.04	
4	80304128	1	RING, S=17.06	
4	80304129	1	RING, S=17.08	
4	80304099	1	RING, S=17.10	
4	80304130	1	RING, S=17.12	
4	80304131	1	RING, S=17.14	
4	80304132	1	RING, S=17.16	
4	80304133	1	RING, S=17.18	
4	80304100	1	RING, S=17.2	
4	80304134	1	RING, S=17.22	
4	80304135	1	RING, S=17.24	
4	80304136	1	RING, S=17.26	
4	80304137	1	RING, S=17.28	
4	80304101	1	RING, S=17.3	
4	80304102	1	RING, S=17.4	
5	1319353	1	ROLLER BEARING	
6	70022220	1	SHAFT SEAL	
7	70022245	1	END YOKE	
8	80304082	1	WASHER	
9	70022213	1	HEX NUT	
10	70022244	1	SCREEN SHEET	

SECTION 5 - DRIVE TRAIN

FIGURE 5-6. FRONT AXLE - LIMITED SLIP DIFFERENTIAL (8042 Prior to SN 0160038967, Including 0160038971 and 0160038984; 10042 Prior to SN 0160038368, Including 0160038368, 0160038375, 0160038378, 0160038379, 0160038381 and 0160038383; 10054 Prior to SN 0160038740, Excluding 0160021270, 0160036713, 0160036715, 0160036721 and 0160036723)



PH3560

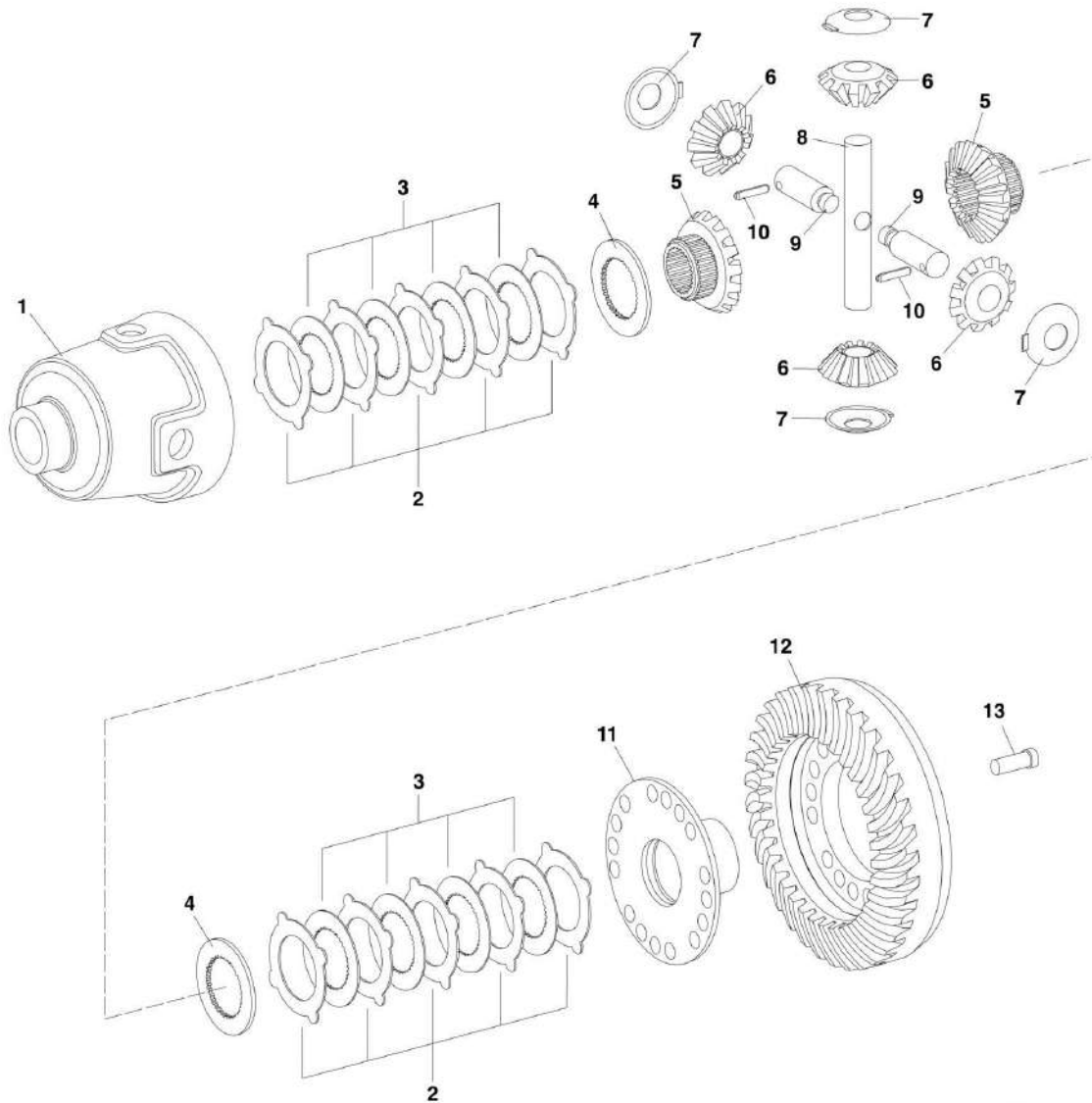
SECTION 5 - DRIVE TRAIN

FIGURE 5-6. FRONT AXLE - LIMITED SLIP DIFFERENTIAL (8042 Prior to SN 0160038967, Including 0160038971 and 0160038984; 10042 Prior to SN 0160038368, Including 0160038368, 0160038375, 0160038378, 0160038379, 0160038381 and 0160038383; 10054 Prior to SN 0160038740, Excluding 0160021270, 0160036713, 0160036715, 0160036721 and 0160036723)

ITEM	PART NUMBER	QTY	DESCRIPTION	REV
1	1321215	1	DIFFERENTIAL CASE	
2	1321219	10	O. CLUTCH DISC, A=1.2	
2	1321220	10	O. CLUTCH DISC, A=1.3	
2	1321221	10	O. CLUTCH DISC, A=1.4	
3	1321218	8	I. CLUTCH DISC	
4	1321217	2	PRESSURE DISC	
5	8036842	2	AXLE BEVEL GEAR	
6	1319414	4	DIFFERENTIAL BEVEL GEAR	
7	1319415	4	THRUST WASHER	
8	1321225	2	DIFFERENTIAL AXLE	
9	1321184	12	WASHER	
10	8035923	12	CAPSCREW	
11	1321153	4	SLOTTED PIN	
12	1321154	4	LOCK PIN	
13		Ref	BEVEL GEAR SET, (See FRONT AXLE-INPUT for Breakdown)	

SECTION 5 - DRIVE TRAIN

FIGURE 5-7. FRONT AXLE - LIMITED SLIP DIFFERENTIAL (8042 SN 0160038967 to Present, Excluding 0160038971 and 0160038984; 10042 SN 0160038368 to Present, Excluding 0160038375, 0160038378, 0160038379, 0160038381 and 0160038383; 10054 SN 0160038740 to Present, Including 0160021270, 0160036713, 0160036721 and 0160036723; Including 0160036715)



PA3301

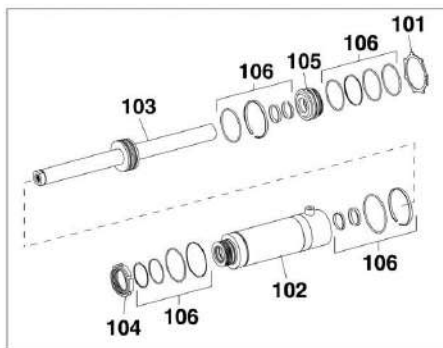
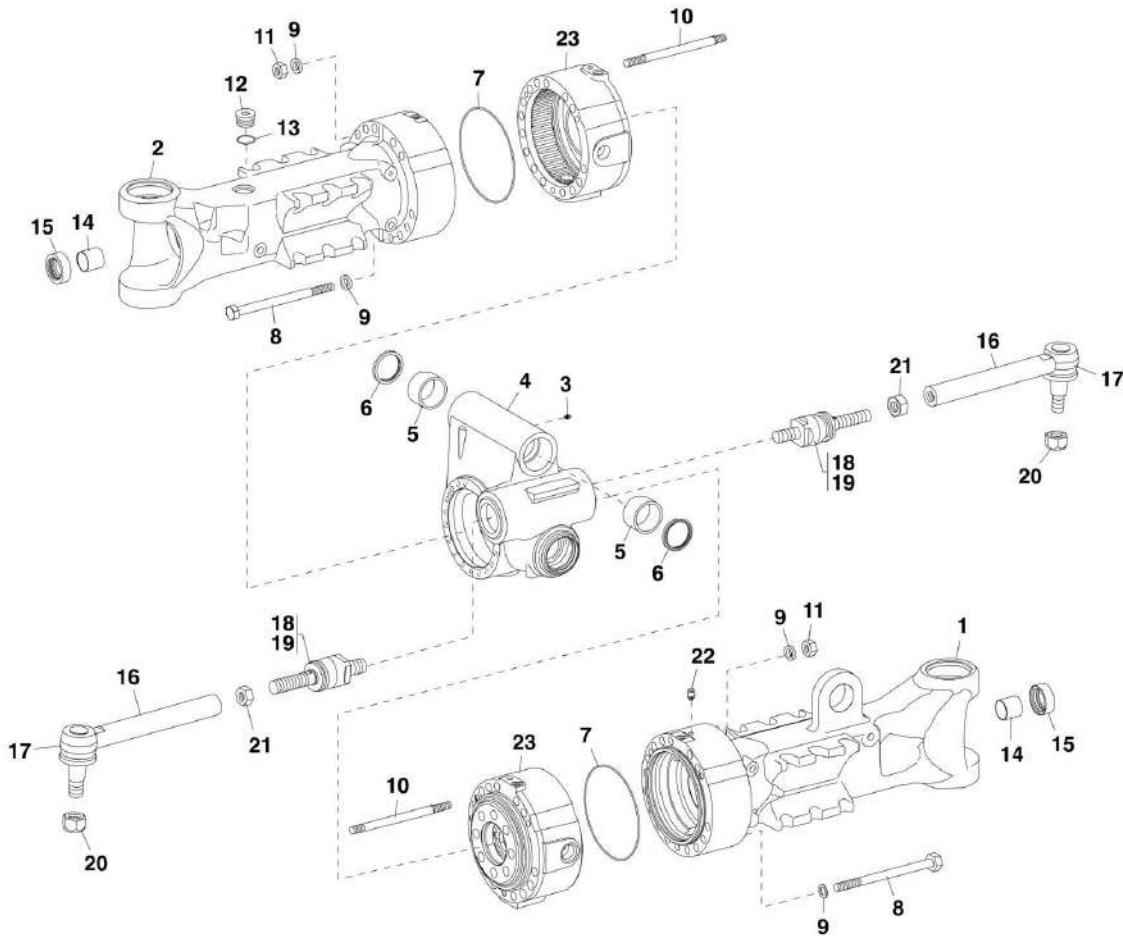
SECTION 5 - DRIVE TRAIN

FIGURE 5-7. FRONT AXLE - LIMITED SLIP DIFFERENTIAL (8042 SN 0160038967 to Present, Excluding 0160038971 and 0160038984; 10042 SN 0160038368 to Present, Excluding 0160038375, 0160038378, 0160038379, 0160038381 and 0160038383; 10054 SN 0160038740 to Present, Including 0160021270, 0160036713, 0160036721 and 0160036723; Including 0160036715)

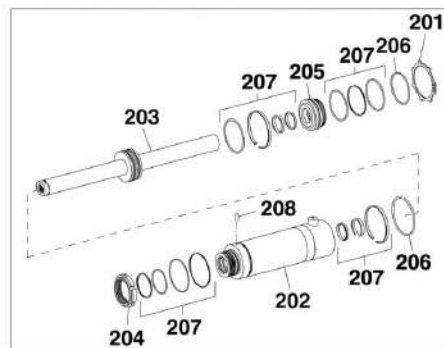
ITEM	PART NUMBER	QTY	DESCRIPTION	REV
1	70022226	NLA	DIFFERENTIAL CASE, (no longer available, Before Axle S/N 2022732 must replace with both 70023910 differential case and qty 2 of 70023904 slotted pins)	
1	70023910	1	DIFFERENTIAL CASE, (Axle) (SN 2022732 to Present)	
2	70022263	10	O. CLUTCH DISC, A=1.2	
2	70022264	10	O. CLUTCH DISC, A=1.3	
3	70022260	8	I. CLUTCH DISC	
4	70022261	2	PRESSURE DISC	
5	70022225	2	AXLE BEVEL GEAR	
6	70022185	4	DIFFERENTIAL BEVEL GEAR	
7	70022262	4	THRUST WASHER	
8	70022227	1	DIFFERENTIAL AXLE	
9	70022228	2	DIFFERENTIAL AXLE	
10	70022200	NLA	SLOTTED PIN, (no longer available, Before Axle S/N 2022732 must replace with both 70023910 differential case and qty 2 of 70023904 slotted pins)	
10	70023904	2	SLOTTED PIN, (Axle) (SN 2022732 to Present)	
11	70022229	1	COVER	
12		Ref	BEVEL GEAR SET, (See FRONT AXLE-INPUT for Breakdown)	
13	70022211	16	CAP SCREW, M12X1.5X35	

SECTION 5 - DRIVE TRAIN

FIGURE 5-8. FRONT AXLE - AXLE CASING (8042 Prior to SN 0160038967, Including 0160038971 and 0160038984; 10042 Prior to SN 0160038368, Including 0160038375, 0160038378, 016003837910042 and 0160038383; 10054 Prior to SN 0160038740, Excluding 0160021270, 0160036713, 0160036715, 0160036721 and 0160036723; Including 0160038381)



8042 PRIOR TO AXLE S/N 828785
10042 PRIOR TO AXLE S/N 1285172
10054 PRIOR TO AXLE S/N 1285172



8042 AXLE S/N 828785 TO PRESENT
10042 AXLE S/N 1285172 TO PRESENT
10054 AXLE S/N 1285172 TO PRESENT

PH3573

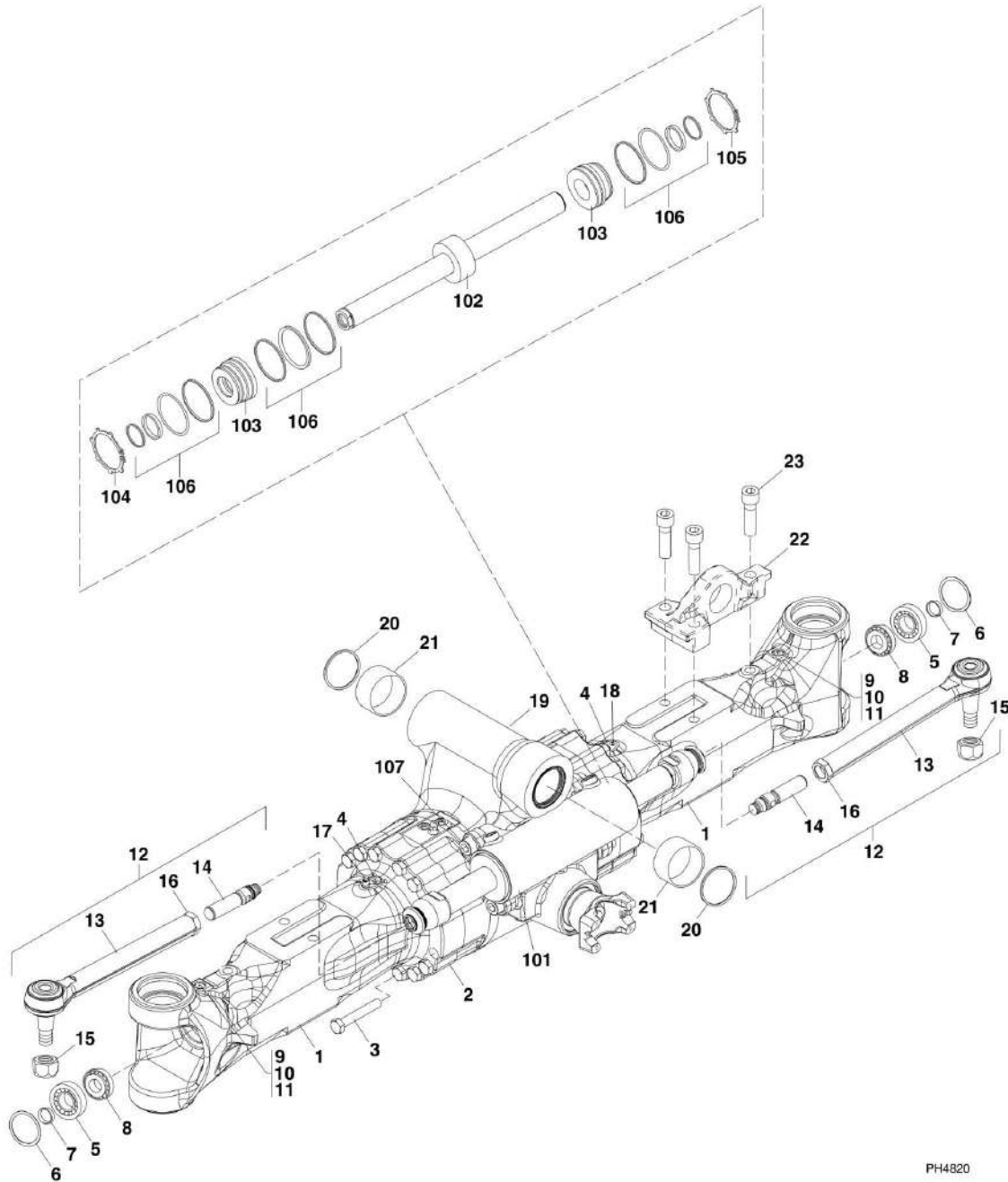
SECTION 5 - DRIVE TRAIN

FIGURE 5-8. FRONT AXLE - AXLE CASING (8042 Prior to SN 0160038967, Including 0160038971 and 0160038984; 10042 Prior to SN 0160038368, Including 0160038375, 0160038378, 016003837910042 and 0160038383; 10054 Prior to SN 0160038740, Excluding 0160021270, 0160036713, 0160036715, 0160036721 and 0160036723; Including 0160038381)

ITEM	PART NUMBER	QTY	DESCRIPTION	REV
1	8035924	1	RIGHT AXLE CASING	
2	8035925	1	LEFT AXLE CASING	
3	1319423	1	LUBRICATION NIPPLE	
4	1321253	1	AXLE DRIVE HOUSING	
5	1321234	2	BUSHING	
6	1321209	2	SEAL	
7	1319425	2	O-Ring	
8	8035927	22	HEX SCREW	
9	8036312	30	WASHER	
10	8036313	6	STUD	
11	1319429	6	HEX NUT	
12	1319506	1	SCREW PLUG	
13	8036331	2	O-Ring	
14	1319433	2	BUSHING	
15	7027211	2	SHAFT SEAL	
16	1321148	2	ROD TRACK, (items 17 thru 21)	
17	8036756	2	BALL JOINT	
18	8036757	2	AXLE JOINT, (includes item 19)	
19	7029418	2	SEAL	
20	8036758	2	LOCKNUT	
21	8036759	2	HEX NUT	
22	1319436	1	BREATHER	
23		Ref	BRAKE HOUSING, (See FRONT AXLE-M-DISC BRAKE for Breakdown)	
	1321149	NLA	STEERING CYLINDER, (8042 Axle, 10042 Axle, 10054 Axle), (includes items 101 thru 106), (no longer available, use 70021617 for replacement) (8042 Prior to SN 828785; 10042 Prior to SN 1285172; 10054 Prior to SN 1285172)	
	70021617	1	STEERING CYLINDER, (8042 Axle, 10042 Axle, 10054 Axle), (includes items 201 thru 208) (8042 SN 828785 to Present; 10042 SN 1285172 to Present; 10054 SN 1285172 to Present)	
101	8035978	NLA	L-RING, (no longer available, use 70021617 for replacement)	
102	8036440	NLA	TUBE WELDMENT, (no longer available, use 70021617 for replacement)	
103	8036439	NLA	PISTON ROD, (no longer available, use 70021617 for replacement)	
104	8035998	1	SLOTTED NUT	
105	8035980	NLA	GUIDE PIECE, (no longer available, use 70021617 for replacement)	
106	8035981	1	SEAL KIT	
201	70021571	1	L-RING	
202	NSS	1	CYLINDER TUBE	
203	70021568	1	PISTON ROD	
204	70021570	1	SLOTTED NUT	
205	70021569	1	GUIDE PIECE	
206	70021726	2	RETAINING RING	
207	70021495	1	SEAL KIT	
208	70022610	1	SLOTTED PIN	

SECTION 5 - DRIVE TRAIN

FIGURE 5-9. FRONT AXLE - AXLE CASING (8042 SN 0160038967 to Present, Excluding 0160038971 and 0160038984; 10042 SN 0160038368 to Present, Excluding 0160038375, 0160038378, 0160038379, 0160038381 and 0160038383; 10054 SN 0160038740 to Present, Including 0160021270, 0160036713, 0160036715, 0160036721 and 0160036723)



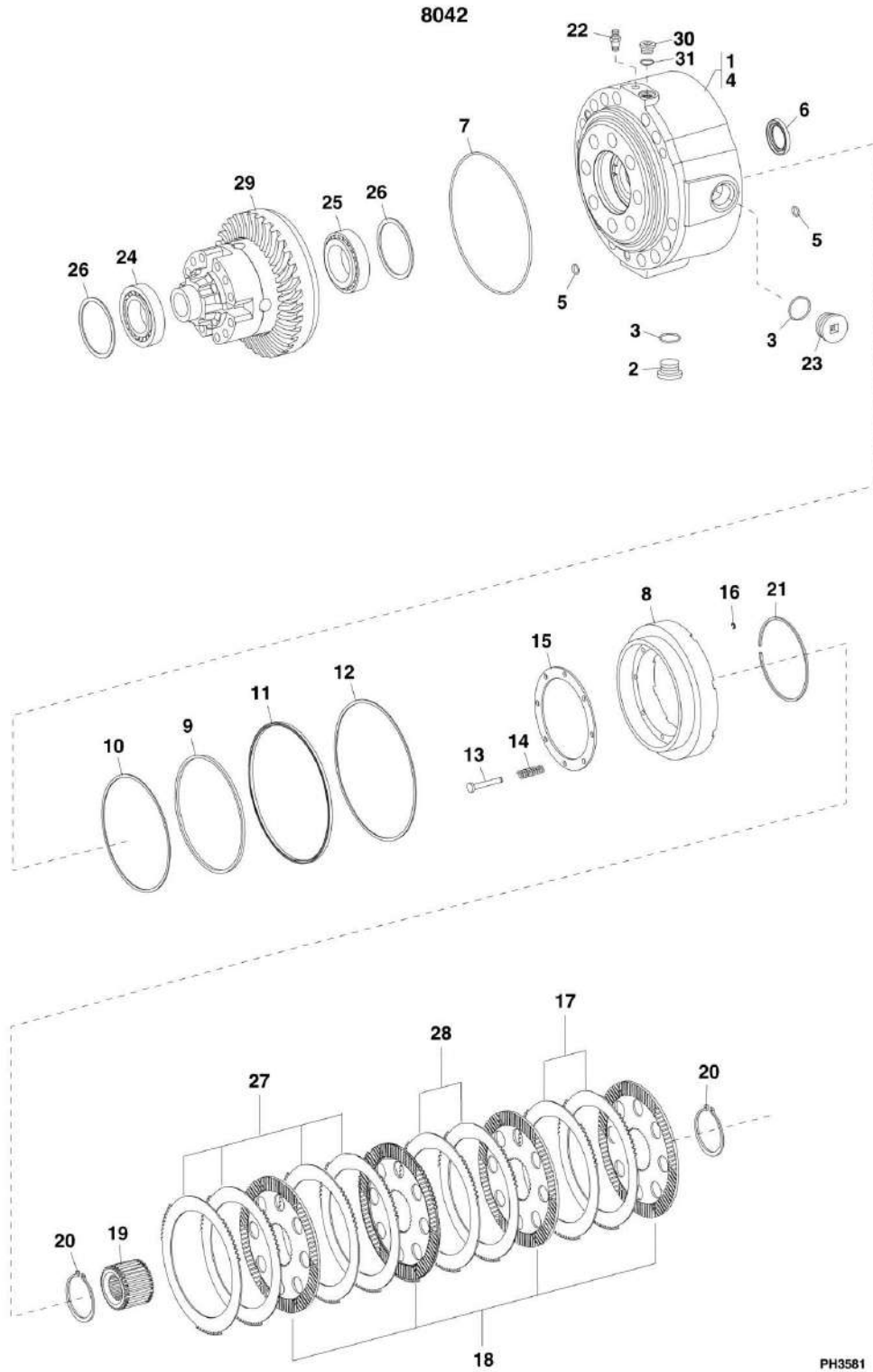
SECTION 5 - DRIVE TRAIN

FIGURE 5-9. FRONT AXLE - AXLE CASING (8042 SN 0160038967 to Present, Excluding 0160038971 and 0160038984; 10042 SN 0160038368 to Present, Excluding 0160038375, 0160038378, 0160038379, 0160038381 and 0160038383; 10054 SN 0160038740 to Present, Including 0160021270, 0160036713, 0160036715, 0160036721 and 0160036723)

ITEM	PART NUMBER	QTY	DESCRIPTION	REV
1	70022255	2	AXLE CASING	
2	70022277	1	AXLE DRIVE HOUSING	
3	70022206	28	HEX HD CAPSCREW, M18X180	
4	1319578	4	SCREW PLUG	
5	70022241	2	BUSHING	
6	70022204	2	O-RING	
7	70022217	2	RING	
8	10731790	2	BEARING	
9	70022201	2	SET SCREW, M10X1X16	
10	1319666	2	SCREW PLUG	
11	7027217	2	O-RING	
12	70022174	2	TIE ROD, (includes items 13 thru 16)	
13	70022175	1	BALL JOINT	
14	70022172	1	AXIAL JOINT	
15	8036758	1	LOCKNUT	
16	8036759	1	HEX NUT	
17	1319436	1	BREATHER	
18	8036418	1	SCREW PLUG	
19	1319423	1	GREASE FITTING	
20	1321234	2	BUSHING	
21	1321209	2	SHAFT SEAL	
22	70022254	1	BRACKET	
23	1001103619	3	HEX HD CAPSCREW, M22X1.5X80	
101	70022173	1	STEERING CYLINDER, (includes items 102 thru 106)	
102	70022177	1	PISTON ROD	
103	70022184	2	BREAK HEAD	
104	70022181	2	RETAINING RING	
105	70022180	2	RETAINING RING	
106	70022178	1	SEAL KIT	
107	70022210	4	CAPSCREW, M22X1.5X55	

SECTION 5 - DRIVE TRAIN

FIGURE 5-10. FRONT AXLE - M-DISC BRAKE (8042 Prior to SN 0160038967; Including 0160038971 and 0160038984)



PH3581

SECTION 5 - DRIVE TRAIN

FIGURE 5-10. FRONT AXLE - M-DISC BRAKE (8042 Prior to SN 0160038967; Including 0160038971 and 0160038984)

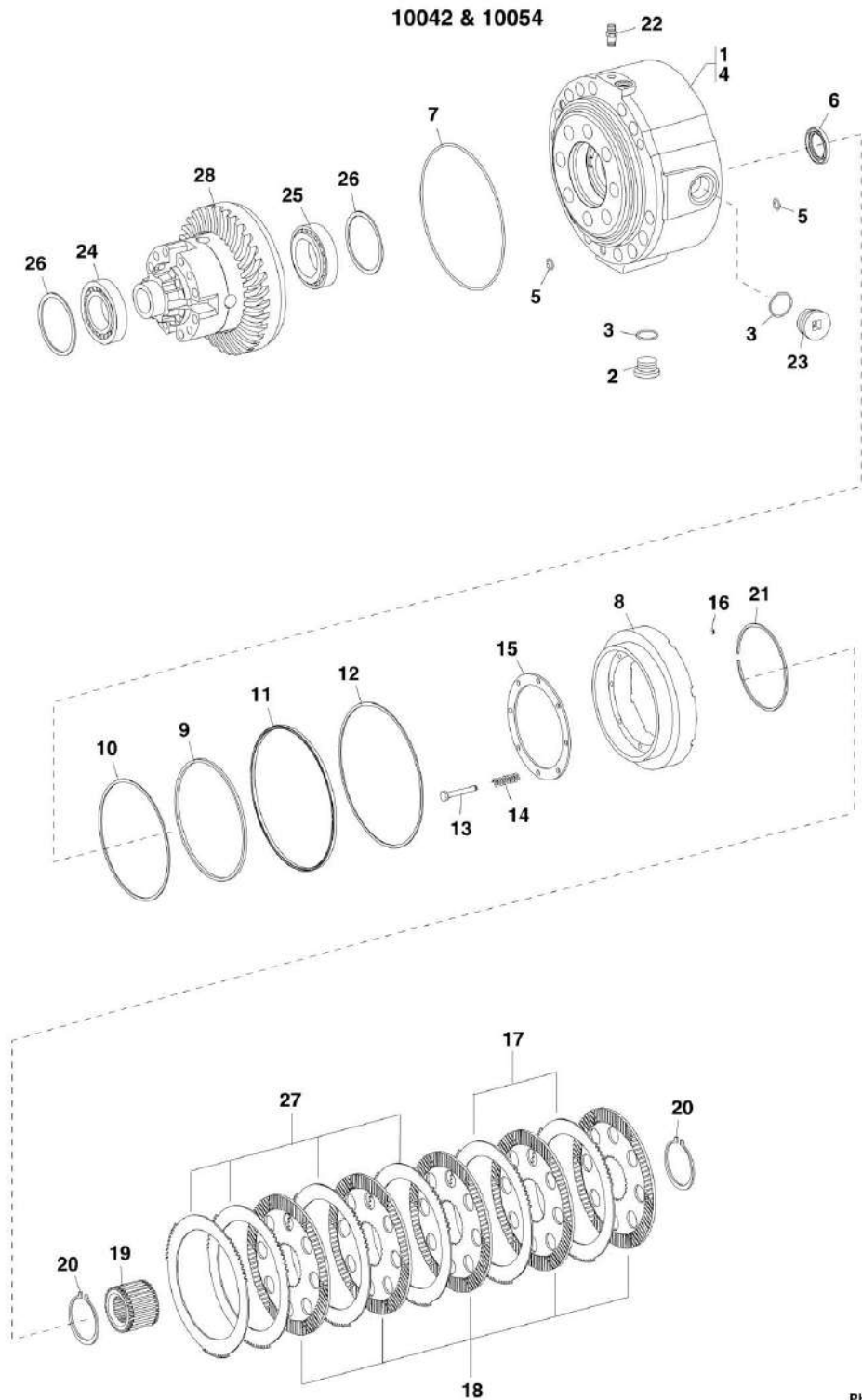
ITEM	PART NUMBER	QTY	DESCRIPTION	REV
1	NLA	Ref	BRAKE HOUSING, (right side), (Axle), (see note N1) (Prior to SN 675668)	
1	70020483	1	BRAKE HOUSING, (right side), (Axle) (SN 675668 to Present)	
2	1319431	2	SCREW PLUG	
3	8036331	4	O-RING	
4	NLA	Ref	BRAKE HOUSING, (left side), (Axle), (see note N1) (Prior to SN 675668)	
4	70020484	1	BRAKE HOUSING, (left side), (Axle) (SN 675668 to Present)	
5	1319491	12	O-RING	
6	8036444	2	SHAFT SEAL	
7	1319425	2	O-RING	
8	8036304	2	PISTON	
9	1321162	2	U-RING	
10	1321151	2	SUPPORT RING	
11	1321163	2	U-RING	
12	1321152	2	SUPPORT RING	
13	1319496	16	PIN	
14	1319497	16	COMPRESSION SPRING	
15	8036305	2	WASHER	
16	1319499	16	CRESCENT RING	
17	1319500	4	O. CLUTCH DISC, S=2, (Axle) (Prior to SN 675668)	
17	70020485	4	O. CLUTCH DISC, S=2, (Axle) (SN 675668 to Present)	
17	1319501	4	O. CLUTCH DISC, S=2.5, (Axle) (Prior to SN 675668)	
17	70020486	4	O. CLUTCH DISC, S=2.5, (Axle) (SN 675668 to Present)	
17	1319502	4	O. CLUTCH DISC, S=3, (Axle) (Prior to SN 675668)	
17	70020487	4	O. CLUTCH DISC, S=3, (Axle) (SN 675668 to Present)	
18	1321150	8	I. CLUTCH DISC, (Axle) (Prior to SN 823842)	
18	70020408	3	I. CLUTCH DISC, (Axle) (SN 823842 to Present)	
19	1321174	2	DISC CARRIER, (Axle) (Prior to SN 823842)	
19	70020409	1	DISC CARRIER, (Axle) (SN 823842 to Present)	
20	10731949	4	RETAINING RING	
21	1319504	2	SNAP RING	
22	1319505	2	BREATHER	
23	1319506	2	SCREW PLUG	
24	8036445	1	TA ROLLER BEARING	
25	8036447	1	ROLLER BEARING	
26	1319531	2	SHIM, A=0.10	
26	8035945	2	SHIM, A=0.15	
26	1319530	2	SHIM, A=0.20	
26	8035946	2	SHIM, A=0.25	
26	1319529	2	SHIM, A=0.30	
26	8035947	2	SHIM, A=0.35	
26	8035951	2	SHIM, A=0.40	
26	1319543	2	SHIM, A=0.45	
26	1319527	2	SHIM, A=0.50	
26	1321158	2	SHIM, A=0.55	
26	1319526	2	SHIM, A=0.60	
26	1319532	2	SHIM, A=0.65	
26	1319533	2	SHIM, A=0.70	

SECTION 5 - DRIVE TRAIN

ITEM	PART NUMBER	QTY	DESCRIPTION	REV
26	1319534	2	SHIM, A=0.75	
26	1319525	2	SHIM, A=0.80	
26	1319535	2	SHIM, A=0.85	
26	1319536	2	SHIM, A=0.90	
26	1319537	2	SHIM, A=0.95	
26	1319524	2	SHIM, A=1.00	
26	1319545	2	SHIM, A=1.05	
26	1319538	2	SHIM, A=1.10	
26	1319539	2	SHIM, A=1.15	
26	1319523	2	SHIM, A=1.20	
26	1319540	2	SHIM, A=1.25	
26	1319541	2	SHIM, A=1.30	
26	1319542	2	SHIM, A=1.35	
26	1319522	2	SHIM, A=1.40	
26	1319521	2	SHIM, A=1.45	
26	1319520	2	SHIM, A=1.50	
26	1319519	2	SHIM, A=1.55	
26	1319518	2	SHIM, A=1.60	
26	1319517	2	SHIM, A=1.65	
26	1319510	2	SHIM, A=2.00	
26	1321159	2	SHIM, A=1.47	
26	8035948	2	SHIM, A=1.63	
26	1319516	2	SHIM, A=1.70	
26	1319515	2	SHIM, A=1.75	
26	1319514	2	SHIM, A=1.80	
26	1319513	2	SHIM, A=1.85	
26	1319512	2	SHIM, A=1.90	
26	1319511	2	SHIM, A=1.95	
27	1319502	8	O. CLUTCH DISC, S=3, (Axle) (Prior to SN 675668)	
27	70020487	8	O. CLUTCH DISC, S=3, (Axle) (SN 675668 to Present)	
28	1319501	4	O. CLUTCH DISC, S=2.5, (Axle) (Prior to SN 675668)	
28	70020486	4	O. CLUTCH DISC, S=2.5, (Axle) (SN 675668 to Present)	
29		Ref	BEVEL GEAR SET, (See FRONT AXLE-INPUT for Breakdown)	
30	1319666	2	SCREW PLUG	
31	7027217	2	O-RING	
N1	Note	NLA	PARTS ARE NO LONGER AVAILABLE; ORDER BRAKE HOUSINGS 70020483 AND 70020484, QUANTITY REQUIRED OF OUTER DISCS 70020485, 70020486 AND 70020487, QUANTITY 2 OF 70020413 END PLATES	

SECTION 5 - DRIVE TRAIN

FIGURE 5-11. FRONT AXLE - M-DISC BRAKE (10042 Prior to SN 0160038368, Including 0160038375, 0160038378, 0160038379, 0160038381 and 0160038383; 10054 Prior to SN 0160038740, Excluding 0160021270, 0160036713, 0160036715, 0160036721 and 0160036723)



PH3590

SECTION 5 - DRIVE TRAIN

FIGURE 5-11. FRONT AXLE - M-DISC BRAKE (10042 Prior to SN 0160038368, Including 0160038375, 0160038378, 0160038379, 0160038381 and 0160038383; 10054 Prior to SN 0160038740, Excluding 0160021270, 0160036713, 0160036715, 0160036721 and 0160036723)

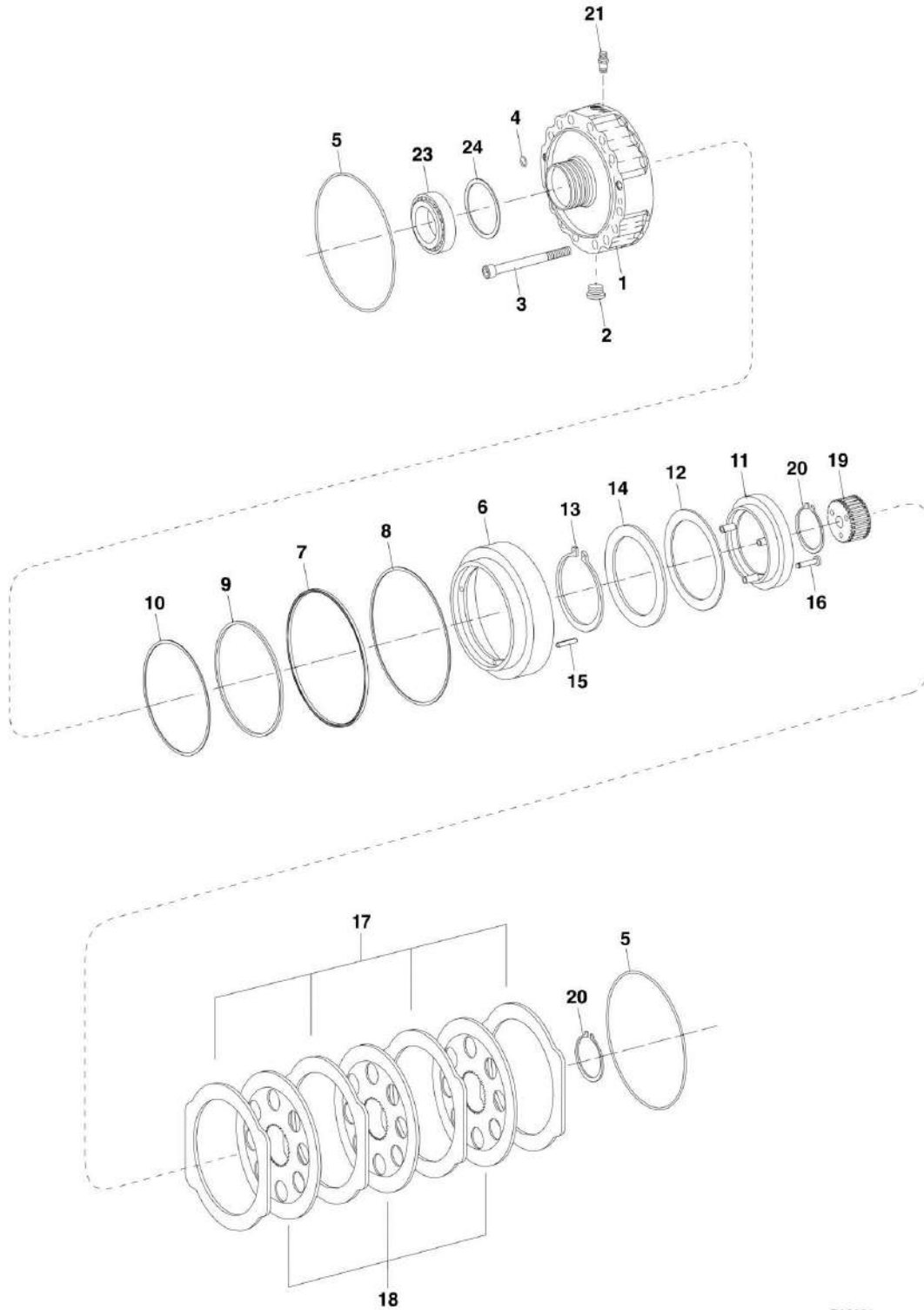
ITEM	PART NUMBER	QTY	DESCRIPTION	REV
1	NLA	Ref	BRAKE HOUSING, (right side), (Axle), (see note N1) (Prior to SN 679304)	
1	70020483	1	BRAKE HOUSING, (right side), (Axle) (SN 679304 to Present)	
2	1319431	2	SCREW PLUG	
3	8036331	4	O-RING	
4	NLA	Ref	BRAKE HOUSING, (left side), (Axle), (see note N1) (Prior to SN 679304)	
4	70020484	1	BRAKE HOUSING, (left side), (Axle) (SN 679304 to Present)	
5	1319491	12	O-RING	
6	8036444	2	SHAFT SEAL	
7	1319425	2	O-RING	
8	8036304	2	PISTON	
9	1321162	2	U-RING	
10	1321151	2	SUPPORT RING	
11	1321163	2	U-RING	
12	1321152	2	SUPPORT RING	
13	1319496	16	PIN	
14	1319497	16	COMPRESSION SPRING	
15	8036305	2	WASHER	
16	1319499	16	CRESCENT RING	
17	1319500	4	O. CLUTCH DISC, S=2.0, (Axle) (Prior to SN 679304)	
17	70020485	4	O. CLUTCH DISC, S=2.0, (Axle) (SN 679304 to Present)	
17	1319501	4	O. CLUTCH DISC, S=2.5, (Axle) (Prior to SN 679304)	
17	70020486	4	O. CLUTCH DISC, S=2.5, (Axle) (SN 679304 to Present)	
17	1319502	4	O. CLUTCH DISC, S=3.0, (Axle) (Prior to SN 679304)	
17	70020487	4	O. CLUTCH DISC, S=3.0, (Axle) (SN 679304 to Present)	
18	1321150	10	I. CLUTCH DISC, (Axle) (Prior to SN 823842)	
18	70020408	10	I. CLUTCH DISC, (Axle) (SN 823842 to Present)	
19	1321174	2	DISC CARRIER, (Axle) (Prior to SN 823842)	
19	70020409	2	DISC CARRIER, (Axle) (SN 823842 to Present)	
20	10731949	4	RETAINING RING	
21	1319504	2	SNAP RING	
22	1319505	2	BREATHER	
23	1319506	2	SCREW PLUG	
24	8036445	1	TA ROLLER BEARING	
25	8036447	1	ROLLER BEARING	
26	1319531	2	SHIM, A=0.10	
26	8035945	2	SHIM, A=0.15	
26	1319530	2	SHIM, A=0.20	
26	8035946	2	SHIM, A=0.25	
26	1319529	2	SHIM, A=0.30	
26	8035947	2	SHIM, A=0.35	
26	8035951	2	SHIM, A=0.40	
26	1319543	2	SHIM, A=0.45	
26	1319527	2	SHIM, A=0.50	
26	1321158	2	SHIM, A=0.55	
26	1319526	2	SHIM, A=0.60	
26	1319532	2	SHIM, A=0.65	

SECTION 5 - DRIVE TRAIN

ITEM	PART NUMBER	QTY	DESCRIPTION	REV
26	1319533	2	SHIM, A=0.70	
26	1319534	2	SHIM, A=0.75	
26	1319525	2	SHIM, A=0.80	
26	1319535	2	SHIM, A=0.85	
26	1319536	2	SHIM, A=0.90	
26	1319537	2	SHIM, A=0.95	
26	1319524	2	SHIM, A=1.00	
26	1319545	2	SHIM, A=1.05	
26	1319538	2	SHIM, A=1.10	
26	1319539	2	SHIM, A=1.15	
26	1319523	2	SHIM, A=1.20	
26	1319540	2	SHIM, A=1.25	
26	1319541	2	SHIM, A=1.30	
26	1319542	2	SHIM, A=1.35	
26	1319522	2	SHIM, A=1.40	
26	1319521	2	SHIM, A=1.45	
26	1319520	2	SHIM, A=1.50	
26	1319519	2	SHIM, A=1.55	
26	1319518	2	SHIM, A=1.60	
26	1319517	2	SHIM, A=1.65	
26	1319510	2	SHIM, A=2.00	
26	1321159	2	SHIM, A=1.47	
26	8035948	2	SHIM, A=1.63	
26	1319515	2	SHIM, A=1.75	
26	1319516	2	SHIM, A=1.70	
26	1319514	2	SHIM, A=1.80	
26	1319513	2	SHIM, A=1.85	
26	1319512	2	SHIM, A=1.90	
26	1319511	2	SHIM, A=1.95	
27	1319502	8	O. CLUTCH DISC, S=3.0, (Axle) (Prior to SN 679304)	
27	70020487	8	O. CLUTCH DISC, S=3.0, (Axle) (SN 679304 to Present)	
28		Ref	BEVEL GEAR SET, (See FRONT AXLE-INPUT for Breakdown)	
N1	Note	NLA	PARTS ARE NO LONGER AVAILABLE; ORDER BRAKE HOUSINGS 70020483 AND 70020484, QUANTITY REQUIRED OF OUTER DISCS 70020485, 70020486 AND 70020487, QUANTITY 2 OF 70020413 END PLATES	

SECTION 5 - DRIVE TRAIN

FIGURE 5-12. FRONT AXLE - M-DISC BRAKE (8042 SN 0160038967 to Present, Excluding 0160038971 and 0160038984; 10042 SN 0160038368 to Present, Excluding 0160038375, 0160038378, 0160038379, 0160038381 and 0160038383; 10054 SN 0160038740 to Present, Including 0160021270, 0160036713, 0160036715, 0160036721 and 0160036723)



PA3321

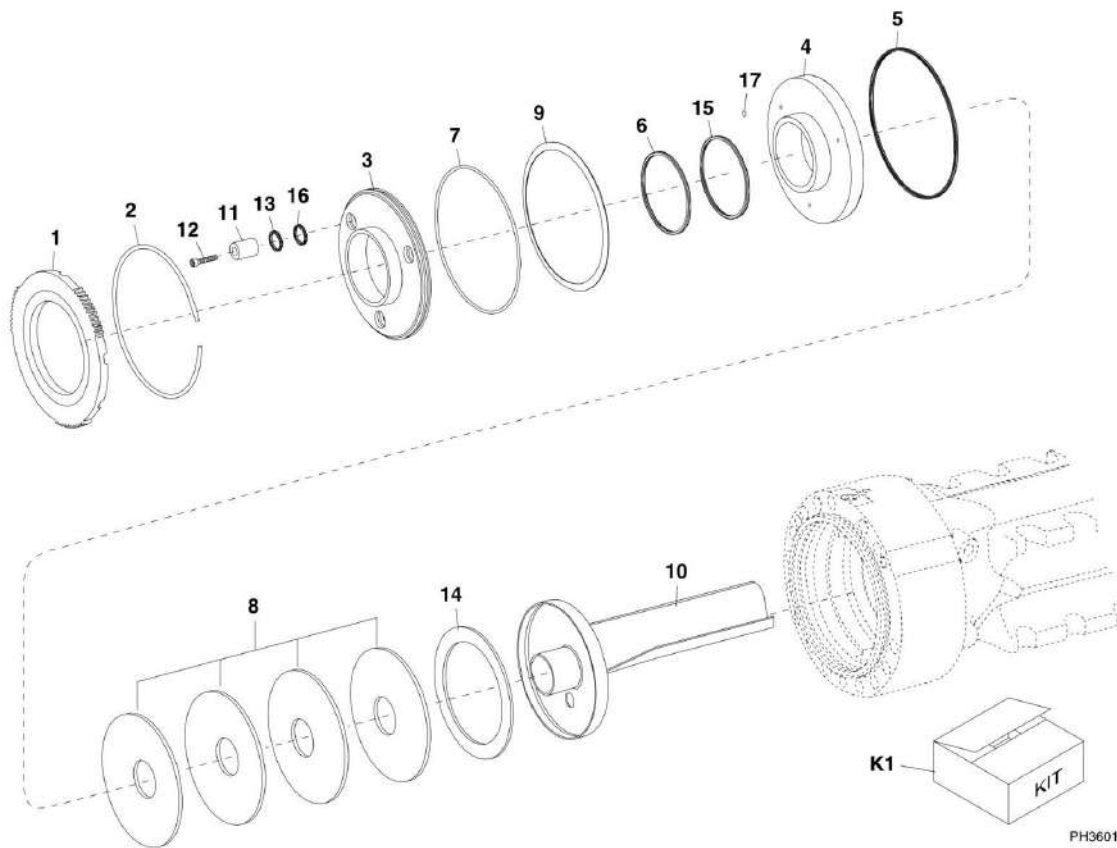
SECTION 5 - DRIVE TRAIN

FIGURE 5-12. FRONT AXLE - M-DISC BRAKE (8042 SN 0160038967 to Present, Excluding 0160038971 and 0160038984; 10042 SN 0160038368 to Present, Excluding 0160038375, 0160038378, 0160038379, 0160038381 and 0160038383; 10054 SN 0160038740 to Present, Including 0160021270, 0160036713, 0160036715, 0160036721 and 0160036723)

ITEM	PART NUMBER	QTY	DESCRIPTION	REV
1	70022258	2	BRAKE HOUSING	
2	1319578	2	SCREW PLUG	
3	70022209	6	CAP SCREW, M12X105	
4	8036847	10	O-RING	
5	80304462	4	O-RING	
6	70022275	2	PISTON	
7	70022190	2	PISTON PACKING	
8	70022193	2	BACKUP RING	
9	70022189	2	PISTON PACKING	
10	70022194	2	BACKUP RING	
11	70022236	2	RING	
12	70022183	2	CUP SPRING	
13	70022198	2	RETAINING RING	
14	70022235	2	WASHER	
15	70022186	6	SLOT PIN	
16	1319214	6	CAP SCREW, M8X40	
17	70022196	10	O.CLUTCH DISC	
18	70022176	8	I.CLUTCH DISC	
19	70022253	2	DISC CARRIER	
20	10731949	4	RETAINING RING	
21	70022171	2	BREATHER	
22	70022215	2	SCREW PLUG, (not shown)	
23	8036447	2	BEARING	
24	1319537	2	SHIM, A=0.95	
24	1319545	2	SHIM, A=1.05	
24	1319539	2	SHIM, A=1.15	
24	1319540	2	SHIM, A=1.25	
24	1319542	2	SHIM, A=1.35	

SECTION 5 - DRIVE TRAIN

FIGURE 5-13. FRONT AXLE - BRAKE (8042 Prior to SN 0160038967, Including 0160038971 and 0160038984; 10042 Prior to SN 0160038368, Including 0160038375, 0160038378, 0160038379, 0160038381 and 0160038383; 10054 Prior to SN 0160038740, Excluding 0160021270, 0160036713, 0160036715, 0160036721 and 0160036723)



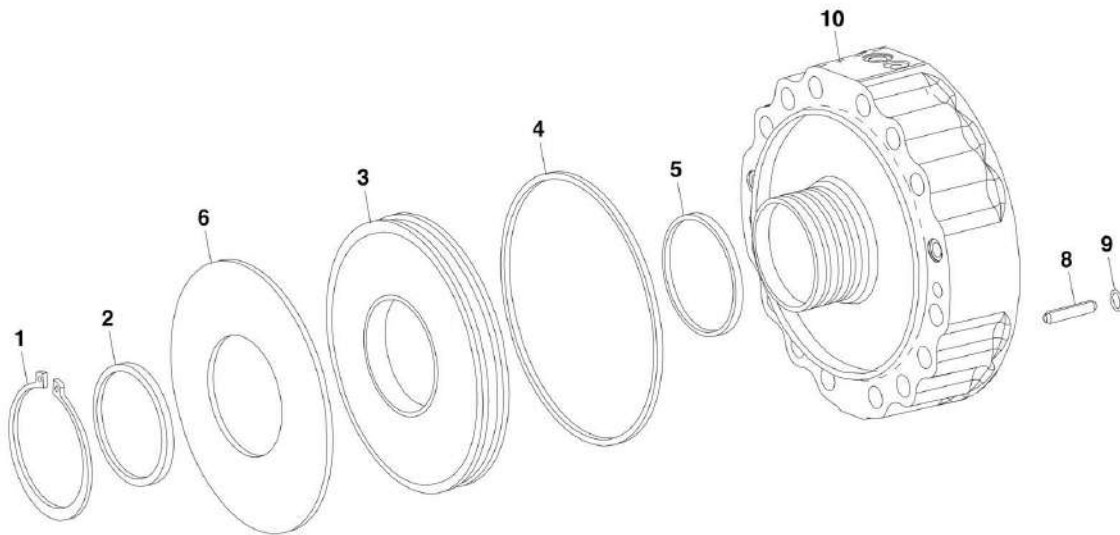
SECTION 5 - DRIVE TRAIN

FIGURE 5-13. FRONT AXLE - BRAKE (8042 Prior to SN 0160038967, Including 0160038971 and 0160038984; 10042 Prior to SN 0160038368, Including 0160038375, 0160038378, 0160038379, 0160038381 and 0160038383; 10054 Prior to SN 0160038740, Excluding 0160021270, 0160036713, 0160036715, 0160036721 and 0160036723)

ITEM	PART NUMBER	QTY	DESCRIPTION	REV
1	Kit	NLA	END SHIM, (Axle), (no longer available, use 7029104 kit for replacement) (Prior to SN 336083)	
1	8036848	2	END SHIM, (Axle) (8042 SN 336083 through 675668; 10042 SN 336083 through 679304; 10054 SN 336083 through 679304)	
1	70020413	2	END SHIM, (8042 Axle), (10042 Axle), (10054 Axle) (SN 675668 to Present, SN 679304 to Present, SN 679304 to Present)	
2	1321206	2	SNAP RING	
3	Kit	NLA	SEALING WASHER, (Axle), (no longer available, use 7029104 kit for replacement) (Prior to SN 336083)	
3	8036849	2	SEALING WASHER, (Axle) (SN 336083 to Present)	
4	Kit	NLA	PISTON, (Axle), (no longer available, use 7029104 kit for replacement) (Prior to SN 336083)	
4	7027212	2	PISTON, (Axle) (SN 336083 to Present)	
5	Kit	NLA	FOUR-LIP RING, (Axle), (no longer available, use 7029104 kit for replacement) (Prior to SN 336083)	
5	8036852	2	U-RING, (Axle) (SN 336083 to Present)	
6	Kit	NLA	SUPPORT RING, (Axle), (no longer available, use 7029104 kit for replacement) (Prior to SN 336083)	
6	8036855	2	BACKUP RING, (Axle) (SN 336083 to Present)	
7	8036320	2	O-RING	
8	1321207	8	CUP SPRING	
9	1321208	2	CUP SPRING	
10	Kit	NLA	OIL DAM, (Axle), (no longer available, use 7029104 kit for replacement) (Prior to SN 336083)	
10	8036856	2	OIL DAM, (Axle) (SN 336083 to Present)	
11	Kit	NLA	PRESSURE PIN, (Axle), (no longer available, use 7029104 kit for replacement) (Prior to SN 336083)	
11	1321244	6	PRESSURE PIN, (Axle) (SN 336083 to Present)	
12	8036321	6	CAPSCREW	
13	8036859	6	O-RING	
14	8035958	2	SPACING WASHER	
15	Kit	NLA	FOUR-LIP RING, (Axle), (no longer available, use 7029104 kit for replacement) (Prior to SN 336083)	
15	8036854	2	U-RING, (Axle) (SN 336083 to Present)	
16	Kit	NLA	FOUR-LIP RING, (Axle), (no longer available, use 7029104 kit for replacement) (Prior to SN 336083)	
16	8036861	6	U-RING, (Axle) (SN 336083 to Present)	
17	Kit	NLA	SUPPORT RING, (Axle), (no longer available, use 7029104 kit for replacement) (Prior to SN 336083)	
17	8036862	6	BACKUP RING, (Axle) (SN 336083 to Present)	
K1	7029104	AR	BRAKE SEAL KIT, (Axle), (contains quantity of 1 each of items 1 thru 7, 9, 10, 15; quantity of 3 each of items 11, 12, 13, 16, 17 and quantity of 1 of 1319425 o-ring) (8042 Prior to SN 675668; 10042 Prior to SN 679304; 10054 Prior to SN 679304)	

SECTION 5 - DRIVE TRAIN

FIGURE 5-14. FRONT AXLE - BRAKE (8042 SN 0160038967 to Present, Excluding 0160038971 and 0160038984; 10042 SN 0160038368 to Present, Excluding 0160038375, 0160038378, 0160038379, 0160038381 and 0160038383; 10054 SN 0160038740 to Present, Including 0160021270, 0160036713, 0160036715, 0160036721 and 0160036723)



PA3331

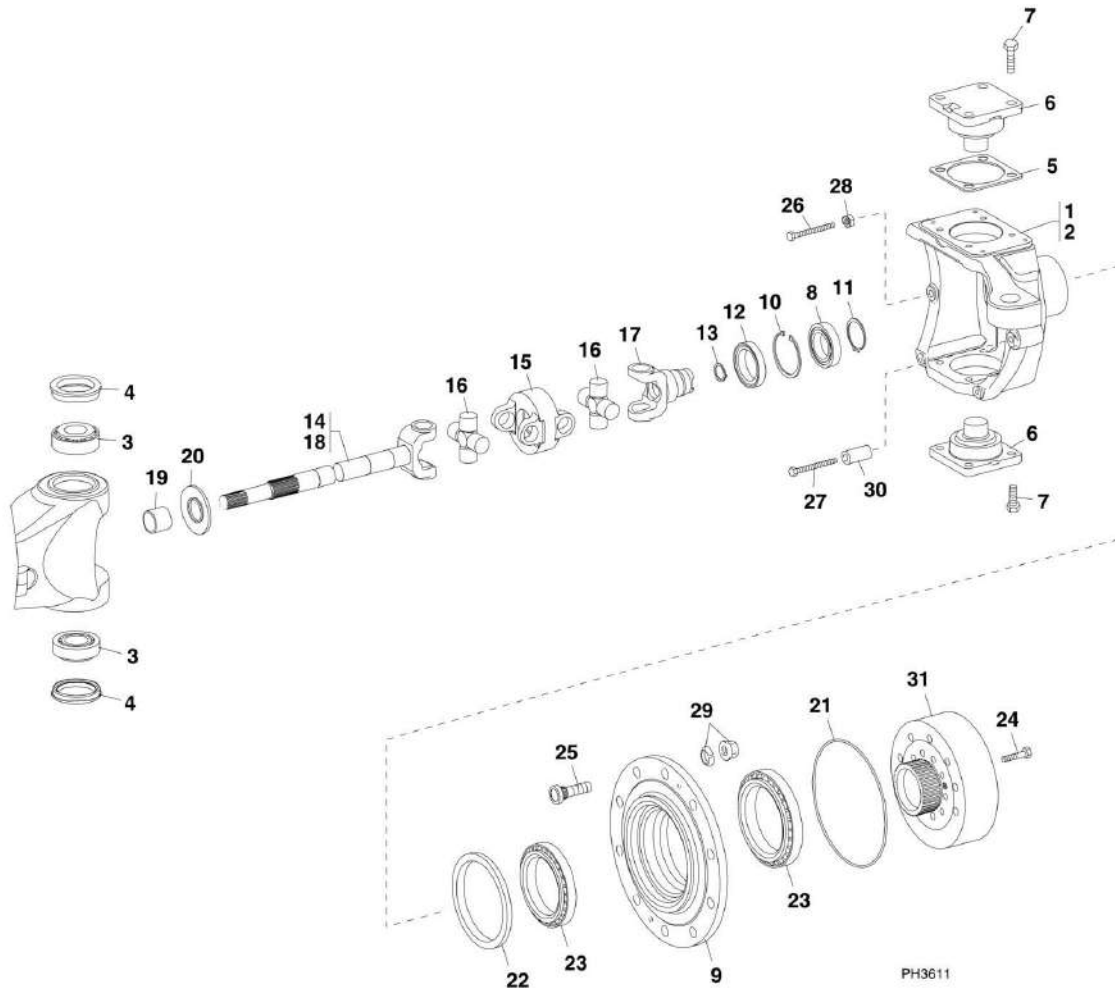
SECTION 5 - DRIVE TRAIN

FIGURE 5-14. FRONT AXLE - BRAKE (8042 SN 0160038967 to Present, Excluding 0160038971 and 0160038984; 10042 SN 0160038368 to Present, Excluding 0160038375, 0160038378, 0160038379, 0160038381 and 0160038383; 10054 SN 0160038740 to Present, Including 0160021270, 0160036713, 0160036715, 0160036721 and 0160036723)

ITEM	PART NUMBER	QTY	DESCRIPTION	REV
1	70022199	2	SNAP RING	
2	70022252	2	WASHER	
3	70022251	2	PISTON	
4	70022191	2	PISTON PACKING	
5	70022192	2	ROD SEAL	
6	70022195	2	CUP SPRING	
7	70022215	2	SCREW PLUG, (not shown)	
8	70022248	14	PRESSURE PIN	
9	70022202	14	O-RING	
10		Ref	BRAKE HOUSING, (See FRONT AXLE - M-DISC BRAKE for Breakdown)	

SECTION 5 - DRIVE TRAIN

FIGURE 5-15. FRONT AXLE - JOINT HOUSING (8042 Prior to SN 0160038967, Including 0160038971 and 0160038984; 10042 Prior to SN 0160038368, Including 0160038375, 0160038378, 0160038379, 0160038381 and 0160038383; 10054 Prior to SN 0160038740, Excluding 0160021270, 0160036713, 0160036715, 0160036721 and 0160036723)



SECTION 5 - DRIVE TRAIN

FIGURE 5-15. FRONT AXLE - JOINT HOUSING (8042 Prior to SN 0160038967, Including 0160038971 and 0160038984; 10042 Prior to SN 0160038368, Including 0160038375, 0160038378, 0160038379, 0160038381 and 0160038383; 10054 Prior to SN 0160038740, Excluding 0160021270, 0160036713, 0160036715, 0160036721 and 0160036723)

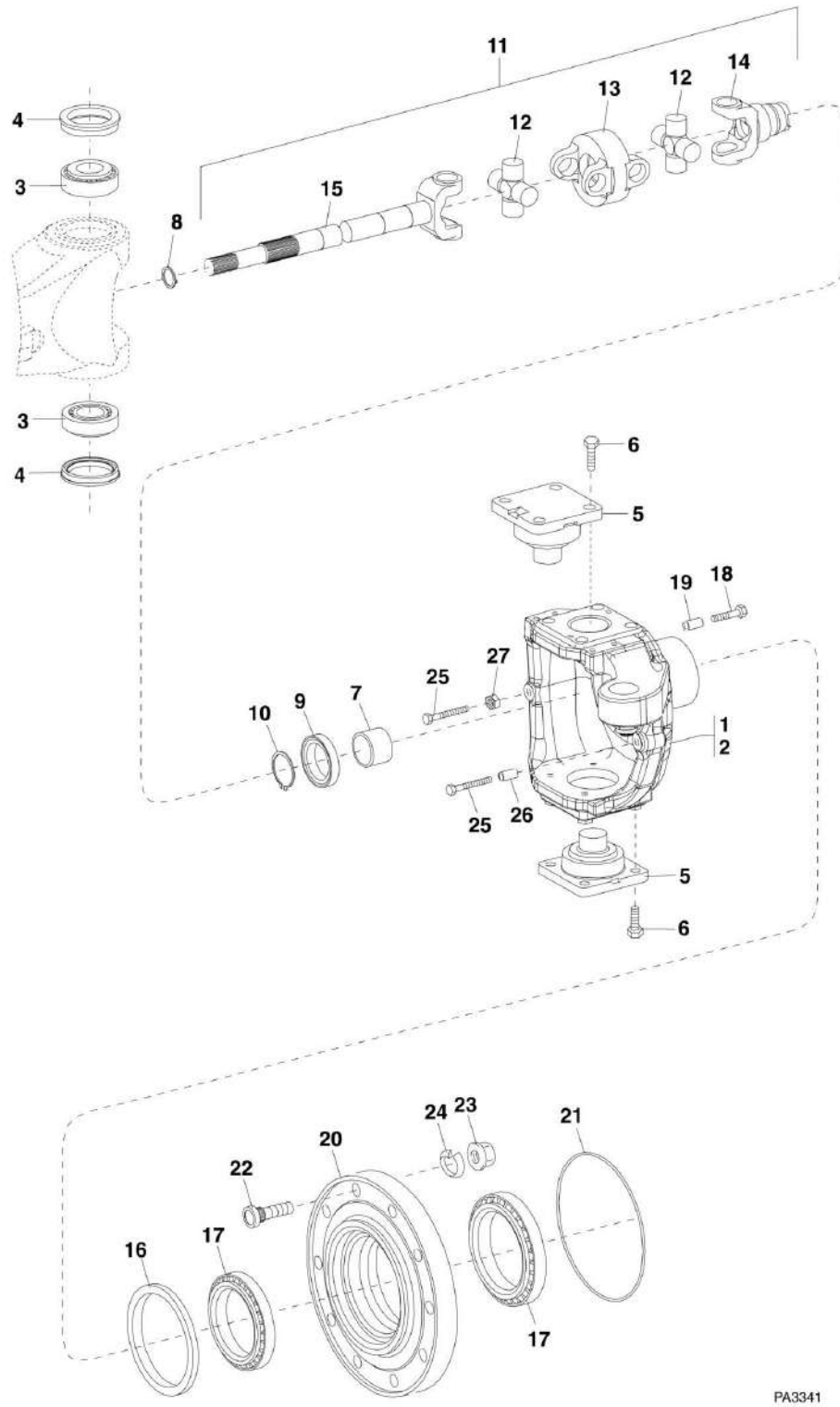
ITEM	PART NUMBER	QTY	DESCRIPTION	REV
1	1321256	1	JOINT HOUSING, (right side)	
2	1321257	1	JOINT HOUSING, (left side)	
3	1319445	4	ROLLER BEARING	
4	1319447	4	SHAFT SEAL	
5	1321249	2	SHIM, A=0.2	
5	8035959	2	SHIM, A=0.3	
5	8035960	2	SHIM, A=0.4	
5	8035961	2	SHIM, A=0.5	
5	8035962	2	SHIM, A=0.6	
5	1321250	2	SHIM, A=0.7	
5	8035963	2	SHIM, A=0.8	
5	8035964	2	SHIM, A=1.0	
5	8035965	2	SHIM, A=1.2	
5	8035966	2	SHIM, A=1.4	
5	1321251	2	SHIM, A=1.6	
5	8035967	2	SHIM, A=1.8	
5	8035968	2	SHIM, A=2.0	
6	1319462	4	BEARING PIN	
7	1319464	16	HEX SCREW	
8	1321157	2	BALL BEARING	
9	1321254	2	HUB	
10	1319210	2	RETAINING RING	
11	80304405	2	RETAINING RING	
12	7028977	2	SHAFT SEAL	
13	1321228	2	RETAINING RING	
14	1321175	2	UNIVERSAL COUPLING DRIVE SHAFT, (includes items 15 thru 20)	
15	8035969	2	CENTRAL PIECE, (Axle) (8042 Prior to SN 758640; 10042 Prior to SN 758670; 10054 Prior to SN 758670)	
15	70021789	2	CENTRAL PIECE, (8042 Axle), (10042 AND 10054 Axle) (8042 SN 758670 to Present; 10042 SN 758670 to Present; 10054 SN 758670 to Present)	
16	8035970	4	JOINT CROSS, (Axle) (8042 Prior to SN 758640; 10042 Prior to SN 758670; 10054 Prior to SN 758670)	
16	70021790	4	JOINT CROSS, (Axle) (8042 SN 758670 to Present; 10042 SN 758670 to Present; 10054 SN 758670 to Present)	
17	8035971	2	JOINT FORK	
18	8035972	2	JOINT COUPLING FORK	
19	8035973	2	BUSHING	
20	8035974	2	SCREEN SHEET	
21	1321155	2	O-RING	
22	80304173	2	SHAFT SEAL	
23	1319472	4	ROLLER BEARING	
24	8036866	20	HEX SCREW	
25	1101056	20	WHEEL BOLT	
26	1319475	2	STOP SCREW	
27	1319476	2	STOP SCREW	
28	1319477	2	HEX NUT	

SECTION 5 - DRIVE TRAIN

ITEM	PART NUMBER	QTY	DESCRIPTION	REV
29		Ref	FLANGE WHEEL NUT AND SPHERICAL WASHER SERVICE KIT, (See DRIVE TRAIN COMPONENTS for Breakdown)	
30	7139743	2	SPACER TUBE, (8042), (used with rock tires only)	
30	7026664	2	SPACER TUBE, (10042 & 10054), (used with rock tires only)	
31		Ref	RING GEAR, (See FRONT AXLE - PLANETARY DRIVE for Breakdown)	

SECTION 5 - DRIVE TRAIN

FIGURE 5-16. FRONT AXLE - JOINT HOUSING (8042 SN 0160038967 to Present, Excluding 0160038971 and 0160038984; 10042 SN 0160038368 to Present, Excluding 0160038375, 0160038378, 0160038379, 0160038381 and 0160038383; 10054 SN 0160038740 to Present, Including 0160021270, 0160036713, 0160036715, 0160036721 and 0160036723)



PA3341

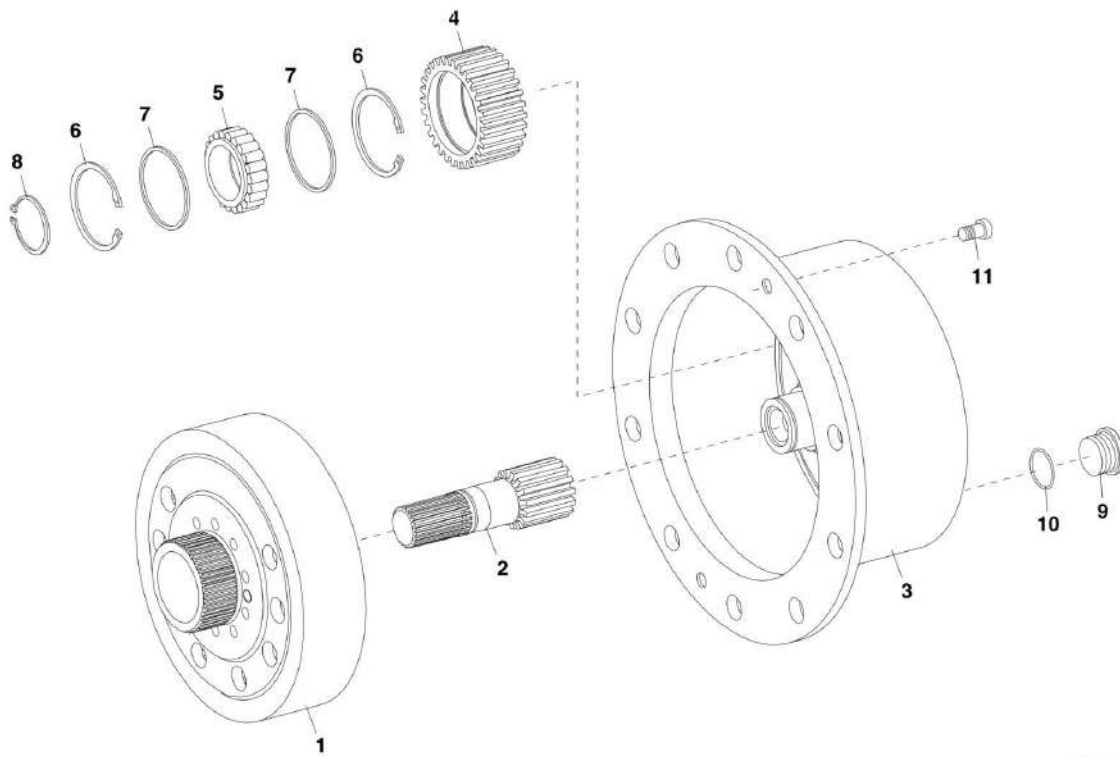
SECTION 5 - DRIVE TRAIN

FIGURE 5-16. FRONT AXLE - JOINT HOUSING (8042 SN 0160038967 to Present, Excluding 0160038971 and 0160038984; 10042 SN 0160038368 to Present, Excluding 0160038375, 0160038378, 0160038379, 0160038381 and 0160038383; 10054 SN 0160038740 to Present, Including 0160021270, 0160036713, 0160036715, 0160036721 and 0160036723)

ITEM	PART NUMBER	QTY	DESCRIPTION	REV
1	70022237	1	JOINT HOUSING, (left side)	
2	70022238	1	JOINT HOUSING, (right side)	
3	70022223	4	ROLLER BEARING	
4	1319447	4	SHAFT SEAL	
5	70022240	4	BEARING PIN	
6	1319464	16	HEX SCREW, M16X40	
7	70022179	2	BUSHING	
8	10731789	2	RETAINING RING	
9	70022218	2	SHAFT SEAL	
10	1321226	2	RETAINING RING, (8042)	
10	1321228	2	RETAINING RING, (10042 & 10054)	
11	70022170	2	UNIVERSAL COUPLING DRIVE SHAFT ASSY, (8042), (includes items 12 thru 15),	
11	70022265	2	UNIVERSAL COUPLING DRIVE SHAFT ASSY, (10042 & 10054), (includes items 12 thru 15),	
12	70021554	2	JOINT CROSS, (8042)	
12	70021790	2	JOINT CROSS, (10042 & 10054)	
13	70021553		CENTRAL PIECE, (8042)	
13	70022268	1	CENTRAL PIECE, (10042 & 10054)	
14	70022187	1	FORK SHAFT, (8042)	
14	N.S.S.	1	FORK SHAFT, (10042 & 10054)	
15	70022188	1	FORK SHAFT, (8042)	
15	N.S.S.	1	FORK SHAFT, (10042 & 10054)	
16	80304173	2	SHAFT SEAL	
17	1319472	4	ROLLER BEARING	
18	70022208	16	HEX SCREW, M14X70	
19	70022234	16	CENTERING BUSHING	
20	70022249	2	HUB	
21	70022203	2	O-RING	
22	70022230	20	WHEEL BOLT	
23		Ref	WHEEL NUT, (See DRIVE TRAIN COMPONENTS for Breakdown)	
24		Ref	SPRING WASHER, (See DRIVE TRAIN COMPONENTS for Breakdown)	
25	8036330	4	STOP SCREW, M14X1.5	
26	70022257	2	SPACER TUBE	
27	1319477	2	HEX NUT, M14X1.5	

SECTION 5 - DRIVE TRAIN

FIGURE 5-17. FRONT AXLE - PLANETARY DRIVE (8042 Prior to SN 0160038967, Including 0160038971 and 0160038984; 10042 Prior to SN 0160038368, Including 0160038375, 0160038378, 0160038379, 0160038381 and 0160038383; 10054 Prior to SN 0160038740, Excluding 0160021270, 0160036713, 0160036715, 0160036721 and 0160036723)



PH3620

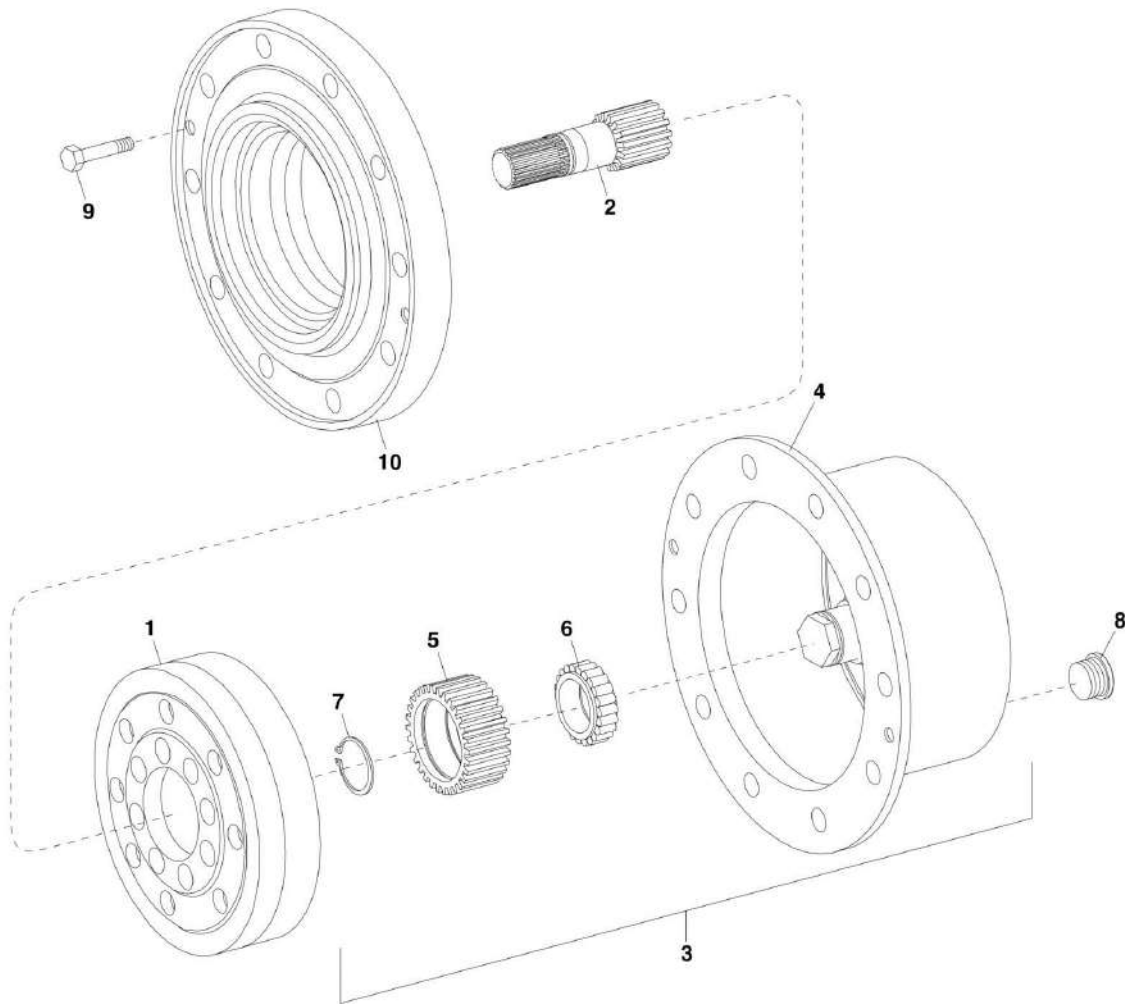
SECTION 5 - DRIVE TRAIN

FIGURE 5-17. FRONT AXLE - PLANETARY DRIVE (8042 Prior to SN 0160038967, Including 0160038971 and 0160038984; 10042 Prior to SN 0160038368, Including 0160038375, 0160038378, 0160038379, 0160038381 and 0160038383; 10054 Prior to SN 0160038740, Excluding 0160021270, 0160036713, 0160036715, 0160036721 and 0160036723)

ITEM	PART NUMBER	QTY	DESCRIPTION	REV
1	1321258	2	RING GEAR	
2	1321255	2	SUN GEAR SHAFT	
3	1321232	2	PLANET CARRIER, (Axle) (8042 Prior to SN 1723450; 10042 Prior to SN 1723382; 10054 Prior to SN 1723382)	
3	70023261	2	PLANET CARRIER, (Axle) (8042 SN 1723450 to Present; 10042 SN 1723382 to Present; 10054 SN 1723382 to Present)	
4	1321233	6	PLANET GEAR, (Axle) (8042 Prior to SN 1723450; 10042 Prior to SN 1723382; 10054 Prior to SN 1723382)	
4	70022271	3	PLANET GEAR, (Axle) (8042 SN 1723450 to Present; 10042 SN 1723382 to Present; 10054 SN 1723382 to Present)	
5	1321214	6	TAPERED ROLLER BEARING, (Axle) (8042 Prior to SN 1723450; 10042 Prior to SN 1723382; 10054 Prior to SN 1723382)	
5	70023330	3	CYLINDRICAL ROLLER BEARING, (Axle) (8042 SN 1723450 to Present; 10042 SN 1723382 to Present; 10054 SN 1723382 to Present)	
6	1321205	12	SNAP RING, (Axle) (8042 Prior to SN 1723450; 10042 Prior to SN 1723382; 10054 Prior to SN 1723382)	
7	1321191	12	WASHER, (Axle) (8042 Prior to SN 1723450; 10042 Prior to SN 1723382; 10054 Prior to SN 1723382)	
8	80304227	3	RETAINING RING	
9	1319506	2	SCREW PLUG	
10	8036331	2	O-RING	
11	8035977	4	CAPSCREW	

SECTION 5 - DRIVE TRAIN

FIGURE 5-18. FRONT AXLE - PLANETARY DRIVE (8042 SN 0160038967 to Present, Excluding 0160038971 and 0160038984; 10042 SN 0160038368 to Present, Excluding 0160038375, 0160038378, 0160038379, 0160038381 and 0160038383; 10054 SN 0160038740 to Present, Including 0160021270, 0160036713, 0160036715, 0160036721 and 0160036723)



PA3351

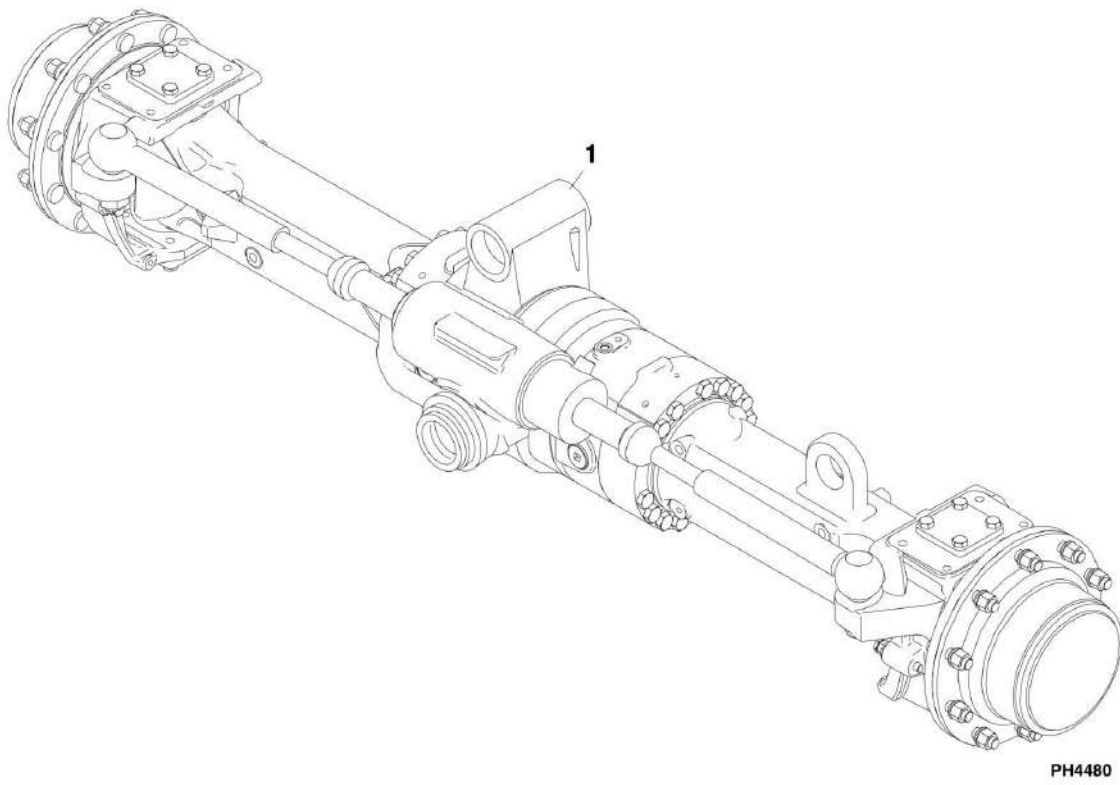
SECTION 5 - DRIVE TRAIN

FIGURE 5-18. FRONT AXLE - PLANETARY DRIVE (8042 SN 0160038967 to Present, Excluding 0160038971 and 0160038984; 10042 SN 0160038368 to Present, Excluding 0160038375, 0160038378, 0160038379, 0160038381 and 0160038383; 10054 SN 0160038740 to Present, Including 0160021270, 0160036713, 0160036715, 0160036721 and 0160036723)

ITEM	PART NUMBER	QTY	DESCRIPTION	REV
1	70022242	1	RING GEAR, (8042)	
1	70022274	1	RING GEAR, (10042 & 10054)	
2	70022239	2	SUN GEAR SHAFT, (8042)	
2	70022278	2	SUN GEAR SHAFT, (10042 & 10054)	
3	70022281	2	PLANETARY CARRIER ASSY, (8042), (includes items 4 thru 7)	
3	70022273	2	PLANETARY CARRIER ASSY, (10042 & 10054), (includes items 4 thru 7)	
4	70022283	1	PLANETARY CARRIER, (8042)	
4	70022279	1	PLANETARY CARRIER, (10042 & 10054)	
5	70022243	4	PLANETARY GEAR, (8042)	
5	70022271	3	PLANETARY GEAR, (10042 & 10054)	
6	70022221	4	CYL. ROLLER BEARING, (8042)	
6	70022270	3	CYL. ROLLER BEARING, (10042 & 10054)	
7	70022197	4	RETAINING RING, (8042)	
7	80304227	3	RETAINING RING, (10042 & 10054)	
8	1319578	2	SCREW PLUG	
9	70022207	4	HEX SCREW, M12X30	
10		Ref	HUB, (See FRONT AXLE - JOINT HOUSING for Breakdown)	

SECTION 5 - DRIVE TRAIN

FIGURE 5-19. REAR AXLE



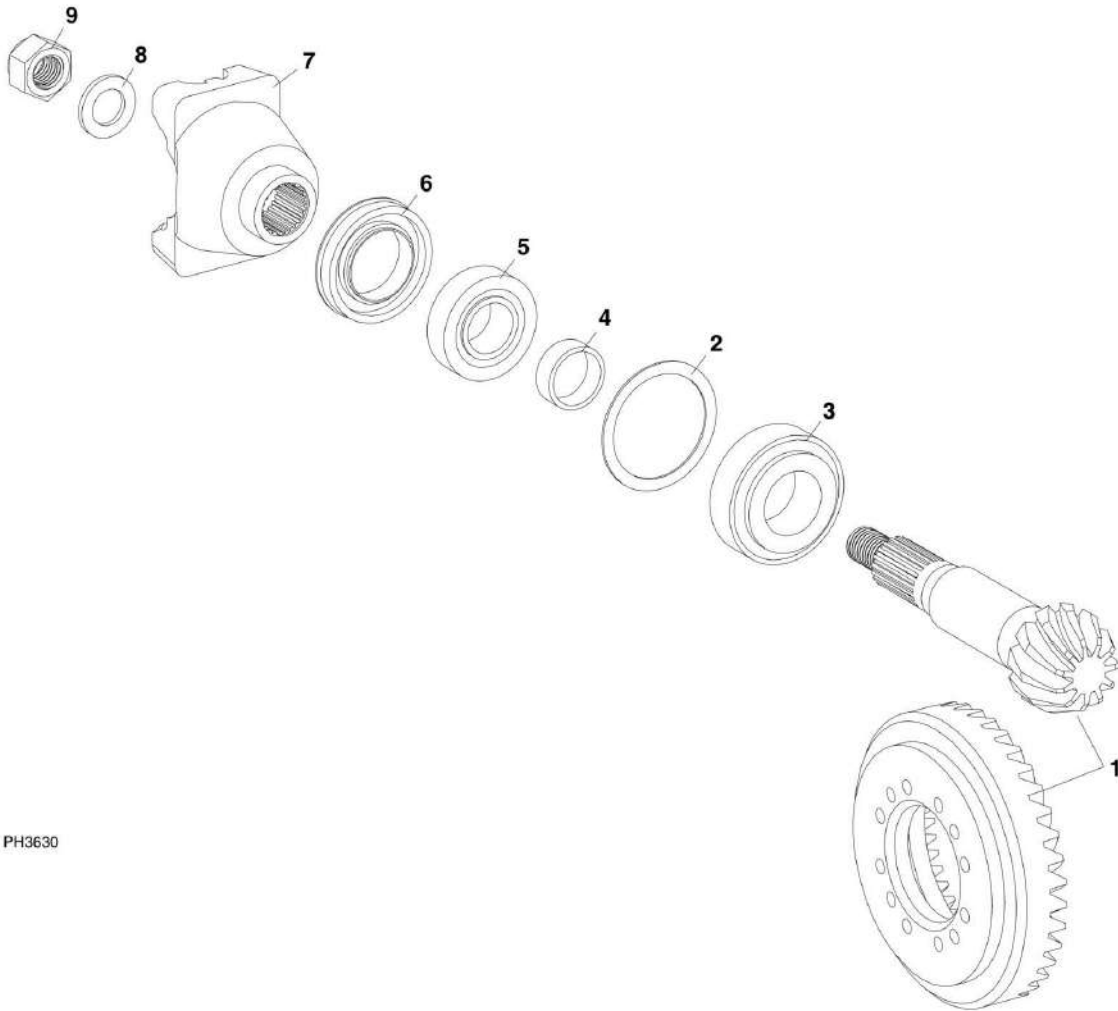
SECTION 5 - DRIVE TRAIN

FIGURE 5-19. REAR AXLE

ITEM	PART NUMBER	QTY	DESCRIPTION	REV
1	8040264	1	REAR AXLE, (8042 Prior to SN 0160038967; Including 0160038971 and 0160038984)	
1	8040272	1	REAR AXLE, (10042 Prior to SN 17978)	
1	8040272	1	REAR AXLE, (10054 Prior to SN 17975)	
1	1001116838	1	REAR AXLE, (8042 SN 0160038967 to Present; Excluding 0160038971 and 0160038984)	
1	8040285	1	REAR AXLE (10042 SN 17978 through 19987; SN 0160002332 through 0160038367, Including 0160038375, 0160038378, 0160038379, 0160038381 and 0160038383)	
1	8040285	1	REAR AXLE (10054 SN 17975 through 19987; SN 0160002332 through 0160038739, Excluding 0160021270, 0160036713, 0160036715, 0160036721 and 0160036723)	
1	1001103633	1	REAR AXLE, (10042 SN 0160038368 to Present, Excluding 0160038375, 0160038378, 0160038379, 0160038381 and 0160038383; 10054 SN 0160038740 to Present, Including 0160021270, 0160036713, 0160036715, 0160036721 and 0160036723)	
1		Ref	INPUT, (See REAR AXLE-INPUT for Breakdown)	
1		Ref	DIFFERENTIAL, (See REAR AXLE-DIFFERENTIAL for Breakdown)	
1		Ref	AXLE CASING, (See REAR AXLE-AXLE CASING for Breakdown)	
1		Ref	M-DISC BRAKE, (See REAR AXLE-M-DISC BRAKE for Breakdown)	
1		Ref	BRAKE, (See REAR AXLE-BRAKE for Breakdown)	
1		Ref	JOINT HOUSING, (See REAR AXLE-JOINT HOUSING for Breakdown)	
1		Ref	PLANETARY DRIVE, (See REAR AXLE-PLANETARY DRIVE for Breakdown)	

SECTION 5 - DRIVE TRAIN

FIGURE 5-20. REAR AXLE - INPUT (8042 Prior to SN 0160038967, Including 0160038971 and 0160038984; 10042 Prior to SN 0160038368, Including 0160038375, 0160038378, 0160038379, 0160038381 and 0160038383; 10054 Prior to SN 0160038740, Excluding 0160021270, 0160036713, 0160036715, 0160036721 and 0160036723)



PH3630

SECTION 5 - DRIVE TRAIN

FIGURE 5-20. REAR AXLE - INPUT (8042 Prior to SN 0160038967, Including 0160038971 and 0160038984; 10042 Prior to SN 0160038368, Including 0160038375, 0160038378, 0160038379, 0160038381 and 0160038383; 10054 Prior to SN 0160038740, Excluding 0160021270, 0160036713, 0160036715, 0160036721 and 0160036723)

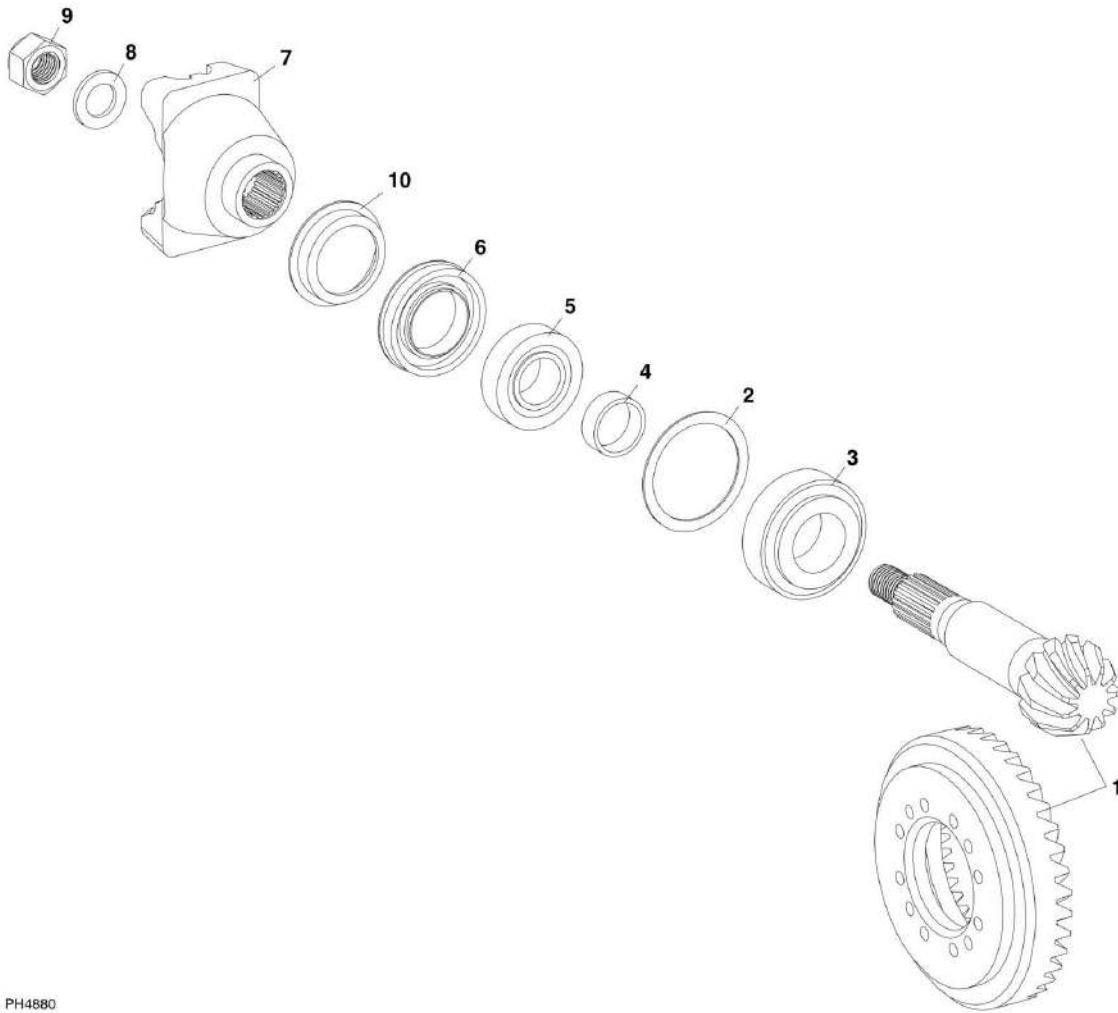
ITEM	PART NUMBER	QTY	DESCRIPTION	REV
1	1321229	1	BEVEL GEAR SET (Prior to SN 17975)	
1	8036751	1	BEVEL GEAR SET (8042 SN 016002332 to Present, SN 17975 through 19987; 10042 SN 016002332 to Present, SN 17978 through 19987; 10054 SN 016002332 to Present, SN 17975 through 19987)	
2	1319333	1	SHIM, S=1.0	
2	1319334	1	SHIM, S=1.05	
2	1319335	1	SHIM, S=1.1	
2	1319336	1	SHIM, S=1.15	
2	1319337	1	SHIM, S=1.2	
2	1319338	1	SHIM, S=1.25	
2	1319339	1	SHIM, S=1.3	
2	1319340	1	SHIM, S=1.35	
2	1319341	1	SHIM, S=1.4	
2	1319342	1	SHIM, S=1.45	
2	1319343	1	SHIM, S=1.5	
2	1319344	1	SHIM, S=1.55	
2	1319345	1	SHIM, S=1.6	
2	1319346	1	SHIM, S=0.9	
2	1319347	1	SHIM, S=0.95	
2	1319348	1	SHIM, S=0.65	
2	1319349	1	SHIM, S=0.7	
2	1319350	1	SHIM, S=0.75	
2	1319351	1	SHIM, S=0.85	
2	1319352	1	SHIM, S=0.8	
3	1319353	1	ROLLER BEARING	
4	1319354	1	RING, S=15.1	
4	1319355	1	RING, S=15.2	
4	1319356	1	RING, S=15.3	
4	1319357	1	RING, S=15.4	
4	1319358	1	RING, S=15.5	
4	1319359	1	RING, S=15.6	
4	1319360	1	RING, S=15.7	
4	1319361	1	RING, S=15.8	
4	1319362	1	RING, S=15.9	
4	1319363	1	RING, S=16.0	
4	1319364	1	RING, S=16.1	
4	1319365	1	RING, S=16.2	
4	1319366	1	RING, S=16.3	
4	1319367	1	RING, S=16.4	
4	8035982	1	RING, S=16.26	
4	1319369	1	RING, S=16.23	
4	1319370	1	RING, S=16.16	
4	1319371	1	RING, S=16.13	
4	1319372	1	RING, S=16.06	
4	1319373	1	RING, S=16.03	
4	1319374	1	RING, S=15.96	

SECTION 5 - DRIVE TRAIN

ITEM	PART NUMBER	QTY	DESCRIPTION	REV
4	1319375	1	RING, S=15.93	
4	1319376	1	RING, S=15.86	
4	1319377	1	RING, S=15.83	
4	1319378	1	RING, S=15.76	
4	1319379	1	RING, S=15.73	
4	1319380	1	RING, S=15.66	
4	1319381	1	RING, S=15.63	
4	1319382	1	RING, S=15.56	
4	1319383	1	RING, S=15.53	
4	1319384	1	RING, S=15.46	
4	1319385	1	RING, S=15.43	
4	1319386	1	RING, S=15.36	
4	1319387	1	RING, S=15.33	
4	1319388	1	RING, S=15.26	
4	1319389	1	RING, S=15.38	
4	1319390	1	RING, S=15.48	
4	1319391	1	RING, S=15.58	
4	1313932	1	RING, S=15.68	
4	1319393	1	RING, S=15.69	
4	1319394	1	RING, S=15.72	
4	1319395	1	RING, S=15.78	
4	1319396	1	RING, S=15.81	
4	1319397	1	RING, S=15.84	
4	1319398	1	RING, S=15.88	
4	1319399	1	RING, S=15.89	
4	1319400	1	RING, S=15.91	
4	1319401	1	RING, S=15.94	
4	1319402	1	RING, S=15.97	
5	1319444	1	ROLLER BEARING	
6	1321211	1	SHAFT SEAL	
7	1321237	1	END YOKE	
8	1319406	1	WASHER	
9	8035983	1	HEX NUT	

SECTION 5 - DRIVE TRAIN

FIGURE 5-21. REAR AXLE - INPUT (8042 SN 0160038967 to Present, Excluding 0160038971 and 0160038984; 10042 SN 0160038368 to Present, Excluding 0160038375, 0160038378, 0160038379, 0160038381 and 0160038383; 10054 SN 0160038740 to Present, Including 0160021270, 0160036713, 0160036715, 0160036721 and 0160036723)



PH4880

SECTION 5 - DRIVE TRAIN

FIGURE 5-21. REAR AXLE - INPUT (8042 SN 0160038967 to Present, Excluding 0160038971 and 0160038984; 10042 SN 0160038368 to Present, Excluding 0160038375, 0160038378, 0160038379, 0160038381 and 0160038383; 10054 SN 0160038740 to Present, Including 0160021270, 0160036713, 0160036715, 0160036721 and 0160036723)

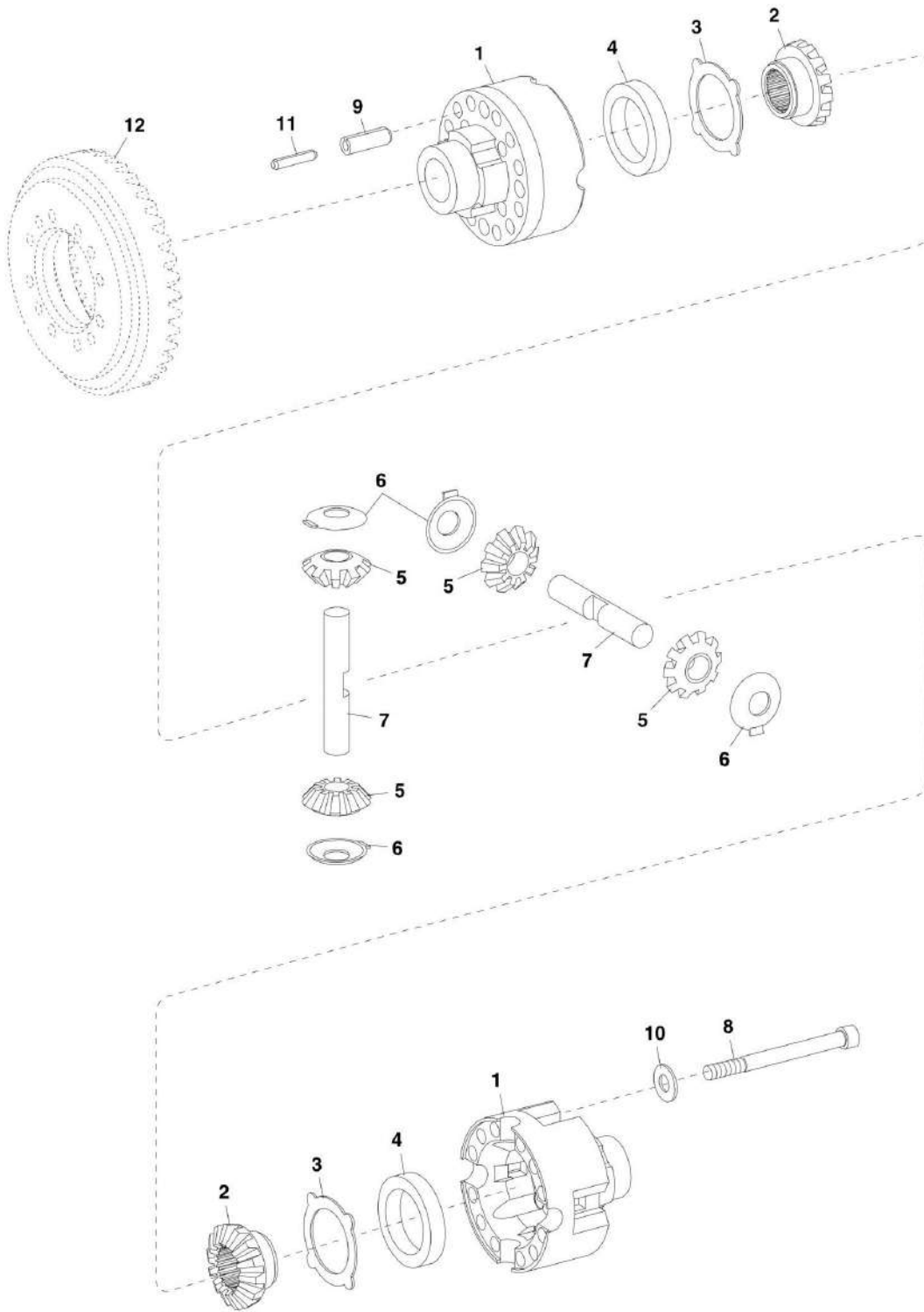
ITEM	PART NUMBER	QTY	DESCRIPTION	REV
1	70022786	1	BEVEL GEAR, (8042)	
1	70022787	1	PINION, (8042)	
1	70022280	1	BEVEL GEAR SET, (10042 & 10054)	
2	80304160	1	SHIM, S=0.1	
2	80304159	1	SHIM, S=0.2	
2	80304158	1	SHIM, S=0.3	
2	80304157	1	SHIM, S=0.5	
2	80304156	1	SHIM, S=0.6	
2	80304162	1	SHIM, S=0.65	
2	80304155	1	SHIM, S=0.7	
2	80304161	1	SHIM, S=0.75	
2	80304154	1	SHIM, S=0.8	
2	80304153	1	SHIM, S=0.9	
2	80304152	1	SHIM, S=1.0	
2	80304146	1	SHIM, S=1.2	
2	80304163	1	SHIM, S=1.25	
2	80304151	1	SHIM, S=1.3	
2	80304164	1	SHIM, S=1.35	
2	80304150	1	SHIM, S=1.4	
2	80304165	1	SHIM, S=1.45	
2	80304145	1	SHIM, S=1.5	
2	80304166	1	SHIM, S=1.55	
2	80304149	1	SHIM, S=1.6	
2	80304167	1	SHIM, S=1.65	
2	80304148	1	SHIM, S=1.7	
2	80304168	1	SHIM, S=1.75	
2	80304144	1	SHIM, S=1.8	
2	80304169	1	SHIM, S=1.85	
2	80304147	1	SHIM, S=1.9	
2	80304143	1	SHIM, S=2.0	
3	70023400	1	TAPERED ROLLER BEARING, (8042)	
3	70022231	1	TAPERED ROLLER BEARING, (10042 AND 10054)	
4	80304088	1	RING, S=16.0	
4	80304089	1	RING, S=16.1	
4	80304090	1	RING, S=16.2	
4	80304091	1	RING, S=16.3	
4	80304092	1	RING, S=16.4	
4	80304093	1	RING, S=16.5	
4	80304110	1	RING, S=16.56	
4	80304094	1	RING, S=16.6	
4	80304111	1	RING, S=16.62	
4	80304112	1	RING, S=16.64	
4	80304124	1	RING, S=16.66	
4	80304113	1	RING, S=16.68	
4	80304095	1	RING, S=16.7	
4	70022216	1	RING, S=16.72	
4	80304115	1	RING, S=16.74	

SECTION 5 - DRIVE TRAIN

ITEM	PART NUMBER	QTY	DESCRIPTION	REV
4	80304117	1	RING, S=16.76	
4	80304118	1	RING, S=16.78	
4	80304096	1	RING, S=16.8	
4	80304119	1	RING, S=16.82	
4	80304120	1	RING, S=16.84	
4	80304104	1	RING, S=16.86	
4	80304121	1	RING, S=16.88	
4	80304122	1	RING, S=16.9	
4	80304097	1	RING, S=16.92	
4	80304123	1	RING, S=16.94	
4	80304125	1	RING, S=16.96	
4	80304107	1	RING, S=16.98	
4	80304126	1	RING, S=17.0	
4	80304127	1	RING, S=17.02	
4	80304108	1	RING, S=17.04	
4	80304128	1	RING, S=17.06	
4	80304129	1	RING, S=17.08	
4	80304099	1	RING, S=17.10	
4	80304130	1	RING, S=17.12	
4	80304131	1	RING, S=17.14	
4	80304132	1	RING, S=17.16	
4	80304133	1	RING, S=17.18	
4	80304100	1	RING, S=17.2	
4	80304134	1	RING, S=17.22	
4	80304135	1	RING, S=17.24	
4	80304136	1	RING, S=17.26	
4	80304137	1	RING, S=17.28	
4	80304101	1	RING, S=17.3	
4	80304102	1	RING, S=17.4	
5	1319353	1	ROLLER BEARING	
6	70022220	1	SHAFT SEAL	
7	70022245	1	END YOKE	
8	80304082	1	WASHER	
9	70022213	1	HEX NUT	
10	70022244	1	SCREEN SHEET	

SECTION 5 - DRIVE TRAIN

FIGURE 5-22. REAR AXLE - DIFFERENTIAL 8 (8042 Prior to SN 0160038967, Including 0160038971 and 0160038984; 10042 Prior to SN 0160038368, Including 0160038375, 0160038378, 0160038379, 0160038381 and 0160038383; 10054 Prior to SN 0160038740; 10058 Excluding 0160021270, 0160036713, 0160036715, 0160036721 and 0160036723)



PH3640

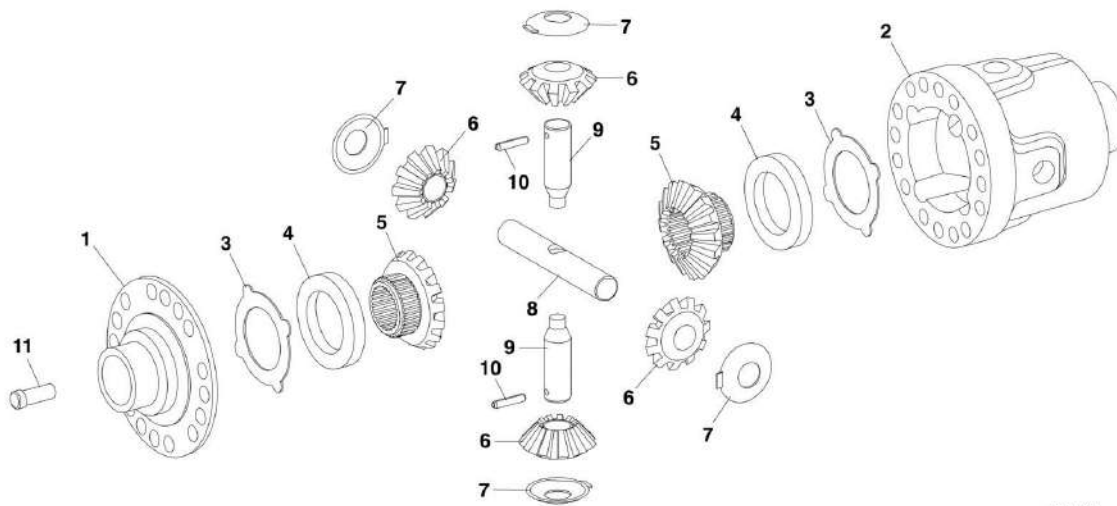
SECTION 5 - DRIVE TRAIN

FIGURE 5-22. REAR AXLE - DIFFERENTIAL 8 (8042 Prior to SN 0160038967, Including 0160038971 and 0160038984; 10042 Prior to SN 0160038368, Including 0160038375, 0160038378, 0160038379, 0160038381 and 0160038383; 10054 Prior to SN 0160038740; 10058 Excluding 0160021270, 0160036713, 0160036715, 0160036721 and 0160036723)

ITEM	PART NUMBER	QTY	DESCRIPTION	REV
1	1321215	1	DIFFERENTIAL CASE	
2	8036752	2	AXLE BEVEL GEAR	
3	1319412	2	THRUST WASHER,	
4	1321260	2	DIFFERENTIAL RING, A=13.7	
4	8035984	2	DIFFERENTIAL RING, A=13.6	
4	1321259	2	DIFFERENTIAL RING, A=13.5	
5	8036753	4	DIFFERENTIAL BEVEL GEAR, (Axle) (Prior to SN 708692)	
5	1319414	4	DIFFERENTIAL BEVEL GEAR, (Axle) (SN 708692 to Present)	
6	1319415	4	THRUST WASHER	
7	1321225	2	DIFFERENTIAL AXLE	
8	8035923	12	CAP SCREW	
9	1321153	4	SLOT PIN	
10	1321184	12	WASHER	
11	1321154	4	SLOT PIN	
12		Ref	BEVEL GEAR SET, (See REAR AXLE-INPUT for Breakdown)	

SECTION 5 - DRIVE TRAIN

FIGURE 5-23. REAR AXLE - DIFFERENTIAL (8042 SN 0160038967 to Present, Excluding 0160038971 and 0160038984; 10042 SN 0160038368 to Present, Excluding 0160038375, 0160038378, 0160038379, 0160038381 and 0160038383; 10054 SN 0160038740 to Present, Including 0160021270, 0160036713, 0160036715, 0160036721 and 0160036723)



PA4700

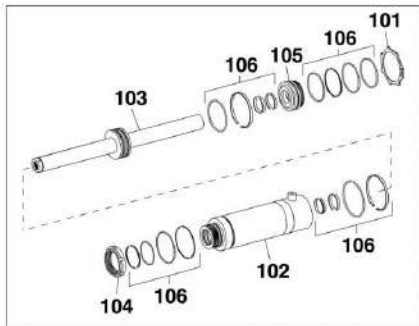
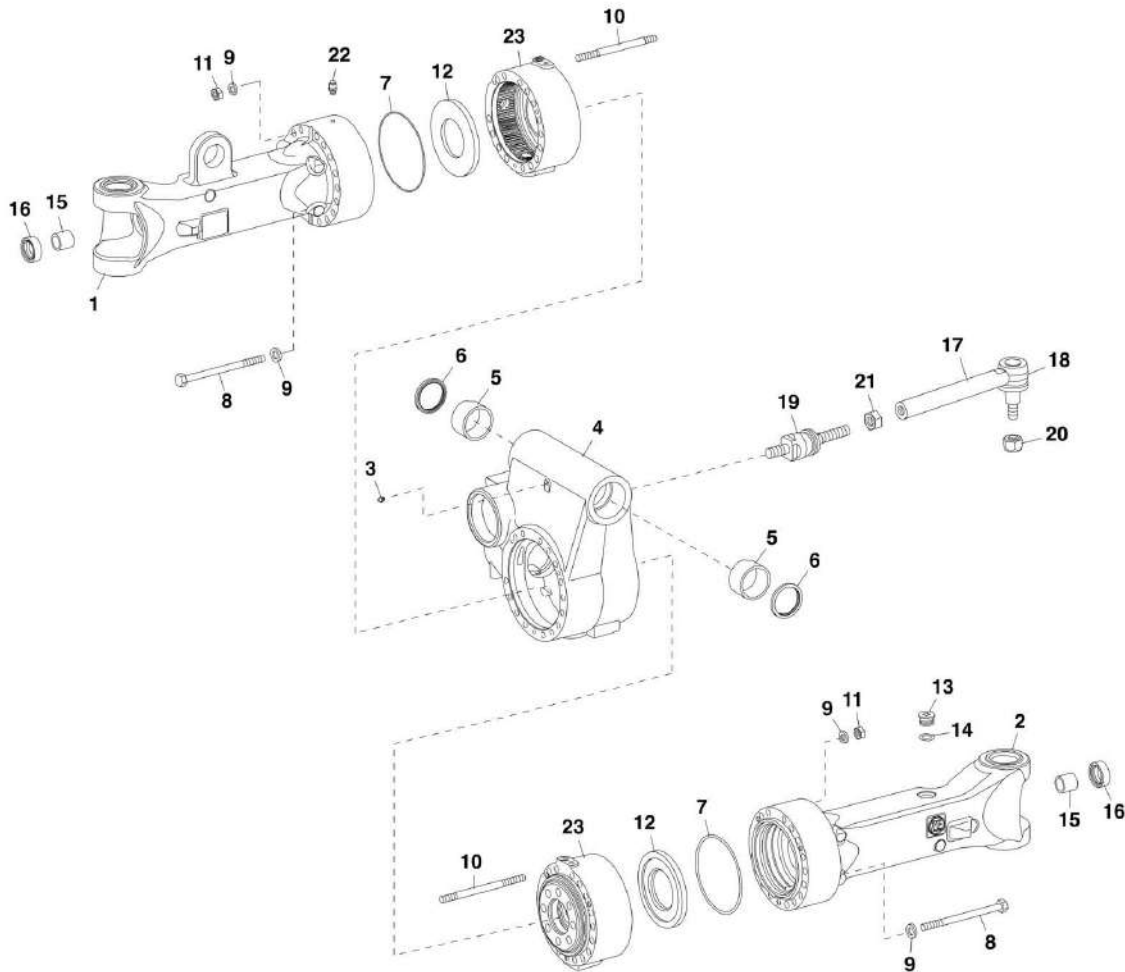
SECTION 5 - DRIVE TRAIN

FIGURE 5-23. REAR AXLE - DIFFERENTIAL (8042 SN 0160038967 to Present, Excluding 0160038971 and 0160038984; 10042 SN 0160038368 to Present, Excluding 0160038375, 0160038378, 0160038379, 0160038381 and 0160038383; 10054 SN 0160038740 to Present, Including 0160021270, 0160036713, 0160036715, 0160036721 and 0160036723)

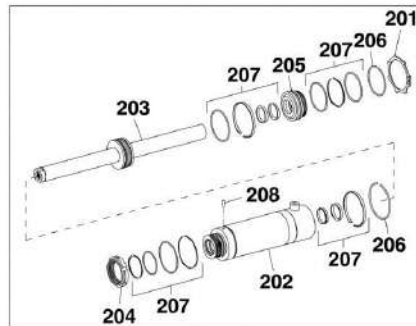
ITEM	PART NUMBER	QTY	DESCRIPTION	REV
1	70022229	1	COVER	
2	70022226	NLA	DIFFERENTIAL CASE DIFFERENTIAL CASE, (no longer available, Before Axle S/N 2022732 must replace with both 70023910 differential case and qty 2 of 70023904 slotted pins)	
2	70023910	1	DIFFERENTIAL CASE, (Axle) (SN 2022732 to Present)	
3	70022284	2	THRUST WASHER	
4	70023401	2	COMPENSATING RING, (8042)	
4	70022285	2	COMPENSATING RING, (10042 & 10054)	
5	70023402	2	AXLE BEVEL GEAR, (8042)	
5	70022225	2	AXLE BEVEL GEAR, (10042 & 10054)	
6	70023403	4	DIFFERENTIAL BEVEL GEAR, (8042)	
6	70022185	4	DIFFERENTIAL BEVEL GEAR, (10042 & 10054)	
7	70022262	4	THRUST WASHER	
8	70022227	1	DIFFERENTIAL AXLE	
9	70022228	2	DIFFERENTIAL AXLE	
10	70022200	NLA	SLOT PIN, (no longer available, Axle must replace with both 70023910 differential case and qty 2 of 70023904 slotted pins) (Prior to SN 2022732)	
10	70023904	2	SLOTTED PIN, (Axle) (SN 2022732 to Present)	
11	70022211	16	CAPSCREW	

SECTION 5 - DRIVE TRAIN

FIGURE 5-24. REAR AXLE - AXLE CASING (8042 Prior to SN 0160038967, Including 0160038971 and 0160038984; 10042 Prior to SN 0160038368, Including 0160038375, 0160038378, 0160038379, 0160038381 and 0160038383; 10054 Prior to SN 0160038740, Excluding 0160021270, 0160036713, 0160036715, 0160036721 and 0160036723)



8042 PRIOR TO AXLE S/N 955403
 10042 PRIOR TO AXLE S/N 949494
 10054 PRIOR TO AXLE S/N 949494



8042 AXLE S/N 955403 TO PRESENT
 10042 AXLE S/N 949494 TO PRESENT
 10054 AXLE S/N 949494 TO PRESENT

PH3652

SECTION 5 - DRIVE TRAIN

FIGURE 5-24. REAR AXLE - AXLE CASING (8042 Prior to SN 0160038967, Including 0160038971 and 0160038984; 10042 Prior to SN 0160038368, Including 0160038375, 0160038378, 0160038379, 0160038381 and 0160038383; 10054 Prior to SN 0160038740, Excluding 0160021270, 0160036713, 0160036715, 0160036721 and 0160036723)

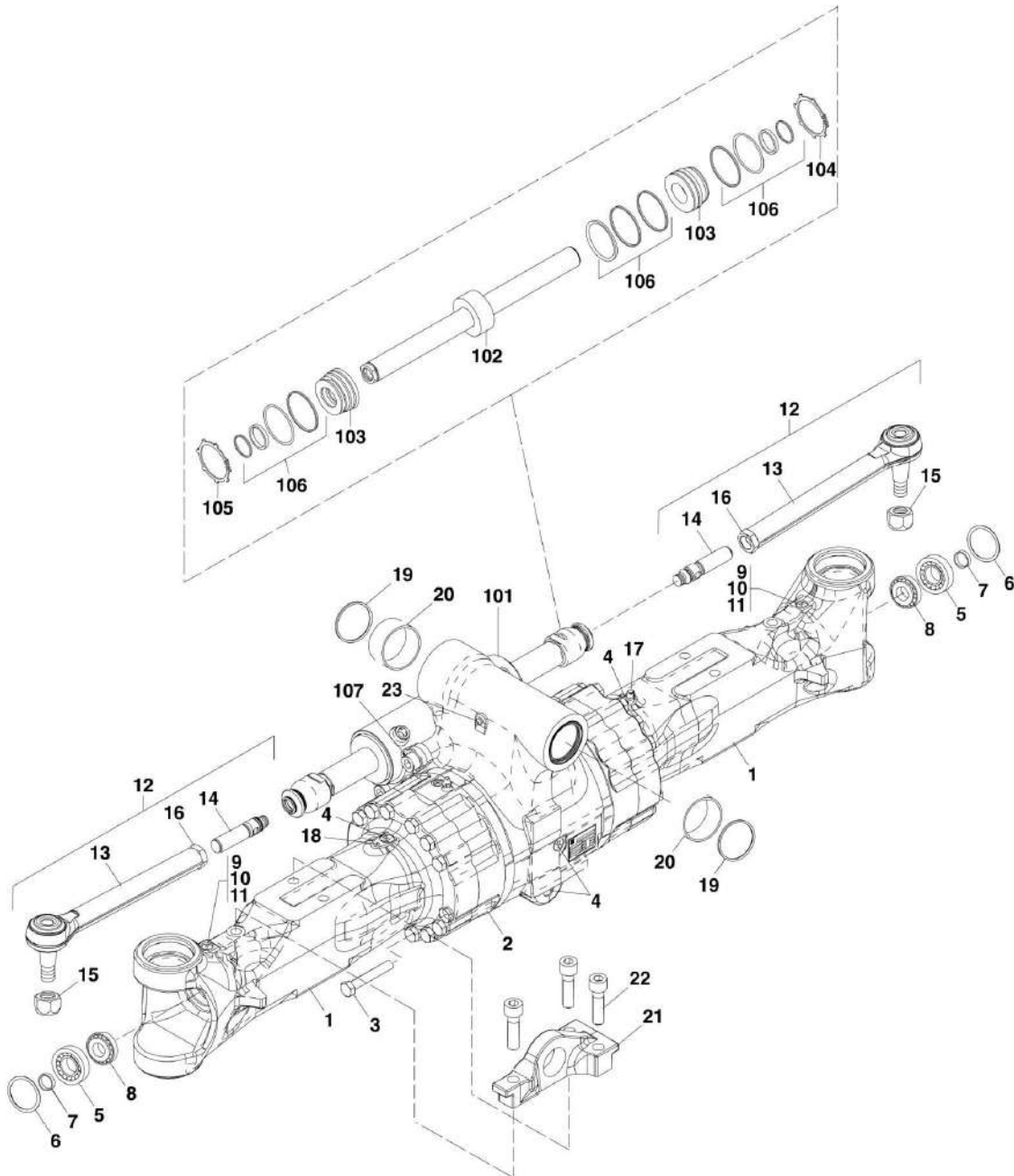
ITEM	PART NUMBER	QTY	DESCRIPTION	REV
1	8035986	1	AXLE CASING	
2	8035987	1	AXLE CASING	
3	1319423	1	LUBRICATION NIPPLE	
4	7026663	1	AXLE DRIVE HOUSING, (15 screw joints; completely interchangeable with 14 screw joints)	
4	70021111	1	AXLE DRIVE HOUSING, (14 screw joints)	
5	1321234	2	BUSHING	
6	1321209	2	SEAL	
7	1319425	2	O-RING	
8	8035027	30	HEX SCREW	
8	8035927	28	HEX SCREW	
9	8036312	30	WASHER, (only used on 7026663)	
10	8036313	8	STUD	
11	1319429	8	HEX NUT	
12	8036606	2	END SHIM, (Axle) (Prior to SN 679469)	
12	70020413	2	END SHIM, (Axle) (SN 679469 to Present)	
13	1319506	1	SCREW PLUG	
14	8036331	1	O-RING	
15	1319433	2	BUSHING	
16	7027211	2	SHAFT SEAL	
17	1321148	2	AXLE JOINT, (includes items 18 thru 21)	
18	8036756	2	BALL JOINT	
19	8036757	2	AXLE JOINT	
20	8036758	2	LOCKNUT	
21	8036759	2	HEX NUT	
22	1319436	1	BREATHER	
23		Ref	BRAKE HOUSING (see REAR AXLE-M-DISC BRAKE for Breakdown)	
	1321149	NLA	STEERING CYLINDER, (8042 Axle, 10042 Axle, 10054 Axle), (includes items 101 thru 106), (no longer available, use 70021617 for replacement) (8042 Prior to SN 828785; 10054 Prior to SN 1285172; 10042 Prior to SN 1285172)	
	70021617	1	STEERING CYLINDER, (8042 Axle, 10042 Axle, 10054 Axle), (includes items 201 thru 208) (8042 SN 828785 to Present; 10054 SN 1285172 to Present; 10042 SN 1285172 to Present)	
101	8035978	NLA	L-RING, (no longer available, use 70021617 for replacement)	
102	8036440	NLA	TUBE WELDMNT, (no longer available, use 70021617 for replacement)	
103	8036439	NLA	PISTON ROD, (no longer available, use 70021617 for replacement)	
104	8035998	1	SLOTTED NUT	
105	8035980	NLA	GUIDE PIECE, (no longer available, use 70021617 for replacement)	
106	8035981	1	SEAL KIT	
201	70021571	1	L-RING	
202	N.S.S.	1	CYLINDER TUBE	
203	70021568	1	PISTON ROD	
204	70021570	1	SLOTTED NUT	
205	70021569	1	GUIDE PIECE	
206	70021726	2	RETAINING RING	

SECTION 5 - DRIVE TRAIN

ITEM	PART NUMBER	QTY	DESCRIPTION	REV
207	70021495	1	SEAL KIT	
208	70022610	1	SLOTTED PIN	

SECTION 5 - DRIVE TRAIN

FIGURE 5-25. REAR AXLE - AXLE CASING (8042 SN 0160038967 to Present, Excluding 0160038971 and 0160038984; 10042 SN 0160038368 to Present, Excluding 0160038375, 0160038378, 0160038379, 0160038381 and 0160038383; 10054 SN 0160038740 to Present, Including 0160021270, 0160036713, 0160036715, 0160036721 and 0160036723)



PH4830

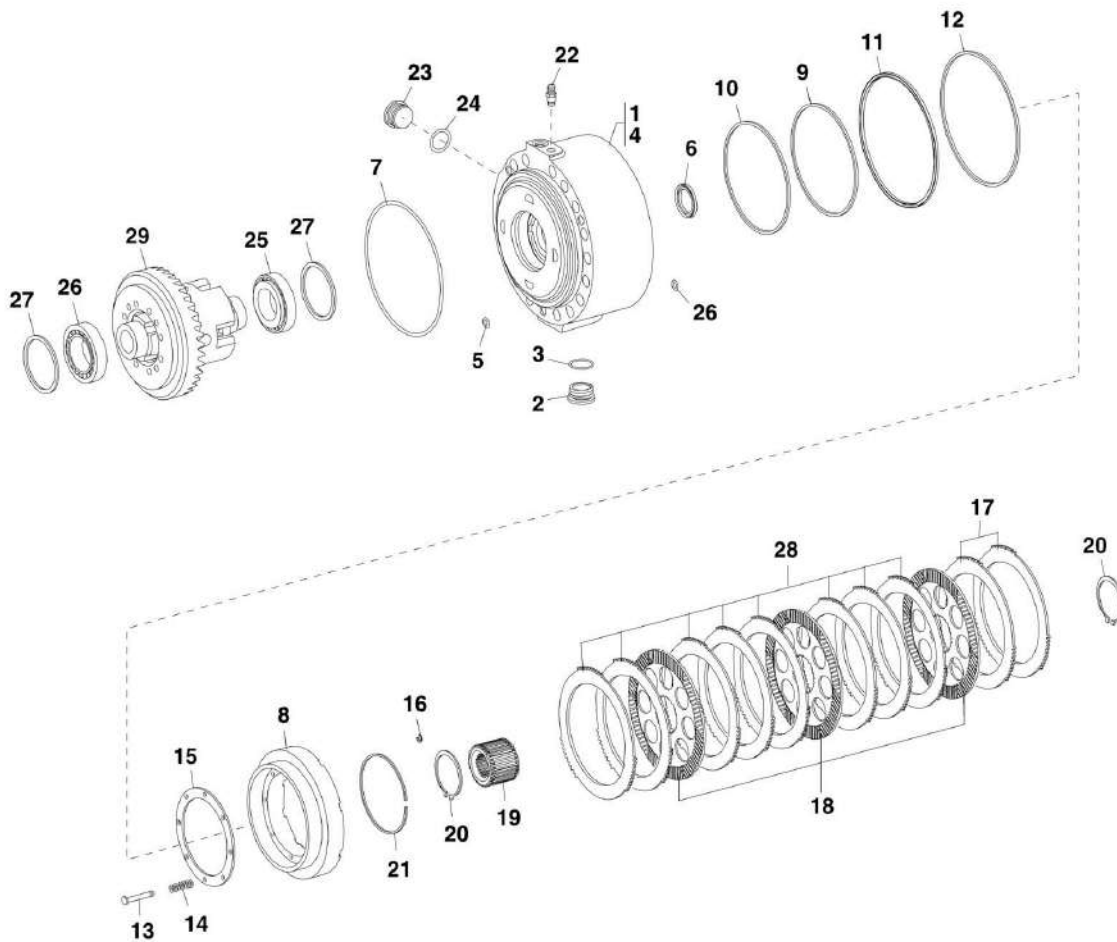
SECTION 5 - DRIVE TRAIN

FIGURE 5-25. REAR AXLE - AXLE CASING (8042 SN 0160038967 to Present, Excluding 0160038971 and 0160038984; 10042 SN 0160038368 to Present, Excluding 0160038375, 0160038378, 0160038379, 0160038381 and 0160038383; 10054 SN 0160038740 to Present, Including 0160021270, 0160036713, 0160036715, 0160036721 and 0160036723)

ITEM	PART NUMBER	QTY	DESCRIPTION	REV
1	70022255	2	AXLE CASING	
2	70022277	1	AXLE DRIVE HOUSING	
3	70022206	28	HEX HD CAPSCREW, M18X180	
4	70023404	4	SCREW PLUG, (8042)	
4	1319578	4	SCREW PLUG, (10042 & 10054)	
5	70022241	2	BUSHING	
6	70022204	2	O-RING	
7	70022217	2	RING	
8	10731790	2	BEARING	
9	70022201	2	SET SCREW, M10X1X16	
10	70022777	2	SCREW PLUG, (8042)	
10	1319666	2	SCREW PLUG, (10042 & 10054)	
11	7027217	2	O-RING	
12	70022174	2	TIE ROD, (includes items 13 thru 16)	
13	70022175	1	BALL JOINT	
14	70022172	1	AXIAL JOINT	
15	8036758	1	LOCKNUT	
16	8036759	1	HEX NUT	
17	1319436	1	BREATHER	
18	8036418	1	SCREW PLUG	
19	1321209	2	SHAFT SEAL	
20	1321234	2	BUSHING	
21	70022254	1	BRACKET	
22	1001103619	3	HEX HD CAPSCREW, M22X1.5X80	
23	1319423	1	GREASE FITTING	
101	70022173	1	STEERING CYLINDER, (includes items 102 thru 106)	
102	70022177	1	PISTON ROD	
103	70022184	2	BREAK HEAD	
104	70022181	2	RETAINING RING	
105	70022180	2	RETAINING RING	
106	70022178	1	SEAL KIT	
107	70022789	4	CAPSCREW, M22X1.5X55, (8042)	
107	70022210	4	CAPSCREW, M22X1.5X55, (10042 & 10054)	

SECTION 5 - DRIVE TRAIN

FIGURE 5-26. REAR AXLE - M-DISC BRAKE (8042 Prior to SN 0160038967, Including 0160038971 and 0160038984; 10042 Prior to SN 0160038368, Including 0160038375, 0160038378, 0160038379, 0160038381 and 0160038383; 10054 Prior to SN 0160038740, Excluding 0160021270, 0160036713, 0160036715, 0160036721 and 0160036723)



PH3660

SECTION 5 - DRIVE TRAIN

FIGURE 5-26. REAR AXLE - M-DISC BRAKE (8042 Prior to SN 0160038967, Including 0160038971 and 0160038984; 10042 Prior to SN 0160038368, Including 0160038375, 0160038378, 0160038379, 0160038381 and 0160038383; 10054 Prior to SN 0160038740, Excluding 0160021270, 0160036713, 0160036715, 0160036721 and 0160036723)

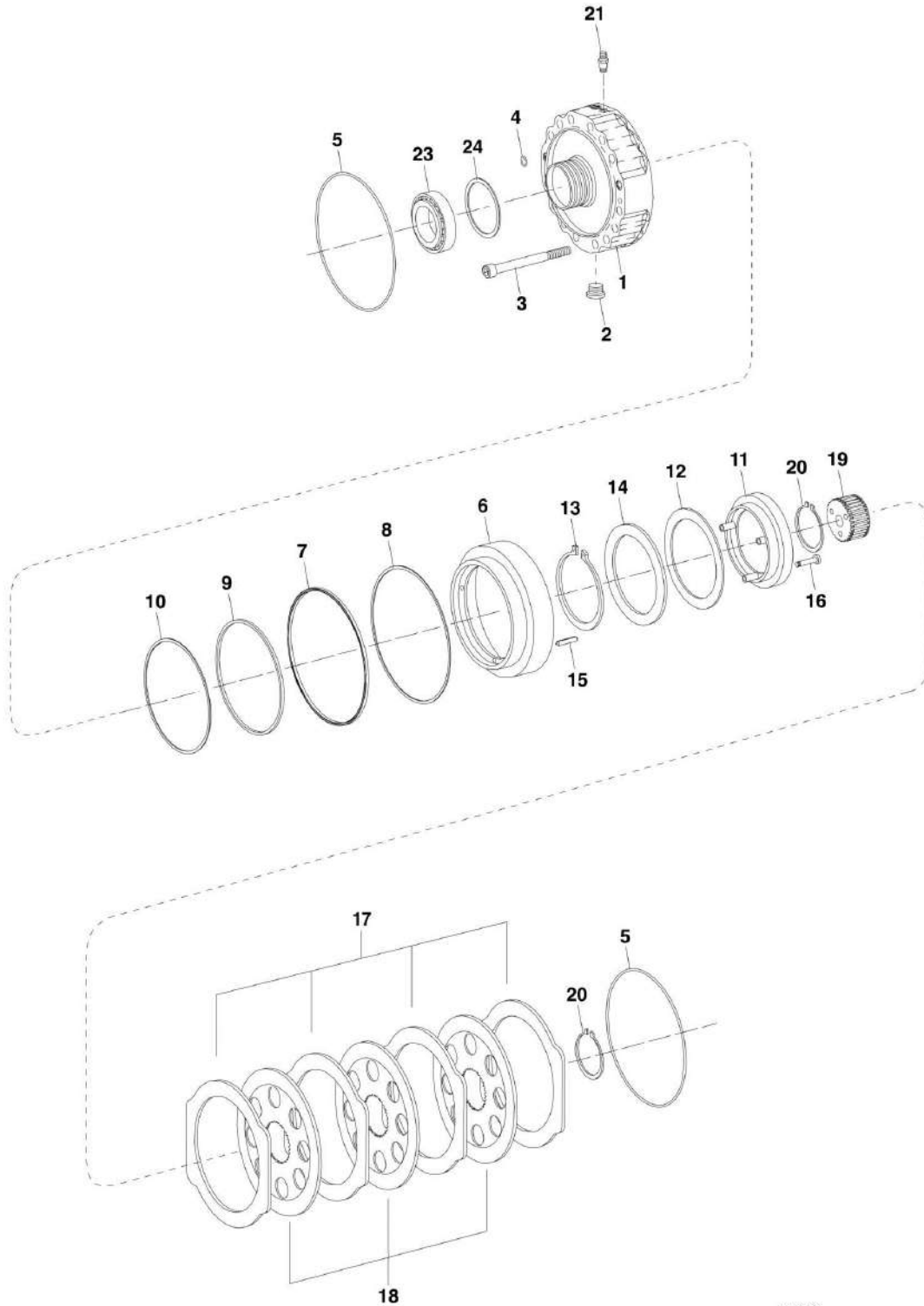
ITEM	PART NUMBER	QTY	DESCRIPTION	REV
1	NLA	NLA	BRAKE HOUSING, (left side), (Axle), (see note N1) (Prior to SN 679469)	
1	70020483	1	BRAKE HOUSING, (left side), (Axle) (SN 679469 to Present)	
2	1319431	2	SCREW PLUG	
3	8036331	2	O-RING	
4	NLA	NLA	BRAKE HOUSING, (right side), (Axle), (see note N1) (Prior to SN 679469)	
4	70020484	1	BRAKE HOUSING, (right side), (Axle) (SN 679469 to Present)	
5	1319491	12	O-RING	
6	8036444	2	SHAFT SEAL	
7	1319425	2	O-RING	
8	8036304	2	Piston	
9	1321162	2	U-RING	
10	1321151	2	SUPPORT RING	
11	1321163	2	U-RING	
12	1321152	2	SUPPORT RING	
13	1319496	16	PIN	
14	1319497	16	COMPRESSION SPRING	
15	8036305	2	WASHER	
16	1319499	16	CRESCENT RING	
17	1319500	4	O. CLUTCH DISC, S=2.0, (Axle) (Prior to SN 679469)	
17	70020485	4	O. CLUTCH DISC, S=2.0, (Axle) (SN 679469 to Present)	
17	1319501	4	O. CLUTCH DISC, S=2.5, (Axle) (Prior to SN 679469)	
17	70020486	4	O. CLUTCH DISC, S=2.5, (Axle) (SN 679469 to Present)	
17	1319502	4	O. CLUTCH DISC, S=3.0, (Axle) (Prior to SN 679469)	
17	70020487	4	O. CLUTCH DISC, S=3.0, (Axle) (SN 679469 to Present)	
18	1321150	6	I. CLUTCH DISC, (Axle) (Prior to SN 824742)	
18	70020408	6	I. CLUTCH DISC, (Axle) (SN 824742 to Present)	
19	1321174	2	DISC CARRIER, (Axle) (Prior to SN 824742)	
19	70020409	2	DISC CARRIER, (Axle) (SN 824742 to Present)	
20	10731949	4	RETAINING RING	
21	1319504	2	SNAP RING	
22	1319505	2	BREATHER	
23	1319506	2	SCREW PLUG	
24	8036331	2	O-RING	
25	8036445	1	ROLLER BEARING	
26	8036447	1	ROLLER BEARING	
27	1319531	2	SHIM, A=0.1	
27	8035945	2	SHIM, A=0.15	
27	1319530	2	SHIM, A=0.2	
27	8035946	2	SHIM, A=0.25	
27	1319529	2	SHIM, A=0.3	
27	8035947	2	SHIM, A=0.35	
27	8035951	2	SHIM, A=0.4	
27	1319543	2	SHIM, A=0.45	
27	1319527	2	SHIM, A=0.5	
27	1321158	2	SHIM, A=0.55	

SECTION 5 - DRIVE TRAIN

ITEM	PART NUMBER	QTY	DESCRIPTION	REV
27	1319526	2	SHIM, A=0.6	
27	1319532	2	SHIM, A=0.65	
27	1319533	2	SHIM, A=0.7	
27	1319534	2	SHIM, A=0.75	
27	1319525	2	SHIM, A=0.8	
27	1319535	2	SHIM, A=0.85	
27	1319536	2	SHIM, A=0.9	
27	1319537	2	SHIM, A=0.95	
27	1319524	2	SHIM, A=1.0	
27	1319545	2	SHIM, A=1.05	
27	1319538	2	SHIM, A=1.1	
27	1319539	2	SHIM, A=1.15	
27	1319523	2	SHIM, A=1.2	
27	1319540	2	SHIM, A=1.25	
27	1319541	2	SHIM, A=1.3	
27	1319542	2	SHIM, A=1.35	
27	1319522	2	SHIM, A=1.4	
27	1319521	2	SHIM, A=1.45	
27	1319520	2	SHIM, A=1.5	
27	1319519	2	SHIM, A=1.55	
27	1319518	2	SHIM, A=1.6	
27	1319517	2	SHIM, A=1.65	
27	1319510	2	SHIM, A=2.0	
27	1321159	2	SHIM, A=1.47	
27	8035948	2	SHIM, A=1.63	
27	1319515	2	SHIM, A=1.75	
27	1319516	2	SHIM, A=1.7	
27	1319514	2	SHIM, A=1.8	
27	1319513	2	SHIM, A=1.85	
27	1319512	2	SHIM, A=1.9	
27	1319511	2	SHIM, A=1.95	
28	1319502	16	O. CLUTCH DISC, S=3.0, (Axle) (Prior to SN 679469)	
28	70020486	8	O. CLUTCH DISC, S=2.5, (Axle) (SN 679469 to Present)	
28	70020487	8	O. CLUTCH DISC, S=3.0, (Axle) (SN 679469 to Present)	
29		Ref	DIFFERENTIAL, (see REAR AXLE - DIFFERENTIAL for Breakdown)	
N1	Note	NLA	PARTS ARE NO LONGER AVAILABLE; ORDER BRAKE HOUSINGS 70020483 & 70020484, QUANTITY REQUIRED OF OUTER DISCS 70020485, 70020486 & 70020487, QUANTITY 2 OF 70020413 END PLATES	

SECTION 5 - DRIVE TRAIN

FIGURE 5-27. REAR AXLE - M-DISC BRAKE (8042 SN 0160038967 to Present, Excluding 0160038971 and 0160038984; 10042 SN 0160038368 to Present, Excluding 0160038375, 0160038378, 0160038379, 0160038381 and 0160038383; 10054 SN 0160038740 to Present, Including 0160021270, 0160036713, 0160036715, 0160036721 and 0160036723)



PA3321

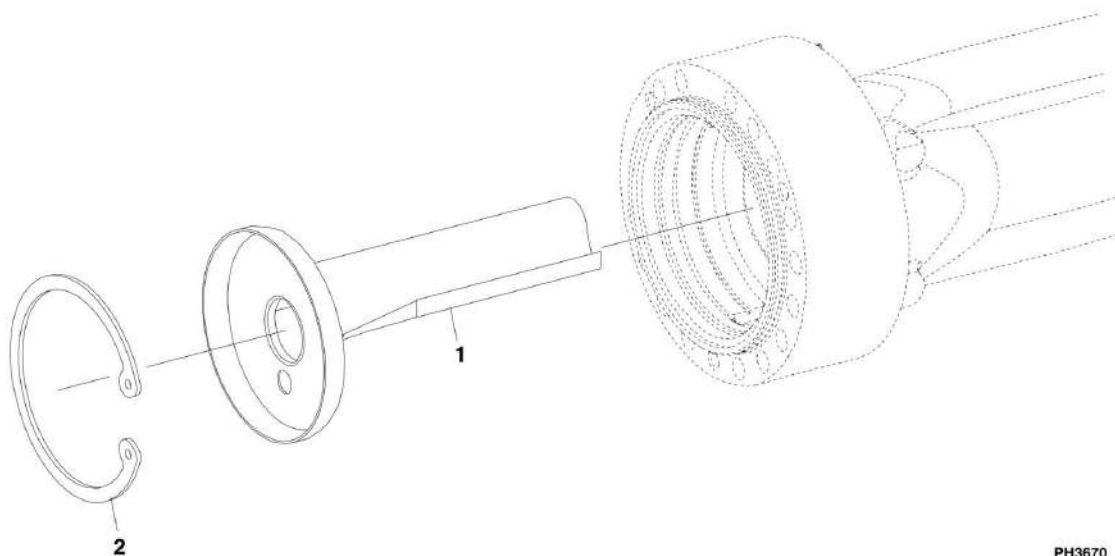
SECTION 5 - DRIVE TRAIN

FIGURE 5-27. REAR AXLE - M-DISC BRAKE (8042 SN 0160038967 to Present, Excluding 0160038971 and 0160038984; 10042 SN 0160038368 to Present, Excluding 0160038375, 0160038378, 0160038379, 0160038381 and 0160038383; 10054 SN 0160038740 to Present, Including 0160021270, 0160036713, 0160036715, 0160036721 and 0160036723)

ITEM	PART NUMBER	QTY	DESCRIPTION	REV
1	70022282	2	BRAKE HOUSING	
2	70023404	2	SCREW PLUG, (8042)	
2	1319578	2	SCREW PLUG, (10042 & 10054)	
3	70022209	6	CAP SCREW, M12X105	
4	8036847	10	O-RING	
5	80304462	4	O-RING	
6	70022250	2	PISTON	
7	70022190	2	PISTON PACKING	
8	70022193	2	BACKUP RING	
9	70022189	2	PISTON PACKING	
10	70022194	2	BACKUP RING	
11	70022236	2	RING	
12	70022183	2	CUP SPRING	
13	70022198	2	RETAINING RING	
14	70022235	2	WASHER	
15	70022186	8	SLOT PIN	
16	1319214	6	CAP SCREW, M8X40	
17	70022196	8	O.CLUTCH DISC	
18	70022176	6	I.CLUTCH DISC	
19	70022253	2	DISC CARRIER	
20	10731949	4	RETAINING RING	
21	70022171	2	BREATHER	
22	70022215	2	SCREW PLUG, (10042 & 10054), (not shown)	
23	8036447	2	BEARING	
24	1319537	AR	SHIM, A=0.95	
24	1319545	AR	SHIM, A=1.05	
24	1319539	AR	SHIM, A=1.15	
24	1319540	AR	SHIM, A=1.25	
24	1319542	AR	SHIM, A=1.35	

SECTION 5 - DRIVE TRAIN

FIGURE 5-28. REAR AXLE - BRAKE (8042 Prior to SN 0160038967, Including 0160038971 and 0160038984; 10042 Prior to SN 0160038368, Including 0160038375, 0160038378, 0160038379, 0160038381 and 0160038383; 10054 Prior to SN 0160038740, Excluding 0160021270, 0160036713, 0160036715, 0160036721 and 0160036723)



PH3670

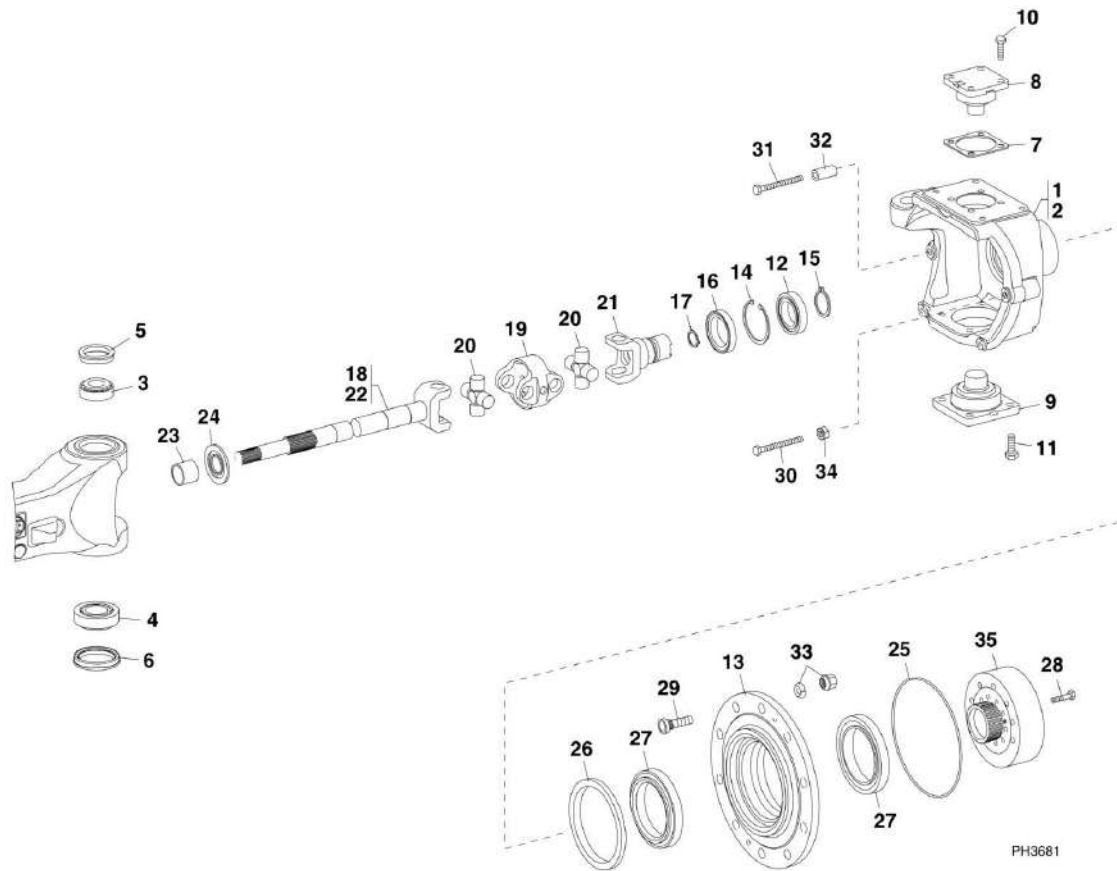
SECTION 5 - DRIVE TRAIN

FIGURE 5-28. REAR AXLE - BRAKE (8042 Prior to SN 0160038967, Including 0160038971 and 0160038984; 10042 Prior to SN 0160038368, Including 0160038375, 0160038378, 0160038379, 0160038381 and 0160038383; 10054 Prior to SN 0160038740, Excluding 0160021270, 0160036713, 0160036715, 0160036721 and 0160036723)

ITEM	PART NUMBER	QTY	DESCRIPTION	REV
1	1321172	2	PIN CARRIER	
2	1321178	2	RETAINING RING	

SECTION 5 - DRIVE TRAIN

FIGURE 5-29. REAR AXLE - JOINT HOUSING (8042 Prior to SN 0160038967, Including 0160038971 and 0160038984; 10042 Prior to SN 0160038368, Including 0160038375, 0160038378, 0160038379, 0160038381 and 0160038383; 10054 Prior to SN 0160038740, Excluding 0160021270, 0160036713, 0160036715, 0160036721 and 0160036723)



SECTION 5 - DRIVE TRAIN

FIGURE 5-29. REAR AXLE - JOINT HOUSING (8042 Prior to SN 0160038967, Including 0160038971 and 0160038984; 10042 Prior to SN 0160038368, Including 0160038375, 0160038378, 0160038379, 0160038381 and 0160038383; 10054 Prior to SN 0160038740, Excluding 0160021270, 0160036713, 0160036715, 0160036721 and 0160036723)

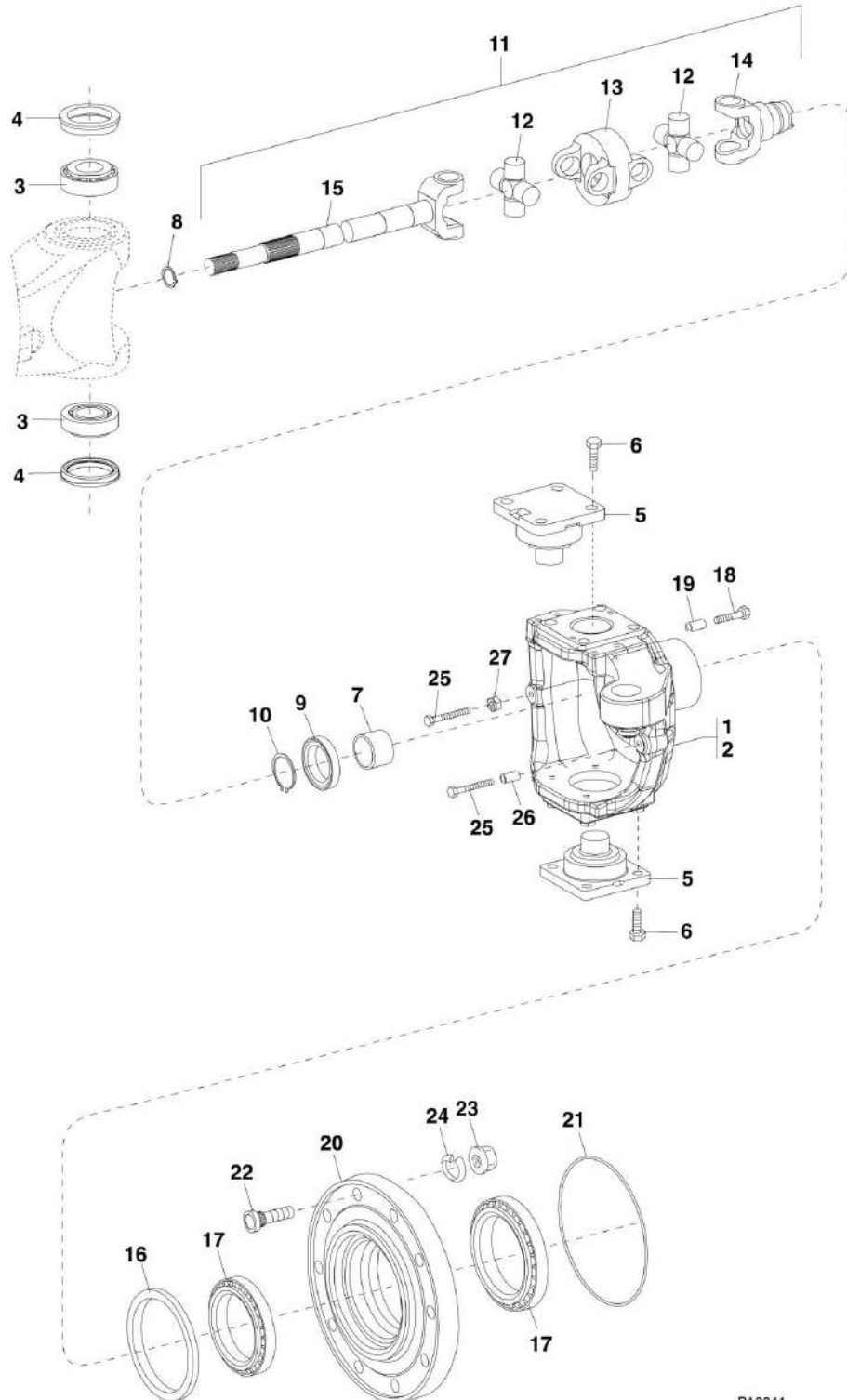
ITEM	PART NUMBER	QTY	DESCRIPTION	REV
1	1321245	1	JOINT HOUSING, (left side)	
2	1321246	1	JOINT HOUSING, (right side)	
3	1319444	2	ROLLER BEARING	
4	1319445	2	ROLLER BEARING	
5	8036338	2	MULTI SEAL RING	
6	1319447	2	SHAFT SEAL	
7	1319448	2	SHIM, S=0.2	
7	1319449	2	SHIM, S=0.3	
7	1319450	2	SHIM, S=0.4	
7	1319451	2	SHIM, S=0.6	
7	1319452	2	SHIM, S=0.8	
7	1319453	2	SHIM, S=1.0	
7	1319454	2	SHIM, S=1.2	
7	1319455	2	SHIM, S=1.4	
7	1319456	2	SHIM, S=1.6	
7	1319457	2	SHIM, S=1.8	
7	1319458	2	SHIM, S=2.0	
7	1319459	2	SHIM, S=0.7	
7	1319460	2	SHIM, S=0.5	
8	1319461	2	BEARING PIN	
9	1319462	2	BEARING PIN	
10	1319463	8	HEX SCREW	
11	1319464	8	HEX SCREW	
12	1321157	2	BALL BEARING	
13	1321239	2	HUB	
14	1319210	2	RETAINING RING	
15	80304405	2	RETAINING RING	
16	7028977	2	SHAFT SEAL	
17	1321226	2	RETAINING RING	
18	7028979	NLA	UNIVERSAL COUPLING DRIVE SHAFT, (not maintenance free), (Axle), (no longer available, use 70022052 for replacement), (includes items 19 thru 24) (Prior to SN 720124)	
18	70022052	2	UNIVERSAL COUPLING DRIVE SHAFT, (maintenance free), (Axle), (includes items 19 thru 24) (SN 720125 to Present)	
19	8035992	2	CENTRAL PIECE, (Axle), (see note N1) (Prior to SN 720124)	
19	70021553	2	CENTRAL PIECE, (Axle) (SN 720125 to Present)	
20	8035993	4	JOINT CROSS, (Axle), (see note N1) (Prior to SN 720124)	
20	70021554	4	JOINT CROSS, (Axle) (SN 720125 to Present)	
21	8035994	2	JOINT FORK	
22	8035995	2	JOINT COUPLING FORK	
23	8035973	2	BUSHING	
24	8035996	2	SCREEN SHEET	
25	1321155	2	O-RING	
26	80304173	2	SHAFT SEAL	
27	1319472	4	ROLLER BEARING	
28	8035997	20	HEX SCREW	
29	1101056	20	WHEEL BOLT	

SECTION 5 - DRIVE TRAIN

ITEM	PART NUMBER	QTY	DESCRIPTION	REV
30	1319476	2	STOP SCREW	
31	8036330	2	STOP SCREW	
32	7139743	2	SPACER TUBE, (8042), (used with rock tires only)	
32	7026664	2	SPACER TUBE, (10042 & 10054), (used with rock tires only)	
33		Ref	FLANGE WHEEL NUT AND SPHERICAL WASHER SERVICE KIT, (See Drive Train Components for Break down)	
34	1319477	2	HEX NUT	
35		Ref	RING GEAR, (See Rear Axle-Planetary Drive for Break down)	
N1	Note	Ref	IF REPLACING BOTH 8035992 CENTRAL PIECE 8035993 JOINT CROSS (NOT MAINTENANCE FREE) CAN REPLACE WITH 70021553 CENTRAL PIECE AND 70021554 JOINT CROSS (MAINTENANCE FREE).	

SECTION 5 - DRIVE TRAIN

FIGURE 5-30. REAR AXLE - JOINT HOUSING (8042 SN 0160038967 to Present, Excluding 0160038971 and 0160038984; 10042 SN 0160038368 to Present, Excluding 0160038375, 0160038378, 0160038379, 0160038381 and 0160038383; 10054 SN 0160038740 to Present, Including 0160021270, 0160036713, 0160036715, 0160036721 and 0160036723)



PA3341

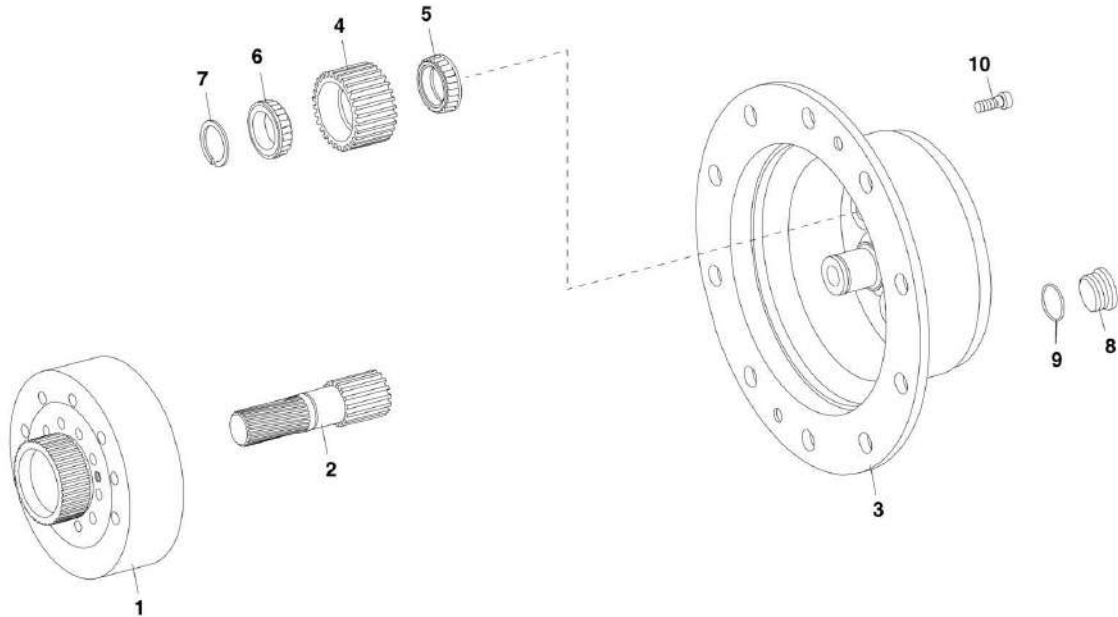
SECTION 5 - DRIVE TRAIN

FIGURE 5-30. REAR AXLE - JOINT HOUSING (8042 SN 0160038967 to Present, Excluding 0160038971 and 0160038984; 10042 SN 0160038368 to Present, Excluding 0160038375, 0160038378, 0160038379, 0160038381 and 0160038383; 10054 SN 0160038740 to Present, Including 0160021270, 0160036713, 0160036715, 0160036721 and 0160036723)

ITEM	PART NUMBER	QTY	DESCRIPTION	REV
1	70022237	1	JOINT HOUSING, (right side)	
2	70022238	1	JOINT HOUSING, (left side)	
3	70022223	4	ROLLER BEARING	
4	1319447	4	SHAFT SEAL	
5	70022240	4	BEARING PIN	
6	1319464	16	HEX SCREW, M16X40	
7	70022179	2	BUSHING	
8	10731789	2	RETAINING RING	
9	70022218	2	SHAFT SEAL	
10	1321226	2	RETAINING RING	
11	70022781	2	UNIVERSAL COUPLING DRIVE SHAFT ASSY, (8042), (includes items 12 thru 15)	
11	70022170	2	UNIVERSAL COUPLING DRIVE SHAFT ASSY, (10042 & 10054), (includes items 12 thru 15)	
12	70021554	2	JOINT CROSS	
13	70022782	1	CENTRAL PIECE, (8042)	
13	70021553	1	CENTRAL PIECE, (10042 & 10054)	
14	70022187	1	FORK SHAFT	
15	70022188	1	FORK SHAFT	
16	80304173	2	SHAFT SEAL	
17	1319472	4	ROLLER BEARING	
18	70023405	16	HEX SCREW, (8042)	
18	70022208	16	HEX SCREW, M14X70, (10042 & 10054)	
19	70022234	16	CENTERING BUSHING	
20	70022249	2	HUB	
21	70022203	2	O-RING	
22	70022230	20	WHEEL BOLT	
23		Ref	WHEEL NUT, (See DRIVE TRAIN COMPONENTS for Break down)	
24		Ref	SPRING WASHER, (See DRIVE TRAIN COMPONENTS for Break down)	
25	8036330	4	STOP SCREW, M14X1.5	
26	70022257	2	SPACER TUBE, (8042)	
26	70022276	2	SPACER TUBE, (10042 & 10054)	
27	1319477	2	HEX NUT, M14X1.5	

SECTION 5 - DRIVE TRAIN

FIGURE 5-31. REAR AXLE - PLANETARY DRIVE (8042 Prior to SN 0160038967, Including 0160038971 and 0160038984; 10042 Prior to SN 0160038368, Including 0160038375, 0160038378, 0160038379, 0160038381 and 0160038383; 10054 Prior to SN 0160038740, Excluding 0160021270, 0160036713, 0160036715, 0160036721 and 0160036723)



PH3690

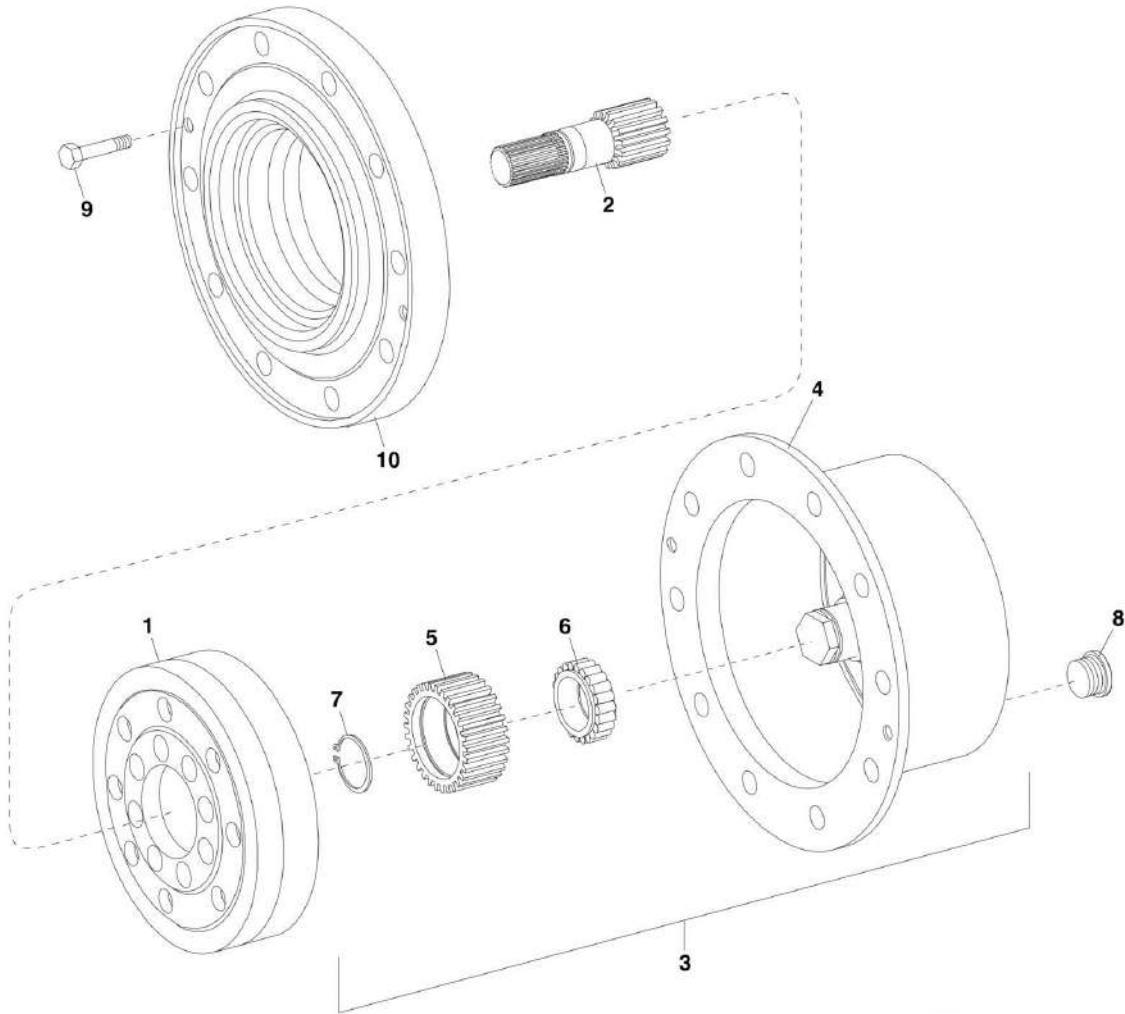
SECTION 5 - DRIVE TRAIN

FIGURE 5-31. REAR AXLE - PLANETARY DRIVE (8042 Prior to SN 0160038967, Including 0160038971 and 0160038984; 10042 Prior to SN 0160038368, Including 0160038375, 0160038378, 0160038379, 0160038381 and 0160038383; 10054 Prior to SN 0160038740, Excluding 0160021270, 0160036713, 0160036715, 0160036721 and 0160036723)

ITEM	PART NUMBER	QTY	DESCRIPTION	REV
1	1321247	2	RING GEAR	
2	1321242	2	SUN GEAR SHAFT	
3	1321238	2	PLANET CARRIER (8042 SN 13198 through 19987, SN 0160002332 through 0160038966; 10042 SN 13198 through 17977; 10054 SN 13204 through 17974)	
3	8036414	2	PLANET CARRIER (10042 SN 17987 through 19987, SN 0160002332 to Present; 10054 SN 1795 through 19987, SN 0160002332 to Present)	
4	1321231	6	PLANET GEAR, (for planet carrier, 1321238)	
4	1321231	8	PLANET GEAR, (for planet carrier, 8036414)	
5	1319483	6	BEARING INNER RING, (for planet carrier, 1321238)	
5	1319483	8	BEARING INNER RING, (for planet carrier, 8036414)	
6	1319484	6	BEARING INNER RING, (for planet carrier, 1321238)	
6	1319484	8	BEARING INNER RING, (for planet carrier, 8036414)	
7	1319485	6	SNAP RING, (for planet carrier, 1321238)	
7	1319485	8	SNAP RING, (for planet carrier, 8036414)	
8	1319506	2	SCREW PLUG	
9	8036331	2	O-RING	
10	8035977	4	CAPSCREW	

SECTION 5 - DRIVE TRAIN

FIGURE 5-32. REAR AXLE - PLANETARY DRIVE (8042 SN 0160038967 to Present, Excluding 0160038971 and 0160038984; 10042 SN 0160038368 to Present, Excluding 0160038375, 0160038378, 0160038379, 0160038381 and 0160038383; 10054 SN 0160038740 to Present, Including 0160021270, 0160036713, 0160036715, 0160036721 and 0160036723)



PA3351

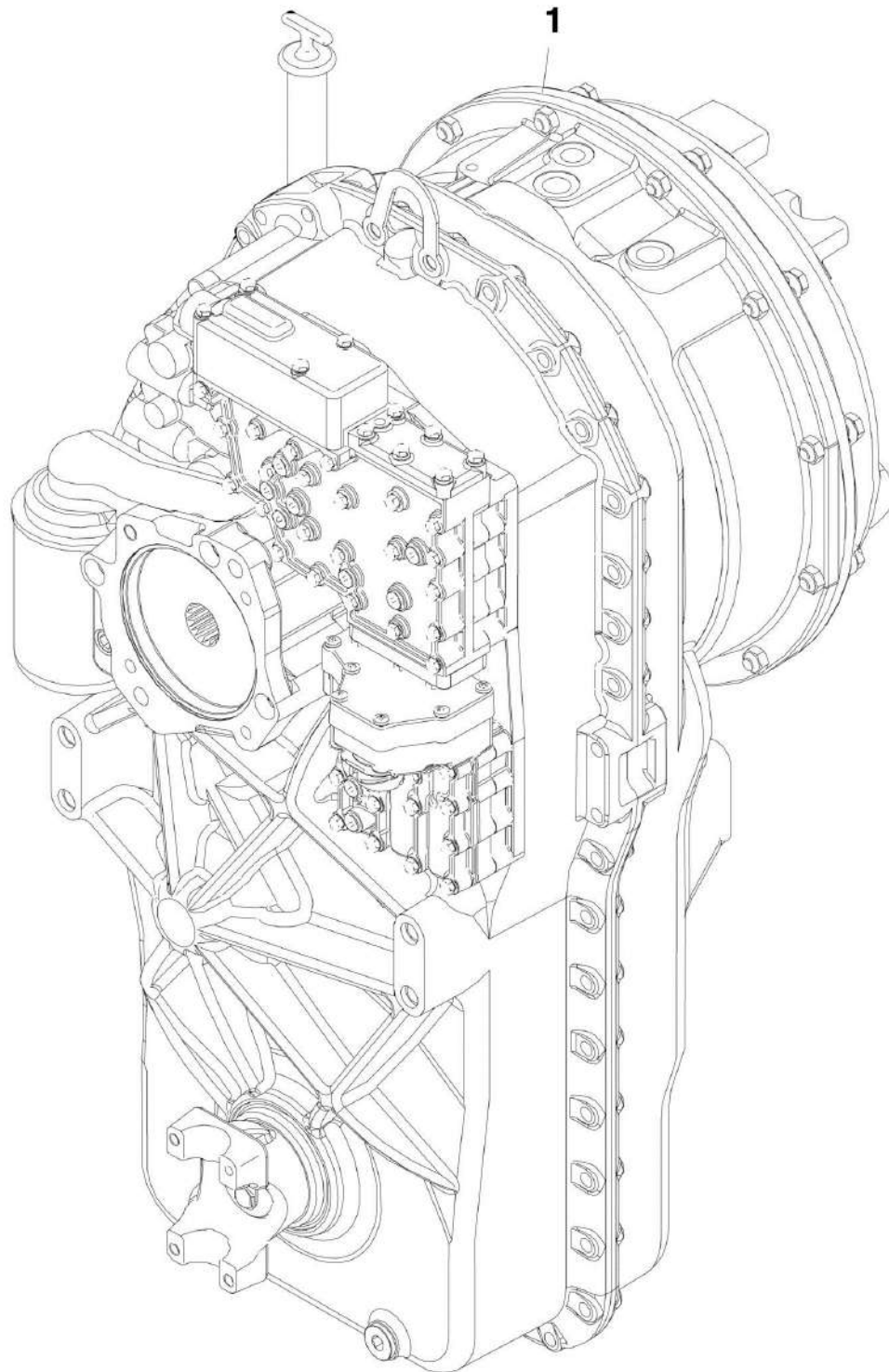
SECTION 5 - DRIVE TRAIN

FIGURE 5-32. REAR AXLE - PLANETARY DRIVE (8042 SN 0160038967 to Present, Excluding 0160038971 and 0160038984; 10042 SN 0160038368 to Present, Excluding 0160038375, 0160038378, 0160038379, 0160038381 and 0160038383; 10054 SN 0160038740 to Present, Including 0160021270, 0160036713, 0160036715, 0160036721 and 0160036723)

ITEM	PART NUMBER	QTY	DESCRIPTION	REV
1	70022242	1	RING GEAR	
2	70022784	2	SUN GEAR SHAFT, (8042)	
2	70022239	2	SUN GEAR SHAFT, (10042 & 10054)	
3	70022281	2	PLANETARY CARRIER ASSY, (includes items 4 thru 7)	
4	70022283	1	PLANETARY CARRIER	
5	70022243	3	PLANETARY GEAR	
6	70022785	4	CYL. ROLLER BEARING, (8042)	
6	70022221	4	CYL. ROLLER BEARING, (10042 & 10054)	
7	70022197	4	RETAINING RING	
8	70023404	2	SCREW PLUG, (8042)	
8	1319578	2	SCREW PLUG, (10042 & 10054)	
9	70022207	4	HEX SCREW, M12X30	
10		Ref	HUB, (see REAR AXLE-JOINT HOUSING for Break down)	

SECTION 5 - DRIVE TRAIN

FIGURE 5-33. ZF TRANSMISSION



PH3520

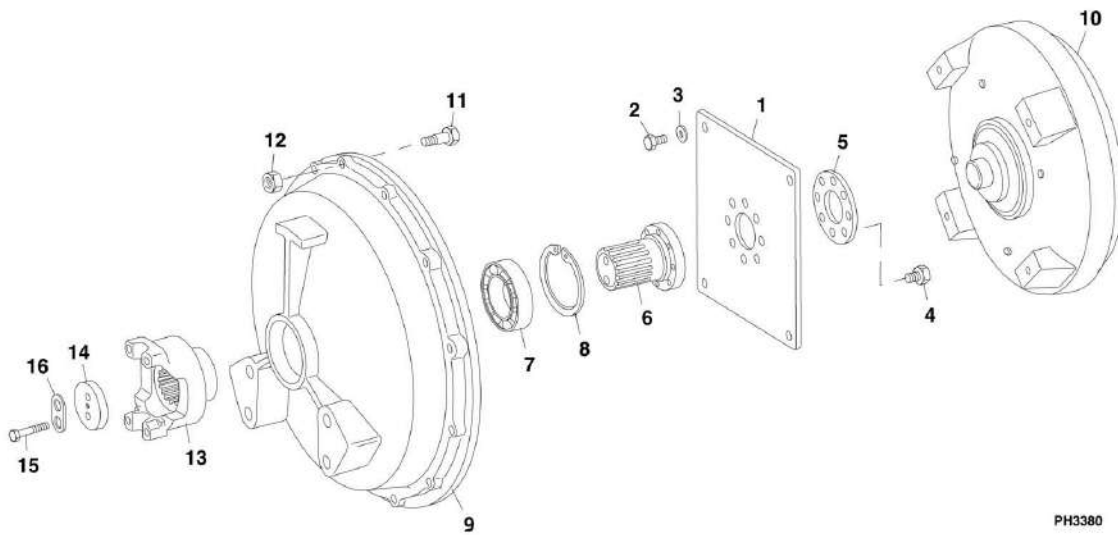
SECTION 5 - DRIVE TRAIN

FIGURE 5-33. ZF TRANSMISSION

ITEM	PART NUMBER	QTY	DESCRIPTION	REV
1	8841036	1	TRANSMISSION, 4WG98-TC	
1		Ref	ENGINE CONNECTION AND CONVERTER, (See ZF TRANSMISSION-ENGINE CONNECTION AND CONVERTOR for Breakdown)	
1		Ref	INPUT SHAFTS, (See ZF TRANSMISSION-INPUT SHAFTS for Breakdown)	
1		Ref	GEARBOX HOUSING, (See ZF TRANSMISSION-GEARBOX HOUSING for Breakdown)	
1		Ref	COUPLING GROUP 1, (See ZF TRANSMISSION-COUPLING GROUP 1 for Breakdown)	
1		Ref	COUPLING GROUP 2, (See ZF TRANSMISSION-COUPLING GROUP 2 for Breakdown)	
1		Ref	COUPLING GROUP 3, (See ZF TRANSMISSION-COUPLING GROUP 3 for Breakdown)	
1		Ref	COUPLING GROUP 4, (See ZF TRANSMISSION-COUPLING GROUP 4 for Breakdown)	
1		Ref	REVERSING GEAR GROUP 1, (See ZF TRANSMISSION-REVERSING GEAR GROUP 1 for Breakdown)	
1		Ref	REVERSING GEAR GROUP 2, (See ZF TRANSMISSION-REVERSING GEAR GROUP 2 for Breakdown)	
1		Ref	OUTPUT, (See ZF TRANSMISSION-OUTPUT for Breakdown)	
1		Ref	CONTROL UNIT, (See ZF TRANSMISSION-CONTROL UNIT for Breakdown)	
1		Ref	VALVE HOUSING ASSY, (See ZF TRANSMISSION-VALVE HOUSING ASSEMBLY for Breakdown)	
1		Ref	VALVE BLOCK ASSY, (See ZF TRANSMISSION-VALVE BLOCK ASSEMBLY for Breakdown)	
1		Ref	OIL PUMP AND FILTER, (See ZF TRANSMISSION- OIL PUMP AND FILTER for Breakdown)	

SECTION 5 - DRIVE TRAIN

FIGURE 5-34. ZF TRANSMISSION - ENGINE CONNECTION AND CONVERTOR



PH3380

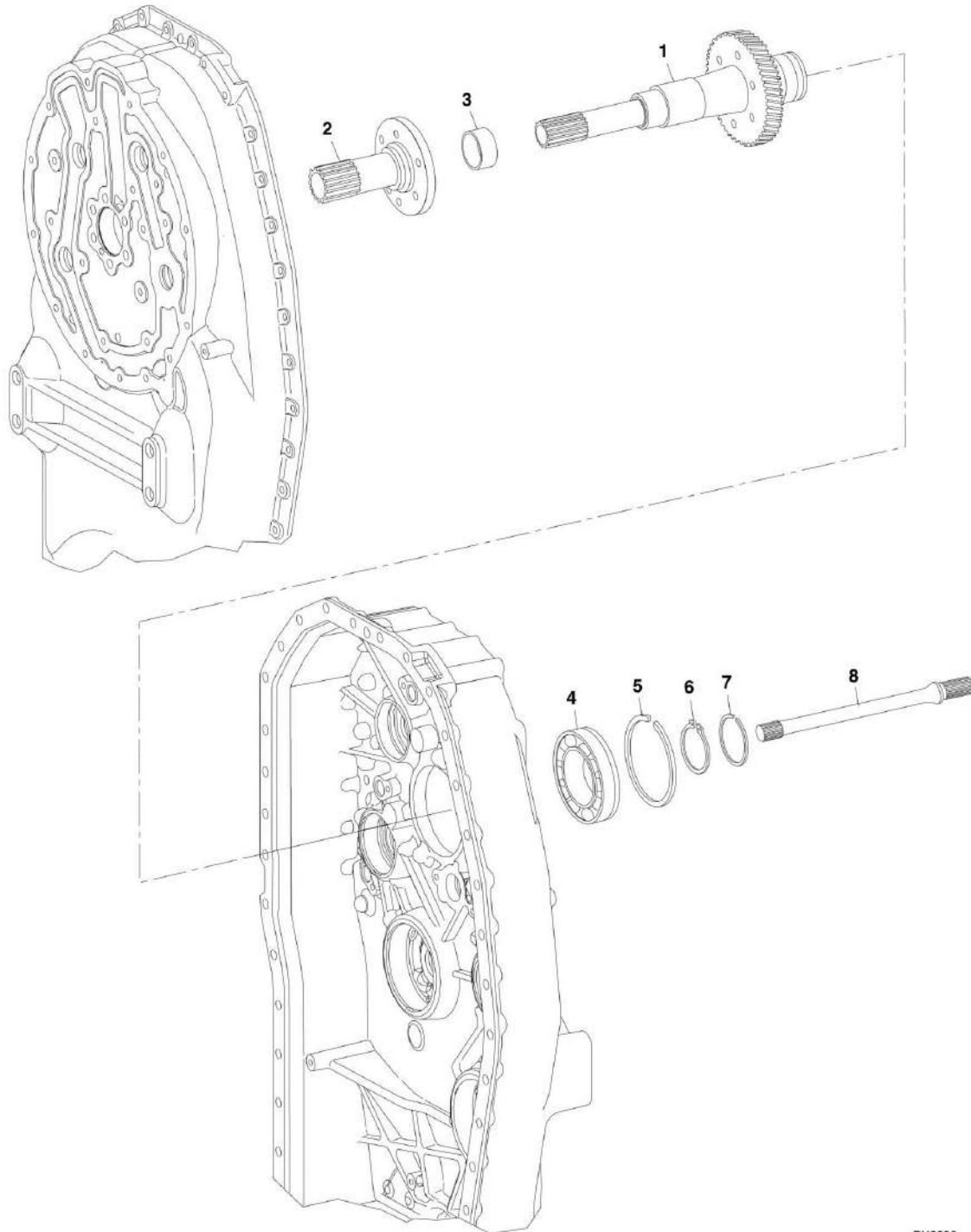
SECTION 5 - DRIVE TRAIN

FIGURE 5-34. ZF TRANSMISSION - ENGINE CONNECTION AND CONVERTOR

ITEM	PART NUMBER	QTY	DESCRIPTION	REV
1	1319203	1	DIAPHRAGM	
2	1319204	4	HEX HD CAPSCREW, M10X18mm	
3	10732095	4	WASHER, 10.5	
4	10731702	8	HEX HD CAPSCREW, M10X16mm	
5	1319213	1	WASHER	
6	1319212	1	INPUT SHAFT, (Transmission) (Prior to SN 152496)	
6	70023482	1	INPUT SHAFT, (Transmission) (SN 152496 to Present)	
7	1319209	1	BALL BEARING	
8	1319210	1	RETAINING RING	
9	8036021	1	COVER	
10	8036022	1	CONVERTER	
11	10731748	12	HEX HD CAPSCREW, M10X45mm	
12	10731751	12	HEX NUT, M10	
13	1319211	1	END YOKE	
14	1319205	1	WASHER	
15	1319206	2	HEX HD CAPSCREW, M8X50mm, (Transmission) (Prior to SN 152496)	
15	70023483	2	HEX HD CAPSCREW, (Transmission) (SN 152496 to Present)	
16	1319207	1	TAB WASHER, (Transmission) (Prior to SN 152496)	

SECTION 5 - DRIVE TRAIN

FIGURE 5-35. ZF TRANSMISSION - INPUT SHAFTS



PH3390

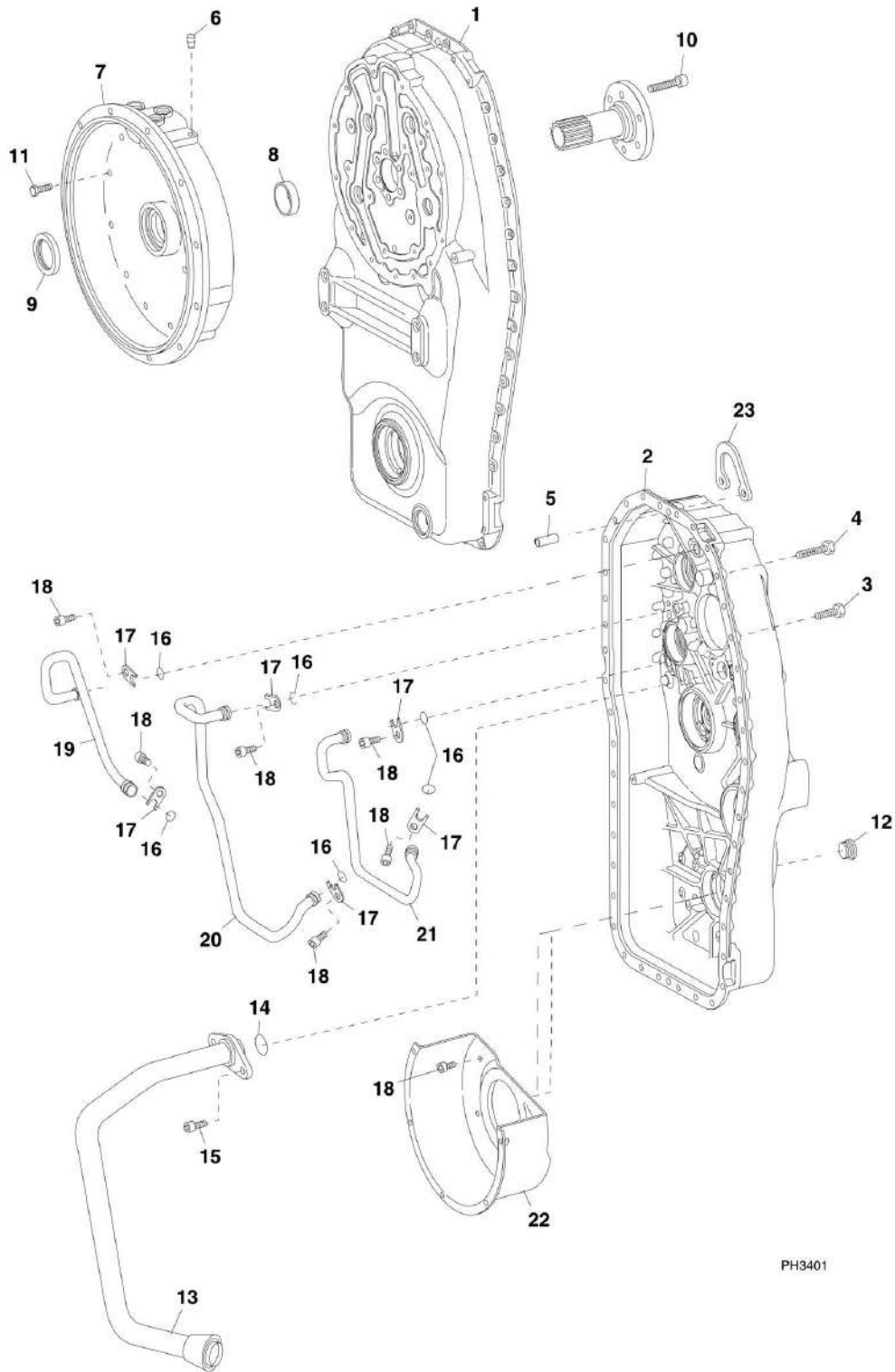
SECTION 5 - DRIVE TRAIN

FIGURE 5-35. ZF TRANSMISSION - INPUT SHAFTS

ITEM	PART NUMBER	QTY	DESCRIPTION	REV
1	8036023	1	TURBINE SHAFT	
2	1319557	1	STATOR SHAFT	
3	1319558	1	BEARING BUSHING	
4	1319563	1	BALL BEARING	
5	10731913	1	SNAP RING	
6	80304405	1	RETAINING RING, 55X2	
7	1319565	1	PISTON RING, 55X3	
8	1319566	1	CENTRAL SHAFT	

SECTION 5 - DRIVE TRAIN

FIGURE 5-36. ZF TRANSMISSION - GEARBOX HOUSING



PH3401

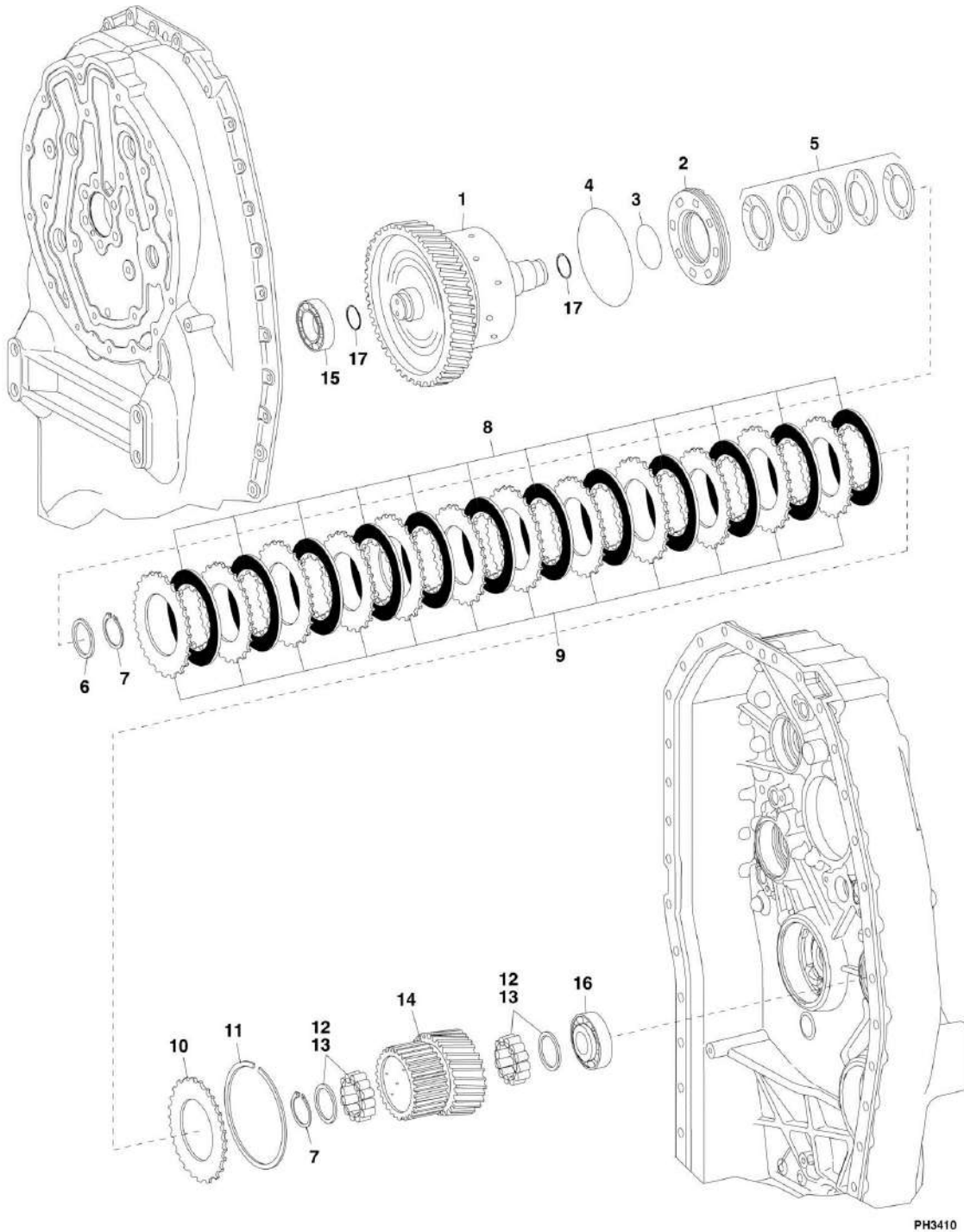
SECTION 5 - DRIVE TRAIN

FIGURE 5-36. ZF TRANSMISSION - GEARBOX HOUSING

ITEM	PART NUMBER	QTY	DESCRIPTION	REV
1	8036024	1	HOUSING I	
2	8036025	1	HOUSING II	
3	1319569	36	HEX HD CAPSCREW, M10X30mm	
4	1319570	6	HEX HD CAPSCREW, M10X50mm	
5	1319571	2	CYLINDRICAL PIN, M6X24mm	
6	10731744	1	BREATHER	
7	1319574	1	CONVERTER BELL	
8	1319575	1	BEARING BUSHING	
9	1319576	1	SHAFT SEAL	
10	1319577	6	SOCKET HD CAPSCREW, M10X50mm	
11	1319569	23	HEX HD CAPSCREW, M10X30mm	
12	1319578	1	DRAIN PLUG, 7/8-14	
13	8036026	1	OIL SUCTION PIPE	
14	70023885	1	O-RING	
15	1319582	2	SOCKET HD CAPSCREW, M8X20mm	
16	1319583	6	O-RING	
17	1319584	6	FIXING PLATE	
18	1319585	11	SOCKET HD CAPSCREW, M8X16mm	
19	1319586	1	PIPE	
20	1319587	1	PIPE	
21	8036027	1	PIPE	
22	8036028	1	SCREEN SHEET	
23	1319590	1	BRACKET	

SECTION 5 - DRIVE TRAIN

FIGURE 5-37. ZF TRANSMISSION - COUPLING GROUP 1



PH3410

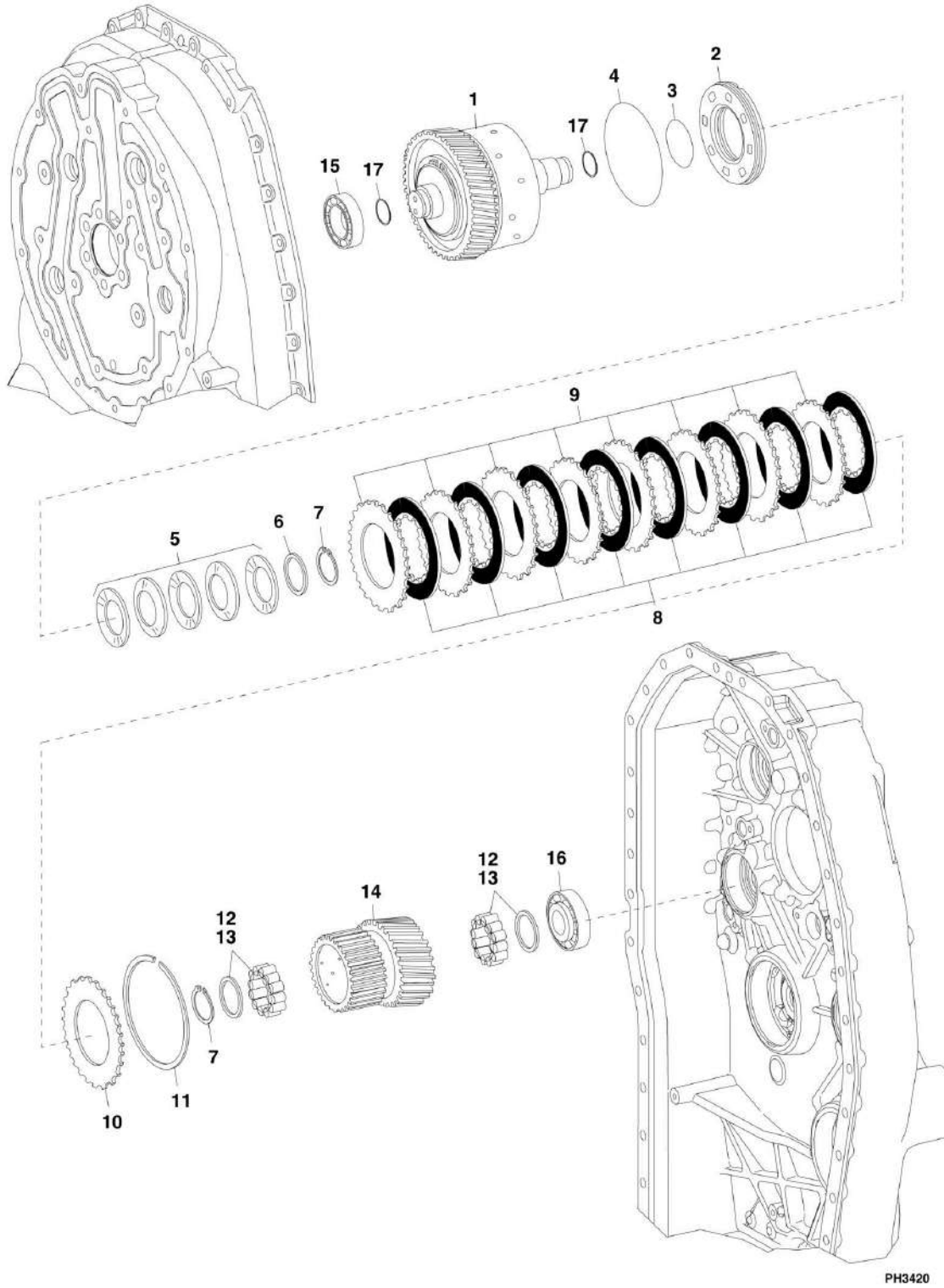
SECTION 5 - DRIVE TRAIN

FIGURE 5-37. ZF TRANSMISSION - COUPLING GROUP 1

ITEM	PART NUMBER	QTY	DESCRIPTION	REV
1	1319591	1	COUPLING	
2	1319592	1	PISTON	
3	1319593	1	O-RING	
4	1319594	1	O-RING	
5	1319595	5	CUP SPRING	
6	1319596	1	SHIM, 2	
7	10731845	2	RETAINING RING	
8	7026758	12	LIN. CLUTCH DISC	
9	7026759	12	O. CLUTCH DISC	
10	7026760	1	END SHIM	
11	1319600	1	SNAP RING, 4	
11	1319601	1	SNAP RING, 3.5	
11	1319602	1	SNAP RING, 3	
11	1319603	1	SNAP RING, 2.5	
11	1319604	1	SNAP RING, 2	
12	1319605	2	ROLLER CAGE	
13	1319606	2	ROLLER CAGE	
14	1319607	1	DISC CARRIER	
15	1319608	1	ROLLER BEARING	
16	1319609	1	ROLLER BEARING	
16	1319610	1	ROLLER BEARING	
16	1319611	1	ROLLER BEARING	
17	1319612	2	PISTON RING, 30X2	

SECTION 5 - DRIVE TRAIN

FIGURE 5-38. ZF TRANSMISSION - COUPLING GROUP 2



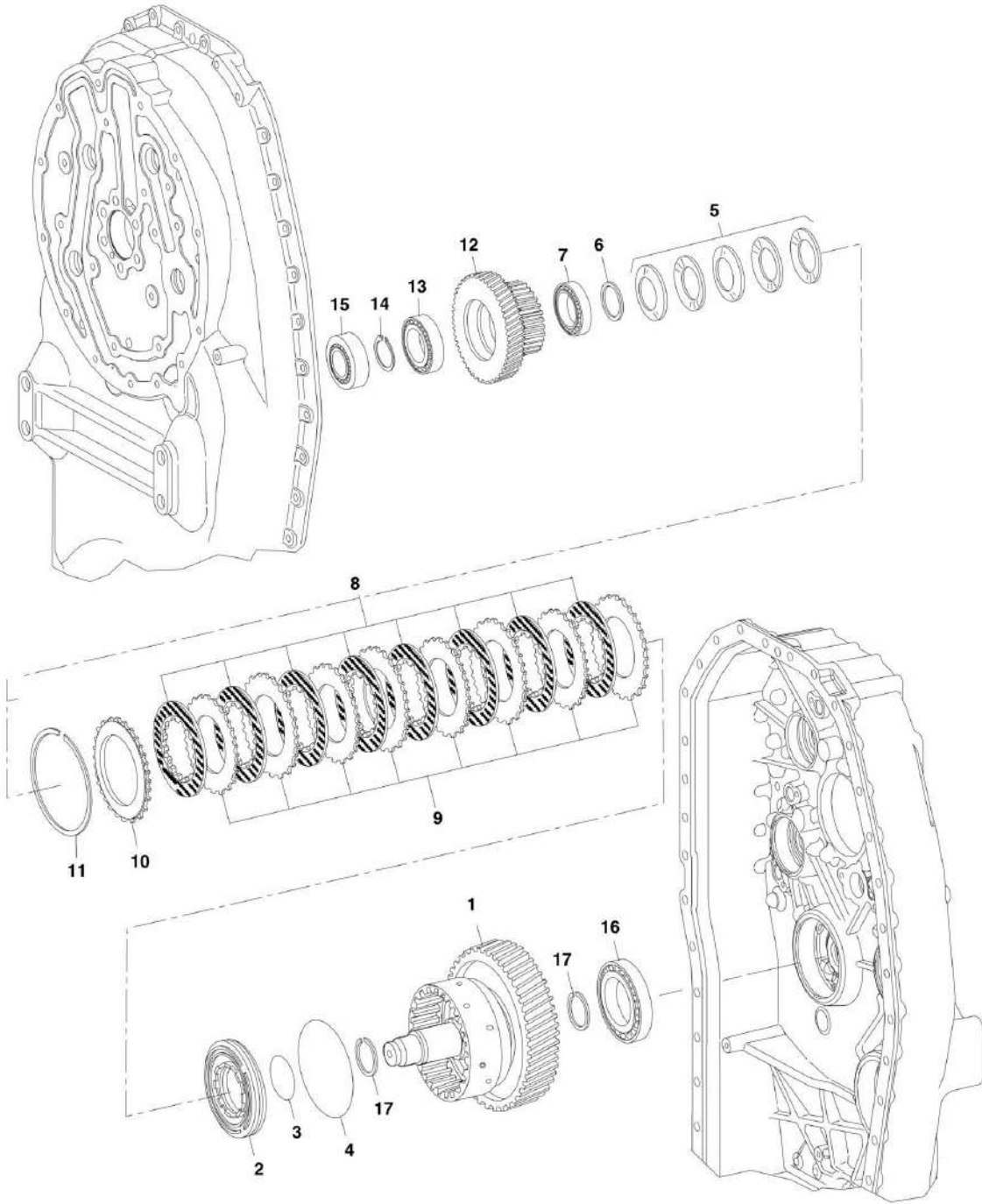
SECTION 5 - DRIVE TRAIN

FIGURE 5-38. ZF TRANSMISSION - COUPLING GROUP 2

ITEM	PART NUMBER	QTY	DESCRIPTION	REV
1	1319613	1	COUPLING	
2	8036029	1	PISTON	
3	1319593	1	O-RING	
4	1319594	1	O-RING	
5	1319595	5	CUP SPRING	
6	1319596	1	SHIM, 2	
7	10731845	2	RETAINING RING, 40X1.75	
8	7026758	8	LIN. CLUTCH DISC	
9	7026759	8	O. CLUTCH DISC	
10	7026760	1	END SHIM	
11	1319600	1	SNAP RING, 4	
11	1319601	1	SNAP RING, 3.5	
11	1319602	1	SNAP RING, 3	
11	1319603	1	SNAP RING, 2.5	
11	1319604	1	SNAP RING, 2	
12	1319605	2	ROLLER CAGE	
13	1319606	2	ROLLER CAGE	
14	1319614	1	DISC CARRIER	
15	1319615	1	ROLLER BEARING	
16	8036190	1	ROLLER BEARING ASSY	
16	7029532	1	OUTER RING	
16	7029533	1	INNER RING	
17	1319612	2	PISTON RING, 30X2	

SECTION 5 - DRIVE TRAIN

FIGURE 5-39. ZF TRANSMISSION - COUPLING GROUP 3



PH3430

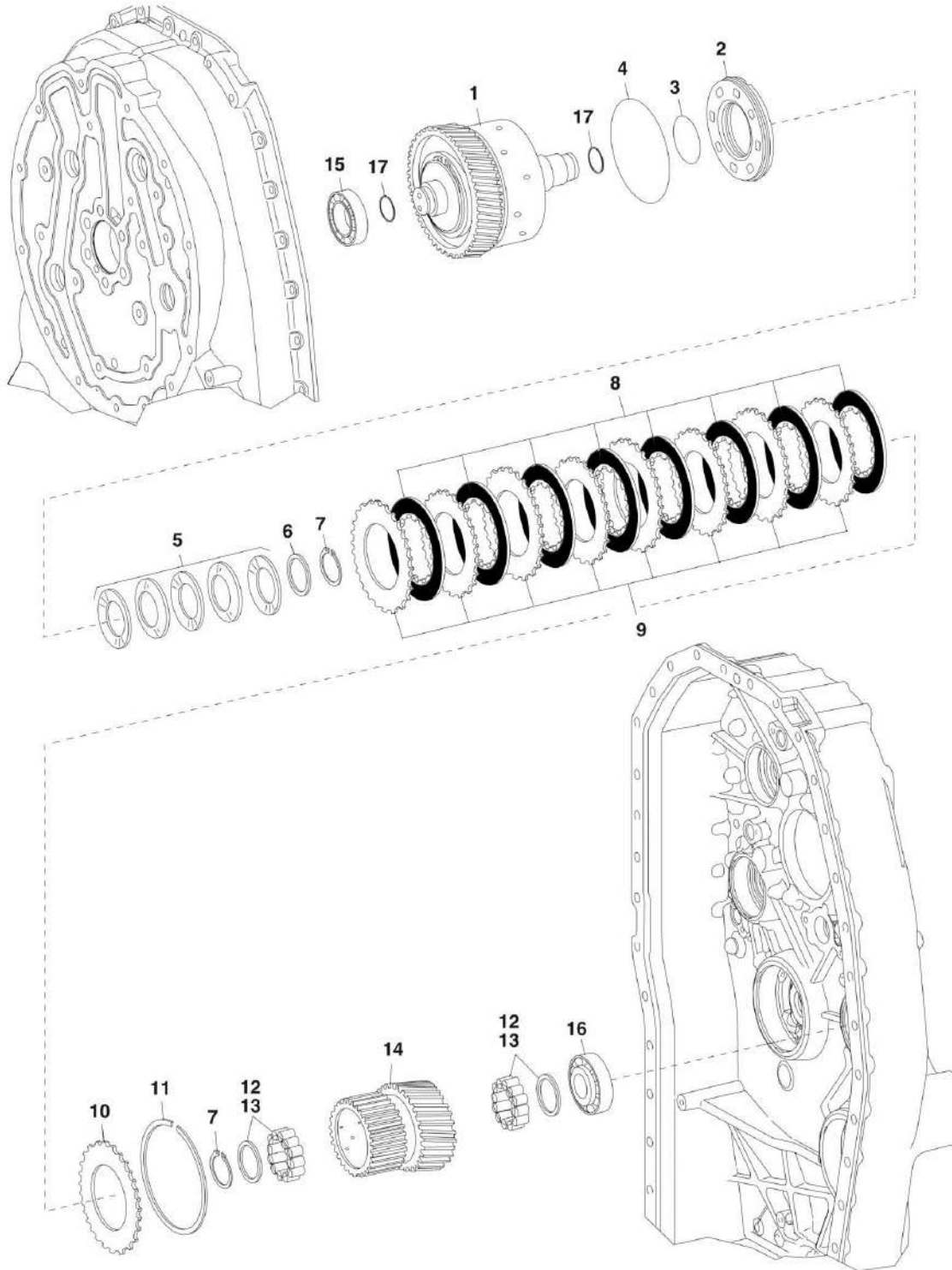
SECTION 5 - DRIVE TRAIN

FIGURE 5-39. ZF TRANSMISSION - COUPLING GROUP 3

ITEM	PART NUMBER	QTY	DESCRIPTION	REV
1	1319616	1	COUPLING	
2	8036029	1	PISTON	
3	1319593	1	O-RING	
4	1319594	1	O-RING	
5	1319595	5	CUP SPRING	
6	1319617	1	SUPPORT SHIM	
7	1319618	1	ROLLER BEARING	
8	7026758	8	LIN. CLUTCH DISC	
9	7026759	8	O. CLUTCH DISC	
10	7026760	1	END SHIM	
11	1319600	1	SNAP RING, 4	
11	1319601	1	SNAP RING, 3.5	
11	1319602	1	SNAP RING, 3	
11	1319603	1	SNAP RING, 2.5	
11	1319604	1	SNAP RING, 2	
12	1319619	1	DISC CARRIER	
13	1319620	1	ROLLER BEARING	
14	1319621	1	RETAINING RING, 3.2	
14	1319622	1	RETAINING RING, 3.1	
14	1319623	1	RETAINING RING, 3	
14	1319624	1	RETAINING RING, 2.9	
14	1319625	1	RETAINING RING, 2.8	
14	1319626	1	RETAINING RING, 2.7	
14	1319627	1	RETAINING RING, 2.6	
14	1319628	1	RETAINING RING, 38X2.5	
14	1319629	1	RETAINING RING, 38X2.4	
14	1319630	1	RETAINING RING, 38X2.3	
14	1319631	1	RETAINING RING, 38X2.2	
14	1319632	1	RETAINING RING, 38X2.1	
15	8036190	1	ROLLER BEARING ASSY	
15	7029532	1	OUTER RING	
15	7029533	1	INNER RING	
16	1319633	1	ROLLER BEARING	
17	1319612	2	PISTON RING, 30X2	

SECTION 5 - DRIVE TRAIN

FIGURE 5-40. ZF TRANSMISSION - COUPLING GROUP 4



PH3440

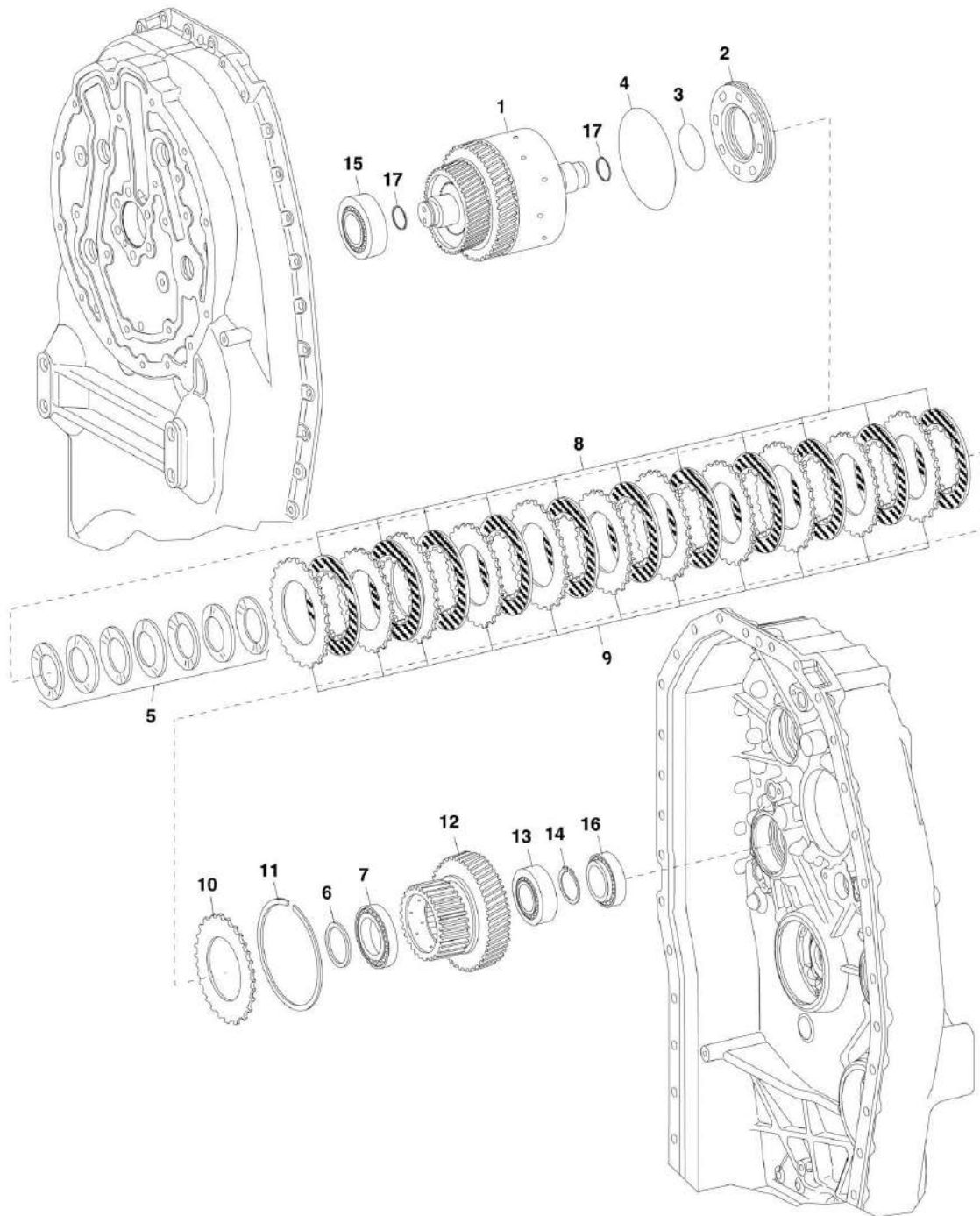
SECTION 5 - DRIVE TRAIN

FIGURE 5-40. ZF TRANSMISSION - COUPLING GROUP 4

ITEM	PART NUMBER	QTY	DESCRIPTION	REV
1	1319634	1	COUPLING	
2	8036029	1	PISTON	
3	1319593	1	O-RING	
4	1319594	1	O-RING	
5	1319595	5	CUP SPRING	
6	1319596	1	SHIM, 2	
7	10731845	2	RETAINING RING, 40X1.75	
8	7026758	8	LIN CLUTCH DISC	
9	7026759	8	O CLUTCH DISC	
10	1319599	1	END SHIM	
11	1319600	1	SNAP RING, 4	
11	1319601	1	SNAP RING, 3.5	
11	1319602	1	SNAP RING, 3	
11	1319603	1	SNAP RING, 2.5	
11	1319604	1	SNAP RING, 2	
12	1319605	2	ROLLER CAGE	
13	1319606	2	ROLLER CAGE	
14	1319635	1	DISC CARRIER	
15	1319615	1	ROLLER BEARING	
16	1319636	1	ROLLER BEARING	
17	1319612	2	PISTON RING, 30X2	

SECTION 5 - DRIVE TRAIN

FIGURE 5-41. ZF TRANSMISSION - REVERSING GEAR GROUP 1



PH3450

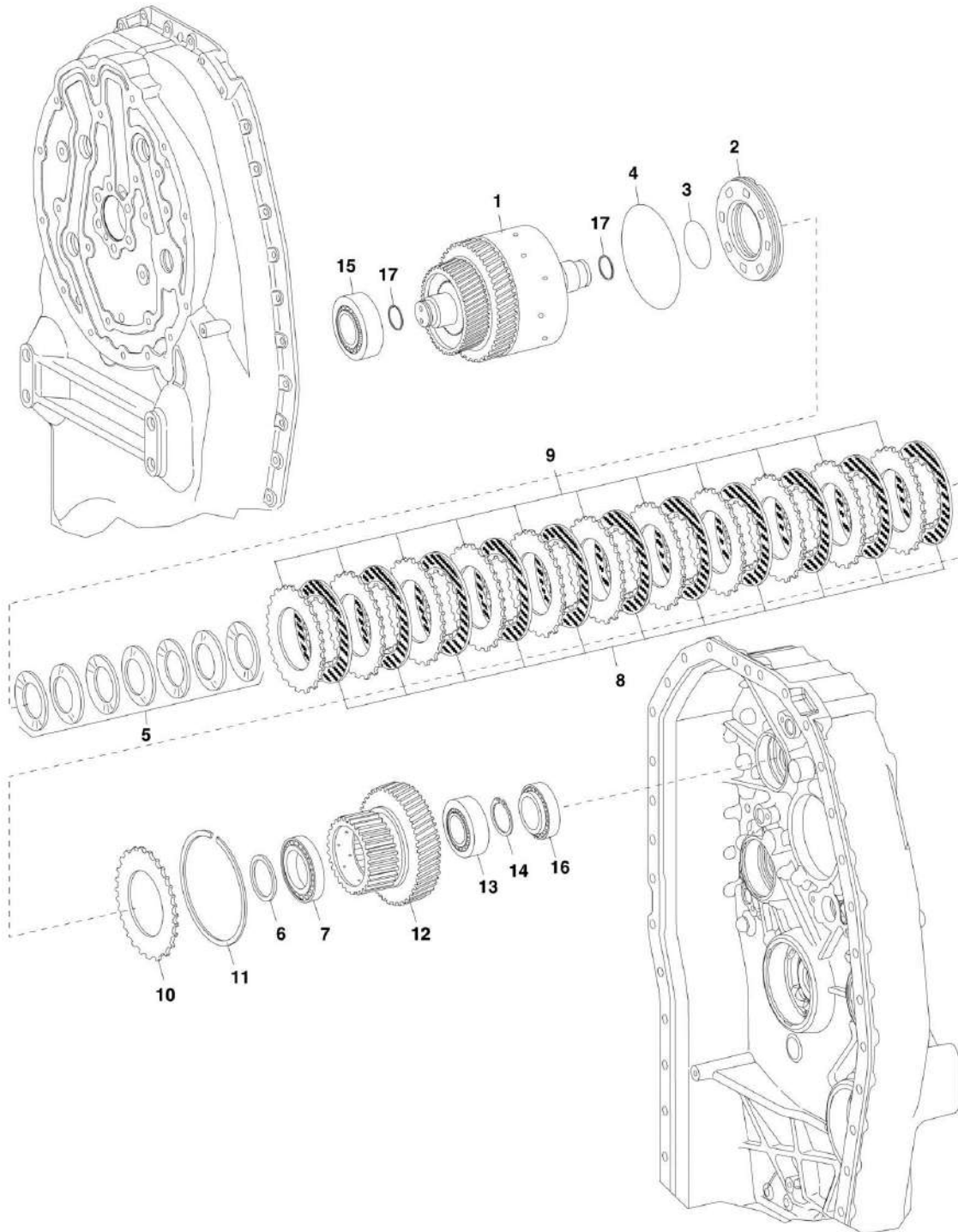
SECTION 5 - DRIVE TRAIN

FIGURE 5-41. ZF TRANSMISSION - REVERSING GEAR GROUP 1

ITEM	PART NUMBER	QTY	DESCRIPTION	REV
1	1319637	1	COUPLING	
2	8036029	1	PISTON	
3	1319593	1	O-RING	
4	1319594	1	O-RING	
5	1319595	7	CUP SPRING	
6	1319617	1	SUPPORT SHIM	
7	1319618	1	ROLLER BEARING	
8	7026758	11	LIN CLUTCH DISC	
9	7026759	11	O CLUTCH DISC	
10	1319599	1	END SHIM	
11	1319600	1	SNAP RING, 4	
11	1319601	1	SNAP RING, 3.5	
11	1319602	1	SNAP RING, 3	
11	1319603	1	SNAP RING, 2.5	
11	1319604	1	SNAP RING, 2	
12	1319638	1	DISC CARRIER	
13	1319620	1	ROLLER BEARING	
14	1319621	1	RETAINING RING, 3.2	
14	1319622	1	RETAINING RING, 3.1	
14	1319623	1	RETAINING RING, 3	
14	1319624	1	RETAINING RING, 2.9	
14	1319625	1	RETAINING RING, 2.8	
14	1319626	1	RETAINING RING, 2.7	
14	1319627	1	RETAINING RING, 2.6	
14	1319628	1	RETAINING RING, 2.5	
14	1319629	1	RETAINING RING, 2.4	
14	1319630	1	RETAINING RING, 2.3	
14	1319631	1	RETAINING RING, 2.2	
14	1319632	1	RETAINING RING, 2.1	
15	1319615	1	ROLLER BEARING	
16	1319636	1	ROLLER BEARING	
17	1319612	2	PISTON RING, 30X2	

SECTION 5 - DRIVE TRAIN

FIGURE 5-42. ZF TRANSMISSION - REVERSING GEAR GROUP 2



PH3460

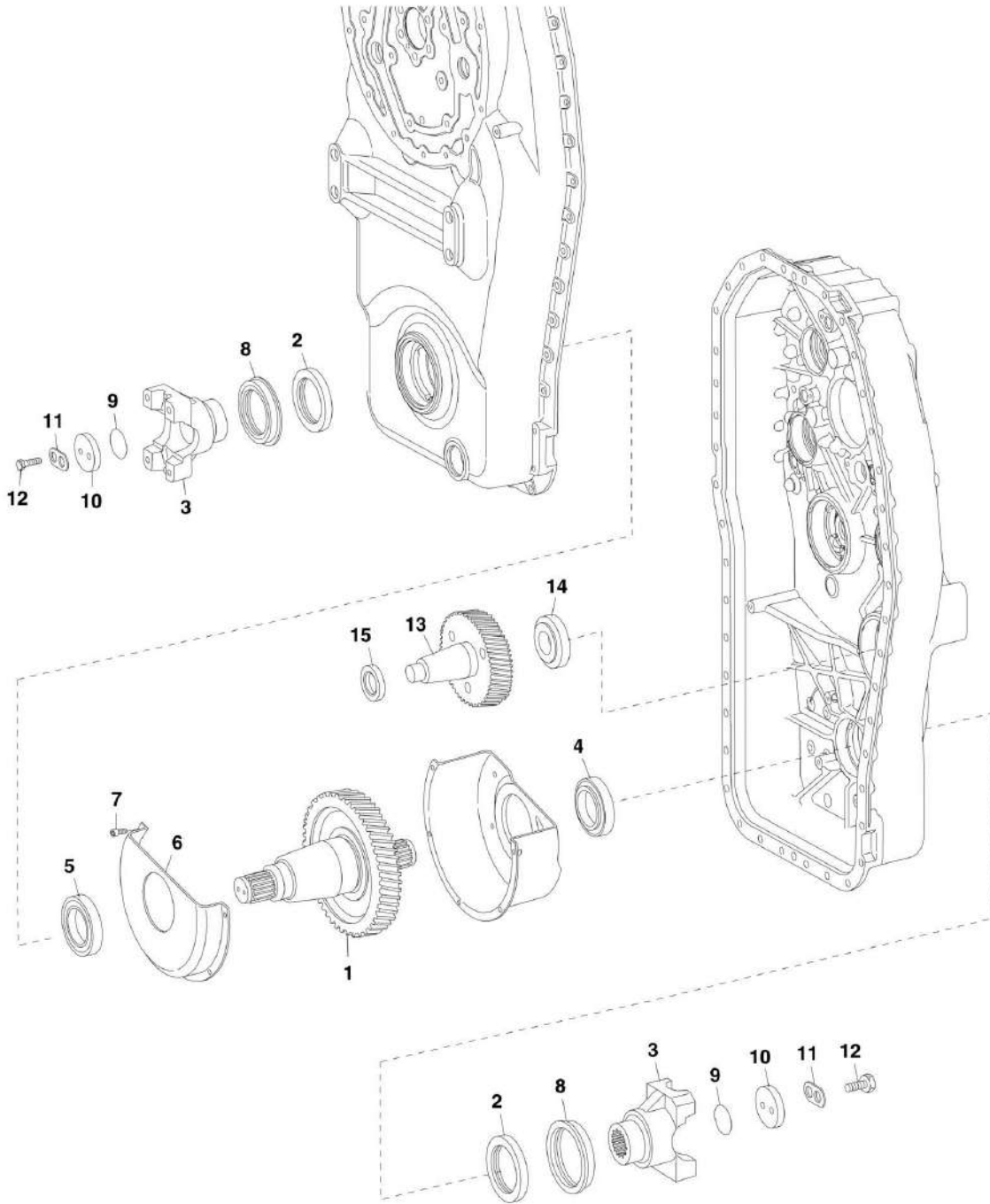
SECTION 5 - DRIVE TRAIN

FIGURE 5-42. ZF TRANSMISSION - REVERSING GEAR GROUP 2

ITEM	PART NUMBER	QTY	DESCRIPTION	REV
1	1319639	1	COUPLING	
2	8036029	1	PISTON	
3	1319593	1	O-RING	
4	1319594	1	O-RING	
5	1319595	7	CUP SPRING	
6	1319617	1	SUPPORT SHIM	
7	1319618	1	ROLLER BEARING	
8	7026758	11	LIN CLUTCH DISC	
9	7026759	11	O CLUTCH DISC	
10	1319599	1	END SHIM	
11	1319600	1	SNAP RING, 4	
11	1319601	1	SNAP RING, 3.5	
11	1319602	1	SNAP RING, 3	
11	1319603	1	SNAP RING, 2.5	
11	1319604	1	SNAP RING, 2	
12	1319638	1	DISC CARRIER	
13	1319620	1	ROLLER BEARING	
14	1319621	1	RETAINING RING, 3.2	
14	1319622	1	RETAINING RING, 3.1	
14	1319623	1	RETAINING RING, 3	
14	1319624	1	RETAINING RING, 2.9	
14	1319625	1	RETAINING RING, 2.8	
14	1319626	1	RETAINING RING, 2.7	
14	1319627	1	RETAINING RING, 2.6	
14	1319628	1	RETAINING RING, 2.5	
14	1319629	1	RETAINING RING, 2.4	
14	1319630	1	RETAINING RING, 2.3	
14	1319631	1	RETAINING RING, 2.2	
14	1319632	1	RETAINING RING, 2.1	
15	1319608	1	ROLLER BEARING	
16	1319636	1	ROLLER BEARING	
17	1319612	2	PISTON RING, 30X2	

SECTION 5 - DRIVE TRAIN

FIGURE 5-43. ZF TRANSMISSION - OUTPUT



PH3470

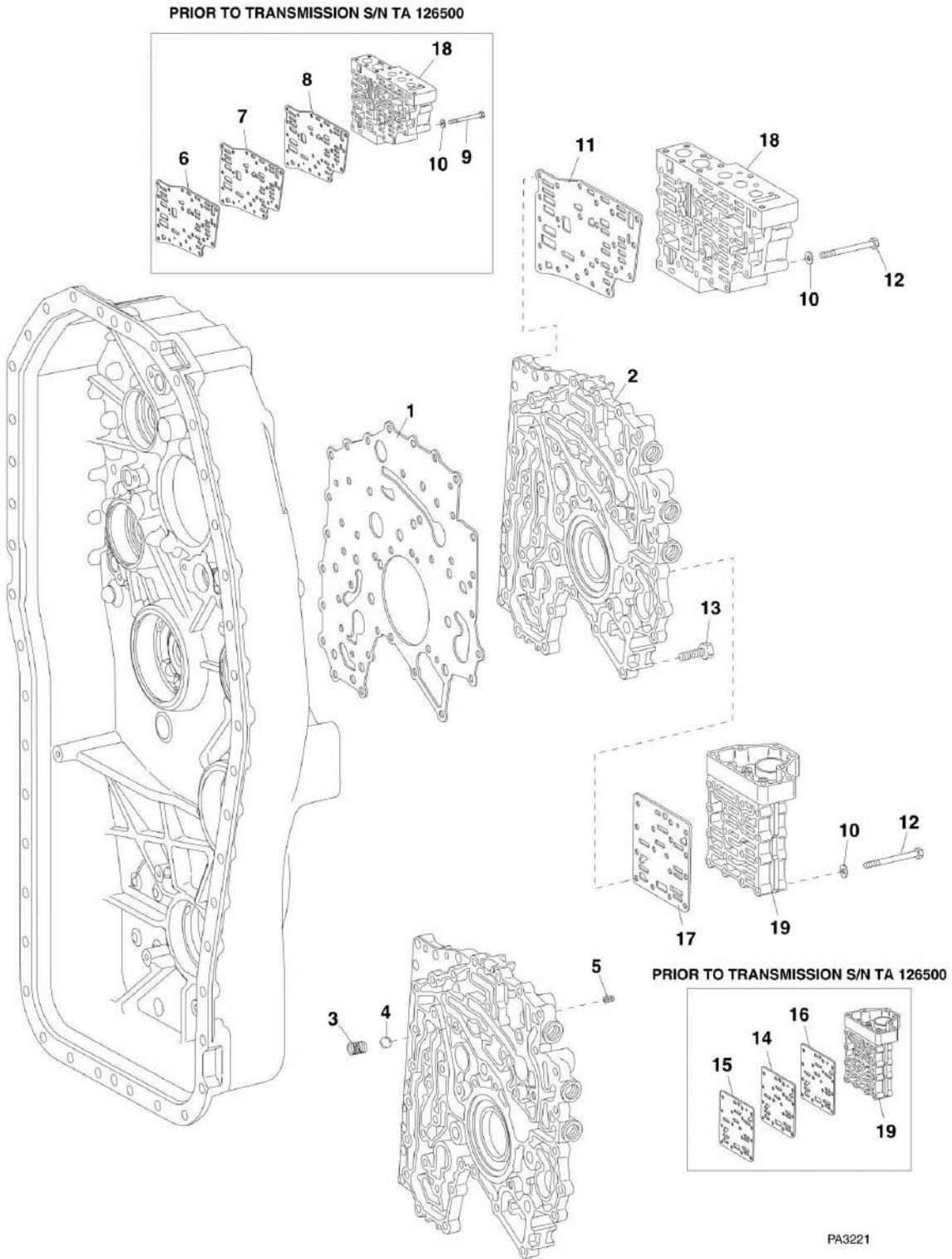
SECTION 5 - DRIVE TRAIN

FIGURE 5-43. ZF TRANSMISSION - OUTPUT

ITEM	PART NUMBER	QTY	DESCRIPTION	REV
1	8036030	1	OUTPUT SHAFT	
2	1319641	2	SHAFT SEAL	
3	7027273	2	OUTPUT FLANGE	
4	N.S.S.	1	ROLLER BEARING ASSY	
4	70020430	1	CUP	
4	70020431	1	CONE	
5	1319643	1	ROLLER BEARING	
6	8036031	1	SCREEN SHEET	
7	1319646	5	HEX HD CAPSCREW, M6X10mm	
8	1319647	2	SCREEN SHEET	
9	10839156	1	O-RING	
10	1319648	2	WASHER, 10	
11	1319649	2	TAB WASHER	
12	10731959	4	HEX HD CAPSCREW, M8X25mm	
13	8036032	1	INTERMEDIATE SHAFT	
14	1319633	1	ROLLER BEARING	
15	8036190	1	ROLLER BEARING ASSY	
15	7029532	1	OUTER RING	
15	7029533	1	INNER RING	

SECTION 5 - DRIVE TRAIN

FIGURE 5-44. ZF TRANSMISSION - CONTROL UNIT



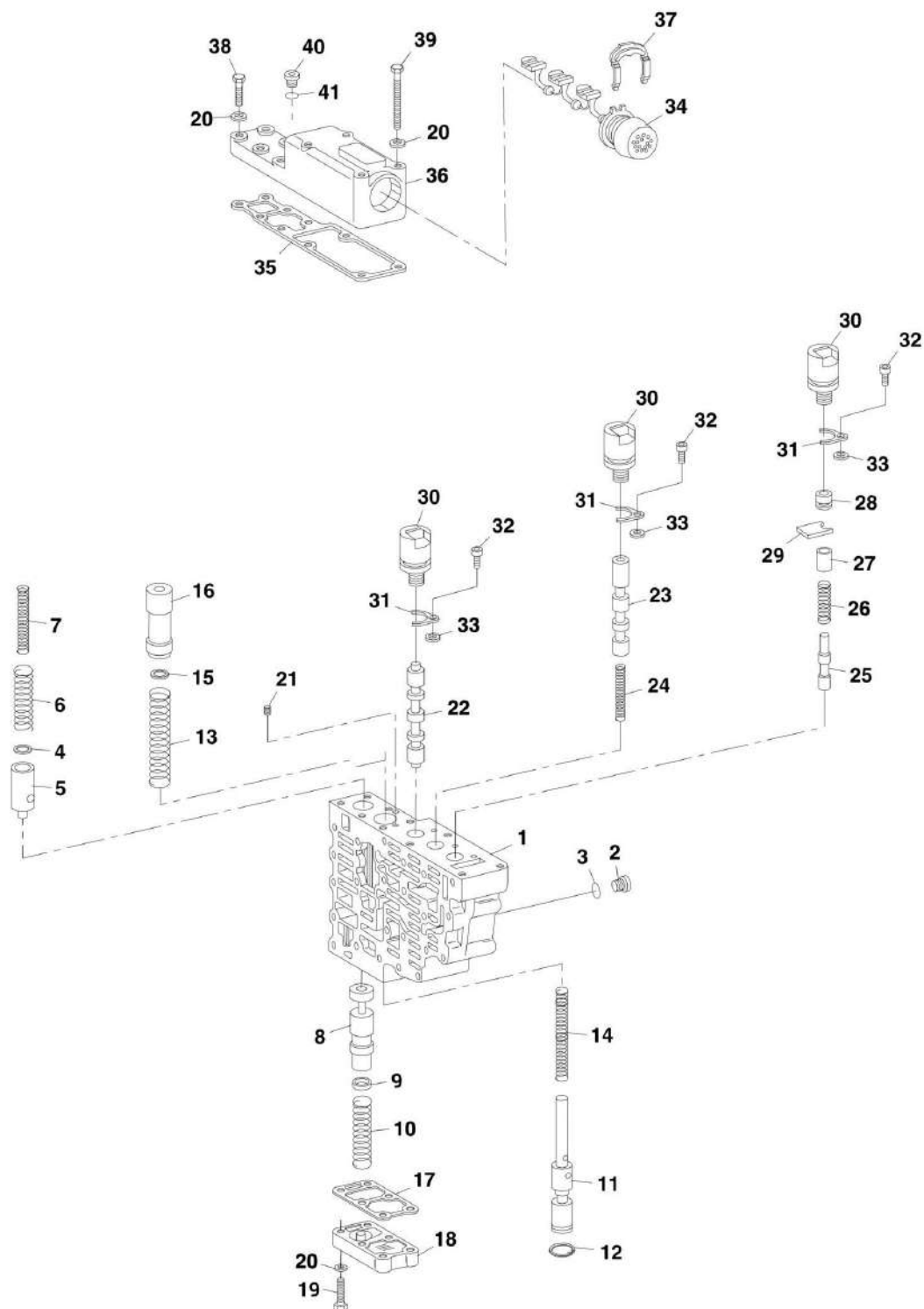
SECTION 5 - DRIVE TRAIN

FIGURE 5-44. ZF TRANSMISSION - CONTROL UNIT

ITEM	PART NUMBER	QTY	DESCRIPTION	REV
1	1319650	1	GASKET	
2	8036033	1	DUCT PLATE	
3	10732072	1	COMPRESSION SPRING	
4	10732071	1	BALL	
5	1319652	1	ORIFICE	
6	NLA	NLA	GASKET, (transmission), (no longer available, use items 11 & 12) (Prior to SN TA 126500)	
7	NLA	NLA	INTERM. SHEET, (transmission), (no longer available, use items 11 & 12) (Prior to SN TA 126500)	
8	NLA	NLA	GASKET, (transmission), (no longer available, use items 11 & 12) (Prior to SN TA 126500)	
9	1319662	19	HEX HD CAPSCREW, M6X65mm, (transmission) (Prior to SN TA 126500)	
10	1319661	19	WASHER, 6.4	
11	70020425	1	INTERM. SHEET, (transmission) (SN TA 126500 to Present)	
12	7029037	19	HEX HD CAPSCREW, M6X60mm, (transmission) (SN TA 126500 to Present)	
13	1319659	43	TORX SCREW, M8X30mm	
14	8036035	1	GASKET, (transmission) (Prior to SN TA 126500)	
15	7029720	1	INTERM. SHEET, (transmission) (Prior to SN TA 126500)	
16	7029721	1	GASKET, (transmission) (Prior to SN TA 126500)	
17	70020426	1	INTERM. SHEET, (transmission) (SN TA 126500 to Present)	
18		Ref	VALVE HOUSING, (see ZF TRANSMISSION-VALVE HOUSING ASSEMBLY for Breakdown)	
19		Ref	VALVE BLOCK, (See ZF TRANSMISSION-VALVE BLOCK ASSEMBLY for Breakdown)	

SECTION 5 - DRIVE TRAIN

FIGURE 5-45. ZF TRANSMISSION - VALVE HOUSING ASSEMBLY



PH3490

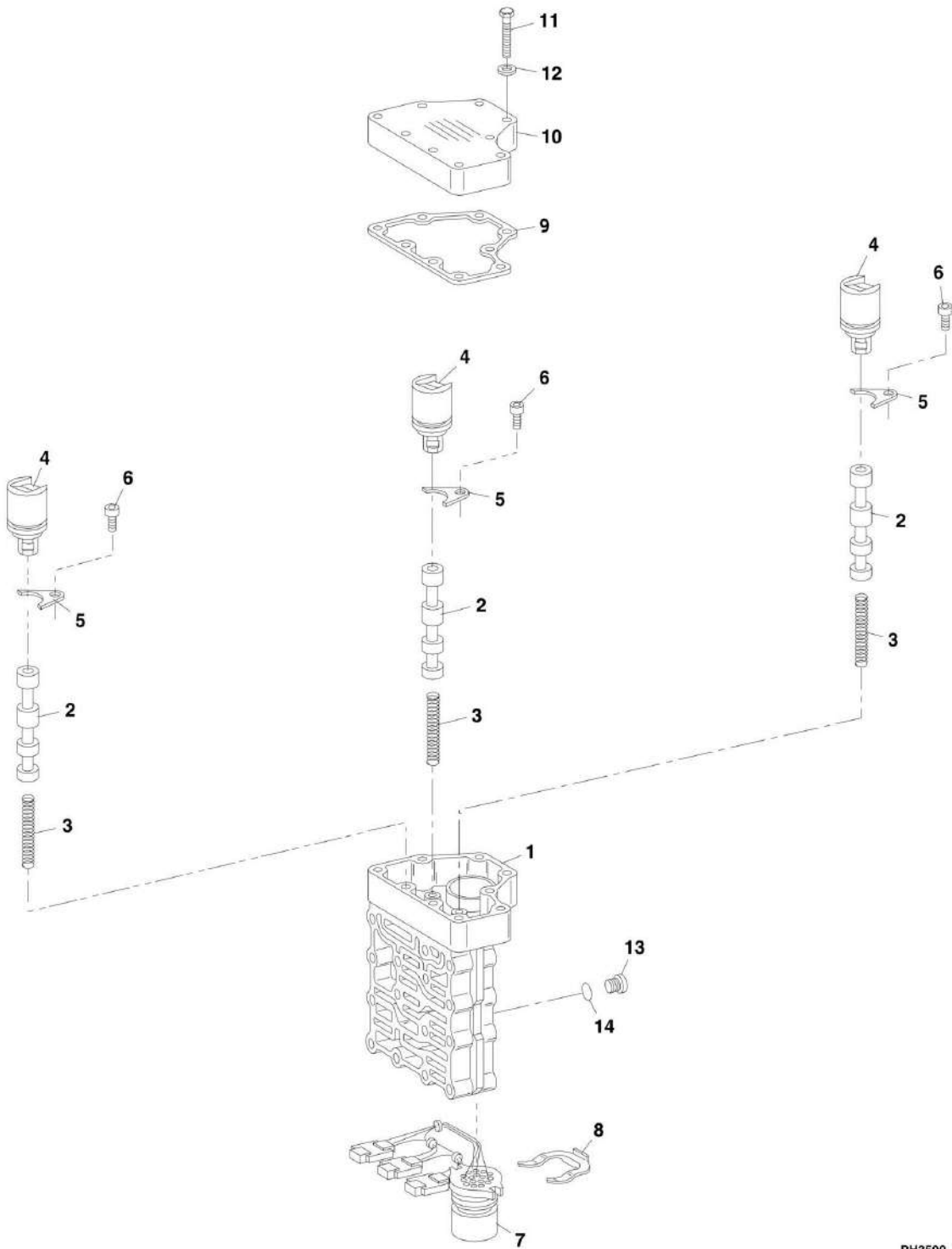
SECTION 5 - DRIVE TRAIN

FIGURE 5-45. ZF TRANSMISSION - VALVE HOUSING ASSEMBLY

ITEM	PART NUMBER	QTY	DESCRIPTION	REV
	8036040	1	VALVE HOUSING ASSY, (includes all items)	
1	1319671	1	VALVE HOUSING	
2	1319670	7	SCREW PLUG, M10X1mm	
3	10731709	7	O-RING	
4	8036036	1	WASHER, 1	
5	8036037	1	PISTON	
6	1319673	1	COMPRESSION SPRING	
7	8036038	1	COMPRESSION SPRING	
8	1319674	1	PISTON	
9	1319675	1	WASHER, 3.6	
9	1319676	1	WASHER, 3.2	
9	1319677	1	WASHER, 2.8	
9	1319678	1	WASHER, 2.4	
9	1319679	1	WASHER, 2	
10	1319680	1	COMPRESSION SPRING	
11	1319681	1	CONTROL PISTON	
12	1319682	1	LOCKWASHER, 12	
13	1319683	1	COMPRESSION SPRING	
14	1319684	1	COMPRESSION SPRING	
15	1319685	1	WASHER, 2	
15	1319686	1	WASHER, 1	
15	1319687	1	WASHER, 0.5	
15	1319688	1	WASHER, 0.3	
15	1319684	1	WASHER, 0.2	
16	1319690	1	PISTON	
17	1319691	1	SEAL	
18	1319692	1	COVER	
19	1319693	6	HEX HD CAPSCREW, M6X25mm	
20	1319661	16	WASHER, 6.4	
21	1319652	1	ORIFICE	
22	1319694	1	VALVE	
23	1319695	1	PISTON	
24	1319696	1	COMPRESSION SPRING	
25	1319697	1	PISTON	
26	1319698	1	COMPRESSION SPRING	
27	1319699	1	SPACER SLEEVE	
28	1319700	1	PLUG	
29	1319701	1	FIXING PLATE	
30	1319702	3	SOLENOID VALVE	
31	10732063	3	FIXING PLATE	
32	1319703	3	HEX HD CAPSCREW, M5X12mm	
33	10732064	3	WASHER, 2	
34	1319704	1	WIRING HARNESS	
35	1319705	1	SEAL	
36	8036039	1	COVER	
37	1319707	1	RETAINING CLAMP	
38	1319693	6	HEX HD CAPSCREW, M6X25mm	
39	1319708	4	HEX HD CAPSCREW, M6X60mm	
40	1319670	1	SCREW PLUG, M10X1mm	
41	10731709	1	O-RING	

SECTION 5 - DRIVE TRAIN

FIGURE 5-46. ZF TRANSMISSION - VALVE BLOCK ASSEMBLY



PH3500

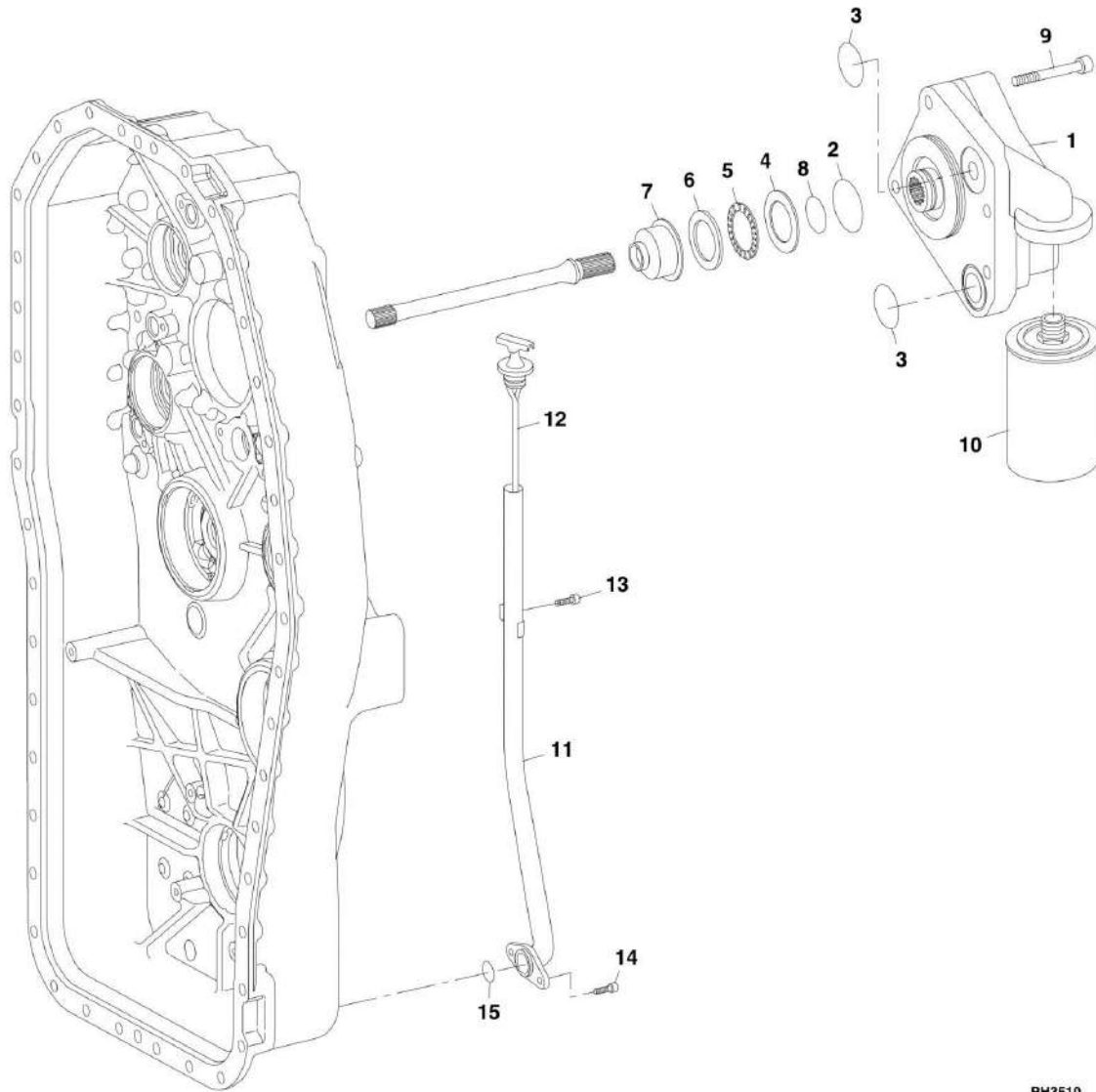
SECTION 5 - DRIVE TRAIN

FIGURE 5-46. ZF TRANSMISSION - VALVE BLOCK ASSEMBLY

ITEM	PART NUMBER	QTY	DESCRIPTION	REV
	1319717	1	VALVE BLOCK ASSY, (includes all items), (1-piece gasket design)	
1	70020427	1	VALVE BLOCK	
2	1319710	3	PISTON	
3	1319696	3	COMPRESSION SPRING	
4	1319702	3	SOLENOID VALVE	
5	10732063	3	FIXING PLATE	
6	1319703	3	SOCKET HD CAPSCREW, M5X12mm	
7	1319711	1	WIRING HARNESS	
8	1319707	1	RETAINING CLAMP	
9	1319712	1	GASKET	
10	1319713	1	COVER	
11	1319714	9	HEX HD CAPSCREW, M5X32mm	
12	1319715	9	WASHER, 5.3	
13	1319670	3	SCREW PLUG, M10X1mm	
14	10731709	3	O-RING	

SECTION 5 - DRIVE TRAIN

FIGURE 5-47. ZF TRANSMISSION - OIL PUMP AND FILTER



PH3510

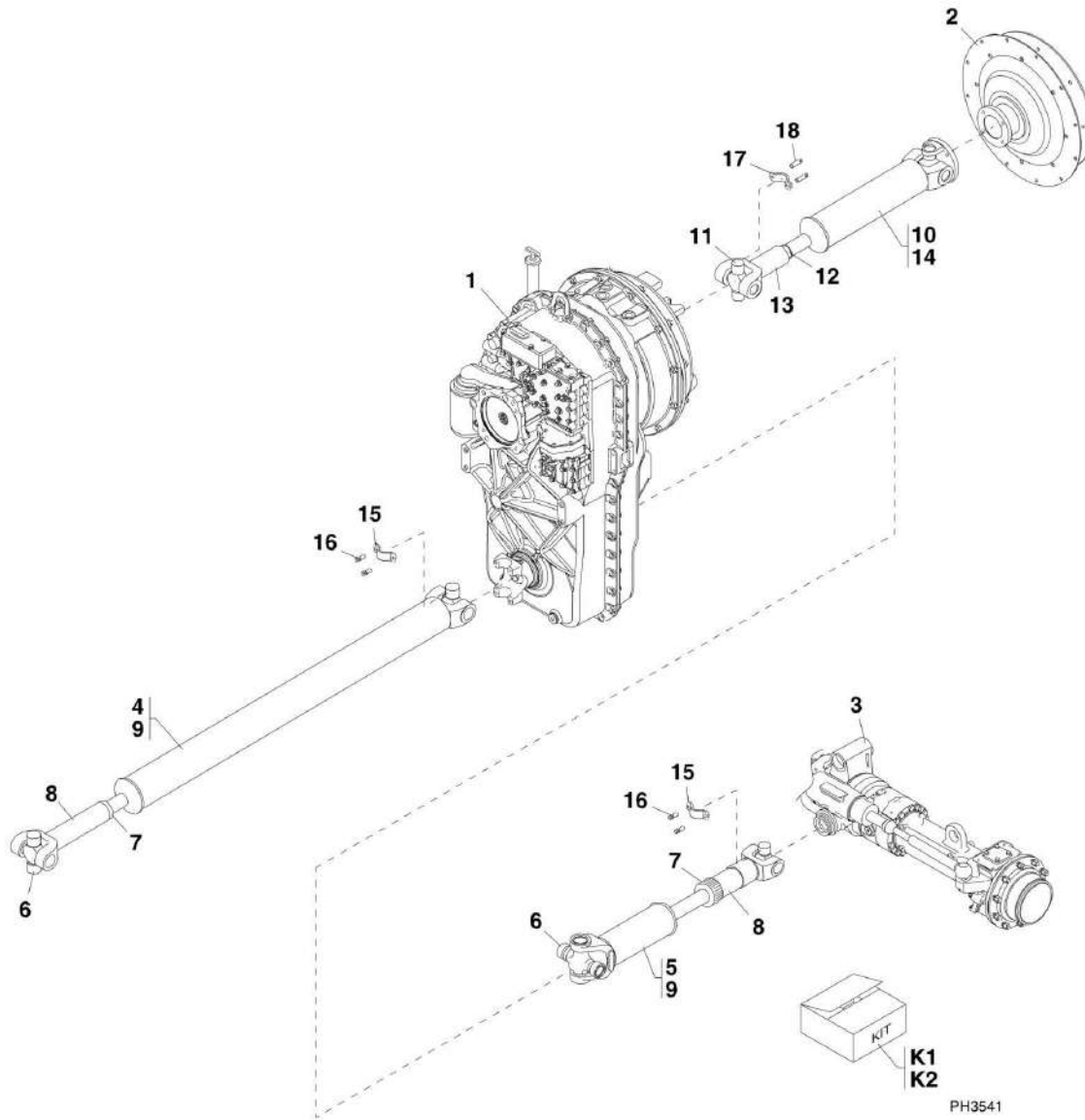
SECTION 5 - DRIVE TRAIN

FIGURE 5-47. ZF TRANSMISSION - OIL PUMP AND FILTER

ITEM	PART NUMBER	QTY	DESCRIPTION	REV
1	1319718	1	PUMP, (includes item 2)	
1	7029417	1	O-RING, (between pump halves), (not shown)	
2	8036250	1	O-RING	
3	1319719	2	O-RING	
4	1319720	1	AXIAL WASHER, 40X60X1	
5	1319721	1	AXIAL NEEDLE CAGE	
6	1319722	1	ANGLE DISC	
7	1319723	1	SPACER BUSHING	
8	1319724	1	O-RING	
9	1319725	4	HEX HD CAPSCREW, M12X115mm	
10	1319726	1	FILTER	
11	8036041	1	DIPSTICK TUBE	
12	8036042	1	DIPSTICK	
13	1319585	1	HEX HD CAPSCREW, M8X16mm	
14	1319582	1	HEX HD CAPSCREW, M8X20mm	
15	70023885	1	O-RING	

SECTION 5 - DRIVE TRAIN

FIGURE 5-48. DRIVE SHAFTS



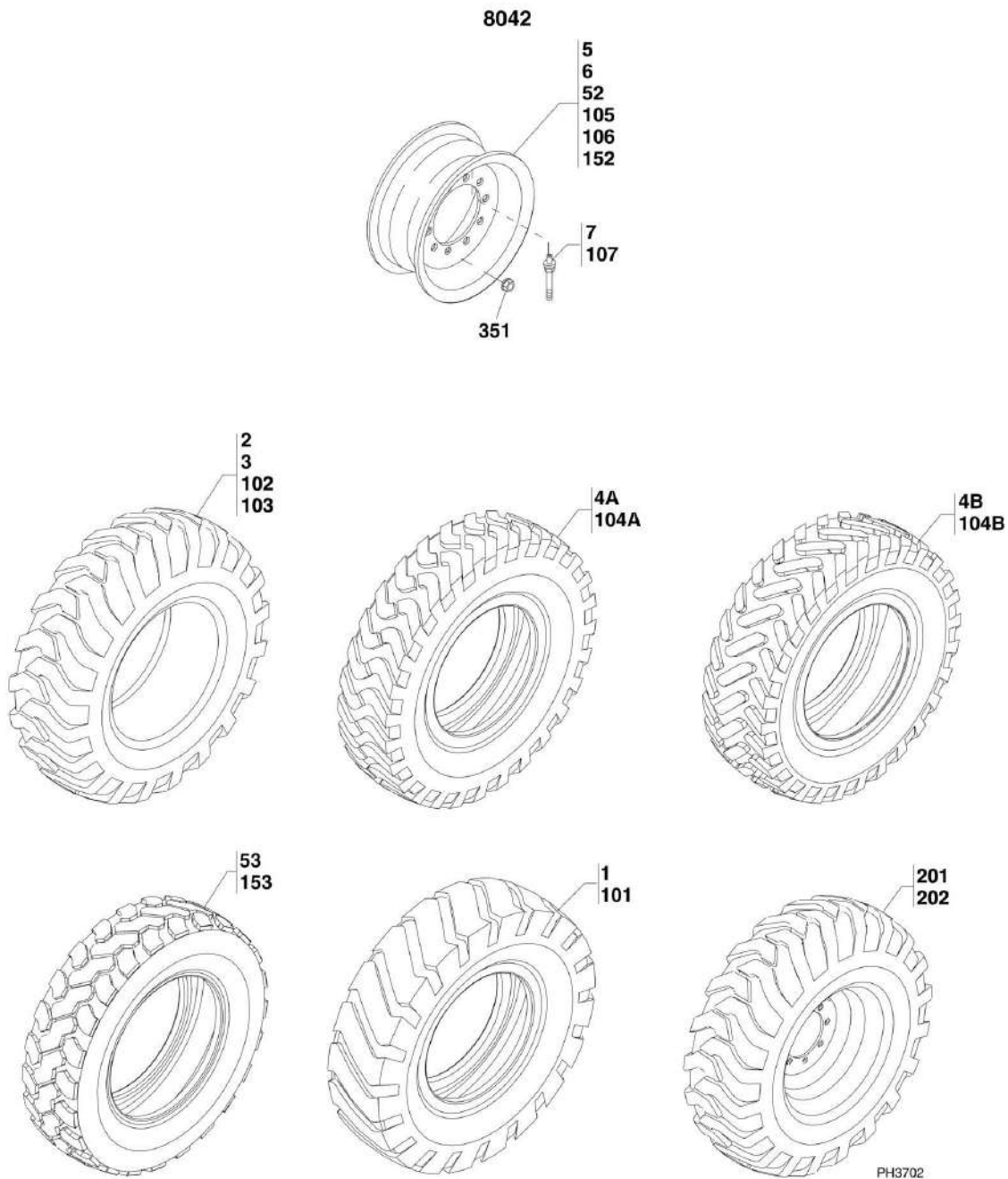
SECTION 5 - DRIVE TRAIN

FIGURE 5-48. DRIVE SHAFTS

ITEM	PART NUMBER	QTY	DESCRIPTION	REV
1		Ref	ZF TRANSMISSION, (See ZF TRANSMISSION for Breakdown)	
2		Ref	ISOLATION COUPLER, (See ISOLATION COUPLER SECTION for Breakdown)	
3		Ref	REAR AXLE, (See REAR AXLE for Breakdown)	
4	7138638	1	FRONT AXLE DRIVE SHAFT, (includes items 6 thru 9)	
5	7138639	1	REAR AXLE DRIVE SHAFT, (includes items 6 thru 9)	
6	8035778	4	CROSS AND BEARING KIT, (two required per drive shaft)	
7	8035109	2	DUST CAP KIT, (one required per drive shaft)	
8	N.S.S.	2	SLIP JOINT	
9	N.S.S.	2	YOKE SHAFT	
10	7138805	1	DRIVE SHAFT - ENGINE TO TRANSMISSION, (includes items 11 thru 14) (8042 SN 13198 through 18990; 10042 SN 13198 through 19030; 10054 SN 13198 through 19079)	
10	7302034	1	DRIVE SHAFT - ENGINE TO TRANSMISSION, (with isolation coupler replacement kit), (see ISOLATION COUPLER SECTION for Breakdown), (includes items 11 thru 14) (8042 SN 13198 through 18990; 10042 SN 13198 through 19030; 10054 SN 13198 through 19079)	
10	7301508	1	DRIVE SHAFT - ENGINE TO TRANSMISSION, (includes items 11 thru 14) (8042 SN 0160002332 to Present, SN 18991 through 19987; 10042 SN 0160002332 to Present, SN 19031 through 19987; 10054 SN 0160002332 to Present, SN 19080 through 19987)	
11	1101841	2	CROSS AND BEARING KIT	
12	8035109	1	DUST CAP KIT	
13	N.S.S.	2	SLIP JOINT	
14	N.S.S.	1	YOKE SHAFT	
15	Kit	8	STRAP, (use kit 8880218-OM for replacement)	
16	Kit	16	SCREW, (torque to 32-42 lb-ft), (must replace when removed, do not re-torque), (use kit 8880218-OM for replacement)	
17	Kit	2	STRAP, (use kit 8880219-OM for replacement)	
18	Kit	4	SCREW, (torque to 35 lb-ft), (must replace when removed, do not re-torque), (use kit 8880219-OM for replacement)	
K1	8880218-OM	4	STRAP KIT, (includes qty 2 of item 15 & qty 4 of item 16)	
K2	8880219-OM	1	STRAP KIT, (includes qty 2 of item 17 & qty 4 of item 18)	

SECTION 5 - DRIVE TRAIN

FIGURE 5-49. TIRES AND RIMS 8042



SECTION 5 - DRIVE TRAIN

FIGURE 5-49. TIRES AND RIMS 8042

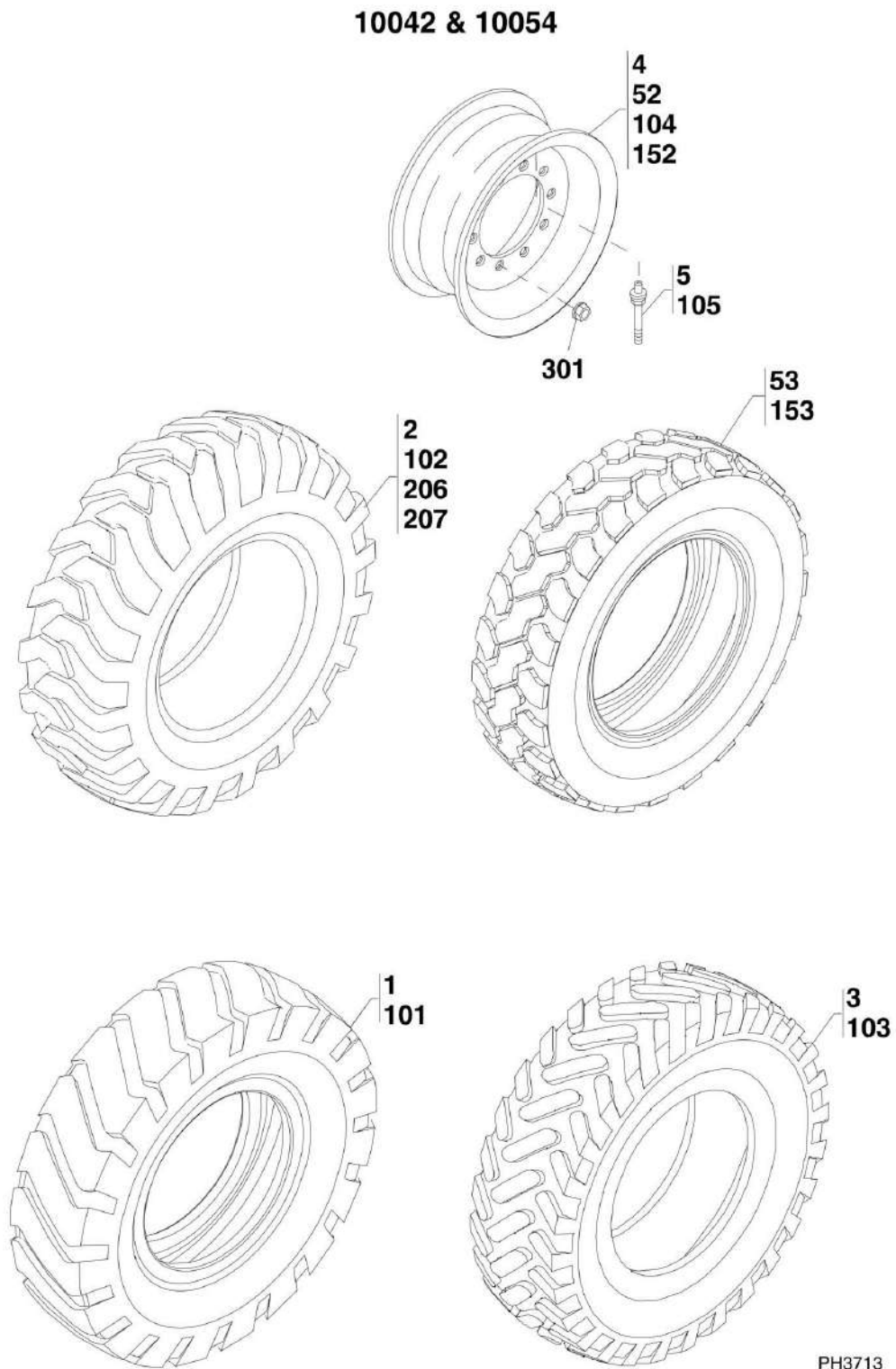
ITEM	PART NUMBER	QTY	DESCRIPTION	REV
		Ref	PNEUMATIC TIRE AND RIM ASSEMBLY	
	7139168	1	ROCK TREAD PNEUMATIC TIRE AND RIM ASSY, (right or left side), 13.00X24, (includes items 1, 5 & 7) (Prior to SN 0160037799)	C
	4520466	1	ROCK TREAD PNEUMATIC TIRE AND RIM ASSY, (right or left side), 15.5X25, (includes items 1, 6 & 7)	A
	7138658	1	GRADER PNEUMATIC TIRE AND RIM ASSY, (right side), 13.00X24, (includes items 2, 5 & 7) (Prior to SN 0160037799)	D
	7138659	1	GRADER PNEUMATIC TIRE AND RIM ASSY, (left side), 13.00X24, (includes items 2, 5 & 7) (Prior to SN 0160037799)	D
	7138660	1	LOADER DOZER PNEUMATIC TIRE AND RIM ASSY, (right side), 15.5X25, (includes items 3, 6 & 7)	D
	7138661	1	LOADER DOZER PNEUMATIC TIRE AND RIM ASSY, (left side), 15.5X25, (includes items 3, 6 & 7)	E
	4520412	1	RADIAL PNEUMATIC TIRE AND RIM ASSY, (right or left side), 13.00X24, (includes items 4A, 5 & 7) (Prior to SN 0160037799)	A
	7139165	1	RADIAL PNEUMATIC TIRE AND RIM ASSY, (right or left side), 15.5R25, (includes items 4B, 6 & 7)	C
	1001100324	1	TIRE AND RIM ASSY, 370/75-28, 14PLY, (includes items 7, 52 & 53)	C
1	8780045	1	ROCK TREAD TIRE, 13.00X24 (Prior to SN 0160037799)	
1	8780050	1	ROCK TREAD TIRE, 15.5X25	
2	8780031	1	GRADER TIRE, 13.00X24 (Prior to SN 0160037799)	
3	8780036	1	LOADER DOZER TIRE, 15.25X25	
4A	8780264	1	RADIAL TIRE, 13.00X24 (Prior to SN 0160037799)	
4B	8780048	1	RADIAL TIRE, 15.5R25	
5	7301054	1	RIM, 9X24	
6	7301056	1	RIM, 13.00X25	
7	8786514	1	VALVE STEM	
52	1001100005	1	RIM, 28X11, 1.18 OFFSET	
53	1001100284	1	TIRE, 370/75-28, 14 PLY	
		Ref	FOAM FILLED TIRE AND RIM ASSEMBLY	
	4520319	1	YOKOHAMA FLATPROOFING ROCK TREAD TIRE AND RIM ASSY, (right or left side), 13.00X24, (includes items 101, 105, 107 & 108) (Prior to SN 0160037799)	B
	4520321	NLA	FIRESTONE FLATPROOFING ROCK TREAD TIRE AND RIM ASSY, (right or left side), 13.00X24, (includes items 101, 105, 107 & 108), (no longer available, use 4520319 for replacement)	B
	4520467	1	ROCK TREAD FOAM FILLED TIRE AND RIM ASSY, (right or left side), 15.5R25, (includes items 101, 106, 107 & 108)	A
	7139159	1	GRADER FOAM FILLED TIRE AND RIM ASSY, (right side), 13.00X24, (complete only), (includes items 102, 105, 107 & 108) (Prior to SN 0160037799)	D
	7139160	1	GRADER FOAM FILLED TIRE AND RIM ASSY, (left side), 13.00X24, (complete only), (includes items 102, 105, 107 & 108) (Prior to SN 0160037799)	D
	7139161	1	LOADER DOZER FOAM FILLED TIRE AND RIM ASSY, (right side), 15.5R25, (complete only), (includes items 103, 106, 107 & 108)	C
	7139162	1	LOADER DOZER FOAM FILLED TIRE AND RIM ASSY, (left side), 15.5R25, (complete only), (includes items 103, 106, 107 & 108),	C
	4520413	1	RADIAL FOAM FILLED TIRE AND RIM ASSY, (right or left side), 13.00X24, (complete only), (includes items 104A, 105, 107 & 108) (Prior to SN 0160037799)	A

SECTION 5 - DRIVE TRAIN

ITEM	PART NUMBER	QTY	DESCRIPTION	REV
	4520469	1	RADIAL FOAM FILLED TIRE AND RIM ASSY, (right or left side), 15.5R25, (complete only), (includes items 104B, 106, 107 & 108)	A
	1001121085	1	TIRE AND RIM ASSY, 370/75-28, 14PLY, FOAM FILLED, 464lb, (includes items 107, 152 & 153)	A
101	8780045	1	YOKOHAMA ROCK TREAD TIRE, 13.00X24 (Prior to SN 0160037799)	
101	4520318	NLA	FIRESTONE ROCK TREAD TIRE, 13.00X24, (no longer available, use 8780045 for replacement)	
101	8780050	1	ROCK TREAD TIRE, 15.5X25	
102	8780031	1	GRADER TIRE, 13.00X24 (Prior to SN 0160037799)	
103	8780036	1	LOADER DOZER TIRE, 15.25X25	
104A	8780264	1	RADIAL TIRE, 13.00X24 (Prior to SN 0160037799)	
104B	8780048	1	RADIAL TIRE, 15.5R25	
105	7301054	1	RIM, 9X24	
106	7301056	1	RIM, 13.00X25	
107	8786514	1	VALVE STEM	
108	8526203	1	FLATPROOFING TRAKFILL, (not shown)	
152	1001100005	1	RIM, 28X11, 1.18 OFFSET	
153	1001100284	1	TIRE, 370/75-28, 14 PLY	
		Ref	SOLID TIRE AND WHEEL ASSEMBLY:	
	4520648	1	SOLID TIRE SET, 13.00-24, (includes items 201 & 202)	B
201	4520649	2	R.H. SOLID TIRE AND WHEEL ASSEMBLY	B
202	4520650	2	L.H. SOLID TIRE AND WHEEL ASSEMBLY	B
351		Ref	WHEEL NUT, (See DRIVE TRAIN COMPONENTS for Breakdown)	
N1	Note	Ref	When ordering tires contact JLG and specify the brand of tire.	
N2	Note	Ref	Assemblies may require ballast/foam filling to manufacturer's specifications prior to installing on a machine. Refer to Operation and Safety or Service and Maintenance Manuals.	
		Ref	Purchase individual tire and/or rim only if able to foam fill tire and wheel assembly, otherwise, purchase complete assembly.	

SECTION 5 - DRIVE TRAIN

FIGURE 5-50. TIRES AND RIMS 10042 AND 10054



SECTION 5 - DRIVE TRAIN

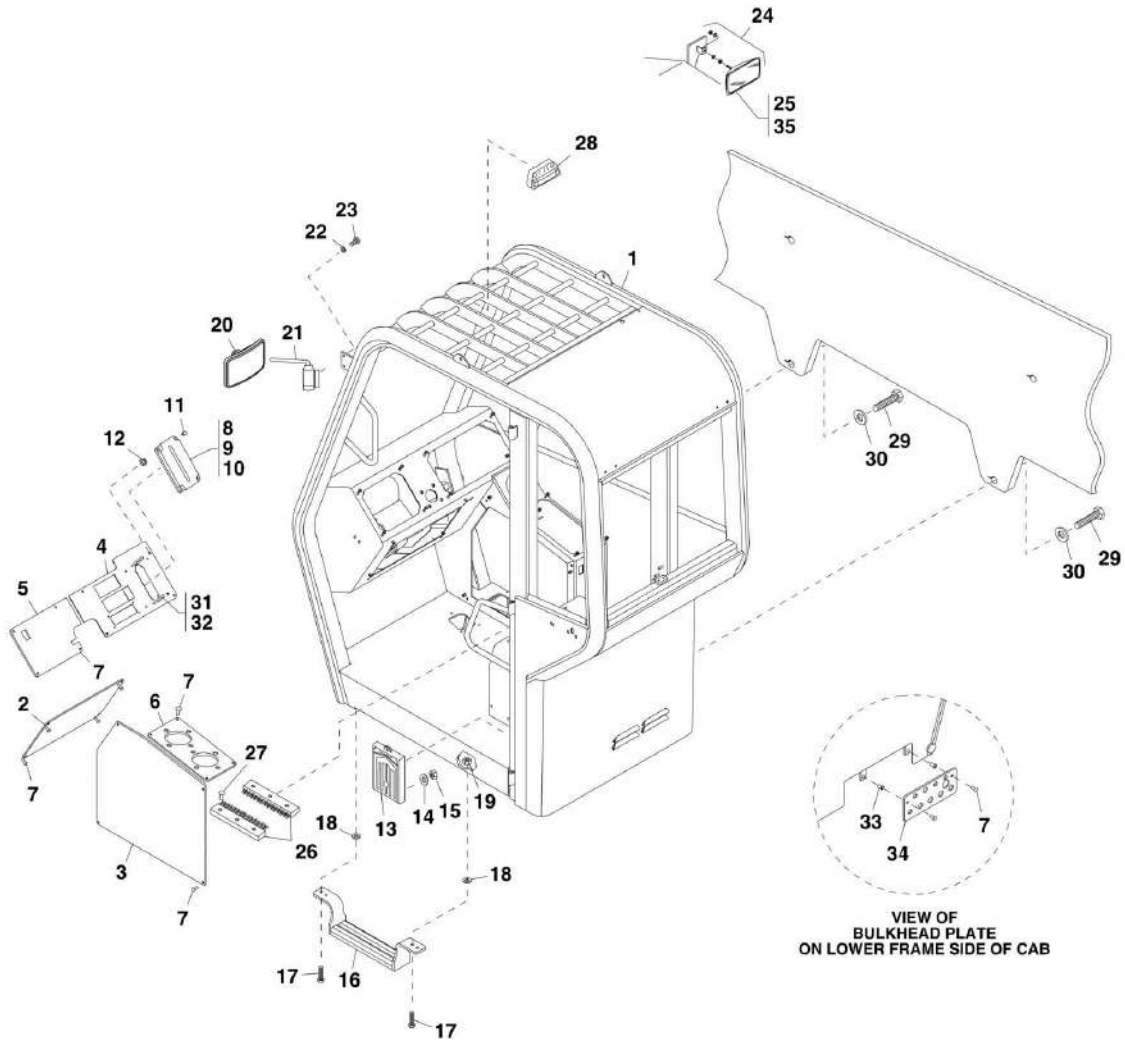
FIGURE 5-50. TIRES AND RIMS 10042 AND 10054

ITEM	PART NUMBER	QTY	DESCRIPTION	REV
		Ref	PNEUMATIC TIRE AND RIM ASSEMBLY:	
	4520530	1	ROCK TREAD PNEUMATIC TIRE AND RIM ASSY, (right or left side), 17.5X25, (includes items 1, 4 & 5)	A
	7138662	1	LOADER DOZER PNEUMATIC TIRE AND RIM ASSY, (right side), 17.5X25, (includes items 2, 4 & 5)	F
	7138663	1	LOADER DOZER PNEUMATIC TIRE AND RIM ASSY, (left side), 17.5X25, (includes items 2, 4 & 5)	F
	7139166	1	RADIAL PNEUMATIC TIRE AND RIM ASSY, (right or left side), 17.5X25, (includes items 3, 4 & 5)	C
	1001121102	1	TIRE AND RIM ASSY, 400/75-28, 16PLY, (includes items 5, 52 & 53)	A
1	4520314	1	ROCK TREAD TIRE, 17.5X25	
2	4520527	1	LOADER DOZER TIRE, 17.5X25	
3	8780047	1	RADIAL TIRE, 17.5X25	
4	7301056	1	RIM, 13X25	
5	8786514	1	VALVE STEM	
52	1001100009	1	RIM, 28X12, 1.18 OFFSET	
53	1001120179	1	TIRE, 400/75-28, 16PLY	
		Ref	FOAM FILLED TIRE AND RIM ASSEMBLY:	
	4520531	1	ROCK TREAD FOAM FILLED TIRE AND RIM ASSY, (right or left side), 17.5X25, (includes items 101, 104 & 105)	A
	7139163	1	LOADER DOZER FOAM FILLED TIRE AND RIM ASSY, (right side), 17.5X25, (complete only), (includes items 102, 104 & 105)	D
	7139164	1	LOADER DOZER FOAM FILLED TIRE AND RIM ASSY, (left side), 17.5X25, (complete only), (includes items 102, 104 & 105)	D
	4520533	1	RADIAL FOAM FILLED TIRE AND RIM ASSY, (right or left side), 17.5X25, (complete only), (includes items 103, 104 & 105)	A
	1001121104	1	TIRE AND RIM ASSY, 400/75-28, 16PLY, FOAM FILLED, 570lb, (includes items 105, 152 & 153)	
101	4520314	1	ROCK TREAD TIRE, 17.5X25	
102	4520527	1	LOADER DOZER TIRE, 17.5X25	
103	8780047	1	RADIAL TIRE, 17.5X25	
104	7301056	1	RIM, 13X25	
105	8786514	1	VALVE STEM	
152	1001100009	1	RIM, 28X12, 1.18 OFFSET	
153	1001120179	1	TIRE, 400/75-28, 16PLY	
	1001105703	4	TIRE SET, 14X24, SOLID, (includes items 206 thru 209)	B
206	1001105705	2	RH TIRE AND WHEEL ASSY, 14-24, SOLID	
207	1001105704	2	LH TIRE AND WHEEL ASSY, 14-24, SOLID	
208		Ref	WHEEL NUT, (not shown), (See DRIVE TRAIN COMPONENTS for Breakdown)	
209		Ref	SPRING WASHER, (not shown), (See DRIVE TRAIN COMPONENTS for Breakdown)	
301		Ref	WHEEL NUT AND SPRING WASHER, (See DRIVE TRAIN COMPONENTS for Breakdown)	
N1	Note	Ref	When ordering tires contact JLG and specify the brand of tire.	

SECTION 6 - CAB

SECTION 6 - CAB

FIGURE 6-1. OPEN CAB



ART_8990395-6-1

FIGURE 6-1. OPEN CAB

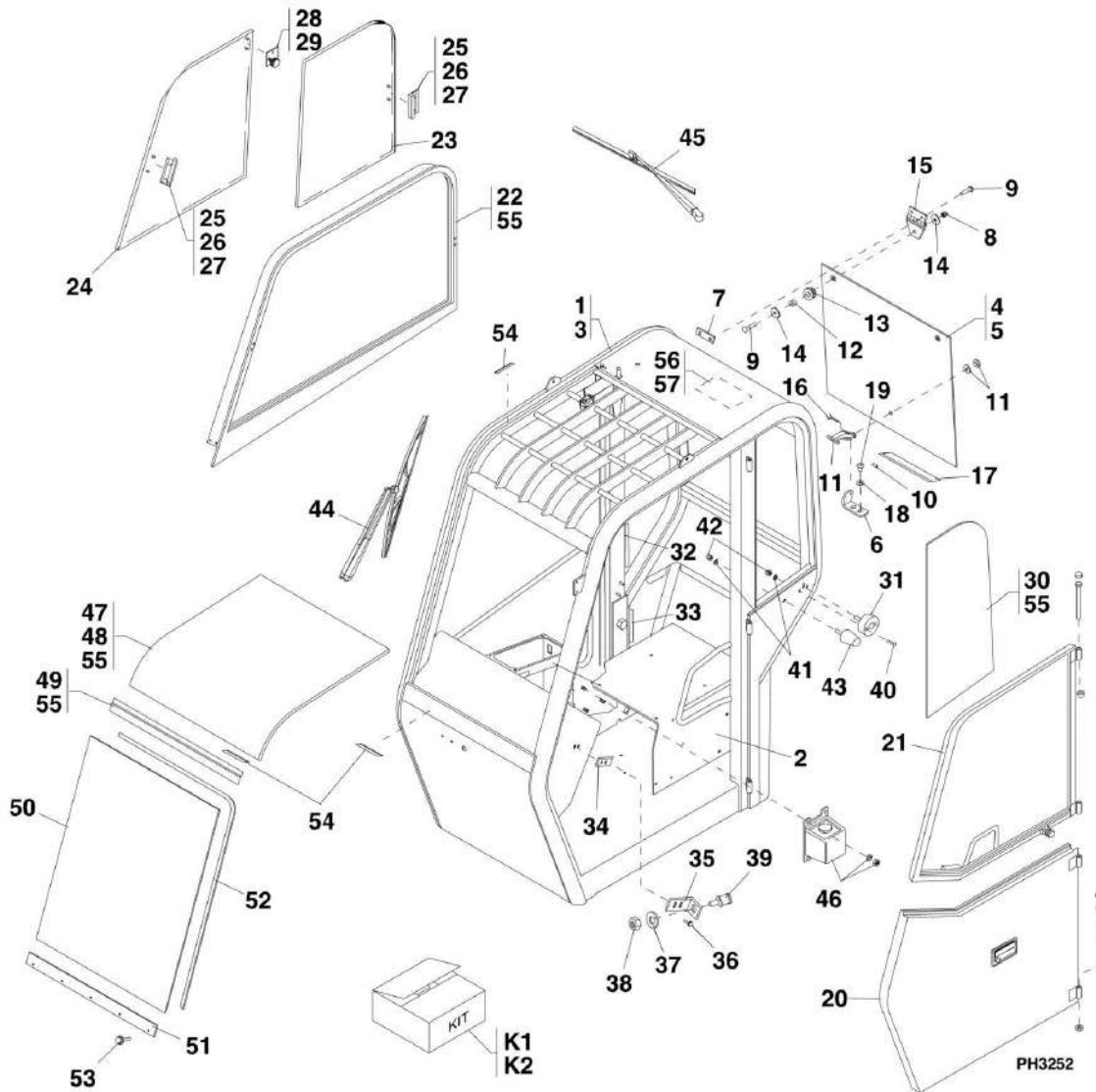
ITEM	PART NUMBER	QTY	DESCRIPTION	REV
1	7138857	1	OPEN CAB, (includes items 2 thru 7)	H
2	7302074	1	LOWER PANEL	
3	7302073	1	RIGHT SIDE CONSOLE ACCESS PANEL	
4	3380679	1	RIGHT FRONT CONSOLE PANEL	
5	7302076	1	LEFT FRONT CONSOLE PANEL	
6	7302077	1	SIDE CONSOLE PANEL	
7	8303034	22	TRUSS HD TORX SCREW, 1/4-20X3/4	
8	7138819	1	LOAD CHART HOLDER (8042 SN 13198 through 19987, SN 016002332 through 0160019859; 10042 SN 13198 through 19987, SN 016002332 through 0160019855; 10054 SN 13198 through 19987, SN 016002332 through 0160019851, Excluding 0160019634 and 0160019646)	
9	7139135	AR	SPACER FOAM TAPE (8042 SN 13198 through 19987, SN 016002332 through 0160019859; 10042 SN 13198 through 19987, SN 016002332 through 0160019855; 10054 SN 13198 through 19987, SN 016002332 through 0160019851, Excluding 0160019634 and 0160019646)	
10	8310016	2	PAN HD CAPSCREW, 10-24X1 (8042 SN 13198 through 19987, SN 016002332 through 0160019859; 10042 SN 13198 through 19987, SN 016002332 through 0160019855; 10054 SN 13198 through 19987, SN 016002332 through 0160019851, Excluding 0160019634 and 0160019646)	
11	8310362	4	BUTTON HD CAPSCREW, 10-24X.5 (8042 SN 13198 through 19987, SN 016002332 through 0160019859; 10042 SN 13198 through 19987, SN 016002332 through 0160019855; 10054 SN 13198 through 19987, SN 016002332 through 0160019851, Excluding 0160019634 and 0160019646)	
12	8310085	6	LOCK NUT, #10-24 (8042 SN 13198 through 19987, SN 016002332 through 0160019859; 10042 SN 13198 through 19987, SN 016002332 through 0160019855; 10054 SN 13198 through 19987, SN 016002332 through 0160019851, Excluding 0160019634 and 0160019646)	
13	8990147	1	MANUAL HOLDER	
14	8307201	3	FLAT WASHER, 10	
15	8310085	3	LOCKNUT, 10-24	
16	1001141427	1	STEP	
17	8303626	4	HEX HD CAPSCREW, 1/2-13X1-1/2	
18	8307112	4	FLAT WASHER, 1/2	
19	8305644	4	LOCKNUT, 1/2-13	
20	8866529	1	REAR VIEW MIRROR (Prior to SN 0160029593)	
20	3140007	NLA	REAR VIEW MIRROR (no longer available, use 1001148177 for replacement)	
20	1001148177	1	RECTANGULAR MIRROR, (if equipped for LS) (SN 0160029593 to Present)	
21	8866530	1	MIRROR ARM (Prior to SN 0160029593)	
21	1001114675	1	MIRROR ARM (SN 0160029593 to Present)	
22	8307024	AR	LOCKWASHER, M6	
23	8303799	2	HEX HD CAPSCREW, M6-1X14mm (Prior to SN 0160029593)	
23	0700610	2	HEX HD CAPSCREW, M6-1X20mm (SN 0160029593 to Present)	
24	8866348	1	RIGHT MIRROR, (includes mounting hardware)	
25	8866351	1	CONVEX GLASS REPLACEMENT LENS, 6.5X10	
26	7138944	2	BRUSH STRIP ASSY	
27	8303982	6	SELF-TAPPING SCREW, 1/4-20X3/4	
28	8466306	1	TILT ANGLE GAUGE	

SECTION 6 - CAB

ITEM	PART NUMBER	QTY	DESCRIPTION	REV
29	8310493	4	HEX HD CAPSCREW, 7/8-9X5.5, GR8, (torque to 480 lb-ft)	
30	8307011	4	LOCKWASHER, 7/8	
31	1001102844	2	U-BOLT, 1/4-20X2-1/2, (8042 SN 0160019946 to Present; 10042 SN 0160020008 to Present; 10054 SN 0160019865 to Present; Including 0160019634 and 0160019646)	
32	8310382	8	FLANGE NUT, 1/4-20, (8042 SN 0160019946 to Present; 10042 SN 0160020008 to Present; 10054 SN 0160019865 to Present; Including 0160019634 and 0160019646)	
33	70021305	2	RIVNUT	
34	70021306	1	BULKHEAD FITTING PLATE	
35	4791500	1	STAR WASHER, 5/16 IN	

SECTION 6 - CAB

FIGURE 6-2. CLOSED CAB (SN 13198 through 19987, SN 0160002332 through 0160008806)



SECTION 6 - CAB

FIGURE 6-2. CLOSED CAB (SN 13198 through 19987, SN 0160002332 through 0160008806)

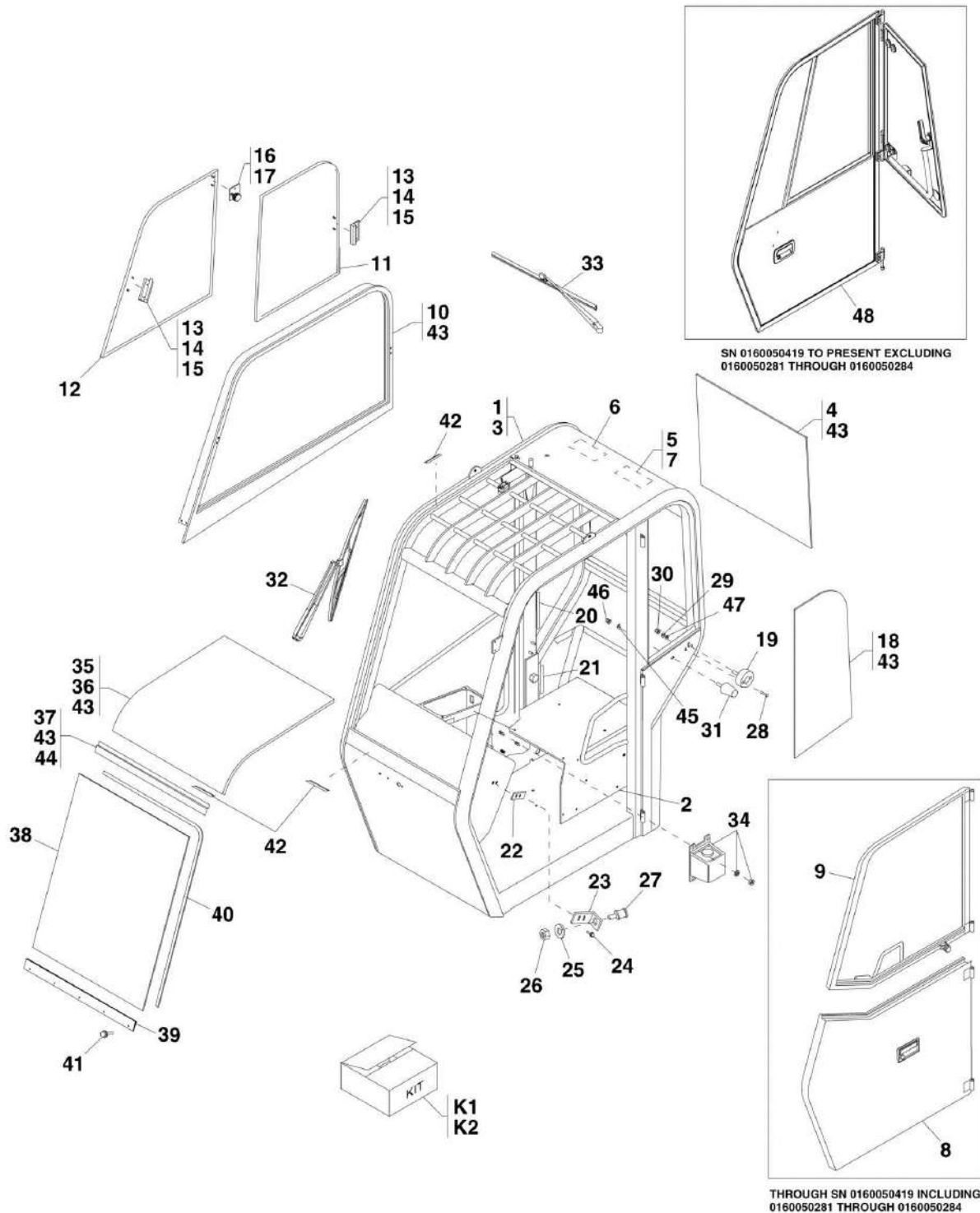
ITEM	PART NUMBER	QTY	DESCRIPTION	REV
	7139048	1	CLOSED CAB, (includes all items)	AA
1		Ref	OPEN CAB, (See OPEN CAB for Breakdown)	
2		Ref	CAB HEATER KIT, (See CAB HEATER for Breakdown)	
3	7139050	1	CAB ENCLOSURE WITH TOP AND FRONT WIPERS KIT, (includes 4 thru 55)	A
4	8036048	1	REAR WINDOW ASSY, (includes items 5 thru 19)	
5	8036106	1	REAR WINDOW GLASS	
6	8036107	1	REAR WINDOW LATCH MOUNT	
7	8036108	2	REAR WINDOW HINGE BLOCK	
8	8035479	2	ACORN NUT, 1/4-20	
9	8310136	6	TRUSS SCREW, 1/4-20X1-1/4	
10	8035486	1	ROLL PIN, #10X1/2	
11	1001081280	1	T-HANDLE LATCH, (includes mounting hardware)	
12	8035478	2	BUSHING, 0.26 IDX1/2 OD	
13	8035477	2	GROMMET, 1/2 IDX1.06 OD	
14	80264082	4	FLAT WASHER, 9/32X1X0.065	
15	8035475	2	PLASTIC HINGE	
16	1001109417	1	DETENT RING PIN, 0.019X1.4	
17	8037206	1	SEAL, 8.6 FT	
18	8036071	2	WASHER	
19	91344043	2	HEX HD CAPSCREW, 1/4-20X.62	
20		Ref	LOWER DOOR ASSY, (See CAB DOOR for Breakdown)	
21		Ref	UPPER DOOR ASSY, (See CAB DOOR for Breakdown)	
22	8036050	1	SLIDER WINDOW, (right side), (includes items 23 thru 29)	
23	7138953	NLA	REAR SLIDE GLASS, (no longer available, use complete assy 8036050 for replacement), (p/n 7138953 is etched onto glass)	
23	8036197	1	REAR SLIDE GLASS	
24	7138952	NLA	FRONT SLIDE GLASS, (no longer available, use complete assy 8036050 for replacement), (p/n 7138952 is etched onto glass)	
24	8036196	1	FRONT SLIDE GLASS	
25	Kit	1	CAPSCREW	
26	Kit	1	SPACER	
27	Kit	1	LATCH	
28	Kit	1	LOCK BLOCK	
29	Kit	1	KNOB ASSY	
30	8036073	1	REAR GLASS, (left side)	
31	80364044	1	FEMALE DOOR RETAINER	
32	8036057	1	UPPER WIRE DUCT	
33	8036058	1	LOWER WIRE DUCT	
34	8036059	1	STRIKER NUT PLATE WELDMENT	
35	8036060	1	STRIKER BOLT BRACKET	
36	8035437	2	LOCK SCREW, 1/4-20X3/4	
37	8036061	1	FLAT WASHER, 17/32X1.06X.094	
38	8035639	1	CENTER LOCKNUT, 7/16-14	
39	8035637	1	STRIKER BOLT, 7/16-14X1-1/2	
40	8035487	2	SCREW, 1/4-20X.625	
41	8035416	3	LOCKWASHER, 1/4X.49 ODX.07	
42	8035479	3	ACORN NUT, 1/4-20	
43	8036066	1	RUBBER CONE BUMPER, 2	

SECTION 6 - CAB

ITEM	PART NUMBER	QTY	DESCRIPTION	REV
44		Ref	FRONT WINDSHIELD WIPER ASSY, (See FRONT WINDSHIELD WIPER for Breakdown)	
45		Ref	SKYLIGHT WIPER ASSY, (See SKYLIGHT WINDSHIELD WIPER for Breakdown)	
46		Ref	RESERVOIR WITH 12V MOTOR, (See FRONT WINDSHIELD WIPER for Breakdown)	
47	7139444	1	WINDSHIELD SKYLIGHT KIT, (includes items 48 thru 55)	
48	7138958	1	SKYLIGHT GLASS	
49	7139316	1	UPPER WINDSHIELD CLIP	
50	7138951	1	WINDSHIELD GLASS	
51	7139298	1	LOWER WINDSHIELD PLATE	
52	7139299	1	BULB SEAL, 0.22X0.35X14.75	
53	8310529	5	SELF-TAPPING SCREW, #10-16X0.75	
54	8035490	8	SETTING BLOCKS	
55	8035523	AR	URETHANE SEALANT, (apply to items 22, 30, 48 & 49)	
K1	8036199	1	LATCH ASSY KIT, (includes items 25, 26 & 27)	
K2	8036198	1	FRICTION LOCK ASSY KIT, (includes items 28 & 29)	

SECTION 6 - CAB

FIGURE 6-3. CLOSED CAB (SN 016000822 to Present)



ART_8990395-6-3

SECTION 6 - CAB

FIGURE 6-3. CLOSED CAB (SN 0160008822 to Present)

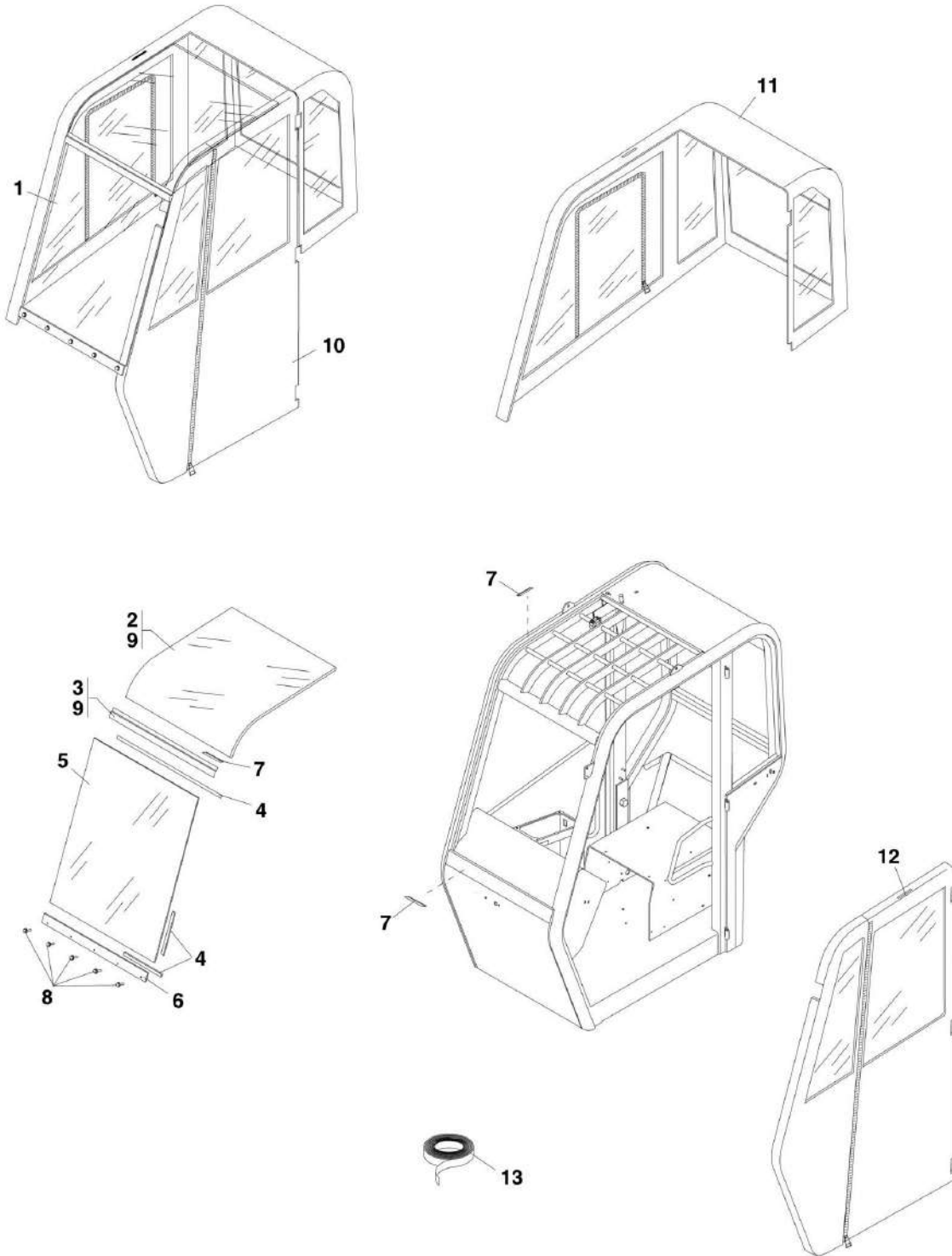
ITEM	PART NUMBER	QTY	DESCRIPTION	REV
	7139048	NLA	ENCLOSED CAB WITH HEATER, (no longer available, order 1001125838 or see items 1 to 48 for service)	E
	1001125838	1	ENCLOSED CAB WITH HEATER, (includes all items)	A
1		Ref	OPEN CAB ASSY, (See OPEN CAB for Breakdown)	
2		Ref	CAB HEATER ASSY, (See CAB HEATER for Breakdown)	
3	7139050	1	CAB ENCLOSURE WITH TOP AND FRONT WIPERS, (less heater),(includes items 4 thru 48)	F
4	7028737	1	REAR WINDOW	
5	91404301	1	HAMMER	
6		Ref	ESCAPE DECAL, (See DECALS SECTION for Breakdown)	
7	91404298	3	RIVET	
8		Ref	LOWER DOOR ASSEMBLY, (See CAB DOOR for Breakdown) (SN 0160008822 through 0160050419, Including 0160050281, 0160050282, 0160050283 and 0160050284)	
9		Ref	UPPER DOOR ASSY, (See CAB DOOR for Breakdown) (SN 0160008822 through 0160050419, Including 0160050281, 0160050282, 0160050283 and 0160050284)	
10	8036050	1	RIGHT SIDE SLIDER WINDOW, (includes items 11 thru 17)	
11	7138953	NLA	REAR SLIDE GLASS, (no longer available, use complete assy 8036050 for replacement), (p/n 7138953 is etched onto glass)	
11	8036197	1	REAR SLIDE GLASS	
12	7138952	NLA	FRONT SLIDE GLASS, (no longer available, use complete assy 8036050 for replacement), (p/n 7138952 is etched onto glass)	
12	8036196	1	FRONT SLIDE GLASS	
13	Kit	1	CAPSCREW	
14	Kit	1	SPACER	
15	Kit	1	LATCH	
16	Kit	1	LOCK BLOCK	
17	Kit	1	KNOB ASSY	
18	8036073	1	LEFT SIDE REAR GLASS	
19	8036069	1	FEMALE DOOR RETAINER	
20	7139267	1	UPPER WIRE DUCT	
21	7139268	1	LOWER WIRE DUCT	
22	8036059	1	STRIKER NUT PLATE WELDMENT	
23	8036060	1	STRIKER BOLT BRACKET	
24	8035437	2	LOCKSCREW, 1/4-20X3/4	
25	8036061	1	FLAT WASHER, 17/32X1.06X.094	
26	8035639	1	CENTER LOCKNUT, 7/16-14	
27	1001109478	1	STRIKER BOLT, 7/16-14X1-1/2	
28	8035487	2	SCREW, 1/4-20X5/8	
29	8035416	2	LOCKWASHER, 1/4X.49ODX.07	
30	8035479	2	ACORN NUT, 1/4-20	
31	8036066	1	RUBBER CONE BUMPER	
32		Ref	FRONT WINDSHIELD WIPER ASSY, (See FRONT WINDSHIELD WIPER for Breakdown)	
33		Ref	SKYLIGHT WIPER ASSY, (See SKYLIGHT WINDSHIELD WIPER for Breakdown)	
34		Ref	RESERVOIR WITH 12 VOLT MOTOR, (See FRONT WINDSHIELD WIPER for Breakdown)	
35	7139444	1	WINDSHIELD SKYLIGHT KIT, (includes items 36 thru 43)	
36	7138958	1	SKYLIGHT GLASS	

SECTION 6 - CAB

ITEM	PART NUMBER	QTY	DESCRIPTION	REV
37	7139316	1	UPPER WINDSHIELD CLIP	
38	7138951	1	WINDSHIELD GLASS	
39	7139298	1	LOWER WINDSHIELD PLATE	
40	7139299	1	BULB SEAL, 0.22X.35X14.75	
41	8310529	5	SELF-TAPPING SCREW, #10-16X.75	
42	8035490	8	SETTING BLOCKS	
43	8035523	AR	URETHANE SEALANT, (apply to items 4, 10, 18, 36 & 37)	
44	7139301	AR	FOAM	
45	8036067	1	WASHER, 5/16	
46	8036068	1	HEX NUT, 5/16-18	
47	8036071	2	WASHER,.28	
48	1001145035	1	DOOR ASSEMBLY (See Separate Breakdown in this Section) (SN 0160050420 to Present, Excluding 0160050281, 0160050282, 0160050283 and 0160050284)	
K1	8036199	1	LATCH ASSY KIT, (includes items 13, 14 & 15)	
K2	8036198	1	FRICTION LOCK ASSY KIT, (includes items 16 & 17)	

SECTION 6 - CAB

FIGURE 6-4. SOFT CAB ENCLOSURE



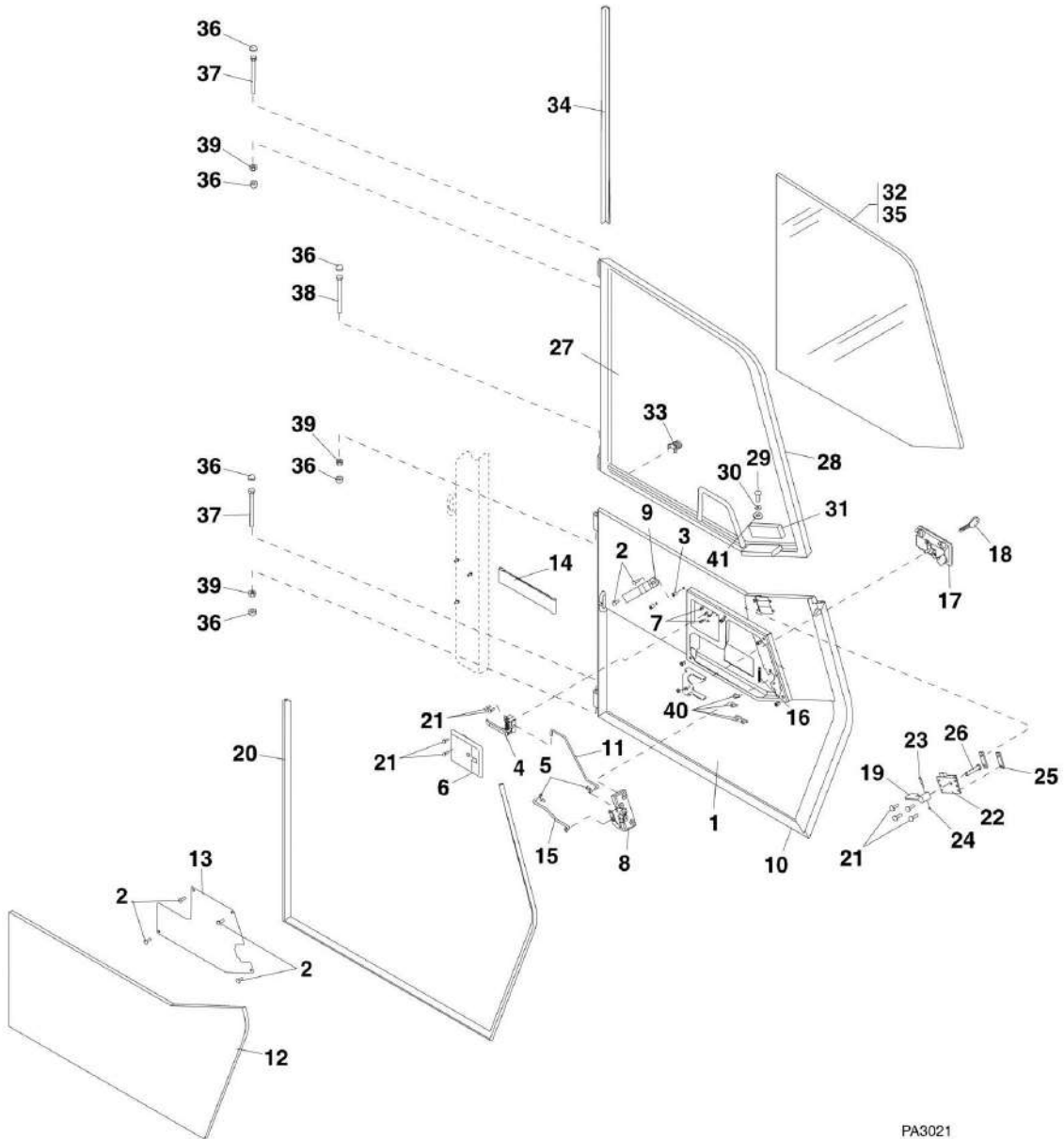
PH3270

FIGURE 6-4. SOFT CAB ENCLOSURE

ITEM	PART NUMBER	QTY	DESCRIPTION	REV
	7139250	1	COMPLETE SOFT CAB ENCLOSURE KIT, (includes all items)	AC
1	7139444	1	WINDSHIELD SKYLIGHT KIT, (includes items 2 thru 9)	
2	7138958	1	SKYLIGHT GLASS	
3	7139316	1	UPPER WINDSHIELD CLIP	
4	7139299	1	BLACK BULB SEAL, 0.22X0.35X14.75	
5	7138951	1	WINDSHIELD GLASS	
6	7139298	1	LOWER WINDSHIELD PLATE	
7	8035490	8	SETTING BLOCK, 1/8X1/4X2	
8	8310529	5	SELF TAPPING SCREW, #10-16X3/4	
9	8035523	1	URETHANE SEALANT, (apply to items 2 & 3)	
10	7139290	1	SOFT CAB ENCLOSURE KIT, (includes items 11, 12 & 13)	
11	7139293	1	SOFT REAR SECTION	
12	7139292	1	SOFT DOOR SECTION	
13	7139294	1	VELCRO KIT	
13	7139295	1	VELCRO BRAND HOOK STRIP 1-1/2X10, ORANGE, (not shown)	
13	7139296	3	VELCRO BRAND HOOK STRIP 2X10, ORANGE, (not shown)	

SECTION 6 - CAB

FIGURE 6-5. CAB DOOR



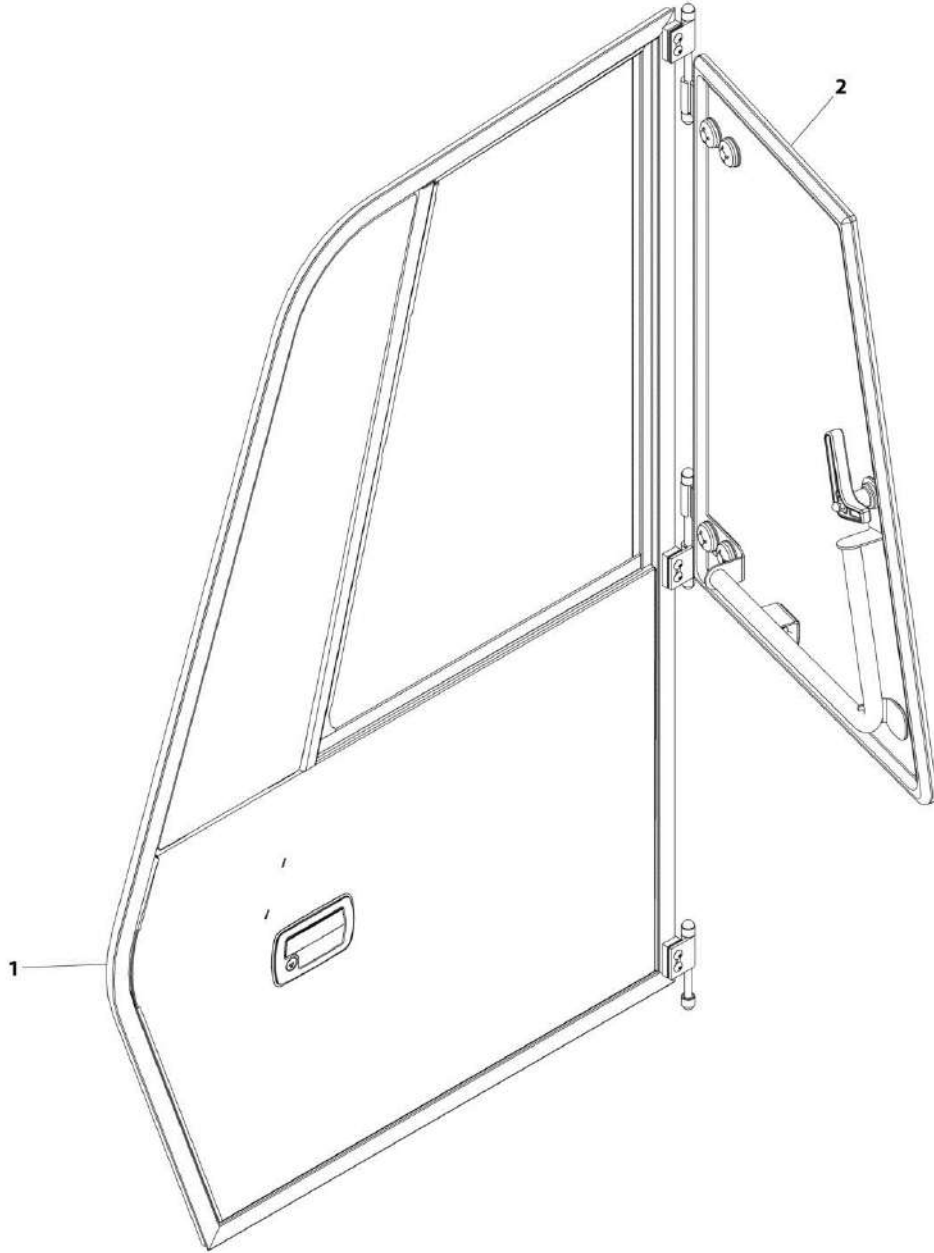
PA3021

FIGURE 6-5. CAB DOOR

ITEM	PART NUMBER	QTY	DESCRIPTION	REV
1	8036062	1	LOWER DOOR ASSY, (uses square key), (includes items 2 thru 26 & item 40)	
1	1001109007	1	LOWER DOOR ASSY, (uses round key), (includes items 2 thru 26 & item 40) (SN 0160008822 through 0160050419, Including 0160050281, 0160050282, 0160050283 and 0160050284)	A
2	8033856	6	TORX SCREW, 1/4-20	
3	1001103509	6	HEX RIVNUT, 1/4-20	
4	80384192	1	INNER DOOR HANDLE	
5	80384187	2	ROD END RETAINING CLIP	
6	80384193	1	INSIDE DOOR BEZEL	
7	8036085	4	HEX RIVNUT, #10-24	
8	8035439	1	ROTARY LATCH	
9	91344032	1	INSIDE CAB HANDLE	
10	8036090	1	LOWER DOOR WELDMENT	
11	8036093	1	INTERIOR LATCH LINKAGE	
12	8036094	1	LOWER DOOR FOAM	
13	8036095	1	LATCHBOX ACCESS PLATE	
14	8036096	1	DOOR RESTRAINT STRAP	
15	8036097	1	EXTERIOR LATCH LINKAGE WELDMENT	
16	8036098	1	EXTENSION SPRING, 0.219X1-1/2X0.023	
17	8035441	NLA	PADDLE LATCH, (uses square key), (includes item 18), (no longer available, use 1001105892 for replacement)	
17	1001105892	1	PADDLE LATCH, (uses rounded key), (includes item 18)	A
18	8342808	1	KEY, SQUARE	
18	70021948	1	KEY, ROUND	
19	91404315	1	DOOR LEVER RELEASE	
20	8036076	1	BULB SEAL, 15.5mmX10, (cut to fit)	
21	8036088	8	SCREW, #10-24X3/4	
22	91404319	1	SLAM LATCH	
23	91404317	1	SCREW, #8-32X1-1/8	
24	91404318	1	NYLON LOCKNUT, #8-32	
25	8036091	2	SLAM LATCH SPACER	
26	8036092	1	SLAM LATCH SHAFT WELDMENT	
27	1001109406	1	UPPER DOOR ASSY, (includes items 28 thru 35 & item 41) (SN 0160008822 through 0160050419, Including 0160050281, 0160050282, 0160050283 and 0160050284)	A
28	8036077	1	UPPER DOOR WELDMENT	
29	8036105	2	TORX SCREW, 1/4-20	
30	8035416	2	WASHER, 1/4IDX.49OD	
31	8036078	1	SLAM LATCH STRIKER	
32	8036079	1	LEFT SIDE DOOR GLASS	
33	8036080	1	RETAINER	
34	8036076	1	BULB SEAL, 15.5mmX10, (cut to fit)	
35	8035523	AR	URETHANE, (apply to item 32)	
36	80364004	6	HEX DOME CAP	
37	8035631	2	BOLT, 3/8-16X4.5	
38	8036064	1	BOLT, 3/8-16X6.5	
39	8035632	3	HEX NUT, 3/8-16	
40	80264074	4	BOLT, 1/4-20X3/4	
41	70020628	2	WASHER	

SECTION 6 - CAB

FIGURE 6-6. CAB DOOR (SN 0160050420 to Present, Excluding 0160050281, 0160050282, 0160050283 and 0160050284)



ART_1001145035-B

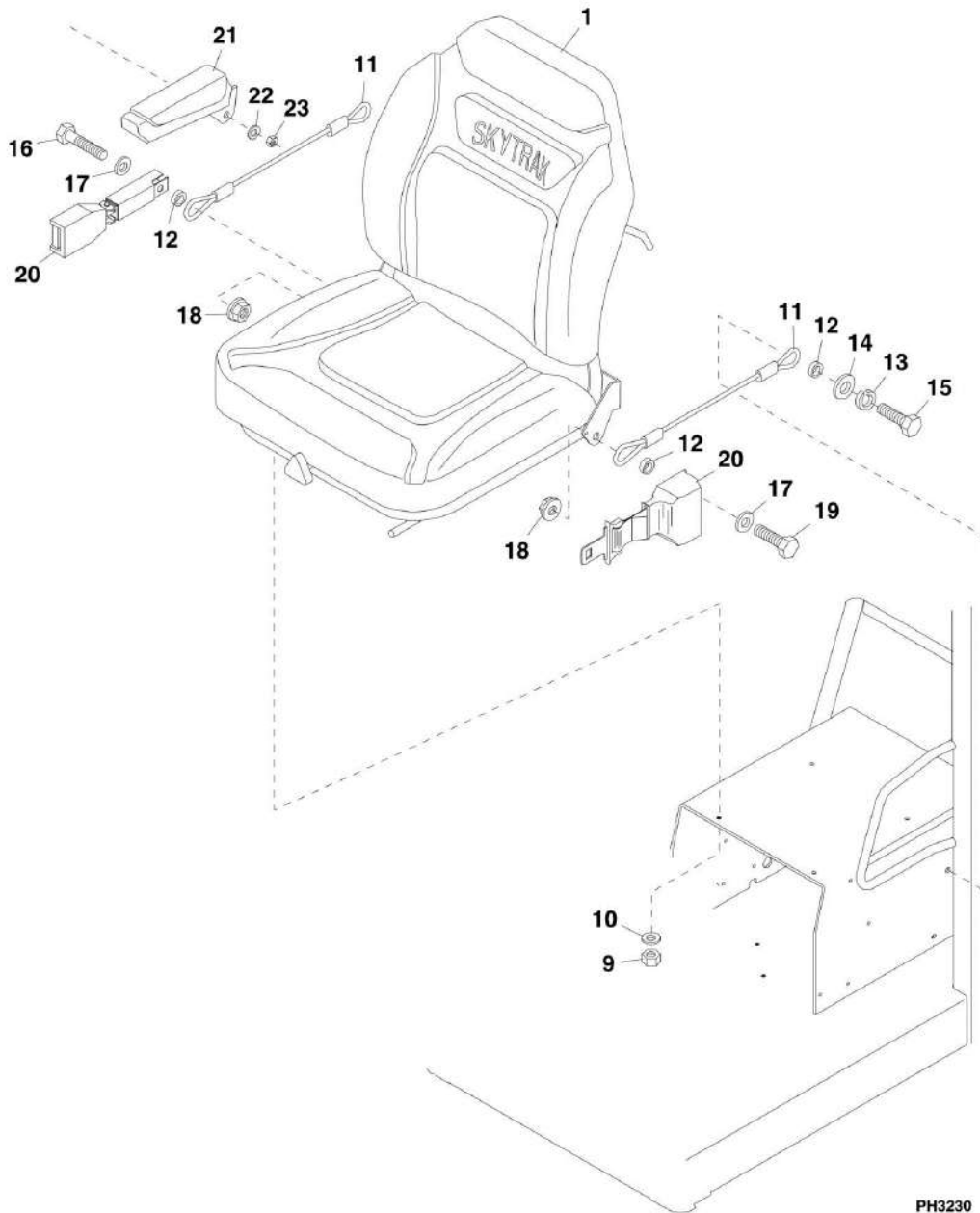
SECTION 6 - CAB

FIGURE 6-6. CAB DOOR (SN 0160050420 to Present, Excluding 0160050281, 0160050282, 0160050283 and 0160050284)

ITEM	PART NUMBER	QTY	DESCRIPTION	REV
	1001145035	1	DOOR ASSY, (includes all items)	B
1	1001150229	1	DOOR, CAB	
2	1001150233	1	WINDOW, CAB DOOR	

SECTION 6 - CAB

FIGURE 6-7. OPERATORS SEAT (SN 13198 through 19987, SN 0160002332 through 0160010386)



SECTION 6 - CAB

FIGURE 6-7. OPERATORS SEAT (SN 13198 through 19987, SN 0160002332 through 0160010386)

ITEM	PART NUMBER	QTY	DESCRIPTION	REV
1	8864053	NLA	SEAT WITH SUSPENSION, (includes items 2 thru 8), (no longer available, use 3980039 and mounting hardware)	D
2	8036009	1	BOOT, 60/76mm, (not shown)	
3	8036010	1	ADJUSTER, 6, (not shown)	
4	8036011	1	DAMPER, (not shown)	
5	8036013	4	UP AND DOWN STOP BUMPER ROLLERS, 7/16 DIA, (not shown)	
6	8036014	1	SPRINGS AND CABLE, (not shown)	
7	8036015	1	HANGER/KNOB/TENSION SHAFT, (not shown)	
8	8036017	1	CUSHION/PAN ASSY KIT, (not shown)	
9	8305626	4	HEX LOCKNUT, 5/16-18	
10	8307106	4	PLAIN WASHER, 0.312	
11	7138883	2	TETHER	
12	7096491	4	SPACER	
13	8307006	2	LOCKWASHER, 7/16	
14	8307205	2	PLAIN WASHER, 7/16X1.125 OD	
15	8303674	2	HEX HD CAPSCREW, 7/16-14X1.50, GR5	
16	N.S.S.	1	HEX HD CAPSCREW, 7/16-20X2.5, GR5, (included with seat belt)	
17	N.S.S.	2	PLAIN WASHER, 7/16, (included with seat belt)	
18	N.S.S.	2	HEX FLANGED NUT, 7/16-20, (included with seat belt)	
19	N.S.S.	1	HEX HD CAPSCREW, 7/16-20X1.5, GR5, (included with seat belt)	
20	8864057	1	2 IN STANDARD SEAT BELT, (includes mounting hardware)	
21	7138858	1	ARM REST	
22	8307106	2	FLAT WASHER, 5/16	
23	8305626	2	LOCKNUT, 5/16-18	

SECTION 6 - CAB

FIGURE 6-8. OPERATORS SEAT (SN 0160010401 to Present)

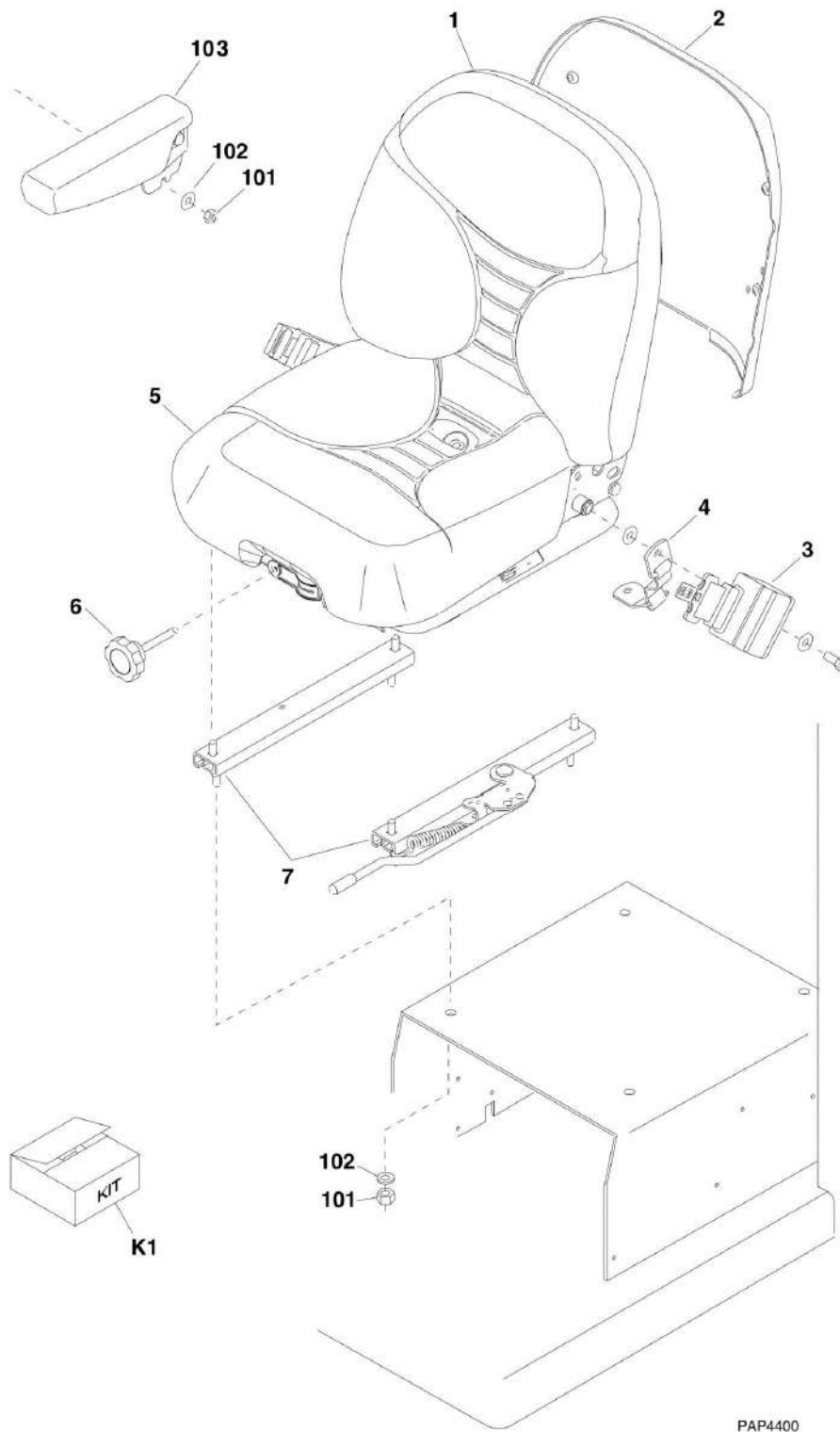
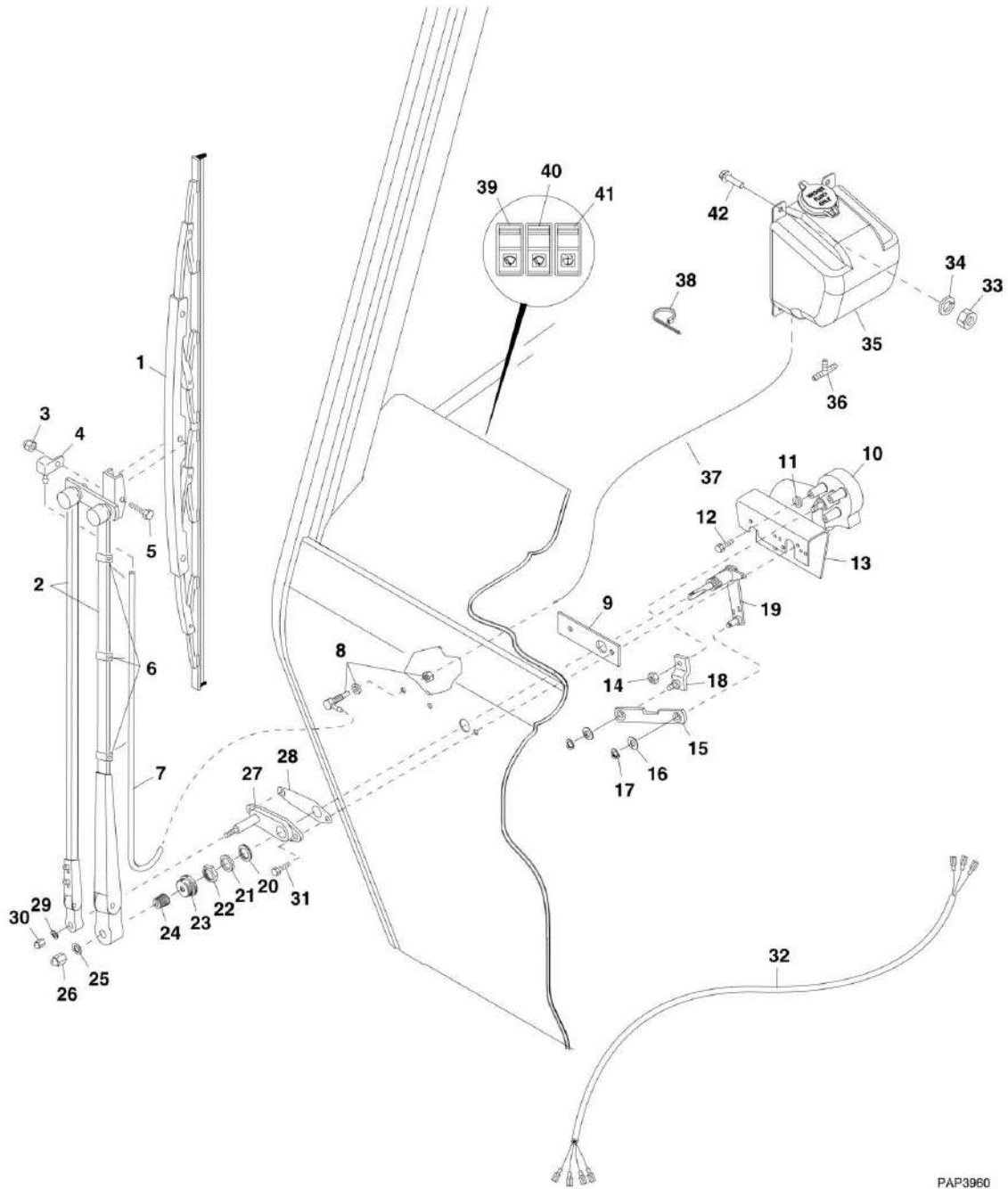


FIGURE 6-8. OPERATORS SEAT (SN 0160010401 to Present)

ITEM	PART NUMBER	QTY	DESCRIPTION	REV
	3980039	1	SUSPENSION SEAT, (includes items 1 thru 7) (8042 SN 0160010401 through 0160034228; 10042 SN 0160010401 through 0160034239; 10054 SN 0160010401 through 0160034229)	C
	1001101085	1	SUSPENSION SEAT, (includes items 1 thru 7) (8042 SN 0160034229 to Present; 10042 SN 0160034240 to Present; 10054 SN 0160034230 to Present)	D
1	7026900	1	BACK CUSHION KIT	
2	7026902	1	BACK PANEL KIT WITH MANUAL CASE, (8042 SN 0160010401 through 0160034228; 10042 SN 0160010401 through 0160034239; 10054 SN 0160010401 through 0160034229)	
2	70023558	1	BACK PANEL KIT WITHOUT MANUAL CASE, (8042 SN 0160034229 to Present; 10042 SN 0160034240 to Present; 10054 SN 0160034230 to Present)	
3	7026905	1	SEAT BELT KIT	
	91563164	1	SEAT BELT, 3IN (California Only), (not included with 3980039/1001101085)	
4	7026906	1	TETHER KIT	
5	7026901	1	SEAT CUSHION KIT	
6	7026799	1	KNOB KIT	
7	7026798	1	SLIDE KIT	
8	70023040	1	SHOCK ABSORBER KIT, (not shown), (includes one shock absorber, two shock pins and two hex nuts)	
9	70023041	1	SPRING AND SADDLE KIT, (not shown)	
10	70023890	1	BOOT KIT, (not shown)	
101	8305626	6	HEX LOCKNUT, 5/16-18	
102	8307106	6	PLAIN WASHER, 0.312	
103	7138858	1	ARM REST	
K1	70023139	1	SEAT BELT KIT, 3 IN, (includes female and retractor ends)	

SECTION 6 - CAB

FIGURE 6-9. FRONT WINDSHIELD WIPER



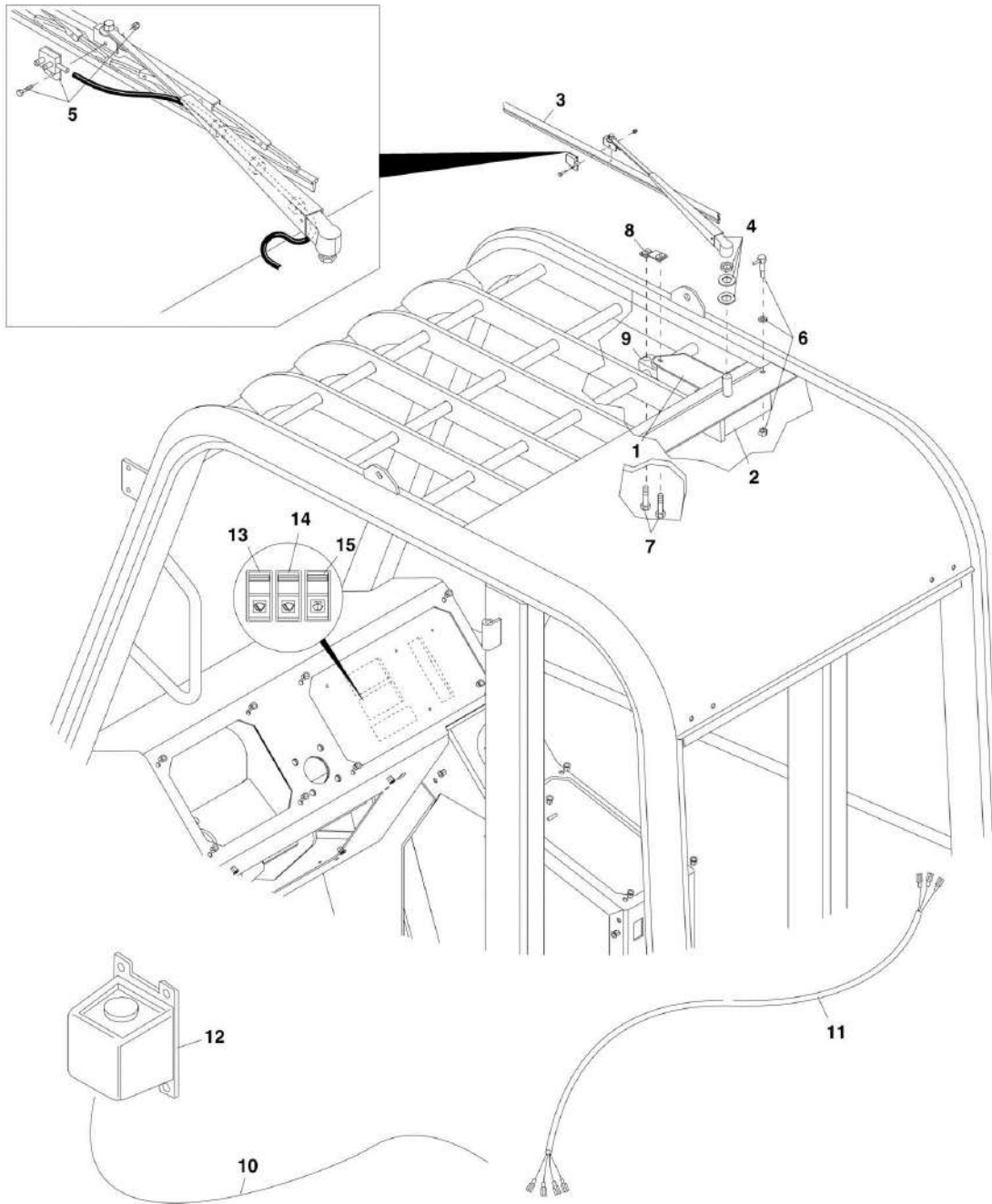
PAP3960

FIGURE 6-9. FRONT WINDSHIELD WIPER

ITEM	PART NUMBER	QTY	DESCRIPTION	REV
	8036056	1	FRONT WINDSHIELD WIPER ASSY, (includes items 1 thru 31)	
1	8035392	1	28 IN WIPER FLEX BLADE	
2	8035393	1	24 IN FLEX WIPER ARM ASSY, (includes items 3 thru 7)	
3	N.S.S.	1	LOCKNUT	
4	N.S.S.	1	SPRAYER NOZZLE	
5	N.S.S.	1	BOLT	
6	N.S.S.	3	CLIPS, HOSE	
7	N.S.S.	1	HOSE	
8	1001081310	1	WET ARM ADAPTOR	
9	8036100	1	FRONT WIPER MOTOR SPACER	
10	7029860	1	WIPER MOTOR ASSY, (includes items 11 thru 17)	
11	N.S.S.	3	FLAT WASHER, 5/16	
12	N.S.S.	3	HEX HD CAPSCREW, 1/4-28X1	
13	N.S.S.	1	WIPER MOTOR BRACKET	
14	N.S.S.	1	NUT	
15	8035409	1	CONNECTING LINK	
16	N.S.S.	2	FLAT WASHER, 0.560X0.251X0.015	
17	N.S.S.	2	SPRING CLIP	
18	8035411	1	WIPER ARM DRIVE	
19	8036099	1	WIPER SHAFT AND PIVOT ASSY, (includes items 20 thru 26)	
20	N.S.S.	1	RUBBER WASHER	
21	N.S.S.	1	METAL WASHER	
22	N.S.S.	1	HEX JAM NUT, 11/16-18	
23	N.S.S.	1	RUBBER CAP	
24	N.S.S.	1	KNURLED DRIVER	
25	N.S.S.	1	LOCKWASHER, 3/8, (internal tooth)	
26	N.S.S.	1	ACORN NUT, 1/4-28	
27	8034815	1	PANTO ADAPTER ASSY, (includes items 28 thru 30)	
28	N.S.S.	1	GASKET	
29	N.S.S.	1	LOCKWASHER, 1/4, (internal tooth)	
30	N.S.S.	1	ACORN NUT, 1/4-28	
31	80384207	2	HEX HD CAPSCREW, 1/4-28X3/4	
32	8036070	1	WIPER HARNESS	
33	8035479	3	NUT, 1/4-20	
34	8035416	3	LOCKWASHER, 1/4	
35	8033065	NLA	RESERVOIR, (no longer available, use 100111112 for replacement)	
35	100111112	1	RESERVOIR	
35	70025480	1	Pump, Reservoir	
36	8036072	1	WASHER HOSE CONNECTOR TEE	
37	8033075	1	WASHER HOSE, 120	
38	8584001	AR	TY-RAP	
39	8223043	1	FRONT WINDSHIELD WIPER SWITCH	
40		Ref	SKYLIGHT WINDSHIELD WIPER SWITCH, (See SKYLIGHT WINDSHIELD WIPER for Breakdown)	
41	8223044	1	WINDSHIELD WASHER SWITCH	
42	80264045	3	SCREW, 1/4-20X5/8	

SECTION 6 - CAB

FIGURE 6-10. SKYLIGHT WINDSHIELD WIPER



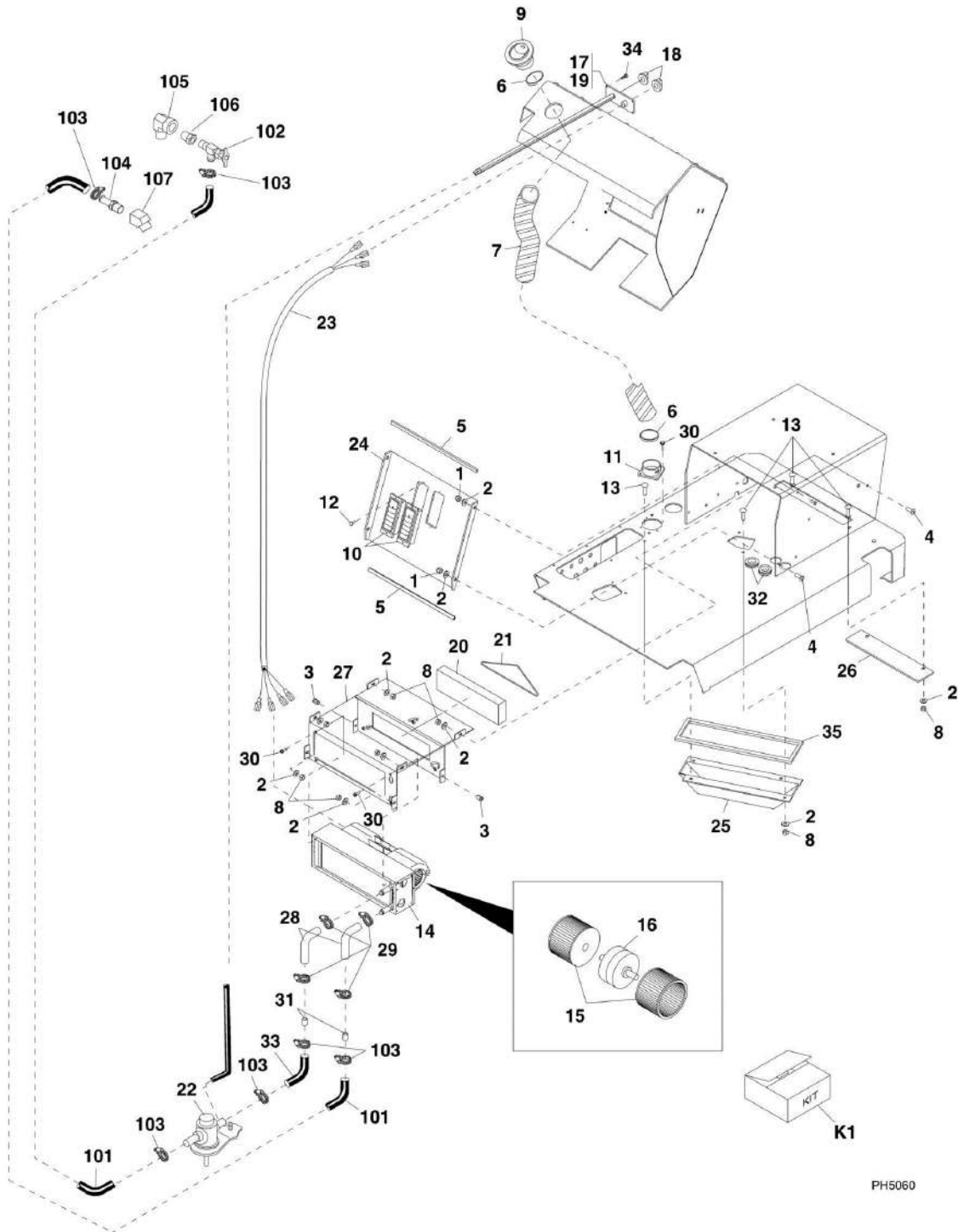
PH3290

FIGURE 6-10. SKYLIGHT WINDSHIELD WIPER

ITEM	PART NUMBER	QTY	DESCRIPTION	REV
	8036049	1	SKYLIGHT WIPER ASSY, (includes items 1 thru 9)	
1	8035492	1	SKYLIGHT WIPER MOTOR	
2	8035493	1	WIPER MOTOR COVER	
3	8035498	1	WIPER BLADE	
4	8035500	1	WIPER ARM	
5	8035499	1	WET KIT	
6	1001081310	1	WET ARM ADAPTER	
7	8036102	2	MACHINE SCREW, #10-24X1-1/2	
8	8035496	1	PLASTIC CLAMP BLOCK	
9	8036103	1	WIPER MOUNT WELDMENT	
10		Ref	WASHER HOSE, 120, (See FRONT WINDSHIELD WIPER for Breakdown)	
11		Ref	WIPER HARNESS, (See FRONT WINDSHIELD WIPER for Breakdown)	
12		Ref	RESERVOIR WITH 12V MOTOR, (See FRONT WINDSHIELD WIPER for Breakdown)	
13		Ref	FRONT WINDSHIELD WIPER SWITCH, (See FRONT WINDSHIELD WIPER for Breakdown)	
14	8223043	1	SKYLIGHT WINDSHIELD WIPER SWITCH	
15		Ref	FRONT WASHER SWITCH, (See FRONT WINDSHIELD WIPER for Breakdown)	

SECTION 6 - CAB

FIGURE 6-11. CAB HEATER (8042 SN 13198 through 19987, SN 0160002332 through 0160031884; 10042 SN 13198 through 19987, SN 0160002332 through 0160031656; 10054 SN 13198 through 19987, SN 0160002332 through 0160031886)



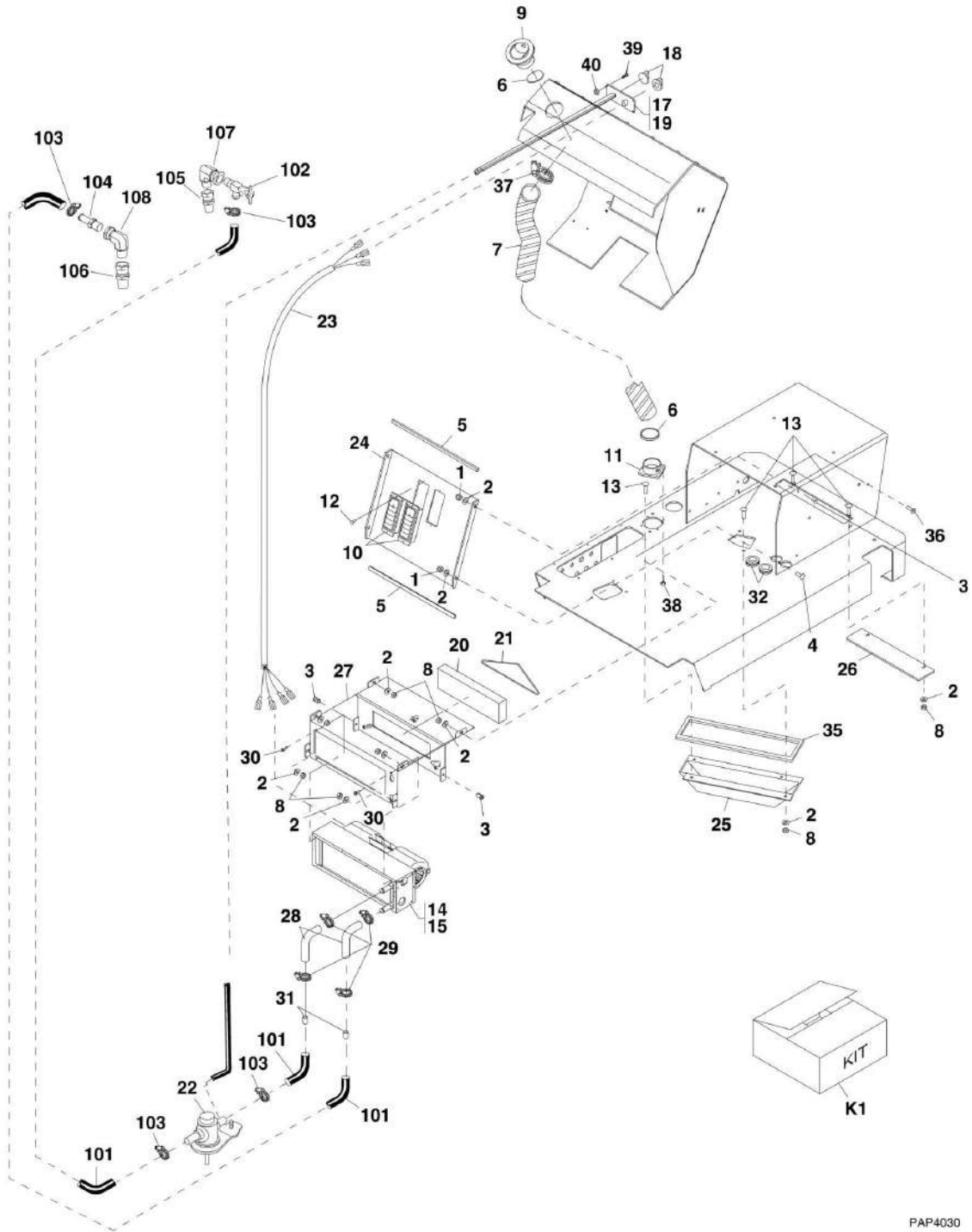
SECTION 6 - CAB

**FIGURE 6-11. CAB HEATER (8042 SN 13198 through 19987, SN 0160002332 through 0160031884;
10042 SN 13198 through 19987, SN 0160002332 through 0160031656; 10054 SN 13198 through
19987, SN 0160002332 through 0160031886)**

ITEM	PART NUMBER	QTY	DESCRIPTION	REV
	7139049	1	CAB HEATER ASSY, (includes items 1 thru 32)	
1	8035479	4	ACORN NUT, 1/4-20	
2	8035416	16	LOCKWASHER, 1/4 IDX.49 OD	
3	1001103509	2	HEX PILOT RIVNUT, 1/4-20X.305	
4	8035487	12	SCREW, 1/4-20X.625	
5	80364020	2	SLOT EDGE TRIM, 2.69	
6	8035406	2	WIDE NYLON TIE	
7	8036110	1	FLEX HOSE ASSY	
8	8035417	12	HEX NUT, 1/4-20, GR5	
9	8035402	1	4 IN ROUND LOUVER, WITH 2-1/2 COLLAR	
10	8035668	2	RECTANGULAR LOUVER, 49mmX121mm	
11	8035431	1	HOSE ADAPTER, 2-1/2	
12	8036111	4	PAN HEAD SELF-TAPPING SCREW, #6X3/4	
13	8036112	6	CARRIAGE BOLT, 1/4-20X1	
14	1001081043	1	HEATER, 12V, (includes items 15 & 16)	
15	8036421	2	BLOWER WHEEL	
16	8036422	1	MOTOR, 12V	
17	8036114	1	PANEL/CABLE HEATER CONTROL, (includes item 18 & 19)	
18	8036388	2	POSITIONING KNOB, (includes set screw and brass insert)	
19	8036463	2	SWITCH	
20	1001081375	1	AIR FILTER	
21	1001081376	1	RUBBER O-RING	
22	1001081045	1	HEATER WATER VALVE	
23	8036118	1	HEATER WIRE HARNESS	
24	8036119	1	HEATER LOUVER PANEL	
25	8036120	1	HEATER DUCT	
26	8036121	1	FILTER ACCESS PLATE	
27	8036122	1	HEATER MOUNT WELDMENT	
28	8036124	2	RUBBER HOSE, 90	
29	1001081072	4	HOSE CLAMP, 1/2X1-1/4	
30	80384221	8	SELF-TAPPING SCREW, #8-32X.50	
31	1001109417	2	COPPER SPLICE, 5/8 HEATER HOSE	
32	1001081049	2	SPLIT RUBBER GROMMET	
33	6620472	1	HEATER HOSE ASSY	
34	8303034	4	TRUSS HD TORX SCREW, 1/4-20X3/4	
35	8035599	1	FOAM, 0.25X0.5	
	7301866	Ref	CAB HEATER HOSE INSTALLATION, (not available to order, see items 101 thru 107 for service)	E
101	7139174	2	HEATER HOSE ASSY	
102	8360005	1	SHUT OFF VALVE	
103	8405007	6	GEAR CLAMP, 1.25 DIA MAX	
104	8430048	1	PIPE THREAD REDUCER, 10-8P	
105	8540218	1	ADAPTER, 90	
106	2220251	1	PIPE THREAD REDUCER, 6-8P	
107	8540231	1	ADAPTER, 45	
K1	7148100	1	FIELD INSTALL HEATER KIT, (includes items 1 thru 33, 101 thru 104 & 106)	

SECTION 6 - CAB

FIGURE 6-12. CAB HEATER (8042 SN 0160031885 to Present; 10042 SN 0160031657 to Present; 10054 SN 0160031887 to Present)



PAP4030

SECTION 6 - CAB

FIGURE 6-12. CAB HEATER (8042 SN 0160031885 to Present; 10042 SN 0160031657 to Present; 10054 SN 0160031887 to Present)

ITEM	PART NUMBER	QTY	DESCRIPTION	REV
	7139049	NLA	CAB HEATER ASSY, (no longer available, order 1001125837 or see item 1 thru 32 for service)	B
	1001125837	1	CAB HEATER KIT, (includes items 1 thru 40)	B
1	8035479	4	ACORN NUT, 1/4-20	
2	8035416	14	LOCKWASHER, 1/4 IDX.49 OD	
3	1001103509	4	HEX PILOT RIVNUT, 1/4-20X.305	
4	91344043	4	BOLT, 1/4-20X.305	
5	80364020	2	SLOT EDGE TRIM, 2.69	
6	8035406	2	WIDE NYLON TIE	
7	8036110	1	FLEX HOSE ASSY	
8	8035417	12	HEX NUT, 1/4-20, GR5	
9	8035402	1	4 IN ROUND LOUVER, WITH 2-1/2 COLLAR	
10	8035668	2	RECTANGULAR LOUVER, 49mmX121mm	
11	8035431	1	HOSE ADAPTER, 2-1/2	
12	1001081073	8	PAN HEAD SELF-TAPPING SCREW, #8-15X1/2	
13	8036112	6	CARRIAGE BOLT, 1/4-20X1	
14	1001125774	1	HEATER, 12V, (includes items 15)	
15	1001126234	2	MOTOR, 12V	
17	8036114	1	PANEL/CABLE HEATER CONTROL, (includes item 18 & 19)	
18	8036388	2	POSITIONING KNOB, (includes set screw and brass insert)	
19	8036463	2	SWITCH	
20	1001081375	1	AIR FILTER	
21	1001081376	1	RUBBER O-RING	
22	1001081045	1	HEATER WATER VALVE	
23	8036118	1	HEATER WIRE HARNESS	
24	70020631	1	HEATER LOUVER PANEL	
25	8036120	1	HEATER DUCT	
26	8036121	1	FILTER ACCESS PLATE	
27	8036122	1	HEATER MOUNT WELDMENT	
28	8036124	2	RUBBER HOSE, 90	
29	1001081072	4	HOSE CLAMP, 1/2X1-1/4 (Prior to SN 0160057851)	
29	8410009	4	CLAMP, GEAR (SN 0160057851 to Present)	
30	80384221	8	SELF-TAPPING SCREW, #8-32X.50	
31	1001081046	2	COPPER SPLICE, 5/8 HEATER HOSE	
32	1001081049	2	SPLIT RUBBER GROMMET	
35	8035599	1	FOAM, 0.25X0.5	
36	8033856	8	SCREW, 1/4-20X3/4	
37	8405202	1	HOSE CLAMP, SAE #36	
38	91404298	4	RIVET	
39	8036128	4	SCREW, #6-32X1/2	
40	8036129	4	NYLOCK NUT, # 6-32	
	1001097993	NLA	CAB HEATER HOSE INSTALLATION, (no longer available, see items 101 thru 108 for service)	A
101	7139174	2	HEATER HOSE ASSY	
102	8360005	1	SHUT OFF VALVE	
103	8405007	5	GEAR CLAMP, 1.25 DIA MAX	
104	8430048	1	PIPE THREAD REDUCER, 10-8P	
105	2220008	1	STRAIGHT CONNECTOR, (swivel nut)	
106	2220009	1	STRAIGHT CONNECTOR, (swivel nut)	

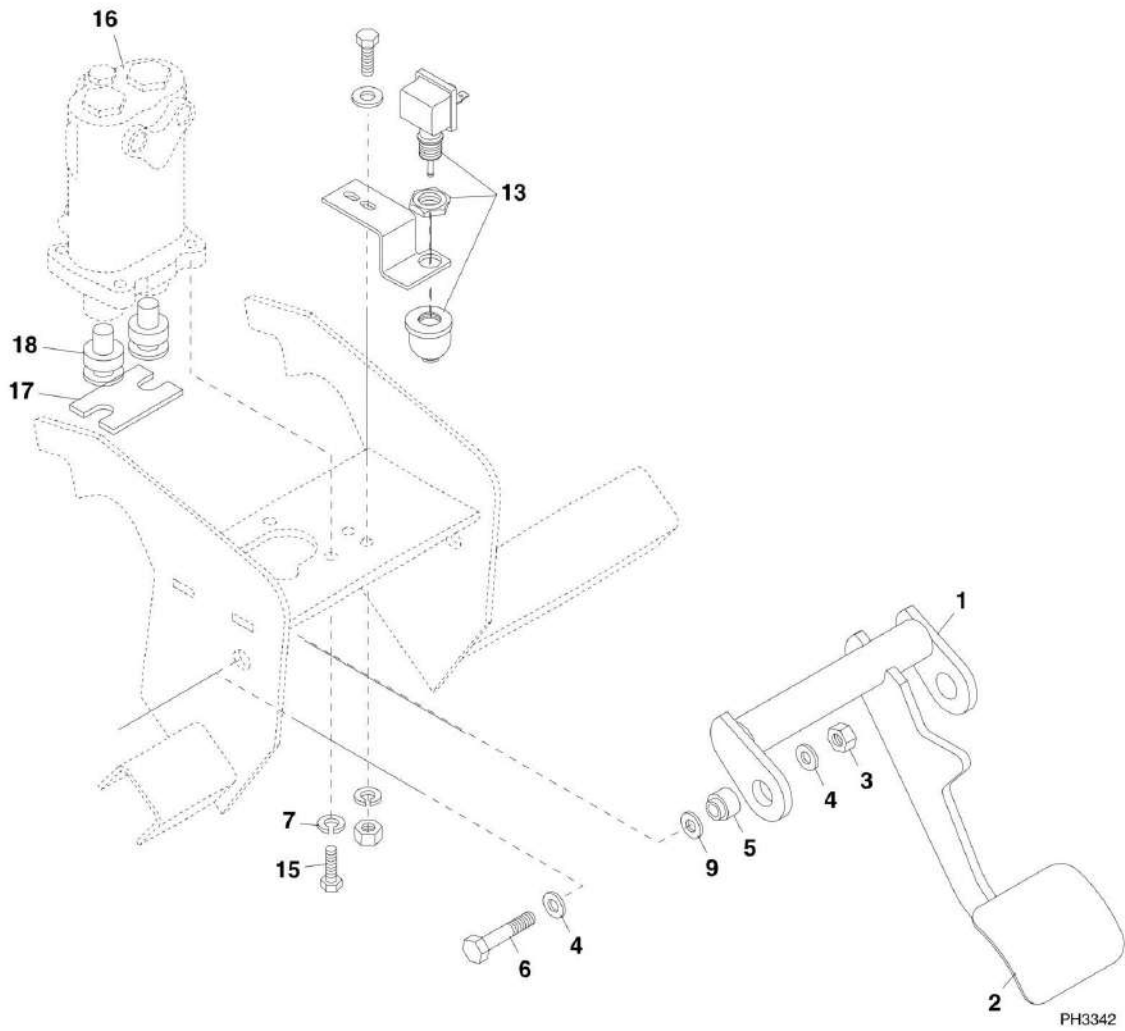
SECTION 6 - CAB

ITEM	PART NUMBER	QTY	DESCRIPTION	REV
107	2220067	1	ELBOW, 90	
108	2220070	1	ELBOW, 90, (swivel nut)	
K1	7148100	1	FIELD INSTALL HEATER KIT, (includes items 1 thru 32, 101 thru 104)	

SECTION 7 - CONTROLS

SECTION 7 - CONTROLS

FIGURE 7-1. SERVICE BRAKE PEDAL CONTROL



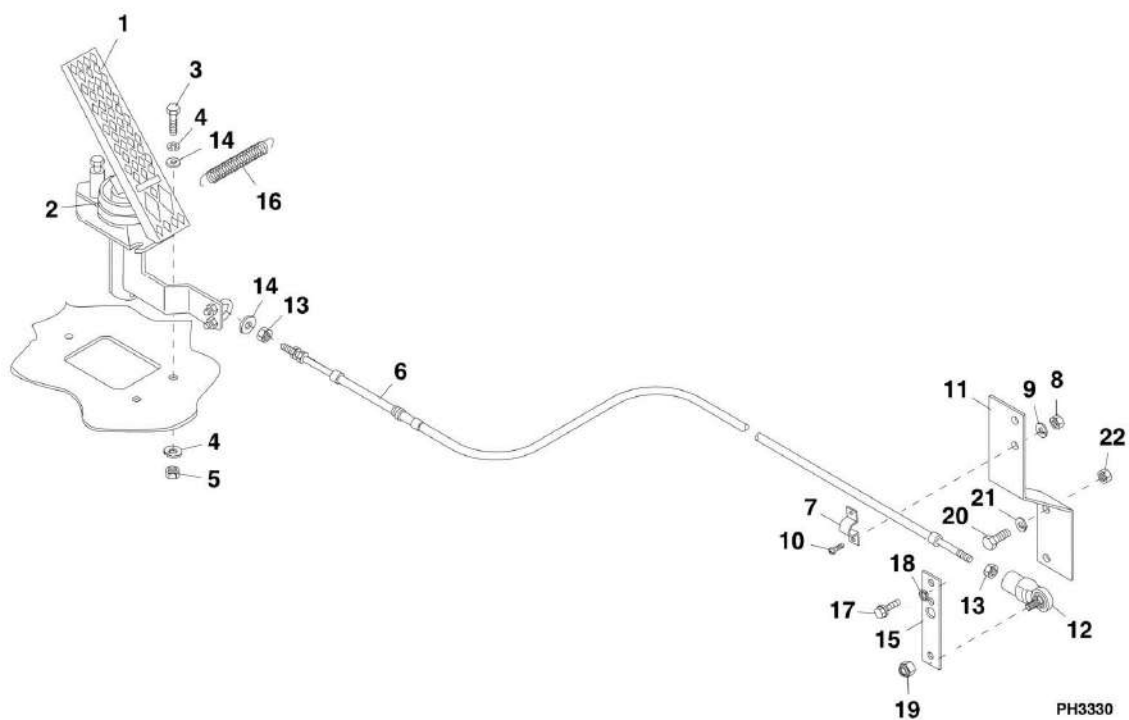
SECTION 7 - CONTROLS

FIGURE 7-1. SERVICE BRAKE PEDAL CONTROL

ITEM	PART NUMBER	QTY	DESCRIPTION	REV
1	8024024	1	SERVICE BRAKE PEDAL KIT, (includes items 2 thru 6)	
2	7139027	1	BRAKE PEDAL (8042 Prior to SN 0160038967, Including 0160038971 and 0160038984; 10042 Prior to SN 0160038368, Including 0160038375; 10054 Prior to SN 0160038740, Excluding 0160021270, 0160036713, 0160036715, 0160036721 and 0160036723)	
2	1001103113	1	BRAKE PEDAL (8042 SN 0160038967 to Present, Excluding 0160038971 and 0160038984; 10042 SN 0160038368 to Present, Excluding 0160038375; 10054 SN 0160038740 to Present, Including 0160021270, 0160036713, 0160036715, 0160036721 and 0160036723)	
3	8305644	2	STOP NUT, 1/2-13	
4	8307206	4	FLAT WASHER, 1/2	
5	7129521	2	BRAKE PEDAL PIVOT	
6	8303658	2	HEX HD CAPSCREW, 1/2-13X2	
7	8307023	4	LOCKWASHER, M10	
9	5724302	AR	SHIM	
13		Ref	SERVICE BRAKE SWITCH, (See ELECTRICAL SECTION for Breakdown)	
14	8307002	2	LOCKWASHER, 1/4	
15	8303755	4	HEX HD CAPSCREW, M10-1.5X30mm	
16		Ref	BRAKE VALVE, (See HYDRAULIC CIRCUITS SECTION for Breakdown)	
17	91511145	1	TIE BAR	
18	91513180	2	ACTUATOR	

SECTION 7 - CONTROLS

FIGURE 7-2. THROTTLE PEDAL CONTROL (8042 SN 13198 through 18990; 10042 SN 13198 through 19030; 10054 SN 13198 through 19079)



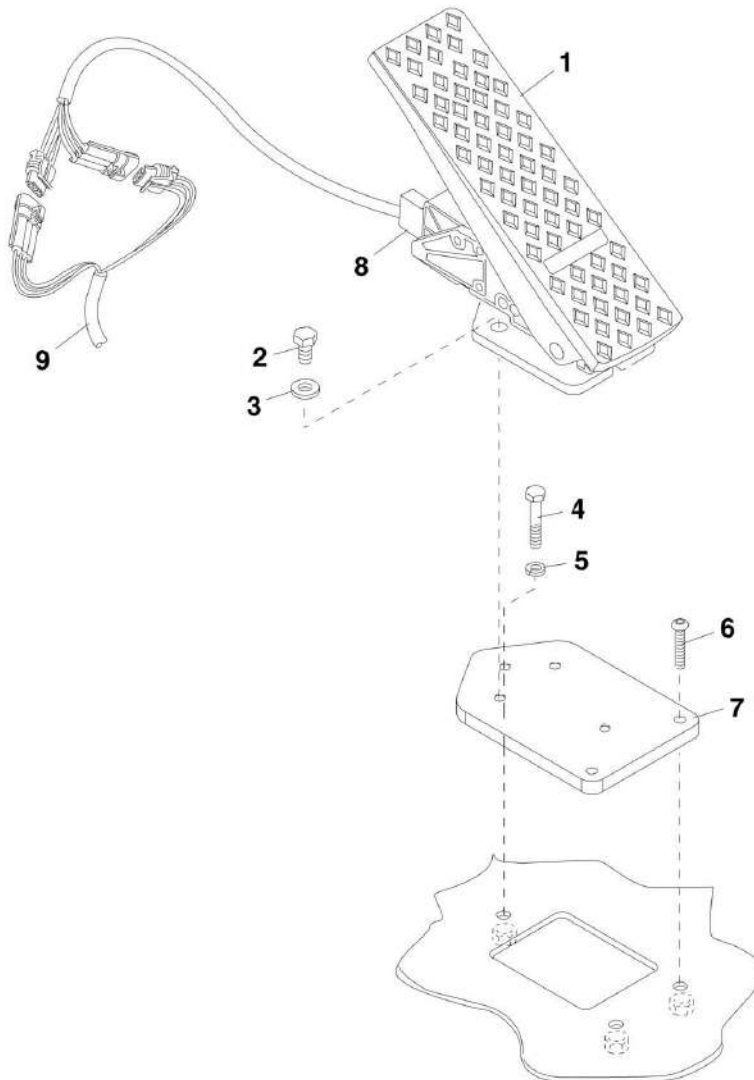
SECTION 7 - CONTROLS

FIGURE 7-2. THROTTLE PEDAL CONTROL (8042 SN 13198 through 18990; 10042 SN 13198 through 19030; 10054 SN 13198 through 19079)

ITEM	PART NUMBER	QTY	DESCRIPTION	REV
1	8162003	1	THROTTLE PEDAL, (includes item 2)	
2	8033178	1	THROTTLE PEDAL BELLOWS	
3	8303540	3	HEX HD CAPSCREW, 1/4-20X1	
4	8307002	3	LOCKWASHER, 1/4	
5	8305004	3	HEX NUT, 1/4-20	
6	8160080	1	THROTTLE CABLE	
7	8160610	1	CABLE CLAMP	
8	8305002	2	HEX NUT, #10-24	
9	8307003	2	LOCKWASHER, #10	
10	8303837	2	ROUND HD SCREW, #10-24X3/4	
11	7127102	1	THROTTLE CABLE BRACKET	
12	8340034	1	ROD END	
13	8305402	2	JAM NUT, 1/4	
14	8307109	AR	FLAT WASHER, 1/4	
15	7127091	1	THROTTLE LEVER EXTENSION	
16	8700116	1	SPRING	
17	8303799	2	HEX HD CAPSCREW, M6X14mm	
18	8307024	2	LOCKWASHER, M6	
19	8305650	1	LOCKNUT, 1/4	
20	8303790	2	HEX HD CAPSCREW, M12X30mm	
21	8307025	2	LOCKWASHER, M12	
22	8305624	2	HEX LOCKNUT	

SECTION 7 - CONTROLS

FIGURE 7-3. THROTTLE PEDAL CONTROL (8042 SN 18991 through 19987, SN 0160002332 through 0160016590; 10042 SN 19031 through 19987, SN 0160002332 through 0160016667; 10054 SN 19080 through 19987, SN 0160002332 through 0160016706)



PH3361

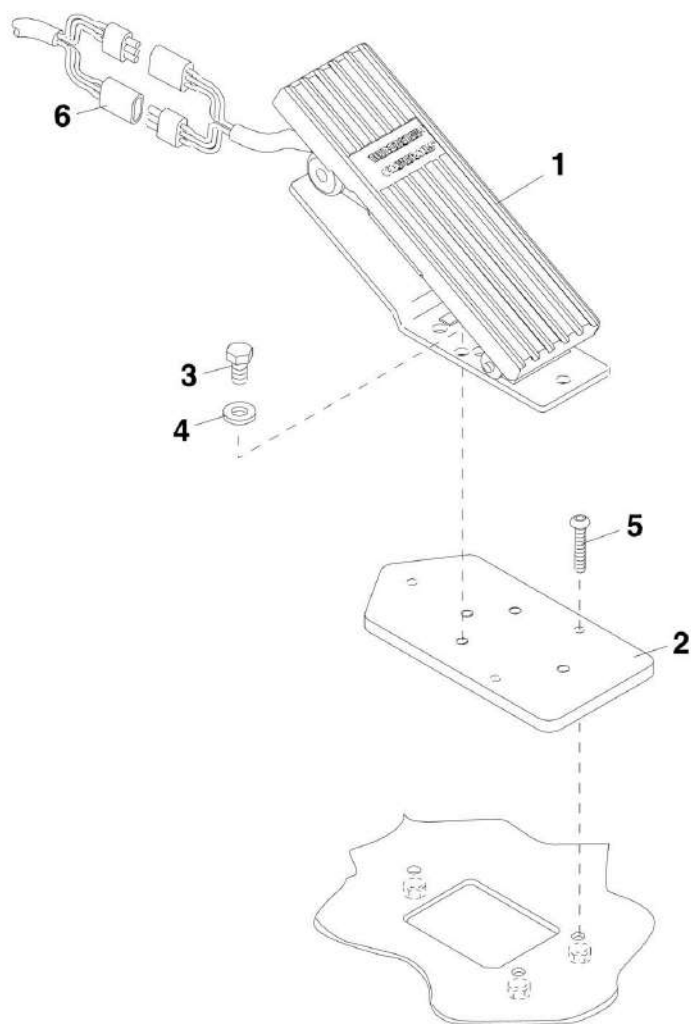
SECTION 7 - CONTROLS

FIGURE 7-3. THROTTLE PEDAL CONTROL (8042 SN 18991 through 19987, SN 0160002332 through 0160016590; 10042 SN 19031 through 19987, SN 0160002332 through 0160016667; 10054 SN 19080 through 19987, SN 0160002332 through 0160016706)

ITEM	PART NUMBER	QTY	DESCRIPTION	REV
1	8162007	1	THROTTLE PEDAL, (accelerator), (includes item 8)	
2	8303745	3	HEX HD CAPSCREW, 5/16-18X5/8, GR5	
3	8307106	3	PLAIN WASHER, 5/16	
4	8303743	1	HEX HD CAPSCREW, 1/4-20X1-1/2, GR5	
5	8307002	1	LOCKWASHER, 1/4	
6	8310725	2	SCREW BUTTON HEAD CAP, 1/4-20X1-1/4	
7	7301530	1	THROTTLE ADAPTOR PLATE	
8	7029516	1	POTENTIOMETER	
9		Ref	ECM HARNESS, (See ELECTRICAL SECTION for Breakdown)	

SECTION 7 - CONTROLS

FIGURE 7-4. THROTTLE PEDAL CONTROL (8042 SN 0160016610 to Present; 10042 SN 0160016668 to Present; 10054 SN 0160016729 to Present)



PH4620

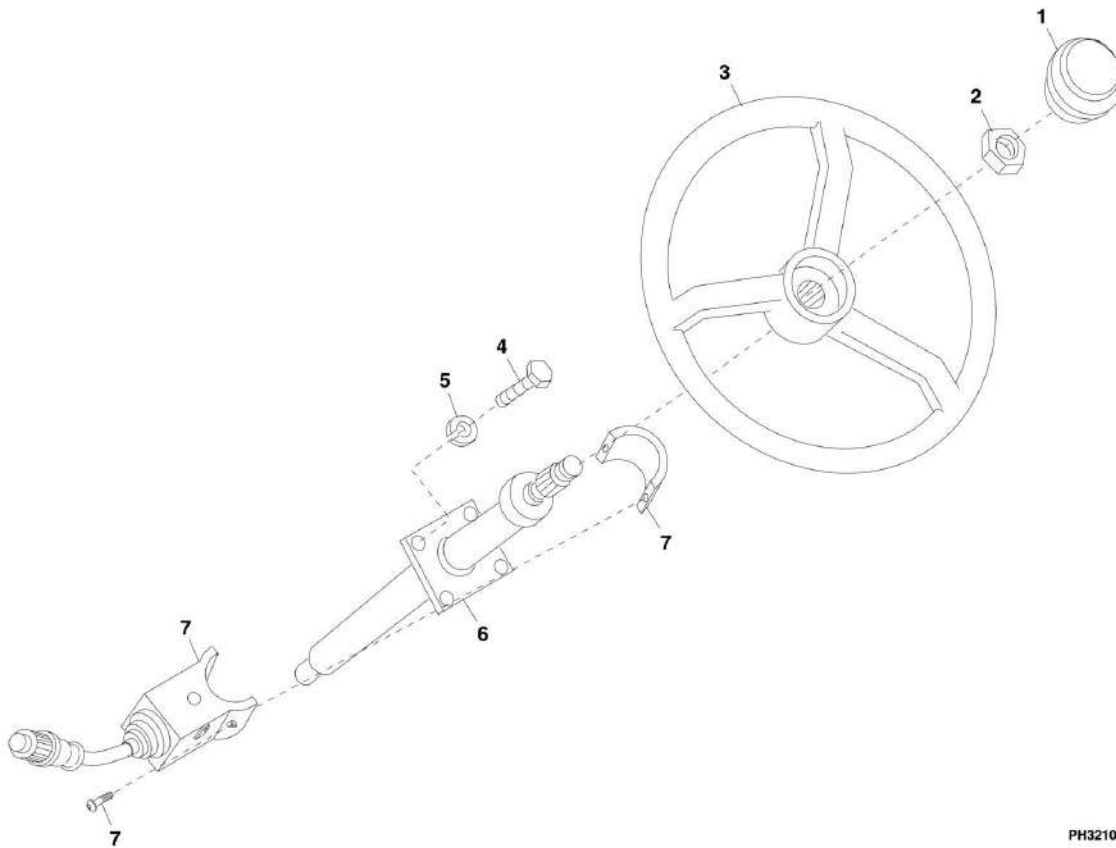
SECTION 7 - CONTROLS

FIGURE 7-4. THROTTLE PEDAL CONTROL (8042 SN 0160016610 to Present; 10042 SN 0160016668 to Present; 10054 SN 0160016729 to Present)

ITEM	PART NUMBER	QTY	DESCRIPTION	REV
	7301585	1	THROTTLE PEDAL ADAPTOR ASSY, (includes items 1 thru 5)	C
1	3400022	1	THROTTLE PEDAL, (accelerator)	
2	3576442	1	THROTTLE ADAPTOR PLATE	
3	8303745	4	HEX HD CAPSCREW, 5/16-18X5/8, GR5	
4	8307106	4	PLAIN WASHER, 5/16	
5	8310725	3	SCREW BUTTON HEAD CAP, 1/4-20X1-1/4	
6	7301514	1	ECM HARNESS	

SECTION 7 - CONTROLS

FIGURE 7-5. STEERING WHEEL AND SHIFTER



PH3210

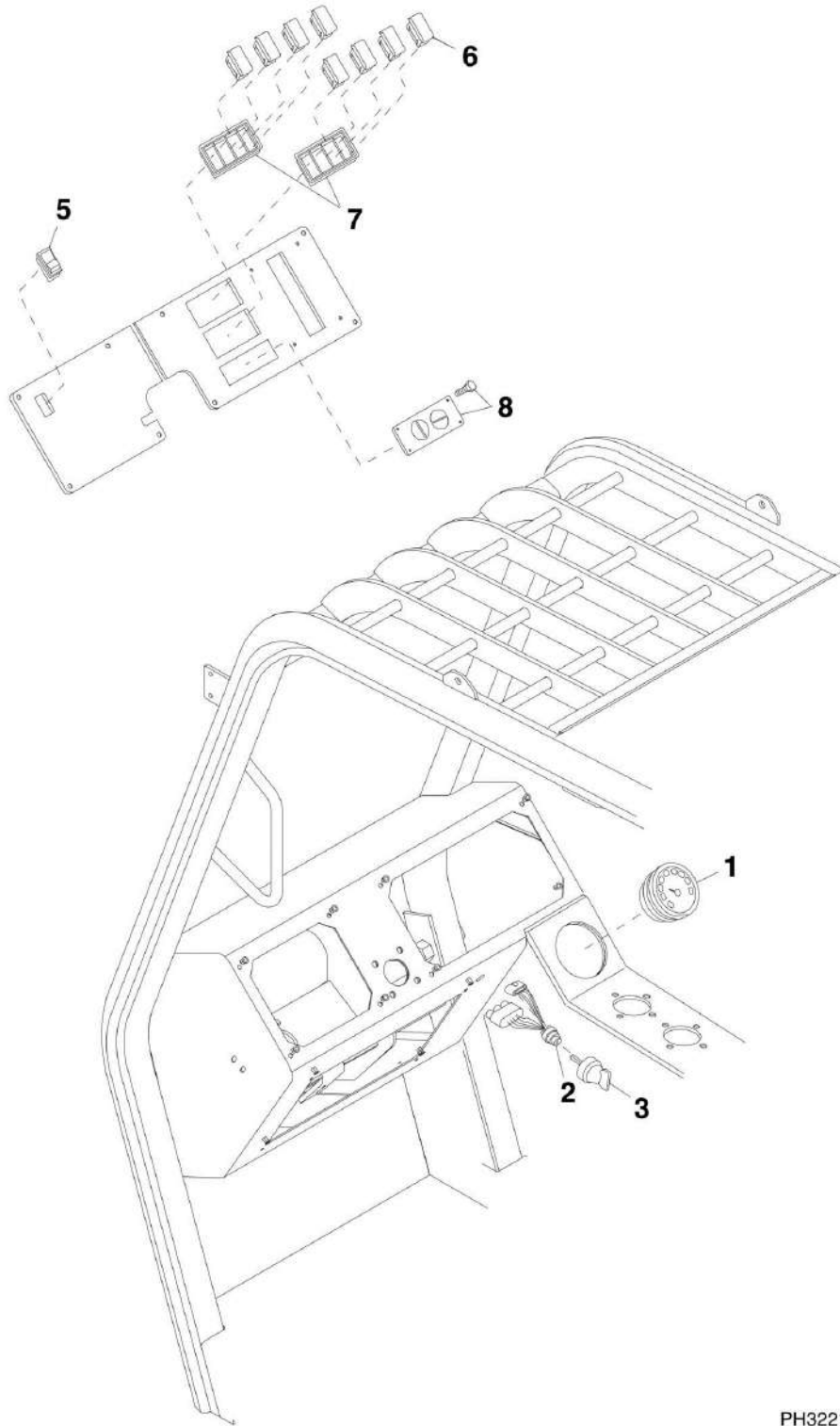
SECTION 7 - CONTROLS

FIGURE 7-5. STEERING WHEEL AND SHIFTER

ITEM	PART NUMBER	QTY	DESCRIPTION	REV
1	7138878	1	STEERING WHEEL CAP WITH HORN SWITCH	
2	8305916	1	STEERING COLUMN NUT, (torque to 50 lb-ft)	
3	7138836	1	STEERING WHEEL	
4	8303534	4	FLANGE HD CAPSCREW, #10-16X1-1/4, (torque to 13 lb-ft)	
5	8307005	4	LOCKWASHER, 3/8	
6	7138833	1	STEERING COLUMN	
6	7029367	1	HORN BRUSH KIT	
7	8223049	1	TRANSMISSION RANGE SELECTOR SHIFTER, (includes mounting hardware), (torque to 25 in-lb) (8042 SN 13198 through 19987, SN 0160002332 through 0160014248; 10042 SN 13198 through 19987, SN 0160002332 through 0160015195; 10054 SN 13198 through 19987, SN 0160002332 through 0160015198)	
7	1600429	1	TRANSMISSION RANGE SELECTOR SHIFTER, (includes mounting hardware), (torque to 25 in-lb) (8042 SN 0160015216 to Present; 10042 SN 0160015292 to Present; 10054 SN 0160015218 to Present)	

SECTION 7 - CONTROLS

FIGURE 7-6. CONTROL CONSOLE (8042 SN 13198 through 18990; 10042 SN 13198 through 19030; 10054 SN 13198 through 19079)



PH3221

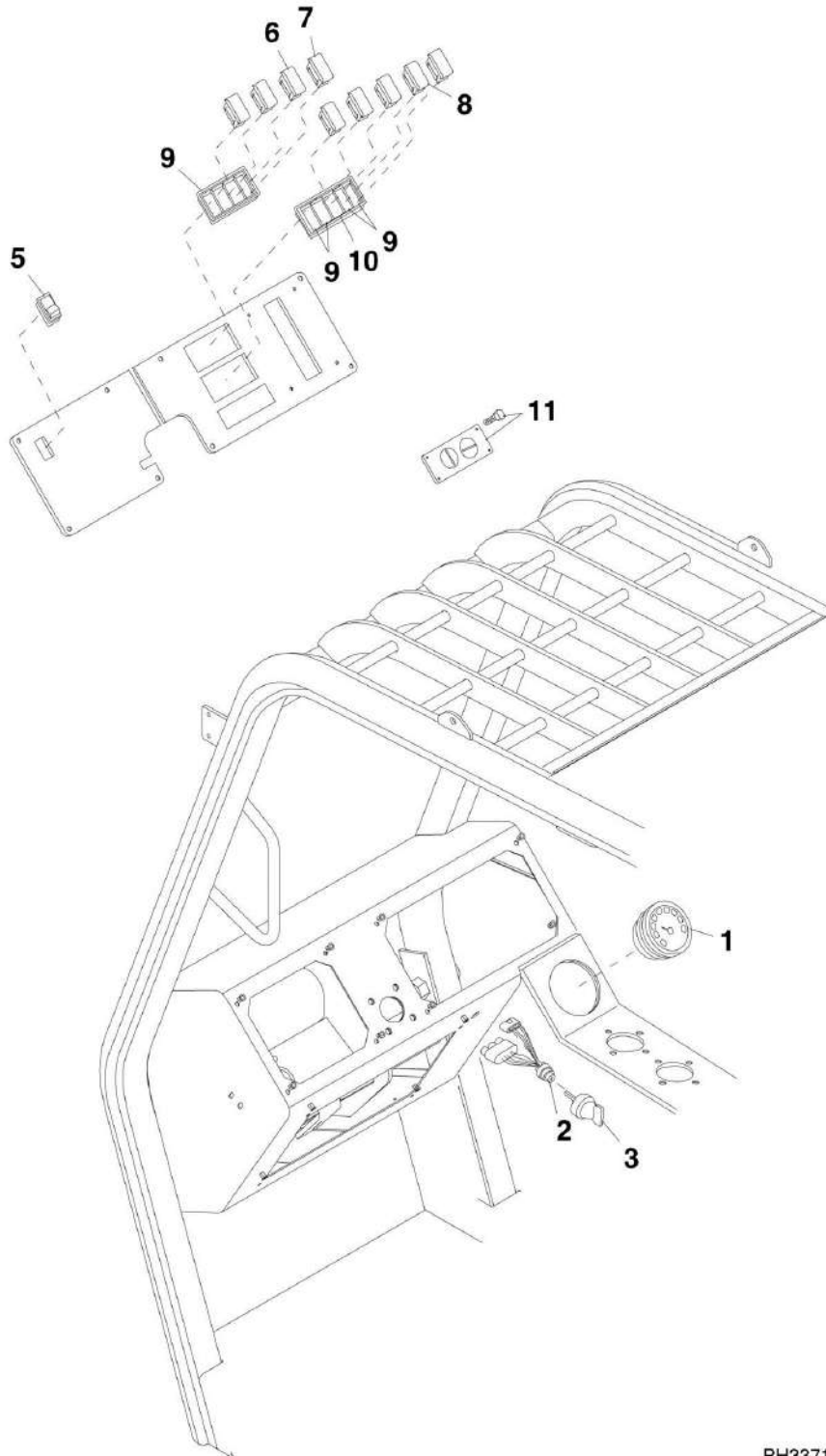
SECTION 7 - CONTROLS

**FIGURE 7-6. CONTROL CONSOLE (8042 SN 13198 through 18990; 10042 SN 13198 through 19030;
10054 SN 13198 through 19079)**

ITEM	PART NUMBER	QTY	DESCRIPTION	REV
1	7150708	1	INSTRUMENT CLUSTER, (includes hourmeter)	
2	8223453	NLA	IGNITION SWITCH, (includes item 3), (no longer available, use ignition switch 4360690 or kit 2915160 for replacement), (See OPTIONS SECTION for Breakdown)	
3	8035807	AR	KEY, (with cover)	
5	8223054	1	PARK BRAKE SWITCH	
6	8223037	1	STEER SELECT SWITCH	
7	8223046	2	4 POSITION BEZEL SWITCH	
8		Ref	PANEL/CABLE HEATER CONTROL, (See CAB SECTION for Breakdown)	

SECTION 7 - CONTROLS

FIGURE 7-7. CONTROL CONSOLE (8042 SN 18991 through 19987, SN 0160002332 to Present; 10042 SN 19031 through 19987, SN 0160002332 to Present; 10054 SN 19080 through 19987, SN 0160002332 to Present)



PH3371

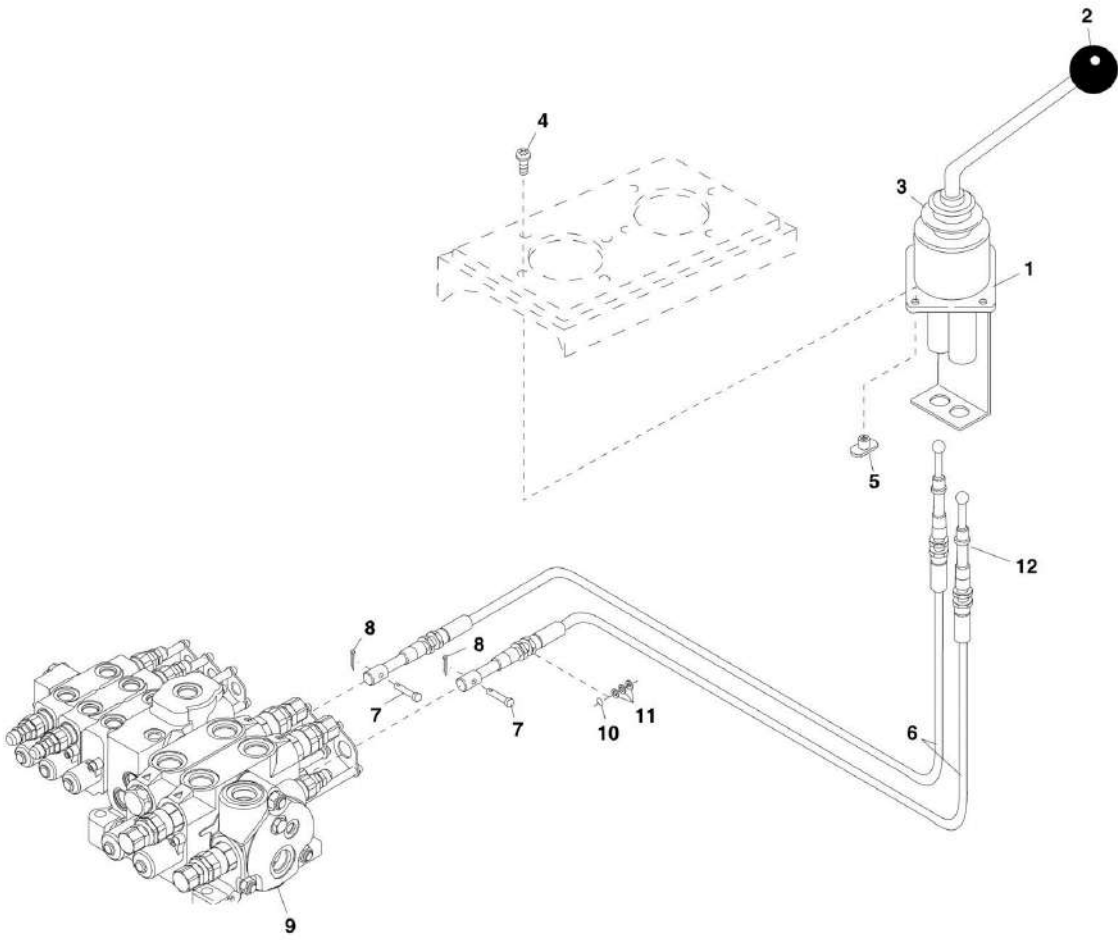
SECTION 7 - CONTROLS

FIGURE 7-7. CONTROL CONSOLE (8042 SN 18991 through 19987, SN 0160002332 to Present; 10042 SN 19031 through 19987, SN 0160002332 to Present; 10054 SN 19080 through 19987, SN 0160002332 to Present)

ITEM	PART NUMBER	QTY	DESCRIPTION	REV
1	7150708	1	INSTRUMENT CLUSTER, (includes hourmeter)	
2	8223453	NLA	IGNITION SWITCH, (includes item 3), (8042 SN 18991 through 19987, SN 0160002332 through 0160023104; 10042 SN 19031 through 19987, SN 0160002332 through 0160023093)	
		Ref	IGNITION SWITCH, (no longer available, use ignition switch 4360690 orkit 2915160 on Figure 12-9 for replacement) (10054 SN 19080 through 19987, SN 0160002332 through 0160023101)	
2	4360690	1	IGNITION SWITCH, (includes item 3) (8042 SN 0160023253 to Present; 10042 SN 0160023341 to Present; 10054 SN 0160023254 to Present)	
3	8035807	AR	KEY, (with cover)	
5	8223054	1	PARK BRAKE SWITCH	
6	8223082	1	ENGINE PREHEAT INDICATOR	
7	8223081	1	EMC INDICATOR	
8	8223037	1	STEER SELECT SWITCH	
9	8223046	2	4 POSITION BEZEL SWITCH	
10	8223083	1	1 POSITION BEZEL SWITCH	
11		Ref	PANEL/CABLE HEATER CONTROL, (See CAB SECTION for Breakdown)	

SECTION 7 - CONTROLS

FIGURE 7-8. BOOM LIFT/LOWER AND EXTEND/RETRACT CONTROL



PAP3890

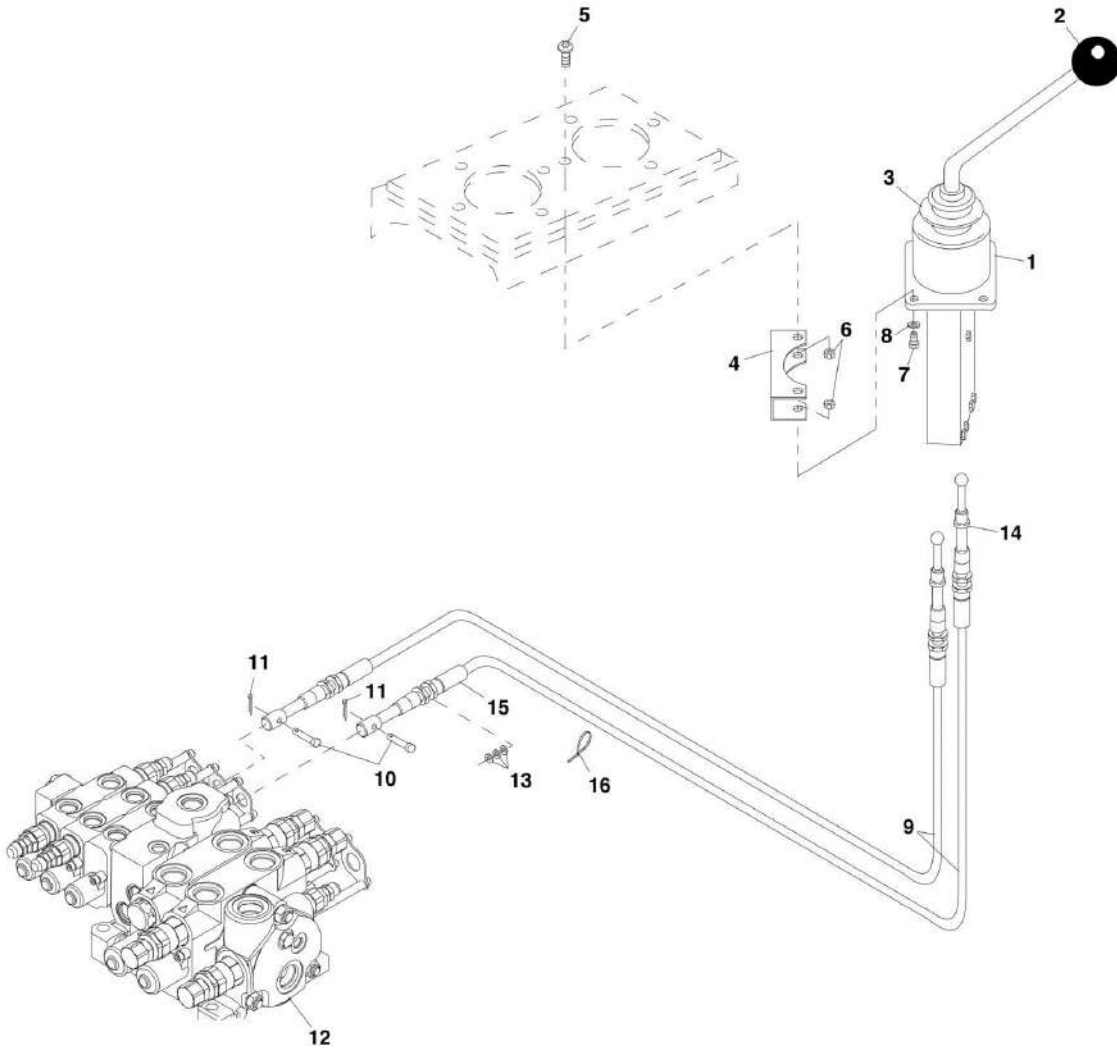
SECTION 7 - CONTROLS

FIGURE 7-8. BOOM LIFT/LOWER AND EXTEND/RETRACT CONTROL

ITEM	PART NUMBER	QTY	DESCRIPTION	REV
1	8224045	1	JOYSTICK WITH GATE, (includes items 2 & 3)	
2	8580110	1	KNOB	
3	8160419	1	BOOT	
4	8310143	4	TRUSS HD CAPSCREW, 1/4X1	
5	8310144	4	PROP TEE NUT	
6	1001132551	2	CONTROL CABLE	
7	8301443	2	CLEVIS PIN, 3/16X1	
8	8302470	2	HAIR PIN, 3/32	
9		Ref	MAIN CONTROL VALVE, (See HYDRAULIC COMPONENTS SECTION for Breakdown)	
10	8630021	2	O-RING	
11	4812300	6	FLAT WASHER, M16	
12	0100011	AR	LOCTITE 242	

SECTION 7 - CONTROLS

FIGURE 7-9. FRAME SWAY AND ATTACHMENT TILT CONTROL



PAP3901

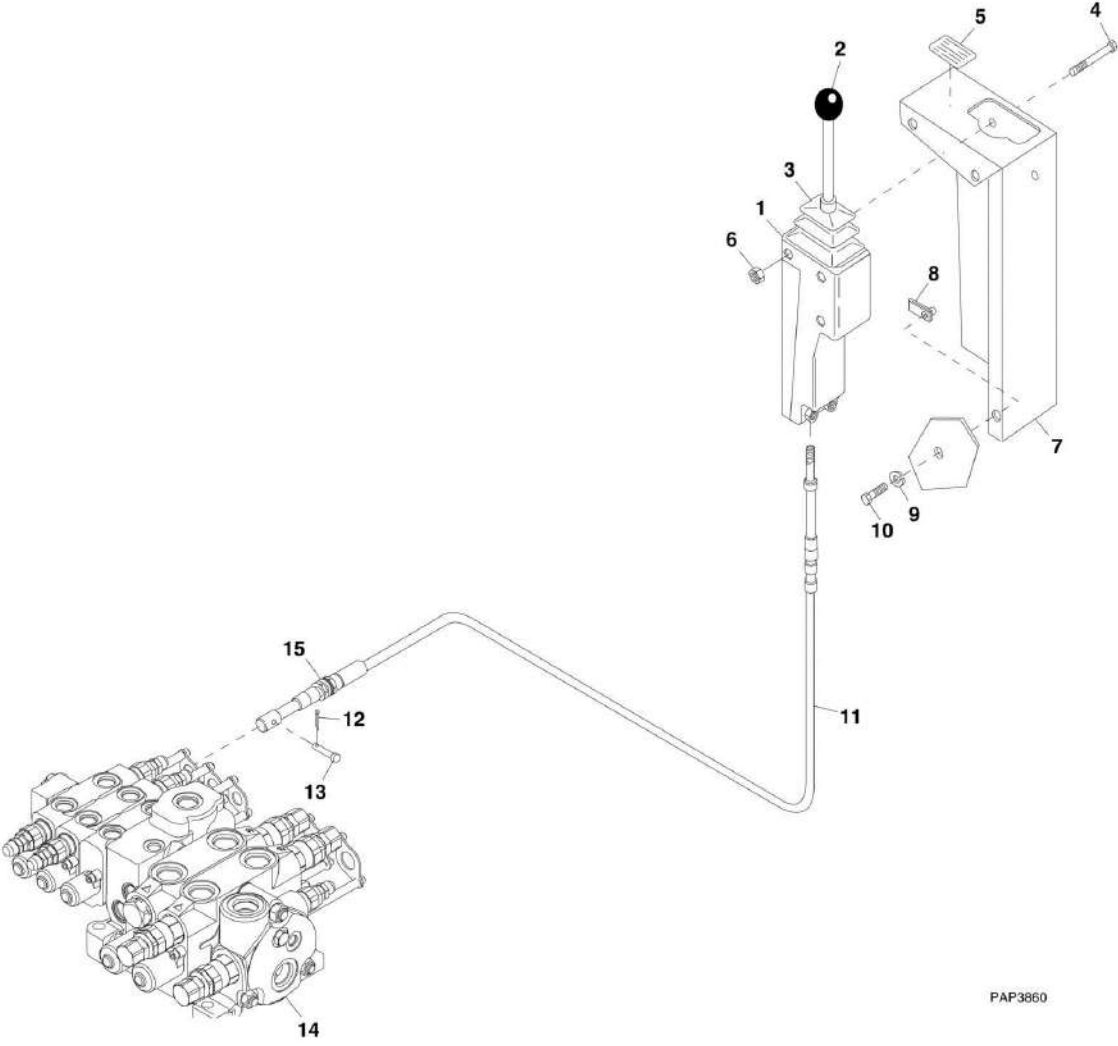
SECTION 7 - CONTROLS

FIGURE 7-9. FRAME SWAY AND ATTACHMENT TILT CONTROL

ITEM	PART NUMBER	QTY	DESCRIPTION	REV
1	8224047	1	JOYSTICK WITH GATE, (includes items 2 & 3)	
2	8580110	1	KNOB	
3	8160419	1	BOOT	
4	7098142	2	SPACER	
5	88261017	4	HEX HD CAPSCREW, 1/4-20X7/8	
6	8310001	8	HEX NUT, 1/4-20	
7	8303540	4	HEX HD CAPSCREW, 1/4X1	
8	8307109	4	FLAT WASHER, 1/4	
9	1001132552	2	CONTROL CABLE	
10	8301443	2	CLEVIS PIN, 3/16X1	
11	8302470	2	HAIR PIN, 3/32	
12		Ref	MAIN CONTROL VALVE, (See HYDRAULIC COMPONENTS SECTION for Breakdown)	
13	4812300	6	FLAT WASHER, M16	
14	0100011	AR	LOCTITE 242	
15	7125871	1	CONDUIT, 0.50X8, (cut to fit)	
16	8584001	3	TIE WRAP	

SECTION 7 - CONTROLS

FIGURE 7-10. AUXILIARY HYDRAULIC CONTROL



SECTION 7 - CONTROLS

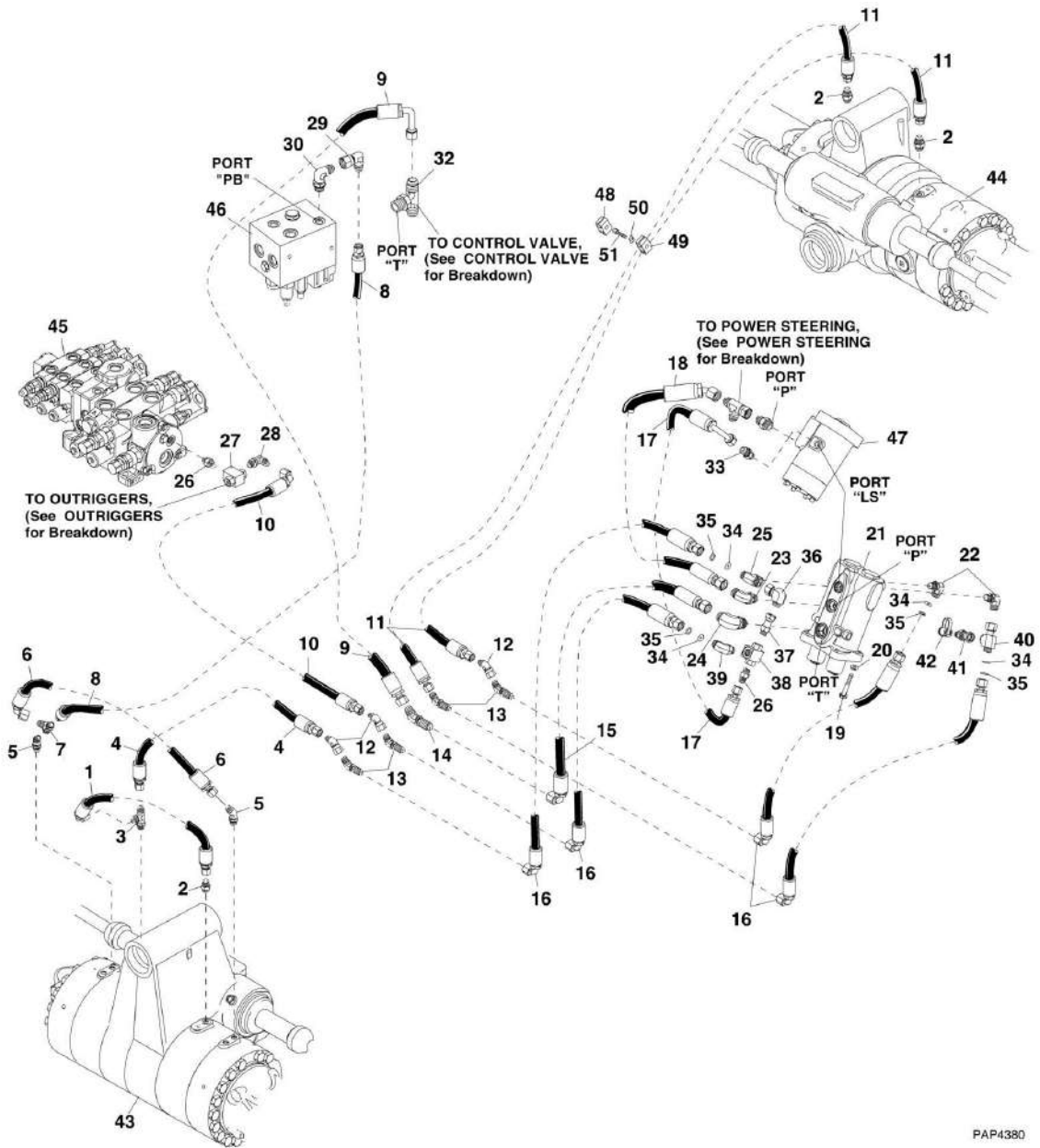
FIGURE 7-10. AUXILIARY HYDRAULIC CONTROL

ITEM	PART NUMBER	QTY	DESCRIPTION	REV
1	8160406	1	CONTROLLER, (includes items 2 & 3)	
2	8580110	1	KNOB	
3	8160418	1	BOOT	
4	8303758	2	HEX HD CAPSCREW, 1/4-20X2	
5	4105621	1	AUXILIARY CONTROL DECAL	
6	8305004	2	HEX NUT, 1/4-20	
7	7091323	1	CONTROLLER SUPPORT	
8	8305906	3	RETAINING NUT, 5/16-18	
9	8307004	3	LOCKWASHER, 5/16	
10	8303697	3	HEX HD CAPSCREW, 5/16-18X3/4	
11	8160078	1	CONTROL CABLE	
12	8302470	1	HAIR PIN	
13	8301443	1	CLEVIS PIN	
14		Ref	MAIN CONTROL VALVE, (See HYDRAULIC COMPONENTS SECTION for Breakdown)	
15	4812300	3	FLAT WASHER, M16	

SECTION 8 - HYDRAULIC CIRCUITS

SECTION 8 - HYDRAULIC CIRCUITS

FIGURE 8-1. SERVICE BRAKE AND DE-CLUTCH ; ; (8042 Prior to SN 0160038967, Including 0160038971 and 0160038984; 10042 Prior to SN 0160038368, Including 0160038375, 0160038378, 0160038379, 0160038381 and 0160038383; 10054 Prior to SN 0160038740; Excluding 0160021270, 0160036713, 0160036715, 0160036721 and 0160036723)



PAP4380

SECTION 8 - HYDRAULIC CIRCUITS

FIGURE 8-1. SERVICE BRAKE AND DE-CLUTCH ; ; (8042 Prior to SN 0160038967, Including 0160038971 and 0160038984; 10042 Prior to SN 0160038368, Including 0160038375, 0160038378, 0160038379, 0160038381 and 0160038383; 10054 Prior to SN 0160038740; Excluding 0160021270, 0160036713, 0160036715, 0160036721 and 0160036723)

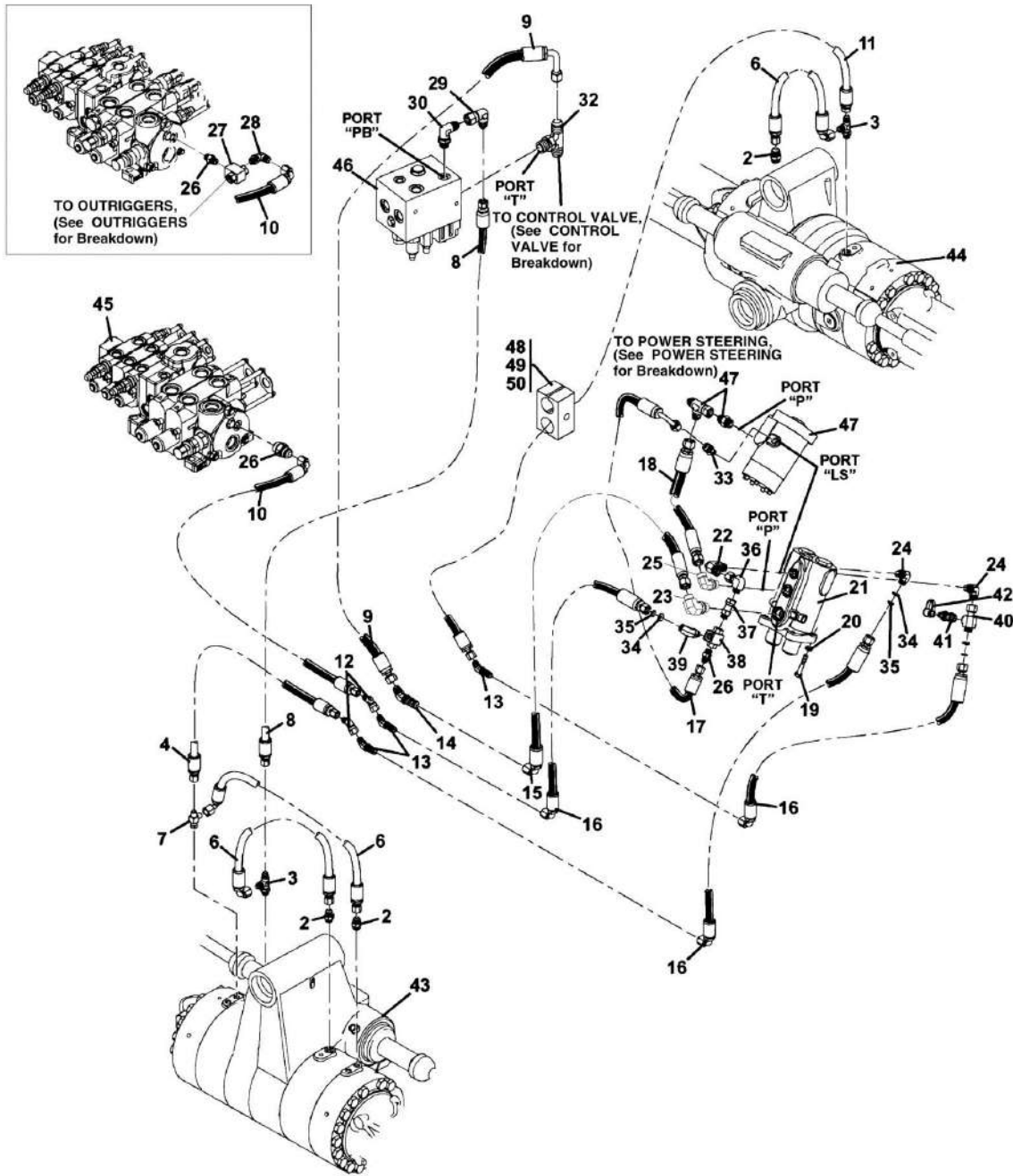
ITEM	PART NUMBER	QTY	DESCRIPTION	REV
1	2716692	1	HOSE ASSY	
2	2220371	3	STRAIGHT CONNECTOR, (includes o-ring)	
3	2220606	1	MALE RUN TEE, (includes o-ring)	
4	2716707	1	HOSE ASSY	
5	2220501	2	ELBOW, 45	
6	2716670	1	HOSE ASSY	
7	2220635	1	FEMALE SWIVEL RUN TEE	
8	2716660	1	HOSE ASSY	
9	2754753	1	HOSE ASSY	
10	2716703	1	HOSE ASSY	
11	2716701	2	HOSE ASSY	
12	2220657	3	ELBOW, 45, (swivel nut)	
13	8770189	4	ELBOW, 45	
14	2230035	1	ELBOW, 45	
15	2754736	1	HOSE ASSY	
16	2716699	4	HOSE ASSY	
17	2716700	1	HOSE ASSY	
18	2716695	1	HOSE ASSY	
19	8303755	4	HEX HD CAPSCREW, M10X30mm	
20	8307023	4	LOCKWASHER, M10	
	8902274	NLA	BRAKE VALVE ASSY, (no longer available, use 1001109404 for replacement)	
	1001109404	1	BRAKE VALVE ASSY, (includes items 21 thru 25)	
21		Ref	BRAKE VALVE, (See HYDRAULIC COMPONENTS SECTION for Breakdown)	
22	8770109	2	ELBOW, 90, (includes o-ring)	
23	8770120	1	ELBOW, 90, (includes o-ring)	
24	8770175	1	ELBOW, 90, (includes o-ring)	
25	8770183	1	BRANCH TEE, (includes o-ring)	
26	2220371	1	STRAIGHT CONNECTOR, (includes o-ring), (8042)	
26	8770152	1	UNION, (includes o-ring), (10042 & 10054)	
27		Ref	SHUTTLE VALVE, (10042 & 10054), (See OUTRIGGERS for Breakdown)	
28	2220473	1	ELBOW, 90, (includes o-ring), (10042 & 10054)	
29	8760268	1	ELBOW, 90, (swivel nut)	
30	2220473	1	ELBOW, 90, (includes o-ring)	
32		Ref	TEE FITTING, (See CONTROL VALVE for Breakdown)	
33	2220603	1	STRAIGHT CONNECTOR, (includes o-ring)	
34	7139212	4	DISK ORIFICE	
35	8630003	4	O-RING	
36	2172106	1	ELBOW, 90, (swivel nut)	
37	2221123	1	CONNECTOR, (swivel nut), (includes o-ring)	
38	8902175	1	SHUTTLE VALVE	
39	2130606	1	ELBOW, 90, (includes o-ring)	
40	2170706	1	SWIVEL RUN TEE, (swivel nut)	
41	8430081	1	DIAGNOSTIC NIPPLE, 1/8 BODY	
42	8430032	1	DUST PLUG	

SECTION 8 - HYDRAULIC CIRCUITS

ITEM	PART NUMBER	QTY	DESCRIPTION	REV
43		Ref	FRONT AXLE, (See DRIVE TRAIN SECTION for Breakdown)	
44		Ref	REAR AXLE, (See DRIVE TRAIN SECTION for Breakdown)	
45		Ref	MAIN CONTROL VALVE, (See HYDRAULIC COMPONENTS SECTION for Breakdown)	
46		Ref	SECONDARY FUNCTION MANIFOLD, (See HYDRAULIC COMPONENTS SECTION for Breakdown)	
47		Ref	STEERING UNIT, (See POWER STEERING for Breakdown)	
48		Ref	TWIN CLAMP, (See FRAME SWAY AND STABIL-TRAK for Breakdown)	
49	8750027	1	TWIN CLAMP SET, 0.67 DIA	
50	8750017	1	TWIN CLAMP LOCKING PLATE	
51	8750012	1	STACKING BOLT	

SECTION 8 - HYDRAULIC CIRCUITS

FIGURE 8-2. SERVICE BRAKE AND DE-CLUTCH ; ; (8042 SN 0160038967 to Present, Excluding 0160038971 and 0160038984; 10042 SN 0160038368 to Present, Excluding 0160038375, 0160038378, 0160038379, 0160038381 and 0160038383; 10054 SN 0160038740 to Present, Including 0160021270, 0160036713, 0160036715, 0160036721 and 0160036723)



ART_8990395-8-2

SECTION 8 - HYDRAULIC CIRCUITS

FIGURE 8-2. SERVICE BRAKE AND DE-CLUTCH ; ; (8042 SN 0160038967 to Present, Excluding 0160038971 and 0160038984; 10042 SN 0160038368 to Present, Excluding 0160038375, 0160038378, 0160038379, 0160038381 and 0160038383; 10054 SN 0160038740 to Present, Including 0160021270, 0160036713, 0160036715, 0160036721 and 0160036723)

ITEM	PART NUMBER	QTY	DESCRIPTION	REV
2	2220371	3	STRAIGHT CONNECTOR	
3	2220606	2	MALE RUN TEE	
4	2716707	1	HOSE ASSY	
5	2220501	2	ELBOW, 45, (not shown)	
6	2716670	3	HOSE ASSY	
7	2220635	1	FEMALE SWIVEL RUN TEE	
8	2716660	1	HOSE ASSY	
9	2754753	1	HOSE ASSY	
10	2716703	1	HOSE ASSY	
11	2716701	1	HOSE ASSY	
12	2220657	2	ELBOW, 45, (swivel nut)	
13	8770189	3	BULKHEAD ELBOW, 45	
14	2230035	1	BULKHEAD ELBOW, 45	
15	2754736	1	HOSE ASSY	
16	2716699	3	HOSE ASSY	
17	2716700	1	HOSE ASSY	
18	2716695	1	HOSE ASSY	
19	8303755	4	HEX HD CAPSCREW, M10X30mm	
20	8307023	4	LOCK WASHER, M10	
	1001103623	1	BRAKE VALVE ASSY, (includes items 21 thru 25)	C
21	1001106836	1	BRAKE VALVE	
22	8770109	1	BRANCH TEE	
23	8770175	1	ELBOW, 90	
24	8770109	2	ELBOW, 90	
25	8770120	1	ELBOW, 90	
26	8770152	1	UNION, (includes o-ring)	
27		Ref	SHUTTLE VALVE, (See OUTRIGGERS for Breakdown)	
28	2220473	1	ELBOW, 90, (includes o-ring)	
29	8760268	1	ELBOW, 90, (swivel nut)	
30	2220473	1	ELBOW, 90, (includes o-ring)	
32		Ref	TEE FITTING, (See OUTRIGGERS for Breakdown)	
33	2220603	1	STRAIGHT CONNECTOR, (includes o-ring)	
34	7139212	3	ORIFICE DISK	
35	8630003	3	O-Ring	
36	2172106	1	ELBOW, 90, (swivel nut)	
37	2221123	1	SWIVEL CONNECTOR	
38	8902175	1	SHUTTLE VALVE	
39	2130606	1	ELBOW, 90	
40	2170706	1	SWIVEL RUN TEE	
41	8430081	1	SWIVEL NIPPLE, 1/8 BODY	
42	8430032	1	DUST PLUG	
43		Ref	FRONT AXLE, (See DRIVE SECTION for Breakdown)	
44		Ref	REAR AXLE, (See DRIVE TRAIN SECTION for Breakdown)	
45		Ref	MAIN CONTROL VALVE, (See HYDRAULIC COMPONENTS SECTION for Breakdown)	
46		Ref	SECONDARY FUNCTION MANIFOLD, (See HYDRAULIC COMPONENTS SECTION for Breakdown)	

SECTION 8 - HYDRAULIC CIRCUITS

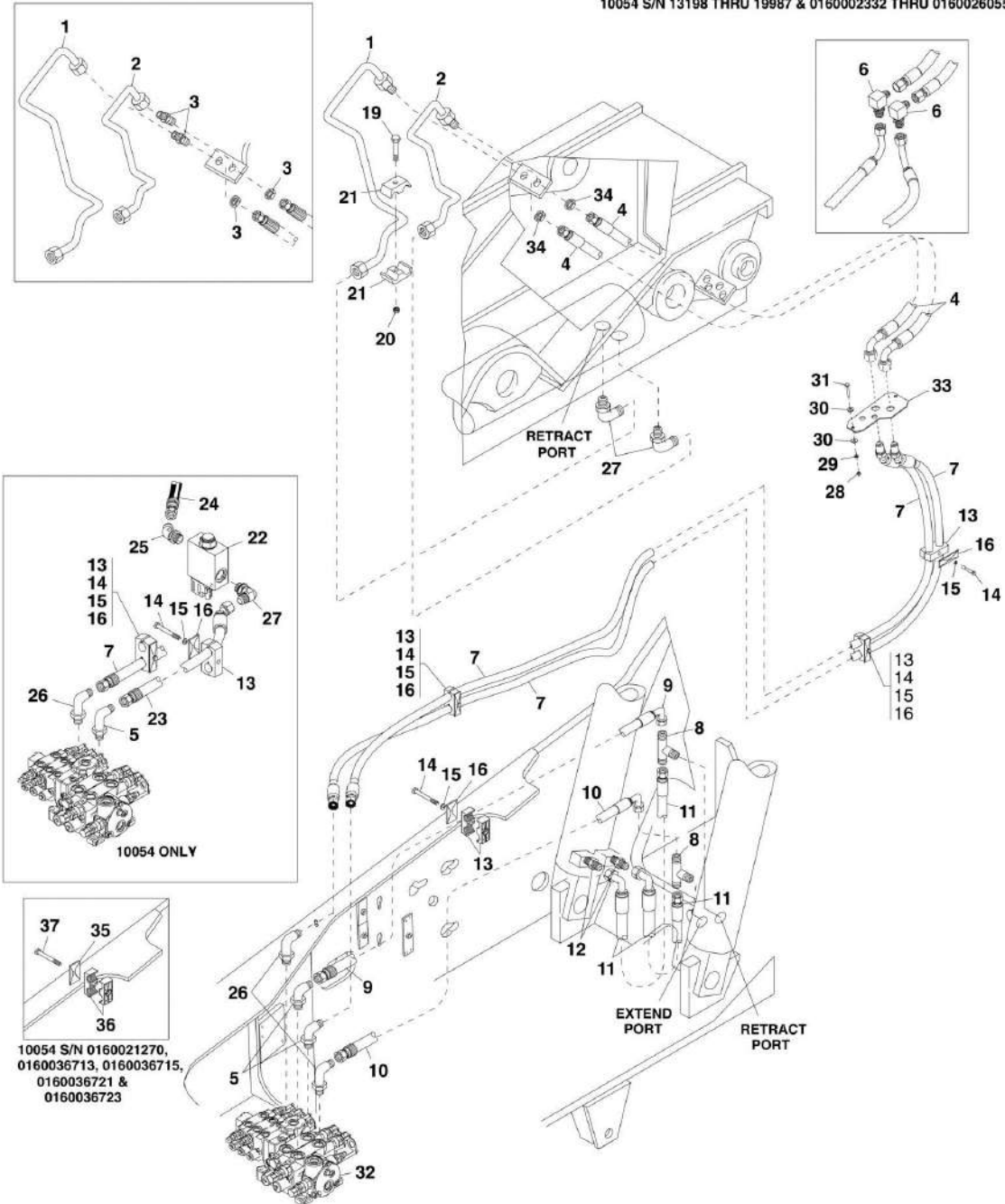
ITEM	PART NUMBER	QTY	DESCRIPTION	REV
47		Ref	STEERING UNIT, (See POWER STEERING for Breakdown)	
48	8750016	1	CLAMP SET	
49	8750017	1	LOCKING PLATE	
50	8750012	1	STACKING BOLT	

SECTION 8 - HYDRAULIC CIRCUITS

FIGURE 8-3. BOOM LIFT/LOWER AND EXTEND/RETRACT (Prior to SN 0160040220, Excluding 0160039850, 0160040126, 0160040127, 0160040128, 0160040129 and 0160040171)

8042 S/N 13198 THRU 19987 & 0160002332 THRU 0160004643
 10042 S/N 13198 THRU 19987 & 0160002332 THRU 0160004672
 10054 S/N 13198 THRU 19987 & 0160002332 THRU 0160004646

8042 S/N 13198 THRU 19987 & 0160002332 THRU 0160025261
 10042 S/N 13198 THRU 19987 & 0160002332 THRU 0160026072
 10054 S/N 13198 THRU 19987 & 0160002332 THRU 0160026055



ART_8890395-B-3

SECTION 8 - HYDRAULIC CIRCUITS

FIGURE 8-3. BOOM LIFT/LOWER AND EXTEND/RETRACT (Prior to SN 0160040220, Excluding 0160039850, 0160040126, 0160040127, 0160040128, 0160040129 and 0160040171)

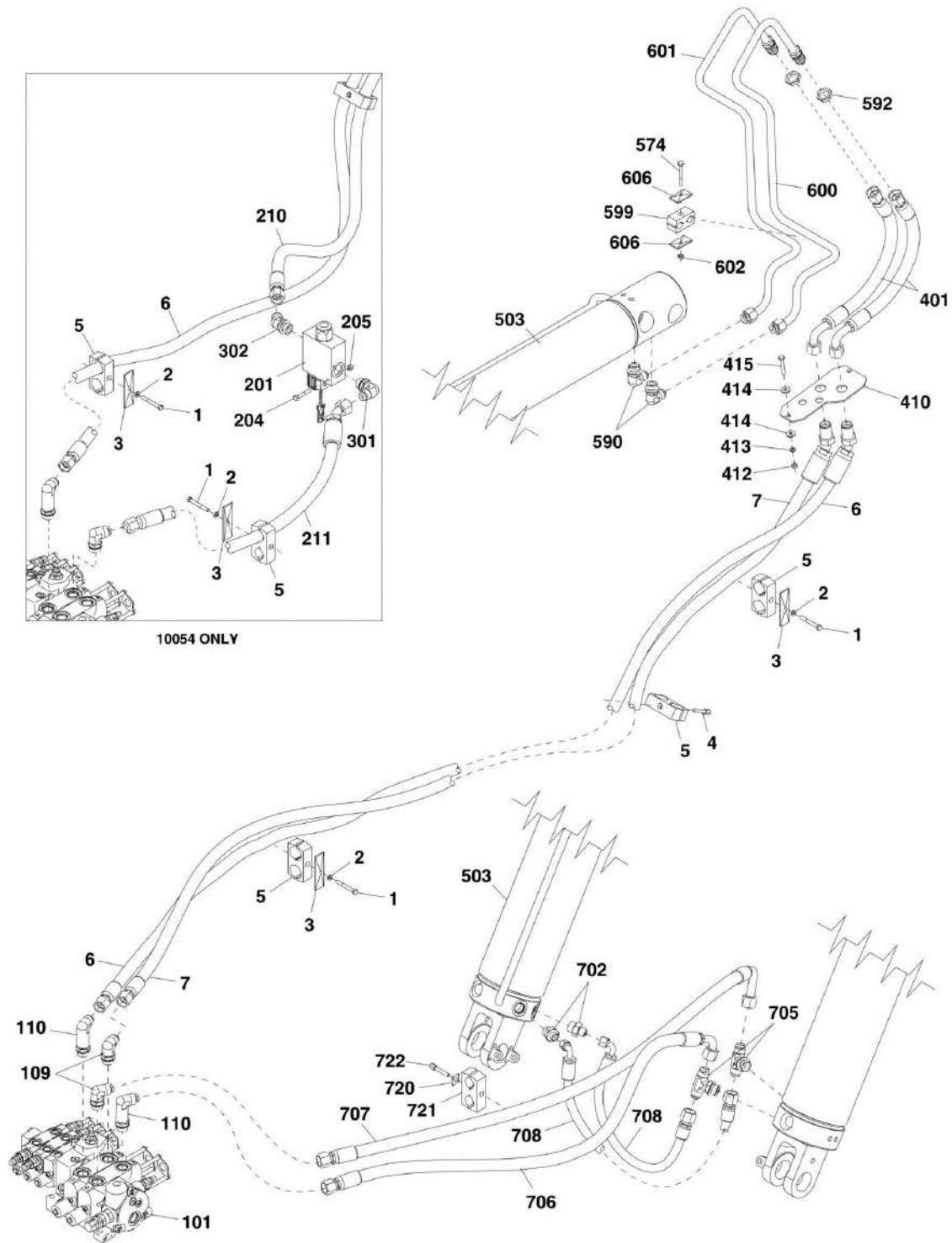
ITEM	PART NUMBER	QTY	DESCRIPTION	REV
1	7133802	1	BOOM EXTEND CYLINDER TUBE (8042 SN 13198 through 19987, SN 0160002332 through 0160004643; 10042 SN 13198 through 19987, SN 016002332 through 016004672; 10054 SN 13198 through 19987, SN 0160002332 through 0160004646)	
1	3460384	1	BOOM EXTEND CYLINDER TUBE (8042 SN 0160004644 to Present; 10042 SN 0160004673 to Present; 10054 SN 0160004647 to Present)	
2	7133812	1	BOOM EXTEND CYLINDER TUBE (8042 SN 13198 through 19987, SN 0160002332 through 0160004643; 10042 SN 13198 through 19987, SN 0160002332 through 160004672; 10054 SN 13198 through 19987, SN 0160002332 through 0160004646)	
2	3460383	1	BOOM EXTEND CYLINDER TUBE (8042 SN 0160004644 to Present; 10042 SN 0160004673 to Present; 10054 SN 0160004647 to Present)	
3	8760039	2	STRAIGHT BULKHEAD UNION (8042 SN 13198 through 19987, SN 0160002332 through 0160004643; 10042 SN 13198 through 19987, SN 0160002332 through 0160004672; 10054 SN 13198 through 19987, SN 0160002332 through 0160004646)	
4	2716657	2	HOSE ASSY (SN 13198 through 19987, SN 0160002332 through 0160025946, Excluding 0160025261)	
4	2755060	2	HOSE ASSY (SN 0160026010 to Present, Including 0160025261)	
5	2220578	2	ELBOW, 90, (includes o-ring)	
6	2230046	2	BULKHEAD UNION, 90 (SN 13198 through 19987, SN 0160002332 through 0160025946, Excluding 0160025261)	
7	2754309	2	HOSE ASSY (SN 13198 through 19987, SN 0160002332 through 0160025929, Excluding 0160025261)	
7	2755057	2	HOSE ASSY (SN 0160025930 to Present, Including 0160025261)	
7	2755059	1	HOSE ASSY, (10054 SN 0160012120 to Present)	
8	2220695	2	MALE BRANCH TEE, (includes o-ring)	
9	2716655	1	HOSE ASSY	
10	2716654	1	HOSE ASSY	
11	2716675	2	HOSE ASSY	
12	2220375	2	STRAIGHT CONNECTOR, (includes o-ring)	
13	8750040	5	TWIN CLAMP SET, 1.18 DIA	
14	8303757	5	HEX HD CAPSCREW, 5/16-18X2-1/2	
15	8307004	5	LOCKWASHER, 5/16	
16	8750025	5	TWIN COVER PLATE	
19	8310009	1	HEX HD CAPSCREW, 5/16-18X2, GR5	
20	8305626	1	HEX LOCKNUT, 5/16-18	
21	8769140	1	TWIN CLAMP SET, 0.675	
22		Ref	EXTEND LOCKOUT VALVE ASSY, (10054), (See OUTRIGGERS for Breakdown)	
23	2716716	1	HOSE ASSY, (10054)	
24	2754314	1	HOSE ASSY, (10054) (SN 13198 through 19987, SN 0160002332 through 0160025929)	
24	2755058	1	HOSE ASSY, (10054) (SN 0160025930 to Present)	
25	2220498	1	ELBOW, 45, (includes o-ring), (10054)	
26	8770157	2	ELBOW, 90, (includes o-ring)	
27	2220578	3	ELBOW, 90, (includes o-ring)	
28	8305006	2	HEX NUT, 5/16-18	
29	8307004	2	LOCKWASHER, 5/16	
30	8307203	4	WASHER, 5/16	
31	8310009	2	HEX HD CAPSCREW, 5/16-18X2, GR5	

SECTION 8 - HYDRAULIC CIRCUITS

ITEM	PART NUMBER	QTY	DESCRIPTION	REV
32		Ref	MAIN CONTROL VALVE, (See HYDRAULIC COMPONENTS SECTION for Breakdown)	
33	7139505	1	BULKHEAD SHEET	
34	8760468	2	BULKHEAD LOCKNUT	
35	8750017	1	TWIN CLAMP LOCKING PLATE, (10054 SN 0160038740 to Present; Including 0160021270, 0160036713, 0160036715, 0160036721 and 0160036723)	
36	8750024	1	TWIN CLAMP SET, (10054 SN 0160038740 to Present; Including 0160021270, 0160036713, 0160036715, 0160036721 and 0160036723)	
37	8750026	1	STACKING BOLT, (10054 SN 0160038740 to Present; Including 0160021270, 0160036713, 0160036715, 0160036721 and 0160036723)	

SECTION 8 - HYDRAULIC CIRCUITS

FIGURE 8-4. BOOM LIFT/LOWER AND EXTEND/RETRACT (SN 0160040220 to Present, Including 0160039850, 0160040126, 0160040127, 0160040128, 0160040129 and 0160040171)



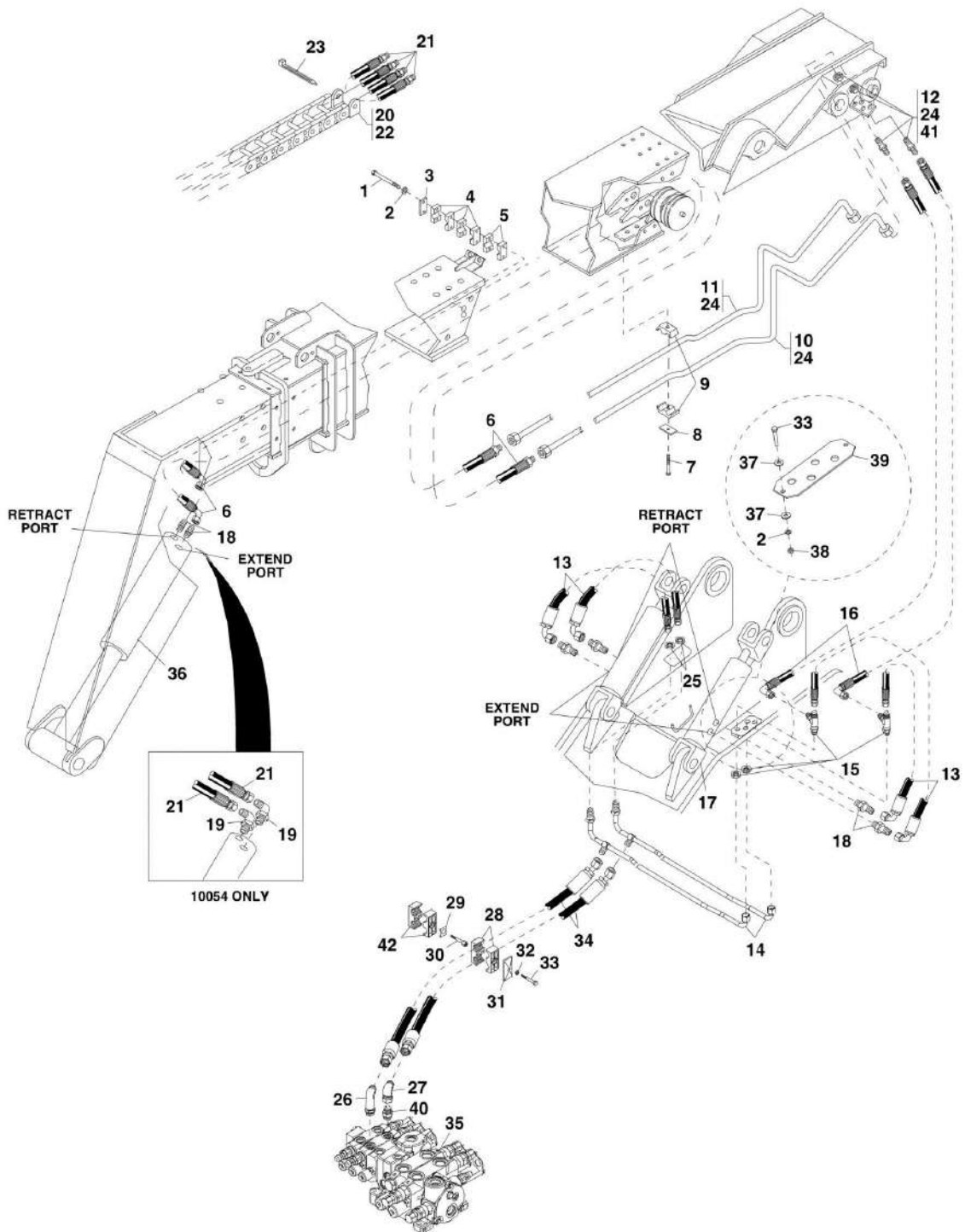
SECTION 8 - HYDRAULIC CIRCUITS

FIGURE 8-4. BOOM LIFT/LOWER AND EXTEND/RETRACT (SN 0160040220 to Present, Including 0160039850, 0160040126, 0160040127, 0160040128, 0160040129 and 0160040171)

ITEM	PART NUMBER	QTY	DESCRIPTION	REV
	1001117696	Ref	EXTEND/RETRACT PLUMBING INSTALLATION, (not available to order, see items 1 thru 7 for service)	A
1	8303757	2	HEX HD CAPSCREW, 5/16-18X2-1/2, GR5	
2	8307004	2	LOCKWASHER, 5/16	
3	8750025	2	COVER PLATE	
4	8750026	1	STACKING BOLT	
5	8750040	3	CLAMP SET	
6	1001117636	1	HOSE ASSY	
7	1001117714	1	HOSE ASSY	
101		Ref	MAIN CONTROL VALVE ASSY	
109	2220578	2	ELBOW, 90, (includes o-ring)	
110	8770157	2	ELBOW, 45, (includes o-ring)	
201		Ref	EXTEND/RETRACT LOCKOUT VALVE ASSY, (10054 only)	
204	8310159	1	CARRIAGE BOLT, 5/16-18X3-1/2, GR2	
205	8310420	1	FLANGE NUT, 5/16-18	
210	1001117642	1	HOSE ASSY	
211	2716716	1	HOSE ASSY	
301	2220578	1	ELBOW, 90, (includes o-ring)	
302	2220498	1	ELBOW, 45, (includes o-ring)	
401	2755060	2	HOSE ASSY	
410	7139505	1	BULKHEAD SHEET	
412	8305006	2	HEX NUT, 5/16-18	
413	8307004	2	LOCKWASHER, 5/16	
414	8307203	4	WASHER, 5/16	
415	8310009	2	HEX HD CAPSCREW, 5/16-18X2, GR5	
503		Ref	EXTEND/RETRACT CYLINDER	
574	0641520	1	HEX HD CAPSCREW, 5/16-18X2-1/2, GR5	
590	2220578	2	ELBOW, 90, (includes o-ring)	
592	8760468	2	BULKHEAD LOCKNUT	
599	8769139	1	CLAMP SET	
600	3460383	1	TUBE ASSY	
601	3460384	1	TUBE ASSY	
602	8305626	1	LOCKNUT, 5/16-18	
606	8769128	2	COVER PLATE	
702	2220375	2	CONNECTOR, (includes o-ring)	
705	2220695	2	BRANCH TEE, (includes o-ring)	
706	2716654	1	HOSE ASSY	
707	2716655	1	HOSE ASSY	
708	2716675	2	HOSE ASSY	
720	8750017	1	LOCKING PLATE	
721	8750040	1	CLAMP SET	
722	8750026	1	STACKING BOLT	

SECTION 8 - HYDRAULIC CIRCUITS

FIGURE 8-5. ATTACHMENT TILT AND SLAVE



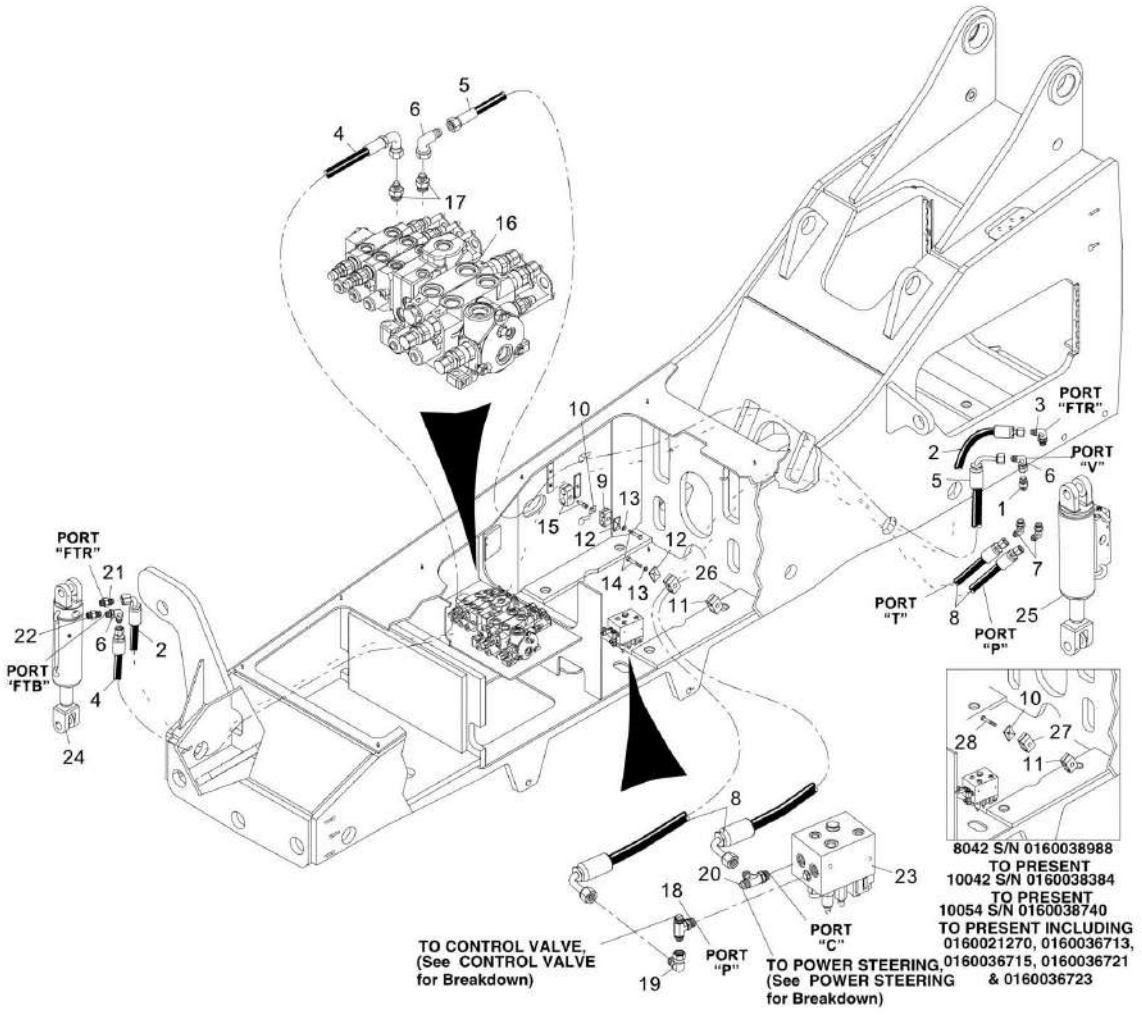
SECTION 8 - HYDRAULIC CIRCUITS

FIGURE 8-5. ATTACHMENT TILT AND SLAVE

ITEM	PART NUMBER	QTY	DESCRIPTION	REV
1	8303752	2	HEX HD CAPSCREW, 5/16-18X3-1/2	
2	8307004	4	LOCKWASHER, 5/16	
3	8769149	1	SINGLE CLAMP COVER PLATE	
4	8750003	4	SINGLE CLAMP, 0.62 DIA, (8042 & 10042)	
4	8750003	6	SINGLE CLAMP, 0.62 DIA, (10054)	
5	8769161	2	SINGLE CLAMP, 0.75 DIA, (8042 & 10042)	
6	2713452	2	BOOM HOSE ASSY, (8042 & 10042, see item 20 for 10054)	
7	8303715	3	HEX HD CAPSCREW, 5/16-18X1.5	
8	8769123	3	TWIN COVER PLATE	
9	8769122	3	TWIN CLAMP, 0.62 DIA	
10	7300673	1	BOOM ATTACHMENT TILT TUBE, (retract)	
11	7300672	1	BOOM ATTACHMENT TILT TUBE, (extend)	
12	8760037	2	STRAIGHT BULKHEAD UNION	
13	2716715	4	HOSE ASSY	
14	7300214	2	SLAVE CYLINDER CROSS-OVER TUBE ASSY	
15	8760477	2	MALE BULKHEAD RUN TEE	
16	2716714	2	TILT CYLINDER HOSE ASSY	
17		Ref	SLAVE CYLINDER, (See HYDRAULIC COMPONENTS SECTION for Breakdown)	
18	2220373	4	STRAIGHT CONNECTOR, (includes o-ring)	
19	2220500	2	ELBOW, 45, (includes o-ring), (10054)	
20	7112452	1	HOSE AND CARRIER ASSY, (includes items 21 thru 23), (10054)	
21	2713642	4	HOSE ASSY	
22	N.S.S.	NLA	HOSE CARRIER, (no longer available, see item 20 for service)	
23	8584001	2	TY-RAP	
24	8526048	AR	LOCTITE 545, (apply to items 10, 11 & 12)	
25	8760463	2	BULKHEAD LOCKNUT, #8	
26	2220474	1	ELBOW, 90, (includes o-ring)	
27	8765204	1	ELBOW, 90, (swivel nut)	
28	8750027	2	TWIN CLAMP SET, 0.84 DIA	
29	8750017	1	LOCKING PLATE	
30	8750012	1	STACKING BOLT	
31	8769128	2	TWIN COVER PLATE	
32	8307004	2	LOCKWASHER, 5/16	
33	8310009	5	HEX HD CAPSCREW, 5/16-18X2, GR5	
34	2716682	2	HOSE ASSY	
35		Ref	MAIN CONTROL VALVE, (See HYDRAULIC COMPONENTS SECTION for Breakdown)	
36		Ref	ATTACHMENT TILT CYLINDER, (See HYDRAULIC COMPONENTS SECTION for Breakdown)	
37	8307203	4	FLAT WASHER, 5/16	
38	8305006	2	HEX NUT, 5/16-18	
39	7139504	1	BULKHEAD SHEET	
40	2220373	1	STRAIGHT CONNECTOR	
41	8760465	2	BULKHEAD LOCKNUT	
42		Ref	TWIN CLAMP, (See AUXILIARY HYDRAULIC for Breakdown)	

SECTION 8 - HYDRAULIC CIRCUITS

FIGURE 8-6. FRAME SWAY AND STABIL-TRAK



PH3872

SECTION 8 - HYDRAULIC CIRCUITS

FIGURE 8-6. FRAME SWAY AND STABIL-TRAK

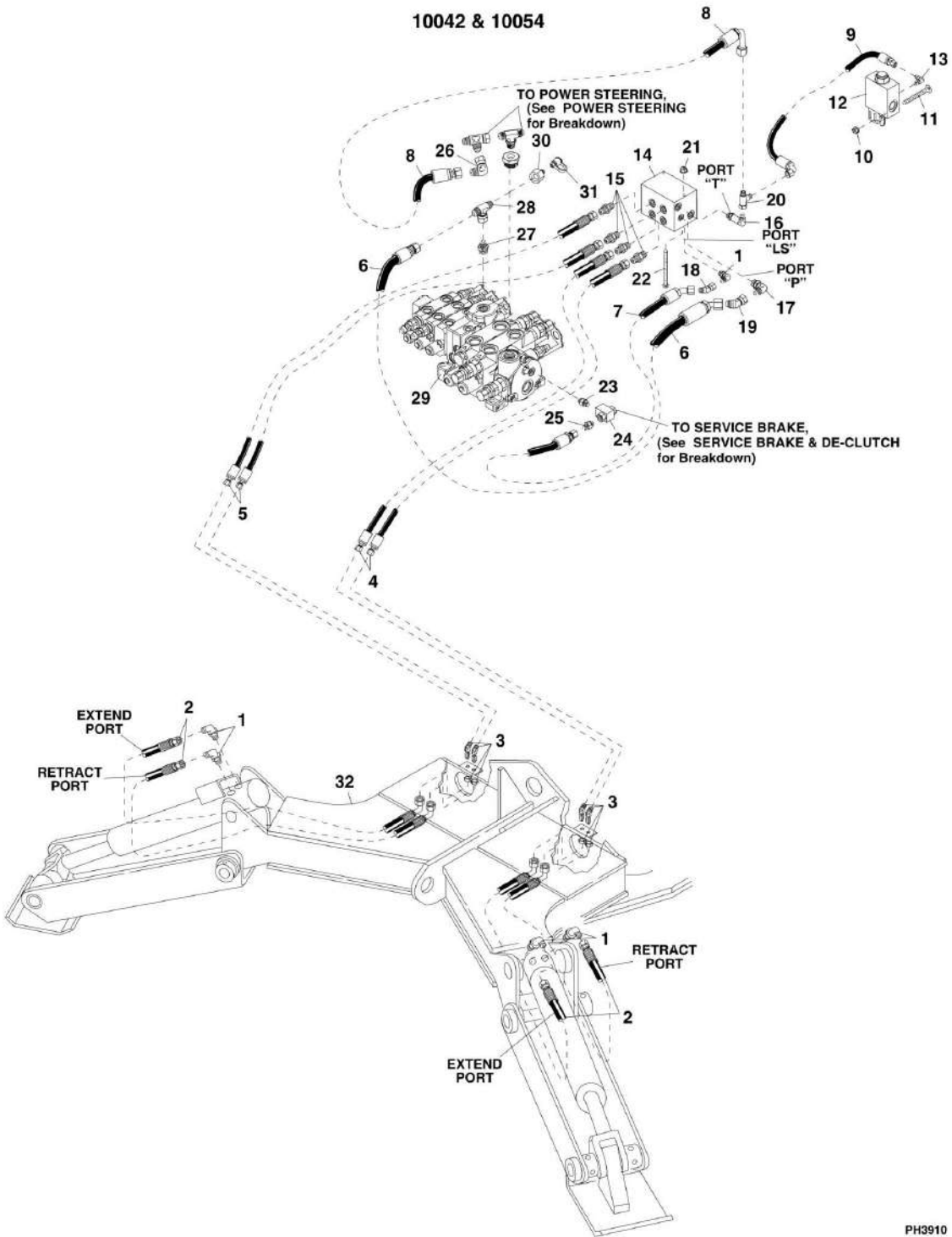
ITEM	PART NUMBER	QTY	DESCRIPTION	REV
1	2220371	1	STRAIGHT CONNECTOR, (includes o-ring)	
2	2716688	1	HOSE ASSY	
3	2220473	1	ELBOW, 90, (includes o-ring)	
4	2716687	1	HOSE ASSY	
5	2716686	1	HOSE ASSY	
6	8760268	3	ELBOW, 90, (swivel nut)	
7	2220501	2	ELBOW, 45	
8	2716691	2	HOSE ASSY	
9	8750015	1	TWIN CLAMP SET, 0.67 DIA	
10	8750017	1	TWIN CLAMP LOCKING PLATE (8042 Prior to SN 0160038988; 10042 Prior to SN 0160038384; 10054 Prior to SN 0160038740; Excluding 0160021270, 0160036713, 0160036715, 0160036721 and 0160036723)	
10	8750017	2	TWIN CLAMP LOCKING PLATE (8042 SN 0160038988 to Present; 10042 SN 0160038384 to Present; 10054 SN 0160038740 to Present; Including 0160021270, 0160036713, 0160036715, 0160036721 and 0160036723)	
11		Ref	TWIN CLAMP, (See SERVICE BRAKE AND DE-CLUTCH for Breakdown)	
12	8769123	2	TWIN COVER PLATE (8042 Prior to SN 0160038988; 10042 Prior to SN 0160038384; 10054 Prior to SN 0160038740; Excluding 0160021270, 0160036713, 0160036715, 0160036721 and 0160036723)	
12	8769123	1	TWIN COVER PLATE (8042 SN 0160038988 to Present; 10042 SN 0160038384 to Present; 10054 SN 0160038740 to Present; Including 0160021270, 0160036713, 0160036715, 0160036721 and 0160036723)	
13	8307004	2	LOCKWASHER, 5/16 (8042 Prior to SN 0160038988; 10042 Prior to SN 0160038384; 10054 Prior to SN 0160038740; Excluding 0160021270, 0160036713, 0160036715, 0160036721 and 0160036723)	
13	8307004	1	LOCKWASHER, 5/16 (8042 SN 0160038988 to Present; 10042 SN 0160038384 to Present; 10054 SN 0160038740 to Present; Including 0160021270, 0160036713, 0160036715, 0160036721 and 0160036723)	
14	8303715	2	HEX HD CAPSCREW, 5/16-18X1.5 (8042 Prior to SN 0160038988; 10042 Prior to SN 0160038384; 10054 Prior to SN 0160038740; Excluding 0160021270, 0160036713, 0160036715, 0160036721 and 0160036723)	
14	8303715	1	HEX HD CAPSCREW, 5/16-18X1.5 (8042 SN 0160038988 to Present; 10042 SN 0160038384 to Present; 10054 SN 0160038740 to Present; Including 0160021270, 0160036713, 0160036715, 0160036721 and 0160036723)	
15		Ref	TWIN CLAMP, (See POWER STEERING for Breakdown)	
16		Ref	MAIN CONTROL VALVE, (See HYDRAULIC COMPONENTS SECTION for Breakdown)	
17	2220372	2	STRAIGHT CONNECTOR, (includes o-ring)	
18		Ref	MALE BRANCH TEE, (See HYDRAULIC COMPONENTS SECTION for Breakdown)	
19	8765204	1	ELBOW, 90, (swivel nut)	
20	2220602	1	MALE RUN TEE, (includes o-ring)	
21	8902857	1	RESTRICTOR CHECK VALVE, 0.040 DIA	
22	8902858	1	RESTRICTOR CHECK VALVE, 0.047 DIA	
23		Ref	SECONDARY FUNCTION MANIFOLD, (See HYDRAULIC COMPONENTS SECTION for Breakdown)	
24		Ref	FRAME SWAY CYLINDER, (See HYDRAULIC COMPONENTS SECTION for Breakdown)	

SECTION 8 - HYDRAULIC CIRCUITS

ITEM	PART NUMBER	QTY	DESCRIPTION	REV
25		Ref	SECTION for Breakdown) STABIL-TRAK CYLINDER, (See HYDRAULIC COMPONENTS SECTION for Breakdown)	
26	8750027	1	TWIN CLAMP SET, 0.84 DIA (8042 Prior to SN 0160038988; 10042 Prior to SN 0160038384; 10054 Prior to SN 0160038740; Excluding 0160021270, 0160036713, 0160036715, 0160036721 and 0160036723)	
27	8750016	1	TWIN CLAMP SET, 0.79 DIA (8042 SN 0160038988 to Present; 10042 SN 0160038384 to Present; 10054 SN 0160038740 to Present; Including 0160021270, 0160036713, 0160036715, 0160036721 and 0160036723)	
28	8750012	1	STACKING BOLT (8042 SN 0160038988 to Present; 10042 SN 0160038384 to Present; 10054 SN 0160038740 to Present; Including 0160021270, 0160036713, 0160036715, 0160036721 and 0160036723)	

SECTION 8 - HYDRAULIC CIRCUITS

FIGURE 8-7. OUTRIGGERS 10042/10054



PH3910

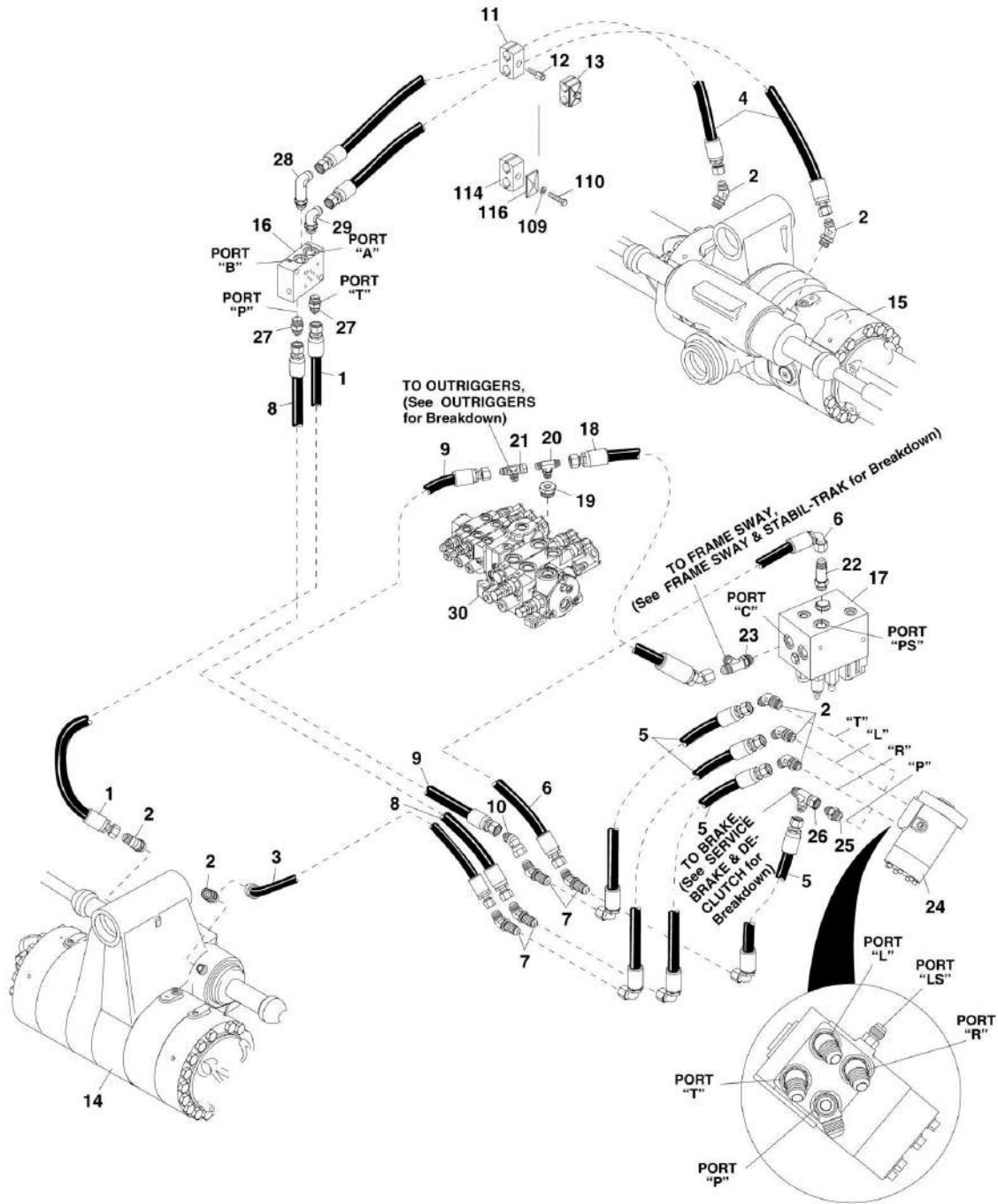
SECTION 8 - HYDRAULIC CIRCUITS

FIGURE 8-7. OUTRIGGERS 10042/10054

ITEM	PART NUMBER	QTY	DESCRIPTION	REV
1	2220473	5	ELBOW, 90, (includes o-ring)	
2	2716709	4	HOSE ASSY	
3	8770189	4	ELBOW, 45	
4	2716664	2	HOSE ASSY	
5	2716665	2	HOSE ASSY	
6	2716710	1	HOSE ASSY	
7	2716711	1	HOSE ASSY	
8	2716669	1	HOSE ASSY	
9	2716712	1	HOSE ASSY, (10054)	
10	8310420	1	HEX FLANGE NUT, 5/16-18, (10054)	
11	8310159	1	BOLT CARRIAGE, 5/16-18X3.5, (10054 only)	
12		Ref	EXTEND LOCKOUT VALVE, (10054), (See HYDRAULIC COMPONENTS SECTION for Breakdown)	
13	2220775	1	ELBOW, 90, (includes o-ring), (10054)	
14	1001103153	1	OUTRIGGER VALVE	
15	2220372	4	STRAIGHT CONNECTOR, (includes o-ring)	
16	2220474	1	ELBOW, 90, (includes o-ring)	
17	2220596	1	ELBOW, 90, (includes o-ring)	
18	2220657	1	ELBOW, 45, (swivel nut)	
19	2220683	1	ELBOW, 45, (swivel nut)	
20	2220385	1	FEMALE RUN TEE, (swivel nut), (10054)	
21	8310522	2	HEX FLANGE NUT, 3/8-16	
22	8310478	2	CARRIAGE BOLT, 3/8-16X5.5, GR2	
23		Ref	UNION, (See SERVICE BRAKE AND DE-CLUTCH for Breakdown)	
24	8902175	1	SHUTTLE VALVE	
25	2220371	1	STRAIGHT CONNECTOR, (includes o-ring)	
26	8765204	1	ELBOW, 90, (swivel nut)	
27	2220374	1	STRAIGHT CONNECTOR, (includes o-ring), (8042)	
28	8770289	1	FEMALE BRANCH TEE, (swivel nut)	
29		Ref	MAIN CONTROL VALVE, (See HYDRAULIC COMPONENTS for Breakdown)	
30	8430037	1	NIPPLE	
31	8430032	1	DUST PLUG	
32		Ref	OUTRIGGERS, (See FRAME AND ATTACHING PARTS SECTION for Breakdown)	

SECTION 8 - HYDRAULIC CIRCUITS

FIGURE 8-8. POWER STEERING



PH3831

SECTION 8 - HYDRAULIC CIRCUITS

FIGURE 8-8. POWER STEERING

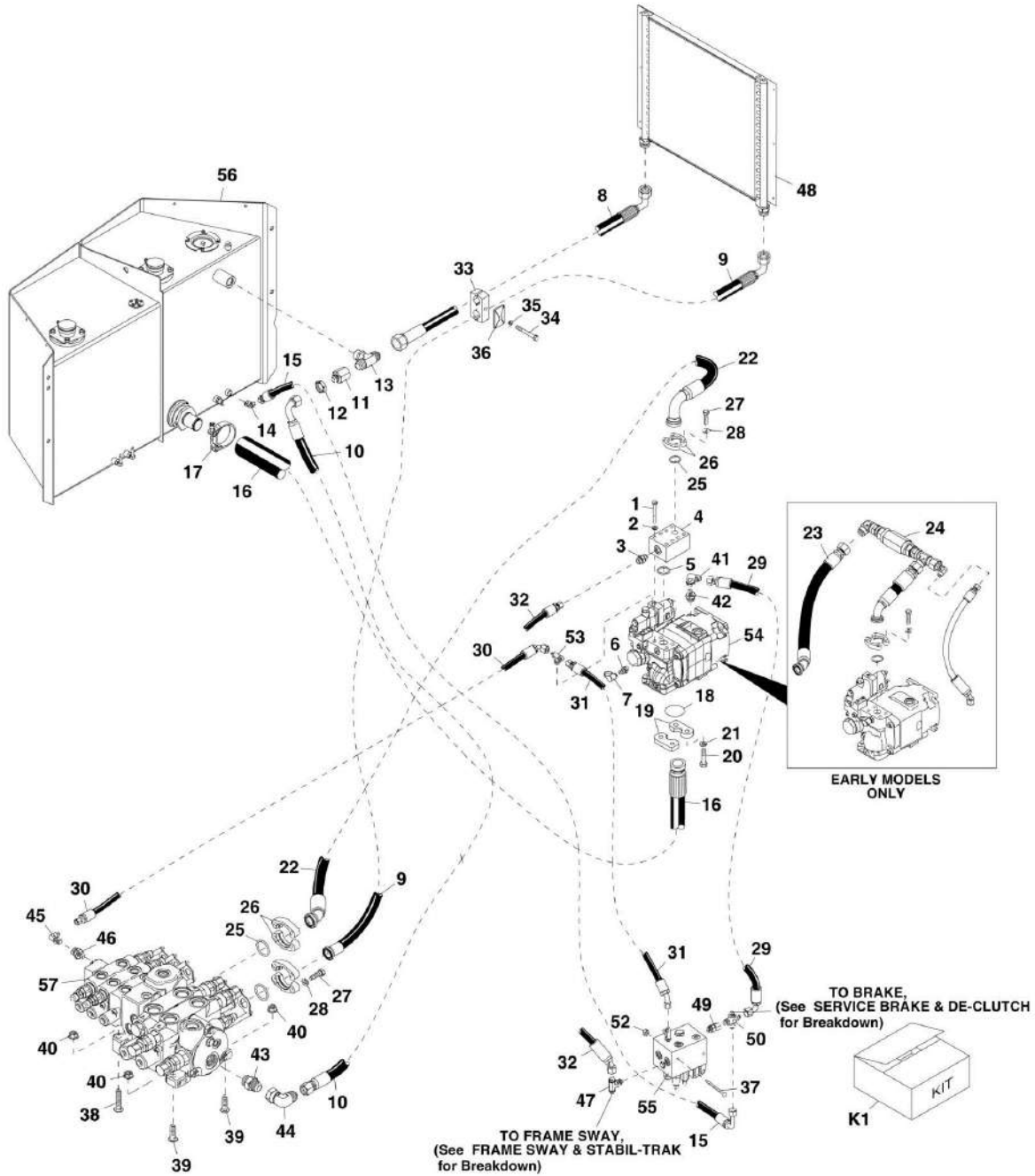
ITEM	PART NUMBER	QTY	DESCRIPTION	REV
1	2716672	1	HOSE ASSY	
2	2220500	7	ELBOW, 45, (includes o-ring)	
3	2716708	1	HOSE ASSY	
4	2716673	2	HOSE ASSY	
5	2716696	4	HOSE ASSY	
6	2716706	1	HOSE ASSY	
7	8760237	4	BULKHEAD ELBOW, 45	
8	2716671	1	HOSE ASSY	
9	2716705	1	HOSE ASSY	
10	2220683	1	ELBOW, 45, (swivel nut)	
11	8750027	1	TWIN CLAMP SET, 0.84 DIA (8042 Prior to SN 0160038988; 10042 Prior to SN 0160038384; 10054 Prior to SN 0160038740; Excluding 0160021270, 01600036713, 0160036715, 0160036721 and 0160036723)	
12	8750012	1	STACKING BOLT (8042 Prior to SN 0160038988; 10042 Prior to SN 0160038384; 10054 Prior to SN 0160038740; Excluding 0160021270, 01600036713, 0160036715, 0160036721 and 0160036723)	
13		Ref	TWIN CLAMP, (See FRAME SWAY AND STABIL-TRAK for Breakdown) (8042 Prior to SN 0160038988; 10042 Prior to SN 0160038384; 10054 Prior to SN 0160038740; Excluding 0160021270, 01600036713, 0160036715, 0160036721 and 0160036723)	
14		Ref	FRONT AXLE, (See DRIVE TRAIN SECTION for Breakdown)	
15		Ref	REAR AXLE, (See DRIVE TRAIN SECTION for Breakdown)	
16		Ref	STEER SELECT VALVE, (See HYDRAULIC COMPONENTS SECTION for Breakdown)	
17		Ref	SECONDARY FUNCTION MANIFOLD, (See HYDRAULIC COMPONENTS SECTION for Breakdown)	
18	2716661	1	HOSE ASSY	
19	2220833	1	REDUCER, (includes o-ring)	
20	2220999	1	MALE BRANCH TEE, (includes o-ring)	
21	2220385	1	FEMALE RUN TEE, (swivel nut), (10042 & 10054)	
22	2220381	1	CONNECTOR, (includes o-ring)	
23	2220602	1	MALE RUN TEE, (includes o-ring)	
24	8721029	1	STEERING UNIT	
25	8760140	1	MALE TUBE END WITH INLET CHECK CONNECTOR, 8-8	
26	2220385	1	FEMALE RUN TEE, (swivel nut)	
27	2220373	2	STRAIGHT CONNECTOR, (includes o-ring)	
28	2220474	1	ELBOW, 90, (includes o-ring)	
29	2220596	1	ELBOW, 90, (includes o-ring)	
30		Ref	MAIN CONTROL VALVE, (See HYDRAULIC COMPONENTS SECTION for Breakdown)	
109	8307004	1	LOCKWASHER, 5/16 (8042 SN 0160038988 to Present; 10042 SN 0160038384 to Present; 10054 SN 0160038740 to Present; Including 0160021270, 01600036713, 0160036715, 0160036721 and 0160036723)	
110	8310009	1	HEX HD CAPSCREW, 5/16-18X2, GR5 (8042 SN 0160038988 to Present; 10042 SN 0160038384 to Present; 10054 SN 0160038740 to Present; Including 0160021270, 01600036713, 0160036715, 0160036721 and 0160036723)	
114	8750016	1	CLAMP SET (8042 SN 0160038988 to Present; 10042 SN 0160038384 to Present; 10054 SN 0160038740 to Present; Including 0160021270, 01600036713, 0160036715, 0160036721	

SECTION 8 - HYDRAULIC CIRCUITS

ITEM	PART NUMBER	QTY	DESCRIPTION	REV
116	8769128	1	and 0160036723) COVER PLATE (8042 SN 0160038988 to Present; 10042 SN 0160038384 to Present; 10054 SN 0160038740 to Present; Including 0160021270, 01600036713, 0160036715, 0160036721 and 0160036723)	

SECTION 8 - HYDRAULIC CIRCUITS

FIGURE 8-9. CONTROL VALVE (8042 SN 13198 through 18990; 10042 SN 13198 through 19030; 10054 SN 13198 through 19079)



PH3841

SECTION 8 - HYDRAULIC CIRCUITS

FIGURE 8-9. CONTROL VALVE (8042 SN 13198 through 18990; 10042 SN 13198 through 19030; 10054 SN 13198 through 19079)

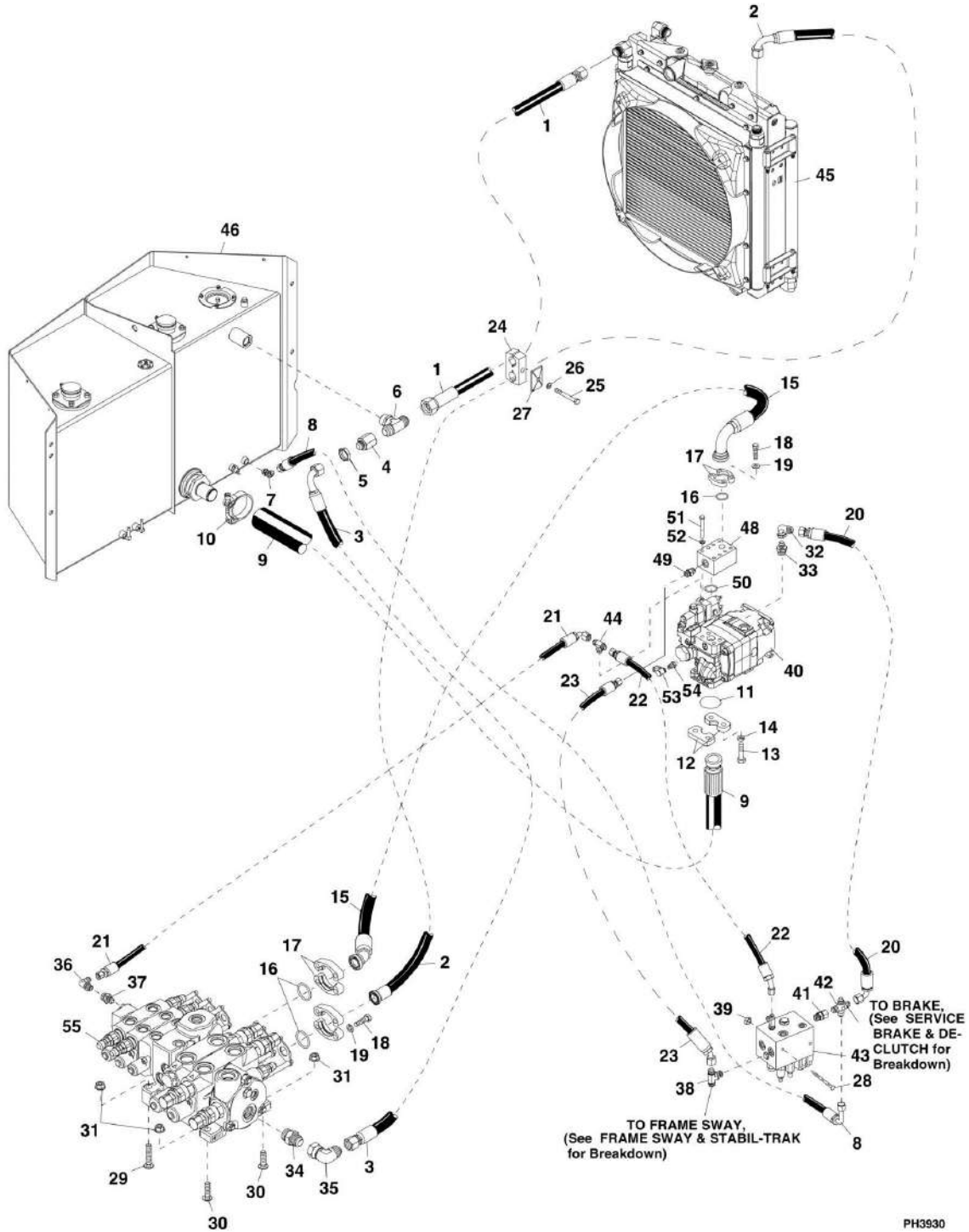
ITEM	PART NUMBER	QTY	DESCRIPTION	REV
1	8303704	4	HEX HD CAPSCREW, 3/8-16X3.00, GR5	
2	8307005	4	LOCKWASHER, 3/8	
3	2220373	1	CONNECTOR, #8	
4	1001103144	1	CHECK VALVE, 125 PSI	
5	8640123	1	O-RING	
6	8430043	1	DIAGNOSTIC NIPPLE, 6 ORB	
7	8430032	1	DUST PLUG	
8	2716681	1	HOSE ASSY	
9	2716679	1	HOSE ASSY	
10	2716694	1	HOSE ASSY	
11	8762012	1	TUBE END REDUCER	
12	8760415	1	NUT, 16	
13	8760552	1	MALE BRANCH TEE, (includes o-ring)	
14	2220500	1	ELBOW, 45, (includes o-ring)	
15	2716663	1	HOSE ASSY	
16	2716808	1	HOSE ASSY	
17	8405209	1	HOSE CLAMP	
18	8640208	1	O-RING	
19	10717672	2	FLANGE HALF, 32	
20	8303626	4	HEX HD CAPSCREW, 1/2-13X1.5	
21	8307007	4	LOCKWASHER, 1/2	
22	2716750	1	SPECIAL HOSE	
23	Kit	1	HOSE	
24	Kit	1	CHECK VALVE ASSY	
25	8640123	3	O-RING	
26	8530030	6	FLANGE HALF, #16	
27	8303675	12	HEX HD CAPSCREW, 3/8-16X1.25, GR5	
28	8307005	12	LOCKWASHER, 3/8	
29	2716698	1	HOSE ASSY	
30	2716668	1	HOSE ASSY	
31	2716658	1	HOSE ASSY	
32	2716690	1	HOSE ASSY	
33	8750024	1	TWIN CLAMP SET, 1.18 DIA	
34	8303757	1	HEX HD CAPSCREW, 5/16-18X2.5	
35	8307004	1	LOCKWASHER, 5/16	
36	8750025	1	TWIN COVER PLATE	
37	8310477	2	CARRIAGE BOLT, 5/16-18X5, GR2	
38	8310337	1	CARRIAGE BOLT, 1/2-13X2.5	
39	8310524	2	CARRIAGE BOLT, 1/2-13X1.75	
40	8310523	3	HEX FLANGE NUT, 1/2-13	
41	8765204	1	ELBOW, 90, (swivel nut)	
42	2220374	1	STRAIGHT CONNECTOR, (o-ring)	
43	8770173	1	CONNECTOR WITH OUTLET CHECK	
44	8760254	1	ELBOW, 90, (swivel nut)	
45	8760268	1	ELBOW, 90, (includes o-ring)	
46	8760117	1	STRAIGHT CONNECTOR	
47	8760479	1	MALE BRANCH TEE, (includes o-ring)	
48		Ref	OIL COOLER ASSY, (See ENGINE AND ATTACHING PARTS SECTION for Breakdown)	

SECTION 8 - HYDRAULIC CIRCUITS

ITEM	PART NUMBER	QTY	DESCRIPTION	REV
49		Ref	STRAIGHT CONNECTOR, (swivel nut), (See SERVICE BRAKE AND DE-CLUTCH for Breakdown)	
50		Ref	UNION CROSS, (See SERVICE BRAKE AND DE-CLUTCH for Breakdown)	
52	8310420	2	HEX FLANGE NUT, 5/16-18X1, GR5	
53	8760457	1	MALE BRANCH TEE, (includes o-ring)	
54		Ref	MAIN PUMP, (See HYDRAULIC COMPONENTS SECTION for Breakdown)	
55		Ref	SECONDARY FUNCTION MANIFOLD, (See HYDRAULIC COMPONENTS SECTION for Breakdown)	
56		Ref	HYDRAULIC RESERVOIR, (See HYDRAULIC COMPONENTS for Breakdown)	
57		Ref	MAIN CONTROL VALVE, (See HYDRAULIC COMPONENTS SECTION for Breakdown)	
K1	7139482	1	CHECK VALVE REPLACEMENT KIT, (includes items 1 thru 5, 23, 24, 41 & 42)	

SECTION 8 - HYDRAULIC CIRCUITS

FIGURE 8-10. CONTROL VALVE (8042 SN 18991 through 19987, SN 0160002332 through 0160003203; 10042 SN 19031 through 19987, SN 0160002332 through 0160003631; 10054 SN 19080 through 19987, SN 0160002332 through 0160003204)



SECTION 8 - HYDRAULIC CIRCUITS

FIGURE 8-10. CONTROL VALVE (8042 SN 18991 through 19987, SN 0160002332 through 0160003203; 10042 SN 19031 through 19987, SN 0160002332 through 0160003631; 10054 SN 19080 through 19987, SN 0160002332 through 0160003204)

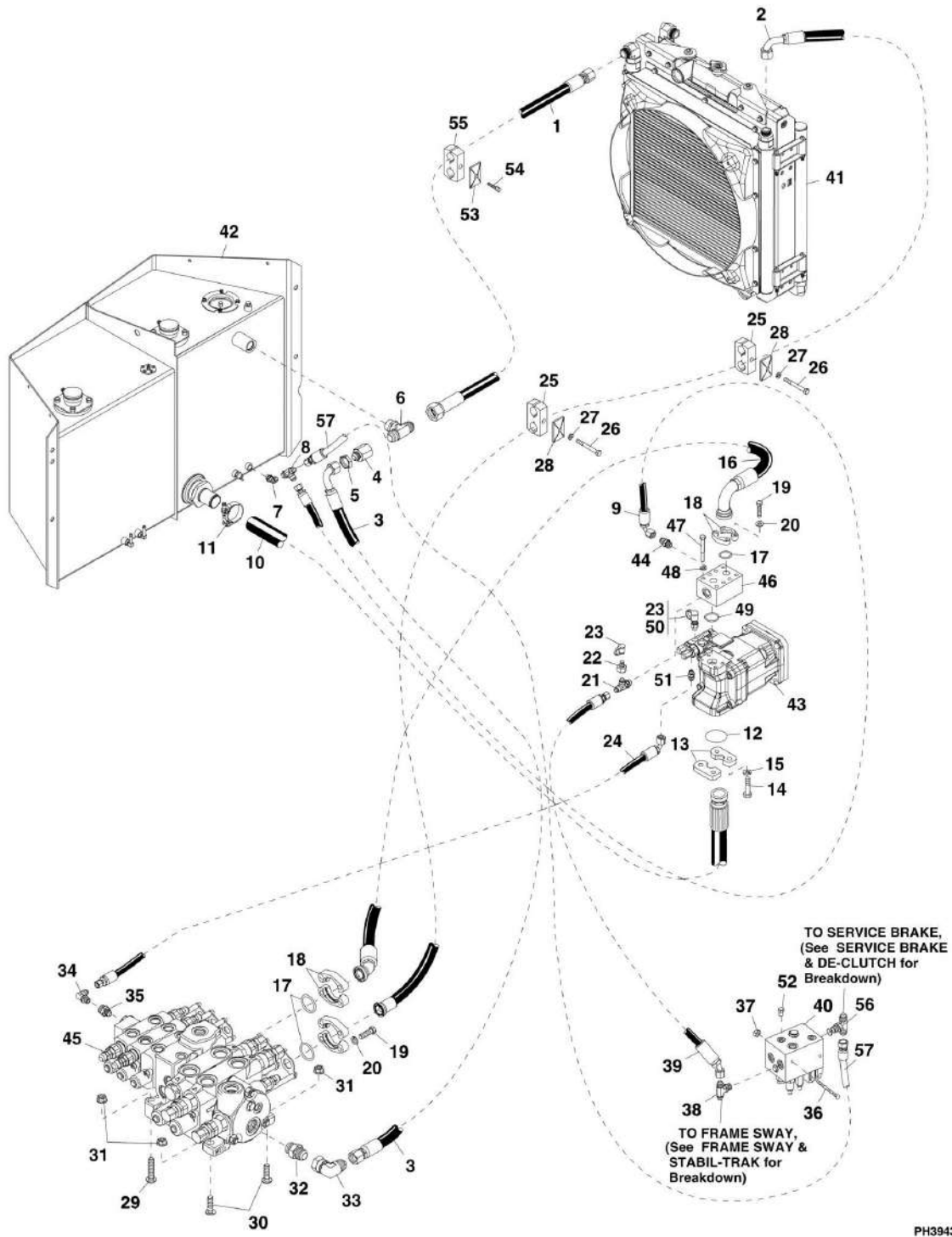
ITEM	PART NUMBER	QTY	DESCRIPTION	REV
1	2717159	1	HOSE ASSY	
2	2717158	1	HOSE ASSY	
3	2716694	1	HOSE ASSY	
4	8762012	1	TUBE END REDUCER	
5	8760415	1	NUT, 16	
6	8760552	1	MALE BRANCH TEE, (includes o-ring)	
7	2220500	1	ELBOW, 45, (includes o-ring)	
8	2716663	1	HOSE ASSY	
9	2716808	1	HOSE ASSY	
10	8405209	1	HOSE CLAMP	
11	8640208	1	O-RING	
12	10717672	2	FLANGE HALF	
13	8303626	4	HEX HD CAPSCREW, 1/2-13X1.5	
14	8307007	4	LOCKWASHER, 1/2	
15	2716750	1	SPECIAL HOSE	
16	8640123	3	O-RING	
17	8530030	6	FLANGE HALF	
18	8303675	12	HEX HD CAPSCREW, 3/8-16X1.25, GR5	
19	8307005	12	LOCKWASHER, 3/8	
20	2716698	1	HOSE ASSY	
21	2716668	1	HOSE ASSY	
22	2716658	1	HOSE ASSY	
23	2716690	1	HOSE ASSY	
24	8750040	1	TWIN CLAMP SET, 1.46 DIA	
25	8303757	1	HEX HD CAPSCREW, 5/16-18X2.5	
26	8307004	1	LOCKWASHER, 5/16	
27	8750025	1	TWIN COVER PLATE	
28	8310477	2	CARRIAGE BOLT, 5/16-18X5, GR2	
29	8310337	1	CARRIAGE BOLT, 1/2-13X2.5	
30	8310524	2	CARRIAGE BOLT, 1/2-13X1.75	
31	8310523	3	HEX FLANGE NUT, 1/2-13	
32	8765204	1	ELBOW, 90, (swivel nut)	
33	2220374	1	STRAIGHT CONNECTOR, (includes o-ring)	
34	8770173	1	CONNECTOR WITH OUTLET CHECK	
35	8760254	1	ELBOW, 90, (swivel nut)	
36	8760268	1	ELBOW, 90, (includes o-ring)	
37	8760117	1	STRAIGHT CONNECTOR	
38	8760479	1	MALE BRANCH TEE, (includes o-ring)	
39	8310420	2	HEX FLANGE NUT, 5/16-18X1, GR5	
40		Ref	MAIN PUMP, (See HYDRAULIC COMPONENTS SECTION for Breakdown)	
41		Ref	STRAIGHT CONNECTOR, (swivel nut), (See SERVICE BRAKE AND DE-CLUTCH for Breakdown)	
42		Ref	UNION CROSS, (See SERVICE BRAKE AND DE-CLUTCH for Breakdown)	
43		Ref	SECONDARY FUNCTION MANIFOLD, (See HYDRAULIC COMPONENTS SECTION for Breakdown)	
44	8760457	1	MALE BRANCH TEE, (includes o-ring)	
45		Ref	OIL COOLER, (See ENGINE AND ATTACHING PARTS for	

SECTION 8 - HYDRAULIC CIRCUITS

ITEM	PART NUMBER	QTY	DESCRIPTION	REV
46		Ref	Breakdown) HYDRAULIC RESERVOIR, (See HYDRAULIC COMPONENTS SECTION for Breakdown)	
48	1001103144	1	CHECK VALVE, 125 PSI	
49	2220373	1	STRAIGHT CONNECTOR	
50	8640123	1	O-RING	
51	8303704	4	HEX HD CAPSCREW, 3/8-16X3, GR5	
52	8307005	4	LOCKWASHER, 3/8	
53	8430043	1	DIAGNOSTIC NIPPLE	
54	8430032	1	DUST PLUG	
55		Ref	MAIN CONTROL VALVE, (See HYDRAULIC COMPONENTS SECTION for Breakdown)	

SECTION 8 - HYDRAULIC CIRCUITS

FIGURE 8-11. CONTROL VALVE (8042 SN 0160003204 through 0160029592; 10042 SN 0160003632 through 0160029606; 10054 SN 0160003205 through 0160029593)



PH3943

SECTION 8 - HYDRAULIC CIRCUITS

FIGURE 8-11. CONTROL VALVE (8042 SN 0160003204 through 0160029592; 10042 SN 0160003632 through 0160029606; 10054 SN 0160003205 through 0160029593)

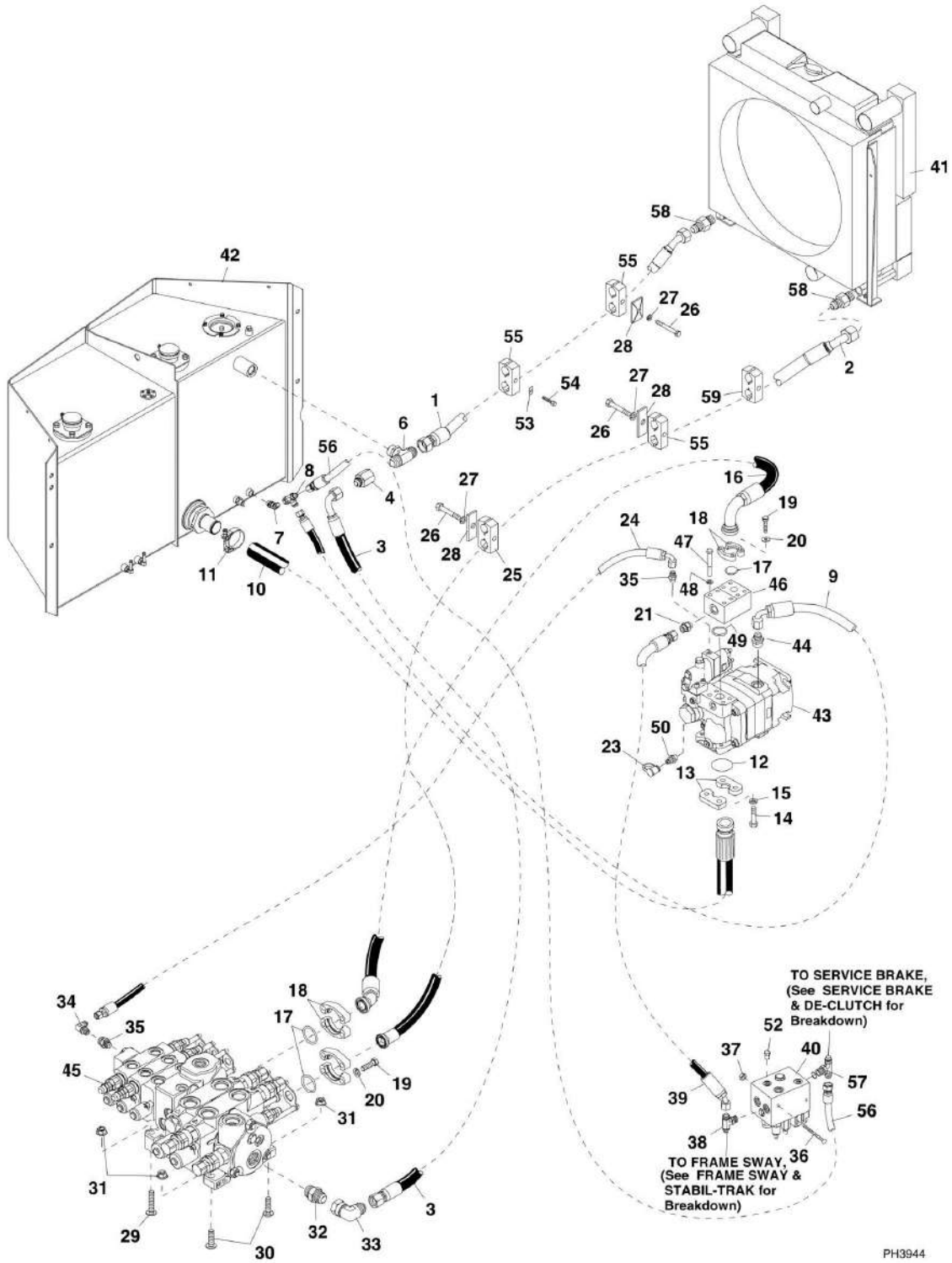
ITEM	PART NUMBER	QTY	DESCRIPTION	REV
1	2717159	1	HOSE ASSY	
2	2717158	1	HOSE ASSY	
3	2716694	1	HOSE ASSY	
4	8762012	1	TUBE END REDUCER	
5	8760415	1	NUT	
6	8760552	1	MALE BRANCH TEE, (includes o-ring)	
7	2220500	1	ELBOW, 45, (includes o-ring)	
8	2220385	1	SWIVEL NUT RUN TEE	
9	2717291	1	PUMP CASE DRAIN HOSE	
10	2716808	1	INLET HOSE	
11	8405209	1	HOSE CLAMP	
12	8640208	1	O-RING	
13	10717672	2	FLANGE HALF	
14	8303626	4	HEX HD CAPSCREW, 1/2-13X1.5	
15	8307007	4	LOCKWASHER, 1/2	
16	2716750	1	SPECIAL HOSE	
17	8640123	3	O-RING	
18	8530030	6	FLANGE HALF	
19	8303675	12	HEX HD CAPSCREW, 3/8-16X1.25, GR5	
20	8307005	12	LOCKWASHER, 3/8	
21	8760510	1	MALE RUN TEE, (includes o-ring)	
22	8430037	1	DIAGNOSTIC NIPPLE, 1/8 BODY	
23	8430032	3	DUST CAP	
24	2717290	1	HOSE ASSY	
25	8750040	2	TWIN CLAMP SET, 1.46 DIA	
26	8303757	2	HEX HD CAPSCREW, 5/16-18X2.5	
27	8307004	2	LOCKWASHER, 5/16	
28	8750025	2	TWIN COVER PLATE	
29	8310377	1	CARRIAGE BOLT, 1/2-13X2.5	
30	8310524	2	CARRIAGE BOLT, 1/2-13X1.75	
31	8310523	3	HEX FLANGE NUT, 1/2-13	
32	8770173	1	CONNECTOR WITH OUTLET CHECK	
33	8760254	1	ELBOW, 90, (swivel nut)	
34	8760268	1	ELBOW, 90, (swivel nut)	
35	8760117	1	STRAIGHT CONNECTOR	
36	8310477	2	CARRIAGE BOLT, 5/16-18X5, GR2	
37	8310420	2	HEX FLANGE NUT, 5/16-18X1, GR5	
38	8760479	1	MALE BRANCH TEE, (includes o-ring)	
39	2716690	1	HOSE ASSY	
40		Ref	SECONDARY FUNCTION MANIFOLD, (See HYDRAULIC COMPONENTS SECTION for Breakdown)	
41		Ref	OIL COOLER, (See ENGINE AND ATTACHING PARTS SECTION for Breakdown)	
42		Ref	HYDRAULIC RESERVOIR, (See HYDRAULIC COMPONENTS SECTION for Breakdown)	
43		Ref	GEAR PUMP, (See HYDRAULIC COMPONENTS SECTION for Breakdown)	
44	2220374	1	STRAIGHT CONNECTOR	
45		Ref	MAIN CONTROL VALVE, (See HYDRAULIC COMPONENTS SECTION for Breakdown)	

SECTION 8 - HYDRAULIC CIRCUITS

ITEM	PART NUMBER	QTY	DESCRIPTION	REV
46	1001103144	1	CHECK VALVE, 125 PSI	
47	8303704	4	HEX HD CAPSCREW, 3/8-16X3, GR5	
48	8307005	4	LOCKWASHER, 3/8	
49	8640123	1	O-RING	
50	8430033	1	NIPPLE	
51	2220603	1	STRAIGHT CONNECTOR, (includes o-ring)	
52	8760451	1	PLUG	
53	8750017	1	LOCKING PLATE	
54	8750026	1	STACKING BOLT	
55	8750040	1	TWIN CLAMP SET, 1.46 DIA	
56	2220999	1	TEE FITTING	
57	2716663	1	HOSE ASSEMBLY	

SECTION 8 - HYDRAULIC CIRCUITS

FIGURE 8-12. CONTROL VALVE (8042 SN 0160029593 through 0160038983; 10054 SN 0160029593 through 0160038983; 10042 SN 0160029607 through 0160038370)



SECTION 8 - HYDRAULIC CIRCUITS

FIGURE 8-12. CONTROL VALVE (8042 SN 0160029593 through 0160038983; 10054 SN 0160029593 through 0160038983; 10042 SN 0160029607 through 0160038370)

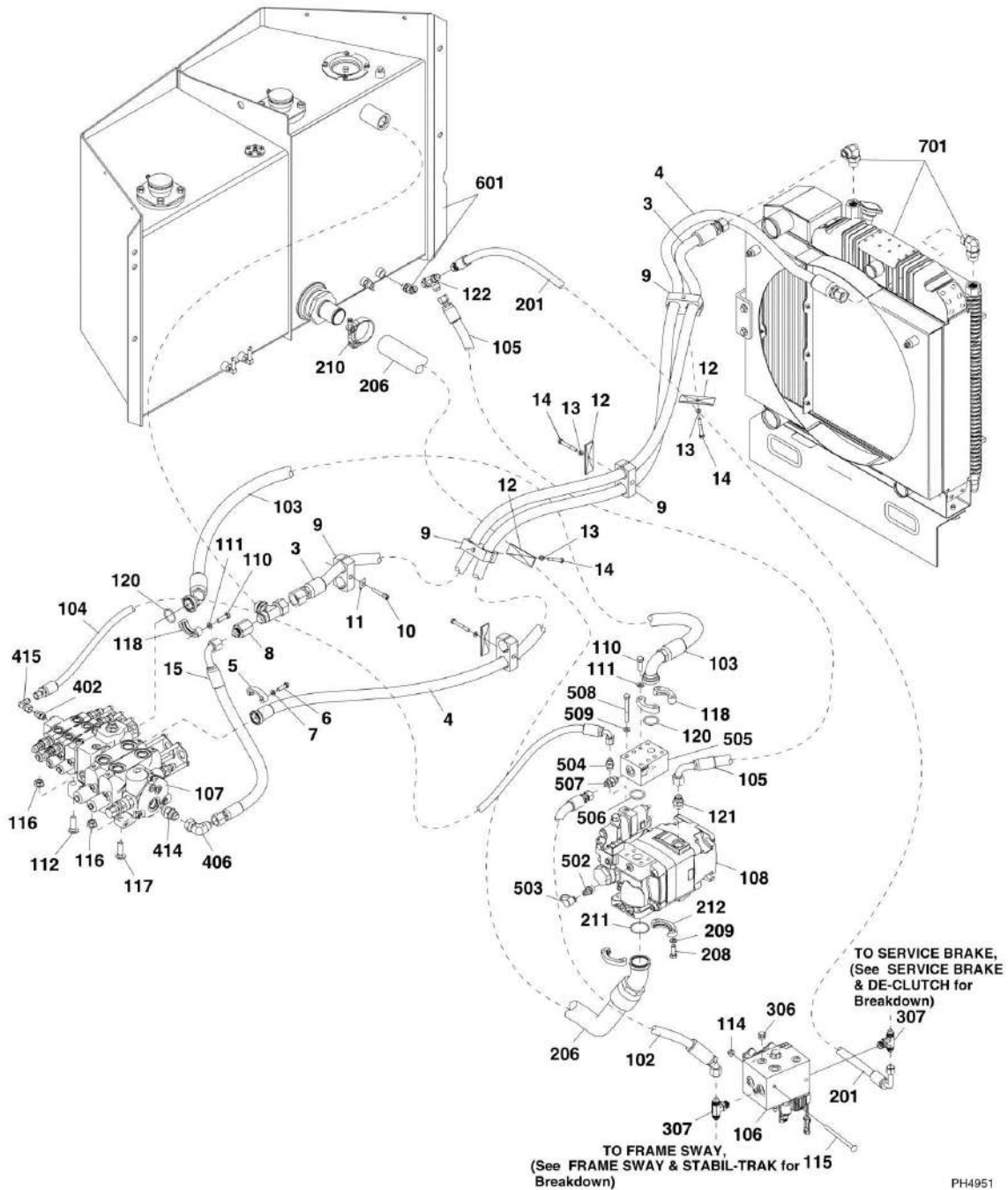
ITEM	PART NUMBER	QTY	DESCRIPTION	REV
1	1001093135	1	HOSE ASSY	
2	1001093134	1	HOSE ASSY	
3	2716694	1	HOSE ASSY	
4	2220710	1	TUBE END REDUCER	
6	8760552	1	MALE BRANCH TEE, (includes o-ring)	
7	2220500	1	ELBOW, 45, (includes o-ring)	
8	2220385	1	SWIVEL NUT RUN TEE	
9	2717291	1	PUMP CASE DRAIN HOSE	
10	2716808	1	INLET HOSE	
11	8405209	1	HOSE CLAMP	
12	8640208	1	O-RING	
13	10717672	2	FLANGE HALF	
14	8303626	4	HEX HD CAPSCREW, 1/2-13X1.5	
15	8307007	4	LOCKWASHER, 1/2	
16	2716750	1	SPECIAL HOSE	
17	8640123	3	O-RING	
18	8530030	6	FLANGE HALF	
19	8303675	12	HEX HD CAPSCREW, 3/8-16X1.25, GR5	
20	8307005	12	LOCKWASHER, 3/8	
21	2220373	1	STRAIGHT CONNECTOR, (includes o-ring)	
23	8430032	2	DUST CAP	
24	2716668	1	HOSE ASSY	
25	8750024	1	TWIN CLAMP SET, 1.18 DIA	
26	8303757	3	HEX HD CAPSCREW, 5/16-18X2.5	
27	8307004	3	LOCKWASHER, 5/16	
28	8750025	3	TWIN COVER PLATE	
29	8310377	1	CARRIAGE BOLT, 1/2-13X2.5	
30	8310524	2	CARRIAGE BOLT, 1/2-13X1.75	
31	8310523	3	HEX FLANGE NUT, 1/2-13	
32	8770173	1	CONNECTOR WITH OUTLET CHECK	
33	2220655	1	ELBOW, 90, (swivel nut)	
34	8760268	1	ELBOW, 90, (swivel nut)	
35	2220371	2	STRAIGHT CONNECTOR	
36	8310477	2	CARRIAGE BOLT, 5/16-18X5, GR2	
37	8310420	2	HEX FLANGE NUT, 5/16-18X1, GR5	
38	2220999	1	MALE BRANCH TEE, (includes o-ring)	
39	2716690	1	HOSE ASSY	
40		Ref	SECONDARY FUNCTION MANIFOLD, (See HYDRAULIC COMPONENTS SECTION for Breakdown)	
41		Ref	OIL COOLER, (See ENGINE AND ATTACHING PARTS SECTION for Breakdown)	
42		Ref	HYDRAULIC RESERVOIR, (See HYDRAULIC COMPONENTS SECTION for Breakdown)	
43		Ref	MAIN PUMP, (See HYDRAULIC COMPONENTS SECTION for Breakdown)	
44	2220374	1	STRAIGHT CONNECTOR	
45		Ref	MAIN CONTROL VALVE, (See HYDRAULIC COMPONENTS SECTION for Breakdown)	
46	1001103144	1	CHECK VALVE, 125 PSI	
47	8303704	4	HEX HD CAPSCREW, 3/8-16X3, GR5	

SECTION 8 - HYDRAULIC CIRCUITS

ITEM	PART NUMBER	QTY	DESCRIPTION	REV
48	8307005	4	LOCKWASHER, 3/8	
49	8640123	1	O-RING	
50	8430033	1	NIPPLE, MALE STRAIGHT	
52	2220237	1	PLUG	
53	8750017	2	LOCKING PLATE	
54	8750026	2	STACKING BOLT	
55	8750040	3	TWIN CLAMP SET, 1.46 DIA	
56	2716663	1	HOSE ASSY	
57	2220999	1	TEE FITTING	
58	2111212	1	CONNECTOR	
59		Ref	TWIN CLAMP SET, (See TRANSMISSION COOLER for Breakdown)	

SECTION 8 - HYDRAULIC CIRCUITS

FIGURE 8-13. CONTROL VALVE (8042 SN 016003894 through 0160040218, Except SN 0160040126 through 0160040129, Excluding 0160039850 and 0160040171; 10054 SN 016003894 through 0160040218, Except SN 0160040126 through 0160040129, Excluding 0160039850 and 0160040171; 10042 SN 0160038371 through 160040218, Except SN 0160040126 through 0160040129, Excluding 0160039850 and 0160040171)



SECTION 8 - HYDRAULIC CIRCUITS

FIGURE 8-13. CONTROL VALVE (8042 SN 0160038984 through 0160040218, Except SN 0160040126 through 0160040129, Excluding 0160039850 and 0160040171; 10054 SN 0160038984 through 0160040218, Except SN 0160040126 through 0160040129, Excluding 0160039850 and 0160040171; 10042 SN 0160038371 through 160040218, Except SN 0160040126 through 0160040129, Excluding 0160039850 and 0160040171)

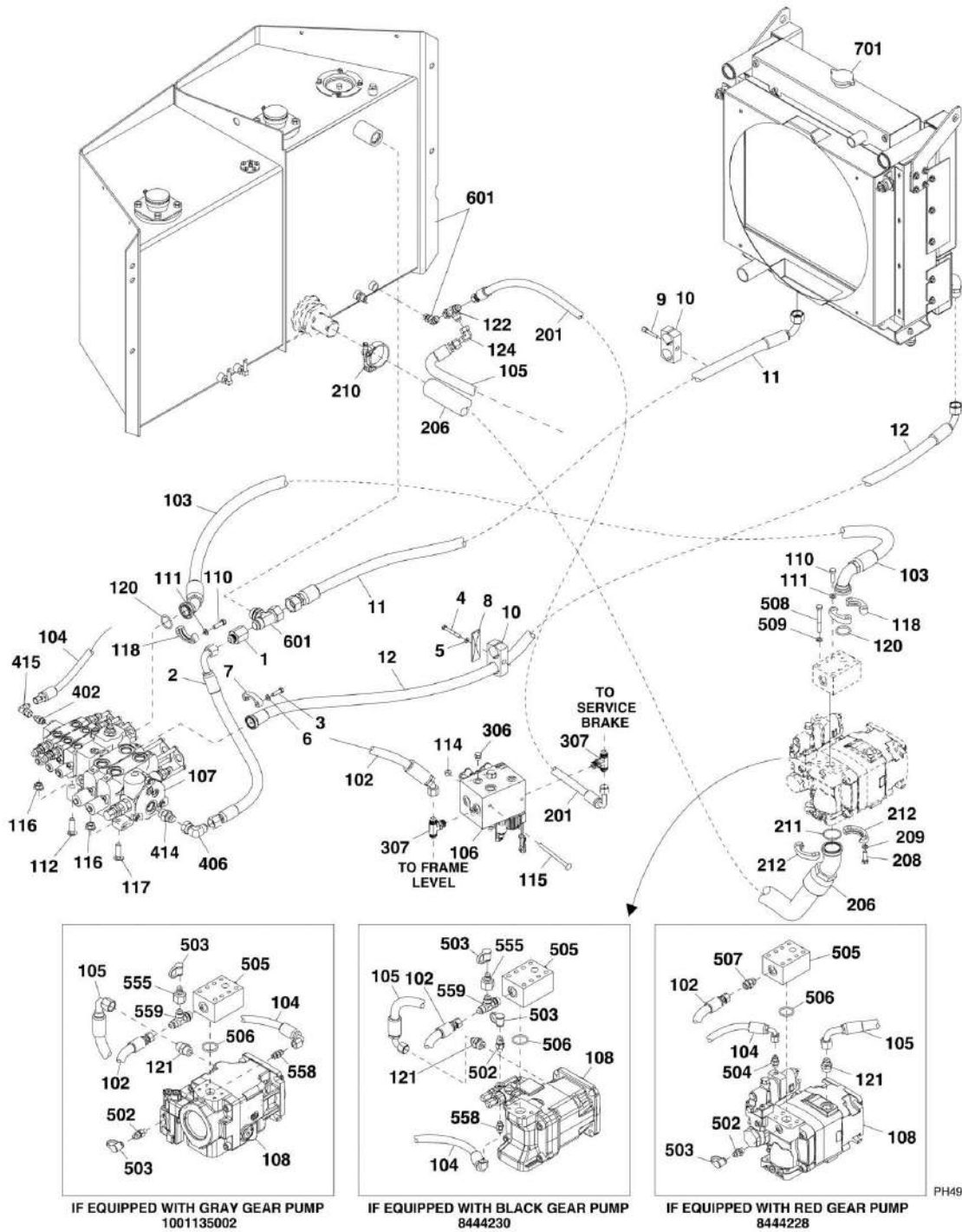
ITEM	PART NUMBER	QTY	DESCRIPTION	REV
3	2755085	1	HOSE ASSY	
4	2755086	1	HOSE ASSY	
5	8530030	2	FLANGE HALF	
6	8303675	4	HEX HD CAPSCREW, 3/8-16X1-1/4, GR5	
7	8307005	4	LOCKWASHER, 3/8	
8	2220710	1	CONNECTOR	
9	8750040	5	CLAMP SET	
10	8750026	1	STACKING BOLT	
11	8750017	1	LOCKING PLATE	
12	8750025	4	COVER PLATE	
13	8307004	4	LOCKWASHER, 5/16	
14	8303757	4	HEX HD CAPSCREW, 5/16-18X2-1/2, GR5	
15	2716694	1	HOSE ASSY	
102	2716690	1	HOSE ASSY	
103	2716750	1	HOSE ASSY	
104	2716668	1	HOSE ASSY	
105	2717291	1	HOSE ASSY	
106		Ref	SECONDARY FUNCTION MANIFOLD, (See HYDRAULIC COMPONENTS SECTION for Breakdown)	
107		Ref	MAIN CONTROL VALVE, (See HYDRAULIC COMPONENTS for Breakdown)	
108		Ref	GEAR PUMP, (See HYDRAULIC COMPONENTS SECTION for Breakdown)	
110	8303675	8	HEX HD CAPSCREW, 3/8-16X1-1/4, GR5	
111	8307005	8	LOCKWASHER, 3/8	
112	8310337	1	CARRIAGE BOLT, 1/2-13X2-1/2	
114	8310420	2	FLANGE NUT, 5/16-18	
115	8310477	2	CARRIAGE BOLT, 5/16-18X2-1/4, GR2	
116	8310523	3	HEX FLANGE NUT, 1/2-13	
117	8310524	2	CARRIAGE BOLT, 1/2-13X1-3/4	
118	8530030	4	FLANGE HALF	
120	8640123	2	O-RING	
121	2220374	1	CONNECTOR	
122	2220385	1	SWIVEL NUT RUN TEE	
201	2716663	1	HOSE ASSY	
206	2716808	1	HOSE ASSY	
208	8303626	4	HEX HD CAPSCREW, 1/2-13X1-1/2, GR5, (torque to 60 lb-ft)	
209	8307007	4	LOCKWASHER, 1/2	
210	8405209	1	T-BOLT CLAMP	
211	8640208	1	O-RING	
212	8546407	2	FLANGE HALF	
306	2220237	1	PLUG	
307	2220999	2	BRANCH TEE, (includes o-ring)	
402	2220371	1	CONNECTOR, (includes o-ring)	
406	2220655	1	ELBOW, 90	
414	8770173	1	CHECK VALVE, 65 PSI	

SECTION 8 - HYDRAULIC CIRCUITS

ITEM	PART NUMBER	QTY	DESCRIPTION	REV
415	8760268	1	ELBOW, 90	
502	8430043	1	CONNECTOR, (includes o-ring)	
503	8430032	1	DUST CAP	
504	2220371	1	CONNECTOR, (includes o-ring)	
505	1001103144	1	CHECK VALVE, 125 PSI	
506	8640123	1	O-RING	
507	2220373	1	CONNECTOR, (includes o-ring)	
508	8303704	4	HEX HD CAPSCREW, 3/8-16X3, GR5	
509	8307005	4	LOCKWASHER, 3/8	
601		Ref	HYDRAULIC RESERVOIR, (See HYDRAULIC COMPONENTS SECTION for Break down)	
701		Ref	RADIATOR, (See ENGINE AND ATTACHING PARTS for Breakdown)	

SECTION 8 - HYDRAULIC CIRCUITS

FIGURE 8-14. CONTROL VALVE (SN 0160040220 to Present, Including 0160039850, 0160040126, 0160040127, 0160040128, 0160040129 and 0160040171)



SECTION 8 - HYDRAULIC CIRCUITS

FIGURE 8-14. CONTROL VALVE (SN 0160040220 to Present, Including 0160039850, 0160040126, 0160040127, 0160040128, 0160040129 and 0160040171)

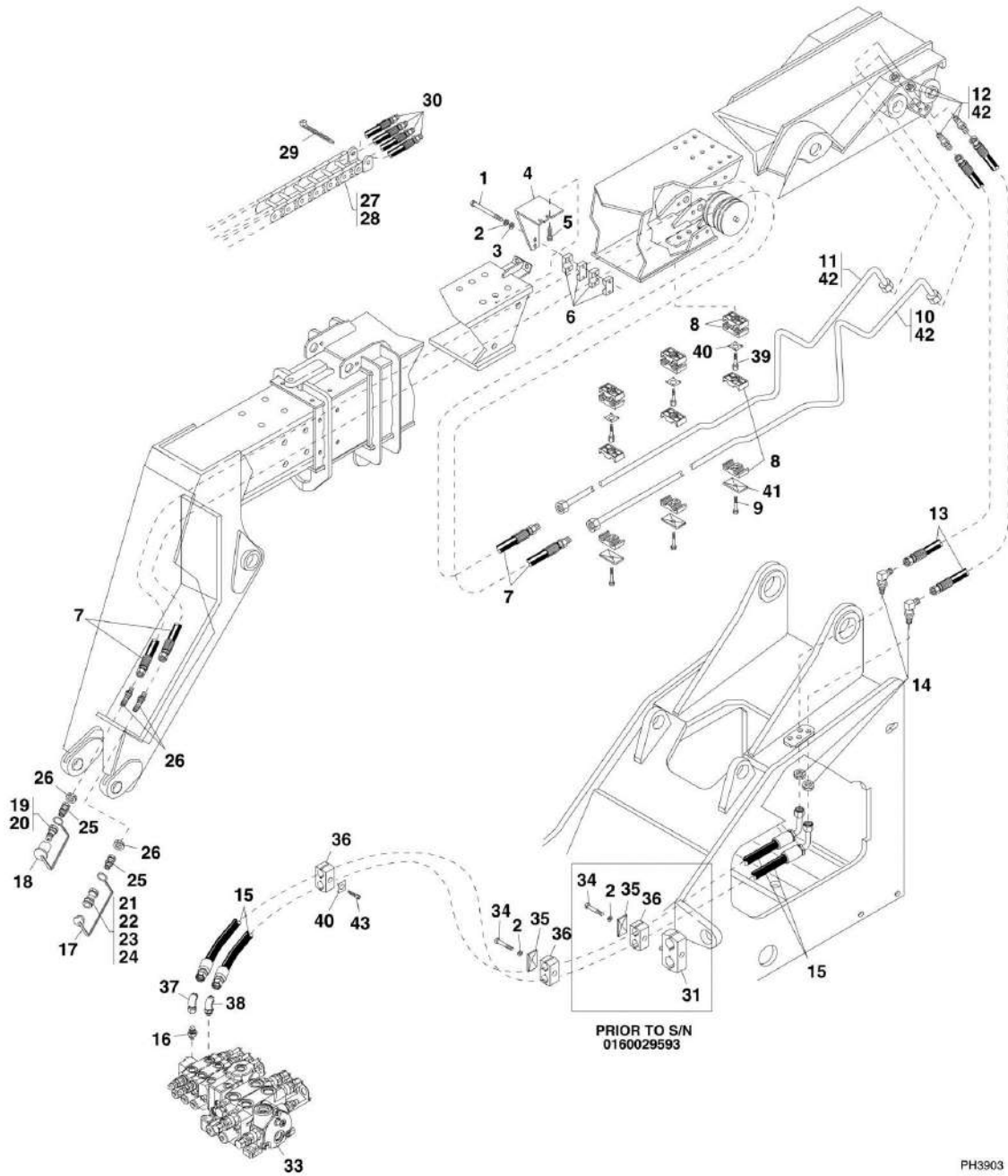
ITEM	PART NUMBER	QTY	DESCRIPTION	REV
	1001119056	Ref	COOLER PLUMBING INSTALLATION, (not available to order, see items 1 thru 12 for service)	
1	2220710	1	CONNECTOR	
2	2716694	1	HOSE ASSY	
3	8303675	4	HEX HD CAPSCREW, 3/8-16X1-1/4, GR5	
4	8303757	1	HEX HD CAPSCREW, 5/16-18X2-1/2, GR5	
5	8307004	1	LOCKWASHER, 5/16	
6	8307005	4	LOCKWASHER, 3/8	
7	8530030	2	FLANGE HALF	
8	8750025	1	COVER PLATE	
10	8750040	1	CLAMP SET	
11	1001119055	1	HOSE ASSY	
12	1001119107	1	HOSE ASSY	
102	2716690	1	HOSE ASSY	
103	2716750	1	HOSE ASSY	
104	2716668	1	HOSE ASSY	
105	2717291	1	HOSE ASSY, (if equipped with red gear pump 8444228 or black gear pump 8444230)	
105	1001135055	1	HOSE ASSY, (if equipped with grey gear pump 1001135002)	
106		Ref	SECONDARY FUNCTION MANIFOLD, (See HYDRAULIC COMPONENTS SECTION for Breakdown)	
107		Ref	MAIN CONTROL VALVE, (See HYDRAULIC COMPONENTS SECTION for Breakdown)	
108		Ref	GEAR PUMP, (See HYDRAULIC COMPONENTS SECTION for Breakdown)	
110	8303675	8	HEX HD CAPSCREW, 3/8-16X1-1/4, GR5	
111	8307005	8	LOCKWASHER, 3/8	
112	8310337	1	CARRIAGE BOLT, 1/2-13X2-1/2	
114	8310420	2	FLANGE NUT, 5/16-18	
115	8310477	2	CARRIAGE BOLT, 5/16-18X2-1/4, GR2	
116	8310523	3	HEX FLANGE NUT, 1/2-13	
117	8310524	2	CARRIAGE BOLT, 1/2-13X1-3/4	
118	8530030	4	FLANGE HALF	
120	8640123	2	O-RING	
121	2220374	1	CONNECTOR, (includes o-ring), (if equipped with red gear pump 8444228)	
121	2220374	1	STRAIGHT FITTING, (includes o-ring), (if equipped with black gear pump 8444230)	
121	2220947	1	STRAIGHT FITTING, (includes o-ring), (if equipped with grey gear pump 1001135002)	
122	2220385	1	TEE FITTING, (includes o-ring)	
124	91513140	1	FITTING, 90, (if equipped with grey gear pump 1001135002)	
201	2716663	1	HOSE ASSY	
206	2716808	1	HOSE ASSY	
208	8303626	4	HEX HD CAPSCREW, 1/2-13X1-1/2, GR5, (torque to 60 lb-ft)	
209	8307007	4	LOCKWASHER, 1/2	
210	8405209	1	T-BOLT CLAMP	
211	8640208	1	O-RING	
212	10717672	2	FLANGE HALF	
306	2220237	1	PLUG	

SECTION 8 - HYDRAULIC CIRCUITS

ITEM	PART NUMBER	QTY	DESCRIPTION	REV
307	2220999	2	BRANCH TEE, (includes o-ring)	
402	2220371	1	CONNECTOR, (includes o-ring)	
406	2220655	1	ELBOW, 90	
414	8770173	1	CHECK VALVE, 65 PSI	
415	8760268	1	ELBOW, 90	
502	8430043	1	CONNECTOR, (includes o-ring), (if equipped with red gear pump 8444228)	
502	8430033	1	CONNECTOR, (includes o-ring), (if equipped with black gear pump 8444230 or grey gear pump 1001135002)	
503	8430032	1	DUST CAP, (if equipped with red gear pump 8444228)	
503	8430032	2	DUST CAP, (if equipped with black gear pump 8444230 or grey gear pump 1001135002)	
504	2220371	1	CONNECTOR, (includes o-ring), (if equipped with red gear pump 8444228)	
505	1001103144	1	CHECK VALVE, 125 PSI	
506	8640123	1	O-RING	
507	2220373	1	CONNECTOR, (includes o-ring), (if equipped with red gear pump 8444228)	
508	8303704	4	HEX HD CAPSCREW, 3/8-16X3, GR5	
509	8307005	4	LOCKWASHER, 3/8	
555	8430037	1	DIAGNOSTIC NIPPLE, 1/8 BODY, (if equipped with black gear pump 8444230 or grey gear pump 1001135002)	
558	2220603	1	STRAIGHT CONNECTOR, (includes o-ring), (if equipped with black gear pump 8444230)	
559	2220602	1	TEE FITTING, (includes o-ring), (if equipped with black gear pump 8444230 or grey gear pump 1001135002)	
601		Ref	HYDRAULIC RESERVOIR, (See HYDRAULIC COMPONENTS SECTION for Breakdown)	
701		Ref	RADIATOR, (See ENGINE AND ATTACHING PARTS SECTION for Breakdown)	

SECTION 8 - HYDRAULIC CIRCUITS

FIGURE 8-15. AUXILIARY HYDRAULIC



PH3903

SECTION 8 - HYDRAULIC CIRCUITS

FIGURE 8-15. AUXILIARY HYDRAULIC

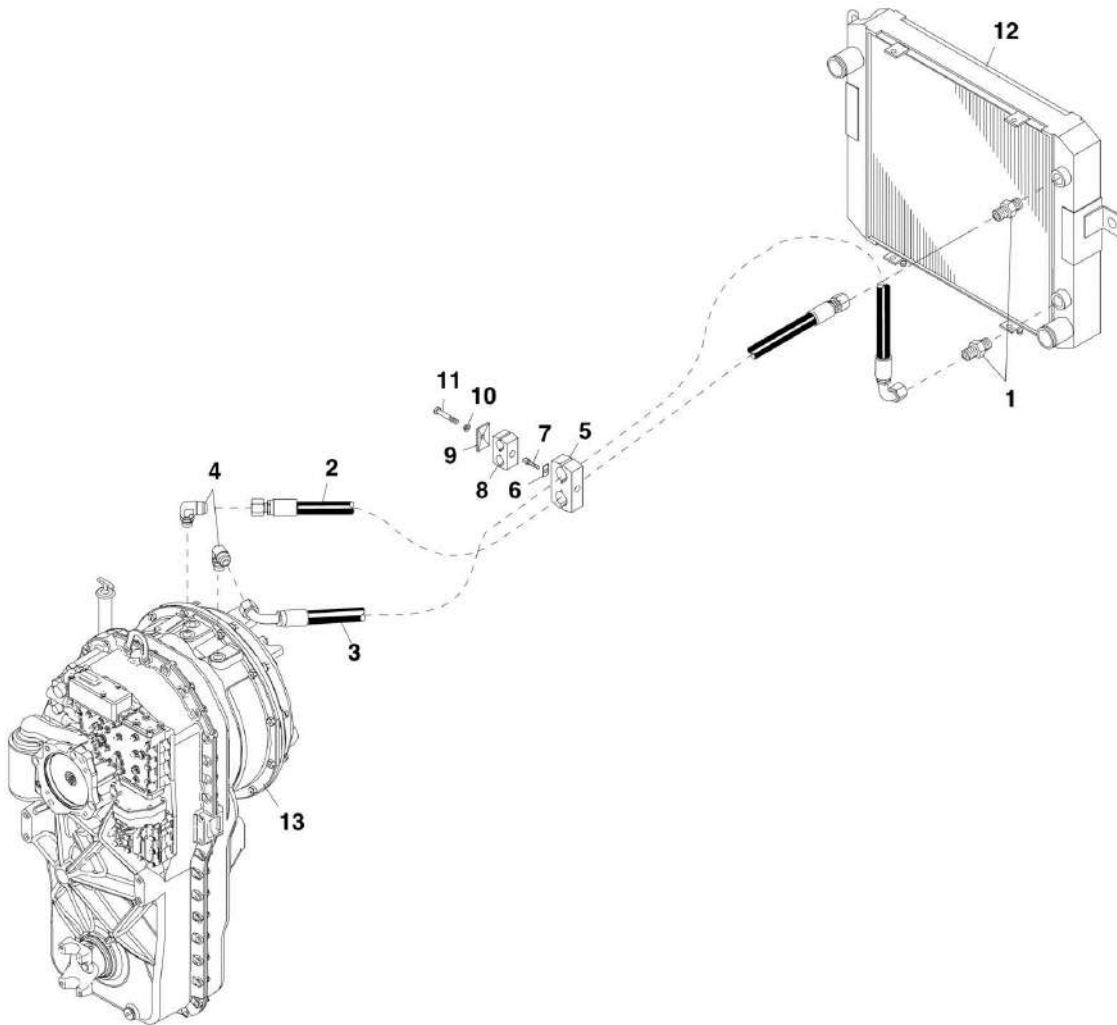
ITEM	PART NUMBER	QTY	DESCRIPTION	REV
1	8310081	2	HEX HD CAPSCREW, 5/16-18X5	
2	8307004	3	LOCKWASHER, 5/16 (Prior to SN 0160029593)	
2	8307004	2	LOCKWASHER, 5/16 (SN 0160029593 through 0160040761)	
2	8307004	3	LOCKWASHER, 5/16 (SN 0160040762 to Present)	
3	8307203	2	FLAT WASHER, 5/16	
4	7111402	1	CLAMP SUPPORT	
5		Ref	HEX HD CAPSCREW, (See BOOM SECTION for Breakdown)	
6	8769161	2	SINGLE CLAMP, 0.75 ID, (8042 & 10042)	
6	8750003	2	SINGLE CLAMP, 0.62 ID, (10054)	
7	2713082	2	HOSE ASSY, (8042 & 10042, see item 27 for 10054)	
8	8769122	6	TWIN CLAMP, 0.62 ID, (two halves)	
9	8303739	3	HEX HD CAPSCREW, 5/16-18X2-1/4	
10	7133843	1	AUXILIARY TUBE ASSY (8042 SN 13198 through 17217; 10042 SN 13198 through 17513; 10054 SN 13198 through 17212)	
10	7300675	1	AUXILIARY TUBE ASSY (8042 SN 17218 through 19987; 10042 SN 17514 through 19987; 10054 SN 17213 through 19987; SN 0160002332 to Present, SN 0160002332 to Present, SN 0160002332 to Present)	
11	7133853	1	AUXILIARY TUBE ASSY (8042 SN 13198 through 17217; 10042 SN 13198 through 17513; 10054 SN 13198 through 17212)	
11	7300674	1	AUXILIARY TUBE ASSY (8042 SN 17218 through 19987; 10042 SN 17514 through 19987; 10054 SN 17213 through 19987; SN 0160002332 to Present, SN 0160002332 to Present, SN 0160002332 to Present)	
12	8760465	2	STRAIGHT BULKHEAD UNION	
13	2716713	2	HOSE ASSY	
14	2230044	2	BULKHEAD ELBOW, 90	
15	2716677	2	HOSE ASSY	
16	2220373	1	STRAIGHT CONNECTOR, (includes o-ring)	
17	8420055	1	DUST PLUG, #8	
18	8420053	1	DUST CAP, #8	
19	91403414	1	MALE QUICK DISCONNECT, (includes item 20)	
20	8640029	1	NOSE SEAL, (not shown)	
21	91403413	1	FEMALE QUICK DISCONNECT, (includes items 22 thru 24)	
22	8640029	1	NOSE SEAL, (not shown)	
23	8640028	1	COUPLER BODY SEAL, (not shown)	
24	8640032	1	COUPLER BODY SEAL BACK-UP RING, (not shown)	
25	2220651	2	STRAIGHT CONNECTOR, (swivel nut), (includes o-ring)	
26	2230025	2	STRAIGHT BULKHEAD UNION	
27	7112452	1	HOSE AND CARRIER ASSY, (includes items 28 thru 30), (10054)	
28	N.S.S.	1	HOSE CARRIER, (for service, order item 27)	
29	8584001	2	TIE WRAP	
30	2713642	4	HOSE ASSY	
31		Ref	TWIN CLAMP, (See TRANSMISSION COOLER for Breakdown)	
33		Ref	MAIN CONTROL VALVE, (See HYDRAULIC COMPONENTS SECTION for Breakdown)	
34	8310009	2	HEX HD CAPSCREW, 5/16-18X2 (Prior to SN 0160029593)	
34	8310009	1	HEX HD CAPSCREW, 5/16-18X2 (SN 0160029593 through 0160040761)	
34	8310009	2	HEX HD CAPSCREW, 5/16-18X2 (SN 0160040762 to Present)	
35	8769128	2	TWIN COVER PLATE (Prior to SN 0160029593)	
35	8769128	1	TWIN COVER PLATE (SN 0160029593 through 0160040761)	

SECTION 8 - HYDRAULIC CIRCUITS

ITEM	PART NUMBER	QTY	DESCRIPTION	REV
35	8769128	1	TWIN COVER PLATE (SN 0160040762 to Present)	
36	8750027	3	TWIN CLAMP SET, 0.84 DIA (Prior to SN 0160029593)	
36	8750027	2	TWIN CLAMP SET, 0.84 DIA (SN 0160029593 through 0160040761)	
36	8750027	2	TWIN CLAMP SET, 0.84 DIA (SN 0160040762 to Present)	
37	8765204	1	ELBOW, 90, (swivel nut)	
38	2220596	1	ELBOW, 90, (include o-ring)	
39	8750011	3	TWIN CLAMP STACK BOLT	
40	8750017	4	TWIN CLAMP LOCK PLATE	
41	8769123	3	TWIN CLAMP COVER PLATE	
42	8526048	1	LOCTITE 545, (apply to items 10, 11 & 12)	
43	8750012	1	STACKING BOLT	

SECTION 8 - HYDRAULIC CIRCUITS

FIGURE 8-16. TRANSMISSION COOLER (8042 SN 13198 through 18990; 10042 SN 13198 through 19030; 10054 SN 13198 through 19079)



PH3890

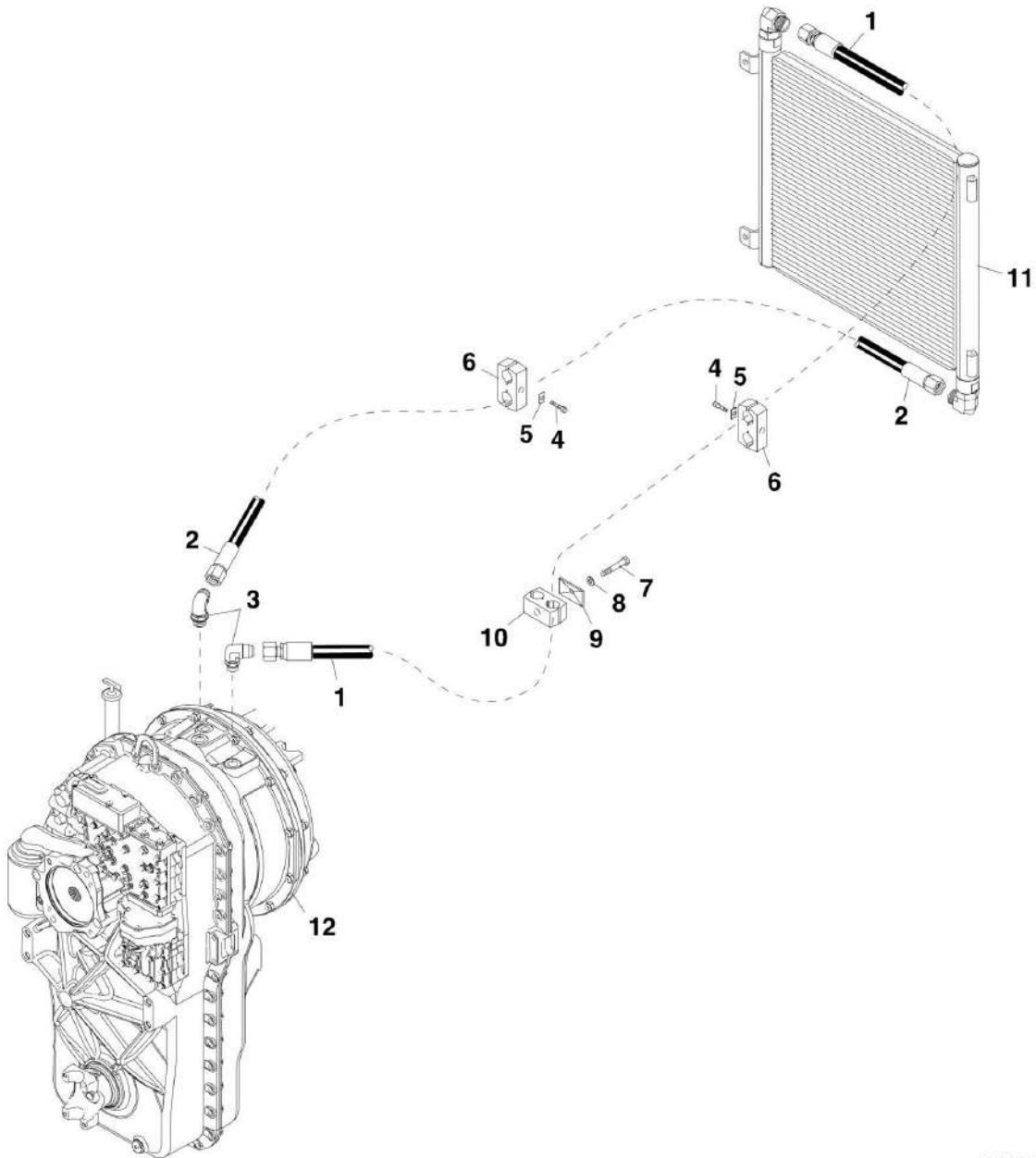
SECTION 8 - HYDRAULIC CIRCUITS

FIGURE 8-16. TRANSMISSION COOLER (8042 SN 13198 through 18990; 10042 SN 13198 through 19030; 10054 SN 13198 through 19079)

ITEM	PART NUMBER	QTY	DESCRIPTION	REV
1	8770070	2	CONNECTOR, (includes o-ring)	
2	2716622	1	HOSE ASSY	
3	2716621	1	HOSE ASSY	
4	8760328	2	ELBOW, 90, (includes o-ring)	
5	8750024	1	TWIN CLAMP SET	
6	8750017	1	TWIN CLAMP LOCKING PLATE	
7	8750026	1	STOCKING BOLT	
8	8750027	1	TWIN CLAMP SET, 0.84 DIA	
9	8769128	1	TWIN COVER PLATE	
10	8307004	1	LOCKWASHER, 5/16	
11	0641538	1	HEX HD CAPSCREW, 5/16-18X4-3/4	
12		Ref	TRANSMISSION OIL COOLER, (See ENGINE AND ATTACHING PARTS SECTION for Breakdown)	
13		Ref	TRANSMISSION, (See DRIVE TRAIN SECTION for Breakdown)	

SECTION 8 - HYDRAULIC CIRCUITS

FIGURE 8-17. TRANSMISSION COOLER (8042 SN 18991 through 19987, SN 0160002332 through 0160029592; 10042 SN 19031 through 19987, SN 0160002332 through 0160029606; 10054 SN 19080 through 19987, SN 0160002332 through 0160029593)



PH3920

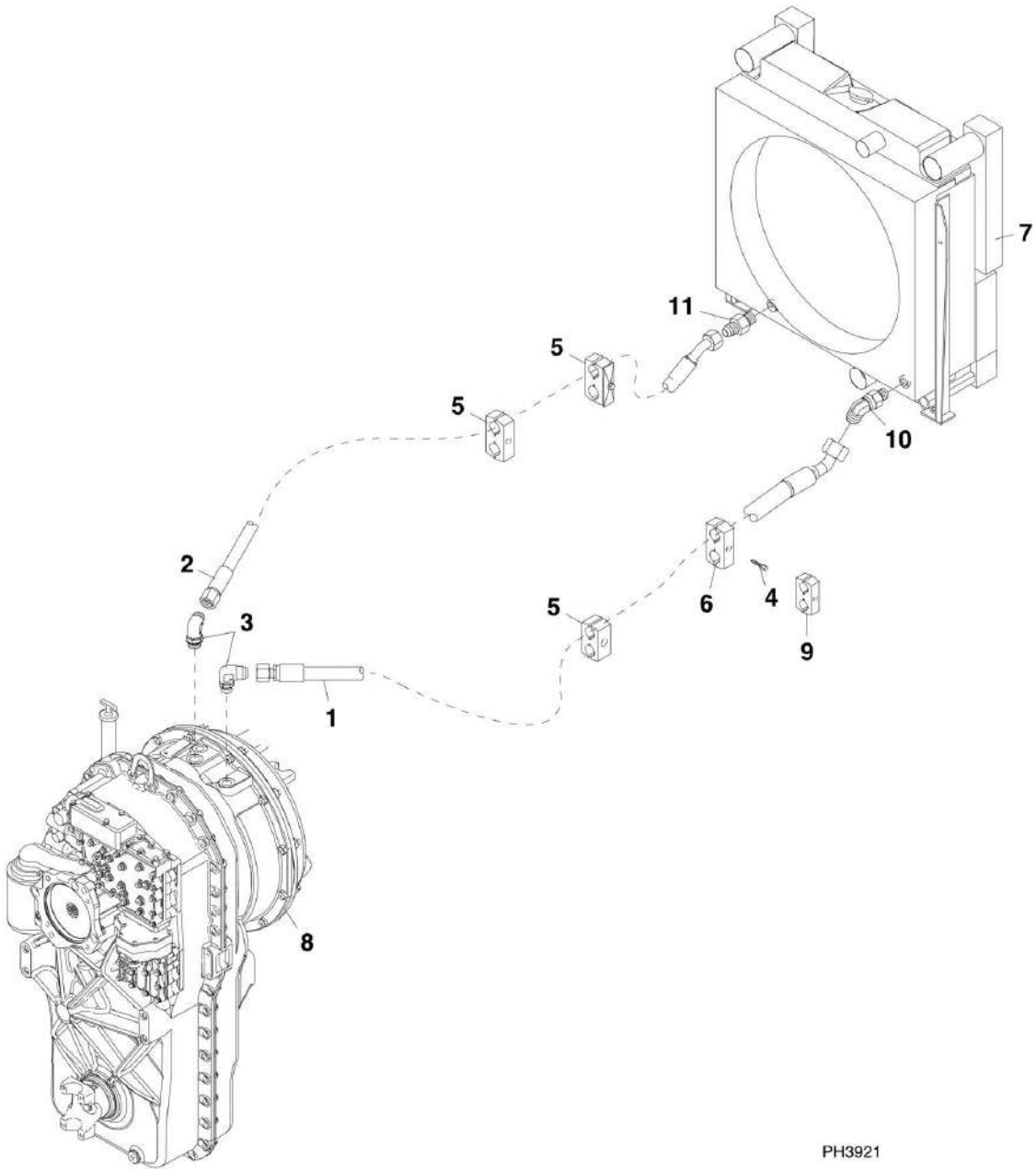
SECTION 8 - HYDRAULIC CIRCUITS

FIGURE 8-17. TRANSMISSION COOLER (8042 SN 18991 through 19987, SN 0160002332 through 0160029592; 10042 SN 19031 through 19987, SN 0160002332 through 0160029606; 10054 SN 19080 through 19987, SN 0160002332 through 0160029593)

ITEM	PART NUMBER	QTY	DESCRIPTION	REV
1	2717149	1	HOSE ASSY	
2	2717150	1	HOSE ASSY	
3	2131210	2	ELBOW, 90, (includes o-ring)	
4	8750026	2	STACKING BOLT	
5	8750017	2	TWIN CLAMP LOCKING PLATE	
6	8750040	2	TWIN CLAMP SET	
7	8303757	1	HEX HD CAPSCREW, 5/16-18X2-1/2	
8	8307004	1	LOCKWASHER, 5/16	
9	8750025	1	TWIN COVER PLATE	
10	8750024	1	TWIN CLAMP SET, 1.84 DIA (8042 SN 18991 through 19987, SN 0160002332 through 0160027180; 10042 SN 190310 through 19987, SN 016002332 through 0160027232; 10054 SN 19080 through 19987, SN 0160002332 through 0160027182)	
10	8750040	1	TWIN CLAMP SET (8042 SN 0160027181 through 016002959200; 10042 SN 0160027233 through 0160029606; 10054 SN 0160027182 through 0160029593)	
11		Ref	TRANSMISSION OIL COOLER, (See ENGINE AND ATTACHING PARTS SECTION for Breakdown)	
12		Ref	TRANSMISSION, (See DRIVE TRAIN SECTION for Breakdown)	

SECTION 8 - HYDRAULIC CIRCUITS

FIGURE 8-18. TRANSMISSION COOLER AND (8042 SN 0160029593 through 0160038983, Excluding 39850, 40126, 40127, 40128, 40129 and 40171; 10054 SN 0160029593 through 0160038983; 10042 SN 0160029607 through 0160038370)



PH3921

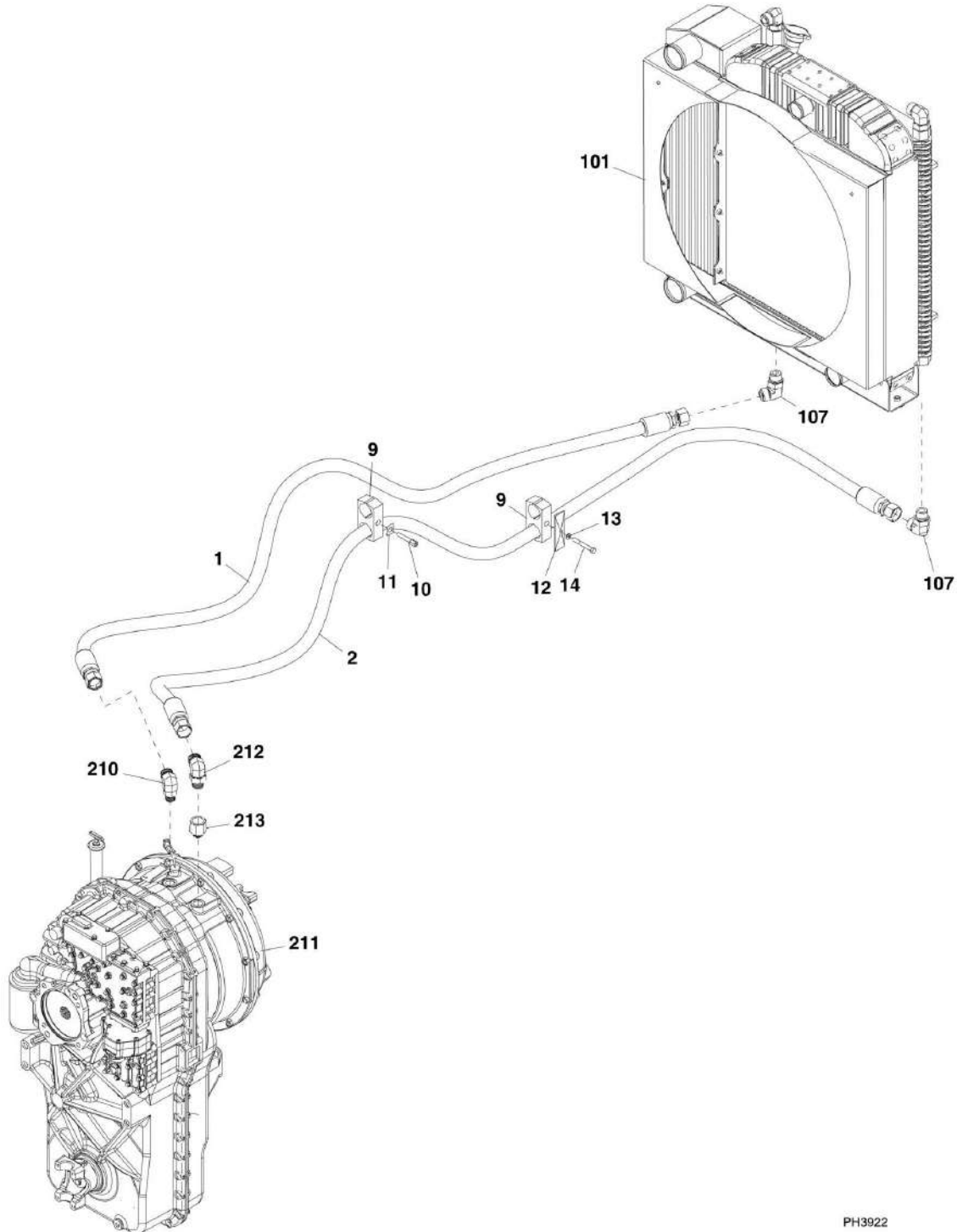
SECTION 8 - HYDRAULIC CIRCUITS

FIGURE 8-18. TRANSMISSION COOLER AND (8042 SN 0160029593 through 0160038983, Excluding 39850, 40126, 40127, 40128, 40129 and 40171; 10054 SN 0160029593 through 0160038983; 10042 SN 0160029607 through 0160038370)

ITEM	PART NUMBER	QTY	DESCRIPTION	REV
1	1001093136	1	HOSE ASSY	
2	1001093137	1	HOSE ASSY	
3	2131210	2	ELBOW, 90, (includes o-ring)	
4	8750026	1	STACKING BOLT	
5		Ref	TWIN CLAMP SET, (See ELECTRICAL SECTION for Breakdown)	
6	8750040	1	TWIN CLAMP SET	
7		Ref	TRANSMISSION OIL COOLER, (See ENGINE AND ATTACHING PARTS SECTION for Breakdown)	
8		Ref	TRANSMISSION, (See DRIVE TRAIN SECTION for Breakdown)	
9		Ref	TWIN CLAMP SET, (See ELECTRICAL SECTION for Breakdown)	
10	2151210	1	ELBOW, 45, (includes o-ring)	
11	2111210	1	CONNECTOR, (includes o-ring)	

SECTION 8 - HYDRAULIC CIRCUITS

FIGURE 8-19. TRANSMISSION COOLER (8042 SN 0160038984 through 0160040218, Excluding 39850, 40126, 40127, 40128, 40129 and 40171; 10054 SN 0160038984 through 0160040218, Excluding 39850, 40126, 40127, 40128, 40129 and 40171; 10042 SN 0160038371 through 0160040218, Excluding 39850, 40126, 40127, 40128, 40129 and 40171)



PH3922

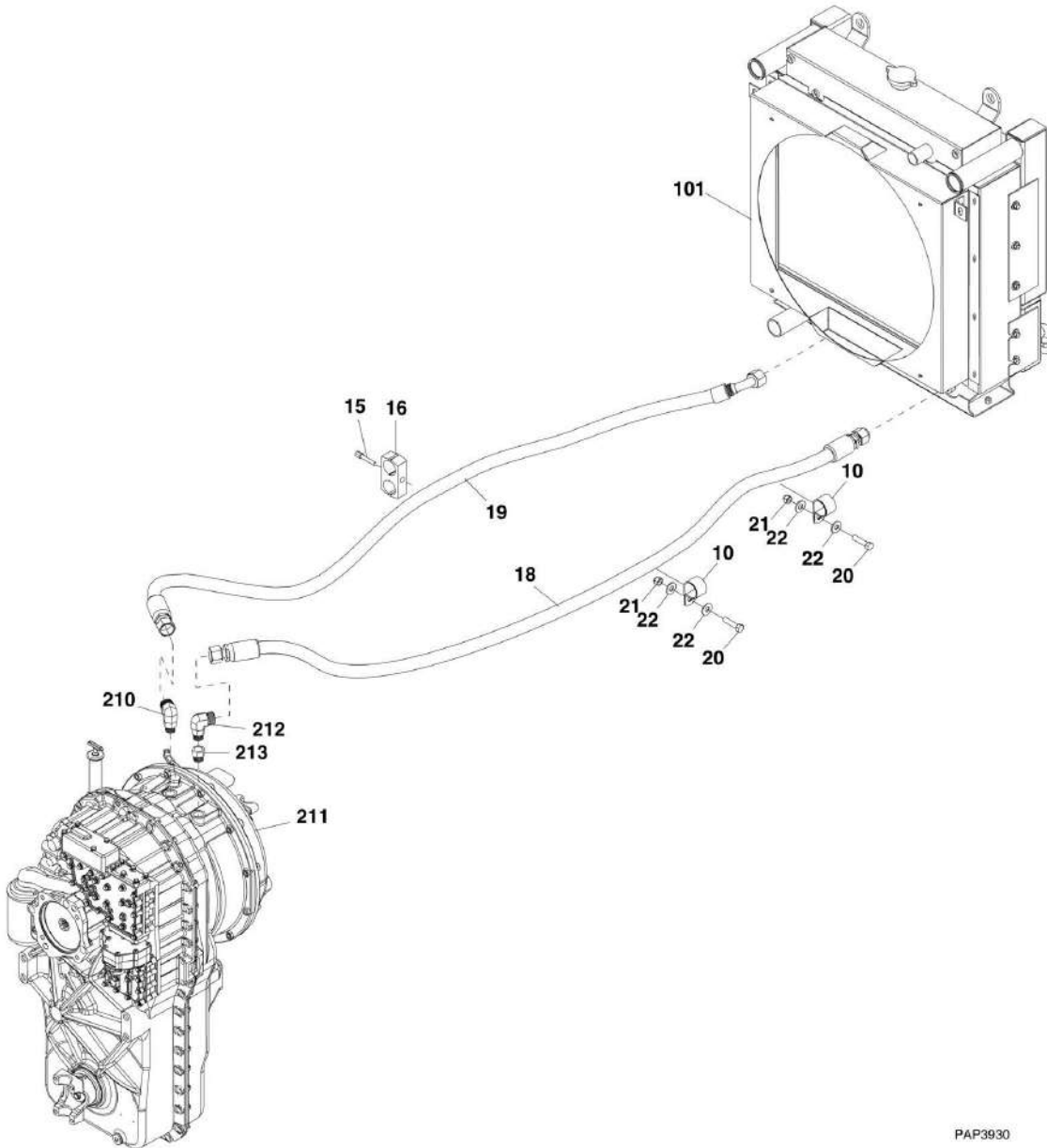
SECTION 8 - HYDRAULIC CIRCUITS

FIGURE 8-19. TRANSMISSION COOLER (8042 SN 0160038984 through 0160040218, Excluding 39850, 40126, 40127, 40128, 40129 and 40171; 10054 SN 0160038984 through 0160040218, Excluding 39850, 40126, 40127, 40128, 40129 and 40171; 10042 SN 0160038371 through 0160040218, Excluding 39850, 40126, 40127, 40128, 40129 and 40171)

ITEM	PART NUMBER	QTY	DESCRIPTION	REV
1	2755083	1	HOSE ASSY	
2	2755084	1	HOSE ASSY	
9	8750040	2	TWIN CLAMP SET	
10	8750026	1	STACKING BOLT	
11	8750017	1	LOCKING PLATE	
12	8750025	1	TWIN COVER PLATE	
13	8307004	1	LOCKWASHER, 5/16	
14	8303757	1	HEX HD CAPSCREW, 5/16-18X2-1/2, GR5	
101		Ref	RADIATOR, (See ENGINE AND ATTACHING PARTS SECTION for Breakdown)	
107		Ref	ELBOW, 90, (See ENGINE AND ATTACHING PARTS SECTION for Breakdown)	
210	2131210	1	ELBOW, 90, (includes o-ring)	
211		Ref	TRANSMISSION, (See DRIVE TRAIN SECTION for Breakdown)	
212	2131212	1	ELBOW, 90, (includes o-ring)	
213	8760548	1	ADAPTER, (includes o-ring)	

SECTION 8 - HYDRAULIC CIRCUITS

FIGURE 8-20. TRANSMISSION COOLER (SN 0160040220 to Present, Including 0160039850, 0160040126, 0160040127, 0160040128, 0160040129 and 0160040171)



SECTION 8 - HYDRAULIC CIRCUITS

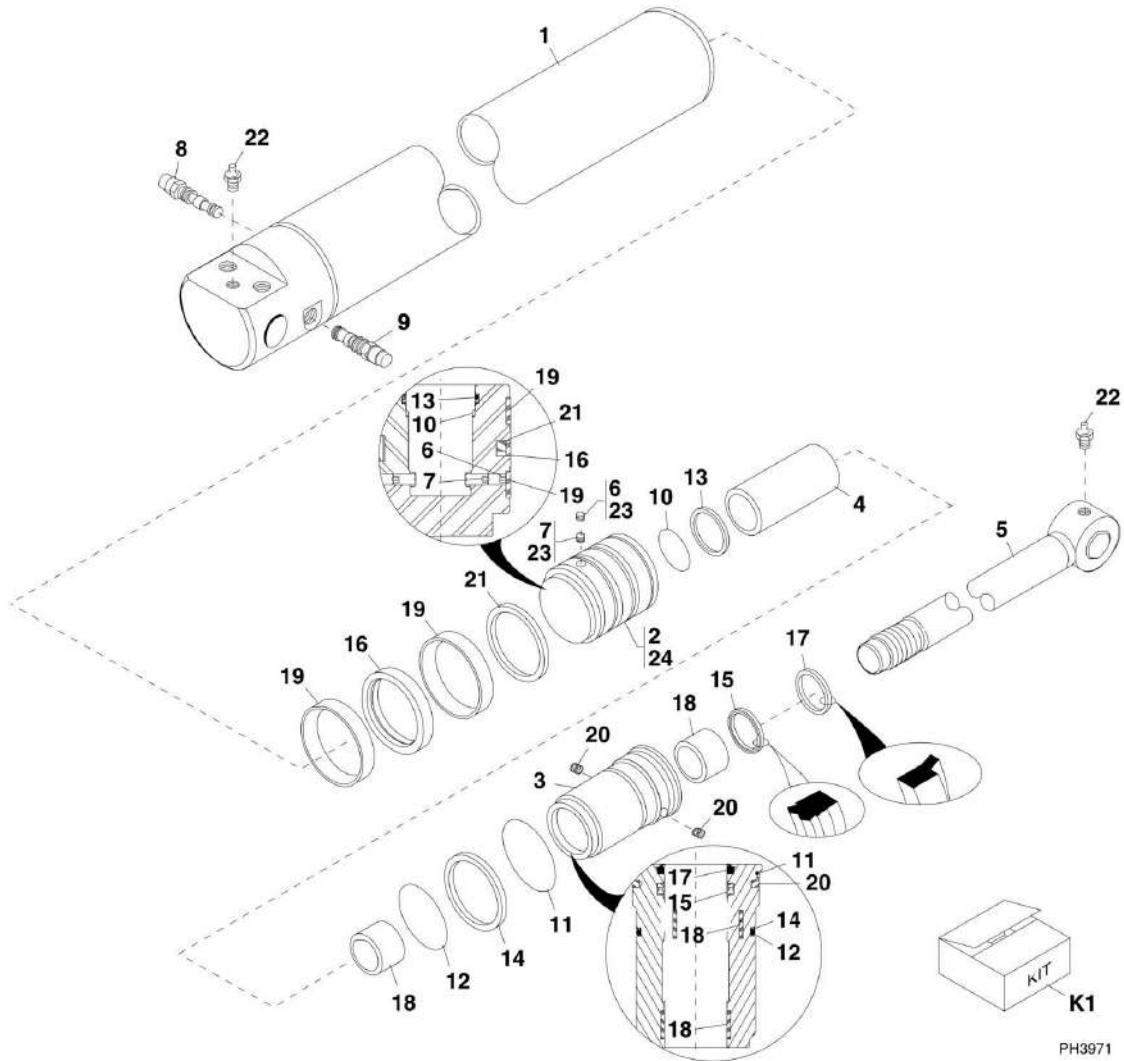
FIGURE 8-20. TRANSMISSION COOLER (SN 0160040220 to Present, Including 0160039850, 0160040126, 0160040127, 0160040128, 0160040129 and 0160040171)

ITEM	PART NUMBER	QTY	DESCRIPTION	REV
	1001100220	Ref	TRANSMISSION COOLER PLUMBING INSTALL, (not available to order, see items 10 thru 22 for service)	B
10	8406302	2	HOSE CLAMP	
15	8750026	1	STACK BOLT	
16	8750040	1	CLAMP SET	
18	1001100222	1	TRANSMISSION HOSE ASSY, LH	
19	1001100223	1	TRANSMISSION HOSE ASSY, RH	
20	0641612	2	HEX HD CAPSCREW, 3/8-16X1-1/2, GR5	
21	8305645	2	HEX LOCKNUT, 3/8-16	
22	8310200	4	WASHER, 3/8	
101		Ref	RADIATOR ASSY, (See ENGINE AND ATTACHING PARTS SECTION for Break down)	
210	2131210	1	ADAPTER, 90, (includes o-ring)	
211		Ref	TRANSMISSION ASSY, (See DRIVE TRAIN SECTION for Breakdown)	
212	2131212	1	ADAPTER, 90, (includes o-ring)	
213	8760548	1	ADAPTER, STRAIGHT, (includes o-ring)	

SECTION 9 - HYDRAULIC COMPONENTS

SECTION 9 - HYDRAULIC COMPONENTS

FIGURE 9-1. EXTEND/RETRACT CYLINDER (8042 SN 13198 through 19987, SN 0160002332 to Present; 10042 SN 13198 through 18397; 10054 SN 13198 through 19987, SN 0160002332 to Present)



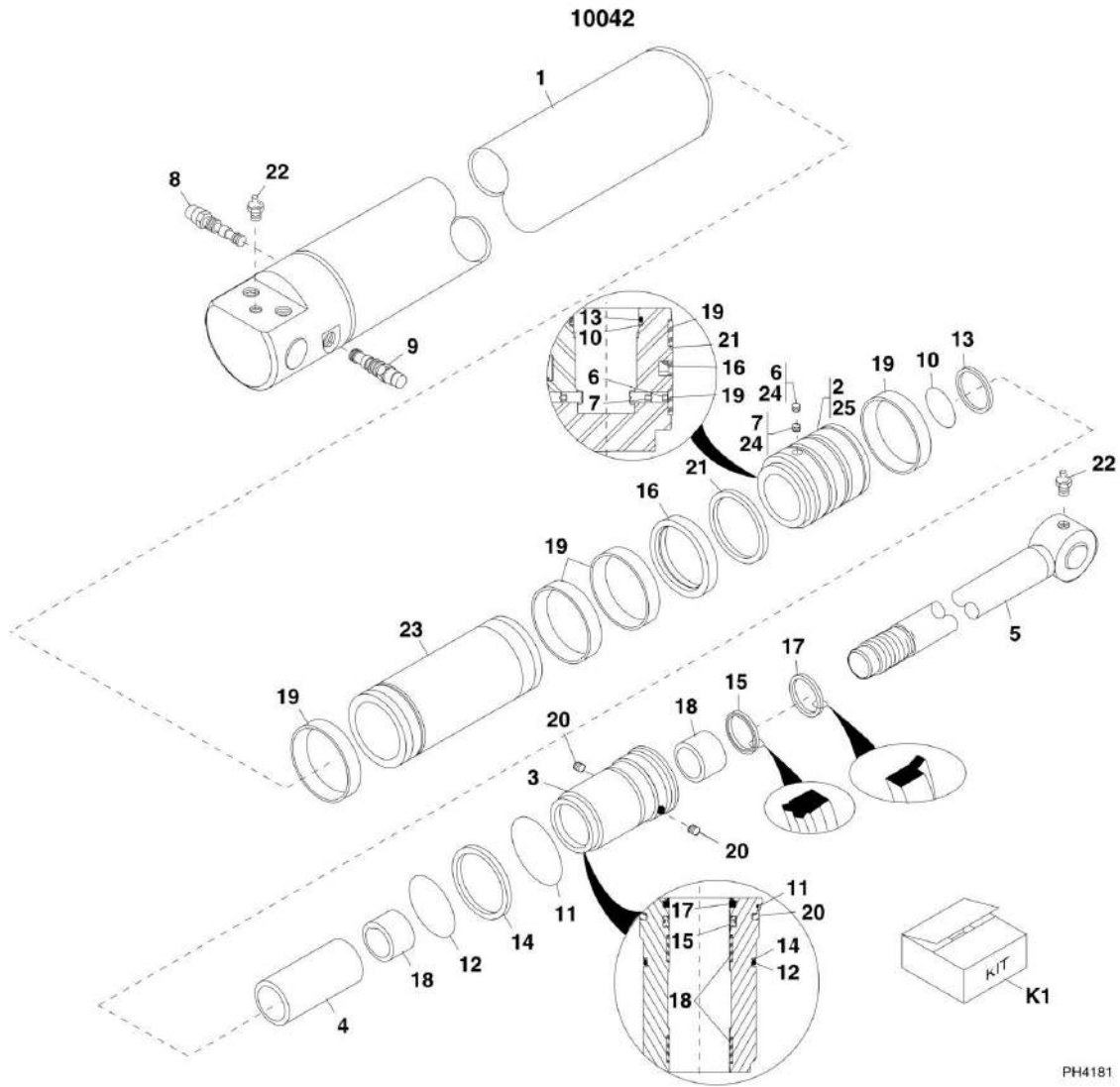
SECTION 9 - HYDRAULIC COMPONENTS

FIGURE 9-1. EXTEND/RETRACT CYLINDER (8042 SN 13198 through 19987, SN 0160002332 to Present; 10042 SN 13198 through 18397; 10054 SN 13198 through 19987, SN 0160002332 to Present)

ITEM	PART NUMBER	QTY	DESCRIPTION	REV
	2716173	1	BOOM EXTEND/RETRACT CYLINDER, (includes items 1 thru 23)	G
1	NSS	1	TUBE WELDMENT	
2	8035800	1	PISTON, (Loctite and torque to 390-460 lb-ft)	
3	8035539	1	HEAD GLAND, (torque to 300-400 lb-ft)	
4	8035616	1	ROD SPACER	
5	8035615	1	ROD WELDMENT	
6	8035536	1	SET SCREW, 5/16-18X.50, (Loctite and torque to 9-11 lb-ft)	
7	8035315	1	SET SCREW, 5/16-18X.63, (Loctite and torque to 9-11 lb-ft)	
8	8035514	1	COUNTERBALANCE VALVE, 3500 PSI, (torque to 150-160 lb-ft)	
8	8205657	1	SEAL KIT	
9	8034026	1	PILOT TO OPEN CHECK VALVE, (torque to 150-160 lb-ft)	
9	8205657	1	SEAL KIT	
10	Kit	1	O-RING	
11	Kit	1	O-RING	
12	Kit	1	O-RING	
13	Kit	1	BACK-UP RING	
14	Kit	1	BACK-UP RING	
15	Kit	1	ROD SEAL	
16	Kit	1	PISTON SEAL	
17	Kit	1	WIPER SEAL	
18	Kit	2	WEARBAND	
19	Kit	2	WEARBAND	
20	Kit	2	LOCKING INSERT	
21	Kit	1	SQUARE RING	
22	8520013	2	GREASE FITTING	
23	8526007	1	LOCTITE 242, (apply to items 6 & 7)	
24	8526011	1	LOCTITE 271, (apply to item 2)	
K1	8036295	1	SEAL KIT, (includes items 10 thru 21)	

SECTION 9 - HYDRAULIC COMPONENTS

FIGURE 9-2. EXTEND/RETRACT CYLINDER (10042 SN 18398 through 19987, SN 0160002332 to Present)



PH4181

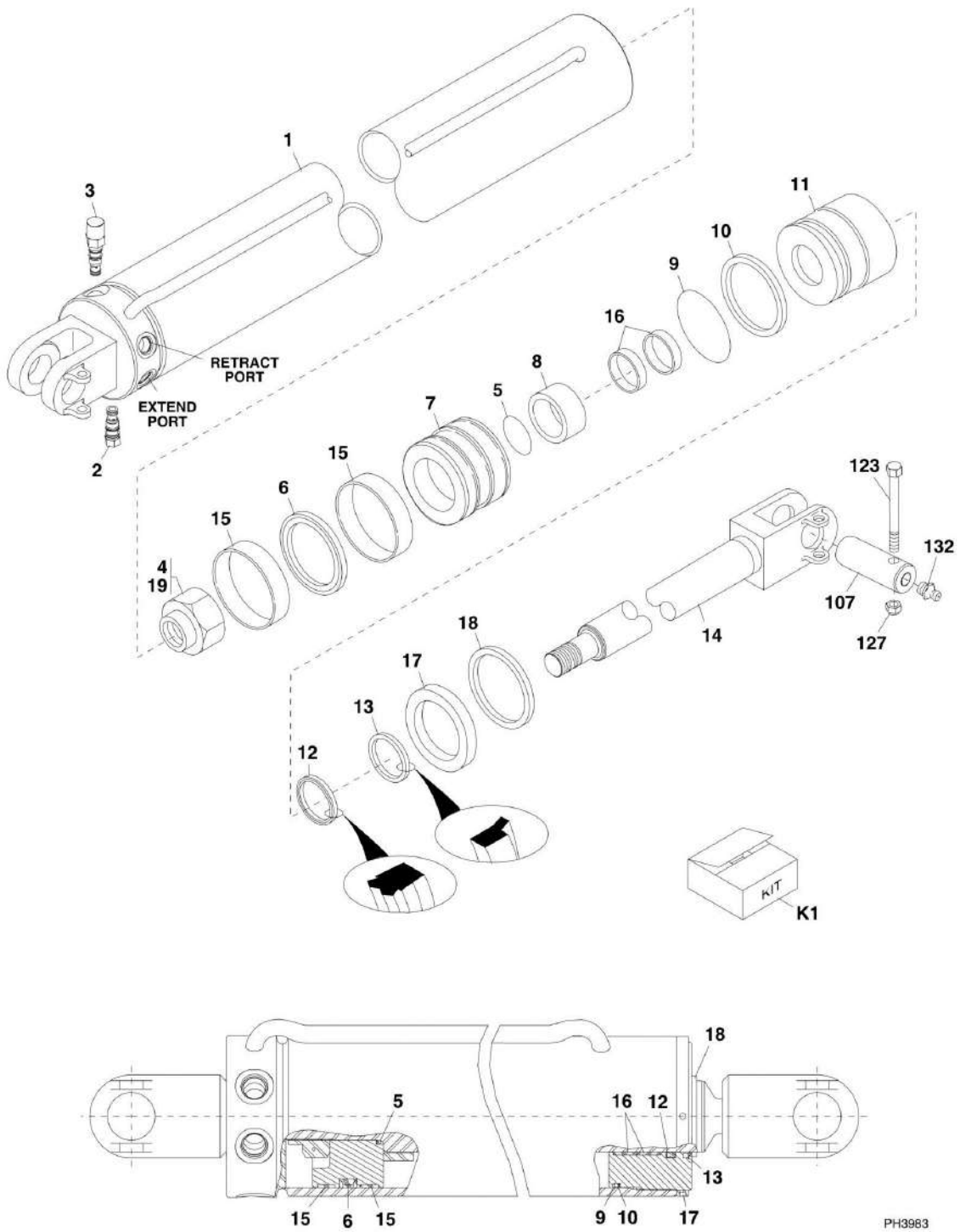
SECTION 9 - HYDRAULIC COMPONENTS

FIGURE 9-2. EXTEND/RETRACT CYLINDER (10042 SN 18398 through 19987, SN 0160002332 to Present)

ITEM	PART NUMBER	QTY	DESCRIPTION	REV
	2717052	1	BOOM EXTEND/RETRACT CYLINDER, (includes items 1 thru 23)	
1	N.S.S.	1	TUBE WELDMENT	
2	8035800	1	PISTON, (Loctite and torque to 390-460 lb-ft)	
3	8035539	1	HEAD GLAND, (torque to 300-400 lb-ft)	
4	8035616	1	ROD SPACER	
5	8035615	1	ROD WELDMENT	
6	8035536	1	SET SCREW, 5/16-18X.50, (Loctite and torque to 9-11 lb-ft)	
7	8035315	1	SET SCREW, 5/16-18X.63, (Loctite and torque to 9-11 lb-ft)	
8	8035514	1	COUNTERBALANCE VALVE, 3500 PSI, (torque to 150-160 lb-ft)	
8	8205657	1	SEAL KIT	
9	8034026	1	PILOT TO OPEN CHECK VALVE, (torque to 150-160 lb-ft)	
9	8205657	1	SEAL KIT	
10	Kit	1	O-RING	
11	Kit	1	O-RING	
12	Kit	1	O-RING	
13	Kit	1	BACK-UP RING	
14	Kit	1	BACK-UP RING	
15	Kit	1	ROD SEAL	
16	Kit	1	PISTON SEAL	
17	Kit	1	WIPER SEAL	
18	Kit	2	WEARBAND	
19	Kit	4	WEARBAND	
20	Kit	2	LOCKING INSERT	
21	Kit	1	SQUARE RING	
22	8520013	2	GREASE FITTING	
23	7026579	1	SPACER	
24	8526007	1	LOCTITE 242, (apply to items 6 & 7)	
25	8526011	1	LOCTITE 271, (apply to item 2)	
K1	8036295	1	SEAL KIT, (includes items 10 thru 21)	

SECTION 9 - HYDRAULIC COMPONENTS

FIGURE 9-3. LIFT/LOWER CYLINDER (8042 SN 13198 through 19145; 10042 SN 13198 through 19241; 10054 SN 13198 through 19113)



PH3983

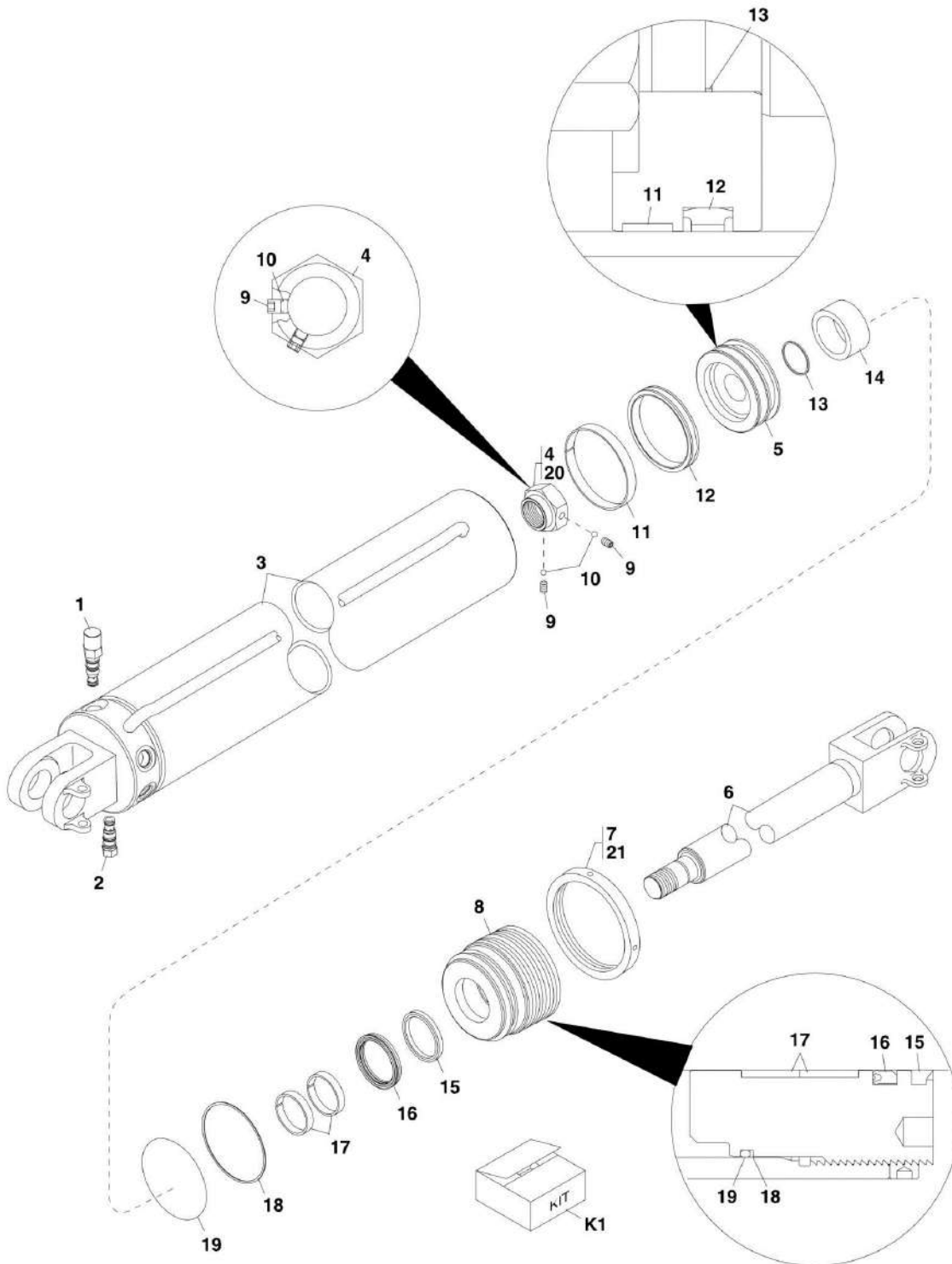
SECTION 9 - HYDRAULIC COMPONENTS

FIGURE 9-3. LIFT/LOWER CYLINDER (8042 SN 13198 through 19145; 10042 SN 13198 through 19241; 10054 SN 13198 through 19113)

ITEM	PART NUMBER	QTY	DESCRIPTION	REV
	2716617	2	BOOM LIFT/LOWER CYLINDER, (includes items 1 thru 18)	C, N
1	N.S.S.	1	TUBE WELDMENT	
2	8036750	1	CHECK VALVE, 4000 ± 50 PSI, (torque to 30-35 lb-ft)	
2	2900770	1	SEAL KIT	
3	8035321	1	COUNTERBALANCE VALVE, 4000 ± 50 PSI	
3	8035327	1	SEAL KIT	
4	8035308	1	LOCKNUT, (Loctite and torque to 1750-2000 lb-ft)	
5	Kit	1	O-RING	
6	Kit	1	PISTON SEAL	
7	8035545	1	PISTON	
8	8035608	1	ROD SPACER	
9	Kit	1	O-RING	
10	Kit	1	BACK-UP RING	
11	8035609	1	GLAND	
12	Kit	1	ROD SEAL	
13	Kit	1	WIPER	
14	8035607	1	ROD	
15	Kit	2	WEARBAND	
16	Kit	2	WEARBAND	
17	8035610	1	LOCKING COLLAR, (torque to 300-400 lb-ft)	
18	8036168	1	SQUARE RING	
19	8526011	AR	LOCTITE 271, (apply to item 4)	
107	3423227	2	CYLINDER PIN	
123	8303782	2	HEX HD CAPSCREW, 1/2-13X4, GR5	
127	8305644	2	HEX LOCKNUT, 1/2-13	
132	8520003	2	LUBE FITTING, 90	
K1	8035386	1	SEAL KIT, (includes items 5, 6, 9, 10, 12, 13, 15 & 16)	
N1	Note	Ref	QUANTITIES SHOWN ARE FOR ONE CYLINDER ONLY.	

SECTION 9 - HYDRAULIC COMPONENTS

FIGURE 9-4. LIFT/LOWER CYLINDER (8042 SN 19146 through 19987, SN 0160002332 through 0160004653; 10042 SN 19242 through 19987, SN 0160002332 through 0160004259; 10054 SN 19114 through 19987, SN 0160002332 through 0160004654)



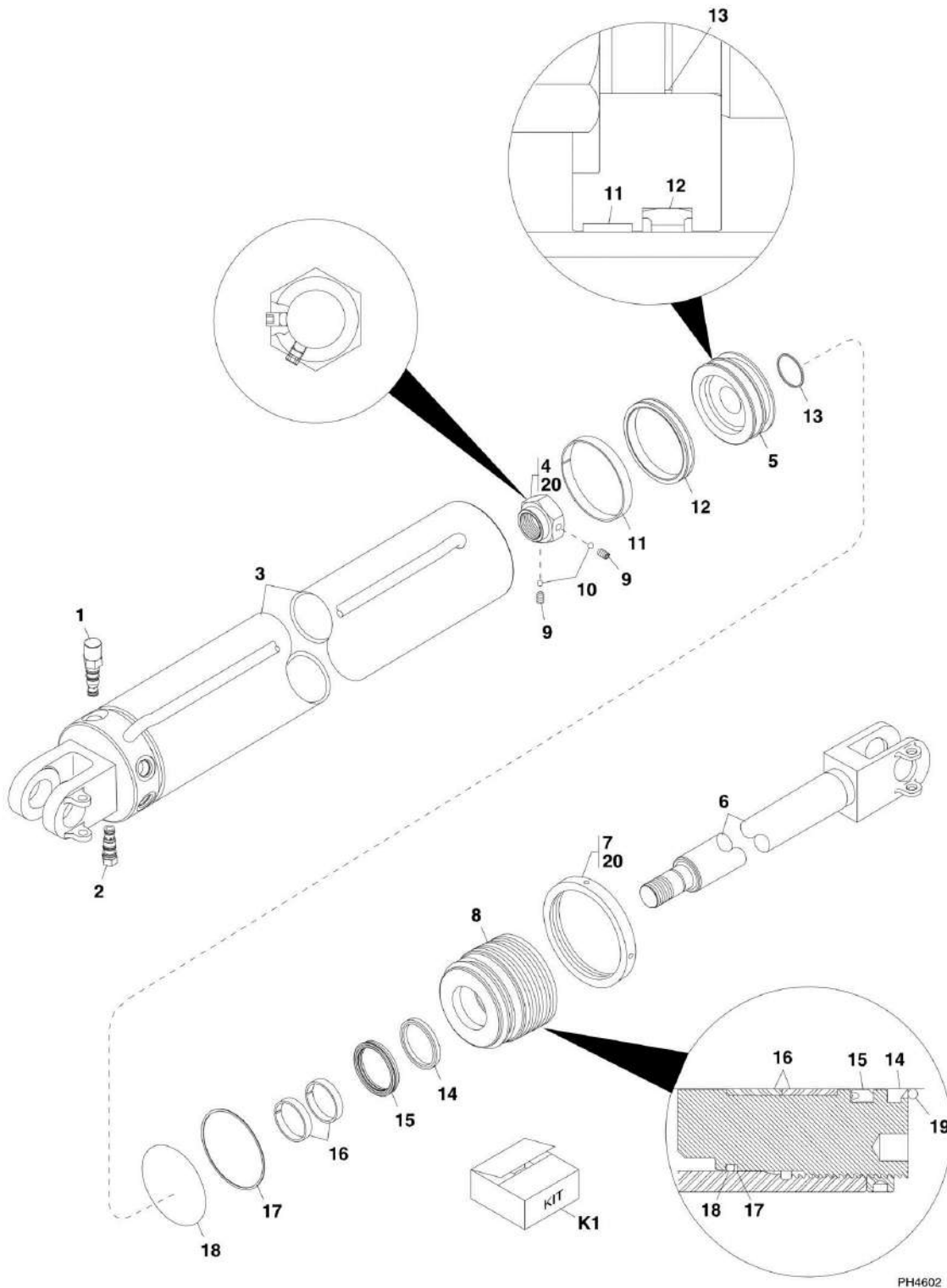
SECTION 9 - HYDRAULIC COMPONENTS

FIGURE 9-4. LIFT/LOWER CYLINDER (8042 SN 19146 through 19987, SN 0160002332 through 0160004653; 10042 SN 19242 through 19987, SN 0160002332 through 0160004259; 10054 SN 19114 through 19987, SN 0160002332 through 0160004654)

ITEM	PART NUMBER	QTY	DESCRIPTION	REV
	2717199	2	BOOM LIFT/LOWER CYLINDER, (includes items 1 thru 19)	
1	8035321	1	COUNTERBALANCE VALVE, 4000 ± 50 PSI, (torque to 30-35 lb-ft)	
1	8035327	1	SEAL KIT	
2	8036750	1	PO CHECK VALVE, 4000 ± 50 PSI, (torque to 30-35 lb-ft)	
2	2900770	1	SEAL KIT	
3	N.S.S.	1	TUBE WELDMENT	
4	8036536	1	SPECIAL NUT, 1-3/4-12, (lubricate and torque to 1735-1885 lb-ft)	
5	8036808	1	PISTON	
6	8036813	1	ROD WELDMENT	
7	8036815	1	LOCKING COLLAR, (lubricate and torque to 300-400 lb-ft)	
8	8036814	1	HEAD GLAND	
9	8036537	2	SET SCREW, 3/8-16X3/8	
10	Kit	2	NYLON BALL	
11	Kit	1	PRECISION WEARBAND	
12	Kit	1	CAPPED T-SEAL	
13	Kit	1	O-RING	
14	Kit	1	ROD TUBE SPACER	
15	Kit	1	WIPER RING	
16	Kit	1	Z-SEAL	
17	Kit	2	PRECISION WEARBAND	
18	Kit	1	BACK-UP RING	
19	Kit	1	O-RING	
20	8526011	AR	LOCTITE 271, (apply to item 4)	
21	8526007	AR	LOCTITE 242, (apply to item 7)	
K1	8036746	1	SEAL KIT, (includes items 10 thru 19)	
N1	Note	Ref	QUANTITIES SHOWN ARE FOR ONE CYLINDER ONLY.	

SECTION 9 - HYDRAULIC COMPONENTS

FIGURE 9-5. LIFT/LOWER CYLINDER (8042 SN 0160004670 through 0160014285; 10042 SN 0160004673 through 0160015021; 10054 SN 0160004667 through 0160015024)



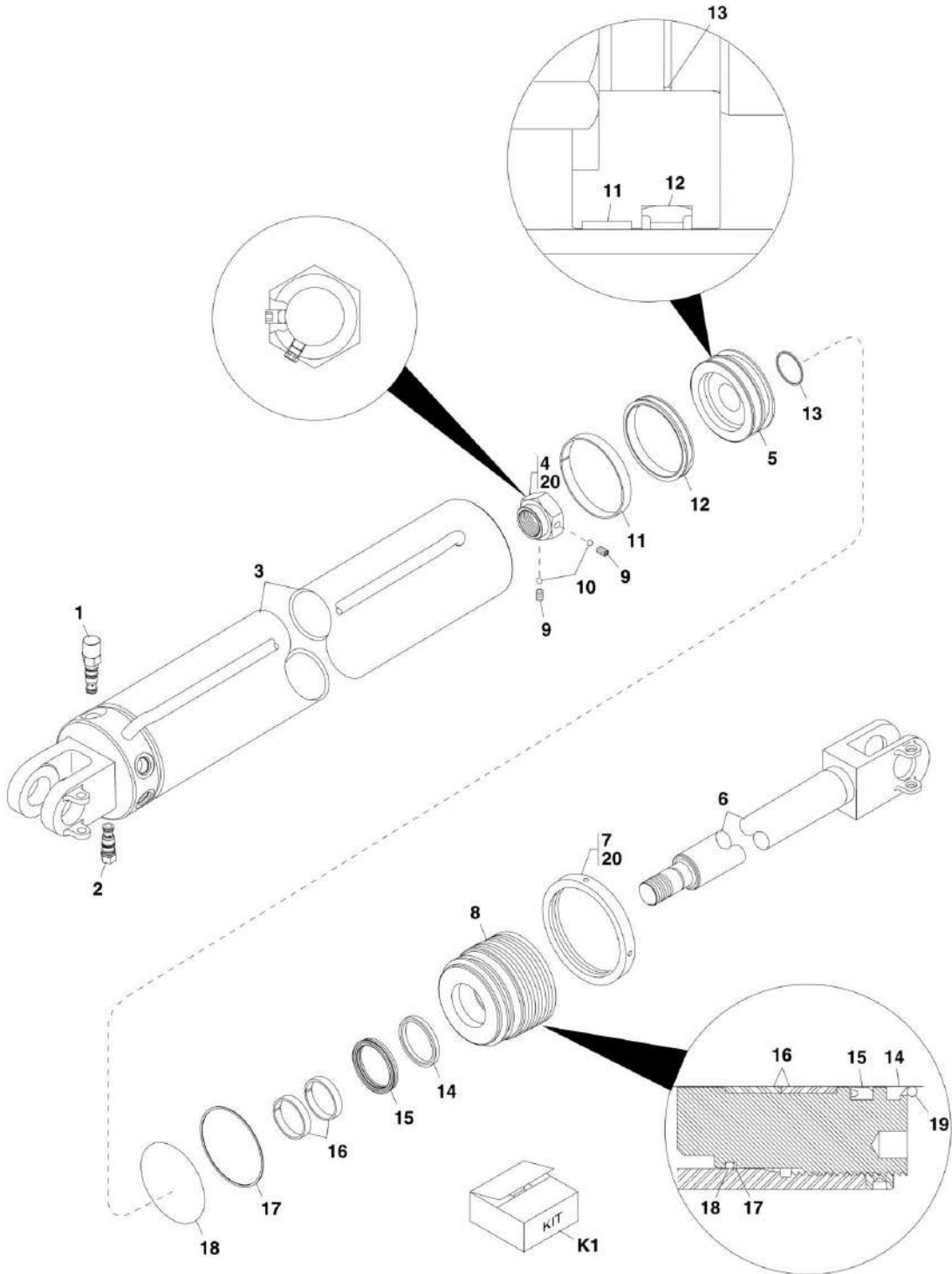
SECTION 9 - HYDRAULIC COMPONENTS

FIGURE 9-5. LIFT/LOWER CYLINDER (8042 SN 0160004670 through 0160014285; 10042 SN 0160004673 through 0160015021; 10054 SN 0160004667 through 0160015024)

ITEM	PART NUMBER	QTY	DESCRIPTION	REV
	2717259	2	BOOM LIFT/LOWER CYLINDER, (includes items 1 thru 19)	
1	7029327	1	COUNTERBALANCE VALVE, 4000 ± 50 PSI, (torque to 30-35 lb-ft)	
1	7029330	1	SEAL KIT	
2	7029328	1	PO CHECK VALVE, 4000 ± 50 PSI, (torque to 30-35 lb-ft)	
2	8025655	1	SEAL KIT	
3	70023270	1	TUBE WELDMENT	
4	8036536	1	SPECIAL NUT, 1-3/4-12, (lubricate and torque to 1735-1885 lb-ft)	
5	8036808	1	PISTON	
6	7029329	1	ROD WELDMENT	
7	8036815	1	LOCKING COLLAR, (lubricate and torque to 300-400 lb-ft)	
8	8036814	1	HEAD GLAND	
9	8036537	2	SET SCREW, 3/8-16X3/8	
10	Kit	2	NYLON BALL	
11	Kit	1	PRECISION WEARBAND	
12	Kit	1	CAPPED T-SEAL	
13	Kit	1	O-RING	
14	Kit	1	WIPER RING	
15	Kit	1	Z-SEAL	
16	Kit	2	PRECISION WEARBAND	
17	Kit	1	BACK-UP RING	
18	Kit	1	O-RING	
19	7029159	1	O-RING	
20	8526011	AR	LOCTITE 271, (apply to item 4 & 7)	
K1	8036746	1	SEAL KIT, (includes items 10 thru 18)	
N1	Note	Ref	QUANTITIES SHOWN ARE FOR ONE CYLINDER ONLY.	

SECTION 9 - HYDRAULIC COMPONENTS

FIGURE 9-6. LIFT/LOWER CYLINDER (8042 SN 0160015042 through 0160030716; 10042 SN 0160015195 through 0160030708; 10054 SN 0160015044 through 0160030712)



PH4631

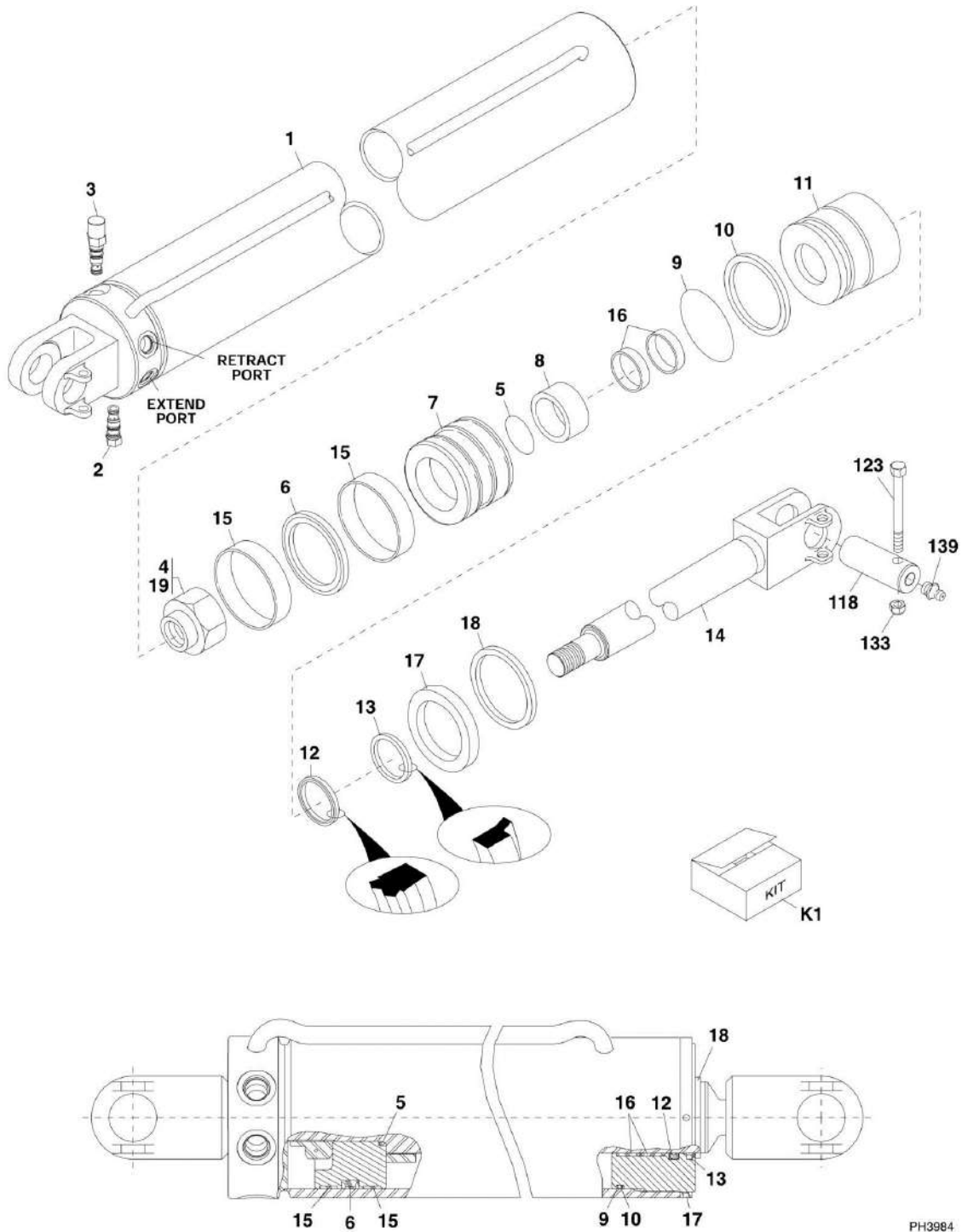
SECTION 9 - HYDRAULIC COMPONENTS

FIGURE 9-6. LIFT/LOWER CYLINDER (8042 SN 0160015042 through 0160030716; 10042 SN 0160015195 through 0160030708; 10054 SN 0160015044 through 0160030712)

ITEM	PART NUMBER	QTY	DESCRIPTION	REV
	1684448	2	BOOM LIFT/LOWER CYLINDER, (includes items 1 thru 19)	
1	7029327	1	COUNTERBALANCE VALVE, 4000 ± 50 PSI, (torque to 30-35 lb-ft)	
1	7029330	1	SEAL KIT	
2	7029328	1	PO CHECK VALVE, 4000 ± 50 PSI, (torque to 30-35 lb-ft)	
2	8025655	1	SEAL KIT	
3	N.S.S.	1	TUBE WELDMENT	
4	8036536	1	SPECIAL NUT, 1-3/4-12, (Loctite and torque to 1735-1885 lb-ft)	
5	8036808	1	PISTON	
6	7029329	1	ROD WELDMENT	
7	8036815	1	LOCKING COLLAR, (Loctite and torque to 300-400 lb-ft)	
8	8036814	1	HEAD GLAND	
9	8036537	2	SET SCREW, 3/8-16X3/8	
10	Kit	2	NYLON BALL	
11	Kit	1	PRECISION WEARBAND	
12	Kit	1	CAPPED T-SEAL	
13	Kit	1	O-RING	
14	Kit	1	WIPER RING	
15	Kit	1	Z-SEAL	
16	Kit	2	PRECISION WEARBAND	
17	Kit	1	BACK-UP RING	
18	Kit	1	O-RING	
19	7029159	1	O-RING	
20	8526011	AR	LOCTITE 271, (apply to item 4 & 7)	
K1	8036746	1	SEAL KIT, (includes items 10 thru 18)	
N1	Note	Ref	QUANTITIES SHOWN ARE FOR ONE CYLINDER ONLY.	

SECTION 9 - HYDRAULIC COMPONENTS

FIGURE 9-7. LIFT/LOWER (8042 SN 0160030721 to Present; 10042 SN 0160030767 to Present; 10054 SN 0160030719 to Present)



PH3984

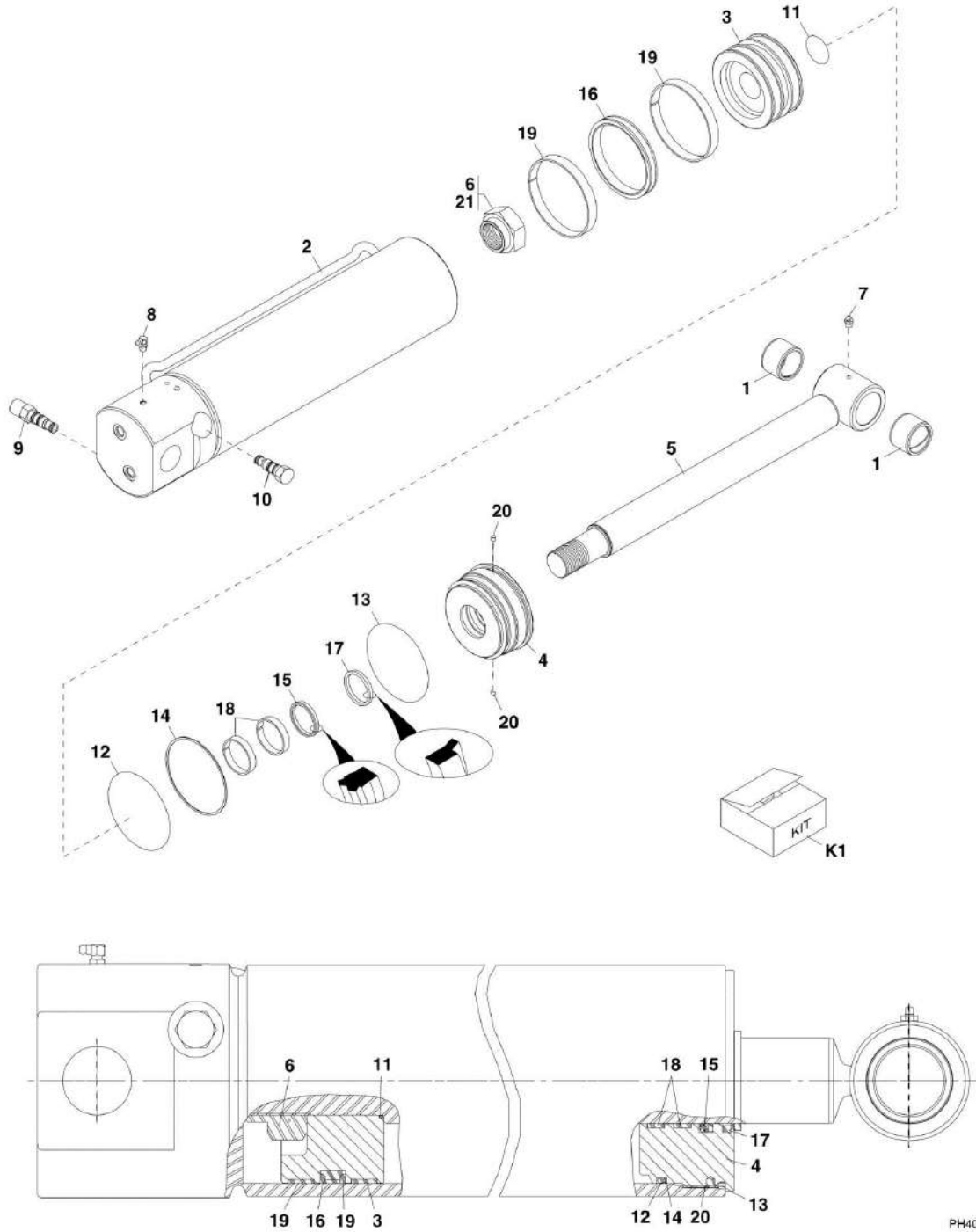
SECTION 9 - HYDRAULIC COMPONENTS

FIGURE 9-7. LIFT/LOWER (8042 SN 0160030721 to Present; 10042 SN 0160030767 to Present; 10054 SN 0160030719 to Present)

ITEM	PART NUMBER	QTY	DESCRIPTION	REV
	2716617	2	BOOM LIFT/LOWER CYLINDER, (includes items 1 thru 18)	
1	N.S.S.	1	TUBE WELDMENT	
2	8036750	1	CHECK VALVE, 4000 ± 50 PSI, (torque to 30-35 lb-ft)	
2	2900770	1	SEAL KIT	
3	8035321	1	COUNTERBALANCE VALVE, 4000 ± 50 PSI	
3	8035327	1	SEAL KIT	
4	7026972	1	LOCKNUT, (Loctite and torque to 1750-2000 lb-ft)	
5	Kit	1	O-RING	
6	Kit	1	PISTON SEAL	
7	8035545	1	PISTON	
8	8035608	1	ROD SPACER	
9	Kit	1	O-RING	
10	Kit	1	BACK-UP RING	
11	8035609	1	GLAND	
12	Kit	1	ROD SEAL	
13	Kit	1	WIPER	
14	8035607	1	ROD	
15	Kit	2	WEARBAND	
16	Kit	2	WEARBAND	
17	8035610	1	LOCKING COLLAR, (torque to 300-400 lb-ft)	
18	8036168	1	SQUARE RING	
19	8526011	AR	LOCTITE 271, (apply to item 4)	
118	3423227	1	CYLINDER PIN	
123	8303782	1	HEX HD CAPSCREW, 1/2-13X4, GR5	
133	8305644	1	LOCKNUT, 1/2-13	
139	8520003	1	LUBE FITTING, 90	
K1	8035386	1	SEAL KIT, (includes items 5, 6, 9, 10, 12, 13, 15 & 16)	
N1	Note	Ref	QUANTITIES SHOWN ARE FOR ONE CYLINDER ONLY.	

SECTION 9 - HYDRAULIC COMPONENTS

FIGURE 9-8. ATTACHMENT TILT CYLINDER (8042 SN 13198 through 19791; 10042 SN 13198 through 19788; 10054 SN 13198 through 19745)



PH4021

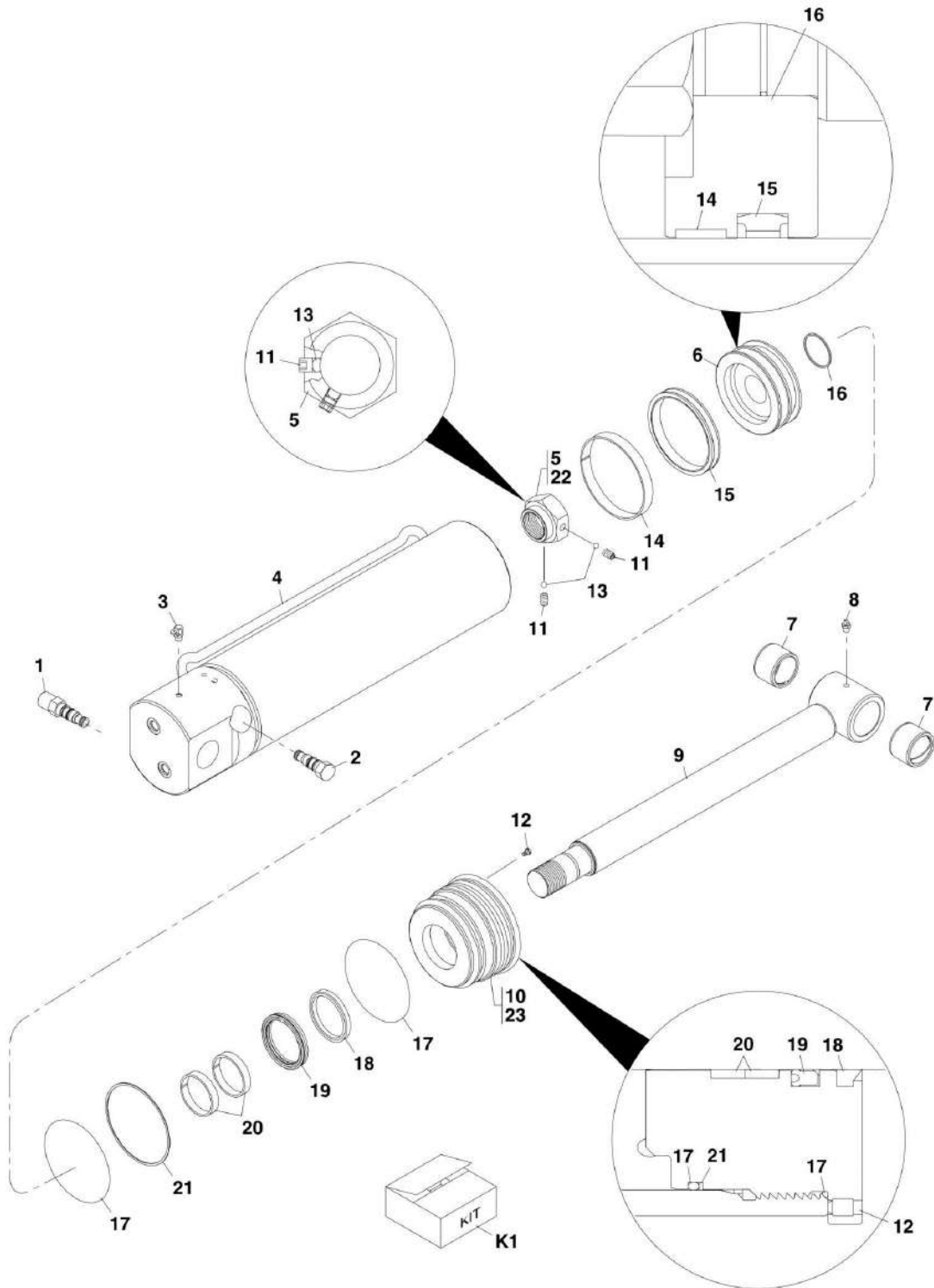
SECTION 9 - HYDRAULIC COMPONENTS

FIGURE 9-8. ATTACHMENT TILT CYLINDER (8042 SN 13198 through 19791; 10042 SN 13198 through 19788; 10054 SN 13198 through 19745)

ITEM	PART NUMBER	QTY	DESCRIPTION	REV
	2716618	1	ATTACHMENT TILT CYLINDER, (includes items 1 thru 20)	H
1	7089722	2	BEARING	
2	N.S.S.	1	TUBE WELDMENT	
3	8036147	1	PISTON	
4	8036146	1	GLAND	
5	8036145	1	ROD WELDMENT	
6	8035308	1	LOCKNUT, 2-12, (Loctite and torque to 1850-2000 lb-ft)	
7	8520013	1	LUBE FITTING, STRAIGHT	
8	8520021	1	LUBE FITTING, 90	
9	8035321	1	COUNTERBALANCE VALVE, 4000 PSI, (torque to 30-35 lb-ft)	
9	8035327	1	SEAL KIT	
10	8036750	1	PO CHECK VALVE, (torque to 30-35 lb-ft)	
10	2900770	1	SEAL KIT	
11	Kit	1	O-RING	
12	Kit	1	O-RING	
13	Kit	1	O-RING	
14	Kit	1	BACK-UP RING	
15	Kit	1	DEEP Z-SEAL	
16	Kit	1	CAPPED T-SEAL	
17	Kit	1	WIPER SEAL	
18	Kit	2	PRECISION WEARBAND	
19	Kit	2	PRECISION WEARBAND	
20	Kit	2	LOCKING INSERT	
21		Ref	LOCTITE 271, (apply to item 6)	
K1	8035780	1	SEAL KIT, (includes items 11 thru 20)	

SECTION 9 - HYDRAULIC COMPONENTS

FIGURE 9-9. ATTACHMENT TILT CYLINDER (8042 SN 19792 through 19987, SN 0160002332 through 0160004653; 10042 SN 19789 through 19987, SN 0160002332 through 0160004558; 10054 SN 19746 through 19987, SN 0160002332 through 0160006099)



PH4111

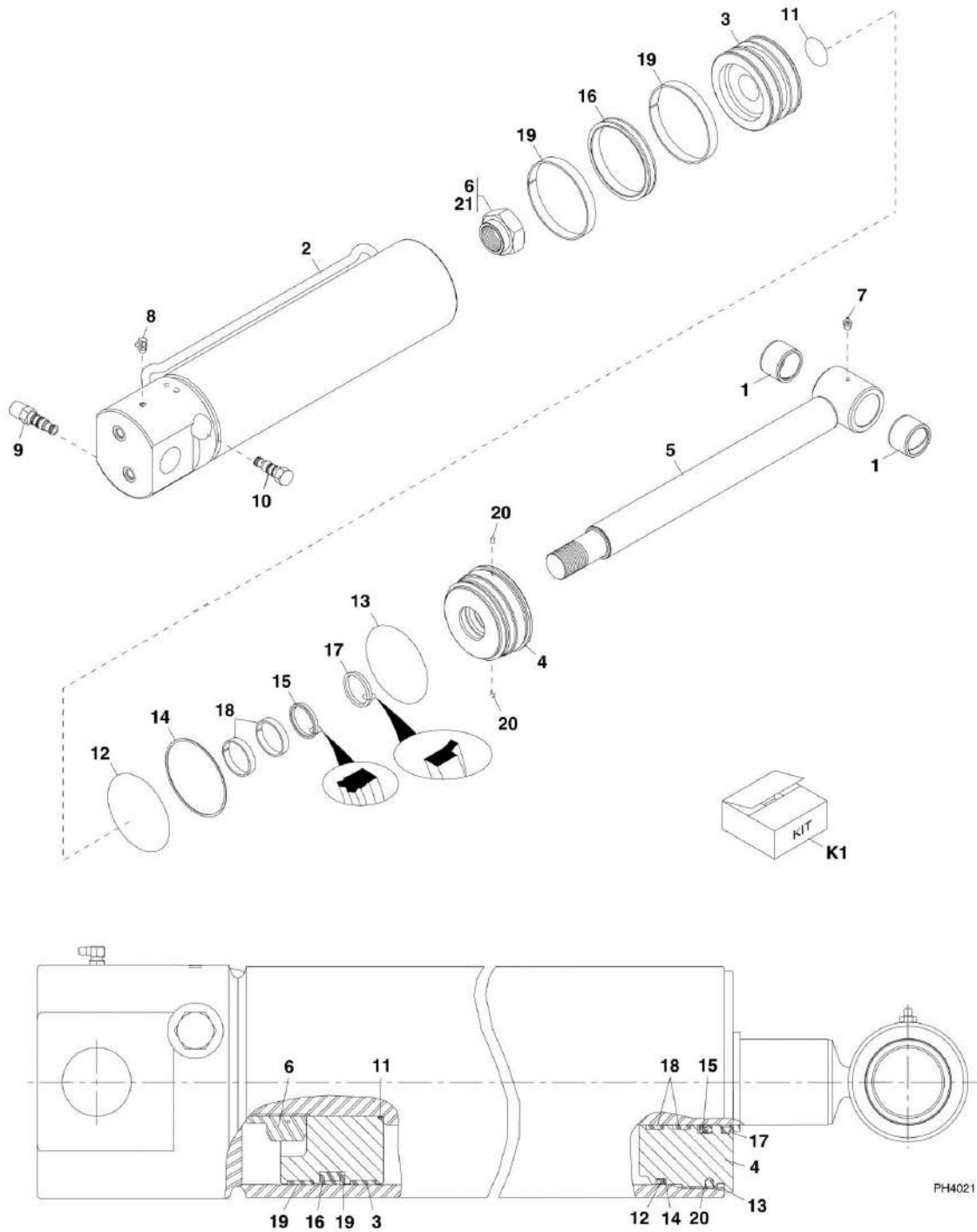
SECTION 9 - HYDRAULIC COMPONENTS

FIGURE 9-9. ATTACHMENT TILT CYLINDER (8042 SN 19792 through 19987, SN 0160002332 through 0160004653; 10042 SN 19789 through 19987, SN 0160002332 through 0160004558; 10054 SN 19746 through 19987, SN 0160002332 through 0160006099)

ITEM	PART NUMBER	QTY	DESCRIPTION	REV
	2717203	1	ATTACHMENT TILT CYLINDER, (includes items 1 thru 21)	
1	8035321	1	COUNTERBALANCE VALVE, 4000 PSI, (torque 30-35 lb-ft)	
1	8035327	1	SEAL KIT	
2	8036750	1	CHECK VALVE, 4000 ± 50 PSI, (torque 30-35 lb-ft)	
2	2900770	1	SEAL KIT	
3	8036824	1	LUBE FITTING, 90	
4	N.S.S.	1	TUBE WELDMENT	
5	8036536	1	SPECIAL NUT, 1-3/4-12, (Loctite and torque to 1735-1885 lb-ft)	
6	8036808	1	PISTON	
7	8036829	2	BEARING	
8	8036823	1	LUBE FITTING, STRAIGHT	
9	8036809	1	ROD WELDMENT	
10	8036810	1	HEAD GLAND, (Loctite and torque to 250-350 lb-ft)	
11	8036537	2	SET SCREW, 3/8-16X3/8	
12	8036811	1	SET SCREW, 1/4-20X3/8	
13	8036538	2	NYLON BALL	
14	Kit	1	PRECISION WEARBAND	
15	Kit	1	CAPPED T-SEAL	
16	Kit	1	O-RING	
17	Kit	2	O-RING	
18	Kit	1	WIPER RING	
19	Kit	1	Z-SEAL	
20	Kit	2	PRECISION WEARBAND	
21	Kit	1	BACKUP RING	
22	8526011	AR	LOCTITE 271, (apply to item 5)	
23	8526007	AR	LOCTITE 242, (apply to item 10)	
K1	8036786	1	SEAL KIT, (includes items 14 thru 21)	

SECTION 9 - HYDRAULIC COMPONENTS

FIGURE 9-10. ATTACHMENT TILT CYLINDER (8042 SN 0160004670 to Present; 10042 SN 0160004673 to Present; 10054 SN 0160006120 to Present)



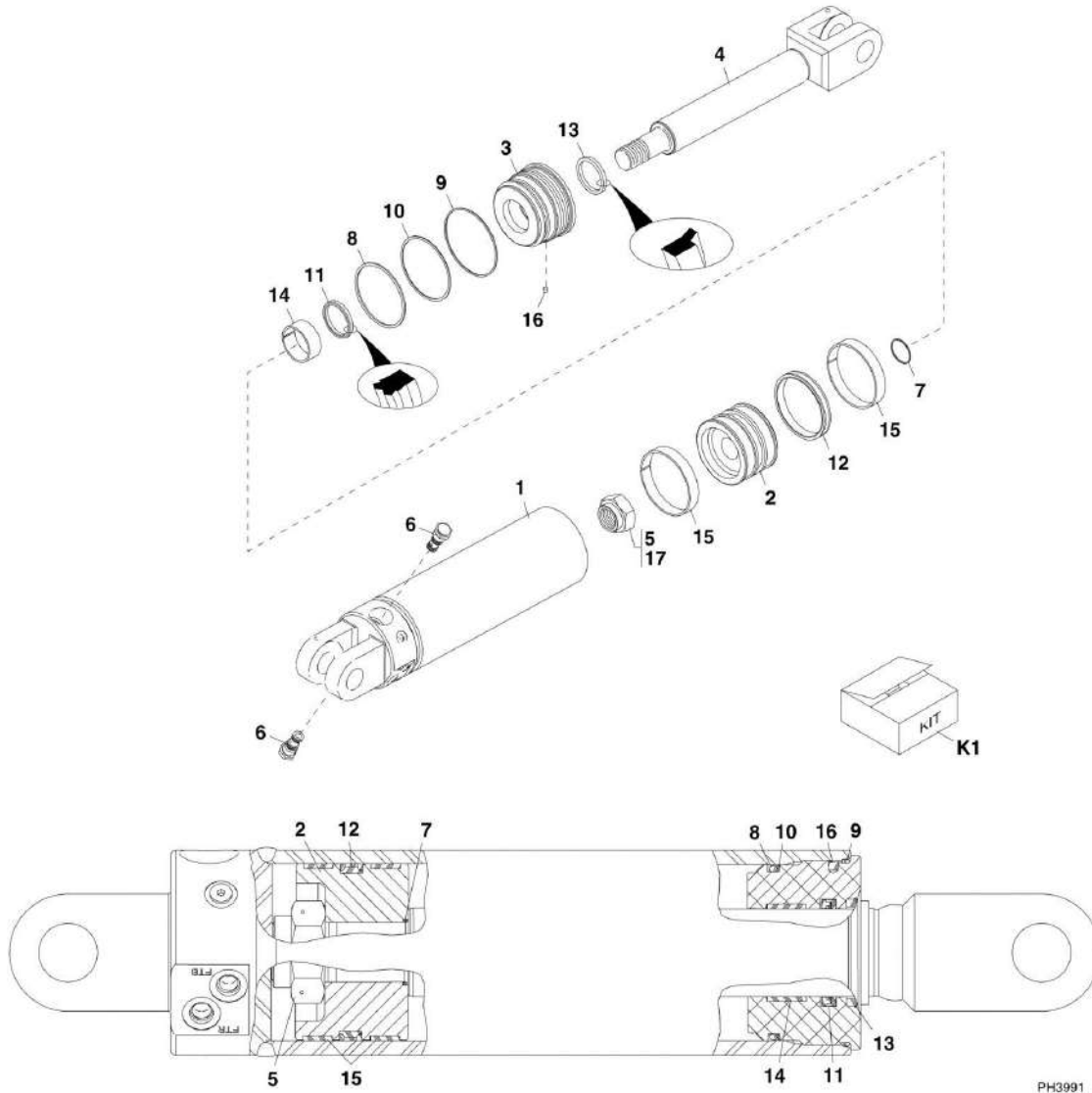
SECTION 9 - HYDRAULIC COMPONENTS

FIGURE 9-10. ATTACHMENT TILT CYLINDER (8042 SN 0160004670 to Present; 10042 SN 0160004673 to Present; 10054 SN 0160006120 to Present)

ITEM	PART NUMBER	QTY	DESCRIPTION	REV
	2716618	1	ATTACHMENT TILT CYLINDER, (includes items 1 thru 20)	I
1	7089722	2	BEARING	
2	8036148	1	TUBE WELDMENT	
3	8036147	1	PISTON	
4	8036146	1	GLAND, (torque to 500-600 lb-ft)	
5	8036145	1	ROD WELDMENT	
6	8035308	1	LOCKNUT, 2-12, (Loctite and torque to 1850-2000 lb-ft)	
7	8520013	1	LUBE FITTING, STRAIGHT	
8	8520021	1	LUBE FITTING, 90	
9	8035321	1	COUNTERBALANCE VALVE, 4000 PSI, (torque to 30-35 lb-ft)	
9	8035327	1	SEAL KIT	
10	8036750	1	PO CHECK VALVE, (torque to 30-35 lb-ft)	
10	2900770	1	SEAL KIT	
11	Kit	1	O-RING	
12	Kit	1	O-RING	
13	Kit	1	O-RING	
14	Kit	1	BACK-UP RING	
15	Kit	1	DEEP Z-SEAL	
16	Kit	1	CAPPED T-SEAL	
17	Kit	1	WIPER SEAL	
18	Kit	2	PRECISION WEARBAND	
19	Kit	2	PRECISION WEARBAND	
20	Kit	2	LOCKING INSERT	
21		Ref	LOCTITE 271, (apply to item 6)	
K1	8035780	1	SEAL KIT, (includes items 11 thru 20)	

SECTION 9 - HYDRAULIC COMPONENTS

FIGURE 9-11. FRAME SWAY CYLINDER (8042 SN 13198 through 19987, SN 0160002332 through 0160004653; 10042 SN 13198 through 19987, SN 0160002332 through 0160004558; 10054 SN 13198 through 19987, SN 0160002332 through 0160004654)



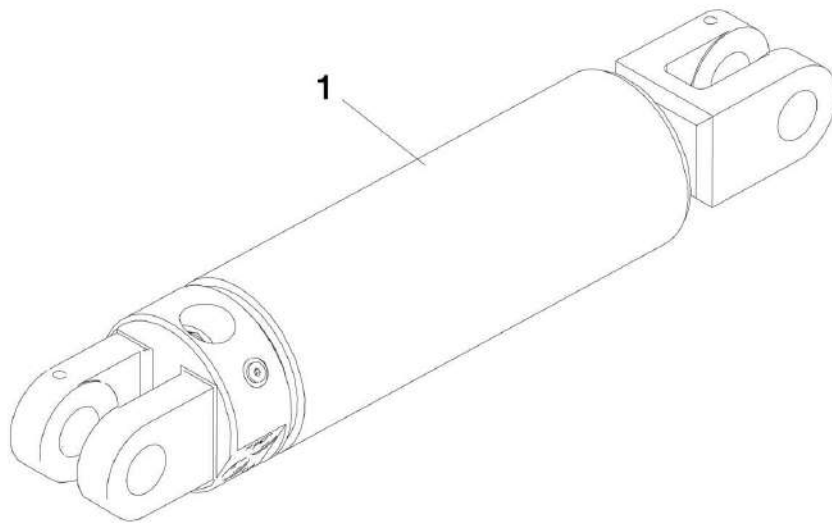
SECTION 9 - HYDRAULIC COMPONENTS

FIGURE 9-11. FRAME SWAY CYLINDER (8042 SN 13198 through 19987, SN 0160002332 through 0160004653; 10042 SN 13198 through 19987, SN 0160002332 through 0160004558; 10054 SN 13198 through 19987, SN 0160002332 through 0160004654)

ITEM	PART NUMBER	QTY	DESCRIPTION	REV
	2716563	1	FRAME SWAY CYLINDER, (includes items 1 thru 16)	C
1	N.S.S.	1	TUBE WELDMENT	
2	8035323	1	PISTON	
3	8035324	1	HEAD GLAND, (torque to 300-400 lb-ft)	
4	8035758	1	ROD WELDMENT	
5	8035322	1	HEX LOCKNUT, 1.5-12, (Loctite and torque to 1100-1250 lb-ft)	
6	8035757	2	PO CHECK VALVE, SERIES 10, (torque to 35-40 lb-ft)	
6	8035327	1	SEAL KIT	
7	Kit	1	O-RING	
8	Kit	1	O-RING	
9	Kit	1	O-RING	
10	Kit	1	BACK-UP RING	
11	Kit	1	DEEP Z-SEAL	
12	Kit	1	CAPPED T-SEAL	
13	Kit	1	SEAL WIPER	
14	Kit	1	PRECISION WEARBAND	
15	Kit	2	PRECISION WEARBAND	
16	Kit	1	LOCKING INSERT	
17	8526011	AR	LOCTITE 271	
K1	8035326	1	SEAL KIT, (includes items 7 thru 16)	

SECTION 9 - HYDRAULIC COMPONENTS

FIGURE 9-12. FRAME SWAY CYLINDER (8042 SN 0160004670 through 0160005649; 10042 SN 0160004673 through 0160005333; 10054 SN 0160004673 through 0160005650)



PA4200

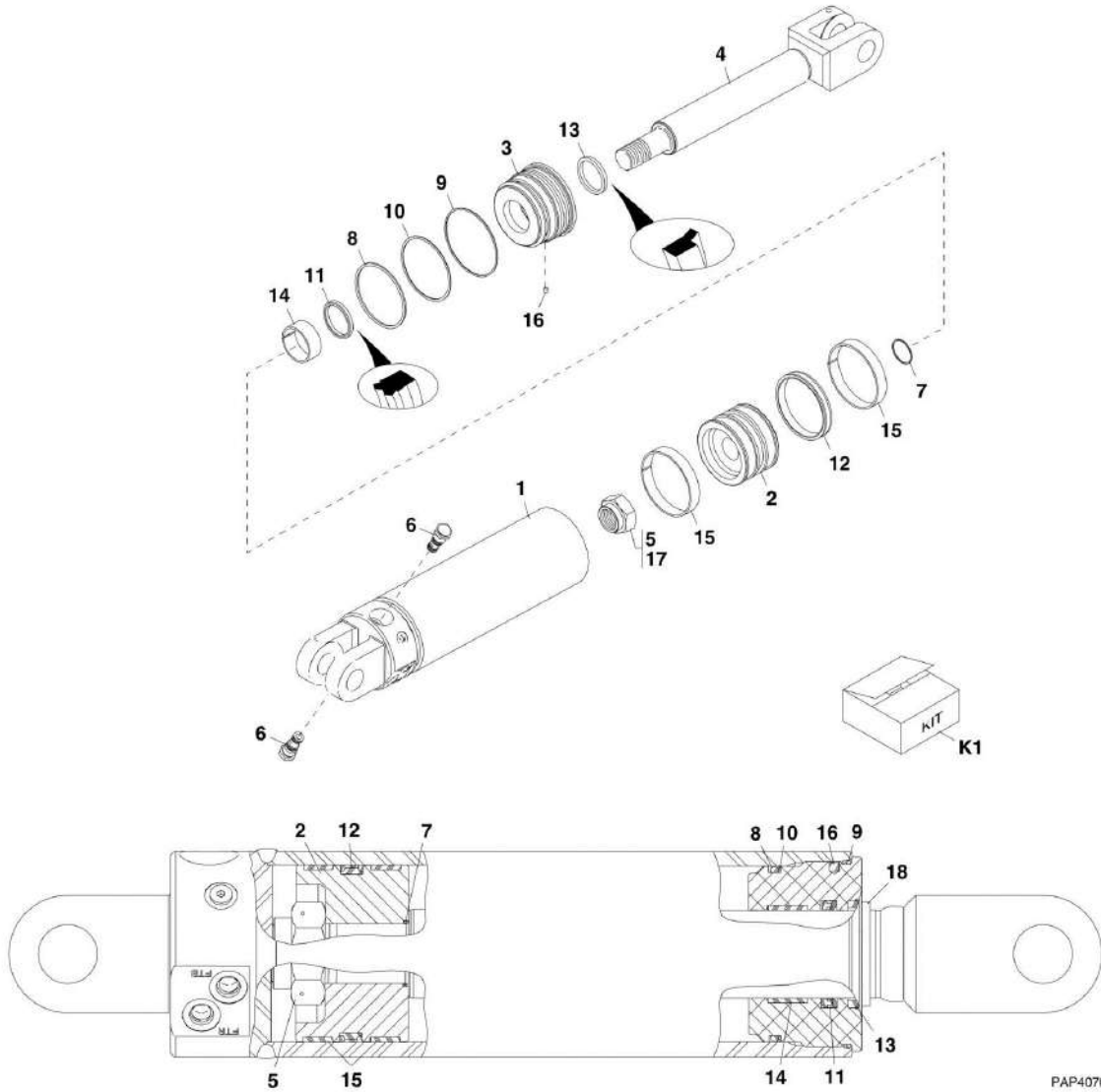
SECTION 9 - HYDRAULIC COMPONENTS

FIGURE 9-12. FRAME SWAY CYLINDER (8042 SN 0160004670 through 0160005649; 10042 SN 0160004673 through 0160005333; 10054 SN 0160004673 through 0160005650)

ITEM	PART NUMBER	QTY	DESCRIPTION	REV
1	2717216	Ref	FRAME SWAY CYLINDER, (no service parts available, use 2716563 for replacement)	B

SECTION 9 - HYDRAULIC COMPONENTS

FIGURE 9-13. FRAME SWAY CYLINDER (8042 SN 0160005695 to Present; 10042 SN 0160005669 to Present; 10054 SN 0160005697 to Present)



PAP4070

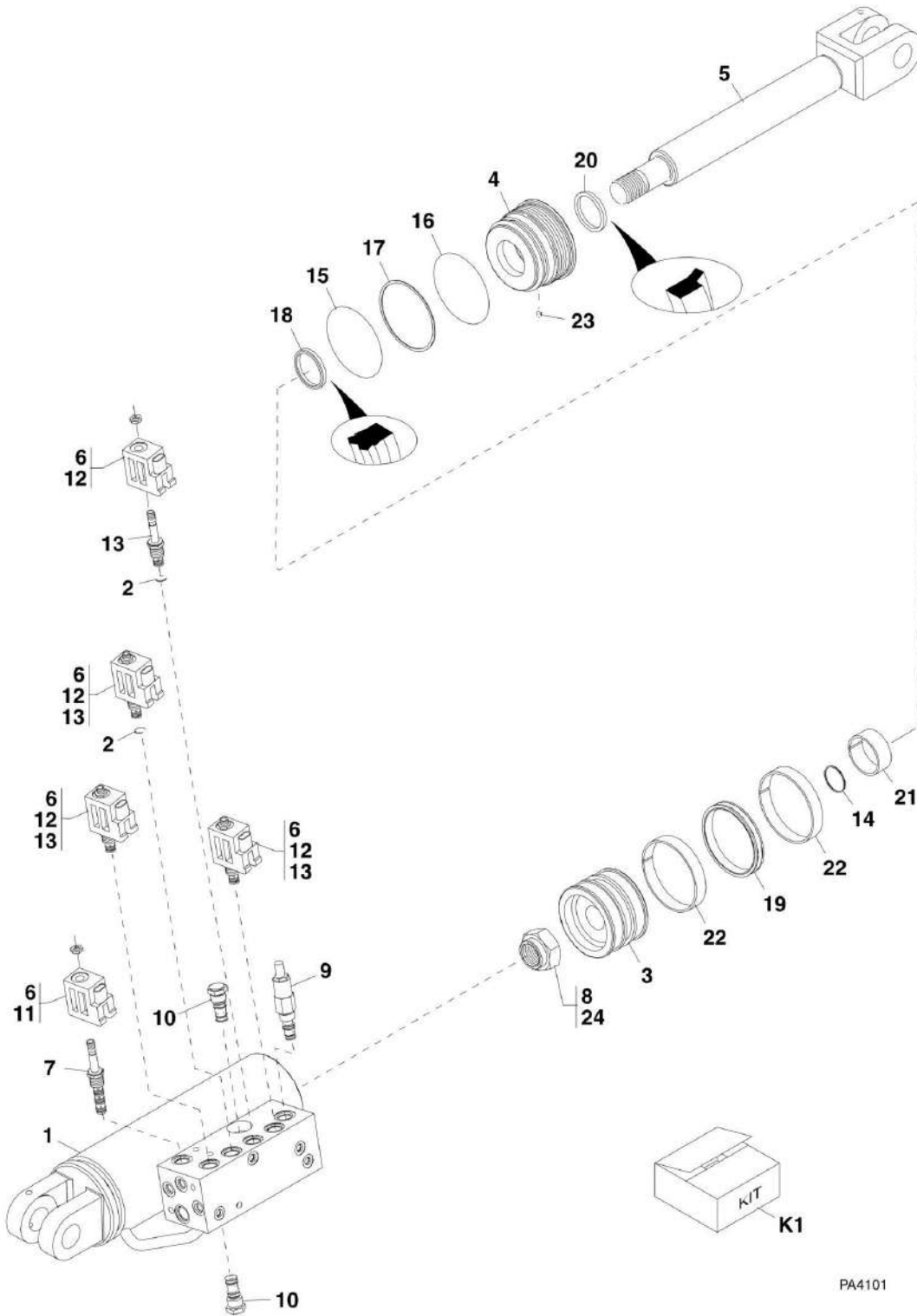
SECTION 9 - HYDRAULIC COMPONENTS

FIGURE 9-13. FRAME SWAY CYLINDER (8042 SN 0160005695 to Present; 10042 SN 0160005669 to Present; 10054 SN 0160005697 to Present)

ITEM	PART NUMBER	QTY	DESCRIPTION	REV
	2716563	1	FRAME SWAY CYLINDER, (includes items 1 thru 16 & item 18)	C
1	N.S.S.	1	TUBE WELDMENT	
2	8035323	1	PISTON	
3	8035324	1	HEAD GLAND, (torque to 300-400 lb-ft)	
4	8035758	1	ROD WELDMENT	
5	8035322	1	HEX LOCKNUT, 1.5-12, (Loctite and torque to 1100-1250 lb-ft)	
6	8035757	2	PO CHECK VALVE, SERIES 10, (torque to 35-40 lb-ft)	
6	8035327	1	SEAL KIT	
7	Kit	1	O-RING	
8	Kit	1	O-RING	
9	Kit	1	O-RING	
10	Kit	1	RING, BACK-UP	
11	Kit	1	DEEP Z-SEAL	
12	Kit	1	CAPPED T-SEAL	
13	Kit	1	SEAL WIPER	
14	Kit	1	PRECISION WEARBAND	
15	Kit	2	PRECISION WEARBAND	
16	Kit	1	LOCKING INSERT	
17	8526011	AR	LOCTITE 271	
18	70021564	1	SQUARE RING	
K1	8035326	1	SEAL KIT, (includes items 7 thru 16)	

SECTION 9 - HYDRAULIC COMPONENTS

FIGURE 9-14. STABIL-TRAK CYLINDER (8042 SN 13198 through 19145; 10042 SN 13198 through 19241; 10054 SN 13198 through 19113)



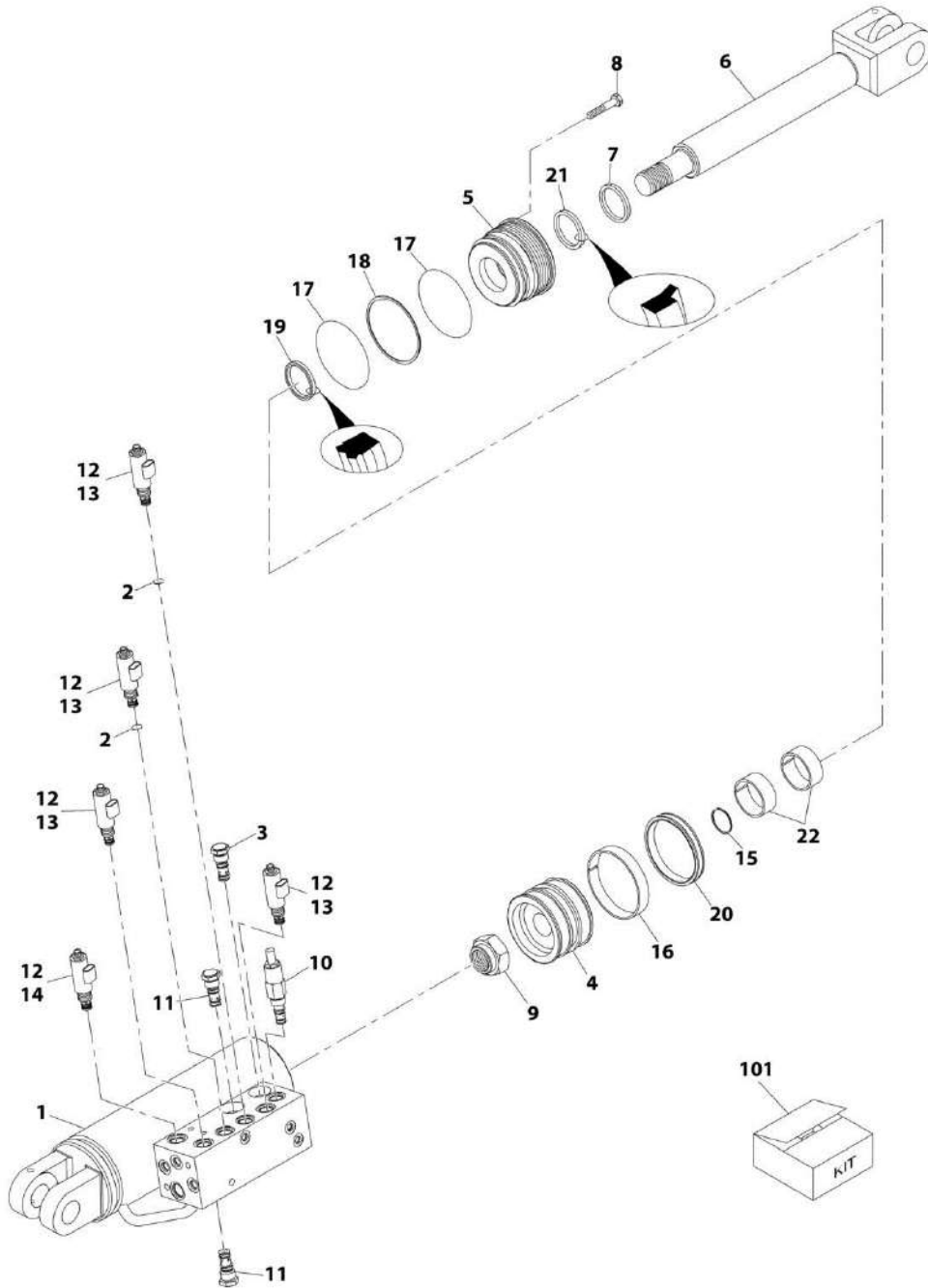
SECTION 9 - HYDRAULIC COMPONENTS

FIGURE 9-14. STABIL-TRAK CYLINDER (8042 SN 13198 through 19145; 10042 SN 13198 through 19241; 10054 SN 13198 through 19113)

ITEM	PART NUMBER	QTY	DESCRIPTION	REV
	2716564	1	STABIL-TRAK CYLINDER, (includes items 1 thru 23)	
1	N.S.S.	1	TUBE WELDMENT	
2	8035781	2	CONICAL ORIFICE DISK, 0.06 DIA	
3	8035323	1	PISTON, (torque to 300-400 lb-ft)	
4	8035324	1	HEAD GLAND	
5	8035783	1	ROD WELDMENT	
6	8036288	5	SOLENOID COIL	
7	8036290	1	SOLENOID VALVE CARTRIDGE	
8	8035322	1	LOCKNUT, 1.5-12, (Loctite and torque to 1100-1250 lb-ft)	
9	8035282	1	PRESSURE REDUCING VALVE, (100), (torque to 35-40 lb-ft)	
9	8032994	1	SEAL KIT	
10	8035281	2	PO CHECK VALVE, SERIES 10, (torque to 35-40 lb-ft)	
10	8036192	1	SEAL KIT	
11	8036020	1	SOLENOID VALVE, 4 WAY, 12V, (includes items 6 & 7), (includes nut), (torque to 25-30 lb-ft)	
11	8036195	1	SEAL KIT	
12	8036019	4	SOLENOID VALVE, 2 WAY, 12V, (includes items 6 & 13), (includes nut), (torque to 25-30 lb-ft)	
12	8034037	1	SEAL KIT	
13	8036289	4	SOLENOID VALVE CARTRIDGE	
14	Kit	1	O-RING	
15	Kit	1	O-RING	
16	Kit	1	O-RING	
17	Kit	1	BACK-UP RING	
18	Kit	1	DEEP Z-SEAL	
19	Kit	1	CAPPED T-SEAL	
20	Kit	1	WIPER SEAL	
21	Kit	1	PRECISION WEARBAND	
22	Kit	2	PRECISION WEARBAND	
23	Kit	1	LOCKING INSERT	
24	8526011	1	LOCTITE 271, (apply to item 8)	
K1	8035326	1	SEAL KIT, (includes items 14 thru 23)	

SECTION 9 - HYDRAULIC COMPONENTS

FIGURE 9-15. STABIL-TRAK CYLINDER (8042 SN 19146 through 19987, SN 0160002332 to Present; 10042 SN 19242 through 19987, SN 0160002332 to Present; 10054 SN 19114 through 19987, SN 0160002332 to Present; Including)



ART_2717198-E

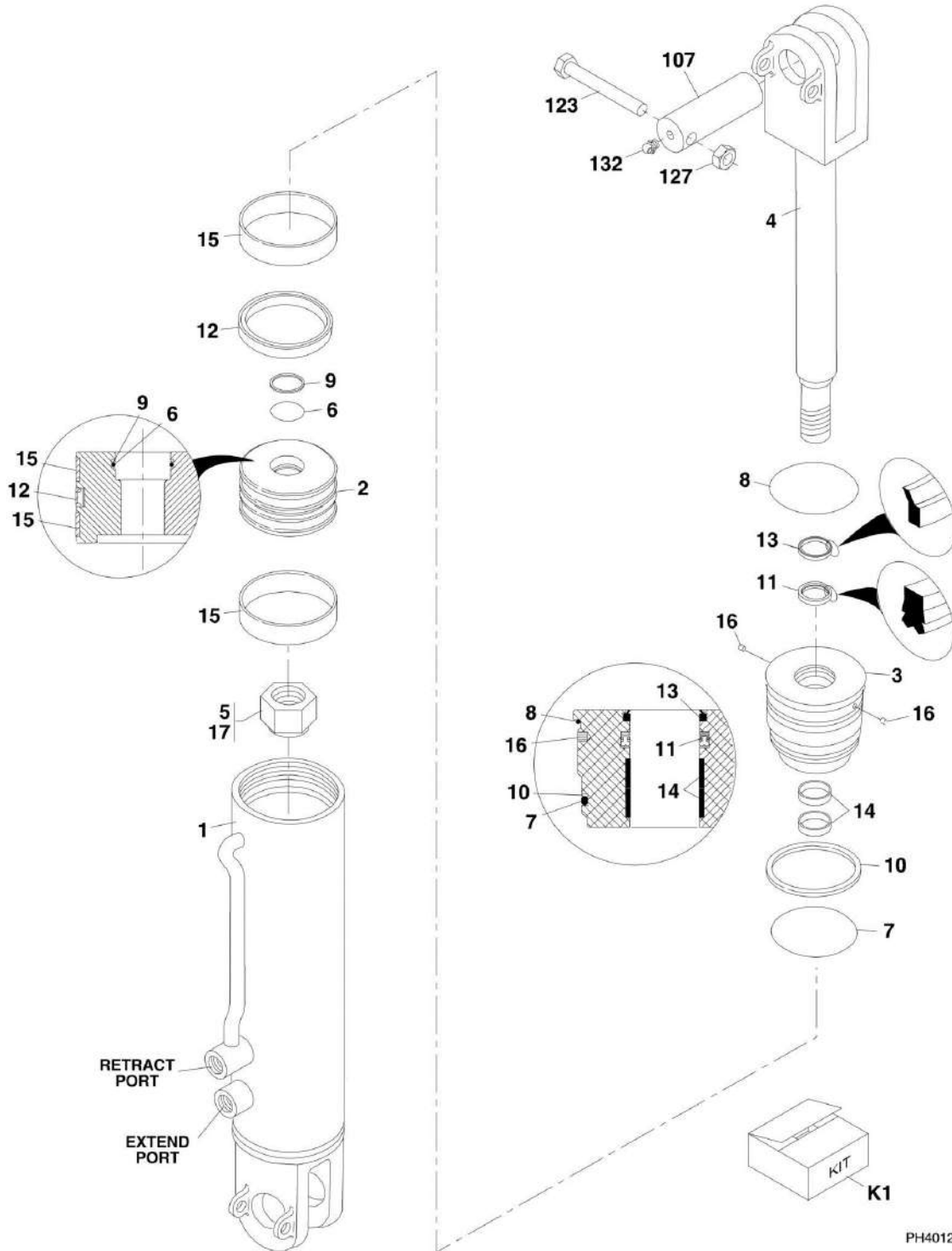
SECTION 9 - HYDRAULIC COMPONENTS

**FIGURE 9-15. STABIL-TRAK CYLINDER (8042 SN 19146 through 19987, SN 0160002332 to Present;
10042 SN 19242 through 19987, SN 0160002332 to Present; 10054 SN 19114 through 19987, SN
0160002332 to Present; Including)**

ITEM	PART NUMBER	QTY	DESCRIPTION	REV
	2717198	Ref	STABIL-TRAK CYLINDER	E
1	N.S.S.	1	WELDMENT, TUBE	
2	8035781	2	DISK, CONICAL ORIFICE	
3	8036582	1	VALVE, CHECK	
3	7017496	1	KIT, SEAL	
4	8036826	1	PISTON	
5	8036828	1	GUIDE	
6	8036827	1	WELDMENT, ROD	
7	7029153	1	O-RING	
8	8036811	1	SCREW, SET 1/4-20X3/8	
9	8036825	1	NUT, LOCK 1-1/2-12	
10	8035282	1	VALVE, PRESSURE REDUCING	
10	8032994	1	KIT, SEAL	
11	8035281	2	VALVE, P.O. CHECK	
11	8036192	2	KIT, SEAL	
12	7029246	5	COIL, SOLENOID	
13	8036581	4	VALVE, SOLENOID 2-WAY 12V	
13	7017496	4	KIT, SEAL	
14	8036580	1	VALVE, SOLENOID 4-WAY 12V	
14	7012903	1	KIT, SEAL	
15	Kit	1	O-RING	
16	Kit	1	RING, WEAR	
17	Kit	2	O-RING	
18	Kit	1	RING, BACK-UP	
19	Kit	1	Z-SEAL, DEEP	
20	Kit	1	T-SEAL, CAPPED	
21	Kit	1	RING, WIPER	
22	Kit	2	RING, WEAR	
101	8036747	1	KIT, SEAL (includes items 15 thru 22)	

SECTION 9 - HYDRAULIC COMPONENTS

FIGURE 9-16. SLAVE CYLINDER (8042 SN 13198 through 19987, SN 0160002332 through 0160003866; 10042 SN 13198 through 19987, SN 0160002332 through 0160003858; 10054 SN 13198 through 19987, SN 0160002332 through 0160003864)



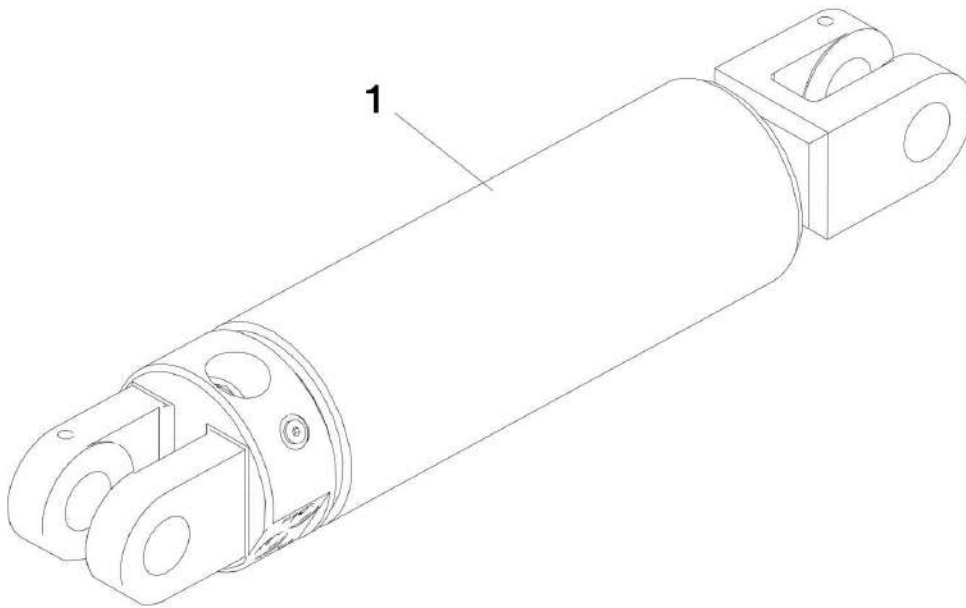
SECTION 9 - HYDRAULIC COMPONENTS

FIGURE 9-16. SLAVE CYLINDER (8042 SN 13198 through 19987, SN 0160002332 through 0160003866; 10042 SN 13198 through 19987, SN 0160002332 through 0160003858; 10054 SN 13198 through 19987, SN 0160002332 through 0160003864)

ITEM	PART NUMBER	QTY	DESCRIPTION	REV
	2714973	2	SLAVE CYLINDER, (includes items 1 thru 16)	D, Z
1	8036001	1	CYLINDER TUBE	
2	8035613	1	PISTON	
3	8035612	1	HEAD GLAND, (torque to 300-400 lb-ft)	
4	8035611	1	ROD	
5	8035547	1	LOCKNUT, 1.375-12, (Loctite and torque to 900-1050 lb-ft)	
6	Kit	1	O-RING	
7	Kit	1	O-RING	
8	Kit	1	O-RING	
9	Kit	1	BACK-UP RING	
10	Kit	1	BACK-UP RING	
11	Kit	1	DEEP Z-SEAL	
12	Kit	1	CAPPED T-SEAL	
13	Kit	1	SEAL WIPER	
14	Kit	2	WEARBAND	
15	Kit	2	WEARBAND	
16	Kit	2	LOCKING INSERT	
17	8526011	AR	LOCTITE 271, (apply to item 5)	
107	3423227	2	CYLINDER PIN	
123	8303782	2	HEX HD CAPSCREW, 1/2-13X4, GR5	
127	8305644	2	HEX LOCKNUT, 1/2-13	
132	8520003	2	LUBE FITTING, 90	
K1	8034695	1	SEAL KIT, (includes items 6 thru 16)	
N1	Note	Ref	QUANTITIES SHOWN ARE FOR ONE CYLINDER ONLY.	

SECTION 9 - HYDRAULIC COMPONENTS

FIGURE 9-17. SLAVE CYLINDER (8042 SN 0160003866 through 0160004653; 10042 SN 0160003899 through 0160004558; 10054 SN 0160003587 through 0160004667)



PA4200

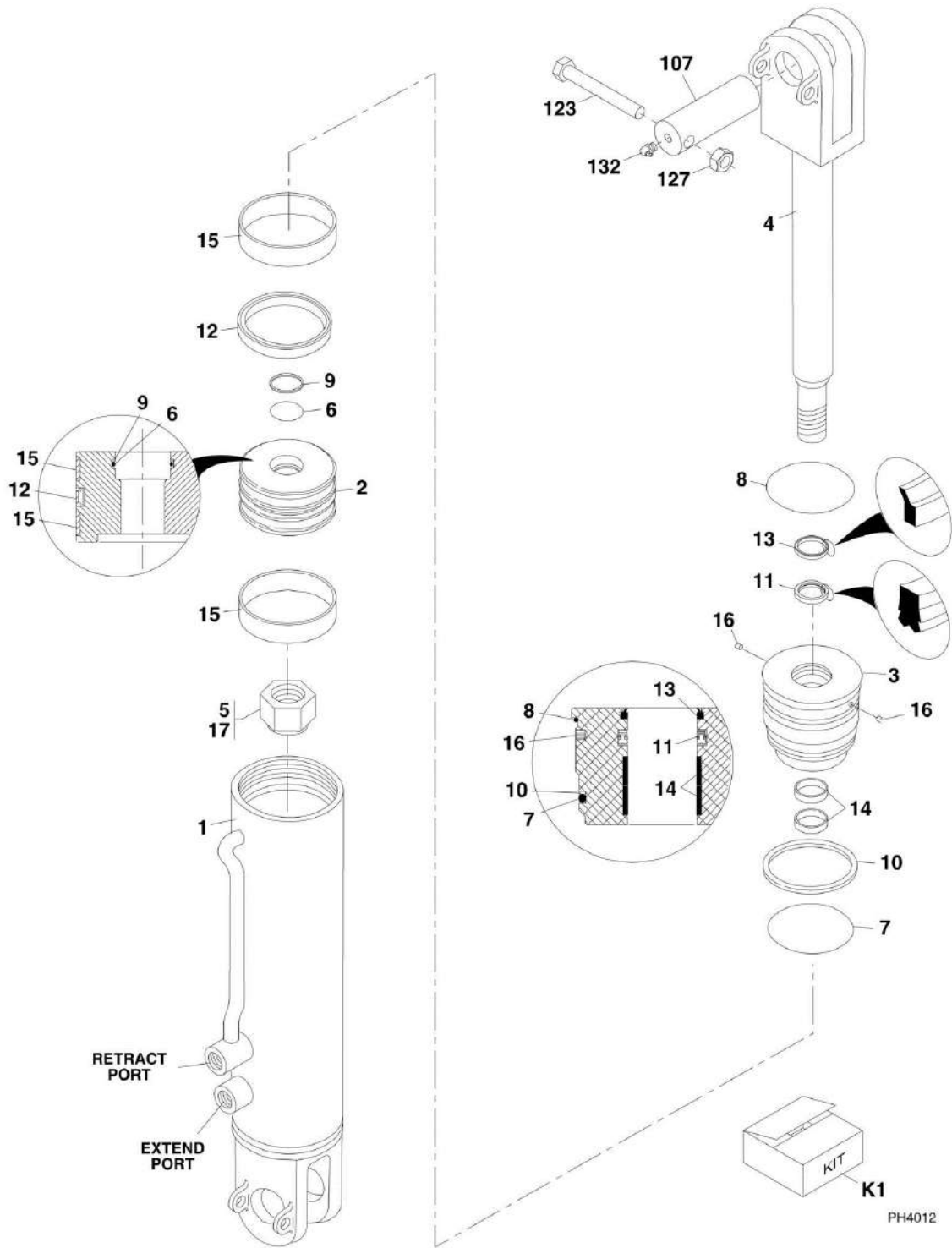
SECTION 9 - HYDRAULIC COMPONENTS

FIGURE 9-17. SLAVE CYLINDER (8042 SN 0160003866 through 0160004653; 10042 SN 0160003899 through 0160004558; 10054 SN 0160003587 through 0160004667)

ITEM	PART NUMBER	QTY	DESCRIPTION	REV
1	2717254	Ref	SLAVE CYLINDER, (not available to order, use 2714973 for replacement)	B

SECTION 9 - HYDRAULIC COMPONENTS

FIGURE 9-18. SLAVE CYLINDER (8042 SN 0160004670 to Present; 10042 SN 0160004673 to Present; 10054 SN 0160004676 to Present)



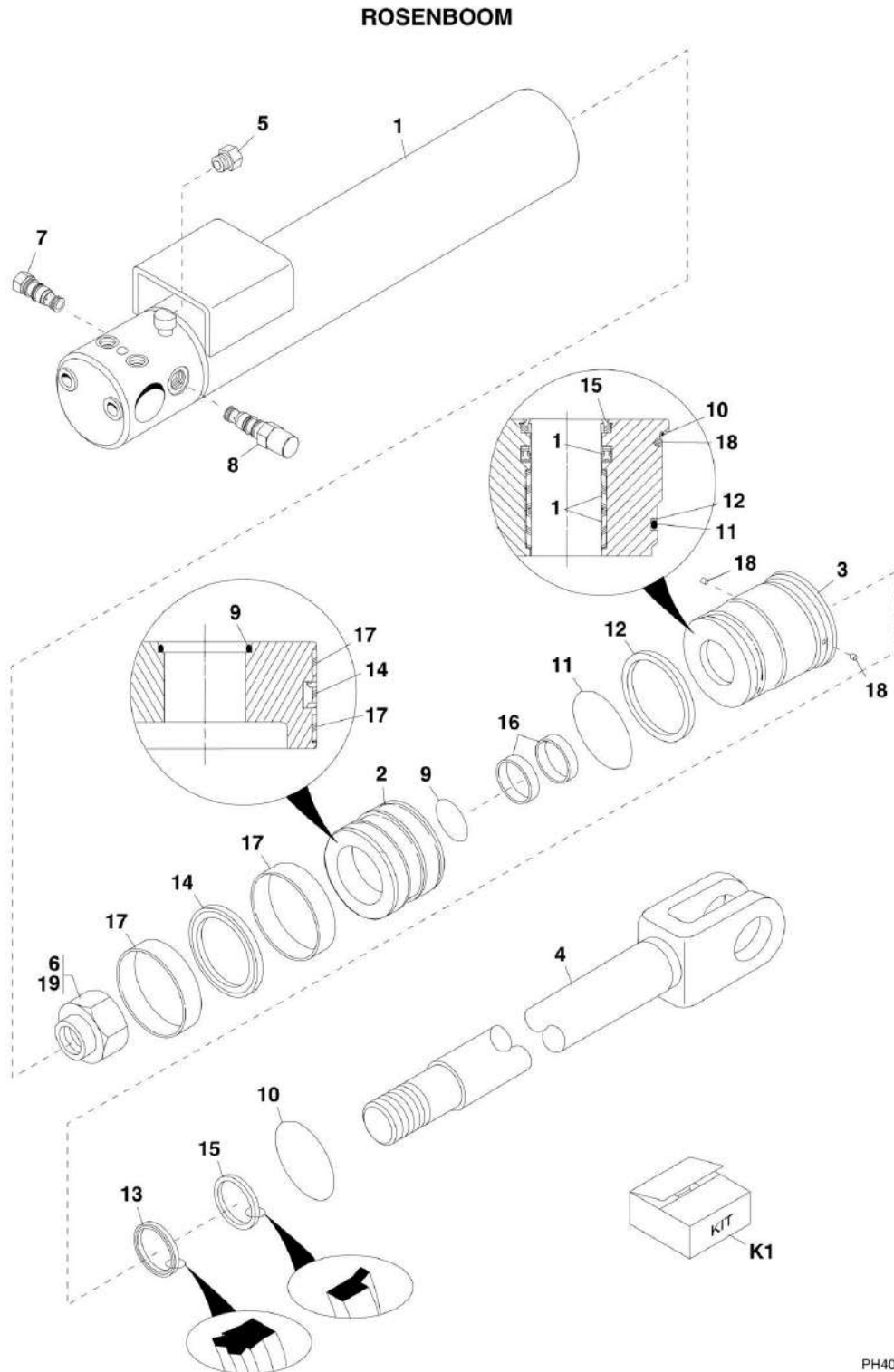
SECTION 9 - HYDRAULIC COMPONENTS

FIGURE 9-18. SLAVE CYLINDER (8042 SN 0160004670 to Present; 10042 SN 0160004673 to Present; 10054 SN 0160004676 to Present)

ITEM	PART NUMBER	QTY	DESCRIPTION	REV
	2714973	2	SLAVE CYLINDER, (includes items 1 thru 16)	
1	8036001	1	CYLINDER TUBE	
2	8035613	1	PISTON	
3	8035612	1	HEAD GLAND, (torque to 300-400 lb-ft)	
4	8035611	1	ROD	
5	8035547	1	LOCKNUT, 1.375-12, (Loctite and torque to 900-1050 lb-ft)	
6	Kit	1	O-RING	
7	Kit	1	O-RING	
8	Kit	1	O-RING	
9	Kit	1	BACK-UP RING	
10	Kit	1	BACK-UP RING	
11	Kit	1	DEEP Z-SEAL	
12	Kit	1	CAPPED T-SEAL	
13	Kit	1	SEAL WIPER	
14	Kit	2	WEARBAND	
15	Kit	2	WEARBAND	
16	Kit	2	LOCKING INSERT	
17	8526011	AR	LOCTITE 271, (apply to item 5)	
107	3423227	1	CYLINDER PIN	
123	8303782	1	HEX HD CAPSCREW, 1/2-13X4, GR5	
127	8305644	1	LOCKNUT, 1/2-13	
132	8520003	1	LUBE FITTING, 90	
K1	8034695	1	SEAL KIT, (includes items 6 thru 16)	
N1	Note	Ref	QUANTITIES SHOWN ARE FOR ONE CYLINDER ONLY.	

SECTION 9 - HYDRAULIC COMPONENTS

FIGURE 9-19. OUTRIGGER CYLINDER (SN 13198 through 19987, SN 0160002332 through 0160002914)



PH4031

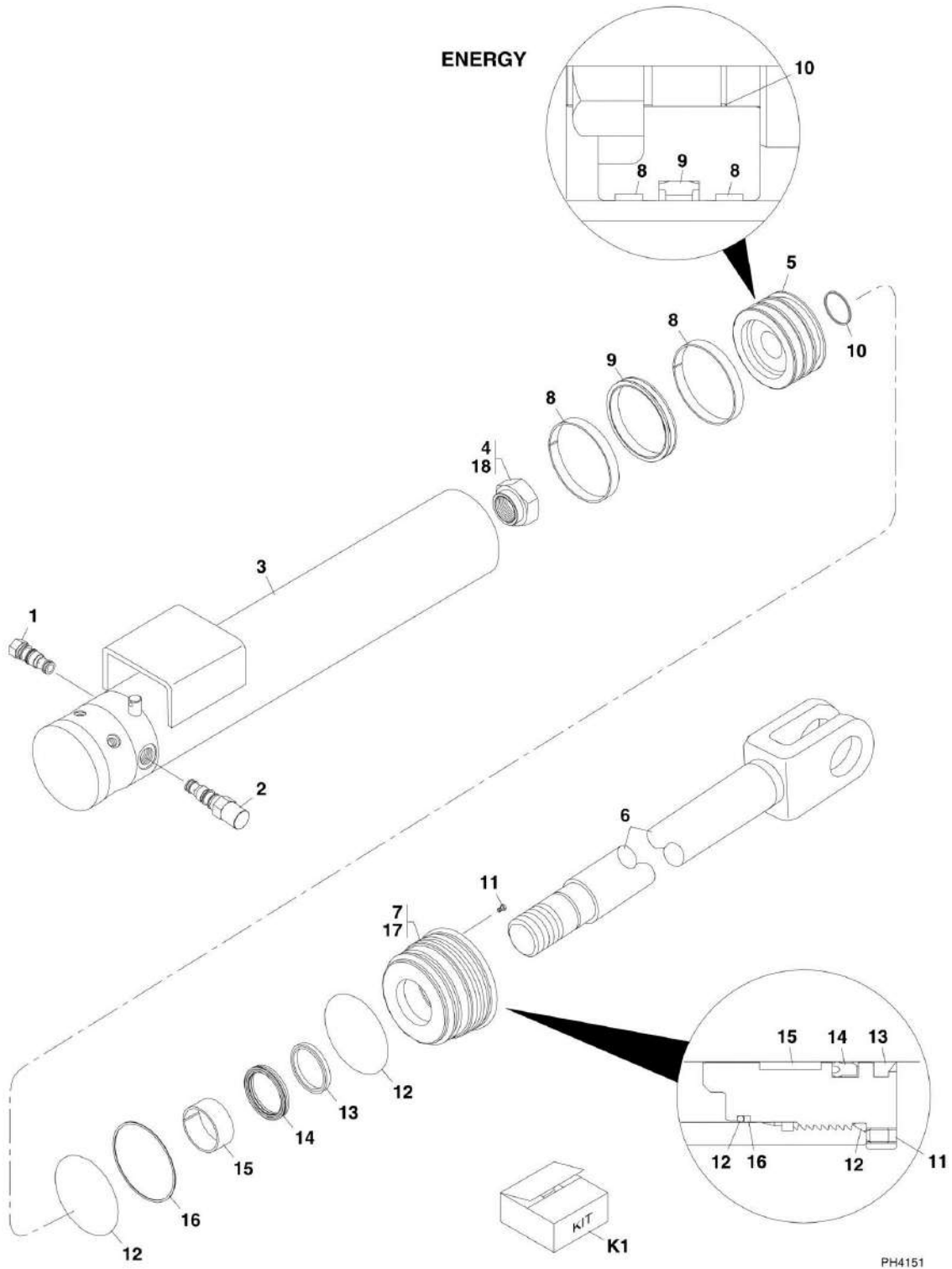
SECTION 9 - HYDRAULIC COMPONENTS

FIGURE 9-19. OUTRIGGER CYLINDER (SN 13198 through 19987, SN 0160002332 through 0160002914)

ITEM	PART NUMBER	QTY	DESCRIPTION	REV
	2716163	1	OUTRIGGER CYLINDER, (includes items 1 thru 18)	
1	N.S.S.	1	TUBE WELDMENT	
2	8035727	1	PISTON	
3	8035728	1	HEAD GLAND, (torque to 300-400 lb-ft)	
4	8035729	1	ROD WELDMENT	
5	8035730	1	HEX HD PLUG, #4, (torque to 25-38 lb-ft)	
6	8035322	1	LOCKNUT, 1.5-12, (Loctite and torque to 1300-1500 lb-ft)	
7	8036750	1	PO CHECK VALVE, (torque to 30-35 lb-ft)	
7	2900770	1	SEAL KIT	
8	8036732	1	COUNTERBALANCE VALVE, 1000 PSI, (torque to 30-35 lb-ft)	
8	8035327	1	SEAL KIT	
9	Kit	1	O-RING	
10	Kit	1	O-RING	
11	Kit	1	O-RING	
12	Kit	1	BACK-UP RING	
13	Kit	1	DEEP Z-SEAL	
14	Kit	1	CAPPED T-SEAL	
15	Kit	1	SEAL WIPER	
16	Kit	2	PRECISION WEARBAND	
17	Kit	2	PRECISION WEARBAND	
18	Kit	2	LOCKING INSERT	
19	8526011	AR	LOCTITE 271, (apply to item 6)	
K1	8035519	1	SEAL KIT, (includes items 9 thru 18)	

SECTION 9 - HYDRAULIC COMPONENTS

FIGURE 9-20. OUTRIGGER CYLINDER (SN 0160002940 to Present)



SECTION 9 - HYDRAULIC COMPONENTS

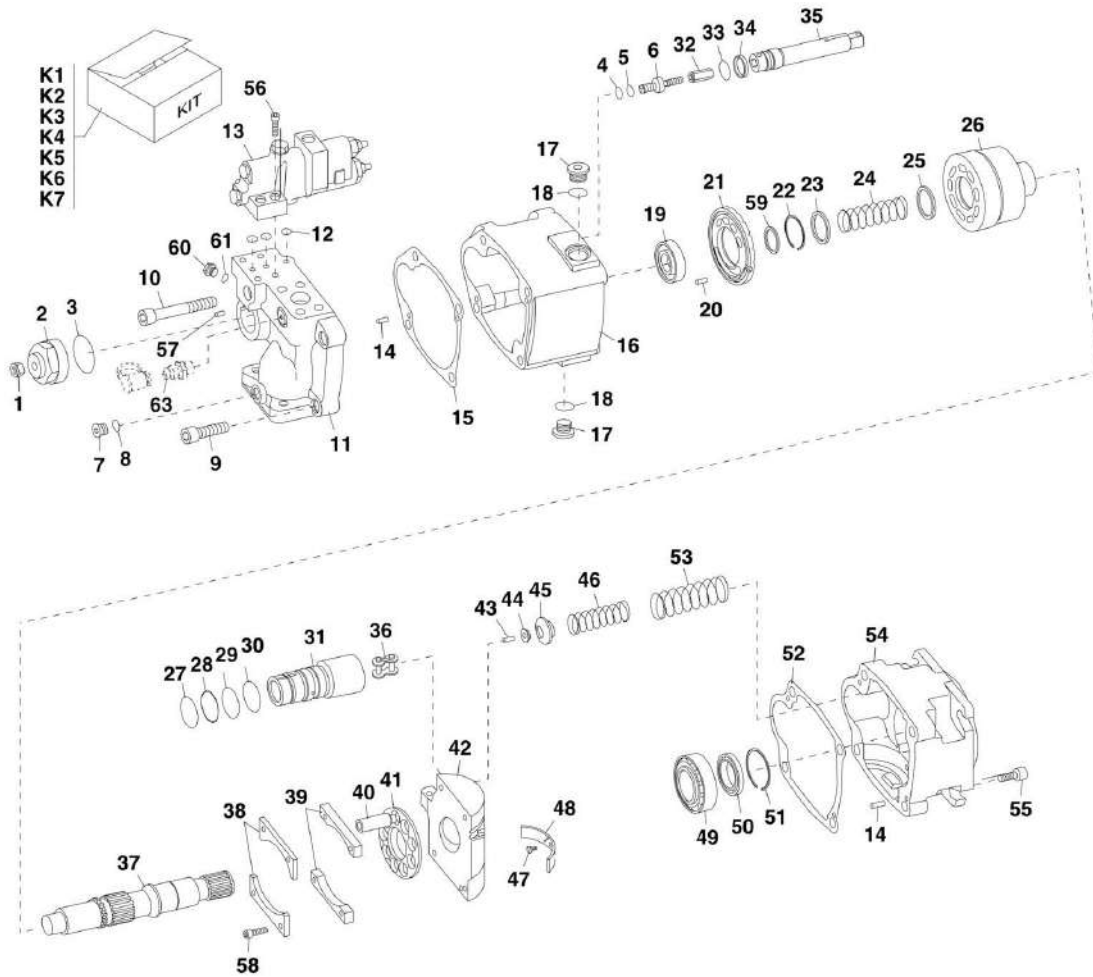
FIGURE 9-20. OUTRIGGER CYLINDER (SN 0160002940 to Present)

ITEM	PART NUMBER	QTY	DESCRIPTION	REV
	2717201	1	OUTRIGGER CYLINDER, (includes items 1 thru 16)	E
1	8036750	1	PO CHECK VALVE, (torque to 30-35 lb-ft)	
1	2900770	1	SEAL KIT	
2	8036732	1	COUNTERBALANCE VALVE, 1000 PSI, (torque to 30-35 lb-ft)	
2	8035327	1	SEAL KIT	
3	70020658	1	BARREL ASSY	
4	8036825	1	LOCKNUT, 1-1/2-12, GRC, (Loctite and torque to 1650-1800 lb-ft)	
5	8036837	1	Piston	
6	8036838	1	ROD WELDMENT	
7	8036839	1	HEAD GLAND, (Loctite and torque to 250-350 lb-ft)	
8	Kit	2	PRECISION WEARBAND	
9	Kit	1	CAPPED T-SEAL	
10	Kit	1	O-RING	
11	8036811	1	SET SCREW, 1/4-20X3/8	
12	Kit	2	O-RING	
13	Kit	1	WIPER RING	
14	Kit	1	Z-SEAL	
15	Kit	1	PRECISION WEARBAND	
16	Kit	1	BACK-UP RING	
17	8526007	AR	LOCTITE 242, (apply to item 7)	
18	8526011	AR	LOCTITE 271, (apply to item 4)	
K1	8036784	1	SEAL KIT, (includes items 8, 9, 10, 12 thru 16)	

SECTION 9 - HYDRAULIC COMPONENTS

FIGURE 9-21. PISTON PUMP

CHECK PISTON PUMP PART NUMBER PRIOR TO ORDERING REPLACEMENT PARTS.



SECTION 9 - HYDRAULIC COMPONENTS

FIGURE 9-21. PISTON PUMP

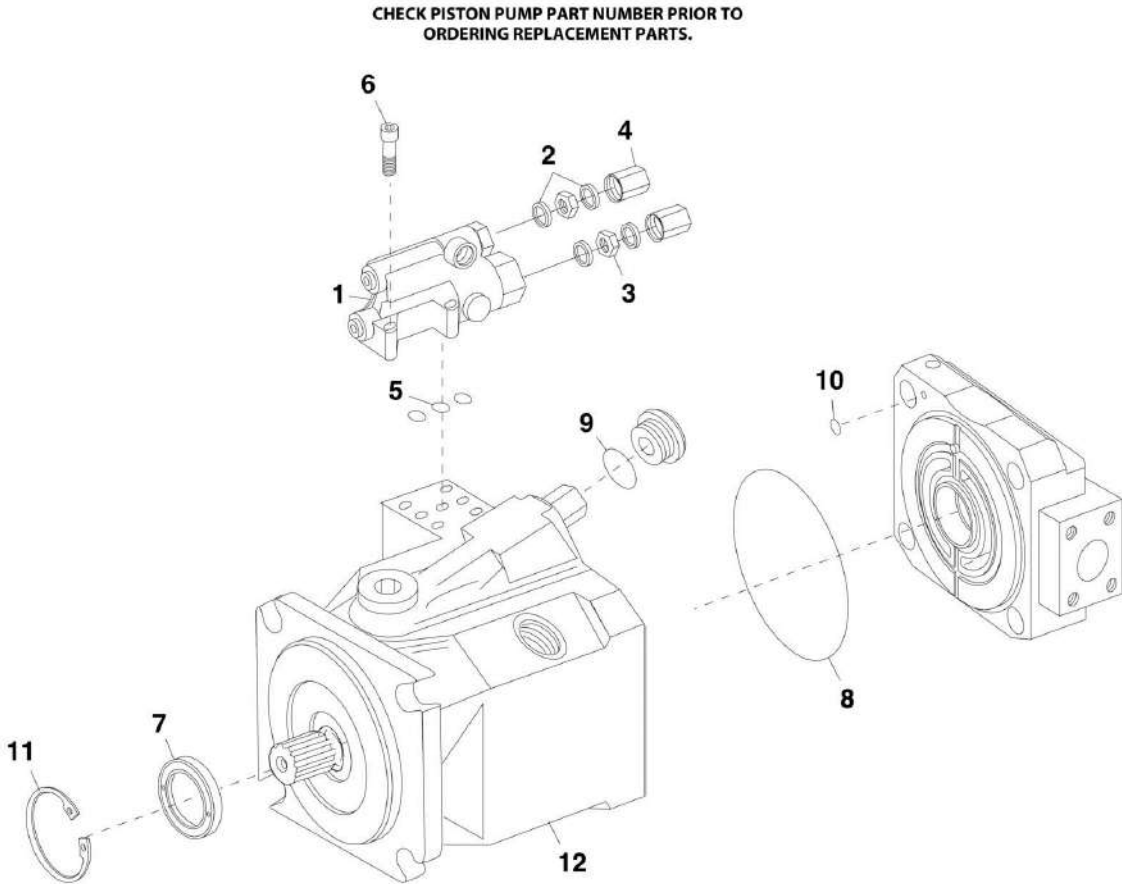
ITEM	PART NUMBER	QTY	DESCRIPTION	REV
	8444228	1	PISTON PUMP, (RED), (if equipped), (includes all items)	E
1	8035567	1	JAM NUT, (torque to 13.3-17.8 lb-ft)	
2	8035568	1	CAP, (s stop), (torque to 192.4-222 lb-ft)	
	8035569	1	CAP, (f stop), (torque to 192.4-222 lb-ft)	
3	Kit	1	O-RING	
4	Kit	1	BACK-UP RING	
5	Kit	1	O-RING	
6	8035570	1	ADJUSTMENT SCREW	
7	8035571	2	SAE GAGE PORT PLUG, (torque to 29-32 lb-ft)	
	8035572	2	ISO GAGE PORT PLUG, (torque to 29-32 lb-ft)	
8	Kit	2	O-RING	
9	8035573	3	SCREW, (torque to 76.2-94 lb-ft)	
10	8035574	1	SCREW, (torque to 76.2-94 lb-ft)	
11	8035575	1	VALVE BLOCK	
12	70021557	3	O-RING	
13	Kit	1	CONTROL SUB ASSY	
14	8035577	4	PIN	
15	Kit	1	GASKET	
16	8035578	1	HOUSING	
17	8035579	2	DRAIN PLUG, (torque to 55.5-61.4 lb-ft)	
18	8035580	2	O-RING	
19	Kit	1	BEARING	
20	8035581	1	PIN	
21	8035582	1	VALVE PLATE	
22	Kit	1	RETAINING RING	
23	Kit	1	SPRING GUIDE	
24	Kit	1	SPRING	
25	Kit	1	SPRING GUIDE	
26	Kit	1	CYLINDER BLOCK	
27	Kit	1	BACK-UP RING	
28	Kit	1	O-RING	
29	Kit	1	O-RING	
30	Kit	1	BACK-UP RING	
31	8035583	1	CONTROL SLEEVE	
32	8035584	1	HEX NUT	
33	Kit	1	O-RING	
34	Kit	1	GLIDE RING	
35	8035585	1	CONTROL PISTON	
36	8035586	1	CHAIN LINK	
37	8035587	1	SHAFT	
38	Kit	2	LIMITER PLATE	
39	Kit	2	SPACER	
40	Kit	9	PISTON & SHOES SUB ASSY	
41	Kit	1	SHOE CAGE	
42	Kit	1	YOKE	
43	Kit	1	PIN	
44	8035588	1	BUTTON	
45	Kit	1	SEAT	
46	8035589	1	SPRING	
47	Kit	2	SCREW, (torque to 2.7-3.3 lb-ft)	

SECTION 9 - HYDRAULIC COMPONENTS

ITEM	PART NUMBER	QTY	DESCRIPTION	REV
48	Kit	2	SADDLE BEARING	
49	Kit	1	BEARING	
50	Kit	1	SHAFT SEAL	
51	Kit	1	RETAINING RING	
52	Kit	1	GASKET	
53	8035590	1	SPRING	
54	8035591	1	FLANGE	
55	8035592	4	SCREW, (torque to 76.2-94 lb-ft)	
56	8035593	4	SCREW, (torque to 23-27.4 lb-ft)	
57	8035595	1	PIN	
58	8035596	4	SCREW, (torque to 9.6-11 lb-ft)	
59	Kit	1	SHAFT SPACER	
60	8035597	2	PLUG	
61	8035598	2	O-RING, (torque to 11.1-11.8 lb-ft)	
63	8430033	1	NIPPLE, MALE STRAIGHT	
K1	8036181	1	CONTROL KIT, (includes items 13 & 56)	
K2	8035561	1	SEAL KIT, (includes items 3, 4, 5, 8, 15, 27, 28, 29, 30, 33, 34, 51 & 52)	
K3	8035562	1	ROTATING GROUP KIT, (includes items 22 thru 26, 38 thru 41 & 58)	
K4	8035563	1	YOKE & SADDLE BEARING KIT, (includes items 42, 43, 45, 47 & 48)	
K5	8035564	1	SHAFT BEARING KIT, (includes items 19 & 49)	
K6	8035565	1	SHAFT SEAL KIT, (includes items 50 & 51)	
K7	8035566	1	SHAFT SPACER KIT, (includes item 59)	

SECTION 9 - HYDRAULIC COMPONENTS

FIGURE 9-22. PISTON PUMP



SECTION 9 - HYDRAULIC COMPONENTS

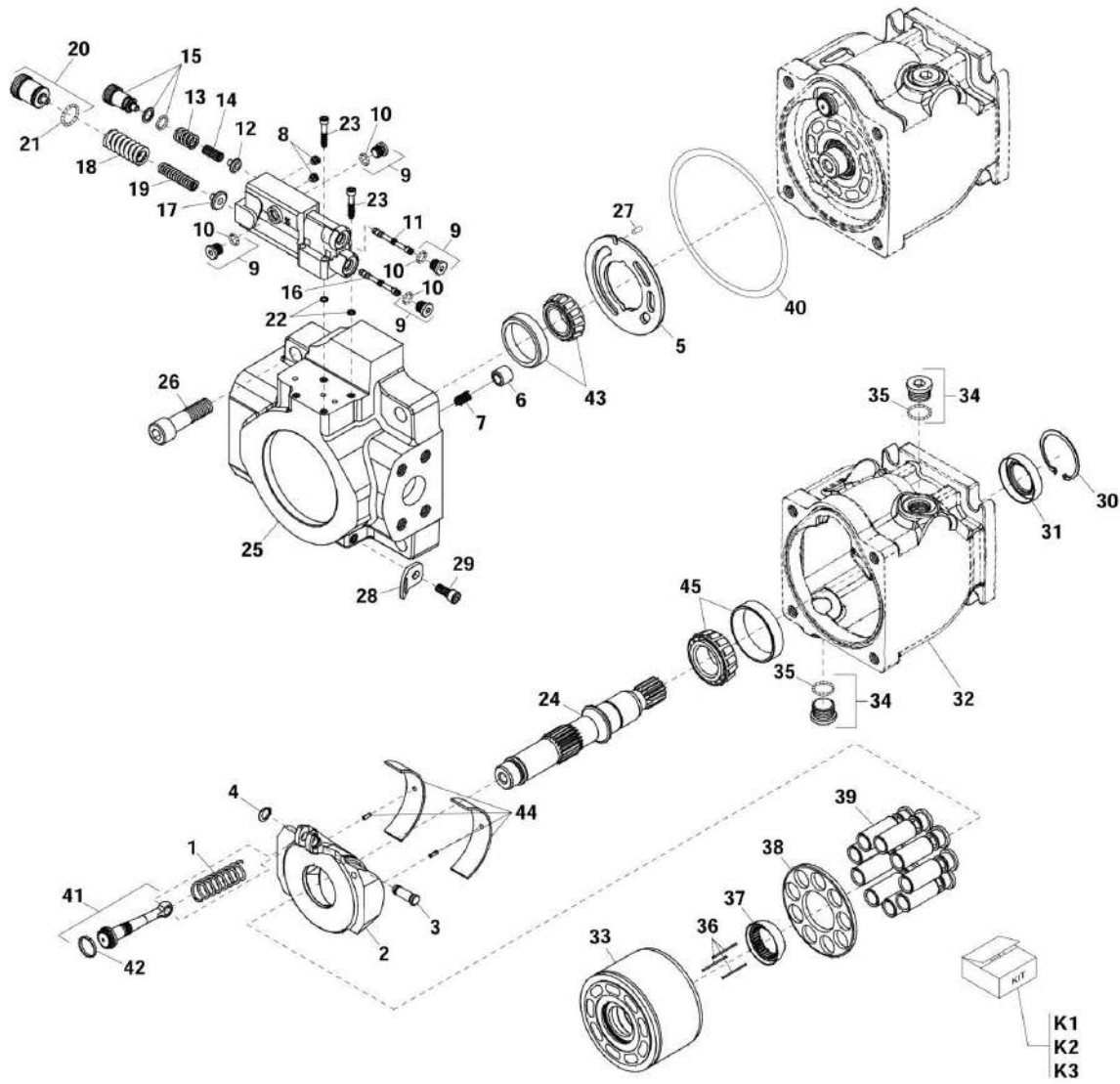
FIGURE 9-22. PISTON PUMP

ITEM	PART NUMBER	QTY	DESCRIPTION	REV
	8444230	1	PISTON PUMP, (BLACK), (if equipped), (includes all items)	B
1	7024955	1	PILOT VALVE, (includes items 2 thru 6)	
2	7024956	4	SEAL RING	
3	7024957	2	LOCK NUT	
4	7024958	2	ACORN NUT	
5	7024922	3	O-RING	
6	7024954	4	SOCKET SCREW, M6X30-10.9	
7	7024947	1	SHAFT SEAL	
8	7024948	1	O-RING	
9	7024949	1	O-RING	
10	7024950	2	RING SEAL	
11	80334277	1	SAFETY RING	
12	N.S.S.	1	HOUSING	

SECTION 9 - HYDRAULIC COMPONENTS

FIGURE 9-23. PISTON PUMP

CHECK PISTON PUMP PART NUMBER PRIOR TO ORDERING REPLACEMENT PARTS.



ART_8990395-9-23

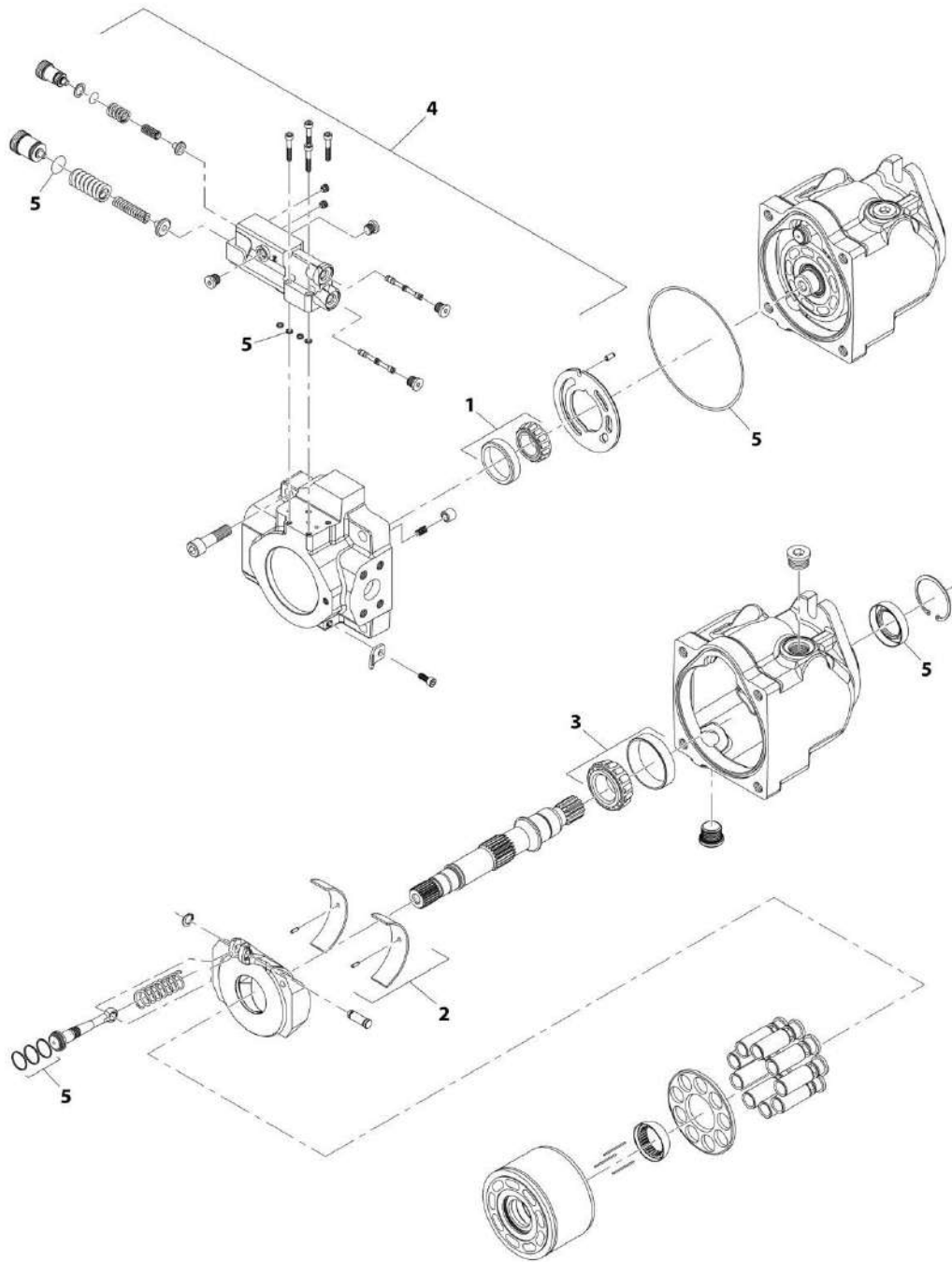
SECTION 9 - HYDRAULIC COMPONENTS

FIGURE 9-23. PISTON PUMP

ITEM	PART NUMBER	QTY	DESCRIPTION	REV
	1001135002	NLA	PISTON PUMP, (GREY), (if equipped), (no longer available, see items below for service or 1001170427 for replacement)	D
1	70002580	1	BIAS SPRING	
2	70002581	1	SWASHPLATE	
3	70002582	1	RETAINER PIN	
4	70002583	1	RETAINING RING	
5	70002584	1	RH PLATE	
6	70001956	1	CHECK VALVE POPPET	
7	70001955	1	SPRING	
8	70023351	2	SET SCREW	
9	70002133	4	PLUG ASSY, (includes item 10)	
10	7007207	4	O-RING	
11	70023352	1	SPOOL	
12	70023353	1	LH SPRING GUIDE	
13	70023354	1	LEFT SIDE OUTER SPRING	
14	70023355	1	LEFT SIDE INNER SPRING	
15	70024039	1	LEFT SIDE ADJUSTING PLUG	
16	70023352	1	CONTROL SPOOL	
17	70023357	1	PC SPRING GUIDE	
18	70023358	1	PC OUTER SPRING	
19	70023359	1	PC INNER SPRING	
20	70024040	1	PC ADJUSTING SPRING, (includes item 21)	
21	NSS	1	O-RING	
22	70023362	4	SEAL RING	
23	70023363	4	SCREW	
24	70023364	1	SHAFT, (14 tooth)	
25	70024041	1	RADIAL END CAP	
26	70002588	4	SCREW	
27	7007446	1	SLOTTED PIN	
28	7022340	1	LIFTING BRACKET	
29	70002590	1	SCREW	
30	7023962	1	RETAINING RING	
31	70022287	1	LIP SEAL	
32	70022288	1	HOUSING	
33	70023996	1	CYLINDER BLOCK ASSY	
34	7023964	2	PLUG, (includes item 35)	
35	7007415	2	O-RING	
36	7021275	3	HOLD DOWN PIN	
37	70002592	1	SLIPPER RETAINER GUIDE	
38	70002593	1	SLIPPER RETAINER	
39	70023997	9	PISTON ASSY	
40	70002595	1	END CAP SEAL	
41	70023998	1	PISTON ASSY, (includes item 42)	
42	70023999	1	PISTON RING	
43	70002585	1	REAR BEARING KIT	
44	70002579	1	SWASHPLATE BEARING KIT	
45	70002578	1	FRONT BEARING KIT	
K1	70024000	1	CYLINDER BLOCK KIT, (includes items 33, 36 thru 39)	
K2	70023350	1	CONTROL KIT, (includes items 8 thru 23)	
K3	70002599	1	SEAL KIT, (includes items 10, 15, 21, 22, 31, 35 & 40)	

SECTION 9 - HYDRAULIC COMPONENTS

FIGURE 9-24. PISTON PUMP



ART_1001170427-A

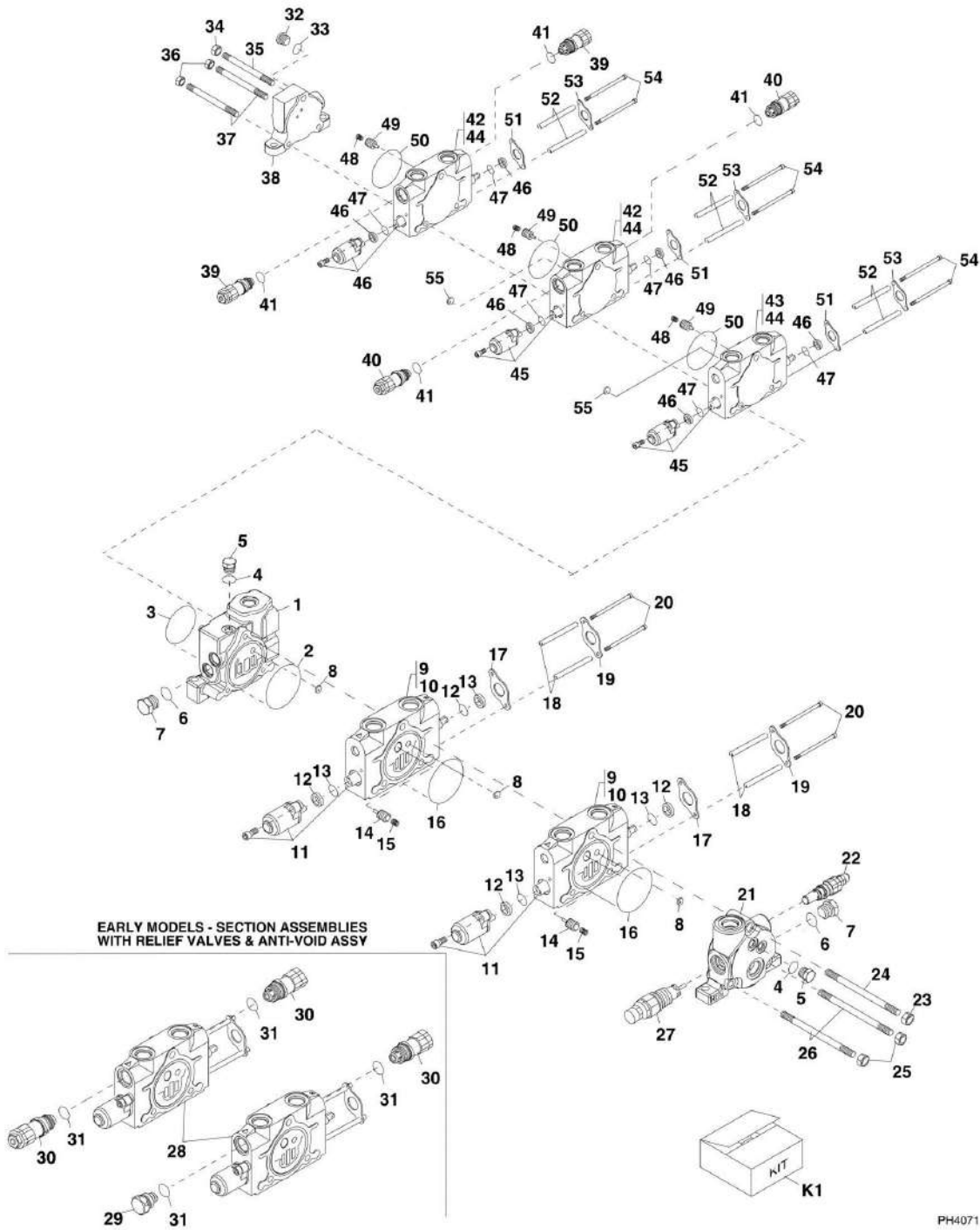
SECTION 9 - HYDRAULIC COMPONENTS

FIGURE 9-24. PISTON PUMP

ITEM	PART NUMBER	QTY	DESCRIPTION	REV
	1001170427	Ref	PISTON PUMP, (if equipped), (includes all items)	A
1	70002585	1	REAR BEARING KIT	
2	70004426	1	BEARING KIT	
3	70002578	1	BEARING KIT	
4	70023350	1	CONTROL KIT	
5	70002599	1	SEAL KIT	

SECTION 9 - HYDRAULIC COMPONENTS

FIGURE 9-25. MAIN CONTROL VALVE



PH4071

SECTION 9 - HYDRAULIC COMPONENTS

FIGURE 9-25. MAIN CONTROL VALVE

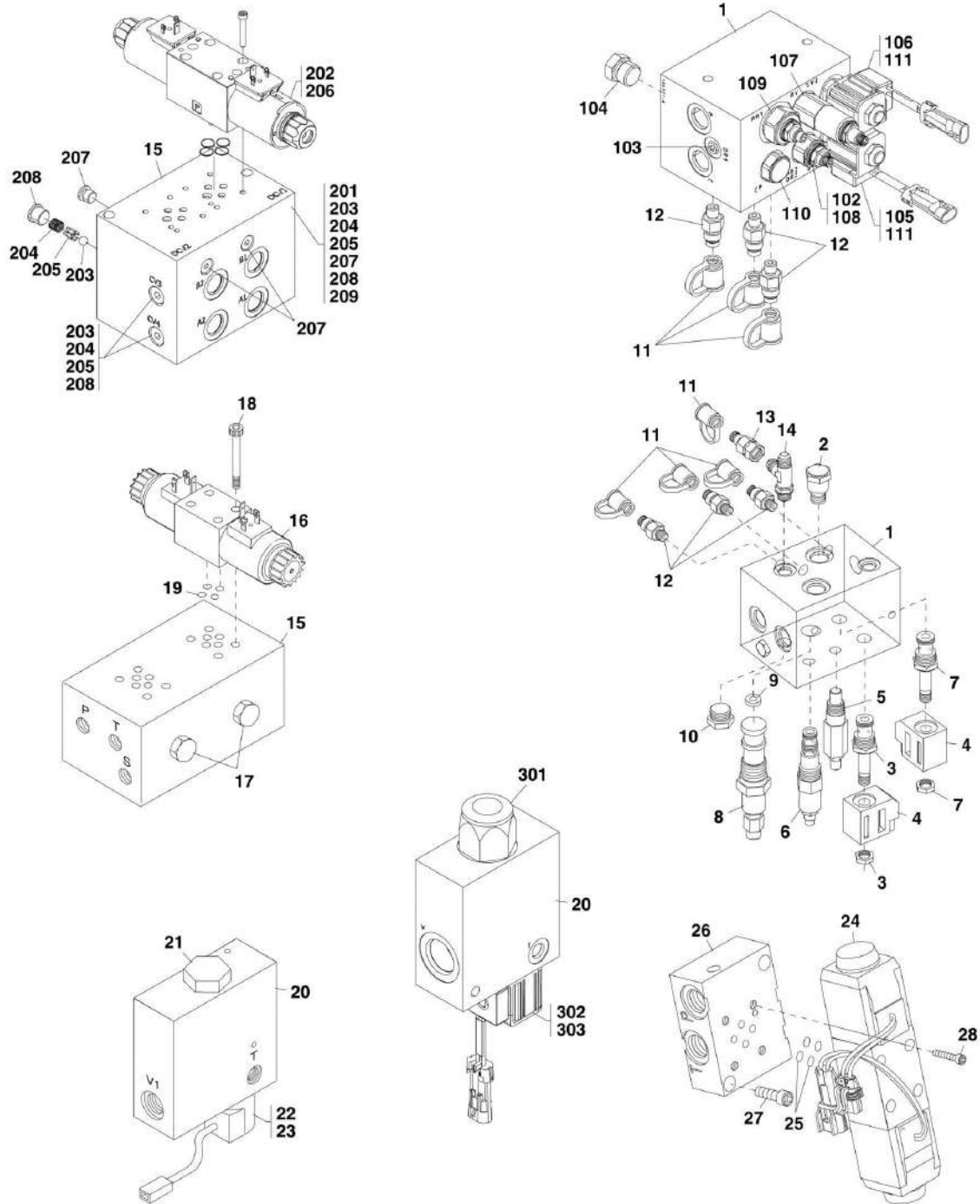
ITEM	PART NUMBER	QTY	DESCRIPTION	REV
	8902188	1	MAIN CONTROL VALVE, (includes items 1 thru 27)	
1	8035849	1	MID-INLET SECTION ASSY (includes items 2 & 3)	
2	8034697	1	O-RING	
3	10837923	1	O-RING	
4	Kit	2	O-RING	
5	8035843	2	PLUG, (torque to 18 lb-ft)	
6	8036517	2	O-RING	
7	8035834	2	PLUG, (torque to 18 lb-ft)	
8	8035845	3	SHUTTLE	
9	8036179	2	BOOM EXTEND/RETRACT AND LIFT/LOWER SECTION ASSY, (includes items 10 thru 17)	
10	N.S.S.	2	SPOOL HOUSING	
11	N.S.S.	2	SPOOL ASSY	
12	Kit	2	WIPER	
13	Kit	2	O-RING	
14	8035367	2	POPPET	
15	8035358	2	SPRING	
16	8034697	2	O-RING	
17	8036257	3	PLATE SEAL	
18	8036259	4	SPACER	
19	8036257	3	PLATE SEAL	
20	8035377	4	SOCKET HEAD CAPSCREW, (torque to 7 lb-ft)	
21	8036263	1	OUTLET SECTION ASSY	
22	8036176	1	LOAD SENSE RELIEF VALVE, 2600 ± 50 PSI, (torque to 33 lb-ft)	
22	8036184	1	SEAL AND SPRING KIT	
23	8035347	1	NUT, (torque to 74 lb-ft)	
24	8036282	1	TIE ROD	
25	8035381	2	NUT, (torque to 48 lb-ft)	
26	8036281	2	TIE ROD	
27	8035844	1	MAIN RELIEF VALVE, 3500 ± 50 PSI, (torque to 48 lb-ft)	
27	8036183	1	SEAL AND SPRING KIT	
28	N.S.S.	2	BOOM EXTEND/RETRACT AND LIFT/LOWER SECTION ASSY, EARLY MODELS, (includes items 12 thru 17), (for replacement order item 9, when item 9 is ordered, items 29 & 30 are not needed.)	
29	8035363	1	ANTI-VOID ASSY, (includes item 31)	
29	8036186	1	SEAL KIT	
30	8036173	3	RELIEF ASSY VALVE, 3200 ± 50 PSI, (includes item 31)	
30	8035856	1	SEAL AND SPRING KIT	
31	Kit	1	O-RING	
32	8035843	1	PLUG, (torque to 18 lb-ft)	
33	Kit	1	O-RING	
34	8035346	1	NUT, (torque to 33 lb-ft)	
35	8036283	1	TIE ROD	
36	8035348	2	NUT, (torque to 18 lb-ft)	
37	8036284	2	TIE ROD	
38	8035848	1	OUTLET SECTION ASSY	
39	8036174	2	RELIEF ASSY VALVE, 3250 ± 50 PSI, (torque to 33 lb-ft), (includes item 41)	
39	8036185	1	SEAL AND SPRING KIT	
40	8036175	2	RELIEF VALVE ASSY, 3250 ± 50 PSI, (torque to 33 lb-ft), (includes item 41)	

SECTION 9 - HYDRAULIC COMPONENTS

ITEM	PART NUMBER	QTY	DESCRIPTION	REV
40	8035855	1	SEAL AND SPRING KIT	
41	10837943	4	O-RING	
42	8036178	2	AUXILIARY AND ATTACHMENT TILT SECTION ASSY, (includes items 44 thru 51)	
43	8036177	1	FRAME SWAY/STABIL-TRAK SECTION ASSY, (includes items 44 thru 51)	
44	N.S.S.	3	SPOOL HOUSING	
45	N.S.S.	3	SPOOL ASSY	
46	Kit	2	WIPER	
47	Kit	2	O-RING	
48	8035365	3	SPRING	
49	8035366	3	PISTON COMPENSATOR	
50	8036260	3	O-RING	
51	8036258	3	PLATE SEAL	
52	8036259	6	SPACER	
53	8036258	3	PLATE SEAL	
54	8035377	6	SOCKET HEAD CAPSCREW, (torque to 7 lb-ft)	
55	8035845	2	SHUTTLE	
K1	8036180	1	SEAL KIT, (includes items 2, 3, 4, 12, 13, 16, 31, 33, 41, 46, 47 & 50)	

SECTION 9 - HYDRAULIC COMPONENTS

FIGURE 9-26. DIRECTIONAL CONTROL VALVE



PH4101

SECTION 9 - HYDRAULIC COMPONENTS

FIGURE 9-26. DIRECTIONAL CONTROL VALVE

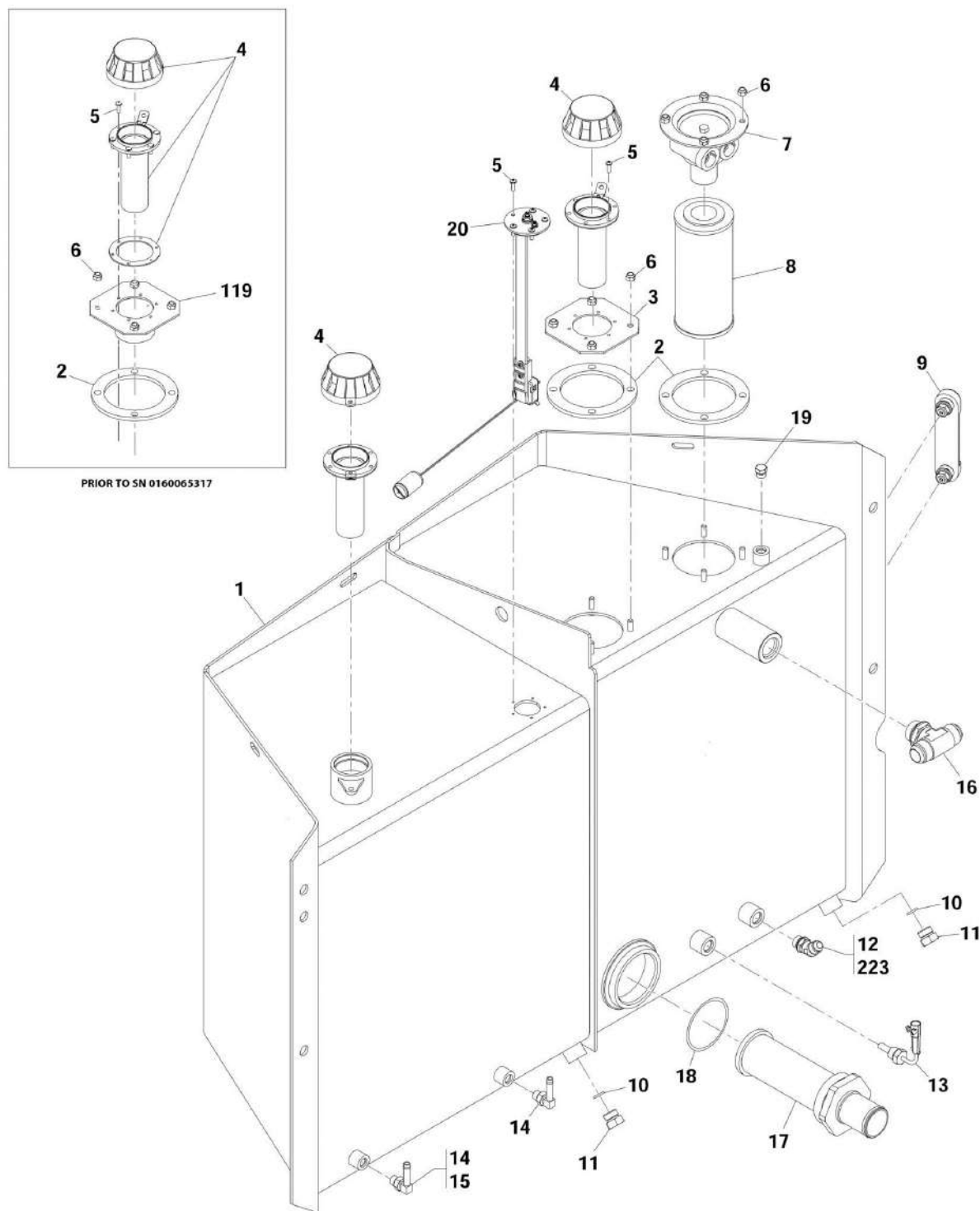
ITEM	PART NUMBER	QTY	DESCRIPTION	REV
1	8902199	NLA	SECONDARY FUNCTION MANIFOLD, (no longer available to order, use 1001103150 or see items 2 thru 10 for service)	
1	1001103150	1	SECONDARY FUNCTION MANIFOLD, (includes items 102 thru 111)	A
2	8032995	1	CHECK VALVE	
2	8032992	1	SEAL KIT	
3	8902696	1	SOLENOID VALVE	
3	8032992	1	SEAL KIT	
4	8902698	2	SOLENOID COIL WITH INTEGRATED DIODE	
5	8032991	1	RELIEF VALVE, 650 PSI	
5	8032994	1	SEAL KIT	
6	8032989	1	PRESSURE REDUCING VALVE, 2500 PSI	
6	8032990	1	SEAL KIT	
7	8902697	1	SOLENOID VALVE	
7	8032992	1	SEAL KIT	
8	8032993	1	PRESSURE REDUCING VALVE, 550 PSI	
8	8032994	1	SEAL KIT	
9	8036253	1	ORIFICE DISC	
10	8036252	1	CAVITY PLUG	
11	8430032	3	DUST PLUG	
12	8430033	3	DIAGNOSTIC NIPPLE	
15	8902193	NLA	OUTRIGGER VALVE, (no longer available to order, use 1001103153 or see items 16 thru 19 for service)	B
15	1001103153	1	OUTRIGGER VALVE, (includes items 201 thru 209)	A
16	8902194	2	SOLENOID VALVE ASSY	
17	8035512	3	SHUTTLE CARTRIDGE	
17	8034038	1	SEAL KIT	
18	8304631	8	SOCKET HD CAPSCREW, #10-24X2	
19	8640017	AR	O-RING	
20	8902206	NLA	BOOM EXTEND/RETRACT LOCKOUT VALVE, (no longer available to order, use 1001103147 or see items 21 thru 23 for service)	C
20	1001103147	1	BOOM EXTEND/RETRACT LOCKOUT VALVE, (includes items 301 thru 303)	A
21	8036171	1	PRESSURE SENSE VALVE	
21	8036187	1	SEAL KIT	
22	8036172	1	SOLENOID VALVE	
22	8036188	1	SEAL KIT	
23	8902698	1	COIL ASSY	
24	8902197	NLA	STEER SELECT VALVE, (no longer available to order, use 1001103152 or see item 25 for service)	C
24	1001103152	1	STEER SELECT VALVE, (includes item 25)	C
25	8640017	AR	O-RING	
26	8902111	1	STEER SELECT VALVE SUBPLATE	
27	8310326	2	SOCKET HD CAPSCREW, 5/16-18X1.125	
28	8310327	4	SOCKET HD CAPSCREW, #10-24X1.125	
102	70023453	1	ORRIFICE PLUG	
103	70023454	1	ORRIFICE PLUG	
104	91474023	1	CHECK VALVE, (torque to 23-27 lb-ft)	
105	70022722	1	SOLENOID VALVE CARTRIDGE, (torque to 23-27 lb-ft), (torque coil to 5-7 lb-ft)	
106	70022723	1	SOLENOID VALVE CARTRIDGE, (torque to 23-27 lb-ft), (torque coil	

SECTION 9 - HYDRAULIC COMPONENTS

ITEM	PART NUMBER	QTY	DESCRIPTION	REV
			to 5-7 lb-ft)	
107	70022721	1	RELIEF VALVE, (650 psi), (torque to 37-41 lb-ft)	
108	70022719	1	PRESSURE REDUCING VALVE, (550 psi), (torque to 37-41 lb-ft)	
109	70022720	1	PRESSURE REDUCING VALVE, (2500 psi), (torque to 21 lb-ft)	
110	70023455	1	CAVITY PLUG, (torque to 37-41 lb-ft)	
111	70022724	2	SOLENOID COIL WITH DIODE	
201	70022724	1	MANIFOLD	
202	70023505	2	DIRECTIONAL CONTROL VALVE	
203	70023506	6	BALL BEARING, 0.3125	
204	70023507	6	SPRING	
205	70023508	6	RETAINER	
206	70023509	2	ORRIFICE	
207	8032790	6	PORT PLUG, (torque to 7.5-8.3 lb-ft)	
208	88662192	6	PORT PLUG, (torque to 25.7-28.1 lb-ft)	
209	70023510	3	EXPANDER PLUG, 7MM	
301	70023519	1	LOGIC ELEMENT, (65 lb-ft)	
301	70023520	1	SEAL KIT	
302	70023521	1	SOLENOID, (torque to 23-27 lb-ft)	
302	8032694	1	SEAL KIT	
303	70022724	1	METRIPACK COIL, (torque to 3 lb-ft)	

SECTION 9 - HYDRAULIC COMPONENTS

FIGURE 9-27. FUEL/HYDRAULIC TANK ASSEMBLY



ART_8990395-9-26

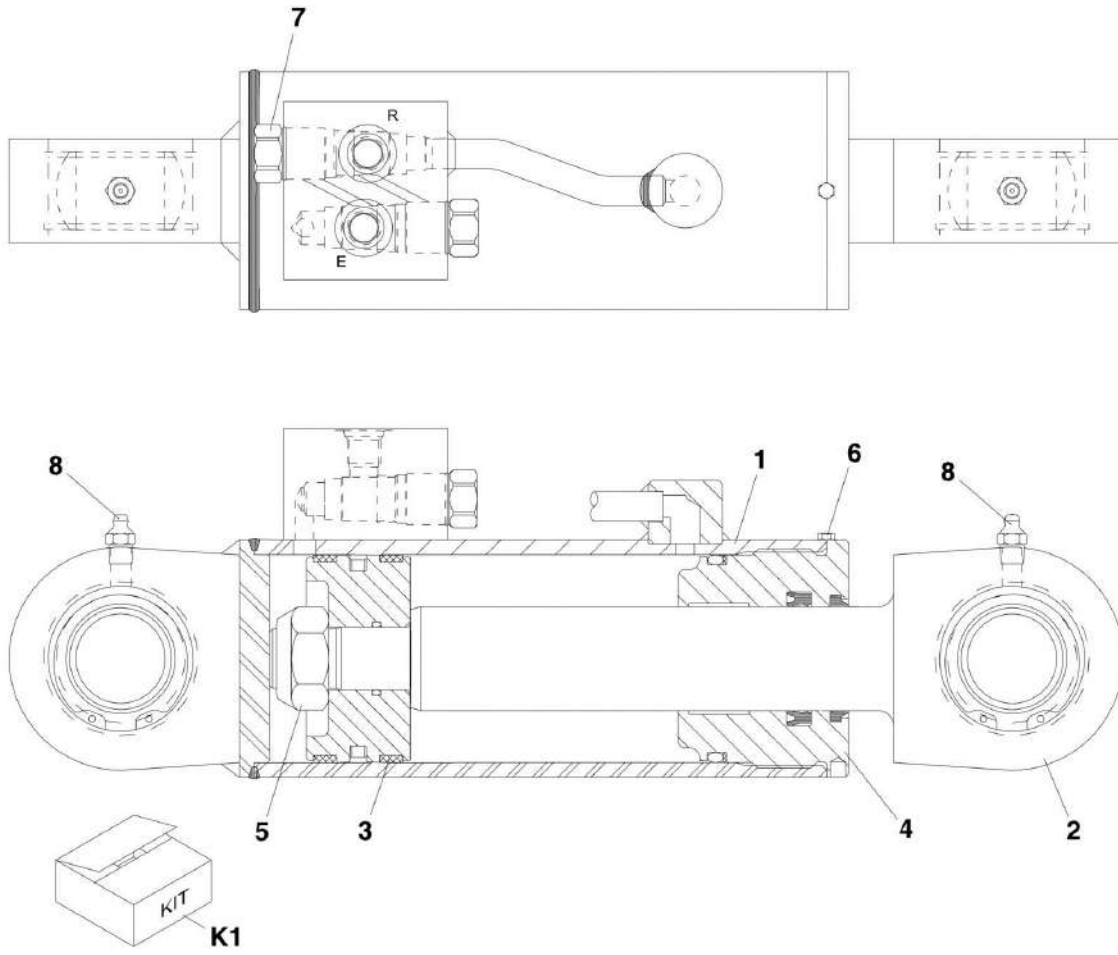
SECTION 9 - HYDRAULIC COMPONENTS

FIGURE 9-27. FUEL/HYDRAULIC TANK ASSEMBLY

ITEM	PART NUMBER	QTY	DESCRIPTION	REV
	7150655	1	FUEL/HYDRAULIC TANK ASSY, (includes items 1 thru 20) (SN 13198 through 19887)	
	7301863	1	FUEL/HYDRAULIC TANK ASSY,(includes items 1 thru 9 & 11 thru 20), (SN 016002332 through 0160040913)	G
	1001100218	1	FUEL/HYDRAULIC TANK ASSY, (includes items 1 thru 9, 11 thru 20 & 119) (SN 0160040914 to Present)	I
1	7150610	1	FUEL AND HYDRAULIC RESERVOIR (SN 13198 through 19887)	
1	7301862	1	FUEL AND HYDRAULIC RESERVOIR (SN 016002332 to Present)	
2	7138209	3	GASKET (Prior to SN 0160065317)	
2	7138209	2	GASKET (SN 0160065317 to Present)	
3	7139076	1	PLATE	
4	7139077	2	FILLER/BREATHER	
5	8310163	17	TRUSS HD SCREW, #10X5/8 (Prior to SN 0160065317)	
5	8310163	11	TRUSS HD SCREW, #10X5/8 (SN 0160065317 to Present)	
6	8305626	12	HEX LOCK ELASTIC NUT, 5/16-18 (Prior to SN 0160065317)	
6	8305626	8	HEX LOCK ELASTIC NUT, 5/16-18 (SN 0160065317 to Present)	
7	1001091752	1	FILTER HEAD, (with by-pass)	
8	8320265	1	HYDRAULIC OIL FILTER ELEMENT thru 0160040129 & 0160040171 (Prior to SN 0160040220, Excluding 0160039850 and 0160040126)	
8	7301252	1	HYDRAULIC OIL FILTER ELEMENT thru 0160040129 & 0160040171 (SN 0160040220 to Present, Including 0160039850 and 0160040126)	
9	7024441	1	SIGHT GAUGE, (torque bolts to 4-5 lb-ft)	
10	8640903	2	O-RING (SN 13198 through 19887)	
11	8541435	2	HEX HD MAGNETIC PLUG (SN 13198 through 19887)	
11	2220239	2	HEX HD PLUG, (includes o-ring) (SN 016002332 to Present)	
12	2220500	1	ELBOW, 45, (includes o-ring), (if equipped with red gear pump 8444228 or black gear pump 8444230)	
13	8223226	1	HYDRAULIC TEMPERATURE SWITCH	
14	8430034	1	ELBOW, 90, (includes o-ring) (Prior to SN 0160040220, Except SN 0160040126 through 0160040129, Excluding 0160039850 and 0160040171)	
14	8430034	2	ELBOW, 90, (includes o-ring) (SN 0160040220 to Present, SN 0160040126 through 0160040129, Including 0160039850 and 0160040171)	
15	8430064	1	ELBOW, 90, (includes o-ring) (Prior to SN 0160040220, Except SN 0160040126 through 0160040129, Excluding 0160039850 and 0160040171)	
16	8760552	1	MALE BRANCH TEE, #16, (includes o-ring)	
17	7138740	1	STRAINER, (includes o-ring)	
18	7029716	1	O-RING	
19	2220237	1	HEX HD PLUG, #6	
20	1001145026	1	FUEL LEVEL SENSOR	
119	1001134961	1	FUEL FILL NECK ADAPTER (SN 0160040914 through 0160065316)	
223	2220950	1	ELBOW, 45, (includes o-ring), (if equipped with grey gear pump 1001135002)	

SECTION 9 - HYDRAULIC COMPONENTS

FIGURE 9-28. SIDE TILT CARRIAGE CYLINDER



PY1581

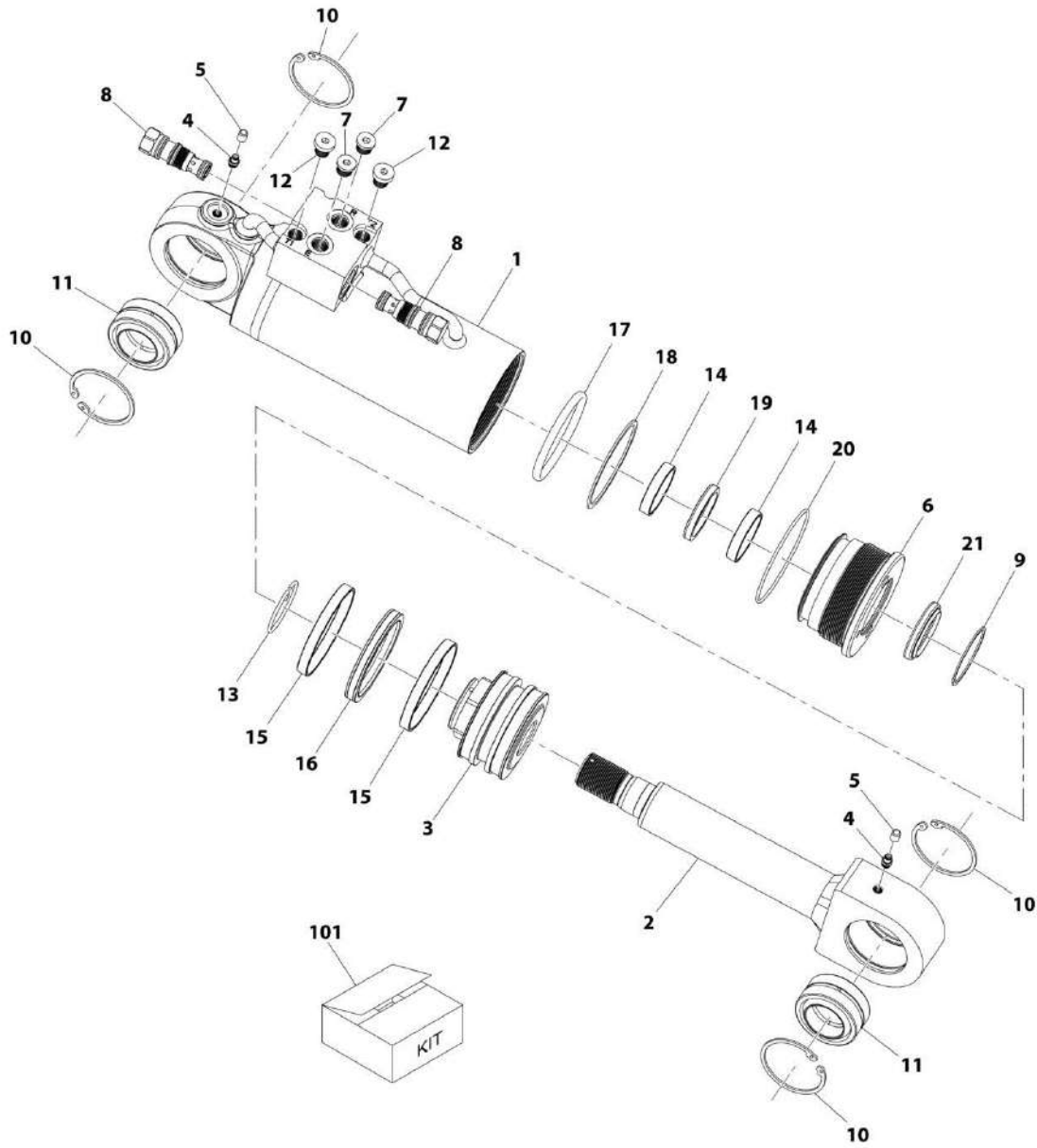
SECTION 9 - HYDRAULIC COMPONENTS

FIGURE 9-28. SIDE TILT CARRIAGE CYLINDER

ITEM	PART NUMBER	QTY	DESCRIPTION	REV
	1001090134	NLA	SIDE TILT CARRIAGE CYLINDER, (no longer available, see items below for service or use 1001163414 for replacement)	C
1	70022038	1	BARREL ASSY	
2	70022039	1	ROD ASSY	
3	70022040	1	PISTON	
3	70022042	1	SEAL KIT	
4	70024002	1	ROD BEARING	
4	70022043	1	SEAL KIT	
5	90022230	1	HEX NUT	
6	7029760	1	CAPSCREW	
7	4640438	2	CHECK VALVE	
7	2900770	1	SEAL KIT	
8	91044080	2	GREASE FITTING	
K1	70022041		SEAL KIT, (contains 70022042 & 70022043)	

SECTION 9 - HYDRAULIC COMPONENTS

FIGURE 9-29. SIDE TILT CARRIAGE CYLINDER



ART_1001163414-A

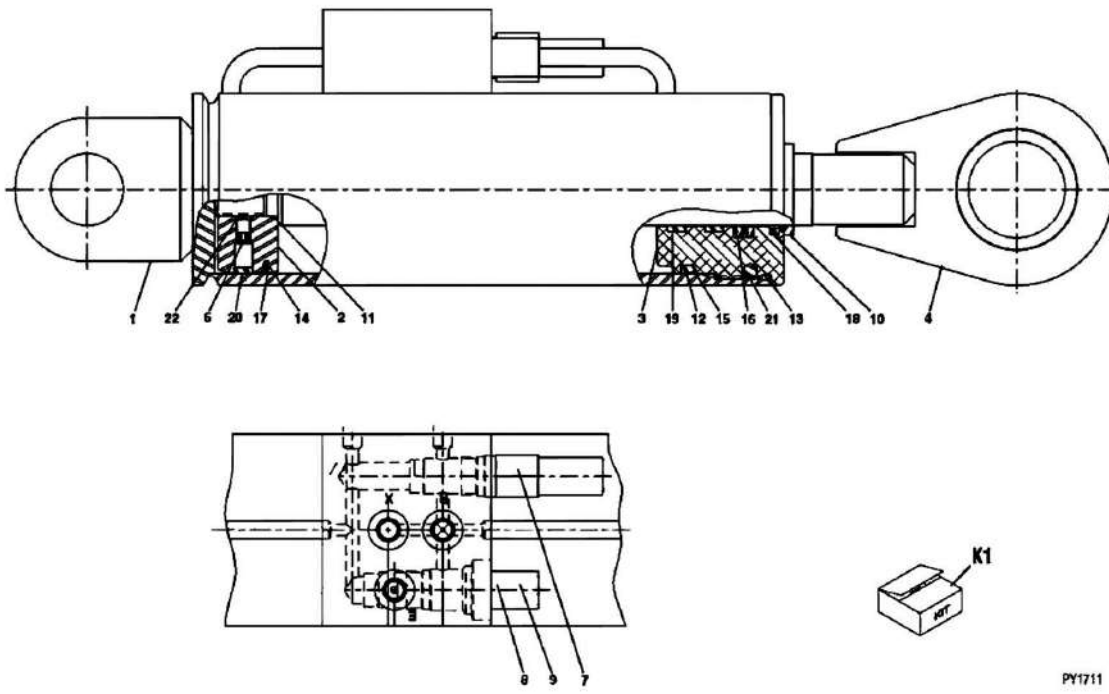
SECTION 9 - HYDRAULIC COMPONENTS

FIGURE 9-29. SIDE TILT CARRIAGE CYLINDER

ITEM	PART NUMBER	QTY	DESCRIPTION	REV
	1001163414	Ref	SIDE TILT CARRIAGE CYLINDER, (includes all items)	A
1	70026056	1	BARREL	
2	70026057	1	ROD	
3	70026058	1	SCREWED PISTON HEAD, 90MM	
4	70025606	2	GREASE NIPPLE	
5	70024020	2	GREASER PROTECTOR	
6	70003849	1	GLAND	
7	70025959	2	BLANKING SCREW	
8	70026059	2	P/O CHECK VALVE	
9	70002219	1	INTERNAL SNAP RING	
10	70026060	4	INTERNAL SNAP RING	
11	70026061	2	SPHERICAL BEARING	
12	70024262	2	BLANKING SCREW	
13	70002224	1	LOCKING RING	
14	Kit	2	ROD BEARING RING	
15	Kit	2	PISTON BEARING RING	
16	Kit	1	PISTON SEAL	
17	Kit	1	O-RING	
18	Kit	1	BACK UP RING	
19	Kit	1	ROD SEAL	
20	Kit	1	O-RING	
21	Kit	1	WIPER SEAL	
101	70026062	1	SEAL KIT, (includes items 14 thru 21)	

SECTION 9 - HYDRAULIC COMPONENTS

FIGURE 9-30. 72 IN 90, SWING CARRIAGE CYLINDER



PY1711

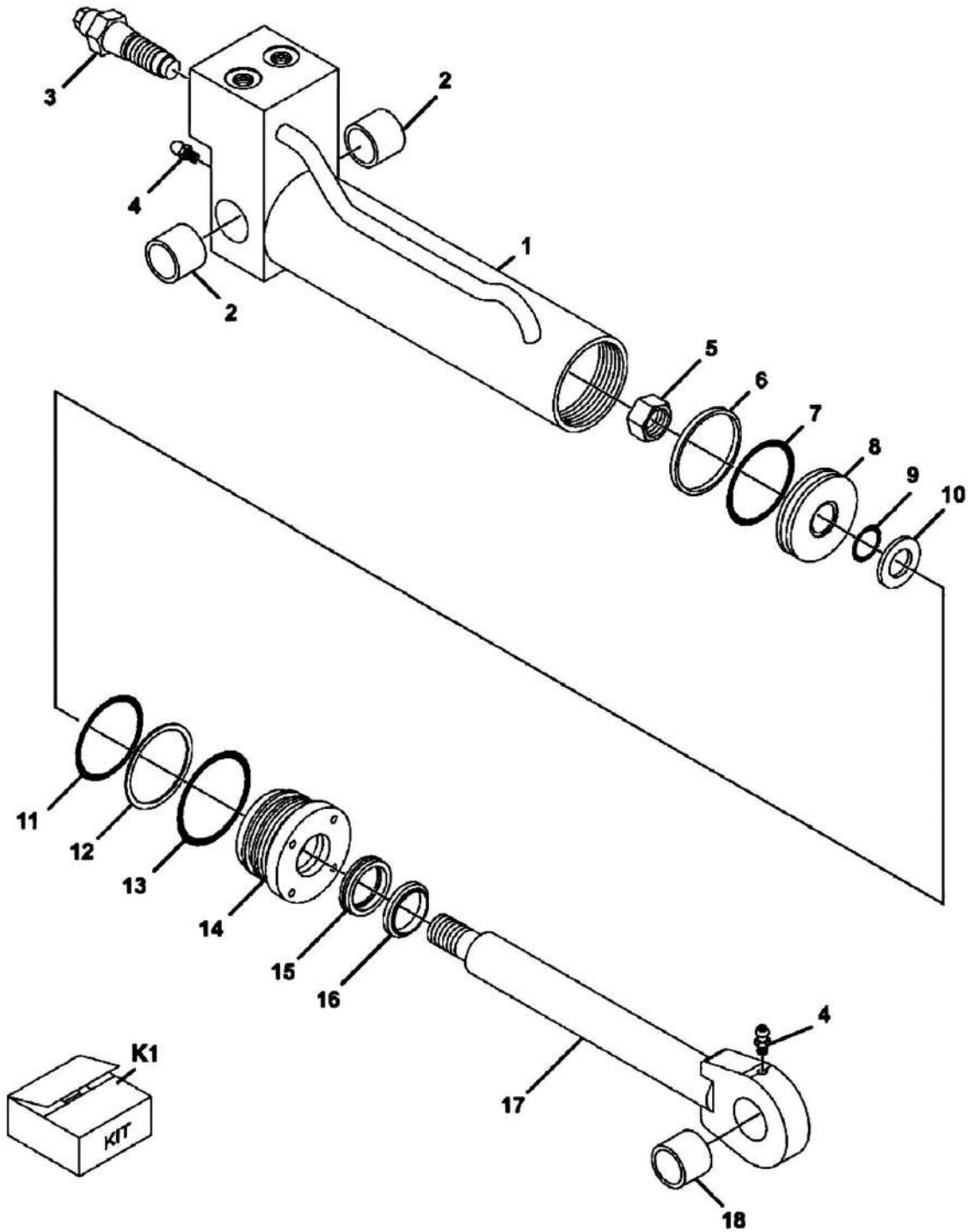
SECTION 9 - HYDRAULIC COMPONENTS

FIGURE 9-30. 72 IN 90, SWING CARRIAGE CYLINDER

ITEM	PART NUMBER	QTY	DESCRIPTION	REV
	1001103182	1	72 IN 90, SWING CARRIAGE CYLINDER, (includes items 1 thru 22)	
1	70022044	1	TUBE ASSY	
2	8035863	1	PISTON	
3	8035862	1	HEAD GLAND	
4	70022045	1	ROD ASSY	
5	70022046	1	BEARING	
6	8035536	2	SET SCREW, 5/16-18X1/2	
7	70020428	1	RELIEF VALVE, (preset to 2000 psi)	
7	7024574	1	SEAL KIT	
8	8033786	1	COUNTER BALANCE VALVE, (preset to 3000 psi)	
8	8205655	1	SEAL KIT	
9	70021812	1	TAMPERPROOF CAP	
11	Kit	1	O-RING	
12	Kit	1	O-RING	
13	Kit	1	O-RING	
14	Kit	1	SQUARE RING	
15	Kit	1	BACKUP RING	
16	Kit	1	SEAL	
17	Kit	1	PISTON SEAL	
18	Kit	1	ROD WIPER	
19	Kit	2	WEARBAND	
20	Kit	1	WEARBAND	
21	Kit	2	INSERT	
22	Kit	2	INSERT	
K1	2915023	1	SEAL KIT, (includes items 11 thru 22)	

SECTION 9 - HYDRAULIC COMPONENTS

FIGURE 9-31. GRAPPLE BUCKET CYLINDER



PY1431

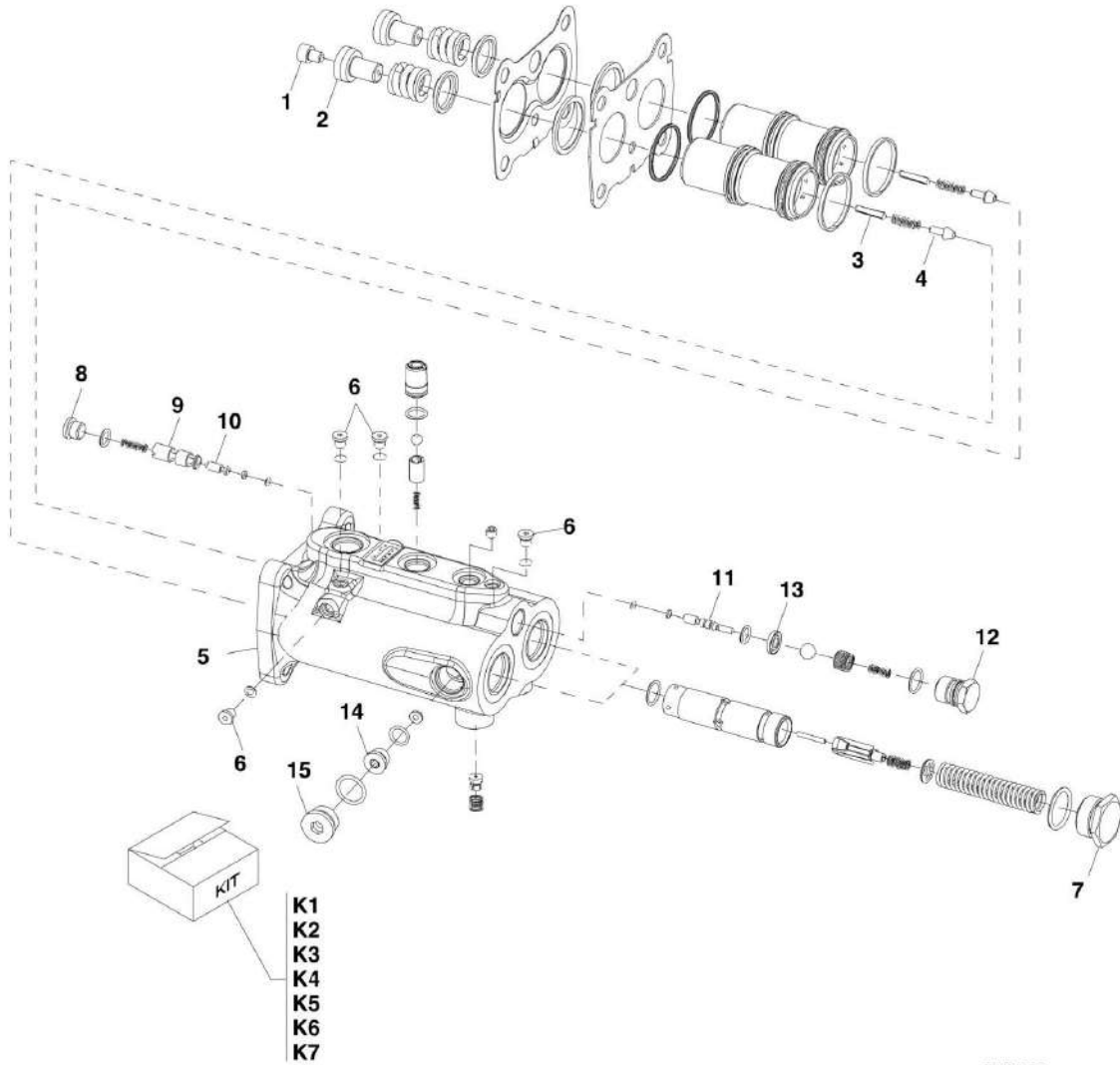
SECTION 9 - HYDRAULIC COMPONENTS

FIGURE 9-31. GRAPPLE BUCKET CYLINDER

ITEM	PART NUMBER	QTY	DESCRIPTION	REV
	70021393	1	GRAPPLE BUCKET CYLINDER, (includes all items)	
1	70021465	1	CYLINDER TUBE	
2	70021448	2	BUSHING	
3	70021464	2	VALVE CARTRIDGE	
4	90554045	2	GREASE FITTING	
5	70021440	1	HEX NUT	
6	Kit	1	PISTON RING	
7	Kit	1	O-RING	
8	70021451	1	PISTON	
9	Kit	1	O-RING	
10	70021444	1	WASHER	
11	Kit	1	O-RING	
12	Kit	1	BACK-UP WASHER	
13	Kit	1	O-RING	
14	70021446	1	CYLINDER GLAND	
15	Kit	1	POLY-PAK SEAL	
16	Kit	1	ROD WIPER	
17	70021466	1	PISTON ROD	
18	70021447	1	BUSHING	
K1	70021452	1	SEAL KIT (includes items 6, 7, 9, 11 thru 13, 15 & 16)	

SECTION 9 - HYDRAULIC COMPONENTS

FIGURE 9-32. BRAKE VALVE (8042 Prior to SN 0160038988; 10042 Prior to SN 0160038383; 10054 Prior to SN 0160038738)



PAP4390

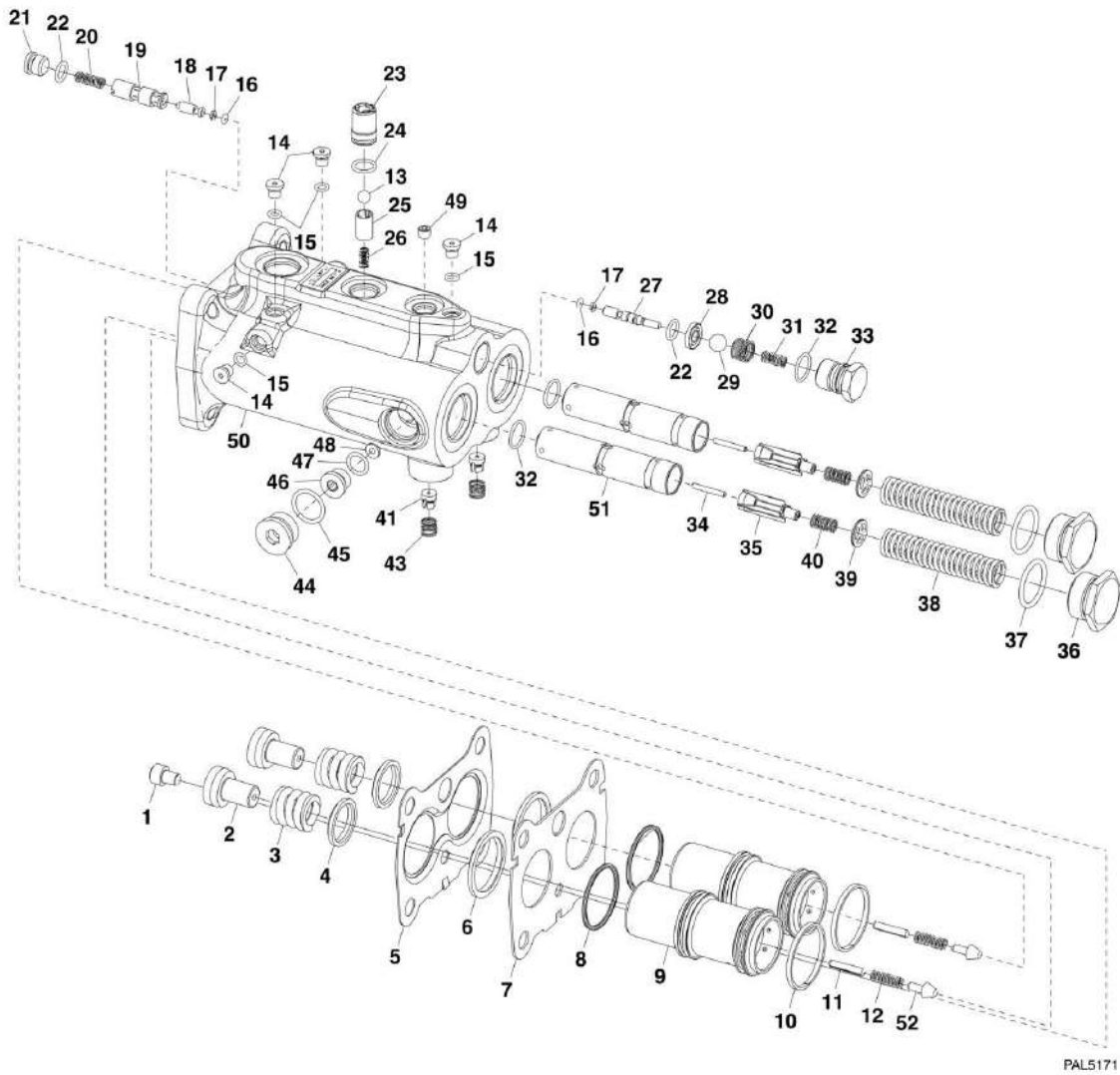
SECTION 9 - HYDRAULIC COMPONENTS

FIGURE 9-32. BRAKE VALVE (8042 Prior to SN 0160038988; 10042 Prior to SN 0160038383; 10054 Prior to SN 0160038738)

ITEM	PART NUMBER	QTY	DESCRIPTION	REV
	1001094284	NLA	POWER BRAKE VALVE, (no longer available, order 1001106845 for replacement or see items 1 thru 15 for service)	
	1001106845	1	POWER BRAKE VALVE, (information not available at the time of publication)	
1	91474454	1	BOLT	
2	91474442	2	PIN	
3	70023037	2	PIN	
4	70023038	2	POPPET	
5	NSS	1	HOUSING	
6	91474450	4	PLUG	
7	91474434	2	PLUG	
8	91474458	1	PLUG	
9	91474456	1	SPOOL	
10	91474455	1	PISTON	
11	91474447	1	PISTON	
12	91474443	1	PLUG	
13	91474446	1	SEAT	
14	70020680	1	PLUG	
15	91474459	1	PLUG	
K1	70024044	1	PREFILL PISTON KIT	
K2	70024045	1	COVERS KIT	
K3	70024046	1	SEAL KIT	
K4	70024047	1	MAKE-UP CHECK KIT	
K5	70024048	1	INLET CHECK KIT	
K6	70024049	1	HARDWARE KIT	
K7	70024050	1	WORKPORT ORIFICE KIT	

SECTION 9 - HYDRAULIC COMPONENTS

FIGURE 9-33. BRAKE VALVE (8042 SN 0160038988 to Present; 10042 SN 0160038383 to Present; 10054 SN 0160038738 to Present)



SECTION 9 - HYDRAULIC COMPONENTS

**FIGURE 9-33. BRAKE VALVE (8042 SN 0160038988 to Present; 10042 SN 0160038383 to Present;
10054 SN 0160038738 to Present)**

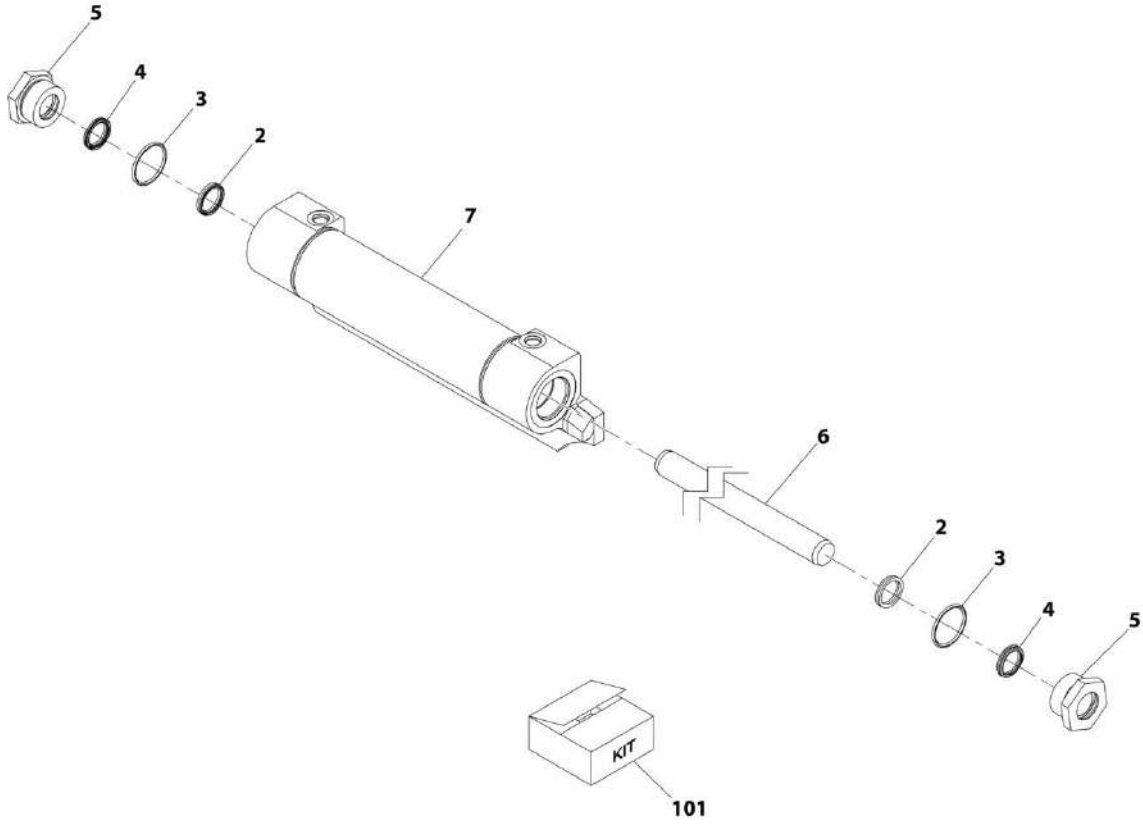
ITEM	PART NUMBER	QTY	DESCRIPTION	REV
	1001106836	1	BRAKE VALVE, (includes all items)	
1	91474454	1	SCREW	
2	91474442	2	PIN	
3	70020659	2	SPRING	
4	91474441	2	WIPER	
5	70020660	1	COVER	
6	91474440	2	WIPER	
7	70020661	1	COVER	
8	91474439	2	QUAD RING	
9	70020662	2	PISTON	
10	70020663	2	PISTON RING	
11	70023037	2	PIN	
12	91474438	2	SPRING	
13	91474452	1	BALL	
14	91474450	4	PLUG	
15	91474451	4	O-RING	
16	91474453	2	O-RING	
17	91514199	2	BACK-UP RING	
18	91474455	1	DUMP PISTON	
19	91474456	1	DUMP SPOOL	
20	70020665	1	SPRING	
21	91474458	1	PLUG	
22	91514198	2	O-RING	
23	70020666	1	INLET SEAT	
24	70020667	1	O-RING	
25	70020668	1	RETAINER	
26	70020669	1	SPRING	
27	91474447	1	PISTON	
28	91474446	1	SEAT	
29	70020670	1	BALL	
30	70020671	1	SPRING	
31	70020672	1	SPRING	
32	91514197	3	O-RING	
33	91474443	1	PLUG	
34	70020673	2	NEEDLE ROLLER	
35	70020674	2	MAKE-UP CHECK	
36	91474434	2	PLUG	
37	91474435	2	O-RING	
38	70020675	2	SPRING	
39	70020676	2	SPRING GUIDE	
40	70020677	2	SPRING	
41	70020678	2	ORIFICE	
43	70020679	2	SPRING	
44	91474459	1	PLUG	
45	91474460	1	O-RING	
46	70020680	1	PLUG	
47	70020681	1	O-RING	
48	70020682	1	ORIFICE	
49	70023039	1	ORIFICE	

SECTION 9 - HYDRAULIC COMPONENTS

ITEM	PART NUMBER	QTY	DESCRIPTION	REV
50	N.S.S.	1	HOUSING	
51	N.S.S.	2	SPOOL	
52	70023038	2	POPPET	

SECTION 9 - HYDRAULIC COMPONENTS

FIGURE 9-34. SIDE SHIFT CARRIAGE CYLINDER, 50 INCH, (INCLUDES ALL ITEMS)



ART_70024539-B

SECTION 9 - HYDRAULIC COMPONENTS

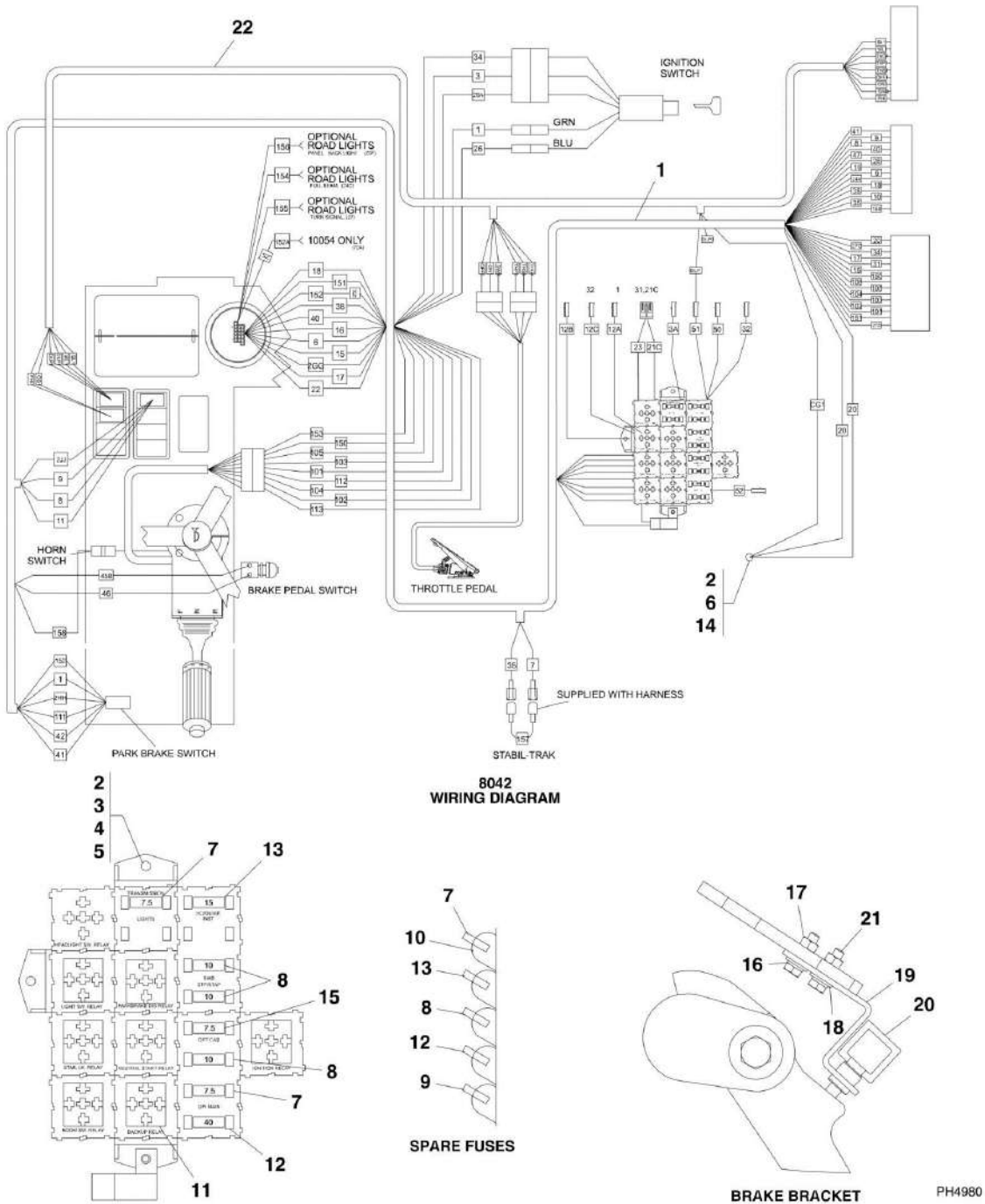
FIGURE 9-34. SIDE SHIFT CARRIAGE CYLINDER, 50 INCH, (INCLUDES ALL ITEMS)

ITEM	PART NUMBER	QTY	DESCRIPTION	REV
	70024539	Ref	SIDE SHIFT CARRIAGE CYLINDER	B
2	Kit	2	SEAL, ROD	
3	70024547	2	O-RING	
4	Kit	2	SEAL, ROD WIPER	
5	70024548	2	SEAL, RETAINER	
6	N.S.S.	1	ROD	
7	N.S.S.	1	BARREL	
101	70024549	1	KIT, SEAL (includes items 2 & 4)	

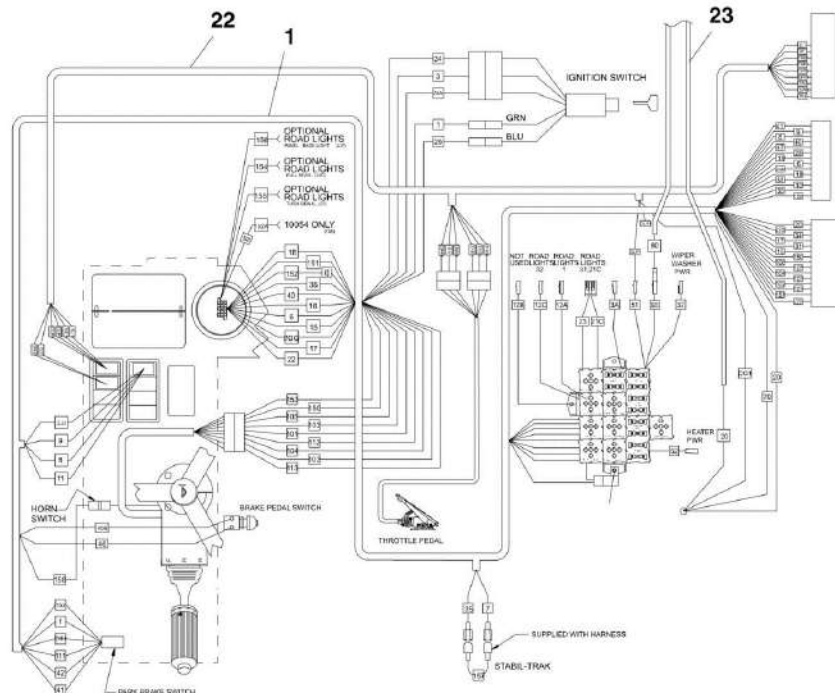
SECTION 10 - ELECTRICAL

SECTION 10 - ELECTRICAL

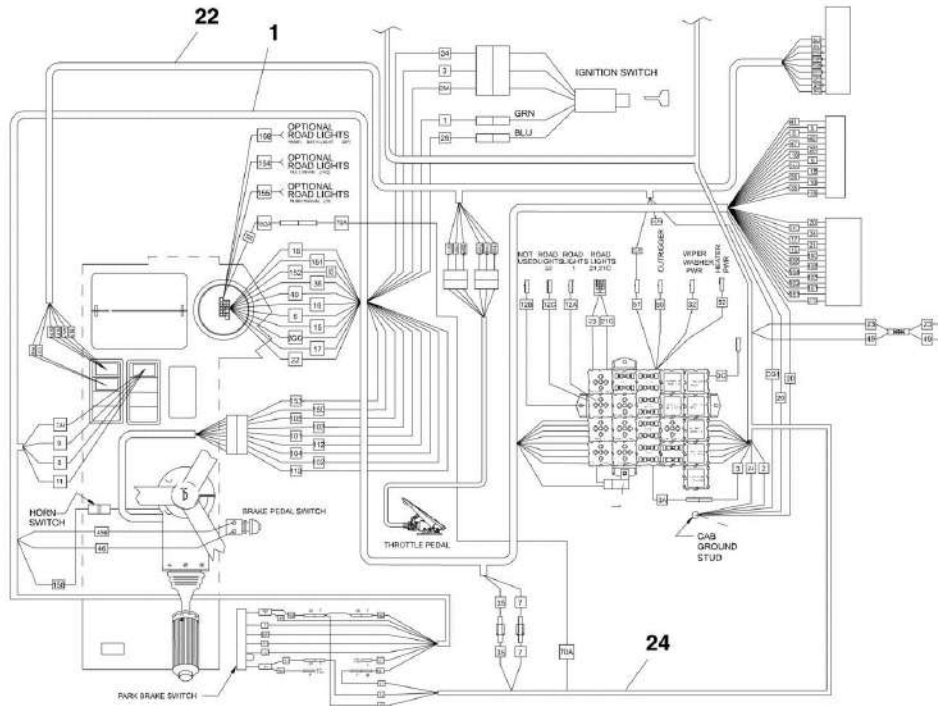
FIGURE 10-1. CAB HARNESS (Prior to SN 0160040220, Excluding 0160039850, 0160040126, 0160040127, 0160040128, 0160040129 and 0160040171)



SECTION 10 - ELECTRICAL



**10042
WIRING DIAGRAM**



**10054
WIRING DIAGRAM**

PH4990

SECTION 10 - ELECTRICAL

FIGURE 10-1. CAB HARNESS (Prior to SN 0160040220, Excluding 0160039850, 0160040126, 0160040127, 0160040128, 0160040129 and 0160040171)

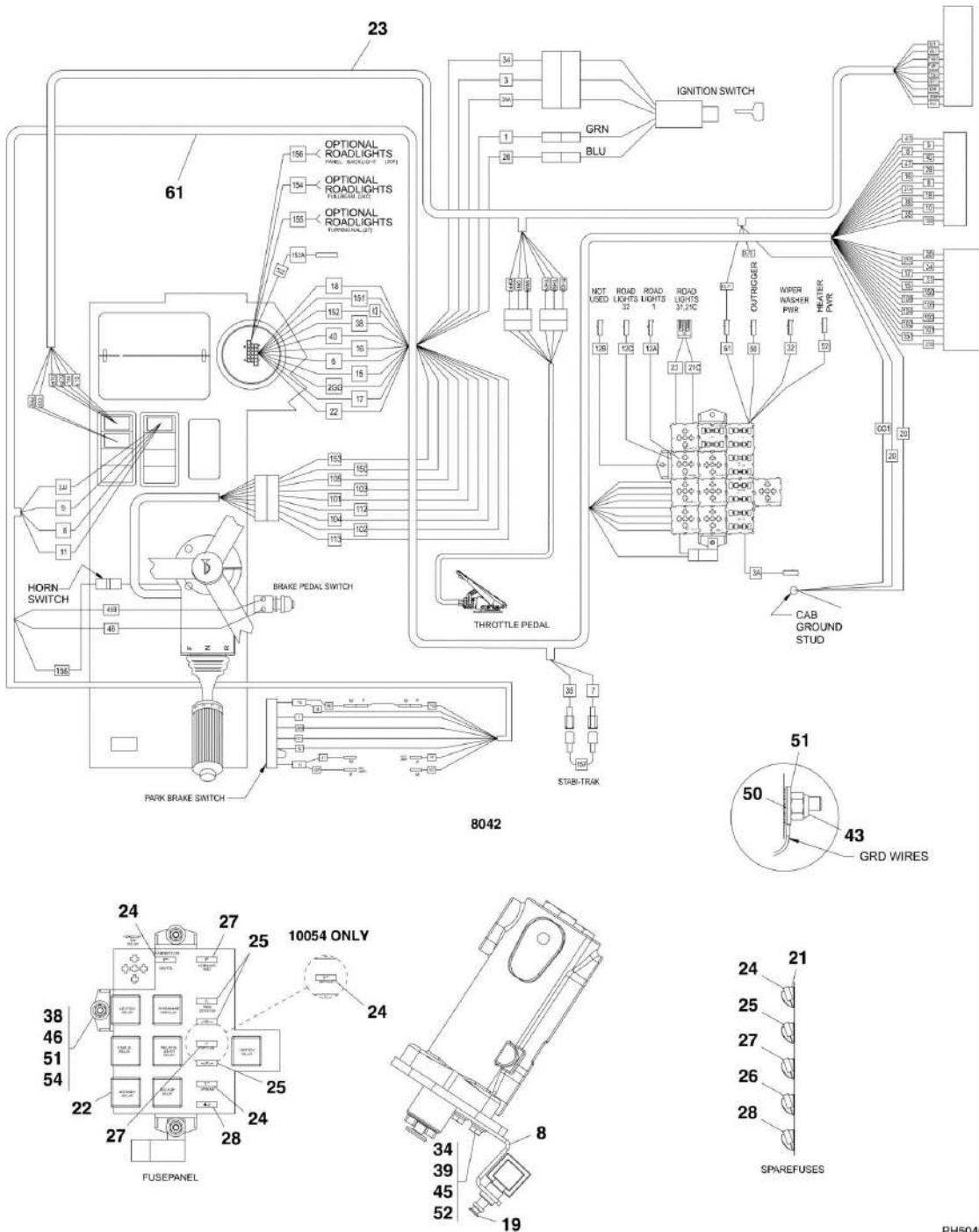
ITEM	PART NUMBER	QTY	DESCRIPTION	REV
	1001092192	Ref	ELECTRICAL INSTALLATION, (not available to order, see items 1 thru 22 and ENGINE HARNESS for service), (8042 Prior to SN 0160038967; Including 0160038971 and 0160038984)	F
	1001107358	Ref	ELECTRICAL INSTALLATION, (not available to order, see items 1 thru 22 and ENGINE HARNESS for service), (8042 SN 0160038967 to Present; Excluding 0160038971 and 0160038984)	C
	1001092193	Ref	ELECTRICAL INSTALLATION, (not available to order, see items 1 thru 23 and ENGINE HARNESS for service), (10042 Prior to SN 0160038368; Including 0160038375)	G
	1001107359	Ref	ELECTRICAL INSTALLATION, (not available to order, see items 1 thru 23 and ENGINE HARNESS for service), (10042 SN 0160038368 to Present; Excluding 0160038375)	C
	1001092195	Ref	ELECTRICAL INSTALLATION, (not available to order, see items 1 thru 22, item 24 and ENGINE HARNESS for service), (10054 Prior to SN 0160038740; Excluding 0160021270, 0160036713, 0160036715, 0160036721 and 0160036723)	F
	1001107360	Ref	ELECTRICAL INSTALLATION, (not available to order, see items 1 thru 22, item 24 and ENGINE HARNESS for service), (10054 SN 0160038740 to Present; Including 0160021270, 0160036713, 0160036715, 0160036721 and 0160036723)	C
1	7301818	1	CAB HARNESS	E
2	8307106	4	FLAT WASHER, 5/16	
3	8307111	3	FLAT WASHER, #10	
4	8307003	3	LOCKWASHER, #10	
5	8305002	3	HEX NUT, #10-24	
6	8307027	1	LOCKWASHER, 5/16, (external tooth)	
7	8229233	3	FUSE, 7.5 AMP, (Brown)	
8	8229234	4	FUSE, 10 AMP, (Red)	
9	8229235	1	FUSE, 20 AMP, (Yellow)	
10	8582007	5	SPARE FUSE CLIP	
11	8225119	7	SEALED RELAY, 12V	
12	8229238	2	FUSE, 40 AMP, (Orange)	
13	8229237	2	FUSE, 15 AMP, (Blue)	
14	8305624	1	LOCKNUT, 1/4	
15	8229233	1	FUSE, 7.5 AMP, (Brown), (8042 & 10054)	
15	8229237	1	FUSE, 15 AMP, (Blue), (10042)	
16	8307002	2	LOCKWASHER, 1/4	
17	8305004	2	HEX NUT, 1/4-20	
18	8307109	2	WASHER, 1/4	
19	7139271	1	BRAKE SWITCH BRACKET, (8042 Prior to SN 0160038967, Including 0160038971 and 0160038984; 10042 Prior to SN 0160038368, Including 0160038375; 10054 Prior to SN 0160038740, Excluding 0160021270, 0160036713, 0160036715, 0160036721 and 0160036723)	
19	1001107355	1	BRAKE SWITCH BRACKET, (8042 SN 0160038967 to Present, Excluding 0160038971 and 0160038984; 10042 SN 0160038368 to Present, Excluding 0160038375; 10054 SN 0160038740 to Present, Including 0160021270, 0160036713, 0160036715, 0160036721 and 0160036723)	
20	8223025	1	SERVICE BRAKE SWITCH	
21	8303540	2	HEX HD CAPSCREW, 1/4-20X1	
22	7301514	1	ECM CAB HARNESS	
23		Ref	OUTRIGGER HARNESS, (See OUTRIGGER HARNESS for Breakdown)	

SECTION 10 - ELECTRICAL

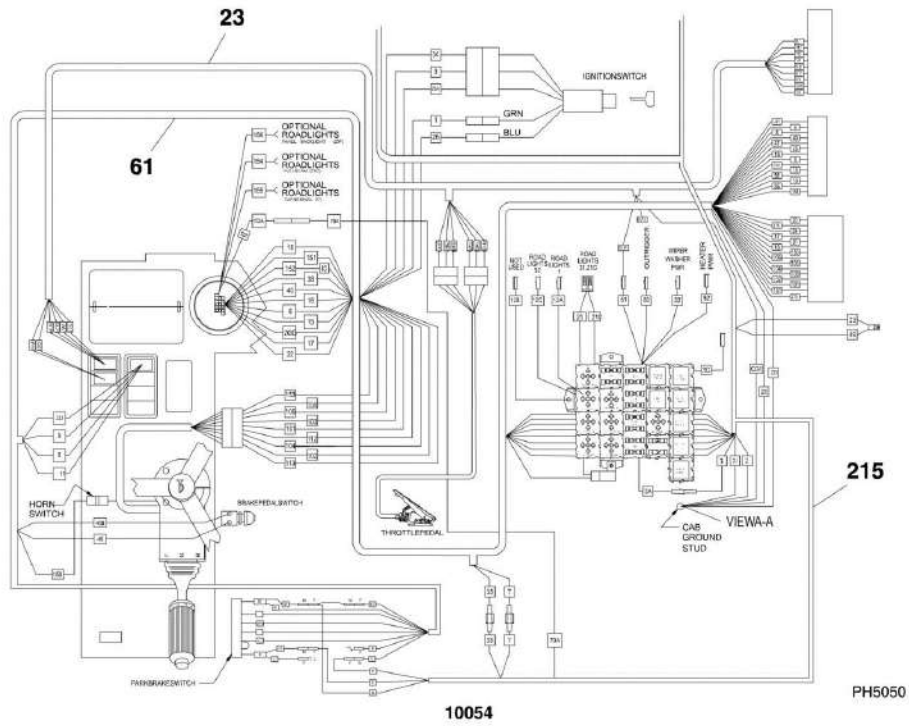
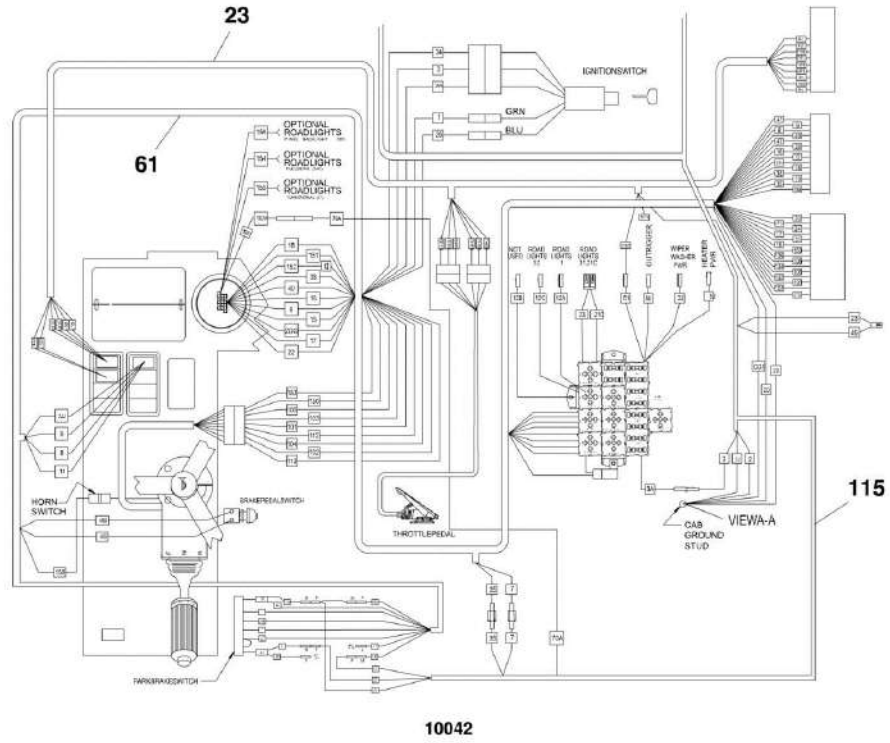
ITEM	PART NUMBER	QTY	DESCRIPTION	REV
24		Ref	LOGIC HARNESS, (See OUTRIGGER HARNESS for Breakdown)	

SECTION 10 - ELECTRICAL

FIGURE 10-2. CAB HARNESS (SN 0160040220 to Present, Including 0160039850, 0160040126, 0160040127, 0160040128, 0160040129 and 0160040171)



SECTION 10 - ELECTRICAL



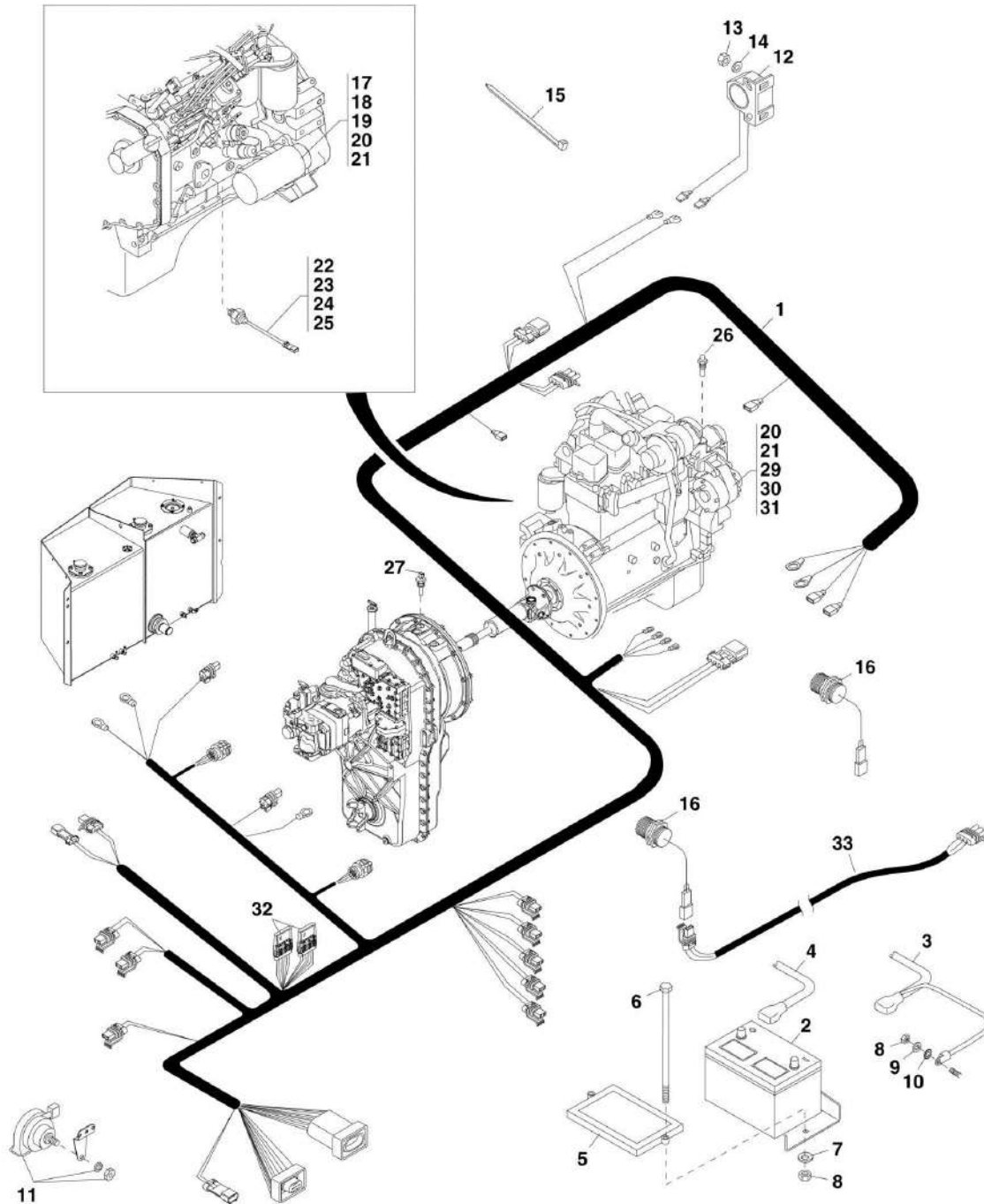
SECTION 10 - ELECTRICAL

FIGURE 10-2. CAB HARNESS (SN 0160040220 to Present, Including 0160039850, 0160040126, 0160040127, 0160040128, 0160040129 and 0160040171)

ITEM	PART NUMBER	QTY	DESCRIPTION	REV
	1001119175	Ref	ELECTRICAL INSTALLATION, (8042), (not available to order, see items 8 thru 61 and ENGINE HARNESS for service)	C
	1001119174	Ref	ELECTRICAL INSTALLATION, (10042), (not available to order, see items 8 thru 61, item 115 and ENGINE HARNESS for service)	C
	1001117610	Ref	ELECTRICAL INSTALLATION, (10054), (not available to order, see items 8 thru 61, item 215 and ENGINE HARNESS for service)	C
8	1001107355	1	BRAKE SWITCH BRACKET	
19	8223025	1	BRAKE LIGHTS MOMENTARY SWITCH	
21	8582007	5	SPARE FUSE CLIP	
22	8225119	7	SEALED RELAY	
23	1001128396	1	ECM CAB HARNESS	
24	8229233	3	FUSE, 7.5 AMP, (8042 & 10042)	
24	8229233	4	FUSE, 7.5 AMP, (10054)	
25	8229234	4	FUSE, 10 AMP	
26	8229235	1	FUSE, 20 AMP	
27	8229237	3	FUSE, 15 AMP, (8042 & 10042)	
27	8229237	2	FUSE, 15 AMP, (10054)	
28	8229238	2	FUSE, 40 AMP	
34	8303540	2	HEX HD CAPSCREW, 1/4-20X1.00, GR5	
38	8305002	3	HEX NUT, #10-24	
39	8305004	2	HEX NUT, 1/4-20	
43	8305624	1	LOCKNUT, 1/4-20	
45	8307002	2	LOCKWASHER, 1/4	
46	8307003	3	LOCKWASHER, #10	
50	8307027	1	LOCKWASHER, EXTERNAL TOOTH, 5/16	
51	8307106	4	WASHER, 5/16	
52	8307109	2	WASHER, 1/4	
54	8307111	3	WASHER, #10	
61	1001104036	1	CAB HARNESS	
115		Ref	OUTRIGGER HARNESS, (10042), (see OUTRIGGER HARNESS for Breakdown)	
215		Ref	LOGIC HARNESS, (10054), (see OUTRIGGER HARNESS for Breakdown)	

SECTION 10 - ELECTRICAL

FIGURE 10-3. ENGINE HARNESS (8042 SN 13198 through 18990; 10042 SN 13198 through 19030; 10054 SN 13198 through 19079)



PH4200

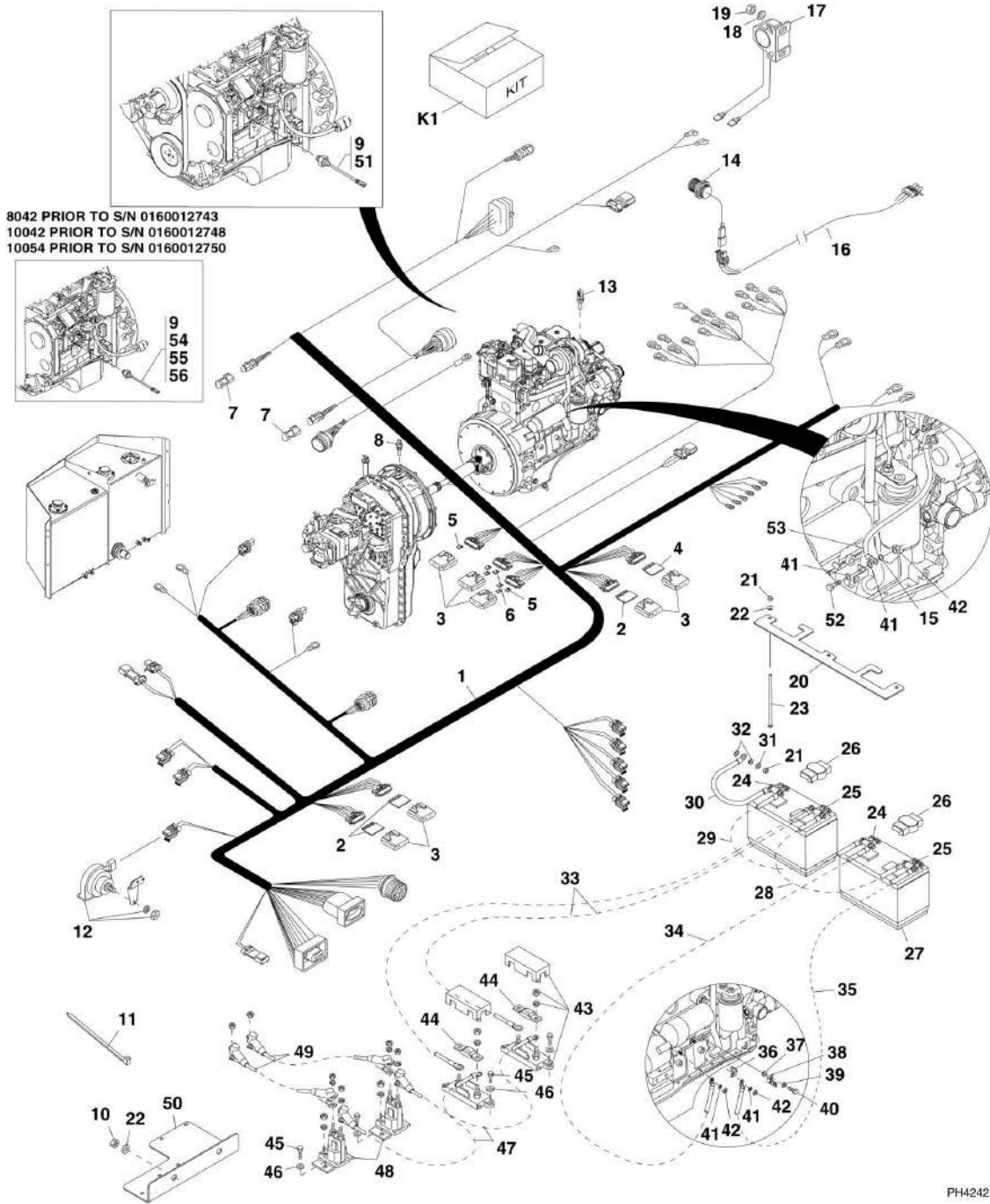
SECTION 10 - ELECTRICAL

FIGURE 10-3. ENGINE HARNESS (8042 SN 13198 through 18990; 10042 SN 13198 through 19030; 10054 SN 13198 through 19079)

ITEM	PART NUMBER	QTY	DESCRIPTION	REV
1	7150714	1	ENGINE HARNESS	
2	8270134	1	BATTERY, 12V	
3	7150745	1	SINGLE BATTERY NEGATIVE CABLE	
4	7150746	1	SINGLE BATTERY POSITIVE CABLE	
5	7138830	1	BATTERY HOLD-DOWN	
6	8310344	2	HEX HD CAPSCREW, 3/8-16X10	
7	8307204	2	FLAT WASHER, 3/8	
8	8305645	3	LOCKNUT, 3/8	
9	8307110	1	FLAT WASHER, 3/8	
10	8307026	1	LOCKWASHER, 3/8, (external tooth)	
11	8270620	1	HORN, (includes mounting hardware)	
12		Ref	BACKUP ALARM, (no longer available, use kit 2915184 on ENGINE HARNESS with 8042 SN 0160014888 to Present, 10042 SN 0160014861 to Present & 10054 SN 0160014890 to Present for replacement)	
13	8305004	2	HEX NUT, 1/4-20	
14	8307002	2	LOCKWASHER, 1/4	
15	8584001	AR	TY-RAP	
16		Ref	BOOM ANGLE SENSOR, (see BOOM SECTION for Breakdown)	
17	8033340	1	STARTER, (includes starter solenoid)	
18	8307023	1	LOCKWASHER, M10	
19	8305438	1	HEX JAM NUT, M10	
20	8310077	3	HEX JAM NUT, M5-0.8	
21	8310078	3	LOCKWASHER, M5	
22		Ref	LOW OIL PRESSURE SENDER, (no longer available, use kit 2915063 on Engine Harness for replacement) (8042 SN 18991 through 19987; 10042 SN 19031 through 19987; 10054 SN 19080 through 19987; SN 0160002332 through 0160014865, SN 0160002332 through 0160014697, SN 0160002332 through 0160014864)	
		Ref	10042 - 19031 thru 19987 & 10054 - 19080 thru 19987 for replacement (SN 0160002332 through 0160014697, SN 0160002332 through 0160014864)	
23	8310041	1	LOCKWASHER, #8, (external tooth)	
24	8305201	1	HEX NUT, #8-32 BRASS	
25	8220073	1	SLIP-ON MALE TERMINAL, #10 SCREW	
26	8223217	1	WATER TEMPERATURE SENDER	
27	8223232	1	TRANSMISSION TEMPERATURE SWITCH	
28	8035276	1	FUEL RUN SOLENOID, (not shown)	
29	8270221	1	ALTERNATOR	
30	8307022	1	LOCKWASHER, M8	
31	8305043	1	HEX NUT, M8-1.25	
32	8035805	2	DIODE PAC	
33	7112592	1	BOOM EXTEND INTERLOCK WIRE ASSY, (10054 only)	

SECTION 10 - ELECTRICAL

FIGURE 10-4. ENGINE HARNESS (8042 SN 18991 through 19987, SN 016002332 through 0160014865; 10042 SN 19031 through 19987, SN 016002332 through 0160014697; 10054 SN 19080 through 19987, SN 016002332 through 0160014864)



PH4242

SECTION 10 - ELECTRICAL

FIGURE 10-4. ENGINE HARNESS (8042 SN 18991 through 19987, SN 0160002332 through 0160014865; 10042 SN 19031 through 19987, SN 0160002332 through 0160014697; 10054 SN 19080 through 19987, SN 0160002332 through 0160014864)

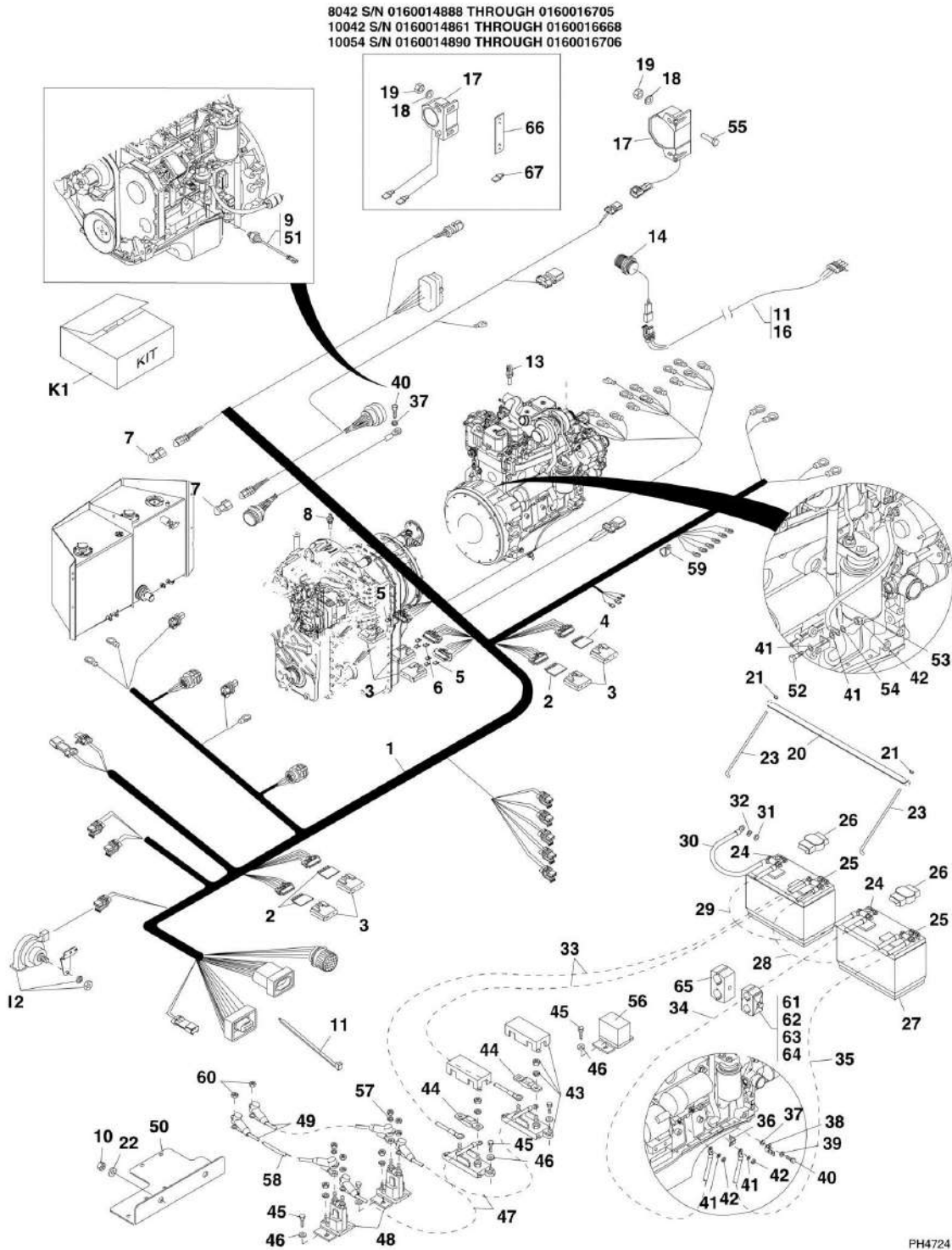
ITEM	PART NUMBER	QTY	DESCRIPTION	REV
1	7301515	1	ENGINE HARNESS, (includes items 2 thru 7) (8042 SN 18991 through 19987, SN 0160002332 through 0160012533; 10042 SN 19031 through 19987, SN 0160002332 through 0160012505; 10054 SN 19080 through 19987, SN 0160002332 through 0160012542)	G
1	4923267	1	ENGINE HARNESS, (includes items 2 thru 7), (8042 SN 0160012559 through 0160014865; 10042 SN 0160012588 through 0160014861; 10054 SN 0160012558 through 0160014864)	D
2	8220366	3	CIRCUIT BOARD, 3 DIODE	
3	8220357	7	CLEAR VES-PAC COVER	
4	8220364	1	CIRCUIT BOARD, 2 DIODE	
5	8229243	3	MINI FUSE, 7.5A	
6	8229234	4	MINI FUSE, 10A	
7	8220553	2	RESISTOR	
8	8223232	1	TRANSMISSION TEMPERATURE SWITCH	
9	8223532	NLA	LOW OIL PRESSURE SENDER, (no longer available, use kit 2915063 for replacement) (8042 SN 18991 through 19987, SN 0160002332 through 0160012742; 10042 SN 19031 through 19987, SN 0160002332 through 0160012747; 10054 SN 19080 through 19987, SN 0160002332 through 0160012749)	
9	4360609	1	LOW OIL PRESSURE SENDER, (8042 SN 0160012743 to Present; 10042 SN 0160012748 to Present; 10054 SN 0160012750 to Present)	
10	8305008	2	HEX NUT, 3/8-16	
11	8584001	AR	TIE WRAP	
12	8270620	1	HORN	
13	8223244	1	WATER TEMPERATURE SENDER	
14		Ref	BOOM ANGLE SENSOR, (See BOOM SECTION for Breakdown)	
15	8307023	2	LOCKWASHER, M10	
16	7112592	1	BOOM EXTEND INTERLOCK WIRE ASSY, (10054)	
17		Ref	BACKUP ALARM, (no longer available, use kit 2915184 on ENGINE HARNESS with 8042 SN 0160014888 to Present, 10042 SN 0160014861 to Present, 10054 SN 0160014890 to Present for replacement)	
18	4711400	2	FLAT WASHER, 1/4	
19	8305624	2	HEX LOCKNUT, 1/4-20	
20	7301841	1	BATTERY HOLD-DOWN	
21	8305645	4	LOCKNUT, 3/8	
22	83071110	5	WASHER, 3/8	
23	8304014	3	BATTERY HOLD-DOWN BOLT	
24	8270147	2	NEGATIVE BATTERY CLAMP	
25	8270148	2	POSITIVE BATTERY CLAMP	
26	7301893	2	POSITIVE BATTERY TERMINAL INSULATOR	
27	8270144	2	BATTERY, 12V	
28	7301522	1	POSITIVE BATTERY CABLE	
29	7301523	1	NEGATIVE BATTERY CABLE	
30	7300343	1	NEGATIVE BATTERY CABLE	
31	8307112	1	FLAT WASHER, 1/2	
32	10701363	1	LOCKWASHER, 5/8, (external tooth)	
33	7301524	2	GRID HEATER BATTERY-FUSE CABLE	

SECTION 10 - ELECTRICAL

ITEM	PART NUMBER	QTY	DESCRIPTION	REV
34	7301836	1	GROUND BATTERY CABLE	
35	7301835	1	POWER BATTERY CABLE	
36	6621412	1	STARTER TERMINAL, 90	
37	8310650	4	LOCKWASHER, M12, (external tooth)	
38	7300344	1	NEGATIVE STARTER BUS BAR	
39	8307220	1	PLAIN WASHER, M12	
40	8303533	2	HEX HD CAPSCREW, M12X1.75X20mm, PC8.8	
41	8307221	4	PLAIN WASHER, M10	
42	8305038	3	HEX NUT, M10X1.50	
43	8229260	2	MEGA FUSEBLOCK, (includes nuts and lockwasher)	
44	8229259	2	MEGA FUSE, 125A	
45	8303545	10	HEX HD CAPSCREW, M6X1.0X16mm, PC8.8	
46	8307219	10	PLAIN WASHER, M6	
47	7301448	2	GRID HEATER FUSE RELAY CABLE	
48	8225122	2	GRID HEATER RELAY, (includes nuts and lockwasher)	
49	7301525	2	GRID HEATER FUSE RELAY CABLE	
50	7301829	1	RELAY MOUNTING BRACKET	
51	4923283	1	PRESSURE SWITCH JUMPER, (8042 SN 0160012743 to Present; 10042 SN 0160012748 to Present; 10054 SN 0160012750 to Present)	
52	8303777	2	HEX HD CAPSCREW, M10X1.5X35mm, PC8.8	
53	7310012	1	FUSIBLE LINK, 150AMP	
54	8310041	1	LOCKWASHER, #8, (external tooth)	
55	8305201	1	HEX NUT, #8-32 BRASS	
56	8220073	1	SLIP-ON MALE TERMINAL, #10 SCREW	
K1	2915063	1	PRESSURE SWITCH KIT, (includes items 9 & 51)	

SECTION 10 - ELECTRICAL

FIGURE 10-5. ENGINE HARNESS (8042 SN 0160014888 through 0160029584; 10042 SN 0160014861 through 0160029583; 10054 SN 0160014890 through 0160029586)



SECTION 10 - ELECTRICAL

FIGURE 10-5. ENGINE HARNESS (8042 SN 0160014888 through 0160029584; 10042 SN 0160014861 through 0160029583; 10054 SN 0160014890 through 0160029586)

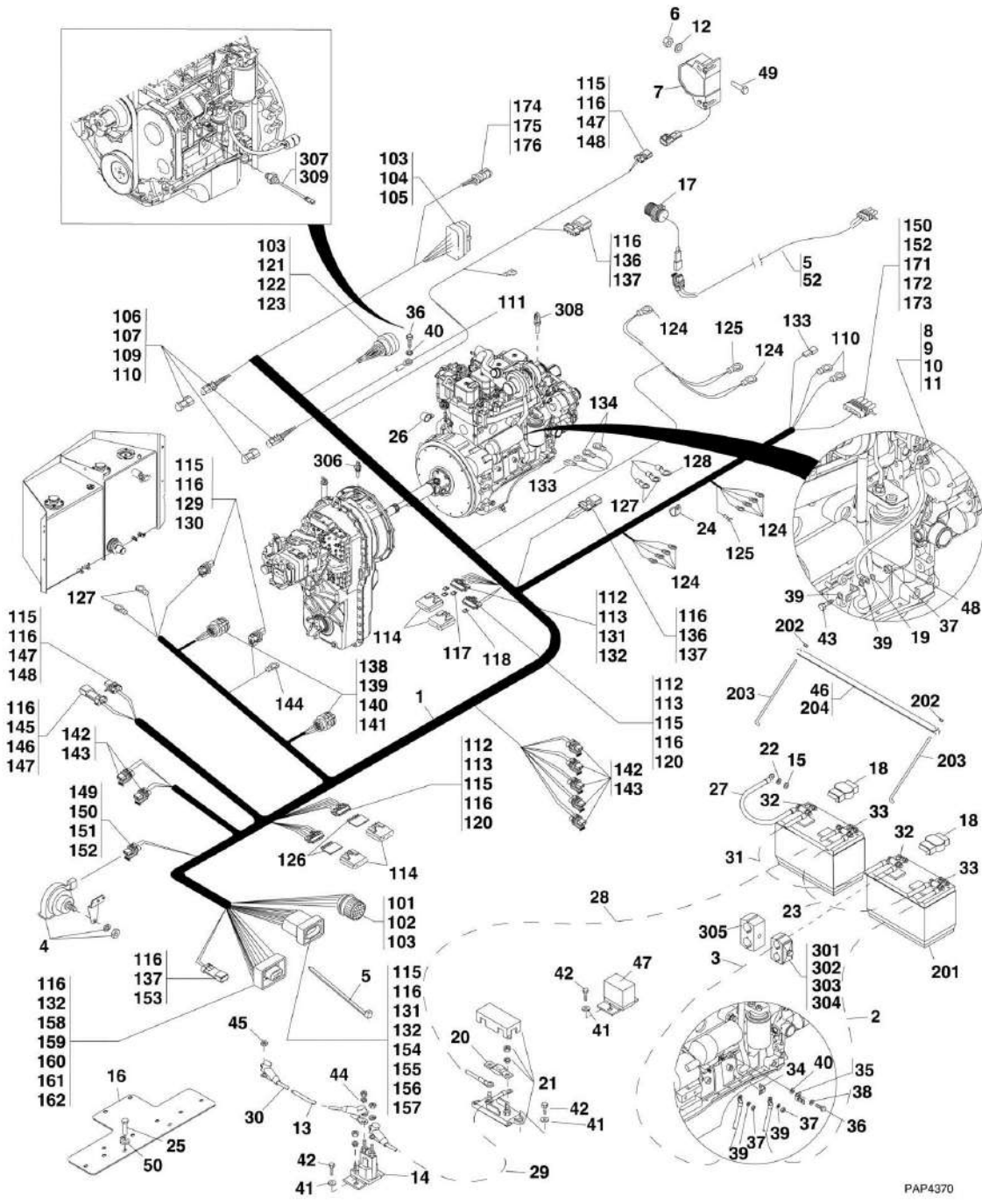
ITEM	PART NUMBER	QTY	DESCRIPTION	REV
1	4923364	1	ENGINE HARNESS, (includes items 2 thru 7)	D
2	8220366	3	CIRCUIT BOARD, 3 DIODE	
3	8220357	7	CLEAR VES-PAC COVER	
4	8220364	1	CIRCUIT BOARD, 2 DIODE	
5	8229243	3	MINI FUSE, 7.5A	
6	8229234	4	MINI FUSE, 10A	
7	8220552	2	RESISTOR	
8	8223232	1	TRANSMISSION TEMPERATURE SWITCH	
9	4360609	1	LOW OIL PRESSURE SENDER	
10	835008	2	HEX NUT, 3/8-16	
11	8584001	AR	TIE WRAP	
12	8270620	1	HORN	
13	8223244	1	WATER TEMPERATURE SENDER	
14		Ref	BOOM ANGLE SENSOR, (See BOOM SECTION for Breakdown)	
16	7112592	1	BOOM EXTEND INTERLOCK WIRE ASSY, (10054)	
17	Kit	NLA	BACKUP ALARM, (no longer available, use kit 2915184 for replacement) (8042 SN 0160014888 through 0160016705; 10042 SN 0160014861 through 0160016668; 10054 SN 0160014890 through 0160016706)	
17	8270621	1	BACKUP ALARM, (8042 SN 0160016727 through 0160029584; 10042 SN 0160016784 through 0160029583; 10054 SN 0160016729 through 0160029586)	
18	4711400	2	FLAT WASHER, 1/4	
19	8305624	2	HEX LOCKNUT, 1/4-20	
20	91401299	1	BATTERY HOLD-DOWN	
21	3311508	2	LOCKNUT, 5/16-18	
22	8307110	2	WASHER, 3/8	
23	91081640	2	BATTERY HOLD-DOWN BOLT	
24	8270147	2	NEGATIVE BATTERY CLAMP	
25	8270148	2	POSITIVE BATTERY CLAMP	
26	7301893	2	POSITIVE BATTERY TERMINAL INSULATOR	
27	0400075	2	BATTERY, 12V	
28	7301522	1	POSITIVE BATTERY CABLE	
29	7301523	1	NEGATIVE BATTERY CABLE	
30	7300343	1	NEGATIVE BATTERY CABLE	
31	8307112	1	FLAT WASHER, 1/2	
32	10701363	1	LOCKWASHER, 5/8, (external tooth)	
33	7301524	2	GRID HEATER BATTERY-FUSE CABLE	
34	7301836	1	GROUND BATTERY CABLE	
35	7301835	1	POWER BATTERY CABLE	
36	6621412	1	STARTER TERMINAL, 90	
37	8310650	4	LOCKWASHER, M12, (external tooth)	
38	7300344	1	NEGATIVE STARTER BUS BAR	
39	8307220	1	PLAIN WASHER, M12	
40	8303533	2	HEX HD CAPSCREW, M12X1.75X20mm, PC8.8	
41	8307221	5	PLAIN WASHER, M10	
42	8305038	3	HEX NUT, M10X1.50	
43	8229260	2	MEGA FUSEBLOCK, (includes nuts and lockwasher)	
44	8229259	2	MEGA FUSE, 125A	
45	8303545	10	HEX HD CAPSCREW, M6X1.0X16mm, PC8.8	

SECTION 10 - ELECTRICAL

ITEM	PART NUMBER	QTY	DESCRIPTION	REV
46	8307219	10	PLAIN WASHER, M6	
47	7301448	2	GRID HEATER FUSE RELAY CABLE	
48	8225122	2	GRID HEATER RELAY, (includes nuts and lockwasher)	
49	7301525	2	GRID HEATER FUSE RELAY CABLE	
50	0903311	1	RELAY MOUNTING BRACKET	
51	4923283	1	PRESSURE SWITCH JUMPER	
52	8303777	2	HEX HD CAPSCREW, M10X1.5X35mm, PC8.8	
53	7310012	1	FUSIBLE LINK, 150AMP	
54	8307023	2	LOCKWASHER, M10	
55	0641406	2	HEX HD CAPSCREW, 1/4-20X3/4, GR5,	
56	77383377	1	STARTER RELAY, 75 AMP	
57	8310431	4	LOCKWASHER, 5/16	
58	7125811	AR	CONDUIT	
59	8406105	1	TUBE CLIP	
60	8305047	2	HEX NUT, M6X1.00	
61	8750027	1	TWIN CLAMP SET	
62	8769128	1	COVER PLATE	
63	8310009	1	HEX HD CAPSCREW, 5/16-18X2, GR5	
64	8307004	1	LOCKWASHER, 5/16	
65		Ref	TWIN CLAMP SET, (See HYDRAULIC CIRCUITS SECTION for Breakdown)	
66	3576433	1	MOUNTING BAR	
67	86683480	2	BUTT CONNECTOR	
K1	2915184	1	BACK-UP ALARM SERVICE KIT, (includes items 17 thru 19, 55, 66 & 67)	

SECTION 10 - ELECTRICAL

FIGURE 10-6. ENGINE HARNESS (8042 SN 0160029593 through 0160040218, Excluding 0160039850, 0160040126, 0160040127, 0160040128, 0160040129 and 0160040171; 10054 SN 0160029593 through 0160040218, Excluding 0160040126, 0160040127, 0160040128, 0160040129 and 0160040171; 10042 SN 0160029607 through 0160040218, Excluding 0160040126, 0160040127, 0160040128, 0160040129 and 0160040171)



PAP4370

SECTION 10 - ELECTRICAL

FIGURE 10-6. ENGINE HARNESS (8042 SN 0160029593 through 0160040218, Excluding 0160039850, 0160040126, 0160040127, 0160040128, 0160040129 and 0160040171; 10054 SN 0160029593 through 0160040218, Excluding 0160040126, 0160040127, 0160040128, 0160040129 and 0160040171; 10042 SN 0160029607 through 0160040218, Excluding 0160040126, 0160040127, 0160040128, 0160040129 and 0160040171)

ITEM	PART NUMBER	QTY	DESCRIPTION	REV
	1001092192	Ref	ELECTRICAL INSTALLATION, (not available to order, see items 1 thru 51, item 53 and CAB HARNESS for service), (8042 Prior to SN 0160038967; Including 0160038971 and 0160038984)	F
	1001107358	Ref	ELECTRICAL INSTALLATION, (not available to order, see items 1 thru 51, item 53 and CAB HARNESS for service), (8042 SN 0160038967 to Present; Excluding 0160038971 and 0160038984)	C
	1001092193	Ref	ELECTRICAL INSTALLATION, (not available to order, see items 1 thru 51, item 53 and CAB HARNESS for service), (10042 Prior to SN 0160038368; Including 0160038375)	G
	1001107359	Ref	ELECTRICAL INSTALLATION, (not available to order, see items 1 thru 51, item 53 and CAB HARNESS for service), (10042 SN 0160038368 to Present; Excluding 0160038375)	C
	1001092195	Ref	ELECTRICAL INSTALLATION, (not available to order, see items 1 thru 51, item 53 and CAB HARNESS for service), (10054 Prior to SN 0160038740; Excluding 0160021270, 0160036713, 0160036715, 0160036721 and 0160036723)	F
	1001107360	Ref	ELECTRICAL INSTALLATION, (not available to order, see items 1 thru 51, item 53 and CAB HARNESS for service), (10054 SN 0160038740 to Present; Including 0160021270, 0160036713, 0160036715, 0160036721 and 0160036723)	C
1	1001091900	1	ENGINE HARNESS, (includes items 101 thru 176)	G
2	7301835	1	POWER BATTERY CABLE	
3	7301836	1	GROUND BATTERY CABLE	
4	8270620	1	HORN	
5	8584001	AR	TIE WRAP	
6	8305624	2	HEX LOCKNUT, 1/4-20	
7	8270621	1	BACK-UP ALARM	
8	8310078	3	LOCKWASHER, M5	
9	8310077	3	HEX JAM NUT, M5-0.8	
10	8307022	1	LOCKWASHER, M8	
11	8305043	1	HEX NUT, M8-1.25	
12	8307109	2	FLAT WASHER, 1/4	
14	8225122	1	GRID HEATER RELAY, (includes nuts and lockwasher)	
15	8307112	1	FLAT WASHER, 1/2	
16	1001093290	1	RELAY MOUNTING BRACKET	
17		Ref	BOOM ANGLE SENSOR, (See BOOM SECTION for Breakdown)	
18	7301893	2	POSITIVE BATTERY TERMINAL INSULATOR	
19	8307023	2	LOCKWASHER, M10	
20	1001095336	1	MEGA FUSE, 150A	
21	8229260	1	MEGA FUSEBLOCK, (includes nuts and lockwasher)	
22	10701363	1	LOCKWASHER, 5/8, (external tooth)	
23	7301522	1	POSITIVE BATTERY CABLE	
24	8406105	1	TUBE CLIP	
25	8303745	2	HEX HD CAPSCREW, 5/16-18X5/8	
26	8406302	2	HOSE CLAMP, 1-1/4 DIA.	
27	7300343	1	NEGATIVE BATTERY CABLE	
28	7301524	1	GRID HEATER BATTERY-FUSE CABLE	
29	7301448	1	GRID HEATER FUSE RELAY CABLE	
30	7301525	1	GRID HEATER FUSE RELAY CABLE	

SECTION 10 - ELECTRICAL

ITEM	PART NUMBER	QTY	DESCRIPTION	REV
31	7301523	1	NEGATIVE BATTERY CABLE	
32	8270147	2	NEGATIVE BATTERY CLAMP	
33	8270148	2	POSITIVE BATTERY CLAMP	
34	6621412	1	STARTER TERMINAL, 90	
35	7300344	1	NEGATIVE STARTER BUS BAR	
36	8303533	2	HEX HD CAPSCREW, M12X1.75X20mm, PC8.8	
37	8305038	3	HEX NUT, M10X1.50	
38	8307220	1	PLAIN WASHER, M12	
39	8307221	5	PLAIN WASHER, M10	
40	8310650	4	LOCKWASHER, M12, (external tooth)	
41	8307219	6	PLAIN WASHER, M6	
42	8303545	6	HEX HD CAPSCREW, M6X1.0X16mm, PC8.8	
43	8303777	2	HEX HD CAPSCREW, M10X1.5X35mm, PC8.8	
44	8310431	2	LOCKWASHER, 5/16	
45	8305047	1	HEX NUT, M6X1.00	
46	1001091985	1	DUAL BATTERY HOLD DOWN, (includes items 201 thru 204)	A
47	77383377	1	STARTER RELAY, 75 AMP	
48	7310012	1	FUSIBLE LINK, 150AMP	
49	0641406	2	HEX HD CAPSCREW, 1/4-20X3/4, GR5,	
50	8307004	2	LOCKWASHER, 5/16	
51	7124451	1	CONDUIT (not shown)	
52	7112592	1	BOOM EXTEND INTERLOCK WIRE ASSY, (10054)	
53	8310687	2	STARWASHER, 6MM	
101	8220548	1	CONNECTOR	
102	77373229	14	SOCKET TERMINAL	
103	77363230	42	CAVITY PLUG	
104	8220549	1	CONNECTOR	
105	70021824	21	TERMINAL	
106	8220551	2	CONNECTOR	
107	70020891	6	TERMINAL	
109	8220552	2	RECEPTACLE	
110	70021825	2	SECONDARY LOCK	
111	70022735	1	RING TERMINAL	
112	8220944	4	CONNECTOR	
113	8220945	4	PACKARD TPA	
114	8220357	4	COVER	
115	8220086	28	TERMINAL	
116	8220081	48	CABLE SEAL	
117	8226234	3	MINI FUSE, 10A	
118	8229243	1	MINI FUSE, 7.5A	
120	8220088	8	CAVITY PLUG	
121	8220550	1	CONNECTOR	
122	77363246	1	CONNECTOR CAP	
123	70022736	5	TERMINAL	
124	8220010	10	RING TERMINAL	
125	8220164	1	RING TERMINAL	
126	8220366	2	DIODE BOARD	
127	8220008	4	TERMINAL	
128	8220042	1	RING TERMINAL	
129	8220883	2	CONNECTOR	
130	8220889	2	PACKARD TPA	

SECTION 10 - ELECTRICAL

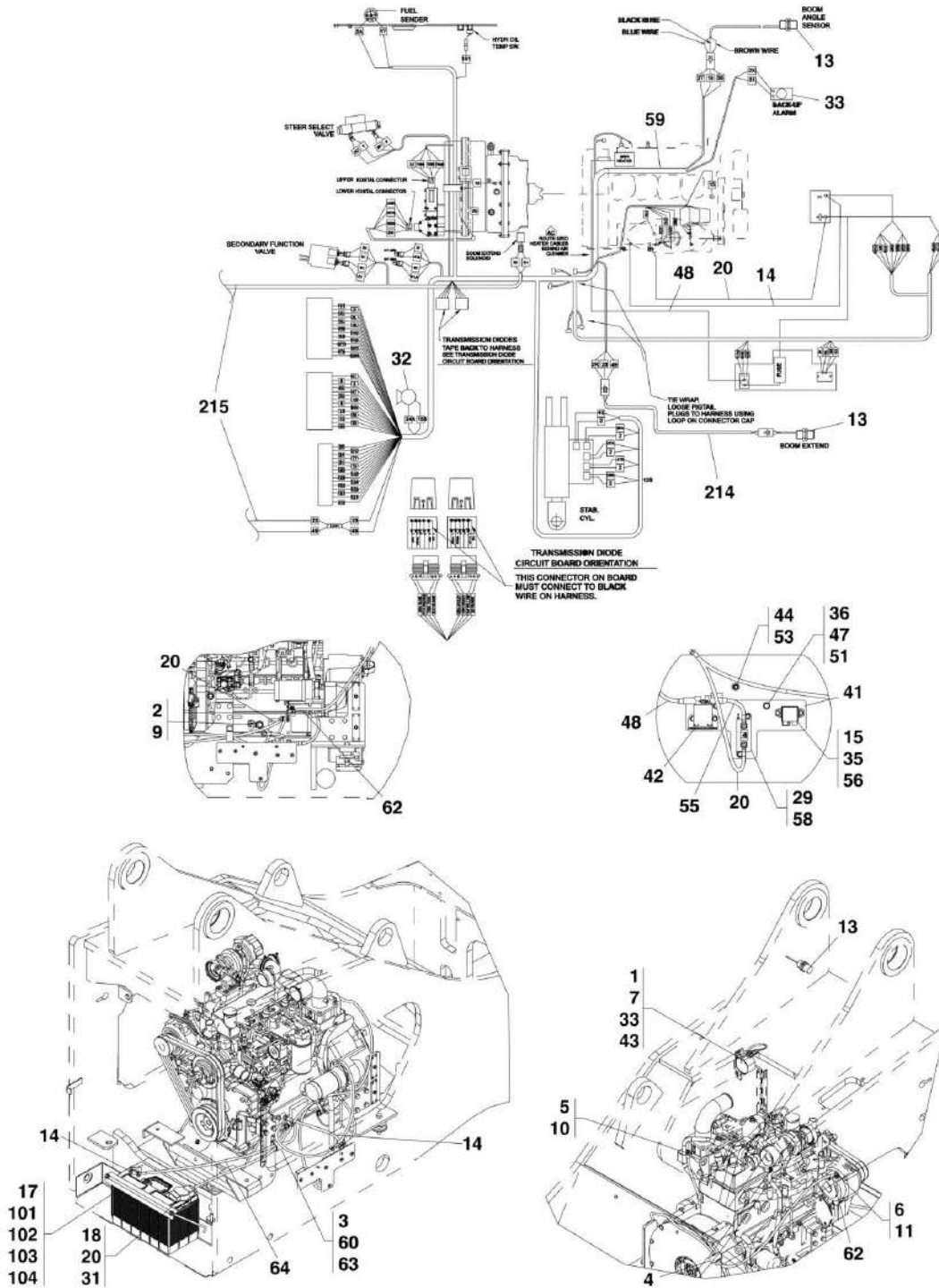
ITEM	PART NUMBER	QTY	DESCRIPTION	REV
131	8220084	9	TERMINAL, FEMALE	
132	8220089	11	CABLE SEAL	
133	8220051	3	TERMINAL	
134	8220012	2	TERMINAL	
135	8220175	1	TERMINAL	
136	8220951	2	CONNECTOR	
137	8220167	8	TERMINAL	
138	8220536	2	CONNECTOR	
139	70022737	8	TERMINAL	
140	70022738	8	CABLE SEAL	
141	70022739	24	SEAL PLUG	
142	8220937	7	CONNECTOR	
143	4460842	14	TERMINAL	
145	8220886	1	CONNECTOR	
146	8220087	1	TERMINAL	
147	8220890	3	PACKARD TPA	
148	8220885	2	CONNECTOR	
149	1001117068	1	CONNECTOR	
150	8220124	3	TERMINAL	
151	70022741	1	PACKARD TPA	
152	8220158	3	CABLE SEAL	
153	8220954	1	CONNECTOR	
154	8220927	1	CONNECTOR	
155	8220928	1	PACKARD TPA	
156	8220931	1	CONNECTOR SEAL	
157	8220932	1	SLIDE LOCK	
158	8220929	1	CONNECTOR	
159	8220930	1	PACKARD TPA	
160	8220161	1	TERMINAL	
161	8220123	1	CABLE SEAL	
162	8220887	14	TERMINAL	
164	80963056	1	CONNECTOR	
165	4460850	1	ERMINAL	
170	4460312	2	TERMINAL	
171	4460590	1	CONNECTOR	
172	4460591	1	PACKARD TPA LOCK	
173	4461215	3	CAVITY PLUG	
175	77363347	4	TERMINAL	
176	70022746	1	SEONDARY LOCK	
201	0400075	2	BATTERY, 12V	
202	3311508	2	LOCKNUT, 5/16-18	
203	90200382	2	BATTERY HOLD-DOWN BOLT	
204	91401299	1	BATTERY HOLD-DOWN	
301	8750027	1	TWIN CLAMP SET	
302	8769128	1	COVER PLATE	
303	8310009	1	HEX HD CAPSCREW, 5/16-18X2, GR5	
304	8307004	1	LOCKWASHER, 5/16	
305		Ref	TWIN CLAMP SET, (See HYDRAULIC CIRCUITS SECTION for Breakdown)	
306	8223232	1	TRANSMISSION TEMPERATURE SWITCH	
307	4360609	1	LOW OIL PRESSURE SENDER	
308	8223244	1	WATER TEMPERATURE SENDER	

SECTION 10 - ELECTRICAL

ITEM	PART NUMBER	QTY	DESCRIPTION	REV
309	4923283	1	PRESSURE SWITCH JUMPER	

SECTION 10 - ELECTRICAL

FIGURE 10-7. ENGINE HARNESS THRU (SN 0160040220 to Present, Including 0160039850, 0160040126, 0160040127, 0160040128, 0160040129 and 0160040171)



ART_8990395-10-7

SECTION 10 - ELECTRICAL

FIGURE 10-7. ENGINE HARNESS THRU (SN 0160040220 to Present, Including 0160039850, 0160040126, 0160040127, 0160040128, 0160040129 and 0160040171)

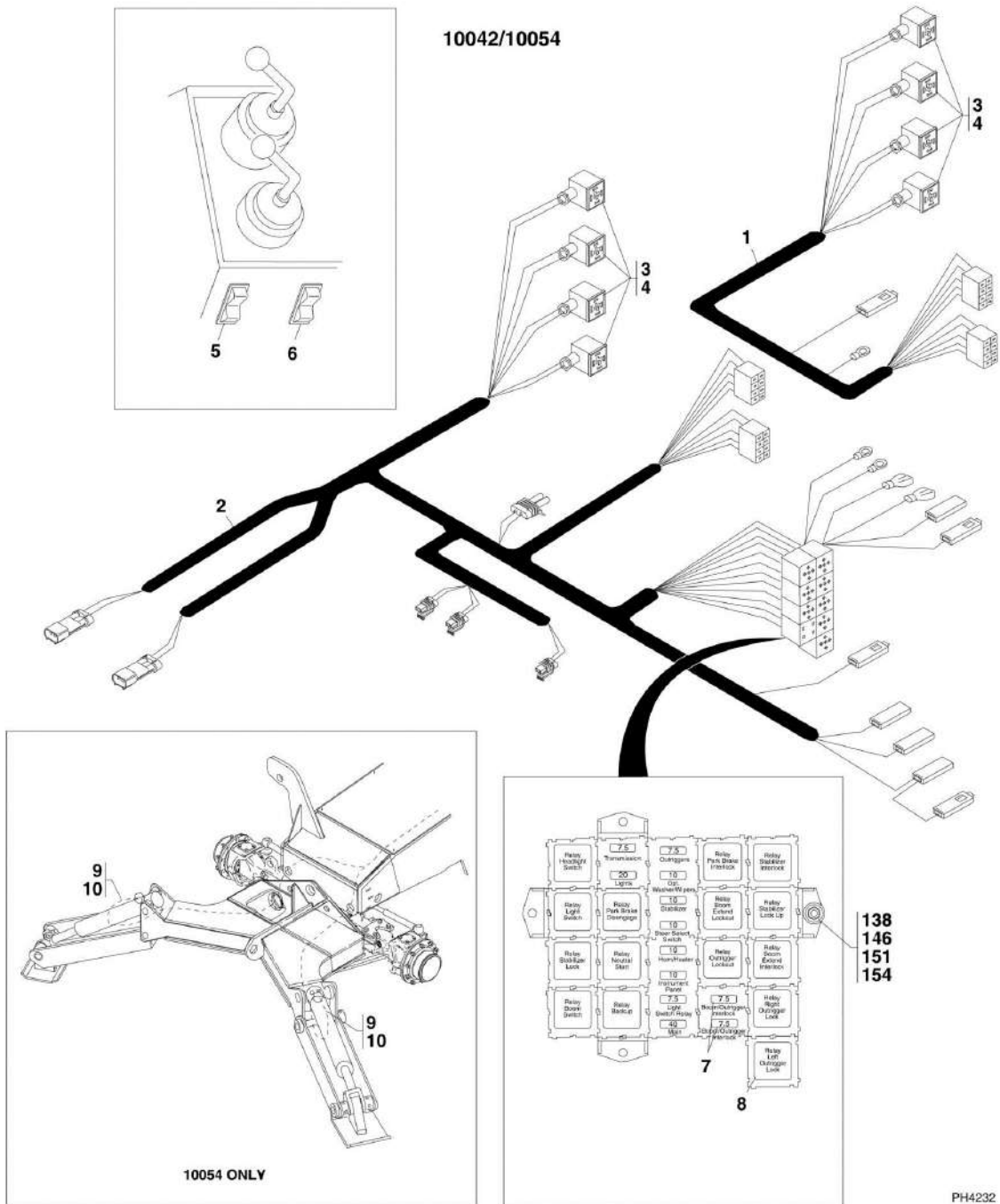
ITEM	PART NUMBER	QTY	DESCRIPTION	REV
	1001119175	Ref	ELECTRICAL INSTALLATION, (8042), (not available to order, see items 1 thru 63 and CAB HARNESS for service)	C
	1001119174	Ref	ELECTRICAL INSTALLATION, (10042), (not available to order, see items 1 thru 63 and CAB HARNESS for service)	C
	1001117610	Ref	ELECTRICAL INSTALLATION, (10054), (not available to order, see items 1 thru 63, item 214 and CAB HARNESS for service)	C
1	0641406	2	HEX HD CAPSCREW, 1/4-20X3/4, GR5	
2	0761012	1	HEX HD CAPSCREW, 10X25mm, GR8.8	
3	0791810	1	WHIZ-LOCK SCREW, 1/2-13X1-1/4	
4	1320131	1	HOSE CLAMP	
5	3290601	1	HEX NUT, 6X1mm	
6	3290801	1	HEX NUT, 8X1.25mm	
7	4711400	2	WASHER, 1/4	
9	4812000	1	WASHER, 10mm	
10	4831700	1	SPRING LOCKWASHER, 6mm	
11	4831900	1	SPRING LOCKWASHER, 8mm	
13	7099882	NLA	BOOM SENSOR, (8042 & 10042), (no longer available, use 1001130307 for replacement)	
13	7099882	NLA	BOOM SENSOR, (10054), (no longer available, use 1001130307 for replacement)	
13	1001130307	1	BOOM SENSOR, (8042 & 10042)	
14	1001130307	2	BOOM SENSOR, (10054)	
15	77383377	1	BOSCH STARTER RELAY	
17	1001108206	1	BATTERY HOLD DOWN INSTALL, (includes items 101 thru 104)	C
18	7301893	1	BATTERY TERMINAL INSULATOR	
20	1001114482	1	POSITIVE BATTERY CABLE	
29	8229260	1	FUSE HOLDER	
31	8270148	1	BATTERY CLAMP, POSITIVE	
32	8270620	1	HORN	
33	8270621	1	BACKUP ALARM	
35	8303545	6	HEX HD CAPSCREW, 6X1X14mm	
36	8303745	2	HEX HD CAPSCREW, 5/16-18X5/8	
41	1001114671	1	RELAY MOUNT BRACKET	
42	1001117308	1	REALY	
43	8305624	2	HEX LOCKNUT, 1/4-20	
44	8305645	1	HEX LOCKNUT, 3/8-16	
47	8307004	2	LOCKWASHER, 5/16	
48	1001118107	1	GRID HEATER CABLE	
51	8307106	2	WASHER, 5/16	
53	8307110	1	WASHER, 3/8	
55	1001118129	1	GRID HEATER FUSE RELAY CABLE	
56	8307219	6	WASHER, 6mm	
58	1001118245	1	FUSE	
59	1001128397	1	ENGINE HARNESS	
60	8310523	1	HEX FLANGE NUT, 1/2-13	
62	1001114480	1	ALTERNATOR TO STARTER CABLE	
63	8406302	1	HOSE CLAMP	
64	1001128663	1	NEGATIVE BATTERY CABLE	
65	1001128665	1	CABLE ENGINE BLOCK GND, (not shown)	
66	1001128666	1	CABLE STARTER GND, (not shown)	

SECTION 10 - ELECTRICAL

ITEM	PART NUMBER	QTY	DESCRIPTION	REV
101	1001101043	NLA	BATTERY, (no longer available, use 1001155219 for replacement)	
101	1001155219	1	BATTERY	
102	91401281	1	BATTERY HOLD DOWN BOLT	
103	91081640	2	BATTERY HOLD DOWN BOLT	
104	77143006	2	WHIZ-LOCK NUT, 5/16-18	
214	7112592	1	BOOM EXTEND HARNESS, (10054)	
215		Ref	HARNESS, (See OUTRIGGER HARNESS for Breakdown)	

SECTION 10 - ELECTRICAL

FIGURE 10-8. OUTRIGGER HARNESS



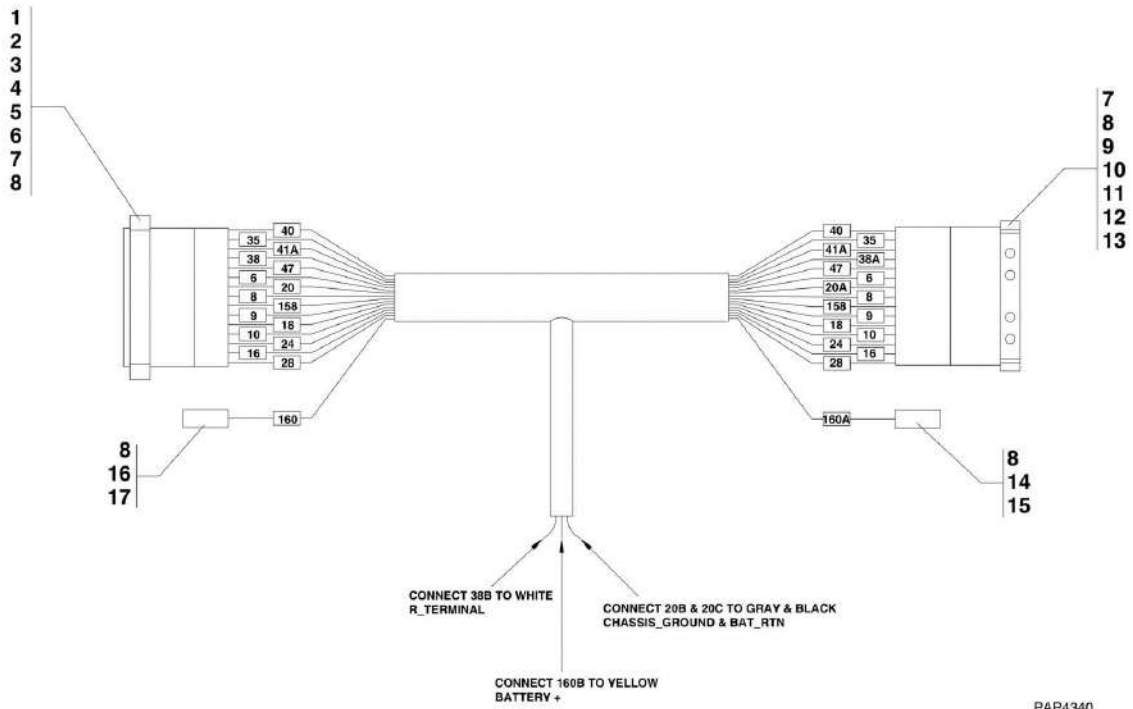
SECTION 10 - ELECTRICAL

FIGURE 10-8. OUTRIGGER HARNESS

ITEM	PART NUMBER	QTY	DESCRIPTION	REV
1	7150723	1	WIRING HARNESS, (10042), (includes item 3)	
2	7150722	1	LOGIC HARNESS, (10054), (includes item 3)	
3	8220882	4	SOLENOID CONNECTOR, (includes item 4)	
4	8220926	4	CONNECTOR SEAL, (not shown)	
5	8223041	1	LEFT OUTRIGGER CONTROL SWITCH	
6	8223042	1	RIGHT OUTRIGGER CONTROL SWITCH	
7	8229233	2	FUSE, 7.5 AMP	
8	8225119	8	RELAY	
9	7139737	1	PRESSURE SWITCH KIT (SN 13198 through 15097)	
10	8223536	2	PRESSURE SWITCH (SN 15098 through 19987, SN 0160002332 to Present)	
138	8305002	1	HEX NUT, #10-24	
146	8307003	1	LOCKWASHER, #10	
151	8307106	1	WASHER, 5/16	
154	8307111	1	WASHER, #10	

SECTION 10 - ELECTRICAL

FIGURE 10-9. JUMPER HARNESS (Prior to SN 0160040220, Excluding 0160039850, 0160040126, 0160040127, 0160040128, 0160040129 and 0160040171)



PAP4340

SECTION 10 - ELECTRICAL

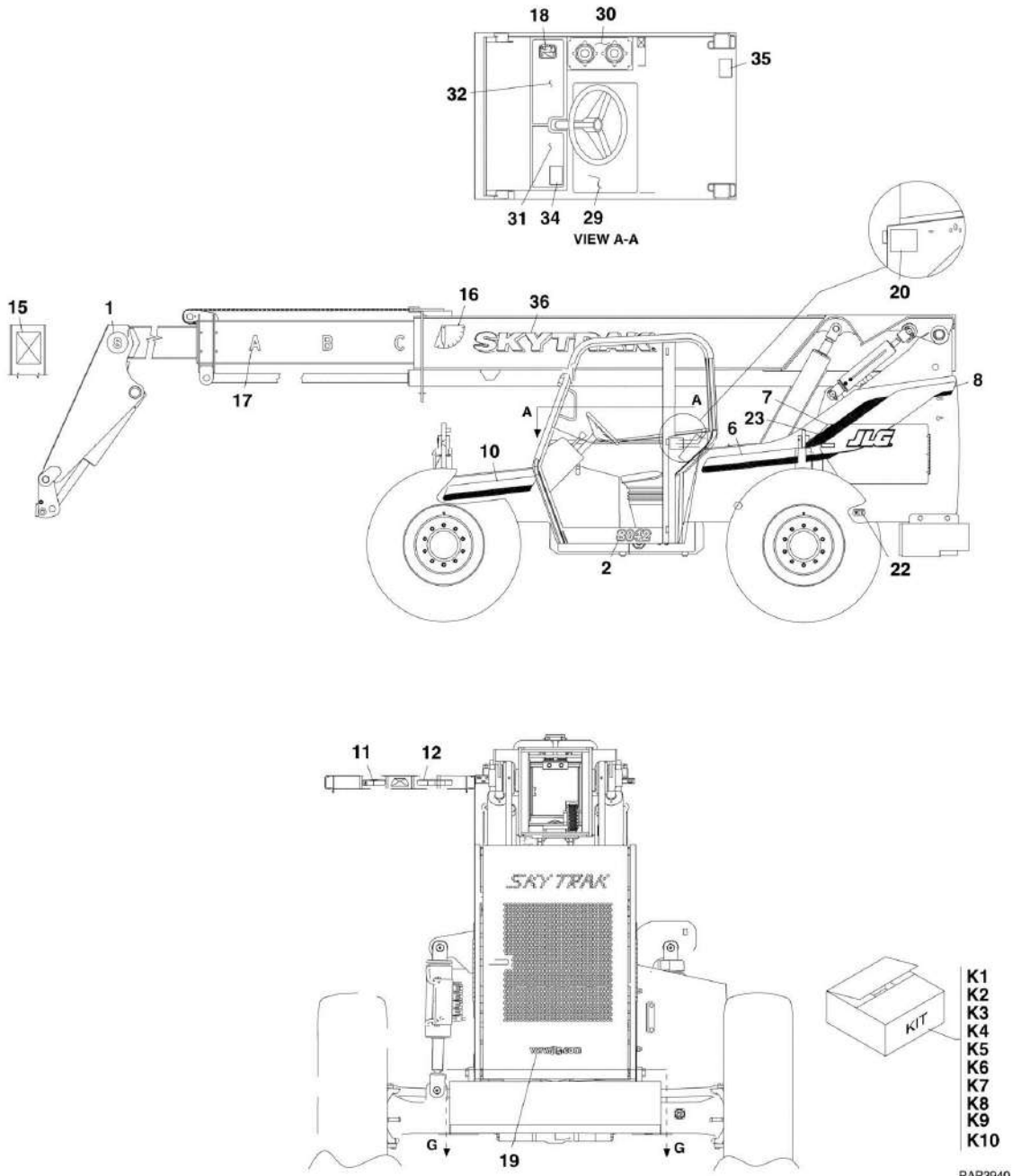
FIGURE 10-9. JUMPER HARNESS (Prior to SN 0160040220, Excluding 0160039850, 0160040126, 0160040127, 0160040128, 0160040129 and 0160040171)

ITEM	PART NUMBER	QTY	DESCRIPTION	REV
	1001102448	1	JUMPER HARNESS, (includes all items)	A
1	8220927	1	CONNECTOR	
2	8220928	1	TPA, PACKARD	
3	8220931	1	PACKARD CONNECTOR SEAL	
4	8220932	1	PACKARD SLIDE LOCK	
5	8220084	1	FEMALE PACKARD TERMINAL	
6	8220086	14	PACKARD TERMINAL	
7	8220081	27	PACKARD CABLE SEAL	
8	8220089	4	PACKARD CABLE SEAL	
9	8220929	1	PACKARD CONNECTOR	
10	8220930	1	TPA, PACKARD	
11	8220161	1	MALE PACKARD TERMINAL	
12	8220123	1	PACKARD CABLE SEAL	
13	8220887	14	MALE PACKARD TERMINAL	
14	80963056	1	PACKARD CONNECTOR	
15	460850	1	MALE PACKARD TERMINAL	
16	80963055	1	PACKARD CONNECTOR	
17	4460790	1	FEMALE PACKARD TERMINAL	

SECTION 11 - DECALS

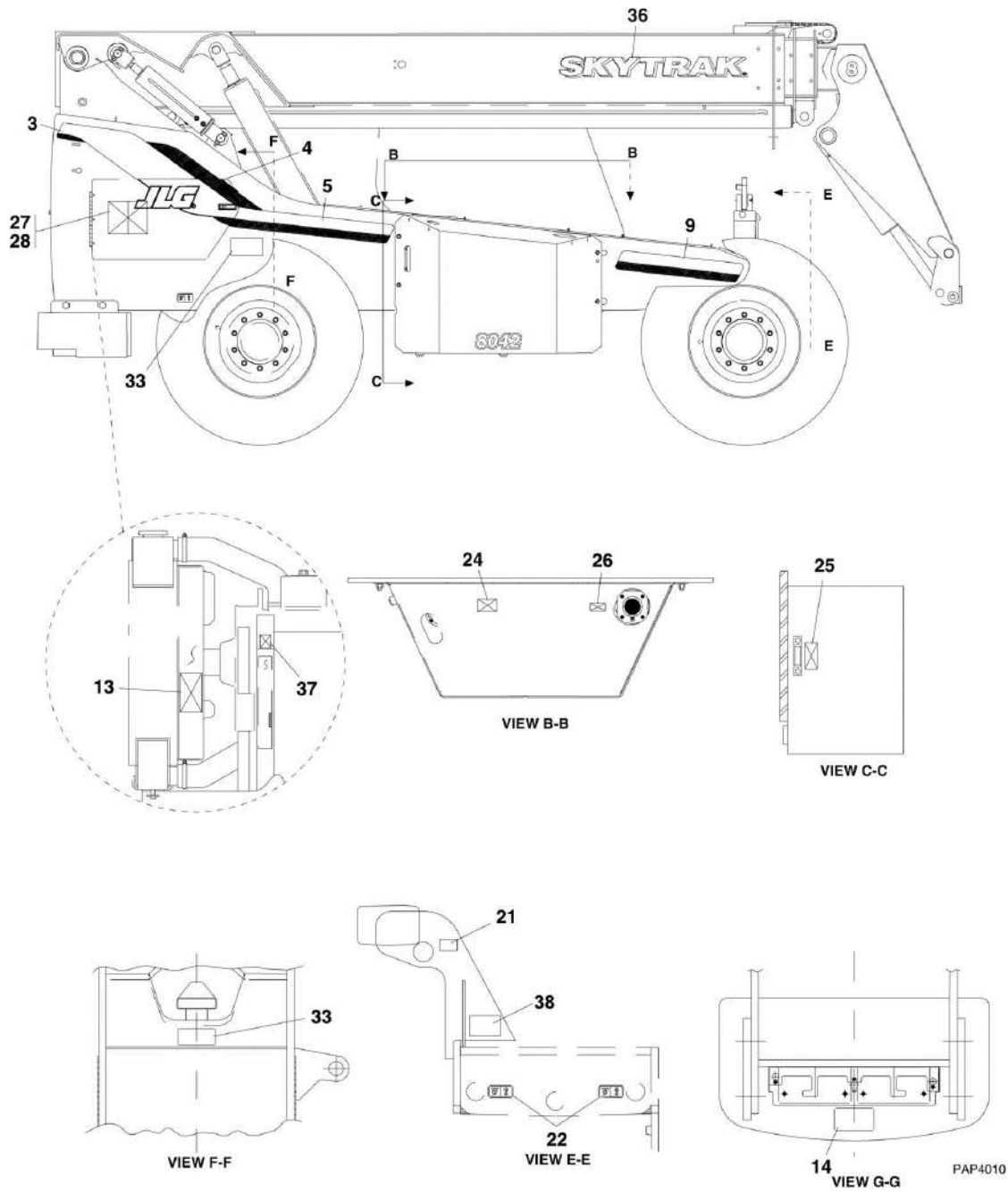
SECTION 11 - DECALS

FIGURE 11-1. DECALS (Prior to SN 0160029593)



PAP3940

SECTION 11 - DECALS



SECTION 11 - DECALS

FIGURE 11-1. DECALS (Prior to SN 0160029593)

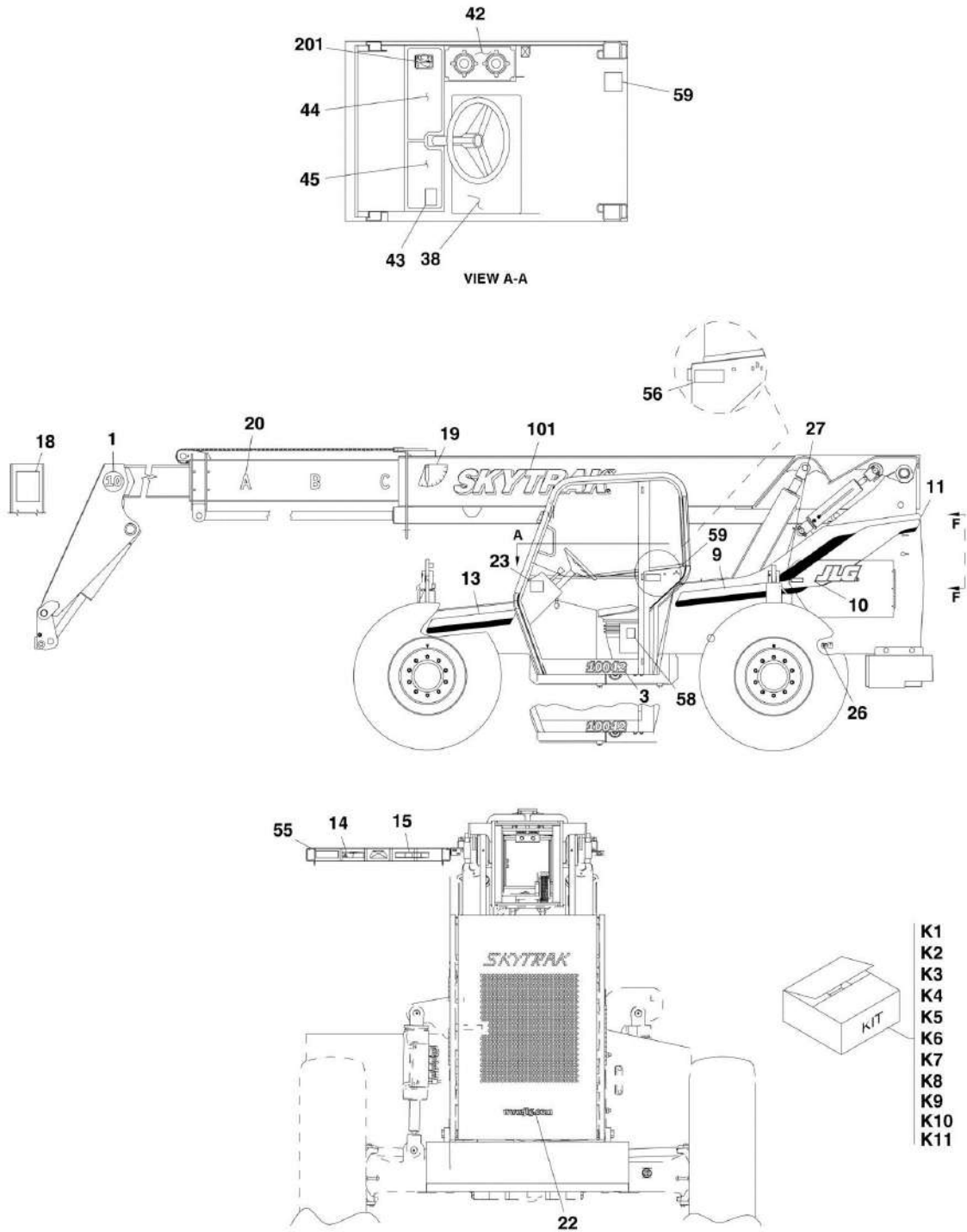
ITEM	PART NUMBER	QTY	DESCRIPTION	REV
1	1706169	2	GOOSENECK DECAL, 8, (8042)	
1	1706100	2	GOOSENECK DECAL, 10, (10042 & 10054)	
2	1706173	2	8042 MODEL NUMBER DECAL	
2	1706174	2	10042 MODEL NUMBER DECAL	
2	1706175	2	10054 MODEL NUMBER DECAL	
3	4110155	1	REAR FRAME STRIPE RH DECAL	
4	1706200	1	RH ENGINE DOOR STRIPE	
5	4110157	1	MID FRAME STRIPE RH DECAL	
6	4110158	1	MID FRAME STRIPE LH DECAL	
7	1706201	1	LH ENGINE DOOR STRIPE DECAL	
8	4110160	1	REAR FRAME STRIPE LH DECAL	
9	4110166	1	FRONT FRAME STRIPE RH DECAL	
10	4110167	1	FRONT FRAME STRIPE LH DECAL	
11	4108991	1	ELECTROCUTION HAZARD DECAL	
12	4110137	1	TIP OVER HAZARD DECAL	
13	4110184	2	MOVING PARTS HAZARD DECAL	
14	4110172	1	BATTERY HAZARD DECAL	
15	4110389	1	CARRYING PERSONNEL DECAL	
16	4105262	1	BOOM ANGLE INDICATOR DECAL	
17	4107442	1	BOOM EXTEND LETTERS DECAL	
18	7301676	1	LOAD CHART BOOKLET 8042 (SN 13198 through 19987, SN 0160002332 through 0160019859)	
18	1706798	1	LOAD CHART BOOKLET, 8042 (SN 0160019946 through 0160037768)	
18	7301677	1	LOAD CHART BOOKLET 10042 (SN 13198 through 19987, SN 0160002332 through 0160019855)	
18	1706799	1	LOAD CHART BOOKLET, 10042 (SN 0160020008 through 0160037764)	
18	7301678	1	LOAD CHART BOOKLET 10054 (SN 13198 through 19987, SN 0160002332 through 0160019851, Excluding 0160019634 and 016019646)	
18	1706800	1	LOAD CHART BOOKLET, 10054 (SN 0160019865 through 0160037784, Including 0160019634 and 016019646)	
19	1704885	1	WEBSITE DECAL	
20	3251813	1	USA DECAL	
21	N.S.S.	1	S/N PLATE	
22	4110226	4	LIFT POINT/TIE DOWN DECAL	
23	4110242	1	FRAME STRIPE LH DECAL	
24	4100181	1	HYDRAULIC OIL FILL DECAL	
25	4108302	1	HYDRAULIC OIL LEVEL DECAL	
26	4105171	1	DIESEL FUEL FILL DECAL	
27	4110339	1	MAINTENANCE CHART DECAL	
28	4110217	1	LUBRICATION CHART DECAL, (8042)	
28	4110186	1	LUBRICATION CHART DECAL, (10042)	
28	4110218	1	LUBRICATION CHART DECAL, (10054)	
29	10139087	1	SAFETY WALK	
30	4107462	1	SIDE CONSOLE DECAL	
31	4110188	1	OVERLAY LH DECAL	
32	4110187	1	OVERLAY RH DECAL	
33	1706300	2	WARNING ETHER STARTING DECAL	
34	4107971	1	OUTRIGGER CONTACT DECAL, (10042 & 10054 only)	

SECTION 11 - DECALS

ITEM	PART NUMBER	QTY	DESCRIPTION	REV
35	91404299	1	ESCAPE DECAL	
36	1706176	2	SKYTRAK BOOM DECAL	
37	4107901	1	DECAL ENGINE IDLE SETTING	
38	1001131271	1	PATENT TELEHANDLERS DECAL	
K1	7302189	1	UNITED RENTALS DECAL KIT	
K2	0274263	1	NATIONS RENT DECAL KIT	
K3	0274272	1	NES DECAL KIT	
K4	0274271	1	SUNSTATE DECAL KIT, (8042 & 10054)	
K5	0274547	1	H AND E DECAL KIT	
K6	1001120632	1	SUNBELT DECAL KIT	
K7	1001098594	1	RSC DECAL KIT, (8042 & 10042)	
K8	1001098595	1	RSC DECAL KIT, (10054)	
K9	1001128530	1	HERTZ DECAL KIT	
K10	0274072	1	CUSTOMER DECAL KIT	

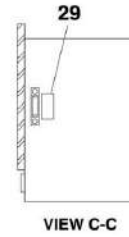
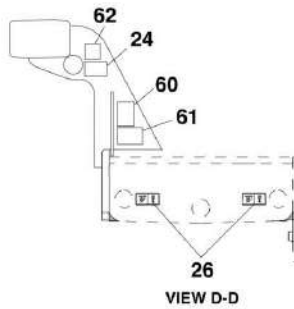
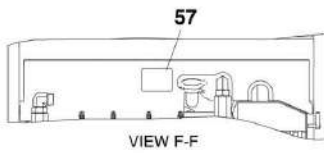
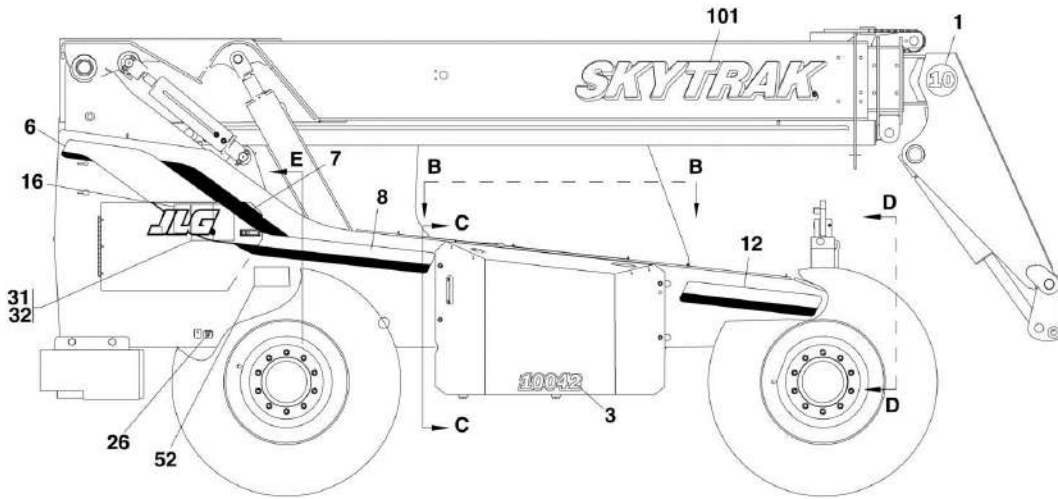
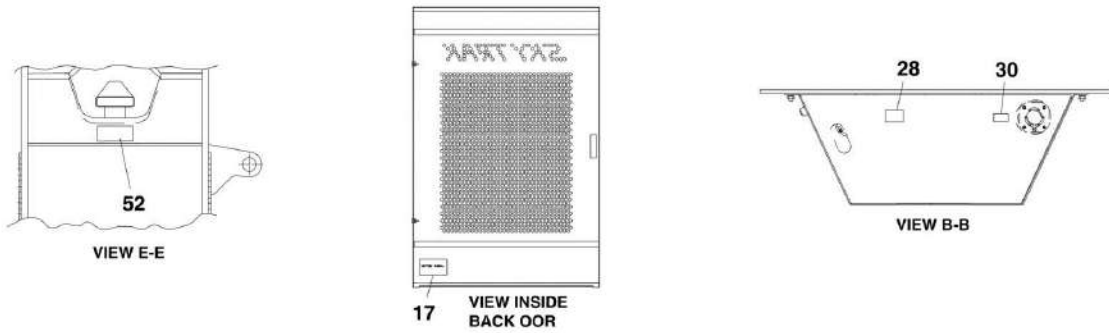
SECTION 11 - DECALS

FIGURE 11-2. DECALS (SN 0160029593 to Present)



ART_8990395-11-2_1

SECTION 11 - DECALS



ART_8990395-11-2_2

SECTION 11 - DECALS

FIGURE 11-2. DECALS (SN 0160029593 to Present)

ITEM	PART NUMBER	QTY	DESCRIPTION	REV
1	1706169	2	GOOSENECK DECAL, 8, (8042)	
1	1706100	2	GOOSENECK DECAL, 10, (10042 & 10054)	
3	1706173	2	8042 MODEL NUMBER DECAL	
3	1706174	2	10042 MODEL NUMBER DECAL	
3	1706175	2	10054 MODEL NUMBER DECAL	
6	4110155	1	REAR FRAME STRIPE RH DECAL	
7	1706200	1	RH ENG DOOR STRIPE DECAL	
8	4110157	1	MID FRAME STRIPE RH DECAL	
9	4110158	1	MID FRAME STRIPE LH DECAL	
10	1706201	1	LH ENG DOOR STRIPE DECAL	
11	4110160	1	REAR FRAME STRIPE LH DECAL	
12	4110166	1	FRONT FRAME STRIPE RH DECAL	
13	4110167	1	FRONT FRAME STRIPE LH DECAL	
14	1706299	1	ELECTROCUTION HAZARD DECAL, ENGLISH	
14	1706284	1	ELECTROCUTION HAZARD DECAL, (ISO)	
15	1706306	1	TIP OVER HAZARD, ENGLISH	
15	1706288	1	TIP OVER HAZARD, (ISO)	
16	1706301	2	MOVING PARTS HAZARD DECAL, ENGLISH	
16	1706285	2	MOVING PARTS HAZARD DECAL, (ISO)	
17	1706296	1	BATTERY HAZARD DECAL, ENGLISH	
17	1706281	1	BATTERY HAZARD DECAL, (ISO)	
18	1706298	1	CARRYING PERSONNEL DECAL, ENGLISH	
18	1706282	1	CARRYING PERSONNEL DECAL, (ISO)	
19	4105262	1	BOOM ANGLE INDICATOR DECAL	
20	4107442	1	BOOM EXTEND LETTERS DECAL	
22	1704885	1	WEBSITE DECAL	
23	3251813	1	USA DECAL	
24	N.S.S.	1	S/N PLATE	
26	4110226	4	LIFT POINT, TIE DOWN DECAL	
27	4110242	1	FRAME STRIPE LH DECAL	
28	4100181	1	HYDRAULIC OIL FILL DECAL	
29	4108302	1	HYDRAULIC OIL LEVEL DECAL	
30	4105171	1	DIESEL FUEL FILL DECAL	
31	4110339	1	MAINTENANCE CHART DECAL (Prior to SN 0160037804, Excluding 0160037793 and 0160037799)	
31	1001103930	1	MAINTENANCE CHART DECAL (SN 0160037804 through 0160040197, Including 0160037793 and 0160037799)	
31	1001109596	1	MAINTENANCE CHART DECAL (SN 0160040212 to Present)	
32	4110217	1	LUBRICATION CHART, 8042 (Prior to SN 0160040224)	
32	1001129510	1	LUBRICATION CHART, 8042 (SN 0160040224 to Present)	
32	4110186	1	LUBRICATION CHART, 10042 (Prior to SN 0160040126)	
32	1001129509	1	LUBRICATION CHART, 10042 (SN 0160040126 to Present)	
32	4110218	1	LUBRICATION CHART, 10054 (Prior to SN 0160040220)	
32	1001129508	1	LUBRICATION CHART, 10054 (SN 0160040220 to Present)	
38	10139087	1	SAFETY WALK	
42	4107462	1	SIDE CONSOLE DECAL	
43	4107971	1	OUTRIGGER CONTACT DECAL, ENGLISH	
43	1706279	1	OUTRIGGER CONTACT DECAL, (ISO)	
44	4110187	1	RH OVERLAY DECAL, ENGLISH	
44	1001110280	1	RH OVERLAY DECAL, (ISO)	

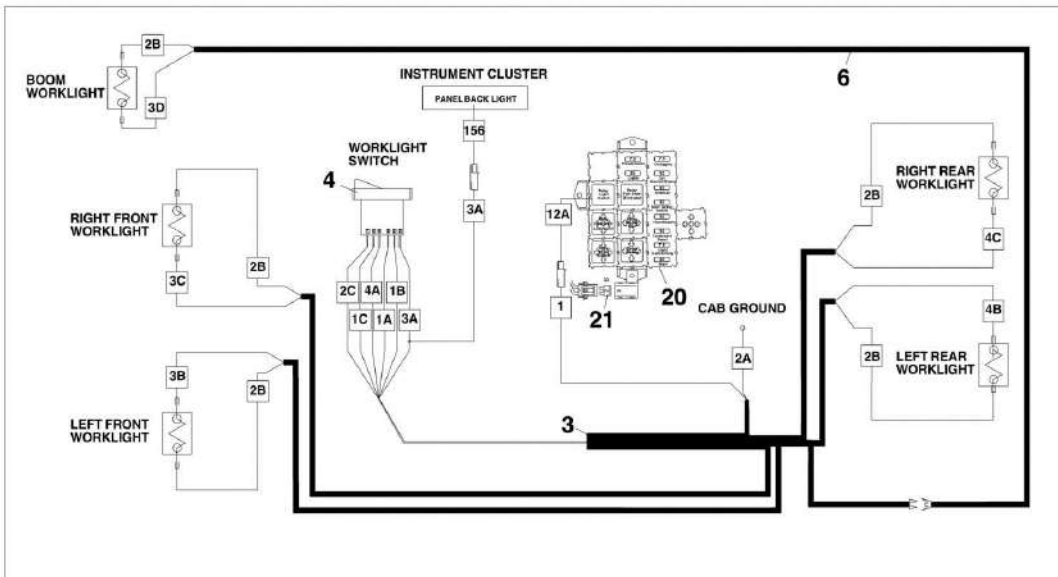
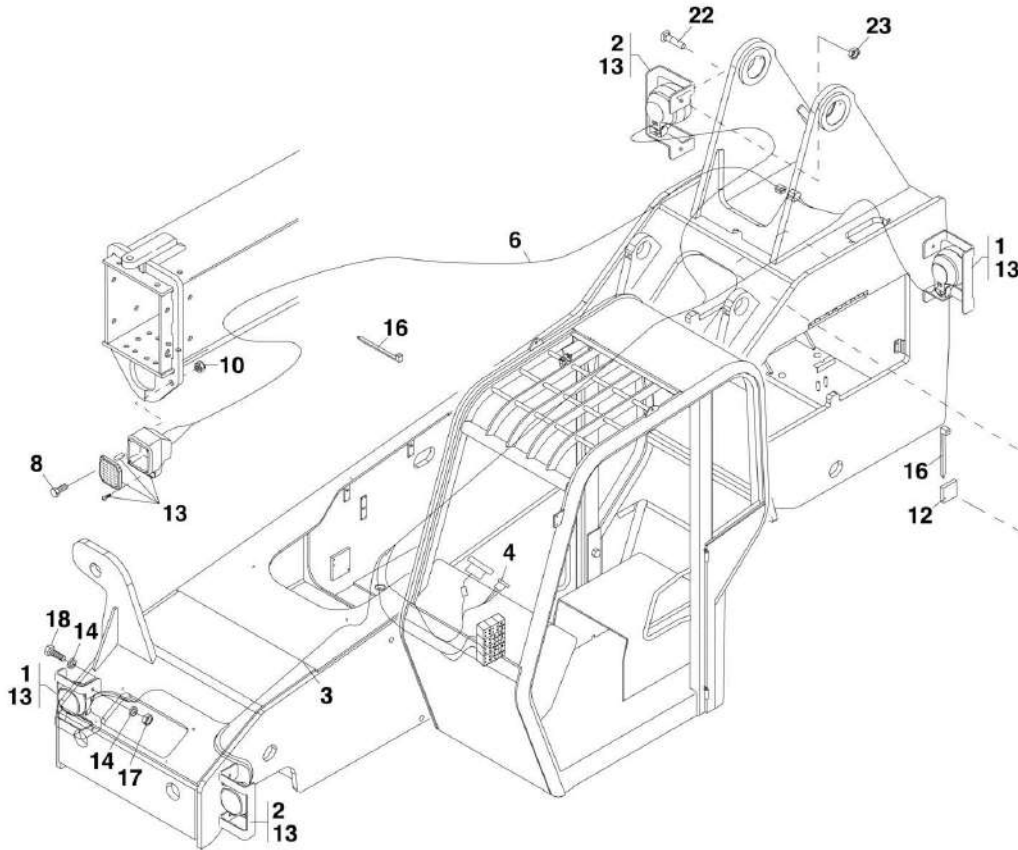
SECTION 11 - DECALS

ITEM	PART NUMBER	QTY	DESCRIPTION	REV
44	1001129767	1	RH OVERLAY DECAL, (ISO) (if equipped for LS)	
45	4110188	1	LH OVERLAY DECAL, ENGLISH	
45	1001110282		LH OVERLAY DECAL, (ISO)	
52	1706300	2	ETHER START WARNING DECAL, ENGLISH	
52	1706098		ETHER START WARNING DECAL, (ISO)	
55	1706850	1	CRUSH HAZARD WARNING DECAL, ENGLISH	
55	1001092877		CRUSH HAZARD WARNING DECAL, (ISO)	
56	1706768	1	NO RIDDERS DECAL, ENGLISH	
56	1001092878	1	NO RIDDERS DECAL, (ISO)	
57	1001109053	1	COOLANT FILL DECAL	
58	1701640	1	MANUAL DECAL	
59	91404299	1	ESCAPE DECAL	
60	1001131271	1	PATENT TELEHANDLERS DECAL	
61	1001143852	1	EXPORT DECAL, (ISO), (if equipped for LS)	
62	1702631	1	BAR CODE ASSY DECAL, (if equipped for LS)	
101	1706176	2	SKYTRAK BOOM DECAL	
201	1706798	1	LOAD CHART BOOKLET, (8042), ENGLISH UNIT (SN 0160019946 through 0160037768)	
201	1001106014	1	LOAD CHART BOOKLET, (8042), ENGLISH UNIT (SN 0160037799 to Present)	
201	1001122561	1	LOAD CHART BOOKLET, (8042), METRIC UNIT	
201	1706799	1	LOAD CHART BOOKLET, (10042), ENGLISH UNIT (SN 0160020008 through 0160037764)	
201	1001106015	1	LOAD CHART BOOKLET, (10042), ENGLISH UNIT (SN 0160037798 to Present)	
201	1001122612	1	LOAD CHART BOOKLET, (10042), METRIC UNIT	
201	1706800	1	LOAD CHART BOOKLET, (10054), ENGLISH UNIT (SN 0160019865 through 0160037784)	
201	1001106016	1	LOAD CHART BOOKLET, (10054), ENGLISH UNIT (SN 0160037793 to Present)	
201	1001121967	1	LOAD CHART BOOKLET, (10054), METRIC UNIT	
201	1001110414	1	OPTIONAL LOAD CHART BOOKLET, (8042), ENGLISH UNIT (SN 0160037799 to Present)	
201	1001122562	1	OPTIONAL LOAD CHART BOOKLET, (8042), METRIC UNIT	
201	1001110415	1	OPTIONAL LOAD CHART BOOKLET, (10042), ENGLISH UNIT (SN 0160037798 to Present)	
201	1001122613	1	OPTIONAL LOAD CHART BOOKLET, (10042), METRIC UNIT	
201	1001110416	1	OPTIONAL LOAD CHART BOOKLET, (10054), ENGLISH UNIT (SN 0160037793 to Present)	
201	1001121968	1	OPTIONAL LOAD CHART BOOKLET, (10054), METRIC UNIT	
K1	7302189	1	UNITED RENTALS DECAL KIT	
K2	0274263	1	NATIONS RENT DECAL KIT	
K3	0274272	1	NES DECAL KIT	
K4	0274271	1	SUNSTATE DECAL KIT, (8042 & 10054)	
K5	0274547	1	H AND E DECAL KIT	
K6	1001120632	1	SUNBELT DECAL KIT	
K7	1001098594	1	RSC DECAL KIT, (8042 & 10042)	
K8	1001098595	1	RSC DECAL KIT, (10054)	
K9	1001128530	1	HERTZ DECAL KIT	
K10	0274072	1	CUSTOMER DECAL KIT	
K11	1001140699	1	LEAVITT MACH DECAL KIT	

SECTION 12 - OPTIONS

SECTION 12 - OPTIONS

FIGURE 12-1. WORKLIGHT SYSTEM



PAP3990

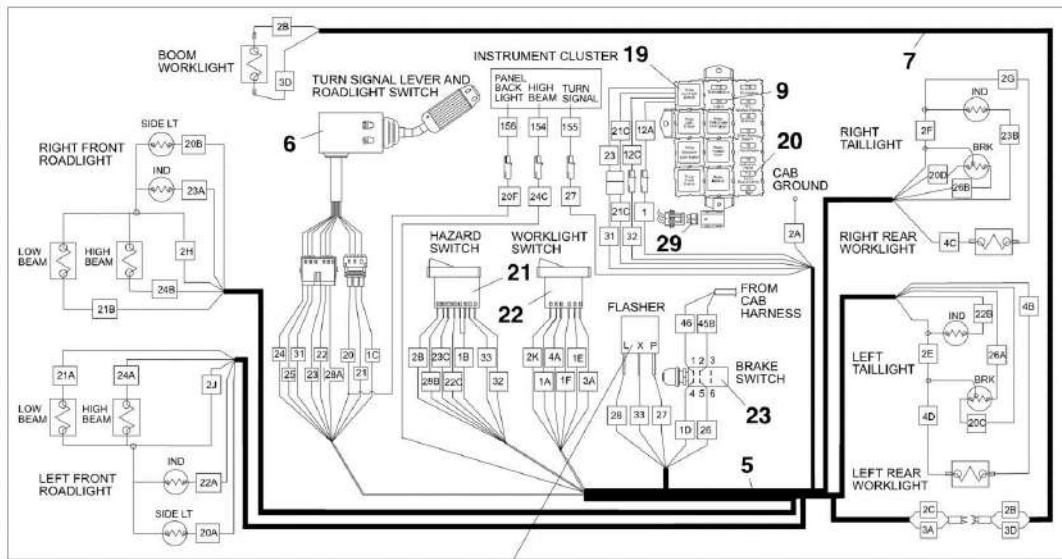
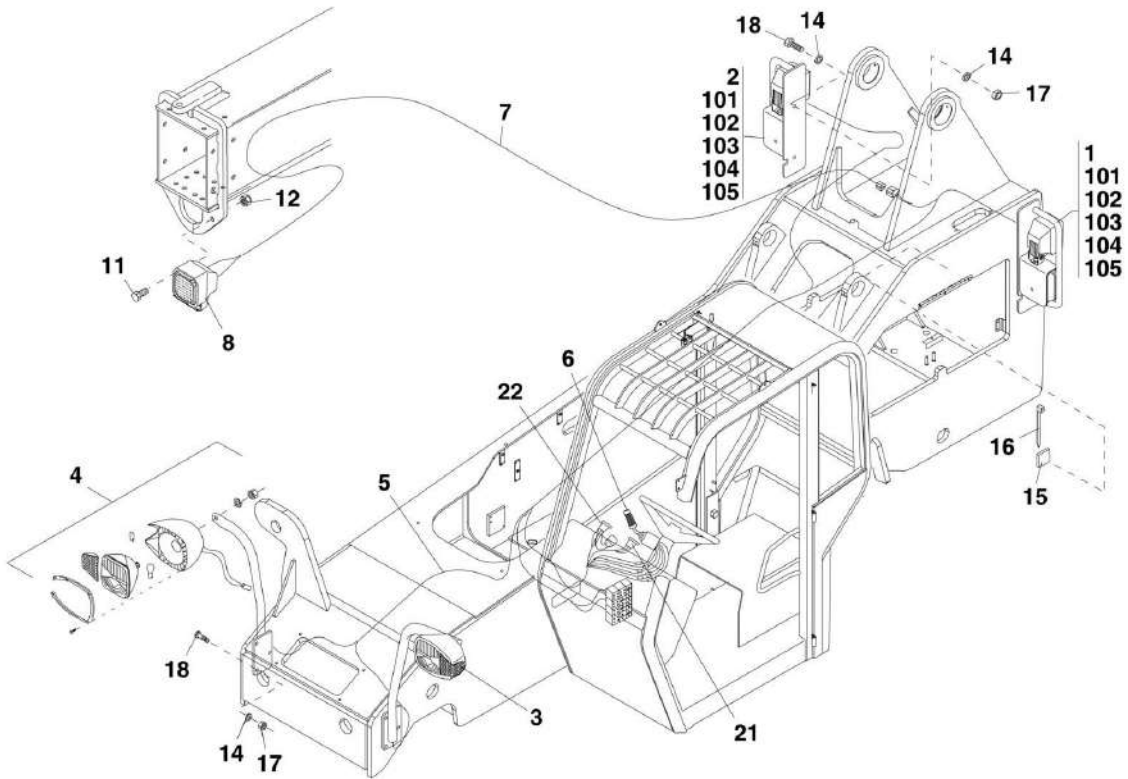
SECTION 12 - OPTIONS

FIGURE 12-1. WORKLIGHT SYSTEM

ITEM	PART NUMBER	QTY	DESCRIPTION	REV
	7150705	1	WORKLIGHT INSTALLATION, (includes all items)	I
1	7150673	2	WORKLIGHT ASSY, (front right and rear left sides), (includes item 13)	D
1	1001097080	2	WORKLIGHT BRACKET, (front right and rear left)	
2	7150688	2	WORKLIGHT ASSY, (front left and rear right), (includes item 13)	D
2	1001097079	2	WORKLIGHT BRACKET, (front left and rear right)	
3	7150707	1	WIRE HARNESS	
4	8223059	1	WORKLIGHT SWITCH	
6	7150730	1	BOOM WORKLIGHT HARNESS	
8	8303670	1	HEX HD CAPSCREW, 5/16-18	
10	8305626	1	LOCKNUT, 5/16-18	
12	8584018	2	TIE MOUNT	
13	7150687	NLA	WORKLIGHT, (no longer available, use 1001096314 for replacement) (8042 SN 13198 through 19987, SN 0160002332 through 0160030566; 10042 SN 13198 through 19987, SN 0160002332 through 0160030607; 10054 SN 13198 through 19987, SN 0160002332 through 0160030568)	
13	8036216	4	WORKLIGHT LENS SCREW	
13	8036217	NLA	WORKLIGHT LENS, (no longer available, use 1001096314 for replacement)	
13	8036218	1	WORKLIGHT HALOGEN BULB	
13	1001096314	5	WORKLIGHT, (8042 SN 0160030567 to Present; 10042 SN 0160030608 to Present; 10054 Including 0160030569)	
14	8307204	8	FLAT WASHER, 3/8	
16	8584001	32	TIE WRAP	
17	8305645	4	HEX NUT, 3/8	
18	8303622	4	HEX HD CAPSCREW, 3/8X2	
20	8229233	1	LIGHT SWITCH FUSE, 7.5 AMP, (Tan)	
21	8229238	1	WORKLIGHT FUSE, 40 AMP, (Orange)	
22	88411094	4	CARRIAGE BOLT, 7/16-14 X 2 LG	
23	8310109	4	HEX LOCKNUT, 7/16-14	

SECTION 12 - OPTIONS

FIGURE 12-2. ROADLIGHT SYSTEM (SN 13198 through 19987, SN 016002332 through 0160015215)



25
26
27
28

PH2362

SECTION 12 - OPTIONS

FIGURE 12-2. ROADLIGHT SYSTEM (SN 13198 through 19987, SN 0160002332 through 0160015215)

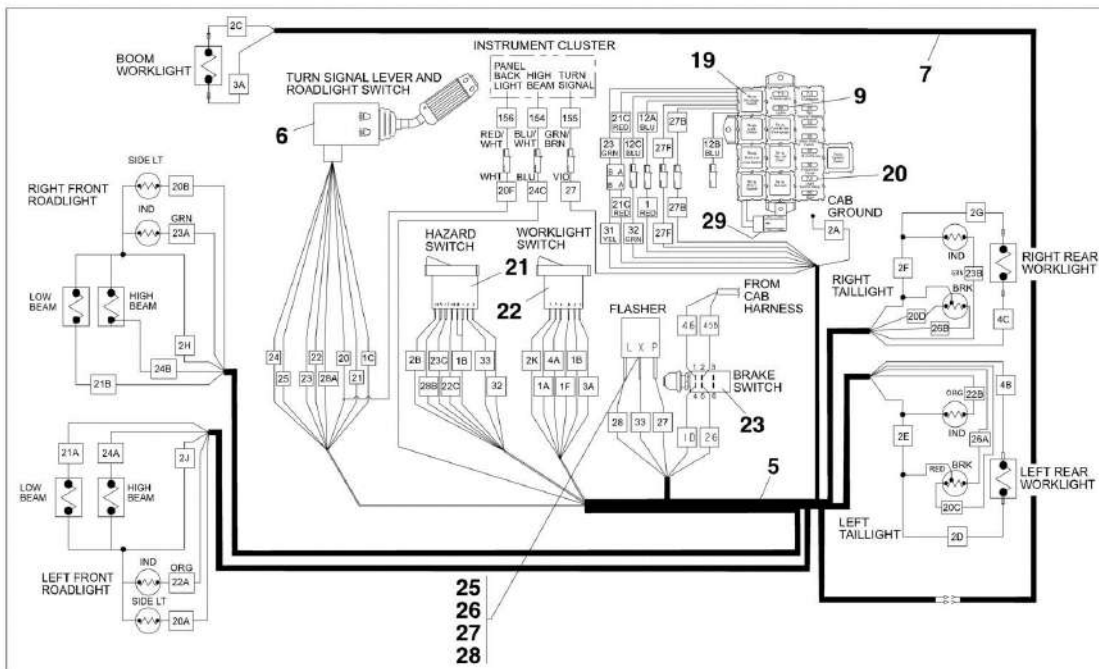
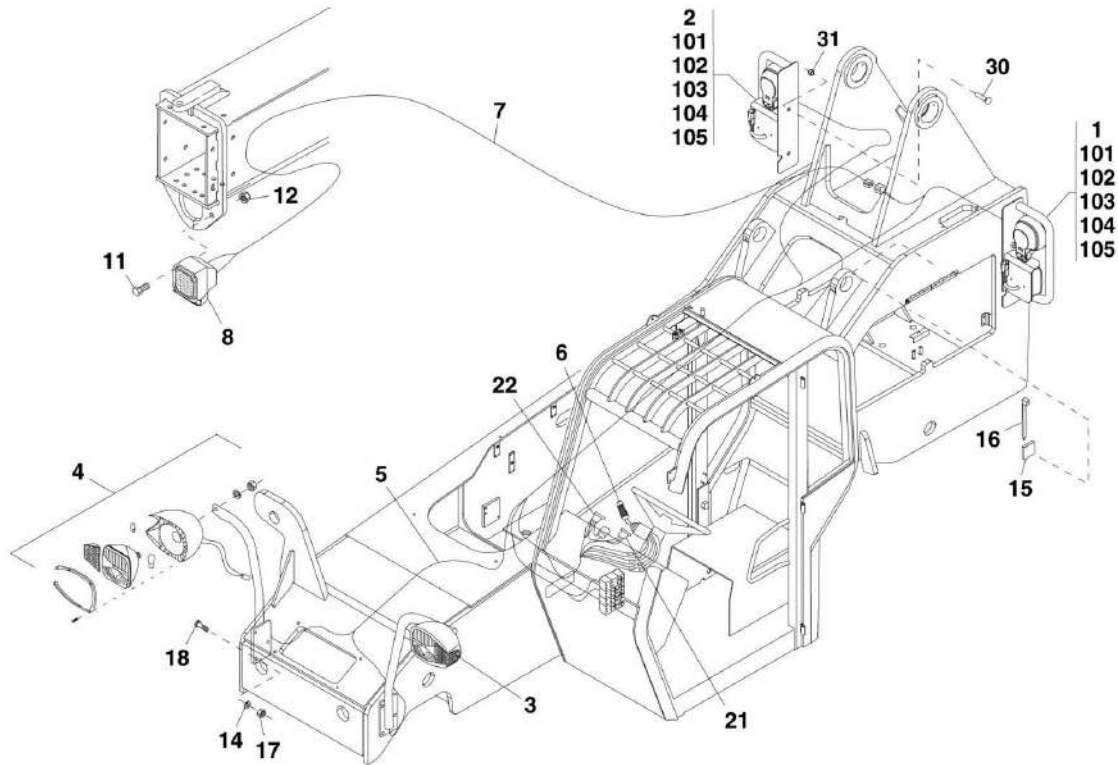
ITEM	PART NUMBER	QTY	DESCRIPTION	REV
	7148700	1	ROADLIGHT INSTALLATION, (includes items 1 thru 29)	
1	7150679	1	LH ROADLIGHT ASSY, (includes items 101 thru 105)	AB
2	7150689	1	RH ROADLIGHT ASSY, (includes items 101 thru 105)	AB
3	7150699	1	LH ROADLIGHT BRACKET ASSY	
3	7150685	1	LH ROADLIGHT BRACKET	
3	7150702	1	FRONT ROADLIGHT	
3	8036216	6	HEADLIGHT LENS SCREW	
3	8036212	1	HEADLIGHT LENS	
3	8036213	1	HEADLIGHT BULB, 12V 60/55W	
3	8036214	1	BLINKER BULB, 12V 5W	
3	8036215	1	WIRING HARNESS, (includes 6-way connector)	
3	8036209	1	LEFT AMBER HEADLIGHT LENS	
4	7150716	1	RH ROADLIGHT BRACKET ASSY	
4	7150717	1	RH ROADLIGHT BRACKET	
4	7150703	1	FRONT ROADLIGHT	
4	8036210	1	RIGHT AMBER HEADLIGHT LENS	
4	8036216	6	HEADLIGHT LENS SCREW	
4	8036212	1	HEADLIGHT LENS	
4	8036213	1	HEADLIGHT BULB, 12V, 60/55W	
4	8036214	1	BLINKER BULB, 12V, 5W	
4	8036215	1	WIRING HARNESS, (includes 6-way connector)	
5	4923649	1	WIRE HARNESS	
6	7150742	1	TURN SIGNAL LEVER	
7	7150730	1	WORKLIGHT HARNESS	
8	7150687	NLA	WORKLIGHT, (no longer available, use 1001096314 on ROADLIGHT SYSTEM for replacement) (SN 0160015216 to Present)	
8	8036216	4	WORKLIGHT LENS SCREW	
8	8036217	NLA	WORKLIGHT LENS, (no longer available, use 1001096314 on ROADLIGHT SYSTEM for replacement) (SN 0160015216 to Present)	
8	8036218	1	WORKLIGHT HALOGEN BULB, 12V	
9	8229236	1	FUSE, 20AMP	
11	8303670	1	HEX HD CAPSCREW, 5/16-18X1, GR8	
12	8305626	1	HEX LOCKNUT, 5/16-18	
14	8307204	14	FLAT WASHER, 3/8	
15	8584018	2	TIE MOUNT	
16	8584001	32	TIE WRAP	
17	8305645	10	HEX LOCKNUT, 3/8	
18	8303622	10	HEX HD CAPSCREW, 3/8X2	
19	8225119	1	RELAY	
20	8229233	1	FUSE, 7.5AMP	
21	8223060	1	HAZARD SWITCH	
22	8223059	1	WORKLIGHT SWITCH	
23	8223057	1	BRAKE LIGHT SWITCH	
25	8500203	1	FLASHER, 12V	
26	8303835	2	SLOTTED PAN HD SCREW, #10-24X1/2	
27	8310085	2	LOCKNUT, #10-24	
28	8307111	2	WASHER, #10	
29	8229238	1	FUSE, 40AMP	

SECTION 12 - OPTIONS

ITEM	PART NUMBER	QTY	DESCRIPTION	REV
101	7150681	1	LH WORKLIGHT BRACKET ASSY	
101	7150680	1	RH WORKLIGHT BRACKET ASSY	
102	7150687	NLA	WORKLIGHT, (no longer available, use 1001096314 on ROADLIGHT SYSTEM for replacement) (SN 0160015216 to Present)	
102	8036216	4	WORKLIGHT LENS SCREW	
102	8036217	NLA	WORKLIGHT LENS, (no longer available, use 1001096314 on ROADLIGHT SYSTEM for replacement) (SN 0160015216 to Present)	
102	8036218	1	WORKLIGHT HALOGEN BULB, 12V	
103	7150690	1	TAIL/INDICATOR LIGHT	
103	N.S.S.	1	TAIL LIGHT LENS SCREW	
103	8036219	1	TAIL LIGHT LENS	
103	8036221	1	BLINKER BULB, 12V, 21W	
103	8036222	1	TAIL AND BRAKE LIGHT BULB, 12V, 21/5W	
103	8036220	1	WIRING HARNESS, (includes 4-way connector)	
104	8303745	1	HEX HD CAPSCREW, 5/16-18X5/8	
105	8305626	1	HEX LOCKNUT, 5/16-18	

SECTION 12 - OPTIONS

FIGURE 12-3. ROADLIGHT SYSTEM (SN 0160015216 to Present)



ART_8990395-12-3

SECTION 12 - OPTIONS

FIGURE 12-3. ROADLIGHT SYSTEM (SN 0160015216 to Present)

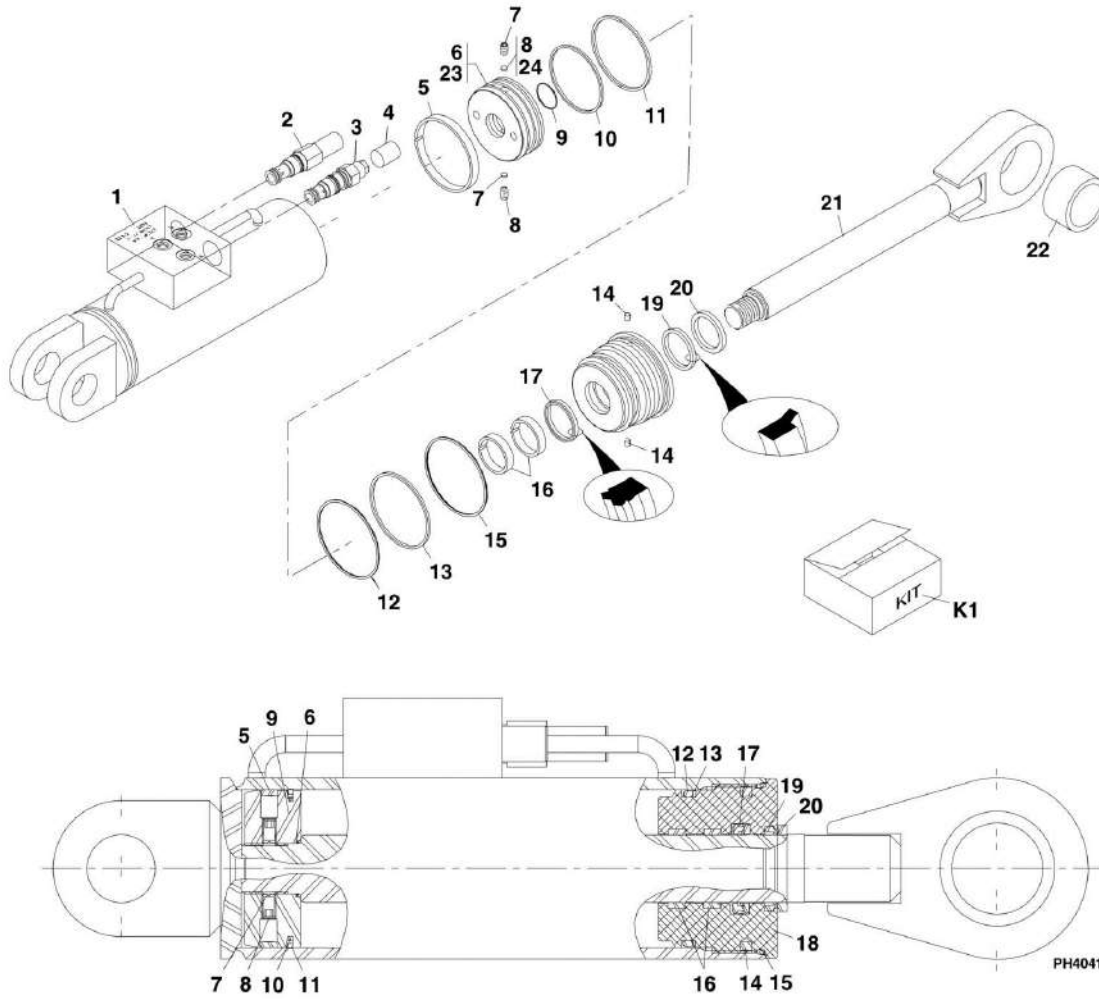
ITEM	PART NUMBER	QTY	DESCRIPTION	REV
	7150704	1	ROADLIGHT INSTALLATION, (includes items 1 thru 31)	J
1	7150679	1	LH ROADLIGHT ASSY, (includes items 101 thru 105)	C
2	7150689	1	RH ROADLIGHT ASSY, (includes items 101 thru 105)	C
3	7150699	1	LH ROADLIGHT BRACKET ASSY	
3	7150685	1	LH ROADLIGHT BRACKET	
3	7150702	1	FRONT ROADLIGHT, (torque nut to 7-15 lb-ft)	
3	8036216	6	HEADLIGHT LENS SCREW	
3	8036212	1	HEADLIGHT LENS	
3	8036213	1	HEADLIGHT BULB, 12V 60/55W	
3	8036214	1	BLINKER BULB, 12V 5W	
3	8036215	1	WIRING HARNESS, (includes 6-way connector)	
3	8036209	1	LEFT AMBER HEADLIGHT LENS	
4	7150716	1	RH ROADLIGHT BRACKET ASSY	
4	7150717	1	RH ROADLIGHT BRACKET	
4	7150703	1	FRONT ROADLIGHT, (torque nut to 7-15 lb-ft)	
4	8036210	1	RIGHT AMBER HEADLIGHT LENS	
4	8036216	6	HEADLIGHT LENS SCREW	
4	8036212	1	HEADLIGHT LENS	
4	8036213	1	HEADLIGHT BULB, 12V, 60/55W	
4	8036214	1	BLINKER BULB, 12V, 5W	
4	8036215	1	WIRING HARNESS, (includes 6-way connector)	
5	7150741	1	WIRE HARNESS	I
6	8223073	1	TURN SIGNAL LEVER	
7	7150730	1	WORKLIGHT HARNESS	
8	7150687	NLA	WORKLIGHT, (no longer available, use 1001096314 for replacement) (8042 SN 13198 through 19987, SN 0160002332 through 0160030566; 10042 SN 13198 through 19987, SN 0160002332 through 0160030607; 10054 SN 13198 through 19987, SN 0160002332 through 0160030568)	
8	8036216	4	WORKLIGHT LENS SCREW	
8	8036217	NLA	WORKLIGHT LENS, (no longer available, use 1001096314 for replacement)	
8	8036218	1	WORKLIGHT HALOGEN BULB	
8	1001096314	1	WORKLIGHT, (8042 SN 0160030567 to Present; 10042 SN 0160030608 to Present; 10054 Including 0160030569)	
9	8229235	1	FUSE, 20AMP	
11	8303670	1	HEX HD CAPSCREW, 5/16X1, GR8	
12	8305626	1	HEX LOCKNUT, 5/16-18	
14	8307204	6	FLAT WASHER, 3/8	
15	8584018	2	TIE MOUNT	
16	8584001	32	TIE WRAP	
17	8305645	6	HEX LOCKNUT, 3/8	
18	8303622	6	HEX HD CAPSCREW, 3/8X2	
19	8225119	1	RELAY	
20	8229233	1	FUSE, 7.5AMP	
21	8223060	1	HAZARD SWITCH	
22	8223059	1	WORKLIGHT SWITCH	
23	8223057	1	BRAKE LIGHT SWITCH	
25	8500203	1	FLASHER, 12V	
26	8303835	2	SLOTTED PAN HD SCREW, #10-24X1/2	
27	8310085	2	LOCKNUT, #10-24	

SECTION 12 - OPTIONS

ITEM	PART NUMBER	QTY	DESCRIPTION	REV
28	8307111	2	WASHER, #10	
29	8229238	1	FUSE, 40AMP	
30	88411094	4	CARRIAGE BOLT, 7/16-14 X 2 LG	
31	8310109	4	HEX LOCKNUT, 7/16-14	
101	7150681	1	LH WORKLIGHT BRACKET ASSY	
101	7150680	1	RH WORKLIGHT BRACKET ASSY	
102	7150687	NLA	WORKLIGHT, (no longer available, use 1001096314 for replacement) (8042 SN 13198 through 19987, SN 0160002332 through 0160030566; 10042 SN 13198 through 19987, SN 0160002332 through 0160030607; 10054 SN 13198 through 19987, SN 0160002332 through 0160030568)	
102	8036216	4	WORKLIGHT LENS SCREW	
102	8036217	NLA	WORKLIGHT LENS, (no longer available, use 1001096314 for replacement)	
102	8036218	1	WORKLIGHT HALOGEN BULB	
102	1001096314	1	WORKLIGHT, (8042 SN 0160030567 to Present; 10042 SN 0160030608 to Present; 10054 Including 0160030569)	
103	7150690	1	TAIL/INDICATOR LIGHT	
103	N.S.S.	1	TAIL LIGHT LENS SCREW	
103	8036219	1	TAIL LIGHT LENS	
103	8036221	1	BLINKER BULB, 12V, 21W	
103	8036222	1	TAIL AND BRAKE LIGHT BULB, 12V, 21/5W	
103	8036220	1	WIRING HARNESS, (includes 4-way connector)	
104	8303745	1	HEX HD CAPSCREW, 5/16-18X5/8	
105	8305626	1	HEX LOCKNUT, 5/16-18	

SECTION 12 - OPTIONS

FIGURE 12-4. SWING CARRIAGE CYLINDER (8042 SN 13198 through 19234; 10042 SN 13198 through 19241; 10054 SN 13198 through 19080)



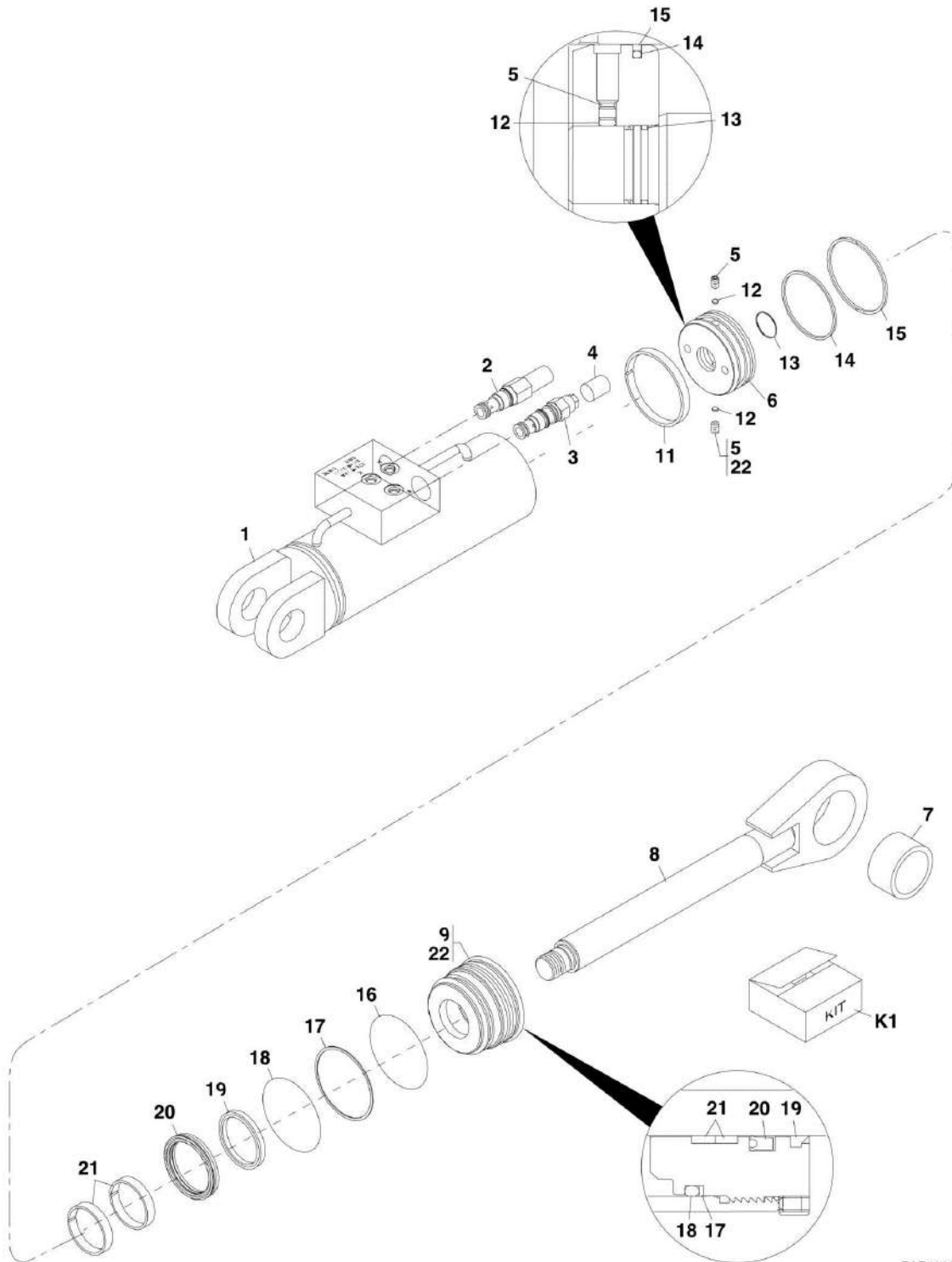
SECTION 12 - OPTIONS

FIGURE 12-4. SWING CARRIAGE CYLINDER (8042 SN 13198 through 19234; 10042 SN 13198 through 19241; 10054 SN 13198 through 19080)

ITEM	PART NUMBER	QTY	DESCRIPTION	REV
	2716153	1	SWING CARRIAGE CYLINDER, (includes items 1 thru 22)	
1	N.S.S.	1	TUBE WELDMENT	
2	70020428	1	RELIEF VALVE CARTRIDGE, (torque 30-35 lb-ft)	
2	7024574	1	SEAL KIT	
3	8033786	1	COUNTERBALANCE VALVE, (torque 30-35 lb-ft)	
3	8025655	1	SEAL KIT	
4	N.S.S.	1	CAP	
5	Kit	1	PRECISION WEARBAND	
6	8035863	1	PISTON, (Loctite and torque to 440-500 lb-ft)	
7	8035536	2	SET SCREW, 5/16-18X.5	
8	Kit	2	LOCKING INSERT, (Loctite and torque to 85-95 lb-ft)	
9	Kit	1	O-RING	
10	Kit	1	SQUARE RING	
11	Kit	1	SQUARE PISTON SEAL	
12	Kit	1	O-RING	
13	Kit	1	BACK-UP RING	
14	Kit	2	LOCKING INSERT	
15	Kit	1	O-RING	
16	Kit	2	PRECISION WEARBAND	
17	Kit	1	DEEP Z-SEAL	
18	8035862	1	HEAD GLAND, (torque 250-300 lb-ft)	
19	Kit	1	WIPER SEAL	
20	Kit	1	SQUARE RING	
21	8035861	1	ROD WELDMENT	
22	8065062	1	DURALON JOURNAL BEARING	
23	8526011	AR	LOCTITE 271, (apply to item 6)	
24	8526007	AR	LOCTITE 242, (apply to item 8)	
K1	8035830	1	SEAL KIT, (includes items 5, 8 thru 17, 19 & 20)	

SECTION 12 - OPTIONS

FIGURE 12-5. SWING CARRIAGE CYLINDER (8042 SN 19235 through 19987, SN 0160002332 to Present; 10042 SN 19242 through 19987, SN 0160002332 to Present; 10054 SN 19081 through 19987, SN 0160002332 to Present)



PAP4060

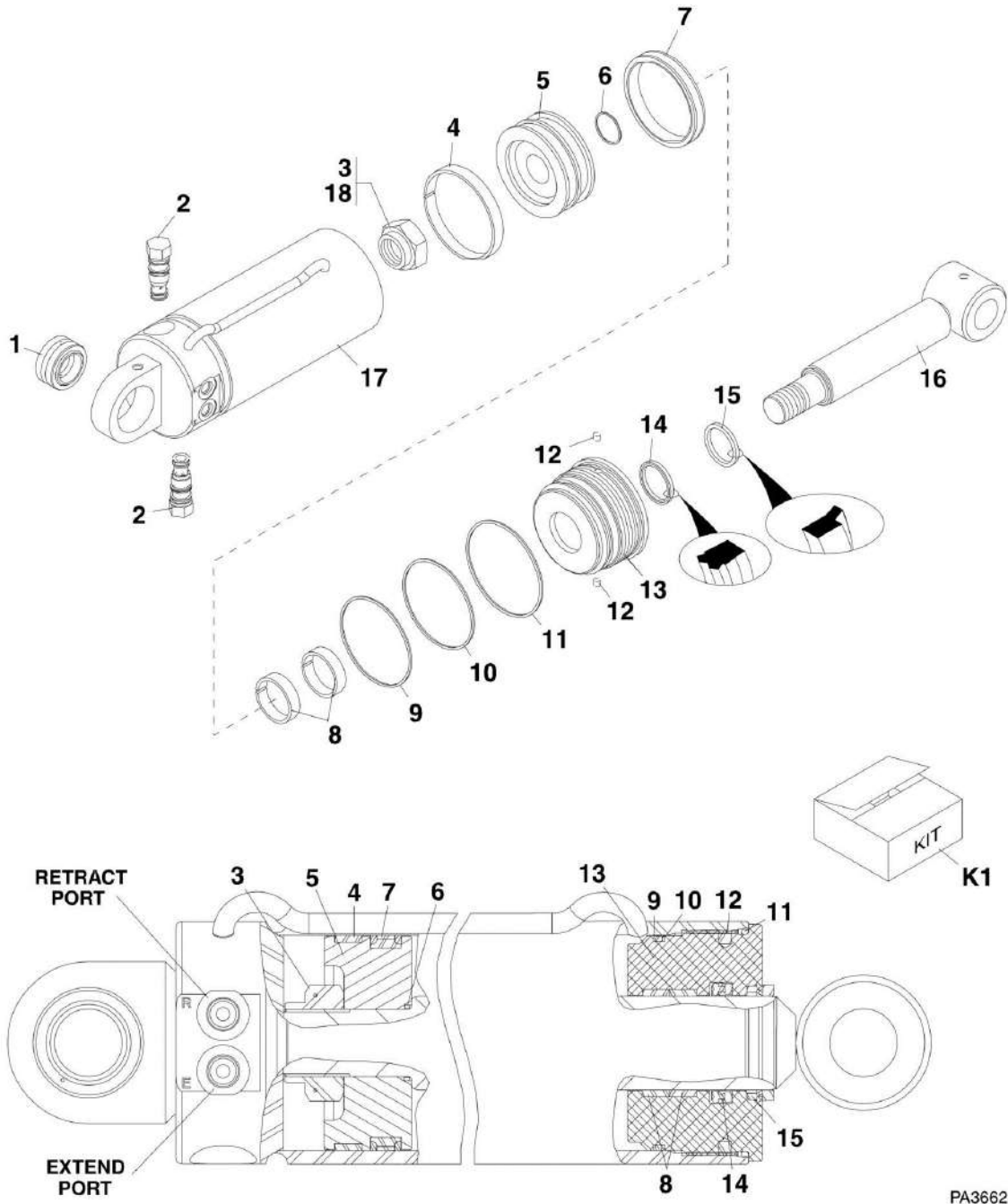
SECTION 12 - OPTIONS

FIGURE 12-5. SWING CARRIAGE CYLINDER (8042 SN 19235 through 19987, SN 0160002332 to Present; 10042 SN 19242 through 19987, SN 0160002332 to Present; 10054 SN 19081 through 19987, SN 0160002332 to Present)

ITEM	PART NUMBER	QTY	DESCRIPTION	REV
	2717200	1	SWING CARRIAGE CYLINDER, (includes items 1 thru 21)	C
1	8035864	1	TUBE WELDMENT	
2	70020428	1	RELIEF VALVE CARTRIDGE, 2000 PSI, (torque to 30-35 lb-ft)	
2	7024574	1	SEAL KIT	
3	8033786	1	COUNTERBALANCE VALVE, 3000 PSI, (torque to 30-35 lb-ft)	
3	8025655	1	SEAL KIT	
4	70021812	1	CAP	
5	8035536	2	SET SCREW, 1/2-20X1/4, (Loctite and torque to 85-95 lb-ft)	
6	8035863	1	PISTON	
7	70022046	1	DURALON JOURNAL BEARING	
8	8035861	1	ROD WELDMENT	
9	8035862	1	HEAD GLAND, (Loctite and torque to 250-350 lb-ft)	
11	Kit	1	PRECISION WEARBAND	
12	Kit	2	NYLON BALL	
13	Kit	1	O-RING	
14	Kit	1	O-RING	
15	Kit	1	PISTON SEAL	
16	Kit	1	O-RING	
17	Kit	1	BACK UP RING	
18	Kit	1	O-RING	
19	Kit	1	WIPER RING	
20	Kit	1	Z-SEAL	
21	Kit	2	PRECISION WEARBAND	
22	8526007	AR	LOCTITE 242, (apply to items 5 & 9)	
K1	8036783	1	SEAL KIT, (includes items 11 thru 21)	

SECTION 12 - OPTIONS

FIGURE 12-6. SIDE TILT CARRIAGE CYLINDER (SN 13198 through 19987, SN 0160002332 to Present)



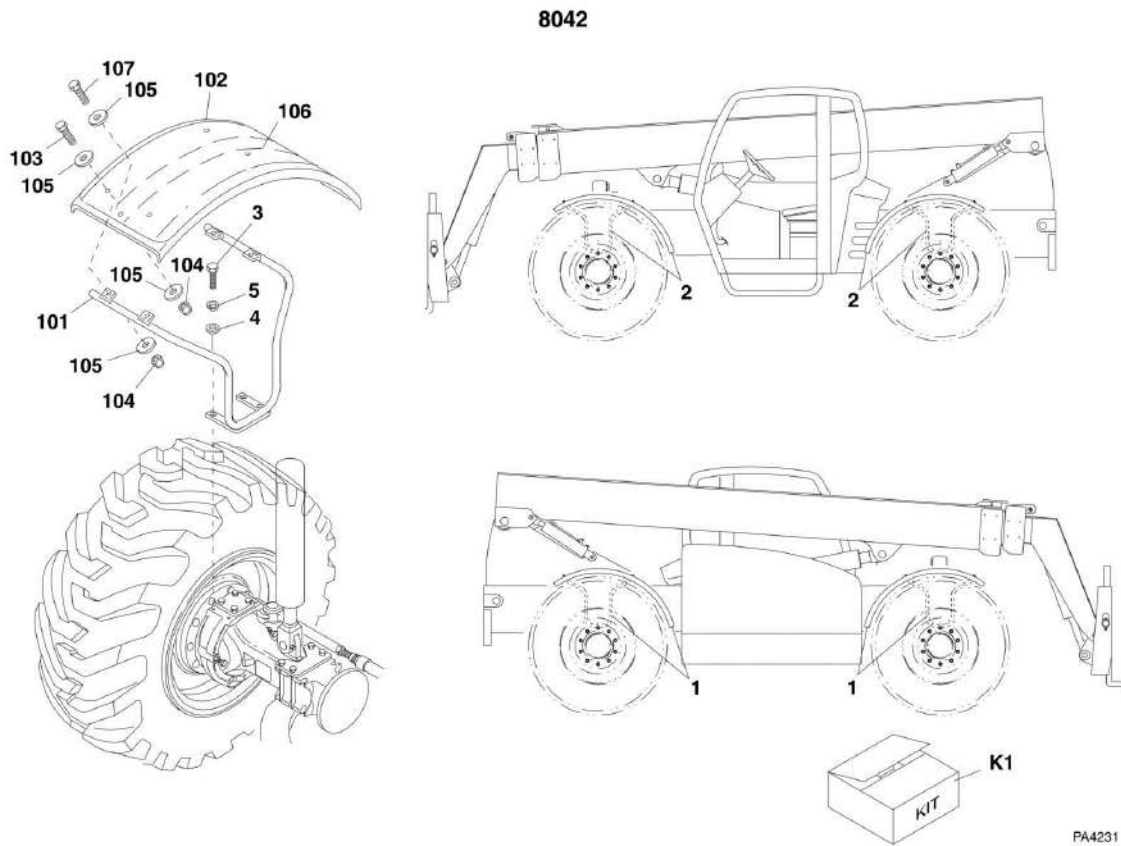
SECTION 12 - OPTIONS

FIGURE 12-6. SIDE TILT CARRIAGE CYLINDER (SN 13198 through 19987, SN 0160002332 to Present)

ITEM	PART NUMBER	QTY	DESCRIPTION	REV
	2716143	1	SIDE TILT CARRIAGE CYLINDER, (includes items 1 thru 17)	C, F
1	8036451	1	SPHERICAL BEARING	
2	8036750	2	CHECK VALVE, (torque to 30-35 lb-ft)	
2	2900770	1	SEAL KIT	
3	8035865	1	LOCKNUT, (Loctite and torque to 550-650 lb-ft)	
4	Kit	1	PRECISION WEARBAND	
5	8035868	1	PISTON	
6	Kit	1	O-RING	
7	Kit	1	CAPPED T-SEAL	
8	Kit	2	PRECISION WEARBAND	
9	Kit	1	O-RING	
10	Kit	1	BACK-UP RING	
11	Kit	1	O-RING	
12	Kit	2	LOCKING INSERT	
13	8035867	1	HEAD GLAND, (torque to 300-400 lb-ft)	
14	Kit	1	DEEP Z-SEAL	
15	Kit	1	WIPER SEAL	
16	8035866	1	ROD WELDMENT	
17	N.S.S.	1	TUBE WELDMENT	
18	8526011	1	LOCTITE 271	
K1	8035831	1	SEAL KIT, (includes items 4, 6 thru 12, 14 & 15)	

SECTION 12 - OPTIONS

FIGURE 12-7. FENDER INSTALLATION 8042



PA4231

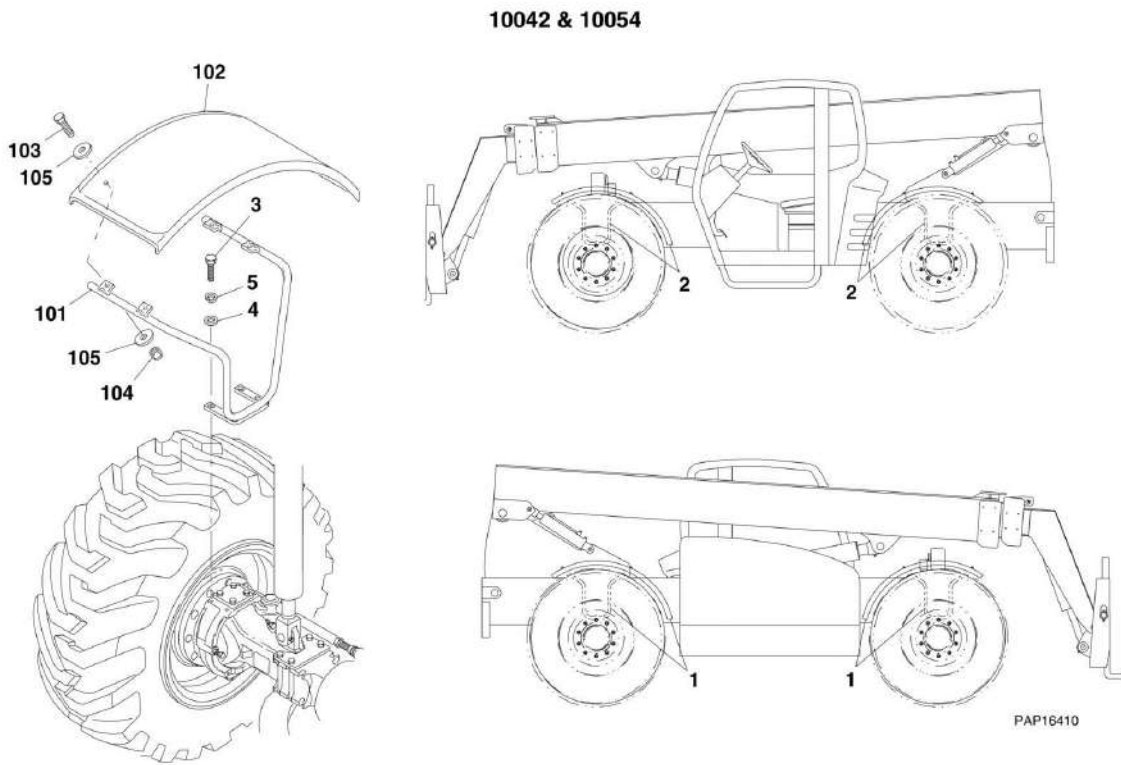
SECTION 12 - OPTIONS

FIGURE 12-7. FENDER INSTALLATION 8042

ITEM	PART NUMBER	QTY	DESCRIPTION	REV
1	7150697	1	FENDER INSTALLATION, (includes items 1 thru 5)	C
		Ref	RH FENDER AND BRACKET ASSY, (includes items 101 thru 107) (8042 SN 13198 through 19987; SN 0160002332 through 0160025354)	AD
1	7150696	2	RH FENDER AND BRACKET ASSY, (includes items 101 thru 105), (8042 SN 0160025389 to Present)	G
2		Ref	LH FENDER AND BRACKET ASSY, (includes items 101 thru 107) (8042 SN 13198 through 19987; SN 0160002332 through 0160025354)	AD
2		2	LH FENDER AND BRACKET ASSY, (includes items 101 thru 105), (8042 SN 0160025389 to Present)	G
3	8310164	16	HEX HD CAPSCREW, M12-1.75X40mm, PC8.8	
4	8307220	16	FLAT WASHER, M12	
5	8307025	16	LOCKWASHER, M12	
101	7150668	1	FENDER MOUNT (8042 SN 13198 through 19987; SN 0160002332 through 0160025354)	
101	0903609	1	FENDER MOUNT, (8042 SN 0160025389 to Present)	
102	7150706	1	FENDER	
103	8303626	4	HEX HD CAPSCREW, 1/2-13X1-1/2, GR5	
104	8305644	6	HEX LOCKNUT, 1/2-13 (8042 SN 13198 through 19987; SN 0160002332 through 0160025354)	
104	8305644	4	HEX LOCKNUT, 1/2-13, (8042 SN 0160025389 to Present)	
105	8307206	12	PLAIN WASHER, 1/2 (8042 SN 13198 through 19987; SN 0160002332 through 0160025354)	
105	8307206	8	PLAIN WASHER, 1/2, (8042 SN 0160025389 to Present)	
106	6623576	1	FENDER SUPPORT (8042 SN 13198 through 19987; SN 0160002332 through 0160025354)	
107	8303625	2	HEX HD CAPSCREW, 1/2-13X1-1/4, GR5 (8042 SN 13198 through 19987; SN 0160002332 through 0160025359)	
K1	7147400	1	FENDER FIELD KIT, (four wheel installation)	

SECTION 12 - OPTIONS

FIGURE 12-8. FENDER INSTALLATION 10042 & 10054



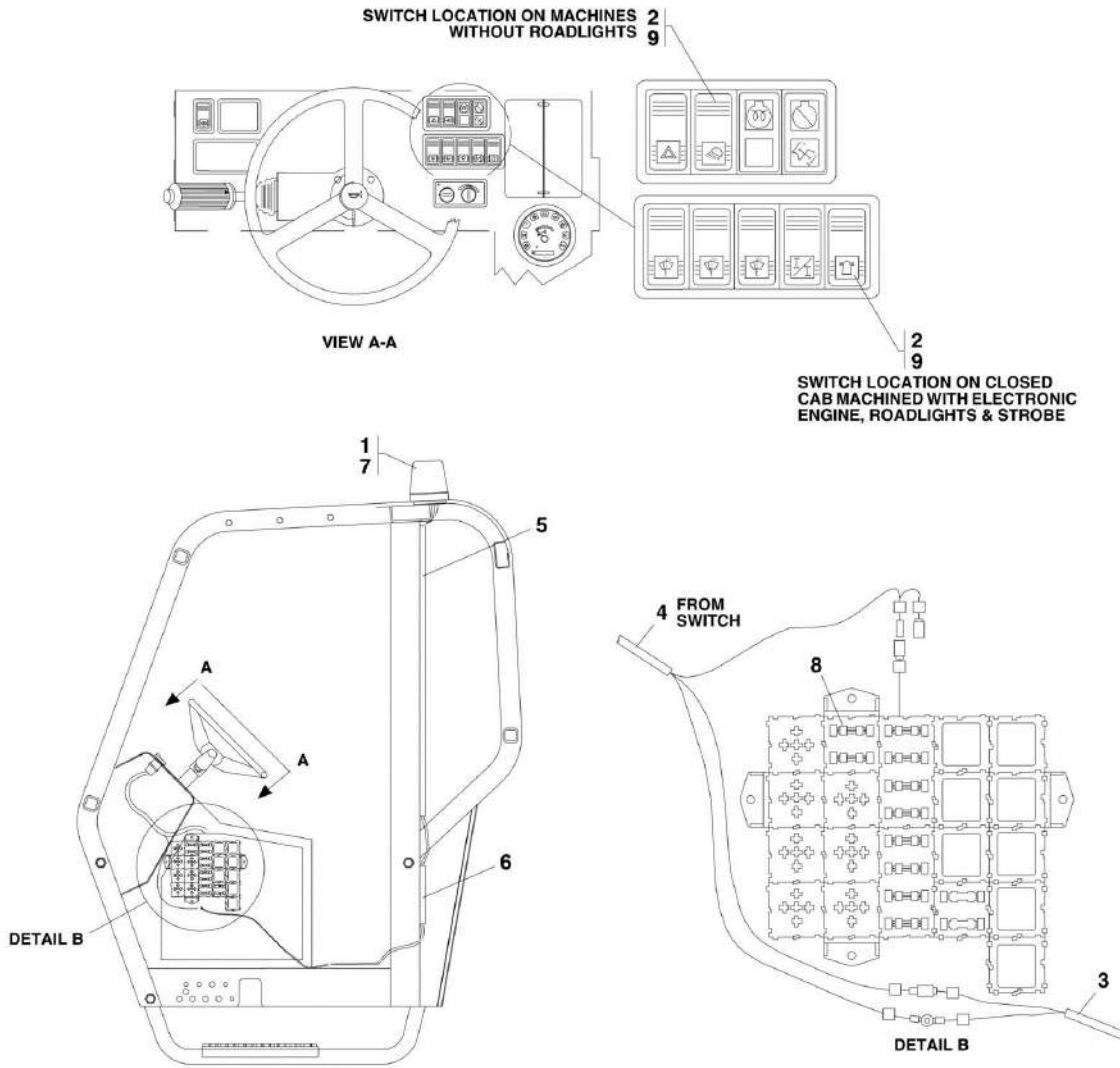
SECTION 12 - OPTIONS

FIGURE 12-8. FENDER INSTALLATION 10042 & 10054

ITEM	PART NUMBER	QTY	DESCRIPTION	REV
	7139086	1	FENDER INSTALLATION, (includes items 1 thru 5)	D
1	7139088	2	RH FENDER AND BRACKET ASSY, (includes items 101 thru 105)	D
2	7139087	2	LH FENDER AND BRACKET ASSY, (includes items 101 thru 105)	D
3	8310164	16	HEX HD CAPSCREW, M12-1.75X40mm, PC8.8	
4	8307220	16	FLAT WASHER, M12	
5	8307025	16	LOCKWASHER, M12	
101	7139560	1	FENDER MOUNT	
102	7139226	1	FENDER	
103	8303626	4	HEX HD CAPSCREW, 1/2-13X1-1/2, GR5	
104	8305644	4	HEX LOCKNUT, 1/2-13	
105	8307206	8	PLAIN WASHER, 1/2	

SECTION 12 - OPTIONS

FIGURE 12-9. ROTATING BEACON INSTALLATION



PA4240

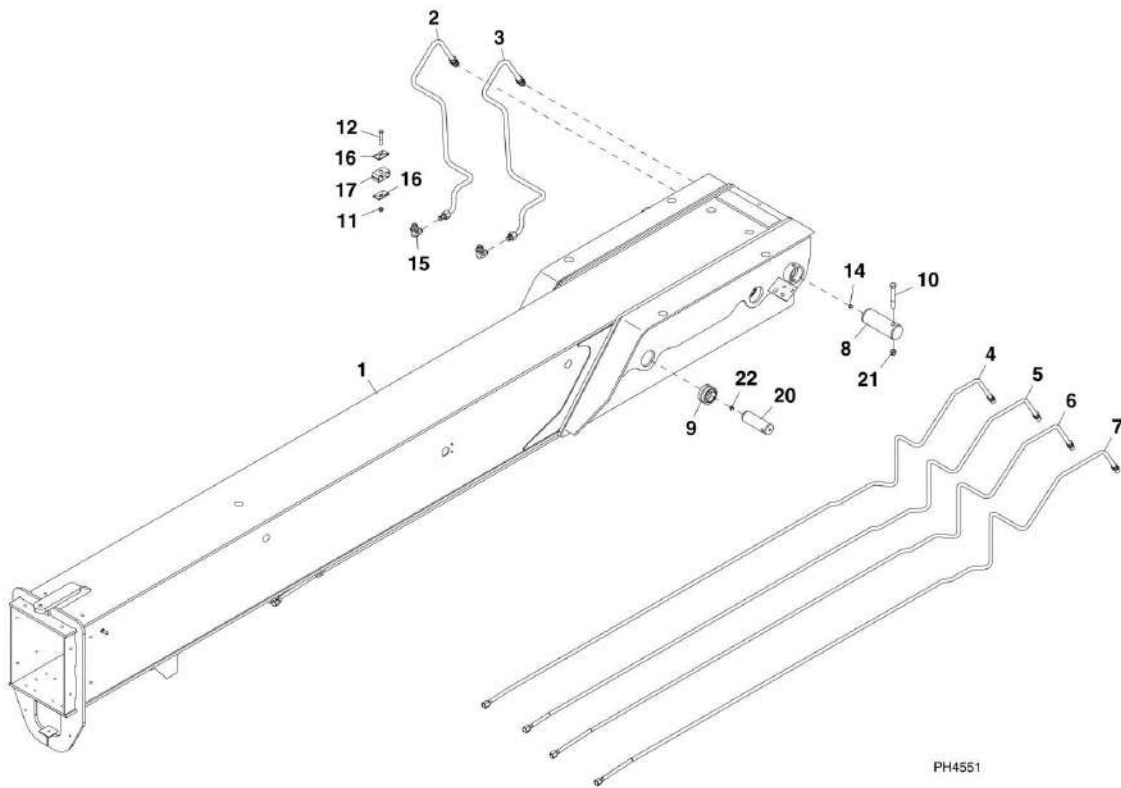
SECTION 12 - OPTIONS

FIGURE 12-9. ROTATING BEACON INSTALLATION

ITEM	PART NUMBER	QTY	DESCRIPTION	REV
	7139264	1	ROTATING BEACON INSTALLATION, OPEN CAB, (includes all items)	AD
	1001111074	1	ROTATING BEACON INSTALLATION, CLOSED CAB, (includes items 1 thru 4 & 7 thru 9)	A
1	8500066	1	ROTATING BEACON LIGHT	
2	8223038	1	BEACON SWITCH	
3	7139263	1	WIRE ASSY	
4	7139269	1	WIRE ASSY FROM SWITCH	
5	8036057	1	UPPER WIRE DUCT, (open cab)	
6	8036058	1	LOWER WIRE DUCT, (open cab)	
7	8526035	AR	SILICONE SEALANT, (open cab)	
7	0100009	AR	SILICONE SEALANT, (closed cab)	
8	8229233	1	FUSE, 7.5AMP	
9	8223083	1	BEZEL SWITCH, MIDDLE POSITION	

SECTION 12 - OPTIONS

FIGURE 12-10. FIRST BOOM SECTION SERVICE KIT



PH4551

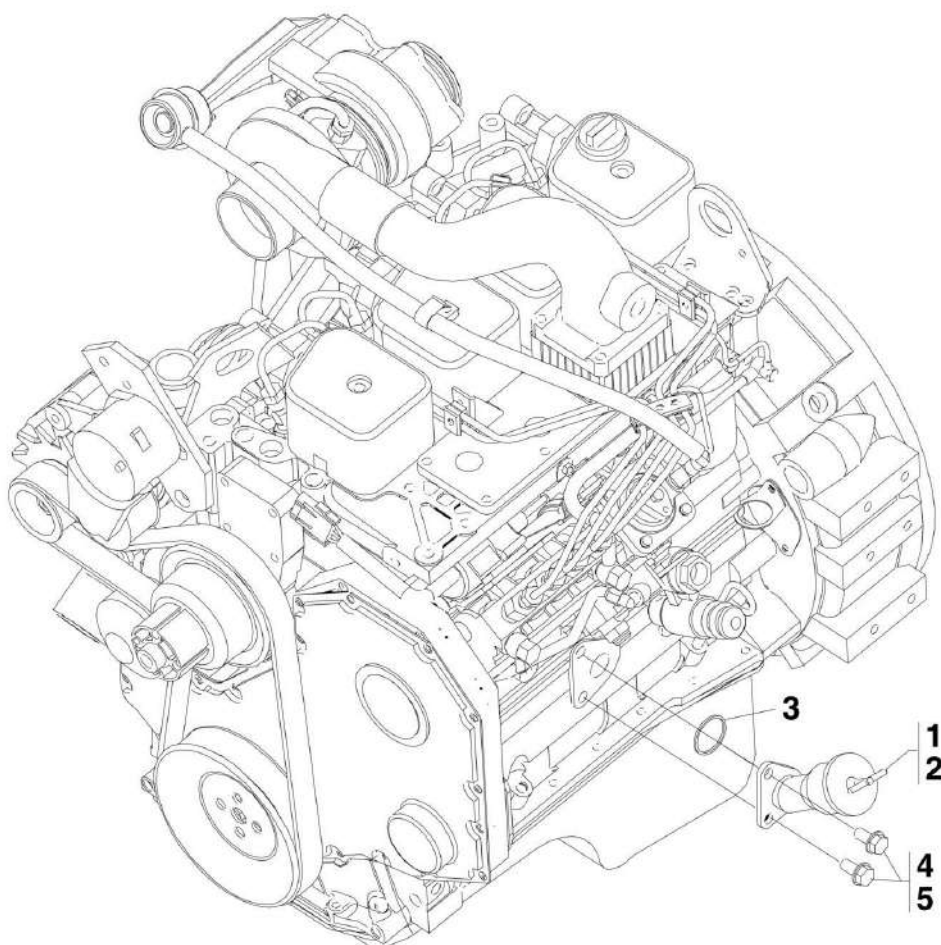
SECTION 12 - OPTIONS

FIGURE 12-10. FIRST BOOM SECTION SERVICE KIT

ITEM	PART NUMBER	QTY	DESCRIPTION	REV
	7302086	1	OUTER BOOM REPLACEMENT KIT, (includes all items)	C
1	7302010	1	FIRST BOOM SECTION	
2	3460383	1	BOOM EXTEND TUBE ASSY, (inner)	
3	3460384	1	BOOM EXTEND TUBE ASSY, (outer)	
4	7300672	1	BOOM TILT TUBE ASSY, (inner)	
5	7300673	1	BOOM TILT TUBE ASSY, (outer)	
6	7300674	1	BOOM AUX TUBE ASSY, (inner)	
7	7300675	1	BOOM AUX TUBE ASSY, (outer)	
8	3423226	2	BOOM PIVOT PIN	
9	8065640	4	BEARING, (self align)	
10	8303655	2	HEX HD CAPSCREW, 5/8-11X1-1/2, GR5	
11	8305626	1	HEX LOCKNUT, 5/16-18	
12	0641520	1	HEX HD CAPSCREW, 5/16-18X2-1/2, GR5	
14	8520001	2	LUBE FITTING, STRAIGHT, 1/8	
15	8760305	2	ELBOW, 90, (includes o-ring)	
16	8769128	2	TWIN COVER PLATE	
17	8769139	1	CLAMP SET, 750 DIA.	
20	3423227	4	HOIST AND SLAVE CYLINDER PIN	
21	8305643	2	LOCKNUT, 5/8-11	
22	8520003	4	LUBE FITTING, 90, 1/8	

SECTION 12 - OPTIONS

**FIGURE 12-11. REMOTE OIL FILLER (8042 SN 18991 through 19987, SN 0160002332 to Present;
10042 SN 19031 through 19987, SN 0160002332 to Present; 10054 SN 19080 through 19987, SN
0160002332 to Present)**



PA4531

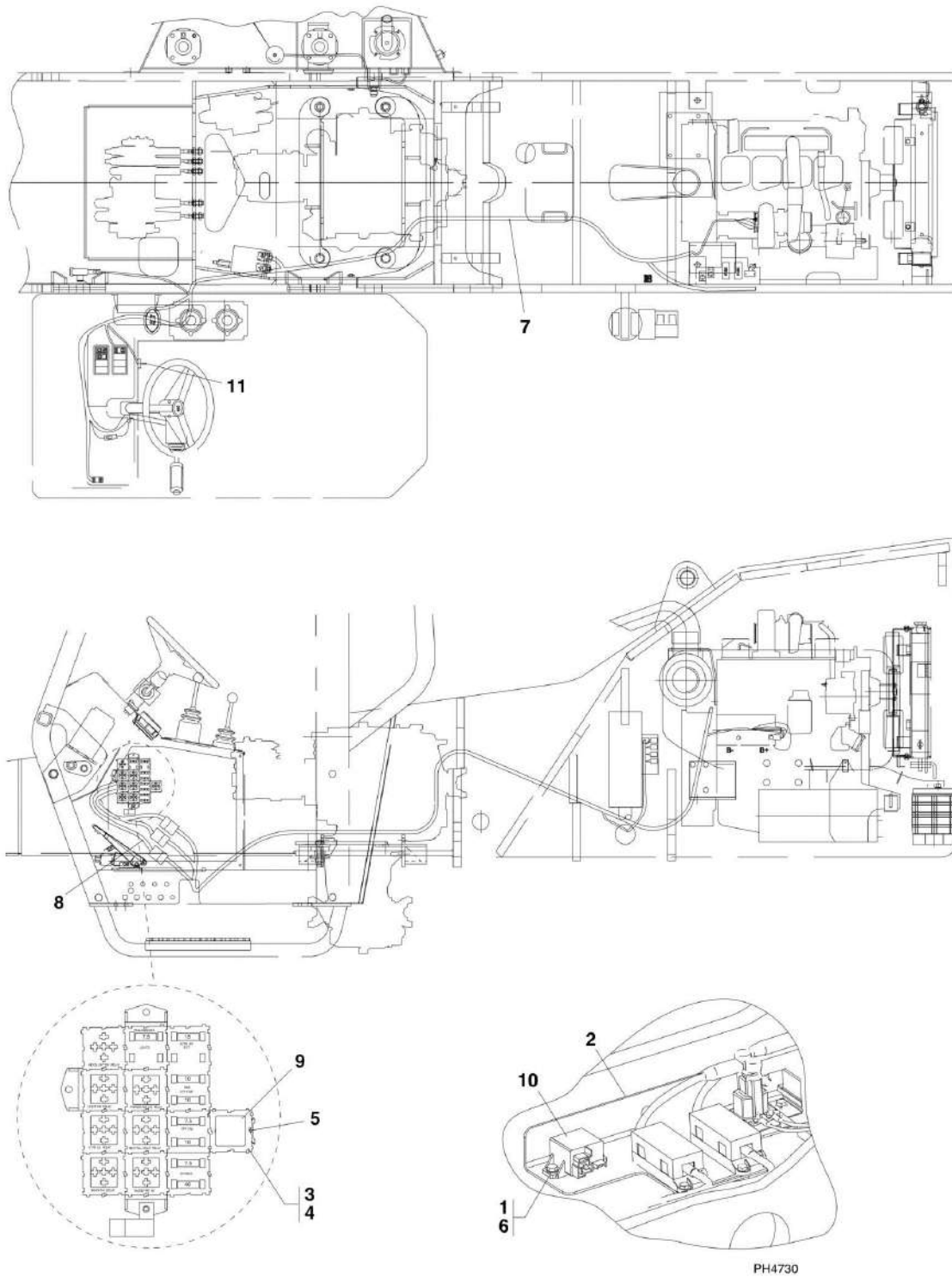
SECTION 12 - OPTIONS

**FIGURE 12-11. REMOTE OIL FILLER (8042 SN 18991 through 19987, SN 0160002332 to Present;
10042 SN 19031 through 19987, SN 0160002332 to Present; 10054 SN 19080 through 19987, SN
0160002332 to Present)**

ITEM	PART NUMBER	QTY	DESCRIPTION	REV
	2915052	1	REMOTE OIL FILLER KIT, (includes items 1 thru 4)	
1	83673130	1	FILLER CAP	
2	7029006	1	OIL FILLER TUBE	
3	83673133	1	SEAL	
4	7029242	2	HEX HD CAPSCREW, M12X1.75mm, GR8, (Loctite and torque to 71 lb-ft)	
5	8526007	AR	LOCTITE 242, (apply to item 4)	

SECTION 12 - OPTIONS

FIGURE 12-12. IGNITION SWITCH WEATHER KIT (8042 SN 13198 through 19987, SN 016002332 through 0160023104; 10042 SN 13198 through 19987, SN 016002332 through 0160023093; 10054 SN 13198 through 19987, SN 016002332 through 0160023101)



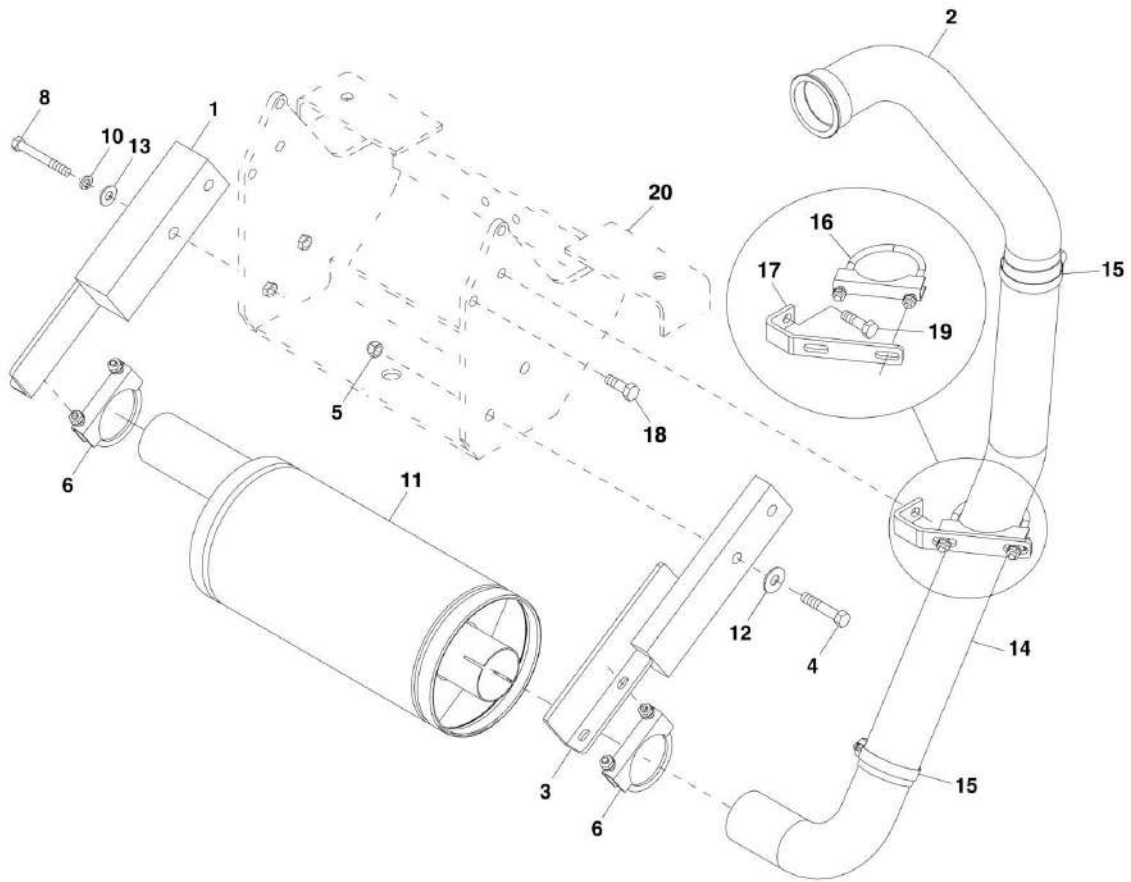
SECTION 12 - OPTIONS

FIGURE 12-12. IGNITION SWITCH WEATHER KIT (8042 SN 13198 through 19987, SN 0160002332 through 0160023104; 10042 SN 13198 through 19987, SN 0160002332 through 0160023093; 10054 SN 13198 through 19987, SN 0160002332 through 0160023101)

ITEM	PART NUMBER	QTY	DESCRIPTION	REV
	2915160	1	IGNITION SWITCH REPLACEMENT KIT, (includes all items)	B
1	0700608	2	HEX HD CAPSCREW, 6X16	
2	0903311	1	RELAY MOUNTING BRACKET	
3	4461101	1	RELAY MODULE	
4	4461102	1	SECONDARY LOCK	
5	4461103	1	LOCKING WEDGE RELAY	
6	4811700	2	WASHER, 6mm	
7	4923332	1	RETROFIT FRAME HARNESS	
8	4923334	1	RETROFIT CAB HARNESS	
9	8225119	1	RELAY	
10	77383377	1	STARTER RELAY	
11	4360690	1	IGNITION SWITCH	

SECTION 12 - OPTIONS

FIGURE 12-13. EXHAUST UPGRADE KIT



PAP3880

SECTION 12 - OPTIONS

FIGURE 12-13. EXHAUST UPGRADE KIT

ITEM	PART NUMBER	QTY	DESCRIPTION	REV
	1001102305	1	EXHAUST UPGRADE KIT, (includes items 1 thru 19)	E
1	1001101397	1	EXHAUST BRACKET	
2	1001100296	1	EXHAUST PIPE	
3	1001101396	1	MOUNTING BRACKET	
4	0641718	2	HEX HD CAPSCREW, 7/16-14X2-1/4, GR5, (torque to 35-45 lb-ft)	
5	8310109	2	HEX LOCKNUT, 7/16-14	
6	83683175	2	MUFFLER CLAMP, 2-1/2IN	
8	0641624	2	HEX HD CAPSCREW, 3/8-16X3, GR5, (torque to 7.5-13.5 lb-ft)	
10	8307005	2	LOCKWASHER, 3/8	
11	1001100978	1	MUFFLER	
12	4751700	2	WASHER, 7/16	
13	4751600	2	WASHER, 3/8	
14	1001101193	2 ft	FIBERGLASS SLEEVE, 2-1/2 IN DIA, (sold by the ft)	
15	8405202	2	GEAR CLAMP	
16	8275247	1	MUFFLER CLAMP, 3 INCH	
17	1001120927	1	EXHAUST SUPPORT BRACKET	
18	0701215	1	HEX HD CAPSCREW, 12X35mm, GR8.8	
19	0701216	1	HEX HD CAPSCREW, 12X40mm, GR8.8	
20		Ref	ENGINE MOUNT, (see ENGINE AND ATTACHING PARTS SECTION for Breakdown)	

SECTION 13 - RECOMMENDED SPARE PARTS

SECTION 13 - RECOMMENDED SPARE PARTS

FIGURE 13-1. RECOMMENDED SPARE PARTS

ITEM	PART NUMBER	QTY	DESCRIPTION	REV
	Note	Ref	NOTE: The following list will service fleets of machines (built to current production per date on the front cover) with repair parts which can be installed in the field. Parts from the list should be replaced when inventory is depleted to keep service parts stock supplied. For further information, contact your JLG dealer or the JLG Industries Parts Department.	
		Ref	BOOM ASSEMBLY	
	2713452	2	Boom Hose (8042 & 10042)	
	7112452	1	Boom Hose (10054)	
	7111572	AR	Wear Pad	
	7082311	AR	Insert, Wear Pad	
	7082342	AR	Shim, 0.07	
	7082362	AR	Shim, 0.13	
	7096882	AR	Spacer, 0.62	
	7096702	AR	Spacer, 0.5	
	7118892	1	Quick Attach Pin	
		Ref	Engine (8042 SN 13198 through 18990; 10042 SN 13198 through 19030; 10054 SN 13198 through 19079)	
	7138290	1	Engine Filter Kit, 250 Hour	
	8024000	1	Engine Filter Kit, 1000 Hour	
	7139077	1	Filler Breather Assy	
	8272017	1	Fan	
	8080613	1	Fan Belt	
	8036544	1	Fan Spacer	
		Ref	Engine, (8042, 10042 & 10054) (8042 SN 18991 through 19987, SN 0160002332 through 0160029586; 10042 SN 18991 through 19987, SN 0160002332 through 0160029586; 10054 SN 18991 through 19987, SN 0160002332 through 0160029586)	
	8024049	1	Engine Filter Kit, 250 Hour	
	8024050	1	Engine Filter Kit, 1000 Hour	
	7139077	1	Filler Breather Assy	
	8272027	1	Fan	
	8036605	1	Fan Belt (8042 SN 18991 through 0160014865; 10042 SN 19031 through 0160014861; 10054 SN 19080 through 0160014864)	
	7029270	1	FAN BELT (8042 SN 0160014880 through 0160029592; 10042 SN 0160015021 through 0160029606; 10054 SN 0160014890 through 0160029593)	
		Ref	Engine, (8042,10042 & 10054) (8042 SN 0160029593 through 0160038983; 10054 SN 0160029593 through 0160038983; 10042 SN 0160029593 through 0160038370)	
	1001111849	1	Engine Filter Kit, 250 Hour,	
	1001111850	1	Engine Filter Kit, 1000 Hour,	
	7139077	1	Filler Breather Assy,	
	2060045	1	Fan (8042 SN 0160029593 through 0160038983; 10054 SN 0160029593 through 0160038983; 10042 SN 0160029593 through 0160038370)	
	1001105996	1	24 IN Fan (8042 Including , Excluding 0160039850, 0160040126, 0160039850 and 0160040126; 10054 SN 0160038984 through 0160040218, Excluding 0160039850, 0160040126, 0160039850 and 0160040126; 10042 SN 160038371 through 0160040218, Excluding 0160039850, 0160040126, 0160039850 and 0160040126)	
	70020357	1	Fan Belt,	

SECTION 13 - RECOMMENDED SPARE PARTS

ITEM	PART NUMBER	QTY	DESCRIPTION	REV
	70020358	1	Engine Oil Filter Element,	
	70020350	1	Dipstick,	
		Ref	Engine thru 0160040129 & 0160040171 (SN 0160040220 to Present, Including 0160039850 and 0160040126)	
	7139077	1	Filler Breather Assy,	
	1001098559	1	Fan,	
	70021852	1	Fan Belt,	
	8036204	1	Engine Oil Filter Element,	
	70021854	1	Dipstick,	
		Ref	DRIVE TRAIN	
	8223049	1	Transmission Selector Control, (8042 SN 13198 through 19987, SN 0160002332 through 0160014248; 10042 SN 13198 through 19987, SN 0160002332 through 0160015195; 10054 SN 13198 through 19987, SN 0160002332 through 0160015198)	
	1600429	1	Transmission Selector Control, (8042 SN 0160015216 to Present; 10042 SN 0160015292 to Present; 10054 SN 0160015218 to Present)	
	8160080	1	Throttle Cable, (8042 SN 13198 through 18990; 10042 SN 13198 through 19030; 10054 SN 13198 through 19079)	
	1319726	1	Transmission Filter,	
	1319433	4	Wheel End Bushing,	
	7027211	2	Front Wheel End Seal,	
	7027211	2	Rear Wheel End Seal,	
	80304173	4	Wheel Hub Seal,	
	1319472	8	Wheel Hub Bearing,	
	1321155	4	Axle Wheel Hub O-Ring,	
		Ref	HYDRAULIC SYSTEM	
	8224045	1	Boom Joystick Assy,	
	8036295	1	Boom Extend/Retract Cylinder Seal Kit (8042 SN 0160002332 to Present, SN 13198 through 19987; 10054 SN 0160002332 to Present, SN 13198 through 19987; 10042 SN 13198 through 18397)	
	8035386	1	Boom Lift/Lower Cylinder Seal Kit, (8042 SN 13198 through 19145; 10042 SN 13198 through 19241; 10054 SN 13198 through 19113)	
	8036746	1	Boom Lift/Lower Cylinder Seal Kit, (8042 SN 19146 through 0160030716; 10042 SN 19242 through 0160030708; 10054 SN 19114 through 0160030712)	
	8035386	1	Boom Lift/Lower Cylinder Seal Kit, (8042 SN 0160030721 to Present; 10042 SN 0160030767 to Present; 10054 SN 0160030719 to Present)	
	8035780	1	Attachment Tilt Cylinder Seal Kit, (8042 SN 13198 through 19791; 10042 SN 13198 through 19788; 10054 SN 13198 through 19745)	
	8036786	1	Attachment Tilt Cylinder Seal Kit, (8042 SN 19792 through 19987, SN 0160002332 through 0160004653; 10042 SN 19789 through 19987, SN 0160002332 through 0160004558; 10054 SN 19746 through 19987, SN 0160002332 through 0160006099)	
	8035780	1	Attachment Tilt Cylinder Seal Kit, (8042 SN 0160004670 to Present, SN 0160004673 to Present; 10054 SN 0160006120 to Present)	
	8035326	1	Frame Sway Cylinder Seal Kit, (8042 SN 13198 through 0160004653; 10042 SN 13198 through 0160004558; 10054 SN 13198 through 0160004654; SN 0160005695 to Present, SN 0160005669 to Present, SN 0160005697 to Present)	
	8035326	1	Stabil-Trak Cylinder Seal Kit, (8042 SN 13198 through 19145; 10042 SN 13198 through 19241; 10054 SN 13198 through	

SECTION 13 - RECOMMENDED SPARE PARTS

ITEM	PART NUMBER	QTY	DESCRIPTION	REV
	8036747	1	19113) Stabil-Trak Cylinder Seal Kit, (8042 SN 0160002332 to Present, SN 19146 through 19987; 10042 SN 0160002332 to Present, SN 19242 through 19987; 10054 SN 0160002332 to Present, SN 19114 through 19987)	
	8034695	1	Slave Cylinder Seal Kit, (8042 SN 0160004670 to Present, SN 13198 through 0160003866; 10042 SN 0160004673 to Present, SN 13198 through 0160003858; 10054 SN 0160004676 to Present, SN 13198 through 0160003864)	
	8035519	1	Outrigger (Rosenboom) Cylinder Seal Kit, (SN 13198 through 19987, SN 0160002332 through 01600002914)	
	8036784	1	Outrigger (Energy) Cylinder Seal Kit, (SN 01600002940 to Present)	
		Ref	8042 Prior to SN 0160038967, Including 0160038971 and 0160038984 (Illustration and Parts List Usage)	
		Ref	10042 Prior to SN 0160038368, Including 0160038375, 0160038378, 0160038379, 0160038381 and 0160038383 (Illustration and Parts List Usage)	
		Ref	10054 Prior to SN 0160038740, Excluding 0160021270, 0160036713, 0160036715, 0160036721 and 0160036723 (Illustration and Parts List Usage)	
	8035981	1	Steering Cylinder Seal Kit, (8042 Front Axle and Rear Axle S/N 955403), (10042 Front Axle AND Rear Axle S/N 949494), (10054 Front Axle and Rear Axle S/N 949494), (Prior to SN 828785, Prior to SN 1285172, Prior to SN 1285172)	
	70021495	1	Steering Cylinder Seal Kit, (8042 Front Axle S/N 828785 and Rear Axle), (10042 Front Axle S/N 1285172 and Rear Axle), (SN 955403 to Present, SN 949494 to Present)	
		Ref	(10054 Front Axle S/N 1285172 and Rear Axle), (SN 949494 to Present)	
		Ref	8042 SN 0160038967 to Present; Excluding 0160038971 and 0160038984 (Illustration and Parts List Usage)	
		Ref	10042 SN 0160038368 to Present; Excluding 0160038375, 0160038378, 0160038379, 0160038381 and 0160038383 (Illustration and Parts List Usage)	
		Ref	10054 SN 0160038740 to Present; Including 0160021270, 0160036713, 0160036715, 0160036721 and 0160036723 (Illustration and Parts List Usage)	
	70022178	1	Steering Cylinder Seal Kit,	
	8035830	1	Swing Carriage Cylinder Seal Kit, (8042 SN 13198 through 19234; 10042 SN 13198 through 19241; 10054 SN 13198 through 19080)	
	8036783	1	Swing Carriage Cylinder Seal Kit, (8042 SN 19235 through 19987; 10042 SN 19242 through 19987; 10054 SN 19081 through 19987; SN 0160002332 to Present, SN 0160002332 to Present)	
	8035831	1	Side Tilt Carriage Cylinder Seal Kit, (SN 0160002332 to Present, SN 13198 through 19987)	
	8320265	1	Hydraulic Filter Element thru 0160040129 & 0160040171, (Prior to SN 0160040220, Excluding 0160039850 and 0160040126)	
	7301252	1	Hydraulic Filter Element thru 0160040129 & 0160040171, (SN 0160040220 to Present, Including 0160039850 and 0160040126)	
	7138740	1	Tank Strainer,	
	7139077	1	Filler/Breather,	
	7024441	1	Fluid Level Sight Gauge,	
		Ref	ELECTRICAL	
	8223217	1	Engine Coolant Temperature Sender, (8042 SN 13198 through 18990; 10042 SN 13198 through 19030; 10054 SN 13198	

SECTION 13 - RECOMMENDED SPARE PARTS

ITEM	PART NUMBER	QTY	DESCRIPTION	REV
	8223244	1	through 19079) Engine Coolant Temperature Sender, (8042 SN 18991 through 19987; 10042 SN 19031 through 19987; 10054 SN 19080 through 19987; SN 0160002332 through 0160040218, SN 0160002332 through 0160040218, SN 0160002332 through 0160040218)	
	7118222	1	Fuel Level Sender Assy,	
	2915184	1	Backup Alarm Kit, (8042 SN 13198 through 0150016705; 10042 SN 13198 through 0160016668; 10054 SN 13198 through 0160029586)	
	8270621	1	Backup Alarm, (8042 SN 0160016727 to Present; 10042 SN 0160016784 to Present; 10054 SN 0160016729 to Present)	
	4360690	1	Ignition Switch, (8042 SN 0160023253 to Present; 10042 SN 0160023341 to Present; 10054 SN 0160023254 to Present)	
	8270221	1	Alternator, (8042 SN 13198 through 18990; 10042 SN 13198 through 19030; 10054 SN 13198 through 19079)	
	7029525	1	Alternator, (8042 SN 0160014880 through 0160029592; SN 0160038984 through 0160040218, Excluding 0160039850 and 0160040126 through 0160040129 & 0160040171) (10042 SN 0160015021 through 0160029606 and SN 0160038371 through 0160040218, Excluding 0160039850 and 0160040126 through 0160040129 & 0160040171) (10054 S/N 0160014890 through 0160029593)	
		Ref	(and thru 0160040129 & 0160040171), (10042 SN 0160015021 through 0160029606; 10054 SN 0160014890 through 0160029593; SN 0160038371 through 0160040218, Excluding 0160039850 and 0160040126)	
	70023287	1	Alternator, (8042) (10054 SN 0160029593 through 0160038983; 10042 SN 0160029593 through 0160038370)	
	70021849	1	Alternator thru 0160040129 & 0160040171 (SN 0160040220 to Present, Including 0160039850 and 0160040126)	
	8033340	1	Starter, (8042 SN 13198 through 18990; 10042 SN 13198 through 19030; 10054 SN 13198 through 19079)	
	7026666	1	Starter, (8042 SN 18991 through 0160029592; 10042 SN 19031 through 0160029606; 10054 SN 19080 through 0160029593)	
	70020352	1	Starter, (thru 40129 & 40171), (thru 40129 & 40171), (8042 SN 0160029593 through 0160040218; 10042 SN 0160029607 through 0160040218; Excluding 0160039850, 40126, 0160039850 and 40126)	
		Ref	(thru 40129 & 40171), (10054 SN 0160029594 through 0160040218; Excluding 0160039850 and 40126)	
	70021850	1	Starter thru 0160040129 & 0160040171, (SN 0160040220 to Present, Including 0160039850 and 0160040126)	
	8270620	1	Horn,	
		Ref	Misc	
	8035807	1	Ignition Key With Cover,	
	8342808	1	Door Key, Square,	
	70021948	1	Door Key, Round,	
	70000652	1	Hydraulic Test Kit	
	70000101	1	Digital Test Kit	
	8990500	1	Owners/Operators Manual (8042 SN 18991 through 19984; SN 0160002332 through 0160029584)	
	8990501	1	Owners/Operators Manual (10042 SN 19031 through 19971; SN 0160002407 through 0160029583)	
	8990502	1	Owners/Operators Manual (10054 SN 19080 through 19987; SN 0160002340 through 0160029586)	
	31200352	1	Operation and Safety Manual (SN 0160029593 to Present)	
	8990396	1	Service Manual (SN 18991 through 19984, SN 0160002332	

SECTION 13 - RECOMMENDED SPARE PARTS

ITEM	PART NUMBER	QTY	DESCRIPTION	REV
	31200353	1	through 0160029592) Service Manual (SN 0160029593 to Present)	
		Ref	Special Tools	
	80304484	1	Pry Bar Set, ZF Axle	
	80304480	1	Two-armed Puller, ZF Axle	
	7025854	1	Two-armed Puller, ZF Axle	
	70010241	1	Threaded Ring, M105X3, ZF Axle	
	70010239	1	Two-armed Puller, 160-150mm, ZF Axle and Transmission	
	70023172	1	Gripping Insert Super, ZF Axle	
	70023173	1	Back-off Insert, Rear ZF Axle	
	70023174	1	Eye Bolt Assortment, ZF Axle and Transmission	
	70022872	1	Internal Extractor, 45-58mm, ZF Axle and Transmission	
	70022873	1	Internal Extractor, 70-100mm, ZF Axle	
	70022871	1	Counter Support, Rear, ZF Axle and Transmission	
	7029740	1	Driver, ZF Axle	
	7029739	1	Driver, ZF Axle	
	7029738	1	Driver, ZF Axle	
	70010244	1	Internal Extractor, ZF Axle	
	70010245	1	Counter Support, ZF Axle	
	70022866	1	Spanner, ZF Axle	
	70022867	1	Torque Spanner, 5-45Nm, ZF Axle	
	80304492	1	Wheel Bolt Puller Basic Set, ZF Axle	
	70110101	1	Driver, ZF Axle	
	80304498	1	Handle, ZF Axle	
	70010281	1	Slotted Nut Wrench, ZF Axle	
	70010283	1	Installer, ZF Axle	
	70010284	1	Installer, ZF Axle	
	80304497	1	HP-Pump, ZF Axle	
	7025856	1	Striker, ZF Axle	
	70010243	1	Measuring Hub, 9/16in-18UNF	
	80304486	1	Two-armed Puller, ZF Axle	
	70010240	1	Gripping Insert Super, ZF Axle	
	70010285	1	Extracting Tool, ZF Axle	
	70010282	1	Assembly Ring, ZF Axle	
	70023175	1	Driver, ZF Axle	

PART NUMBER INDEX

PART NUMBER INDEX

0100009.....571	0903677 119, 123	1001096314 551, 557,	1001101116.....77
0100011.....69, 119, 123,	0930020 99	558	1001101193..... 171, 173,
124, 127, 355, 357	1001001413 147, 151	1001096328 147	579
0100019.....21, 28	1001001853 147, 151	1001096333 147	1001101396..... 579
0240156..... 101	1001081043 335	1001096404 36	1001101397..... 579
0274072..... 543, 547	1001081045 335, 337	1001096425 173	1001101845..... 51, 53
0274263..... 543, 547	1001081046 337	1001096429 128	1001101867..... 53
0274271..... 543, 547	1001081049 335, 337	1001096435 155	1001101956..... 69
0274272..... 543, 547	1001081072 335, 337	1001096436 155	1001102305..... 167, 579
0274547..... 543, 547	1001081073 337	1001096452 148	1001102306..... 169
0275810..... 147	1001081280 313	1001096459 127	1001102378..... 69
0275819..... 147	1001081310 331, 333	1001096462 127	1001102448..... 537
0275861..... 135	1001081375 335, 337	1001096479 127	1001102813..... 96
0275912..... 151	1001081376 335, 337	1001096484 163	1001102844..... 310
0275913..... 151	1001090063 69	1001097046 28	1001102931..... 137
0400075..... 521, 527	1001090064 69	1001097072 95	1001102933..... 137
0641405..... 96	1001090134 489	1001097079 551	1001103113..... 341
0641406..... 147, 151, 522,	1001090140 69	1001097080 551	1001103144..... 389, 394,
526, 531	1001091082 119	1001097168 95	398, 401, 406, 410
0641410..... 163	1001091752 487	1001097565 155	1001103147..... 483
0641506..... 147	1001091900 525	1001097566 127	1001103150..... 483
0641510..... 119, 161	1001091985 526	1001097568 137	1001103152..... 483
0641520..... 375, 573	1001091992 147	1001097569 137	1001103153..... 383, 483
0641522..... 123	1001092192 508, 525	1001097585 161	1001103182..... 493
0641538..... 417	1001092193 508, 525	1001097721 41	1001103291..... 127
0641607..... 147, 151	1001092195 508, 525	1001097735 51, 53	1001103509..... 323, 335,
0641611..... 147	1001092280 95	1001097993 337	337
0641612..... 69, 137, 151,	1001092391 89	1001098089 39	1001103619. 28, 205, 249
425	1001092481 95	1001098559 128, 583	1001103623..... 367
0641616..... 173	1001092482 95	1001098582 96	1001103628..... 189
0641624..... 171, 173, 579	1001092877 547	1001098594 543, 547	1001103629..... 189
0641712..... 169	1001092878 547	1001098595 543, 547	1001103633..... 231
0641718..... 171, 579	1001093134 401	1001098769 35	1001103637..... 95
0641826..... 123	1001093135 401	1001098977 163	1001103730..... 95
0641832..... 119	1001093136 421	1001099113 69	1001103736..... 95
0642032..... 65, 69	1001093137 421	1001099115 69	1001103930..... 546
0642216..... 21	1001093140 95	1001099351 81	1001104036..... 512
0642222..... 21	1001093171 87, 95	1001099687 181	1001105428..... 28
0642228..... 123	1001093273 101	1001099688 181	1001105703..... 305
0642628..... 21	1001093290 525	1001099901 85	1001105704..... 305
0642640..... 27, 181, 185	1001093303 169, 171	1001099902 85	1001105705..... 305
0681810..... 69	1001093377 77, 101	1001100005 301, 302	1001105892..... 323
0681826..... 127	1001093465 101	1001100009 305	1001105897..... 124
0682036..... 181, 185	1001093891 135	1001100217 137	1001105976..... 151
0682228..... 127	1001093892 135	1001100218 487	1001105991..... 124
0691616..... 155	1001093944 135	1001100220 425	1001105996..... 124, 582
0700608..... 577	1001094010 119, 124	1001100222 425	1001106014..... 547
0700610..... 309	1001094284 497	1001100223 425	1001106015..... 547
0700812..... 128	1001094330 101	1001100227 77	1001106016..... 547
0701021..... 124	1001094357 169	1001100228 77	1001106346..... 27
0701214..... 115, 119, 123	1001094786 21	1001100229 77	1001106376..... 123
0701215..... 116, 579	1001094787 21	1001100257 171	1001106380..... 123
0701216..... 123, 579	1001094830 101	1001100258 171	1001106836..... 367, 499
0711014..... 127	1001094877 21	1001100284 301, 302	1001106845..... 497
0711019..... 127	1001094897 25	1001100296 171, 579	1001107355..... 508, 512
0741610..... 69	1001095336 525	1001100324 301	1001107358..... 508, 525
0760810..... 137	1001095418 73	1001100822 61	1001107359..... 508, 525
0761012..... 531	1001095810 95	1001100823 61	1001107360..... 508, 525
0761015..... 175	1001096019 95	1001100824 61	1001107525..... 181
0791810..... 531	1001096020 95	1001100967 79	1001107589..... 181
0860520..... 95	1001096021 95	1001100978 171, 173,	1001107664..... 28
0903311..... 522, 577	1001096023 95	579	1001107692..... 27
0903609..... 567	1001096024 95	1001101043 532	1001107744..... 28
0903638..... 161	1001096025 95	1001101080 119, 124	1001107746..... 28
0903642..... 119, 123	1001096306 95	1001101085 329	1001108206..... 531
0903643..... 119		1001101115 77	1001108668..... 106

PART NUMBER INDEX

1001109007	323	1001120928.....	123	10731845...277, 279, 283	1319365.....	233
1001109010	151	1001121085.....	302	10731913.....	1319366.....	233
1001109011	151	1001121102.....	305	10731949...207, 211, 215,	1319367.....	233
1001109053	547	1001121104.....	305	251, 255	1319369.....	233
1001109230	151	1001121967.....	547	10731959.....	1319370.....	233
1001109404	363	1001121968.....	547	10732063.....	1319371.....	233
1001109406	323	1001122561.....	547	10732064.....	1319372.....	233
1001109417	313, 335	1001122562.....	547	10732071.....	1319373.....	233
1001109478	317	1001122612.....	547	10732072.....	1319374.....	233
1001109596	546	1001122613.....	547	10732095.....	1319375.....	234
1001110280	546	1001125530.....	25	10732150.....	1319376.....	234
1001110282	547	1001125774.....	337	10733183.....	1319377.....	234
1001110414	547	1001125837.....	337	10837923.....	1319378.....	234
1001110415	547	1001125838.....	317	10837943.....	1319379.....	234
1001110416	547	1001126234.....	337	10839156.....	1319380.....	234
1001110483	27	1001128396.....	512	1101056.....	1319381.....	234
1001110704	73	1001128397.....	531	1101312....	1319382.....	234
1001111074	571	1001128530.....	543, 547	159, 161, 163	1319383.....	234
1001111112	331	1001128663.....	531	1101313....	1319384.....	234
1001111190	73, 106	1001128665.....	531	159, 161, 163	1319384.....	234
1001111556	163	1001128666.....	531	1101841.....	1319385.....	234
1001111557	163	1001129508.....	546	1170021.....	1319385.....	234
1001111559	127	1001129509.....	546	1170024.....	1319386.....	234
1001111562	155	1001129510.....	546	1170054.....	1319387.....	234
1001111568	25	1001129767.....	547	1170057.....	1319388.....	234
1001111569	25	1001130307.....	531	1313932.....	1319389.....	234
1001111821	155	1001131179.....	25	1319203.....	1319390.....	234
1001111849	119, 124,	1001131271.....	543, 547	1319204.....	1319391.....	234
582		1001132458.....	25	1319205.....	1319393.....	234
1001111850	120, 124,	1001132514.....	65	1319206.....	1319394.....	234
582		1001132551.....	355	1319207.....	1319395.....	234
1001112747	163	1001132552.....	357	1319209.....	1319396.....	234
1001112749	137	1001133072.....	69	1319210....	1319397.....	234
1001112774	155	1001133496.....	487	221, 259, 271	1319398.....	234
1001112775	155	1001135002.....	475	1319211.....	1319399.....	234
1001113511	137	1001135055.....	409	1319212.....	1319400.....	234
1001114012	173	1001137289.....	127	1319213.....	1319401.....	234
1001114013	173	1001137512.....	89	1319214.....	1319402.....	234
1001114040	173	1001140699.....	547	215, 255	1319403.....	234
1001114480	531	1001141427.....	309	1319333.....	1319404.....	234
1001114482	531	1001142790.....	109	1319334.....	1319406.....	234
1001114495	147, 151	1001143852.....	547	1319335.....	1319412.....	241
1001114671	531	1001145026.....	487	1319336.....	1319414.....	199, 241
1001114675	309	1001145035.....	318, 325	1319337.....	1319415.....	199, 241
1001114780	151, 155	1001148177.....	309	1319338.....	1319423... 203, 205, 245,	
1001116838	231	1001150229.....	325	1319339.....	249	
1001117068	527	1001150233.....	325	1319340.....	1319425... 203, 207, 211,	
1001117244	155	1001155219.....	532	1319341.....	245, 251	
1001117308	531	1001163414.....	491	1319342.....	1319429.....	203, 245
1001117610	512, 531	1001170427.....	477	1319343.....	1319431....	207, 211, 251
1001117636	375	1001204707.....	181	1319344.....	1319433....	203, 245, 583
1001117642	375	10139087	542, 546	1319345.....	1319436... 203, 205, 245,	
1001117696	375	10268515 ..	159, 161, 163	1319346.....	249	
1001117714	375	10268516 ..	159, 161, 163	1319347.....	1319444.....	234, 259
1001118107	531	1060379	96	1319348.....	1319445.....	221, 259
1001118129	531	10700205	135	1319349.....	1319447... 221, 225, 259,	
1001118245	531	10701363 ..	517, 521, 525	1319350.....	263	
1001119055	409	10705034	103	1319351.....	1319448.....	259
1001119056	409	10717672 ..	389, 393, 397,	1319352.....	1319449.....	259
1001119107	409	401, 409		1319353....	1319450.....	259
1001119174	512, 531	10731702	271	196, 233, 238	1319451.....	259
1001119175	512, 531	10731709	293, 295	1319354.....	1319452.....	259
1001120179	305	10731744	275	1319355.....	1319453.....	259
1001120632	543, 547	10731748	271	1319356.....	1319454.....	259
1001120914	69	10731751	271	1319357.....	1319455.....	259
1001120915	69	10731789	225, 263	1319358.....	1319456.....	259
1001120927	579	10731790	205, 249	1319359.....	1319457.....	259
				1319360.....	1319458.....	259
				1319361.....	1319459.....	259
				1319362.....	1319460.....	259
				1319363.....	1319461.....	259
				1319364.....		

PART NUMBER INDEX

1319462.....	221, 259	1319563.....	273	1319632....	281, 285, 287	1319722.....	297
1319463.....	259	1319565.....	273	1319633.....	281, 289	1319723.....	297
1319464....	221, 225, 259, 263	1319566.....	273	1319634.....	283	1319724.....	297
1319472....	221, 225, 259, 263, 583	1319569.....	275	1319635.....	283	1319725.....	297
1319475.....	221	1319570.....	275	1319636....	283, 285, 287	1319726.....	297, 583
1319476.....	221, 260	1319571.....	275	1319637.....	285	1320016.....	147
1319477....	221, 225, 260, 263	1319574.....	275	1319638.....	285, 287	1320022.....	151
1319483.....	265	1319575.....	275	1319639.....	287	1320131.....	531
1319484.....	265	1319576.....	275	1319641.....	289	1321148.....	203, 245
1319485.....	265	1319577.....	275	1319643.....	289	1321149.....	203, 245
1319491....	207, 211, 251	1319578... 205, 215, 229, 249, 255, 267, 275		1319646.....	289	1321150....	207, 211, 251
1319496....	207, 211, 251	1319582.....	275, 297	1319647.....	289	1321151....	207, 211, 251
1319497....	207, 211, 251	1319583.....	275	1319648.....	289	1321152....	207, 211, 251
1319499....	207, 211, 251	1319584.....	275	1319649.....	289	1321153.....	199, 241
1319500....	207, 211, 251	1319585.....	275, 297	1319650.....	291	1321154.....	199, 241
1319501....	207, 208, 211, 251	1319586.....	275	1319652.....	291, 293	1321155....	221, 259, 583
1319502....	207, 208, 211, 212, 251, 252	1319587.....	275	1319659.....	291	1321157.....	221, 259
1319504....	207, 211, 251	1319590.....	275	1319661.....	291, 293	1321158....	207, 211, 251
1319505....	207, 211, 251	1319591.....	277	1319662.....	291	1321159....	208, 212, 252
1319506....	203, 207, 211, 227, 245, 251, 265	1319592.....	277	1319666....	205, 208, 249	1321162....	207, 211, 251
1319510....	208, 212, 252	1319593... 277, 279, 281, 283, 285, 287		1319670.....	293, 295	1321163....	207, 211, 251
1319511....	208, 212, 252	1319594... 277, 279, 281, 283, 285, 287		1319671.....	293	1321172.....	257
1319512....	208, 212, 252	1319595... 277, 279, 281, 283, 285, 287		1319673.....	293	1321174....	207, 211, 251
1319513....	208, 212, 252	1319596....	277, 279, 283	1319674.....	293	1321175.....	221
1319514....	208, 212, 252	1319599....	283, 285, 287	1319675.....	293	1321178.....	257
1319515....	208, 212, 252	1319600... 277, 279, 281, 283, 285, 287		1319676.....	293	1321184.....	199, 241
1319516....	208, 212, 252	1319601... 277, 279, 281, 283, 285, 287		1319677.....	293	1321185.....	191
1319517....	208, 212, 252	1319602... 277, 279, 281, 283, 285, 287		1319678.....	293	1321186.....	191
1319518....	208, 212, 252	1319603... 277, 279, 281, 283, 285, 287		1319679.....	293	1321187.....	191
1319519....	208, 212, 252	1319604... 277, 279, 281, 283, 285, 287		1319680.....	293	1321189.....	191
1319520....	208, 212, 252	1319605....	277, 279, 283	1319681.....	293	1321190.....	191
1319521....	208, 212, 252	1319606....	277, 279, 283	1319682.....	293	1321191.....	227
1319522....	208, 212, 252	1319607.....	277	1319683.....	293	1321194.....	192
1319523....	208, 212, 252	1319608.....	277, 287	1319684.....	293	1321196.....	191
1319524....	208, 212, 252	1319609.....	277	1319685.....	293	1321197.....	191
1319525....	208, 212, 252	1319610.....	277	1319686.....	293	1321198.....	191
1319526....	207, 211, 252	1319611.....	277	1319687.....	293	1321199.....	191
1319527....	207, 211, 251	1319612... 277, 279, 281, 283, 285, 287		1319688.....	293	1321201.....	192
1319529....	207, 211, 251	1319613.....	279	1319690.....	293	1321202.....	192
1319530....	207, 211, 251	1319614.....	279	1319691.....	293	1321203.....	192
1319531....	207, 211, 251	1319615....	279, 283, 285	1319692.....	293	1321204.....	192
1319532....	207, 211, 252	1319616.....	281	1319693.....	293	1321205.....	227
1319533....	207, 212, 252	1319617... 281, 285, 287		1319694.....	293	1321206.....	217
1319534....	208, 212, 252	1319618....	281, 285, 287	1319695.....	293	1321207.....	217
1319535....	208, 212, 252	1319619.....	281	1319696.....	293, 295	1321208.....	217
1319536....	208, 212, 252	1319620....	281, 285, 287	1319697.....	293	1321209....	203, 205, 245, 249
1319537....	208, 212, 215, 252, 255	1319621....	281, 285, 287	1319698.....	293	1321210.....	192
1319538....	208, 212, 252	1319622....	281, 285, 287	1319699.....	293	1321211.....	234
1319539....	208, 212, 215, 252, 255	1319623....	281, 285, 287	1319700.....	293	1321212.....	192
1319540....	208, 212, 215, 252, 255	1319624....	281, 285, 287	1319701.....	293	1321213.....	191
1319541....	208, 212, 252	1319625....	281, 285, 287	1319702.....	293, 295	1321214.....	227
1319542....	208, 212, 215, 252, 255	1319626....	281, 285, 287	1319703.....	293, 295	1321215.....	199, 241
1319543....	207, 211, 251	1319627....	281, 285, 287	1319704.....	293	1321217.....	199
1319545....	208, 212, 215, 252, 255	1319628....	281, 285, 287	1319705.....	293	1321218.....	199
1319557.....	273	1319629....	281, 285, 287	1319707.....	293, 295	1321219.....	199
1319558.....	273	1319630....	281, 285, 287	1319708.....	293	1321220.....	199
		1319631....	281, 285, 287	1319710.....	295	1321221.....	199
				1319711.....	295	1321225.....	199, 241
				1319712.....	295	1321226....	225, 259, 263
				1319713.....	295	1321228.....	221, 225
				1319714.....	295	1321229.....	233
				1319715.....	295	1321230.....	191
				1319717.....	295	1321231.....	265
				1319718.....	297	1321232.....	227
				1319719.....	297	1321233.....	227
				1319720.....	297		
				1319721.....	297		

PART NUMBER INDEX

1321234 ... 203, 205, 245, 249	2080040 96	2221123 363, 367	2716707 363, 367
1321237 234	2080044 95	2221154 119, 124	2716708 385
1321238 265	2110606 69, 103	2230025 413	2716709 383
1321239 259	2110808 69	2230035 363, 367	2716710 383
1321242 265	2111210 147, 421	2230044 413	2716711 383
1321244 217	2111212 147, 402	2230046 371	2716712 383
1321245 259	2120223 161	2340037 89	2716713 413
1321246 259	2130606 ... 103, 363, 367	2340038 89	2716714 377
1321247 265	2130608 103	2340039 89	2716715 377
1321248 192	2131210 ... 419, 421, 423, 425	2340045 89	2716716 371, 375
1321249 221	2131212 ... 151, 423, 425	2340046 89	2716750 ... 389, 393, 397, 401, 405, 409
1321250 221	2131216 142, 145	2600281 95	2716808 ... 389, 393, 397, 401, 405, 409
1321251 221	2151210 147, 421	2711992 67	
1321253 203	2170212 151	2713082 413	2717052 431
1321254 221	2170706 363, 367	2713452 377, 582	2717149 419
1321255 227	2172106 69, 363, 367	2713642 377, 413	2717150 419
1321256 221	2220008 337	2714973 459, 463	2717158 393, 397
1321257 221	2220009 337	2716143 565	2717159 393, 397
1321258 227	2220067 338	2716153 561	2717160 103
1321259 241	2220070 338	2716163 465	2717161 103
1321260 241	2220237 ... 402, 405, 409, 487	2716173 429	2717162 103
1321797 115	2220239 487	2716563 449, 453	2717162 103
1321968 115	2220251 335	2716564 455	2717198 457
1321976 115	2220371 67, 79, 363, 367, 379, 383, 401, 405, 406, 410	2716617 433, 441	2717199 435
1322073 123	2220372 67, 379, 383	2716618 443, 447	2717200 563
1322087 115	2220373 ... 377, 385, 389, 394, 401, 406, 410, 413	2716621 417	2717201 467
1600429 349, 583	2220374 ... 383, 389, 393, 397, 401, 405, 409	2716622 417	2717203 445
1684448 439	2220375 371, 375	2716654 371, 375	2717216 451
1701509 96	2220381 385	2716655 371, 375	2717254 461
1701640 547	2220385 ... 383, 385, 397, 401, 405, 409	2716657 371	2717259 437
1702631 547	2220415 71, 73	2716658 389, 393	2717283 103
1702773 95	2220473 71, 73, 363, 367, 379, 383	2716660 363, 367	2717287 71, 73
1704277 96	2220474 ... 377, 383, 385	2716661 385	2717290 397
1704885 95, 542, 546	2220498 371, 375	2716663 ... 389, 393, 398, 402, 405, 409	2717291 ... 397, 401, 405, 409
1706098 547	2220500 ... 377, 385, 389, 393, 397, 401, 487	2716664 383	2720549 159
1706100 542, 546	2220501 ... 363, 367, 379	2716665 383	2720551 133
1706169 542, 546	2220578 371, 375	2716666 ... 389, 393, 401, 405, 409	2720555 141, 145
1706173 542, 546	2220596 ... 383, 385, 414	2716668 383	2720634 147
1706174 542, 546	2220602 ... 379, 385, 410	2716669 383	2720635 147
1706175 542, 546	2220603 ... 363, 367, 398, 410	2716670 363, 367	2720636 161
1706176 543, 547	2220606 363, 367	2716671 385	2720637 161
1706200 542, 546	2220609 71, 73	2716672 385	2720643 135
1706201 542, 546	2220628 71, 73, 79	2716673 385	2720645 147, 151
1706279 546	2220635 363, 367	2716675 371, 375	2720648 151
1706281 546	2220651 413	2716677 413	2720649 151
1706282 546	2220655 ... 401, 405, 410	2716679 389	2720650 151
1706284 546	2220657 ... 363, 367, 383	2716681 389	2754309 371
1706285 546	2220677 182	2716682 377	2754314 371
1706288 546	2220683 383, 385	2716686 379	2754736 363, 367
1706296 546	2220695 371, 375	2716687 379	2754753 363, 367
1706298 546	2220710 ... 401, 405, 409	2716688 379	2755057 371
1706299 546	2220775 71, 383	2716690 ... 389, 393, 397, 401, 405, 409	2755058 371
1706300 542, 547	2220833 385	2716691 379	2755059 371
1706301 546	2220947 409	2716692 363	2755060 371, 375
1706306 546	2220950 487	2716693 389, 393	2755083 423
1706768 547	2220999 ... 385, 398, 401, 402, 405, 410	2716694 ... 389, 393, 397, 401, 405, 409	2755084 423
1706798 542, 547		2716695 363, 367	2755085 405
1706799 542, 547		2716696 385	2755086 405
1706800 542, 547		2716698 389, 393	2900770 ... 433, 435, 441, 443, 445, 447, 465, 467, 489, 565
1706850 547		2716699 363, 367	2915023 493
1706892 95		2716700 363, 367	2915052 575
2000392 115		2716701 363, 367	2915054 145
2000395 119		2716703 363, 367	2915063 518
2000397 119, 123		2716705 385	2915160 577
2060045 119, 582		2716706 385	
2060046 119			

PART NUMBER INDEX

2915170.....	116	4108991.....	542	4751700	155, 171, 579	70010282.....	586
2915184.....	522, 585	4110137.....	542	4761500.....	123, 147	70010283.....	586
2940074.....	95	4110155.....	542, 546	4761600.....	137	70010284.....	586
31200160.....	95	4110157.....	542, 546	4762600.....	21	70010285.....	586
31200352.....	585	4110158.....	542, 546	4791500.....	310	70020228.....	175, 177
31200353.....	586	4110160.....	542, 546	4811700.....	577	70020347.....	119, 123
31200386.....	95	4110166.....	542, 546	4811900.....	128	70020348.....	135
31200387.....	95	4110167.....	542, 546	4812000.....	531	70020349.....	135
31200388.....	95	4110172.....	542	4812300 ...	355, 357, 359	70020350... 119, 123, 583	
3140007.....	309	4110184.....	542	4831700.....	531	70020351.....	119, 123
3251813.....	542, 546	4110186.....	542, 546	4831900.....	128, 531	70020352... 119, 123, 585	
3281605.....	155	4110187.....	542, 546	4832000.....	127	70020353.....	135
3290601.....	531	4110188.....	542, 547	4846452.....	95	70020356.....	119, 123
3290801.....	531	4110217.....	542, 546	4891500.....	119	70020357... 119, 123, 582	
3300240.....	65, 69	4110218.....	542, 546	4891800.....	69	70020358... 119, 123, 583	
3311405.....	96	4110226.....	542, 546	4892200.....	21	70020359.....	147
3311505.....	119, 123	4110242.....	542, 546	4892600.....	21	70020360.....	147
3311508.....	521, 527	4110339.....	542, 546	4923267.....	517	70020361.....	147
3311601.....	35	4110389.....	542	4923283 ...	518, 522, 528	70020362.....	147
3380679.....	309	4110422.....	81, 83, 85	4923332.....	577	70020363.....	147
3400022.....	347	4110461.....	93	4923334.....	577	70020364.....	147
3421453.....	96	4110473.....	71, 103	4923364.....	521	70020365.....	147
3423226.....	35, 573	4341004.....	116	4923649.....	553	70020367.....	115
3423227 ..	17, 21, 35, 433, 441, 459, 463, 573	4341012.....	159	5724302.....	15, 17, 341	70020408... 207, 211, 251	
3423242.....	65, 69	4341396.....	119	5724622.....	31, 33, 35	70020409... 207, 211, 251	
3423248.....	27	4360609 ...	517, 521, 527	5724742.....	23	70020413.....	217, 245
3423254.....	181, 185	4360690 ...	353, 577, 585	5746411.....	47	70020425.....	291
3423275.....	65, 69	4420037.....	25	6040500.....	63	70020426.....	291
3423276.....	65, 69, 73	4460312.....	527	6040600.....	63	70020427.....	295
3423307.....	69	4460590.....	527	6040700.....	63	70020428... 493, 561, 563	
3460383.....	371, 375, 573	4460591.....	527	6604662.....	71, 73	70020430.....	289
3460384.....	371, 375, 573	4460790.....	537	6608621.....	71	70020431.....	289
3460591.....	147	4460842.....	527	6620472.....	335	70020483... 207, 211, 251	
3460592.....	147	4460850.....	527	6620551.....	151	70020484... 207, 211, 251	
3460595.....	151	4461101.....	577	6620561.....	151	70020485... 207, 211, 251	
3460596.....	151	4461102.....	577	6621412 ...	518, 521, 526	70020486... 207, 208, 211, 251, 252	
3520030.....	21	4461103.....	577	6623576.....	567	70020487... 207, 208, 211, 212, 251, 252	
3520072.....	95	4461215.....	527	70000101.....	585	70020555.....	87
3520198.....	95	4520314.....	305	70000652.....	585	70020562.....	99
3575947.....	116, 119, 124	4520318.....	302	70001955.....	475	70020628.....	323
3576433.....	522	4520319.....	301	70001956.....	475	70020631.....	337
3576442.....	347	4520321.....	301	70002133.....	475	70020658.....	467
3620059.....	141, 145	4520412.....	301	70002219.....	491	70020659.....	499
3620081.....	147	4520413.....	301	70002224.....	491	70020660.....	499
3620083.....	151	4520466.....	301	70002578.....	475, 477	70020661.....	499
3760170.....	96	4520467.....	301	70002579.....	475	70020662.....	499
3820020.....	95	4520469.....	302	70002580.....	475	70020663.....	499
3841203.....	69	4520527.....	305	70002581.....	475	70020665.....	499
3980039.....	329	4520527.....	305	70002582.....	475	70020666.....	499
4060805.....	116	4520530.....	305	70002583.....	475	70020667.....	499
4060807.....	116	4520531.....	305	70002584.....	475	70020668.....	499
4100109.....	169	4520533.....	305	70002585.....	475, 477	70020669.....	499
4100181.....	542, 546	4520648.....	302	70002588.....	475	70020670.....	499
4105171.....	542, 546	4520649.....	302	70002590.....	475	70020671.....	499
4105262.....	542, 546	4520650.....	302	70002592.....	475	70020672.....	499
4105621.....	359	4569499.....	169	70002593.....	475	70020673.....	499
4107442.....	542, 546	460850.....	537	70002595.....	475	70020674.....	499
4107462.....	542, 546	4640438.....	489	70002599.....	475, 477	70020675.....	499
4107692.....	71	4641501.....	103	70003849.....	491	70020676.....	499
4107702.....	71	4641502.....	103	70004426.....	477	70020677.....	499
4107712.....	71	4711400	96, 145, 147, 151, 517, 521, 531	70010239.....	586	70020678.....	499
4107832.....	83	4711500.....	147	70010240.....	586	70020679.....	499
4107901.....	543	4711600.....	35, 137	70010241.....	586	70020680.....	497, 499
4107971.....	542, 546	4751400.....	95, 163	70010243.....	586	70020681.....	499
4108232.....	67	4751500 ...	123, 161, 163	70010244.....	586	70020682.....	499
4108302.....	542, 546	4751600 ...	151, 155, 171, 173, 579	70010245.....	586		
				70010281.....	586		

PART NUMBER INDEX

70020891	526	70022028	79, 81	70022234	225, 263	70022777	249
70021111	245	70022038	489	70022235	215, 255	70022781	263
70021305	310	70022039	489	70022236	215, 255	70022782	263
70021306	310	70022040	489	70022237	225, 263	70022784	267
70021342	81, 99	70022041	489	70022238	225, 263	70022785	267
70021349	79, 81	70022042	489	70022239	229, 267	70022786	237
70021358	99	70022043	489	70022240	225, 263	70022787	237
70021359	99	70022044	493	70022241	205, 249	70022789	249
70021360	99	70022045	493	70022242	229, 267	70022842	127
70021361	99	70022046	493, 563	70022243	229, 267	70022843	127
70021362	99	70022052	259	70022244	196, 238	70022844	127
70021364	99	70022170	225, 263	70022245	196, 238	70022845	127
70021365	99	70022171	215, 255	70022248	219	70022846	127
70021366	99	70022172	205, 249	70022249	225, 263	70022866	586
70021367	99	70022173	205, 249	70022250	255	70022867	586
70021387	79, 99	70022174	205, 249	70022251	219	70022871	586
70021391	99	70022175	205, 249	70022252	219	70022872	586
70021392	99	70022176	215, 255	70022253	215, 255	70022873	586
70021393	495	70022177	205, 249	70022254	205, 249	70022931	106
70021399	99	70022178	205, 249, 584	70022255	205, 249	70022932	106
70021410	135	70022179	225, 263	70022257	225, 263	70022934	106
70021415	81	70022180	205, 249	70022258	215	70022935	107
70021440	495	70022181	205, 249	70022260	201	70022936	106
70021444	495	70022183	215, 255	70022261	201	70022937	107
70021446	495	70022184	205, 249	70022262	201, 243	70022939	107
70021447	495	70022185	201, 243	70022263	201	70022942	107
70021448	495	70022186	215, 255	70022264	201	70022946	107
70021451	495	70022187	225, 263	70022265	225	70022949	107
70021452	495	70022188	225, 263	70022268	225	70022950	107
70021456	115	70022189	215, 255	70022270	229	70022952	107
70021464	495	70022190	215, 255	70022271	227, 229	70022957	106
70021465	495	70022191	219	70022272	195	70022960	106
70021466	495	70022192	219	70022273	229	70022969	106
70021495	203, 246, 584	70022193	215, 255	70022274	229	70022970	106
70021553	225, 259, 263	70022194	215, 255	70022275	215	70022980	107
70021554	225, 259, 263	70022195	219	70022276	263	70022984	106
70021557	469	70022196	215, 255	70022277	205, 249	70022985	106
70021564	453	70022197	229, 267	70022278	229	70022987	106
70021568	203, 245	70022198	215, 255	70022279	229	70022990	107
70021569	203, 245	70022199	219	70022280	237	70022992	106
70021570	203, 245	70022200	201, 243	70022281	229, 267	70022993	106
70021571	203, 245	70022201	205, 249	70022282	255	70022994	106
70021617	203, 245	70022202	219	70022283	229, 267	70022995	106
70021726	203, 245	70022203	225, 263	70022284	243	70022997	109
70021789	221	70022204	205, 249	70022285	243	70022998	107
70021790	221, 225	70022206	205, 249	70022287	475	70023003	106
70021794	123	70022207	229, 267	70022288	475	70023004	106
70021809	123	70022208	225, 263	70022527	99	70023005	107
70021810	115	70022209	215, 255	70022528	79	70023006	107
70021812	493, 563	70022210	205, 249	70022529	79	70023007	107
70021824	526	70022211	201, 243	70022610	203, 246	70023008	106
70021825	526	70022213	196, 238	70022634	119, 123	70023009	106
70021847	127	70022215	215, 219, 255	70022694	155	70023010	106
70021849	127, 585	70022216	195, 237	70022695	155	70023014	106
70021850	127, 585	70022217	205, 249	70022719	484	70023015	107
70021851	137	70022218	225, 263	70022720	484	70023016	106
70021852	127, 583	70022220	196, 238	70022721	484	70023037	497, 499
70021854	127, 583	70022221	229, 267	70022722	483	70023038	497, 500
70021921	79, 81	70022223	225, 263	70022723	483	70023039	499
70021935	79, 81	70022225	201, 243	70022724	484	70023040	329
70021948	323, 585	70022226	201, 243	70022735	526	70023041	329
70021977	79, 81	70022227	201, 243	70022736	526	70023054	151
70021978	79, 81	70022228	201, 243	70022737	527	70023055	151
70021979	79, 81	70022229	201, 243	70022738	527	70023056	151
70021980	99	70022230	225, 263	70022739	527	70023057	151
70021981	99	70022231	195, 237	70022741	527	70023058	151
70021982	99	70022232	195	70022746	527	70023059	151

PART NUMBER INDEX

70023060.....	151	70023910.....	201, 243	70026060.....	491	7029005.....	145
70023139.....	329	70023925.....	107	70026061.....	491	7029006.....	575
70023172.....	586	70023947.....	137	70026062.....	491	7029037.....	291
70023173.....	586	70023948.....	137	70026402.....	119	7029104.....	217
70023174.....	586	70023949.....	137	70026403.....	119	7029153.....	457
70023175.....	586	70023950.....	137	70026437.....	119	7029159.....	437, 439
70023194.....	119, 123	70023968.....	142, 145	70026557.....	119	7029164.....	115
70023261.....	227	70023996.....	475	70026815.....	127	7029242.....	575
70023270.....	437	70023997.....	475	70026829.....	127, 128	7029246.....	457
70023284.....	123	70023998.....	475	70027061.....	127	7029264.....	175, 177
70023285.....	124	70023999.....	475	70027870.....	115	7029265.....	175, 177
70023286.....	124	70024000.....	475	70027871.....	115	7029270.....	115, 582
70023287.....	585	70024002.....	489	70027874.....	127	7029327.....	437, 439
70023296.....	115	70024020.....	491	70027875.....	127	7029328.....	437, 439
70023297.....	115	70024039.....	475	70027876.....	127	7029329.....	437, 439
70023330.....	227	70024040.....	475	70027877.....	128	7029330.....	437, 439
70023350.....	475, 477	70024041.....	475	70027878.....	128	7029367.....	349
70023351.....	475	70024044.....	497	7007207.....	475	7029417.....	297
70023352.....	475	70024045.....	497	7007415.....	475	7029418.....	203
70023353.....	475	70024046.....	497	7007446.....	475	7029516.....	345
70023354.....	475	70024047.....	497	70110101.....	586	7029520.....	87
70023355.....	475	70024048.....	497	7012903.....	457	7029521.....	87
70023357.....	475	70024049.....	497	7017496.....	457	7029525.....	116, 119, 123, 585
70023358.....	475	70024050.....	497	7021275.....	475	7029532.....	279, 281, 289
70023359.....	475	70024059.....	79	7022340.....	475	7029533.....	279, 281, 289
70023362.....	475	70024060.....	79	7023962.....	475	7029692.....	81, 99
70023363.....	475	70024061.....	79	7023964.....	475	7029714.....	99
70023364.....	475	70024062.....	79	7024441.....	487, 584	7029716.....	487
70023400.....	237	70024063.....	79	7024574.....	493, 561, 563	7029720.....	291
70023401.....	243	70024064.....	79	7024922.....	473	7029721.....	291
70023402.....	243	70024123.....	109	7024947.....	473	7029738.....	586
70023403.....	243	70024262.....	491	7024948.....	473	7029739.....	586
70023404.....	249, 255, 267	70024288.....	115	7024949.....	473	7029740.....	586
70023405.....	263	70024306.....	89	7024950.....	473	7029760.....	489
70023443.....	119, 123	70024307.....	89	7024954.....	473	7029829.....	115
70023444.....	119, 123	70024310.....	119	7024955.....	473	7029830.....	115
70023453.....	483	70024376.....	115	7024956.....	473	7029831.....	115
70023454.....	483	70024395.....	127	7024957.....	473	7029860.....	331
70023455.....	484	70024535.....	109	7024958.....	473	7029944.....	116
70023482.....	271	70024536.....	109	7025854.....	586	7029945.....	116
70023483.....	271	70024537.....	109	7025856.....	586	7029947.....	127
70023505.....	484	70024538.....	109	7026579.....	431	7029991.....	115
70023506.....	484	70024539.....	109, 503	7026663.....	245	7054351.....	113, 116, 123, 127, 181, 185
70023507.....	484	70024540.....	109	7026664.....	222, 260	7057141.....	139, 141, 145, 147, 151
70023508.....	484	70024541.....	109	7026666.....	115, 116, 585	7062922.....	71, 73
70023509.....	484	70024542.....	109	7026726.....	147	7065482.....	67
70023510.....	484	70024543.....	109	7026758.....	277, 279, 281, 283, 285, 287	7070191.....	67
70023519.....	484	70024544.....	109	7026759.....	277, 279, 281, 283, 285, 287	7075611.....	31, 33, 35
70023520.....	484	70024545.....	109	7026799.....	329	7077481.....	67
70023521.....	484	70024546.....	109	7026798.....	329	7077501.....	67
70023558.....	329	70024547.....	503	7026900.....	329	7077511.....	67
70023564.....	127	70024548.....	503	7026901.....	329	7079442.....	181, 185
70023565.....	127	70024549.....	503	7026902.....	329	7079572.....	31, 33, 36, 39, 41, 43, 45, 47
70023601.....	155	70024550.....	109	7026905.....	329	7082311.....	31, 33, 35, 39, 41, 43, 45, 47, 582
70023625.....	115	70024551.....	109	7026906.....	329	7082342.....	31, 33, 35, 39, 41, 43, 45, 47, 582
70023626.....	115	70024552.....	109	7026972.....	441	7082362.....	31, 33, 35, 39, 41, 43, 45, 47, 582
70023627.....	115	70024553.....	109	7027211.....	203, 245, 583	7083992.....	43, 47
70023628.....	115	70024554.....	109	7027212.....	217	7085411.....	67
70023736.....	119, 123	70024555.....	109	7027217.....	205, 208, 249	7085422.....	139, 141, 145
70023790.....	115	70024901.....	127	7027273.....	289	7085501.....	67
70023791.....	128	70025480.....	331	7028737.....	317		
70023808.....	127	70025606.....	491	7028783.....	116		
70023885.....	275, 297	70025959.....	491	7028977.....	221, 259		
70023887.....	127	70026056.....	491	7028979.....	259		
70023888.....	127	70026057.....	491				
70023890.....	329	70026058.....	491				
70023904.....	201, 243	70026059.....	491				

PART NUMBER INDEX

7085552.....	49	7116792.....	31, 33, 35	7138661.....	301	7139294.....	321
7085562.....	49	7116812.....	39, 41	7138662.....	305	7139295.....	321
7085571.....	49	7117031.....	55, 57	7138663.....	305	7139296.....	321
7086471.....	71	7117113.....	43	7138709.....	23, 25	7139298....	314, 318, 321
7089722.....	443, 447	7117133.....	47	7138712.....	139	7139299....	314, 318, 321
7090822.....	27	7117204.....	67	7138730.....	23	7139301.....	318
7090832.....	27	7117214.....	67	7138740.....	487, 584	7139316....	314, 318, 321
7090871.....	27	7117244.....	67	7138805.....	299	7139406.....	23, 25
7090891.....	27	7117254.....	67	7138813.....	113, 116	7139407.....	23, 25
7090951.....	27	7117264.....	67	7138815.....	165, 167	7139444....	314, 317, 321
7091323.....	359	7117414.....	45	7138819.....	309	7139462.....	23
7091373.....	27	7117502.....	53	7138830.....	515	7139482.....	390
7092292.....	15, 31	7117572.....	51, 53	7138833.....	349	7139504.....	377
7094682.....	23	7117582.....	53	7138836.....	349	7139505.....	372, 375
7095272.....	113, 115	7118222.....	585	7138857.....	309	7139560.....	569
7095302.....	157	7118854.....	41	7138858.....	327, 329	7139608.....	79
7095312.....	43, 47	7118882.....	49	7138871.....	165	7139737.....	535
7095352.....	43, 47	7118892.....	49, 582	7138878.....	349	7139743.....	222, 260
7095393.....	157	7118993.....	63	7138879.....	15, 17	7139746.....	89
7095522.....	43, 47	7119800.....	83	7138881.....	113	7139747.....	89
7095831 ...	113, 115, 123, 127	7124301.....	15, 17, 21	7138883.....	327	7139863.....	49
7096491.....	327	7124451 ..	15, 17, 21, 526	7138888.....	15, 17	7139864.....	49
7096552.....	31, 33, 35	7124471.....	15, 17, 21	7138944.....	309	7139918.....	103
7096562.....	31, 33, 35	7124491.....	27	7138951.....	314, 318, 321	7147400.....	567
7096702 ...	39, 41, 43, 45, 47, 582	7125741.....	47, 67	7138952.....	313, 317	7148100.....	335, 338
7096772.....	31, 33, 35	7125800.....	71	7138953.....	313, 317	7148700.....	553
7096882 ...	31, 33, 35, 39, 41, 43, 45, 582	7125801.....	27	7138958....	314, 317, 321	7150610.....	487
7097323.....	157	7125811.....	43, 47, 522	7138977.....	55, 57	7150642.....	165
7097682.....	31	7125871 ..	15, 17, 21, 357	7138986.....	55, 57	7150653.....	23
7098142.....	357	7126662.....	51, 53	7139027.....	341	7150655.....	487
7099882 ..	31, 33, 36, 531	7126703.....	139	7139047.....	23, 25	7150661.....	23, 25
7110002.....	39	7126992.....	165	7139048.....	313, 317	7150668.....	567
7110172.....	47	7127081.....	131, 133	7139049.....	335, 337	7150673.....	551
7110494.....	71	7127091.....	343	7139050.....	313, 317	7150679.....	553, 557
7110694.....	71	7127102.....	343	7139066.....	15, 17, 21	7150680.....	554, 558
7110702.....	71, 73	7127852.....	47	7139076.....	487	7150681.....	554, 558
7110712.....	71, 73	7127862.....	47	7139077....	487, 582, 583, 584	7150685.....	553, 557
7110722.....	71, 73	7127871.....	131, 133	7139086.....	569	7150687 ...	551, 553, 554, 557, 558
7110744.....	61	7127881.....	131	7139087.....	569	7150688.....	551
7111402.....	413	7128772.....	63, 67	7139088.....	569	7150689.....	553, 557
7111572 ...	31, 33, 35, 39, 41, 43, 45, 47, 582	7128792.....	63, 67	7139135.....	309	7150690.....	554, 558
7112452	377, 413, 582	7129300.....	75	7139156.....	15, 17, 21	7150692.....	23
7112523.....	75	7129521.....	341	7139157.....	15, 17, 21	7150695.....	567
7112533.....	75	7129973.....	139	7139159.....	301	7150696.....	567
7112592 ...	515, 517, 521, 526, 532	7130131.....	139	7139160.....	301	7150697.....	567
7112642.....	75, 77	7131253.....	139	7139161.....	301	7150699.....	553, 557
7112704.....	75	7132131.....	148	7139162.....	301	7150702.....	553, 557
7112732.....	45	7133802.....	371	7139163.....	305	7150703....	553, 557
7112804.....	83	7133812.....	371	7139164.....	305	7150704.....	557
7112814.....	83	7133843.....	413	7139165.....	301	7150705.....	551
7113024.....	83	7133853.....	413	7139166.....	305	7150706.....	567
7113034.....	83	7137142.....	15, 17, 21	7139168.....	301	7150707.....	551
7114032.....	53	7138209.....	487	7139174.....	335, 337	7150708.....	351, 353
7114112.....	51, 53	7138290.....	113, 582	7139180.....	51, 53	7150714.....	515
7114922.....	47	7138318.....	113	7139212.....	363, 367	7150716.....	553, 557
7114941.....	75, 77	7138368.....	15, 17, 21	7139226.....	569	7150717.....	553, 557
7116642.....	39, 41	7138468.....	31, 33, 35	7139250.....	321	7150722.....	535
7116652.....	39, 41	7138515.....	139	7139263.....	571	7150723.....	535
7116662.....	39, 41	7138587.....	165	7139264.....	571	7150730 ...	551, 553, 557
7116691.....	39, 41	7138601.....	27	7139267.....	317	7150741.....	557
7116733.....	39, 41	7138609.....	27	7139268.....	317	7150742.....	553
7116784.....	39	7138634.....	181, 185	7139269.....	571	7150745.....	515
		7138638.....	299	7139271.....	508	7150746.....	515
		7138639.....	299	7139290.....	321	7300214.....	377
		7138658.....	301	7139292.....	321	7300343....	517, 521, 525
		7138659.....	301	7139293.....	321	7300344....	518, 521, 526
		7138660.....	301				

PART NUMBER INDEX

7300377.....	133	77373229.....	526	80304147.....	195, 237	8035322.....	449, 453, 455, 465
7300672.....	377, 573	77383377.....	522, 526, 531, 577	80304148.....	195, 237	8035323.....	449, 453, 455
7300673.....	377, 573	8024000.....	113, 582	80304149.....	195, 237	8035324.....	449, 453, 455
7300674.....	413, 573	8024024.....	341	80304150.....	195, 237	8035326.....	449, 453, 455, 583
7300675.....	413, 573	8024030.....	139	80304151.....	195, 237	8035327.....	433, 435, 441, 443, 445, 447, 449, 453, 465, 467
7300972.....	159	8024031.....	139	80304152.....	195, 237	8035346.....	479
7300983.....	67	8024032.....	51, 53	80304153.....	195, 237	8035347.....	479
7301040.....	79	8024033.....	55, 57	80304154.....	195, 237	8035348.....	479
7301054.....	301, 302	8024035.....	181, 185	80304155.....	195, 237	8035358.....	479
7301056.....	301, 302, 305	8024049.....	116, 582	80304156.....	195, 237	8035363.....	479
7301180.....	93	8024050.....	116, 582	80304157.....	195, 237	8035365.....	480
7301252.....	487, 584	8024053.....	53	80304158.....	195, 237	8035366.....	480
7301295.....	103	8025655.....	437, 439, 561, 563	80304159.....	195, 237	8035367.....	479
7301408.....	89, 103	80263012.....	95	80304160.....	195, 237	8035377.....	479, 480
7301448.....	518, 522, 525	80264045.....	331	80304161.....	195, 237	8035381.....	479
7301498.....	167	80264074.....	323	80304162.....	195, 237	8035386.....	433, 441, 583
7301505.....	167	80264082.....	313	80304163.....	195, 237	8035392.....	331
7301506.....	167	80304082.....	196, 238	80304164.....	195, 237	8035393.....	331
7301508.....	299	80304088.....	195, 237	80304165.....	195, 237	8035402.....	335, 337
7301514.....	347, 508	80304089.....	195, 237	80304166.....	195, 237	8035406.....	335, 337
7301515.....	517	80304090.....	195, 237	80304167.....	195, 237	8035409.....	331
7301522.....	517, 521, 525	80304091.....	195, 237	80304168.....	195, 237	8035411.....	331
7301523.....	517, 521, 526	80304092.....	195, 237	80304169.....	195, 237	8035416.....	313, 317, 323, 331, 335, 337
7301524.....	517, 521, 525	80304093.....	195, 237	80304173.....	221, 225, 259, 263, 583	8035417.....	335, 337
7301525.....	518, 522, 525	80304094.....	195, 237	80304227.....	227, 229	8035431.....	335, 337
7301530.....	345	80304095.....	195, 237	80304405.....	221, 259, 273	8035437.....	313, 317
7301568.....	103	80304096.....	196, 238	80304462.....	215, 255	8035439.....	323
7301585.....	347	80304097.....	196, 238	80304480.....	586	8035441.....	323
7301648.....	141, 145	80304099.....	196, 238	80304484.....	586	8035475.....	313
7301649.....	141, 145	80304100.....	196, 238	80304486.....	586	8035477.....	313
7301651.....	141, 145	80304101.....	196, 238	80304492.....	586	8035478.....	313
7301653.....	141, 145	80304102.....	196, 238	80304497.....	586	8035479.....	313, 317, 331, 335, 337
7301676.....	542	80304103.....	196, 238	80304498.....	586	8035486.....	313
7301677.....	542	80304104.....	196, 238	8032694.....	484	8035487.....	313, 317, 335
7301678.....	542	80304107.....	196, 238	8032762.....	157	8035490.....	314, 318, 321
7301718.....	93	80304108.....	196, 238	8032764.....	157	8035492.....	333
7301738.....	182, 186	80304110.....	195, 237	8032790.....	484	8035493.....	333
7301818.....	508	80304111.....	195, 237	8032989.....	483	8035496.....	333
7301829.....	518	80304112.....	195, 237	8032990.....	483	8035498.....	333
7301833.....	141, 145	80304113.....	195, 237	8032991.....	483	8035499.....	333
7301835.....	518, 521, 525	80304115.....	195, 237	8032992.....	483	8035500.....	333
7301836.....	518, 521, 525	80304117.....	195, 238	8032993.....	483	8035512.....	483
7301841.....	517	80304118.....	195, 238	8032994.....	455, 457, 483	8035514.....	429, 431
7301862.....	487	80304119.....	196, 238	8032995.....	483	8035519.....	465, 584
7301863.....	487	80304120.....	196, 238	8033065.....	331	8035523.....	314, 318, 321, 323
7301866.....	335	80304121.....	196, 238	8033075.....	331	8035536.....	429, 431, 493, 561, 563
7301893.....	517, 521, 525, 531	80304122.....	196, 238	8033178.....	343	8035539.....	429, 431
7302010.....	33, 35, 573	80304123.....	196, 238	8033340.....	113, 515, 585	8035545.....	433, 441
7302024.....	33	80304124.....	195, 237	80334277.....	473	8035547.....	459, 463
7302031.....	175	80304125.....	196, 238	8033786.....	493, 561, 563	8035561.....	470
7302034.....	299	80304126.....	196, 238	8033856.....	323, 337	8035562.....	470
7302039.....	17, 33	80304127.....	196, 238	8034026.....	429, 431	8035563.....	470
7302073.....	309	80304128.....	196, 238	8034037.....	455	8035564.....	470
7302074.....	309	80304129.....	196, 238	8034038.....	483	8035565.....	470
7302076.....	309	80304130.....	196, 238	8034695.....	459, 463, 584	8035566.....	470
7302077.....	309	80304131.....	196, 238	8034697.....	479	8035567.....	469
7302085.....	133, 135	80304132.....	196, 238	8034815.....	331	8035568.....	469
7302086.....	31, 573	80304133.....	196, 238	8035027.....	245	8035569.....	469
7302189.....	543, 547	80304134.....	196, 238	8035109.....	299	8035570.....	469
7302304.....	169	80304135.....	196, 238	8035276.....	515		
7310012.....	116, 518, 522, 526	80304136.....	196, 238	8035281.....	455, 457		
77143006.....	147, 151, 532	80304137.....	196, 238	8035282.....	455, 457		
77363230.....	526	80304143.....	195, 237	8035308.....	433, 443, 447		
77363246.....	526	80304144.....	195, 237	8035315.....	429, 431		
77363347.....	527	80304145.....	195, 237	8035321.....	433, 435, 441, 443, 445, 447		
		80304146.....	195, 237				

PART NUMBER INDEX

8035571.....	469	8035864.....	563	8035961.....	221	8036058.....	313, 571
8035572.....	469	8035865.....	565	8035962.....	221	8036059.....	313, 317
8035573.....	469	8035866.....	565	8035963.....	221	8036060.....	313, 317
8035574.....	469	8035867.....	565	8035964.....	221	8036061.....	313, 317
8035575.....	469	8035868.....	565	8035965.....	221	8036062.....	323
8035577.....	469	8035871.....	191	8035966.....	221	8036064.....	323
8035578.....	469	8035872.....	191	8035967.....	221	8036066.....	313, 317
8035579.....	469	8035873.....	191	8035968.....	221	8036067.....	318
8035580.....	469	8035874.....	191	8035969.....	221	8036068.....	318
8035581.....	469	8035875.....	191	8035970.....	221	8036069.....	317
8035582.....	469	8035876.....	191	8035971.....	221	8036070.....	331
8035583.....	469	8035877.....	191	8035972.....	221	8036071.....	313, 318
8035584.....	469	8035878.....	191	8035973.....	221, 259	8036072.....	331
8035585.....	469	8035879.....	191	8035974.....	221	8036073.....	313, 317
8035586.....	469	8035881.....	191	8035977.....	227, 265	8036076.....	323
8035587.....	469	8035882.....	191	8035978.....	203, 245	8036077.....	323
8035588.....	469	8035883.....	191	8035980.....	203, 245	8036078.....	323
8035589.....	469	8035884.....	191	8035981.....	203, 245, 584	8036079.....	323
8035590.....	470	8035885.....	191	8035982.....	233	8036080.....	323
8035591.....	470	8035886.....	191	8035983.....	234	8036085.....	323
8035592.....	470	8035887.....	191	8035984.....	241	8036088.....	323
8035593.....	470	8035888.....	191	8035986.....	245	8036090.....	323
8035595.....	470	8035889.....	191	8035987.....	245	8036091.....	323
8035596.....	470	8035890.....	191	8035992.....	259	8036092.....	323
8035597.....	470	8035891.....	191	8035993.....	259	8036093.....	323
8035598.....	470	8035892.....	191	8035994.....	259	8036094.....	323
8035599.....	335, 337	8035893.....	191	8035995.....	259	8036095.....	323
8035607.....	433, 441	8035894.....	191	8035996.....	259	8036096.....	323
8035608.....	433, 441	8035895.....	191	8035997.....	259	8036097.....	323
8035609.....	433, 441	8035896.....	191	8035998.....	203, 245	8036098.....	323
8035610.....	433, 441	8035897.....	191	8036001.....	459, 463	8036099.....	331
8035611.....	459, 463	8035898.....	191	8036009.....	327	8036100.....	331
8035612.....	459, 463	8035899.....	191	8036010.....	327	8036102.....	333
8035613.....	459, 463	8035900.....	191	8036011.....	327	8036103.....	333
8035615.....	429, 431	8035901.....	191	8036013.....	327	8036105.....	323
8035616.....	429, 431	8035902.....	191	8036014.....	327	8036106.....	313
8035631.....	323	8035903.....	191	8036015.....	327	8036107.....	313
8035632.....	323	8035904.....	191	8036017.....	327	8036108.....	313
8035637.....	313	8035905.....	191	8036019.....	455	8036110.....	335, 337
8035639.....	313, 317	8035906.....	191	8036020.....	455	8036111.....	335
8035668.....	335, 337	8035907.....	192	8036021.....	271	8036112.....	335, 337
8035727.....	465	8035908.....	192	8036022.....	271	8036114.....	335, 337
8035728.....	465	8035909.....	192	8036023.....	273	8036118.....	335, 337
8035729.....	465	8035910.....	192	8036024.....	275	8036119.....	335
8035730.....	465	8035911.....	192	8036025.....	275	8036120.....	335, 337
8035757.....	449, 453	8035912.....	192	8036026.....	275	8036121.....	335, 337
8035758.....	449, 453	8035913.....	192	8036027.....	275	8036122.....	335, 337
8035778.....	299	8035914.....	192	8036028.....	275	8036124.....	335, 337
8035780.....	443, 447, 583	8035915.....	192	8036029.....	279, 281, 283, 285, 287	8036128.....	337
8035781.....	455, 457	8035916.....	192	8036030.....	289	8036129.....	337
8035783.....	455	8035917.....	192	8036031.....	289	8036145.....	443, 447
8035800.....	429, 431	8035918.....	192	8036032.....	289	8036146.....	443, 447
8035805.....	515	8035919.....	192	8036033.....	291	8036147.....	443, 447
8035807.....	351, 353, 585	8035920.....	192	8036035.....	291	8036148.....	447
8035830.....	561, 584	8035921.....	192	8036036.....	293	8036168.....	433, 441
8035831.....	565, 584	8035923.....	199, 241	8036037.....	293	8036171.....	483
8035834.....	479	8035924.....	203	8036038.....	293	8036172.....	483
8035843.....	479	8035925.....	203	8036039.....	293	8036173.....	479
8035844.....	479	8035927.....	203, 245	8036040.....	293	8036174.....	479
8035845.....	479, 480	8035945.....	207, 211, 251	8036041.....	297	8036175.....	479
8035848.....	479	8035946.....	207, 211, 251	8036042.....	297	8036176.....	479
8035849.....	479	8035947.....	207, 211, 251	8036044.....	297	8036177.....	480
8035855.....	480	8035948.....	208, 212, 252	8036048.....	313	8036178.....	480
8035856.....	479	8035951.....	207, 211, 251	8036049.....	333	8036179.....	479
8035861.....	561, 563	8035958.....	217	8036050.....	313, 317	8036180.....	480
8035862.....	493, 561, 563	8035959.....	221	8036056.....	331	8036181.....	470
8035863.....	493, 561, 563	8035960.....	221	8036057.....	313, 571	8036183.....	479

PART NUMBER INDEX

8036184.....479	8036447 ... 207, 211, 215, 251, 255	8036862.....217	8220536.....527
8036185.....479	8036451.....565	8036866.....221	8220548.....526
8036186.....479	8036463.....335, 337	8037206.....313	8220549.....526
8036187.....483	8036517.....479	80373094.....163	8220550.....526
8036188.....483	8036536 ... 435, 437, 439, 445	80384187.....323	8220551.....526
8036190.....279, 281, 289	8036537 ... 435, 437, 439, 445	80384192.....323	8220552.....521, 526
8036192.....455, 457	8036538.....445	80384193.....323	8220553.....517
8036195.....455	8036544.....113, 582	80384207.....331	8220882.....535
8036196.....313, 317	8036546.....139	80384221.....335, 337	8220883.....526
8036197.....313, 317	8036580.....457	8040263.....189	8220885.....527
8036198.....314, 318	8036581.....457	8040264.....231	8220886.....527
8036199.....314, 318	8036582.....457	8040271.....189	8220887.....527, 537
8036204.....127, 583	8036605.....115, 582	8040272.....231	8220889.....526
8036209.....553, 557	8036606.....245	8040285.....231	8220890.....527
8036210.....553, 557	8036732.....465, 467	8050001.....15, 17, 21	8220926.....535
8036212.....553, 557	8036746 ... 435, 437, 439, 583	80623016.....182	8220927.....527, 537
8036213.....553, 557	8036747.....457, 584	8065062.....71, 73, 561	8220928.....527, 537
8036214.....553, 557	8036750 ... 433, 435, 441, 443, 445, 447, 465, 467, 565	8065063.....27	8220929.....527, 537
8036215.....553, 557	8036751.....233	8065634.....67	8220930.....527, 537
8036216.....551, 553, 554, 557, 558	8036752.....241	8065640 ... 15, 17, 21, 27, 31, 33, 35, 573	8220931.....527, 537
8036217.....551, 553, 554, 557, 558	8036753.....241	8065641.....15, 17, 21	8220932.....527, 537
8036218.....551, 553, 554, 557, 558	8036756.....203, 245	8080613.....113, 582	8220937.....527
8036219.....554, 558	8036757.....203, 245	80963055.....537	8220944.....526
8036220.....554, 558	8036758 ... 203, 205, 245, 249	80963056.....527, 537	8220945.....526
8036221.....554, 558	8036759 ... 203, 205, 245, 249	80974028.....116, 123	8220951.....527
8036222.....554, 558	8036783.....563, 584	80974033.....116	8220954.....527
8036250.....297	8036784.....467, 584	8160078.....359	8223025.....508, 512
8036252.....483	8036786.....445, 583	8160080.....343, 583	8223037.....351, 353
8036253.....483	8036808 ... 435, 437, 439, 445	8160406.....359	8223038.....571
8036257.....479	8036809.....445	8160418.....359	8223041.....535
8036258.....480	8036810.....445	8160419.....355, 357	8223042.....535
8036259.....479, 480	8036811 ... 445, 457, 467	8160610.....343	8223043.....331, 333
8036260.....480	8036812.....141, 145	8162003.....343	8223044.....331
8036263.....479	8036813.....435	8162007.....345	8223046.....351, 353
8036281.....479	8036814 ... 435, 437, 439	8180215.....141, 145	8223049.....349, 583
8036282.....479	8036815 ... 435, 437, 439	8180216.....141, 145	8223054.....351, 353
8036283.....479	8036816.....141, 145	8180311 ... 139, 141, 145	8223057.....553, 557
8036284.....479	8036823.....445	8180324.....141, 145	8223059.....551, 553, 557
8036288.....455	8036824.....445	8180325.....141, 145	8223060.....553, 557
8036289.....455	8036825.....457, 467	8180326.....141, 145	8223073.....557
8036290.....455	8036826.....457	8180335.....141, 145	8223081.....353
8036295.....429, 431, 583	8036827.....457	8205655.....493	8223082.....353
8036304.....207, 211, 251	8036828.....457	8205657.....429, 431	8223083.....353, 571
8036305.....207, 211, 251	8036829.....445	8220008.....526	8223217.....515, 584
8036312.....203, 245	8036837.....467	8220010.....526	8223226.....487
8036313.....203, 245	8036838.....467	8220012.....527	8223232 ... 515, 517, 521, 527
8036320.....217	8036839.....467	8220042.....526	8223244 ... 119, 124, 517, 521, 527, 585
8036321.....217	8036839.....467	8220051.....527	8223453.....351, 353
8036330.....225, 260, 263	8036841.....191	8220073 ... 119, 124, 515, 518	8223532.....517
8036331.....203, 207, 211, 227, 245, 251, 265	8036842.....199	8220081.....526, 537	8223536.....28, 535
8036338.....259	8036847.....215, 255	8220084.....527, 537	8224045.....355, 583
8036388.....335, 337	8036848.....217	8220086.....526, 537	8224047.....357
80364004.....323	8036849.....217	8220087.....527	8225119 ... 508, 512, 535, 553, 557, 577
80364020.....335, 337	8036852.....217	8220088.....526	8225122 ... 518, 522, 525
80364044.....313	8036854.....217	8220089.....527, 537	8226234.....526
8036414.....265	8036855.....217	8220123.....527, 537	8229233 ... 508, 512, 535, 551, 553, 557, 571
8036418.....205, 249	8036856.....217	8220124.....527	8229234 ... 508, 512, 517, 521
8036421.....335	8036859.....217	8220158.....527	8229235 ... 508, 512, 557
8036422.....335	8036861.....217	8220161.....527, 537	8229236.....553
8036439.....203, 245		8220164.....526	8229237.....508, 512
8036440.....203, 245		8220167.....527	8229238 ... 508, 512, 551, 553, 558
8036444.....207, 211, 251		8220175.....527	
8036445.....207, 211, 251		8220357 ... 517, 521, 526	
		8220364.....517, 521	
		8220366 ... 517, 521, 526	

PART NUMBER INDEX

8229243 517, 521, 526	8303624 51, 53, 55, 57	8305006.....371, 375, 377	8307011..... 310
8229259 518, 521	8303625 17, 33, 567	8305008.....23, 517	8307012 15, 17
8229260 ... 518, 521, 525, 531	830362675, 77, 309, 389, 393, 397, 401, 405, 409, 567, 569	8305012.....75, 77	8307022 116, 515, 525
8262162 115	8303628 27	8305014.....23, 25	8307023... 116, 175, 341, 363, 367, 515, 517, 522, 525
8262319 113	8303629 27	8305021.....15, 17, 21	8307024 145, 309, 343
8262320 113	8303634 ... 51, 53, 63, 67, 71, 73, 103	8305038.....518, 521, 526	8307025... 113, 115, 119, 123, 157, 159, 163, 343, 567, 569
8270134 515	8303638 49	8305043.....116, 515, 525	8307026 515
8270144 517	8303655 .. 27, 31, 35, 573	8305047.....522, 526	8307027 508, 512
8270147 517, 521, 526	8303656 23, 25, 142	8305201.....515, 518	8307049 181, 185
8270148 ... 517, 521, 526, 531	8303658 103, 341	8305402.....343	8307104... 28, 49, 51, 53, 55, 57
8270220 116	8303666 43, 47	8305438.....116, 515	8307106 . 31, 33, 35, 139, 142, 327, 329, 345, 347, 508, 512, 531, 535
8270221 515, 585	8303670 ... 139, 142, 551, 553, 557	8305619.....49	8307107 39
8270620 ... 515, 517, 521, 525, 531, 585	8303674 327	8305624 45, 47, 103, 139, 141, 343, 508, 512, 517, 521, 525, 531	8307109... 139, 141, 343, 357, 508, 512, 525
8270621 ... 521, 525, 531, 585	8303675 39, 43, 116, 165, 167, 169, 389, 393, 397, 401, 405, 409	8305626....15, 17, 21, 67, 139, 157, 159, 161, 163, 327, 329, 371, 375, 487, 551, 553, 554, 557, 558, 573	8307110 517
8272017 113, 582	8303679 43, 45	8305630.....175	8307112 . 75, 77, 83, 309, 517, 521, 525
8272027 115, 582	8303681 ... 31, 33, 35, 39, 41, 43, 45, 47	8305643....27, 31, 35, 39, 43, 47, 51, 53, 63, 67, 71, 73, 103, 181, 185, 573	8307113 31, 33, 35
8273013 157	8303697 . 31, 33, 35, 139, 157, 359	8305644....15, 18, 21, 27, 31, 35, 39, 41, 43, 47, 51, 53, 75, 77, 83, 113, 115, 119, 123, 127, 309, 341, 433, 441, 459, 463, 567, 569	8307201 309
8273237 157	8303702 113, 119	8305645....31, 33, 35, 39, 41, 47, 51, 53, 55, 57, 67, 139, 141, 145, 167, 425, 515, 517, 531, 551, 553, 557	8307202 23, 25, 139
8273238 157	8303704 ... 141, 145, 389, 394, 398, 401, 406, 410	8305646.....51, 53, 55, 57	8307203 . 23, 25, 67, 157, 159, 371, 375, 377, 413
8273240 157	8303712 33	8305650.....343	8307204... 31, 33, 35, 39, 41, 43, 45, 47, 116, 515, 551, 553, 557
8273241 ... 157, 159, 161, 163	830371571, 73, 133, 137, 377, 379	8305906...31, 33, 35, 359	8307205 327
8273272 157	8303717 39	8305916.....349	830720639, 41, 341, 567, 569
8274022 131, 133	8303724 ... 113, 116, 181, 185	830700223, 25, 139, 163, 341, 343, 345, 508, 512, 515	8307219... 518, 522, 526, 531
8275045 167, 169	8303729 23, 25	8307003....343, 508, 512, 535	8307220 ... 518, 521, 526, 567, 569
8275240 ... 165, 167, 169, 171	8303738 31, 33, 35, 47	830700423, 25, 133, 137, 139, 142, 359, 371, 375, 377, 379, 385, 389, 393, 397, 401, 405, 409, 413, 417, 419, 423, 522, 526, 527, 531	8307221 ... 141, 145, 518, 521, 526
8275247 ... 123, 165, 167, 169, 579	8303739 67, 159, 413	8307005....31, 33, 35, 39, 41, 43, 45, 47, 116, 165, 167, 169, 171, 173, 349, 389, 393, 394, 397, 398, 401, 402, 405, 406, 409, 410, 579	8307222 113, 141, 145
8275248 165	8303743 345	8307006....175, 181, 186, 327	8307904 43, 47, 71, 73
8277161 113, 116	8303745 ... 345, 347, 525, 531, 554, 558	8307007....51, 53, 55, 57, 75, 77, 389, 393, 397, 401, 405, 409	8307910 31, 33, 36
8278007 ... 113, 116, 123, 127, 181, 185	8303752 .. 15, 17, 21, 377	8307009.....23, 25	8307911 31, 33, 36
8278008 139	8303755 ... 177, 341, 363, 367	8307010.....15, 17, 21	8307912 27, 181, 185
8278012 ... 113, 115, 123, 127	8303757 ... 371, 375, 389, 393, 397, 401, 405, 409, 419, 423		8307913 27, 181, 185
8278020 141, 145, 155	8303758 359		8307918.... 43, 47, 71, 73
8278023 139	8303770 67		8310001 357
8278024 139	8303772 43, 47		8310009... 371, 375, 377, 385, 413, 522, 527
8301443 355, 357, 359	8303777 ... 518, 522, 526		8310016 309
8301456 75	8303782 ... 15, 17, 21, 31, 35, 433, 441, 459, 463		8310019 51, 53, 55, 57
830247023, 25, 355, 357, 359	8303784 ... 141, 145, 175, 177		8310020 51, 53
8303034 309, 335	8303790 113, 343		8310026 45
8303041 31, 33, 35	8303794 15, 17		8310039 21
8303106 141, 145	8303798 141, 145		8310041 515, 518
8303107 141, 145	8303799 309, 343		8310051 15, 17
8303519 113, 181, 185	8303835 553, 557		8310056 17, 33
8303533 518, 521, 526	8303837 343		8310058 33
8303534 349	8303982 309		8310066 15, 17, 53
830354023, 47, 343, 357, 508, 512	8304014 517		8310067 27, 113, 116, 123, 127, 181, 185
8303545 ... 518, 521, 526, 531	8304631 483		8310077 116, 515, 525
8303606 141, 145	8305002 ... 343, 508, 512, 535		
8303615 25, 139	830500423, 25, 145, 343, 359, 508, 512, 515		
8303618 157, 159, 163			
8303620 ... 31, 33, 35, 39, 41, 45, 47			
8303621 ... 31, 33, 35, 39, 41, 45, 47			
830362223, 45, 167, 551, 553, 557			

PART NUMBER INDEX

8310078..... 116, 515, 525	8310687..... 526	8500066..... 571	8750015..... 133, 137, 379
8310081..... 413	8310725..... 345, 347	8500203..... 553, 557	8750016..... 368, 380, 385
8310085..... 309, 553, 557	8310748..... 119	8520001 ... 15, 17, 21, 33, 51, 53, 573	8750017.... 133, 364, 368, 372, 375, 377, 379, 398, 402, 405, 414, 417, 419, 423
8310093..... 43, 47	8320262..... 113	8520003 . 35, 55, 57, 182, 433, 441, 459, 463, 573	8750024.... 133, 372, 389, 401, 417, 419
8310104..... 139	8320265..... 487, 584	8520013 ... 15, 17, 21, 27, 31, 33, 43, 47, 67, 429, 431, 443, 447	8750025.... 371, 375, 389, 393, 397, 401, 405, 409, 419, 423
8310109.... 169, 171, 551, 558, 579	8320270..... 131	8520021 ... 15, 17, 21, 43, 47, 443, 447	8750026.... 133, 372, 375, 398, 402, 405, 417, 419, 421, 423, 425
8310113..... 31, 33, 35	8320275..... 116	8522012 ... 15, 17, 21, 31, 33, 36, 43, 47, 51, 53, 57	8750027.... 123, 364, 377, 380, 385, 414, 417, 522, 527
8310116..... 27, 181, 185	8320278..... 133	8526007 ... 18, 31, 33, 35, 41, 49, 116, 177, 429, 431, 435, 445, 467, 561, 563, 575	8750040.... 371, 375, 393, 397, 398, 402, 405, 409, 419, 421, 423, 425
8310129..... 23, 25	8340034..... 343	8526011 ... 429, 431, 433, 435, 437, 439, 441, 445, 449, 453, 455, 459, 463, 465, 467, 561, 565	8760037..... 377
8310136..... 313	8342416..... 23	8526035 571	8760039..... 371
8310143..... 355	8342808 . 23, 25, 323, 585	8526048 377, 414	8760117.... 389, 393, 397
8310144..... 355	8350008..... 521	8526203 302	8760140..... 385
8310151..... 27	8360005..... 335, 337	8530030 ... 389, 393, 397, 401, 405, 409	8760237..... 385
8310159..... 375, 383	83673130. 113, 119, 123, 575	8540218 335	8760254.... 389, 393, 397
8310160..... 71, 73	83673133..... 575	8540231 335	8760268.... 363, 367, 379, 389, 393, 397, 401, 406, 410
8310161..... 71, 73	83683175.. 171, 173, 579	8541435 487	8760305..... 573
8310163..... 487	83683308..... 147, 151	8546407 405	8760328..... 417
8310164..... 567, 569	8380008..... 79	8580110 ... 355, 357, 359	8760415.... 389, 393, 397
8310195..... 83	8382017..... 83	8580315 71, 73	8760451..... 398
8310200.... 135, 141, 145, 425	8405007 335, 337	8580420 25, 139, 163	8760457..... 390, 393
8310205..... 53	8405009 ... 131, 133, 147	8581007 23	8760463..... 377
8310209..... 39, 41	8405104 ... 139, 141, 145, 147, 155	8582007 508, 512	8760465..... 377, 413
8310210..... 53	8405201 ... 147, 148, 151	8584001 . 67, 71, 73, 331, 357, 377, 413, 515, 517, 521, 525, 551, 553, 557	8760468..... 372, 375
8310215..... 181, 185	8405202 ... 145, 151, 173, 337, 579	8584018 ... 551, 553, 557	8760477..... 377
8310235..... 39, 41	8405203..... 139	8630003 103, 363, 367	8760479.... 389, 393, 397
8310245..... 39, 41	8405209 ... 155, 171, 389, 393, 397, 401, 405, 409	8630019 181, 185	8760510..... 397
8310246.... 141, 145, 147, 151	8405212 155	8630021 355	8760548..... 423, 425
8310259..... 181, 185	8405305 ... 157, 159, 161	8640017 483	8760552.... 389, 393, 397, 401, 487
8310266..... 49	8405307 157	8640028 67, 413	8762012.... 389, 393, 397
8310276..... 49	8405404 157	8640029 67, 71, 413	8765204.... 377, 379, 383, 389, 393, 414
8310290..... 115	8405505.... 159, 161, 163	8640032 67, 413	8769122..... 377, 413
8310302..... 103	84055305 163	8640123 ... 389, 393, 394, 397, 398, 401, 402, 405, 406, 409, 410	8769123.... 133, 137, 377, 379, 414
8310326..... 483	8406101 ... 139, 141, 145	8640208 ... 389, 393, 397, 401, 405, 409	8769128... 123, 375, 377, 386, 413, 414, 417, 522, 527, 573
8310327.... 389, 393, 405, 409	8406102 161	8640903 487	8769132..... 71, 73
8310344..... 515	8406105 ... 116, 119, 148, 177, 522, 525	8642001 67	8769139..... 375, 573
8310354..... 116	8406302 ... 116, 142, 425, 525, 531	8642207 71, 73	8769140..... 371
8310356..... 181, 185	8410009 337	8642224 ... 31, 33, 35, 43, 47	8769149..... 377
8310362..... 309	8410012 155	8642235 67	8769158..... 39
8310377..... 397, 401	8410013 ... 131, 133, 135, 137	86683480 522	8769159..... 39
8310382..... 310	8410021 ... 159, 161, 163	8700116 343	8769160..... 39
8310420.... 139, 375, 383, 390, 393, 397, 401, 405, 409	8420053 ... 67, 69, 71, 73, 103, 109, 413	8721029 385	8769161..... 377, 413
8310424..... 113	8420055 ... 67, 69, 71, 73, 103, 109, 413	8750003 377, 413	8770016..... 71, 73
8310425.... 175, 181, 186	8420229 131, 133	8750011 414	8770070..... 417
8310431.. 31, 33, 35, 522, 526	8430032 ... 363, 367, 383, 389, 394, 397, 401, 406, 410, 483	8750012 ... 364, 368, 377, 380, 385, 414	8770078..... 141, 145
8310435..... 103	8430033 ... 398, 402, 410, 470, 483		8770109..... 363, 367
8310475..... 27	8430034 487		8770120..... 363, 367
8310477.... 389, 393, 397, 401, 405, 409	8430037 ... 383, 397, 410		8770152..... 363, 367
8310478..... 383	8430043 ... 389, 394, 406, 410		8770157..... 371, 375
8310493..... 310	8430048 335, 337		
8310497..... 31, 33, 35	8430064 487		
8310522..... 383	8430081 363, 367		
8310523.... 389, 393, 397, 401, 405, 409, 531	8444228 469		
8310524.... 389, 393, 397, 401, 405, 409	8444230 473		
8310529.... 314, 318, 321	8466306 309		
8310650.... 518, 521, 526			
8310658..... 23, 25			

PART NUMBER INDEX

8770173 ... 389, 393, 397, 401, 405, 410	8866530 309	90551013..... 63, 67, 71	91404318 323
8770175 363, 367	8866560 91	90554016..... 79, 81, 99	91404319 323
8770183 363	8866561 91	90554017 99	91474023 483
8770189 ... 363, 367, 383	88671001 69	90554018..... 79, 99	91474434 497, 499
8770289 383	88671022 182	90554020..... 79, 81	91474435 499
8780031 301, 302	88761001 67	90554042..... 79, 81	91474438 499
8780036 301, 302	8880218-OM..... 299	90554045..... 495	91474439 499
8780045 301, 302	8880219 175	90554054 79, 81	91474440 499
8780047 305	8880219-OM..... 299	90554062 81, 99	91474441 499
8780048 301, 302	8902111 483	90554065..... 99	91474442 497, 499
8780050 301, 302	8902175 ... 363, 367, 383	90554076..... 81, 99	91474443 497, 499
8780264 301, 302	8902188 479	90554080..... 87	91474446 497, 499
8786514 ... 301, 302, 305	8902193 483	91033137 147, 151	91474447 497, 499
8786572 181, 185	8902194 483	91043125..... 79, 107	91474450 497, 499
8786573 181, 185	8902197 483	91043126..... 79, 107	91474451 499
88261017 357	8902199 483	91044080..... 489	91474452 499
8841036 269	8902206 483	91081640..... 521, 532	91474453 499
88411094 551, 558	8902274 363	91143122..... 137	91474454 497, 499
8841318 175	8902696 483	91163129..... 147, 151	91474455 497, 499
8841319 177	8902697 483	91164113..... 115	91474456 497, 499
88561004 147	8902698 483	91164114..... 115	91474458 497, 499
8864053 327	8902857 379	91344032..... 323	91474459 497, 499
8864057 327	8902858 379	91344043..... 313, 337	91474460 499
88662192 484	8990147 309	91364023... 159, 161, 163	91511145 341
8866341 ... 139, 141, 145	8990396 585	91401281..... 532	91513140 409
8866348 309	8990500 585	91401299..... 521, 527	91513180 341
8866351 309	8990501 585	91403193..... 181, 185	91513197 151
8866441 91	8990502 585	91403413.. 67, 69, 71, 73, 79, 103, 107, 109, 413	91514197 499
8866442 91	90022230 489	91403414.. 67, 69, 71, 73, 79, 103, 107, 109, 413	91514198 499
8866443 91	90028488 152, 169	91404298..... 317, 337	91514199 499
8866444 91	90200003 . 63, 65, 67, 69, 71, 73, 103	91404299..... 543, 547	91563070 155
8866445 91	90200382 527	91404301..... 317	91563164 329
8866446 91	90200755 151	91404315..... 323	91565094 87
8866464 91	90206196 25	91404317..... 323	
8866529 309	90451058 63, 67, 103		



8990395



An Oshkosh Corporation Company

Corporate Office
JLG Industries, Inc.
1 JLG Drive
McConnellsburg, PA 17233-9533
USA

+1-717-485-5161 (Corporate)
+1-877-554-5438 (Customer Support Toll Free)
+1-717-485-6417

JLG Worldwide Locations

JLG Industries
358 Park Road
Regents Park
NSW 2143
Sydney 2143
Australia
+6 (12) 87186300
+6 (12) 65813058
Email: techservicesaus@jlg.com

JLG Ground Support Oude
Bunders 1034
Breitwaterstraat 12A
3630 Maasmechelen
Belgium
+32 (0)89 84 82 26
Email: emeaservice@jlg.com

JLG Latino Americana LTDA
Rua Antonia Martins Luiz, 580
Distrito Industrial Joao Narezzi
Indaibatuba-SP 13347-404
Brasil
+55 (19) 3936 7664 (Parts)
+55 (19) 3936 9049 (Service)
Email: comercialpecas@jlg.com
Email: servicios@jlg.com

Oshkosh-JLG (Tianjin)
Equipment Technology LTD
Shanghai Branch
No 465 Xiao Nan Road
Feng Xian District
Shanghai 201204
China
+86 (21) 800 819 0050

JLG Industries Dubai
Jafza View
PO Box 262728, LB 19
20th Floor, Office 05
Jebel Ali, Dubai
+971 (0) 4 884 1131
+971 (0) 4 884 7683
Email: emeaservice@jlg.com

JLG France SAS
Z.I. Guillaume Mon Amy
30204 Fauillet
47400 Tonniens
France
+33 (0) 553 84 85 86
+33 (0) 553 84 85 74
Email: pieces@jlg.com

JLG Deutschland GmbH
Max Planck Str. 21
27721 Ritterhude-Ihlpohl
Germany
+49 (0) 421 69350-0
+49 (0) 421 69350-45
Email: german-parts@jlg.com

JLG Equipment Services Ltd.
Rm 1107 Landmark North
39 Lung Sum Avenue
Sheung Shui N. T.
Hong Kong
+(852) 2639 5783
+(852) 2639 5797

JLG Industries (Italia) S. R. L.
Via Po, 22
IT-20010 Pregnana Milanese (MI)
Italy
+39 (0) 2 9359 5210
+39 (0) 2 9359 5211
Email: ricambi@jlg.com

JLG EMEA B.V.
Polaris Avenue 63
2132 JH Hoofddorf
The Netherlands
+31 (0) 23 565 5665
Email: emeaservice@jlg.com

JLG NZ Access Equipment & Services
2B Fisher Crescent
Mt Wellington 1060
Auckland, New Zealand
+6 (12) 87186300
+6 (12) 65813058
Email: techservicesaus@jlg.com

JLG Industries
Vahutinskoe shosse 24b
Khimki,
Moscow Region 141400
Russia Federation
+7 (499) 922 06 99
+7 (499) 922 06 99

Oshkosh-JLG Singapore
Technology Equipment P te Ltd.
35 Tuas Avenue 2
Jurong Industrial Estate
Singapore 639454
+65 6591 9030
+65 6591 9045
Email: SEA@jlg.com

JLG Iberica S. L.
Trapadella, 2
Pol. Ind. Castellbisbal Sur
08755 Castellbisbal
Barcelona
Spain
+34 (0) 93 772 47 00
+34 (0) 93 77 117 62
Email: parts_iberica@jlg.com

JLG Sverige AB
Enkopingsvagen 150
17627 Jarfalla
Sweden
+46 (0) 8 506 595 00
+46 (0) 8 506 595 27
Email: nordicsupport@jlg.com

JLG Industries (UK) Ltd.
Bentley House
Bentley Avenue
Middleton, Greater Manchester
M24 2GP
United Kingdom
+44 (0) 161 654 1000
+44 (0) 161 654 1003
Email: ukparts@jlg.com

www.jlg.com