

SKYTRAK[®]

Illustrated Parts Manual

Model 6042

SN 17019 through 19897
& 0160002408 through
0160045063 excluding
0160042742, 0160042747
& 0160042755

8990467

*Revised
July 7, 2017*

JLG[®]
An Oshkosh Corporation Company

EFFECTIVITY PAGE

May 18th, 2005 - B - Revised Manual
April 17, 2008 - C - Revised Manual (Manual edited to B/M - 0010621 Revision 30)
January 19, 2009 - D - Revised Manual
August 4, 2009 - E - Revised Manual
July 14, 2010 - F - Revised Manual
February 24, 2011 - G - Revised Manual
December 20, 2011 - H - Revised Manual
February 22, 2012 - I - Revised Manual
April 9, 2012 - J - Revised Manual
June 22, 2012 - K - Revised Manual
March 31, 2014 - L - Revised Manual
March 15, 2016 - M - Revised Manual
October 18, 2016 - N - Revised Manual
May 26, 2017 - O - Revised Manual
July 7, 2017 - P - Revised Manual

TABLE OF CONTENTS

SECTION 1 - FRAME AND ATTACHING PARTS.....	9
FIGURE 1-1. MAIN FRAME COMPONENTS (SN 17019 through 19897, SN 0160002408 through 0160003867).....	10
FIGURE 1-2. MAIN FRAME COMPONENTS (SN 0160003879 through 0160004368).....	12
FIGURE 1-3. MAIN FRAME COMPONENTS (SN 0160004397 through 0160013566).....	14
FIGURE 1-4. MAIN FRAME COMPONENTS (SN 0160013567 to Present).....	16
FIGURE 1-5. HOODS AND GUARDS.....	18
SECTION 2 - BOOM.....	21
FIGURE 2-1. FIRST BOOM SECTION (SN 17019 through 19897, SN 0160002408 through 0160003867).....	22
FIGURE 2-2. FIRST BOOM SECTION (SN 0160003879 through 0160014929).....	24
FIGURE 2-3. FIRST BOOM SECTION (SN 0160014947 to Present).....	26
FIGURE 2-4. SECOND BOOM SECTION.....	28
FIGURE 2-5. THIRD BOOM SECTION.....	30
FIGURE 2-6. QUICK ATTACH.....	32
FIGURE 2-7. BOOM EXTEND CHAINS.....	34
FIGURE 2-8. BOOM RETRACT CHAIN.....	36
SECTION 3 - ATTACHMENTS.....	39
FIGURE 3-1. UTILITY BUCKET.....	40
FIGURE 3-2. TILT CARRIAGE (SN 17019 through 19897, SN 0160002408 through 0160034148).....	42
FIGURE 3-3. TILT CARRIAGE (SN 0160034161 to Present).....	44
FIGURE 3-4. SIDE TILT CARRIAGE (Prior to SN 0160037788).....	46
FIGURE 3-5. SIDE TILT CARRIAGE (SN 0160037788 to Present).....	48
FIGURE 3-6. SWING CARRIAGE (Prior to SN 0160037788).....	50
FIGURE 3-7. SWING CARRIAGE (SN 0160037788 to Present).....	52
FIGURE 3-8. SHEET MATERIAL HANDLER (Prior to SN 0160037788).....	54
FIGURE 3-9. SHEET MATERIAL HANDLER (SN 0160037788 to Present).....	56
FIGURE 3-10. 3FT TRUSS BOOM WITH WINCH.....	58
FIGURE 3-11. 12FT TRUSS BOOM WITH WINCH.....	60
FIGURE 3-12. TRUSS BOOM (Prior to SN 0160037788).....	62
FIGURE 3-13. TRUSS BOOM (SN 0160037788 to Present).....	64
FIGURE 3-14. LIFTING HOOK.....	66
FIGURE 3-15. FORKS.....	68
FIGURE 3-16. FORK MOUNTED PLATFORM.....	70
FIGURE 3-17. SWEEPER ASSEMBLY.....	74
FIGURE 3-18. CONCRETE BUCKET.....	76
FIGURE 3-19. GRAPPLE BUCKET.....	78
FIGURE 3-20. FORK PIN LOCK INSTALLATION.....	80
FIGURE 3-21. DUAL FORK POSITIONING CARRIAGE ASSEMBLY.....	82
FIGURE 3-22. 8FT STANDARD MAST.....	84
FIGURE 3-23. 50IN SIDE SHIFT CARRIAGE.....	88
SECTION 4 - ENGINE AND ATTACHING PARTS.....	91
FIGURE 4-1. ENGINE MOUNTING (SN 17019 through 19897, SN 0160002408 through 0160004109).....	92
FIGURE 4-2. ENGINE MOUNTING (SN 0160004111 through 0160039074).....	94
FIGURE 4-3. ENGINE MOUNTING (SN 0160039075 to Present).....	96
FIGURE 4-4. FUEL SYSTEM (Prior to SN 0160039074).....	100
FIGURE 4-5. FUEL SYSTEM (SN 0160039075 to Present).....	102
FIGURE 4-6. RADIATOR AND OIL COOLER MOUNTING (SN 17019 through 19897, SN 0160002408 through 0160004109).....	104
FIGURE 4-7. RADIATOR AND OIL COOLER MOUNTING (SN 0160004111 through 0160010804).....	106
FIGURE 4-8. RADIATOR AND OIL COOLER MOUNTING (SN 0160010805 through 0160039074).....	110
FIGURE 4-9. RADIATOR AND OIL COOLER MOUNTING (SN 0160039075 to Present).....	112
FIGURE 4-10. AIR CLEANER ASSEMBLY (SN 17019 through 19897, SN 0160002408 through 0160004109).....	114
FIGURE 4-11. AIR CLEANER ASSEMBLY (SN 0160004111 through 0160039074).....	116
FIGURE 4-12. AIR CLEANER ASSEMBLY (SN 0160039075 to Present).....	118
FIGURE 4-13. EXHAUST SYSTEM (SN 17019 through 19897, SN 0160002408 through 0160004109).....	120
FIGURE 4-14. EXHAUST SYSTEM (SN 0160004111 through 0160035347).....	122
FIGURE 4-15. EXHAUST SYSTEM (SN 0160035348 through 0160039074).....	124
FIGURE 4-16. EXHAUST SYSTEM (SN 0160039075 to Present).....	126
FIGURE 4-17. ISOLATION COUPLER (SN 17019 through 19798).....	128
FIGURE 4-18. ISOLATION COUPLER (SN 19797 through 19897, SN 0160002408 through 0160004109).....	130
FIGURE 4-19. ISOLATION COUPLER (SN 0160004111 to Present).....	132

TABLE OF CONTENTS

SECTION 5 - DRIVE TRAIN	135
FIGURE 5-1. DRIVE TRAIN COMPONENTS	136
FIGURE 5-2. FRONT AXLE	138
FIGURE 5-3. FRONT AXLE - INPUT (Prior to SN 0160038919, Excluding 0160033533)	140
FIGURE 5-4. FRONT AXLE - INPUT (SN 0160038919 to Present, Including 0160033533)	144
FIGURE 5-5. FRONT AXLE - LIMITED SLIP DIFFERENTIAL (Prior to SN 0160038919, Excluding 0160033533)	148
FIGURE 5-6. FRONT AXLE - LIMITED SLIP DIFFERENTIAL (SN 0160038919 to Present, Including 0160033533)	150
FIGURE 5-7. FRONT AXLE - AXLE CASING (Prior to SN 0160038919, Excluding 0160033533)	152
FIGURE 5-8. FRONT AXLE - AXLE CASING (SN 0160038919 to Present, Including 0160033533)	154
FIGURE 5-9. FRONT AXLE - M-DISK BRAKE (Prior to SN 0160038919, Excluding 0160033533)	156
FIGURE 5-10. FRONT AXLE - M-DISK BRAKE (SN 0160038919 to Present, Including 0160033533)	160
FIGURE 5-11. FRONT AXLE - BRAKE (Prior to SN 0160038919, Excluding 0160033533)	162
FIGURE 5-12. FRONT AXLE - BRAKE (SN 0160038919 to Present, Including 0160033533)	164
FIGURE 5-13. FRONT AXLE - JOINT HOUSING (Prior to SN 0160038919, Excluding 0160033533)	166
FIGURE 5-14. FRONT AXLE - JOINT HOUSING (SN 0160038919 to Present, Including 0160033533)	168
FIGURE 5-15. FRONT AXLE - PLANETARY DRIVE (Prior to SN 0160038919, Excluding 0160033533)	170
FIGURE 5-16. FRONT AXLE - PLANETARY DRIVE (SN 0160038919 to Present, Including 0160033533)	172
FIGURE 5-17. REAR AXLE	174
FIGURE 5-18. REAR AXLE - INPUT (Prior to SN 0160038919, Excluding 0160033533)	176
FIGURE 5-19. REAR AXLE - INPUT (SN 0160038919 to Present, Including 0160033533)	180
FIGURE 5-20. REAR AXLE - DIFFERENTIAL (Prior to SN 0160038919, Excluding 0160033533)	184
FIGURE 5-21. REAR AXLE - DIFFERENTIAL (SN 0160038919 to Present, Including 0160033533)	186
FIGURE 5-22. REAR AXLE - AXLE CASING (Prior to SN 0160038919, Excluding 0160033533)	188
FIGURE 5-23. REAR AXLE - AXLE CASING (SN 0160038919 to Present, Including 0160033533)	190
FIGURE 5-24. REAR AXLE - M-DISK BRAKE (Prior to SN 0160038919, Excluding 0160033533)	192
FIGURE 5-25. REAR AXLE - M-DISK BRAKE (SN 0160038919 to Present, Including 0160033533)	196
FIGURE 5-26. REAR AXLE - BRAKE (Prior to SN 0160038919, Excluding 0160033533)	198
FIGURE 5-27. REAR AXLE - JOINT HOUSING (Prior to SN 0160038919, Excluding 0160033533)	200
FIGURE 5-28. REAR AXLE - JOINT HOUSING (SN 0160038919 to Present, Including 0160033533)	204
FIGURE 5-29. REAR AXLE - PLANETARY DRIVE (Prior to SN 0160038919, Excluding 0160033533)	206
FIGURE 5-30. REAR AXLE - PLANETARY DRIVE (SN 0160038919 to Present, Including 0160033533)	208
FIGURE 5-31. ZF TRANSMISSION	210
FIGURE 5-32. ZF TRANSMISSION - ENGINE CONNECTION AND CONVERTER	212
FIGURE 5-33. ZF TRANSMISSION - INPUT SHAFTS	214
FIGURE 5-34. ZF TRANSMISSION - GEARBOX HOUSING	216
FIGURE 5-35. ZF TRANSMISSION - COUPLING GROUP 1	218
FIGURE 5-36. ZF TRANSMISSION - COUPLING GROUP 2	220
FIGURE 5-37. ZF TRANSMISSION - COUPLING GROUP 3	222
FIGURE 5-38. ZF TRANSMISSION - COUPLING GROUP 4	224
FIGURE 5-39. ZF TRANSMISSION - REVERSING GEAR GROUP 1	226
FIGURE 5-40. ZF TRANSMISSION - REVERSING GEAR GROUP 2	228
FIGURE 5-41. ZF TRANSMISSION - OUTPUT	230
FIGURE 5-42. ZF TRANSMISSION - CONTROL UNIT	232
FIGURE 5-43. ZF TRANSMISSION - VALVE HOUSING ASSEMBLY	234
FIGURE 5-44. ZF TRANSMISSION - VALVE BLOCK ASSEMBLY	236
FIGURE 5-45. ZF TRANSMISSION - OIL PUMP AND FILTER	238
FIGURE 5-46. DRIVE SHAFTS	240
FIGURE 5-47. TIRES AND RIMS (PNEUMATIC) (Prior to SN 0160038919, Excluding 0160033533)	242
FIGURE 5-48. TIRES AND RIMS (PNEUMATIC) (SN 0160038919 to Present, Including 0160033533)	244
FIGURE 5-49. TIRES AND RIMS (FOAM FILLED AND SOLID) (Prior to SN 0160038919, Excluding 0160033533)	246
FIGURE 5-50. TIRES AND RIMS (FOAM FILLED AND SOLID) (SN 0160038919 to Present, Including 0160033533)	248
SECTION 6 - CAB	251
FIGURE 6-1. OPEN CAB	252
FIGURE 6-2. CLOSED CAB (SN 17019 through 19897, SN 0160002408 through 0160008803)	256
FIGURE 6-3. CLOSED CAB (SN 0160008825 to Present)	260
FIGURE 6-4. SOFT CAB ENCLOSURE	264
FIGURE 6-5. CAB DOOR	266
FIGURE 6-6. OPERATORS SEAT (SN 17019 through 19897, SN 0160002408 through 0160010385)	268
FIGURE 6-7. OPERATORS SEAT (SN 0160010402 to Present)	270
FIGURE 6-8. FRONT WINDSHIELD WIPER	272
FIGURE 6-9. SKYLIGHT WINDSHIELD WIPER	274
FIGURE 6-10. CAB HEATER	276
SECTION 7 - CONTROLS	279

TABLE OF CONTENTS

FIGURE 7-1. SERVICE BRAKE PEDAL CONTROL (Prior to SN 0160038919, Excluding 0160033533)	280
FIGURE 7-2. SERVICE BRAKE PEDAL CONTROL (SN 0160038919 to Present, Including 0160033533)	282
FIGURE 7-3. THROTTLE PEDAL CONTROL (SN 17019 through 19897, SN 0160002408 through 0160004109)	284
FIGURE 7-4. THROTTLE PEDAL CONTROL (SN 0160004111 through 0160039245)	286
FIGURE 7-5. THROTTLE PEDAL CONTROL (SN 0160039434 to Present)	288
FIGURE 7-6. STEERING WHEEL AND SHIFTER	290
FIGURE 7-7. CONTROL CONSOLE	292
FIGURE 7-8. BOOM LIFT/LOWER AND EXTEND/RETRACT CONTROL	294
FIGURE 7-9. FRAME SWAY AND ATTACHMENT TILT CONTROL	296
FIGURE 7-10. AUXILIARY HYDRAULIC CONTROL	298
SECTION 8 - HYDRAULIC CIRCUITS	301
FIGURE 8-1. SERVICE BRAKE AND DE-CLUTCH (Prior to SN 0160038919, Excluding 0160033533)	302
FIGURE 8-2. SERVICE BRAKE AND DE-CLUTCH (SN 0160038919 to Present, Including 0160033533)	302
FIGURE 8-3. BOOM LIFT/LOWER AND EXTEND/RETRACT	310
FIGURE 8-4. ATTACHMENT TILT AND SLAVE (SN 17019 through 18832)	312
FIGURE 8-5. ATTACHMENT TILT AND SLAVE (SN 0160002408 to Present, SN 18833 through 19897)	314
FIGURE 8-6. FRAME SWAY	316
FIGURE 8-7. POWER STEERING	318
FIGURE 8-8. CONTROL VALVES	320
FIGURE 8-9. AUXILIARY HYDRAULIC	324
FIGURE 8-10. TRANSMISSION COOLER (SN 17019 through 19897, SN 0160002408 through 0160004109)	326
FIGURE 8-11. TRANSMISSION COOLER (SN 0160004111 through 0160039074)	328
FIGURE 8-12. TRANSMISSION COOLER (SN 0160039075 to Present)	330
FIGURE 8-13. OIL COOLER (SN 17019 through 19897, SN 0160002408 through 0160004109)	332
FIGURE 8-14. OIL COOLER (SN 0160004111 through 0160039074)	334
FIGURE 8-15. OIL COOLER (SN 0160039075 to Present)	336
SECTION 9 - HYDRAULIC COMPONENTS	339
FIGURE 9-1. BOOM EXTEND/RETRACT CYLINDER	340
FIGURE 9-2. BOOM LIFT/LOWER CYLINDER (SN 17019 through 19897, SN 0160002408 through 0160003867)	342
FIGURE 9-3. BOOM LIFT/LOWER CYLINDER (SN 0160003879 through 0160027650)	344
FIGURE 9-4. BOOM LIFT/LOWER CYLINDER (SN 0160027677 to Present)	346
FIGURE 9-5. FRAME SWAY CYLINDER (SN 17019 through 19897, SN 0160002408 through 0160003867)	348
FIGURE 9-6. FRAME SWAY CYLINDER (SN 0160003879 through 0160005651)	350
FIGURE 9-7. FRAME SWAY CYLINDER (SN 0160005696 to Present)	352
FIGURE 9-8. ATTACHMENT TILT CYLINDER	354
FIGURE 9-9. STABIL-TRAK CYLINDER (SN 17019 through 19299)	356
FIGURE 9-10. STABIL-TRAK CYLINDER (SN 0160002408 to Present, SN 19300 through 19897)	358
FIGURE 9-11. SLAVE CYLINDER (SN 17019 through 19299)	360
FIGURE 9-12. SLAVE CYLINDER (SN 19300 through 19897, SN 0160002408 through 0160003867)	362
FIGURE 9-13. SLAVE CYLINDER (SN 0160003879 to Present)	364
FIGURE 9-14. GEAR PUMP	366
FIGURE 9-15. MAIN CONTROL VALVE	368
FIGURE 9-16. DIRECTIONAL CONTROL VALVES	370
FIGURE 9-17. FUEL/HYDRAULIC TANK ASSEMBLY (Prior to SN 0160037238)	374
FIGURE 9-18. FUEL/HYDRAULIC TANK ASSEMBLY (SN 0160037238 to Present)	376
FIGURE 9-19. GRAPPLE BUCKET CYLINDER	378
FIGURE 9-20. SIDE TILT CARRIAGE CYLINDER	380
FIGURE 9-21. SIDE TILT CARRIAGE CYLINDER	382
FIGURE 9-22. 72IN 90, SWING CARRIAGE CYLINDER	384
FIGURE 9-23. BRAKE VALVE	386
FIGURE 9-24. 50IN SIDE SHIFT CARRIAGE CYLINDER	388
SECTION 10 - ELECTRICAL	391
FIGURE 10-1. CAB HARNESS (Prior to SN 0160039074)	392
FIGURE 10-2. CAB HARNESS (SN 0160039075 to Present)	394
FIGURE 10-3. ENGINE HARNESS (SN 17019 through 19897, SN 0160002408 through 0160004109)	396
FIGURE 10-4. ENGINE HARNESS (SN 0160004111 through 0160039074)	398
FIGURE 10-5. ENGINE HARNESS (SN 0160039075 to Present)	402
SECTION 11 - DECALS	405
FIGURE 11-1. DECALS	406

TABLE OF CONTENTS

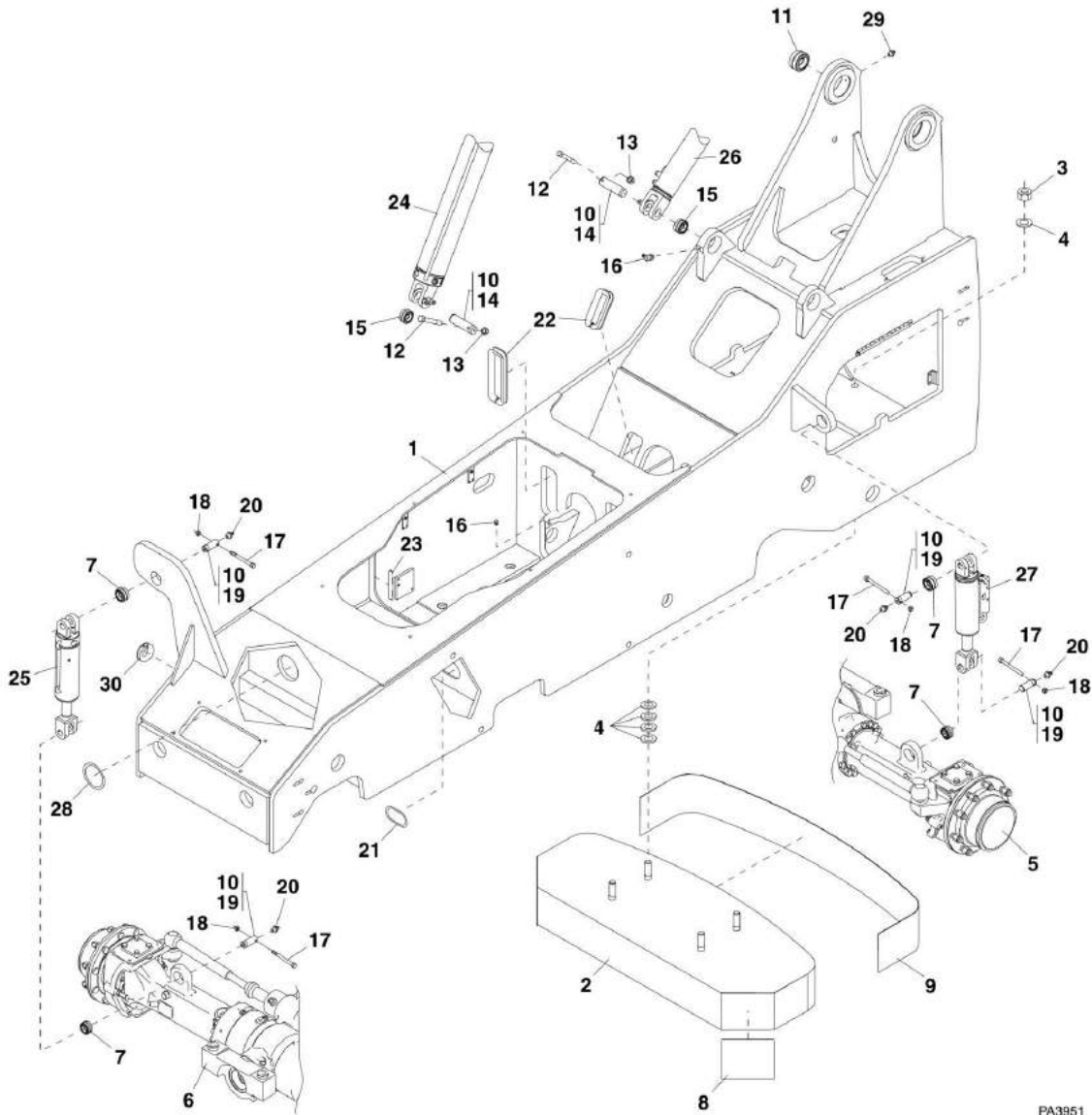
SECTION 12 - OPTIONS.....	411
FIGURE 12-1. WORKLIGHT INSTALLATION	412
FIGURE 12-2. ROADLIGHT INSTALLATION (SN 17019 through 19897, SN 0160002408 through 0160015214)	414
FIGURE 12-3. ROADLIGHT INSTALLATION (SN 0160015215 to Present).....	418
FIGURE 12-4. SWING CARRIAGE CYLINDER (SN 17019 through 19238)	422
FIGURE 12-5. SWING CARRIAGE CYLINDER (SN 0160002408 to Present, SN 19239 through 19897)	424
FIGURE 12-6. SIDE TILT CARRIAGE CYLINDER	426
FIGURE 12-7. COLD START INSTALLATION (SN 17019 through 19897, SN 0160002408 through 0160004109)	428
FIGURE 12-8. COLD START INSTALLATION (SN 0160004111 to Present).....	432
FIGURE 12-9. FENDER INSTALLATION	436
FIGURE 12-10. ROTATING BEACON INSTALLATION.....	438
FIGURE 12-11. REMOTE OIL FILLER (SN 0160004111 to Present).....	440
FIGURE 12-12. IGNITION SWITCH WEATHER KIT (SN 17019 through 19897, SN 0160002408 through 0160023103)	442
FIGURE 12-13. EXHAUST UPGRADE KIT	444
SECTION 13 - RECOMMENDED SPARE PARTS	447
FIGURE 13-1. RECOMMENDED SPARE PARTS.....	448
PART NUMBER INDEX.....	451

SECTION 1 - FRAME AND ATTACHING PARTS

SECTION 1 - FRAME AND ATTACHING PARTS

SECTION 1 - FRAME AND ATTACHING PARTS

FIGURE 1-1. MAIN FRAME COMPONENTS (SN 17019 through 19897, SN 0160002408 through 0160003867)



PA3951

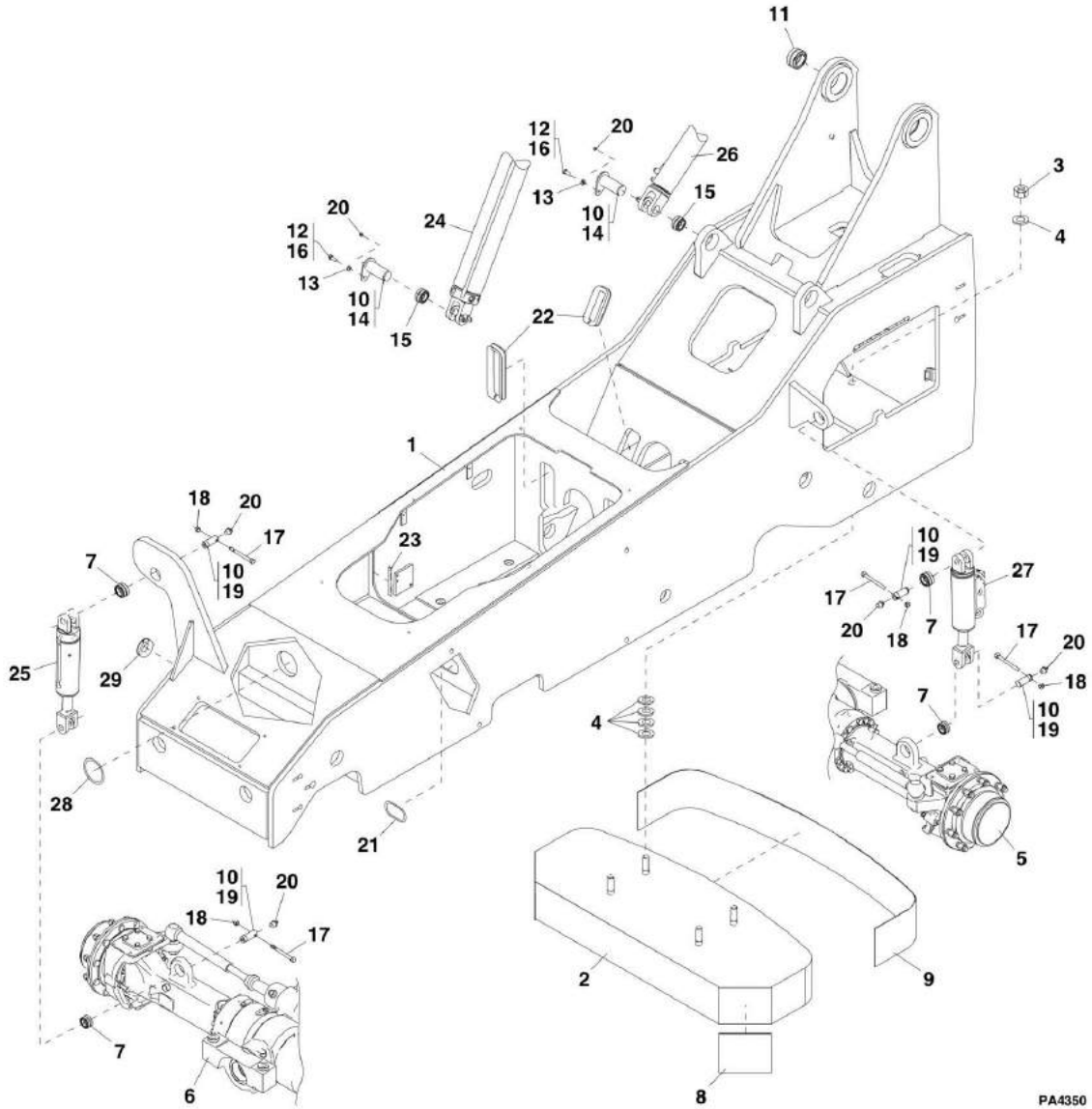
SECTION 1 - FRAME AND ATTACHING PARTS

FIGURE 1-1. MAIN FRAME COMPONENTS (SN 17019 through 19897, SN 0160002408 through 0160003867)

ITEM	PART NUMBER	QTY	DESCRIPTION	REV
1	N.S.S.	1	FRAME WELDMENT	
2	7300762	1	COUNTERWEIGHT	
3	8310481	4	HEX NUT, 1-8	
4	8310066	20	PLAIN WASHER, 1	
5		Ref	REAR AXLE, (See DRIVE TRAIN SECTION for Breakdown)	
6		Ref	FRONT AXLE, (See DRIVE TRAIN SECTION for Breakdown)	
7	8050001	4	BEARING, (self align)	
8	7300777	2	COUNTERWEIGHT WRAPPER	
9	7300765	1	COUNTERWEIGHT WRAPPER	
10	8522012	AR	ANTI-SEIZE LUBE, (apply to items 14 & 19)	
11	8065641	2	BEARING, (self align)	
12	8303782	4	HEX HD CAPSCREW, 1/2-13X4, GR5	
13	8305644	4	HEX LOCKNUT, 1/2-13	
14	7092292	4	LIFT/LOWER AND SLAVE CYLINDERS PIN	
15	8065640	2	BEARING, (self align)	
16	8520021	4	LUBE FITTING, 90, 1/8	
17	8303752	4	HEX HD CAPSCREW, 5/16-18X3-1/2, GR5	
18	8305626	4	HEX LOCKNUT, 5/16-18	
19	7137142	4	CYLINDER PIN	
20	8520001	4	LUBE FITTING, STRAIGHT, 1/8	
21	7124301	AR	CONDUIT, .50X15.5, (cut to fit)	
22	7139156	AR	CONDUIT, 1.0X28, (cut to fit)	
23	7125871	AR	CONDUIT, .50X8, (cut to fit)	
24		Ref	BOOM LIFT/LOWER CYLINDER, (See HYDRAULIC COMPONENTS SECTION for Breakdown)	
25		Ref	FRAME SWAY CYLINDER, (See HYDRAULIC COMPONENTS SECTION for Breakdown)	
26		Ref	SLAVE CYLINDER, (See HYDRAULIC COMPONENTS SECTION for Breakdown)	
27		Ref	STABIL-TRAK CYLINDER, (See HYDRAULIC COMPONENTS SECTION for Breakdown)	
28	7139613	AR	CONDUIT, 1.0X18, (cut to fit)	
29	8520013	2	LUBE FITTING, STRAIGHT, 1/8	
30	7124471	AR	CONDUIT, 1.0X12.5, (cut to fit)	

SECTION 1 - FRAME AND ATTACHING PARTS

FIGURE 1-2. MAIN FRAME COMPONENTS (SN 0160003879 through 0160004368)



PA4350

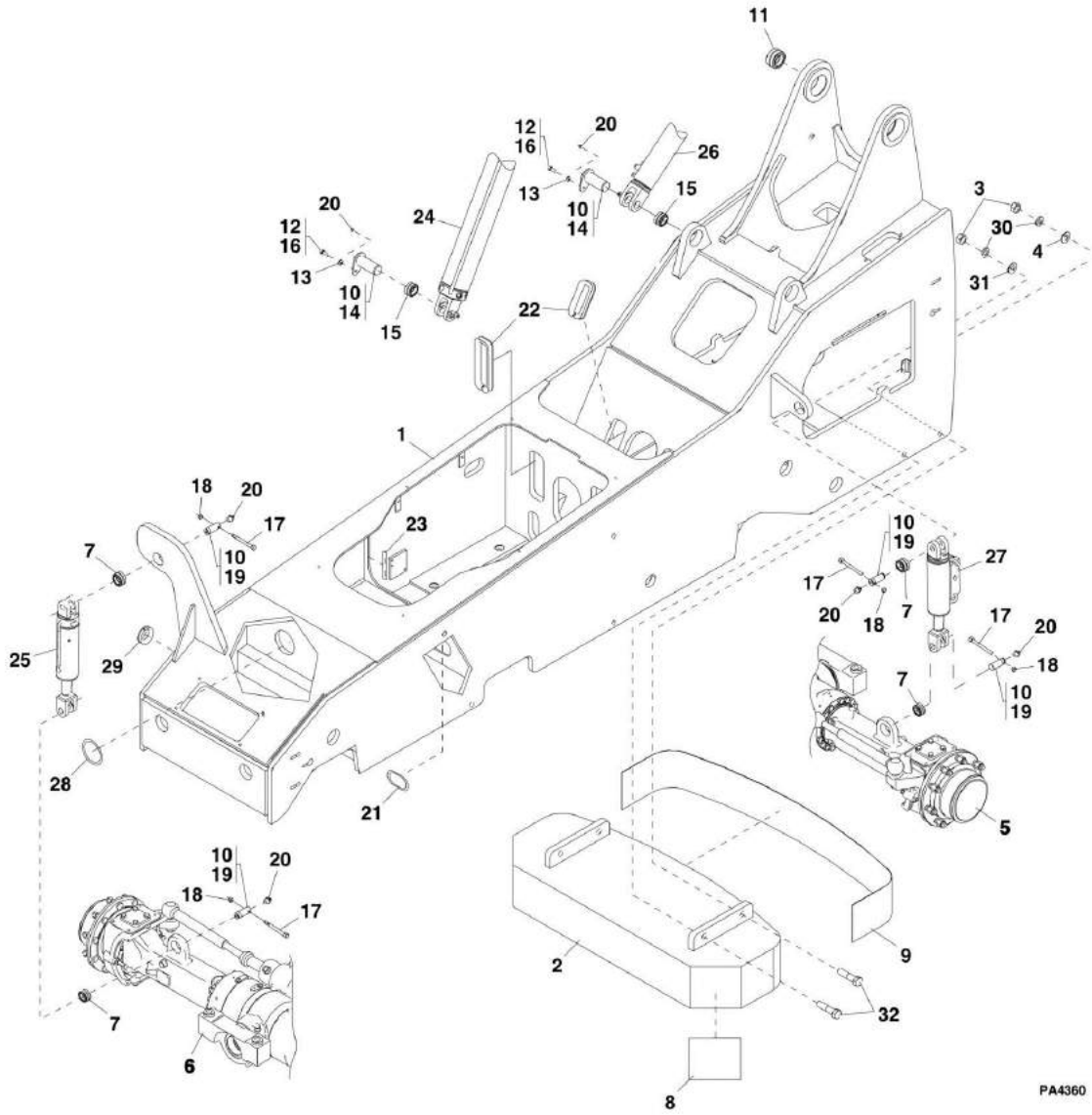
SECTION 1 - FRAME AND ATTACHING PARTS

FIGURE 1-2. MAIN FRAME COMPONENTS (SN 0160003879 through 0160004368)

ITEM	PART NUMBER	QTY	DESCRIPTION	REV
1	N.S.S.	1	FRAME WELDMENT	
2	7300762	1	COUNTERWEIGHT	
3	8310481	4	HEX NUT, 1-8	
4	8310066	20	PLAIN WASHER, 1	
5		Ref	REAR AXLE, (See DRIVE TRAIN SECTION for Breakdown)	
6		Ref	FRONT AXLE, (See DRIVE TRAIN SECTION for Breakdown)	
7	8050001	4	BEARING, (self align)	
8	7300777	2	COUNTERWEIGHT WRAPPER	
9	7300765	1	COUNTERWEIGHT WRAPPER	
10	8522012	AR	ANTI-SEIZE LUBE, (apply to items 14 & 19)	
11	8065641	2	BEARING, (self align)	
12	8303625	4	HEX HD CAPSCREW, 1/2-13X1-1/4, GR5	
13	8310056	4	HARD WASHER, 1/2	
14	7302039	4	LIFT/LOWER AND SLAVE CYLINDERS PIN	
15	8065640	2	BEARING, (self align)	
16	0100011	AR	LOCTITE 242, (apply to item 12)	
17	8303752	4	HEX HD CAPSCREW, 5/16-18X3-1/2, GR5	
18	8305626	4	HEX LOCKNUT, 5/16-18	
19	7137142	4	CYLINDER PIN	
20	8520001	8	LUBE FITTING, STRAIGHT, 1/8	
21	7124301	AR	CONDUIT, .50X15.5, (cut to fit)	
22	7139156	AR	CONDUIT, 1.0X28, (cut to fit)	
23	7125871	AR	CONDUIT, .50X8, (cut to fit)	
24		Ref	BOOM LIFT/LOWER CYLINDER, (See HYDRAULIC COMPONENTS SECTION for Breakdown)	
25		Ref	FRAME SWAY CYLINDER, (See HYDRAULIC COMPONENTS SECTION for Breakdown)	
26		Ref	SLAVE CYLINDER, (See HYDRAULIC COMPONENTS SECTION for Breakdown)	
27		Ref	STABIL-TRAK CYLINDER, (See HYDRAULIC COMPONENTS SECTION for Breakdown)	
28	7139613	AR	CONDUIT, 1.0X18, (cut to fit)	
29	7124471	AR	CONDUIT, 1.0X12.5, (cut to fit)	

SECTION 1 - FRAME AND ATTACHING PARTS

FIGURE 1-3. MAIN FRAME COMPONENTS (SN 0160004397 through 0160013566)



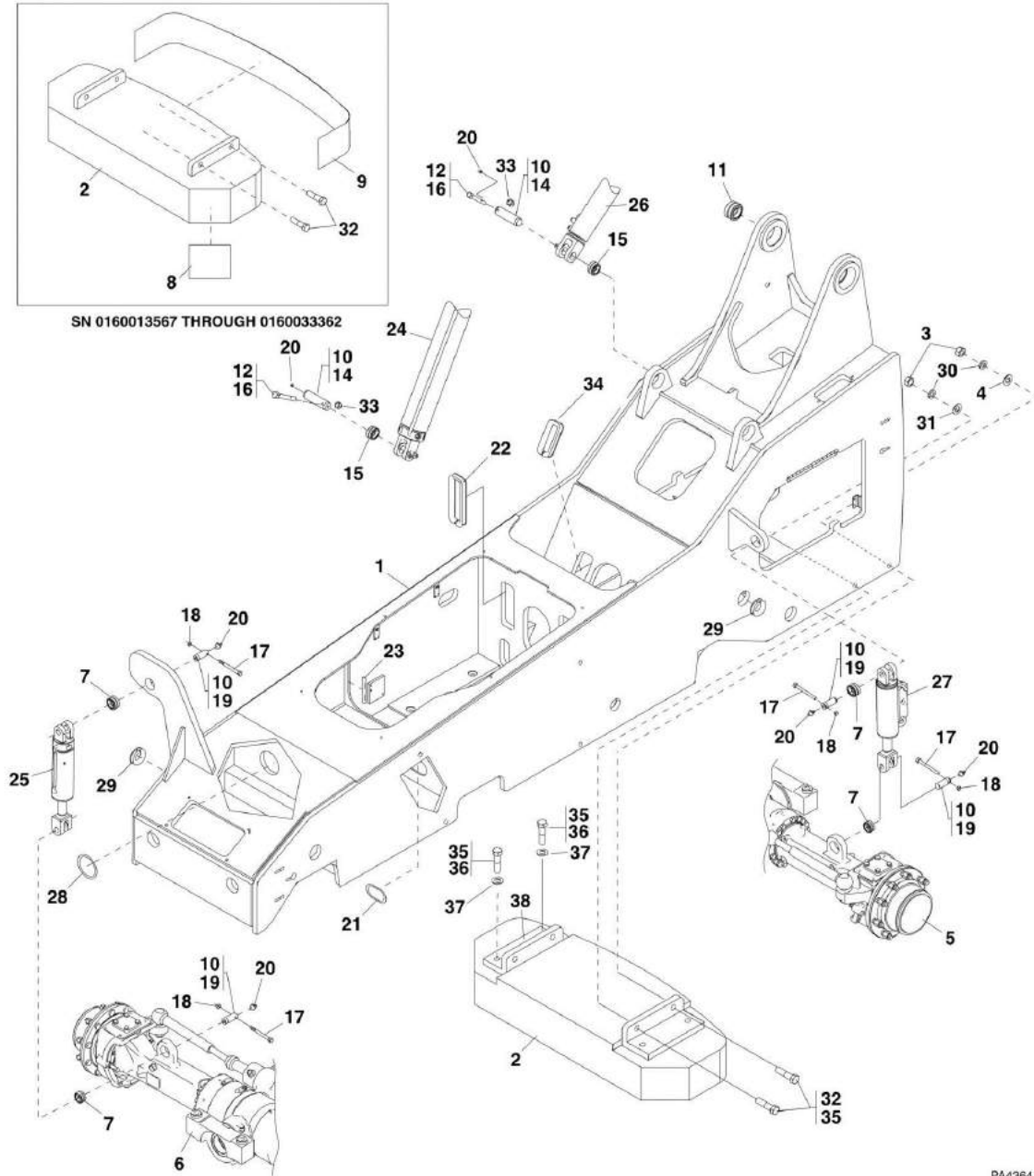
SECTION 1 - FRAME AND ATTACHING PARTS

FIGURE 1-3. MAIN FRAME COMPONENTS (SN 0160004397 through 0160013566)

ITEM	PART NUMBER	QTY	DESCRIPTION	REV
1	N.S.S.	1	FRAME WELDMENT	
2	4821450	1	COUNTERWEIGHT (SN 0160004397 through 0160004719)	
2	4821449	1	COUNTERWEIGHT (SN 0160004746 through 0160013566)	
3	8310481	4	HEX NUT, 1-8	
4	8310066	20	PLAIN WASHER, 1	
5		Ref	REAR AXLE, (See DRIVE TRAIN SECTION for Breakdown)	
6		Ref	FRONT AXLE, (See DRIVE TRAIN SECTION for Breakdown)	
7	8050001	4	BEARING, (self align)	
8	4821434	2	COUNTERWEIGHT WRAPPER (SN 0160004397 through 0160004719)	
8	3575604	2	COUNTERWEIGHT WRAPPER (SN 0160004746 through 0160013566)	
9	4821433	1	COUNTERWEIGHT WRAPPER (SN 0160004397 through 0160004719)	
9	3575603	1	COUNTERWEIGHT WRAPPER (SN 0160004746 through 0160013566)	
10	8522012	AR	ANTI-SEIZE LUBE, (apply to items 14 & 19)	
11	8065641	2	BEARING, (self align)	
12	8303625	4	HEX HD CAPSCREW, 1/2-13X1-1/4, GR5	
13	8310056	4	HARD WASHER, 1/2	
14	7302039	4	LIFT/LOWER AND SLAVE CYLINDER PINS	
15	8065640	2	BEARING, (self align)	
16	0100011	AR	LOCTITE 242, (apply to item 12)	
17	8303752	4	HEX HD CAPSCREW, 5/16-18X3-1/2, GR5	
18	8305626	4	HEX LOCKNUT, 5/16-18	
19	7137142	4	CYLINDER PIN	
20	8520001	2	LUBE FITTING, STRAIGHT, 1/8	
21	7124301	AR	CONDUIT, .50X15.5, (cut to fit)	
22	7139156	AR	CONDUIT, 1.0X28, (cut to fit)	
23	7125871	AR	CONDUIT, .50X8, (cut to fit)	
24		Ref	BOOM LIFT/LOWER CYLINDER, (See HYDRAULIC COMPONENTS SECTION for Breakdown)	
25		Ref	FRAME SWAY CYLINDER, (See HYDRAULIC COMPONENTS SECTION for Breakdown)	
26		Ref	SLAVE CYLINDER, (See HYDRAULIC COMPONENTS SECTION for Breakdown)	
27		Ref	STABIL-TRAK CYLINDER, (See HYDRAULIC COMPONENTS SECTION for Breakdown)	
28	7139613	AR	CONDUIT, 1.0X18, (cut to fit)	
29	7124471	AR	CONDUIT, 1.0X12.5, (cut to fit)	
30	8307012	4	LOCKWASHER, 1	
31	5724302	AR	SHIM	
32	8310051	4	HEX HD CAPSCREW, 1-8X4, GR5	

SECTION 1 - FRAME AND ATTACHING PARTS

FIGURE 1-4. MAIN FRAME COMPONENTS (SN 0160013567 to Present)



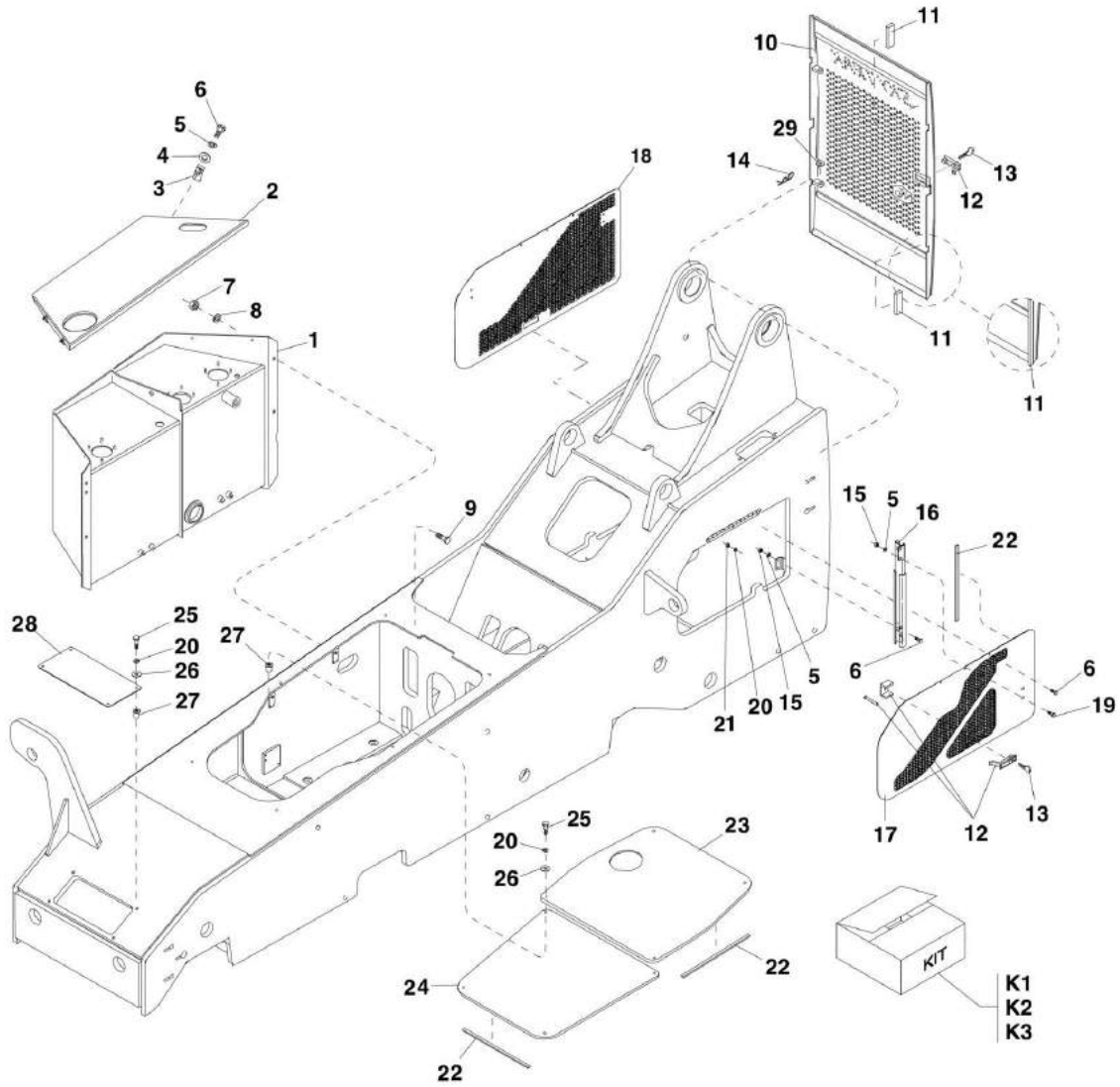
SECTION 1 - FRAME AND ATTACHING PARTS

FIGURE 1-4. MAIN FRAME COMPONENTS (SN 0160013567 to Present)

ITEM	PART NUMBER	QTY	DESCRIPTION	REV
1	N.S.S.	1	FRAME WELDMENT	
2	4821449	1	COUNTERWEIGHT (SN 0160013567 through 0160033362)	
2	1001094783	1	COUNTERWEIGHT (SN 0160033363 to Present)	
3	8305021	4	HEX NUT, 1-8	
4	8310066	20	PLAIN WASHER, 1 (SN 0160013567 through 0160033362)	
4	4892600	2	HARDENED WASHER, 1 (SN 0160033363 to Present)	
5		Ref	REAR AXLE, (See DRIVE TRAIN SECTION for Breakdown)	
6		Ref	FRONT AXLE, (See DRIVE TRAIN SECTION for Breakdown)	
7	8050001	4	BEARING, (self align)	
8	3575604	2	COUNTERWEIGHT WRAPPER (SN 0160013567 through 0160033363)	
9	3575603	1	COUNTERWEIGHT WRAPPER (SN 0160013567 through 0160033363)	
10	8522012	AR	ANTI-SEIZE LUBE, (apply to items 14 & 19)	
11	8065641	2	BEARING, (self align)	
12	8303782	8	HEX HD CAPSCREW, 1/2-13X4, GR5	
14	3423227	8	LIFT/LOWER AND SLAVE CYLINDER PIN	
15	8065640	4	BEARING, (self align)	
16	0100011	AR	LOCTITE 242, (apply to item 12)	
17	8303752	4	HEX HD CAPSCREW, 5/16-18X3-1/2, GR5	
18	8305626	4	HEX LOCKNUT, 5/16-18	
19	7137142	4	CYLINDER PIN	
20	8520001	8	LUBE FITTING, STRAIGHT, 1/8	
21	7124301	AR	CONDUIT, .50X15.5, (cut to fit)	
22	7139156	AR	CONDUIT, 1.0X28, (cut to fit)	
23	7125871	AR	CONDUIT, .50X8, (cut to fit)	
24		Ref	BOOM LIFT/LOWER CYLINDER, (See HYDRAULIC COMPONENTS SECTION for Breakdown)	
25		Ref	FRAME SWAY CYLINDER, (See HYDRAULIC COMPONENTS SECTION for Breakdown)	
26		Ref	SLAVE CYLINDER, (See HYDRAULIC COMPONENTS SECTION for Breakdown)	
27		Ref	STABIL-TRAK CYLINDER, (See HYDRAULIC COMPONENTS SECTION for Breakdown)	
28	7139613	AR	CONDUIT, 1.0X18, (cut to fit)	
29	7124471	AR	CONDUIT, 1.0X12.5, (cut to fit)	
30	8307012	4	LOCKWASHER, 1	
31	5724302	AR	SHIM (SN 0160013567 through 0160033362)	
31	4892600	2	HARDENED WASHER, 1 (SN 0160033363 to Present)	
32	8310051	4	HEX HD CAPSCREW, 1-8X4, GR5 (SN 0160013567 through 0160033362)	
32	0642628	4	HEX HD CAPSCREW, 1-8X3-1/2, GR5, (torque to 675 lb-ft) (SN 0160033363 to Present)	
33	8305644	8	HEX LOCKNUT, 1/2-13,	
34	1560028	2	CONDUIT, 1.0 POLY (SN 0160015215 to Present)	
35	0100019	AR	LOCTITE 271, (apply to item 36) (SN 0160033363 to Present)	
36	0642222	4	HEX HD CAPSCREW, 3/4-10X2-3/4, GR5, (torque to 285 lb-ft) (SN 0160033363 to Present)	
37	4892200	4	HARDENED WASHER, 3/4 (SN 0160033363 to Present)	
38	1001094877	2	ANGLE COUNTWEIGHT (SN 0160033363 to Present)	

SECTION 1 - FRAME AND ATTACHING PARTS

FIGURE 1-5. HOODS AND GUARDS



PAP11090

SECTION 1 - FRAME AND ATTACHING PARTS

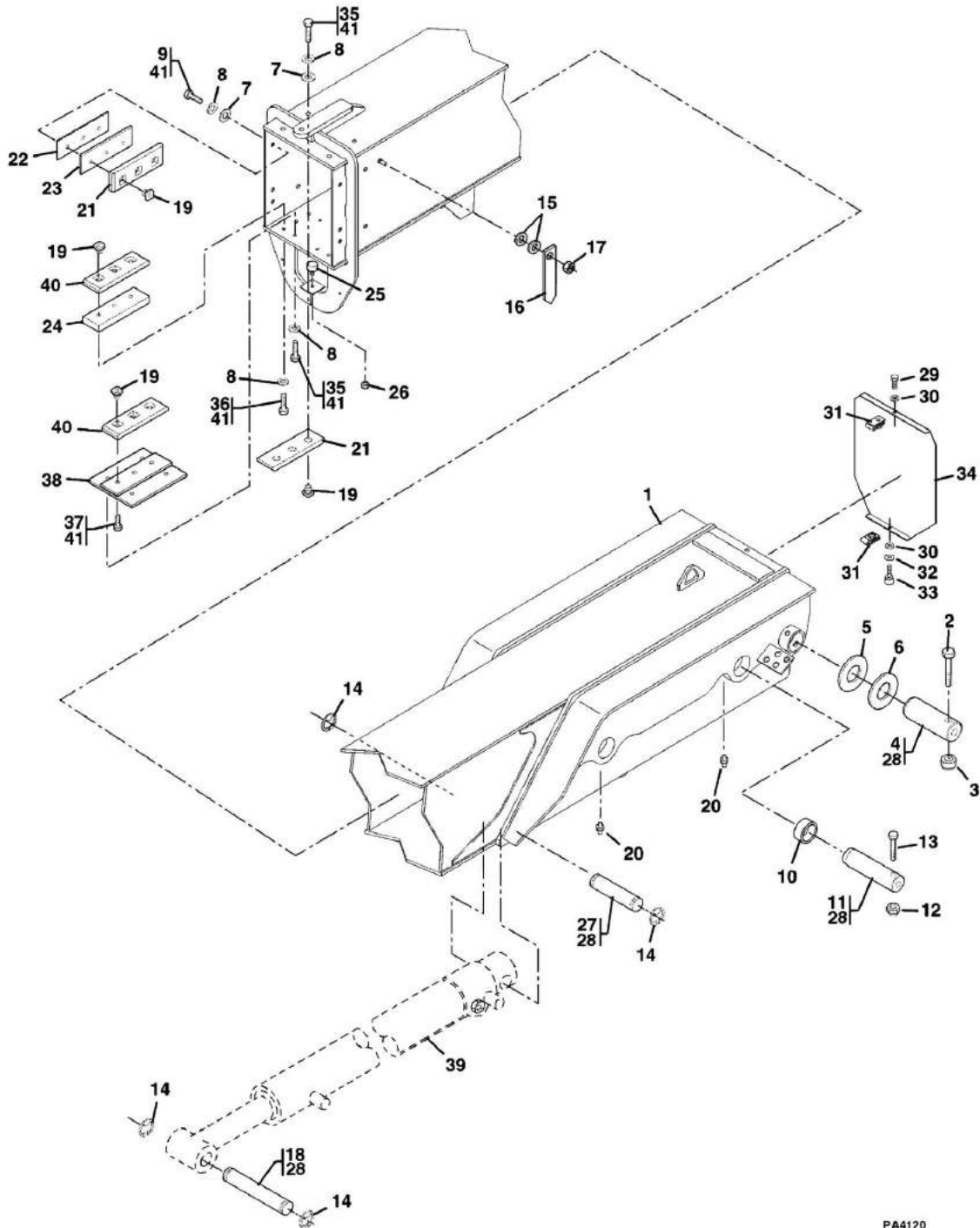
FIGURE 1-5. HOODS AND GUARDS

ITEM	PART NUMBER	QTY	DESCRIPTION	REV
1		Ref	FUEL AND HYDRAULIC TANK, (See HYDRAULIC COMPONENTS SECTION for Breakdown)	
2	7150661	1	FUEL/HYDRAULIC TANK COVER	
3	8310658	4	RETAINING NUT, 5/16	
4	8307203	4	FLAT WASHER, 5/16	
5	8307004	16	LOCKWASHER, 5/16	
6	8303656	16	HEX HD CAPSCREW, 5/16-18X7/8	
7	8305014	4	HEX NUT, 5/8-11	
8	8307009	4	LOCKWASHER, 5/8	
9	8310129	4	CARRIAGE BOLT, 5/8-11X2-1/2	
10	1001131246	1	RADIATOR COVER	
11	5724742	2	GASKET (Prior to SN 0160039075)	
11	90206196	AR	TRIM (SN 0160039075 to Present)	
12	1001131179	3	LATCH ASSY	
13	8342808	AR	KEY SET	
14	8302470	2	COTTER PIN	
15	8305006	12	HEX NUT, .325	
16	7139714	3	SIDE DOOR PROP	
17	1001131334	1	SIDE ACCESS COVER, (left)	
18	1001131244	1	SIDE ACCESS COVER, (right)	
19	8303729	6	HEX HD CAPSCREW, 1/4-20X5/8	
20	8307002	16	LOCKWASHER, 1/4	
21	8305004	6	HEX NUT, 1/4-20	
22	4420037	AR	FOAM TAPE - 60IN, (235 in needed)	
23	7139455	1	UPPER TRANSMISSION COVER	
24	7139406	1	LOWER TRANSMISSION COVER	
25	8303615	10	HEX HD CAPSCREW, 1/4-20X1-1/4	
26	8307202	10	PLAIN WASHER, 1/4	
27	8580420	10	WELL NUT	
28	7150608	1	FRONT COVER	
29	10732150	AR	FLAT WASHER, M10	
K1	1001132437	1	REAR DOOR W/LATCH KIT, (includes items 10 & 12)	
K2	1001132452	1	PANEL W/LATCH KIT, (includes items 12 & 17)	
K3	1001132443	1	PANEL W/LATCH KIT, (includes items 12 & 18)	

SECTION 2 - BOOM

SECTION 2 - BOOM

FIGURE 2-1. FIRST BOOM SECTION (SN 17019 through 19897, SN 0160002408 through 0160003867)



PA4120

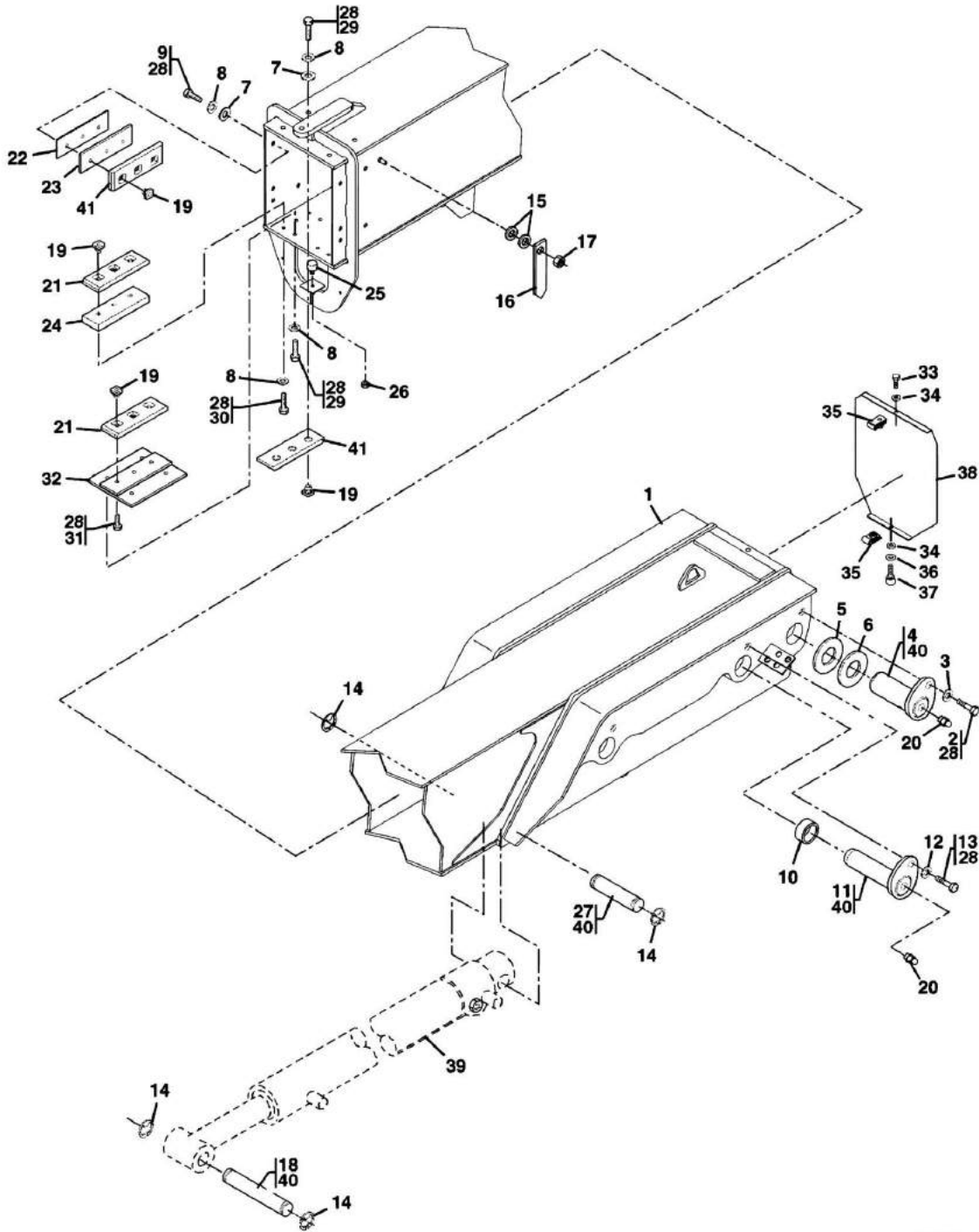
SECTION 2 - BOOM

FIGURE 2-1. FIRST BOOM SECTION (SN 17019 through 19897, SN 0160002408 through 0160003867)

ITEM	PART NUMBER	QTY	DESCRIPTION	REV
1	7300656	1	OUTER BOOM	
2	8303655	2	HEX HD CAPSCREW, 5/8-11X4.50, (Loctite and torque to 31 lb-ft)	
3	8305643	2	HEX LOCKNUT, 5/8-11	
4	7300748	2	BOOM PIVOT PIN	
5	8307910	AR	WASHER, SHIM 2.75 DIAX.075	
6	8307911	AR	WASHER, SHIM 2.75 DIAX.135	
7	8307204	12	FLAT WASHER, 3/8	
8	8307005	22	LOCKWASHER, 3/8	
9	8303681	8	HEX HD CAPSCREW, 3/8-16X3/4, (Loctite and torque to 31 lb-ft)	
10	8065640	4	SELF-ALIGNING BEARING, 2IN DIA	
11	7092292	4	LIFT/LOWER AND SLAVE CYLINDERS PIN	
12	8305644	4	HEX LOCKNUT, 1/2-13	
13	8303782	4	HEX HD CAPSCREW, 1/2-13X4, (Loctite and torque to 31 lb-ft)	
14	8642224	4	RETAINING RING	
15	8307113	2	FLAT WASHER, 7/16	
16	7075611	1	POINTER	
17	8305647	1	HEX LOCKNUT, 7/16-14	
18	7096562	1	EXTEND CYLINDER PIN, (rod end)	
19	7082311	21	WEAR PAD INSERT	
20	8520013	4	STRAIGHT LUBE FITTING, 1/8	
21	7079572	6	WEAR PAD	
22	7082362	AR	SHIM, WEAR PAD (.13in)	
23	7082342	AR	SHIM, WEAR PAD (.07in)	
24	7096882	2	SPACER, WEAR PAD (.62in)	
25	5724622	1	RUBBER BUMPER	
26	8305645	1	HEX LOCKNUT, 3/8-16	
27	7096552	1	EXTEND CYLINDER PIN, (base end)	
28	8522012	AR	ANTI-SEIZE LUBE, (apply to items 4, 11, 18 & 27)	
29	8303697	1	HEX HD CAPSCREW, 5/16-18X3/4	
30	8307106	2	FLAT WASHER, 5/16	
31	8305906	2	RETAINER NUT, 5/16-18	
32	8310431	1	INTERNAL TOOTH LOCKWASHER, 5/16	
33	8310497	1	THUMB SCREW, 5/16-18X1.50	
34	7116792	1	REAR BOOM COVER	
35	8303620	10	HEX HD CAPSCREW, 3/8-16X1.00, (Loctite and torque to 31 lb-ft)	
36	8303621	6	HEX HD CAPSCREW, 3/8-16X1.50, (Loctite and torque to 31 lb-ft)	
37	8303041	3	HEX HD CAPSCREW, 3/8-16X.50, (Loctite and torque to 31 lb-ft)	
38	7096772	1	SPACER, SPECIAL WEAR PAD	
39		Ref	BOOM EXTEND/RETRACT CYLINDER, (See HYDRAULIC COMPONENTS SECTION for Breakdown)	
40	7111572	3	WEAR PAD	
41	0100011	AR	LOCTITE 242, (apply to items 9, 35, 36 & 37)	

SECTION 2 - BOOM

FIGURE 2-2. FIRST BOOM SECTION (SN 0160003879 through 0160014929)



PA4121

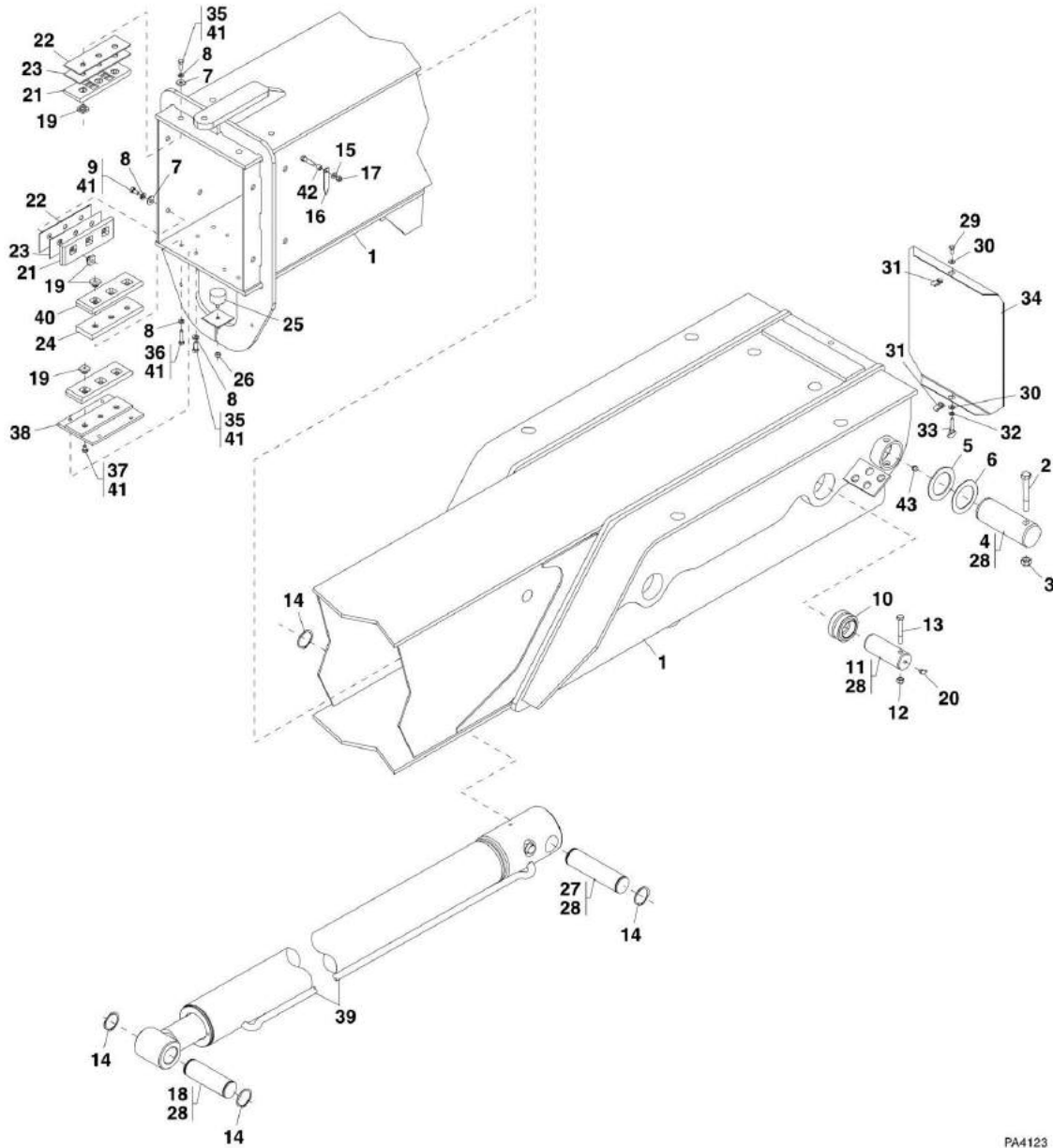
SECTION 2 - BOOM

FIGURE 2-2. FIRST BOOM SECTION (SN 0160003879 through 0160014929)

ITEM	PART NUMBER	QTY	DESCRIPTION	REV
1	7302052	1	OUTER BOOM	
2	8303712	2	HEX HD CAPSCREW, .625-11NCX1.500 GR5, (Loctite and torque to 31 lb-ft)	
3	8310058	2	PLAIN WASHER, .625	
4	7302024	2	BOOM PIVOT PIN	
5	8307910	AR	WASHER, SHIM 2.75 DIAX.075	
6	8307911	AR	WASHER, SHIM 2.75 DIAX.135	
7	8307204	12	FLAT WASHER, 3/8	
8	8307005	22	LOCKWASHER, 3/8	
9	8303681	8	HEX HD CAPSCREW, 3/8-16X3/4, (Loctite and torque to 31 lb-ft)	
10	8065640	4	SELF-ALIGNING BEARING, 2IN DIA	
11	7302039	4	LIFT/LOWER AND SLAVE CYLINDERS PIN	
12	8310056	8	PLAIN WASHER, .500	
13	8303625	4	HEX HD CAPSCREW, 1/2-13X1-1/4,GR5 (Loctite and torque to 31 lb-ft)	
14	8642224	4	RETAINING RING	
15	8307113	2	FLAT WASHER, 7/16	
16	7075611	1	POINTER	
17	8305647	1	HEX LOCKNUT, 7/16-14	
18	7096562	1	EXTEND CYLINDER PIN, (rod end)	
19	7082311	21	WEAR PAD INSERT	
20	8520001	4	STRAIGHT LUBE FITTING, 1/8	
21	7111572	3	WEAR PAD	
22	7082362	AR	SHIM, WEAR PAD (.13in)	
23	7082342	AR	SHIM, WEAR PAD (.07in)	
24	7096882	2	SPACER, WEAR PAD (.62in)	
25	5724622	1	RUBBER BUMPER	
26	8305645	1	HEX LOCKNUT, 3/8-16	
27	7096552	1	EXTEND CYLINDER PIN, (base end)	
28	0100011	AR	LOCTITE 242, (apply to items 2, 9, 29, 30 & 31)	
29	8303620	10	HEX HD CAPSCREW, 3/8-16X1.00, (Loctite and torque to 31 lb-ft)	
30	8303621	6	HEX HD CAPSCREW, 3/8-16X1.50, (Loctite and torque to 31 lb-ft)	
31	8303041	3	HEX HD CAPSCREW, 3/8-16X.50, (Loctite and torque to 31 lb-ft)	
32	7096772	1	SPACER, SPECIAL WEAR PAD	
33	8303697	1	HEX HD CAPSCREW, 5/16-18X3/4	
34	8307106	2	FLAT WASHER, 5/16	
35	8305906	2	RETAINER NUT, 5/16-18	
36	8310431	1	INTERNAL TOOTH LOCKWASHER, 5/16	
37	8310497	1	THUMB SCREW, 5/16-18X1.50	
38	7116792	1	REAR BOOM COVER	
39		Ref	BOOM EXTEND/RETRACT CYLINDER, (See HYDRAULIC COMPONENTS SECTION for Breakdown)	
40	8522012	AR	ANTI-SEIZE LUBE, (apply to items 4, 11, 18 & 27)	
41	7079572	6	WEAR PAD	

SECTION 2 - BOOM

FIGURE 2-3. FIRST BOOM SECTION (SN 0160014947 to Present)



PA4123

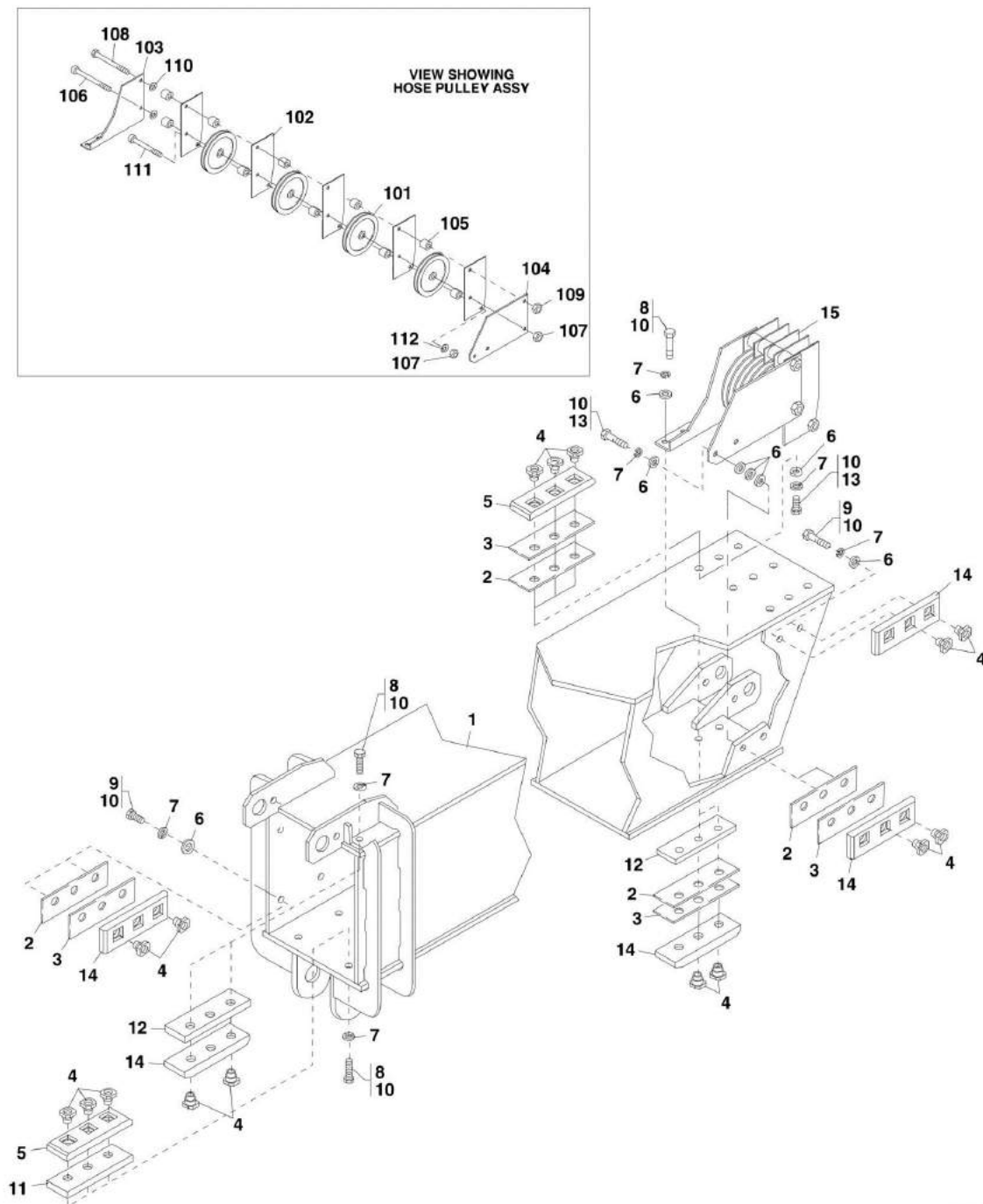
SECTION 2 - BOOM

FIGURE 2-3. FIRST BOOM SECTION (SN 0160014947 to Present)

ITEM	PART NUMBER	QTY	DESCRIPTION	REV
1	7302052	1	OUTER BOOM	
2	8303655	2	HEX HD CAPSCREW, 5/8-11X4.50, (Loctite and torque to 31 lb-ft)	
3	8305643	2	HEX LOCKNUT, 5/8-11	
4	3423226	2	BOOM PIVOT PIN	
5	8307910	AR	WASHER, SHIM 2.75 DIA X .075	
6	8307911	AR	WASHER, SHIM 2.75 DIA X .135	
7	8307204	12	FLAT WASHER, 3/8	
8	8307005	22	LOCKWASHER, 3/8	
9	8303681	8	HEX HD CAPSCREW, 3/8-16X3/4, (Loctite and torque to 31 lb-ft)	
10	8065640	4	SELF-ALIGNING BEARING, 2IN DIA	
11	3423227	4	LIFT/LOWER AND SLAVE CYLINDERS PIN	
12	8305644	4	HEX LOCKNUT, 1/2-13	
13	8303782	4	HEX HD CAPSCREW, 1/2-13X4, (Loctite and torque to 31 lb-ft)	
14	8642224	4	RETAINING RING	
15	8307113	2	FLAT WASHER, 7/16 (SN 0160014947 through 0160032330)	
15	4711600	1	FLAT WASHER, 3/8 (SN 0160032331 to Present)	
16	7075611	1	POINTER (SN 0160014947 through 0160032330)	
16	1001098769	1	POINTER (SN 0160032331 to Present)	
17	8305647	1	HEX LOCKNUT, 7/16-14 (SN 0160014947 through 0160032330)	
17	8305645	1	HEX LOCKNUT, 3/8-16, (torque to 12 lb-ft) (SN 0160032331 to Present)	
18	7096562	1	EXTEND CYLINDER PIN, (rod end)	
19	7082311	21	WEAR PAD INSERT	
20	8520003	4	90, LUBE FITTING, 1/8	
21	7079572	6	WEAR PAD	
22	7082362	AR	SHIM, WEAR PAD (.13in)	
23	7082342	AR	SHIM, WEAR PAD (.07in)	
24	7096882	2	SPACER, WEAR PAD (.62in)	
25	5724622	1	RUBBER BUMPER	
26	3311601	1	HEX NUT, 3/8-16	
27	7096552	1	EXTEND CYLINDER PIN, (base end)	
28	8522012	AR	ANTI-SEIZE LUBE, (apply to items 4, 11, 18 & 27)	
29	8303697	1	HEX HD CAPSCREW, 5/16-18X3/4	
30	8307106	2	FLAT WASHER, 5/16	
31	8305906	2	RETAINER NUT, 5/16-18	
32	8310431	1	INTERNAL TOOTH LOCKWASHER, 5/16	
33	8310497	1	THUMB SCREW, 5/16-18X1.50	
34	7116792	1	REAR BOOM COVER	
35	8303620	10	HEX HD CAPSCREW, 3/8-16X1.00, (Loctite and torque to 31 lb-ft)	
36	8303621	6	HEX HD CAPSCREW, 3/8-16X1.50, (Loctite and torque to 31 lb-ft)	
37	8303041	3	HEX HD CAPSCREW, 3/8-16X.50, (Loctite and torque to 31 lb-ft)	
38	7096772	1	SPACER, SPECIAL WEAR PAD	
39		Ref	BOOM EXTEND/RETRACT CYLINDER, (See HYDRAULIC COMPONENTS SECTION for Breakdown)	
40	7111572	3	WEAR PAD	
41	0100011	AR	LOCTITE 242, (apply to items 9, 26, 35, 36 & 37)	
42	1001096404	1	SPACER, ANGLE INDICATOR (SN 0160032331 to Present)	
43	8520001	2	LUBE FITTING, STRAIGHT	

SECTION 2 - BOOM

FIGURE 2-4. SECOND BOOM SECTION



PA4130

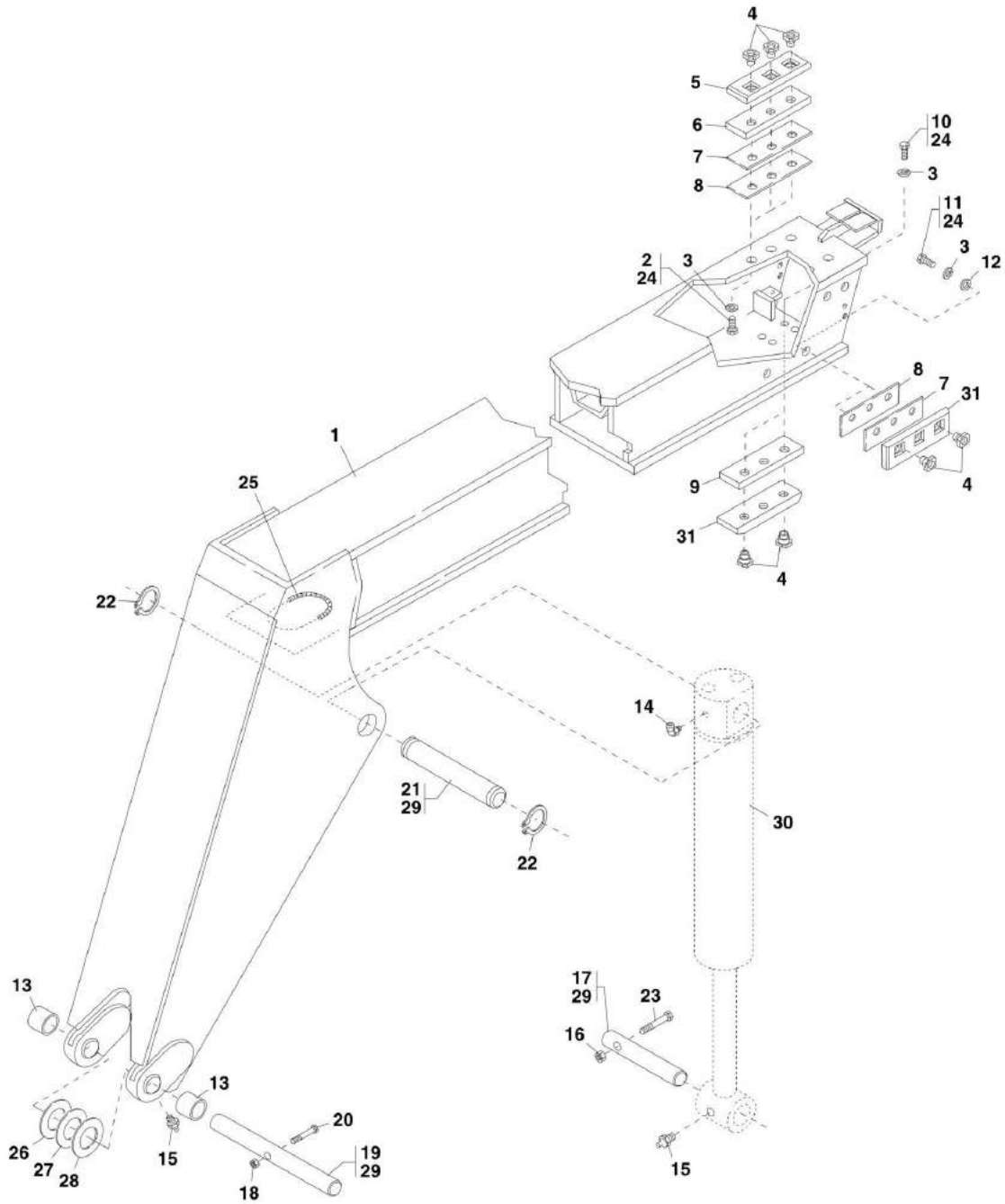
SECTION 2 - BOOM

FIGURE 2-4. SECOND BOOM SECTION

ITEM	PART NUMBER	QTY	DESCRIPTION	REV
1	1001098089	1	SECOND BOOM SECTION, (order pin 1001097735 and attaching hardware on BOOM EXTEND CHAINS)	
2	7082362	AR	SHIM, WEAR PAD, .13	
3	7082342	AR	SHIM, WEAR PAD, .07	
4	7082311	37	WEAR PAD INSERT	
5	7111572	5	WEAR PAD	
6	8307204	33	FLAT WASHER, 3/8	
7	8307005	37	LOCKWASHER, 3/8	
8	8303621	12	HEX HD CAPSCREW, 3/8-16X1.50, (Loctite and torque to 31 lb-ft)	
9	8303681	14	HEX HD CAPSCREW, 3/8-16X3/4, (Loctite and torque to 31 lb-ft)	
10	0100011	AR	LOCTITE 242, (apply to items 8, 9 & 13)	
11	7096882	2	SPACER, WEAR PAD, .62	
12	7096702	3	SPACER, WEAR PAD, .50	
13	8303620	11	HEX HD CAPSCREW, 3/8-16X1.00, (Loctite and torque to 31 lb-ft)	
14	7079572	11	WEAR PAD	
15	7116733	1	HOSE PULLEY ASSY, (includes items 101 thru 112)	C
101	7116812	4	ROVER PULLEY	
102	7116642	5	DIVIDER	
103	7116652	1	BRACKET, (right side)	
104	7116662	1	BRACKET, (left side)	
105	7116691	10	SPACER	
106	8310235	1	SHOULDER SCREW, 1/2X5	
107	8305645	2	LOCKNUT, 3/8-16	
108	8310209	1	HEX HD CAPSCREW, 1/2-13X6	
109	8305644	1	LOCKNUT, 1/2-13	
110	8307206	2	FLAT WASHER, 1/2	
111	8310245	1	SHOULDER SCREW, 1/2X4	
112	8307204	1	FLAT WASHER, 3/8	

SECTION 2 - BOOM

FIGURE 2-5. THIRD BOOM SECTION



PA4160

FIGURE 2-5. THIRD BOOM SECTION

ITEM	PART NUMBER	QTY	DESCRIPTION	REV
1	7117113	1	THIRD BOOM SECTION	
2	8303679	6	HEX HD CAPSCREW, 3/8-16X1-3/4, (Loctite and torque to 31 lb-ft)	
3	8307005	16	LOCKWASHER, 3/8	
4	7082311	16	INSERT, WEAR PAD	
5	7111572	2	WEAR PAD	
6	7096882	2	SPACER, WEAR PAD, .62	
7	7082362	AR	SHIM, WEAR PAD, .13	
8	7082342	AR	SHIM, WEAR PAD, .07	
9	7096702	1	SPACER, WEAR PAD	
10	8303675	2	HEX HD CAPSCREW, 3/8-16X1.25, (Loctite and torque to 31 lb-ft)	
11	8303681	8	HEX HD CAPSCREW, 3/8-16X3/4, (Loctite and torque to 31 lb-ft)	
12	8307204	8	FLAT WASHER, 3/8	
13	7095312	2	QUICK ATTACH PIVOT BUSHING	
14	8520021	1	LUBE FITTING, 45, 1/8	
15	8520013	3	LUBE FITTING, STRAIGHT, 1/8	
16	8305644	1	HEX LOCKNUT, 1/2-13	
17	7083992	1	ATTACHMENT TILT CYLINDER PIN, (rod end)	
18	8305643	1	HEX LOCKNUT, 5/8-11	
19	7095352	1	QUICK ATTACH PIVOT PIN	
20	8303666	1	HEX HD CAPSCREW, 5/8-11X5	
21	7095522	1	ATTACHMENT TILT CYLINDER PIN, (base end)	
22	8642224	2	RETAINING RING, 2IN DIA	
23	8303772	1	HEX HD CAPSCREW, 1/2-13X5	
24	0100011	AR	LOCTITE 242, (apply to items 2, 10 & 11)	
25	7125811	1	PLASTIC CONDUIT, 3/4X8.00	
26	8307918	2	WASHER, SHIM 2.00X3.50X0.134	
27	8310093	AR	WASHER, SHIM 2.00X3.50X0.75	
28	8307904	AR	WASHER, SHIM 2.00X3.50X0.048	
29	8522012	AR	ANTI-SEIZE LUBE, (apply to items 17, 19 & 21)	
30		Ref	ATTACHMENT TILT CYLINDER, (See HYDRAULIC COMPONENTS SECTION for Breakdown)	
31	7079572	5	WEAR PAD	

SECTION 2 - BOOM

FIGURE 2-6. QUICK ATTACH

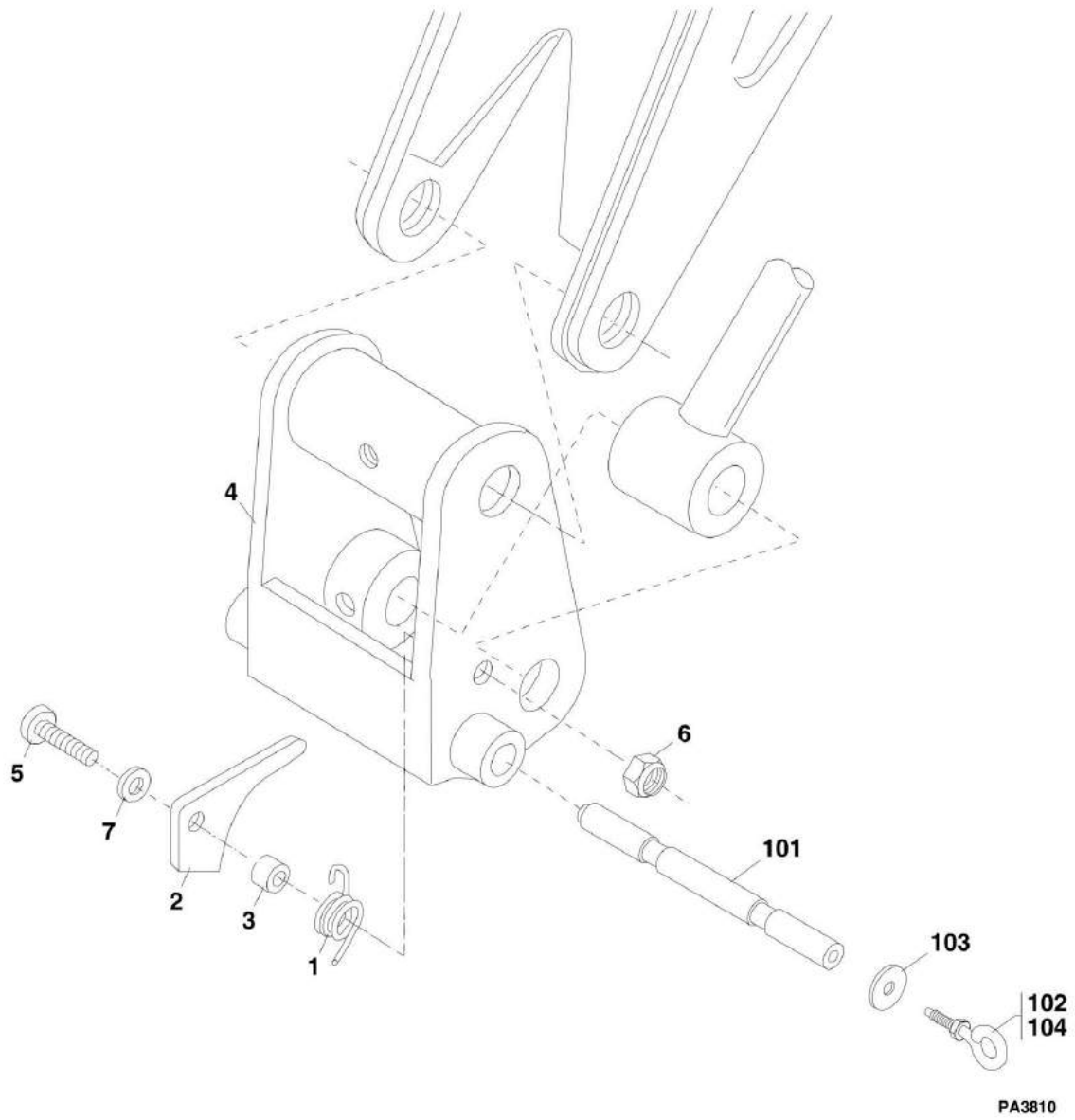
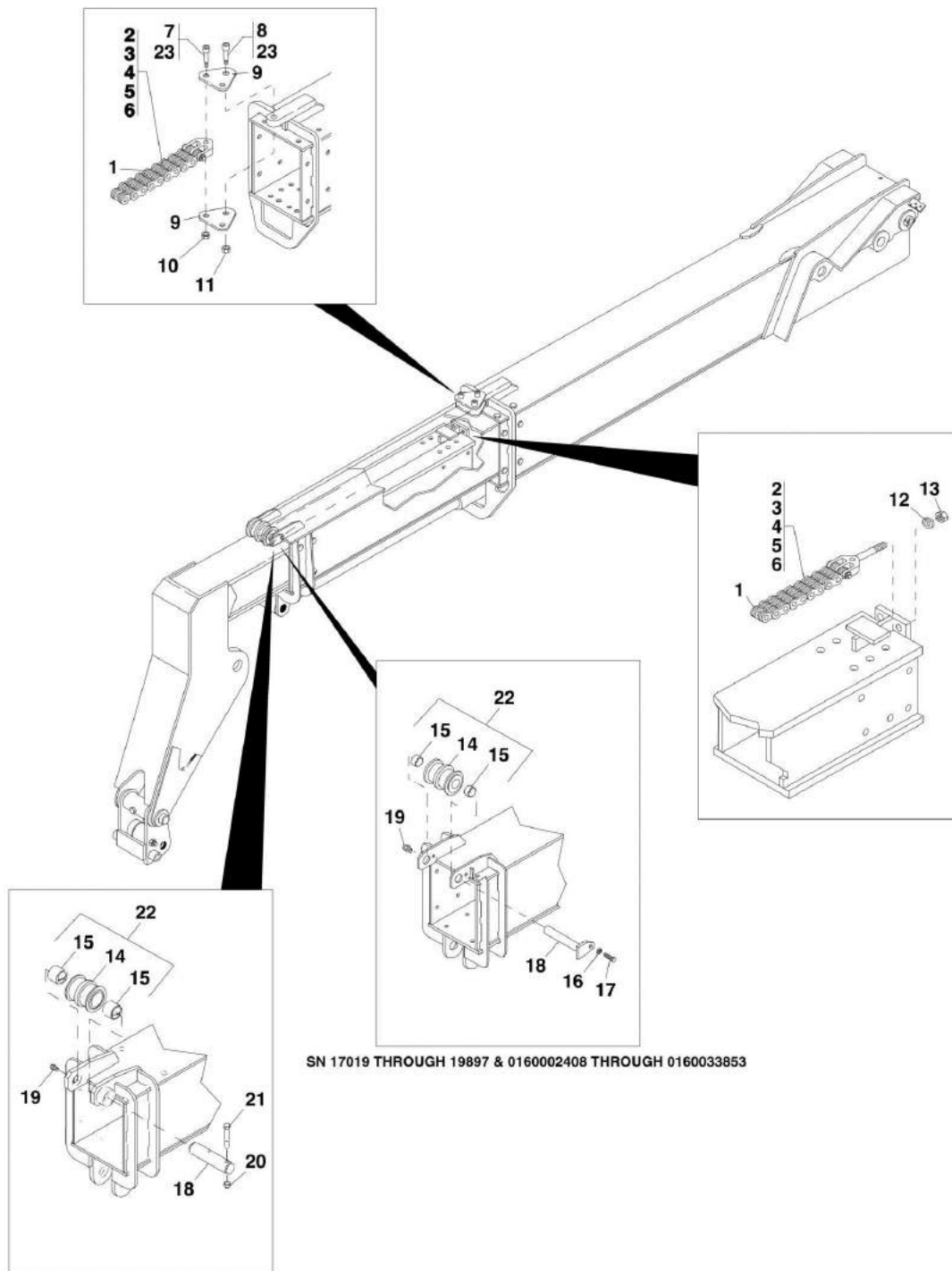


FIGURE 2-6. QUICK ATTACH

ITEM	PART NUMBER	QTY	DESCRIPTION	REV
	7139864	1	QUICK ATTACH ASSY, (includes items 1 thru 7)	B
1	7085552	1	TORSION SPRING	
2	7085562	1	LATCH	
3	7085571	1	SPACER	
4	7139863	1	QUICK ATTACH	
5	8303638	1	HEX HD CAPSCREW, 3/4-10X2-3/4	
6	8305619	1	HEX LOCKNUT, 3/4-10	
7	8307104	1	FLAT WASHER, 3/4	
	7118892	1	LOCK PIN ASSY, (includes items 101 thru 104)	B
101	7118882	1	PIN	
102	8310266	1	SHANK BOLT EYE, 1/2-13X2	
103	8310276	1	FLAT WASHER, .51X1.88X.125	
104	0100011	AR	LOCTITE 242, (apply to item 102)	

SECTION 2 - BOOM

FIGURE 2-7. BOOM EXTEND CHAINS



SN 17019 THROUGH 19897 & 0160002408 THROUGH 0160033853

SN 0160033854 TO PRESENT

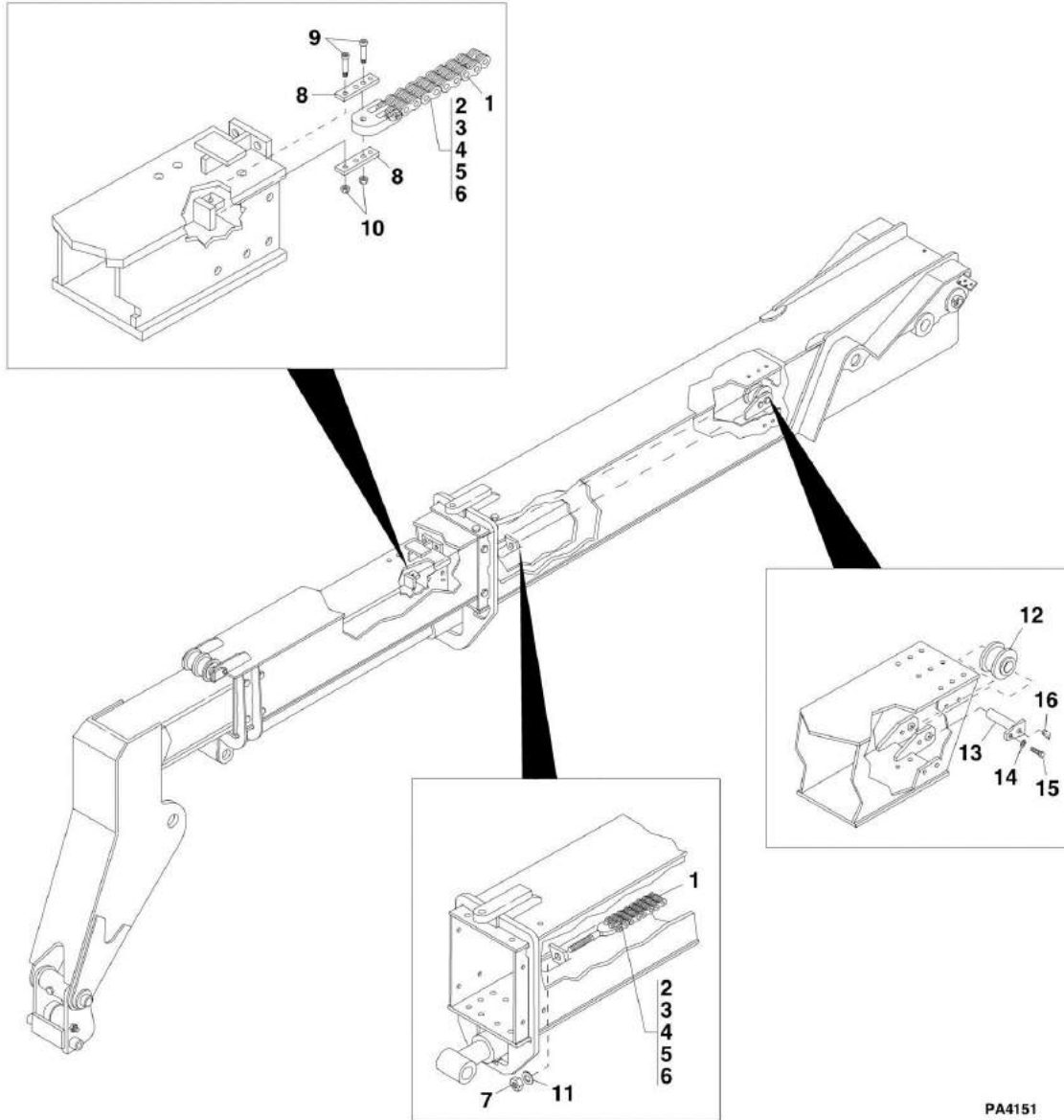
PAP11110

FIGURE 2-7. BOOM EXTEND CHAINS

ITEM	PART NUMBER	QTY	DESCRIPTION	REV
	7139690	2	EXTEND CHAIN AND CLEVIS ASSY, (includes items 1 thru 6)	B
1	8127022	2	EXTEND CHAIN, 195.25 LG	
2	7139416	2	FEMALE ANCHOR CLEVIS	
3	7139032	2	FEMALE ANCHOR CLEVIS	
4	8124138	4	CHAIN CLEVIS PIN	
5	8642237	8	RETAINING RING	
6	8522012	2	ANTI-SEIZE LUBE, (apply to item 4)	
7	8310019	2	SHOULDER BOLT, 1/2X1-1/2X3/8-16	
8	8310020	1	SHOULDER BOLT, 5/8X1-1/2X1/2-13	
9	7139180	2	EXTEND CHAIN YOKE	
10	8305645	2	HEX LOCKNUT, 3/8-16	
11	8305644	1	HEX LOCKNUT, 1/2-13	
12	8307104	2	FLAT WASHER, 3/4	
13	8305646	2	HEX LOCKNUT, 3/4-16	
14	7114112	1	EXTEND CHANGE SHEAVE	
15	7126662	2	CHAIN SHEAVE BUSHING	
16	8307007	1	LOCKWASHER, 1/2 (SN 17019 through 19897, SN 0160002408 through 0160033853)	
17	8303624	1	HEX HD CAPSCREW, 1/2-13X1 (SN 17019 through 19897, SN 0160002408 through 0160033853)	
18	7117572	1	EXTEND CHAIN SHEAVE PIN (SN 17019 through 19897, SN 0160002408 through 0160033853)	
18	1001097735	1	EXTEND CHAIN SHEAVE PIN (SN 0160033854 to Present)	
19	8520001	1	STRAIGHT LUBE FITTING, 1/8	
20	8305643	1	HEX LOCKNUT, 5/8-11 (SN 0160033854 to Present)	
21	8303634	1	HEX HD CAPSCREW, 5/8-11X4 (SN 0160033854 to Present)	
22	1001101845	1	SHEAVE INSTALLATION, (includes items 14 & 15) (SN 0160034635 to Present)	
23	8526406	AR	VARNISH SEALANT, (apply to items 7 & 8)	

SECTION 2 - BOOM

FIGURE 2-8. BOOM RETRACT CHAIN



PA4151

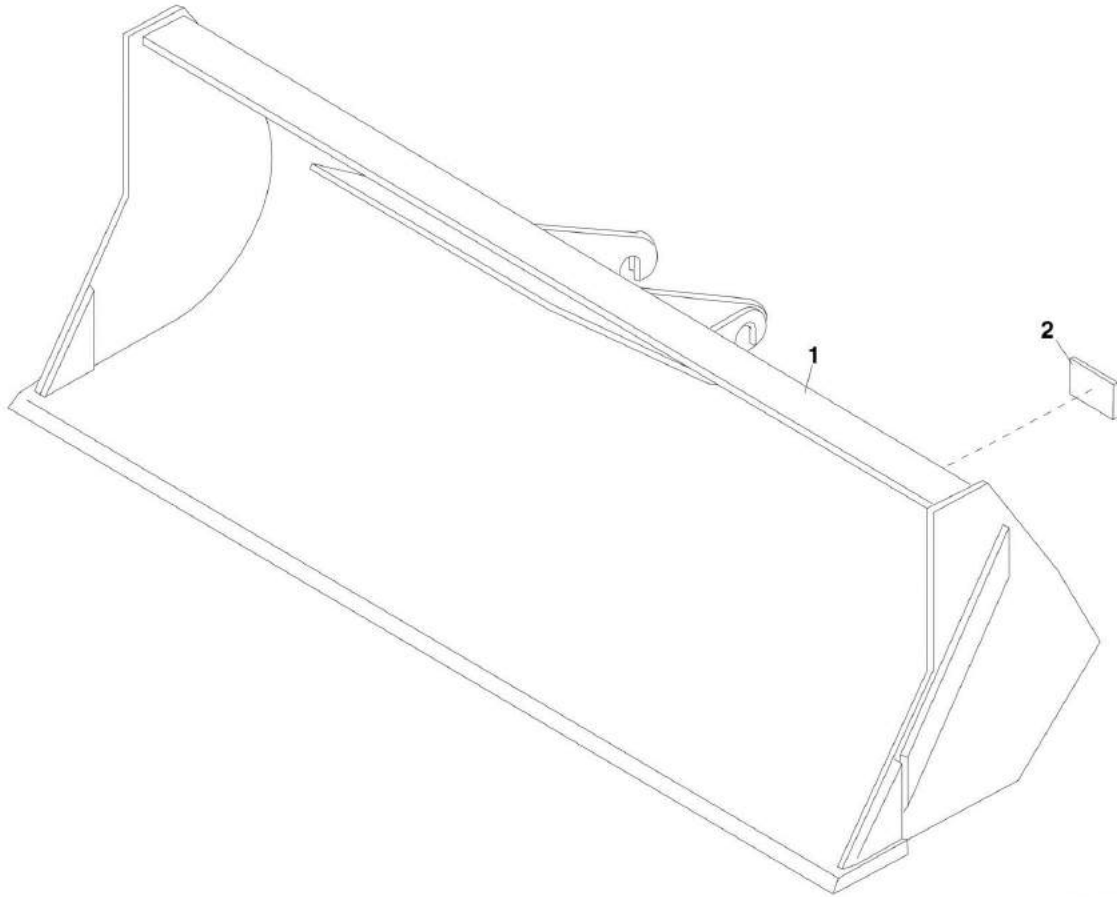
FIGURE 2-8. BOOM RETRACT CHAIN

ITEM	PART NUMBER	QTY	DESCRIPTION	REV
	7139692	1	RETRACT CHAIN AND CLEVIS ASSY, (includes items 1 thru 6)	B
1	7139032	1	FEMALE ANCHOR CLEVIS	
2	7139416	1	FEMALE ANCHOR CLEVIS	
3	8124138	2	CHAIN CLEVIS PIN	
4	8127024	1	RETRACT CHAIN, 164.25	
5	8522012	AR	ANTI-SEIZE LUBE, (apply to item 3)	
6	8642237	4	RETAINING RING	
7	8305646	1	HEX LOCKNUT, 3/4-16	
8	7117031	2	CHAIN ANCHOR LINK	
9	8310019	2	SHOULDER BOLT, 1/2X1-1/2X3/8-16	
10	8305645	2	LOCKNUT, 3/8-16	
11	8307104	1	FLAT WASHER, 3/4	
12	7138986	1	RETRACT CHAIN SHEAVE, (includes bushings)	
13	7138977	1	RETRACT CHAIN SHEAVE PIN	
14	8307007	1	LOCKWASHER, 1/2	
15	8303624	1	HEX HD CAPSCREW, 1/2-13X1	
16	8520003	1	LUBE FITTING, 90, 1/8	

SECTION 3 - ATTACHMENTS

SECTION 3 - ATTACHMENTS

FIGURE 3-1. UTILITY BUCKET



PA3880

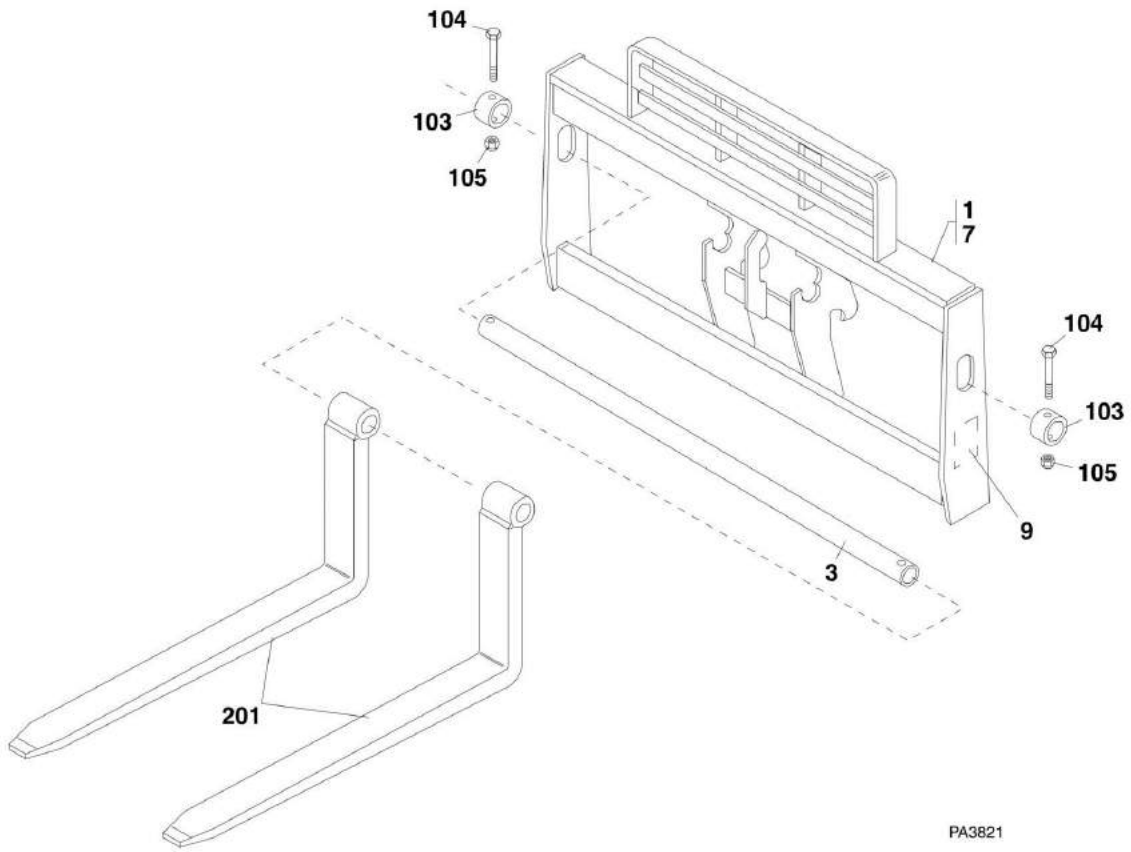
SECTION 3 - ATTACHMENTS

FIGURE 3-1. UTILITY BUCKET

ITEM	PART NUMBER	QTY	DESCRIPTION	REV
1	7110744	1	UTILITY BUCKET, 1-1/4 YD ³ , (includes item 2) (Prior to SN 0160037788)	E
1	1001100822	1	72IN BUCKET, 1.0 YD ³ , (includes item 2) (SN 0160037788 to Present)	B
1	1001100823	1	96IN BUCKET, 1.5 YD ³ , (includes item 2) (SN 0160037788 to Present)	B
1	1001100824	1	102IN BUCKET, 2.0 YD ³ , (includes item 2) (SN 0160037788 to Present)	B
2	N.S.S.	1	SN PLATE	

SECTION 3 - ATTACHMENTS

FIGURE 3-2. TILT CARRIAGE (SN 17019 through 19897, SN 016002408 through 0160034148)



PA3821

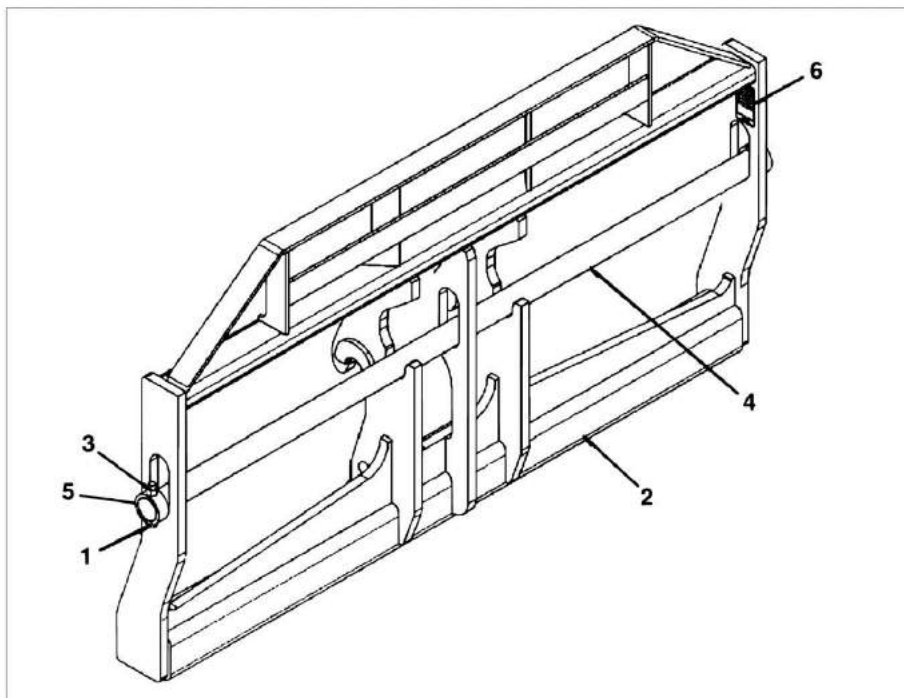
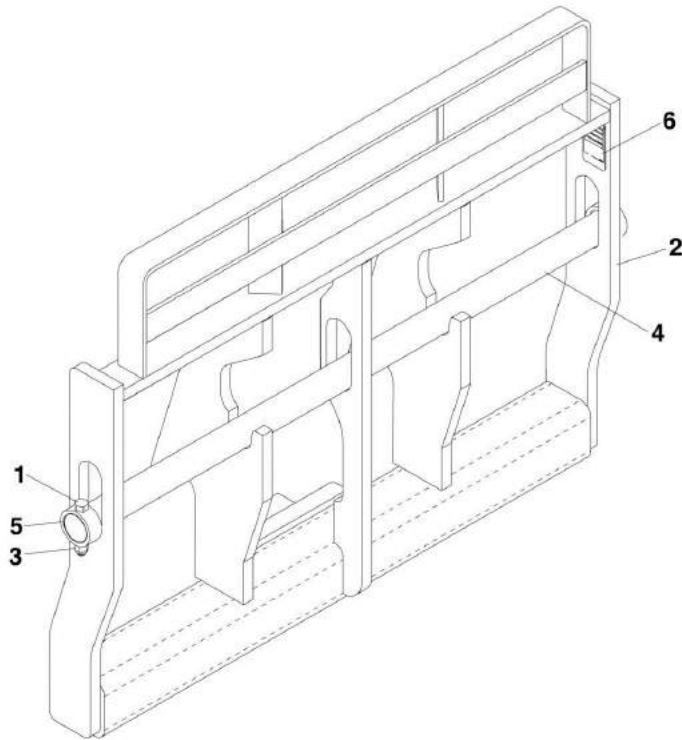
SECTION 3 - ATTACHMENTS

FIGURE 3-2. TILT CARRIAGE (SN 17019 through 19897, SN 0160002408 through 0160034148)

ITEM	PART NUMBER	QTY	DESCRIPTION	REV
	6040500	1	48IN CARRIAGE, (includes items 1 thru 9)	6
	6040600	1	60IN CARRIAGE, (includes items 1 thru 9)	4
	6040700	1	72IN CARRIAGE, (includes items 1 thru 9)	5
1	N.S.S.	1	CARRIAGE	
3	7128772	1	FORK PIVOT SHAFT, (48in carriage)	
3	90451058	1	FORK PIVOT SHAFT, (50in carriage)	
3	7128792	1	FORK PIVOT SHAFT, (60in carriage)	
3	90551013	1	FORK PIVOT SHAFT, (72in carriage)	
7	7118993	NLA	STANDARD CARRIAGE ASSY, (no longer available, see items 103 thru 105 for service)	G
9	N.S.S.	1	SN PLATE	
103	90200003	2	COLLAR	
104	8303634	2	HEX HD CAPSCREW, 5/8-11X4	
105	8305643	2	HEX LOCKNUT, 5/8-11	
201		Ref	FORKS, (See FORKS for Breakdown)	

SECTION 3 - ATTACHMENTS

FIGURE 3-3. TILT CARRIAGE (SN 0160034161 to Present)



SN 0160043196 TO PRESENT INCLUDING 0160042736, 0160042742, 0160042747, 0160042755

PAP9350

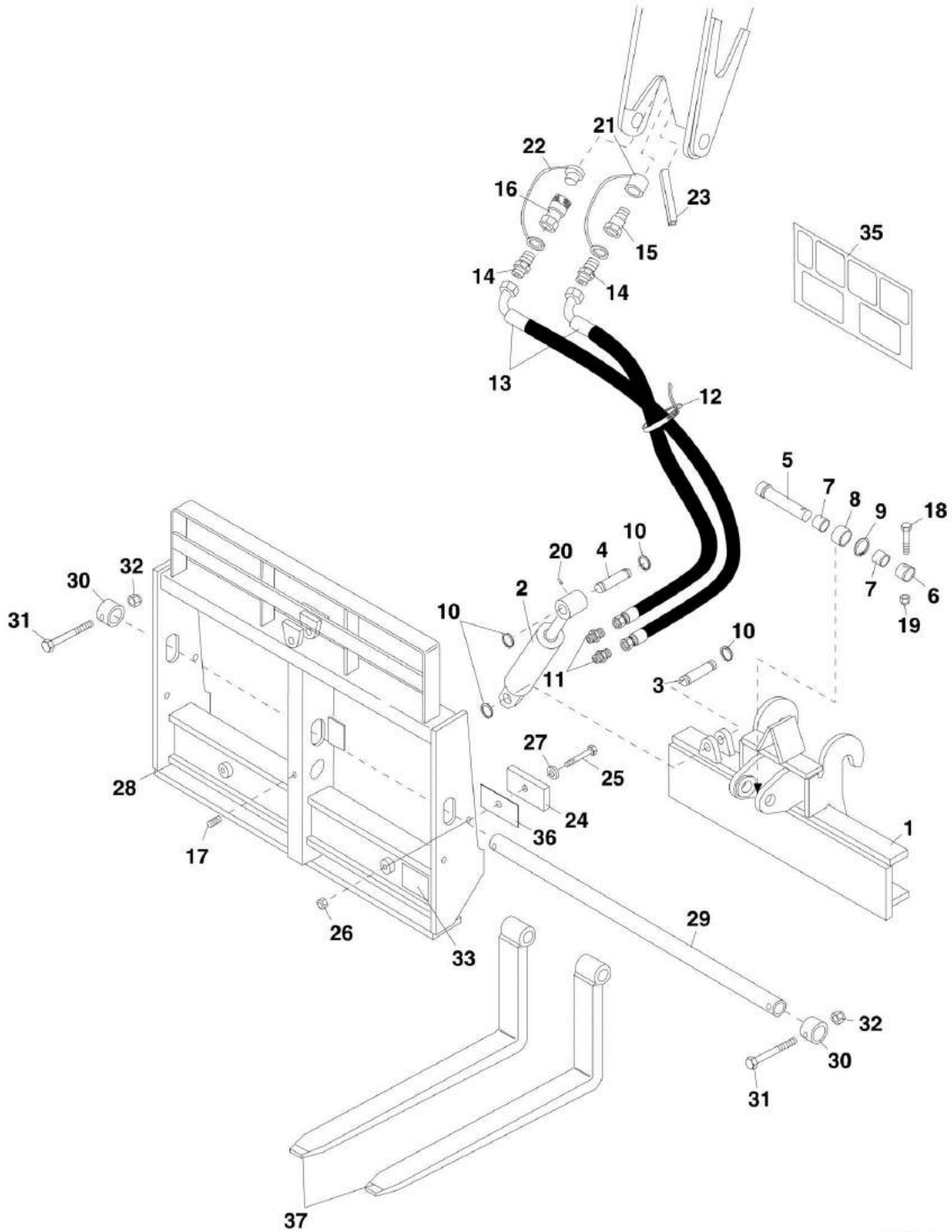
SECTION 3 - ATTACHMENTS

FIGURE 3-3. TILT CARRIAGE (SN 0160034161 to Present)

ITEM	PART NUMBER	QTY	DESCRIPTION	REV
	1170021	1	50IN TILT CARRIAGE, (includes items 1 thru 6)	D
	1170024	1	60IN TILT CARRIAGE, (includes items 1 thru 6)	D
	1170027	1	72IN TILT CARRIAGE , (includes items 1 thru 6) (Prior to SN 0160043196, Excluding 0160042736, 0160042742, 0160042747 and 0160042755)	E
	1001132514	1	72IN TILT CARRIAGE , (includes items 1 thru 6) (SN 0160043196 to Present, Including 0160042736, 0160042742, 0160042747 and 0160042755)	A
1	0642032	2	HEX HD CAPSCREW, 5/8-11X4, GR5	
2	N.S.S.	1	TILT CARRIAGE	
3	3300240	2	LOCKNUT, 5/8-11	
4	3423275	1	50IN FORK PIN	
4	3423242	1	60IN FORK PIN	
4	3423276	1	72IN FORK PIN	
5	90200003	2	COLLAR	
6	N.S.S.	1	SN PLATE	

SECTION 3 - ATTACHMENTS

FIGURE 3-4. SIDE TILT CARRIAGE (Prior to SN 0160037788)



PA3851

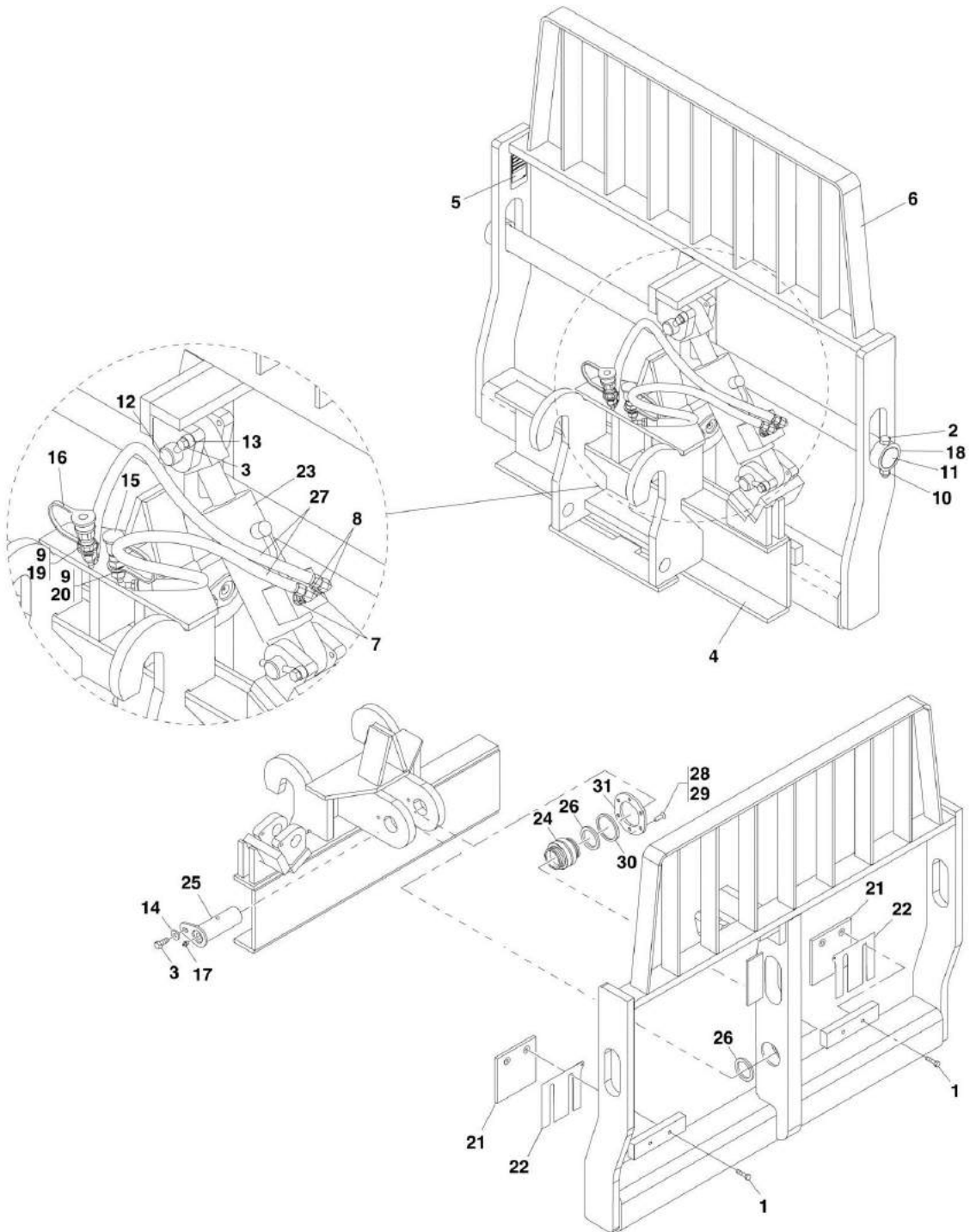
SECTION 3 - ATTACHMENTS

FIGURE 3-4. SIDE TILT CARRIAGE (Prior to SN 0160037788)

ITEM	PART NUMBER	QTY	DESCRIPTION	REV
	7117214	1	SIDE TILT CARRIAGE ASSY, (includes items 1 thru 36)	N
1	7117204	1	PIVOT BASE	
2		Ref	SIDE TILT CYLINDER, (See OPTIONS SECTION for Breakdown)	
3	7077501	1	CYLINDER BASE PIN	
4	7077511	1	CYLINDER ROD PIN	
5	7085411	1	PIVOT PIN	
6	7085501	1	PIN LOCKING COLLAR	
7	7077481	2	SPACER	
8	8065634	1	SELF ALIGN BUSHING	
9	8642001	1	SNAP RING	
10	8642235	4	SNAP RING	
11	2220371	2	STRAIGHT CONNECTOR	
12	8584001	1	TIE WRAP	
13	2711992	2	HOSE ASSY	
14	2220372	2	STRAIGHT CONNECTOR	
15	91403414	1	MALE QUICK DISCONNECT	
15	8640029	1	NOSE SEAL, (not shown)	
16	91403413	1	FEMALE QUICK DISCONNECT	
16	8640029	1	NOSE SEAL, (not shown)	
16	8640028	1	COUPLER BODY SEAL, (not shown)	
16	8640032	1	COUPLER BODY SEAL BACK-UP RING, (not shown)	
17	88671001	1	GREASE FITTING	
18	8303770	1	HEX HD CAPSCREW, 3/8-16X2-3/4	
19	8305645	1	HEX LOCKNUT, 3/8-16 ESNA	
20	8520013	2	LUBE FITTING	
21	8420053	1	DUST CAP, #8	
22	8420055	1	DUST PLUG, #8	
23	7125741	1	MOULDING	
24	7065482	2	WEAR PAD	
25	8303739	2	HEX HD CAPSCREW, 5/16-18X1-1/4	
26	8305626	2	HEX LOCKNUT, 5/16-18	
27	8307203	2	FLAT HEAVY WASHER	
28	7117244	1	48IN SIDE TILT CARRIAGE	
28	7300983	1	50IN SIDE TILT CARRIAGE	
28	7117254	1	60IN SIDE TILT CARRIAGE	
28	7117264	1	72IN SIDE TILT CARRIAGE	
29	7128772	1	FORK PIVOT SHAFT, (48in carriage)	
29	90451058	1	FORK PIVOT SHAFT, (50in carriage)	
29	7128792	1	FORK PIVOT SHAFT, (60in carriage)	
29	90551013	1	FORK PIVOT SHAFT, (72in carriage)	
30	90200003	2	COLLAR	
31	8303634	2	HEX HD CAPSCREW, 5/8-11X4	
32	8305643	2	HEX LOCKNUT, 5/8-11	
33	N.S.S.	1	SN PLATE	
35	4108232	1	CAPACITY CHART DECAL	
36	7070191	AR	SHIM	
37		Ref	FORKS, (See FORKS for Breakdown)	

SECTION 3 - ATTACHMENTS

FIGURE 3-5. SIDE TILT CARRIAGE (SN 0160037788 to Present)



PAP2970

SECTION 3 - ATTACHMENTS

FIGURE 3-5. SIDE TILT CARRIAGE (SN 0160037788 to Present)

ITEM	PART NUMBER	QTY	DESCRIPTION	REV
	1170054	1	50IN SIDE TILT CARRIAGE, (includes all items)	I
	1001101956	1	60IN SIDE TILT CARRIAGE, (includes all items)	J
	1170057	1	72IN SIDE TILT CARRIAGE, (includes all items)	I
1	0641612	4	HEX HD CAPSCREW, 3/8-16X1-1/2	
2	0642032	2	HEX HD CAPSCREW, 5/8-11X4	
3	0681810	3	HEX HD CAPSCREW, 1/2-13X1-1/4	
4	1001133072	1	CARRIAGE BASE	
5	N.S.S.	1	SN PLATE	
6	N.S.S.	1	SIDE TILT CARRIAGE	
7	2110606	2	CONNECTOR	
8	2172106	2	CONNECTOR, 90	
9	2110808	2	CONNECTOR	
10	3300240	2	LOCK NUT, 5/8-11	
11	3423275	1	50IN FORK PIN	
11	3423242	1	60IN FORK PIN	
11	3423276	1	72IN FORK PIN	
12	3423307	2	PIN	
13	3841203	2	KEEPER	
14	4891800	1	WASHER, 1/2	
15	8420053	1	DUST CAP	
16	8420055	1	DUST PLUG	
17	88671001	1	GREASE FITTING	
18	90200003	2	COLLAR	
19	91403413	1	CONNECTOR	
20	91403414	1	CONNECTOR	
21	1001090063	2	WEAR PAD	
22	1001090064	AR	SHIM	
23		Ref	HYDRAULIC CYLINDER, (See HYDRAULIC COMPONENTS SECTION for Breakdown)	
24	1001090140	1	BEARING	
25	1001099113	1	PIN	
26	1001099115	2	SLEEVE	
27	1001102378	2	HOSE ASSY, 3/8X39	
28	0100011	AR	LOCTITE 242	
29	0741610	6	FLAT HEAD SOCKET SCREW, 3/8-16	
30	1001120914	1	BEARING RETAINER SHIM	
31	1001120915	1	BEARING RETAINER PLATE	

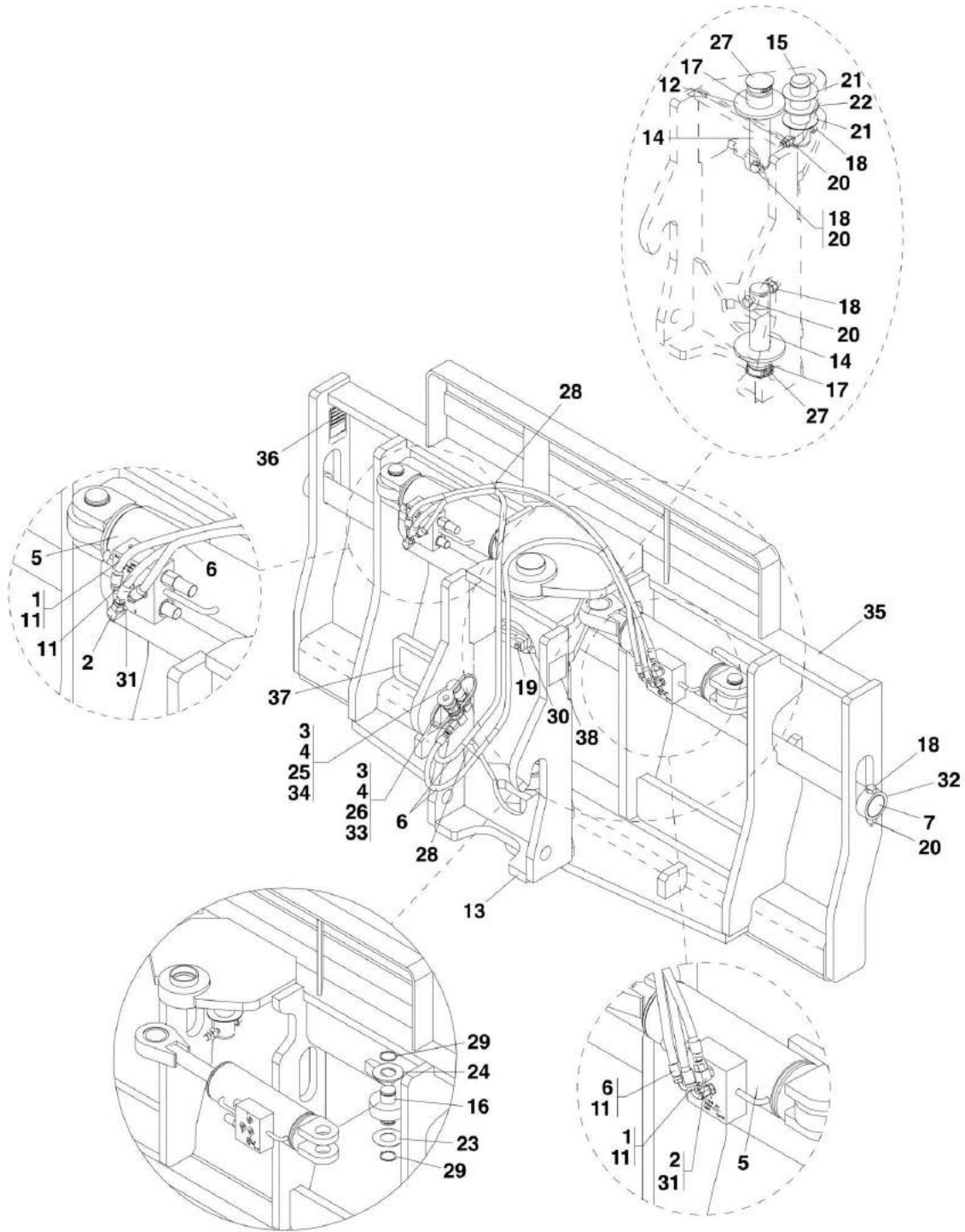
SECTION 3 - ATTACHMENTS

FIGURE 3-6. SWING CARRIAGE (Prior to SN 0160037788)

ITEM	PART NUMBER	QTY	DESCRIPTION	REV
	7125800	1	72IN SWING CARRIAGE ASSY, (includes items 1 thru 42)	
1	7110494	1	PIVOT BASE	
2	7110694	1	72IN CARRIAGE	
3		Ref	SWING CARRIAGE CYLINDER, (See OPTIONS SECTION for Breakdown)	
4	90551013	1	FORK PIVOT SHAFT	
5	90200003	2	COLLAR	
6	7110702	2	CARRIAGE PIVOT PIN	
7	7110712	1	CYLINDER PIVOT PIN, (rod end)	
8	7110722	2	CYLINDER PIVOT PIN, (base end)	
9	8307918	AR	SHIM, 2 I.D.X10GA	
10	8307904	AR	SHIM, 2 I.D.X18GA	
11	8310161	AR	SHIM, 1-1/2 I.D.X10GA	
12	8310160	AR	SHIM, 1-1/2 I.D.X18GA	
13	7062922	1	THRUST BEARING	
14	8303634	5	HEX HD CAPSCREW, 5/8-11X4	
15	8305643	5	HEX LOCKNUT, 5/8-11	
16	8642207	4	RETAINING RING	
17	8065062	2	SELF LUBE BEARING	
18	6604662	2	HOSE ASSY	
19	2717287	2	HOSE ASSY	
20	91403413	1	FEMALE QUICK DISCONNECT	
20	8640029	1	SEAL NOSE, (not shown)	
20	8640028	1	COUPLER BODY SEAL, (not shown)	
20	8640032	1	COUPLER BODY SEAL BACK-UP RING, (not shown)	
21	91403414	1	MALE QUICK DISCONNECT	
21	8640029	1	NOSE SEAL, (not shown)	
22	8420053	1	DUST CAP, #8	
23	8420055	1	DUST PLUG, #8	
24	2220628	2	ELBOW, 90	
25	2220415	4	STRAIGHT CONNECTOR	
26	2220473	1	ELBOW, 90	
27	4107692	2	CAPACITY CHART DECAL	
28	4107702	1	TIP OVER HAZARD, DANGER DECAL	
30	2220609	2	TUBE END REDUCER, 6-4	
31	N.S.S.	1	SN PLATE	
33	2220775	1	ELBOW, 90	
34	8770016	1	REDUCER	
35	8584001	5	TIE WRAP	
36	8769132	2	CLAMP HALF	
37	6608621	1	CLAMP COVER	
38	8303715	3	HEX HD CAPSCREW, 5/16-18X1-1/2	
39	4107712	1	NO TRUSS BOOM DANGER DECAL	
40	8580315	2	TRIM PLUG, 2-1/2 DIA	
42	4110473	1	HOSE ROUTING DECAL	
43		Ref	FORKS, (See FORKS for Breakdown)	

SECTION 3 - ATTACHMENTS

FIGURE 3-7. SWING CARRIAGE (SN 0160037788 to Present)



PAP3360

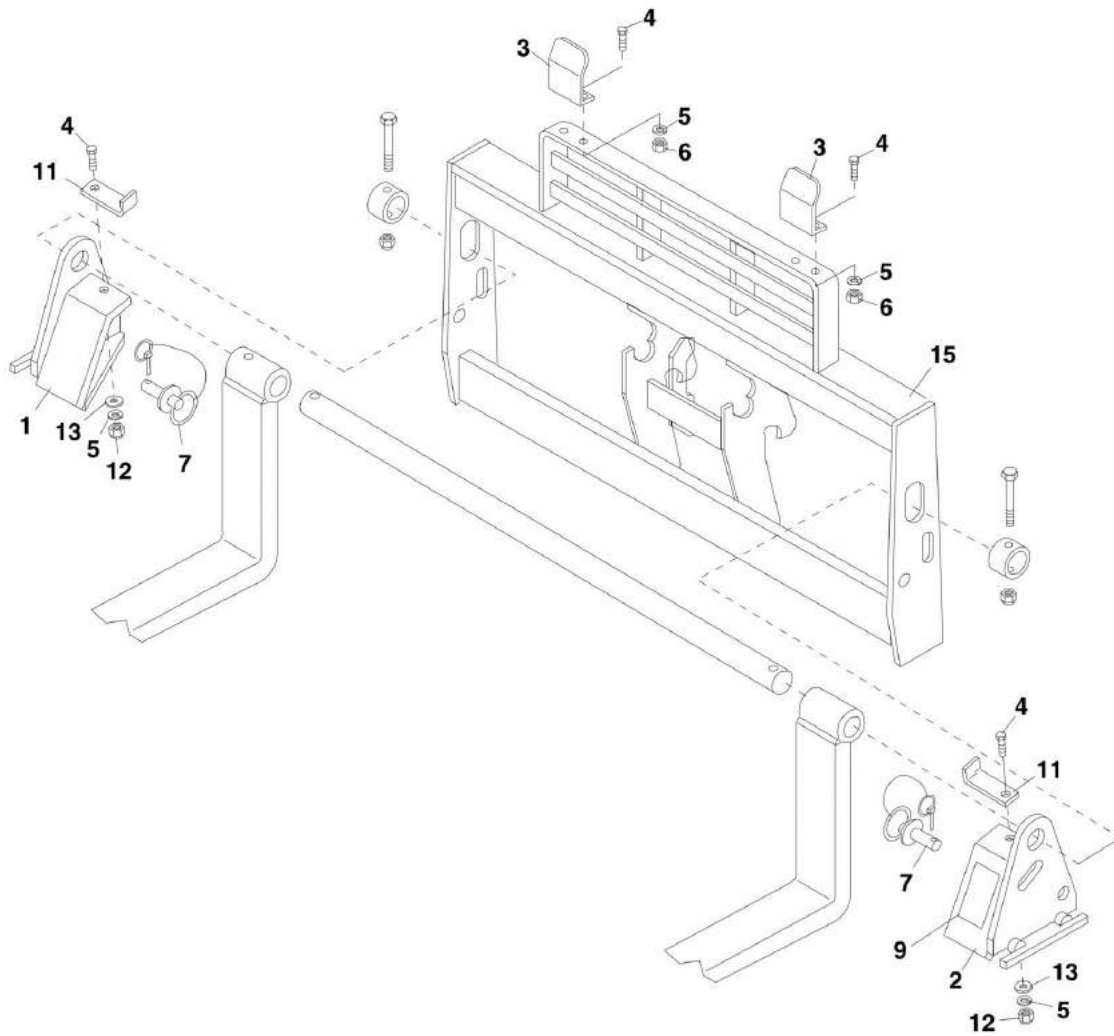
SECTION 3 - ATTACHMENTS

FIGURE 3-7. SWING CARRIAGE (SN 0160037788 to Present)

ITEM	PART NUMBER	QTY	DESCRIPTION	REV
	1001095418	1	90, SWING CARRIAGE, 72IN, (includes all items)	K
1	2220415	4	CONNECTOR	
2	2220473	2	CONNECTOR, 90	
3	2220609	2	CONNECTOR	
4	2220628	2	CONNECTOR, 90	
5		Ref	SWING CYLINDER, (See HYDRAULIC COMPONENTS SECTION for Breakdown)	
6	2717287	2	HOSE ASSY, 1/4X58	
7	3423276	1	PIN	
11	6604662	2	HOSE ASSY, 1/4X40.5	
12	7062922	1	WASHER	
13	N.S.S.	1	PIVOT WELDMENT	
14	7110702	2	PIVOT PIN	
15	7110712	1	PIN	
16	7110722	2	PIN	
17	8065062	2	BUSHING	
18	8303634	5	HEX HD CAPSCREW, 5/8-11X4, GR5	
19	8303715	3	HEX HD CAPSCREW, 5/16-18X1.5, GR5	
20	8305643	5	HEX NUT, 5/8-11	
21	8307904	AR	SHIM	
22	8307918	AR	SHIM	
23	8310160	AR	SHIM	
24	8310161	AR	SHIM	
25	8420053	1	DUST CAP	
26	8420055	1	DUST PLUG	
27	8580315	2	PLUG	
28	8584001	5	TIE WRAP	
29	8642207	4	RETAINING RING	
30	8769132	2	CLAMP	
31	8770016	2	CONNECTOR	
32	90200003	2	COLLAR	
33	91403413	1	CONNECTOR	
34	91403414	1	CONNECTOR	
35	N.S.S.	1	CARRIAGE FRAME	
36	N.S.S.	1	SN PLATE	
37	1706850	1	WARNING CRUSH HAZARD DECAL, (ANSI)	
37	1001092877	1	WARNING CRUSH HAZARD DECAL, (ISO)	
38	1001111190	1	WARNING DECAL	

SECTION 3 - ATTACHMENTS

FIGURE 3-8. SHEET MATERIAL HANDLER (Prior to SN 0160037788)



PAP11140

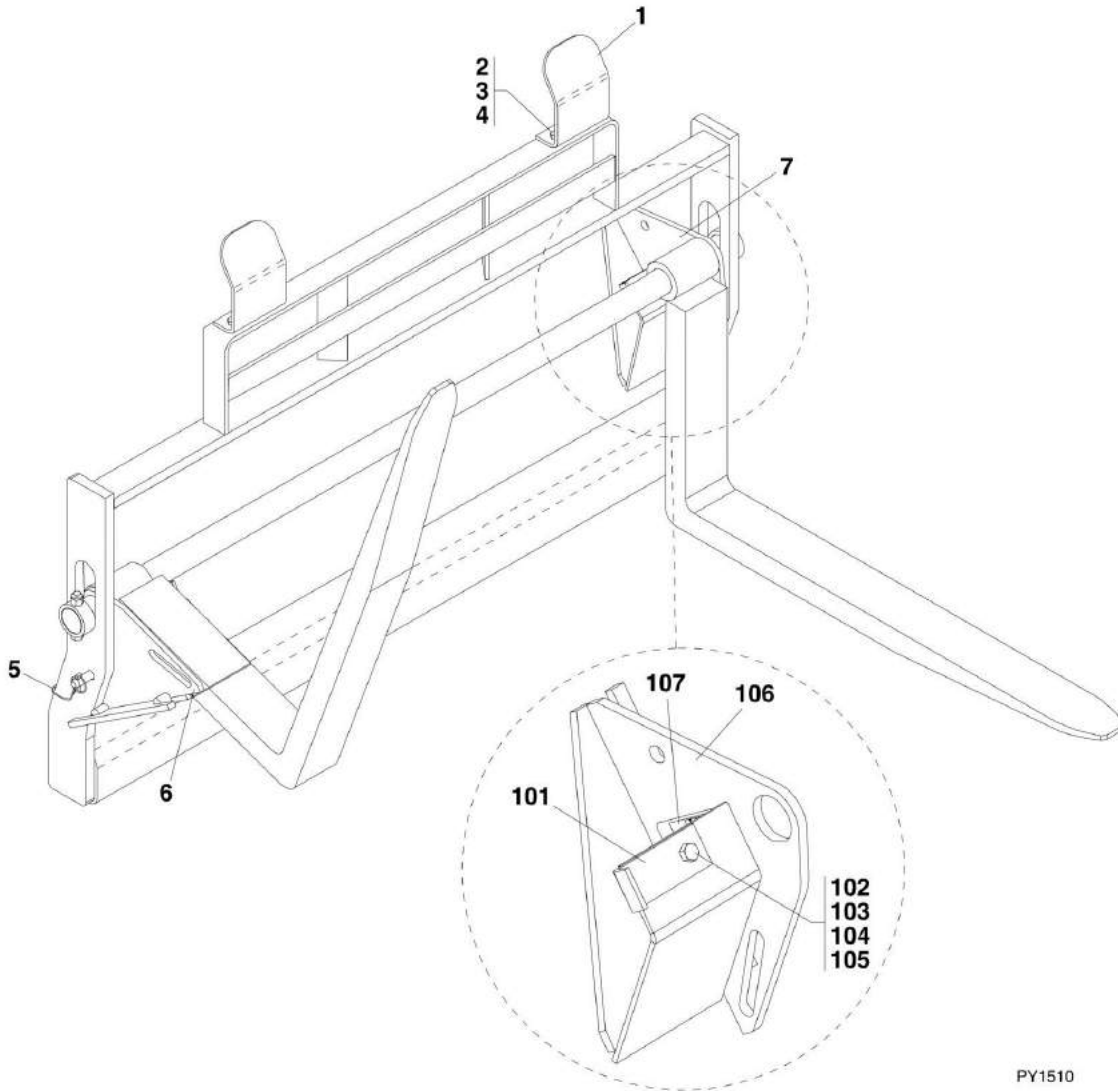
SECTION 3 - ATTACHMENTS

FIGURE 3-8. SHEET MATERIAL HANDLER (Prior to SN 0160037788)

ITEM	PART NUMBER	QTY	DESCRIPTION	REV
	7129300	1	SHEET MATERIAL HANDLER WITH 72IN SWING CARRIAGE ASSY, (includes items 1 thru 13)	
	7112704	1	SHEET MATERIAL HANDLER WITH 72IN SWING CARRIAGE ASSY, (includes items 1 thru 13)	E
1	7112533	1	RIGHT SIDE FORK SUPPORT	
2	7112523	1	LEFT SIDE FORK SUPPORT	
3	7112642	2	BACKREST EXTENSION	
4	8303626	6	HEX HD CAPSCREW, 1/2-13X1-1/2	
5	8307007	6	LOCKWASHER, 1/2	
6	8305012	4	HEX NUT, 1/2-13	
7	8301456	2	HITCH PIN	
9	N.S.S.	2	CAPACITY/ SN PLATE	
11	7114941	2	LOCK BAR	
12	8305644	2	HEX LOCKNUT, 1/2-13	
13	8307112	2	FLAT WASHER, 1/2	
15		Ref	72IN SWING CARRIAGE, (See SWING CARRIAGE for Breakdown)	

SECTION 3 - ATTACHMENTS

FIGURE 3-9. SHEET MATERIAL HANDLER (SN 0160037788 to Present)



PY1510

SECTION 3 - ATTACHMENTS

FIGURE 3-9. SHEET MATERIAL HANDLER (SN 0160037788 to Present)

ITEM	PART NUMBER	QTY	DESCRIPTION	REV
	1001100227	1	SHEET MATERIAL HANDLER ASSY, (includes all items)	A
1	7112642	2	BACKREST EXTENSION	
2	8303626	4	HEX HD CAPSCREW, 1/2-13X1-1/2 GR5	
3	8305012	4	HEX NUT, 1/2-13	
4	8307007	4	LOCK WASHER, 1/2	
5	1001093377	2	HITCH PIN	
6	1001101115	1	FORK SUPPORT ASSY, R.H., (includes items 101 thru 107)	A
7	1001101116	1	FORK SUPPORT ASSY, L.H., (includes items 101 thru 107)	B
101	7114941	1	LOCK BAR	
102	8303626	1	HEX HD CAPSCREW, 1/2-13X1-1/2, GR5	
103	8305644	1	HEX LOCK NUT, 1/2-13	
104	8307007	1	LOCK WASHER, 1/2	
105	8307112	1	WASHER, 1/2	
106	1001100228	1	FORK SUPPORT, R.H.	
106	1001100229	1	FORK SUPPORT, L.H.	
107	N.S.S.	1	SN PLATE	

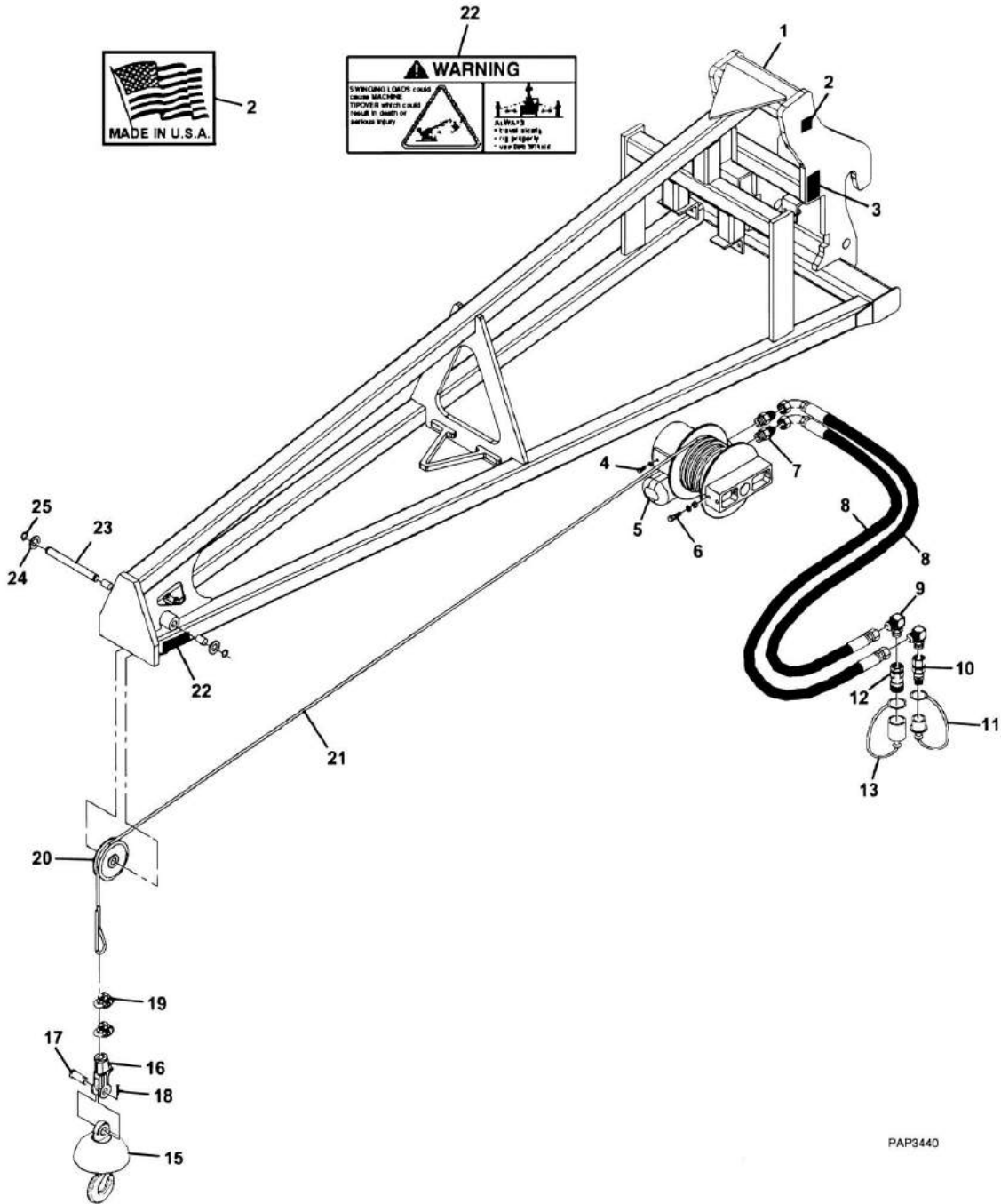
SECTION 3 - ATTACHMENTS

FIGURE 3-10. 3FT TRUSS BOOM WITH WINCH

ITEM	PART NUMBER	QTY	DESCRIPTION	REV
	7139608	1	3FT TRUSS BOOM WITH WINCH, (includes all items) (SN 17019 through 19897, SN 0160002408 through 0160034042)	G
	1001100967	1	3FT TRUSS BOOM WITH WINCH, (includes items 1 & 2) (SN 0160034043 to Present)	A
1	8380008	1	3FT TRUSS BOOM WITH WINCH, (includes items 102 thru 131)	
2	N.S.S.	1	CAPACITY/SN PLATE	
3	7301040	1	LOAD CHART BOOKLET, (Not Shown)	
102	70021921	1	WINCH	
103	90554042	4	LOCKWASHER, 3/8	
104	70021349	4	HEX HD CAPSCREW, 3/8X1	
105	70024059	2	HEX HD CAPSCREW, 1/2X1-3/4	
106	90554020	2	LOCKWASHER, 1/2	
107	90554054	2	HEX NUT, 1/2	
108	70022028	1	CABLE	
109	70021935	1	PULLEY	
110	70022529	1	PIN	
111	70024060	2	HARDENED FLAT WASHER	
112	70024061	2	SNAP RING	
113	70021979	1	SOCKET ASSY, (includes items 114 & 115)	
114	N.S.S.	1	PIN	
115	N.S.S.	1	COTTER PIN	
116	70022528	1	CLAMP	
117	70021978	1	BALL SWIVEL WITH SAFETY HOOK	
118	2220371	2	CONNECTOR	
119	70021977	2	HOSE ASSY, 3/8X32	
120	2220628	2	ELBOW, 90	
121	91403413	1	QUICK DISCONNECT COUPLER	
122	91043126	1	DUST CAP	
123	91403414	1	QUICK DISCONNECT NIPPLE	
124	91043125	1	DUST PLUG	
125	70021387	1	CLAMP	
126	70024062	2	CAPACITY DECAL	
127	70024063	4	ROTATING PART DECAL	
128	70024064	1	DO NOT TOW DECAL	
129	N.S.S.	1	SN PLATE	
130	90554018	1	WARNING HIGH PRESSURE DECAL	
131	90554016	1	MADE IN USA DECAL	

SECTION 3 - ATTACHMENTS

FIGURE 3-11. 12FT TRUSS BOOM WITH WINCH



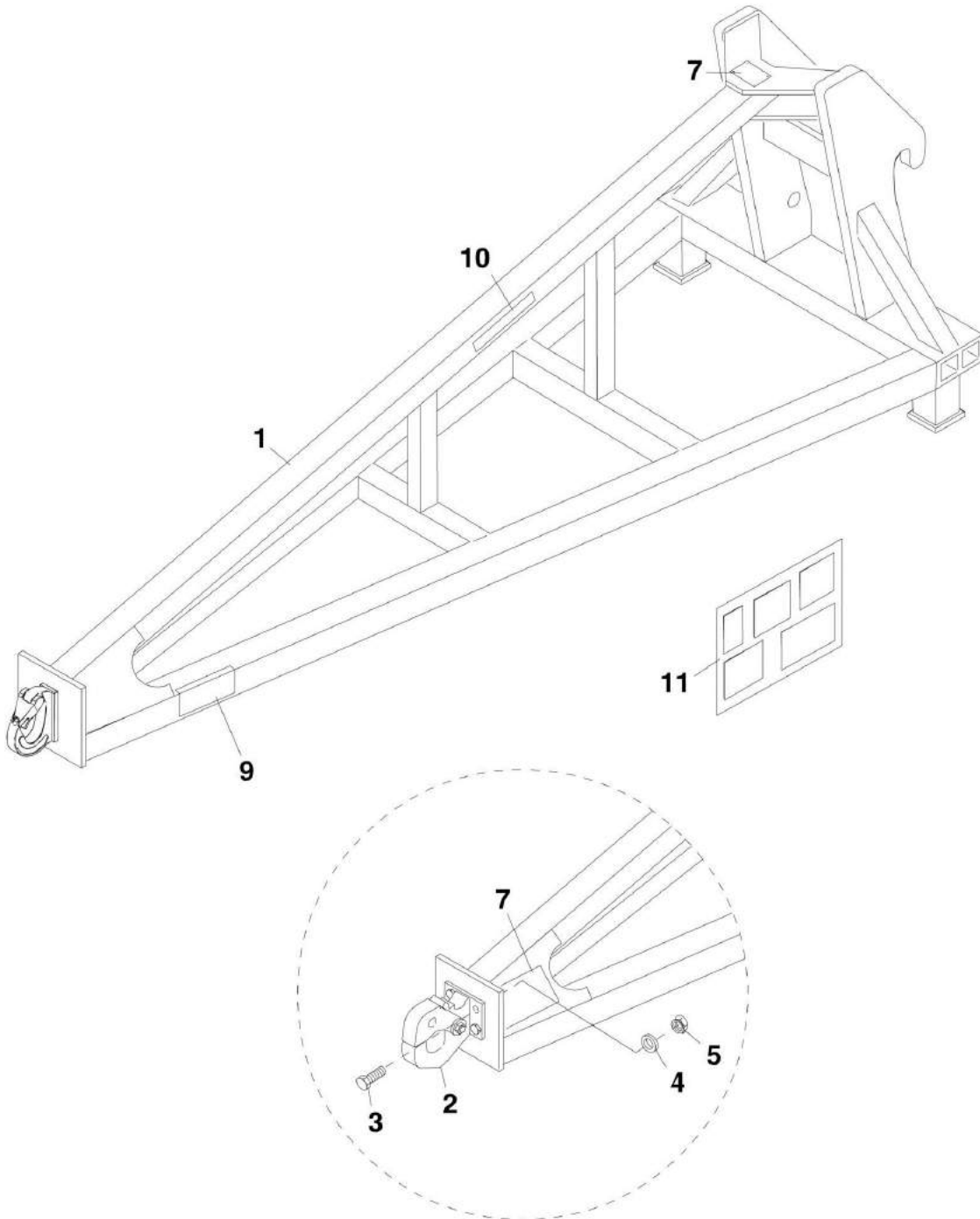
SECTION 3 - ATTACHMENTS

FIGURE 3-11. 12FT TRUSS BOOM WITH WINCH

ITEM	PART NUMBER	QTY	DESCRIPTION	REV
	1001099351	1	12FT TRUSS BOOM WITH WINCH, (includes all items)	F
1	N.S.S.	1	TRUSS BOOM FRAME	
2	90554016	1	MADE IN USA DECAL	
3	N.S.S.	1	SN PLATE	
4	70021349	4	HEX HD CAPSCREW, 3/8X1	
4	90554042	4	LOCK WASHER, 3/8	
5	70021921	1	TRUSS BOOM WINCH MOTOR	
6	N.S.S.	2	HEX HD CAPSCREW, 1/2X1.75	
6	90554020	2	LOCK WASHER, 1/2	
6	90554054	2	HEX NUT, 1/2	
7	70021415	2	CONNECTOR	
8	70021977	2	HOSE ASSY, 3/8X32	
9	N.S.S.	1	ELBOW, 90	
10	7029692	1	MALE QUICK COUPLER	
11	90554062	1	DUST CAP	
12	70021342	1	FEMALE QUICK COUPLER	
13	90554076	1	DUST COVER	
15	70021978	1	BALL SWIVEL WITH SAFETY HOOK	
16	70021979	1	SOCKET ASSY	
17	N.S.S.	1	PIN	
18	N.S.S.	1	COTTER PIN	
19	N.S.S.	1	CLAMP	
20	70021935	1	PULLEY	
21	70022028	1	CABLE	
22	4110422	2	WARNING SWINGING LOADS DECAL	
23	N.S.S.	1	PIN	
24	N.S.S.	2	FLAT WASHER, 1	
25	N.S.S.	2	SNAP RING	

SECTION 3 - ATTACHMENTS

FIGURE 3-12. TRUSS BOOM (Prior to SN 0160037788)



SN 17019 THROUGH 19897 & 0160002408 THROUGH 0160032261

PH4451

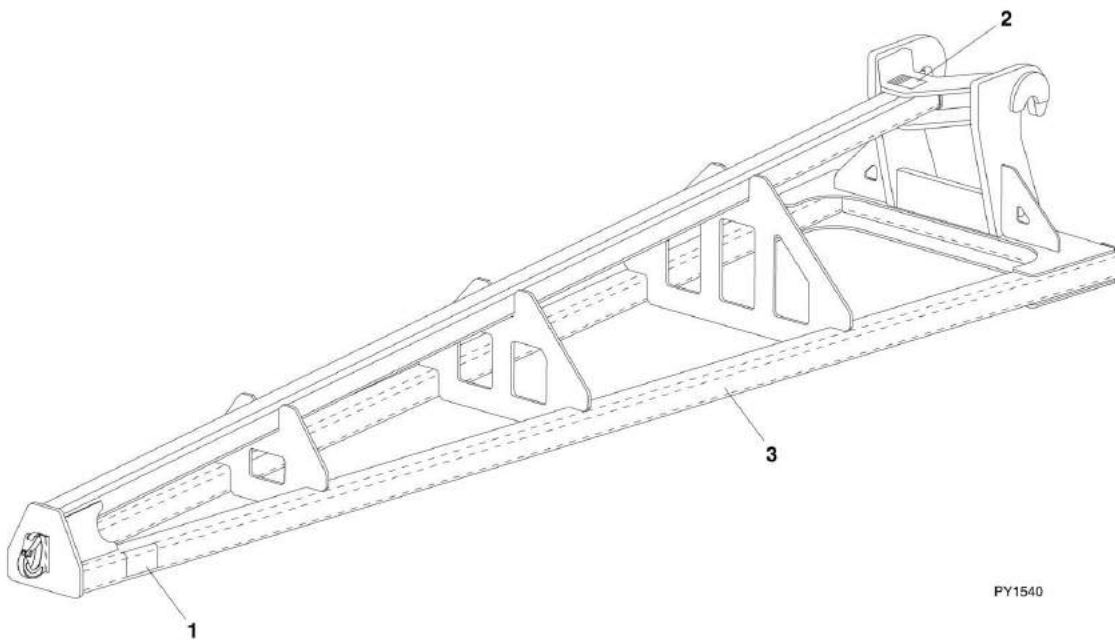
SECTION 3 - ATTACHMENTS

FIGURE 3-12. TRUSS BOOM (Prior to SN 0160037788)

ITEM	PART NUMBER	QTY	DESCRIPTION	REV
	7113024	1	12FT TRUSS BOOM ASSY, (includes all items) (Prior to SN 0160037903)	E
	1001099359	1	12FT TRUSS BOOM ASSY, (includes all items) (SN 0160037903 to Present)	C
1	7113034	1	TRUSS BOOM WELDMENT	
2	8382017	1	PINTLE HOOK (SN 17019 through 19897, SN 0160002408 through 0160032261)	
3	8310195	4	HEX HD CAPSCREW, 1/2-13X1.75 (SN 17019 through 19897, SN 0160002408 through 0160032261)	
4	8307112	4	PLAIN WASHER, 1/2 (SN 17019 through 19897, SN 0160002408 through 0160032261)	
5	8305644	4	HEX LOCKNUT, 1/2-13 (SN 17019 through 19897, SN 0160002408 through 0160032261)	
7	N.S.S.	1	SN PLATE	
9	4110422	2	SWING LOAD DECAL	
10	4107832	2	LENGTH/CAPACITY DECAL	
11	4107812	2	CAPACITY CHART	

SECTION 3 - ATTACHMENTS

FIGURE 3-13. TRUSS BOOM (SN 0160037788 to Present)



PY1540

SECTION 3 - ATTACHMENTS

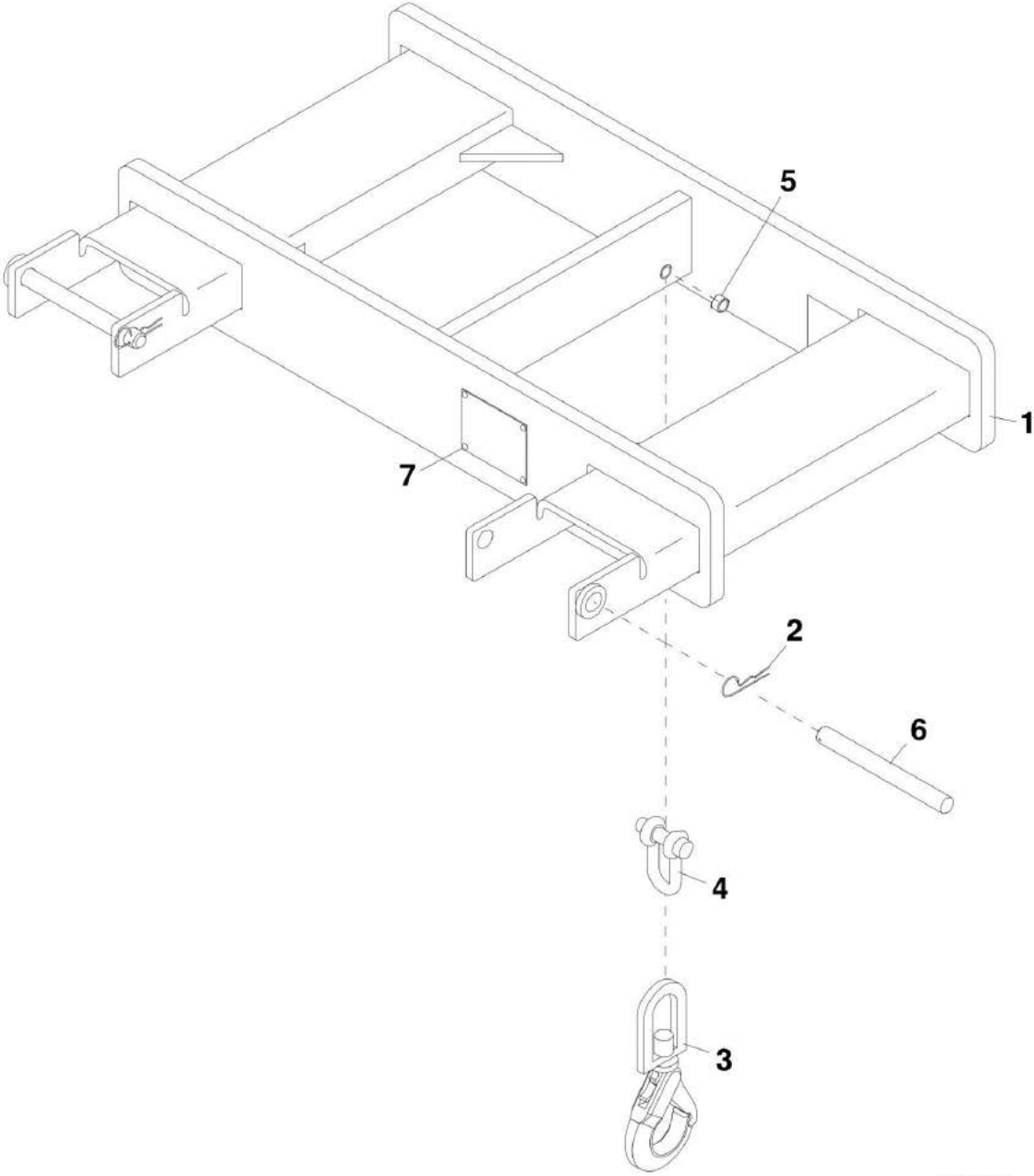
FIGURE 3-13. TRUSS BOOM (SN 0160037788 to Present)

ITEM	PART NUMBER	QTY	DESCRIPTION	REV
	1001099902	1	12FT TRUSS BOOM, (includes all items)	A
	1001099901	1	15FT TRUSS BOOM, (includes all items)	A
1	4110422	2	WARNING SWINGING LOADS DECAL	
2	N.S.S.	1	SN PLATE	
3	N.S.S.	1	TRUSS BOOM	

SECTION 3 - ATTACHMENTS

FIGURE 3-14. LIFTING HOOK

NOTE: PALLET/LUMBER FORKS OF AN APPROPRIATE LOAD RATING MUST BE USED.



PH4611

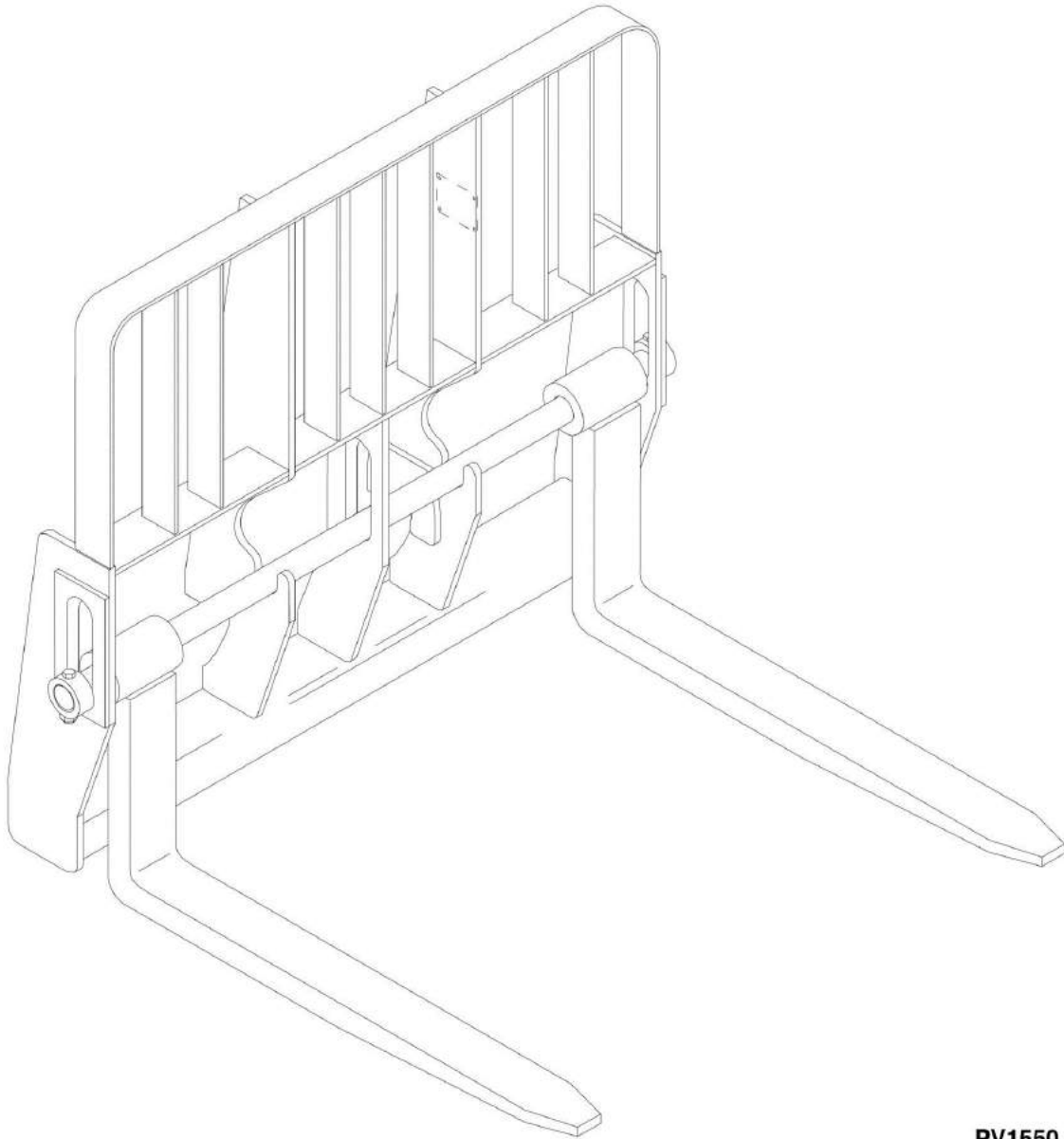
SECTION 3 - ATTACHMENTS

FIGURE 3-14. LIFTING HOOK

ITEM	PART NUMBER	QTY	DESCRIPTION	REV
1	91565094	1	LIFTING HOOK ATTACHMENT, (includes all items)	F
2	7029520	2	HAIRPIN CLIP	
3	90554080	1	SLING HOOK	
4	7029521	1	CHAIN SHACKLE, 12,000LB	
5	7029522	1	SPRING BUSHING	
6	7029523	1	PIN	
7	N.S.S.	1	SN PLATE	

SECTION 3 - ATTACHMENTS

FIGURE 3-15. FORKS



PV1550

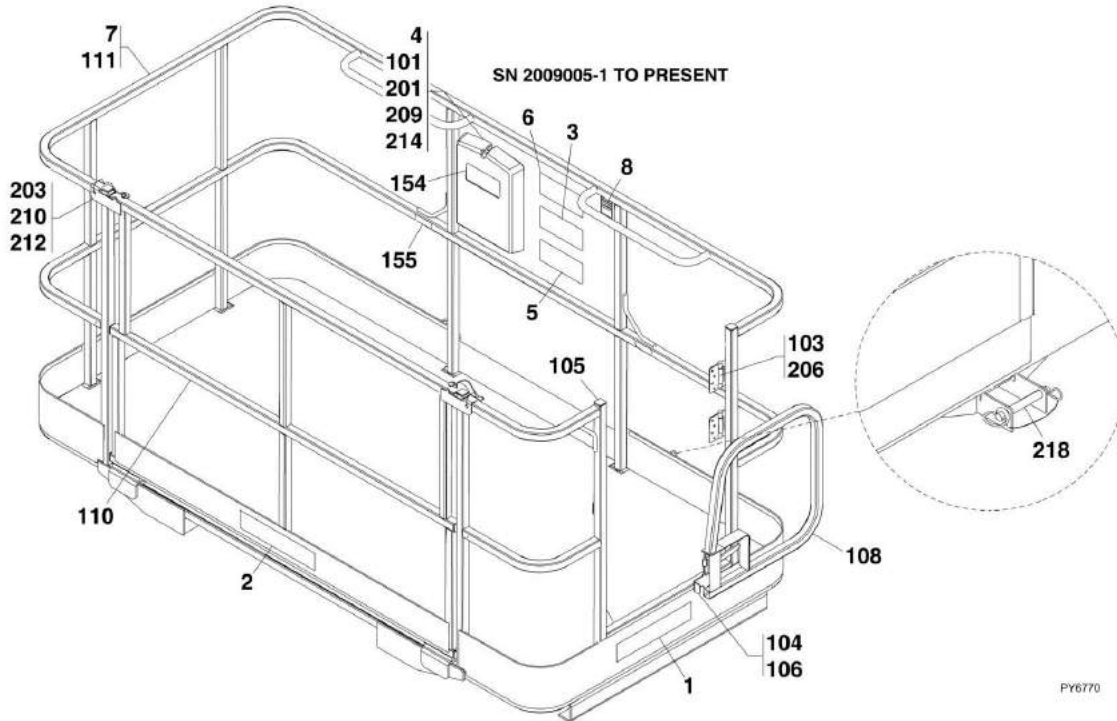
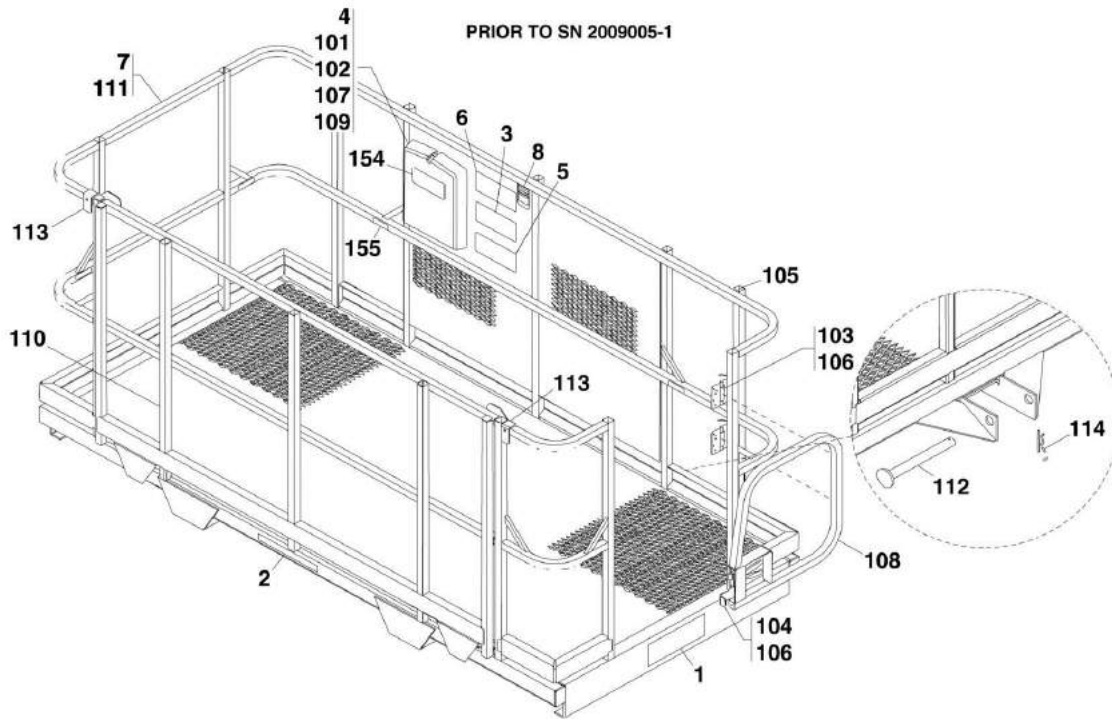
SECTION 3 - ATTACHMENTS

FIGURE 3-15. FORKS

ITEM	PART NUMBER	QTY	DESCRIPTION	REV
	2340037	6	CUBING FORK, 48X2X2, 11,640 lbs	A
	7301408	2	PALLET FORK, 48X4X2.25	D
	2340045	2	PALLET FORK, 48X4X2.36, 10,950 lbs	B
	2340038	2	PALLET FORK, 48X5X2.36, 13,700 lbs	B
	7139747	2	BLOCKING FORK, 48X2X2	C
	2340039	2	DUAL TAPER FORK, 60X6X2.36, 16,300 lbs	B
	7139746	2	DUAL TAPER FORK, 60X7X1.75	C
	2340046	2	LUMBER FORK, 60X7X1.75, 10,800 lbs	B
	1001092391	2	DUAL TAPER FORK, 72X6X2, 11,300 lbs	B
	1001137512	2	90IN FORK EXTENSION, (not shown), (includes items 1 thru 2)	D
1	70024306	1	PIN, (not shown)	
2	70024307	1	CLIP, (not shown)	
N1	Note	Ref	FORKS RATED LESS THAN THE ATTACHMENT OR MACHINE'S CAPACITY DECREASES CAPACITY OF THE ATTACHMENT OR MACHINE TO THAT OF THE FORKS. FORKS RATED MORE THAN THE ATTACHMENT OR MACHINE'S CAPACITY DO NOT INCREASE ATTACHMENT OR MACHINE'S CAPACITY.	
N2	Note	Ref	PLEASE CONSULT JLG PARTS DEPARTMENT TO DETERMINE THE CORRECT FORKS APPLICABLE TO YOUR SPECIFIC CARRIAGE ASSEMBLY AND APPLICATION.	

SECTION 3 - ATTACHMENTS

FIGURE 3-16. FORK MOUNTED PLATFORM



PY6770

SECTION 3 - ATTACHMENTS

FIGURE 3-16. FORK MOUNTED PLATFORM

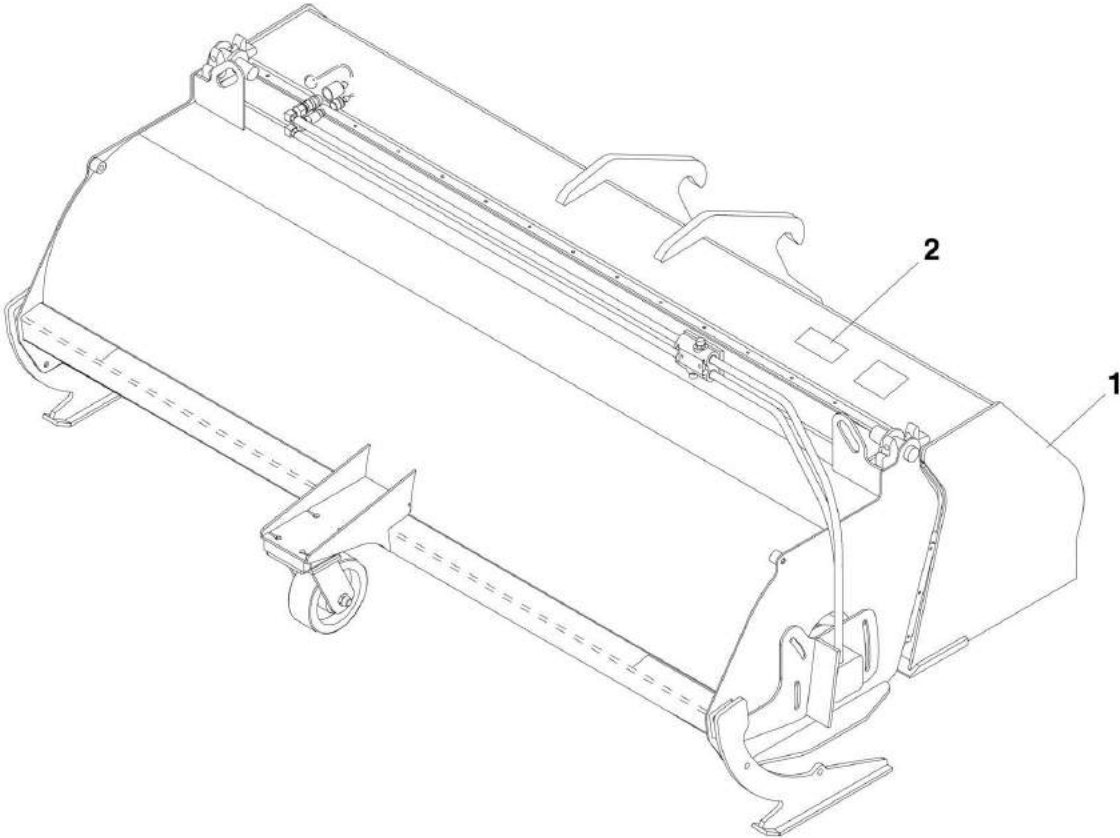
ITEM	PART NUMBER	QTY	DESCRIPTION	REV
	1001092280	NLA	FORK MOUNTED PLATFORM, (Prior to SN 2009005-1), (ASME), (no longer available, order 1001103637 for replacement or items 1 thru 8 for service)	E
	1001103637	1	FORK MOUNTED PLATFORM, (SN 2009005-1 to Present), (ASME), (includes items 1 thru 8)	B
	1001096306	NLA	FORK MOUNTED PLATFORM, (Prior to SN 2009005-1), (ISO), (no longer available, order 1001103730 for replacement or items 1 thru 8 for service)	C
	1001103730	1	FORK MOUNTED PLATFORM, (SN 2009005-1 to Present), (ISO), (includes items 1 thru 8)	B
	1001097072	NLA	FORK MOUNTED PLATFORM, (Prior to SN 2009005-1), (ASME - FRENCH), (no longer available, order 1001103736 for replacement or items 1 thru 8 for service)	C
	1001103736	1	FORK MOUNTED PLATFORM, (SN 2009005-1 to Present), (ASME - FRENCH), (includes 1 thru 8)	B
1	1702773	2	JLG DECAL	
2	1704885	1	WEBSITE DECAL	
3	1706892	1	PLATFORM WARNING DECAL, (ASME)	
3	1001096025	1	PLATFORM WARNING DECAL, (ISO)	
3	1001096024	1	PLATFORM WARNING DECAL, (ASME - FRENCH)	
4	31200160	1	OPERATION AND SAFETY MANUAL, (ASME)	
4	31200387	1	OPERATION AND SAFETY MANUAL, (ISO - SPANISH)	
4	31200388	1	OPERATION AND SAFETY MANUAL, (ISO - PORTUGUESE)	
4	31200336	1	OPERATION AND SAFETY MANUAL, (ASME - FRENCH)	
5	1001092481	1	WARNING DECAL, (ASME)	
5	1001096021	1	WARNING DECAL, (ISO)	
5	1001096019	1	WARNING DECAL, (ASME - FRENCH)	
6	1001092482	1	CAPACITY DECAL, (ASME)	
6	1001096023	1	CAPACITY DECAL, (ISO)	
6	1001096020	1	CAPACITY DECAL, (ASME - FRENCH)	
7	N.S.S.	1	FORK MOUNTED PLATFORM, (Prior to SN 2009005-1), (includes items 101 thru 114, 154 & 155)	B
7	N.S.S.	1	FORK MOUNTED PLATFORM, (SN 2009005-1 to Present), (includes items 101, 103 thru 106, 108, 110, 111, 154, 155, 201 thru 218)	H
8	N.S.S.	1	SN PLATE	
101	0860520	1	MANUAL STORAGE BOX	
102	2080044	4	RIVNUT FASTENER 1/4-20	
103	2600281	2	HINGE	
104	2940074	1	LATCH	
105	3520198	21	PLUG, (Prior to SN 2009005-1)	
105	3520072	10	PLUG, (SN 2009005-1 to Present)	
106	3820020	20	POP RIVET, (Prior to SN 2009005-1)	
106	3820020	4	POP RIVET, (SN 2009005-1 to Present)	
107	4751400	4	WASHER, 1/4	
108	4846452	1	GATE WELDMENT	
109	80263012	4	SCREW WHIZ-LOCK 1/4-20 X 1/2	
110	1001093140	1	GATE WELDMENT, (Prior to SN 2009005-1)	
110	1001095810	1	GATE WELDMENT, (SN 2009005-1 to Present)	
111	N.S.S.	1	PLATFORM WELDMENT	
112	1001093171	2	PIN	
113	1001097168	2	PIN, SAFETY SNAP, WITH LANYARD	

SECTION 3 - ATTACHMENTS

ITEM	PART NUMBER	QTY	DESCRIPTION	REV
114	1001098582	2	LYNCH PIN 3/16 WITH LANYARD	
154	1701509	1	MANUAL DECAL	
155	1704277	3	LANYARD ATTACH DECAL	
201	0641405	4	HEX HD CAPSCREW, 1/4-20X5/8	
203	1060379	2	6IN LANYARD CABLE	
206	2080040	16	FASTENER	
209	3311405	4	HEX NUT, 1/4-20	
210	3421453	2	PIN	
212	3760170	4	RING	
214	4711400	8	WASHER, 1/4	
218	1001102813	2	HITCH PIN	

SECTION 3 - ATTACHMENTS

FIGURE 3-17. SWEEPER ASSEMBLY



PH4770

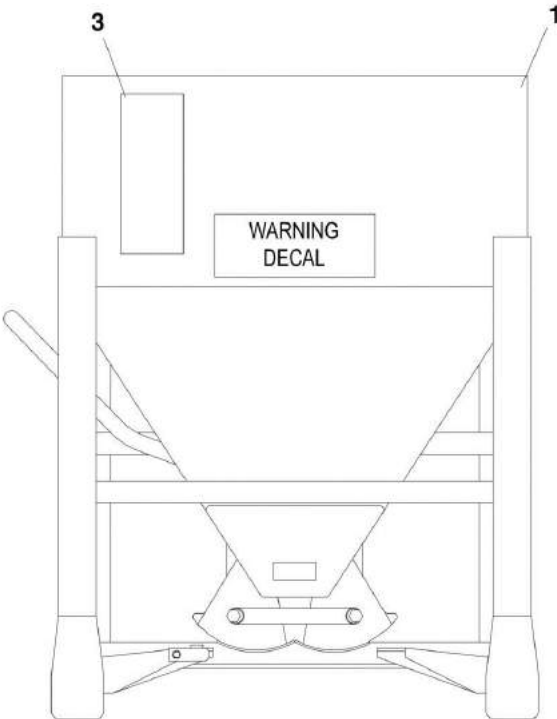
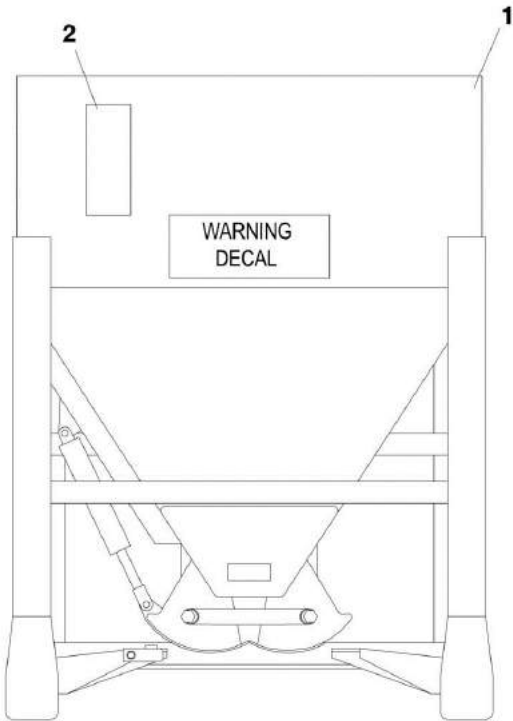
SECTION 3 - ATTACHMENTS

FIGURE 3-17. SWEEPER ASSEMBLY

ITEM	PART NUMBER	QTY	DESCRIPTION	REV
	7301180	1	SWEEPER ASSY, (includes all items)	B
1	7301718	1	24IN SWEEPER WITH BUCKET	
2	N.S.S.	1	SN PLATE	
4	4110461	1	WARNING DECAL, (not shown)	

SECTION 3 - ATTACHMENTS

FIGURE 3-18. CONCRETE BUCKET



PH4741

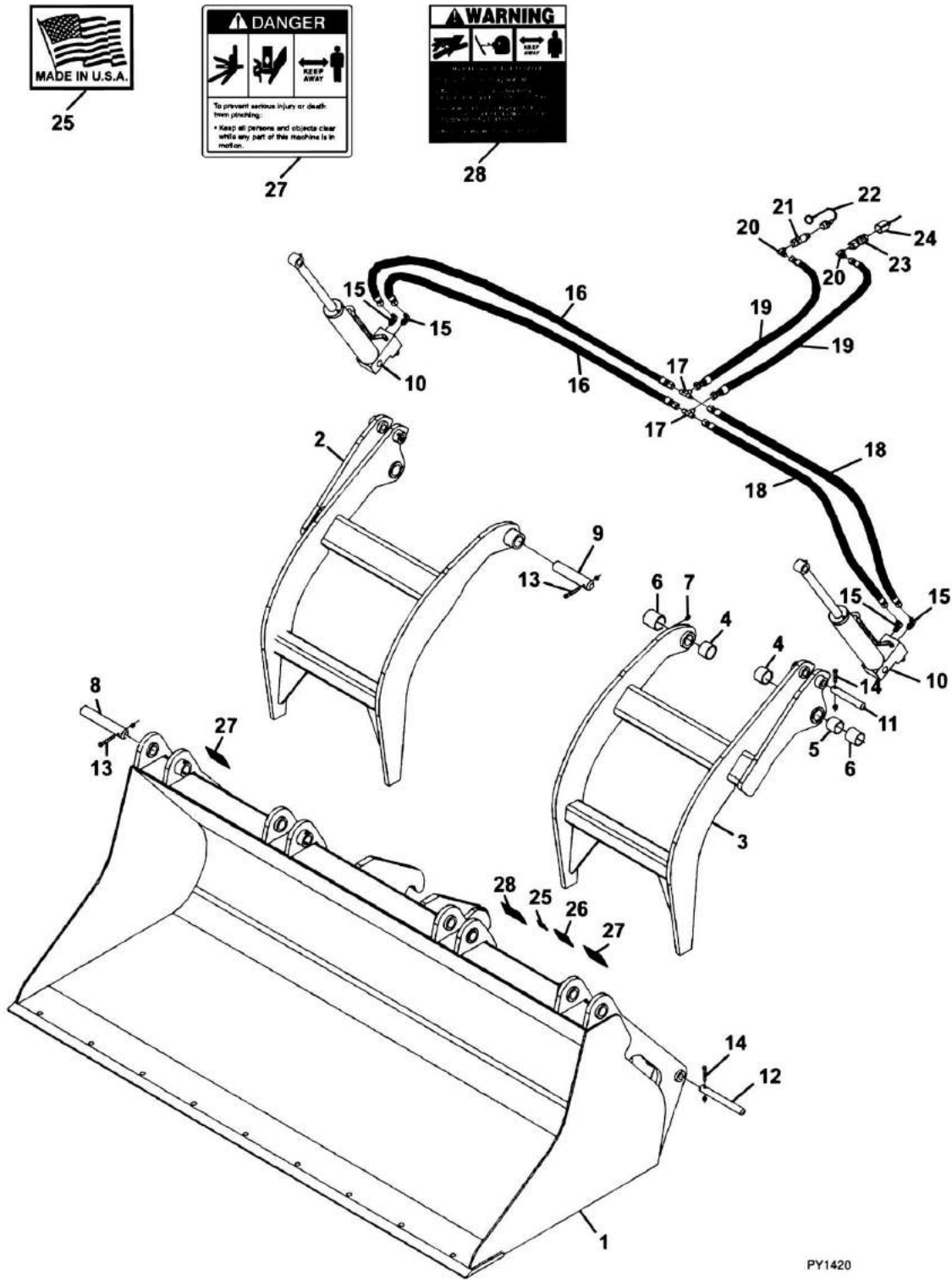
SECTION 3 - ATTACHMENTS

FIGURE 3-18. CONCRETE BUCKET

ITEM	PART NUMBER	QTY	DESCRIPTION	REV
1	8866442	1	CONCRETE BUCKET, 1/2 YD ³ , HYDRAULIC, (includes item 2)	B
1	8866444	1	CONCRETE BUCKET, 1/2 YD ³ , MANUAL, (includes item 3)	B
2	N.S.S.	1	SN PLATE	
3	N.S.S.	1	SN PLATE	
4	8866446	1	4IN DISCHARGE HOSE, (not shown)	
4	8866561	1	4IN DISCHARGE HOSE WITH GATE, (not shown)	
5	8866464	1	6IN DISCHARGE HOSE, (not shown)	
6	8866560	1	8IN DISCHARGE HOSE, (not shown)	
7	8866445	1	RUBBER SIDE DISCHARGE CHUTE, (not shown)	

SECTION 3 - ATTACHMENTS

FIGURE 3-19. GRAPPLE BUCKET



PY1420

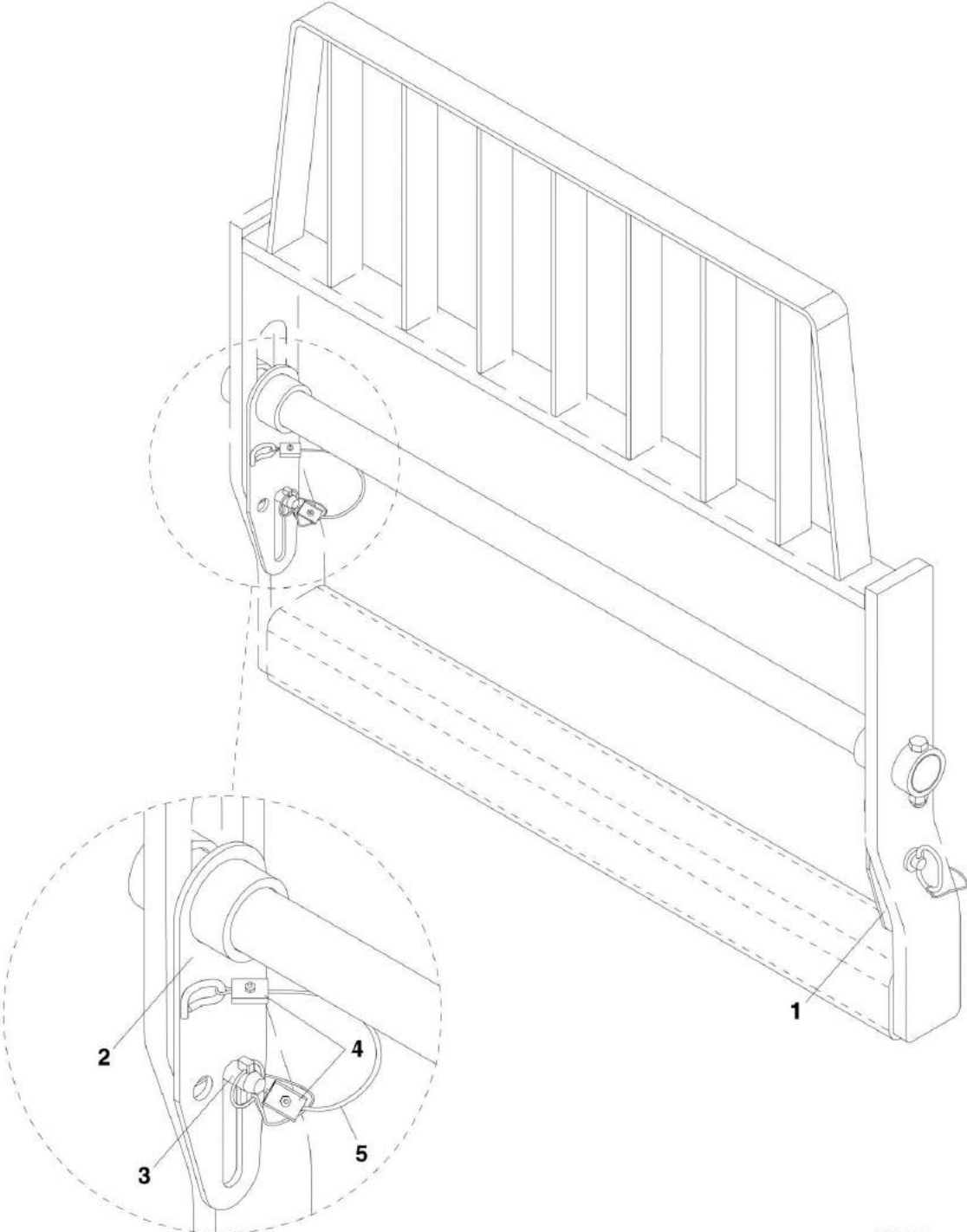
SECTION 3 - ATTACHMENTS

FIGURE 3-19. GRAPPLE BUCKET

ITEM	PART NUMBER	QTY	DESCRIPTION	REV
	0930020	1	GRAPPLE BUCKET, (includes all items)	G
1	N.S.S.	1	BUCKET	
1	70021387	4	HOSE CLAMP	
2	70021391	1	RIGHT GRAPPLE HOOK	
3	70021392	1	LEFT GRAPPLE HOOK	
4	70021358	4	BUSHING	
5	70021359	2	SPACER	
6	70021360	4	BUSHING	
7	7029714	4	GREASE FITTING	
8	70021361	2	OUTER PIVOT PIN	
9	70021362	2	INNER PIVOT PIN	
10		Ref	CYLINDER ASSY, (See HYDRAULIC COMPONENTS SECTION for Breakdown)	
11	70021364	2	PIN	
12	70021365	2	PIN	
13	70021366	4	HEX HD CAPSCREW, 3/8X2.75	
13	70021367	4	LOCK NUT, 3/8	
14	70021399	4	HEX HD CAPSCREW, 3/8X2.25	
14	70021367	4	LOCK NUT, 3/8	
15	90554065	4	ELBOW, 90	
16	70021980	2	HOSE ASSY, 3/8X73IN	
17	70020562	2	FITTING, TEE	
18	70021981	2	HOSE ASSY, 3/8X46IN	
19	70021982	2	HOSE ASSY, 3/8X34IN	
20	70022527	2	ELBOW, 90	
21	7029692	1	MALE QUICK COUPLER	
22	90554062	1	DUST COVER	
23	70021342	1	FEMALE QUICK COUPLER	
24	90554076	1	DUST COVER	
25	90554016	1	MADE IN USA DECAL	
26	N.S.S.	1	SN PLATE	
27	90554017	2	DANGER PINCH POINT DECAL	
28	90554018	1	WARNING HIGH PRESSURE DECAL	

SECTION 3 - ATTACHMENTS

FIGURE 3-20. FORK PIN LOCK INSTALLATION



PY1650

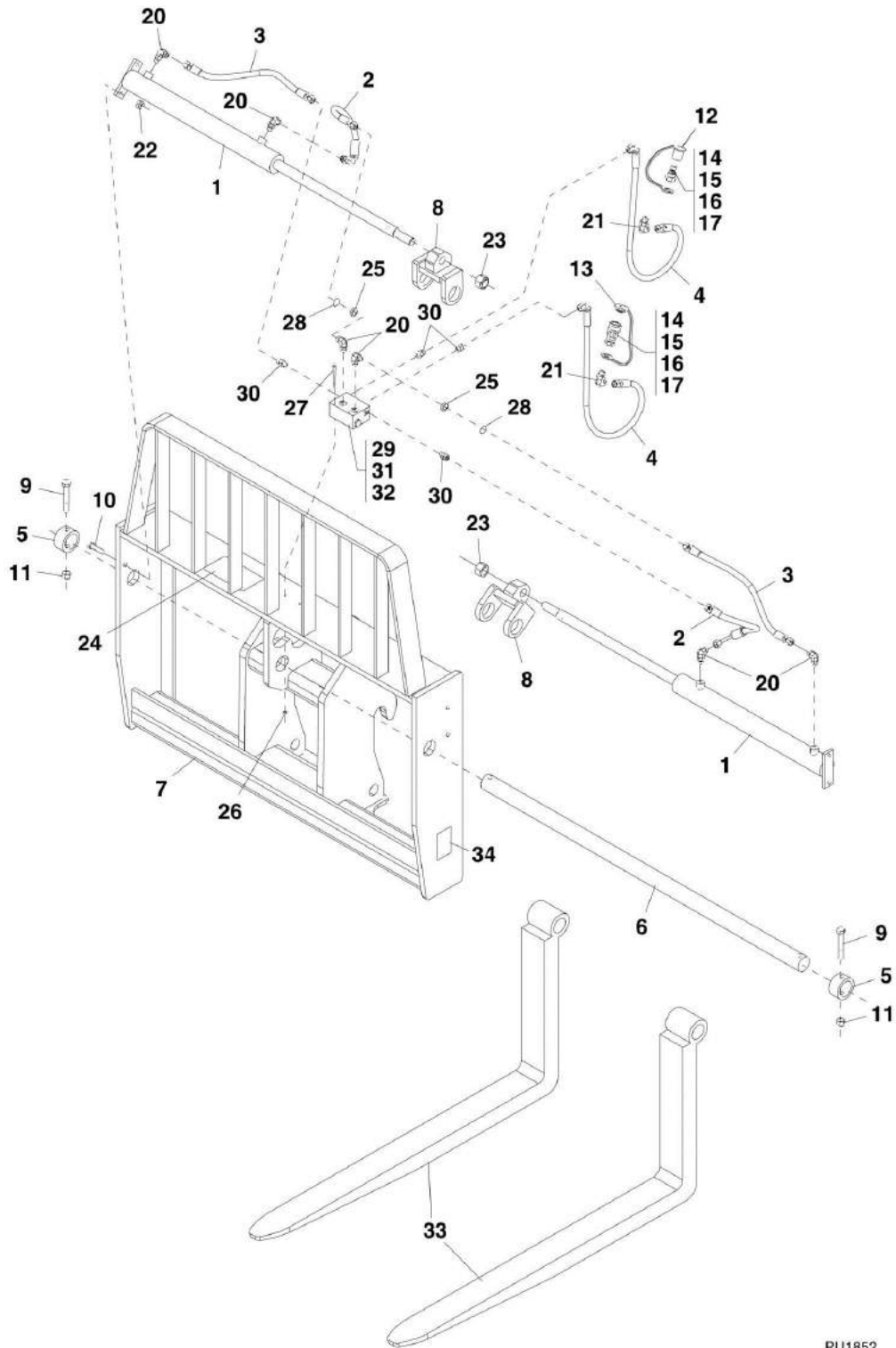
SECTION 3 - ATTACHMENTS

FIGURE 3-20. FORK PIN LOCK INSTALLATION

ITEM	PART NUMBER	QTY	DESCRIPTION	REV
	1001093465	1	FORK PIN LOCK INSTALLATION (includes all items)	B
1	0240156	1	FORK PIN LOCK, L.H.	
2	1001093273	1	FORK PIN LOCK, R.H.	
3	1001093377	2	HITCH PIN	
4	1001094830	4	CLAMP	
5	1001094330	2	LANYARD	

SECTION 3 - ATTACHMENTS

FIGURE 3-21. DUAL FORK POSITIONING CARRIAGE ASSEMBLY



PU1852

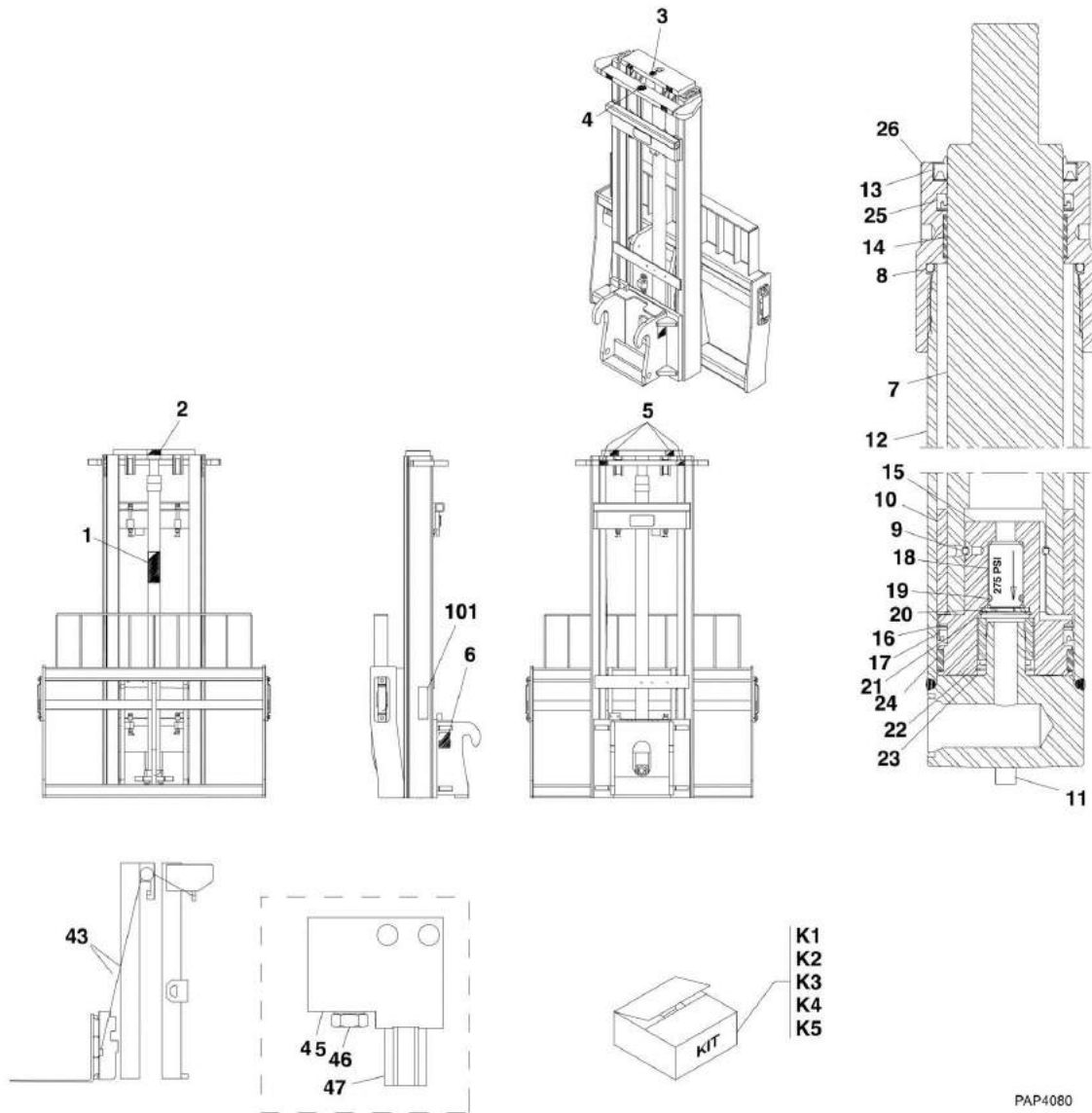
SECTION 3 - ATTACHMENTS

FIGURE 3-21. DUAL FORK POSITIONING CARRIAGE ASSEMBLY

ITEM	PART NUMBER	QTY	DESCRIPTION	REV
	7301295	1	50IN DUAL FORK POSITIONING CARRIAGE ASSY, (includes all items)	F
	7301568	1	50IN DUAL FORK POSITIONING CARRIAGE ASSY, (includes items 1 thru 32)	I
1	2717283	2	FORK POSITIONING CYLINDER	
1	8036733	1	SEAL KIT	
2	2717160	2	HOSE ASSY	
3	2717161	2	HOSE ASSY	
4	2717162	2	HOSE ASSY	
5	90200003	2	LOCKING HUB	
6	90451058	1	FORK SHAFT	
7	7301569	1	50IN CARRIAGE WELDMENT	
8	7301579	2	FORK ADAPTER WELDMENT	
9	8303634	2	HEX HD CAPSCREW, 5/8-11X4, GR5	
10	8303658	4	HEX HD CAPSCREW, 1/2-13X2, GR5	
11	8305643	2	HEX LOCKNUT, 5/8-11	
12	8420053	1	DUST CAP	
13	8420055	1	DUST PLUG	
14	91403413	1	FEMALE QUICK DISCONNECT, (includes items 15 thru 17)	
15	8640029	1	NOSE SEAL	
16	8640028	1	COUPLER BODY SEAL	
17	8640032	1	COUPLER BODY SEAL BACK UP RING	
18	91403414	1	MALE QUICK DISCONNECT, (includes item 19)	
19	8640029	1	NOSE SEAL	
20	2130606	4	ELBOW, 90	
21	2130608	2	ELBOW, 90	
22	8310302	4	HEX LOCKNUT, 1/2-13	
23	10705034	2	HEX LOCKNUT	
24	4110473	1	HOSE ROUTE WARNING DECAL	
25	7139918	2	DISC ORIFICE	
26	8305624	2	HEX LOCKNUT, 1/4-20	
27	8310435	2	HEX HD CAPSCREW, 1/4-20X3-1/4, GR5	
28	8630003	2	O-RING	
29	4641502	1	VALVE ASSY, (Includes items 30 thru 32)	
30	2110606	4	ADAPTER	
31	4641501	1	VALVE BODY	
32	2130606	2	CONNECTOR	
33	7301408	2	PALLET FORK, 60X100X1220MM	
34	N.S.S.	1	SN PLATE	

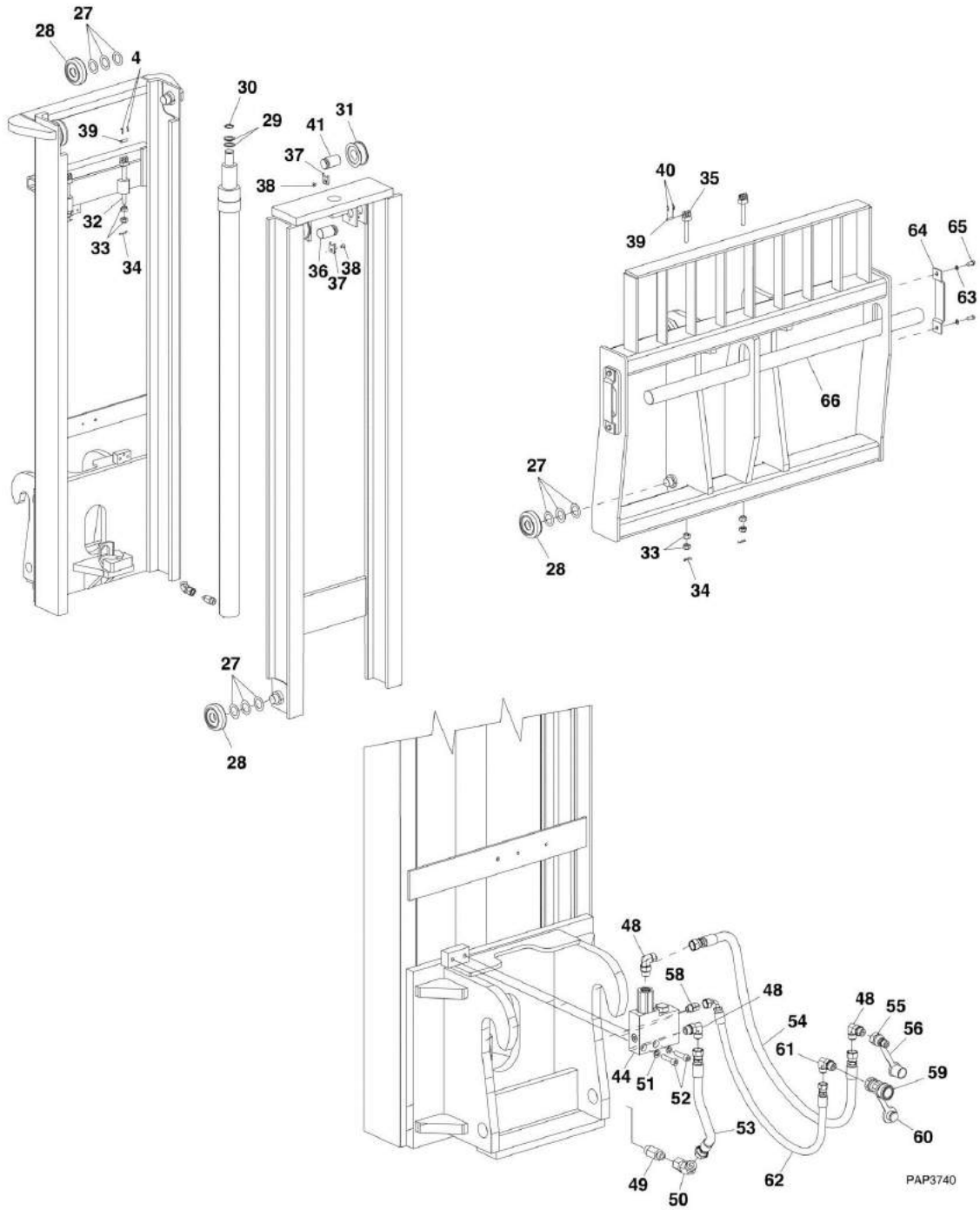
SECTION 3 - ATTACHMENTS

FIGURE 3-22. 8FT STANDARD MAST



PAP4080

SECTION 3 - ATTACHMENTS



SECTION 3 - ATTACHMENTS

FIGURE 3-22. 8FT STANDARD MAST

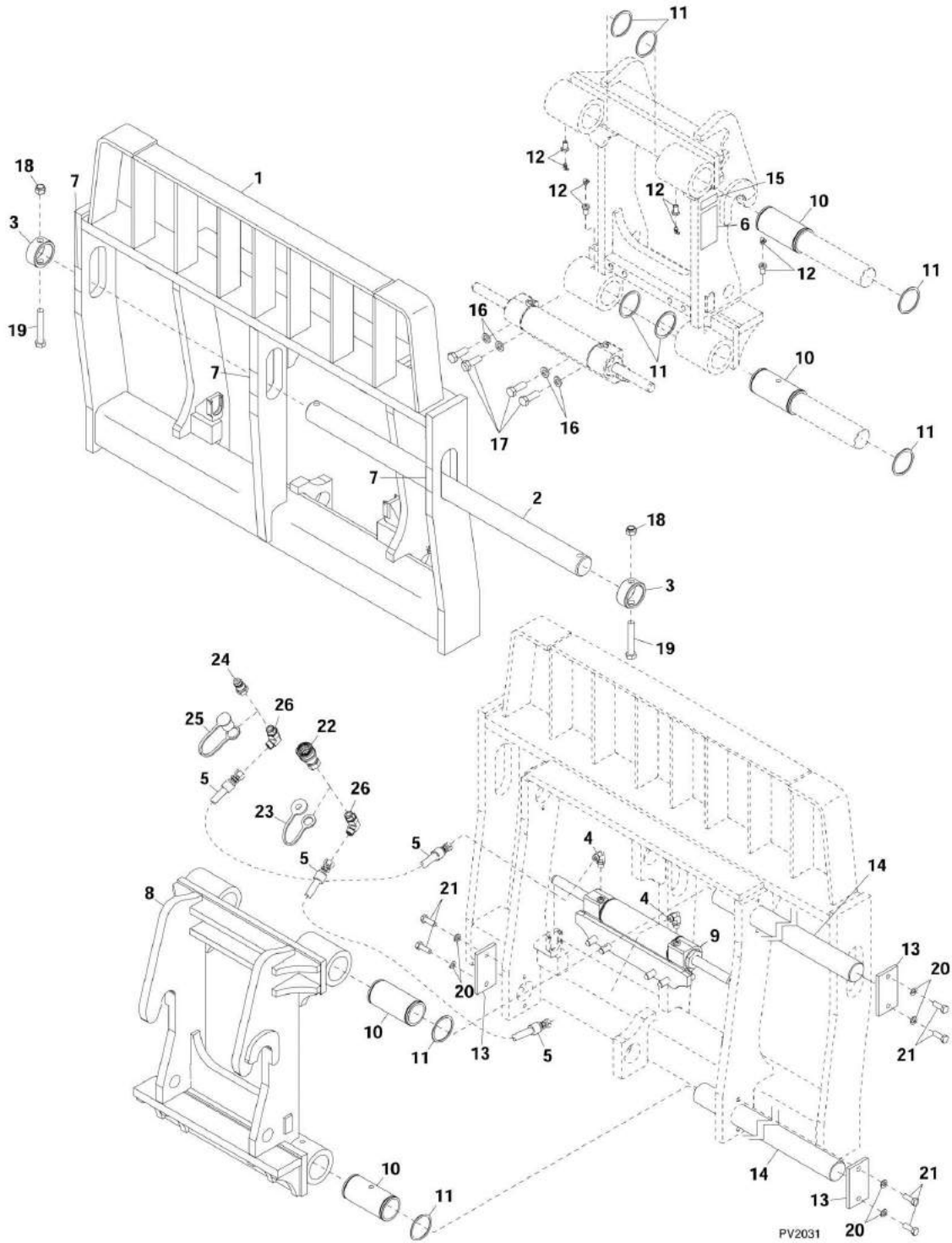
ITEM	PART NUMBER	QTY	DESCRIPTION	REV
	1001108668	1	8FT STANDARD MAST, (includes all items)	B
1	Kit K1	1	WARNING DECAL	
2	Kit K1	1	WARNING DECAL	
3	Kit K1	1	NO STEP DECAL	
4	Kit K1	1	NO STEP DECAL	
5	Kit K1	4	HANDS OFF DECAL	
6	1001111190	2	HOSE ROUTING	
6	70023008	1	MAIN LIFT CYLINDER	
7	N.S.S.	1	ROD/PLUNGER	
8	Kit K2	1	O-RING	
9	Kit K2	1	PULL WIRE	
10	N.S.S.	1	SPACER	
11	N.S.S.	2	ROLL PIN	
12	N.S.S.	1	BARREL	
13	Kit K2	1	WIPER	
14	Kit K2	1	BUSHING	
15	N.S.S.	1	PISTON	
16	Kit K2	1	NYLON RING	
17	Kit K2	1	PISTON SEAL	
18	Kit K3	1	CHECK VALVE	
19	Kit K2 or K3	1	O-RING	
20	Kit K3	1	WASHER	
21	Kit K2 or K3	1	CIRCLIP	
22	N.S.S.	1	SLEEVE	
23	Kit K2 or K3	1	RETAINING RING	
24	Kit K2	1	WEAR RING	
25	Kit K2	1	ROD SEAL	
26	70023004	1	RETAINER/GLAND	
27	70023014	24	SHIM	
28	70022987	8	BALL BEARING	
29	Kit K5	2	WASHER SHIM	
30	70023016	1	SNAP RING	
31	70022969	2	SHEAVE ASSY	
32	70022960	2	CHAIN ANCHOR	
33	70022957	8	NUT, 0.625-18UNF	
34	70022993	4	COTTER PIN	
35	70022995	2	CHAIN ANCHOR	
36	70022984	1	SHEAVE SHAFT	
37	70022970	2	RETAINER BAR	
38	70023003	2	FLAT HD CAPSCREW	
39	70022994	4	CHAIN ANCHOR PIN	
40	70022992	8	COTTER PIN	
41	70022985	1	SHEAVE SHAFT	
43	70023009	2	LIFT CHAIN	
44	70022932	1	PO CHECK VALVE ASSY, (includes items 45, 46 & 47)	
45	N.S.S.	1	MANIFOLD	
46	70022931	1	PO CHECK VALVE CARTRIDGE	
47	70023010	1	P.O. CHECK	
48	70022934	3	FITTING, 90	
49	70022936	1	FLOW LIMITER	

SECTION 3 - ATTACHMENTS

ITEM	PART NUMBER	QTY	DESCRIPTION	REV
50	70022937	1	FITTING, 45	
51	70022949	2	LOCKWASHER, M10	
52	70022950	2	HEX SOCKET CAPSCREW	
53	70022942	1	HOSE ASSY	
54	70022952	1	HOSE ASSY	
55	91403414	1	MALE QUICK DISCONNECT COUPLING	
56	91043126	1	DUST CAP	
58	70022939	1	STRAIGHT FITTING, #6	
59	91403413	1	FEMALE QUICK DISCONNECT COUPLING	
60	91043125	1	DUST PLUG	
61	70022935	1	ELBOW, STRAIGHT THREAD	
62	70022946	1	HOSE ASSY	
63	70022949	4	LOCKWASHER, M10	
64	70022980	2	FORK PIN KEEPER	
65	70022998	4	CAPSCREW, M10X20 LG	
66	70022990	1	FORK PIN	
101	N.S.S.	1	SN PLATE	
K1	70023925	1	DECAL KIT, (includes items 1 thru 6)	
K2	70023005	1	SEAL KIT, MAIN LIFT CYLINDER, (includes items 8, 9, 13, 14, 16, 17, 19, 21, 23, 24 & 25)	
K3	70023006	1	CHECK VALVE KIT, (includes items 18, 19, 20, 21 & 23)	
K4	70023007	1	SHIM KIT	
K5	70023015	1	MAST COMMON PARTS KIT, (includes items 27 thru 42)	

SECTION 3 - ATTACHMENTS

FIGURE 3-23. 50IN SIDE SHIFT CARRIAGE



SECTION 3 - ATTACHMENTS

FIGURE 3-23. 50IN SIDE SHIFT CARRIAGE

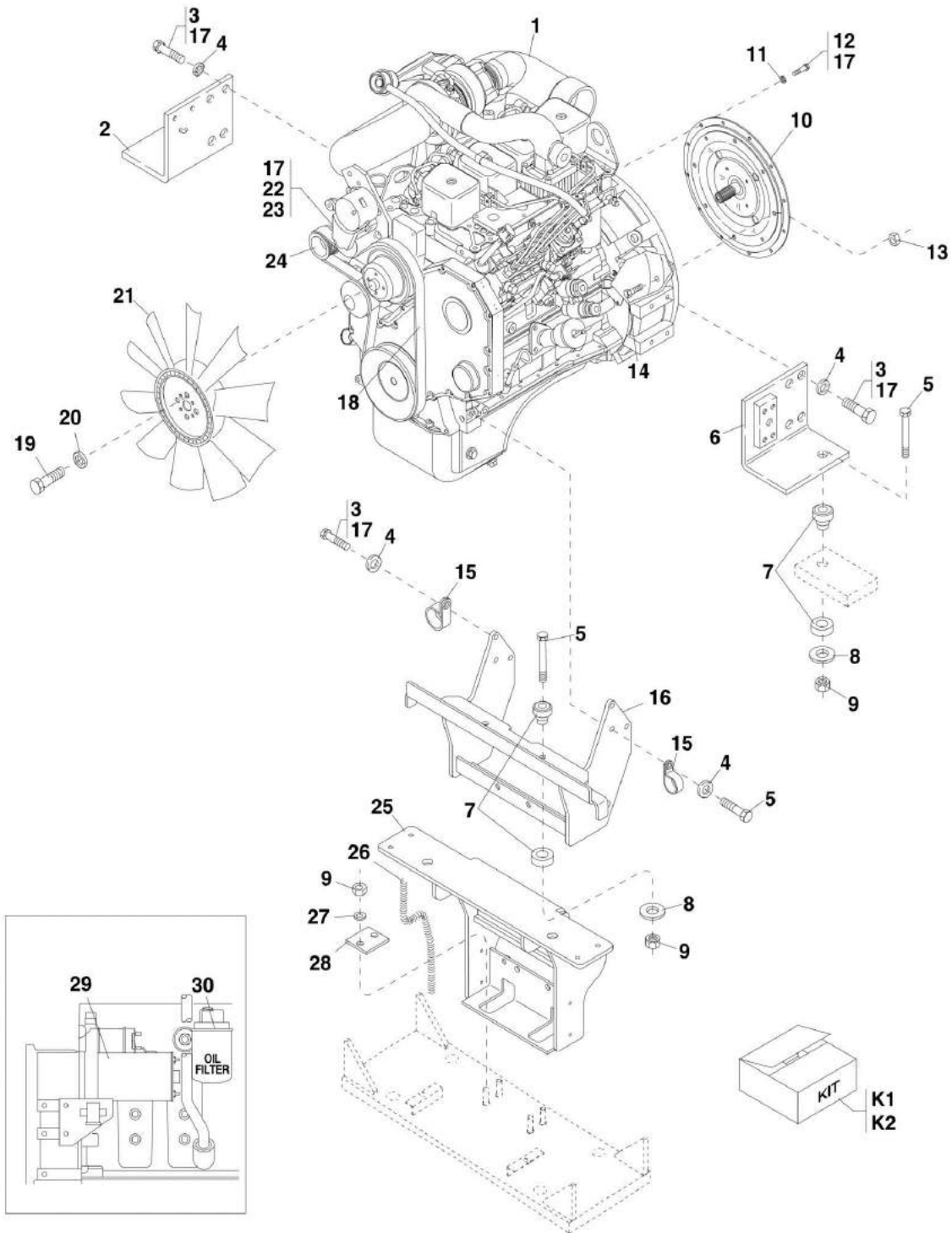
ITEM	PART NUMBER	QTY	DESCRIPTION	REV
	1001142790	1	50IN SIDE SHIFT CARRIAGE, (includes all items)	B
1	N.S.S.	1	WELDMENT	
2	70024535	1	SHAFT	
3	70024536	2	COLLAR	
4	70024123	2	ADAPTER, 90, (includes o-ring)	
5	70024537	2	HOSE ASSEMBLY	
6	N.S.S.	1	SN PLATE	
7	70024538	3	WARNING DECAL	
8	N.S.S.	1	WELDMENT	
9		Ref	50IN SIDE SHIFT CYLINDER, (See HYDRAULIC COMPONENTS SECTION for Breakdown)	
10	70024540	4	BUSHING	
11	70024541	8	CIRCLIP	
12	70024542	4	GREASE FITTING	
13	70024543	4	RETAINER	
14	70024544	2	SHAFT	
15	N.S.S.	1	SN PLATE	
16	70024551	4	LOCKWASHER, 16MM	
17	70024552	4	HEX HD CAPSCREW, M16X45, GR10.9	
18	70024553	2	HEX NUT, M16, GR8	
19	70024554	2	HEX HD CAPSCREW, M16X100, GR10.9	
20	70022997	8	LOCKWASHER, 12MM	
21	70024555	8	HEX HD CAPSCREW, M12X35, GR10.9	
22	91403413	1	FEMALE QUICK DISCONNECT	
23	8420055	1	DUST PLUG	
24	91403414	1	MALE QUICK DISCONNECT	
25	8420053	1	DUST CAP	
26	70024550	2	ADAPTER, 90, (includes o-ring)	
K1	70024545	1	HYDRAULIC REPAIR KIT, (includes items 5, 22 thru 26)	B
K2	70024546	1	RETAINER KIT, (includes items 13, 20 & 21)	B

SECTION 4 - ENGINE AND ATTACHING PARTS

SECTION 4 - ENGINE AND ATTACHING PARTS

SECTION 4 - ENGINE AND ATTACHING PARTS

FIGURE 4-1. ENGINE MOUNTING (SN 17019 through 19897, SN 0160002408 through 0160004109)



PA4810

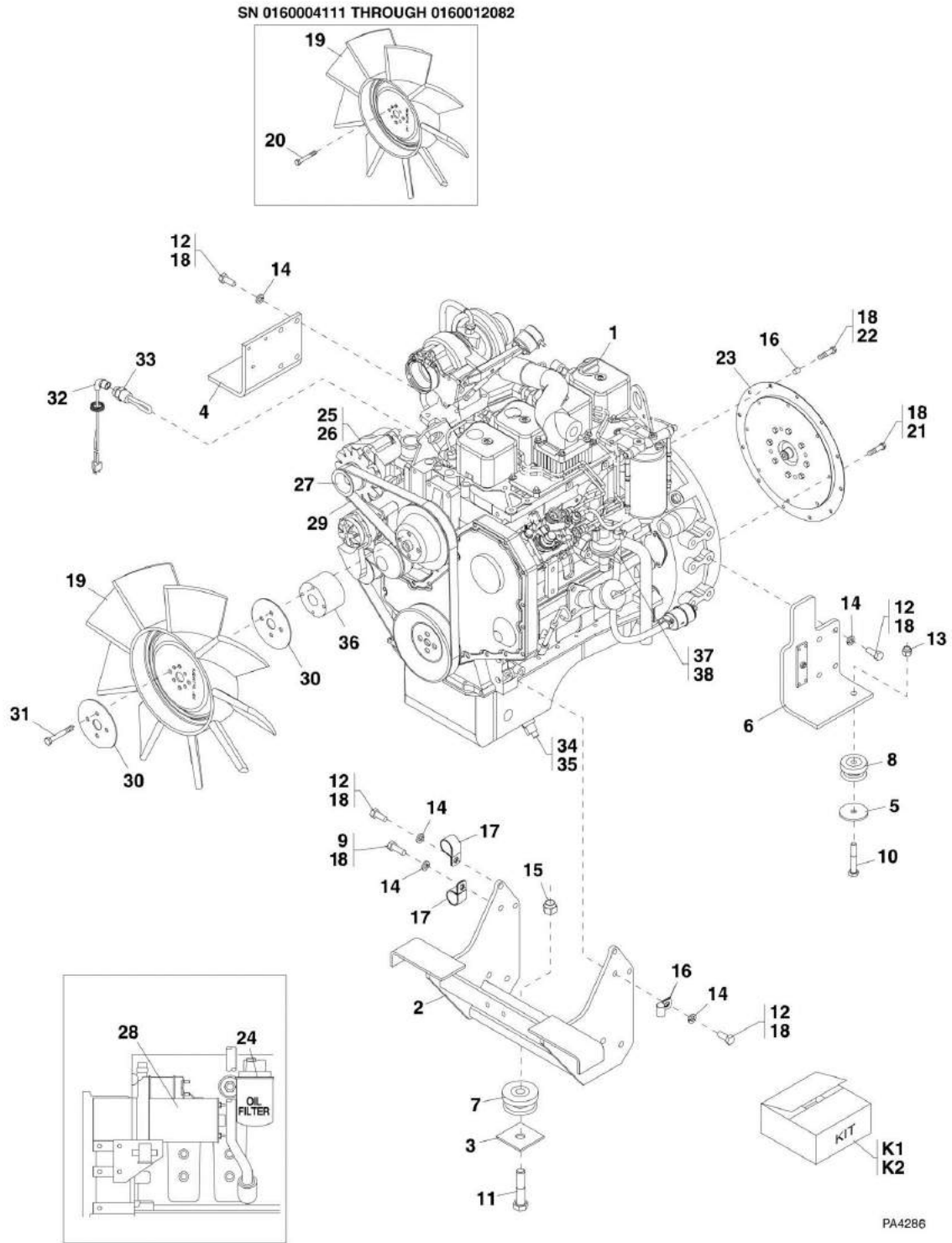
SECTION 4 - ENGINE AND ATTACHING PARTS

FIGURE 4-1. ENGINE MOUNTING (SN 17019 through 19897, SN 0160002408 through 0160004109)

ITEM	PART NUMBER	QTY	DESCRIPTION	REV
1	8262166	1	CUMMINS ENGINE, 4BT 3.9 TURBO	AB
2	7095272	1	L.H. ENGINE MOUNT	
3	8303790	11	HEX HD CAPSCREW, M12X1.75X30MM	
4	8307025	9	LOCKWASHER, M12	
5	8310290	4	HEX HD CAPSCREW, 1/2-13X3-1/2, GR8	
6	7138881	1	R.H. ENGINE MOUNT	
7	8278032	4	ENGINE ISOLATOR	
8	7095831	4	REBOUND WASHER	
9	8305644	8	HEX LOCKNUT, 1/2-13	
10		Ref	ISOLATION COUPLER ASSY, (See ISOLATION COUPLER for Breakdown)	
11	8307023	12	LOCKWASHER, M10 (SN 17019 through 19796)	
12	8303784	12	HEX HD CAPSCREW, M10X1.5X20MM	
13	8305645	8	HEX LOCKNUT, 3/8-16 (SN 17019 through 19796)	
13	8305630	8	HEX LOCKNUT, M10X1.50 (SN 19797 through 19897, SN 0160002408 through 0160004109)	
14	8303679	8	HEX HD CAPSCREW, 3/8-16X1-3/4, GR5 (SN 17019 through 19798)	
14	8310747	8	HEX HD CAPSCREW, M10X1.5X70MM (SN 19797 through 19897, SN 0160002408 through 0160004109)	
15	8406302	2	HOSE CLAMP, 1-1/4 DIA	
16	7139587	1	ENGINE MOUNT	
17	0100011	AR	LOCTITE 242, (apply to items 3, 12 & 22)	
18	8080613	1	ENGINE FAN BELT	
19	8303528	4	HEX HD CAPSCREW, M8X1.25X90MM	
20	8307222	4	FLAT WASHER, M8	
21	8272017	1	FAN	
22	8270221	1	ALTERNATOR	
23	8270220	1	ALTERNATOR FAN	
24	80974028	1	ALTERNATOR PULLEY	
25	7139591	1	ENGINE/RADIATOR MOUNT	
26	7124331	AR	CONDUIT, 1/2 DIA, (60in cut to fit)	
27	8307112	4	PLAIN WASHER, 1/2	
28	7139595	2	ENGINE HOLD DOWN PLATE	
29	8033340	1	12V STARTER, (includes solenoid)	
30	8320262	1	ENGINE OIL FILTER	
K1	7138290	1	250 HOUR FILTER KIT, (includes 3 filters: engine oil and both fuel filters)	
K2	8024016	1	1000 HOUR FILTER KIT, (includes 6 filters: engine oil filter, both fuel filters, primary air filter, transmission oil filter and hydraulic oil filter)	

SECTION 4 - ENGINE AND ATTACHING PARTS

FIGURE 4-2. ENGINE MOUNTING (SN 0160004111 through 0160039074)



PA4286

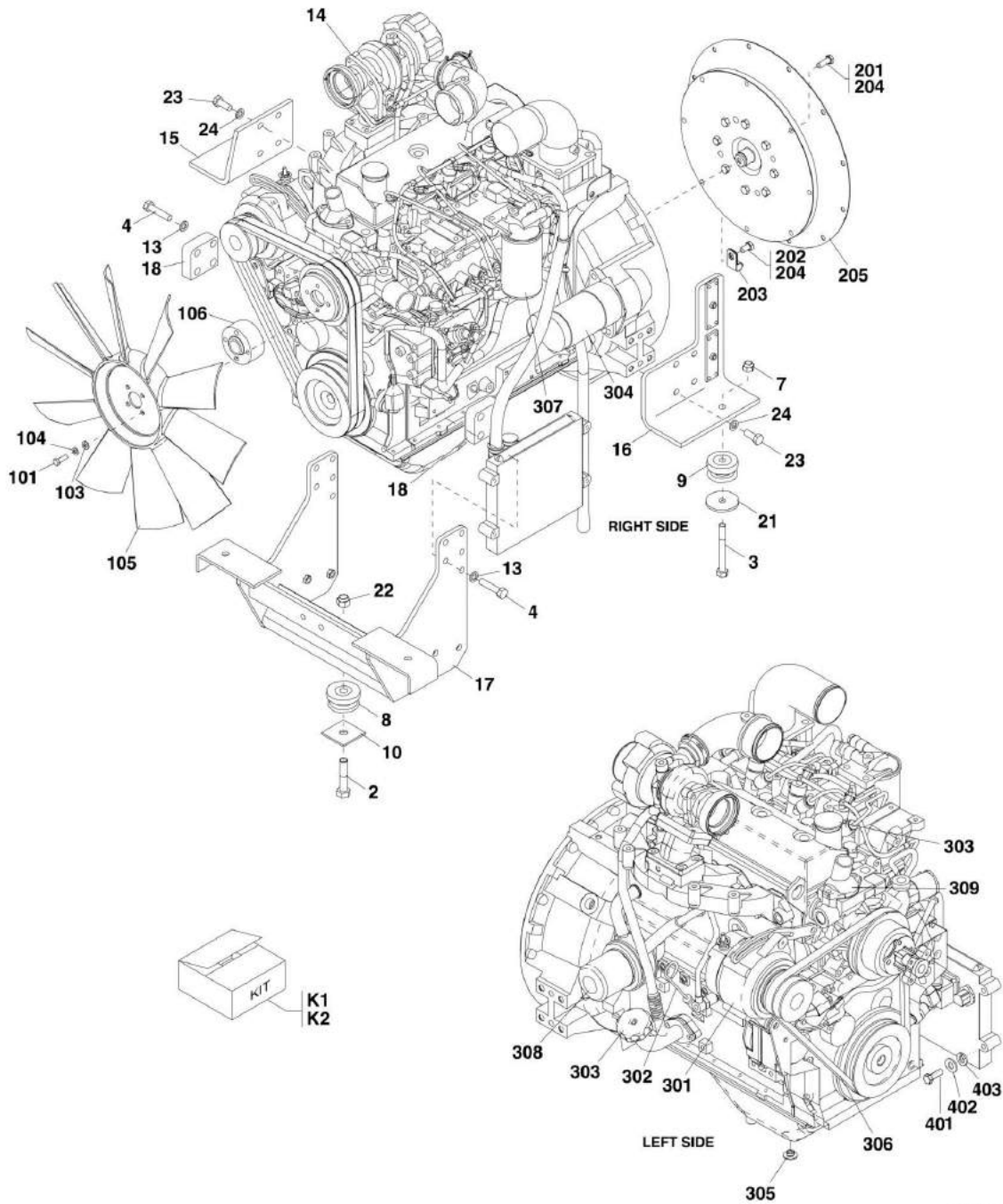
SECTION 4 - ENGINE AND ATTACHING PARTS

FIGURE 4-2. ENGINE MOUNTING (SN 0160004111 through 0160039074)

ITEM	PART NUMBER	QTY	DESCRIPTION	REV
1	2000218	1	CUMMINS ENGINE, 99HP, TIER 2	C
2	4340809	1	ENGINE MOUNT	
3	7054351	1	LORD MOUNT WASHER	
4	7095272	1	L.H. ENGINE MOUNT	
5	7095831	2	REBOUND WASHER	
6	4341004	1	R.H. ENGINE MOUNT	
7	8278007	1	RUBBER MOUNT	
8	8278012	2	CENTER BONDED MOUNT	
9	0701215	1	HEX HD CAPSCREW, M12X1.75X35MM, PC8.8	
10	8303702	2	HEX HD CAPSCREW, 1/2-13X3, GR5	
11	8303724	1	HEX HD CAPSCREW, 3/4-10X3-1/2, GR5	
12	0701214	13	HEX HD CAPSCREW, M12X1.75X30MM, PC8.8	
13	8305644	2	HEX LOCKNUT, 1/2-13	
14	8307025	14	LOCKWASHER, M12	
15	8310067	1	HEX LOCKNUT, 3/4-10	
16	8406105	4	CLIP TUBE, 3/4	
17	8406302	2	HOSE CLAMP	
18	0100011	AR	LOCTITE 242, (apply to items 9, 12 & 22)	
19	8272027	1	FAN, 9-BLADE, 21IN	
20	8310705	NLA	HEX HD CAPSCREW, M10X1.5X75MM, PC8.8, (no longer available, use items 30 & 31 for replacement) (SN 0160004111 through 0160012082)	
21	8303755	8	HEX HD CAPSCREW, M10X1.5X30MM, PC8.8	
22	8303784	12	HEX HD CAPSCREW, M10X1.5X20MM, PC8.8	
23		Ref	ISOLATION COUPLER ASSY, (See ISOLATION COUPLER for Breakdown)	
25	7029268	NLA	ALTERNATOR, (no longer available, use the following Kit 2915170 and Alternator 7029525 for replacement) (SN 0160004111 through 0160014862)	
25	2915170	1	ALTERNATOR SERVICE KIT	
25	7029525	1	ALTERNATOR (SN 0160014880 through 0160039074)	
26	7029269	1	ALTERNATOR FAN (SN 0160004111 through 0160014862)	
27	80974028	1	ALTERNATOR PULLEY	
28	7026666	1	STARTER	
29	7029270	1	ENGINE FAN BELT	
30	3575947	2	FAN HUB PLATE (SN 0160012138 through 0160039074)	
31	8310354	4	HEX HD CAPSCREW, M10-1.5X80MM, PC8.8 (SN 0160012138 through 0160039074)	
32	7029829	1	COOLANT HEATER CABLE	
33	7029830	1	COOLANT HEATER	
34	70020210	1	OIL CONTROL VALVE	
35	70020211	1	SEALING WASHER	
36	7028783	1	FAN SPACER	
37	7029991	1	TRANSFER FUEL PUMP	
38	1321797	1	COVER PLATE GASKET, TRANSFER FUEL PUMP	
K1	2915034	1	250 HOUR FILTER KIT, (includes 5 filters: engine oil, both fuel filters and primary air filter, safety air filter,)	
K2	2915036	1	1000 HOUR FILTER KIT, (includes 8 filters: engine oil filter, both fuel filters, primary air filter, safety air filter, transmission oil filter, hydraulic oil filter and filler breather)	

SECTION 4 - ENGINE AND ATTACHING PARTS

FIGURE 4-3. ENGINE MOUNTING (SN 0160039075 to Present)



SECTION 4 - ENGINE AND ATTACHING PARTS

FIGURE 4-3. ENGINE MOUNTING (SN 0160039075 to Present)

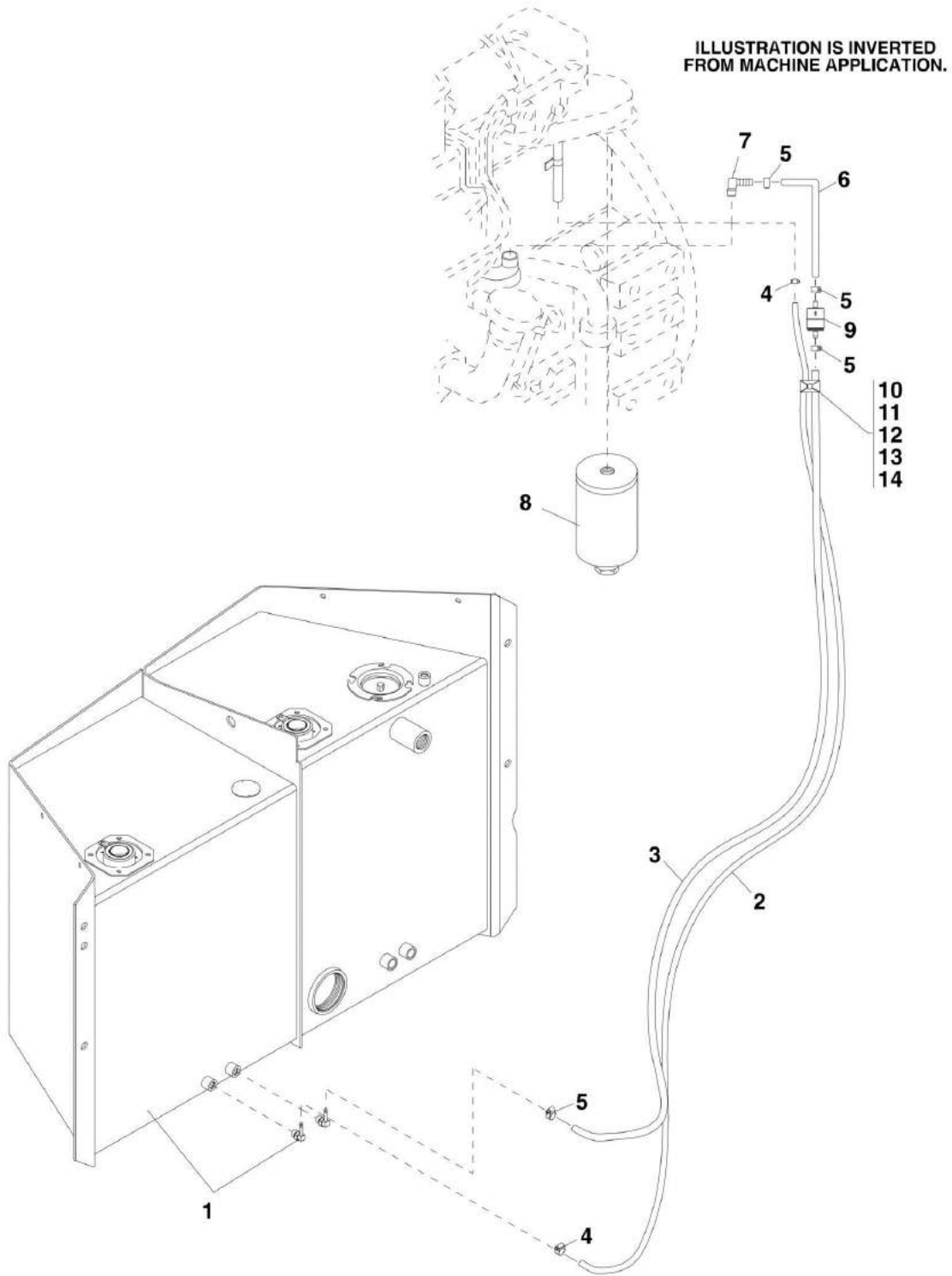
ITEM	PART NUMBER	QTY	DESCRIPTION	REV
	1001096428	1	ENGINE ASSY, (includes items 2 thru 24)	H
2	0682228	1	HEX HD CAPSCREW, 3/4-10X3-1/2, GR8, (torque to 340 lb-ft)	
3	0681826	2	HEX HD CAPSCREW, 1/2-13X3-1/4, GR8, (torque to 95 lb-ft)	
4	0711019	8	HEX HD CAPSCREW, 10X55MM, GR10.9, (torque to 80-88 lb-ft)	
7	8305644	2	HEX LOCKNUT, 1/2-13	
8	8278007	1	ENGINE MOUNT	
9	8278012	2	ENGINE MOUNT	
10	7054351	1	WASHER	
13	4832000	8	SPRING LOCKWASHER, 10MM	
14	1001095710	1	CUMMINS ENGINE, 99HP, TIER III, (includes items 301 thru 309) (Prior to SN 0160044158)	G
14	1001137288	1	CUMMINS ENGINE, 99HP, TIER III, (includes items 301 thru 309) (SN 0160044158 to Present)	A
15	1001096459	1	L.H. ENGINE MOUNT	
16	1001096462	1	R.H. ENGINE MOUNT	
17	1001096479	1	REAR ENGINE BRACKET	
18	1001097566	2	ENGINE MOUNT SPACER	
20	0100011	AR	LOCTITE 242	
21	7095831	2	WASHER	
22	8310067	1	HEX LOCKNUT, 3/4-10	
23	8303790	8	HEX HD CAPSCREW, M12X30MM	
24	4832100	8	SPRING LOCKWASHER	
	1001129749	1	ENGINE FAN ASSY, (includes items 101 thru 106)	A
101	0710819	4	HEX HD CAPSCREW, 8X25MM, GR8.8	
103	4811900	4	WASHER, 8MM	
104	4831900	4	SPRING LOCKWASHER, 8MM	
105	1001098559	1	FAN	
106	1001128058	1	FAN SPACER	
	7301500	1	COUPLER INSTALL, (includes items 201 thru 205)	AA
201	8303755	8	HEX HD CAPSCREW, 10X1.5X30MM, GR8.8, (torque to 54-61 Nm)	
202	8303784	12	HEX HD CAPSCREW, 10X1.5X20MM, GR8.8, (torque to 54-61 Nm)	
203	8406105	1	TUBE CLIP	
204	8526007	AR	THREAD LOCK	
205		Ref	COUPLER, (See ISOLATION COUPLER for Breakdown)	
301	70021849	1	ALTERNATOR	
302	70021854	1	DIPSTICK	
303	70022842	1	OIL CAP, UPPER	
303	70022843	1	OIL CAP, LOWER	
304	70021850	1	STARTER	
305	70022844	1	OIL PAN PLUG	
305	70022845	1	GASKET	
306	70021852	1	BELT	
307	70022846	1	FUEL FILTER, PRIMARY	
308	8036204	1	OIL FILTER	
309	70021847	1	THERMOSTAT KIT	
309	70021848	1	GASKET	
	1001113422	Ref	ECM INSTALLATION MOUNT, (not available to order, see items 401 thru 403 for service)	B
401	0641514	3	HEX HD CAPSCREW, 5/16-18 x 1 3/4 LG	

SECTION 4 - ENGINE AND ATTACHING PARTS

ITEM	PART NUMBER	QTY	DESCRIPTION	REV
402	4711500	3	FLAT WASHER	
403	4761500	6	LOCK WASHER	
K1	1001128968	1	250 HOUR FILTER KIT, (includes primary and secondary air filters, fuel strainer, fuel filter and oil filter)	
K2	1001128967		1000 HOUR FILTER KIT, (includes primary and secondary air filters, fuel strainer, fuel filter, oil filter, transmission filter, hydraulic oil filter and breather)	

SECTION 4 - ENGINE AND ATTACHING PARTS

FIGURE 4-4. FUEL SYSTEM (Prior to SN 0160039074)



PA3482

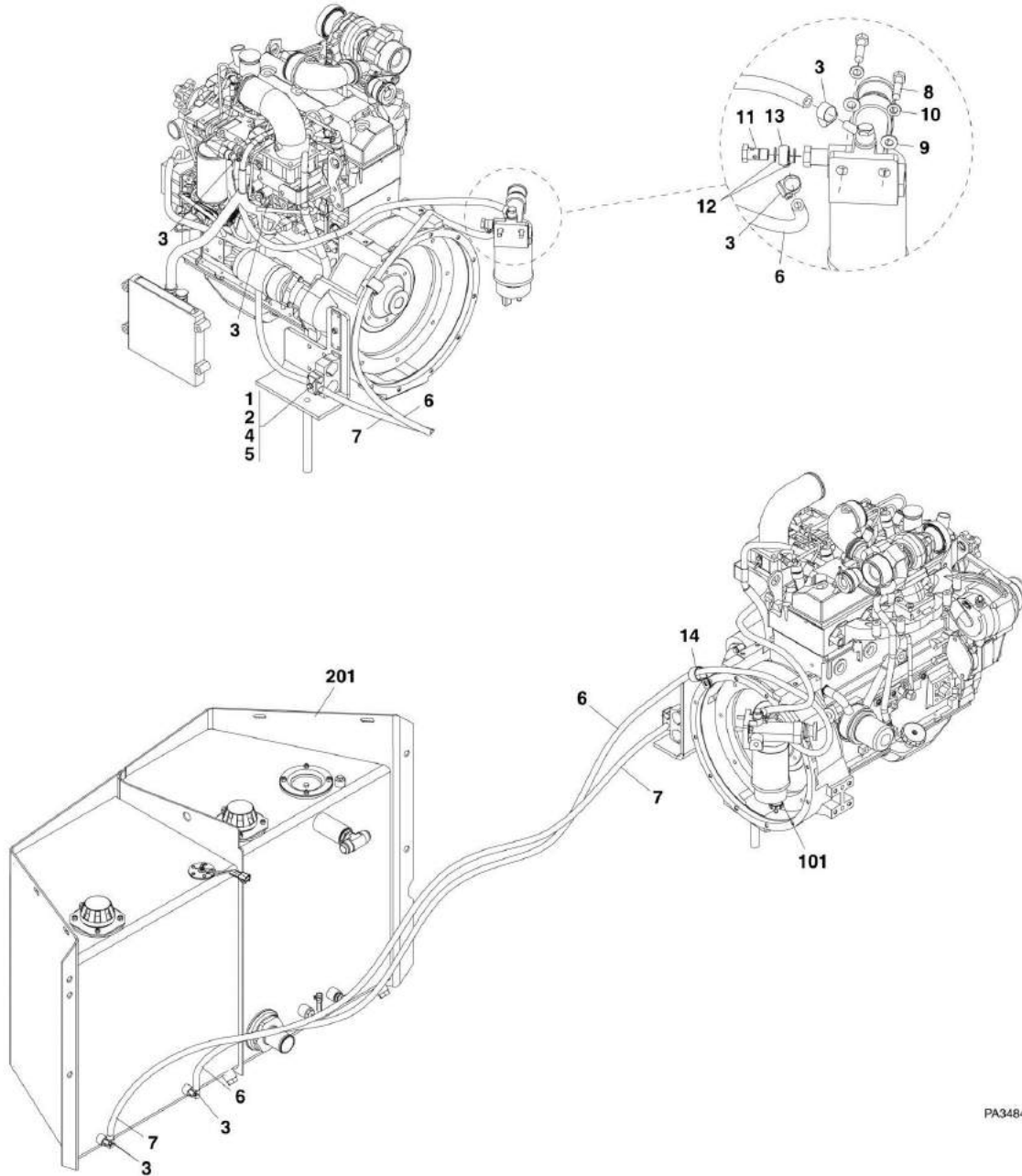
SECTION 4 - ENGINE AND ATTACHING PARTS

FIGURE 4-4. FUEL SYSTEM (Prior to SN 0160039074)

ITEM	PART NUMBER	QTY	DESCRIPTION	REV
1		Ref	FUEL/HYDRAULIC TANK ASSY, (See HYDRAULIC COMPONENTS SECTION for Breakdown)	
2	7127081	1	FUEL RETURN HOSE ASSY (SN 17019 through 19897)	
2	7302085	1	FUEL RETURN HOSE ASSY (SN 0160002408 through 0160039074)	
3	2720551	1	FUEL SUPPLY HOSE ASSY	
4	8405009	2	GEAR CLAMP, .62 MAX DIA	
5	8410013	4	GEAR CLAMP, .78 MAX DIA	
6	7127881	1	FUEL SUPPLY HOSE ASSY	
7	8420229	1	ELBOW, 90, HOSE BARB 6-4P	
8	8320270	1	PRIMARY FUEL FILTER (SN 17019 through 19897)	
8	7028838	1	PRIMARY FUEL FILTER (SN 0160002408 through 0160039074)	
9	8274022	1	INLINE FUEL FILTER	
10	8303715	1	HEX HD CAPSCREW, 5/16-18X1-1/2, GR5	
11	8307004	1	LOCKWASHER, 5/16	
12	8750015	1	TWIN CLAMP SET, .67IN DIA	
13	8769123	1	TWIN COVER PLATE	
14	8750017	1	LOCKING PLATE FOR TWIN CLAMP (SN 0160033308 through 0160039074)	

SECTION 4 - ENGINE AND ATTACHING PARTS

FIGURE 4-5. FUEL SYSTEM (SN 0160039075 to Present)



PA3484

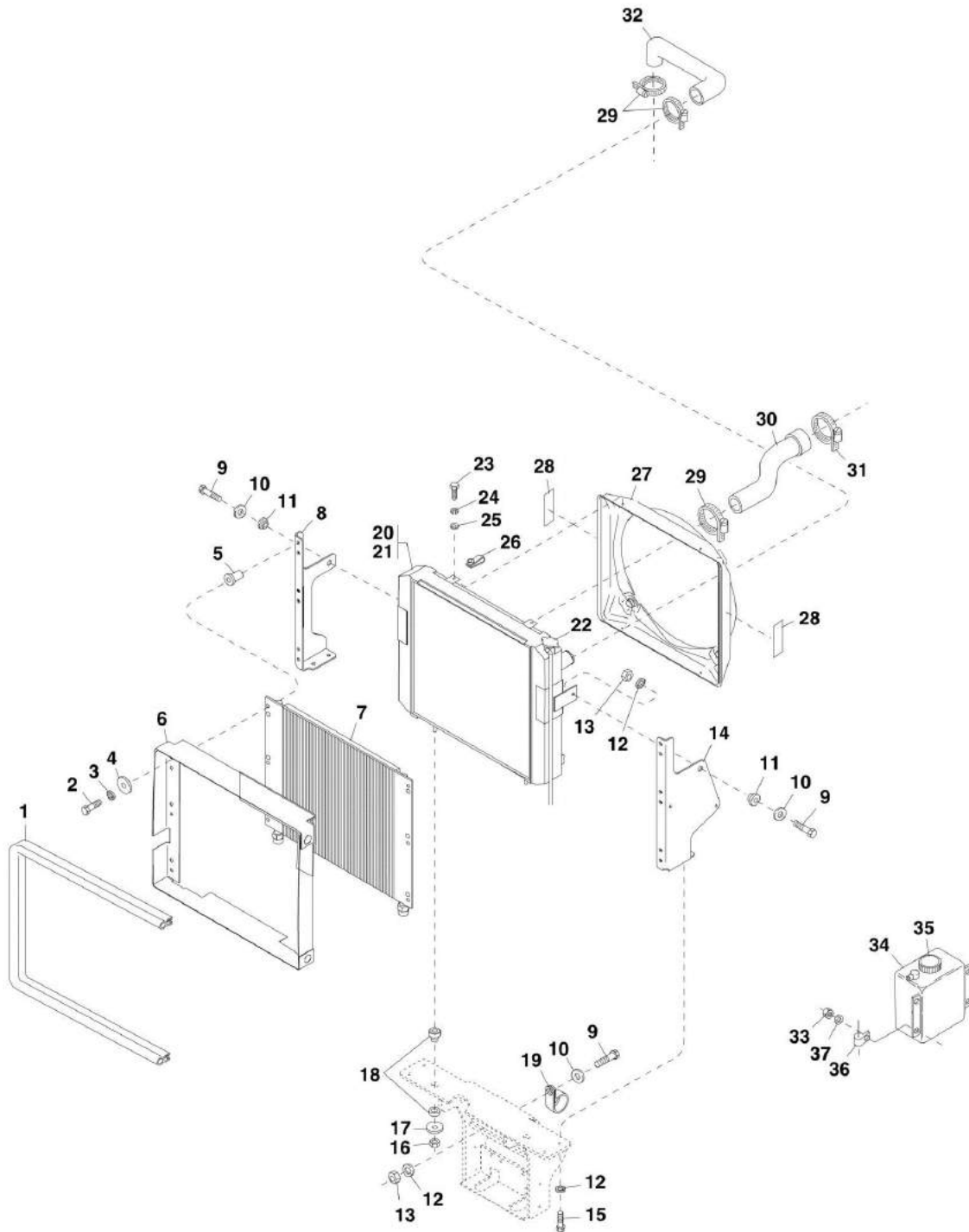
SECTION 4 - ENGINE AND ATTACHING PARTS

FIGURE 4-5. FUEL SYSTEM (SN 0160039075 to Present)

ITEM	PART NUMBER	QTY	DESCRIPTION	REV
	1001097567	Ref	FUEL SYSTEM, (not available to order, see items 1 thru 14 for service)	B
1	8303715	1	HEX HD CAPSCREW, 5/16-18X1-1/2	
2	8307004	1	LOCKWASHER, 5/16	
3	8410013	6	CLAMP	
4	8750015	1	CLAMP SET	
5	8769123	1	COVER PLATE	
6	1001097568	1	FUEL HOSE	
7	1001097569	1	FUEL HOSE	
8	0641612	2	HEX HD CAPSCREW, 3/8-16X1-1/2, GR5	
9	4711600	2	FLAT WASHER, 3/8	
10	4761600	2	LOCKWASHER, 3/8	
11	1001102931	1	BOLT, 14MM	
12	1001102933	2	COPPER RING SEAL	
13	1001113511	1	ADAPTER	
14	8406302	1	HOSE CLAMP	
101	70021851	1	FUEL FILTER	
201		Ref	FUEL/HYDRAULIC TANK ASSY, (See HYDRAULIC COMPONENTS SECTION for Breakdown)	

SECTION 4 - ENGINE AND ATTACHING PARTS

FIGURE 4-6. RADIATOR AND OIL COOLER MOUNTING (SN 17019 through 19897, SN 0160002408 through 0160004109)



PA4010

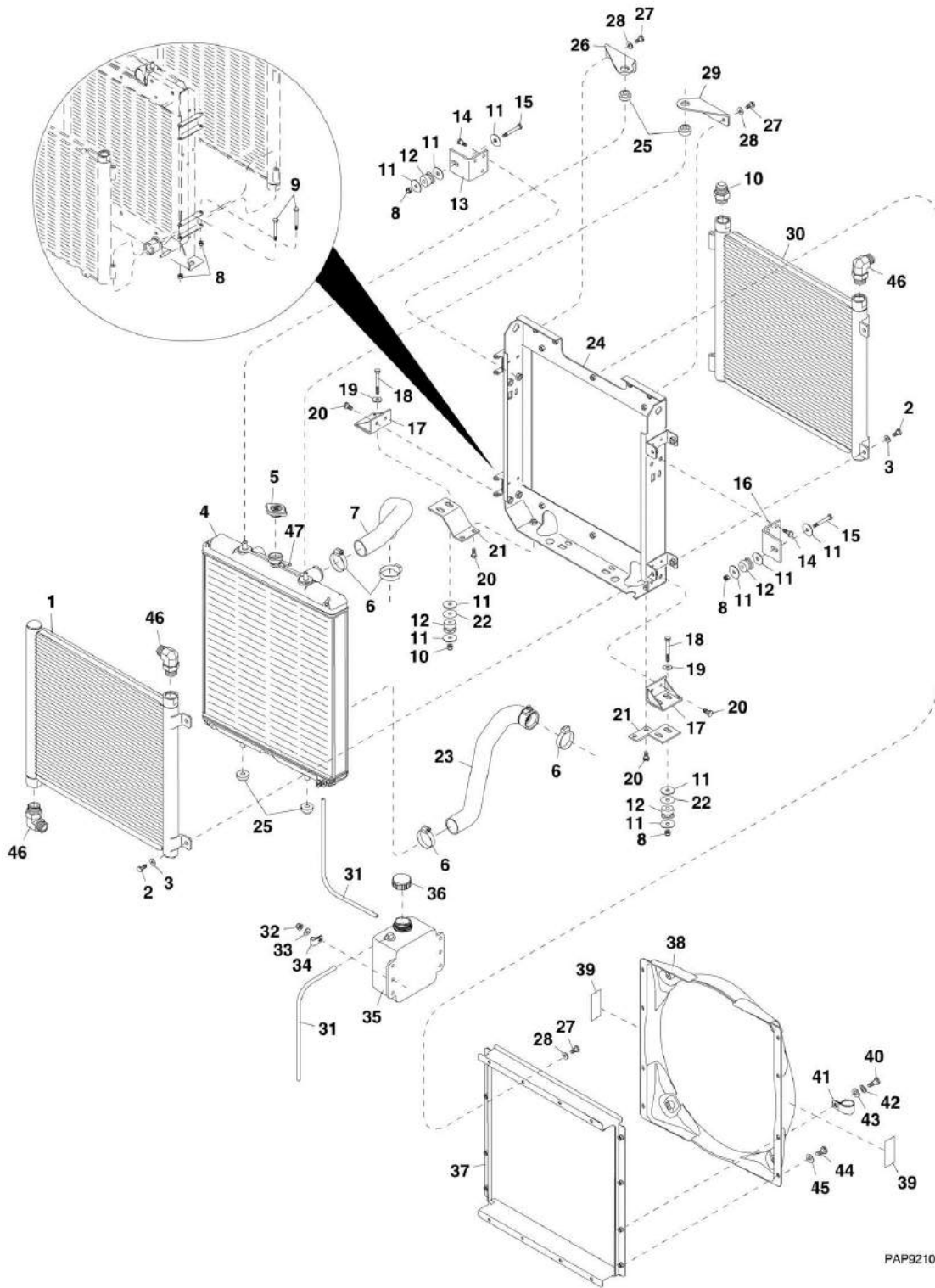
SECTION 4 - ENGINE AND ATTACHING PARTS

FIGURE 4-6. RADIATOR AND OIL COOLER MOUNTING (SN 17019 through 19897, SN 0160002408 through 0160004109)

ITEM	PART NUMBER	QTY	DESCRIPTION	REV
1	7139778	1	BULB SEAL	
2	8303743	6	HEX HD CAPSCREW, 1/4-20X1-1/2	
3	8307002	6	LOCKWASHER, 1/4	
4	8307202	6	FLAT WASHER, 1/4	
5	8580420	6	WELL NUT	
6	7139763	1	RADIATOR BAFFLE	
7	7129973	1	OIL COOLER	
8	7139447	1	L.H. RADIATOR BRACKET ASSY	
9	8303675	3	HEX HD CAPSCREW, 3/8-16X1-1/4, GR5	
10	8307204	3	PLAIN WASHER, 3/8	
11	8278031	2	ISOLATOR RADIATOR MOUNT	
12	8307005	6	LOCKWASHER, 3/8	
13	8305008	2	HEX NUT, 3/8-16	
14	7139446	1	R.H. RADIATOR BRACKET ASSY	
15	8303620	4	HEX HD CAPSCREW, 3/8-16X1	
16	8305645	2	LOCKNUT, 3/8-16	
17	7057141	2	REBOUND WASHER	
18	8278008	2	RUBBER MOUNT	
19	8406302	1	HOSE CLAMP, 1-1/2 DIA	
20	8024029	1	RADIATOR ASSY KIT, (includes items 21 thru 27)	
21	N.S.S.	1	RADIATOR	
22	8180311	1	RADIATOR CAP, (13PSI)	
23	8303697	4	HEX HD CAPSCREW, 5/16-18X3/4, GR5	
24	8307004	4	LOCKWASHER, 5/16	
25	8307106	4	PLAIN WASHER, 5/16	
26	8036546	4	SPEED NUT, 5/16-18	
27	8024031	1	RADIATOR SHROUD, (includes item 28)	
28		Ref	MOVING PARTS WARNING DECAL, (See DECALS SECTION for Breakdown)	
29	8405104	3	HOSE CLAMP, 2-1/4	
30	7138515	1	LOWER RADIATOR HOSE	
31	8405203	1	HOSE CLAMP, 3	
32	7126703	1	UPPER RADIATOR HOSE	
33	8305624	2	HEX LOCKNUT, 1/4	
34	7085422	1	RADIATOR OVERFLOW TANK, (includes item 35)	
35	8866341	1	CAP WITH TETHER	
36	8406101	1	HOSE SUPPORT, 5/8	
37	8307109	2	FLAT WASHER, 1/4	

SECTION 4 - ENGINE AND ATTACHING PARTS

FIGURE 4-7. RADIATOR AND OIL COOLER MOUNTING (SN 0160004111 through 0160010804)



PAP9210

SECTION 4 - ENGINE AND ATTACHING PARTS

FIGURE 4-7. RADIATOR AND OIL COOLER MOUNTING (SN 0160004111 through 0160010804)

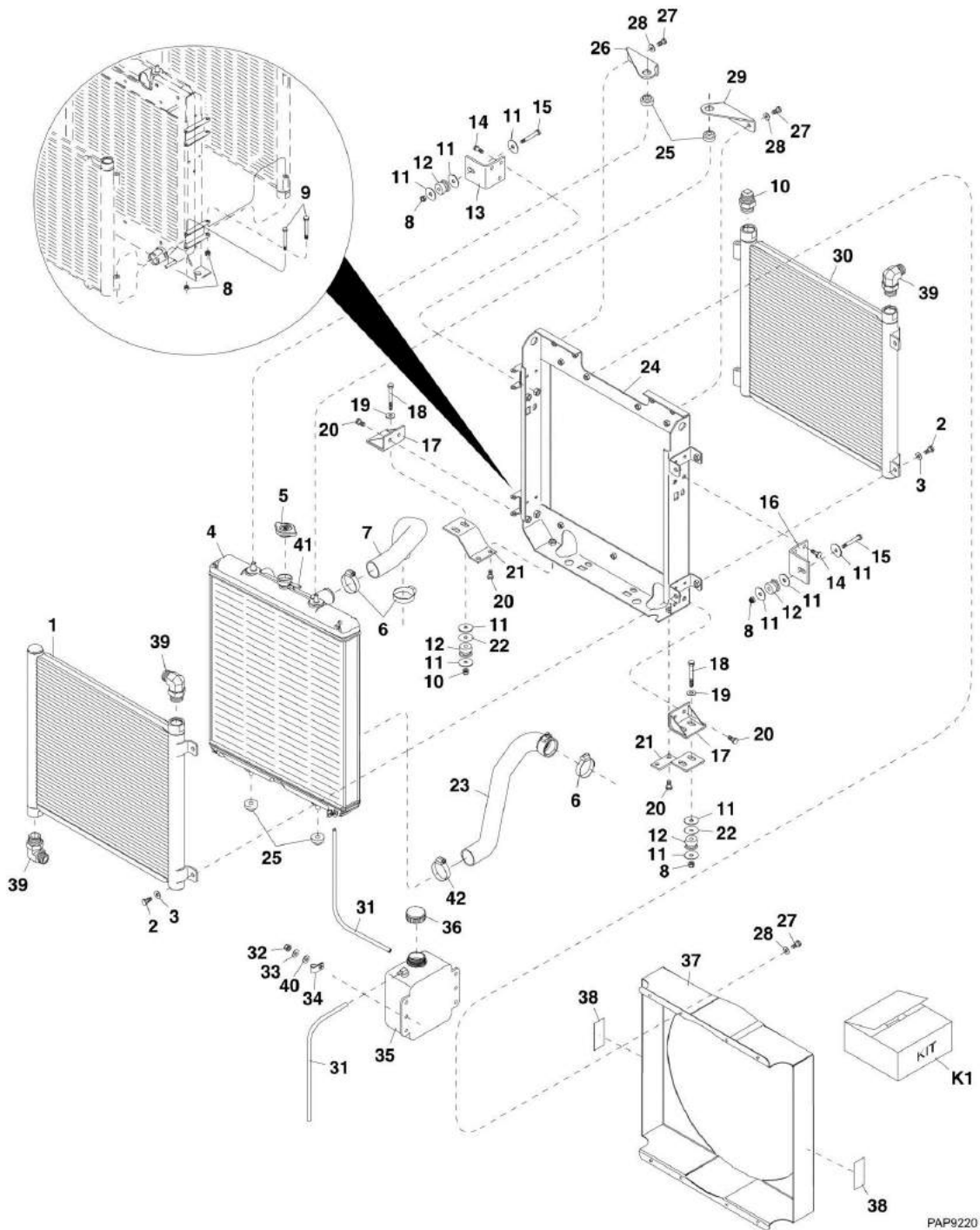
ITEM	PART NUMBER	QTY	DESCRIPTION	REV
1	8180216	1	TRANSMISSION OIL COOLER ASSY	
2	8303798	8	HEX HD CAPSCREW, M10-1.5X25MM, PC8.8	
3	8307221	8	PLAIN WASHER, M10	
4	8036816	1	RADIATOR ASSY	
5	8180311	1	RADIATOR PRESSURE CAP, 13PSI	
6	8405104	4	HOSE CLAMP, #28	
7	7301833	1	UPPER RADIATOR HOSE	
8	8305645	8	HEX NUT, 3/8-16	
9	8303107	4	HEX HD CAPSCREW, 3/8-16X3-1/4	
10	8770078	1	STRAIGHT CONNECTOR	
11	7057141	AR	FLAT REBOUND WASHER	
12	8278020	4	RUBBER ISOLATOR MOUNT	
13	7301649	1	UPPER LEFT RADIATOR SUPPORT BRACKET	
14	8303798	6	HEX HD CAPSCREW, M10-1.5X25MM, PC8.8	
15	8303106	2	HEX HD CAPSCREW, 3/6-16X2-1/5, GR5	
16	7301648	1	UPPER RIGHT RADIATOR SUPPORT BRACKET	
17	7301653	2	LOWER RADIATOR SUPPORT BRACKET	
18	8303704	2	HEX HD CAPSCREW, 3/8-16X3, GR5	
19	8310200	2	PLAIN WASHER, 3/8	
20	8303784	6	HEX HD CAPSCREW, M10-1.5X20MM, PC8.8	
21	7301651	2	LOWER RADIATOR MOUNT BRACKET	
22	8310246	AR	FENDER WASHER, .375X.048X1.5	
23	2720555	1	LOWER RADIATOR HOSE	
24	8036812	1	FRAME ASSY	
25	8180324	4	RUBBER CUSHION	
26	8180326	1	LEFT FRAME BRACKET	
27	8303606	12	HEX HD CAPSCREW, M8-1.25X22MM, PC8.8	
28	8307222	12	PLAIN WASHER, M8	
29	8180325	1	RIGHT FRAME BRACKET	
30	8180215	1	HYDRAULIC OIL COOLER ASSY	
31	8180335	1	OVERFLOW TANK HOSE, 75MM LG	
32	8305624	2	HEX LOCKNUT, 1/4-20	
33	8307109	2	PLAIN WASHER, 1/4	
34	8406101	1	TUBE CLIP, 5/8	
35	7085422	1	OVERFLOW TANK, (includes item 36)	
36	8866341	1	OVERFLOW TANK CAP	
37		Ref	SHROUD SPACER, (no longer available, use kit 2915054 on RADIATOR AND OIL COOLER MOUNTING for replacement) (SN 0160010812 through 0160039074)	
38		Ref	RADIATOR SHROUD, (includes item 39), (no longer available, use kit 2915054 on RADIATOR AND OIL COOLER MOUNTING for replacement) (SN 0160010812 through 0160039074)	
39		Ref	MOVING PARTS WARNING DECAL, (See DECALS SECTION for Breakdown)	
40	8303670	1	HEX HD CAPSCREW, 5/16-18X1, GR5	
41	8406302	1	HOSE CLAMP, 1-1/4 DIA	
42	8307004	1	LOCKWASHER, 5/16	
43	8307106	1	PLAIN WASHER, 5/16	
44	8303656	7	HEX HD CAPSCREW, 5/16-18X7/8	
45	8307106	7	PLAIN WASHER, .312X.344X.688X.065	
46	2131216	3	ELBOW, 90	

SECTION 4 - ENGINE AND ATTACHING PARTS

ITEM	PART NUMBER	QTY	DESCRIPTION	REV
47	70023968	1	DRAIN HOSE	

SECTION 4 - ENGINE AND ATTACHING PARTS

FIGURE 4-8. RADIATOR AND OIL COOLER MOUNTING (SN 0160010805 through 0160039074)



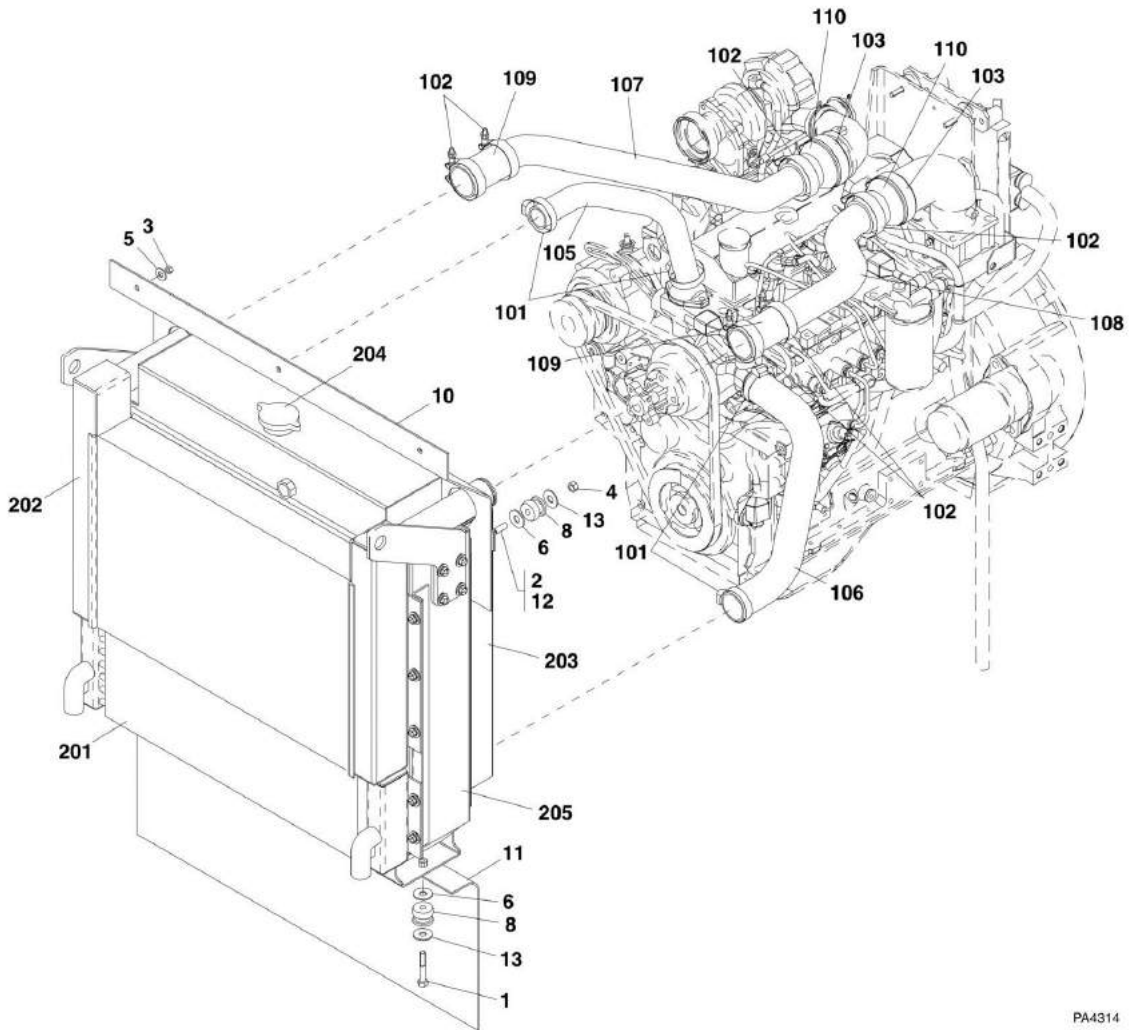
SECTION 4 - ENGINE AND ATTACHING PARTS

FIGURE 4-8. RADIATOR AND OIL COOLER MOUNTING (SN 0160010805 through 0160039074)

ITEM	PART NUMBER	QTY	DESCRIPTION	REV
	3620059	Ref	RADIATOR ASSY, (includes items 1 thru 4, qty 4 of item 8, 9, 10, 24 thru 31, 37, 39 & 40)	d
1	8180216	1	TRANSMISSION OIL COOLER ASSY	
2	8303798	4	HEX HD CAPSCREW, M10-1.5X25MM, PC8.8, (torque to 25-45 lb-ft)	
3	8307221	4	PLAIN WASHER, M10	
4	8036816	1	RADIATOR ASSY	
5	8180311	1	RADIATOR PRESSURE CAP, 13PSI	
6	8405104	3	HOSE CLAMP, #28	
7	7301833	1	UPPER RADIATOR HOSE	
8	8305645	8	HEX NUT, 3/8-16	
9	8303107	4	HEX HD CAPSCREW, 3/8-16X3-1/4, (torque to 13-23 lb-ft)	
10	8770078	1	STRAIGHT CONNECTOR	
11	7057141	AR	FLAT REBOUND WASHER	
12	8278020	4	RUBBER ISOLATOR MOUNT	
13	7301649	1	UPPER LEFT RADIATOR SUPPORT BRACKET	
14	8303798	6	HEX HD CAPSCREW, M10-1.5X25MM, PC8.8	
15	8303106	2	HEX HD CAPSCREW, 3/6-16X2-1/5, GR5	
16	7301648	1	UPPER RIGHT RADIATOR SUPPORT BRACKET	
17	7301653	2	LOWER RADIATOR SUPPORT BRACKET	
18	8303704	2	HEX HD CAPSCREW, 3/8-16X3, GR5	
19	8310200	2	PLAIN WASHER, 3/8	
20	8303784	6	HEX HD CAPSCREW, M10-1.5X20MM, PC8.8	
21	7301651	2	LOWER RADIATOR MOUNT BRACKET	
22	8310246	AR	FENDER WASHER, .375X.048X1.5	
23	2720555	1	LOWER RADIATOR HOSE	
24	8036812	1	FRAME ASSY	
25	8180324	4	RUBBER CUSHION	
26	8180326	1	LEFT FRAME BRACKET	
27	8303606	12	HEX HD CAPSCREW, M8-1.25X22MM, PC8.8	
28	8307222	12	PLAIN WASHER, M8	
29	8180325	1	RIGHT FRAME BRACKET	
30	8180215	1	HYDRAULIC OIL COOLER ASSY	
31	8180335	1	OVERFLOW TANK HOSE, 75MM LG	
32	8305004	2	HEX LOCKNUT, 1/4-20	
33	8307024	2	LOCK WASHER, M6, (Metric)	
34	8406101	1	TUBE CLIP, 5/8	
35	7085422	1	OVERFLOW TANK, (includes item 36)	
36	8866341	1	OVERFLOW TANK CAP	
37	7029005	1	RADIATOR SHROUD	
38		Ref	MOVING PARTS WARNING DECAL, (See DECALS SECTION for Breakdown)	
39	2131216	3	ELBOW, 90	
40	4711400	2	PLAIN WASHER, 1/4	
41	70023968	1	DRAIN HOSE	
42	8405202	1	GEAR CLAMP, 2.75 MAX DIA	
K1	2915054	1	FAN SHROUD KIT, (includes items 6, 23, 27, 28 & 37)	

SECTION 4 - ENGINE AND ATTACHING PARTS

FIGURE 4-9. RADIATOR AND OIL COOLER MOUNTING (SN 0160039075 to Present)



PA4314

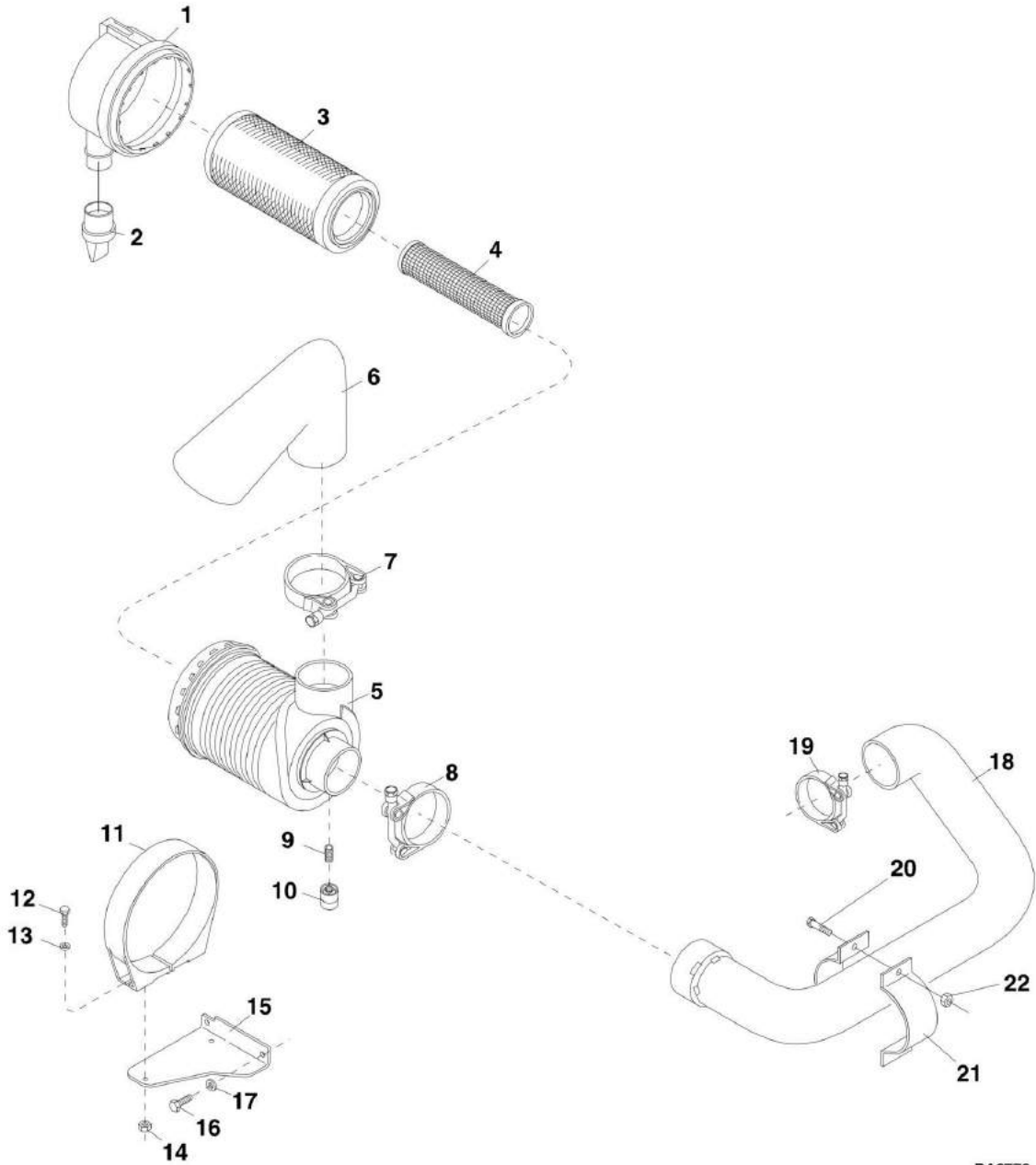
SECTION 4 - ENGINE AND ATTACHING PARTS

FIGURE 4-9. RADIATOR AND OIL COOLER MOUNTING (SN 0160039075 to Present)

ITEM	PART NUMBER	QTY	DESCRIPTION	REV
	1001096431	1	RADIATOR ASSY, (includes items 1 thru 13)	B
1	0641618	2	HEX HD CAPSCREW, 3/8-16X2-1/4, GR5	
2	0641616	2	HEX HD CAPSCREW, 3/8-16X2, GR5	
3	3311401	3	LOCKNUT, 1/4-20, GR2	
4	3311605	2	LOCKNUT, 3/8-16, GR2	
5	4740362	3	FENDER WASHER, 1/4	
6	4751700	4	FLAT WASHER, 7/16	
8	8278020	4	MOUNT	
9	1001096432	1	RADIATOR ASSY, (includes items 201 thru 205)	E
10	1001102212	1	UPPER RUBBER AIR DAM	
11	1001102213	1	LOWER RUBBER AIR DAM	
12	4751600	2	FLAT WASHER, 3/8	
13	7057141	4	REBOUND WASHER	
	1001096434	Ref	ENGINE COOLANT PLUMBING INSTALLATION, (not available to order, see items 101 thru 110 for service)	D
101	8405104	4	CLAMP, (torque to 60 lb-ft)	
102	8405209	6	HEAVY DUTY BAND CLAMP, (torque to 60 lb-ft)	
103	91163129	2	HEAVY DUTY BAND CLAMP, (torque to 60 lb-ft)	
105	1001096435	1	UPPER RADIATOR HOSE	
106	1001096436	1	LOWER RADIATOR HOSE	
107	1001097564	1	PIPE	
108	1001097565	1	PIPE	
109	91563070	2	COUPLING	
110	1001098972	2	REDUCER	
201	70022692	1	HYDRAULIC OIL COOLER	
202	70022693	1	CAC ASSY	
203	70023599	1	SHROUD	
204	70022695	1	RADIATOR CAP	
205	70022696	1	RADIATOR	

SECTION 4 - ENGINE AND ATTACHING PARTS

FIGURE 4-10. AIR CLEANER ASSEMBLY (SN 17019 through 19897, SN 0160002408 through 0160004109)



PA2770

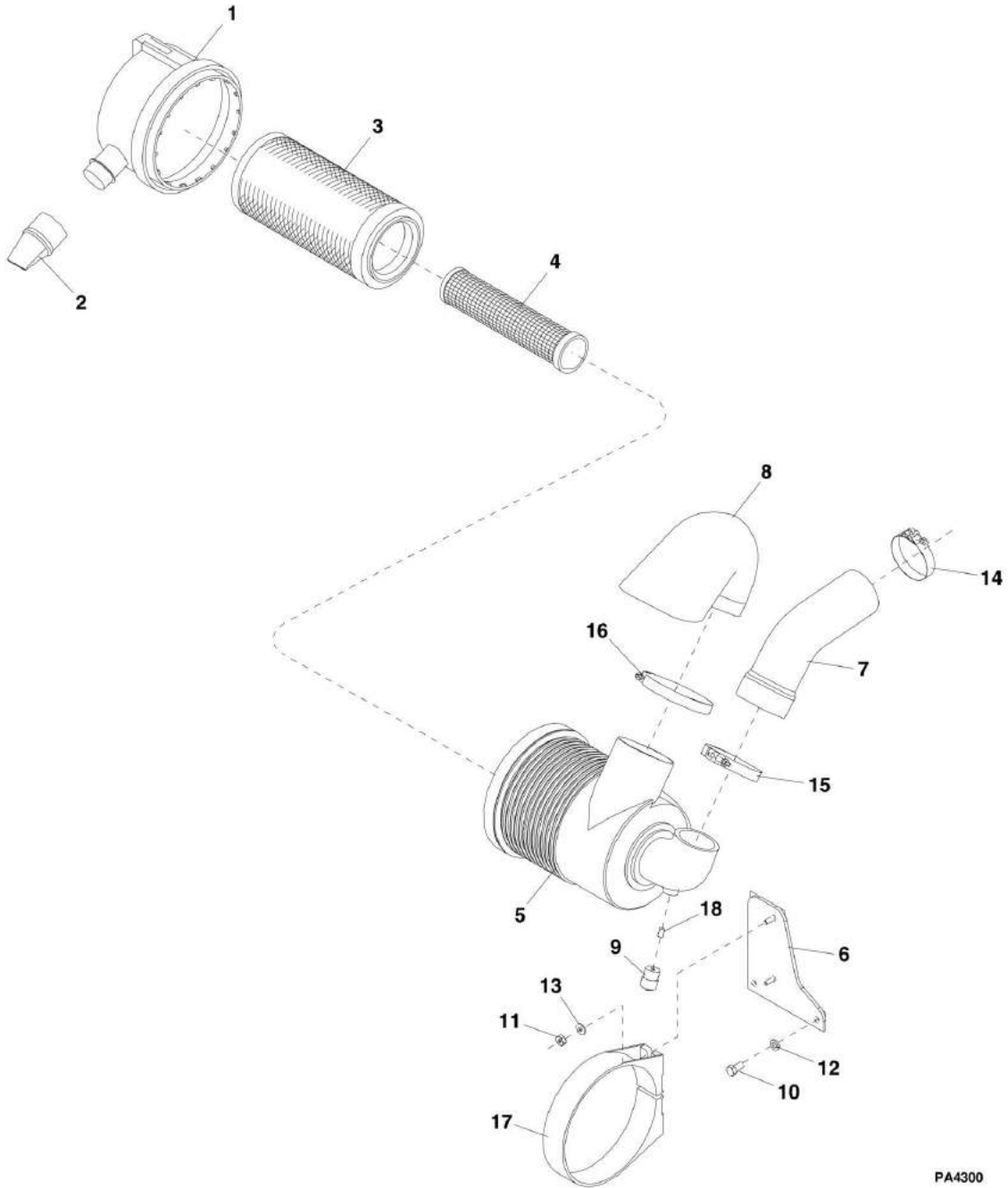
SECTION 4 - ENGINE AND ATTACHING PARTS

FIGURE 4-10. AIR CLEANER ASSEMBLY (SN 17019 through 19897, SN 0160002408 through 0160004109)

ITEM	PART NUMBER	QTY	DESCRIPTION	REV
	8273027	1	AIR CLEANER ASSY, (includes items 1 thru 5)	AB
1	8036745	1	END COVER	
2	8032398	1	VACUATOR VALVE	
3	8035098	1	PRIMARY ELEMENT	
4	8035099	1	SAFETY ELEMENT	
5	N.S.S.	1	AIR CLEANER BODY	
6	7097323	1	AIR INTAKE SCOOP	
7	8405404	1	T-BOLT BAND CLAMP, 4.38 I.D.	
8	8405505	1	T-BOLT BAND CLAMP, 4.06 I.D.	
9	8551001	1	NIPPLE, #2 DIA X 3/4 LG	
10	8273241	1	AIR INTAKE RESTRICTION INDICATOR	
11	8273303	1	AIR CLEANER MOUNTING BAND	
12	8303739	2	HEX HD CAPSCREW, 5/16-18X1-1/4, GR5	
13	8307203	2	FLAT WASHER, 5/16	
14	8305626	2	HEX LOCKNUT, 5/16	
15	7139553	1	AIR CLEANER BRACKET	
16	8303618	2	HEX HD CAPSCREW, M12X25MM	
17	8307025	2	LOCKWASHER, M121	
18	7095393	1	AIR INTAKE HOSE	
19	8405305	1	T-BOLT BAND CLAMP, 3.38 I.D.	
20	8303670	2	HEX HD CAPSCREW, 5/16-18X1	
21	7301006	2	HEAT SHIELD	
22	8310453	2	NUT, 5/16-18	

SECTION 4 - ENGINE AND ATTACHING PARTS

FIGURE 4-11. AIR CLEANER ASSEMBLY (SN 0160004111 through 0160039074)



PA4300

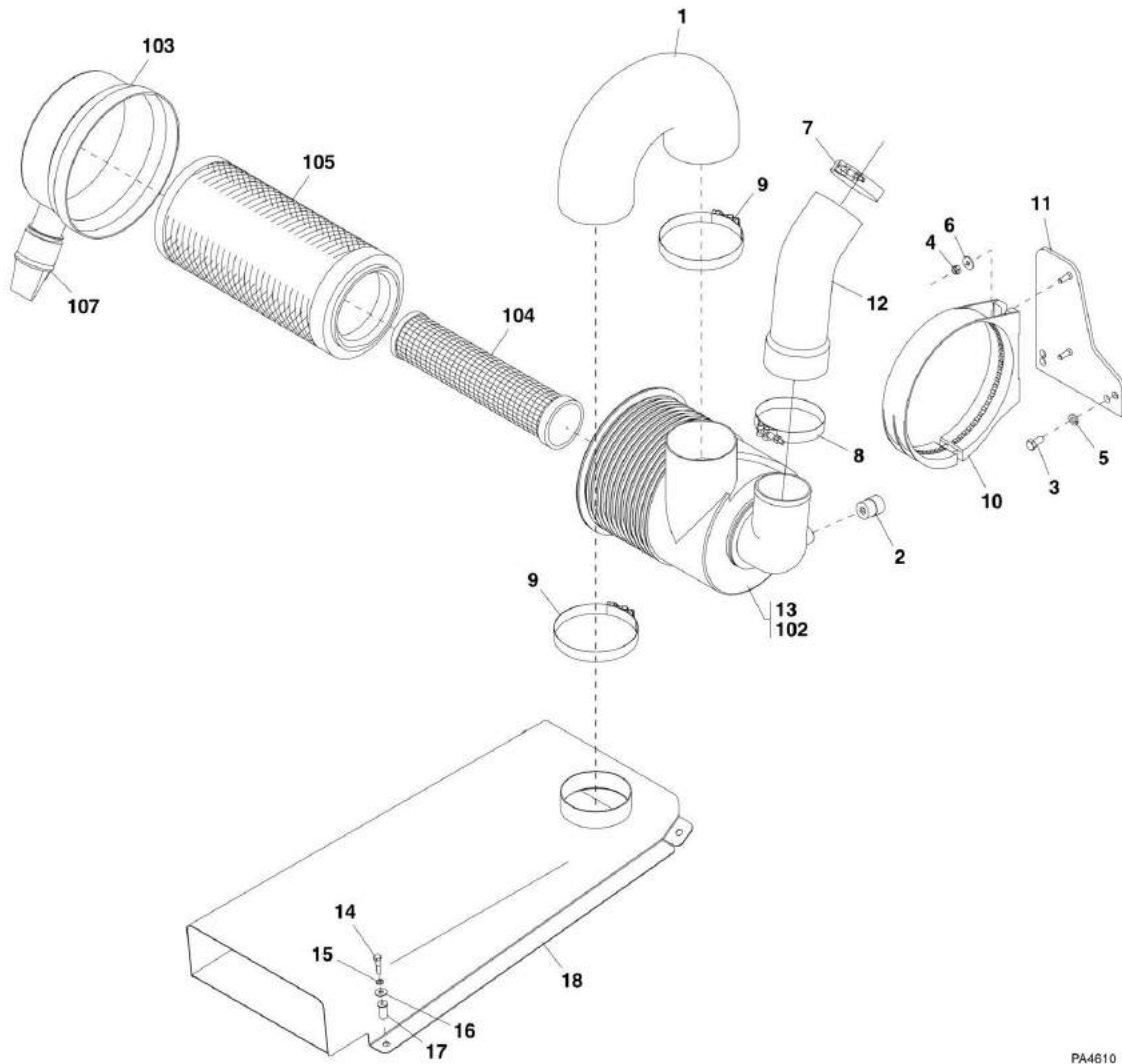
SECTION 4 - ENGINE AND ATTACHING PARTS

FIGURE 4-11. AIR CLEANER ASSEMBLY (SN 0160004111 through 0160039074)

ITEM	PART NUMBER	QTY	DESCRIPTION	REV
	10268515	1	AIR CLEANER ASSY, (includes items 1 thru 5)	C
1	91364023	1	COVER ASSY	
2	80373094	1	VACUATOR VALVE	
3	1101312	1	PRIMARY ELEMENT	
4	1101313	1	SAFETY ELEMENT	
5	N.S.S.	1	AIR CLEANER BODY	
6	4340812	1	AIR CLEANER MOUNT	
7	2720549	1	AIR CLEANER HOSE	
8	7300972	1	AIR INTAKE SCOOP	
9	8273241	1	AIR INTAKE RESTRICTION INDICATOR	
10	8303618	2	HEX HD CAPSCREW, M12X1.75X25mm, PC8.8	
11	8305626	2	HEX LOCKNUT, 5/16-18	
12	8307025	2	LOCKWASHER, M12	
13	8307203	2	PLAIN WASHER, 5/16	
14	8405305	1	T-BOLT CLAMP, 3.38 I.D.	
15	8405505	1	T-BOLT CLAMP	
16	8410021	1	T-BOLT CLAMP, 5.00 I.D.	
17	10268516	1	MOUNTING BAND	
18	8551001	1	NIPPLE, #2 DIA X 3/4 LG	

SECTION 4 - ENGINE AND ATTACHING PARTS

FIGURE 4-12. AIR CLEANER ASSEMBLY (SN 0160039075 to Present)



PA4610

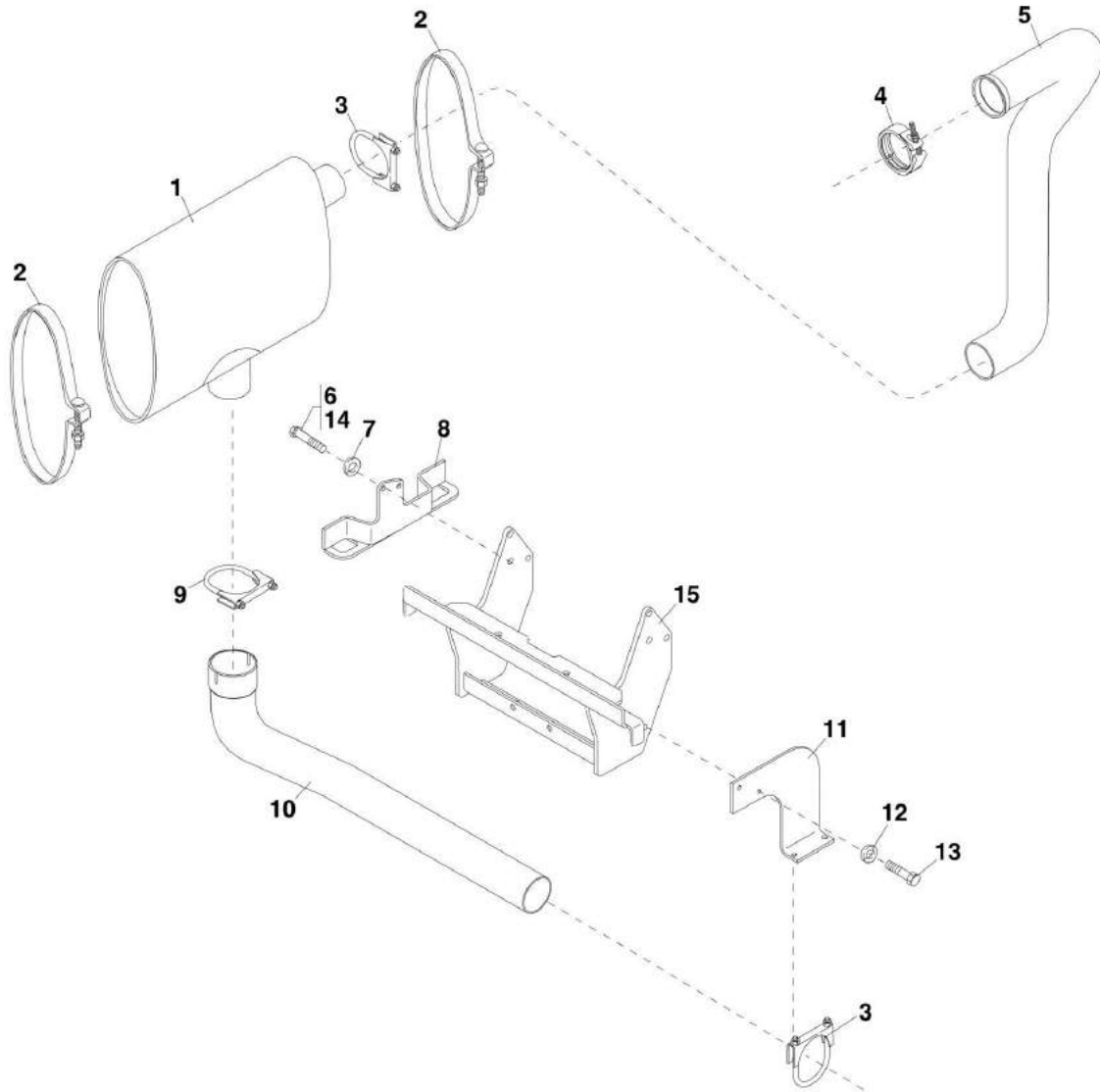
SECTION 4 - ENGINE AND ATTACHING PARTS

FIGURE 4-12. AIR CLEANER ASSEMBLY (SN 0160039075 to Present)

ITEM	PART NUMBER	QTY	DESCRIPTION	REV
	1001096427	1	AIR INTAKE INSTALL, (includes items 1 thru 18)	C
1	1001102277	1	ELBOW, 180	
2	8273241	1	AIR INTAKE RESTRICTION INDICATOR	
3	8310668	2	BUTTON HD CAPSCREW, 10-1.2X25MM, GR10.9	
4	8305626	2	HEX LOCKNUT, .312-18	
5	83191013	2	LOCKWASHER, 10MM	
6	8307203	2	WASHER, .312	
7	8405305	1	CLAMP	
8	8405505	1	CLAMP	
9	8410021	2	CLAMP	
10	10268516	1	MOUNTING BAND	
11	1001096484	1	AIR CLEANER SUPPORT	
12	1001098977	1	AIR INTAKE PIPE	
13	10268515	1	AIR CLEANER, (includes items 102 thru 107)	C
14	8303615	4	HEX HD CAPSCREW, .250-20X1.25, GR5	
15	8307002	4	LOCKWASHER, .250	
16	8307202	4	WASHER, .250	
17	8580420	4	WELL NUT	
18	1001102214	1	AIR INTAKE DUCT	
102	N.S.S.	1	AIR CLEANER BODY	
103	91364023	1	COVER ASSY	
104	1101313	1	SAFETY ELEMENT	
105	1101312	1	PRIMARY ELEMENT	
107	80373094	1	VACUATOR VALVE	

SECTION 4 - ENGINE AND ATTACHING PARTS

FIGURE 4-13. EXHAUST SYSTEM (SN 17019 through 19897, SN 0160002408 through 0160004109)



PA3460

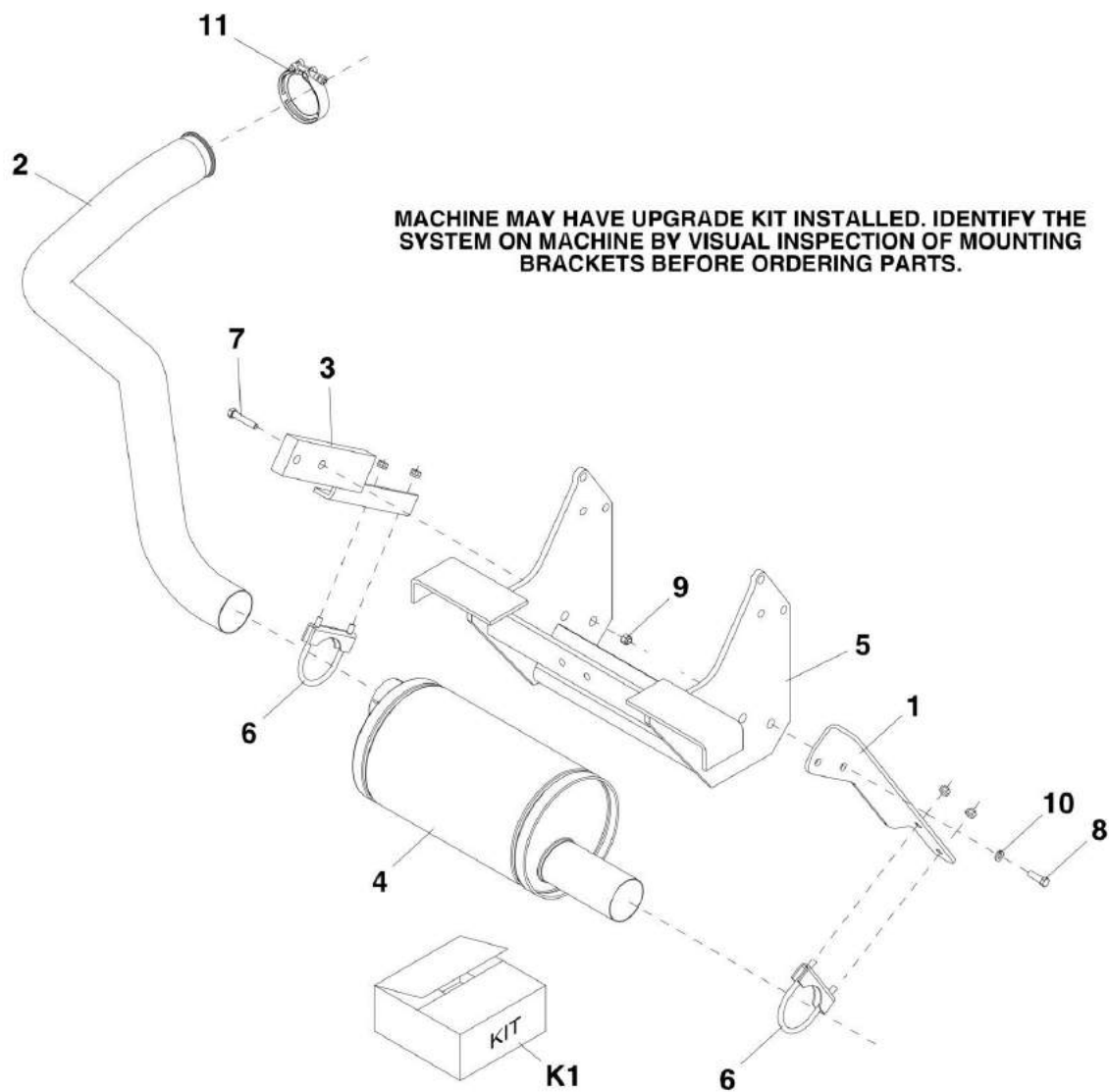
SECTION 4 - ENGINE AND ATTACHING PARTS

FIGURE 4-13. EXHAUST SYSTEM (SN 17019 through 19897, SN 0160002408 through 0160004109)

ITEM	PART NUMBER	QTY	DESCRIPTION	REV
1	7150642	1	MUFFLER	
2	7126992	2	BAND CLAMP, 5X11	
3	8275247	2	MUFFLER CLAMP, 3	
4	8275240	1	V BAND CLAMP	
5	7138871	1	EXHAUST PIPE	
6	8303519	2	HEX HD CAPSCREW, M12X1.75X35MM	
7	8307220	2	PLAIN WASHER, M12	
8	7138318	1	MUFFLER BRACKET	
9	8275248	1	MUFFLER CLAMP, 2-3/4	
10	7138816	1	TAIL PIPE	
11	7138815	1	EXHAUST PIPE MOUNTING BRACKET	
12	8307005	2	LOCKWASHER, 3/8	
13	8303675	2	HEX HD CAPSCREW, 3/8-16X1-1/4, GR5	
14	0100011	AR	LOCTITE 242, (apply to item 6)	
15		Ref	ENGINE MOUNT, (See ENGINE MOUNTING for Breakdown)	

SECTION 4 - ENGINE AND ATTACHING PARTS

FIGURE 4-14. EXHAUST SYSTEM (SN 0160004111 through 0160035347)



PA4830

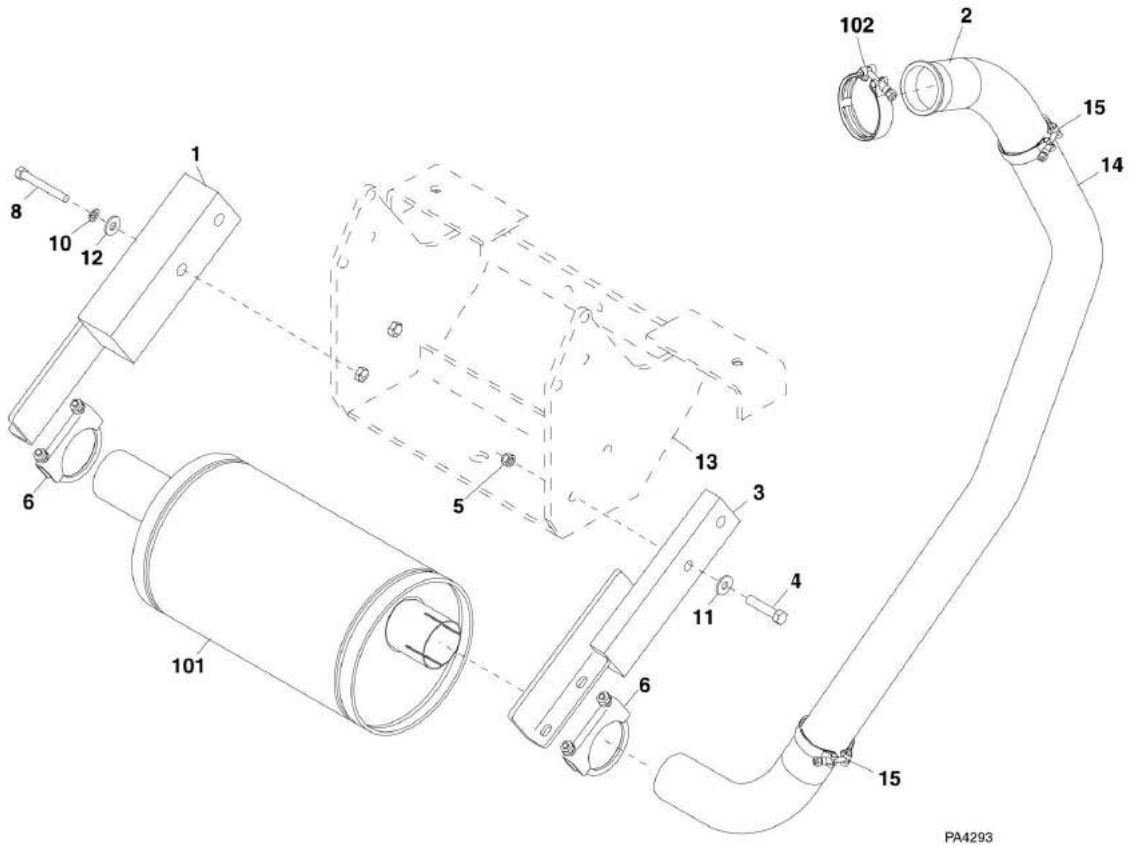
SECTION 4 - ENGINE AND ATTACHING PARTS

FIGURE 4-14. EXHAUST SYSTEM (SN 0160004111 through 0160035347)

ITEM	PART NUMBER	QTY	DESCRIPTION	REV
1	7302304	1	EXHAUST BRACKET	
2	7301505	1	EXHAUST PIPE	
3	7301506	1	MOUNTING BRACKET	
4	8275045	1	ROUND MUFFLER	
5		Ref	ENGINE MOUNT, (See ENGINE MOUNTING for Breakdown)	
6	8275247	2	MUFFLER CLAMP, 3IN	
7	0641718	2	HEX HD CAPSCREW, 7/16-14X2 1/4, GR5, (torque to 35-45 lb-ft)	
8	8303675	2	HEX HD CAPSCREW, 3/8-16X1-1/4, GR5, (torque to 7.5-13.5 lb-ft)	
9	8310109	2	HEX LOCKNUT, 7/16-14	
10	8307005	2	LOCKWASHER, 3/8	
11	77384830	1	V BAND CLAMP	
K1	1001102305	1	EXHAUST UPGRADE KIT, (See OPTIONS SECTION for Breakdown)	

SECTION 4 - ENGINE AND ATTACHING PARTS

FIGURE 4-15. EXHAUST SYSTEM (SN 0160035348 through 0160039074)



PA4293

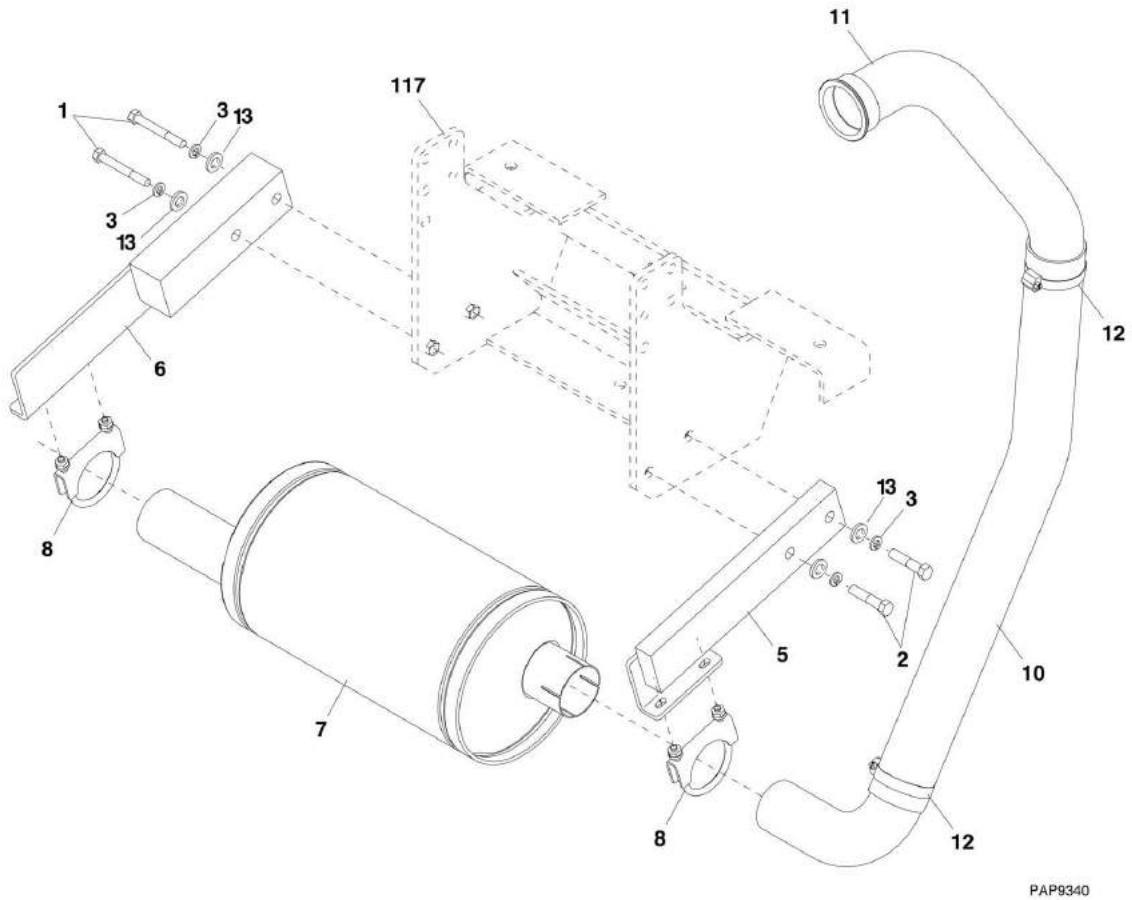
SECTION 4 - ENGINE AND ATTACHING PARTS

FIGURE 4-15. EXHAUST SYSTEM (SN 0160035348 through 0160039074)

ITEM	PART NUMBER	QTY	DESCRIPTION	REV
	7301498	Ref	EXHAUST INSTALLATION, (includes items 1 thru 12 & 14 thru 15)	I
1	1001101397	1	EXHAUST BRACKET	
2	1001100296	1	EXHAUST PIPE	
3	1001101396	1	MOUNTING BRACKET	
4	0641718	2	HEX HD CAPSCREW, 7/16-14X2-1/4, GR5, (torque to 35-45 lb-ft)	
5	8310109	2	HEX LOCKNUT, 7/16-14	
6	83683175	2	MUFFLER CLAMP, 2-1/2IN	
8	0641624	2	HEX HD CAPSCREW, 3/8-16X3, GR5, (torque to 7.5-13.5 lb-ft)	
10	8307005	2	LOCKWASHER, 3/8	
11	4751700	2	WASHER, 7/16	
12	4751600	2	WASHER, 3/8	
13		Ref	ENGINE MOUNT, (See ENGINE MOUNTING for Breakdown)	
14	1001101193	2 ft	FIBER GLASS SLEEVE, (sold by the foot)	
15	8405202	2	GEAR CLAMP	
101	1001100978	1	ROUND MUFFLER	
102	77384830	1	V BAND CLAMP	

SECTION 4 - ENGINE AND ATTACHING PARTS

FIGURE 4-16. EXHAUST SYSTEM (SN 0160039075 to Present)



PAP9340

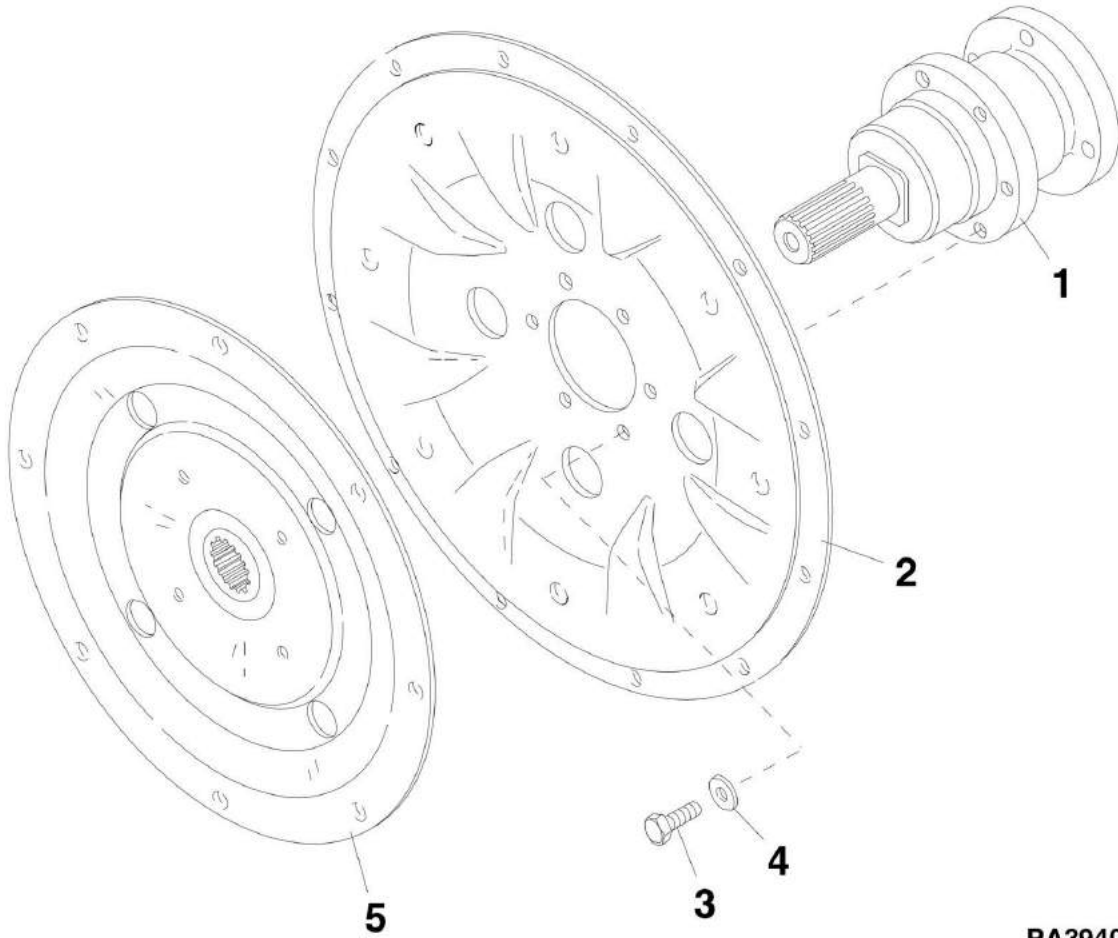
SECTION 4 - ENGINE AND ATTACHING PARTS

FIGURE 4-16. EXHAUST SYSTEM (SN 0160039075 to Present)

ITEM	PART NUMBER	QTY	DESCRIPTION	REV
	1001096425	1	EXHAUST INSTALL, (includes items 1 thru 13)	E
1	0641624	2	HEX HD CAPSCREW, 3/8-16X3, GR5, (torque to 25-30 lb-ft)	
2	0641616	2	HEX HD CAPSCREW, 3/8-16X2, GR5, (torque to 25-30 lb-ft)	
3	8307005	4	LOCKWASHER, .375	
5	1001114012	1	EXHAUST BRACKET	
6	1001114013	1	EXHAUST BRACKET	
7	1001100978	1	ROUND MUFFLER	
8	83683175	2	MUFFLER CLAMP	
10	1001101193	29 in	FIBER GLASS SLEEVE, (sold by the foot)	
11	1001114040	1	EXHAUST PIPE	
12	8405202	2	GEAR CLAMP	
13	4751600	4	WASHER, 3/8	
117		Ref	ENGINE MOUNT, (See ENGINE MOUNTING for Breakdown)	

SECTION 4 - ENGINE AND ATTACHING PARTS

FIGURE 4-17. ISOLATION COUPLER (SN 17019 through 19798)



PA3940

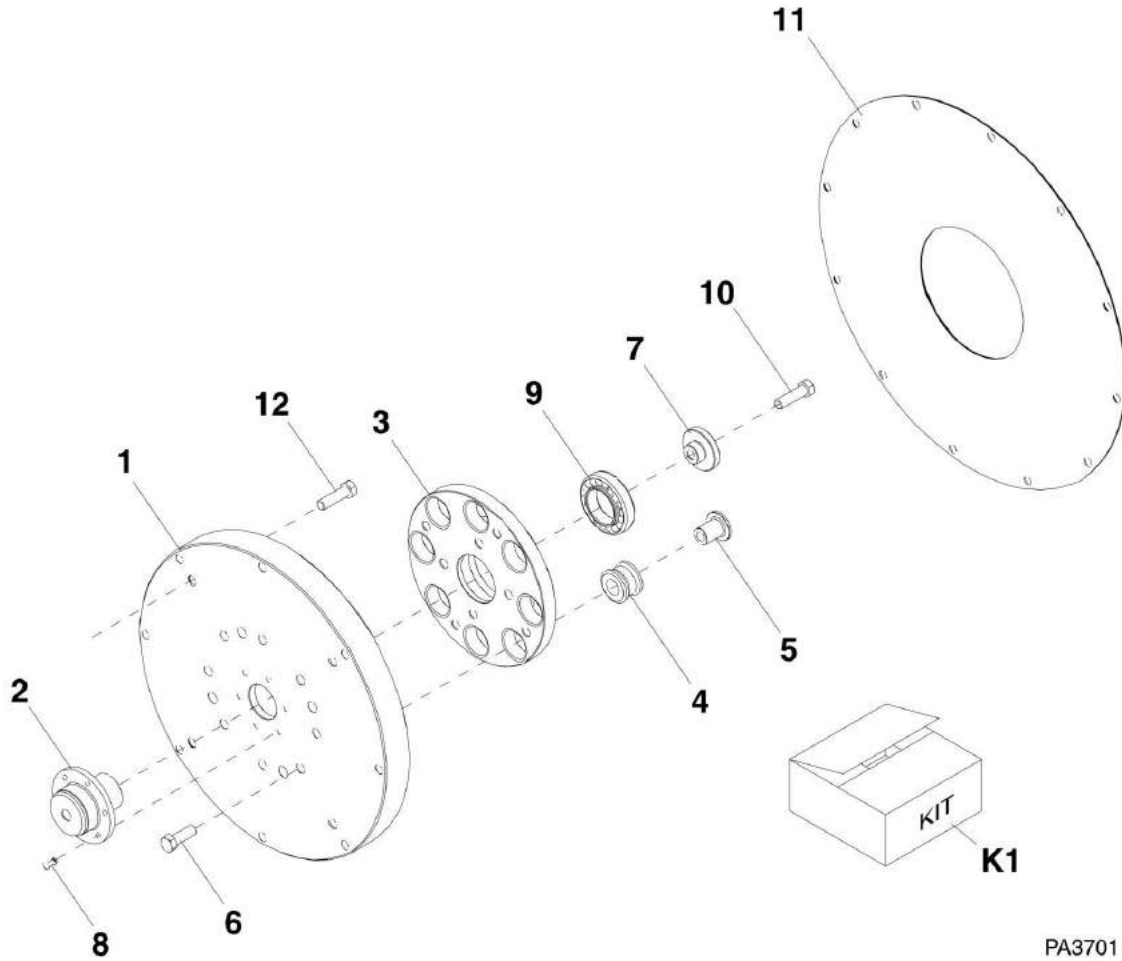
SECTION 4 - ENGINE AND ATTACHING PARTS

FIGURE 4-17. ISOLATION COUPLER (SN 17019 through 19798)

ITEM	PART NUMBER	QTY	DESCRIPTION	REV
	7137643	1	ISOLATION COUPLER ASSY, (includes all items)	AA
1	8035555	1	SHAFT AND BEARING ASSY	
2	8035556	1	PROTECTIVE HOUSING	
3	8035557	6	HEX HD BOLT, M10X25MM	
4	8035558	6	FLAT WASHER, M10	
5	8035559	1	TORSION COUPLING ELEMENT	

SECTION 4 - ENGINE AND ATTACHING PARTS

FIGURE 4-18. ISOLATION COUPLER (SN 19797 through 19897, SN 0160002408 through 0160004109)



PA3701

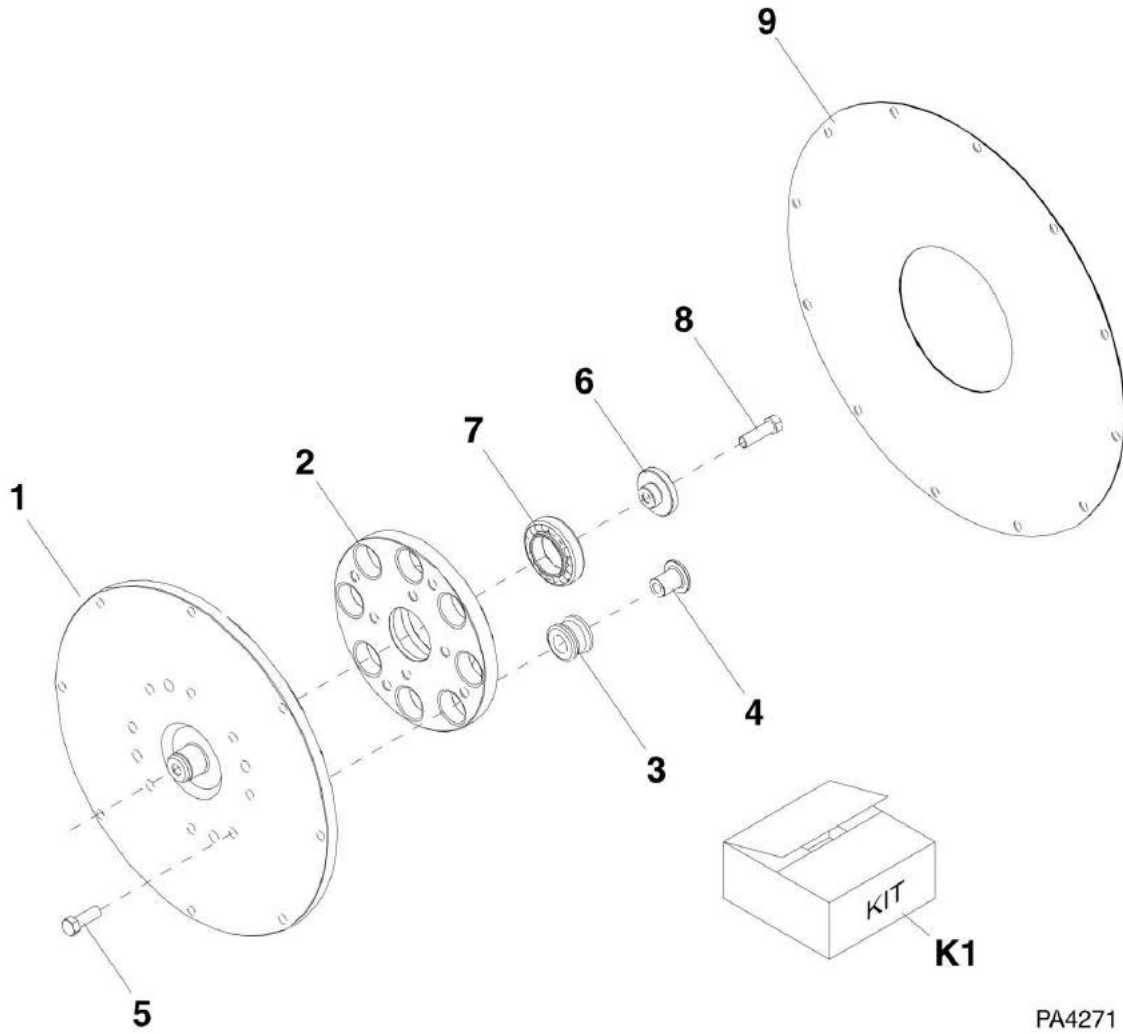
SECTION 4 - ENGINE AND ATTACHING PARTS

FIGURE 4-18. ISOLATION COUPLER (SN 19797 through 19897, SN 0160002408 through 0160004109)

ITEM	PART NUMBER	QTY	DESCRIPTION	REV
	8841318	1	ISOLATION COUPLER ASSY, (includes all items)	AA
1	N.S.S.	1	FLYWHEEL PLATE, (not sold separately, use 8841318 for replacement)	
2	N.S.S.	1	PILOT, (not sold separately, use 8841318 for replacement)	
3	7029264	1	COUPLING HUB	
4	Kit K1	8	NEOPRENE INSERT	
5	Kit K1	8	THREADED BUSHING	
6	Kit K1	8	BOLT, 7/16-20X1-1/4	
7	Kit K1	1	BUSHING	
8	N.S.S.	6	FLANGE HD RIVET, 1/4X1	
9	N.S.S.	1	BALL BEARING, (not sold separately, use 8841318 for replacement)	
10	Kit K1	5	HEX HD BOLT, 7/16-20X1-1/2	
11	7029265	1	COVER PLATE	
12	0761015	4	HEX HD BOLT, M10X1.5X35MM	
K1	70020228	1	ISOLATION COUPLER SERVICE KIT, (includes items 4, 5, 6, 7 & 10)	

SECTION 4 - ENGINE AND ATTACHING PARTS

FIGURE 4-19. ISOLATION COUPLER (SN 0160004111 to Present)



SECTION 4 - ENGINE AND ATTACHING PARTS

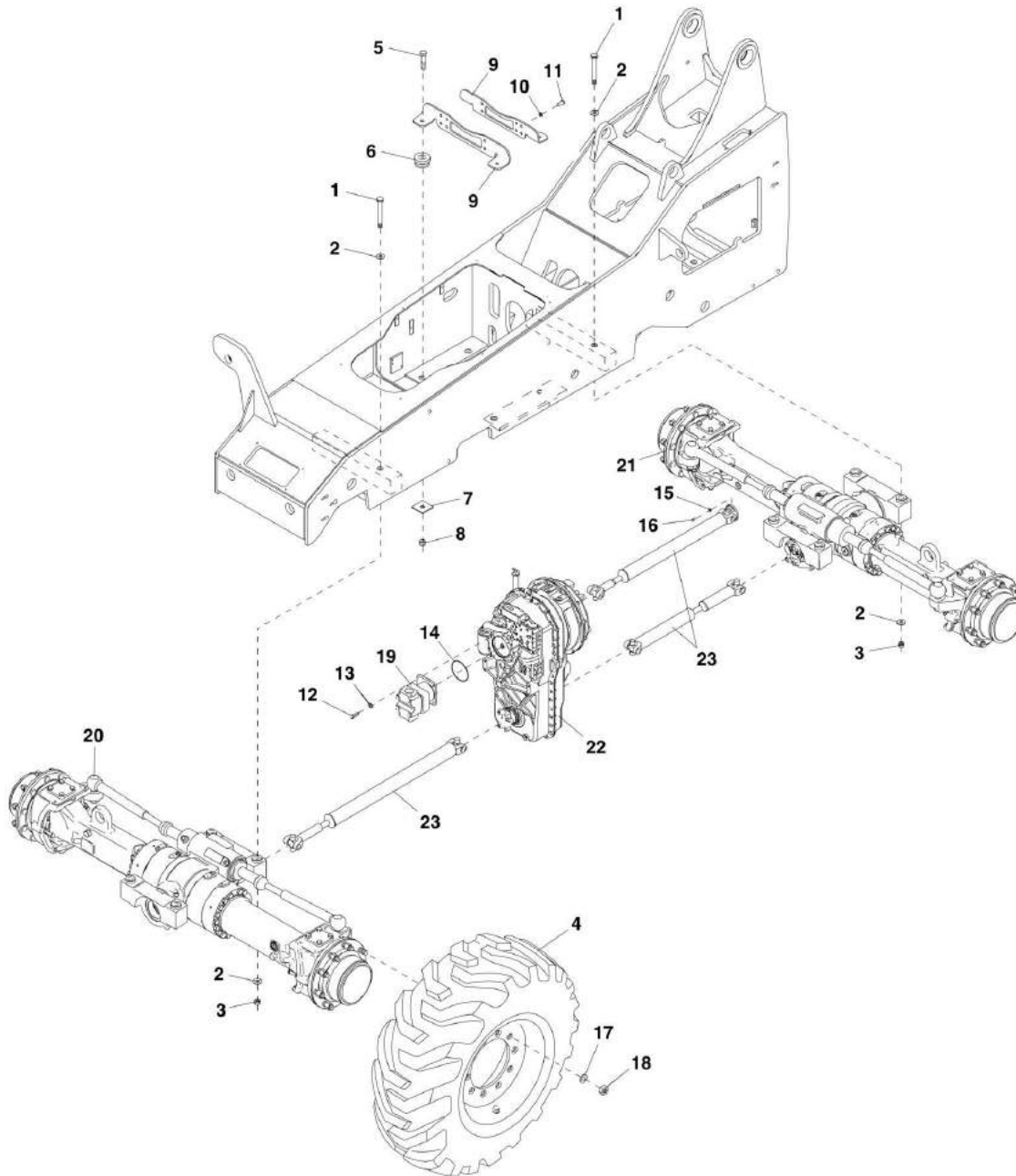
FIGURE 4-19. ISOLATION COUPLER (SN 0160004111 to Present)

ITEM	PART NUMBER	QTY	DESCRIPTION	REV
	8841319	1	ISOLATION COUPLER ASSY, (includes all items)	AA
1	N.S.S.	1	FLYWHEEL PLATE, (not sold separately, use 8841319 for replacement)	
2	7029264	1	COUPLING HUB	
3	Kit K1	8	NEOPRENE INSERT	
4	Kit K1	8	THREADED BUSHING	
5	Kit K1	8	HEX HD BOLT, 7/16-20X1-1/4	
6	Kit K1	1	BUSHING	
7	N.S.S.	1	BALL BEARING, (not sold separately, use 8841319 for replacement)	
8	Kit K1	5	HEX HD BOLT, 7/16-20X1-1/2	
9	7029265	1	COVER PLATE	
K1	70020228	1	ISOLATION COUPLER SERVICE KIT, (includes items 3 thru 6 & 8)	

SECTION 5 - DRIVE TRAIN

SECTION 5 - DRIVE TRAIN

FIGURE 5-1. DRIVE TRAIN COMPONENTS



PA4320

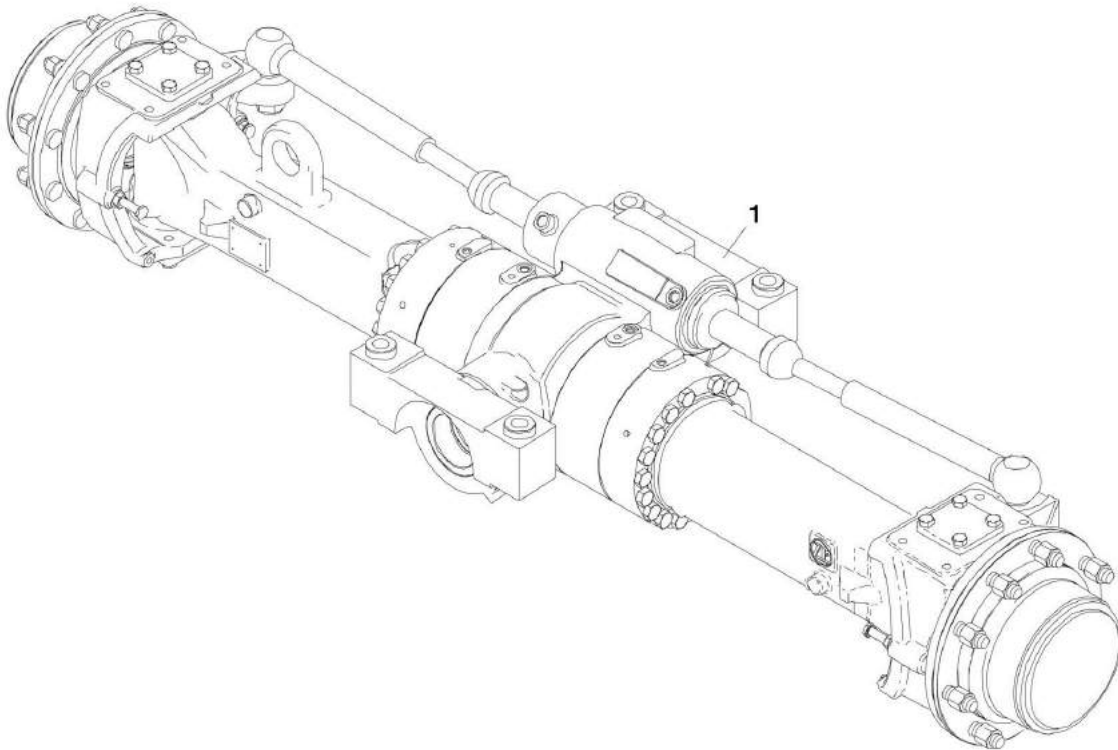
SECTION 5 - DRIVE TRAIN

FIGURE 5-1. DRIVE TRAIN COMPONENTS

ITEM	PART NUMBER	QTY	DESCRIPTION	REV
1	8310479	8	HEX HD CAPSCREW, 1-8X11	
2	8310061	16	HARDENED WASHER, 1 O.D.	
3	8310481	8	HEX LOCKNUT, 1-8, (torque to 500-560 lb-ft)	
4		Ref	TIRE AND RIM ASSY, (See TIRES AND RIMS (PNEUMATIC) AND TIRES AND RIMS (FOAM FILLED AND SOLID) for Breakdown)	
5	8303724	4	HEX HD CAPSCREW, 3/4-10X3-1/2, GR5, (torque to 210 lb-ft)	
6	8278007	4	RUBBER MOUNT	
7	7054351	4	REBOUND WASHER	
8	8310067	4	HEX LOCKNUT, 3/4-10	
9	7138634	2	TRANSMISSION MOUNT BRACKET	
10	8307049	8	LOCKWASHER, M16, (mount bracket to transmission)	
11	8310215	8	HEX HD CAPSCREW, M16X2X40MM, PC8.8, (torque to 148 lb-ft), (mount bracket to transmission)	
12	8303519	4	HEX HD CAPSCREW, M12X1.75X35MM, PC8.8, (torque to 58-70 lb-ft)	
13	8310356	4	HARDENED WASHER, 12MM	
14	8630019	1	O-RING	
15	8307006	4	LOCKWASHER, .438	
16	8310425	4	HEX HD CAPSCREW, .438-20X2.25, GR8	
17	8786573	32	SPRING WASHER (Prior to SN 0160038919, Excluding 0160033533)	
17	8786573	40	SPRING WASHER, (not required with Firestone 370/75-28) (SN 0160038919 to Present, Including 0160033533)	
18	8786572	32	WHEEL NUT, (torque to 425-450 lb-ft) (Prior to SN 0160038919, Excluding 0160033533)	
18	8786572	40	WHEEL NUT, (torque to 425-450 lb-ft) (SN 0160038919 to Present, Including 0160033533)	
18	91403193	40	WHEEL NUT, (torque to 430-470 lb-ft), (if equipped with Firestone 370/75-28) (SN 0160038919 to Present, Including 0160033533)	
19		Ref	GEAR PUMP, (See HYDRAULIC COMPONENTS SECTION for Breakdown)	
20		Ref	FRONT AXLE, (See FRONT AXLE for Breakdown)	
21		Ref	REAR AXLE, (See REAR AXEL for Breakdown)	
22		Ref	ZF TRANSMISSION, (See ZF TRANSMISSION for Breakdown)	
23		Ref	DRIVE SHAFTS, (See DRIVE SHAFTS for Breakdown)	

SECTION 5 - DRIVE TRAIN

FIGURE 5-2. FRONT AXLE



PA3920

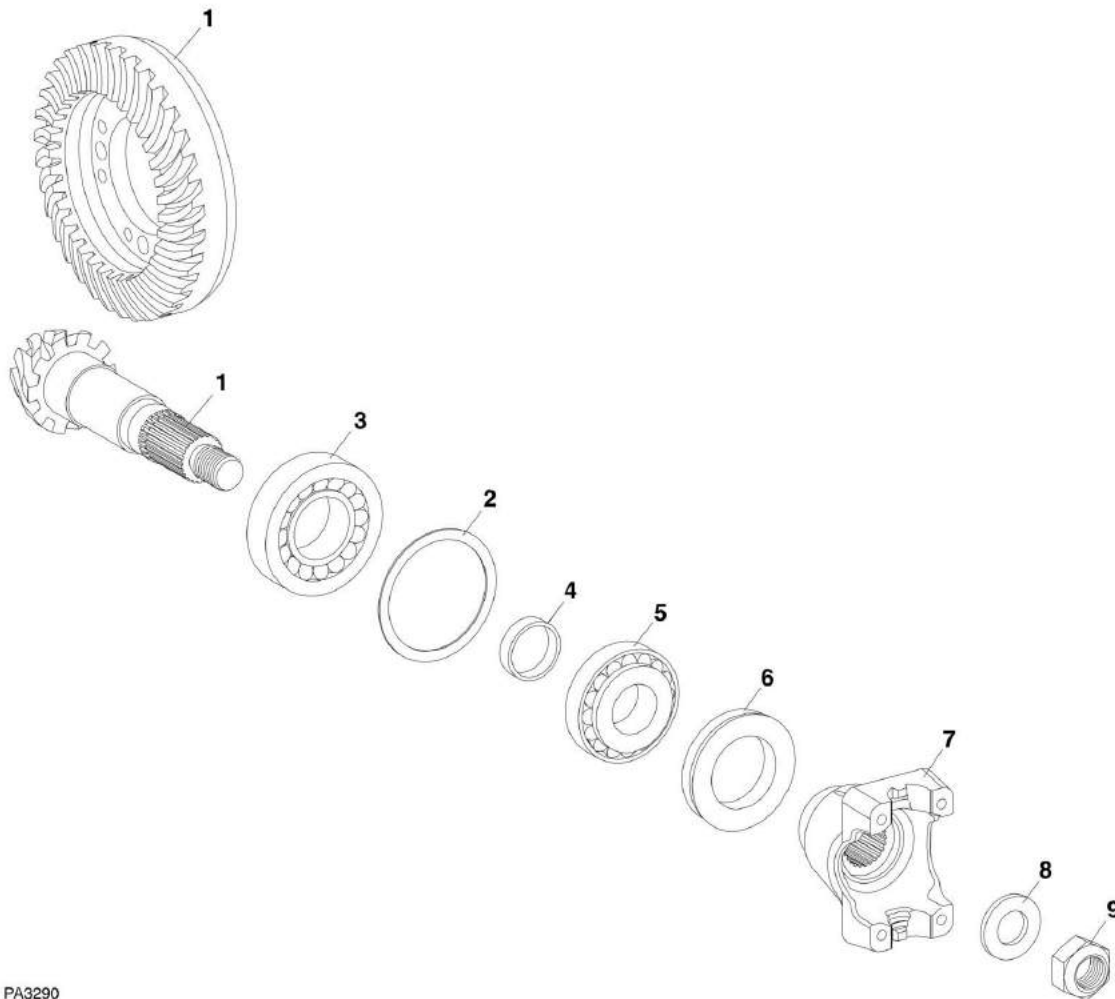
SECTION 5 - DRIVE TRAIN

FIGURE 5-2. FRONT AXLE

ITEM	PART NUMBER	QTY	DESCRIPTION	REV
1	8040267	1	FRONT AXLE (Prior to SN 0160038919, Excluding 0160033533)	G
1	1001103625	1	FRONT AXLE (SN 0160038919 to Present, Including 0160033533)	E
1		Ref	INPUT, (See FRONT AXLE - INPUT for Breakdown)	
1		Ref	LIMITED SLIP DIFFERENTIAL, (See FRONT AXLE - LIMITED SLIP DIFFERENTIAL for Breakdown)	
1		Ref	AXLE CASING, (See FRONT AXLE - AXLE CASING for Breakdown)	
1		Ref	M-DISK BRAKE, (See FRONT AXLE - M-DISK BRAKE for Breakdown)	
1		Ref	BRAKE, (See FRONT AXLE - BRAKE for Breakdown)	
1		Ref	JOINT HOUSING, (See FRONT AXLE - JOINT HOUSING for Breakdown)	
1		Ref	PLANETARY DRIVE, (See FRONT AXLE - PLANETARY DRIVE for Breakdown)	

SECTION 5 - DRIVE TRAIN

FIGURE 5-3. FRONT AXLE - INPUT (Prior to SN 0160038919, Excluding 0160033533)



PA3290

SECTION 5 - DRIVE TRAIN

FIGURE 5-3. FRONT AXLE - INPUT (Prior to SN 0160038919, Excluding 0160033533)

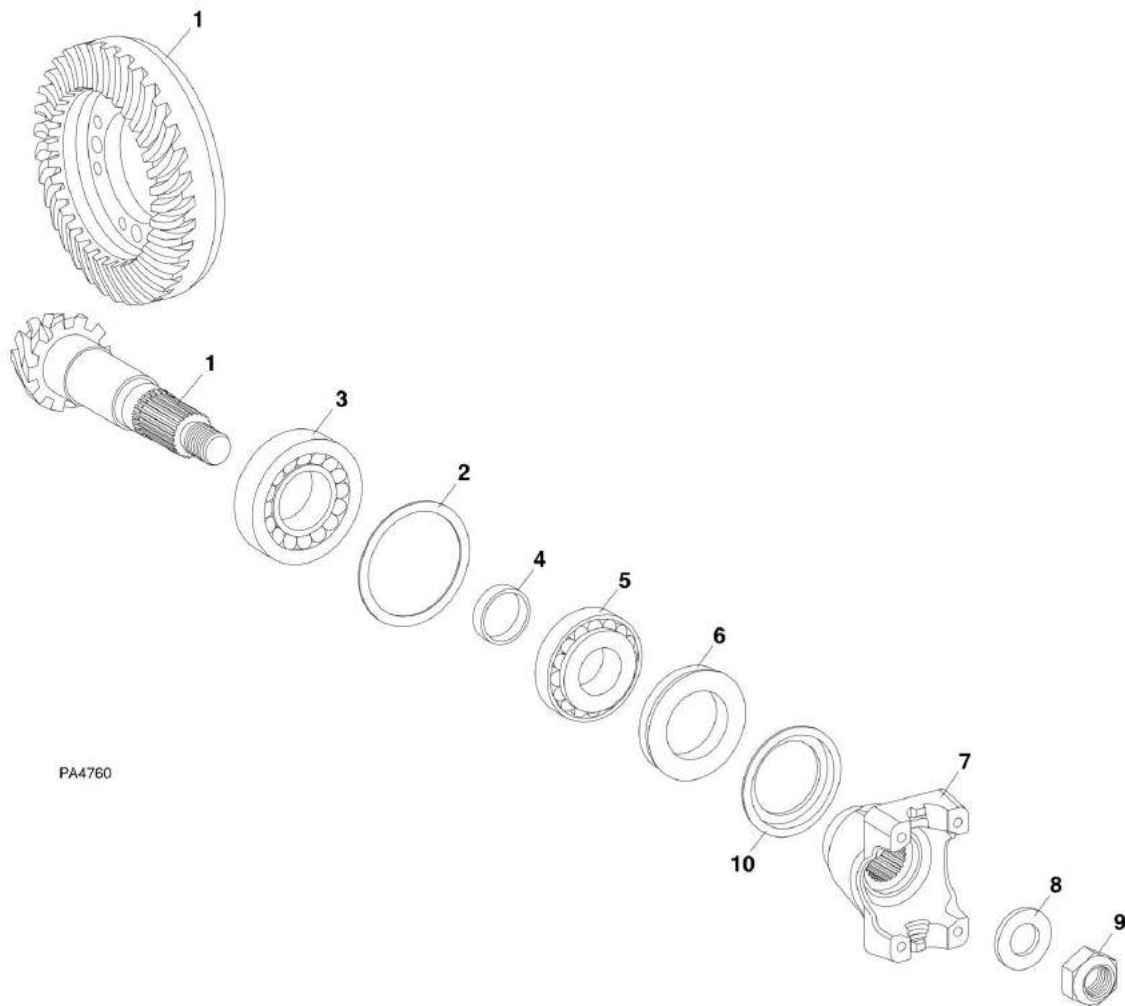
ITEM	PART NUMBER	QTY	DESCRIPTION	REV
1	8036424	1	BEVEL GEAR SET	
2	1319333	1	SHIM, S=1.0	
2	1319334	1	SHIM, S=0.05	
2	1319335	1	SHIM, S=1.1	
2	1319336	1	SHIM, S=1.15	
2	1319337	1	SHIM, S=1.2	
2	8035876	1	SHIM, S=1.25	
2	8035877	1	SHIM, S=1.3	
2	1321187	1	SHIM, S=1.35	
2	1319341	1	SHIM, S=1.4	
2	1319342	1	SHIM, S=01.45	
2	1319343	1	SHIM, S=01.5	
2	1319344	1	SHIM, S=01.55	
2	1319345	1	SHIM, S=01.6	
2	1319346	1	SHIM, S=0.9	
2	1319347	1	SHIM, S=0.95	
2	1319348	1	SHIM, S=0.65	
2	1319349	1	SHIM, S=0.70	
2	1319350	1	SHIM, S=0.75	
2	1319351	1	SHIM, S=0.85	
2	1319352	1	SHIM, S=0.80	
3	1319353	1	ROLLER BEARING	
4	1319354	1	RING, S=15.1	
4	1319355	1	RING, S=15.2	
4	1319356	1	RING, S=15.3	
4	1319357	1	RING, S=15.4	
4	1319358	1	RING, S=15.5	
4	1319359	1	RING, S=15.6	
4	1319360	1	RING, S=15.7	
4	1319361	1	RING, S=15.8	
4	1319362	1	RING, S=15.9	
4	1319363	1	RING, S=16.0	
4	1319364	1	RING, S=16.1	
4	1319365	1	RING, S=16.2	
4	1319366	1	RING, S=16.3	
4	1319367	1	RING, S=16.4	
4	8035982	1	RING, S=16.26	
4	1319369	1	RING, S=16.23	
4	1319370	1	RING, S=16.16	
4	1319371	1	RING, S=16.13	
4	1319372	1	RING, S=16.06	
4	1319373	1	RING, S=16.03	
4	1319374	1	RING, S=15.96	
4	1319375	1	RING, S=15.93	
4	1319376	1	RING, S=15.86	
4	1319377	1	RING, S=15.83	
4	1319378	1	RING, S=15.76	
4	1319379	1	RING, S=15.73	
4	1319380	1	RING, S=15.66	
4	1319381	1	RING, S=15.63	

SECTION 5 - DRIVE TRAIN

ITEM	PART NUMBER	QTY	DESCRIPTION	REV
4	1319382	1	RING, S=15.56	
4	1319383	1	RING, S=15.53	
4	1319384	1	RING, S=15.46	
4	1319385	1	RING, S=15.43	
4	1319386	1	RING, S=15.36	
4	1319387	1	RING, S=15.33	
4	1319388	1	RING, S=15.26	
4	1319380	1	RING, S=15.66	
4	1319390	1	RING, S=15.48	
4	1319391	1	RING, S=15.58	
4	1319392	1	RING, S=15.68	
4	1319393	1	RING, S=15.69	
4	1319394	1	RING, S=15.72	
4	1319395	1	RING, S=15.78	
4	1319396	1	RING, S=15.81	
4	1319397	1	RING, S=15.84	
4	1319398	1	RING, S=15.88	
4	1319399	1	RING, S=15.89	
4	1319400	1	RING, S=15.91	
4	1319401	1	RING, S=15.94	
4	1319402	1	RING, S=15.97	
5	1319444	1	ROLLER BEARING	
6	1321211	1	SHAFT SEAL	
7	1321237	1	END YOKE	
8	1319406	1	WASHER	
9	8035983	1	HEX NUT	

SECTION 5 - DRIVE TRAIN

FIGURE 5-4. FRONT AXLE - INPUT (SN 0160038919 to Present, Including 0160033533)



PA4760

SECTION 5 - DRIVE TRAIN

FIGURE 5-4. FRONT AXLE - INPUT (SN 0160038919 to Present, Including 0160033533)

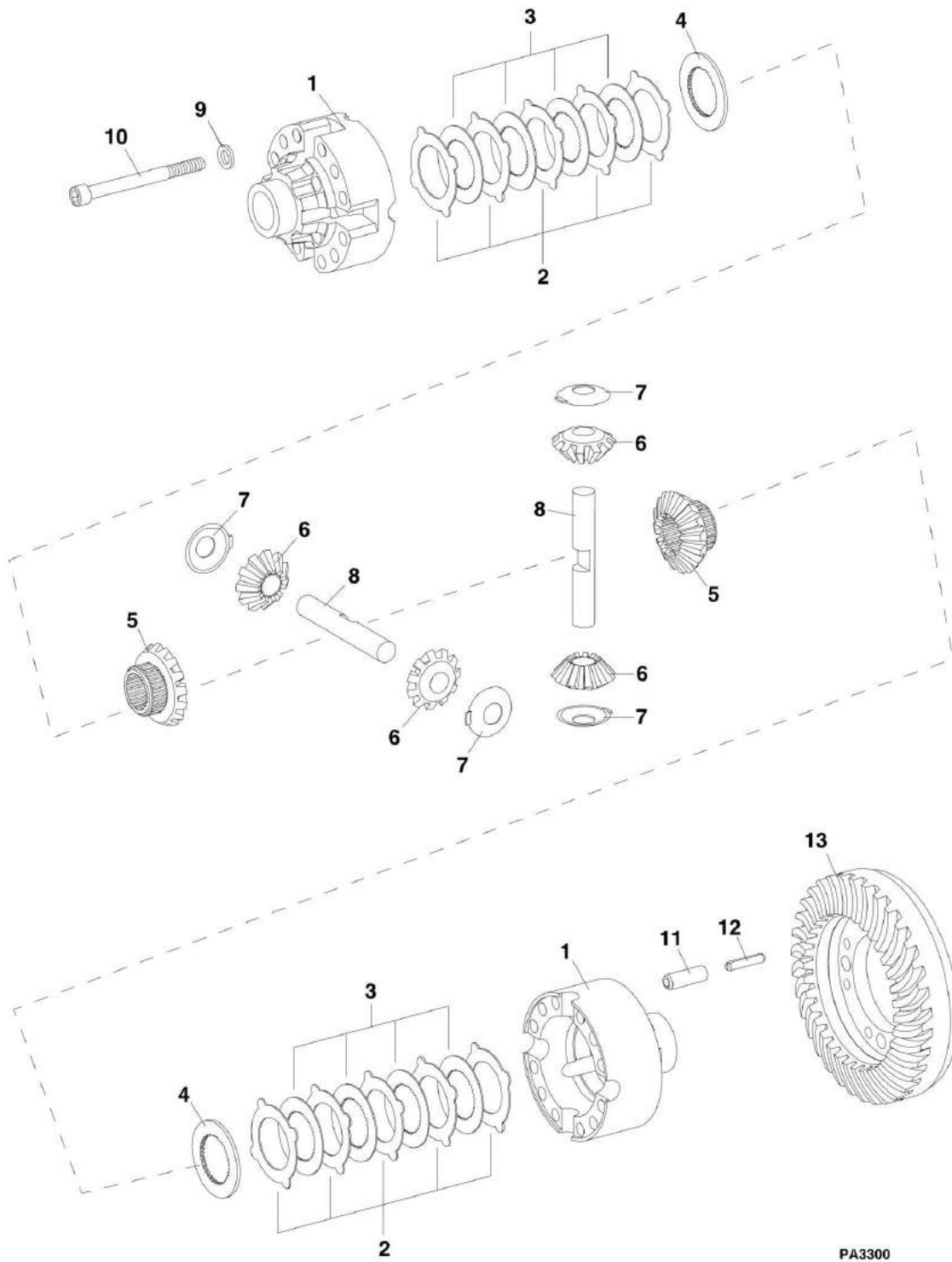
ITEM	PART NUMBER	QTY	DESCRIPTION	REV
1	70022774	1	BEVEL GEAR	
1	70022775	1	PINION	
2	80304169	1	SHIM, S=1.85	
2	80304147	1	SHIM, S=1.9	
2	80304160	1	SHIM, S=0.1	
2	80304159	1	SHIM, S=0.2	
2	80304158	1	SHIM, S=0.3	
2	80304157	1	SHIM, S=0.5	
2	80304156	1	SHIM, S=0.6	
2	80304162	1	SHIM, S=0.65	
2	80304155	1	SHIM, S=0.7	
2	80304161	1	SHIM, S=0.75	
2	80304154	1	SHIM, S=0.8	
2	80304153	1	SHIM, S=0.9	
2	80304152	1	SHIM, S=1.0	
2	80304146	1	SHIM, S=1.2	
2	80304163	1	SHIM, S=1.25	
2	80304151	1	SHIM, S=1.3	
2	80304164	1	SHIM, S=1.35	
2	80304150	1	SHIM, S=1.4	
2	80304165	1	SHIM, S=1.45	
2	80304145	1	SHIM, S=1.5	
2	80304166	1	SHIM, S=1.55	
2	80304149	1	SHIM, S=1.6	
2	80304167	1	SHIM, S=1.65	
2	80304148	1	SHIM, S=1.7	
2	80304168	1	SHIM, S=1.75	
2	80304144	1	SHIM, S=1.8	
3	80304047	1	ROLLER BEARING	
4	80304088	1	RING, S=16.0	
4	80304089	1	RING, S=16.1	
4	80304090	1	RING, S=16.2	
4	80304091	1	RING, S=16.3	
4	80304092	1	RING, S=16.4	
4	80304093	1	RING, S=16.5	
4	80304110	1	RING, S=16.56	
4	80304094	1	RING, S=16.6	
4	80304111	1	RING, S=16.62	
4	80304112	1	RING, S=16.64	
4	80304124	1	RING, S=16.66	
4	80304113	1	RING, S=16.68	
4	80304095	1	RING, S=16.7	
4	70022216	1	RING, S=16.72	
4	80304115	1	RING, S=16.74	
4	80304117	1	RING, S=16.76	
4	80304118	1	RING, S=16.78	
4	80304096	1	RING, S=16.8	
4	80304119	1	RING, S=16.82	
4	80304120	1	RING, S=16.84	
4	80304104	1	RING, S=16.86	

SECTION 5 - DRIVE TRAIN

ITEM	PART NUMBER	QTY	DESCRIPTION	REV
4	80304121	1	RING, S=16.88	
4	80304122	1	RING, S=16.9	
4	80304097	1	RING, S=16.92	
4	80304123	1	RING, S=16.94	
4	80304125	1	RING, S=16.96	
4	80304107	1	RING, S=16.98	
4	80304126	1	RING, S=17.0	
4	80304127	1	RING, S=17.02	
4	80304108	1	RING, S=17.04	
4	80304128	1	RING, S=17.06	
4	80304129	1	RING, S=17.08	
4	80304099	1	RING, S=17.10	
4	80304130	1	RING, S=17.12	
4	80304131	1	RING, S=17.14	
4	80304132	1	RING, S=17.16	
4	80304133	1	RING, S=17.18	
4	80304100	1	RING, S=17.2	
4	80304134	1	RING, S=17.22	
4	80304135	1	RING, S=17.24	
4	80304136	1	RING, S=17.26	
4	80304137	1	RING, S=17.28	
4	80304101	1	RING, S=17.3	
4	80304102	1	RING, S=17.4	
5	1319353	1	ROLLER BEARING	
6	70022220	1	SHAFT SEAL	
7	70022245	1	END YOKE	
8	80304082	1	WASHER	
9	70022213	1	HEX NUT	
10	70022776	1	SCREEN SHEET	

SECTION 5 - DRIVE TRAIN

FIGURE 5-5. FRONT AXLE - LIMITED SLIP DIFFERENTIAL (Prior to SN 0160038919, Excluding 016003533)



PA3300

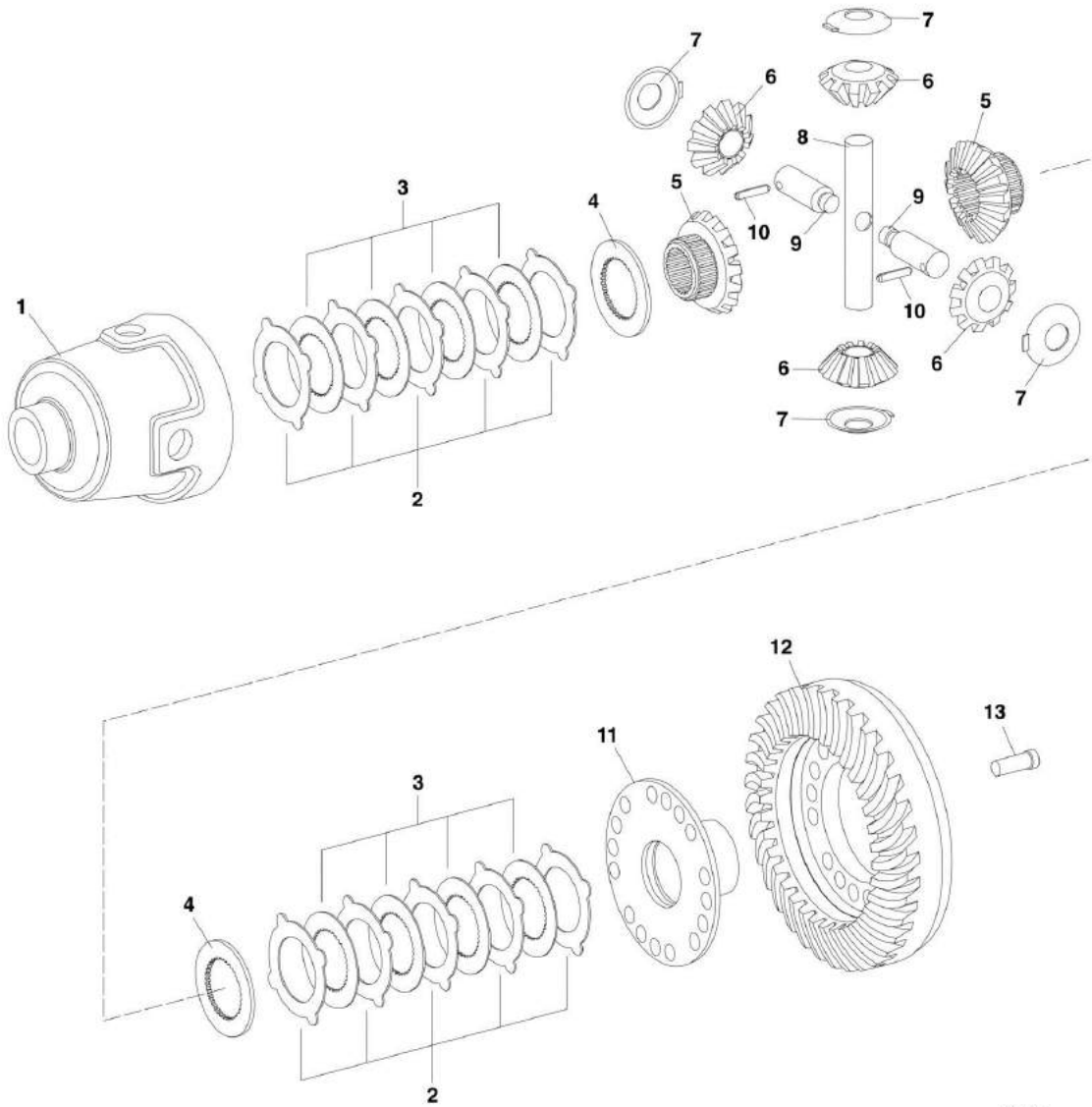
SECTION 5 - DRIVE TRAIN

FIGURE 5-5. FRONT AXLE - LIMITED SLIP DIFFERENTIAL (Prior to SN 0160038919, Excluding 0160033533)

ITEM	PART NUMBER	QTY	DESCRIPTION	REV
1	N.S.S.	1	DIFFERENTIAL CASE	
2	1321219	10	O CLUTCH DISC, A=1.2	
2	1321220	10	O CLUTCH DISC, A=1.3	
2	1321221	10	O CLUTCH DISC, A=1.4	
3	8036426	8	I CLUTCH DISC	
4	1321217	2	PRESSURE DISC	
5	8036427	2	AXLE BEVEL GEAR	
6	1321262	4	DIFFERENTIAL BEVEL GEAR	
7	1321188	4	THRUST WASHER	
8	1321224	2	DIFFERENTIAL AXLE	
9	1321184	12	WASHER	
10	8035985	12	CAPSCREW	
11	1321153	4	SLOTTED PIN	
12	1321154	4	SLOTTED PIN	
13		Ref	BEVEL GEAR SET, (See FRONT AXLE - INPUT for Breakdown)	

SECTION 5 - DRIVE TRAIN

FIGURE 5-6. FRONT AXLE - LIMITED SLIP DIFFERENTIAL (SN 0160038919 to Present, Including 0160033533)



PA3301

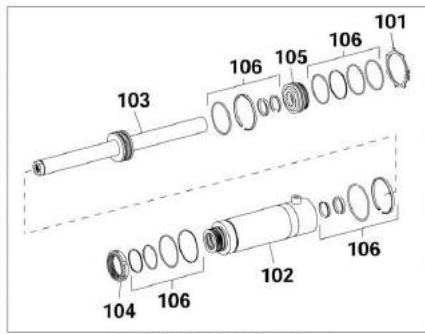
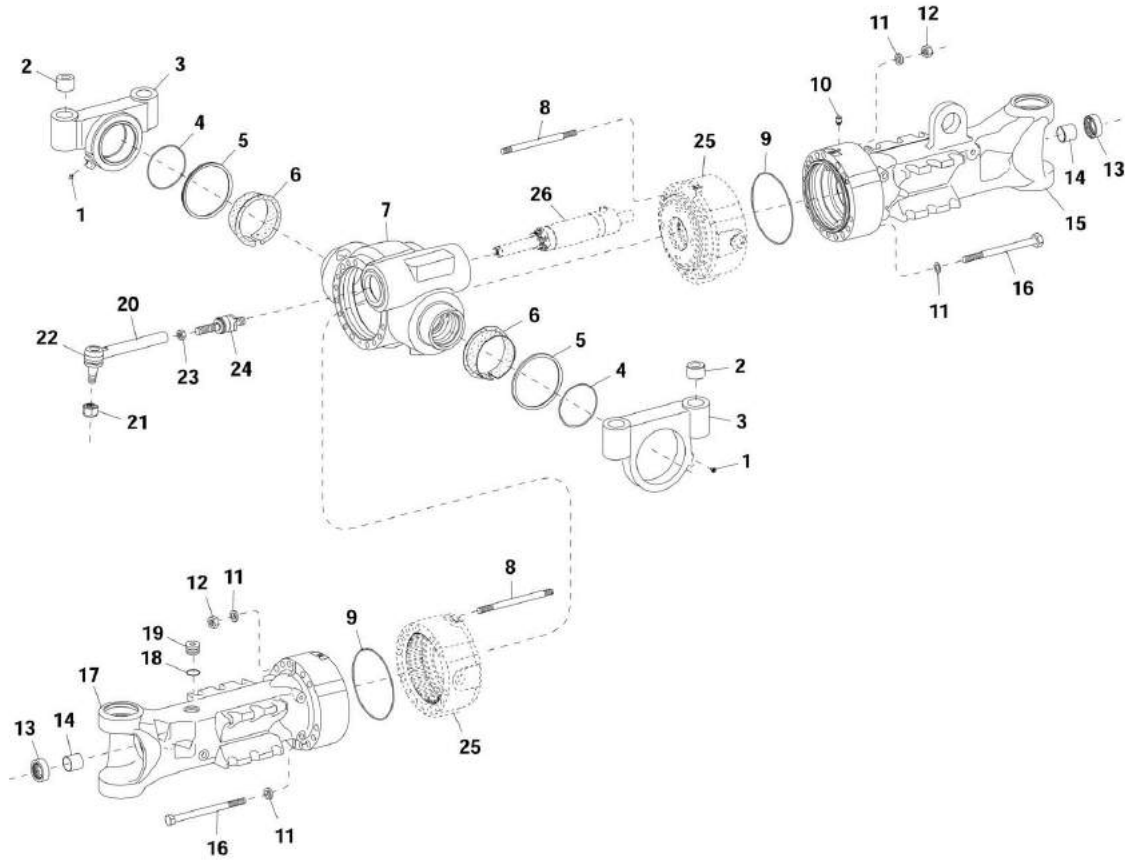
SECTION 5 - DRIVE TRAIN

FIGURE 5-6. FRONT AXLE - LIMITED SLIP DIFFERENTIAL (SN 0160038919 to Present, Including 0160033533)

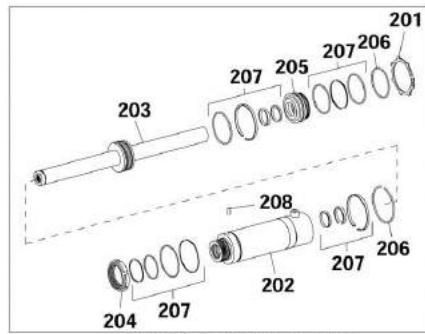
ITEM	PART NUMBER	QTY	DESCRIPTION	REV
1	70022226	1	DIFFERENTIAL CASE	
2	70022263	AR	O CLUTCH DISC, A=1.2	
2	70022264	AR	O CLUTCH DISC, A=1.3	
3	70022260	8	I CLUTCH DISC	
4	70022261	2	PRESSURE DISC	
5	70022225	2	AXLE BEVEL GEAR	
6	70022185	4	DIFFERENTIAL BEVEL GEAR	
7	70022262	4	THRUST WASHER	
8	70022227	1	DIFFERENTIAL AXLE	
9	70022228	2	DIFFERENTIAL AXLE	
10	70022200	2	SLOTTED PIN	
11	70022229	1	COVER	
12		Ref	BEVEL GEAR, (See FRONT AXLE - INPUT for Breakdown)	
13	70022211	16	CAP SCREW, M12X1.5X35	

SECTION 5 - DRIVE TRAIN

FIGURE 5-7. FRONT AXLE - AXLE CASING (Prior to SN 0160038919, Excluding 0160033533)



PRIOR TO AXLE SN 829694



AXLE SN 829694 TO PRESENT

PU1983

SECTION 5 - DRIVE TRAIN

FIGURE 5-7. FRONT AXLE - AXLE CASING (Prior to SN 0160038919, Excluding 0160033533)

ITEM	PART NUMBER	QTY	DESCRIPTION	REV
1	1319423	2	GREASE FITTING	
2	1319441	4	CENTERING BUSHING	
3	8035933	2	BRACKET	
4	1319439	2	O-RING	
5	1319440	2	V-RING	
6	1319438	2	FLANGE BUSHING	
7	8036336	1	AXLE DRIVE HOUSING	
8	8036313	8	STUD	
9	1319425	2	O-RING	
10	1319436	1	BREATHER	
11	8036312	30	WASHER	
12	1319429	8	HEX NUT	
13	1319434	2	SHAFT SEAL	
14	1319433	2	BUSHING	
15	8036430	1	RIGHT FRONT AXLE CASING	
16	8035927	22	HEX SCREW	
17	8036431	1	LEFT FRONT AXLE CASING	
18	8036314	1	O-RING	
19	1319506	1	SCREW PLUG	
20	1321148	2	AXIAL JOINT COUPLING ASSY, (includes items 21 thru 24)	
21	8035931	2	LOCKING NUT	
22	8035929	2	BALL JOINT WITH PIPE COUPLING	
23	8035932	2	HEX NUT	
24	8036315	2	AXIAL JOINT COUPLING	
25		Ref	BRAKE HOUSING, (See FRONT AXLE - M-DISK BRAKE for Breakdown)	
26	1321149	NLA	STEERING CYLINDER, (Prior to Axle SN 829694), (no longer available, use 70021617 for replacement and items 101 thru 106 for service)	
26	70021617	1	STEERING CYLINDER, (Axle SN 829694 to Present), (includes items 201 thru 208)	
	N.S.S.	NLA	L-RING, (no longer available, use 70021617 for replacement)	
	N.S.S.	NLA	TUBE WELDMENT, (no longer available, use 70021617 for replacement)	
	N.S.S.	NLA	PISTON ROD, (no longer available, use 70021617 for replacement)	
104	8035998	1	SLOTTED NUT	
	N.S.S.	NLA	GUIDE PIECE, (no longer available, use 70021617 for replacement)	
106	8035981	1	SEAL KIT	
201	70021571	1	L-RING	
	N.S.S.	1	CYLINDER TUBE	
203	70021568	1	PISTON ROD	
204	70021570	1	SLOTTED NUT	
205	70021569	1	GUIDE PIECE	
206	70021726	2	RETAINING RING	
207	70021495	1	SEAL KIT	
208	70022610	1	SLOTTED PIN	

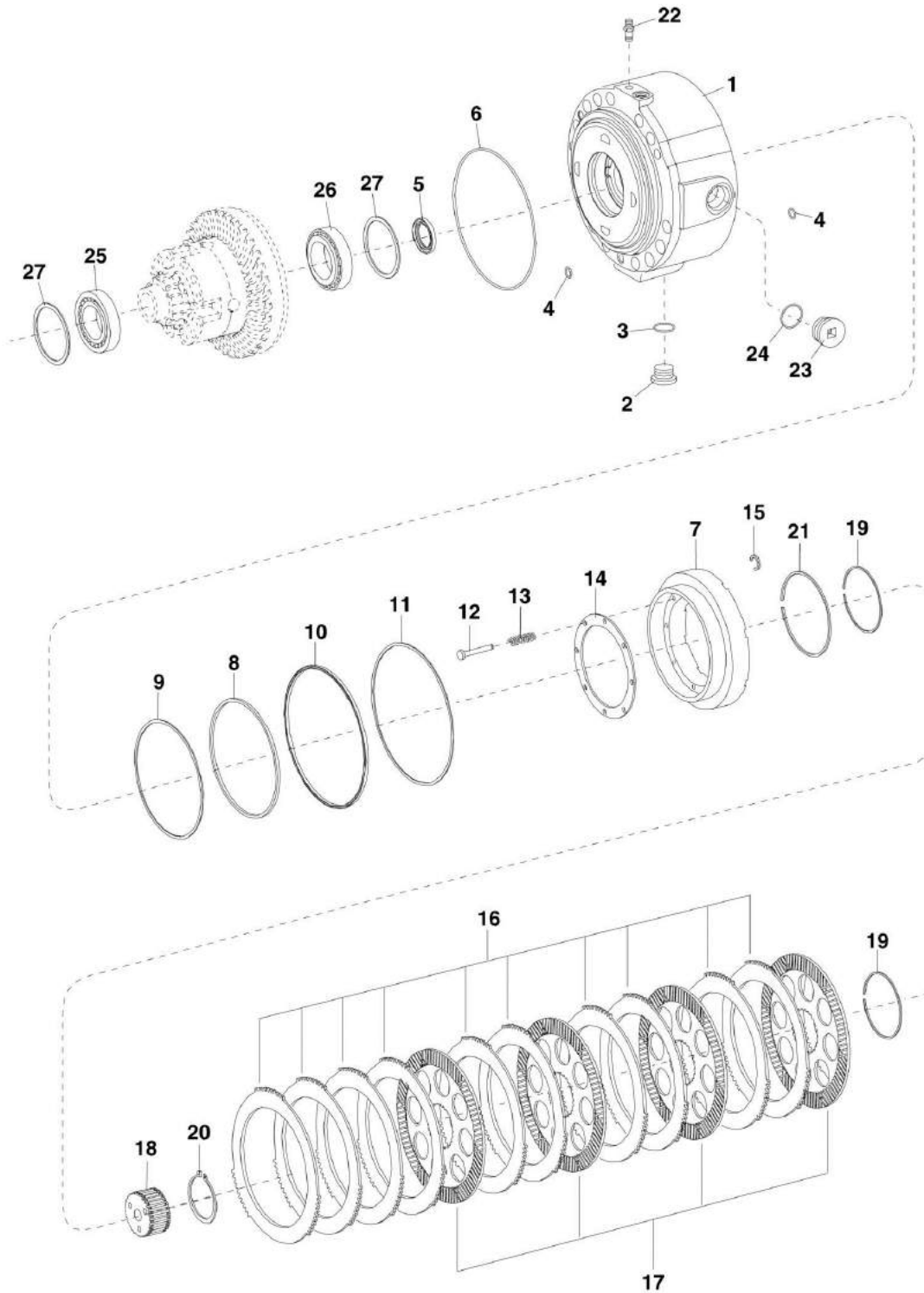
SECTION 5 - DRIVE TRAIN

FIGURE 5-8. FRONT AXLE - AXLE CASING (SN 0160038919 to Present, Including 0160033533)

ITEM	PART NUMBER	QTY	DESCRIPTION	REV
1	70022255	2	AXLE CASING	
2	70022259	1	AXLE DRIVE HOUSING	
3	70022206	28	HEX HD CAPSCREW, M18X180	
4	1319578	4	SCREW PLUG	
5	70022241	2	BUSHING	
6	70022204	2	O-RING	
7	70022217	2	RING	
8	10731790	2	BEARING	
9	70022201	2	SET SCREW, M10X1X16	
10	70022777	2	SCREW PLUG	
12	70022174	2	TIE ROD, (includes items 13 thru 16)	
13	70022175	1	BALL JOINT	
14	70022172	1	AXIAL JOINT	
15	8036758	1	LOCKNUT	
16	8036759	1	HEX NUT	
17	1319436	1	BREATHER	
18	8036418	1	SCREW PLUG	
19	70022246	1	BRACKET	
20	70022247	1	BRACKET	
21	1319423	2	GREASE FITTING	
22	70022182	2	FLANGE BUSHING	
23	70022205	2	O-RING	
24	70022219	2	V-RING	
25	1319441	4	BUSHING	
26	70022254	1	BRACKET	
27	1001103619	3	HEX HD CAPSCREW, M22X1.5X80	
101	70022173	1	STEERING CYLINDER, (includes items 102 thru 106)	
102	70022177	1	PISTON ROD	
103	70022184	2	BREAK HEAD	
104	70022181	2	RETAINING RING	
105	70022180	2	RETAINING RING	
106	70022178	1	SEAL KIT	
107	70022789	4	CAPSCREW, M22X1.5X55	

SECTION 5 - DRIVE TRAIN

FIGURE 5-9. FRONT AXLE - M-DISK BRAKE (Prior to SN 0160038919, Excluding 0160033533)



PA3320

SECTION 5 - DRIVE TRAIN

FIGURE 5-9. FRONT AXLE - M-DISK BRAKE (Prior to SN 0160038919, Excluding 0160033533)

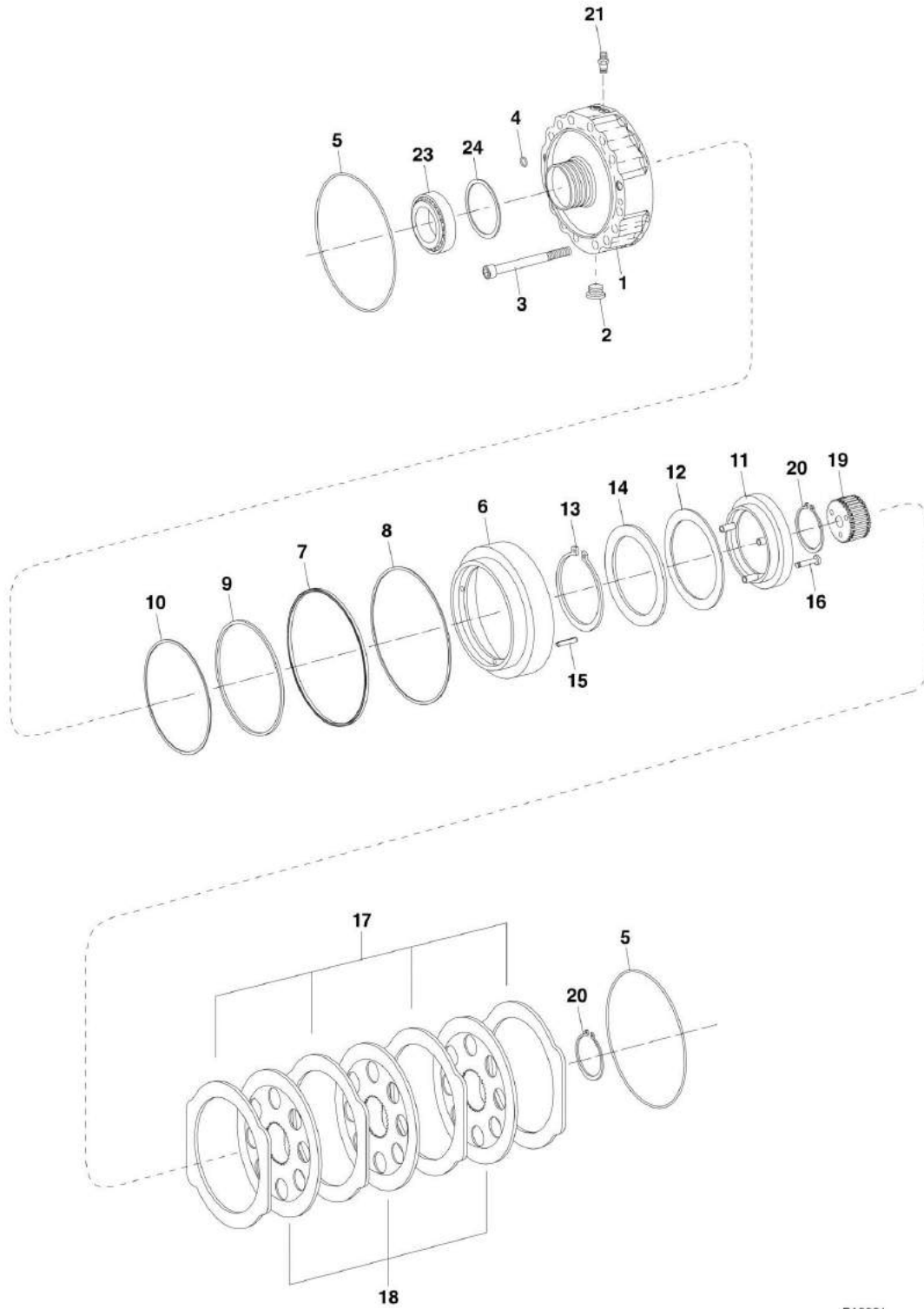
ITEM	PART NUMBER	QTY	DESCRIPTION	REV
1	8035936	Ref	BRAKE HOUSING, (right side), (Prior to Axle SN 675668), (see note N1)	
1	70020483	1	BRAKE HOUSING, (right side), (Axle SN 675668 to Present)	
1	8035939	Ref	BRAKE HOUSING, (left side), (Prior to Axle SN 675668), (see note N1)	
1	70020484	1	BRAKE HOUSING, (left side), (Axle SN 675668 to Present)	
2	1319431	2	SCREW PLUG	
3	8036303	2	O-RING	
4	1319491	12	O-RING	
5	1321161	2	SHAFT SEAL	
6	1319425	2	O-RING	
7	8036304	2	PISTON	
8	1321162	2	U-RING	
9	1321151	2	SUPPORT RING	
10	1321163	2	U-RING	
11	1321152	2	SUPPORT RING	
12	1319496	16	PIN	
13	1319497	16	COMPRESSION SPRING	
14	8036305	2	WASHER	
15	1319499	16	CRESCENT RING	
16	1319500	4	O CLUTCH DISC, S=2, (Prior to Axle SN 675668)	
16	70020485	4	O CLUTCH DISC, S=2, (Axle SN 675668 to Present)	
16	1319501	4	O CLUTCH DISC, S=2.5, (Prior to Axle SN 675668)	
16	70020486	4	O CLUTCH DISC, S=2.5, (Axle SN 675668 to Present)	
16	1319502	4	O CLUTCH DISC, S=3, (Prior to Axle SN 675668)	
16	70020487	4	O CLUTCH DISC, S=3, (Axle SN 675668 to Present)	
17	1321150	8	I CLUTCH DISC, (Prior to Axle SN 823842)	
17	70020408	8	I CLUTCH DISC, (Axle SN 823842 to Present)	
18	1321174	2	DISC CARRIER, (Prior to Axle SN 823842)	
18	70020409	2	DISC CARRIER, (Axle SN 823842 to Present)	
19	8036307	4	SNAP RING	
20	8036308	2	RETAINING RING	
21	1319504	2	SNAP RING	
22	1319505	2	VALVE VENT	
23	1319506	2	SCREW PLUG	
24	8036314	2	O-RING	
25	8036445	2	ROLLER BEARING	
26	8036447	2	ROLLER BEARING	
27	1319531	AR	SHIM, A=0.1	
27	8035945	AR	SHIM, A=0.15	
27	1319530	AR	SHIM, A=0.2	
27	8035946	AR	SHIM, A=0.25	
27	1319529	AR	SHIM, A=0.3	
27	8035947	AR	SHIM, A=0.35	
27	8035951	AR	SHIM, A=0.4	
27	1319543	AR	SHIM, A=0.45	
27	1319527	AR	SHIM, A=0.5	
27	1321158	AR	SHIM, A=0.55	
27	1319526	AR	SHIM, A=0.6	
27	1319532	AR	SHIM, A=0.65	

SECTION 5 - DRIVE TRAIN

ITEM	PART NUMBER	QTY	DESCRIPTION	REV
27	1319533	AR	SHIM, A=0.70	
27	1319534	AR	SHIM, A=0.75	
27	1319545	AR	SHIM, A=0.8	
27	1319535	AR	SHIM, A=0.85	
27	1319536	AR	SHIM, A=0.9	
27	1319537	AR	SHIM, A=0.95	
27	1319524	AR	SHIM, A=1.0	
27	1319525	AR	SHIM, A=1.05	
27	1319538	AR	SHIM, A=1.10	
27	1319539	AR	SHIM, A=1.15	
27	1319523	AR	SHIM, A=1.20	
27	1319540	AR	SHIM, A=1.25	
27	1319541	AR	SHIM, A=1.30	
27	1319542	AR	SHIM, A=1.35	
27	1319522	AR	SHIM, A=1.40	
27	1319521	AR	SHIM, A=1.45	
27	1319520	AR	SHIM, A=1.50	
27	1319519	AR	SHIM, A=1.55	
27	1319518	AR	SHIM, A=1.60	
27	1319517	AR	SHIM, A=1.65	
27	1319510	AR	SHIM, A=2.0	
27	1321159	AR	SHIM, A=1.47	
27	8035948	AR	SHIM, A=1.63	
27	1319516	AR	SHIM, A=1.70	
27	1319515	AR	SHIM, A=1.75	
27	1319514	AR	SHIM, A=1.80	
27	1319513	AR	SHIM, A=1.85	
27	1319512	AR	SHIM, A=1.90	
27	1319511	AR	SHIM, A=1.95	
N1	Note	Ref	PARTS ARE NO LONGER AVAILABLE; ORDER BRAKE HOUSINGS 70020483 & 70020484, QUANTITY REQUIRED OF OUTER DISCS 70020485, 70020486 & 70020487, QUANTITY 2 OF 70020413 END PLATES	

SECTION 5 - DRIVE TRAIN

FIGURE 5-10. FRONT AXLE - M-DISK BRAKE (SN 0160038919 to Present, Including 0160033533)



PA3321

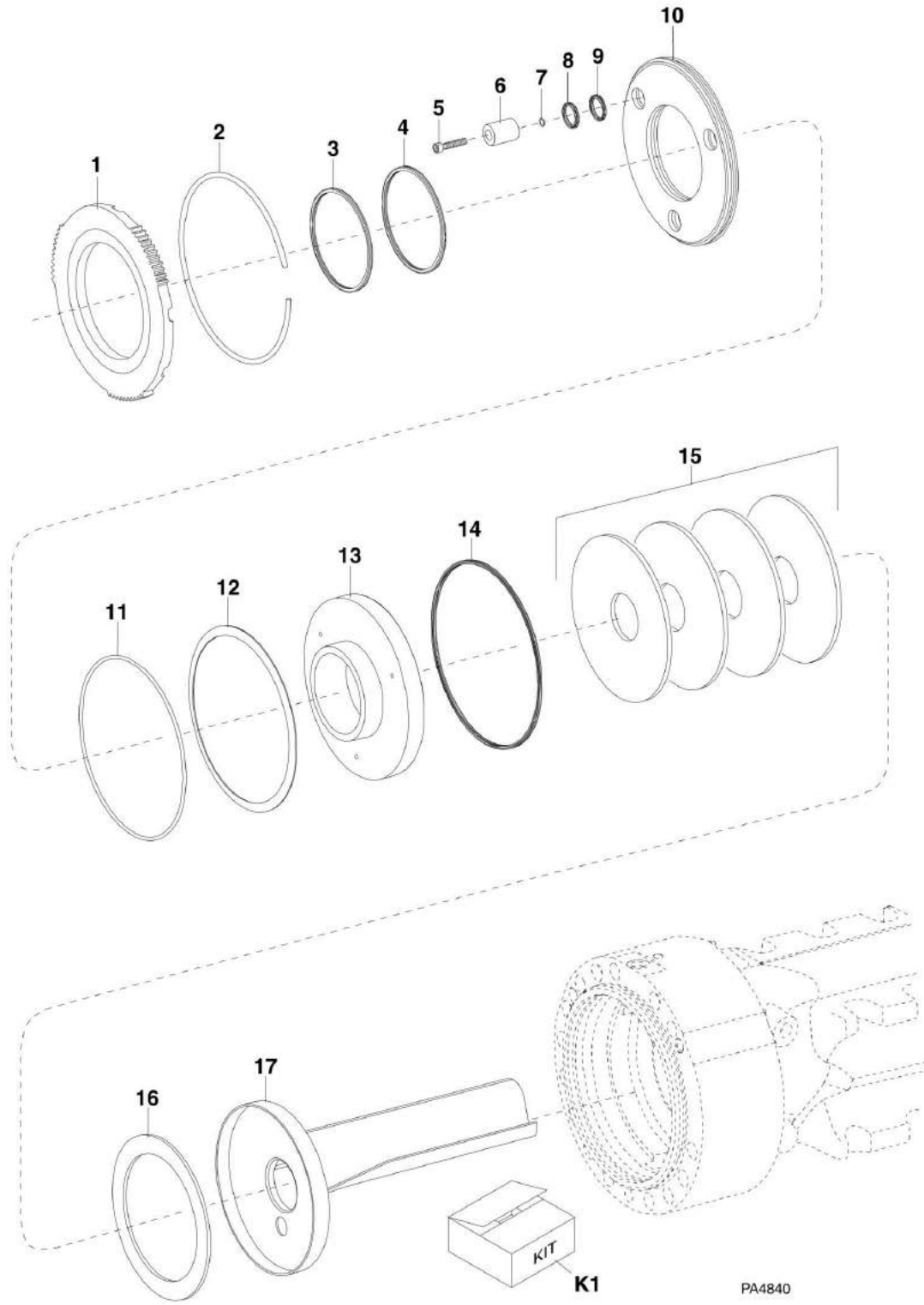
SECTION 5 - DRIVE TRAIN

FIGURE 5-10. FRONT AXLE - M-DISK BRAKE (SN 0160038919 to Present, Including 0160033533)

ITEM	PART NUMBER	QTY	DESCRIPTION	REV
1	70022778	2	BRAKE HOUSING	
2	1319578	2	SCREW PLUG	
3	70022209	6	CAP SCREW, M12X105	
4	70022779	10	O-RING	
5	80304462	4	O-RING	
6	70022250	2	PISTON	
7	70022190	2	PISTON PACKING	
8	70022193	2	BACKUP RING	
9	70022189	2	PISTON PACKING	
10	70022194	2	BACKUP RING	
11	70022236	2	RING	
12	70022183	2	CUP SPRING	
13	70022198	2	RETAINING RING	
14	70022235	2	WASHER	
15	70022186	2	SLOT PIN	
16	1319214	6	CAP SCREW, M8X40	
17	70022196	8	O CLUTCH DISC	
18	70022176	6	I CLUTCH DISC	
19	70022253	2	DISC CARRIER	
20	10731949	4	RETAINING RING	
21	70022171	2	BREATHER	
22	70022780	2	SCREW PLUG, (not shown)	
23	8036447	2	BEARING	
24	1319537	2	SHIM, A=0.95	
24	1319545	2	SHIM, A=1.05	
24	1319539	2	SHIM, A=1.15	
24	1319540	2	SHIM, A=1.25	
24	1319542	2	SHIM, A=1.35	

SECTION 5 - DRIVE TRAIN

FIGURE 5-11. FRONT AXLE - BRAKE (Prior to SN 0160038919, Excluding 0160033533)



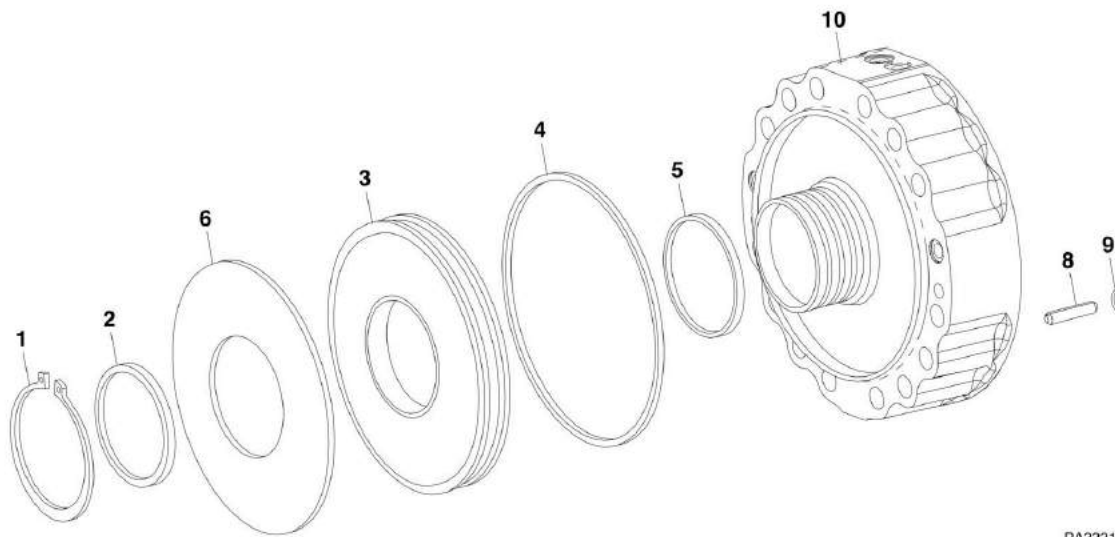
SECTION 5 - DRIVE TRAIN

FIGURE 5-11. FRONT AXLE - BRAKE (Prior to SN 0160038919, Excluding 0160033533)

ITEM	PART NUMBER	QTY	DESCRIPTION	REV
1	8035952	NLA	END SHIM, (Prior to Axle SN 332590), (no longer available, use 7029104 kit for replacement)	
1	8036848	2	END SHIM, (Axle SN 332590 thru Axle SN 675667)	
1	70020413	2	END SHIM, (Axle SN 675668 to Present)	
2	1321206	2	SNAP RING	
3	8036319	NLA	SUPPORT RING, (Prior to Axle SN 332590), (no longer available, use 7029104 kit for replacement)	
3	8036855	2	BACKUP RING, (Axle SN 332590 to Present)	
4	8036318	NLA	FOUR-LIP RING, (Prior to Axle SN 332590), (no longer available, use 7029104 kit for replacement)	
4	8036854	2	U-RING, (Axle SN 332590 to Present)	
5	8036321	6	CAPSCREW	
6	1321244	NLA	PRESSURE PIN, (Prior to Axle SN 332590), (no longer available, use 7029104 kit for replacement)	
6	1321244	6	PRESSURE PIN, (Axle SN 332590 to Present)	
7	8036322	NLA	SUPPORT RING, (Prior to Axle SN 332590), (no longer available, use 7029104 kit for replacement)	
7	8036862	6	BACKUP RING, (Axle SN 332590 to Present)	
8	8036859	6	O-RING	
9	1321181	NLA	FOUR-LIP RING, (Prior to Axle SN 332590), (no longer available, use 7029104 kit for replacement)	
9	8036861	6	U-RING, (Axle SN 332590 to Present)	
10	8036316	NLA	SEALING WASHER, (Prior to Axle SN 332590), (no longer available, use 7029104 kit for replacement)	
10	8036849	2	SEALING WASHER, (Axle SN 332590 to Present)	
11	8036320	2	O-RING	
12	1321208	2	CUP SPRING	
13	8036317	NLA	PISTON, (Prior to Axle SN 332590), (no longer available, use 7029104 kit for replacement)	
13	7027212	2	PISTON, (Axle SN 332590 to Present)	
14	1321180	NLA	FOUR-LIP RING, (Prior to Axle SN 332590), (no longer available, use 7029104 kit for replacement)	
14	8036852	2	U-RING, (Axle SN 332590 to Present)	
15	1321207	8	CUP SPRING	
16	8035958	2	SPACING WASHER	
17	1321172	NLA	OIL DAM, (Prior to Axle SN 332590), (no longer available, use 7029104 kit for replacement)	
17	8036856	2	OIL DAM, (Axle SN 332590 to Present)	
K1	7029104	AR	BRAKE SEAL KIT, (Prior to Axle SN 675668), (includes quantity of 1 each of items 1, 2, 3, 4, 10 thru 14, 17; quantity of 3 each of items 5 thru 9 and quantity of 1 of 1319425 o-ring)	

SECTION 5 - DRIVE TRAIN

FIGURE 5-12. FRONT AXLE - BRAKE (SN 0160038919 to Present, Including 0160033533)



PA3331

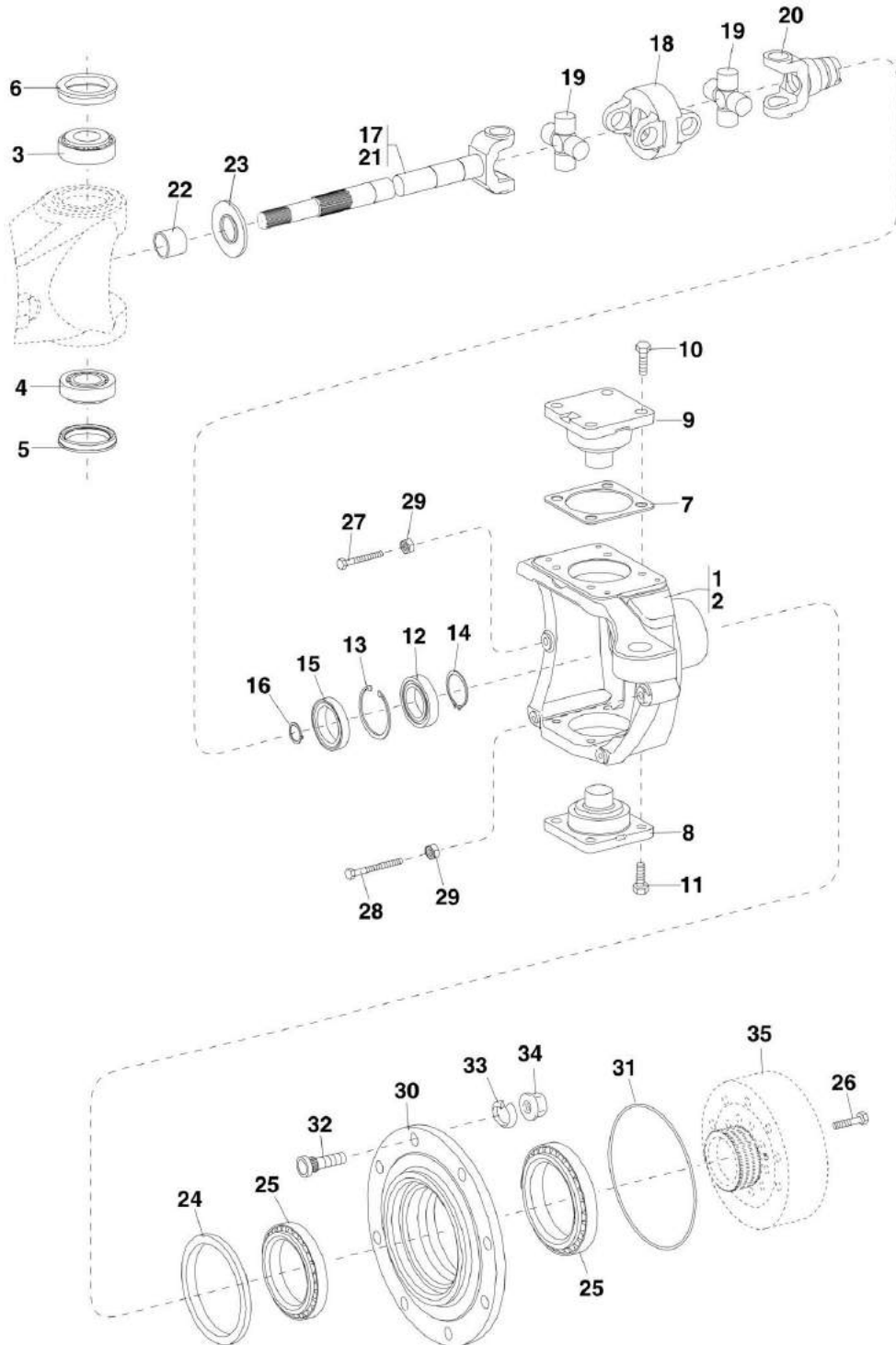
SECTION 5 - DRIVE TRAIN

FIGURE 5-12. FRONT AXLE - BRAKE (SN 0160038919 to Present, Including 0160033533)

ITEM	PART NUMBER	QTY	DESCRIPTION	REV
1	70022199	2	SNAP RING	
2	70022252	2	WASHER	
3	70022251	2	PISTON	
4	70022191	2	PISTON PACKING	
5	70022192	2	ROD SEAL	
6	70022195	2	CUP SPRING	
7	70022780	2	SCREW PLUG, (not shown)	
8	70022248	14	PRESSURE PIN	
9	70022202	14	O-RING	
10		Ref	BRAKE HOUSING, (See FRONT AXLE - M-DISK BRAKE for Breakdown)	

SECTION 5 - DRIVE TRAIN

FIGURE 5-13. FRONT AXLE - JOINT HOUSING (Prior to SN 0160038919, Excluding 0160033533)



PA3340

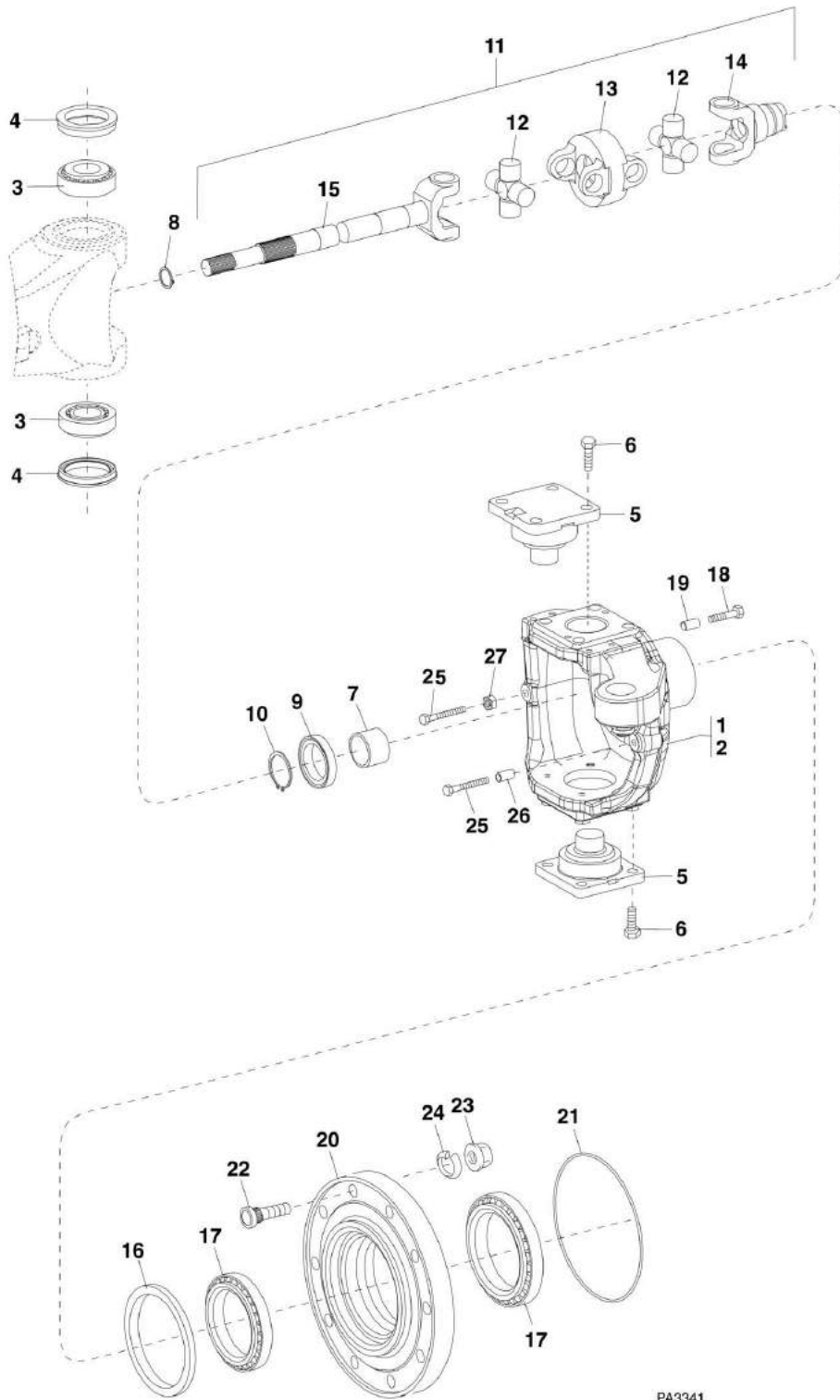
SECTION 5 - DRIVE TRAIN

FIGURE 5-13. FRONT AXLE - JOINT HOUSING (Prior to SN 0160038919, Excluding 0160033533)

ITEM	PART NUMBER	QTY	DESCRIPTION	REV
1	1321245	1	JOINT HOUSING, (right side)	
2	1321246	1	JOINT HOUSING, (left side)	
3	1319444	2	ROLLER BEARING	
4	1321166	2	ROLLER BEARING	
5	1319447	2	SHAFT SEAL	
6	8036338	2	MULTI SEAL RING	
7	1319448	AR	SHIM, A=0.2	
7	1319449	AR	SHIM, A=0.3	
7	1319450	AR	SHIM, A=0.4	
7	1319451	AR	SHIM, A=0.6	
7	1319452	AR	SHIM, A=0.8	
7	1319453	AR	SHIM, A=1.0	
7	1319454	AR	SHIM, A=1.2	
7	1319455	AR	SHIM, A=1.4	
7	1319456	AR	SHIM, A=1.6	
7	1319457	AR	SHIM, A=1.8	
7	1319458	AR	SHIM, A=2.0	
7	1319459	AR	SHIM, A=0.7	
7	1319460	AR	SHIM, A=0.5	
8	1319462	2	BEARING PIN	
9	1319461	2	BEARING PIN	
10	1319463	8	HEX SCREW	
11	1319464	8	HEX SCREW	
12	1321157	2	BALL BEARING	
13	1319210	2	RETAINING RING	
14	80304405	2	RETAINING RING	
15	1321164	2	SHAFT SEAL	
16	1321226	2	RETAINING RING	
17	1321176	2	UNIVERSAL COUPLING DRIVE SHAFT ASSY, (includes items 18 thru 23)	
18	8035992	2	CENTRAL PIECE	
19	8035993	4	JOINT CROSS	
20	8035994	2	JOINT FORK	
21	8035995	2	JOINT COUPLING FORK	
22	8035973	2	BUSHING	
23	8035996	2	SCREEN SHEET	
24	8036329	2	CASSETTE RING	
25	1319472	4	ROLLER BEARING	
26	8035997	20	HEX SCREW	
27	1319475	2	STOP SCREW	
28	8036330	2	STOP SCREW	
29	1319477	4	HEX NUT	
30	8036435	2	HUB	
31	1319470	2	O-RING	
32	8036434	16	WHEEL BOLT	
33		Ref	SPRING WASHER, (See DRIVE TRAIN COMPONENTS for Breakdown)	
34		Ref	WHEEL NUT, (See DRIVE TRAIN COMPONENTS for Breakdown)	
35		Ref	RING GEAR, (See FRONT AXLE - PLANETARY DRIVE for Breakdown)	

SECTION 5 - DRIVE TRAIN

FIGURE 5-14. FRONT AXLE - JOINT HOUSING (SN 0160038919 to Present, Including 0160033533)



PA3341

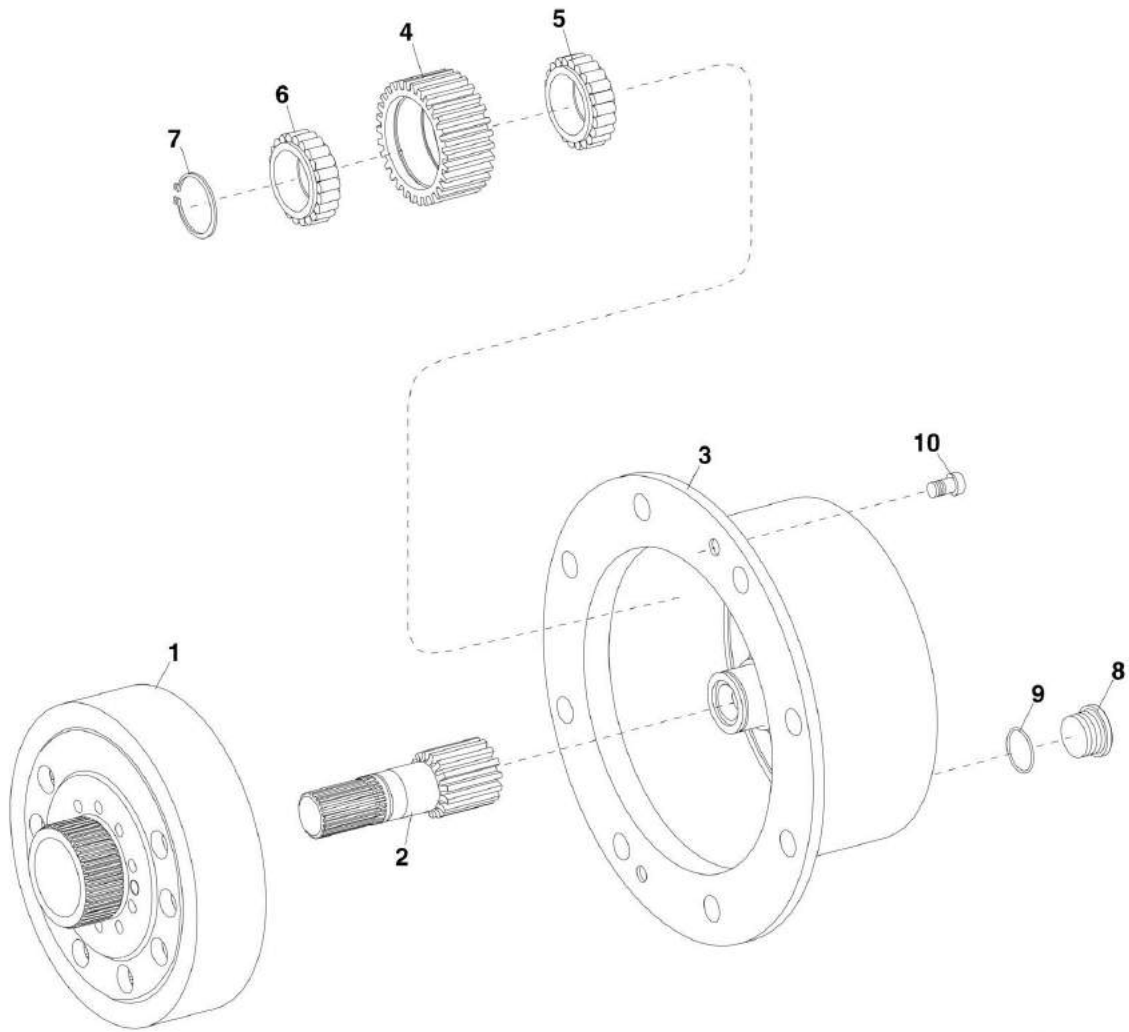
SECTION 5 - DRIVE TRAIN

FIGURE 5-14. FRONT AXLE - JOINT HOUSING (SN 0160038919 to Present, Including 0160033533)

ITEM	PART NUMBER	QTY	DESCRIPTION	REV
1	70022237	1	JOINT HOUSING, (left side)	
2	70022238	1	JOINT HOUSING, (right side)	
3	70022223	4	ROLLER BEARING	
4	1319447	4	SHAFT SEAL	
5	70022240	4	BEARING PIN	
6	1319464	16	HEX SCREW, M16X40	
7	70022179	2	BUSHING	
8	10731789	2	RETAINING RING	
9	70022218	2	SHAFT SEAL	
10	1321226	2	RETAINING RING	
11	70022781	2	UNIVERSAL COUPLING DRIVE SHAFT ASSY, (includes items 12 thru 15)	
12	70021554	2	JOINT CROSS	
13	70022782	1	CENTRAL PIECE	
14	70022187	1	FORK SHAFT	
15	70022188	1	FORK SHAFT	
16	80304173	2	SHAFT SEAL	
17	1319472	4	ROLLER BEARING	
18	70022783	16	HEX SCREW, M14X70	
19	70022234	16	CENTERING BUSHING	
20	70022249	2	HUB	
21	70022203	2	O-RING	
22	70022230	20	WHEEL BOLT	
23		Ref	WHEEL NUT, (See DRIVE TRAIN COMPONENTS for Breakdown)	
24		Ref	SPRING WASHER, (See DRIVE TRAIN COMPONENTS for Breakdown)	
25	8036330	4	STOP SCREW, M14X1.5	
26	70022257	2	SPACER TUBE	
27	1319477	2	HEX NUT, M14X1.5	

SECTION 5 - DRIVE TRAIN

FIGURE 5-15. FRONT AXLE - PLANETARY DRIVE (Prior to SN 0160038919, Excluding 0160033533)



PA3350

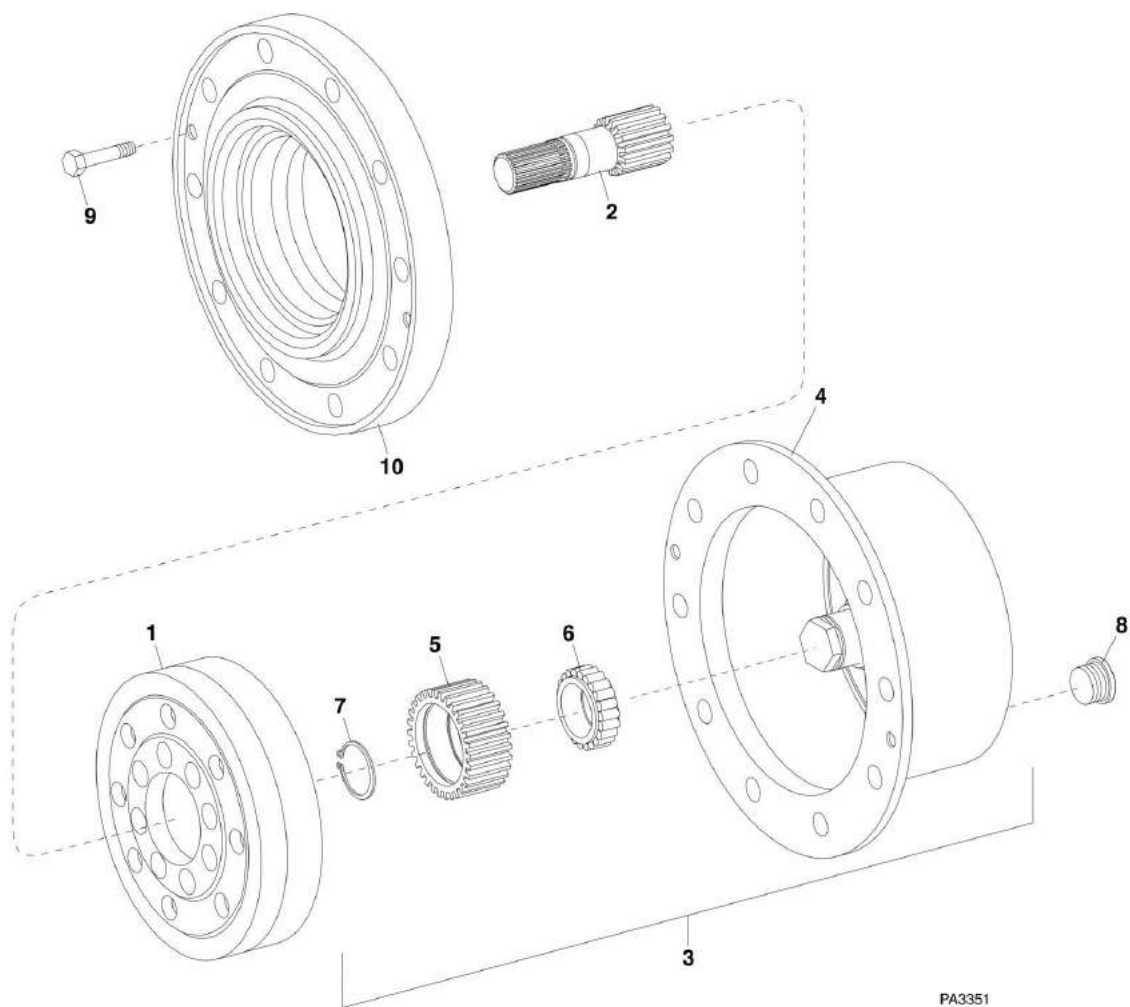
SECTION 5 - DRIVE TRAIN

FIGURE 5-15. FRONT AXLE - PLANETARY DRIVE (Prior to SN 0160038919, Excluding 0160033533)

ITEM	PART NUMBER	QTY	DESCRIPTION	REV
1	1321247	2	RING GEAR	
2	1321242	2	SUN GEAR SHAFT	
3	8036436	2	PLANET CARRIER	
4	1321231	6	PLANET GEAR	
5	1319483	6	ROLLER BEARING	
6	1319484	6	ROLLER BEARING	
7	1319485	6	SNAP RING	
8	1319506	2	SCREW PLUG	
9	8036331	2	O-RING	
10	1319488	4	CAPSCREW	

SECTION 5 - DRIVE TRAIN

FIGURE 5-16. FRONT AXLE - PLANETARY DRIVE (SN 0160038919 to Present, Including 0160033533)



PA3351

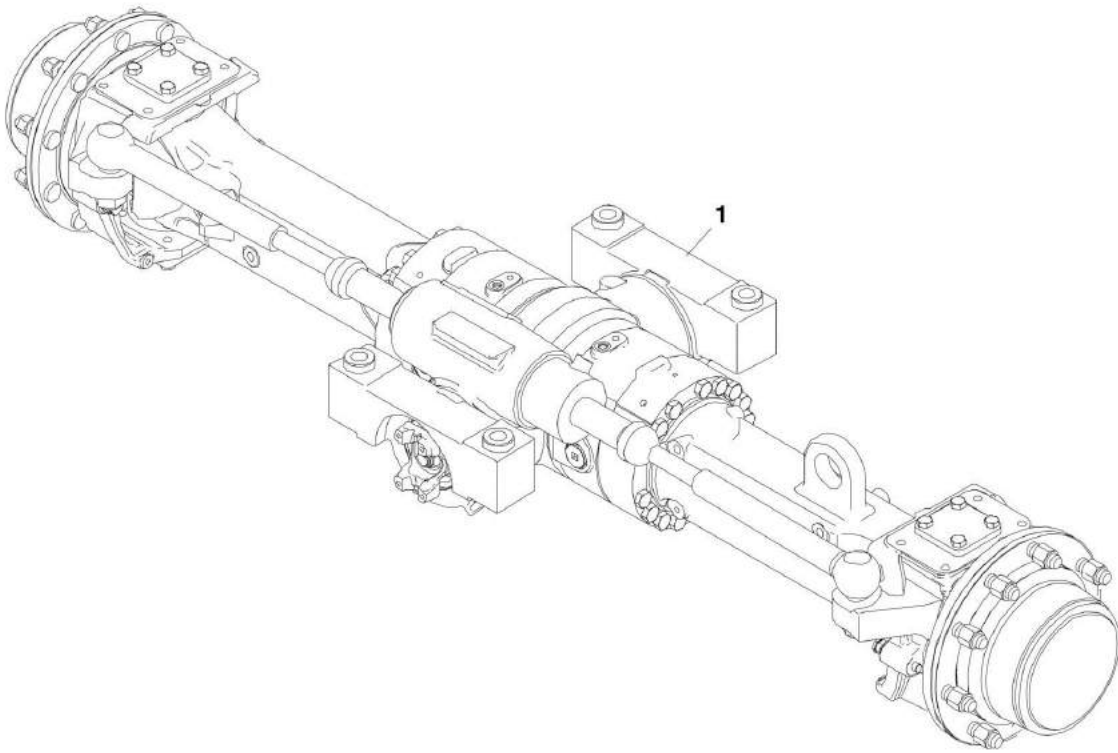
SECTION 5 - DRIVE TRAIN

FIGURE 5-16. FRONT AXLE - PLANETARY DRIVE (SN 0160038919 to Present, Including 0160033533)

ITEM	PART NUMBER	QTY	DESCRIPTION	REV
1	70022242	1	RING GEAR	
2	70022784	2	SUN GEAR SHAFT	
3	70022233	2	PLANETARY CARRIER ASSY, (includes items 4 thru 7)	
4	70022256	1	PLANETARY CARRIER	
5	70022243	3	PLANETARY GEAR	
6	70022785	3	CYL ROLLER BEARING	
7	70022197	3	RETAINING RING	
8	1319578	2	SCREW PLUG	
9	70022207	4	HEX SCREW, M12X30	
10		Ref	HUB, (See FRONT AXLE - JOINT HOUSING for Breakdown)	

SECTION 5 - DRIVE TRAIN

FIGURE 5-17. REAR AXLE



PA3930

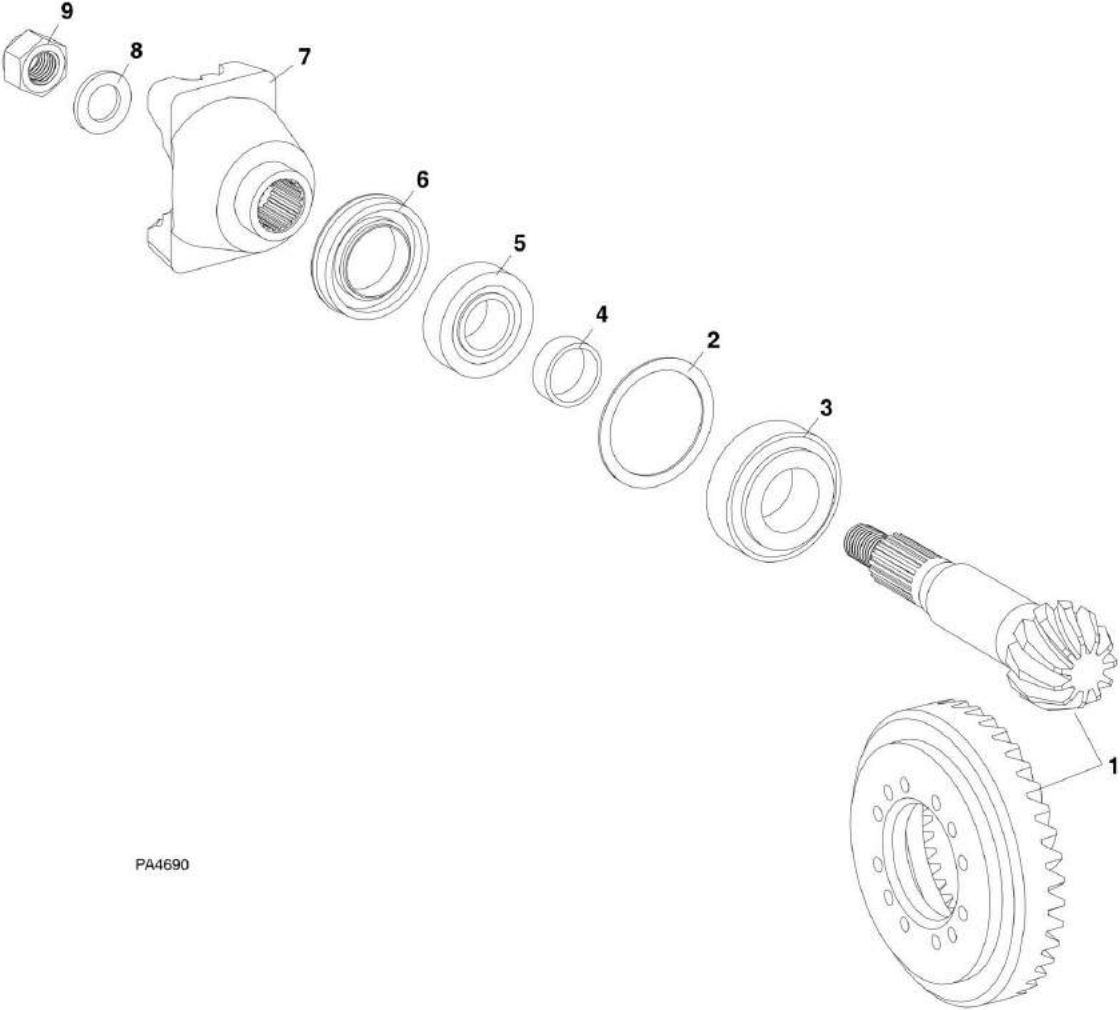
SECTION 5 - DRIVE TRAIN

FIGURE 5-17. REAR AXLE

ITEM	PART NUMBER	QTY	DESCRIPTION	REV
1	8040274	1	REAR AXLE (Prior to SN 0160038919, Excluding 0160033533)	F
1	1001103630	1	REAR AXLE (SN 0160038919 to Present, Including 0160033533)	E
1		Ref	INPUT, (See REAR AXLE - INPUT for Breakdown)	
1		Ref	LIMITED SLIP DIFFERENTIAL, (See REAR AXLE - DIFFERENTIAL for Breakdown)	
1		Ref	AXLE CASING, (See REAR AXLE - AXLE CASING for Breakdown)	
1		Ref	M-DISK BRAKE, (See REAR AXLE - M-DISK BRAKE for Breakdown)	
1		Ref	BRAKE, (See REAR AXLE - BRAKE for Breakdown)	
1		Ref	JOINT HOUSING, (See REAR AXLE - JOINT HOUSING for Breakdown)	
1		Ref	PLANETARY DRIVE, (See REAR AXLE - PLANETARY DRIVE for Breakdown)	

SECTION 5 - DRIVE TRAIN

FIGURE 5-18. REAR AXLE - INPUT (Prior to SN 0160038919, Excluding 0160033533)



PA4690

SECTION 5 - DRIVE TRAIN

FIGURE 5-18. REAR AXLE - INPUT (Prior to SN 0160038919, Excluding 0160033533)

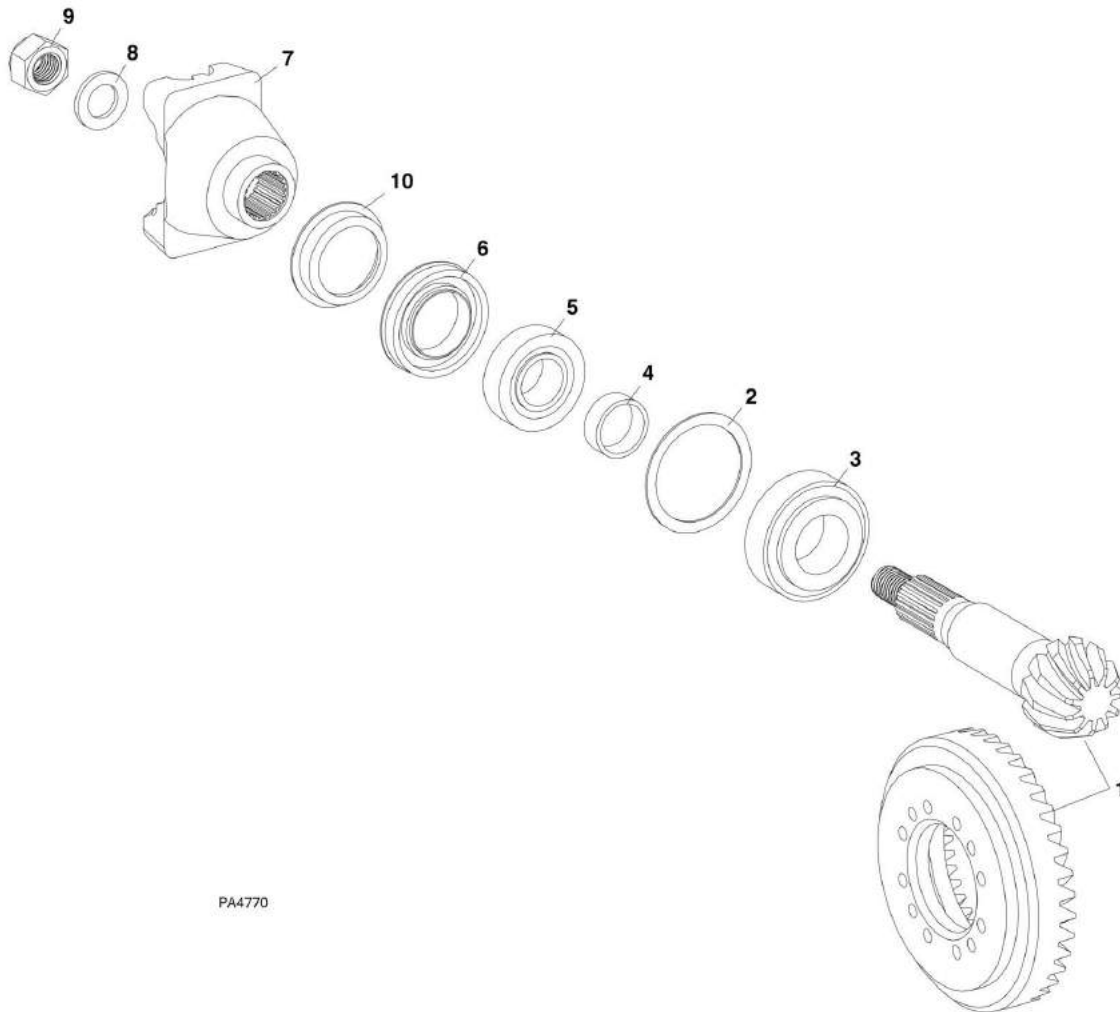
ITEM	PART NUMBER	QTY	DESCRIPTION	REV
1	8036751	1	BEVEL GEAR SET	
2	1319333	1	SHIM, S=1.0	
2	1319334	1	SHIM, S=1.05	
2	1319335	1	SHIM, S=1.10	
2	1319336	1	SHIM, S=1.15	
2	1319337	1	SHIM, S=1.20	
2	1319338	1	SHIM, S=1.25	
2	1319339	1	SHIM, S=1.30	
2	1319340	1	SHIM, S=1.35	
2	1319341	1	SHIM, S=1.40	
2	1319342	1	SHIM, S=1.45	
2	1319343	1	SHIM, S=1.50	
2	1319344	1	SHIM, S=1.55	
2	1319345	1	SHIM, S=1.60	
2	1319346	1	SHIM, S=0.90	
2	1319347	1	SHIM, S=0.95	
2	1319348	1	SHIM, S=0.65	
2	1319349	1	SHIM, S=0.70	
2	1319350	1	SHIM, S=0.75	
2	1319351	1	SHIM, S=0.85	
2	1319352	1	SHIM, S=0.80	
3	1319353	1	ROLLER BEARING	
4	1319354	1	RING, S=15.1	
4	1319355	1	RING, S=15.2	
4	1319356	1	RING, S=15.3	
4	1319357	1	RING, S=15.4	
4	1319358	1	RING, S=15.5	
4	1319359	1	RING, S=15.6	
4	1319360	1	RING, S=15.7	
4	1319361	1	RING, S=15.8	
4	1319362	1	RING, S=15.9	
4	1319363	1	RING, S=16.0	
4	1319364	1	RING, S=16.1	
4	1319365	1	RING, S=16.2	
4	1319366	1	RING, S=16.3	
4	1319367	1	RING, S=16.4	
4	8035982	1	RING, S=16.26	
4	1319369	1	RING, S=16.23	
4	1319370	1	RING, S=16.16	
4	1319371	1	RING, S=16.13	
4	1319372	1	RING, S=16.06	
4	1319373	1	RING, S=16.03	
4	1319374	1	RING, S=15.96	
4	1319375	1	RING, S=15.93	
4	1319376	1	RING, S=15.86	
4	1319377	1	RING, S=15.83	
4	1319378	1	RING, S=15.76	
4	1319379	1	RING, S=15.73	
4	1319380	1	RING, S=15.66	
4	1319381	1	RING, S=15.63	

SECTION 5 - DRIVE TRAIN

ITEM	PART NUMBER	QTY	DESCRIPTION	REV
4	1319382	1	RING, S=15.56	
4	1319383	1	RING, S=15.53	
4	1319384	1	RING, S=15.46	
4	1319385	1	RING, S=15.43	
4	1319386	1	RING, S=15.36	
4	1319387	1	RING, S=15.33	
4	1319388	1	RING, S=15.26	
4	1319389	1	RING, S=15.38	
4	1319390	1	RING, S=15.48	
4	1319391	1	RING, S=15.58	
4	1319392	1	RING, S=15.68	
4	1319393	1	RING, S=15.69	
4	1319394	1	RING, S=15.72	
4	1319395	1	RING, S=15.78	
4	1319396	1	RING, S=15.81	
4	1319397	1	RING, S=15.84	
4	1319398	1	RING, S=15.88	
4	1319399	1	RING, S=15.89	
4	1319400	1	RING, S=15.91	
4	1319401	1	RING, S=15.94	
4	1319402	1	RING, S=15.97	
5	1319444	1	ROLLER BEARING	
6	1321211	1	SEAL SHAFT	
7	1321237	1	END YOKE	
8	1319406	1	WASHER	
9	8035983	1	HEX NUT	

SECTION 5 - DRIVE TRAIN

FIGURE 5-19. REAR AXLE - INPUT (SN 0160038919 to Present, Including 0160033533)



PA4770

SECTION 5 - DRIVE TRAIN

FIGURE 5-19. REAR AXLE - INPUT (SN 0160038919 to Present, Including 0160033533)

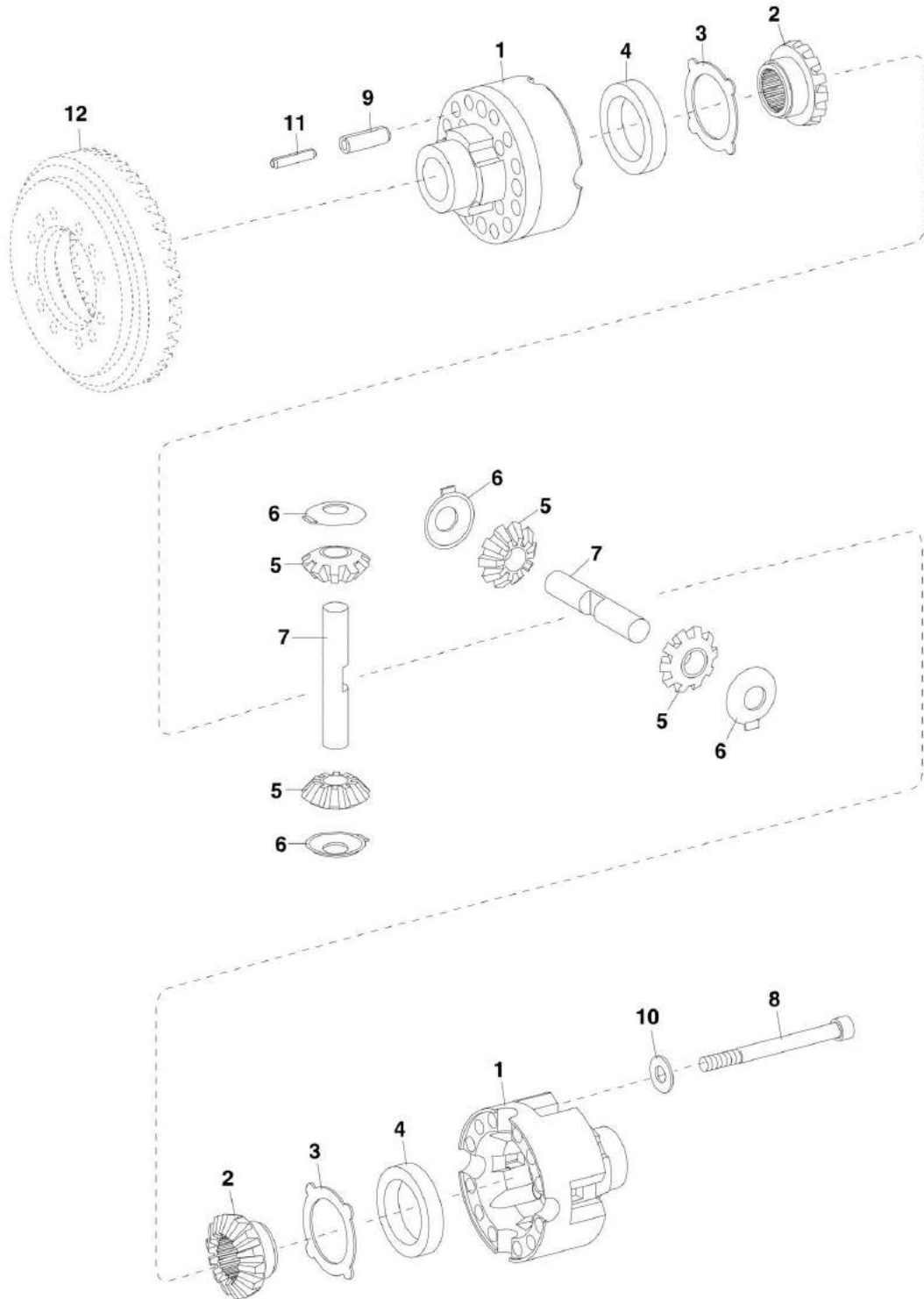
ITEM	PART NUMBER	QTY	DESCRIPTION	REV
1	70022280	1	BEVEL GEAR SET	
2	80304160	1	SHIM, S=0.1	
2	80304159	1	SHIM, S=0.2	
2	80304158	1	SHIM, S=0.3	
2	80304157	1	SHIM, S=0.5	
2	80304156	1	SHIM, S=0.6	
2	80304162	1	SHIM, S=0.65	
2	80304155	1	SHIM, S=0.7	
2	80304161	1	SHIM, S=0.75	
2	80304154	1	SHIM, S=0.8	
2	80304153	1	SHIM, S=0.9	
2	80304152	1	SHIM, S=1.0	
2	80304146	1	SHIM, S=1.2	
2	80304163	1	SHIM, S=1.25	
2	80304151	1	SHIM, S=1.3	
2	80304164	1	SHIM, S=1.35	
2	80304150	1	SHIM, S=1.4	
2	80304165	1	SHIM, S=1.45	
2	80304145	1	SHIM, S=1.5	
2	80304166	1	SHIM, S=1.55	
2	80304149	1	SHIM, S=1.6	
2	80304167	1	SHIM, S=1.65	
2	80304148	1	SHIM, S=1.7	
2	80304168	1	SHIM, S=1.75	
2	80304144	1	SHIM, S=1.8	
2	80304169	1	SHIM, S=1.85	
2	80304147	1	SHIM, S=1.9	
2	80304143	1	SHIM, S=2.0	
3	70022231	1	ROLLER BEARING	
4	80304088	1	RING, S=16.00	
4	80304089	1	RING, S=16.10	
4	80304090	1	RING, S=16.20	
4	80304091	1	RING, S=16.30	
4	80304092	1	RING, S=16.40	
4	80304093	1	RING, S=16.50	
4	80304094	1	RING, S=16.60	
4	80304095	1	RING, S=16.70	
4	80304096	1	RING, S=16.80	
4	80304097	1	RING, S=16.92	
4	80304099	1	RING, S=17.10	
4	80304100	1	RING, S=17.20	
4	80304101	1	RING, S=17.30	
4	80304102	1	RING, S=17.40	
4	80304104	1	RING, S=16.86	
4	80304107	1	RING, S=16.98	
4	80304108	1	RING, S=17.04	
4	80304110	1	RING, S=16.56	
4	80304111	1	RING, S=16.62	
4	80304112	1	RING, S=16.64	
4	80304113	1	RING, S=16.68	

SECTION 5 - DRIVE TRAIN

ITEM	PART NUMBER	QTY	DESCRIPTION	REV
4	80304114	1	RING, S=16.72	
4	80304115	1	RING, S=16.74	
4	80304117	1	RING, S=16.76	
4	80304118	1	RING, S=16.78	
4	80304119	1	RING, S=16.82	
4	80304120	1	RING, S=16.84	
4	80304121	1	RING, S=16.88	
4	80304122	1	RING, S=16.90	
4	80304123	1	RING, S=16.94	
4	80304124	1	RING, S=16.66	
4	80304125	1	RING, S=16.96	
4	80304126	1	RING, S=17.00	
4	80304127	1	RING, S=17.02	
4	80304128	1	RING, S=17.06	
4	80304129	1	RING, S=17.08	
4	80304130	1	RING, S=17.12	
4	80304131	1	RING, S=17.14	
4	80304132	1	RING, S=17.16	
4	80304133	1	RING, S=17.18	
4	80304134	1	RING, S=17.22	
4	80304135	1	RING, S=17.24	
4	80304136	1	RING, S=17.26	
4	80304137	1	RING, S=17.28	
5	1319353	1	ROLLER BEARING	
6	70022220	1	SEAL SHAFT	
7	70022245	1	END YOKE	
8	80304082	1	WASHER	
9	70022213	1	HEX NUT	
10	70022244	1	SCREEN SHEET	

SECTION 5 - DRIVE TRAIN

FIGURE 5-20. REAR AXLE - DIFFERENTIAL (Prior to SN 0160038919, Excluding 0160033533)



PA3370

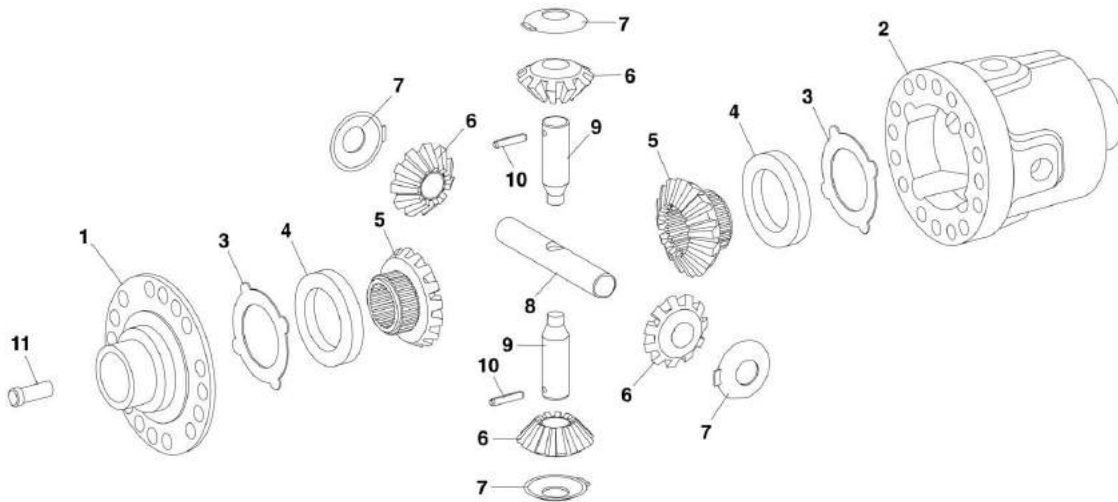
SECTION 5 - DRIVE TRAIN

FIGURE 5-20. REAR AXLE - DIFFERENTIAL (Prior to SN 0160038919, Excluding 0160033533)

ITEM	PART NUMBER	QTY	DESCRIPTION	REV
1	N.S.S.	1	DIFFERENTIAL CASE	
2	1321223	2	AXLE BEVEL GEAR	
3	1319412	2	THRUST WASHER	
4	1321260	2	DIFFERENTIAL RING, A=13.7	
4	8035984	2	DIFFERENTIAL RING, A=13.6	
4	1321259	2	DIFFERENTIAL RING, A=13.5	
5	1321262	4	DIFFERENTIAL BEVEL GEAR	
6	1321188	4	THRUST WASHER	
7	1321224	2	DIFFERENTIAL AXLE	
8	8035985	12	CAPSCREW	
9	1321153	4	SLOT PIN	
10	1321184	12	WASHER	
11	1321154	4	SLOT PIN	
12		Ref	BEVEL GEAR SET, (See REAR AXLE - INPUT for Breakdown)	

SECTION 5 - DRIVE TRAIN

FIGURE 5-21. REAR AXLE - DIFFERENTIAL (SN 0160038919 to Present, Including 0160033533)



PA4700

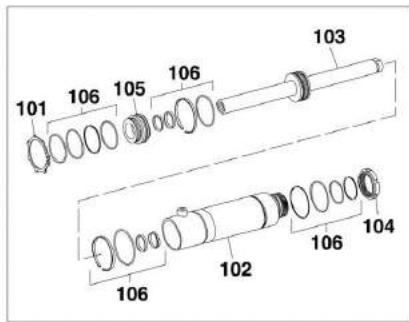
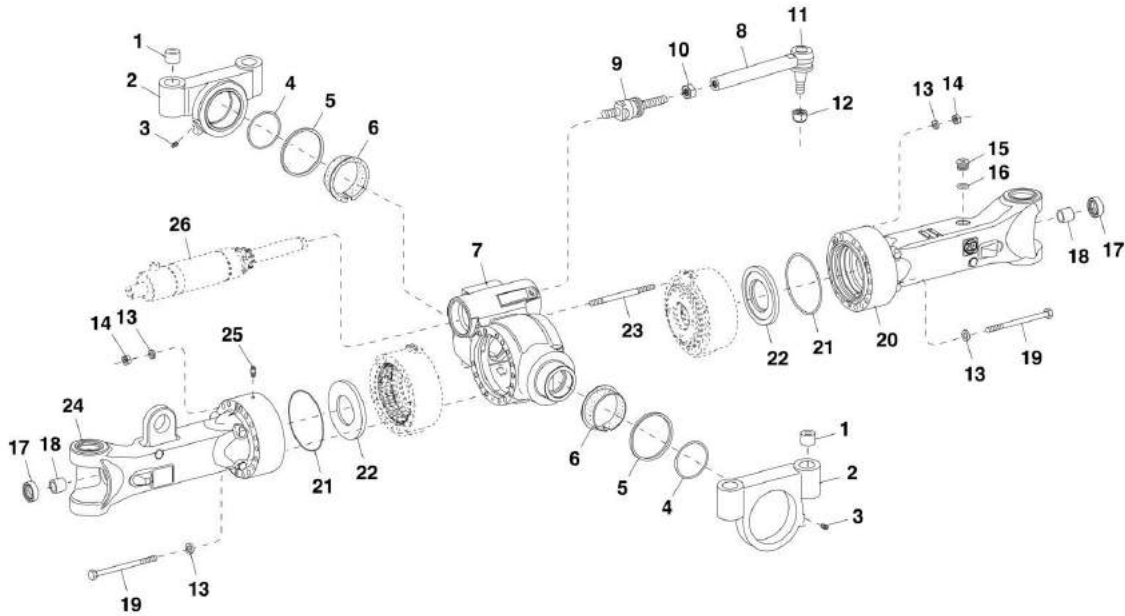
SECTION 5 - DRIVE TRAIN

FIGURE 5-21. REAR AXLE - DIFFERENTIAL (SN 0160038919 to Present, Including 0160033533)

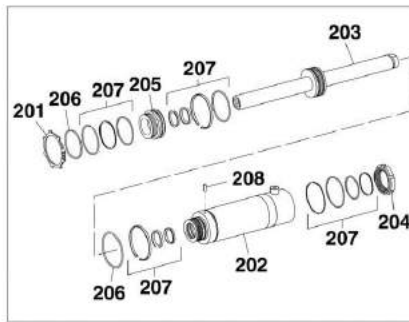
ITEM	PART NUMBER	QTY	DESCRIPTION	REV
1	70022229	1	COVER	
2	70022226	1	DIFFERENTIAL CASE	
3	70022284	2	THRUST WASHER	
4	70022285	2	DIFFERENTIAL RING, A=15.0	
5	70022225	2	AXLE BEVEL GEAR	
6	70022185	4	DIFFERENTIAL BEVEL GEAR	
7	70022262	4	THRUST WASHER	
8	70022227	1	DIFFERENTIAL AXLE	
9	70022228	2	DIFFERENTIAL AXLE	
10	70022200	2	SLOT PIN	
11	70022211	16	CAPSCREW	

SECTION 5 - DRIVE TRAIN

FIGURE 5-22. REAR AXLE - AXLE CASING (Prior to SN 0160038919, Excluding 0160033533)



PRIOR TO AXLE SN 829694



AXLE SN 829694 TO PRESENT

PU2072

SECTION 5 - DRIVE TRAIN

FIGURE 5-22. REAR AXLE - AXLE CASING (Prior to SN 0160038919, Excluding 0160033533)

ITEM	PART NUMBER	QTY	DESCRIPTION	REV
1	1319441	4	CENTERING BUSHING	
2	8035933	2	BRACKET	
3	1319423	2	LUBRICATION NIPPLE	
4	1319439	2	O-RING	
5	1319440	2	V-RING	
6	1319438	2	FLANGE BUSHING	
7	1321236	1	AXLE DRIVE HOUSING	
8	1321148	2	AXIAL JOINT COUPLING ASSY, (includes items 9 thru 11)	
9	8035930	2	AXIAL JOINT COUPLING	
10	8035932	2	HEX NUT	
11	8035929	2	BALL JOINT WITH PIPE COUPLING	
12	8035931	2	LOCKING NUT	
13	1319427	30	WASHER	
14	1319429	8	HEX NUT	
15	1319506	1	SCREW PLUG	
16	8036331	1	O-RING	
17	1319434	2	SHAFT SEAL	
18	1319433	2	BUSHING	
19	8035927	22	HEX SCREW	
20	8035987	1	AXLE CASING, (right rear)	
21	1319425	2	O-RING	
22	8035990	2	END SHIM	
23	8035989	8	STUD	
24	8035986	1	AXLE CASING, (left rear)	
25	1319436	1	BREATHER	
26	1321149	NLA	STEERING CYLINDER, (Prior to Axle SN 829694), (no longer available, use 70021617 for replacement or items 101 thru 106 for service)	
26	70021617	1	STEERING CYLINDER, (Axle SN 829694 to Present), (includes items 201 thru 208)	
101	N.S.S.	NLA	L-RING, (no longer available, use 70021617 for replacement)	
102	N.S.S.	NLA	TUBE WELDMENT, (no longer available, use 70021617 for replacement)	
103	N.S.S.	NLA	PISTON ROD, (no longer available, use 70021617 for replacement)	
104	8035998	1	SLOTTED NUT	
105	N.S.S.	NLA	GUIDE PIECE, (no longer available, use 70021617 for replacement)	
106	8035981	1	SEAL KIT	
201	70021571	1	L-RING	
202	N.S.S.	1	CYLINDER TUBE	
203	70021568	1	PISTON ROD	
204	70021570	1	SLOTTED NUT	
205	70021569	1	GUIDE PIECE	
206	70021726	2	RETAINING RING	
207	70021495	1	SEAL KIT	
208	70022610	1	SLOTTED PIN	

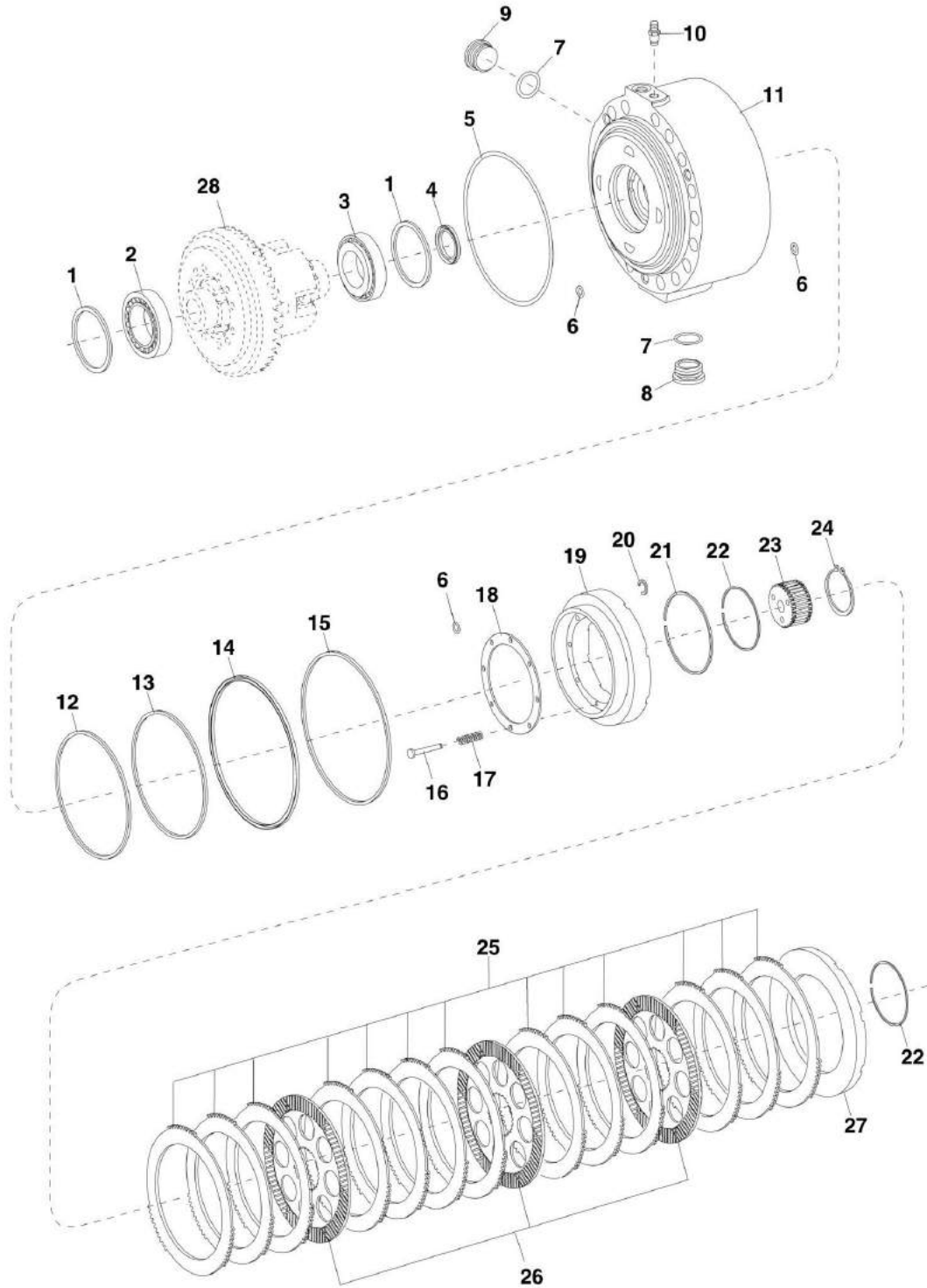
SECTION 5 - DRIVE TRAIN

FIGURE 5-23. REAR AXLE - AXLE CASING (SN 0160038919 to Present, Including 0160033533)

ITEM	PART NUMBER	QTY	DESCRIPTION	REV
1	70022255	2	AXLE CASING	
2	70022259	1	AXLE DRIVE HOUSING	
3	70022206	28	HEX HD CAPSCREW, M18X180	
4	1319578	4	SCREW PLUG	
5	70022241	2	BUSHING	
6	70022204	2	O-RING	
7	70022217	2	RING	
8	10731790	2	BEARING	
9	70022201	2	SET SCREW, M10X1X16	
10	1319666	2	SCREW PLUG	
12	70022174	2	TIE ROD, (includes items 13 thru 16)	
13	70022175	1	BALL JOINT	
14	70022172	1	AXIAL JOINT	
15	8036758	1	LOCKNUT	
16	8036759	1	HEX NUT	
17	1319436	1	BREATHER	
18	8036418	1	SCREW PLUG	
19	70022246	1	BRACKET	
20	70022247	1	BRACKET	
21	1319423	2	GREASE FITTING	
22	70022182	2	FLANGE BUSHING	
23	70022205	2	O-RING	
24	70022219	2	V-RING	
25	1319441	4	BUSHING	
26	70022254	1	BRACKET	
27	1001103619	3	HEX HD CAPSCREW, M22X1.5X80	
101	70022173	1	STEERING CYLINDER, (includes items 102 thru 106)	
102	70022177	1	PISTON ROD	
103	70022184	2	BREAK HEAD	
104	70022181	2	RETAINING RING	
105	70022180	2	RETAINING RING	
106	70022178	1	SEAL KIT	
107	70022210	4	CAPSCREW, M22X1.5X55	

SECTION 5 - DRIVE TRAIN

FIGURE 5-24. REAR AXLE - M-DISK BRAKE (Prior to SN 0160038919, Excluding 0160033533)



PA3391

SECTION 5 - DRIVE TRAIN

FIGURE 5-24. REAR AXLE - M-DISK BRAKE (Prior to SN 0160038919, Excluding 0160033533)

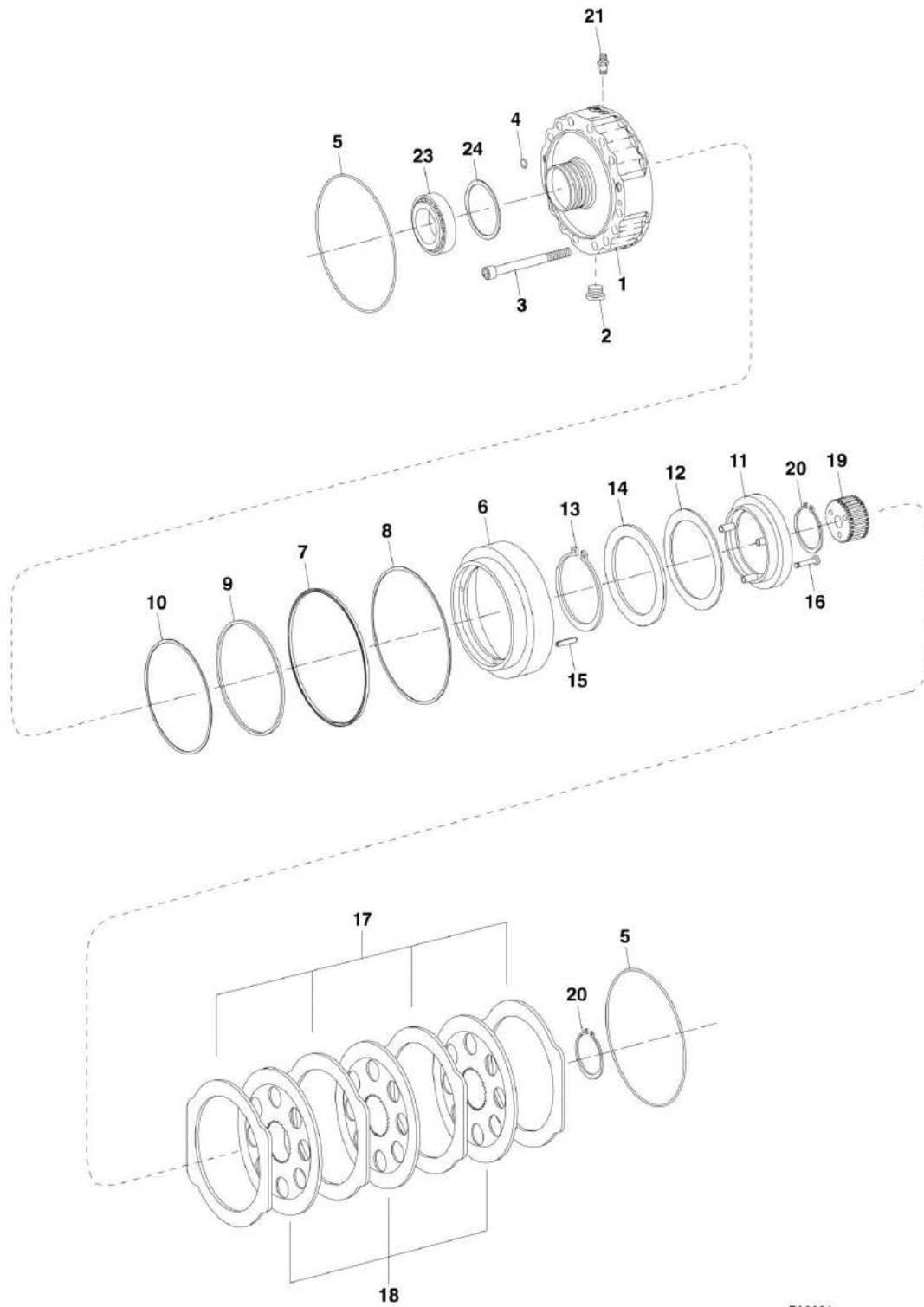
ITEM	PART NUMBER	QTY	DESCRIPTION	REV
1	1319531	AR	SHIM, A=0.1	
1	8035945	AR	SHIM, A=0.15	
1	1319530	AR	SHIM, A=0.2	
1	8035946	AR	SHIM, A=0.25	
1	1319529	AR	SHIM, A=0.3	
1	8035947	AR	SHIM, A=0.35	
1	8035951	AR	SHIM, A=0.4	
1	1319543	AR	SHIM, A=0,45	
1	1319527	AR	SHIM, A=0.5	
1	1321158	AR	SHIM, A=0.55	
1	1319526	AR	SHIM, A=0.6	
1	1319532	AR	SHIM, A=0.65	
1	1319533	AR	SHIM, A=0.7	
1	1319534	AR	SHIM, A=0.75	
1	1319525	AR	SHIM, A=0.8	
1	1319535	AR	SHIM, A=0.85	
1	1319536	AR	SHIM, A=0.9	
1	1319537	AR	SHIM, A=0.95	
1	1319524	AR	SHIM, A=1.0	
1	1319545	AR	SHIM, A=1.05	
1	1319538	AR	SHIM, A=1.1	
1	1319539	AR	SHIM, A=1.15	
1	1319523	AR	SHIM, A=1.2	
1	1319540	AR	SHIM, A=1.25	
1	1319541	AR	SHIM, A=1.3	
1	1319542	AR	SHIM, A=1.35	
1	1319522	AR	SHIM, A=1.4	
1	1319521	AR	SHIM, A=1.45	
1	1319520	AR	SHIM, A=1.5	
1	1319519	AR	SHIM, A=1.55	
1	1319518	AR	SHIM, A=1.6	
1	1319517	AR	SHIM, A=1.65	
1	1319510	AR	SHIM, A=2.0	
1	1321159	AR	SHIM, A=1.47	
1	8035948	AR	SHIM, A=1.63	
1	1319515	AR	SHIM, A=1.75	
1	1319516	AR	SHIM, A=1.7	
1	1319514	AR	SHIM, A=1.8	
1	1319513	AR	SHIM, A=1.85	
1	1319512	AR	SHIM, A=1.9	
1	1319511	AR	SHIM, A=1.95	
2	8036447	2	ROLLER BEARING	
3	8036445	2	ROLLER BEARING	
4	8036444	2	SHAFT SEAL	
5	1319425	2	O-RING	
6	1319491	12	O-RING	
7	8036331	4	O-RING	
8	1319431	2	SCREW PLUG	
9	1319506	2	SCREW PLUG	
10	1319505	2	BREATHER	

SECTION 5 - DRIVE TRAIN

ITEM	PART NUMBER	QTY	DESCRIPTION	REV
11	8035939	Ref	BRAKE HOUSING, (right side), (Prior to Axle SN 679469), (see note N1)	
11	70020484	1	BRAKE HOUSING, (right side), (Axle SN 679469 to Present)	
11	8035936	Ref	BRAKE HOUSING, (left side), (Prior to Axle SN 679469), (see note N1), (not shown)	
11	70020483	1	BRAKE HOUSING, (left side), (Axle SN 679469 to Present), (not shown)	
12	1321151	2	SUPPORT RING	
13	1321162	2	U-RING	
14	1321163	2	U-RING	
15	1321152	2	SUPPORT RING	
16	1319496	16	PIN	
17	1319497	16	COMPRESSION SPRING	
18	8036305	2	WASHER	
19	8036304	2	PISTON	
20	1319499	16	CRESCENT RING	
21	1319504	2	SNAP RING	
22	8036307	4	SNAP RING	
23	1321174	2	DISC CARRIER, (Prior to Axle SN 824742)	
23	70020409	2	DISC CARRIER, (Axle SN 824742 to Present)	
24	8036308	2	RETAINER RING	
25	1319500	26	O CLUTCH DISC, S=2.0, (Prior to Axle SN 679469)	
25	70020485	26	O CLUTCH DISC, S=2.0, (Axle SN 679469 to Present)	
25	1319501	26	O CLUTCH DISC, S=2.5, (Prior to Axle SN 679469)	
25	70020486	26	O CLUTCH DISC, S=2.5, (Axle SN 679469 to Present)	
25	1319502	26	O CLUTCH DISC, S=3.0, (Prior to Axle SN 679469)	
25	70020487	26	O CLUTCH DISC, S=3.0, (Axle SN 679469 to Present)	
26	1321150	6	I CLUTCH DISC, (Prior to Axle SN 824742)	
26	70020408	6	I CLUTCH DISC, (Axle SN 824742 to Present)	
27	8036606	2	END PLATE, (Prior to Axle SN 679469)	
27	70020413	2	END PLATE, (Axle SN 679469 to Present)	
28		Ref	DIFFERENTIAL, (See REAR AXLE - DIFFERENTIAL for Breakdown)	
N1	Note	Ref	PARTS ARE NO LONGER AVAILABLE; ORDER BRAKE HOUSINGS 70020483 & 70020484, QUANTITY REQUIRED OF OUTER DISCS 70020485, 70020486 & 70020487, QUANTITY 2 OF 70020413 END PLATES	

SECTION 5 - DRIVE TRAIN

FIGURE 5-25. REAR AXLE - M-DISK BRAKE (SN 0160038919 to Present, Including 0160033533)



PA3321

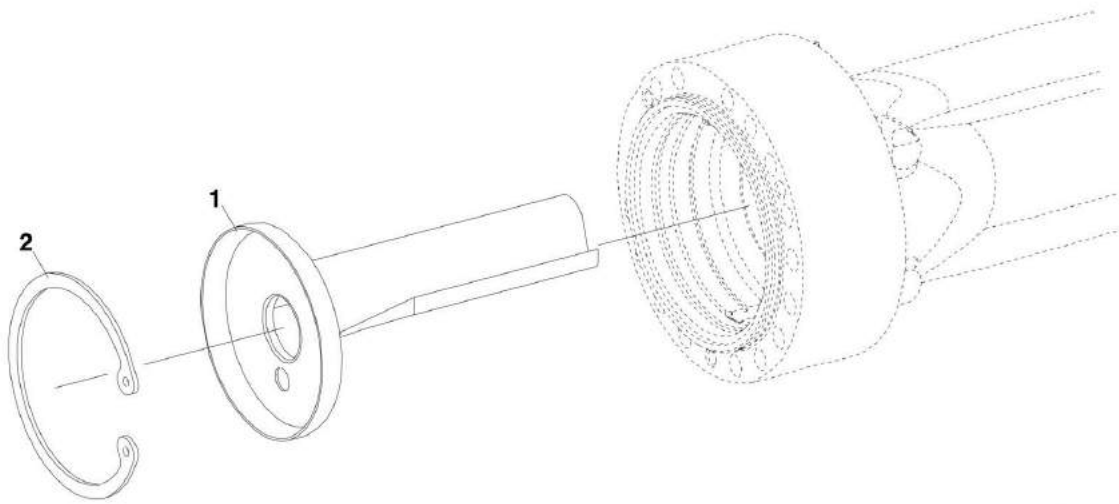
SECTION 5 - DRIVE TRAIN

FIGURE 5-25. REAR AXLE - M-DISK BRAKE (SN 0160038919 to Present, Including 0160033533)

ITEM	PART NUMBER	QTY	DESCRIPTION	REV
1	70022282	2	BRAKE HOUSING	
2	1319578	2	SCREW PLUG	
3	70022209	6	CAP SCREW, M12X105	
4	8036847	10	O-RING	
5	80304462	4	O-RING	
6	70022250	2	PISTON	
7	70022190	2	PISTON PACKING	
8	70022193	2	BACKUP RING	
9	70022189	2	PISTON PACKING	
10	70022194	2	BACKUP RING	
11	70022236	2	RING	
12	70022183	2	CUP SPRING	
13	70022198	2	RETAINING RING	
14	70022235	2	WASHER	
15	70022186	8	SLOT PIN	
16	1319214	6	CAP SCREW, M8X40	
17	70022196	8	O CLUTCH DISC	
18	70022176	6	I CLUTCH DISC	
19	70022253	2	DISC CARRIER	
20	10731949	4	RETAINING RING	
21	70022171	2	BREATHER	
22	70022215	2	SCREW PLUG, (not shown)	
23	8036447	2	BEARING	
24	1319537	AR	SHIM, A=0.95	
24	1319545	AR	SHIM, A=1.05	
24	1319539	AR	SHIM, A=1.15	
24	1319540	AR	SHIM, A=1.25	
24	1319542	AR	SHIM, A=1.35	

SECTION 5 - DRIVE TRAIN

FIGURE 5-26. REAR AXLE - BRAKE (Prior to SN 0160038919, Excluding 0160033533)



PA3400

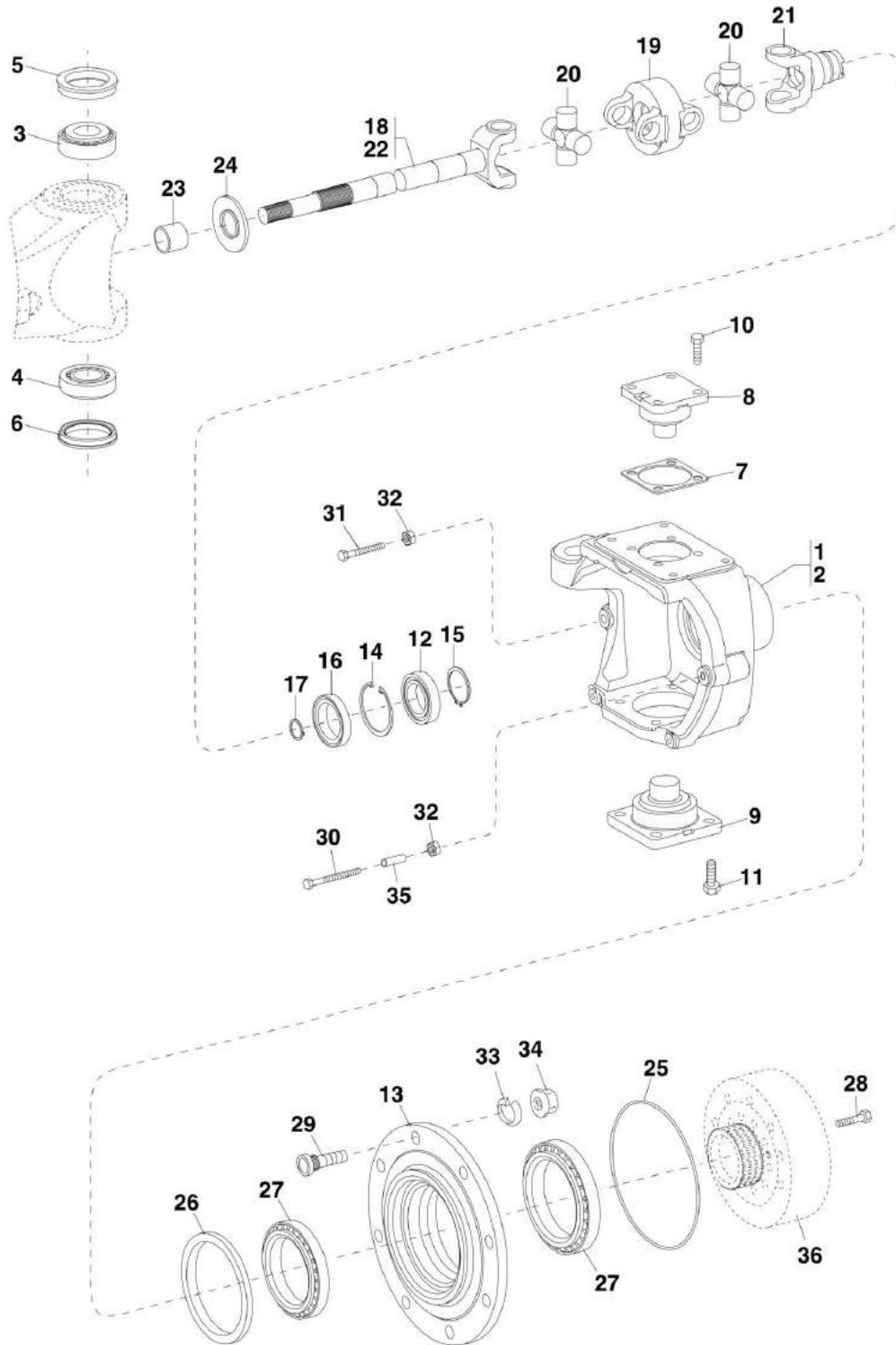
SECTION 5 - DRIVE TRAIN

FIGURE 5-26. REAR AXLE - BRAKE (Prior to SN 0160038919, Excluding 0160033533)

ITEM	PART NUMBER	QTY	DESCRIPTION	REV
1	1321172	2	PIN CARRIER	
2	1321178	2	RETAINING RING	

SECTION 5 - DRIVE TRAIN

FIGURE 5-27. REAR AXLE - JOINT HOUSING (Prior to SN 0160038919, Excluding 0160033533)



PA3990

SECTION 5 - DRIVE TRAIN

FIGURE 5-27. REAR AXLE - JOINT HOUSING (Prior to SN 0160038919, Excluding 0160033533)

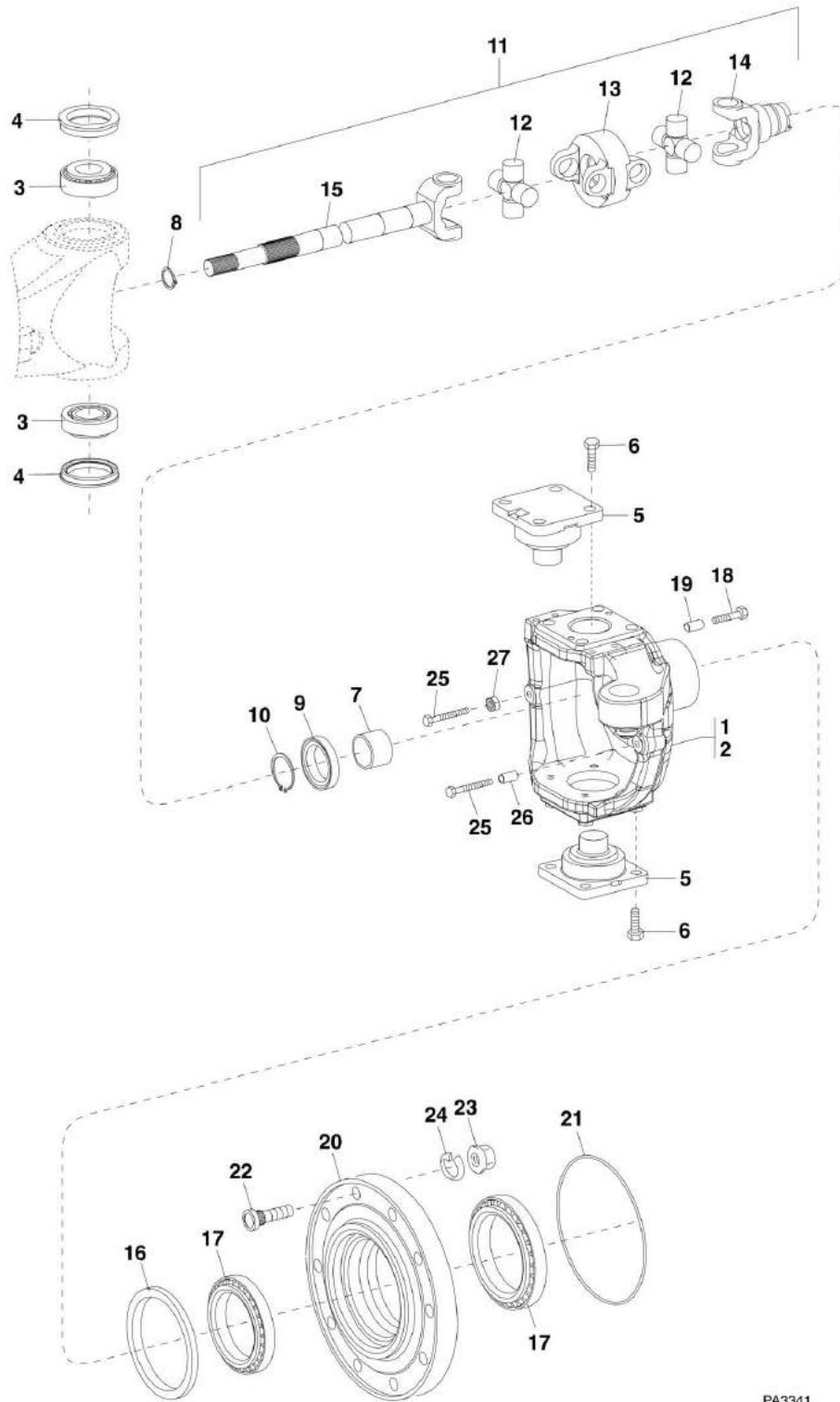
ITEM	PART NUMBER	QTY	DESCRIPTION	REV
1	1321245	1	JOINT HOUSING, (left side)	
2	1321246	1	JOINT HOUSING, (right side)	
3	1319444	2	ROLLER BEARING	
4	1319445	2	ROLLER BEARING	
5	8036338	2	MULTI SEAL RING	
6	1319447	2	SHAFT SEAL	
7	1319448	AR	SHIM, S=0.2	
7	1319449	AR	SHIM, S=0.3	
7	1319450	AR	SHIM, S=0.4	
7	1319451	AR	SHIM, S=0.6	
7	1319452	AR	SHIM, S=0.8	
7	1319453	AR	SHIM, S=1.0	
7	1319454	AR	SHIM, S=1.2	
7	1319455	AR	SHIM, S=1.4	
7	1319456	AR	SHIM, S=1.6	
7	1319457	AR	SHIM, S=1.8	
7	1319458	AR	SHIM, S=2.0	
7	1319459	AR	SHIM, S=0.7	
7	1319460	AR	SHIM, S=0.5	
8	1319461	2	BEARING PIN	
9	1319462	2	BEARING PIN	
10	1319463	8	HEX SCREW	
11	1319464	8	HEX SCREW	
12	1321157	2	BALL BEARING	
13	8036435	2	HUB	
14	1319210	2	RETAINING RING	
15	80304405	2	RETAINING RING	
16	1321164	2	SHAFT SEAL	
17	1321226	2	RETAINING RING	
18	7028979	NLA	UNIVERSAL COUPLING DRIVE SHAFT, (not maintenance free), (Prior to Axle SN 720124), (7028979 is no longer available, use 70022052 for replacement or items 19 thru 24 for service)	
18	70022052	2	UNIVERSAL COUPLING DRIVE SHAFT, (maintenance free), (Axle SN 720125 to Present), (includes items 19 thru 24)	
19	8035992	2	CENTRAL PIECE, (Prior to Axle SN 720124)	
19	70021553	2	CENTRAL PIECE, (Axle SN 720125 to Present)	
20	8035993	4	JOINT CROSS, (Prior to Axle SN 720124)	
20	70021554	4	JOINT CROSS, (Axle SN 720125 to Present)	
21	8035994	2	JOINT FORK	
22	8035995	2	JOINT COUPLING FORK	
23	8035973	2	BUSHING	
24	8035996	2	SCREEN SHEET	
25	1319470	2	O-RING	
26	8036329	2	CASSETTE RING	
27	1319472	4	ROLLER BEARING	
28	8035997	20	HEX SCREW	
29	8036434	16	WHEEL BOLT	
30	1319475	2	STOP SCREW	
31	8036330	2	STOP SCREW	
32	1319477	4	HEX NUT	

SECTION 5 - DRIVE TRAIN

ITEM	PART NUMBER	QTY	DESCRIPTION	REV
33		Ref	LOCKWASHER, (See DRIVE TRAIN COMPONENTS for Breakdown)	
34		Ref	LUG NUT, (See DRIVE TRAIN COMPONENTS for Breakdown)	
35	7139743	2	STEER ANGLE SPACER	
36		Ref	BRAKE HOUSING, (See REAR AXLE - M-DISK BRAKE for Breakdown)	
N1	Note	Ref	IF REPLACING BOTH 8035992 CENTRAL PIECE 8035993 JOINT CROSS (NOT MAINTENANCE FREE) CAN REPLACE WITH 70021553 CENTRAL PIECE AND 70021554 JOINT CROSS (MAINTENANCE FREE).	

SECTION 5 - DRIVE TRAIN

FIGURE 5-28. REAR AXLE - JOINT HOUSING (SN 0160038919 to Present, Including 0160033533)



PA3341

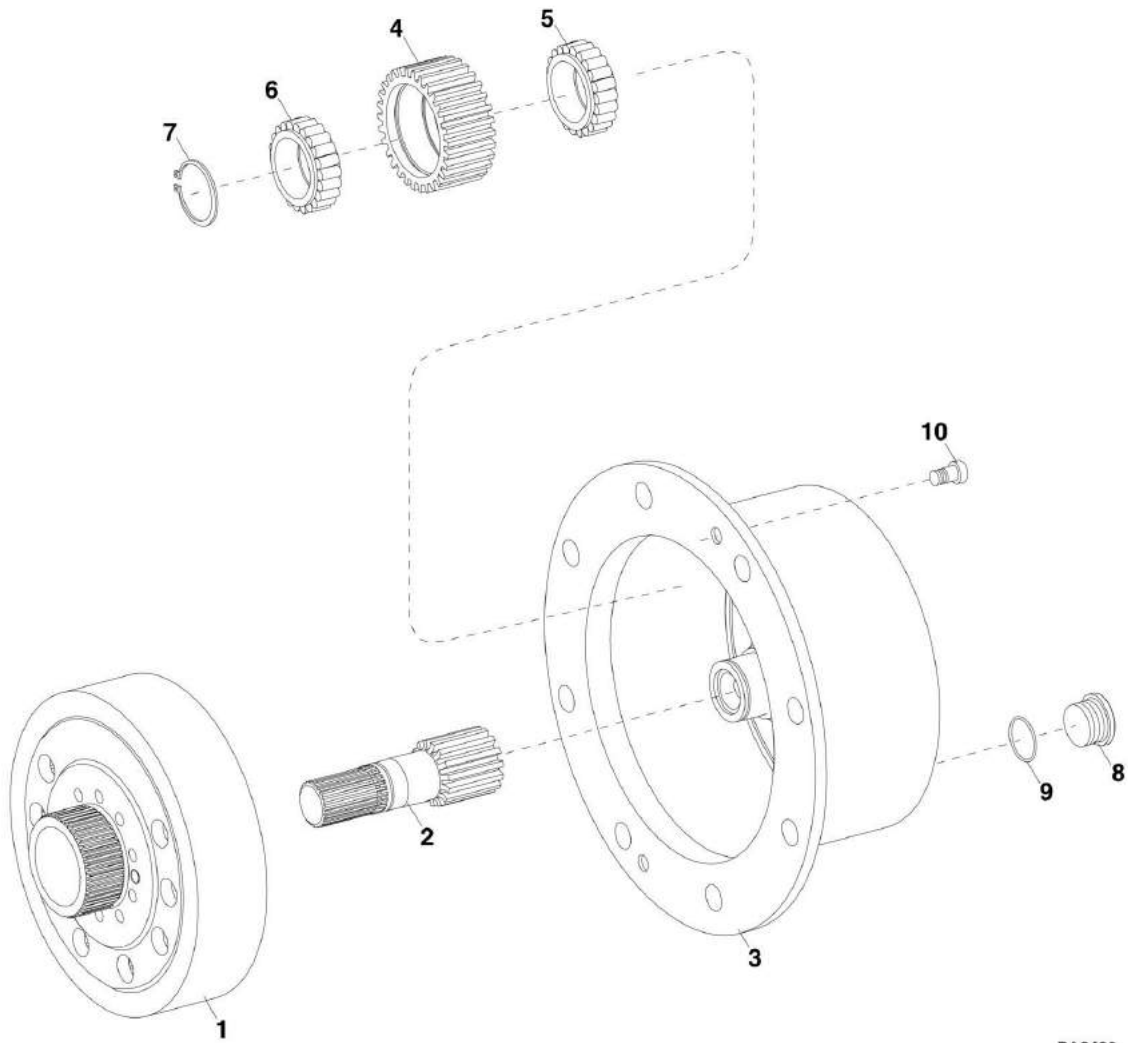
SECTION 5 - DRIVE TRAIN

FIGURE 5-28. REAR AXLE - JOINT HOUSING (SN 0160038919 to Present, Including 0160033533)

ITEM	PART NUMBER	QTY	DESCRIPTION	REV
1	70022237	1	JOINT HOUSING, (right side)	
2	70022238	1	JOINT HOUSING, (left side)	
3	70022223	4	ROLLER BEARING	
4	1319447	4	SHAFT SEAL	
5	70022240	4	BEARING PIN	
6	1319464	16	HEX SCREW, M16X40	
7	70022179	2	BUSHING	
8	10731789	2	RETAINING RING	
9	70022218	2	SHAFT SEAL	
10	1321226	2	RETAINING RING	
11	70022170	2	UNIVERSAL COUPLING DRIVE SHAFT ASSY, (includes items 12 thru 15)	
12	70021554	2	JOINT CROSS	
13	70021553	1	CENTRAL PIECE	
14	70022187	1	FORK SHAFT	
15	70022188	1	FORK SHAFT	
16	80304173	2	SHAFT SEAL	
17	1319472	4	ROLLER BEARING	
18	70022208	16	HEX SCREW, M14X70	
19	70022234	16	CENTERING BUSHING	
20	70022249	2	HUB	
21	70022203	2	O-RING	
22	70022230	20	WHEEL BOLT	
23		Ref	WHEEL NUT, (See DRIVE TRAIN COMPONENTS for Breakdown)	
24		Ref	SPRING WASHER, (See DRIVE TRAIN COMPONENTS for Breakdown)	
25	8036330	4	STOP SCREW, M14X1.5	
26	70022257	2	SPACER TUBE	
27	1319477	2	HEX NUT, M14X1.5	

SECTION 5 - DRIVE TRAIN

FIGURE 5-29. REAR AXLE - PLANETARY DRIVE (Prior to SN 0160038919, Excluding 0160033533)



PA3420

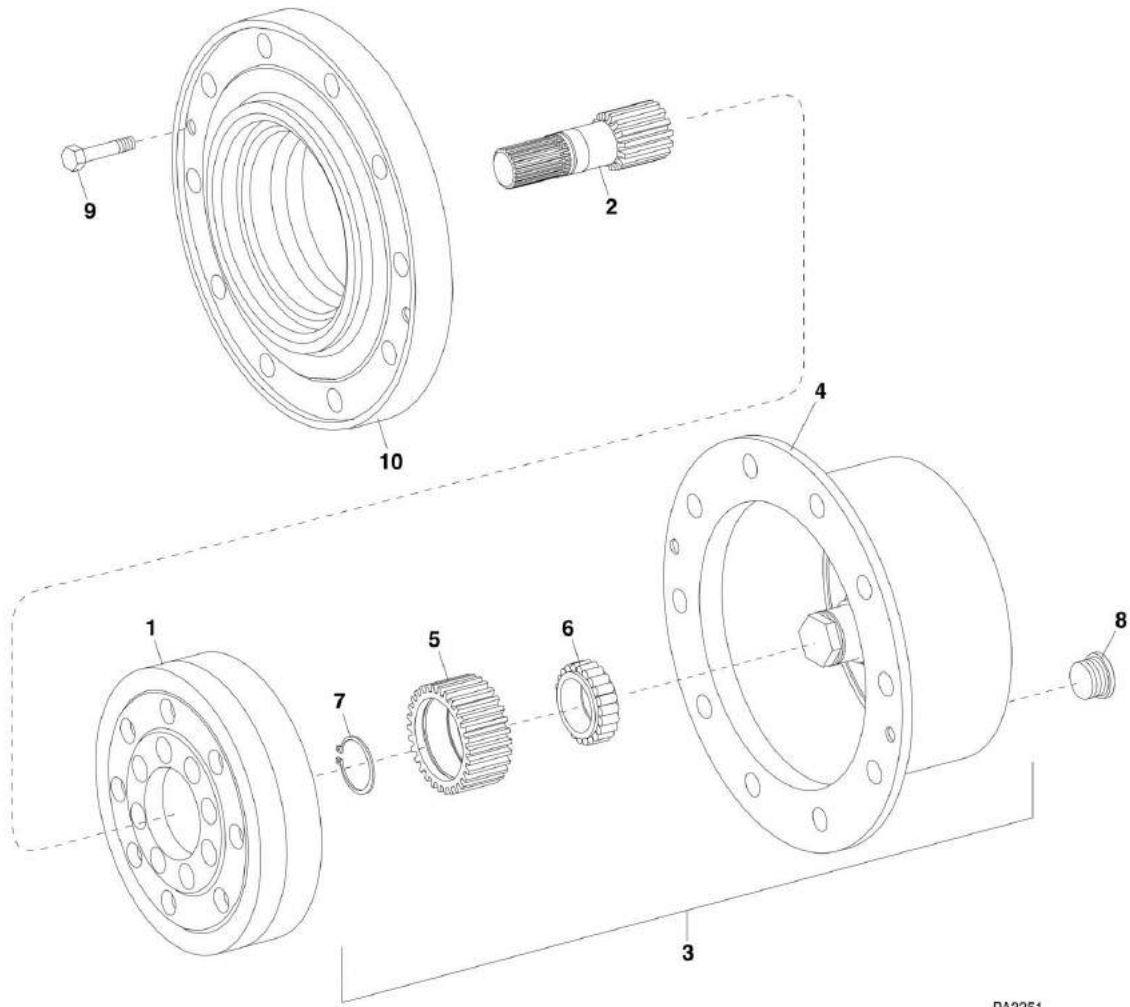
SECTION 5 - DRIVE TRAIN

FIGURE 5-29. REAR AXLE - PLANETARY DRIVE (Prior to SN 0160038919, Excluding 0160033533)

ITEM	PART NUMBER	QTY	DESCRIPTION	REV
1	1321247	2	RING GEAR	
2	1321242	2	SUN GEAR SHAFT	
3	8036436	2	PLANET CARRIER	
4	1321231	3	PLANET GEAR	
5	1319483	3	ROLLER BEARING, (inner)	
6	1319484	3	ROLLER BEARING, (outer)	
7	1319485	3	SNAP RING	
8	1319506	2	SCREW PLUG	
9	8036331	2	O-RING	
10	1319488	4	CAPSCREW	
	70021555	2	PLANETARY CARRIER ASSY, (includes items 4 thru 7)	

SECTION 5 - DRIVE TRAIN

FIGURE 5-30. REAR AXLE - PLANETARY DRIVE (SN 0160038919 to Present, Including 0160033533)



PA3351

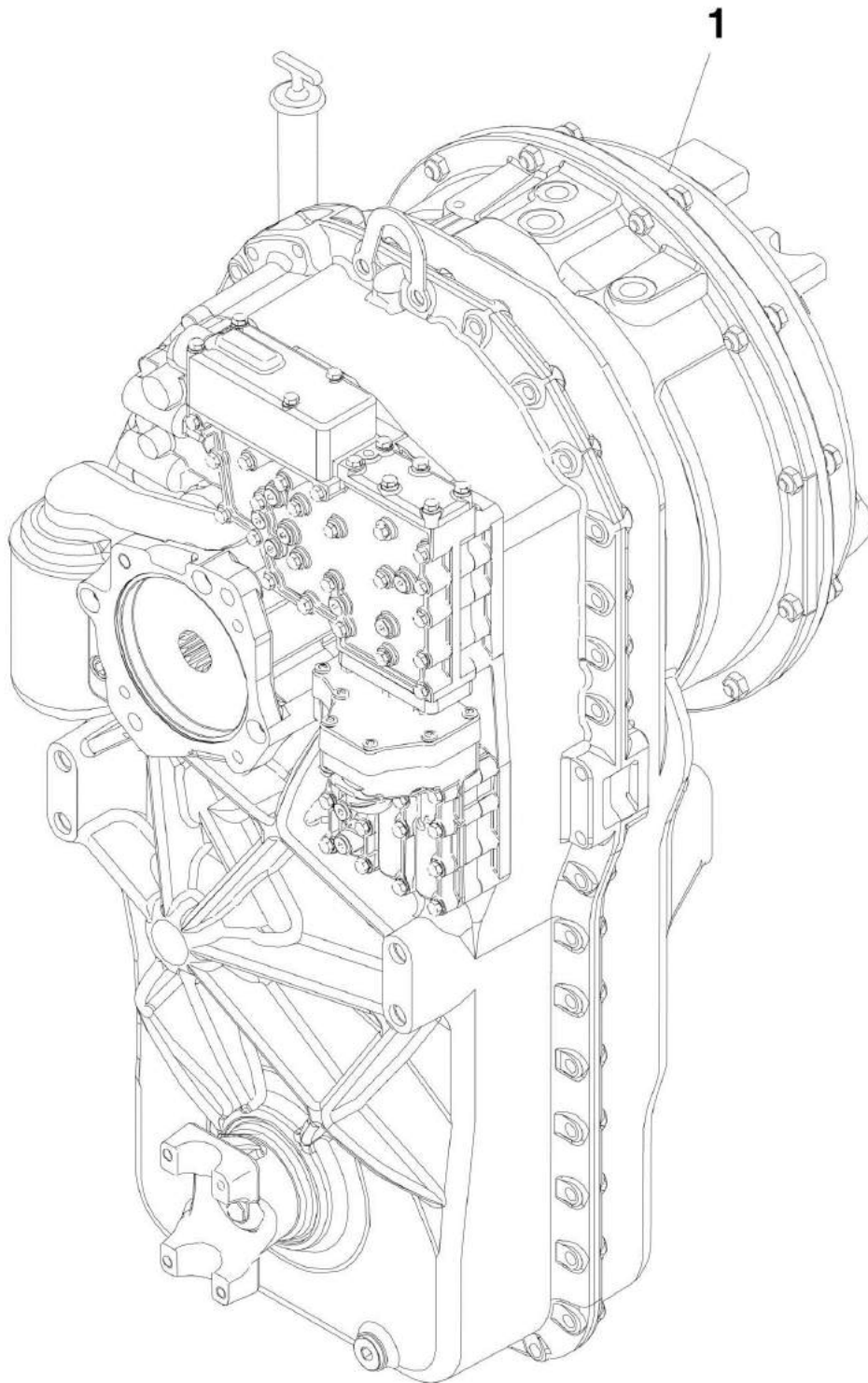
SECTION 5 - DRIVE TRAIN

FIGURE 5-30. REAR AXLE - PLANETARY DRIVE (SN 0160038919 to Present, Including 0160033533)

ITEM	PART NUMBER	QTY	DESCRIPTION	REV
1	70022242	1	RING GEAR	
2	70022239	2	SUN GEAR SHAFT	
3	70022233	2	PLANETARY CARRIER ASSY, (includes items 4 thru 7)	
4	70022256	1	PLANETARY CARRIER	
5	70022243	3	PLANETARY GEAR	
6	70022221	3	CYL ROLLER BEARING	
7	70022197	3	RETAINING RING	
8	1319578	2	SCREW PLUG	
9	70022207	4	HEX SCREW, M12X30	
10		Ref	HUB, (See FRONT AXLE - JOINT HOUSING for Breakdown)	

SECTION 5 - DRIVE TRAIN

FIGURE 5-31. ZF TRANSMISSION



PA4330

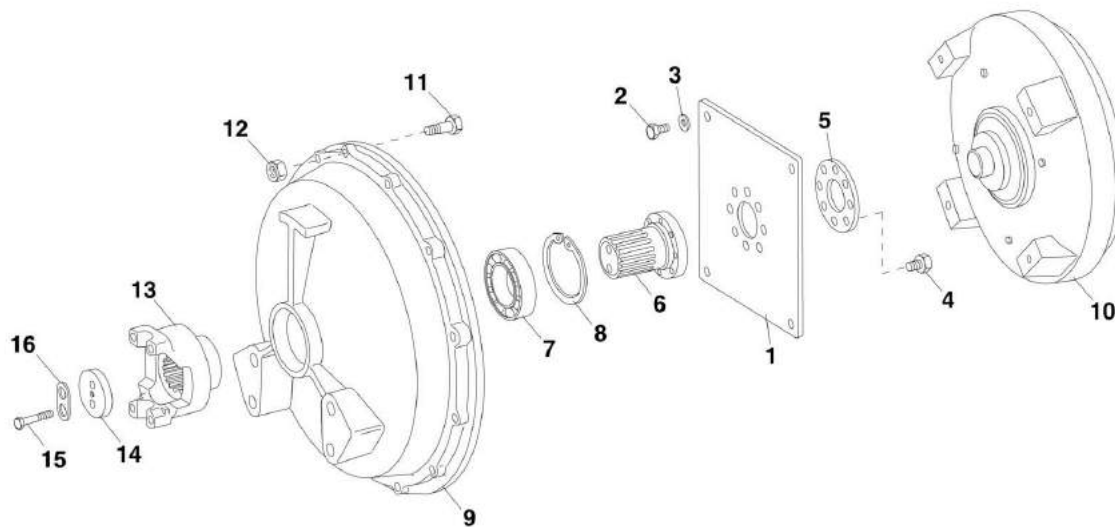
SECTION 5 - DRIVE TRAIN

FIGURE 5-31. ZF TRANSMISSION

ITEM	PART NUMBER	QTY	DESCRIPTION	REV
1	8841036	1	TRANSMISSION, 4WG98-TC	AA
1		Ref	ENGINE CONNECTION AND CONVERTER, (See ZF TRANSMISSION - ENGINE CONNECTION AND CONVERTER for Breakdown)	
1		Ref	INPUT SHAFTS, (See ZF TRANSMISSION - INPUT SHAFTS for Breakdown)	
1		Ref	GEARBOX HOUSING, (See ZF TRANSMISSION - GEARBOX HOUSING for Breakdown)	
1		Ref	COUPLING GROUP 1, (See ZF TRANSMISSION - COUPLING GROUP 1 for Breakdown)	
1		Ref	COUPLING GROUP 2, (See ZF TRANSMISSION - COUPLING GROUP 2 for Breakdown)	
1		Ref	COUPLING GROUP 3, (See ZF TRANSMISSION - COUPLING GROUP 3 for Breakdown)	
1		Ref	COUPLING GROUP 4, (See ZF TRANSMISSION - COUPLING GROUP 4 for Breakdown)	
1		Ref	REVERSING GEAR GROUP 1, (See ZF TRANSMISSION - REVERSING GEAR GROUP 1 for Breakdown)	
1		Ref	REVERSING GEAR GROUP 2, (See ZF TRANSMISSION - REVERSING GEAR GROUP 2 for Breakdown)	
1		Ref	OUTPUT, (See ZF TRANSMISSION - OUTPUT for Breakdown)	
1		Ref	CONTROL UNIT, (See ZF TRANSMISSION - CONTROL UNIT for Breakdown)	
1		Ref	VALVE HOUSING ASSY, (See ZF TRANSMISSION - VALVE HOUSING ASSEMBLY for Breakdown)	
1		Ref	VALVE BLOCK ASSY, (See ZF TRANSMISSION - VALVE BLOCK ASSEMBLY for Breakdown)	
1		Ref	OIL PUMP AND FILTER, (See ZF TRANSMISSION - OIL PUMP AND FILTER for Breakdown)	

SECTION 5 - DRIVE TRAIN

FIGURE 5-32. ZF TRANSMISSION - ENGINE CONNECTION AND CONVERTER



PA3120

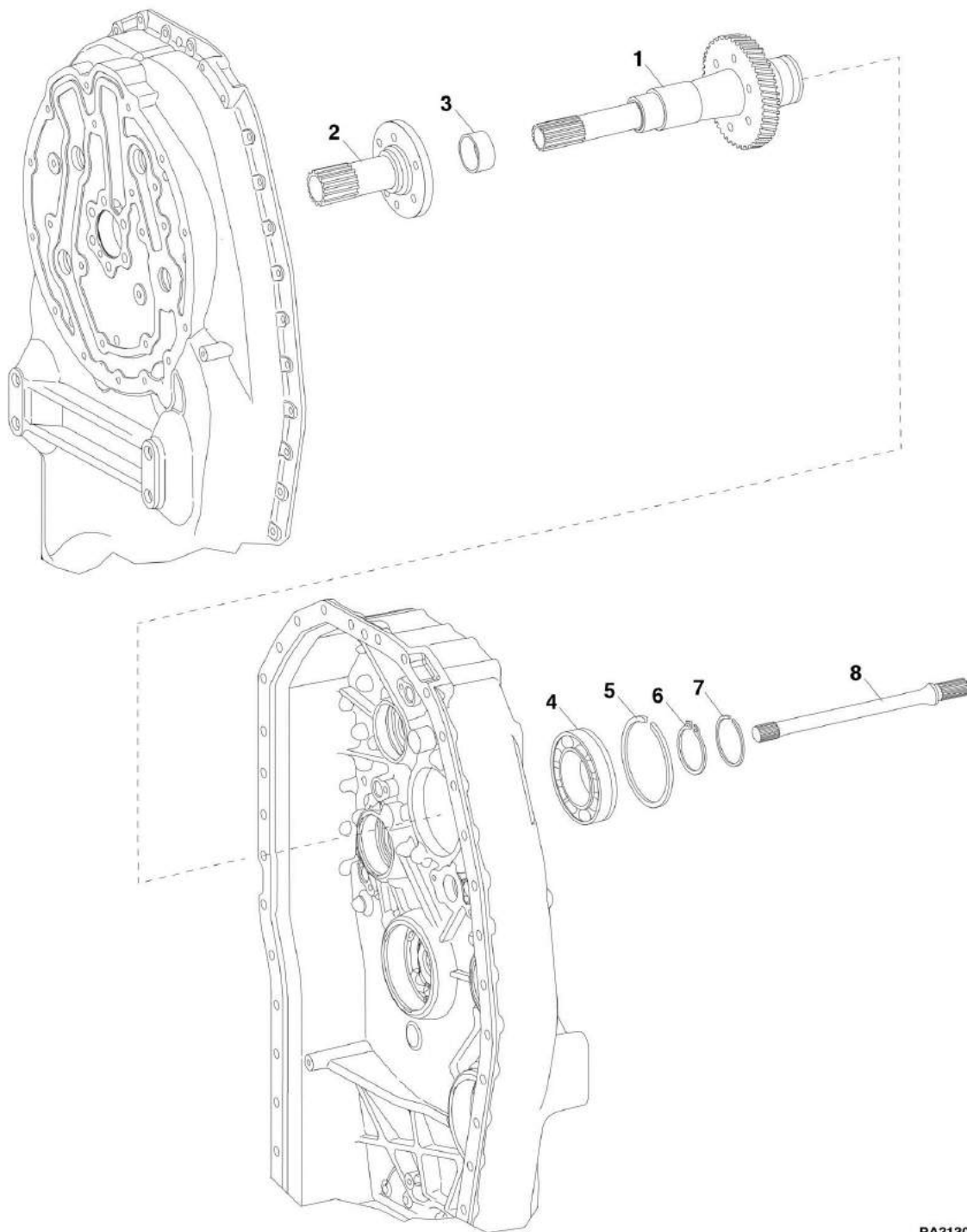
SECTION 5 - DRIVE TRAIN

FIGURE 5-32. ZF TRANSMISSION - ENGINE CONNECTION AND CONVERTER

ITEM	PART NUMBER	QTY	DESCRIPTION	REV
1	1319203	1	DIAPHRAGM	
2	1319204	4	HEX HD CAPSCREW, M10X18MM	
3	10732095	4	WASHER, 10.5	
4	10731702	8	HEX HD CAPSCREW, M10X16MM	
5	1319213	1	WASHER	
6	1319212	1	INPUT SHAFT, (Prior to Transmission SN 152496)	
6	70023482	1	INPUT SHAFT, (Transmission SN 152496 to Present)	
7	1319209	1	BALL BEARING	
8	1319210	1	RETAINING RING	
9	8036021	1	COVER	
10	8036022	1	CONVERTER	
11	10731748	12	HEX HD CAPSCREW, M10X45MM	
12	10731751	12	HEX NUT, M10	
13	1319211	1	END YOKE	
14	1319205	1	WASHER	
15	1319206	2	HEX HD CAPSCREW, M8X50MM, (Prior to Transmission SN 152496)	
15	70023483	2	HEX HD CAPSCREW, (Transmission SN 152496 to Present)	
16	1319207	1	TAB WASHER, (Prior to Transmission SN 152496)	

SECTION 5 - DRIVE TRAIN

FIGURE 5-33. ZF TRANSMISSION - INPUT SHAFTS



PA3130

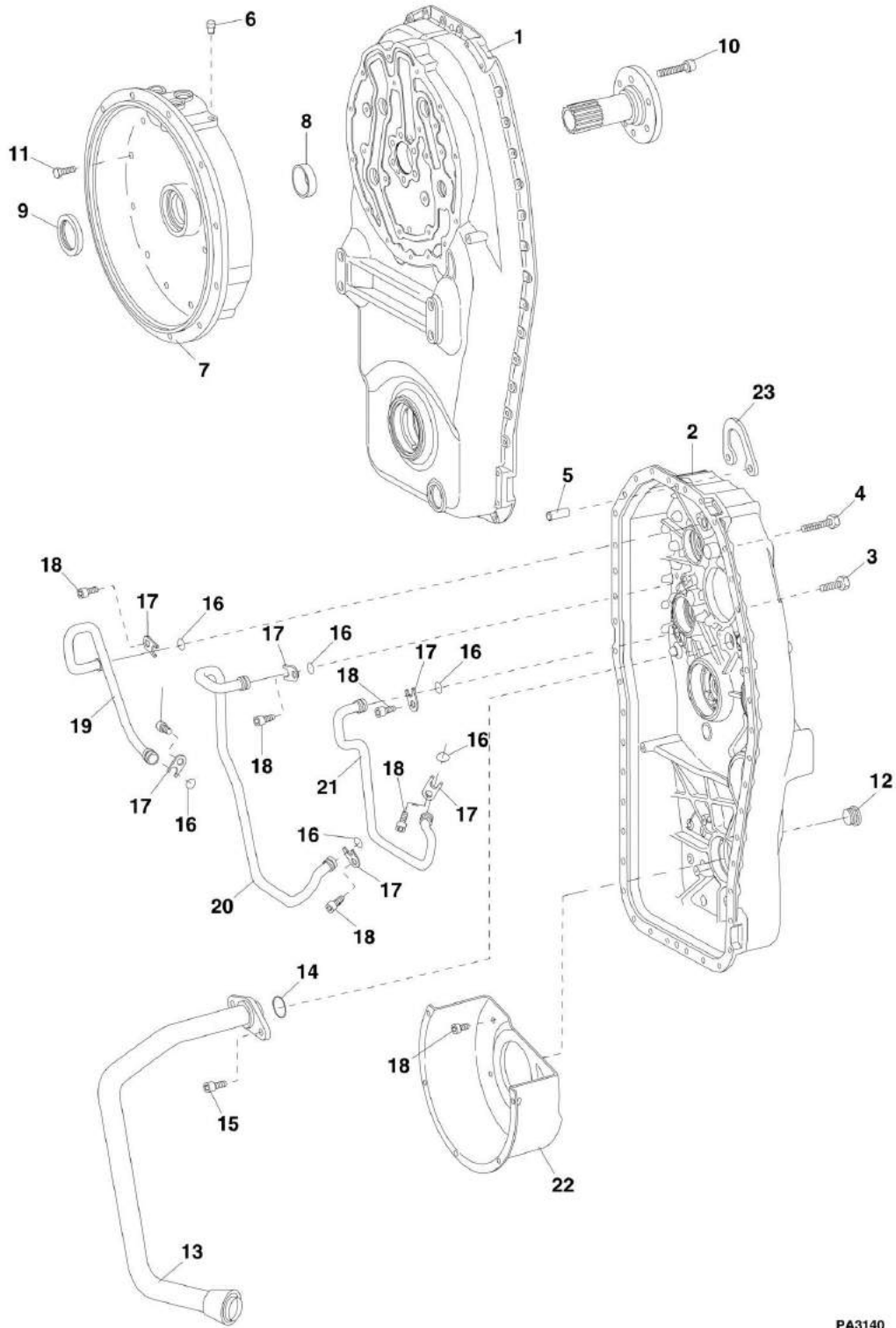
SECTION 5 - DRIVE TRAIN

FIGURE 5-33. ZF TRANSMISSION - INPUT SHAFTS

ITEM	PART NUMBER	QTY	DESCRIPTION	REV
1	8036023	1	TURBINE SHAFT	
2	1319557	1	STATOR SHAFT	
3	1319558	1	BEARING BUSHING	
4	1319563	1	BALL BEARING	
5	10731913	1	SNAP RING	
6	80304405	1	RETAINING RING, 55X2.00	
7	1319565	1	PISTON RING, 55X3.00	
8	1319566	1	CENTRAL SHAFT	

SECTION 5 - DRIVE TRAIN

FIGURE 5-34. ZF TRANSMISSION - GEARBOX HOUSING



PA3140

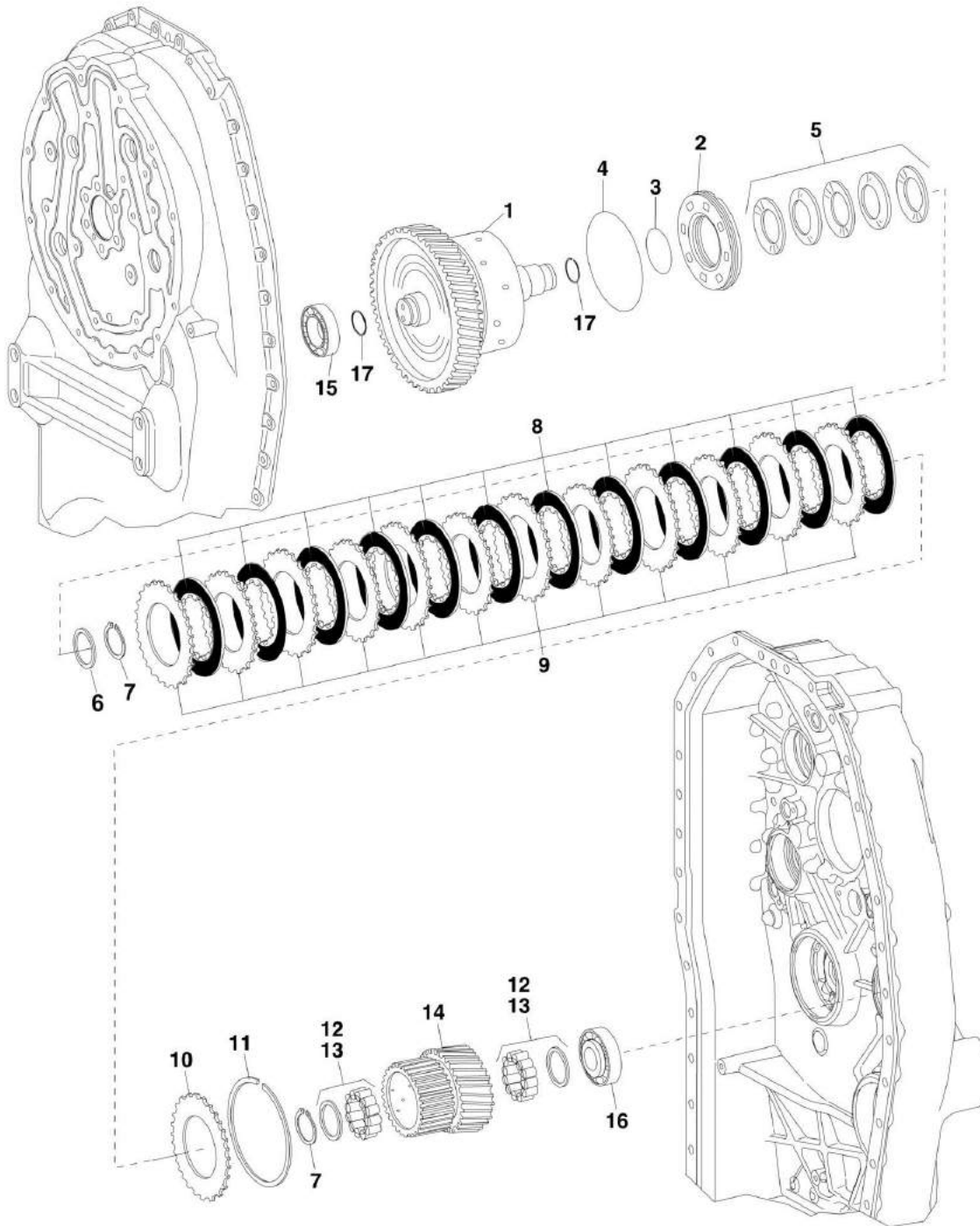
SECTION 5 - DRIVE TRAIN

FIGURE 5-34. ZF TRANSMISSION - GEARBOX HOUSING

ITEM	PART NUMBER	QTY	DESCRIPTION	REV
1	8036024	1	HOUSING I	
2	8036025	1	HOUSING II	
3	1319569	36	HEX HD CAPSCREW, M10X30MM	
4	1319570	6	HEX HD CAPSCREW, M10X50MM	
5	1319571	2	CYLINDRICAL PIN, M6X24MM	
6	10731744	1	BREATHER	
7	1319574	1	CONVERTER BELL	
8	1319575	1	BEARING BUSHING	
9	1319576	1	SHAFT SEAL	
10	1319577	6	SOCKET HD CAPSCREW, M10X50MM	
11	1319569	23	HEX HD CAPSCREW, M10X30MM	
12	1319578	1	DRAIN PLUG, 7/8-14	
13	8036026	1	OIL SUCTION PIPE	
14	1319581	1	O-RING, 30X3.00	
15	1319582	2	SOCKET HD CAPSCREW, M8X20MM	
16	1319583	6	O-RING, 14X2.00	
17	1319584	6	FIXING PLATE	
18	1319585	11	SOCKET HD CAPSCREW, M8X16MM	
19	1319586	1	PIPE	
20	1319587	1	PIPE	
21	8036027	1	PIPE	
22	8036028	1	SCREEN SHEET	
23	1319590	1	BRACKET	

SECTION 5 - DRIVE TRAIN

FIGURE 5-35. ZF TRANSMISSION - COUPLING GROUP 1



PA3150

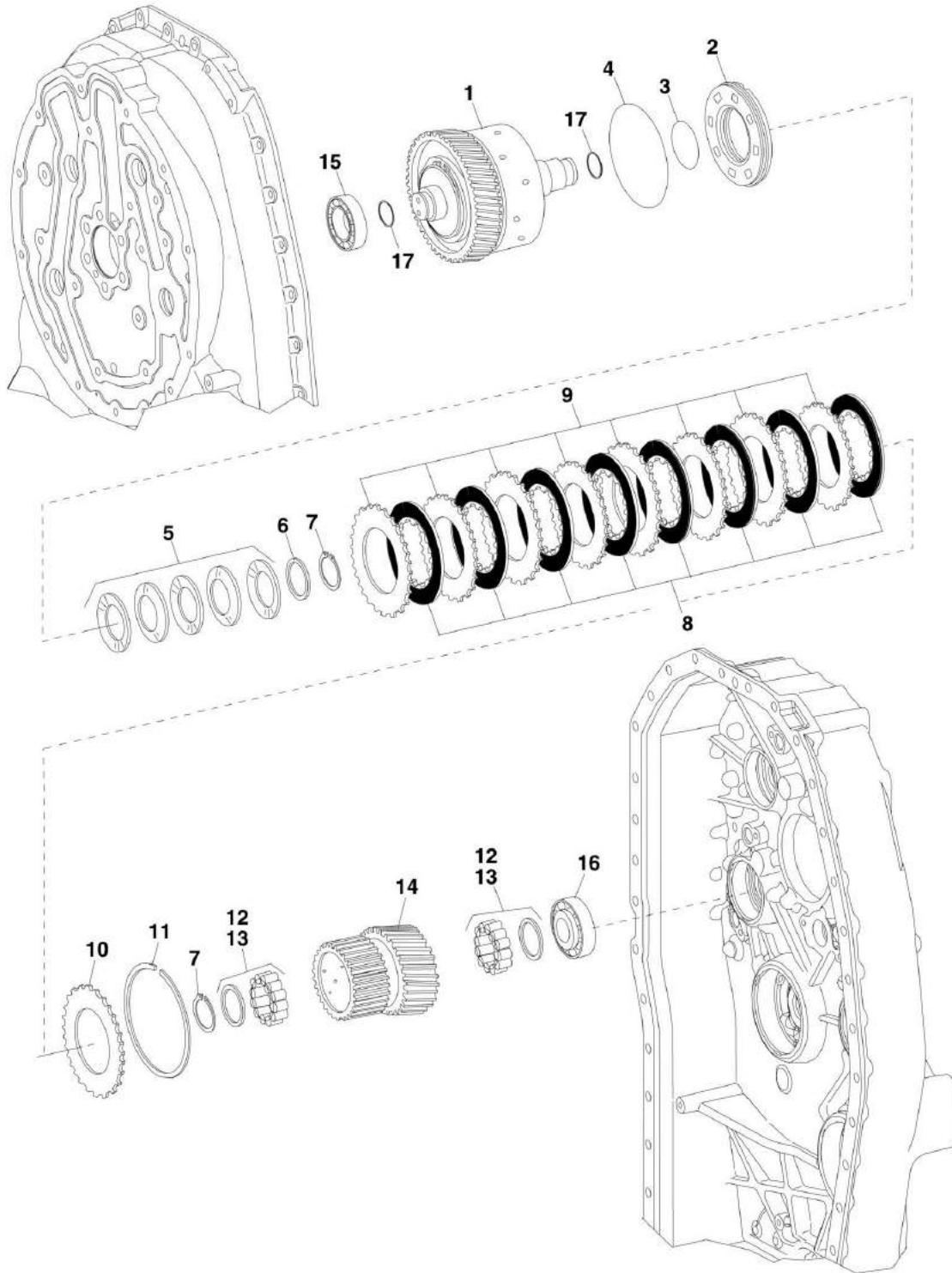
SECTION 5 - DRIVE TRAIN

FIGURE 5-35. ZF TRANSMISSION - COUPLING GROUP 1

ITEM	PART NUMBER	QTY	DESCRIPTION	REV
1	1319591	1	COUPLING	
2	1319592	1	PISTON	
3	1319593	1	O-RING, 52X3.00	
4	1319594	1	O-RING, 115X3.00	
5	1319595	5	CUP SPRING	
6	1319596	1	SHIM, 2.00	
7	10731845	2	RETAINING RING, 40X1.75	
8	7026758	12	LIN CLUTCH DISC	
9	7026759	12	O CLUTCH DISC	
10	7026760	1	SHIM, END	
11	1319600	1	SNAP RING, 4.00	
11	1319601	1	SNAP RING, 3.50	
11	1319602	1	SNAP RING, 3.00	
11	1319603	1	SNAP RING, 2.50	
11	1319604	1	SNAP RING, 2.00	
12	1319605	2	ROLLER CAGE	
13	1319606	2	ROLLER CAGE	
14	1319607	1	DISC CARRIER	
15	1319608	1	ROLLER BEARING	
16	1319609	1	ROLLER BEARING	
16	1319610	1	ROLLER BEARING	
16	1319611	1	ROLLER BEARING	
17	1319612	2	PISTON RING, 30X2.00	

SECTION 5 - DRIVE TRAIN

FIGURE 5-36. ZF TRANSMISSION - COUPLING GROUP 2



PA3160

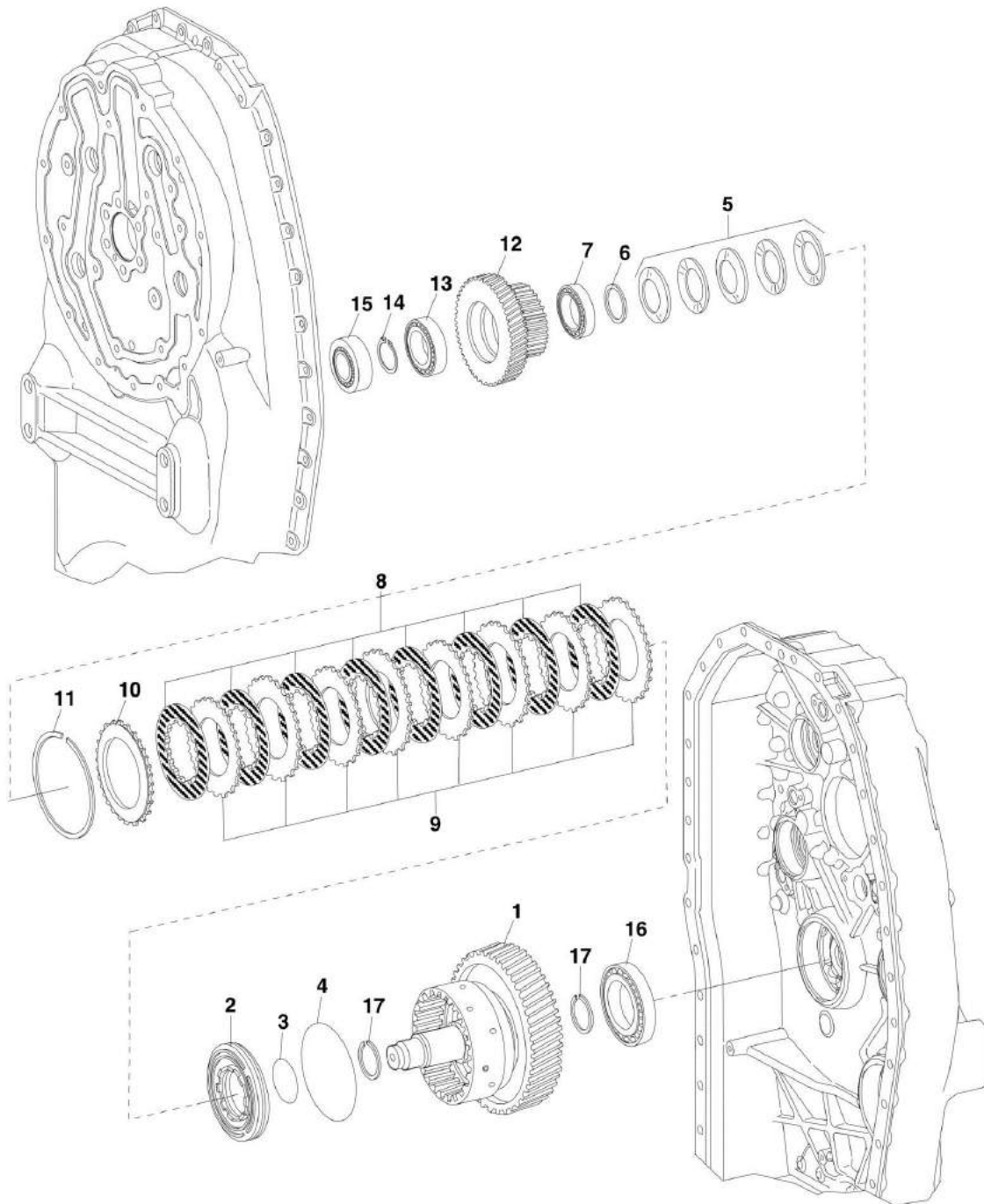
SECTION 5 - DRIVE TRAIN

FIGURE 5-36. ZF TRANSMISSION - COUPLING GROUP 2

ITEM	PART NUMBER	QTY	DESCRIPTION	REV
1	1319613	1	COUPLING	
2	8036029	1	PISTON	
3	1319593	1	O-RING, 52X3.00	
4	1319594	1	O-RING, 115X3.00	
5	1319595	5	CUP SPRING	
6	1319596	1	SHIM, 2.00	
7	10731845	2	RETAINING RING, 40X1.75	
8	7026758	8	LIN CLUTCH DISC	
9	7026759	8	O CLUTCH DISC	
10	7026760	1	END SHIM	
11	1319600	1	SNAP RING, 4.00	
11	1319601	1	SNAP RING, 3.50	
11	1319602	1	SNAP RING, 3.00	
11	1319603	1	SNAP RING, 2.50	
11	1319604	1	SNAP RING, 2.00	
12	1319605	2	ROLLER CAGE	
13	1319606	2	ROLLER CAGE	
14	1319614	1	DISC CARRIER	
15	1319615	1	ROLLER BEARING	
16	8036190	1	ROLLER BEARING ASSY	
16	7029532	1	OUTER RING	
16	7029533	1	INNER RING	
17	1319612	2	PISTON RING, 30X2.00	

SECTION 5 - DRIVE TRAIN

FIGURE 5-37. ZF TRANSMISSION - COUPLING GROUP 3



PA3170

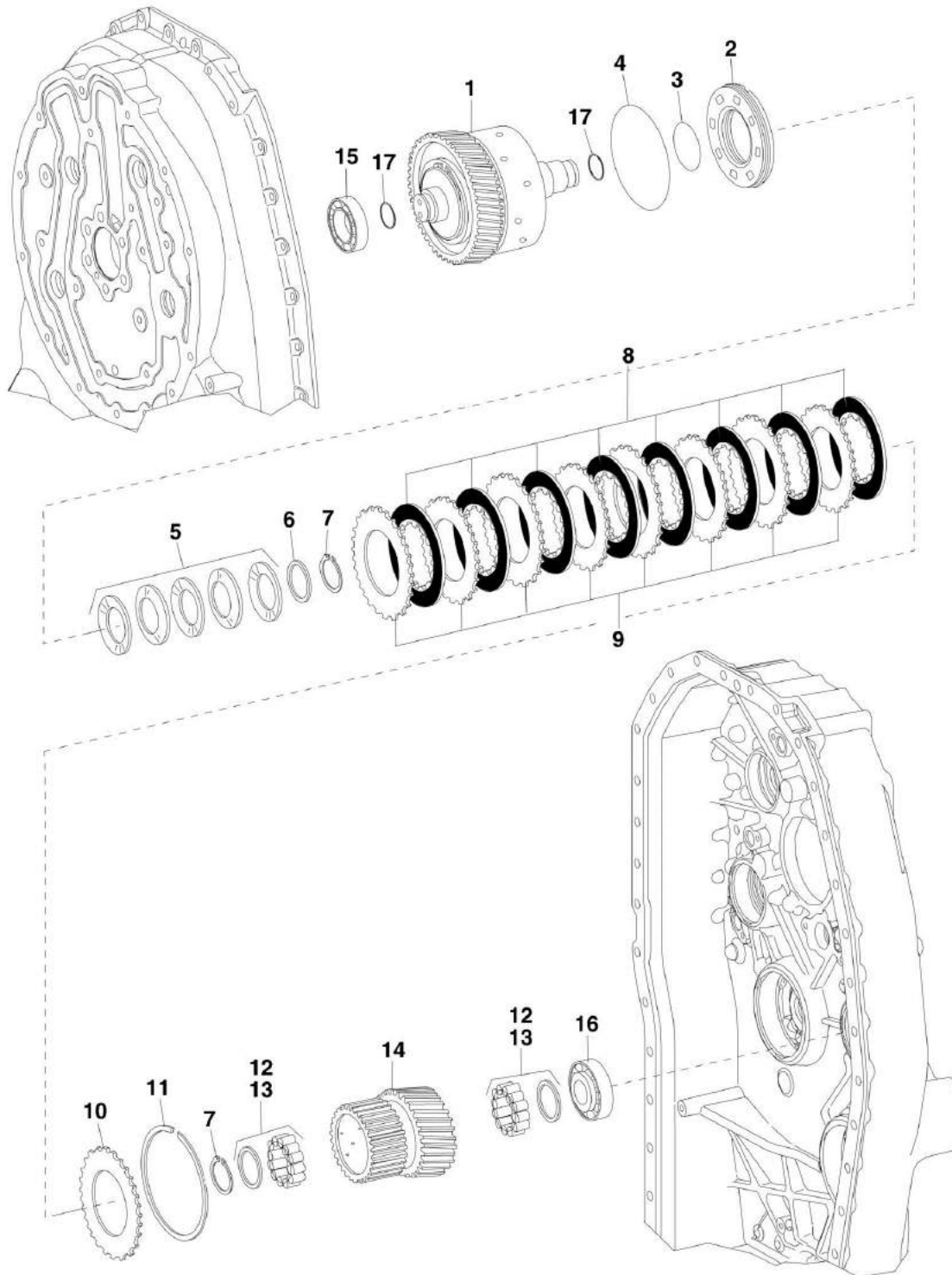
SECTION 5 - DRIVE TRAIN

FIGURE 5-37. ZF TRANSMISSION - COUPLING GROUP 3

ITEM	PART NUMBER	QTY	DESCRIPTION	REV
1	1319616	1	COUPLING	
2	8036029	1	PISTON	
3	1319593	1	O-RING, 52X3.00	
4	1319594	1	O-RING, 115X3.00	
5	1319595	5	CUP SPRING	
6	1319617	1	SUPPORT SHIM	
7	1319618	1	ROLLER BEARING	
8	7026758	8	LIN CLUTCH DISC	
9	7026759	8	O CLUTCH DISC	
10	7026760	1	END SHIM	
11	1319600	1	SNAP RING, 4.00	
11	1319601	1	SNAP RING, 3.50	
11	1319602	1	SNAP RING, 3.00	
11	1319603	1	SNAP RING, 2.50	
11	1319604	1	SNAP RING, 2.00	
12	1319619	1	DISC CARRIER	
13	1319620	1	ROLLER BEARING	
14	1319621	1	RETAINING RING, 3.20	
14	1319622	1	RETAINING RING, 3.10	
14	1319623	1	RETAINING RING, 3.00	
14	1319624	1	RETAINING RING, 2.90	
14	1319625	1	RETAINING RING, 2.80	
14	1319626	1	RETAINING RING, 2.70	
14	1319627	1	RETAINING RING, 2.60	
14	1319628	1	RETAINING RING, 38X2.50	
14	1319629	1	RETAINING RING, 38X2.40	
14	1319630	1	RETAINING RING, 38X2.30	
14	1319631	1	RETAINING RING, 38X2.20	
14	1319632	1	RETAINING RING, 38X2.10	
15	8036190	1	ROLLER BEARING ASSY	
15	7029532	1	OUTER RING	
15	7029533	1	INNER RING	
16	1319633	1	ROLLER BEARING	
17	1319612	2	PISTON RING, 30X2.00	

SECTION 5 - DRIVE TRAIN

FIGURE 5-38. ZF TRANSMISSION - COUPLING GROUP 4



PA3180

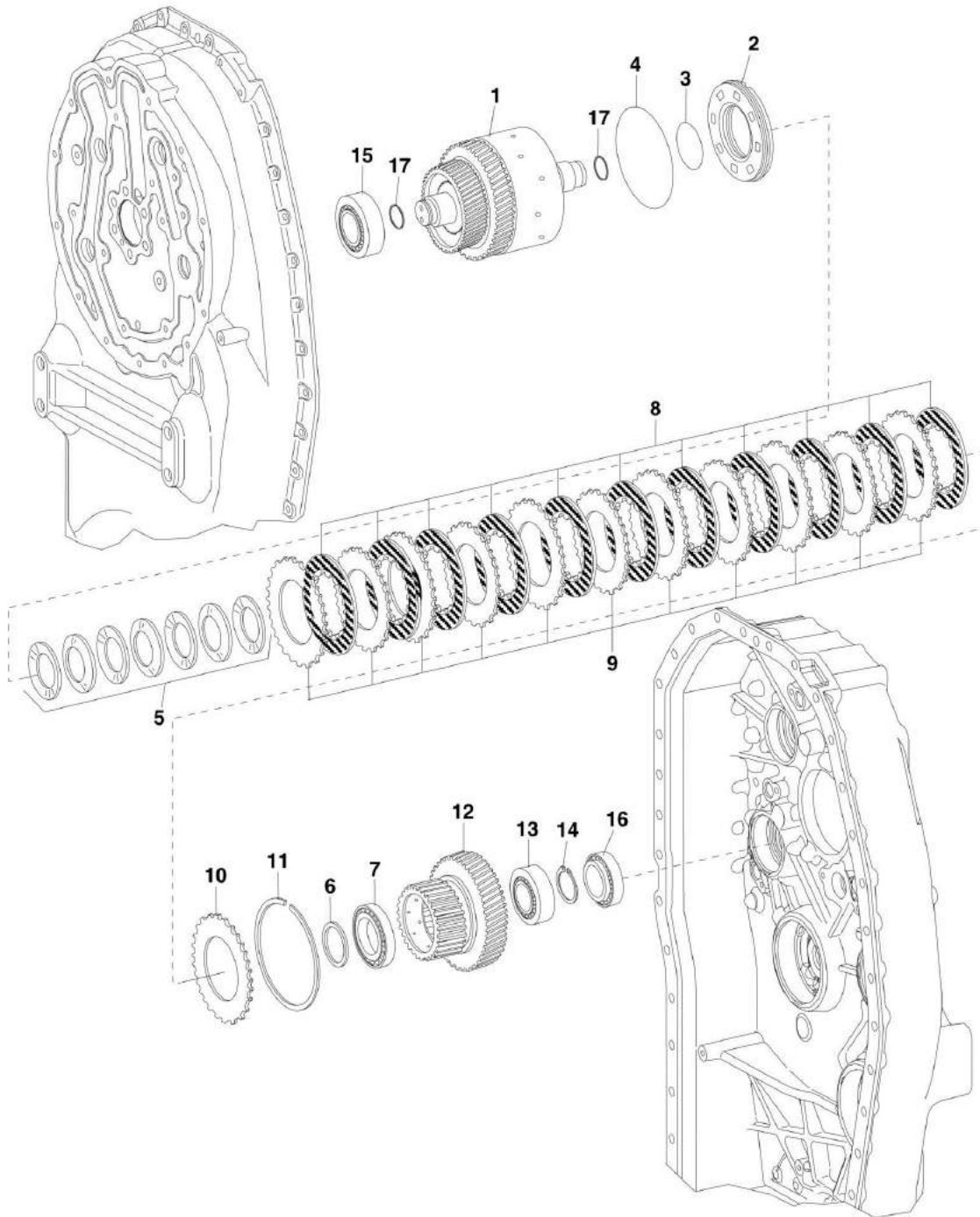
SECTION 5 - DRIVE TRAIN

FIGURE 5-38. ZF TRANSMISSION - COUPLING GROUP 4

ITEM	PART NUMBER	QTY	DESCRIPTION	REV
1	1319634	1	COUPLING	
2	8036029	1	PISTON	
3	1319593	1	O-RING	
4	1319594	1	O-RING	
5	1319595	5	CUP SPRING	
6	1319596	1	SHIM, 2.00	
7	10731845	2	RETAINING RING	
8	7026758	8	LIN CLUTCH DISC	
9	7026759	8	O CLUTCH DISC	
10	7026760	1	END SHIM	
11	1319600	1	SNAP RING, 4.00	
11	1319601	1	SNAP RING, 3.50	
11	1319602	1	SNAP RING, 3.00	
11	1319603	1	SNAP RING, 2.50	
11	1319604	1	SNAP RING, 2.00	
12	1319605	2	ROLLER CAGE	
13	1319606	2	ROLLER CAGE	
14	1319635	1	DISC CARRIER	
15	1319615	1	ROLLER BEARING	
16	1319636	1	ROLLER BEARING	
17	1319612	2	PISTON RING, 30X2.00	

SECTION 5 - DRIVE TRAIN

FIGURE 5-39. ZF TRANSMISSION - REVERSING GEAR GROUP 1



PA3190

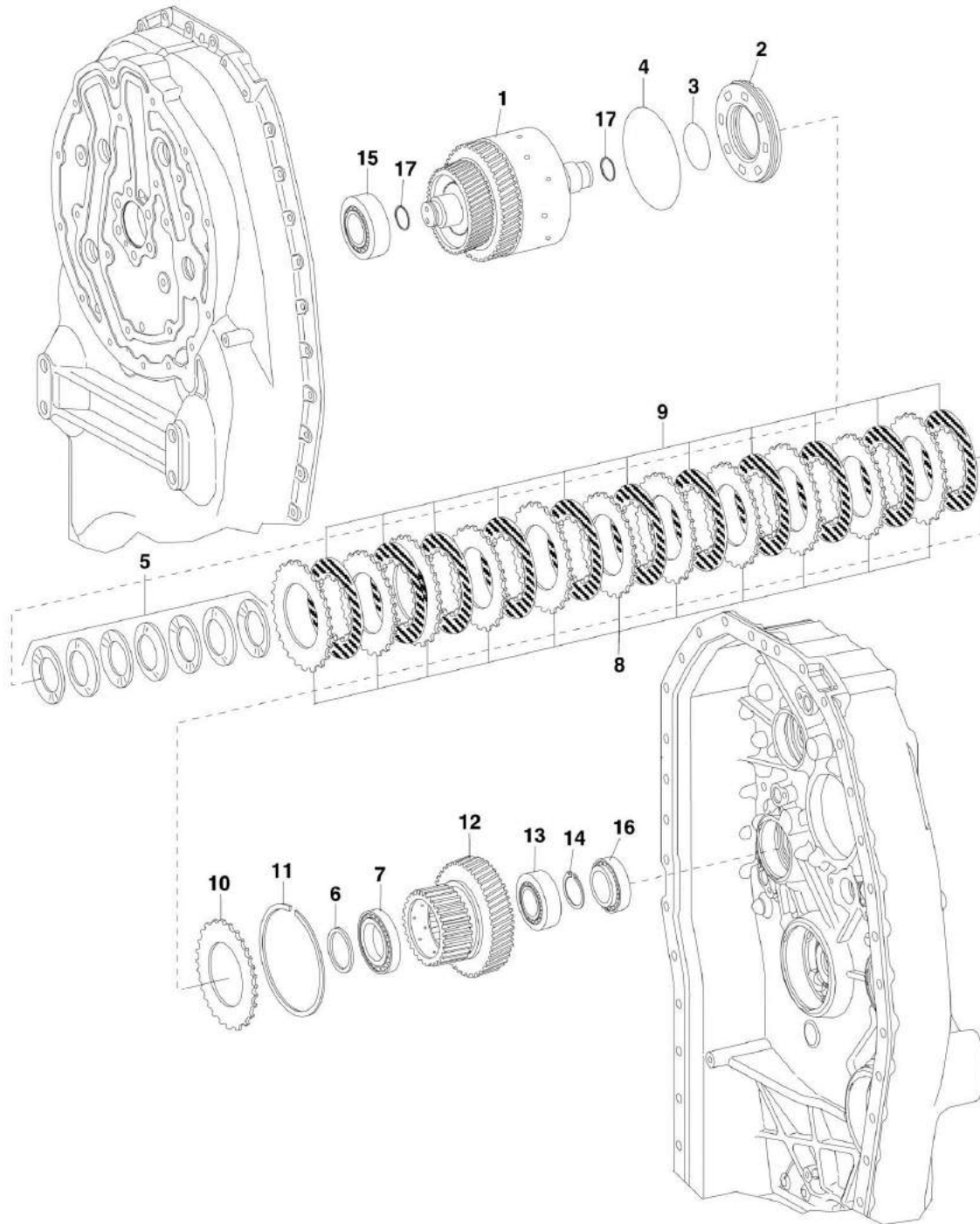
SECTION 5 - DRIVE TRAIN

FIGURE 5-39. ZF TRANSMISSION - REVERSING GEAR GROUP 1

ITEM	PART NUMBER	QTY	DESCRIPTION	REV
1	1319637	1	COUPLING	
2	8036029	1	PISTON	
3	1319593	1	O-RING	
4	1319594	1	O-RING	
5	1319595	7	CUP SPRING	
6	1319617	1	SUPPORT SHIM	
7	1319618	1	ROLLER BEARING	
8	7026758	11	LIN CLUTCH DISC	
9	7026759	11	O CLUTCH DISC	
10	7026760	1	END SHIM	
11	1319600	1	SNAP RING, 4.00	
11	1319601	1	SNAP RING, 3.50	
11	1319602	1	SNAP RING, 3.00	
11	1319603	1	SNAP RING, 2.50	
11	1319604	1	SNAP RING, 2.00	
12	1319638	1	DISC CARRIER	
13	1319620	1	ROLLER BEARING	
14	1319621	1	RETAINING RING, 3.20	
14	1319622	1	RETAINING RING, 3.10	
14	1319623	1	RETAINING RING, 3.00	
14	1319624	1	RETAINING RING, 2.90	
14	1319625	1	RETAINING RING, 2.80	
14	1319626	1	RETAINING RING, 2.70	
14	1319627	1	RETAINING RING, 2.60	
14	1319628	1	RETAINING RING, 2.50	
14	1319629	1	RETAINING RING, 2.40	
14	1319630	1	RETAINING RING, 2.30	
14	1319631	1	RETAINING RING, 2.20	
14	1319632	1	RETAINING RING, 2.10	
15	1319615	1	ROLLER BEARING	
16	1319636	1	ROLLER BEARING	
17	1319612	2	PISTON RING, 30X2.00	

SECTION 5 - DRIVE TRAIN

FIGURE 5-40. ZF TRANSMISSION - REVERSING GEAR GROUP 2



PA3200

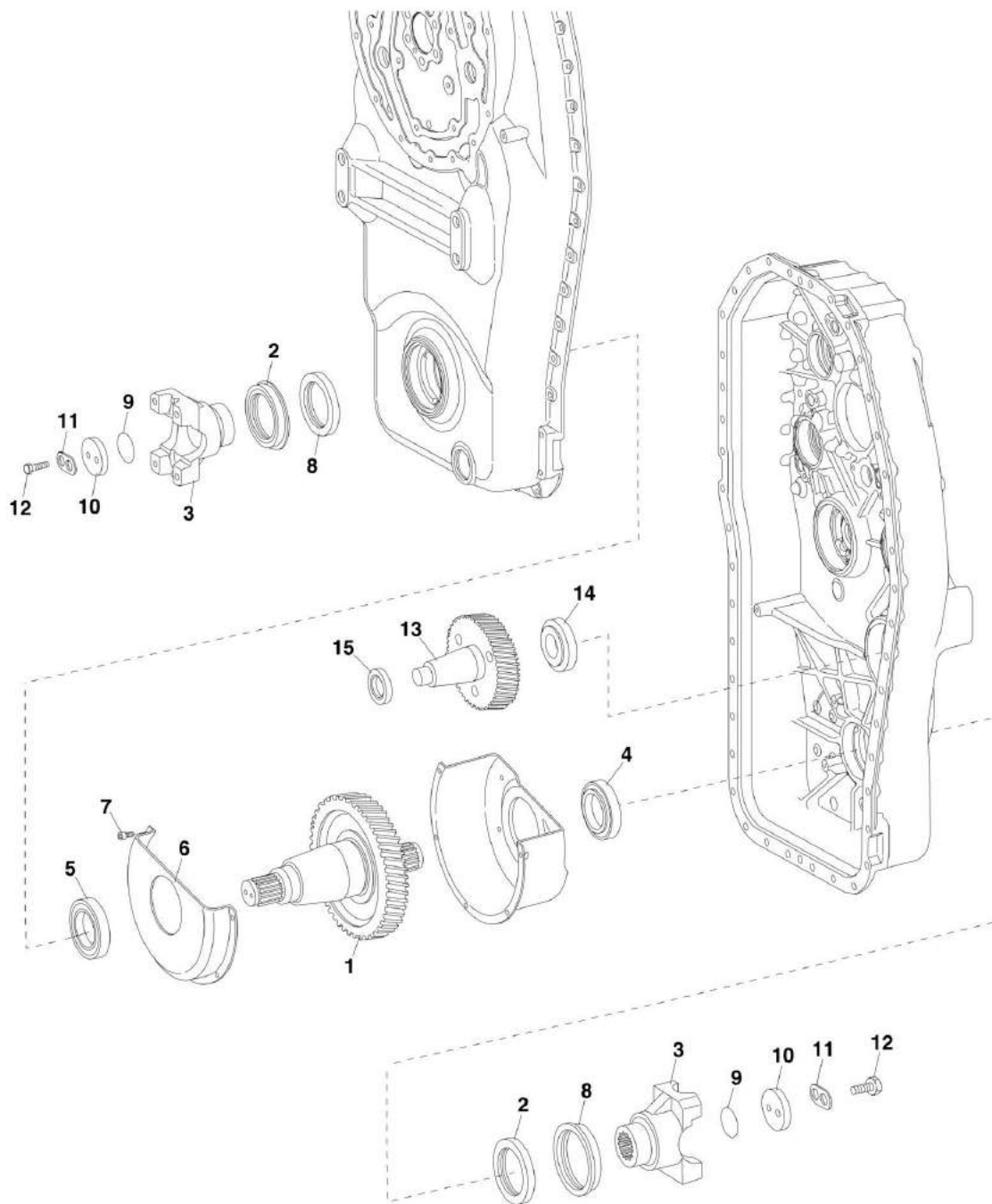
SECTION 5 - DRIVE TRAIN

FIGURE 5-40. ZF TRANSMISSION - REVERSING GEAR GROUP 2

ITEM	PART NUMBER	QTY	DESCRIPTION	REV
1	1319639	1	COUPLING	
2	8036029	1	PISTON	
3	1319593	1	O-RING	
4	1319594	1	O-RING	
5	1319595	7	CUP SPRING	
6	1319617	1	SUPPORT SHIM	
7	1319618	1	ROLLER BEARING	
8	7026758	11	LIN CLUTCH DISC	
9	7026759	11	O CLUTCH DISC	
10	7026760	1	END SHIM	
11	1319600	1	SNAP RING, 4.00	
11	1319601	1	SNAP RING, 3.50	
11	1319602	1	SNAP RING, 3.00	
11	1319603	1	SNAP RING, 2.50	
11	1319604	1	SNAP RING, 2.00	
12	1319638	1	DISC CARRIER	
13	1319620	1	ROLLER BEARING	
14	1319621	1	RETAINING RING, 3.20	
14	1319622	1	RETAINING RING, 3.10	
14	1319623	1	RETAINING RING, 3.00	
14	1319624	1	RETAINING RING, 2.90	
14	1319625	1	RETAINING RING, 2.80	
14	1319626	1	RETAINING RING, 2.70	
14	1319627	1	RETAINING RING, 2.60	
14	1319628	1	RETAINING RING, 2.50	
14	1319629	1	RETAINING RING, 2.40	
14	1319630	1	RETAINING RING, 2.30	
14	1319631	1	RETAINING RING, 2.20	
14	1319632	1	RETAINING RING, 2.10	
15	1319608	1	ROLLER BEARING	
16	1319636	1	ROLLER BEARING	
17	1319612	2	PISTON RING, 30X2.00	

SECTION 5 - DRIVE TRAIN

FIGURE 5-41. ZF TRANSMISSION - OUTPUT



PA3210

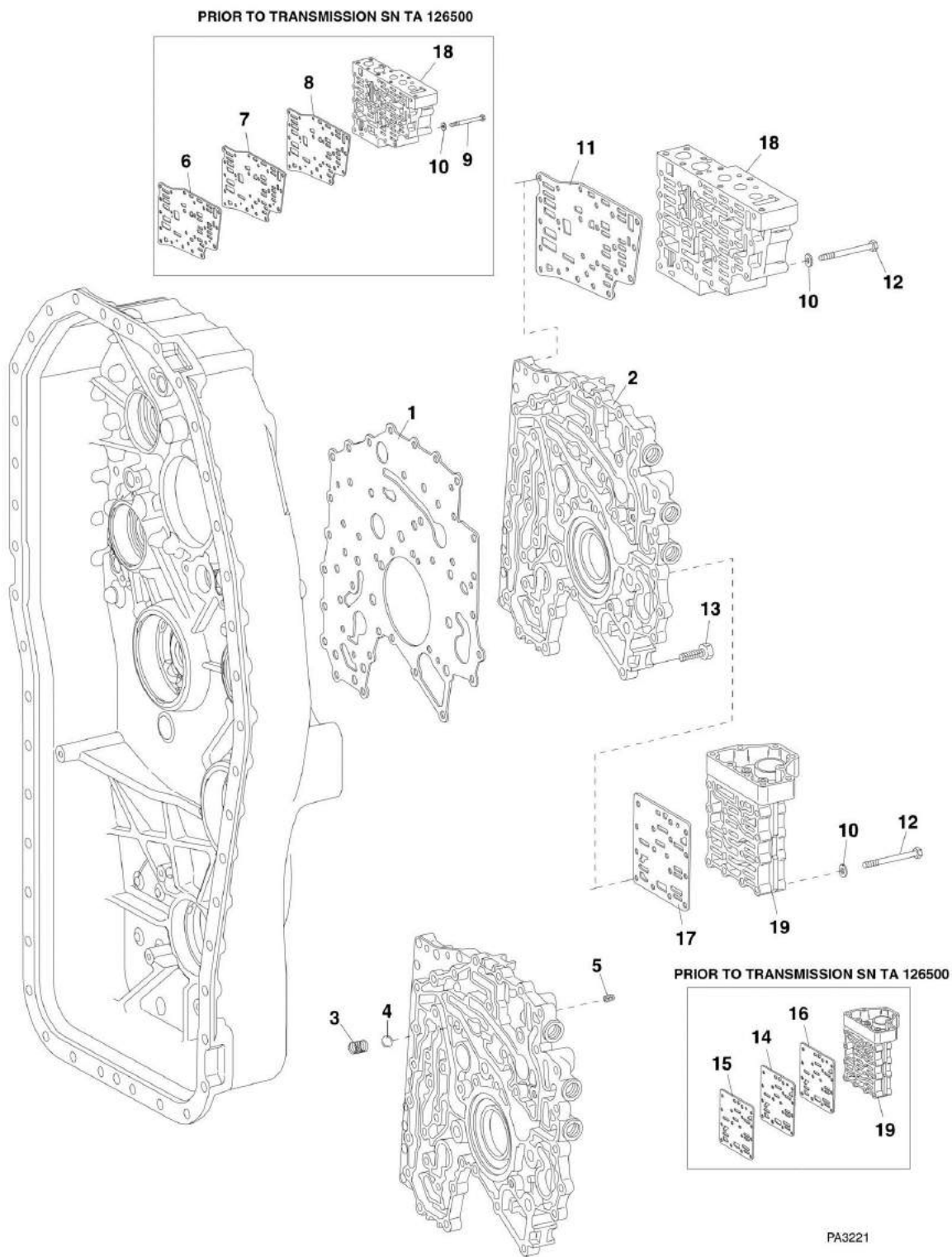
SECTION 5 - DRIVE TRAIN

FIGURE 5-41. ZF TRANSMISSION - OUTPUT

ITEM	PART NUMBER	QTY	DESCRIPTION	REV
1	8036030	1	OUTPUT SHAFT	
2	1319641	2	SHAFT SEAL	
3	7027273	2	OUTPUT FLANGE	
4	N.S.S.	1	ROLLER BEARING ASSY	
4	70020430	1	CUP	
4	70020431	1	CONE	
5	1319643	1	ROLLER BEARING	
6	8036031	1	SCREEN SHEET	
7	1319646	5	HEX HD CAPSCREW, M6X10MM	
8	1319647	2	SCREEN SHEET	
9	10839156	2	O-RING	
10	1319648	2	WASHER 10.00	
11	1319649	2	TAB WASHER	
12	10731959	4	HEX HD CAPSCREW, M8X25MM	
13	8036032	1	INTERMEDIATE SHAFT	
14	1319633	1	ROLLER BEARING	
15	8036190	1	ROLLER BEARING ASSY	
15	7029532	1	OUTER RING	
15	7029533	1	INNER RING	

SECTION 5 - DRIVE TRAIN

FIGURE 5-42. ZF TRANSMISSION - CONTROL UNIT



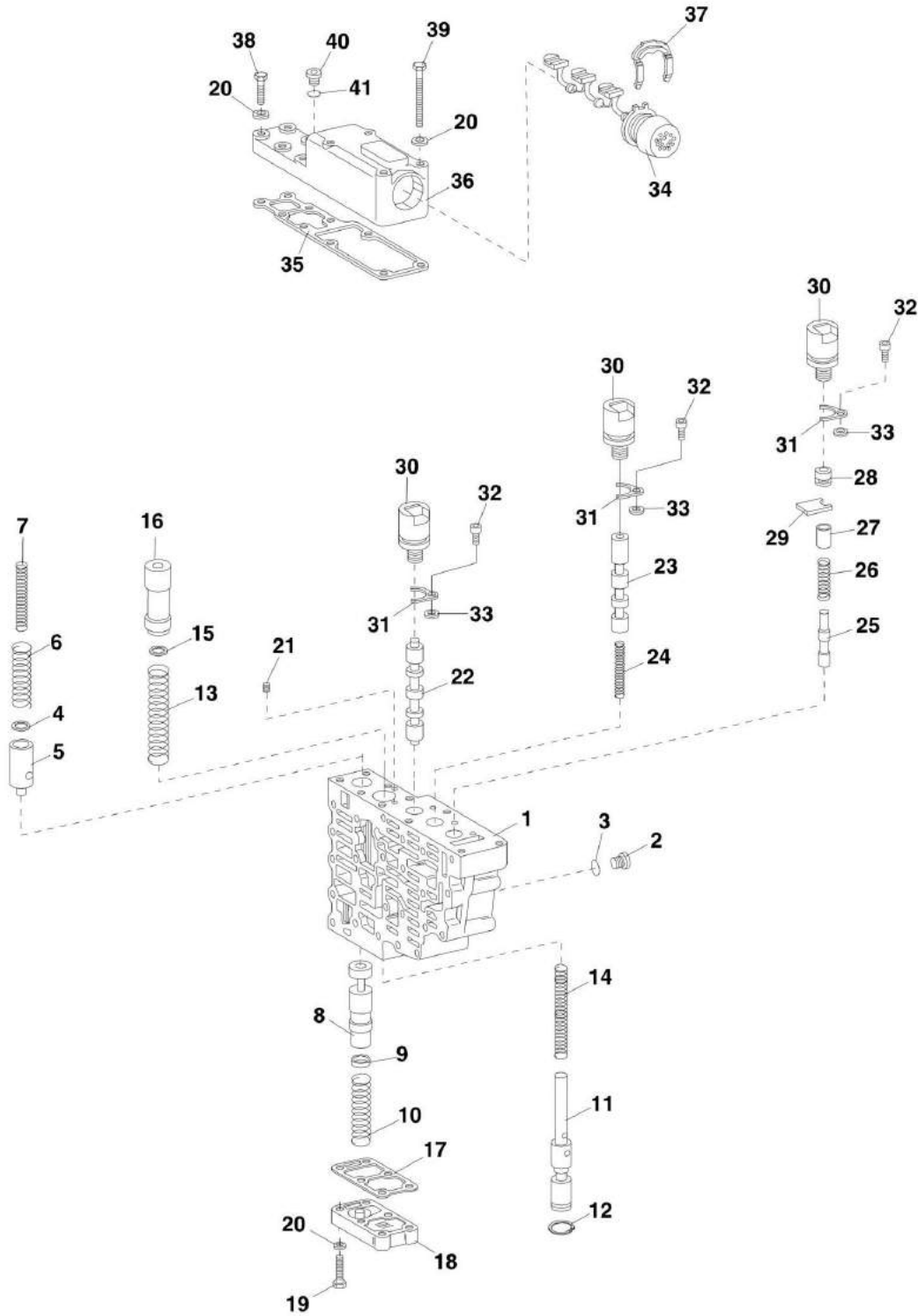
SECTION 5 - DRIVE TRAIN

FIGURE 5-42. ZF TRANSMISSION - CONTROL UNIT

ITEM	PART NUMBER	QTY	DESCRIPTION	REV
1	1319650	1	GASKET	
2	8036033	1	DUCT PLATE	
3	10732072	1	COMPRESSION SPRING	
4	10732071	1	BALL	
5	1319652	1	ORIFICE	
6	N.S.S.	NLA	GASKET, (Prior to transmission SN TA 126500), (no longer available, use items 11 & 12 for replacement)	
7	N.S.S.	NLA	INTERM SHEET, (prior to transmission SN TA 126500), (no longer available, use items 11 & 12 for replacement)	
8	N.S.S.	NLA	GASKET, (prior to transmission SN TA 126500), (no longer available, use items 11 & 12 for replacement)	
9	1319662	19	HEX HD CAPSCREW, M6X65MM, (prior to transmission SN TA 126500)	
10	1319661	19	WASHER, 6.4	
11	70020425	1	INTERM. SHEET, (transmission SN TA 126500 to present)	
12	7029037	19	HEX HD CAPSCREW, M6X60MM, (transmission SN TA 126500 to present)	
13	1319659	43	TORX SCREW, M8X30MM	
14	8036035	1	GASKET, (prior to transmission SN TA 126500)	
15	7029720	1	INTERM. SHEET, (prior to transmission SN TA 126500)	
16	7029721	1	GASKET, (prior to transmission SN TA 126500)	
17	70020426	1	INTERM. SHEET, (transmission SN TA 126500 to present)	
18		Ref	VALVE HOUSING, (See ZF TRANSMISSION - VALVE HOUSING ASSEMBLY for Breakdown)	
19		Ref	VALVE BLOCK, (See ZF TRANSMISSION - VALVE BLOCK ASSEMBLY for Breakdown)	

SECTION 5 - DRIVE TRAIN

FIGURE 5-43. ZF TRANSMISSION - VALVE HOUSING ASSEMBLY



PA3230

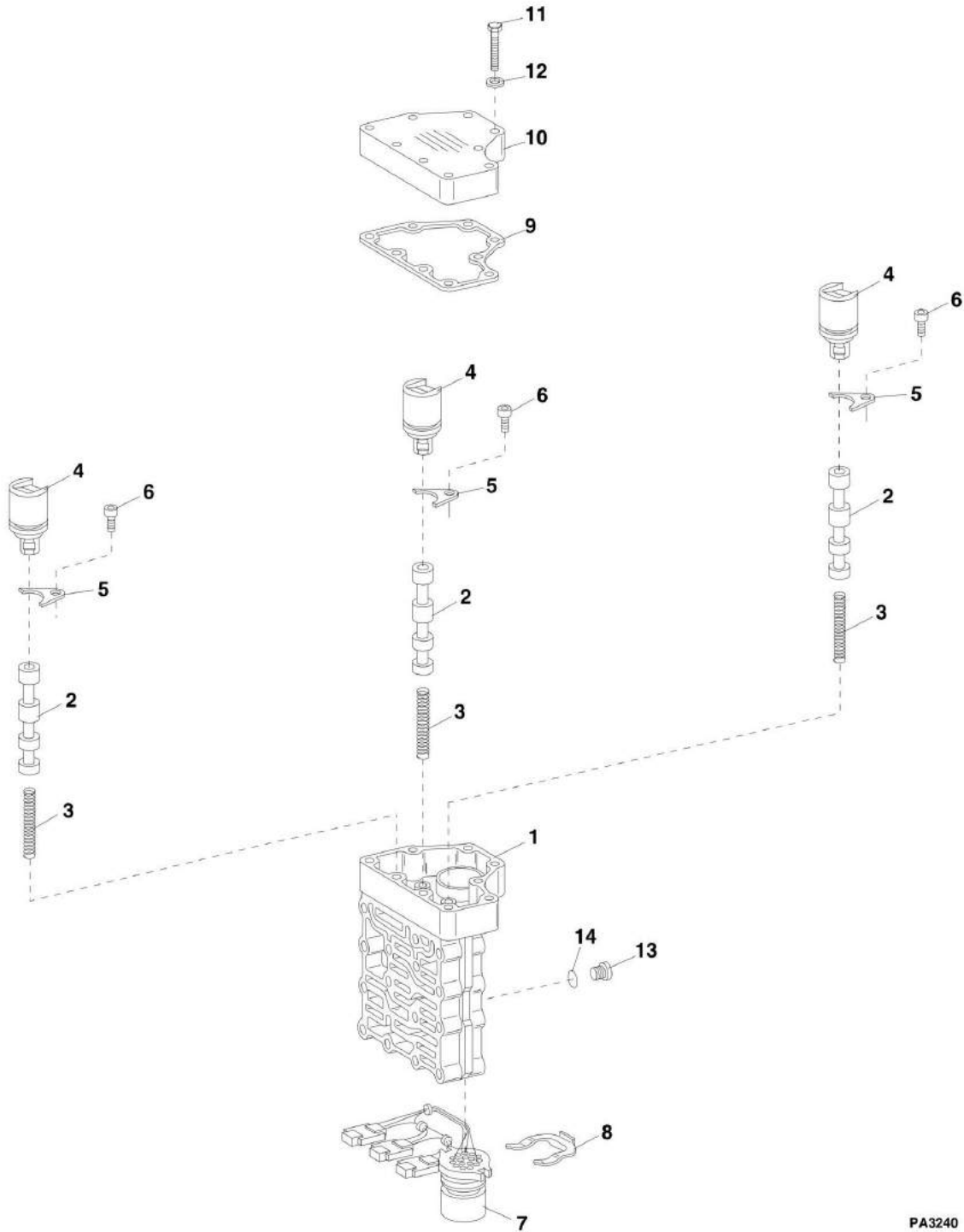
SECTION 5 - DRIVE TRAIN

FIGURE 5-43. ZF TRANSMISSION - VALVE HOUSING ASSEMBLY

ITEM	PART NUMBER	QTY	DESCRIPTION	REV
	8036040	1	VALVE HOUSING ASSY, (includes all items)	
1	1319671	1	VALVE HOUSING	
2	1319670	7	SCREW PLUG, M10X1MM	
3	10731709	7	O-RING	
4	8036036	1	WASHER, 1.00	
5	8036037	1	PISTON	
6	1319673	1	COMPRESSION SPRING	
7	8036038	1	COMPRESSION SPRING	
8	1319674	1	PISTON	
9	1319675	1	WASHER, 3.60	
9	1319676	1	WASHER, 3.20	
9	1319677	1	WASHER, 2.80	
9	1319678	1	WASHER, 2.40	
9	1319679	1	WASHER, 2.00	
10	1319680	1	COMPRESSION SPRING	
11	1319681	1	CONTROL PISTON	
12	1319682	1	LOCKWASHER, 12.0	
13	1319683	1	COMPRESSION SPRING	
14	1319684	1	COMPRESSION SPRING	
15	1319685	1	WASHER, 2.00	
15	1319686	1	WASHER, 1.00	
15	1319687	1	WASHER, 0.50	
15	1319688	1	WASHER, 0.30	
15	1319689	1	WASHER, 0.20	
16	1319690	1	PISTON	
17	1319691	1	SEAL	
18	1319692	1	COVER	
19	1319693	6	SOCKET HD CAPSCREW, M6X25MM	
20	1319661	16	WASHER, 6.4	
21	1319652	1	ORIFICE	
22	1319694	1	VALVE	
23	1319695	1	PISTON	
24	1319696	1	COMPRESSION SPRING	
25	1319697	1	PISTON	
26	1319698	1	COMPRESSION SPRING	
27	1319699	1	SPACER SLEEVE	
28	1319700	1	PLUG	
29	1319701	1	FIXING PLATE	
30	1319702	3	SOLENOID VALVE	
31	10732063	3	FIXING PLATE	
32	1319703	3	HEX HD CAPSCREW, M5X12MM	
33	10732064	3	WASHER, 2.00	
34	1319704	1	WIRING HARNESS	
35	1319705	1	SEAL	
36	8036039	1	COVER	
37	1319707	1	RETAINING CLAMP	
38	1319693	6	HEX HD CAPSCREW, M6X25MM	
39	1319708	4	HEX HD CAPSCREW, M6X60MM	
40	1319670	1	SCREW PLUG, M10X1MM	
41	10731709	1	O-RING, 8X1.5MM	

SECTION 5 - DRIVE TRAIN

FIGURE 5-44. ZF TRANSMISSION - VALVE BLOCK ASSEMBLY



PA3240

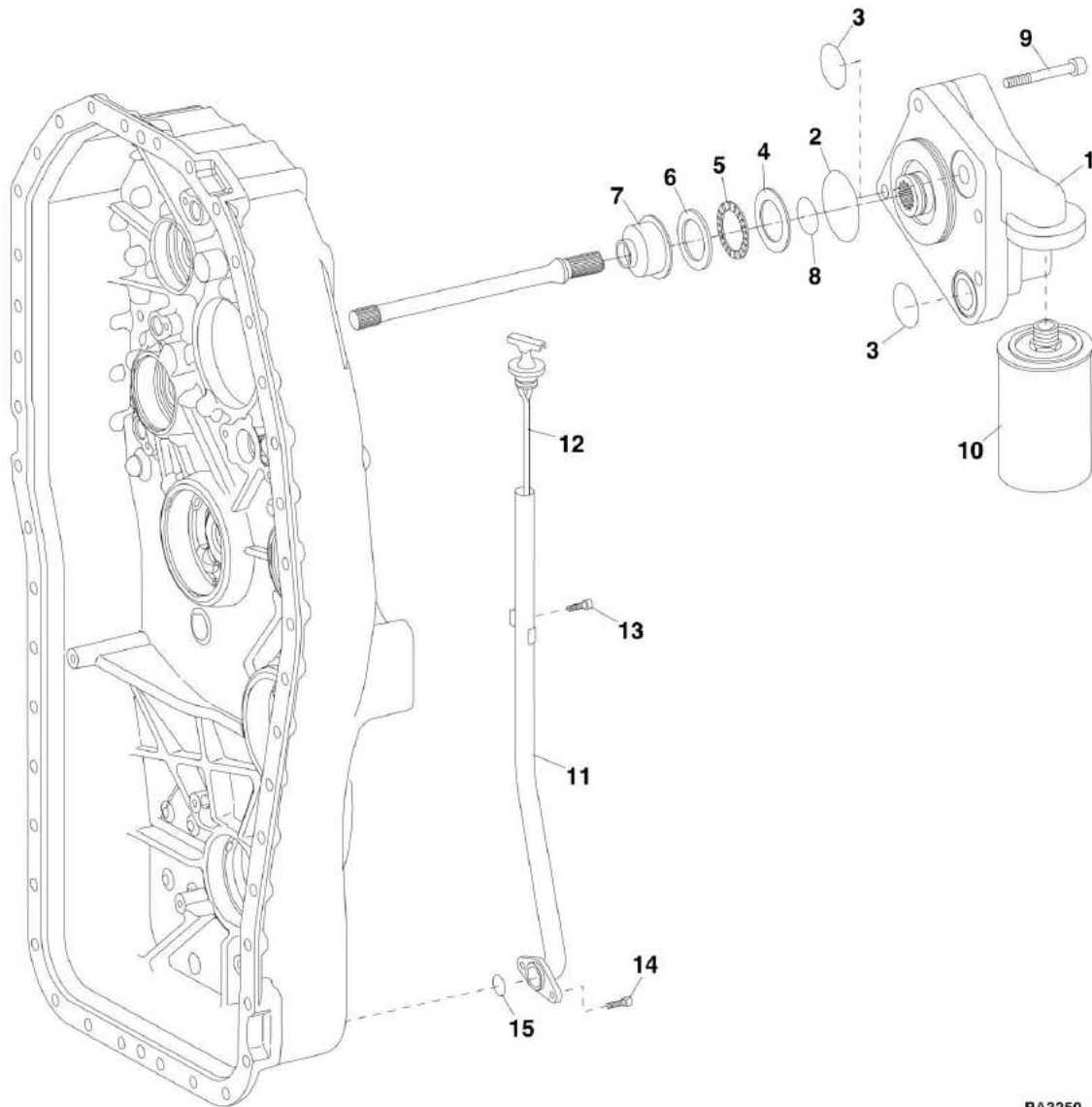
SECTION 5 - DRIVE TRAIN

FIGURE 5-44. ZF TRANSMISSION - VALVE BLOCK ASSEMBLY

ITEM	PART NUMBER	QTY	DESCRIPTION	REV
	1319717	1	VALVE BLOCK ASSY, (includes all items), (1-piece gasket design)	
1	70020427	1	VALVE BLOCK	
2	1319710	3	PISTON	
3	1319696	3	COMPRESSION SPRING	
4	1319702	3	SOLENOID VALVE	
5	10732063	3	FIXING PLATE	
6	1319703	3	SOCKET HD CAPSCREW, M5X12MM	
7	1319711	1	WIRING HARNESS	
8	1319707	1	RETAINING CLAMP	
9	1319712	1	GASKET	
10	1319713	1	COVER	
11	1319714	9	HEX HD CAPSCREW, M5X32MM	
12	1319715	9	WASHER, 5.3	
13	1319670	3	SCREW PLUG, M10X1MM	
14	10731709	3	O-RING	

SECTION 5 - DRIVE TRAIN

FIGURE 5-45. ZF TRANSMISSION - OIL PUMP AND FILTER



PA3250

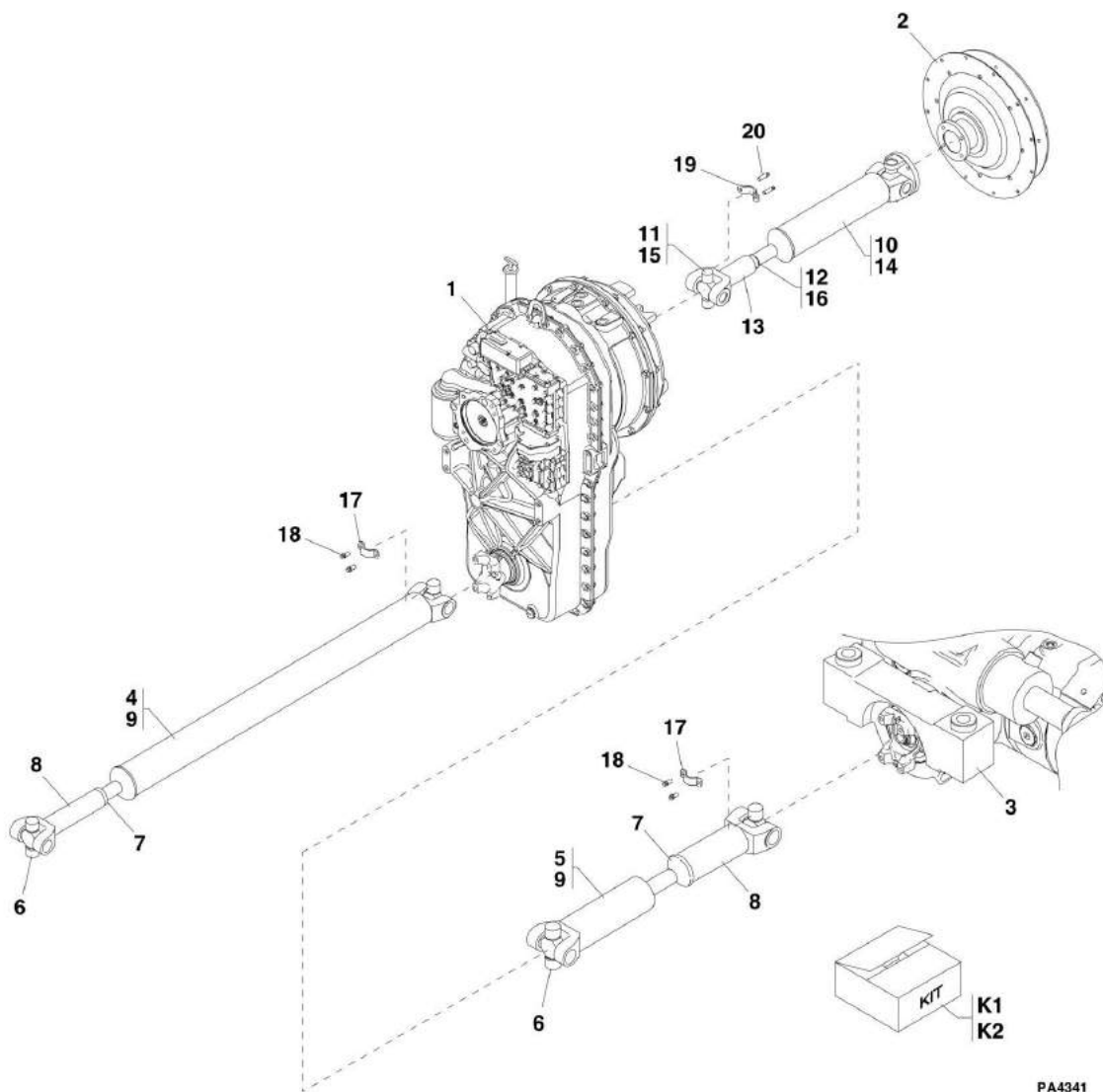
SECTION 5 - DRIVE TRAIN

FIGURE 5-45. ZF TRANSMISSION - OIL PUMP AND FILTER

ITEM	PART NUMBER	QTY	DESCRIPTION	REV
1	1319718	1	PUMP, (includes item 2)	
1	7029417	1	O-RING, (between pump halves), (not shown)	
2	8036250	1	O-RING	
3	1319719	2	O-RING	
4	1319720	1	AXIAL WASHER, 40X60X1	
5	1319721	1	AXIAL NEEDLE CAGE	
6	1319722	1	ANGLE DISC	
7	1319723	1	SPACER BUSHING	
8	1319724	1	O-RING	
9	1319725	4	HEX HD CAPSCREW, M12X115MM	
10	1319726	1	TRANSMISSION FILTER	
11	8036041	1	DIPSTICK TUBE	
12	8036042	1	DIPSTICK	
13	1319585	1	SOCKET HD CAPSCREW, M8X16MM	
14	1319582	1	SOCKET HD CAPSCREW, M8X20MM	
15	1319581	1	O-RING	

SECTION 5 - DRIVE TRAIN

FIGURE 5-46. DRIVE SHAFTS



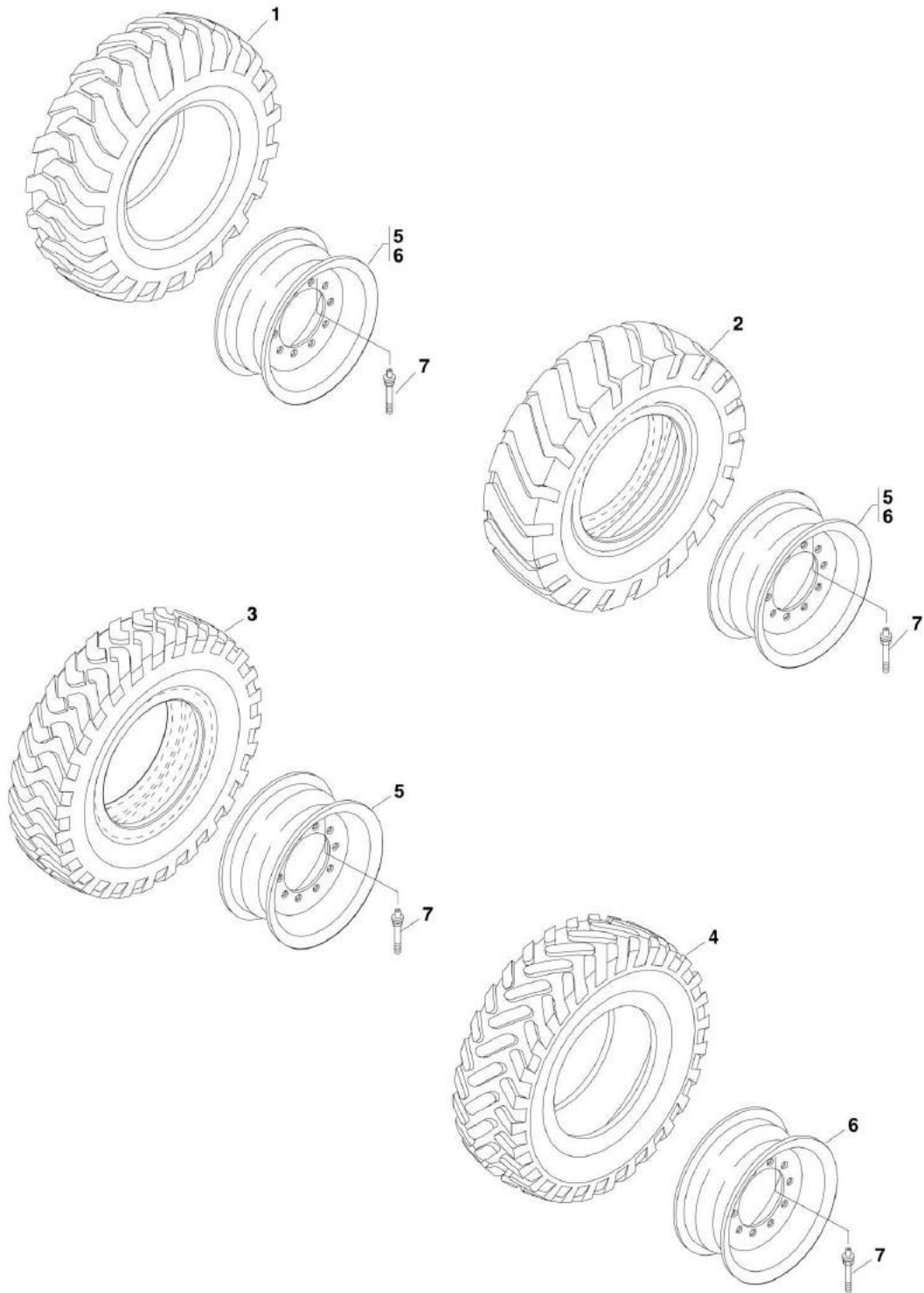
SECTION 5 - DRIVE TRAIN

FIGURE 5-46. DRIVE SHAFTS

ITEM	PART NUMBER	QTY	DESCRIPTION	REV
1		Ref	ZF TRANSMISSION, (See ZF TRANSMISSION for Breakdown)	
2		Ref	ISOLATION COUPLER, (See ENGINE AND ATTACHING PARTS SECTION for Breakdown)	
3		Ref	REAR AXLE, (See REAR AXLE for Breakdown)	
4	7150579	1	FRONT AXLE DRIVE SHAFT, (includes items 6 thru 9)	C
5	7150580	1	REAR AXLE DRIVE SHAFT, (includes items 6 thru 9)	C
6	8036433	4	CROSS AND BEARING KIT	
7	8035779	2	DUST CAP KIT	
8	N.S.S.	1	SLIP JOINT	
9	N.S.S.	1	YOKE SHAFT	
10	7139509	1	DRIVE SHAFT - ENGINE TO TRANSMISSION, (includes items 11 thru 14) (SN 17019 through 19796)	
10	7302028	1	DRIVE SHAFT - ENGINE TO TRANSMISSION, (includes items 13 thru 16) (SN 0160002408 to Present, SN 19797 through 19897)	D
11	8036432	2	CROSS AND BEARING KIT (SN 17019 through 19796)	
12	8033002	1	DUST CAP KIT (SN 17019 through 19796)	
13	N.S.S.	1	SLIP JOINT	
14	N.S.S.	1	YOKE SHAFT	
15	7029271	2	CROSS AND BEARING KIT (SN 0160002408 to Present, SN 19797 through 19897)	
16	8033651	1	DUST CAP KIT (SN 0160002408 to Present, SN 19797 through 19897)	
17	Kit K1	8	STRAP, (use kit 8880218-OM for replacement)	
18	Kit K1	16	SCREW, (torque to 32-42 lb-ft), (must replace when removed, do not re-torque), (use kit 8880218-OM for replacement)	
19	Kit K2	2	STRAP, (use kit 8880219-OM for replacement)	
20	Kit K2	4	SCREW, (torque to 35 lb-ft), (must replace when removed, do not re-torque), (use kit 8880219-OM for replacement)	
K1	8880218-OM	1	STRAP KIT, (includes qty 2 of item 17 and qty 4 of item 18)	
K2	8880219-OM	1	STRAP KIT, (includes qty 2 of item 19 and qty 4 of item 20)	

SECTION 5 - DRIVE TRAIN

FIGURE 5-47. TIRES AND RIMS (PNEUMATIC) (Prior to SN 0160038919, Excluding 0160033533)



PA4002

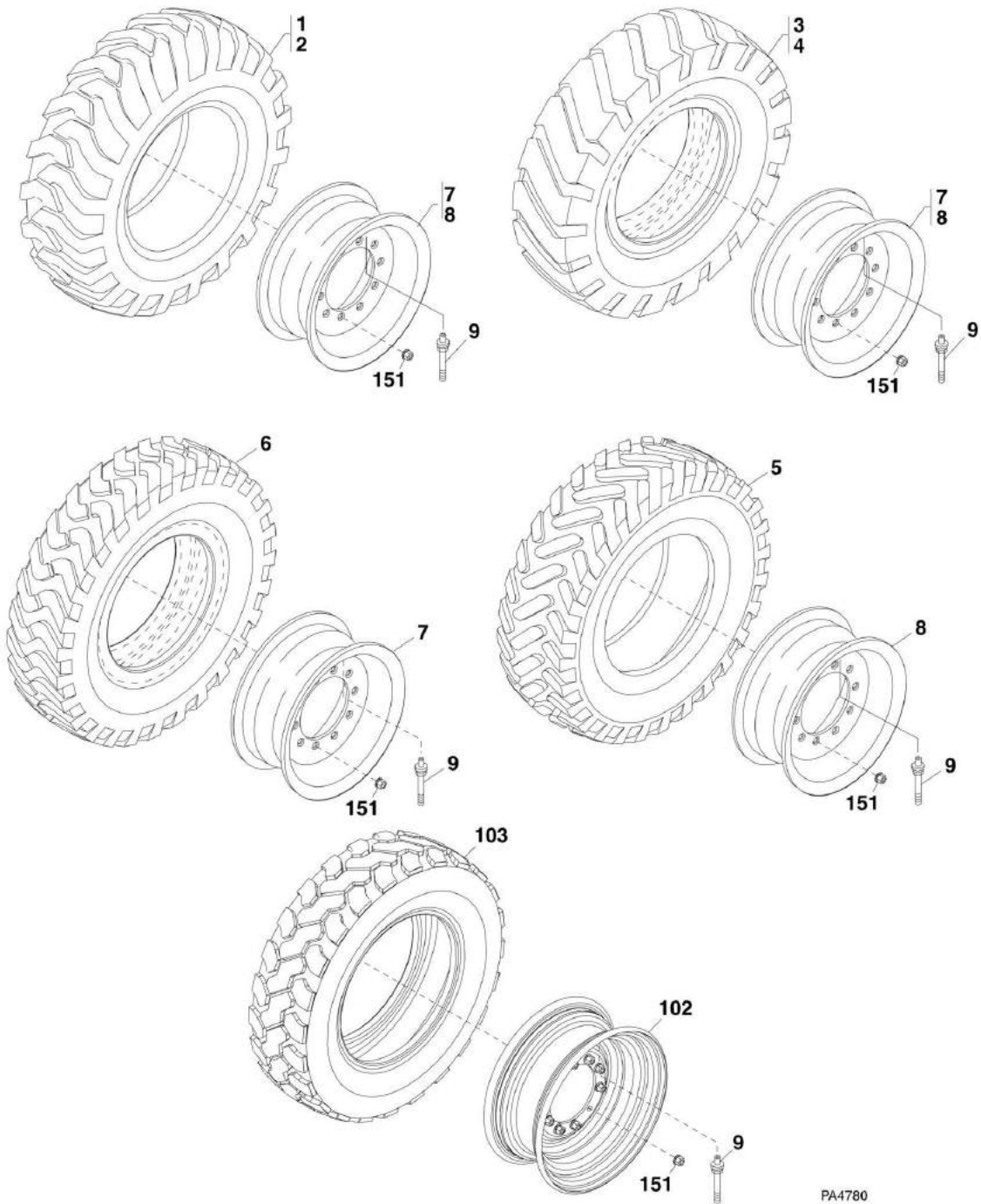
SECTION 5 - DRIVE TRAIN

FIGURE 5-47. TIRES AND RIMS (PNEUMATIC) (Prior to SN 0160038919, Excluding 0160033533)

ITEM	PART NUMBER	QTY	DESCRIPTION	REV
	7139605	1	GRADER TIRE AND RIM ASSY, (right side) - 13.00 X 24, 12 PLY, (includes items 1, 5 & 7)	F
	7139606	1	GRADER TIRE AND RIM ASSY, (left side) - 13.00 X 24, 12 PLY, (includes items 1, 5 & 7)	F
	4520429	1	GRADER TIRE AND RIM ASSY, (right side) - 15.50 X 25, 12 PLY, (includes items 1, 6 & 7)	B
	4520430	1	GRADER TIRE AND RIM ASSY, (left side) - 15.50 X 25, 12 PLY, (includes items 1, 6 & 7)	B
	7139741	1	ROCK TIRE AND RIM ASSY, 15.5-25 12 PLY, (includes items 2, 6 & 7)	D
	4520405	1	ROCK TIRE AND RIM ASSY, 13 X 24, 12 PLY, (includes items 2, 5 & 7)	B
	7300704	1	STEEL BELTED RADIAL TIRE AND RIM ASSY, 13 X 24, 12 PLY, (includes items 3, 5 & 7)	E
	4520437	1	STEEL BELTED RADIAL TIRE AND RIM ASSY, 15.5 X 25, 12 PLY, (includes items 4, 6 & 7)	B
1	8780031	1	GRADER TIRE, 13.00 X 24, 12 PLY	
1	8780036	1	GRADER TIRE, 15.50 X 25, 12 PLY	
2	8780050	1	ROCK TIRE, 25.5-25, 12 PLY	
2	8780045	1	ROCK TIRE, 13.00R24, 12-PLY	
3	8780264	1	STEEL BELTED RADIAL TIRE, 13.00R24 XGLA2	
4	8780048	1	STEEL BELTED RADIAL TIRE, 15.50R25 L2	
5	7301055	1	RIM, 9 X 24 1.06 OFFSET, (Argent replaces all colors)	
6	7301142	1	RIM, 13 x 25 LR 1.18 OFFSET	
7	8786514	1	VALVE STEM	
8	7139743	4	STEER ANGLE SPACER, (used with 7139741 only), (not shown)	
N1	Note	Ref	WHEN ORDERING TIRES CONTACT JLG AND SPECIFY THE BRAND OF TIRE.	

SECTION 5 - DRIVE TRAIN

FIGURE 5-48. TIRES AND RIMS (PNEUMATIC) (SN 0160038919 to Present, Including 0160033533)



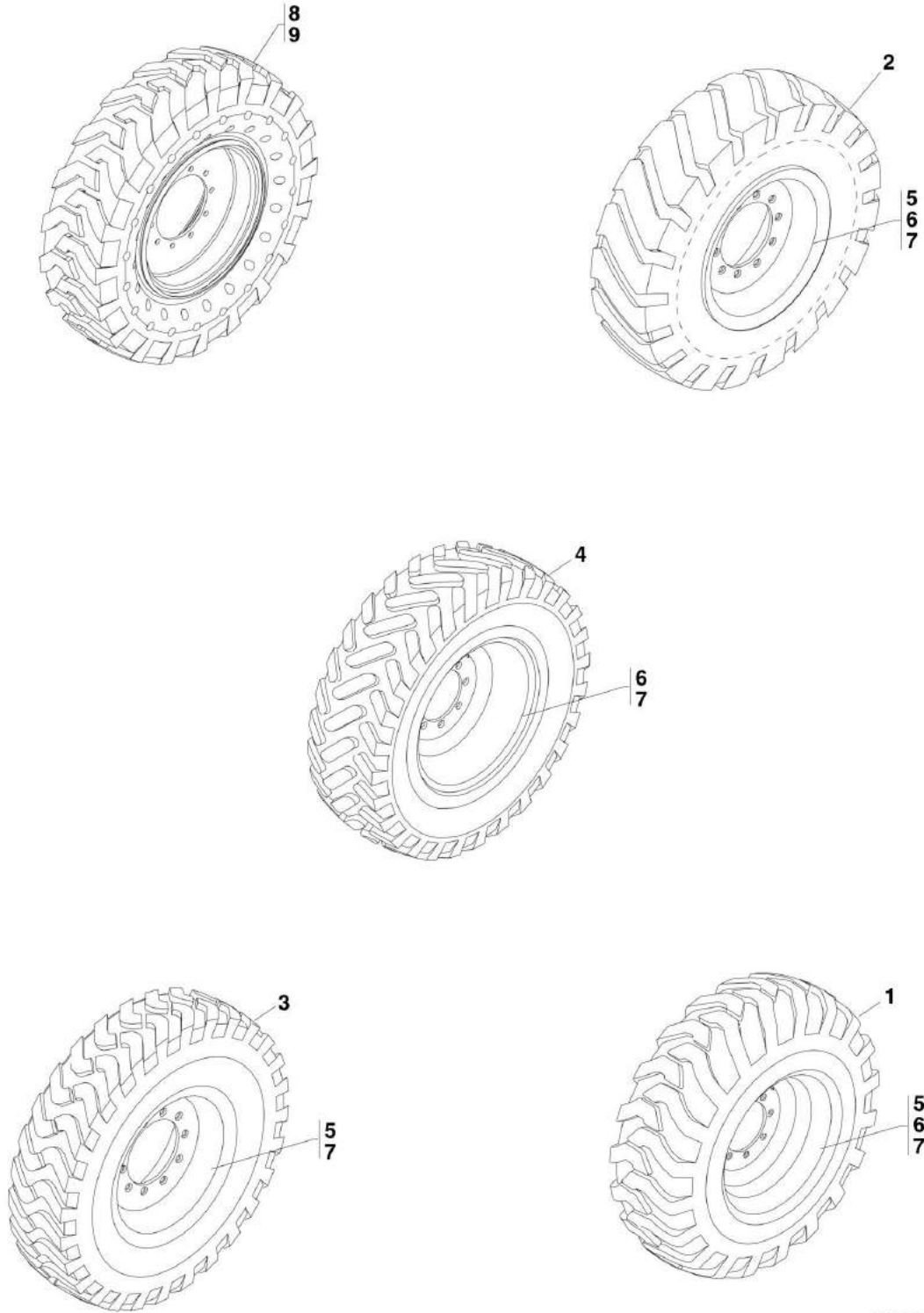
SECTION 5 - DRIVE TRAIN

FIGURE 5-48. TIRES AND RIMS (PNEUMATIC) (SN 0160038919 to Present, Including 0160033533)

ITEM	PART NUMBER	QTY	DESCRIPTION	REV
	7138658	1	TIRE AND RIM ASSY, (right side), 13.00 X 24, 12 PLY, G2, (includes items1, 7 & 9)	D
	7138659	1	TIRE AND RIM ASSY, (left side), 13.00 X 24, 12 PLY, (includes items 1, 7 & 9)	D
	7138660	1	TIRE AND RIM ASSY, (right side), 15.50 X 25, 12 PLY, G2, (includes items2, 8 & 9)	D
	7138661	1	TIRE AND RIM ASSY, (left side), 15.50 X 25, 12 PLY, G2, (includes items2, 8 & 9)	E
	7139168	1	ROCK TIRE AND RIM ASSY, 13.00 X 24, 12 PLY, G-3, (includes items 3, 7 & 9)	C
	4520466	1	ROCK TIRE AND RIM ASSY, 15.50 X 25, 12 PLY, L3, (includes items 5, 8 & 9)	A
	4520412	1	STEEL BELTED RADIAL TIRE AND RIM ASSY, 13 X 24, 12 PLY, L2/G-2, (includes items 6, 7 & 9)	A
	7139165	1	STEEL BELTED RADIAL TIRE AND RIM ASSY, 15.5 X 25, 12 PLY, (includes items 4, 8 & 9)	C
	1001100324	1	TIRE AND RIM ASSY, 370/75-28, 14 PLY, (includes items 9, 102 & 103)	C
1	8780031	1	TIRE, 13.00 x 24, 12 Ply	
2	8780036	1	TIRE, 15.50 X 25, 12 PLY	
3	8780045	1	ROCK TIRE, 13.00R24, 12-PLY	
4	8780048	1	STEEL BELTED RADIAL TIRE, 15.50R25	
5	8780050	1	ROCK TIRE, 25.5-25, 12 PLY	
6	8780264	1	STEEL BELTED RADIAL TIRE, 13.00R24	
7	7301054	1	RIM, 9 X 24-1.06 OFFSET	
8	7301056	1	RIM, 13 X 25-1.18 OFFSET	
9	8786514	1	VALVE STEM	
102	1001100005	1	RIM, 28X11, 1.18 OFFSET	
103	1001100284	1	TIRE, 370/75-28, 14 PLY	
151		Ref	WHEEL NUT, (See DRIVE TRAIN COMPONENTS for Breakdown)	
N1	Note	Ref	WHEN ORDERING TIRES CONTACT JLG AND SPECIFY THE BRAND OF TIRE.	

SECTION 5 - DRIVE TRAIN

FIGURE 5-49. TIRES AND RIMS (FOAM FILLED AND SOLID) (Prior to SN 0160038919, Excluding 0160033533)



PA4003

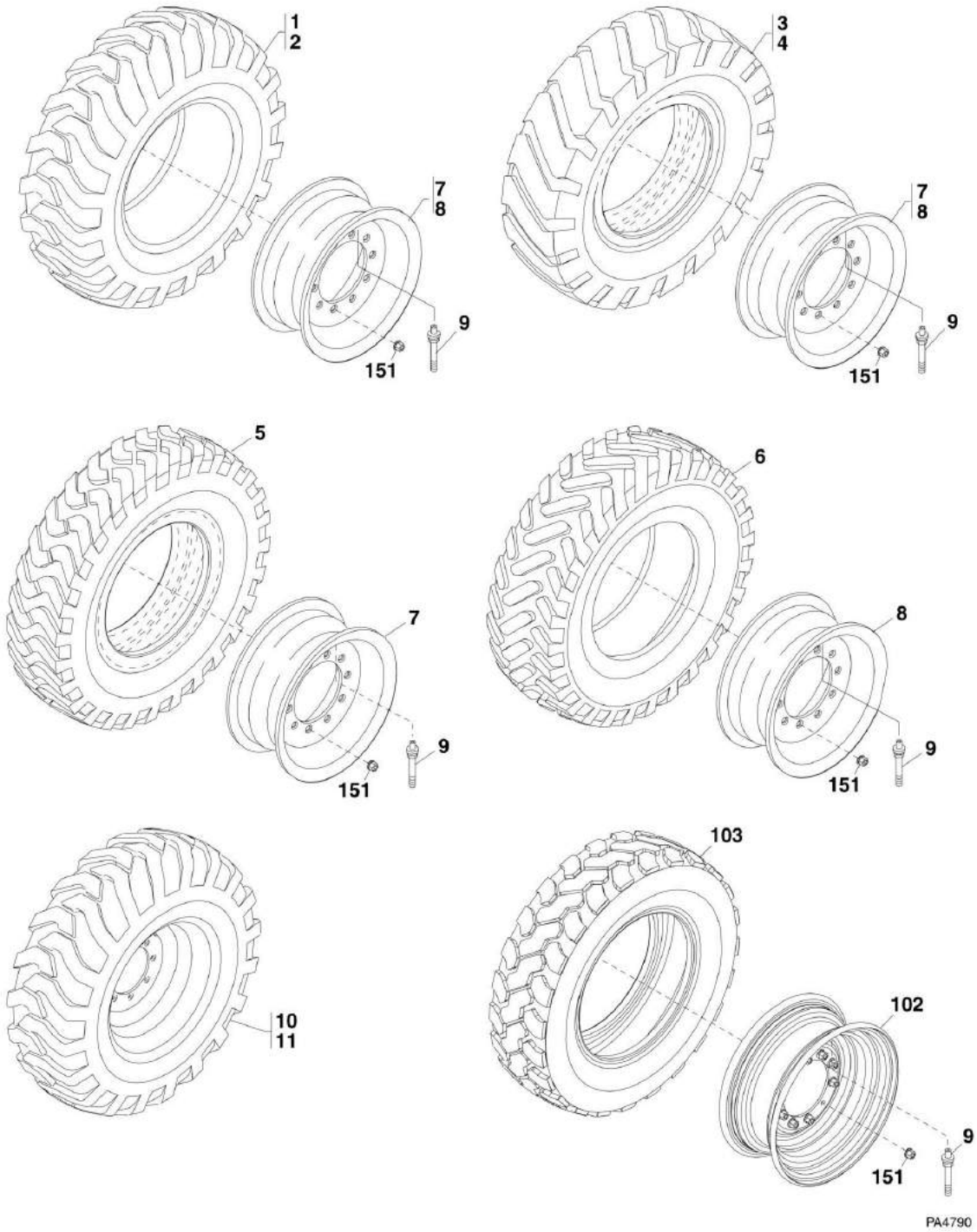
SECTION 5 - DRIVE TRAIN

FIGURE 5-49. TIRES AND RIMS (FOAM FILLED AND SOLID) (Prior to SN 0160038919, Excluding 0160033533)

ITEM	PART NUMBER	QTY	DESCRIPTION	REV
	7139739	1	GRADER TIRE AND RIM ASSY, (right side), FOAM FILLED - 13.00 X 24, 12 PLY, G-2, (includes items 1, 5 & 7)	D
	7139740	1	GRADER TIRE AND RIM ASSY, (left side), FOAM FILLED - 13.00 X 24, 12 PLY, G-2, (includes items 1, 5 & 7)	D
	4520431	1	GRADER TIRE AND RIM ASSY, (right side), FOAM FILLED - 15.50 X 25, 12 PLY, G-2, (includes items 1, 6 & 7)	B
	4520432	1	GRADER TIRE AND RIM ASSY, (left side), FOAM FILLED - 15.50X25, 12 PLY, G-2, (includes items 1, 6 & 7)	B
	4520320	NLA	ROCK TIRE AND RIM ASSY, FOAM FILLED - 13.00 X 24, 12 PLY, (tire no longer available, order 7301845 for replacement), (includes items 2, 5 & 7)	B
	7301845	1	ROCK TIRE AND RIM ASSY, FOAM FILLED - 13.00 X 24, 12 PLY, (includes items 2, 5 & 7)	C
	4520435	1	ROCK TIRE AND RIM ASSY, FOAM FILLED - 15.50 x 25, 12 PLY, SRG L3, (includes items 2, 6 & 7)	B
	4520407	1	STEEL BELTED RADIAL TIRE AND RIM ASSY, FOAM FILLED - 13.00 X 24, 12 PLY, (includes items 3, 5 & 7)	B
	4520438	1	STEEL BELTED RADIAL TIRE AND RIM ASSY, FOAM FILLED - 15.50 X 25, 12 PLY L2, (includes items 4, 6 & 7)	B
	4520651	1	SOLID TIRE SET, 13.00 X 24, (includes items 8 & 9)	C
1	8780031	1	GRADER TIRE, 13.00X24, 12 PLY	
1	8780036	1	GRADER TIRE, 15.50X25, 12 PLY	
2	8780045	1	ROCK TIRE, 13.00R24, 12 PLY	
2	8780050	1	ROCK TIRE, 15.5-25, 12 PLY,	
3	8780264	1	STEEL BELTED RADIAL TIRE, 13.00R24	
4	8780048	1	STEEL BELTED RADIAL TIRE, 15.50R25	
5	7301055	1	RIM, 9 X 24 1.06 OFFSET	
6	7301142	1	RIM, 13 x 25 LR 1.18 OFFSET	
7	8786514	1	VALVE STEM	
8	4520652	1	R.H. SOLID TIRE AND WHEEL ASSY	C
9	4520653	1	L.H. SOLID TIRE AND WHEEL ASSY	C
N1	Note	Ref	WHEN ORDERING TIRES CONTACT JLG AND SPECIFY THE BRAND OF TIRE.	
N2	Note	Ref	ASSEMBLIES MAY REQUIRE BALLAST/FOAM FILLING TO MANUFACTURER'S SPECIFICATIONS PRIOR TO INSTALLING ON A MACHINE. REFER TO OPERATION AND SAFETY OR SERVICE AND MAINTENANCE MANUALS. PURCHASE INDIVIDUAL TIRE AND/OR RIM ONLY IF ABLE TO FOAM FILL TIRE AND WHEEL ASSEMBLY, OTHERWISE, PURCHASE COMPLETE ASSEMBLY.	

SECTION 5 - DRIVE TRAIN

FIGURE 5-50. TIRES AND RIMS (FOAM FILLED AND SOLID) (SN 0160038919 to Present, Including 0160033533)



SECTION 5 - DRIVE TRAIN

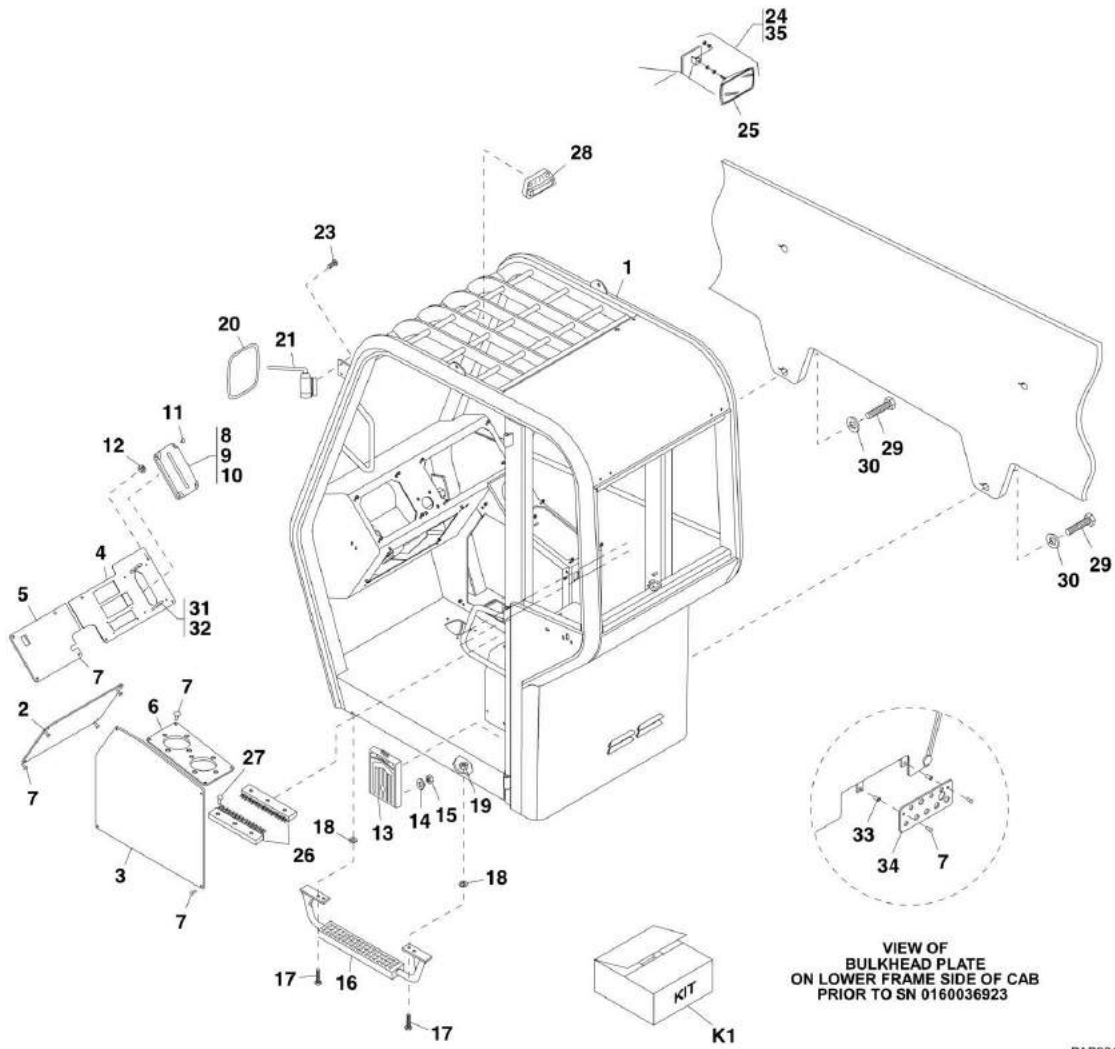
FIGURE 5-50. TIRES AND RIMS (FOAM FILLED AND SOLID) (SN 0160038919 to Present, Including 0160033533)

ITEM	PART NUMBER	QTY	DESCRIPTION	REV
	7139159	1	TIRE AND RIM ASSY, (right side), FOAM FILLED, 13.00 X 24, 12 PLY, G-2, (includes items 1, 7 & 9)	D
	7139160	1	TIRE AND RIM ASSY, (left side), FOAM FILLED, 13.00 X 24, 12 PLY, G-2, (includes items 1, 7 & 9)	D
	7139161	1	TIRE AND RIM ASSY, (right side), FOAM FILLED, 15.50 X 25, 12 PLY, L2, (includes items 2, 8 & 9)	C
	7139162	1	TIRE AND RIM ASSY, (left side), FOAM FILLED, 15.50 X 25, 12 PLY, L2, (includes items 2, 8 & 9)	C
	4520319	1	ROCK TIRE AND RIM ASSY, FOAM FILLED, 13.00 X 24, 12 PLY, G-3, (includes items 3, 7 & 9)	B
	4520467	1	ROCK TIRE AND RIM ASSY, FOAM FILLED, 15.50 X 25, 12 PLY, L3, (includes items 4, 8 & 9)	A
	4520413	1	STEEL BELTED RADIAL TIRE AND RIM ASSY, FOAM FILLED, 13.00 X 24, 12 PLY, L2/G-2, (includes items 5, 7 & 9)	A
	4520469	1	STEEL BELTED RADIAL TIRE AND RIM ASSY, FOAM FILLED, 15.50 X 25, 12 PLY, L2, (includes items 6, 8 & 9)	A
	4520648	1	SOLID TIRE SET, 13.00 x 24, (includes items 10 & 11)	B
	1001121085	1	TIRE AND RIM ASSY, 370/75-28, 14 PLY, FOAM FILLED, 464lb, (includes items 9, 102 & 103)	A
1	8780031	1	TIRE, 13.00X24, 12 PLY	
2	8780036	1	TIRE, 15.50 X 25, 12 PLY	
3	8780045	1	ROCK TIRE, 13.00R24, 12 PLY	
4	8780050	1	ROCK TIRE, 15.50 X 25, 12 PLY	
5	8780264	1	STEEL BELTED RADIAL TIRE, 13.00R24	
6	8780048	1	STEEL BELTED RADIAL TIRE, 15.50R25	
7	7301054	1	RIM, 9 X 24 1.06 OFFSET	
8	7301056	1	RIM, 13 X 25 LR 1.18 OFFSET	
9	8786514	1	VALVE STEM	
10	4520649	1	R.H. SOLID TIRE AND WHEEL ASSY	B
11	4520650	1	L.H. SOLID TIRE AND WHEEL ASSY	B
102	1001100005	1	RIM, 28X11, 1.18 OFFSET	
103	1001100284	1	TIRE, 370/75-28, 14 PLY	
151		Ref	WHEEL NUT, (See DRIVE TRAIN COMPONENTS for Breakdown)	
N1	Note	Ref	WHEN ORDERING TIRES CONTACT JLG AND SPECIFY THE BRAND OF TIRE.	
N2	Note	Ref	ASSEMBLIES MAY REQUIRE BALLAST/FOAM FILLING TO MANUFACTURER'S SPECIFICATIONS PRIOR TO INSTALLING ON A MACHINE. REFER TO OPERATION AND SAFETY OR SERVICE AND MAINTENANCE MANUALS. PURCHASE INDIVIDUAL TIRE AND/OR RIM ONLY IF ABLE TO FOAM FILL TIRE AND WHEEL ASSEMBLY, OTHERWISE, PURCHASE COMPLETE ASSEMBLY.	

SECTION 6 - CAB

SECTION 6 - CAB

FIGURE 6-1. OPEN CAB



PAP9311

FIGURE 6-1. OPEN CAB

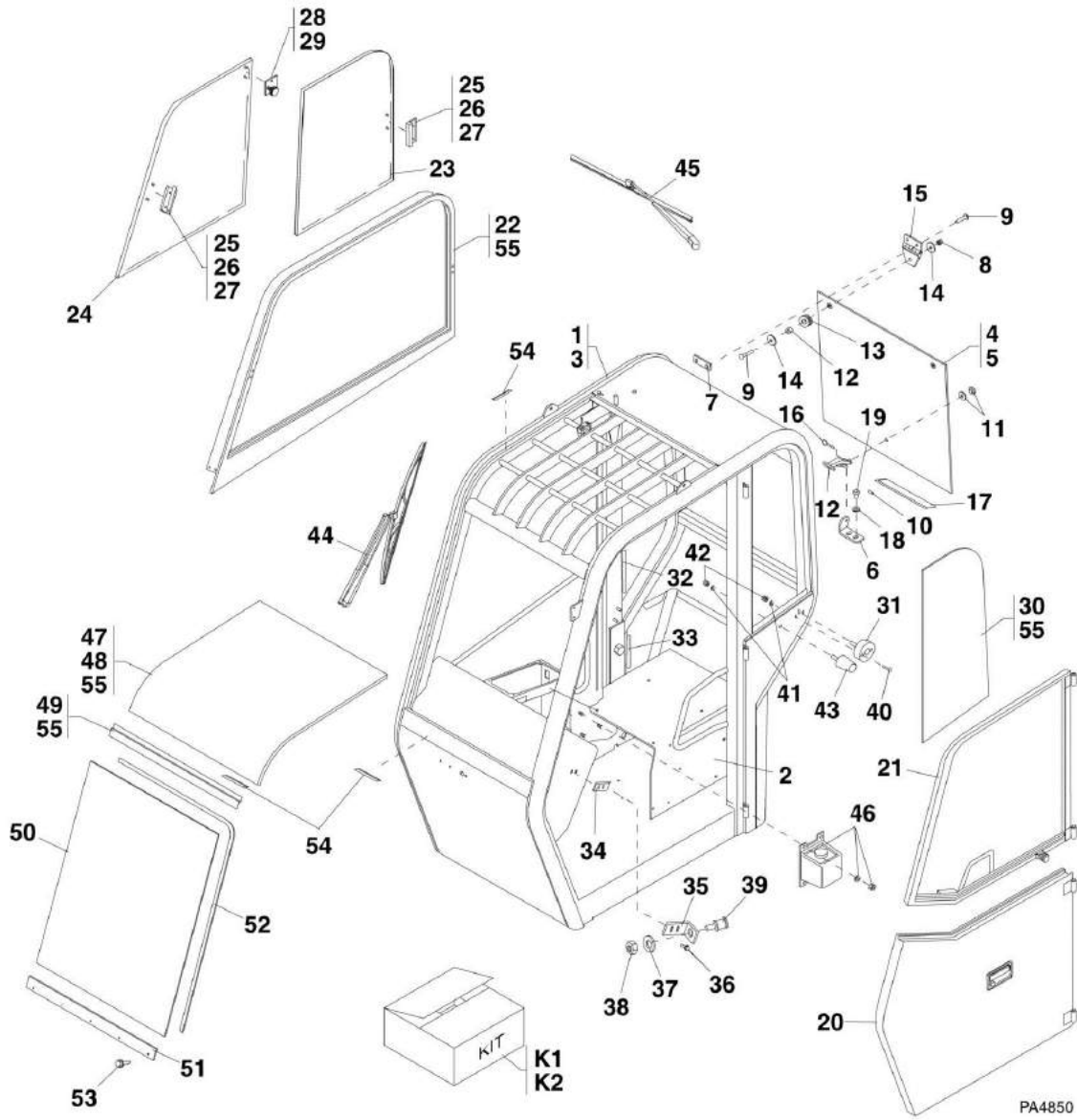
ITEM	PART NUMBER	QTY	DESCRIPTION	REV
1	7138857	1	OPEN CAB, (includes items 2 thru 7, items 33 & 34)	H
2	7302074	1	LOWER PANEL	
3	7302073	1	RIGHT SIDE CONSOLE ACCESS PANEL	
4	3380679	1	RIGHT FRONT CONSOLE PANEL	
5	7302076	1	LEFT FRONT CONSOLE PANEL	
6	7302077	1	SIDE CONSOLE PANEL	
7	8303034	22	TRUSS HD TORX SCREW, 1/4-20X3/4	
8	7138819	1	LOAD CHART HOLDER (SN 14834 through 19988, SN 016002345 through 0160019858, Except SN 0160019653 through 0160019655, Excluding 0160019622, 0160019633 and 0160019668)	
9	7139135	AR	SPACER FOAM TAPE (SN 14834 through 19988, SN 016002345 through 0160019858, Except SN 0160019653 through 0160019655, Excluding 0160019622, 0160019633 and 0160019668)	
10	8310016	2	PAN HD CAPSCREW, 10-24X1 (SN 14834 through 19988, SN 016002345 through 0160019858, Except SN 0160019653 through 0160019655, Excluding 0160019622, 0160019633 and 0160019668)	
11	8310362	4	BUTTON HD CAPSCREW, 10-24X.5 (SN 14834 through 19988, SN 016002345 through 0160019858, Except SN 0160019653 through 0160019655, Excluding 0160019622, 0160019633 and 0160019668)	
12	8310085	6	LOCK NUT, #10-24 (SN 14834 through 19988, SN 016002345 through 0160019858, Except SN 0160019653 through 0160019655, Excluding 0160019622, 0160019633 and 0160019668)	
13	8990147	1	DOCUMENT HOLDER	
14	8307201	3	FLAT WASHER, 10	
15	8310085	3	LOCKNUT, 10-24	
16	1001141427	1	STEP	
17	8303626	4	HEX HD CAPSCREW, 1/2-13X1-1/2	
18	8307112	4	FLAT WASHER, 1/2	
19	8305644	4	LOCKNUT, 1/2-13	
20	8866529	1	REAR VIEW MIRROR (Prior to SN 0160038863)	
20	3140007	NLA	REAR VIEW MIRROR, (no longer available, use 1001148177 for replacement)	
20	1001148177	1	REAR VIEW MIRROR	
21	8866530	NLA	MIRROR ARM, (no longer available, order Kit K1 for replacement) (Prior to SN 0160038863)	
21	1001114675	1	MIRROR ARM (SN 0160038863 to Present)	
23	0700610	2	HEX HD CAPSCREW, M6X20, GR 8.8	
24	8866348	1	RIGHT MIRROR, (includes mounting hardware except star washer)	
25	8866351	1	CONVEX GLASS REPLACEMENT LENS, 6.5X10	
26	7138944	2	BRUSH STRIP ASSY	
27	8303982	6	SELF TAPPING SCREW, 1/4-20X3/4	
28	8466306	1	TILT ANGLE GAUGE	
29	8310493	4	HEX HD CAPSCREW, 7/8-9X5.5, GR8, (torque to 480 lb-ft)	
30	8307011	4	LOCKWASHER, 7/8	
31	1001102844	2	U-BOLT, 1/4-20X2-1/2 (SN 0160019944 to Present, SN 0160019653 through 0160019655, Including 0160019622, 0160019633 and 0160019668)	
32	8310382	8	FLANGE NUT, 1/4-20 (SN 0160019944 to Present, SN 0160019653 through 0160019655, Including 0160019622,	

SECTION 6 - CAB

ITEM	PART NUMBER	QTY	DESCRIPTION	REV
33	70021305	2	0160019633 and 0160019668) RIVNUT (Prior to SN 0160036919)	
34	70021306	1	BULKHEAD FITTING PLATE (Prior to SN 0160036919)	
35	4791500	1	STAR WASHER, 5/16	
K1	1001125007	1	MIRROR ARM KIT, (includes items 21, 23 and spacer) (SN 0160038863 to Present)	

SECTION 6 - CAB

FIGURE 6-2. CLOSED CAB (SN 17019 through 19897, SN 0160002408 through 0160008803)



SECTION 6 - CAB

FIGURE 6-2. CLOSED CAB (SN 17019 through 19897, SN 0160002408 through 0160008803)

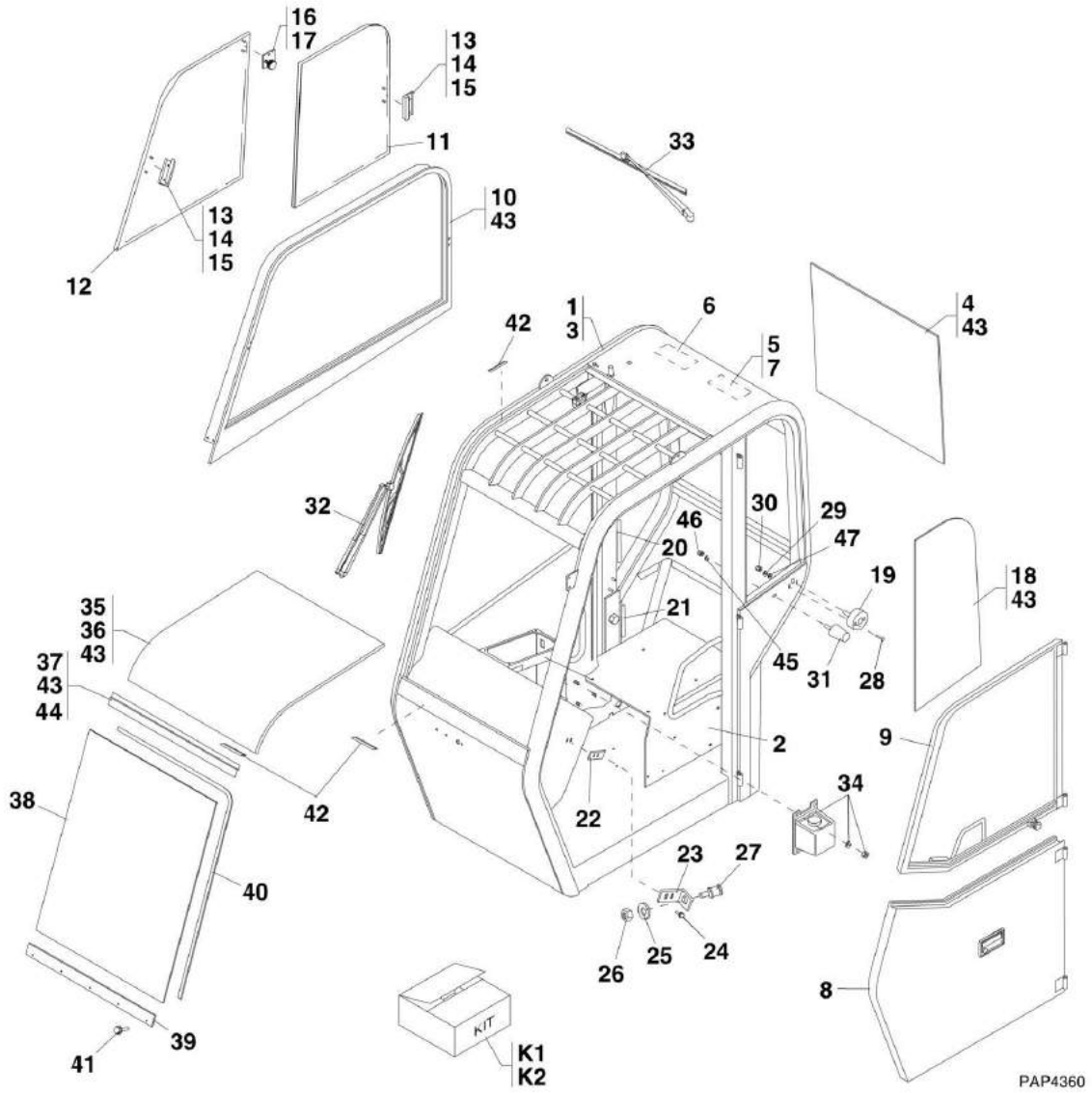
ITEM	PART NUMBER	QTY	DESCRIPTION	REV
	7139048	1	ENCLOSED CAB WITH HEATER, (includes all items)	AA
1		Ref	OPEN CAB ASSY, (See OPEN CAB for Breakdown)	
2		Ref	CAB HEATER ASSY, (See CAB HEATER for Breakdown)	
3	7139050	1	CAB ENCLOSURE WITH TOP AND FRONT WIPERS, (less heater), (includes items 4 thru 55)	A
4	8036048	1	REAR WINDOW ASSY, (includes items 5 thru 19)	
5	8036106	1	REAR WINDOW GLASS	
6	8036107	1	REAR WINDOW LATCH MOUNT	
7	8036108	2	REAR WINDOW HINGE BLOCK	
8	8035479	2	ACORN NUT, 1/4-20	
10	8035486	1	ROLL PIN, #10X1/2	
11	1001081280	1	T-HANDLE LATCH, (includes mounting hardware)	
12	8035478	2	BUSHING, .26 I.D.X1/2 O.D.	
13	8035477	2	GROMMET, 1/2 I.D.X1.06 O.D.	
14	80264082	4	FLAT WASHER, 9/32X1.00X.065	
15	8035475	2	PLASTIC HINGE	
16	1001109417	1	DETENT RING PIN, .019X1.4	
17	8037206	1	SEAL, 8.6FT LONG	
18	8036071	2	WASHER	
19	91344043	2	HEX HD CAPSCREW, 1/4-20X.62	
20		Ref	LOWER DOOR ASSY, (See CAB DOOR for Breakdown)	
21		Ref	UPPER DOOR ASSY, (See CAB DOOR for Breakdown)	
22	8036050	1	RIGHT SIDE SLIDER WINDOW, (includes items 23 thru 29)	
23	8036197	1	REAR SLIDE GLASS	
24	8036196	1	FRONT SLIDE GLASS	
25	Kit K1	1	CAPSCREW	
26	Kit K1	1	SPACER	
27	Kit K1	1	LATCH	
28	Kit K2	1	LOCK BLOCK	
29	Kit K2	1	KNOB ASSY	
30	8036073	1	LEFT SIDE REAR GLASS	
31	80364044	1	FEMALE DOOR RETAINER	
32	8036057	1	UPPER WIRE DUCT	
33	8036058	1	LOWER WIRE DUCT	
34	8036059	1	STRIKER NUT PLATE WELDMENT	
35	8036060	1	STRIKER BOLT BRACKET	
36	8035437	2	LOCKSCREW, 1/4-20X3/4	
37	8036061	1	FLAT WASHER, 17/32X1.06X.094	
38	8035639	1	CENTER LOCKNUT, 7/16-14	
39	8035637	1	STRIKER BOLT, 7/16-14X1-1/2	
40	8035487	2	SCREW, 1/4-20X.625	
41	8035416	4	LOCKWASHER, 1/4X.49 O.D.X.07	
42	8035479	4	ACORN NUT, 1/4-20	
43	8036066	1	RUBBER CONE BUMPER	
44		Ref	FRONT WINDSHIELD WIPER ASSY, (See FRONT WINDSHIELD WIPER for Breakdown)	
45		Ref	SKYLIGHT WIPER ASSY, (See SKYLIGHT WINDSHIELD WIPER for Breakdown)	
46		Ref	RESERVOIR WITH 12 VOLT MOTOR, (See FRONT WINDSHIELD WIPER for Breakdown)	

SECTION 6 - CAB

ITEM	PART NUMBER	QTY	DESCRIPTION	REV
47	7139444	1	WINDSHIELD SKYLIGHT KIT, (includes items 48 thru 55)	
48	7138958	1	SKYLIGHT GLASS	
49	7139316	1	UPPER WINDSHIELD CLIP	
50	7138951	1	WINDSHIELD GLASS	
51	7139298	1	LOWER WINDSHIELD PLATE	
52	7139299	1	BULB SEAL, .22X.35X14.75	
53	8310529	5	SELF TAPPING SCREW, #10-16X.75	
54	8035490	8	SETTING BLOCKS	
55	7139308	AR	URETHANE SEALANT, (apply to items 22, 30, 48 & 49)	
K1	8036199	1	LATCH ASSY KIT, (includes items 25, 26 & 27)	
K2	8036198	1	FRICTION LOCK ASSY KIT, (includes 28 & 29)	

SECTION 6 - CAB

FIGURE 6-3. CLOSED CAB (SN 0160008825 to Present)



SECTION 6 - CAB

FIGURE 6-3. CLOSED CAB (SN 0160008825 to Present)

ITEM	PART NUMBER	QTY	DESCRIPTION	REV
	7139048	NLA	ENCLOSED CAB WITH HEATER, (no longer available, order 1001125838 or see items 1 to 43 for service)	E
	1001125838	1	ENCLOSED CAB WITH HEATER, (includes all items)	A
1		Ref	OPEN CAB ASSY, (See OPEN CAB for Breakdown)	
2		Ref	CAB HEATER ASSY, (See CAB HEATER for Breakdown)	
3	7139050	1	CAB ENCLOSURE WITH TOP AND FRONT WIPERS, (less heater),(includes items 4 thru 43)	D
4	7028737	1	REAR WINDOW	
5	91404301	1	HAMMER	
6		Ref	ESCAPE DECAL, (See DECALS SECTION for Breakdown)	
7	91404298	3	RIVET	
8		Ref	LOWER DOOR ASSY, (See CAB DOOR for Breakdown)	
9		Ref	UPPER DOOR ASSY, (See CAB DOOR for Breakdown)	
10	8036050	1	RIGHT SIDE SLIDER WINDOW, (includes items 11 thru 17)	
11	7138953	NLA	REAR SLIDE GLASS, (no longer available, use complete assy 8036050 for replacement), (p/n 7138953 is etched onto glass)	
11	8036197	1	REAR SLIDE GLASS	
12	7138952	NLA	FRONT SLIDE GLASS, (no longer available, use complete assy 8036050 for replacement), (p/n 7138952 is etched onto glass)	
12	8036196	1	FRONT SLIDE GLASS	
13	Kit K1	1	CAPSCREW	
14	Kit K1	1	SPACER	
15	Kit K1	1	LATCH	
16	Kit K2	1	LOCK BLOCK	
17	Kit K2	1	KNOB ASSY	
18	8036073	1	LEFT SIDE REAR GLASS	
19	8036069	1	FEMALE DOOR RETAINER	
20	7139267	1	UPPER WIRE DUCT	
21	7139268	1	LOWER WIRE DUCT	
22	8036059	1	STRIKER NUT PLATE WELDMENT	
23	8036060	1	STRIKER BOLT BRACKET	
24	8035437	2	LOCKSCREW, 1/4-20X3/4	
25	8036061	1	FLAT WASHER, 17/32X1.06X.094	
26	8035639	1	CENTER LOCKNUT, 7/16-14	
27	1001109478	1	STRIKER BOLT, 7/16-14X1-1/2	
28	8035487	2	SCREW, 1/4-20X5/8	
29	8035416	2	LOCKWASHER, 1/4X.49 O.D.X.07	
30	8035479	2	ACORN NUT, 1/4-20	
31	8036066	1	RUBBER CONE BUMPER	
32		Ref	FRONT WINDSHIELD WIPER ASSY, (See FRONT WINDSHIELD WIPER for Breakdown)	
33		Ref	SKYLIGHT WIPER ASSY, (See SKYLIGHT WINDSHIELD WIPER for Breakdown)	
34		Ref	RESERVOIR WITH 12 VOLT MOTOR, (See FRONT WINDSHIELD WIPER for Breakdown)	
35	7139444	1	WINDSHIELD SKYLIGHT KIT, (includes items 36 thru 43)	
36	7138958	1	SKYLIGHT GLASS	
37	7139316	1	UPPER WINDSHIELD CLIP	
38	7138951	1	WINDSHIELD GLASS	
39	7139298	1	LOWER WINDSHIELD PLATE	

SECTION 6 - CAB

ITEM	PART NUMBER	QTY	DESCRIPTION	REV
40	7139299	1	BULB SEAL, 0.22X.35X14.75	
41	8310529	5	SELF-TAPPING SCREW, #10-16X.75	
42	8035490	8	SETTING BLOCKS	
43	8035523	AR	URETHANE SEALANT, (apply to items 4, 10, 18, 36 & 37)	
44	7139301	AR	FOAM	
45	8036067	1	WASHER, 5/16	
46	8036068	1	HEX NUT, 5/16-18	
47	8036071	2	WASHER, .28	
K1	8036199	1	LATCH ASSY KIT, (includes items 13 thru 15)	
K2	8036198	1	FRICTION LOCK ASSY KIT, (includes items 16 & 17)	

SECTION 6 - CAB

FIGURE 6-4. SOFT CAB ENCLOSURE

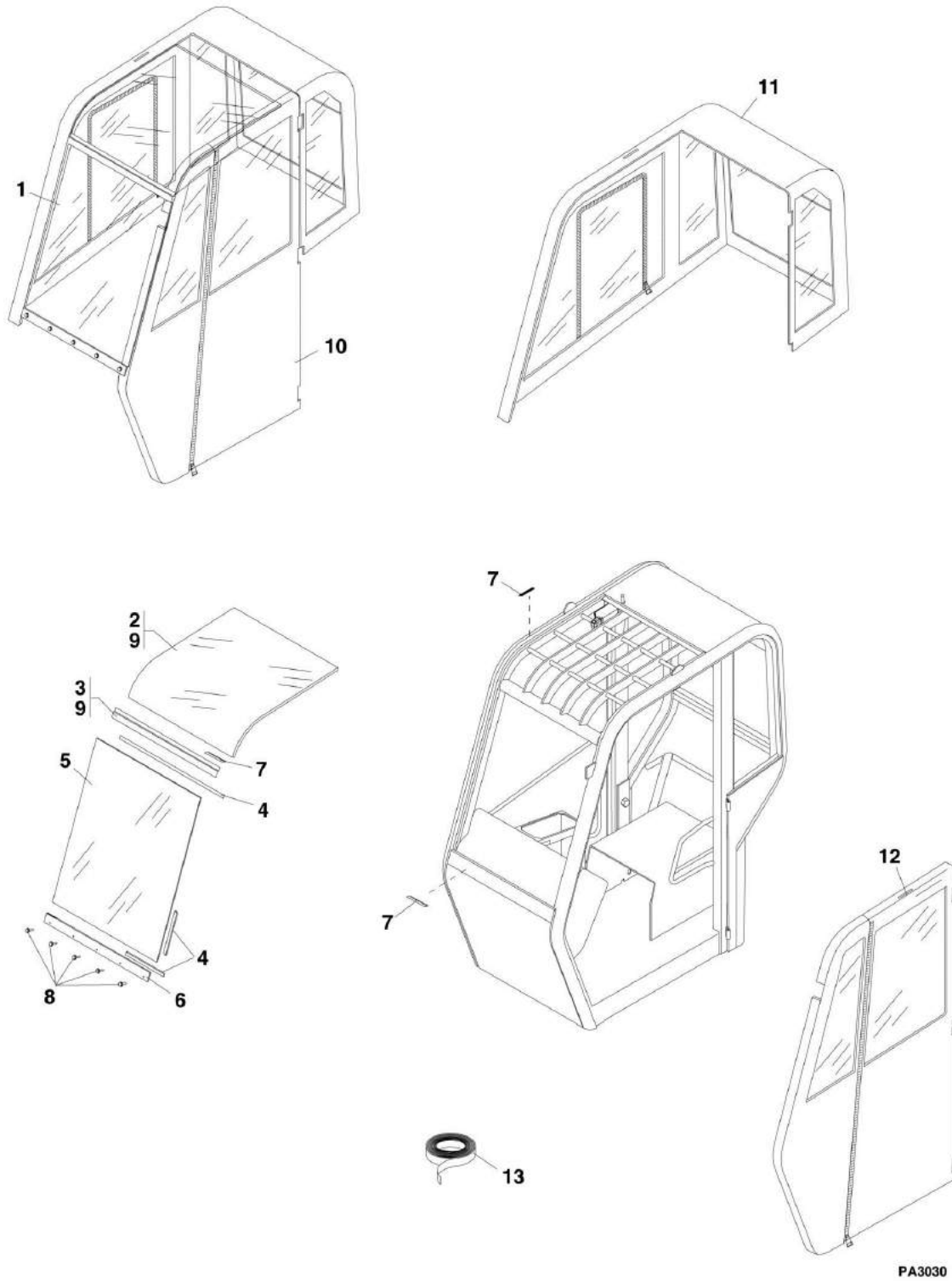


FIGURE 6-4. SOFT CAB ENCLOSURE

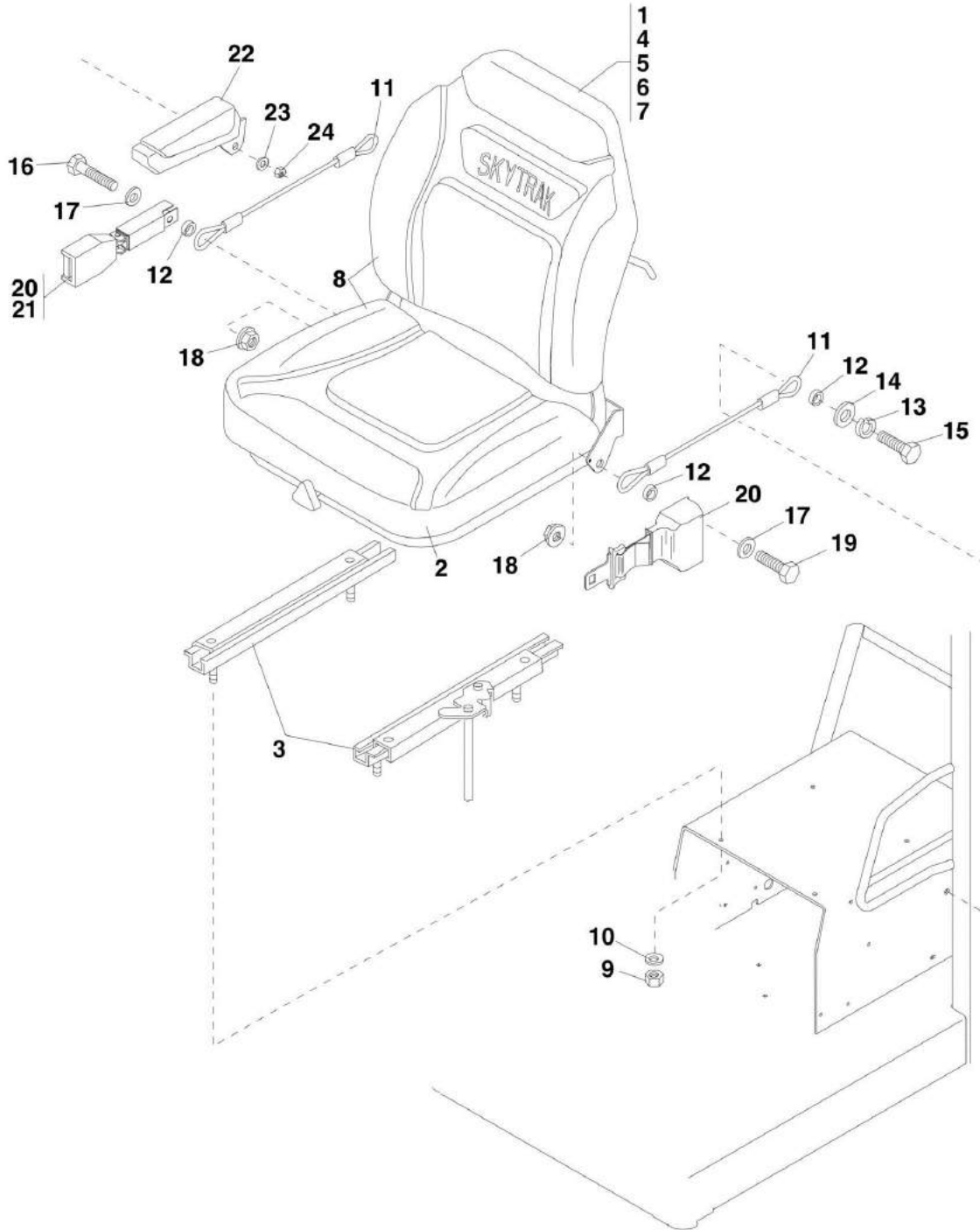
ITEM	PART NUMBER	QTY	DESCRIPTION	REV
	7139250	1	COMPLETE SOFT CAB ENCLOSURE KIT, (includes all items)	AC
1	7139444	1	WINDSHIELD SKYLIGHT KIT, (includes items 2 thru 9)	
2	7138958	1	SKYLIGHT GLASS	
3	7139316	1	UPPER WINDSHIELD CLIP	
4	7139299	1	BLACK BULB SEAL, .22X.35, 14.75	
5	7138951	1	WINDSHIELD GLASS	
6	7139298	1	LOWER WINDSHIELD PLATE	
7	8035490	8	SETTING BLOCK, 1/8X1/4X2	
8	8037204	5	SELF TAPPING SCREW, #10-16X3/4	
9	8035523	1	URETHANE SEALANT, (apply to items 2 & 3)	
10	7139290	1	SOFT CAB ENCLOSURE KIT, (includes items 11 thru 13)	
11	7139293	1	MAIN SOFT CAB ENCLOSURE	
12	7139292	1	SOFT DOOR SECTION	
13	7139294	1	VELCRO KIT	
13	7139295	1	VELCRO BRAND HOOK STRIP 1X10, ORANGE, (not shown)	
13	7139296	1	VELCRO BRAND HOOK STRIP 2X10, ORANGE, (not shown)	

FIGURE 6-5. CAB DOOR

ITEM	PART NUMBER	QTY	DESCRIPTION	REV
1	8036062	1	LOWER DOOR ASSY, (uses square key), (includes items 2 thru 26 & item 40)	
1	1001109007	1	LOWER DOOR ASSY, (uses round key), (includes items 2 thru 26 & item 40)	A
2	8033856	6	TORX SCREW, 1/4-20	
3	1001103509	6	HEX RIVNUT, 1/4-20	
4	80384192	1	INNER DOOR HANDLE	
5	80384187	2	ROD END RETAINING CLIP	
6	80384193	1	INSIDE DOOR BEZEL	
7	8036085	4	HEX RIVNUT, #10-24	
8	8035439	1	ROTARY LATCH	
9	91344032	1	INSIDE CAB HANDLE	
10	8036090	1	LOWER DOOR WELDMENT	
11	8036093	1	INTERIOR LATCH LINKAGE	
12	8036094	1	LOWER DOOR FOAM	
13	8036095	1	LATCHBOX ACCESS PLATE	
14	8036096	1	DOOR RESTRAINT STRAP	
15	8036097	1	EXTERIOR LATCH LINKAGE WELDMENT	
16	8036098	1	EXTENSION SPRING, .219X1-1/2X.023	
17	8035441	NLA	PADDLE LATCH, (uses square key), (includes item 18), (no longer available, use 1001105892 for replacement)	
17	1001105892	1	PADDLE LATCH, (uses rounded key), (includes item 18)	A
18	8342808	1	KEY, SQUARE	
18	70021948	1	KEY, ROUND	
19	91404315	1	DOOR LEVER RELEASE	
20	8036076	1	BULB SEAL, 15.5MMX10, (cut to fit)	
21	8036088	8	SCREW, #10-24X3/4	
22	91404319	1	SLAM LATCH	
23	91404317	1	SCREW, #8-32X1-1/8	
24	91404318	1	NYLON LOCKNUT, #8-32	
25	8036091	2	SLAM LATCH SPACER	
26	8036092	1	SLAM LATCH SHAFT WELDMENT	
27	1001109406	1	UPPER DOOR ASSY, (includes items 28 thru 35 & item 41)	A
28	8036077	1	UPPER DOOR WELDMENT	
29	91344043	2	TORX SCREW, 1/4-20	
30	8035416	2	WASHER, 1/4 I.D.X.49 O.D.	
31	8036078	1	SLAM LATCH STRIKER	
32	8036079	1	LEFT SIDE DOOR GLASS	
33	8036080	1	RETAINER	
34	80364001	1	BULB SEAL, 15.5MMX10, (cut to fit)	
35	80364009	AR	URETHANE, (apply to item 32)	
36	8036065	6	HEX DOME CAP	
37	8035631	2	BOLT, 3/8-16X4.5	
38	8036064	1	BOLT, 3/8-16X6.5	
39	8035632	3	HEX NUT, 3/8-16	
40	80264074	4	BOLT, 1/4-20X3/4	
41	70020628	2	WASHER	

SECTION 6 - CAB

FIGURE 6-6. OPERATORS SEAT (SN 17019 through 19897, SN 0160002408 through 0160010385)



PA2990

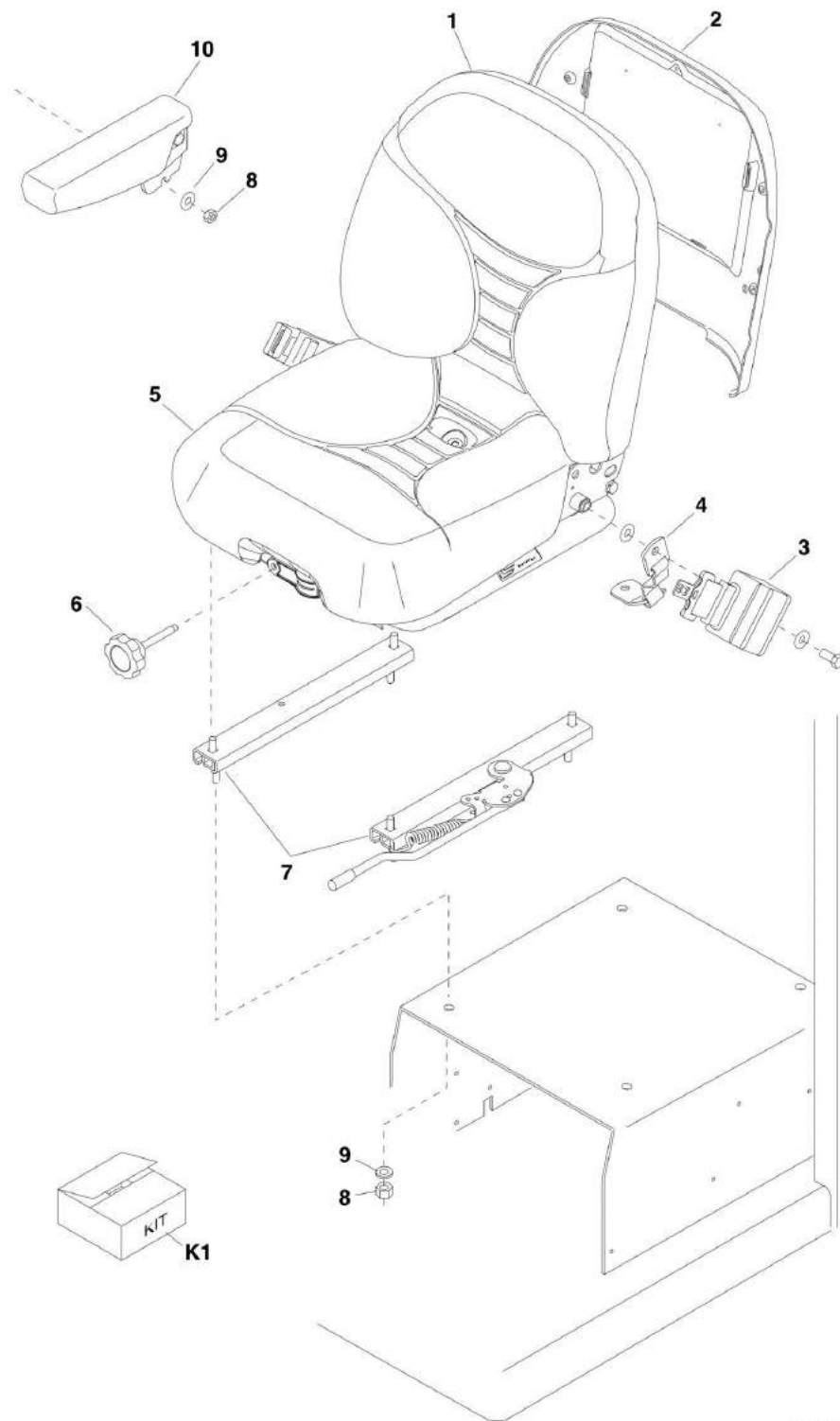
SECTION 6 - CAB

FIGURE 6-6. OPERATORS SEAT (SN 17019 through 19897, SN 0160002408 through 0160010385)

ITEM	PART NUMBER	QTY	DESCRIPTION	REV
1	N.S.S.	1	SUSPENSION SEAT, (order seat on OPERATORS SEAT) (SN 0160010402 to Present)	
2	8036009	1	BOOT, 60/76MM, (covers adjuster below seat)	
3	8036010	1	6IN ADJUSTER, (partially shown)	
4	8036011	1	DAMPER, (shock absorber)	
5	8036013	4	UP STOP/DOWN STOP BUMPER ROLLERS, 7/16 DIA	
6	8036014	1	SPRINGS AND CABLE	
7	8036015	1	HANGER/KNOB/TENSION SHAFT	
8	8036017	1	CUSHION/PAN ASSY KIT, (includes both seat and back rest)	
9	8305626	4	HEX LOCKNUT, 5/16-18	
10	8307106	4	PLAIN WASHER, .312	
11	7138883	2	TETHER	
12	7096491	4	SPACER	
13	8307006	2	LOCKWASHER, 7/16	
14	8307205	2	PLAIN WASHER, 7/16X1.125 O.D.	
15	8303674	2	HEX HD CAPSCREW, 7/16-14X1.50, GR5	
16	N.S.S.	1	HEX HD CAPSCREW, 7/16-20X2.5, GR5, (included with seat belt)	
17	N.S.S.	2	PLAIN WIDE WASHER, 7/16, (included with seat belt)	
18	N.S.S.	2	FLANGED HEX NUT, 7/16-20, (included with seat belt)	
19	N.S.S.	1	HEX HD CAPSCREW, 7/16-20X1.5, GR5, (included with seat belt)	
20	8864057	1	2IN STANDARD SEAT BELT, (includes mounting hardware)	
21	8864058	1	3IN OPTIONAL SEAT BELT, (includes mounting hardware)	
22	7138858	1	ARM REST	
23	8307106	2	FLAT WASHER, 5/16	
24	8305626	2	LOCKNUT, 5/16-18	

SECTION 6 - CAB

FIGURE 6-7. OPERATORS SEAT (SN 0160010402 to Present)



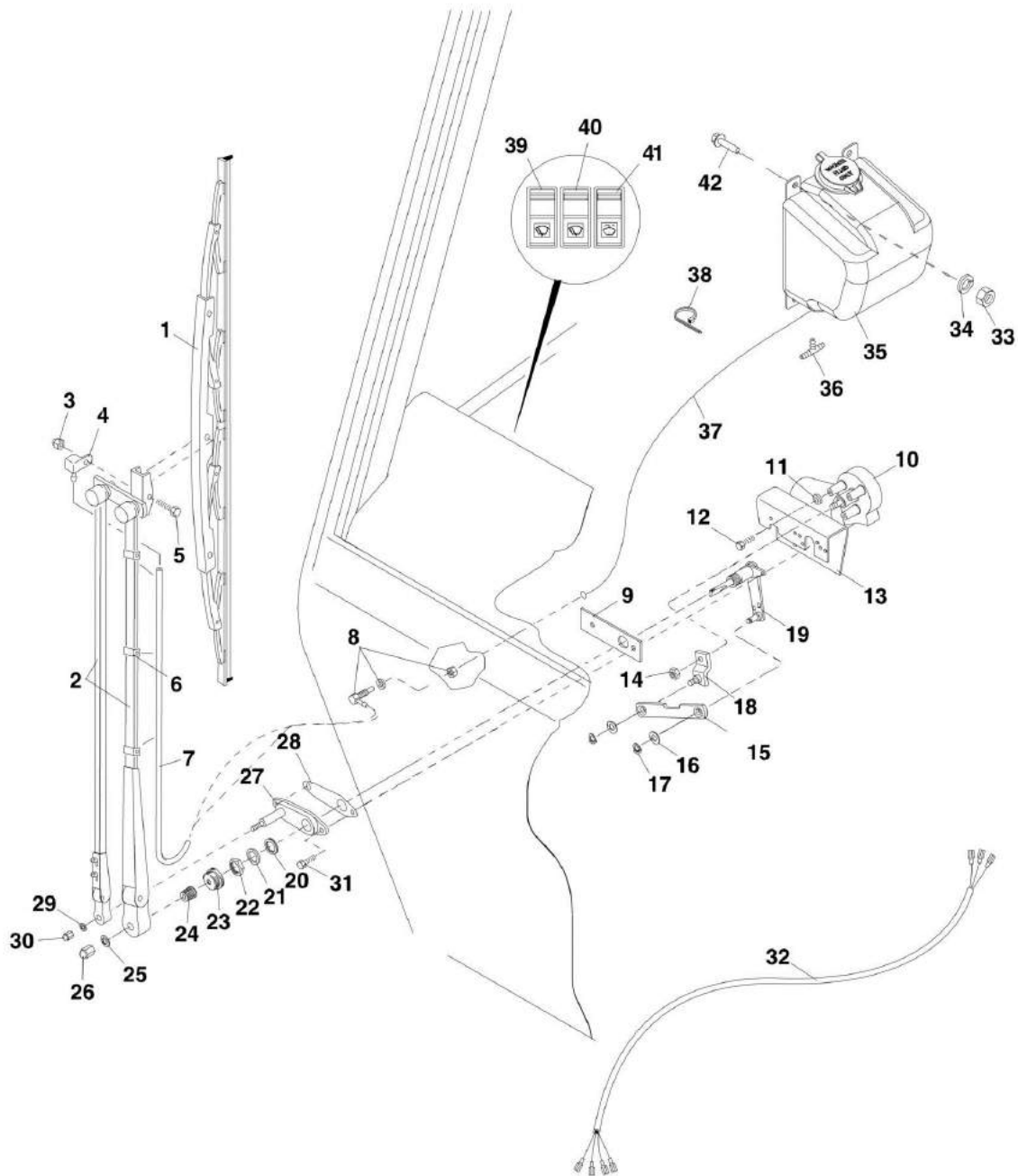
PAP11080

FIGURE 6-7. OPERATORS SEAT (SN 0160010402 to Present)

ITEM	PART NUMBER	QTY	DESCRIPTION	REV
	3980039	1	SUSPENSION SEAT, (includes items 1 thru 7) (SN 0160010402 through 0160034230)	D
	1001101085	1	SUSPENSION SEAT, (includes items 1 thru 7) (SN 0160034231 to Present)	D
1	7026900	1	BACK CUSHION KIT	
2	7026902	1	BACK PANEL KIT	
3	7026905	1	SEAT BELT KIT	
	91563164	1	SEAT BELT, 3IN, (California Only), (not included with seat)	
4	7026906	1	TETHER KIT	
5	7026901	1	SEAT CUSHION KIT	
6	7026799	1	KNOB KIT	
7	7026798	1	SLIDE KIT	
8	8305626	6	HEX LOCKNUT, 5/16-18	
9	8307106	6	PLAIN WASHER, 5/16	
10	7138858	1	ARM REST	
11	70023040	1	SHOCK ABSORBER KIT, (not shown), (includes one shock absorber, two shock pins and two hex nuts)	
12	70023041	1	SPRING AND SADDLE KIT, (not shown)	
13	70023890	1	BOOT KIT, (not shown)	
K1	70023139	1	SEAT BELT KIT, 3IN, (includes female and retractor ends)	

SECTION 6 - CAB

FIGURE 6-8. FRONT WINDSHIELD WIPER



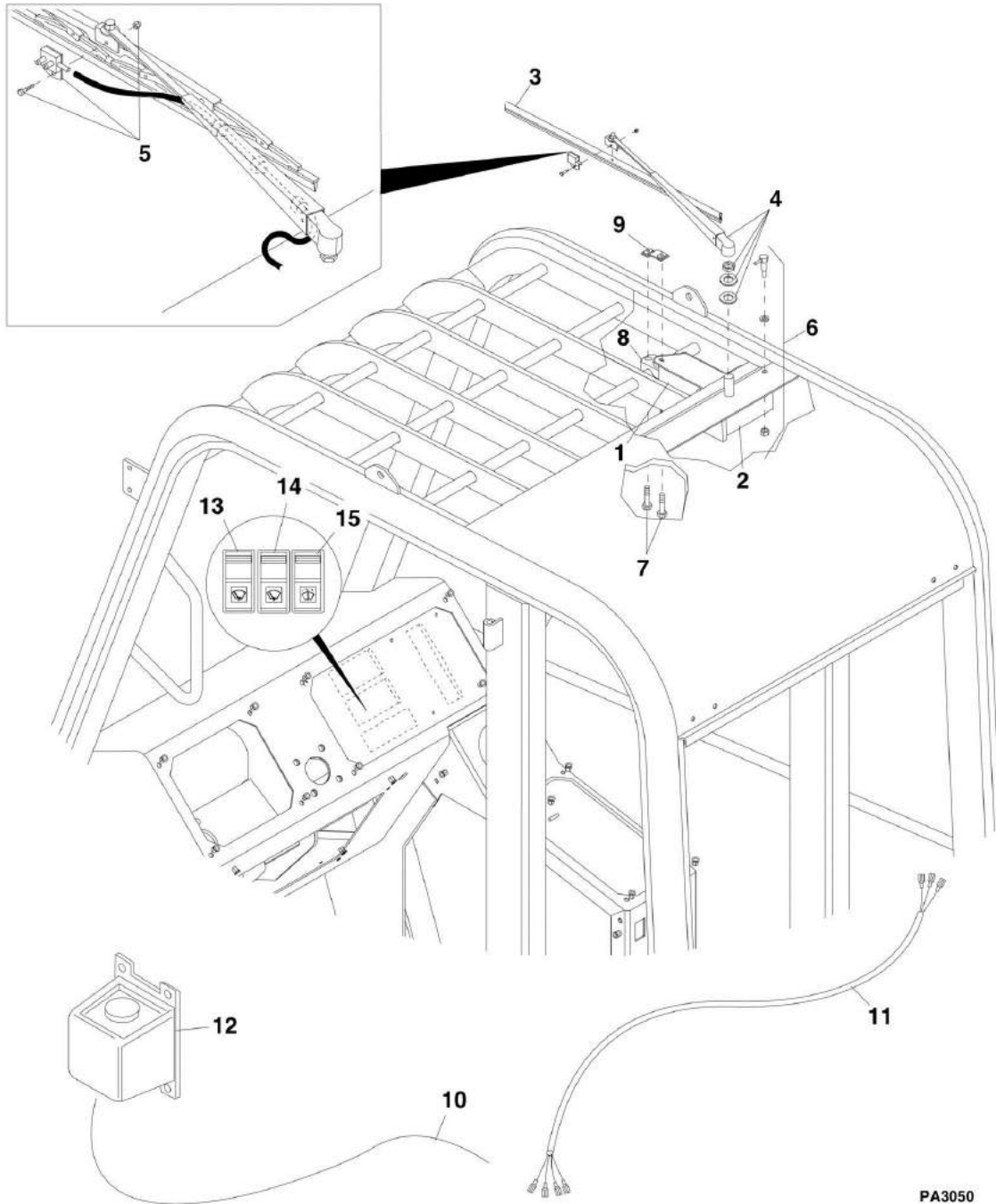
PAP9260

FIGURE 6-8. FRONT WINDSHIELD WIPER

ITEM	PART NUMBER	QTY	DESCRIPTION	REV
	8036056	1	FRONT WINDSHIELD WIPER ASSY, (includes items 1 thru 31)	
1	8035392	1	28IN FLEX WIPER BLADE	
2	8035393	1	24IN FLEX WIPER ARM ASSY, (includes items 3 thru 7)	
3	N.S.S.	1	LOCKNUT	
4	N.S.S.	1	SPRAYER NOZZLE	
5	N.S.S.	1	BOLT	
6	N.S.S.	3	HOSE CLIPS	
7	N.S.S.	1	HOSE	
8	1001081310	1	WET ARM SPACER	
9	8036100	1	FRONT WIPER MOTOR SPACER	
10	7029860	1	WIPER MOTOR ASSY, (includes items 11 thru 17)	
11	N.S.S.	3	FLAT WASHER, 5/16	
12	N.S.S.	3	HEX HD CAPSCREW, 1/4-28X1	
13	N.S.S.	1	WIPER MOTOR BRACKET	
14	N.S.S.	1	NUT	
15	8035409	1	CONNECTING LINK	
16	N.S.S.	2	FLAT WASHER, .560X.251X.015	
17	N.S.S.	2	SPRING CLIP	
18	8035411	1	WIPER ARM DRIVE	
19	8036099	1	WIPER SHAFT AND PIVOT ASSY, (includes items 20 thru 26)	
20	N.S.S.	1	RUBBER WASHER	
21	N.S.S.	1	METAL WASHER	
22	N.S.S.	1	HEX JAM NUT, 11/16-18	
23	N.S.S.	1	RUBBER CAP	
24	N.S.S.	1	KNURLED DRIVER	
25	N.S.S.	1	LOCKWASHER, 3/8, (internal tooth)	
26	N.S.S.	1	ACORN NUT, 1/4-28	
27	8034815	1	PANTO ADAPTER ASSY, (includes items 28 thru 30)	
28	N.S.S.	1	GASKET	
29	N.S.S.	1	LOCKWASHER, 1/4, (internal tooth)	
30	N.S.S.	1	ACORN NUT, 1/4-28	
31	80384207	2	HEX HD CAPSCREW, 1/4-28X3/4 -BLACK	
32	8036070	1	WIPER HARNESS	
33	8035479	3	NUT, 1/4-20, BLACK	
34	8035416	3	LOCKWASHER, 1/4X.49 O.D.X07	
35	8033065	NLA	RESERVOIR, (no longer available, use 1001111112 for replacement)	
35	1001111112	1	RESERVOIR	
35	70025480	1	Pump, Reservoir	
36	8036072	1	WASHER HOSE CONNECTOR TEE	
37	8033075	1	WASHER HOSE	
38	8584001	AR	TIE WRAP	
39	8223043	1	FRONT WINDSHIELD WIPER SWITCH	
40		Ref	SKYLIGHT WINDSHIELD WIPER SWITCH, (See SKYLIGHT WINDSHIELD WIPER for Breakdown)	
41	8223044	1	WINDSHIELD WASHER SWITCH	
42	8033065	3	SCREW, 1/4-20X5/8	

SECTION 6 - CAB

FIGURE 6-9. SKYLIGHT WINDSHIELD WIPER



PA3050

FIGURE 6-9. SKYLIGHT WINDSHIELD WIPER

ITEM	PART NUMBER	QTY	DESCRIPTION	REV
	8036049	1	SKYLIGHT WIPER ASSY, (includes items 1 thru 9)	
1	8035492	1	SKYLIGHT WIPER MOTOR	
2	8035493	1	WIPER MOTOR COVER	
3	8035498	1	WIPER BLADE	
4	8035500	1	WIPER ARM	
5	1001081310	1	WET ARM SPACER	
6	8035499	1	WET ARM ADAPTER	
7	8036102	2	MACHINE SCREW, #10-24X1-1/2	
8	8035496	1	PLASTIC CLAMP BLOCK	
9	8036103	1	WIPER MOUNT WELDMENT	
10		Ref	WASHER HOSE, (See FRONT WINDSHIELD WIPER for Breakdown)	
11		Ref	WIPER HARNESS, (See FRONT WINDSHIELD WIPER for Breakdown)	
12		Ref	RESERVOIR WITH 12 VOLT MOTOR, (See FRONT WINDSHIELD WIPER for Breakdown)	
13		Ref	FRONT WINDSHIELD WIPER SWITCH, (See FRONT WINDSHIELD WIPER for Breakdown)	
14	8223043	1	SKYLIGHT WINDSHIELD WIPER SWITCH	
15		Ref	WINDSHIELD WASHER SWITCH, (See FRONT WINDSHIELD WIPER for Breakdown)	

FIGURE 6-10. CAB HEATER

ITEM	PART NUMBER	QTY	DESCRIPTION	REV
	7139049	NLA	CAB HEATER ASSY, (includes items 1 thru 31, 38, 39 & 50 thru 53), (no longer available, use 1001125837 for replacement)	B
	1001125837	1	CAB HEATER KIT, (includes items 1 thru 31, 38, 39 & 50 thru 53)	B
1	8035479	4	ACORN NUT, 1/4-20	
2	8035416	14	LOCKWASHER, 1/4 IDX.49 O.D.	
3	1001103509	4	HEX PILOT RIVNUT, 1/4-20X.305	
4	91344043	4	BOLT, 1/4-20X.625	
5	80364020	2	SLOT EDGE TRIM, 2.69	
6	8035406	2	WIDE NYLON TIE	
7	8036110	1	HOSE ASSY	
8	8035417	12	HEX NUT, 1/4-20, GR5	
9	8035402	1	4IN ROUND LOUVER, WITH 2-1/2 COLLAR	
10	8035668	2	RECTANGULAR LOUVER, 49MMX121MM	
11	8035431	1	HOSE ADAPTER, 2-1/2	
12	1001081073	8	PAN HEAD SELF TAPPING SCREW, #8-15X1/2	
13	8036112	6	CARRIAGE BOLT, 1/4-20X1	
14	8036410	NLA	HEATER, 12V, (no longer available, order 1001125774 for replacement or items 15 & 16 for service)	
14	1001113276	NLA	HEATER, 12V, (no longer available, use 1001125774 for replacement or items 15 & 16 for service)	C
14	1001125774	1	HEATER, 12V, (includes items 16)	B
15	8036421	2	BLOWER WHEEL	
16	70021546	1	MOTOR, 12V, (without connector)	
16	70023034	1	MOTOR, 12V, (with connector)	
16	1001126234	1	MOTOR ASSY, 12V, (includes blower wheel)	
17	8036114	1	PANEL/CABLE HEATER CONTROL, (includes item 18)	
18	8036388	2	POSITIONING KNOB, (includes set screw and brass insert)	
19	1001081375	1	AIR FILTER	
20	1001081376	1	RUBBER O-RING	
21	1001081045	1	HEATER WATER VALVE	
22	8036118	1	HEATER WIRE HARNESS	
23	8036119	1	HEATER LOUVER PANEL	
24	8036120	1	HEATER DUCT	
25	8036121	1	FILTER ACCESS PLATE	
26	8036122	1	HEATER MOUNT WELDMENT	
27	8036124	2	RUBBER HOSE, 90	
28	8410009	4	CLAMP, WORM GEAR	
29	91404298	4	POP RIVET	
30	1001081046	2	COPPER SPLICE, 5/8 HEATER HOSE	
31	1001081049	2	SPLIT RUBBER GROMMET	
32	6620472	1	HEATER HOSE ASSY	
33	7139174	2	HEATER HOSE ASSY (Prior to SN 0160038919, Excluding 0160033533)	
34	8360005	1	SHUT OFF VALVE	
35	8405007	5	GEAR CLAMP, 1.25 DIA MAX	
36	8430048	1	REDUCER (Prior to SN 0160038919, Excluding 0160033533)	
36	2220806	1	REDUCER (SN 0160038919 to Present, Including 0160033533)	
37	2220251	1	REDUCER (Prior to SN 0160038919, Excluding 0160033533)	
38	8036128	4	SCREW, #6-32X1/2	
39	8035599	1	FOAM, .25X.5	

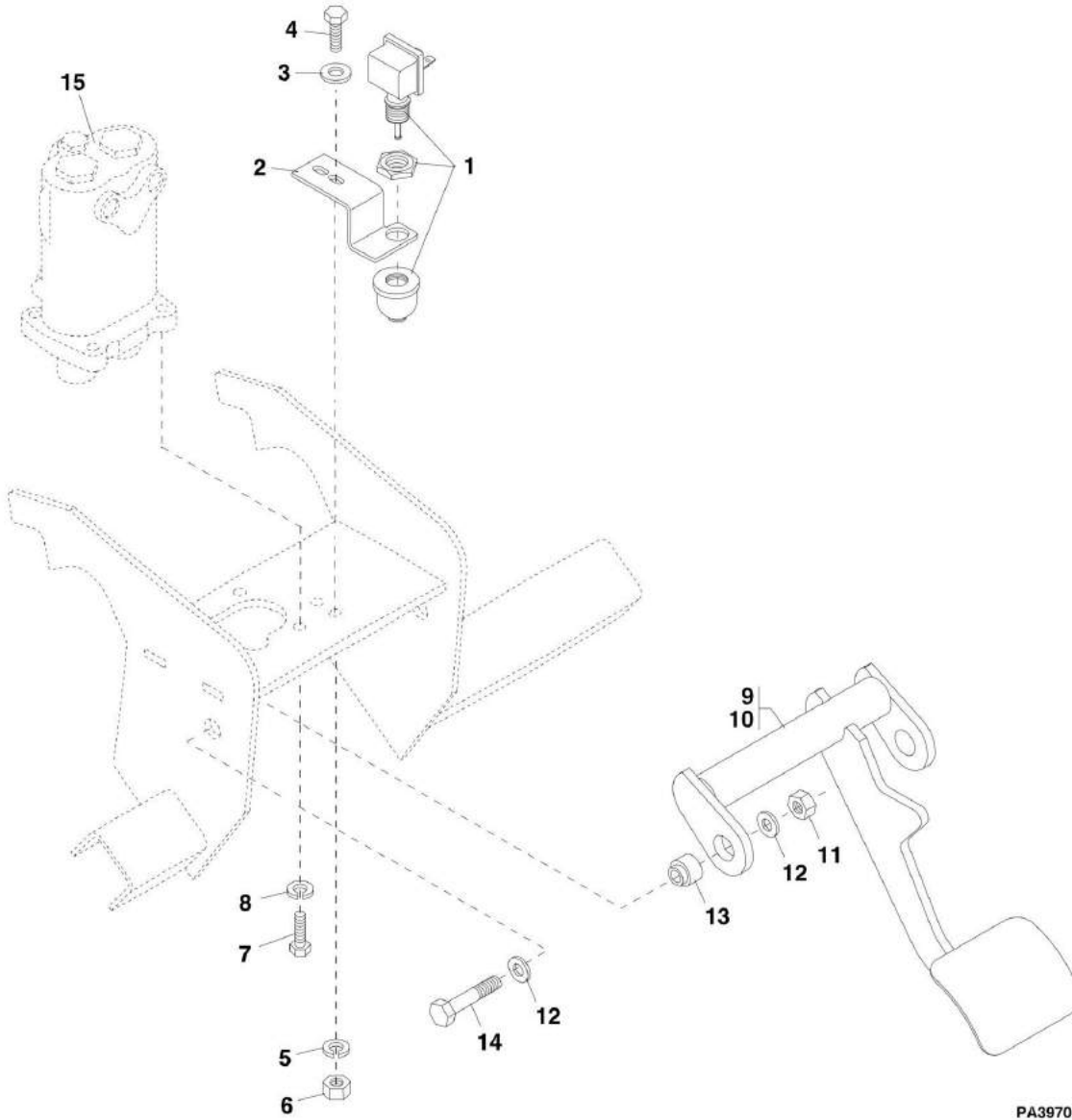
SECTION 6 - CAB

ITEM	PART NUMBER	QTY	DESCRIPTION	REV
40	8540231	1	ADAPTER, 45, (Prior to SN 0160038919, Excluding 0160033533)	
40	8540205	1	ADAPTER, 45, (SN 0160038919 through 0160039770, Including 0160033533)	
40	1001120819	1	ADAPTER, 45, (SN 0160039790 to Present)	
41	8540218	1	ADAPTER, 90, (Prior to SN 0160038919, Excluding 0160033533)	
42	1001100225	2	HEATER HOSE ASSY (SN 0160038919 to Present, Including 0160033533)	
46	8303757	1	HEX HD CAPSCREW, 5/16-18X2-1/2, GR5 (SN 0160038919 to Present, Including 0160033533)	
47	8307004	1	LOCKWASHER, 5/16 (SN 0160038919 to Present, Including 0160033533)	
48	8750024	1	CLAMP SET (SN 0160038919 to Present, Including 0160033533)	
49	8750025	1	COVER PLATE (SN 0160038919 to Present, Including 0160033533)	
50	8405202	1	CLAMP	
51	8036129	4	NYLOCK NUT, #6-32	
52	8033856	8	SCREW, 1/4-20X3/4	
53	7139301	2	FOAM	
54	70020631	1	HEATER PANEL ASSY, (includes items 5, 10, 12, 23 & 53)	
K1	7148100	1	FIELD INSTALLATION HEATER KIT, (includes items 1 thru 31, 38, 39 & 50 thru 53)	

SECTION 7 - CONTROLS

SECTION 7 - CONTROLS

FIGURE 7-1. SERVICE BRAKE PEDAL CONTROL (Prior to SN 0160038919, Excluding 0160033533)



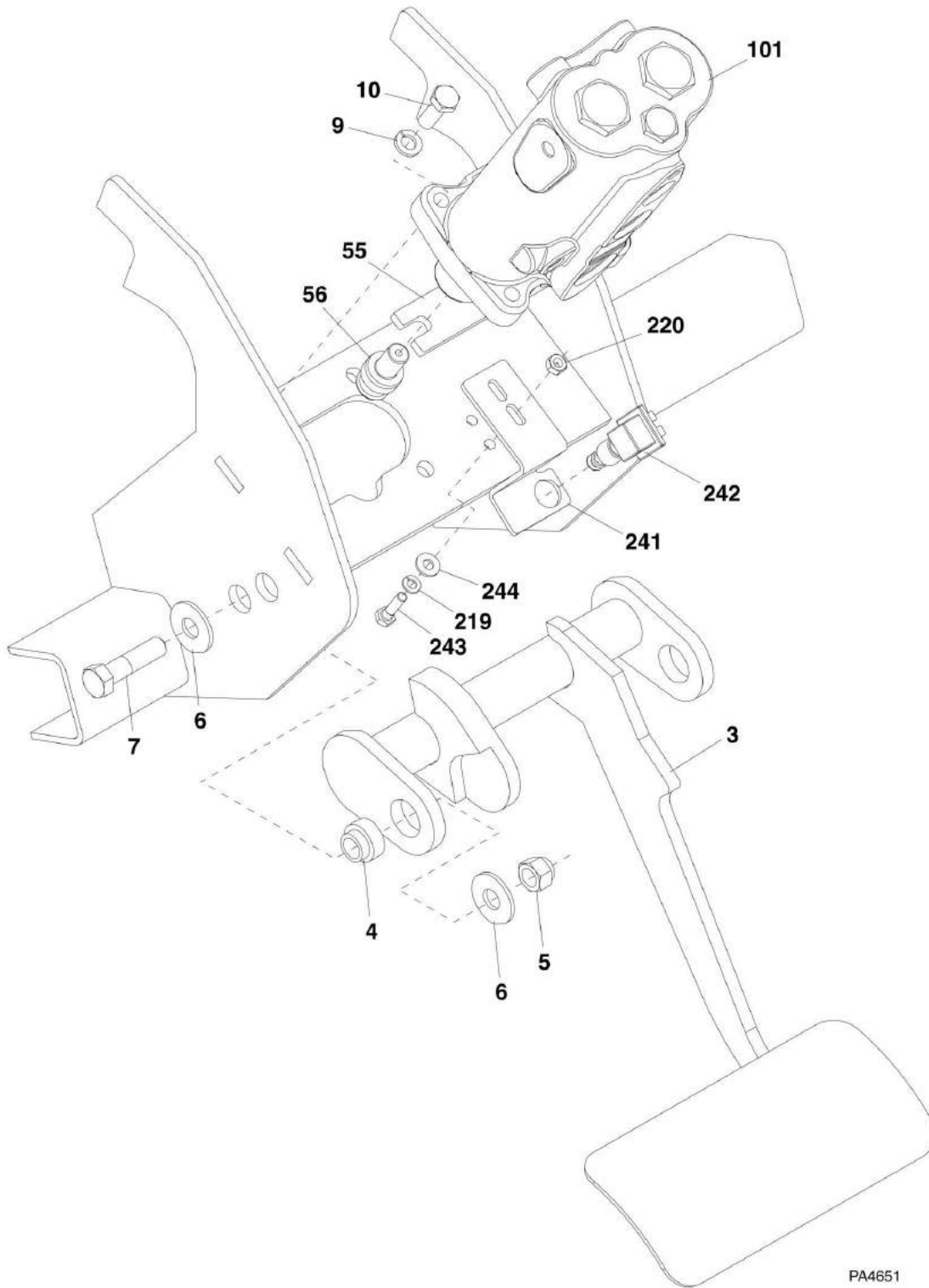
SECTION 7 - CONTROLS

FIGURE 7-1. SERVICE BRAKE PEDAL CONTROL (Prior to SN 0160038919, Excluding 0160033533)

ITEM	PART NUMBER	QTY	DESCRIPTION	REV
1	8223025	1	SERVICE BRAKE SWITCH	
2	7139271	1	BRAKE SWITCH BRACKET	
3	8307109	2	FLAT WASHER, 1/4	
4	8303540	2	HEX HD CAPSCREW, 1/4-20X1	
5	8307002	2	LOCK WASHER, 1/4	
6	8305004	2	HEX NUT, 1/4-20	
7	8303755	4	HEX HD CAPSCREW, M10-1.5X30MM	
8	8307023	4	LOCK WASHER, M10	
9	8024024	1	SERVICE BRAKE PEDAL KIT, (includes items 10 thru 14)	
10	7139027	1	BRAKE PEDAL	
11	8305644	2	LOCKNUT 1/2-13	
12	8307206	4	FLAT WASHER, 1/2	
13	7129521	2	BRAKE PEDAL PIVOT	
14	8303658	2	HEX HD CAPSCREW, 1/2-13X2	
15		Ref	BRAKE VALVE, (See HYDRAULIC CIRCUITS SECTION for Breakdown)	

SECTION 7 - CONTROLS

FIGURE 7-2. SERVICE BRAKE PEDAL CONTROL (SN 0160038919 to Present, Including 0160033533)



PA4651

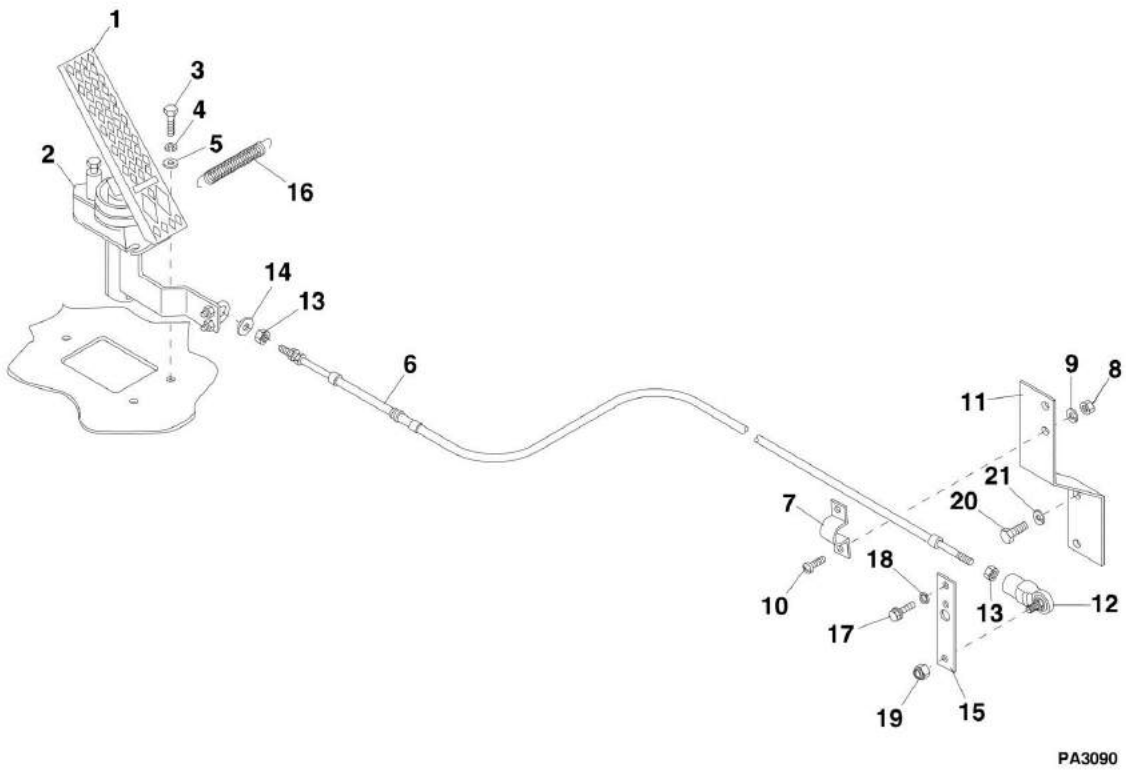
SECTION 7 - CONTROLS

FIGURE 7-2. SERVICE BRAKE PEDAL CONTROL (SN 0160038919 to Present, Including 0160033533)

ITEM	PART NUMBER	QTY	DESCRIPTION	REV
3	1001103113	1	BRAKE PEDAL	
4	7129521	2	BRAKE PEDAL PIVOT	
5	8305644	2	HEX LOCKNUT, 1/2-13	
6	8307206	4	FLAT WASHER, 1/2	
7	8303658	2	HEX HD CAPSCREW, 1/2-13X2, GR5	
9	8307023	4	LOCKWASHER, 10MM	
10	8303755	4	HEX HD CAPSCREW, 10X1-1/2X30MM, GR8.8	
55	91511145	1	TIE BAR	
56	91513180	2	ACTUATOR	
101		Ref	BRAKE VALVE, (See HYDRAULIC CIRCUITS SECTION for Breakdown)	
219	8307002	2	LOCKWASHER, 1/4	
220	8305004	2	HEX NUT, 1/4-20	
241	1001107355	1	SERVICE BRAKE SWITCH BRACKET	
242	8223025	1	SERVICE BRAKE SWITCH	
243	8303540	2	HEX HD CAPSCREW, 1/4-20X1	
244	8307109	2	FLAT WASHER, 1/4	

SECTION 7 - CONTROLS

FIGURE 7-3. THROTTLE PEDAL CONTROL (SN 17019 through 19897, SN 0160002408 through 0160004109)



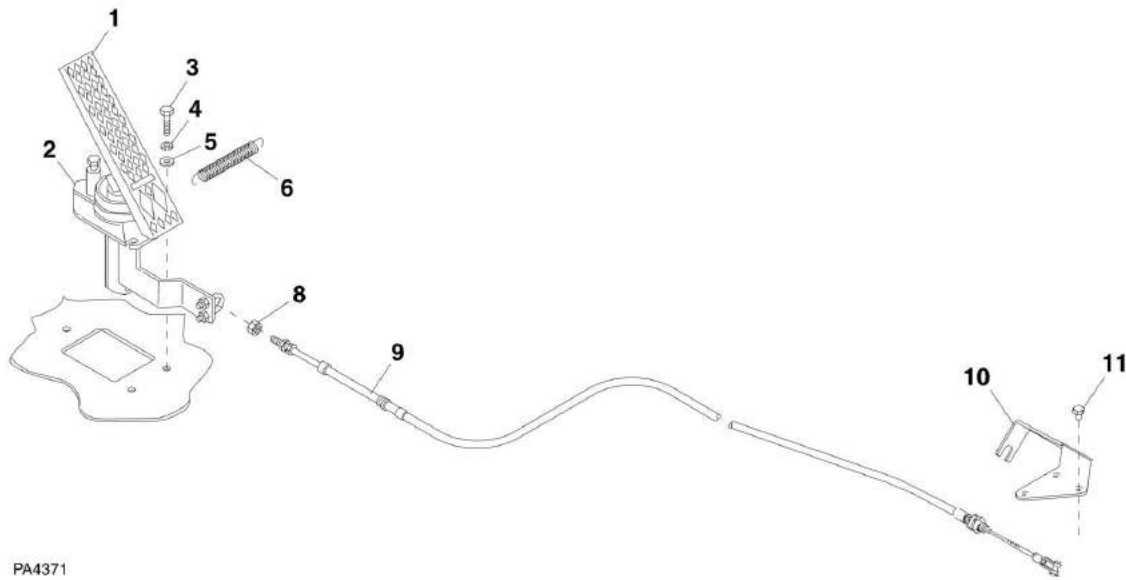
SECTION 7 - CONTROLS

FIGURE 7-3. THROTTLE PEDAL CONTROL (SN 17019 through 19897, SN 0160002408 through 0160004109)

ITEM	PART NUMBER	QTY	DESCRIPTION	REV
1	8162003	1	THROTTLE PEDAL, (includes item 2)	AC
2	8033178	1	THROTTLE PEDAL BELLOWS	
3	8303540	3	HEX HD CAPSCREW, 1/4-20X1	
4	8307002	3	LOCKWASHER, 1/4	
5	8307109	3	FLAT WASHER, 1/4	
6	8160080	1	THROTTLE CABLE	
7	8160610	1	CABLE CLAMP	
8	8305002	2	HEX NUT, #10-24	
9	8307003	2	LOCKWASHER, #10	
10	8303837	2	ROUND HD SCREW, #10-24X3/4	
11	7127102	1	THROTTLE CABLE BRACKET	
12	8340034	1	ROD END	
13	8305402	2	JAMNUT, 1/4	
14	8307109	AR	FLAT WASHER, 1/4	
15	7127091	1	THROTTLE LEVER EXTENSION	
16	8700116	1	SPRING	
17	8303799	2	HEX HD CAPSCREW, M6X14MM	
18	8307024	2	LOCKWASHER, M6	
19	8305650	1	LOCKNUT, 1/4	
20	8303790	2	HEX HD CAPSCREW, M12X30MM	
21	8307025	2	LOCKWASHER, M12	

SECTION 7 - CONTROLS

FIGURE 7-4. THROTTLE PEDAL CONTROL (SN 0160004111 through 0160039245)



PA4371

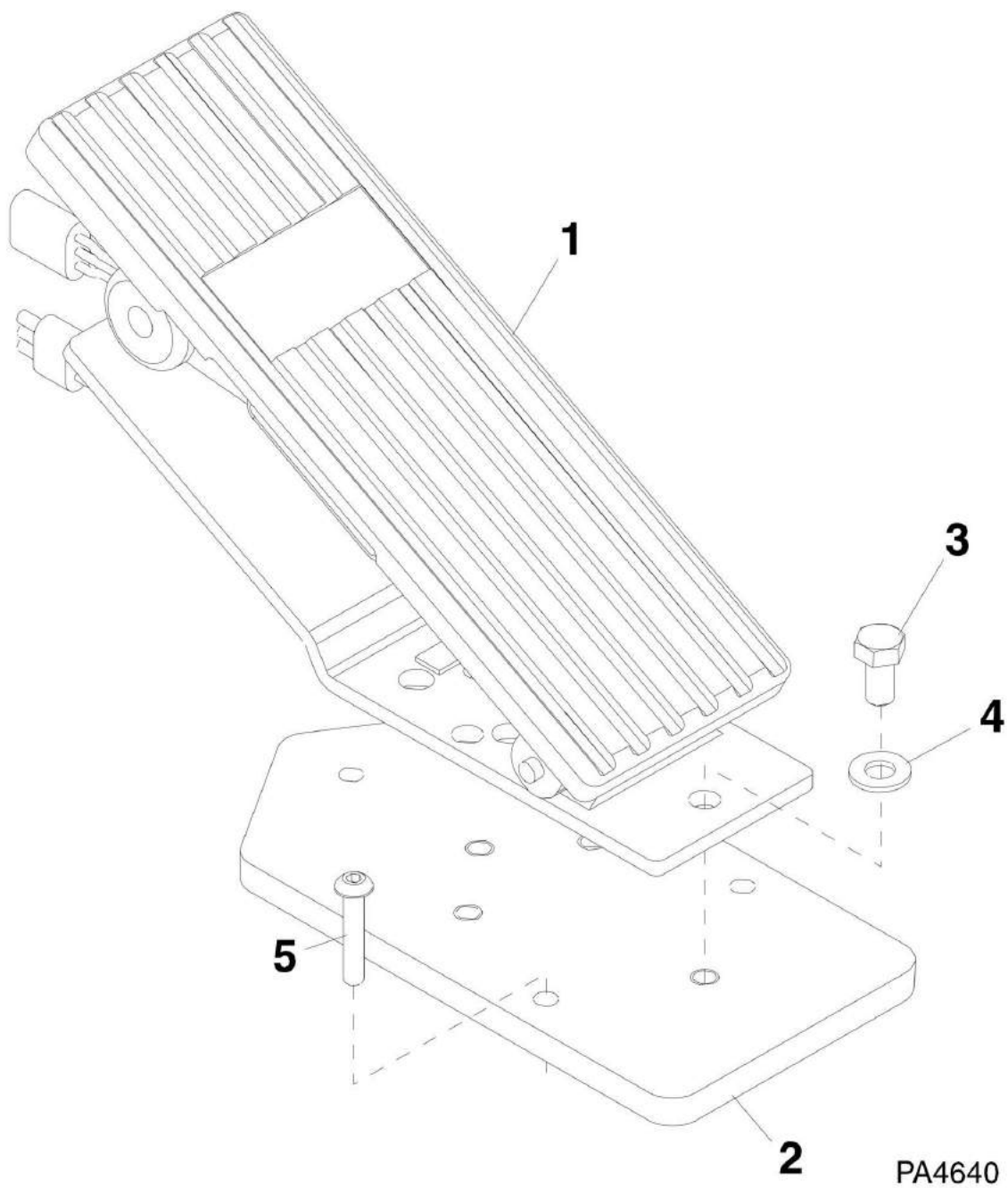
SECTION 7 - CONTROLS

FIGURE 7-4. THROTTLE PEDAL CONTROL (SN 0160004111 through 0160039245)

ITEM	PART NUMBER	QTY	DESCRIPTION	REV
1	8162003	1	THROTTLE PEDAL, (includes item 2)	AC
2	8033178	1	THROTTLE PEDAL BELLOWS	
3	8303540	3	HEX HD CAPSCREW, 1/4-20X1	
4	8307002	3	LOCKWASHER, 1/4	
5	8307109	3	FLAT WASHER, 1/4	
6	8700116	1	SPRING	
8	8305402	2	JAMNUT, 1/4	
9	1600373	1	THROTTLE CABLE	
10	7302331	1	THROTTLE CABLE BRACKET	
11	8310628	3	HEX HD CAPSCREW, M10X1.5X14MM, PC8.8, (torque to 45-60 lb-ft)	

SECTION 7 - CONTROLS

FIGURE 7-5. THROTTLE PEDAL CONTROL (SN 0160039434 to Present)



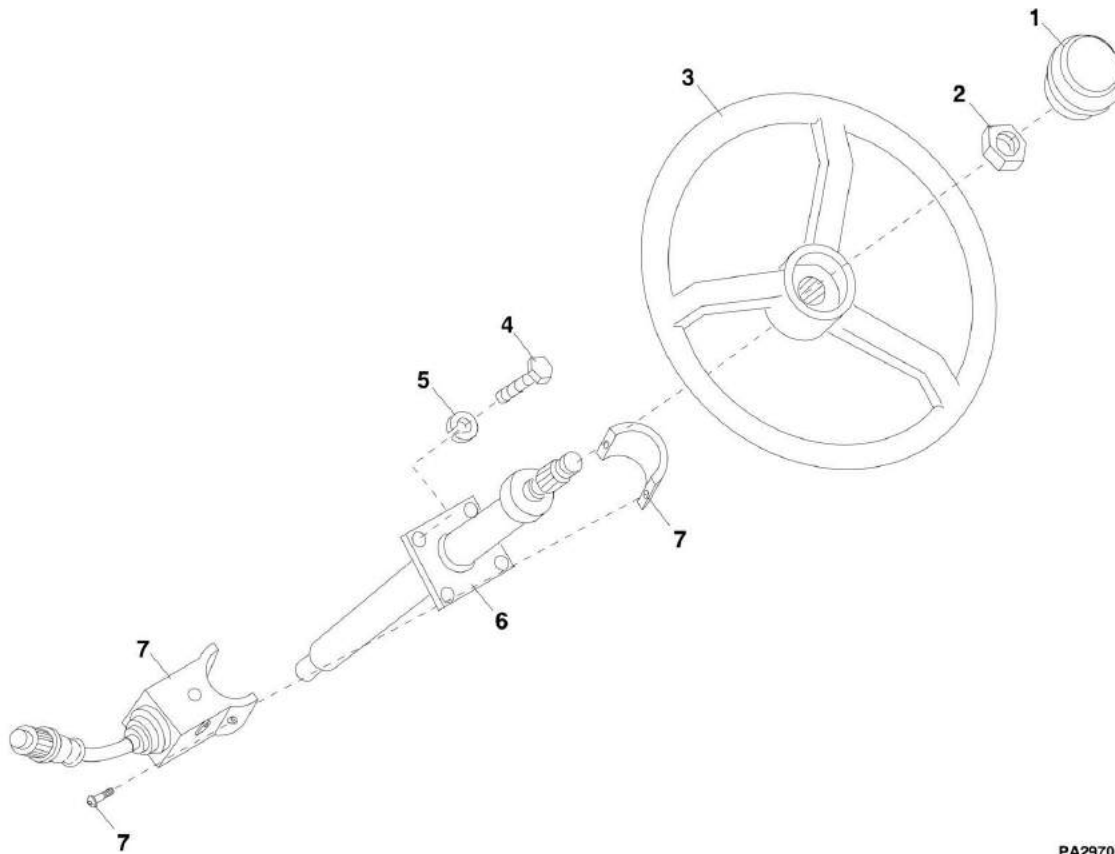
SECTION 7 - CONTROLS

FIGURE 7-5. THROTTLE PEDAL CONTROL (SN 0160039434 to Present)

ITEM	PART NUMBER	QTY	DESCRIPTION	REV
	7301585	1	THROTTLE PEDAL ADAPTER ASSY, (includes items 1 thru 5)	C
1	3400022	1	THROTTLE PEDAL ACCELERATOR	
2	3576442	1	THROTTLE ADAPTER PLATE	
3	8303745	4	HEX HD CAPSCREW, 5/16-18X5/8, GR5	
4	8307106	4	FLAT WASHER, 5/16	
5	8310725	3	BUTTON HD CAPSCREW, 1/4-20X1-1/4	

SECTION 7 - CONTROLS

FIGURE 7-6. STEERING WHEEL AND SHIFTER



PA2970

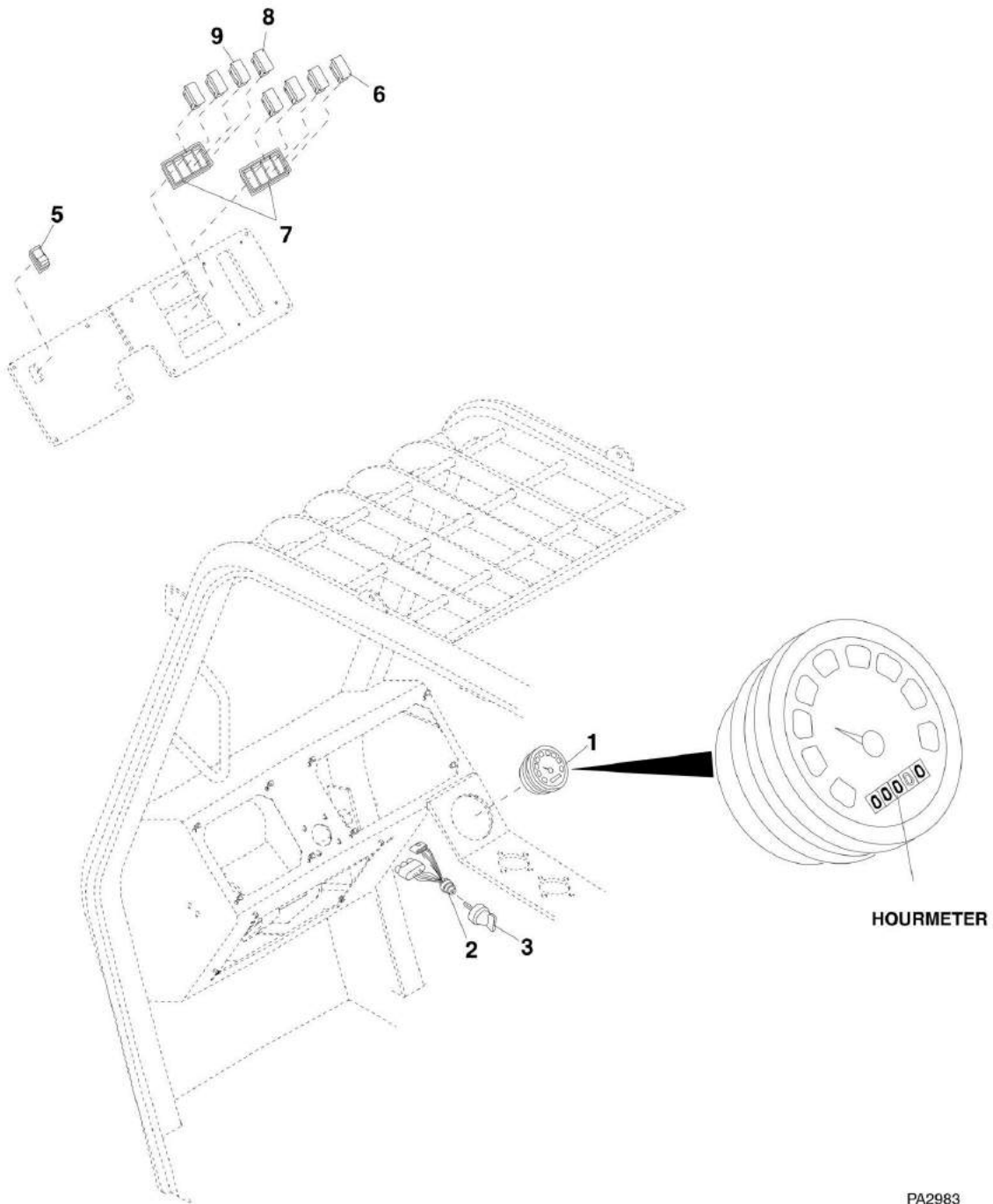
SECTION 7 - CONTROLS

FIGURE 7-6. STEERING WHEEL AND SHIFTER

ITEM	PART NUMBER	QTY	DESCRIPTION	REV
1	7138878	1	STEERING WHEEL CAP, (with horn button switch)	
2	8305916	1	STEERING COLUMN NUT, (torque to 45-50 lb-ft)	
3	7138836	1	STEERING WHEEL	
4	8303534	4	FLAT HD CAPSCREW, #10-16X1-1/4, (torque to 13 lb-ft)	
5	8307005	4	LOCKWASHER, 3/8	
6	7138833	1	STEERING COLUMN	
6	7029367	1	HORN BRUSH KIT	
7	8223049	1	TRANSMISSION RANGE SELECTOR SHIFTER, (includes mounting hardware) (SN 17019 through 19897, SN 0160002408 through 0160015196)	
7	1600429	1	TRANSMISSION RANGE SELECTOR SHIFTER, (includes mounting hardware) (SN 0160015215 to Present)	

SECTION 7 - CONTROLS

FIGURE 7-7. CONTROL CONSOLE



PA2983

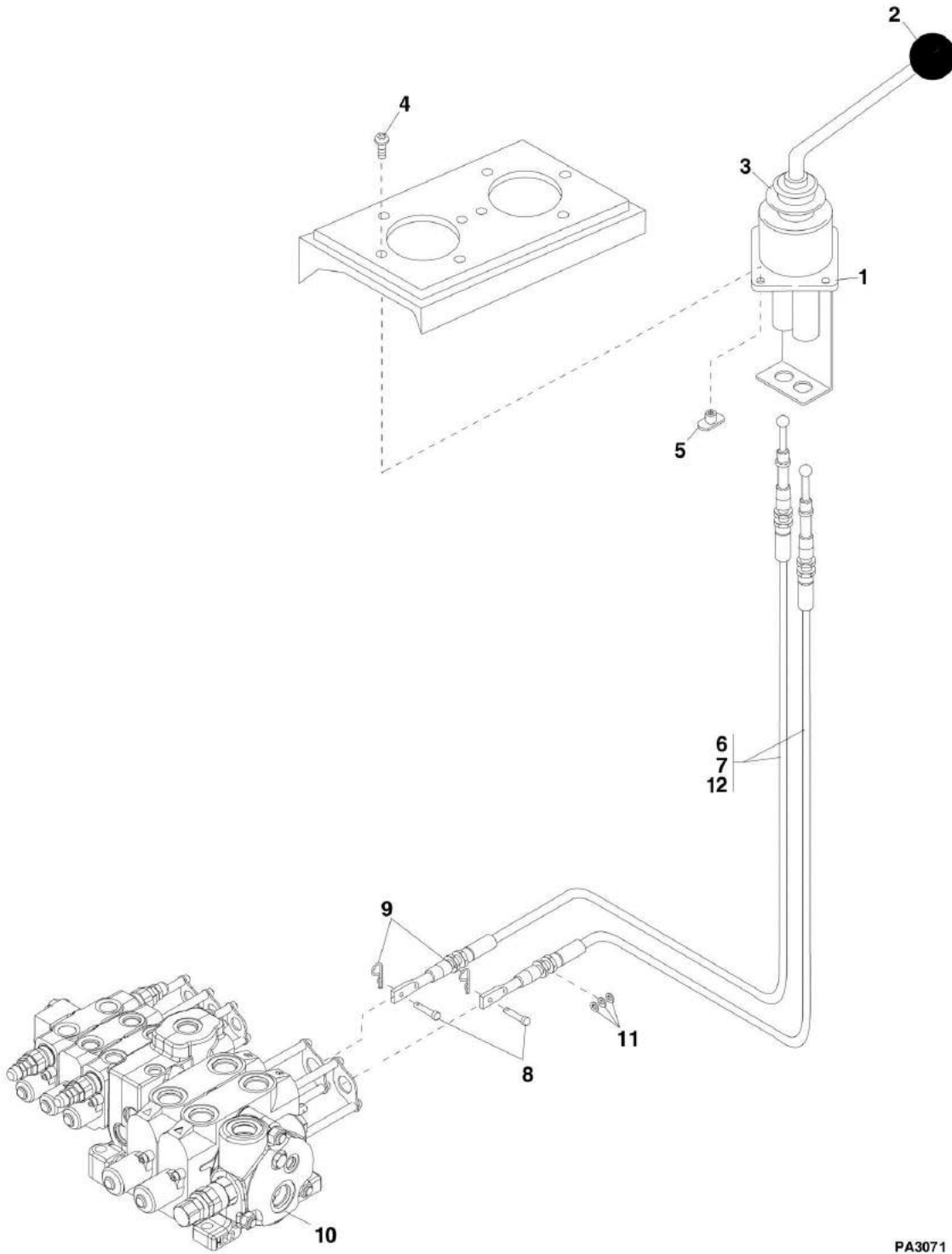
SECTION 7 - CONTROLS

FIGURE 7-7. CONTROL CONSOLE

ITEM	PART NUMBER	QTY	DESCRIPTION	REV
1	7150708	1	INSTRUMENT CLUSTER, (includes hourmeter)	
2	8223453	NLA	IGNITION SWITCH, (includes item 3), (no longer available, use ignition switch 4360690 for replacement or kit 2915161 on OPTIONS SECTION for service) (SN 17019 through 19897, SN 016002408 through 0160023103)	
2	4360690	1	IGNITION SWITCH, (includes item 3) (SN 0160023252 to Present)	
3	8035807	AR	KEY, (with cover)	
5	8223054	1	PARK BRAKE SWITCH	
6	8223037	1	STEER SELECT SWITCH	
7	8223046	2	BEZEL SWITCH	
8	8223081	1	ECM INDICATOR (SN 0160038919 to Present, Including 0160033533)	
9	8223082	1	ENGINE PREHEAT INDICATOR (SN 0160038919 to Present, Including 0160033533)	

SECTION 7 - CONTROLS

FIGURE 7-8. BOOM LIFT/LOWER AND EXTEND/RETRACT CONTROL



PA3071

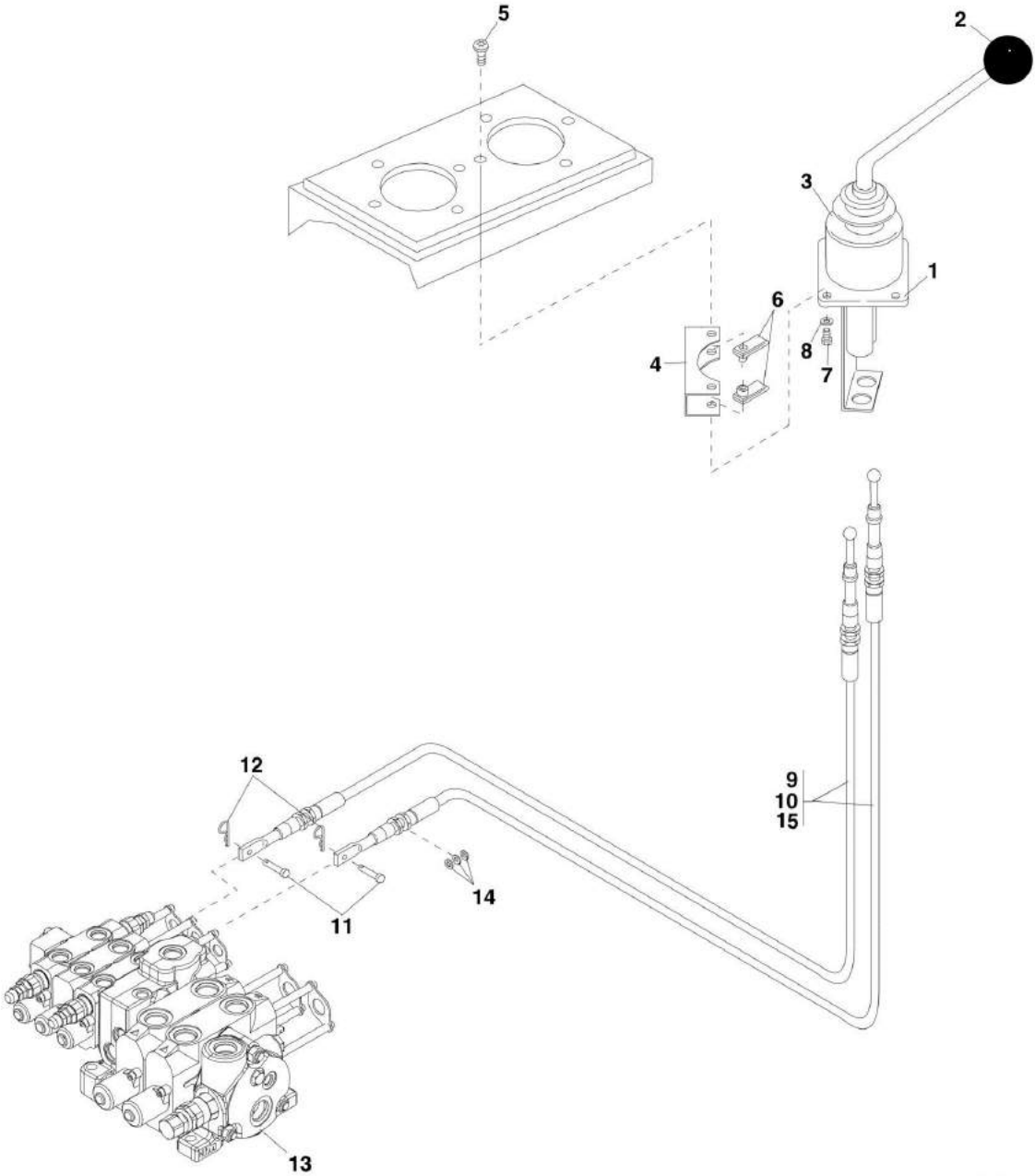
SECTION 7 - CONTROLS

FIGURE 7-8. BOOM LIFT/LOWER AND EXTEND/RETRACT CONTROL

ITEM	PART NUMBER	QTY	DESCRIPTION	REV
1	8224045	1	JOYSTICK WITH GATE, (includes items 2 & 3)	AB
2	8580110	1	KNOB	
3	8160419	1	BOOT	
4	8310143	4	HEX HD SCREW, 1/4X1	
5	8310144	4	PROP TEE NUT	
6	8024021	2	BOOM LIFT/LOWER AND EXTEND/RETRACT CONTROL CABLE ASSY, (includes items 7 thru 9)	
7	1001132550	1	CONTROL CABLE	
8	8301443	1	CLEVIS PIN, 3/16X1	
9	8302470	1	HAIR PIN, 3/32	
10		Ref	MAIN CONTROL VALVE, (See HYDRAULIC COMPONENTS SECTION for Breakdown)	
11	4812300	6	FLAT WASHER, M16	
12	0100011	AR	LOCTITE 242	

SECTION 7 - CONTROLS

FIGURE 7-9. FRAME SWAY AND ATTACHMENT TILT CONTROL



PA3081

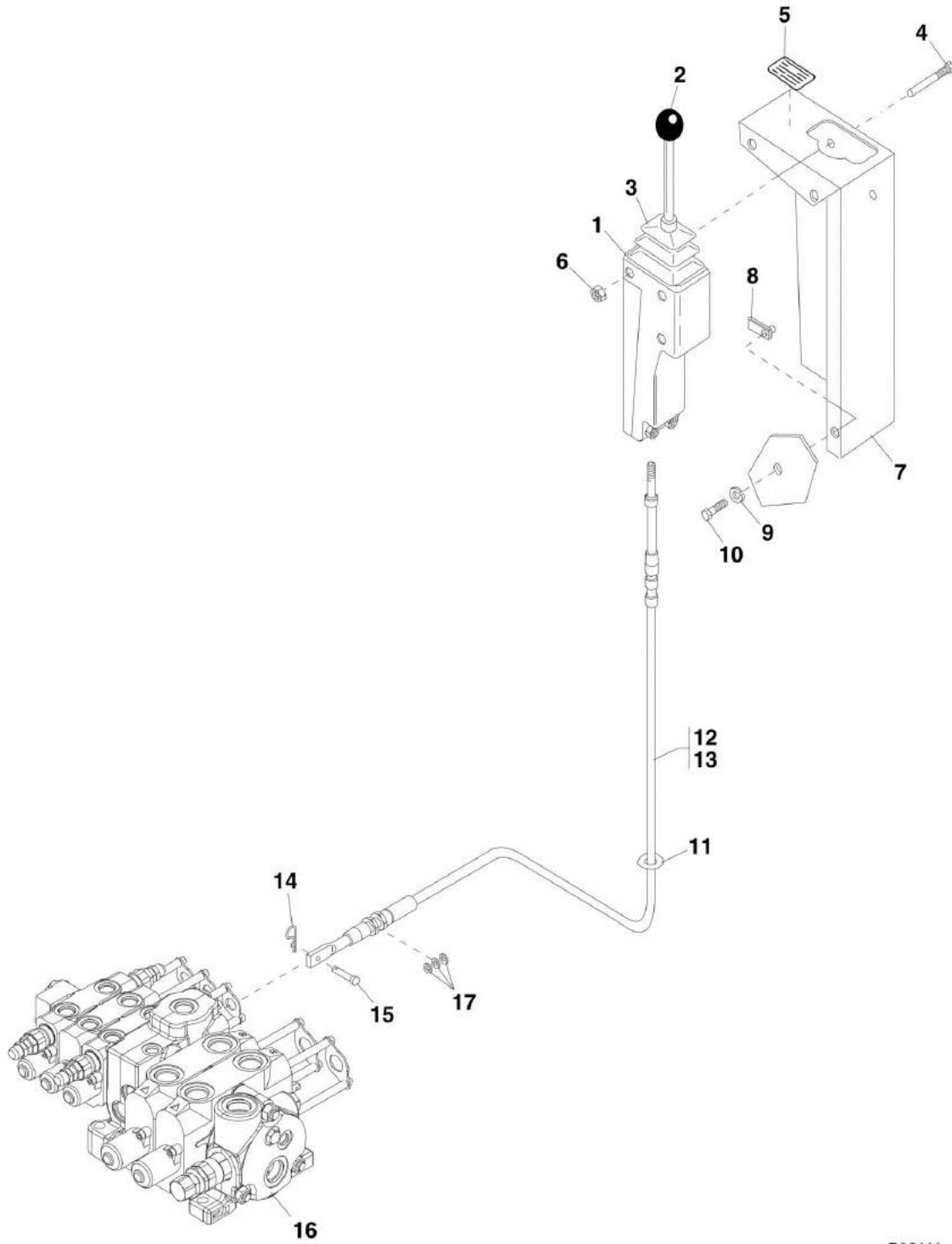
SECTION 7 - CONTROLS

FIGURE 7-9. FRAME SWAY AND ATTACHMENT TILT CONTROL

ITEM	PART NUMBER	QTY	DESCRIPTION	REV
1	8224047	1	JOYSTICK WITH GATE, (includes items 2 & 3)	AB
2	8580110	1	KNOB	
3	8160419	1	BOOT	
4	7098142	2	SPACER	
5	88261017	4	HEX HD SCREW, 1/4-20NCX7/8	
6	8310001	8	NUT	
7	8303540	4	HEX HD SCREW, 1/4X1	
8	8307109	4	FLAT WASHER, 1/4	
9	8024022	2	FRAME SWAY AND ATTACHMENT TILT CONTROL CABLE ASSY, (includes items 10 thru 12)	
10	1001132551	1	CONTROL CABLE	
11	8301443	1	CLEVIS PIN, 3/16X1	
12	8302470	1	HAIR PIN, 3/32	
13		Ref	MAIN CONTROL VALVE, (See HYDRAULIC COMPONENTS SECTION for Breakdown)	
14	4812300	6	FLAT WASHER, M16	
15	0100011	AR	LOCTITE 242	

SECTION 7 - CONTROLS

FIGURE 7-10. AUXILIARY HYDRAULIC CONTROL



PA3111

SECTION 7 - CONTROLS

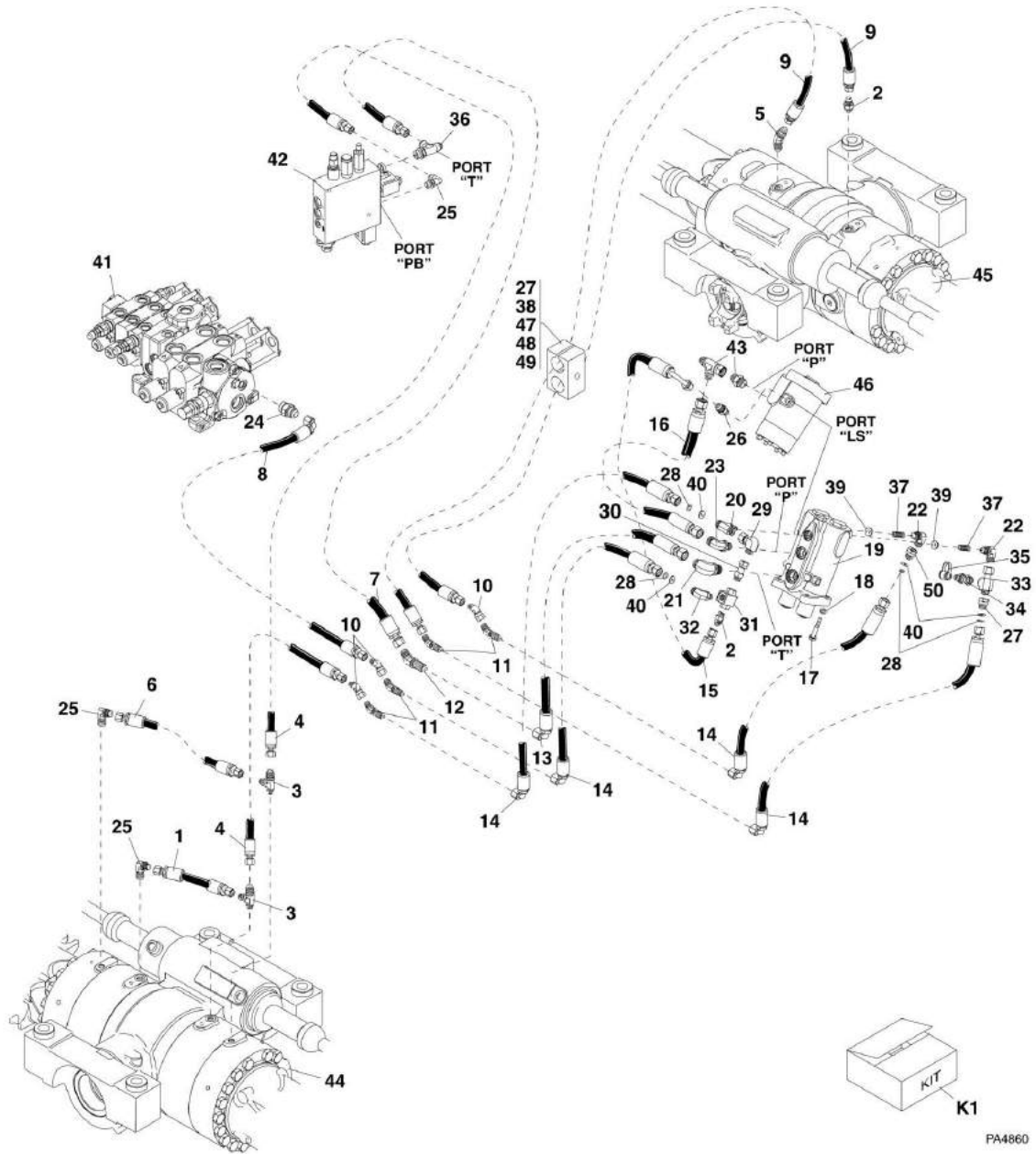
FIGURE 7-10. AUXILIARY HYDRAULIC CONTROL

ITEM	PART NUMBER	QTY	DESCRIPTION	REV
1	8160406	1	CONTROLLER, (includes items 2 & 3)	AB
2	8580110	1	KNOB	
3	8160418	1	BOOT	
4	8303758	2	HEX HD CAPSCREW, 1/4-20X2	
5	4105621	1	AUXILIARY CONTROL DECAL	
6	8305004	2	HEX NUT, 1/4-20	
7	7091323	1	CONTROLLER SUPPORT	
8	8305906	3	RETAINING NUT, 5/16-18	
9	8307004	3	LOCKWASHER, 5/16	
10	8303697	3	HEX HD CAPSCREW, 5/16-18X3/4	
11	7125871	AR	CONDUIT, .5X8	
12	8024023	1	AUXILIARY HYDRAULICS CONTROL CABLE ASSY, (includes 13 thru 15)	
13	8160078	1	CONTROL CABLE	
14	8302470	1	HAIR PIN	
15	8301443	1	CLEVIS PIN	
16		Ref	MAIN CONTROL VALVE, (See HYDRAULIC COMPONENTS SECTION for Breakdown)	
17	4812300	3	FLAT WASHER, M16	

SECTION 8 - HYDRAULIC CIRCUITS

SECTION 8 - HYDRAULIC CIRCUITS

FIGURE 8-1. SERVICE BRAKE AND DE-CLUTCH (Prior to SN 0160038919, Excluding 016003533)



SECTION 8 - HYDRAULIC CIRCUITS

FIGURE 8-1. SERVICE BRAKE AND DE-CLUTCH (Prior to SN 0160038919, Excluding 0160033533)

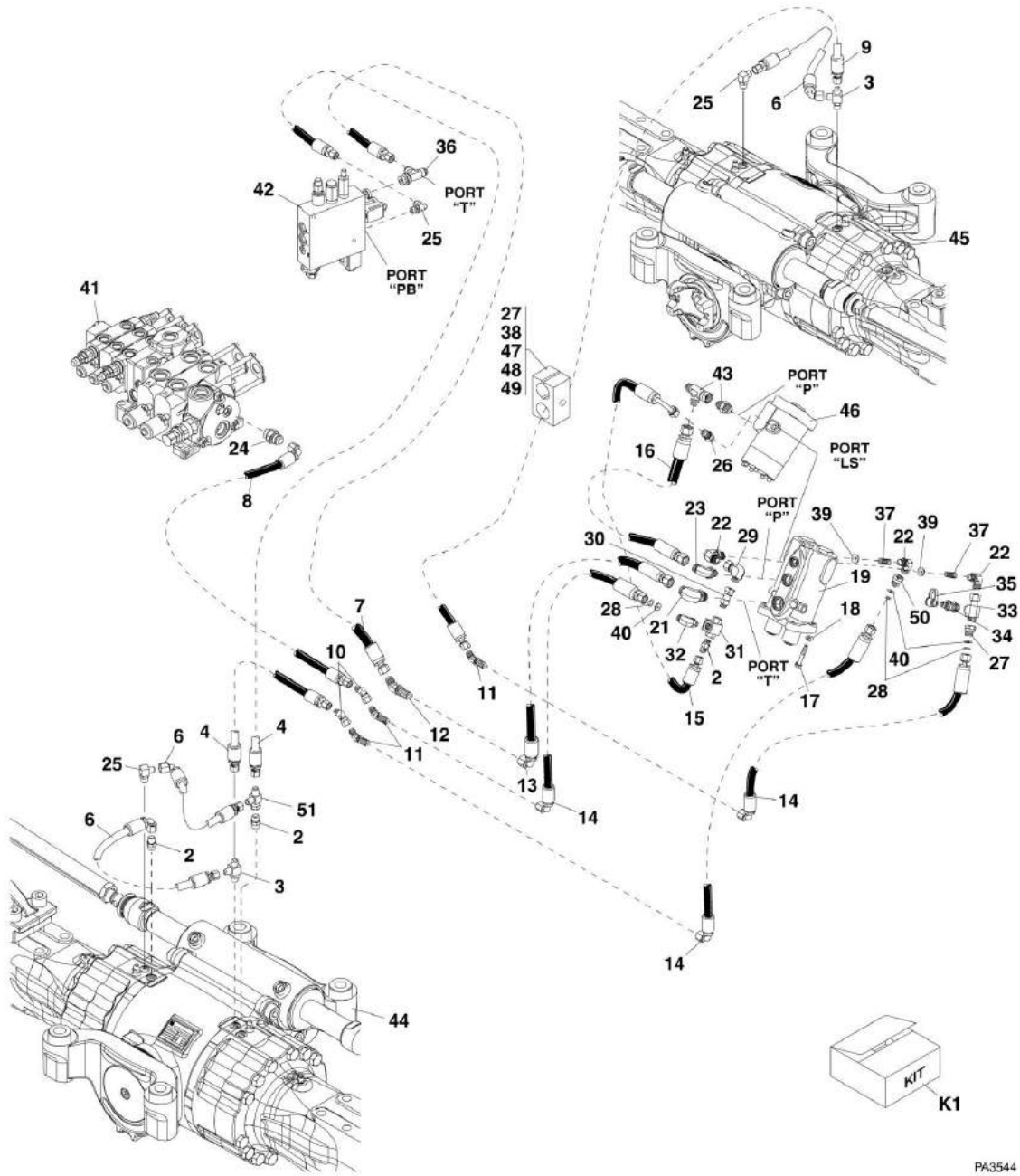
ITEM	PART NUMBER	QTY	DESCRIPTION	REV
1	2716765	1	HOSE ASSY	
2	2220371	2	STRAIGHT CONNECTOR	
3	2220606	2	MALE RUN TEE	
4	2716763	2	HOSE ASSY	
5	8760312	1	ELBOW, 45	
6	2716761	1	HOSE ASSY	
7	2716770	1	HOSE ASSY (SN 17019 through 19897, SN 016002408 through 0160018885)	
7	2754737	1	HOSE ASSY (SN 0160018886 to Present)	
8	2716762	1	HOSE ASSY	
9	2716766	2	HOSE ASSY	
10	2220657	3	ELBOW, 45, (swivel nut)	
11	8770189	4	BULKHEAD ELBOW, 45	
12	8760237	1	ELBOW, 45, (SN 14834 through 19988, SN 0160002345 through 0160018879)	
12	2230035	1	BULKHEAD ELBOW, 45, (SN 0160018880 to Present)	
13	2716697	1	HOSE ASSY (SN 17019 through 19897, SN 016002408 through 0160018885)	
13	2754736	1	HOSE ASSY (SN 0160018886 to Present)	
14	2716699	4	HOSE ASSY	
15	2716700	1	HOSE ASSY	
16	2716695	1	HOSE ASSY	
17	8303755	4	HEX HD CAPSCREW, M10X30MM	
18	8307023	4	LOCK WASHER, M10	
18	8902274	NLA	BRAKE VALVE ASSY, (includes items 19 thru 23), (no longer available, use 1001109404 for replacement)	D
18	1001109404	1	BRAKE VALVE ASSY, (includes items 19 thru 23)	B
19		Ref	BRAKE VALVE, (See HYDRAULIC COMPONENTS SECTION for Breakdown)	
20	8770183	1	BRANCH TEE, (includes o-ring)	
21	8770175	1	ELBOW, 90, (includes o-ring)	
22	8770109	2	ELBOW, 90, (includes o-ring)	
23	8770120	1	ELBOW, 90, (includes o-ring)	
24	2220371	1	STRAIGHT CONNECTOR	
25	2220473	3	ELBOW, 90	
26	2220630	1	STRAIGHT CONNECTOR	
27	8303264	1	HEX HD CAPSCREW, .438-14X1.50, GR8, (torque to 46-84 lb-ft)	
28	8630003	4	O-RING	
29	2172106	1	ELBOW, 90, (swivel nut)	
30	2221123	1	SWIVEL CONNECTOR	
31	8902175	1	SHUTTLE VALVE	
32	2130606	1	ELBOW, 90	
33	2170706	1	SWIVEL RUN TEE	
34	8430081	1	SWIVEL NIPPLE, 1/8 BODY	
35	8430032	1	DUST PLUG	
36	2220602	1	MALE RUN TEE	
37	Kit K1	2	CONICAL SPRING	
38	8769123	1	TWIN COVER PLATE	
39	Kit K1	2	ORIFICE	
40	7139212	4	ORIFICE DISK, .089 DIA	
41		Ref	MAIN CONTROL VALVE, (See HYDRAULIC COMPONENTS	

SECTION 8 - HYDRAULIC CIRCUITS

ITEM	PART NUMBER	QTY	DESCRIPTION	REV
42		Ref	SECTION for Breakdown) SECONDARY FUNCTION MANIFOLD, (See HYDRAULIC COMPONENTS SECTION for Breakdown)	
43		Ref	POWER STEERING CIRCUIT, (See POWER STEERING for Breakdown)	
44		Ref	FRONT AXLE, (See DRIVE TRAIN SECTION for Breakdown)	
45		Ref	REAR AXLE, (See DRIVE TRAIN SECTION for Breakdown)	
46		Ref	STEERING UNIT, (See POWER STEERING for Breakdown)	
47	8307004	1	LOCKWASHER, 5/16	
48	8750015	1	CLAMP SET	
49	8750017	1	LOCKING PLATE	
50	7139179	1	ORIFICE FITTING	
K1	8036385	1	BRAKE VALVE SEAL KIT, (includes qty 1 of item 37 qty 1 of item 39)	

SECTION 8 - HYDRAULIC CIRCUITS

FIGURE 8-2. SERVICE BRAKE AND DE-CLUTCH (SN 0160038919 to Present, Including 0160033533)



PA3544

SECTION 8 - HYDRAULIC CIRCUITS

FIGURE 8-2. SERVICE BRAKE AND DE-CLUTCH (SN 0160038919 to Present, Including 0160033533)

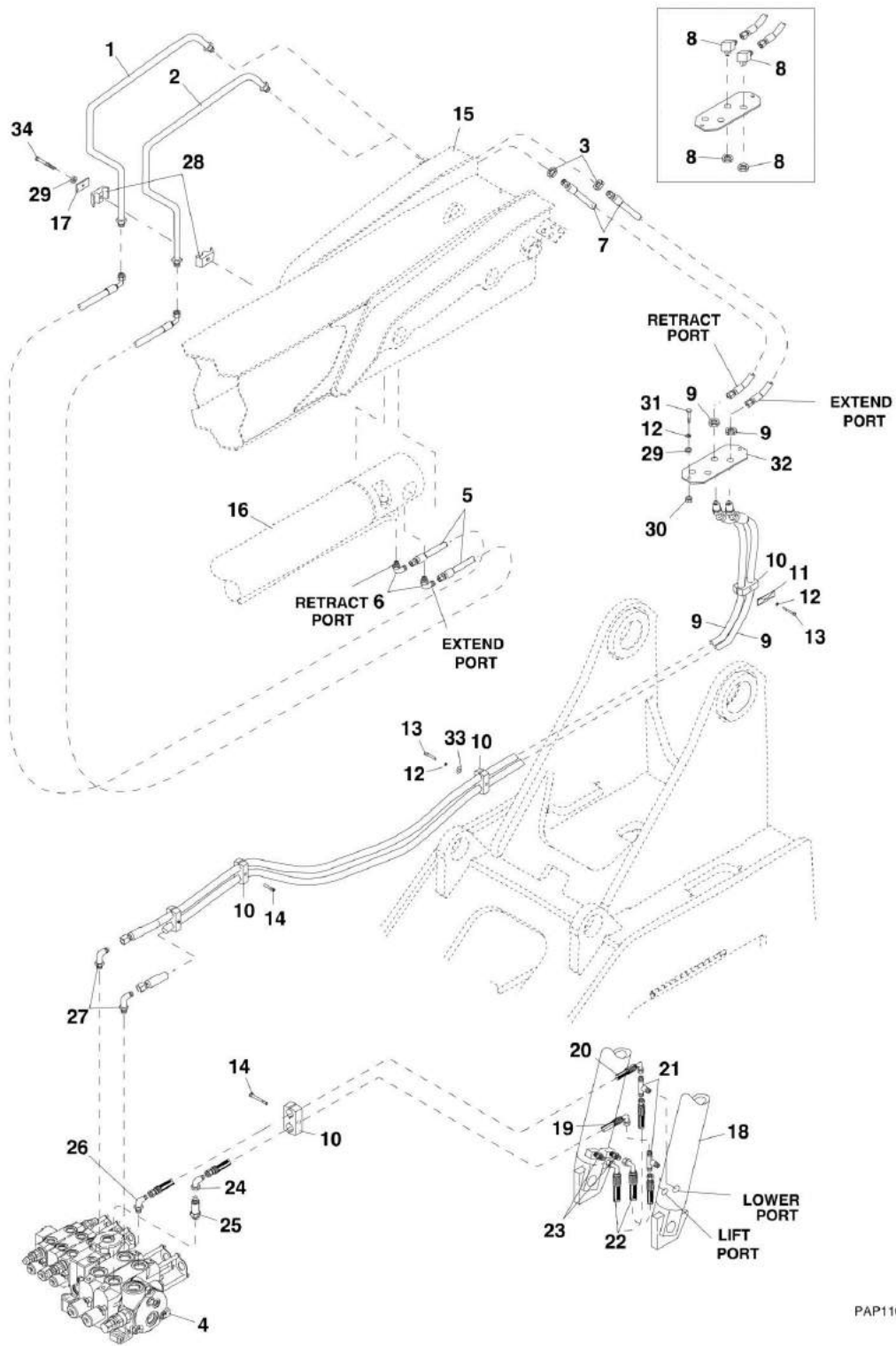
ITEM	PART NUMBER	QTY	DESCRIPTION	REV
2	2220371	3	STRAIGHT CONNECTOR	
3	2220606	2	MALE RUN TEE	
4	2716763	2	HOSE ASSY	
6	2716670	3	HOSE ASSY	
7	2754737	1	HOSE ASSY	
8	2716762	1	HOSE ASSY	
9	2716766	1	HOSE ASSY	
10	2220657	2	ELBOW, 45, (swivel nut)	
11	8770189	4	BULKHEAD ELBOW, 45	
12	2230035	1	BULKHEAD ELBOW, 45	
13	2754736	1	HOSE ASSY	
14	2716699	3	HOSE ASSY	
15	2716700	1	HOSE ASSY	
16	2716695	1	HOSE ASSY	
17	8303755	4	HEX HD CAPSCREW, M10X30MM	
18	8307023	4	LOCK WASHER, M10	
18	1001109404	1	BRAKE VALVE ASSY, (includes items 19 thru 23)	B
19		Ref	BRAKE VALVE, (See HYDRAULIC COMPONENTS SECTION for Breakdown)	
20	8770183	1	BRANCH TEE, (includes o-ring)	
21	8770175	1	ELBOW, 90, (includes o-ring)	
22	8770109	2	ELBOW, 90, (includes o-ring)	
23	8770120	1	ELBOW, 90, (includes o-ring)	
24	2220371	1	STRAIGHT CONNECTOR	
25	2220473	3	ELBOW, 90	
26	2220603	1	STRAIGHT CONNECTOR	
27	8303264	1	HEX HD CAPSCREW, .438-14X1-1/2, GR8	
28	8630003	3	O-RING	
29	2172106	1	ELBOW, 90, (swivel nut)	
30	2221123	1	SWIVEL CONNECTOR	
31	8902175	1	SHUTTLE VALVE	
32	2130606	1	ELBOW, 90	
33	2170706	1	SWIVEL RUN TEE	
34	8430081	1	SWIVEL NIPPLE, 1/8 BODY	
35	8430032	1	DUST PLUG	
36	2220602	1	MALE RUN TEE	
37	Kit K1	2	CONICAL SPRING	
38	8769123	1	TWIN COVER PLATE	
39	Kit K1	2	ORIFICE	
40	7139212	3	ORIFICE DISK, .089 DIA	
41		Ref	MAIN CONTROL VALVE, (See HYDRAULIC COMPONENTS SECTION for Breakdown)	
42		Ref	SECONDARY FUNCTION MANIFOLD, (See HYDRAULIC COMPONENTS SECTION for Breakdown)	
43		Ref	POWER STEERING CIRCUIT, (See POWER STEERING for Breakdown)	
44		Ref	FRONT AXLE, (See DRIVE TRAIN SECTION for Breakdown)	
45		Ref	REAR AXLE, (See DRIVE TRAIN SECTION for Breakdown)	
46		Ref	STEERING UNIT, (See POWER STEERING for Breakdown)	
47	8307004	1	LOCKWASHER, 5/16	

SECTION 8 - HYDRAULIC CIRCUITS

ITEM	PART NUMBER	QTY	DESCRIPTION	REV
48	8750015	1	CLAMP SET	
49	8750017	1	LOCKING PLATE	
50	7139179	1	ORIFICE FITTING	
51	2220635	1	FITTING, TEE	
K1	8036385	1	BRAKE VALVE SEAL KIT, (includes qty 1 of item 37 and qty 1 of item 39)	

SECTION 8 - HYDRAULIC CIRCUITS

FIGURE 8-3. BOOM LIFT/LOWER AND EXTEND/RETRACT



PAP11050

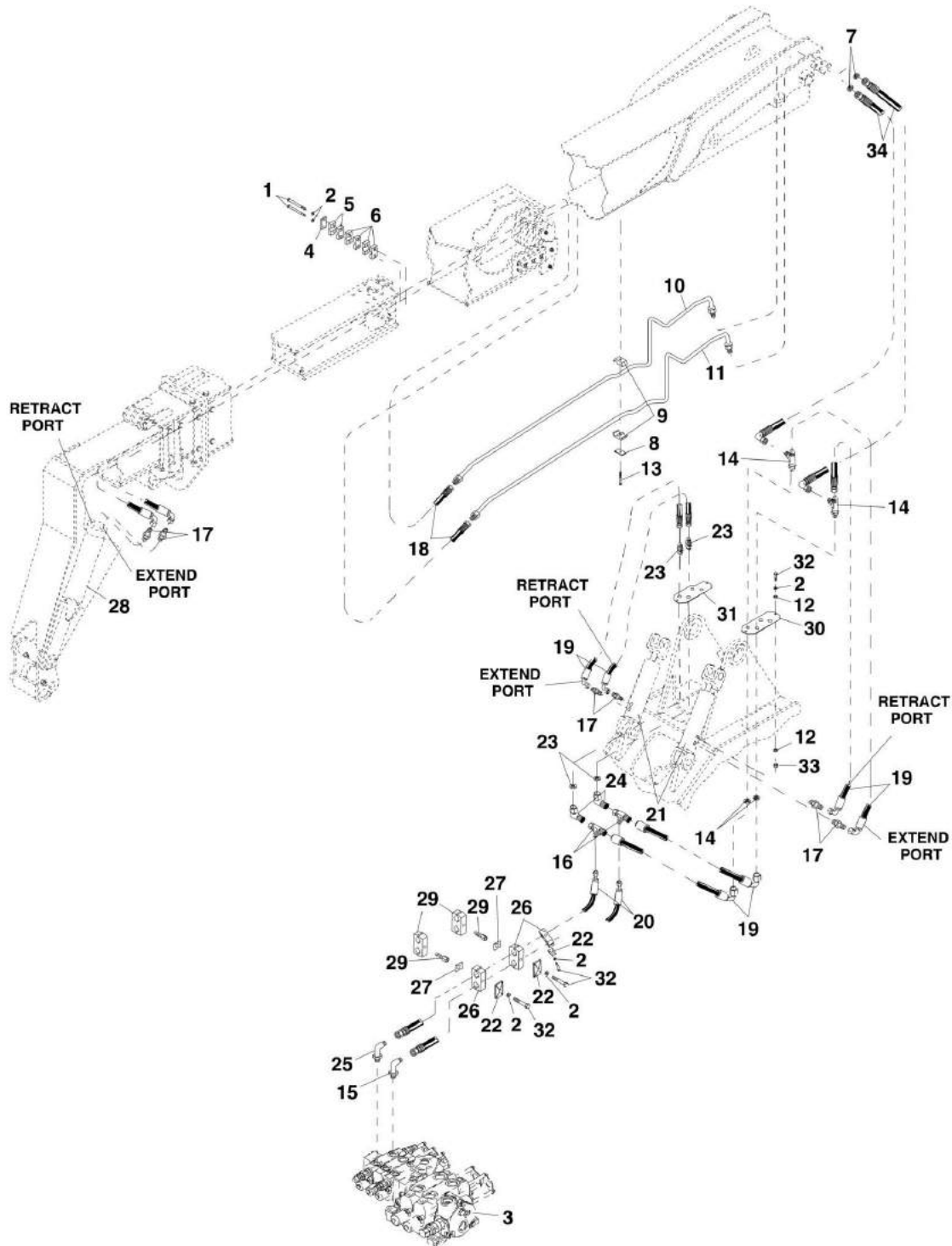
SECTION 8 - HYDRAULIC CIRCUITS

FIGURE 8-3. BOOM LIFT/LOWER AND EXTEND/RETRACT

ITEM	PART NUMBER	QTY	DESCRIPTION	REV
1	7300671	1	BOOM EXTEND CYLINDER TUBE	
2	7300670	1	BOOM EXTEND CYLINDER TUBE	
3	8760468	2	BULKHEAD LOCKNUT	
4		Ref	MAIN CONTROL VALVE, (See HYDRAULIC COMPONENTS SECTION for Breakdown)	
5	2717018	2	HOSE ASSY	
6	2220578	2	ELBOW, 90	
7	2755060	2	HOSE ASSY	
8	2230046	2	BULKHEAD ELBOW, 90, (SN 17019 through 19897, SN 0160002408 through 0160012301)	
9	2716778	2	HOSE ASSY (SN 17019 through 19897, SN 0160002408 through 0160012301)	
9	2755059	2	HOSE ASSY (SN 0160012302 through 0160039074)	
9	1001114202	2	HOSE ASSY (SN 0160039075 to Present)	
10	8750040	5	TWIN CLAMP SET, 1.18 DIA	
11	8750025	2	TWIN COVER PLATE	
12	8307004	3	LOCKWASHER, 5/16	
13	8303757	2	HEX HD CAPSCREW, 5/16-18X2.50	
14	8750026	3	STACKING BOLT, (torque to 11.6-21 lb-ft)	
15		Ref	FIRST BOOM SECTION, (See BOOM SECTION for Breakdown)	
16		Ref	EXTEND/RETRACT CYLINDER, (See HYDRAULIC COMPONENTS SECTION for Breakdown)	
17	8769128	1	TWIN COVER PLATE	
18		Ref	LIFT/LOWER CYLINDER, (See HYDRAULIC COMPONENTS SECTION for Breakdown)	
19	2716784	1	HOSE ASSY	
20	2716785	1	HOSE ASSY	
21	2220695	2	MALE BRANCH TEE	
22	2716675	2	HOSE ASSY	
23	2220375	2	STRAIGHT CONNECTOR	
24	2220655	1	ELBOW, 90, (swivel nut)	
25	2220451	1	STRAIGHT CONNECTOR	
26	2220578	1	ELBOW, 90	
27	8770157	2	ELBOW, 90	
28	8769139	1	CLAMP SET, .750 DIA TWIN	
29	8307106	9	FLAT WASHER, .34X.69X.065	
30	8305006	4	HEX NUT, 5/16-18	
31	8310009	2	HEX HD CAPSCREW, 5/16-18X2.0	
32		Ref	RH BULKHEAD PLATE, (See ATTACHMENT TILT AND SLAVE for Breakdown)	
33	8750017	1	TWIN CLAMP LOCKING PLATE (SN 17019 through 19897, SN 0160002408 through 0160033307)	
33	8750025	1	TWIN COVER PLATE (SN 0160033308 to Present)	
34	8310009	1	HEX HD CAPSCREW, 5/16-18X2.0 (SN 17019 through 19897, SN 0160002408 through 0160013566)	
34	8303746	1	HEX HD CAPSCREW, 5/16-18X1-3/4 (SN 0160013567 to Present)	

SECTION 8 - HYDRAULIC CIRCUITS

FIGURE 8-4. ATTACHMENT TILT AND SLAVE (SN 17019 through 18832)



PAP11070

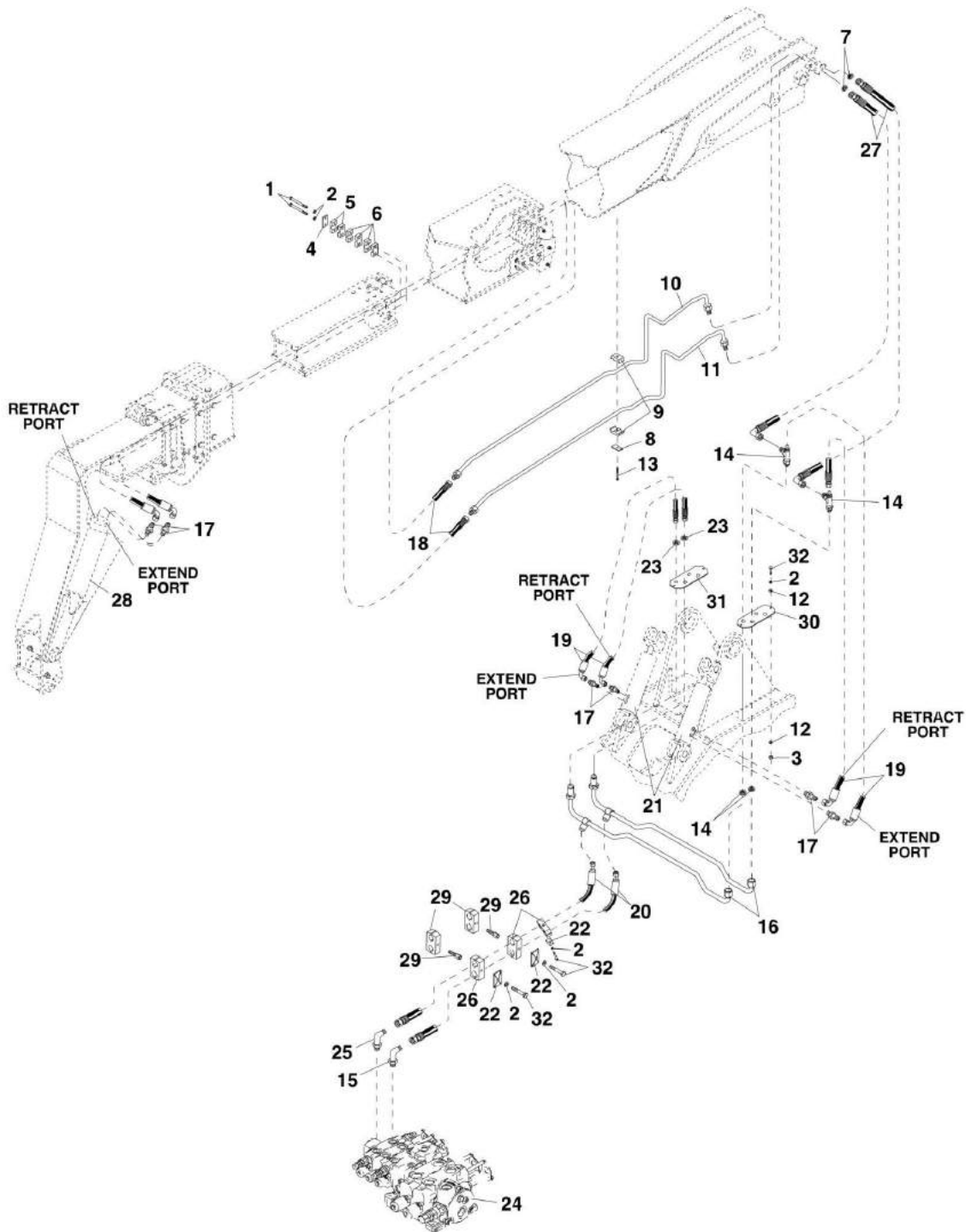
SECTION 8 - HYDRAULIC CIRCUITS

FIGURE 8-4. ATTACHMENT TILT AND SLAVE (SN 17019 through 18832)

ITEM	PART NUMBER	QTY	DESCRIPTION	REV
1	8303752	4	HEX HD CAPSCREW, 5/16-18X3-1/2, GR5	
2	8307004	9	LOCKWASHER, 5/16	
3		Ref	MAIN CONTROL VALVE, (See HYDRAULIC COMPONENTS SECTION for Breakdown)	
4	8769149	1	COVER PLATE	
5	8769161	2	HALF CLAMP, 3/4 DIA	
6	8750003	4	HALF CLAMP, 5/8 DIA	
7	8760465	2	BULKHEAD NUT, 10FF	
8	8769123	3	TWIN COVER PLATE	
9	8769122	3	TWIN CLAMP, .62 DIA	
10	7300672	1	BOOM ATTACHMENT TILT TUBE, (retract)	
11	7300673	1	BOOM ATTACHMENT TILT TUBE, (extend)	
12	8307106	8	FLAT WASHER, .34X.69X.065	
13	8303739	3	HEX HD CAPSCREW, 5/16-18X1.25	
14	8760477	2	BULKHEAD MALE RUN TEE	
15	2220596	1	ELBOW, 90	
16	2220385	2	FEMALE SWIVEL RUN TEE	
17	8760117	6	STRAIGHT CONNECTOR	
18	2713452	2	BOOM HOSE ASSY	
19	2716684	6	HOSE ASSY	
20	2716767	2	HOSE ASSY	
21		Ref	SLAVE CYLINDER, (See HYDRAULIC COMPONENTS SECTION for Breakdown)	
22	8769128	3	TWIN COVER PLATE	
23	8760045	2	BULKHEAD STRAIGHT UNION	
24	8765204	2	ELBOW, 90, (swivel nut)	
25	2220474	1	ELBOW, 90	
26	8750016	3	TWIN CLAMP SET, 1.18 DIA	
27	8750017	2	LOCK FOR TWIN CLAMP PLATE	
28		Ref	ATTACHMENT TILT CYLINDER, (See HYDRAULIC COMPONENTS SECTION for Breakdown)	
29		Ref	CLAMP AND HARDWARE, (see BOOM LIFT/LOWER AND EXTEND/RETRACT for Breakdown)	
30	7139504	1	L.H. BULKHEAD PLATE	
31	7139505	1	R.H. BULKHEAD PLATE	
32	8310009	7	HEX HD CAPSCREW, 5/16-18X2.00	
33	8305006	4	HEX NUT, 5/16-18	
34	2716714	2	HOSE ASSY	

SECTION 8 - HYDRAULIC CIRCUITS

FIGURE 8-5. ATTACHMENT TILT AND SLAVE (SN 0160002408 to Present, SN 18833 through 19897)



PAP11060

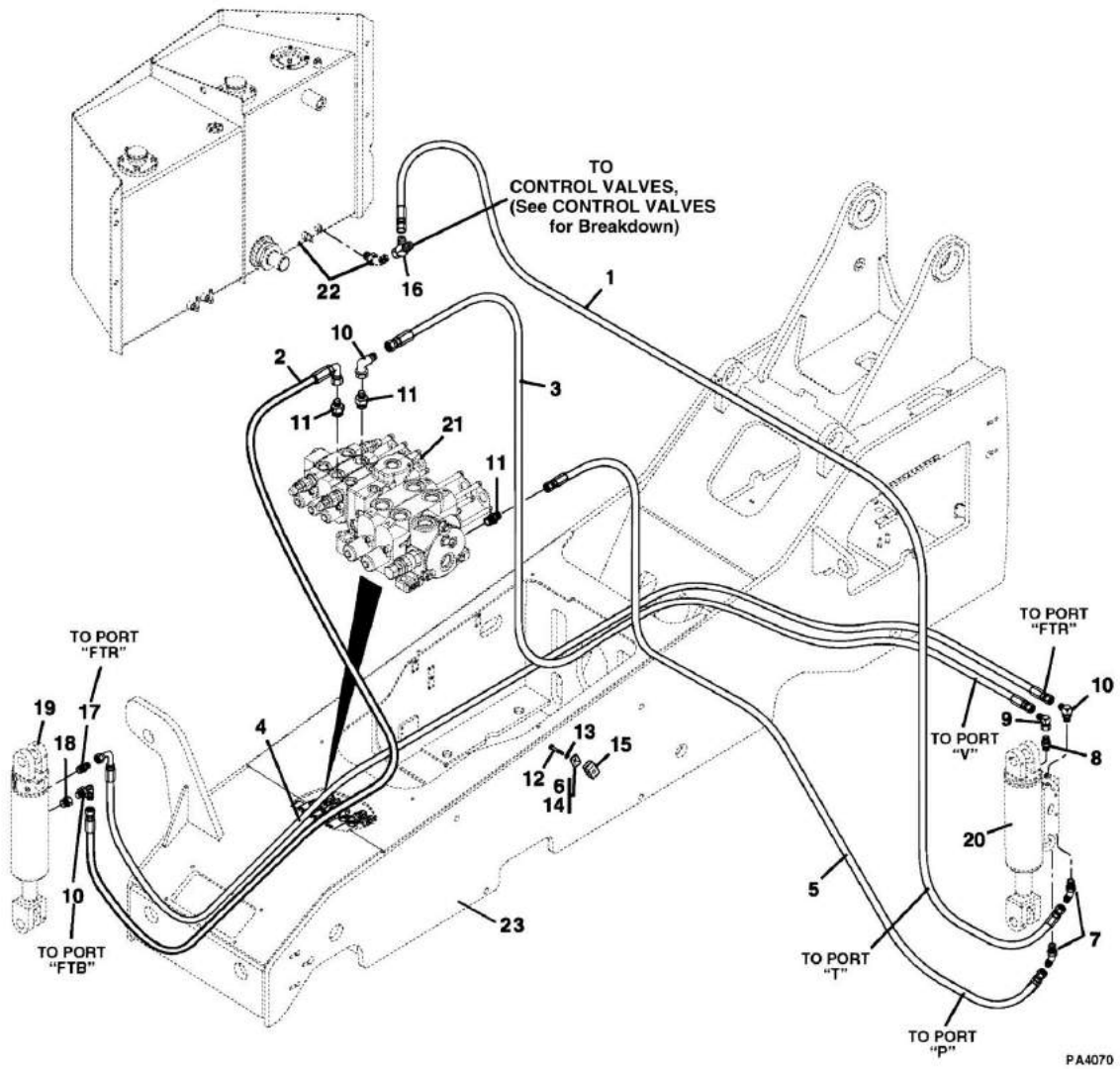
SECTION 8 - HYDRAULIC CIRCUITS

FIGURE 8-5. ATTACHMENT TILT AND SLAVE (SN 0160002408 to Present, SN 18833 through 19897)

ITEM	PART NUMBER	QTY	DESCRIPTION	REV
1	8303752	4	HEX HD CAPSCREW, 5/16-18X3-1/2, GR5	
2	8307004	9	LOCKWASHER, 5/16	
3	8305006	4	HEX NUT, 5/16-18	
4	8769149	1	COVER PLATE	
5	8769161	2	HALF CLAMP, 3/4 DIA	
6	8750003	4	HALF CLAMP, 5/8 DIA	
7	8760465	2	BULKHEAD NUT, 10FF	
8	8769123	3	TWIN COVER PLATE	
9	8769122	3	TWIN CLAMP, .62 DIA	
10	7300672	1	BOOM ATTACHMENT TILT TUBE, (retract)	
11	7300673	1	BOOM ATTACHMENT TILT TUBE, (extend)	
12	8307203	8	PLAIN WASHER, .312	
13	8303715	3	HEX HD CAPSCREW, 5/16-18X1.25	
14	8760477	2	BULKHEAD MALE RUN TEE	
15	2220596	1	ELBOW, 90	
16	7300214	2	TUBE ASSY	
17	2220373	6	STRAIGHT CONNECTOR	
18	2713452	2	BOOM HOSE ASSY	
19	2716684	4	HOSE ASSY	
20	2716767	2	HOSE ASSY	
21		Ref	SLAVE CYLINDER, (See HYDRAULIC COMPONENTS SECTION for Breakdown)	
22	8769128	3	TWIN COVER PLATE	
23	8760463	2	BULKHEAD LOCKNUT	
24		Ref	MAIN CONTROL VALVE, (See HYDRAULIC COMPONENTS SECTION for Breakdown)	
25	2220474	1	ELBOW, 90	
26	8750027	3	TWIN CLAMP SET, .84IN DIA	
27	2716714	2	HOSE ASSY	
28		Ref	ATTACHMENT TILT CYLINDER, (See HYDRAULIC COMPONENTS SECTION for Breakdown)	
29		Ref	CLAMP AND HARDWARE, (See BOOM LIFT/LOWER AND EXTEND/RETRACT for Breakdown)	
30	7139504	1	L.H. BULKHEAD PLATE	
31	7139505	1	R.H. BULKHEAD PLATE	
32	8310009	7	HEX HD CAPSCREW, 5/16-18X2.00	

SECTION 8 - HYDRAULIC CIRCUITS

FIGURE 8-6. FRAME SWAY



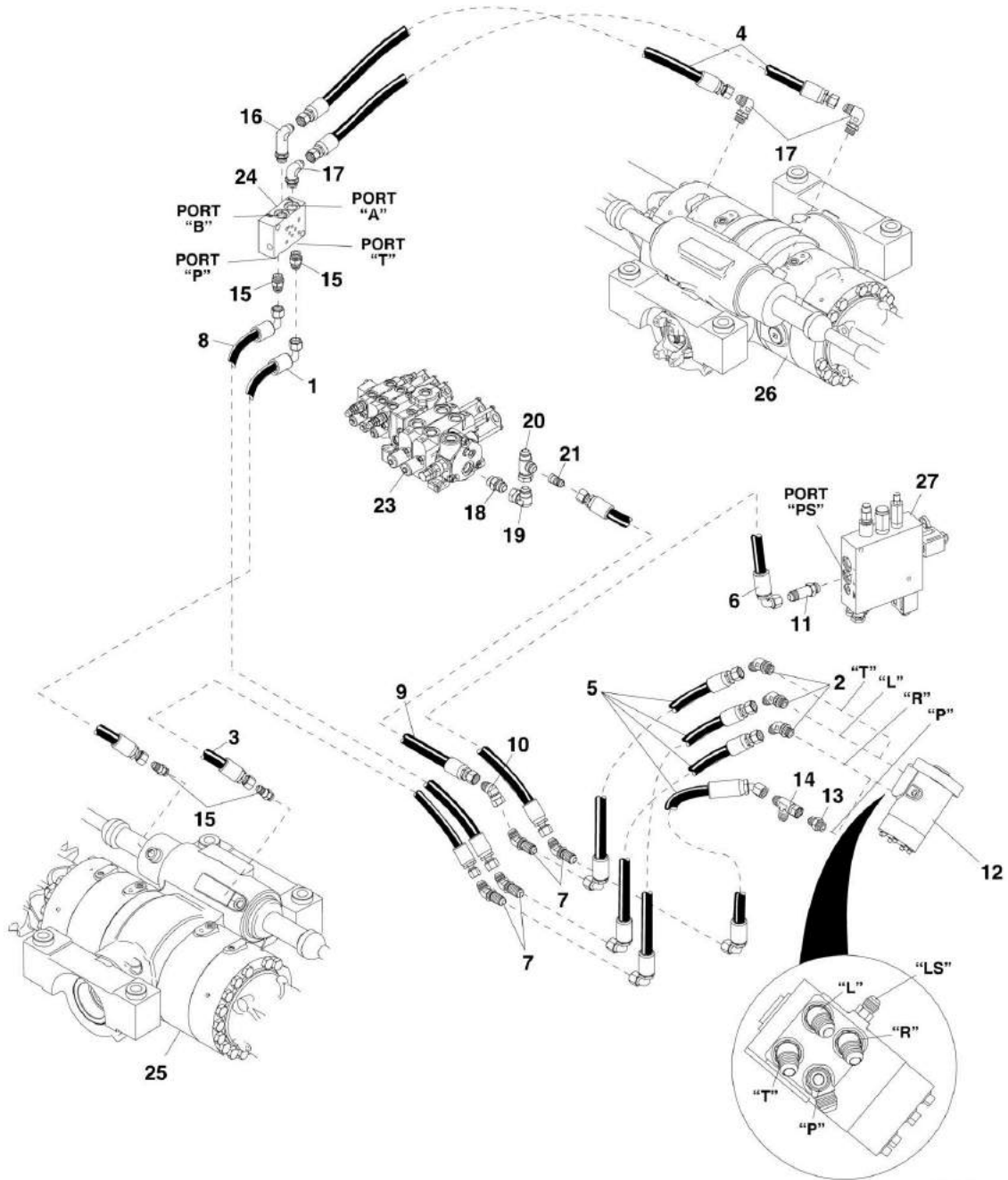
SECTION 8 - HYDRAULIC CIRCUITS

FIGURE 8-6. FRAME SWAY

ITEM	PART NUMBER	QTY	DESCRIPTION	REV
1	2717022	1	HOSE ASSY	
2	2716764	1	HOSE ASSY	
3	2717020	1	HOSE ASSY	
4	2717019	1	HOSE ASSY	
5	2717021	1	HOSE ASSY	
6	8750017	1	LOCKING PLATE	
7	2220501	2	ELBOW, 45	
8	2220371	1	STRAIGHT CONNECTOR	
9	2220473	1	ELBOW, 90	
10	8760268	3	ELBOW, 90, (swivel nut)	
11	2220372	3	STRAIGHT CONNECTOR	
12	8303264	1	HEX HD CAPSCREW, .438-14X1.50, GR8	
13	8307004	1	LOCKWASHER, 5/16	
14	8769128	1	TWIN COVER PLATE	
15	8750027	1	TWIN CLAMP SET, .84IN DIA	
16		Ref	FEMALE SWIVEL RUN TEE, (See CONTROL VALVES for Breakdown)	
17	8902857	1	CONNECTOR SPECIAL WITH CHECK VALVE	
18	8902858	1	CONNECTOR SPECIAL WITH CHECK VALVE, (1 black wrench face)	
19		Ref	FRAME SWAY CYLINDER, (See HYDRAULIC COMPONENTS SECTION for Breakdown)	
20		Ref	STABILIZER CYLINDER, (See HYDRAULIC COMPONENTS SECTION for Breakdown)	
21		Ref	MAIN CONTROL VALVE, (See HYDRAULIC COMPONENTS SECTION for Breakdown)	
22		Ref	FUEL AND HYDRAULIC TANK, (See HYDRAULIC COMPONENTS SECTION for Breakdown)	
23		Ref	FRAME WELDMENT, (See FRAME AND ATTACHING PARTS SECTION for Breakdown)	

SECTION 8 - HYDRAULIC CIRCUITS

FIGURE 8-7. POWER STEERING



PA4041

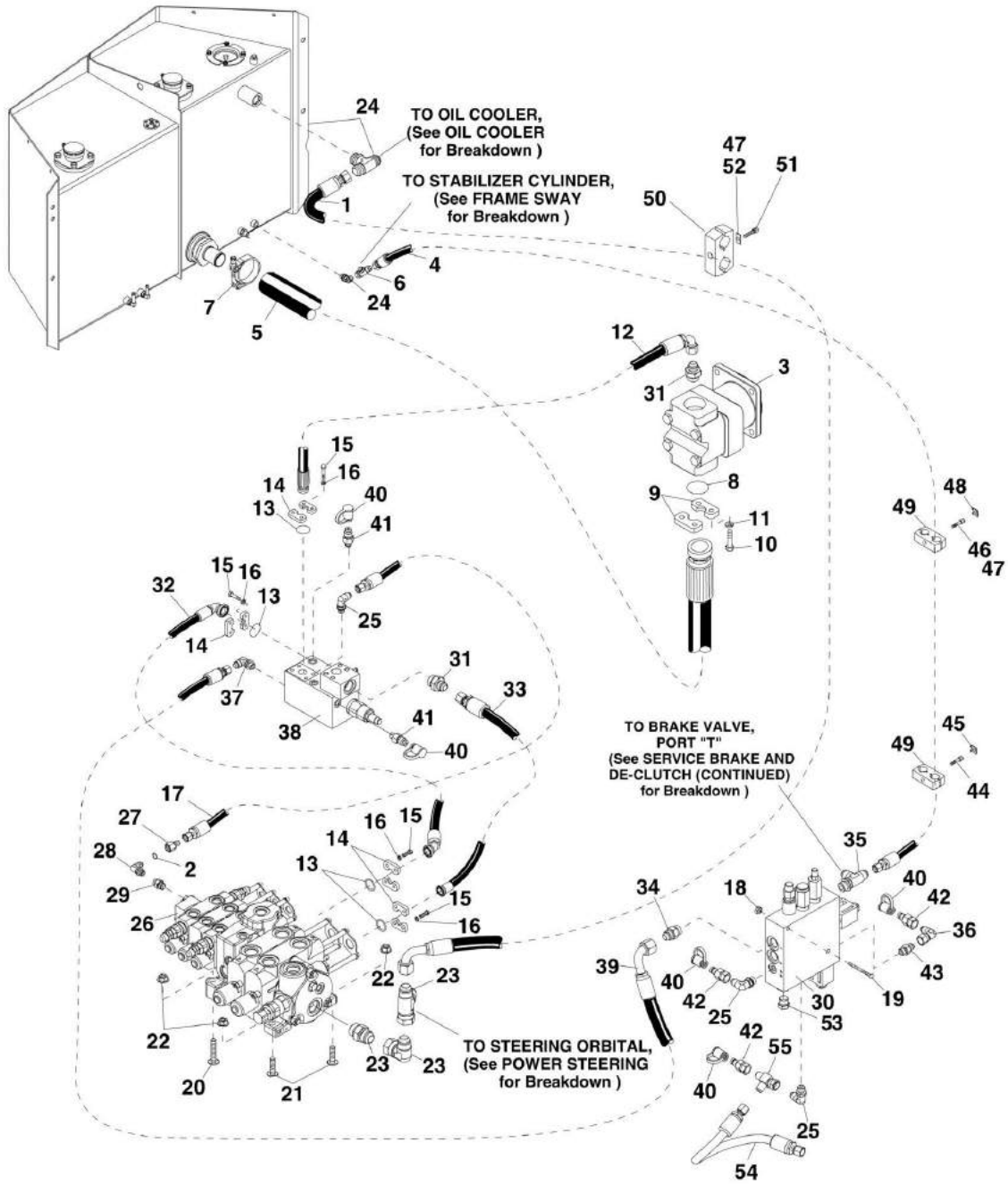
SECTION 8 - HYDRAULIC CIRCUITS

FIGURE 8-7. POWER STEERING

ITEM	PART NUMBER	QTY	DESCRIPTION	REV
1	2716776	1	HOSE ASSY	
2	2220500	3	ELBOW, 45	
3	2716775	1	HOSE ASSY	
4	2716673	2	HOSE ASSY	
5	2716696	4	HOSE ASSY	
6	2716769	1	HOSE ASSY	
7	8760237	4	BULKHEAD ELBOW, 45	
8	2716773	1	HOSE ASSY	
9	2716772	1	HOSE ASSY	
10	2220683	1	ELBOW, 45, (swivel nut)	
11	2220381	1	CONNECTOR	
12	8721029	1	STEERING UNIT	
13	8760140	1	MALE CONNECTOR	
14	2220385	1	FEMALE SWIVEL RUN TEE	
15	2220373	4	STRAIGHT CONNECTOR	
16	2220474	1	ELBOW, 90	
17	2220596	3	ELBOW, 90	
18	8770173	1	CONNECTOR	
19	2220655	1	ELBOW, 90, (swivel nut)	
20	2220700	1	FEMALE SWIVEL RUN TEE	
21	2220622	1	TUBE END REDUCER	
23		Ref	MAIN CONTROL VALVE, (See HYDRAULIC COMPONENTS SECTION for Breakdown)	
24		Ref	STEER SELECT VALVE, (See HYDRAULIC COMPONENTS SECTION for Breakdown)	
25		Ref	FRONT AXLE, (See DRIVE TRAIN SECTION for Breakdown)	
26		Ref	REAR AXLE, (See DRIVE TRAIN SECTION for Breakdown)	
27		Ref	SECONDARY FUNCTION MANIFOLD, (See HYDRAULIC COMPONENTS SECTION for Breakdown)	

SECTION 8 - HYDRAULIC CIRCUITS

FIGURE 8-8. CONTROL VALVES



ART_8990467-8-8

SECTION 8 - HYDRAULIC CIRCUITS

FIGURE 8-8. CONTROL VALVES

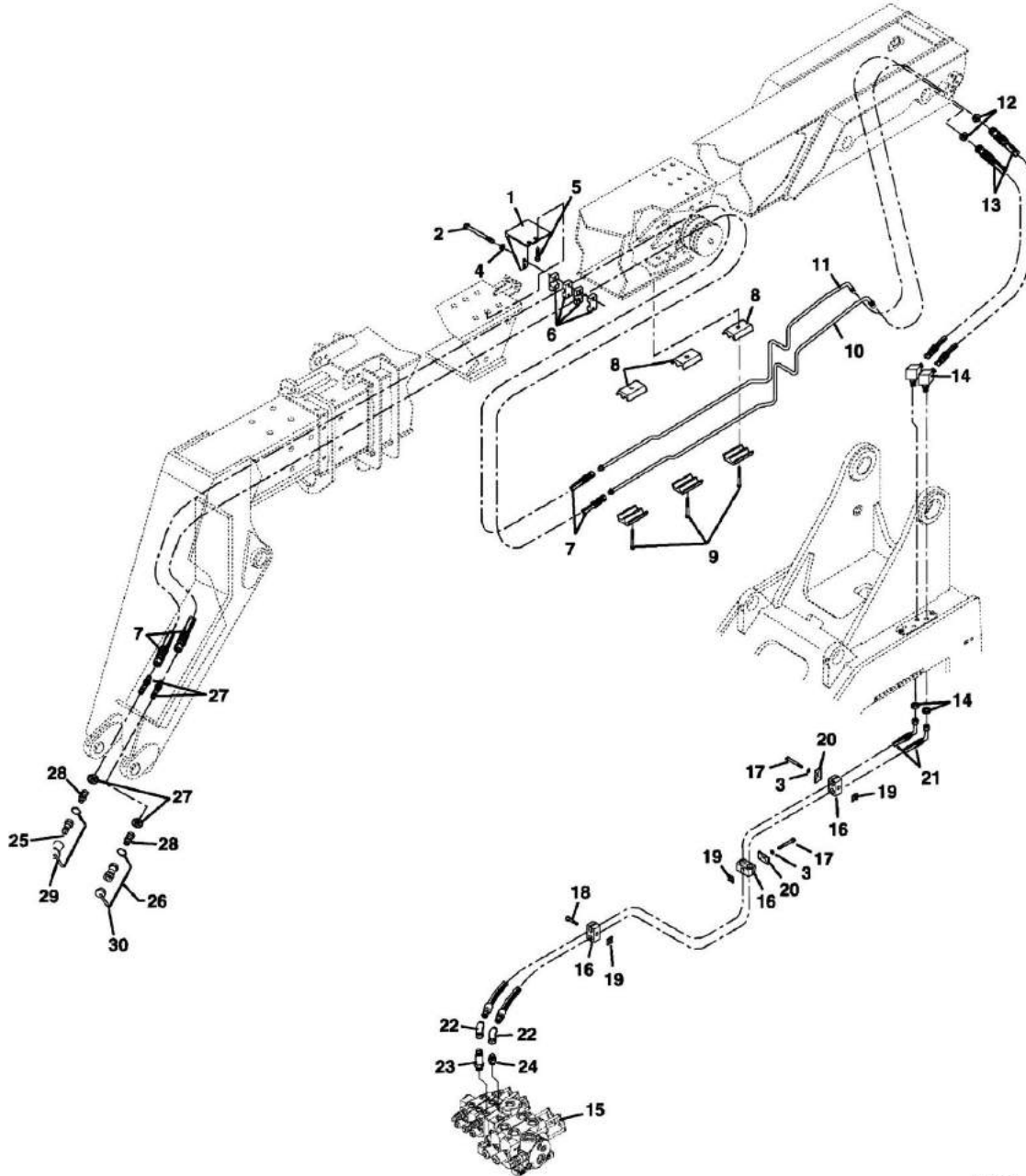
ITEM	PART NUMBER	QTY	DESCRIPTION	REV
1	2716783	1	HOSE ASSY	
2	8630003	1	O-RING	
3		Ref	GEAR PUMP, (See HYDRAULIC COMPONENTS SECTION for Breakdown)	
4	2716774	1	HOSE ASSY	
5	2716808	1	HOSE ASSY	
6	2220385	1	FEMALE SWIVEL RUN TEE	
7	8405209	1	HOSE CLAMP	
8	8640208	1	O-RING	
9	10717672	2	FLANGE HALF	
10	8303626	4	HEX HD CAPSCREW, 1/2-13X1.5, (torque to 80-90 lb-ft)	
11	8307007	4	LOCKWASHER, 1/2	
12	2716780	1	HOSE ASSY	
13	8640123	4	O-RING	
14	8530030	8	FLANGE HALF	
15	8303675	16	HEX HD CAPSCREW, 3/8-16X1.25, GR5, (torque to 33-37 lb-ft)	
16	8307005	16	LOCKWASHER, 3/8	
17	2717033	1	HOSE ASSY	
18	8310420	2	HEX FLANGE NUT, 5/16-18	
19	8310393	2	CARRIAGE BOLT, 5/16-18X2.75, GR2, (torque to 18.5-21 lb-ft)	
20	8310337	1	CARRIAGE BOLT, 1/2-13X2.5, (torque to 33-59 lb-ft)	
21	8310524	2	CARRIAGE BOLT, 1/2-13X1.75, (torque to 33-59 lb-ft)	
22	8310523	3	HEX FLANGE NUT, 1/2-13	
23		Ref	MAIN CONTROL VALVE HARDWARE, (See POWER STEERING for Breakdown)	
24		Ref	HYDRAULIC RESERVOIR, (See HYDRAULIC COMPONENTS SECTION for Breakdown)	
25	2220473	3	ELBOW, 90	
26		Ref	MAIN CONTROL VALVE ASSY, (See HYDRAULIC COMPONENTS SECTION for Breakdown)	
27	7139993	1	RESTRICTOR CHECK VALVE	
28	2172106	1	ELBOW, 90, (swivel nut)	
29	2110606	1	STRAIGHT CONNECTOR	
30		Ref	SECONDARY FUNCTION MANIFOLD, (See HYDRAULIC COMPONENTS SECTION for Breakdown)	
31	2220435	2	STRAIGHT CONNECTOR	
32	2716781	1	HOSE ASSY	
33	2716807	1	HOSE ASSY	
34	2220373	1	STRAIGHT CONNECTOR	
35	2220602	1	MALE RUN TEE, (See SERVICE BRAKE AND DE-CLUTCH for Breakdown)	
36	8760268	1	ELBOW, 90, (swivel nut)	
37	2220596	1	ELBOW, 90	
38		Ref	UNLOADER VALVE ASSY, (See HYDRAULIC COMPONENTS SECTION for Breakdown)	
39	2716771	1	HOSE ASSY	
40	8430032	5	DUST PLUG	
41	8430033	2	DIAGNOSTIC NIPPLE	
42	8430046	3	DIAGNOSTIC NIPPLE	
43	2220371	1	STRAIGHT CONNECTOR	
44	8750012	1	STACKING BOLT, (torque to 7.5-13.5 lb-ft)	

SECTION 8 - HYDRAULIC CIRCUITS

ITEM	PART NUMBER	QTY	DESCRIPTION	REV
45	8750017	1	TWIN CLAMP PLATE LOCKING	
46	8310009	1	HEX HD CAPSCREW, 5/16-18X2, (torque to 11.6-21 lb-ft)	
47	8307004	2	LOCKWASHER, 5/16	
48	8769128	1	TWIN COVER PLATE	
49	8750027	2	CLAMP, SET, .84 DIA TWIN	
50	8750040	1	CLAMP SET, 1.46 DIA	
51	8303757	1	HEX HD CAPSCREW, 5/16-18X2.5, (torque to 11.6-21 lb-ft)	
52	8750025	1	TWIN COVER PLATE	
53	2220238	1	PLUG	
54	2716761	1	HOSE ASSY	
55	2220635	1	FITTING, TEE	

SECTION 8 - HYDRAULIC CIRCUITS

FIGURE 8-9. AUXILIARY HYDRAULIC



PA4081

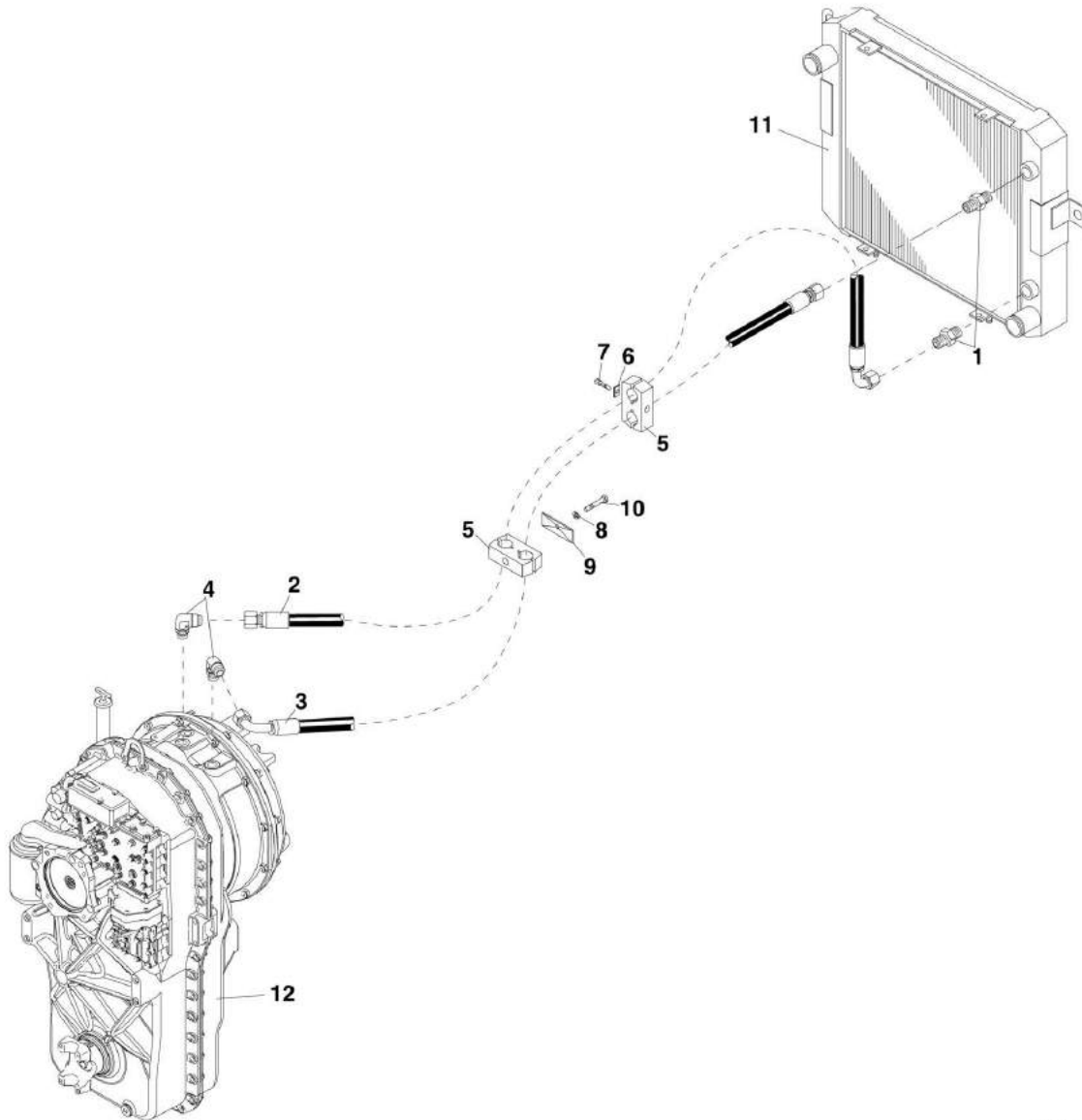
SECTION 8 - HYDRAULIC CIRCUITS

FIGURE 8-9. AUXILIARY HYDRAULIC

ITEM	PART NUMBER	QTY	DESCRIPTION	REV
1	7111402	1	AUXILIARY HYDRAULIC SUPPORT HOSE CLAMP	
2	8310081	2	HEX HD CAPSCREW, 5/16-18X5	
3	8307004	8	LOCKWASHER, 5/16	
4	8307203	2	FLAT WASHER, 5/16	
5	8303622	2	HEX HD CAPSCREW, 3/8-16X2, GR5	
6	8769161	2	SINGLE CLAMP, .75 I.D.	
7	2713082	2	HOSE ASSY	
8	8769122	3	TWIN CLAMP, .62 I.D., (two halves)	
9	8750011	3	STACKING BOLT, .3125	
10	7300675	1	TUBE ASSY	
11	7300674	1	TUBE ASSY	
12	8760465	2	BULKHEAD NUT, 10FF	
13	2716713	2	HOSE ASSY	
14	2230044	2	BULKHEAD ELBOW, 90	
15		Ref	MAIN CONTROL VALVE, (See HYDRAULIC COMPONENTS SECTION for Breakdown)	
16	8750027	3	TWIN CLAMP SET, .84 DIA	
17	8310009	2	HEX HD CAPSCREW, 5/16-18X2	
18	8750012	1	STACKING BOLT	
19	8750017	3	SAFETY LOCK SINGLE PLATE	
20	8769128	2	TWIN COVER PLATE	
21	2716768	2	HOSE ASSY	
22	8765204	2	ELBOW, 90, (swivel nut)	
23	2220381	1	CONNECTOR	
24	2220373	1	STRAIGHT CONNECTOR	
25	91403414	1	MALE QUICK DISCONNECT	
26	91403413	1	FEMALE QUICK DISCONNECT	
27	2230025	2	BULKHEAD STRAIGHT UNION	
28	2220651	2	STRAIGHT CONNECTOR	
29	8420053	1	DUST PLUG, #8	
30	8420055	1	DUST CAP, #8	

SECTION 8 - HYDRAULIC CIRCUITS

FIGURE 8-10. TRANSMISSION COOLER (SN 17019 through 19897, SN 0160002408 through 0160004109)



PA3551

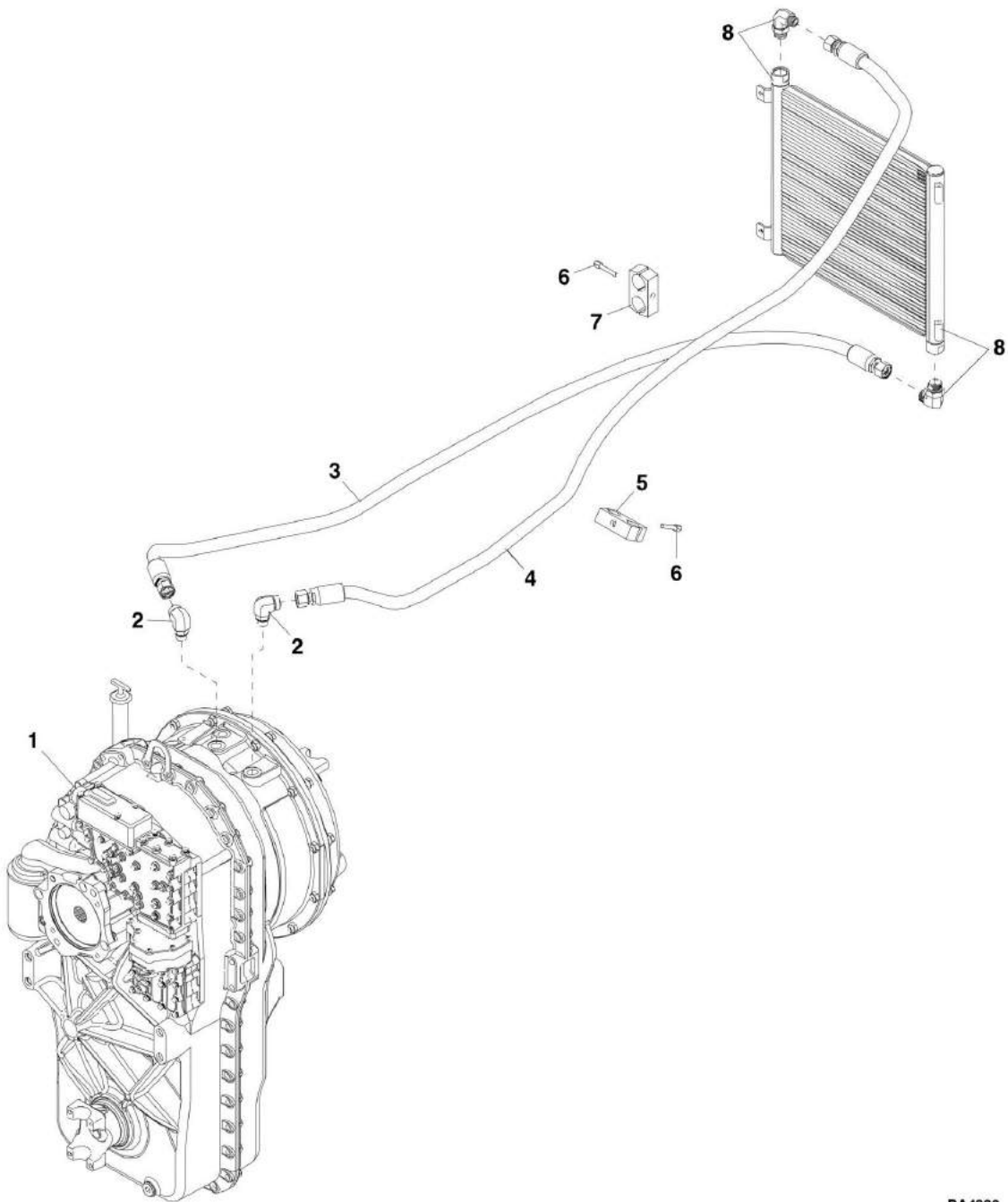
SECTION 8 - HYDRAULIC CIRCUITS

FIGURE 8-10. TRANSMISSION COOLER (SN 17019 through 19897, SN 0160002408 through 0160004109)

ITEM	PART NUMBER	QTY	DESCRIPTION	REV
1	2220451	2	STRAIGHT CONNECTOR	
2	2716622	1	HOSE ASSY	
3	2716621	1	HOSE ASSY	
4	8760328	2	ELBOW, 90	
5	8750024	2	TWIN CLAMP SET	
6	8750017	1	TWIN CLAMP LOCKING PLATE	
7	8750026	1	STACKING BOLT	
8	8307004	1	LOCKWASHER, 5/16	
9	8750025	1	TWIN COVER PLATE	
10	8303757	1	HEX HD CAPSCREW, 5/16-18X2.5	
11		Ref	OIL COOLER, (See ENGINE AND ATTACHING PARTS SECTION for Breakdown)	
12		Ref	TRANSMISSION, (See DRIVE TRAIN SECTION for Breakdown)	

SECTION 8 - HYDRAULIC CIRCUITS

FIGURE 8-11. TRANSMISSION COOLER (SN 0160004111 through 0160039074)



PA4380

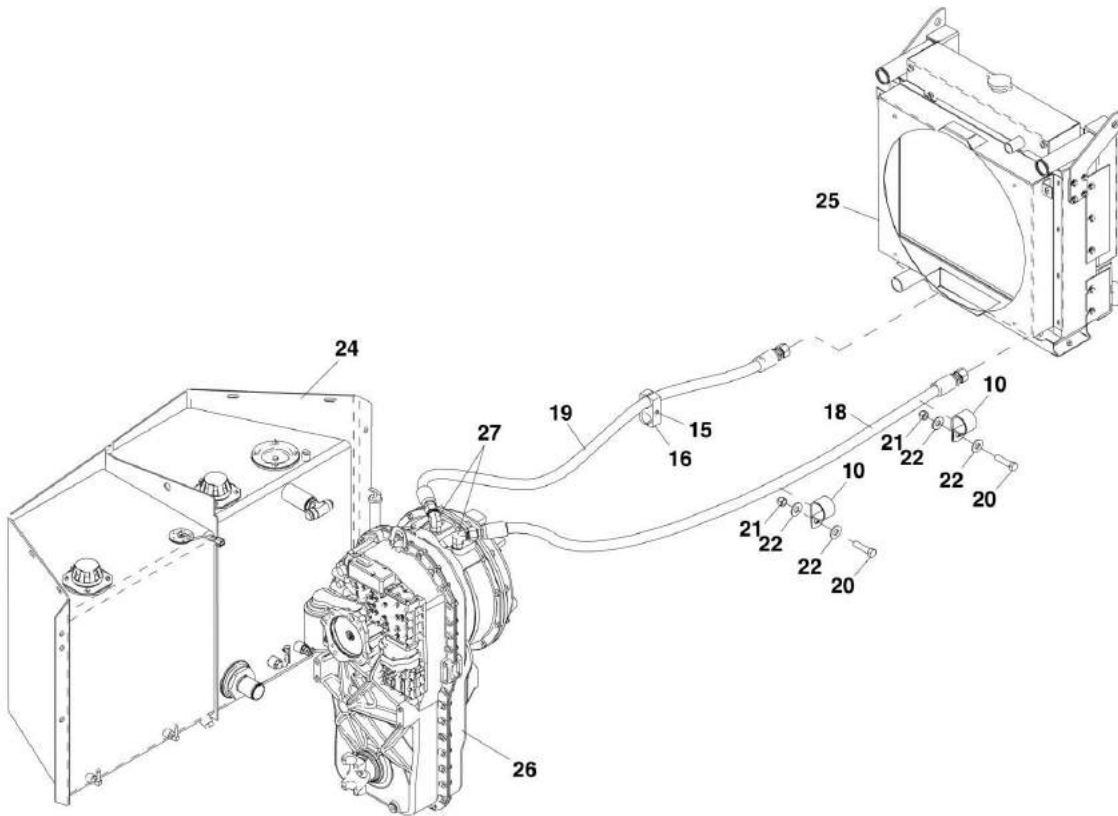
SECTION 8 - HYDRAULIC CIRCUITS

FIGURE 8-11. TRANSMISSION COOLER (SN 0160004111 through 0160039074)

ITEM	PART NUMBER	QTY	DESCRIPTION	REV
1		Ref	ZF TRANSMISSION, (See DRIVE TRAIN SECTION for Breakdown)	
2	2131210	2	ELBOW, 90	
3	2717150	1	HOSE ASSY	
4	2717149	1	HOSE ASSY	
5	8750024	1	CLAMP SET, 1.18 DIA (SN 0160004111 through 0160032089)	
5	8750040	1	CLAMP SET, 1.46 DIA (SN 0160032090 to Present)	
6	8750026	2	STACKING BOLT	
7	8750040	1	CLAMP SET, 1.46 DIA	
8		Ref	TRANSMISSION OIL COOLER, (See ENGINE AND ATTACHING PARTS SECTION for Breakdown)	

SECTION 8 - HYDRAULIC CIRCUITS

FIGURE 8-12. TRANSMISSION COOLER (SN 0160039075 to Present)



PAP9300

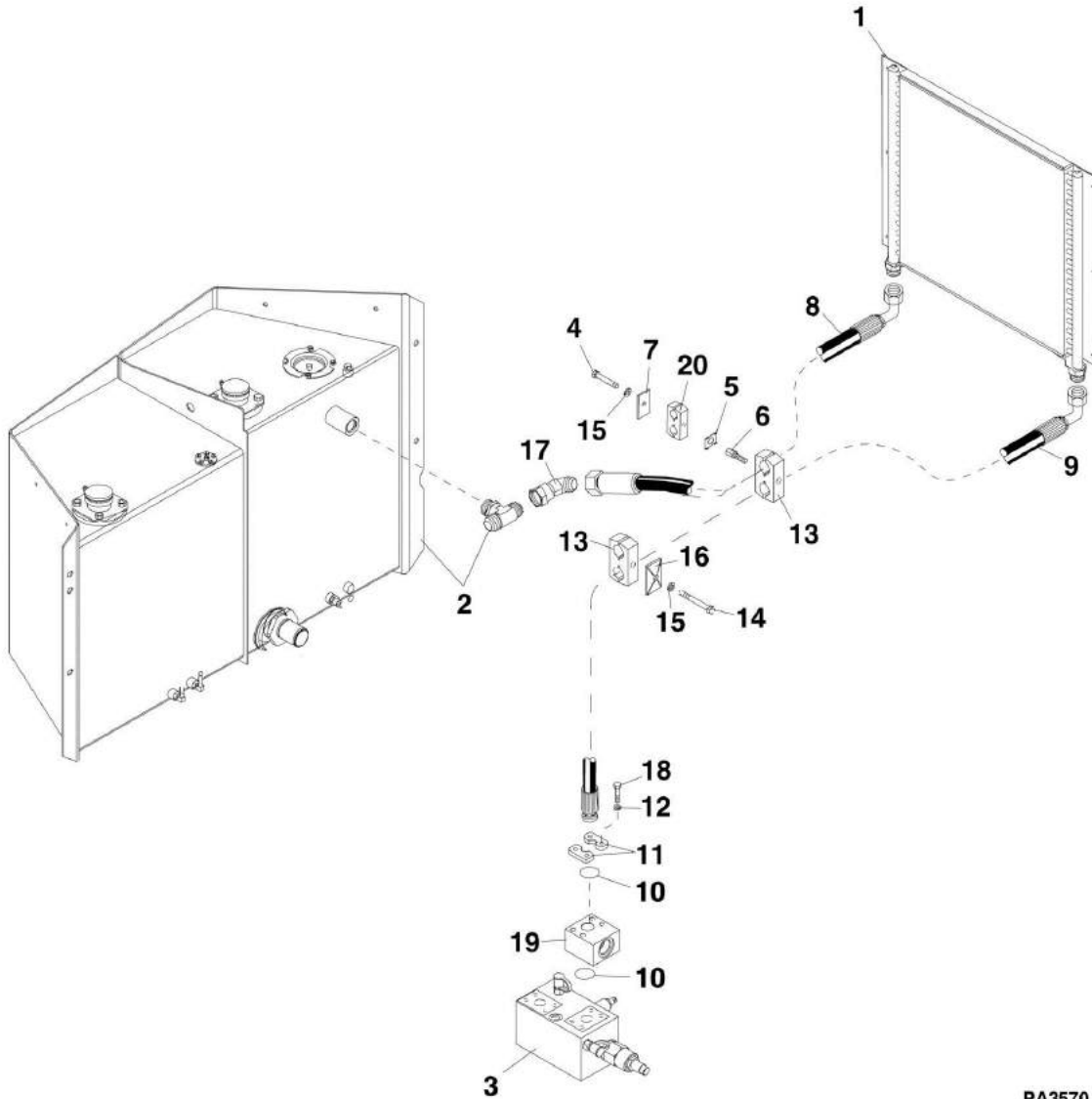
SECTION 8 - HYDRAULIC CIRCUITS

FIGURE 8-12. TRANSMISSION COOLER (SN 0160039075 to Present)

ITEM	PART NUMBER	QTY	DESCRIPTION	REV
	1001100220	1	TRANSMISSION COOLER, (includes items 10 thru 22)	D
10		Ref	CLAMP, (See HYDRAULIC CIRCUITS SECTION for Breakdown)	
15	8750026	1	STACK BOLT	
16	8750040	1	CLAMP SET	
18	1001100222	1	HOSE ASSY	
19	1001100223	1	HOSE ASSY	
20	0641612	2	HEX HD CAPSCREW, 3/8-16X1-1/2, GR5	
21	8305645	2	HEX LOCKNUT, 3/8-16	
22	8310200	4	WASHER, 3/8	
24		Ref	FUEL/HYDRAULIC TANK ASSY, (See HYDRAULIC COMPONENTS SECTION for Breakdown)	
25		Ref	RADIATOR, (See ENGINE AND ATTACHING PARTS SECTION for Breakdown)	
26		Ref	ZF TRANSMISSION, (See DRIVE TRAIN SECTION for Breakdown)	
27	2131210	2	ELBOW, 90	

SECTION 8 - HYDRAULIC CIRCUITS

FIGURE 8-13. OIL COOLER (SN 17019 through 19897, SN 0160002408 through 0160004109)



PA3570

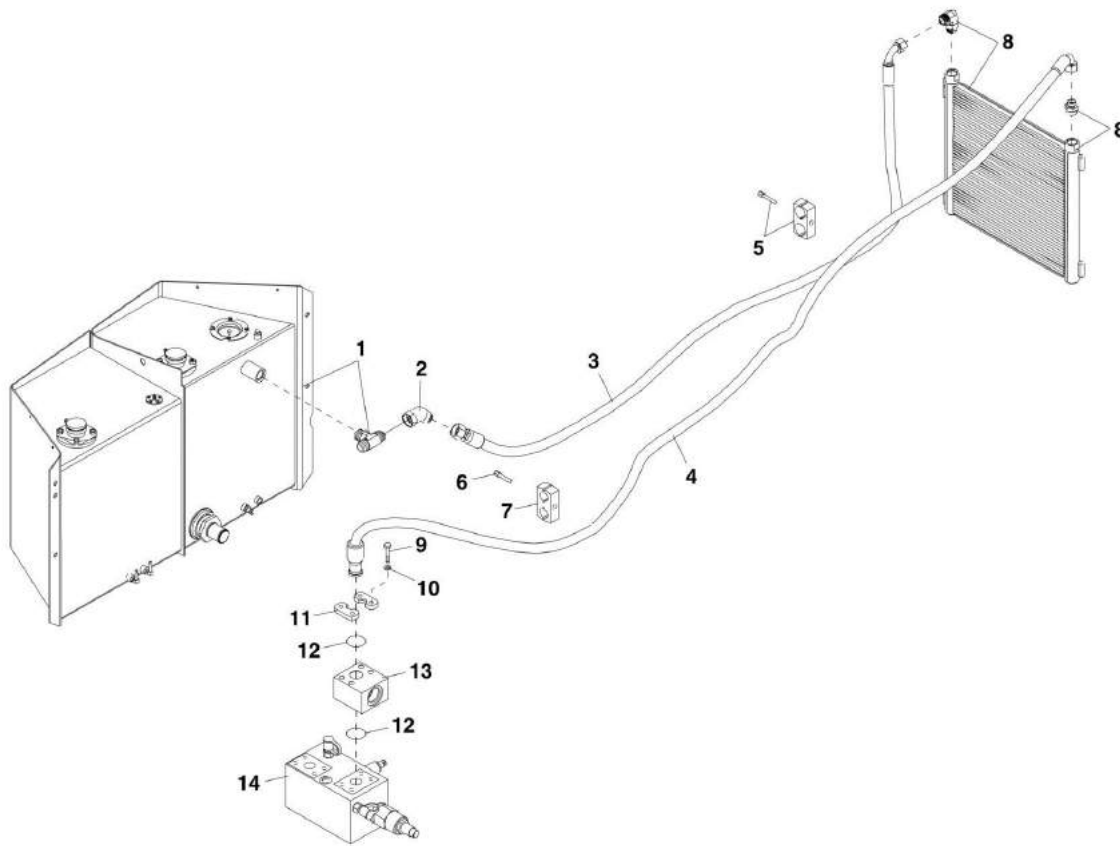
SECTION 8 - HYDRAULIC CIRCUITS

FIGURE 8-13. OIL COOLER (SN 17019 through 19897, SN 0160002408 through 0160004109)

ITEM	PART NUMBER	QTY	DESCRIPTION	REV
1		Ref	OIL COOLER, (See ENGINE AND ATTACHING PARTS SECTION for Breakdown)	
2		Ref	HYDRAULIC TANK, (See HYDRAULIC COMPONENTS SECTION for Breakdown)	
3		Ref	UNLOADER VALVE, (See HYDRAULIC COMPONENTS SECTION for Breakdown)	
4	8303264	1	HEX HD CAPSCREW, .438-14X1.50, GR8	
5	8750017	1	LOCKING PLATE	
6	8750026	1	STACKING BOLT	
7	8769123	1	TWIN COVER PLATE	
8	2716786	1	HOSE ASSY	
9	2716779	1	HOSE ASSY	
10	8640123	2	O-RING	
11	8530030	2	FLANGE HALF, 16	
12	8307005	4	LOCKWASHER, 5/16	
13	8750040	2	TWIN CLAMP SET, 1.18 DIA	
14	8303757	1	HEX HD CAPSCREW, 5/16-18X2.5	
15	8307004	2	LOCKWASHER, 5/16	
16	8750025	1	TWIN COVER PLATE	
17	8760273	1	ELBOW, 45, (swivel nut)	
18	8303107	4	HEX HD CAPSCREW, 3/8-16X3.25, GR5	
19	7139788	1	BLOCK MANIFOLD	
20	8750015	1	TWIN CLAMP SET, .67 DIA	

SECTION 8 - HYDRAULIC CIRCUITS

FIGURE 8-14. OIL COOLER (SN 0160004111 through 0160039074)



PA4390

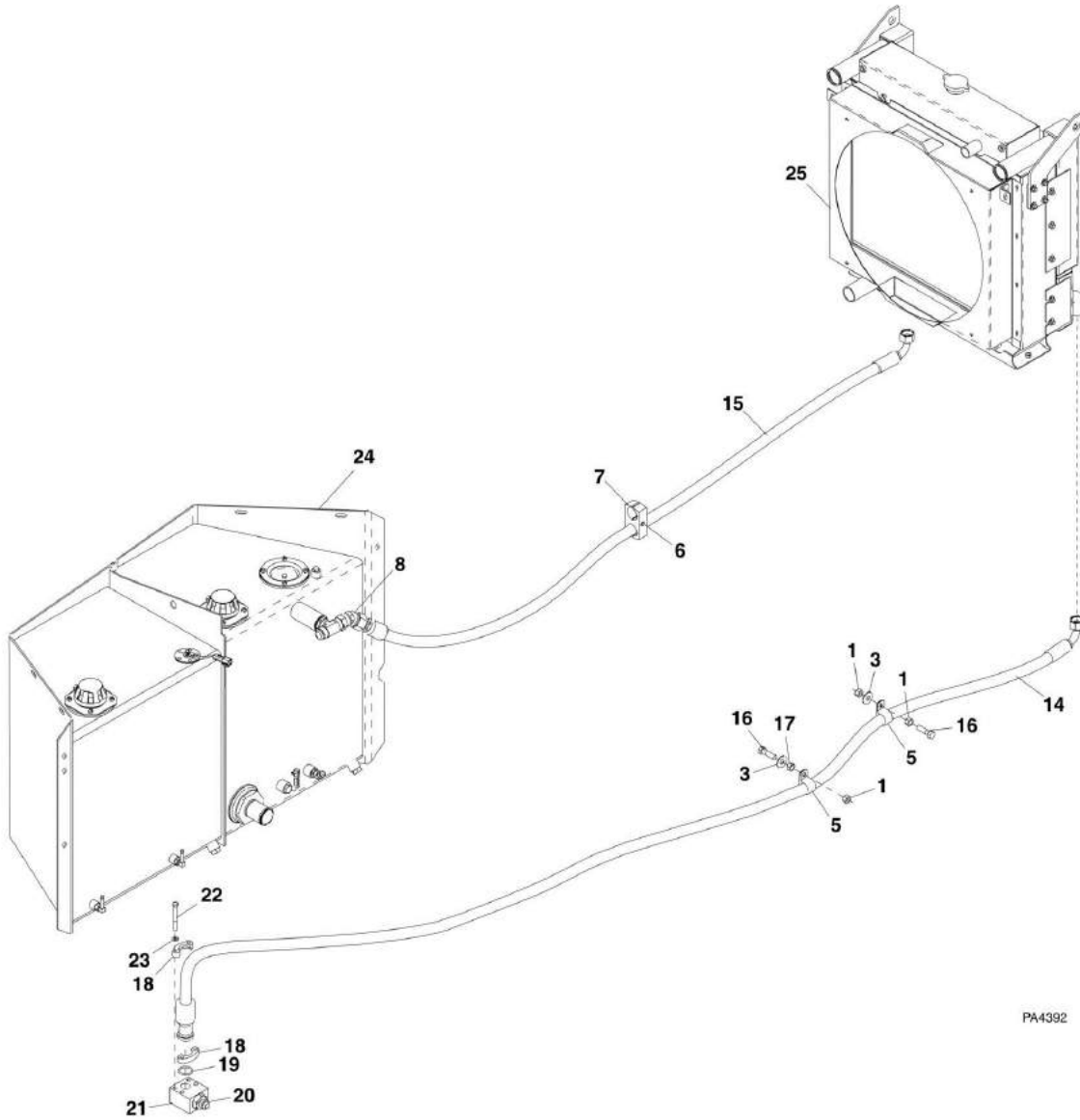
SECTION 8 - HYDRAULIC CIRCUITS

FIGURE 8-14. OIL COOLER (SN 0160004111 through 0160039074)

ITEM	PART NUMBER	QTY	DESCRIPTION	REV
1		Ref	FUEL/HYDRAULIC TANK ASSY, (See HYDRAULIC COMPONENTS SECTION for Breakdown)	
2	8760273	1	ELBOW, 45, (swivel nut)	
3	2717159	1	HOSE ASSY	
4	2717158	1	HOSE ASSY	
5		Ref	CLAMP AND HARDWARE, (See TRANSMISSION COOLER for Breakdown) (SN 0160004111 to Present)	
6	8750026	1	STACKING BOLT	
7	8750024	1	CLAMP SET, 1.18 DIA (SN 0160004111 through 0160032089)	
7	8750040	1	CLAMP SET, 1.46 DIA (SN 0160032090 to Present)	
8		Ref	OIL COOLER, (See ENGINE AND ATTACHING PARTS SECTION for Breakdown)	
9	8303107	4	HEX HD CAPSCREW, 3/8-16X3-1/4, GR5	
10	8307005	4	LOCKWASHER, 3/8	
11	8530030	2	FLANGE HALF	
12	8640123	2	O-RING	
13	7139788	1	BLOCK MANIFOLD	
14		Ref	UNLOADER VALVE, (See HYDRAULIC COMPONENTS SECTION for Breakdown)	

SECTION 8 - HYDRAULIC CIRCUITS

FIGURE 8-15. OIL COOLER (SN 0160039075 to Present)



PA4392

SECTION 8 - HYDRAULIC CIRCUITS

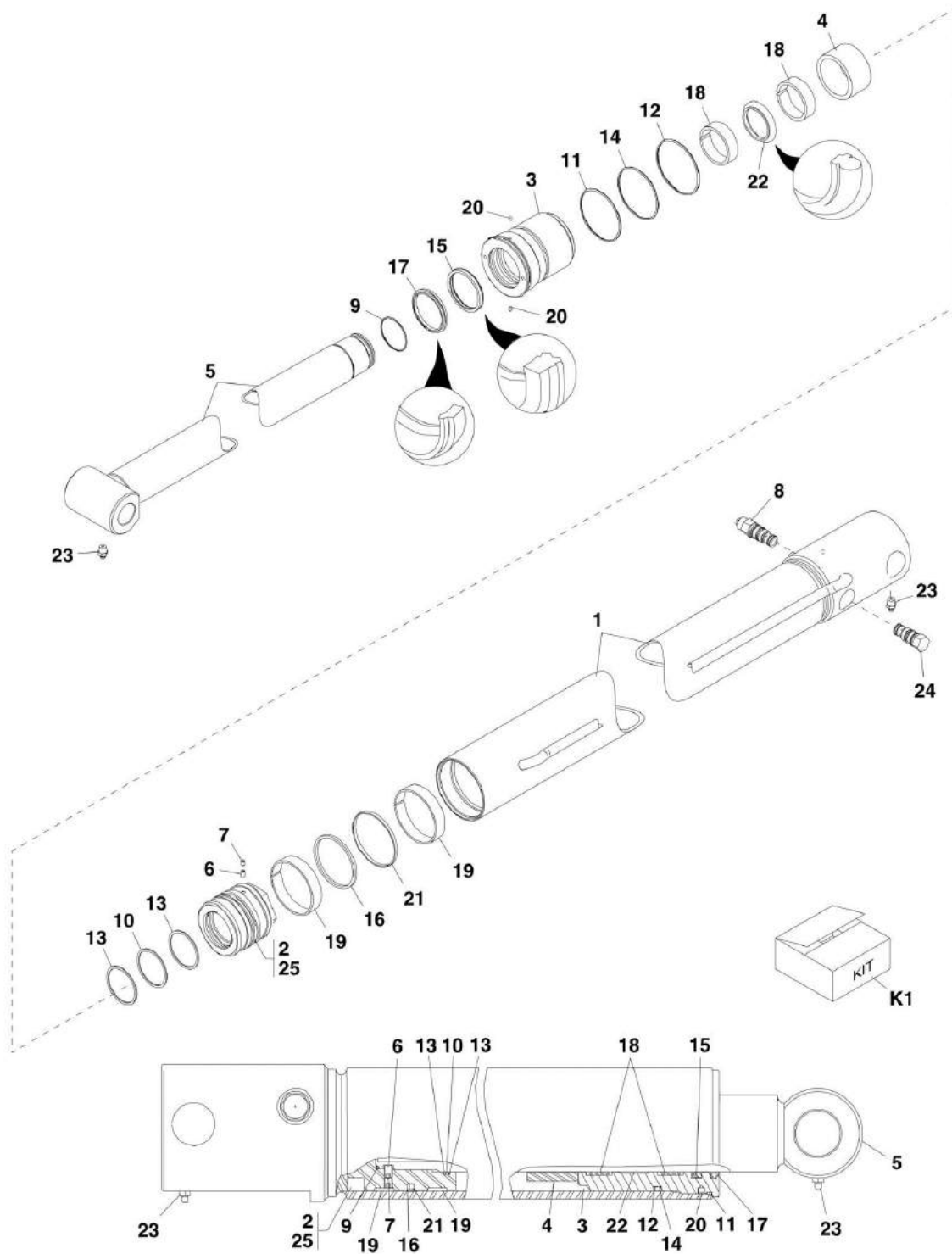
FIGURE 8-15. OIL COOLER (SN 0160039075 to Present)

ITEM	PART NUMBER	QTY	DESCRIPTION	REV
	1001099246	1	OIL COOLER, (includes items 1 thru 23)	C
1	3311805	3	LOCKNUT, 1/2-13	
3	4751800	2	WASHER, 1/2	
5	8406302	2	CLAMP	
8	8760273	1	ELBOW, 45	
14	1001100215	1	HOSE ASSY	
15	1001100216	1	HOSE ASSY	
16	0641814	2	HEX HD CAPSCREW, 1/2-13X1-3/4, GR5	
17	8310456	1	HEX NUT, 1/2-13	
18	8530030	2	FLANGE	
19	8640123	1	O-RING	
20	2220435	1	CONNECTOR	
21	7139788	1	MANIFOLD BLOCK	
22	8303107	4	HEX HD CAPSCREW, 3/8-16X3-1/4, GR5	
23	8307005	4	LOCKWASHER, 3/8	
24		Ref	FUEL/HYDRAULIC TANK ASSY, (See HYDRAULIC COMPONENTS SECTION for Breakdown)	
25		Ref	RADIATOR, (See ENGINE AND ATTACHING PARTS SECTION for Breakdown)	

SECTION 9 - HYDRAULIC COMPONENTS

SECTION 9 - HYDRAULIC COMPONENTS

FIGURE 9-1. BOOM EXTEND/RETRACT CYLINDER



PA4091

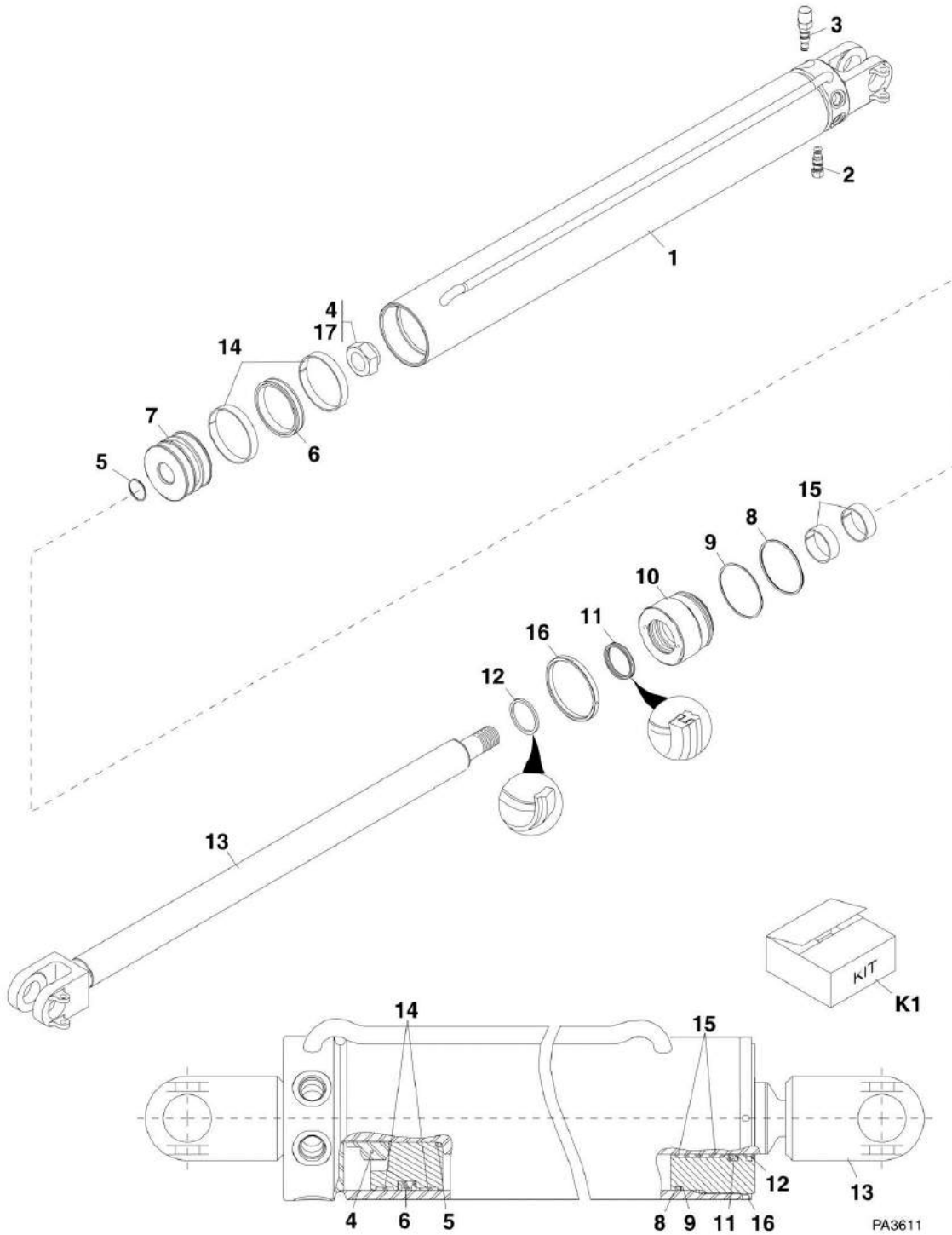
SECTION 9 - HYDRAULIC COMPONENTS

FIGURE 9-1. BOOM EXTEND/RETRACT CYLINDER

ITEM	PART NUMBER	QTY	DESCRIPTION	REV
	2717008	1	BOOM EXTEND/RETRACT CYLINDER, (includes items 1 thru 24)	F
1	70020369	1	CYLINDER TUBE	
2	8036402	1	PISTON, (torque to 330-390 lb-ft)	
3	8036403	1	HEAD GLAND, (torque to 300-400 lb-ft)	
4	8036498	1	ROD SPACER	
5	8036499	1	WELDMENT ROD	
6	8035536	1	SETSCREW, 5/16-18X.50, (Loctite 243 and torque to 10-26 lb-ft)	
7	8036406	1	SETSCREW, 5/16-18X.38, (Loctite 243 and torque to 10-12 lb-ft)	
8	8036590	1	COUNTERBALANCE VALVE - NON-ADJUSTABLE SET AT 4,000PSI, (torque to 40-50 lb-ft)	
8	8205656	1	SEAL KIT	
9	Kit K1	1	O-RING	
10	Kit K1	1	O-RING	
11	Kit K1	1	O-RING	
12	Kit K1	1	O-RING	
13	Kit K1	2	BACK-UP RING	
14	Kit K1	1	BACK-UP RING	
15	Kit K1	1	WIPER SEAL	
16	Kit K1	1	PISTON SEAL	
17	Kit K1	1	WIPER SEAL	
18	Kit K1	2	WEARBAND	
19	Kit K1	2	WEARBAND	
20	Kit K1	2	LOCKING INSERT	
21	Kit K1	1	SQUARE RING	
22	Kit K1	1	BUFFER SEAL	
23	8520013	2	STRAIGHT GREASE FITTING	
24	8036229	1	PO CHECK VALVE, (torque to 40-50 lb-ft)	
24	8205656	1	SEAL KIT	
25	0100019	AR	LOCTITE 271, (apply to item 2)	
K1	8036502	1	SEAL KIT, (includes items 9 thru 22)	

SECTION 9 - HYDRAULIC COMPONENTS

FIGURE 9-2. BOOM LIFT/LOWER CYLINDER (SN 17019 through 19897, SN 0160002408 through 0160003867)



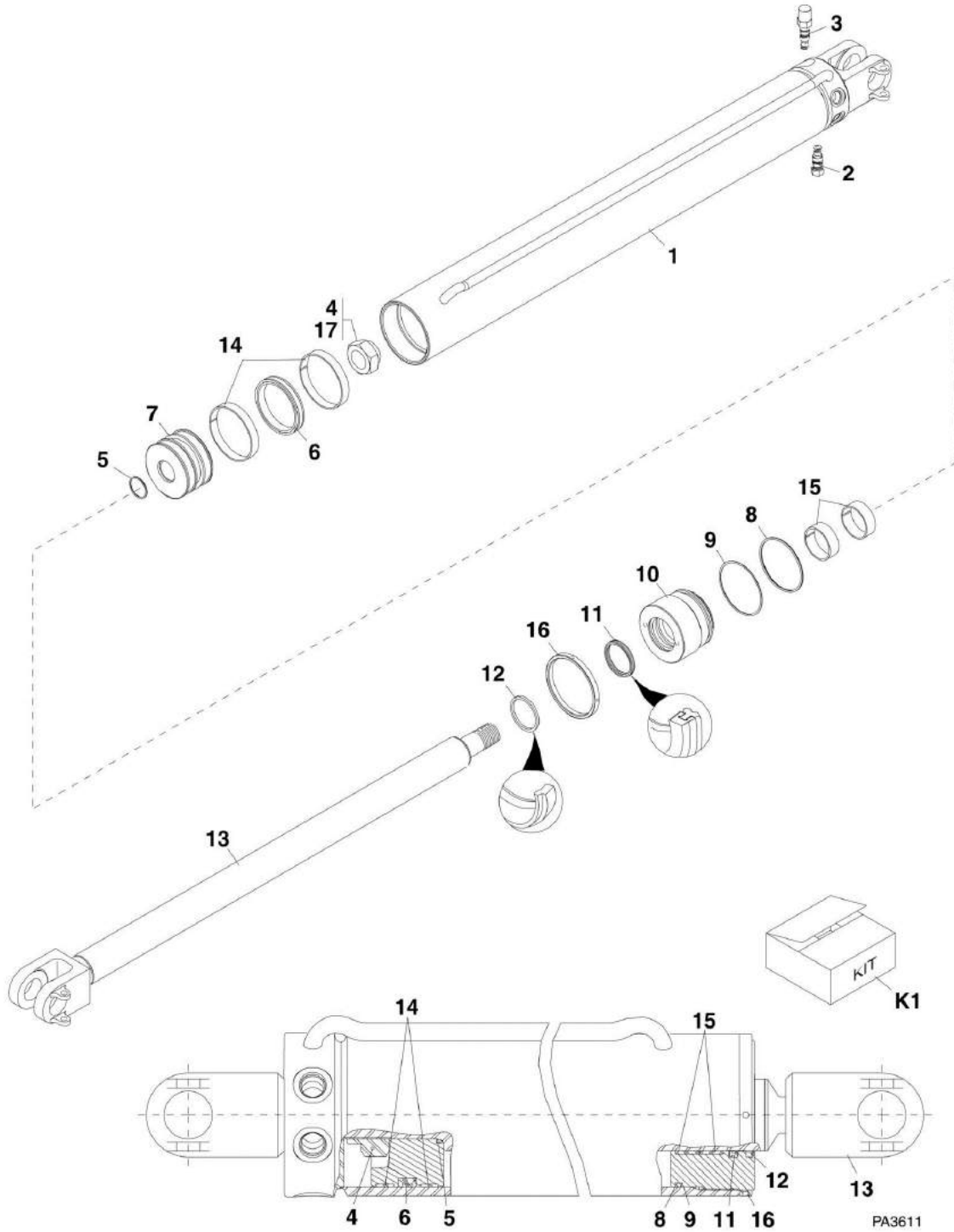
SECTION 9 - HYDRAULIC COMPONENTS

FIGURE 9-2. BOOM LIFT/LOWER CYLINDER (SN 17019 through 19897, SN 0160002408 through 0160003867)

ITEM	PART NUMBER	QTY	DESCRIPTION	REV
	2717007	2	BOOM LIFT/LOWER CYLINDER, (includes items 1 thru 16)	B
1	70023141	1	CYLINDER TUBE	
2	8036393	1	PO CHECK VALVE	
2	8205655	1	SEAL KIT	
3	8035321	1	COUNTERBALANCE VALVE, (4000 ± 50PSI), (torque to 30-35 lb-ft)	
3	8035327	1	SEAL KIT	
4	8036394	1	LOCKNUT, (torque to 1750-2000 lb-ft)	
5	Kit K1	1	O-RING	
6	Kit K1	1	CAPPED T-SEAL	
7	8036397	1	PISTON	
8	Kit K1	1	O-RING	
9	Kit K1	1	BACK-UP RING	
10	8036396	1	GLAND	
11	Kit K1	1	DEEP Z-SEAL	
12	Kit K1	1	WIPER SEAL	
13	8036489	1	WELDMENT ROD	
14	Kit K1	2	PRECISION WEARBAND	
15	Kit K1	2	PRECISION WEARBAND	
16	8036398	1	LOCKING COLLAR, (torque to 300-400 lb-ft)	
17	0100019	1	LOCTITE 271, (apply to item 4)	
K1	8036132	1	LIFT/LOWER CYLINDER SEAL KIT, (includes items 5, 6, 8, 9, 11, 12, 14 & 15)	
N1	Note	Ref	QUANTITIES SHOWN ARE FOR ONE CYLINDER ONLY	

SECTION 9 - HYDRAULIC COMPONENTS

FIGURE 9-3. BOOM LIFT/LOWER CYLINDER (SN 0160003879 through 0160027650)



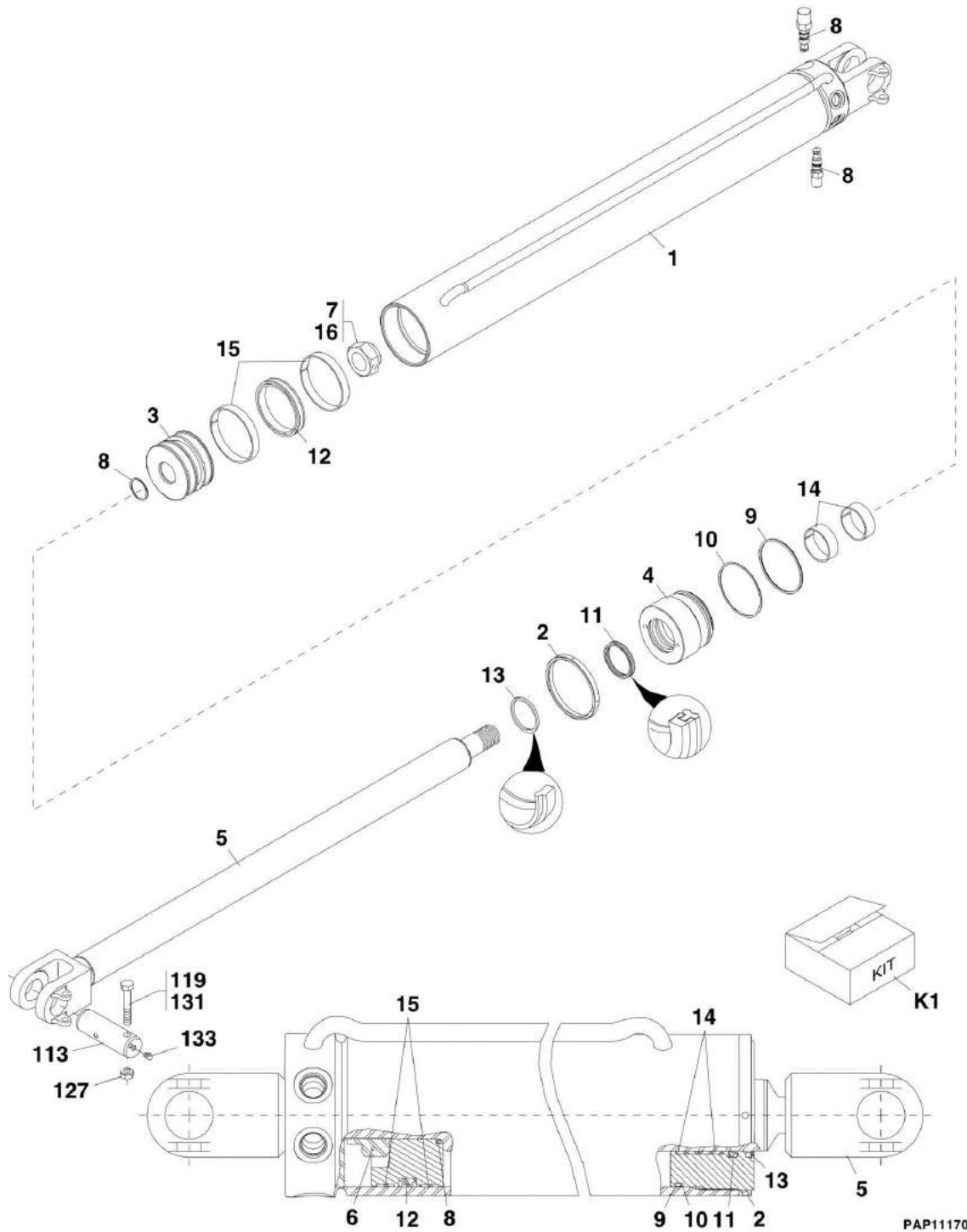
SECTION 9 - HYDRAULIC COMPONENTS

FIGURE 9-3. BOOM LIFT/LOWER CYLINDER (SN 0160003879 through 0160027650)

ITEM	PART NUMBER	QTY	DESCRIPTION	REV
	2717262	2	BOOM LIFT/LOWER CYLINDER, (includes items 1 thru 16) (SN 0160003879 through 0160015022)	D
	1684455	2	BOOM LIFT/LOWER CYLINDER, (includes items 1 thru 16) (SN 0160013567 through 0160027650)	C
1	N.S.S.	1	CYLINDER TUBE	
2	8036750	1	PO CHECK VALVE, (torque to 30-35 lb-ft)	
2	2900770	1	SEAL KIT	
3	8035321	1	COUNTERBALANCE VALVE, (4000 ± 50PSI), (torque to 30-35 lb-ft)	
3	8035327	1	SEAL KIT	
4	8036394	1	LOCKNUT, (torque to 1750-2000 lb-ft)	
5	Kit K1	1	O-RING	
6	Kit K1	1	CAPPED T-SEAL	
7	8036397	1	PISTON	
8	Kit K1	1	O-RING	
9	Kit K1	1	BACK-UP RING	
10	8036396	1	GLAND	
11	Kit K1	1	DEEP Z-SEAL	
12	Kit K1	1	WIPER SEAL	
13	8036489	1	WELDMENT ROD	
14	Kit K1	2	PRECISION WEARBAND	
15	Kit K1	2	PRECISION WEARBAND	
16	8036398	1	LOCKING COLLAR, (torque to 300-400 lb-ft)	
17	0100019	1	LOCTITE 271, (apply to item 4)	
K1	8036132	1	LIFT/LOWER CYLINDER SEAL KIT, (includes items 5, 6, 8, 9, 11, 12, 14 & 15)	
N1	Note	Ref	QUANTITIES SHOWN ARE FOR ONE CYLINDER ONLY	

SECTION 9 - HYDRAULIC COMPONENTS

FIGURE 9-4. BOOM LIFT/LOWER CYLINDER (SN 0160027677 to Present)



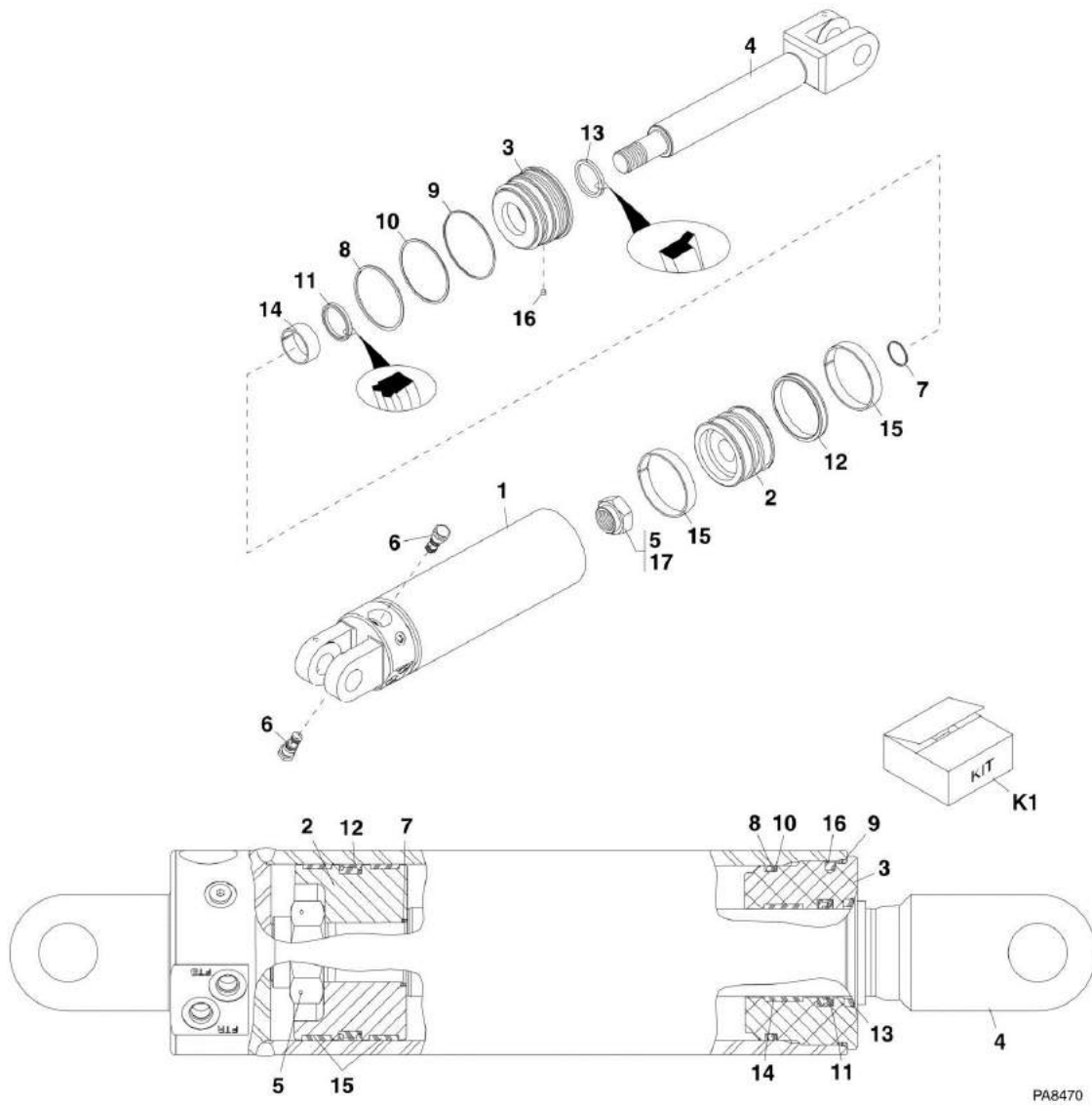
SECTION 9 - HYDRAULIC COMPONENTS

FIGURE 9-4. BOOM LIFT/LOWER CYLINDER (SN 0160027677 to Present)

ITEM	PART NUMBER	QTY	DESCRIPTION	REV
	1684537	2	BOOM LIFT/LOWER CYLINDER, (includes items 1 thru 15)	B
1	N.S.S.	1	CYLINDER TUBE	
2	8036398	1	LOCKING COLLAR, (torque to 300-400 lb-ft)	
3	8036397	1	PISTON	
4	8036396	1	GLAND	
5	8036489	1	WELDMENT ROD	
6	8036394	1	LOCKNUT, (torque to 1750-2000 lb-ft)	
7	8035321	2	COUNTERBALANCE VALVE, (4000 ± 50PSI), (torque to 30-35 lb-ft)	
7	8035327	1	SEAL KIT	
8	Kit K1	1	O-RING	
9	Kit K1	1	O-RING	
10	Kit K1	1	BACK-UP RING	
11	Kit K1	1	DEEP Z-SEAL	
12	Kit K1	1	CAPPED T-SEAL	
13	Kit K1	1	WIPER SEAL	
14	Kit K1	2	PRECISION WEARBAND	
15	Kit K1	2	PRECISION WEARBAND	
16	0100019	1	LOCTITE 271, (apply to item 6)	
113	3423227	1	CYLINDER PIN	
119	8303782	1	HEX HD CAPSCREW, 1/2-13X4, GR5	
127	8305644	1	HEX LOCKNUT, 1/2-13	
131	8522012	AR	ANTI-SEIZE LUBE	
133	8520003	1	LUBE FITTING, 90	
K1	8036132	1	LIFT/LOWER CYLINDER SEAL KIT, (includes items 8 thru 15)	
N1	Note	Ref	QUANTITIES SHOWN ARE FOR ONE CYLINDER ONLY	

SECTION 9 - HYDRAULIC COMPONENTS

FIGURE 9-5. FRAME SWAY CYLINDER (SN 17019 through 19897, SN 0160002408 through 0160003867)



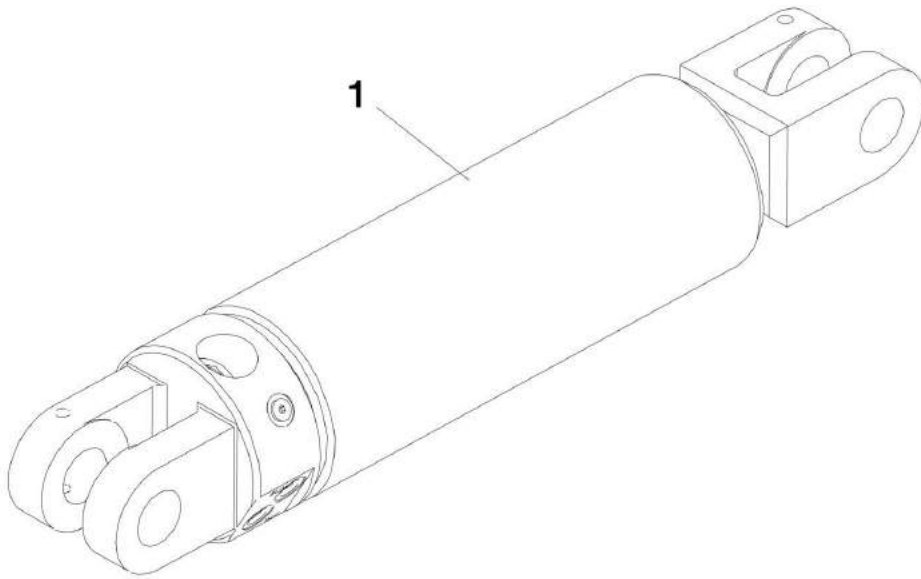
SECTION 9 - HYDRAULIC COMPONENTS

FIGURE 9-5. FRAME SWAY CYLINDER (SN 17019 through 19897, SN 0160002408 through 0160003867)

ITEM	PART NUMBER	QTY	DESCRIPTION	REV
	2716563	1	FRAME SWAY CYLINDER, (includes items 1 thru 16)	C
1	N.S.S.	1	WELDMENT TUBE	
2	8035323	1	PISTON	
3	8035324	1	HEAD GLAND, (torque to 300-400 lb-ft)	
4	8035758	1	WELDMENT ROD	
5	8035322	1	HEX LOCKNUT, 1.50-12, (torque to 1100-1250 lb-ft)	
6	8035757	2	PO CHECK VALVE - SERIES 10, (torque to 35-40 lb-ft)	
6	8035327	1	SEAL KIT	
7	Kit K1	1	O-RING	
8	Kit K1	1	O-RING	
9	Kit K1	1	O-RING	
10	Kit K1	1	BACK-UP RING	
11	Kit K1	1	DEEP Z-SEAL	
12	Kit K1	1	CAPPED T-SEAL	
13	Kit K1	1	WIPER SEAL	
14	Kit K1	1	PRECISION WEARBAND	
15	Kit K1	2	PRECISION WEARBAND	
16	Kit K1	1	LOCKING INSERT	
17	0100019	AR	LOCTITE 271, (apply to item 5)	
K1	8035326	1	FRAME SWAY CYLINDER SEAL KIT, (includes items 7 thru 16)	

SECTION 9 - HYDRAULIC COMPONENTS

FIGURE 9-6. FRAME SWAY CYLINDER (SN 0160003879 through 0160005651)



PA4200

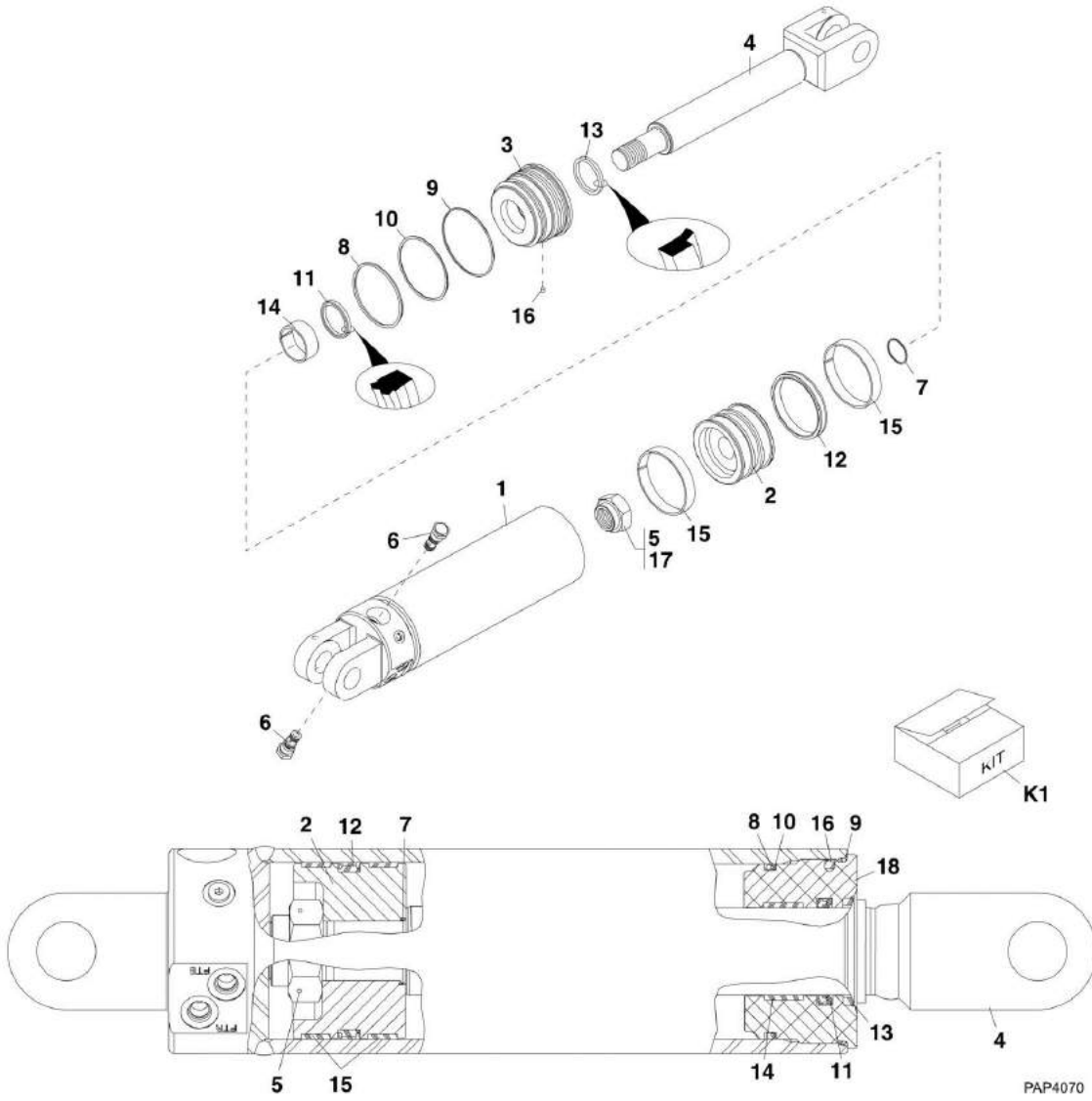
SECTION 9 - HYDRAULIC COMPONENTS

FIGURE 9-6. FRAME SWAY CYLINDER (SN 0160003879 through 0160005651)

ITEM	PART NUMBER	QTY	DESCRIPTION	REV
1	2717216	1	FRAME SWAY CYLINDER, (no service parts available, use 2716563 for replacement)	B

SECTION 9 - HYDRAULIC COMPONENTS

FIGURE 9-7. FRAME SWAY CYLINDER (SN 0160005696 to Present)



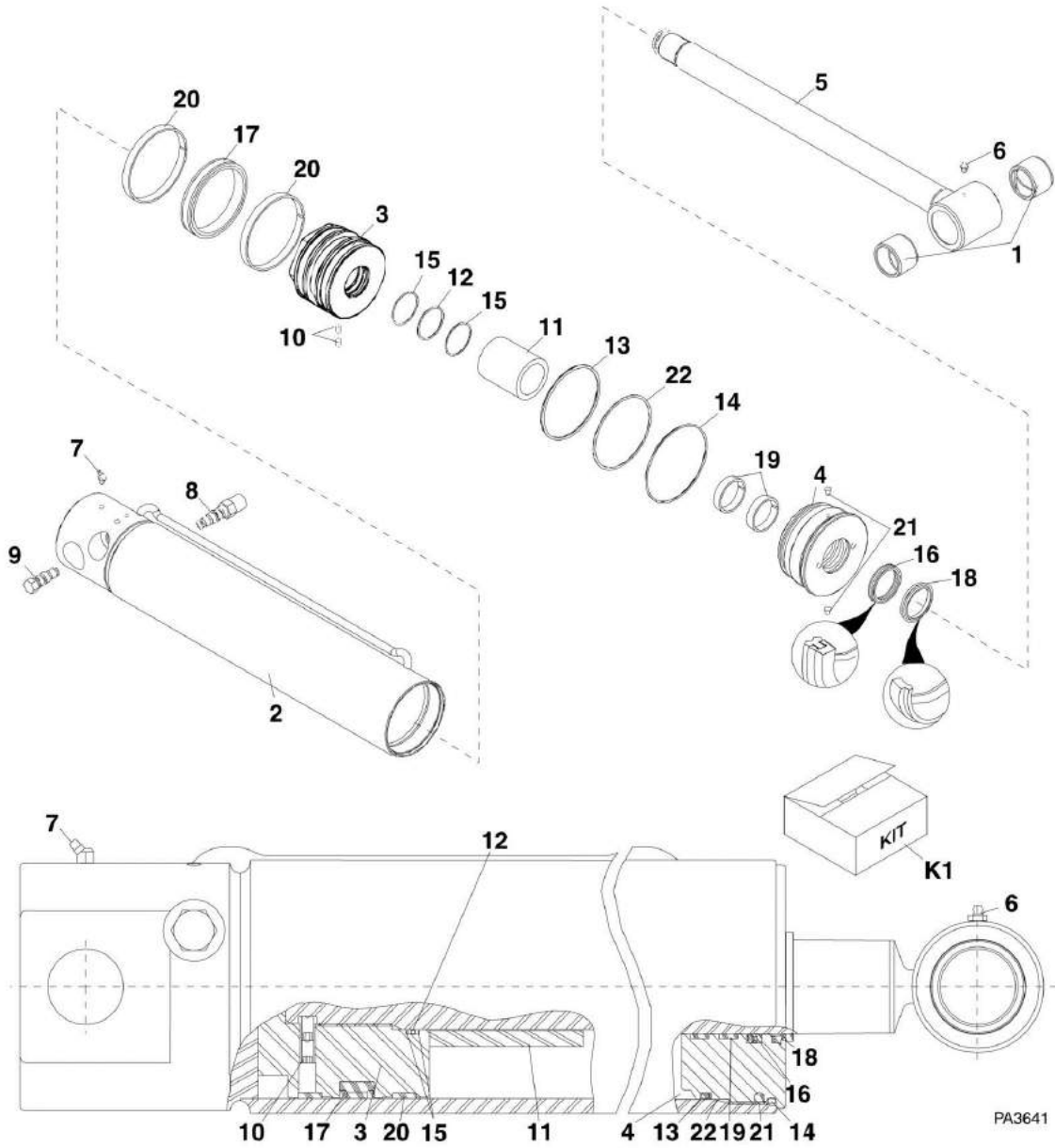
SECTION 9 - HYDRAULIC COMPONENTS

FIGURE 9-7. FRAME SWAY CYLINDER (SN 0160005696 to Present)

ITEM	PART NUMBER	QTY	DESCRIPTION	REV
	2716563	1	FRAME SWAY CYLINDER, (includes items 1 thru 16 & 18)	C
1	N.S.S.	1	WELDMENT TUBE	
2	8035323	1	PISTON	
3	8035324	1	HEAD GLAND, (torque to 300-400 lb-ft)	
4	8035758	1	WELDMENT ROD	
5	8035322	1	HEX LOCKNUT, 1.50-12, (torque to 1100-1250 lb-ft)	
6	8035757	2	PO CHECK VALVE - SERIES 10, (torque to 35-40 lb-ft)	
6	8035327	1	SEAL KIT	
7	Kit K1	1	O-RING	
8	Kit K1	1	O-RING	
9	Kit K1	1	O-RING	
10	Kit K1	1	BACK-UP RING	
11	Kit K1	1	DEEP Z-SEAL	
12	Kit K1	1	CAPPED T-SEAL	
13	Kit K1	1	WIPER SEAL	
14	Kit K1	1	PRECISION WEARBAND	
15	Kit K1	2	PRECISION WEARBAND	
16	Kit K1	1	LOCKING INSERT	
17	0100019	AR	LOCTITE 271, (apply to item 5)	
18	70021564	1	SQUARE RING	
K1	8035326	1	FRAME SWAY CYLINDER SEAL KIT, (includes items 7 thru 16)	

SECTION 9 - HYDRAULIC COMPONENTS

FIGURE 9-8. ATTACHMENT TILT CYLINDER



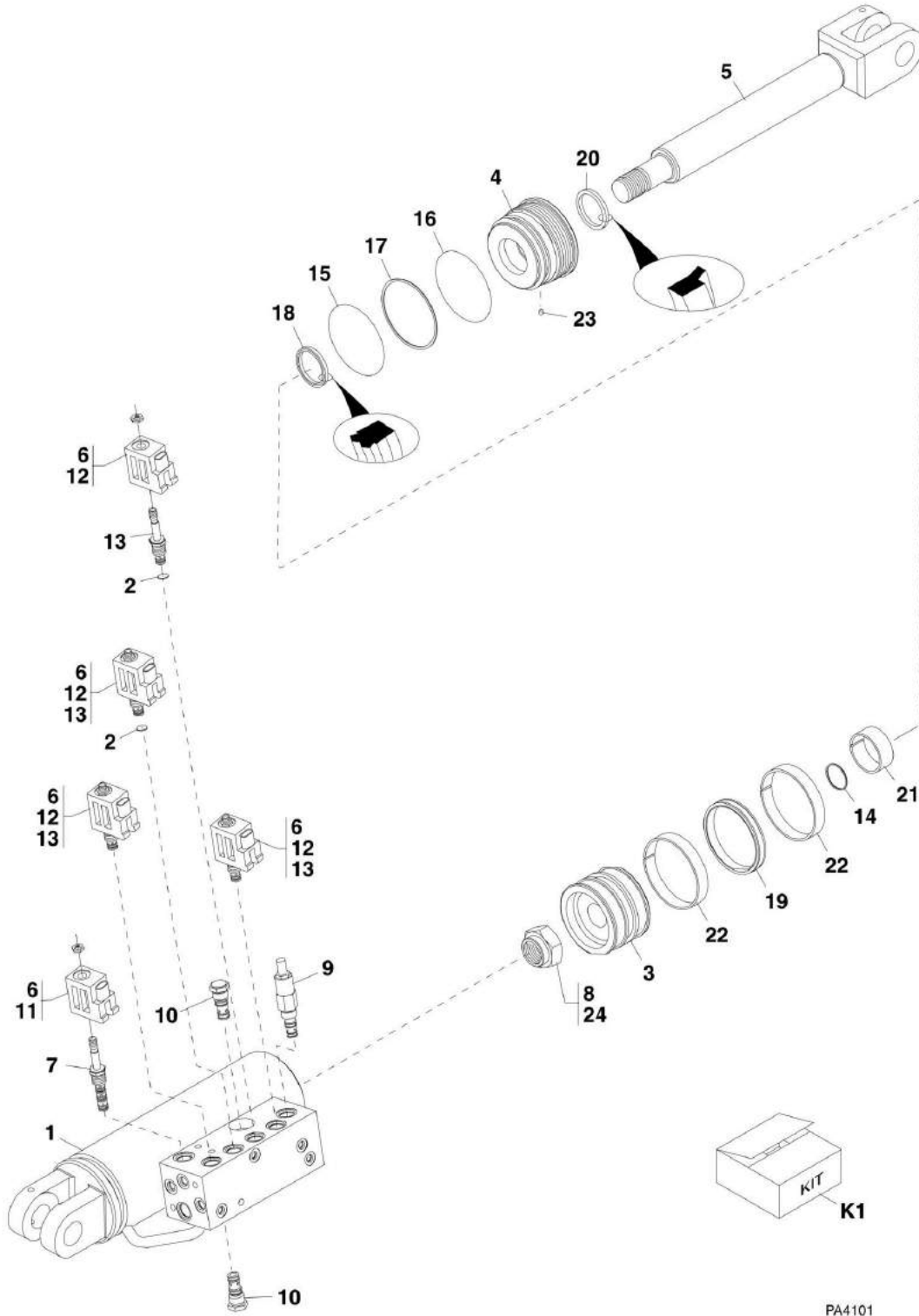
SECTION 9 - HYDRAULIC COMPONENTS

FIGURE 9-8. ATTACHMENT TILT CYLINDER

ITEM	PART NUMBER	QTY	DESCRIPTION	REV
	2716614	1	ATTACHMENT TILT CYLINDER, (includes all items)	E
1	8036149	2	BEARING	
2	70023265	1	WELDMENT TUBE	
3	8036392	1	PISTON, (Loctite 243 and torque to 200-300 lb-ft)	
4	8036391	1	GLAND, (torque to 300-400 lb-ft)	
5	8036389	1	WELDMENT ROD	
6	8036144	1	STRAIGHT LUBE FITTING	
7	8520034	1	LUBE FITTING, 45	
8	8035321	1	COUNTERBALANCE VALVE, (4000PSI), (torque to 30-35 lb-ft)	
8	8035327	1	SEAL KIT	
9	8036393	1	CHECK VALVE, (torque to 30-35 lb-ft)	
9	8205655	1	SEAL KIT	
10	8035536	2	SET SCREW, 5/16-18X.5, (Loctite 243 and torque to 155-175 lb-ft)	
11	8036390	1	ROD SPACER	
12	Kit K1	1	O-RING	
13	Kit K1	1	O-RING	
14	Kit K1	1	O-RING	
15	Kit K1	2	DYNAMIC BACK-UP RING	
16	Kit K1	1	DEEP Z-SEAL	
17	Kit K1	1	CAPPED T-SEAL	
18	Kit K1	1	WIPER SEAL	
19	Kit K1	2	PRECISION WEARBAND	
20	Kit K1	2	PRECISION WEARBAND	
21	Kit K1	2	LOCKING INSERT	
22	Kit K1	1	DYNAMIC BACK-UP RING	
K1	8035720	1	ATTACHMENT TILT CYLINDER SEAL KIT, (includes items 12 thru 22)	

SECTION 9 - HYDRAULIC COMPONENTS

FIGURE 9-9. STABIL-TRAK CYLINDER (SN 17019 through 19299)



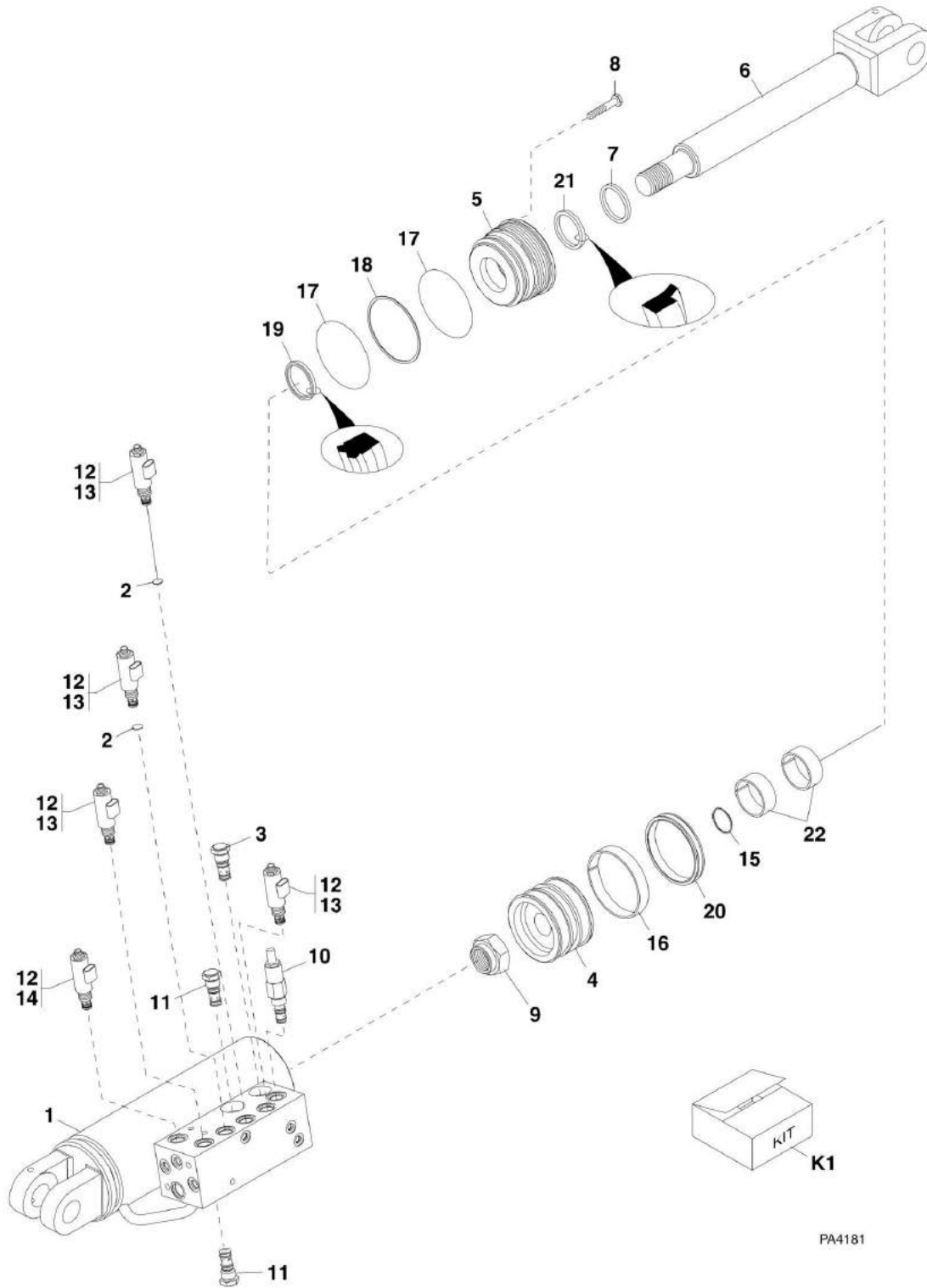
SECTION 9 - HYDRAULIC COMPONENTS

FIGURE 9-9. STABIL-TRAK CYLINDER (SN 17019 through 19299)

ITEM	PART NUMBER	QTY	DESCRIPTION	REV
	2716564	1	STABIL-TRAK CYLINDER, (includes items 1 thru 23)	AD
1	N.S.S.	1	WELDMENT TUBE	
2	8035781	2	CONICAL ORIFICE DISK, .060 DIA	
3	8035323	1	PISTON, (torque to 300-400 lb-ft)	
4	8035324	1	HEAD GLAND, (torque to 300-400 lb-ft)	
5	8035783	1	WELDMENT ROD	
6	8036288	5	SOLENOID COIL, (torque to 25-30 lb-ft)	
7	8036290	1	SOLENOID VALVE CARTRIDGE	
8	8035322	1	LOCKNUT, 1.50-12, (torque to 1100-1250 lb-ft)	
9	8035282	1	PRESSURE REDUCING VALVE, (torque to 35-40 lb-ft)	
9	8032994	1	SEAL KIT	
10	8035281	2	PO CHECK VALVE, SERIES 10, (torque to 35-40 lb-ft)	
10	8036192	1	SEAL KIT	
11	8036020	1	SOLENOID VALVE, 4 WAY, 12V, (includes items 6 & 7)	
11	8036195	1	SEAL KIT	
12	8036019	4	SOLENOID VALVE, 2 WAY, 12V, (includes items 6 & 13)	
12	8034037	1	SEAL KIT	
13	8036289	4	SOLENOID VALVE CARTRIDGE	
14	Kit K1	1	O-RING	
15	Kit K1	1	O-RING	
16	Kit K1	1	O-RING	
17	Kit K1	1	BACK-UP RING	
18	Kit K1	1	DEEP Z-SEAL	
19	Kit K1	1	CAPPED T-SEAL	
20	Kit K1	1	WIPER SEAL	
21	Kit K1	1	PRECISION WEARBAND	
22	Kit K1	2	PRECISION WEARBAND	
23	Kit K1	1	LOCKING INSERT	
24	0100019	1	LOCTITE 271, (apply to item 8)	
K1	8035326	1	SEAL KIT, (includes items 14 thru 23)	

SECTION 9 - HYDRAULIC COMPONENTS

FIGURE 9-10. STABIL-TRAK CYLINDER (SN 0160002408 to Present, SN 19300 through 19897)



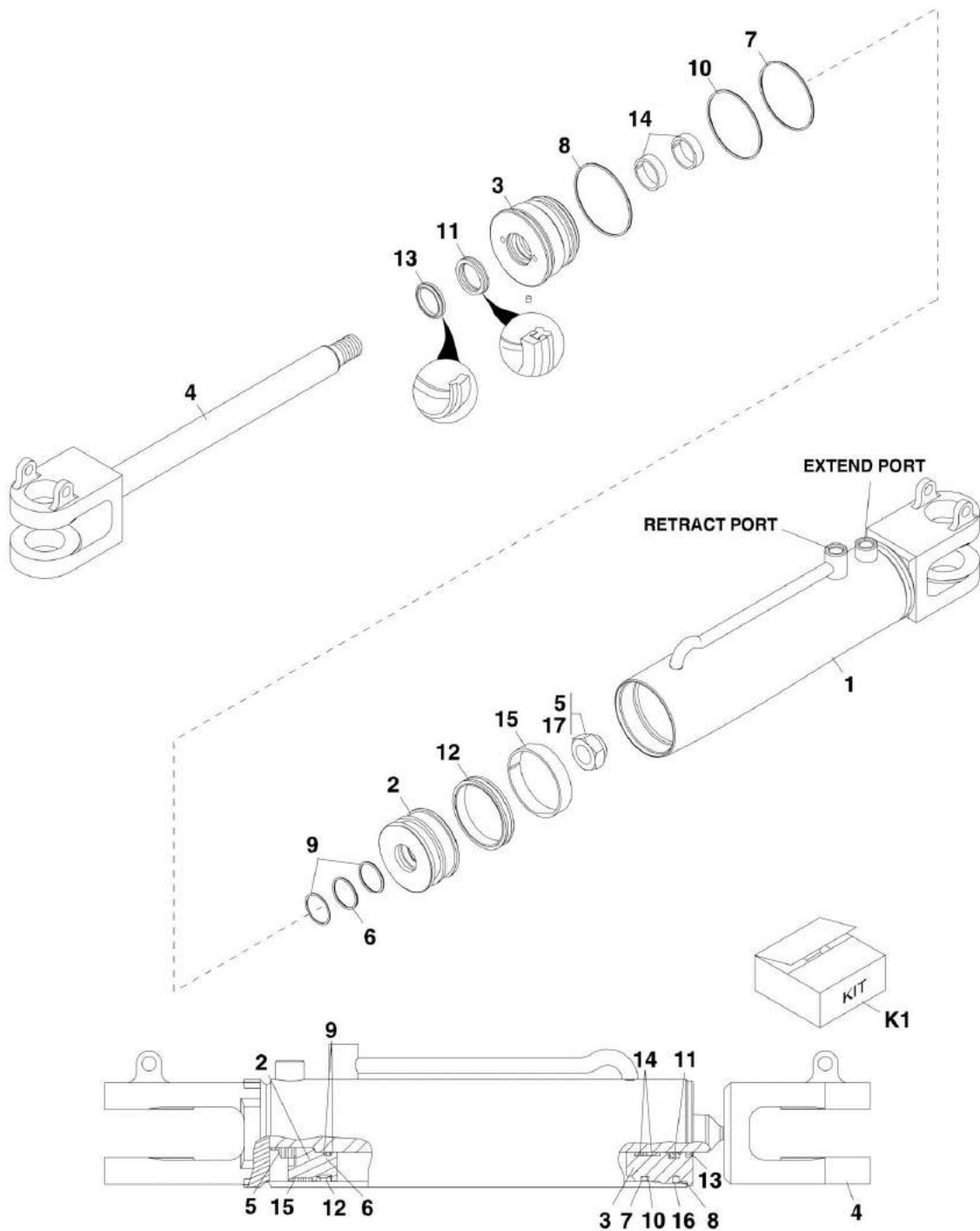
SECTION 9 - HYDRAULIC COMPONENTS

FIGURE 9-10. STABIL-TRAK CYLINDER (SN 0160002408 to Present, SN 19300 through 19897)

ITEM	PART NUMBER	QTY	DESCRIPTION	REV
	2717198	1	STABIL-TRAK CYLINDER, (includes items 1 thru 22)	E
1	N.S.S.	1	WELDMENT TUBE	
2	8035781	2	CONICAL ORIFICE DISK, .060 DIA	
3	8036582	1	CHECK VALVE, (torque to 20-25 lb-ft)	
3	7017496	1	SEAL KIT	
4	8036826	1	PISTON	
5	8036828	1	GUIDE, (torque to 300-350 lb-ft)	
6	8036827	1	ROD WELDMENT	
7	7029153	1	O-RING	
8	8036811	1	HEX SOCKET SET SCREW, 1/4-20X3/8, (torque to 3-4 lb-ft)	
9	8036825	1	LOCKNUT, 1-1/2-12, (torque to 1175-1400 lb-ft)	
10	8035282	1	PRESSURE REDUCING VALVE, (torque to 35-40 lb-ft)	
10	8032994	1	SEAL KIT	
11	8035281	2	PO CHECK VALVE, SERIES 10, (torque to 35-40 lb-ft)	
11	8036192	2	SEAL KIT	
12	7029246	5	SOLENOID COIL, (torque to 25-30 lb-ft)	
13	8036581	4	SOLENOID VALVE, 2 WAY, 12V	
13	7017496	4	SEAL KIT	
14	8036580	1	SOLENOID VALVE, 4 WAY, 12V	
14	7012903	1	SEAL KIT	
15	Kit K1	1	O-RING	
16	Kit K1	1	WEAR RING	
17	Kit K1	2	O-RING	
18	Kit K1	1	BACK-UP RING	
19	Kit K1	1	DEEP Z-SEAL	
20	Kit K1	1	CAPPED T-SEAL	
21	Kit K1	1	WIPER RING	
22	Kit K1	2	WEAR RING	
K1	8036747	1	SEAL KIT, (includes items 15 thru 22)	

SECTION 9 - HYDRAULIC COMPONENTS

FIGURE 9-11. SLAVE CYLINDER (SN 17019 through 19299)



PA3632

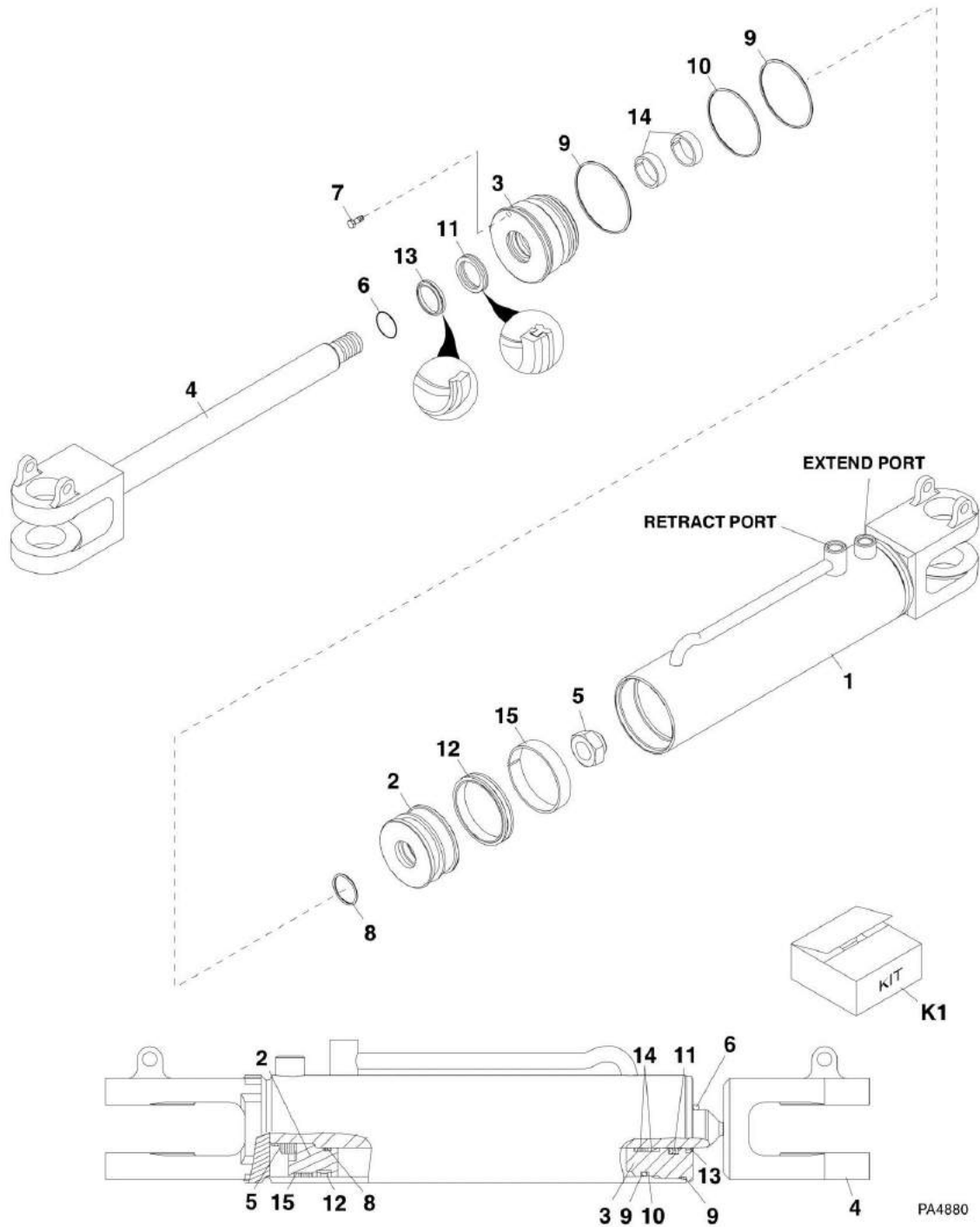
SECTION 9 - HYDRAULIC COMPONENTS

FIGURE 9-11. SLAVE CYLINDER (SN 17019 through 19299)

ITEM	PART NUMBER	QTY	DESCRIPTION	REV
	2716615	2	SLAVE CYLINDER, (includes items 1 thru 16)	AB
1	N.S.S.	1	CYLINDER TUBE	
2	8036401	1	PISTON	
3	8036400	1	HEAD GLAND, (torque 250-300 lb-ft)	
4	8036399	1	ROD	
5	8037080	1	LOCKNUT, 1.25-12, (torque 675-750 lb-ft)	
6	Kit K1	1	O-RING	
7	Kit K1	1	O-RING	
8	Kit K1	1	O-RING	
9	Kit K1	2	BACK-UP RING	
10	Kit K1	1	BACK-UP RING	
11	Kit K1	1	DEEP Z-SEAL	
12	Kit K1	1	CAPPED T-SEAL	
13	Kit K1	1	WIPER SEAL	
14	Kit K1	2	WEARBAND	
15	Kit K1	1	WEARBAND	
16	Kit K1	1	LOCKING INSERT	
17	0100019	AR	LOCTITE 271, (apply to item 5)	
K1	8036131	1	SEAL KIT, (includes items 6 thru 16)	
N1	Note	Ref	QUANTITIES SHOWN ARE FOR ONE CYLINDER ONLY	

SECTION 9 - HYDRAULIC COMPONENTS

FIGURE 9-12. SLAVE CYLINDER (SN 19300 through 19897, SN 0160002408 through 0160003867)



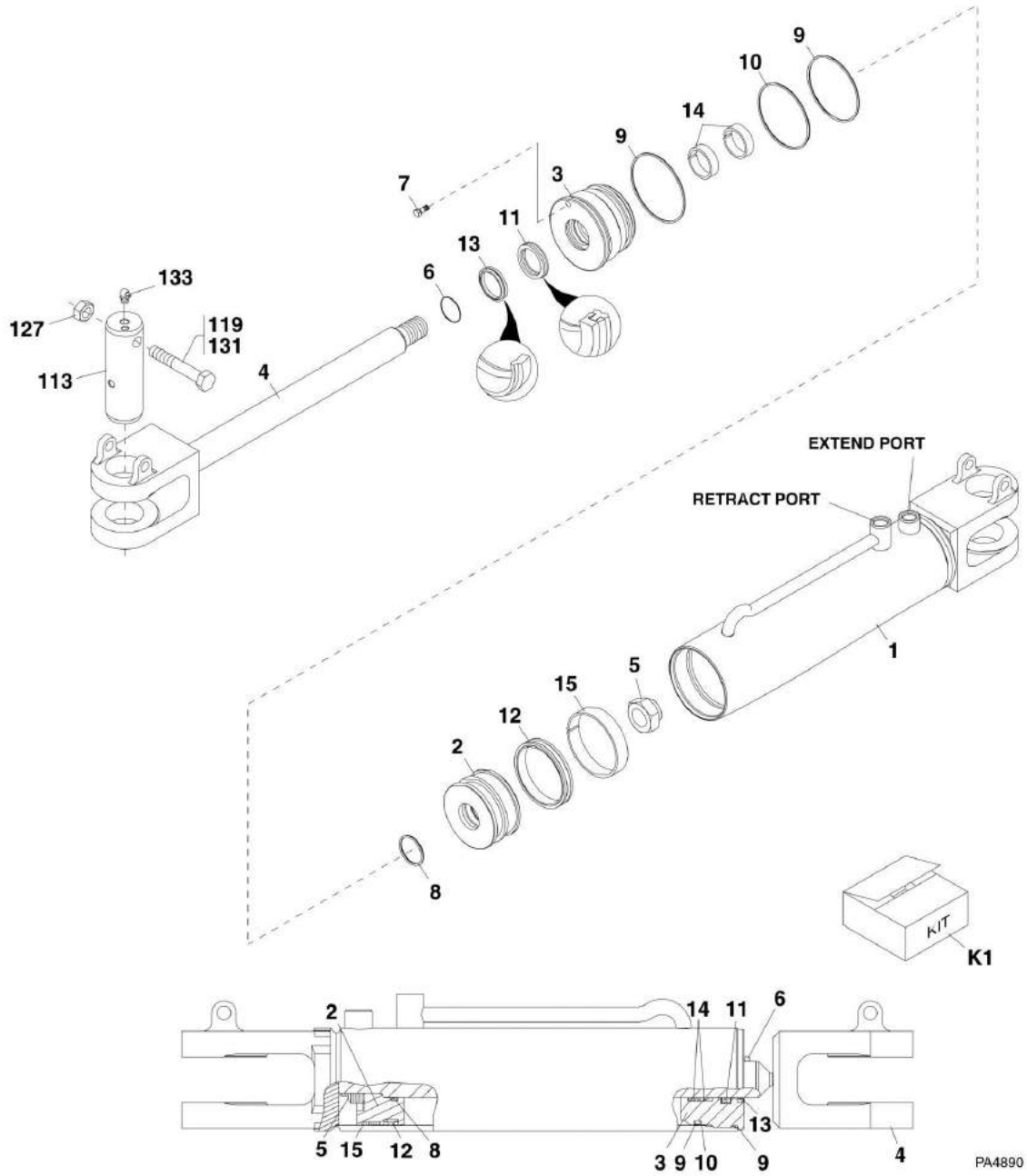
SECTION 9 - HYDRAULIC COMPONENTS

FIGURE 9-12. SLAVE CYLINDER (SN 19300 through 19897, SN 0160002408 through 0160003867)

ITEM	PART NUMBER	QTY	DESCRIPTION	REV
	2717197	2	SLAVE CYLINDER, (includes items 1 thru 15)	C
1	N.S.S.	1	CYLINDER TUBE	
2	7029247	1	PISTON	
3	7029250	1	GUIDE, (torque 300-350 lb-ft)	
4	7029248	1	ROD	
5	7017278	1	LOCKNUT, 1-1/8-12, (torque 650-700 lb-ft)	
6	7029249	1	O-RING	
7	7017283	1	HEX SOCKET SET SCREW, 1/4-20X3/8, (torque to 3-4 lb-ft)	
8	Kit K1	1	O-RING	
9	Kit K1	2	O-RING	
10	Kit K1	1	BACK-UP RING	
11	Kit K1	1	DEEP Z-SEAL	
12	Kit K1	1	CAPPED T-SEAL	
13	Kit K1	1	WIPER RING	
14	Kit K1	2	WEAR RING	
15	Kit K1	1	WEAR RING	
K1	7028739	1	SEAL KIT, (includes items 8 thru 15)	
N1	Note	Ref	QUANTITIES SHOWN ARE FOR ONE CYLINDER ONLY	

SECTION 9 - HYDRAULIC COMPONENTS

FIGURE 9-13. SLAVE CYLINDER (SN 0160003879 to Present)



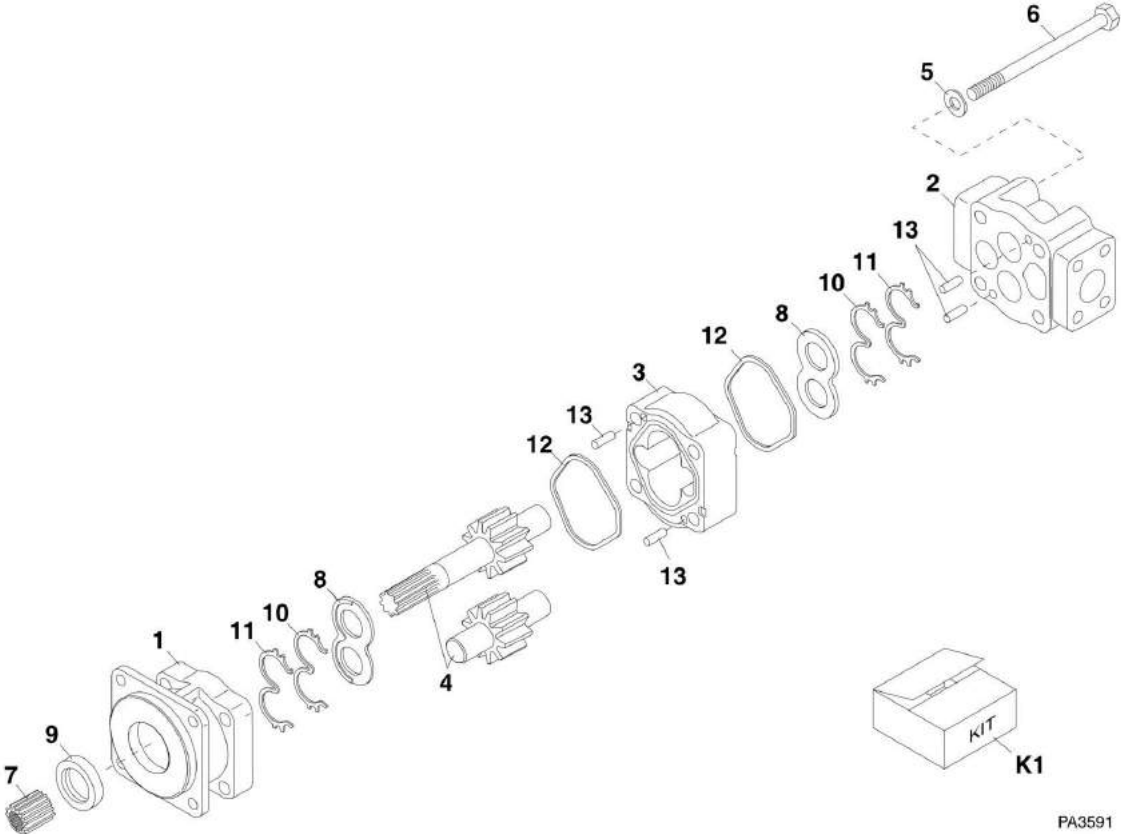
SECTION 9 - HYDRAULIC COMPONENTS

FIGURE 9-13. SLAVE CYLINDER (SN 0160003879 to Present)

ITEM	PART NUMBER	QTY	DESCRIPTION	REV
	2717260	2	SLAVE CYLINDER, (includes items 1 thru 15)	B
1	N.S.S.	1	CYLINDER TUBE	
2	7029247	1	PISTON	
3	7029250	1	GUIDE, (torque 300-350 lb-ft)	
4	7029251	1	ROD	
5	7017278	1	LOCKNUT, 1-1/8-12, (torque 650-700 lb-ft)	
6	7029249	1	O-RING	
7	8036811	1	HEX SOCKET SET SCREW, 1/4-20X3/8, (torque to 3-4 lb-ft)	
8	Kit K1	1	O-RING	
9	Kit K1	2	O-RING	
10	Kit K1	1	BACK-UP RING	
11	Kit K1	1	DEEP Z-SEAL	
12	Kit K1	1	CAPPED T-SEAL	
13	Kit K1	1	WIPER RING	
14	Kit K1	2	WEAR RING	
15	Kit K1	1	WEAR RING	
113	3423227	1	CYLINDER PIN	
119	8303782	1	HEX HD CAPSCREW, 1/2-13X4, GR5	
127	8305644	1	HEX LOCKNUT, 1/2-13	
131	8522012	AR	ANTI-SEIZE LUBE	
133	8520003	1	LUBE FITTING, 90	
K1	7028739	1	SEAL KIT, (includes items 8 thru 15)	
N1	Note	Ref	QUANTITIES SHOWN ARE FOR ONE CYLINDER ONLY	

SECTION 9 - HYDRAULIC COMPONENTS

FIGURE 9-14. GEAR PUMP



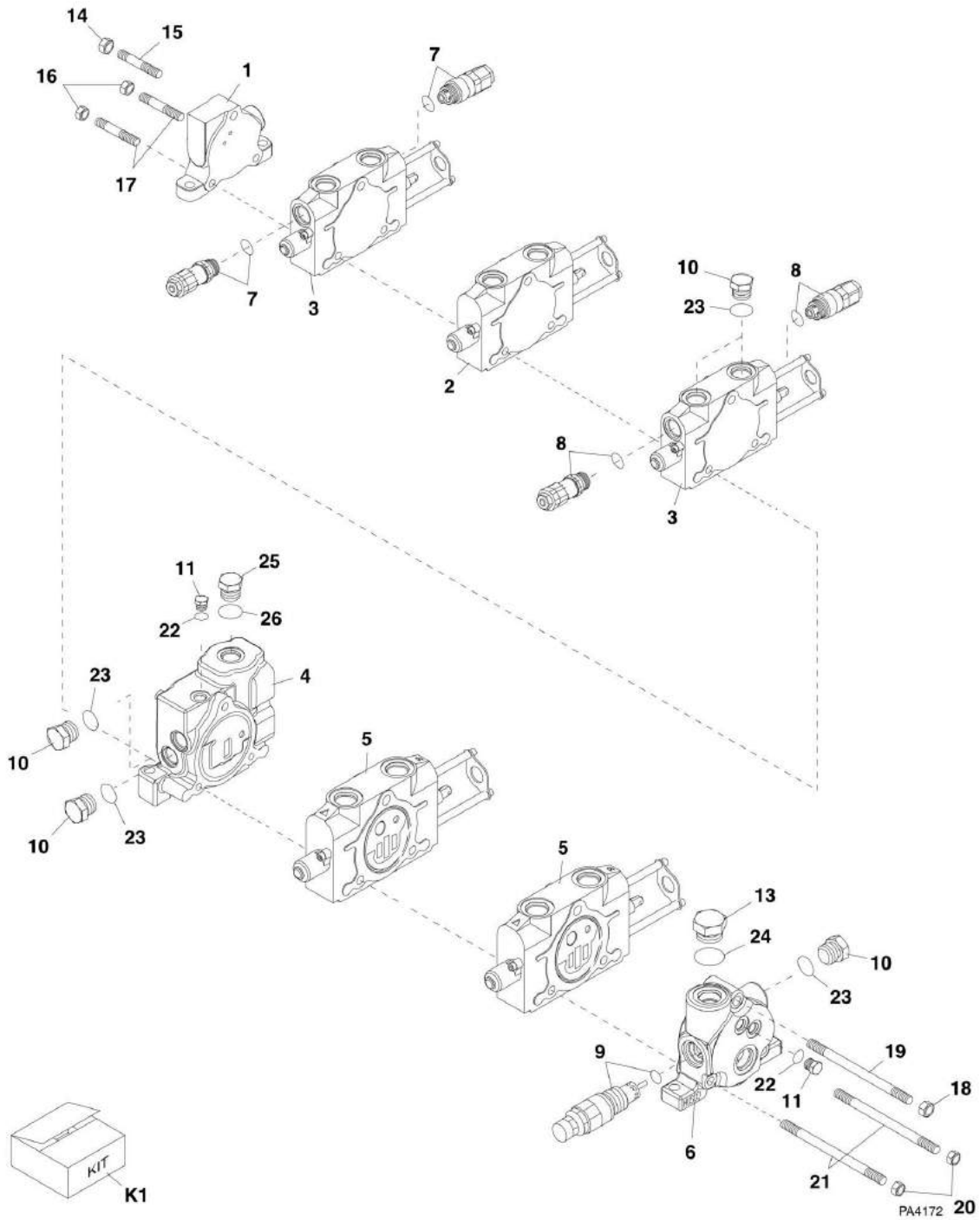
SECTION 9 - HYDRAULIC COMPONENTS

FIGURE 9-14. GEAR PUMP

ITEM	PART NUMBER	QTY	DESCRIPTION	REV
	8440162	1	GEAR PUMP, (includes all items)	AA
1	N.S.S.	1	SEC HOUSING	
2	N.S.S.	1	PEC HOUSING	
3	8036428	1	GEAR HOUSING	
4	8036271	1	GEAR SHAFT SET	
5	N.S.S.	4	WASHER	
6	8035745	4	HEX HD CAPSCREW	
7	8035744	1	SPLINE ADAPTER	
8	N.S.S.	2	THRUST PLATE	
9	Kit K1	1	LIP SEAL	
10	Kit K1	2	CHANNEL SEAL	
11	Kit K1	2	BACK-UP SEAL	
12	Kit K1	2	SQUARE R SEAL	
13	83671037	4	DOWEL PIN	
K1	8036429	1	GEAR PUMP SEAL KIT, (includes items 9 thru 12)	

SECTION 9 - HYDRAULIC COMPONENTS

FIGURE 9-15. MAIN CONTROL VALVE



SECTION 9 - HYDRAULIC COMPONENTS

FIGURE 9-15. MAIN CONTROL VALVE

ITEM	PART NUMBER	QTY	DESCRIPTION	REV
	8902187	1	MAIN CONTROL VALVE, (includes all items)	AD
1	8035848	1	OUTLET SECTION ASSY	
2	8036177	1	FRAME SWAY SECTION ASSY	
3	8036178	2	ATTACHMENT TILT AND AUXILIARY HYDRAULIC SECTION ASSY	
4	8035849	1	MID-INLET SECTION ASSY	
5	8036179	2	BOOM EXTEND/RETRACT AND BOOM LIFT/LOWER SECTION ASSY	
6	8036263	1	EXTEND/RETRACT AND LIFT/LOWER SECTION ASSY OUTLET	
7	8036175	2	RELIEF ASSY VALVE - Preset at 3250 ± 50psi (224 ± 3,4 bar)	
8	8036174	2	RELIEF ASSY VALVE - Preset at 3250 ± 50psi (224 ± 3,4 bar)	
9	8035844	1	MAIN RELIEF VALVE - Preset at 3500 ± 50psi (242 ± 3,4 bar)	
10	8035834	4	PLUG, #10	
11	8035843	2	PLUG	
12	8760419	2	PLUG, #6, (not used on machines with auxiliary hydraulics)	
13	8035835	1	PLUG, #10	
14	8035346	1	NUT	
15	8036283	1	TIE ROD	
16	8035348	2	NUT	
17	8036284	2	TIE ROD	
18	8035347	1	NUT	
19	8036282	1	TIE ROD	
20	8035381	2	NUT	
21	8036281	2	TIE ROD	
22	8036533	2	O-RING	
23	8036517	4	O-RING	
24	7013903	1	O-RING	
25	7013930	1	PLUG	
26	7013928	1	O-RING	
K1	8036180	1	COMPLETE VALVE SEAL KIT	

SECTION 9 - HYDRAULIC COMPONENTS

FIGURE 9-16. DIRECTIONAL CONTROL VALVES

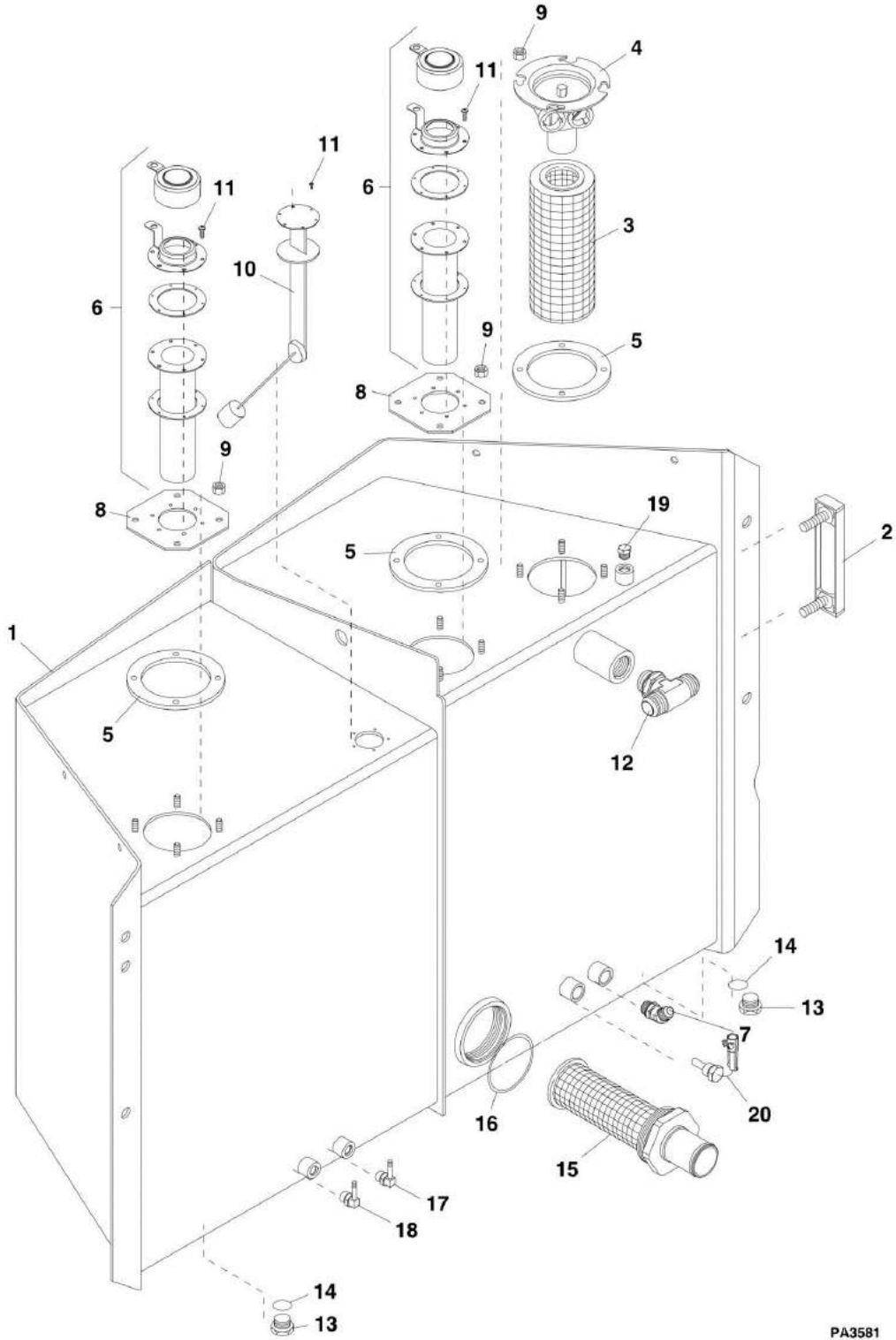
ITEM	PART NUMBER	QTY	DESCRIPTION	REV
1	8902200	1	UNLOADER VALVE, (includes items 2 thru 4) (Prior to SN 0160037903)	E
1	1001103151	1	UNLOADER VALVE, (includes items 2 thru 4) (SN 0160037903 to Present)	B
2	8035775	1	DIFFERENTIAL PRESSURE SENSE VALVE, (torque to 80-90 lb-ft) (Prior to SN 0160037903)	
2	8036187	1	SEAL KIT	
2	70022718	1	DIFFERENTIAL PRESSURE SENSE VALVE, (torque to 60-65 lb-ft) (SN 0160037903 to Present)	
2	8034562	1	SEAL KIT	
3	8036356	1	RELIEF VALVE, (torque to 35-40 lb-ft) (Prior to SN 0160037903)	
3	8034037	1	SEAL KIT	
3	70022717	1	RELIEF VALVE, (2700PSI, [186 bar]), (torque to 37-41 lb-ft) (SN 0160037903 to Present)	
3	8032693	1	SEAL KIT	
4	8035774	1	CHECK VALVE, (125psi [8,6 bar]), (torque to 80-90 lb-ft) (Prior to SN 0160037903)	
4	70020799	1	SEAL KIT	
4	70022716	1	CHECK VALVE, (180psi [12,4 bar]), (torque to 40 lb-ft) (SN 0160037903 to Present)	
4	7009764	1	SEAL KIT	
5	8902197	1	STEER SELECT VALVE, (includes item 6) (Prior to SN 0160037903)	C
5	1001103152	1	STEER SELECT VALVE, (includes item 6) (SN 0160037903 to Present)	C
6	8640017	AR	O-RING	
7	8902111	1	STEER SELECT VALVE SUBPLATE	
8	8310326	2	SOCKET HD CAPSCREW, 5/16-18X1.125, (torque to 18.5-21 lb-ft)	
9	8310327	4	SOCKET HD CAPSCREW, #10-24X1.125, (torque to 18.5-21 lb-ft)	
100	8902196	1	SECONDARY FUNCTION MANIFOLD, (includes items 101 thru 108) (Prior to SN 0160037953)	E
100	1001103149	1	SECONDARY FUNCTION MANIFOLD, (includes items 101 thru 108) (SN 0160037953 to Present)	B
101	8032989	1	PRESSURE REDUCING VALVE, (2500PSI, [172 bar]), (torque to 60-70 lb-ft) (Prior to SN 0160037953)	
101	8032990	1	SEAL KIT	
101	70022720	1	PRESSURE REDUCING VALVE, (2500PSI, [172 bar]), (torque to 21 lb-ft) (SN 0160037953 to Present)	
101	N.S.S.	1	SEAL KIT	
102	8032993	1	PRESSURE REDUCING VALVE, (550PSI, [38 bar]), (torque to 35-40 lb-ft) (Prior to SN 0160037953)	
102	8032994	1	SEAL KIT	
102	70022719	1	PRESSURE REDUCING VALVE, (550PSI, [38 bar]), (torque to 37-41 lb-ft) (SN 0160037953 to Present)	
102	N.S.S.	1	SEAL KIT	
103	8032991	1	PRESSURE REDUCING VALVE, (650PSI, [45 bar]), (torque to 25-30 lb-ft) (Prior to SN 0160037953)	
103	8032994	1	SEAL KIT	
103	70022721	1	PRESSURE REDUCING VALVE, (650PSI, [45 bar]), (torque to 37-41 lb-ft) (SN 0160037953 to Present)	
103	N.S.S.	1	SEAL KIT	
104	8032995	1	CHECK VALVE (Prior to SN 0160037953)	
104	8032992	1	SEAL KIT	

SECTION 9 - HYDRAULIC COMPONENTS

ITEM	PART NUMBER	QTY	DESCRIPTION	REV
104	91474023	1	CHECK VALVE, (torque to 23-27 lb-ft) (SN 0160037953 to Present)	
104	91474024	1	SEAL KIT	
105	8902696	1	SOLENOID VALVE CARTRIDGE, (torque to 25-30 lb-ft) (Prior to SN 0160037953)	
105	8032992	1	SEAL KIT	
105	70022723	1	SOLENOID VALVE CARTRIDGE, (torque to 23-27 lb-ft) (SN 0160037953 to Present)	
105	N.S.S.	1	SEAL KIT	
106	8902698	2	SOLENOID COIL WITH INTEGRATED DIODE (Prior to SN 0160037953)	
106	70022724	2	SOLENOID COIL WITH INTEGRATED DIODE (SN 0160037953 to Present)	
107	8902697	1	SOLENOID VALVE CARTRIDGE, (torque to 25-30 lb-ft) (Prior to SN 0160037953)	
107	8032992	1	SEAL KIT	
107	70022722	1	SOLENOID VALVE CARTRIDGE, (torque to 23-27 lb-ft) (SN 0160037953 to Present)	
107	N.S.S.	1	SEAL KIT	
108	N.S.S.	2	NUT, (torque to 4-6 lb-ft)	
210	8307005	3	LOCKWASHER, 3/8	
211	8307203	3	WASHER, 5/16	
217	8310525	3	HEX HD CAPSCREW, 3/8-16X1.00, GR8, (torque to 46-52 lb-ft)	

SECTION 9 - HYDRAULIC COMPONENTS

FIGURE 9-17. FUEL/HYDRAULIC TANK ASSEMBLY (Prior to SN 0160037238)



PA3581

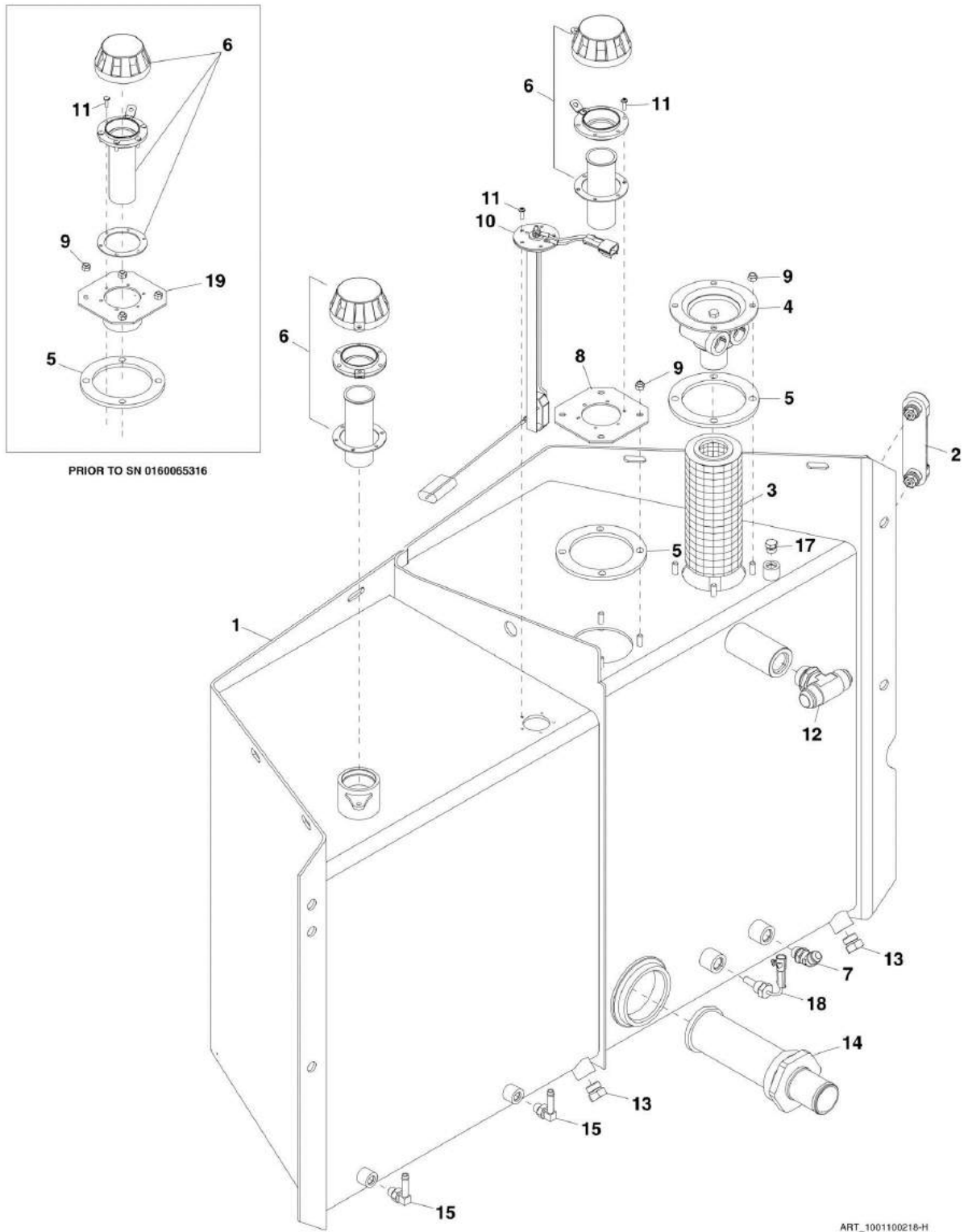
SECTION 9 - HYDRAULIC COMPONENTS

FIGURE 9-17. FUEL/HYDRAULIC TANK ASSEMBLY (Prior to SN 0160037238)

ITEM	PART NUMBER	QTY	DESCRIPTION	REV
	7150655	1	FUEL/HYDRAULIC TANK ASSY, (includes all items) (SN 17019 through 19897)	F
	7301863	1	FUEL/HYDRAULIC TANK ASSY, (includes all items) (SN 0160002408 through 0160037238)	G
1	7150610	1	FUEL/HYDRAULIC TANK (SN 17019 through 19897)	
1	7301862	1	FUEL/HYDRAULIC TANK (SN 0160002408 through 0160037238)	
2	7024441	1	SIGHT GAUGE, (torque bolts to 4-5 lb-ft)	
3	8320265	1	HYDRAULIC OIL FILTER ELEMENT	
4	1001091752	1	FILTER HEAD, (with by-pass)	
5	7138209	3	GASKET	
6	7139077	2	FILLER/BREATHER	
7	2220500	1	ELBOW, 45, (includes o-ring)	
8	7139076	2	PLATE	
9	8305626	12	HEX LOCKNUT, 5/16-18	
10	7118222	1	FUEL LEVEL SENDER ASSY	
11	8310163	17	TRUSS HD SCREW, #10X5/8	
12	8760552	1	MALE BRANCH TEE, #16, (includes o-ring)	
13	8541435	2	MAGNETIC HEX HD PLUG (SN 17019 through 19897)	
13	2220239	2	HEX HD PLUG, (includes o-ring) (SN 0160002408 through 0160037238)	
14	8640903	2	O-RING (SN 17019 through 19897)	
15	7138740	1	SUCTION STRAINER, (includes o-ring)	
16	7029716	1	O-RING	
17	8430034	1	ELBOW, 90, (includes o-ring)	
18	8430064	1	ELBOW, 90, (includes o-ring)	
19	2220237	1	HEX HD PLUG, #6, (includes o-ring)	
20	8223226	1	HYDRAULIC TEMPERATURE SWITCH, 195 F	

SECTION 9 - HYDRAULIC COMPONENTS

FIGURE 9-18. FUEL/HYDRAULIC TANK ASSEMBLY (SN 0160037238 to Present)



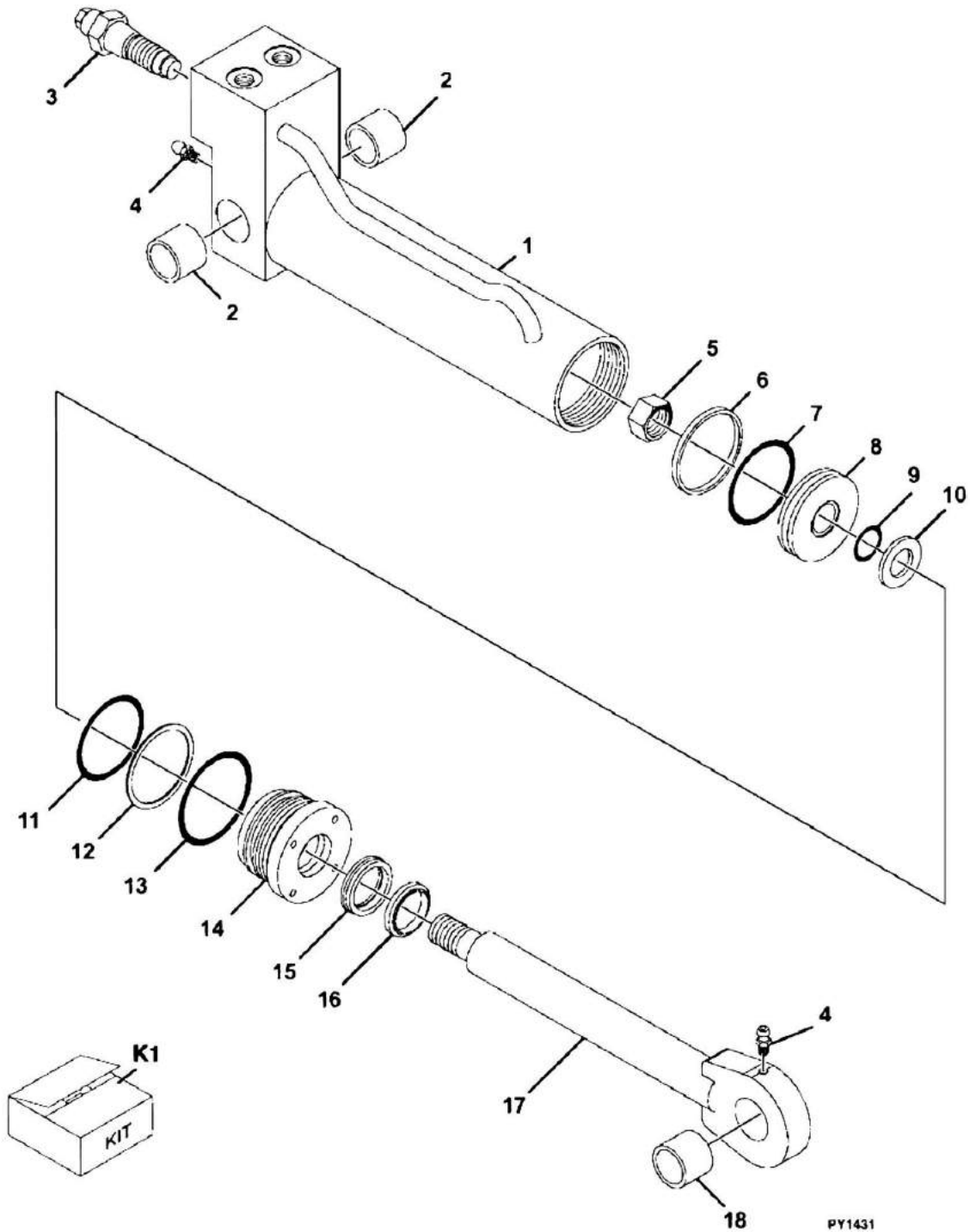
SECTION 9 - HYDRAULIC COMPONENTS

FIGURE 9-18. FUEL/HYDRAULIC TANK ASSEMBLY (SN 0160037238 to Present)

ITEM	PART NUMBER	QTY	DESCRIPTION	REV
	1001100218	1	FUEL/HYDRAULIC TANK ASSY, (includes all items)	H
1	7301862	1	FUEL/HYDRAULIC TANK	
2	7024441	1	SIGHT GAUGE	
3	7301252	1	HYDRAULIC OIL FILTER ELEMENT	
4	1001091752	1	INTAKE FILTER HEAD	
5	7138209	2	HYDRAULIC TANK GASKET	
6	7139077	2	FILLER/BREATHER	
7	2220500	1	ELBOW, 45, (includes o-ring)	
8	7139076	1	PLATE	
9	8305626	8	HEX LOCKNUT, 5/16-18	
10	7118222	1	FUEL SENDER (Prior to SN 0160065316)	
10	1001145026	1	FUEL SENDER (SN 0160065316 to Present)	
11	8310163	11	PAN HD SCREW, #10-24X5/8	
12	8760552	1	RUN TEE	
13	2220239	2	HEX HD PLUG, (includes o-ring)	
14	7138740	1	SUCTION STRAINER	
14	7029716	1	O-RING	
15	8430034	2	ELBOW, 90, (includes o-ring)	
17	2220237	1	HEX HD PLUG, #6, (includes o-ring)	
18	8223226	1	HYDRAULIC TEMPERATURE SWITCH	
19	1001134961	1	FUEL FILL NECK ADAPTER (Prior to SN 0160065316)	

SECTION 9 - HYDRAULIC COMPONENTS

FIGURE 9-19. GRAPPLE BUCKET CYLINDER



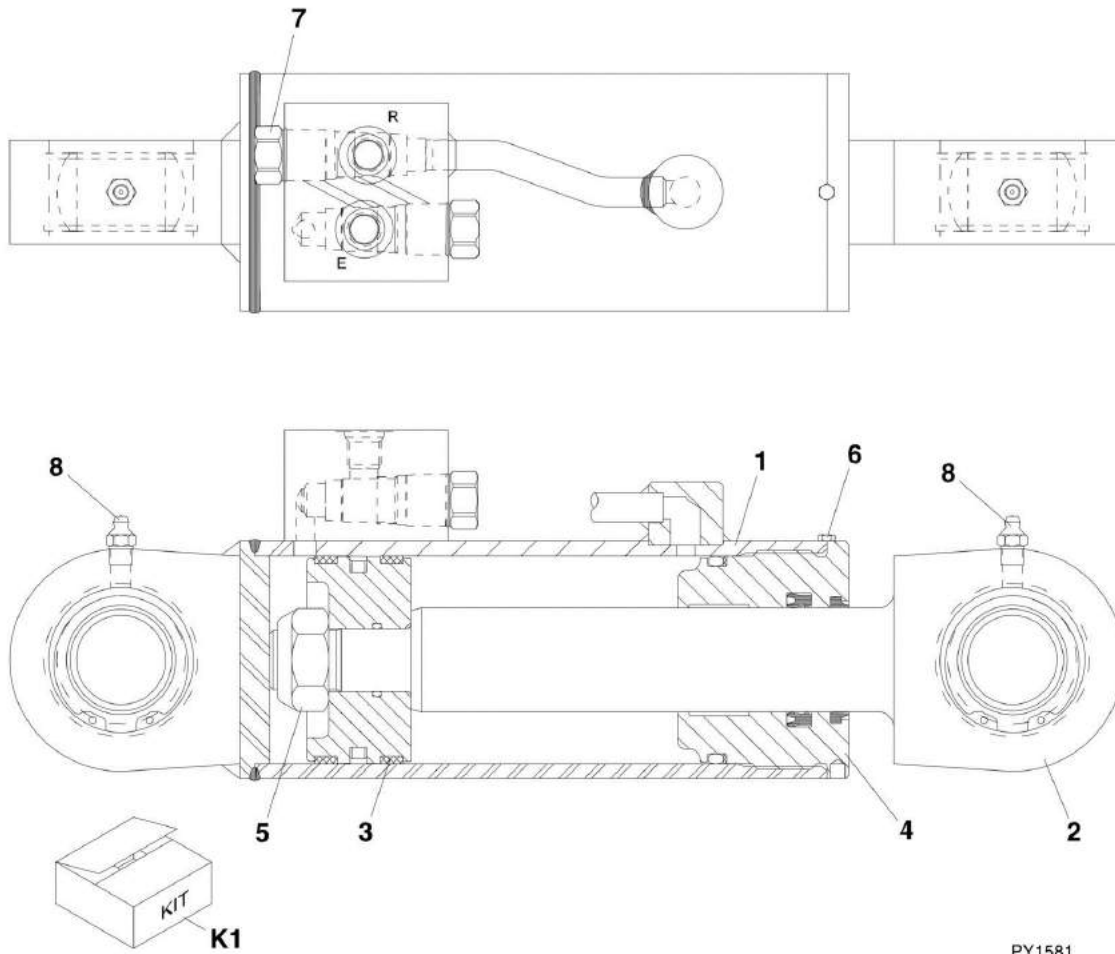
SECTION 9 - HYDRAULIC COMPONENTS

FIGURE 9-19. GRAPPLE BUCKET CYLINDER

ITEM	PART NUMBER	QTY	DESCRIPTION	REV
	70021393	1	GRAPPLE BUCKET CYLINDER, (includes all items)	
1	70021465	1	CYLINDER TUBE	
2	70021448	2	BUSHING	
3	70021464	2	VALVE CARTRIDGE	
4	90554045	2	GREASE FITTING	
5	70021440	1	HEX NUT	
6	Kit K1	1	PISTON RING	
7	Kit K1	1	O-RING	
8	70021451	1	PISTON	
9	Kit K1	1	O-RING	
10	70021444	1	WASHER	
11	Kit K1	1	O-RING	
12	Kit K1	1	BACK-UP WASHER	
13	Kit K1	1	O-RING	
14	70021446	1	CYLINDER GLAND	
15	Kit K1	1	POLY-PAK SEAL	
16	Kit K1	1	ROD WIPER	
17	70021466	1	PISTON ROD	
18	70021447	1	BUSHING	
K1	70021452	1	SEAL KIT, (includes items 6, 7, 9, 11 thru 13, 15 & 16)	

SECTION 9 - HYDRAULIC COMPONENTS

FIGURE 9-20. SIDE TILT CARRIAGE CYLINDER



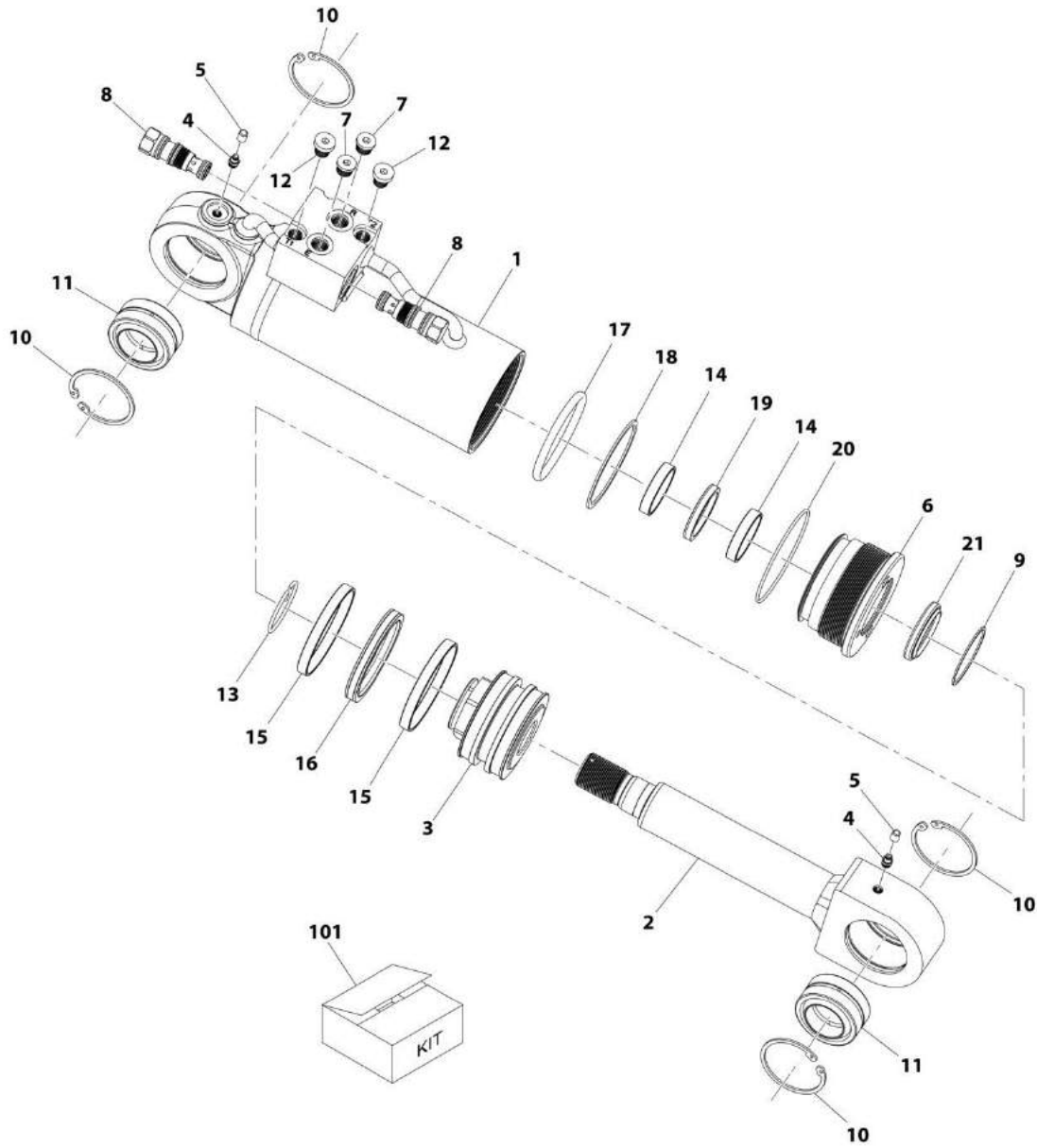
SECTION 9 - HYDRAULIC COMPONENTS

FIGURE 9-20. SIDE TILT CARRIAGE CYLINDER

ITEM	PART NUMBER	QTY	DESCRIPTION	REV
	1001090134	NLA	SIDE TILT CARRIAGE CYLINDER, (no longer available, see items 1 through 8 for service or 1001163414 for replacement)	C
1	70022038	1	BARREL ASSY	
2	70022039	1	ROD ASSY	
3	70022040	1	PISTON	
3	70022042	1	SEAL KIT	
4	70021908	1	ROD BEARING	
4	70022043	1	SEAL KIT	
5	90022230	1	HEX NUT	
6	7029760	1	CAPSCREW	
7	4640438	2	CHECK VALVE	
7	2900770	1	SEAL KIT	
8	91044080	2	GREASE FITTING	
K1	70022041	1	SEAL KIT, (contains 70022042 & 70022043)	

SECTION 9 - HYDRAULIC COMPONENTS

FIGURE 9-21. SIDE TILT CARRIAGE CYLINDER



ART_1001163414-A

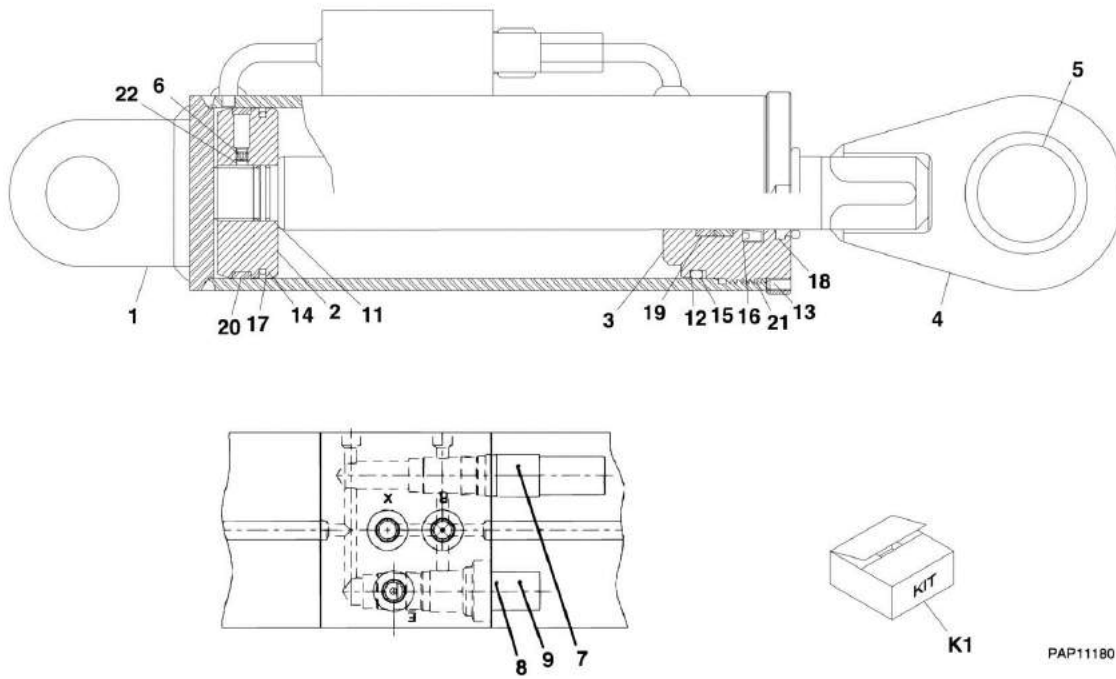
SECTION 9 - HYDRAULIC COMPONENTS

FIGURE 9-21. SIDE TILT CARRIAGE CYLINDER

ITEM	PART NUMBER	QTY	DESCRIPTION	REV
	1001163414	Ref	SIDE TILT CYLINDER	A
1	70026056	1	BARREL	
2	70026057	1	ROD	
3	70026058	1	HEAD, PISTON	
4	70025606	2	NIPPLE, GREASE	
5	70024020	2	FITTING, GREASE	
6	70003849	1	GLAND	
7	70025959	2	PLUG	
8	70026059	8	VALVE, P.O. CHECK	
9	70002219	1	RING, INTERNAL SNAP	
10	70026060	4	RING, INTERNAL SNAP	
11	70026061	2	BEARING, SPHERICAL	
12	70024262	2	PLUG	
13	70002224	1	RING, LOCKING	
14	Kit	2	RING, ROD BEARING	
15	Kit	2	RING, PISTON BEARING	
16	Kit	1	SEAL, PISTON	
17	Kit	1	O-RING	
18	Kit	1	RING, BACK-UP	
19	Kit	1	SEAL, ROD	
20	Kit	1	O-RING	
21	Kit	1	SEAL, WIPER	
101	70026062	1	SEAL KIT, (includes items 14 thru 21)	

SECTION 9 - HYDRAULIC COMPONENTS

FIGURE 9-22. 72IN 90, SWING CARRIAGE CYLINDER



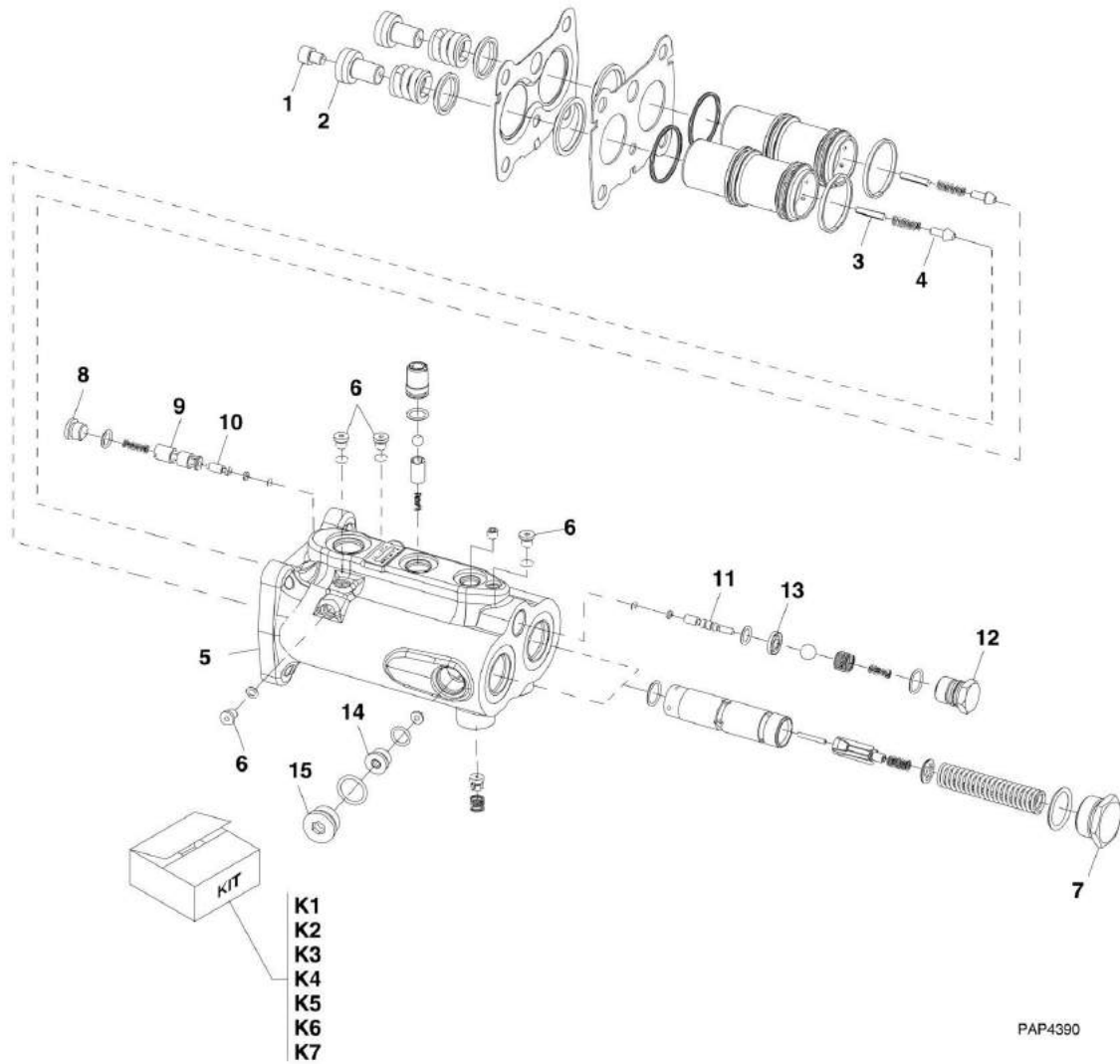
SECTION 9 - HYDRAULIC COMPONENTS

FIGURE 9-22. 72IN 90, SWING CARRIAGE CYLINDER

ITEM	PART NUMBER	QTY	DESCRIPTION	REV
	1001103182	1	SWING CARRIAGE CYLINDER, (includes items 1 thru 22)	B
1	70022044	1	TUBE ASSY	
2	8035863	1	PISTON	
3	8035862	1	HEAD GLAND	
4	70022045	1	ROD ASSY	
5	70022046	1	BEARING	
6	8035536	2	SET SCREW, 5/16-18X1/2	
7	70020428	1	RELIEF VALVE, (preset to 2000psi)	
7	7024574	1	SEAL KIT	
8	8033786	1	COUNTER BALANCE VALVE, (preset to 3000psi)	
8	8205655	1	SEAL KIT	
9	70021812	1	TAMPERPROOF CAP	
11	Kit K1	1	O-RING	
12	Kit K1	1	O-RING	
13	Kit K1	1	O-RING	
14	Kit K1	1	SQUARE RING	
15	Kit K1	1	BACKUP RING	
16	Kit K1	1	SEAL	
17	Kit K1	1	PISTON SEAL	
18	Kit K1	1	ROD WIPER	
19	Kit K1	2	WEARBAND	
20	Kit K1	1	WEARBAND	
21	Kit K1	2	INSERT	
22	Kit K1	2	INSERT	
K1	2915023	1	SEAL KIT, (includes items 11 thru 22)	

SECTION 9 - HYDRAULIC COMPONENTS

FIGURE 9-23. BRAKE VALVE



PAP4390

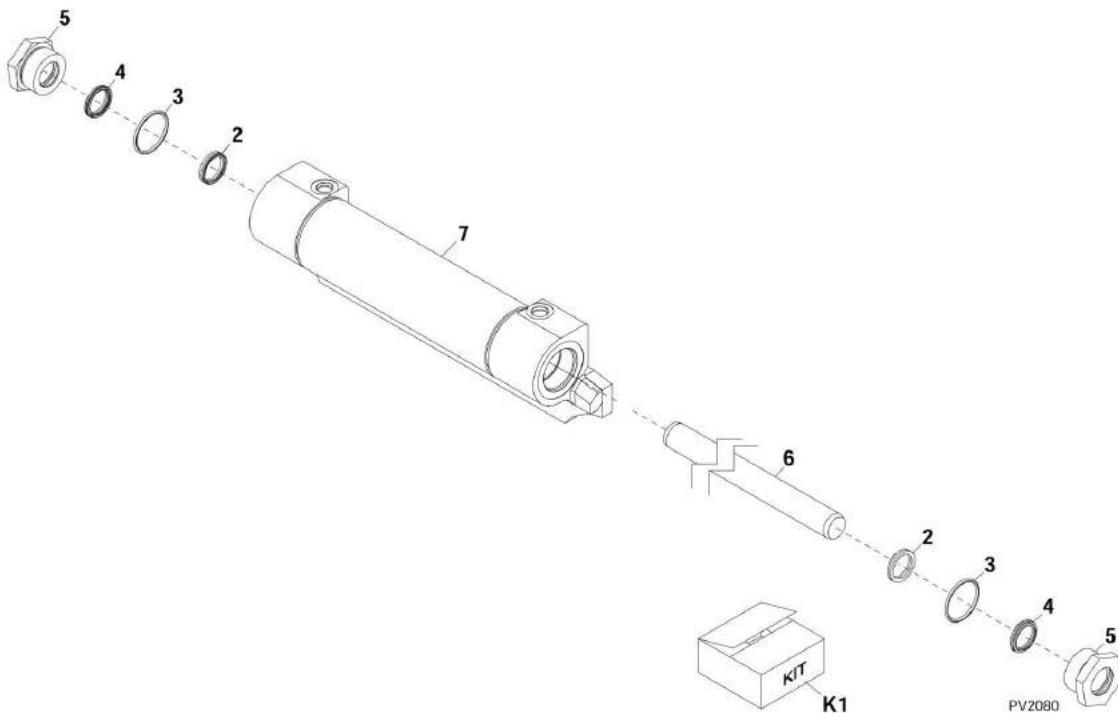
SECTION 9 - HYDRAULIC COMPONENTS

FIGURE 9-23. BRAKE VALVE

ITEM	PART NUMBER	QTY	DESCRIPTION	REV
	1001094284	NLA	POWER BRAKE VALVE, (no longer available, order 1001106845 for replacement or see items 1 thru 15 for service)	C
	1001106845	1	POWER BRAKE VALVE, (information not available at the time of publication)	B
1	91474454	1	BOLT	
2	91474442	2	PIN	
3	70023037	2	PIN	
4	70023038	2	POPPET	
5	N.S.S.	1	HOUSING	
6	91474450	4	PLUG	
7	91474434	2	PLUG	
8	91474458	1	PLUG	
9	91474456	1	SPOOL	
10	91474455	1	PISTON	
11	91474447	1	PISTON	
12	91474443	1	PLUG	
13	91474446	1	SEAT	
14	70020680	1	PLUG	
15	91474459	1	PLUG	
K1	70024044	1	PREFILL PISTON KIT	
K2	70024045	1	COVERS KIT	
K3	70024046	1	SEAL KIT	
K4	70024047	1	MAKE-UP CHECK KIT	
K5	70024048	1	INLET CHECK KIT	
K6	70024049	1	HARDWARE KIT	
K7	70024050	1	WORKPORT ORIFICE KIT	

SECTION 9 - HYDRAULIC COMPONENTS

FIGURE 9-24. 50IN SIDE SHIFT CARRIAGE CYLINDER



SECTION 9 - HYDRAULIC COMPONENTS

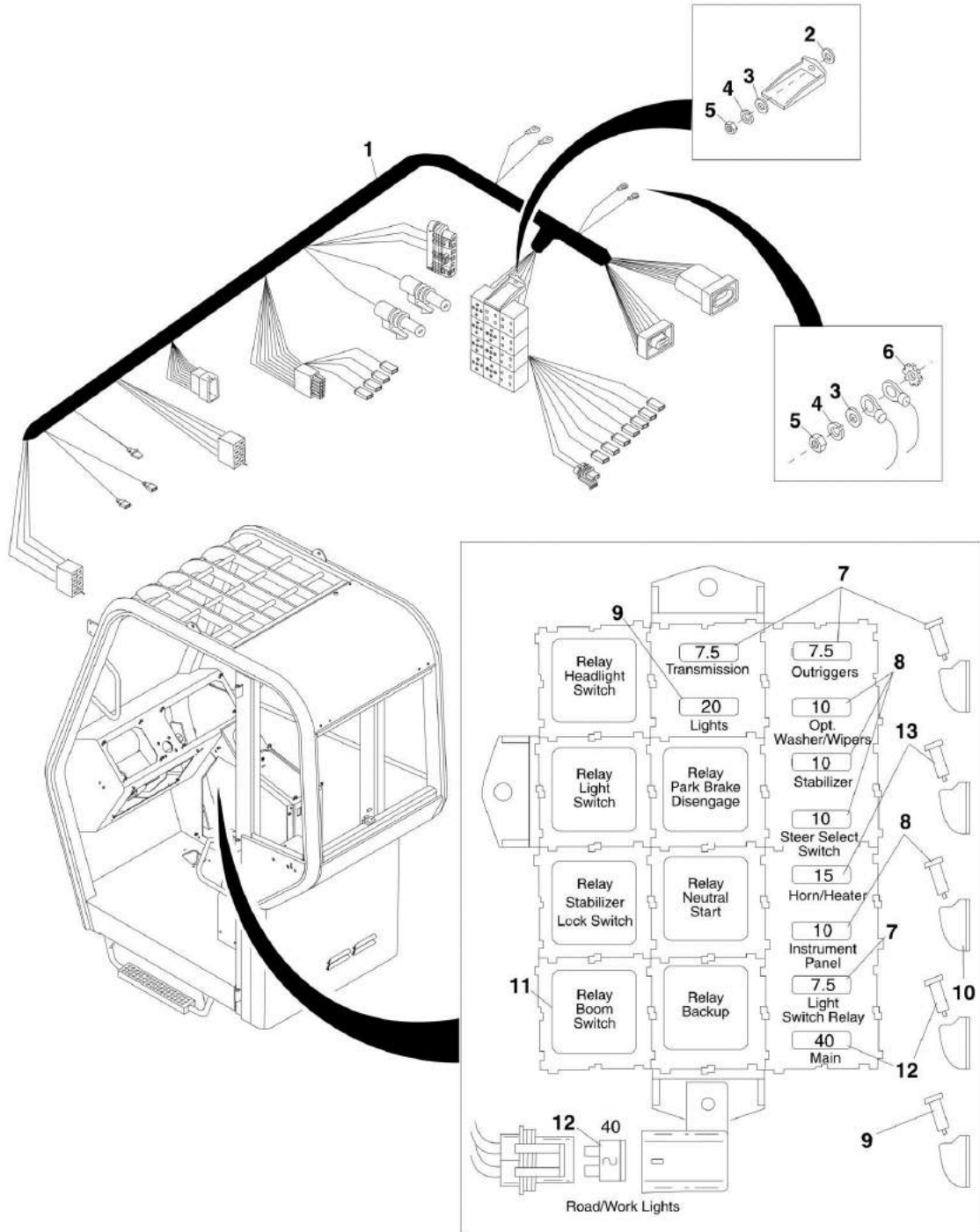
FIGURE 9-24. 50IN SIDE SHIFT CARRIAGE CYLINDER

ITEM	PART NUMBER	QTY	DESCRIPTION	REV
	70024539	1	50IN SIDE SHIFT CARRIAGE CYLINDER, (includes all items)	B
2	Kit K1	2	ROD SEAL	
3	70024547	2	O-RING	
4	Kit K1	2	ROD WIPER SEAL	
5	70024548	2	RETAINER SEAL	
6	N.S.S.	1	ROD	
7	N.S.S.	1	BARREL	
K1	70024549	1	SEAL KIT, (includes items 2 & 4)	

SECTION 10 - ELECTRICAL

SECTION 10 - ELECTRICAL

FIGURE 10-1. CAB HARNESS (Prior to SN 0160039074)



PA3720

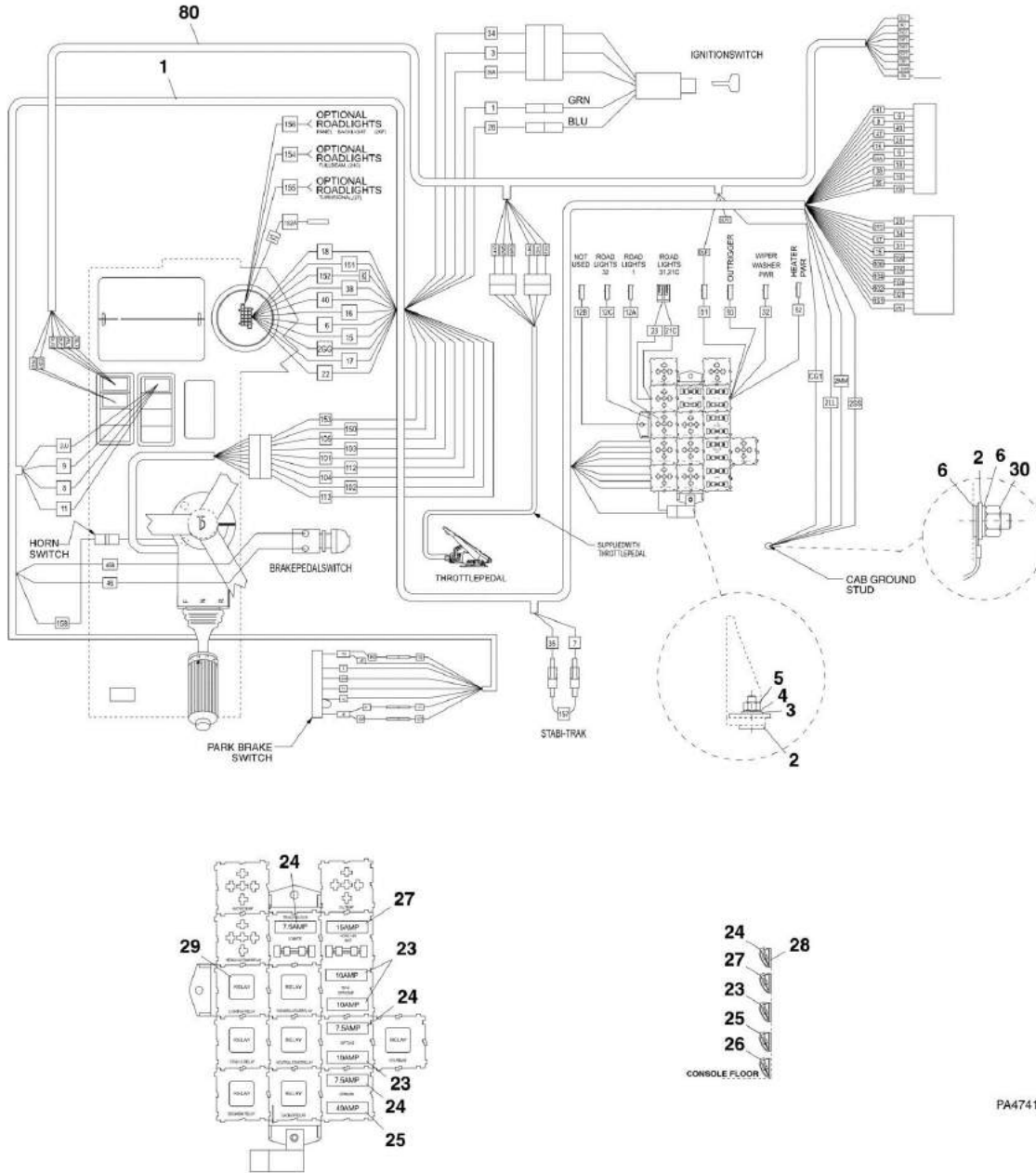
SECTION 10 - ELECTRICAL

FIGURE 10-1. CAB HARNESS (Prior to SN 0160039074)

ITEM	PART NUMBER	QTY	DESCRIPTION	REV
1	7301818	1	CAB HARNESS	E
2	8307106	3	FLAT WASHER, 5/16	
3	8307111	4	FLAT WASHER, #10	
4	8307003	4	LOCKWASHER, #10	
5	8305002	4	HEX NUT, #10-24 NC	
6	8307027	1	LOCKWASHER, 5/16, (external tooth)	
7	8229233	4	FUSE, 7.5 AMP, (Tan)	
8	8229234	5	FUSE, 10 AMP, (Red)	
9	8229235	2	FUSE, 20 AMP, LIGHTS, (Yellow)	
10	8582007	5	SPARE FUSE CLIP	
11	8225119	7	RELAY	
12	8229238	3	FUSE, 40 AMP, (Orange)	
13	8229237	2	FUSE, 15 AMP	

SECTION 10 - ELECTRICAL

FIGURE 10-2. CAB HARNESS (SN 0160039075 to Present)



PA4741

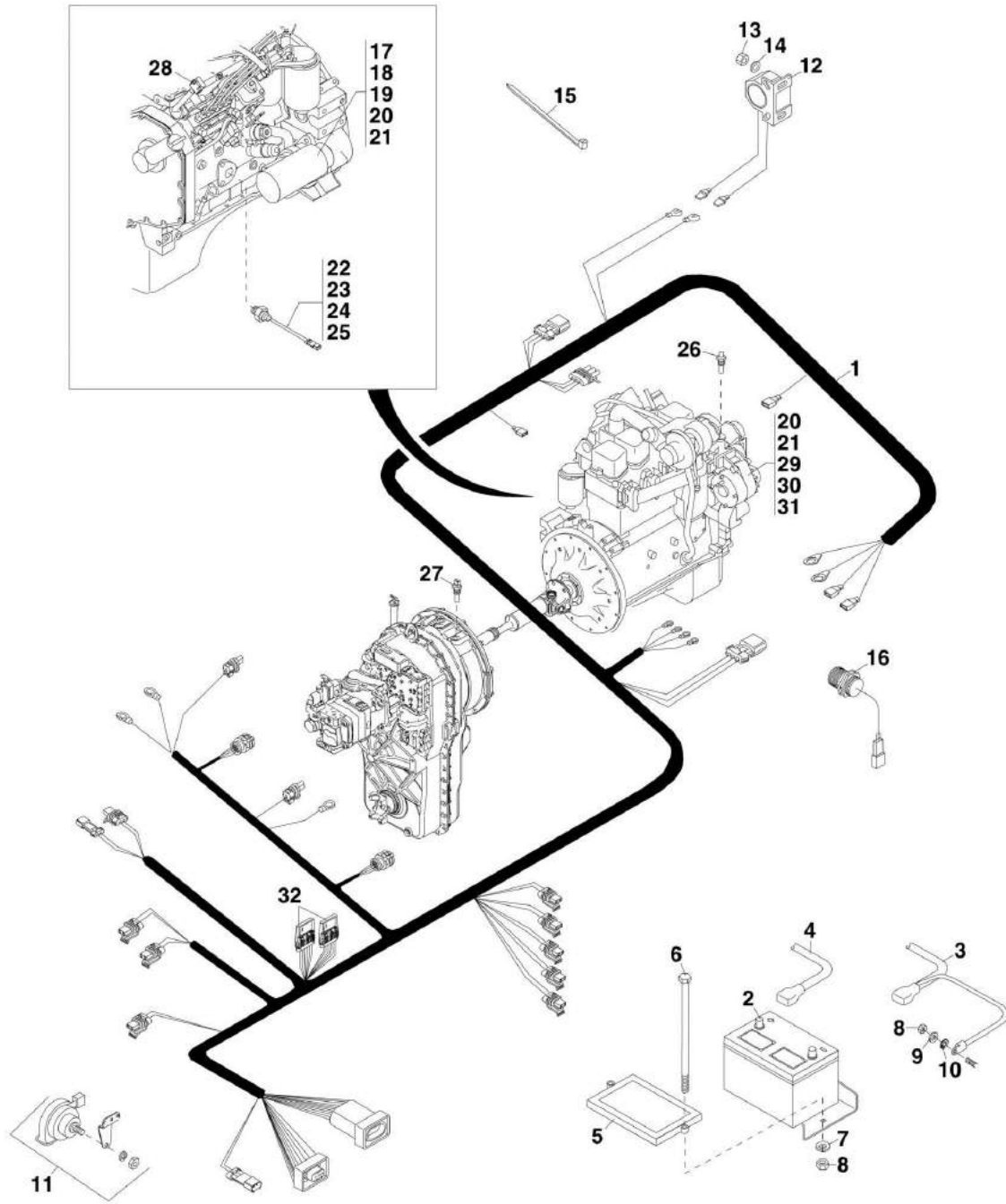
SECTION 10 - ELECTRICAL

FIGURE 10-2. CAB HARNESS (SN 0160039075 to Present)

ITEM	PART NUMBER	QTY	DESCRIPTION	REV
1	1001104036	1	CONSOLE AND STABILIZER HARNESS	
2	8307106	4	FLAT WASHER, 5/16	
3	8307111	3	FLAT WASHER, #10	
4	8307003	3	LOCKWASHER, #10	
5	8305002	3	HEX NUT, #10-24	
6	8307027	2	LOCKWASHER, 5/16	
23	8229234	4	FUSE, 10 AMP	
24	8229233	4	FUSE, 7.5 AMP	
25	8229238	2	FUSE, 40 AMP	
26	8229235	1	FUSE, 10 AMP	
27	8229237	2	FUSE, 15 AMP	
28	8582007	5	SPARE FUSE CLIP	
29	8225119	9	SEALED RELAY	
30	8305624	3	HEX LOCKNUT, 1/4	
80	1001114579	NLA	CAB HARNESS, (no longer available, order 1001128396 for replacement)	
	1001128396	1	CAB HARNESS	

SECTION 10 - ELECTRICAL

FIGURE 10-3. ENGINE HARNESS (SN 17019 through 19897, SN 0160002408 through 0160004109)



PA3730

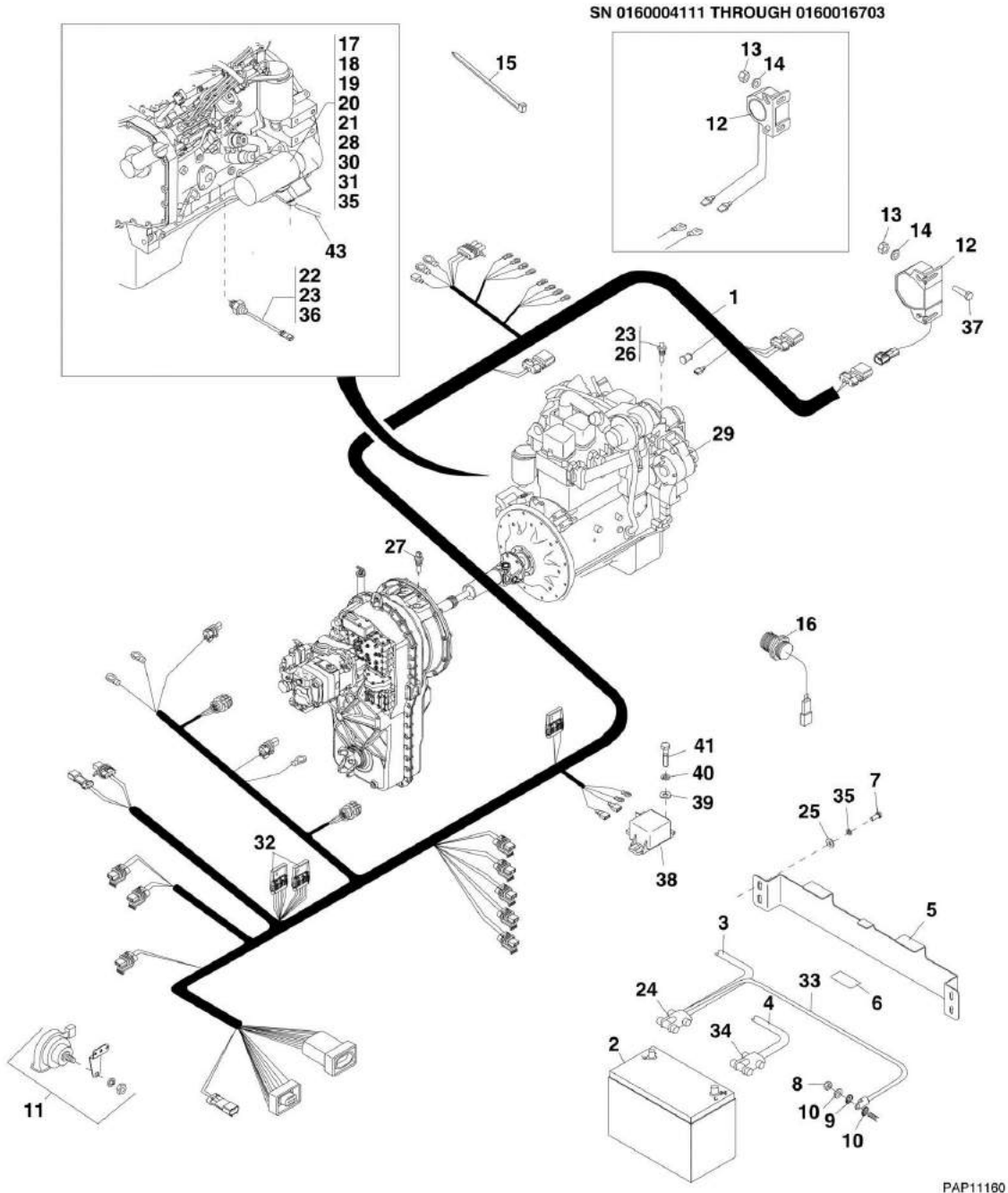
SECTION 10 - ELECTRICAL

FIGURE 10-3. ENGINE HARNESS (SN 17019 through 19897, SN 0160002408 through 0160004109)

ITEM	PART NUMBER	QTY	DESCRIPTION	REV
1	7150714	1	ENGINE HARNESS	L
2	8270134	1	12 VOLT BATTERY	
3	7150745	1	SINGLE BATTERY NEGATIVE CABLE	
4	7150746	1	SINGLE BATTERY POSITIVE CABLE	
5	7138830	1	BATTERY HOLD-DOWN	
6	8310344	2	HEX HD CAPSCREW, 3/8-16X10	
7	8307204	2	FLAT WASHER, 3/8	
8	8305645	3	LOCKNUT, 3/8	
9	8307112	1	FLAT WASHER, 1/2	
10	10701363	1	LOCKWASHER, 5/8, (external tooth)	
11	8270620	1	HORN, (includes mounting hardware)	
13	8305004	2	HEX NUT, 1/4-20	
14	8307002	2	LOCKWASHER, 1/4	
15	8584001	AR	TIE WRAP	
16	7099882	1	BOOM ANGLE SENSOR	
17		Ref	STARTER, (includes starter solenoid), (See ENGINE AND ATTACHING PARTS SECTION for Breakdown)	
18	8307023	1	LOCKWASHER, M10	
19	8305438	1	HEX JAM NUT, M10	
20	8310077	3	HEX JAM NUT, M5-0.8	
21	8310078	3	LOCKWASHER, M5	
22	8223532	NLA	LOW OIL PRESSURE SENDER, (no longer available, use kit 2915063 on ENGINE HARNESS, SN 0160004111 thru 0160039074 for replacement)	
23	8310041	1	LOCKWASHER, #8, (external tooth)	
24	8305201	1	HEX NUT, #8-32 BRASS	
25	8220073	1	SLIP-ON MALE TERMINAL, #10 SCREW	
26	8223217	1	WATER TEMPERATURE SENDER (SN 17019 through 18340)	
26	8223242	1	WATER TEMPERATURE SENDER (SN 18348 through 19897, SN 0160002408 through 0160004109)	
27	8223232	1	TRANSMISSION TEMPERATURE SWITCH	
28	8035276	1	FUEL RUN SOLENOID	
29		Ref	ALTERNATOR, (See ENGINE AND ATTACHING PARTS SECTION for Breakdown)	
30	8307022	1	LOCKWASHER, M8	
31	8305043	1	HEX NUT, M8-1.25	
32	8035805	2	DIODE PAC	

SECTION 10 - ELECTRICAL

FIGURE 10-4. ENGINE HARNESS (SN 0160004111 through 0160039074)



PAP11180

SECTION 10 - ELECTRICAL

FIGURE 10-4. ENGINE HARNESS (SN 0160004111 through 0160039074)

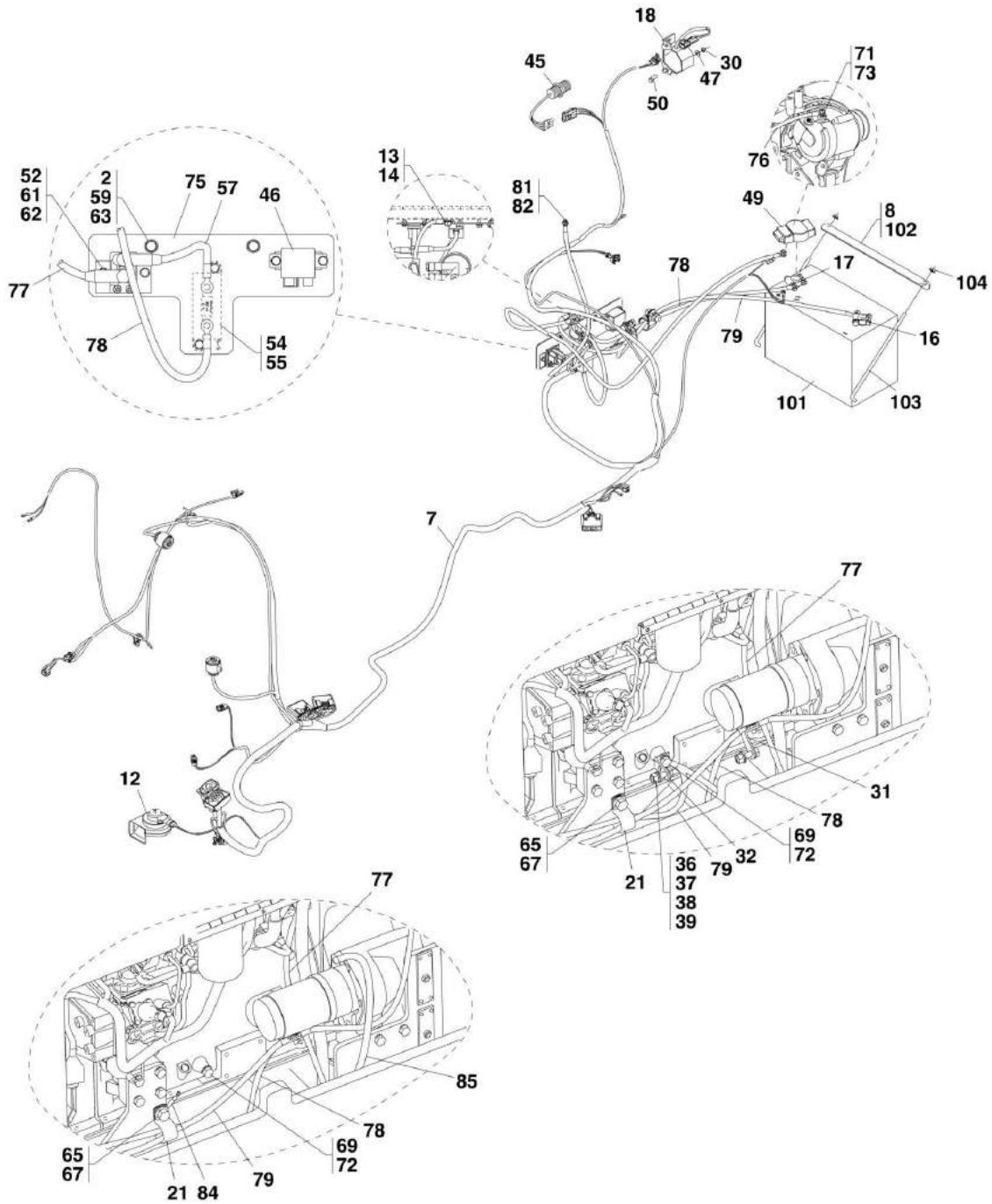
ITEM	PART NUMBER	QTY	DESCRIPTION	REV
1	4922984	1	ENGINE HARNESS (SN 0160004111 through 0160012741)	D
1	4923285	1	ENGINE HARNESS (SN 0160012742 through 0160014862)	C
1	4923363	1	ENGINE HARNESS (SN 0160014880 through 0160039074)	C
2	8270144	1	12 VOLT BATTERY	
3	7301836	1	SINGLE BATTERY NEGATIVE CABLE	
4	7301835	1	SINGLE BATTERY POSITIVE CABLE	
5	7301859	1	BATTERY TIE DOWN SHEET	
6	7301864	2	FOAM STRIP	
7	8303620	4	HEX HD CAPSCREW, 3/8-16X1, GR5	
8	8305645	1	LOCKNUT, 3/8	
9	8307110	1	FLAT WASHER, 3/8	
10	8307026	2	LOCKWASHER, 3/8, (external tooth)	
11	8270620	1	HORN, (includes mounting hardware)	
12	8270621	1	BACK-UP ALARM (SN 0160016726 to Present)	
13	8305624	2	HEX LOCKNUT, 1/4	
14	4711400	2	WASHER, 1/4	
15	8584001	AR	TIE WRAP	
16	7099882	1	BOOM ANGLE SENSOR	
17		Ref	STARTER, (includes starter solenoid), (See ENGINE AND ATTACHING PARTS SECTION for Breakdown)	
18	7300344	1	BUS BAR	
19	8303533	1	HEX HD CAPSCREW, M12X1.75X20MM, PC8.8	
20	8307220	1	PLAIN WASHER, M12	
21	8310650	1	LOCKWASHER, M12	
22	8223532	NLA	LOW OIL PRESSURE SENDER, (no longer available, use kit 2915063 for replacement) (SN 0160004111 through 0160012741)	
22	4360609	1	LOW OIL PRESSURE SENDER (SN 0160012742 through 0160039074)	
23	8220073	2	TAB FASTON TERMINAL	
24	8270147	1	NEGATIVE BATTERY CLAMP	
25	8307204	4	PLAIN WASHER, 3/8	
26	8223244	1	WATER TEMPERATURE SENDER	
27	8223232	1	TRANSMISSION TEMPERATURE SWITCH	
28	8305038	2	HEX NUT, M10	
29		Ref	ALTERNATOR, (See ENGINE AND ATTACHING PARTS SECTION for Breakdown)	
30	8303777	2	HEX HD CAPSCREW, M10X1.5X35MM, PC8.8	
31	8307221	4	PLAIN WASHER, M10	
32	8220366	3	DIODE PAC	
33	4923018	1	FRAME GROUND CABLE	
34	8270148	1	POSITIVE BATTERY CLAMP	
35	8307023	2	LOCKWASHER, M10	
36	4923283	1	PRESSURE SWITCH JUMPER (SN 0160012742 through 0160039074)	
37	0641406	2	HEX HD CAPSCREW, 1/4-20X3/4 (SN 0160016726 to Present)	
38	77383377	1	STARTER RELAY (SN 0160014880 to Present)	
39	4711400	2	WASHER, 1/4 (SN 0160014880 to Present)	
40	8307002	2	LOCKWASHER, 1/4 (SN 0160014880 to Present)	
41	0641410	2	HEX HD CAPSCREW, 1/4-20X1-1/4 (SN 0160014880 to Present)	
42	8307005	4	LOCKWASHER, 3/8	
43	7310012	1	FUSIBLE LINK ASSY	

SECTION 10 - ELECTRICAL

ITEM	PART NUMBER	QTY	DESCRIPTION	REV
K1	2915063	1	PRESSURE SWITCH KIT, (includes items 22 & 36)	
K2	2915184	1	BACK-UP ALARM SERVICE KIT, (includes items 12 thru 14, 37, mounting bar, 3576433 and butt connectors, 86683480)	

SECTION 10 - ELECTRICAL

FIGURE 10-5. ENGINE HARNESS (SN 0160039075 to Present)



PAP11150

SECTION 10 - ELECTRICAL

FIGURE 10-5. ENGINE HARNESS (SN 0160039075 to Present)

ITEM	PART NUMBER	QTY	DESCRIPTION	REV
2	8307106	2	WASHER, 5/16	
7	1001128397	1	ENGINE HARNESS	
8	1001108206	1	BATTERY HOLD DOWN INSTALLATION, (includes items 101 thru 104)	B
12	8270620	1	HORN	
13	8305645	1	LOCKNUT, 3/8	
14	8307110	1	FLAT WASHER, 3/8	
16	8270147	1	BATTERY CLAMP, NEGATIVE	
17	8270148	1	BATTERY CLAMP, POSITIVE	
18	8270621	1	BACK UP ALARM	
21	8406302	2	HOSE CLAMP	
30	8305624	3	HEX LOCKNUT, 1/4-20	
31	6621412	1	STARTER TERMINAL (Prior to SN 0160041320, Excluding 0160040970)	
32	7300344	1	BUSS BAR (Prior to SN 0160041320, Excluding 0160040970)	
36	8303777	2	HEX HD CAPSCREW, 10X1-1/2X35MM (Prior to SN 0160041320, Excluding 0160040970)	
37	8307221	4	WASHER, 10MM (Prior to SN 0160041320, Excluding 0160040970)	
38	8307023	2	LOCKWASHER, 10MM (Prior to SN 0160041320, Excluding 0160040970)	
39	8305038	2	HEX NUT, 10MM (Prior to SN 0160041320, Excluding 0160040970)	
45	7099882	NLA	BOOM ANGLE SENSOR, (no longer available, use 1001130307 for replacement)	
45	1001130307	1	BOOM ANGLE SENSOR	
46	77383377	1	RELAY, 75 AMP	
47	4711400	2	WASHER, 1/4	
49	7301893	1	BATTERY TERMINAL INSULATOR	
50	0641406	2	HEX HD CAPSCREW, 1/4-20X3/4, GR5	
52	1001117308	1	GRID HEATER RELAY	
54	1001118245	1	FUSE	
55	8229260	1	FUSEBLOCK	
57	1001118129	1	GRID HEATER CABLE, (fuse relay)	
59	8303745	2	HEX HD CAPSCREW, 5/16-18X5/8, GR5	
61	8307219	6	WASHER, 6MM	
62	8303545	6	HEX HD CAPSCREW, 6X1.0X16MM	
63	8307004	2	LOCKWASHER, 5/16	
65	0791810	1	WHIZ-LOCK SCREW, 1/2-13X1-1/4	
67	8310523	1	WHIZ-LOCK NUT, 1/2-13	
69	0761012	1	HEX HD CAPSCREW, 10X25MM, GR8.8	
71	3290801	1	HEX NUT, 8X1-1/4MM	
72	4812000	1	WASHER, 10MM	
73	4831900	1	SPRING LOCKWASHER, 8MM	
75	1001114671	1	RELAY MOUNT BRACKET	
76	1001114480	1	CABLE, (alternator - starter)	
77	1001118107	1	GRID HEATER CABLE	
78	1001114482	1	BATTERY CABLE, (positive)	
79	1001114483	1	BATTERY CABLE, (negative) (Prior to SN 0160041392, Excluding 0160040970 and 0160041334)	
79	1001128663	1	BATTERY CABLE, (negative) (SN 0160041392 to Present, Including 0160040970 and 0160041334)	

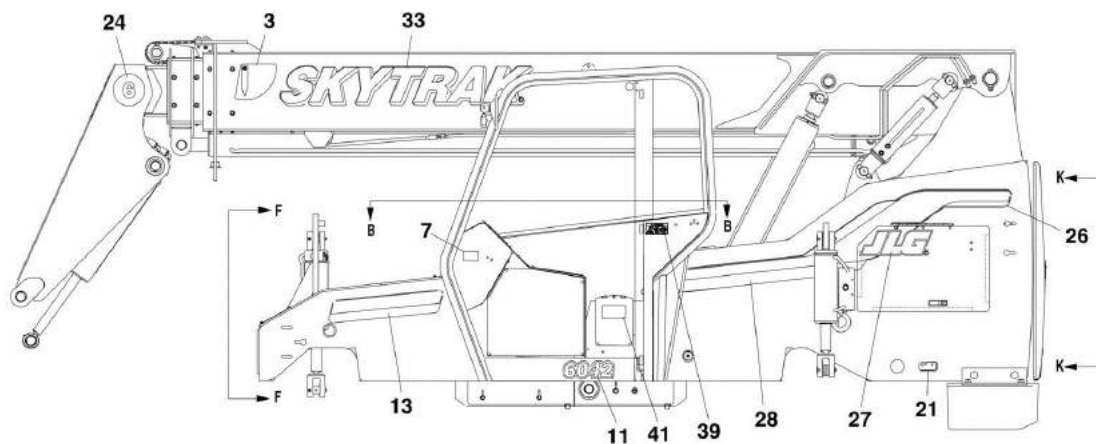
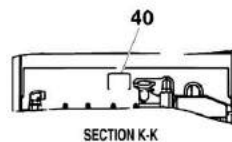
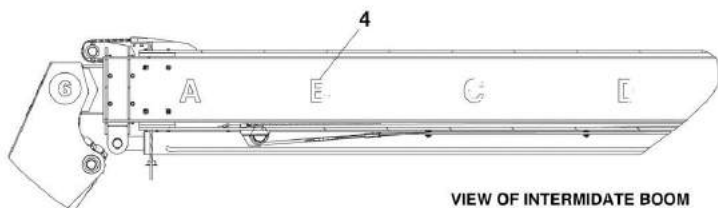
SECTION 10 - ELECTRICAL

ITEM	PART NUMBER	QTY	DESCRIPTION	REV
81	3290601	1	HEX NUT, 6X1MM	
82	4831700	1	SPRING LOCKWASHER, 6MM	
84	1001128665	1	CABLE ENGINE BLOCK GND (SN 0160041320 to Present, Including 0160040970)	
85	1001128666	1	CABLE STARTER GND (SN 0160041320 to Present, Including 0160040970)	
101	1001101043	1	BATTERY, 12 VOLT	
102	91401281	1	BATTERY HOLD DOWN BRACKET	
103	91081640	2	BATTERY HOLD DOWN BOLT	
104	77143006	2	WHIZ-LOK NUT, 5/16-18	

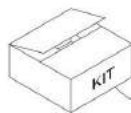
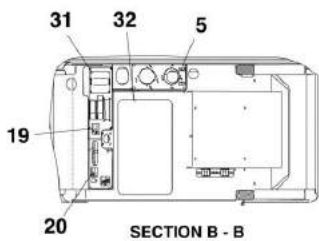
SECTION 11 - DECALS

SECTION 11 - DECALS

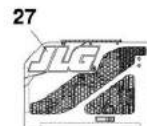
FIGURE 11-1. DECALS



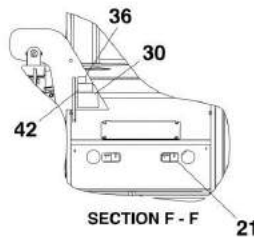
SEE CAB SECTION FOR
LOAD CHART HOLDER



- K1
- K2
- K3
- K4
- K5
- K6
- K7
- K8
- K9
- K10

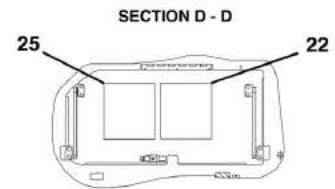
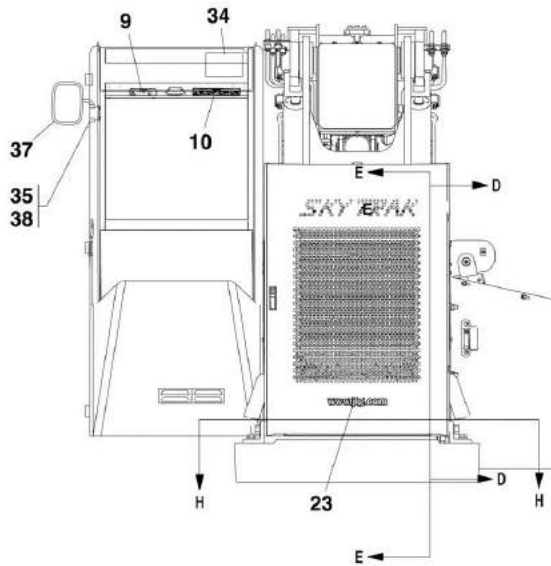
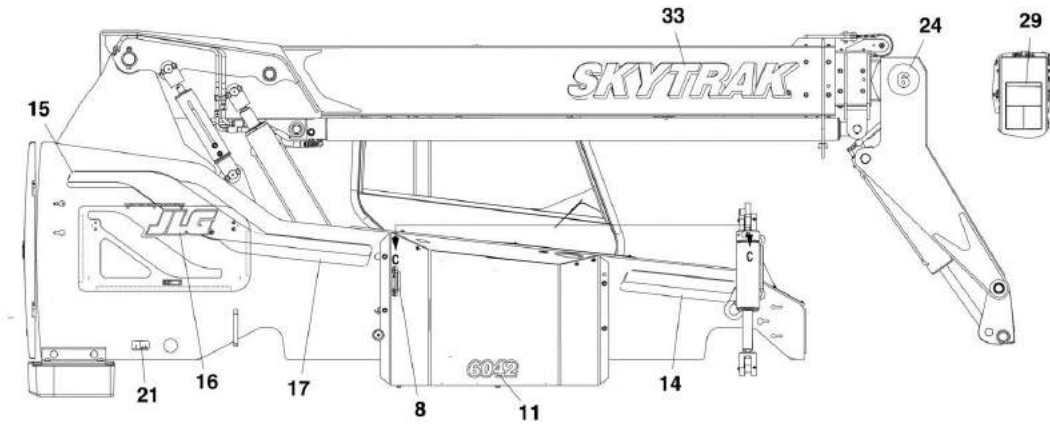


SN 0160039075 TO PRESENT

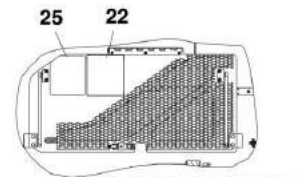


ART_8990467-11-1_1

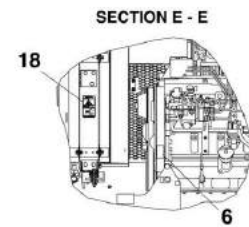
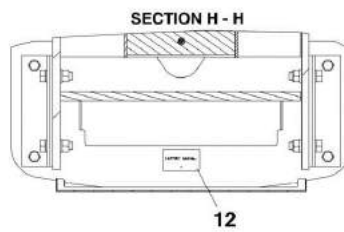
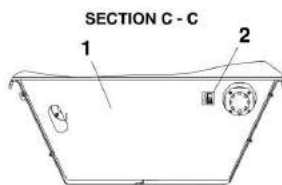
SECTION 11 - DECALS



PRIOR TO SN 0160039075



SN 0160039075 TO PRESENT



PAP11130

SECTION 11 - DECALS

FIGURE 11-1. DECALS

ITEM	PART NUMBER	QTY	DESCRIPTION	REV
1	4100181	1	HYDRAULIC OIL FILL DECAL	
2	4105171	1	DIESEL FUEL FILL DECAL	
3	4105262	1	BOOM ANGLE INDICATOR DECAL	
4	4107442	1	BOOM EXTEND LETTERS DECAL	
5	4107462	1	SIDE CONSOLE DECAL	
6	4107901	1	ENGINE IDLE SETTING DECAL	
7	3251813	1	USA DECAL	
8	4108302	1	HYDRAULIC OIL LEVEL DECAL	
9	1706299	1	ELECTROCUTION HAZARD DECAL, (ANSI)	
9	1706284	1	ELECTROCUTION HAZARD DECAL, (ISO)	
10	1706306	1	TIP HAZARD DECAL, (ANSI)	
10	1706288	1	TIP HAZARD DECAL, (ISO)	
11	1706172	2	DECAL 6042 MODEL NUMBER	
12	1706296	1	BATTERY WARNING DECAL, (ANSI)	
12	1706281	1	BATTERY WARNING DECAL, (ISO)	
13	4110176	1	FRONT FRAME STRIPE L.H. SIDE DECAL	
14	4110177	1	FRONT FRAME STRIPE R.H. SIDE DECAL	
15	4110179	1	REAR FRAME STRIP R.H. SIDE DECAL	
16	1706203	1	R.H. ENGINE DOOR STRIPE DECAL	
17	4110183	1	MID FRAME R.H. SIDE STRIPE DECAL	
18	1706301	2	MOVING PARTS WARNING DECAL, (ANSI)	
18	1706285	2	MOVING PARTS WARNING DECAL, (ISO)	
19	4110187	1	OVERLAY R.H. DECAL, (ANSI)	
19	1001110280	1	OVERLAY R.H. DECAL, (ISO)	
19	1001129767	1	OVERLAY R.H. DECAL, (ISO)	
20	4110188	1	OVERLAY L.H. DECAL, (ANSI)	
20	1001110282	1	OVERLAY L.H. DECAL, (ISO)	
21	4110226	4	LIFT POINT/TIE DOWN DECAL	
22	4110339	1	MAINTENANCE CHART DECAL (Prior to SN 0160037903)	
22	1001103930	1	MAINTENANCE CHART DECAL (Including 0160037903)	
22	1001109596	1	MAINTENANCE CHART DECAL (SN 0160037953 to Present)	
23	1704885	1	WEBSITE DECAL	
24	1706170	NLA	GOOSENECK DECAL, 6, (no longer available)	
25	4110342	1	LUBRICATION CHART 6042 DECAL (Prior to SN 0160039075)	
25	1001109598	1	LUBRICATION CHART 6042 DECAL (SN 0160039075 to Present)	
26	4110362	1	LEFT REAR FRAME STRIPE DECAL	
27	1706204	1	L.H. ENGINE DOOR STRIPE 6042 DECAL	
28	4110364	1	MID FRAME STRIPE DECAL	
29	1706298	1	CARRY PERSONNEL DECAL, (ANSI)	
29	1706282	1	CARRY PERSONNEL DECAL, (ISO)	
30	N.S.S.	1	SN PLATE	
31	7300719	1	NORTH AMERICA LOAD CHART BOOKLET (SN 17019 through 19897, SN 0160002408 through 0160019858, Except SN 0160019653 through 0160019655, Excluding 0160019622, 0160019633 and 0160019668)	
31	1706797	1	NORTH AMERICA LOAD CHART BOOKLET (SN 0160019944 through 0160037382, SN 0160019653 through 0160019655, Including 0160019622, 0160019633 and 0160019668)	C
31	1706790	1	COVER	B
31	1706791	1	STANDARD CARRIAGE	B
31	1706792	1	SIDE TILT CARRIAGE	B

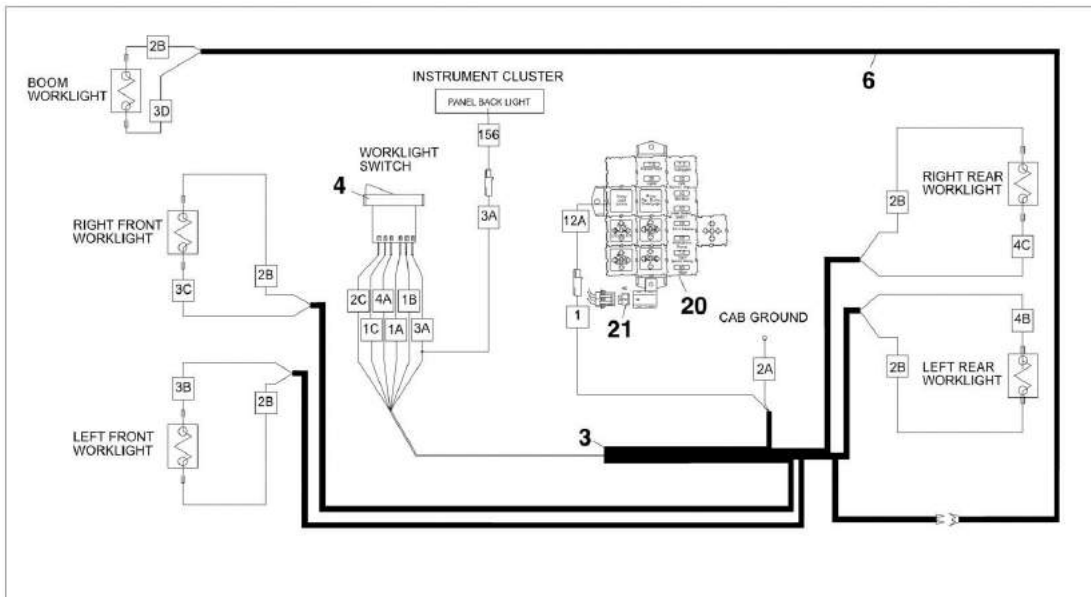
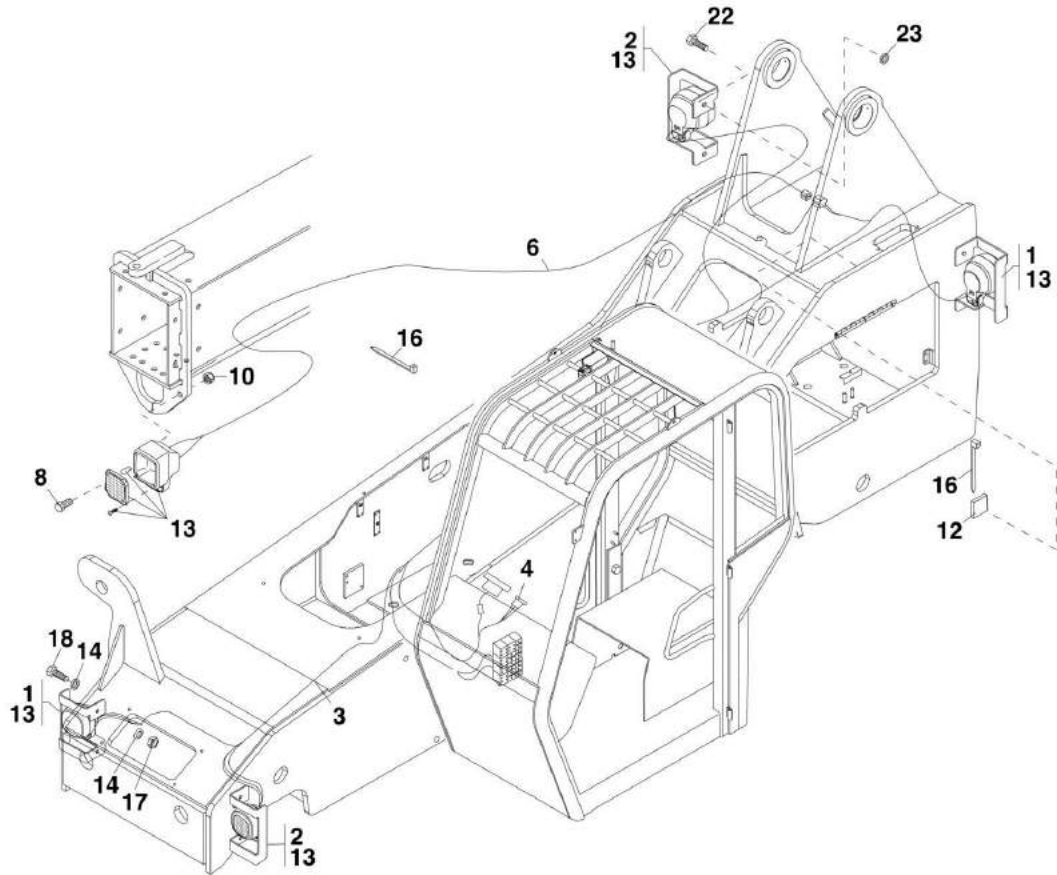
SECTION 11 - DECALS

ITEM	PART NUMBER	QTY	DESCRIPTION	REV
31	1706793	1	SWING CARRIAGE	B
31	1706794	1	TRUSS BOOM, 12FT	B
31	1706795	1	TRUSS BOOM, 6FT	B
31	1001106013	1	NORTH AMERICA LOAD CHART BOOKLET, (ANSI) (SN 0160037788 to Present)	4
31	1001110413	1	NORTH AMERICA LOAD CHART BOOKLET SUPPLEMENT, (ANSI) (SN 0160037788 to Present)	C
31	1001127593	1	NORTH AMERICA LOAD CHART BOOKLET, (ISO) (SN 0160037788 to Present)	B
31	1001127594	1	NORTH AMERICA LOAD CHART BOOKLET SUPPLEMENT, (ISO) (SN 0160037788 to Present)	B
32	10139087	1	ANTI SLIP ADHESIVE STRIP	
33	1706176	2	SKYTRAK BOOM DECAL	
34	91404299	1	ESCAPE DECAL	
35	0700610	2	HEX HD CAPSCREW, M6X1X20MM, PC8.8	
36	1001131271	1	PATENT TELEHANDLERS DECAL	
37	3140007	NLA	RECTANGULAR MIRROR, (no longer available, use 1001148177 for replacement)	
37	1001148177	1	RECTANGULAR MIRROR	
38	1001114675	1	MIRROR MOUNT ARM ASSY	
39	1706768	1	NO RIDERS DECAL, (ANSI)	
39	1001092878	1	NO RIDERS DECAL, (ISO)	
40	1001109053	1	COOLANT FILL DECAL	
41	1701640	1	MANUAL DECAL	
42	1001143852	1	DECAL, LRC EPA	
K1	7302189	1	UNITED RENTALS DECAL KIT	
K2	0274263	1	NATIONS RENT DECAL KIT	
K3	0274271	1	SUNSTATE DECAL KIT	
K4	0274272	1	NES DECAL KIT	
K5	0274039	1	CUSTOMER DECAL KIT	
K6	0274547	1	H AND E DECAL KIT	
K7	1001120632	1	SUNBELT DECAL KIT	
K8	1001098594	1	RSC DECAL KIT	
K9	1001128530	1	HERTZ DECAL KIT	
K10	1001140699	1	LEAVITT MACH DECAL KIT	

SECTION 12 - OPTIONS

SECTION 12 - OPTIONS

FIGURE 12-1. WORKLIGHT INSTALLATION



PAP3990

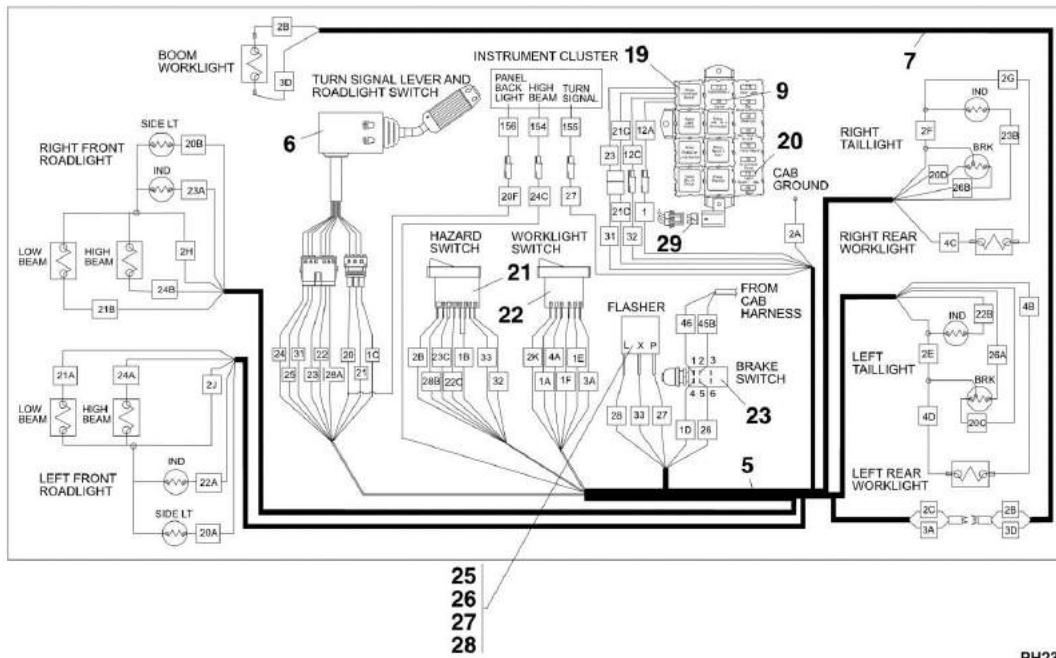
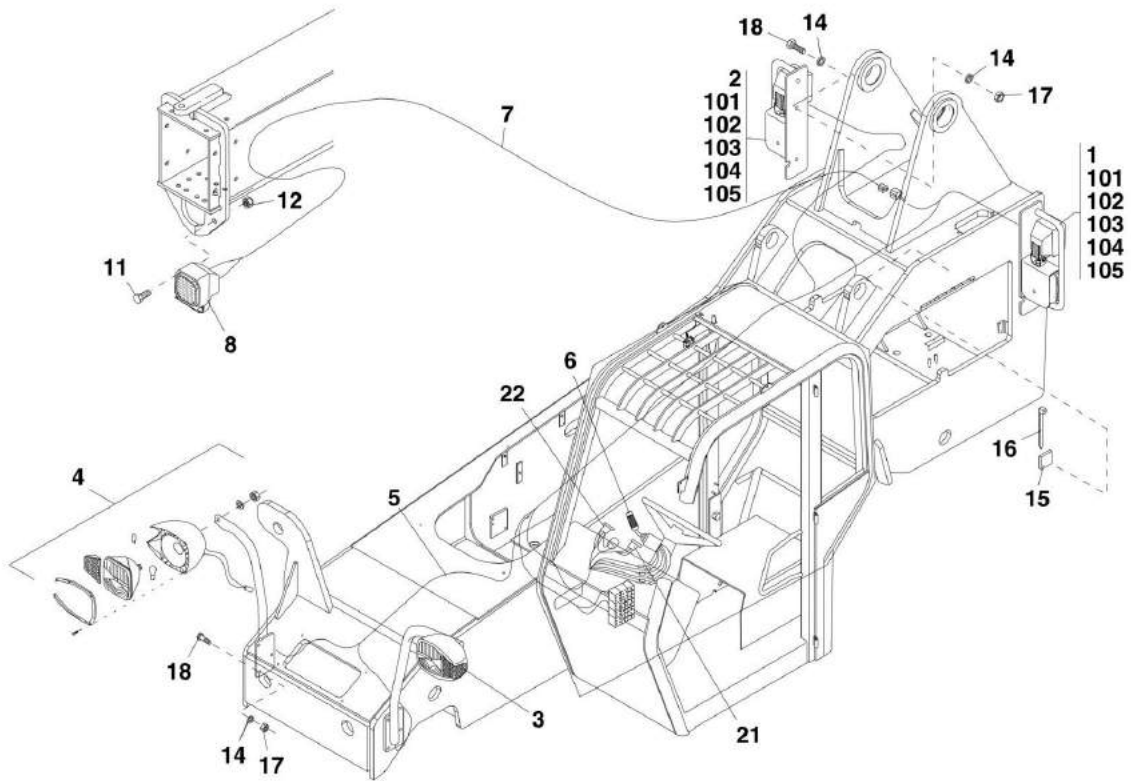
SECTION 12 - OPTIONS

FIGURE 12-1. WORKLIGHT INSTALLATION

ITEM	PART NUMBER	QTY	DESCRIPTION	REV
	7150705	1	WORKLIGHT INSTALLATION, (includes all items)	I
1	7150673	2	WORKLIGHT ASSY, (front left and rear right), (includes item 13)	D
1	1001097080	2	WORKLIGHT BRACKET, (front left and rear right)	
2	7150688	2	WORKLIGHT ASSY, (front right and rear left), (includes item 13)	D
2	1001097079	2	WORKLIGHT BRACKET, (front right and rear left)	
3	7150707	1	WIRE HARNESS	
4	8223059	1	WORKLIGHT SWITCH	
6	7150730	1	BOOM WORKLIGHT HARNESS	
8	8303670	1	HEX HD CAPSCREW, 5/16X1	
10	8305626	1	LOCKNUT, 5/16-18	
12	8584018	2	TIE MOUNT	
13	7150687	NLA	WORKLIGHT, (no longer available, use 1001096314 for replacement) (SN 14834 through 19988, SN 0160002345 through 0160030567)	
13	8036216	4	WORKLIGHT LENS SCREW	
13	8036217	NLA	WORKLIGHT LENS, (no longer available, use 1001096314 for replacement) (SN 14834 through 19988, SN 0160002345 through 0160030567)	
13	8036218	1	WORKLIGHT HALOGEN BULB	
13	1001096314	1	WORKLIGHT (SN 0160030568 to Present)	
14	8307204	8	FLAT WASHER, 3/8	
16	8584001	32	TIE WRAP	
17	8305645	4	HEX NUT, 3/8	
18	8303622	4	HEX HD CAPSCREW, 3/8X2	
20	8229233	1	LIGHT SWITCH FUSE, 7.5 AMP, (tan)	
21	8229238	1	WORKLIGHT FUSE, 40 AMP, (orange)	
22	88411094	4	CARRIAGE BOLT, 7/16-14X2	
23	8310109	4	HEX LOCKNUT, 7/16-14	

SECTION 12 - OPTIONS

FIGURE 12-2. ROADLIGHT INSTALLATION (SN 17019 through 19897, SN 0160002408 through 0160015214)



PH2362

SECTION 12 - OPTIONS

FIGURE 12-2. ROADLIGHT INSTALLATION (SN 17019 through 19897, SN 0160002408 through 0160015214)

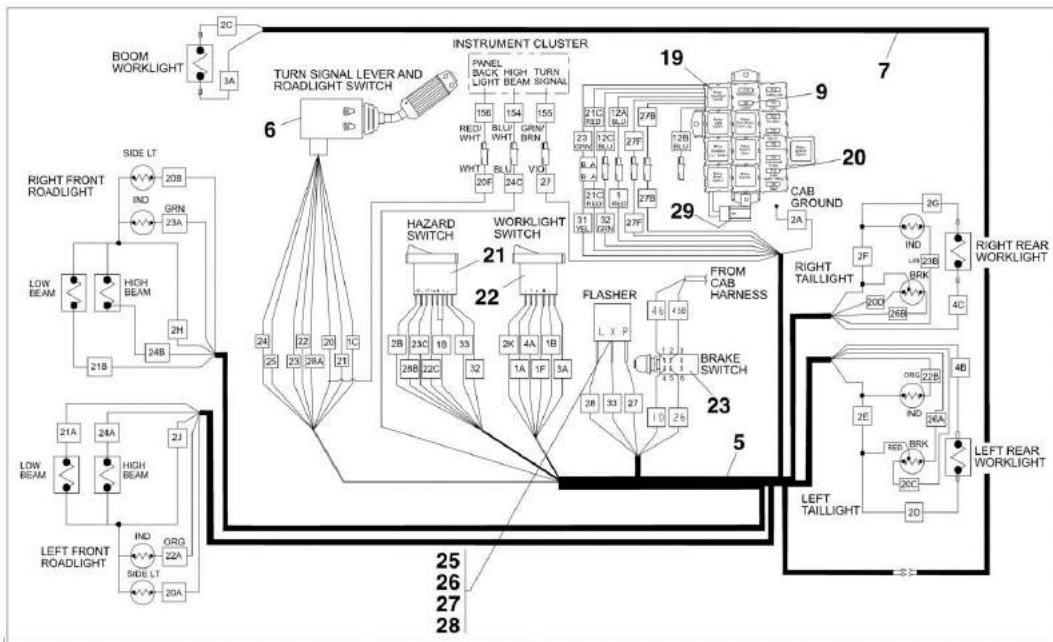
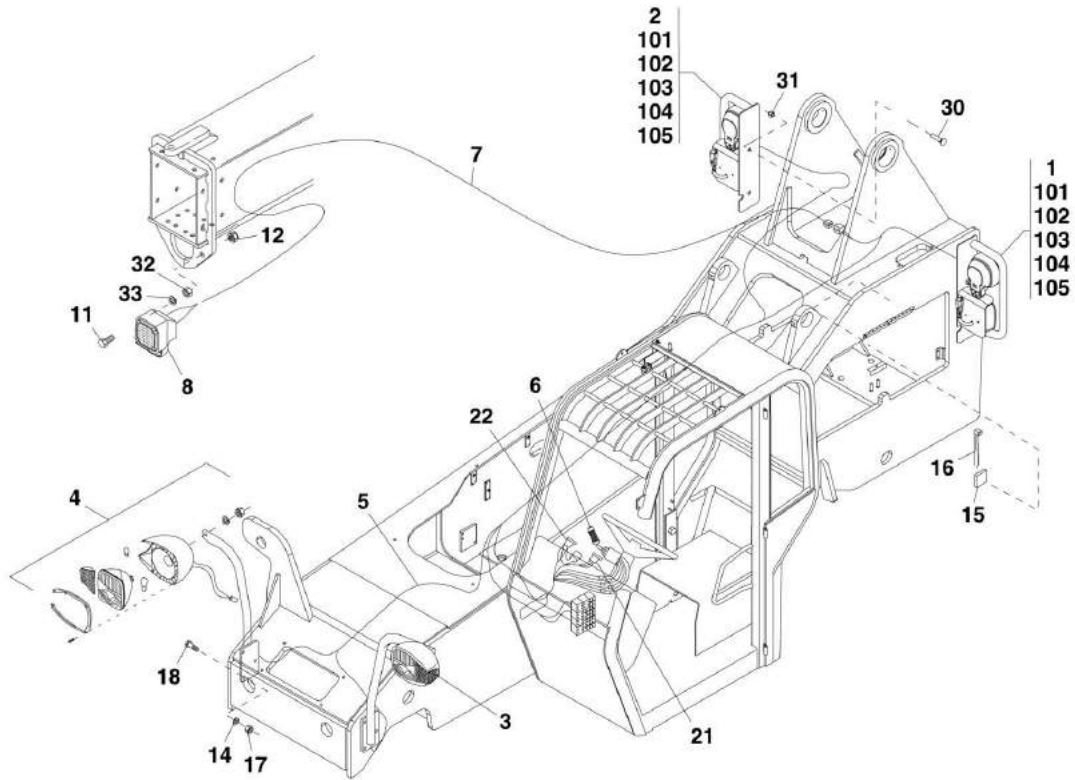
ITEM	PART NUMBER	QTY	DESCRIPTION	REV
	7148700	1	ROADLIGHT INSTALLATION, (includes items 1 thru 29)	
1	7150679	1	L.H. ROADLIGHT ASSY, (includes items 101 thru 105)	AB
2	7150689	1	R.H. ROADLIGHT ASSY, (includes items 101 thru 105)	AB
3	7150699	1	L.H. ROADLIGHT BRACKET ASSY	
3	7150685	1	L.H. ROADLIGHT BRACKET	
3	7150702	1	FRONT ROADLIGHT	
3	8036216	6	HEADLIGHT LENS SCREW	
3	8036212	1	HEADLIGHT LENS	
3	8036213	1	HEADLIGHT BULB, 12V 60/55W	
3	8036214	1	BLINKER BULB, 12V 5W	
3	8036215	1	WIRING HARNESS, (includes 6-way connector)	
3	8036209	1	LEFT AMBER HEADLIGHT LENS	
4	7150716	1	R.H. ROADLIGHT BRACKET ASSY	
4	7150717	1	R.H. ROADLIGHT BRACKET	
4	7150703	1	FRONT ROADLIGHT	
4	8036210	1	RIGHT AMBER HEADLIGHT LENS	
4	8036216	6	HEADLIGHT LENS SCREW	
4	8036212	1	HEADLIGHT LENS	
4	8036213	1	HEADLIGHT BULB, 12V, 60/55W	
4	8036214	1	BLINKER BULB, 12V, 5W	
4	8036215	1	WIRING HARNESS, (includes 6-way connector)	
5	4923649	1	WIRE HARNESS	
6	7150742	1	TURN SIGNAL LEVER	
7	7150730	1	WORKLIGHT HARNESS	
8	7150687	NLA	WORKLIGHT, (no longer available, use 1001096314 on ROADLIGHT INSTALLATION, SN 0160015215 to Present for replacement)	
8	8036216	4	WORKLIGHT LENS SCREW	
8	8036217	NLA	WORKLIGHT LENS, (no longer available, use 1001096314 on ROADLIGHT INSTALLATION, SN 0160015215 to Present for replacement)	
8	8036218	1	WORKLIGHT HALOGEN BULB, 12V	
9	8229236	1	FUSE, 20AMP	
11	8303670	1	HEX HD CAPSCREW, 5/16-18X1, GR8	
12	8305626	1	HEX LOCKNUT, 5/16-18	
14	8307204	14	FLAT WASHER, 3/8	
15	8584018	2	TIE MOUNT	
16	8584001	32	TIE WRAP	
17	8305645	10	HEX LOCKNUT, 3/8	
18	8303622	10	HEX HD CAPSCREW, 3/8X2	
19	8225119	1	RELAY	
20	8229233	1	FUSE, 7.5AMP	
21	8223060	1	HAZARD SWITCH	
22	8223059	1	WORKLIGHT SWITCH	
23	8223057	1	BRAKE LIGHT SWITCH	
25	8500203	1	FLASHER, 12V	
26	8303835	2	SLOTTED PAN HD SCREW, #10-24X1/2	
27	8310085	2	LOCKNUT, #10-24	
28	8307111	2	WASHER, #10	
29	8229238	1	FUSE, 40AMP	

SECTION 12 - OPTIONS

ITEM	PART NUMBER	QTY	DESCRIPTION	REV
101	7150681	1	L.H. WORKLIGHT BRACKET ASSY	
101	7150680	1	R.H. WORKLIGHT BRACKET ASSY	
102	7150687	NLA	WORKLIGHT, (no longer available, use 1001096314 on ROADLIGHT INSTALLATION, SN 0160015215 to Present for replacement)	
102	8036216	4	WORKLIGHT LENS SCREW	
102	8036217	NLA	WORKLIGHT LENS, (no longer available, use 1001096314 on ROADLIGHT INSTALLATION, SN 0160015215 to Present for replacement)	
102	8036218	1	WORKLIGHT HALOGEN BULB, 12V	
103	7150690	1	TAIL/INDICATOR LIGHT	
103	N.S.S.	2	TAIL LIGHT LENS SCREW	
103	8036219	1	TAIL LIGHT LENS	
103	8036221	1	BLINKER BULB, 12V, 21W	
103	8036222	1	TAIL AND BRAKE LIGHT BULB, 12V, 21/5W	
103	8036220	1	WIRING HARNESS, (includes 4-way connector)	
104	8303745	1	HEX HD CAPSCREW, 5/16-18X5/8	
105	8305626	1	HEX LOCKNUT, 5/16-18	

SECTION 12 - OPTIONS

FIGURE 12-3. ROADLIGHT INSTALLATION (SN 0160015215 to Present)



ART_8990467-12-3

SECTION 12 - OPTIONS

FIGURE 12-3. ROADLIGHT INSTALLATION (SN 0160015215 to Present)

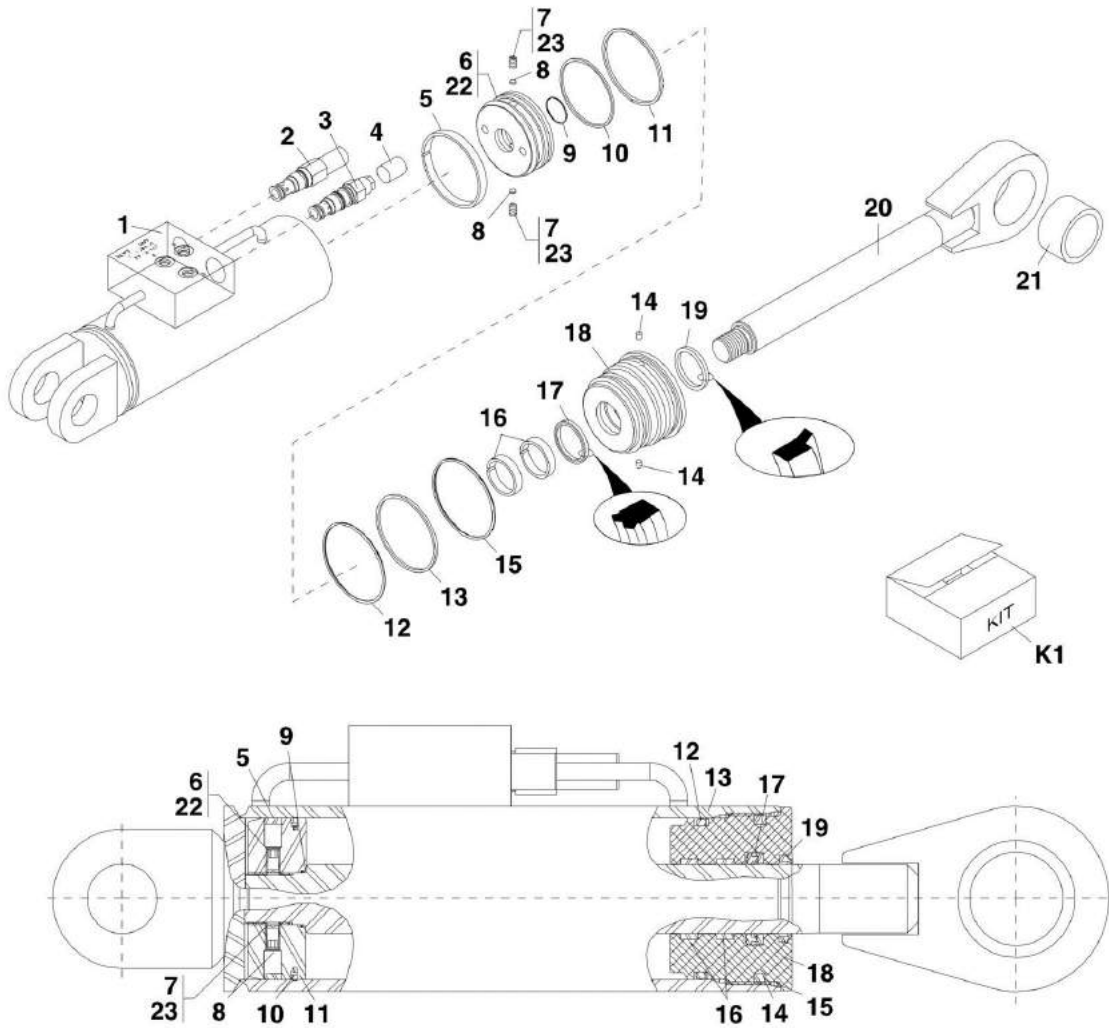
ITEM	PART NUMBER	QTY	DESCRIPTION	REV
	7150704	1	ROADLIGHT INSTALLATION, (includes items 1 thru 33)	K
1	7150679	1	L.H. ROADLIGHT ASSY, (includes items 101 thru 105)	C
2	7150689	1	R.H. ROADLIGHT ASSY, (includes items 101 thru 105)	C
3	7150699	1	L.H. ROADLIGHT BRACKET ASSY	B
3	7150685	1	L.H. ROADLIGHT BRACKET	
3	7150702	1	FRONT ROADLIGHT	
3	8036216	6	HEADLIGHT LENS SCREW	
3	8036212	1	HEADLIGHT LENS	
3	8036213	1	HEADLIGHT BULB, 12V 60/55W	
3	8036214	1	BLINKER BULB, 12V 5W	
3	8036215	1	WIRING HARNESS, (includes 6-way connector)	
3	8036209	1	LEFT AMBER HEADLIGHT LENS	
4	7150716	1	R.H. ROADLIGHT BRACKET ASSY	B
4	7150717	1	R.H. ROADLIGHT BRACKET	
4	7150703	1	FRONT ROADLIGHT	
4	8036210	1	RIGHT AMBER HEADLIGHT LENS	
4	8036216	6	HEADLIGHT LENS SCREW	
4	8036212	1	HEADLIGHT LENS	
4	8036213	1	HEADLIGHT BULB, 12V 60/55W	
4	8036214	1	BLINKER BULB, 12V 5W	
4	8036215	1	WIRING HARNESS, (includes 6-way connector)	
5	7150741	1	WIRE HARNESS	I
6	8223073	1	TURN SIGNAL LEVER	
7	7150730	1	WORKLIGHT HARNESS	
8	7150687	NLA	WORKLIGHT, (no longer available, use 1001096314 for replacement) (SN 14834 through 19988, SN 0160002345 through 0160030567)	
8	8036216	4	WORKLIGHT LENS SCREW	
8	8036217	NLA	WORKLIGHT LENS, (no longer available, use 1001096314 for replacement) (SN 14834 through 19988, SN 0160002345 through 0160030567)	
8	8036218	1	WORKLIGHT HALOGEN BULB	
8	1001096314	1	WORKLIGHT (SN 0160030568 to Present)	
9	8229235	1	FUSE, 20AMP	
11	0641511	1	HEX HD CAPSCREW, 5/16X1, GR8	
12	8305626	1	HEX LOCKNUT, 5/16-18	
14	8307204	6	FLAT WASHER, 3/8	
15	8584018	2	TIE MOUNT	
16	8584001	32	TIE WRAP	
17	8305645	6	HEX LOCKNUT, 3/8	
18	8303622	6	HEX HD CAPSCREW, 3/8X2	
19	8225119	1	RELAY	
20	8229233	1	FUSE, 7.5AMP	
21	8223060	1	HAZARD SWITCH	
22	8223059	1	WORKLIGHT SWITCH	
23	8223057	1	BRAKE LIGHT SWITCH	
25	8500203	1	FLASHER, 12V	
26	8303835	2	SLOTTED PAN HD SCREW, #10-24X1/2	
27	8310085	2	LOCKNUT, #10-24	
28	8307111	2	WASHER, #10	

SECTION 12 - OPTIONS

ITEM	PART NUMBER	QTY	DESCRIPTION	REV
29	8229238	1	FUSE, 40AMP	
30	88411094	4	CARRIAGE BOLT, 7/16-14X2	
31	8310109	4	HEX LOCKNUT, 7/16-14	
32	88501005	1	HEX NUT, 5/16-18	
33	4891600	1	FLAT WASHER, 3/8	
101	7150681	1	L.H. WORKLIGHT BRACKET ASSY	
101	7150680	1	R.H. WORKLIGHT BRACKET ASSY	
102	7150687	NLA	WORKLIGHT, (no longer available, use 1001096314 for replacement) (SN 14834 through 19988, SN 0160002345 through 0160030567)	
102	8036216	4	WORKLIGHT LENS SCREW	
102	8036217	NLA	WORKLIGHT LENS, (no longer available, use 1001096314 for replacement) (SN 14834 through 19988, SN 0160002345 through 0160030567)	
102	8036218	1	WORKLIGHT HALOGEN BULB	
102	1001096314	1	WORKLIGHT (SN 0160030568 to Present)	
103	7150690	1	TAIL/INDICATOR LIGHT	
103	N.S.S.	2	TAIL LIGHT LENS SCREW	
103	8036219	1	TAIL LIGHT LENS	
103	8036221	1	BLINKER BULB, 12V 21W	
103	8036222	1	TAIL AND BRAKE LIGHT BULB, 12V 21/5W	
103	8036220	1	WIRING HARNESS, (includes 4-way connector)	
104	8303745	1	HEX HD CAPSCREW, 5/16-18X5/8	
105	8305626	1	HEX LOCKNUT, 5/16-18	

SECTION 12 - OPTIONS

FIGURE 12-4. SWING CARRIAGE CYLINDER (SN 17019 through 19238)



PA3651

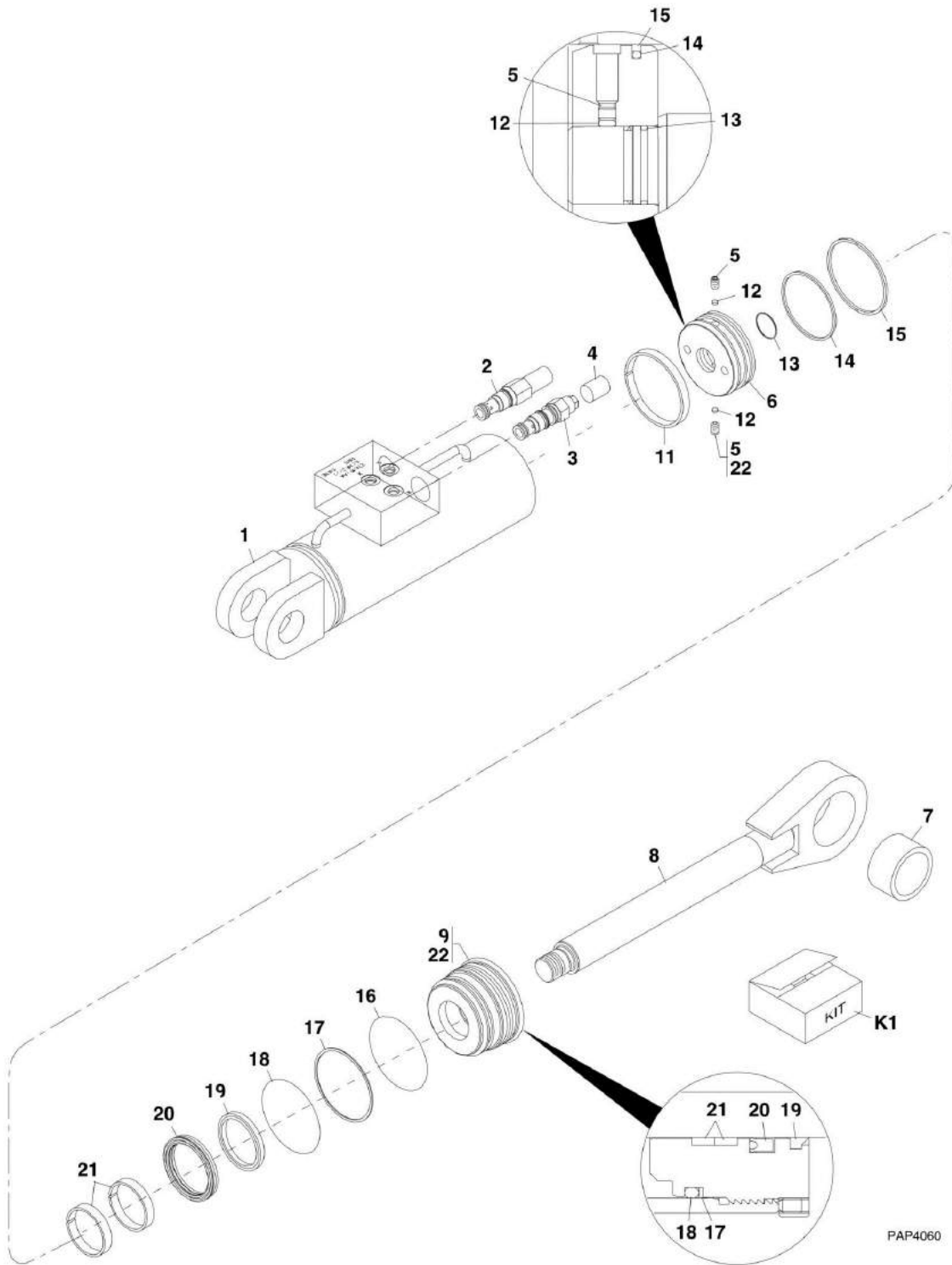
SECTION 12 - OPTIONS

FIGURE 12-4. SWING CARRIAGE CYLINDER (SN 17019 through 19238)

ITEM	PART NUMBER	QTY	DESCRIPTION	REV
	2716153	1	SWING CARRIAGE CYLINDER, (includes items 1 thru 21)	AA
1	N.S.S.	1	WELDMENT TUBE	
2	70020428	1	RELIEF VALVE CARTRIDGE, (torque to 30-35 lb-ft)	
2	7024574	1	SEAL KIT	
3	8033786	1	COUNTERBALANCE VALVE, (torque to 30-35 lb-ft)	
3	8025655	1	SEAL KIT	
4	N.S.S.	1	CAP	
5	Kit K1	1	PRECISION WEARBAND	
6	8035863	1	PISTON, (torque to 440-500 lb-ft)	
7	8035536	2	SET SCREW, 5/16-18X.5, (torque to 85-90 lb-in)	
8	Kit K1	2	LOCKING INSERT	
9	Kit K1	1	O-RING	
10	Kit K1	1	SQUARE RING	
11	Kit K1	1	SQUARE SECTION TFE PISTON SEAL	
12	Kit K1	1	O-RING	
13	Kit K1	1	BACK-UP RING	
14	Kit K1	2	LOCKING INSERT	
15	Kit K1	1	O-RING	
16	Kit K1	2	PRECISION WEARBAND	
17	Kit K1	1	DEEP Z-SEAL	
18	8035862	1	HEAD GLAND, (torque to 250-300 lb-ft)	
19	Kit K1	1	WIPER SEAL	
20	8035861	1	WELDMENT ROD	
21	8065062	1	DURALON JOURNAL BEARING	
22	0100019	AR	LOCTITE 271, (apply to item 6)	
23	0100011	AR	LOCTITE 242, (apply to item 7)	
K1	8035830	1	SEAL KIT, (includes items 5, 8 thru 17, 19)	

SECTION 12 - OPTIONS

FIGURE 12-5. SWING CARRIAGE CYLINDER (SN 0160002408 to Present, SN 19239 through 19897)



PAP4060

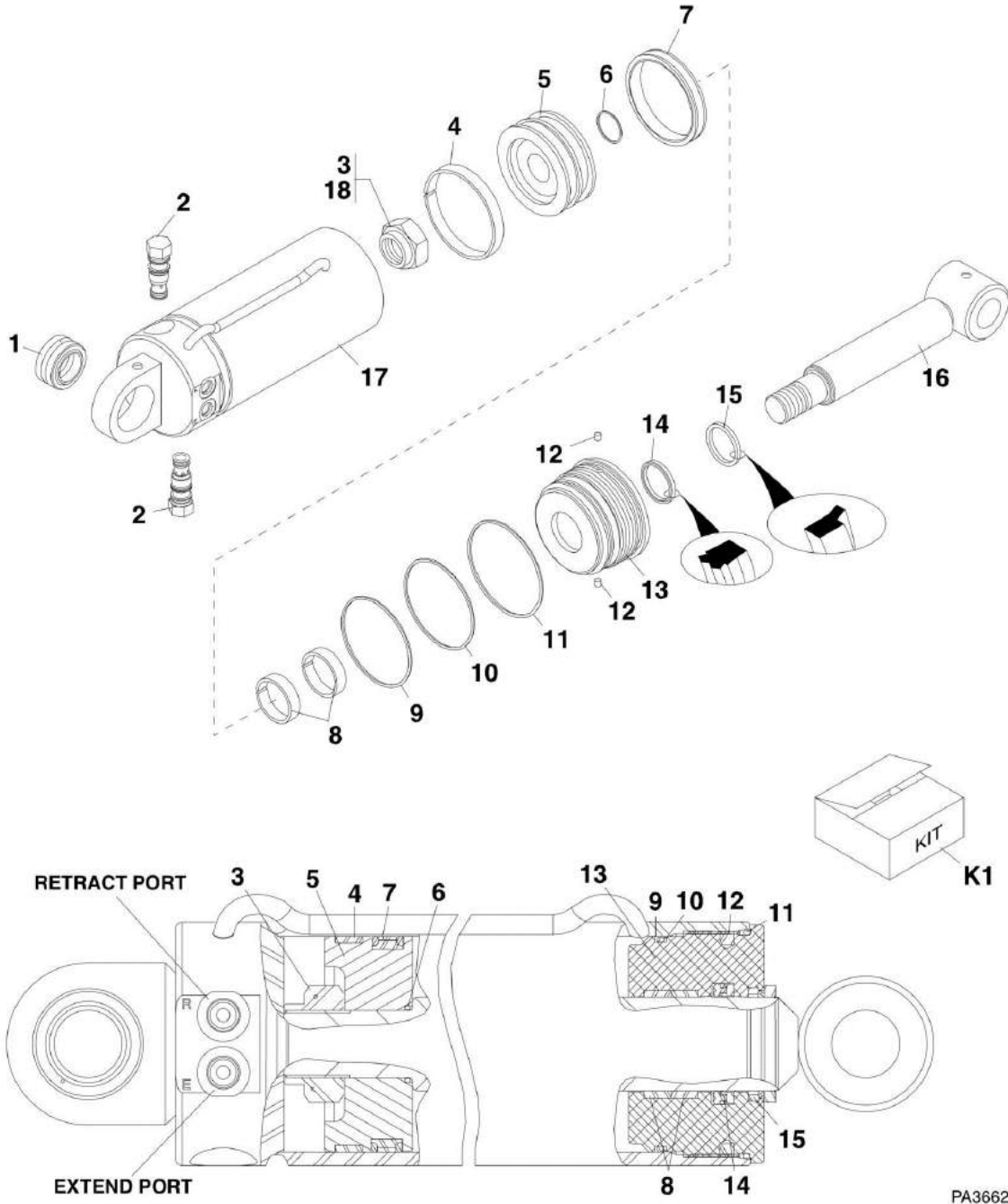
SECTION 12 - OPTIONS

FIGURE 12-5. SWING CARRIAGE CYLINDER (SN 0160002408 to Present, SN 19239 through 19897)

ITEM	PART NUMBER	QTY	DESCRIPTION	REV
	2717200	1	SWING CARRIAGE CYLINDER, (includes items 1 thru 21)	C
1	8035864	1	TUBE WELDMENT	
2	70020428	1	RELIEF VALVE CARTRIDGE, 2000PSI, (torque to 30-35 lb-ft)	
2	7024574	1	SEAL KIT	
3	8033786	1	COUNTERBALANCE VALVE, 3000PSI, (torque to 30-35 lb-ft)	
3	8025655	1	SEAL KIT	
4	70021812	1	CAP	
5	8035536	2	SET SCREW, 1/2-20X1/4, (Loctite and torque to 85-95 lb-ft)	
6	8035863	1	PISTON	
7	70022046	1	DURALON JOURNAL BEARING	
8	8035861	1	ROD WELDMENT	
9	8035862	1	HEAD GLAND, (Loctite and torque to 250-350 lb-ft)	
11	Kit K1	1	PRECISION WEARBAND	
12	Kit K1	2	NYLON BALL	
13	Kit K1	1	O-RING	
14	Kit K1	1	O-RING	
15	Kit K1	1	PISTON SEAL	
16	Kit K1	1	O-RING	
17	Kit K1	1	BACK UP RING	
18	Kit K1	1	O-RING	
19	Kit K1	1	WIPER RING	
20	Kit K1	1	Z-SEAL	
21	Kit K1	2	PRECISION WEARBAND	
22	0100011	AR	LOCTITE 242, (apply to items 5 & 9)	
K1	8036783	1	SEAL KIT, (includes items 11 thru 21)	

SECTION 12 - OPTIONS

FIGURE 12-6. SIDE TILT CARRIAGE CYLINDER



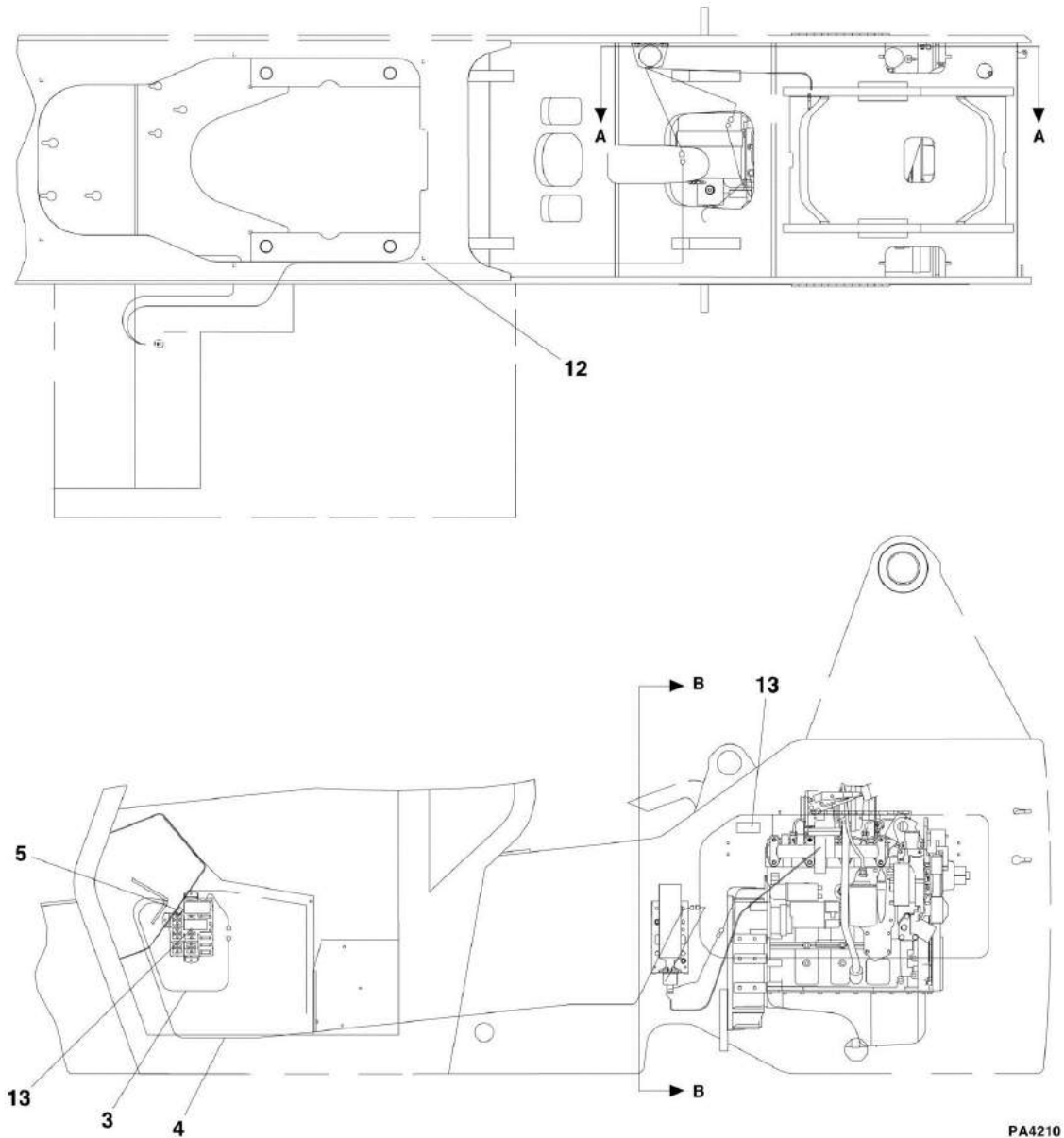
SECTION 12 - OPTIONS

FIGURE 12-6. SIDE TILT CARRIAGE CYLINDER

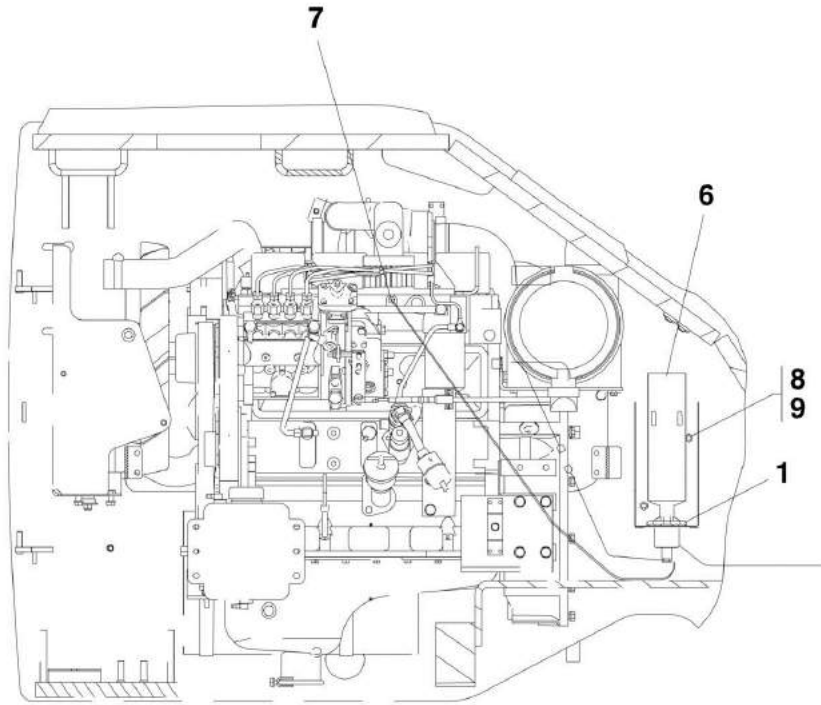
ITEM	PART NUMBER	QTY	DESCRIPTION	REV
	2716143	1	SIDE TILT CARRIAGE CYLINDER, (includes items 1 thru 17)	C, F
1	8036451	1	SPHERICAL BEARING	
2	8036750	2	CHECK VALVE, (torque to 30-35 lb-ft)	
2	8205655	1	SEAL KIT	
3	8035865	1	LOCKNUT, (torque to 550-650 lb-ft)	
4	Kit K1	1	PRECISION WEARBAND	
5	8035868	1	PISTON	
6	Kit K1	1	O-RING	
7	Kit K1	1	CAPPED T-SEAL	
8	Kit K1	2	PRECISION WEARBAND	
9	Kit K1	1	O-RING	
10	Kit K1	1	BACK-UP RING	
11	Kit K1	1	O-RING	
12	Kit K1	2	LOCKING INSERT	
13	8035867	1	HEAD GLAND, (torque to 300-400 lb-ft)	
14	Kit K1	1	DEEP Z-SEAL	
15	Kit K1	1	WIPER SEAL	
16	8035866	1	WELDMENT ROD	
17	N.S.S.	1	WELDMENT TUBE	
18	0100019	AR	LOCTITE 271, (apply to item 3)	
K1	8035831	1	SEAL KIT, (includes items 4, 6 thru 12, 14 & 15)	

SECTION 12 - OPTIONS

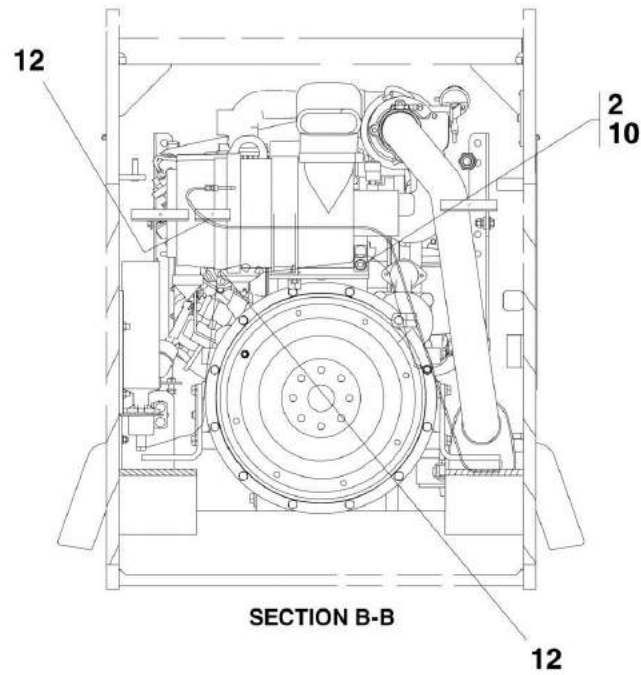
FIGURE 12-7. COLD START INSTALLATION (SN 17019 through 19897, SN 0160002408 through 0160004109)



SECTION 12 - OPTIONS



SECTION A-A



SECTION B-B

PA4220

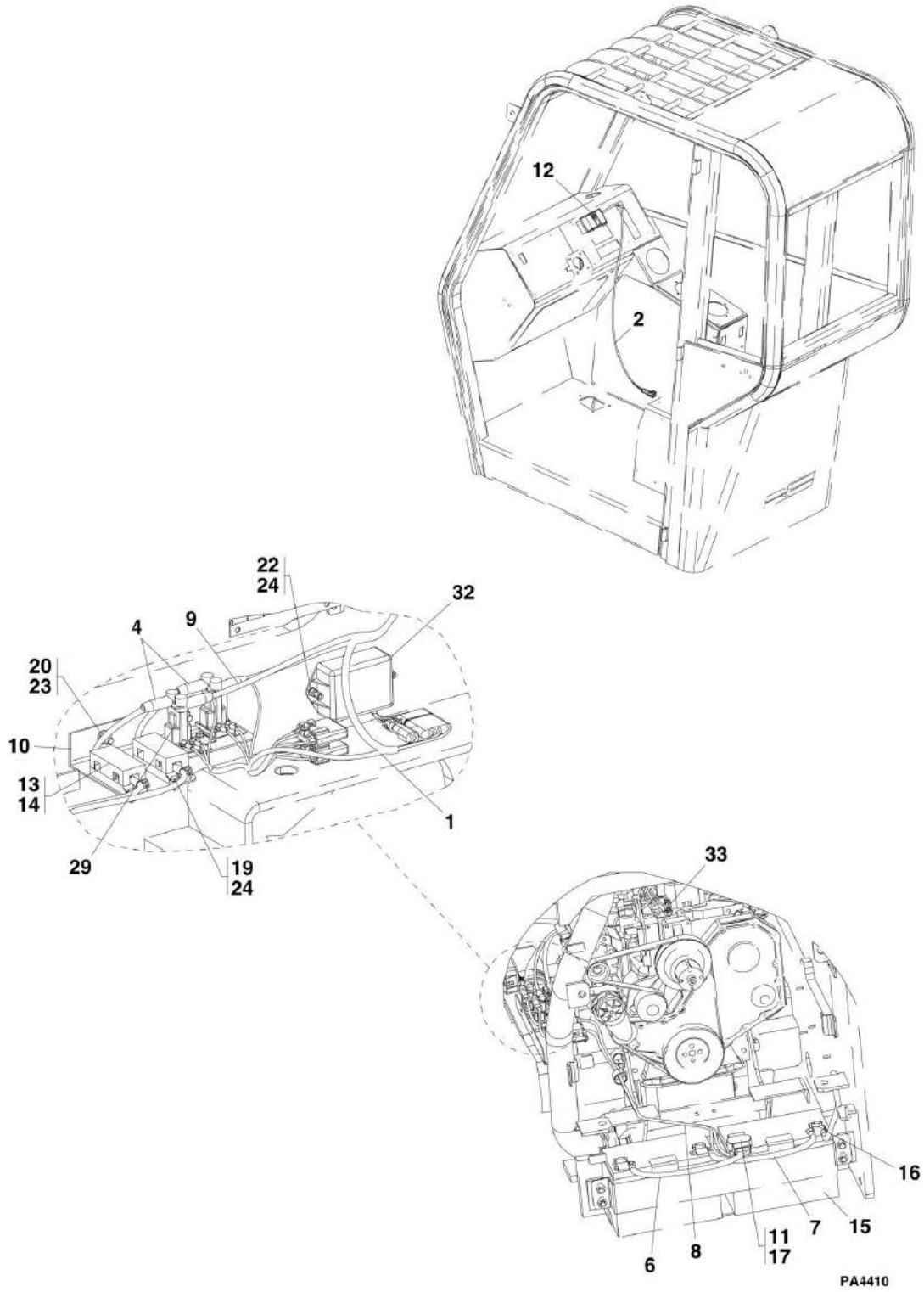
SECTION 12 - OPTIONS

FIGURE 12-7. COLD START INSTALLATION (SN 17019 through 19897, SN 0160002408 through 0160004109)

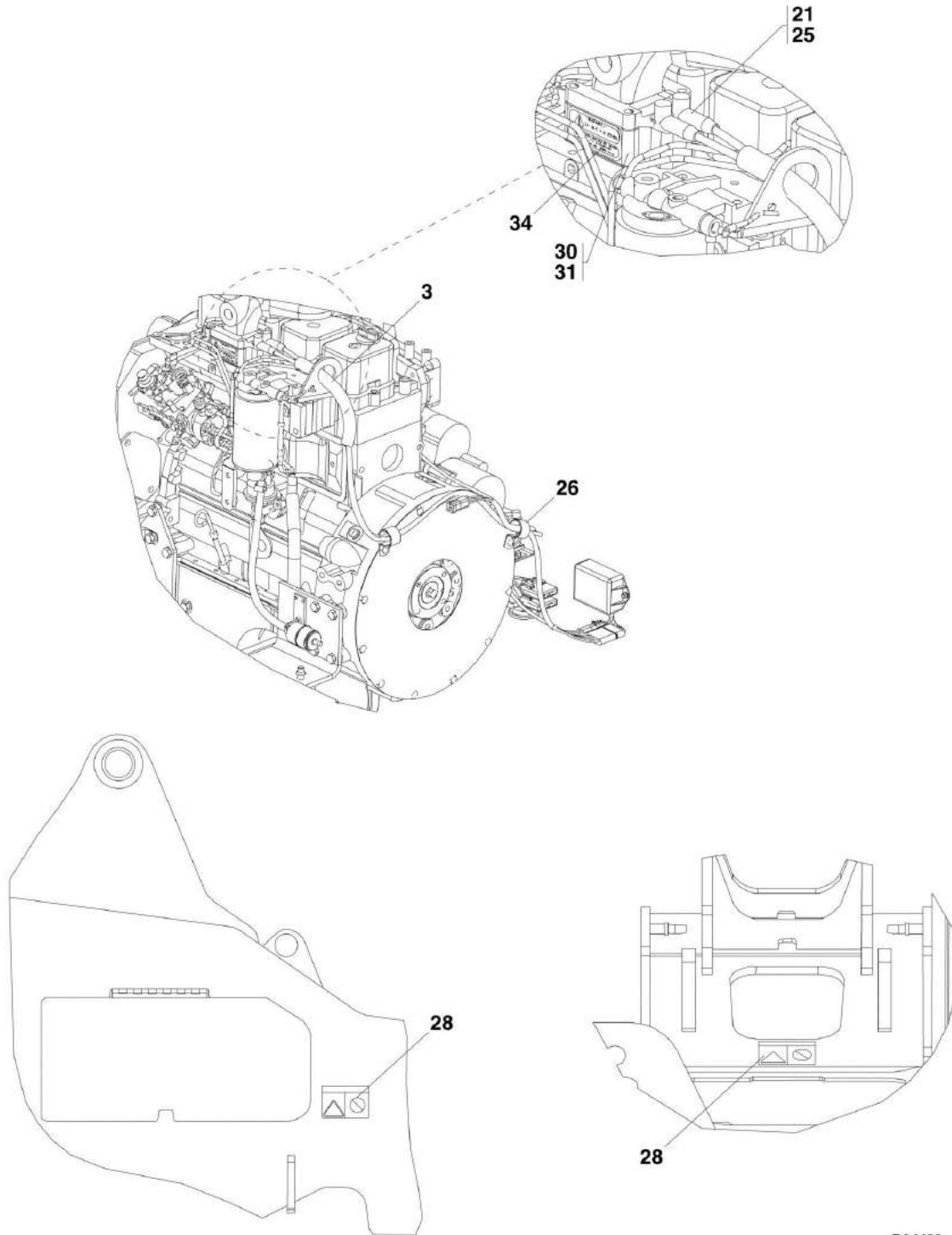
ITEM	PART NUMBER	QTY	DESCRIPTION	REV
	7300908	1	COLD START INSTALLATION, (includes all items)	AB
1	7138529	1	ETHER START ASSY	
2	7139254	1	THERMOSTAT ASSY	
3	7139257	1	WIRE ASSY	
4	7139258	1	WIRE ASSY	
5	8580311	1	WEATHER PROOF CAP AND NUT ASSY	
6	8277098	1	ETHER FLUID CYLINDER	
7	8277101	1	ATOMIZER	
8	8305008	2	HEX NUT, 3/8-16	
9	8307005	2	LOCKWASHER, 3/8	
10	8310300	1	SHIM WASHER, .625X.048X1	
12	8584001	4	PLASTIC TIE WRAP	
13	4110253	2	COLD START OPTION DECAL	

SECTION 12 - OPTIONS

FIGURE 12-8. COLD START INSTALLATION (SN 0160004111 to Present)



SECTION 12 - OPTIONS



PA4420

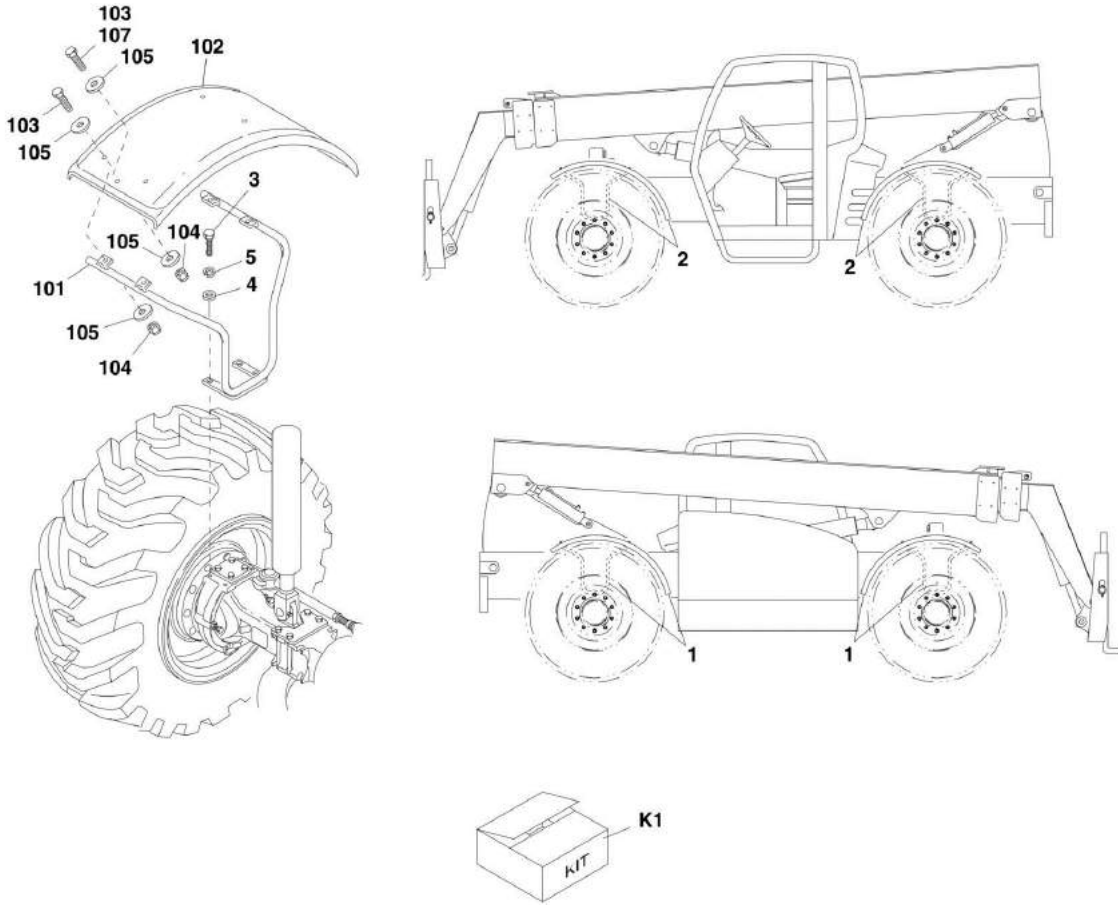
SECTION 12 - OPTIONS

FIGURE 12-8. COLD START INSTALLATION (SN 0160004111 to Present)

ITEM	PART NUMBER	QTY	DESCRIPTION	REV
	7310020	1	COLD START INSTALLATION, (includes all items)	C
1	4922985	1	COLD START HARNESS	
2	4922987	1	CAB PREHEAT HARNESS	B
3	7128511	1	CONDUIT, .75 I.D.X8	
4	7301448	2	FUSE TO RELAY CABLE	
6	7301522	1	POSITIVE BATTERY CABLE	
7	7301523	1	NEGATIVE BATTERY CABLE	
8	7301524	2	BATTERY TO FUSE CABLE	
9	7301525	2	RELAY TO GRID HEATER CABLE	
10	7301829	1	RELAY MOUNTING BRACKET	
11	7301893	1	BATTERY TERMINAL INSULATOR	
12	8223082	1	ENGINE PREHEAT INDICATOR	
13	8229259	2	125AMP FUSE, MEGA BOLT ON	
14	8229260	2	FUSE HOLDER	
15	8270144	1	BATTERY, 12-VOLT	
16	8270147	1	NEGATIVE POLARITY BATTERY CLAMP	
17	8270148	1	POSITIVE POLARITY BATTERY CLAMP	
19	8303545	8	HEX HD CAPSCREW, M6X1X14MM, PC8.8	
20	8305008	2	HEX NUT, 3/8-16	
21	8305047	2	HEX NUT, M6X1	
22	8305652	2	HEX LOCKNUT, M6X1	
23	8307110	2	WASHER, 3/8	
24	8307219	10	PLAIN WASHER, M6	
25	8310687	2	LOCKWASHER, M6	
26	8406302	2	HOSE CLAMP, 1.25 DIA	
27	8584001	6	PLASTIC TIE WRAP, (not shown)	
28	4110460	2	ETHER STARTING WARNING DECAL (SN 0160004111 through 0160028010)	
28	1706300	2	ETHER STARTING WARNING DECAL, (ANSI) (SN 0160028011 to Present)	
28	1706098	2	ETHER STARTING WARNING DECAL, (ISO) (SN 0160028011 to Present)	
29	8225122	2	RELAY, 12VDC, 100AMP	
30	8270423	1	INTAKE AIR HEATER, 12VDC, 195AMP	
31	8270424	2	GRID HEATER GASKET	
32	8270425	1	HEATER CONTROL MODULE	
33	8270426	1	GRID HEATER TEMPERATURE SENSOR	
34	8270427	1	GRID HEATER DECAL	

SECTION 12 - OPTIONS

FIGURE 12-9. FENDER INSTALLATION



ART_8990467-12-9

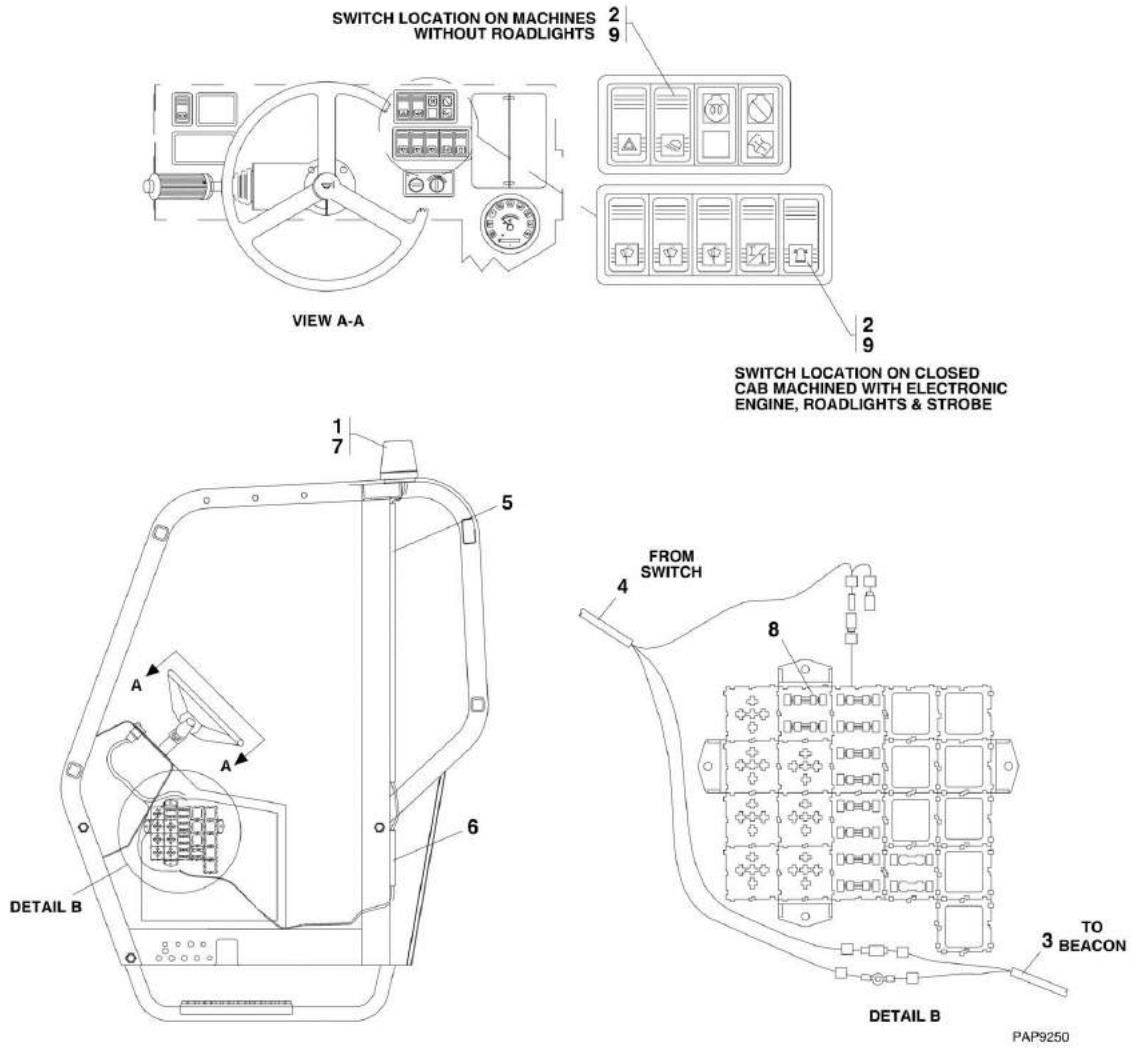
SECTION 12 - OPTIONS

FIGURE 12-9. FENDER INSTALLATION

ITEM	PART NUMBER	QTY	DESCRIPTION	REV
	7150697	1	FENDER INSTALLATION, (includes items 1 thru 5)	C
1	NLA	Ref	R.H. FENDER AND BRACKET ASSY, (includes items 101 thru 107) (SN 17019 through 19897, SN 0160002345 through 0160025362)	AD
1	7150696	2	R.H. FENDER AND BRACKET ASSY, (includes items 101 thru 105) (SN 0160025392 to Present)	G
2	NLA	Ref	L.H. FENDER AND BRACKET ASSY, (includes items 101 thru 107) (SN 17019 through 19897, SN 0160002345 through 0160025362)	AD
2	7150695	2	L.H. FENDER AND BRACKET ASSY, (includes items 101 thru 105) (SN 0160025392 to Present)	G
3	8310164	16	HEX HD CAPSCREW, M12-1.75X40MM, PC8.8	
4	8307220	16	FLAT WASHER, M12	
5	8307025	16	LOCKWASHER, M12	
101	7150668	1	FENDER MOUNT (SN 17019 through 19897, SN 0160002345 through 0160025362)	
101	0903609	1	FENDER MOUNT (SN 0160025392 to Present)	
102	7150706	1	FENDER	
103	8303626	4	HEX HD CAPSCREW, 1/2-13X1-1/2, GR5	
104	8305644	6	HEX LOCKNUT, 1/2-13 (SN 17019 through 19897, SN 0160002345 through 0160025362)	
104	8305644	4	HEX LOCKNUT, 1/2-13 (SN 0160025392 to Present)	
105	8307206	12	PLAIN WASHER, 1/2 (SN 17019 through 19897, SN 0160002345 through 0160025362)	
105	8307206	8	PLAIN WASHER, 1/2 (SN 0160025392 to Present)	
107	8303625	2	HEX HD CAPSCREW, 1/2-13X1-1/4, GR5, (SN 17019 through 19897, SN 0160002345 through 0160025362)	
K1	7147400	1	FENDER FIELD KIT, (four wheel installation)	

SECTION 12 - OPTIONS

FIGURE 12-10. ROTATING BEACON INSTALLATION



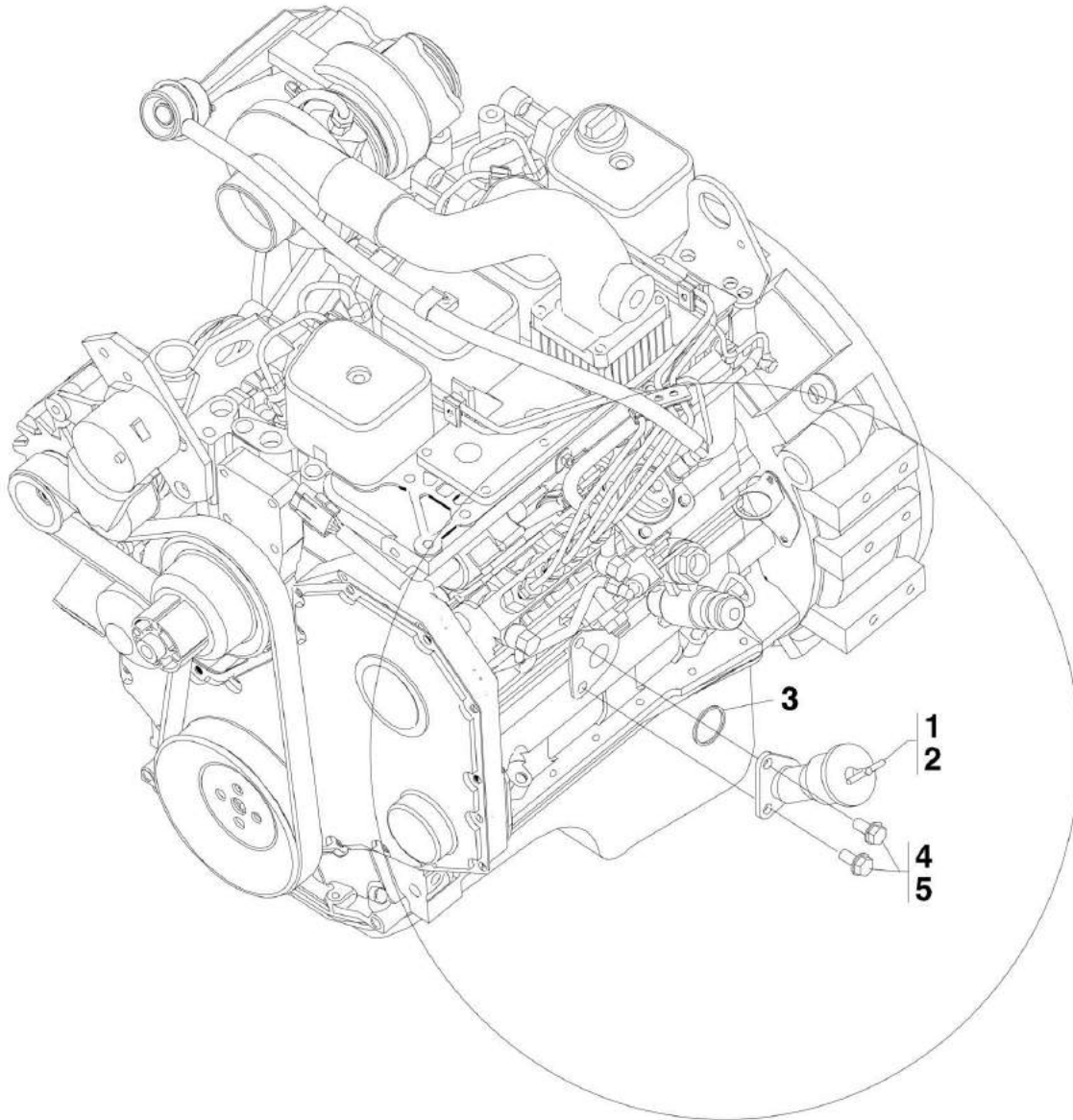
SECTION 12 - OPTIONS

FIGURE 12-10. ROTATING BEACON INSTALLATION

ITEM	PART NUMBER	QTY	DESCRIPTION	REV
	7139264	1	ROTATING BEACON INSTALLATION, OPEN CAB, (includes all items)	AD
	1001111074	1	ROTATING BEACON INSTALLATION, CLOSED CAB, (includes items 1 thru 4 & 7 thru 9)	A
1	8500066	1	ROTATING BEACON LIGHT	
2	8223038	1	BEACON SWITCH	
3	7139263	1	WIRE ASSY	
4	7139269	1	WIRE ASSY FROM SWITCH	
5	8036057	1	UPPER WIRE DUCT, (open cab only)	
6	8036058	1	LOWER WIRE DUCT, (open cab only)	
7	8526035	AR	SILICONE SEALANT, (open cab)	
7	0100009	AR	SILICONE SEALANT, (closed cab)	
8	8229233	1	FUSE, 7.5AMP	
9	8223083	1	BEZEL SWITCH, MIDDLE POSITION	

SECTION 12 - OPTIONS

FIGURE 12-11. REMOTE OIL FILLER (SN 0160004111 to Present)



PA4530

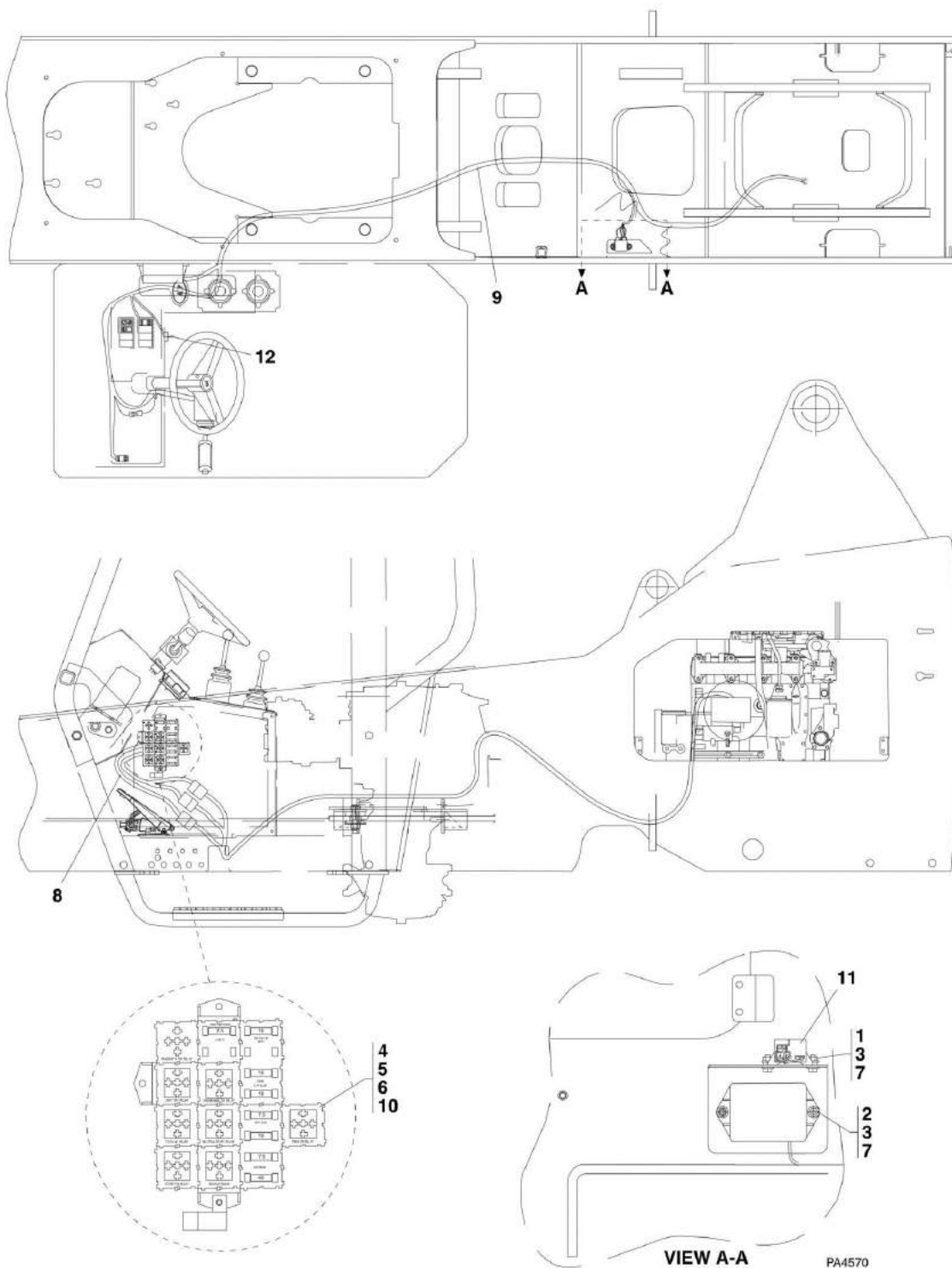
SECTION 12 - OPTIONS

FIGURE 12-11. REMOTE OIL FILLER (SN 0160004111 to Present)

ITEM	PART NUMBER	QTY	DESCRIPTION	REV
	2915052	1	REMOTE OIL FILLER KIT, (includes items 1 thru 4)	
1	83673130	1	FILLER CAP	
2	7029006	1	OIL FILLER TUBE	
3	83673133	1	SEAL	
4	7029242	2	HEX HD CAPSCREW, M12X1.75MM, GR8, (Loctite 242 and torque to 71 lb-ft)	
5	0100011	AR	LOCTITE 242, (apply to item 4)	

SECTION 12 - OPTIONS

FIGURE 12-12. IGNITION SWITCH WEATHER KIT (SN 17019 through 19897, SN 016002408 through 0160023103)



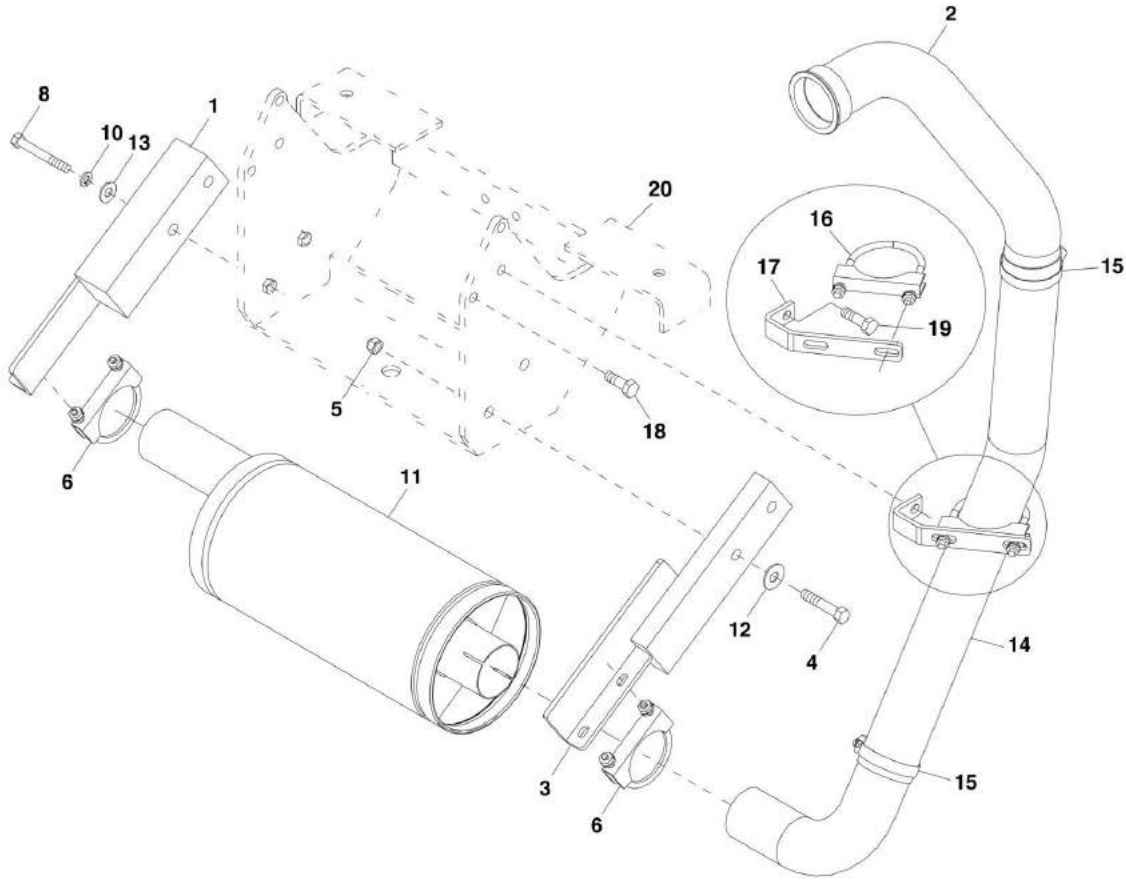
SECTION 12 - OPTIONS

FIGURE 12-12. IGNITION SWITCH WEATHER KIT (SN 17019 through 19897, SN 0160002408 through 0160023103)

ITEM	PART NUMBER	QTY	DESCRIPTION	REV
	2915161	1	IGNITION SWITCH REPLACEMENT KIT, (includes all items)	C
1	0641406	2	HEX HD CAPSCREW, 1/4-20X3/4	
2	0903318	1	RELAY MOUNTING BRACKET	
3	3311401	4	HEX NUT, 1/4-20	
4	4461101	1	RELAY MODULE	
5	4461102	1	SECONDARY LOCK	
6	4461103	1	LOCKING WEDGE RELAY	
7	4711400	6	WASHER, 1/4	
8	4923334	1	RETROFIT CAB HARNESS	
9	4923342	1	RETROFIT FRAME HARNESS	
10	8225119	1	RELAY	
11	77383377	1	STARTER RELAY	
12	4360690	1	IGNITION SWITCH	

SECTION 12 - OPTIONS

FIGURE 12-13. EXHAUST UPGRADE KIT



PAP3880

SECTION 12 - OPTIONS

FIGURE 12-13. EXHAUST UPGRADE KIT

ITEM	PART NUMBER	QTY	DESCRIPTION	REV
	1001102305	1	EXHAUST UPGRADE KIT, (includes items 1 thru 19)	E
1	1001101397	1	EXHAUST BRACKET	
2	1001100296	1	EXHAUST PIPE	
3	1001101396	1	MOUNTING BRACKET	
4	0641718	2	HEX HD CAPSCREW, 7/16-14X2-1/4, GR5, (torque to 35-45 lb-ft)	
5	8310109	2	HEX LOCKNUT, 7/16-14	
6	83683175	2	MUFFLER CLAMP, 2-1/2	
8	0641624	2	HEX HD CAPSCREW, 3/8-16X3, GR5, (torque to 7.5-13.5 lb-ft)	
10	8307005	2	LOCKWASHER, 3/8	
11	1001100978	1	MUFFLER	
12	4751700	2	WASHER, 7/16	
13	4751600	2	WASHER, 3/8	
14	1001101193	2 ft	FIBERGLASS SLEEVE, (sold by the foot)	
15	8405202	2	GEAR CLAMP	
16	8275247	1	MUFFLER CLAMP, 3INCH	
17	1001120927	1	EXHAUST SUPPORT BRACKET	
18	0701215	1	HEX HD CAPSCREW, 12X35MM, GR8.8	
19	0701216	1	HEX HD CAPSCREW, 12X40MM, GR8.8	
20		Ref	ENGINE MOUNT, (See ENGINE AND ATTACHING PARTS SECTION for Breakdown)	

SECTION 13 - RECOMMENDED SPARE PARTS

SECTION 13 - RECOMMENDED SPARE PARTS

SECTION 13 - RECOMMENDED SPARE PARTS

FIGURE 13-1. RECOMMENDED SPARE PARTS

ITEM	PART NUMBER	QTY	DESCRIPTION	REV
	Note	Ref	The following list will service fleets of machines (built to current production per date on the front cover) with repair parts which can be installed in the field. Parts from the list should be replaced when inventory is depleted to keep service parts stock supplied. For further information, contact your JLG dealer or the JLG Industries Parts Department.	
		Ref	BOOM ASSEMBLY	
	2713452	2	Tilt Cylinder Hose	
	2716714	2	Boom Hose	
	7079572	AR	Wear Pad	
	7082311	AR	Insert, Wear Pad	
	7082342	AR	Shim, .07	
	7082362	AR	Shim, .13	
	7096702	AR	Spacer, .50	
	7096882	AR	Spacer, .62	
		Ref	ENGINE	
	7138290	1	Engine Filter Kit, 250 Hour (SN 17019 through 19897, SN 0160002408 through 0160004109)	
	2915034	1	Engine Filter Kit, 250 Hour (SN 0160004111 through 0160039074)	
	1001128968	1	Engine Filter Kit, 250 Hour (SN 0160039075 to Present)	
	8024016	1	Engine Filter Kit, 1000 Hour (SN 17019 through 19897, SN 0160002408 through 0160004109)	
	2915036	1	Engine Filter Kit, 1000 Hour (SN 0160004111 through 0160039074)	
	1001128967	1	Engine Filter Kit, 1000 Hour (SN 0160039075 to Present)	
	7139077	2	Filler Breather Assembly	
	8272017	1	Fan (SN 17019 through 19897, SN 0160002408 through 0160004109)	
	8272027	1	Fan (SN 0160004111 through 0160039074)	
	1001098559	1	Fan (SN 160039075 to Present)	
	8080613	1	Fan Belt (SN 17019 through 19897, SN 0160002408 through 0160004109)	
	7029270	1	Fan Belt (SN 0160004111 through 0160039074)	
	70021852	1	Fan Belt (SN 0160039075 to Present)	
		Ref	DRIVE TRAIN	
	8223049	1	Transmission Selector Control (SN 17019 through 19897, SN 0160002408 through 0160015196)	
	1600429	1	Transmission Selector Control (SN 0160015215 to Present)	
	8160080	1	Throttle Cable (SN 17019 through 19897, SN 0160002408 through 0160004109)	
	1600373	1	Throttle Cable (SN 0160004111 through 0160039245)	
	1319726	1	Transmission Filter	
	1319433	4	Wheel End Bushing (Prior to SN 0160038919, Excluding 0160033533)	
	70022241	4	Wheel End Bushing (SN 0160038919 to Present, Including 0160033533)	
	1319434	2	Wheel End Seal	
	8036329	4	Wheel Hub Seal (Prior to SN 0160038919, Excluding 0160033533)	
	80304173	4	Wheel Hub Seal (SN 0160038919 to Present, Including 0160033533)	

SECTION 13 - RECOMMENDED SPARE PARTS

ITEM	PART NUMBER	QTY	DESCRIPTION	REV
	1319472	8	Wheel Hub Bearing	
	1319470	4	Axle Wheel Hub O-Ring (Prior to SN 0160038919, Excluding 0160033533)	
	70022203	4	Axle Wheel Hub O-Ring (SN 0160038919 to Present, Including 0160033533)	
		Ref	HYDRAULIC SYSTEM	
	8224045	1	Boom Joystick Assembly	
	8224047	1	Boom Joystick Assembly	
	8036502	1	Boom Extend/Retract Cylinder Seal Kit	
	8036132	1	Boom Lift/Lower Cylinder Seal Kit	
	8035326	1	Frame Sway Cylinder Seal Kit	
	8035720	1	Attachment Tilt Cylinder Seal Kit	
	8035326	1	Stabil-Trak Cylinder Seal Kit (SN 17019 through 19299)	
	8036747	1	Stabil-Trak Cylinder Seal Kit (SN 19300 through 19897, SN 0160002408 to Present)	
	8036131	1	Slave Cylinder Seal Kit (SN 17019 through 19299)	
	7028739	1	Slave Cylinder Seal Kit (SN 19300 through 19897, SN 0160002408 to Present)	
	8035830	1	Swing Carriage Cylinder Seal Kit (SN 17019 through 19238)	
	8036783	1	Swing Carriage Cylinder Seal Kit (SN 19239 through 19897, SN 0160002408 to Present)	
	2915023	1	Swing Carriage Cylinder Seal Kit	
	8035831	1	Side Tilt Carriage Cylinder Seal Kit	
	8035981	1	Steering Cylinder Seal Kit, (Prior to Axle SN 829694)	
	70021495	1	Steering Cylinder Seal Kit, (Axle SN 829694 to Present)	
	70022178	1	Steering Cylinder Seal Kit (SN 0160038919 to Present, Including 0160033533)	
	8320265	1	Hydraulic Filter Element (Prior to SN 0160002408)	
	7301252	1	Hydraulic Filter Element (SN 0160002408 to Present)	
	7138740	1	Tank Strainer	
	7139077	1	Filler/Breather	
	7024441	1	Fluid Level Sight Gauge	
		Ref	ELECTRICAL	
	8223217	1	Engine Coolant Temperature Sender (SN 17019 through 18340)	
	8223242	1	Engine Coolant Temperature Sender (SN 18348 through 19897, SN 0160002408 through 0160004109)	
	8223244	1	Engine Coolant Temperature Sender (SN 0160004111 through 0160039074)	
	8223532	1	Engine Oil Pressure Sender (SN 17019 through 19897, SN 0160002408 through 0160004109)	
	8223532	1	Engine Oil Pressure Sender (SN 0160004111 through 0160012741)	
	4360609	1	Engine Oil Pressure Sender (SN 0160012742 through 0160039074)	
	7118222	1	Fuel Level Sender Assembly	
	8270621	1	Backup Alarm (SN 160016726 to Present)	
	4360690	1	Ignition Switch	
	8270221	1	Alternator (SN 17019 through 19897, SN 0160002408 through 0160004109)	
	7029268	1	Alternator (SN 0160004111 through 0160014862)	
	7029525	1	Alternator (SN 0160014880 through 0160039074)	
	70021849	1	Alternator (SN 0160039075 to Present)	
	8270620	1	Horn	
		Ref	MISC.	

SECTION 13 - RECOMMENDED SPARE PARTS

ITEM	PART NUMBER	QTY	DESCRIPTION	REV
	8035807	1	Ignition Key With Cover	
	8342808	1	Door Key	
	80904003	1	Hydraulic Test Kit	
	8990465	1	Owner/Operator Manual (SN 17019 through 19897, SN 0160002408 through 0160002345)	
	3126022	1	Owner/Operator Manual (SN 0160004111 through 0160037382)	
	31200352	1	Operation and Safety Manual (SN 0160037788 to Present)	
	8990466	1	Service Manual (Prior to SN 0160039075)	
	31200353	1	Service Manual (SN 0160039075 to Present)	
		Ref	Special Tools	
	80304484	1	Pry Bar Set, ZF Axle	
	80304480	1	Two-armed Puller, ZF Axle	
	7025854	1	Two-armed Puller, ZF Axle	
	70010241	1	Threaded Ring, M105X3, ZF Axle	
	70010239	1	Two-armed Puller, 160-150mm, ZF Axle and Transmission	
	70023172	1	Gripping Insert Super, ZF Axle	
	70023173	1	Back-off Insert, Rear ZF Axle	
	70023174	1	Eye Bolt Assortment, ZF Axle and Transmission	
	70022872	1	Internal Extractor, 45-58mm, ZF Axle and Transmission	
	70022873	1	Internal Extractor, 70-100mm, ZF Axle	
	70022871	1	Counter Support, Rear, ZF Axle and Transmission	
	7029740	1	Driver, ZF Axle	
	7029739	1	Driver, ZF Axle	
	7029738	1	Driver, ZF Axle	
	70010244	1	Internal Extractor, ZF Axle	
	70010245	1	Counter Support, ZF Axle	
	70022866	1	Spanner, ZF Axle	
	70022867	1	Torque Spanner, 5-45Nm, ZF Axle	
	80304492	1	Wheel Bolt Puller Basic Set, ZF Axle	
	70110101	1	Driver, ZF Axle	
	80304498	1	Handle, ZF Axle	
	70010281	1	Slotted Nut Wrench, ZF Axle	
	70010283	1	Installer, ZF Axle	
	70010284	1	Installer, ZF Axle	
	80304497	1	HP-Pump, ZF Axle	
	7025856	1	Striker, ZF Axle	
	70010243	1	Measuring Hub, 9/16in-18UNF	

PART NUMBER INDEX

PART NUMBER INDEX

0100009.....439	1001093273.....81	1001100227.....57	1001113276.....277
0100011....13, 15, 17, 23, 25, 27, 29, 31, 33, 49, 93, 95, 97, 121, 295, 297, 423, 425, 441	1001093377.....57, 81	1001100228.....57	1001113422.....97
0100019.....17, 341, 343, 345, 347, 349, 353, 357, 361, 423, 427	1001093465.....81	1001100229.....57	1001113511.....103
0240156.....81	1001094284.....387	1001100284.....245, 249	1001114012.....127
0274039.....409	1001094330.....81	1001100296.....125, 445	1001114013.....127
0274263.....409	1001094783.....17	1001100324.....245	1001114040.....127
0274271.....409	1001094830.....81	1001100822.....41	1001114202.....311
0274272.....409	1001094877.....17	1001100823.....41	1001114480.....403
0274547.....409	1001095418.....53	1001100824.....41	1001114482.....403
0641405.....72	1001095710.....97	1001100967.....59	1001114483.....403
0641406.....399, 403, 443	1001095810.....71	1001100978.....125, 127, 445	1001114579.....395
0641410.....399	1001096019.....71	1001101043.....404	1001114671.....403
0641511.....419	1001096020.....71	1001101085.....271	1001114675.....253, 409
0641514.....97	1001096021.....71	1001101115.....57	1001117308.....403
0641612.....49, 103, 331	1001096023.....71	1001101116.....57	1001118107.....403
0641616.....113, 127	1001096024.....71	1001101193.....125, 127, 445	1001118129.....403
0641618.....113	1001096025.....71	1001101396.....125, 445	1001118245.....403
0641624.....125, 127, 445	1001096306.....71	1001101397.....125, 445	1001120632.....409
0641718.....123, 125, 445	1001096314.....413, 419, 420	1001101845.....35	1001120819.....278
0641814.....337	1001096404.....27	1001101956.....49	1001120914.....49
0642032.....45, 49	1001096425.....127	1001102212.....113	1001120915.....49
0642222.....17	1001096427.....119	1001102213.....113	1001120927.....445
0642628.....17	1001096428.....97	1001102214.....119	1001121085.....249
0681810.....49	1001096431.....113	1001102277.....119	1001125007.....254
0681826.....97	1001096432.....113	1001102305.....123, 445	1001125774.....277
0682228.....97	1001096434.....113	1001102378.....49	1001125837.....277
0700610.....253, 409	1001096435.....113	1001102813.....72	1001125838.....261
0701214.....95	1001096436.....113	1001102844.....253	1001126234.....277
0701215.....95, 445	1001096459.....97	1001102931.....103	1001127593.....409
0701216.....445	1001096462.....97	1001102933.....103	1001127594.....409
0710819.....97	1001096479.....97	1001103113.....283	1001128058.....97
0711019.....97	1001096484.....119	1001103149.....371	1001128396.....395
0741610.....49	1001097072.....71	1001103151.....371	1001128397.....403
0761012.....403	1001097079.....413	1001103152.....371	1001128530.....409
0761015.....131	1001097080.....413	1001103182.....385	1001128663.....403
0791810.....403	1001097168.....71	1001103509.....267, 277	1001128665.....404
0860520.....71	1001097564.....113	1001103619.....155, 191	1001128666.....404
0903318.....443	1001097565.....113	1001103625.....139	1001128967.....98, 448
0903609.....437	1001097566.....97	1001103630.....175	1001128968.....98, 448
0930020.....79	1001097567.....103	1001103637.....71	1001129749.....97
1001081045.....277	1001097568.....103	1001103730.....71	1001129767.....408
1001081046.....277	1001097569.....103	1001103736.....71	1001130307.....403
1001081049.....277	1001097575.....103	1001103930.....408	1001131179.....19
1001081073.....277	1001097582.....72	1001104036.....395	1001131244.....19
1001081280.....257	1001098582.....72	1001105892.....267	1001131246.....19
1001081310.....273, 275	1001098594.....409	1001106013.....409	1001131271.....409
1001081375.....277	1001098769.....27	1001106845.....387	1001131334.....19
1001081376.....277	1001098972.....113	1001107355.....283	1001132437.....19
1001090063.....49	1001098977.....119	1001108206.....403	1001132443.....19
1001090064.....49	1001099113.....49	1001108668.....86	1001132452.....19
1001090134.....381	1001099115.....49	1001109007.....267	1001132514.....45
1001090140.....49	1001099246.....337	1001109053.....409	1001132550.....295
1001091752.....375, 377	1001099351.....61	1001109404.....303, 307	1001132551.....297
1001092280.....71	1001099359.....63	1001109406.....267	1001133072.....49
1001092391.....69	1001099901.....65	1001109417.....257	1001134961.....377
1001092481.....71	1001099902.....65	1001109478.....261	1001137288.....97
1001092482.....71	1001100005.....245, 249	1001109596.....408	1001137512.....69
1001092877.....53	1001100215.....337	1001109598.....408	1001140699.....409
1001092878.....409	1001100216.....337	1001110280.....408	1001141427.....253
1001093140.....71	1001100218.....377	1001110282.....408	1001142790.....89
1001093171.....71	1001100220.....331	1001110413.....409	1001143852.....409
	1001100222.....331	1001111074.....439	1001145026.....377
	1001100223.....331	1001111112.....273	1001148177.....253, 409
	1001100225.....278	1001111190.....53, 86	1001163414.....383
			10139087.....409
			10268515.....117, 119

PART NUMBER INDEX

10268516	117, 119	1319358	141, 177	1319448.....	167, 201	1319538.....	158, 193
1060379	72	1319359	141, 177	1319449.....	167, 201	1319539... ..	158, 161, 193, 197
10701363	397	1319360	141, 177	1319450.....	167, 201	1319540... ..	158, 161, 193, 197
10705034	83	1319361	141, 177	1319451.....	167, 201	1319541.....	158, 193
10717672	321	1319362	141, 177	1319452.....	167, 201	1319542... ..	158, 161, 193, 197
10731702	213	1319363	141, 177	1319453.....	167, 201	1319543.....	157, 193
10731709	235, 237	1319364	141, 177	1319454.....	167, 201	1319545... ..	158, 161, 193, 197
10731744	217	1319365	141, 177	1319455.....	167, 201	1319557.....	215
10731748	213	1319366	141, 177	1319456.....	167, 201	1319558.....	215
10731751	213	1319367	141, 177	1319457.....	167, 201	1319563.....	215
10731789	169, 205	1319369	141, 177	1319458.....	167, 201	1319565.....	215
10731790	155, 191	1319370	141, 177	1319459.....	167, 201	1319566.....	215
10731845	219, 221, 225	1319371	141, 177	1319460.....	167, 201	1319569.....	217
10731913	215	1319372	141, 177	1319461.....	167, 201	1319570.....	217
10731949	161, 197	1319373	141, 177	1319462.....	167, 201	1319571.....	217
10731959	231	1319374	141, 177	1319463.....	167, 201	1319574.....	217
10732063	235, 237	1319375	141, 177	1319464.....	167, 169, 201, 205	1319575.....	217
10732064	235	1319376	141, 177	1319470.....	167, 201, 449	1319576.....	217
10732071	233	1319377	141, 177	1319472.....	167, 169, 201, 205, 449	1319577.....	217
10732072	233	1319378	141, 177	1319475.....	167, 201	1319578... ..	155, 161, 173, 191, 197, 209, 217
10732095	213	1319379	141, 177	1319477.....	167, 169, 201, 205	1319581.....	217, 239
10732150	19	1319380	141, 142, 177	1319483.....	171, 207	1319582.....	217, 239
10839156	231	1319381	141, 177	1319484.....	171, 207	1319583.....	217
1101312	117, 119	1319382	142, 178	1319485.....	171, 207	1319584.....	217
1101313	117, 119	1319383	142, 178	1319488.....	171, 207	1319585.....	217, 239
1170021	45	1319384	142, 178	1319491.....	157, 193	1319586.....	217
1170024	45	1319385	142, 178	1319496.....	157, 194	1319587.....	217
1170027	45	1319386	142, 178	1319497.....	157, 194	1319590.....	217
1170054	49	1319387	142, 178	1319499.....	157, 194	1319591.....	219
1170057	49	1319388	142, 178	1319500.....	157, 194	1319592.....	219
1319203	213	1319389	178	1319501.....	157, 194	1319593... ..	219, 221, 223, 225, 227, 229
1319204	213	1319390	142, 178	1319502.....	157, 194	1319594... ..	219, 221, 223, 225, 227, 229
1319205	213	1319391	142, 178	1319504.....	157, 194	1319595... ..	219, 221, 223, 225, 227, 229
1319206	213	1319392	142, 178	1319505.....	157, 193	1319596... ..	219, 221, 225
1319207	213	1319393	142, 178	1319506.....	153, 157, 171, 189, 193, 207	1319600... ..	219, 221, 223, 225, 227, 229
1319209	213	1319394	142, 178	1319510.....	158, 193	1319601... ..	219, 221, 223, 225, 227, 229
1319210	167, 201, 213	1319395	142, 178	1319511.....	158, 193	1319602... ..	219, 221, 223, 225, 227, 229
1319211	213	1319396	142, 178	1319512.....	158, 193	1319603... ..	219, 221, 223, 225, 227, 229
1319212	213	1319397	142, 178	1319513.....	158, 193	1319604... ..	219, 221, 223, 225, 227, 229
1319213	213	1319398	142, 178	1319514.....	158, 193	1319605... ..	219, 221, 225
1319214	161, 197	1319399	142, 178	1319515.....	158, 193	1319606... ..	219, 221, 225
1319333	141, 177	1319400	142, 178	1319516.....	158, 193	1319607.....	219
1319334	141, 177	1319401	142, 178	1319517.....	158, 193	1319608.....	219, 229
1319335	141, 177	1319402	142, 178	1319518.....	158, 193	1319609.....	219
1319336	141, 177	1319406	142, 178	1319519.....	158, 193	1319610.....	219
1319337	141, 177	1319412	185	1319520.....	158, 193	1319611.....	219
1319338	177	1319423	153, 155, 189, 191	1319521.....	158, 193	1319612... ..	219, 221, 223, 225, 227, 229
1319339	177	1319425	153, 157, 189, 193	1319522.....	158, 193	1319613.....	221
1319340	177	1319427	189	1319523.....	158, 193	1319614.....	221
1319341	141, 177	1319429	153, 189	1319524.....	158, 193	1319615... ..	221, 225, 227
1319342	141, 177	1319431	157, 193	1319525.....	158, 193	1319616.....	223
1319343	141, 177	1319433	153, 189, 448	1319526.....	157, 193	1319617... ..	223, 227, 229
1319344	141, 177	1319434	153, 189, 448	1319527.....	157, 193	1319618... ..	223, 227, 229
1319345	141, 177	1319436	153, 155, 189, 191	1319529.....	157, 193		
1319346	141, 177	1319438	153, 189	1319530.....	157, 193		
1319347	141, 177	1319439	153, 189	1319531.....	157, 193		
1319348	141, 177	1319440	153, 189	1319532.....	157, 193		
1319349	141, 177	1319441	153, 155, 189, 191	1319533.....	158, 193		
1319350	141, 177	1319444	142, 167, 178, 201	1319534.....	158, 193		
1319351	141, 177	1319445	201	1319535.....	158, 193		
1319352	141, 177	1319447	167, 169, 201, 205	1319536.....	158, 193		
1319353... ..	141, 146, 177, 182			1319537... ..	158, 161, 193, 197		
1319354	141, 177						
1319355	141, 177						
1319356	141, 177						
1319357	141, 177						

PART NUMBER INDEX

1319619.....	223	1319705.....	235	1560028.....	17	2220500.....	319, 375, 377
1319620.....	223, 227, 229	1319707.....	235, 237	1600373.....	287, 448	2220501.....	317
1319621.....	223, 227, 229	1319708.....	235	1600429.....	291, 448	2220578.....	311
1319622.....	223, 227, 229	1319710.....	237	1684455.....	345	2220596.....	313, 315, 319, 321
1319623.....	223, 227, 229	1319711.....	237	1684537.....	347	2220602.....	303, 307, 321
1319624.....	223, 227, 229	1319712.....	237	1701509.....	72	2220603.....	307
1319625.....	223, 227, 229	1319713.....	237	1701640.....	409	2220606.....	303, 307
1319626.....	223, 227, 229	1319714.....	237	1702773.....	71	2220609.....	51, 53
1319627.....	223, 227, 229	1319715.....	237	1704277.....	72	2220622.....	319
1319628.....	223, 227, 229	1319717.....	237	1704885.....	71, 408	2220628.....	51, 53, 59
1319629.....	223, 227, 229	1319718.....	239	1706098.....	434	2220630.....	303
1319630.....	223, 227, 229	1319719.....	239	1706170.....	408	2220635.....	308, 322
1319631.....	223, 227, 229	1319720.....	239	1706172.....	408	2220651.....	325
1319632.....	223, 227, 229	1319721.....	239	1706176.....	409	2220655.....	311, 319
1319633.....	223, 231	1319722.....	239	1706203.....	408	2220657.....	303, 307
1319634.....	225	1319723.....	239	1706204.....	408	2220683.....	319
1319635.....	225	1319724.....	239	1706281.....	408	2220695.....	311
1319636.....	225, 227, 229	1319725.....	239	1706282.....	408	2220700.....	319
1319637.....	227	1319726.....	239, 448	1706284.....	408	2220775.....	51
1319638.....	227, 229	1321148.....	153, 189	1706285.....	408	2220806.....	277
1319639.....	229	1321149.....	153, 189	1706288.....	408	2221123.....	303, 307
1319641.....	231	1321150.....	157, 194	1706296.....	408	2230025.....	325
1319643.....	231	1321151.....	157, 194	1706298.....	408	2230035.....	303, 307
1319646.....	231	1321152.....	157, 194	1706299.....	408	2230044.....	325
1319647.....	231	1321153.....	149, 185	1706300.....	434	2230046.....	311
1319648.....	231	1321154.....	149, 185	1706301.....	408	2340037.....	69
1319649.....	231	1321157.....	167, 201	1706306.....	408	2340038.....	69
1319650.....	233	1321158.....	157, 193	1706768.....	409	2340039.....	69
1319652.....	233, 235	1321159.....	158, 193	1706790.....	408	2340045.....	69
1319659.....	233	1321161.....	157	1706791.....	408	2340046.....	69
1319661.....	233, 235	1321162.....	157, 194	1706792.....	408	2600281.....	71
1319662.....	233	1321163.....	157, 194	1706793.....	409	2711992.....	47
1319666.....	191	1321164.....	167, 201	1706794.....	409	2713082.....	325
1319670.....	235, 237	1321166.....	167	1706795.....	409	2713452.....	313, 315, 448
1319671.....	235	1321172.....	163, 199	1706797.....	408	2716143.....	427
1319673.....	235	1321174.....	157, 194	1706850.....	53	2716153.....	423
1319674.....	235	1321176.....	167	1706892.....	71	2716563.....	349, 353
1319675.....	235	1321178.....	199	2000218.....	95	2716564.....	357
1319676.....	235	1321180.....	163	2080040.....	72	2716614.....	355
1319677.....	235	1321181.....	163	2080044.....	71	2716615.....	361
1319678.....	235	1321184.....	149, 185	2110606.....	49, 83, 321	2716621.....	327
1319679.....	235	1321187.....	141	2110808.....	49	2716622.....	327
1319680.....	235	1321188.....	149, 185	2130606.....	83, 303, 307	2716627.....	307
1319681.....	235	1321206.....	163	2130608.....	83	2716673.....	319
1319682.....	235	1321207.....	163	2131210.....	329, 331	2716675.....	311
1319683.....	235	1321208.....	163	2131216.....	107, 111	2716684.....	313, 315
1319684.....	235	1321211.....	142, 178	2170706.....	303, 307	2716695.....	303, 307
1319685.....	235	1321217.....	149	2172106.....	49, 303, 307, 321	2716696.....	319
1319686.....	235	1321219.....	149	2220237.....	375, 377	2716697.....	303
1319687.....	235	1321220.....	149	2220238.....	322	2716699.....	303, 307
1319688.....	235	1321221.....	149	2220239.....	375, 377	2716700.....	303, 307
1319689.....	235	1321223.....	185	2220251.....	277	2716713.....	325
1319690.....	235	1321224.....	149, 185	2220371.....	47, 59, 303, 307, 317, 321	2716714.....	313, 315, 448
1319691.....	235	1321226.....	167, 169, 201, 205	2220372.....	47, 317	2716761.....	303, 322
1319692.....	235	1321231.....	171, 207	2220373.....	315, 319, 321, 325	2716762.....	303, 307
1319693.....	235	1321236.....	189	2220375.....	311	2716763.....	303, 307
1319694.....	235	1321237.....	142, 178	2220381.....	319, 325	2716764.....	317
1319695.....	235	1321242.....	171, 207	2220385.....	313, 319, 321	2716765.....	303
1319696.....	235, 237	1321244.....	163	2220415.....	51, 53	2716766.....	303, 307
1319697.....	235	1321245.....	167, 201	2220435.....	321, 337	2716767.....	313, 315
1319698.....	235	1321246.....	167, 201	2220451.....	311, 327	2716768.....	325
1319699.....	235	1321247.....	171, 207	2220473.....	51, 53, 303, 307, 317, 321	2716769.....	319
1319700.....	235	1321259.....	185	2220474.....	313, 315, 319	2716770.....	303
1319701.....	235	1321260.....	185			2716771.....	321
1319702.....	235, 237	1321262.....	149, 185			2716772.....	319
1319703.....	235, 237	1321797.....	95			2716773.....	319
1319704.....	235						

PART NUMBER INDEX

2716774.....	321	3311405.....	72	4520412.....	245	6608621.....	51
2716775.....	319	3311601.....	27	4520413.....	249	6620472.....	277
2716776.....	319	3311605.....	113	4520429.....	243	6621412.....	403
2716778.....	311	3311805.....	337	4520430.....	243	70002219.....	383
2716779.....	333	3380679.....	253	4520431.....	247	70002224.....	383
2716780.....	321	3400022.....	289	4520432.....	247	70003849.....	383
2716781.....	321	3421453.....	72	4520435.....	247	70010239.....	450
2716783.....	321	3423226.....	27	4520437.....	243	70010241.....	450
2716784.....	311	3423227 17, 27, 347, 365		4520438.....	247	70010243.....	450
2716785.....	311	3423242.....	45, 49	4520466.....	245	70010244.....	450
2716786.....	333	3423275.....	45, 49	4520467.....	249	70010245.....	450
2716807.....	321	3423276.....	45, 49, 53	4520469.....	249	70010281.....	450
2716808.....	321	3423307.....	49	4520648.....	249	70010283.....	450
2717007.....	343	3520072.....	71	4520649.....	249	70010284.....	450
2717008.....	341	3520198.....	71	4520650.....	249	70020210.....	95
2717018.....	311	3575603.....	15, 17	4520651.....	247	70020211.....	95
2717019.....	317	3575604.....	15, 17	4520652.....	247	70020228.....	131, 133
2717020.....	317	3575947.....	95	4520653.....	247	70020369.....	341
2717021.....	317	3576442.....	289	4640438.....	381	70020408.....	157, 194
2717022.....	317	3620059.....	111	4641501.....	83	70020409.....	157, 194
2717033.....	321	3760170.....	72	4641502.....	83	70020413.....	163, 194
2717149.....	329	3820020.....	71	4711400.....	72, 111, 399,	70020425.....	233
2717150.....	329	3841203.....	49	403, 443		70020426.....	233
2717158.....	335	3980039.....	271	4711500.....	98	70020427.....	237
2717159.....	335	4100181.....	408	4711600.....	27, 103	70020428..	385, 423, 425
2717160.....	83	4105171.....	408	4740362.....	113	70020430.....	231
2717161.....	83	4105262.....	408	4751400.....	71	70020431.....	231
2717162.....	83	4105621.....	299	4751600.....	113, 125, 127,	70020483.....	157, 194
2717197.....	363	4107442.....	408	445		70020484.....	157, 194
2717198.....	359	4107462.....	408	4751700.....	113, 125, 445	70020485.....	157, 194
2717200.....	425	4107692.....	51	4751800.....	337	70020486.....	157, 194
2717216.....	351	4107702.....	51	4761500.....	98	70020487.....	157, 194
2717260.....	365	4107712.....	51	4761600.....	103	70020562.....	79
2717262.....	345	4107812.....	63	4791500.....	254	70020628.....	267
2717283.....	83	4107832.....	63	4811900.....	97	70020631.....	278
2717287.....	51, 53	4107901.....	408	4812000.....	403	70020680.....	387
2720549.....	117	4108232.....	47	4812300.....	295, 297, 299	70020799.....	371
2720551.....	101	4108302.....	408	4821433.....	15	70021305.....	254
2720555.....	107, 111	4110176.....	408	4821434.....	15	70021306.....	254
2754736.....	303, 307	4110177.....	408	4821449.....	15, 17	70021342.....	61, 79
2754737.....	303, 307	4110179.....	408	4821450.....	15	70021349.....	59, 61
2755059.....	311	4110183.....	408	4831700.....	404	70021358.....	79
2755060.....	311	4110187.....	408	4831900.....	97, 403	70021359.....	79
2900770.....	345, 381	4110188.....	408	4832000.....	97	70021360.....	79
2915023.....	385, 449	4110226.....	408	4832100.....	97	70021361.....	79
2915034.....	95, 448	4110253.....	430	4846452.....	71	70021362.....	79
2915036.....	95, 448	4110339.....	408	4891600.....	420	70021364.....	79
2915052.....	441	4110342.....	408	4891800.....	49	70021365.....	79
2915054.....	111	4110362.....	408	4892200.....	17	70021366.....	79
2915063.....	400	4110364.....	408	4892600.....	17	70021367.....	79
2915161.....	443	4110422.....	61, 63, 65	4922984.....	399	70021387.....	59, 79
2915170.....	95	4110460.....	434	4922985.....	434	70021391.....	79
2915184.....	400	4110461.....	75	4922987.....	434	70021392.....	79
2940074.....	71	4110473.....	51, 83	4923018.....	399	70021393.....	379
31200160.....	71	4340809.....	95	4923283.....	399	70021399.....	79
31200336.....	71	4340812.....	117	4923285.....	399	70021415.....	61
31200352.....	450	4341004.....	95	4923334.....	443	70021440.....	379
31200353.....	450	4360609.....	399, 449	4923342.....	443	70021444.....	379
31200387.....	71	4360690.....	293, 443, 449	4923363.....	399	70021446.....	379
31200388.....	71	4420037.....	19	4923649.....	415	70021447.....	379
3126022.....	450	4461101.....	443	5724302.....	15, 17	70021448.....	379
3140007.....	253, 409	4461102.....	443	5724622.....	23, 25, 27	70021451.....	379
3251813.....	408	4461103.....	443	5724742.....	19	70021452.....	379
3290601.....	404	4520319.....	249	6040500.....	43	70021464.....	379
3290801.....	403	4520320.....	247	6040600.....	43	70021465.....	379
3300240.....	45, 49	4520405.....	243	6040700.....	43	70021466.....	379
3311401.....	113, 443	4520407.....	247	6604662.....	51, 53	70021495..	153, 189, 449

PART NUMBER INDEX

70021546.....	277	70022197.....	173, 209	70022528.....	59	70023004.....	86
70021553.....	201, 205	70022198.....	161, 197	70022529.....	59	70023005.....	87
70021554... 169, 201, 205		70022199.....	165	70022610.....	153, 189	70023006.....	87
70021555.....	207	70022200.....	151, 187	70022692.....	113	70023007.....	87
70021564.....	353	70022201.....	155, 191	70022693.....	113	70023008.....	86
70021568.....	153, 189	70022202.....	165	70022695.....	113	70023009.....	86
70021569.....	153, 189	70022203.. 169, 205, 449		70022696.....	113	70023010.....	86
70021570.....	153, 189	70022204.....	155, 191	70022716.....	371	70023014.....	86
70021571.....	153, 189	70022205.....	155, 191	70022717.....	371	70023015.....	87
70021617.....	153, 189	70022206.....	155, 191	70022718.....	371	70023016.....	86
70021726.....	153, 189	70022207.....	173, 209	70022719.....	371	70023034.....	277
70021812.....	385, 425	70022208.....	205	70022720.....	371	70023037.....	387
70021847.....	97	70022209.....	161, 197	70022721.....	371	70023038.....	387
70021848.....	97	70022210.....	191	70022722.....	372	70023040.....	271
70021849.....	97, 449	70022211.....	151, 187	70022723.....	372	70023041.....	271
70021850.....	97	70022213.....	146, 182	70022724.....	372	70023139.....	271
70021851.....	103	70022215.....	197	70022774.....	145	70023141.....	343
70021852.....	97, 448	70022216.....	145	70022775.....	145	70023172.....	450
70021854.....	97	70022217.....	155, 191	70022776.....	146	70023173.....	450
70021908.....	381	70022218.....	169, 205	70022777.....	155	70023174.....	450
70021921.....	59, 61	70022219.....	155, 191	70022778.....	161	70023265.....	355
70021935.....	59, 61	70022220.....	146, 182	70022779.....	161	70023482.....	213
70021948.....	267	70022221.....	209	70022780.....	161, 165	70023483.....	213
70021977.....	59, 61	70022223.....	169, 205	70022781.....	169	70023599.....	113
70021978.....	59, 61	70022225.....	151, 187	70022782.....	169	70023890.....	271
70021979.....	59, 61	70022226.....	151, 187	70022783.....	169	70023925.....	87
70021980.....	79	70022227.....	151, 187	70022784.....	173	70023968.....	108, 111
70021981.....	79	70022228.....	151, 187	70022785.....	173	70024020.....	383
70021982.....	79	70022229.....	151, 187	70022789.....	155	70024044.....	387
70022028.....	59, 61	70022230.....	169, 205	70022842.....	97	70024045.....	387
70022038.....	381	70022231.....	181	70022843.....	97	70024046.....	387
70022039.....	381	70022233.....	173, 209	70022844.....	97	70024047.....	387
70022040.....	381	70022234.....	169, 205	70022845.....	97	70024048.....	387
70022041.....	381	70022235.....	161, 197	70022846.....	97	70024049.....	387
70022042.....	381	70022236.....	161, 197	70022866.....	450	70024050.....	387
70022043.....	381	70022237.....	169, 205	70022867.....	450	70024059.....	59
70022044.....	385	70022238.....	169, 205	70022871.....	450	70024060.....	59
70022045.....	385	70022239.....	209	70022872.....	450	70024061.....	59
70022046.....	385, 425	70022240.....	169, 205	70022873.....	450	70024062.....	59
70022052.....	201	70022241.. 155, 191, 448		70022931.....	86	70024063.....	59
70022170.....	205	70022242.....	173, 209	70022932.....	86	70024064.....	59
70022171.....	161, 197	70022243.....	173, 209	70022934.....	86	70024123.....	89
70022172.....	155, 191	70022244.....	182	70022935.....	87	70024262.....	383
70022173.....	155, 191	70022245.....	146, 182	70022936.....	86	70024306.....	69
70022174.....	155, 191	70022246.....	155, 191	70022937.....	87	70024307.....	69
70022175.....	155, 191	70022247.....	155, 191	70022939.....	87	70024535.....	89
70022176.....	161, 197	70022248.....	165	70022942.....	87	70024536.....	89
70022177.....	155, 191	70022249.....	169, 205	70022946.....	87	70024537.....	89
70022178... 155, 191, 449		70022250.....	161, 197	70022949.....	87	70024538.....	89
70022179.....	169, 205	70022251.....	165	70022950.....	87	70024539.....	389
70022180.....	155, 191	70022252.....	165	70022952.....	87	70024540.....	89
70022181.....	155, 191	70022253.....	161, 197	70022957.....	86	70024541.....	89
70022182.....	155, 191	70022254.....	155, 191	70022960.....	86	70024542.....	89
70022183.....	161, 197	70022255.....	155, 191	70022969.....	86	70024543.....	89
70022184.....	155, 191	70022256.....	173, 209	70022970.....	86	70024544.....	89
70022185.....	151, 187	70022257.....	169, 205	70022980.....	87	70024545.....	89
70022186.....	161, 197	70022259.....	155, 191	70022984.....	86	70024546.....	89
70022187.....	169, 205	70022260.....	151	70022985.....	86	70024547.....	389
70022188.....	169, 205	70022261.....	151	70022987.....	86	70024548.....	389
70022189.....	161, 197	70022262.....	151, 187	70022990.....	87	70024549.....	389
70022190.....	161, 197	70022263.....	151	70022992.....	86	70024550.....	89
70022191.....	165	70022264.....	151	70022993.....	86	70024551.....	89
70022192.....	165	70022280.....	181	70022994.....	86	70024552.....	89
70022193.....	161, 197	70022282.....	197	70022995.....	86	70024553.....	89
70022194.....	161, 197	70022284.....	187	70022997.....	89	70024554.....	89
70022195.....	165	70022285.....	187	70022998.....	87	70024555.....	89
70022196.....	161, 197	70022527.....	79	70023003.....	86	70025480.....	273

PART NUMBER INDEX

70025606	383	7029525	95, 449	7111572....	23, 25, 27, 29, 31	7138833	291
70025959	383	7029532	221, 223, 231	7112523	55	7138836	291
70026056	383	7029533	221, 223, 231	7112533	55	7138857	253
70026057	383	7029692	61, 79	7112642	55, 57	7138858	269, 271
70026058	383	7029714	79	7112704	55	7138871	121
70026059	383	7029716	375, 377	7113024	63	7138878	291
70026060	383	7029720	233	7113034	63	7138881	93
70026061	383	7029721	233	7114112	35	7138883	269
70026062	383	7029738	450	7114941	55, 57	7138944	253
7009764	371	7029739	450	7116642	29	7138951	258, 261, 265
70110101	450	7029740	450	7116652	29	7138952	261
7012903	359	7029760	381	7116662	29	7138953	261
7013903	369	7029829	95	7116691	29	7138958	258, 261, 265
7013928	369	7029830	95	7116733	29	7138977	37
7013930	369	7029860	273	7116792	23, 25, 27	7138986	37
7017278	363, 365	7029991	95	7116812	29	7139027	281
7017283	363	7054351	95, 97, 137	7117031	37	7139032	35, 37
7017496	359	7057141 ...	105, 107, 111, 113	7117113	31	7139048	257, 261
7024441	375, 377, 449	7062922	51, 53	7117204	47	7139049	277
7024574	385, 423, 425	7065482	47	7117214	47	7139050	257, 261
7025854	450	7070191	47	7117244	47	7139076	375, 377
7025856	450	7075611	23, 25, 27	7117254	47	7139077 ...	375, 377, 448, 449
7026666	95	7077481	47	7117264	47	7139135	253
7026758 ...	219, 221, 223, 225, 227, 229	7077501	47	7117572	35	7139156	11, 13, 15, 17
7026759 ...	219, 221, 223, 225, 227, 229	7077511	47	7118222	375, 377, 449	7139159	249
7026760 ...	219, 221, 223, 225, 227, 229	7079572 ...	23, 25, 27, 29, 31, 448	7118882	33	7139160	249
7026798	271	7082311 ...	23, 25, 27, 29, 31, 448	7118892	33	7139161	249
7026799	271	7082342 ...	23, 25, 27, 29, 31, 448	7118993	43	7139162	249
7026900	271	7082362 ...	23, 25, 27, 29, 31, 448	7124301	11, 13, 15, 17	7139165	245
7026901	271	7083992	31	7124331	93	7139168	245
7026902	271	7085411	47	7124471	11, 13, 15, 17	7139174	277
7026905	271	7085422	105, 107, 111	7125741	47	7139179	304, 308
7026906	271	7085501	47	7125800	51	7139180	35
7027212	163	7085552	33	7125811	31	7139212	303, 307
7027273	231	7085562	33	7125871	11, 13, 15, 17, 299	7139250	265
7028737	261	7085571	33	7126662	35	7139254	430
7028739	363, 365, 449	7091323	299	7126703	105	7139257	430
7028783	95	7092292	11, 23	7126992	121	7139258	430
7028838	101	7095272	93, 95	7127081	101	7139263	439
7028979	201	7095312	31	7127091	285	7139264	439
7029005	111	7095352	31	7127102	285	7139267	261
7029006	441	7095393	115	7127881	101	7139268	261
7029037	233	7095522	31	7128511	434	7139269	439
7029104	163	7095831	93, 95, 97	7128772	43, 47	7139271	281
7029153	359	7096491	269	7128792	43, 47	7139290	265
7029242	441	7096552	23, 25, 27	7129300	55	7139292	265
7029246	359	7096562	23, 25, 27	7129521	281, 283	7139293	265
7029247	363, 365	7096702	29, 31, 448	7129973	105	7139294	265
7029248	363	7096772	23, 25, 27	7137142	11, 13, 15, 17	7139295	265
7029249	363, 365	7096882 ...	23, 25, 27, 29, 31, 448	7137643	129	7139296	265
7029250	363, 365	7097323	115	7138209	375, 377	7139298	258, 261, 265
7029251	365	7098142	297	7138290	93, 448	7139299	258, 262, 265
7029264	131, 133	7099882	397, 399, 403	7138318	121	7139301	262, 278
7029265	131, 133	7110494	51	7138515	105	7139308	258
7029268	95, 449	7110694	51	7138529	430	7139316	258, 261, 265
7029269	95	7110702	51, 53	7138634	137	7139406	19
7029270	95, 448	7110712	51, 53	7138658	245	7139416	35, 37
7029271	241	7110722	51, 53	7138659	245	7139444	258, 261, 265
7029367	291	7110744	41	7138660	245	7139446	105
7029417	239	7111402	325	7138661	245	7139447	105
7029520	67			7138740	375, 377, 449	7139455	19
7029521	67			7138815	121	7139504	313, 315
7029522	67			7138816	121	7139505	313, 315
7029523	67			7138819	253	7139509	241
				7138830	397	7139553	115
						7139587	93

PART NUMBER INDEX

7139591.....	93	7300672.....	313, 315	77383377 ..	399, 403, 443	80304151.....	145, 181
7139595.....	93	7300673.....	313, 315	77384830.....	123, 125	80304152.....	145, 181
7139605.....	243	7300674.....	325	8024016.....	93, 448	80304153.....	145, 181
7139606.....	243	7300675.....	325	8024021.....	295	80304154.....	145, 181
7139608.....	59	7300704.....	243	8024022.....	297	80304155.....	145, 181
7139613.....	11, 13, 15, 17	7300719.....	408	8024023.....	299	80304156.....	145, 181
7139690.....	35	7300748.....	23	8024024.....	281	80304157.....	145, 181
7139692.....	37	7300762.....	11, 13	8024029.....	105	80304158.....	145, 181
7139714.....	19	7300765.....	11, 13	8024031.....	105	80304159.....	145, 181
7139739.....	247	7300777.....	11, 13	8025655.....	423, 425	80304160.....	145, 181
7139740.....	247	7300908.....	430	80263012.....	71	80304161.....	145, 181
7139741.....	243	7300972.....	117	80264074.....	267	80304162.....	145, 181
7139743.....	202, 243	7300983.....	47	80264082.....	257	80304163.....	145, 181
7139746.....	69	7301006.....	115	80304047.....	145	80304164.....	145, 181
7139747.....	69	7301040.....	59	80304082.....	146, 182	80304165.....	145, 181
7139763.....	105	7301054.....	245, 249	80304088.....	145, 181	80304166.....	145, 181
7139778.....	105	7301055.....	243, 247	80304089.....	145, 181	80304167.....	145, 181
7139788.....	333, 335, 337	7301056.....	245, 249	80304090.....	145, 181	80304168.....	145, 181
7139863.....	33	7301142.....	243, 247	80304091.....	145, 181	80304169.....	145, 181
7139864.....	33	7301180.....	75	80304092.....	145, 181	80304173... 169, 205, 448	
7139918.....	83	7301252.....	377, 449	80304093.....	145, 181	80304405... 167, 201, 215	
7139993.....	321	7301295.....	83	80304094.....	145, 181	80304462..... 161, 197	
7147400.....	437	7301408.....	69, 83	80304095.....	145, 181	80304480..... 450	
7148100.....	278	7301448.....	434	80304096.....	145, 181	80304484..... 450	
7148700.....	415	7301498.....	125	80304097.....	146, 181	80304492..... 450	
7150579.....	241	7301500.....	97	80304099.....	146, 181	80304497..... 450	
7150580.....	241	7301505.....	123	80304100.....	146, 181	80304498..... 450	
7150608.....	19	7301506.....	123	80304101.....	146, 181	8032398..... 115	
7150610.....	375	7301522.....	434	80304102.....	146, 181	8032693..... 371	
7150642.....	121	7301523.....	434	80304104.....	145, 181	8032989..... 371	
7150655.....	375	7301524.....	434	80304107.....	146, 181	8032990..... 371	
7150661.....	19	7301525.....	434	80304108.....	146, 181	8032991..... 371	
7150668.....	437	7301568.....	83	80304110.....	145, 181	8032992..... 371, 372	
7150673.....	413	7301569.....	83	80304111.....	145, 181	8032993..... 371	
7150679.....	415, 419	7301579.....	83	80304112.....	145, 181	8032994..... 357, 359, 371	
7150680.....	416, 420	7301585.....	289	80304113.....	145, 181	8032995..... 371	
7150681.....	416, 420	7301648.....	107, 111	80304114.....	182	8033002..... 241	
7150685.....	415, 419	7301649.....	107, 111	80304115.....	145, 182	8033065..... 273	
7150687.....	413, 415, 416, 419, 420	7301651.....	107, 111	80304117.....	145, 182	8033075..... 273	
7150688.....	413	7301653.....	107, 111	80304118.....	145, 182	8033178..... 285, 287	
7150689.....	415, 419	7301718.....	75	80304119.....	145, 182	8033340..... 93	
7150690.....	416, 420	7301818.....	393	80304120.....	145, 182	8033651..... 241	
7150695.....	437	7301829.....	434	80304121.....	146, 182	8033786..... 385, 423, 425	
7150696.....	437	7301833.....	107, 111	80304122.....	146, 182	8033856..... 267, 278	
7150697.....	437	7301835.....	399	80304123.....	146, 182	8034037..... 357, 371	
7150699.....	415, 419	7301836.....	399	80304124.....	145, 182	8034562..... 371	
7150702.....	415, 419	7301845.....	247	80304125.....	146, 182	8034815..... 273	
7150703.....	415, 419	7301859.....	399	80304126.....	146, 182	8035098..... 115	
7150704.....	419	7301862.....	375, 377	80304127.....	146, 182	8035099..... 115	
7150705.....	413	7301863.....	375	80304128.....	146, 182	8035276..... 397	
7150706.....	437	7301864.....	399	80304129.....	146, 182	8035281..... 357, 359	
7150707.....	413	7301893.....	403, 434	80304130.....	146, 182	8035282..... 357, 359	
7150708.....	293	7302024.....	25	80304131.....	146, 182	8035321.... 343, 345, 347, 355	
7150714.....	397	7302028.....	241	80304132.....	146, 182	8035322.... 349, 353, 357	
7150716.....	415, 419	7302039.....	13, 15, 25	80304133.....	146, 182	8035323.... 349, 353, 357	
7150717.....	415, 419	7302052.....	25, 27	80304134.....	146, 182	8035324.... 349, 353, 357	
7150730.....	413, 415, 419	7302073.....	253	80304135.....	146, 182	8035326.... 349, 353, 357, 449	
7150741.....	419	7302074.....	253	80304136.....	146, 182	8035327.... 343, 345, 347, 349, 353, 355	
7150742.....	415	7302076.....	253	80304137.....	146, 182	8035346..... 369	
7150745.....	397	7302077.....	253	80304143.....	181	8035347..... 369	
7150746.....	397	7302085.....	101	80304144.....	145, 181	8035348..... 369	
7300214.....	315	7302189.....	409	80304145.....	145, 181	8035381..... 369	
7300344.....	399, 403	7302304.....	123	80304146.....	145, 181	8035392..... 273	
7300656.....	23	7302331.....	287	80304147.....	145, 181	8035393..... 273	
7300670.....	311	7310012.....	399	80304148.....	145, 181		
7300671.....	311	7310020.....	434	80304149.....	145, 181		
		77143006.....	404	80304150.....	145, 181		

PART NUMBER INDEX

8035402.....	277	8035876.....	141	8036050.....	257, 261	8036196.....	257, 261
8035406.....	277	8035877.....	141	8036056.....	273	8036197.....	257, 261
8035409.....	273	8035927.....	153, 189	8036057.....	257, 439	8036198.....	258, 262
8035411.....	273	8035929.....	153, 189	8036058.....	257, 439	8036199.....	258, 262
8035416 ...	257, 261, 267, 273, 277	8035930.....	189	8036059.....	257, 261	8036204.....	97
8035417.....	277	8035931.....	153, 189	8036060.....	257, 261	8036209.....	415, 419
8035431.....	277	8035932.....	153, 189	8036061.....	257, 261	8036210.....	415, 419
8035437.....	257, 261	8035933.....	153, 189	8036062.....	267	8036212.....	415, 419
8035439.....	267	8035936.....	157, 194	8036064.....	267	8036213.....	415, 419
8035441.....	267	8035939.....	157, 194	8036065.....	267	8036214.....	415, 419
8035475.....	257	8035945.....	157, 193	8036066.....	257, 261	8036215.....	415, 419
8035477.....	257	8035946.....	157, 193	8036067.....	262	8036216 ...	413, 415, 416, 419, 420
8035478.....	257	8035947.....	157, 193	8036068.....	262	8036217 ...	413, 415, 416, 419, 420
8035479 ...	257, 261, 273, 277	8035948.....	158, 193	8036069.....	261	8036218 ...	413, 415, 416, 419, 420
8035486.....	257	8035951.....	157, 193	8036070.....	273	8036219.....	416, 420
8035487.....	257, 261	8035952.....	163	8036071.....	257, 262	8036220.....	416, 420
8035490 ...	258, 262, 265	8035958.....	163	8036072.....	273	8036221.....	416, 420
8035492.....	275	8035973.....	167, 201	8036073.....	257, 261	8036222.....	416, 420
8035493.....	275	8035981 ...	153, 189, 449	8036076.....	267	8036229.....	341
8035496.....	275	8035982.....	141, 177	8036077.....	267	8036250.....	239
8035498.....	275	8035983.....	142, 178	8036078.....	267	8036263.....	369
8035499.....	275	8035984.....	185	8036079.....	267	8036271.....	367
8035500.....	275	8035985.....	149, 185	8036080.....	267	8036281.....	369
8035523.....	262, 265	8035986.....	189	8036085.....	267	8036282.....	369
8035536 ...	341, 355, 385, 423, 425	8035987.....	189	8036088.....	267	8036283.....	369
8035555.....	129	8035989.....	189	8036090.....	267	8036284.....	369
8035556.....	129	8035990.....	189	8036091.....	267	8036288.....	357
8035557.....	129	8035992.....	167, 201	8036092.....	267	8036289.....	357
8035558.....	129	8035993.....	167, 201	8036093.....	267	8036290.....	357
8035559.....	129	8035994.....	167, 201	8036094.....	267	8036303.....	157
8035599.....	277	8035995.....	167, 201	8036095.....	267	8036304.....	157, 194
8035631.....	267	8035996.....	167, 201	8036096.....	267	8036305.....	157, 194
8035632.....	267	8035997.....	167, 201	8036097.....	267	8036307.....	157, 194
8035637.....	257	8035998.....	153, 189	8036098.....	267	8036308.....	157, 194
8035639.....	257, 261	8036009.....	269	8036099.....	273	8036312.....	153
8035668.....	277	8036010.....	269	8036100.....	273	8036313.....	153
8035720.....	355, 449	8036011.....	269	8036102.....	275	8036314.....	153, 157
8035744.....	367	8036013.....	269	8036103.....	275	8036315.....	153
8035745.....	367	8036014.....	269	8036106.....	257	8036316.....	163
8035757.....	349, 353	8036015.....	269	8036107.....	257	8036317.....	163
8035758.....	349, 353	8036017.....	269	8036108.....	257	8036318.....	163
8035774.....	371	8036019.....	357	8036110.....	277	8036319.....	163
8035775.....	371	8036020.....	357	8036112.....	277	8036320.....	163
8035779.....	241	8036021.....	213	8036114.....	277	8036321.....	163
8035781.....	357, 359	8036022.....	213	8036118.....	277	8036322.....	163
8035783.....	357	8036023.....	215	8036119.....	277	8036329 ...	167, 201, 448
8035805.....	397	8036024.....	217	8036120.....	277	8036330 ...	167, 169, 201, 205
8035807.....	293, 450	8036025.....	217	8036121.....	277	8036331 ...	171, 189, 193, 207
8035830.....	423, 449	8036026.....	217	8036122.....	277	8036336.....	153
8035831.....	427, 449	8036027.....	217	8036124.....	277	8036338.....	167, 201
8035834.....	369	8036028.....	217	8036128.....	277	8036356.....	371
8035835.....	369	8036029 ...	221, 223, 225, 227, 229	8036129.....	278	8036385.....	304, 308
8035843.....	369	8036030.....	231	8036131.....	361, 449	8036388.....	277
8035844.....	369	8036031.....	231	8036132 ...	343, 345, 347, 449	8036389.....	355
8035848.....	369	8036032.....	231	8036144.....	355	8036390.....	355
8035849.....	369	8036033.....	233	8036149.....	355	8036391.....	355
8035861.....	423, 425	8036035.....	233	8036174.....	369	8036392.....	355
8035862 ...	385, 423, 425	8036036.....	235	8036175.....	369	8036393.....	343, 355
8035863 ...	385, 423, 425	8036037.....	235	8036177.....	369	8036394 ...	343, 345, 347
8035864.....	425	8036038.....	235	8036178.....	369	8036396 ...	343, 345, 347
8035865.....	427	8036039.....	235	8036179.....	369	8036397 ...	343, 345, 347
8035866.....	427	8036040.....	235	8036180.....	369	8036398 ...	343, 345, 347
8035867.....	427	8036041.....	239	8036187.....	371		
8035868.....	427	8036042.....	239	8036190.....	221, 223, 231		
		8036048.....	257	8036192.....	357, 359		
		8036049.....	275	8036195.....	357		

PART NUMBER INDEX

8036399.....	361	8037080.....	361	8225122.....	434	8303621.....	23, 25, 27, 29
8036400.....	361	8037204.....	265	8229233 ...	393, 395, 413, 415, 419, 439	8303622.....	325, 413, 415, 419
80364001.....	267	8037206.....	257	8229234.....	393, 395	8303624.....	35, 37
80364009.....	267	80373094.....	117, 119	8229235 ...	393, 395, 419	8303625... ..	13, 15, 25, 437
8036401.....	361	80384187.....	267	8229236.....	415	8303626 55, 57, 253, 321, 437	
8036402.....	341	80384192.....	267	8229237.....	393, 395	8303634.....	35, 43, 47, 51, 53, 83
80364020.....	277	80384193.....	267	8229238 ...	393, 395, 413, 415, 420	8303638.....	33
8036403.....	341	80384207.....	273	8229259.....	434	8303655.....	23, 27
80364044.....	257	8040267.....	139	8229260.....	403, 434	8303656.....	19, 107
8036406.....	341	8040274.....	175	8262166.....	93	8303658.....	83, 281, 283
8036410.....	277	8050001 ...	11, 13, 15, 17	8270134.....	397	8303666.....	31
8036418.....	155, 191	8065062.....	51, 53, 423	8270144.....	399, 434	8303670....	107, 115, 413, 415
8036421.....	277	8065634.....	47	8270147 ...	399, 403, 434	8303674.....	269
8036424.....	141	8065640 ...	11, 13, 15, 17, 23, 25, 27	8270148 ...	399, 403, 434	8303675.....	31, 105, 121, 123, 321
8036426.....	149	8065641 ...	11, 13, 15, 17	8270220.....	93	8303679.....	31, 93
8036427.....	149	8080613.....	93, 448	8270221.....	93, 449	8303681....	23, 25, 27, 29, 31
8036428.....	367	80904003.....	450	8270423.....	434	8303697 ..	23, 25, 27, 105, 299
8036429.....	367	80974028.....	93, 95	8270424.....	434	8303702.....	95
8036430.....	153	8124138.....	35, 37	8270425.....	434	8303704.....	107, 111
8036431.....	153	8127022.....	35	8270426.....	434	8303712.....	25
8036432.....	241	8127024.....	37	8270427.....	434	8303715 51, 53, 101, 103, 315	
8036433.....	241	8160078.....	299	8270620 ...	397, 399, 403, 449	8303724.....	95, 137
8036434.....	167, 201	8160080.....	285, 448	8270621 ...	399, 403, 449	8303729.....	19
8036435.....	167, 201	8160406.....	299	8272017.....	93, 448	8303739.....	47, 115, 313
8036436.....	171, 207	8160418.....	299	8272027.....	95, 448	8303743.....	105
8036444.....	193	8160419.....	295, 297	8273027.....	115	8303745....	289, 403, 416, 420
8036445.....	157, 193	816049.....	285	8273241 ...	115, 117, 119	8303746.....	311
8036447 ...	157, 161, 193, 197	8180215.....	107, 111	8273303.....	115	8303752....	11, 13, 15, 17, 313, 315
8036451.....	427	8180216.....	107, 111	8274022.....	101	8303755 95, 97, 281, 283, 303, 307	
8036489 ...	343, 345, 347	8180311 ...	105, 107, 111	8275045.....	123	8303757....	278, 311, 322, 327, 333
8036498.....	341	8180324.....	107, 111	8275240.....	121	8303758.....	299
8036499.....	341	8180325.....	107, 111	8275247 ...	121, 123, 445	8303770.....	93, 97, 285
8036502.....	341, 449	8180326.....	107, 111	8275248.....	121	8303772.....	31
8036517.....	369	8180335.....	107, 111	8277098.....	430	8303777.....	399, 403
8036533.....	369	8205655 ...	343, 355, 385, 427	8277101.....	430	8303782....	11, 17, 23, 27, 347, 365
8036546.....	105	8205656.....	341	8278007.....	95, 97, 137	8303784..	93, 95, 97, 107, 111
8036580.....	359	8220073.....	397, 399	8278008.....	105	8303790.....	93, 97, 285
8036581.....	359	8220366.....	399	8278012.....	95, 97	8303798.....	107, 111
8036582.....	359	8223025.....	281, 283	8278020 ...	107, 111, 113	8303799.....	285
8036590.....	341	8223037.....	293	8278031.....	105	8303835.....	415, 419
8036606.....	194	8223038.....	439	8278032.....	93	8303837.....	285
8036733.....	83	8223043.....	273, 275	8301443 ...	295, 297, 299	8303982.....	253
8036745.....	115	8223044.....	273	8301456.....	55	8305002....	285, 393, 395
8036747.....	359, 449	8223046.....	293	8302470	19, 295, 297, 299	8305004....	19, 111, 281, 283, 299, 397
8036750.....	345, 427	8223049.....	291, 448	8303034.....	253	8305006....	19, 311, 313, 315
8036751.....	177	8223054.....	293	8303041.....	23, 25, 27	8305008....	105, 430, 434
8036758.....	155, 191	8223057.....	415, 419	8303106.....	107, 111	8305012.....	55, 57
8036759.....	155, 191	8223059 ...	413, 415, 419	8303107 ...	107, 111, 333, 335, 337	8305014.....	19
8036783.....	425, 449	8223060.....	415, 419	8303264 ...	303, 307, 317, 333	8305021.....	17
8036811.....	359, 365	8223073.....	419	8303519.....	121, 137	8305038.....	399, 403
8036812.....	107, 111	8223081.....	293	8303528.....	93	8305043.....	397
8036816.....	107, 111	8223082.....	293, 434	8303533.....	399		
8036825.....	359	8223083.....	439	8303534.....	291		
8036826.....	359	8223217.....	397, 449	8303540 ...	281, 283, 285, 287, 297		
8036827.....	359	8223226.....	375, 377	8303545.....	403, 434		
8036828.....	359	8223232.....	397, 399	8303606.....	107, 111		
8036847.....	197	8223242.....	397, 449	8303615.....	19, 119		
8036848.....	163	8223244.....	399, 449	8303618.....	115, 117		
8036849.....	163	8223453.....	293	8303620 ...	23, 25, 27, 29, 105, 399		
8036852.....	163	8223532 ...	397, 399, 449				
8036854.....	163	8224045.....	295, 449				
8036855.....	163	8224047.....	297, 449				
8036856.....	163	8225119 ...	393, 395, 415, 419, 443				
8036859.....	163						
8036861.....	163						
8036862.....	163						

PART NUMBER INDEX

8305047	434	8307112 ...	55, 57, 63, 93, 253, 397	8310362.....	253	8430081	303, 307
8305201	397	8307113	23, 25, 27	8310382.....	253	8440162	367
8305402	285, 287	8307201	253	8310393.....	321	8466306	253
8305438	397	8307202	19, 105, 119	8310420.....	321	8500066	439
8305619	33	8307203	19, 47, 115, 117, 119, 315, 325, 372	8310425.....	137	8500203	415, 419
8305624	83, 105, 107, 395, 399, 403	8307204	23, 25, 27, 29, 31, 105, 397, 399, 413, 415, 419	8310431.....	23, 25, 27	8520001 ...	11, 13, 15, 17, 25, 27, 35
8305626 ...	11, 13, 15, 17, 47, 115, 117, 119, 269, 271, 375, 377, 413, 415, 416, 419, 420	8307205	269	8310435.....	83	8520003.27, 37, 347, 365	
8305630	93	8307206	29, 281, 283, 437	8310453.....	115	8520013 ...	11, 23, 31, 47, 341
8305643 ...	23, 27, 31, 35, 43, 47, 51, 53, 83	8307209	403, 434	8310479.....	137	8520021	11, 31
8305644 ...	11, 17, 23, 27, 29, 31, 35, 55, 57, 63, 93, 95, 97, 253, 281, 283, 347, 365, 437	8307220	121, 399, 437	8310481 ...	11, 13, 15, 137	8520034	355
8305645 ...	23, 25, 27, 29, 35, 37, 47, 93, 105, 107, 111, 331, 397, 399, 403, 413, 415, 419	8307221 ...	107, 111, 399, 403	8310493.....	253	8522012 ...	11, 13, 15, 17, 23, 25, 27, 31, 35, 37, 347, 365
8305646	35, 37	8307222	93, 107, 111	8310497.....	23, 25, 27	8526007	97
8305647	23, 25, 27	8307904	31, 51, 53	8310523.....	321, 403	8526035	439
8305650	285	8307910	23, 25, 27	8310524.....	321	8526406	35
8305652	434	8307911	23, 25, 27	8310525.....	372	8530030 ...	321, 333, 335, 337
8305906 ..	23, 25, 27, 299	8307918	31, 51, 53	8310529.....	258, 262	8540205	278
8305916	291	8310001	297	8310628.....	287	8540218	278
8307002	19, 105, 119, 281, 283, 285, 287, 397, 399	8310009 ...	311, 313, 315, 322, 325	8310650.....	399	8540231	278
8307003 ...	285, 393, 395	8310016	253	8310658.....	19	8541435	375
8307004	19, 101, 103, 105, 107, 278, 299, 304, 307, 311, 313, 315, 317, 322, 325, 327, 333, 403	8310019	35, 37	8310668.....	119	8551001	115, 117
8307005 ...	23, 25, 27, 29, 31, 105, 121, 123, 125, 127, 291, 321, 333, 335, 337, 372, 399, 430, 445	8310020	35	8310687.....	434	8580110 ...	295, 297, 299
8307006	137, 269	8310041	397	8310705.....	95	8580311	430
8307007 ...	35, 37, 55, 57, 321	8310051	15, 17	8310725.....	289	8580315	51, 53
8307009	19	8310056	13, 15, 25	8310747.....	93	8580420	19, 105, 119
8307011	253	8310058	25	83191013.....	119	8582007	393, 395
8307012	15, 17	8310061	137	8320262.....	93	8584001 .	47, 51, 53, 273, 397, 399, 413, 415, 419, 430, 434
8307022	397	8310066 ...	11, 13, 15, 17	8320265.....	375, 449	8584018 ...	413, 415, 419
8307023	93, 281, 283, 303, 307, 397, 399, 403	8310067	95, 97, 137	8320270.....	101	8630003	83, 303, 307, 321
8307024	111, 285	8310077	397	8340034.....	285	8630019	137
830702593, 95, 115, 117, 285, 437		8310078	397	8342808.....	19, 267, 450	8640017	371
8307026	399	8310081	325	8360005.....	277	8640028	47, 51, 83
8307027	393, 395	8310085 ...	253, 415, 419	83671037.....	367	8640029	47, 51, 83
8307049	137	8310093	31	83673130.....	441	8640032	47, 51, 83
8307104	33, 35, 37	8310109 ...	123, 125, 413, 420, 445	83673133.....	441	8640123 ...	321, 333, 335, 337
8307106 .	23, 25, 27, 105, 107, 269, 271, 289, 311, 313, 393, 395, 403	8310129	19	83683175...	125, 127, 445	8640208	321
8307109 ...	105, 107, 281, 283, 285, 287, 297	8310143	295	8380008.....	59	8640903	375
8307110	399, 403, 434	8310144	295	8382017.....	63	8642001	47
8307111 ...	393, 395, 415, 419	8310160	51, 53	8405007.....	277	8642207	51, 53
		8310161	51, 53	8405009.....	101	8642224 ...	23, 25, 27, 31
		8310163	375, 377	8405104 ...	105, 107, 111, 113	8642235	47
		8310164	437	8405202 ...	111, 125, 127, 278, 445	8642237	35, 37
		8310195	63	8405203.....	105	8700116	285, 287
		8310200 ...	107, 111, 331	8405209.....	113, 321	8721029	319
		8310209	29	8405305 ...	115, 117, 119	8750003	313, 315
		8310215	137	8405404.....	115	8750011	325
		8310235	29	8405505 ...	115, 117, 119	8750012	321, 325
		8310245	29	8406101 ...	105, 107, 111	8750015 ...	101, 103, 304, 308, 333
		8310246	107, 111	8406105.....	95, 97	8750016	313
		8310266	33	840630293, 95, 103, 105, 107, 337, 403, 434		8750017 ...	101, 304, 308, 311, 313, 317, 322, 325, 327, 333
		8310276	33	8410009.....	277	8750024 ...	278, 327, 329, 335
		8310290	93	8410013.....	101, 103	8750025 ...	278, 311, 322, 327, 333
		8310300	430	8410021.....	117, 119	8750026 ...	311, 327, 329, 331, 333, 335
		8310302	83	8420053 ...	47, 49, 51, 53, 83, 89, 325		
		8310326	371	8420055 ...	47, 49, 51, 53, 83, 89, 325		
		8310327	371	8420229.....	101		
		8310337	321	8430032 ...	303, 307, 321		
		8310344	397	8430033.....	321		
		8310354	95	8430034.....	375, 377		
		8310356	137	8430046.....	321		
				8430048.....	277		
				8430064.....	375		

PART NUMBER INDEX

8750027 315, 317, 322, 325	8780031 ... 243, 245, 247, 249	8880218-OM 241	91081640..... 404
8750040.... 311, 322, 329, 331, 333, 335	8780036 ... 243, 245, 247, 249	8880219-OM 241	91163129..... 113
8760045..... 313	8780045 ... 243, 245, 247, 249	8902111 371	91344032..... 267
8760117 313	8780048 ... 243, 245, 247, 249	8902175 303, 307	91344043... 257, 267, 277
8760140 319	8780050 ... 243, 245, 247, 249	8902187 369	91364023..... 117, 119
8760237 303, 319	8780264 ... 243, 245, 247, 249	8902196 371	91401281..... 404
8760268 317, 321	8786514 ... 243, 245, 247, 249	8902197 371	91403193..... 137
8760273 333, 335, 337	8786572 137	8902200 371	91403413.. 47, 49, 51, 53, 59, 83, 87, 89, 325
8760312 303	8786573 137	8902274 303	91403414.. 47, 49, 51, 53, 59, 83, 87, 89, 325
8760328 327	88261017 297	8902696 372	91404298..... 261, 277
8760419 369	8841036 211	8902697 372	91404299..... 409
8760463 315	88411094 413, 420	8902698 372	91404301..... 261
8760465 313, 315, 325	8841318 131	8902857 317	91404315..... 267
8760468 311	8841319 133	8902858 317	91404317..... 267
8760477 313, 315	88501005 420	8990147 253	91404318..... 267
8760552 375, 377	8864057 269	8990465 450	91404319..... 267
8765204 313, 325	8864058 269	8990466 450	91404319..... 267
8769122 313, 315, 325	8866341 105, 107, 111	90022230 381	91474023..... 372
8769123 101, 103, 303, 307, 313, 315, 333	8866348 253	90200003 . 43, 45, 47, 49, 51, 53, 83	91474024..... 372
8769128 311, 313, 315, 317, 322, 325	8866351 253	90206196 19	91474434..... 387
8769132 51, 53	8866442 77	90451058 43, 47, 83	91474442..... 387
8769139 311	8866444 77	90551013 43, 47, 51	91474443..... 387
8769149 313, 315	8866445 77	90554016 59, 61, 79	91474446..... 387
8769161 313, 315, 325	8866446 77	90554017 79	91474447..... 387
8770016 51, 53	8866464 77	90554018 59, 79	91474450..... 387
8770078 107, 111	8866529 253	90554020 59, 61	91474454..... 387
8770109 303, 307	8866530 253	90554042 59, 61	91474455..... 387
8770120 303, 307	8866560 77	90554045 379	91474456..... 387
8770157 311	8866561 77	90554054 59, 61	91474458..... 387
8770173 319	88671001 47, 49	90554062 61, 79	91474459..... 387
8770175 303, 307		90554065 79	91511145..... 283
8770183 303, 307		90554076 61, 79	91513180..... 283
8770189 303, 307		90554080 67	91563070..... 113
		91043125 59, 87	91563164..... 271
		91043126 59, 87	91565094..... 67
		91044080 381	



8990467



An Oshkosh Corporation Company

Corporate Office
JLG Industries, Inc.
1 JLG Drive
McConnellsburg, PA 17233-9533
USA

+1-717-485-5161 (Corporate)
+1-877-554-5438 (Customer Support Toll Free)
+1-717-485-6417

JLG Worldwide Locations

JLG Industries
358 Park Road
Regents Park
NSW 2143
Sydney 2143
Australia
+6 (12) 87186300
+6 (12) 65813058
Email: techservicesaus@jlg.com

JLG Ground Support Oude
Bunders 1034
Breitwaterstraat 12A
3630 Maasmechelen
Belgium
+32 (0)89 84 82 26
Email: emeaservice@jlg.com

JLG Latino Americana LTDA
Rua Antonia Martins Luiz, 580
Distrito Industrial Joao Narezzi
Indaibatuba-SP 13347-404
Brasil
+55 (19) 3936 7664 (Parts)
+55 (19) 3936 9049 (Service)
Email: comercialpecas@jlg.com
Email: servicos@jlg.com

Oshkosh-JLG (Tianjin)
Equipment Technology LTD
Shanghai Branch
No 465 Xiao Nan Road
Feng Xian District
Shanghai 201204
China
+86 (21) 800 819 0050

JLG Industries Dubai
Jafza View
PO Box 262728, LB 19
20th Floor, Office 05
Jebel Ali, Dubai
+971 (0) 4 884 1131
+971 (0) 4 884 7683
Email: emeaservice@jlg.com

JLG France SAS
Z.I. Guillaume Mon Amy
30204 Fauillet
47400 Tonniens
France
+33 (0) 553 84 85 86
+33 (0) 553 84 85 74
Email: pieces@jlg.com

JLG Deutschland GmbH
Max Planck Str. 21
27721 Ritterhude-Ihlpohl
Germany
+49 (0) 421 69350-0
+49 (0) 421 69350-45
Email: german-parts@jlg.com

JLG Equipment Services Ltd.
Rm 1107 Landmark North
39 Lung Sum Avenue
Sheung Shui N. T.
Hong Kong
+(852) 2639 5783
+(852) 2639 5797

JLG Industries (Italia) S. R. L.
Via Po, 22
IT-20010 Pregnana Milanese (MI)
Italy
+39 (0) 2 9359 5210
+39 (0) 2 9359 5211
Email: ricambi@jlg.com

JLG EMEA B.V.
Polaris Avenue 63
2132 JH Hoofddorp
The Netherlands
+31 (0) 23 565 5665
Email: emeaservice@jlg.com

JLG NZ Access Equipment & Services
2B Fisher Crescent
Mt Wellington 1060
Auckland, New Zealand
+6 (12) 87186300
+6 (12) 65813058
Email: techservicesaus@jlg.com

JLG Industries
Vahutinskoe shosse 24b
Khimki,
Moscow Region 141400
Russia Federation
+7 (499) 922 06 99
+7 (499) 922 06 99

Oshkosh-JLG Singapore
Technology Equipment P te Ltd.
35 Tuas Avenue 2
Jurong Industrial Estate
Singapore 639454
+65 6591 9030
+65 6591 9045
Email: SEA@jlg.com

JLG Iberica S. L.
Trapadella, 2
Pol. Ind. Castellbisbal Sur
08755 Castellbisbal
Barcelona
Spain
+34 (0) 93 772 47 00
+34 (0) 93 77 117 62
Email: parts_iberica@jlg.com

JLG Sverige AB
Enkopingsvagen 150
17627 Jarfalla
Sweden
+46 (0) 8 506 595 00
+46 (0) 8 506 595 27
Email: nordicsupport@jlg.com

JLG Industries (UK) Ltd.
Bentley House
Bentley Avenue
Middleton, Greater Manchester
M24 2GP
United Kingdom
+44 (0) 161 654 1000
+44 (0) 161 654 1003
Email: ukparts@jlg.com

www.jlg.com