

621D/XT/XR

Articulated Wheel Loader



ENGINE

Model Case 6BT-590
 Type..... 4-stroke, turbocharged
 Cylinders 6
 Bore/Stroke 4.02" x 4.72"
 (102 X 120 mm)
 Displacement 359 in³ (5.9 L)
 Fuel injection..... Direct
 Fuel..... #2 Diesel
 Fuel filter..... Replaceable, full flow
 spin-on cartridge
 Air filter Dry type element
 w/warning restriction indicator
 Radiator
 Core type In-line 9 fins/in
 Rows of tubes..... 5
 Fan
 Style..... 8 blade puller
 Diameter..... 28" (711 mm)
 Water pump
 Style Integral
 Engine oil
 Pump..... Deep sump plate cooler
 with pressurized
 under-piston nozzles
 Pump operating angle ratings
 Side-to-side Rated 45°
 Fore and aft..... Rated 45°
 Oil filtration..... Replaceable,
 full flow spin-on cartridge
 Engine speeds (rpm)
 Rated speed, full load 2200
 Low idle 920-980
 High idle, no load 2305-2385
 Horsepower
 Gross..... 142 (106 kW) @ 1800 rpm
 Net 134 (100 kW) @ 1800 rpm
 Peak torque @ 1400 rpm
 Gross..... 452 lb-ft (613 N-m)
 Net 441 lb-ft (598 N-m)
 Torque rise @ 2000 rpm 25%

NOTE: Gross horsepower and torque per SAE J1995. Net horsepower and torque per SAE J1349.

DRIVETRAIN

Transmission 4F/3R Proportional
 w/Electronic Control Module
 torque sensing autoshift/manual
 shift and modulation
 Gears Helical cut
 Gear ratios Forward Reverse
 1st..... 4.012 3.804
 2nd 2.024 1.919
 3rd 1.088 1.031
 4th 0.619 NA
 Torque converter
 Stall ratio..... 2.66:1
 Differential..... Limited slip
 w/45% transfer on front
 and rear axles
 Rear axle oscillation 24° total
 Front and rear axle
 Differential ratio 3.18
 Planetary ratio..... 6.40
 Final axle ratio 20.36
 Planetaries..... Outboard
 Service brakes Hydraulically
 actuated, maintenance-free,
 multiple wet disc w/accumulator
 to all four wheels
 Brake surface area.... 355 in² per hub
 (0.229 m²)
 Parking brakes Spring-applied
 hydraulic release disc on
 transmission output shaft
 Travel speeds – mph (km/h)
 w/20.5x25 L3 Tires
 Forward Reverse
 1st 4.3 (6.9) 4.5 (7.3)
 2nd 8.3 (13.4) 8.8 (14.1)
 3rd 14.7 (23.7) ... 15.4 (24.8)
 4th..... 23.6 (38.0)..... NA

NOTE: Travel speeds at full engine throttle.

ELECTRICAL

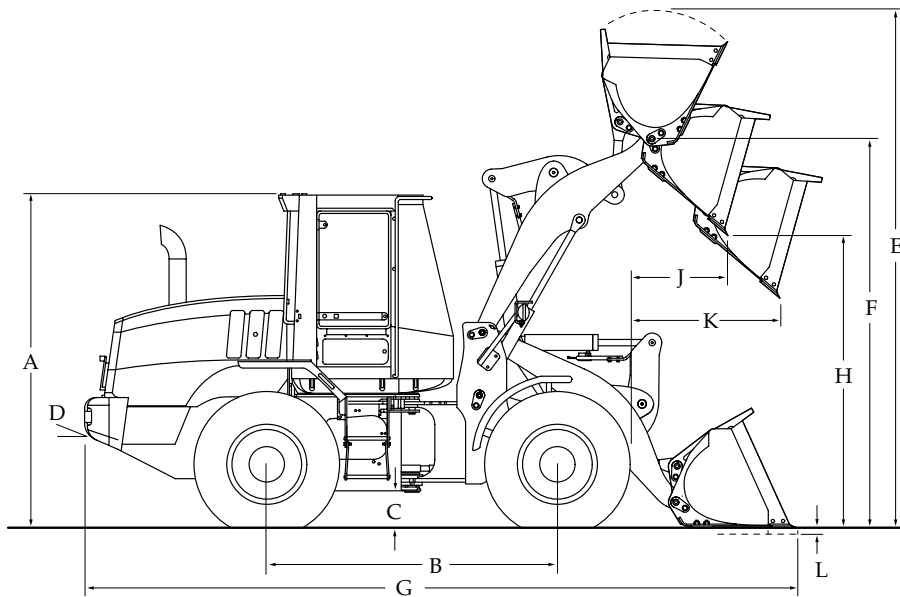
Voltage..... 24 Volts, negative ground
 Alternator 45 amp
 Batteries (2) 12 Volt

HYDRAULICS

Pump (steering/implement)
 Closed centered pressure/
 flow compensated
 Variable displacement 4.33 in³/rev
 45.2 gpm @ 2000 rpm @ 3600 psi
 (171 L/min @ 2000 rpm
 @ 24 822 kPa)
 Loader control valve... Closed-center,
 sectional 2, 3 or 4-spool with
 pilot control for lift, tilt
 and auxiliary hydraulics,
 electromagnetic detents in
 float, raise and rollback
 Loader auxiliary
 Steering Hydraulic orbital
 center-pivot articulating
 w/on-demand oil flow
 High pressure standby..... 3625 psi
 (25 000 kPa)
 Filtration 10-micron,
 full flow replaceable cartridges
 on return line, condition indicator
 light for filter

CYLINDERS

Lift cylinder
 Bore diameter 4.50" (114.3 mm)
 Rod diameter 2.50" (63.5 mm)
 Stroke 31.00" (787.6 mm)
 Dump cylinder (Z-Bar & XR)
 Bore diameter..... 5.00" (127.0 mm)
 Rod diameter 3.00" (76.2 mm)
 Stroke 24.40" (619.7 mm)
 Dump cylinders (XT)
 Bore diameter..... 4.13" (104.8 mm)
 Rod diameter 2.25" (57.2 mm)
 Stroke 37.57" (954.4 mm)



DIMENSIONS

| | |
|-----------------------------------|------------------|
| Height to – | |
| A. Top of ROPS cab..... | 128.3" (3259 mm) |
| Drawbar..... | 39.0" (992 mm) |
| B. Wheelbase | 114.2" (2900 mm) |
| C. Ground clearance..... | 18.7" (474 mm) |
| D. Angle of departure..... | 28° |
| Width – | |
| Overall* w/o bucket..... | 95.4" (2423 mm) |
| Centerline tread..... | 72.8" (1850 mm) |
| Turning radius* – outside..... | 204.5" (5194 mm) |
| Turning angle – | |
| From center | 40° |
| Total angle | 80° |
| Rear axle oscillation, total..... | 24° |

NOTE: *Dimensions taken with 20.5x25 L2/L3/XHA TL tires. Additional dimensions on pages 3 & 4.

WEIGHT ADJUSTMENTS

| Select Options | Weight Adjustment | Tipping Load Adjustment Straight | Tipping Load Adjustment 40° Turn |
|-------------------------------|--------------------------|----------------------------------|----------------------------------|
| ROPS canopy..... | -295 lb (-134 kg)..... | -272 lb (-123 kg)..... | -234 lb (-106 kg) |
| 17.5x25 12 ply L2 tires..... | -1,156 lb (-524 kg)..... | -566 lb (-257 kg)..... | -318 lb (-144 kg) |
| 17.5x25 12 ply L3 tires..... | -948 lb (-430 kg)..... | -374 lb (-170 kg)..... | -189 lb (-86 kg) |
| 17.5R25 XTLA TL tires | -1,016 lb (-461 kg)..... | -442 lb (-201 kg)..... | -246 lb (-112 kg) |
| 17.5R25 XHA TL tires..... | -792 lb (-359 kg)..... | -221 lb (-100 kg)..... | -49 lb (-22 kg) |
| 20.5x25 12 ply L2 tires..... | -100 lb (-45 kg) | +20 lb (+9 kg)..... | +115 lb (+52 kg) |
| 20.5x25 12 ply L3 tires | +228 lb (+104 kg) | +608 lb (+276 kg) | +754 lb (+342 kg) |
| 20.5x25 16 ply L2 tires..... | -44 lb (-20 kg) | +204 lb (+93 kg) | +361 lb (+164 kg) |
| 20.5R25 XHA TL tires..... | +380 lb (+172 kg) | +421 lb (+191 kg) | +446 lb (+203 kg) |

NOTE: **Unit equipped with Z-Bar loader arms, 2.5 yd³ (1.96 m³) general purpose pin on bucket w/bolt-on edge, 20.5R25 XTLA Michelin tires, ROPS cab with heater and A/C, standard counterweight, standard batteries, front and rear fenders, full fuel and 175 lb (79 kg) operator. Adjust select options from rated weight.

PERFORMANCE DATA

| | 3.0 yd ³ GP (2.29 m ³) Bucket w/Bolt-on Edge | 2.75 yd ³ GP (2.10 m ³) Bucket w/Bolt-on Edge | 2.75 yd ³ GP (2.10 m ³) Bucket w/Teeth & Segments |
|---|--|---|---|
| 621D Z-Bar | | | |
| SAE bucket capacity – struck..... | 2.56 yd ³ (1.96 m ³) | 2.32 yd ³ (1.77 m ³) | 2.32 yd ³ (1.77 m ³) |
| Heaped | 3.00 yd ³ (2.29 m ³) | 2.75 yd ³ (2.10 m ³) | 2.75 yd ³ (2.10 m ³) |
| Bucket width – outside | 102.4" (2602 mm) | 102.4" (2602 mm) | 102.4" (2602 mm) |
| Bucket weight | 1,949 lb (884 kg) | 1,856 lb (842 kg) | 1,923 lb (872 kg) |
| E. Operating height – fully raised w/spillguard | 198.0" (5030 mm) | 195" (4953 mm) | 195" (4953 mm) |
| F. Hinge pin height – fully raised..... | 150.7" (3828 mm) | 150.7" (3828 mm) | 150.7" (3828 mm) |
| G. Overall length – bucket level on ground..... | 277.2" (7042 mm) | 274.6" (6974 mm) | 280.4" (7121 mm) |
| Dump angle – fully raised | 50° | 50° | 50° |
| H. Dump height – fully raised, 45° dump..... | 110.2" (2799 mm) | 112" (2844 mm) | 108.2" (2748 mm) |
| J. Bucket reach – fully raised, 45° dump..... | 39.9" (1013 mm) | 38.1" (969 mm) | 42.2" (1071 mm) |
| K. Bucket reach – 7'0" (2.13 m) height, 45° dump | 59.6" (1514 mm) | 58.7" (1492 mm) | 60.8" (1544 mm) |
| Operating load – SAE..... | 8,816 lb (3999 kg) | 8,916 lb (4044 kg) | 8,873 lb (4025 kg) |
| Maximum material density – SAE | 2,939 lb/yd ³ (1743 kg/m ³) | 3,242 lb/yd ³ (1924 kg/m ³) | 3,227 lb/yd ³ (1914 kg/m ³) |
| Tipping load – SAE | | | |
| Straight..... | 21,026 lb (9537 kg) | 21,239 lb (9634 kg) | 21,152 lb (9594 kg) |
| 40° turn | 17,631 lb (7997 kg) | 17,833 lb (8089 kg) | 17,746 lb (8049 kg) |
| Lift capacity – | | | |
| Full height | 14,636 lb (6639 kg) | 14,731 lb (6682 kg) | 14,663 lb (6651 kg) |
| Maximum reach..... | 20,880 lb (9471 kg) | 20,980 lb (9516 kg) | 20,911 lb (9485 kg) |
| Ground..... | 22,917 lb (10 395 kg) | 23,989 lb (10 881 kg) | 23,939 lb (10 858 kg) |
| Breakout force w/tilt cylinder | 23,444 lb (10 634 kg) | 24,868 lb (11 280 kg) | 24,803 lb (11 251 kg) |
| Maximum rollback – | | | |
| Ground..... | 41° | 40° | 41° |
| Carry position..... | 44° | 48° | 48° |
| @ Maximum reach..... | 53° | 53° | 53° |
| @ Full height | 55° | 55° | 55° |
| Dig depth..... | 3.5" (88 mm) | 3.2" (82 mm) | 3.6" (91 mm) |
| L. Maximum grading angle w/bucket – back dragging | 61° | 60° | 62° |
| Loader clearance circle | 454.7" (11 549 mm) | 456.4" (11 592 mm) | 459.6" (11 675 mm) |

| | 2.5 yd ³ GP (1.96 m ³) Bucket w/Edge** |
|--|--|
| 621D XT | |
| E. Operating height – fully raised w/spillguard | 204.4" (5190 mm) |
| F. Hinge pin height – fully raised..... | 156.9" (3986 mm) |
| G. Overall length – bucket level on ground..... | 283.5" (7202 mm) |
| Dump angle – fully raised | 50° |
| H. Dump height – fully raised, 45° dump..... | 115.9" (2943 mm) |
| J. Bucket reach – fully raised, 45° dump..... | 45.3" (1150 mm) |
| K. Bucket reach – 7'0" (2.13 m) height, 45° dump | 66.7" (1695 mm) |
| Operating load – SAE..... | 7,374 lb (3345 kg) |
| Maximum material density – SAE | 2,950 lb/yd ³ (1750 kg/m ³) |
| Tipping load – SAE | |
| Straight..... | 17,873 lb (8107 kg) |
| 40° turn | 14,748 lb (6690 kg) |
| Lift capacity – | |
| Full height | 12,817 lb (5814 kg) |
| Maximum reach..... | 18,418 lb (8354 kg) |
| Ground..... | 26,941 lb (12 220 kg) |
| Breakout force – dump cylinder | 26,055 lb (11 818 kg) |
| Loader clearance circle | 461.4" (11 719 mm) |

| | 3.0 yd ³ GP (2.29 m ³) Bucket w/Bolt-on Edge | 2.75 yd ³ GP (2.10 m ³) Bucket w/Bolt-on Edge | 2.75 yd ³ GP (2.10 m ³) Bucket w/Teeth & Segments |
|--|--|---|---|
| 621D XR | | | |
| E. Operating height – fully raised w/spillguard | 214.7" (5454 mm) | 211.7" (5773 mm) | 211.7" (5773 mm) |
| F. Hinge pin height – fully raised..... | 167.4" (4252 mm) | 167.4" (4252 mm) | 167.4" (4252 mm) |
| G. Overall length – bucket level on ground..... | 293.3" (7451 mm) | 290.7" (7384 mm) | 296.4" (7530 mm) |
| Dump angle – fully raised | 44° | 44° | 44° |
| H. Dump height – fully raised, 45° dump..... | 127.3" (3232 mm) | 129.1" (3279 mm) | 125.2" (3180 mm) |
| J. Bucket reach – fully raised, 45° dump..... | 40.0" (1017 mm) | 38.3" (972 mm) | 42.3" (1074 mm) |
| K. Bucket reach – 7'0" (2.13 m) height, 45° dump | 73.8" (1874 mm) | 72.8" (1850 mm) | 75.1" (1908 mm) |
| Operating load – SAE..... | 7,438 lb (3374 kg) | 7,522 lb (3412 kg) | 7,480 lb (3393 kg) |
| Maximum material density – SAE..... | 2,479 lb/yd ³ (1125 kg/m ³) | 2,735 lb/yd ³ (1241 kg/m ³) | 2,720 lb/yd ³ (1234 kg/m ³) |
| Tipping load – SAE | | | |
| Straight..... | 17,825 lb (8085 kg) | 18,001 lb (8165 kg) | 17,916 lb (8127 kg) |
| 40° turn | 14,876 lb (6748 kg) | 15,044 lb (6824 kg) | 14,959 lb (6786 kg) |
| Lift capacity – | | | |
| Full height | 13,954 lb (6329 kg) | 14,047 lb (6372 kg) | 13,979 lb (6341 kg) |
| Maximum reach..... | 18,268 lb (8286 kg) | 18,374 lb (8334 kg) | 18,304 lb (8303 kg) |
| Ground..... | 22,590 lb (10 247 kg) | 22,803 lb (10 343 kg) | 22,730 lb (10 310 kg) |
| Breakout force w/tilt cylinder | 24,080 lb (10 923 kg) | 25,556 lb (11 592 kg) | 25,468 lb (11 552 kg) |
| Loader clearance circle | 469.7" (11 931 mm) | 468.0" (11 887 mm) | 471.8 (11 983 mm) |

| 2.5 yd³ GP (1.96 m³) Bucket w/Bolt-on Edge | 2.5 yd³ GP (1.96 m³) Bucket w/Teeth & Segments |
|---|---|
| 2.17 yd ³ (1.66 m ³) | 2.17 yd ³ (1.66 m ³) |
| 2.56 yd ³ (1.96 m ³) | 2.56 yd ³ (1.96 m ³) |
| 102.4" (2602 mm) | 102.4" (2602 mm) |
| 1,792 lb (813 kg) | 1,859 lb (843 kg) |
| 193.9" (4925 mm) | 193.9" (4925 mm) |
| 150.7" (3829 mm) | 150.7" (3829 mm) |
| 271.6" (6899 mm) | 277.4" (7046 mm) |
| 50° | 50° |
| 113.9" (2894 mm) | 107.5" (2731 mm) |
| 36.2" (919 mm) | 36.5" (928 mm) |
| 57.7" (1467 mm) | 54.8" (1392 mm) |
| 9,035 lb (4098 kg) | 8,992 lb (4079 kg) |
| 3,529 lb/yd ³ (2094 kg/m ³) | 3,513 lb/yd ³ (2084 kg/m ³) |
| 21,503 lb (9754 kg) | 21,417 lb (9715 kg) |
| 18,070 lb (8196 kg) | 17,984 lb (8157 kg) |
| 14,799 lb (6713 kg) | 14,731 lb (6682 kg) |
| 21,054 lb (9550 kg) | 20,986 lb (9519 kg) |
| 25,395 lb (11 519 kg) | 25,352 lb (11 500 kg) |
| 26,621 lb (12 075 kg) | 26,557 lb (12 046 kg) |
| 40° | 41° |
| 44° | 44° |
| 53° | 53° |
| 55° | 55° |
| 3.0" (76 mm) | 3.3" (84 mm) |
| 60° | 61° |
| 451.4" (11 466 mm) | 454.7" (11 551 mm) |

| 2.5 yd³ GP (1.96 m³) Bucket w/Bolt-on Edge | 2.5 yd³ GP (1.96 m³) Bucket w/Teeth & Segments |
|---|---|
| 210.6" (5350 mm) | 210.6" (5350 mm) |
| 167.4" (4252 mm) | 167.4" (4252 mm) |
| 287.8" (7309 mm) | 293.5" (7455 mm) |
| 44° | 44° |
| 131.0" (3327 mm) | 127.2" (3232 mm) |
| 36.3" (921 mm) | 40.3" (1024 mm) |
| 71.7" (1822 mm) | 74.1" (1881 mm) |
| 7,616 lb (3455 kg) | 7,574 lb (3436 kg) |
| 2,975 lb/yd ³ (1349 kg/m ³) | 2,959 lb/yd ³ (1342 kg/m ³) |
| 218,209 lb (8260 kg) | 18,125 lb (8222 kg) |
| 15,233 lb (6909 kg) | 15,149 lb (6871 kg) |
| 14,711 lb (6401 kg) | 14,045 lb (6371 kg) |
| 18,460 lb (8373 kg) | 18,390 lb (8342 kg) |
| 23,018 lb (10 441 kg) | 22,945 lb (10 407 kg) |
| 267,374 lb (12 417 kg) | 27,285 lb (12 376 kg) |
| 466.1 (11 838 mm) | 469.8" (11 933 mm) |

NOTE: *XT lift arm with buckets for JRB 416 coupler. **XT lift arm with buckets for ACS Pro Series 2000[®] size 30 HD coupler. Performance data unit equipped with 17.5R25 16 ply XTLA tires, ROPS cab w/heater and A/C, standard counterweight, standard batteries, front and rear fenders, full fuel and 175 lb (79 kg) operator. Specifications per SAE J732, J1234, J695, J742 and J818.

INSTRUMENTATION

Electronic Information Center
Displays/Gauges –
Speedometer
Tachometer
Direction selected F/N/R
Transmission modes –
Auto shift/Manual shift
Gear selected
Gear position
Turn signal indicator
Engine coolant temperature
Engine oil pressure
Fuel level
Transmission oil temperature
Hydraulic oil temperature
Voltmeter
Hourmeter
Indicator lights –
Beacon*
Work lights
Loader control lockout
Low coolant
Brake pressure
Master indicator
Secondary steering*
Parking brake
Air conditioning*
Hydraulic oil filter
Transmission filter
Air filter
Audible alarms –
Caution alarm
Critical alarm
Backup alarm
Horn

NOTE: *If equipped with option.

OPERATOR ENVIRONMENT

ROPS canopy
Key start
Articulated power steering
w/tilt column
Fully adjustable, vinyl
suspension seat
Foot throttle
(1) Lever loader control w/wrist rest
Cup holder
Coat hook
(2) Interior rearview mirrors
2" (51 mm) retractable seat belt
Storage tray behind seat
Lunch box retainer strap
Dual brake pedals
F/N/R shuttle switch

LOADER

Z-bar loader linkage
Single control for lift and tilt
Positive hold float
Automatic return-to-dig
Automatic height control
Automatic return-to-travel
Automatic self-leveling on XT
Brake pedal transmission disconnect
Bucket position indicator on bucket
(Z bar only)

CYCLE TIME

Raise w/rated bucket load..... 5.4 sec
Dump w/rated bucket load
Z-Bar & XR..... 1.5 sec
XT 1.7 sec
Lower (empty)
Power down 5.0 sec
Float down 4.4 sec

SERVICE CAPACITIES

Fuel tank..... 50.0 gal (189 L)
Hydraulic system
Total 30.0 gal (113.6 L)
Reservoir 15.0 gal (56.8 L)
Transmission
Service w/filter 2.0 gal (7.8 L)
Front and rear axle
Total axle (each) 22.0 qt (20.9 L)
Engine oil w/filter 16.0 qt (15.1 L)
Cooling system (-40)... 5.1 gal (19.2 L)

OPERATING WEIGHTS

Z-Bar

Unit equipped with ROPS
cab with heater and A/C,
standard counterweight,
20.5R25 XTLA Michelin tires,
front and rear fenders,
2.5 yd³ (1.96 m³) general purpose
loader bucket w/edge,
full fuel, 175 lb (79 kg)
operator 25,888 lb (11 743 kg)

XT

Unit equipped with ROPS
cab with heater and A/C,
standard counterweight,
17.5R25 16 ply XTLA Michelin tires,
front and rear fenders,
2.5 yd³ (1.96 m³) ACS loader
bucket w/edge and coupler,
full fuel, 175 lb (79 kg)
operator 27,602 lb (12 520 kg)

XR

Unit equipped with ROPS
cab with heater and A/C,
standard counterweight,
20.5R25 XTLA Michelin tires,
front and rear fenders,
2.5 yd³ (1.96 m³) general purpose
loader bucket w/edge,
full fuel, 175 lb (79 kg)
operator 26,661 lb (12 093 kg)

STANDARD EQUIPMENT

OPERATOR'S ENVIRONMENT

See page 5

ENGINE

Case 6BT-590 diesel

Turbocharger

Automatic fan belt tensioner

Integral engine oil cooling

Fuel filter w/water trap

Dual element air cleaner

65 amp alternator

(2) 700 CCA 12-volt batteries

Liquid-cooled radiator

Non spark-arresting muffler

LOADER

See page 5

DRIVETRAIN

4-wheel drive

4F/3R Selectable autoshift/manual shift transmission

Electronic Control Module –

Programmable, computer controlled proportional shifting with programmable gear selection

Onboard diagnostics

Single lever electronic shift control

F/N/R switch in loader control handle

Downshift button

Torque converter

Outboard planetary axles

Limited-slip differentials

Transmission oil cooler

Brake pedal transmission disconnect

Hydraulic wet disc brakes

Spring-applied hydraulic release parking brake

Limp-Home Mode

Lubed-for-life drive shaft

HYDRAULICS

2-spool loader control valve

Flow-amplified, wide-angle steering

(8) Diagnostic quick couplers

OTHER

Front and rear fenders

Lights –

(2) Front driving headlights

(high/low beam)

(2) Front flood

(2) Stop/tail lights and backup light

(2) Rear flood

Front and rear turn signal/flash

Standard counterweight

Drawbar hitch

Articulation locking bar

Lift arm locking bar

Lift and tie-down points – front/rear

Backup alarm

Remote drain points

OPTIONAL EQUIPMENT

OPERATOR'S COMPARTMENT

Cab with –

Pressurized, air filtering

Anti-glare window strip and visor

Defroster

Cloth-covered mechanical suspension seat

Side windows, partial/fully opening

Dome light

Wipers, rear and intermittent front

Windshield washers, front and rear

Rubber floor mat

Cloth-covered air-suspension seat

3" (76 mm) retractable seat belt

Sound Shield noise suppression package

Cab heater

Cab air-conditioning w/heater

Radio or radio/cassette

Radio-ready (12 or 24-volt)

Auxiliary power (12-volt)

Lighter (24-volt)

Rotating beacon

External rearview mirrors

RH steps and platform

Conventional (open-center) axles

ENGINE

Cold weather ether starting aids

Engine block heater

LOADER

XT Tool-Carrier Loader Arms

Hydraulic attachment coupler

Attachment auxiliary hydraulics

Loader controls –

3-spool, 2-lever

Buckets (see page 3 & 4)

Loader coupler systems

HYDRAULICS

Auxiliary hydraulics

Ride Control

Secondary steering

3 or 4-spool loader valves with

2 or 3-lever loader control

Hydraulic reversing fan

TIRES

17.5R25 XTLA (dirt)

17.5x25 - 12 PR L2 (dirt)

17.5x25 - 12 PR L3 (rock)

17.5R25 XHA (rock)

17.5R25 VUT (dirt)

17.5R25 VMT (rock)

20.5R25 XTLA (dirt)

20.5x25 VMT (rock)

20.5x25 - 12 PR L2 bias (dirt/traction)

20.5x25 16 PR L2 (dirt)

20.5x25 - 12 PR L3 bias (rock)

20.5R25 XTLA radial (dirt/traction)

20.5R25 XHA radial (rock)

OTHER

Special paint

Full coverage fenders

CASE CONSTRUCTION EQUIPMENT CONTACT INFORMATION

NORTH AMERICA/MEXICO:

700 STATE STREET

RACINE, WISCONSIN 53404

LATIN AMERICA:

AV. GENERAL DAVID SARNOFF 2237

32210 – 900 CONTAGEM – MG

BELO HORIZONTE BRAZIL

EUROPE/AFRICA/MIDDLE EAST:

18, PLACE DES NYMPHEAS

ZI PARIS NORD 11 95915

ROISSY CDG CEDEX FRANCE

ASIA PACIFIC:

31-67 KURRAJONG ROAD

ST. MARY'S

NEW SOUTH WALES 2760 AUSTRALIA

IMPORTANT: Case Corporation reserves the right to change these specifications without notice and without incurring any obligation relating to such change.

Visit Case Construction on the Web at:
<http://www.casece.com>

Printed in U.S.A.

© 2001 CASE CORPORATION. All Rights Reserved.
Case and 4 IN 1 are registered trademarks of Case Corporation. ACS and Pro Series 2000 are registered trademarks of ACS Industries, Inc.

NOTE: All specifications are stated in accordance with SAE Standards or Recommended Practices, where applicable.

Form No. CE 294-10-01

Replaces Form No. CE 294-08-01

CASE