



Illustrated Parts Manual

Models

1532E3

1932E3

2033E3

2046E3

2646E3

2658E3

P/N - 3120879

January 11, 2016



An Oshkosh Corporation Company

REVISION LOG

February 26, 1999 - Issue Of Manual (Manual edited to 0010552 Revision 7)
August 15, 1999 - Revised Manual (Manual edited to 0010552 Revision 18)
August 17, 2000 - Revised Manual (Manual edited to 0010552 Revision 30)
February 1, 2001 - Revised Manual (Manual edited to 0010552 Revision 36)
October 2, 2001 - Revised Manual (Manual edited to 0010552 Revision 43)
July 9, 2002 - Revised Manual (Manual edited to 0010552 Revision 52)
January 6, 2003 - Revised Manual (Manual edited to 0010552 Revision 58)
April 29, 2003 - Revised Manual (Manual edited to 0010552 Revision 60)
October 12, 2004 - Revised Manual (Manual edited to 0010552 Revision 62)
August 25, 2008 - Revised Manual
November 8, 2011 - Revised Manual
September 26, 2013 - Revised Manual
January 11, 2016 - Revised Manual

TABLE OF CONTENTS

SECTION 1 - FRAME.....	7
FIGURE 1-1. DRIVE AND STEERING INSTALLATION.....	8
FIGURE 1-2. AXLE/BRAKE INSTALLATIONS.....	12
FIGURE 1-3. DRIVE MOTOR ASSEMBLY - 1532E3/1932E3.....	14
FIGURE 1-4. DRIVE MOTOR ASSEMBLY - 2033E3/2046E3/2646E3/2658E3.....	16
FIGURE 1-5. JLG POTHOLE PROTECTION SYSTEM INSTALLATION - 1532E3/1932E3.....	18
FIGURE 1-6. JLG POTHOLE PROTECTION SYSTEM INSTALLATION - 2033E3/2046E3/2646E3/2658E3.....	22
FIGURE 1-7. FRAME MOUNTED COMPONENTS INSTALLATIONS.....	26
FIGURE 1-8. BATTERY CHARGER ASSEMBLY.....	32
SECTION 2 - GROUND COMPONENTS.....	35
FIGURE 2-1. HYDRAULIC COMPONENTS AND COVER INSTALLATION -1532E3/ 1932E3.....	36
FIGURE 2-2. HYDRAULIC COMPONENTS AND COVERS INSTALLATION - 2033E3 /2046E3/2646E3/2658E3.....	40
FIGURE 2-3. VALVE ASSEMBLY.....	44
FIGURE 2-4. ELECTRICAL COMPONENTS INSTALLATIONS (AT GROUND CONTROLS).....	48
FIGURE 2-5. BATTERY INSTALLATIONS.....	52
SECTION 3 - SCISSOR ARMS.....	55
FIGURE 3-1. SCISSOR ARMS INSTALLATION - 1532E3.....	56
FIGURE 3-2. SCISSOR ARMS INSTALLATION - 1932E3.....	60
FIGURE 3-3. SCISSOR ARMS INSTALLATION - 2033E3.....	64
FIGURE 3-4. SCISSOR ARMS INSTALLATION - 2046E3.....	68
FIGURE 3-5. SCISSOR ARMS INSTALLATION - 2646E3/2658E3.....	72
FIGURE 3-6. PLATFORM DESCENT DELAY SYSTEM INSTALLATION - 1532E3/1932E3/2033E3/2046E3/2646E3.....	76
FIGURE 3-7. ARM GUARDS INSTALLATION - 2658E3.....	78
SECTION 4 - PLATFORM.....	81
FIGURE 4-1. PLATFORM INSTALLATION - MANUALLY OPERATED EXTENSION.....	82
FIGURE 4-2. HANDRAILS AND EXTENSION INSTALLATION - STANDARD HANDRAILS (MANUALLY OPERATED) (1532E3/1932E3).....	88
FIGURE 4-3. HANDRAILS AND EXTENSION INSTALLATION - STANDARD HANDRAILS (MANUALLY OPERATED) (2033E3/2046E3).....	92
FIGURE 4-4. PLATFORM ACCESS INSTALLATION - STANDARD HANDRAILS (MANUALLY OPERATED) (1532E3/1932E3/2033E3/2046E3).....	96
FIGURE 4-5. HANDRAILS AND EXTENSION INSTALLATION - FOLDDOWN HANDRAILS (MANUALLY OPERATED) (1532E3/1932E3).....	98
FIGURE 4-6. HANDRAILS AND EXTENSION INSTALLATION - FOLDDOWN HANDRAILS (MANUALLY OPERATED) (2033E3/2046E3/2646E3/2658E3).....	102
FIGURE 4-7. PLATFORM ACCESS INSTALLATION - FOLDDOWN HANDRAILS (MANUALLY OPERATED).....	108
FIGURE 4-8. PLATFORM CONSOLE BOX ASSEMBLY.....	114
FIGURE 4-9. CONTROLLER ASSEMBLY - PQ.....	118
SECTION 5 - CYLINDER.....	121
FIGURE 5-1. BRAKE CYLINDER ASSEMBLY.....	122
FIGURE 5-2. LIFT CYLINDER COMPONENTS ASSEMBLY 1532E3/1932E3.....	124
FIGURE 5-3. LIFT CYLINDER COMPONENTS ASSEMBLY 2033E3/2046E3.....	126
FIGURE 5-4. LIFT CYLINDER COMPONENTS ASSEMBLY 2646E3/2658E3.....	128

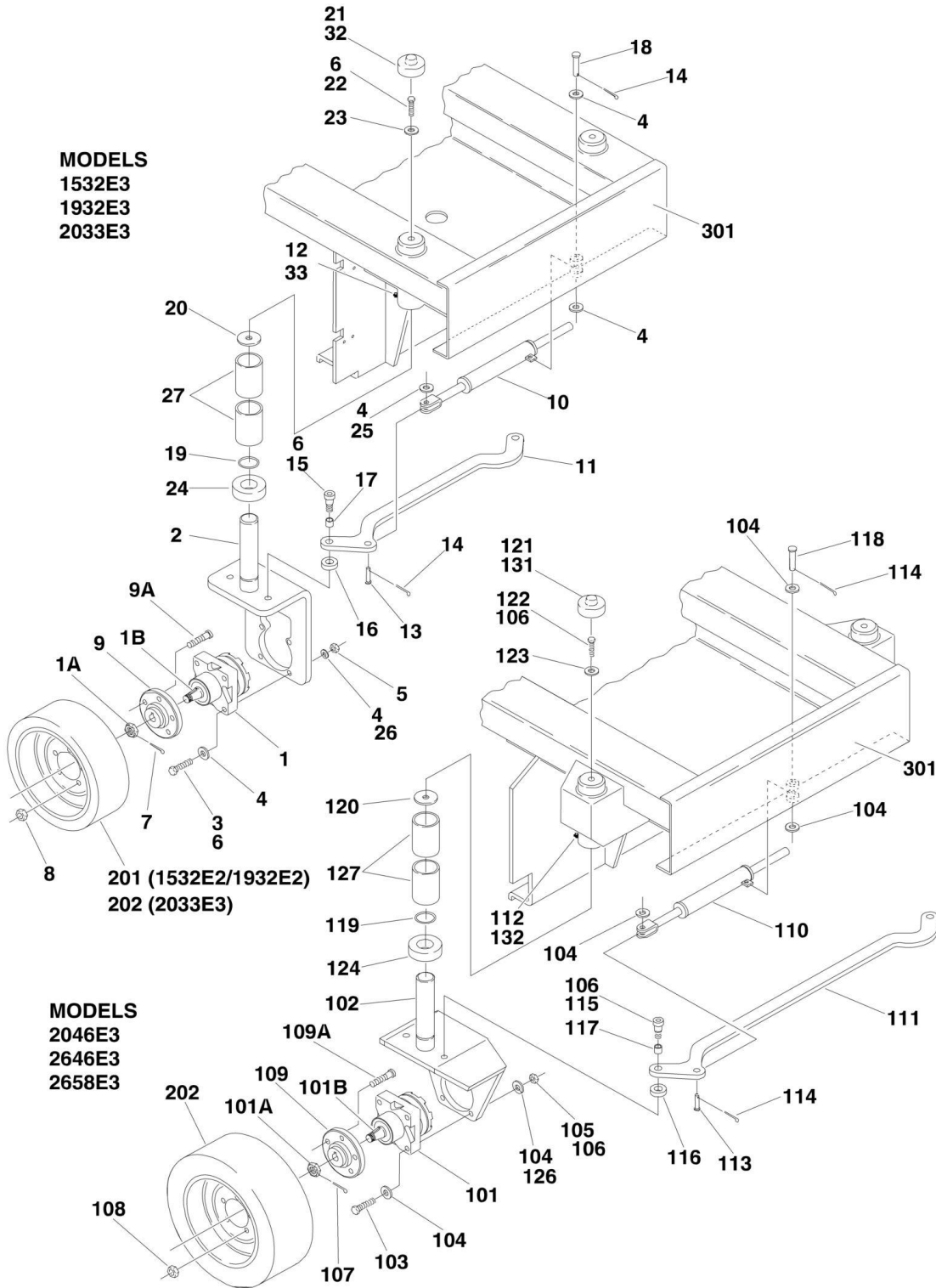
TABLE OF CONTENTS

FIGURE 5-5. STEER CYLINDER ASSEMBLY (Prior to SN 0200070496).....	130
FIGURE 5-6. STEER CYLINDER ASSEMBLY (SN 0200070496 through 0200078795)	132
FIGURE 5-7. STEER CYLINDER ASSEMBLY (SN 0200078796 through 0200105070)	134
FIGURE 5-8. STEER CYLINDER ASSEMBLY (SN 0200105071 to Present).....	136
SECTION 6 - HYDRAULIC	139
FIGURE 6-1. HYDRAULIC DIAGRAM	140
SECTION 7 - ELECTRICAL.....	143
FIGURE 7-1. ELECTRICAL DIAGRAM LIST	144
FIGURE 7-2. ELECTRICAL SCHEMATIC - STANDARD.....	146
FIGURE 7-3. HARNESS AND CABLE ASSEMBLIES	148
SECTION 8 - DECALS	155
FIGURE 8-1. DECALS INSTALLATION - 1532E3/1932E3	156
FIGURE 8-2. DECALS INSTALLATION - 2033E3/2046E3/2646E3/2658E3	162
SECTION 9 - RECOMMENDED SERVICE PARTS STOCK.....	167
FIGURE 9-1. MODELS 1532E3/1932E3/2033E3/2046E3/2646E3/2658E3 STANDARD PARTS	168
FIGURE 9-2. MODELS 1532E3/1932E3/2033E3/2046E3/2646E3/2658E3 VARIABLE PARTS	170
SECTION 10 - SPECIAL OPTIONS	171
FIGURE 10-1. SPECIAL OPTIONS	172
PART NUMBER INDEX.....	175

SECTION 1 - FRAME

SECTION 1 - FRAME

FIGURE 1-1. DRIVE AND STEERING INSTALLATION



SECTION 1 - FRAME

FIGURE 1-1. DRIVE AND STEERING INSTALLATION

ITEM	PART NUMBER	QTY	DESCRIPTION	REV
	0258147	Ref	DRIVE AND STEERING INSTALLATION - 1532E3/1932E3	9
	0258148	Ref	DRIVE AND STEERING INSTALLATION - 2033E3	9
1		Ref	Drive Motor Assembly Options:	
1		Ref	Motor Options: 1532E3/1932E3	
1	3160270	2	Drive Motor Assembly (See DRIVE MOTOR ASSEMBLY for Breakdown) (SN 0200098156 to Present)	
1	3160228	2	Drive Motor Assembly (Items 1A-1D are the only Replacement Parts) (Prior to SN 0200098156)	
1		Ref	Motor Options: 2033E3	
1	3160263	2	Drive Motor Assembly (See DRIVE MOTOR ASSEMBLY for Breakdown) (SN 0200098156 to Present)	
1	3160230	2	Drive Motor Assembly (Items 1A-1E are the only Replacement Parts) (Prior to SN 0200088491)	
		Ref	3160228 & 3160230 Replacement Components:	
1A	7018997	2	Nut (1 Per Motor P/N 3160228/3160230)	
1B	7018996	2	Key (1 Per Motor P/N 3160228/3160230)	
1C	7021312	2	Seal, Shaft (Inner) (Not Shown) (1 Per Motor p/n 3160228/3160230)	
1D	7021317	2	Seal, Dust (Outer) (Not Shown) (1 Per Motor p/n 3160228/3160230)	
1E	7016436	2	Repair Kit for 3160230 Motor (Includes Items 1C, 1D, and Qty 1 O-Ring) (Not Shown) (1 Per Motor)	
2		Ref	Spindle Options:	
2	4130336	2	Spindle 1532E3/1932E3	
2	4130329	2	Spindle 2033E3	
3	0641826	8	Bolt 1/2in-13NC x 3 1/4in	
4	4740453	10	Flatwasher 1/2in	
5	3300450	8	Nut 1/2in-13NC (was P/N 3311801) (Prior to SN 0200086330)	
6	0100019	AR	Loctite (Was P/N 0100011) (Prior to SN 02000103431)	
7	3450406	2	Cotter Pin 1/8in x 1 1/2in	
8	3300255	10	Nut, Wheel	
9	2780216	2	Hub	
9A	7012613	10	Bolt, Wheel (5 Per Hub)	
10		Ref	Steer Cylinder Options:	
10	1684226	1	Steer Cylinder (was p/n 1683428) (Prior to SN 0200070496)	
10	1684226	1	Steer Cylinder (was p/n 1683841) (SN 0200070496 through 0200078795)	
10	1684226	1	Steer Cylinder (was p/n 1683936) (SN 0200078796 through 0200105070)	
10	1684226	1	Steer Cylinder (SN 0200105071 to Present)	
11		Ref	Tie Rod Options:	
11	3841387	1	Tie Rod 1532E3/1932E3	
11	3841379	1	Tie Rod 2033E3	
12	2160008	2	Grease Fitting (Prior to SN 0200084439)	
13		Ref	Clevis Pin Options:	
13	3430812	1	Clevis Pin 1/2in x 1 3/8 (Was P/N 3430811) (Prior to SN 0200111444)	
13	3430812	1	Clevis Pin 1/2in x 1 1/2in	
14	3450403	2	Cotter Pin 1/8in x 3/4in	
15		Ref	Bolt, Shoulder Options:	
15	0630516	2	Bolt, Shoulder 3/4in x 1 1/8in - 1532E3/1932E3	
15	0630495	2	Bolt, Shoulder 3/4in x 1in - 2033E3	

SECTION 1 - FRAME

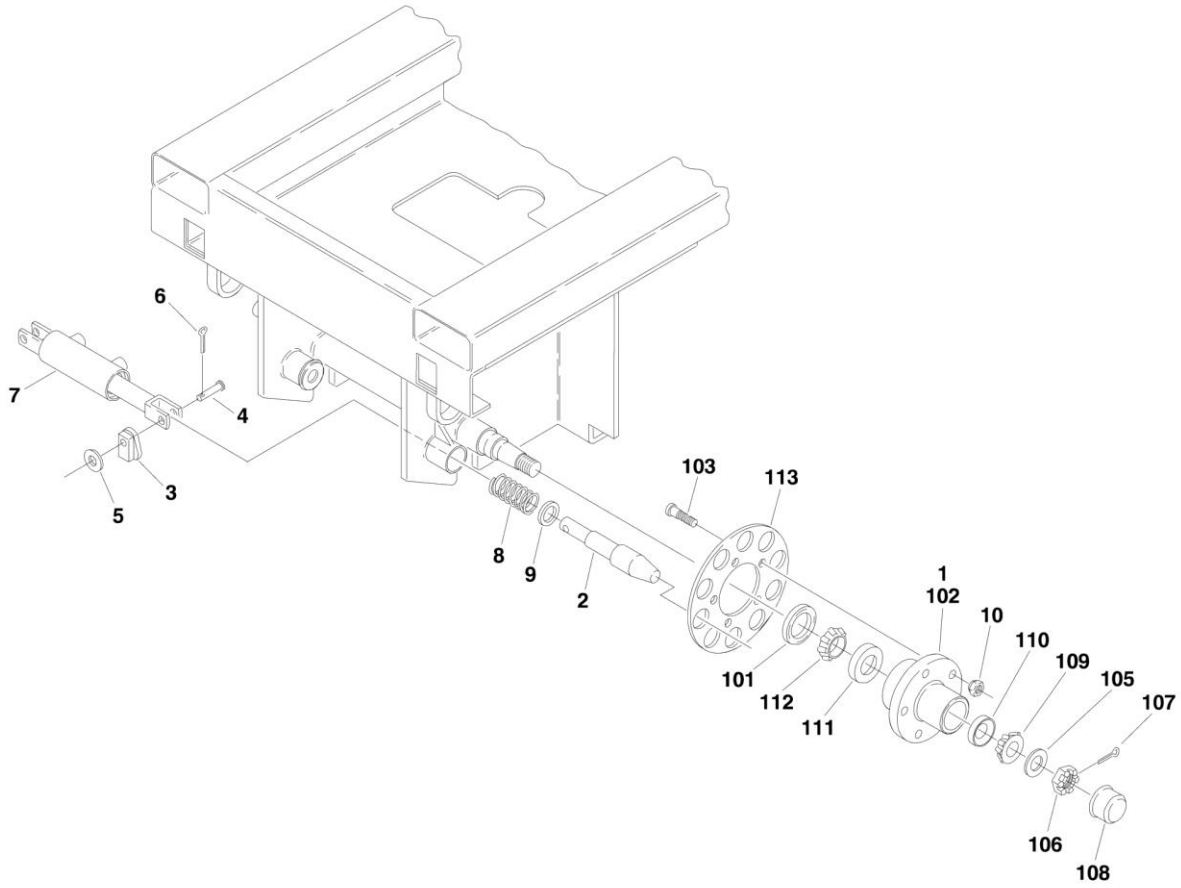
ITEM	PART NUMBER	QTY	DESCRIPTION	REV
16		Ref	Bushing Options:	
16	0962085	2	Bushing 1532E3/1932E3	
16	0962014	2	Bushing 2033E3	
17	0962013	2	Bushing, Fiberglide	
18	3430824	1	Clevis Pin 1/2in x 3in	
19	3780166	2	O-Ring	
20	4740419	2	Washer, Thrust	
21	1120417	2	Cap	
22		Ref	Bolt Options:	
22	0641611	2	3/8in-16NC x 1 3/8in (1532E3/1932E3 Only)	
22	0641612	2	3/8in-16NC x 1 1/2in (2033E3 Only)	
23	4711600	2	Flatwasher 3/8in	
24	4566833	2	Spacer (2033E3 Only)	
25	4711800	1	Flatwasher 1/2in (1532E3/1932E3 Only) (Prior to SN 0200111444)	
26	4761800	8	Lockwasher 1/2in (Prior to SN 0200088491)	
27	0962017	4	Bushing, Excelite	
32	0100081	AR	Adhesive	
33	4891800	2	Cap, Grease Fitting (Prior to SN 0200040415)	
	0258149	Ref	DRIVE AND STEERING INSTALLATION - 2046E3/2646E3	10
	0258150	Ref	DRIVE AND STEERING INSTALLATION - 2658E3	8
101		Ref	Drive Motor Assembly Options:	
101	3160226	2	Drive Motor Assembly (Prior to SN 0200088491)	
101	7021312	2	Seal, Shaft (Inner) (1 Per Motor P/N 3160226)	
101	7021317	2	Seal, Dust (Outer) (1 Per Motor P/N 3160226)	
101A	7018997	2	Nut (1 Per Motor P/N 3160226)	
101B	7018996	2	Key (1 Per Motor P/N 3160226)	
101	3160264	2	Drive Motor Assembly (See DRIVE MOTOR ASSEMBLY for Breakdown) (SN 0200088491 to Present)	
102		Ref	Spindle Options:	
102	4130332	2	Standard	
103	0641826	8	Bolt 1/2in-13NC x 3 1/4in	
104	4740453	11	Flatwasher 1/2in	
105	3311801	8	Nut 1/2in-13NC	
106	0100019	AR	Loctite (Was P/N 0100011) (Prior to SN 02000103431)	
107	3450406	2	Cotter Pin 1/8in x 1 1/2in	
108	3300255	10	Nut, Wheel	
109	2780216	2	Hub	
109A	7012613	10	Bolt, Wheel (5 Per Hub)	
110		Ref	Steer Cylinder Options:	
110	1684227	1	Steer Cylinder (was p/n 1683429) (Prior to SN 0200070496)	
110	1684227	1	Steer Cylinder (was p/n 1683840) (SN 0200070496 through 0200078795)	
110	1684227	1	Steer Cylinder (was p/n 1683937) (SN 0200078796 through 0200105070)	
110	1684227	1	Steer Cylinder (SN 0200105071 to Present)	
111		Ref	Tie Rod Options:	
111	3841320	1	Tie Rod 2046E3/2646E3	
111	3841324	1	Tie Rod 2658E3	
112	2160008	2	Grease Fitting (Prior to SN 0200088491)	
113	3430812	1	Clevis Pin 1/2in x 1 1/2in	
114	3450403	2	Cotter Pin 1/8in x 3/4in	

SECTION 1 - FRAME

ITEM	PART NUMBER	QTY	DESCRIPTION	REV
115	0630495	2	Bolt, Shoulder 3/4in x 1in	
116	0962014	2	Bushing	
117	0962013	2	Bushing, Fiberglide	
118	3430824	1	Clevis Pin 1/2in x 3in	
119	3780166	2	O-Ring	
120	4740419	2	Washer, Thrust	
121	1120417	2	Cap	
122		Ref	Bolt Options:	
122	0641611	2	3/8in-16NC x 1 3/8in (1532E3/1932E3 Only)	
122	0641612	2	3/8in-16NC x 1 1/2in (2033E3 Only)	
123	4711600	2	Flatwasher 3/8in	
124	4566833	2	Spacer	
125	Not Required	0	Not Required	
126	4761800		Lockwasher 1/2in (Prior to SN 0200088491)	
127	0962017	4	Bushing, Excelite	
131	0100081	AR	Loctite #454	
132	1120064	2	Cap, Grease Fitting (Prior to SN 0200088491)	
201		Ref	TIRE AND WHEEL INSTALLATIONS - 1532E3/1932E3	
201	0255680	Ref	Standard Tire and Wheel Installation (Optional)	-
201	0255683	Ref	Non-Marking Tire and Wheel Installation	-
201		Ref	Tire Options:	
201	4520175	AR	Standard	
201	4520177	AR	Non-Marking	
202		Ref	TIRE AND WHEEL INSTALLATIONS - 2033E3/2046E3/2646E3/2658E3	
202	0255679	Ref	Standard Tire and Wheel Installation (See Note)	-
202	0255682	Ref	Non-Marking Tire and Wheel Installation (See Note)	-
202	0259475	Ref	Non-Marking Flotation Tire and Wheel Installation	1
202	0257156	Ref	Flotation Tire and Wheel Installation (Optional)	-
202		Ref	Tire and Wheel Options:	
202	4520174	AR	Standard	
202	4520176	AR	Non-Marking	
202	4520221	AR	Non-Marking Flotation (Note: Not Available on 2033E3)	
202	4520191	AR	Flotation (Note: Not Available on 2033E3)	
301		Ref	FRAME WELDMENT OPTIONS	
301	2360501	1	Frame Weldment - 1532E3 (Australian Spec)	
301	2360499	1	Frame Weldment - 1532E3/1932E3 (Euro Spec)	
301	2360500	1	Frame Weldment - 1932E3 (Australian Spec)	
301	2360473	1	Frame Weldment - 2033E3	
301	2360474	1	Frame Weldment - 2046E3 (Australian Spec)	
301	2360476	1	Frame Weldment - 2046E3 (Euro Spec)	
301	2360476	1	Frame Weldment - 2646E3	
301	2360478	1	Frame Weldment - 2658E3 (Australian Spec)	
301	2360495	1	Frame Weldment - 2658E3 (Euro Spec)	

SECTION 1 - FRAME

FIGURE 1-2. AXLE/BRAKE INSTALLATIONS



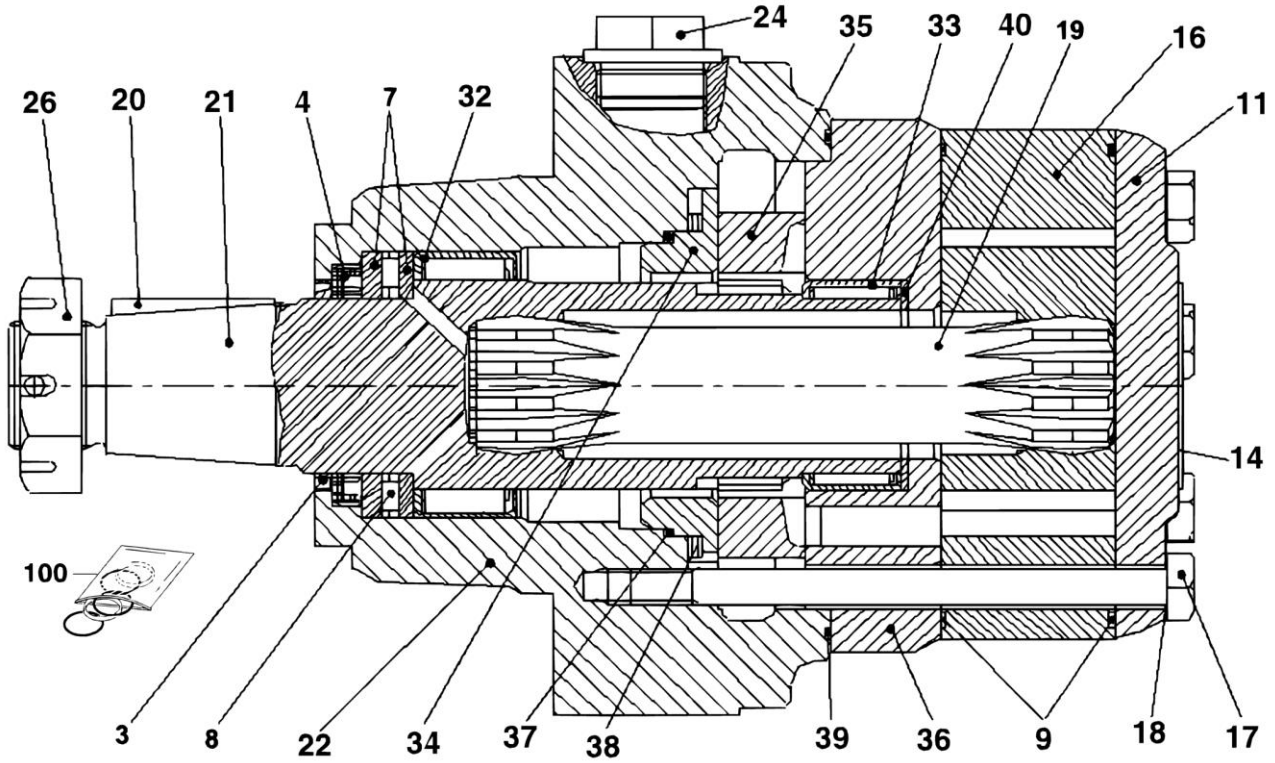
SECTION 1 - FRAME

FIGURE 1-2. AXLE/BRAKE INSTALLATIONS

ITEM	PART NUMBER	QTY	DESCRIPTION	REV
		Ref	BRAKE INSTALLATIONS	
	0257183	Ref	Brake Installations 1532E3/1932E3	6
	0257184	Ref	Brake Installations 2033E3	6
	0257185	Ref	Brake Installations 2046E3/2646E3	3
	0257186	Ref	Brake Installations 2658E3	3
1	2780215	2	Hub Assembly (See Items 101-113 for Breakdown)	
2		Ref	Rod, Brake Options:	
2	3841332	2	Rod, Brake 1532E3/1932E3/2033E3	
2	3841333	2	Rod, Brake 2046E3/2646E3	
2	3841334	2	Rod, Brake 2658E3	
3		Ref	Cam, Brake Options:	
3	4845037	2	Cam, Brake (Prior to SN 0200098156)	
3	1100116	2	Cam, Brake (SN 0200098156 to Present)	
4	3430620	2	Pin, Clevis	
5	4711500	2	Flatwasher 5/16in Narrow	
6	3450403	2	Pin, Cotter	
7		Ref	Brake, Cylinder Assembly Options (See CYLINDER SECTION for Breakdown):	
7	1683833	1	Brake, Cylinder Assembly (Was p/n 31683557) (Prior to SN 0200066023)	
7	1683833	1	Brake, Cylinder Assembly 2046E3/2646E3	
8	4160137	2	Spring	
9		Ref	Spacer Options:	
9	Not Required	0	Spacer 1532E3/1932E3/2033E3	
9	4567265	2	Spacer 2046E3/2646E3/2658E3	
10	3300255	10	Lugnut	
	2780215	Ref	HUB ASSEMBLY	C
101	7010649	1	Seal	
102	Not Serviced	0	Housing	
103	7019696	5	Stud, Wheel (was p/n 7012613)	
105	7019697	1	Washer	
106	7010641	1	Nut, Slotted	
107	7010642	1	Pin, Cotter	
108	7010648	1	Cap, Dust (was p/n 7003902)	
109	7010646	1	Cone, Outer	
110	7010650	1	Cup, Outer (was p/n 7003903)	
111	7010651	1	Cup, Inner	
112	7010647	1	Cone, Inner	
113	1760165	1	Disc, Brake	

SECTION 1 - FRAME

FIGURE 1-3. DRIVE MOTOR ASSEMBLY - 1532E3/1932E3



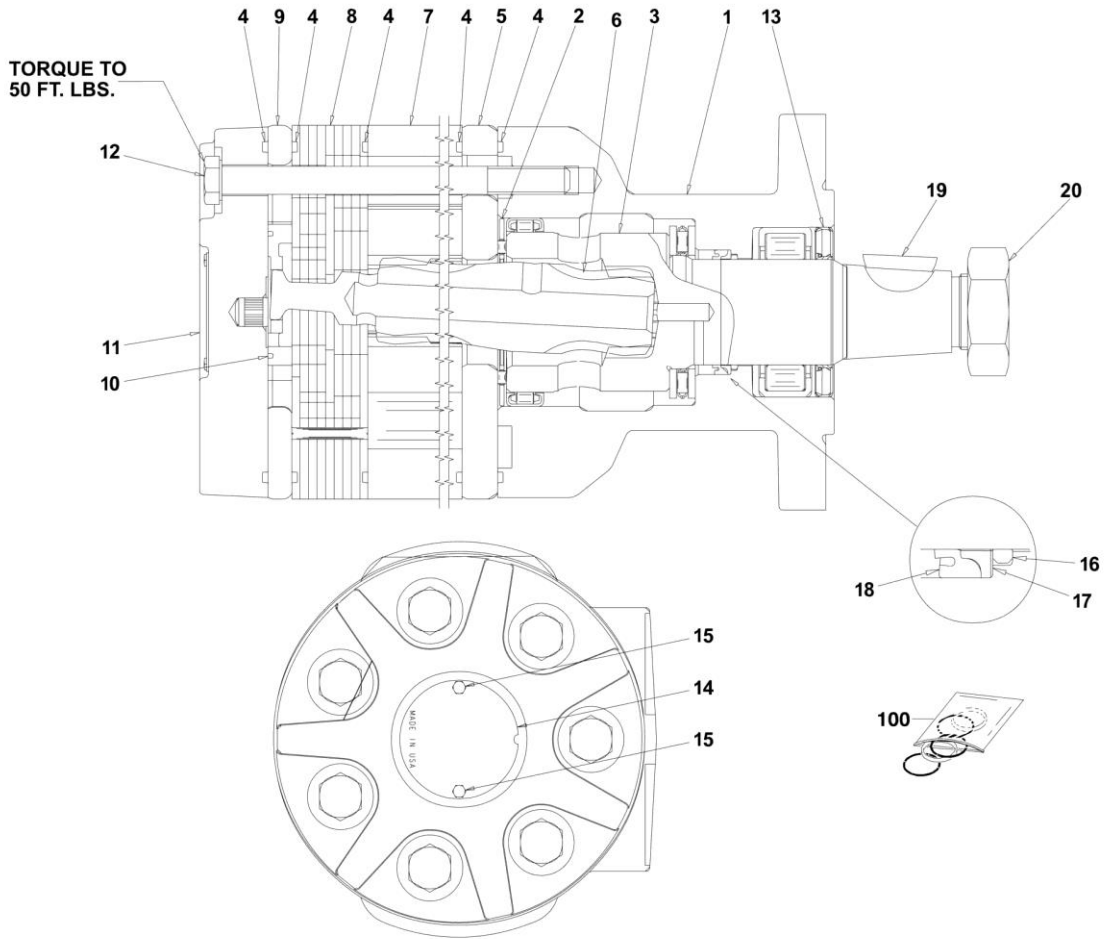
SECTION 1 - FRAME

FIGURE 1-3. DRIVE MOTOR ASSEMBLY - 1532E3/1932E3

ITEM	PART NUMBER	QTY	DESCRIPTION	REV
	3160270	Ref	DRIVE MOTOR ASSEMBLY (SN 0200098156 to Present) Note: See DRIVE AND STEERING INSTALLATION for replacement parts for Machines Prior to SN 0200098156. Note: Verify Drive Motor machine is equipped with before ordering service parts.	B
		Ref		
		Ref		
3	Item 100	1	Seal, Dust	
4	Item 100	1	Seal, Shaft	
7	7023452	2	Bearing, Race	
8	7023453	1	Bearing, Needle	
9	Item 100	2	O-Ring	
11	7023465	1	Cover, End	
14	Not Serviceable	1	Identification Tag	
16	7023468	1	Wheel, Gear Set	
17	7023469	7	Screw m8x95mm	
18	Item 100	7	Washer 82mm	
19	7023467	1	Shaft, Cardan	
20	7023455	1	Key	
21	7023456	1	Shaft, Output	
22	Not Serviceable	1	Housing	
24	Not Serviceable	2	Plug	
26	7023451	1	Nut, Castle	
32	7023454	1	Bearing, Needle	
33	7023460	1	Bearing, Needle	
34	7023458	1	Plate, Pressure	
35	7023459	1	Disk, Valve	
36	7023462	1	Plate	
37	Item 100	1	O-Ring	
38	7023457	1	Washer, Spring	
39	Item 100	1	O-Ring	
40	7023461	1	Washer, Glacier	
		Ref	KIT OPTIONS:	
100	7023450	1	Kit, Seal (Includes Items 3, 4, 9, 18, 37 & 39)	

SECTION 1 - FRAME

FIGURE 1-4. DRIVE MOTOR ASSEMBLY - 2033E3/2046E3/2646E3/2658E3



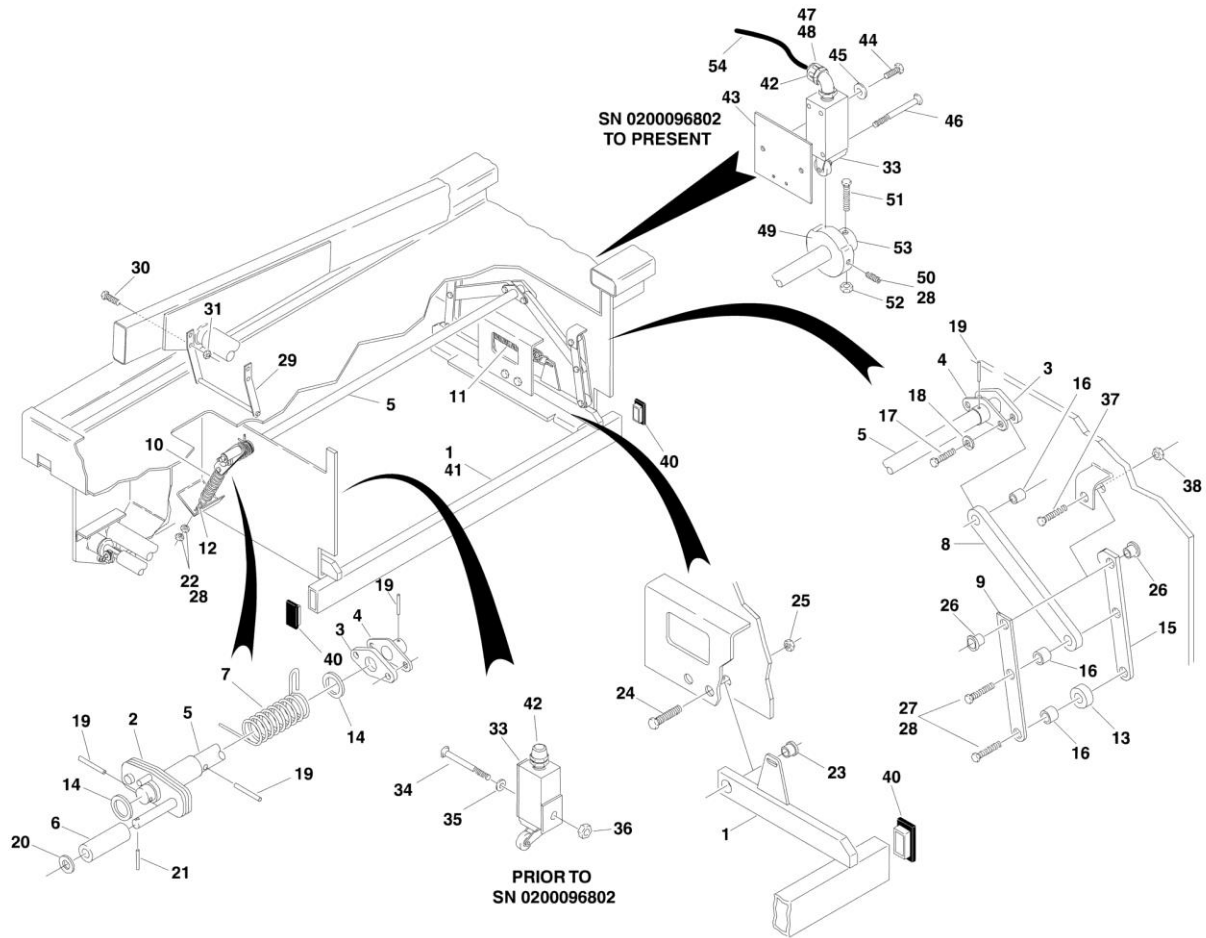
SECTION 1 - FRAME

FIGURE 1-4. DRIVE MOTOR ASSEMBLY - 2033E3/2046E3/2646E3/2658E3

ITEM	PART NUMBER	QTY	DESCRIPTION	REV
		Ref	DRIVE MOTOR ASSEMBLIES	
	3160263	Ref	DRIVE MOTOR - 2033E3 (SN 0200088491 to Present)	B
		Ref	Note: See DRIVE AND STEERING INSTALLATION for replacement parts for 2033E3 Prior to SN 0200088491.	
	3160264	Ref	DRIVE MOTOR - 2046E3/2646E3/2658E3	B
		Ref	Note: Verify Drive Motor machine is equipped with before ordering service parts.	
1	7023307	1	Housing	
2	7023308	1	Bearing, Thrust	
3	7023309	1	Shaft	
4	7023310	5	Ring, Seal	
5	7023311	5	Plate, Wear	
6		Ref	Drive Link Options:	
6	7023312	1	Drive Link - Motor P/N 3160263	
6	7023326	1	Drive Link - Motor P/N 3160264	
7		Ref	Assembly, Rotor Options:	
7	7023313	1	Drive Link - Motor P/N 3160263	
7	7023327	1	Drive Link - Motor P/N 3160264	
8	7023314	1	Manifold	
9	7023315	1	Assembly, Commutator	
10	7023318	1	Seal, Commutator	
11		Ref	Cover, End Options:	
11	7023316	1	Drive Link - Motor P/N 3160263	
11	7023328	1	Drive Link - Motor P/N 3160264	
12		Ref	Bolt Options:	
12	7023317	7	Drive Link - Motor P/N 3160263	
12	7023329	7	Drive Link - Motor P/N 3160264	
13	7023319	1	Seal	
14	Not Available	N/A	Identification Tag	
15	7023320	2	Screw	
16	7023321	1	Ring Back-Up	
17	7023322	1	Washer, Back-Up	
18	7023323	1	Seal, Shaft	
19	7023324	1	Key	
20	7023325	1	Nut, Castle	
		Ref	KIT OPTIONS:	
100	7023412	1	Seal Kit (Includes Items 4, 10, 13, 16, 17 & 18)	

SECTION 1 - FRAME

FIGURE 1-5. JLG POTHOLE PROTECTION SYSTEM INSTALLATION - 1532E3/1932E3



SECTION 1 - FRAME

FIGURE 1-5. JLG POTHOLE PROTECTION SYSTEM INSTALLATION - 1532E3/1932E3

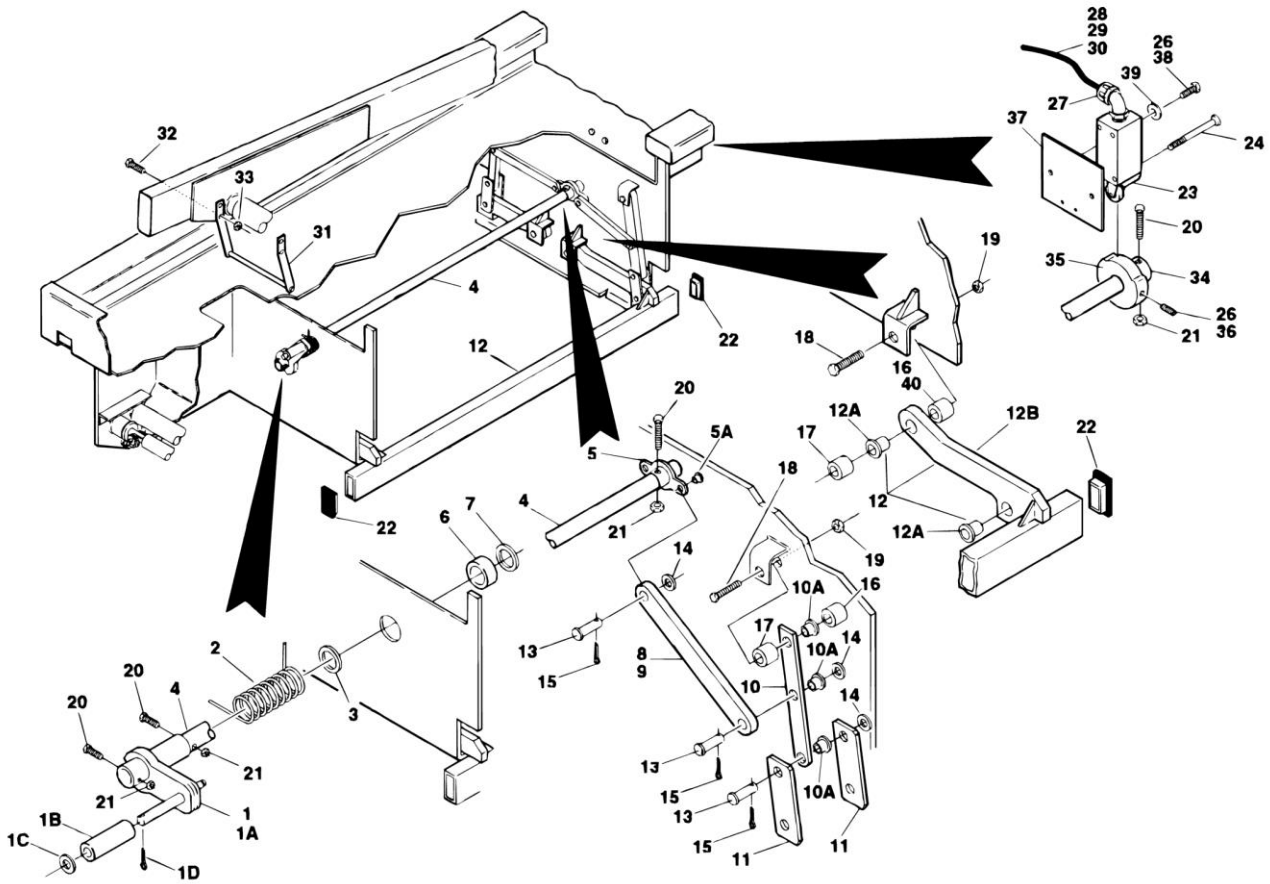
ITEM	PART NUMBER	QTY	DESCRIPTION	REV
	0258283	Ref	JLG POTHOLE PROTECTION SYSTEM INSTALLATION	10
1	4845360	1	Bar, Support - Right Side	
2	4845529	1	Pivot Weldment	
3	3570198	2	Plate, Cam	
4	4845385	2	Bushing Weldment	
5	3841337	1	Rod, Pivot	
6	3860079	1	Roller	
7	4160133	1	Spring, Torsion	
8	0362484	4	Bar, Link	
9	0362485	4	Bar, Actuator	
10	4160141	1	Spring, Extension	
11	4160134	2	Spring, Extension	
12	0630543	1	Eye Bolt	
13	0362483	4	Bar, Roller	
14	0961997	4	Bearing, Flange	
15	0362654	4	Bar, Actuator	
16	0961994	12	Bearing, Spacer	
17	0641612	4	Bolt 3/8in-16NC x 1 1/2in	
18	4761600	4	Lockwasher 3/8in	
19	3440828	5	Roll Pin 1/4in x 1 3/4in	
20	4711800	1	Flatwasher 1/2in	
21	3440418	1	Roll Pin 1/8in x 1 1/8in	
22	3311501	2	Nut 5/16in-18NC	
23	0961995	4	Bearing, Flange	
24	0642224	4	Bolt 3/4in-10NC x 3in	
25	3312205	4	Locknut 3/4in-10NC	
26	0961996	8	Bearing, Flange	
27	0641611	8	Bolt 3/8in-16NC x 1 3/8in	
28	0100011	AR	Loctite #242	
29	4845319	1	Weldment, Actuator	
30	0641506	4	Bolt 5/16in-18NC x 1in	
31	3311505	4	Locknut 5/16in-18NC	
32	Not Required	0	Not Required	
33		Ref	Switch, Limit Options:	
33	4360401	2	Switch, Limit (Prior to SN 0200097741)	
33	4360548	2	Switch, Limit SN 0200097741 to Production (was p/n 4360321)	
33	4360548	2	Post Production	
34	3911024	4	Screw Machine #10-24NC x 1 1/2in (Prior to SN 0200097741)	
35	4751000	4	Flatwasher #10 (Prior to SN 0200097741)	
36	3311005	4	Locknut #10-24NC (Prior to SN 0200097741)	
37	0681622	4	Bolt 3/8in-16NC x 2 3/4in	
38	3311605	4	Locknut 3/8in-16NC	
39	Not Required	0	Not Required	
40	1120481	4	Cap, End	
41	4845383	1	Bar, Support - Left Side	
42		Ref	Connector, Strain Relief Options:	
42	4460662	2	Production	
42	4460968	2	Post Production	
43	0902536	1	Bracket, Limit Switch (SN 0200096802 to Present)	
44	0641408	2	Bolt 1/4in-20NC x 1in (SN 0200096802 to Present)	

SECTION 1 - FRAME

ITEM	PART NUMBER	QTY	DESCRIPTION	REV
45	4751400	2	Flatwasher 1/4in (SN 0200096802 to Present)	
46	3900271	2	Screw #10-32NC x 1in (SN 0200096802 to Present)	
47	4460268	2	Socket, Terminal (SN 0200096802 to Present)	
48	4460320	1	Plug - 2 Position (SN 0200096802 to Present)	
49	1100110	1	Cam (SN 0200096802 to Present)	
50	3951603	2	Screw 3/8in-16NC x 3/8in (SN 0200096802 to Present)	
51	0681414	1	Bolt 1/4in-20NC x 1 3/4in (Grade 8) (SN 0200096802 to Present)	
52	3311405	1	Locknut 1/4in-20NC (SN 0200096802 to Present)	
53	0962262	1	Bushing (SN 0200096802 to Present)	
54	1060680	7 ft/2.14m	Cable, 18/2	

SECTION 1 - FRAME

FIGURE 1-6. JLG POTHOLE PROTECTION SYSTEM INSTALLATION - 2033E3/2046E3/2646E3/2658E3



SECTION 1 - FRAME

FIGURE 1-6. JLG POTHOLE PROTECTION SYSTEM INSTALLATION - 2033E3/2046E3/2646E3/2658E3

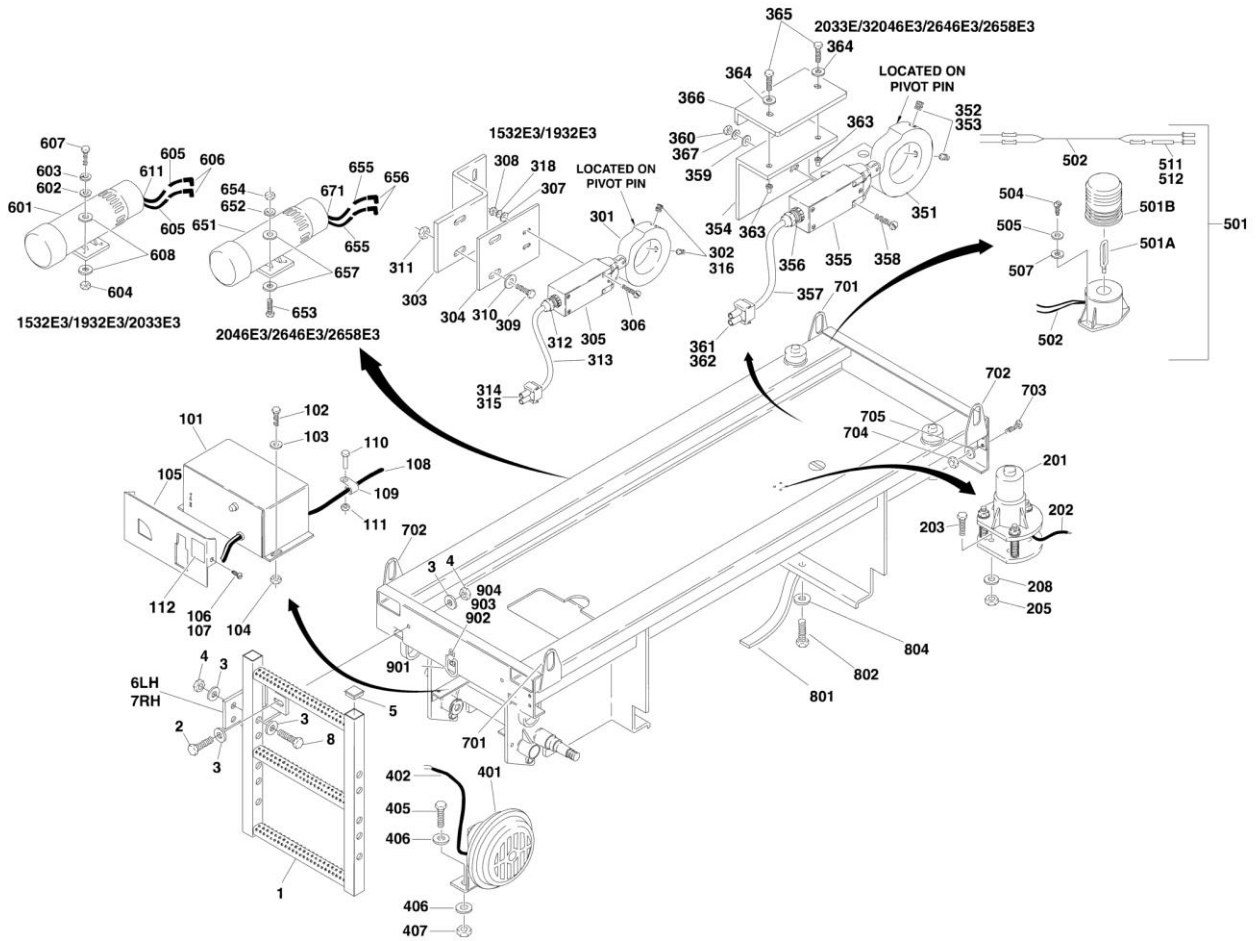
ITEM	PART NUMBER	QTY	DESCRIPTION	REV
		Ref	JLG POTHOLE PROTECTION SYSTEM INSTALLATIONS	
	0258850	Ref	JLG Pothole Protection System Installations 2033E3	7
	0258851	Ref	JLG Pothole Protection System Installations 2046E3/2646E3	9
	0258852	Ref	JLG Pothole Protection System Installations 2658E3	8
1	0257725	1	Actuator One Assembly	
1A	4846014	1	Actuator Weldment	
1B	3860079	1	Roller	
1C	4711800	1	Washer 1/2in (Narrow)	
1D	3450404	1	Pin, Cotter	
2		Ref	Spring, Torsion Options:	
2	4160201	1	Spring, Torsion (was p/n 4160180) (Prior to SN 0200111485)	
2	4160201	1	Spring, Torsion (SN 0200111485 to Present)	
3	4740481	1	Washer, Special Spacer	
4	3841428	1	Bar, Activation	
5	0257724	2	PHP Actuator Assembly	
5A	0962123	4	Bearing (2 Per Assembly)	
6	0961997	2	Bearing, Flange	
7	4740482	1	Washer	
8		Ref	Arm, Long Connection Options:	
8	3570440	2	Arm, Long Connection 2033E3	
8	3570482	2	Arm, Long Connection 2046E3/2646E3	
8	3570747	2	Arm, Long Connection 2658E3	
9		Ref	Arm, Short Connection Options:	
9	3570439	2	Arm, Short Connection 2033E3	
9	3570483	2	Arm, Short Connection 2046E3/2646E3	
9	3570746	2	Arm, Short Connection 2658E3	
10	0257726	4	Support Arm Assembly	
10A	0962123	12	Bearing (3 Per Assembly)	
11	3570422	8	Link, Support	
12	0257766	2	Bar Assembly	
12A	0962123	8	Bearing (4 Per Assembly)	
12B	4845699	1	Weldment, PHP Bar	
13	3430811	16	Pin, Clevis	
14	4751800	AR	Flatwasher 1/2in	
15	3450403	16	Pin, Cotter	
16	4567306	AR	Spacer 1/2in	
17	4567307	8	Spacer 3/4in	
18	0681822	8	Bolt 1/2in-13NC x 2 3/4in	
19	3311805	8	Locknut 1/2in-13NC	
20	0681414	4	Bolt 1/4in-20NC x 1 3/4in	
21	3311405	4	Locknut 1/4in-20NC	
22	1120481	4	Cap, End	
23	4360548	1	Switch, Limit (was p/n 4360321)	
24	3900271	2	Screw Machine #10-24NC x 1in	
26	0100011	AR	Loctite #242	
27		Ref	Connector, Strain Relief Options:	
27	4460428	1	Connector, Strain Relief (Prior to SN 0200068552)	
27	4460662	1	Connector, Strain Relief (SN 0200068552 to Present)	
27	4460968	1	Post Production	
28	1060680	7 ft/2.1m	Cable, Electrical 18/2	

SECTION 1 - FRAME

ITEM	PART NUMBER	QTY	DESCRIPTION	REV
29	4460320	AR	Terminal, Plug 2 Position	
30	4460268	2	Socket, Terminal	
31		Ref	Actuator Arm Weldment Options:	
31	4845886	1	Actuator Arm Weldment 2033E3	
31	4845581	1	Actuator Arm Weldment 2046E3/2646E3/2658E3	
32	0641508	4	Bolt 5/16in-18NC x 1in	
33	3311505	4	Locknut 5/16in-18NC	
34	0962262	1	Bushing	
35	1100110	1	Cam	
36	3951603	2	Setscrew 3/8in-16NC x 3/8in	
37	0902536	1	Bracket	
38	0641408	2	Bolt 1/4in-20NC x 1in	
39	4751400	2	Flatwasher 1/4in	
40	4740504	4	Washer (2033 Only) (SN 0200096802 to Present)	

SECTION 1 - FRAME

FIGURE 1-7. FRAME MOUNTED COMPONENTS INSTALLATIONS



SECTION 1 - FRAME

FIGURE 1-7. FRAME MOUNTED COMPONENTS INSTALLATIONS

ITEM	PART NUMBER	QTY	DESCRIPTION	REV
		Ref	LADDER INSTALLATIONS	
	0258895	Ref	Ladder Installations 1532E3	5-C
	0258880	Ref	Ladder Installations 1932E3/2033E3/2046E3/2646E3/2658E3	4-C
1		Ref	Ladder Weldment Options:	
1	4845887	1	Ladder Weldment 1532E3	
1	4845884	1	Ladder Weldment 1932E3/ 2033E3/ 2046E3/ 2646E3/ 2658E3	
2	0641810	2	Bolt 1/2in-13NC x 1 1/4in	
3	4751800	6	Flatwasher 1/2in	
4	3311805	6	Locknut 1/2in-13NC	
5	3520071	2	Cap	
6	0902507	1	Bracket, Ladder (Left Side)	
7	0902508	1	Bracket, Ladder (Right Side)	
8	0641824	4	Bolt 1/2in-13NC x 3in	
		Ref	BATTERY CHARGER INSTALLATIONS	
	0258183	Ref	Battery Charger Installations 1532E3/1932E3	8
	0258185	Ref	Battery Charger Installations 2033E3/2046E3/2646E3/2658E3	5
101	0400178	1	Battery Charger Assembly - 120V/240V-50Hz/60Hz (See BATTERY CHARGER ASSEMBLY for Breakdown)	
102	0641506	2	Bolt 5/16in-18NC x 3/4in	
103	4711500	4	Flatwasher 5/16in	
104	3311505	2	Locknut 5/16in-18NC	
105	4060975	1	Shield (1532E3/1932E3 Only)	
106	3941406	2	Screw Self-Tapping 1/4in-20NC x 3/4in (1532E3/1932E3 Only)	
107	0100011	AR	Loctite #242 (1532E3/1932E3 Only) (Prior to SN 0200111444)	
108		Ref	Harness, Charger Options:	
108	4922233	1	Harness, Charger 1532E3/1932E3 (was p/n 4922234) (Prior to SN 0200081384)	
108	4922233	1	Harness, Charger 1532E3/1932E3 (SN 0200081384 to Present)	
108	4922233	1	Harness, Charger 2033E3/2046E3/2646E3/2658E3	
109	1320061	1	Clamp (Prior to SN 0200111444)	
110	0641406	1	Bolt 1/4in-20NC x 3/4in (Prior to SN 0200111444)	
111	3311405	1	Locknut 1/4in-20NC (Prior to SN 0200111444)	
112	1701644	1	Decal - Battery Charger (SN 0200081163 to Present)	
		Ref	TILT INDICATOR INSTALLATIONS	
	0258844	Ref	1 1/2 Tilt - 1532E3/1932E3 (SN 0200100141 to Present)	3
	0258841	Ref	2 Tilt - 1532E3/1932E3	3
	0258977	Ref	2 Tilt - 2033E3	3
	0258841	Ref	2 Tilt - 2046E3/2646E3/2658E3	3
201		Ref	Switch, Level Indicator Options:	
201	4360465	1	1 1/2 Tilt Indicator	
201	4360435	1	2 Tilt Indicator	
202		Ref	Harness Options (See ELECTRICAL SECTION for Breakdown):	
202	4922285	1	Harness (Was P/N 4921819) (Prior to SN 0200060218)	
202	4922285	1	Harness (SN 0200060218 to Present)	
203	0641406	2	Bolt 1/4in-20NC x 3/4in	
205	3311405	AR	Locknut 1/4in-20NC	
208	4751400	AR	Flatwasher 1/4in	
		Ref	LIMIT SWITCH INSTALLATIONS - 1532E3/1932E3	
	0256833	Ref	Hi-Drive Limit Switch	7

SECTION 1 - FRAME

ITEM	PART NUMBER	QTY	DESCRIPTION	REV
	0258122	Ref	Drive Cutout Limit Switch	6
301	1440325	1	Collar	
302	3951603	2	Setscrew 3/8in-16NC x.38in	
303	3570030	1	Bracket	
304		Ref	Plate, Limit Switch Options:	
304	3570029	1	Hi-Drive Limit Switch (Prior to SN 0200071788)	
304	3571789	1	Hi-Drive Limit Switch (SN 0200071788 to Present)	
304	3571388	1	Drive Cutout Limit Switch (Prior to SN 0200071788)	
304	3571789	1	Drive Cutout Limit Switch (SN 0200071788 to Present)	
305	4360548	1	Switch, Limit (was p/n 4360321)	
306	3930820	2	Screw #8-32NC x 1 1/4in (Hi-Drive Limit Switch)	
306	3911020	2	Screw #10-24NC x 1 1/4in (Drive Cutout Limit Switch)	
307	4750800	2	Flatwasher #8 (Hi-Drive Limit Switch)	
307	4751000	2	Flatwasher #10 (Drive Cutout Limit Switch)	
308	3310801	2	Locknut #8-32NC (Hi-Drive Limit Switch)	
308	3311005	2	Locknut #10-24NC (Drive Cutout Limit Switch)	
309	0641405	2	Bolt 1/4in-20NC x.625	
310	4751400	4	Flatwasher 1/4in	
311	3311405	2	Locknut 1/4in-20NC	
312		Ref	Strain Relief Options:	
312	4460662	1	Production	
312	4460968	1	Post Production	
313	1060680	9 ft/2.74m	18/2 Cable	
314	4460320	1	Housing, Terminal	
315	4460268	2	Socket, Terminal	
316	0100011	AR	Loctite #242	
318	4760800	2	Lockwasher #8 (Hi-Drive Limit Switch)	
	0258201	Ref	HI-DRIVE LIMIT SWITCH INSTALLATION - 2033E3/2046E3/2646E3/2658E3	9
351	1100110	1	Cam	
352	3951603	2	Setscrew 3/8in-16NC x.38in	
353	0100011	AR	Loctite #242	
354	3571116	1	Plate, Limit Switch	
355	4360548	1	Switch, Limit (was p/n 4360321)	
356		Ref	Connector, Strain Relief Options:	
356	4460662	1	Production	
356	4460968	1	Post Production	
357	1060680	9 ft/2.74m	18/2 Cable	
358		Ref	Screw #8-32NC x 1 1/2in Options:	
358	3930824	2	Screw #8-32NC x 1 1/2in (Was P/N 3930820) (Prior to SN 0200103324)	
358	3930824	2	Screw #8-32NC x 1 1/2in (SN 0200103324 to Present)	
359	4750800	2	Flatwasher #8	
360	3310801	2	Nut #8-32NC	
361	4460320	1	Housing, Terminal	
362	4460268	2	Socket, Terminal	
363	2080044	2	Fastener, Rivnut 1/4in-20NC (Prior to SN 0200100141)	
364	4751400	2	Flatwasher 1/4 (Prior to SN 0200100141)	
365	3931412	2	Bolt 1/4in-20NC x 3/4 (Prior to SN 0200100141)	
366	3571278	1	Plate	
367	4760800	2	Lockwasher #8	
	0259217	Ref	HORN INSTALLATION	2

SECTION 1 - FRAME

ITEM	PART NUMBER	QTY	DESCRIPTION	REV
401	0140022	1	Horn	
402	4922258	1	Harness (See ELECTRICAL SECTION for Breakdown)	
403	4360387	1	Switch, Push Button (Not Shown - Located on Platform Console)	
405	0641408	1	Bolt 1/4in-20NC x 1in	
406	4751400	2	Flatwasher 1/4in	
407	3311405	1	Locknut 1/4in-20NC	
408	1320061	1	Clamp, Hose (Not Shown) (SN 0200111444 to Present)	
	0258800	Ref	BEACON LIGHT INSTALLATION (OPTIONAL)	1
501	2920146	1	Beacon Light Assembly Options:	
501A	7016319	1	Bulb, Light	
501B		Ref	Alarm Lens Options:	
501B	7016320	1	Lens - 3 1/8in Height	
501B	7016372	1	Lens - 4 1/8in Height	
502	1060680	10 ft/3M	18/2 Cable	
504	0721006	2	Screw, Machine #10-24NC x 3/4in	
505	4761000	2	Lockwasher #10	
507	4751000	2	Flatwasher #10	
511	4460044	1	Holder, Fuse	
512	2400056	1	Fuse, AGC-1/2 0.5A, 250V	
	0258954	Ref	GENERATOR INSTALLATION (110V/800W) - 1532E3/1932E3	3
601	2460022	1	Generator	
601	7023336	1	Kit, Retrofit (Potted Circuit Card)	
602	4751500	4	Flatwasher 5/16in	
603	4761500	4	Lockwasher 5/16in	
604		Ref	Rivnut 5/16in-18NC x 7/8in Options:	
604	2080053	4	Rivnut 5/16in-18NC x 7/8in (was p/n 2080048) (Prior to SN 0200106890)	
604	2080053	4	Rivnut 5/16in-18NC x 7/8in (SN 0200106890 to Present)	
605	1060627	2	Cable	
606	0840027	2	Boot, Cable	
607	0641512	4	Bolt 5/16in-18NC x 1 1/2in	
608	4740455	8	Washer, Nylon	
609	0840025	2	Boot, Cable (Not Shown)	
610	1320095	1	Clamp (Not Shown)	
611	4751400	2	Flatwasher 1/4in	
	0258956	Ref	GENERATOR INSTALLATION (110V/800W) - 2033E3/2046E3/2646E3/2658E3	2
651	2460022	1	Generator	
651	7023336	1	Kit, Retrofit (Potted Circuit Card)	
652	4751500	8	Flatwasher 5/16in	
653	0641510	4	Bolt 5/16in-18NC x 1 1/4in	
654	3311505	4	Locknut 5/16in-18NC	
655	1060627	2	Cable	
656	0840027	2	Boot, Cable	
657	4740455	8	Washer, Nylon	
658	0840025	2	Boot, Cable (Not Shown)	
659 to 670	Not Required	0	Not Required	
671	4751400	2	Flatwasher 1/4in	
		Ref	LIFT LUG INSTALLATIONS (OPTIONAL)	
	0258194	Ref	Lift Lug Installations 1532E3/1932E3	3
	0258195	Ref	Lift Lug Installations 2033E3/2046E3/2646E3/2658E3	3
701		Ref	Lug, Lift Options:	

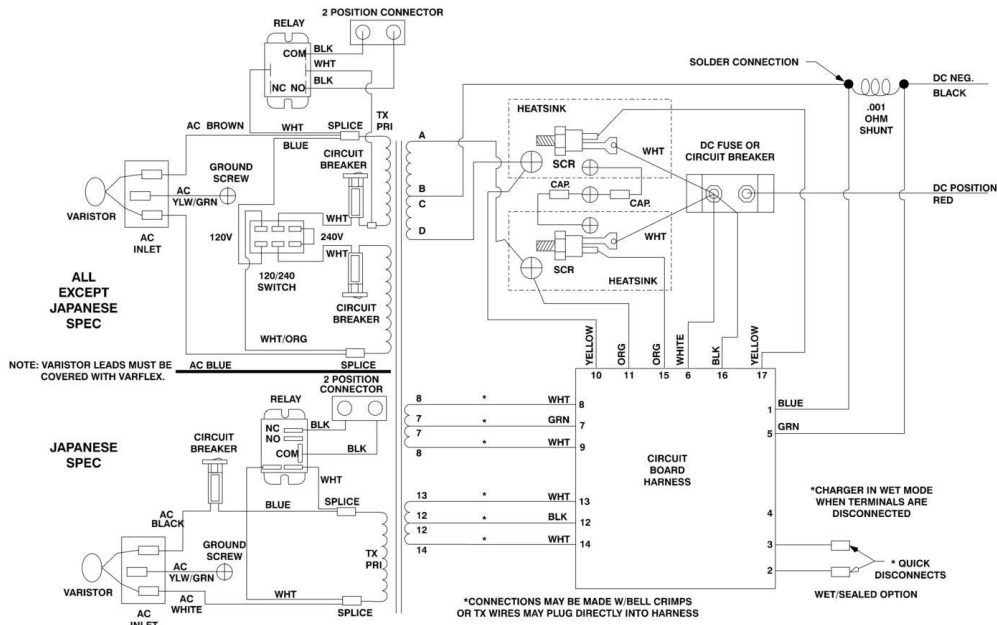
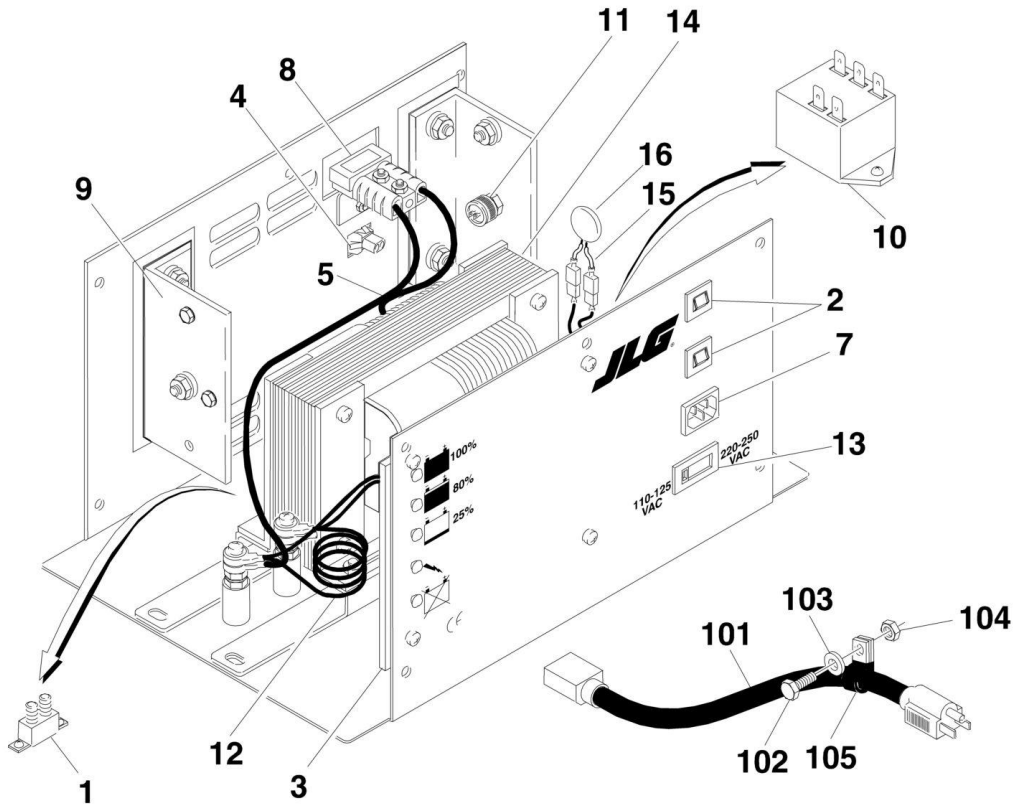
SECTION 1 - FRAME

ITEM	PART NUMBER	QTY	DESCRIPTION	REV
701	3539735	2	Right Side (1532E3/1932E3)	
701	4845314	2	Right Side (2033E3/2046E3/2646E3/2658E3)	
702		Ref	Lug, Lift Options:	
702	3539736	2	Left Side (1532E3/1932E3)	
702	4845315	2	Left Side (2033E3/2046E3/2646E3/2658E3)	
703	0641610	8	Bolt 3/8in-16NC x 1 1/4in	
704	3311605	8	Locknut 3/8in-16NC	
705	4711600	8	Flatwasher 3/8in	
	0257372	Ref	STATIC STRAP INSTALLATION (OPTIONAL)	4
801		Ref	Strap, Static Options:	
801	4240147	1	Strap, Static (was p/n 4240084) (Prior to SN 0200103629)	
801	4240147	1	Strap, Static (SN 0200103629 to Present)	
802	3941406	1	Self Tapping	
804	4751400	1	Flatwasher 1/4in	
		Ref	TIE-DOWN INSTALLATIONS	
	0257266	Ref	Without Arm Guards	3
	0257265	Ref	With Arm Guards	3
901	3760365	AR	D-Ring	
902	0630485	AR	Bolt, Carriage 3/8in-16NC x 1in	
903	4751600	AR	Flatwasher 3/8in (Prior to SN 0200065687)	
904	3311605	AR	Locknut 3/8in-16NC	

SECTION 1 - FRAME

FIGURE 1-8. BATTERY CHARGER ASSEMBLY

NOTE: COVER NOT SHOWN FOR CLARITY



SECTION 1 - FRAME

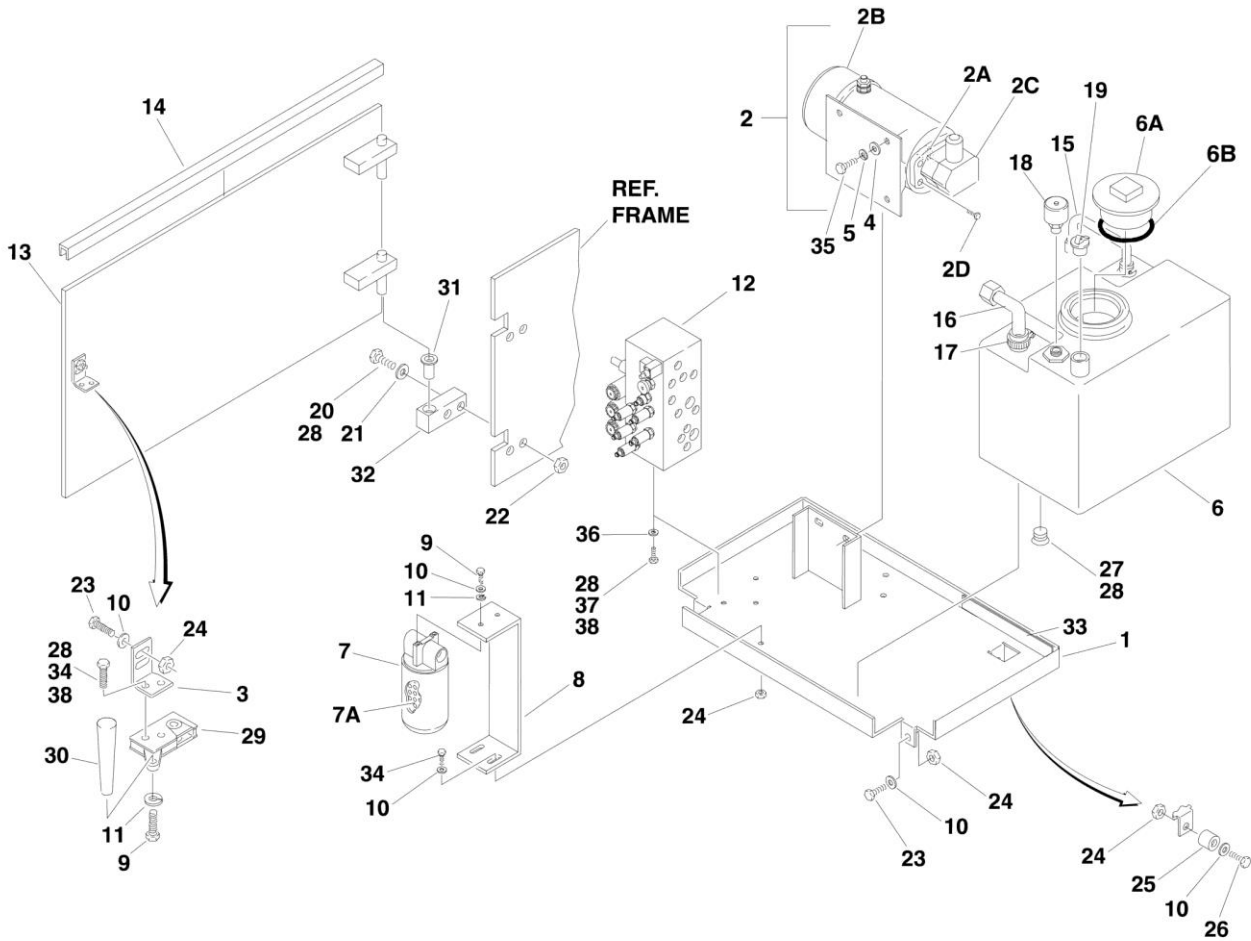
FIGURE 1-8. BATTERY CHARGER ASSEMBLY

ITEM	PART NUMBER	QTY	DESCRIPTION	REV
	0400178	Ref	BATTERY CHARGER ASSEMBLIES	B
1	7011509	1	Breaker, Circuit - DC	
2	7018514	2	Breaker, Circuit - AC	
3	7018578	1	Board, Circuit	
4	7011621	1	Connector	
5	7020638	1	Cord -DC	
6	7018582	1	Harness (Not Shown)	
7	7018583	1	Plug, AC Inlet	
8	7011590	1	Plug, DC	
9	7018585	2	Rectifier Assembly	
10	7018564	1	Relay	
11	7018555	1	SCR	
12	7020605	1	Shunt Assembly	
13	7018586	1	Switch	
14	7020639	1	Transformer	
15	7018589	1	Varistor Assembly	
16	7018537	1	Varistor	
	0259215	Ref	AC CHARGER CORD INSTALLATION (EURO SPEC)	1
	0259216	Ref	AC CHARGER CORD INSTALLATION (AUSTRALIAN SPEC)	1
101		Ref	Cable, AC Cord Options:	
101	1060689	1	Euro Spec	
101	1060691	1	Australian Spec	
102	0641406	1	Bolt 1/4in-20NC x 3/4in	
103	4751400	1	Flatwasher 1/4in	
104	3311405	1	Locknut 1/4in-20NC	
105	1320040	1	Clamp	

SECTION 2 - GROUND COMPONENTS

SECTION 2 - GROUND COMPONENTS

FIGURE 2-1. HYDRAULIC COMPONENTS AND COVER INSTALLATION -1532E3/ 1932E3



SECTION 2 - GROUND COMPONENTS

FIGURE 2-1. HYDRAULIC COMPONENTS AND COVER INSTALLATION -1532E3/ 1932E3

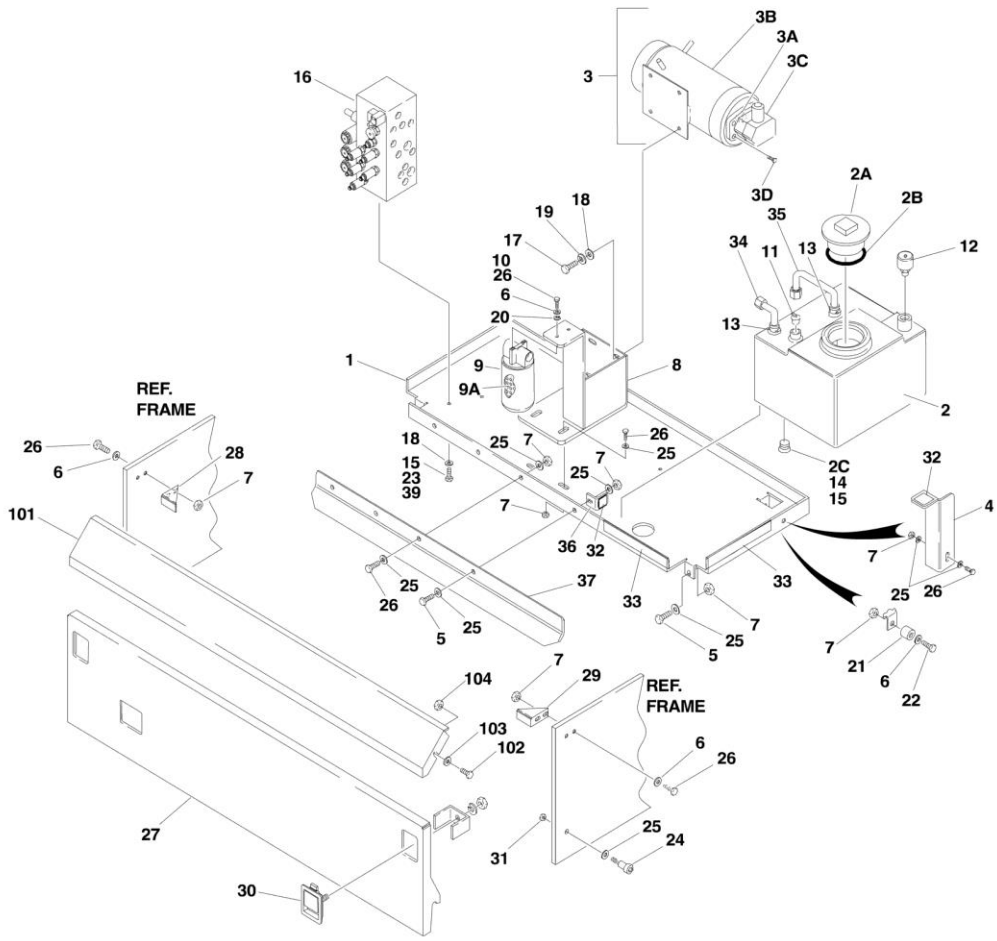
ITEM	PART NUMBER	QTY	DESCRIPTION	REV
	0258124	Ref	HYDRAULIC COMPONENTS INSTALLATION (STANDARD)	5
1	4845818	1	Tray Weldment	
2	3600270	1	Pump/Motor Assembly	
2A	7010944	1	Coupling	
2B	7011041	1	Motor	
2B	7010639	2	Brush, Replacement	
2B	7010640	8	Brush Spring	
2C	7011042	1	Pump	
2C	7010903	2	Seal, Shaft	
2C	7011042	1	Pump	
2C	7011044	1	Gasket, Mounting	
2C	7011045	1	Kit, Pump Gasket	
2D	7011043	4	Screw, Pump Mounting	
3	0902365	1	Latch Mounting Bracket	
4	4751500	4	Flatwasher 5/16in	
5	4761500	4	Lockwasher 5/16in	
6	4400414	1	Tank, Hydraulic	
6A	7020063	1	Cap	
6B	Not Available	1	Gasket, Neoprene	
7	2120105	1	Filter Assembly	
7A	2120072	1	Element, Filter	
8	0902221	1	Bracket	
9	0641404	4	Bolt 1/4in-20NC x 5/8in	
10	4711400	16	Flatwasher 1/4in	
11	4761400	3	Lockwasher 1/4in	
12	4641036	1	Valve Assembly (See VALVE ASSEMBLY for Breakdown)	
13	1780291	1	Door Weldment	
14	3960389	34 in/86cm	Seal	
15	4567649	1	Tube, Suction - 3/4in	
16	4566969	1	Tube, Return - 3/4in	
17	1320030	2	Clamp, Hose	
18	1340052	1	Breather	
19	3520077	1	Plug, Quick Snap	
20	0641816	4	Bolt 1/2in-13NC x 2in	
21	4751800	12	Flatwasher 1/2in	
22	3311805	4	Locknut 1/2in-13NC	
23	0641408	4	Bolt 1/4in-20NC x 1in	
24	3311405	8	Locknut 1/4in-20NC	
25	4566849	2	Spacer	
26	0641412	2	Bolt 1/4in-20NC x 1 1/2in	
27	2200233	1	Plug, Drain (Prior to SN 0200071386)	
28	0100020	AR	Loctite (Prior to SN 0200071386)	
29	2940098	1	Latch	
30	2560137	1	Knob	
31	0962004	2	Bushing, Flanged Bronze	
32	0362566	2	Bar, Hinge	
33	4420037	2 ft/61cm	Tape, Rubatex	
34	0641406	4	Bolt 1/4in-20NC x 3/4in	
35	0641508	4	Bolt 5/16in-18NC x 1in	

SECTION 2 - GROUND COMPONENTS

ITEM	PART NUMBER	QTY	DESCRIPTION	REV
36	4711500	3	Flatwasher 5/16in	
37	0641505	3	Bolt 5/16in-18NC x 5/8in	
38	0100011	AR	Loctite	

SECTION 2 - GROUND COMPONENTS

FIGURE 2-2. HYDRAULIC COMPONENTS AND COVERS INSTALLATION - 2033E3 /2046E3/2646E3/2658E3



SECTION 2 - GROUND COMPONENTS

**FIGURE 2-2. HYDRAULIC COMPONENTS AND COVERS INSTALLATION - 2033E3
/2046E3/2646E3/2658E3**

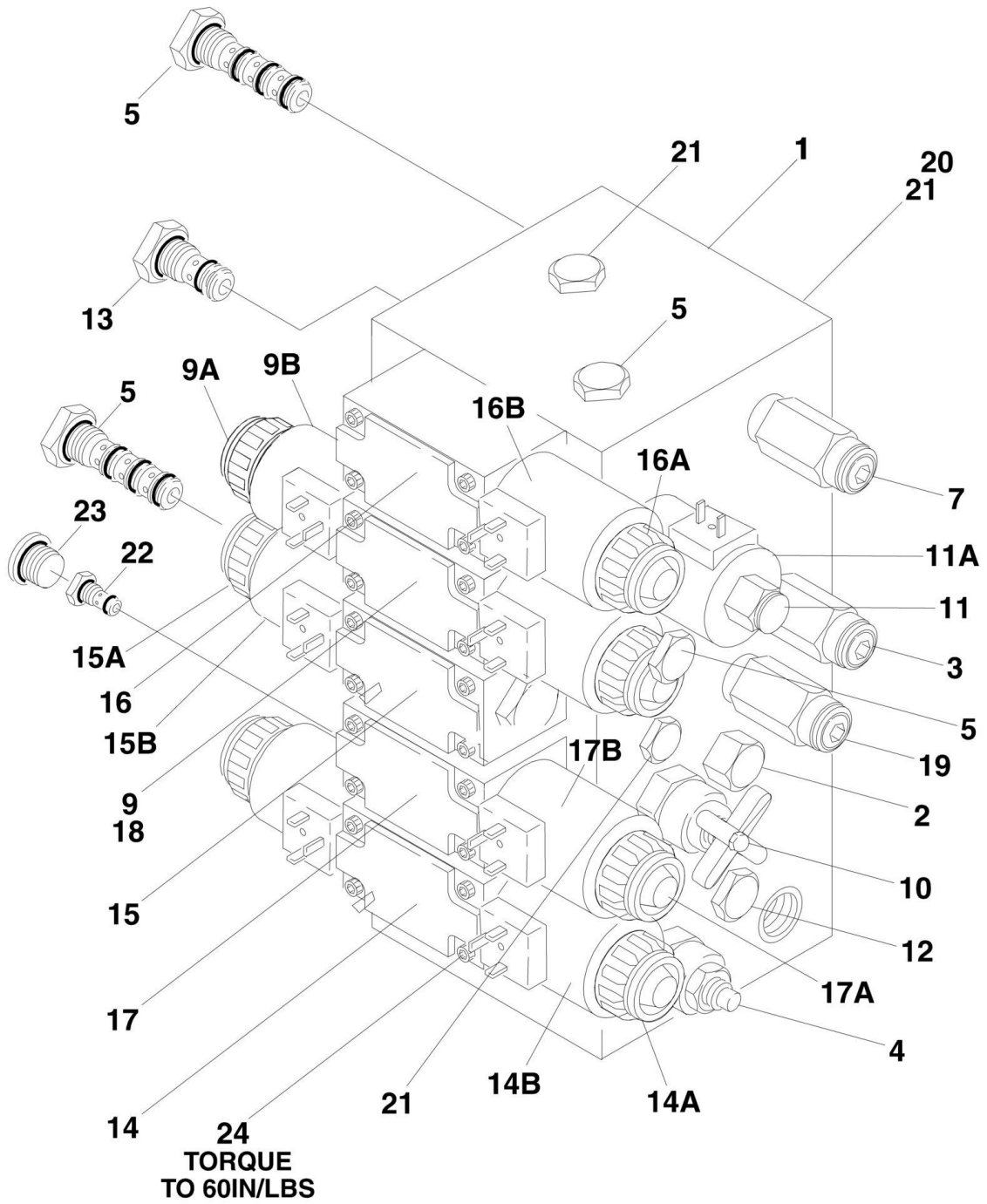
ITEM	PART NUMBER	QTY	DESCRIPTION	REV
		Ref	HYDRAULIC COMPONENTS INSTALLATIONS	
	0258126	Ref	Hydraulic Components Installations 2033E3 (Standard)	8
	0258128	Ref	Hydraulic Components Installations 2046E3/2646E3/2658E3 (Standard)	8
1		Ref	Weldment Hydraulic Tray Options:	
1	4845803	1	Weldment Hydraulic Tray 2033E3	
1	3570998	1	Weldment Hydraulic Tray 2046E3/2646E3/2658E3	
2		Ref	Hydraulic Tank Options:	
2	4400422	1	Hydraulic Tank (was p/n 4400406) (Prior to SN 0200070927)	
2	4400422	1	Hydraulic Tank (SN 0200070927 to Present)	
2A	1120491	1	Lid	
2B	3780199	1	O-Ring	
2C	2200233	1	Plug, Drain	
3	3600270	1	Pump/Motor Assembly	
3A	7010944	1	Coupling	
3B	7011041	1	Motor	
3B	7010639	2	Brush, Replacement	
3B	7010640	8	Brush Spring	
3C	7011042	1	Pump	
3C	7010903	2	Seal, Shaft	
3C	7011042	1	Pump	
3C	7011044	1	Gasket, Mounting	
3C	7011045	1	Kit, Pump Gasket	
3D	7011043	4	Screw, Pump Mounting	
4	0902477	1	Bracket, Hydraulic Tank	
5	0641408	AR	Bolt 1/4in-20NC x 1in	
6	4711400	14	Flatwasher 1/4in	
7	3311405	16	Locknut 1/4in-20NC	
8	4845801	1	Bracket, Hydraulic Pump and Filter	
9	2120105	1	Filter Assembly	
9A	2120072	1	Element, Filter	
10	0641405	2	Bolt 1/4in-20NC x 5/8in (Prior to SN 0200099124)	
11	3520077	1	Plug, Quick Snap	
12	1340052	1	Breather	
13	1320030	2	Clamp, Hose (Was 1320033) (Prior to SN 0200088491)	
14	2200233	1	Plug, Drain Only (Prior to SN 0200071386)	
15	0100020	AR	Loctite Only (Prior to SN 0200071386)	
16	4641036	1	Valve Assembly (See VALVE ASSEMBLY for Breakdown)	
17	0641508	4	Bolt 5/16in-18NC x 1in	
18	4711500	11	Flatwasher 5/16in	
19	4761500	4	Lockwasher 5/16in	
20	4761400	2	Lockwasher 1/4in	
21	4566849	2	Spacer	
22	0641412	2	Bolt 1/4in-20NC x 1 1/2in	
23	0641505	3	Bolt 5/16in-18NC x 3/4in	
24	2940099	2	Latch	
25	4751400	16	Flatwasher 1/4in	
26	0641406	13	Bolt 1/4in-20NC x 3/4in	
27	3570996	1	Plate, Valve Cover	

SECTION 2 - GROUND COMPONENTS

ITEM	PART NUMBER	QTY	DESCRIPTION	REV
28	0181874	1	Angle, Latch Stop (Left Hand)	
29	0181875	1	Angle, Latch Stop (Right Hand)	
30	2940045	2	Latch, Pad	
31	3311505	2	Locknut 5/16in-18NC	
32	4420038	10 in/25.4cm	Weatherstrip Only (Prior to SN 0200088491)	
33	4420037	38 in/96.4cm	Weatherstrip	
34	4567271	1	Tube, Return	
35	4567272	1	Tube, Feed	
36	0902476	1	Bracket, Hydraulic Tank	
37	3571007	1	Plate	
39	0100011	AR	LOCTITE #242	
		Ref	SIDE COVER INSTALLATIONS	
	0258791	Ref	Side Cover Installations 2033E3/2046E3/2646E3	1
	0258792	Ref	Side Cover Installations 2658E3	2
101		Ref	Plate, Side Cover Options:	
101	4060937	2	Plate, Side Cover 2033E3/2046E3/2646E3	
101	3570829	2	Plate, Side Cover 2658E3	
102		Ref	Bolt Options:	
102	3941406	4	Bolt 2033E3/2046E3/2646E3	
102	0641406	4	Bolt 2658E3	
103	4751400	4	Flatwasher 1/4in (2658E3 Only)	
104	3311405	4	Locknut 1/4in-20NC (2658E3 Only)	

SECTION 2 - GROUND COMPONENTS

FIGURE 2-3. VALVE ASSEMBLY



SECTION 2 - GROUND COMPONENTS

FIGURE 2-3. VALVE ASSEMBLY

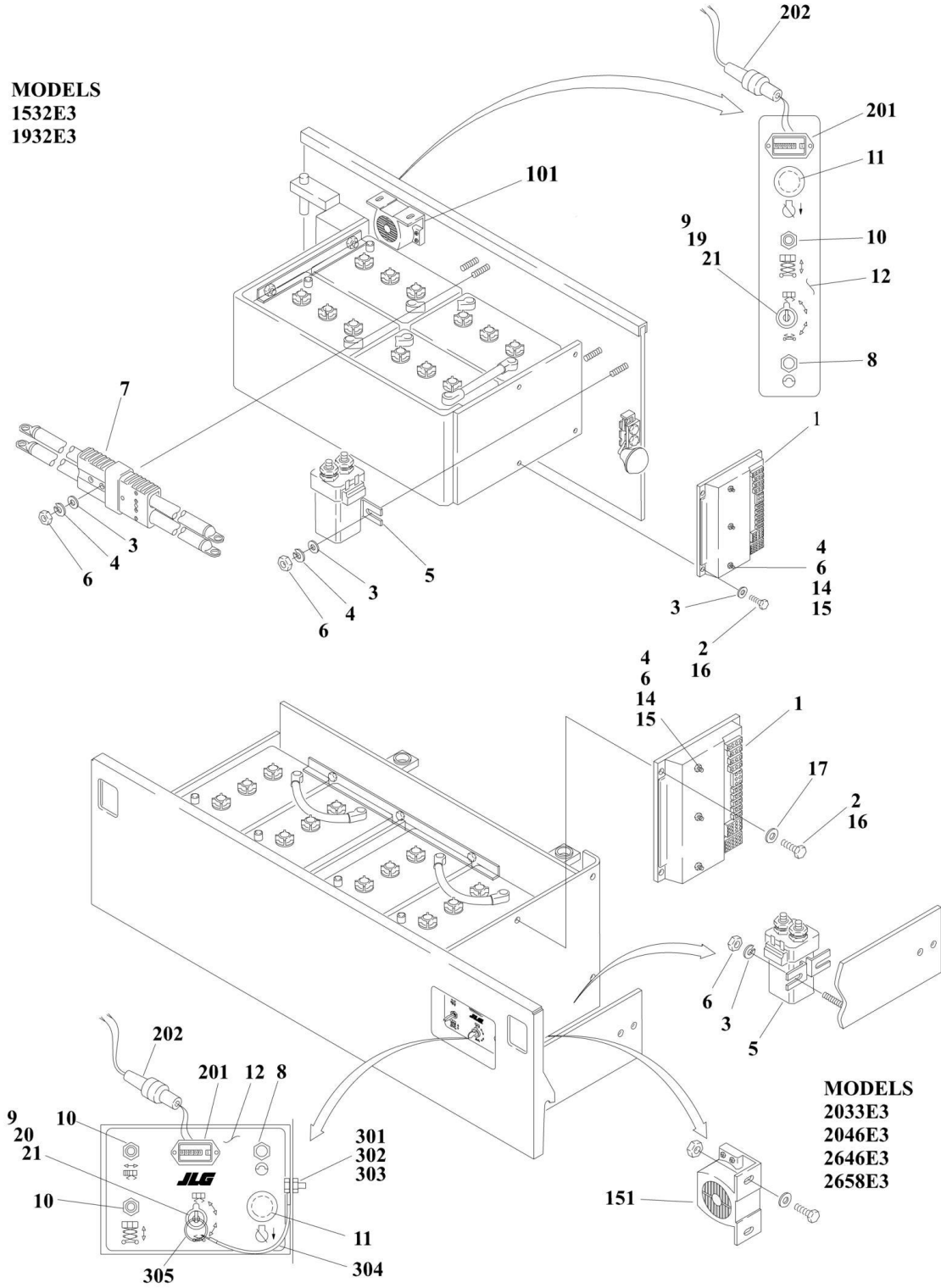
ITEM	PART NUMBER	QTY	DESCRIPTION	REV
	4641036	Ref	VALVE ASSEMBLY	G
1	Not Serviced	1	Block, Valve	
2	7021300	1	Cartridge, Valve (Load Sense)	
2	7021313	1	Seal Kit - 7021300 Cartridge	
3	7018302	1	Cartridge, Valve (Main Relief)	
3	7016351	1	Seal Kit - 7018302 Cartridge	
4	7022525	1	Cartridge, Valve (Counterbalance) (Was p/n 7021301)	
4	7016337	1	Seal Kit - 7021301 Cartridge	
4	7016337	1	Seal Kit - 7022525 Cartridge	
5	7021302	4	Cartridge, Valve (Shuttle)	
5	7021315	1	Seal Kit - 7021302 Cartridge	
7	7018302	1	Cartridge, Valve (Lift Relief)	
7	7016351	1	Seal Kit - 7018302 Cartridge	
9	7018981	1	Rexroth Valve Section (Steer) (Was p/n 7021303)	
9	7012773	2	Seal Kit - 7021303 & 7018981 Cartridge	
9A	7018912	2	Nut	
9A	7018943	2	O-Ring	
9B	7018917	2	Coil (Was p/n 7012785)	
10	7018312	1	Cartridge, Valve (Tow)	
10	7018313	1	Seal Kit - 7018312 Cartridge	
11	7018967	1	Cartridge Without Coil (Brake)	
11	7016349	1	Seal Kit - 7018967 Cartridge	
11A	7016352	1	Coil	
12	7021304	1	Cartridge, Valve (Flow Divider)	
12	7018315	1	Seal Kit - 7021304 Cartridge	
13	7018304	1	Cartridge, Valve (Check)	
13	7016315	1	Seal Kit - 7018304 Cartridge	
14	7018981	1	Rexroth Valve Section (Drive)	
14	7012773	1	Seal Kit - 7018981 Cartridge	
14A	7018912	2	Nut	
14A	7018943	1	O-Ring	
14B	7018917	2	Coil (Was p/n 7012785)	
15	7021305	1	Rexroth Valve Section (Hi-Drive)	
15	7012773	1	Seal Kit - 7021305 Cartridge	
15	7018993	1	Plug	
15A	7018912	1	Nut	
15A	7018943	1	O-Ring	
15B	7018917	1	Coil (Was p/n 7012785)	
16	7021306	1	Rexroth Valve Section (Lift)	
16	7012773	1	Seal Kit - 7021306 Cartridge	
16	7018993	1	Plug	
16A	7018912	1	Nut	
16A	7018943	1	O-Ring	
16B	7018917	1	Coil (Was p/n 7012785)	
17	7021307	1	Rexroth Valve Section (Posi-Trac)	
17	7012773	1	Seal Kit - 7021307 Cartridge	
17	7018993	1	Plug	
17A	7018912	1	Nut	
17A	7018943	1	O-Ring	
17B	7018917	1	Coil (Was p/n 7012785)	

SECTION 2 - GROUND COMPONENTS

ITEM	PART NUMBER	QTY	DESCRIPTION	REV
18	7018941	2	Orifice 1.2mm	
19	7018919	1	Cartridge, Valve (Steer Relief)	
19	7016351	1	Seal Kit - 7018919 Cartridge	
20	7018916	1	Orifice 2.0mm	
21	7018905	1	Plug	
22	7022520	1	Cartridge, Check Valve	
22	7023876	1	Seal Kit - 7022520 Cartridge	
23	7018985		Plug	
24	7018942	20	Capscrew, Socket Head #10-24NC x 2in	

SECTION 2 - GROUND COMPONENTS

FIGURE 2-4. ELECTRICAL COMPONENTS INSTALLATIONS (AT GROUND CONTROLS)



SECTION 2 - GROUND COMPONENTS

FIGURE 2-4. ELECTRICAL COMPONENTS INSTALLATIONS (AT GROUND CONTROLS)

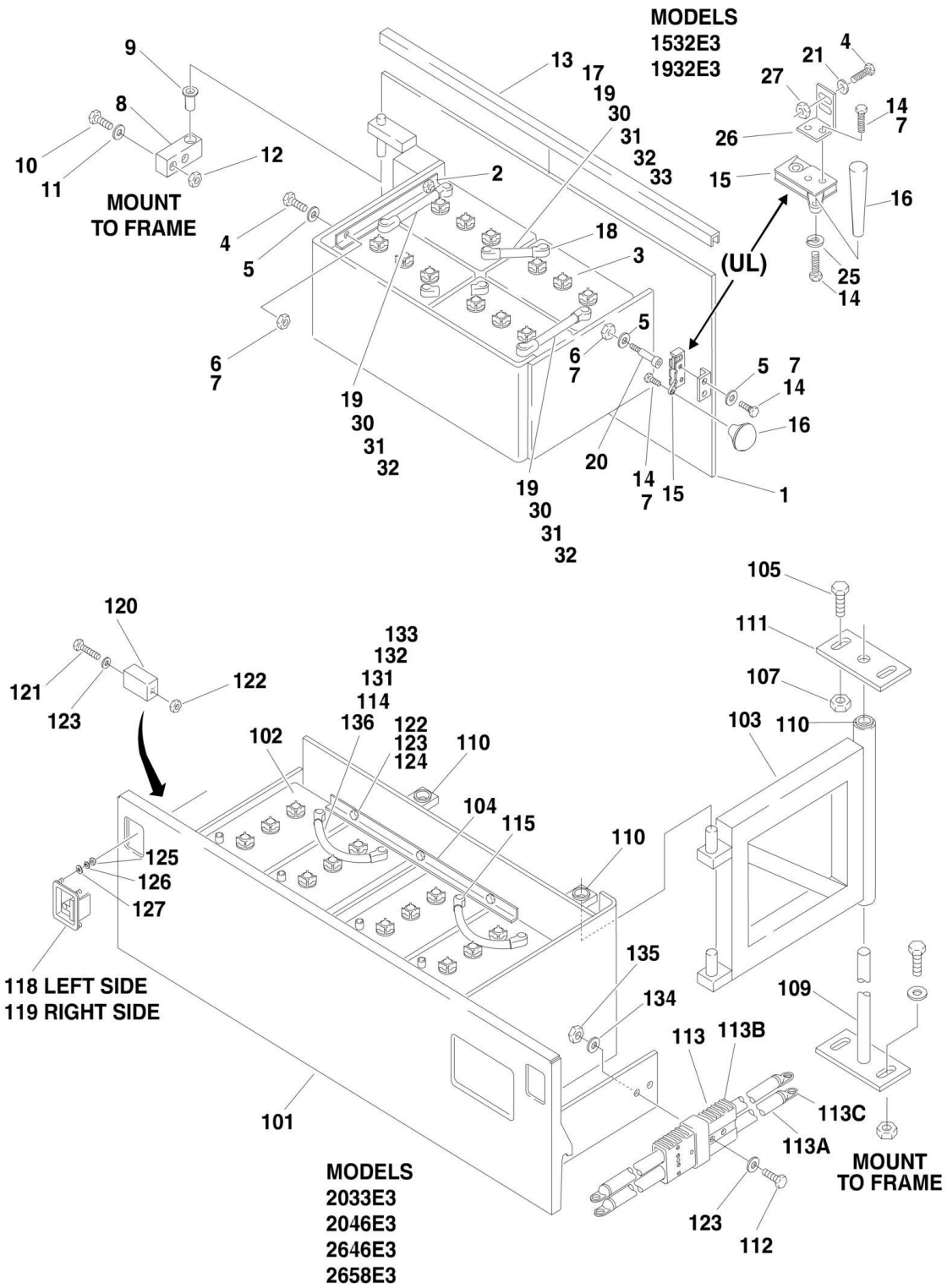
ITEM	PART NUMBER	QTY	DESCRIPTION	REV
		Ref	GROUND CONTROLS INSTALLATION OPTIONS:	
	0258156	Ref	Ground Controls Installation 1532E3/1932E3	7
	0258159	Ref	Ground Controls Installation 2033E3/2046E3/2646E3/2658E3	8
1	1600289	1	Controller, SMART System	
2	3941406	4	Self Tapping 1/4in-20NC x 3/4in	
3	4751400	AR	Flatwasher 1/4in	
4	4761400	AR	Lockwasher 1/4in	
5	3740131	1	Relay	
6	3311401	AR	Nut 1/4in-20NC	
7	1060712	1	Cable Assembly (1532E3/1932E3 Machines Only)	
7	4460618	2	Connector, Anderson	
8	4360112	1	Breaker, Circuit	
9	4360433	1	Switch, Keyed Select (Prior to SN 0200069979)	
9	7019604	1	Switch Kit (Includes o-rings, boot and locking ring)	
9	7016339	1	Key, Replacement	
9	4360472	1	Switch, Keyed Select (SN 0200069979 to Present)	
9	2860030	1	Key, Replacement	
10	4360328	1	Switch, Toggle	
11	4360289	1	Switch, Emergency Stop (Prior to SN 0200069828)	
11	7012612	1	Boot	
11	4360475	1	Switch, Emergency Stop (SN 0200069828 to Present)	
11	7020175	1	Cap	
11	7020176	1	Block, Contact	
12		Ref	Decal - Ground Controls Options:	
12	1704141	1	Decal - Ground Controls 1532E3/1932E3 (Prior to SN 0200069979)	
12	1704513	1	Decal - Ground Controls 1532E3/1932E3 (SN 0200069979 to Present)	
12	1704140	1	Decal - Ground Controls 2033E3/2046E3/2646E3/2658E3 (Prior to SN 0200069979)	
12	1704512	1	Decal - Ground Controls 2033E3/2046E3/2646E3/2658E3 (SN 0200069979 to Present)	
13	0100076	AR	Silicone (Not Shown)	
14	4740479	6	Washer, Brass 1/4in	
15	4300133	3	Stud, Brass 1/4in-20NC x 1 1/2in	
16	0100020	AR	Loctite	
17	4711400	4	Flatwasher 1/4in (Narrow) (Prior to SN 0200093627)	
18	Not Required	0	Not Required	
19	4070987	1	Shim, .015 (1532E3/1932E3 Only) (SN 0200069979 to Present)	
20	4070991	1	Shim, .125 (2033E3/2046E3/2646E3/2658E3 Only) (SN 0200069979 to Present)	
21	3910804	AR	Screw #8-32NC x 1/4in (SN 0200069979 to Present)	
		Ref	ALARM INSTALLATIONS	
	0256959	Ref	DESCENT ALARM - 1532E3/1932E3	3
	0256960	Ref	MOTION ALARM - 1532E3/1932E3	3
	0256964	Ref	TRAVEL ALARM - 1532E3/1932E3 (Prior to SN 0200071692)	2
101	0140033	1	Alarm (Remove Ground Strap Before Installation)	
101	4761400	2	Flatwasher 1/4in	
101	3311401	2	Nut 1/4in-20NC	
101		Ref	Harness, Alarm Options:	
101	4922656	1	Harness, Alarm (Was P/N 4460042) (Prior to SN 0200103404)	

SECTION 2 - GROUND COMPONENTS

ITEM	PART NUMBER	QTY	DESCRIPTION	REV
101	4922656	1	Harness, Alarm (SN 0200103404 to Present)	
	0256961	Ref	DESCENT ALARM - 2033E3/2046E3/2646E3/2658E3	2
	0256962	Ref	MOTION ALARM - 2033E3/2046E3/2646E3/2658E3	2
	0256965	Ref	TRAVEL ALARM - 2033E3/2046E3/2646E3/2658E3 (Prior to SN 0200071692)	-
151	0140033	1	Alarm (Remove Ground Strap Before Installation)	
151	0641406	2	Bolt 1/4in-20NC x 1in (2033E3/2046E3/2646E3/2658E3 Only)	
151	4711400	4	Flatwasher 1/4in	
151	3311405	2	Locknut 1/4in-20NC	
151		Ref	Harness, Alarm Options:	
151	4922656	1	Harness, Alarm (Was P/N 4460042) (Prior to SN 0200103404)	
151	4922656	1	Harness, Alarm (SN 0200103404 to Present)	
		Ref	HOURLY METER GAUGE INSTALLATIONS (OPTIONAL)	
	0256056	Ref	Hourmeter Gauge Installations 1532E3/1932E3	4
	0256058	Ref	Hourmeter Gauge Installations 2033E3/2046E3/2646E3/2658E3	5
201	2420165	1	Gauge, Hourmeter	
202	2420179	1	Filter, Hourmeter	
	0256423	Ref	KEY ATTACH INSTALLATION (OPTIONAL)	A
301	0641406	1	Bolt 1/4in-20NC x 3/4in	
302	4751400	2	Flatwasher 1/4in	
303	3311405	1	Locknut 1/4in-20NC	
304	1060379	1	Cable, Lanyard	
305	3760170	1	Ring	

SECTION 2 - GROUND COMPONENTS

FIGURE 2-5. BATTERY INSTALLATIONS



SECTION 2 - GROUND COMPONENTS

FIGURE 2-5. BATTERY INSTALLATIONS

ITEM	PART NUMBER	QTY	DESCRIPTION	REV
		Ref	BATTERY INSTALLATIONS - 1532E3/1932E3	
	0258960	Ref	Standard Machines	4
1	1780290	1	Battery Door Weldment	
2	0181880	2	Angle, Mounting	
3		Ref	Battery Options:	
3	0400215	4	Battery (Was P/N 0400169) (Prior to SN 0200112192)	
3	0400215	4	Battery (SN 0200112192 to Present)	
4	0641408	2	Bolt 1/4in-20NC x 1in	
5	4751400	11	Flatwasher 1/4in (Prior to SN 0200111444)	
6	3311401	4	Nut 1/4in-20NC (Prior to SN 0200111444)	
7	0100011	AR	Loctite #242	
8	0362566	2	Bar, Hinge	
9	0962004	2	Bushing, Flanged Bronze	
10	0641816	4	Bolt 1/2in-13NC x 2in	
11	4751800	8	Flatwasher 1/2in	
12	3311801	4	Nut 1/2in-13NC	
13	3960389	34	Seal	
		in/86.4cm		
14	0641406	7	1/4in-20NC x 3/4in	
15	2940098	1	Latch	
16	2560137	1	Knob	
18	0840031	8	Boot (Right Hand)	
19		Ref	Cable - 9in/23cm Options:	
19	1061017	3	Cable - 9in/23cm (Was P/N 1060665) (Prior to SN 0200112192)	
19	1061017	3	Cable - 9in/23cm (SN 0200112192 to Present)	
21	4711400	12	Flatwasher 1/4in - Narrow	
25	4761400	1	Lockwasher 1/4in	
26	0902365	1	Bracket, Latch Mounting	
27	3311405	6	Locknut 1/4in-20NC	
30	3300429	8	Nut 5/16in-18NC Stainless (Prior to SN 0200112192)	
31	4740474	8	Lockwasher 5/16in Stainless (Prior to SN 0200112192)	
32	0630526	8	Bolt 5/16in-18NC x 1 1/4in Stainless (Prior to SN 0200112192)	
33	0100051	AR	Grease, Battery	
		Ref	BATTERY INSTALLATIONS - 2033E3/2046E3/2646E3/2658E3	
	0258611	Ref	Standard Machines	7
	0258619	Ref	Hi Output Machines	8
101	4845802	1	Battery Door Weldment	
102		Ref	Battery Options:	
102	0400169	4	Battery - Standard	
102		Ref	Battery - Hi Output Options:	
102	0400216	4	Battery - Hi Output (Was P/N 0400151) (Prior to SN 0200112192)	
102	0400216	4	Battery - Hi Output (SN 0200112192 to Present)	
103	4845873	2	Hinge	
104	0181622	1	Angle, Battery Hold-down	
105	0791608	8	Bolt 3/8in-16NC x 1in	
107	3311608	8	Locknut, Flanged 3/8in-16NC	
109	4845130	2	Hinge	
110	0962004	8	Bushing, Flanged Bronze	

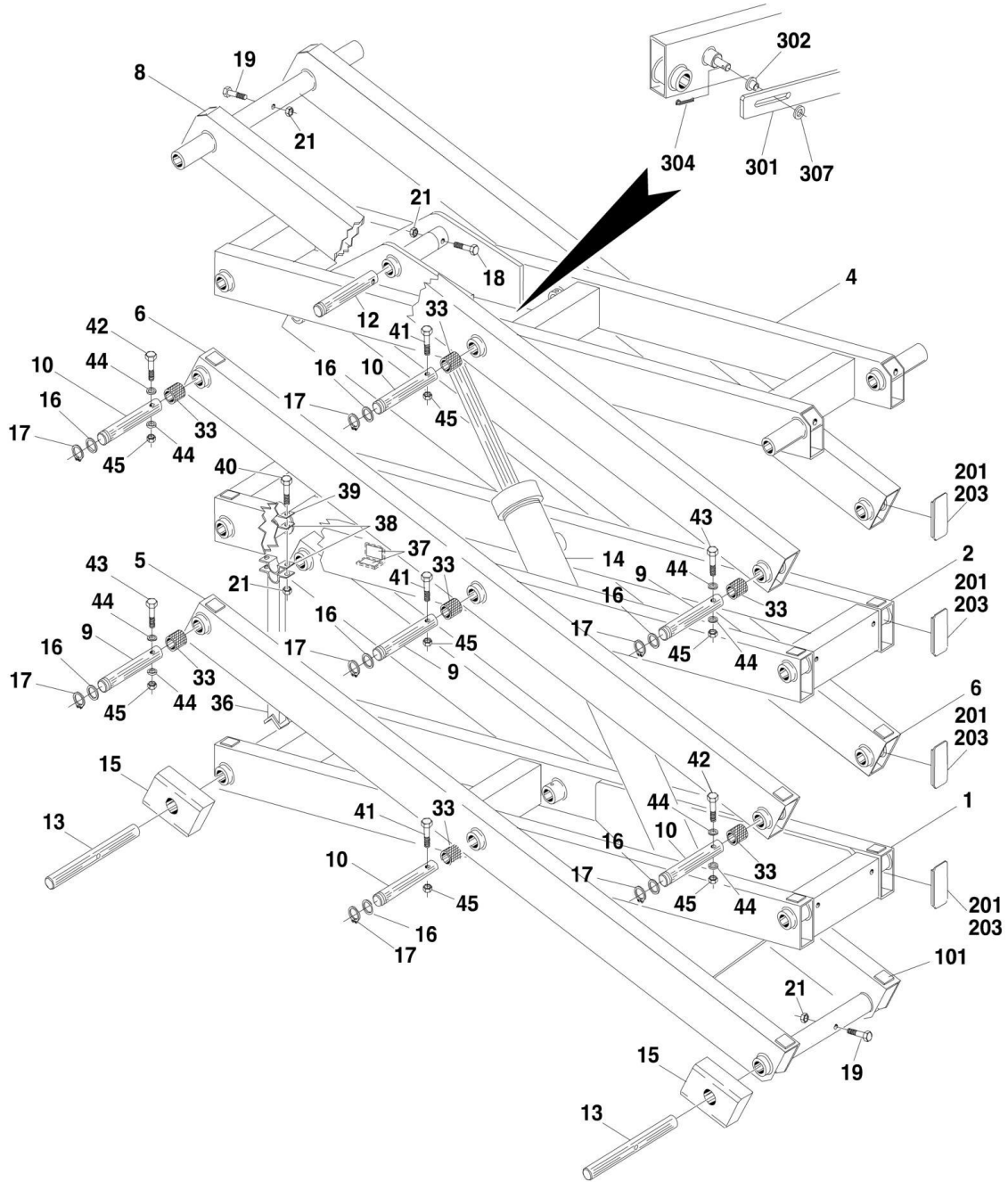
SECTION 2 - GROUND COMPONENTS

ITEM	PART NUMBER	QTY	DESCRIPTION	REV
111	3538844	2	Plate	
112	0641412	2	Bolt 1/4in-20 x 1 1/2in	
113	1060710	1	Cable, Battery	
113A	1060243	9 ft/2.74m	Cable	
113B	4460778	2	Connector, Anderson	
113C	4460443	4	Terminal Eyelet	
114		Ref	Cable, Battery Options:	
114	1061017	3	Cable, Battery (Was P/N 1060665) (Prior to SN 0200112192)	
114	1061017	3	Cable, Battery (SN 0200112192 to Present)	
115	0840031	8	Boot, Terminal	
118	2940100	1	Latch, Folding T-Handle (Left Side)	
119	2940101	1	Latch, Folding T-Handle (Right Side)	
120	4220166	1	Stop, Door	
121	0641424	1	Bolt 1/4in-20NC x 1in	
122	3311405	4	Locknut 1/4in-20NC	
123	4711400	14	Flatwasher 1/4in Narrow	
124	0641408	3	Bolt 1/4in-20NC x 1in	
125	3311001	8	Nut #10-24NC	
126	4751000	8	Flatwasher #10	
127	4761000	8	Lockwasher #10	
131	3300429	8	Nut 5/16in-18NC (Prior to SN 0200112192)	
132	4740474	8	Lockwasher 5/16in (Prior to SN 0200112192)	
133	0630526	8	Bolt 5/16in-18NC x 1 1/4in (Prior to SN 0200112192)	
134	4761400	2	Lockwasher 1/4in	
135	3311401	2	Nut 1/4in-20NC	
136	0100051	AR	Grease, Battery	

SECTION 3 - SCISSOR ARMS

SECTION 3 - SCISSOR ARMS

FIGURE 3-1. SCISSOR ARMS INSTALLATION - 1532E3



SECTION 3 - SCISSOR ARMS

FIGURE 3-1. SCISSOR ARMS INSTALLATION - 1532E3

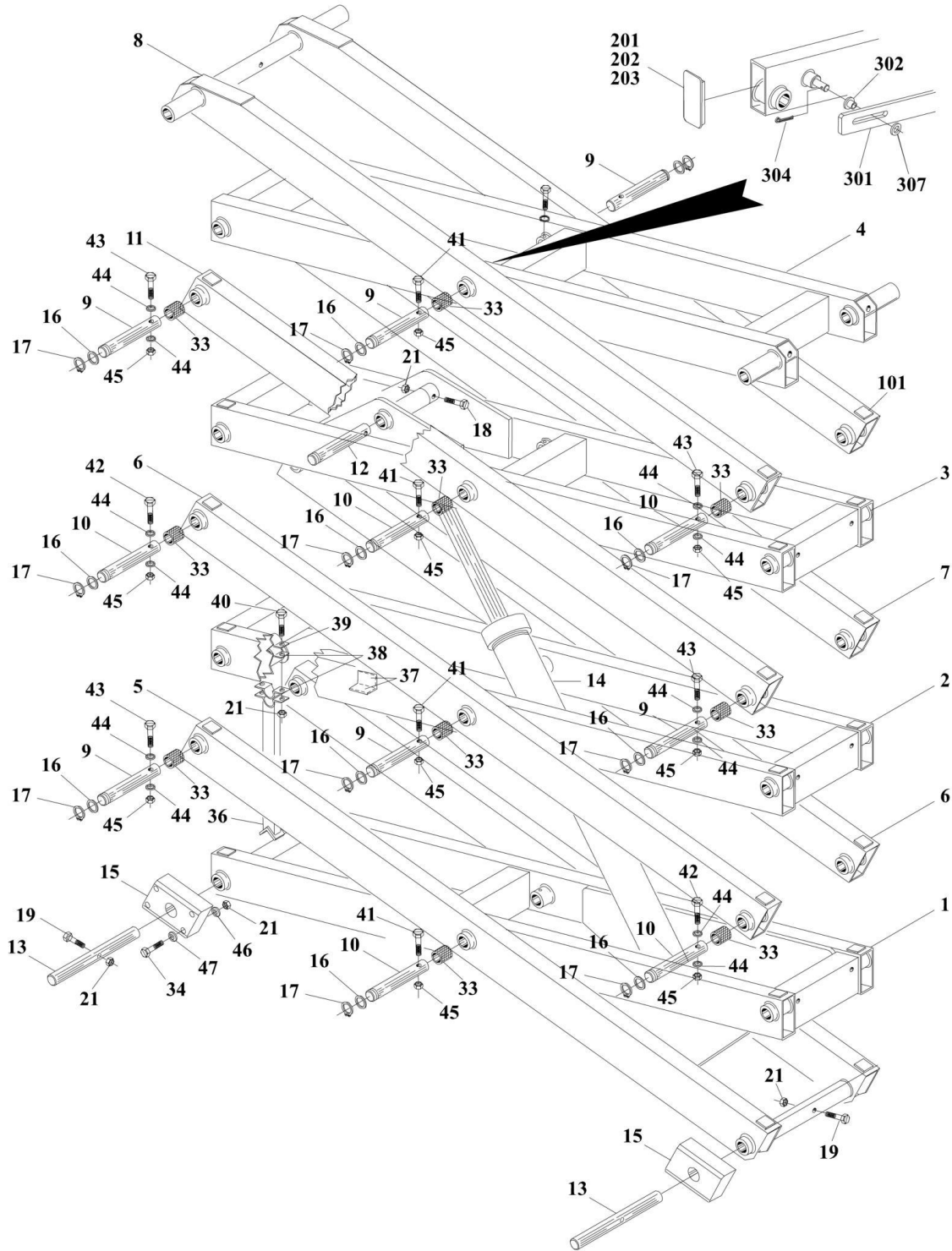
ITEM	PART NUMBER	QTY	DESCRIPTION	REV
	0258173	Ref	SCISSOR ARMS INSTALLATION - 1532E3	7-G
1	0200598	1	Arm Weldment (Bottom Inboard)	
2	0200599	1	Arm Weldment (Lower Mid Inboard)	
4	0200618	1	Arm Weldment (Top Inboard)	
5	0200602	1	Arm Weldment (Bottom Outboard)	
6	0200603	2	Arm Weldment (Mid Outboard)	
8	0200619	1	Arm Weldment (Top Outboard)	
9		Ref	Pin Options:	
9	3422951	6	Pin (p/n was 3422697) (Prior to SN 0200101173)	
9	3422951	6	Pin (SN 0200101173 to Present)	
10	3422698	8	Pin	
12	3422496	2	Pin	
13	3422495	2	Pin	
14	1683500	1	Lift Cylinder Assembly (See CYLINDER SECTION for Breakdown)	
15	3340629	4	Pad, Slide Block	
16	4740438	14	Washer, Special	
17	3760387	14	Ring, Retaining	
18	0641522	2	Bolt 5/16in-18NC x 2 3/4in	
19	0641520	2	Bolt 5/16in-18NC x 2 1/2in	
21	3311505	5	Locknut 5/16in-18NC	
33	0962010	14	Bushing	
36	4846024	1	Weldment, Safety Prop	
37	3340841	3	Pad,	
38	4240125	2	Strap	
39	4240128	1	Strap	
40	0641508	2	Bolt 5/16in-18NC x 1in	
41	0641620	6	Bolt 3/8in-16NC x 2 1/2in	
42	0641624	4	Bolt 3/8in-16NC x 3in	
43	0641628	4	Bolt 3/8in-16NC x 3 1/2in	
44	4711600	16	Washer 3/8in	
45	3311605	14	Locknut 3/8in-16NC	
	2902103	1	Kit, Arm (Includes Items 1, 2, 4, 5, 6 & 8)	
	0252586	Ref	ARM PADS INSTALLATION	3
101	3340841	16	Pad	
	0258907	Ref	ARM CAPS INSTALLATION	3-B
201	1120503	16	Cap	
203	0100084	AR	Adhesive, HV2200 Rubber	
	0258114	Ref	CABLE/HOSE CLAMPS INSTALLATION	5-D
301	3571108	1	Cable Tie, Bent	
302	4740480	2	Plastic Insert	
303	4460071	1	Strain Relief (Located on Platform) (Prior to SN 0200071187)	
304	3450304	2	Pin, Cotter	
305	4240033	10	Tie Strap 7.5in (Not Shown)	
306	4240018	9	Tie Strap 15in (Not Shown)	
307	4751600	2	Washer 3/8in Wide	
308	2820025	AR	Plastic, Spring Guard (Not Shown) (Prior to SN 0200061642)	
309	2540002	6	Loom (Not Shown) (SN 0200082955 to Present)	
		in/15.2cm		
310	1320061	2	Clamp (Not Shown) (SN 0200082955 to Present)	
311	4240127	4	Tie Strap 21in (Not Shown)	

SECTION 3 - SCISSOR ARMS

ITEM	PART NUMBER	QTY	DESCRIPTION	REV
312	4060807	1.3 ft/.4m	Shield, Flexible Trim (Not Shown)	

SECTION 3 - SCISSOR ARMS

FIGURE 3-2. SCISSOR ARMS INSTALLATION - 1932E3



SECTION 3 - SCISSOR ARMS

FIGURE 3-2. SCISSOR ARMS INSTALLATION - 1932E3

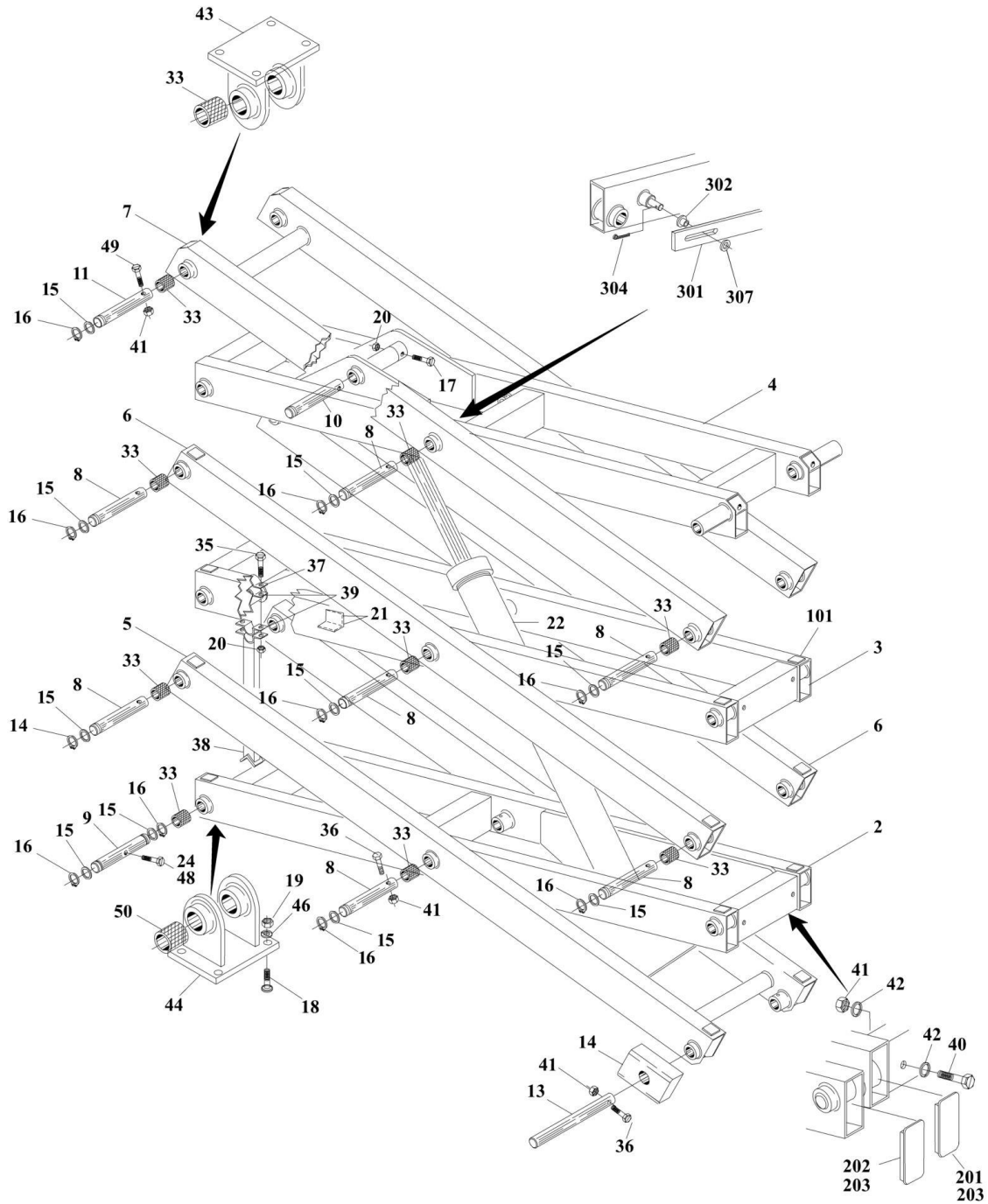
ITEM	PART NUMBER	QTY	DESCRIPTION	REV
	0258174	Ref	SCISSOR ARMS INSTALLATION - 1932E3	6-G
1	0200643	1	Arm Weldment (Bottom Inboard)	
2	0200599	1	Arm Weldment (Lower Mid Inboard)	
3	0200600	1	Arm Weldment (Upper Mid Inboard)	
4	0200601	1	Arm Weldment (Top Inboard)	
5	0200602	1	Arm Weldment (Bottom Outboard)	
6	0200644	2	Arm Weldment (Mid Outboard)	
7	0200641	1	Arm Weldment (Mid Outboard)	
8	0200604	1	Arm Weldment (Top Outboard)	
9		Ref	Pin Options:	
9	3422951	10	Pin (p/n was 3422697) (Prior to SN 0200101173)	
9	3422951	10	Pin (SN 0200101173 to Present)	
10	3422698	10	Pin	
11	0200642	1	Arm Weldment (Mid Outboard)	
12	3422496	2	Pin	
13	3422495	2	Pin	
14	1683500	1	Lift Cylinder Assembly (See CYLINDER SECTION for Breakdown)	
15	3340629	2	Pad, Slide Block	
16	4740438	20	Washer, Special	
17	3760387	20	Ring, Retaining	
18	0641522	2	Bolt 5/16in-18NC x 2 3/4in	
19	0641520	2	Bolt 5/16in-18NC x 2 1/2in	
21	3311505	14	Locknut 5/16in-18NC	
33	0962010	40	Bushing, Excelite	
34	0641524	8	Bolt 5/16in-18NC x 3in	
36	4846024	1	Weldment, Safety Prop	
37	3340841	3	Pad	
38	4240125	2	Strap	
39	4240128	1	Strap	
40	0641508	2	Bolt 5/16in-18NC x 1in	
41	0641620	8	Bolt 3/8in-16NC x 2 1/2in	
42	0641624	4	Bolt 3/8in-16NC x 3in	
43	0641628	8	Bolt 3/8in-16NC x 3 1/2in	
44	4711600	24	Flatwasher 3/8in	
45	3311605	20	Locknut 3/8in-16NC	
46	4751500	8	Flatwasher 5/16in	
47	4711500	8	Flatwasher 5/16in Narrow	
	2902104	1	Kit, Arm (Includes Items 1- 8)	
	0252587	Ref	ARM PADS INSTALLATION	3
101	3340841	24	Pad	
	0258908	Ref	ARM CAPS INSTALLATION	3-B
201	1120503	10	1/8in Wall Thickness Arm Tube - Cap	
202	1120518	14	3/16in Wall Thickness Arm Tube - Cap	
203	0100084	AR	Adhesive, HV2200 Rubber	
	0258115	Ref	CABLE/HOSE CLAMPS INSTALLATION	5-D
301	3571108	2	Cable Tie, Bent	
302	4740480	4	Plastic Insert	
303	4460071	1	Strain Relief (Not Shown - Located on Platform) (Prior to SN 0200071187)	
304	3450304	4	Pin, Cotter	

SECTION 3 - SCISSOR ARMS

ITEM	PART NUMBER	QTY	DESCRIPTION	REV
305	4240033	19	Tie Strap 7.5in (Not Shown)	
306	4240018	6	Tie Strap 15in (Not Shown)	
307	4751600	4	Washer 3/8in Wide	
308	2820025	AR	Plastic, Spring Guard (Not Shown) (Prior to SN 0200061642)	
309	2540002	6 in/15.2cm	Loom (Not Shown) (SN 0200082955 to Present)	
310	1320061	2	Clamp (Not Shown) (SN 0200082955 to Present)	
311	4240127	4	Tie Strap 21in (Not Shown)	
312	4060807	1.3 ft/.4m	Shield, Flexible Trim (Not Shown)	

SECTION 3 - SCISSOR ARMS

FIGURE 3-3. SCISSOR ARMS INSTALLATION - 2033E3



SECTION 3 - SCISSOR ARMS

FIGURE 3-3. SCISSOR ARMS INSTALLATION - 2033E3

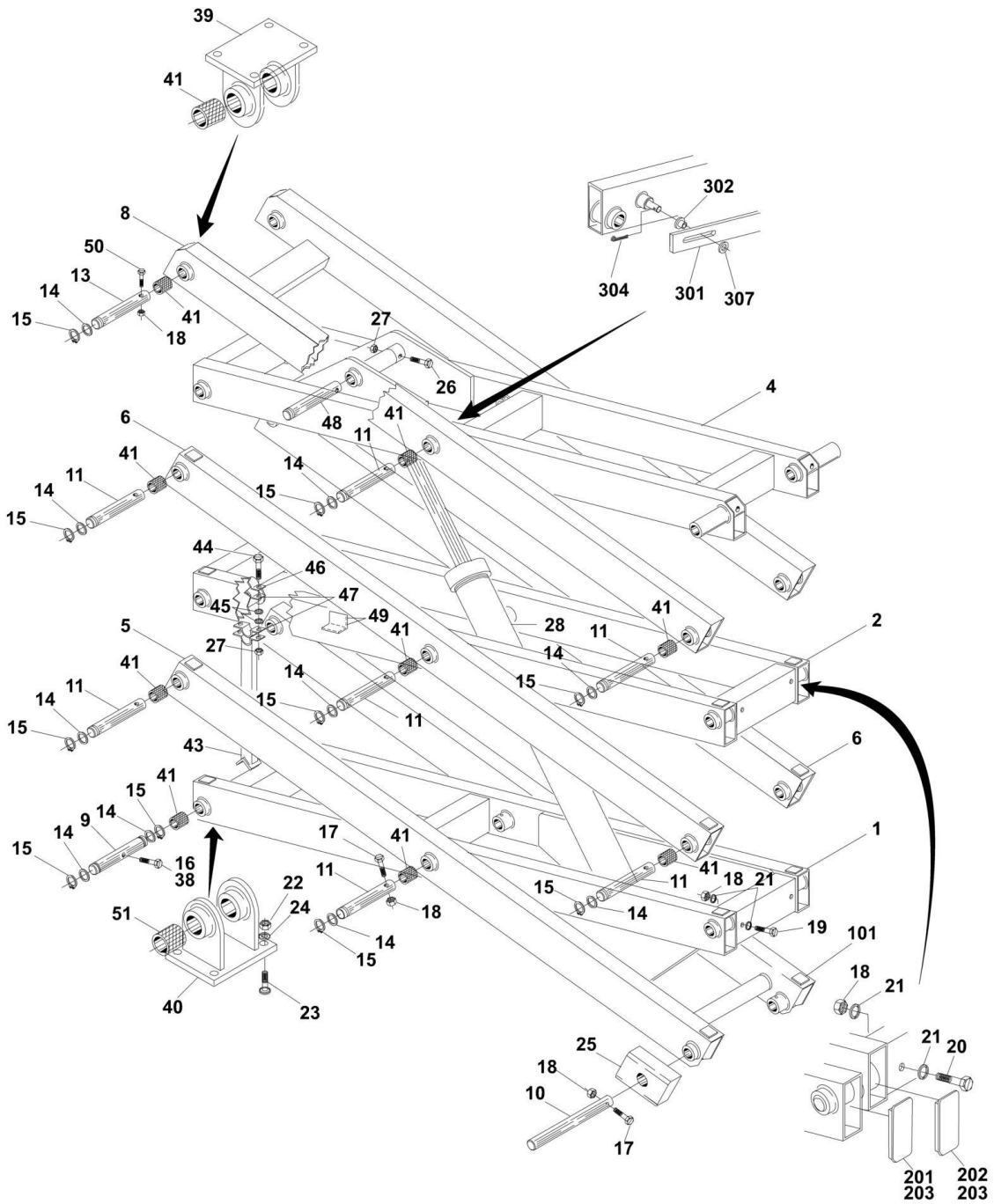
ITEM	PART NUMBER	QTY	DESCRIPTION	REV
	0258778	Ref	SCISSOR ARMS INSTALLATION - 2033E3	8
2	0200624	1	Arm Weldment (Lower Inboard)	
3	0200566	1	Arm Weldment (Mid Inboard)	
4	0200567	1	Arm Weldment (Upper Inboard)	
5	0200623	1	Arm Weldment (Bottom Outboard)	
6	0200569	2	Arm Weldment (Mid Outboard)	
7	0200570	1	Arm Weldment (Top Outboard)	
8	3422711	14	Pin	
9	3422712	2	Pin	
10	3422714	2	Pin	
11	3422713	2	Pin	
13	3422709	2	Pin	
14	3340629	2	Pad, Slide Block	
15	4740438	18	Washer, Special	
16	3760387	18	Ring, Retaining	
17	0641522	2	Bolt 5/16in-18NC x 2 3/4in	
18	0630523	8	Bolt 1/2-20NF x 1 5/8	
19	3321801	8	Nut 1/2-20N	
20	3311505	4	Locknut 5/16in-18NC	
21	3340841	3	Pad,	
22	1683627	1	Lift Cylinder Assembly (See CYLINDER SECTION for Breakdown)	
24	0100011	AR	Loctite #242 (Not Shown)	
33	0962220	32	Bushing, Garmax	
35	0641508	2	Bolt 5/16in-18NC x 1in	
36	0641620	8	Bolt 3/8in-16NC x 2 1/2in	
37	4240128	1	Strap	
38	4846024	1	Weldment, Safety Prop	
39	4240125	2	Strap	
40	0641638	8	Bolt 3/8in-16NC x 4 3/4in	
41	3311605	16	Locknut 3/8in-16NC	
42	4711600	18	Flatwasher	
43	4845560	2	Weldment, Stationary Pivot (Top)	
44	4845559	2	Weldment, Stationary Pivot (Bottom)	
46	4711800	8	Flatwasher	
47	4240033	3	Tie Strap (Not Shown)	
48	0681610	2	Bolt 3/8in-16NC x 1 1/4in	
49	0641618	2	Bolt 3/8in-16NC x 2 1/4in	
50	0962234	4	Bushing, Garmax	
	2902106	1	Kit, Arm (Includes Items 2 - 7)	
	0252586	Ref	ARM PADS INSTALLATION	3
101	3340841	16	Pad	
	0258120	Ref	ARM CAPS INSTALLATION	3
201	1120500	14	3/16in Wall Thickness Arm Tube - Cap	
202	1120501	2	1/4in Wall Thickness Arm Tube - Cap	
203	0100084	AR	Adhesive, HV2200 Rubber	
		Ref	CABLE/HOSE CLAMPS INSTALLATIONS	
	0258116	Ref	Cable/Hose Clamps Installations (Prior to SN 0200056690)	4-D
	0259313	Ref	Cable/Hose Clamps Installations (SN 0200056690 to Present)	4-C
301	0362801	2	Bar, Cable Rod	
302	4740480	4	Plastic Insert	

SECTION 3 - SCISSOR ARMS

ITEM	PART NUMBER	QTY	DESCRIPTION	REV
303	4460071	1	Strain Relief (Not Shown - Located on Platform) (Prior to SN 0200082955)	
304	3450404	4	Pin, Cotter	
305	4240033	16	Tie Strap 7.5in (Not Shown)	
306	4240018	8	Tie Strap 15in (Not Shown)	
307	4751500	4	Washer 5/16in Wide	
308	1320061	2	Clamp (Not Shown - Located on Platform)	
309	2540002	6	Loom (Not Shown) (SN 0200082955 to Present)	
		in/15.2cm		
310	4240127	3	Tie Strap 21in (Not Shown)	
311	4060807	1.3 ft/.4m	Shield, Flexible Trim (Not Shown)	
312	0641406	2	Bolt, 1/4-20NC x 3/4in (Not Shown)	
313	3311405	2	Lock Nut (Not Shown)	

SECTION 3 - SCISSOR ARMS

FIGURE 3-4. SCISSOR ARMS INSTALLATION - 2046E3



SECTION 3 - SCISSOR ARMS

FIGURE 3-4. SCISSOR ARMS INSTALLATION - 2046E3

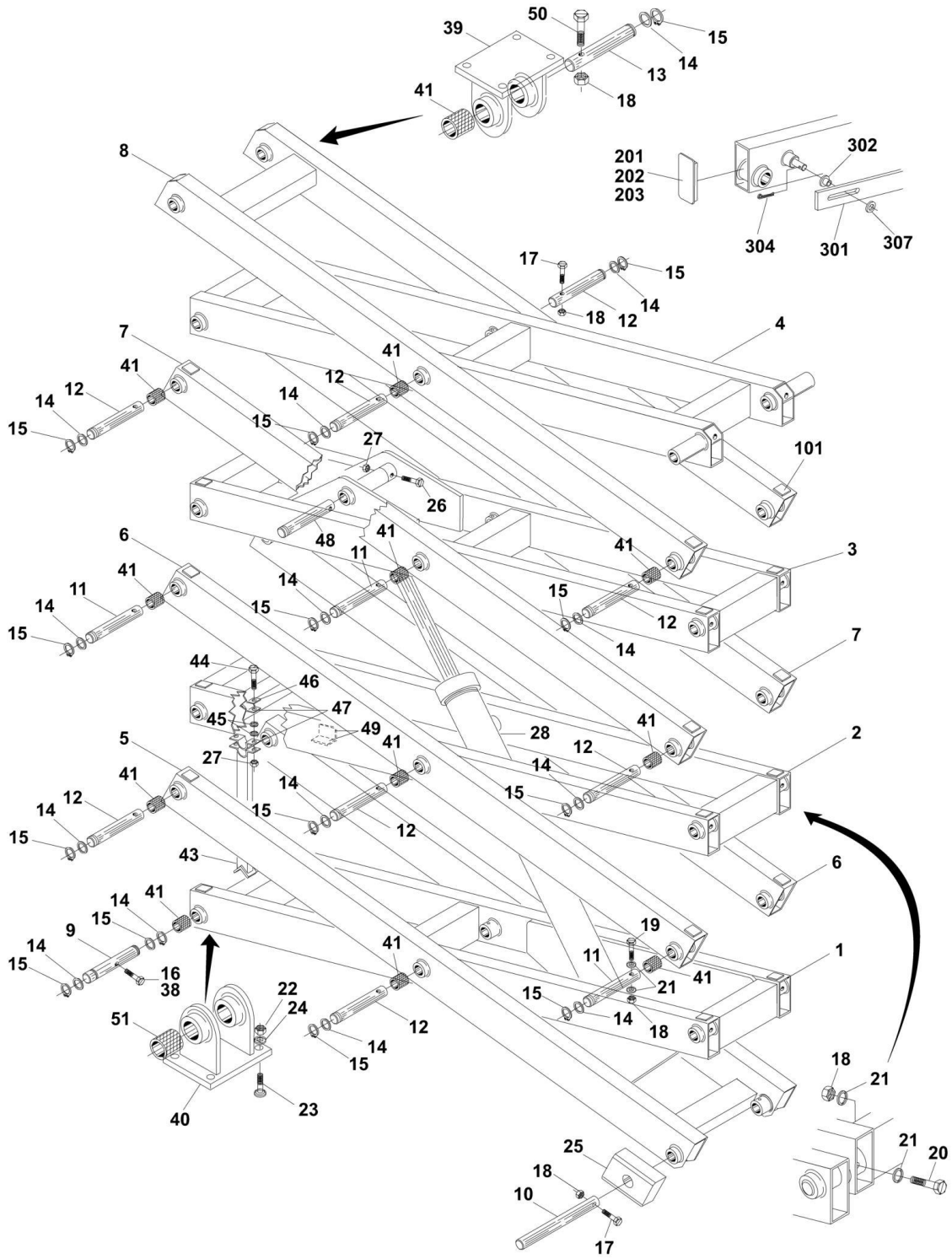
ITEM	PART NUMBER	QTY	DESCRIPTION	REV
	0258084	Ref	SCISSOR ARMS INSTALLATION - 2046E3	9
1	0200626	1	Arm Weldment (Lower Inboard)	
2	0200588	1	Arm Weldment (Mid Inboard)	
4	0200625	1	Arm Weldment (Upper Inboard)	
5	0200589	1	Arm Weldment (Bottom Outboard)	
6	0200569	2	Arm Weldment (Mid Outboard)	
8	0200590	1	Arm Weldment (Top Outboard)	
9	3422712	2	Pin	
10	3422709	2	Pin	
11	3422711	14	Pin	
13	3422713	2	Pin	
14	4740438	18	Washer, Special	
15	3760387	18	Ring, Retaining	
16	0681610	2	Bolt 3/8in-16NC x 1 1/4in	
17	0641620	8	Bolt 3/8in-16NC x 2 1/2in	
18	3311605	18	Locknut 3/8in-16NC	
19	0641630	2	Bolt 3/8in-16NC x 3 3/4in	
20	0641638	6	Bolt 3/8in-16NC x 4 3/4in	
21	4711600	16	Flatwasher 3/8in	
22	3321801	8	Nut 1/2in-20NF	
23	0630523	8	Bolt 1/2in-20NF x 1 5/8	
24	4711800	8	Flatwasher 1/2in	
25	3340629	2	Pad, Slide Block	
26	0641522	2	Bolt 5/16in-18NC x 2 3/4in	
27	3311505	2	Locknut 5/16in-18NC	
28	1683627	1	Lift Cylinder Assembly (See CYLINDER SECTION for Breakdown)	
38	0100011	AR	Loctite #242	
39	4845560	2	Weldment, Stationary Pivot (Top)	
40	4845559	2	Weldment, Stationary Pivot (Bottom)	
41	0962220	32	Bushing, Garmax	
43	4845849	1	Weldment, Safety Prop	
44	0641508	4	Bolt 5/16in-18NC x 1in	
45	4711500	4	Flatwasher 5/16in Narrow	
46	4240128	2	Strap	
47	4240125	4	Strap	
48	3422485	2	Pin	
49	3340841	3	Pad, PVC	
50	0641618	2	Bolt 3/8in-16NC x 2 1/4in	
51	0962234	4	Bushing, Garmax	
	2902107	1	Kit, Arm (Includes Items 1, 2, 4, 5, 6 & 8)	
	0252586	Ref	ARM PADS INSTALLATION	3
101	3340841	16	Pad	
	0258120	Ref	ARM CAPS INSTALLATION	3
201	1120500	14	3/16in Wall Thickness Arm Tube - Cap	
202	1120501	2	1/4in Wall Thickness Arm Tube - Cap	
203	0100084	AR	Adhesive, HV2200 Rubber	
	0258116	Ref	CABLE/HOSE CLAMPS INSTALLATION	4-D
301	0362801	1	Bar, Cable Rod	
302	4740480	2	Plastic Insert	

SECTION 3 - SCISSOR ARMS

ITEM	PART NUMBER	QTY	DESCRIPTION	REV
303	4460071	1	Strain Relief (Not Shown - Located on Platform) (Prior to SN 0200082955)	
304	3450304	2	Pin, Cotter	
305	4240033	14	Tie Strap 7.5in (Not Shown)	
306	4240018	8	Tie Strap 15in (Not Shown)	
307	4751500	2	Washer 5/16in Wide	
308	1320061	AR	Clamp (Not Shown - Located on Platform)	
309	2540002	6 in/15.2cm	Loom (Not Shown) (SN 0200082955 to Present)	
310	4240127	3	Tie Strap 21in (Not Shown)	
311	4060807	1.3 ft/.4m	Shield, Flexible Trim (Not Shown)	
312	0641406	2	Bolt, 1/4-20NC x 3/4in (Not Shown)	
313	3311405	2	Lock Nut (Not Shown)	

SECTION 3 - SCISSOR ARMS

FIGURE 3-5. SCISSOR ARMS INSTALLATION - 2646E3/2658E3



SECTION 3 - SCISSOR ARMS

FIGURE 3-5. SCISSOR ARMS INSTALLATION - 2646E3/2658E3

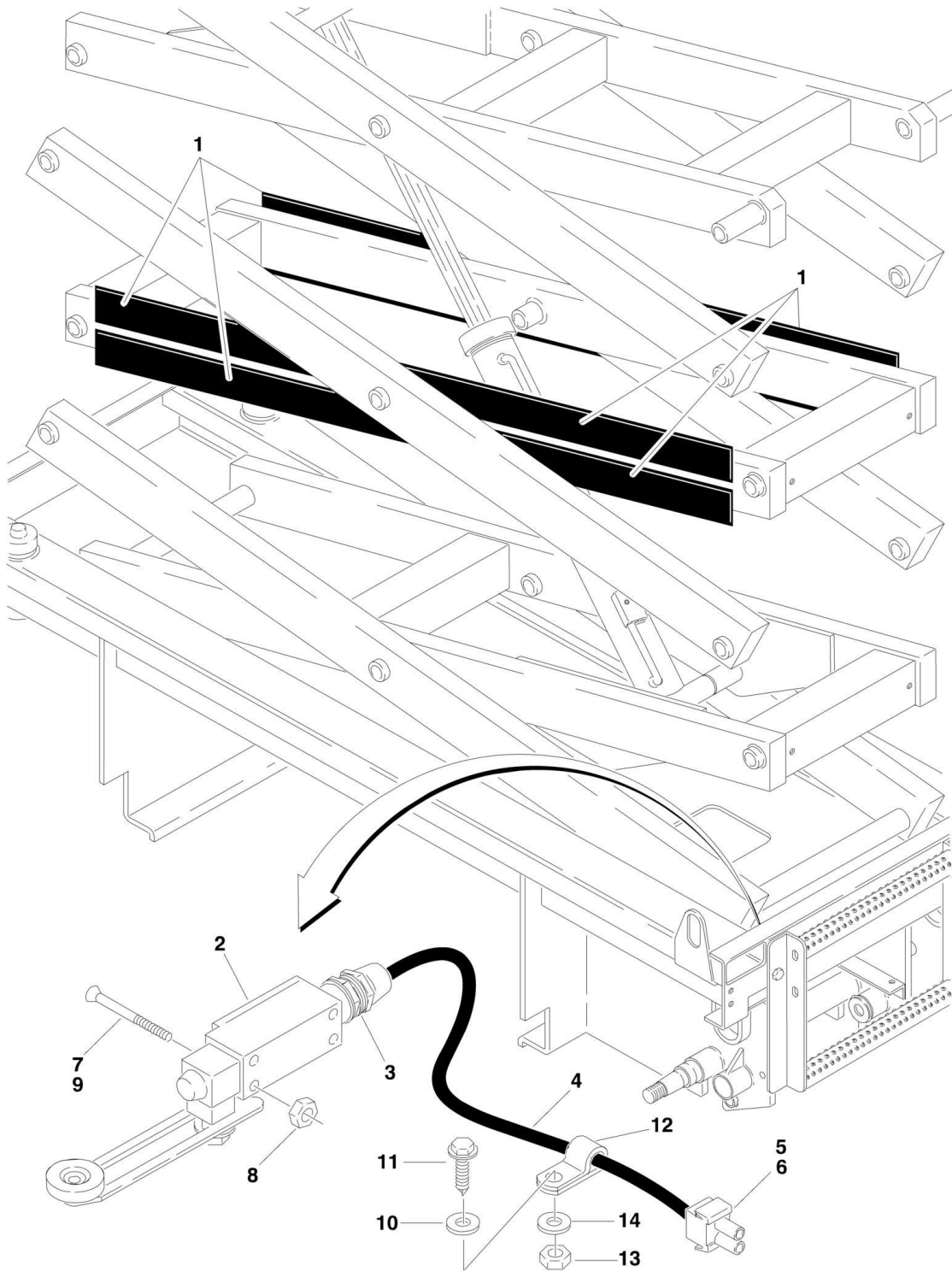
ITEM	PART NUMBER	QTY	DESCRIPTION	REV
		Ref	SCISSOR ARMS INSTALLATION - 2646E3/2658E3	
	0258085	Ref	Machines without Power Deck	10
1	0200593	1	Arm Weldment (Lower Inboard)	
2	0200588	1	Arm Weldment (Mid Inboard)	
3	0200597	1	Arm Weldment (Mid Upper Inboard)	
4	0200592	1	Arm Weldment (Upper Inboard)	
5	0200589	1	Arm Weldment (Bottom Outboard)	
6	0200569	2	Arm Weldment (Mid Outboard)	
7	0200596	2	Arm Weldment (Mid Outboard)	
8	0200590	1	Arm Weldment (Top Outboard)	
9	3422712	2	Pin	
10	3422709	2	Pin	
11	3422751	6	Pin	
12	3422711	14	Pin	
13	3422713	2	Pin	
14	4740438	24	Washer, Special	
15	3760387	24	Ring, Retaining	
16	0681610	2	Bolt 3/8in-16NC x 1 1/4in	
17	0641620	10	Bolt 3/8in-16NC x 2 1/2in	
18	3311605	24	Locknut 3/8in-16NC	
19	0641630	2	Bolt 3/8in-16NC x 3 3/4in	
20	0641638	10	Bolt 3/8in-16NC x 4 3/4in	
21	4711600	24	Flatwasher 3/8in Narrow	
22	3321801	8	Nut 1/2in-20NF	
23	0630523	8	Bolt 1/2in-20NF x 1 5/8	
24	4711800	8	Flatwasher 1/2in	
25	3340629	2	Pad, Slide Block	
26	0641522	2	Bolt 5/16in-18NC x 2 3/4in	
27	3311505	6	Locknut 5/16in-18NC	
28	1683628	1	Lift Cylinder Assembly (See CYLINDER SECTION for Breakdown)	
38	0100011	AR	Loctite #242	
39	4845560	2	Weldment, Stationary Pivot (Top)	
40	4845559	2	Weldment, Stationary Pivot (Bottom)	
41	0962220	44	Bushing, Garmax	
43	4845849	1	Weldment, Safety Prop	
44	0641508	4	Bolt 5/16in-18NC x 1in	
45	4711500	4	Flatwasher 5/16in Narrow	
46	4240128	2	Strap	
47	4240125	4	Strap	
48	3422485	2	Pin	
49	3340841	3	Pad, PVC	
50	0641618	2	Bolt 3/8in-16NC x 2 1/4in	
51	0962234	4	Bushing, Garmax	
	2902108	1	Kit, Arm (Includes Items 1 - 8)	
	0252587	Ref	ARM PADS INSTALLATION	3
101	3340841	24	Pad	
	0258121	Ref	ARM CAPS INSTALLATION	3
201	1120500	14	3/16in Wall Thickness Arm Tube - Cap	
202	1120501	10	1/4in Wall Thickness Arm Tube - Cap	

SECTION 3 - SCISSOR ARMS

ITEM	PART NUMBER	QTY	DESCRIPTION	REV
203	0100084	AR	Adhesive, HV2200 Rubber	
	0258117	Ref	CABLE/HOSE CLAMPS INSTALLATION (2646E3)	7
	0259218	Ref	CABLE/HOSE CLAMPS INSTALLATION (2658E3)	6
301	0362801	2	Bar, Cable Rod	
302	4740480	4	Plastic Insert	
303		Ref	Strain Relief Options (Not Shown - Located on Platform):	
303	4460071	1	Strain Relief (Was p/n 4460049) (Prior to SN 0200063629)	
303	4460071	1	Strain Relief (SN 0200063629 through 0200082955)	
304	3450304	4	Pin, Cotter	
305	4240033	24	Tie Strap 7.5in (Not Shown)	
306	4240018	3	Tie Strap 15in (Not Shown)	
307	4711500	4	Flatwasher 5/16in Narrow	
308	1320061	4	Clamp (Not Shown - Located on Platform and Frame)	
309	2540002	1 ft/0.30m	Loom (Not Shown) (SN 0200082955 to Present)	
310	4060807	0.4 ft/1.0cm	Shield, Flex Trim (Not Shown) (2658E3 Only) (Prior to SN 0200082955)	
311	0641406	2	Bolt 1/4in-20NC x 3/4 (Not Shown - Located on Frame) (SN 0200099108 to Present)	
312	3311405	2	Locknut 1/4in-20NC (Not Shown - Located on Frame) (SN 0200099108 to Present)	
313	4240127	3	Tie Strap 21in (Not Shown)	
314	4060807	1.3 ft/.4m	Shield, Flexible Trim (Not Shown)	

SECTION 3 - SCISSOR ARMS

FIGURE 3-6. PLATFORM DESCENT DELAY SYSTEM INSTALLATION -
1532E3/1932E3/2033E3/2046E3/2646E3



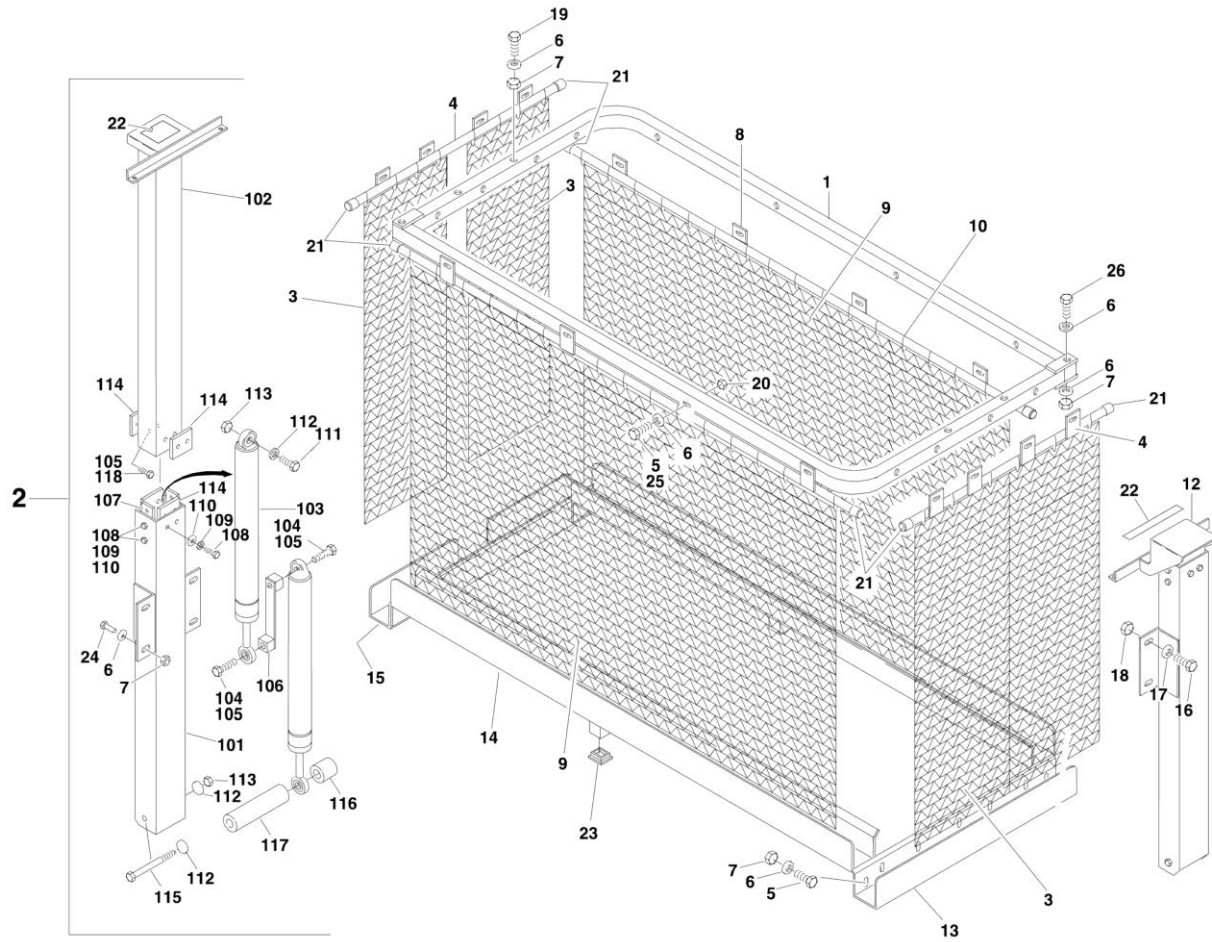
SECTION 3 - SCISSOR ARMS

**FIGURE 3-6. PLATFORM DESCENT DELAY SYSTEM INSTALLATION -
1532E3/1932E3/2033E3/2046E3/2646E3**

ITEM	PART NUMBER	QTY	DESCRIPTION	REV
	0258196	Ref	PLATFORM DESCENT DELAY SYSTEM - 1532E3	5
	0258197	Ref	PLATFORM DESCENT DELAY SYSTEM - 1932E3	5
	0258198	Ref	PLATFORM DESCENT DELAY SYSTEM - 2033E3/2046E3	5
	0258199	Ref	PLATFORM DESCENT DELAY SYSTEM - 2646E3	5
1		Ref	Blade, Rubber Options:	
1	4280301	14.7 ft/4.5m	Blade, Rubber 1532E3 (Prior to SN 0200090622)	
1	4061009	20 ft/6.1m	Blade, Rubber 1532E3 (SN 0200090622 to Present)	
1	4280301	25.7 ft/7.8m	Blade, Rubber 1932E3 (Prior to SN 0200090622)	
1	4061009	28 ft/8.6m	Blade, Rubber 1932E3 (SN 0200090622 to Present)	
1	4280301	23 ft/7m	Blade, Rubber 2033E3/2046E3 (Prior to SN 0200090622)	
1	4061008	20 ft/6.1m	Blade, Rubber 2033E3/2046E3 (SN 0200090622 to Present)	
1	4280301	40.25 ft/12.3m	Blade, Rubber 2646E3 (Prior to SN 0200090622)	
1	4061008	28 ft/8.6m	Blade, Rubber 2646E3 (SN 0200090622 to Present)	
2	4360397	1	Switch, Limit	
3		Ref	Connector, Strain Relief Options:	
3	4460052	1	Connector, Strain Relief (Prior to SN 0200090622)	
3	4460662	1	Connector, Strain Relief (SN 0200090622 to Present)	
4		Ref	Cable, Electrical Options:	
4	1060341	9 ft/2.7m	16/2 Cable (Prior to SN 0200066023)	
4	1060680	9 ft/2.7m	18/2 Cable (SN 0200066023 to Present)	
5		Ref	Connector, Electrical Options:	
5	4460326	1	Connector, Electrical (Prior to SN 0200099089)	
5	4460320	1	Connector, Electrical (SN 0200099089 to Present)	
6		Ref	Socket Options:	
6	4460226	2	Socket (Prior to SN 0200099089)	
6	4460328	2	Socket (SN 0200099089 to Present)	
7	3911024	2	Screw, Round Head #10-24NC x 1 1/2in	
8		Ref	Nut #10-24NC Options:	
8	3311001	2	Nut #10-24NC (Prior to SN 0200090622)	
8	3311005	2	Nut #10-24NC (SN 0200090622 to Present)	
9	0100035	AR	Loctite #222 (Prior to SN 0200090622)	
10	4751000	2	Flatwasher #10	
11	3941406	2	Screw Self-Tapping 1/4in x 3/4in (2033E3/2046E3/2646E3 Only)	
12	1320224	2	Clamp, Cable (2033E3/2046E3/2646E3 Only)	
13	3311405	2	Locknut 1/4in-20NC (2033E3/2046E3/2646E3 Only)	
14	4711400	2	Flatwasher 1/4in (2033E3/2046E3/2646E3 Only)	

SECTION 3 - SCISSOR ARMS

FIGURE 3-7. ARM GUARDS INSTALLATION - 2658E3



SECTION 3 - SCISSOR ARMS

FIGURE 3-7. ARM GUARDS INSTALLATION - 2658E3

ITEM	PART NUMBER	QTY	DESCRIPTION	REV
	0258200	Ref	ARM GUARDS INSTALLATION	4-C
1		Ref	Weldment, Top Rail Options:	
1	4846663	2	Weldment, Top Rail (Was P/N 4845893) (Prior to SN 0200105071)	
1	4846663	2	Weldment, Top Rail (SN 0200105071 to Present)	
2	0256616	1	Actuator Assembly (Rear) (See 101-118 for Breakdown)	
3	0480112	4	Belt, Mesh - End	
4	4845891	2	Weldment, Hanger - End	
5	0641406	22	Bolt 1/4in-20NC x3/4in	
6	4711400	34	Flatwasher 1/4in Narrow	
7	3311405	14	Locknut 1/4in-20NC	
8	4845510	2	Weldment, Hanger - Side	
9	0480092	2	Belt, Mesh - Side	
10	4240033	92	Tie-Strap	
12	0256615	1	Actuator Assembly (Front) (See 101-118 for Breakdown)	
13	3571267	1	Plate, End Tray	
14	4845371	2	Tray, Side	
15	4845889	1	Tray, End	
16	0641608	8	Bolt 3/8in-16NC x 1in	
17	4711600	16	Flatwasher 3/8in	
18	3311605	8	Locknut 3/8in-16in	
19	0641414	4	Bolt 1/4in-20NC x 1 3/4in	
20		Ref	Fastener, Rivnut 1/4in-20NC Options:	
20	2080060	16	Fastener, Rivnut 1/4in-20NC (Was P/N 2080043) (Prior to SN 0200105071)	
20	2080060	16	Fastener, Rivnut 1/4in-20NC (SN 0200105071 to Present)	
21	1120514	8	Cap	
22	4420055	1 ft/.3m	Tape, UHMW	
23	3520072	6	Plug, Tube	
24	0641408	4	Bolt 1/4in-20NC x 1in	
25	0100011	AR	Loctite #242	
26	0641416	2	Bolt 1/4-20NC x 2in	
	0256616	Ref	ACTUATOR ASSEMBLY - REAR	4
	0256615	Ref	ACTUATOR ASSEMBLY - FRONT	3
101		Ref	Tube Outer Options:	
101	4567060	1	Rear	
101	4567062	1	Front	
102		Ref	Tube, Inner Options:	
102	4567075	1	Rear	
102	4567067	1	Front	
103	4160136	2	Spring, Gas	
104	0641509	2	Bolt 5/16in-18NC x 1 1/8in	
105	0100011	AR	Loctite	
106	4845370	1	Link	
107	3340781	2	Pad	
108		Ref	Bolt 3/8in-16NC x 1/2in	
108	0641605	8	Bolt 3/8in-16NC x 1/2in (Was P/N 0641604) (Prior to SN 0200105071)	
108	0641605	8	Bolt 3/8in-16NC x 1/2in (SN 0200105071 to Present)	
109	4751600	8	Flatwasher 3/8in	

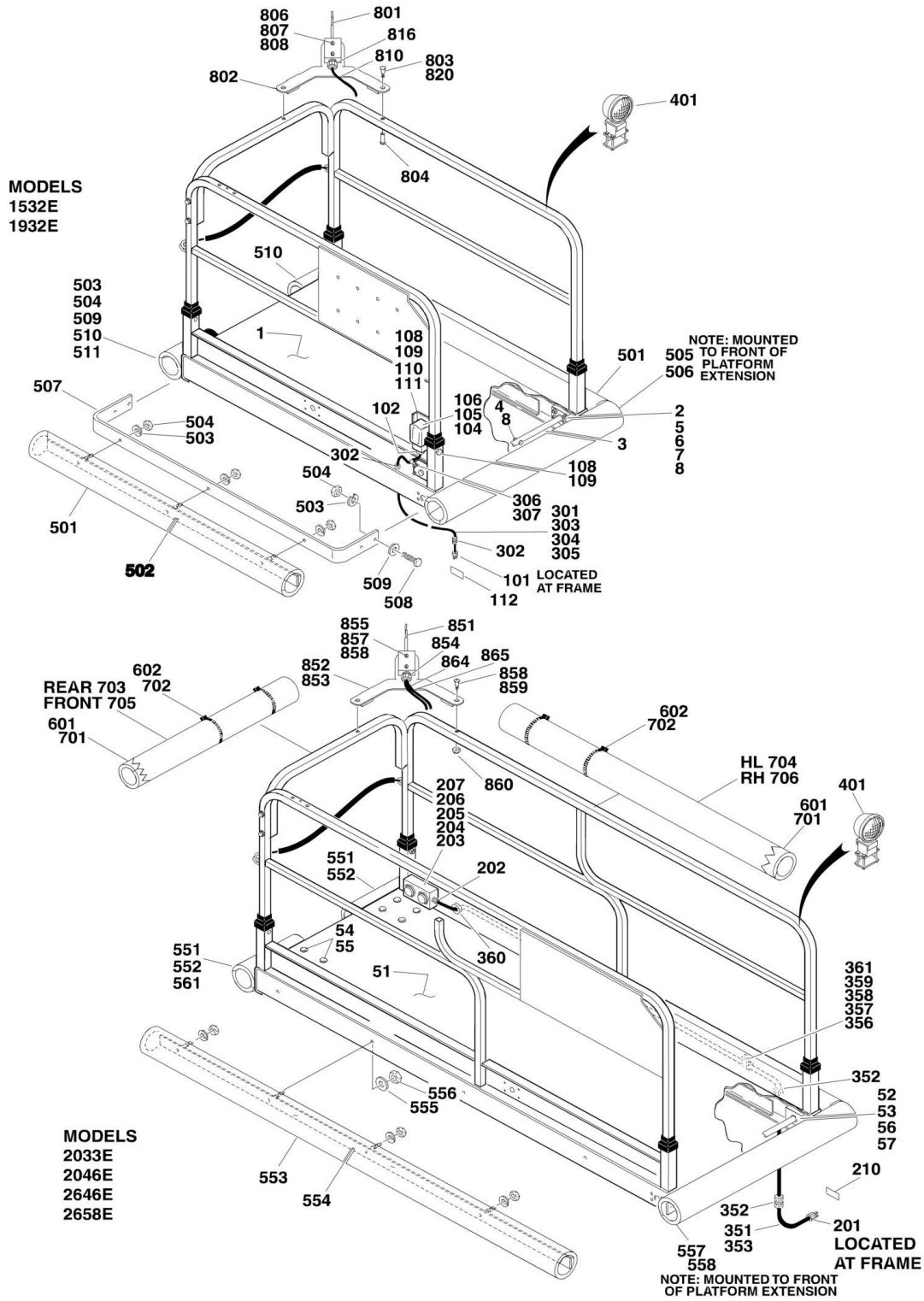
SECTION 3 - SCISSOR ARMS

ITEM	PART NUMBER	QTY	DESCRIPTION	REV
110	4761600	8	Lockwasher 3/8in	
111	0641516	1	Bolt 5/16in-18NC x2in	
112	4751500	4	Flatwasher 5/16in	
113	3311505	2	Locknut 5/16in-18NC	
114	3340780	4	Pad	
115	0641536	1	Bolt 5/16in-18NC x 4 1/2in	
116	0962074	1	Bushing	
117	0962075	1	Bushing	
118	3900213	4	Screw, Button Head 3/8in-16NC x3/8in	

SECTION 4 - PLATFORM

SECTION 4 - PLATFORM

FIGURE 4-1. PLATFORM INSTALLATION - MANUALLY OPERATED EXTENSION



SECTION 4 - PLATFORM

FIGURE 4-1. PLATFORM INSTALLATION - MANUALLY OPERATED EXTENSION

ITEM	PART NUMBER	QTY	DESCRIPTION	REV
		Ref	PLATFORM INSTALLATIONS - 1532E3/1932E3	
		Ref	Note: Replacement decals must be ordered separately - See DEACLS SECTION for Breakdown.	
	0258178	Ref	Platform Installations 1532E3/1932E3 (Standard)	3
	0258176	Ref	Platform Installations 1532E3 (With Anchor Rings)	2
	0258179	Ref	Platform Installations 1932E3 (With Anchor Rings)	2
1		Ref	Platform Assembly W/Extension Options:	
1	3510688	1	Platform Assembly W/Extension 1532E3/1932E3 (Standard)	
1	3510659	1	Platform Assembly W/Extension 1532E3/1932E3 (With Anchor Rings)	
2	3340629	4	Block, Slide Pad	
3	3422733	2	Pin, Attach	
4	0681520	2	Bolt 5/16in-18NC x 2 1/2in	
5	0641522	8	Bolt 5/16in-18NC x 2 3/4in	
6	4751500	8	Flatwasher 5/16in	
7	4711500	8	Flatwasher 5/16in Narrow	
8	3311505	10	Locknut 5/16in-18NC	
		Ref	PLATFORM INSTALLATIONS - 2033E3/ 2046E3/ 2646E3/ 2658E3	
		Ref	Note: Replacement decals must be ordered separately - See DECALS SECTION for Breakdown.	
	0258091	Ref	Platform Installations 2033E3 (Standard)	2
	0258092	Ref	Platform Installations 2033E3 (With Anchor Rings)	2
	0258093	Ref	Platform Installations 2046E3/2646E3 (Standard)	2
	0258094	Ref	Platform Installations 2046E3/2646E3 (With Anchor Rings)	2
	0258095	Ref	Platform Installations 2658E3 (Standard)	2
	0258096	Ref	Platform Installations 2658E3 (With Anchor Rings)	2
51		Ref	Platform Assembly W/Extension Options:	
51	3510697	1	Platform Assembly W/Extension 2033E3 (Standard)	
51	3510663	1	Platform Assembly W/Extension 2033E3 (With Anchor Rings)	
51	3510698	1	Platform Assembly W/Extension 2046E3/2646E3 (Standard)	
51	3510665	1	Platform Assembly W/Extension 2046E3/2646E3 (With Anchor Rings)	
51	3510699	1	Platform Assembly W/Extension 2658E3 (Standard)	
51	3510667	1	Platform Assembly W/Extension 2658E3 (With Anchor Rings)	
52	0561332	2	Block, Slide Pad	
53	3422655	2	Pin, Attach	
54	0630485	AR	Bolt 3/8in-16NC x 1in	
55	3311605	AR	Locknut 3/8in-16NC	
56	0681610	2	Bolt 3/8in-16NC x 1 1/4in	
57	0100011	AR	Loctite #242	
		Ref	110 VOLT RECEPTACLE INSTALLATIONS - 1532E3/1932E3 (OPTIONAL)	
	0258270	Ref	110 Volt Receptacle Installations 1532E3/1932E3 (Export)	4
101	Not Available	1	Connector, Plug	
102	4460051	1	Connector	
104	0860038	1	Box, Receptacle	
105	Not Available	1	Terminal, Receptacle	
106	Not Available	1	Shield, Weatherproof Cover	
108	4751400	2	Flatwasher 1/4in	
109	3311405	2	Locknut 1/4in-20NC	
110	0641405	2	Bolt 1/4in-20NC x 5/8in	

SECTION 4 - PLATFORM

ITEM	PART NUMBER	QTY	DESCRIPTION	REV
111	3571479	1	Plate, Mounting - Receptacle Box	
112	Not Available	1	Decal, AC Power	
		Ref	110 VOLT RECEPTACLE INSTALLATIONS - 2033E3/ 2046E3/ 2646E3/ 2658E3 (OPTIONAL)	
	0258274	Ref	110 Volt Receptacle Installations 2033E3/ 2046E3/ 2646E3/ 2658E3 (Export)	3
201	Not Available	1	Connector, Plug	
202	Not Available	1	Connector	
204	0860038	1	Box, Receptacle	
205	Not Available	1	Terminal, Receptacle	
206	Not Available	1	Shield, Weatherproof Cover	
207	3900294	4	Self Drilling Screw #10-16 x 1in	
210	Not Available	1	Decal, AC Power	
		Ref	RECEPTACLE CABLE INSTALLATIONS (OPTIONAL)	
	0258255	Ref	Receptacle Cable Installations 1532E3	4
	0258257	Ref	Receptacle Cable Installations 1932E3	5
301	1060461		Cable 12/3 Options:	
301	1060461	35 ft/10.67m	Cable 1532E3	
301	1060461	44 ft/13.41m	Cable 1932E3	
302	4460051	1	Connector	
303	2820025	1.5 ft/.46m	Plastic Spring Guard (Prior to SN 0200061642)	
304	4240033	AR	Tie Strap	
305	4240018	AR	Tie Strap	
306	1320061	1	Clamp	
307	0641512	1	Bolt 5/16in-18NC x 1 1/2in	
		Ref	RECEPTACLE CABLE INSTALLATIONS (OPTIONAL)	
	0258259	Ref	Receptacle Cable Installations 2033E3/2046E3	4
	0258261	Ref	Receptacle Cable Installations 2646E3/2658E3	4
351	1060461		Cable 12/3 Options:	
351	1060461	48 ft/14.63m	Cable 2033E3/2046E3	
351	1060461	51 ft/15.54m	Cable 2646E3/2658E3	
352		Ref	Connector Options:	
352	4460051	2	Connector (Prior to SN 0200071386)	
352	4460328	2	Connector (SN 0200071386 to Present)	
353	2820025	1.5 ft/.46m	Plastic Spring Guard (Prior to SN 0200061642)	
354	4240033	AR	Tie Strap (Not Shown)	
355	4240018	AR	Tie Strap (Not Shown)	
356	1320061	5	Clamp	
357	0641505	2	Bolt 5/16in-18NC x 5/8in	
358	4751500	2	Flatwasher 5/16in	
359	3311505	2	Locknut 5/16in-18NC	
360	2540002	AR	Grommet	
361	0641512	1	Bolt 5/16in-18NC x 1 1/2in	
		Ref	WORKLIGHTS INSTALLATIONS (optional)	
	0255963	Ref	Worklights Installations 1532E3 (Prior to SN 0200063475)	5
	0259463	Ref	Worklights Installations 1532E3 (SN 0200063475 to Present)	2

SECTION 4 - PLATFORM

ITEM	PART NUMBER	QTY	DESCRIPTION	REV
	0258213	Ref	Worklights Installations 1532E3 With Folddown Rails (Prior to SN 0200063475)	1
	0259466	Ref	Worklights Installations 1532E3 With Folddown Rails (SN 0200063475 to Present)	2
	0256200	Ref	Worklights Installations 1932E3 (Prior to SN 0200063475)	4
	0259464	Ref	Worklights Installations 1932E3 (SN 0200063475 to Present)	2
	0258214	Ref	Worklights Installations 1932E3 With Folddown Rails (Prior to SN 0200063475)	1
	0259467	Ref	Worklights Installations 1932E3 With Folddown Rails (SN 0200063475 to Present)	2
	0256198	Ref	Worklights Installations 2033E3/2046E3 (Prior to SN 0200063475)	C
	0259465	Ref	Worklights Installations 2033E3/2046E3 (SN 0200063475 to Present)	2
	0258215	Ref	Worklights Installations 2033E3/2046E3 With Folddown Rails (Prior to SN 0200063475)	1
	0259468	Ref	Worklights Installations 2033E3/2046E3 With Folddown Rails (SN 0200063475 to Present)	2
	0258216	Ref	Worklights Installations 2646E3/2658E3 With Folddown Rails (Prior to SN 0200063475)	1
	0259469	Ref	Worklights Installations 2646E3/2658E3 With Folddown Rails (SN 0200063475 to Present)	2
401	2920093	2	Worklight Assembly	
401	7016630	2	Bulb (1 Per Assembly)	
401		Ref	Cable Options: (Not Shown)	
401	1060341	40	Cable 1532E3 (Prior to SN 0200063475)	
		ft/12.2m		
401	1060680	32 ft/9.8m	Cable 1532E3 (SN 0200063475 to Present)	
401	1060341	48	Cable 1932E3 (Prior to SN 0200063475)	
		ft/14.6m		
401	1060680	38	Cable 1932E3 (SN 0200063475 to Present)	
		ft/11.6m		
401	1060341	54	Cable 2033E3/2046E3 (Prior to SN 0200063475)	
		ft/16.5m		
401	1060680	51	Cable 2033E3/2046E3 (SN 0200063475 to Present)	
		ft/15.6m		
401	1060341	61	Cable 2646E3/2658E3 (Prior to SN 0200063475)	
		ft/18.6m		
401	1060680	61	Cable 2646E3/2658E3 (SN 0200063475 to Present)	
		ft/18.6m		
401	4360164	1	Breaker, Circuit - 5 Amp (Not Shown)	
401		Ref	Plate, Mounting Options:	
401	3536089	2	Plate, Mounting (Prior to SN 0200063475)	
401	0901930	2	Plate, Mounting (SN 0200063475 to Present)	
401		Ref	Connector, Strain Relief (Not Shown) Options:	
401	4460049	1	Connector, Strain Relief (Prior to SN 0200089301)	
401	4460071	1	Connector, Strain Relief (SN 0200089301 to Present)	
401	3300048	1	Locknut, Conduit (Not Shown)	
401	0840025	1	Boot, Cable	
	0254171	Ref	BUMPER PADS INSTALLATION - 1532E3/1932E3	A
	0257398	Ref	BUMPER PADS INSTALLATION - 2033E3	1
501		Ref	Pad, Bumper Options: (Side)	
501	0940060	2	Pad, Bumper 1532E3/1932E3	
501	0940057	2	Pad, Bumper 2033E3	
502		Ref	Bar, Bumper Options: (Side Outer)	

SECTION 4 - PLATFORM

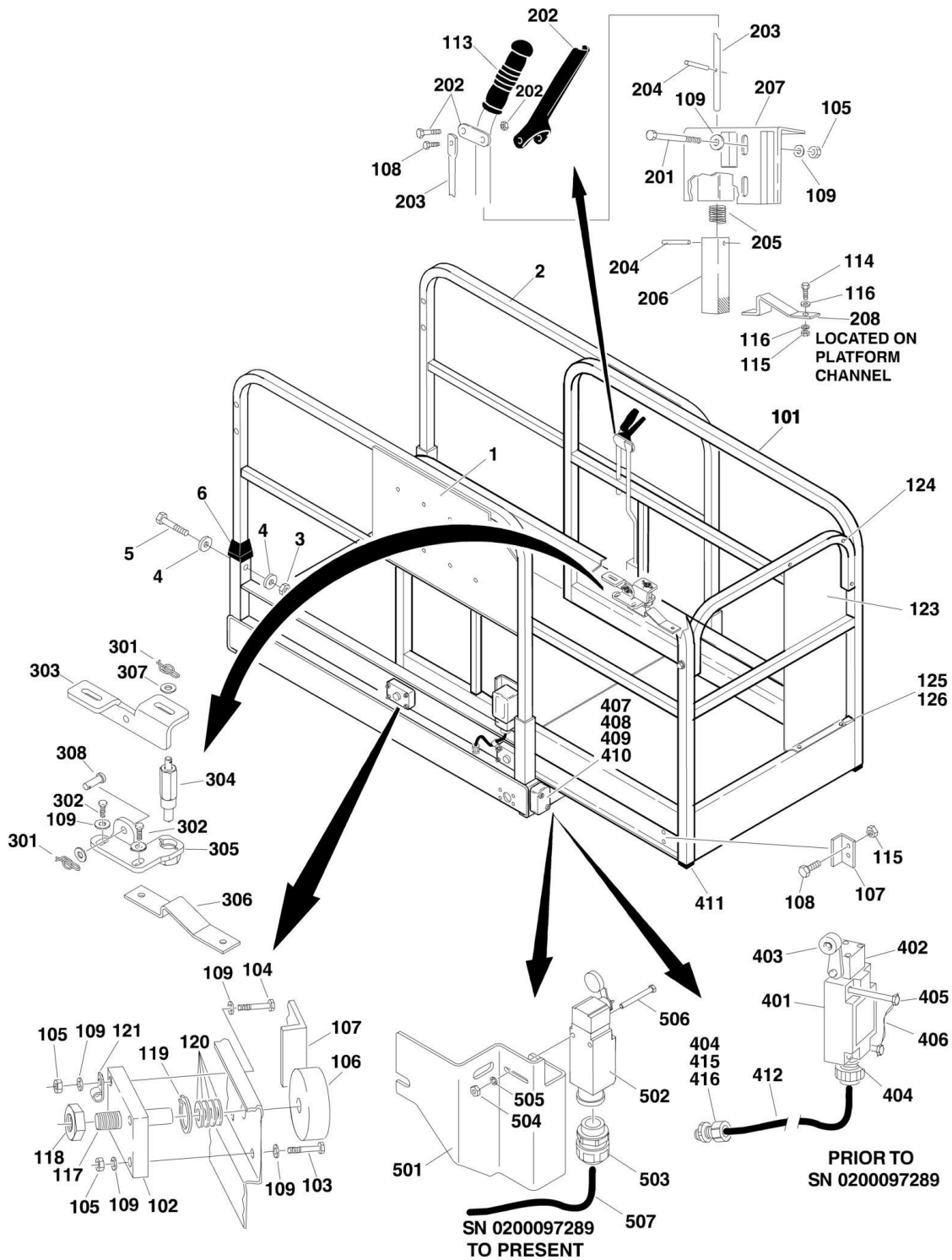
ITEM	PART NUMBER	QTY	DESCRIPTION	REV
502	4844586	2	Bar, Bumper 1532E3/1932E3	
502	4844586	2	Bar, Bumper (2033E3)	
503	4761400	16	Lockwasher 1/4in	
504	3311401	20	Nut 1/4in-20NC	
505	0940061	1	Pad, Bumper (Front)	
506	4844585	1	Rail, Bumper (Front Outer)	
507	0362273	2	Rail, Bumper (Inner) (1532E3/1932E3)	
508	0641407	4	Bolt 1/4in-20NC x 7/8in (1532E3/1932E3)	
509	4751400	20	Flatwasher 1/4in	
510	0940065	2	Pad, Bumper (Rear)	
511	0641416	4	Bolt 1/4in-20NC x 2in	
	0257367	Ref	BUMPER PADS INSTALLATION - 2046E3/2646E3	2
	0257397	Ref	BUMPER PADS INSTALLATION - 2658E3	2
551		Ref	Pad, Bumper Options: (Side)	
551	0940080	2	Pad, Bumper 2046E3/2646E3	
551	0940081	2	Pad, Bumper 2658E3	
552		Ref	Bar, Bumper Options: (Side Outer)	
552	4845496	2	Bar, Bumper 2046E3/2646E3	
552	4845497	2	Bar, Bumper (2658E3)	
553	0940057	2	Pad, Bumper (Side)	
554	4844414	2	Rail, Bumper (Side)	
555	4751400	13	Flatwasher 1/4in	
556	3311405	13	Locknut 1/4in-20NC	
557		Ref	Pad, Bumper Options: (Front)	
557	0940079	1	Pad, Bumper 2046E3/2646E3	
557	0940082	1	Pad, Bumper (2658E3)	
558		Ref	Rail, Bumper (Front)	
558	4845495	1	Rail, Bumper 2046E3/2646E3	
558	4845498	1	Rail, Bumper (2658E3)	
	0257664	Ref	TOP RAIL PADDING INSTALLATION - 2033E3/ 2046E3/ 2646E3/ 2658E3 (Prior to SN 0200070220)	2
601	3340612	24 ft/7.3m	Pad	
602	4240018	AR	Tie Straps	
		Ref	TOP RAIL PADDING INSTALLATIONS (SN 0200085647 to Present)	
	0259681	Ref	Top Rail Padding Installations 2046E3	1
	0259945	Ref	Top Rail Padding Installations 2646E3	1
	0259682	Ref	Top Rail Padding Installations 2658E3	1
	0270836	Ref	Top Rail Padding Installations 2033E3	1
701	3340612	AR	Pad Options:	
701	3340612	22/6.7m	Pad 2046E3/2646E3/2033E3	
701	3340612	24/7.3m	Pad 2658E3	
702	4240018	AR	Tie Straps	
703		Ref	Cover, Rear Platform Rail Options:	
703	1670918	1	Cover, Rear Platform Rail 2046E3/2646E3	
703	1670922	1	Cover, Rear Platform Rail 2658E3	
703	1670857	1	Cover, Rear Platform Rail 2033E3	
704		Ref	Cover, Left Side Platform Rail Options:	
704	1670919	1	Cover, Left Side Platform Rail 2046E3/2033E3	
704	1670923	1	Cover, Left Side Platform Rail 2646E3/2658E3	
705		Ref	Cover, Front Platform Rail Options:	
705	1670920	1	Cover, Front Platform Rail 2046E3/2646E3	

SECTION 4 - PLATFORM

ITEM	PART NUMBER	QTY	DESCRIPTION	REV
705	1670924	1	Cover, Front Platform Rail 2658E3	
705	1670856	1	Cover, Front Platform Rail 2033E3	
706		Ref	Cover, Right Side Platform Rail Options:	
706	1670921	1	Cover, Right Side Platform Rail 2046E3/2033E3	
706	1670925	1	Cover, Right Side Platform Rail 2646E3/2658E3	
	0257665	Ref	PERIMETER SWITCHES INSTALLATION (Prior to SN 0200070220)	2
801	4360215	4	Switch	
802	0902392	4	Bracket	
803	3900184	8	Screw, Button Head #10-24NC x 5/8in	
804	3300373	8	Nut, Joint Connector 1 1/4in	
806	0721004	8	Screw #10-24NC x 1/2in	
807	4751000	8	Flatwasher #10	
808	3311005	8	Locknut #10	
810	1060341	30 ft/9.1m	Cable 16/2	
816	4460428	4	Strain Relief	
820	0100011	AR	Loctite #242	
		Ref	PERIMETER SWITCHES INSTALLATIONS (SN 0200070220 to Present)	
	0272788	Ref	Perimeter Switches Installations 1532E3/1932E3	1
	0259684	Ref	Perimeter Switches Installations 2033E3/2046E3	3
	0259685	Ref	Perimeter Switches Installations 2646E3/2658E3	4
851	4360477	AR	Switch	
851	70003780	AR	Lever, Antenna (1 Per)	
852	0902578	2	Bracket, Right Side	
853	0902579	2	Bracket, Left Side	
854	4460662	7	Strain Relief	
855	0641404	10	Bolt 1/4in-20NC x 1/2in	
856	0641413	2	Bolt 1/4in-20NC x 1 5/8in (Not Shown) (Located on Platform Extension)	
857	4751400	28	Flatwasher 1/4in	
858	0100011	AR	Loctite #242	
859		Ref	Screw Options:	
859	3911428	8	Screw 1/4in-20NC x 1 3/4 (Prior to SN 0200098334)	
859	3911432	8	Screw 1/4in-20NC x 2 (SN 0200098334 to Present)	
860		Ref	Nut Options:	
860	3300151	8	Nut, Acorn 1/4in-20NC (Prior to SN 0200098334)	
860	2080063	8	Fastener 1/4in-20NC (SN 0200098334 to Present)	
862	4240033	40	Strap, Tie (Not Shown)	
863	2540017	2	Grommet (Not Shown)	
864	2820030	20	Shrink	
		in/50.8cm		
865	1060680		Cable 16/2 Options:	
865	1060680	49	Cable 2046E3	
		ft/14.9m		
865	1060680	53	Cable 2646E3/2658E3	
		ft/16.2m		

SECTION 4 - PLATFORM

FIGURE 4-2. HANDRAILS AND EXTENSION INSTALLATION - STANDARD HANDRAILS (MANUALLY OPERATED) (1532E3/1932E3)



SECTION 4 - PLATFORM

FIGURE 4-2. HANDRAILS AND EXTENSION INSTALLATION - STANDARD HANDRAILS (MANUALLY OPERATED) (1532E3/1932E3)

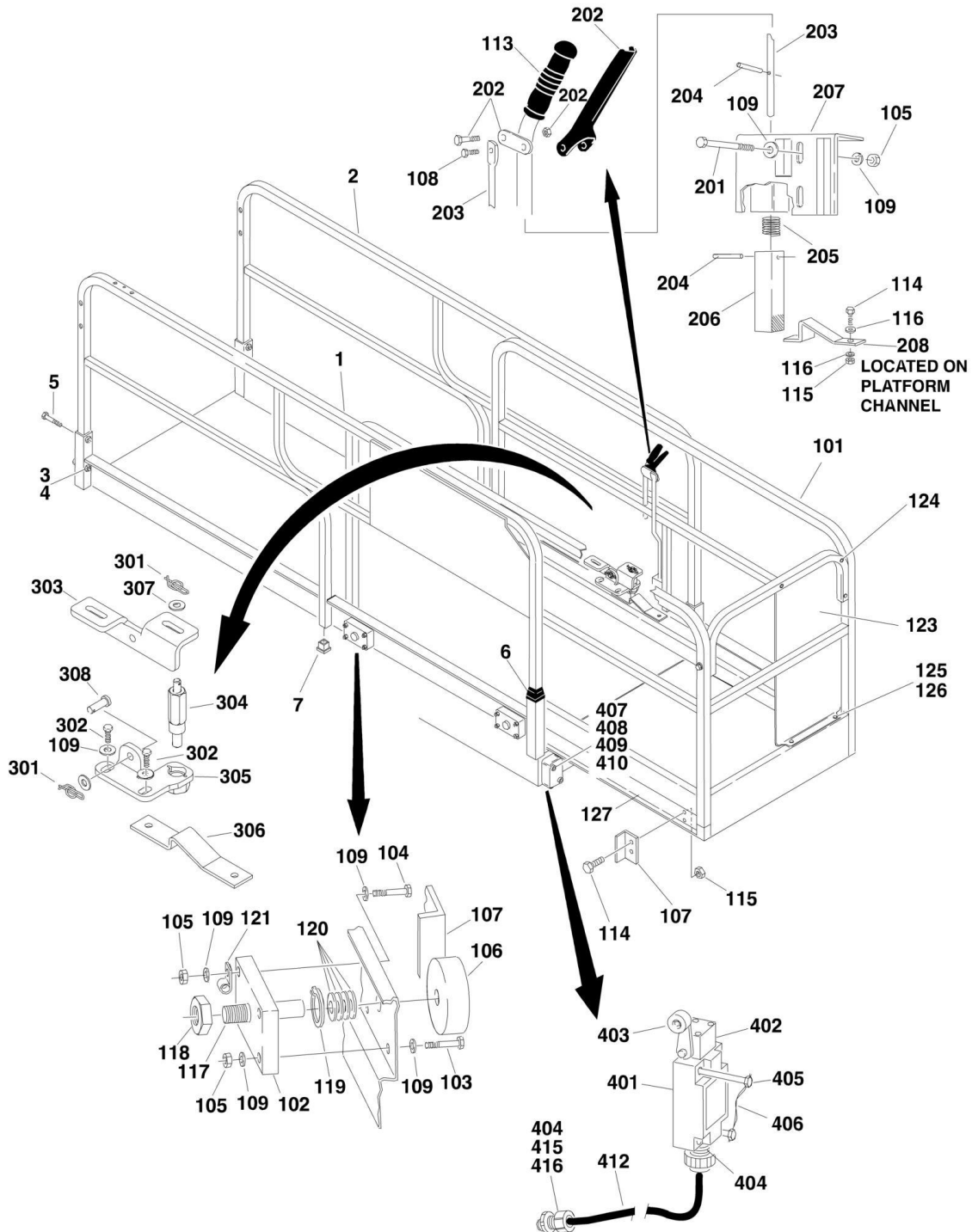
ITEM	PART NUMBER	QTY	DESCRIPTION	REV
	0258134	Ref	HANDRAILS INSTALLATION (1532E3/1932E3)	3
1	3641263	1	Handrail - Right Side	
2	3641265	1	Handrail - Left Side	
3	3311405	4	Locknut 1/4in-20NC	
4	4751400	8	Flatwasher 1/4in	
5	0641420	4	Bolt 1/4in-20NC x 2 1/2in	
6	0840035	4	Boot, Rail Pocket	
	2901987	1	Kit, Rails (Includes Items 1 & 2)	
	0258969	Ref	PLATFORM EXTENSION INSTALLATION	6
101		Ref	Extension Weldment Options:	
101	3510707	1	Extension Weldment (Prior to SN 0200069200)	
101	3510727	1	Extension Weldment (SN 0200069200 to Present)	
102	3537619	4	Roller Mounting - Extension	
103	0641510	15	Bolt 5/16in-18NC x 1 1/4in	
104	0641512	1	Bolt 5/16in-18NC x 1 1/2in	
105	3311505	18	Locknut 5/16in-18NC	
106		Ref	Roller Options:	
106	3860059	4	Roller (Prior to SN 0200098156)	
106	3860091	4	Roller (SN 0200098156 through 0200098497)	
106	3860059	4	Roller (SN 0200098498 to Present)	
107	0181684	4	Angle, Stop	
108	0641406	1	Bolt 1/4in-20NC x 3/4in	
109	4751500	20	Flatwasher 5/16in	
113	2560088	1	Grip Handle	
114	0641405	12	Bolt 1/4in-20NC x 5/8in	
115	3311405	13	Locknut 1/4in-20NC	
116	4711400	4	Flatwasher 1/4in Narrow	
117	3841233	4	Roller Support Rod	
118	3322202	4	Jam Nut 3/4in-10NF	
119	3760348	4	Snap Ring	
120	4752200	4	Flatwasher 3/4in	
121	1320224	1	Clamp 5/8in	
123	3571035	1	Plate, Placard	
124	3820019	2	Pop Rivet 3/16in	
125	4750800	8	Flatwasher #10 (Prior to SN 0200069200)	
126	3820020	4	Pop Rivet 3/16in	
127	3020022	AR	Lube, Lithium Grease	
		Ref	PLATFORM EXTENSION LOCK INSTALLATION OPTIONS:	
	0258969	Ref	Platform Extension Lock Installation (Prior to SN 0200104330)	
	See Note	Ref	Platform Extension Lock Installation (Note: No exact SN break exists for Lock Mechanism. SN 0200104330 to SN 0200108196 installations could be built with either configuration) (See items 301-308) (SN 0200104330 through 0200108196)	
201	0641516	2	Bolt 5/16in-18NC x 2in	
202	2980113	1	Release Lever Assembly	
	2901573	Ref	Extension Latch Kit	1
203	3841074	1	Rod, Release	
204	3422723	2	Rollpin 1/8in x 7/8in	
205	4160078	1	Spring	

SECTION 4 - PLATFORM

ITEM	PART NUMBER	QTY	DESCRIPTION	REV
206	0361912	1	Bar, Latch	
207	2940061	1	Latch Weldment	
208	0901830	2	Bracket, Latch	
	See Note	Ref	PLATFORM EXTENSION LOCK INSTALLATION OPTIONS:	
	0258969	Ref	Platform Extension Lock Installation (SN 0200104330 through 0200108195)	
		Ref	Platform Extension Lock Installation (Note: No exact SN break exists for Lock Mechanism. SN 0200104330 to SN 0200108196 installations could be built with either configuration) (See items 301-308) (SN 0200108196 to Present)	
301	3422950	2	Pin, 5/16in Rue Ring Stainless	
302	0641507	2	Bolt 5/16in-18NC x 7/8in	
303	3573073	1	Plate, Foot Latch Rollout	
304	3422949	1	Pin, Step Plunger Assembly	
305	0902750	1	Bracket, Latch Weldment	
306	0901830	2	Bracket, Extension Latch	
307	4740513	1	Washer-spec, 1/4-20NC Stainless	
308	3430406	1	Pin, 1/4in x 3/4in	
		Ref	OPTIONAL PLATFORM EXTENSION LIMIT SWITCHES INSTALLATIONS (Prior to SN 0200097289)	
	0256667	Ref	Optional Platform Extension Limit Switches Installations 1532E3	-
	0256664	Ref	Optional Platform Extension Limit Switches Installations 1932E3	-
401	4360277	1	Switch, Limit	
402	4360236	1	Actuator, Switch	
403	4360278	1	Roller and Arm	
404	4460052	2	Connector, Strain Relief	
405	3900168	2	Screw, Special	
406	4920140	2	Lockwire	
407	3534995	1	Plate, Mounting	
408	3931416	2	Bolt, Socket Head 1/4in-20NC x 1in	
409	3311401	2	Nut 1/4in-20NC	
410	4761400	2	Lockwasher 1/4in	
411	3520052	1	Plug, Cap	
412	1060341		Cable Options:	
412	1060341	40/12.2m	Cable 1532E3	
412	1060341	46/14.02m	Cable 1932E3	
413	4460320	1	Plug (Not Shown)	
415	0960239	1	Bushing	
416	3300047	1	Locknut	
		Ref	OPTIONAL PLATFORM EXTENSION LIMIT SWITCHES INSTALLATIONS (SN 0200097289 to Present)	
	0270714	Ref	Optional Platform Extension Limit Switches Installations 1532E3/1932E3	B
501	0902689	1	Bracket, Switch Mounting	
502	4360437	1	Switch, Limit	
503	4460662	1	Connector, Strain Relief	
504	3310801	2	Nut #8-32NC	
505	4760800	2	Lockwasher #8	
506	3900329	2	Screw	
507	4922464	1	Harness, Wire	

SECTION 4 - PLATFORM

FIGURE 4-3. HANDRAILS AND EXTENSION INSTALLATION - STANDARD HANDRAILS (MANUALLY OPERATED) (2033E3/2046E3)



SECTION 4 - PLATFORM

FIGURE 4-3. HANDRAILS AND EXTENSION INSTALLATION - STANDARD HANDRAILS (MANUALLY OPERATED) (2033E3/2046E3)

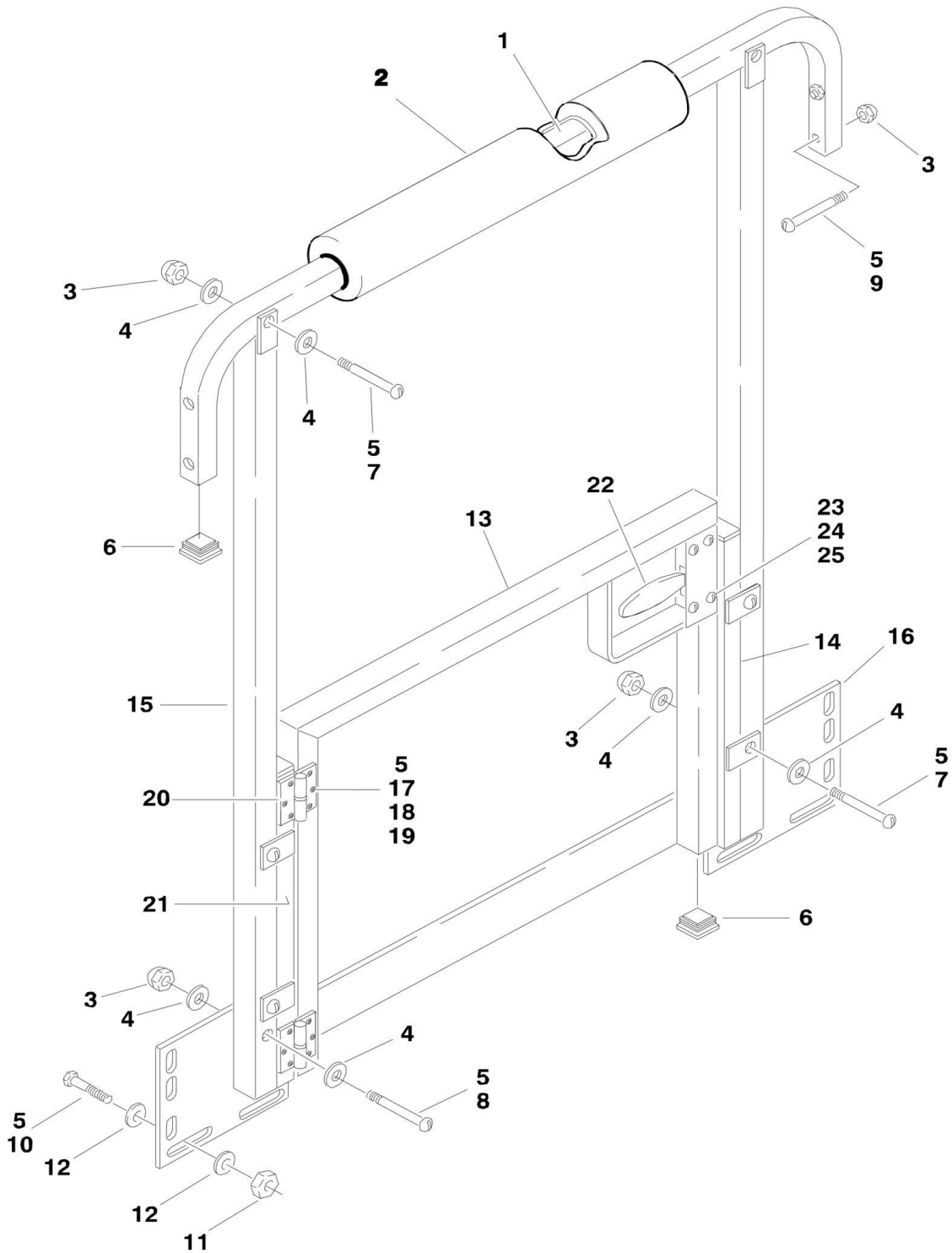
ITEM	PART NUMBER	QTY	DESCRIPTION	REV
	0258136	Ref	HANDRAILS INSTALLATION (2033E3/2046E3)	3
1	3641264	1	Handrail - Right Side	
2	3641266	1	Handrail - Left Side	
3	3311405	4	Locknut 1/4in-20NC	
4	4751400	8	Flatwasher 1/4in	
5	0641420	4	Bolt 1/4in-20NC x 2 1/2in	
6	0840035	4	Boot, Rail Pocket	
7	3520072	2	Plug	
	2901988	1	Kit, Rails (Includes Items 1 & 2)	
		Ref	PLATFORM EXTENSION INSTALLATION OPTIONS:	
	0258970	Ref	Platform Extension Installation 2033E3	5
	0258971	Ref	Platform Extension Installation 2046E3	5
101		Ref	Extension Weldment Options:	
101	3510708	1	Extension Weldment 2033E3	
101	3510709	1	Extension Weldment 2046E3	
102	3537619	4	Roller Mounting - Extension	
103	0641510	15	Bolt 5/16in-18NC x 1 1/4in	
104	0641512	1	Bolt 5/16in-18NC x 1 1/2in	
105	3311505	18	Locknut 5/16in-18NC	
106		Ref	Roller Options:	
106	3860059	4	Roller (Prior to SN 0200098156)	
106	3860091	4	Roller (SN 0200098156 to Present)	
107	0181684	4	Angle, Stop	
108	0641406	1	Bolt 1/4in-20NC x 3/4in	
109	4751500	AR	Flatwasher 5/16in	
113	2560088	1	Grip Handle	
114	0641405	12	Bolt 1/4in-20NC x 5/8in	
115	3311405	AR	Locknut 1/4in-20NC	
116	4711400	4	Flatwasher 1/4in	
117	3841233	4	Roller Support Rod	
118	3322202	4	Jam Nut 3/4in-10NF	
119	3760348	4	Snap Ring	
120	4752200	4	Flatwasher 3/4in	
121	1320224	1	Clamp	
123	3571035	1	Plate, Placard	
124	3820019	2	Pop Rivet 3/16in	
125	4750800	8	Flatwasher #10 (Prior to SN 0200069200)	
126	3820020	4	Pop Rivet 3/16in	
127	3020022	AR	Lube, Lithium Grease	
		Ref	PLATFORM EXTENSION LOCK INSTALLATION OPTIONS:	
	0258970	Ref	Platform Extension Lock Installation 2033E3 (Prior to SN 0200104330)	
	See Note	Ref	Platform Extension Lock Installation 2033E3 (SN 0200104330 through 0200108196)	
	0258971	Ref	Platform Extension Lock Installation 2046E3 (Prior to SN 0200104330)	
	See Note	Ref	Platform Extension Lock Installation 2046E3 (Note: No exact SN break exists for Lock Mechanism SN 0200104330 to SN 0200108196 installations could be built with either	

SECTION 4 - PLATFORM

ITEM	PART NUMBER	QTY	DESCRIPTION	REV
			configuration) (See items 301-308) (SN 0200104330 through 0200108196)	
201	0641516	2	Bolt 5/16in-18NC x 2in	
202	2980113	1	Release Lever Assembly	
	2901573	1	Extension Latch Kit	
203	3841074	1	Rod, Release	
204	3422723	2	Rollpin 1/8in x 7/8in	
205	4160078	1	Spring	
206	0361912	1	Bar, Latch	
207	2940061	1	Latch Weldment	
208	0901830	2	Bracket, Latch	
		Ref	PLATFORM EXTENSION LOCK INSTALLATION OPTIONS:	
	See Note	Ref	Platform Extension Lock Installation 2033E3 (SN 0200104330 through 0200108195)	
	0258970	Ref	Platform Extension Lock Installation 2033E3 (SN 0200108196 to Present)	
	See Note	Ref	Platform Extension Lock Installation 2046E3 (Note: No exact SN break exists for Lock Mechanism. SN 0200104330 to SN 0200108196 installations could be built with either configuration) (See items 201- 208) (SN 0200104330 through 0200108195)	
	0258971	Ref	Platform Extension Lock Installation 2046E3 (SN 0200108196 to Present)	
301	3422950	2	Pin, 5/16in Rue Ring Stainless	
302	0641507	2	Bolt 5/16in-18NC x 7/8in	
303	3573073	1	Plate, Foot Latch Rollout	
304	3422949	1	Pin, Step Plunger Assembly	
305	0902750	1	Bracket, Latch Weldment	
306	0901830	2	Bracket, Extension Latch	
307	4740513	1	Washer-spec, 1/4-20NC Stainless	
308	3430406	1	Pin, 1/4in x 3/4in	
	0256664	Ref	OPTIONAL PLATFORM EXTENSION LIMIT SWITCHES INSTALLATION	-
401	4360277	1	Switch, Limit	
402	4360236	1	Actuator, Switch	
403	4360278	1	Roller and Arm	
404	4460052	2	Connector, Strain Relief	
405	3900168	2	Screw, Special	
406	4920140	2	Lockwire	
407	3534995	1	Plate, Mounting	
408	3931416	2	Bolt, Socket Head 1/4in-20NC x 1in	
409	3311401	2	Nut 1/4in-20NC	
410	4761400	2	Lockwasher 1/4in	
411	3520052	1	Plug, Cap (Not Shown)	
412	1060341	46	Cable	
		ft/14.02m		
413	4460320	1	Plug (Not Shown)	
415	0960239	1	Bushing	
416	3300047	1	Locknut	

SECTION 4 - PLATFORM

FIGURE 4-4. PLATFORM ACCESS INSTALLATION - STANDARD HANDRAILS (MANUALLY OPERATED) (1532E3/1932E3/2033E3/2046E3)



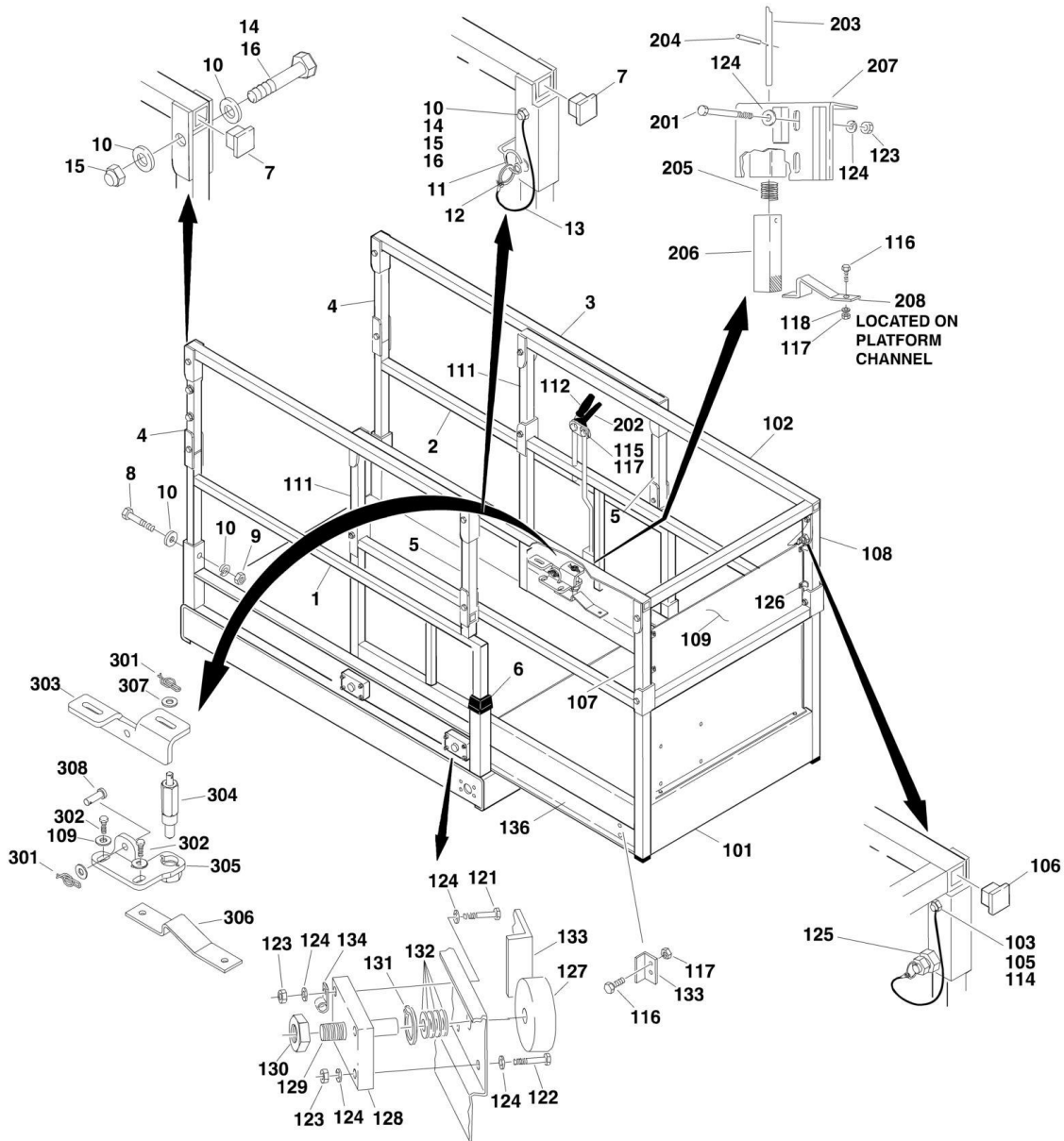
SECTION 4 - PLATFORM

FIGURE 4-4. PLATFORM ACCESS INSTALLATION - STANDARD HANDRAILS (MANUALLY OPERATED) (1532E3/1932E3/2033E3/2046E3)

ITEM	PART NUMBER	QTY	DESCRIPTION	REV
		Ref	PLATFORM ACCESS (SWING GATE) INSTALLATIONS	
	0259387	Ref	Swing Gate - 1532E3/1932E3	6
	0258231	Ref	Swing Gate - 2033E3	8
	0258236	Ref	Swing Gate - 2046E3/2646E3	9
1		Ref	Tube, Rail Options:	
1	4565201	1	Tube, Rail 1532E3/1932E3/2033E3	
1	4565202	1	Tube, Rail 2046E3	
2	3340612	1.5 ft/.5m	Pad	
3		Ref	Nut Options:	
3	3300151	AR	Nut, Acorn 1/4in-20NC (Prior to SN 0200098334)	
3	2080063	AR	Fastener, Nut 1/4in-20NC (SN 0200098334 to Present)	
4	4751400	AR	Flatwasher 1/4in Wide	
5	0100011	AR	Loctite #242	
6	3520072	AR	Plug, Cap	
7	3911428	AR	Screw 1/4in-20NC x 1 3/4in	
8		Ref	Bolt Options:	
8	3911428	AR	Screw 1/4in-20NC x 1 3/4in	
8	0641418	AR	Bolt 1/4in-20NC x 2 1/4in	
9		Ref	Screw Options:	
9	3911444	AR	Screw 1/4in-20NC x 2 3/4 (Prior to SN 0200098334)	
9	2080065	AR	Fastener, Screw 1/4in-20NC x 2 3/4 (SN 0200098334 to Present)	
10	0641608	AR	Bolt 3/8in-16NC x 1in	
11	3311605	AR	Locknut 3/8in-16NC	
12	4751600	AR	Flatwasher 3/8in	
13	4845709	1	Weldment, Platform Access Door	
14	4845708	1	Weldment, Platform Access Rail	
15		Ref	Weldment, End Rail Options:	
15	Not Required	0	Weldment, End Rail 1532E3/1932E3/2033E3	
15	4845760	2	Weldment, End Rail 2046E3	
16		Ref	Kick Plate - Rear Options:	
16	Not Required	0	Kick Plate - Rear 1532E3/1932E3/2033E3	
16	3534742	2	Kick Plate - Rear 2046E3	
17		Ref	Fastener, Rivnut #10-32 Options:	
17	2080069	12	Fastener (Was P/N 2080047) (Prior to SN 0200103629)	
17	2080069	12	Fastener (SN 0200103629 to Present)	
18	3900267	12	Screw #10-32	
19	4711000	12	Flatwasher #10	
20	2600253	2	Hinge	
21	4845710	1	Weldment, Platform Access Rail	
22	2940074	1	Latch	
23	3911016	4	Bolt #10-24NC x 1in	
24	3311001	4	Nut #10-24NC	
25	4751000	4	Flatwasher #10	
	2901993	1	Kit, Platform Access - 1532E3/ 1932E3/ 2033E3 & 2046E3 (Includes Items 13, 14 & 21)	
	2902002	1	Kit, Platform Access - 2046E3 (Includes Items 15 & 16)	

SECTION 4 - PLATFORM

FIGURE 4-5. HANDRAILS AND EXTENSION INSTALLATION - FOLDDOWN HANDRAILS (MANUALLY OPERATED) (1532E3/1932E3)



SECTION 4 - PLATFORM

FIGURE 4-5. HANDRAILS AND EXTENSION INSTALLATION - FOLDDOWN HANDRAILS (MANUALLY OPERATED) (1532E3/1932E3)

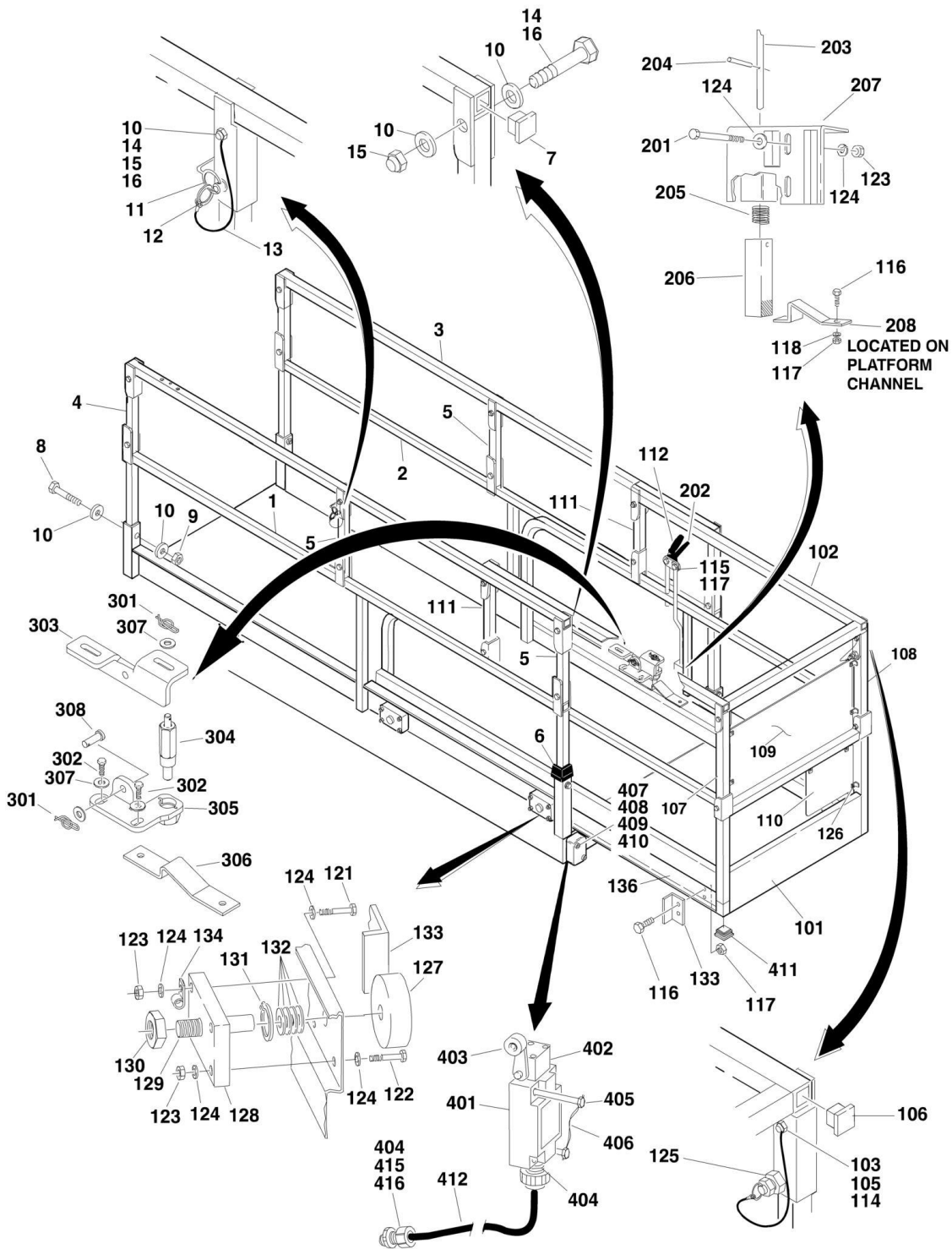
ITEM	PART NUMBER	QTY	DESCRIPTION	REV
	0258135	Ref	HANDRAILS INSTALLATION (1532E3/1932E3)	8
1		Ref	Rail Weldment - Mid Right Side Options:	
1	4846001	1	Rail Weldment - Mid Right Side (Prior to SN 0200068540)	
1	4846058	1	Rail Weldment - Mid Right Side (SN 0200068540 to Present)	
2		Ref	Rail Weldment - Mid Left Side Options:	
2	4846002	1	Rail Weldment - Mid Left Side (Prior to SN 0200068540)	
2	4846059	1	Rail Weldment - Mid Left Side (SN 0200068540 to Present)	
3	4845777	2	Rail Weldment - Top	
4	4567864	2	Tube, Rail - Rear Vertical	
5	4567863	2	Tube, Rail - Upper Vertical	
6	0840035	4	Boot, Rail Pocket	
7	3520072	4	Plug, Cap	
8	0641420	4	Bolt 1/4in-20NC x 2 1/2in	
9	3311405	4	Locknut 1/4in-20NC	
10	4751400	8	Flatwasher 1/4in Wide	
11	3421453	2	Pin, Snapper	
12	3760170	2	Ring	
13	1060379	2	Cable-Lanyard	
14	0100011	AR	Loctite #242 (Prior to SN 0200098334)	
15		Ref	Nut Options:	
15	3300151	8	Nut, Acorn 1/4in-20NC (Prior to SN 0200098334)	
15	2080063	8	Fastener, Nut 1/4in-20NC (SN 0200098334 to Present)	
16	3911432	8	Screw 1/4in-20NC x 2in	
	2901989	1	Kit, Rails (Includes Items 1 - 5)	
	0258102	Ref	PLATFORM EXTENSION INSTALLATION OPTIONS:	11
101	3510712	1	Extension Weldment	
102	4845779	1	Weldment, Extension - Top Rail	
103	2080063	8	Nut	
105	0100011	AR	Loctite #242	
106	3520072	2	Plug, Cap	
107	4567867	1	Weldment, Extension - Vertical Right Side	
108	4567868	1	Weldment, Extension - Vertical Left Side	
109	3571454	1	Plate, Placard	
111	4567875	2	Tube, Upper Vertical Rail	
112	2560088	1	Grip Handle	
114	3911432	8	Screw 1/4in-20NC x 2in	
115	0641406	1	Bolt 1/4in-20NC x 3/4in	
116	0641405	AR	Bolt 1/4in-20NC x 5/8in	
117	3311405	12	Locknut 1/4in-20NC	
118	4711400	4	Flatwasher	
121	0641512	1	Bolt 5/16in-18NC x 1 1/2in	
122	0641510	15	Bolt 5/16in-18NC x 1 1/4in	
123	3311505	18	Locknut 5/16in-18NC	
124	4751500	AR	Flatwasher 5/16in	
125	3422744	2	Pin-Plunger Assembly	
126	3820019	7	Pop Rivets	
127	3860059	4	Roller	
128	3537619	4	Extension Roller Mounting	
129	3841233	4	Roller Support Rod	

SECTION 4 - PLATFORM

ITEM	PART NUMBER	QTY	DESCRIPTION	REV
130	3322202	4	Jam Nut 3/4in-10NF	
131	3760348	4	Snap Ring	
132	4752200	4	Flatwasher 3/4in	
133	0181684	4	Angle	
134	1320061	1	Clamp, Cable	
136	3020022	AR	Lube, Lithium Grease	
		Ref	PLATFORM EXTENSION LOCK INSTALLATION OPTIONS:	
	0258102	Ref	Platform Extension Lock Installation (Prior to SN 0200104330)	
	See Note	Ref	Platform Extension Lock Installation (Note: No exact SN break exists for Lock Mechanism. SN 0200104330 to SN 0200108196 installations could be built with either configuration) (See items 301-308) (SN 0200104330 through 0200108196)	
201	0641516	2	Bolt 5/16in-18NC x 2in	
202	2980113	1	Release Lever Assembly	
	2901649	1	Extension Latch Kit	
203	3841394	1	Rod, Release	
204	3422723	2	Rollpin 1/8in x 7/8in	
205	4160078	1	Spring	
206	0361912	1	Bar, Latch	
207	2940061	1	Latch Weldment	
208	0901830	2	Bracket, Latch	
		Ref	PLATFORM EXTENSION LOCK INSTALLATION OPTIONS:	
	See Note	Ref	Platform Extension Lock Installation (Note: No exact SN break exists for Lock Mechanism. SN 0200104330 to SN 0200108196 installations could be built with either configuration) (See items 201-208) (SN 0200104330 through 0200108195)	
	0258102	Ref	Platform Extension Lock Installation (SN 0200108196 to Present)	
301	3422950	2	Pin, 5/16in Rue Ring Stainless	
302	0641507	2	Bolt 5/16in-18NC x 7/8in	
303	3573073	1	Plate, Foot Latch Rollout	
304	3422949	1	Pin, Step Plunger Assembly	
305	0902750	1	Bracket, Latch Weldment	
306	0901830	2	Bracket, Extension Latch	
307	4740513	1	Washer-spec, 1/4-20NC Stainless	
308	3430406	1	Pin, 1/4in x 3/4in	

SECTION 4 - PLATFORM

FIGURE 4-6. HANDRAILS AND EXTENSION INSTALLATION - FOLDDOWN HANDRAILS (MANUALLY OPERATED) (2033E3/2046E3/2646E3/2658E3)



SECTION 4 - PLATFORM

FIGURE 4-6. HANDRAILS AND EXTENSION INSTALLATION - FOLDDOWN HANDRAILS (MANUALLY OPERATED) (2033E3/2046E3/2646E3/2658E3)

ITEM	PART NUMBER	QTY	DESCRIPTION	REV
	0258137	Ref	HANDRAILS INSTALLATION (2033E3/2046E3/2646E3/2658E3)	9
1		Ref	Rail Weldment - Mid Right Side Options:	
1	4845775	1	Rail Weldment - Mid Right Side (Prior to SN 0200068540)	
1	4846056	1	Rail Weldment - Mid Right Side (SN 0200068540 to Present)	
2		Ref	Rail Weldment - Mid Left Side Options:	
2	4845776	1	Rail Weldment - Mid Left Side (Prior to SN 0200068540)	
2	4846057	1	Rail Weldment - Mid Left Side (SN 0200068540 to Present)	
3	4845778	2	Rail Weldment - Top	
4		Ref	Tube, Rail - Rear Vertical Options:	
4	4567523	2	Tube, Rail - Rear Vertical (Prior to SN 0200062591)	
4	4846039	2	Tube, Rail - Rear Vertical (SN 0200062591 to Present)	
5	4567338	4	Tube, Rail - Upper Vertical	
6	0840035	4	Boot, Rail Pocket	
7	3520072	4	Plug, Cap	
8	0641420	4	Bolt 1/4in-20NC x 2 1/2in	
9	3311405	4	Locknut 1/4in-20NC	
10	4751400	8	Flatwasher 1/4in Wide	
11	3421453	2	Pin, Snapper	
12	3760170	2	Ring	
13	1060379	2	Cable-Lanyard	
14	0100011	AR	Loctite #242 (Prior to SN 0200098334)	
15		Ref	Nut Options:	
15	3300151	12	Nut, Acorn 1/4in-20NC (Prior to SN 0200098334)	
15	2080063	12	Fastener, Nut 1/4in-20NC (SN 0200098334 to Present)	
16	3911430	12	Screw 1/4in-20NC x 1 7/8in	
	2901990	1	Kit, Rails (Includes Items 1 - 5)	
		Ref	PLATFORM EXTENSION INSTALLATIONS	
	0258103	Ref	Platform Extension Installations 2033E3	9
	0258104	Ref	Platform Extension Installations 2046E3/2646E3	9
	0258105	Ref	Platform Extension Installations 2658E3	10
101		Ref	Extension Weldment Options:	
101	3510615	1	Extension Weldment 2033E3	
101	3510616	1	Extension Weldment 2046E3/2646E3	
101	3510617	1	Extension Weldment 2658E3	
102		Ref	Weldment, Extension - Top Rail Options:	
102	4845721	1	Weldment, Extension - Top Rail 2033E3	
102	4845720	1	Weldment, Extension - Top Rail 2046E3/2646E3	
102	4845719	1	Weldment, Extension - Top Rail 2658E3	
103		Ref	Nut Options:	
103	3300151	8	Nut, Acorn 1/4in-20NC (Prior to SN 0200098334)	
103	2080063	8	Fastener, Nut 1/4in-20NC (SN 0200098334 to Present)	
105	0100011	AR	Loctite #242 (Prior to SN 0200098334)	
106	3520072	2	Plug, Cap	
107	4845724	1	Weldment, Extension - Vertical Right Side	
108	4845725	1	Weldment, Extension - Vertical Left Side	
109		Ref	Plate, Placard Options:	
109	3571600	1	Plate, Placard 2033E3 (Was P/N 3570870) (Prior to SN 0200061759)	
109	3571600	1	Plate, Placard 2033E3 (SN 0200061759 to Present)	

SECTION 4 - PLATFORM

ITEM	PART NUMBER	QTY	DESCRIPTION	REV
109	3570871	1	Plate, Placard 2046E3/2646E3	
109	3570872	1	Plate, Placard 2658E3	
110	3571011	1	Plate, Bottom Placard	
111	4567338	2	Tube, Upper Vertical Rail	
112	2560088	1	Grip Handle	
114	3911432	8	Screw 1/4in-20NC x 2in	
115	0641406	1	Bolt 1/4in-20NC x 3/4in	
116	0641405	12	Bolt 1/4in-20NC x 5/8in	
117	3311405	12	Locknut 1/4in-20NC	
118	4711400	4	Flatwasher (Narrow)	
121	0641512	1	Bolt 5/16in-18NC x 1 1/2in	
122	0641510	15	Bolt 5/16in-18NC x 1 1/4in	
123	3311505	18	Locknut 5/16in-18NC	
124	4751500	20	Flatwasher 5/16in	
125		Ref	Pin-Plunger Assembly Options:	
125	3422369	2	Pin-Plunger Assembly 2033E3 (Prior to SN 0200061759)	
125	3422744	2	Pin-Plunger Assembly 2033E3 (SN 0200061759 to Present)	
125	3422369	2	Pin-Plunger Assembly 2046E3/2646E3/2658E3	
126	3820019	7	Pop Rivets	
127		Ref	Roller Options:	
127	3860059	4	Roller (Prior to SN 0200098156)	
127	3860091	4	Roller (SN 0200098156 to Present)	
128	3537619	4	Extension Roller Mounting	
129	3841233	4	Roller Support Rod	
130	3322202	4	Jam Nut 3/4in-10NF	
131	3760348	4	Snap Ring	
132	4752200	4	Flatwasher 3/4in	
133	0181684	4	Angle	
134	1320224	1	Clamp, Cable (Prior to SN 0200099828)	
136	3020022	AR	Grease, Lithium	
		Ref	PLATFORM EXTENSION LOCK INSTALLATION OPTIONS:	
	0258103	Ref	Platform Extension Lock Installation 2033E3 (Prior to SN 0200104330)	
	See Note	Ref	Platform Extension Lock Installation 2033E3 (Note: No exact SN break exists for Lock Mechanism. SN 0200104330 to SN 0200108196 installations could be built with either configuration) (See items 301-308) (SN 0200104330 through 0200108196)	
	0258104	Ref	Platform Extension Lock Installation 2046E3/2646E3 (Prior to SN 0200104330)	
	See Note	Ref	Platform Extension Lock Installation 2046E3/2646E3 (Note: No exact SN break exists for Lock Mechanism. SN 0200104330 to SN 0200108196 installations could be built with either configuration) (See items 301-308) (SN 0200104330 through 0200108196)	
	0258105	Ref	Platform Extension Lock Installation 2658E3 (Prior to SN 0200104330)	
	See Note	Ref	Platform Extension Lock Installation 2658E3 (Note: No exact SN break exists for Lock Mechanism. SN 0200104330 to SN 0200108196 installations could be built with either configuration) (See items 301-308) (SN 0200104330 through 0200108196)	
201	0641516	2	Bolt 5/16in-18NC x 2in	
202	2980113	1	Release Lever Assembly	
	2901649	Ref	Extension Latch Kit	

2

SECTION 4 - PLATFORM

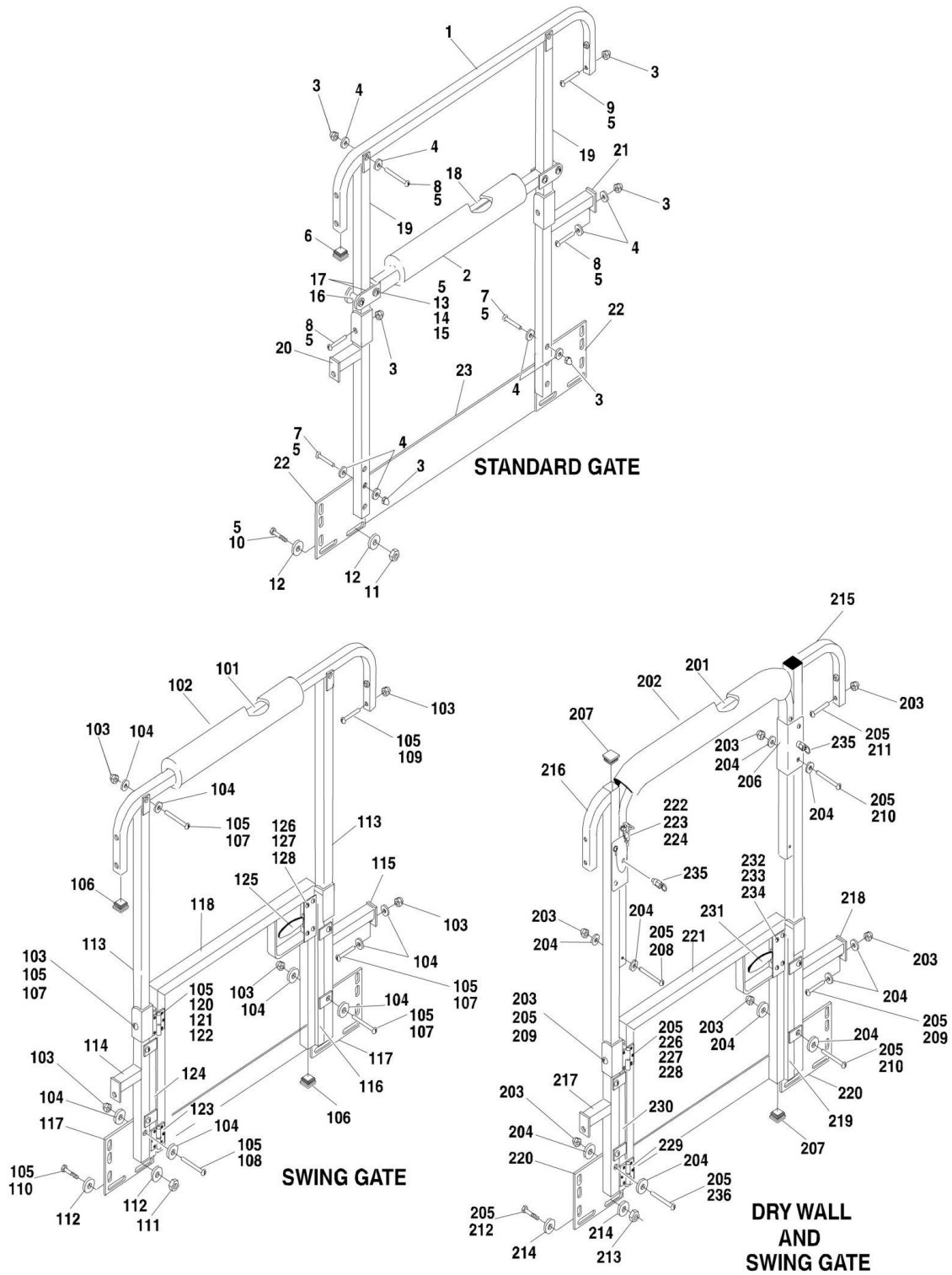
ITEM	PART NUMBER	QTY	DESCRIPTION	REV
203	3841394	1	Rod, Release	
204	3422723	2	Rollpin 1/8in x 7/8in	
205	4160078	1	Spring	
206	0361912	1	Bar, Latch	
207	2940061	1	Latch Weldment	
208	0901830	2	Bracket, Latch	
		Ref	PLATFORM EXTENSION LOCK INSTALLATION OPTIONS:	
	See Note	Ref	Platform Extension Lock Installation 2033E3 (Note: No exact SN break exists for Lock Mechanism. SN 0200104330 to SN 0200108196 installations could be built with either configuration) (See items 201-208) (SN 0200104330 through 0200108195)	
	0258103	Ref	Platform Extension Lock Installation 2033E3 (SN 0200108196 to Present)	
	See Note	Ref	Platform Extension Lock Installation 2046E3/2646E3 (Note: No exact SN break exists for Lock Mechanism. SN 0200104330 to SN 0200108196 installations could be built with either configuration) (See items 201-208) (SN 0200104330 through 0200108195)	
	0258104	Ref	Platform Extension Lock Installation 2046E3/2646E3 (SN 0200108196 to Present)	
	See Note	Ref	Platform Extension Lock Installation 2658E3 (Note: No exact SN break exists for Lock Mechanism. SN 0200104330 to SN 0200108196 installations could be built with either configuration) (See items 201-208) (SN 0200104330 through 0200108195)	
	0258105	Ref	Platform Extension Lock Installation 2658E3 (SN 0200108196 to Present)	
301	3422950	2	Pin, 5/16in Rue Ring Stainless	
302	0641507	2	Bolt 5/16in-18NC x 7/8in	
303	3573073	1	Plate, Foot Latch Rollout	
304	3422949	1	Pin, Step Plunger Assembly	
305	0902750	1	Bracket, Latch Weldment	
306	0901830	2	Bracket, Extension Latch	
307	4740513	1	Washer-spec, 1/4-20NC Stainless	
308	3430406	1	Pin, 1/4in x 3/4in	
		Ref	OPTIONAL PLATFORM EXTENSION LIMIT SWITCHES INSTALLATIONS	
	0256664	Ref	Optional Platform Extension Limit Switches 2033E3/2046E3	-
	0256668	Ref	Optional Platform Extension Limit Switches 2646E3/2658E3	2
401	4360277	1	Switch, Limit	
402	4360236	1	Actuator, Switch	
403	4360278	1	Roller and Arm	
404	4460052	2	Connector, Strain Relief	
405	3900168	2	Screw, Special	
406	4920140	2	Lockwire	
407	3534995	1	Plate, Mounting	
408	3931416	2	Bolt, Socket Head 1/4in-20NC x 1in	
409	3311401	2	Nut 1/4in-20NC	
410	4761400	2	Lockwasher 1/4in	
411	3520052	1	Plug, Cap	
412	1060341		Cable Options:	
412	1060341	46	Cable, 2033E3/2046E3	
		ft/14.02m		

SECTION 4 - PLATFORM

ITEM	PART NUMBER	QTY	DESCRIPTION	REV
412	1060341	54 ft/16.46m	Cable, 2646E3/2658E3	
413	4460320	1	Plug (Not Shown)	
415	0960239	1	Bushing	
416	3300047	1	Locknut	

SECTION 4 - PLATFORM

FIGURE 4-7. PLATFORM ACCESS INSTALLATION - FOLDDOWN HANDRAILS (MANUALLY OPERATED)



SECTION 4 - PLATFORM

FIGURE 4-7. PLATFORM ACCESS INSTALLATION - FOLDDOWN HANDRAILS (MANUALLY OPERATED)

ITEM	PART NUMBER	QTY	DESCRIPTION	REV
		Ref	PLATFORM ACCESS (STANDARD GATE) INSTALLATIONS	
	0258233	Ref	Standard Gate - 1532E3/1932E3/2033E3	4
	0258239	Ref	Standard Gate - 2046E3/2646E3	9
	0258244	Ref	Standard Gate - 2658E3	10
1		Ref	Tube, Rail Options:	
1	4565201	1	Tube, Rail 1532E3/1932E3/2033E3	
1	4565202	1	Tube, Rail 2046E3/2646E3	
1	4565203	1	Tube, Rail 2658E3	
2	3340612	1.5 ft/.5m	Pad	
3		Ref	Nut Options:	
3	3300151	AR	Nut, Acorn 1/4in-20NC (Prior to SN 0200098334)	
3	2080063	AR	Fastener, Nut 1/4in-20NC (SN 0200098334 to Present)	
4	4751400	AR	Flatwasher 1/4in Wide	
5	0100011	AR	Loctite #242 (Prior to SN 0200098334)	
6	3520072	AR	Plug, Cap	
7	0641418	AR	Bolt 1/4in-20NC x 2 1/4in	
8	3911428	AR	Screw 1/4in-20NC x 1 3/4in	
9		Ref	Screw Options:	
9	3911444	AR	Screw 1/4in-20NC x 2 3/4 (Prior to SN 0200098334)	
9	2080065	AR	Fastener, Screw 1/4in-20NC x 2 3/4 (SN 0200098334 to Present)	
10	0641608	AR	Bolt 3/8in-16NC x 1in	
11	3311605	AR	Locknut 3/8in-16NC	
12	4751600	AR	Flatwasher 3/8in	
13	3911036	AR	Screw #10-24NC x 2 1/4in	
14	3311005	AR	Locknut #10-24NC	
15	4751000	AR	Flatwasher #10	
16	0961833	AR	Roller	
17	4420055	AR	Tape	
18	3640614	1	Gate, Lift	
19		Ref	Weldment, Rear Vertical Options:	
19	Not Required	0	Weldment, Rear Vertical 1532E3/1932E3/2033E3	
19	4845741	1	Weldment, Rear Vertical 2046E3/2646E3/2658E3	
20		Ref	Weldment, Bottom Right Side Options:	
20	Not Required	0	Weldment, Bottom Right Side 1532E3/1932E3/2033E3	
20	4845843	1	Weldment, Bottom Right Side 2046E3/2646E3	
20	4845734	1	Weldment, Bottom Right Side 2658E3	
21		Ref	Weldment, Bottom Left Side Options:	
21	Not Required	0	Weldment, Bottom Left Side 1532E3/1932E3/2033E3	
21	4845845	1	Weldment, Bottom Left Side 2046E3/2646E3	
21	4845736	1	Weldment, Bottom Left Side 2658E3	
22		Ref	Kick Plate - Rear Options:	
22	Not Required	0	Kick Plate - Rear 1532E3/1932E3/2033E3	
22	3534742	2	Kick Plate - Rear 2046E3/2646E3	
22	3534743	2	Kick Plate - Rear 2658E3	
23	3533370	1	Kick Plate - Rear Center	
	2902004	1	Kit, Platform Access Rails - 2046E3/2646E3 (Includes Items 19 thru 23)	
	2902006	1	Kit, Platform Access Rails - 2658E3 (Includes Items 19 thru 23)	

SECTION 4 - PLATFORM

ITEM	PART NUMBER	QTY	DESCRIPTION	REV
		Ref	PLATFORM ACCESS (SWING GATE) INSTALLATIONS	
	0258231	Ref	Swing Gate - 1532E3/1932E3 (Prior to SN 0200058563)	8
	0259388	Ref	Swing Gate - 1532E3/1932E3 (SN 0200058563 to Present)	6
	0258231	Ref	Swing Gate - 2033E3	8
	0258241	Ref	Swing Gate - 2046E3/2646E3	9
	0258246	Ref	Swing Gate - 2658E3	8
101		Ref	Tube, Rail Options:	
101	4565201	1	Tube, Rail 1532E3/1932E3 (Prior to SN 0200058563)	
101	4565285	1	Tube, Rail 1532E3/1932E3 (SN 0200058563 to Present)	
101	4565201	1	Tube, Rail 2033E3	
101	4565202	1	Tube, Rail 2046E3	
101	4565203	1	Tube, Rail 2658E3	
102	3340612	1.5 ft/.5m	Pad	
103		Ref	Nut Options:	
103	3300151	AR	Nut, Acorn 1/4in-20NC (Prior to SN 0200098334)	
103	2080063	AR	Fastener, Nut 1/4in-20NC (SN 0200098334 to Present)	
104	4751400	AR	Flatwasher 1/4in Wide	
105	0100011	AR	Loctite #242	
106	3520072	2	Plug, Cap	
107	3911428	AR	Screw 1/4in-20NC x 1 3/4in	
108	0641418	AR	Screw 1/4in-20NC x 2 1/4in	
109		Ref	Screw Options:	
109	3911444	AR	Screw 1/4in-20NC x 2 3/4 (Prior to SN 0200098334)	
109	2080065	AR	Fastener, Screw 1/4in-20NC x 2 3/4 (SN 0200098334 to Present)	
110	0641608	AR	Bolt 3/8in-16NC x 1in	
111	3311605	AR	Locknut 3/8in-16NC	
112	4751600	AR	Flatwasher 3/8in	
113	4845741	AR	Weldment. Rear Vertical	
114		Ref	Weldment, Bottom Right Side Options:	
114	Not Required	0	Weldment, Bottom Right Side 1532E3/1932E3/2033E3	
114	4845843	1	Weldment, Bottom Right Side 2046E3/2646E3	
114	4845734	1	Weldment, Bottom Right Side 2658E3	
115		Ref	Weldment, Bottom Left Side Options:	
115	Not Required	0	Weldment, Bottom Left Side 1532E3/1932E3/2033E3	
115	4845845	1	Weldment, Bottom Left Side 2046E3/2646E3	
115	4845736	1	Weldment, Bottom Left Side 2658E3	
116	4845708	1	Weldment, Platform Access Rail	
117		Ref	Kick Plate - Rear	
117	Not Required	0	Kick Plate - Rear 1532E3/1932E3/2033E3	
117	3534742	2	Kick Plate - Rear 2046E3/2646E3/2658E3 (Was P/N 3535492) (Prior to SN 0200065312)	
117	3534742	2	Kick Plate - Rear 2046E3/2646E3 (SN 0200065312 to Present)	
117	3534743	2	Kick Plate - Rear 2658E3 (SN 0200065312 to Present)	
118	4845709	1	Weldment, Platform Access Door	
120		Ref	Fastener, Rivnut #10-32 Options:	
120	2080069	12	Fastener, Rivnut #10-32 (Was P/N 2080047) (Prior to SN 0200103629)	
120	2080069	12	Fastener, Rivnut #10-32 (SN 0200103629 to Present)	
121	3900267	12	Screw #10-32	
122	4711000	12	Flatwasher #10	
123	2600253	2	Hinge	

SECTION 4 - PLATFORM

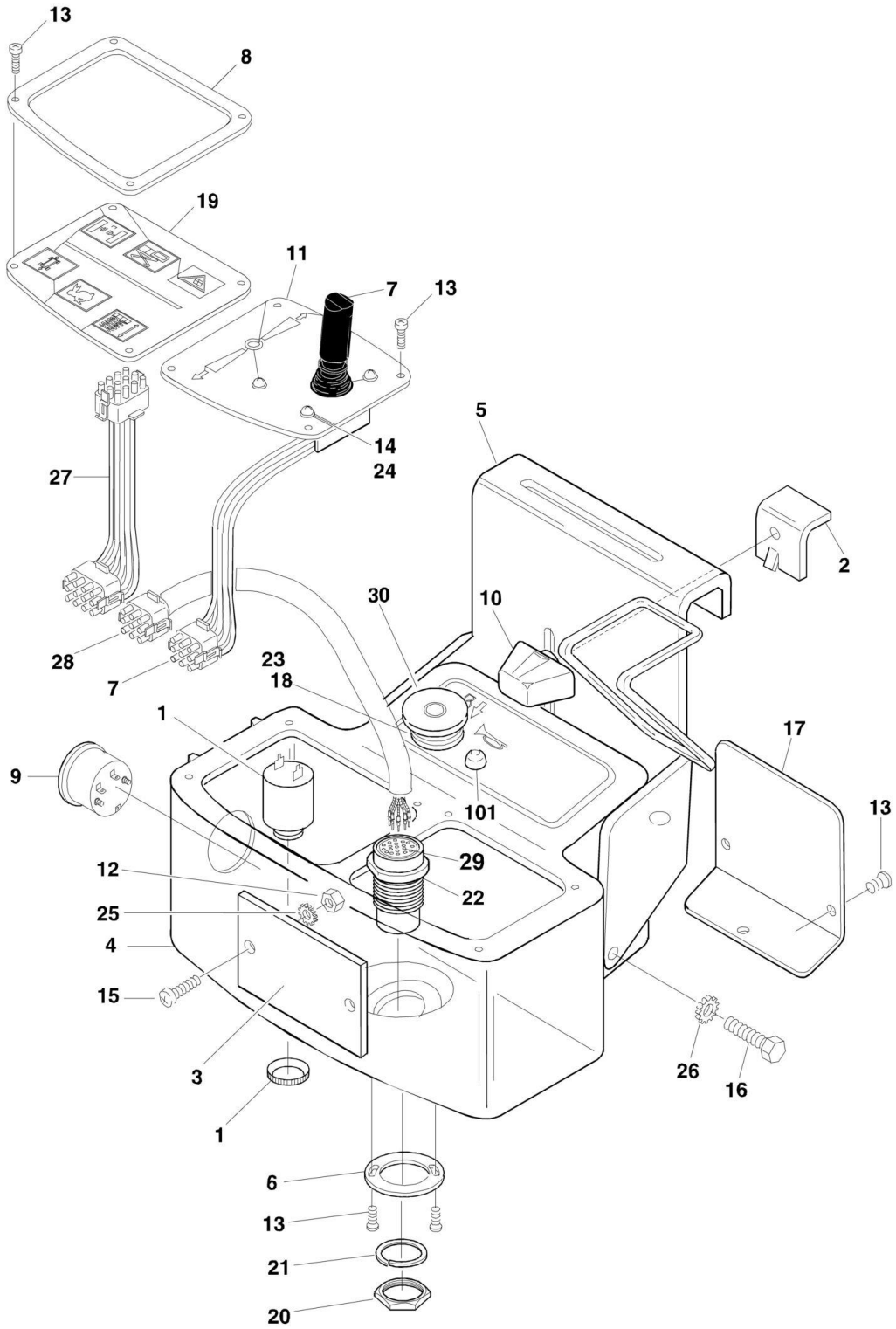
ITEM	PART NUMBER	QTY	DESCRIPTION	REV
124	4845710	1	Weldment, Platform Access Rail	
125	2940074	1	Latch	
126	3911016	4	Bolt #10-24NC x 1in	
127		Ref	Nut Options:	
127	3311005	4	Locknut #10-24NC (Prior to SN 0200099828)	
127	3311001	4	Nut #10-24NC (SN 0200099828 to Present)	
128	4751000	4	Flatwasher #10	
	2901993	1	Kit, Platform Access Rails - 1532E3/1932E3/2033E3/2046E3/2646E3/2658E3 (Includes Items 116,118 & 124)	
	2902009	1	Kit, Platform Access Rails - 2046E3/2646E3 (Includes Items 113,114,115 & 117)	
	2902010	1	Kit, Platform Access Rails - 2658E3 (Includes Items 113,114,115 & 117)	
		Ref	PLATFORM ACCESS (DRY WALL AND SWING GATE) INSTALLATIONS	
	0258232	Ref	Dry Wall And Swing Gate - 1532E3/1932E3 (Prior to SN 0200057691)	8
	0259260	Ref	Dry Wall And Swing Gate - 1532E3/1932E3 (SN 0200057691 to Present)	6
	0258232	Ref	Dry Wall And Swing Gate - 1532E3/1932E3/2033E3	8
	0258242	Ref	Dry Wall And Swing Gate - 2046E3/2646E3	8
	0258247	Ref	Dry Wall And Swing Gate - 2658E3	9
201		Ref	Tube, Dry Wall Gate Options:	
201	4567896	1	Tube, Dry Wall Gate 1532E3/1932E3	
201	4567894	1	Tube, Dry Wall Gate 2033E3	
201	4567883	1	Tube, Dry Wall Gate 2046E3/2646E3/2658E3	
202	3340612	1.5 ft/.5m	Pad	
203		Ref	Nut Options:	
203	3300151	AR	Nut, Acorn 1/4in-20NC (Prior to SN 0200098334)	
203	2080063	AR	Fastener, Nut 1/4in-20NC (SN 0200098334 to Present)	
204	4751400	AR	Flatwasher 1/4in Wide	
205	0100011	AR	Loctite #242	
206		Ref	Channel, Dry Wall Gate Options:	
206	1271410	2	Channel, Dry Wall Gate (Prior to SN 0200057691)	
206	4846013	2	Channel, Dry Wall Gate 1532E3/1932E3 (SN 0200057691 to Present)	
206	4846012	2	Channel, Dry Wall Gate 2033E3 (SN 0200057691 to Present)	
206	4845829	2	Channel, Dry Wall Gate 2046E3/2646E3/2658E3 (SN 0200057691 to Present)	
207	3520072	AR	Plug, Cap	
208	3911424	3	Bolt 1/4in-20NC x 1 1/2in	
209	3911428	AR	Screw 1/4in-20NC x 1 3/4in	
210	3911432	AR	Screw 1/4in-20NC x 2in	
211		Ref	Screw Options:	
211	3911444	AR	Screw 1/4in-20NC x 2 3/4 (Prior to SN 0200098334)	
211	2080065	AR	Fastener, Screw 1/4in-20NC x 2 3/4 (SN 0200098334 to Present)	
212	0641608	AR	Bolt 3/8in-16NC x 1in	
213	3311605	AR	Locknut 3/8in-16NC	
214	4751600	AR	Flatwasher 3/8in	
215		Ref	Weldment, Top Rear Left Side Options:	
215	Not Required	0	Weldment, Top Rear Left Side 1532E3/1932E3/2033E3	
215	4845735	1	Weldment, Top Rear Left Side 2046E3/2646E3	

SECTION 4 - PLATFORM

ITEM	PART NUMBER	QTY	DESCRIPTION	REV
215	4845793	1	Weldment, Top Rear Left Side 2658E3	
216		Ref	Weldment, Top Rear Right Side Options:	
216	Not Required	0	Weldment, Top Rear Right Side 1532E3/1932E3/2033E3	
216	4845792	1	Weldment, Top Rear Right Side 2046E3/2646E3	
216	4845733	1	Weldment, Top Rear Right Side 2658E3	
217		Ref	Weldment, Bottom Right Side Options:	
217	Not Required	0	Weldment, Bottom Right Side 1532E3/1932E3/2033E3	
217	4845843	1	Weldment, Bottom Right Side 2046E3/2646E3	
217	4845734	1	Weldment, Bottom Right Side 2658E3	
218		Ref	Weldment, Bottom Left Side Options:	
218	Not Required	0	Weldment, Bottom Left Side 1532E3/1932E3/2033E3	
218	4845845	1	Weldment, Bottom Left Side 2046E3/2646E3	
218	4845736	1	Weldment, Bottom Left Side 2658E3	
219	4845708	1	Weldment, Platform Access Rail	
220		Ref	Kick Plate - Rear	
220	Not Required	0	Kick Plate - Rear 1532E3/1932E3/2033E3	
220	3534742	1	Kick Plate - Rear 2046E3/2646E3	
221	4845709	1	Weldment, Platform Access Door	
222		Ref	Snapper Pin Options: (Prior to SN 0200057691)	
222	3421453	1	Snapper Pin 1532E3/1932E3/2033E3	
222	3421452	1	Snapper Pin 2046E3/2646E3/2658E3	
223	1060379	1	Cable - Lanyard (Prior to SN 0200057691)	
224	3760170	1	Ring (Prior to SN 0200057691)	
226		Ref	Fastener, Rivnut #10-32 Options:	
226	2080069	12	Fastener, Rivnut #10-32 (Was P/N 2080047) (Prior to SN 0200103629)	
226	2080069	12	Fastener, Rivnut #10-32 (SN 0200103629 to Present)	
227	3900267	12	Screw #10-32	
228	4711000	12	Flatwasher #10	
229	2600253	2	Hinge	
230	4845710	1	Weldment, Platform Access Rail	
231	2940074	1	Latch	
232	3911016	4	Bolt #10-24NC x 1in	
233		Ref	Nut Options:	
233	3311005	4	Locknut #10-24NC (Prior to SN 0200099828)	
233	3311001	4	Nut #10-24NC (SN 0200099828 to Present)	
234	4751000	4	Flatwasher #10	
235	3422369	2	Pin, Plunger (SN 0200057691 to Present)	
236	0641418	AR	Bolt 1/4in-20NC x 2 1/4in	
	2901993	1	Kit, Platform Access Rails - 1532E3/1932E3/2033E3/2046E3/2646E3/2658E3 (Includes Items 219, 220 & 230)	
	2902011	1	Kit, Platform Access Rails - 2046E3/2646E3 (Includes Items 215, 216, 217, 218, & 220)	
	2902012	1	Kit, Platform Access Rails - 2658E3 (Includes Items 215, 216, 217, 218 & 220)	

SECTION 4 - PLATFORM

FIGURE 4-8. PLATFORM CONSOLE BOX ASSEMBLY



SECTION 4 - PLATFORM

FIGURE 4-8. PLATFORM CONSOLE BOX ASSEMBLY

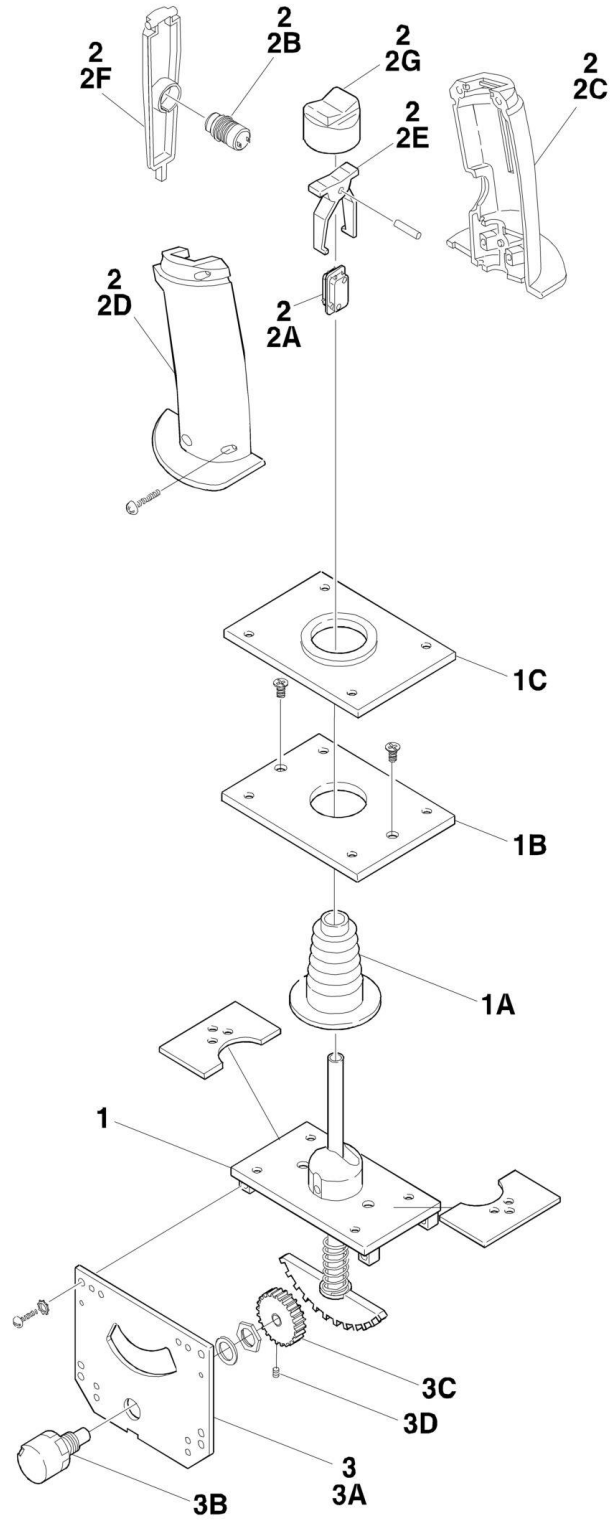
ITEM	PART NUMBER	QTY	DESCRIPTION	REV
		Ref	CONSOLE BOX ASSEMBLY OPTIONS:	
	0258111	Ref	Console Box With Battery Indicator and W/Tilt	1
1	0140011	1	Alarm (W/Tilt Light Only)	
2	0181847	1	Angle, Latch	
3	0610123	1	Card, Circuit	
4	0861256	1	Box, Platform With Battery Indication and Tilt Light	
5	0902485	1	Hanger, Bracket	
6	0902499	1	Bracket	
7	1600282	1	Controller Assembly (See CONTROLLER ASSEMBLY - PQ for Breakdown)	
8	1670869	1	Cover, Bezel	
9		Ref	Gauge, Battery Indicator (W/Battery Indicator Only) Options:	
9	2420201	1	Gauge, Battery Indicator (W/Battery Indicator Only) (Was P/N 2420176) (Prior to SN 0200111400)	
9	2420201	1	Gauge, Battery Indicator (W/Battery Indicator Only) (SN 0200111400 to Present)	
10	2560141	1	Thumbscrew	
11	3252610	1	Lid, Nameplate	
12	3310601	2	Nut #6-32	
13	3900265	13	Self Tapping #8-18 x 3/4in	
14	3900178	4	Screw, Plastite #10-32 x 1/2in	
15	3900226	2	Screw, Plastite #8 x 1/2in	
16		Ref	Screw, Plastite 1/4in-20NC x 1/2in Options:	
16	3900227	4	Screw, Plastite 1/4in-20NC x 1/2in (Prior to SN 0200085393)	
16	0641404	4	Screw, Plastite 1/4in-20NC x 1/2in (SN 0200085393 to Present)	
17		Ref	Shield, Back Cover Options:	
17	4060914	1	Shield, Back Cover (Prior to SN 0200061362)	
17	4060976	1	Shield, Back Cover (SN 0200061362 to Present)	
18	4360289	1	Switch, Push-Pull (Emergency Stop) (Prior to SN 0200069828)	
18	7012611	1	Mushroom, Top	
18	7012612	1	Boot	
18	4360475	1	Switch, Push-Pull (Emergency Stop) (SN 0200069828 to Present)	
18	7020175	1	Cap	
18	7020176	1	Block, Contact	
19	4360453		Switch, Keypad	
20	4460470	1	Nut, Terminal	
21	4460471	1	Lockwasher, Terminal	
22	4460613	1	Connector	
23	4740066	1	Washer, Thrust (Bronze) (Prior to SN 0200069828)	
24	4740120	4	Washer, Nylon	
25	4760600	2	Lockwasher #6	
26	4761400	4	Lockwasher 1/4in	
27	4922183	1	Harness - Membrane Pad (See ELECTRICAL SECTION for Breakdown)	
28	4922184	1	Harness - Platform Control Box (See ELECTRICAL SECTION for Breakdown)	
29	4460466	7	Seal, Terminal	
30	1704260	1	Decal - EMS	
	0259217	Ref	HORN COMPONENTS INSTALLATION	2

SECTION 4 - PLATFORM

ITEM	PART NUMBER	QTY	DESCRIPTION	REV
101	4360387	1	Switch, Push Button	
	0257665	Ref	PERIMETER SWITCH INSTALLATION OPTIONAL (NOT SHOWN) (Prior to SN 0200070220)	2
	4360387	1	Switch, Push Button	
	4460049	1	Connector, Strain Relief	
	3820014	2	Pop Rivet 1/8	
	3251596	1	Decal - Proximity	
		Ref	PERIMETER SWITCH INSTALLATIONS OPTIONAL (NOT SHOWN) (SN 0200070220 to Present)	
	0272788	Ref	Perimeter Switch Installations Optional 1532E3/1932E3	1
	0259684	Ref	Perimeter Switch Installations Optional 2033E3/2046E3	3
	0259685	Ref	Perimeter Switch Installations Optional 2646E3/2658E3	4
	4360387	1	Switch, Push Button	
	4460662	1	Connector, Strain Relief	
	3820014	2	Pop Rivet 1/8	
	3251596	1	Decal - Proximity	
	4460424	1	Connector - 2 Position	
	4460320	1	Connector - 2 Pin	
	4460267	2	Pin	
	4460268	2	Socket, Female	

SECTION 4 - PLATFORM

FIGURE 4-9. CONTROLLER ASSEMBLY - PQ



SECTION 4 - PLATFORM

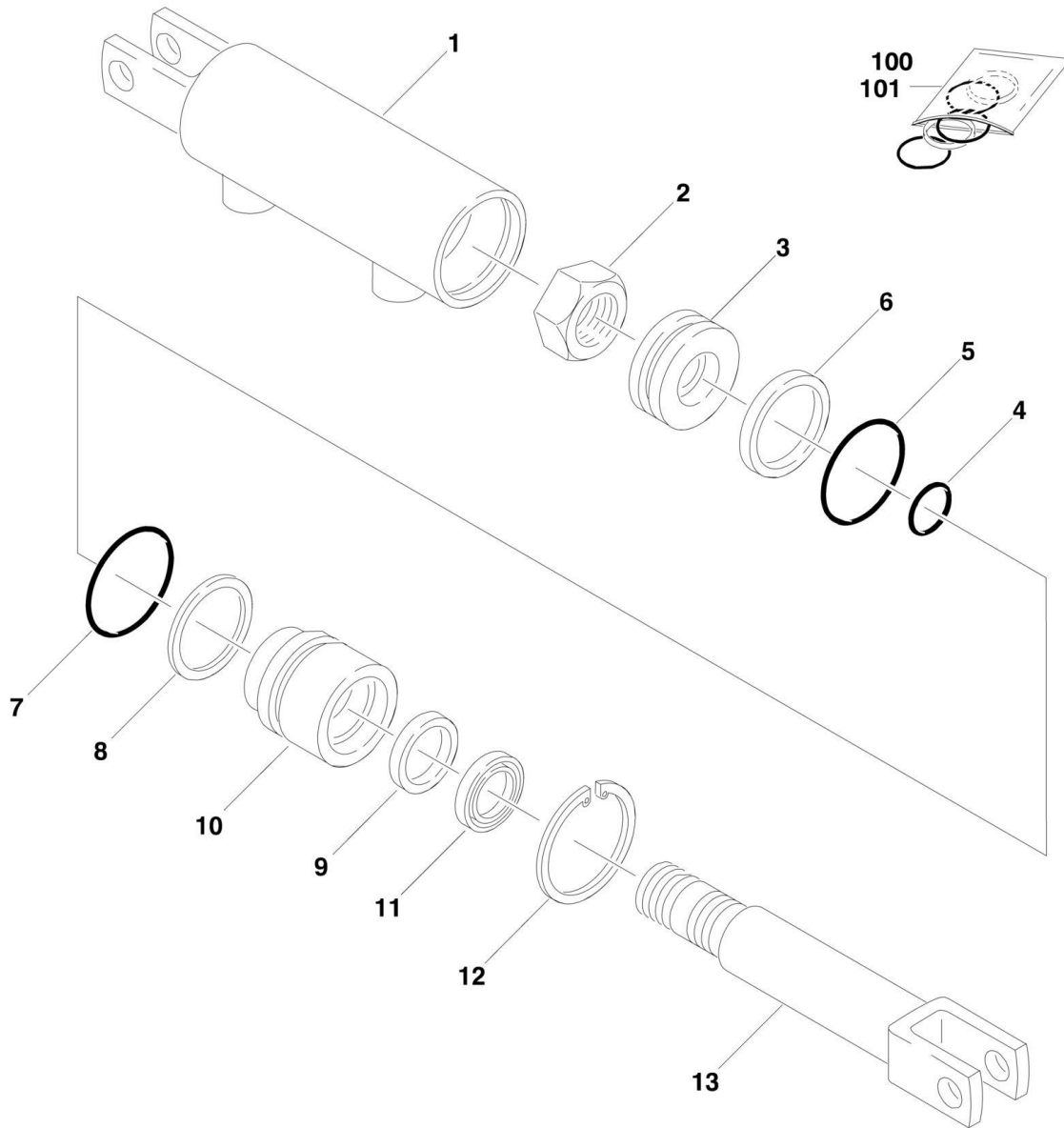
FIGURE 4-9. CONTROLLER ASSEMBLY - PQ

ITEM	PART NUMBER	QTY	DESCRIPTION	REV
	1600282	Ref	CONTROLLER ASSEMBLY	B
1	7020503	1	Handle/Housing Assembly	
1A	7020520	1	Boot (was p/n 7003778)	
1B	7020504	1	Plate, Mounting	
1C	7020502	1	Gasket	
2	7011991	1	Grip Assembly	
2A	7011992	1	Switch Assembly	
2B	7020501	1	Switch, Push Button - Red	
2C	7020541	1	Grip - Right Half (was p/n 7011993 & p/n 7020531)	
2D	7020541	1	Grip - Left Half (was p/n 7011994 & p/n 7020532)	
		Ref	Note: p/n 7020541 Includes Items 2C & 2D With a JLG Logo.	
2E	7003791	1	Actuator, Switch	
2F	7011997	1	Trigger	
2G	7003790	1	Cap, Rubber	
3	7020508	1	Electrical Assembly	
3	4460265	1	Connector, Receptacle - 9 Pin (Not Shown)	
3	4460268	8	Socket (Not Shown)	
3	4460424	1	Connector - 2 Position (Not Shown)	
3A	7020509	1	Plate, Mounting - Potentiometer	
3B	7020510	1	Potentiometer	
3C	7011940	1	Gear, Pinion	
3D	7020511	1	Setscrew #6-32 x 1/8in	
4	7020540	2	Resistor, 510 ohm (Not Shown)	

SECTION 5 - CYLINDER

SECTION 5 - CYLINDER

FIGURE 5-1. BRAKE CYLINDER ASSEMBLY



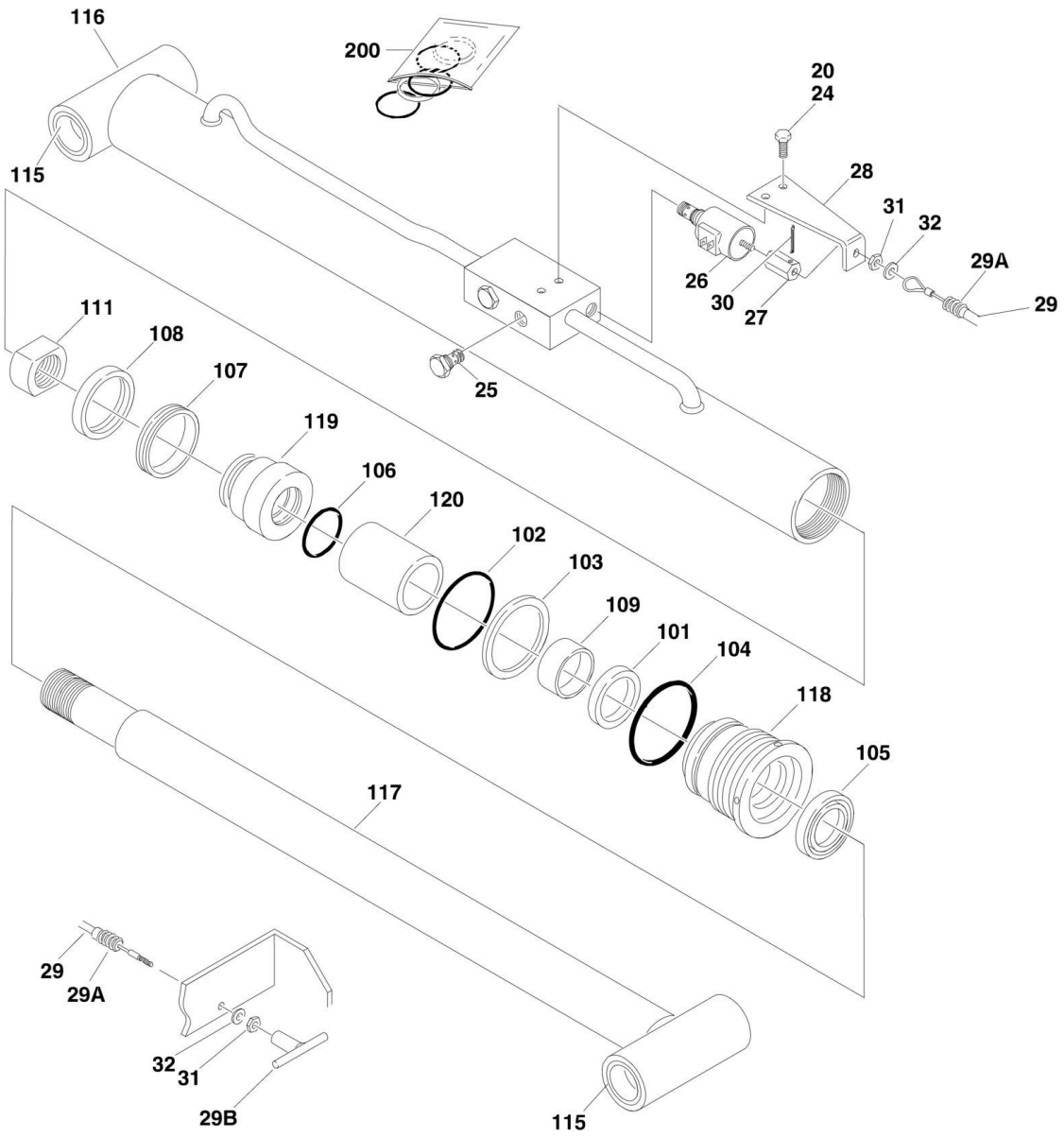
SECTION 5 - CYLINDER

FIGURE 5-1. BRAKE CYLINDER ASSEMBLY

ITEM	PART NUMBER	QTY	DESCRIPTION	REV
		Ref	BRAKE CYLINDER ASSEMBLIES	
	1683557	Ref	Brake Cylinder Assemblies (Prior to SN 0200066023)	A
	1683833	Ref	Brake Cylinder Assemblies (SN 0200066023 to Present)	B
		Ref	Note: Original Equipment Cylinder may have been replaced with Service Replacement Cylinder. Identify the p/n stamp on the cylinder before ordering parts.	
		Ref	Note: When replacing complete cylinder use p/n 1683833 as replacement.	
1	Not Serviced	1	Barrel	
2	7001609	1	Locknut	
3	7017220	1	Piston	
4	See Note	1	O-Ring (Note: See Items 100 & 101)	
5	See Note	1	O-Ring (Note: See Items 100 & 101)	
6	See Note	1	Ring, Piston (Note: See Items 100 & 101)	
7	See Note	1	O-Ring (Note: See Items 100 & 101)	
8	See Note	1	Ring, Back-up (Note: See Items 100 & 101)	
9	See Note	1	Seal (Note: See Items 100 & 101)	
10	7017221	1	Guide	
11	See Note	1	Ring, Wiper (Note: See Items 100 & 101)	
12		Ref	Ring, Retainer Options:	
12	Item 100	1	1683557 Cylinder	
12	7017264	1	1683833 Cylinder	
13	7017222	1	Rod	
		Ref	KIT OPTIONS:	
		Ref	Seal Kit Options:	
100	7017223	1	1683557 Cylinder (Includes Items 4-9, 11 & 12)	
101	7017262	1	1683833 Cylinder (Includes Items 4-9 & 11)	

SECTION 5 - CYLINDER

FIGURE 5-2. LIFT CYLINDER COMPONENTS ASSEMBLY 1532E3/1932E3



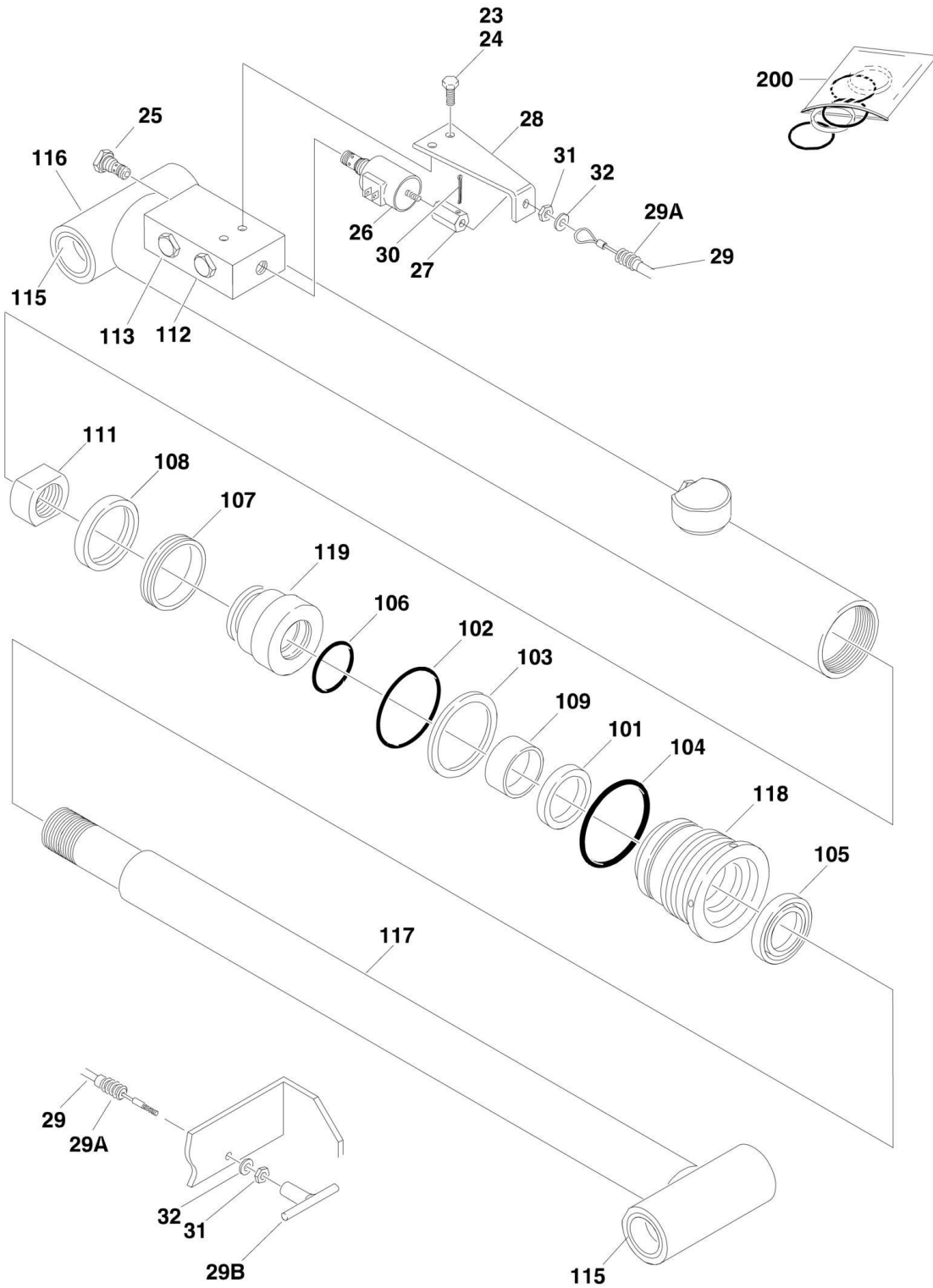
SECTION 5 - CYLINDER

FIGURE 5-2. LIFT CYLINDER COMPONENTS ASSEMBLY 1532E3/1932E3

ITEM	PART NUMBER	QTY	DESCRIPTION	REV
		Ref	LIFT CYLINDER SUB-ASSEMBLIES	
	0258173	Ref	Lift Cylinder Sub-Assemblies 1532E3	7-G
	0258174	Ref	Lift Cylinder Sub-Assemblies 1932E3	6-G
20	0641506	2	Bolt 5/16in-18NC x 3/4in	
24	0100011	AR	Loctite #242	
25	4641012	1	Cartridge, Valve (Restrictor/Check)	
25	7012953	1	Seal Kit	
26	4641001	1	Cartridge, Valve (with Manual Descent)	
26	7017445	1	Cartridge	
26	7017444	1	Coil	
26	7012967	1	Seal Kit	
27	0080228	1	Adapter	
28	0902421	1	Bracket	
29	1060700	1	Cable Assembly	
29A		Ref	Bellows Kit	
29B		Ref	T-Handle	
30	3450405	1	Cotter Pin	
31	3321402	2	Jam Nut 1/4in-28NF	
32	4711400	2	Flatwasher 1/4in	
	1683500	Ref	LIFT CYLINDER ASSEMBLY	D
101	Item 200	1	Seal	
102	Item 200	1	O-Ring	
103	Item 200	1	Ring, Back-up	
104	Item 200	1	O-Ring	
105	Item 200	1	Wiper	
106	Item 200	1	O-Ring	
107	Item 200	1	Seal	
108	Item 200	1	Ring, Lock	
109	Item 200	1	Ring, Wear	
111	7017367	1	Locknut	
115	0962012	4	Bushing	
116	7019801	1	Tube Assembly	
117	7019800	1	Rod Assembly	
118	7017382	1	Head	
119	7017399	1	Piston (Note piston is ductile iron. After SN 0200065873 piston is aluminum. Aluminum piston is directly interchangeable with iron piston. Replacement piston will be aluminum.) (Prior to SN 0200065872)	
120	7017398	1	Spacer	
		Ref	KIT OPTIONS:	
200	7017389	1	Seal Kit (Includes Items 101 - 109)	

SECTION 5 - CYLINDER

FIGURE 5-3. LIFT CYLINDER COMPONENTS ASSEMBLY 2033E3/2046E3



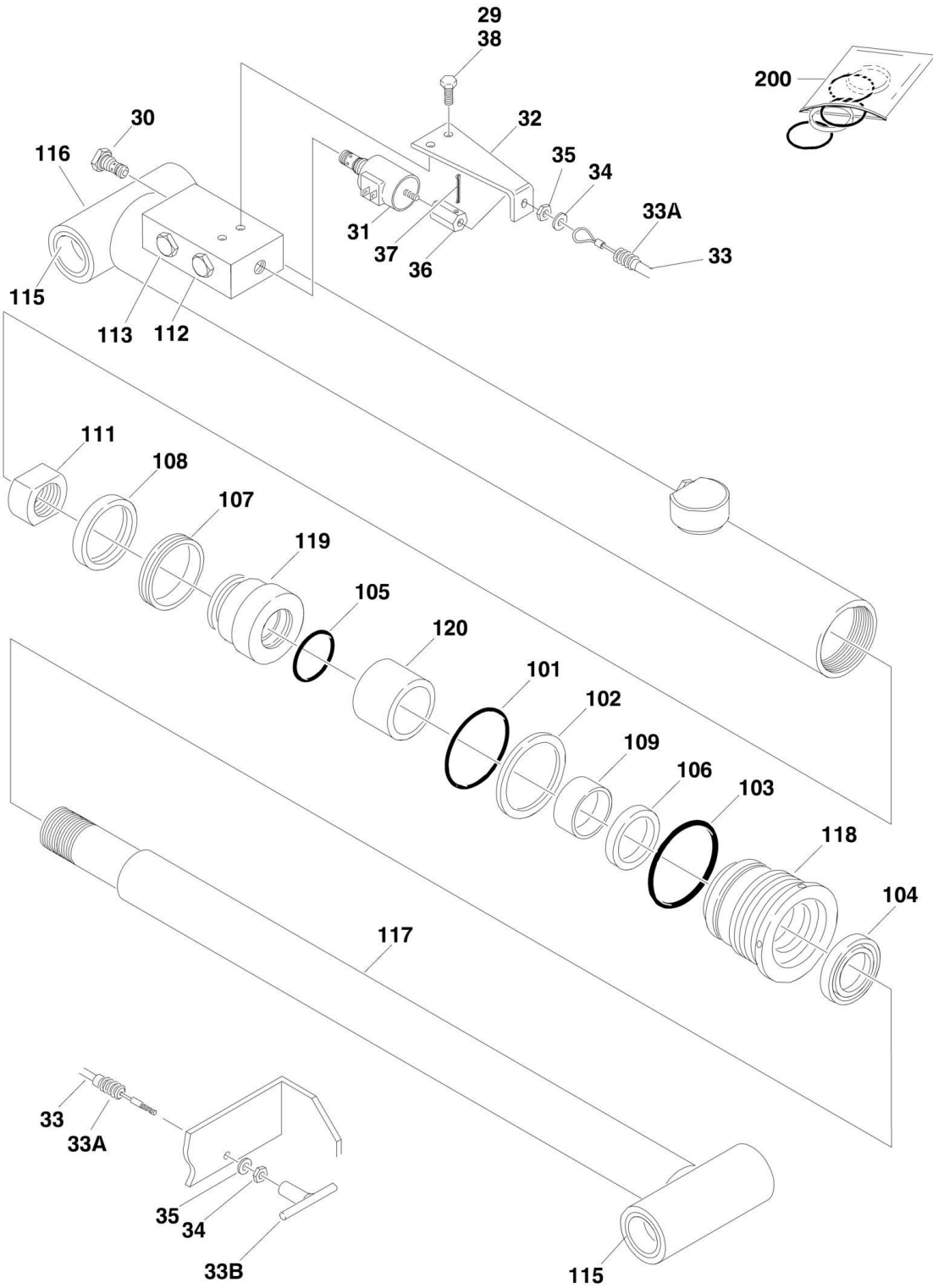
SECTION 5 - CYLINDER

FIGURE 5-3. LIFT CYLINDER COMPONENTS ASSEMBLY 2033E3/2046E3

ITEM	PART NUMBER	QTY	DESCRIPTION	REV
		Ref	LIFT CYLINDER SUB-ASSEMBLIES	
	0258778	Ref	Lift Cylinder Sub-Assemblies 2033E3	8
	0258084	Ref	Lift Cylinder Sub-Assemblies 2046E3	9
23	0641506	2	Bolt 5/16in-18NC x 3/4in	
24	0100011	AR	Loctite #242	
25	4641104	1	Cartridge, Valve (Restrictor/Check)	
25	7012967	1	Seal Kit	
26	4641001	1	Cartridge, Valve (with Manual Descent)	
26	7017445	1	Cartridge	
26	7017444	1	Coil	
26	7012967	1	Seal Kit	
27	0080228	1	Adapter	
28	0902421	1	Bracket	
29	1060699	1	Cable Assembly	
29A	7019602	1	Bellows Kit	
29B	7019600	1	T-Handle	
30	3450405	1	Cotter Pin	
31	3321402	2	Jam Nut 1/4in-28NF	
32	4711400	2	Flatwasher 1/4in	
	1683627	Ref	LIFT CYLINDER ASSEMBLY	D
101	Item 200	1	Seal	
102	Item 200	1	O-Ring	
103	Item 200	1	Ring, Back-up	
104	Item 200	1	O-Ring	
105	Item 200	1	Wiper	
106	Item 200	1	O-Ring	
107	Item 200	1	Seal	
108	Item 200	1	Ring, Lock	
109	Item 200	1	Ring, Wear	
111	7003212	1	Locknut	
112 AND 113	Not Available		Not Available	
115	0962012	4	Bushing	
116	7019848	1	Tube Assembly	
117	7019847	1	Rod Assembly	
118	7017376	1	Head	
119	7019810	1	Piston (Note piston is ductile iron. After SN 0200065873 piston is aluminum. Aluminum piston is directly interchangeable with iron piston. Replacement piston will be aluminum.) (Prior to SN 0200065872)	
		Ref	KIT OPTIONS:	
200	7019808	1	Seal Kit (Includes Items 101 - 109)	

SECTION 5 - CYLINDER

FIGURE 5-4. LIFT CYLINDER COMPONENTS ASSEMBLY 2646E3/2658E3



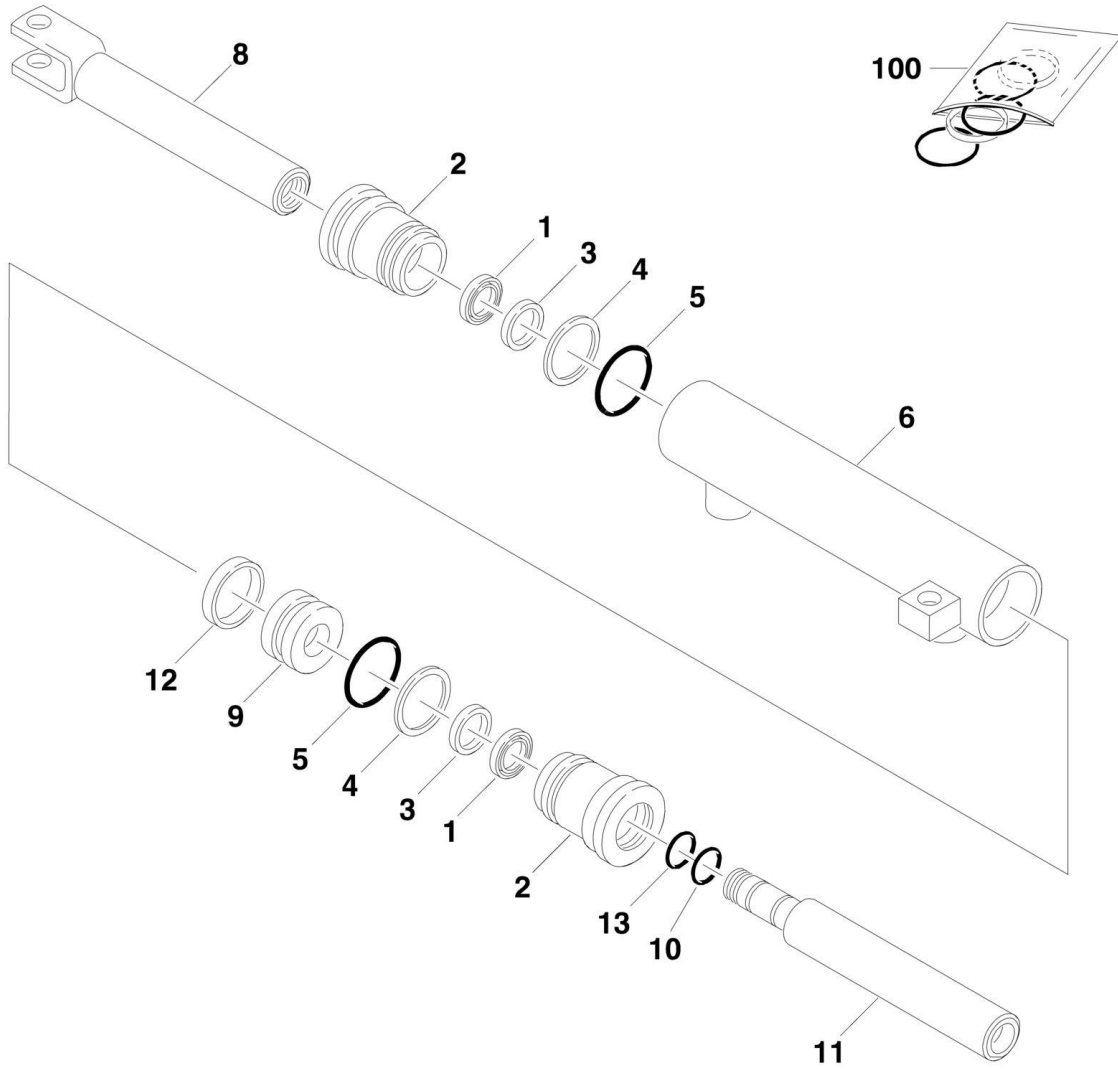
SECTION 5 - CYLINDER

FIGURE 5-4. LIFT CYLINDER COMPONENTS ASSEMBLY 2646E3/2658E3

ITEM	PART NUMBER	QTY	DESCRIPTION	REV
	0258085	Ref	LIFT CYLINDER SUB-ASSEMBLY 2646E3/2658E3	
29	0641506	2	Bolt 5/16in-18NC x 3/4in	
30	4641104	1	Cartridge, Valve (Restrictor/Check)	
30	7012967	1	Seal Kit	
31	4641001	1	Cartridge, Valve (with Manual Descent)	
31	7017445	1	Cartridge	
31	7017444	1	Coil	
31	7012967	1	Seal Kit	
32	0902421	1	Bracket	
33	1060699	1	Cable Assembly	
33A	7019602	1	Bellows Kit	
33B	7020218	1	T-Handle	
34	3321402	2	Jam Nut 1/4in-28NF	
35	4711400	2	Flatwasher 1/4in	
36	0080228	1	Adapter	
37	3450405	1	Cotter Pin	
38	0100011	AR	Loctite #242	
	1683628	Ref	LIFT CYLINDER ASSEMBLY	D
101	Item 200	1	O-Ring	
102	Item 200	1	Ring, Back-up	
103	Item 200	1	O-Ring	
104	Item 200	1	Wiper	
105	Item 200	1	O-Ring	
106	Item 200	1	Seal	
107	Item 200	1	Seal	
108	Item 200	1	Ring, Lock	
109	Item 200	1	Ring, Wear	
111	7003226	1	Locknut	
112 AND 113	Not Available		Not Available	
115	0962012	4	Bushing	
116	7019825	1	Tube Assembly	
117	7019824	1	Rod Assembly	
118	7017387	1	Head	
119	7019806	1	Piston (Note piston is ductile iron. After SN 0200065873 piston is aluminum. Aluminum piston is directly interchangeable with iron piston. Replacement piston will be aluminum.) (Prior to SN 0200065872)	
120	7019873	1	Spacer	
		Ref	KIT OPTIONS:	
200	7019804	1	Seal Kit (Includes Items 101 - 109)	

SECTION 5 - CYLINDER

FIGURE 5-5. STEER CYLINDER ASSEMBLY (Prior to SN 0200070496)



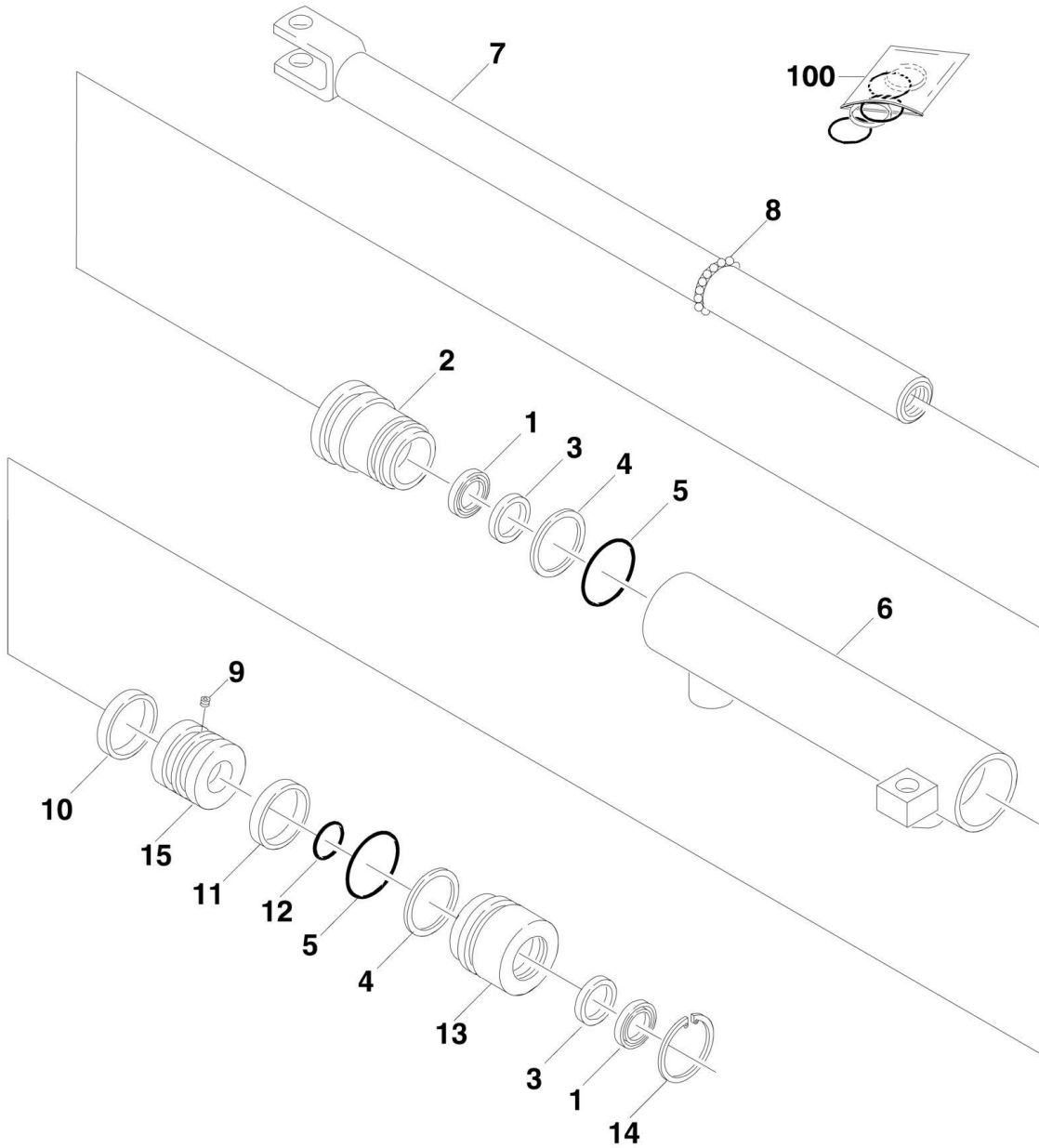
SECTION 5 - CYLINDER

FIGURE 5-5. STEER CYLINDER ASSEMBLY (Prior to SN 0200070496)

ITEM	PART NUMBER	QTY	DESCRIPTION	REV
		Ref	STEER CYLINDER ASSEMBLIES	
	1683428	Ref	Steer Cylinder Assemblies 1532E3/1932E3/2033E3	C
	1683429	Ref	Steer Cylinder Assemblies 2046E3/2646E3/2658E3	C
		Ref	Note: Original Equipment Cylinder may have been replaced with Service Replacement Cylinder. Identify the p/n stamp on the cylinder before ordering parts.	
1	Item 100	2	Wiper	
2	7017207	2	Guide	
3	Item 100	2	U-Cup	
4	Item 100	2	Ring, Back-up	
5	Item 100	2	O-Ring	
6	Not Serviced		Not Serviced	
8	7017208	1	Rod With Clevis	
9	7016708	1	Piston	
10	Item 100	1	O-Ring	
11	7017209	1	Rod	
12	Item 100	1	Seal, Piston	
13	Item 100	1	O-Ring	
		Ref	KIT OPTIONS:	
100	7016707	1	Seal Kit - Cylinder (Includes Items 1, 3-5, 10, 12 & 13)	

SECTION 5 - CYLINDER

FIGURE 5-6. STEER CYLINDER ASSEMBLY (SN 0200070496 through 0200078795)



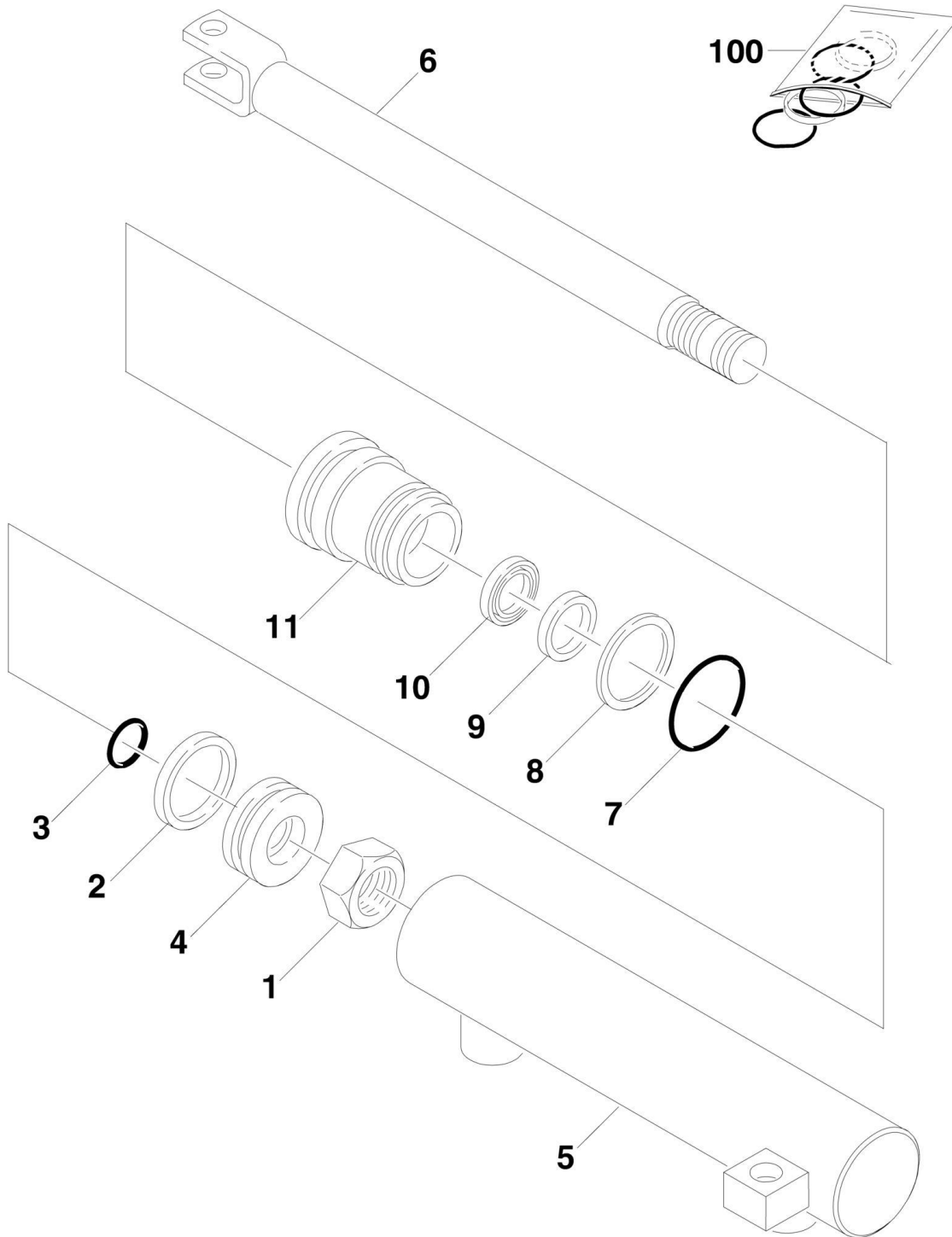
SECTION 5 - CYLINDER

FIGURE 5-6. STEER CYLINDER ASSEMBLY (SN 0200070496 through 0200078795)

ITEM	PART NUMBER	QTY	DESCRIPTION	REV
		Ref	STEER CYLINDER ASSEMBLIES	
	1683841	Ref	Steer Cylinder Assemblies 1532E3/1932E3/2033E3	A
	1683840	Ref	Steer Cylinder Assemblies 2046E3/2646E3/2658E3	A
		Ref	Note: Original Equipment Cylinder may have been replaced with Service Replacement Cylinder. Identify the p/n stamp on the cylinder before ordering parts.	
1	Item 100	2	Wiper	
2	7017207	1	Guide	
3	Item 100	2	U-Cup	
4	Item 100	2	Ring, Back-up	
5	Item 100	2	O-Ring	
6	Not Serviced	1	Barrel	
7	7017272	1	Rod	
8	7017273	25	Bearing, Ball	
9	7017274	1	Setscrew #8-32NC x 1/4in	
10	Item 100	1	Ring, Wear	
11	Item 100	1	Seal, Piston	
12	Item 100	1	O-Ring	
13	7017268	1	Guide	
14	Item 100	1	Ring, Retainer	
15	7017275	1	Piston	
		Ref	KIT OPTIONS:	
100	7017270	1	Seal Kit - Cylinder (Includes Items 1, 3-5, 10-12 & 14)	

SECTION 5 - CYLINDER

FIGURE 5-7. STEER CYLINDER ASSEMBLY (SN 0200078796 through 0200105070)



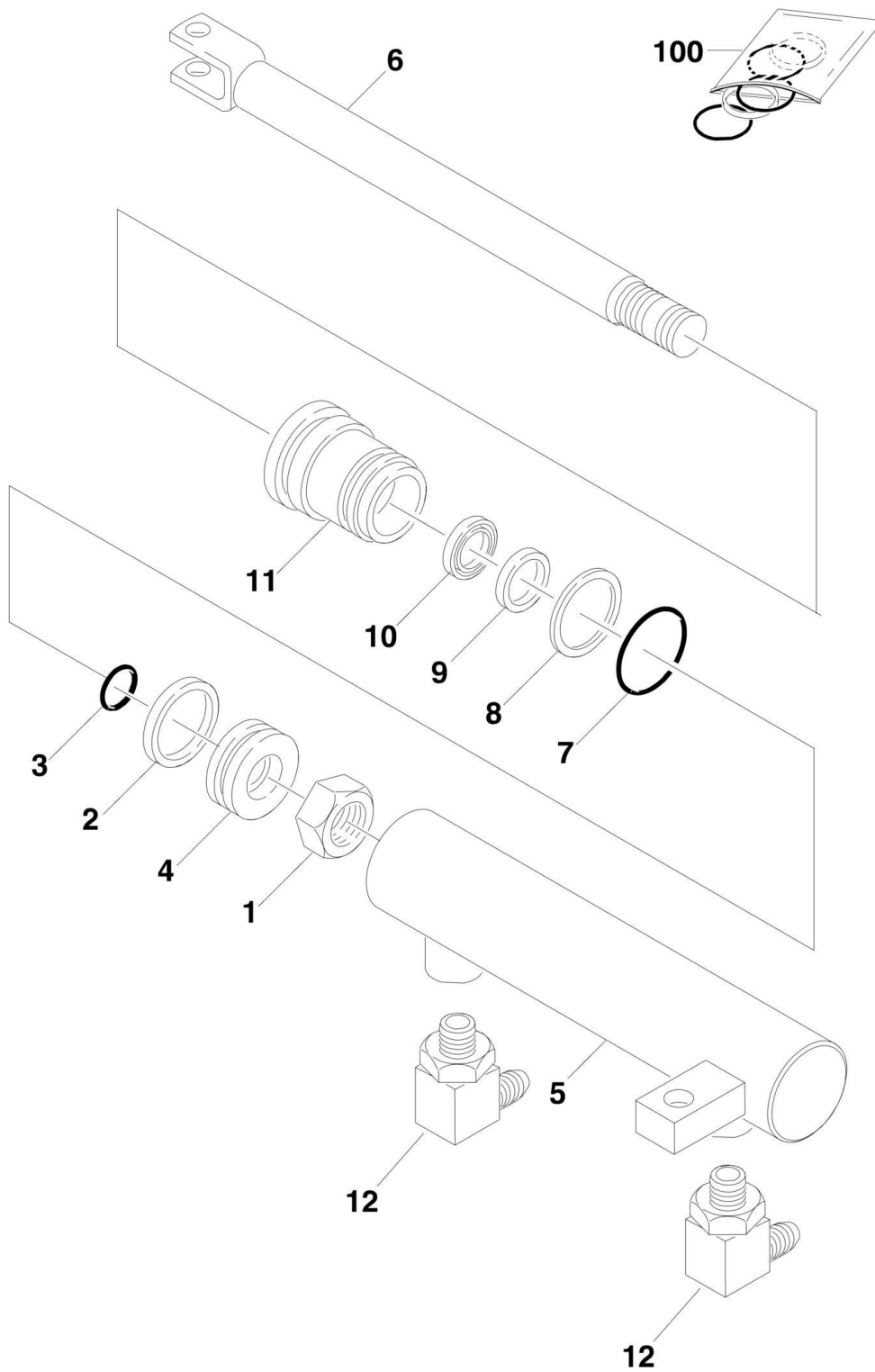
SECTION 5 - CYLINDER

FIGURE 5-7. STEER CYLINDER ASSEMBLY (SN 0200078796 through 0200105070)

ITEM	PART NUMBER	QTY	DESCRIPTION	REV
		Ref	STEER CYLINDER ASSEMBLIES	
	1683936	Ref	Steer Cylinder Assemblies 1532E3/1932E3/2033E3	A
	1683937	Ref	Steer Cylinder Assemblies 2046E3/2646E3/2658E3	A
		Ref	Note: Original Equipment Cylinder may have been replaced with Service Replacement Cylinder. Identify the p/n stamp on the cylinder before ordering parts.	
1	7017226	1	Locknut 1/2in-20	
2	Item 100	1	Seal, Piston	
3	Item 100	1	O-Ring	
4	7016708	1	Piston	
5	Not Serviced	1	Barrel	
6	7023019	1	Rod	
7	Item 100	1	O-Ring	
8	Item 100	1	Ring, Back-up	
9	Item 100	1	U-Cup	
10	Item 100	1	Wiper	
11	7017207	1	Guide	
		Ref	KIT OPTIONS:	
100	7017227	1	Seal Kit - Cylinder (Includes Items 2, 3, 7, 8, 9 & 10)	

SECTION 5 - CYLINDER

FIGURE 5-8. STEER CYLINDER ASSEMBLY (SN 0200105071 to Present)



SECTION 5 - CYLINDER

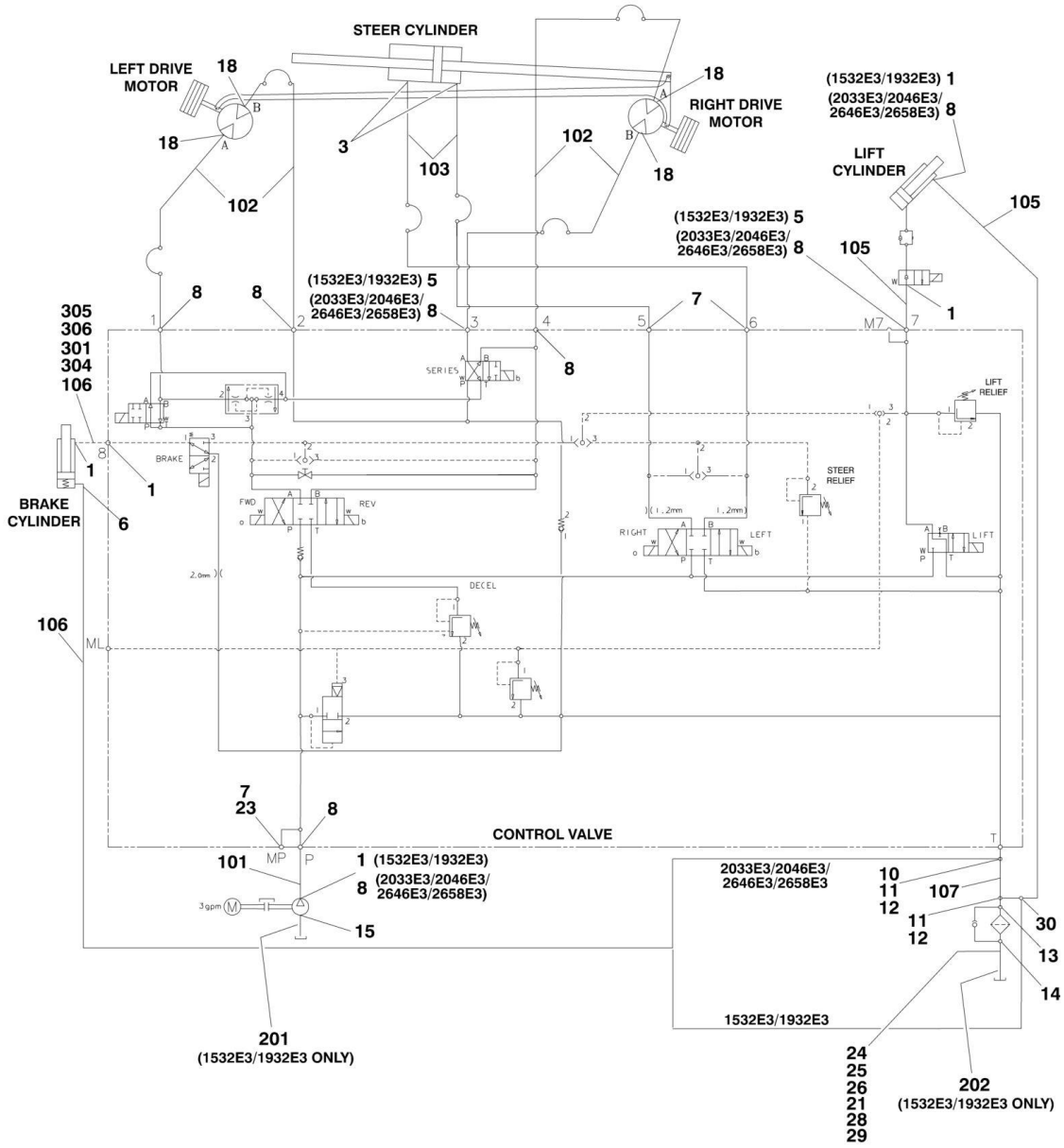
FIGURE 5-8. STEER CYLINDER ASSEMBLY (SN 0200105071 to Present)

ITEM	PART NUMBER	QTY	DESCRIPTION	REV
		Ref	STEER CYLINDER ASSEMBLIES	
	1684226	Ref	Steer Cylinder Assemblies 1532E3/1932E3/2033E3	B
	1684227	Ref	Steer Cylinder Assemblies 2046E3/2646E3/2658E3	B
		Ref	Note: Original Equipment Cylinder may have been replaced with Service Replacement Cylinder. Identify the p/n stamp on the cylinder before ordering parts.	
1	7017226	1	Locknut 1/2in-20	
2	Item 100	1	Seal, Piston	
3	Item 100	1	O-Ring	
4	7016708	1	Piston	
5	Not Serviced	1	Barrel	
6	7023019	1	Rod	
7	Item 100	1	O-Ring	
8	Item 100	1	Ring, Back-up	
9	Item 100	1	U-Cup	
10	Item 100	1	Wiper	
11	7017207	1	Guide	
12	7023025	AR	Fitting, Straight	
12	2220472	AR	Fitting, 90	
		Ref	KIT OPTIONS:	
100	7017227	1	Seal Kit - Cylinder (Includes Items 2, 3, 7, 8, 9 & 10)	

SECTION 6 - HYDRAULIC

SECTION 6 - HYDRAULIC

FIGURE 6-1. HYDRAULIC DIAGRAM



SECTION 6 - HYDRAULIC

FIGURE 6-1. HYDRAULIC DIAGRAM

ITEM	PART NUMBER	QTY	DESCRIPTION	REV
		Ref	HYDRAULIC DIAGRAMS	
	2792339	Ref	Hydraulic Diagrams 1532E3/1932E3	9
	2792340	Ref	Hydraulic Diagrams 2033E3	5
	2792341	Ref	Hydraulic Diagrams 2046E3/2646E3	6
	2792342	Ref	Hydraulic Diagrams 2658E3	5
1	2220473	AR	Fitting, 90	
3	2220585	2	Fitting, 90 (Prior to SN 0200105071)	
5	2220501	2	Fitting (1532E3/1932E3 Only)	
6	2220775	1	Fitting	
7	2220415	AR	Fitting, Straight	
8	2220371	AR	Fitting, Straight	
10	2220373	1	Fitting, Straight	
11	2220619	AR	Fitting, Reducer	
12	2220385	AR	Fitting, Tee	
13		Ref	Fitting Options:	
13	2220470	1	Fitting, 90 (1532E3/1932E3)	
13	2220346	1	Fitting, Straight (2033E3/2046E3/2646E3/2658E3)	
14	2220347	1	Fitting, Straight	
15	2220593	1	Fitting, Straight	
18	2221000	4	Fitting, 90	
19	0100020	AR	Sealant (Not Shown)	
21	1320225	1	Hose Clamp Only (Prior to SN 0200092586)	
23	2220515	AR	Fitting, Cap	
24	1320242	AR	Clamp	
25	4360461	1	Switch, Temperature	
26	3310601	1	Nut #6-32	
27	0100011	AR	Loctite #242	
28	4460320	1	Plug, Terminal	
29	4460267	2	Pins	
30	2220635	1	Fitting (1532E3/1932E3 Only)	
		Ref	HYDRAULIC HOSE KITS	
	2901652	Ref	Hydraulic Hose Kits 1532E3/1932E3	3
	2901653	Ref	Hydraulic Hose Kits 2033E3	2
	2901654	Ref	Hydraulic Hose Kits 2046E3/2646E3	2
	2901655	Ref	Hydraulic Hose Kits 2658E3	3
101		Ref	Hose Options:	
101	2750920	1	Hose 1532E3/1932E3	
101	2752463	1	Hose 2033E3/2046E3/2646E3/2658E3	
102		Ref	Hose Options:	
102	2752968	4	Hose 1532E3/1932E3	
102	2752957	4	Hose 2033E3	
102	2752959	4	Hose 2046E3/2646E3	
102	2752961	4	Hose 2658E3	
103		Ref	Hose Options:	
103	2752593	2	Hose 1532E3/1932E3	
103	2752609	2	Hose 2033E3/2046E3/2646E3	
103	2752603	2	Hose 2658E3	
105		Ref	Hose Options:	
105	2752192	2	Hose 1532E3/1932E3	
105	2752194	2	Hose 2033E3	

SECTION 6 - HYDRAULIC

ITEM	PART NUMBER	QTY	DESCRIPTION	REV
105	2752193	2	Hose 2046E3/2646E3/2658E3	
106		Ref	Hose Options:	
106	2752478	2	Hose 1532E3/1932E3	
106	2750999	2	Hose 2033E3/2046E3/2646E3/2658E3	
107		Ref	Hose Options:	
107	2750982	1	Hose 1532E3/1932E3	
107	2752931	1	Hose 2033E3/2046E3/2646E3/2658E3	
	2901650	Ref	HYDRAULIC TUBE KIT (1532E3/1932E3 ONLY)	1
201	4567649	1	Tube, Suction	
202	4566969	1	Tube, Return	
	0258963	Ref	BRAKE RELEASE (AUSTRALIAN SPEC ONLY)	2
301	4640128	1	Valve, Flow Control	
303	0100010	AR	Sealant (Not Shown)	
304	2220773	1	Fitting	
305	2220919	1	Fitting	
306	2220399	1	Fitting	

SECTION 7 - ELECTRICAL

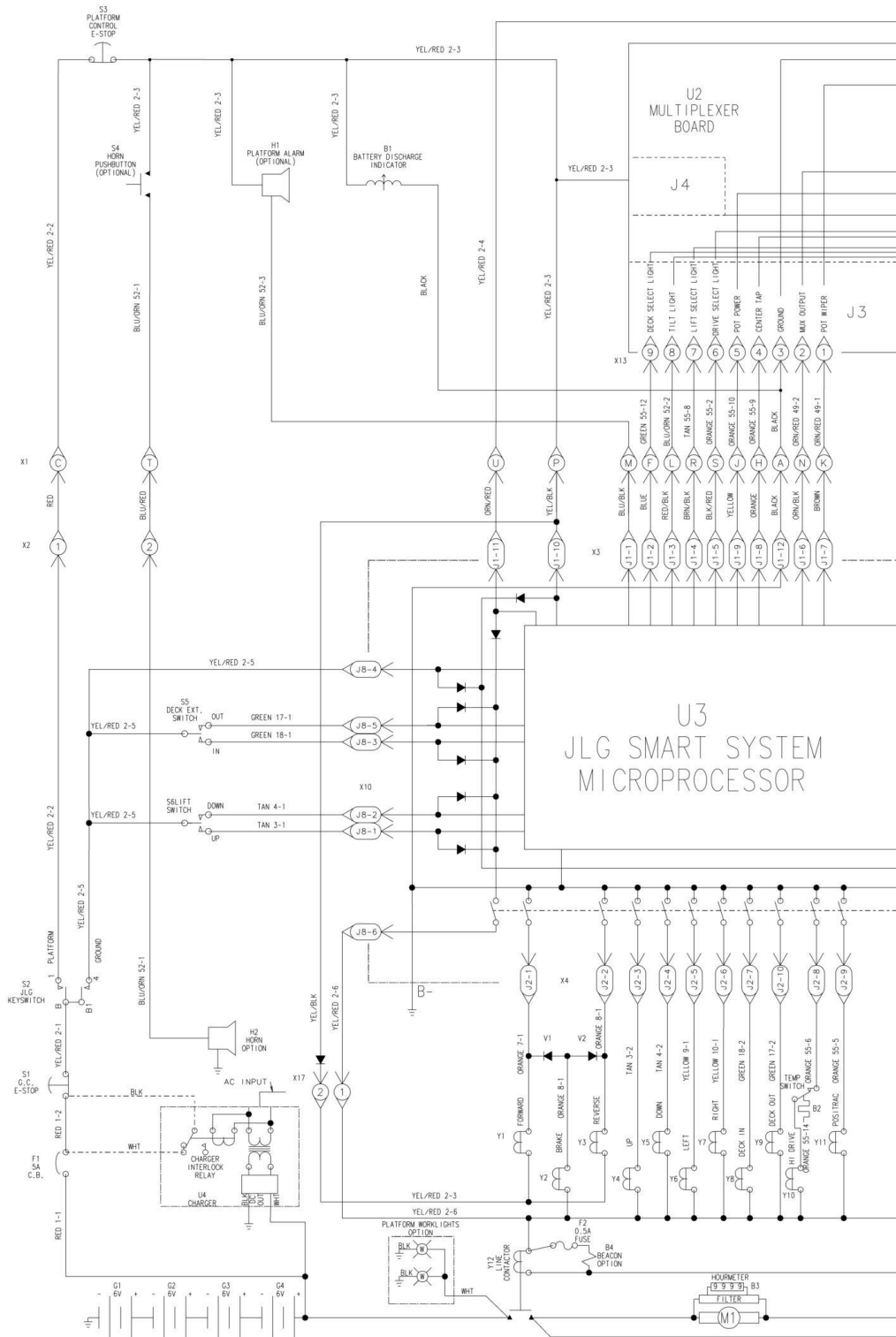
SECTION 7 - ELECTRICAL

FIGURE 7-1. ELECTRICAL DIAGRAM LIST

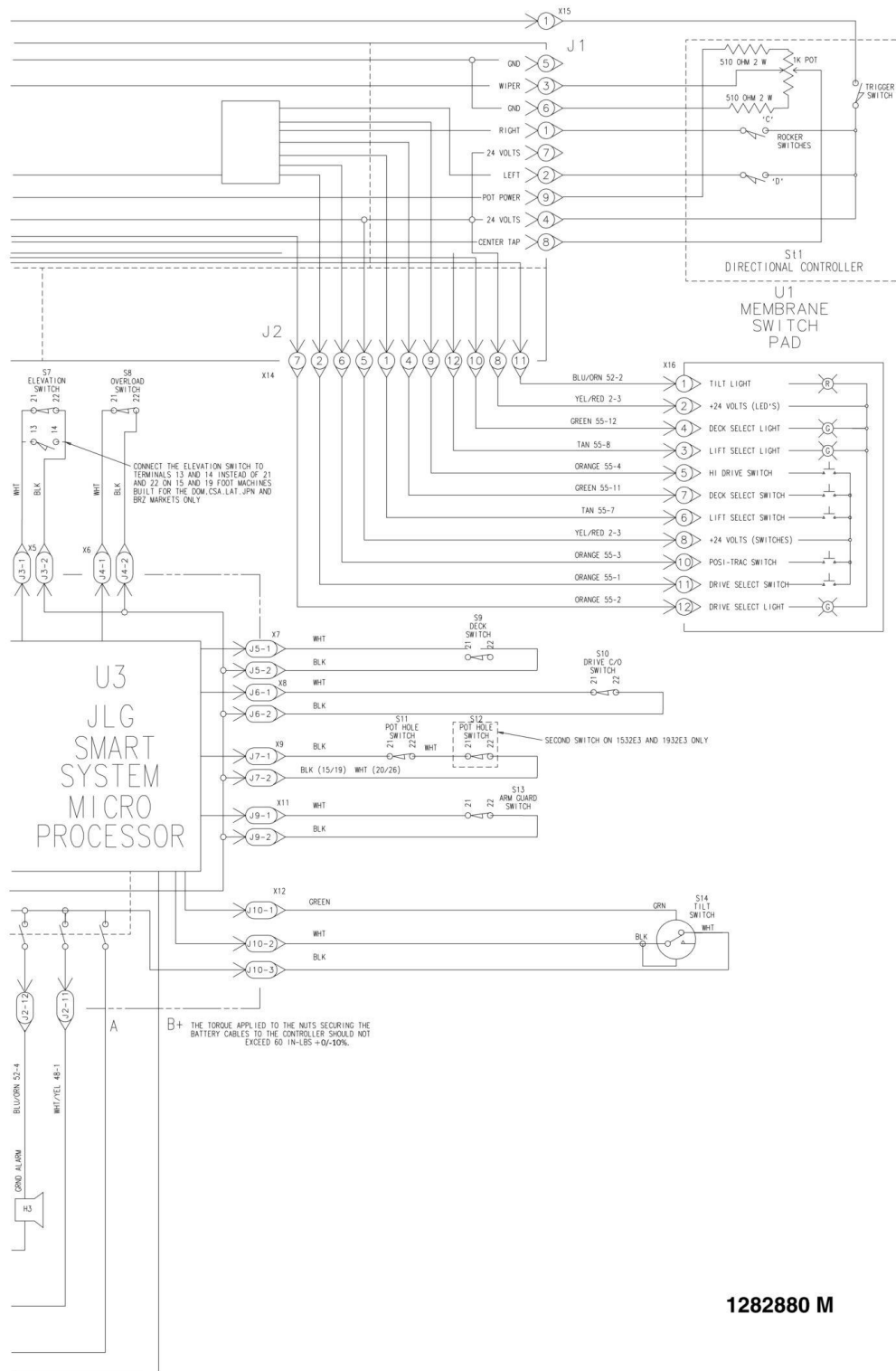
ITEM	PART NUMBER	QTY	DESCRIPTION	REV
		Ref	Note: Diagrams not shown are available from the JLG Service Department.	
		Ref	ALARM ELECTRICAL DIAGRAMS	
	1282507	Ref	Descent Alarm	G
	1282706	Ref	Descent Alarm	B
	1282507	Ref	Motion Alarm	G
	1282706	Ref	Motion Alarm	B
	1282507	Ref	Travel Alarm	G
	1282706	Ref	Travel Alarm	B
	0258800	Ref	BEACON LIGHT ELECTRICAL DIAGRAM	B
	0258801	Ref	BEACON LIGHT ELECTRICAL DIAGRAM (UL)	B
	1283009	Ref	GENERATOR ELECTRICAL DIAGRAMS	C
		Ref	LIGHTS ELECTRICAL DIAGRAMS	
	1282531	Ref	Work Lights (Prior to SN 0200063475)	E
	1283081	Ref	Work Lights (SN 0200063475 to Present)	B
	1282902	Ref	Work Lights W/Folddown Rails (Prior to SN 0200063475)	A
	1283082	Ref	Work Lights W/Folddown Rails (SN 0200063475 to Present)	B
	0257665	Ref	PERIMETER SWITCH ELECTRICAL DIAGRAM (Prior to SN 0200070220)	B
	1283094	Ref	PERIMETER SWITCH ELECTRICAL DIAGRAM (SN 0200070220 to Present)	E
	1282896	Ref	GROUND TO PLATFORM ELECTRICAL DIAGRAM	G
	4922082	Ref	Cable Assembly - 1532E3	4
	4922083	Ref	Cable Assembly - 1932E3	3
	4922084	Ref	Cable Assembly - 2033E3	6
	4922296	Ref	Cable Assembly - 2046E3	3
	4922085	Ref	Cable Assembly - 2646E3/2658E3	5
	1282880	Ref	ELECTRICAL SCHEMATIC	M
	4933018	Ref	Electrical Schematic 1532E3/1932E3 (Australian Spec)	3
	4933016	Ref	Electrical Schematic 1532E3/1932E3 (CE Spec)	3
	4933019	Ref	Electrical Schematic 2033E3/2046E3 (Australian Spec)	3
	4933017	Ref	Electrical Schematic 2646E3/2658E3 (CE Spec)	3

SECTION 7 - ELECTRICAL

FIGURE 7-2. ELECTRICAL SCHEMATIC - STANDARD



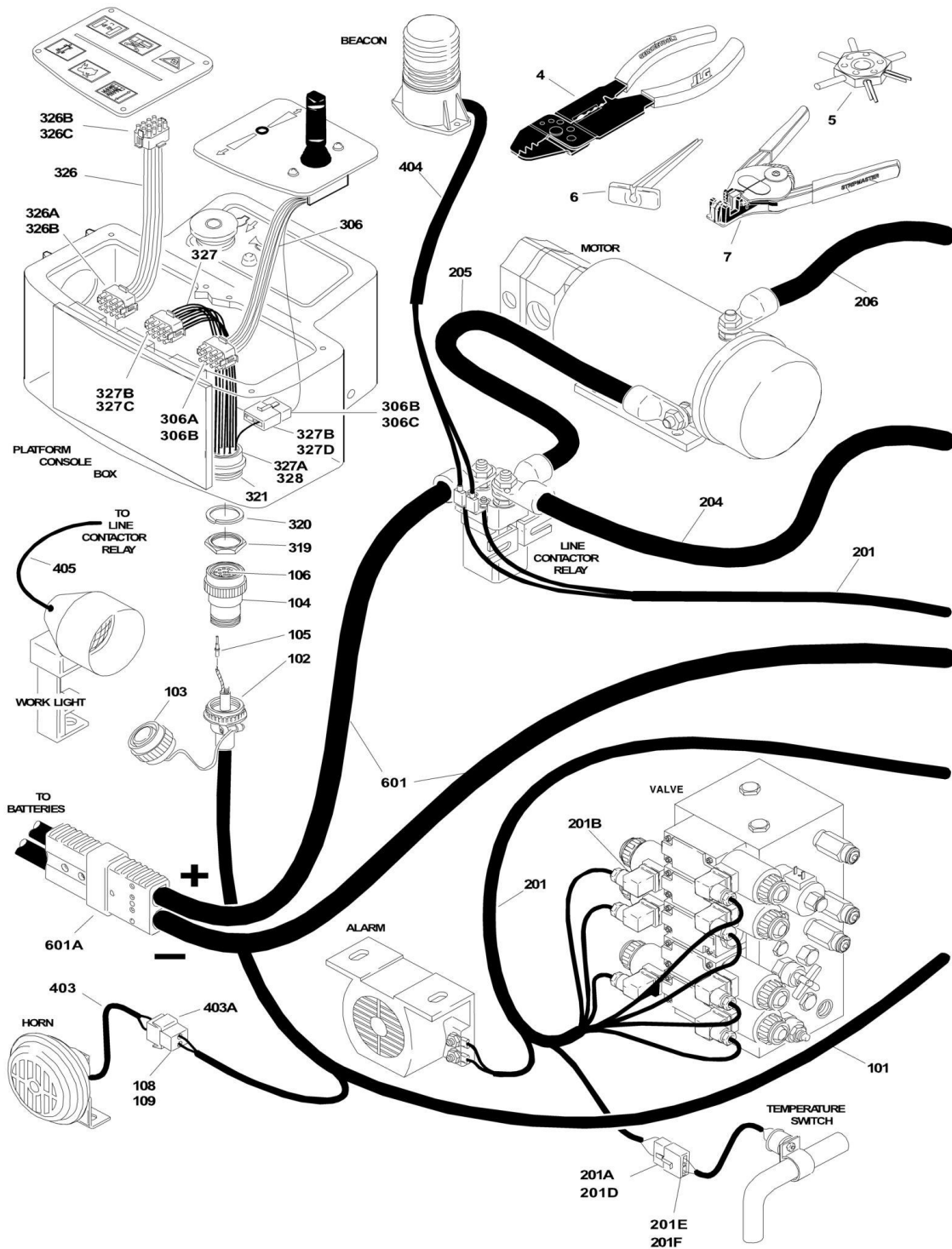
SECTION 7 - ELECTRICAL



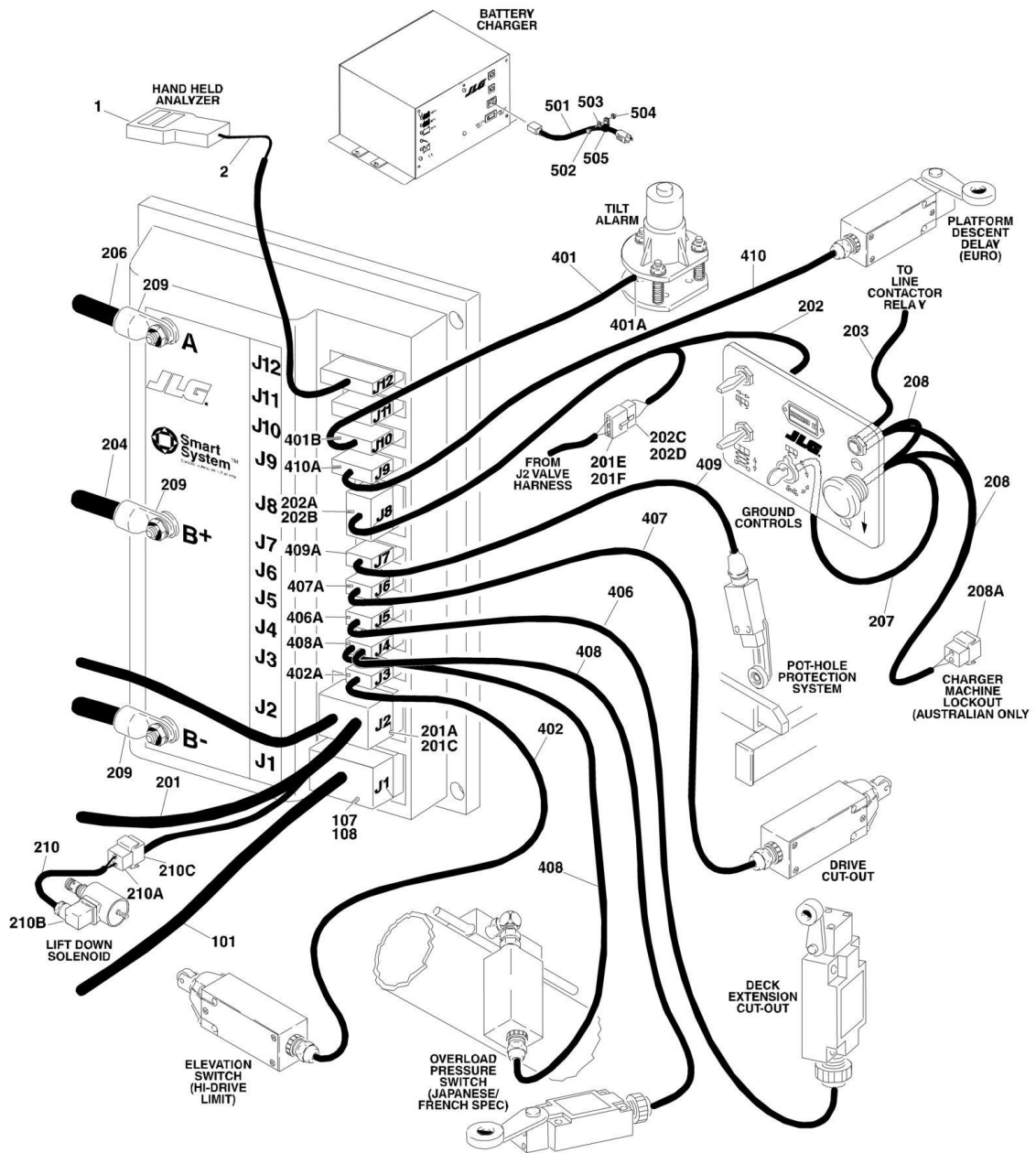
1282880 M

SECTION 7 - ELECTRICAL

FIGURE 7-3. HARNESS AND CABLE ASSEMBLIES



SECTION 7 - ELECTRICAL



SECTION 7 - ELECTRICAL

FIGURE 7-3. HARNESS AND CABLE ASSEMBLIES

ITEM	PART NUMBER	QTY	DESCRIPTION	REV
		Ref	TOOLS	
	2901443	1	Analyzer and Cable Kit (Includes 1600244 & 1060633)	
1	1600244	1	Analyzer, SMART System Controller	
2	1060633	1	Cable, Communication (Analzer to Controller)	
4	7002821	1	Crimper (For Wire to Pin/Socket Connections)	
5	7002823	1	Extractor (For Removal of Pins/Sockets form Connectors)	
6	4460467	1	Extractor - 16-18 Gauge (For Removal of Pins/Sockets form Deutsch Connectors)	
6	4460510	1	Extractor - 12-14 Gauge (For Removal of Pins/Sockets form Deutsch Connectors)	
7	8896941	1	Stripper, Wire	
8	0100048	AR	Compound, Silicone (Use on Connectors/Receptacles) (Not Shown)	
	1282896	Ref	CABLE ASSEMBLIES - GROUND TO PLATFORM	G
	4922082	Ref	Cable Assembly - 1532E3	4
	4922083	Ref	Cable Assembly - 1932E3	3
	4922084	Ref	Cable Assembly - 2033E3	6
	4922296	Ref	Cable Assembly - 2046E3	3
	4922085	Ref	Cable Assembly - 2646E3/2658E3	5
101	1060608		Cable, Electrical - 18/14 Options:	
101	1060608	37	Cable, Electrical, 1532E3	
		ft/11.2m		
101	1060608	42	Cable, Electrical, 1932E3	
		ft/12.8m		
101	1060608	40	Cable, Electrical, 2033E3	
		ft/12.2m		
101	1060608	43	Cable, Electrical, 2046E3	
		ft/13.1m		
101	1060608	54	Cable, Electrical, 2646E3/2658E3	
		ft/16.2m		
102	4460473	1	Clamp, Cable	
103	4460468	1	Cap, Dust	
104	4460614	1	Connector, Deutsch - 21 Pin	
105	4460465	14	Socket, Female	
106	4460466	7	Plug, Sealing	
107	4460343	1	Connector - 12 Pin	
108	4460267	15	Pin, Male	
109	4460320	1	Connector - 2 Pin	
111	3990010		Diode, 6A 600Volt (Not Shown)	
		Ref	WIRING DIAGRAM OPTIONS:	
	4933016	Ref	Wiring Diagram 1532E3/1932E3 (CE Spec)	3
	4933018	Ref	Wiring Diagram 1532E3/1932E3 (Australian Spec)	3
	4933017	Ref	Wiring Diagram 2033E3/2046E3/2646E3/2658E3 (CE Spec)	3
	4933019	Ref	Wiring Diagram 2033E3/2046E3/2646E3/2658E3 (Australian Spec)	3
201		Ref	Harness - Valve Options:	3
201	4922678		Harness - Valve (Was P/N 4922209) (Prior to SN 0200103404)	
201	4922678		Harness - Valve (SN 0200103404 to Present)	
201A	4460268	AR	Socket, Female	
201B	4460449	8	Connector, DIN	
201C	4460343	1	Connector - 12 Pin	

SECTION 7 - ELECTRICAL

ITEM	PART NUMBER	QTY	DESCRIPTION	REV
201D	4460424	2	Connector, Female - 2 Position	
201E	4460320	1	Connector - 2 Pin	
201F	4460267	2	Pin, Male	
201G	3990010	2	Diode 6 Amp (Not Shown)	
202		Ref	Harness - Ground Control Options:	
202	4922211		Harness - Ground Control 1532E3/1932E3	2
202	4922208		Harness - Ground Control 2033E3/2046E3/2646E3/2658E3	2
202A	4460268	AR	Socket, Female	
202B	4460225	1	Connector - 6 Pin	
202C	4460424	2	Connector, Female - 2 Position	
202D	4460267	1	Pin, Male	
203		Ref	Harness - Ground Power Options:	
203	4922014		Harness - Ground Power 1532E3/1932E3	1
203	4921891		Harness - Ground Power 2033E3/2046E3/2646E3/2658E3	2
204		Ref	Cable, Battery Options:	
204	1060703	1	Cable, Battery 1532E3/1932E3	
204	1060665	1	Cable, Battery 2033E3/2046E3/2646E3/2658E3	
205	1060704	1	Cable, Battery	
206	1060705	1	Cable, Battery	
207	4922210	1	Harness - Keyswitch	
208	4921893	1	Harness - Emergency Stop	
208	Not Available	1	Harness - Charger Machine Lockout (Australian Spec Only)	
208	1060341	10 ft/3.0m	Cable, Electrical - 16/2 (Australian Spec Only)	
208A	4460320	1	Connector (Australian Spec Only)	
208A	4460268	2	Socket, Female (Australian Spec Only)	
209	0840025	8	Boot, Terminal	
210	4922011	1	Harness - Lift Down	
210A	4460320	1	Connector - 2 Pin	
210A	4460267	2	Pin, Male	
210B	4460449	1	Terminal, Connector	
210C	4460424	1	Connector, Female - 2 Position	
210C	4460268	2	Socket, Female	
211	0100048	AR	Grease, Dielectric (Not Shown)	
		Ref	PLATFORM CONSOLE BOX ASSEMBLIES	
306	Not Available	1	Harness - Controller	
306A	4460265	1	Plug, Male	
306B	4460268	8	Socket, Female	
306C	4460424	1	Connector, Female - 2 Position	
319	4460470	1	Nut, Receptacle	
320	4460471	1	Lockwasher, Receptacle	
321	4460613	1	Connector, Deutsch	
326	4922183	1	Harness - Membrane Switch	
326A	4460268	AR	Socket, Female	
326B	4460343	2	Plug, Male	
326C	4460267	AR	Pin, Male	
327	4922184		Harness - Platform Console Box	
327A	4460265	1	Plug, Male	
327B	4460267	AR	Pin, Male	
327C	4460343	1	Plug, Male	
327D	4460320	1	Connector, Female	
328	4460466	7	Plug, Sealing	

SECTION 7 - ELECTRICAL

ITEM	PART NUMBER	QTY	DESCRIPTION	REV
		Ref	ACCESSORIES HARNESS ASSEMBLIES	
401		Ref	Harness - Tilt Alarm Options:	
401	4921819	1	Harness - Tilt Alarm (Prior to SN 0200060218)	A
401	4922285	1	Harness - Tilt Alarm (SN 0200060218 to Present)	1-B
401	1060330	8 ft/2.4m	Cable, Electrical - 16/3	
401A	4460445	1	Connector, Female - 3 Pin	
401A	4460227	3	Pin, Male	
401B	4460326	1	Plug, Male	
401B	4460268	3	Socket, Female	
402	Not Available	1	Harness - Hi-Drive Limit Switch	
402	1060680	9 ft/2.74m	Cable, Electrical - 18/2	
402A	4460320	2	Plug, Male	
402A	4460268	2	Socket, Female	
403	4922258	1	Harness - Horn	1
403A	4460424	1	Connector, Female - 2 Position	
403A	4460268	2	Socket, Female	
404	Not Available	1	Harness Beacon	
404	1060680	10 ft/3.0m	Cable, Electrical - 18/2	
405	Not Available	1	Harness - Worklight	
405		Ref	Cable, Electrical	
405	1060341	40 ft/12.2m	Cable, Electrical 1532E3 (Prior to SN 0200063475)	
405	1060680	32 ft/9.8m	Cable, Electrical 1532E3 (SN 0200063475 to Present)	
405	1060341	48 ft/14.6m	Cable, Electrical 1932E3 (Prior to SN 0200063475)	
405	1060680	38 ft/11.6m	Cable, Electrical 1932E3 (SN 0200063475 to Present)	
405	1060341	54 ft/16.5m	Cable, Electrical 2033E3/2046E3 (Prior to SN 0200063475)	
405	1060680	51 ft/15.6m	Cable, Electrical 2033E3/2046E3 (SN 0200063475 to Present)	
405	1060341	61 ft/18.6m	Cable, Electrical 2646E3/2658E3 (Prior to SN 0200063475)	
405	1060680	61 ft/18.6m	Cable, Electrical 2646E3/2658E3 (SN 0200063475 to Present)	
406	Not Available	1	Harness - Deck Extend Cutout	
406	1060341	AR	Cable, Electrical - 16/2	
406	1060341	46 ft/12.23m	CABLE,CONTROL- 16/2 SJO	
406	1060341	46 ft/14m	CABLE,CONTROL- 16/2 SJO	
406	1060341	54 ft/16.2m	CABLE,CONTROL- 16/2 SJO	
406A	4460320	1	Plug, Male	
406A	4460268	2	Socket, Female	
407	Not Available	1	Harness - Drive Cutout	
407	1060680	AR	Cable, Electrical - 18/2	
407A	4460320	1	Plug, Male	
407A	4460268	2	Socket, Female	
408	Not Available	1	Harness - Overload (Japanese/French Spec)	
408		Ref	Cable, Electrical Options:	
408	1060341	AR	16/2 Cable (Prior to SN 0200066023)	
408	1060680	AR	18/2 Cable (SN 0200066023 to Present)	
408	1060680	30 ft/9.1m	Cable, Electrical, 1532E3/1932E3	

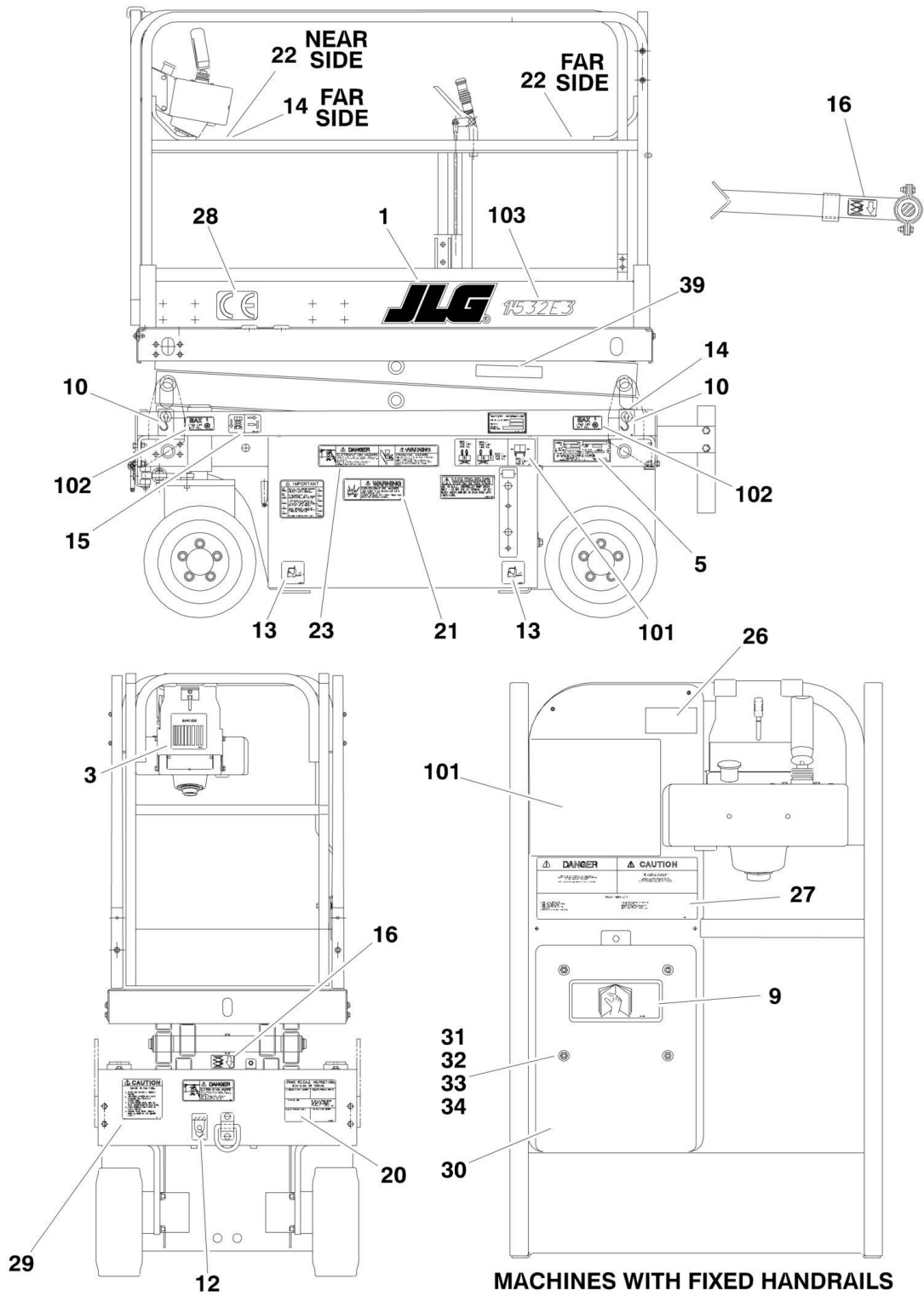
SECTION 7 - ELECTRICAL

ITEM	PART NUMBER	QTY	DESCRIPTION	REV
408	1060680	35 ft/11m	Cable, Electrical, 2033E3/2046E3/2646E3/2658E3	
408A	4460320	1	Plug, Male	
408A	4460268	2	Socket, Female	
409	Not Available	1	Harness - Pothole Protection System	
409	1060680	AR	Cable, Electrical - 18/2	
409	1060680	AR	Cable, Electrical, 1532E3/1932E3	
409	1060680	6 ft/1.83m	Cable, Electrical, 2033E3/2046E3/2646E3/2658E3	
409A	4460320	1	Plug, Male	
409A	4460268	2	Socket, Female	
410	Not Available	1	Harness - Platform Descent Delay	
410		Ref	Cable, Electrical Options:	
410	1060341	8 ft/2.4m	16/2 Cable (Prior to SN 0200066023)	
410	1060680	8 ft/2.4m	18/2 Cable (SN 0200066023 to Present)	
410A	4460326	1	Plug, Male	
410A	4460226	2	Socket, Female	
	0259215	Ref	AC CHARGER CORD INSTALLATION (EURO SPEC)	1
	0259216	Ref	AC CHARGER CORD INSTALLATION (AUSTRALIAN SPEC)	1
501		Ref	Cable, AC Cord Options:	
501	1060689	1	Euro Spec	
501	1060691	1	Australian Spec	
502	0641406	1	Bolt 1/4in-20NC x 3/4in	
503	4751400	1	Flatwasher 1/4in	
504	3311405	1	Locknut 1/4in-20NC	
505	1320040	1	Clamp	
		Ref	BATTERY CABLE ASSEMBLIES	
601		Ref	Battery Cable Assembly Options:	
601	1060606	1	Battery Cable Assembly 1532E3/1932E3	3
601	1060605	1	Battery Cable Assembly 2033E3/2046E3/2646E3/2658E3	2
601A	4460618	1	Connector, Anderson (Includes Both Halves)	

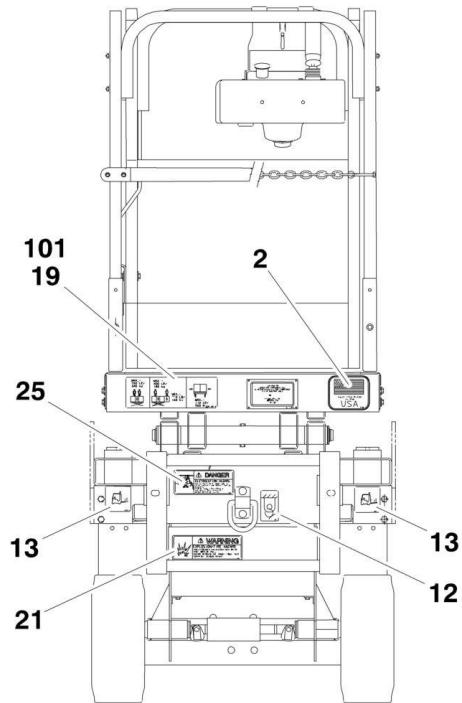
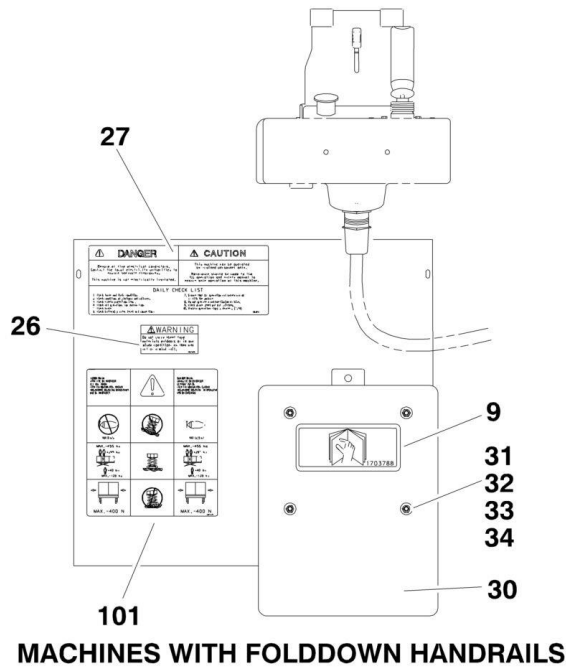
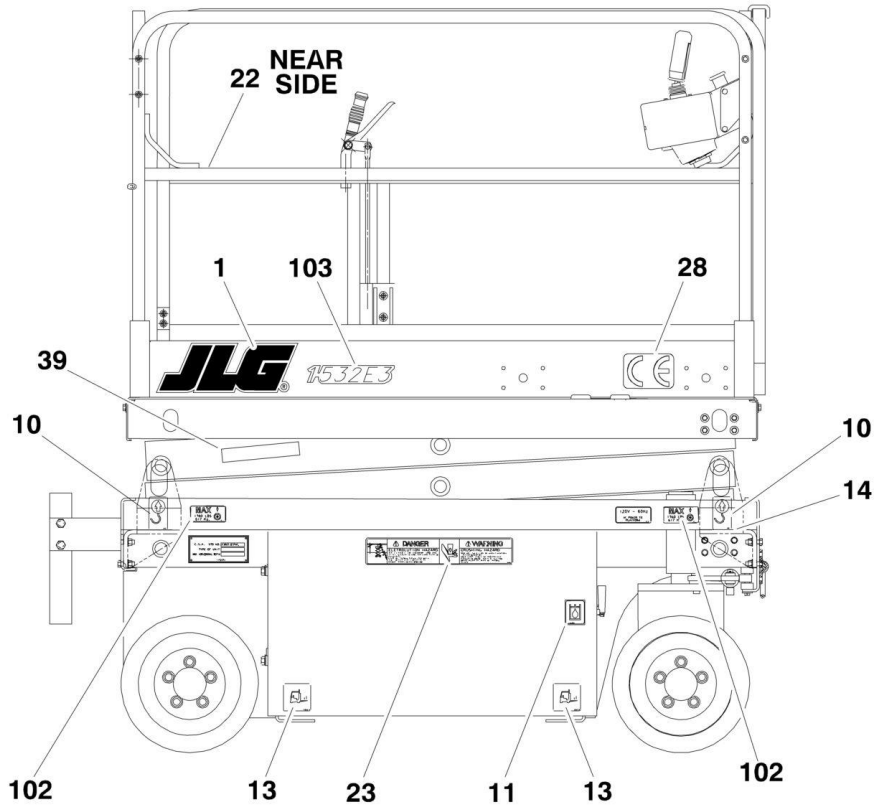
SECTION 8 - DECALS

SECTION 8 - DECALS

FIGURE 8-1. DECALS INSTALLATION - 1532E3/1932E3



SECTION 8 - DECALS



SECTION 8 - DECALS

FIGURE 8-1. DECALS INSTALLATION - 1532E3/1932E3

ITEM	PART NUMBER	QTY	DESCRIPTION	REV
		Ref	DECAL INSTALLATIONS - 1532E3/1932E3	
	0258861	Ref	Australian Spec	6
	0258854	Ref	Dutch Spec	6
	0258857	Ref	French Spec	5
	0258858	Ref	German Spec	5
	0258859	Ref	Italian Spec	5
	0258855	Ref	Spanish Spec	5
	0258856	Ref	UK Spec	5
	0273220	Ref	Norwegian Spec	1
1	1702773	2	Decal - JLG	
2	Not Required	0	Decal - USA	
3	Not Required	0	Decal - Bar Code	
5	Not Required	0	Decal - Serial Number.	
9		Ref	Decal - Manual Reference Options:	
9	1703788	1	Decal - Manual Reference (Prior to SN 0200103389)	
9	1701509	1	Decal - Manual Reference (SN 0200103389 to Present)	
10	1703811	4	Decal - Lifting Lug	
11	1703812	1	Decal - Hyd Oil	
12	1703814	4	Decal - Tie Down	
13	1703817	6	Decal - Fork Lift	
14	1703819	3	Decal - Direction Arrow	
15	1703822	1	Decal - Manual Descent Cable	
16	1704138	2	Decal - Safety Prop	
19		Ref	Decal - Legend Options:	
19	1704122	1	Australian Spec	
19	Not Required	0	All Spec except Australian Spec	
20		Ref	Decal - Towing/Winching/Tow Speed Options:	
20	1703698	1	Australian Spec	
20	1703892	1	Dutch Spec	
20	1703863	1	French Spec	
20	1703880	1	German Spec	
20	1703885	1	Italian Spec	
20	1703839	1	Spanish Spec	
20	1703698	1	UK Spec and Norwegian Spec	
21		Ref	Decal - Warning Battery Ventilation Options:	
21	1703813	2	Australian Spec	
21	1703893	2	Dutch Spec	
21	1703864	2	French Spec	
21	1703881	2	German Spec	
21	1703886	2	Italian Spec	
21	1703840	2	Spanish Spec	
21	1703813	2	UK Spec and Norwegian Spec	
22	1704277	2	Decal - Lanyard Attach	
23		Ref	Decal - Warning Crushing Hazard/Danger Electrocution Options:	
23	1703818	2	Australian Spec	
23	1703894	2	Dutch Spec	
23	1703865	2	French Spec	
23	1703882	2	German Spec	
23	1703887	2	Italian Spec	
23	1703841	2	Spanish Spec	

SECTION 8 - DECALS

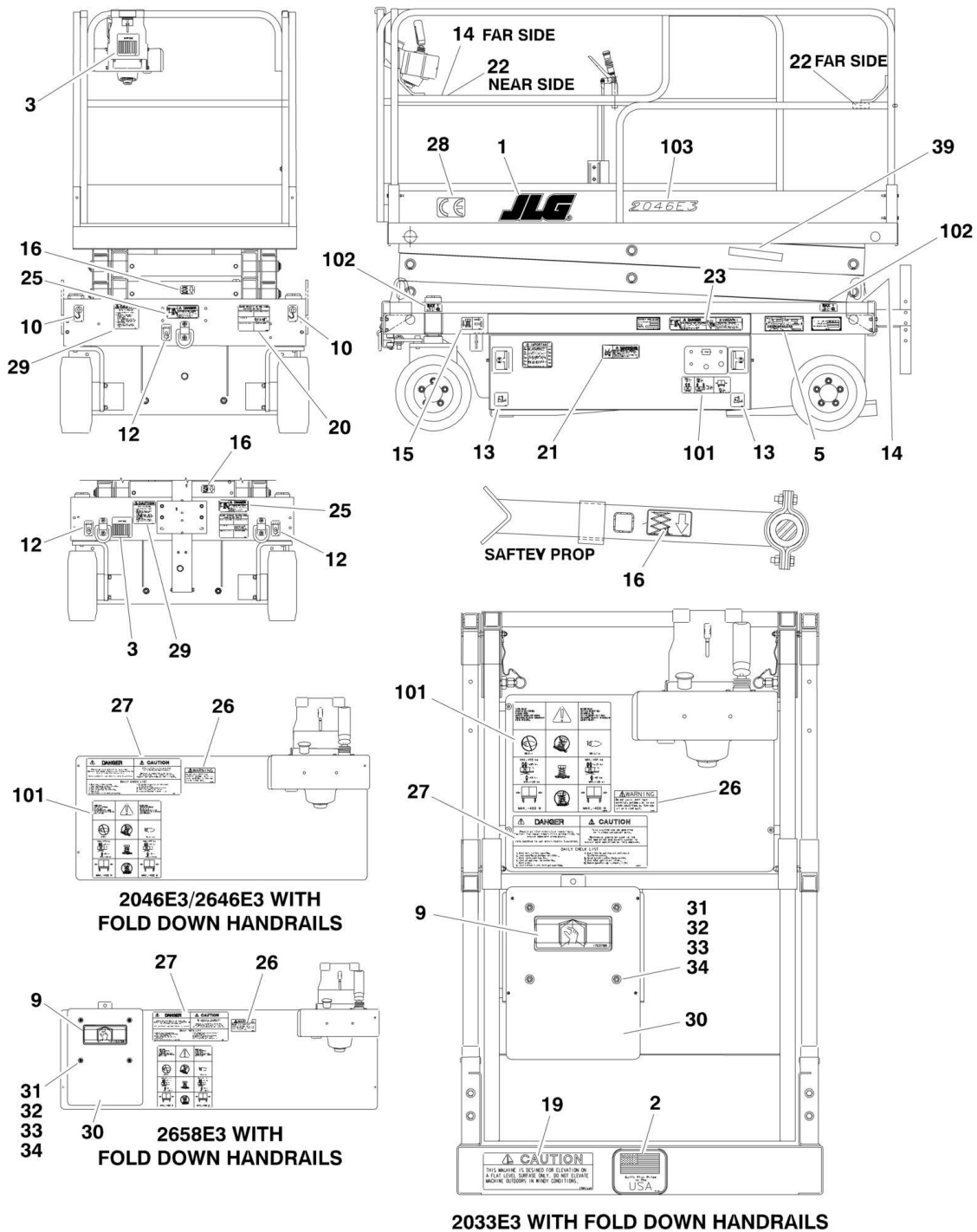
ITEM	PART NUMBER	QTY	DESCRIPTION	REV
23	1703818	2	UK Spec and Norwegian Spec	
25		Ref	Decal - Danger Electrocutation Hazard Options:	
25	1703823	2	Australian Spec	
25	1703895	2	Dutch Spec	
25	1703866	2	French Spec	
25	1703883	2	German Spec	
25	1703888	2	Italian Spec	
25	1703842	2	Spanish Spec	
25	1703823	2	UK Spec and Norwegian Spec	
26		Ref	Decal - Wind Warning Options:	
26	1703969	1	Australian Spec	
26	1703973	1	Dutch Spec	
26	1703970	1	French Spec	
26	1703971	1	German Spec	
26	1703972	1	Italian Spec	
26	1703974	1	Spanish Spec	
26	1703969	1	UK Spec and Norwegian Spec	
27		Ref	Decal - Caution Options:	
27	1703877	1	Australian Spec	
27	1703896	1	Dutch Spec	
27	1703878	1	French Spec	
27	1703884	1	German Spec	
27	1703889	1	Italian Spec	
27	1703897	1	Spanish Spec	
27	1703877	1	UK Spec and Norwegian Spec	
28		Ref	Decal - CE Options:	
28	Not Required	0	Australian Spec	
28	1702928	1	All Spec except Australian Spec	
29		Ref	Decal - Brake Release Options:	
29	1704123	1	Australian Spec	
29	Not Required	0	All Spec except Australian Spec	
30	0860520	1	Box, Manual Storage	
31	1060279	1	Cable Lanyard	
32	0641405	4	Bolt 1/4in-20NC x 5/8in	
33	4751400	4	Flatwasher 1/4in	
34	3311405	4	Locknut 1/4in-20NC	
39	1704885	2	Decal, Website	
		Ref	Kit - Decal Multi-Color Options (Includes Items 18-29):	
	2901721	1	Australian Spec	3
	2901714	1	Dutch Spec	4
	2901717	1	French Spec	3
	2901718	1	German Spec	4
	2901719	1	Italian Spec	3
	2901715	1	Spanish Spec	3
	2901716	1	UK Spec	4
	2902273	1	Norwegian Spec	2
	2901692	1	Kit - Decal Master (Includes Items 9-16, 22, 39)	7
		Ref	OPTIONAL DECALS	
101		Ref	Capacity Nameplate Kit Options:	
101	3252615	1	Capacity Nameplate Kit 1532E3 Australian Spec	
101	1704172	1	Capacity Nameplate Kit 1532E3 CE Spec (Prior to SN 0200097289)	

SECTION 8 - DECALS

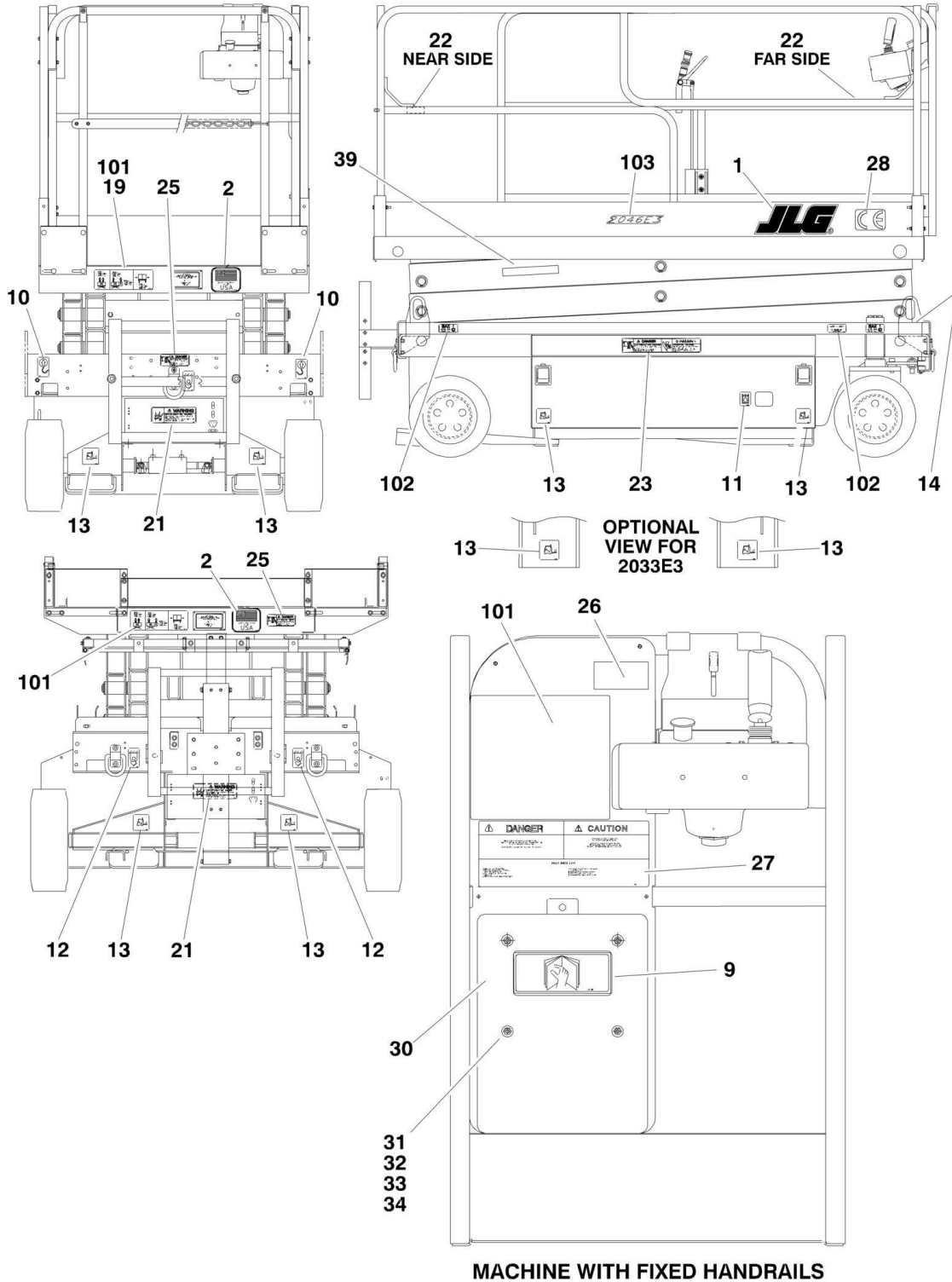
ITEM	PART NUMBER	QTY	DESCRIPTION	REV
101	1704982	1	Capacity Nameplate Kit 1532E3 CE Spec (SN 0200097289 to Present)	
101	3252616	1	Capacity Nameplate Kit 1932E3 Australian Spec	
101	1704173	1	Capacity Nameplate Kit 1932E3 CE Spec (Prior to SN 0200097301)	
101	1704983	1	Capacity Nameplate Kit 1932E3 CE Spec (SN 0200097301 to Present)	
102		Ref	Decal - Maximum Tire Load Kit Options:	
102	2901699	1	Decal - Maximum Tire Load Kit 1532E3 (Includes qty 4 of p/n 1704131)	2
102	2901700	1	Decal - Maximum Tire Load Kit 1932E3 (Includes qty 4 of p/n 1704132)	2
103		Ref	Decal - Model Designation Kit Options:	
103	2901693	1	Decal - Model Designation Kit 1532E3 (Includes qty 2 of p/n 3252582)	2
103	2901694	1	Decal - Model Designation Kit 1932E3 (Includes qty 2 of p/n 3252583)	2

SECTION 8 - DECALS

FIGURE 8-2. DECALS INSTALLATION - 2033E3/2046E3/2646E3/2658E3



SECTION 8 - DECALS



SECTION 8 - DECALS

FIGURE 8-2. DECALS INSTALLATION - 2033E3/2046E3/2646E3/2658E3

ITEM	PART NUMBER	QTY	DESCRIPTION	REV
		Ref	DECAL INSTALLATIONS - 2033E3/2046E3/2646E3/2658E3	
	0258873	Ref	Australian Spec - 2033E3 & 2646E3	7
	0258873	Ref	Australian Spec - 2046E3 & 2658E3	7
	0258866	Ref	Dutch Spec - 2033E3 & 2646E3	8
	0259389	Ref	Dutch Spec - 2046E3 & 2658E3	6
	0258871	Ref	French Spec - 2033E3 & 2646E3	7
	0259393	Ref	French Spec - 2046E3 & 2658E3	6
	0258869	Ref	German Spec - 2033E3 & 2646E3	7
	0259392	Ref	German Spec - 2046E3 & 2658E3	6
	0258872	Ref	Italian Spec - 2033E3 & 2646E3	7
	0259394	Ref	Italian Spec - 2046E3 & 2658E3	6
	0258867	Ref	Spanish Spec - 2033E3 & 2646E3	7
	0259390	Ref	Spanish Spec - 2046E3 & 2658E3	6
	0258868	Ref	UK Spec - 2033E3 & 2646E3	7
	0259391	Ref	UK Spec - 2046E3 & 2658E3	6
	0273221	Ref	Norwegian Spec - 2033E3 & 2646E3	1
	Not Available	Ref	Norwegian Spec - 2046E3 & 2658E3	
1	1702773	2	Decal - JLG	
3	Not Required	0	Decal - Bar Code	
5	Not Required	0	Decal - Serial Number	
9		Ref	Decal - Manual Reference Options:	
9	1703788	1	Decal - Manual Reference (Prior to SN 0200103252)	
9	1701509	1	Decal - Manual Reference (SN 0200103252 to Present)	
10	1703811	4	Decal - Lifting Lug	
11	1703812	1	Decal - Hyd Oil	
12	1703814	4	Decal - Tie Down	
13	1703817	6	Decal - Fork Lift	
14	1703819	3	Decal - Direction Arrow	
15	1703822	1	Decal - Manual Descent Cable	
16		Ref	Decal - Safety Prop Options:	
16	1704138	2	Decal - Safety Prop 2033E3/2046E3	
16	1704211	2	Decal - Safety Prop 2646E3/2658E3	
19		Ref	Decal - Legend Options:	
19	1704122	1	Australian Spec	
19	Not Required	0	All Spec except Australian Spec	
20		Ref	Decal - Towing/Winching/Tow Speed Options:	
20	1703698	1	Australian Spec	
20	1703892	1	Dutch Spec	
20	1703863	1	French Spec	
20	1703880	1	German Spec	
20	1703885	1	Italian Spec	
20	1703839	1	Spanish Spec	
20	1703698	1	UK Spec and Norwegian Spec	
21		Ref	Decal - Warning Battery Ventilation Options:	
21	1703813	2	Australian Spec	
21	1703893	2	Dutch Spec	
21	1703864	2	French Spec	
21	1703881	2	German Spec	
21	1703886	2	Italian Spec	
21	1703840	2	Spanish Spec	

SECTION 8 - DECALS

ITEM	PART NUMBER	QTY	DESCRIPTION	REV
21	1703813	2	UK Spec and Norwegian Spec	
22	1704277	2	Decal - Lanyard Attach	
23		Ref	Decal - Warning Crushing Hazard/Danger Electrocution Options:	
23	1703818	2	Australian Spec	
23	1703894	2	Dutch Spec	
23	1703865	2	French Spec	
23	1703882	2	German Spec	
23	1703887	2	Italian Spec	
23	1703841	2	Spanish Spec	
23	1703818	2	UK Spec and Norwegian Spec	
25		Ref	Decal - Danger Electrocution Hazard Options:	
25	1703823	2	Australian Spec	
25	1703895	2	Dutch Spec	
25	1703866	2	French Spec	
25	1703883	2	German Spec	
25	1703888	2	Italian Spec	
25	1703842	2	Spanish Spec	
25	1703823	2	UK Spec and Norwegian Spec	
26		Ref	Decal - Wind Warning Options:	
26	1703969	1	Australian Spec	
26	1703973	1	Dutch Spec	
26	1703970	1	French Spec	
26	1703971	1	German Spec	
26	1703972	1	Italian Spec	
26	1703974	1	Spanish Spec	
26	1703969	1	UK Spec and Norwegian Spec	
27		Ref	Decal - Caution Options:	
27	1703877	1	Australian Spec	
27	1703896	1	Dutch Spec	
27	1703878	1	French Spec	
27	1703884	1	German Spec	
27	1703889	1	Italian Spec	
27	1703897	1	Spanish Spec	
27	1703877	1	UK Spec and Norwegian Spec	
28		Ref	Decal - CE Options:	
28	Not Required	0	Australian Spec	
28	1702928	1	All Spec except Australian Spec	
29		Ref	Decal - Brake Release Options:	
29	1704123	1	Australian Spec	
29	Not Required	0	All Spec except Australian Spec	
30	0860520	1	Box, Manual Storage	
31	1060279	1	Cable Lanyard	
32	0641405	4	Bolt 1/4in-20NC x 5/8in	
33	4751400	4	Flatwasher 1/4in	
34	3311405	4	Locknut 1/4in-20NC	
39	1704885	2	Decal - Website	
	2901692	1	Kit - Decal Master (Includes Items 9-16, 22, 39)	7
		Ref	Kit - Decal Multi-Color Options: (Includes Items 18-21, 23-29):	
	2901721	1	Australian Spec	2
	2901714	1	Dutch Spec	4
	2901717	1	French Spec	3

SECTION 8 - DECALS

ITEM	PART NUMBER	QTY	DESCRIPTION	REV
	2901718	1	German Spec	4
	2901719	1	Italian Spec	3
	2901715	1	Spanish Spec	3
	2901716	1	UK Spec	3
	2902273	1	Norwegian Spec	1
		Ref	OPTIONAL DECALS	
101		Ref	Capacity Nameplate Kit Options:	
101	1704115	1	Capacity Nameplate Kit 2033E3/2646E3 (Australian Spec)	
101	1703898	1	Capacity Nameplate Kit 2033E3/2646E3 (CE Spec)	
101	1704129	1	Capacity Nameplate Kit 2046E3/2658E3 (Australian Spec)	
101	1704127	1	Capacity Nameplate Kit 2046E3/2658E3 (CE Spec)	
102		Ref	Decal - Maximum Tire Load Kit Options:	
102	2901702	1	Decal - Maximum Tire Load Kit 2033E3 (Includes qty 4 of P/N 1704134)	2
102	2901703	1	Decal - Maximum Tire Load Kit 2046E3 (Includes qty 4 of P/N 1704135)	2
102	2901704	1	Decal - Maximum Tire Load Kit 2646E3 (Includes qty 4 of P/N 1704136)	2
102	2901705	1	Decal - Maximum Tire Load Kit 2658E3 (Includes qty 4 of P/N 1704137)	2
103		Ref	Decal - Model Designation Kit Options:	
103	2901695	1	Decal - Model Designation Kit 2033E3 (Includes qty 3 of P/N 3252584)	1
103	2901696	1	Decal - Model Designation Kit 2046E3 (Includes qty 3 of P/N 3252585)	1
103	2901697	1	Decal - Model Designation Kit 2646E3 (Includes qty 3 of P/N 3252586)	1
103	2901698	1	Decal - Model Designation Kit 2658E3 (Includes qty 3 of P/N 3252587)	1

SECTION 9 - RECOMMENDED SERVICE PARTS STOCK

SECTION 9 - RECOMMENDED SERVICE PARTS STOCK

SECTION 9 - RECOMMENDED SERVICE PARTS STOCK

FIGURE 9-1. MODELS 1532E3/1932E3/2033E3/2046E3/2646E3/2658E3 STANDARD PARTS

ITEM	PART NUMBER	QTY	DESCRIPTION	REV
	Note	Ref	The following list will service fleets of machines (built to current production per date on the front cover) with emergency repair parts which can be installed in the field. Parts from the list should be replaced when inventory is depleted to keep service parts stock supplied. For further information, contact your JLG dealer or the JLG Industries Parts Department.	
		Ref	STANDARD PARTS	
	7011509	1	Breaker, Circuit - DC, (for fleets of 1 to 10)	
	7011509	1	Breaker, Circuit - DC, (for fleets of 10 to 20)	
	7011509	1	Breaker, Circuit - DC, (for fleets of 20 or more)	
	7018514	1	Breaker, Circuit - AC, (for fleets of 1 to 10)	
	7018514	1	Breaker, Circuit - AC, (for fleets of 10 to 20)	
	7018514	1	Breaker, Circuit - AC, (for fleets of 20 or more)	
	7010944	1	Coupling, (for fleets of 1 to 10)	
	7010944	1	Coupling (for fleets of 10 to 20)	
	7010944	1	Coupling (for fleets of 20 of more)	
	2120072	4	Element, Filter (for fleets of 1 to 10)	
	2120072	8	Element, Filter (for fleets of 10 to 20)	
	2120072	12	Element, Filter (for fleets of 20 of more)	
	1340052	1	Breather (for fleets of 1 to 10)	
	1340052	2	Breather (for fleets of 10 to 20)	
	1340052	3	Breather (for fleets of 20 of more)	
	1600289	1	Controller, JLG SMART System (for fleets of 1 to 10)	
	1600289	1	Controller, JLG SMART System (for fleets of 10 to 20)	
	1600289	1	Controller, JLG SMART System (for fleets of 20 of more)	
	3740131	1	Relay (Standard) (for fleets of 1 to 10)	
	3740131	1	Relay (Standard) (for fleets of 10 to 20)	
	3740131	1	Relay (Standard) (for fleets of 20 of more)	
	4360112	1	Breaker, Circuit (for fleets of 1 to 10)	
	4360112	1	Breaker, Circuit (for fleets of 10 to 20)	
	4360112	1	Breaker, Circuit (for fleets of 20 of more)	
	4360432	1	Switch, Key (for fleets of 1 to 10)	
	4360432	1	Switch, Key (for fleets of 10 to 20)	
	4360432	1	Switch, Key (for fleets of 20 of more)	
	7016339	1	Key, Replacement (for fleets of 1 to 10)	
	7016339	1	Key, Replacement (for fleets of 10 to 20)	
	7016339	1	Key, Replacement (for fleets of 20 of more)	
	4360328	1	Switch, Toggle (for fleets of 1 to 10)	
	4360328	1	Switch, Toggle (for fleets of 10 to 20)	
	4360328	1	Switch, Toggle (for fleets of 20 of more)	
	4360289	1	Switch, Emergency Stop (for fleets of 1 to 10)	
	4360289	1	Switch, Emergency Stop (for fleets of 10 to 20)	
	4360289	1	Switch, Emergency Stop (for fleets of 20 of more)	
	1600282	1	Controller, Directional (for fleets of 1 to 10)	
	1600282	1	Controller, Directional (for fleets of 10 to 20)	
	1600282	1	Controller, Directional (for fleets of 20 of more)	
	0610123	1	Card, Circuit (for fleets of 1 to 10)	
	0610123	1	Card, Circuit (for fleets of 10 to 20)	
	0610123	1	Card, Circuit (for fleets of 20 of more)	

SECTION 9 - RECOMMENDED SERVICE PARTS STOCK

ITEM	PART NUMBER	QTY	DESCRIPTION	REV
	4360453	1	Switch Membrane With Tilt Light (for fleets of 1 to 10)	
	4360453	1	Switch Membrane With Tilt Light (for fleets of 10 to 20)	
	4360453	1	Switch Membrane With Tilt Light (for fleets of 20 of more)	

SECTION 9 - RECOMMENDED SERVICE PARTS STOCK

FIGURE 9-2. MODELS 1532E3/1932E3/2033E3/2046E3/2646E3/2658E3 VARIABLE PARTS

ITEM	PART NUMBER	QTY	DESCRIPTION	REV
	Note	Ref	The following list will service fleets of machines (built to current production per date on the front cover) with emergency repair parts which can be installed in the field. Parts from the list should be replaced when inventory is depleted to keep service parts stock supplied. For further information, contact your JLG dealer or the JLG Industries Parts Department.	
		Ref	VARIABLE PARTS	
	4360465	1	Switch, Tilt Indicator 1 1/2 (Optional) (for fleets of 1 to 10)	
	4360465	1	Switch, Tilt Indicator 1 1/2 (Optional) (for fleets of 10 to 20)	
	4360465	1	Switch, Tilt Indicator 1 1/2 (Optional) (for fleets of 20 of more)	
	4360435	1	Switch, Tilt Indicator 2 (Optional) (for fleets of 1 to 10)	
	4360435	1	Switch, Tilt Indicator 2 (Optional) (for fleets of 10 to 20)	
	4360435	1	Switch, Tilt Indicator 2 (Optional) (for fleets of 20 of more)	
	4360548	1	Limit Switch (for fleets of 1 to 10)	
	4360548	1	Limit Switch (for fleets of 10 to 20)	
	4360548	1	Limit Switch (for fleets of 20 of more)	
	4360397	1	Limit Switch (for fleets of 1 to 10)	
	4360397	1	Limit Switch (for fleets of 10 to 20)	
	4360397	1	Limit Switch (for fleets of 20 of more)	
	4360215	1	Switch, Perimeter (Optional) (for fleets of 1 to 10)	
	4360215	1	Switch, Perimeter (Optional) (for fleets of 10 to 20)	
	4360215	1	Switch, Perimeter (Optional) (for fleets of 20 of more)	
	4360437	1	Limit Switch (for fleets of 1 to 10)	
	4360437	1	Limit Switch (for fleets of 10 to 20)	
	4360437	1	Limit Switch (for fleets of 20 of more)	
	4360277	1	Switch, Limit (Optional) (for fleets of 1 to 10)	
	4360277	1	Switch, Limit (Optional) (for fleets of 10 to 20)	
	4360277	1	Switch, Limit (Optional) (for fleets of 20 of more)	
	4360387	1	Switch (Optional With Perimeter) (for fleets of 1 to 10)	
	4360387	1	Switch (Optional With Perimeter) (for fleets of 10 to 20)	
	4360387	1	Switch (Optional With Perimeter) (for fleets of 20 of more)	

SECTION 10 - SPECIAL OPTIONS

SECTION 10 - SPECIAL OPTIONS

FIGURE 10-1. SPECIAL OPTIONS

ITEM	PART NUMBER	QTY	DESCRIPTION	REV
	Note	Ref	Note: This list is to accomodate machines ordered with special equipment. Options may not be applicable to all models. For more specific parts information contact JLG Parts Department.	
		Ref	MISCELLANEOUS SPECIAL OPTIONS	
	0258963	Ref	BRAKE RELEASE INSTALLATION (AUSTRALIAN SPEC)	
	0256789	Ref	CAMERA MOUNT ASSEMBLY	
		Ref	DECAL COMPONENTS AND INSTALLATIONS	
	1702788	1	Decal - Biodegradable Oil	
	1282897	Ref	Decal Lanyard Attach Installation	
	1702612	2	Decal - CE/Australian Spec	
		Ref	Decal Warning Stripes Installation	
	0251642	Ref	Decal Warning Stripes Installation (Prior to SN 59865)	
	0259400	Ref	Decal Warning Stripes Installation (SN 59865 to Present)	
	4420052	4 ft/1.3m	Tape, Safety (Black/Yellow)	
		Ref	ELECTRICAL CONNECTOR KITS	
	1001148902	Ref	Amp Connector Kit	
	1001148903	Ref	Deutsch DT Connector Kit	
	1001148904	Ref	Deutsch HD Connector Kit	
	1001148905	Ref	Packard Connector Kit	
	1001148906	Ref	Various Connector Kit	
		Ref	FILTER KITS	
	2910468	1	Hydraulic/Air	
		Ref	HYDRAULIC FLUIDS	
	2300014	Ref	Mobil 424	
	2300027	Ref	Mobil 224H Bio	
	2300016	Ref	Mobil DTE 13M	
	2300021	Ref	Union Carbide Ucon HP5046 Fire Resistant	
		Ref	OVERLOAD PROTECTIONS INSTALLATION	
	0257264	Ref	Overload Protections Installation 1532E3/1932E3	
	0259232	Ref	Overload Protections Installation 2033E3/2046E3	
	0272479	Ref	Overload Protections Installation 2646E3/2658E3	
	0258154	Ref	PRESSURE CHECK INSTALLATION (Prior to SN 0200095513)	
	0257049	Ref	PIPE RACK INSTALLATION (Prior to SN 0200095513)	
		Ref	TOOLS FOR SERVICE	
	2901443	1	Analyzer and Cable Kit (Includes 1600244 & 1060633)	
	1600244	1	Analyzer, SMART System Controller	
	1060633	1	Cable, Communication (Analyzer to Controller)	
	7002820	1	Arbor Set (Set of 2 for Installation of Garmax and Excelite Bushings)	
	8896941	1	Wire Stripper	
	7002821	1	Wire Crimper (To install wire ends to wires)	
	7002823	1	Pin/Socket Extractor - Universal (To Remove Pins/Sockets from Connectors)	
	4460467	1	Extractor - 16-18 Gauge (For Removal of Pins/Sockets from Deutsch Connectors)	
	4460510	1	Extractor - 12-14 Gauge (For Removal of Pins/Sockets from Deutsch Connectors)	
	7002822	1	Screwdriver, Potentiometer (To Adjust Drive Controller)	
	7016654	1	Screwdriver, Magnetic	
	7004275	1	Seal Installation Tool - 1in	

SECTION 10 - SPECIAL OPTIONS

ITEM	PART NUMBER	QTY	DESCRIPTION	REV
	7004276	1	Seal Installation Tool - 1 1/2in	
	7002826	1	Seal Installation Tool - 2in	
	2900838	1	U.S. Standards Fastener (Hardware) Kit	
	7014676	1	U.S. Standards Tool Kit	

PART NUMBER INDEX

SECTION 10 - SPECIAL OPTIONS

0080228..... 125, 127, 129	0256615 79	0258174 61, 125	0258960..... 53
0100010..... 142	0256616 79	0258176 83	0258963..... 142, 172
0100011.... 19, 23, 27, 28, 38, 42, 53, 65, 69, 73, 79, 83, 87, 97, 99, 103, 109, 110, 111, 125, 127, 129, 141	0256664 90, 94, 105	0258178 83	0258969..... 89, 90
0100019..... 9, 10	0256667 90	0258179 83	0258970..... 93, 94
0100020... 37, 41, 49, 141	0256668 105	0258183 27	0258971..... 93, 94
0100035..... 77	0256789 172	0258185 27	0258977..... 27
0100048..... 150, 151	0256833 27	0258194 29	0259215..... 33, 153
0100051..... 53, 54	0256959 49	0258195 29	0259216..... 33, 153
0100076..... 49	0256960 49	0258196 77	0259217..... 28, 115
0100081..... 10, 11	0256961 50	0258197 77	0259218..... 74
0100084.... 57, 61, 65, 69, 74	0256962 50	0258198 77	0259232..... 172
0140011..... 115	0256964 49	0258199 77	0259260..... 111
0140022..... 29	0256965 50	0258200 79	0259313..... 65
0140033..... 49, 50	0257049 172	0258201 28	0259387..... 97
0181622..... 53	0257156 11	0258213 85	0259388..... 110
0181684. 89, 93, 100, 104	0257183 13	0258214 85	0259389..... 164
0181847..... 115	0257184 13	0258215 85	0259390..... 164
0181874..... 42	0257185 13	0258216 85	0259391..... 164
0181875..... 42	0257186 13	0258231 97, 110	0259392..... 164
0181880..... 53	0257264 172	0258232 111	0259393..... 164
0200566..... 65	0257265 30	0258233 109	0259394..... 164
0200567..... 65	0257266 30	0258236 97	0259400..... 172
0200569..... 65, 69, 73	0257367 86	0258239 109	0259463..... 84
0200570..... 65	0257372 30	0258241 110	0259464..... 85
0200588..... 69, 73	0257397 86	0258242 111	0259465..... 85
0200589..... 69, 73	0257398 85	0258244 109	0259466..... 85
0200590..... 69, 73	0257664 86	0258246 110	0259467..... 85
0200592..... 73	0257665 87, 116, 144	0258247 111	0259468..... 85
0200593..... 73	0257724 23	0258255 84	0259469..... 85
0200596..... 73	0257725 23	0258257 84	0259475..... 11
0200597..... 73	0257726 23	0258259 84	0259681..... 86
0200598..... 57	0257766 23	0258261 84	0259682..... 86
0200599..... 57, 61	0258084 69, 127	0258270 83	0259684..... 87, 116
0206000..... 61	0258085 73, 129	0258274 84	0259685..... 87, 116
0206001..... 61	0258091 83	0258283 19	0259945..... 86
0206002..... 57, 61	0258092 83	0258611 53	0270714..... 90
0206003..... 57	0258093 83	0258619 53	0270836..... 86
0206004..... 61	0258094 83	0258778 65, 127	0272479..... 172
0206018..... 57	0258095 83	0258791 42	0272788..... 87, 116
0206019..... 57	0258096 83	0258792 42	0273220..... 158
0206023..... 65	0258102 99, 100	0258800 29, 144	0273221..... 164
0206024..... 65	0258103 ... 103, 104, 105	0258801 144	0361912. 90, 94, 100, 105
0206025..... 69	0258104 ... 103, 104, 105	0258841 27	0362273..... 86
0206026..... 69	0258105 ... 103, 104, 105	0258844 27	0362483..... 19
0206041..... 61	0258111 115	0258850 23	0362484..... 19
0206042..... 61	0258114 57	0258851 23	0362485..... 19
0206043..... 61	0258115 61	0258852 23	0362566..... 37, 53
0206044..... 61	0258116 65, 69	0258854 158	0362654..... 19
0251642..... 172	0258117 74	0258855 158	0362801..... 65, 69, 74
0252586..... 57, 65, 69	0258120 65, 69	0258856 158	0400169..... 53
0252587..... 61, 73	0258121 73	0258857 158	0400178..... 27, 33
0254171..... 85	0258122 28	0258858 158	0400215..... 53
0255679..... 11	0258124 37	0258859 158	0400216..... 53
0255680..... 11	0258126 41	0258861 158	0480092..... 79
0255682..... 11	0258128 41	0258866 164	0480112..... 79
0255683..... 11	0258134 89	0258867 164	0561332..... 83
0255963..... 84	0258135 99	0258868 164	0610123..... 115, 168
0256056..... 50	0258136 93	0258869 164	0630485..... 30, 83
0256058..... 50	0258137 103	0258871 164	0630495..... 9, 11
0256198..... 85	0258147 9	0258872 164	0630516..... 9
0256200..... 85	0258148 9	0258873 164	0630523..... 65, 69, 73
0256423..... 50	0258149 10	0258880 27	0630526..... 53, 54
	0258150 10	0258895 27	0630543..... 19
	0258154 172	0258907 57	0641404..... 37, 87, 115
	0258156 49	0258908 61	0641405.... 28, 41, 83, 89, 93, 99, 104, 159, 165
	0258159 49	0258954 29	
	0258173 57, 125	0258956 29	

SECTION 10 - SPECIAL OPTIONS

0641406 ... 27, 33, 37, 41, 42, 50, 53, 66, 70, 74, 79, 89, 93, 99, 104, 153	0902221 37	1060703..... 151	1701644..... 27
0641407 86	0902365 37, 53	1060704..... 151	1702612..... 172
0641408 ... 19, 24, 29, 37, 41, 53, 54, 79	0902392 87	1060705..... 151	1702773..... 158, 164
0641412 37, 41, 54	0902421 ... 125, 127, 129	1060710..... 54	1702788..... 172
0641413 87	0902476 42	1060712..... 49	1702928..... 159, 165
0641414 79	0902477 41	1061017..... 53, 54	1703698..... 158, 164
0641416 79, 86	0902485 115	1100110..... 20, 24, 28	1703788..... 158, 164
0641418 97, 109, 110, 112	0902499 115	1100116..... 13	1703811..... 158, 164
0641420 .. 89, 93, 99, 103	0902507 27	1120064..... 11	1703812..... 158, 164
0641424 54	0902508 27	1120417..... 10, 11	1703813 ... 158, 164, 165
0641505 38, 41, 84	0902536 19, 24	1120481..... 19, 23	1703814..... 158, 164
0641506 19, 27, 125, 127, 129	0902578 87	1120491..... 41	1703817..... 158, 164
0641507 90, 94, 100, 105	0902579 87	1120500..... 65, 69, 73	1703818 ... 158, 159, 165
0641508 ... 24, 37, 41, 57, 61, 65, 69, 73	0902689 90	1120501..... 65, 69, 73	1703819..... 158, 164
0641509 79	0902750 90, 94, 100, 105	1120503..... 57, 61	1703822..... 158, 164
0641510 ... 29, 89, 93, 99, 104	0940057 85, 86	1120514..... 79	1703823..... 159, 165
0641512 ... 29, 84, 89, 93, 99, 104	0940060 85	1120518..... 61	1703839..... 158, 164
0641516 . 80, 89, 94, 100, 104	0940061 86	1271410..... 111	1703840..... 158, 164
0641520 57, 61	0940065 86	1282507..... 144	1703841..... 158, 165
0641522 ... 57, 61, 65, 69, 73, 83	0940079 86	1282531..... 144	1703842..... 159, 165
0641524 61	0940080 86	1282706..... 144	1703863..... 158, 164
0641536 80	0940081 86	1282880..... 144	1703864..... 158, 164
0641605 79	0940082 86	1282896..... 144, 150	1703865..... 158, 165
0641608 79, 97, 109, 110, 111	0960239 90, 94, 106	1282897..... 172	1703866..... 159, 165
0641610 30	0961833 109	1282902..... 144	1703877..... 159, 165
0641611 10, 11, 19	0961994 19	1283009..... 144	1703878..... 159, 165
0641612 10, 11, 19	0961995 19	1283081..... 144	1703880..... 158, 164
0641618 65, 69, 73	0961996 19	1283082..... 144	1703881..... 158, 164
0641620 ... 57, 61, 65, 69, 73	0961997 19, 23	1283094..... 144	1703882..... 158, 165
0641624 57, 61	0962004 37, 53	1320030..... 37, 41	1703883..... 159, 165
0641628 57, 61	0962010 57, 61	1320040..... 33, 153	1703884..... 159, 165
0641630 69, 73	0962012 ... 125, 127, 129	1320061 ... 27, 29, 57, 62, 66, 70, 74, 84, 100	1703885..... 158, 164
0641638 65, 69, 73	0962013 10, 11	1320095..... 29	1703886..... 158, 164
0641810 27	0962014 10, 11	1320224 ... 77, 89, 93, 104	1703887..... 158, 165
0641816 37, 53	0962017 10, 11	1320225..... 141	1703888..... 159, 165
0641824 27	0962074 80	1320242..... 141	1703889..... 159, 165
0641826 9, 10	0962075 80	1340052..... 37, 41, 168	1703892..... 158, 164
0642224 19	0962085 10	1440325..... 28	1703893..... 158, 164
0681414 20, 23	0962123 23	1600244..... 150, 172	1703894..... 158, 165
0681520 83	0962220 65, 69, 73	1600282 ... 115, 119, 168	1703895..... 159, 165
0681610 ... 65, 69, 73, 83	0962234 65, 69, 73	1600289..... 49, 168	1703896..... 159, 165
0681622 19	0962262 20, 24	1670856..... 87	1703897..... 159, 165
0681822 23	1001148902..... 172	1670857..... 86	1703898..... 166
0721004 87	1001148903..... 172	1670869..... 115	1703969..... 159, 165
0721006 29	1001148904..... 172	1670918..... 86	1703970..... 159, 165
0791608 53	1001148905..... 172	1670919..... 86	1703971..... 159, 165
0840025 29, 85, 151	1001148906..... 172	1670920..... 86	1703972..... 159, 165
0840027 29	1060243 54	1670921..... 87	1703973..... 159, 165
0840031 53, 54	1060279 159, 165	1670922..... 86	1703974..... 159, 165
0840035 .. 89, 93, 99, 103	1060330 152	1670923..... 86	1704115..... 166
0860038 83, 84	1060341 ... 77, 85, 87, 90, 94, 105, 106, 151, 152, 153	1670924..... 87	1704122..... 158, 164
0860520 159, 165	1060379 50, 99, 103, 112	1670925..... 87	1704123..... 159, 165
0861256 115	1060461 84	1683428..... 131	1704127..... 166
0901830 90, 94, 100, 105	1060605 153	1683429..... 131	1704129..... 166
0901930 85	1060606 153	1683500..... 57, 61, 125	1704138..... 158, 164
	1060608 150	1683557..... 123	1704140..... 49
	1060627 29	1683627..... 65, 69, 127	1704141..... 49
	1060633 150, 172	1683628..... 73, 129	1704172..... 159
	1060665 151	1683833..... 13, 123	1704173..... 160
	1060680 ... 20, 23, 28, 29, 77, 85, 87, 152, 153	1683840..... 133	1704211..... 164
	1060689 33, 153	1683841..... 133	1704260..... 115
	1060691 33, 153	1683936..... 135	1704277..... 158, 165
	1060699 127, 129	1683937..... 135	1704512..... 49
	1060700 125	1684226..... 9, 137	1704513..... 49
		1684227..... 10, 137	1704885..... 159, 165
		1701509..... 158, 164	1704982..... 160
			1704983..... 160

SECTION 10 - SPECIAL OPTIONS

1760165.....	13	2752593.....	141	2940045.....	42	3422495.....	57, 61
1780290.....	53	2752603.....	141	2940061 90, 94, 100, 105		3422496.....	57, 61
1780291.....	37	2752609.....	141	2940074..... 97, 111, 112		3422655.....	83
2080044.....	28	2752931.....	142	2940098.....	37, 53	3422698.....	57, 61
2080053.....	29	2752957.....	141	2940099.....	41	3422709.....	65, 69, 73
2080060.....	79	2752959.....	141	2940100.....	54	3422711.....	65, 69, 73
2080063..87, 97, 99, 103, 109, 110, 111		2752961.....	141	2940101.....	54	3422712.....	65, 69, 73
2080065.....97, 109, 110, 111		2752968.....	141	2980113 89, 94, 100, 104		3422713.....	65, 69, 73
2080069.....97, 110, 112		2780215.....	13	3020022 89, 93, 100, 104		3422714.....	65
2120072..... 37, 41, 168		2780216.....	9, 10	3160226.....	10	3422723.89, 94, 100, 105	
2120105..... 37, 41		2792339.....	141	3160228.....	9	3422733.....	83
2160008.....9, 10		2792340.....	141	3160230.....	9	3422744.....	99, 104
2200233..... 37, 41		2792341.....	141	3160263..... 9, 17		3422751.....	73
2220346.....	141	2792342.....	141	3160264.....	10, 17	3422949.90, 94, 100, 105	
2220347.....	141	2820025..... 57, 62, 84		3160270.....	9, 15	3422950.90, 94, 100, 105	
2220371.....	141	2820030.....	87	3251596.....	116	3422951.....	57, 61
2220373.....	141	2860030.....	49	3252610.....	115	3430406.90, 94, 100, 105	
2220385.....	141	2900838.....	173	3252615.....	159	3430620.....	13
2220399.....	142	2901443..... 150, 172		3252616.....	160	3430811.....	23
2220415.....	141	2901573..... 89, 94		3300047..... 90, 94, 106		3430812.....	9, 10
2220470.....	141	2901649..... 100, 104		3300048.....	85	3430824.....	10, 11
2220472.....	137	2901650.....	142	3300151 .87, 97, 99, 103, 109, 110, 111		3440418.....	19
2220473.....	141	2901652.....	141	3300255..... 9, 10, 13		3440828.....	19
2220501.....	141	2901653.....	141	3300373.....	87	3450304.....57, 61, 70, 74	
2220515.....	141	2901654.....	141	3300429.....	53, 54	3450403..... 9, 10, 13, 23	
2220585.....	141	2901655.....	141	3300450.....	9	3450404.....	23, 66
2220593.....	141	2901692..... 159, 165		3310601.....	115, 141	3450405.....125, 127, 129	
2220619.....	141	2901693.....	160	3310801.....	28, 90	3450406.....	9, 10
2220635.....	141	2901694.....	160	3311001 .54, 77, 97, 111, 112		3510615.....	103
2220773.....	142	2901695.....	166	3311005 ... 19, 28, 77, 87, 109, 111, 112		3510616.....	103
2220775.....	141	2901696.....	166	33111401 ... 49, 53, 54, 86, 90, 94, 105		3510617.....	103
2220919.....	142	2901697.....	166	3311405 ... 20, 23, 27, 28, 29, 33, 37, 41, 42, 50, 53, 54, 66, 70, 74, 77, 79, 83, 86, 89, 93, 99, 103, 104, 153, 159, 165		3510659.....	83
2221000.....	141	2901698.....	166	3311501.....	19	3510663.....	83
2300014.....	172	2901699.....	160	3311505 ... 19, 24, 27, 29, 42, 57, 61, 65, 69, 73, 80, 83, 84, 89, 93, 99, 104		3510665.....	83
2300016.....	172	2901700.....	160	3311605 ... 19, 30, 57, 61, 65, 69, 73, 79, 83, 97, 109, 110, 111		3510667.....	83
2300021.....	172	2901702.....	166	3311608.....	53	3510688.....	83
2300027.....	172	2901703.....	166	3311801.....	10, 53	3510697.....	83
2360473.....	11	2901704.....	166	3311805.....	23, 27, 37	3510698.....	83
2360474.....	11	2901705.....	166	3312205.....	19	3510699.....	83
2360476.....	11	2901714..... 159, 165		3321402 ... 125, 127, 129		3510707.....	89
2360478.....	11	2901715..... 159, 166		3321801.....	65, 69, 73	3510708.....	93
2360495.....	11	2901716..... 159, 166		3322202 89, 93, 100, 104		3510709.....	93
2360499.....	11	2901717..... 159, 165		3340612 86, 97, 109, 110, 111		3510712.....	99
2360500.....	11	2901718..... 159, 166		3340629 ... 57, 61, 65, 69, 73, 83		3510727.....	89
2360501.....	11	2901719..... 159, 166		3340780.....	80	3520052.....	90, 94, 105
2400056.....	29	2901721..... 159, 165		3340781.....	79	3520071.....	27
2420165.....	50	2901987.....	89	3340841 ... 57, 61, 65, 69, 73		3520072.....79, 93, 97, 99, 103, 109, 110, 111	
2420179.....	50	2901988.....	93	3421452.....	112	3520077.....	37, 41
2420201.....	115	2901989.....	99	3421453..... 99, 103, 112		3533370.....	109
2460022.....	29	2901990.....	103	3422369.....	104, 112	3534742.....	97, 109, 110, 112
2540002....57, 62, 66, 70, 74, 84		2901993..... 97, 111, 112		3422485.....	69, 73	3534743.....	109, 110
2540017.....	87	2902002.....	97			3534995.....	90, 94, 105
2560088... 89, 93, 99, 104		2902004.....	109			3536089.....	85
2560137.....	37, 53	2902006.....	109			3537619... 89, 93, 99, 104	
2560141.....	115	2902009.....	111			3538844.....	54
2600253.....97, 110, 112		2902010.....	111			3539735.....	30
2750920.....	141	2902011.....	112			3539736.....	30
2750982.....	142	2902012.....	112			3570029.....	28
2750999.....	142	2902103.....	57			3570030.....	28
2752192.....	141	2902104.....	61			3570198.....	19
2752193.....	142	2902106.....	65			3570422.....	23
2752194.....	141	2902107.....	69			3570439.....	23
2752463.....	141	2902108.....	73			3570440.....	23
2752478.....	142	2902273..... 159, 166				3570482.....	23
		2910468.....	172			3570483.....	23
		2920093.....	85				
		2920146.....	29				

SECTION 10 - SPECIAL OPTIONS

3570746.....	23	3911036.....	109	4360461.....	141	4567062.....	79
3570747.....	23	3911424.....	111	4360465.....	27, 170	4567067.....	79
3570829.....	42	3911428 87, 97, 109, 110,		4360472.....	49	4567075.....	79
3570871.....	104	111		4360475.....	49, 115	4567265.....	13
3570872.....	104	3911430.....	103	4360477.....	87	4567271.....	42
3570996.....	41	3911432 87, 99, 104, 111		4360548... 19, 23, 28, 170		4567272.....	42
3570998.....	41	3911444 97, 109, 110,		4400414.....	37	4567306.....	23
3571007.....	42	111		4400422.....	41	4567307.....	23
3571011.....	104	3930820.....	28	4420037.....	37, 42	4567338.....	103, 104
3571035.....	89, 93	3930824.....	28	4420038.....	42	4567523.....	103
3571108.....	57, 61	3931412.....	28	4420052.....	172	4567649.....	37, 142
3571116.....	28	3931416.....	90, 94, 105	4420055.....	79, 109	4567863.....	99
3571267.....	79	3941406 ... 27, 30, 42, 49,		4460044.....	29	4567864.....	99
3571278.....	28	77		4460049.....	85, 116	4567867.....	99
3571388.....	28	3951603.....	20, 24, 28	4460051.....	83, 84	4567868.....	99
3571454.....	99	3960389.....	37, 53	4460052... 77, 90, 94, 105		4567875.....	99
3571479.....	84	3990010.....	150, 151	4460071.... 57, 61, 66, 70,		4567883.....	111
3571600.....	103	4060807 ... 58, 62, 66, 70,		74, 85		4567894.....	111
3571789.....	28	74		4460225.....	151	4567896.....	111
3573073 90, 94, 100, 105		4060914.....	115	4460226.....	77, 153	4640128.....	142
3600270.....	37, 41	4060937.....	42	4460227.....	152	4641001.... 125, 127, 129	
3640614.....	109	4060975.....	27	4460265.....	119, 151	4641012.....	125
3641263.....	89	4060976.....	115	4460267.... 116, 141, 150,		4641036.....	37, 41, 45
3641264.....	93	4061008.....	77	151		4641104.....	127, 129
3641265.....	89	4061009.....	77	4460268.. 20, 24, 28, 116,		4711000.....	97, 110, 112
3641266.....	93	4070987.....	49	119, 150, 151, 152, 153		4711400... 37, 41, 49, 50,	
3740131.....	49, 168	4070991.....	49	4460320.... 20, 24, 28, 77,		53, 54, 77, 79, 89, 93,	
3760170 50, 99, 103, 112		4130329.....	9	90, 94, 106, 116, 141,		99, 104, 125, 127, 129	
3760348 89, 93, 100, 104		4130332.....	10	150, 151, 152, 153		4711500... 13, 27, 38, 41,	
3760365.....	30	4130336.....	9	4460326.....	77, 152, 153	61, 69, 73, 74, 83	
3760387 ... 57, 61, 65, 69,		4160078 89, 94, 100, 105		4460328.....	77, 84	4711600... 10, 11, 30, 57,	
73		4160133.....	19	4460343.....	150, 151	61, 65, 69, 73, 79	
3780166.....	10, 11	4160134.....	19	4460424.... 116, 119, 151,		4711800... 10, 19, 23, 65,	
3780199.....	41	4160136.....	79	152		69, 73	
3820014.....	116	4160137.....	13	4460428.....	23, 87	4740066.....	115
3820019.. 89, 93, 99, 104		4160141.....	19	4460443.....	54	4740120.....	115
3820020.....	89, 93	4160201.....	23	4460445.....	152	4740419.....	10, 11
3841074.....	89, 94	4220166.....	54	4460449.....	150, 151	4740438... 57, 61, 65, 69,	
3841233 .. 89, 93, 99, 104		4240018 ... 57, 62, 66, 70,		4460465.....	150	73	
3841320.....	10	74, 84, 86		4460466.... 115, 150, 151		4740453.....	9, 10
3841324.....	10	4240033 ... 57, 62, 65, 66,		4460467.....	150, 172	4740455.....	29
3841332.....	13	70, 74, 79, 84, 87		4460468.....	150	4740474.....	53, 54
3841333.....	13	4240125 ... 57, 61, 65, 69,		4460470.....	115, 151	4740479.....	49
3841334.....	13	73		4460471.....	115, 151	4740480... 57, 61, 65, 69,	
3841337.....	19	4240127 ... 57, 62, 66, 70,		4460473.....	150	74	
3841379.....	9	74		4460510.....	150, 172	4740481.....	23
3841387.....	9	4240128 ... 57, 61, 65, 69,		4460613.....	115, 151	4740482.....	23
3841394.....	100, 105	73		4460614.....	150	4740504.....	24
3841428.....	23	4240147.....	30	4460618.....	49, 153	4740513 90, 94, 100, 105	
3860059 .. 89, 93, 99, 104		4280301.....	77	4460662.... 19, 23, 28, 77,		4750800.....	28, 89, 93
3860079.....	19, 23	4300133.....	49	87, 90, 116		4751000... 19, 28, 29, 54,	
3860091.....	89, 93, 104	4360112.....	49, 168	4460778.....	54	77, 87, 97, 109, 111,	
3900168.....	90, 94, 105	4360164.....	85	4460968.....	19, 23, 28	112	
3900178.....	115	4360215.....	87, 170	4520174.....	11	4751400... 20, 24, 27, 28,	
3900184.....	87	4360236.....	90, 94, 105	4520175.....	11	29, 30, 33, 41, 42, 49,	
3900213.....	80	4360277 90, 94, 105, 170		4520176.....	11	50, 53, 83, 86, 87, 89,	
3900226.....	115	4360278.....	90, 94, 105	4520177.....	11	93, 97, 99, 103, 109,	
3900227.....	115	4360289.....	49, 115, 168	4520191.....	11	110, 111, 153, 159, 165	
3900265.....	115	4360328.....	49, 168	4520221.....	11	4751500... 29, 37, 61, 66,	
3900267.....	97, 110, 112	4360387.....	29, 116, 170	4565201.....	97, 109, 110	70, 80, 83, 84, 89, 93,	
3900271.....	20, 23	4360397.....	77, 170	4565202.....	97, 109, 110	99, 104	
3900294.....	84	4360401.....	19	4565203.....	109, 110	4751600... 30, 57, 62, 79,	
3900329.....	90	4360432.....	168	4565285.....	110	97, 109, 110, 111	
3910804.....	49	4360433.....	49	4566833.....	10, 11	4751800.... 23, 27, 37, 53	
3911016.....	97, 111, 112	4360435.....	27, 170	4566849.....	37, 41	4752200 89, 93, 100, 104	
3911020.....	28	4360437.....	90, 170	4566969.....	37, 142	4760600.....	115
3911024.....	19, 77	4360453.....	115, 169	4567060.....	79	4760800.....	28, 90

SECTION 10 - SPECIAL OPTIONS

4761000.....	29, 54	4846013.....	111	7011590.....	33	7018586.....	33
4761400....	37, 41, 49, 53,	4846014.....	23	7011621.....	33	7018589.....	33
54, 86, 90, 94, 105, 115		4846024.....	57, 61, 65	7011940.....	119	7018905.....	46
4761500.....	29, 37, 41	4846039.....	103	7011991.....	119	7018912.....	45
4761600.....	19, 80	4846056.....	103	7011992.....	119	7018916.....	46
4761800.....	10, 11	4846057.....	103	7011997.....	119	7018917.....	45
4844414.....	86	4846058.....	99	7012611.....	115	7018919.....	46
4844585.....	86	4846059.....	99	7012612.....	49, 115	7018941.....	46
4844586.....	86	4846663.....	79	7012613.....	9, 10	7018942.....	46
4845037.....	13	4891800.....	10	7012773.....	45	7018943.....	45
4845130.....	53	4920140.....	90, 94, 105	7012953.....	125	7018967.....	45
4845314.....	30	4921819.....	152	7012967....	125, 127, 129	7018981.....	45
4845315.....	30	4921891.....	151	7014676.....	173	7018985.....	46
4845319.....	19	4921893.....	151	7016315.....	45	7018993.....	45
4845360.....	19	4922011.....	151	7016319.....	29	7018996.....	9, 10
4845370.....	79	4922014.....	151	7016320.....	29	7018997.....	9, 10
4845371.....	79	4922082.....	144, 150	7016337.....	45	7019600.....	127
4845383.....	19	4922083.....	144, 150	7016339.....	49, 168	7019602.....	127, 129
4845385.....	19	4922084.....	144, 150	7016349.....	45	7019604.....	49
4845495.....	86	4922085.....	144, 150	7016351.....	45, 46	7019696.....	13
4845496.....	86	4922183.....	115, 151	7016352.....	45	7019697.....	13
4845497.....	86	4922184.....	115, 151	7016372.....	29	7019800.....	125
4845498.....	86	4922208.....	151	7016436.....	9	7019801.....	125
4845510.....	79	4922210.....	151	7016630.....	85	7019804.....	129
4845529.....	19	4922211.....	151	7016654.....	172	7019806.....	129
4845559.....	65, 69, 73	4922233.....	27	7016707.....	131	7019808.....	127
4845560.....	65, 69, 73	4922258.....	29, 152	7016708....	131, 135, 137	7019810.....	127
4845581.....	24	4922285.....	27, 152	7017207...	131, 133, 135,	7019824.....	129
4845699.....	23	4922296.....	144, 150	137		7019825.....	129
4845708.....	97, 110, 112	4922464.....	90	7017208.....	131	7019847.....	127
4845709.....	97, 110, 112	4922656.....	49, 50	7017209.....	131	7019848.....	127
4845710.....	97, 111, 112	4922678.....	150	7017220.....	123	7019873.....	129
4845719.....	103	4933016.....	144, 150	7017221.....	123	7020063.....	37
4845720.....	103	4933017.....	144, 150	7017222.....	123	7020175.....	49, 115
4845721.....	103	4933018.....	144, 150	7017223.....	123	7020176.....	49, 115
4845724.....	103	4933019.....	144, 150	7017226.....	135, 137	7020218.....	129
4845725.....	103	70003780.....	87	7017227.....	135, 137	7020501.....	119
4845733.....	112	7001609.....	123	7017262.....	123	7020502.....	119
4845734....	109, 110, 112	7002820.....	172	7017264.....	123	7020503.....	119
4845735.....	111	7002821.....	150, 172	7017268.....	133	7020504.....	119
4845736....	109, 110, 112	7002822.....	172	7017270.....	133	7020508.....	119
4845741.....	109, 110	7002823.....	150, 172	7017272.....	133	7020509.....	119
4845760.....	97	7002826.....	173	7017273.....	133	7020510.....	119
4845775.....	103	7003212.....	127	7017274.....	133	7020511.....	119
4845776.....	103	7003226.....	129	7017275.....	133	7020520.....	119
4845777.....	99	7003790.....	119	7017367.....	125	7020540.....	119
4845778.....	103	7003791.....	119	7017376.....	127	7020541.....	119
4845779.....	99	7004275.....	172	7017382.....	125	7020605.....	33
4845792.....	112	7004276.....	173	7017387.....	129	7020638.....	33
4845793.....	112	7010639.....	37, 41	7017389.....	125	7020639.....	33
4845801.....	41	7010640.....	37, 41	7017398.....	125	7021300.....	45
4845802.....	53	7010641.....	13	7017399.....	125	7021302.....	45
4845803.....	41	7010642.....	13	7017444....	125, 127, 129	7021304.....	45
4845818.....	37	7010646.....	13	7017445....	125, 127, 129	7021305.....	45
4845829.....	111	7010647.....	13	7018302.....	45	7021306.....	45
4845843....	109, 110, 112	7010648.....	13	7018304.....	45	7021307.....	45
4845845....	109, 110, 112	7010649.....	13	7018312.....	45	7021312.....	9, 10
4845849.....	69, 73	7010650.....	13	7018313.....	45	7021313.....	45
4845873.....	53	7010651.....	13	7018315.....	45	7021315.....	45
4845884.....	27	7010903.....	37, 41	7018514.....	33, 168	7021317.....	9, 10
4845886.....	24	7010944.....	37, 41, 168	7018537.....	33	7022520.....	46
4845887.....	27	7011041.....	37, 41	7018555.....	33	7022525.....	45
4845889.....	79	7011042.....	37, 41	7018564.....	33	7023019.....	135, 137
4845891.....	79	7011043.....	37, 41	7018578.....	33	7023025.....	137
4846001.....	99	7011044.....	37, 41	7018582.....	33	7023307.....	17
4846002.....	99	7011045.....	37, 41	7018583.....	33	7023308.....	17
4846012.....	111	7011509.....	33, 168	7018585.....	33	7023309.....	17

SECTION 10 - SPECIAL OPTIONS

7023310	17	7023321	17	7023450.....	15	7023461	15
7023311	17	7023322	17	7023451.....	15	7023462	15
7023312	17	7023323	17	7023452.....	15	7023465	15
7023313	17	7023324	17	7023453.....	15	7023467	15
7023314	17	7023325	17	7023454.....	15	7023468	15
7023315	17	7023326	17	7023455.....	15	7023469	15
7023316	17	7023327	17	7023456.....	15	7023876	46
7023317	17	7023328	17	7023457.....	15	8896941	150, 172
7023318	17	7023329	17	7023458.....	15		
7023319	17	7023336	29	7023459.....	15		
7023320	17	7023412	17	7023460.....	15		



**Corporate Office
JLG Industries, Inc.
1 JLG Drive
McConnellsburg, PA 17233-9533 USA**

☎ (717) 485-5161 (Corporate)
☎ (877) 554-5438 (Customer Support)
📠 (717) 485-6417

**Visit our website for JLG Worldwide Locations.
www.jlg.com**



OSHKOSH™