



---

# Illustrated Parts Manual

## **Models**

**1532E3**

**1932E3**

**2033E3**

**2046E3**

**2646E3**

**2658E3**

S/N 1200000001 to Present

**P/N - 3121846**

September 26, 2013



---

An Oshkosh Corporation Company



# REVISION LOG

October 2, 2001 - Issue Of Manual (Manual edited to 0010552 Revision 43)

July 9, 2002 - Revised Manual (Manual edited to 0010552 Revision 52)

January 6, 2003 - Revised Manual (Manual edited to 0010552 Revision 58)

April 29, 2003 - Revised Manual (Manual edited to 0010552 Revision 60)

October 12, 2004 - Revised Manual (Manual edited to 0010552 Revision 62)

August 25, 2008 - Revised Manual

November 8, 2011 - Revised Manual

September 26, 2013 - Revised Manual

# REVISION LOG

# TABLE OF CONTENTS

FIGURE NO.	TITLE	PAGE NO.
<b>SECTION 1 - FRAME</b>		<b>1-1</b>
1-1	DRIVE AND STEERING INSTALLATION	1-2
1-2	AXLE/BRAKE INSTALLATIONS	1-6
1-3	DRIVE MOTOR ASSEMBLY - 1532E3/1932E3	1-8
1-4	DRIVE MOTOR ASSEMBLY - 2033E3/2046E3/32646E3/2658E3	1-10
1-5	JLG POTHOLE PROTECTION SYSTEM INSTALLATION - 1532E3/1932E3	1-12
1-6	JLG POTHOLE PROTECTION SYSTEM INSTALLATION - 2033E3/2046E3/ 2646E3/2658E3	1-16
1-7	FRAME MOUNTED COMPONENTS INSTALLATIONS	1-20
1-8	BATTERY CHARGER ASSEMBLY	1-26
<b>SECTION 2 - GROUND COMPONENTS</b>		<b>2-1</b>
2-1	HYDRAULIC COMPONENTS AND COVER INSTALLATION -1532E3/1932E3	2-2
2-2	HYDRAULIC COMPONENTS AND COVERS INSTALLATION - 2033E3/ 2046E3/2646E3/2658E3	2-6
2-3	VALVE ASSEMBLY	2-10
2-4	ELECTRICAL COMPONENTS INSTALLATIONS (At Ground Controls)	2-14
2-5	BATTERY INSTALLATIONS	2-18
<b>SECTION 3 - SCISSOR ARMS</b>		<b>3-1</b>
3-1	SCISSOR ARMS INSTALLATION - 1532E3	3-2
3-2	SCISSOR ARMS INSTALLATION - 1932E3	3-6
3-3	SCISSOR ARMS INSTALLATION - 2033E3	3-10
3-4	SCISSOR ARMS INSTALLATION - 2046E3	3-14
3-5	SCISSOR ARMS INSTALLATION - 2646E3/2658E3	3-18
3-6	PLATFORM DESCENT DELAY SYSTEM INSTALLATION - 1532E3/1932E3/ 2033E3/2046E3/2646E3	3-22
3-7	ARM GUARDS INSTALLATION - 2658E3	3-24
<b>SECTION 4 - PLATFORM</b>		<b>4-1</b>
4-1	PLATFORM INSTALLATION - MANUALLY OPERATED EXTENSION	4-2
4-2	HANDRAILS AND EXTENSION INSTALLATION - STANDARD HANDRAILS (MANUALLY OPERATED) (1532E3/1932E3)	4-8
4-3	HANDRAILS AND EXTENSION INSTALLATION - STANDARD HANDRAILS (MANUALLY OPERATED) (2033E3/2046E3)	4-12
4-4	PLATFORM ACCESS INSTALLATION - STANDARD HANDRAILS (MANUALLY OPERATED) (1532E3/1932E3/2033E3/2046E3)	4-16
4-5	HANDRAILS AND EXTENSION INSTALLATION - FOLDDOWN HANDRAILS (MANUALLY OPERATED) (1532E3/1932E3)	4-18
4-6	HANDRAILS AND EXTENSION INSTALLATION - FOLDDOWN HANDRAILS (MANUALLY OPERATED) (2033E3/2046E3/2646E3/2658E3)	4-22
4-7	PLATFORM ACCESS INSTALLATION - FOLDDOWN HANDRAILS (MANUALLY OPERATED)	4-28
4-8	PLATFORM CONSOLE BOX ASSEMBLY	4-34
4-9	CONTROLLER ASSEMBLY - PQ	4-38

# TABLE OF CONTENTS

FIGURE NO.	TITLE	PAGE NO.
<b>SECTION 5 - CYLINDER</b>		<b>5-1</b>
5-1	BRAKE CYLINDER ASSEMBLY	5-2
5-2	LIFT CYLINDER COMPONENTS ASSEMBLY 1532E3/1932E3	5-4
5-3	LIFT CYLINDER COMPONENTS ASSEMBLY 2033E3/2046E3	5-6
5-4	LIFT CYLINDER COMPONENTS ASSEMBLY 2646E3/2658E3	5-8
5-5	STEER CYLINDER ASSEMBLY (PRIOR TO S/N 1200000174)	5-10
5-6	STEER CYLINDER ASSEMBLY (S/N 1200000174 TO PRESENT)	5-12
<b>SECTION 6 - HYDRAULIC</b>		<b>6-1</b>
6-1	HYDRAULIC DIAGRAM	6-2
<b>SECTION 7 - ELECTRICAL</b>		<b>7-1</b>
7-1	ELECTRICAL DIAGRAM LIST	7-2
7-2	ELECTRICAL SCHEMATIC - STANDARD	7-4
7-3	HARNESS AND CABLE ASSEMBLIES	7-6
<b>SECTION 8 - DECALS</b>		<b>8-1</b>
8-1	DECALS INSTALLATION - 1532E3/1932E3	8-2
8-2	DECALS INSTALLATION - 2033E3/2046E3/2646E3/2658E3	8-8
<b>SECTION 9 - RECOMMENDED SERVICE PARTS STOCK</b>		<b>9-1</b>
<b>SECTION 10 - SPECIAL OPTIONS</b>		<b>10-1</b>

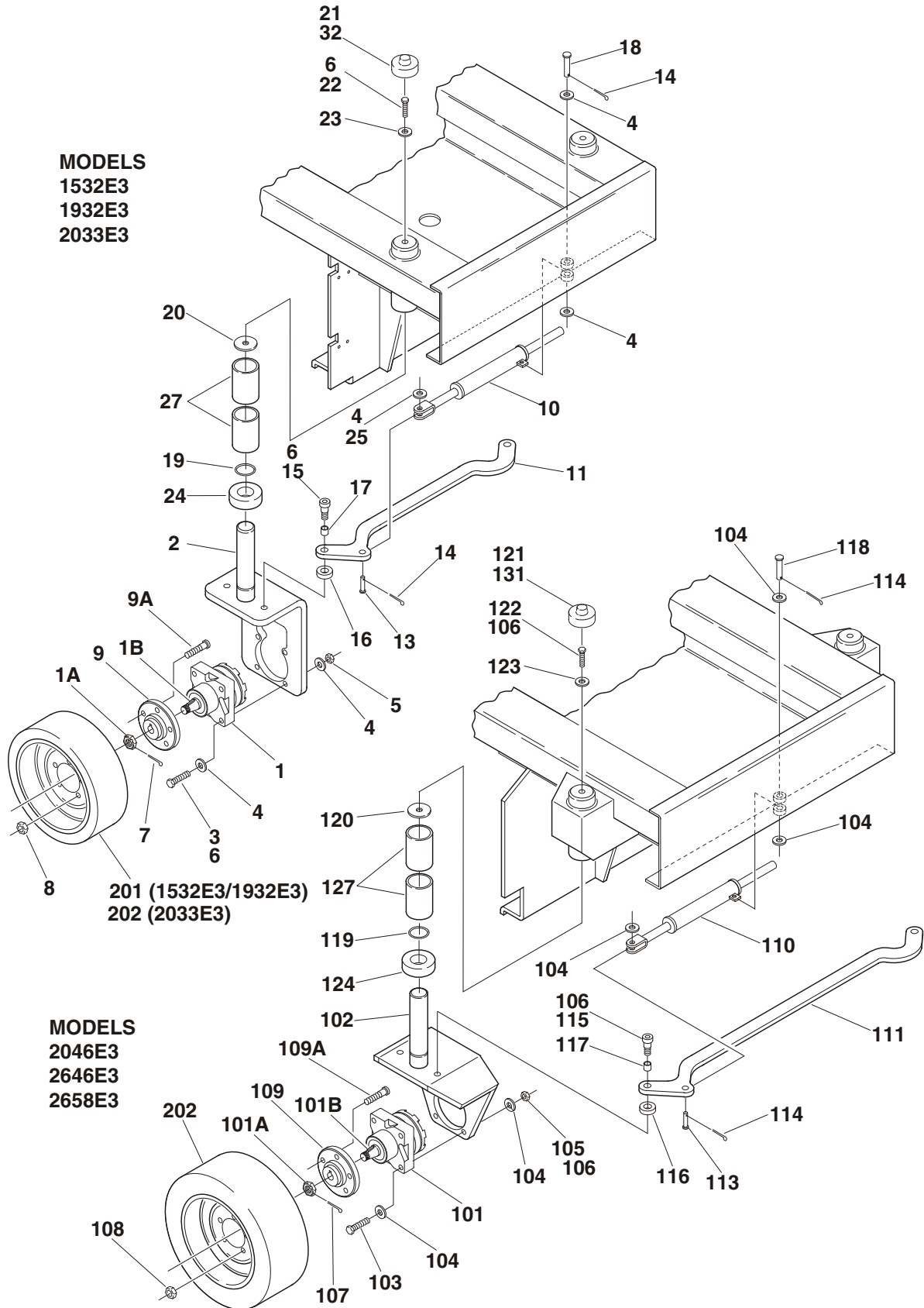
# SECTION 1 FRAME

TABLE OF CONTENTS		
FIGURE	DESCRIPTION	PAGE
1-1	DRIVE AND STEERING INSTALLATIONS.....	1-2
1-2	AXLE/BRAKE INSTALLATIONS.....	1-6
1-3	DRIVE MOTOR ASSEMBLY - 1532E3/1932E3.....	1-8
1-4	DRIVE MOTOR ASSEMBLY - 2033E3/2046E3/2646E3/2658E3.....	1-10
1-5	JLG POTHOLE PROTECTION SYSTEM INSTALLATION - 1532E3/1932E3.....	1-12
1-6	JLG POTHOLE PROTECTION SYSTEM INSTALLATION - 2033E3/2046E3/2646E3/2658E3..	1-16
1-7	FRAME MOUNTED COMPONENTS INSTALLATIONS.....	1-20
1-8	BATTERY CHARGER ASSEMBLY.....	1-26

# SECTION 1 FRAME

FIGURE 1-1. DRIVE AND STEERING INSTALLATION

SECTION  
1  
FRAME





# SECTION 1 FRAME

**FIGURE 1-1. DRIVE AND STEERING INSTALLATION**

FIG & ITEM #	PART NUMBER	DESCRIPTION	QTY.	REV.
	0258147	<b>DRIVE AND STEERING INSTALLATION - 1532E3/1932E3</b>	Ref.	9
	0258148	<b>DRIVE AND STEERING INSTALLATION - 2033E3</b>	Ref.	9
1		Drive Motor Assembly Options:	2	
	3160270	1532E3/1932E3 (See Figure 1-3 for Breakdown)		
	3160263	2033E3 (See Figure 1-4 for Breakdown)		
1A	7023451	Nut (1 Per Motor)	2	
1B	7023455	Key (1 Per Motor)	2	
2		Spindle Options:		
	4130336	1532E3/1932E3	2	
	4130329	2033E3	2	
3	0641826	Bolt 1/2"-13NC x 3 1/4"	8	
4	4740453	Flatwasher 1/2"	10	
5	3300450	Nut 1/2"-13NC	8	
6	Use 0100019	Loctite (Prior to S/N 1200000058) (Was P/N 0100011)	A/R	
7	3450406	Cotter Pin 1/8" x 1 1/2"	2	
8	3300255	Nut, Wheel	10	
9	2780216	Hub	2	
9A	7012613	Bolt, Wheel (5 Per Hub)	10	
10		Steer Cylinder Options:	1	
	Use 1684226	(Prior to S/N 1200000174) (was p/n 1683936)		
	1684226	(S/N 1200000174 to Present)		
11		Tie Rod Options:		
	3841387	1532E3/1932E3	1	
	3841379	2033E3	1	
12	Not Used			
13		Clevis Pin Options:		
	Use 3430812	Clevis Pin 1/2" x 1 3/8" (Prior to S/N 1200000934) (Was P/N 3430811)	1	
	3430812	Clevis Pin 1/2" x 1 1/2"	1	
14	3450403	Cotter Pin 1/8" x 3/4"	2	
15		Bolt, Shoulder Options:		
	0630516	Bolt, Shoulder 3/4" x 1 1/8" - 1532E3/1932E3	2	
	0630495	Bolt, Shoulder 3/4" x 1" - 2033E3	2	
16		Bushing Options:		
	0962085	1532E3/1932E3	2	
	0962014	2033E3	2	
17	0962013	Bushing, Fiberglide	2	
18	3430824	Clevis Pin 1/2" x 3"	1	
19	3780166	O-Ring	2	
20	4740419	Washer, Thrust	2	
21	1120417	Cap	2	
22		Bolt Options:	2	
	0641611	3/8"-16NC x 1 3/8" (1532E3/1932E3 Only)		
	0641612	3/8"-16NC x 1 1/2" (2033E3 Only)		
23	4711600	Flatwasher 3/8"	2	
24	4566833	Spacer (2033E3 Only)	2	

# SECTION 1 FRAME

SECTION 1 FRAME

**FIGURE 1-1. DRIVE AND STEERING INSTALLATION (CONTINUED)**

FIG & ITEM #	PART NUMBER	DESCRIPTION	QTY.	REV.
25	4711800	Flatwasher 1/2" (1532E3/1932E3 Only) (Prior to S/N 1200000934)	1	
26	Not Used			
27	0962017	Bushing, Excelite	4	
28 to 31	Not Used			
32	0100081	Adhesive	A/R	
33	Not Used			
	0258149	<b>DRIVE AND STEERING INSTALLATION - 2046E3/2646E3</b>	Ref.	10
	0258150	<b>DRIVE AND STEERING INSTALLATION - 2658E3</b>	Ref.	8
101	3160264	Drive Motor Assembly (See Figure 1-4 for Breakdown)	2	
101A	7023325	Nut (1 Per Motor)	2	
101B	7023324	Key (1 Per Motor)	2	
102	4130332	Spindle	2	
103	0641826	Bolt 1/2"-13NC x 3 1/4"	8	
104	4740453	Flatwasher 1/2"	11	
105	3311801	Nut 1/2"-13NC	8	
106	Use 0100019	Loctite (Prior to S/N 1200000058) (Was P/N 0100011)	A/R	
107	3450406	Cotter Pin 1/8" x 1 1/2"	2	
108	3300255	Nut, Wheel	10	
109	2780216	Hub	2	
109A	7012613	Bolt, Wheel (5 Per Hub)	10	
110		Steer Cylinder Options:	1	
	Use 1684227	(Prior to S/N 1200000174) (was p/n 1683937)		
	1684227	(S/N 1200000174 to Present)		
111		Tie Rod Options:		
	3841320	2046E3/2646E3	1	
	3841324	2658E3	1	
112	Not Used			
113	3430812	Clevis Pin 1/2" x 1 1/2"	1	
114	3450403	Cotter Pin 1/8" x 3/4"	2	
115	0630495	Bolt, Shoulder 3/4" x 1"	2	
116	0962014	Bushing	2	
117	0962013	Bushing, Fiberglide	2	
118	3430824	Clevis Pin 1/2" x 3"	1	
119	3780166	O-Ring	2	
120	4740419	Washer, Thrust	2	
121	1120417	Cap	2	
122		Bolt Options:	2	
	0641611	3/8"-16NC x 1 3/8" (1532E3/1932E3 Only)		
	0641612	3/8"-16NC x 1 1/2" (2033E3 Only)		
123	4711600	Flatwasher 3/8"	2	
124	4566833	Spacer	2	
125	Not Required			
126	Not Used			
127	0962017	Bushing, Excelite	4	
128 to 130	Not Used			
131	0100081	Loctite #454	A/R	

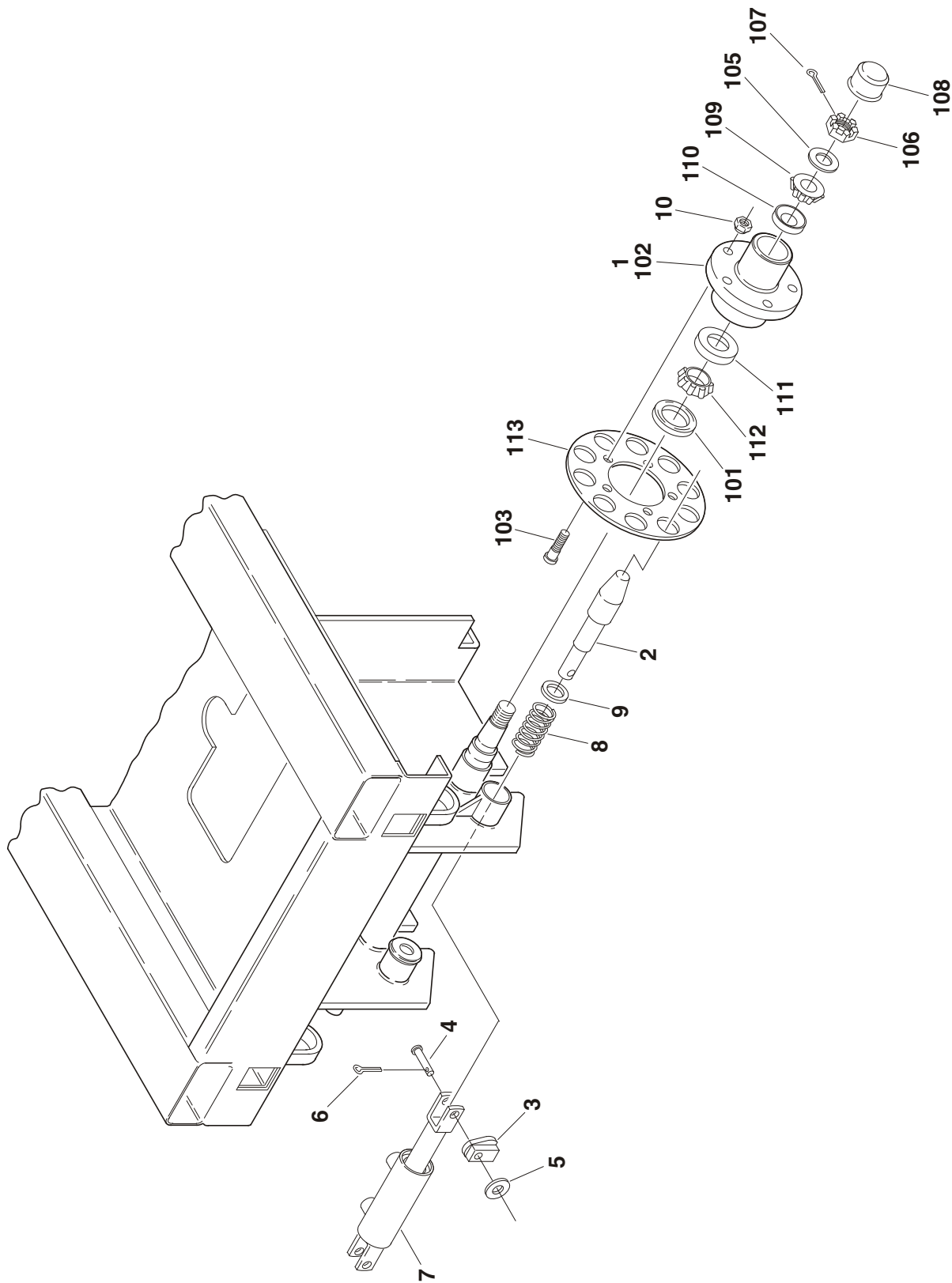
# SECTION 1 FRAME

**FIGURE 1-1. DRIVE AND STEERING INSTALLATION (CONTINUED)**

FIG & ITEM #	PART NUMBER	DESCRIPTION	QTY.	REV.
132	Not Used			
201		<b>TIRE AND WHEEL INSTALLATIONS - 1532E3/1932E3</b>	Ref.	
	0255680	<b>Standard Tire And Wheel Installation (Optional)</b>	Ref.	-
	0255683	<b>Non-Marking Tire And Wheel Installation</b>	Ref.	-
		Tire Options:	4	
	4520175	Standard	A/R	
	4520177	Non-Marking	A/R	
202		<b>TIRE AND WHEEL INSTALLATIONS - 2033E3/2046E3/2646E3/2658E3</b>	Ref.	
	0255679	<b>Standard Tire And Wheel Installation (See Note)</b>	Ref.	-
	0255682	<b>Non-Marking Tire And Wheel Installation (See Note)</b>	Ref.	-
	0259475	<b>Non-Marking Flotation Tire And Wheel Installation</b>	Ref.	1
	0257156	<b>Flotation Tire And Wheel Installation (Optional)</b>	Ref.	-
		Tire & Wheel Options:	4	
	4520174	Standard	A/R	
	4520176	Non-Marking	A/R	
	4520221	Non-Marking Flotation ( <b>Note:</b> Not Available on 2033E3)	A/R	
	4520191	Flotation ( <b>Note:</b> Not Available on 2033E3)	A/R	
301		<b>FRAME WELDMENT OPTIONS</b>	Ref.	
	2360501	Frame Weldment - 1532E3 (Australian Spec)	1	
	2360499	Frame Weldment - 1532E3/1932E3 (Euro Spec)	1	
	2360500	Frame Weldment - 1932E3 (Australian Spec)	1	
	2360473	Frame Weldment - 2033E3	1	
	2360474	Frame Weldment - 2046E3 (Australian Spec)	1	
	2360476	Frame Weldment - 2046E3 (Euro Spec)	1	
	2360476	Frame Weldment - 2646E3	1	
	2360478	Frame Weldment - 2658E3 (Australian Spec)	1	
	2360495	Frame Weldment - 2658E3 (Euro Spec)	1	

# SECTION 1 FRAME

FIGURE 1-2. AXLE/BRAKE INSTALLATIONS



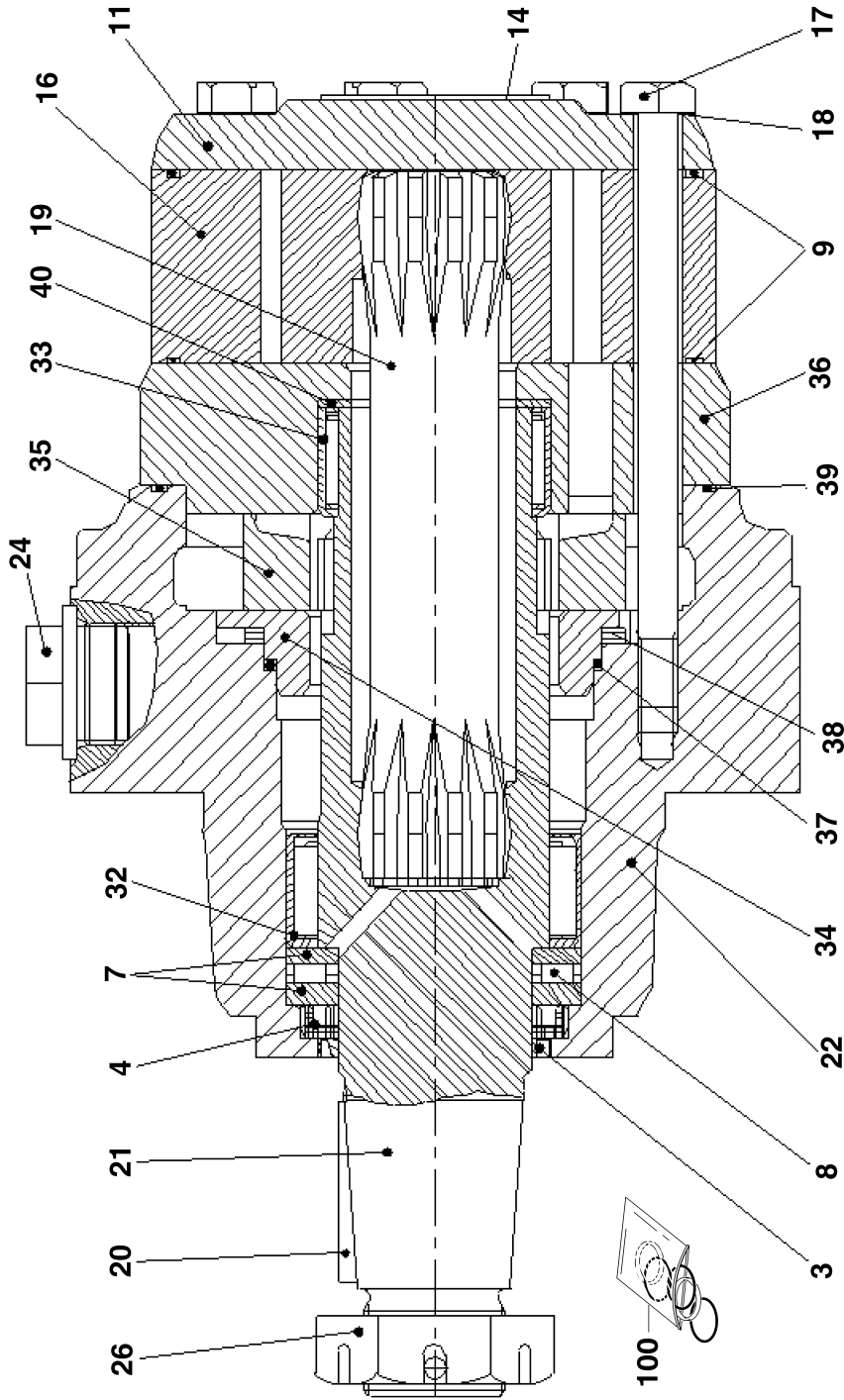
# SECTION 1 FRAME

**FIGURE 1-2. AXLE/BRAKE INSTALLATIONS**

FIG & ITEM #	PART NUMBER	DESCRIPTION	QTY.	REV.
		<b>BRAKE INSTALLATIONS</b>	Ref.	
	0257183	<b>1532E3/1932E3</b>	Ref.	6
	0257184	<b>2033E3</b>	Ref.	6
	0257185	<b>2046E3/2646E3</b>	Ref.	3
	0257186	<b>2658E3</b>	Ref.	3
1	2780215	Hub Assembly (See Items 101-113 for Breakdown)	2	
2		Rod, Brake Options:		
	3841332	1532E3/1932E3/2033E3	2	
	3841333	2046E3/2646E3	2	
	3841334	2658E3	2	
3	1100116	Cam, Brake	2	
4	3430620	Pin, Clevis	2	
5	4711500	Flatwasher 5/16" Narrow	2	
6	3450403	Pin, Cotter	2	
7	1683833	Brake, Cylinder Assembly (See Section 5 for Breakdown)	1	
8	4160137	Spring	2	
9		Spacer Options:	A/R	
	Not Required	1532E3/1932E3/2033E3	0	
	4567265	2046E3/2646E3/2658E3	2	
10	3300255	Lugnut	10	
	2780215	<b>HUB ASSEMBLY</b>	Ref.	C
101	7010649	Seal	1	
102	Not Serviced	Housing	1	
103	Use 7019696	Stud, Wheel (was p/n 7012613)	5	
104	Not Used			
105	7019697	Washer	1	
106	7010641	Nut, Slotted	1	
107	7010642	Pin, Cotter	1	
108	Use 7010648	Cap, Dust (was p/n 7003902)	1	
109	7010646	Cone, Outer	1	
110	Use 7010650	Cup, Outer (was p/n 7003903)	1	
111	7010651	Cup, Inner	1	
112	7010647	Cone, Inner	1	
113	1760165	Disc, Brake	1	

# SECTION 1 FRAME

FIGURE 1-3. DRIVE MOTOR ASSEMBLY - 1532E3/1932E3



SECTION 1 FRAME

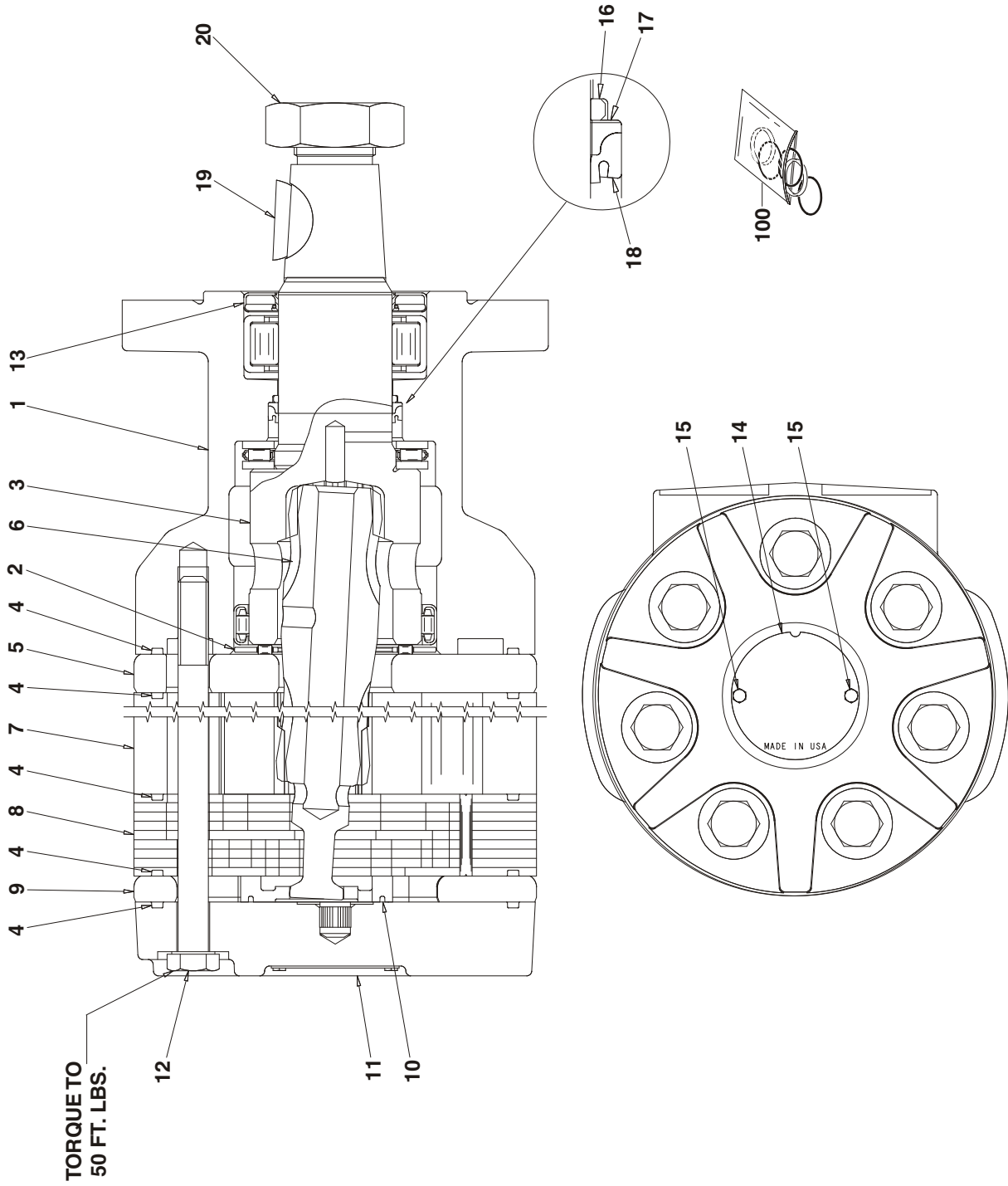
# SECTION 1 FRAME

**FIGURE 1-3. DRIVE MOTOR ASSEMBLY - 1532E3/1932E3**

FIG & ITEM #	PART NUMBER	DESCRIPTION	QTY.	REV.
	3160270	<b>DRIVE MOTOR ASSEMBLY</b>	Ref.	B
		<b>Note: Verify Drive Motor machine is equipped with before ordering service parts.</b>	Ref.	
1 to 2	Not Used			
3	Use Item 100	Seal, Dust	1	
4	Use Item 100	Seal, Shaft	1	
5 to 6	Not Used			
7	7023452	Bearing, Race	2	
8	7023453	Bearing, Needle	1	
9	Use Item 100	O-Ring	2	
10	Not Used			
11	7023465	Cover, End	1	
12 to 13	Not Used			
14	Not Serviceable	Identification Tag	1	
15	Not Used			
16	7023468	Wheel, Gear Set	1	
17	7023469	Screw m8x95mm	7	
18	Use Item 100	Washer 82mm	7	
19	7023467	Shaft, Cardan	1	
20	7023455	Key	1	
21	7023456	Shaft, Output	1	
22	Not Serviceable	Housing	1	
23	Not Used			
24	Not Serviceable	Plug	2	
25	Not Used			
26	7023451	Nut, Castle	1	
27 to 31	Not Used			
32	7023454	Bearing, Needle	1	
33	7023460	Bearing, Needle	1	
34	7023458	Plate, Pressure	1	
35	7023459	Disk, Valve	1	
36	7023462	Plate	1	
37	Use Item 100	O-Ring	1	
38	7023457	Washer, Spring	1	
39	Use Item 100	O-Ring	1	
40	7023461	Washer, Glacier	1	
		<b>KIT OPTIONS:</b>	Ref.	
100	7023450	Kit, Seal (Includes Items 3,4,9,18,37 & 39)	1	

# SECTION 1 FRAME

FIGURE 1-4. DRIVE MOTOR ASSEMBLY - 2033E3/2046E/32646E3/2658E3





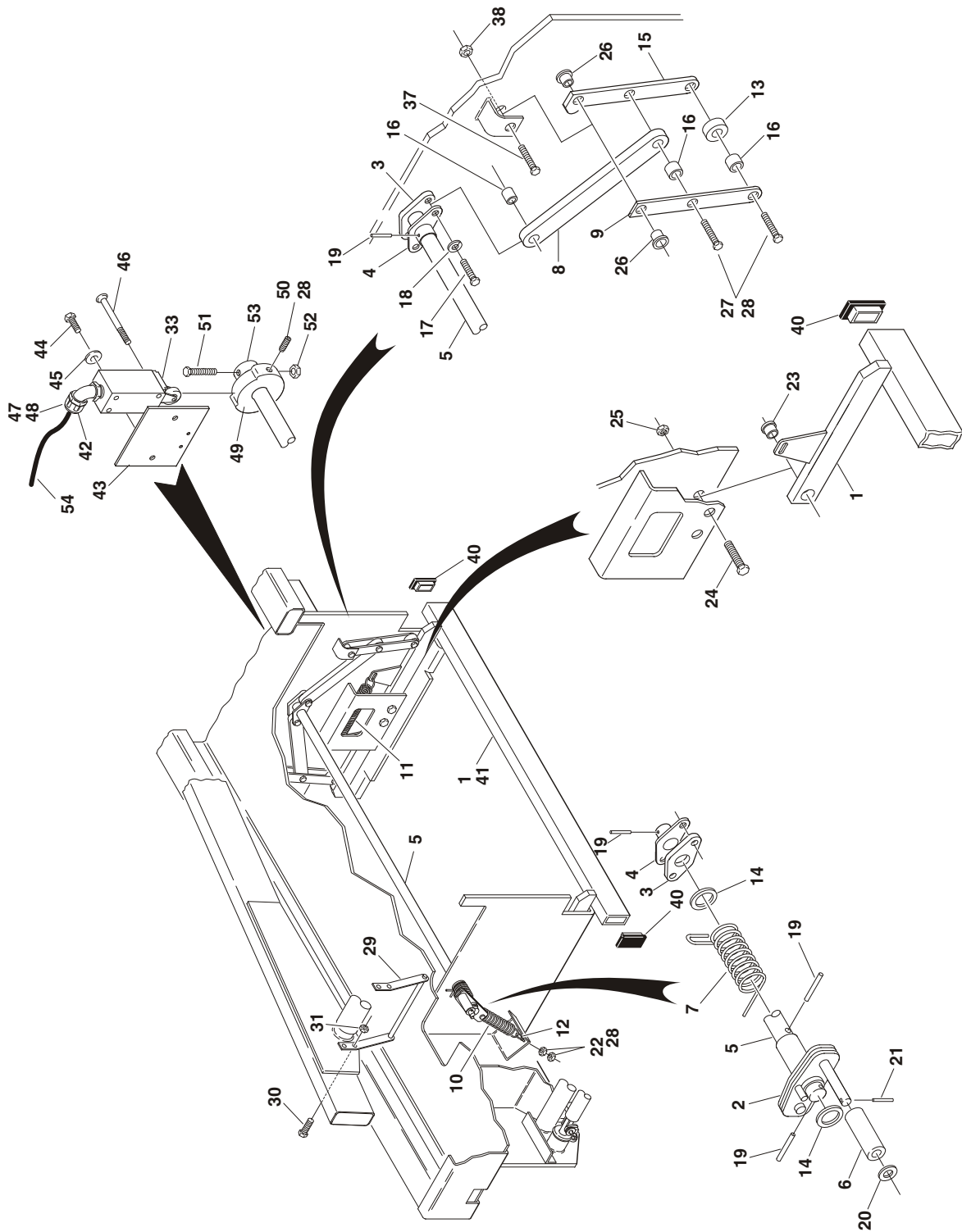
# SECTION 1 FRAME

**FIGURE 1-4. DRIVE MOTOR ASSEMBLY - 2033E3/2046E/32646E3/2658E3**

FIG & ITEM #	PART NUMBER	DESCRIPTION	QTY.	REV.
		<b>DRIVE MOTOR ASSEMBLIES</b>	Ref.	
	3160263	<b>DRIVE MOTOR - 2033E3</b>	Ref.	B
	3160264	<b>DRIVE MOTOR - 2046E3/2646E3/2658E3</b>	Ref.	B
		<b>Note: Verify Drive Motor machine is equipped with before ordering service parts.</b>	Ref.	
1	7023307	Housing	1	
2	7023308	Bearing, Thrust	1	
3	7023309	Shaft	1	
4	7023310	Ring, Seal	5	
5	7023311	Plate, Wear	5	
6		Drive Link Options:	1	
	7023312	Drive Link - Motor p/n 3160263		
	7023326	Drive Link - Motor p/n 3160264		
7		Assembly, Rotor Options:	1	
	7023313	Drive Link - Motor p/n 3160263		
	7023327	Drive Link - Motor p/n 3160264		
8	7023314	Manifold	1	
9	7023315	Assembly, Commutator	1	
10	7023318	Seal, Commutator	1	
11		Cover, End Options:	1	
	7023316	Drive Link - Motor p/n 3160263		
	7023328	Drive Link - Motor p/n 3160264		
12		Bolt Options:	7	
	7023317	Drive Link - Motor p/n 3160263		
	7023329	Drive Link - Motor p/n 3160264		
13	7023319	Seal	1	
14	Not Serviceable	Identification Tag	N/A	
15	7023320	Screw	2	
16	7023321	Ring Back-Up	1	
17	7023322	Washer, Back-Up	1	
18	7023323	Seal, Shaft	1	
19	7023324	Key	1	
20	7023325	Nut, Castle	1	
		<b>KIT OPTIONS:</b>	Ref.	
100	7023412	Seal Kit (Includes Items 4, 10, 13, 16, 17 & 18)	1	

# SECTION 1 FRAME

FIGURE 1-5. JLG POTHOLE PROTECTION SYSTEM INSTALLATION - 1532E3/1932E3



# SECTION 1 FRAME

**FIGURE 1-5. JLG POTHOLE PROTECTION SYSTEM INSTALLATION - 1532E3/1932E3**

FIG & ITEM #	PART NUMBER	DESCRIPTION	QTY.	REV.
	0258283	<b>JLG POTHOLE PROTECTION SYSTEM INSTALLATION</b>	Ref.	10
1	4845360	Bar, Support - Right Side	1	
2	4845529	Pivot Weldment	1	
3	3570198	Plate, Cam	2	
4	4845385	Bushing Weldment	2	
5	3841337	Rod, Pivot	1	
6	3860079	Roller	1	
7	4160133	Spring, Torsion	1	
8	0362484	Bar, Link	4	
9	0362485	Bar, Actuator	4	
10	4160141	Spring, Extension	1	
11	4160134	Spring, Extension	2	
12	0630543	Eye Bolt	1	
13	0362483	Bar, Roller	4	
14	0961997	Bearing, Flange	4	
15	0362654	Bar, Actuator	4	
16	0961994	Bearing, Spacer	12	
17	0641612	Bolt 3/8"-16NC x 1 1/2"	4	
18	4761600	Lockwasher 3/8"	4	
19	3440828	Roll Pin 1/4" x 1 3/4"	5	
20	4711800	Flatwasher 1/2"	1	
21	3440418	Roll Pin 1/8" x 1 1/8"	1	
22	3311501	Nut 5/16"-18NC	2	
23	0961995	Bearing, Flange	4	
24	0642224	Bolt 3/4"-10NC x 3"	4	
25	3312205	Locknut 3/4"-10NC	4	
26	0961996	Bearing, Flange	8	
27	0641611	Bolt 3/8"-16NC x 1 3/8"	8	
28	0100011	Loctite #242	A/R	
29	4845319	Weldment, Actuator	1	
30	0641506	Bolt 5/16"-18NC x 1"	4	
31	3311505	Locknut 5/16"-18NC	4	
32	Not Required			
33		Switch, Limit Options:	2	
	4360321	Production		
	4360548	Post Production		
34	Not Used			
35	Not Used			
36	Not Used			
37	0681622	Bolt 3/8"-16NC x 2 3/4"	4	
38	3311605	Locknut 3/8"-16NC	4	
39	Not Required			
40	1120481	Cap, End	4	
41	4845383	Bar, Support - Left Side	1	
42		Connector, Strain Relief Options:	2	
	4460662	Production		
	4460968	Post Production		

# SECTION 1 FRAME

**SECTION 1 FRAME**

**FIGURE 1-5. JLG POTHOLE PROTECTION SYSTEM INSTALLATION - 1532E3/1932E3  
(CONTINUED)**

FIG & ITEM #	PART NUMBER	DESCRIPTION	QTY.	REV.
43	0902536	Bracket, Limit Switch	1	
44	0641408	Bolt 1/4"-20NC x 1"	2	
45	4751400	Flatwasher 1/4"	2	
46	3900271	Screw #10-32NC x 1"	2	
47	4460268	Socket, Terminal	2	
48	4460320	Plug - 2 Position	1	
49	1100110	Cam	1	
50	3951603	Screw 3/8"-16NC x 3/8"	2	
51	0681414	Bolt 1/4"-20NC x 1 3/4" (Grade 8)	1	
52	3311405	Locknut 1/4"-20NC	1	
53	0962262	Bushing	1	
54	1060680	Cable, 18/2	7ft./2.14m	

# SECTION 1 FRAME

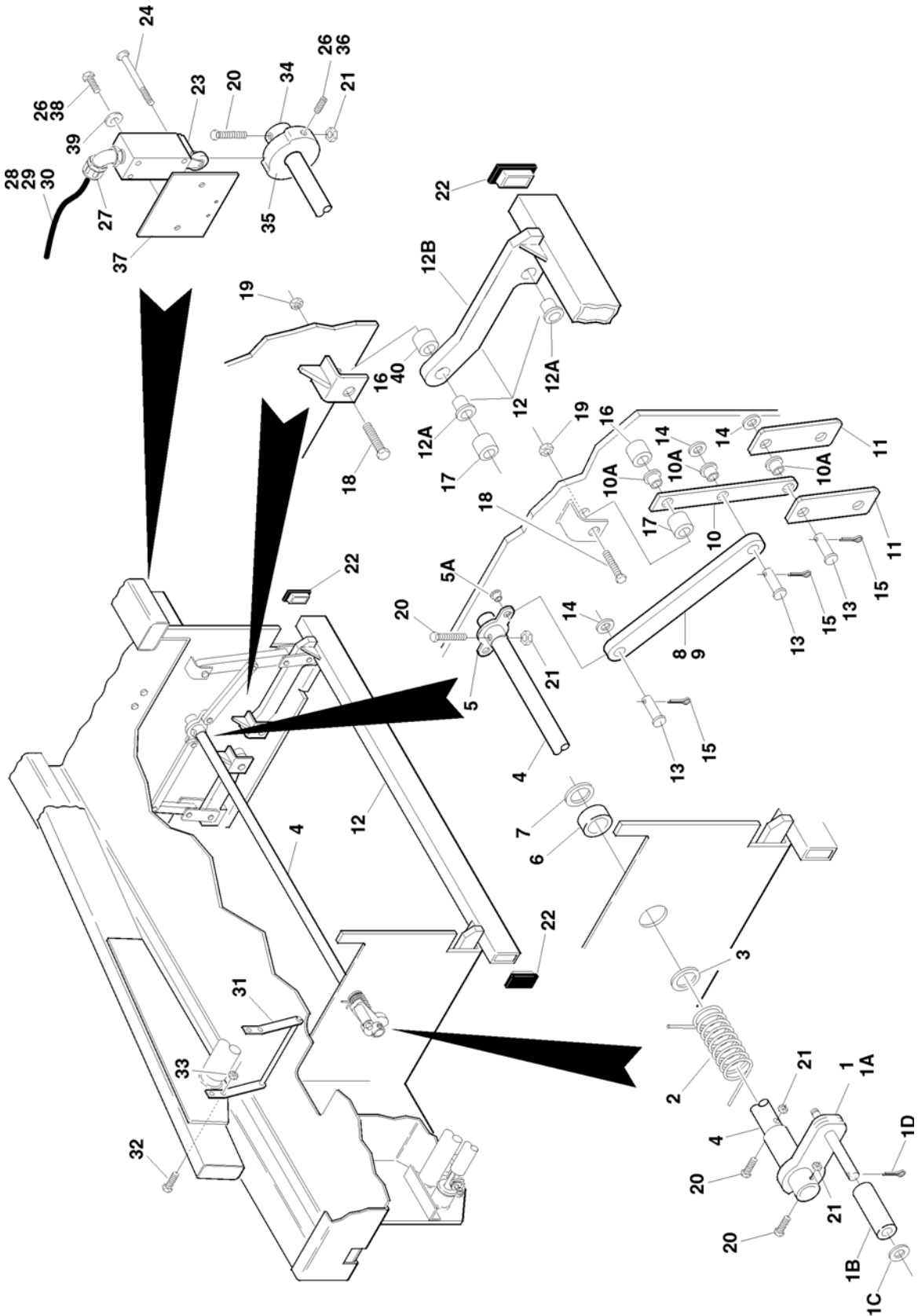
FIGURE 1-5. JLG POTHOLE PROTECTION SYSTEM INSTALLATION - 1532E3/1932E3  
(CONTINUED)

FIG & ITEM #	PART NUMBER	DESCRIPTION	QTY.	REV.

**S  
E  
C  
T  
I  
O  
N  
  
1  
  
F  
R  
A  
M  
E**

# SECTION 1 FRAME

FIGURE 1-6. JLG POTHOLE PROTECTION SYSTEM INSTALLATION - 2033E3/  
2046E3/2646E3/2658E3



# SECTION 1 FRAME

**FIGURE 1-6. JLG POTHOLE PROTECTION SYSTEM INSTALLATION - 2033E3/2046E3/2646E3/2658E3**

FIG & ITEM #	PART NUMBER	DESCRIPTION	QTY.	REV.
		<b>JLG POTHOLE PROTECTION SYSTEM INSTALLATIONS</b>	Ref.	
	0258850	<b>2033E3</b>	Ref.	7
	0258851	<b>2046E3/2646E3</b>	Ref.	9
	0258852	<b>2658E3</b>	Ref.	8
1	0257725	Actuator One Assembly	1	
1A	4846014	Actuator Weldment	1	
1B	3860079	Roller	1	
1C	4711800	Washer 1/2" (Narrow)	1	
1D	3450404	Pin, Cotter	1	
2		Spring, Torsion Options:	1	
	Use 4160201	(Prior to S/N 1200000886) (Was P/N 4160180)		
	4160201	(S/N 1200000886 to Present)		
3	4740481	Washer, Special Spacer	1	
4	3841428	Bar, Activation	1	
5	0257724	PHP Actuator Assembly	2	
5A	0962123	Bearing (2 Per Assembly)	4	
6	0961997	Bearing, Flange	2	
7	4740482	Washer	1	
8		Arm, Long Connection Options:	2	
	3570440	2033E3		
	3570482	2046E3/2646E3		
	3570747	2658E3		
9		Arm, Short Connection Options:	2	
	3570439	2033E3		
	3570483	2046E3/2646E3		
	3570746	2658E3		
10	0257726	Support Arm Assembly	4	
10A	0962123	Bearing (3 Per Assembly)	12	
11	3570422	Link, Support	8	
12	0257766	Bar Assembly	2	
12A	0962123	Bearing (4 Per Assembly)	8	
12B	4845699	Weldment, PHP Bar	1	
13	3430811	Pin, Clevis	16	
14	4751800	Flatwasher 1/2"	A/R	
15	3450403	Pin, Cotter	16	
16	4567306	Spacer 1/2"	A/R	
17	4567307	Spacer 3/4"	8	
18	0681822	Bolt 1/2"-13NC x 2 3/4"	8	
19	3311805	Locknut 1/2"-13NC	8	
20	0681414	Bolt 1/4"-20NC x 1 3/4"	4	
21	3311405	Locknut 1/4"-20NC	4	
22	1120481	Cap, End	4	
23		Switch, Limit Options:	1	
	4360321	Production		
	4360548	Post Production		
24	3900271	Screw Machine #10-24NC x 1"	2	

# SECTION 1 FRAME

**FIGURE 1-6. JLG POTHOLE PROTECTION SYSTEM INSTALLATION - 2033E3/2046E3/2646E3/2658E3 (CONTINUED)**

FIG & ITEM #	PART NUMBER	DESCRIPTION	QTY.	REV.
25	Not Used			
26	0100011	Loctite #242	A/R	
27		Connector, Strain Relief Options:	1	
	4460662	Production		
	4460968	Post Production		
28	1060680	Cable, Electrical 18/2	7ft./2.1m	
29	4460320	Terminal, Plug 2 Position	A/R	
30	4460268	Socket, Terminal	2	
31		Actuator Arm Weldment Options:	1	
	4845886	2033E3		
	4845581	2046E3/2646E3/2658E3		
32	0641508	Bolt 5/16"-18NC x 1"	4	
33	3311505	Locknut 5/16"-18NC	4	
34	0962262	Bushing	1	
35	1100110	Cam	1	
36	3951603	Setscrew 3/8"-16NC x 3/8"	2	
37	0902536	Bracket	1	
38	0641408	Bolt 1/4"-20NC x 1"	2	
39	4751400	Flatwasher 1/4"	2	
40	4740504	Washer (2033 Only)	4	

**SECTION 1 FRAME**



# SECTION 1 FRAME

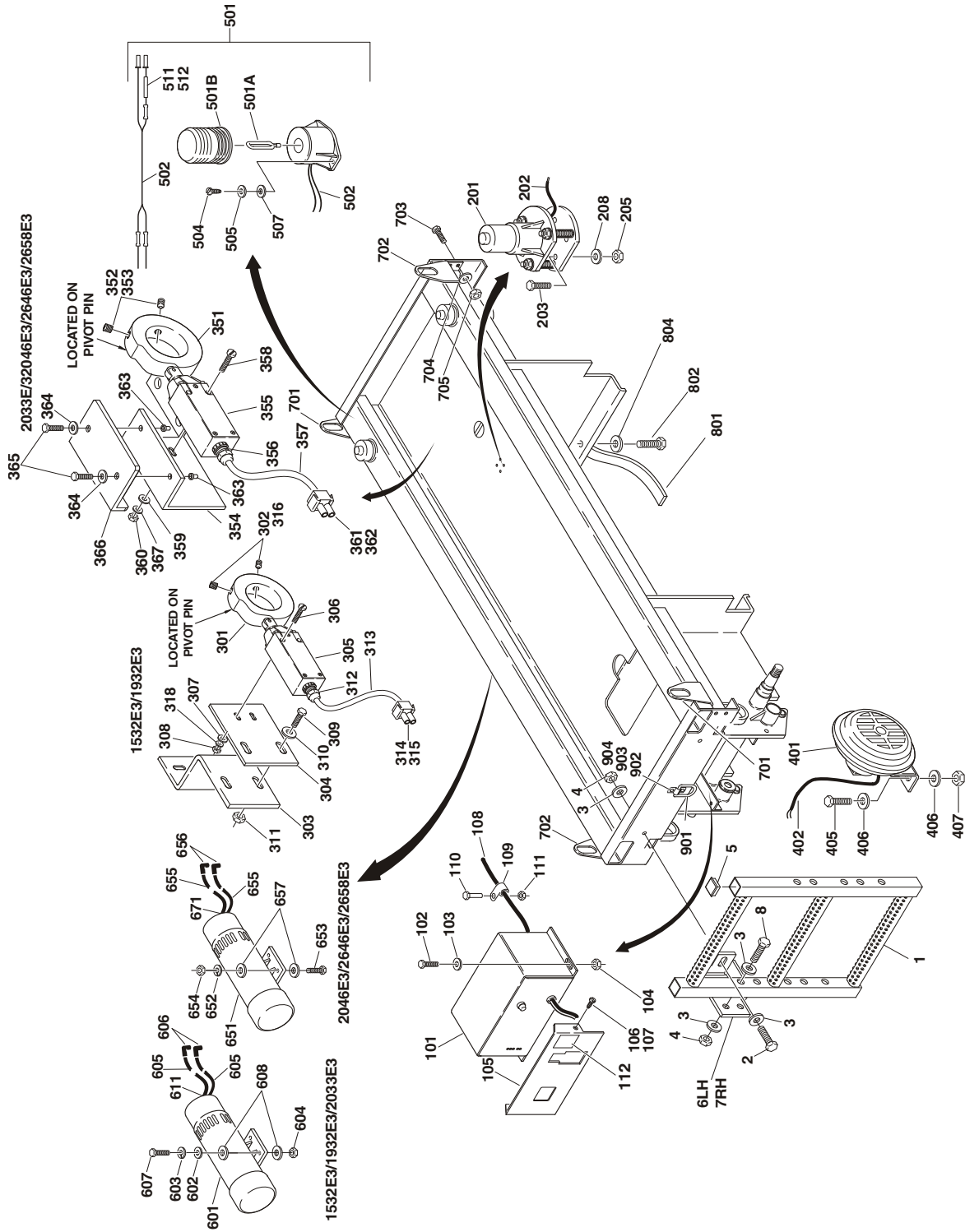
FIGURE 1-6. JLG POTHOLE PROTECTION SYSTEM INSTALLATION - 2033E3/2046E3/2646E3/  
2658E3 (CONTINUED)

FIG & ITEM #	PART NUMBER	DESCRIPTION	QTY.	REV.

**S  
E  
C  
T  
I  
O  
N  
  
1  
  
F  
R  
A  
M  
E**

# SECTION 1 FRAME

FIGURE 1-7. FRAME MOUNTED COMPONENTS INSTALLATIONS



# SECTION 1 FRAME

**FIGURE 1-7. FRAME MOUNTED COMPONENTS INSTALLATIONS**

FIG & ITEM #	PART NUMBER	DESCRIPTION	QTY.	REV.
		<b>LADDER INSTALLATIONS</b>	Ref.	
	0258895	<b>1532E3</b>	Ref.	5/C
	0258880	<b>1932E3/2033E3/2046E3/2646E3/2658E3</b>	Ref.	4/C
1		Ladder Weldment Options:		
	4845887	1532E3	1	
	4845884	1932E3/2033E3/2046E3/2646E3/2658E3	1	
2	0641810	Bolt 1/2"-13NC x 1 1/4"	2	
3	4751800	Flatwasher 1/2"	6	
4	3311805	Locknut 1/2"-13NC	6	
5	3520071	Cap	2	
6	0902507	Bracket, Ladder (Left Side)	1	
7	0902508	Bracket, Ladder (Right Side)	1	
8	0641824	Bolt 1/2"-13NC x 3"	4	
		<b>BATTERY CHARGER INSTALLATIONS</b>	Ref.	
	0258183	<b>1532E3/1932E3</b>	Ref.	8
	0258185	<b>2033E3/2046E3/2646E3/2658E3</b>	Ref.	5
101	0400178	Battery Charger Assembly - 120V/240V-50Hz/60Hz (See Figure 1-8 for Breakdown)	1	
102	0641506	Bolt 5/16"-18NC x 3/4"	2	
103	4711500	Flatwasher 5/16"	4	
104	3311505	Locknut 5/16"-18NC	2	
105	4060975	Shield (1532E3/1932E3 Only)	1	
106	3941406	Screw Self-Tapping 1/4"-20NC x 3/4" (1532E3/1932E3 Only)	2	
107	0100011	Loctite #242 (1532E3/1932E3 Only) (Prior to S/N 1200000934)	A/R	
108	4922233	Harness, Charger	1	
109	1320061	Clamp (Prior to S/N 1200000934)	1	
110	0641406	Bolt 1/4"-20NC x 3/4" (Prior to S/N 1200000934)	1	
111	3311405	Locknut 1/4"-20NC (Prior to S/N 1200000934)	1	
112	1701644	Decal - Battery Charger	1	
		<b>TILT INDICATOR INSTALLATIONS</b>	Ref.	
	0258844	<b>1 1/2° Tilt - 1532E3/1932E3 (S/N 1200000129 to Present)</b>	Ref.	3
	0258841	<b>2° Tilt - 1532E3/1932E3</b>	Ref.	3
	0258977	<b>2° Tilt - 2033E3</b>	Ref.	3
	0258841	<b>2° Tilt - 2046E3/2646E3/2658E3</b>	Ref.	3
201		Switch, Level Indicator Options:	1	
	4360465	1 1/2° Tilt Indicator		
	4360435	2° Tilt Indicator		
202	4922285	Harness (See Section 7 for Breakdown)	1	
203	0641406	Bolt 1/4"-20NC x 3/4"	2	
204	Not Used			

# SECTION 1 FRAME

**FIGURE 1-7. FRAME MOUNTED COMPONENTS INSTALLATIONS (CONTINUED)**

FIG & ITEM #	PART NUMBER	DESCRIPTION	QTY.	REV.
205	3311405	Locknut 1/4"-20NC	A/R	
206 to 207	Not Used			
208	4751400	Flatwasher 1/4"	A/R	
		<b>LIMIT SWITCH INSTALLATIONS - 1532E3/1932E3</b>		
	0256833	<b>Hi-Drive Limit Switch</b>	Ref.	
	0258122	<b>Drive Cutout Limit Switch</b>	Ref.	7
			Ref.	6
301	1440325	Collar	1	
302	3951603	Setscrew 3/8"-16NC x.38"	2	
303	3570030	Bracket	1	
304		Plate, Limit Switch Options:	1	
	3571789	Hi-Drive Limit Switch		
	3571789	Drive Cutout Limit Switch		
305		Switch, Limit Options:	1	
	4360321	Production		
	4360548	Post Production		
306	3930820	Screw #8-32NC x 1 1/4" (Hi-Drive Limit Switch)	2	
	3911020	Screw #10-24NC x 1 1/4" (Drive Cutout Limit Switch)	2	
307	4750800	Flatwasher #8 (Hi-Drive Limit Switch)	2	
	4751000	Flatwasher #10 (Drive Cutout Limit Switch)	2	
308	3310801	Locknut #8-32NC (Hi-Drive Limit Switch)	2	
	3311005	Locknut #10-24NC (Drive Cutout Limit Switch)	2	
309	0641405	Bolt 1/4"-20NC x.625	2	
310	4751400	Flatwasher 1/4"	4	
311	3311405	Locknut 1/4"-20NC	2	
312		Strain Relief Options:	1	
	4460662	Production		
	4460968	Post Production		
313	1060680	18/2 Cable	9ft/2.74m	
314	4460320	Housing, Terminal	1	
315	4460268	Socket, Terminal	2	
316	0100011	Loctite #242	A/R	
317	Not Used			
318	4760800	Lockwasher #8 (Hi-Drive Limit Switch)	2	
	0258201	<b>HI-DRIVE LIMIT SWITCH INSTALLATION - 2033E3/2046E3/2646E3/2658E3</b>	Ref.	9
351	1100110	Cam	1	
352	3951603	Setscrew 3/8"-16NC x.38"	2	
353	0100011	Loctite #242	A/R	
354	3571116	Plate, Limit Switch	1	
355		Switch, Limit Options:	1	
	4360321	Production		
	4360548	Post Production		
356		Connector, Strain Relief Options:	1	
	4460662	Production		
	4460968	Post Production		

# SECTION 1 FRAME

**FIGURE 1-7. FRAME MOUNTED COMPONENTS INSTALLATIONS (CONTINUED)**

FIG & ITEM #	PART NUMBER	DESCRIPTION	QTY.	REV.
357	1060680	18/2 Cable	9ft/2.74m	
358	Use 3930824	Screw #8-32NC x 1 1/2" Options: Prior to S/N 1200000010 (Was P/N 3930820) S/N 1200000010 to Present	2	
359	4750800	Flatwasher #8	2	
360	3310801	Nut #8-32NC	2	
361	4460320	Housing, Terminal	1	
362	4460268	Socket, Terminal	2	
363	2080044	Fastener, Rivnut 1/4"-20NC	2	
364	4751400	Flatwasher 1/4"	2	
365	3931412	Bolt 1/4"-20NC x 3/4"	2	
366	3571278	Plate	1	
367	4760800	Lockwasher #8	2	
	0259217	<b>HORN INSTALLATION</b>	Ref.	2
401	0140022	Horn	1	
402	4922258	Harness (See Section 7 for Breakdown)	1	
403	4360387	Switch, Push Button (Not Shown - Located on Platform Console)	1	
404	Not Used			
405	0641408	Bolt 1/4"-20NC x 1"	1	
406	4751400	Flatwasher 1/4"	2	
407	3311405	Locknut 1/4"-20NC	1	
408	1320061	Clamp, Hose (Not Shown) (S/N 1200000934 to Present)	1	
	0258800	<b>BEACON LIGHT INSTALLATION (OPTIONAL)</b>	Ref.	1
501	2920146	Beacon Light Assembly Options:	1	
501A	7016319	Bulb, Light	1	
501B		Alarm Lens Options:	1	
	7016320	Lens - 3 1/8" Height		
	7016372	Lens - 4 1/8" Height		
502	1060680	18/2 Cable	10ft./3M	
503	Not Used			
504	0721006	Screw, Machine #10-24NC x 3/4"	2	
505	4761000	Lockwasher #10	2	
506	Not Used			
507	4751000	Flatwasher #10	2	
508 to 510	Not Used			
511	4460044	Holder, Fuse	1	
512	2400056	Fuse, AGC-1/2 0.5A, 250V	1	
	0258954	<b>GENERATOR INSTALLATION (110V/800W) - 1532E3/1932E3</b>	Ref.	2
601	2460022	Generator	1	
	7023336	Kit, Retrofit (Potted Circuit Card)	1	
602	4751500	Flatwasher 5/16"	4	
603	4761500	Lockwasher 5/16"	4	

# SECTION 1 FRAME

SECTION 1 FRAME

**FIGURE 1-7. FRAME MOUNTED COMPONENTS INSTALLATIONS (CONTINUED)**

FIG & ITEM #	PART NUMBER	DESCRIPTION	QTY.	REV.
604	Use 2080053 2080053	Rivnut 5/16"-18NC x 7/8" Options: Prior to S/N 1200000220 (Was P/N 2080048) S/N 1200000220 to Present	4	
605	1060627	Cable	2	
606	0840027	Boot, Cable	2	
607	0641512	Bolt 5/16"-18NC x 1 1/2"	4	
608	4740455	Washer, Nylon	8	
609	0840025	Boot, Cable (Not Shown)	2	
610	1320095	Clamp (Not Shown)	1	
611	4751400	Flatwasher 1/4"	2	
	0258956	<b>GENERATOR INSTALLATION (110V/800W) - 2033E3/2046E3/2646E3/2658E3</b>	Ref.	2
651	2460022	Generator	1	
	7023336	Kit, Retrofit (Potted Circuit Card)	1	
652	4751500	Flatwasher 5/16"	8	
653	0641510	Bolt 5/16"-18NC x 1 1/4"	4	
654	3311505	Locknut 5/16"-18NC	4	
655	1060627	Cable	2	
656	0840027	Boot, Cable	2	
667	4740455	Washer, Nylon	8	
668	0840025	Boot, Cable (Not Shown)	2	
669 to 670	Not Required			
671	4751400	Flatwasher 1/4"	2	
		<b>LIFT LUG INSTALLATIONS (OPTIONAL)</b>	Ref.	
	0258194	<b>1532E3/1932E3</b>	Ref.	3
	0258195	<b>2033E3/2046E3/2646E3/2658E3</b>	Ref.	3
701		Lug, Lift Options:		
	3539735	Right Side (1532E3/1932E3)	2	
	4845314	Right Side (2033E3/2046E3/2646E3/2658E3)	2	
702		Lug, Lift Options:		
	3539736	Left Side (1532E3/1932E3)	2	
	4845315	Left Side (2033E3/2046E3/2646E3/2658E3)	2	
703	0641610	Bolt 3/8"-16NC x 1 1/4"	8	
704	3311605	Locknut 3/8"-16NC	8	
705	4711600	Flatwasher 3/8"	8	
	0257372	<b>STATIC STRAP INSTALLATION (OPTIONAL)</b>	Ref.	4
801		Strap, Static Options:	1	
	Use 4240147 4240147	Prior to S/N 1200000028 (Was P/N 4240084) S/N 1200000028 to Present		
802	3941406	Self Tapping	1	
803	Not Used			
804	4751400	Flatwasher 1/4"	1	

# SECTION 1 FRAME

**FIGURE 1-7. FRAME MOUNTED COMPONENTS INSTALLATIONS (CONTINUED)**

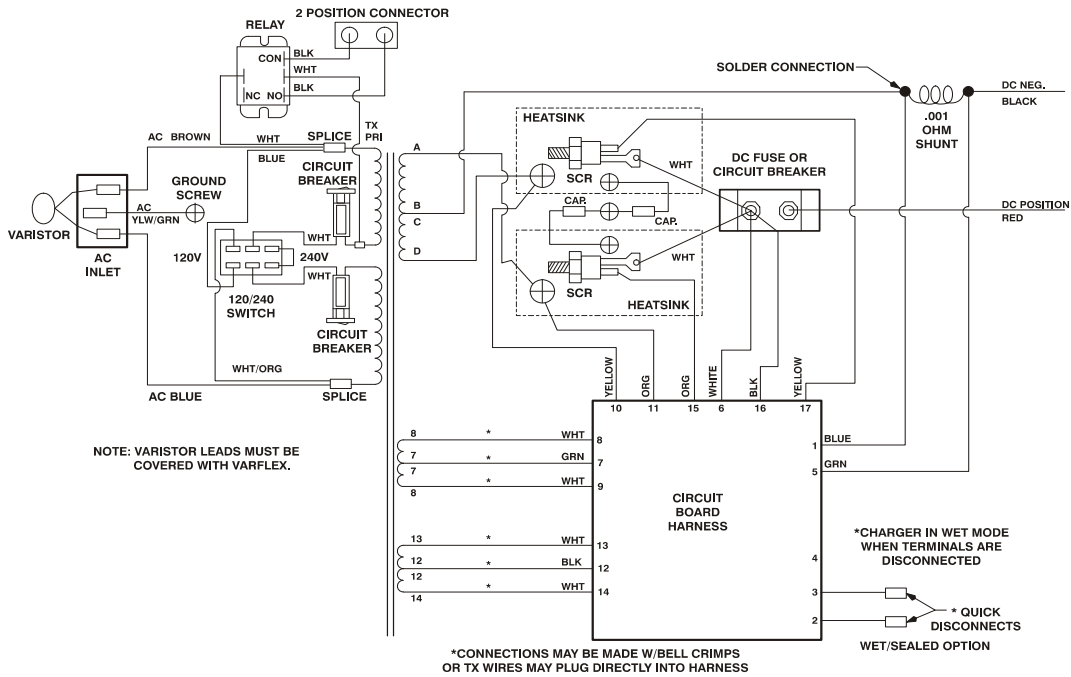
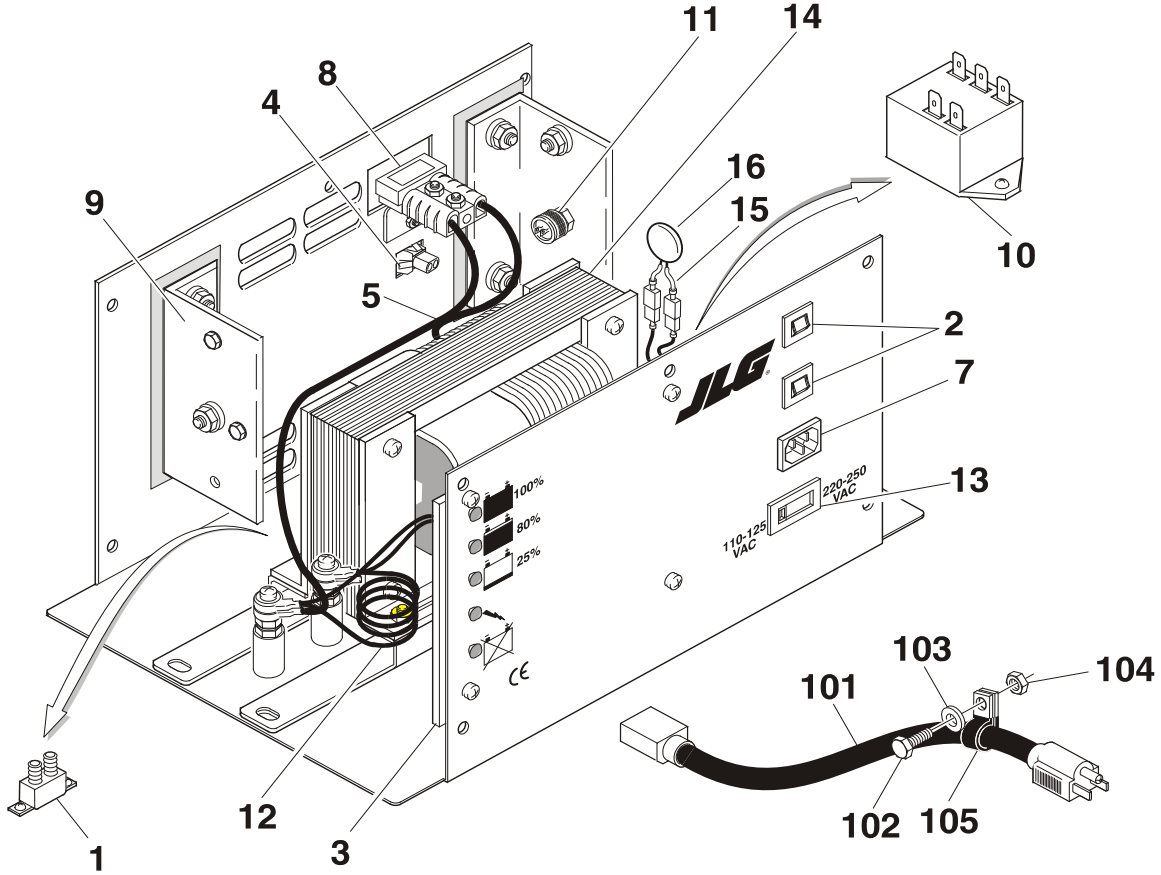
FIG & ITEM #	PART NUMBER	DESCRIPTION	QTY.	REV.
		<b>TIE-DOWN INSTALLATIONS</b>	Ref.	
	0257266	<b>Without Arm Guards</b>	Ref.	3
	0257265	<b>With Arm Guards</b>	Ref.	3
901	3760365	D-Ring	A/R	
902	0630485	Bolt, Carriage 3/8"-16NC x 1"	A/R	
903	4751600	Flatwasher 3/8"	A/R	
904	3311605	Locknut 3/8"-16NC	A/R	

SECTION 1 FRAME

# SECTION 1 FRAME

FIGURE 1-8. BATTERY CHARGER ASSEMBLY

NOTE: COVER NOT SHOWN FOR CLARITY





# SECTION 1 FRAME

**FIGURE 1-8. BATTERY CHARGER ASSEMBLY**

FIG & ITEM #	PART NUMBER	DESCRIPTION	QTY.	REV.
	0400178	<b>BATTERY CHARGER ASSEMBLIES</b>	Ref.	B
1	7011509	Breaker, Circuit - DC	1	
2	7018514	Breaker, Circuit - AC	2	
3	7018578	Board, Circuit	1	
4	7011621	Connector	1	
5	7020638	Cord -DC	1	
6	7018582	Harness (Not Shown)	1	
7	7018583	Plug, AC Inlet	1	
8	7011590	Plug, DC	1	
9	7018585	Rectifier Assembly	2	
10	7018564	Relay	1	
11	7018555	SCR	1	
12	7020605	Shunt Assembly	1	
13	7018586	Switch	1	
14	7020639	Transformer	1	
15	7018589	Varistor Assembly	1	
16	7018537	Varistor	1	
	0259215	<b>AC CHARGER CORD INSTALLATION (EURO SPEC)</b>	Ref.	1
	0259216	<b>AC CHARGER CORD INSTALLATION (AUSTRALIAN SPEC)</b>	Ref.	1
101		Cable, Ac Cord Options:	1	
	1060689	Euro Spec		
	1060691	Australian Spec		
102	0641406	Bolt 1/4"-20NC x 3/4"	1	
103	4751400	Flatwasher 1/4"	1	
104	3311405	Locknut 1/4"-20NC	1	
105	1320040	Clamp	1	

# SECTION 1 FRAME

**S  
E  
C  
T  
I  
O  
N  
  
1  
  
F  
R  
A  
M  
E**

**FIGURE 1-8. BATTERY CHARGER ASSEMBLY (CONTINUED)**

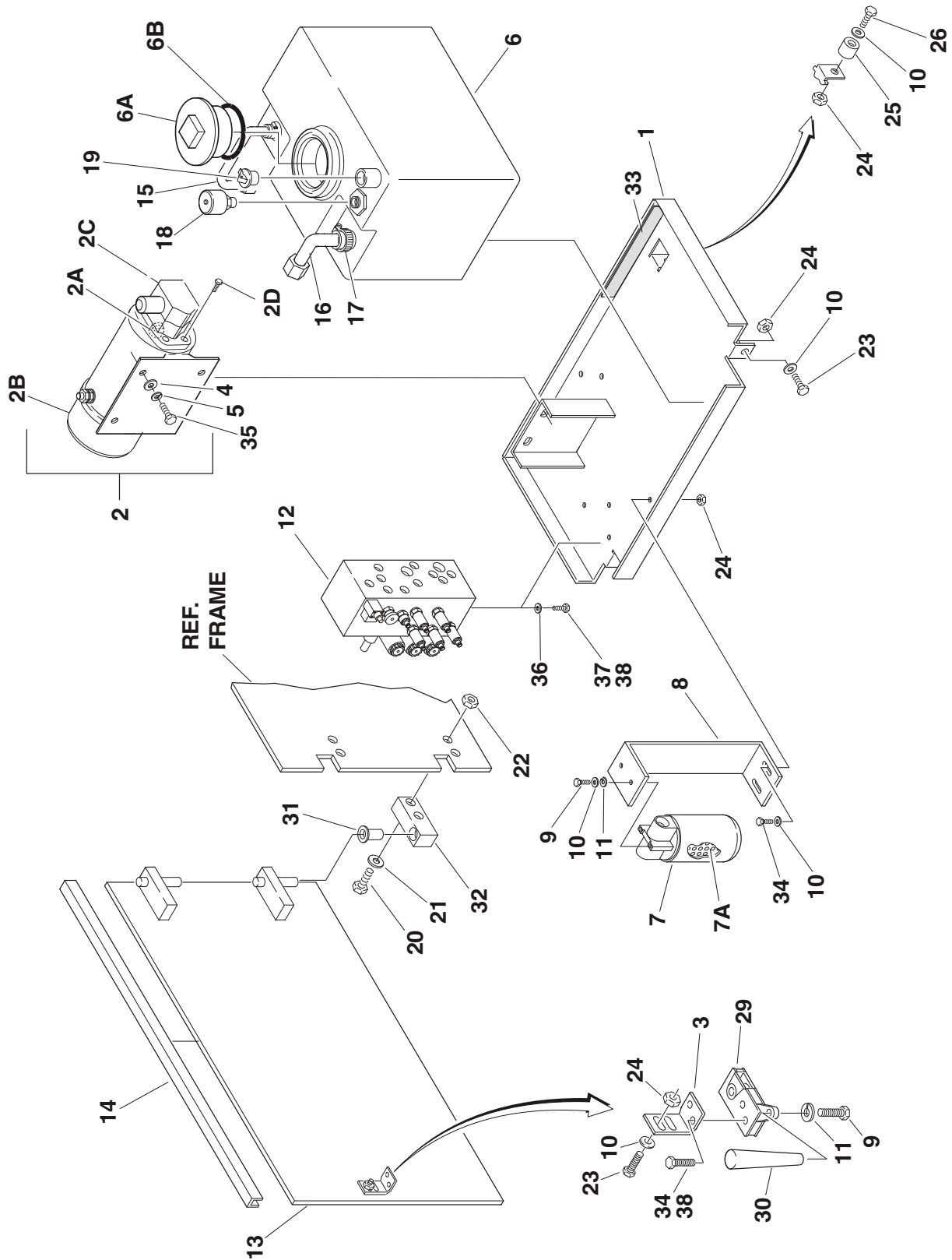
FIG & ITEM #	PART NUMBER	DESCRIPTION	QTY.	REV.

# SECTION 2 GROUND COMPONENTS

<b>TABLE OF CONTENTS</b>		
<b>FIGURE</b>	<b>DESCRIPTION</b>	<b>PAGE</b>
2-1	HYDRAULIC COMPONENTS AND COVERS INSTALLATION - 1532E3/1932E3 . . . . .	2-2
2-2	HYDRAULIC COMPONENTS AND COVERS INSTALLATION - 2033E3/2046E3/2646E3/ 2658E3 . . . . .	2-6
2-3	VALVE ASSEMBLY . . . . .	2-10
2-4	ELECTRICAL COMPONENTS INSTALLATIONS (AT GROUND CONTROLS) . . . . .	2-14
2-5	BATTERY INSTALLATION . . . . .	2-18

## SECTION 2 GROUND COMPONENTS

**FIGURE 2-1. HYDRAULIC COMPONENTS AND COVER INSTALLATION -1532E3/1932E3**



# SECTION 2 GROUND COMPONENTS

**FIGURE 2-1. HYDRAULIC COMPONENTS AND COVER INSTALLATION -1532E3/ 1932E3**

FIG & ITEM #	PART NUMBER	DESCRIPTION	QTY.	REV.
	0258124	<b>HYDRAULIC COMPONENTS INSTALLATION (STANDARD)</b>	Ref.	5
1	4845818	Tray Weldment	1	
2	3600270	Pump/Motor Assembly	1	
2A	7010944	Coupling	1	
2B	7011041	Motor	1	
	7010639	Brush, Replacement	2	
	7010640	Brush Spring	8	
2C	7011042	Pump	1	
	7010903	Seal, Shaft	2	
	7011042	Pump	1	
	7011044	Gasket, Mounting	1	
	7011045	Kit, Pump Gasket	1	
2D	7011043	Screw, Pump Mounting	4	
3	0902365	Latch Mounting Bracket	1	
4	4751500	Flatwasher 5/16"	4	
5	4761500	Lockwasher 5/16"	4	
6	4400414	Tank, Hydraulic	1	
6A	7020063	Cap	1	
6B	Not Available	Gasket, Neoprene	1	
7	2120105	Filter Assembly	1	
7A	2120072	Element, Filter	1	
8	0902221	Bracket	1	
9	0641404	Bolt 1/4"-20NC x 5/8"	4	
10	4711400	Flatwasher 1/4"	16	
11	4761400	Lockwasher 1/4"	3	
12	4641036	Valve Assembly (See Figure 2-3 for Breakdown)	1	
13	1780291	Door Weldment	1	
14	3960389	Seal	34"/86cm	
15	4567649	Tube, Suction - 3/4"	1	
16	4566969	Tube, Return - 3/4"	1	
17	1320030	Clamp, Hose	2	
18	1340052	Breather	1	
19	3520077	Plug, Quick Snap	1	
20	0641816	Bolt 1/2"-13NC x 2"	4	
21	4751800	Flatwasher 1/2"	12	
22	3311805	Locknut 1/2"-13NC	4	
23	0641408	Bolt 1/4"-20NC x 1"	4	
24	3311405	Locknut 1/4"-20NC	8	
25	4566849	Spacer	2	
26	0641412	Bolt 1/4"-20NC x 1 1/2"	2	
27	Not Used			
28	Not Used			
29	2940098	Latch	1	
30	2560137	Knob	1	
31	0962004	Bushing, Flanged Bronze	2	
32	0362566	Bar, Hinge	2	
33	4420037	Tape, Rubatex	2ft./61cm	

**SECTION 2 GROUND COMPONENTS**

# SECTION 2 GROUND COMPONENTS

FIGURE 2-1. HYDRAULIC COMPONENTS AND COVER INSTALLATION -1532E3/ 1932E3  
(CONTINUED)

FIG & ITEM #	PART NUMBER	DESCRIPTION	QTY.	REV.
34	0641406	Bolt 1/4"-20NC x 3/4"	4	
35	0641508	Bolt 5/16"-18NC x 1"	4	
36	4711500	Flatwasher 5/16"	3	
37	0641505	Bolt 5/16"-18NC x 5/8"	3	
38	0100011	Loctite	A/R	

SECTION 2 GROUND COMPONENTS

# SECTION 2 GROUND COMPONENTS

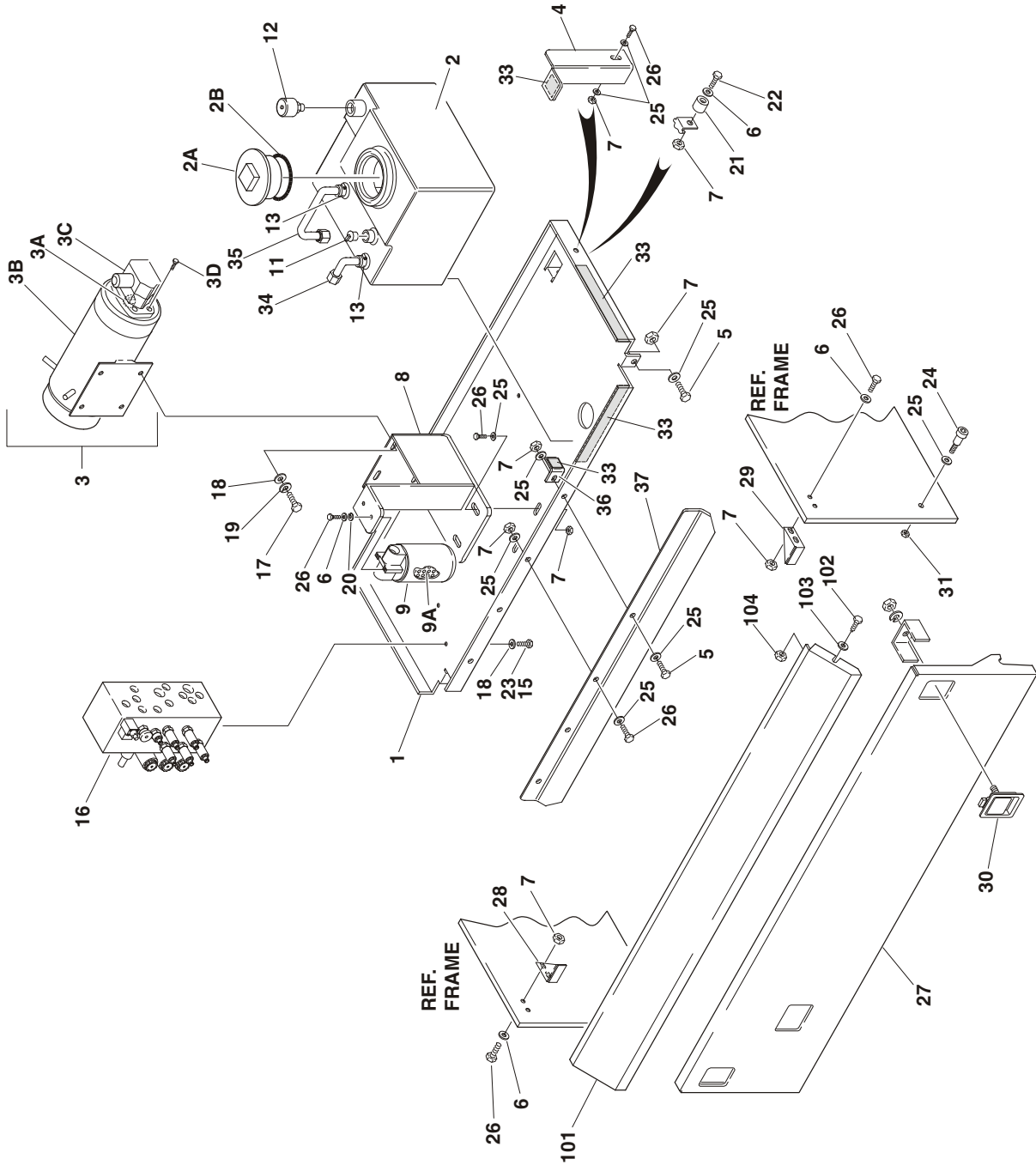
FIGURE 2-1. HYDRAULIC COMPONENTS AND COVER INSTALLATION -1532E3/ 1932E3  
(CONTINUED)

FIG & ITEM #	PART NUMBER	DESCRIPTION	QTY.	REV.

**S  
E  
C  
T  
I  
O  
N  
  
2  
  
G  
R  
O  
U  
N  
D  
  
C  
O  
M  
P  
O  
N  
E  
N  
T  
S**

## SECTION 2 GROUND COMPONENTS

**FIGURE 2-2. HYDRAULIC COMPONENTS AND COVERS INSTALLATION - 2033E3 /2046E3/2646E3/2658E3**





# SECTION 2 GROUND COMPONENTS

**FIGURE 2-2. HYDRAULIC COMPONENTS AND COVERS INSTALLATION - 2033E3 /2046E3/2646E3/2658E3**

FIG & ITEM #	PART NUMBER	DESCRIPTION	QTY.	REV.
		<b>HYDRAULIC COMPONENTS INSTALLATIONS</b>	Ref.	
	0258126	<b>2033E3 (Standard)</b>	Ref.	8
	0258128	<b>2046E3/2646E3/2658E3 (Standard)</b>	Ref.	8
1		Weldment Hydraulic Tray Options:	1	
	4845803	2033E3		
	3570998	2046E3/2646E3/2658E3		
2	4400422	Hydraulic Tank	1	
2A	1120491	Lid	1	
2B	3780199	O-Ring	1	
2C	2200233	Plug, Drain	1	
3	3600270	Pump/Motor Assembly	1	
3A	7010944	Coupling	1	
3B	7011041	Motor	1	
	7010639	Brush, Replacement	2	
	7010640	Brush Spring	8	
3C	7011042	Pump	1	
	7010903	Seal, Shaft	2	
	7011042	Pump	1	
	7011044	Gasket, Mounting	1	
	7011045	Kit, Pump Gasket	1	
3D	7011043	Screw, Pump Mounting	4	
4	0902477	Bracket, Hydraulic Tank	1	
5	0641408	Bolt 1/4"-20NC x 1"	A/R	
6	4711400	Flatwasher 1/4"	14	
7	3311405	Locknut 1/4"-20NC	16	
8	4845801	Bracket, Hydraulic Pump and Filter	1	
9	2120105	Filter Assembly	1	
9A	2120072	Element, Filter	1	
10	Not Used			
11	3520077	Plug, Quick Snap	1	
12	1340052	Breather	1	
13	1320030	Clamp, Hose	2	
14	Not Used			
15	Not Used			
16	4641036	Valve Assembly (See Figure 2-3 for Breakdown)	1	
17	0641508	Bolt 5/16"-18NC x 1"	4	
18	4711500	Flatwasher 5/16"	11	
19	4761500	Lockwasher 5/16"	4	
20	4761400	Lockwasher 1/4"	2	
21	4566849	Spacer	2	
22	0641412	Bolt 1/4"-20NC x 1 1/2"	2	
23	0641505	Bolt 5/16"-18NC x 3/4"	3	
24	2940099	Latch	2	
25	4751400	Flatwasher 1/4"	16	
26	0641406	Bolt 1/4"-20NC x 3/4"	13	
27	3570996	Plate, Valve Cover	1	
28	0181874	Angle, Latch Stop (Left Hand)	1	

**SECTION 2 GROUND COMPONENTS**

# SECTION 2 GROUND COMPONENTS

**FIGURE 2-2. HYDRAULIC COMPONENTS AND COVERS INSTALLATION - 2033E3 /2046E3/2646E3/2658E3 (CONTINUED)**

FIG & ITEM #	PART NUMBER	DESCRIPTION	QTY.	REV.
29	0181875	Angle, Latch Stop (Right Hand)	1	
30	2940045	Latch, Pad	2	
31	3311505	Locknut 5/16"-18NC	2	
32	Not Used			
33	4420037	Weatherstrip	38"/96.4cm	
34	4567271	Tube, Return	1	
35	4567272	Tube, Feed	1	
36	0902476	Bracket, Hydraulic Tank	1	
37	3571007	Plate	1	
38	Not Used			
39	0100011	Loctite #242	A/R	
		<b>SIDE COVER INSTALLATIONS</b>	Ref.	
	0258791	<b>2033E3/2046E3/2646E3</b>	Ref.	1
	0258792	<b>2658E3</b>	Ref.	2
101		Plate, Side Cover Options:	2	
	4060937	2033E3/2046E3/2646E3		
	3570829	2658E3		
102		Bolt Options:	4	
	3941406	2033E3/2046E3/2646E3		
	0641406	2658E3		
103	4751400	Flatwasher 1/4" (2658E3 Only)	4	
104	3311405	Locknut 1/4"-20NC (2658E3 Only)	4	

**SECTION 2 GROUND COMPONENTS**

# SECTION 2 GROUND COMPONENTS

FIGURE 2-2. HYDRAULIC COMPONENTS AND COVERS INSTALLATION - 2033E3 /2046E3/2646E3/2658E3 (CONTINUED)

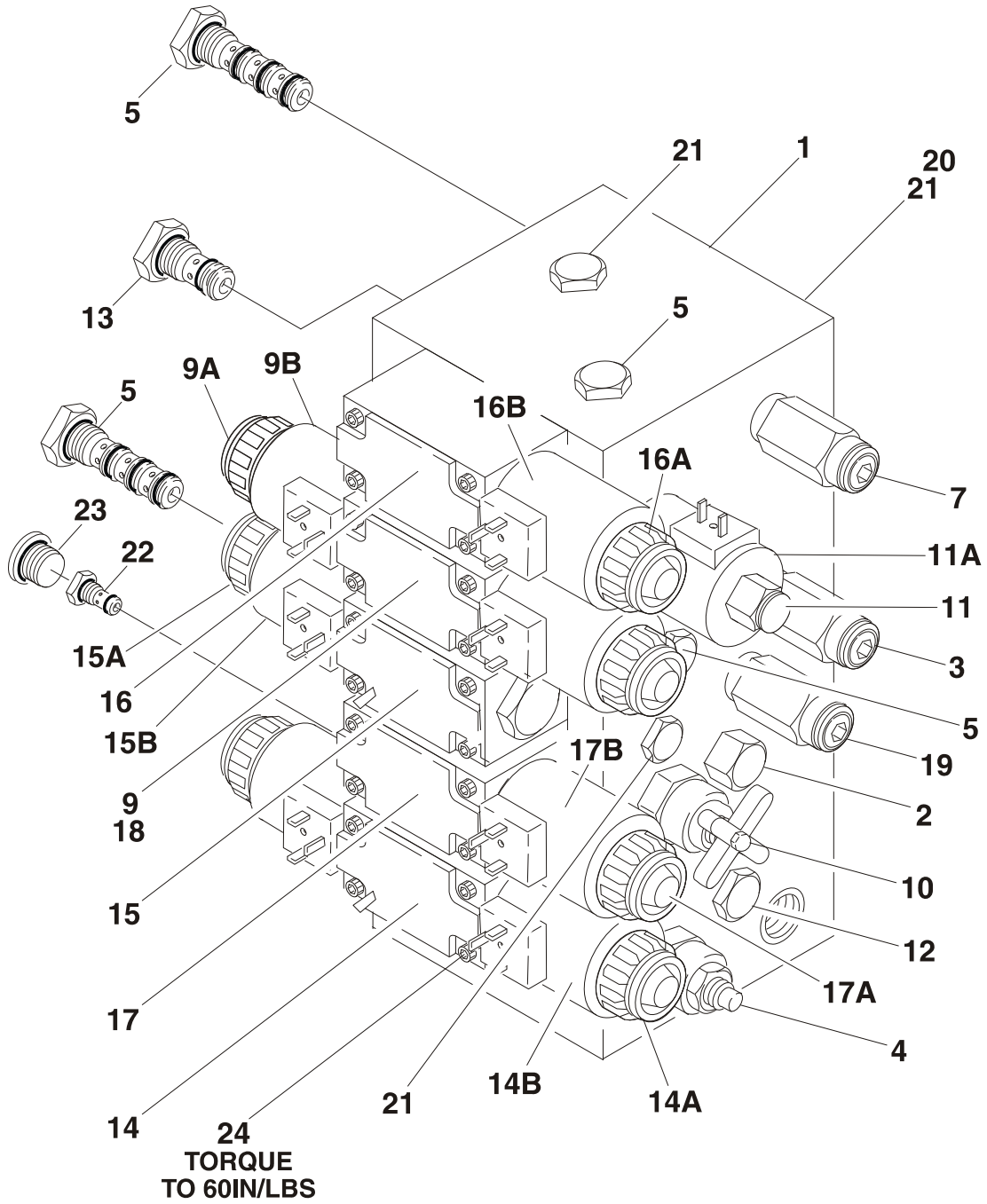
FIG & ITEM #	PART NUMBER	DESCRIPTION	QTY.	REV.

**SECTION 2 GROUND COMPONENTS**

# SECTION 2 GROUND COMPONENTS

FIGURE 2-3. VALVE ASSEMBLY

SECTION 2 GROUND COMPONENTS



# SECTION 2 GROUND COMPONENTS

**FIGURE 2-3. VALVE ASSEMBLY**

FIG & ITEM #	PART NUMBER	DESCRIPTION	QTY.	REV.
	4641036	<b>VALVE ASSEMBLY</b>	Ref.	G
1	Not Serviced	Block, Valve	1	
2	7021300	Cartridge, Valve (Load Sense)	1	
	7021313	Seal Kit - 7021300 Cartridge	1	
3	7018302	Cartridge, Valve (Main Relief)	1	
	7016351	Seal Kit - 7018302 Cartridge	1	
4	7022525	Cartridge, Valve (Counterbalance) (Was p/n 7021301)	1	
	7016337	Seal Kit - 7021301 Cartridge	1	
	7016337	Seal Kit - 7022525 Cartridge	1	
5	7021302	Cartridge, Valve (Shuttle)	4	
	7021315	Seal Kit - 7021302 Cartridge	1	
6	Not Used			
7	7018302	Cartridge, Valve (Lift Relief)	1	
	7016351	Seal Kit - 7018302 Cartridge	1	
8	Not Used			
9	7018981	Rexroth Valve Section (Steer) (Was p/n 7021303)	1	
	7012773	Seal Kit - 7021303 & 7018981 Cartridge	2	
9A	7018912	Nut	2	
	7018943	O-Ring	2	
9B	Use 7018917	Coil (Was p/n 7012785)	2	
10	7018312	Cartridge, Valve (Tow)	1	
	7018313	Seal Kit - 7018312 Cartridge	1	
11	7018967	Cartridge Without Coil (Brake)	1	
	7016349	Seal Kit - 7018967 Cartridge	1	
11A	7016352	Coil	1	
12	7021304	Cartridge, Valve (Flow Divider)	1	
	7018315	Seal Kit - 7021304 Cartridge	1	
13	7018304	Cartridge, Valve (Check)	1	
	7016315	Seal Kit - 7018304 Cartridge	1	
14	7018981	Rexroth Valve Section (Drive)	1	
	7012773	Seal Kit - 7018981 Cartridge	1	
14A	7018912	Nut	2	
	7018943	O-Ring	1	
14B	Use 7018917	Coil (Was p/n 7012785)	2	
15	7021305	Rexroth Valve Section (Hi-Drive)	1	
	7012773	Seal Kit - 7021305 Cartridge	1	
	7018993	Plug	1	
15A	7018912	Nut	1	
	7018943	O-Ring	1	
15B	Use 7018917	Coil (Was p/n 7012785)	1	
16	7021306	Rexroth Valve Section (Lift)	1	
	7012773	Seal Kit - 7021306 Cartridge	1	
	7018993	Plug	1	
16A	7018912	Nut	1	
	7018943	O-Ring	1	
16B	Use 7018917	Coil (Was p/n 7012785)	1	

# SECTION 2 GROUND COMPONENTS

**FIGURE 2-3. VALVE ASSEMBLY (CONTINUED)**

**SECTION 2 GROUND COMPONENTS**

FIG & ITEM #	PART NUMBER	DESCRIPTION	QTY.	REV.
17	7021307	Rexroth Valve Section (Posi-Trac)	1	
	7012773	Seal Kit - 7021307 Cartridge	1	
	7018993	Plug	1	
17A	7018912	Nut	1	
	7018943	O-Ring	1	
17B	Use 7018917	Coil (Was p/n 7012785)	1	
18	7018941	Orifice 1.2mm	2	
19	7018919	Cartridge, Valve (Steer Relief)	1	
	7016351	Seal Kit - 7018919 Cartridge	1	
20	7018916	Orifice 2.0mm	1	
21	7018905	Plug	1	
22	7022520	Cartridge, Check Valve	1	
	7023876	Seal Kit -7022520 Cartridge		
23	7018985	Plug		
24	7018942	Capscrew, Socket Head #10-24NC x 2"	20	

# SECTION 2 GROUND COMPONENTS

FIGURE 2-3. VALVE ASSEMBLY (CONTINUED)

FIG & ITEM #	PART NUMBER	DESCRIPTION	QTY.	REV.

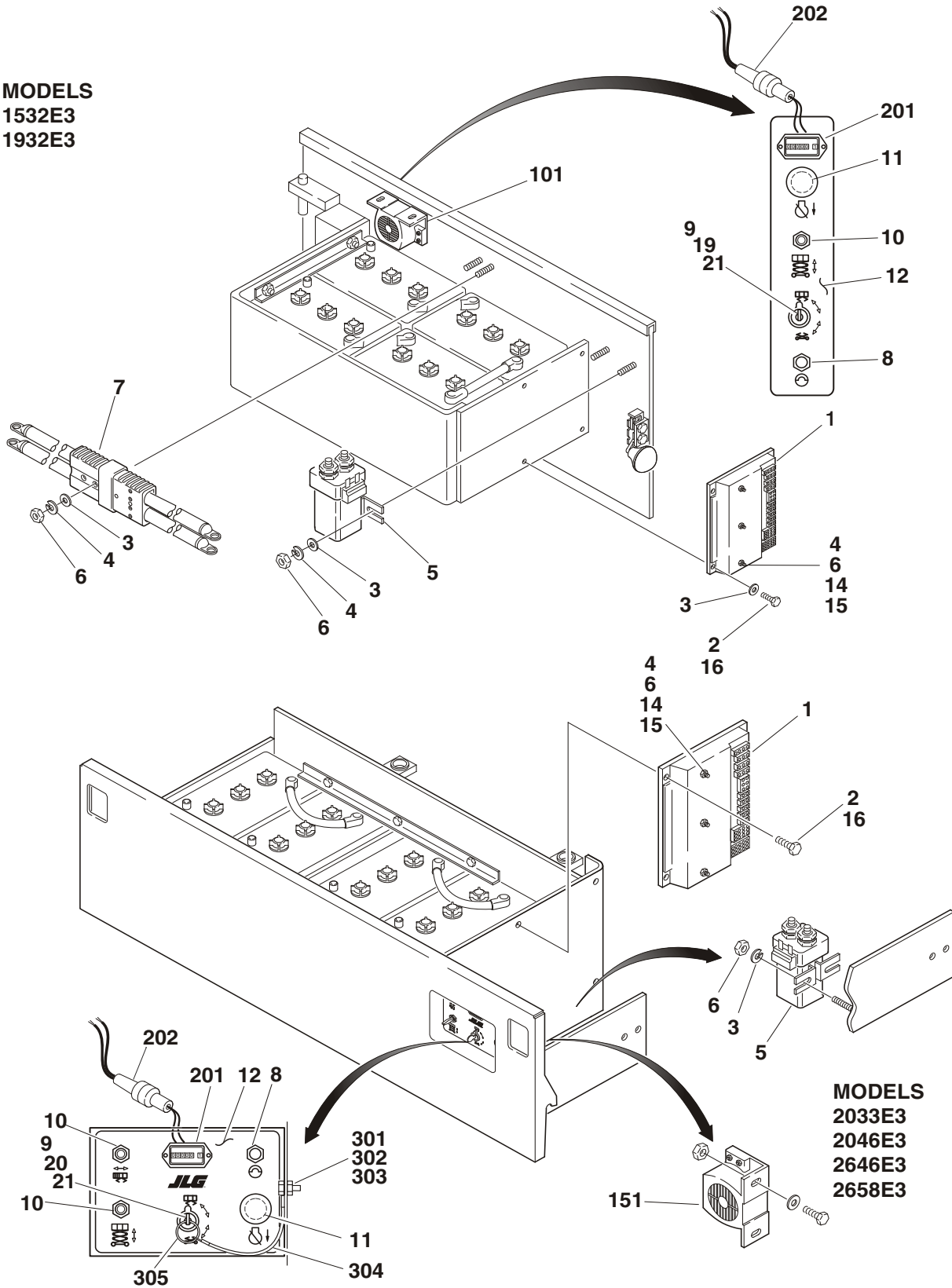
**S  
E  
C  
T  
I  
O  
N  
  
2  
  
G  
R  
O  
U  
N  
D  
  
C  
O  
M  
P  
O  
N  
E  
N  
T  
S**

# SECTION 2 GROUND COMPONENTS

FIGURE 2-4. ELECTRICAL COMPONENTS INSTALLATIONS (At Ground Controls)

SECTION 2 GROUND COMPONENTS

MODELS  
1532E3  
1932E3





# SECTION 2 GROUND COMPONENTS

**FIGURE 2-4. ELECTRICAL COMPONENTS INSTALLATIONS (AT GROUND CONTROLS)**

FIG & ITEM #	PART NUMBER	DESCRIPTION	QTY.	REV.
		<b>GROUND CONTROLS INSTALLATION OPTIONS:</b>	Ref.	
	0258156	<b>1532E3/1932E3</b>	Ref.	7
	0258159	<b>2033E3/2046E3/2646E3/2658E3</b>	Ref.	8
1	1600289	Controller, SMART System™	1	
2	3941406	Self Tapping 1/4"-20NC x 3/4"	4	
3	4751400	Flatwasher 1/4"	A/R	
4	4761400	Lockwasher 1/4"	A/R	
5	3740131	Relay	1	
6	3311401	Nut 1/4"-20NC	A/R	
7	1060712	Cable Assembly (1532E3/1932E3 Machines Only)	1	
	4460618	Connector, Anderson	2	
8	4360112	Breaker, Circuit	1	
9	4360472	Switch, Keyed Select	1	
	2860030	Key, Replacement	1	
10	4360328	Switch, Toggle	1	
11	4360475	Switch, Emergency Stop	1	
	7020175	Cap	1	
	7020176	Block, Contact	1	
12		Decal - Ground Controls Options:	1	
	1704513	1532E3/1932E3		
	1704512	2033E3/2046E3/2646E3/2658E3		
13	0100076	Silicone (Not Shown)	A/R	
14	4740479	Washer, Brass 1/4"	6	
15	4300133	Stud, Brass 1/4"-20NC x 1 1/2"	3	
16	0100020	Loctite	A/R	
17	Not Used			
18	Not Required			
19	4070987	Shim, .015 (1532E3/1932E3 Only)	1	
20	4070991	Shim, .125 (2033E3/2046E3/2646E3/2658E3 Only)	1	
21	3910804	Screw #8-32NC x 1/4"	A/R	
		<b>ALARM INSTALLATIONS</b>	Ref.	
	0256959	<b>DESCENT ALARM - 1532E3/1932E3</b>	Ref.	3
	0256960	<b>MOTION ALARM - 1532E3/1932E3</b>	Ref.	3
101	0140033	Alarm (Remove Ground Strap Before Installation)	1	
	4761400	Flatwasher 1/4"	2	
	3311401	Nut 1/4"-20NC	2	
		Harness, Alarm Options:	1	
	Use 4922656	Prior to S/N 1200000012 (Was P/N 4460042)		
	4922656	S/N 1200000012 to Present		

# SECTION 2 GROUND COMPONENTS

SECTION 2 GROUND COMPONENTS

**FIGURE 2-4. ELECTRICAL COMPONENTS INSTALLATIONS (AT GROUND CONTROLS)  
(CONTINUED)**

FIG & ITEM #	PART NUMBER	DESCRIPTION	QTY.	REV.
151	0256961	<b>DESCENT ALARM - 2033E3/2046E3/2646E3/2658E3</b>	Ref.	2
	0256962	<b>MOTION ALARM - 2033E3/2046E3/2646E3/2658E3</b>	Ref.	2
	0140033	Alarm (Remove Ground Strap Before Installation)	1	
	0641406	Bolt 1/4"-20NC x 1" (2033E3/2046E3/2646E3/2658E3 Only)	2	
	4711400	Flatwasher 1/4"	4	
	3311405	Locknut 1/4"-20NC	2	
		Harness, Alarm Options:	1	
	Use 4922656	Prior to S/N 1200000012 (Was P/N 4460042)		
	4922656	S/N 1200000012 to Present		
		<b>HOURLY METER GAUGE INSTALLATIONS (OPTIONAL)</b>	Ref.	
	0256056 <b>1532E3/1932E3</b>	Ref.	4	
	0256058 <b>2033E3/2046E3/2646E3/2658E3</b>	Ref.	5	
201	2420165	Gauge, Hourmeter	1	
202	2420179	Filter, Hourmeter	1	
	0256423	<b>KEY ATTACH INSTALLATION (OPTIONAL)</b>	Ref.	A
301	0641406	Bolt 1/4"-20NC x 3/4"	1	
302	4751400	Flatwasher 1/4"	2	
303	3311405	Locknut 1/4"-20NC	1	
304	1060379	Cable, Lanyard	1	
305	3760170	Ring	1	

# SECTION 2 GROUND COMPONENTS

FIGURE 2-4. ELECTRICAL COMPONENTS INSTALLATIONS (AT GROUND CONTROLS)  
(CONTINUED)

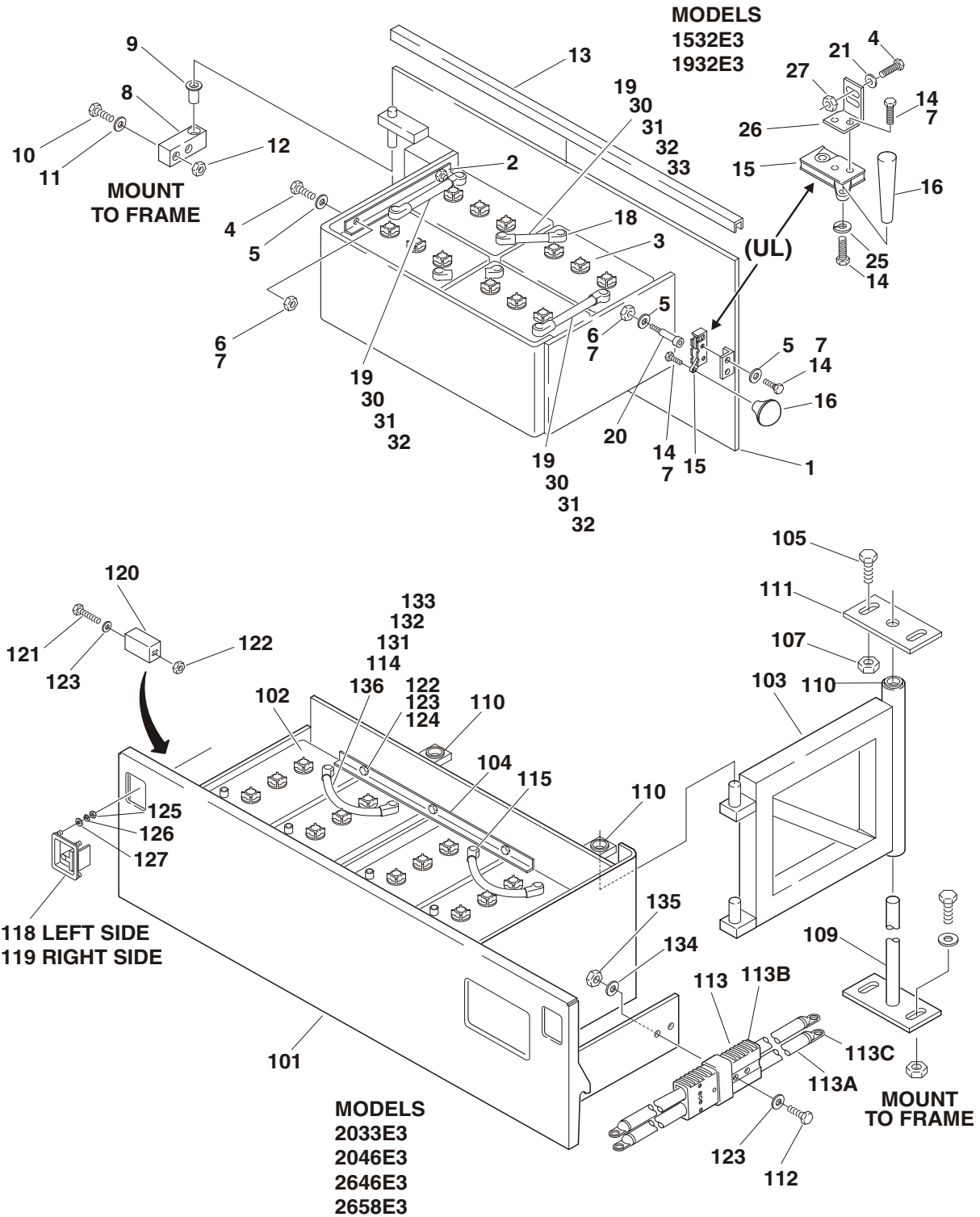
FIG & ITEM #	PART NUMBER	DESCRIPTION	QTY.	REV.

**S  
E  
C  
T  
I  
O  
N  
  
2  
  
G  
R  
O  
U  
N  
D  
  
C  
O  
M  
P  
O  
N  
E  
N  
T  
S**

# SECTION 2 GROUND COMPONENTS

FIGURE 2-5. BATTERY INSTALLATIONS

SECTION 2 GROUND COMPONENTS



# SECTION 2 GROUND COMPONENTS

**FIGURE 2-5. BATTERY INSTALLATIONS**

FIG & ITEM #	PART NUMBER	DESCRIPTION	QTY.	REV.
		<b>BATTERY INSTALLATIONS - 1532E3/1932E3</b>	Ref.	
	0258960	<b>Standard Machines</b>	Ref.	4
1	1780290	Battery Door Weldment	1	
2	0181880	Angle, Mounting	2	
3		Battery Options:	4	
	Use 0400215	Prior to S/N 1200000934 (Was P/N 0400169)		
	0400215	S/N 1200000934 to Present		
4	0641408	Bolt 1/4"-20NC x 1"	2	
5	4751400	Flatwasher 1/4" (Prior to S/N 1200000934)	11	
6	3311401	Nut 1/4"-20NC (Prior to S/N 1200000934)	4	
7	0100011	Loctite #242	A/R	
8	0362566	Bar, Hinge	2	
9	0962004	Bushing, Flanged Bronze	2	
10	0641816	Bolt 1/2"-13NC x 2"	4	
11	4751800	Flatwasher 1/2"	8	
12	3311801	Nut 1/2"-13NC	4	
13	3960389	Seal	34"/86.4cm	
14	0641406	1/4"-20NC x 3/4"	7	
15	2940098	Latch	1	
16	2560137	Knob	1	
17	Not Used			
18	0840031	Boot (Right Hand)	8	
19		Cable - 9in/23cm Options:	3	
	Use 1061017	Prior to S/N 1200000934 (Was P/N 1060665)		
	1061017	S/N 1200000934 to Present		
20	Not Used			
21	4711400	Flatwasher 1/4" - Narrow	12	
22 to 24	Not Used			
25	4761400	Lockwasher 1/4"	1	
26	0902365	Bracket, Latch Mounting	1	
27	3311405	Locknut 1/4"-20NC	6	
28 to 29	Not Used			
30	3300429	Nut 5/16"-18NC Stainless (Prior to S/N 1200000934)	8	
31	4740474	Lockwasher 5/16" Stainless (Prior to S/N 1200000934)	8	
32	0630526	Bolt 5/16"-18NC x 1 1/4" Stainless (Prior to S/N 1200000934)	8	
33	0100051	Grease, Battery	A/R	

# SECTION 2 GROUND COMPONENTS

**FIGURE 2-5. BATTERY INSTALLATIONS (CONTINUED)**

**SECTION 2 GROUND COMPONENTS**

FIG & ITEM #	PART NUMBER	DESCRIPTION	QTY.	REV.
		<b>BATTERY INSTALLATIONS - 2033E3/2046E3/2646E3/2658E3</b>	Ref.	
	0258611	<b>Standard Machines</b>	Ref.	7
	0258619	<b>Hi Output Machines</b>	Ref.	8
101	4845802	Battery Door Weldment	1	
102		Battery Options:		
	0400169	Battery - Standard	4	
		Battery - Hi Output Options:	4	
	Use 0400216	Prior to S/N 1200000934 (Was P/N 0400151)		
	0400216	S/N 1200000934 to Present		
103	4845873	Hinge	2	
104	0181622	Angle, Battery Hold-down	1	
105	0791608	Bolt 3/8"-16NC x 1"	8	
106	Not Used			
107	3311608	Locknut, Flanged 3/8"-16NC	8	
108	Not Used			
109	4845130	Hinge	2	
110	0962004	Bushing, Flanged Bronze	8	
111	3538844	Plate	2	
112	0641412	Bolt 1/4"-20 x 1 1/2"	2	
113	1060710	Cable, Battery	1	
113A	1060243	Cable	9ft/2.74m	
113B	4460778	Connector, Anderson	2	
113C	4460443	Terminal Eyelet	4	
114		Cable, Battery Options:	3	
	Use 1061017	Prior to S/N 1200000934 (Was P/N 1060665)		
	1061017	S/N 1200000934 to Present		
115	0840031	Boot, Terminal	8	
116 to 117	Not Used			
118	2940100	Latch, Folding T-Handle (Left Side)	1	
119	2940101	Latch, Folding T-Handle (Right Side)	1	
120	4220166	Stop, Door	1	
121	0641424	Bolt 1/4"-20NC x 1"	1	
122	3311405	Locknut 1/4"-20NC	4	
123	4711400	Flatwasher 1/4" Narrow	14	
124	0641408	Bolt 1/4"-20NC x 1"	3	
125	3311001	Nut #10-24NC	8	
126	4751000	Flatwasher #10	8	
127	4761000	Lockwasher #10	8	
128 to 130	Not Used			
131	3300429	Nut 5/16"-18NC (Prior to S/N 1200000934)	8	
132	4740474	Lockwasher 5/16" (Prior to S/N 1200000934)	8	
133	0630526	Bolt 5/16"-18NC x 1 1/4" (Prior to S/N 1200000934)	8	
134	4761400	Lockwasher 1/4"	2	
135	3311401	Nut 1/4"-20NC	2	
136	0100051	Grease, Battery	A/R	

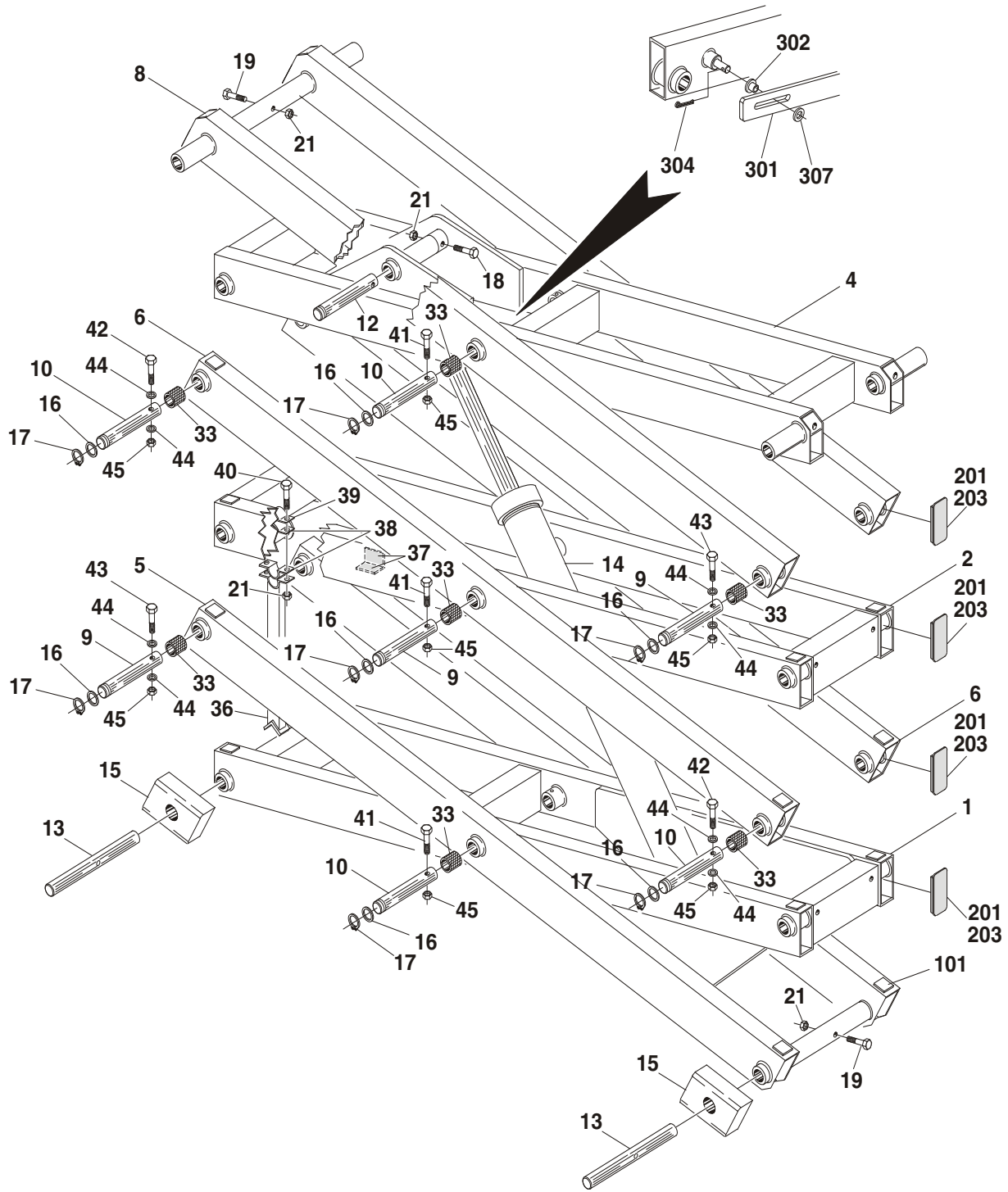
# SECTION 3 SCISSOR ARMS

<b>TABLE OF CONTENTS</b>		
<b>FIGURE</b>	<b>DESCRIPTION</b>	<b>PAGE</b>
3-1	SCISSOR ARMS INSTALLATION - 1532E3 .....	3-2
3-2	SCISSOR ARMS INSTALLATION - 1932E3 .....	3-6
3-3	SCISSOR ARMS INSTALLATION - 2033E3 .....	3-10
3-4	SCISSOR ARMS INSTALLATION - 2046E3 .....	3-14
3-5	SCISSOR ARMS INSTALLATION - 2646E3/2658E3 .....	3-18
3-6	PLATFORM DESCENT DELAY SYSTEM INSTALLATION - 1532E3/1932E2033E3/ 2046E3/2646E3 .....	3-22
3-7	ARM GUARDS INSTALLATION - 2658E3 .....	3-24

SECTION 3 SCISSOR ARMS

# SECTION 3 SCISSOR ARMS

FIGURE 3-1. SCISSOR ARMS INSTALLATION - 1532E3



SECTION 3 SCISSOR ARMS



# SECTION 3 SCISSOR ARMS

**FIGURE 3-1. SCISSOR ARMS INSTALLATION - 1532E3**

FIG & ITEM #	PART NUMBER	DESCRIPTION	QTY.	REV.
	0258173	<b>SCISSOR ARMS INSTALLATION - 1532E3</b>	Ref.	7/G
1	0200598	Arm Weldment (Bottom Inboard)	1	
2	0200599	Arm Weldment (Lower Mid Inboard)	1	
3	Not Used			
4	0200618	Arm Weldment (Top Inboard)	1	
5	0200602	Arm Weldment (Bottom Outboard)	1	
6	0200603	Arm Weldment (Mid Outboard)	2	
7	Not Used			
8	0200619	Arm Weldment (Top Outboard)	1	
9	3422951	Pin	6	
10	3422698	Pin	8	
11	Not Used			
12	3422496	Pin	2	
13	3422495	Pin	2	
14	1683500	Lift Cylinder Assembly (See Section 5 for Breakdown)	1	
15	3340629	Pad, Slide Block	4	
16	4740438	Washer, Special	14	
17	3760387	Ring, Retaining	14	
18	0641522	Bolt 5/16"-18NC x 2 3/4"	2	
19	0641520	Bolt 5/16"-18NC x 2 1/2"	2	
20	0641506	Bolt 5/16"-18NC x 3/4"	2	
21	3311505	Locknut 5/16"-18NC	5	
22 to 32	Not Used			
33	0962010	Bushing	14	
34	Not Used			
35	Not Used			
36	4846024	Weldment, Safety Prop	1	
37	3340841	Pad,	3	
38	4240125	Strap	2	
39	4240128	Strap	1	
40	0641508	Bolt 5/16"-18NC x 1"	2	
41	0641620	Bolt 3/8"-16NC x 2 1/2"	6	
42	0641624	Bolt 3/8"-16NC x 3"	4	
43	0641628	Bolt 3/8"-16NC x 3 1/2"	4	
44	4711600	Washer 3/8"	16	
45	3311605	Locknut 3/8"-16NC	14	
	2902103	Kit, Arm (Includes Items 1,2,4,5,6 & 8)	1	
	0252586	<b>ARM PADS INSTALLATION</b>	Ref.	3
101	3340841	Pad	16	

**SECTION 3 SCISSOR ARMS**

# SECTION 3 SCISSOR ARMS

**FIGURE 3-1. SCISSOR ARMS INSTALLATION - 1532E3 (CONTINUED)**

FIG & ITEM #	PART NUMBER	DESCRIPTION	QTY.	REV.
	0258907	<b>ARM CAPS INSTALLATION</b>	Ref.	3/B
201	1120503	Cap	16	
202	Not Used			
203	0100084	Adhesive, HV2200 Rubber	A/R	
	0258114	<b>CABLE/HOSE CLAMPS INSTALLATION</b>	Ref.	5/D
301	3571108	Cable Tie, Bent	1	
302	4740480	Plastic Insert	2	
303	Not Used			
304	3450304	Pin, Cotter	2	
305	4240033	Tie Strap 7.5" (Not Shown)	10	
306	4240018	Tie Strap 15" (Not Shown)	9	
307	4751600	Washer 3/8" Wide	2	
308	Not Used			
309	2540002	Loom (Not Shown)	6in/15.2cm	
310	1320061	Clamp (Not Shown)	2	
311	4240127	Tie Strap 21" (Not Shown)	4	
312	4060807	Shield, Flexible Trim (Not Shown)	1.3ft/.4m	

**SECTION 3 SCISSOR ARMS**

# SECTION 3 SCISSOR ARMS

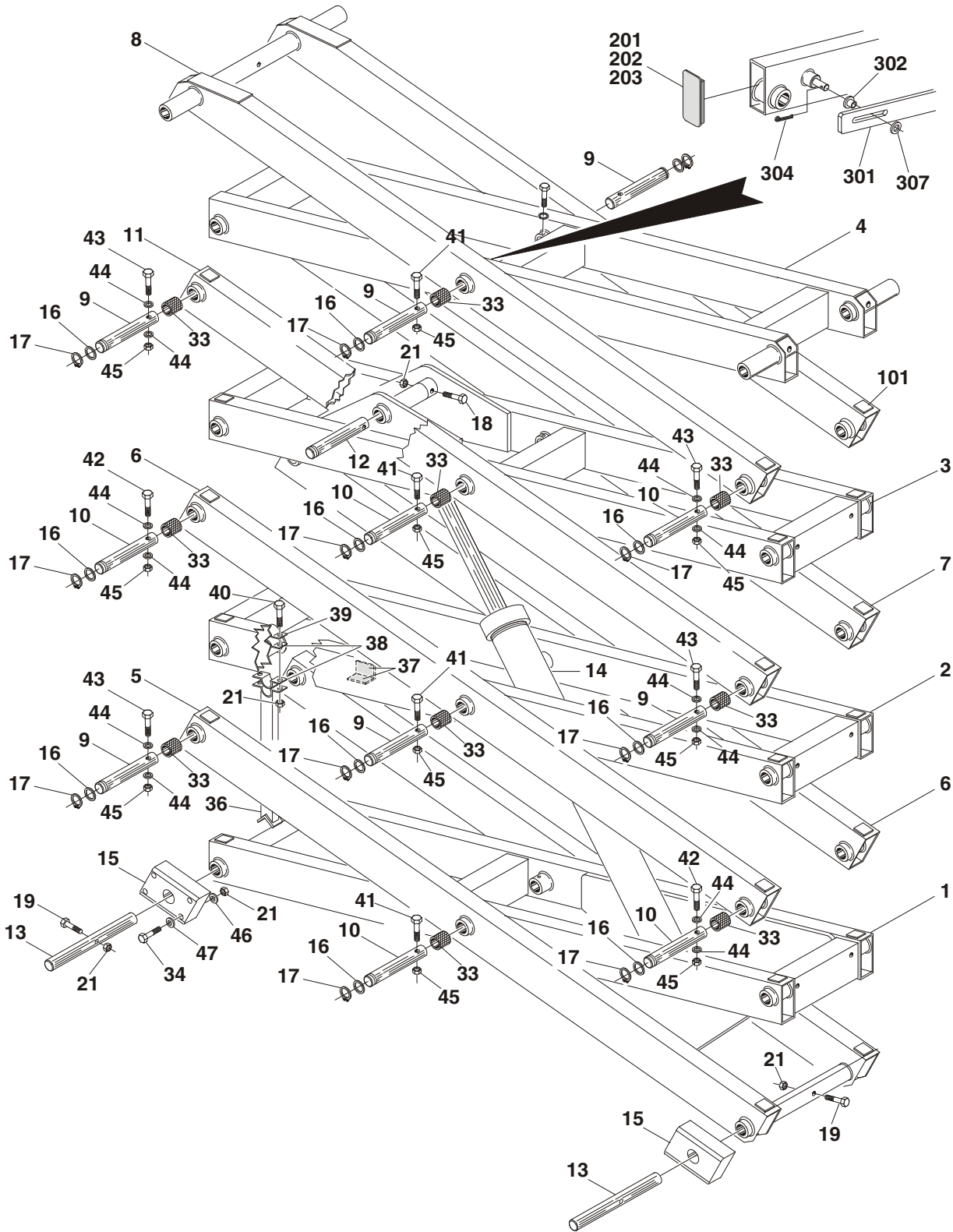
FIGURE 3-1. SCISSOR ARMS INSTALLATION - 1532E3 (CONTINUED)

FIG & ITEM #	PART NUMBER	DESCRIPTION	QTY.	REV.

**S  
E  
C  
T  
I  
O  
N  
  
3  
  
S  
C  
I  
S  
S  
O  
R  
  
A  
R  
M  
S**

# SECTION 3 SCISSOR ARMS

FIGURE 3-2. SCISSOR ARMS INSTALLATION - 1932E3



SECTION 3 SCISSOR ARMS

# SECTION 3 SCISSOR ARMS

**FIGURE 3-2. SCISSOR ARMS INSTALLATION - 1932E3**

FIG & ITEM #	PART NUMBER	DESCRIPTION	QTY.	REV.
	0258174	<b>SCISSOR ARMS INSTALLATION - 1932E3</b>	Ref.	6/G
1	0200643	Arm Weldment (Bottom Inboard)	1	
2	0200599	Arm Weldment (Lower Mid Inboard)	1	
3	0200600	Arm Weldment (Upper Mid Inboard)	1	
4	0200601	Arm Weldment (Top Inboard)	1	
5	0200602	Arm Weldment (Bottom Outboard)	1	
6	0200644	Arm Weldment (Mid Outboard)	2	
7	0200641	Arm Weldment (Mid Outboard)	1	
8	0200604	Arm Weldment (Top Outboard)	1	
9	3422951	Pin	10	
10	3422698	Pin	10	
11	0200642	Arm Weldment (Mid Outboard)	1	
12	3422496	Pin	2	
13	3422495	Pin	2	
14	1683500	Lift Cylinder Assembly (See Section 5 for Breakdown)	1	
15	3340629	Pad, Slide Block	2	
16	4740438	Washer, Special	20	
17	3760387	Ring, Retaining	20	
18	0641522	Bolt 5/16"-18NC x 2 3/4"	2	
19	0641520	Bolt 5/16"-18NC x 2 1/2"	2	
20	Not Used			
21	3311505	Locknut 5/16"-18NC	14	
22 to 32	Not Used			
33	0962010	Bushing, Excelite	40	
34	0641524	Bolt 5/16"-18NC x 3"	8	
35	Not Used			
36	4846024	Weldment, Safety Prop	1	
37	3340841	Pad,	3	
38	4240125	Strap	2	
39	4240128	Strap	1	
40	0641508	Bolt 5/16"-18NC x 1"	2	
41	0641620	Bolt 3/8"-16NC x 2 1/2"	8	
42	0641624	Bolt 3/8"-16NC x 3"	4	
43	0641628	Bolt 3/8"-16NC x 3 1/2"	8	
44	4711600	Flatwasher 3/8"	24	
45	3311605	Locknut 3/8"-16NC	20	
46	4751500	Flatwasher 5/16"	8	
47	4711500	Flatwasher 5/16" Narrow	8	
	2902104	Kit, Arm (Includes Items 1 - 8)	1	
	0252587	<b>ARM PADS INSTALLATION</b>	Ref.	3
101	3340841	Pad	24	

SECTION 3 SCISSOR ARMS

# SECTION 3 SCISSOR ARMS

**FIGURE 3-2. SCISSOR ARMS INSTALLATION - 1932E3 (CONTINUED)**

FIG & ITEM #	PART NUMBER	DESCRIPTION	QTY.	REV.
	0258908	<b>ARM CAPS INSTALLATION</b>	Ref.	3/B
201	1120503	1/8" Wall Thickness Arm Tube - Cap	10	
202	1120518	3/16" Wall Thickness Arm Tube - Cap	14	
203	0100084	Adhesive, HV2200 Rubber	A/R	
	0258115	<b>CABLE/HOSE CLAMPS INSTALLATION</b>	Ref.	5/D
301	3571108	Cable Tie, Bent	2	
302	4740480	Plastic Insert	4	
303	Not Used			
304	3450304	Pin, Cotter	4	
305	4240033	Tie Strap 7.5" (Not Shown)	19	
306	4240018	Tie Strap 15" (Not Shown)	6	
307	4751600	Washer 3/8" Wide	4	
308	Not Used			
309	2540002	Loom (Not Shown)	6in/15.2cm	
310	1320061	Clamp (Not Shown)	2	
311	4240127	Tie Strap 21" (Not Shown)	4	
312	4060807	Shield, Flexible Trim (Not Shown)	1.3ft/.4m	

**SECTION 3 SCISSOR ARMS**

# SECTION 3 SCISSOR ARMS

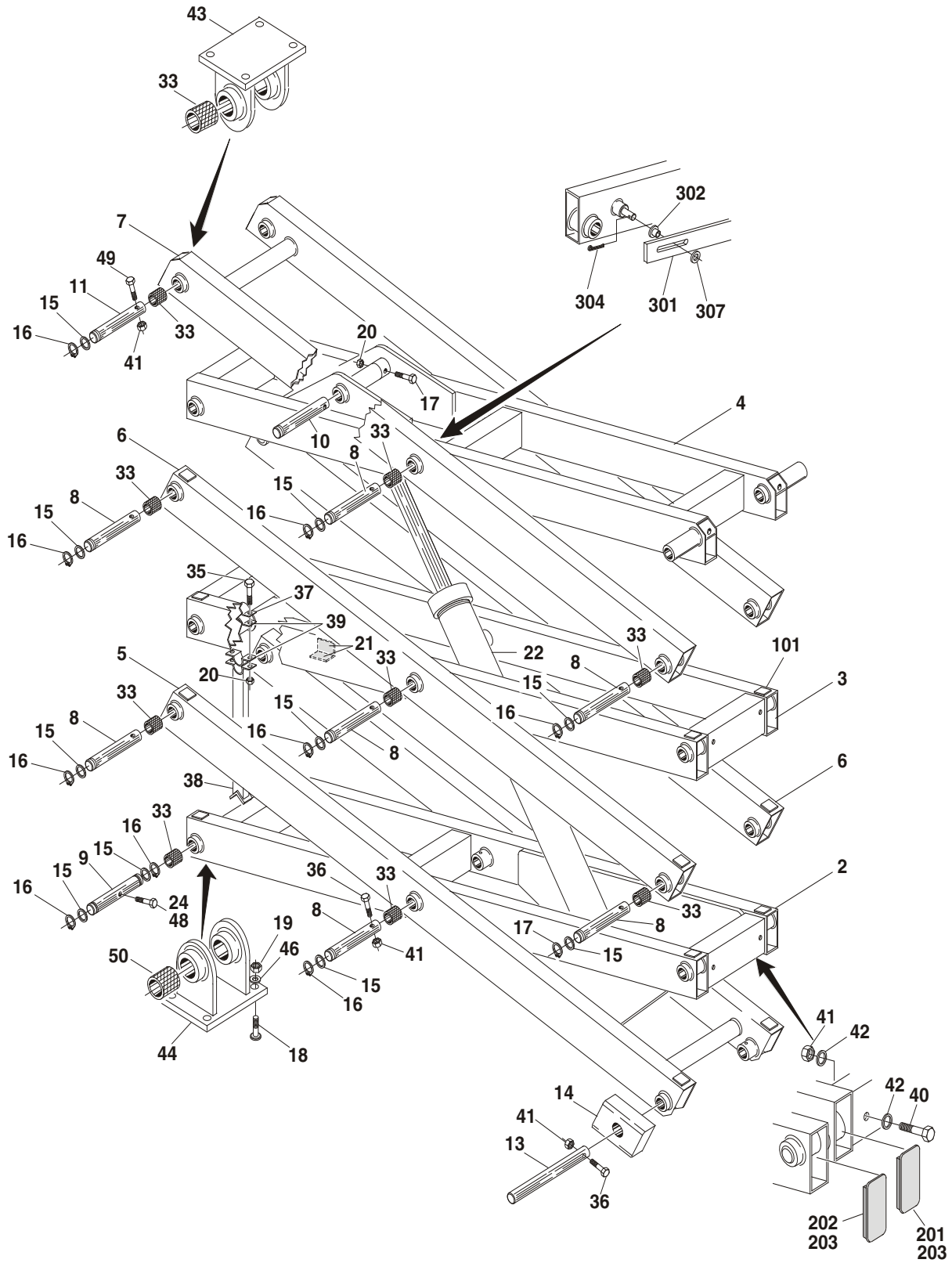
FIGURE 3-2. SCISSOR ARMS INSTALLATION - 1932E3 (CONTINUED)

FIG & ITEM #	PART NUMBER	DESCRIPTION	QTY.	REV.

**S  
E  
C  
T  
I  
O  
N  
  
3  
  
S  
C  
I  
S  
S  
O  
R  
  
A  
R  
M  
S**

# SECTION 3 SCISSOR ARMS

FIGURE 3-3. SCISSOR ARMS INSTALLATION - 2033E3



SECTION 3 SCISSOR ARMS



# SECTION 3 SCISSOR ARMS

**FIGURE 3-3. SCISSOR ARMS INSTALLATION - 2033E3**

FIG & ITEM #	PART NUMBER	DESCRIPTION	QTY.	REV.
	0258778	<b>SCISSOR ARMS INSTALLATION - 2033E3</b>	Ref.	8
1	Not Used			
2	0200624	Arm Weldment (Lower Inboard)	1	
3	0200566	Arm Weldment (Mid Inboard)	1	
4	0200567	Arm Weldment (Upper Inboard)	1	
5	0200623	Arm Weldment (Bottom Outboard)	1	
6	0200569	Arm Weldment (Mid Outboard)	2	
7	0200570	Arm Weldment (Top Outboard)	1	
8	3422711	Pin	14	
9	3422712	Pin	2	
10	3422714	Pin	2	
11	3422713	Pin	2	
12	Not Used			
13	3422709	Pin	2	
14	3340629	Pad, Slide Block	2	
15	4740438	Washer, Special	18	
16	3760387	Ring, Retaining	18	
17	0641522	Bolt 5/16"-18NC x 2 3/4"	2	
18	0630523	Bolt	8	
19	3321801	Nut	8	
20	3311505	Locknut 5/16"-18NC	4	
21	3340841	Pad,	3	
22	1683627	Lift Cylinder Assembly (See Section 5 for Breakdown)	1	
23	Not Used			
24	0100011	Loctite #242	A/R	
25 to 32	Not Used			
33	0962220	Bushing, Garmax	32	
34	Not Used			
35	0641508	Bolt 5/16"-18NC x 1"	2	
36	0641620	Bolt 3/8"-16NC x 2 1/2"	8	
37	4240128	Strap	1	
38	4846024	Weldment, Safety Prop	1	
39	4240125	Strap	2	
40	0641638	Bolt 3/8"-16NC x 4 3/4"	8	
41	3311605	Locknut 3/8"-16NC	16	
42	4711600	Flatwasher	18	
43	4845560	Weldment, Stationary Pivot (Top)	2	
44	4845559	Weldment, Stationary Pivot (Bottom)	2	
45	Not Used			
46	4711800	Flatwasher	8	
47	4240033	Tie Strap (Not Shown)	3	
48	0681610	Bolt 3/8"-16NC x 1 1/4"	2	
49	0641618	Bolt 3/8"-16NC x 2 1/4"	2	
50	0962234	Bushing, Garmax	4	
	2902106	Kit, Arm (Includes Items 2 - 7)	1	

**SECTION 3 SCISSOR ARMS**

# SECTION 3 SCISSOR ARMS

**FIGURE 3-3. SCISSOR ARMS INSTALLATION - 2033E3 (CONTINUED)**

FIG & ITEM #	PART NUMBER	DESCRIPTION	QTY.	REV.
	0252586	<b>ARM PADS INSTALLATION</b>	Ref.	3
101	3340841	Pad	16	
	0258120	<b>ARM CAPS INSTALLATION</b>	Ref.	3
201	1120500	3/16" Wall Thickness Arm Tube - Cap	14	
202	1120501	1/4" Wall Thickness Arm Tube - Cap	2	
203	0100084	Adhesive, HV2200 Rubber	A/R	
	0259313	<b>CABLE/HOSE CLAMPS INSTALLATIONS</b>	Ref.	4/C
301	0362801	Bar, Cable Rod	2	
302	4740480	Plastic Insert	4	
303	Not Used			
304	3450404	Pin, Cotter	4	
305	4240033	Tie Strap 7.5" (Not Shown)	16	
306	4240018	Tie Strap 15" (Not Shown)	8	
307	4751500	Washer 5/16" Wide	4	
308	1320061	Clamp (Not Shown - Located on Platform)	2	
309	2540002	Loom (Not Shown)	6in/15.2cm	
310	4240127	Tie Strap 21" (Not Shown)	3	
311	4060807	Shield, Flexible Trim (Not Shown)	1.3ft/.4m	
312	0641406	Bolt, 1/4-20NC x 3/4" (Not Shown)	2	
313	3311405	Lock Nut (Not Shown)	2	

**SECTION 3 SCISSOR ARMS**

# SECTION 3 SCISSOR ARMS

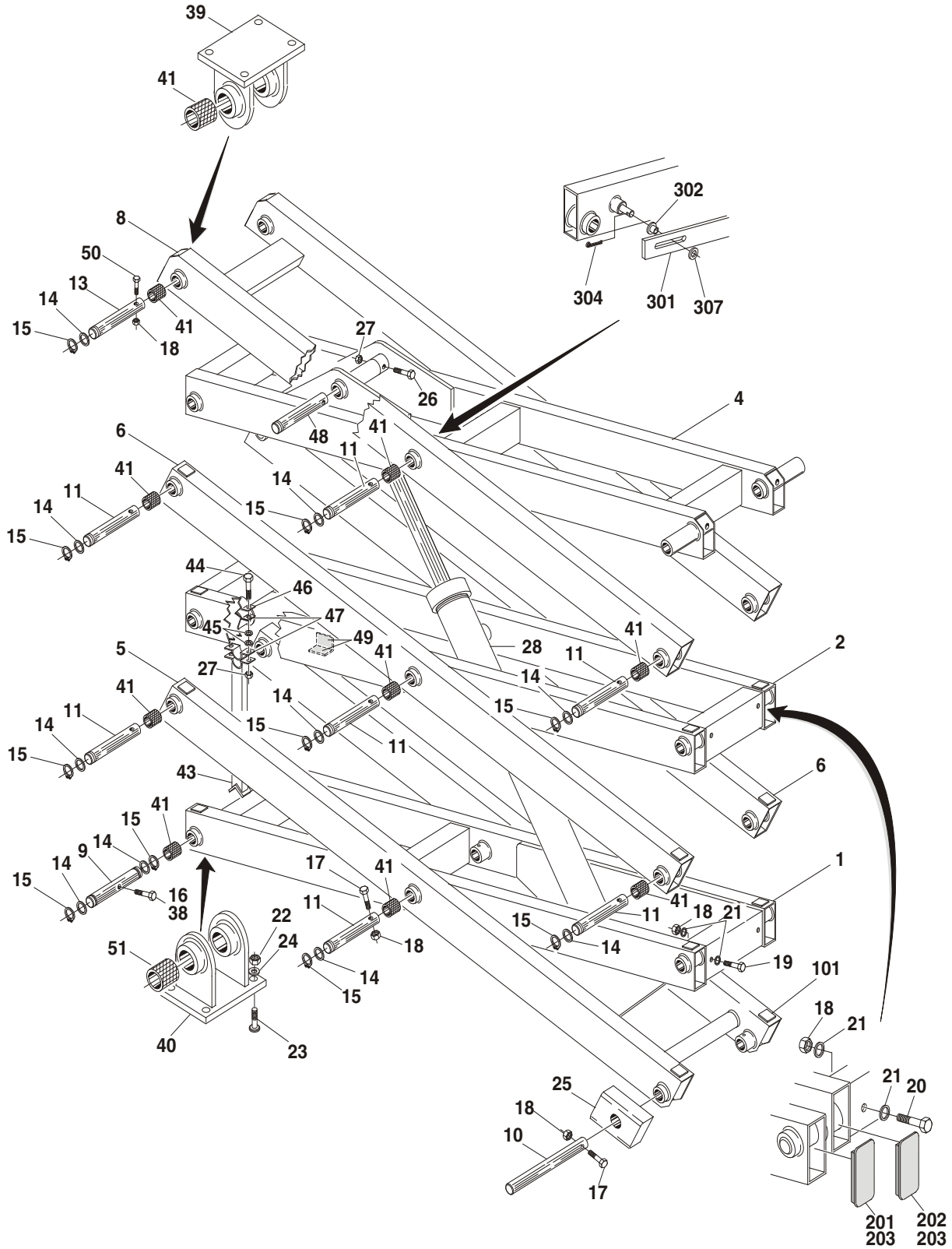
FIGURE 3-3. SCISSOR ARMS INSTALLATION - 2033E3 (CONTINUED)

FIG & ITEM #	PART NUMBER	DESCRIPTION	QTY.	REV.

**S  
E  
C  
T  
I  
O  
N  
  
3  
  
S  
C  
I  
S  
S  
O  
R  
  
A  
R  
M  
S**

# SECTION 3 SCISSOR ARMS

FIGURE 3-4. SCISSOR ARMS INSTALLATION - 2046E3



SECTION 3 SCISSOR ARMS

# SECTION 3 SCISSOR ARMS

**FIGURE 3-4. SCISSOR ARMS INSTALLATION - 2046E3**

FIG & ITEM #	PART NUMBER	DESCRIPTION	QTY.	REV.
	0258084	<b>SCISSOR ARMS INSTALLATION - 2046E3</b>	Ref.	9
1	0200626	Arm Weldment (Lower Inboard)	1	
2	0200588	Arm Weldment (Mid Inboard)	1	
3	Not Used			
4	0200625	Arm Weldment (Upper Inboard)	1	
5	0200589	Arm Weldment (Bottom Outboard)	1	
6	0200569	Arm Weldment (Mid Outboard)	2	
7	Not Used			
8	0200590	Arm Weldment (Top Outboard)	1	
9	3422712	Pin	2	
10	3422709	Pin	2	
11	3422711	Pin	14	
12	Not Used			
13	3422713	Pin	2	
14	4740438	Washer, Special	18	
15	3760387	Ring, Retaining	18	
16	0681610	Bolt 3/8"-16NC x 1 1/4"	2	
17	0641620	Bolt 3/8"-16NC x 2 1/2"	8	
18	3311605	Locknut 3/8"-16NC	18	
19	0641630	Bolt 3/8"-16NC x 3 3/4"	2	
20	0641638	Bolt 3/8"-16NC x 4 3/4"	6	
21	4711600	Flatwasher	16	
22	3321801	Nut	8	
23	0630523	Bolt	8	
24	4711800	Flatwasher 1/2"	8	
25	3340629	Pad, Slide Block	2	
26	0641522	Bolt 5/16"-18NC x 2 3/4"	2	
27	3311505	Locknut 5/16"-18NC	2	
28	1683627	Lift Cylinder Assembly (See Section 5 for Breakdown)	1	
29 to 37	Not Used			
38	0100011	Loctite #242	A/R	
39	4845560	Weldment, Stationary Pivot (Top)	2	
40	4845559	Weldment, Stationary Pivot (Bottom)	2	
41	0962220	Bushing, Garmax	32	
42	Not Used			
43	4845849	Weldment, Safety Prop	1	
44	0641508	Bolt 5/16"-18NC x 1"	4	
45	4711500	Flatwasher 5/16" Narrow	4	
46	4240128	Strap	2	
47	4240125	Strap	4	
48	3422485	Pin	2	
49	3340841	Pad, PVC	3	
50	0641618	Bolt 3/8"-16NC x 2 1/4"	2	
51	0962234	Bushing, Garmax	4	
	2902107	Kit, Arm (Includes Items 1,2,4,5,6 & 8)	1	

SECTION 3 SCISSOR ARMS

# SECTION 3 SCISSOR ARMS

**FIGURE 3-4. SCISSOR ARMS INSTALLATION - 2046E3 (CONTINUED)**

FIG & ITEM #	PART NUMBER	DESCRIPTION	QTY.	REV.
	0252586	<b>ARM PADS INSTALLATION</b>	Ref.	3
101	3340841	Pad	16	
	0258120	<b>ARM CAPS INSTALLATION</b>	Ref.	3
201	1120500	3/16" Wall Thickness Arm Tube - Cap	14	
202	1120501	1/4" Wall Thickness Arm Tube - Cap	2	
203	0100084	Adhesive, HV2200 Rubber	A/R	
	0258116	<b>CABLE/HOSE CLAMPS INSTALLATION</b>	Ref.	4/D
301	0362801	Bar, Cable Rod	1	
302	4740480	Plastic Insert	2	
303	Not Used			
304	3450304	Pin, Cotter	2	
305	4240033	Tie Strap 7.5" (Not Shown)	14	
306	4240018	Tie Strap 15" (Not Shown)	8	
307	4751500	Washer 5/16" Wide	2	
308	1320061	Clamp (Not Shown - Located on Platform)	A/R	
309	2540002	Loom (Not Shown)	6in/15.2cm	
310	4240127	Tie Strap 21" (Not Shown)	3	
311	4060807	Shield, Flexible Trim (Not Shown)	1.3ft/.4m	
312	0641406	Bolt, 1/4-20NC x 3/4" (Not Shown)	2	
313	3311405	Lock Nut (Not Shown)	2	

**SECTION 3 SCISSOR ARMS**

# SECTION 3 SCISSOR ARMS

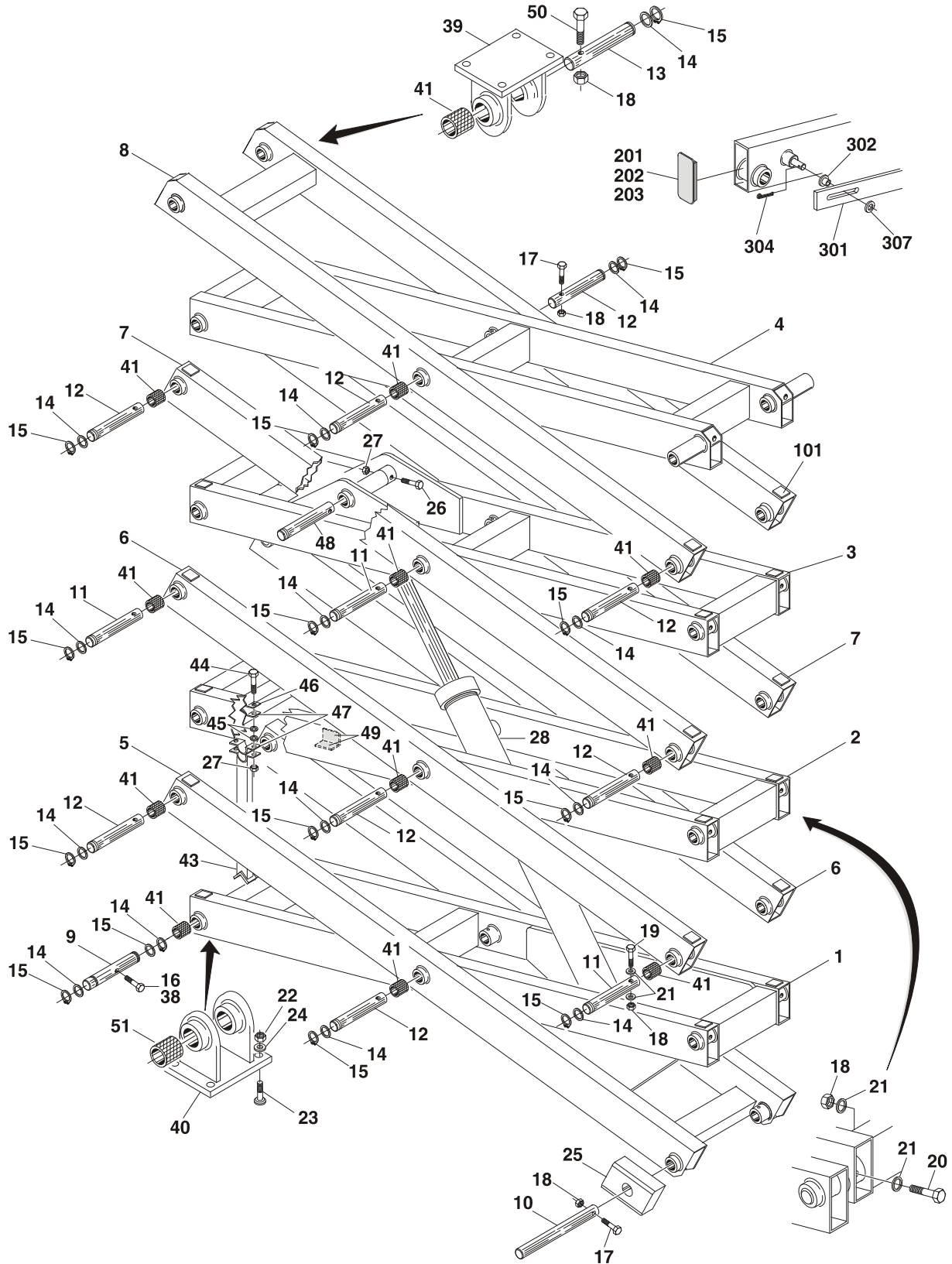
FIGURE 3-4. SCISSOR ARMS INSTALLATION - 2046E3 (CONTINUED)

FIG & ITEM #	PART NUMBER	DESCRIPTION	QTY.	REV.

**S  
E  
C  
T  
I  
O  
N  
  
3  
  
S  
C  
I  
S  
S  
O  
R  
  
A  
R  
M  
S**

# SECTION 3 SCISSOR ARMS

FIGURE 3-5. SCISSOR ARMS INSTALLATION - 2646E3/2658E3



SECTION 3 SCISSOR ARMS



# SECTION 3 SCISSOR ARMS

**FIGURE 3-5. SCISSOR ARMS INSTALLATION - 2646E3/2658E3**

FIG & ITEM #	PART NUMBER	DESCRIPTION	QTY.	REV.
		<b>SCISSOR ARMS INSTALLATION - 2646E3/2658E3</b>	Ref.	
	0258085	<b>Machines without Power Deck</b>	Ref.	10
1	0200593	Arm Weldment (Lower Inboard)	1	
2	0200588	Arm Weldment (Mid Inboard)	1	
3	0200597	Arm Weldment (Mid Upper Inboard)	1	
4	0200592	Arm Weldment (Upper Inboard)	1	
5	0200589	Arm Weldment (Bottom Outboard)	1	
6	0200569	Arm Weldment (Mid Outboard)	2	
7	0200596	Arm Weldment (Mid Outboard)	2	
8	0200590	Arm Weldment (Top Outboard)	1	
9	3422712	Pin	2	
10	3422709	Pin	2	
11	3422751	Pin	6	
12	3422711	Pin	14	
13	3422713	Pin	2	
14	4740438	Washer, Special	24	
15	3760387	Ring, Retaining	24	
16	0681610	Bolt 3/8"-16NC x 1 1/4"	2	
17	0641620	Bolt 3/8"-16NC x 2 1/2"	10	
18	3311605	Locknut 3/8"-16NC	24	
19	0641630	Bolt 3/8"-16NC x 3 3/4"	2	
20	0641638	Bolt 3/8"-16NC x 4 3/4"	10	
21	4711600	Flatwasher 3/8" Narrow	24	
22	3321801	Nut	8	
23	0630523	Bolt	8	
24	4711800	Flatwasher 1/2"	8	
25	3340629	Pad, Slide Block	2	
26	0641522	Bolt 5/16"-18NC x 2 3/4"	2	
27	3311505	Locknut 5/16"-18NC	6	
28	1683628	Lift Cylinder Assembly (See Section 5 for Breakdown)	1	
29 to 37	Not Used			
38	0100011	Loctite #242	A/R	
39	4845560	Weldment, Stationary Pivot (Top)	2	
40	4845559	Weldment, Stationary Pivot (Bottom)	2	
41	0962220	Bushing, Garmax	44	
42	Not Used			
43	4845849	Weldment, Safety Prop	1	
44	0641508	Bolt 5/16"-18NC x 1"	4	
45	4711500	Flatwasher 5/16" Narrow	4	
46	4240128	Strap	2	
47	4240125	Strap	4	
48	3422485	Pin	2	
49	3340841	Pad, PVC	3	
50	0641618	Bolt 3/8"-16NC x 2 1/4"	2	
51	0962234	Bushing, Garmax	4	
	2902108	----- Kit, Arm (Includes Items 1 - 8)	1	

**SECTION 3 SCISSOR ARMS**

# SECTION 3 SCISSOR ARMS

**FIGURE 3-5. SCISSOR ARMS INSTALLATION - 2646E3/2658E3 (CONTINUED)**

FIG & ITEM #	PART NUMBER	DESCRIPTION	QTY.	REV.
	0252587	<b>ARM PADS INSTALLATION</b>	Ref.	3
101	3340841	Pad	24	
	0258121	<b>ARM CAPS INSTALLATION</b>	Ref.	3
201	1120500	3/16" Wall Thickness Arm Tube - Cap	14	
202	1120501	1/4" Wall Thickness Arm Tube - Cap	10	
203	0100084	Adhesive, HV2200 Rubber	A/R	
	0258117	<b>CABLE/HOSE CLAMPS INSTALLATION (2646E3)</b>	Ref.	6
	0259218	<b>CABLE/HOSE CLAMPS INSTALLATION (2658E3)</b>	Ref.	5
301	0362801	Bar, Cable Rod	2	
302	4740480	Plastic Insert	4	
303	4460071	Strain Relief (Not Shown - Located on Platform)	1	
304	3450304	Pin, Cotter	4	
305	4240033	Tie Strap 7.5" (Not Shown)	24	
306	4240018	Tie Strap 15" (Not Shown)	3	
307	4711500	Flatwasher 5/16" Narrow	4	
308	1320061	Clamp (Not Shown - Located on Platform & Frame)	4	
309	2540002	Loom (Not Shown)	1ft/.30m	
310	Not Used			
311	0641406	Bolt 1/4"-20NC x 3/4" (Not Shown - Located on Frame)	2	
312	3311405	Locknut 1/4"-20NC (Not Shown - Located on Frame)	2	
313	4240127	Tie Strap 21" (Not Shown)	3	
314	4060807	Shield, Flexible Trim (Not Shown)	1.3ft/.4m	

**SECTION 3 SCISSOR ARMS**

# SECTION 3 SCISSOR ARMS

FIGURE 3-5. SCISSOR ARMS INSTALLATION - 2646E3/2658E3 (CONTINUED)

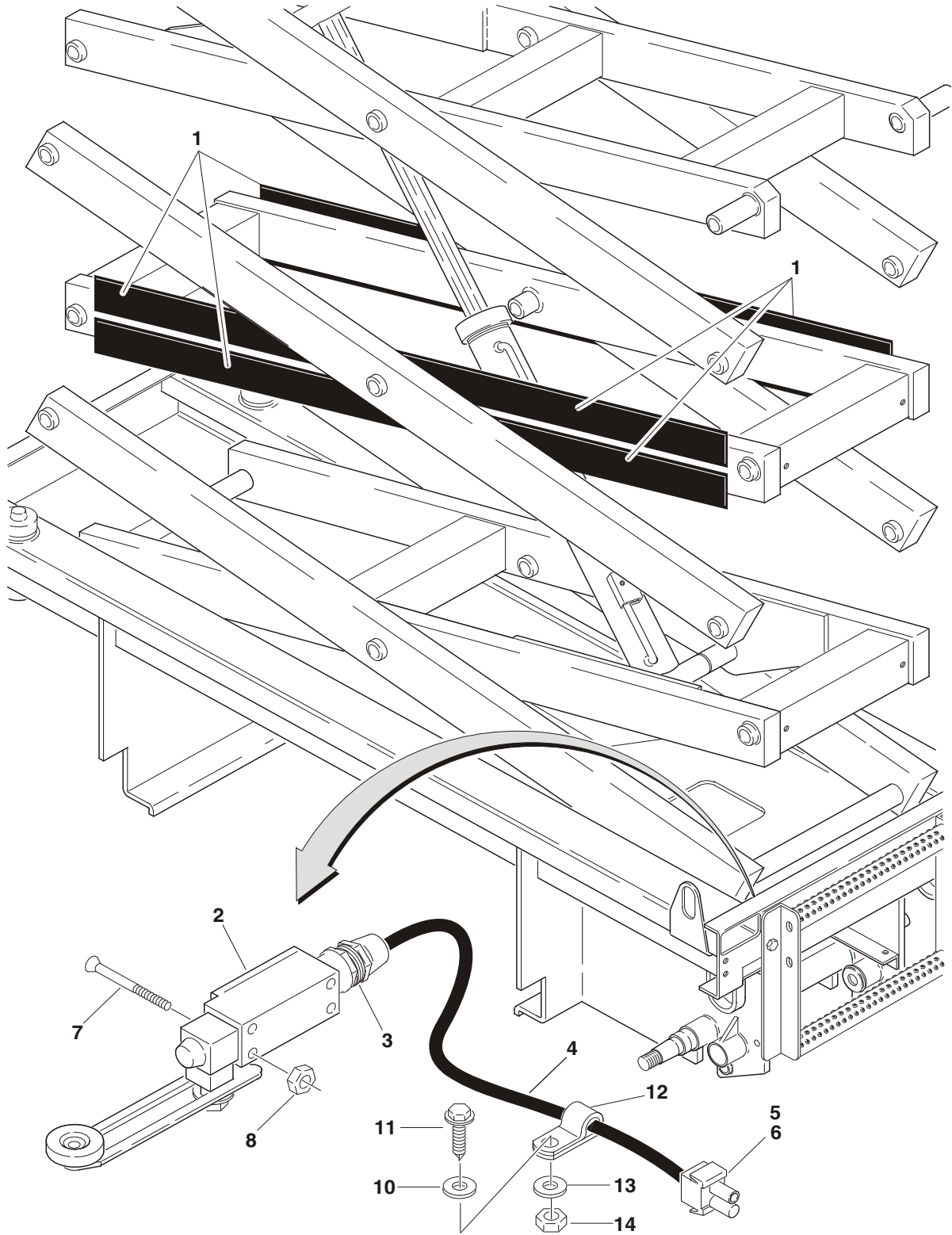
FIG & ITEM #	PART NUMBER	DESCRIPTION	QTY.	REV.

**S  
E  
C  
T  
I  
O  
N  
  
3  
  
S  
C  
I  
S  
S  
O  
R  
  
A  
R  
M  
S**

# SECTION 3 SCISSOR ARMS

FIGURE 3-6. PLATFORM DESCENT DELAY SYSTEM INSTALLATION - 1532E3/  
1932E3/2033E3/2046E3/2646E3

SECTION 3 SCISSOR ARMS



# SECTION 3 SCISSOR ARMS

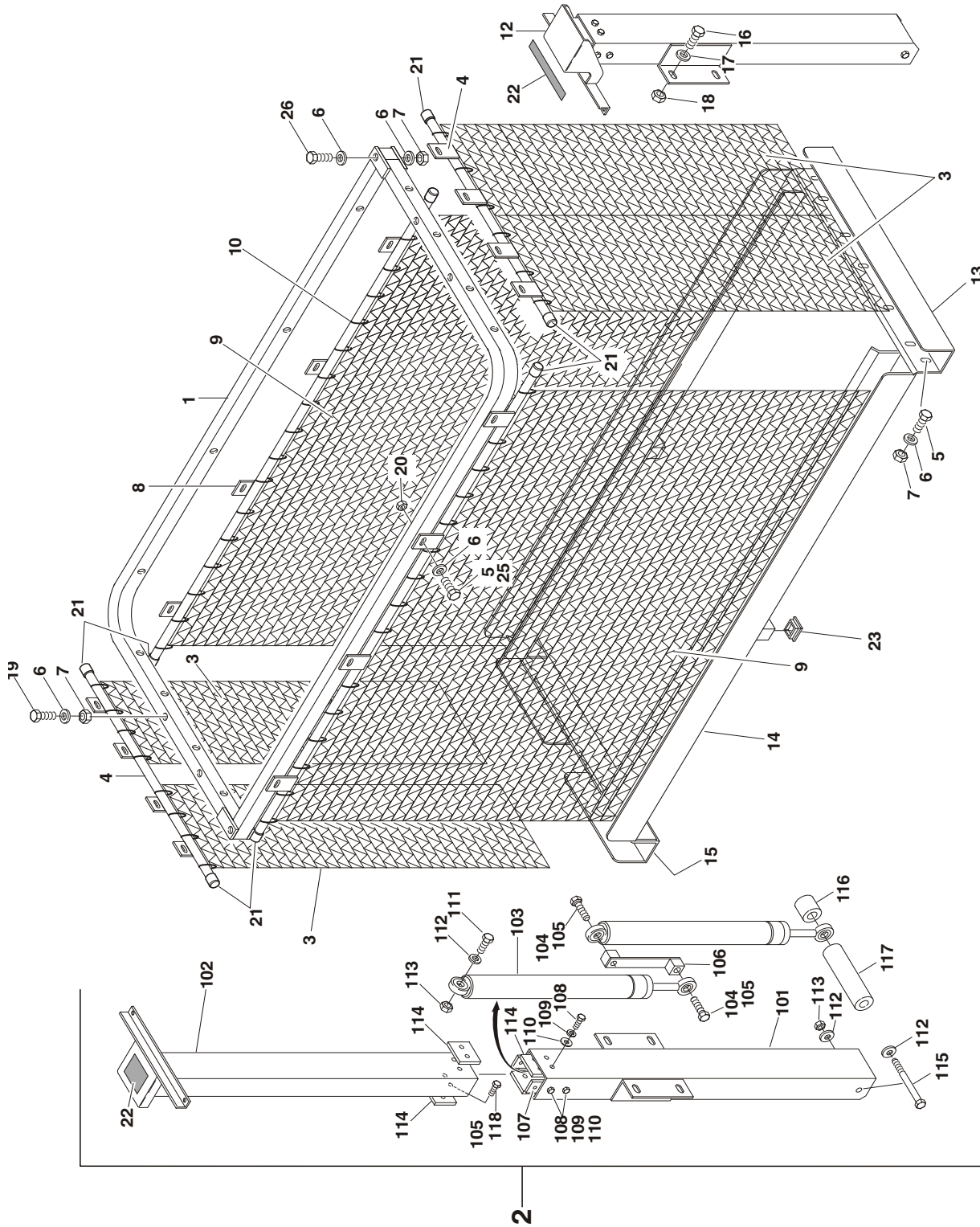
**FIGURE 3-6. PLATFORM DESCENT DELAY SYSTEM INSTALLATION - 1532E3/1932E3/2033E3/2046E3/2646E3**

FIG & ITEM #	PART NUMBER	DESCRIPTION	QTY.	REV.
	0258196	<b>PLATFORM DESCENT DELAY SYSTEM - 1532E3</b>	Ref.	5
	0258197	<b>PLATFORM DESCENT DELAY SYSTEM - 1932E3</b>	Ref.	5
	0258198	<b>PLATFORM DESCENT DELAY SYSTEM - 2033E3/2046E3</b>	Ref.	5
	0258199	<b>PLATFORM DESCENT DELAY SYSTEM - 2646E3</b>	Ref.	5
1		Blade, Rubber Options:	A/R	
	4061009	1532E3	20ft/6.1m	
	4061009	1932E3	28ft/8.6m	
	4061008	2033E3/2046E3	20ft/6.1m	
	4061008	2646E3	28ft/8.6m	
2	4360397	Switch, Limit	1	
3	4460662	Connector, Strain Relief	1	
4	1060680	Cable, Electrical - 18/2 Cable	9ft/2.7m	
5	4460320	Connector, Electrical	1	
6	4460328	Socket	2	
7	3911024	Screw, Round Head #10-24NC x 1 1/2"	2	
8	3311005	Nut #10-24NC	2	
9	Not Used			
10	4751000	Flatwasher #10	2	
11	3941406	Screw Self-Tapping 1/4" x 3/4" (2033E3/2046E3/2646E3 Only)	2	
12	1320224	Clamp, Cable (2033E3/2046E3/2646E3 Only)	2	
13	3311405	Locknut 1/4"-20NC (2033E3/2046E3/2646E3 Only)	2	
14	4711400	Flatwasher 1/4" (2033E3/2046E3/2646E3 Only)	2	

SECTION 3 SCISSOR ARMS

# SECTION 3 SCISSOR ARMS

FIGURE 3-7. ARM GUARDS INSTALLATION - 2658E3



SECTION 3 SCISSOR ARMS

# SECTION 3 SCISSOR ARMS

**FIGURE 3-7. ARM GUARDS INSTALLATION - 2658E3**

FIG & ITEM #	PART NUMBER	DESCRIPTION	QTY.	REV.
	0258200	<b>ARM GUARDS INSTALLATION</b>	Ref.	4/C
1	Use 4846663	Weldment, Top Rail Options: (Prior to S/N 1200000101) (Was P/N 4845893) (S/N 1200000101 to Present)	2	
2	0256616	Actuator Assembly (Rear) (See 101-118 for Breakdown)	1	
3	0480112	Belt, Mesh - End	4	
4	4845891	Weldment, Hanger - End	2	
5	0641406	Bolt 1/4"-20NC x3/4"	22	
6	4711400	Flatwasher 1/4" Narrow	34	
7	3311405	Locknut 1/4"-20NC	14	
8	4845510	Weldment, Hanger - Side	2	
9	0480092	Belt, Mesh - Side	2	
10	4240033	Tie-Strap	92	
11	Not Used			
12	0256615	Actuator Assembly (Front) (See 101-118 for Breakdown)	1	
13	3571267	Plate, End Tray	1	
14	4845371	Tray, Side	2	
15	4845889	Tray, End	1	
16	0641608	Bolt 3/8"-16NC x 1"	8	
17	4711600	Flatwasher 3/8"	16	
18	3311605	Locknut 3/8"-16"	8	
19	0641414	Bolt 1/4"-20NC x 1 3/4"	4	
20	Use 2080060	Fastener, Rivnut 1/4"-20NC Options: (Prior to S/N 1200000101) (Was P/N 2080043) (S/N 1200000101 to Present)	16	
21	1120514	Cap	8	
22	4420055	Tape, UHMW	1ft/.3m	
23	3520072	Plug, Tube	6	
24	0641408	Bolt 1/4"-20NC x 1"	4	
25	0100011	Loctite #242	A/R	
26	0641416	Bolt 1/4-20NC x 2"	2	
	0256616	<b>ACTUATOR ASSEMBLY - REAR</b>	Ref.	4
	0256615	<b>ACTUATOR ASSEMBLY - FRONT</b>	Ref.	3
101		Tube Outer Options: Rear	1	
	4567060	Front		
102		Tube, Inner Options: Rear	1	
	4567075	Front		
	4567067			
103	4160136	Spring, Gas	2	
104	0641509	Bolt 5/16"-18NC x 1 1/8"	2	
105	0100011	Loctite	A/R	
106	4845370	Link	1	
107	3340781	Pad	2	

SECTION 3 SCISSOR ARMS

# SECTION 3 SCISSOR ARMS

**FIGURE 3-7. ARM GUARDS INSTALLATION - 2658E3 (CONTINUED)**

FIG & ITEM #	PART NUMBER	DESCRIPTION	QTY.	REV.
108	Use 0641605 0641605	Bolt 3/8"-16NC x 1/2" Options: (Prior to S/N 1200000101) (Was P/N 0641604) (S/N 1200000101 to Present)	8	
109	4751600	Flatwasher 3/8"	8	
110	4761600	Lockwasher 3/8"	8	
111	0641516	Bolt 5/16"-18NC x2"	1	
112	4751500	Flatwasher 5/16"	4	
113	3311505	Locknut 5/16"-18NC	2	
114	3340780	Pad	4	
115	0641536	Bolt 5/16"-18NC x 4 1/2"	1	
116	0962074	Bushing	1	
117	0962075	Bushing	1	
118	3900213	Screw, Button Head 3/8"-16NC x3/8"	4	

**SECTION 3 SCISSOR ARMS**



# SECTION 4 PLATFORM

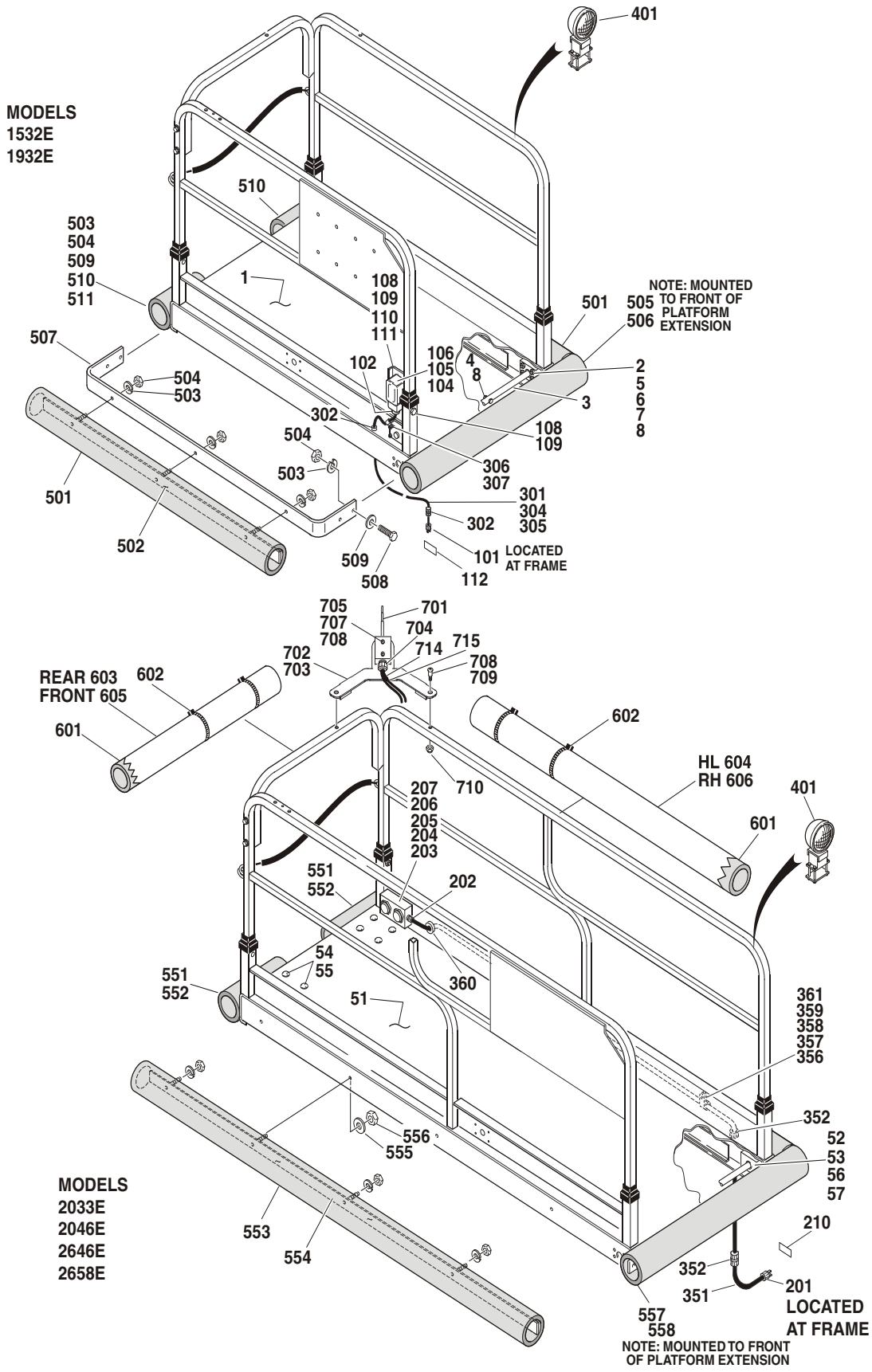
<b>TABLE OF CONTENTS</b>		
<b>FIGURE</b>	<b>DESCRIPTION</b>	<b>PAGE</b>
4-1	PLATFORM INSTALLATION - MANUALLY OPERATED EXTENSION.....	4-2
4-2	HANDRAILS AND EXTENSION INSTALLATION - STANDARD HANDRAILS (MANUALLY OPERATED EXTENSION) (1532E3/1932E3) .....	4-8
4-3	HANDRAILS AND EXTENSION INSTALLATION - STANDARD HANDRAILS (MANUALLY OPERATED EXTENSION) (2033E3/2046E3) .....	4-12
4-4	PLATFORM ACCESS INSTALLATION - STANDARD HANDRAILS (MANUALLY OPERATED EXTENSION) (1532E3/1932E3/2033E3/2046E3).....	4-16
4-5	HANDRAILS AND EXTENSION INSTALLATION - FOLDDOWN HANDRAILS (MANUALLY OPERATED EXTENSION) (1532E3/1932E3) .....	4-18
4-6	HANDRAILS AND EXTENSION INSTALLATION - FOLDDOWN HANDRAILS (MANUALLY OPERATED EXTENSION) (2033E3/2046E3/2646E3/2658E3).....	4-22
4-7	PLATFORM ACCESS INSTALLATION - FOLDDOWN HANDRAILS (MANUALLY OPERATED EXTENSION).....	4-28
4-8	PLATFORM CONSOLE ASSEMBLY .....	4-34
4-9	CONTROLLER ASSEMBLY - PQ .....	4-38

SECTION 4 PLATFORM

# SECTION 4 PLATFORM

FIGURE 4-1. PLATFORM INSTALLATION - MANUALLY OPERATED EXTENSION

SECTION 4 PLATFORM



# SECTION 4 PLATFORM

**FIGURE 4-1. PLATFORM INSTALLATION - MANUALLY OPERATED EXTENSION**

FIG & ITEM #	PART NUMBER	DESCRIPTION	QTY.	REV.
		<b>PLATFORM INSTALLATIONS - 1532E3/1932E3</b>	Ref.	
		<b>Note: Replacement decals must be ordered separately - See Section 8.</b>	Ref.	
	0258178	<b>1532E3/1932E3 (Standard)</b>	Ref.	3
	0258176	<b>1532E3 (With Anchor Rings)</b>	Ref.	2
	0258179	<b>1932E3 (With Anchor Rings)</b>	Ref.	2
1		Platform Assembly W/Extension Options:		
	3510688	1532E3/1932E3 (Standard)	1	
	3510659	1532E3/1932E3 (With Anchor Rings)	1	
2	3340629	Block, Slide Pad	4	
3	3422733	Pin, Attach	2	
4	0681520	Bolt 5/16"-18NC x 2 1/2"	2	
5	0641522	Bolt 5/16"-18NC x 2 3/4"	8	
6	4751500	Flatwasher 5/16"	8	
7	4711500	Flatwasher 5/16" Narrow	8	
8	3311505	Locknut 5/16"-18NC	10	
		<b>PLATFORM INSTALLATIONS - 2033E3/2046E3/2646E3/2658E3</b>	Ref.	
		<b>Note: Replacement decals must be ordered separately - See Section 8.</b>	Ref.	
	0258091	<b>2033E3 (Standard)</b>	Ref.	2
	0258092	<b>2033E3 (With Anchor Rings)</b>	Ref.	2
	0258093	<b>2046E3/2646E3 (Standard)</b>	Ref.	2
	0258094	<b>2046E3/2646E3 (With Anchor Rings)</b>	Ref.	2
	0258095	<b>2658E3 (Standard)</b>	Ref.	2
	0258096	<b>2658E3 (With Anchor Rings)</b>	Ref.	2
51		Platform Assembly W/Extension Options:	1	
	3510697	2033E3 (Standard)		
	3510663	2033E3 (With Anchor Rings)		
	3510698	2046E3/2646E3 (Standard)		
	3510665	2046E3/2646E3 (With Anchor Rings)		
	3510699	2658E3 (Standard)		
	3510667	2658E3 (With Anchor Rings)		
52	0561332	Block, Slide Pad	2	
53	3422655	Pin, Attach	2	
54	0630485	Bolt 3/8"-16NC x 1"	A/R	
55	3311605	Locknut 3/8"-16NC	A/R	
56	0681610	Bolt 3/8"-16NC x 1 1/4"	2	
57	0100011	Loctite #242	A/R	

**SECTION 4 PLATFORM**

# SECTION 4 PLATFORM

**FIGURE 4-1. PLATFORM INSTALLATION - MANUALLY OPERATED EXTENSION (CONTINUED)**

FIG & ITEM #	PART NUMBER	DESCRIPTION	QTY.	REV.
		<b>110 VOLT RECEPTACLE INSTALLATIONS - 1532E3/1932E3 (OPTIONAL)</b>	Ref.	
	0258270	<b>1532E3/1932E3 (Export)</b>	Ref.	4
101	Not Available	Connector, Plug	1	
102	4460051	Connector	1	
103	Not Used		2	
104	0860038	Box, Receptacle	1	
105	Not Available	Terminal, Receptacle	1	
106	Not Available	Shield, Weatherproof Cover	1	
107	Not Used			
108	4751400	Flatwasher 1/4"	2	
109	3311405	Locknut 1/4"-20NC	2	
110	0641405	Bolt 1/4"-20NC x 5/8"	2	
111	3571479	Plate, Mounting - Receptacle Box	1	
112	Not Available	Decal, AC Power	1	
		<b>110 VOLT RECEPTACLE INSTALLATIONS - 2033E3/2046E3/2646E3/2658E3 (OPTIONAL)</b>	Ref.	
	0258274	<b>2033E3/2046E3/2646E3/2658E3 (Export)</b>	Ref.	3
201	Not Available	Connector, Plug	1	
202	Not Available	Connector	1	
203	Not Used		2	
204	0860038	Box, Receptacle	1	
205	Not Available	Terminal, Receptacle	1	
206	Not Available	Shield, Weatherproof Cover	1	
207	3900294	Self Drilling Screw #10-16 x 1"	4	
208	Not Used			
209	Not Used			
210	Not Available	Decal, AC Power	1	
		<b>RECEPTACLE CABLE INSTALLATIONS (OPTIONAL)</b>	Ref.	
	0258255	<b>1532E3</b>	Ref.	4
	0258257	<b>1932E3</b>	Ref.	5
301	1060461	Cable 12/3 Options: 1532E3 1932E3	35ft/10.67m 44ft/13.41m	
302	4460051	Connector	1	
303	Not Used			
304	4240033	Tie Strap	A/R	
305	4240018	Tie Strap	A/R	
306	1320061	Clamp	1	
307	0641512	Bolt 5/16"-18NC x 1 1/2"	1	

**SECTION 4 PLATFORM**

# SECTION 4 PLATFORM

**FIGURE 4-1. PLATFORM INSTALLATION - MANUALLY OPERATED EXTENSION (CONTINUED)**

FIG & ITEM #	PART NUMBER	DESCRIPTION	QTY.	REV.
		<b>RECEPTACLE CABLE INSTALLATIONS (OPTIONAL)</b>	Ref.	
	0258259	<b>2033E3/2046E3</b>	Ref.	4
	0258261	<b>2646E3/2658E3</b>	Ref.	4
351	1060461	Cable 12/3 Options: 2033E3/2046E3 2646E3/2658E3	48ft/14.63m 51ft/15.54m	
352	4460328	Connector	2	
353	Not Used			
354	4240033	Tie Strap (Not Shown)	A/R	
355	4240018	Tie Strap (Not Shown)	A/R	
356	1320061	Clamp	5	
357	0641505	Bolt 5/16"-18NC x 5/8"	2	
358	4751500	Flatwasher 5/16"	2	
359	3311505	Locknut 5/16"-18NC	2	
360	2540002	Grommet	A/R	
361	0641512	Bolt 5/16"-18NC x 1 1/2"	1	
		<b>WORKLIGHTS INSTALLATIONS (OPTIONAL)</b>	Ref.	
	0259463	<b>1532E3 Standard Rails</b>	Ref.	2
	0259466	<b>1532E3 With Folddown Rails</b>	Ref.	2
	0259464	<b>1932E3 Standard Rails</b>	Ref.	2
	0259467	<b>1932E3 With Folddown Rails</b>	Ref.	2
	0259465	<b>2033E3/2046E3 Standard Rails</b>	Ref.	2
	0259468	<b>2033E3/2046E3 With Folddown Rails</b>	Ref.	2
	0259469	<b>2646E3/2658E3 With Folddown Rails</b>	Ref.	2
401	2920093	Worklight Assembly	2	
	7016630	Bulb (1 Per Assembly)	2	
		Cable Options: (Not Shown)	A/R	
	1060680	1532E3	32ft/9.8m	
	1060680	1932E3	38ft/11.6m	
	1060680	2033E3/2046E3	51ft/15.6m	
	1060680	2646E3/2658E3	61ft/18.6m	
	4360164	Breaker, Circuit - 5 Amp (Not Shown)	1	
	0901930	Plate, Mounting	2	
	4460071	Connector, Strain Relief (Not Shown)	1	
	3300048	Locknut, Conduit (Not Shown)	1	
	0840025	Boot, Cable	1	
	0254171	<b>BUMPER PADS INSTALLATION - 1532E3/1932E3</b>	Ref.	A
	0257398	<b>BUMPER PADS INSTALLATION - 2033E3</b>	Ref.	1
501		Pad, Bumper Options: (Side)		
	0940060	1532E3/1932E3	2	
	0940057	2033E3	2	

**SECTION 4 PLATFORM**

# SECTION 4 PLATFORM

**FIGURE 4-1. PLATFORM INSTALLATION - MANUALLY OPERATED EXTENSION (CONTINUED)**

FIG & ITEM #	PART NUMBER	DESCRIPTION	QTY.	REV.
502	4844586	Bar, Bumper Options: (Side Outer) 1532E3/1932E3	2	
	4844586	(2033E3)	2	
503	4761400	Lockwasher 1/4"	16	
504	3311401	Nut 1/4"-20NC	20	
505	0940061	Pad, Bumper (Front)	1	
506	4844585	Rail, Bumper (Front Outer)	1	
507	0362273	Rail, Bumper (Inner) (1532E3/1932E3)	2	
508	0641407	Bolt 1/4"-20NC x 7/8" (1532E3/1932E3)	4	
509	4751400	Flatwasher 1/4"	20	
510	0940065	Pad, Bumper (Rear)	2	
511	0641416	Bolt 1/4"-20NC x 2"	4	
	0257367	<b>BUMPER PADS INSTALLATION - 2046E3/2646E3</b>	Ref.	2
	0257397	<b>BUMPER PADS INSTALLATION - 2658E3</b>	Ref.	2
551	0940080	Pad, Bumper Options: (Side) 2046E3/2646E3	2	
	0940081	2658E3	2	
552	4845496	Bar, Bumper Options: (Side Outer) 2046E3/2646E3	2	
	4845497	(2658E3)	2	
553	0940057	Pad, Bumper (Side)	2	
554	4844414	Rail, Bumper (Side)	2	
555	4751400	Flatwasher 1/4"	13	
556	3311405	Locknut 1/4"-20NC	13	
557	0940079	Pad, Bumper Options: (Front) 2046E3/2646E3	1	
	0940082	(2658E3)	1	
558	4845495	Rail, Bumper (Front) 2046E3/2646E3	1	
	4845498	(2658E3)	1	
		<b>TOP RAIL PADDING INSTALLATIONS</b>	Ref.	
	0259681	<b>2046E3</b>	Ref.	1
	0259945	<b>2646E3</b>	Ref.	1
	0259682	<b>2658E3</b>	Ref.	1
	0270836	<b>2033E3</b>	Ref.	1
601	3340612	Pad Options: 2046E3/2646E3/2033E3 2658E3	A/R 22ft/6.7m 24ft/7.3m	
602	4240018	Tie Straps	A/R	
603	1670918	Cover, Rear Platform Rail Options: 2046E3/2646E3	1	
	1670922	2658E3		
	1670857	2033E3		

**SECTION 4 PLATFORM**

# SECTION 4 PLATFORM

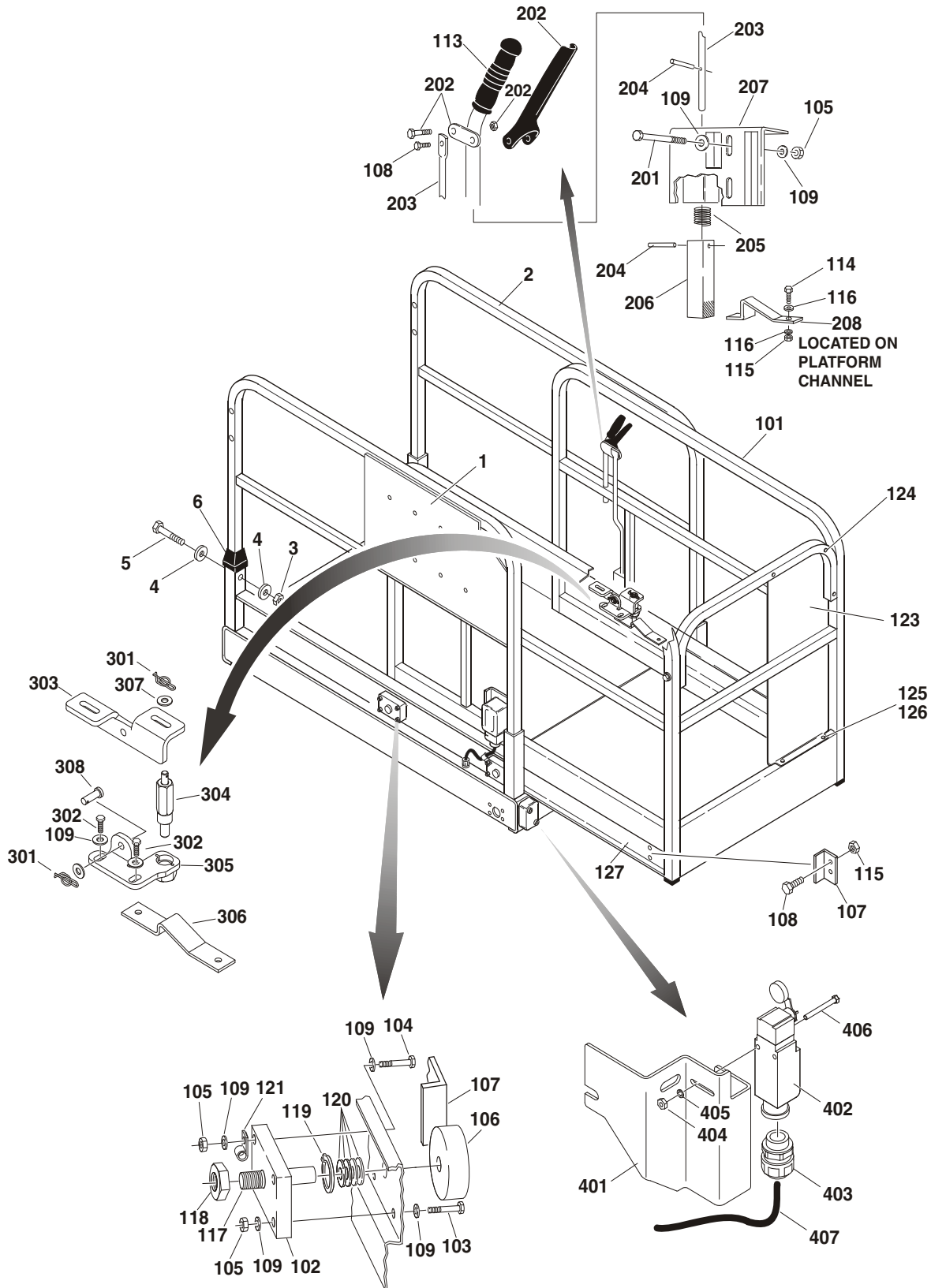
**FIGURE 4-1. PLATFORM INSTALLATION - MANUALLY OPERATED EXTENSION (CONTINUED)**

FIG & ITEM #	PART NUMBER	DESCRIPTION	QTY.	REV.
604	1670919	Cover, Left Side Platform Rail Options: 2046E3/2033E3	1	
	1670923	2646E3/2658E3		
605	1670920	Cover, Front Platform Rail Options: 2046E3/2646E3	1	
	1670924	2658E3		
	1670856	2033E3		
606	1670921	Cover, Right Side Platform Rail Options: 2046E3/2033E3	1	
	1670925	2646E3/2658E3		
		<b>PERIMETER SWITCHES INSTALLATIONS</b>	Ref.	
	0272788	<b>1532E3/1932E3</b>	Ref.	1
	0259684	<b>2033E3/2046E3</b>	Ref.	3
	0259685	<b>2646E3/2658E3</b>	Ref.	4
701	4360477	Switch	A/R	
	70003780	Lever, Antenna (1 Per)	A/R	
702	0902578	Bracket, Right Side	2	
703	0902579	Bracket, Left Side	2	
704	4460662	Strain Relief	7	
705	0641404	Bolt 1/4"-20NC x 1/2"	10	
706	0641413	Bolt 1/4"-20NC x 1 5/8" (Not Shown) (Located on Platform Extension)	2	
707	4751400	Flatwasher 1/4"	28	
708	0100011	Loctite #242	A/R	
709	3911432	Screw 1/4"-20NC x 2"	8	
710	2080063	Fastener, Nut 1/4"-20NC	8	
711	Not Used			
712	4240033	Strap, Tie (Not Shown)	40	
713	2540017	Grommet (Not Shown)	2	
714	2820030	Shrink	20in/50.8cm	
715	1060680	Cable 16/2 Options:		
		2046E3	49ft./14.9m	
		2646E3/2658E3	53ft/16.2m	

SECTION 4 PLATFORM

# SECTION 4 PLATFORM

FIGURE 4-2. HANDRAILS AND EXTENSION INSTALLATION - STANDARD HANDRAILS (MANUALLY OPERATED) (1532E3/1932E3)





# SECTION 4 PLATFORM

**FIGURE 4-2. HANDRAILS AND EXTENSION INSTALLATION - STANDARD HANDRAILS (MANUALLY OPERATED) (1532E3/1932E3)**

FIG & ITEM #	PART NUMBER	DESCRIPTION	QTY.	REV.
	0258134	<b>HANDRAILS INSTALLATION</b>	Ref.	3
1	3641263	Handrail - Right Side	1	
2	3641265	Handrail - Left Side	1	
3	3311405	Locknut 1/4"-20NC	4	
4	4751400	Flatwasher 1/4"	8	
5	0641420	Bolt 1/4"-20NC x 2 1/2"	4	
6	0840035	Boot, Rail Pocket	4	
	2901987	Kit, Rails (Includes Items 1 & 2)	1	
	0258969	<b>PLATFORM EXTENSION INSTALLATION</b>	Ref.	6
101	3510727	Extension Weldment	1	
102	3537619	Roller Mounting - Extension	4	
103	0641510	Bolt 5/16"-18NC x 1 1/4"	15	
104	0641512	Bolt 5/16"-18NC x 1 1/2"	1	
105	3311505	Locknut 5/16"-18NC	18	
106	3860059	Roller	4	
107	0181684	Angle, Stop	4	
108	0641406	Bolt 1/4"-20NC x 3/4"	1	
109	4751500	Flatwasher 5/16"	20	
110 to 112	Not Used			
113	2560088	Grip Handle	1	
114	0641405	Bolt 1/4"-20NC x 5/8"	12	
115	3311405	Locknut 1/4"-20NC	13	
116	4711400	Flatwasher 1/4" Narrow	4	
117	3841233	Roller Support Rod	4	
118	3322202	Jam Nut 3/4"-10NF	4	
119	3760348	Snap Ring	4	
120	4752200	Flatwasher 3/4"	4	
121	1320224	Clamp 5/8"	1	
122	Not Used			
123	3571035	Plate, Placard	1	
124	3820019	Pop Rivet 3/16"	2	
125	Not Used			
126	3820020	Pop Rivet 3/16"	4	
127	3020022	Lube, Lithium Grease	A/R	
		<b>PLATFORM EXTENSION LOCK INSTALLATION OPTIONS:</b>	Ref.	
	0258969	<b>(Prior to S/N 1200000386)</b>	Ref.	
	See Note	<b>(S/N 1200000001 to S/N 1200000386)</b>	Ref.	
		<b>Note: No exact S/N break exists for Lock Mechanism. S/N 1200000001 to S/N 1200000386 installations could be built with either configuration (See items 301-308)</b>	Ref.	

**SECTION 4 PLATFORM**

# SECTION 4 PLATFORM

**FIGURE 4-2. HANDRAILS AND EXTENSION INSTALLATION - STANDARD HANDRAILS (MANUALLY OPERATED) (1532E3/1932E3) (CONTINUED)**

FIG & ITEM #	PART NUMBER	DESCRIPTION	QTY.	REV.
201	0641516	Bolt 5/16"-18NC x 2"	2	
202	2980113	Release Lever Assembly	1	
		-----		
	2901573	Extension Latch Kit	Ref.	1
203	3841074	Rod, Release	1	
204	3422723	Rollpin 1/8" x 7/8"	2	
205	4160078	Spring	1	
206	0361912	Bar, Latch	1	
207	2940061	Latch Weldment	1	
208	0901830	Bracket, Latch	2	
		<b>PLATFORM EXTENSION LOCK INSTALLATION OPTIONS:</b>	Ref.	
	See Note	<b>(S/N 1200000001 to S/N 1200000386)</b>	Ref.	
	0258969	<b>(S/N 1200000386 to Present)</b>	Ref.	
		<b>Note: No exact S/N break exists for Lock Mechanism. S/N 1200000001 to S/N 1200000386 installations could be built with either configuration (See items 201-208)</b>	Ref.	
301	3422950	Pin, 5/16" Rue Ring Stainless	2	
302	0641507	Bolt 5/16"-18NC x 7/8"	2	
303	3573073	Plate, Foot Latch Rollout	1	
304	3422949	Pin, Step Plunger Assembly	1	
305	0902750	Bracket, Latch Weldment	1	
306	0901830	Bracket, Extension Latch	2	
307	4740513	Washer-spec, 1/4-20NC Stainless	1	
308	3430406	Pin, 1/4" x 3/4"	1	
		<b>OPTIONAL PLATFORM EXTENSION LIMIT SWITCHES INSTALLATIONS (S/N 0200097289 TO PRESENT)</b>	Ref.	
	0270714	<b>1532E3/1932E3</b>	Ref.	B
401	0902689	Bracket, Switch Mounting	1	
402	4360437	Switch, Limit	1	
403	4460662	Connector, Strain Relief	1	
404	3310801	Nut #8-32NC	2	
405	4760800	Lockwasher #8	2	
406	3900329	Screw	2	
407	4922464	Harness, Wire	1	
408	Not Used			

**SECTION 4 PLATFORM**

# SECTION 4 PLATFORM

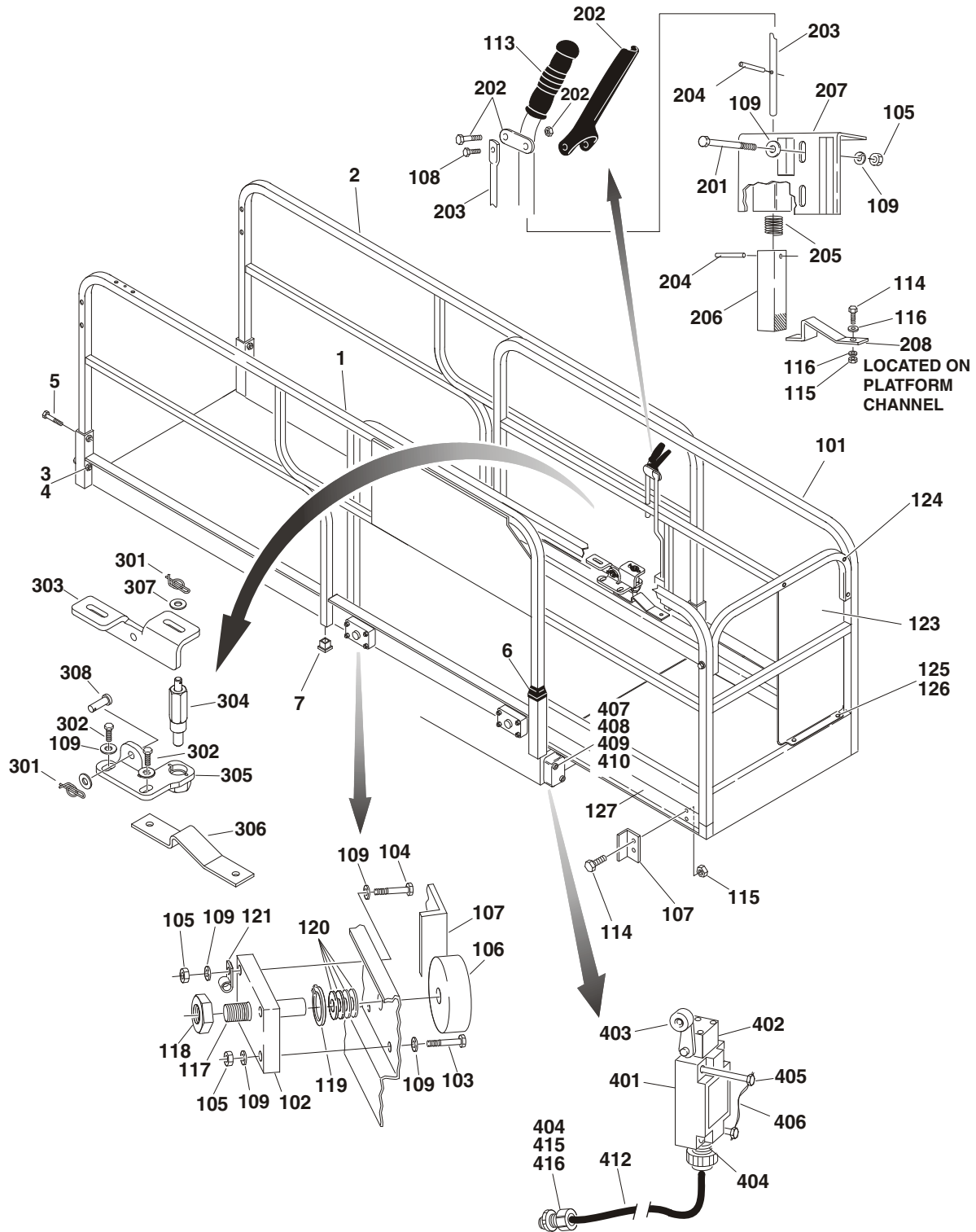
FIGURE 4-2. HANDRAILS AND EXTENSION INSTALLATION - STANDARD HANDRAILS  
(MANUALLY OPERATED) (1532E3/1932E3) (CONTINUED)

FIG & ITEM #	PART NUMBER	DESCRIPTION	QTY.	REV.

**S  
E  
C  
T  
I  
O  
N  
4  
P  
L  
A  
T  
F  
O  
R  
M**

# SECTION 4 PLATFORM

FIGURE 4-3. HANDRAILS AND EXTENSION INSTALLATION - STANDARD HANDRAILS (MANUALLY OPERATED) (2033E3/2046E3)



SECTION 4 PLATFORM

# SECTION 4 PLATFORM

**FIGURE 4-3. HANDRAILS AND EXTENSION INSTALLATION - STANDARD HANDRAILS (MANUALLY OPERATED) (2033E3/2046E3)**

FIG & ITEM #	PART NUMBER	DESCRIPTION	QTY.	REV.
	0258136	<b>HANDRAILS INSTALLATION</b>	Ref.	3
1	3641264	Handrail - Right Side	1	
2	3641266	Handrail - Left Side	1	
3	3311405	Locknut 1/4"-20NC	4	
4	4751400	Flatwasher 1/4"	8	
5	0641420	Bolt 1/4"-20NC x 2 1/2"	4	
6	0840035	Boot, Rail Pocket	4	
7	3520072	Plug	2	
	2901988	----- Kit, Rails (Includes Items 1 & 2)	1	
		<b>PLATFORM EXTENSION INSTALLATION OPTIONS:</b>	Ref.	
	0258970	<b>2033E3</b>	Ref.	5
	0258971	<b>2046E3</b>	Ref.	5
101		Extension Weldment Options:		
	3510708	2033E3	1	
	3510709	2046E3	1	
102	3537619	Roller Mounting - Extension	4	
103	0641510	Bolt 5/16"-18NC x 1 1/4"	15	
104	0641512	Bolt 5/16"-18NC x 1 1/2"	1	
105	3311505	Locknut 5/16"-18NC	18	
106	3860091	Roller	4	
107	0181684	Angle, Stop	4	
108	0641406	Bolt 1/4"-20NC x 3/4"	1	
109	4751500	Flatwasher 5/16"	A/R	
110 to 112	Not Used			
113	2560088	Grip Handle	1	
114	0641405	Bolt 1/4"-20NC x 5/8"	12	
115	3311405	Locknut 1/4"-20NC	A/R	
116	4711400	Flatwasher 1/4"	4	
117	3841233	Roller Support Rod	4	
118	3322202	Jam Nut 3/4"-10NF	4	
119	3760348	Snap Ring	4	
120	4752200	Flatwasher 3/4"	4	
121	1320224	Clamp	1	
122	Not Used			
123	3571035	Plate, Placard	1	
124	3820019	Pop Rivet 3/16"	2	
125	Not Used			
126	3820020	Pop Rivet 3/16"	4	
127	3020022	Lube, Lithium Grease	A/R	

**SECTION 4 PLATFORM**

# SECTION 4 PLATFORM

**FIGURE 4-3. HANDRAILS AND EXTENSION INSTALLATION - STANDARD HANDRAILS (MANUALLY OPERATED) (2033E3/2046E3) (CONTINUED)**

FIG & ITEM #	PART NUMBER	DESCRIPTION	QTY.	REV.
		<b>PLATFORM EXTENSION LOCK INSTALLATION OPTIONS:</b>	Ref.	
	0258970	<b>2033E3 (Prior to S/N 1200000001)</b>	Ref.	
	See Note	<b>2033E3 (S/N 1200000001 to S/N 1200000386)</b>	Ref.	
	0258971	<b>2046E3 (Prior to S/N 1200000001)</b>	Ref.	
	See Note	<b>2046E3 (S/N 1200000001 to S/N 1200000386)</b>	Ref.	
		<b>Note: No exact S/N break exists for Lock Mechanism. S/N 1200000001 to S/N 1200000386 installations could be built with either configuration (See items 301-308)</b>	Ref.	
201	0641516	Bolt 5/16"-18NC x 2"	2	
202	2980113	Release Lever Assembly	1	
		-----		
	2901573	Extension Latch Kit	1	
203	3841074	Rod, Release	1	
204	3422723	Rollpin 1/8" x 7/8"	2	
205	4160078	Spring	1	
206	0361912	Bar, Latch	1	
207	2940061	Latch Weldment	1	
208	0901830	Bracket, Latch	2	
		<b>PLATFORM EXTENSION LOCK INSTALLATION OPTIONS:</b>	Ref.	
	See Note	<b>2033E3 (S/N 1200000001 to S/N 1200000386)</b>	Ref.	
	0258970	<b>2033E3 (S/N 1200000386 to Present)</b>	Ref.	
	See Note	<b>2046E3 (S/N 1200000001 to S/N 1200000386)</b>	Ref.	
	0258971	<b>2046E3 (S/N 1200000386 to Present)</b>	Ref.	
		<b>Note: No exact S/N break exists for Lock Mechanism. S/N 1200000001 to S/N 1200000386 installations could be built with either configuration (See items 201- 208)</b>	Ref.	
301	3422950	Pin, 5/16" Rue Ring Stainless	2	
302	0641507	Bolt 5/16"-18NC x 7/8"	2	
303	3573073			
304	3422949	Pin, Step Plunger Assembly	1	
305	0902750	Bracket, Latch Weldment	1	
306	0901830	Bracket, Extension Latch	2	
307	4740513	Washer-spec, 1/4-20NC Stainless	1	
308	3430406	Pin, 1/4" x 3/4"	1	
	0256664	<b>OPTIONAL PLATFORM EXTENSION LIMIT SWITCHES INSTALLATION</b>	Ref.	—
401	4360277	Switch, Limit	1	
402	4360236	Actuator, Switch	1	
403	4360278	Roller and Arm	1	

**SECTION 4 PLATFORM**

# SECTION 4 PLATFORM

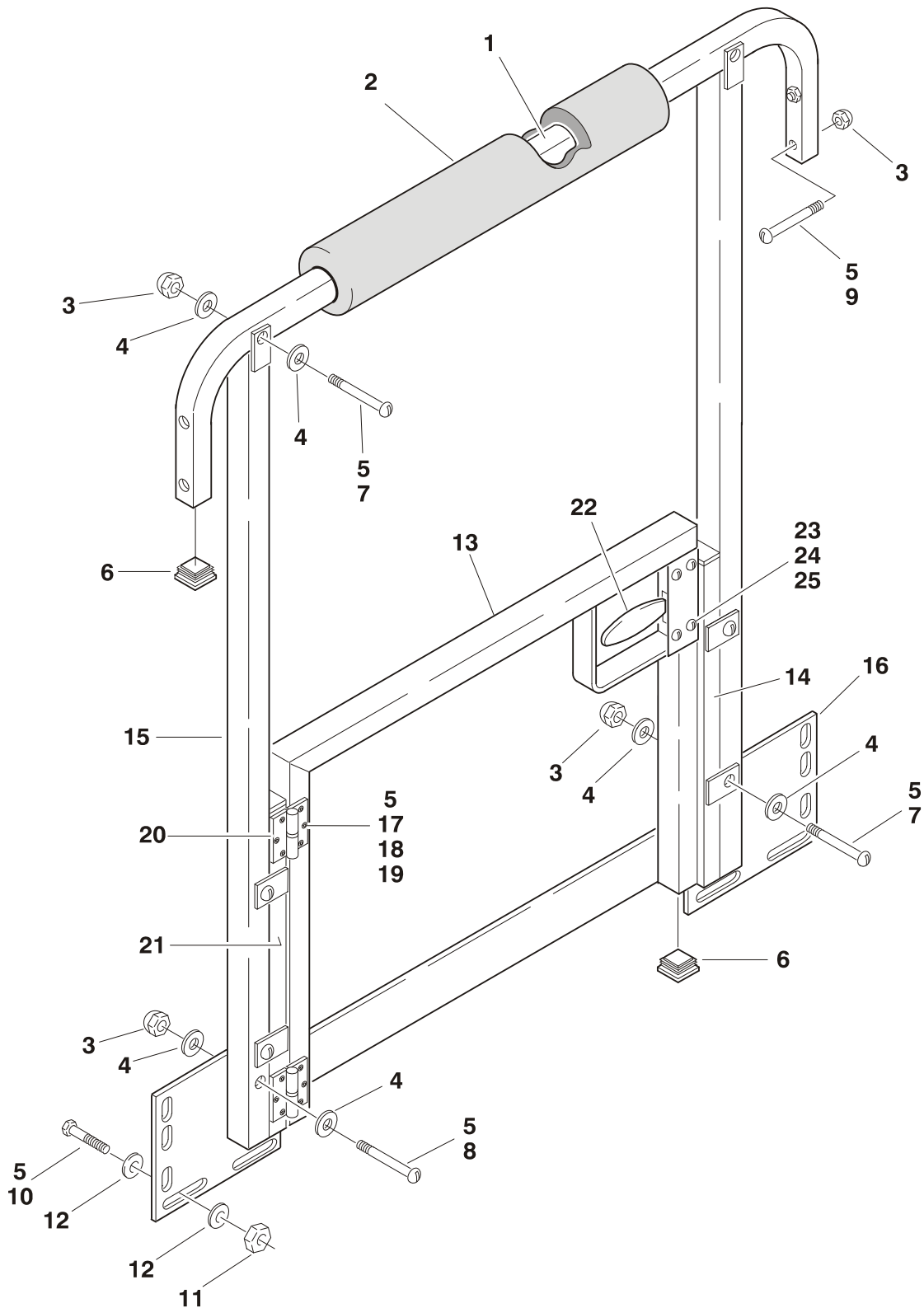
**FIGURE 4-3. HANDRAILS AND EXTENSION INSTALLATION - STANDARD HANDRAILS (MANUALLY OPERATED) (2033E3/2046E3) (CONTINUED)**

FIG & ITEM #	PART NUMBER	DESCRIPTION	QTY.	REV.
404	4460052	Connector, Strain Relief	2	
405	3900168	Screw, Special	2	
406	4920140	Lockwire	2	
407	3534995	Plate, Mounting	1	
408	3931416	Bolt, Socket Head 1/4"-20NC x 1"	2	
409	3311401	Nut 1/4"-20NC	2	
410	4761400	Lockwasher 1/4"	2	
411	3520052	Plug, Cap (Not Shown)	1	
412	1060341	Cable	46ft/14.02m	
413	4460320	Plug (Not Shown)	1	
414	Not Used			
415	0960239	Bushing	1	
416	3300047	Locknut	1	

**SECTION 4 PLATFORM**

# SECTION 4 PLATFORM

FIGURE 4-4.PLATFORM ACCESS INSTALLATION - STANDARD HANDRAILS (MANUALLY OPERATED) (1532E3/1932E3/2033E3/2046E3)



SECTION 4 PLATFORM



# SECTION 4 PLATFORM

**FIGURE 4-4. PLATFORM ACCESS INSTALLATION - STANDARD HANDRAILS (MANUALLY OPERATED) (1532E3/1932E3/2033E3/2046E3)**

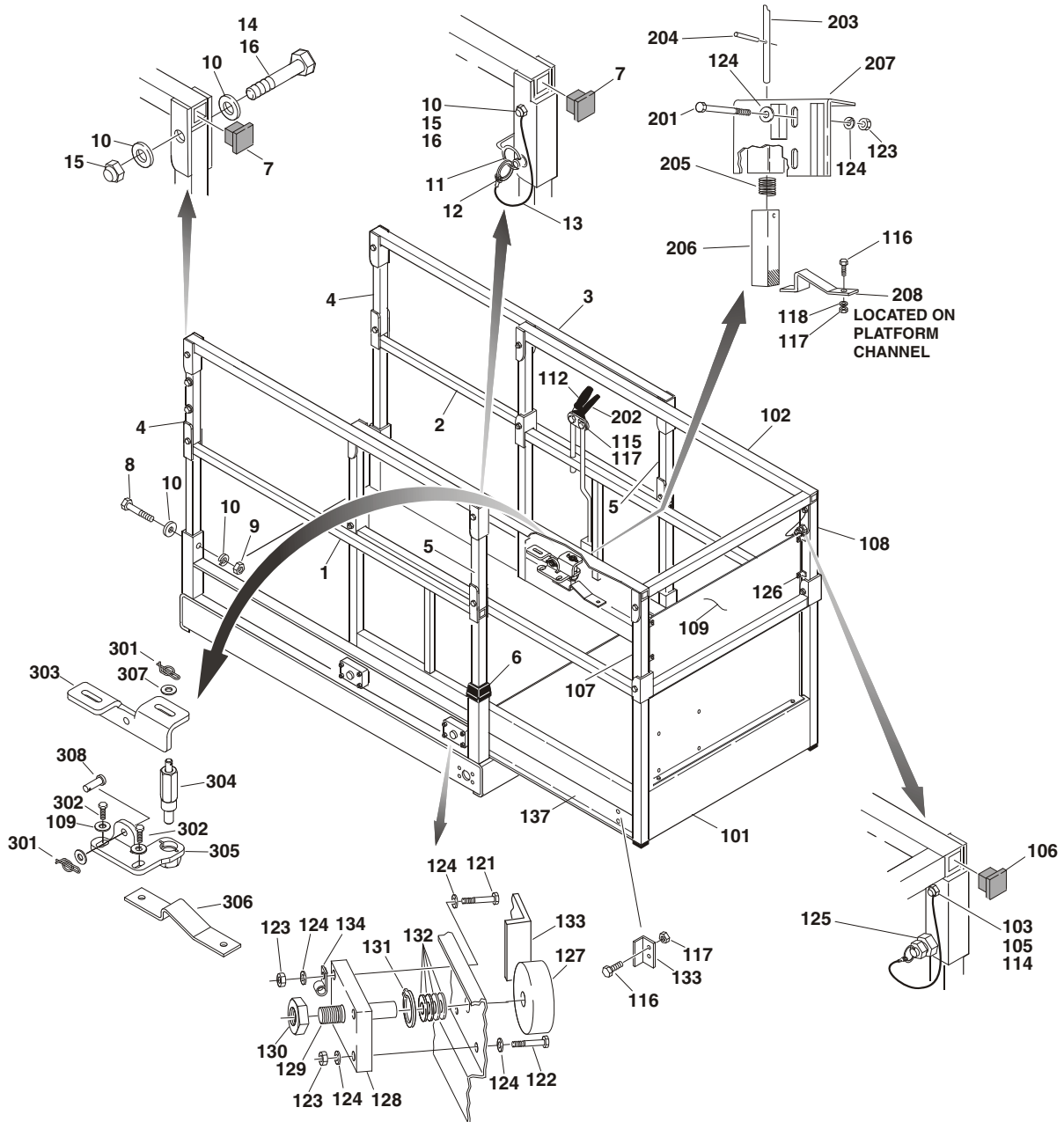
FIG & ITEM #	PART NUMBER	DESCRIPTION	QTY.	REV.
		<b>PLATFORM ACCESS (SWING GATE) INSTALLATIONS</b>	Ref.	
	0259387	<b>Swing Gate - 1532E3/1932E3</b>	Ref.	6
	0258231	<b>Swing Gate - 2033E3</b>	Ref.	8
	0258236	<b>Swing Gate - 2046E3/2646E3</b>	Ref.	9
1		Tube, Rail Options:	A/R	
	4565201	1532E3/1932E3/2033E3	1	
	4565202	2046E3	1	
2	3340612	Pad	1.5ft/.5m	
3	2080063	Fastener, Nut 1/4"-20NC	A/R	
4	4751400	Flatwasher 1/4" Wide	A/R	
5	0100011	Loctite #242	A/R	
6	3520072	Plug, Cap	A/R	
7	3911428	Screw 1/4"-20NC x 1 3/4"	A/R	
8		Bolt Options:	A/R	
	3911428	Screw 1/4"-20NC x 1 3/4"		
	0641418	Bolt 1/4"-20NC x 2 1/4"		
9	2080065	Fastener, Screw 1/4"-20NC x 2 3/4"	A/R	
10	0641608	Bolt 3/8"-16NC x 1"	A/R	
11	3311605	Locknut 3/8"-16NC	A/R	
12	4751600	Flatwasher 3/8"	A/R	
13	4845709	Weldment, Platform Access Door	1	
14	4845708	Weldment, Platform Access Rail	1	
15		Weldment, End Rail Options:	A/R	
	Not Required	1532E3/1932E3/2033E3	0	
	4845760	2046E3	2	
16		Kick Plate - Rear Options:	A/R	
	Not Required	1532E3/1932E3/2033E3	0	
	3534742	2046E3	2	
17		Fastener, Rivnut #10-32 Options:	12	
	Use 2080069	(Prior to S/N 1200000028) (Was P/N 2080047)		
	2080069	(S/N 1200000028 to Present)		
18	3900267	Screw #10-32	12	
19	4711000	Flatwasher #10	12	
20	2600253	Hinge	2	
21	4845710	Weldment, Platform Access Rail	1	
22	2940074	Latch	1	
23	3911016	Bolt #10-24NC x 1"	4	
24	3311001	Nut #10-24NC	4	
25	4751000	Flatwasher #10	4	
	2901993	Kit, Platform Access Rails - 1532E3/1932E3/ 2033E3 & 2046E3 (Includes Items 13,14 & 21)	1	
	2902002	Kit, Platform Access Rails - 2046E3 (Includes Items 15 & 16)	1	

SECTION 4 PLATFORM

# SECTION 4 PLATFORM

FIGURE 4-5. HANDRAILS AND EXTENSION INSTALLATION - FOLDDOWN HANDRAILS (MANUALLY OPERATED) (1532E3/1932E3)

SECTION 4 PLATFORM



# SECTION 4 PLATFORM

**FIGURE 4-5. HANDRAILS AND EXTENSION INSTALLATION - FOLDDOWN HANDRAILS (MANUALLY OPERATED) (1532E3/1932E3)**

FIG & ITEM #	PART NUMBER	DESCRIPTION	QTY.	REV.
	0258135	<b>HANDRAILS INSTALLATION</b>	Ref.	8
1	4846058	Rail Weldment - Mid Right Side	1	
2	4846059	Rail Weldment - Mid Left Side	1	
3	4845777	Rail Weldment - Top	2	
4	4567864	Tube, Rail - Rear Vertical	2	
5	4567863	Tube, Rail - Upper Vertical	2	
6	0840035	Boot, Rail Pocket	4	
7	3520072	Plug, Cap	4	
8	0641420	Bolt 1/4"-20NC x 2 1/2"	4	
9	3311405	Locknut 1/4"-20NC	4	
10	4751400	Flatwasher 1/4" Wide	8	
11	3421453	Pin, Snapper	2	
12	3760170	Ring	2	
13	1060379	Cable-Lanyard	2	
14	Not Used			
15	2080063	Fastener, Nut 1/4"-20NC	8	
16	3911432	Screw 1/4"-20NC x 2"	8	
	2901989	Kit, Rails (Includes Items 1 - 5)	1	
	0258102	<b>PLATFORM EXTENSION INSTALLATION</b>	Ref.	11
101	3510712	Extension Weldment	1	
102	4845779	Weldment, Extension - Top Rail	1	
103	2080063	Nut	8	
104	Not Used			
105	0100011	Loctite #242	A/R	
106	3520072	Plug, Cap	2	
107	4567867	Weldment, Extension - Vertical Right Side	1	
108	4567868	Weldment, Extension - Vertical Left Side	1	
109	3571454	Plate, Placard	1	
110	Not Used			
111	4567875	Tube, Upper Vertical Rail	2	
112	2560088	Grip Handle	1	
113	Not Used			
114	3911432	Screw 1/4"-20NC x 2"	8	
115	0641406	Bolt 1/4"-20NC x 3/4"	1	
116	0641405	Bolt 1/4"-20NC x 5/8"	A/R	
117	3311405	Locknut 1/4"-20NC	12	
118	4711400	Flatwasher	4	
119 to 120	Not Used			
121	0641512	Bolt 5/16"-18NC x 1 1/2"	1	
122	0641510	Bolt 5/16"-18NC x 1 1/4"	15	
123	3311505	Locknut 5/16"-18NC	18	
124	4751500	Flatwasher 5/16"	A/R	

**SECTION 4 PLATFORM**

# SECTION 4 PLATFORM

**FIGURE 4-5. HANDRAILS AND EXTENSION INSTALLATION - FOLDDOWN HANDRAILS (MANUALLY OPERATED) (1532E3/1932E3) (CONTINUED)**

FIG & ITEM #	PART NUMBER	DESCRIPTION	QTY.	REV.
125	3422744	Pin-Plunger Assembly	2	
126	3820019	Pop Rivets	7	
127	3860059	Roller	4	
128	3537619	Extension Roller Mounting	4	
129	3841233	Roller Support Rod	4	
130	3322202	Jam Nut 3/4"-10NF	4	
131	3760348	Snap Ring	4	
132	4752200	Flatwasher 3/4"	4	
133	0181684	Angle	4	
134	1320061	Clamp, Cable	1	
135	Not Used			
136	3020022	Lube, Lithium Grease	A/R	
		<b>PLATFORM EXTENSION LOCK INSTALLATION OPTIONS:</b>	Ref.	
	0258102	<b>Prior to S/N 1200000386</b>	Ref.	
	See Note	<b>S/N 1200000001 to S/N 1200000386</b>	Ref.	
		<b>Note: No exact S/N break exists for Lock Mechanism. S/N 1200000001 to S/N 1200000386 installations could be built with either configuration (See items 301-308)</b>	Ref.	
201	0641516	Bolt 5/16"-18NC x 2"	2	
202	2980113	Release Lever Assembly	1	
		-----		
	2901649	Extension Latch Kit	1	
203	3841394	Rod, Release	1	
204	3422723	Rollpin 1/8" x 7/8"	2	
205	4160078	Spring	1	
206	0361912	Bar, Latch	1	
207	2940061	Latch Weldment	1	
208	0901830	Bracket, Latch	2	
		<b>PLATFORM EXTENSION LOCK INSTALLATION OPTIONS:</b>	Ref.	
	See Note	<b>S/N 1200000001 to S/N 1200000386</b>	Ref.	
	0258102	<b>S/N 1200000386 to Present</b>	Ref.	
		<b>Note: No exact S/N break exists for Lock Mechanism. S/N 1200000001 to S/N 1200000386 installations could be built with either configuration (See items 201-208)</b>	Ref.	
301	3422950	Pin, 5/16" Rue Ring Stainless	2	
302	0641507	Bolt 5/16"-18NC x 7/8"	2	
303	3573073	Plate, Foot Latch Rollout	1	
304	3422949	Pin, Step Plunger Assembly	1	
305	0902750	Bracket, Latch Weldment	1	
306	0901830	Bracket, Extension Latch	2	

**SECTION 4 PLATFORM**

# SECTION 4 PLATFORM

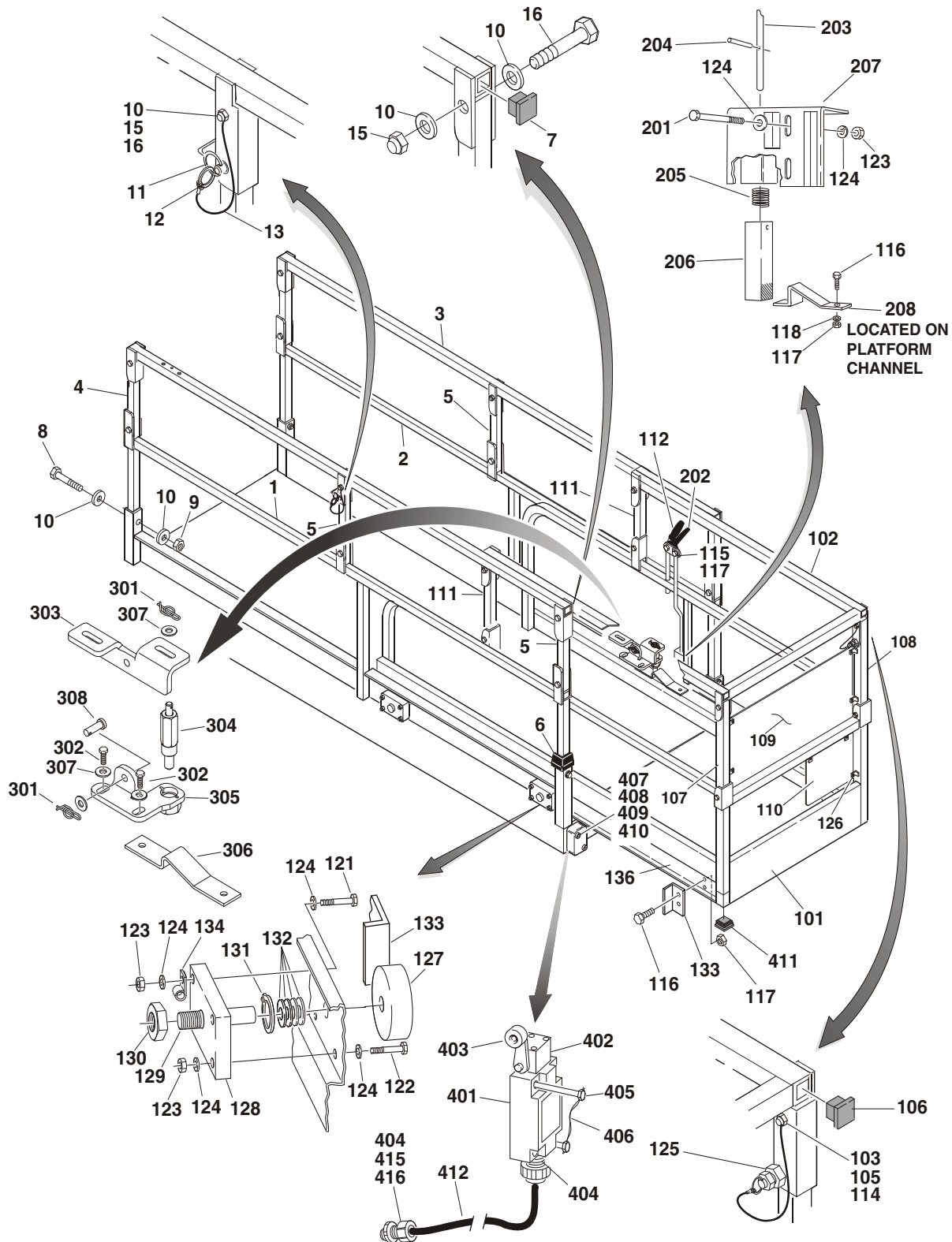
**FIGURE 4-5. HANDRAILS AND EXTENSION INSTALLATION - FOLDDOWN HANDRAILS  
(MANUALLY OPERATED) (1532E3/1932E3) (CONTINUED)**

FIG & ITEM #	PART NUMBER	DESCRIPTION	QTY.	REV.
307	4740513	Washer-spec, 1/4-20NC Stainless	1	
308	3430406	Pin, 1/4" x 3/4"	1	

SECTION 4 PLATFORM

# SECTION 4 PLATFORM

FIGURE 4-6. HANDRAILS AND EXTENSION INSTALLATION - FOLDDOWN HANDRAILS (MANUALLY OPERATED) (2033E3/2046E3/2646E3/2658E3)



SECTION 4 PLATFORM

# SECTION 4 PLATFORM

**FIGURE 4-6. HANDRAILS AND EXTENSION INSTALLATION - FOLDDOWN HANDRAILS (MANUALLY OPERATED) (2033E3/2046E3/2646E3/2658E3)**

FIG & ITEM #	PART NUMBER	DESCRIPTION	QTY.	REV.
	0258137	<b>HANDRAILS INSTALLATION</b>	Ref.	9
1	4846056	Rail Weldment - Mid Right Side	1	
2	4846057	Rail Weldment - Mid Left Side	1	
3	4845778	Rail Weldment - Top	2	
4	4846039	Tube, Rail - Rear Vertical	2	
5	4567338	Tube, Rail - Upper Vertical	4	
6	0840035	Boot, Rail Pocket	4	
7	3520072	Plug, Cap	4	
8	0641420	Bolt 1/4"-20NC x 2 1/2"	4	
9	3311405	Locknut 1/4"-20NC	4	
10	4751400	Flatwasher 1/4" Wide	8	
11	3421453	Pin, Snapper	2	
12	3760170	Ring	2	
13	1060379	Cable-Lanyard	2	
14	Not Used			
15	2080063	Fastener, Nut 1/4"-20NC	12	
16	3911430	Screw 1/4"-20NC x 1 7/8"	12	
	2901990	Kit, Rails (Includes Items 1 - 5)	1	
		<b>PLATFORM EXTENSION INSTALLATIONS</b>	Ref.	
	0258103	<b>2033E3</b>	Ref.	9
	0258104	<b>2046E3/2646E3</b>	Ref.	9
	0258105	<b>2658E3</b>	Ref.	10
101		Extension Weldment Options:	1	
	3510615	2033E3		
	3510616	2046E3/2646E3		
	3510617	2658E3		
102		Weldment, Extension - Top Rail Options:	1	
	4845721	2033E3		
	4845720	2046E3/2646E3		
	4845719	2658E3		
103	2080063	Fastener, Nut 1/4"-20NC	8	
104 to 105	Not Used			
106	3520072	Plug, Cap	2	
107	4845724	Weldment, Extension - Vertical Right Side	1	
108	4845725	Weldment, Extension - Vertical Left Side	1	
109		Plate, Placard Options:	1	
	3571600	2033E3		
	3570871	2046E3/2646E3		
	3570872	2658E3		
110	3571011	Plate, Bottom Placard	1	
111	4567338	Tube, Upper Vertical Rail	2	
112	2560088	Grip Handle	1	

**SECTION 4 PLATFORM**

# SECTION 4 PLATFORM

**FIGURE 4-6. HANDRAILS AND EXTENSION INSTALLATION - FOLDDOWN HANDRAILS (MANUALLY OPERATED) (2033E3/2046E3/2646E3/2658E3) (CONTINUED)**

FIG & ITEM #	PART NUMBER	DESCRIPTION	QTY.	REV.
113	Not Used			
114	3911432	Screw 1/4"-20NC x 2"	8	
115	0641406	Bolt 1/4"-20NC x 3/4"	1	
116	0641405	Bolt 1/4"-20NC x 5/8"	12	
117	3311405	Locknut 1/4"-20NC	12	
118	4711400	Flatwasher (Narrow)	4	
119 to 120	Not Used			
121	0641512	Bolt 5/16"-18NC x 1 1/2"	1	
122	0641510	Bolt 5/16"-18NC x 1 1/4"	15	
123	3311505	Locknut 5/16"-18NC	18	
124	4751500	Flatwasher 5/16"	20	
125		Pin-Plunger Assembly	2	
	3422744	2033E3		
	3422369	2046E3/2646E3/2658E3		
126	3820019	Pop Rivets	7	
127	3860091	Roller	4	
128	3537619	Extension Roller Mounting	4	
129	3841233	Roller Support Rod	4	
130	3322202	Jam Nut 3/4"-10NF	4	
131	3760348	Snap Ring	4	
132	4752200	Flatwasher 3/4"	4	
133	0181684	Angle	4	
134 to 135	Not Used			
136	3020022	Grease, Lithium	A/R	
		<b>PLATFORM EXTENSION LOCK INSTALLATION OPTIONS:</b>	Ref.	
	0258103	<b>2033E3 (Prior to S/N 1200000386)</b>	Ref.	
	See Note	<b>2033E3 (S/N 1200000001 to S/N 1200000386)</b>	Ref.	
	0258104	<b>2046E3/2646E3 (Prior to S/N 1200000386)</b>	Ref.	
	See Note	<b>2046E3/2646E3 (S/N 1200000001 to S/N 1200000386)</b>	Ref.	
	0258105	<b>2658E3 (Prior to S/N 1200000386)</b>	Ref.	
	See Note	<b>2658E3 (S/N 1200000001 to S/N 1200000386)</b>	Ref.	
		<b>Note: No exact S/N break exists for Lock Mechanism. S/N 1200000001 to S/N 1200000386 installations could be built with either configuration (See items 301-308)</b>	Ref.	
201	0641516	Bolt 5/16"-18NC x 2"	2	
202	2980113	Release Lever Assembly	1	
		-----		
	2901649	Extension Latch Kit	Ref.	2
203	3841394	Rod, Release	1	
204	3422723	Rollpin 1/8" x 7/8"	2	
205	4160078	Spring	1	
206	0361912	Bar, Latch	1	
207	2940061	Latch Weldment	1	

**SECTION 4 PLATFORM**



# SECTION 4 PLATFORM

**FIGURE 4-6. HANDRAILS AND EXTENSION INSTALLATION - FOLDDOWN HANDRAILS (MANUALLY OPERATED) (2033E3/2046E3/2646E3/2658E3) (CONTINUED)**

FIG & ITEM #	PART NUMBER	DESCRIPTION	QTY.	REV.
208	0901830	Bracket, Latch	2	
		<b>PLATFORM EXTENSION LOCK INSTALLATION OPTIONS:</b>	Ref.	
	See Note	<b>2033E3 (S/N 1200000001 to S/N 1200000386)</b>	Ref.	
	0258103	<b>2033E3 (S/N 1200000386 to Present)</b>	Ref.	
	See Note	<b>2046E3/2646E3 (S/N 1200000001 to S/N 1200000386)</b>	Ref.	
	0258104	<b>2046E3/2646E3 (S/N 0200108196 to Present)</b>	Ref.	
	See Note	<b>2658E3 (S/N 1200000001 to S/N 1200000386)</b>	Ref.	
	0258105	<b>2658E3 (S/N 1200000386 to Present)</b>	Ref.	
		<b>Note: No exact S/N break exists for Lock Mechanism. S/N 1200000001 to S/N 1200000386 installations could be built with either configuration (See items 201-208)</b>	Ref.	
301	3422950	Pin, 5/16" Rue Ring Stainless	2	
302	0641507	Bolt 5/16"-18NC x 7/8"	2	
303	3573073	Plate, Foot Latch Rollout	1	
304	3422949	Pin, Step Plunger Assembly	1	
305	0902750	Bracket, Latch Weldment	1	
306	0901830	Bracket, Extension Latch	2	
307	4740513	Washer-spec, 1/4-20NC Stainless	1	
308	3430406	Pin, 1/4" x 3/4"	1	
		<b>OPTIONAL PLATFORM EXTENSION LIMIT SWITCHES INSTALLATIONS</b>	Ref.	
	0256664	<b>2033E3/2046E3</b>	Ref.	—
	0256668	<b>2646E3/2658E3</b>	Ref.	2
401	4360277	Switch, Limit	1	
402	4360236	Actuator, Switch	1	
403	4360278	Roller and Arm	1	
404	4460052	Connector, Strain Relief	2	
405	3900168	Screw, Special	2	
406	4920140	Lockwire	2	
407	3534995	Plate, Mounting	1	
408	3931416	Bolt, Socket Head 1/4"-20NC x 1"	2	
409	3311401	Nut 1/4"-20NC	2	
410	4761400	Lockwasher 1/4"	2	
411	3520052	Plug, Cap	1	
412	1060341	Cable Options: 2033E3/2046E3 2646E3/2658E3	46ft/14.02m 54ft/16.46m	
413	4460320	Plug (Not Shown)	1	
414	Not Used			
415	0960239	Bushing	1	
416	3300047	Locknut	1	

SECTION 4 PLATFORM

# SECTION 4 PLATFORM

FIGURE 4-6. HANDRAILS AND EXTENSION INSTALLATION - FOLDDOWN HANDRAILS (MANUALLY OPERATED) (2033E3/2046E3/2646E3/2658E3) (CONTINUED)

FIG & ITEM #	PART NUMBER	DESCRIPTION	QTY.	REV.

**S  
E  
C  
T  
I  
O  
N  
  
4  
  
P  
L  
A  
T  
F  
O  
R  
M**

# SECTION 4 PLATFORM

FIGURE 4-6. HANDRAILS AND EXTENSION INSTALLATION - FOLDDOWN HANDRAILS (MANUALLY OPERATED) (2033E3/2046E3/2646E3/2658E3) (CONTINUED)

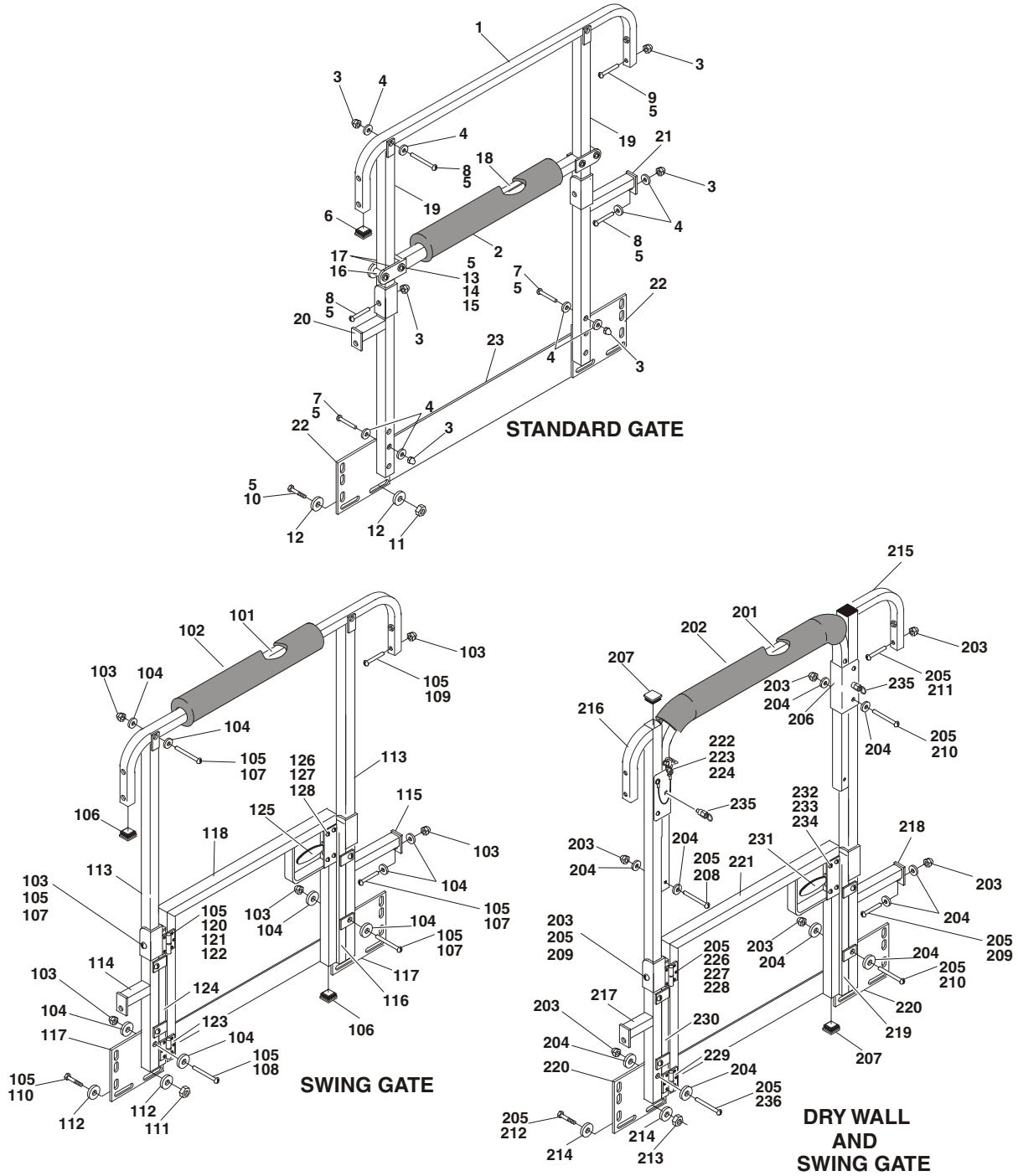
FIG & ITEM #	PART NUMBER	DESCRIPTION	QTY.	REV.

**S  
E  
C  
T  
I  
O  
N  
  
4  
  
P  
L  
A  
T  
F  
O  
R  
M**

# SECTION 4 PLATFORM

## FIGURE 4-7.PLATFORM ACCESS INSTALLATION - FOLDDOWN HANDRAILS (MANUALLY OPERATED)

SECTION 4 PLATFORM



# SECTION 4 PLATFORM

**FIGURE 4-7. PLATFORM ACCESS INSTALLATION - FOLDDOWN HANDRAILS (MANUALLY OPERATED)**

FIG & ITEM #	PART NUMBER	DESCRIPTION	QTY.	REV.
		<b>PLATFORM ACCESS (STANDARD GATE) INSTALLATIONS</b>	Ref.	
	0258233	<b>Standard Gate - 1532E3/1932E3/2033E3</b>	Ref.	4
	0258239	<b>Standard Gate - 2046E3/2646E3</b>	Ref.	9
	0258244	<b>Standard Gate - 2658E3</b>	Ref.	10
1		Tube, Rail Options:	1	
	4565201	1532E3/1932E3/2033E3		
	4565202	2046E3/2646E3		
	4565203	2658E3		
2	3340612	Pad	1.5ft/.5m	
3	2080063	Fastener, Nut 1/4"-20NC	A/R	
4	4751400	Flatwasher 1/4" Wide	A/R	
5	Not Used			
6	3520072	Plug, Cap	A/R	
7	0641418	Screw 1/4"-20NC x 2 1/4"	A/R	
8	3911428	Bolt 1/4"-20NC x 1 3/4"	A/R	
9	2080065	Fastener, Screw 1/4"-20NC x 2 3/4"	A/R	
10	0641608	Bolt 3/8"-16NC x 1"	A/R	
11	3311605	Locknut 3/8"-16NC	A/R	
12	4751600	Flatwasher 3/8"	A/R	
13	3911036	Screw #10-24NC x 2 1/4"	A/R	
14	3311005	Locknut #10-24NC	A/R	
15	4751000	Flatwasher #10	A/R	
16	0961833	Roller	A/R	
17	4420055	Tape	A/R	
18	3640614	Gate, Lift	1	
19		Weldment, Rear Vertical Options:	A/R	
	Not Required	1532E3/1932E3/2033E3	0	
	4845741	2046E3/2646E3/2658E3	1	
20		Weldment, Bottom Right Side Options:	A/R	
	Not Required	1532E3/1932E3/2033E3	0	
	4845843	2046E3/2646E3	1	
	4845734	2658E3	1	
21		Weldment, Bottom Left Side Options:	A/R	
	Not Required	1532E3/1932E3/2033E3	0	
	4845845	2046E3/2646E3	1	
	4845736	2658E3	1	
22		Kick Plate - Rear Options:	A/R	
	Not Required	1532E3/1932E3/2033E3	0	
	3534742	2046E3/2646E3	2	
	3534743	2658E3	2	
23	3533370	Kick Plate - Rear Center	1	
		-----		
	2902004	Kit, Platform Access Rails - 2046E3/2646E3 (Includes Items 19 - 23)	1	
	2902006	Kit, Platform Access Rails - 2658E3 (Includes Items 19 - 23)	1	

SECTION 4 PLATFORM

# SECTION 4 PLATFORM

**FIGURE 4-7. PLATFORM ACCESS INSTALLATION - FOLDDOWN HANDRAILS (MANUALLY OPERATED) (CONTINUED)**

FIG & ITEM #	PART NUMBER	DESCRIPTION	QTY.	REV.
		<b>PLATFORM ACCESS (SWING GATE) INSTALLATIONS</b>	Ref.	
	0259388	<b>Swing Gate - 1532E3/1932E3</b>	Ref.	6
	0258231	<b>Swing Gate - 2033E3</b>	Ref.	8
	0258241	<b>Swing Gate - 2046E3/2646E3</b>	Ref.	9
	0258246	<b>Swing Gate - 2658E3</b>	Ref.	8
101		Tube, Rail Options:	1	
	4565285	1532E3/1932E3		
	4565201	2033E3		
	4565202	2046E3		
	4565203	2658E3		
102	3340612	Pad	1.5ft/.5m	
103	2080063	Fastener, Nut 1/4"-20NC	A/R	
104	4751400	Flatwasher 1/4" Wide	A/R	
105	0100011	Loctite #242	A/R	
106	3520072	Plug, Cap	2	
107	3911428	Screw 1/4"-20NC x 1 3/4"	A/R	
108	0641418	Screw 1/4"-20NC x 2 1/4"	A/R	
109	2080065	Fastener, Screw 1/4"-20NC x 2 3/4"	A/R	
110	0641608	Bolt 3/8"-16NC x 1"	A/R	
111	3311605	Locknut 3/8"-16NC	A/R	
112	4751600	Flatwasher 3/8"	A/R	
113	4845741	Weldment, Rear Vertical	A/R	
114		Weldment, Bottom Right Side Options:	A/R	
	Not Required	1532E3/1932E3/2033E3	0	
	4845843	2046E3/2646E3	1	
	4845734	2658E3	1	
115		Weldment, Bottom Left Side Options:	A/R	
	Not Required	1532E3/1932E3/2033E3	0	
	4845845	2046E3/2646E3	1	
	4845736	2658E3	1	
116	4845708	Weldment, Platform Access Rail	1	
117		Kick Plate - Rear	A/R	
	Not Required	1532E3/1932E3/2033E3	0	
	3534742	2046E3/2646E3	2	
	3534743	2658E3	2	
118	4845709	Weldment, Platform Access Door	1	
119	Not Used			
120		Fastener, Rivnut #10-32 Options:	12	
	Use 2080069	(Prior to S/N 1200000028) (Was P/N 2080047)		
	2080069	(S/N 1200000028 to Present)		
121	3900267	Screw #10-32	12	
122	4711000	Flatwasher #10	12	
123	2600253	Hinge	2	
124	4845710	Weldment, Platform Access Rail	1	
125	2940074	Latch	1	
126	3911016	Bolt #10-24NC x 1"	4	

**SECTION 4 PLATFORM**

# SECTION 4 PLATFORM

**FIGURE 4-7. PLATFORM ACCESS INSTALLATION - FOLDDOWN HANDRAILS (MANUALLY OPERATED) (CONTINUED)**

FIG & ITEM #	PART NUMBER	DESCRIPTION	QTY.	REV.
127	3311001	Nut #10-24NC	4	
128	4751000	Flatwasher #10	4	
	2901993	Kit, Platform Access Rails - 1532E3/1932E3/2033E3/ 2046E3/2646E3/2658E3 (Includes Items 116,118 & 124)	1	
	2902009	Kit, Platform Access Rails - 2046E3/2646E3 (Includes Items 113,114,115 & 117)	1	
	2902010	Kit, Platform Access Rails - 2658E3 (Includes Items 113,114,115 & 117)	1	
		<b>PLATFORM ACCESS (DRY WALL AND SWING GATE) INSTALLATIONS</b>	Ref.	
	0259260	<b>Dry Wall And Swing Gate - 1532E3/1932E3</b>	Ref.	6
	0258232	<b>Dry Wall And Swing Gate - 1532E3/1932E3/2033E3</b>	Ref.	8
	0258242	<b>Dry Wall And Swing Gate - 2046E3/2646E3</b>	Ref.	8
	0258247	<b>Dry Wall And Swing Gate - 2658E3</b>	Ref.	9
201		Tube, Dry Wall Gate Options:	1	
	4567896	1532E3/1932E3		
	4567894	2033E3		
	4567883	2046E3/2646E3/2658E3		
202	3340612	Pad	1.5ft/.5m	
203	2080063	Fastener, Nut 1/4"-20NC	A/R	
204	4751400	Flatwasher 1/4" Wide	A/R	
205	0100011	Loctite #242	A/R	
206		Channel, Dry Wall Gate Options:	2	
	4846013	1532E3/1932E3		
	4846012	2033E3		
	4845829	2046E3/2646E3/2658E3		
207	3520072	Plug, Cap	A/R	
208	3911424	Bolt 1/4"-20NC x 1 1/2"	3	
209	3911428	Screw 1/4"-20NC x 1 3/4"	A/R	
210	3911432	Screw 1/4"-20NC x 2"	A/R	
211	2080065	Fastener, Screw 1/4"-20NC x 2 3/4"	A/R	
212	0641608	Bolt 3/8"-16NC x 1"	A/R	
213	3311605	Locknut 3/8"-16NC	A/R	
214	4751600	Flatwasher 3/8"	A/R	
215		Weldment, Top Rear Left Side Options:	A/R	
	Not Required	1532E3/1932E3/2033E3	0	
	4845735	2046E3/2646E3	1	
	4845793	2658E3	1	
216		Weldment, Top Rear Right Side Options:	A/R	
	Not Required	1532E3/1932E3/2033E3	0	
	4845792	2046E3/2646E3	1	
	4845733	2658E3	1	

**SECTION 4 PLATFORM**

# SECTION 4 PLATFORM

**FIGURE 4-7. PLATFORM ACCESS INSTALLATION - FOLDDOWN HANDRAILS (MANUALLY OPERATED) (CONTINUED)**

FIG & ITEM #	PART NUMBER	DESCRIPTION	QTY.	REV.
217		Weldment, Bottom Right Side Options:	A/R	
	Not Required	1532E3/1932E3/2033E3	0	
	4845843	2046E3/2646E3	1	
	4845734	2658E3	1	
218		Weldment, Bottom Left Side Options:	A/R	
	Not Required	1532E3/1932E3/2033E3	0	
	4845845	2046E3/2646E3	1	
	4845736	2658E3	1	
219	4845708	Weldment, Platform Access Rail	1	
220		Kick Plate - Rear	A/R	
	Not Required	1532E3/1932E3/2033E3	0	
	3534742	2046E3/2646E3	1	
221	4845709	Weldment, Platform Access Door	1	
222	Not Used			
223	Not Used			
224	Not Used			
225	Not Used			
226		Fastener, Rivnut #10-32 Options:	12	
	Use 2080069	(Prior to S/N 1200000028) (Was P/N 2080047)		
	2080069	(S/N 1200000028 to Present)		
227	3900267	Screw #10-32	12	
228	4711000	Flatwasher #10	12	
229	2600253	Hinge	2	
230	4845710	Weldment, Platform Access Rail	1	
231	2940074	Latch	1	
232	3911016	Bolt #10-24NC x 1"	4	
233	3311001	Nut #10-24NC	4	
234	4751000	Flatwasher #10	4	
235	3422369	Pin, Plunger	2	
236	0641418	Bolt 1/4"-20NC x 2 1/4"	A/R	
		-----		
	2901993	Kit, Platform Access Rails - 1532E3/1932E3/2033E3/ 2046E3/2646E3/2658E3 (Includes Items 219,220 & 230)	1	
	2902011	Kit, Platform Access Rails - 2046E3/2646E3 (Includes Items 215,216,217,218, & 220)	1	
	2902012	Kit, Platform Access Rails - 2658E3 (Includes Items 215,216,217,218, & 220)	1	

**SECTION 4 PLATFORM**



# SECTION 4 PLATFORM

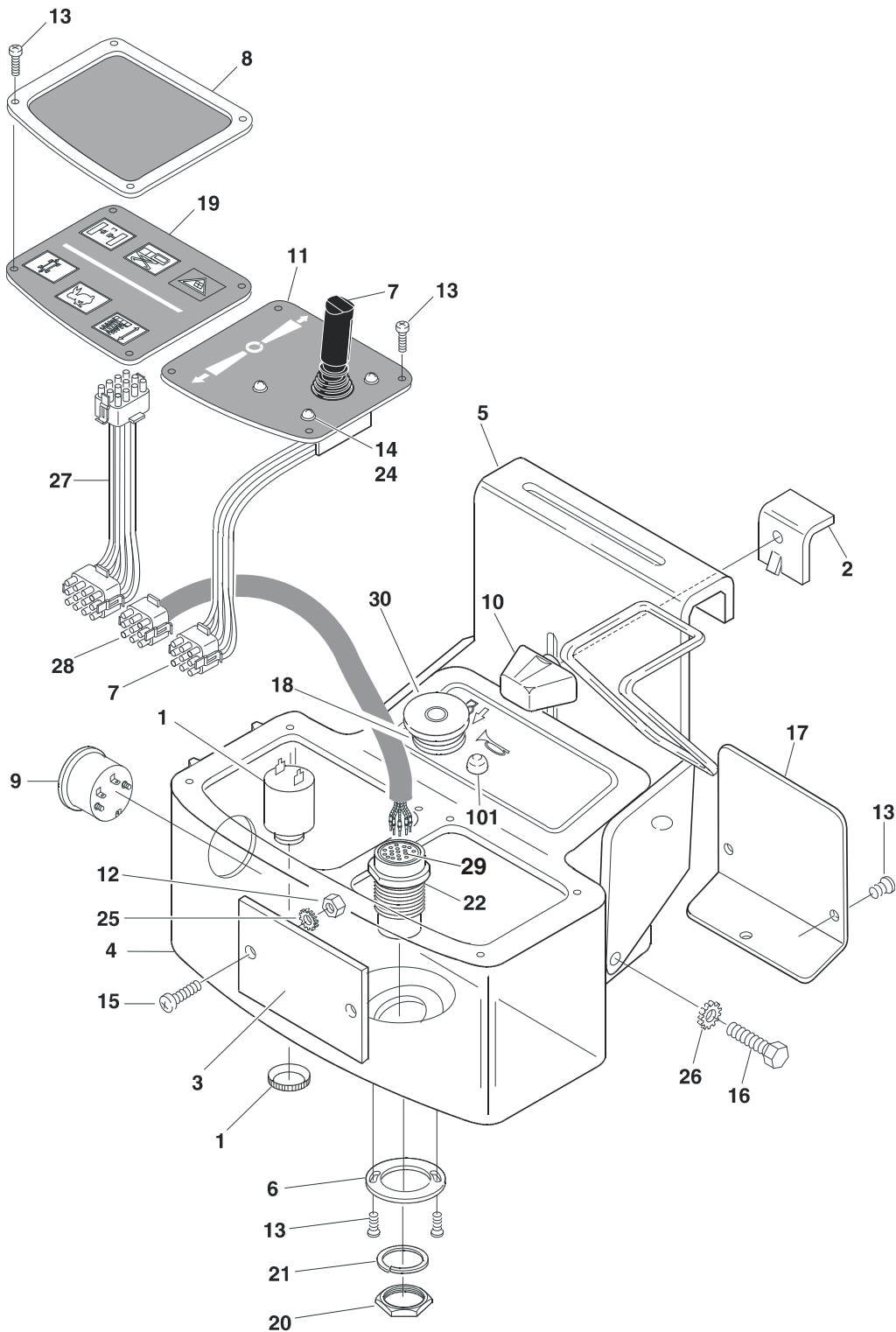
FIGURE 4-7. PLATFORM ACCESS INSTALLATION - FOLDDOWN HANDRAILS (MANUALLY OPERATED) (CONTINUED)

FIG & ITEM #	PART NUMBER	DESCRIPTION	QTY.	REV.

**S  
E  
C  
T  
I  
O  
N  
  
4  
  
P  
L  
A  
T  
F  
O  
R  
M**

# SECTION 4 PLATFORM

FIGURE 4-8.PLATFORM CONSOLE BOX ASSEMBLY



SECTION 4 PLATFORM

# SECTION 4 PLATFORM

**FIGURE 4-8. PLATFORM CONSOLE BOX ASSEMBLY**

FIG & ITEM #	PART NUMBER	DESCRIPTION	QTY.	REV.
		<b>CONSOLE BOX ASSEMBLY OPTIONS:</b>	Ref.	
	0258111	<b>Console Box With Battery Indicator and W/Tilt</b>	Ref.	I
1	0140011	Alarm (W/Tilt Light Only)	1	
2	0181847	Angle, Latch	1	
3	0610123	Card, Circuit	1	
4	0861256	Box, Platform With Battery Indication and Tilt Light	1	
5	0902485	Hanger, Bracket	1	
6	0902499	Bracket	1	
7	1600282	Controller Assembly (See Figure 4-9 for Breakdown)	1	
8	1670869	Cover, Bezel	1	
9		Gauge, Battery Indicator	1	
		(W/Battery Indicator Only) Options:		
	Use 2420201	(Prior to S/N 1200000886) (Was P/N 2420176)		
	2420201	(S/N 1200000886 to Present)		
10	2560141	Thumbscrew	1	
11	3252610	Lid, Nameplate	1	
12	3310601	Nut #6-32	2	
13	3900265	Self Tapping #8-18 x 3/4"	13	
14	3900178	Screw, Plastite #10-32 x 1/2"	4	
15	3900226	Screw, Plastite #8 x 1/2"	2	
16	0641404	Bolt 1/4"-20NC x 1/2"	4	
17	4060976	Shield, Back Cover	1	
18	4360475	Switch, Push-Pull (Emergency Stop)	1	
	7020175	Cap	1	
	7020176	Block, Contact	1	
19	4360453	Switch, Keypad		
20	4460470	Nut, Terminal	1	
21	4460471	Lockwasher, Terminal	1	
22	4460613	Connector	1	
23	Not Used		1	
24	4740120	Washer, Nylon	4	
25	4760600	Lockwasher #6	2	
26	4761400	Lockwasher 1/4"	4	
27	4922183	Harness - Membrane Pad (See Section 7 for Breakdown)	1	
28	4922184	Harness - Platform Control Box (See Section 7 for Breakdown)	1	
29	4460466	Seal, Terminal	7	
30	1704260	Decal - EMS	1	
	0259217	<b>HORN COMPONENTS INSTALLATION</b>	Ref.	2
101	4360387	Switch, Push Button	1	

**SECTION 4 PLATFORM**

# SECTION 4 PLATFORM

FIGURE 4-8. PLATFORM CONSOLE BOX ASSEMBLY (CONTINUED)

FIG & ITEM #	PART NUMBER	DESCRIPTION	QTY.	REV.
		PERIMETER SWITCH INSTALLATIONS OPTIONAL (NOT SHOWN)	Ref.	
	0272788	1532E3/1932E3	Ref.	1
	0259684	2033E3/2046E3	Ref.	3
	0259685	2646E3/2658E3	Ref.	4
	4360387	Switch, Push Button	1	
	4460662	Connector, Strain Relief	1	
	3820014	Pop Rivet 1/8	2	
	3251596	Decal - Proximity	1	
	4460424	Connector - 2 Position	1	
	4460320	Connector - 2 Pin	1	
	4460267	Pin	2	
	4460268	Socket, Female	2	

SECTION 4 PLATFORM

# SECTION 4 PLATFORM

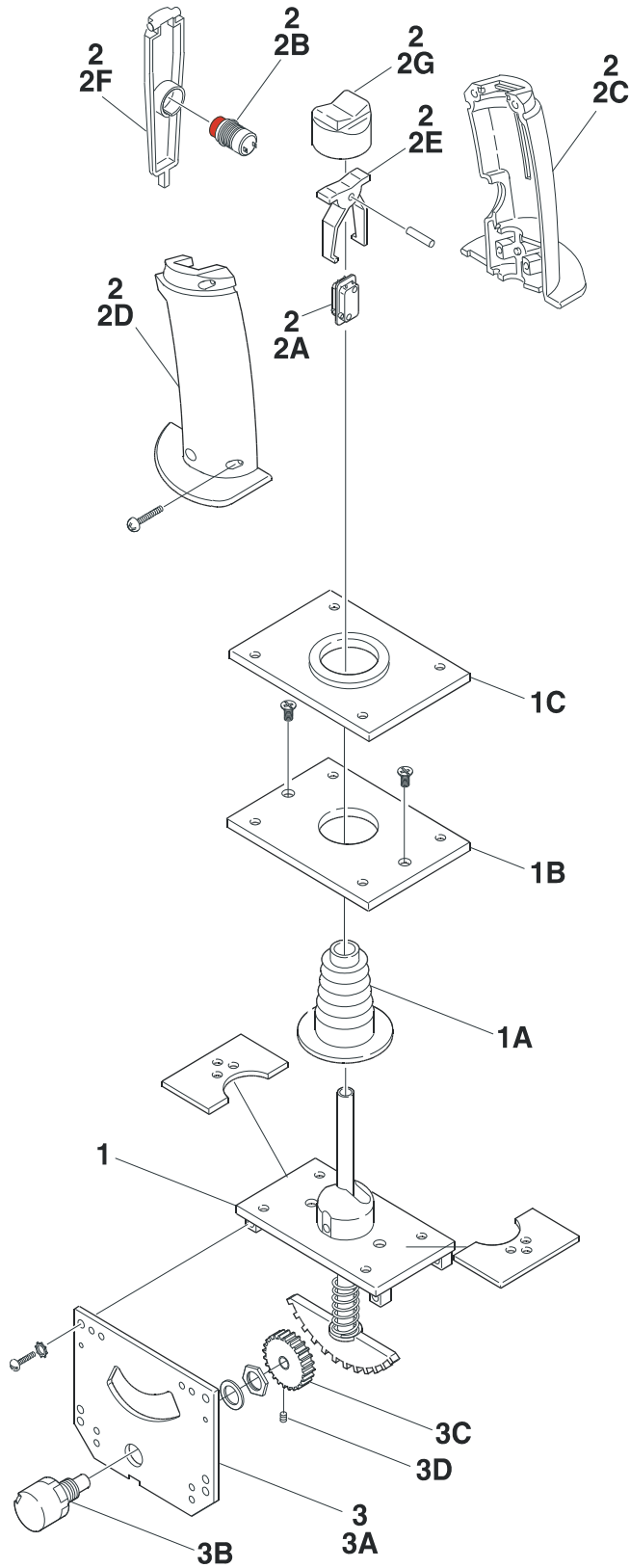
FIGURE 4-8. PLATFORM CONSOLE BOX ASSEMBLY (CONTINUED)

FIG & ITEM #	PART NUMBER	DESCRIPTION	QTY.	REV.

**S  
E  
C  
T  
I  
O  
N  
  
4  
  
P  
L  
A  
T  
F  
O  
R  
M**

# SECTION 4 PLATFORM

FIGURE 4-9. CONTROLLER ASSEMBLY - PQ



# SECTION 4 PLATFORM

**FIGURE 4-9. CONTROLLER ASSEMBLY - PQ**

FIG & ITEM #	PART NUMBER	DESCRIPTION	QTY.	REV.
	1600282	<b>CONTROLLER ASSEMBLY</b>	Ref.	B
1	7020503	Handle/Housing Assembly	1	
1A	Use 7020520	Boot (was p/n 7003778)	1	
1B	7020504	Plate, Mounting	1	
1C	7020502	Gasket	1	
2	7011991	Grip Assembly	1	
2A	7011992	Switch Assembly	1	
2B	7020501	Switch, Push Button - Red	1	
2C	Use 7020541	Grip - Right Half (was p/n 7011993 & p/n 7020531)	1	
2D	Use 7020541	Grip - Left Half (was p/n 7011994 & p/n 7020532)	1	
		<b>Note: p/n 7020541 Includes Items 2C &amp; 2D With a JLG Logo.</b>	Ref.	
2E	7003791	Actuator, Switch	1	
2F	7011997	Trigger	1	
2G	7003790	Cap, Rubber	1	
3	7020508	Electrical Assembly	1	
	4460265	Connector, Receptacle - 9 Pin (Not Shown)	1	
	4460268	Socket (Not Shown)	8	
	4460424	Connector - 2 Position (Not Shown)	1	
3A	7020509	Plate, Mounting - Potentiometer	1	
3B	7020510	Potentiometer	1	
3C	7011940	Gear, Pinion	1	
3D	7020511	Setscrew #6-32 x 1/8"	1	
4	7020540	Resistor, 510 ohm (Not Shown)	2	

# SECTION 4 PLATFORM

FIGURE 4-9. CONTROLLER ASSEMBLY - PQ (CONTINUED)

FIG & ITEM #	PART NUMBER	DESCRIPTION	QTY.	REV.

**S  
E  
C  
T  
I  
O  
N  
  
4  
  
P  
L  
A  
T  
F  
O  
R  
M**



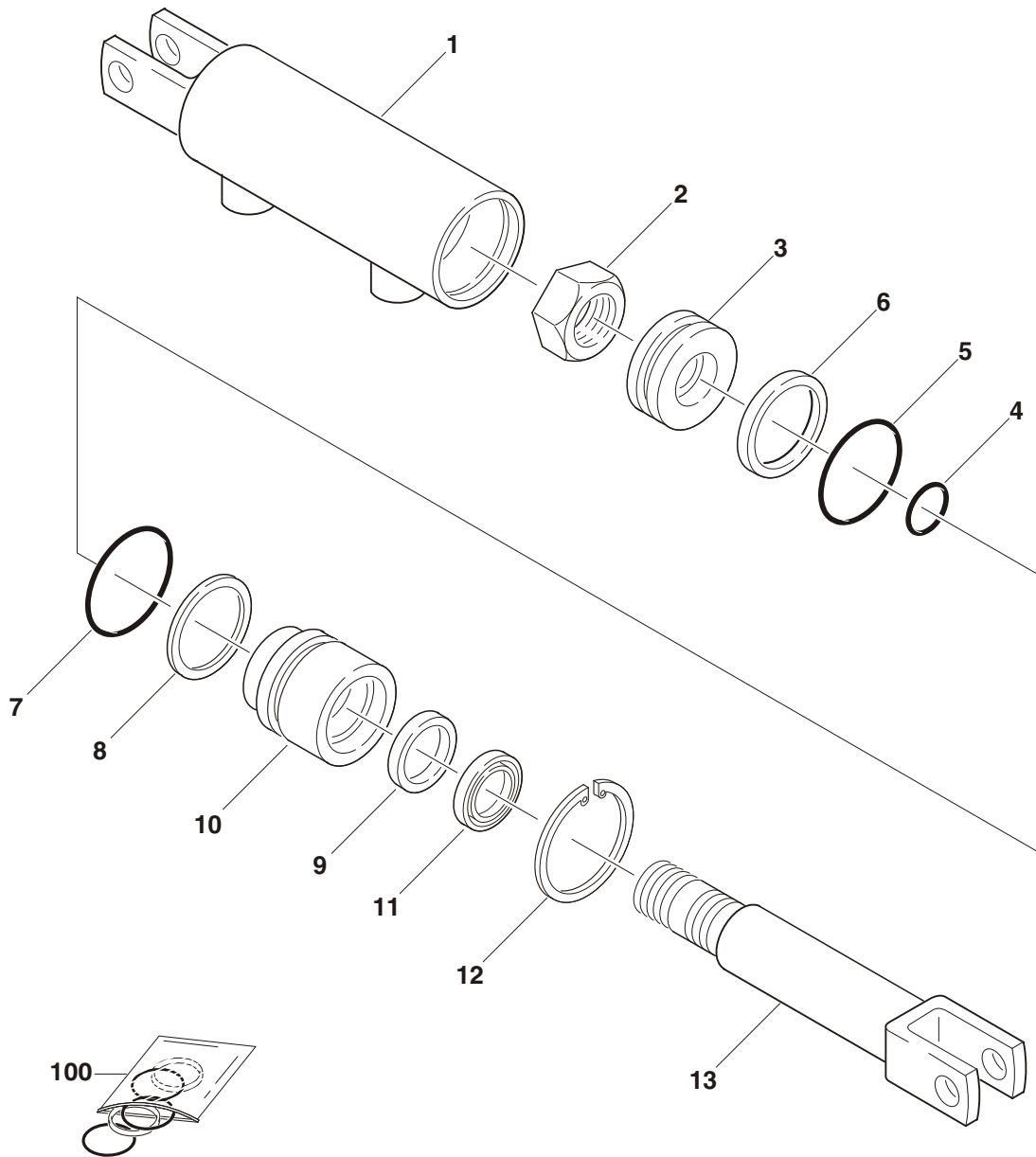
# SECTION 5 CYLINDER

## TABLE OF CONTENTS

FIGURE	DESCRIPTION	PAGE
5-1	BRAKE CYLINDER ASSEMBLY.....	5-2
5-2	LIFT CYLINDER COMPONENTS ASSEMBLY 1532E3/1932E3 .....	5-4
5-3	LIFT CYLINDER COMPONENTS ASSEMBLY 2033E3/2046E3 .....	5-6
5-4	LIFT CYLINDER COMPONENTS ASSEMBLY 2646E3/2658E3 .....	5-8
5-5	STEER CYLINDER ASSEMBLY (PRIOR TO S/N 1200000174) .....	5-10
5-6	STEER CYLINDER ASSEMBLY (S/N 1200000174 TO PRESENT).....	5-12

# SECTION 5 CYLINDER

FIGURE 5-1. BRAKE CYLINDER ASSEMBLY



SECTION 5 CYLINDER

# SECTION 5 CYLINDER

**FIGURE 5-1. BRAKE CYLINDER ASSEMBLY**

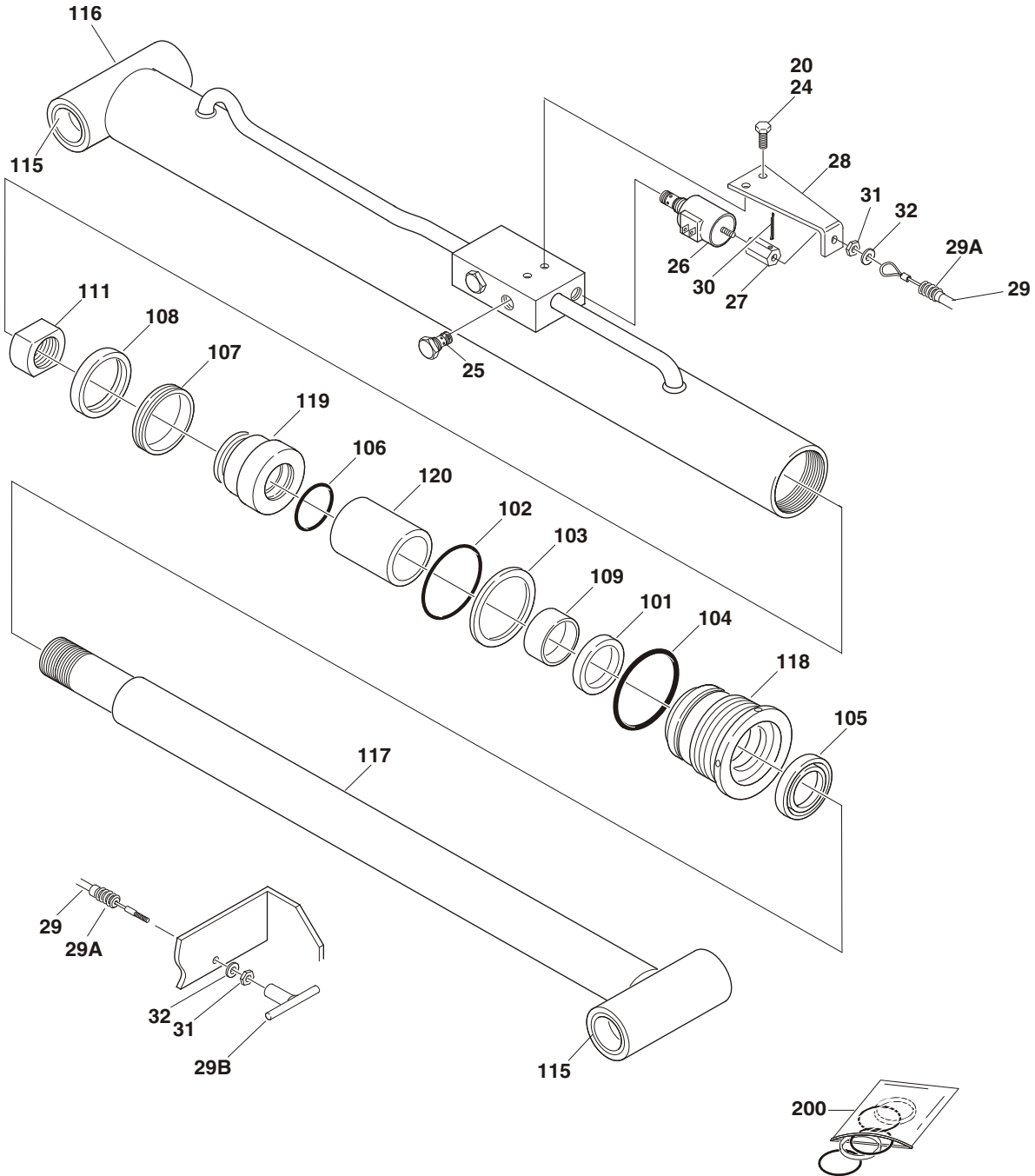
FIG & ITEM #	PART NUMBER	DESCRIPTION	QTY.	REV.
	1683833	<b>BRAKE CYLINDER ASSEMBLY</b>	Ref	B
1	Not Serviced	Barrel	1	
2	7001609	Locknut	1	
3	7017220	Piston	1	
4	Use Item 100	O-Ring	1	
5	Use Item 100	O-Ring	1	
6	Use Item 100	Ring, Piston	1	
7	Use Item 100	O-Ring	1	
8	Use Item 100	Ring, Back-up	1	
9	Use Item 100	Seal	1	
10	7017221	Guide	1	
11	Use Item 100	Ring, Wiper	1	
12	7017264	Ring, Retainer	1	
13	7017222	Rod	1	
		<b>KIT OPTIONS:</b>	Ref.	
100	7017262	Seal Kit (Includes Items 4-9 & 11)	1	

SECTION 5 CYLINDER

# SECTION 5 CYLINDER

FIGURE 5-2.LIFT CYLINDER COMPONENTS ASSEMBLY 1532E3/1932E3

SECTION  
5  
CYLINDER



# SECTION 5 CYLINDER

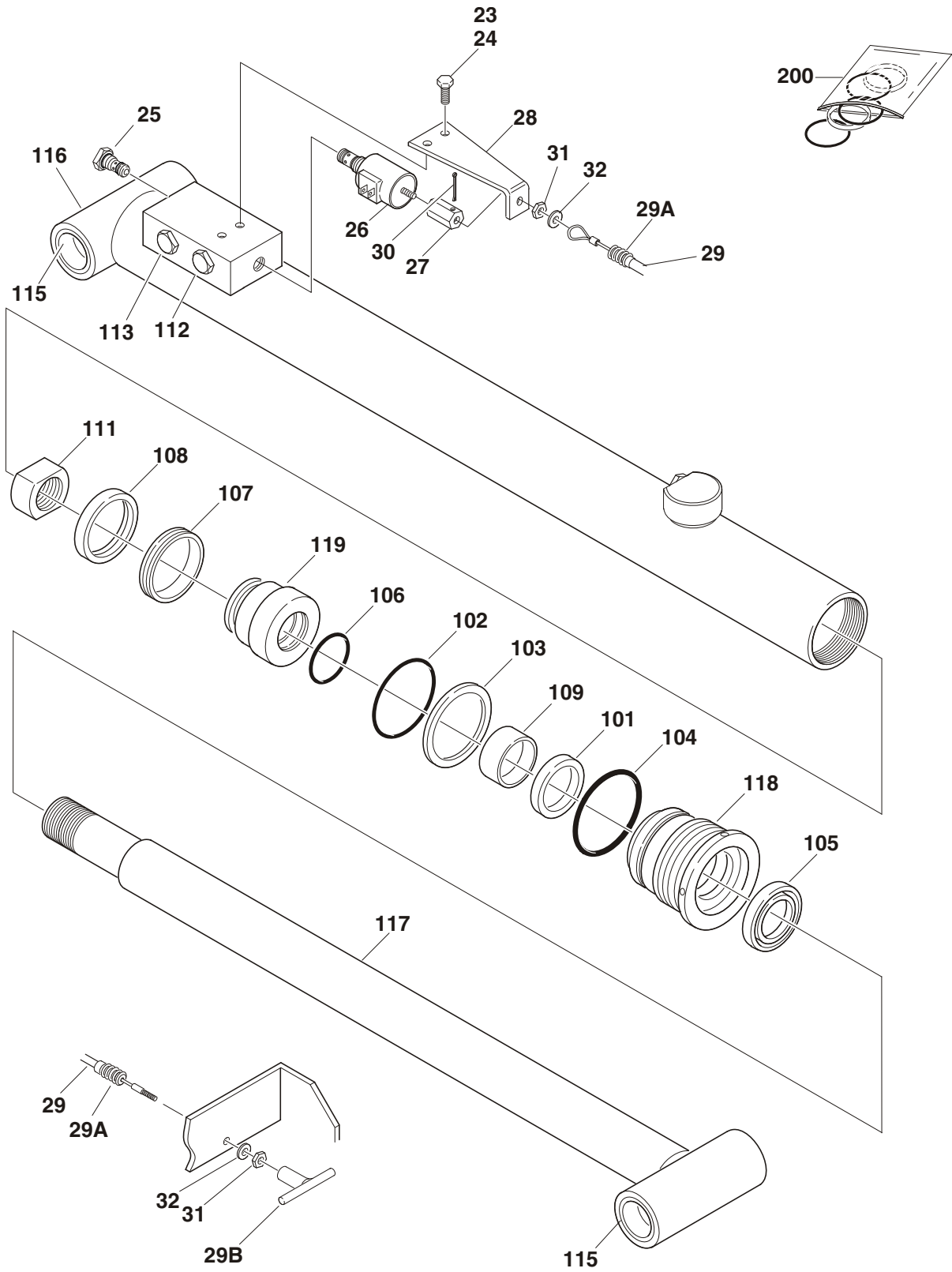
**FIGURE 5-2. LIFT CYLINDER COMPONENTS ASSEMBLY 1532E3/1932E3**

FIG & ITEM #	PART NUMBER	DESCRIPTION	QTY.	REV.
		<b>LIFT CYLINDER SUB-ASSEMBLIES</b>	Ref.	
	0258173	<b>1532E3</b>	Ref	7/G
	0258174	<b>1932E3</b>	Ref	6/G
1 to 19	Not Used			
20	0641506	Bolt 5/16"-18NC x 3/4"	2	
21 to 23	Not Used			
24	0100011	Loctite #242	A/R	
25	4641012	Cartridge, Valve (Restrictor/Check)	1	
	7012953	Seal Kit	1	
26	4641001	Cartridge, Valve (with Manual Descent)	1	
	7017445	Cartridge	1	
	7017444	Coil	1	
	7012967	Seal Kit	1	
27	0080228	Adapter	1	
28	0902421	Bracket	1	
29	1060700	Cable Assembly	1	
29A		Bellows Kit	1	
29B		T-Handle	1	
30	3450405	Cotter Pin	1	
31	3321402	Jam Nut 1/4"-28NF	2	
32	4711400	Flatwasher 1/4"	2	
	1683500	<b>LIFT CYLINDER ASSEMBLY</b>	Ref	D
101	Use Item 200	Seal	1	
102	Use Item 200	O-Ring	1	
103	Use Item 200	Ring, Back-Up	1	
104	Use Item 200	O-Ring	1	
105	Use Item 200	Wiper	1	
106	Use Item 200	O-Ring	1	
107	Use Item 200	Seal	1	
108	Use Item 200	Ring, Lock	1	
109	Use Item 200	Ring, Wear	1	
110	Not Used			
111	7017367	Locknut	1	
112 to 114	Not Used			
115	0962012	Bushing	4	
116	7019801	Tube Assembly	1	
117	7019800	Rod Assembly	1	
118	7017382	Head	1	
119	7017399	Piston	1	
120	7017398	Spacer	1	
		<b>KIT OPTIONS:</b>	Ref.	
200	7017389	Seal Kit (Includes Items 101 - 109)	1	

**SECTION 5 CYLINDER**

# SECTION 5 CYLINDER

FIGURE 5-3. LIFT CYLINDER COMPONENTS ASSEMBLY 2033E3/2046E3



SECTION 5 CYLINDER

# SECTION 5 CYLINDER

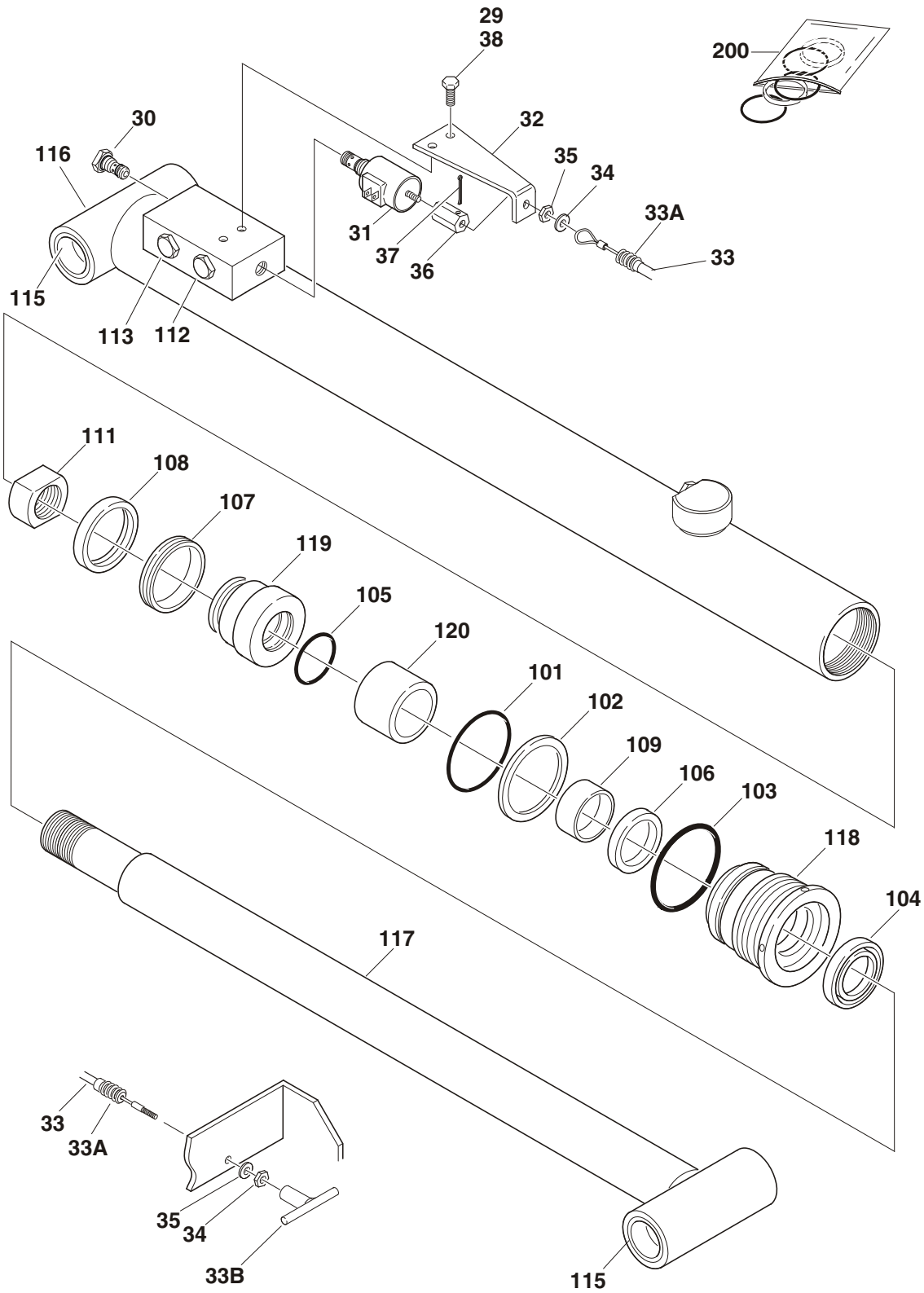
**FIGURE 5-3. LIFT CYLINDER COMPONENTS ASSEMBLY 2033E3/2046E3**

FIG & ITEM #	PART NUMBER	DESCRIPTION	QTY.	REV.
		<b>LIFT CYLINDER SUB-ASSEMBLIES</b>	Ref.	
	0258778	<b>2033E3</b>	Ref.	8
	0258084	<b>2046E3</b>	Ref.	9
1 to 22	Not Used			
23	0641506	Bolt 5/16"-18NC x 3/4"	2	
24	0100011	Loctite #242	A/R	
25	4641104	Cartridge, Valve (Restrictor/Check)	1	
	7012967	Seal Kit	1	
26	4641001	Cartridge, Valve (with Manual Descent)	1	
	7017445	Cartridge	1	
	7017444	Coil	1	
	7012967	Seal Kit	1	
27	0080228	Adapter	1	
28	0902421	Bracket	1	
29	1060699	Cable Assembly	1	
29A	7019602	Bellows Kit	1	
29B	7019600	T-Handle	1	
30	3450405	Cotter Pin	1	
31	3321402	Jam Nut 1/4"-28NF	2	
32	4711400	Flatwasher 1/4"	2	
	1683627	<b>LIFT CYLINDER ASSEMBLY</b>	Ref	D
101	Use Item 200	Seal	1	
102	Use Item 200	O-Ring	1	
103	Use Item 200	Ring, Back-Up	1	
104	Use Item 200	O-Ring	1	
105	Use Item 200	Wiper	1	
106	Use Item 200	O-Ring	1	
107	Use Item 200	Seal	1	
108	Use Item 200	Ring, Lock	1	
109	Use Item 200	Ring, Wear	1	
110	Not Used			
111	7003212	Locknut	1	
112 & 113	Not Available			
114	Not Used			
115	0962012	Bushing	4	
116	7019848	Tube Assembly	1	
117	7019847	Rod Assembly	1	
118	7017376	Head	1	
119	7019810	Piston	1	
		<b>KIT OPTIONS:</b>	Ref.	
200	7019808	Seal Kit (Includes Items 101 - 109)	1	

**SECTION 5 CYLINDER**

# SECTION 5 CYLINDER

FIGURE 5-4. LIFT CYLINDER COMPONENTS ASSEMBLY 2646E3/2658E3



SECTION 5 CYLINDER



# SECTION 5 CYLINDER

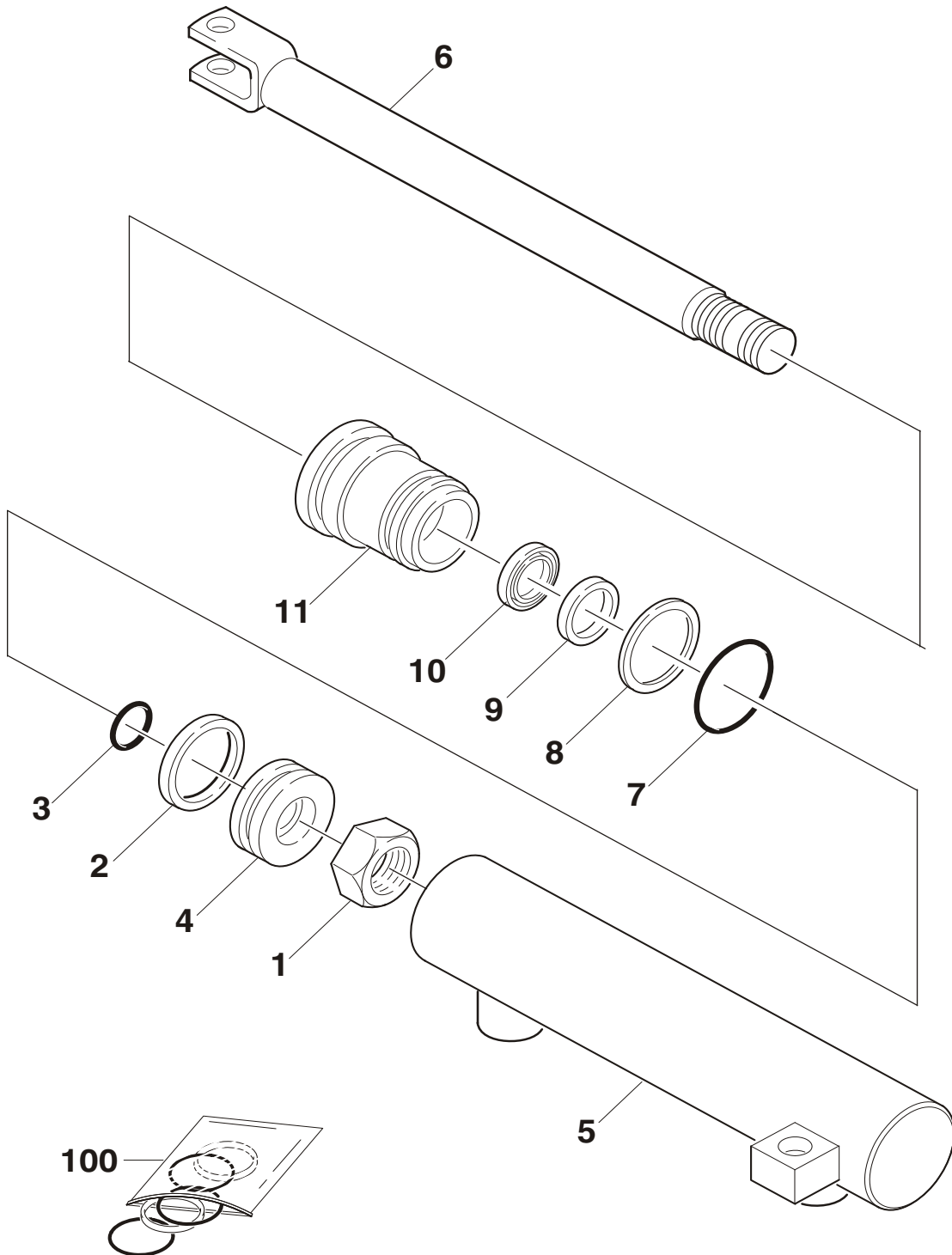
**FIGURE 5-4. LIFT CYLINDER COMPONENTS ASSEMBLY 2646E3/2658E3**

FIG & ITEM #	PART NUMBER	DESCRIPTION	QTY.	REV.
	0258085	<b>LIFT CYLINDER SUB-ASSEMBLY</b>	Ref	10
1 to 28	Not Used			
29	0641506	Bolt 5/16"-18NC x 3/4"	2	
30	4641104	Cartridge, Valve (Restrictor/Check)	1	
	7012967	Seal Kit	1	
31	4641001	Cartridge, Valve (with Manual Descent)	1	
	7017445	Cartridge	1	
	7017444	Coil	1	
	7012967	Seal Kit	1	
32	0902421	Bracket	1	
33	1060699	Cable Assembly	1	
33A	7019602	Bellows Kit	1	
33B	7020218	T-Handle	1	
34	3321402	Jam Nut 1/4"-28NF	2	
35	4711400	Flatwasher 1/4"	2	
36	0080228	Adapter	1	
37	3450405	Cotter Pin	1	
38	0100011	Loctite #242	A/R	
	1683628	<b>LIFT CYLINDER ASSEMBLY</b>	Ref	D
101	Use Item 200	O-Ring	1	
102	Use Item 200	Ring, Back-Up	1	
103	Use Item 200	O-Ring	1	
104	Use Item 200	Wiper	1	
105	Use Item 200	O-Ring	1	
106	Use Item 200	Seal	1	
107	Use Item 200	Seal	1	
108	Use Item 200	Ring, Lock	1	
109	Use Item 200	Ring, Wear	1	
110	Not Used			
111	7003226	Locknut	1	
112 & 113	Not Available			
114	Not Used			
115	0962012	Bushing	4	
116	7019825	Tube Assembly	1	
117	7019824	Rod Assembly	1	
118	7017387	Head	1	
119	7019806	Piston	1	
120	7019873	Spacer	1	
		<b>KIT OPTIONS:</b>	Ref.	
200	7019804	Seal Kit (Includes Items 101 - 109)	1	

SECTION 5 CYLINDER

# SECTION 5 CYLINDER

FIGURE 5-5. STEER CYLINDER ASSEMBLY (PRIOR TO S/N 120000174)



SECTION 5 CYLINDER

# SECTION 5 CYLINDER

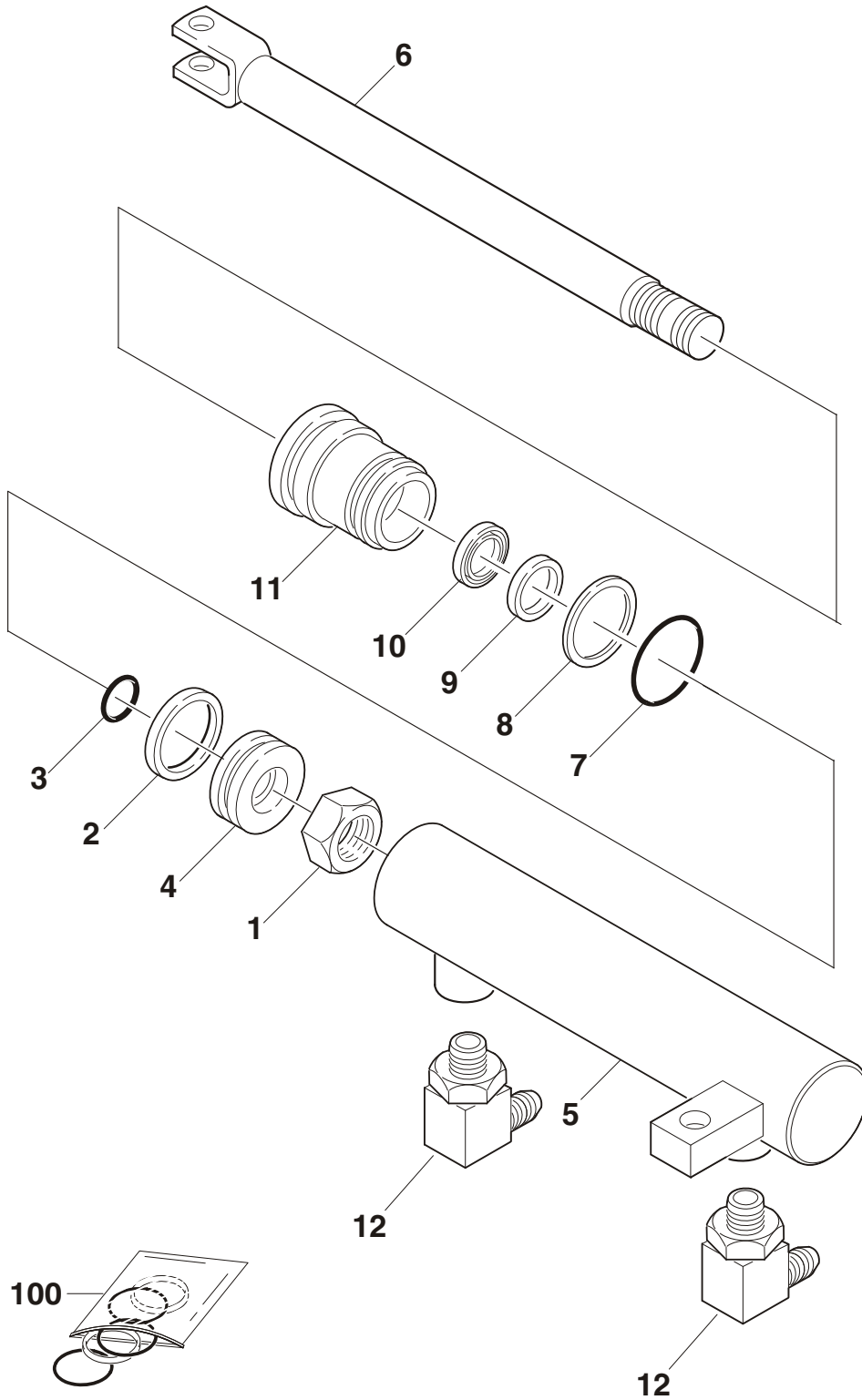
**FIGURE 5-5. STEER CYLINDER ASSEMBLY (PRIOR TO S/N 120000174)**

FIG & ITEM #	PART NUMBER	DESCRIPTION	QTY.	REV.
		<b>STEER CYLINDER ASSEMBLIES</b>	Ref.	
	1683936	1532E3/1932E3/2033E3	Ref.	A
	1683937	2046E3/2646E3/2658E3	Ref.	A
		<b>Note: Original Equipment Cylinder may have been replaced with Service Replacement Cylinder. Identify the p/n stamp on the cylinder before ordering parts.</b>	Ref.	
1	7017226	Locknut 1/2"-20	1	
2	Use Item 100	Seal, Piston	1	
3	Use Item 100	O-Ring	1	
4	7016708	Piston	1	
5	Not Serviced	Barrel	1	
6	7023019	Rod	1	
7	Use Item 100	O-Ring	1	
8	Use Item 100	Ring, Back-up	1	
9	Use Item 100	U-Cup	1	
10	Use Item 100	Wiper	1	
11	7017207	Guide	1	
		<b>KIT OPTIONS:</b>	Ref.	
100	7017227	Seal Kit - Cylinder (Includes Items 2, 3, 7,8,9 and 10)	1	

SECTION 5 CYLINDER

# SECTION 5 CYLINDER

FIGURE 5-6. STEER CYLINDER ASSEMBLY (S/N 120000174 TO PRESENT)



SECTION 5 CYLINDER

# SECTION 5 CYLINDER

**FIGURE 5-6. STEER CYLINDER ASSEMBLY (S/N 1200000174 TO PRESENT)**

FIG & ITEM #	PART NUMBER	DESCRIPTION	QTY.	REV.
		<b>STEER CYLINDER ASSEMBLIES</b>	Ref	
	1684226	1532E3/1932E3/2033E3	Ref.	B
	1684227	2046E3/2646E3/2658E3	Ref.	B
		<b>Note: Original Equipment Cylinder may have been replaced with Service Replacement Cylinder. Identify the p/n stamp on the cylinder before ordering parts.</b>	Ref.	
1	7017226	Locknut 1/2"-20	1	
2	Use Item 100	Seal, Piston	1	
3	Use Item 100	O-Ring	1	
4	7016708	Piston	1	
5	Not Serviced	Barrel	1	
6	7023019	Rod	1	
7	Use Item 100	O-Ring	1	
8	Use Item 100	Ring, Back-up	1	
9	Use Item 100	U-Cup	1	
10	Use Item 100	Wiper	1	
11	7017207	Guide	1	
12	7023025	Fitting, Straight	A/R	
	2220472	Fitting, 90°	A/R	
		<b>KIT OPTIONS:</b>	Ref.	
100	7017227	Seal Kit - Cylinder (Includes Items 2, 3, 7,8,9 and 10)	1	

SECTION 5 CYLINDER

# SECTION 5 CYLINDER

FIG & ITEM #	PART NUMBER	DESCRIPTION	QTY.	REV.

**S  
E  
C  
T  
I  
O  
N  
  
5  
  
C  
Y  
L  
I  
N  
D  
E  
R**

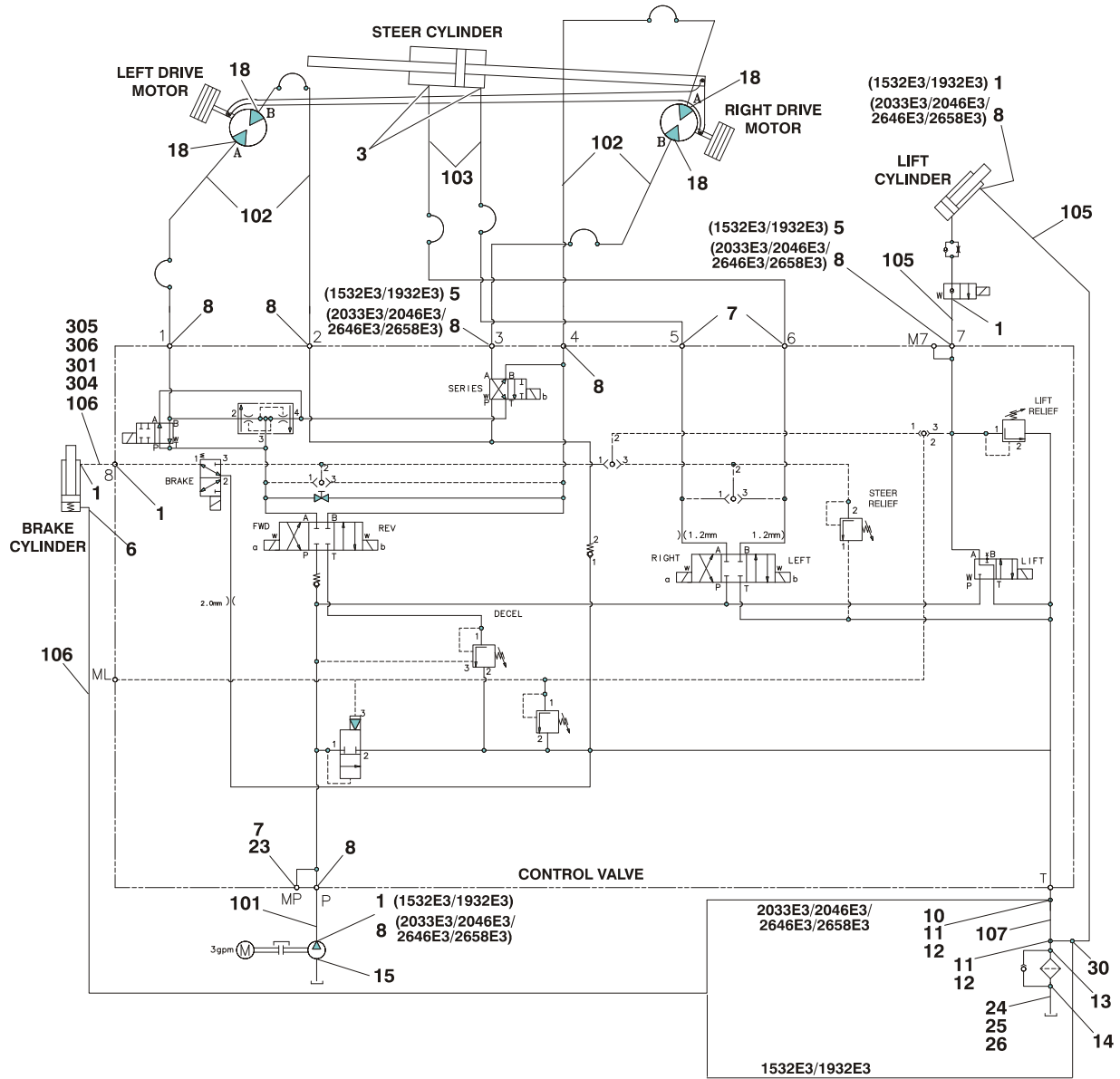
# SECTION 6 HYDRAULIC

TABLE OF CONTENTS		
FIGURE	DESCRIPTION	PAGE
6-1	HYDRAULIC DIAGRAM - STANDARD .....	6-2

**S  
E  
C  
T  
I  
O  
N  
  
6  
  
H  
Y  
D  
R  
A  
U  
L  
I  
C**

# SECTION 6 HYDRAULIC

FIGURE 6-1. HYDRAULIC DIAGRAM



SECTION 6 HYDRAULIC



# SECTION 6 HYDRAULIC

**FIGURE 6-1. HYDRAULIC DIAGRAM**

FIG & ITEM #	PART NUMBER	DESCRIPTION	QTY.	REV.
		<b>HYDRAULIC DIAGRAMS</b>	Ref.	
	2792339	<b>1532E3/1932E3</b>	Ref.	9
	2792340	<b>2033E3</b>	Ref.	5
	2792341	<b>2046E3/2646E3</b>	Ref.	6
	2792342	<b>2658E3</b>	Ref.	5
1	2220473	Fitting, 90°	A/R	
2	Not Used			
3	2220585	Fitting, 90° (Prior to S/N 1200000174)	2	
4	Not Used			
5	2220501	Fitting (1532E3/1932E3 Only)	2	
6	2220775	Fitting	1	
7	2220415	Fitting, Straight	A/R	
8	2220371	Fitting, Straight	A/R	
9	Not Used			
10	2220373	Fitting, Straight	1	
11	2220619	Fitting, Reducer	A/R	
12	2220385	Fitting, Tee	A/R	
13		Fitting Options:	1	
	2220470	Fitting, 90°(1532E3/1932E3)		
	2220346	Fitting, Straight (2033E3/2046E3/2646E3/2658E3)		
14	2220347	Fitting, Straight	1	
15	2220593	Fitting, Straight	1	
16	Not Used			
17	Not Used			
18	2221000	Fitting, 90°	4	
19	0100020	Sealant (Not Shown)	A/R	
20	Not Used			
21	Not Used			
22	Not Used			
23	2220515	Fitting, Cap	A/R	
24	1320242	Clamp	A/R	
25	4360461	Switch, Temperature	1	
26	3310601	Nut #6-32	1	
27	0100011	Loctite #242	A/R	
28	4460320	Plug, Terminal	1	
29	4460267	Pins	2	
30	2220635	Fitting (1532E3/1932E3 Only)	1	

**SECTION 6 HYDRAULIC**

# SECTION 6 HYDRAULIC

**FIGURE 6-1. HYDRAULIC DIAGRAM (CONTINUED)**

FIG & ITEM #	PART NUMBER	DESCRIPTION	QTY.	REV.
		<b>HYDRAULIC HOSE KITS</b>	Ref.	
	2901652	<b>1532E3/1932E3</b>	Ref.	3
	2901653	<b>2033E3</b>	Ref.	2
	2901654	<b>2046E3/2646E3</b>	Ref.	2
	2901655	<b>2658E3</b>	Ref.	3
101		Hose Options:		
	2750920	1532E3/1932E3	1	
	2752463	2033E3/2046E3/2646E3/2658E3	1	
102		Hose Options:		
	2752968	1532E3/1932E3	4	
	2752957	2033E3	4	
	2752959	2046E3/2646E3	4	
	2752961	2658E3	4	
103		Hose Options:		
	2752593	1532E3/1932E3	2	
	2752609	2033E3/2046E3/2646E3	2	
	2752603	2658E3	2	
104	Not Used			
105		Hose Options:		
	2752192	1532E3/1932E3	2	
	2752194	2033E3	2	
	2752193	2046E3/2646E3/2658E3	2	
106		Hose Options:		
	2752478	1532E3/1932E3	2	
	2750999	2033E3/2046E3/2646E3/2658E3	2	
107		Hose Options:		
	2750982	1532E3/1932E3	1	
	2752931	2033E3/2046E3/2646E3/2658E3	1	
	2901650	<b>HYDRAULIC TUBE KIT (1532E3/1932E3 ONLY)</b>	Ref.	1
201	4567649	Tube, Suction	1	
202	4566969	Tube, Return	1	
	0258963	<b>BRAKE RELEASE (AUSTRALIAN SPEC ONLY)</b>	Ref.	2
301	4640128	Valve, Flow Control	1	
302	Not Used			
303	0100010	Sealant (Not Shown)	A/R	
304	2220773	Fitting	1	
305	2220919	Fitting	1	
306	2220399	Fitting	1	

**SECTION 6 HYDRAULIC**

# SECTION 7 ELECTRICAL

## TABLE OF CONTENTS

FIGURE	DESCRIPTION	PAGE
7-1	ELECTRICAL DIAGRAM LIST . . . . .	7-2
7-2	ELECTRICAL SCHEMATIC - STANDARD . . . . .	7-4
7-3	HARNESS AND CABLE ASSEMBLIES . . . . .	7-6

**S  
E  
C  
T  
I  
O  
N  
  
7  
  
E  
L  
E  
C  
T  
R  
I  
C  
A  
L**

# SECTION 7 ELECTRICAL

**FIGURE 7-1.ELECTRICAL DIAGRAM LIST**

FIG & ITEM #	PART NUMBER	DESCRIPTION	QTY.	REV.
		<b>Note: Diagrams with asterisks (*) are shown in the following pages. Diagrams not shown are available from the JLG Service Department.</b>	Ref.	
		<b>ALARM ELECTRICAL DIAGRAMS</b>	Ref.	
	1282507/ 1282706	<b>Descent Alarm</b>	Ref.	G/B
	1282507/ 1282706	<b>Motion Alarm</b>	Ref.	G/B
	1282507/ 1282706	<b>Travel Alarm</b>	Ref.	G/B
	0258800	<b>BEACON LIGHT ELECTRICAL DIAGRAM</b>	Ref.	B
	0258801	<b>BEACON LIGHT ELECTRICAL DIAGRAM (UL)</b>	Ref.	B
	1283009	<b>GENERATOR ELECTRICAL DIAGRAMS</b>	Ref.	C
		<b>LIGHTS ELECTRICAL DIAGRAMS</b>	Ref.	
	1283081	<b>Work Lights</b>	Ref.	B
	1283082	<b>Work Lights W/Folddown Rails</b>	Ref.	B
	1283094	<b>PERIMETER SWITCH ELECTRICAL DIAGRAM</b>	Ref.	E
	1282896	<b>GROUND TO PLATFORM ELECTRICAL DIAGRAM</b>	Ref.	G
	4922082	Cable Assembly - 1532E3	Ref.	4
	4922083	Cable Assembly - 1932E3	Ref.	3
	4922084	Cable Assembly - 2033E3	Ref.	6
	4922296	Cable Assembly - 2046E3	Ref.	3
	4922085	Cable Assembly - 2646E3/2658E3	Ref.	5
	1282880*	<b>ELECTRICAL SCHEMATIC</b>	Ref.	M
	4933018	1532E3/1932E3 (Australian Spec)	Ref.	3
	4933016	1532E3/1932E3 (CE Spec)	Ref.	3
	4933019	2033E3/2046E3 (Australian Spec)	Ref.	3
	4933017	2646E3/2658E3 (CE Spec)	Ref.	3

**SECTION 7 ELECTRICAL**

# SECTION 7 ELECTRICAL

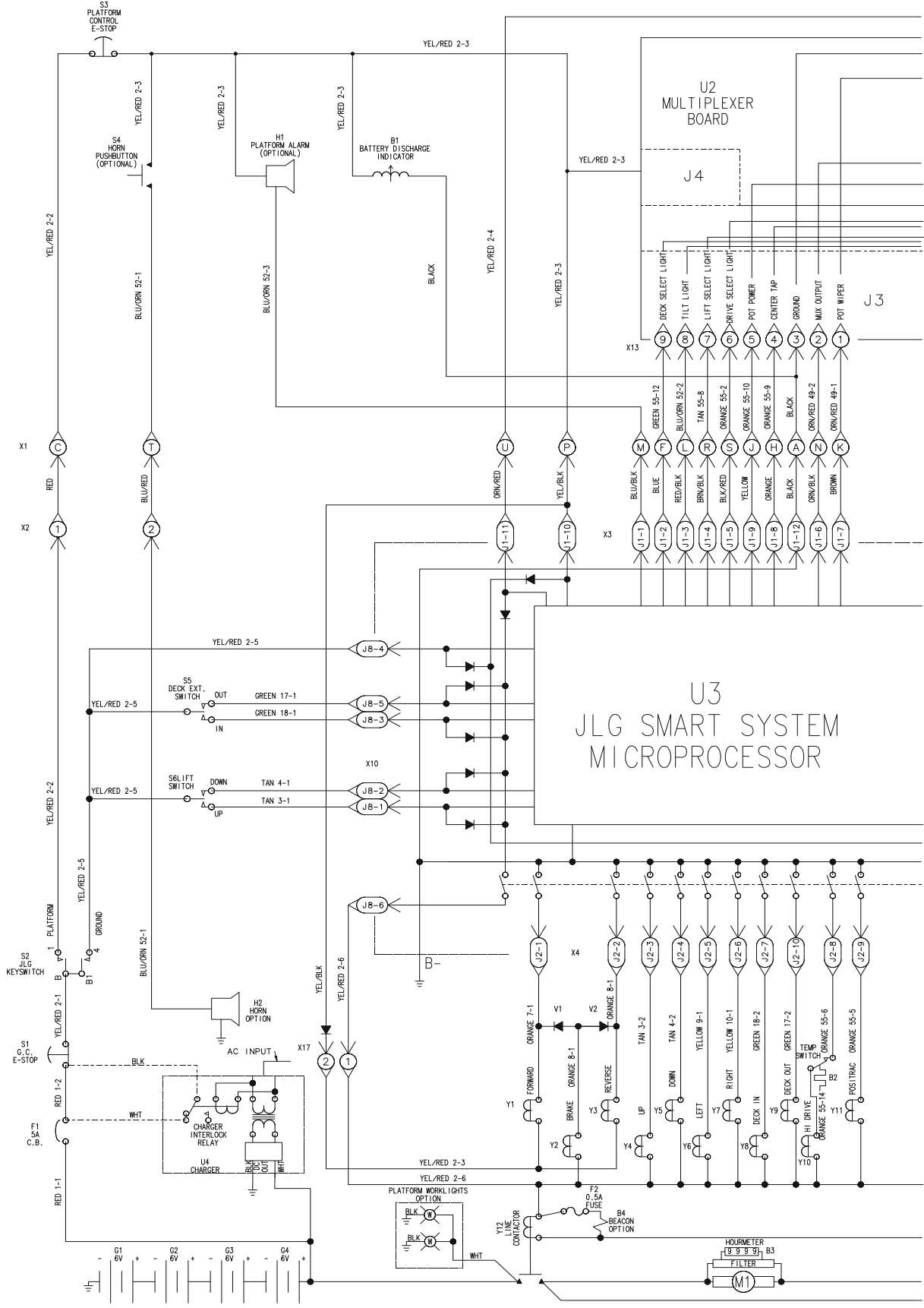
FIGURE 7-1.ELECTRICAL DIAGRAM LIST

FIG & ITEM #	PART NUMBER	DESCRIPTION	QTY.	REV.

**S  
E  
C  
T  
I  
O  
N  
  
7  
  
E  
L  
E  
C  
T  
R  
I  
C  
A  
L**

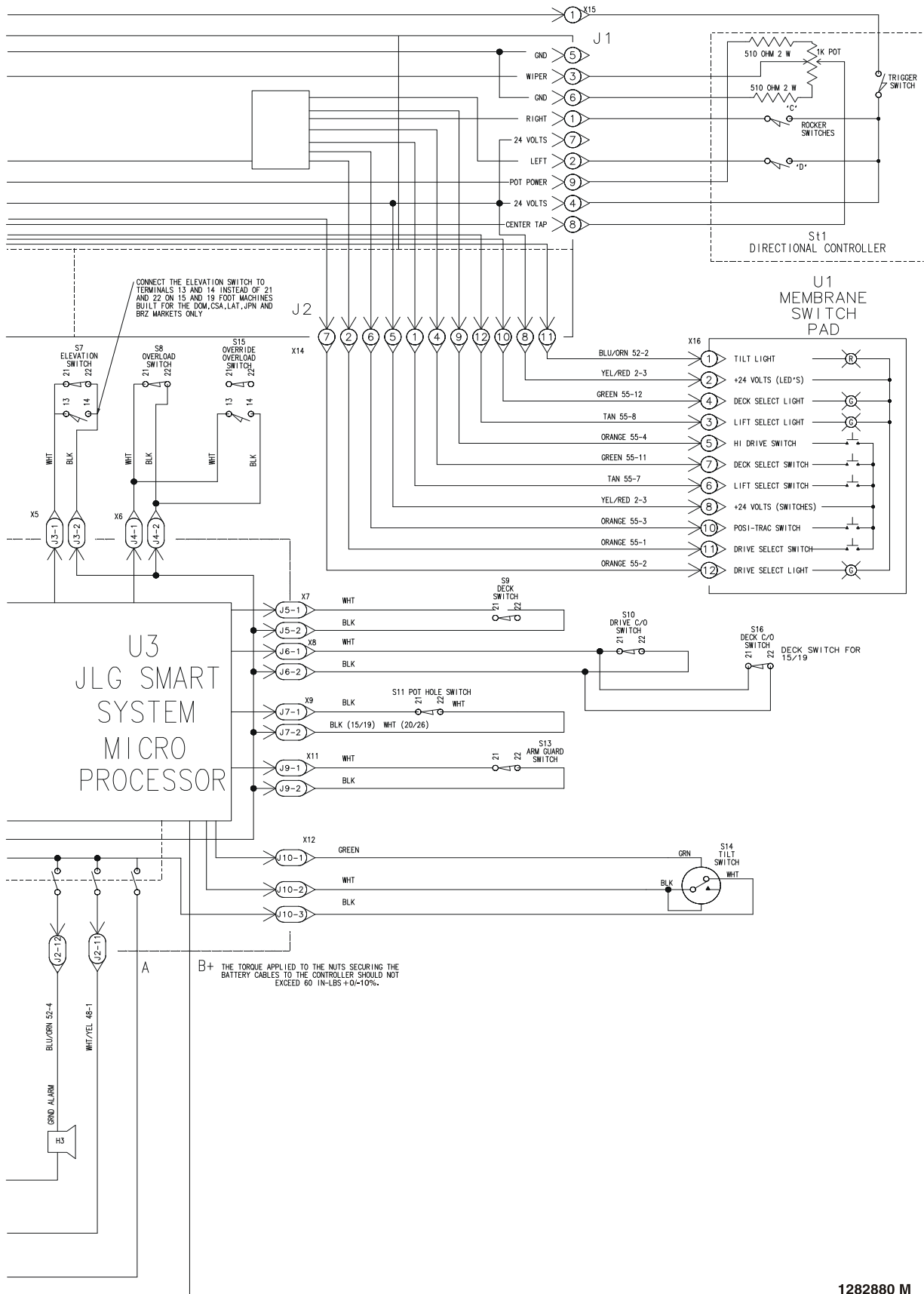
# SECTION 7 ELECTRICAL

FIGURE 7-2. ELECTRICAL SCHEMATIC - STANDARD



SECTION 7 ELECTRICAL

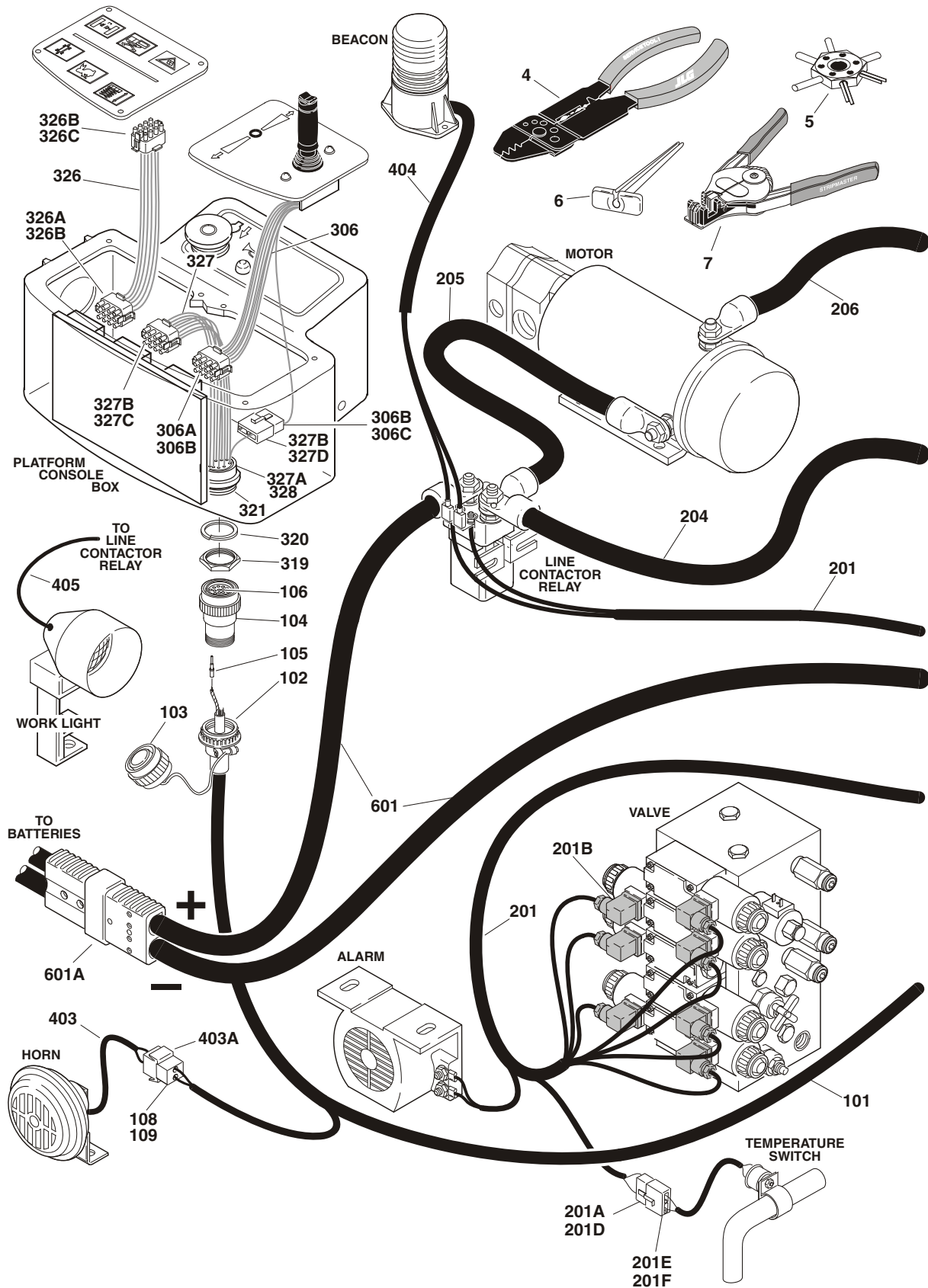
# SECTION 7 ELECTRICAL



SECTION 7 ELECTRICAL

# SECTION 7 ELECTRICAL

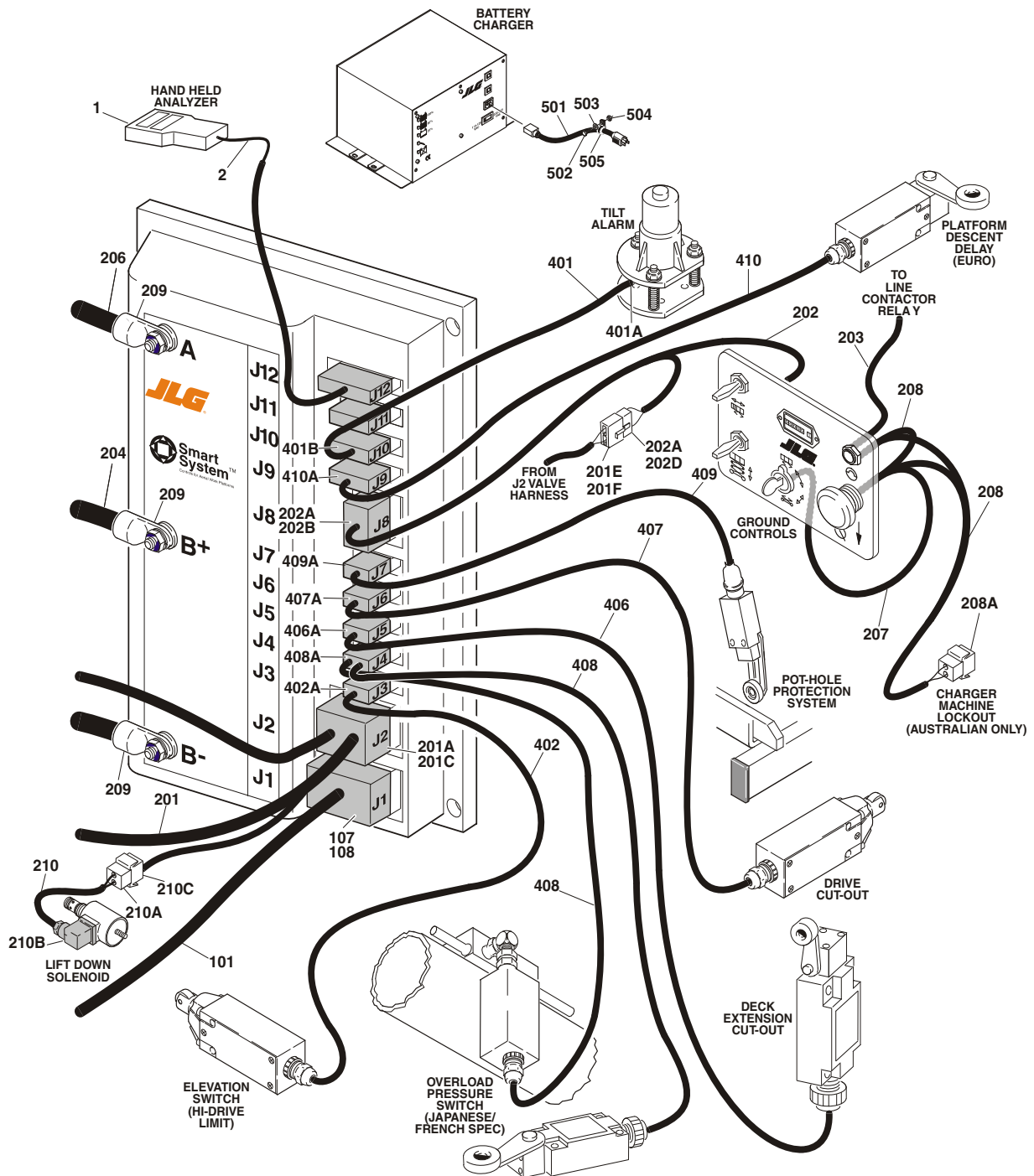
FIGURE 7-3. HARNESS AND CABLE ASSEMBLIES



SECTION 7 ELECTRICAL



# SECTION 7 ELECTRICAL



SECTION 7 ELECTRICAL

# SECTION 7 ELECTRICAL

**FIGURE 7-3. HARNESS AND CABLE ASSEMBLIES**

FIG & ITEM #	PART NUMBER	DESCRIPTION	QTY.	REV.
		<b>TOOLS</b>	Ref.	
	2901443	Analyzer and Cable Kit (Includes 1600244 & 1060633)	1	
1	1600244	Analyzer, SMART System Controller	1	
2	1060633	Cable, Communication (Analzer to Controller)	1	
3	Not Used			
4	7002821	Crimper (For Wire to Pin/Socket Connections)	1	
5	7002823	Extractor (For Removal of Pins/Sockets form Connectors)	1	
6	4460467	Extractor - 16-18 Gauge (For Removal of Pins/Sockets form Deutsch Connectors)	1	
	4460510	Extractor - 12-14 Gauge (For Removal of Pins/Sockets form Deutsch Connectors)	1	
7	8896941	Stripper, Wire	1	
8	0100048	Compound, Silicone (Use on Connectors/Receptacles) (Not Shown)	A/R	
	1282896	<b>CABLE ASSEMBLIES - GROUND TO PLATFORM</b>	Ref.	A
	4922082	<b>Cable Assembly - 1532E3</b>	Ref.	4
	4922083	<b>Cable Assembly - 1932E3</b>	Ref.	3
	4922084	<b>Cable Assembly - 2033E3</b>	Ref.	6
	4922296	<b>Cable Assembly - 2046E3</b>	Ref.	3
	4922085	<b>Cable Assembly - 2646E3/2658E3</b>	Ref.	5
101	1060608	Cable, Electrical - 18/14 Options: 1532E3 1932E3 2033E3 2046E3 2646E3/2658E3	37ft./11.2m 42ft./12.8m 40ft./12.2m 43ft./13.1m 53ft./16.2m	
102	4460473	Clamp, Cable	1	
103	4460468	Cap, Dust	1	
104	4460614	Connector, Deutsch - 21 Pin	1	
105	4460465	Socket, Female	14	
106	4460466	Plug, Sealing	7	
107	4460343	Connector - 12 Pin	1	
108	4460267	Pin, Male	15	
109	4460320	Connector - 2 Pin	1	
110	Not Used			
111	3990010	Diode, 6A 600Volt (Not Shown)		

SECTION 7 ELECTRICAL

# SECTION 7 ELECTRICAL

**FIGURE 7-3. HARNESS AND CABLE ASSEMBLIES (CONTINUED)**

FIG & ITEM #	PART NUMBER	DESCRIPTION	QTY.	REV.
		<b>WIRING DIAGRAM OPTIONS:</b>	Ref.	
	4933016	<b>1532E3/1932E3 (CE Spec)</b>	Ref.	3
	4933018	<b>1532E3/1932E3 (Australian Spec)</b>	Ref.	3
	4933017	<b>2033E3/2046E3/2646E3/2658E3 (CE Spec)</b>	Ref.	3
	4933019	<b>2033E3/2046E3/2646E3/2658E3 (Australian Spec)</b>	Ref.	3
201	4922209	Harness - Valve Options:		3
	Use 4922678	Prior to S/N 1200000012 (Was P/N 4922209)		
	4922678	S/N 1200000012 to Present		
201A	4460268	Socket, Female	A/R	
201B	4460449	Connector, DIN	8	
201C	4460343	Connector - 12 Pin	1	
201D	4460424	Connector, Female - 2 Position	2	
201E	4460320	Connector - 2 Pin	1	
201F	4460267	Pin, Male	2	
201G	3990010	Diode 6 Amp (Not Shown)	2	
202		Harness - Ground Control Options:		
	4922211	1532E3/1932E3		2
	4922208	2033E3/2046E3/2646E3/2658E3		2
202A	4460268	Socket, Female	A/R	
202B	4460225	Connector - 6 Pin	1	
202C	4460424	Connector, Female - 2 Position	2	
202D	4460267	Pin, Male	1	
203		Harness - Ground Power Options:		
	4922014	1532E3/1932E3		1
	4921891	2033E3/2046E3/2646E3/2658E3		2
204		Cable, Battery Options:		
	1060703	1532E3/1932E3	1	
	1060665	2033E3/2046E3/2646E3/2658E3	1	
205	1060704	Cable, Battery	1	
206	1060705	Cable, Battery	1	
207	4922210	Harness - Keyswitch	1	
208	4921893	Harness - Emergency Stop	1	
	Not Available	Harness - Charger Machine Lockout (Australian Spec Only)	1	
	1060341	Cable, Electrical - 16/2 (Australian Spec Only)	10ft/3.0m	
208A	4460320	Connector (Australian Spec Only)	1	
	4460268	Socket, Female (Australian Spec Only)	2	
209	0840025	Boot, Terminal	8	
210	4922011	Harness - Lift Down	1	
210A	4460320	Connector - 2 Pin	1	
	4460267	Pin, Male	2	
210B	4460449	Terminal, Connector	1	
210C	4460424	Connector, Female - 2 Position	1	
	4460268	Socket, Female	2	
211	0100048	Grease, Dielectric	A/R	

**SECTION 7 ELECTRICAL**

# SECTION 7 ELECTRICAL

**FIGURE 7-3. HARNESS AND CABLE ASSEMBLIES (CONTINUED)**

FIG & ITEM #	PART NUMBER	DESCRIPTION	QTY.	REV.
		<b>PLATFORM CONSOLE BOX ASSEMBLIES</b>	Ref.	
301 to 305	Not Used			
306	Not Available	Harness - Controller	1	
306A	4460265	Plug, Male	1	
306B	4460268	Socket, Female	8	
306C	4460424	Connector, Female - 2 Position	1	
307 to 318	Not Used			
319	4460470	Nut, Receptacle	1	
320	4460471	Lockwasher, Receptacle	1	
321	4460613	Connector, Deutsch	1	
322 to 325	Not Used			
326	4922183	Harness - Membrane Switch	1	
326A	4460268	Socket, Female	A/R	
326B	4460343	Plug, Male	2	
326C	4460267	Pin, Male	A/R	
327	4922184	Harness - Platform Console Box		
327A	4460265	Plug, Male	1	
327B	4460267	Pin, Male	A/R	
327C	4460343	Plug, Male	1	
327D	4460320	Connector, Female	1	
328	4460466	Plug, Sealing	7	
		<b>ACCESSORIES HARNESS ASSEMBLIES</b>	Ref.	
401	4922285	Harness - Tilt Alarm	1	1/B
	1060330	Cable, Electrical - 16/3	8ft./2.4m	
401A	4460445	Connector, Female - 3 Pin	1	
	4460227	Pin, Male	3	
401B	4460326	Plug, Male	1	
	4460268	Socket, Female	3	
402	Not Available	Harness - Hi-Drive Limit Switch	1	
	1060680	Cable, Electrical - 18/2	9ft./2.74m	
402A	4460320	Plug, Male	2	
	4460268	Socket, Female	2	
403	4922258	Harness - Horn	1	1
403A	4460424	Connector, Female - 2 Position	1	
	4460268	Socket, Female	2	
404	Not Available	Harness Beacon	1	
	1060680	Cable, Electrical - 18/2	10ft./3.0m	
405	Not Available	Harness - Worklight	1	
		Cable, Electrical	A/R	
	1060680	1532E3	32ft/9.8m	
	1060680	1932E3	38ft/11.6m	
	1060680	2033E3/2046E3	51ft/15.6m	
	1060680	2646E3/2658E3	61ft/18.6m	
406	Not Available	Harness - Deck Extend Cutout	1	
	1060341	Cable, Electrical - 16/2	A/R	
		1532E3	40ft./12.2m	

# SECTION 7 ELECTRICAL

**FIGURE 7-3. HARNESS AND CABLE ASSEMBLIES (CONTINUED)**

FIG & ITEM #	PART NUMBER	DESCRIPTION	QTY.	REV.
406 (cont'd)		1932E3/2033E3/2046E3	46ft./14m	
		2646E3/2658E3	54ft./16.5m	
406A	4460320	Plug, Male	1	
	4460268	Socket, Female	2	
407	Not Available	Harness - Drive Cutout	1	
	1060680	Cable, Electrical - 18/2	A/R	
407A	4460320	Plug, Male	1	
	4460268	Socket, Female	2	
408	Not Available	Harness - Overload (Japanese/French Spec.)	1	
	1060680	Cable, Electrical Options:	A/R	
		1532E3/1932E3	30ft./9.1m	
		2033E3/2046E3/2646E3/2658E3	35ft./11m	
408A	4460320	Plug, Male	1	
	4460268	Socket, Female	2	
409	Not Available	Harness - Pothole Protection System	1	
	1060680	Cable, Electrical - 18/2	A/R	
		1532E3/1932E3		
		2033E3/2046E3/2646E3/2658E3	6ft./1.83m	
409A	4460320	Plug, Male	1	
	4460268	Socket, Female	2	
410	Not Available	Harness - Platform Descent Delay	1	
	1060680	Cable, Electrical - 18/2	8ft/2.4m	
410A	4460326	Plug, Male	1	
	4460226	Socket, Female	2	
	0259215	<b>AC CHARGER CORD INSTALLATION (EURO SPEC)</b>	Ref.	1
	0259216	<b>AC CHARGER CORD INSTALLATION (AUSTRALIAN SPEC)</b>	Ref.	1
501		Cable, Ac Cord Options:	1	
	1060689	Euro Spec		
	1060691	Australian Spec		
502	0641406	Bolt 1/4"-20NC x 3/4"	1	
503	4751400	Flatwasher 1/4"	1	
504	3311405	Locknut 1/4"-20NC	1	
505	1320040	Clamp	1	
		<b>BATTERY CABLE ASSEMBLIES</b>	Ref.	
601		Battery Cable Assembly Options:		
	1060606	1532E3/1932E3	1	3
	1060605	2033E3/2046E3/2646E3/2658E3	1	2
601A	4460618	Connector, Anderson (Includes Both Halves)	1	

SECTION 7 ELECTRICAL

# SECTION 7 ELECTRICAL

FIGURE 7-3. HARNESS AND CABLE ASSEMBLIES (CONTINUED)

FIG & ITEM #	PART NUMBER	DESCRIPTION	QTY.	REV.

**S  
E  
C  
T  
I  
O  
N  
  
7  
  
E  
L  
E  
C  
T  
R  
I  
C  
A  
L**

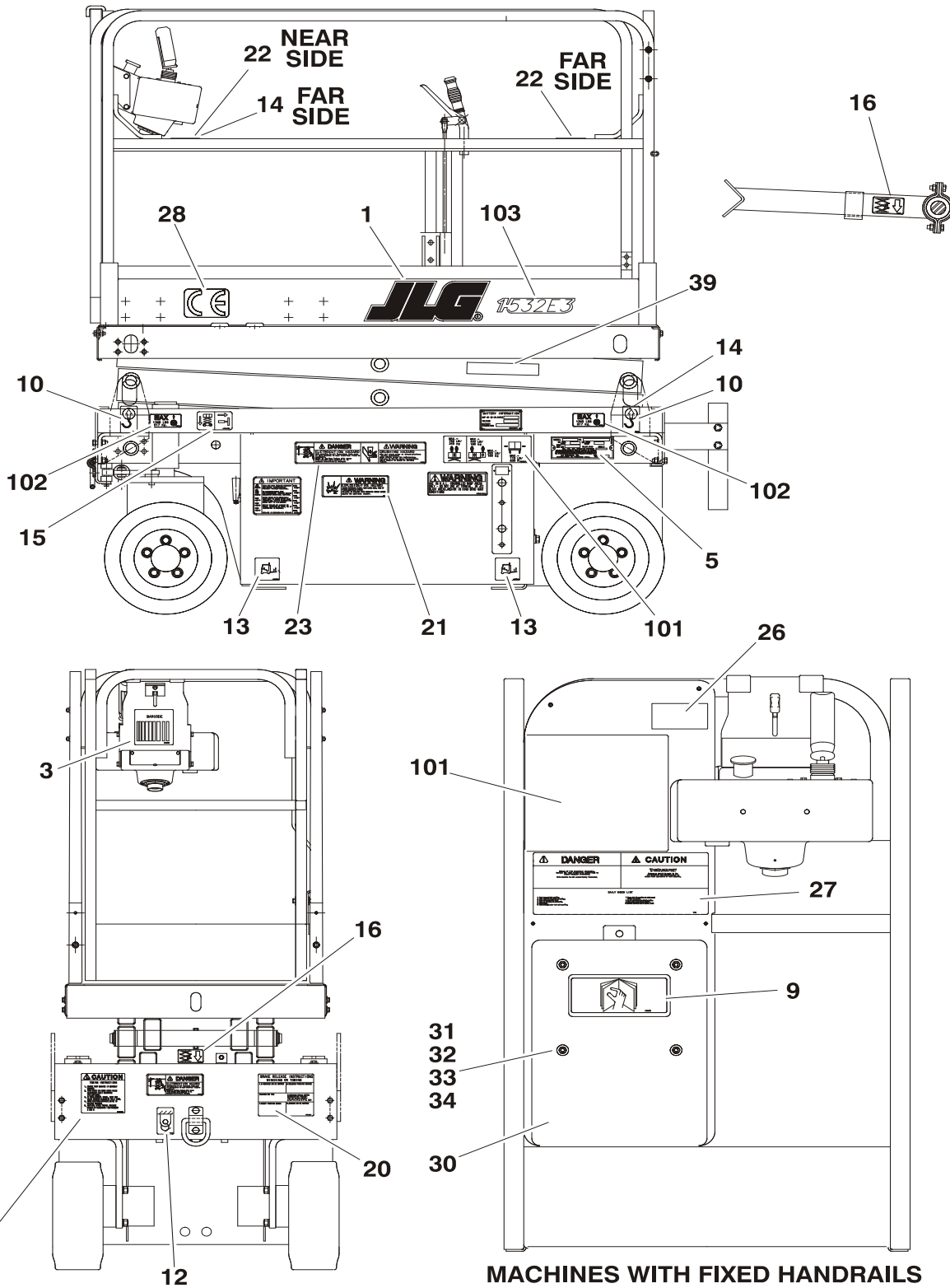
# SECTION 8 DECALS

TABLE OF CONTENTS		
FIGURE	DESCRIPTION	PAGE
8-1	Decals Installation - 1532E3/1932E3 .....	8-2
8-2	Decals Installation - 2032E3/2046E3/2646E3/2658E3 .....	8-8

**S  
E  
C  
T  
I  
O  
N  
  
8  
  
D  
E  
C  
A  
L  
S**

# SECTION 8 DECALS

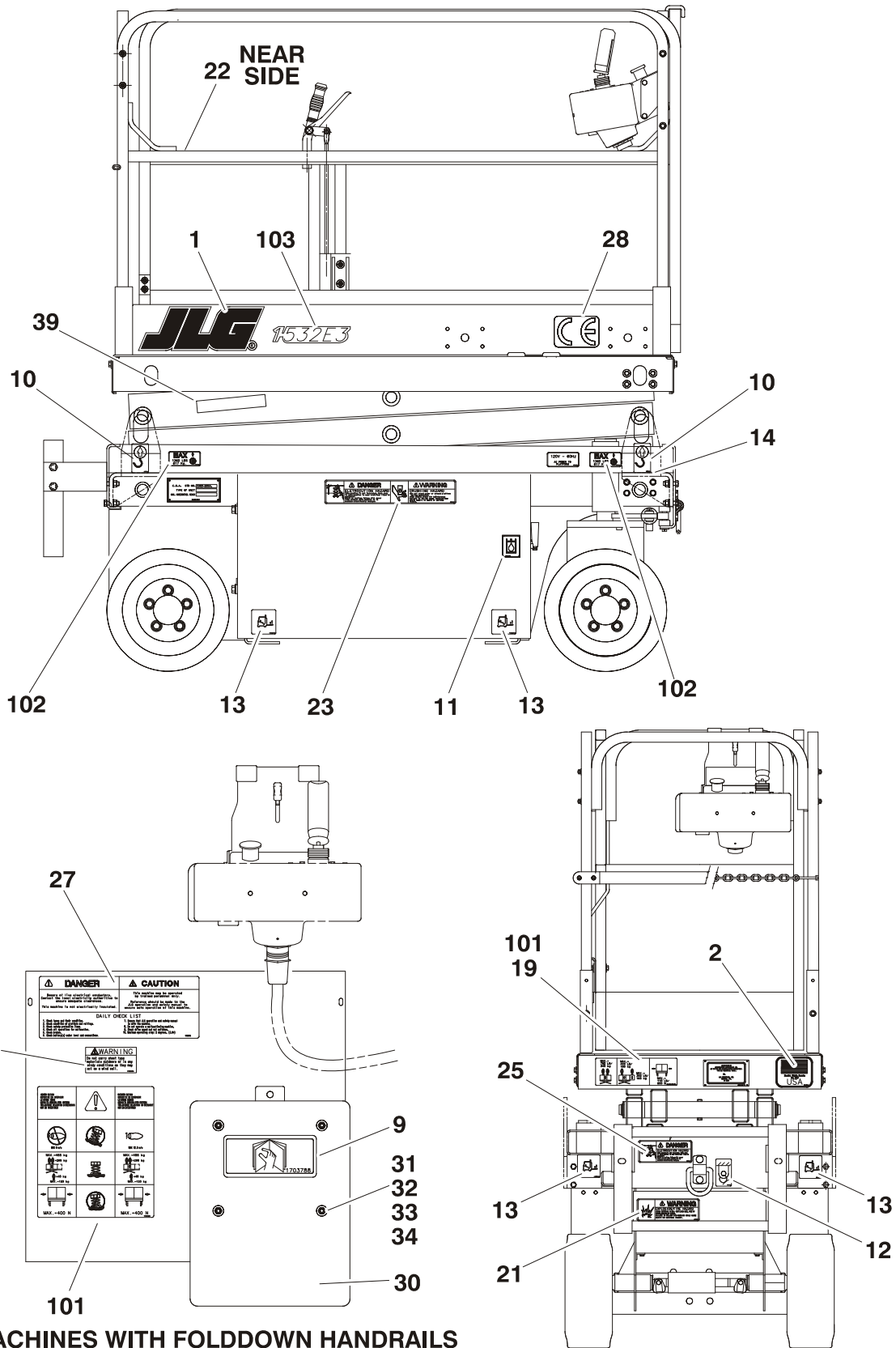
FIGURE 8-1. DECALS INSTALLATION - 1532E3/1932E3



SECTION 8 DECALS



# SECTION 8 DECALS



SECTION 8 DECALS

# SECTION 8 DECALS

FIGURE 8-1. DECALS INSTALLATION - 1532E3/1932E3

FIG & ITEM #	PART NUMBER	DESCRIPTION	QTY.	REV.
		<b>DECAL INSTALLATIONS</b>	Ref.	
	0258861	<b>Australian Spec</b>	Ref.	6
	0258854	<b>Dutch Spec</b>	Ref.	6
	0258857	<b>French Spec</b>	Ref.	5
	0258858	<b>German Spec</b>	Ref.	5
	0258859	<b>Italian Spec</b>	Ref.	5
	0258855	<b>Spanish Spec</b>	Ref.	5
	0258856	<b>UK Spec</b>	Ref.	5
	0273220	<b>Norwegian Spec</b>	Ref.	1
1	1702773	Decal - JLG	2	
2	Not Used	Decal - USA	0	
3	Not Used	Decal - Bar Code	1	
4	Not Used			
5	Not Used	Decal - Serial Number.	1	
6 to 7	Not Used			
8	Not Used			
9		Decal - Manual Reference Options:	1	
	1703788	Prior to S/N 120000013		
	1701509	S/N 120000013 to Present		
10	1703811	Decal - Lifting Lug	4	
11	1703812	Decal - Hyd. Oil	1	
12	1703814	Decal - Tie Down	4	
13	1703817	Decal - Fork Lift	6	
14	1703819	Decal - Direction Arrow	3	
15	1703822	Decal - Manual Descent Cable	1	
16	1704138	Decal - Safety Prop	2	
17	Not Used			
18	Not Used			
19		Decal - Legend Options:	1	
	1704122	Australian Spec		
	Not Required	All Spec except Australian Spec		
20		Decal - Towing/Winching/Tow Speed Options:	1	
	1703698	Australian Spec		
	1703892	Dutch Spec		
	1703863	French Spec		
	1703880	German Spec		
	1703885	Italian Spec		
	1703839	Spanish Spec		
	1703698	UK Spec & Norwegian Spec		
21		Decal - Warning Battery Ventilation Options:	2	
	1703813	Australian Spec		
	1703893	Dutch Spec		
	1703864	French Spec		
	1703881	German Spec		
	1703886	Italian Spec		
	1703840	Spanish Spec		
	1703813	UK Spec & Norwegian Spec		

SECTION 8 DECALS

# SECTION 8 DECALS

**FIGURE 8-1. DECALS INSTALLATION - 1532E3/1932E3 (CONTINUED)**

FIG & ITEM #	PART NUMBER	DESCRIPTION	QTY.	REV.
22	1704277	Decal - Lanyard Attach		
23		Decal - Warning Crushing Hazard/Danger Electrocution Options:	2	
	1703818	Australian Spec		
	1703894	Dutch Spec		
	1703865	French Spec		
	1703882	German Spec		
	1703887	Italian Spec		
	1703841	Spanish Spec		
	1703818	UK Spec & Norwegian Spec		
24	Not Used			
25		Decal - Danger Electrocution Hazard Options:	2	
	1703823	Australian Spec		
	1703895	Dutch Spec		
	1703866	French Spec		
	1703883	German Spec		
	1703888	Italian Spec		
	1703842	Spanish Spec		
	1703823	UK Spec & Norwegian Spec		
26		Decal - Wind Warning Options:	1	
	1703969	Australian Spec		
	1703973	Dutch Spec		
	1703970	French Spec		
	1703971	German Spec		
	1703972	Italian Spec		
	1703974	Spanish Spec		
	1703969	UK Spec & Norwegian Spec		
27		Decal - Caution Options:	1	
	1703877	Australian Spec		
	1703896	Dutch Spec		
	1703878	French Spec		
	1703884	German Spec		
	1703889	Italian Spec		
	1703897	Spanish Spec		
	1703877	UK Spec & Norwegian Spec		
28		Decal - CE Options:	A/R	
	Not Used	Australian Spec	0	
	1702928	All Spec except Australian Spec	1	
29		Decal - Brake Release Options:	A/R	
	1704123	Australian Spec	1	
	Not Used	All Spec except Australian Spec	0	
30	0860520	Box, Manual Storage	1	
31	1060279	Cable Lanyard	1	
32	0641405	Bolt 1/4"-20NC x 5/8"	4	
33	4751400	Flatwasher 1/4"	4	
34	3311405	Locknut 1/4"-20NC	4	
35 to 38	Not Used			
39	1704885	Decal, Website	1	

**SECTION 8 DECALS**

# SECTION 8 DECALS

**FIGURE 8-1. DECALS INSTALLATION - 1532E3/1932E3 (CONTINUED)**

FIG & ITEM #	PART NUMBER	DESCRIPTION	QTY.	REV.
		----- Kit - Decal Multi-Color Options (Includes Items 18-29):	1	
	2901721	Australian Spec		3
	2901714	Dutch Spec		4
	2901717	French Spec		3
	2901718	German Spec		4
	2901719	Italian Spec		3
	2901715	Spanish Spec		3
	2901716	UK Spec		4
	2902273	Norwegian Spec		2
	2901692	Kit - Decal Master (Includes Items 9-16, 22, 39)	1	7
		<b>OPTIONAL DECALS</b>	Ref.	
101		Capacity Nameplate Kit Options:	1	
	3252615	1532E3 Australian Spec		
	1704172	1532E3 CE Spec		
	1704982	1532E3 CE Spec		
	3252616	1932E3 Australian Spec		
	1704173	1932E3 CE Spec		
	1704983	1932E3 CE Spec		
102		Decal - Maximum Tire Load Kit Options:	1	
	2901699	1532E3 (Includes qty 4 of p/n 1704131)		2
	2901700	1932E3 (Includes qty 4 of p/n 1704132)		2
103		Decal - Model Designation Kit Options:	1	
	2901693	1532E3 (Includes qty 2 of p/n 3252582)		2
	2901694	1932E3 (Includes qty 2 of p/n 3252583)		2

**SECTION 8 DECALS**

# SECTION 8 DECALS

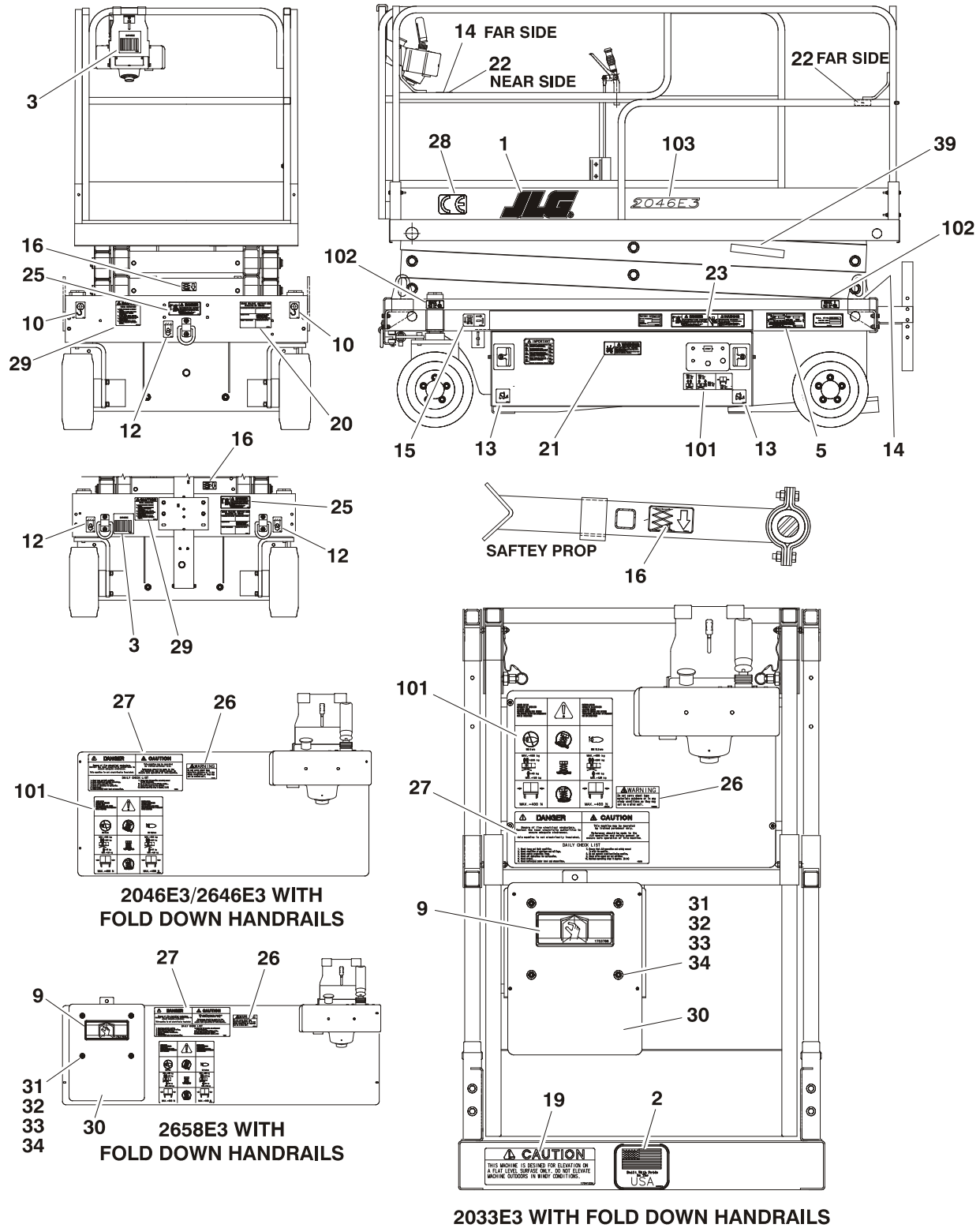
FIGURE 8-1. DECALS INSTALLATION - 1532E3/1932E3 (CONTINUED)

FIG & ITEM #	PART NUMBER	DESCRIPTION	QTY.	REV.

**S  
E  
C  
T  
I  
O  
N  
  
8  
  
D  
E  
C  
A  
L  
S**

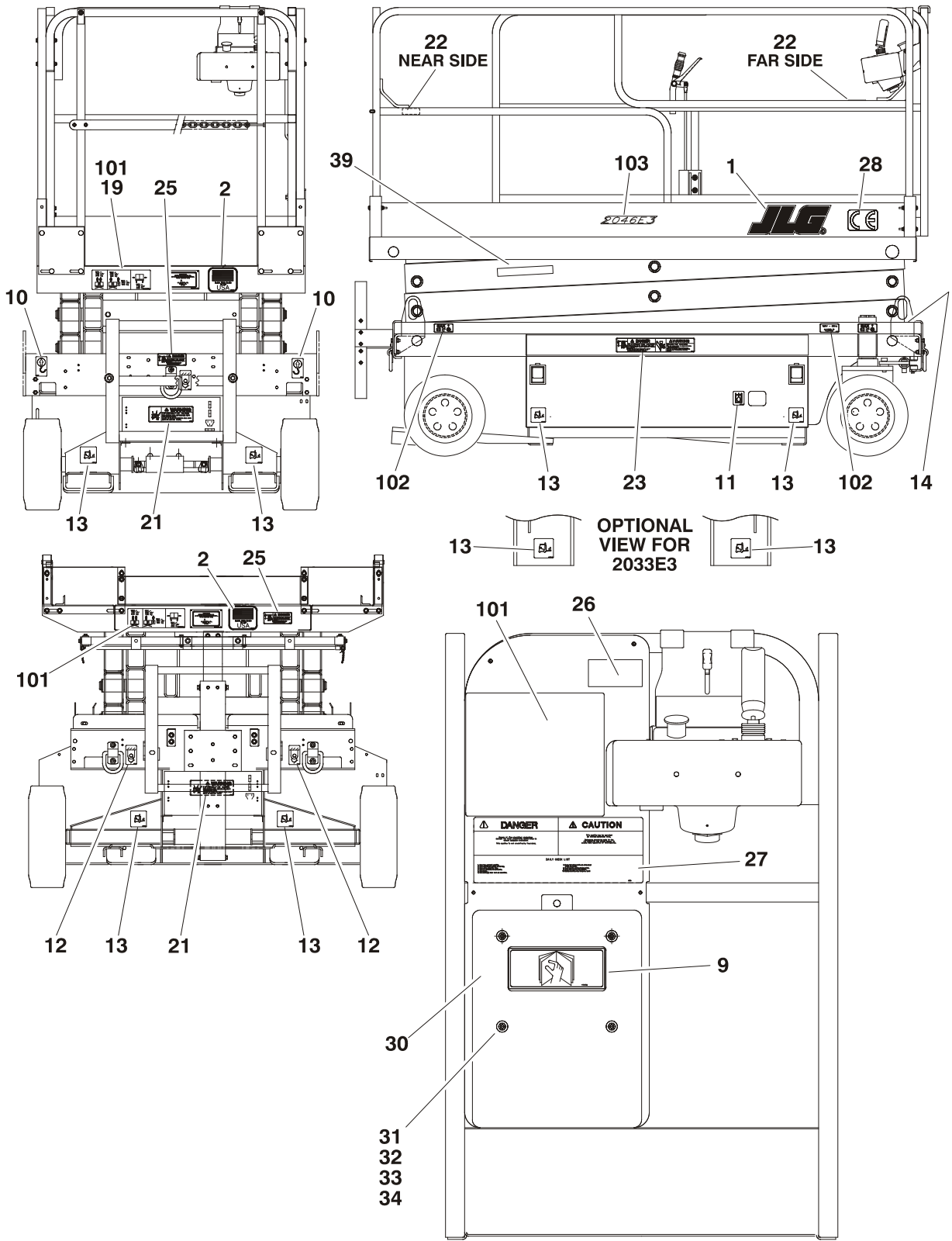
# SECTION 8 DECALS

FIGURE 8-2.DECALS INSTALLATION - 2033E3/2046E3/2646E3/2658E3



SECTION 8 DECALS

# SECTION 8 DECALS



MACHINE WITH FIXED HANDRAILS

SECTION 8 DECALS

# SECTION 8 DECALS

**FIGURE 8-2. DECALS INSTALLATION - 2033E3/2046E3/2646E3/2658E3**

FIG & ITEM #	PART NUMBER	DESCRIPTION	QTY.	REV.
		<b>DECAL INSTALLATIONS</b>	Ref.	
	0258873	<b>Australian Spec - 2033E3 &amp; 2646E3</b>	Ref.	7
	0258873	<b>Australian Spec - 2046E3 &amp; 2658E3</b>	Ref.	7
	0258866	<b>Dutch Spec - 2033E3 &amp; 2646E3</b>	Ref.	8
	0259389	<b>Dutch Spec - 2046E3 &amp; 2658E3</b>	Ref.	6
	0258871	<b>French Spec - 2033E3 &amp; 2646E3</b>	Ref.	6
	0259393	<b>French Spec - 2046E3 &amp; 2658E3</b>	Ref.	6
	0258869	<b>German Spec - 2033E3 &amp; 2646E3</b>	Ref.	7
	0259392	<b>German Spec - 2046E3 &amp; 2658E3</b>	Ref.	6
	0258872	<b>Italian Spec - 2033E3 &amp; 2646E3</b>	Ref.	7
	0259394	<b>Italian Spec - 2046E3 &amp; 2658E3</b>	Ref.	6
	0258867	<b>Spanish Spec - 2033E3 &amp; 2646E3</b>	Ref.	7
	0259390	<b>Spanish Spec - 2046E3 &amp; 2658E3</b>	Ref.	6
	0258868	<b>UK Spec - 2033E3 &amp; 2646E3</b>	Ref.	7
	0259391	<b>UK Spec - 2046E3 &amp; 2658E3</b>	Ref.	6
	0273221	<b>Norwegian Spec - 2033E3 &amp; 2646E3</b>	Ref.	1
	Not Available	<b>Norwegian Spec - 2046E3 &amp; 2658E3</b>	Ref.	
1	1702773	Decal - JLG	2	
2	Not Used			
3	Not Used	Decal - Bar Code	1	
4	Not Used			
5	Not Used	Decal - Serial Number.	1	
6 to 8	Not Used			
9		Decal - Manual Reference Options:	1	
	1703788	Prior to S/N 1200000009		
	1701509	S/N 1200000009 to Present		
10	1703811	Decal - Lifting Lug	4	
11	1703812	Decal - Hyd. Oil	1	
12	1703814	Decal - Tie Down	4	
13	1703817	Decal - Fork Lift	6	
14	1703819	Decal - Direction Arrow	3	
15	1703822	Decal - Manual Descent Cable	1	
16		Decal - Safety Prop Options:	2	
	1704138	2033E3/2046E3		
	1704211	2646E3/2658E3		
17 to 18	Not Used			
19		Decal - Legend Options:	1	
	1704122	Australian Spec		
	Not Required	All Spec except Australian Spec		
20		Decal - Towing/Winching/Tow Speed Options:	1	
	1703698	Australian Spec		
	1703892	Dutch Spec		
	1703863	French Spec		
	1703880	German Spec		
	1703885	Italian Spec		
	1703839	Spanish Spec		

**SECTION 8 DECALS**



# SECTION 8 DECALS

**FIGURE 8-2. DECALS INSTALLATION - 2033E3/2046E3/2646E3/2658E3 (CONTINUED)**

FIG & ITEM #	PART NUMBER	DESCRIPTION	QTY.	REV.
20 (cont'd)	1703698	UK Spec & Norwegian Spec		
21		Decal - Warning Battery Ventilation Options:	2	
	1703813	Australian Spec		
	1703893	Dutch Spec		
	1703864	French Spec		
	1703881	German Spec		
	1703886	Italian Spec		
	1703840	Spanish Spec		
	1703813	UK Spec & Norwegian Spec		
22	1704277	Decal - Lanyard Attach	2	
23		Decal - Warning Crushing Hazard/Danger	2	
		Electrocution Options:		
	1703818	Australian Spec		
	1703894	Dutch Spec		
	1703865	French Spec		
	1703882	German Spec		
	1703887	Italian Spec		
	1703841	Spanish Spec		
	1703818	UK Spec & Norwegian Spec		
24	Not Used			
25		Decal - Danger Electrocution Hazard Options:	2	
	1703823	Australian Spec		
	1703895	Dutch Spec		
	1703866	French Spec		
	1703883	German Spec		
	1703888	Italian Spec		
	1703842	Spanish Spec		
	1703823	UK Spec & Norwegian Spec		
26		Decal - Wind Warning Options:	1	
	1703969	Australian Spec		
	1703973	Dutch Spec		
	1703970	French Spec		
	1703971	German Spec		
	1703972	Italian Spec		
	1703974	Spanish Spec		
	1703969	UK Spec & Norwegian Spec		
27		Decal - Caution Options:	1	
	1703877	Australian Spec		
	1703896	Dutch Spec		
	1703878	French Spec		
	1703884	German Spec		
	1703889	Italian Spec		
	1703897	Spanish Spec		
	1703877	UK Spec & Norwegian Spec		
28		Decal - CE Options:	A/R	
	Not Used	Australian Spec	0	
	1702928	All Spec except Australian Spec	1	

**SECTION 8 DECALS**

# SECTION 8 DECALS

**FIGURE 8-2. DECALS INSTALLATION - 2033E3/2046E3/2646E3/2658E3 (CONTINUED)**

FIG & ITEM #	PART NUMBER	DESCRIPTION	QTY.	REV.
29	1704123	Decal - Brake Release Options: Australian Spec	A/R 1	
	Not Required	All Spec except Australian Spec	0	
30	0860520	Box, Manual Storage	1	
31	1060279	Cable Lanyard	1	
32	0641405	Bolt 1/4"-20NC x 5/8"	4	
33	4751400	Flatwasher 1/4"	4	
34	3311405	Locknut 1/4"-20NC	4	
35 to 38	Not Used			
39	1704885	Decal - Website	2	
	2901692	Kit - Decal Master (Includes Items 9-16, 22, 39)	1	7
		Kit - Decal Multi-Color Options: (Includes Items 18-21, 23-29):	1	
	2901721	Australian Spec		2
	2901714	Dutch Spec		4
	2901717	French Spec		3
	2901718	German Spec		4
	2901719	Italian Spec		3
	2901715	Spanish Spec		3
	2901716	UK Spec		3
	2902273	Norwegian Spec		1
		<b>OPTIONAL DECALS</b>	Ref.	
101		Capacity Nameplate Kit Options:	1	
	1704115	2033E3/2646E3 (Australian Spec)		
	1703898	2033E3/2646E3 (CE Spec)		
	1704129	2046E3/2658E3 (Australian Spec)		
	1704127	2046E3/2658E3 (CE Spec)		
102		Decal - Maximum Tire Load Kit Options:	1	
	2901702	2033E3 (Includes qty 4 of P/N 1704134)		2
	2901703	2046E3 (Includes qty 4 of P/N 1704135)		2
	2901704	2033E3 (Includes qty 4 of P/N 1704136)		2
	2901705	2046E3 (Includes qty 4 of P/N 1704137)		2
103		Decal - Model Designation Kit Options:	1	
	2901695	2033E3 (Includes qty 3 of P/N 3252584)		1
	2901696	2046E3 (Includes qty 3 of P/N 3252585)		1
	2901697	2646E3 (Includes qty 3 of P/N 3252586)		1
	2901698	2658E3 (Includes qty 3 of P/N 3252587)		1

**SECTION 8 DECALS**

# SECTION 9 RECOMMENDED SERVICE PARTS STOCK

## MODELS 1532E3/1932E3/2033E3/2046E3/2646E3/2658E3

The following list will service fleets of machines (built to current production per date on the front cover) with emergency repair parts which can be installed in the field. Parts from the list should be replaced when inventory is depleted to keep service parts stock supplied. For further information, contact your JLG dealer or the JLG Industries Parts Department.

JLG PART NUMBER	DESCRIPTION	QTY PER FLEET		
		1-10	10-20	20 OR MORE
<b>STANDARD PARTS</b>				
7011509	Breaker, Circuit - DC (Figure 1-8)	1	1	1
7018514	Breaker, Circuit - AC (Figure 1-8)	1	1	1
7010944	Coupling (Figures 2-1 & 2-2)	1	1	1
2120072	Element, Filter (Figure 2-1 & 2-2)	4	8	12
1340052	Breather (Figure 2-1 & 2-2)	1	2	3
1600289	Controller, JLG SMART System™ (Figure 2-4)	1	1	1
3740131	Relay (Standard) (Figure 2-4)	1	1	1
4360112	Breaker, Circuit (Figures 2-4)	1	1	1
4360432	Switch, Key (Figure 2-4)	1	1	1
7016339	Key, Replacement (Figure 2-4)	1	1	1
4360328	Switch, Toggle (Figures 2-4)	1	1	1
4360289	Switch, Emergency Stop (Figures 2-4 & 4-8)	1	1	1
1600282	Controller, Directional (Figure 4-8)	1	1	1
0610123	Card, Circuit (Figure 4-8)	1	1	1
4360453	Switch Membrane With Tilt Light (Figure 4 -8)	1	1	1
<b>VARIABLE PARTS</b>				
4360548	Switch, Limit (Figures 1-5, 1-6 & 1-7)	1	1	1
4360397	Switch, Limit (Figure 3-6)	1	1	1
4360215	Switch, Perimeter (Optional) (Figure 4-1)	1	1	1
4360387	Switch (Optional With Perimeter) (Figure 4-8)	1	1	1
4360437	Switch, Limit (Figure 4-2)	1	1	1
4360277	Switch, Limit (Figures 4-3 & 4-6)	1	1	1

# SECTION 9 RECOMMENDED SERVICE PARTS

MODELS 1532E3/1932E3/2033E3/2046E3/2646E3/2658E3

The following list will service fleets of machines (built to current production per date on the front cover) with emergency repair parts which can be installed in the field. Parts from the list should be replaced when inventory is depleted to keep service parts stock supplied. For further information, contact your JLG dealer or the JLG Industries Parts Department.

JLG PART NUMBER	DESCRIPTION	QTY PER FLEET		
		1-10	10-20	20 OR MORE

SECTION 9 RECOMMENDED SERVICE PARTS STOCK

# SECTION 10 SPECIAL OPTIONS

**Note: This list is to accomodate machines ordered with special equipment. Options may not be applicable to all models. For more specific parts information contact JLG Parts Department.**

FIG & ITEM #	PART NUMBER	DESCRIPTION	QTY.	REV.
10-1		<b>MISCELLANEOUS SPECIAL OPTIONS</b>	Ref.	
	0258963	<b>BRAKE RELEASE INSTALLATION (AUSTRALIAN SPEC)</b>	Ref.	
	0256789	<b>CAMERA MOUNT ASSEMBLY</b>	Ref.	
		<b>DECAL COMPONENTS AND INSTALLATIONS</b>	Ref.	
	1702788	Decal - Biodegradable Oil	1	
	1282897	Decal Lanyard Attach Installation	Ref.	
	1702612	Decal - CE/Australian Spec	2	
	0259400	Decal Warning Stripes Installation	Ref.	
	4420052	Tape, Safety (Black/Yellow)	4ft/1.3m	
		<b>ELECTRICAL CONNECTOR KITS</b>	Ref.	
	1001148902	Amp Connector Kit	Ref.	
	1001148903	Deutsch DT Connector Kit	Ref.	
	1001148904	Deutsch HD Connector Kit	Ref.	
	1001148905	Packard Connector Kit	Ref.	
	1001148906	Various Connector Kit	Ref.	
		<b>FILTER KITS</b>	Ref.	
	2910468	Hydraulic/Air	1	
		<b>HYDRAULIC FLUIDS</b>	Ref.	
	2300014	Mobil 424	Ref.	
	2300027	Mobil 224H Bio	Ref.	
	2300016	Mobil DTE 13M	Ref.	
	2300021	Union Carbide Ucon HP5046 Fire Resistant	Ref.	
		<b>OVERLOAD PROTECTIONS INSTALLATION</b>	Ref.	
	0257264	1532E3/1932E3	Ref.	
	0259232	2033E3/2046E3	Ref.	
	0272479	2646E3/2658E3	Ref.	
	0258154	<b>PRESSURE CHECK INSTALLATION</b>	Ref.	
	0257049	<b>PIPE RACK INSTALLATION</b>	Ref.	
		<b>TOOLS FOR SERVICE</b>	Ref.	
	2901443	Analyzer and Cable Kit (Includes 1600244 & 1060633)	1	
	1600244	Analyzer, SMART System Controller	1	
	1060633	Cable, Communication (Analyzer to Controller)	1	
	7002820	Arbor Set (Set of 2 for Installation of Garmax and Excelite Bushings)	1	
	8896941	Wire Stripper	1	

SECTION 10 SPECIAL OPTIONS

# SECTION 10 SPECIAL OPTIONS

**Note: This list is to accommodate machines ordered with special equipment. Options may not be applicable to all models. For more specific parts information contact JLG Parts Department.**

**SECTION 10 SPECIAL OPTIONS**

FIG & ITEM #	PART NUMBER	DESCRIPTION	QTY.	REV.
	7002821	Wire Crimper (To Install Wire Ends to Wires)	1	
	7002823	Pin/Socket Extractor - Universal (To Remove Pins/Sockets from Connectors)	1	
	4460467	Extractor - 16-18 Gauge (For Removal of Pins/Sockets from Deutsch Connectors)	1	
	4460510	Extractor - 12-14 Gauge (For Removal of Pins/Sockets from Deutsch Connectors)	1	
	7002822	Screwdriver, Potentiometer (To Adjust Drive Controller)	1	
	7016654	Screwdriver, Magnetic	1	
	7004275	Seal Installation Tool - 1"	1	
	7004276	Seal Installation Tool - 1 1/2"	1	
	7002826	Seal Installation Tool - 2"	1	
	2900838	U.S. Standards Fastener (Hardware) Kit	1	
	7014676	U.S. Standards Tool Kit	1	

**PART NUMBER INDEX**

Starting Serial No. XXXXXXXXXX

Original Issue - XX/XXXX

Revised - XX/XX/XXXX

**MODEL E3****INDEX**

<b>P/N</b>	<b>PAGE</b>	<b>P/N</b>	<b>PAGE</b>	<b>P/N</b>	<b>PAGE</b>	<b>P/N</b>	<b>PAGE</b>
0080228	5-5	0181684	4-24	0255682	1-5	0258103	4-24
0080228	5-7	0181684	4-9	0255683	1-5	0258103	4-25
0080228	5-9	0181847	4-35	0256056	2-16	0258104	4-23
0100010	6-4	0181874	2-7	0256058	2-16	0258104	4-24
0100011	1-13	0181875	2-8	0256423	2-16	0258104	4-25
0100011	1-18	0181880	2-19	0256615	3-25	0258105	4-23
0100011	1-21	0200566	3-11	0256615	3-25	0258105	4-24
0100011	1-22	0200567	3-11	0256616	3-25	0258105	4-25
0100011	1-22	0200569	3-11	0256616	3-25	0258111	4-35
0100011	1-22	0200569	3-15	0256664	4-14	0258114	3-4
0100011	2-19	0200569	3-19	0256664	4-25	0258115	3-8
0100011	2-4	0200570	3-11	0256668	4-25	0258116	3-16
0100011	2-8	0200588	3-15	0256789	10-1	0258117	3-20
0100011	3-11	0200588	3-19	0256833	1-22	0258120	3-12
0100011	3-15	0200589	3-15	0256959	2-15	0258120	3-16
0100011	3-19	0200589	3-19	0256960	2-15	0258121	3-20
0100011	3-25	0200590	3-15	0256961	2-16	0258122	1-22
0100011	3-25	0200590	3-19	0256962	2-16	0258124	2-3
0100011	4-17	0200592	3-19	0257049	10-1	0258126	2-7
0100011	4-19	0200593	3-19	0257156	1-5	0258128	2-7
0100011	4-3	0200596	3-19	0257183	1-7	0258134	4-9
0100011	4-30	0200597	3-19	0257184	1-7	0258135	4-19
0100011	4-31	0200598	3-3	0257185	1-7	0258136	4-13
0100011	4-7	0200599	3-3	0257186	1-7	0258137	4-23
0100011	5-5	0200599	3-7	0257264	10-1	0258147	1-3
0100011	5-7	0200600	3-7	0257265	1-25	0258148	1-3
0100011	5-9	0200601	3-7	0257266	1-25	0258149	1-4
0100011	6-3	0200602	3-3	0257367	4-6	0258150	1-4
0100020	2-15	0200602	3-7	0257372	1-24	0258154	10-1
0100020	6-3	0200603	3-3	0257397	4-6	0258156	2-15
0100048	7-8	0200604	3-7	0257398	4-5	0258159	2-15
0100048	7-9	0200618	3-3	0257724	1-17	0258173	3-3
0100051	2-19	0200619	3-3	0257725	1-17	0258173	5-5
0100051	2-20	0200623	3-11	0257726	1-17	0258174	3-7
0100076	2-15	0200624	3-11	0257766	1-17	0258174	5-5
0100081	1-4	0200625	3-15	0258084	3-15	0258176	4-3
0100081	1-4	0200626	3-15	0258084	5-7	0258178	4-3
0100084	3-12	0200641	3-7	0258085	3-19	0258179	4-3
0100084	3-16	0200642	3-7	0258085	5-9	0258183	1-21
0100084	3-20	0200643	3-7	0258091	4-3	0258185	1-21
0100084	3-4	0200644	3-7	0258092	4-3	0258194	1-24
0100084	3-8	0252586	3-12	0258093	4-3	0258195	1-24
0140011	4-35	0252586	3-16	0258094	4-3	0258196	3-23
0140022	1-23	0252586	3-3	0258095	4-3	0258197	3-23
0140033	2-15	0252587	3-20	0258096	4-3	0258198	3-23
0140033	2-16	0252587	3-7	0258102	4-19	0258199	3-23
0181622	2-20	0254171	4-5	0258102	4-20	0258200	3-25
0181684	4-13	0255679	1-5	0258102	4-20	0258201	1-22
0181684	4-20	0255680	1-5	0258103	4-23	0258231	4-17
						0258231	4-30
						0258232	4-31
						0258233	4-29
						0258236	4-17
						0258239	4-29
						0258241	4-30
						0258242	4-31
						0258244	4-29
						0258246	4-30
						0258247	4-31
						0258255	4-4
						0258257	4-4
						0258259	4-5
						0258261	4-5
						0258270	4-4
						0258274	4-4
						0258283	1-13
						0258611	2-20
						0258619	2-20
						0258778	3-11
						0258778	5-7
						0258791	2-8
						0258792	2-8
						0258800	1-23
						0258800	7-2
						0258801	7-2
						0258841	1-21
						0258841	1-21
						0258844	1-21
						0258850	1-17
						0258851	1-17
						0258852	1-17
						0258854	8-4
						0258855	8-4
						0258856	8-4
						0258857	8-4
						0258858	8-4
						0258859	8-4
						0258861	8-4
						0258866	8-10
						0258867	8-10
						0258868	8-10
						0258869	8-10
						0258871	8-10
						0258872	8-10
						0258873	8-10
						0258873	8-10
						0258880	1-21
						0258895	1-21

# PART NUMBER INDEX

Starting Serial No. XXXXXXXXXX

Original Issue - XX/XXXX

Revised - XX/XX/XXXX

# MODEL E3

# INDEX

P/N	PAGE	P/N	PAGE	P/N	PAGE	P/N	PAGE	P/N	PAGE
0258907	3-4	0259685	4-7	0641405	4-19	0641505	2-4	0641605	3-26
0258908	3-8	0259945	4-6	0641405	4-24	0641505	2-7	0641608	3-25
0258954	1-23	0270714	4-10	0641405	4-4	0641505	4-5	0641608	4-17
0258956	1-24	0270836	4-6	0641405	4-9	0641506	1-13	0641608	4-29
0258960	2-19	0272479	10-1	0641405	8-12	0641506	1-21	0641608	4-30
0258963	10-1	0272788	4-36	0641405	8-5	0641506	3-3	0641608	4-31
0258963	6-4	0272788	4-7	0641406	1-21	0641506	5-5	0641610	1-24
0258969	4-10	0273220	8-4	0641406	1-21	0641506	5-7	0641611	1-13
0258969	4-9	0273221	8-10	0641406	1-27	0641506	5-9	0641611	1-3
0258969	4-9	0361912	4-10	0641406	2-16	0641507	4-10	0641611	1-4
0258970	4-13	0361912	4-14	0641406	2-16	0641507	4-14	0641612	1-13
0258970	4-14	0361912	4-20	0641406	2-19	0641507	4-20	0641612	1-3
0258970	4-14	0361912	4-24	0641406	2-4	0641507	4-25	0641612	1-4
0258971	4-13	0362273	4-6	0641406	2-7	0641508	1-18	0641618	3-11
0258971	4-14	0362483	1-13	0641406	2-8	0641508	2-4	0641618	3-15
0258971	4-14	0362484	1-13	0641406	3-12	0641508	2-7	0641618	3-19
0258977	1-21	0362485	1-13	0641406	3-16	0641508	3-11	0641620	3-11
0259215	1-27	0362566	2-19	0641406	3-20	0641508	3-15	0641620	3-15
0259215	7-11	0362566	2-3	0641406	3-25	0641508	3-19	0641620	3-19
0259216	1-27	0362654	1-13	0641406	4-13	0641508	3-3	0641620	3-3
0259216	7-11	0362801	3-12	0641406	4-19	0641508	3-7	0641620	3-7
0259217	1-23	0362801	3-16	0641406	4-24	0641509	3-25	0641624	3-3
0259217	4-35	0362801	3-20	0641406	4-9	0641510	1-24	0641624	3-7
0259218	3-20	0400169	2-20	0641406	7-11	0641510	4-13	0641628	3-3
0259232	10-1	0400178	1-21	0641407	4-6	0641510	4-19	0641628	3-7
0259260	4-31	0400178	1-27	0641408	1-14	0641510	4-24	0641630	3-15
0259313	3-12	0400215	2-19	0641408	1-18	0641510	4-9	0641630	3-19
0259387	4-17	0400216	2-20	0641408	1-23	0641512	1-24	0641638	3-11
0259388	4-30	0480092	3-25	0641408	2-19	0641512	4-13	0641638	3-15
0259389	8-10	0480112	3-25	0641408	2-20	0641512	4-19	0641638	3-19
0259390	8-10	0561332	4-3	0641408	2-3	0641512	4-24	0641810	1-21
0259391	8-10	0610123	4-35	0641408	2-7	0641512	4-4	0641816	2-19
0259392	8-10	0610123	9-1	0641408	3-25	0641512	4-5	0641816	2-3
0259393	8-10	0630485	1-25	0641412	2-20	0641512	4-9	0641824	1-21
0259394	8-10	0630485	4-3	0641412	2-3	0641516	3-26	0641826	1-3
0259400	10-1	0630495	1-3	0641412	2-7	0641516	4-10	0641826	1-4
0259463	4-5	0630495	1-4	0641413	4-7	0641516	4-14	0642224	1-13
0259464	4-5	0630516	1-3	0641414	3-25	0641516	4-20	0681414	1-14
0259465	4-5	0630523	3-11	0641416	3-25	0641516	4-24	0681414	1-17
0259466	4-5	0630523	3-15	0641416	4-6	0641520	3-3	0681520	4-3
0259467	4-5	0630523	3-19	0641418	4-17	0641520	3-7	0681610	3-11
0259468	4-5	0630526	2-19	0641418	4-29	0641522	3-11	0681610	3-15
0259469	4-5	0630526	2-20	0641418	4-30	0641522	3-15	0681610	3-19
0259475	1-5	0630543	1-13	0641418	4-32	0641522	3-19	0681610	4-3
0259681	4-6	0641404	2-3	0641420	4-13	0641522	3-3	0681622	1-13
0259682	4-6	0641404	4-35	0641420	4-19	0641522	3-7	0681822	1-17
0259684	4-36	0641404	4-7	0641420	4-23	0641522	4-3	0721006	1-23
0259684	4-7	0641405	1-22	0641420	4-9	0641524	3-7	0791608	2-20
0259685	4-36	0641405	4-13	0641424	2-20	0641536	3-26	0840025	1-24



**PART NUMBER INDEX**

Starting Serial No. XXXXXXXXXX

Original Issue - XX/XXXX

Revised - XX/XX/XXXX

**MODEL E3****INDEX**

<b>P/N</b>	<b>PAGE</b>	<b>P/N</b>	<b>PAGE</b>	<b>P/N</b>	<b>PAGE</b>	<b>P/N</b>	<b>PAGE</b>	<b>P/N</b>	<b>PAGE</b>
0840025	1-24	0940061	4-6	1060279	8-5	1060705	7-9	1320061	4-20
0840025	4-5	0940065	4-6	1060330	7-10	1060710	2-20	1320061	4-4
0840025	7-9	0940079	4-6	1060341	4-15	1060712	2-15	1320061	4-5
0840027	1-24	0940080	4-6	1060341	4-25	1061017	2-19	1320095	1-24
0840027	1-24	0940081	4-6	1060341	7-10	1061017	2-20	1320224	3-23
0840031	2-19	0940082	4-6	1060341	7-9	1100110	1-14	1320224	4-13
0840031	2-20	0960239	4-15	1060379	2-16	1100110	1-18	1320224	4-9
0840035	4-13	0960239	4-25	1060379	4-19	1100110	1-22	1320242	6-3
0840035	4-19	0961833	4-29	1060379	4-23	1100116	1-7	1340052	2-3
0840035	4-23	0961994	1-13	1060461	4-4	1120417	1-3	1340052	2-7
0840035	4-9	0961995	1-13	1060461	4-5	1120417	1-4	1340052	9-1
0860038	4-4	0961996	1-13	1060605	7-11	1120481	1-13	1440325	1-22
0860038	4-4	0961997	1-13	1060606	7-11	1120481	1-17	1600244	10-1
0860520	8-12	0961997	1-17	1060608	7-8	1120491	2-7	1600244	7-8
0860520	8-5	0962004	2-19	1060627	1-24	1120500	3-12	1600282	4-35
0861256	4-35	0962004	2-20	1060627	1-24	1120500	3-16	1600282	4-39
0901830	4-10	0962004	2-3	1060633	10-1	1120500	3-20	1600282	9-1
0901830	4-10	0962010	3-3	1060633	7-8	1120501	3-12	1600289	2-15
0901830	4-14	0962010	3-7	1060665	7-9	1120501	3-16	1600289	9-1
0901830	4-14	0962012	5-5	1060680	1-14	1120501	3-20	1670856	4-7
0901830	4-20	0962012	5-7	1060680	1-18	1120503	3-4	1670857	4-6
0901830	4-20	0962012	5-9	1060680	1-22	1120503	3-8	1670869	4-35
0901830	4-25	0962013	1-3	1060680	1-23	1120514	3-25	1670918	4-6
0901830	4-25	0962013	1-4	1060680	1-23	1120518	3-8	1670919	4-7
0901930	4-5	0962014	1-3	1060680	3-23	1282507/12827067-2		1670920	4-7
0902221	2-3	0962014	1-4	1060680	4-5	1282507/12827067-2		1670921	4-7
0902365	2-19	0962017	1-4	1060680	4-5	1282507/12827067-2		1670922	4-6
0902365	2-3	0962017	1-4	1060680	4-5	1282507/12827067-2		1670923	4-7
0902421	5-5	0962074	3-26	1060680	4-5	1282880*	7-2	1670924	4-7
0902421	5-7	0962075	3-26	1060680	4-7	1282896	7-2	1670925	4-7
0902421	5-9	0962085	1-3	1060680	7-10	1282896	7-8	1683500	3-3
0902476	2-8	0962123	1-17	1060680	7-10	1282896	7-8	1683500	3-7
0902477	2-7	0962123	1-17	1060680	7-10	1282897	10-1	1683500	5-5
0902485	4-35	0962123	1-17	1060680	7-10	1283009	7-2	1683627	3-11
0902499	4-35	0962220	3-11	1060680	7-10	1283081	7-2	1683627	3-15
0902507	1-21	0962220	3-15	1060680	7-10	1283082	7-2	1683627	5-7
0902508	1-21	0962220	3-19	1060680	7-11	1283094	7-2	1683628	3-19
0902536	1-14	0962234	3-11	1060680	7-11	1320030	2-3	1683628	5-9
0902536	1-18	0962234	3-15	1060680	7-11	1320030	2-7	1683833	1-7
0902578	4-7	0962234	3-19	1060680	7-11	1320040	1-27	1683833	5-3
0902579	4-7	0962262	1-14	1060689	1-27	1320040	7-11	1683936	5-11
0902689	4-10	0962262	1-18	1060689	7-11	1320061	1-21	1683937	5-11
0902750	4-10	1001148902	10-1	1060691	1-27	1320061	1-23	1684226	1-3
0902750	4-14	1001148903	10-1	1060691	7-11	1320061	3-12	1684226	5-13
0902750	4-20	1001148904	10-1	1060699	5-7	1320061	3-16	1684227	1-4
0902750	4-25	1001148905	10-1	1060699	5-9	1320061	3-20	1684227	5-13
0940057	4-5	1001148906	10-1	1060700	5-5	1320061	3-4	1701509	8-10
0940057	4-6	1060243	2-20	1060703	7-9	1320061	3-8	1701509	8-4
0940060	4-5	1060279	8-12	1060704	7-9			1701644	1-21

# PART NUMBER INDEX

Starting Serial No. XXXXXXXXXXX

Original Issue - XX/XXXX

Revised - XX/XX/XXXX

# MODEL E3

# INDEX

P/N	PAGE	P/N	PAGE	P/N	PAGE	P/N	PAGE	P/N	PAGE
1702612	.....10-1	1703865	.....8-5	1703971	.....8-5	2080069	.....4-32	2540002	.....3-4
1702773	.....8-10	1703866	.....8-11	1703972	.....8-11	2120072	.....2-3	2540002	.....3-8
1702773	.....8-4	1703866	.....8-5	1703972	.....8-5	2120072	.....2-7	2540002	.....4-5
1702788	.....10-1	1703877	.....8-11	1703973	.....8-11	2120072	.....9-1	2540017	.....4-7
1702928	.....8-11	1703877	.....8-11	1703973	.....8-5	2120105	.....2-3	2560088	.....4-13
1702928	.....8-5	1703877	.....8-5	1703974	.....8-11	2120105	.....2-7	2560088	.....4-19
1703698	.....8-10	1703877	.....8-5	1703974	.....8-5	2200233	.....2-7	2560088	.....4-23
1703698	.....8-11	1703878	.....8-11	1704115	.....8-12	2220346	.....6-3	2560088	.....4-9
1703698	.....8-4	1703878	.....8-5	1704122	.....8-10	2220347	.....6-3	2560137	.....2-19
1703698	.....8-4	1703880	.....8-10	1704122	.....8-4	2220371	.....6-3	2560137	.....2-3
1703788	.....8-10	1703880	.....8-4	1704123	.....8-12	2220373	.....6-3	2560141	.....4-35
1703788	.....8-4	1703881	.....8-11	1704123	.....8-5	2220385	.....6-3	2600253	.....4-17
1703811	.....8-10	1703881	.....8-4	1704127	.....8-12	2220399	.....6-4	2600253	.....4-30
1703811	.....8-4	1703882	.....8-11	1704129	.....8-12	2220415	.....6-3	2600253	.....4-32
1703812	.....8-10	1703882	.....8-5	1704138	.....8-10	2220470	.....6-3	2750920	.....6-4
1703812	.....8-4	1703883	.....8-11	1704138	.....8-4	2220472	.....5-13	2750982	.....6-4
1703813	.....8-11	1703883	.....8-5	1704172	.....8-6	2220473	.....6-3	2750999	.....6-4
1703813	.....8-11	1703884	.....8-11	1704173	.....8-6	2220501	.....6-3	2752192	.....6-4
1703813	.....8-4	1703884	.....8-5	1704211	.....8-10	2220515	.....6-3	2752193	.....6-4
1703813	.....8-4	1703885	.....8-10	1704260	.....4-35	2220585	.....6-3	2752194	.....6-4
1703814	.....8-10	1703885	.....8-4	1704277	.....8-11	2220593	.....6-3	2752463	.....6-4
1703814	.....8-4	1703886	.....8-11	1704277	.....8-5	2220619	.....6-3	2752478	.....6-4
1703817	.....8-10	1703886	.....8-4	1704512	.....2-15	2220635	.....6-3	2752593	.....6-4
1703817	.....8-4	1703887	.....8-11	1704513	.....2-15	2220773	.....6-4	2752603	.....6-4
1703818	.....8-11	1703887	.....8-5	1704885	.....8-12	2220775	.....6-3	2752609	.....6-4
1703818	.....8-11	1703888	.....8-11	1704885	.....8-5	2220919	.....6-4	2752931	.....6-4
1703818	.....8-5	1703888	.....8-5	1704982	.....8-6	2221000	.....6-3	2752957	.....6-4
1703818	.....8-5	1703889	.....8-11	1704983	.....8-6	2300014	.....10-1	2752959	.....6-4
1703819	.....8-10	1703889	.....8-5	1760165	.....1-7	2300016	.....10-1	2752961	.....6-4
1703819	.....8-4	1703892	.....8-10	1780290	.....2-19	2300021	.....10-1	2752968	.....6-4
1703822	.....8-10	1703892	.....8-4	1780291	.....2-3	2300027	.....10-1	2780215	.....1-7
1703822	.....8-4	1703893	.....8-11	2080044	.....1-23	2360473	.....1-5	2780215	.....1-7
1703823	.....8-11	1703893	.....8-4	2080053	.....1-24	2360474	.....1-5	2780216	.....1-3
1703823	.....8-11	1703894	.....8-11	2080060	.....3-25	2360476	.....1-5	2780216	.....1-4
1703823	.....8-5	1703894	.....8-5	2080063	.....4-17	2360476	.....1-5	2792339	.....6-3
1703823	.....8-5	1703895	.....8-11	2080063	.....4-19	2360478	.....1-5	2792340	.....6-3
1703839	.....8-10	1703895	.....8-5	2080063	.....4-19	2360495	.....1-5	2792341	.....6-3
1703839	.....8-4	1703896	.....8-11	2080063	.....4-23	2360499	.....1-5	2792342	.....6-3
1703840	.....8-11	1703896	.....8-5	2080063	.....4-23	2360500	.....1-5	2820030	.....4-7
1703840	.....8-4	1703897	.....8-11	2080063	.....4-29	2360501	.....1-5	2860030	.....2-15
1703841	.....8-11	1703897	.....8-5	2080063	.....4-30	2400056	.....1-23	2900838	.....10-2
1703841	.....8-5	1703898	.....8-12	2080063	.....4-31	2420165	.....2-16	2901443	.....10-1
1703842	.....8-11	1703969	.....8-11	2080063	.....4-7	2420179	.....2-16	2901443	.....7-8
1703842	.....8-5	1703969	.....8-11	2080065	.....4-17	2420201	.....4-35	2901573	.....4-10
1703863	.....8-10	1703969	.....8-5	2080065	.....4-29	2460022	.....1-23	2901573	.....4-14
1703863	.....8-4	1703969	.....8-5	2080065	.....4-30	2460022	.....1-24	2901649	.....4-20
1703864	.....8-11	1703970	.....8-11	2080065	.....4-31	2540002	.....3-12	2901649	.....4-24
1703864	.....8-4	1703970	.....8-5	2080069	.....4-17	2540002	.....3-16	2901650	.....6-4
1703865	.....8-11	1703971	.....8-11	2080069	.....4-30	2540002	.....3-20	2901652	.....6-4

**PART NUMBER INDEX**

Starting Serial No. XXXXXXXXXX

Original Issue - XX/XXXX

Revised - XX/XX/XXXX

**MODEL E3****INDEX**

<b>P/N</b>	<b>PAGE</b>	<b>P/N</b>	<b>PAGE</b>	<b>P/N</b>	<b>PAGE</b>	<b>P/N</b>	<b>PAGE</b>	<b>P/N</b>	<b>PAGE</b>
2901653	6-4	2902108	3-19	3310801	1-23	3311505	1-13	3340612	4-29
2901654	6-4	2902273	8-12	3310801	4-10	3311505	1-18	3340612	4-30
2901655	6-4	2902273	8-6	3311001	2-20	3311505	1-21	3340612	4-31
2901692	8-12	2910468	10-1	3311001	4-17	3311505	1-24	3340612	4-6
2901692	8-6	2920093	4-5	3311001	4-31	3311505	2-8	3340629	3-11
2901693	8-6	2920146	1-23	3311001	4-32	3311505	3-11	3340629	3-15
2901694	8-6	2940045	2-8	3311005	1-22	3311505	3-15	3340629	3-19
2901695	8-12	2940061	4-10	3311005	3-23	3311505	3-19	3340629	3-3
2901696	8-12	2940061	4-14	3311005	4-29	3311505	3-26	3340629	3-7
2901697	8-12	2940061	4-20	3311401	2-15	3311505	3-3	3340629	4-3
2901698	8-12	2940061	4-24	3311401	2-15	3311505	3-7	3340780	3-26
2901699	8-6	2940074	4-17	3311401	2-19	3311505	4-13	3340781	3-25
2901700	8-6	2940074	4-30	3311401	2-20	3311505	4-19	3340841	3-11
2901702	8-12	2940074	4-32	3311401	4-15	3311505	4-24	3340841	3-12
2901703	8-12	2940098	2-19	3311401	4-25	3311505	4-3	3340841	3-15
2901704	8-12	2940098	2-3	3311401	4-6	3311505	4-5	3340841	3-16
2901705	8-12	2940099	2-7	3311405	1-14	3311505	4-9	3340841	3-19
2901714	8-12	2940100	2-20	3311405	1-17	3311605	1-13	3340841	3-20
2901714	8-6	2940101	2-20	3311405	1-21	3311605	1-24	3340841	3-3
2901715	8-12	2980113	4-10	3311405	1-22	3311605	1-25	3340841	3-3
2901715	8-6	2980113	4-14	3311405	1-22	3311605	3-11	3340841	3-7
2901716	8-12	2980113	4-20	3311405	1-23	3311605	3-15	3340841	3-7
2901716	8-6	2980113	4-24	3311405	1-27	3311605	3-19	3421453	4-19
2901717	8-12	3020022	4-13	3311405	2-16	3311605	3-25	3421453	4-23
2901717	8-6	3020022	4-20	3311405	2-16	3311605	3-3	3422369	4-24
2901718	8-12	3020022	4-24	3311405	2-19	3311605	3-7	3422369	4-32
2901718	8-6	3020022	4-9	3311405	2-20	3311605	4-17	3422485	3-15
2901719	8-12	3160263	1-11	3311405	2-20	3311605	4-29	3422485	3-19
2901719	8-6	3160263	1-3	3311405	2-3	3311605	4-3	3422495	3-3
2901721	8-12	3160264	1-11	3311405	2-7	3311605	4-30	3422495	3-7
2901721	8-6	3160264	1-4	3311405	2-8	3311605	4-30	3422496	3-3
2901987	4-9	3160270	1-3	3311405	3-12	3311605	4-31	3422496	3-7
2901988	4-13	3160270	1-9	3311405	3-16	3311608	2-20	3422496	3-7
2901989	4-19	3160270	1-9	3311405	3-16	3311801	1-4	3422655	4-3
2901990	4-23	3251596	4-36	3311405	3-20	3311801	2-19	3422698	3-3
2901993	4-17	3252610	4-35	3311405	3-23	3311805	1-17	3422698	3-7
2901993	4-31	3252615	8-6	3311405	3-25	3311805	1-17	3422709	3-11
2901993	4-32	3252616	8-6	3311405	3-25	3311805	1-21	3422709	3-15
2902002	4-17	3300047	4-15	3311405	4-13	3311805	2-3	3422709	3-19
2902004	4-29	3300047	4-25	3311405	4-13	3312205	1-13	3422711	3-11
2902006	4-29	3300048	4-5	3311405	4-19	3321402	5-5	3422711	3-15
2902009	4-31	3300255	1-3	3311405	4-19	3321402	5-7	3422711	3-19
2902010	4-31	3300255	1-4	3311405	4-23	3321402	5-9	3422712	3-11
2902011	4-32	3300255	1-7	3311405	4-24	3321801	3-11	3422712	3-15
2902012	4-32	3300429	2-19	3311405	4-4	3321801	3-15	3422712	3-19
2902103	3-3	3300429	2-20	3311405	4-6	3322202	4-13	3422713	3-11
2902104	3-7	3300450	1-3	3311405	4-9	3322202	4-20	3422713	3-15
2902106	3-11	3310601	4-35	3311405	7-11	3322202	4-24	3422713	3-19
2902107	3-15	3310601	6-3	3311405	8-12	3322202	4-9	3422714	3-11
		3310801	1-22	3311405	8-5	3340612	4-17	3422723	4-10
				3311501	1-13				

# PART NUMBER INDEX

Starting Serial No. XXXXXXXXXXX

Original Issue - XX/XXXX

Revised - XX/XX/XXXX

# MODEL E3

# INDEX

P/N	PAGE	P/N	PAGE	P/N	PAGE	P/N	PAGE	P/N	PAGE
3422723 . . . . .	4-14	3510665 . . . . .	4-3	3570747 . . . . .	1-17	3820014 . . . . .	4-36	3911036 . . . . .	4-29
3422723 . . . . .	4-20	3510667 . . . . .	4-3	3570829 . . . . .	2-8	3820019 . . . . .	4-13	3911424 . . . . .	4-31
3422723 . . . . .	4-24	3510688 . . . . .	4-3	3570871 . . . . .	4-23	3820019 . . . . .	4-20	3911428 . . . . .	4-17
3422733 . . . . .	4-3	3510697 . . . . .	4-3	3570872 . . . . .	4-23	3820019 . . . . .	4-24	3911428 . . . . .	4-17
3422744 . . . . .	4-20	3510698 . . . . .	4-3	3570996 . . . . .	2-7	3820019 . . . . .	4-9	3911428 . . . . .	4-29
3422744 . . . . .	4-24	3510699 . . . . .	4-3	3570998 . . . . .	2-7	3820020 . . . . .	4-13	3911428 . . . . .	4-30
3422751 . . . . .	3-19	3510708 . . . . .	4-13	3571007 . . . . .	2-8	3820020 . . . . .	4-9	3911428 . . . . .	4-31
3422949 . . . . .	4-10	3510709 . . . . .	4-13	3571011 . . . . .	4-23	3841074 . . . . .	4-10	3911430 . . . . .	4-23
3422949 . . . . .	4-14	3510712 . . . . .	4-19	3571035 . . . . .	4-13	3841074 . . . . .	4-14	3911432 . . . . .	4-19
3422949 . . . . .	4-20	3510727 . . . . .	4-9	3571035 . . . . .	4-9	3841233 . . . . .	4-13	3911432 . . . . .	4-19
3422949 . . . . .	4-25	3520052 . . . . .	4-15	3571108 . . . . .	3-4	3841233 . . . . .	4-20	3911432 . . . . .	4-24
3422950 . . . . .	4-10	3520052 . . . . .	4-25	3571108 . . . . .	3-8	3841233 . . . . .	4-24	3911432 . . . . .	4-31
3422950 . . . . .	4-14	3520071 . . . . .	1-21	3571116 . . . . .	1-22	3841233 . . . . .	4-9	3911432 . . . . .	4-7
3422950 . . . . .	4-20	3520072 . . . . .	3-25	3571267 . . . . .	3-25	3841320 . . . . .	1-4	3930820 . . . . .	1-22
3422950 . . . . .	4-25	3520072 . . . . .	4-13	3571278 . . . . .	1-23	3841324 . . . . .	1-4	3930824 . . . . .	1-23
3422951 . . . . .	3-3	3520072 . . . . .	4-17	3571454 . . . . .	4-19	3841332 . . . . .	1-7	3931412 . . . . .	1-23
3422951 . . . . .	3-7	3520072 . . . . .	4-19	3571479 . . . . .	4-4	3841333 . . . . .	1-7	3931416 . . . . .	4-15
3430406 . . . . .	4-10	3520072 . . . . .	4-19	3571600 . . . . .	4-23	3841334 . . . . .	1-7	3931416 . . . . .	4-25
3430406 . . . . .	4-14	3520072 . . . . .	4-23	3571789 . . . . .	1-22	3841337 . . . . .	1-13	3941406 . . . . .	1-21
3430406 . . . . .	4-21	3520072 . . . . .	4-23	3571789 . . . . .	1-22	3841379 . . . . .	1-3	3941406 . . . . .	1-24
3430406 . . . . .	4-25	3520072 . . . . .	4-29	3573073 . . . . .	4-10	3841387 . . . . .	1-3	3941406 . . . . .	2-15
3430620 . . . . .	1-7	3520072 . . . . .	4-30	3573073 . . . . .	4-14	3841394 . . . . .	4-20	3941406 . . . . .	2-8
3430811 . . . . .	1-17	3520072 . . . . .	4-31	3573073 . . . . .	4-20	3841394 . . . . .	4-24	3941406 . . . . .	3-23
3430812 . . . . .	1-3	3520077 . . . . .	2-3	3573073 . . . . .	4-25	3841428 . . . . .	1-17	3951603 . . . . .	1-14
3430812 . . . . .	1-4	3520077 . . . . .	2-7	3600270 . . . . .	2-3	3860059 . . . . .	4-20	3951603 . . . . .	1-18
3430824 . . . . .	1-3	3533370 . . . . .	4-29	3600270 . . . . .	2-7	3860059 . . . . .	4-9	3951603 . . . . .	1-22
3430824 . . . . .	1-4	3534742 . . . . .	4-17	3640614 . . . . .	4-29	3860079 . . . . .	1-13	3951603 . . . . .	1-22
3440418 . . . . .	1-13	3534742 . . . . .	4-29	3641263 . . . . .	4-9	3860079 . . . . .	1-17	3960389 . . . . .	2-19
3440828 . . . . .	1-13	3534742 . . . . .	4-30	3641264 . . . . .	4-13	3860091 . . . . .	4-13	3960389 . . . . .	2-3
3450304 . . . . .	3-16	3534742 . . . . .	4-32	3641265 . . . . .	4-9	3860091 . . . . .	4-24	3990010 . . . . .	7-8
3450304 . . . . .	3-20	3534743 . . . . .	4-29	3641266 . . . . .	4-13	3900168 . . . . .	4-15	3990010 . . . . .	7-9
3450304 . . . . .	3-4	3534743 . . . . .	4-30	3740131 . . . . .	2-15	3900168 . . . . .	4-25	4060807 . . . . .	3-12
3450304 . . . . .	3-8	3534995 . . . . .	4-15	3740131 . . . . .	9-1	3900178 . . . . .	4-35	4060807 . . . . .	3-16
3450403 . . . . .	1-17	3534995 . . . . .	4-25	3760170 . . . . .	2-16	3900213 . . . . .	3-26	4060807 . . . . .	3-20
3450403 . . . . .	1-3	3537619 . . . . .	4-13	3760170 . . . . .	4-19	3900226 . . . . .	4-35	4060807 . . . . .	3-4
3450403 . . . . .	1-4	3537619 . . . . .	4-20	3760170 . . . . .	4-23	3900265 . . . . .	4-35	4060807 . . . . .	3-8
3450403 . . . . .	1-7	3537619 . . . . .	4-24	3760348 . . . . .	4-13	3900267 . . . . .	4-17	4060937 . . . . .	2-8
3450404 . . . . .	1-17	3537619 . . . . .	4-9	3760348 . . . . .	4-20	3900267 . . . . .	4-30	4060975 . . . . .	1-21
3450404 . . . . .	3-12	3538844 . . . . .	2-20	3760348 . . . . .	4-24	3900267 . . . . .	4-32	4060976 . . . . .	4-35
3450405 . . . . .	5-5	3539735 . . . . .	1-24	3760348 . . . . .	4-9	3900271 . . . . .	1-14	4061008 . . . . .	3-23
3450405 . . . . .	5-7	3539736 . . . . .	1-24	3760365 . . . . .	1-25	3900271 . . . . .	1-17	4061008 . . . . .	3-23
3450405 . . . . .	5-9	3570030 . . . . .	1-22	3760387 . . . . .	3-11	3900294 . . . . .	4-4	4061009 . . . . .	3-23
3450406 . . . . .	1-3	3570198 . . . . .	1-13	3760387 . . . . .	3-15	3900329 . . . . .	4-10	4061009 . . . . .	3-23
3450406 . . . . .	1-4	3570422 . . . . .	1-17	3760387 . . . . .	3-19	3910804 . . . . .	2-15	4070987 . . . . .	2-15
3510615 . . . . .	4-23	3570439 . . . . .	1-17	3760387 . . . . .	3-3	3911016 . . . . .	4-17	4070991 . . . . .	2-15
3510616 . . . . .	4-23	3570440 . . . . .	1-17	3760387 . . . . .	3-7	3911016 . . . . .	4-30	4130329 . . . . .	1-3
3510617 . . . . .	4-23	3570482 . . . . .	1-17	3780166 . . . . .	1-3	3911016 . . . . .	4-32	4130332 . . . . .	1-4
3510659 . . . . .	4-3	3570483 . . . . .	1-17	3780166 . . . . .	1-4	3911020 . . . . .	1-22	4130336 . . . . .	1-3
3510663 . . . . .	4-3	3570746 . . . . .	1-17	3780199 . . . . .	2-7	3911024 . . . . .	3-23	4160078 . . . . .	4-10

**PART NUMBER INDEX**

Starting Serial No. XXXXXXXXXX

Original Issue - XX/XXXX

Revised - XX/XX/XXXX

**MODEL E3****INDEX**

<b>P/N</b>	<b>PAGE</b>	<b>P/N</b>	<b>PAGE</b>	<b>P/N</b>	<b>PAGE</b>	<b>P/N</b>	<b>PAGE</b>	<b>P/N</b>	<b>PAGE</b>
4160078	4-14	4360236	4-14	4460071	3-20	4460320	7-11	4460662	4-36
4160078	4-20	4360236	4-25	4460071	4-5	4460320	7-8	4460662	4-7
4160078	4-24	4360277	4-14	4460225	7-9	4460320	7-9	4460778	2-20
4160133	1-13	4360277	4-25	4460226	7-11	4460320	7-9	4460968	1-13
4160134	1-13	4360277	9-1	4460227	7-10	4460320	7-9	4460968	1-18
4160136	3-25	4360278	4-14	4460265	4-39	4460326	7-10	4460968	1-22
4160137	1-7	4360278	4-25	4460265	7-10	4460326	7-11	4460968	1-22
4160141	1-13	4360289	9-1	4460265	7-10	4460328	3-23	4520174	1-5
4160201	1-17	4360321	1-13	4460267	4-36	4460328	4-5	4520175	1-5
4220166	2-20	4360321	1-17	4460267	6-3	4460343	7-10	4520176	1-5
4240018	3-12	4360321	1-22	4460267	7-10	4460343	7-10	4520177	1-5
4240018	3-16	4360321	1-22	4460267	7-10	4460343	7-8	4520191	1-5
4240018	3-20	4360328	2-15	4460267	7-8	4460343	7-9	4520221	1-5
4240018	3-4	4360328	9-1	4460267	7-9	4460424	4-36	4565201	4-17
4240018	3-8	4360387	1-23	4460267	7-9	4460424	4-39	4565201	4-29
4240018	4-4	4360387	4-35	4460267	7-9	4460424	7-10	4565201	4-30
4240018	4-5	4360387	4-36	4460268	1-14	4460424	7-10	4565202	4-17
4240018	4-6	4360387	9-1	4460268	1-18	4460424	7-9	4565202	4-29
4240033	3-11	4360397	3-23	4460268	1-22	4460424	7-9	4565202	4-30
4240033	3-12	4360397	9-1	4460268	1-23	4460424	7-9	4565203	4-29
4240033	3-16	4360432	9-1	4460268	4-36	4460443	2-20	4565203	4-30
4240033	3-20	4360435	1-21	4460268	4-39	4460445	7-10	4565285	4-30
4240033	3-25	4360437	4-10	4460268	7-10	4460449	7-9	4566833	1-3
4240033	3-4	4360437	9-1	4460268	7-10	4460449	7-9	4566833	1-4
4240033	3-8	4360453	4-35	4460268	7-10	4460465	7-8	4566849	2-3
4240033	4-4	4360453	9-1	4460268	7-10	4460466	4-35	4566849	2-7
4240033	4-5	4360461	6-3	4460268	7-10	4460466	7-10	4566969	2-3
4240033	4-7	4360465	1-21	4460268	7-11	4460466	7-8	4566969	6-4
4240125	3-11	4360472	2-15	4460268	7-11	4460467	10-2	4567060	3-25
4240125	3-15	4360475	2-15	4460268	7-11	4460467	7-8	4567062	3-25
4240125	3-19	4360475	4-35	4460268	7-11	4460468	7-8	4567067	3-25
4240125	3-3	4360477	4-7	4460268	7-9	4460470	4-35	4567075	3-25
4240125	3-7	4360548	1-13	4460268	7-9	4460470	7-10	4567265	1-7
4240127	3-12	4360548	1-17	4460268	7-9	4460471	4-35	4567271	2-8
4240127	3-16	4360548	1-22	4460268	7-9	4460471	7-10	4567272	2-8
4240127	3-20	4360548	1-22	4460320	1-14	4460473	7-8	4567306	1-17
4240127	3-4	4360548	9-1	4460320	1-18	4460510	10-2	4567307	1-17
4240127	3-8	4400414	2-3	4460320	1-22	4460510	7-8	4567338	4-23
4240128	3-11	4400422	2-7	4460320	1-23	4460613	4-35	4567338	4-23
4240128	3-15	4420037	2-3	4460320	3-23	4460613	7-10	4567649	2-3
4240128	3-19	4420037	2-8	4460320	4-15	4460614	7-8	4567649	6-4
4240128	3-3	4420052	10-1	4460320	4-25	4460618	2-15	4567863	4-19
4240128	3-7	4420055	3-25	4460320	4-36	4460618	7-11	4567864	4-19
4240147	1-24	4420055	4-29	4460320	6-3	4460662	1-13	4567867	4-19
4300133	2-15	4460044	1-23	4460320	7-10	4460662	1-18	4567868	4-19
4360112	2-15	4460051	4-4	4460320	7-10	4460662	1-22	4567875	4-19
4360112	9-1	4460051	4-4	4460320	7-11	4460662	1-22	4567883	4-31
4360164	4-5	4460052	4-15	4460320	7-11	4460662	3-23	4567894	4-31
4360215	9-1	4460052	4-25	4460320	7-11	4460662	4-10	4567896	4-31

# PART NUMBER INDEX

Starting Serial No. XXXXXXXXXXX

Original Issue - XX/XXXX

Revised - XX/XX/XXXX

# MODEL E3

# INDEX

P/N	PAGE	P/N	PAGE	P/N	PAGE	P/N	PAGE	P/N	PAGE
4640128	.....6-4	4711800	.....3-15	4751400	.....2-15	4760600	.....4-35	4845708	.....4-30
4641001	.....5-5	4711800	.....3-19	4751400	.....2-16	4760800	.....1-22	4845708	.....4-32
4641001	.....5-7	4740120	.....4-35	4751400	.....2-19	4760800	.....1-23	4845709	.....4-17
4641001	.....5-9	4740419	.....1-3	4751400	.....2-7	4760800	.....4-10	4845709	.....4-30
4641012	.....5-5	4740419	.....1-4	4751400	.....2-8	4761000	.....1-23	4845709	.....4-32
4641036	.....2-11	4740438	.....3-11	4751400	.....4-13	4761000	.....2-20	4845710	.....4-17
4641036	.....2-3	4740438	.....3-15	4751400	.....4-17	4761400	.....2-15	4845710	.....4-30
4641036	.....2-7	4740438	.....3-19	4751400	.....4-19	4761400	.....2-15	4845710	.....4-32
4641104	.....5-7	4740438	.....3-3	4751400	.....4-23	4761400	.....2-19	4845719	.....4-23
4641104	.....5-9	4740438	.....3-7	4751400	.....4-29	4761400	.....2-20	4845720	.....4-23
4711000	.....4-17	4740453	.....1-3	4751400	.....4-30	4761400	.....2-3	4845721	.....4-23
4711000	.....4-30	4740453	.....1-4	4751400	.....4-31	4761400	.....2-7	4845724	.....4-23
4711000	.....4-32	4740455	.....1-24	4751400	.....4-4	4761400	.....4-15	4845725	.....4-23
4711400	.....2-16	4740455	.....1-24	4751400	.....4-6	4761400	.....4-25	4845733	.....4-31
4711400	.....2-19	4740474	.....2-19	4751400	.....4-6	4761400	.....4-35	4845734	.....4-29
4711400	.....2-20	4740474	.....2-20	4751400	.....4-7	4761400	.....4-6	4845734	.....4-30
4711400	.....2-3	4740479	.....2-15	4751400	.....4-9	4761500	.....1-23	4845734	.....4-32
4711400	.....2-7	4740480	.....3-12	4751400	.....7-11	4761500	.....2-3	4845735	.....4-31
4711400	.....3-23	4740480	.....3-16	4751400	.....8-12	4761500	.....2-7	4845736	.....4-29
4711400	.....3-25	4740480	.....3-20	4751400	.....8-5	4761600	.....1-13	4845736	.....4-30
4711400	.....4-13	4740480	.....3-4	4751500	.....1-23	4761600	.....3-26	4845736	.....4-32
4711400	.....4-19	4740480	.....3-8	4751500	.....1-24	4844414	.....4-6	4845741	.....4-29
4711400	.....4-24	4740481	.....1-17	4751500	.....2-3	4844585	.....4-6	4845741	.....4-30
4711400	.....4-9	4740482	.....1-17	4751500	.....3-12	4844586	.....4-6	4845760	.....4-17
4711400	.....5-5	4740504	.....1-18	4751500	.....3-16	4844586	.....4-6	4845777	.....4-19
4711400	.....5-7	4740513	.....4-10	4751500	.....3-26	4845130	.....2-20	4845778	.....4-23
4711400	.....5-9	4740513	.....4-14	4751500	.....3-7	4845314	.....1-24	4845779	.....4-19
4711500	.....1-21	4740513	.....4-21	4751500	.....4-13	4845315	.....1-24	4845792	.....4-31
4711500	.....1-7	4740513	.....4-25	4751500	.....4-19	4845319	.....1-13	4845793	.....4-31
4711500	.....2-4	4750800	.....1-22	4751500	.....4-24	4845360	.....1-13	4845801	.....2-7
4711500	.....2-7	4750800	.....1-23	4751500	.....4-3	4845370	.....3-25	4845802	.....2-20
4711500	.....3-15	4751000	.....1-22	4751500	.....4-5	4845371	.....3-25	4845803	.....2-7
4711500	.....3-19	4751000	.....1-23	4751500	.....4-9	4845383	.....1-13	4845818	.....2-3
4711500	.....3-20	4751000	.....2-20	4751600	.....1-25	4845385	.....1-13	4845829	.....4-31
4711500	.....3-7	4751000	.....3-23	4751600	.....3-26	4845495	.....4-6	4845843	.....4-29
4711500	.....4-3	4751000	.....4-17	4751600	.....3-4	4845496	.....4-6	4845843	.....4-30
4711600	.....1-24	4751000	.....4-29	4751600	.....3-8	4845497	.....4-6	4845843	.....4-32
4711600	.....1-3	4751000	.....4-31	4751600	.....4-17	4845498	.....4-6	4845845	.....4-29
4711600	.....1-4	4751000	.....4-32	4751600	.....4-29	4845510	.....3-25	4845845	.....4-30
4711600	.....3-11	4751400	.....1-14	4751600	.....4-30	4845529	.....1-13	4845845	.....4-32
4711600	.....3-15	4751400	.....1-18	4751600	.....4-31	4845559	.....3-11	4845849	.....3-15
4711600	.....3-19	4751400	.....1-22	4751800	.....1-17	4845559	.....3-15	4845849	.....3-19
4711600	.....3-25	4751400	.....1-22	4751800	.....1-21	4845559	.....3-19	4845873	.....2-20
4711600	.....3-3	4751400	.....1-23	4751800	.....2-19	4845560	.....3-11	4845884	.....1-21
4711600	.....3-7	4751400	.....1-23	4751800	.....2-3	4845560	.....3-15	4845886	.....1-18
4711800	.....1-13	4751400	.....1-24	4752200	.....4-13	4845560	.....3-19	4845887	.....1-21
4711800	.....1-17	4751400	.....1-24	4752200	.....4-20	4845581	.....1-18	4845889	.....3-25
4711800	.....1-4	4751400	.....1-24	4752200	.....4-24	4845699	.....1-17	4845891	.....3-25
4711800	.....3-11	4751400	.....1-27	4752200	.....4-9	4845708	.....4-17	4846012	.....4-31

**PART NUMBER INDEX**

Starting Serial No. XXXXXXXXXX

Original Issue - XX/XXXX

Revised - XX/XX/XXXX

**MODEL E3****INDEX**

<b>P/N</b>	<b>PAGE</b>	<b>P/N</b>	<b>PAGE</b>	<b>P/N</b>	<b>PAGE</b>	<b>P/N</b>	<b>PAGE</b>	<b>P/N</b>	<b>PAGE</b>
4846013	4-31	4933018	7-9	7011940	4-39	7017389	5-5	7019602	5-7
4846014	1-17	4933019	7-2	7011991	4-39	7017398	5-5	7019602	5-9
4846024	3-11	4933019	7-9	7011992	4-39	7017399	5-5	7019697	1-7
4846024	3-3	70003780	4-7	7011997	4-39	7017444	5-5	7019800	5-5
4846024	3-7	7001609	5-3	7012613	1-3	7017444	5-7	7019801	5-5
4846039	4-23	7002820	10-1	7012613	1-4	7017444	5-9	7019804	5-9
4846056	4-23	7002821	10-2	7012773	2-11	7017445	5-5	7019806	5-9
4846057	4-23	7002821	7-8	7012773	2-11	7017445	5-7	7019808	5-7
4846058	4-19	7002822	10-2	7012773	2-11	7017445	5-9	7019810	5-7
4846059	4-19	7002823	10-2	7012773	2-11	7018302	2-11	7019824	5-9
4846663	3-25	7002823	7-8	7012773	2-12	7018302	2-11	7019825	5-9
4920140	4-15	7002826	10-2	7012953	5-5	7018304	2-11	7019847	5-7
4920140	4-25	7003212	5-7	7012967	5-5	7018312	2-11	7019848	5-7
4921891	7-9	7003226	5-9	7012967	5-7	7018313	2-11	7019873	5-9
4921893	7-9	7003790	4-39	7012967	5-7	7018315	2-11	7020063	2-3
4922011	7-9	7003791	4-39	7012967	5-9	7018514	1-27	7020175	2-15
4922014	7-9	7004275	10-2	7012967	5-9	7018514	9-1	7020175	4-35
4922082	7-2	7004276	10-2	7014676	10-2	7018537	1-27	7020176	2-15
4922082	7-8	7010639	2-3	7016315	2-11	7018555	1-27	7020176	4-35
4922083	7-2	7010639	2-7	7016319	1-23	7018564	1-27	7020218	5-9
4922083	7-8	7010640	2-3	7016320	1-23	7018578	1-27	7020501	4-39
4922084	7-2	7010640	2-7	7016337	2-11	7018582	1-27	7020502	4-39
4922084	7-8	7010641	1-7	7016337	2-11	7018583	1-27	7020503	4-39
4922085	7-2	7010642	1-7	7016339	9-1	7018585	1-27	7020504	4-39
4922085	7-8	7010646	1-7	7016349	2-11	7018586	1-27	7020508	4-39
4922183	4-35	7010647	1-7	7016351	2-11	7018589	1-27	7020509	4-39
4922183	7-10	7010649	1-7	7016351	2-11	7018905	2-12	7020510	4-39
4922184	4-35	7010651	1-7	7016351	2-12	7018912	2-11	7020511	4-39
4922184	7-10	7010903	2-3	7016352	2-11	7018912	2-11	7020540	4-39
4922208	7-9	7010903	2-7	7016372	1-23	7018912	2-11	7020605	1-27
4922209	7-9	7010944	2-3	7016630	4-5	7018912	2-11	7020638	1-27
4922210	7-9	7010944	2-7	7016654	10-2	7018912	2-12	7020639	1-27
4922211	7-9	7010944	9-1	7016708	5-11	7018916	2-12	7021300	2-11
4922233	1-21	7011041	2-3	7016708	5-13	7018919	2-12	7021302	2-11
4922258	1-23	7011041	2-7	7017207	5-11	7018941	2-12	7021304	2-11
4922258	7-10	7011042	2-3	7017207	5-13	7018942	2-12	7021305	2-11
4922285	1-21	7011042	2-3	7017220	5-3	7018943	2-11	7021306	2-11
4922285	7-10	7011042	2-7	7017221	5-3	7018943	2-11	7021307	2-12
4922296	7-2	7011042	2-7	7017222	5-3	7018943	2-11	7021313	2-11
4922296	7-8	7011043	2-3	7017226	5-11	7018943	2-11	7021315	2-11
4922464	4-10	7011043	2-7	7017226	5-13	7018943	2-12	7022520	2-12
4922656	2-15	7011044	2-3	7017227	5-11	7018967	2-11	7022525	2-11
4922656	2-16	7011044	2-7	7017227	5-13	7018981	2-11	7023019	5-11
4922678	7-9	7011045	2-3	7017262	5-3	7018981	2-11	7023019	5-13
4933016	7-2	7011045	2-7	7017264	5-3	7018985	2-12	7023025	5-13
4933016	7-9	7011509	1-27	7017367	5-5	7018993	2-11	7023307	1-11
4933017	7-2	7011509	9-1	7017376	5-7	7018993	2-11	7023308	1-11
4933017	7-9	7011590	1-27	7017382	5-5	7018993	2-12	7023309	1-11
4933018	7-2	7011621	1-27	7017387	5-9	7019600	5-7	7023310	1-11

# PART NUMBER INDEX

Starting Serial No. XXXXXXXXXX

Original Issue - XX/XXXX

Revised - XX/XX/XXXX

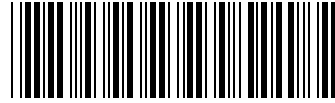
MODEL E3

# INDEX

P/N	PAGE
7023311	.....1-11
7023312	.....1-11
7023313	.....1-11
7023314	.....1-11
7023315	.....1-11
7023316	.....1-11
7023317	.....1-11
7023318	.....1-11
7023319	.....1-11
7023320	.....1-11
7023321	.....1-11
7023322	.....1-11
7023323	.....1-11
7023324	.....1-11
7023324	.....1-4
7023325	.....1-11
7023325	.....1-4
7023326	.....1-11
7023327	.....1-11
7023328	.....1-11
7023329	.....1-11
7023336	.....1-23
7023336	.....1-24
7023412	.....1-11
7023450	.....1-9
7023451	.....1-3
7023451	.....1-9
7023452	.....1-9
7023453	.....1-9
7023454	.....1-9
7023455	.....1-3
7023455	.....1-9
7023456	.....1-9
7023457	.....1-9
7023458	.....1-9
7023459	.....1-9
7023460	.....1-9
7023461	.....1-9
7023462	.....1-9
7023465	.....1-9
7023467	.....1-9
7023468	.....1-9
7023469	.....1-9
7023876	.....2-12
8896941	.....10-1
8896941	.....7-8







3121846



An Oshkosh Corporation Company

Corporate Office  
JLG Industries, Inc.  
1 JLG Drive  
McConnellsburg PA. 17233-9533  
USA

☎ (717) 485-5161

📠 (717) 485-6417

## JLG Worldwide Locations

JLG Industries (Australia)  
P.O. Box 5119  
11 Bolwarra Road  
Port Macquarie  
N.S.W. 2444  
Australia

☎ +61 2 65 811111

📠 +61 2 65 813058

JLG Latino Americana Ltda.  
Rua Eng. Carlos Stevenson,  
80-Suite 71  
13092-310 Campinas-SP  
Brazil

☎ +55 19 3295 0407

📠 +55 19 3295 1025

JLG Industries (UK) Ltd  
Bentley House  
Bentley Avenue  
Middleton  
Greater Manchester  
M24 2GP - England

☎ +44 (0)161 654 1000

📠 +44 (0)161 654 1001

JLG France SAS  
Z.I. de Baulieu  
47400 Fauillet  
France

☎ +33 (0)5 53 88 31 70

📠 +33 (0)5 53 88 31 79

JLG Deutschland GmbH  
Max-Planck-Str. 21  
D - 27721 Ritterhude - Ihlpohl  
Germany

☎ +49 (0)421 69 350 20

📠 +49 (0)421 69 350 45

JLG Equipment Services Ltd.  
Rm 1107 Landmark North  
39 Lung Sum Avenue  
Sheung Shui N. T.  
Hong Kong

☎ (852) 2639 5783

📠 (852) 2639 5797

JLG Industries (Italia) s.r.l.  
Via Po. 22  
20010 Pregnana Milanese - MI  
Italy

☎ +39 029 359 5210

📠 +39 029 359 5845

Oshkosh-JLG Singapore  
Technology Equipment Pte  
Ltd  
29 Tuas Ave 4,  
Jurong Industrial Estate  
Singapore, 639379

☎ +65-6591 9030

📠 +65-6591 9031

Plataformas Elevadoras  
JLG Iberica, S.L.  
Trapadella, 2  
P.I. Castellbisbal Sur  
08755 Castellbisbal, Barcelona  
Spain

☎ +34 93 772 4700

📠 +34 93 771 1762

JLG Sverige AB  
Enkopingsvagen 150  
Box 704  
SE - 176 27 Jarfalla  
Sweden

☎ +46 (0)850 659 500

📠 +46 (0)850 659 534