



Illustrated Parts Manual

Models
3369LE
4069LE
M3369
M4069

Prior to
SN 0200230092

P/N
3121825

August 31, 2016

CE
AS/NZS



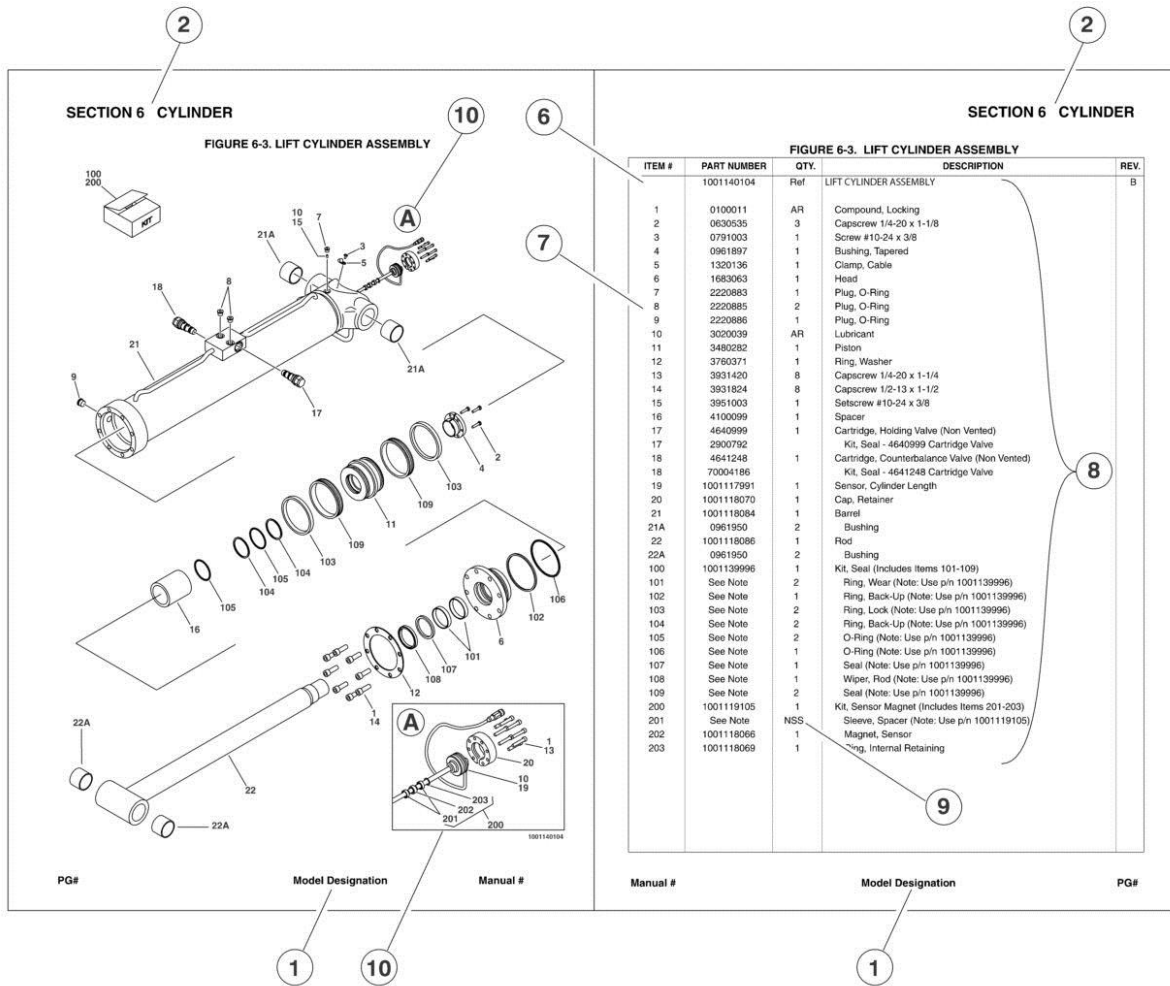
An Oshkosh Corporation Company

REVISION LOG

Note: Belgium production of 3369/4069LE & M3369/4069 models started in May 2002 and ceased in January 2003. SN range is SN 1200000398 THROUGH 1200000844.

January 1, 2001 - Original Issue of Manual (Edited to 0010572 Revision 3)
April 15, 2001 - Revised Manual (Edited to 0010572 Revision 8)
June 17, 2002 - Revised Manual (Edited to 0010572 Revision 16)
November 30, 2002 - Revised Manual (Edited to 0010572 Revision 19)
June 30, 2003 - Revised Manual (Edited to 0010572 Revision 24)
November 1, 2003 - Revised Manual (Edited to 0010572 Revision 27)
April 8, 2004 - Revised Manual (Edited to 0010572 Revision 27)
September 20, 2004 - Revised Manual (Edited to 0010572 Revision 29)
January 27, 2005 - Revised Manual (Edited to 0010572 Revision 29)
May 15, 2006 - Revised Manual (Edited to 0010572 Revision 42)
October 1, 2006 - Revised Manual (Edited to 0010572 Revision 46)
February 16, 2007 - Revised Manual (Edited to 0010572 Revision 46)
August 23, 2007 - Revised Manual (Edited to 0010572 Revision 50)
September 16, 2008 - Revised Manual (Edited to 0010572 Revision 52)
May 15, 2009 - Revised Manual (Edited to 0010572 Revision 53)
December 31, 2010 - Revised Manual (Edited to 0010572 Revision 53)
April 20, 2011 - Revised Manual (Edited to 0010572 Revision 58)
July 12, 2011 - Revised Manual (Edited to 0010572 Revision 59)
October 3, 2011 - Revised Manual (Edited to 0010572 Revision 59)
February 1, 2012 - Revised Manual (Edited to 0010572 Revision C)
June 22, 2012 - Revised Manual (Edited to 0010572 Revision D)
August 22, 2012 - Revised Manual (Edited to 0010572 Revision D)
January 14, 2013 - Revised Manual (Edited to 0010572 Revision D)
April 15, 2013 - Revised Manual (Edited to 0010572 Revision E)
July 11, 2013 - Revised Manual (Edited to 0010572 Revision E)
October 9, 2013 - Revised Manual (Edited to 0010572 Revision E)
September 19, 2014 - Revised Manual (Edited to 0010572 Revision M)
September 30, 2015 - Revised Manual (Edited to 0010572 Revision M)
August 31, 2016 - Revised Manual (Edited to 0010572 Revision M)

GENERAL INFORMATION



1) MACHINE IDENTIFICATION

Machines are identified by model and in some cases a combination of models, serial number (SN) or regional standard (i.e. ANSI, CE, CSA). Components may also be identified by SN or manufacturer. Common components that may be identified by these characteristics are engines and hydraulic components.

2) PARTS MANUAL ORGANIZATION

Product information in this manual is organized under section titles. Frame, Cylinder, Hydraulic and Electrical are a few examples. Each section is organized by figure and page number. The information within the Figure is then organized by item number, part number, description and corresponding illustration(s).

3) TABLE OF CONTENTS

A table of contents is found toward the beginning of the manual. Figure number, description and page number are provided for quick reference to the page containing the related information.

4) RECOMMENDED SPARE PARTS

The Recommended Spare Parts, located near the end of the manual, reference most frequently used maintenance parts.

5) PART NUMBER INDEX

A numerical index listing all part numbers and the corresponding page number(s) appears at the back of the manual.

GENERAL INFORMATION

6) NON-SERVICED PARTS

In some instances, it is necessary to display non-serviced parts, assemblies or installations. In the case of assemblies and installations there will be a Ref in the Qty column. In case of parts that are not available for service within assemblies or components, there will be a NSS (Not Sold Separately) or NLA (No Longer Available) listed in the Qty. column of the manual.

7) PARTS LIST ITEM NUMBERS

Numbers shown in the item# column correspond to numbers used in the associated illustration (s). Item numbers which are missing from the sequence in the parts list are not used on that page

8) INDENTED PARTS DESCRIPTION

An indented part description is included in the item under which it is indented.

9) ABB REVIATION AND SYMBOLS

AC.....	.. Alternating Current	LCD.....	.. Liquid Crystal Display
ADE.....	..Advanced Design Electronics	LED.....	.. Light Emitting Diodes
ANSI.....	..American National Standards Institute	LH.....	.. Left Hand
AR.....	..As Required	LSS.....	..Load Sensing System
ASSY.....	.. Assembly	M(m).....	.. Metric/Meter
AUX.....	..Auxiliary	MM (mm).....	..Milimeter
AWG.....	..American WireGauge	mA.....	.. Milliamps
B/M.....	.. Bill of Material	NLA.....	..No Longer Available
CE.....	..European Conformity	NPT.....	.. National Pipe Threads
CCW.....	..Counter Clockwise	NSS.....	..Not So Id Separately
cm.....	..Centimeter	OD.....	..Outside Diameter
CW.....	..Clockwise	ORB.....	.. O-Ring Boss
CSA.....	..Canadian Standards Association	ORFS.....	.. O-Ring Face Seal
CYL.....	..Cylinder	OZ (oz).....	..Ounces
DIA.....	..Diameter	PG.....	..Page
DC.....	..Direct Current	P/N.....	..Part Number
EMS.....	.. Emergency Stop	qt.....	..Quarts
ENG.....	..Engine	QTY.....	..Quantity
FT (ft).....	..Feet	REF.....	..Reference
GA (Ga).....	..Gauge	REV.....	..Revision Level
HYD.....	..Hydraulic	RH.....	.. Right Hand
Hz.....	..Hertz	SAE.....	.. Society of Automotive Engineers
ID.....	..Inside Diameter	SN.....	..Serial Number
in.....	..inches	SPEC(S).....	..Specifications
ISO.....	..International Organization for Standards	T/T.....	..Turntable
JIC.....	..Joint Industry Council	UGM.....	..Universal Ground Module
KG.....	..Kilogram	V.....	..Volts
L.....	..Liter	W.....	..Watts
LB.....	..Pounds	#.....	..Number

10) ILLUSTRATION REFERENCE LETTERS

When necessary, illustrations may contain reference letters that are intended to track information (i. e. hoses, harnesses) from one point to another or to track visual enlargement of components to show details that may be located in another area on the illustration.

Note: Due to continuous product improvements, JLG Industries, Inc. reserves the right to make specification changes without prior notification. Contact JLG Industries, Inc. for updated information.

TABLE OF CONTENTS

SECTION 1 - FRAME.....	9
FIGURE 1-1. FRAME AND STEERING INSTALLATION - 2WD	10
FIGURE 1-2. FRAME AND STEERING INSTALLATION - 4WD	12
FIGURE 1-3. DRIVE VALVE ASSEMBLY (4WD ONLY)	14
FIGURE 1-4. REAR AXLE INSTALLATION	16
FIGURE 1-5. TIRE AND WHEEL DRIVE INSTALLATION	20
FIGURE 1-6. DRIVE HUB ASSEMBLY (USA BUILT MACHINES AND ALL BELGIUM BUILT MACHINES) (Prior to SN 0200174517)	24
FIGURE 1-7. DRIVE HUB ASSEMBLY (USA BUILT MACHINES) (SN 0200174517 through 0200230091)	28
FIGURE 1-8. DRIVE MOTOR ASSEMBLY (REAR)	32
FIGURE 1-9. FRONT DRIVE MOTOR ASSEMBLY (4WD ONLY)	34
FIGURE 1-10. YANMAR MOTOR/GENERATOR AND BATTERY CHARGER INSTALLATION (M3369 & M4069 ONLY)	38
FIGURE 1-11. KUBOTA MOTOR/GENERATOR AND BATTERY CHARGER INSTALLATION (M3369 & M4069 ONLY)	44
FIGURE 1-12. BATTERY CHARGER AND INVERTER INSTALLATIONS (3369LE & 4069LE ONLY)	50
FIGURE 1-13. BATTERY CHARGER ASSEMBLY (MAC CHARGER)	54
FIGURE 1-14. BATTERY CHARGER ASSEMBLY (DELTA-Q CHARGER).....	56
FIGURE 1-15. INVERTER INSTALLATIONS (3369LE & 4069LE ONLY)	58
FIGURE 1-16. ELECTRICAL COMPONENTS INSTALLATIONS (FRAME MOUNTED).....	60
FIGURE 1-17. LADDER AND BEACON INSTALLATIONS	62
FIGURE 1-18. LEVELING JACKS INSTALLATION (OPTIONAL)	64
FIGURE 1-19. COVERS INSTALLATION (FRAME MOUNTED).....	68
SECTION 2 - GROUND CONTROLS	71
FIGURE 2-1. RIGHT SIDE COMPONENTS INSTALLATION	72
FIGURE 2-2. MAIN CONTROL VALVE ASSEMBLY.....	76
FIGURE 2-3. GROUND CONTROL BOX ASSEMBLY.....	78
FIGURE 2-4. LEFT SIDE COMPONENTS INSTALLATION.....	82
FIGURE 2-5. PUMP ASSEMBLY	84
FIGURE 2-6. BATTERY BOX INSTALLATIONS	86
SECTION 3 - SCISSORS ARMS	89
FIGURE 3-1. SCISSORS ARMS INSTALLATION - 3369LE & M3369 (USA BUILT MACHINES AND ALL BELGIUM BUILT MACHINES) (Prior to SN 0200152398).....	90
FIGURE 3-2. SCISSORS ARMS INSTALLATION - 3369LE & M3369 (USA BUILT MACHINES) (SN 0200152398 through 0200230091)	94
FIGURE 3-3. SCISSORS ARMS INSTALLATION - 4069LE & M4069 (USA BUILT MACHINES AND ALL BELGIUM BUILT MACHINES) (Prior to SN 0200152398).....	98
FIGURE 3-4. SCISSORS ARMS INSTALLATION - 4069LE & M4069 (USA BUILT MACHINES) (SN 0200152398 through 0200230091)	102
FIGURE 3-5. SCISSORS GUARDS INSTALLATION.....	106
SECTION 4 - PLATFORM.....	109
FIGURE 4-1. PLATFORM AND ACCESSORIES INSTALLATION.....	110
FIGURE 4-2. FOLDDOWN HANDRAILS AND EXTENSION INSTALLATION (MANUALLY OPERATED PLATFORM)	114
FIGURE 4-3. PLATFORM CONSOLE BOX ASSEMBLY	118
FIGURE 4-4. DRIVE/STEER CONTROLLER ASSEMBLY (Prior to SN 0200142020, SN 1200000100 through 0200230091) ..	122
FIGURE 4-5. DRIVE/STEER CONTROLLER ASSEMBLY (SN 0200142020 through 0200230091)	124
SECTION 5 - CYLINDER.....	127
FIGURE 5-1. AXLE LOCKOUT CYLINDER ASSEMBLY	128
FIGURE 5-2. LEVELING JACK CYLINDER ASSEMBLY (USA BUILT MACHINES) (Prior to SN 0200104829).....	130
FIGURE 5-3. LEVELING JACK CYLINDER ASSEMBLY (SN 0200104829 through 0200112734, SN 1200000100 through 0200230091)	132
FIGURE 5-4. LEVELING JACK CYLINDER ASSEMBLY (USA BUILT MACHINES) (ORIGINAL EQUIPMENT) (SN 0200112735 through 0200214444)	134
FIGURE 5-5. LEVELING JACK CYLINDER ASSEMBLY (USA BUILT MACHINES) (SERVICE REPLACEMENT) (SN 0200214444 through 0200230091).....	136
FIGURE 5-6. LIFT CYLINDER COMPONENTS ASSEMBLY - 3369LE & M3369	138
FIGURE 5-7. LIFT CYLINDER COMPONENTS ASSEMBLY - 4069LE & M4069	142
FIGURE 5-8. STEER CYLINDER ASSEMBLY.....	146

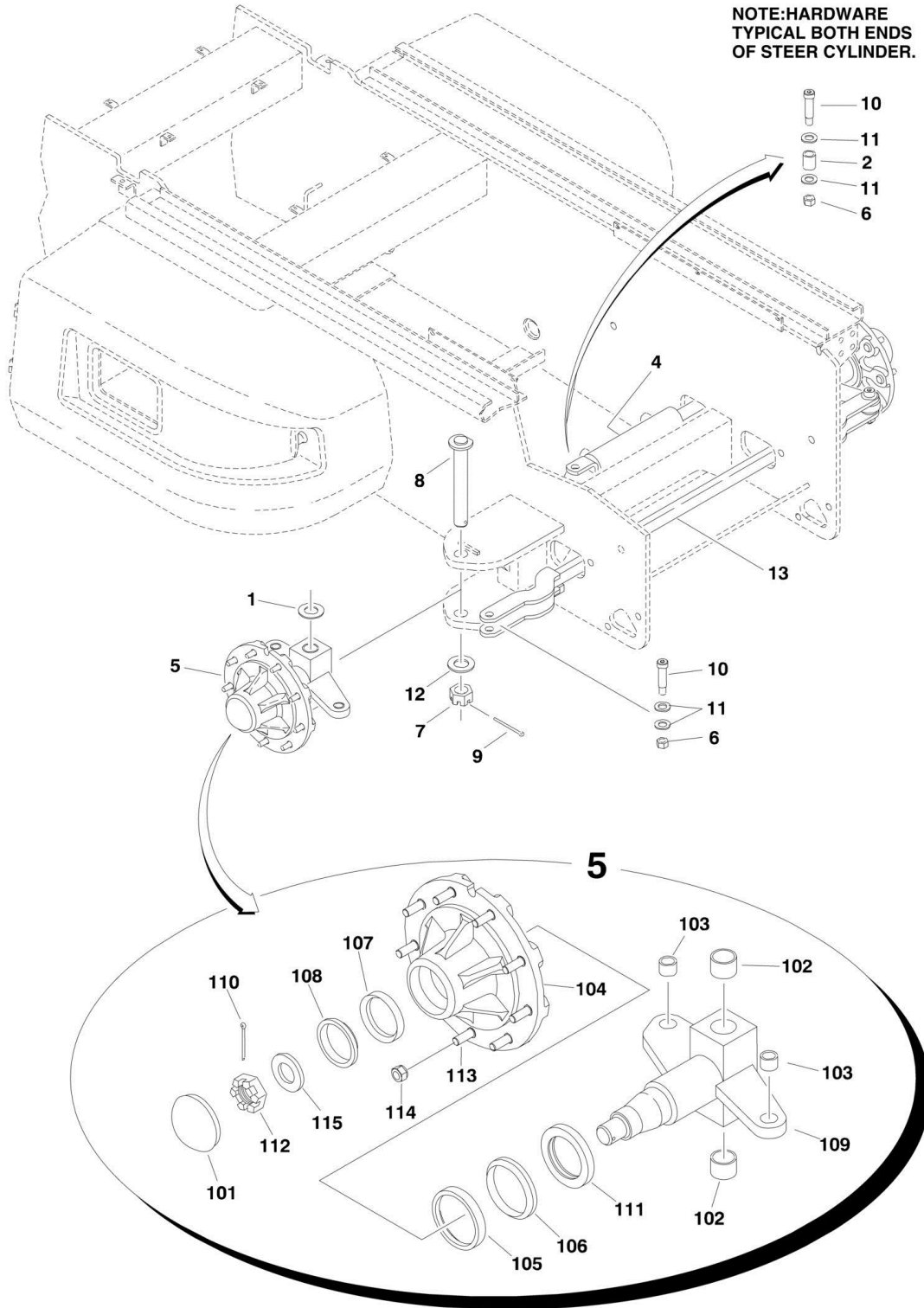
TABLE OF CONTENTS

SECTION 6 - HYDRAULIC	149
FIGURE 6-1. HYDRAULIC DIAGRAM - FIXED AXLE	150
FIGURE 6-2. HYDRAULIC DIAGRAM - OSCILLATING AXLE	152
FIGURE 6-3. HYDRAULIC DIAGRAM - 4WD (OPTIONAL).....	156
FIGURE 6-4. HYDRAULIC DIAGRAM - LEVELING JACKS (OPTIONAL).....	158
FIGURE 6-5. HYDRAULIC DIAGRAM LIST.....	160
SECTION 7 - ELECTRICAL.....	161
FIGURE 7-1. ELECTRICAL SCHEMATIC	162
FIGURE 7-2. STANDARD ELECTRICAL COMPONENTS INSTALLATION (WITH MAC CHARGER).....	164
FIGURE 7-3. STANDARD ELECTRICAL COMPONENTS INSTALLATION (WITH DELTA-Q CHARGER).....	172
FIGURE 7-4. OPTIONAL ELECTRICAL COMPONENTS INSTALLATION	180
SECTION 8 - DECALS	187
FIGURE 8-1. DECAL INSTALLATION (USA BUILT MACHINES AND ALL BELGIUM BUILT MACHINES) (Prior to SN 0200150261)	188
FIGURE 8-2. DECAL INSTALLATION (USA BUILT MACHINES) (SN 0200150261 through 0200230091)	194
SECTION 9 - RECOMMENDED SERVICE PARTS STOCK.....	197
FIGURE 9-1. MODELS 3369LE/M3369/4069LE/M4069 STANDARD PARTS	198
FIGURE 9-2. MODELS 3369LE/M3369/4069LE/M4069 VARIABLE PARTS.....	200
SECTION 10 - SPECIAL OPTIONS	201
FIGURE 10-1. SPECIAL OPTIONS	202
PART NUMBER INDEX.....	205

SECTION 1 - FRAME

SECTION 1 - FRAME

FIGURE 1-1. FRAME AND STEERING INSTALLATION - 2WD



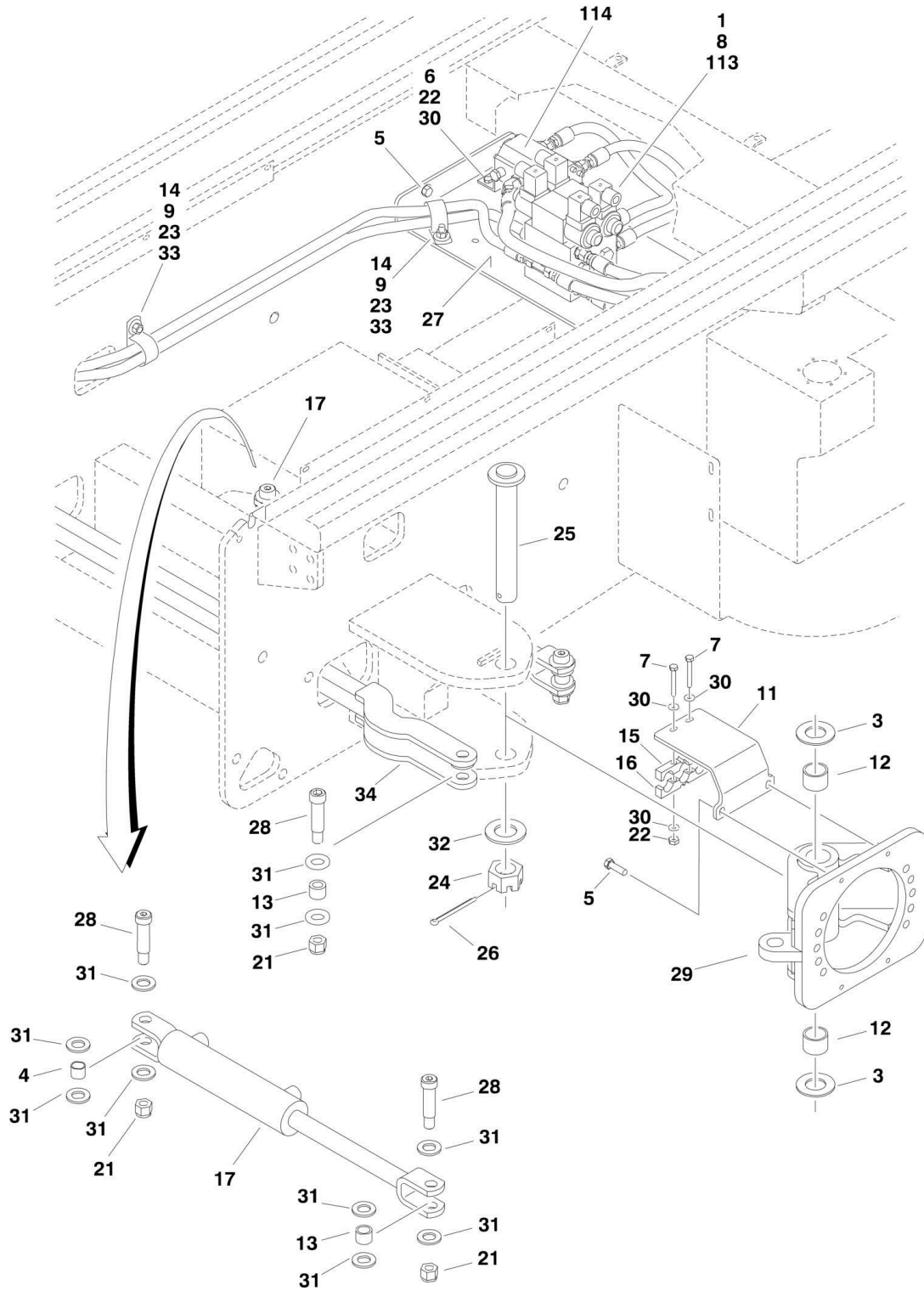
SECTION 1 - FRAME

FIGURE 1-1. FRAME AND STEERING INSTALLATION - 2WD

ITEM	PART NUMBER	QTY	DESCRIPTION	REV
	0270519	Ref	STEERING AND SPINDLES INSTALLATIONS	F
1	0440162	2	Bearing, Thrust	
2	0440247	1	Bearing	
4	1683994	1	Steer Cylinder Assembly (See CYLINDER SECTION for Breakdown)	
5	2780234	2	Hub/Spindle Assembly (See Items 101-115 for Breakdown)	
6	3300240	4	Locknut 5/8in-18NC	
7	3313003	2	Nut, Slotted 1-1/4in-7NC	
8	3422897	2	Kingpin	
9	3450812	2	Pin, Cotter 1/4in x 3in	
10	3900266	4	Screw, Shoulder	
11	4712200	16	Flatwasher 3/4in Thin	
12	4713000	2	Flatwasher 1-1/4in Thin	
13	4846301	1	Tie-Rod	
	2780234	Ref	HUB/SPINDLE ASSEMBLY	E
101	7020033	2	Cap, Dust (1 per Assembly)	
102	0961951	4	Bushing (2 Per Assembly)	
103	0962140	4	Bearing (2 per Assembly)	
104	7020035	2	Hub (1 Per Assembly)	
105	7020036	2	Cup, Bearing (Inner) (1 per Assembly)	
106	7020037	2	Cone, Bearing (Inner) (1 per Assembly)	
107	7020038	2	Cup, Bearing (Outer) (1 per Assembly)	
108	7020039	2	Cone, Bearing (Outer) (1 per Assembly)	
109	7020148	2	Spindle (1 per Assembly)	
110	7020140	2	Pin, Cotter (1 per Assembly)	
111	7020040	2	Seal (1 Per Assembly)	
112	7020054	2	Nut, Castle 1-1/4in-12 (1 per Assembly)	
113	7020041	18	Stud 5/8in-18NF (9 per Assembly)	
114	7020042	18	Lugnut 5/8in-18NF (9 per Assembly)	
115	7020055	2	Washer, Tanged 1-1/4in (1 per Assembly)	

SECTION 1 - FRAME

FIGURE 1-2. FRAME AND STEERING INSTALLATION - 4WD



SECTION 1 - FRAME

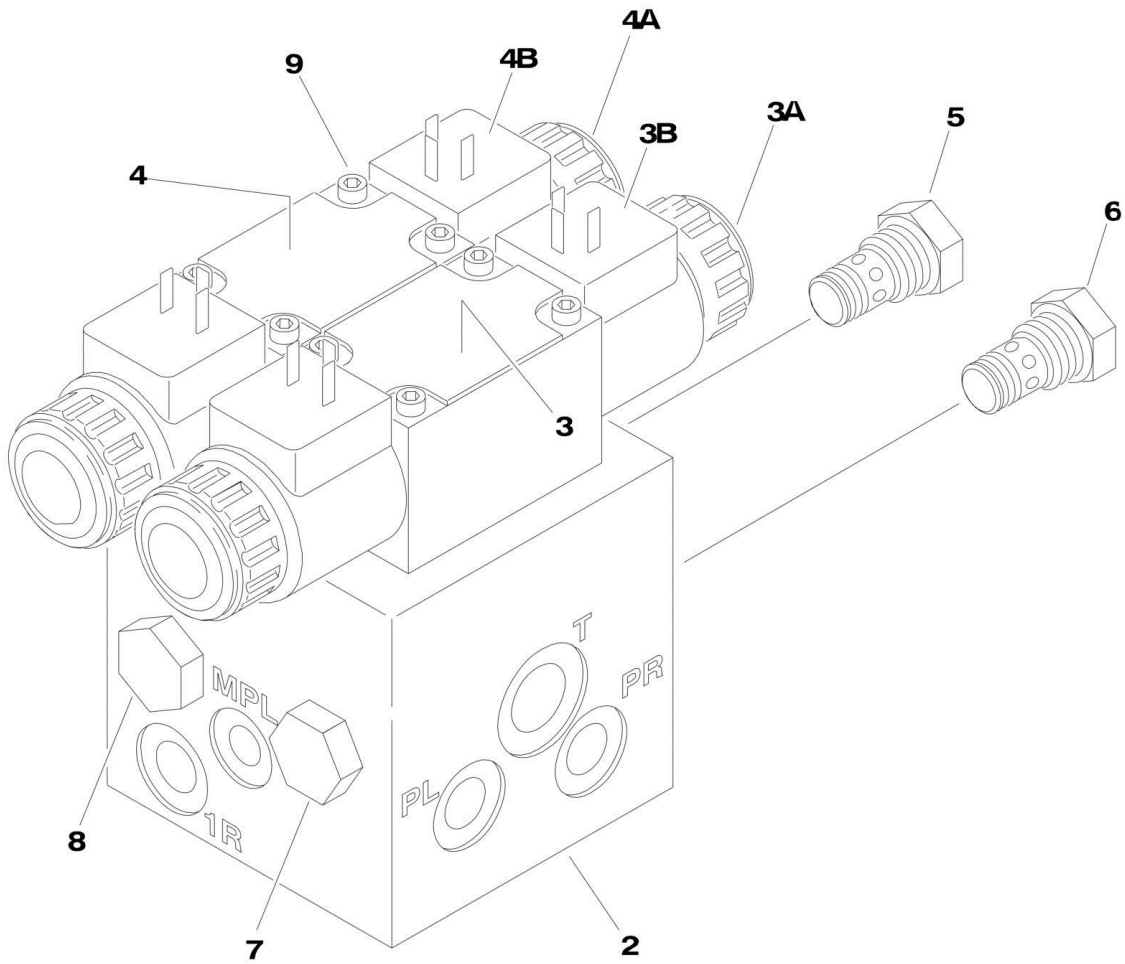
FIGURE 1-2. FRAME AND STEERING INSTALLATION - 4WD

ITEM	PART NUMBER	QTY	DESCRIPTION	REV
	0270992	Ref	STEERING INSTALLATIONS	H
1	0100011	AR	Compound, Locking	
3	0440162	4	Bearing, Thrust	
4	0440247	1	Bearing	
5	0630549	8	Bolt 3/8in-16NC x 1 1/4in	
6	0641406	4	Bolt 1/4in-20NC x 3/4in	
7	0641418	4	Bolt 1/4in-20NC x 2 1/4in	
8	0641506	4	5/16in-18NC x 3/4in	
9	0641610	4	Bolt 3/8in-16NC x 1-1/4in	
11	0902704	2	Bracket, Clamp Mounting	
12	0961951	4	Bushing	
13	0962140	3	Bushing	
14	1320095	4	Clamp	
15	1320285	2	Clamp (Top)	
16	1320286	2	Clamp (Bottom)	
17	1683994	1	Steer Cylinder Assembly (See CYLINDER SECTION for Breakdown)	
21	3300240	4	Locknut	
22	3311405	8	Locknut 1/4in-20NC	
23	3311605	4	Locknut 3/8in-16NC	
24	3313003	2	Nut, Slotted 1 1/4in-7NC	
25	3422897	2	Kingpin	
26	3450812	2	Pin, Cotter 1/4in x 3in	
27	3572850	1	Plate, Valve Mounting	
28	3900266	4	Screw, Shoulder	
29	4130386	NLA	Spindle (Use p/n 1001097815)	
30	4711400	12	Flatwasher 1/4in Narrow	
31	4712200	16	Flatwasher 3/4in Narrow	
32	4713000	2	Flatwasher 1 1/4in Narrow	
33	4751600	6	Flatwasher 3/8in	
34	4846301	1	Tie-Rod	
35		Ref	Harness, Front Wheel Assist Options (Not Shown - See ELECTRICAL SECTION for Breakdown):	
35	4922551	1	Harness USA Built Machines (Prior to SN 0200196451)	
35	1001101989	1	Harness USA Built Machines (SN 0200196451 through 0200230091)	
35	4922551	1	Harness Belgium Built Machines	
36	1704998	2	Decal - All Wheel Drive (Not Shown - Located on Platform)	
	0270991	Ref	VALVES INSTALLATIONS	E
113		Ref	Valve Assembly - Drive (See DRIVE VALVE ASSEMBLY (4WD ONLY) for Breakdown)	
113	4641127	NLA	USA Built Machines (Use p/n 1001092586) (Prior to SN 0200156383)	
113	1001092586	1	USA Built Machines (SN 0200156383 through 0200230091)	
113	4641127	NLA	Belgium Built Machines (Use p/n 1001092586) (SN 0200156383 to Present)	
114	4641148	1	Flow Divider Assembly	
114	Not Available		Seal Kit - 4641148 Valve	

SECTION 1 - FRAME

FIGURE 1-3. DRIVE VALVE ASSEMBLY (4WD ONLY)

**NOTE: TORQUE ITEM #9
TO 60 IN/LBS**



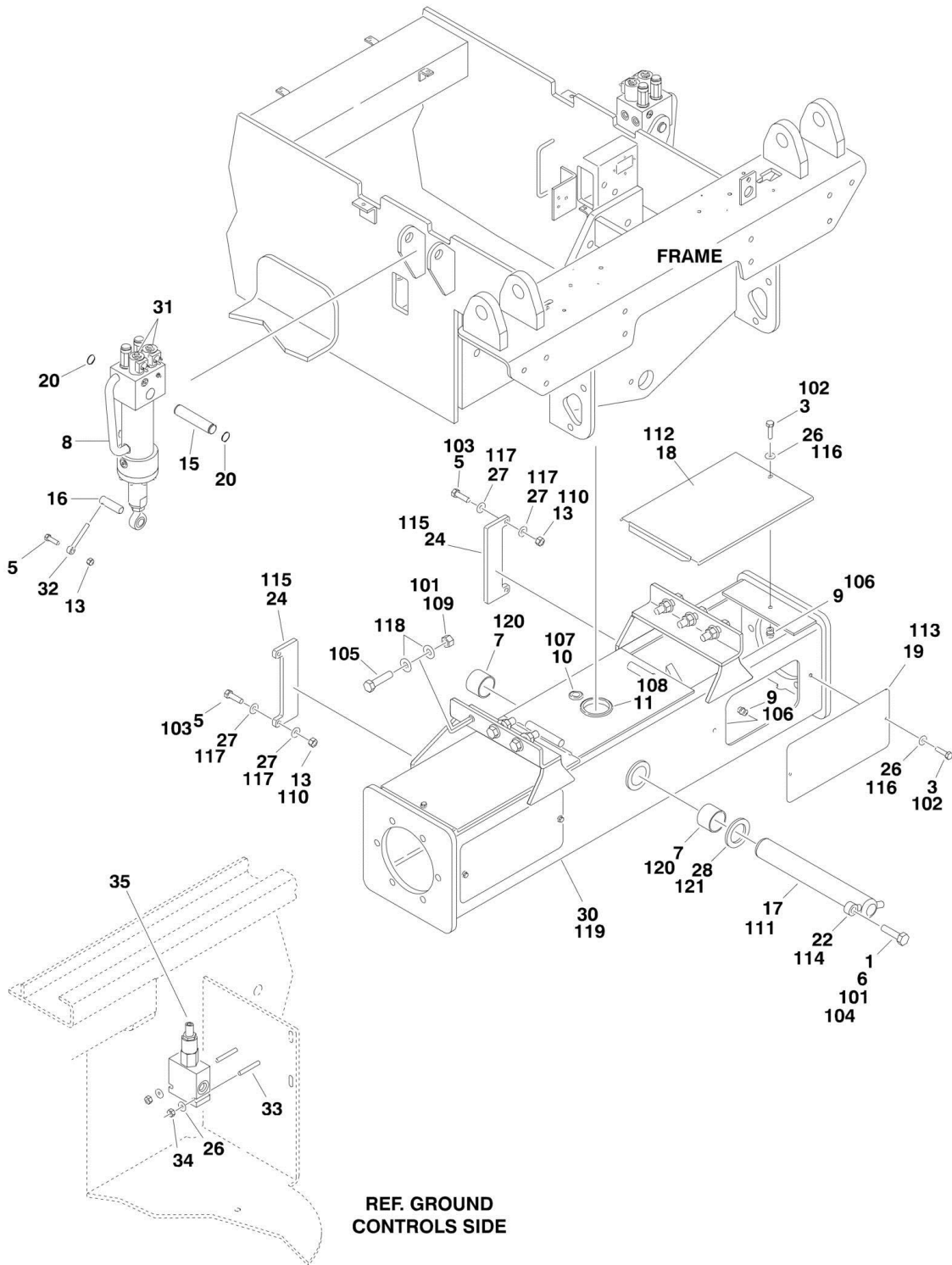
SECTION 1 - FRAME

FIGURE 1-3. DRIVE VALVE ASSEMBLY (4WD ONLY)

ITEM	PART NUMBER	QTY	DESCRIPTION	REV
		Ref	DRIVE VALVE ASSEMBLY	
	4641127	Ref	USA Built Machines (Prior to SN 0200156383)	D
	1001092586	Ref	USA Built Machines (SN 0200156383 through 0200230091)	B
	4641127	Ref	Belgium Built Machines	D
		Ref	Note: Original Equipment p/n 4641127 may have been replaced with Service Replacement p/n 1001092586. Identify p/n stamped on valve block before ordering parts.	
2		Ref	Manifold Options:	
2	Not Available		Manifold p/n 4641127 Valve	
2	1001092586	1	Manifold p/n 1001092586 Valve	
3		Ref	Control Valve Assembly	
3	7024011	1	Control Valve p/n 4641127 Valve	
3	70001422	1	Control Valve p/n 1001092586 Valve	
3	7012773	1	Seal Kit	
3A	7021375	2	Nut	
3B		Ref	Coil	
3B	7024013	2	Coil p/n 4641127 Valve	
3B	70002947	2	Coil p/n 1001092586 Valve	
4		Ref	Control Valve Assembly	
4	7024011	1	Control Valve Assembly p/n 4641127 Valve	
4	70001422	1	Control Valve Assembly p/n 1001092586 Valve	
4	7012773	1	Seal Kit	
4A	7021375	2	Nut	
4B		Ref	Coil	
4B	7024013	2	Coil p/n 4641127 Valve	
4B	70002947	2	Coil p/n 1001092586 Valve	
5	4641129	1	Cartridge, Check	
5	7012540	1	Seal Kit - 4641129 Valve	
6	4641129	1	Cartridge, Check	
6	7012540	1	Seal Kit - 4641129 Valve	
7	4641129	1	Cartridge, Check	
7	7012540	1	Seal Kit - 4641129 Valve	
8	4641129	1	Cartridge, Check	
8	7012540	1	Seal Kit - 4641129 Valve	
9	7018942	8	Capscrew #10-24NC x 2in	

SECTION 1 - FRAME

FIGURE 1-4. REAR AXLE INSTALLATION



SECTION 1 - FRAME

FIGURE 1-4. REAR AXLE INSTALLATION

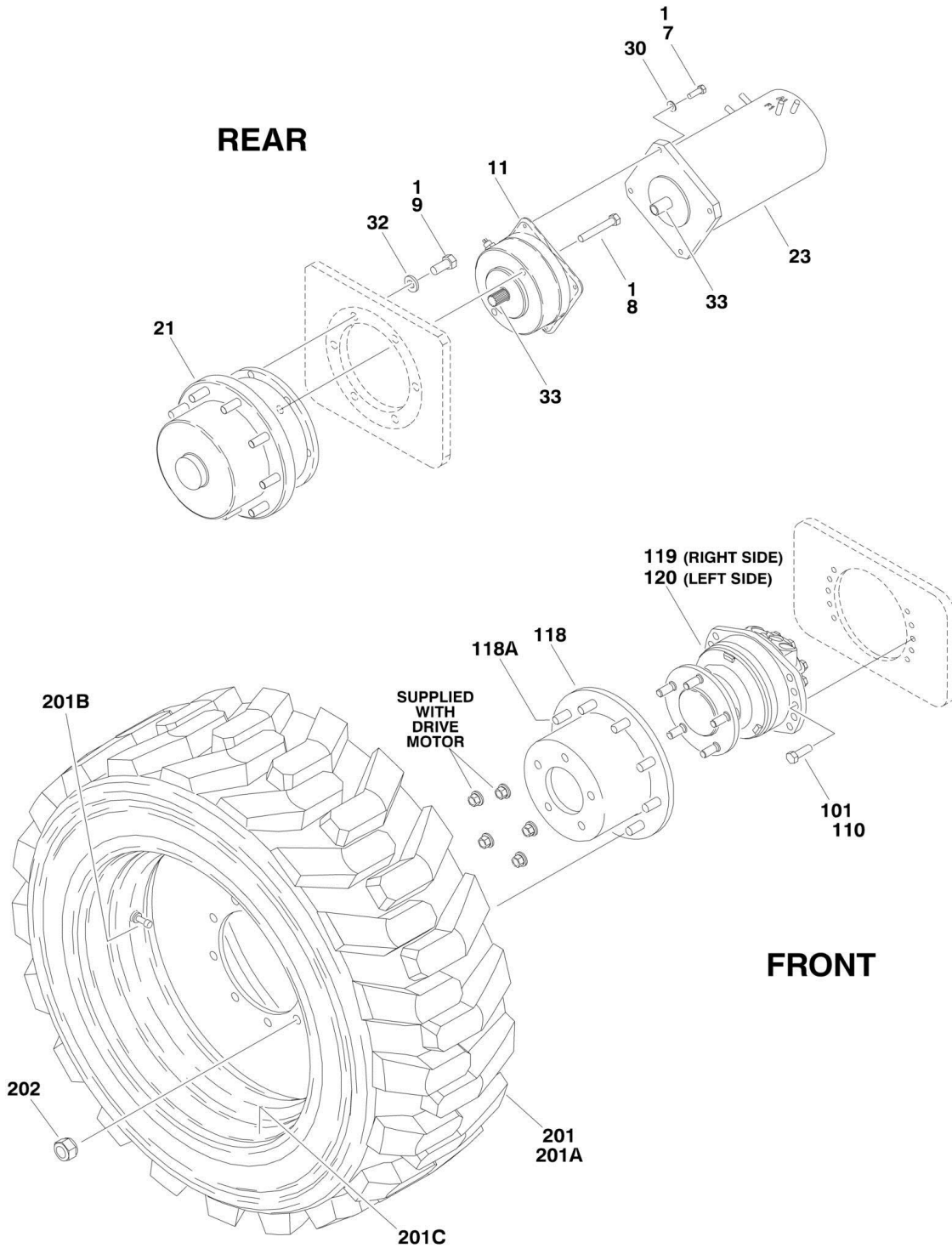
ITEM	PART NUMBER	QTY	DESCRIPTION	REV
	0270533	Ref	OSCILLATING AXLE INSTALLATION	K
1	0100011	AR	Compound, Locking	
3	0641408	6	Bolt 1/4in-20NC x 1in	
5	0641610	6	Bolt 3/8in-16NC x 1-1/4in	
6	0642012	1	Bolt 5/8in-11NC x 1-1/2in	
7	0961950	2	Bushing	
8	1684064	2	Oscillating Axle Cylinder Assembly (See CYLINDER SECTION for Breakdown)	
9	2080061	6	Fastener, Insert	
10	2540038	1	Grommet	
11	2540039	1	Grommet	
13	3311605	6	Locknut 3/8in-16NC	
15	3422745	2	Pin (Top)	
16	3422899	2	Pin (Bottom)	
17	3422900	1	Pin, Axle Pivot	
18	3572553	2	Cover (Top)	
19	3572554	2	Cover (Side)	
20	3760115	4	Ring, Retaining	
22	3841258	1	Keeper, Pin	
24	4071008	2	Shim	
26	4711400	8	Flatwasher 1/4in Narrow	
27	4711600	8	Flatwasher 3/8in Narrow	
28	4740158	1	Thrustwasher	
30	4846299	1	Axle Weldment	
31	4641173	4	Solenoid Valve Assembly	
31	70000898	4	Cartridge, Solenoid Valve	
31	7024502	4	Seal Kit - 70000898 Valve (1 per Valve)	
31	7024501	4	Coil (1 per Valve)	
32	3841143	2	Keeper, Pin	
33	0641416	4	Bolt 1/4in-20NC x 2in	
34	3311405	4	Locknut 1/4in-20NC	
35	4641182	1	Valve, Pressure Reducing	
35	7021661	1	Seal Kit - 4641182 Valve	
	0270568	Ref	FIXED AXLE INSTALLATION	B
101	0100011	AR	Compound, Locking	
102	0641408	6	Bolt 1/4in-20NC x 1in	
103	0641610	4	Bolt 3/8in-16NC x 1-1/4in	
104	0642012	1	Bolt 5/8in-11NC x 1-1/2in	
105	0682020	6	Bolt 5/8in-11NC x 2-1/2in (Grade 8)	
106	2080061	6	Fastener, Insert	
107	2540038	1	Grommet	
108	2540039	1	Grommet	
109	3272001	6	Nut 5/8in-11NC (Grade 8)	
110	3311605	4	Locknut 3/8in-16NC	
111	3422900	1	Pin, Axle Pivot	
112	3572553	2	Cover (Top)	
113	3572554	2	Cover (Side)	
114	3841258	1	Keeper, Pin	
115	4071008	2	Shim	
116	4711400	14	Flatwasher 1/4in Narrow	

SECTION 1 - FRAME

ITEM	PART NUMBER	QTY	DESCRIPTION	REV
117	4711600	8	Flatwasher 3/8in Narrow	
118	4712000	12	Flatwasher 5/8in Narrow	
119	4846333	1	Axle Weldment	
120	0961950	2	Bushing	
121	4740158	1	Thrustwasher	

SECTION 1 - FRAME

FIGURE 1-5. TIRE AND WHEEL DRIVE INSTALLATION



SECTION 1 - FRAME

FIGURE 1-5. TIRE AND WHEEL DRIVE INSTALLATION

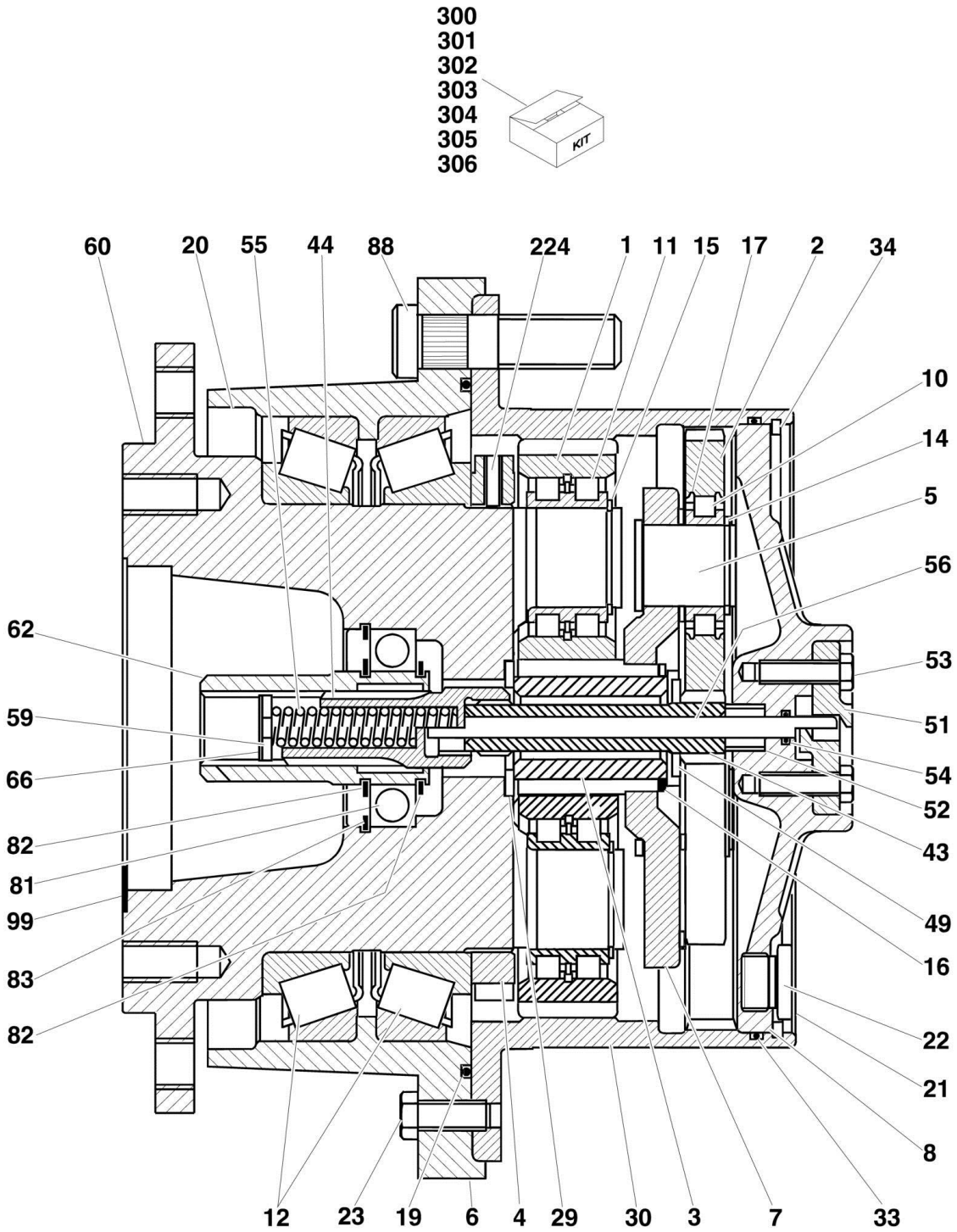
ITEM	PART NUMBER	QTY	DESCRIPTION	REV
		Ref	REAR WHEEL DRIVE INSTALLATIONS	
	0270473	Ref	USA Built Machines (Prior to SN 0200174517)	H
	1001099375	Ref	USA Built Machines (SN 0200174517 through 0200230091)	C
	0270473	Ref	Belgium Built Machines	H
1	0100019	AR	Compound, Locking	
7	0641609	8	Bolt 3/8in-16NC x 1-1/8in	
8	0641826	4	Bolt 1/2in-13NC x 3-1/4in	
9		Ref	Bolt Options:	
9	0682011	12	Bolt 5/8in-11NC x 1-3/8in (Grade 8)	
9	0682012	12	Bolt 5/8in-11NC x 1-1/2in (Grade 8)	
11	0920118	2	Drive Brake Assembly	C
11	Not Available	1	Ring, Sensor (was p/n 7027275 which is No Longer Available. Replace Complete Brake)	
11	7007977	2	Ring, Bearing Retaining (Large) (1 per Assembly)	
11	7011716	2	Ring, Bearing Retaining (Small) (1 per Assembly)	
11	7007913	4	Bolt	
11	7011757	2	Complete Repair Kit (Includes Case and Oil Seals, O-Rings, Back-up Rings, Stator and Rotor Discs, Return Plate, Springs, Bearing and Brake to Hub Gasket) (1 per Assembly)	
11	2900768	2	Bearing Kit (1 per Assembly)	
11	7007900	2	Seal, Oil - Front (1 per Assembly)	
11	7007933	2	Gasket, Brake to Hub (1 Per Assembly)	
11	70002408	2	Gasket, Brake to Motor (1 Per Assembly) (Not Included in Repair Kit)	
21		Ref	Drive Hub Assembly Options:	
21	2780236	2	USA Built Machines (See DRIVE HUB ASSEMBLY (USA BUILT MACHINES AND ALL BELGIUM BUILT MACHINES) for Breakdown) (Prior to SN 0200174517)	
21	2780282	2	USA Built Machines (See DRIVE HUB ASSEMBLY (USA BUILT MACHINES) for Breakdown) (SN 0200174517 through 0200230091)	
21	2780236	2	Belgium Built Machines (See DRIVE HUB ASSEMBLY (USA BUILT MACHINES AND ALL BELGIUM BUILT MACHINES) for Breakdown)	
22	3020008	AR	Lubricant, Mobilube HD 80W-90 (Not Shown)	
23	3160256	2	Drive Motor Assembly (See DRIVE MOTOR ASSEMBLY (REAR) for Breakdown)	
30	4711600	8	Flatwasher 3/8in Narrow	
32	4892000	12	Washer, Hardened 5/8in	
33	3020037	AR	Grease, Coupling	
	0270992	Ref	FRONT WHEEL DRIVE INSTALLATION (4WD ONLY)	H
101	0100019	AR	Compound, Locking	
110	0681809	20	Bolt 1/2in-13NC x 1-1/8in	
118	2780260	2	Drive Hub Assembly	
118A	4300145	18	Bolt, Wheel (9 per Hub)	
119	3160245	1	Drive Motor Assembly (Right Side) (See FRONT DRIVE MOTOR ASSEMBLY (4WD ONLY) for Breakdown)	
120		Ref	Drive Motor Assembly (Left Side) Options (See FRONT DRIVE MOTOR ASSEMBLY (4WD ONLY) for Breakdown)	
120	3160267	1	USA Built Machines (Prior to SN 0200196451)	
120	1001101934	1	USA Built Machines (SN 0200196451 through 0200230091)	
120	3160267	1	Belgium Built Machines	

SECTION 1 - FRAME

ITEM	PART NUMBER	QTY	DESCRIPTION	REV
		Ref	TIRE AND WHEEL INSTALLATIONS	
	0270570	Ref	IN240/55 x 17.5 (Foam-Filled Tire with JLG in Tread Pattern)	C
	0270581	Ref	IN240/55 x 17.5 (Non-Marking Foam-Filled Tire with JLG in Tread Pattern) (Prior to SN 0200114833)	A
	0273477	Ref	IN240/55 x 17.5 (Non-Marking Foam-Filled Tire with Lightning in Tread Pattern) (SN 0200114833 through 0200230091)	B
	0270523	NLA	240/55 x D17.5 R4 Tread (Non-Marking Foam-Filled All Lug Tire) (4069LE/M3369/M4069 Only) (No Longer Used - Use p/n 0273477 as Replacement)	D
	0271690	NLA	240/55 x D17.5 R4 Tread (Non-Marking Foam-Filled All Lug Tire) (3369LE Only) (No Longer Used - Use p/n 0273477 as Replacement)	C
	0270627	Ref	27.2/10.5LL - 15.0 (Turf Tire)	C
201		Ref	Tire and Wheel Assembly Options:	
201	0258997	4	IN240/55 x 17.5 (Foam-Filled - See Note) (JLG in Tread Pattern)	D
201	0270417	4	IN240/55 x 17.5 (Non-Marking Foam-Filled - See Note) (JLG in Tread Pattern) (Prior to SN 0200114833)	2-B
201	0273468	4	IN240/55 x 17.5 (Non-Marking Foam-Filled - See Note) (Lightning Tread Pattern) (SN 0200114833 through 0200230091)	G
201	0271948	NLA	240/55 x D17.5 R4 Tread (Left Side) (Non-Marking Foam-Filled All Lug Tire) (Use p/n 0273468) (See Assembly Note Also)	
201	0271949	NLA	240/55 x D17.5 R4 Tread (Right Side) (Non-Marking Foam-Filled Tire All Lug Tire) (Use p/n 0273468) (See Assembly Note Also)	
201	0270530	4	27.2/10.5LL - 15.0 (Turf Tire)	E
		Ref	Note: Assemblies may require ballast/foam filling to manufacturer's specification prior to installing on a machine. Refer to Operation and Safety or Service and Maintenance Manuals. Purchase individual tire and/or rim only if able to foam fill tire and wheel assembly, otherwise, purchase complete assembly.	
201A		Ref	Tire Options (See Note):	
201A	4520209	4	IN240/55 x 17.5 (JLG in Tread Pattern)	
201A	4520247	4	IN240/55 x 17.5 (Non-Marking Foam-Filled Tire with JLG in Tread Pattern) (Prior to SN 0200114833)	
201A	4520269	4	IN240/55 x 17.5 (Non-Marking Foam-Filled Tire with Lightning Tread Pattern) (SN 0200114833 through 0200230091)	
201A	4520260	NLA	240/55 x D17.5 R4 Tread (Non-Marking Foam-Filled All Lug Tire) (Use p/n 0273468)	
201A	4520249	4	27.2/10.5LL - 15.0 (Turf Tire)	
201B		Ref	Valve, Air Options:	
201B	4640392	4	Valve (0258997, 0270417 & 0273477 Installations)	
201B	4640113	4	Valve (0270523, 0270627 & 0271690 Installations)	
201C		Ref	Rim, Wheel Options (See Note):	
201C	4860222	4	6.75 x 17.5	
201C	4860191	4	6.812 x 17.5	
201C	4860221	4	8.0 x 15.0	
202	3300426	36	Lugnut	

SECTION 1 - FRAME

FIGURE 1-6. DRIVE HUB ASSEMBLY (USA BUILT MACHINES AND ALL BELGIUM BUILT MACHINES)
(Prior to SN 0200174517)



SECTION 1 - FRAME

**FIGURE 1-6. DRIVE HUB ASSEMBLY (USA BUILT MACHINES AND ALL BELGIUM BUILT MACHINES)
(Prior to SN 0200174517)**

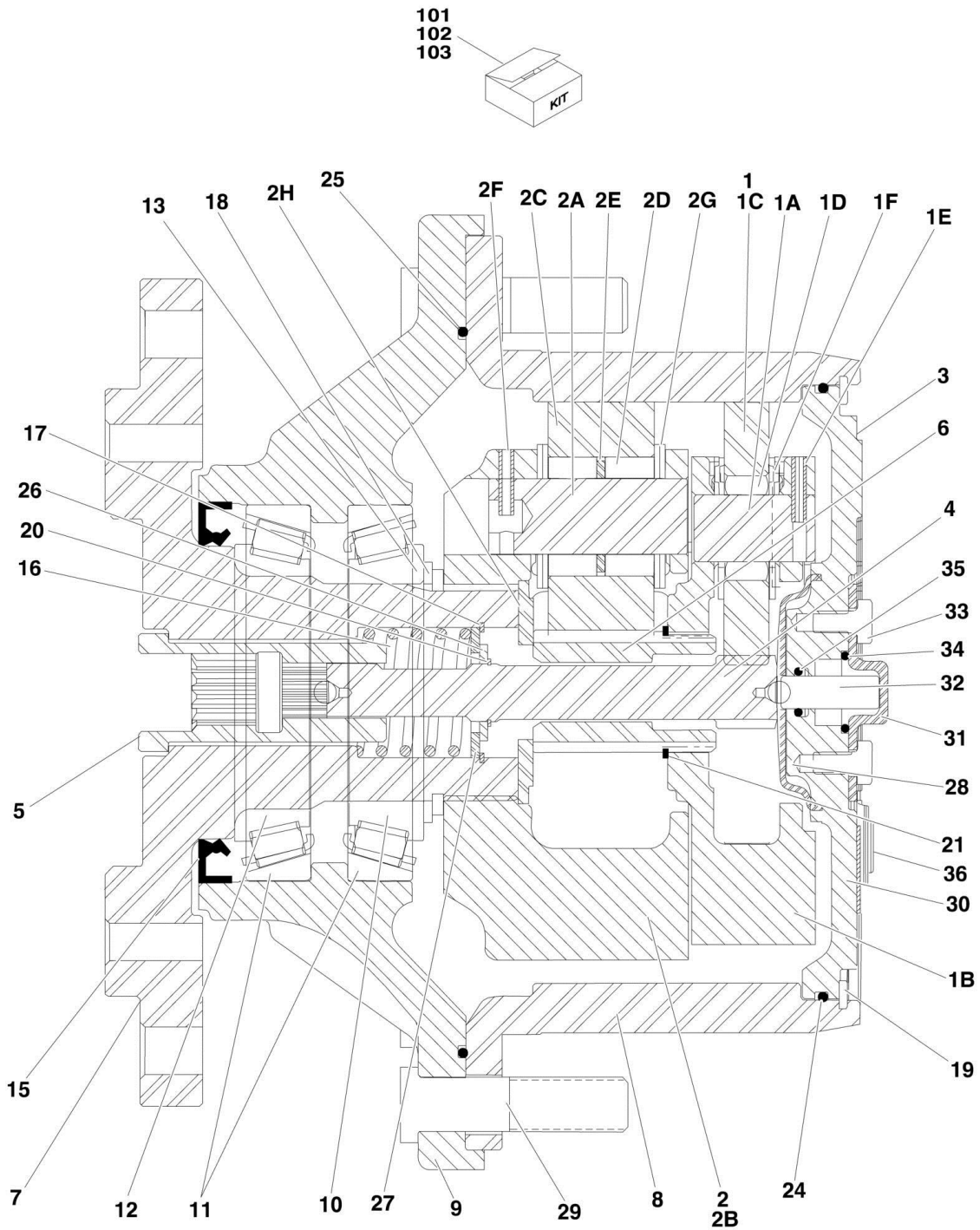
ITEM	PART NUMBER	QTY	DESCRIPTION	REV
	2780236	Ref	DRIVE HUB ASSEMBLY	D
1	7021323	4	Gear, Planet	
2	7021324	3	Gear, Planet	
3	7021325	1	Gear, Sun	
4	7023803	1	Nut, Shaft	
		Ref	Note: Unless there is capability to torque shaft nut (Item 4) to 625 ft/lbs (850Nm) Repair beyond this level is NOT advised.	
5	7021326	3	Bolt, Planet	
6	7021327	1	Ring, Support	
7	7021328	1	Carrier, Planet	
8	70003711	1	Cover	
10	70003712	3	Bearing, Roller	
11	70003713	4	Bearing, Roller	
12	70003714	2	Bearing, Roller	
14	70003715	3	Ring, Retaining	
15	70003716	4	Ring, Retaining	
16	7021341	1	Ring, Retaining	
17	70003717	3	Disk, Support	
19	See Note	1	O-Ring (Note: Use Items 300 & 303)	
20	See Note	1	Seal, Ring (Note: Use Items 300 & 303)	
21	See Note	3	Plug (Note: Use Items 300 & 303)	
22	See Note	3	Seal, Ring (Note: Use Items 300 & 303)	
23	7021342	3	Bolt	
29	7024049	1	Washer, Housing	
30	7021335	1	Gear, Ring	
33	See Note	1	O-Ring (Note: Use Items 300, 303 & 304)	
34	70003718	1	Ring, Retaining	
43	7021336	1	Shaft, Sun Gear	
44	7021337	1	Shaft, Input	
49	7024051	1	Thrustwasher	
51	70003719	1	Cover	
52	70003720	1	Disk	
53	70003721	2	Bolt	
54	See Note	1	O-Ring (Note: Use Items 300, 304, 305 & 306)	
55	7024053	1	Spring, Pressure	
56	70003722	1	Rod, Shaft	
59	70003723	1	Disk, Rotor	
60	7021339	1	Spindle	
62	7021340	1	Coupler	
66	70003724	1	Ring, Retaining	
81	7024983	1	Bearing, Ball	
82	7021341	2	Ring, Retaining	
83	7024931	1	Ring, Retaining	
88	7021344	9	Stud, Wheel (was p/n 7024984)	
99	7024985	1	Plug	
224		Ref	Component Options:	
224	See Note	2	Ball (Note: Not Available - Use Slotted Pin in Item 303) (Prior to SN 0200141266)	
224	See Note	2	Expander (Note: Not Available - Use Slotted Pin in Item 303)	

SECTION 1 - FRAME

ITEM	PART NUMBER	QTY	DESCRIPTION	REV
224	See Note	2	(Prior to SN 0200141266) Plug (Note: Not Available - Use Slotted Pin in Item 303) (Prior to SN 0200141266)	
224	70003725	2	Pin, Slotted (SN 0200141266 through 0200230091)	
		Ref	KIT OPTIONS:	
		Ref	Seal Kit Options:	
300	7021333	1	Seal Kit (Includes Items 19-22, 33 & 54)	
		Ref	Repair Kit Options:	
301	7024981	1	Planet Gear Kit 1 (Includes Items 1, 11 & 15)	
302	7024986	1	Planet Gear Kit 2 (Includes Items 2, 10,14 & 17)	
303	7024047	1	Bearing Kit (Includes Items 4, 12, 19, 20, 23, 33 & 224)	
		Ref	Note: Unless there is capability to torque shaft nut (Item 4) to 625 ft/lbs (850Nm) Repair beyond this level is NOT advised.	
304	7021329	1	Cover Kit (Includes Items 8, 21, 22, 33, 34 & 51-54)	
305	7021338	1	Mechanical Disconnect Kit 1 (Includes Items 54-56, 59 & 66)	
306	7024054	1	Mechanical Disconnect Kit 2 (Includes Items 51, 53, 54 & 56)	

SECTION 1 - FRAME

FIGURE 1-7. DRIVE HUB ASSEMBLY (USA BUILT MACHINES) (SN 0200174517 through 0200230091)



SECTION 1 - FRAME

FIGURE 1-7. DRIVE HUB ASSEMBLY (USA BUILT MACHINES) (SN 0200174517 through 0200230091)

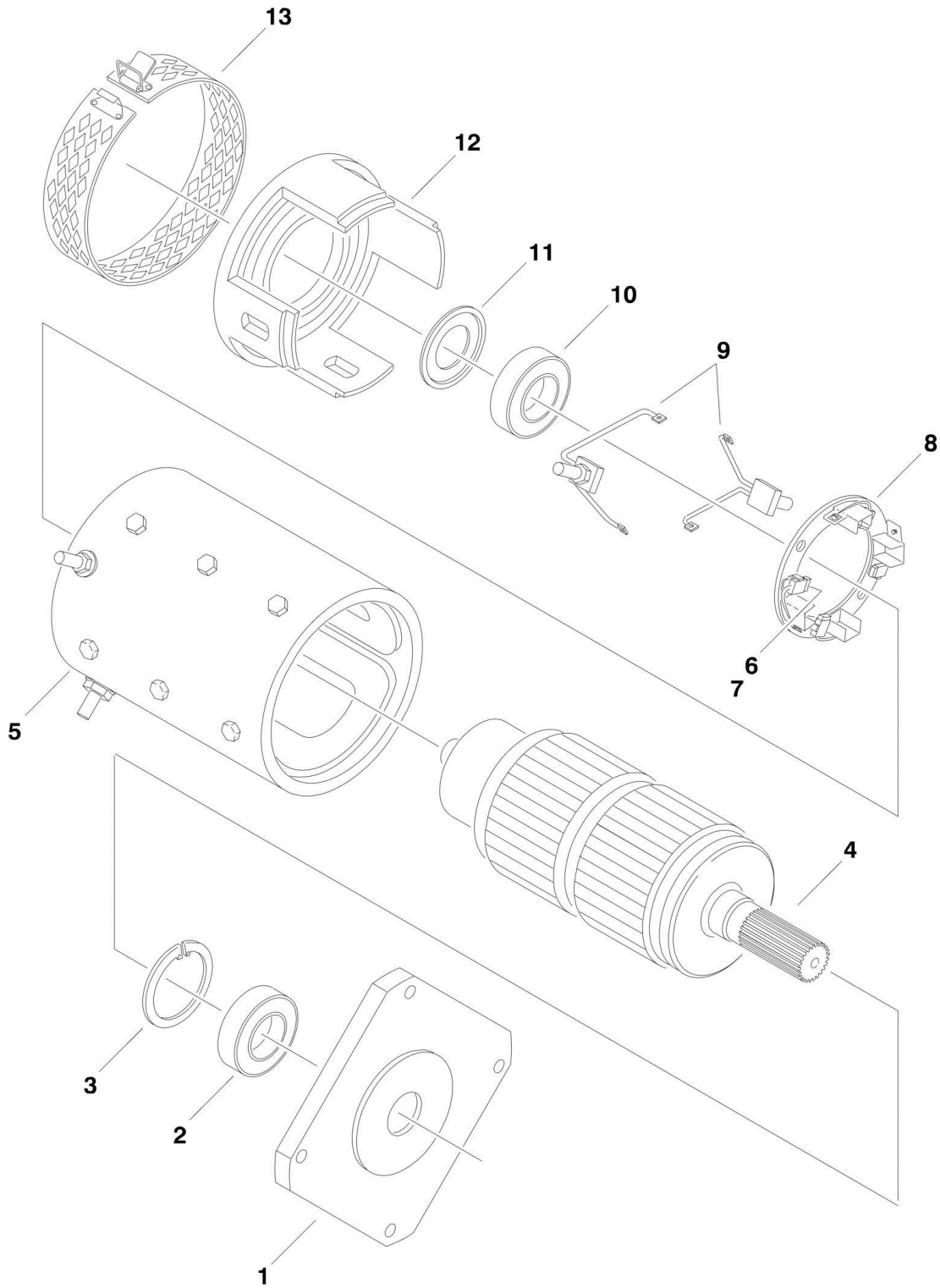
ITEM	PART NUMBER	QTY	DESCRIPTION	REV
	2780282	Ref	DRIVE HUB ASSEMBLY	C
1	70001366	1	Carrier, Sub Assembly	
1A	See Note	NSS	Shaft, Planet (Note: Use Item 1)	
1B	See Note	NSS	Carrier (Note: Use Item 1)	
1C	See Note	NSS	Gear, Planet (Note: Use Item 1)	
1D	See Note	NSS	Bearing, Needle (Note: Use Item 1)	
1E	See Note	NSS	Pin, Roll (Note: Use Item 1)	
1F	See Note	NSS	Thrustwasher (Note: Use Item 1)	
2	70001367	1	Carrier, Input	
2A	See Note	NSS	Shaft, Planet (Note: Use Item 2)	
2B	See Note	NSS	Carrier (Note: Use Item 2)	
2C	See Note	NSS	Gear, Planet (Note: Use Item 2)	
2D	See Note	NSS	Bearing, Needle (Note: Use Item 2)	
2E	See Note	NSS	Spacer, Thrust (Note: Use Item 2)	
2F	See Note	NSS	Pin, Roll (Note: Use Item 2)	
2G	See Note	NSS	Thrustwasher (Note: Use Item 2)	
2H	See Note	NSS	Thrustwasher (Note: Use Item 2)	
3	See Note	NSS	Cover (Note: Use Item 103)	
4	70001369	1	Shaft, Input	
5	70001370	1	Coupling	
6	70001371	1	Shaft, Sun Gear	
7	70001372	1	Spindle	
8	70001373	1	Gear, Ring	
9	See Note	NSS	Housing (Note: Not Available - Purchase Complete Assembly)	
10	See Note	NSS	Bearing, Tapered-Cone (Note: Use Item 101)	
11	See Note	NSS	Bearing, Tapered-Cup (Note: Use Item 101)	
12	See Note	NSS	Bearing, Tapered-Cone (Note: Use Item 101)	
13	7017009	1	Thrustwasher	
15	Item 102	1	Seal, Lip	
16	70001374	1	Spring	
17	70001375	1	Ring, Retaining (Internal)	
18	See Note	NSS	Ring, Retaining (External) (Note: Use Item 102)	
19	7024738	1	Ring, Retaining (Internal)	
20	70001376	1	Ring, Retaining (External)	
21	70001377	1	Ring, Retaining (External)	
22	7000281	4	Screw (Not Shown - ID plate screws)	
23	7017022	3	Bolt, Flathead (Not Shown - Located on front of hub)	
24	See Note	NSS	O-Ring (Note: Use Item 102)	
25	See Note	NSS	O-Ring (Note: Use Item 102)	
26	70001378	1	Spacer, Thrust	
27	70001379	1	Thrustwasher	
28	7024741	1	Spacer, Thrust	
29	7007640	9	Stud, Wheel	
30	See Note	NSS	Flange, Plate (Note: Use Item 103)	
31	See Note	NSS	Cap, Disengage (Note: Use Item 103)	
32	See Note	NSS	Pin, Dowel (Note: Use Item 103)	
33	See Note	NSS	Bolt (Note: Use Item 103)	
34	See Note	NSS	O-Ring (Note: Use Item 103)	
35	See Note	NSS	O-Ring (Note: Use Item 103)	
36	See Note	NSS	Plug (Note: Use Item 103)	

SECTION 1 - FRAME

ITEM	PART NUMBER	QTY	DESCRIPTION	REV
		Ref	KIT OPTIONS	
101	7017007	1	Planet Gear Bearing Kit (Includes Items 10-12)	
102	70001380	1	Planet Gear Seal Kit (Includes Items 15, 18, 24 & 25)	
103	70001368	1	Cap/Disengage Kit (Includes Items 3 & 30-36)	

SECTION 1 - FRAME

FIGURE 1-8. DRIVE MOTOR ASSEMBLY (REAR)



SECTION 1 - FRAME

FIGURE 1-8. DRIVE MOTOR ASSEMBLY (REAR)

ITEM	PART NUMBER	QTY	DESCRIPTION	REV
	3160256	Ref	DRIVE MOTOR ASSEMBLY	D
1	7020184	1	Plate, Drive End	
2	7012545	1	Bearing	
3	7020185	1	Ring, Retaining	
4	7023343	1	Armature	
5	See Note	NSS	Frame and Field Assembly (Note: Purchase Complete Assembly)	
6	7012548	4	Spring, Brush	
7	7012547	4	Brush	
8	7023344	1	Holder, Brush	
9	7023229	2	Brush Lead Assembly Kit	
10	7012545	1	Bearing	
11	7012549	1	Washer, Wavy	
12	7020189	1	End, Commutator	
13	7019609	1	Headband Assembly	

SECTION 1 - FRAME

FIGURE 1-9. FRONT DRIVE MOTOR ASSEMBLY (4WD ONLY)

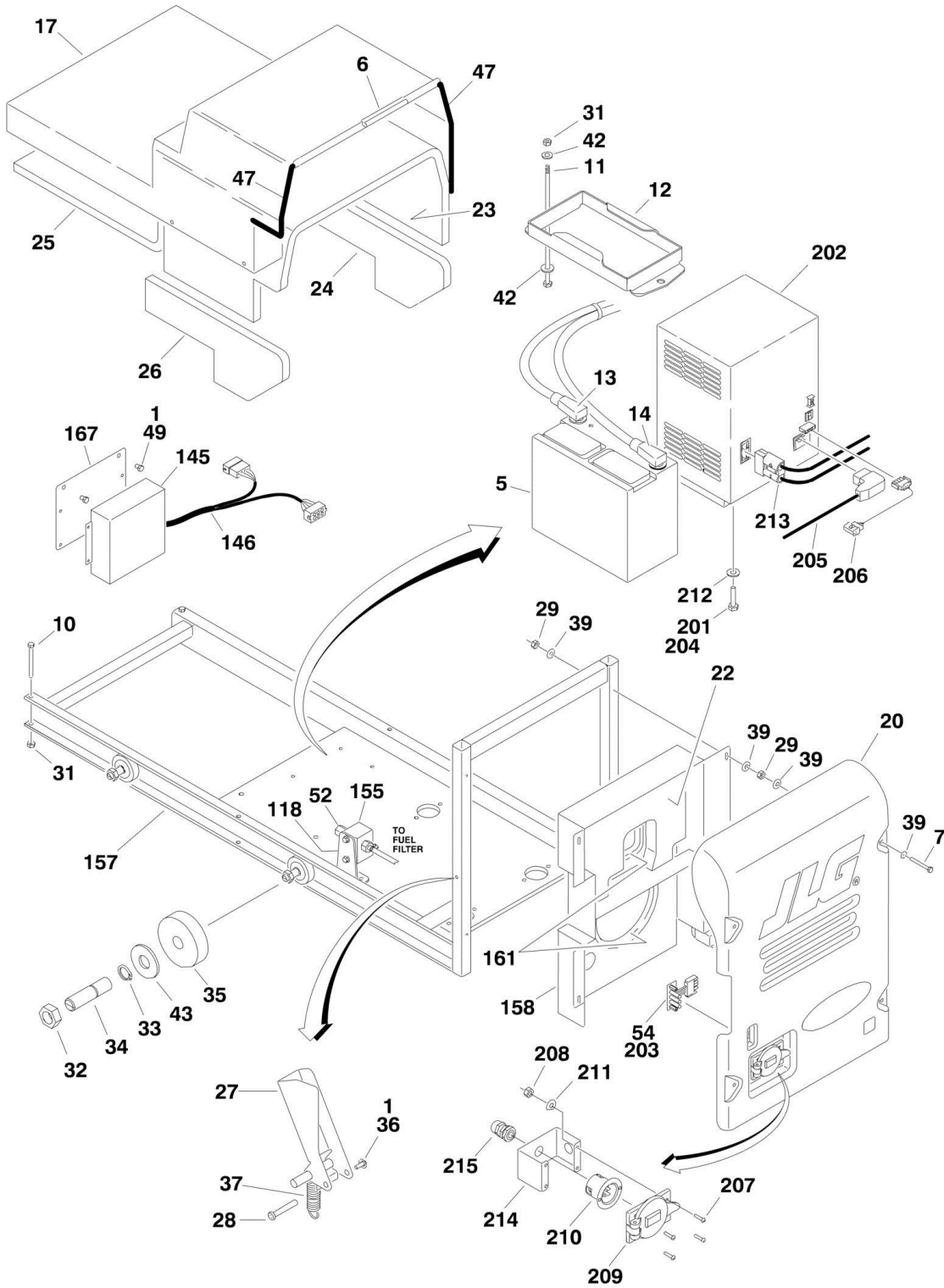
ITEM	PART NUMBER	QTY	DESCRIPTION	REV
		Ref	DRIVE MOTOR ASSEMBLY	
	3160245	Ref	Right Side	E
		Ref	Left Side Options:	
	3160267	Ref	USA Built Machines (Prior to SN 0200196451)	F
	1001101934	Ref	USA Built Machines (SN 0200196451 through 0200230091)	D
	3160267	Ref	Belgium Built Machines	F
1		Ref	Front Housing Assembly	
1	See Note	NSS	3160245 & 3160267 Motors (Note: See 101-108 for Breakdown)	
1	7024963	1	1001101934 Motor (Note: See 101-108 for Breakdown)	
2		Ref	Rotary Assembly Options:	
2	See Note	NSS	Assembly for 3160245 & 3160267 Motors (Note: Purchase Complete Motor Assembly)	
2	70002261	1	Assembly for 1001101934 Motor	
2A	See Note	NSS	Rotary without Cam (Note: See Item 2)	
2B		Ref	Cam Options:	
2B	See Note	NSS	Cam for 3160245 & 3160267 Motors (Note: See Item 2)	
2B	70002262	1	Cam for 1001101934 Motor	
3		Ref	Rear Housing Assembly	
3	See Note	NSS	3160245 & 3160267 Motors (Note: See 201-208 for Breakdown)	
3	70002263	1	1001101934 Motor (Note: See 201-208 for Breakdown)	
4	See Note	2	Seal, Square (Note: Use Item 300)	
5		Ref	Capscrew	
5	See Note	NSS	3160245 & 3160267 Motors (Note: Purchase Locally)	
5	70001091	6	1001101934 Motor	
9	7023806	5	Lugnut	
10	7023807	5	Stud, Wheel	
16	7024008	1	Seal, Square	
17	7024007	1	Plate, Rear Cover	
18		Ref	Capscrew Options:	
18	7024009	8	3160245 & 3160267 Motors	
18	70002264	8	1001101934 Motor	
19		Ref	Sensor, Speed Options (Not Shown - Left Hub Only):	
19		Ref	Sensor Options for 3160267 Motors:	
19	7024033	1	Sensor with 3 Pin Connector	
19	7024928	1	Sensor with 4 Pin Connector	
19	70002265	1	Sensor for 1001101934 Motor	
		Ref	FRONT HOUSING ASSEMBLY	
101		Ref	Shaft Options:	
101	7022586	1	3160245 & 1001101934 Motors	
101	See Note	NSS	3160267 Motor (Note: Purchase Complete Motor Assembly)	
102	See Note	1	Seal, Face (Note: Use Item 300)	
103		Ref	Bearing, Front Options:	
103	7022587	1	3160245 & 1001101934 Motors	
103	See Note	NSS	3160267 Motor (Note: Purchase Complete Motor Assembly)	
104		Ref	Casting, Front Options:	
104	See Note	NSS	3160245 & 3160267 Motors (Note: Purchase Complete Motor Assembly)	
104	See Note	NSS	1001101934 Motor (Note: Use Item 1)	

SECTION 1 - FRAME

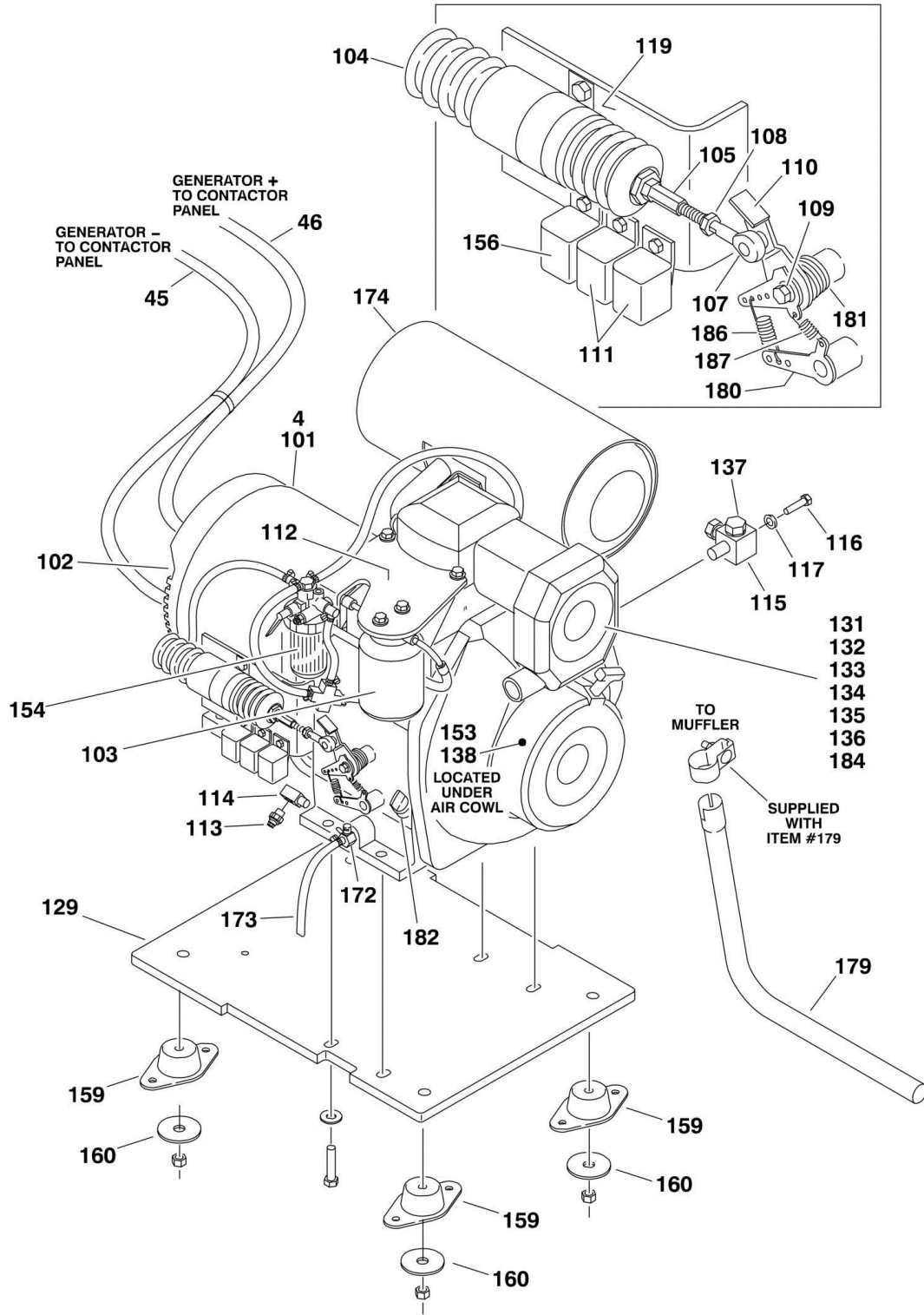
ITEM	PART NUMBER	QTY	DESCRIPTION	REV
105	See Note	1	Seal, Shaft (Note: Use Item 300)	
106		Ref	Bearing, Rear Options:	
106	7022588	1	3160245 & 1001101934 Motors	
106	See Note	NSS	3160267 Motor (Note: Purchase Complete Motor Assembly)	
107	See Note	NSS	Washer (Note: Not Available for Purchase)	
108	7022589	1	Ring, Split	
		Ref	REAR HOUSING ASSEMBLY	
201		Ref	Ring, Distributor Options:	
201	See Note	NSS	3160245 & 3160267 Motors (Note: Purchase Complete Motor Assembly)	
201	70002267	1	1001101934 Motor	
202		Ref	Spring Options:	
202	See Note	NSS	3160245 & 3160267 Motors (Note: Purchase Complete Motor Assembly)	
202	7023872	9	1001101934 Motor	
203	See Note	1	Seal, Nylon (Note: Use Item 300)	
204	See Note	AR	Seal, Nylon (Note: Use Item 300)	
205	See Note	1	Seal, Nylon (Note: Use Item 300)	
206		Ref	Housing, Rear	
206	See Note	NSS	3160245 & 3160267 Motors (Note: Purchase Complete Motor Assembly)	
206	See Note	NSS	1001101934 Motor (Note: Use p/n 70002263)	
207		Ref	Pin, Stop Options:	
207	7022590	1	3160245 & 3160267 Motors	
207	70002268	1	1001101934 Motor	
208		Ref	Plug (O-Ring Supplied with Plug)	
208	7022591	1	3160245 & 3160267 Motors	
208	2220890	1	1001101934 Motor	
		Ref	KIT OPTIONS	
300		Ref	Seal Kit Options (Includes Items 4, 102, 105 & 203-205):	
300	7023801	1	3160245 & 3160267 Motors	
300	70002269	1	1001101934 Motor	

SECTION 1 - FRAME

FIGURE 1-10. YANMAR MOTOR/GENERATOR AND BATTERY CHARGER INSTALLATION (M3369 & M4069 ONLY)



SECTION 1 - FRAME



SECTION 1 - FRAME

FIGURE 1-10. YANMAR MOTOR/GENERATOR AND BATTERY CHARGER INSTALLATION (M3369 & M4069 ONLY)

ITEM	PART NUMBER	QTY	DESCRIPTION	REV
	0270788	Ref	ENGINE INSTALLATION - YANMAR DIESEL (M3369 & M4069 ONLY)	K
1	0100011	AR	Compound, Locking	
4	0270787	1	Generator Assembly (See 101 to 187 for Breakdown)	
5	0400201	1	Battery	
6	3960418	2 ft/61cm	Seal	
7	0641418	4	Bolt 1/4in-20NC x 2-1/4in	
10	0641632	2	Bolt 3/8in-16NC x 4in	
11	0641660	2	Bolt 3/8in-16NC x 7-1/2in	
12	0902659	1	Bracket, Battery	
13		Ref	Cable, Battery (-) Options:	
13	1060819	1	USA Manufactured (Prior to SN 0200102732)	
13	1060950	1	USA Manufactured (SN 0200102732 through 0200230091)	
13	1060950	1	Belgium Manufactured (SN 1200000398 to Present)	
14	1060820	1	Cable, Battery (+)	
17	1671010	1	Cover, Engine	
20	2680491	NLA	Cover, Front (Use p/n 2902141)	
22	2820134	1	Insulation (Front Cover)	
23	2820135	1	Insulation (Engine Cover)	
24	2820136	1	Insulation (Frame Left Side)	
25	2820137	1	Insulation (Engine Cover)	
26	2820138	1	Insulation (Frame Right Side)	
27	2940137	1	Latch	
28	3300374	1	Nut, Binding	
29	3311405	8	Locknut 1/4in-20NC	
31	3311605	4	Locknut 3/8in-16NC	
32	3322202	4	Nut, Jam 3/4in	
33	3760348	4	Ring, Retaining	
34	3841233	4	Rod, Roller	
35	3860059	4	Roller, Extension	
36	3900184	1	Screw, Button Head #10-24NC x 5/8in	
37	4160189	1	Spring, Extension	
39	4711400	16	Flatwasher 1/4in Narrow	
42	4751600	6	Flatwasher 3/8in	
43	4752200	4	Flatwasher 3/4in	
45	1060916	1	Cable, Battery (-)	
46	1060917	1	Cable, Battery (+)	
47	3960389	2 ft/61cm	Seal	
49	0641604	2	Bolt 3/8in-16NC x 1/2in	
50	1701505	2	Decal - Diesel Fuel (Not Shown - Located on Hood)	
51	4922602	1	Harness, Generator (Not Shown - See ELECTRICAL SECTION for Breakdown) (USA Manufactured Only) (Prior to SN 0200100178)	
52		Ref	Fitting, Straight Barb	
52	2220315	1	USA Manufactured Only (SN 0200097450 through 0200230091)	
52	2220315	1	Belgium Manufactured Only (SN 1200000398 to Present)	
54		Ref	LED PC Board Assembly	
54	0610131	1	USA Manufactured Only (SN 0200104581 through 0200230091)	
54	0610131	1	Belgium Manufactured Only (SN 1200000398 to Present)	
	2902141	1	Kit, Generator Hood/PC (Includes Items 20 & 54)	

SECTION 1 - FRAME

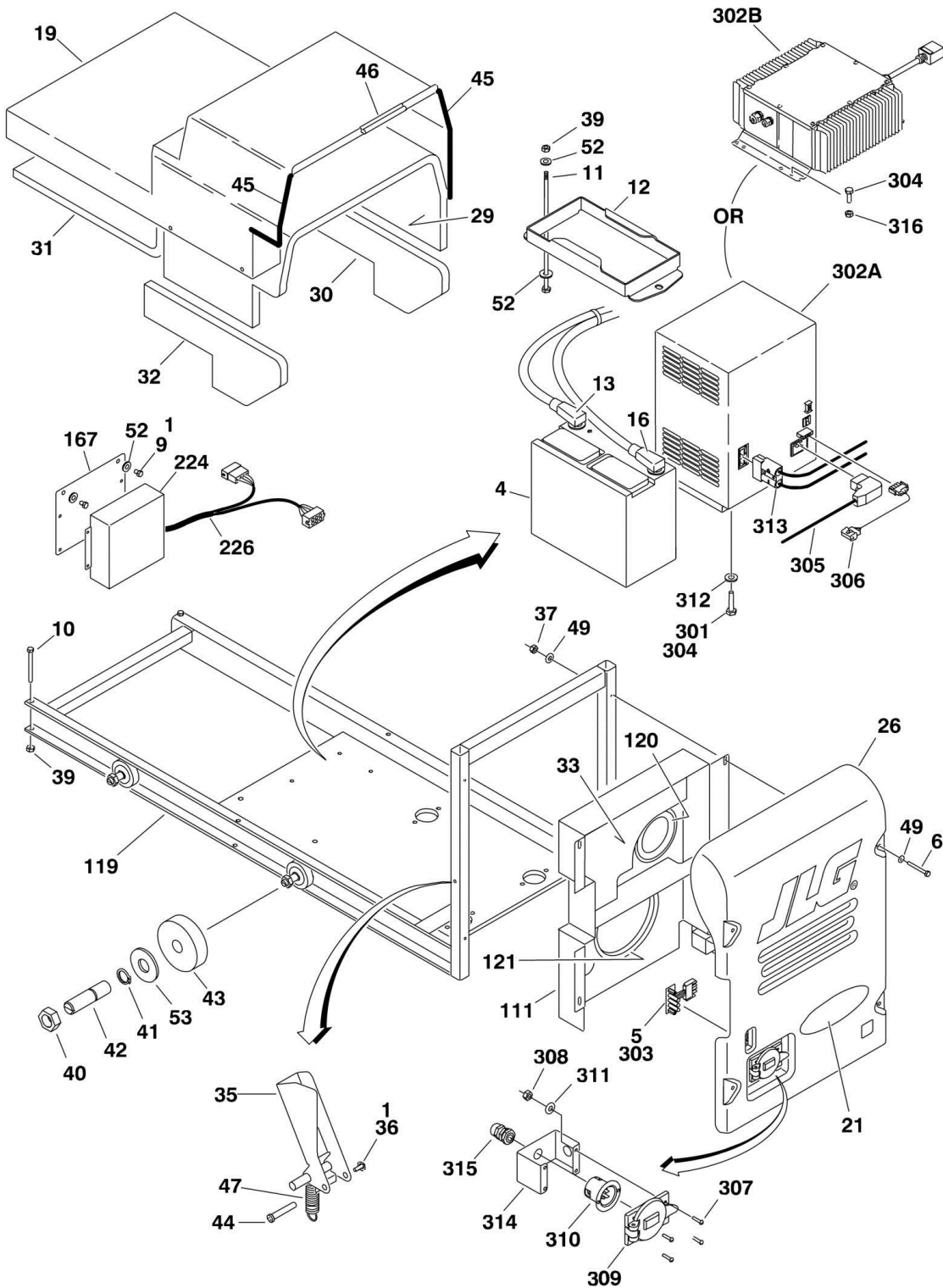
ITEM	PART NUMBER	QTY	DESCRIPTION	REV
	2902423	1	Kit, Service Addition of A Separate Fuse Engine Control Mechron	
	0270787	Ref	GENERATOR ASSEMBLY	F
101	Not Available	1	Engine, Yanmar Diesel	
102	7023485	1	Alternator	
103	7023489	1	Filter, Oil	
103	7027280	1	Element, Oil Filter	
104	7020167	1	Solenoid, Throttle	
105	7020166	1	Swivel	
107	Not Available	1	Joint, Ball	
108	3321402	1	Nut, Jam 1/4in-28NF	
109	Not Available	1	Screw 1/4in-28NF x 3/4in	
110	7018125	1	Arm, Regulator	
111	70000323	2	Relay (was p/n 7020207)	
112	0902728	1	Bracket, Oil Filter Mounting	
113	7018127	1	Switch, Oil Pressure	
114	7020164	1	Fitting	
115	7020163	1	Adapter, Drain Port	
116	Not Available	1	Bolt, Banjo	
117	Not Available	3	Washer, Copper	
118	0902727	1	Bracket, Fuel Pump	
119	7020161	1	Bracket, Solenoid	
129	4846410	1	Plate, Engine Mounting	
131	Not Available	1	Flange, Air Intake (Air Filter End)	
132	7020159	1	Flange, Air Intake (Engine End)	
133	7020165	1	Heater, Air Intake	
134	Not Available	2	Gasket, Air Cleaner	
135	Not Available	2	Gasket, Air Adapter	
136	7018124	1	Cover, Air Cleaner	
137	7020158	1	Probe, Temperature	
138	7020157	1	Bracket, Magnetic Pickup Mounting	
145	7020156	1	Module, Engine Control	
146	7023486	1	Harness, Engine	
153	7020206	1	Sensor, Speed	
154	7018141	1	Filter, Fuel	
154	7018143	1	Element, Fuel Filter	
155	7023218	1	Pump, Fuel	
156	7023274	1	Relay (Cold Start)	
157	4846317	1	Tray Weldment	
158	4846327	1	Baffle, Weldment	
159	Not Available	4	Mount, Rubber Engine	
160	Not Available	4	Washer, Snubbing	
161	Not Available	4 ft/1.2m	Seal	
167	3572780	1	Plate, Control Mounting	
172	7023211	1	Valve, Engine Oil	
173	Not Available	AR	Hose	
174	3220121	1	Muffler	
179	4568271	1	Tube, Exhaust	
179	7023496	1	Clamp	
180	7020197	1	Lever	
181	7020198	1	Spring	
182	7020199	1	Dipstick	

SECTION 1 - FRAME

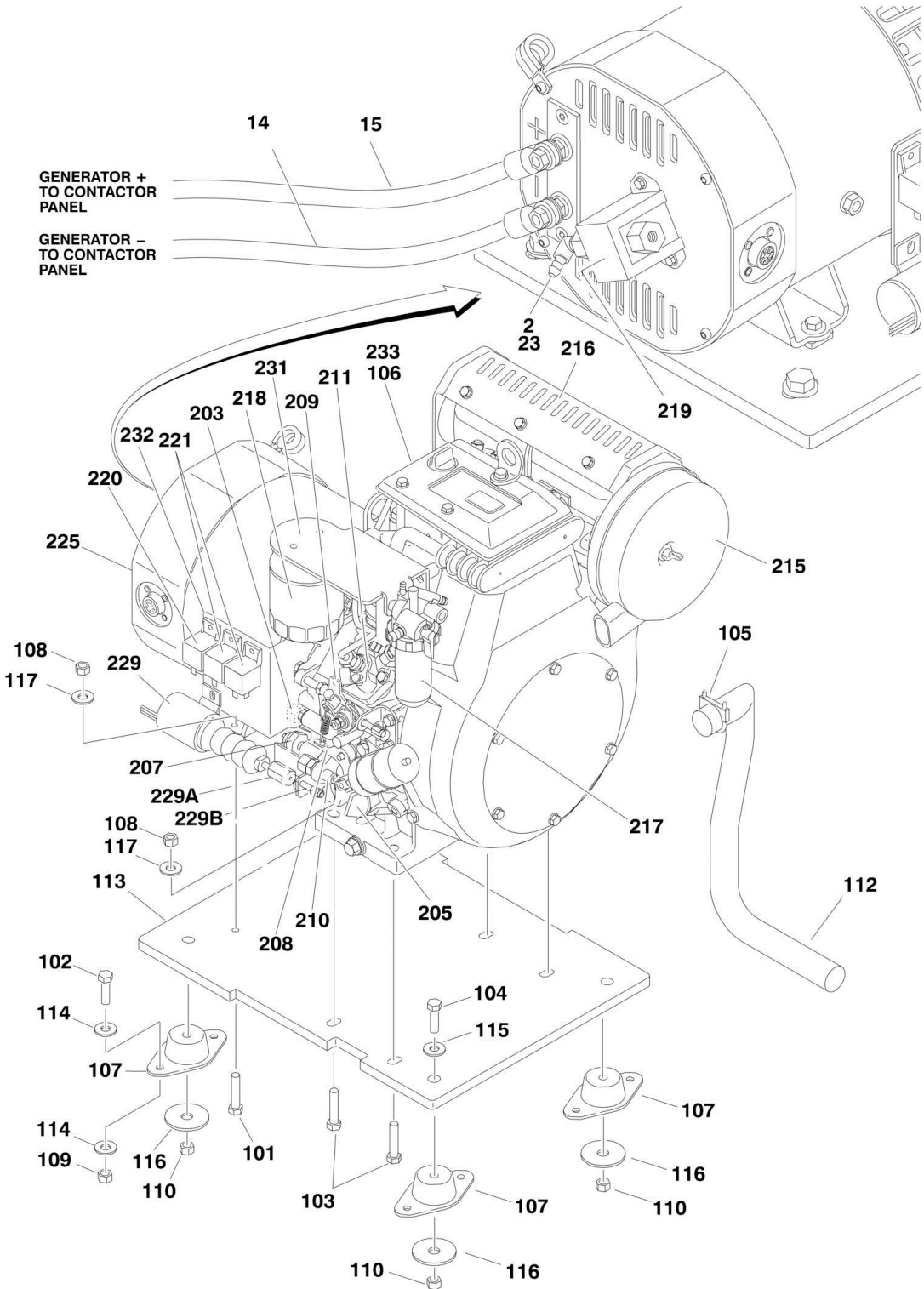
ITEM	PART NUMBER	QTY	DESCRIPTION	REV
183	7020202	1	Starter (Not Shown - Located Below Muffler)	
184	7020217	1	Element, Air Filter	
185	7020200	1	Regulator, Voltage (Not Shown)	
186	7026669	1	Spring, Governor	
187	7026670	1	Spring, Return	
		Ref	BATTERY CHARGER INSTALLATION	
	0270841	Ref	120V-240VAC/50-60Hz (CE Spec)	C
	0270842	Ref	250VAC/50Hz (Australian Spec)	C
201	0100011	AR	Compound, Locking	
202		Ref	Battery Charger Options (See BATTERY CHARGER ASSEMBLY (MAC CHARGER) for Breakdown)	
202	0400190	1	120V-240VAC/50-60Hz (CE Spec)	
202	0400191	1	250VAC/50Hz (Australian Spec)	
203		Ref	LED PC Board Assembly	
203	0610131	1	USA Manufactured Only (Prior to SN 0200104581)	
204	0641407	4	Bolt 1/4in-20NC x 7/8in	
205	1060759	1	Cable, Electrical	
206	1060913	1	Cable, Harness - LED Light	
207	0721008	4	Screw #10-24NC x 1in	
208	3311005	4	Locknut #10-24NC	
209	4460802	1	Cover, Plug	
210		Ref	Plug Options:	
210		Ref	CE Spec (See ELECTRICAL SECTION for Breakdown)	
210	4460805	1	250VAC/50Hz (Australian Spec)	
211	4751000	4	Flatwasher #10	
212	4751400	4	Flatwasher 1/4in	
213		Ref	Harness, Battery Charger Options (See ELECTRICAL SECTION for Breakdown)	
213	4922518	1	USA Built Machines (Prior to SN 0200097450)	
213	4922628	1	USA Built Machines (SN 0200097450 through 0200230091)	
213	4922628	1	Belgium Built Machines	
214	3571584	1	Plate, Plug Inlet	
215	4460428	1	Connector, Strain Relief	

SECTION 1 - FRAME

FIGURE 1-11. KUBOTA MOTOR/GENERATOR AND BATTERY CHARGER INSTALLATION (M3369 & M4069 ONLY)



SECTION 1 - FRAME



SECTION 1 - FRAME

FIGURE 1-11. KUBOTA MOTOR/GENERATOR AND BATTERY CHARGER INSTALLATION (M3369 & M4069 ONLY)

ITEM	PART NUMBER	QTY	DESCRIPTION	REV
		Ref	Note: Only used on USA Built Machines.	
	0274684	Ref	ENGINE INSTALLATION - KUBOTA DIESEL (Prior to SN 0200225601)	G
	1001159360	Ref	ENGINE INSTALLATION - KUBOTA DIESEL (SN 0200225601 through 0200230091)	B
1	0100011	AR	Compound, Locking	
2	0100020	AR	Sealant	
4	0400201	1	Battery	
5	0610131	1	LED PC Board Assembly	
6	0641418	4	Bolt 1/4in-20NC x 2-1/4in	
9	0641604	2	Bolt 3/8in-16NC x 1/2in	
10	0641632	2	Bolt 3/8in-16NC x 4in	
11	0641660	2	Bolt 3/8in-16NC x 7-1/2in	
12	0902659	1	Bracket, Battery	
13	1060820	1	Cable, Battery (+)	
14	1060916	1	Cable, Battery (-)	
15	1060917	1	Cable, Battery (+)	
16	1060950	1	Cable, Battery (-)	
19	1671010	1	Cover, Engine	
21	1704830	1	Decal - Battery Charger (Prior to SN 0200199013)	
23	2220805	1	Fitting, 90 Coupling	
26	2680491	NLA	Kit, Front Cover (Use p/n 2902141) (Includes Items 5)	
29	2820135	1	Insulation (Engine Cover)	
30	2820136	1	Insulation (Frame Left Side)	
31	2820137	1	Insulation (Engine Cover)	
32	2820138	1	Insulation (Frame Right Side)	
33	2820228	1	Insulation (Front Cover)	
35	2940137	1	Latch	
36	3300374	1	Nut, Binding	
37	3311405	4	Locknut 1/4in-20NC	
39	3311605	4	Locknut 3/8in-16NC	
40	3322202	4	Nut, Jam 3/4in	
41	3760348	4	Ring, Retaining	
42	3841233	4	Rod, Roller	
43	3860059	4	Roller, Extension	
44	3900184	1	Screw, Button Head #10-24NC x 5/8in	
45	3960389	2 ft/61cm	Seal	
46	3960418	2 ft/61cm	Seal	
47	4160189	1	Spring, Extension	
49	4711400	8	Flatwasher 1/4in Thin	
52	4751600	6	Flatwasher 3/8in Regular	
53	4752200	6	Flatwasher 3/4in Regular	
	2000327	Ref	GENERATOR ASSEMBLY (Prior to SN 0200225601)	F
	1001159358	Ref	GENERATOR ASSEMBLY (SN 0200225601 through 0200230091)	B
101	0641410	2	Bolt 1/4in-20NC x 1-1/4in	
102	0641609	8	Bolt 3/8in-16NC x 1-1/8in	
103	0641616	4	Bolt 3/8in-16NC x 2in	
104	0641820	4	Bolt 1/2in-13NC x 2-1/2in	
105	1320135	1	Clamp, Muffler	

SECTION 1 - FRAME

ITEM	PART NUMBER	QTY	DESCRIPTION	REV
106	2000332	NLA	Engine, Kubota (Use p/n 1001159355) (See Items 201-233 for Breakdown) (Prior to SN 0200225601)	
106	1001159355	1	Engine, Kubota (See Items 201-233 for Breakdown) (SN 0200225601 through 0200230091)	
107	3200425	4	Mount, Motor	
108	3311405	2	Locknut 1/4in-20NC	
109	3311605	12	Locknut 3/8in-16NC	
110	3311805	4	Locknut 1/2in-13NC	
111	3380609	1	Baffle	
112	3460475	1	Tube, Exhaust	
113	4341095	1	Plate, Engine Mounting	
114	4711600	16	Flatwasher 3/8in Thin	
115	4711800	4	Flatwasher 1/2in Thin	
116	4740274	4	Washer, Snubbing	
117	4751400	4	Flatwasher 1/4in Regular	
118	4751600	8	Flatwasher 3/8in Regular	
119	4846317	1	Tray	
120	3960389	18 in /46cm	Seal	
121	3960418	28 in /71cm	Seal	
	2000332	Ref	KUBOTA ENGINE COMPONENTS (Prior to SN 0200225601)	D
	1001159355	Ref	KUBOTA ENGINE COMPONENTS (SN 0200225601 through 0200230091)	A
201	70000289	1	Regulator, Voltage (Not Shown - Located on Opposite Side of Engine)	
202	70000290	1	Glow Plug (Not Shown)	
202	70000291	1	Harness, Glow Plug (Not Shown)	
203	70000292	1	Screen, Oil Sump (Includes O-Ring)	
204	70000293	1	Plug, Oil Filler (Includes O-Ring) (Located on Side of Engine - Not Shown)	
205	70000294	1	Dipstick	
206	70000295	1	Pump, Oil Rotor (Not Shown - Located Beside Item 207)	
206	70000296	1	O-Ring, Oil Rotor Pump (Not Shown)	
207	70000297	1	Switch, Oil	
208	70000298	1	Lever, Governor	
208	70000299	1	Pin, Governor Lever	
208	70000300	1	Spring, Governor Lever	
209	70000301	1	Spring, Idling	
209	70000304	1	Lever, Spring Control	
209	70000305	1	Spring, Stop (Speed Control Lever)	
210	70000302	1	Valve, Fuel Limit (Not Shown)	
210	70000303	1	Gasket, Fuel Limit Valve (Not Shown)	
211	70000306	1	Pump, Injection	
211	70000307	1	Kit, Pump Adjustment Shim	
212	70000308	1	Flywheel/Ring Gear Assembly (Not Shown - Located Behind Front Collar)	
212	70000309	1	Ring Gear (Not Shown)	
212	70001121	1	Stator, Engine (Not Shown - Located Behind Flywheel) (Includes Coil and Grommet)	
213	70000310	1	Starter (Not Shown - Located on Opposite Side of Engine)	
214	70000311	1	Solenoid, Starter (Not Shown - Located on Opposite Side of Engine)	
215	70000312	1	Air Cleaner Assembly	

SECTION 1 - FRAME

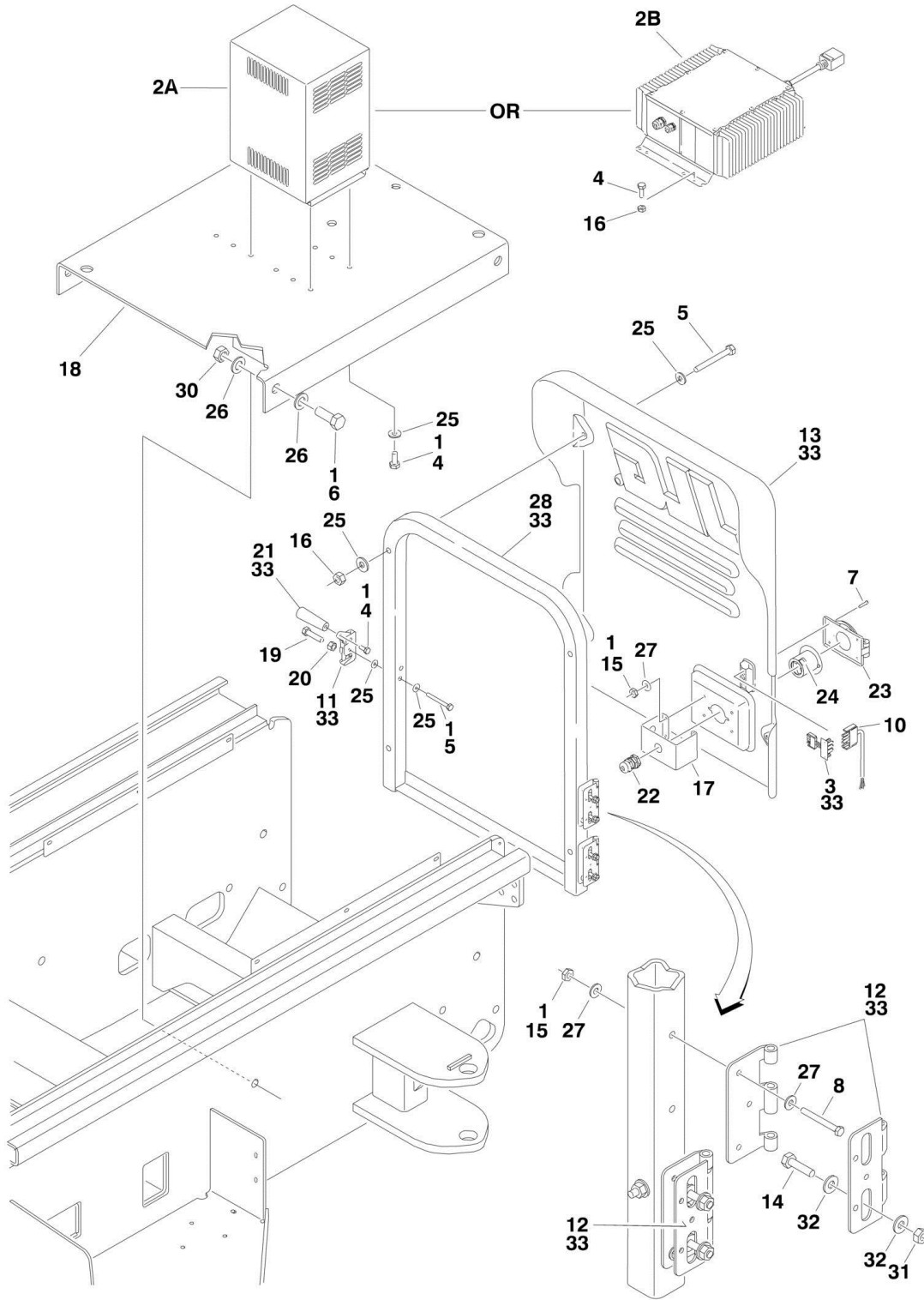
ITEM	PART NUMBER	QTY	DESCRIPTION	REV
215	7000313	1	Element, Air Cleaner	
215	7000314	1	Gasket, Air Cleaner	
216	7000315	1	Muffler Assembly	
216	7000316	1	Gasket, Muffler	
217	7000317	1	Inline Fuel Check Valve Assembly (Not Shown)	
217	7000967	1	Fuel Filter Assembly	
217	7000318	1	Element, Fuel Filter	
218	7000319	1	Element, Oil Filter	
218	70001144	1	Head, Oil Filter Head (Note: Does not Include element)	
219	7000320	1	Pump, Fuel	
220	7000322	1	Relay	
221	7000323	2	Relay	
222	7000324	1	Sensor, Speed (Not Shown - Located Inside Front Cover)	
223	7000325	1	Sensor, Oil Temperature (Not Shown - Located on Opposite Side of Engine on Base)	
224	7000326	1	Module, Engine Control	
225	7000327	1	Alternator	
225	7000382	1	Stator, Alternator	
225	70004394	1	Wire, Lead with Diode	
226	7000328	1	Harness, Engine	
227	7000329	1	Fuse 15Amp (Not Shown)	
228	7000330	1	Fuse 20Amp (Not Shown)	
229	7000321	1	Solenoid, Fuel	
229A	70003618	1	Adapter, Solenoid Cable	
229B	70003619	1	Screw	
230	70002244	1	Plug, Oil Filler (Includes O-Ring) (Located on Top of Engine - Not Shown)	
231	70002545	1	Bracket, Oil Filler	
232	70002083	1	Bracket, Relay	
233	70002543	1	Engine, Kubota (Without Generator)	
234	70004265	1	Bracket, Speed Sensor (Not Shown - Located Inside Front Cover)	
		Ref	BATTERY CHARGER INSTALLATION	
	0270841	Ref	120V-240VAC/50-60Hz (CE Spec)	E
	0270842	Ref	250VAC/50Hz (Australian Spec)	E
301	0100011	AR	Compound, Locking	
302		Ref	Battery Charger Options:	
302A		Ref	MAC Battery Charger Options (See BATTERY CHARGER ASSEMBLY (MAC CHARGER) for Breakdown):	
302A	0400188	1	110VAC/60Hz (ANSI Spec)	
302A	0400190	1	120V-240VAC/50-60Hz (CE Spec)	
302A	0400191	1	250VAC/50Hz (Australian Spec)	
302A	0400189	1	100VAC 50/60Hz (Japanese Spec)	
302B	1001103105	1	Delta-Q Battery Charger (See BATTERY CHARGER ASSEMBLY (DELTA-Q CHARGER) for Breakdown)	
303	0610131	1	LED PC Board Assembly	
304	0641407	4	Bolt 1/4in-20NC x 7/8in	
305		Ref	Cable, Electrical Options (See ELECTRICAL SECTION for Breakdown):	
305	1060759	1	Machines with MAC Battery Charger (Shown)	
305	1060689	1	Machines with Delta-Q Battery Charger (Not Shown)	
306		Ref	Cable, Harness - LED Light Options (See ELECTRICAL SECTION for Breakdown)	
306	1060913	1	Machines with MAC Battery Charger:	

SECTION 1 - FRAME

ITEM	PART NUMBER	QTY	DESCRIPTION	REV
306	Not Required	0	Machines with Delta-Q Battery Charger	
307	0721008	4	Screw #10-24NC x 1in	
308	3311005	4	Locknut #10-24NC	
309	4460802	1	Cover, Plug	
310		Ref	Plug Options:	
310		Ref	CE Spec (See ELECTRICAL SECTION for Breakdown)	
310	4460805	1	250VAC/50Hz (Australian Spec)	
311	4751000	4	Flatwasher #10 Regular	
312	4751400	4	Flatwasher 1/4in Regular	
313		Ref	Harness, Battery Charger (See ELECTRICAL SECTION for Breakdown)	
313	4922628	1	Machines with MAC Battery Charger	
313	Not Required	0	Machines with Delta-Q Battery Charger	
314	3571584	1	Plate, Plug Inlet	
315	4460428	1	Connector, Strain Relief	
316	3311405	4	Locknut 1/4in-20NC	

SECTION 1 - FRAME

FIGURE 1-12. BATTERY CHARGER AND INVERTER INSTALLATIONS (3369LE & 4069LE ONLY)



SECTION 1 - FRAME

FIGURE 1-12. BATTERY CHARGER AND INVERTER INSTALLATIONS (3369LE & 4069LE ONLY)

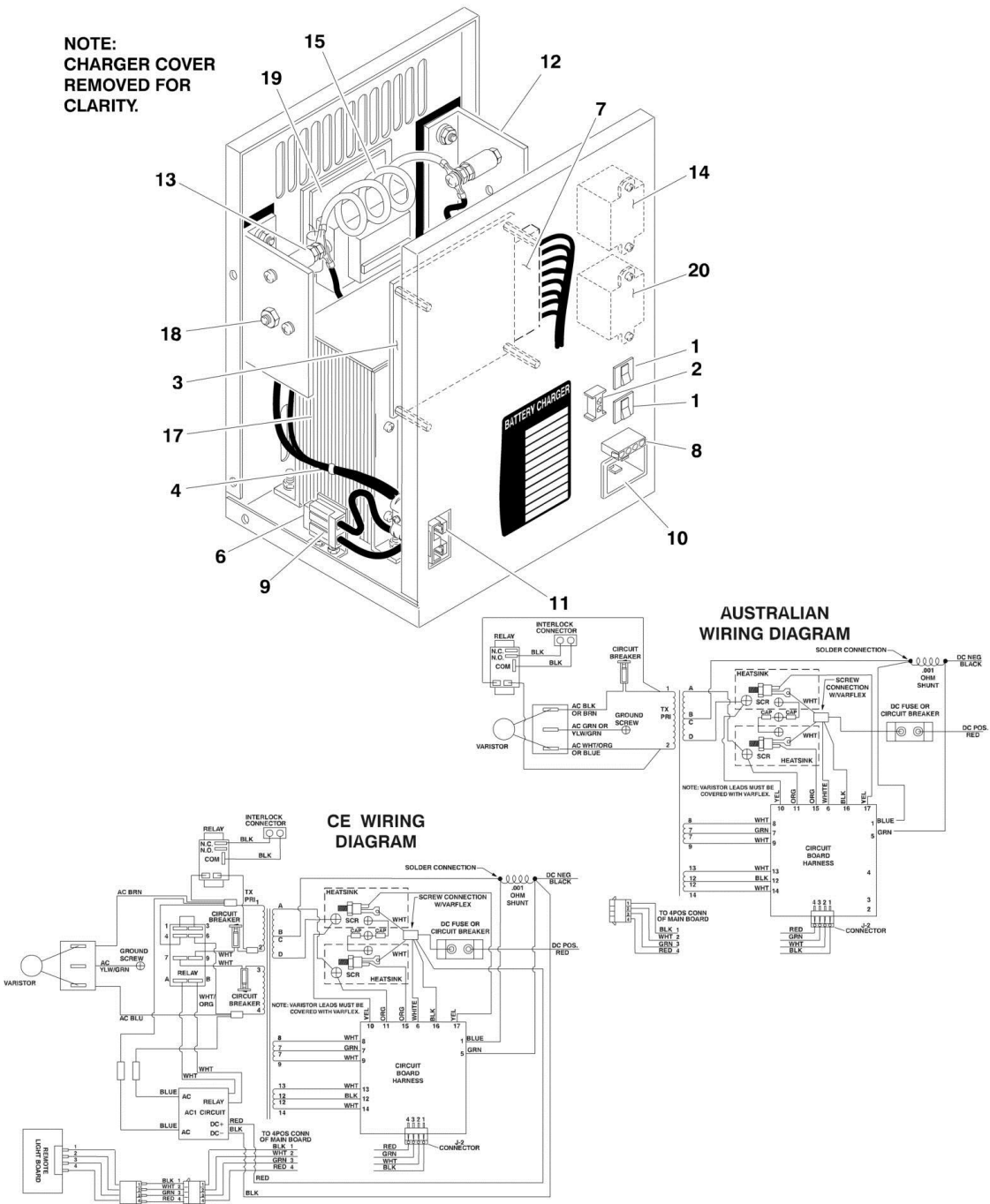
ITEM	PART NUMBER	QTY	DESCRIPTION	REV
		Ref	BATTERY CHARGER INSTALLATION (3369LE & 4069LE ONLY)	
	0270619	Ref	120-240VAC/50-60Hz (CE Spec)	H
	0270620	Ref	250VAC/50Hz (Australian Spec)	H
1	0100011	AR	Compound, Locking	
2		Ref	Battery Charger Options:	
2A		Ref	MAC Battery Charger Options (See BATTERY CHARGER ASSEMBLY (MAC CHARGER) for Breakdown)	
2A	0400190	1	120V-240VAC/50-60Hz (CE Spec)	
2A	0400191	1	250VAC/50Hz (Australian Spec)	
2B	1001103105	1	Delta-Q Battery Charger (See BATTERY CHARGER ASSEMBLY (DELTA-Q CHARGER) for Breakdown)	
3	0610131	1	LED PC Board Assembly	
4	0641405	5	Bolt 1/4in-20NC x 5/8in	
5	0641418	6	Bolt 1/4in-20NC x 2 1/4in	
6	0642016	4	Bolt 5/8in-11NC x 2in	
7	0721008	4	Screw #10-24NC x 1in	
8	0721016	4	Screw #10-24NC x 2in	
9		Ref	Cable, Electrical Options (Not Shown - See ELECTRICAL SECTION for Breakdown)	
9	1060759	1	Machines with MAC Battery Charger:	
9	1060689	1	Machines with Delta-Q Battery Charger	
10		Ref	Cable, Harness - LED Light Options (See ELECTRICAL SECTION for Breakdown)	
10	1060913	1	Machines with MAC Battery Charger:	
10	Not Required	0	Machines with Delta-Q Battery Charger	
11	2940098	1	Latch	
12	2600258	2	Hinge, Hood	
13	2680486	1	Hood	
14	0641509	4	Bolt 5/16in-18NC x 1 1/8in	
15	3311001	8	Nut #10-24NC	
16	3311405	4	Locknut 1/4in-20NC	
17	3571584	1	Plate, Plug Inlet	
18	4846365	1	Plate, Battery Charger Mounting	
19	0641612	1	Bolt 3/8in-16NC x 1 1/2in	
20	3311605	1	Locknut 3/8in-16NC	
21	2560137	1	Handle, Tapered	
22	4460428	1	Connector, Strain Relief	
23	4460802	1	Cover, Plug	
24		Ref	Plug Options:	
24		Ref	CE Spec (See ELECTRICAL SECTION for Breakdown)	
24	4460805	1	250VAC/50Hz (Australian Spec)	
25	4711400	16	Flatwasher 1/4in Narrow	
26	4712000	8	Flatwasher 5/8in Narrow	
27	4751000	12	Flatwasher #10	
28	4846330	1	Support, Front Cover	
29		Ref	Harness, Battery Charger (Not Shown - See ELECTRICAL SECTION for Breakdown)	
29	4922518	1	Machines with MAC Battery Charger	
29	Not Required	0	Machines with Delta-Q Battery Charger	
30	3312005	4	Locknut 5/8in-11NC	
31	3311505	4	Nut 5/16in-18NC	

SECTION 1 - FRAME

ITEM	PART NUMBER	QTY	DESCRIPTION	REV
32	4751500	8	Flatwasher 5/16in	
33	2902140	1	Kit, Battery Charger (Hood) (Includes Items 3, 4, 5, 8, 11, 12, 13, 16, 19, 20, 21, 25 & 28)	

SECTION 1 - FRAME

FIGURE 1-13. BATTERY CHARGER ASSEMBLY (MAC CHARGER)



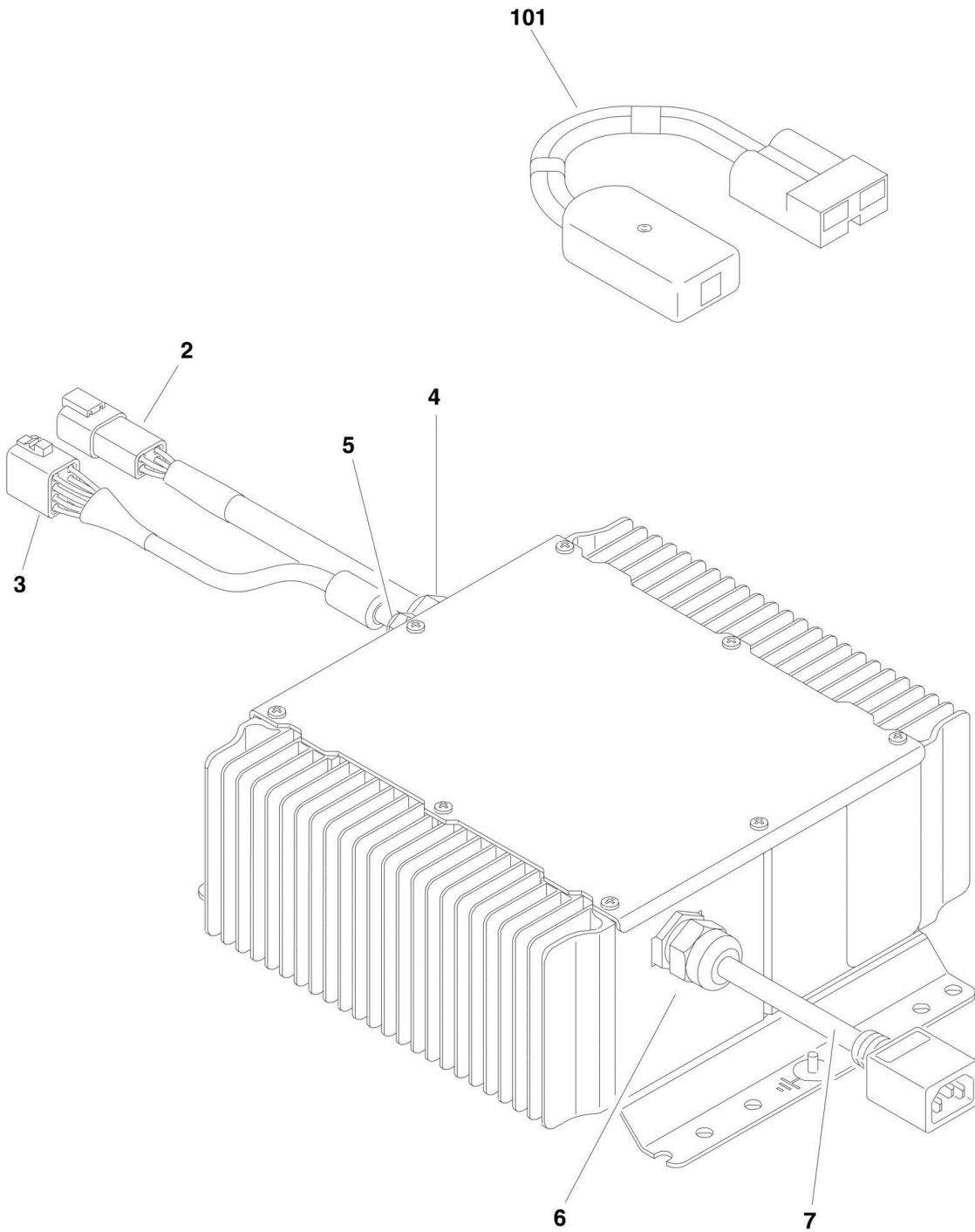
SECTION 1 - FRAME

FIGURE 1-13. BATTERY CHARGER ASSEMBLY (MAC CHARGER)

ITEM	PART NUMBER	QTY	DESCRIPTION	REV
		Ref	MAC BATTERY CHARGER ASSEMBLIES	
	0400190	Ref	120V-240VAC/50-60Hz (CE Spec)	B
	0400191	Ref	250VAC/50Hz (Australian Spec)	C
1	7020653	AR	Breaker, Circuit - 20Amp	
2	7011621	1	Connector - 2 Position	
3		Ref	PC Board Options:	
3	7022924	1	120V-240VAC/50-60Hz (CE Spec)	
3	7022906	1	250VAC/50Hz (Australian Spec) (was p/n 7020643)	
4	7020644	1	Cord, DC	
5	7018571	1	Holder, Fuse (Not Shown)	
6	7018570	1	Fuse - 80 DC Amp	
7	7020645	1	Harness - 17 Position	
8	7020646	1	Harness - 4 Position	
9	7018571	1	Holder, Fuse	
10	7020648	1	Plug, AC Inlet	
11	7011590	1	Plug, DC	
12	7020649	2	Rectifier, Replacement	
13	7020650	2	SCR, Replacement	
14		Ref	Relay Options:	
14	7020654	1	120V-240VAC/50-60Hz (CE Spec)	
14	7018535	1	250VAC/50Hz (Australian Spec)	
15	7020651	1	Shunt Assembly	
16	7011529	2	Connector, Strain Relief (Not Shown)	
17		Ref	Transformer Options:	
17	7020662	1	120V-240VAC/50-60Hz (CE Spec)	
17	7020683	1	250VAC/50Hz (Australian Spec)	
18	7018537	1	Varistor	
19		Ref	Controller Options:	
19	7020640	AR	120V-240VAC/50-60Hz (CE Spec)	
19	Not Required	0	250VAC/50Hz (Australian Spec)	
20		Ref	Relay Options:	
20	7018564	AR	120V-240VAC/50-60Hz (CE Spec)	
20	Not Required	0	250VAC/50Hz (Australian Spec)	

SECTION 1 - FRAME

FIGURE 1-14. BATTERY CHARGER ASSEMBLY (DELTA-Q CHARGER)



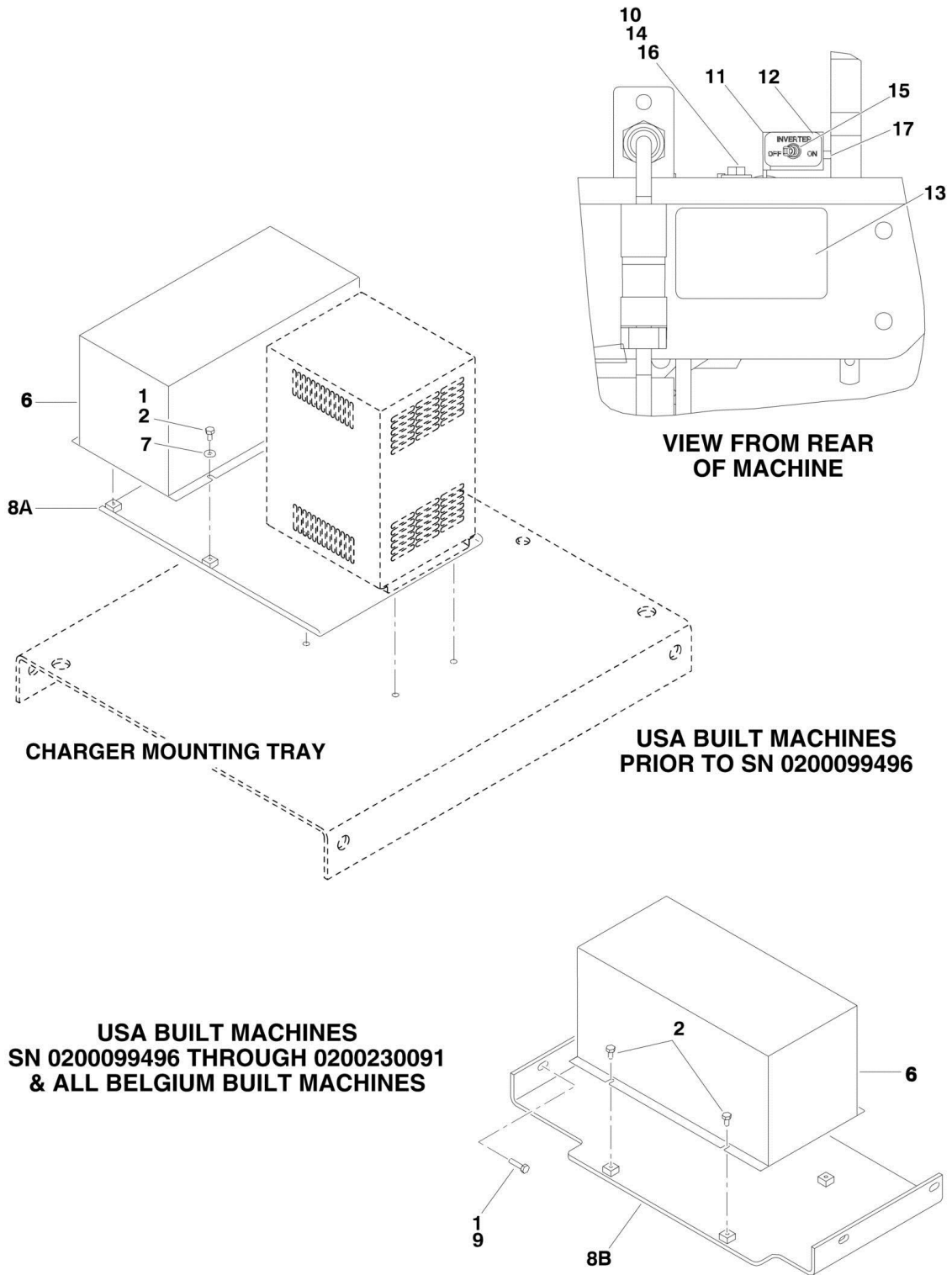
SECTION 1 - FRAME

FIGURE 1-14. BATTERY CHARGER ASSEMBLY (DELTA-Q CHARGER)

ITEM	PART NUMBER	QTY	DESCRIPTION	REV
	1001103105	Ref	BATTERY CHARGER ASSEMBLY	A
2	Not Available	1	Harness with Connector	
2	1001116811	1	Receptacle, Female - 4 Position	
2	4460508	4	Pin, Male	
3	Not Available	1	Harness with Connector	
3	4460930	1	Plug, Male - 8 Position	
3	4460464	7	Socket, Female	
4	Not Available	1	Connector, Strain Relief	
5	Not Available	1	Connector, Strain Relief	
6	Not Available	1	Connector, Strain Relief	
7	Not Available	1	Harness with Connector	
101	2915230	1	BATTERY CHARGER REPROGRAM CONTROLLER (WAS P/N 1600466)	

SECTION 1 - FRAME

FIGURE 1-15. INVERTER INSTALLATIONS (3369LE & 4069LE ONLY)



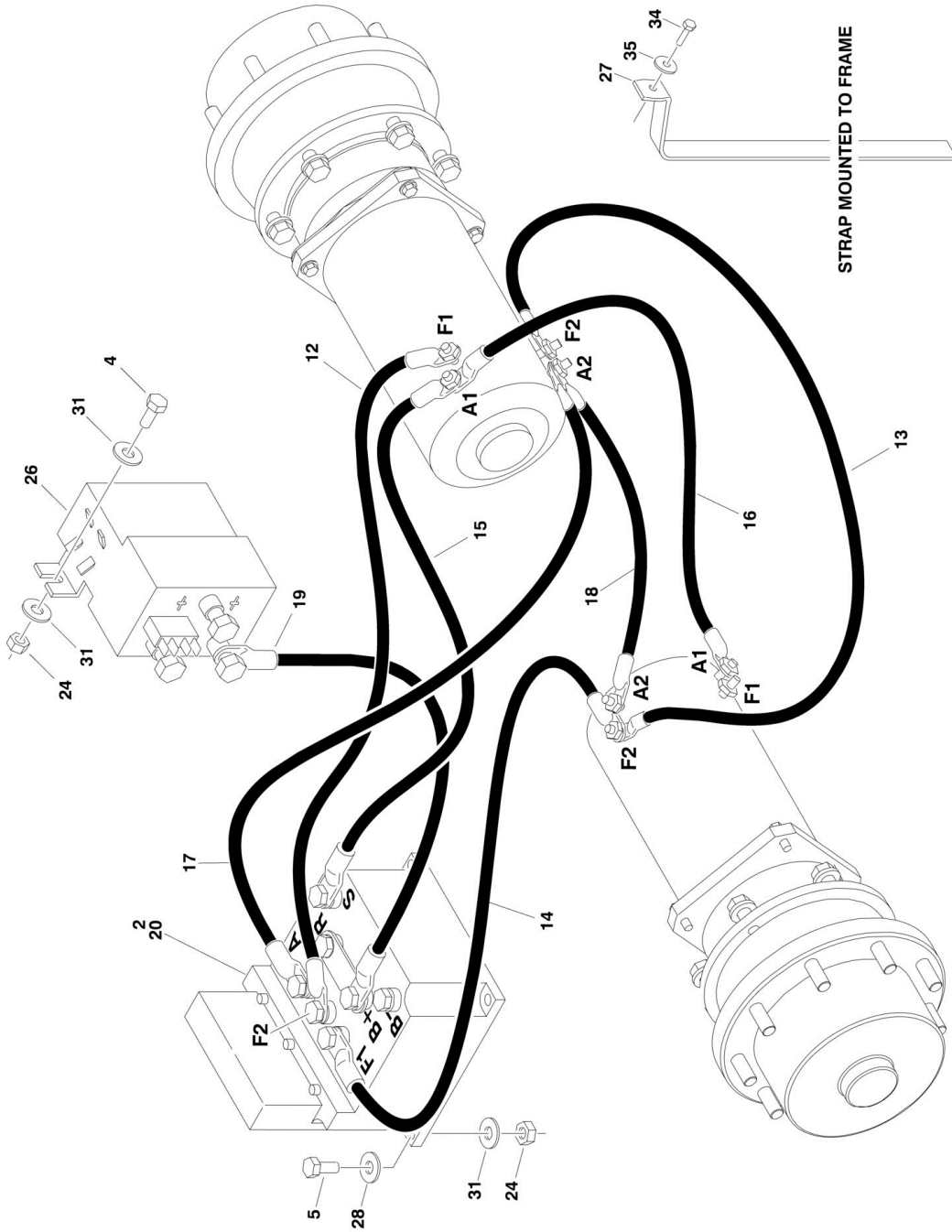
SECTION 1 - FRAME

FIGURE 1-15. INVERTER INSTALLATIONS (3369LE & 4069LE ONLY)

ITEM	PART NUMBER	QTY	DESCRIPTION	REV
	0271344	Ref	INVERTER INSTALLATION (OPTIONAL)	D
1	0100011	AR	Compound, Locking	
2	0641404	4	Bolt 1/4in-20NC x 1/2in	
3		Ref	AC Cable Assembly Options (Not Shown - See ELECTRICAL SECTION):	
3	1060910	1	USA Built Machines (Prior to SN 0200099496)	
3	1060933	1	USA Built Machines (SN 0200099496 through 0200230091)	
3	1060933	1	Belgium Built Machines	
4		Ref	Cable, Positive Options (Not Shown - See ELECTRICAL SECTION):	
4	1060911	1	USA Built Machines (Prior to SN 0200099496)	
4	1060934	1	USA Built Machines (SN 0200099496 through 0200230091)	
4	1060934	1	Belgium Built Machines	
5		Ref	Cable, Negative Options (Not Shown - See ELECTRICAL SECTION):	
5	1060912	1	USA Built Machines (Prior to SN 0200099496)	
5	1060935	1	USA Built Machines (SN 0200099496 through 0200230091)	
5	1060935	1	Belgium Built Machines	
6	2460037	1	Inverter	
7	4711400	4	Flatwasher 1/4in Narrow	
8		Ref	Plate, Mounting Options:	
8A	4846411	1	USA Built Machines (Prior to SN 0200099496)	
8B	4846520	1	USA Built Machines (SN 0200099496 through 0200230091)	
8B	4846520	1	Belgium Built Machines	
9	0630549	4	Bolt 3/8in-16NC x 1 1/4in	
10	0641608	1	Bolt 3/8in-16NC x 1in	
11	0902780	1	Bracket, Switch Mount	
12	1705052	1	Decal - Inverter ON/OFF	
13	1705051	1	Decal - Inverter	
14	3311604	1	Locknut 3/8in-16NC	
15	4360482	1	Switch, Toggle	
16	4751600	1	Flatwasher 3/8in (Wide)	
17	4922668	1	Cable	

SECTION 1 - FRAME

FIGURE 1-16. ELECTRICAL COMPONENTS INSTALLATIONS (FRAME MOUNTED)



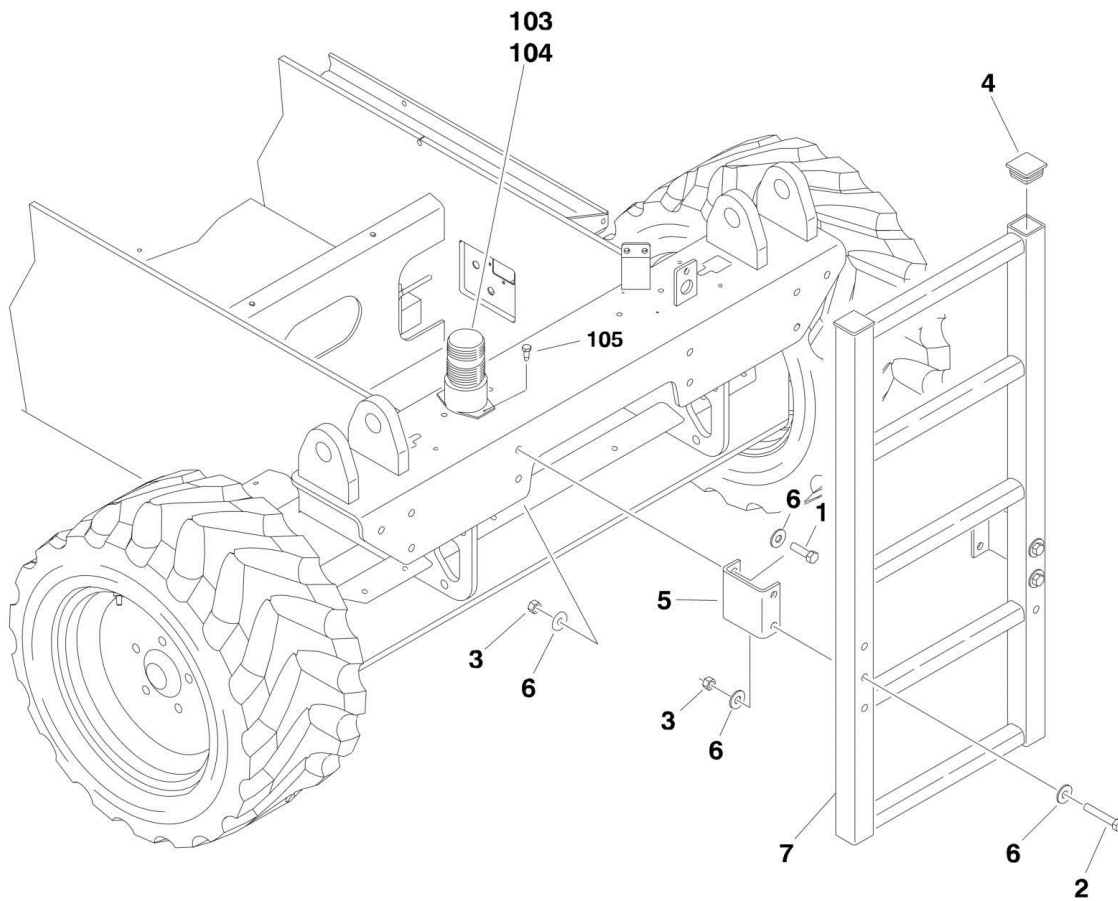
SECTION 1 - FRAME

FIGURE 1-16. ELECTRICAL COMPONENTS INSTALLATIONS (FRAME MOUNTED)

ITEM	PART NUMBER	QTY	DESCRIPTION	REV
		Ref	ELECTRICAL DRIVE COMPONENTS INSTALLATIONS	
	0270473	Ref	USA Built Machines (Prior to SN 0200174517)	H
	1001099375	Ref	USA Built Machines (SN 0200174517 through 0200230091)	C
	0270473	Ref	Belgium Built Machines	H
2	0100083	AR	Grease, Heat Transfer	
4	0641406	2	Bolt 1/4in-20NC x 3/4in	
5	0641412	4	Bolt 1/4in-20NC x 1 1/2in	
12	1060888	1	Cable, Electrical (Controller F2 to Right Motor S1)	
13	1060889	1	Cable, Electrical (Right Motor S2 to Left Motor S2)	
14	1060890	1	Cable, Electrical (Controller F1 to Left Motor S2)	
15	1060891	1	Cable, Electrical (Controller S to Right Motor A1)	
16	1060892	1	Cable, Electrical (Left Motor A1 to Right Motor A1)	
17	1060893	1	Cable, Electrical (Controller A to Right Motor A2)	
18	1060894	1	Cable, Electrical (Left Motor A2 to Right Motor A2)	
19	1060895	1	Cable, Electrical (Contactor to Controller B+)	
20		Ref	Controller, Sevcon Options:	
20	1600311	NLA	USA Built Machines (Use p/n 1600421) (Prior to SN 0200130959)	
20	1600421	1	USA Built Machines (SN 0200130959 through 0200230091)	
20	1600311	NLA	Belgium Built Machines (Use p/n 1600421)	
24	3311405	6	Locknut 1/4in-20NC	
26	3740135	1	Contactor	
27	4240084	1	Strap, Anti-Static	
28	4711400	4	Flatwasher 1/4in Thin	
31	4751400	8	Flatwasher 1/4in Regular	
34	3941606	1	Screw, Self-Tapping 3/8in-16NC x 3/4in	
35	4751600	1	Flatwasher 3/8in Regular	

SECTION 1 - FRAME

FIGURE 1-17. LADDER AND BEACON INSTALLATIONS



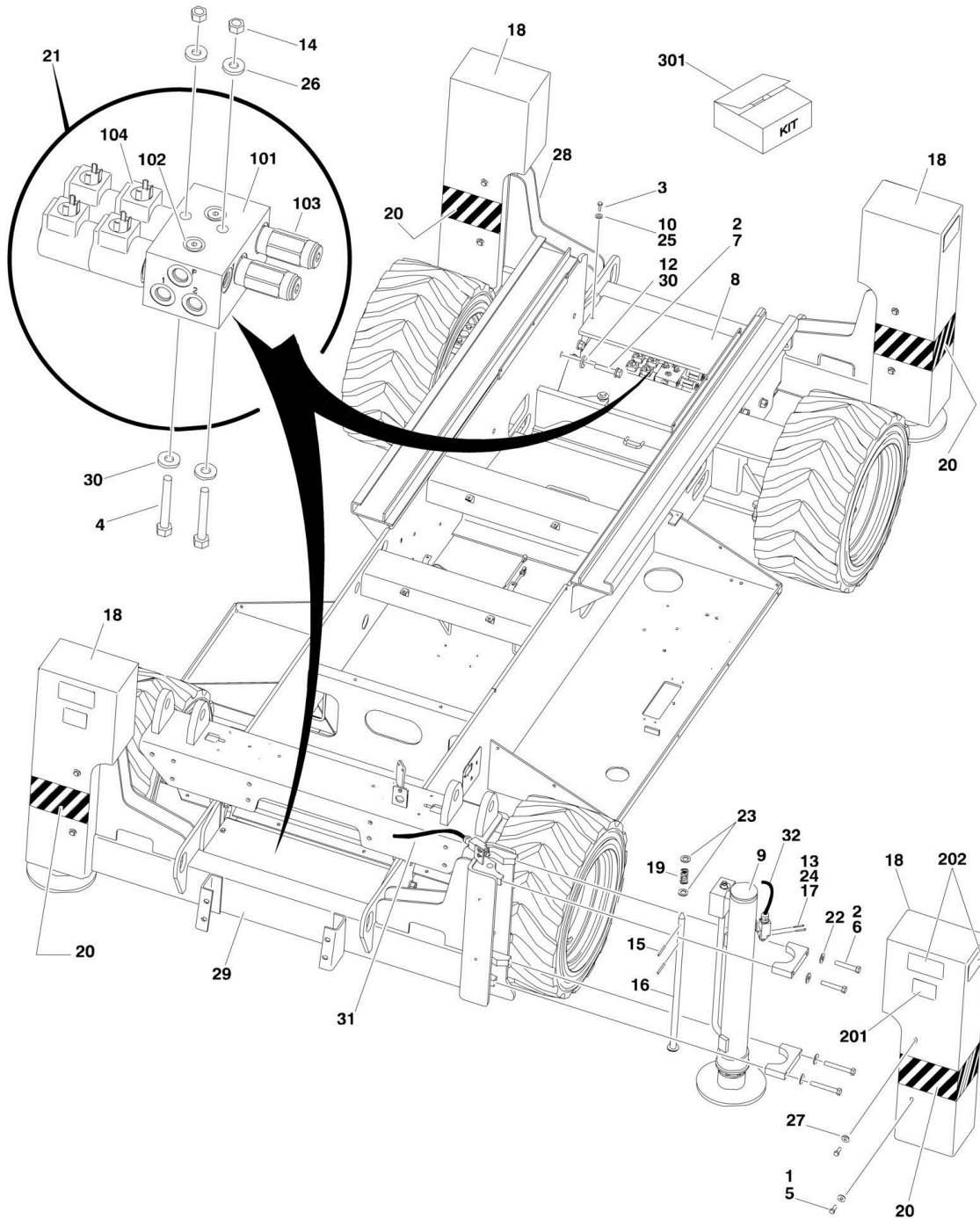
SECTION 1 - FRAME

FIGURE 1-17. LADDER AND BEACON INSTALLATIONS

ITEM	PART NUMBER	QTY	DESCRIPTION	REV
		Ref	LADDER INSTALLATION	
	0270384	Ref	Ladder Installation 3369LE & M3369 without Leveling Jacks (CE Spec)	C
	0259576	Ref	Ladder Installation 3369LE & M3369 without Leveling Jacks (Australian Spec)	F
	0270514	Ref	Ladder Installation 3369LE & M3369 with Leveling Jacks	B
	0270385	Ref	Ladder Installation 4069LE & M4069 without Leveling Jacks (CE Spec)	C
	0259577	Ref	Ladder Installation 4069LE & M4069 without Leveling Jacks (Australian Spec)	F
	0270514	Ref	Ladder Installation 4069LE & M4069 with Leveling Jacks	B
1	0641828	AR	Bolt 1/2in-13NC x 3 1/2in	
2	0641824	4	Bolt 1/2in-13NC x 3in	
3	3311805	AR	Nut 1/2in-16NC	
4	3520071	NLA	Cap (Use p/n 1001109533)	
5		Ref	Ladder Mount Options:	
5	3571653	2	Without Leveling Jacks (CE Spec)	
5	Not Required	0	Without Leveling Jacks (Australian Spec)	
5	Not Required	0	With Leveling Jacks	
6	4751800	AR	Flatwasher 1/2in	
7		Ref	Ladder Options:	
7	4846275	1	Without Leveling Jacks (CE Spec)	
7	4846159	1	Without Leveling Jacks (Australian Spec)	
7	4846282	1	With Leveling Jacks	
	0259593	Ref	BEACON LIGHT INSTALLATION (OPTIONAL)	C
103	2820018	AR	Tube, Heat Shrink (Not Shown)	
104	2920146	1	Beacon Light Assembly	
104	7016319	1	Tube, Flash	
104	7016372	1	Lens, Replacement Amber	
105	3941004	2	Screw, Self-Tapping #10-24NC x 1/2in	
111	4922426	1	Harness, Beacon (Not Shown - See ELECTRICAL SECTION for Breakdown)	

SECTION 1 - FRAME

FIGURE 1-18. LEVELING JACKS INSTALLATION (OPTIONAL)



SECTION 1 - FRAME

FIGURE 1-18. LEVELING JACKS INSTALLATION (OPTIONAL)

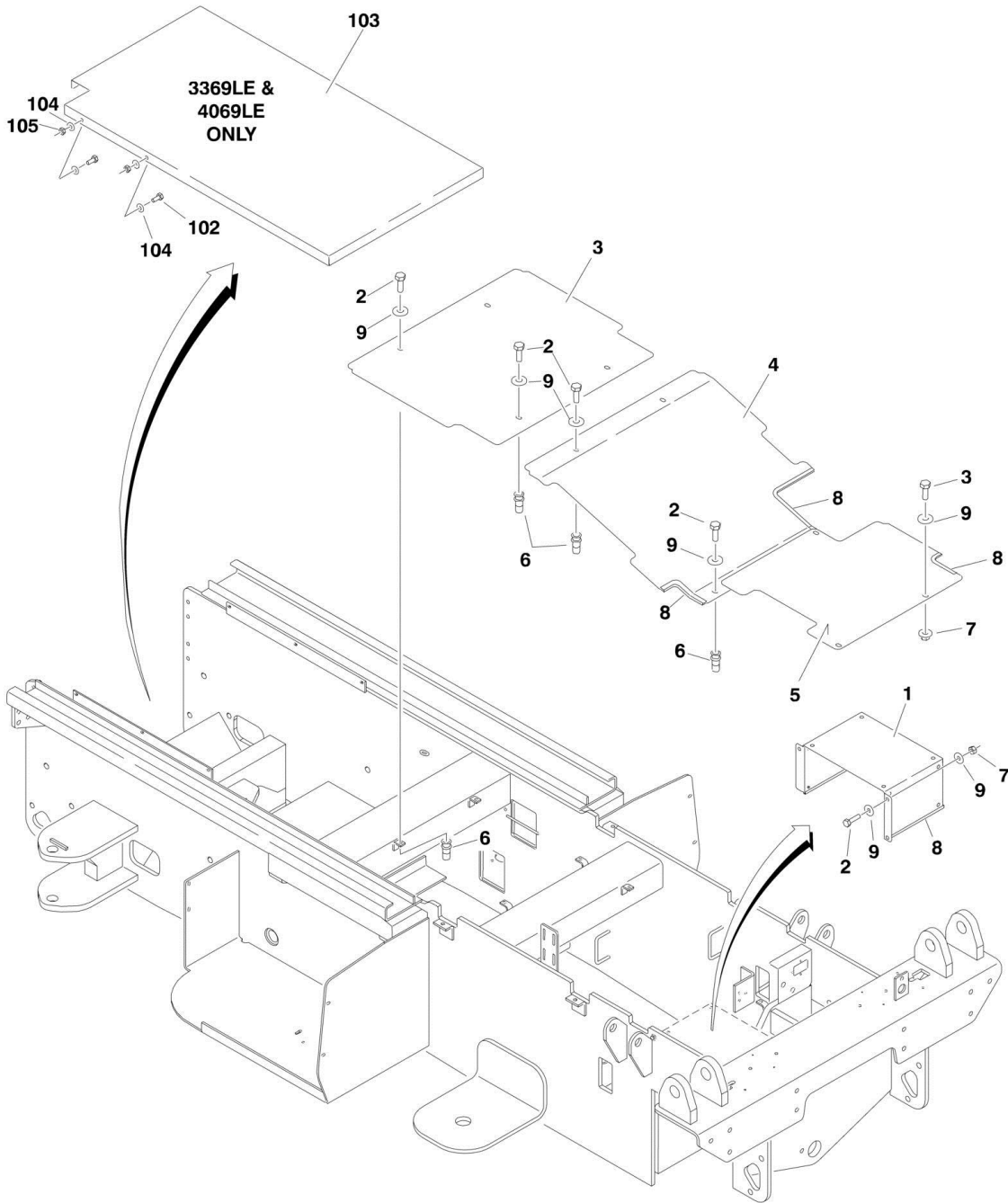
ITEM	PART NUMBER	QTY	DESCRIPTION	REV
	0271238	Ref	LEVELING JACKS INSTALLATION	K
1	0100011	AR	Compound, Locking	
2	0100019	AR	Compound, Locking	
3	0641406	4	Bolt 1/4in-20NC x 3/4in	
4	0641528	4	Bolt 5/16in-18NC x 3-1/2in	
5	0641608	16	Bolt 3/8in-16NC x 1in	
6	0641828	16	Bolt 1/2in-13NC x 3-3/4in	
7	0682016	12	Bolt 5/8in-11NC x 2in	
8	1670971	2	Cover, Valve	
9		Ref	Jack Cylinder Assembly Options (See CYLINDER SECTION for Breakdown):	
9	1683966	NLA	USA Built Machines (Use p/n 1684217) (Prior to SN 0200104829)	
9	1684217	4	USA Built Machines (SN 0200104829 through 0200112734)	
9	1684291	NLA	USA Built Machines (Use p/n 1001140600) (SN 0200112735 through 0200214443)	
9	1001140600	4	USA Built Machines (SN 0200214444 through 0200230091)	
9	1684217	4	Belgium Built Machines (SN 1200000398 through 1200000844)	
10	2080052	4	Fastener, Insert	
12	3272001	12	Nut 5/8in-11NC	
13	3310805	16	Locknut #8-32NC	
14	3311505	4	Locknut 5/16in-18NC	
15	3440420	8	Pin, Roll	
16		Ref	Rod Options:	
16	3841326	4	USA Built Machines (Prior to SN 0200202249)	
16	1001128736	4	USA Built Machines (SN 0200202249 through 0200230091)	
16	3841326	4	Belgium Built Machines	
17	3930820	16	Bolt #8-32NC x 1-1/4in	
18	4061003	4	Cover	
19		Ref	Spring Options:	
19	4160116	4	USA Built Machines (Prior to SN 0200202249)	
19	1001128890	4	USA Built Machines (SN 0200202249 through 0200230091)	
19	4160116	4	Belgium Built Machines	
20		Ref	Tape, Safety Options:	
20	4420052	NLA	5in Width (No Longer Available - Use p/n 4420051) (USA Built Machines) (Prior to SN 0200149814)	
20	4420052	NLA	5in Width (No Longer Available - Use p/n 4420051) (All Belgium Built Machines)	
20	4420051	8.3 ft /2.5m	2in Width (USA Built Machines) (SN 0200149814 through 0200230091)	
21	4641150	2	Leveling Jack Control Valve Assembly (See 101-104 for Breakdown)	
22	4711800	16	Flatwasher 1/2in (Narrow)	
23	4740415	4	Washer	
24	4750800	16	Flatwasher #8 (Wide)	
25	4751400	4	Flatwasher 1/4in (Wide)	
26	4751500	4	Flatwasher 5/16in (Wide)	
27	4751600	16	Flatwasher 3/8in (Wide)	
28	4846224	1	Weldment, Leveling Jack (Front)	
29	4846225	1	Weldment, Leveling Jack (Rear)	
30	4892000	16	Flatwasher 5/8in Hardened	

SECTION 1 - FRAME

ITEM	PART NUMBER	QTY	DESCRIPTION	REV
31	4922454	2	Harness (See ELECTRICAL SECTION for Breakdown)	
32	4922455	2	Harness (See ELECTRICAL SECTION for Breakdown)	
33	4922456	1	Harness (Not Shown - See ELECTRICAL SECTION for Breakdown)	
	4641150	Ref	LEVELING JACK CONTROL VALVE ASSEMBLY	B
101	0561407	1	Valve, Jack Control	
102	2220883	2	Plug	
103	4641151	2	Cartridge, Relief Valve	
103	7021653	2	Seal Kit - 4641151 Valve (1 Per Cartridge)	
104	4641152	2	Valve, 4-Way	
104	7012903	2	Seal Kit - 4641152 Valve (1 Per Cartridge)	
104	7012943	4	Coil (2 Per Cartridge)	
	0010572	Ref	LEVELING JACK DECALS INSTALLATION	
201		Ref	Decal - Load Options:	
201	1704955	4	Decal - Load 3369LE & M3369	
201	1704954	4	Decal - Load 4069LE & M4069	
202	1701785	8	Decal - Crush Warning	
301	1001131751	Ref	ROD REPLACEMENT KIT (INCLUDES ITEMS 1, 2, 6, 15, 16, 19 & 23)	A

SECTION 1 - FRAME

FIGURE 1-19. COVERS INSTALLATION (FRAME MOUNTED)



SECTION 1 - FRAME

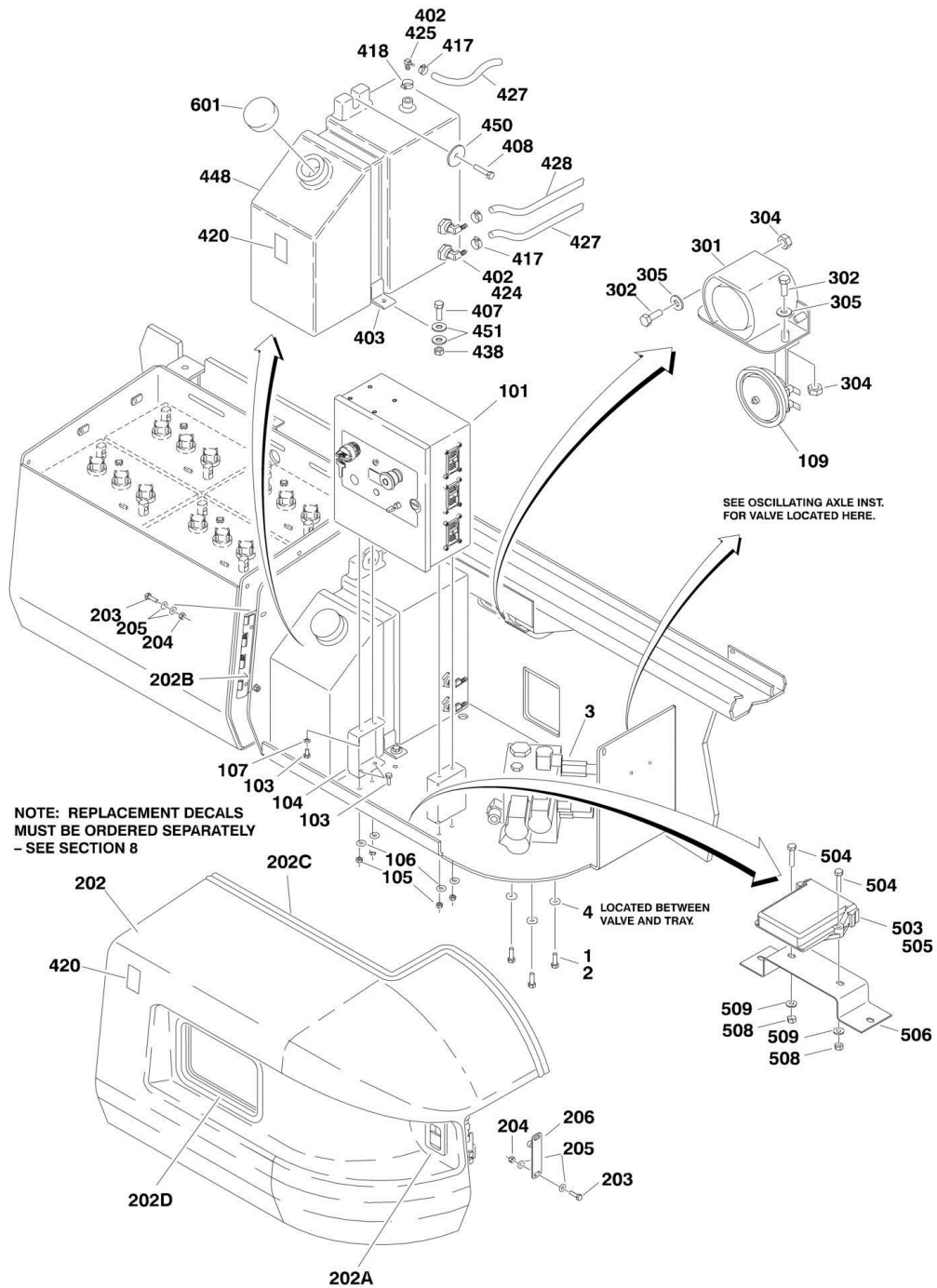
FIGURE 1-19. COVERS INSTALLATION (FRAME MOUNTED)

ITEM	PART NUMBER	QTY	DESCRIPTION	REV
	0270740	Ref	FRAME AXLE COVERS INSTALLATION	C
1	0271009	1	Cover Assembly	
2	0641408	13	Bolt 1/4in-20NC x 1in	
3	1670979	1	Cover	
4	1670980	1	Cover	
5		Ref	Cover Options:	
5	1670981	1	Without Leveling Jacks	
5	1671009	1	With Leveling Jacks	
6	2080052	8	Fastener, Insert	
7	3311405	5	Locknut 1/4in-20NC	
8	4060803	AR	Flex-Trim	
9	4751400	18	Flatwasher 1/4in Regular	
	0270576	Ref	ENGINE COVER INSTALLATION (3369LE & 4069LE ONLY)	B
102	0641406	4	Bolt 1/4in-20NC x 3/4in	
103	1670990	1	Cover, Front	
104	4711400	8	Flatwasher 1/4in Thin	
105	3311405	4	Locknut 1/4in-20NC	

SECTION 2 - GROUND CONTROLS

SECTION 2 - GROUND CONTROLS

FIGURE 2-1. RIGHT SIDE COMPONENTS INSTALLATION



SECTION 2 - GROUND CONTROLS

FIGURE 2-1. RIGHT SIDE COMPONENTS INSTALLATION

ITEM	PART NUMBER	QTY	DESCRIPTION	REV
	0270692	Ref	HYDRAULIC VALVE INSTALLATION	C
1	0100011	AR	Compound, Locking	
2	0641508	3	Bolt 5/16in-18NC x 1in	
3	4641178	1	Main Valve Assembly (See MAIN CONTROL VALVE ASSEMBLY for Breakdown)	
4	4891600	3	Washer, Hardened 3/8in	
		Ref	GROUND CONTROL BOX INSTALLATION	
		Ref	CE Spec:	
	0270771	Ref	CE Spec 3369LE & 4069LE without Leveling Jacks	E
	0270769	Ref	CE Spec 3369LE & 4069LE with Leveling Jacks	D
	0271001	Ref	CE Spec M3369 & M4069 with Leveling Jacks - 4WD	B
	0271000	Ref	CE Spec M3369 & M4069 without Leveling Jacks - 2WD	B
		Ref	Australian Spec:	
		Ref	Australian Spec (Prior to SN 0200203532)	
	0270771	Ref	Australian Spec 3369LE & 4069LE without Leveling Jacks	E
	0270769	Ref	Australian Spec 3369LE & 4069LE with Leveling Jacks	D
	0271001	Ref	Australian Spec M3369 & M4069 with Leveling Jacks - 4WD	B
	0271000	Ref	Australian Spec M3369 & M4069 without Leveling Jacks - 2WD	B
	0275788	Ref	Australian Spec M4069 with Leveling Jacks and Full Drive Height (Optional on Australian Spec Only)	B
		Ref	Australian Spec (SN 0200203532 through 0200230091)	
	0270582	Ref	Australian Spec 3369LE & 4069LE without Leveling Jacks	D
	0270583	Ref	Australian Spec 3369LE & 4069LE with Leveling Jacks	D
	0270999	Ref	Australian Spec M3369 & M4069 with Leveling Jacks - 4WD	C
	0270998	Ref	Australian Spec M3369 & M4069 without Leveling Jacks - 2WD	B
	0275788	Ref	Australian Spec M4069 with Leveling Jacks and Full Drive Height (Optional on Australian Spec Only)	B
101		Ref	Ground Control Box Assembly Options (See GROUND CONTROL BOX ASSEMBLY for Breakdown):	
101		Ref	CE Spec	
101	0270768	1	CE Spec 3369LE & 4069LE	
101	0271447	1	CE Spec M3369 & M4069	
101		Ref	Australian Spec	
101	0270768	1	Australian Spec 3369LE & 4069LE (Prior to SN 0200203532)	
101	0270544	1	Australian Spec 3369LE & 4069LE (SN 0200203532 through 0200230091)	
101	0271447	1	Australian Spec M3369 & M4069 (Prior to SN 0200203532)	
101	0271442	1	Australian Spec M3369 & M4069 (SN 0200203532 through 0200230091)	
101	0275787	1	Australian Spec M4069 with Leveling Jacks and Full Drive Height (Optional on Australian Spec Only)	
102		Ref	Leveling Jack Harness Assembly Options (Not Shown) (See ELECTRICAL SECTION for Breakdown):	
102	Not Required	0	Without Leveling Jacks	
102	4922529	1	With Leveling Jacks	
103	0641406	9	Bolt 1/4in-20NC x 3/4in	
104	0902696	2	Bracket, Mounting	
105	3311405	5	Locknut 1/4in-20NC	

SECTION 2 - GROUND CONTROLS

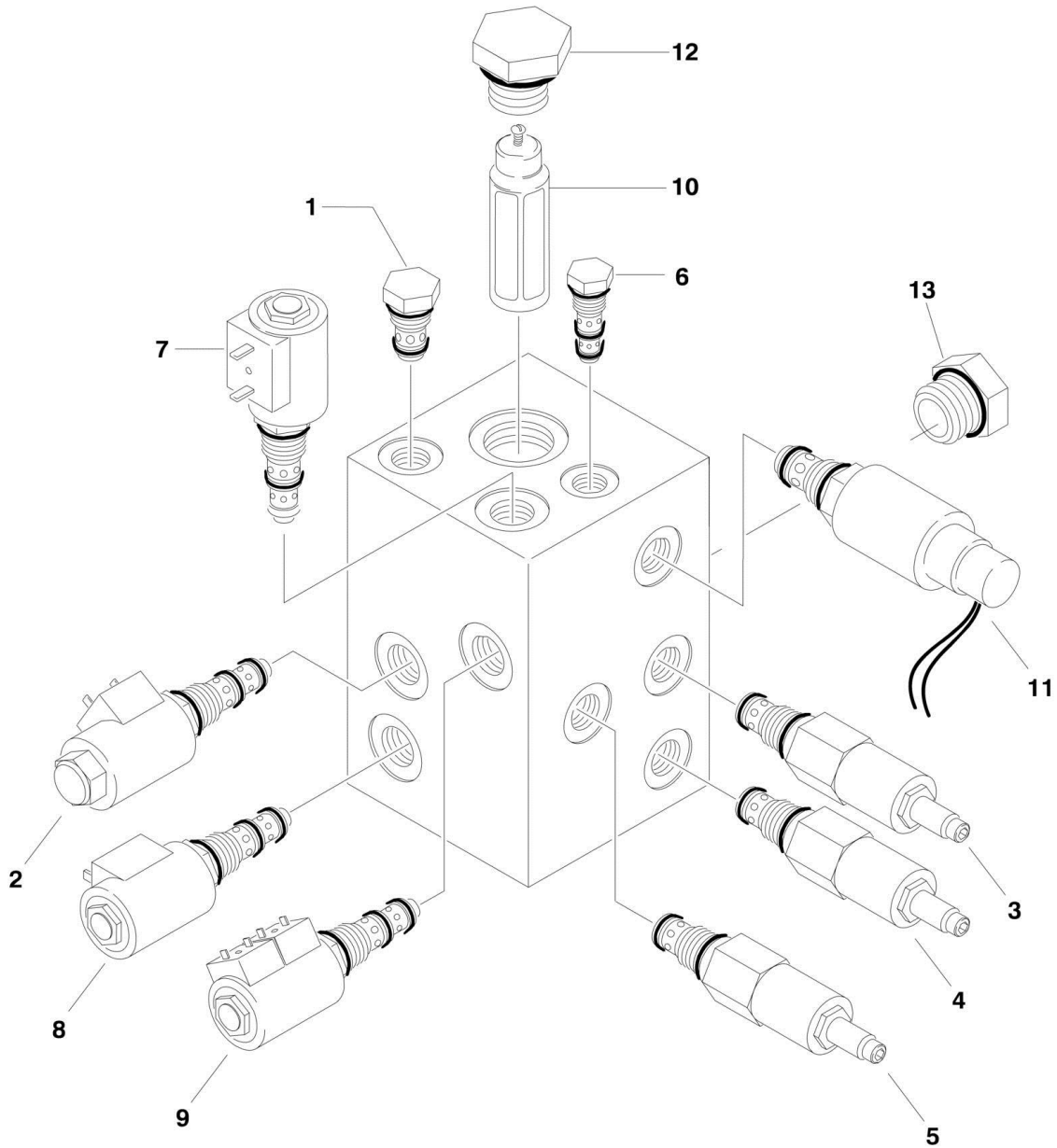
ITEM	PART NUMBER	QTY	DESCRIPTION	REV
106	4751400	5	Flatwasher 1/4in	
107	4761400	4	Lockwasher 1/4in	
108		Ref	Valve Harness Assembly Options (Not Shown) (See ELECTRICAL SECTION for Breakdown):	
108	4922528	1	Machines with Mac Charger	
108	1001105438	1	Machines with Delta-Q Charger	
109	0140028	1	Horn	
110	4922602	1	Harness, Generator (Not Shown) (See ELECTRICAL SECTION for Breakdown)	
	0270683	Ref	HOOD INSTALLATION	D
202	0270940	1	Hood Assembly	E
202A	2940135	1	Latch	
202B	2600275	1	Hinge	
202C	3960389	4 ft/1.2m	Flex-Trim	
202D	3960418	3 ft/.9m	Flex-Trim	
203	0641407	4	Bolt 1/4in-20NC x 7/8in	
204	3311405	4	Locknut 1/4in-20NC	
205	4751400	8	Flatwasher 1/4in	
206	4846359	1	Plate, Latch	
		Ref	ALARMS INSTALLATIONS (OPTIONAL)	
	0270941	Ref	Descent (USA Built Machines) (Prior to SN 0200115473)	A
	0270941	Ref	Descent (All Belgium Built Machines)	A
	0270942	Ref	Motion (USA Built Machines) (Prior to SN 0200115473)	C
	0270942	Ref	Motion (All Belgium Built Machines)	C
	0273049	Ref	Load (Optional) (USA Built Machines) (Prior to SN 0200115473)	A
	0273049	Ref	Load (Optional) (All Belgium Built Machines)	A
	0270942	Ref	All Functions (USA Built Machines) (SN 0200115473 through 0200230091)	B
301	0140032	1	Alarm (Remove ground strap before installation)	
302	0641508	2	Bolt 5/16in-18NC x 1in	
303	2820018	AR	Tubing, Heat Shrink (Not Shown)	
304	3311505	2	Locknut 5/16in-18NC	
305	4711500	4	Flatwasher 5/16in Narrow	
306	4922517	1	Harness, Alarm (See ELECTRICAL SECTION for Breakdown) (Not Shown)	
		Ref	TANK INSTALLATION (M3369 & M4069 ONLY)	
	0270788	Ref	Yanmar Engine	K
	0274684	Ref	Kubota Engine (Prior to SN 0200225601)	F
	1001159360	Ref	Kubota Engine (SN 0200225601 through 0200230091)	B
402	0100020	AR	Sealant, Pipe	
403	0182014	1	Angle	
407	0641508	1	Bolt 5/16in-18NC x 1in	
408	0641512	1	Bolt 5/16in-18NC x 1-1/2in	
408	0641514	1	Bolt 5/16in-18NC x 1-3/4in	
417	1320022	4	Clamp, Hose	
418		Ref	Clamp, Hose Options:	
418	1320030	1	Clamp, Hose (Prior to SN 0200215462)	
418	1320033	1	Clamp, Hose (SN 0200215462 through 0200230091)	
420	1701505	1	Decal - Diesel Fuel	
424	2221046	2	Fitting, 90	
425	2221047	2	Fitting, 90	

SECTION 2 - GROUND CONTROLS

ITEM	PART NUMBER	QTY	DESCRIPTION	REV
427	2720058	10 ft/3.5m	Hose	
428	2720271	10 ft/3.5m	Hose	
438	3311505	1	Locknut 5/16in-18NC	
448	4400434	1	Tank	
450	4740076	1	Washer, Fender	
451	4751500	2	Flatwasher 5/16in	
		Ref	OVERLOAD CUT-OUT INSTALLATIONS OPTIONS (FRENCH SPEC)	
		Ref	Note: Used on USA Manufactured Machines with SN 0200098313 through 0200112285 and Belgium Manufactured Machines with SN 1200000398 through 1200000844 Only. For Machines with Overload Refer to JLG Supplement p/n 3124288.	
	0271651	Ref	Overload Cut-Out Installations (French Spec) 3369LE/M3369	C
	0271652	Ref	Overload Cut-Out Installations (French Spec) 4069LE/M4069	C
503	0610154	1	PC Board Controller	
504	0641410	2	Bolt 1/4in-20NC x 1-1/4in	
505	0861493	1	Box, Circuit Card	
506	0902778	1	Bracket	
508	3311405	2	Locknut 1/4in-20NC	
509	4711400	2	Flatwasher (Narrow)	
510	4922686	1	Overload Harness (Not Shown)	
601		Ref	FUEL CAP INSTALLATIONS	
601		Ref	Standard Non-Locking Fuel Cap	
601	7016314	1	Cap, Non-Locking	
601	0259613	Ref	Protectoseal Locking Fuel Cap	B
601	1120485	1	Cap, Protectoseal Locking	

SECTION 2 - GROUND CONTROLS

FIGURE 2-2. MAIN CONTROL VALVE ASSEMBLY



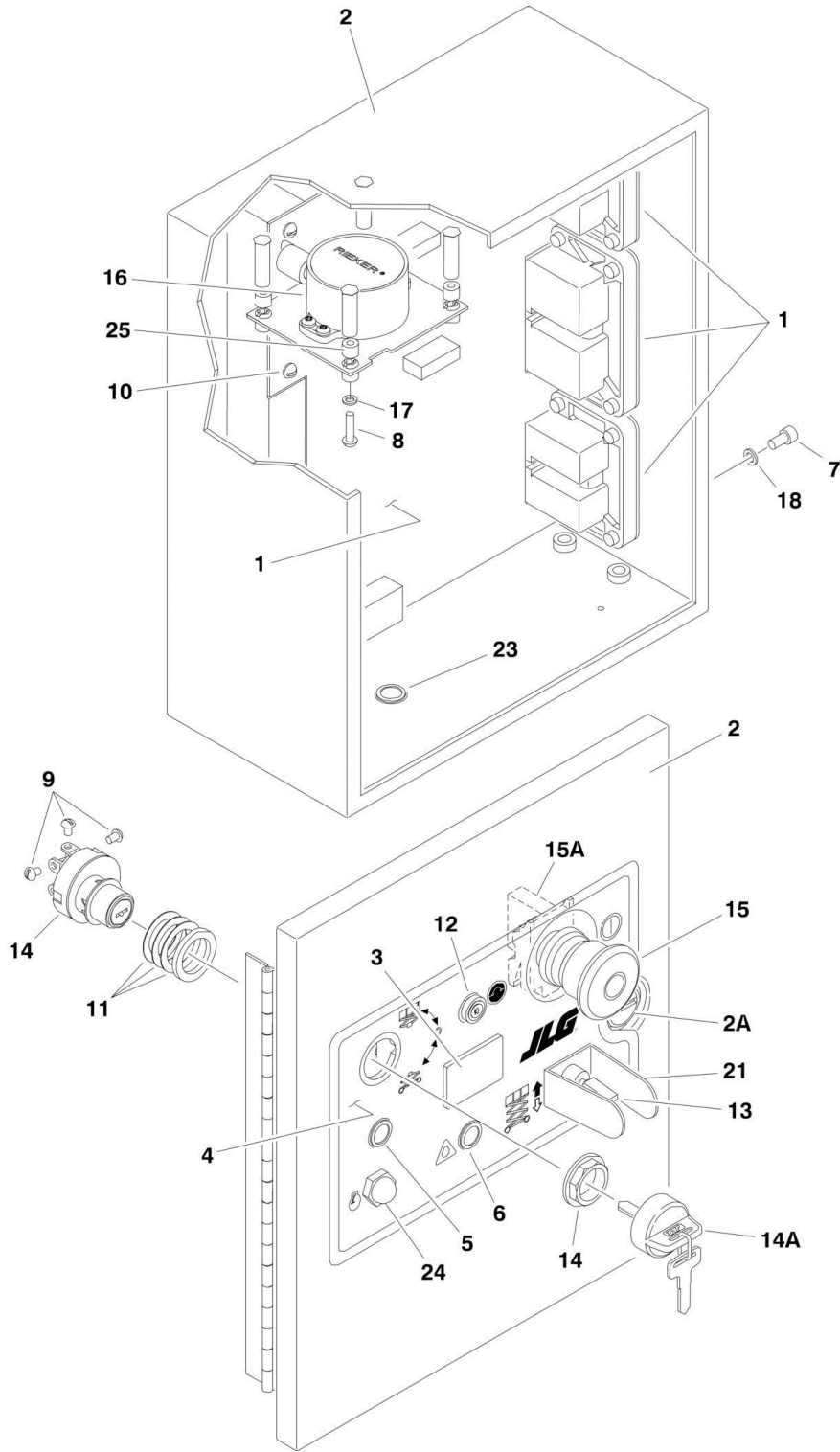
SECTION 2 - GROUND CONTROLS

FIGURE 2-2. MAIN CONTROL VALVE ASSEMBLY

ITEM	PART NUMBER	QTY	DESCRIPTION	REV
	4641178	Ref	VALVE ASSEMBLY	G
1	7022391	1	Cartridge, Check (Brake)	
1	7012967	1	Seal Kit - 7022391 Cartridge	
2	7023904	1	Cartridge, Solenoid (Flow Control) (Cartridge Only)	
2	7012518	1	Seal Kit - 7023904 Cartridge	
2	7017451	1	Coil	
3	7022392	1	Cartridge, Relief (Main)	
3	7017496	1	Seal Kit - 7022392 Cartridge	
4	7023931	1	Cartridge, Relief (Lift)	
4	7017496	1	Seal Kit - 7023931 Cartridge	
5	7023932	1	Cartridge, Relief (Steer)	
5	7012998	1	Seal Kit - 7023932 Cartridge	
6	7010542	1	Cartridge, Shuttle (Steer)	
6	7010543	1	Seal Kit - 7010542 Cartridge	
7	7012941	1	Cartridge, Solenoid (Brake) (Cartridge Only)	
7	7010543	1	Seal Kit - 7022391 Cartridge	
7	7012944	1	Coil	
8	7022394	1	Cartridge, Solenoid (Lift) (Cartridge Only)	
8	7012518	1	Seal Kit - 7022394 Cartridge	
8	7012943	1	Coil	
9	7017433	1	Cartridge, Check (Steer) (Cartridge Only)	
9	7017402	1	Seal Kit - 7017433 Cartridge	
9	7012944	2	Coil	
10	7021616	1	Cartridge, Filter	
11	7021619	1	Cartridge, Pressure Switch	
12	7024832	1	Plug	
13	70004264	1	Plug	

SECTION 2 - GROUND CONTROLS

FIGURE 2-3. GROUND CONTROL BOX ASSEMBLY



SECTION 2 - GROUND CONTROLS

FIGURE 2-3. GROUND CONTROL BOX ASSEMBLY

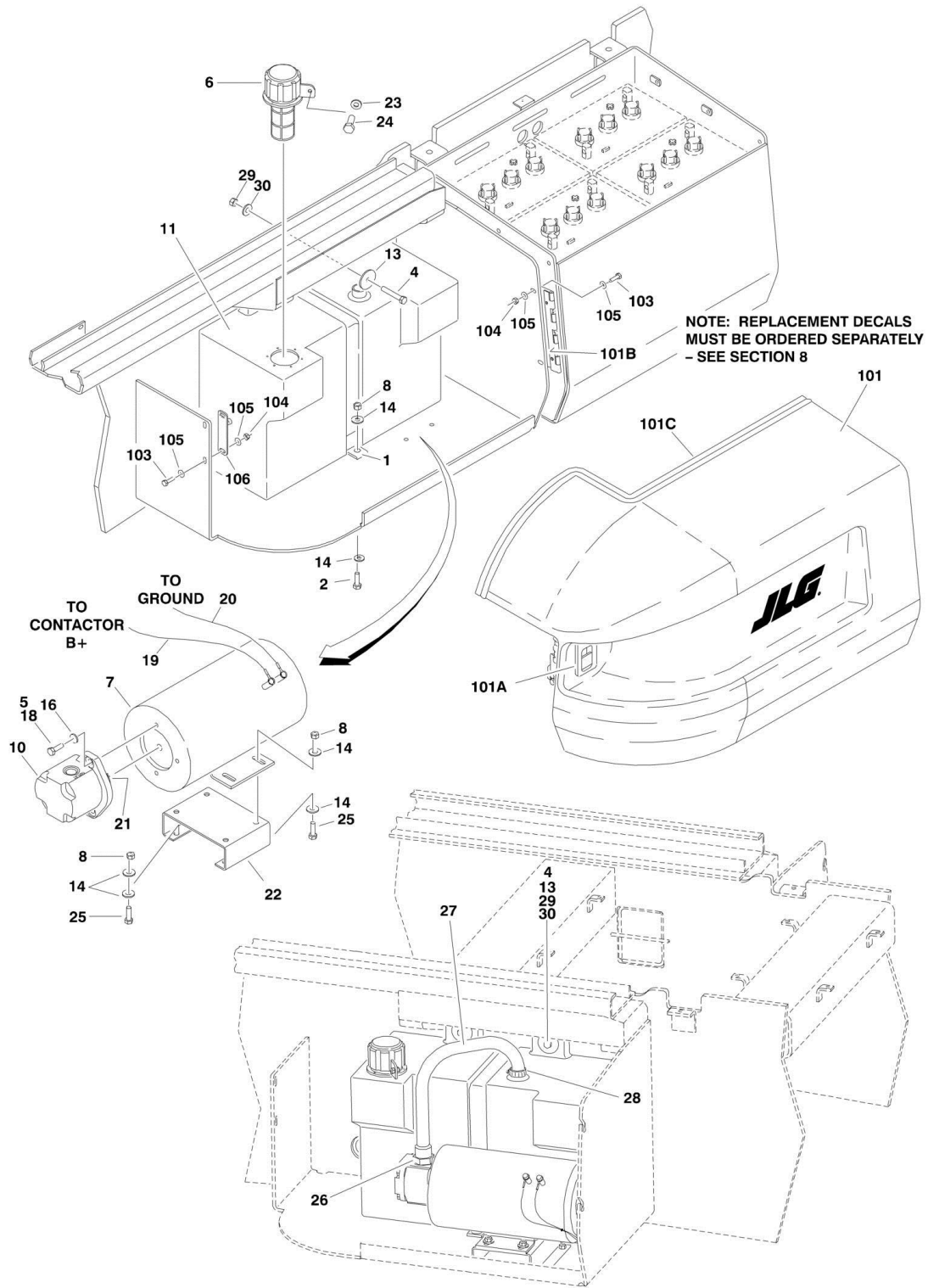
ITEM	PART NUMBER	QTY	DESCRIPTION	REV
		Ref	GROUND CONTROL BOX ASSEMBLY	
		Ref	CE Spec:	T
	0270768	Ref	CE Spec 3369LE & 4069LE	Y
	0271447	Ref	CE Spec M3369 & M4069	U
		Ref	Australian Spec:	T
		Ref	Australian Spec (Prior to SN 0200203532)	
	0270768	Ref	Australian Spec 3369LE & 4069LE	Y
	0271447	Ref	Australian Spec M3369 & M4069	U
	0275787	Ref	Australian Spec M4069 with Leveling Jacks and Full Drive Height (Optional on Australian Spec Only)	J
		Ref	Australian Spec (SN 0200203532 through 0200230091)	
	0270544	Ref	Australian Spec 3369LE & 4069LE	Y
	0271442	Ref	Australian Spec M3369 & M4069	V
	0275787	Ref	Australian Spec M4069 with Leveling Jacks and Full Drive Height (Optional on Australian Spec Only)	J
1	0610143	NLA	Board, PC (Use p/n 1001155878)	
1	1001099429	NLA	Board, PC (Use p/n 1001155878)	
1	1001091644	NLA	Board, PC (Use p/n 1001155878)	
1	1001099428	NLA	Board, PC (Use p/n 1001155878)	
1		Ref	Note: Control System Must be Re-calibrated when replaced.	
1	1001155878	1	Board, PC	
2	0861385	1	Box (SN 0200230092 through 0200243014)	
2A	7023212	1	Latch (SN 0200230092 through 0200243014)	
2	1001181087	1	Box (SN 0200243015 to Present)	
3	2420172	1	Hourmeter	
4		Ref	Nameplate Options:	
4	3252759	1	USA Built (Prior to SN 0200112230)	
4	1705710	1	USA Built (SN 0200112230 through 0200230091)	
4	3252759	1	Belgium Built Machines	
5		Ref	Plug, Hole Options:	
5	3520026	1	5/8in Dia - USA Built (Prior to SN 0200112230)	
5	3520193	1	7/8in Dia - USA Built (SN 0200112230 through 0200230091)	
5	3520026	1	5/8in Dia - Belgium Built Machines	
6		Ref	Component Options:	
6	3520028	1	Component 3369LE & 4069LE (Plug, Hole) (Prior to SN 0200125304)	
6	3520079	1	Component 3369LE & 4069LE (Plug, Hole) (SN 0200125304 through 0200230091)	
6	2920151	1	Component M3369 & M4069 (Light, LED)	
7	3900300	12	Screw, Socket Head	
8	3910616	4	Screw, Machine #6-32NC x 1in	
9	3910804	3	Screw, Machine #8 x 1/4in	
10	3911014	2	Screw, Machine #10-24NC x 7/8in (SN 0200230092 through 0200243014)	
10	3900128	2	Screw, Machine #10-32NC x 7/8in (SN 0200243015 to Present)	
11	4070987	3	Shim .015	
11	4070991	1	Shim .125	
12	4360069	1	Breaker, Circuit - 10Amp	
13	4360328	1	Switch, Toggle	

SECTION 2 - GROUND CONTROLS

ITEM	PART NUMBER	QTY	DESCRIPTION	REV
14		Ref	Switch, Key Options:	
14	4360470	1	CE Spec (SN 0200230092 through 0200241794)	
14	4360469	1	CE Spec (SN 0200241795 to Present)	
14	4360470	1	Australian Spec (Prior to SN 0200203532)	
14	4360469	1	Australian Spec (SN 0200203532 through 0200230091)	
14A	2860030	1 Set	Key, Replacement	
15	4360475	1	Switch, Emergency Stop	
15	7020175	1	Cap	
15A	7020176	1	Block, Contact	
16		Ref	Switch, Dual Axis Options:	
16	4360481	NLA	Switch, Dual Axis (Use p/n 1001102811) (Prior to SN 0200125304)	
16	4000006	NLA	Switch, Dual Axis (Use p/n 1001102811) (SN 0200125304 through 0200182597)	
16	1810140	NLA	Switch, Dual Axis (Use p/n 1001102811) (SN 0200182598 through 0200230091)	
16		Ref	Note: Control System Must be Re-calibrated when replaced.	
17	4760600	4	Lockwasher	
18	4761000	14	Lockwasher #10	
19	4922339	1	Harness, Tilt (Not Shown - See ELECTRICAL SECTION for Breakdown) (Prior to SN 0200125304)	
20		Ref	Harness, Ground Control Box Options (Not Shown - See ELECTRICAL SECTION for Breakdown):	
20	4922480	1	Harness, Ground Control Box 3369LE & 4069LE	
20	4922604	1	Harness, Ground Control Box M3369 & M4069	
20	4923619	1	Harness, Ground Control Box M4069 with Leveling Jacks and Full Drive Height (Optional on Australian Spec Only)	
21	4060802	1	Guard, Switch	
23	3520030	1	Plug, Hole	
24		Ref	Component Options:	
24	3520080	1	Component 3369LE & 4069LE (Plug, Hole)	
24	4360387	1	Component M3369 & M4069 (Switch, Push Button)	
25	1001102512	4	Washer, Nylon (Prior to SN 0200182604)	

SECTION 2 - GROUND CONTROLS

FIGURE 2-4. LEFT SIDE COMPONENTS INSTALLATION



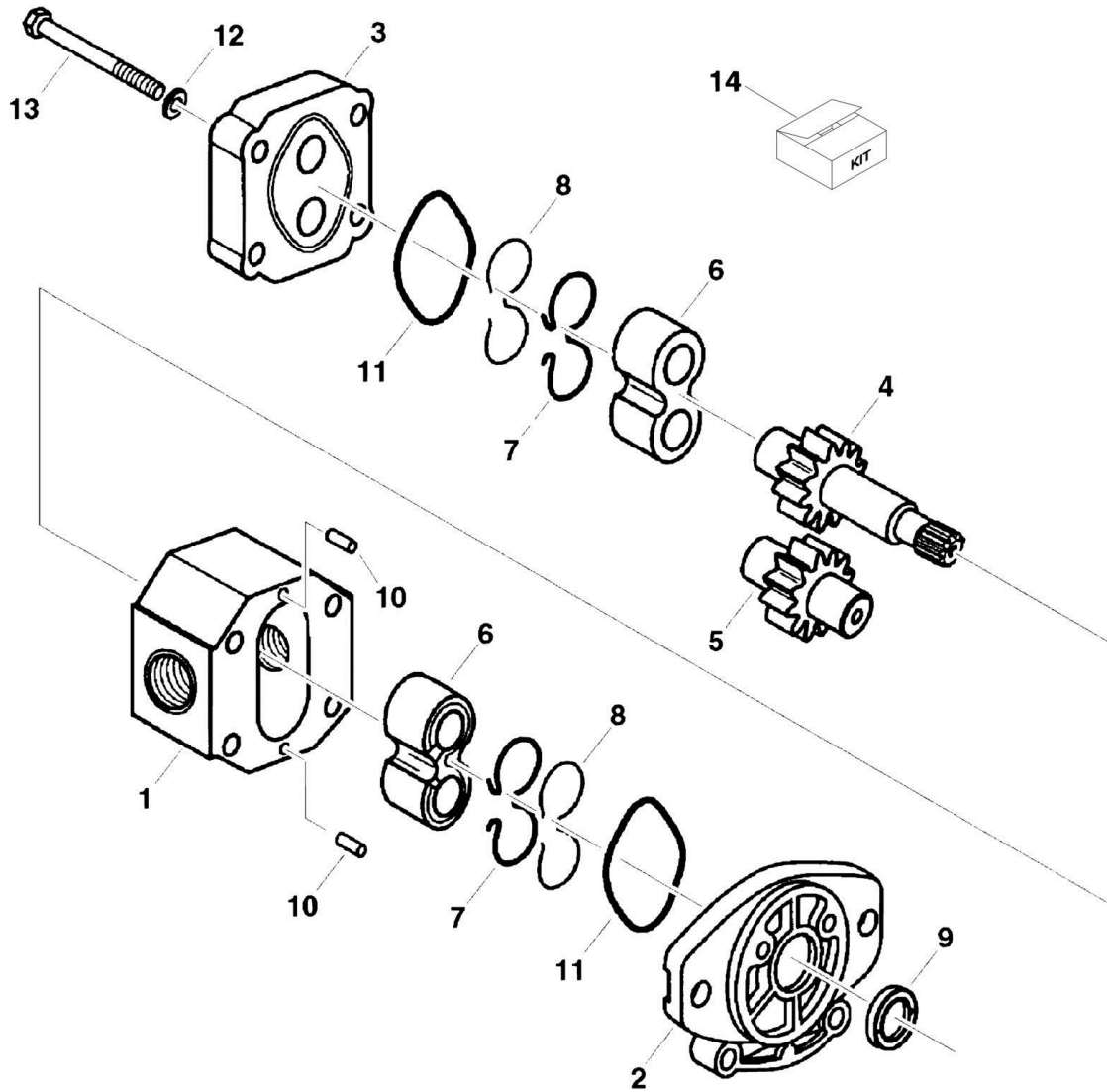
SECTION 2 - GROUND CONTROLS

FIGURE 2-4. LEFT SIDE COMPONENTS INSTALLATION

ITEM	PART NUMBER	QTY	DESCRIPTION	REV
	0270518	Ref	HYDRAULIC TANK AND PUMP/MOTOR INSTALLATION	I
1	0182014	1	Angle, Tank Retaining	
2	0641507	4	Bolt 5/16in-18NC x 7/8in	
4	0641618	2	Bolt 3/8in-16NC x 2 1/4in	
5	0700812	2	Capscrew, Metric M8 x 25mm	
6	1120534	1	Cap, Filler/Breather	
7	3160252	1	Motor Assembly	C
7	7020292	1	Bearing (Shaft End)	
7	7012548	4	Spring, Brush	
7	7020297	4	Brush	
7	7020298	1	Box Assembly, Brush	
7	7020299	1	Wire Lead, Brush	
7	7020295	1	Armature Assembly	
7	7020294	1	Fan	
7	7020296	1	Coil Kit, Field	
7	7012545	1	Bearing (Commutator End)	
8	3311505	9	Locknut 5/16in-18NC	
10		Ref	Pump Assembly Options (See PUMP ASSEMBLY for Breakdown):	
10	3600319	1	Pump - USA Built Machines (Prior to SN 0200115069)	
10	3600367	1	Pump - USA Built Machines (SN 0200115069 through 0200230091)	
10	3600319	1	Pump - All Belgium Machines	
11	4400433	1	Tank, Hydraulic	
13	4740076	2	Washer, Fender	
14	4751500	10	Flatwasher 5/16in	
16	4891500	2	Washer, Hardened	
18	0100011	AR	Compound, Locking	
19	1060900	1	Cable, Electrical (Pump to Contactor B+)	
20	1060901	1	Cable, Electrical (Pump to Ground)	
21	3020037	AR	Grease, Coupling	
22	0902701	1	Bracket, Mounting	
23	3311401	1	Nut 1/4in-20NC	
24	0641404	1	Bolt 1/4in-20NC x 1/2in	
25	0641506	8	Bolt 5/16in-18NC x 3/4in	
26	2220377	1	Fitting	
27	4568203	1	Tube	
28	1320033	1	Clamp, Hose	
29	3311605	2	Locknut 3/8in-16NC	
30	4711600	2	Flatwasher 3/8in Narrow	
	0270683	Ref	HOOD INSTALLATION	D
101	0270939	1	Hood Assembly	D
101A	2940135	1	Latch	
101B	2600275	1	Hinge	
101C	3960389	4 ft/1.2m	Flex-Trim	
103	0641407	4	Bolt 1/4in-20NC x 7/8in	
104	3311405	4	Locknut 1/4in-20NC	
105	4751400	8	Flatwasher 1/4in	
106	4846359	1	Plate, Latch	

SECTION 2 - GROUND CONTROLS

FIGURE 2-5. PUMP ASSEMBLY



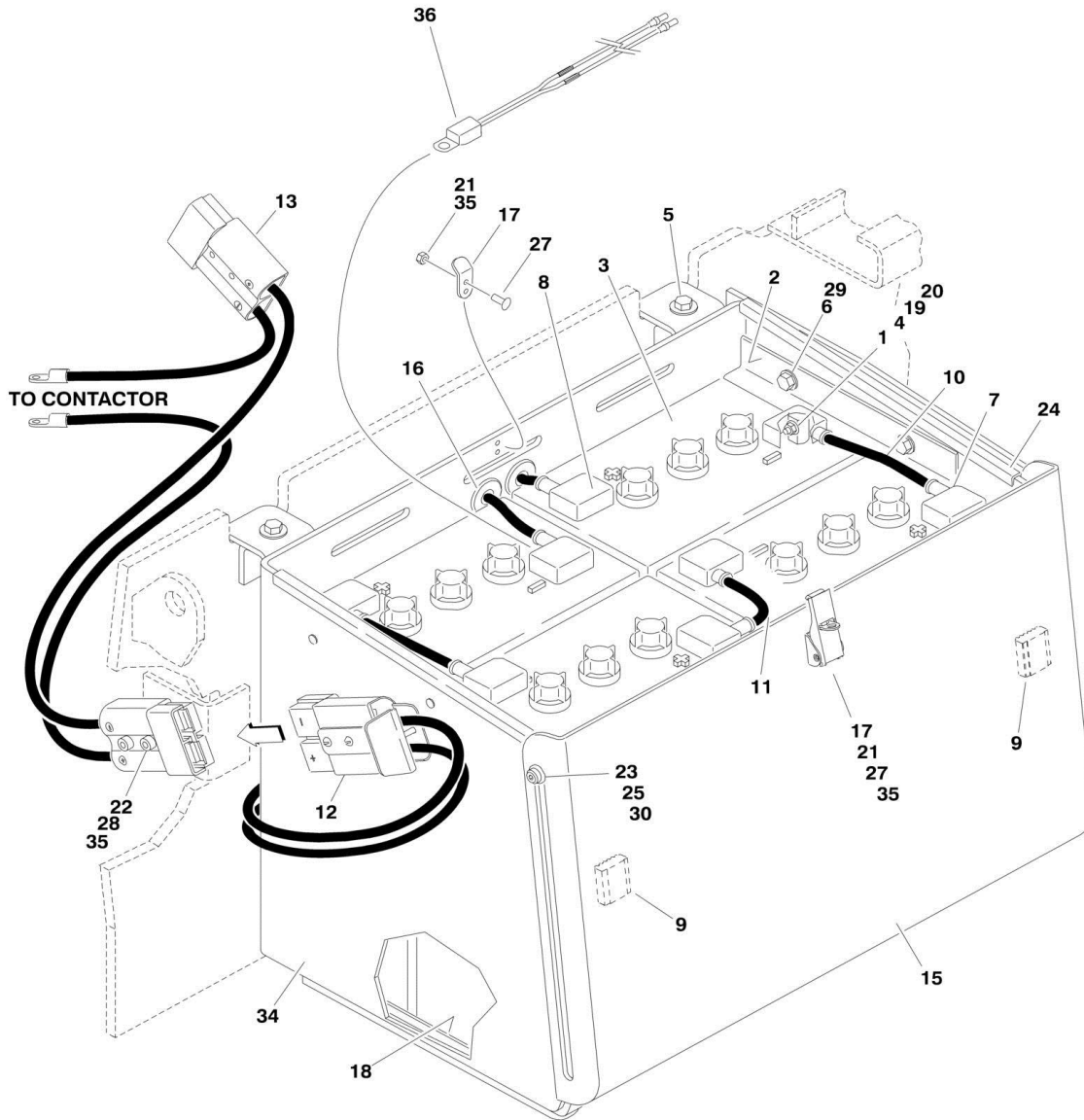
SECTION 2 - GROUND CONTROLS

FIGURE 2-5. PUMP ASSEMBLY

ITEM	PART NUMBER	QTY	DESCRIPTION	REV
		Ref	GEAR PUMP ASSEMBLY	
	3600319	Ref	USA Built Machines (Prior to SN 0200115069)	B
	3600367	Ref	USA Built Machines (SN 0200115069 through 0200230091)	A
	3600319	Ref	All Belgium Built Machines	B
1	See Note	NSS	Body (Note: Purchase Complete Assembly)	
2	See Note	NSS	Cover, Front (Note: Purchase Complete Assembly)	
3	See Note	NSS	Cover, Rear (Note: Purchase Complete Assembly)	
4	See Note	NSS	Gear, Drive (Note: Purchase Complete Assembly)	
5	See Note	NSS	Gear, Idler (Note: Purchase Complete Assembly)	
6	See Note	2	Block, Bearing (Note: Use Item 14)	
7	See Note	2	Seal, Load (Note: Use Item 14)	
8	See Note	2	Seal, Anti-Extrusion (Note: Use Item 14)	
9	See Note	1	Seal, Shaft (Note: Use Item 14)	
10	See Note	2	Pin, Dowel (Note: Purchase Locally)	
11	See Note	2	Ring, Square (Note: Use Item 14)	
12	See Note	4	Washer (Note: Purchase Locally)	
13	See Note	4	Capscrew (Note: Purchase Locally)	
14		Ref	Seal Kit Options:	
14		Ref	Minor Seal Kit Options (Includes Items 7, 8, 9 & 11):	
14	7023808	1	3600319 Pump	
14	7024960	1	3600367 Pump	
14		Ref	Major Seal Kit Options (Includes Items 6, 7, 8, 9 & 11):	
14	7023819	1	3600319 Pump	
14	7024961	NLA	3600367 Pump (Note: Use Minor Seal Kit or Replace Complete Assembly)	

SECTION 2 - GROUND CONTROLS

FIGURE 2-6. BATTERY BOX INSTALLATIONS



SECTION 2 - GROUND CONTROLS

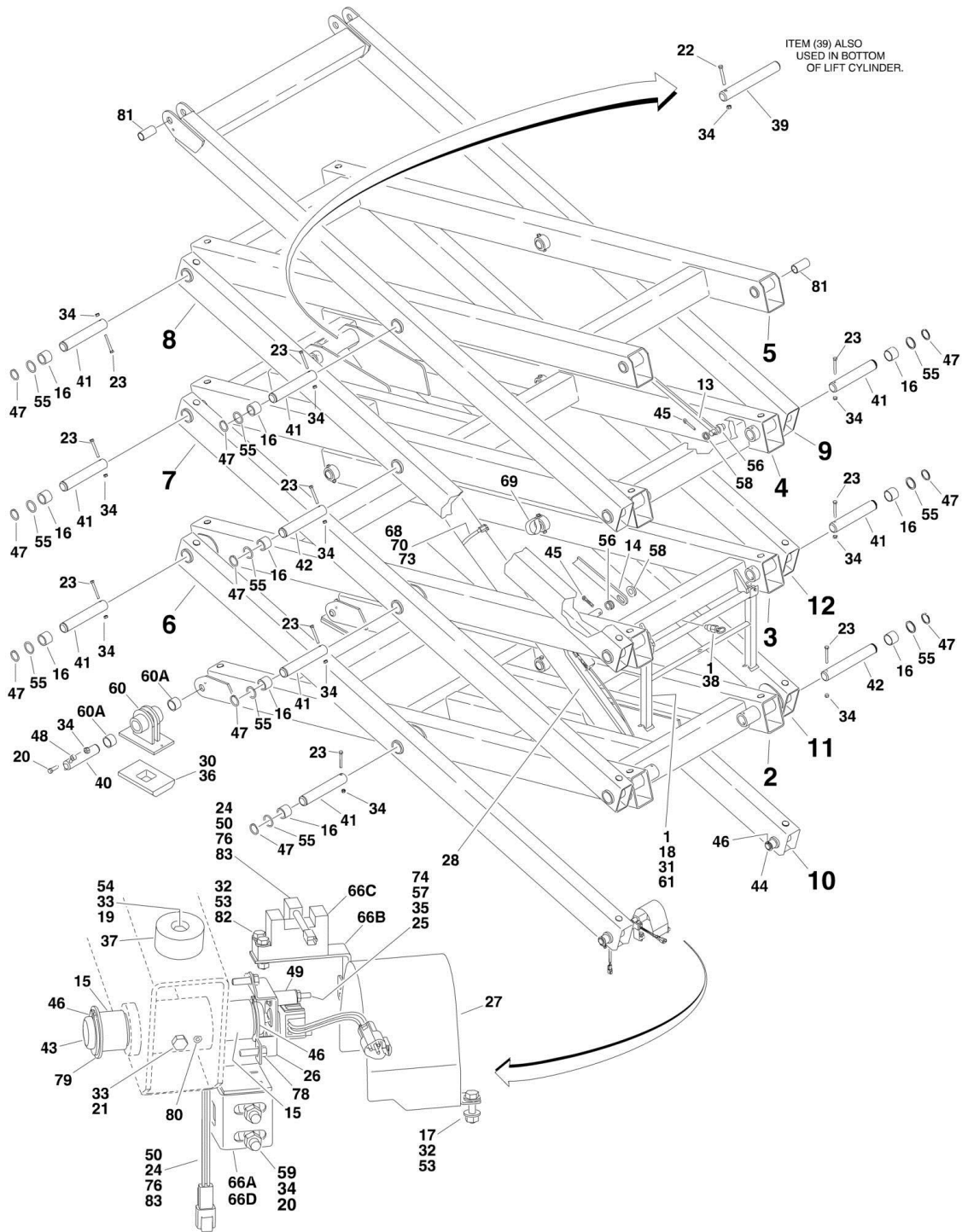
FIGURE 2-6. BATTERY BOX INSTALLATIONS

ITEM	PART NUMBER	QTY	DESCRIPTION	REV
		Ref	BATTERY BOX INSTALLATIONS	
	0270524	Ref	370A-HR Batteries	H
	1001104956	Ref	390A-HR AGM Batteries	C
1	0100051	AR	Grease, Terminal	
2	0182017	4	Angle, Battery Hold-Down	
3		Ref	Battery Options:	
3	0400055	8	370A-HR Wet Battery (Standard)	
3	7016177	8	370A-HR Dry Battery (Optional)	
3	1001102534	8	390A-HR AGM Wet Battery (Standard)	
3	Not Available		390A-HR AGM Dry Battery (Optional)	
4	0630526	16	Bolt, Special (Used on 370A-HR Batteries Only)	
5	0630549	4	Bolt 3/8in-16NC x 1-1/4in	
6	0641504	8	Bolt 5/16in -18NC x 1/2in	
7	0840048	AR	Boot, Terminal - "d" Shaped	
8	0840049	AR	Boot, Terminal - "b" Shaped	
9	0940087	4	Bumper (Used on 370A-HR Batteries Only)	
10	1060884	4	Cable, Battery (Battery - to Battery +)	
11		Ref	Cable, Battery Options (Battery - to Battery +):	
11	1060885	2	Cable (With 90 Ring Terminal) (370A-HR Batteries)	
11	1060884	2	Cable (390A-HR AGM Batteries)	
12	1060886	2	Cable, Battery (Batteries to Anderson Connector)	
13	1060887	1	Cable, Battery (Anderson Connector to Contactor)	
15	1670972	2	Cover, Battery Box	
16	2540038	4	Grommet	
17	2940133	2	Latch, Draw	
18	3000018	2	Liner, Battery Box	
19	3300429	16	Nut, Special	
20	4740474	16	Lockwasher, Stainless Steel 5/16in	
21	3310801	8	Nut #8-32NC	
22	3311401	4	Nut 1/4in-20NC	
23	3311505	4	Locknut 5/16in	
24	3340903	4	Pad, Slide	
25	3900190	4	Screw, Shoulder	
27	3900305	8	Screw #8-32NC	
28	3931430	4	Capscrew, Socket Head 1/4in-20NC x 1-7/8in	
29	4711500	8	Flatwasher 5/16in Narrow	
30	4740480	4	Washer, Plastic Insert	
34		Ref	Battery Box Weldment Options:	
34	4846297	2	Box (370A-HR Batteries)	
34	1001105085	2	Box (390A-HR AGM Batteries)	
35	0100011	AR	Compound, Locking	
36	1001114496	1	Sensor, Battery Temperature (Machines with Delta-Q Charger)	

SECTION 3 - SCISSORS ARMS

SECTION 3 - SCISSORS ARMS

FIGURE 3-1. SCISSORS ARMS INSTALLATION - 3369LE & M3369 (USA BUILT MACHINES AND ALL BELGIUM BUILT MACHINES) (Prior to SN 0200152398)



SECTION 3 - SCISSORS ARMS

FIGURE 3-1. SCISSORS ARMS INSTALLATION - 3369LE & M3369 (USA BUILT MACHINES AND ALL BELGIUM BUILT MACHINES) (Prior to SN 0200152398)

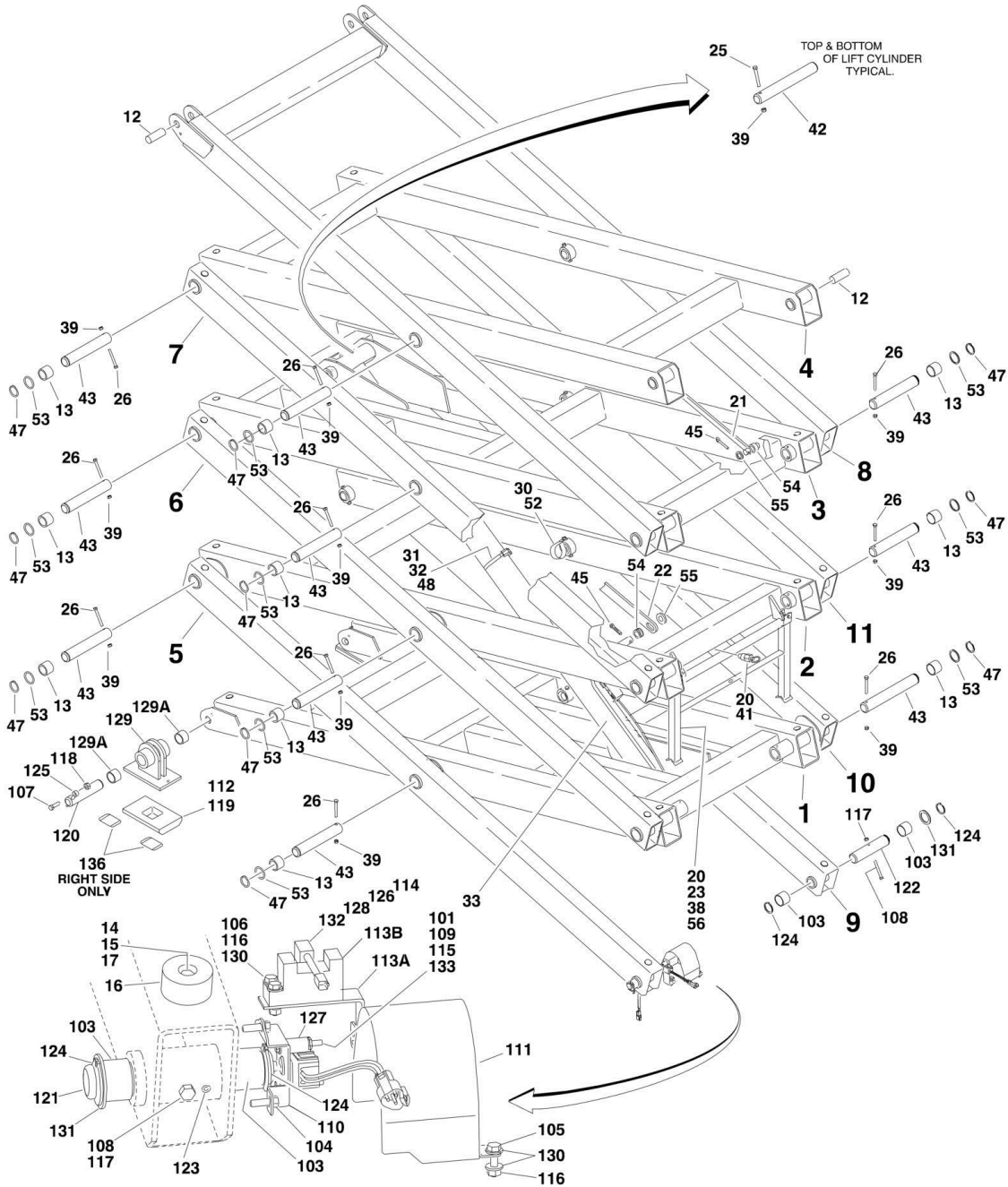
ITEM	PART NUMBER	QTY	DESCRIPTION	REV
		Ref	SCISSOR ARMS INSTALLATION - 3369LE & M3369	
	0270853	Ref	USA Built Machines (Prior to SN 0200112285)	H
	0272932	Ref	USA Built Machines (SN 0200112285 through 0200152398)	D
	0270853	Ref	Belgium Built Machines	H
1	0100011	AR	Compound, Locking	
2	0200654	1	Arm Weldment (Bottom Inboard)	
3	0200655	1	Arm Weldment (Lower Mid Inboard)	
4	0200656	1	Arm Weldment (Upper Mid Inboard)	
5		Ref	Arm Weldment (Top Inboard) Options:	
5	0200657	1	0270853 Installation	
5	0200724	1	0272932 Installation	
6	0200658	1	Arm Weldment (Bottom Left Side Outboard)	
7	0200659	1	Arm Weldment (Lower Mid Left Side Outboard)	
8	0200660	1	Arm Weldment (Upper Mid Left Side Outboard)	
9		Ref	Arm Weldment (Top Outboard) Options:	
9	0200661	1	0270853 Installation	
9	0200725	1	0272932 Installation	
10	0200667	1	Arm Weldment (Bottom Right Side Outboard)	
11	0200668	1	Arm Weldment (Lower Mid Right Side Outboard)	
12	0200669	1	Arm Weldment (Upper Mid Right Side Outboard)	
13	0362840	1	Bar, Cable Carrier	
14	0362841	1	Bar, Cable Carrier	
15	0440234	4	Bushing	
16	0440236	40	Bushing	
17	0641408	2	Bolt 1/4in-20NC x 1in	
18	0641418	2	Bolt 1/4in-20NC x 2 1/4in	
19	0641510	24	Bolt 5/16in-18NC x 1 1/4in	
20	0641610	2	Bolt 3/8in-16NC x 1 1/4in	
21	0681520	2	Bolt 5/16in-18NC x 2 1/2in (Grade 8)	
22	0681622	2	Bolt 3/8in-16NC x 2 3/4in (Grade 8)	
23	0681624	20	Bolt 3/8in-16NC x 3in (Grade 8)	
24	3900325	2	Screw, Machine #10-24NC x 1/2in	
25	0721014	2	Screw, Machine #10-24NC	
26	0902713	1	Bracket, Limit Switch	
27	1670965	1	Cover, Limit Switch	
28		Ref	Lift Cylinder Assembly Options (See CYLINDER SECTION for Breakdown):	
28	1683858	1	USA Built Machines (Prior to SN 0200100577)	
28	1684119	1	USA Built Machines (SN 0200100577 through 0200152398)	
28	1684119	1	Belgium Built Machines	
30	3020022	AR	Grease, Lithium	
31	3300151	2	Nut, Acorn 1/4in-20NC	
32	3311405	4	Locknut 1/4in-20NC	
33	3311505	26	Locknut 5/16in-18NC	
34	3311605	24	Locknut 3/8in-16NC	
35	3311001	2	Nut #10-32NF	
36	3340856	2	Pad, Slide	
37	3340866	24	Pad, Arm	
38	3422369	1	Pin, Plunger	

SECTION 3 - SCISSORS ARMS

ITEM	PART NUMBER	QTY	DESCRIPTION	REV
39	3422778	2	Pin, Pivot	
40	3422822	2	Pin, Pivot	
41	3422825	16	Pin, Pivot	
42	3422826	4	Pin, Pivot	
43	3422905	1	Pin, Pivot	
44	3422907	1	Pin, Pivot	
45	3450304	4	Pin, Cotter 3/32in x 1in	
46	3760387	4	Ring, Retaining	
47	3760420	20	Ring, Retaining	
48	3841143	2	Keeper, Pin	
49	4360500	1	Switch, Rotary Angle Sensor	
50	4360502	1	Switch, Proximity Sensor	
53	4711400	10	Flatwasher 1/4in Narrow	
54	4711500	24	Flatwasher 5/16in Narrow	
55	4740332	20	Washer, Special	
56	4740480	4	Washer, Plastic Insert	
57	4751000	4	Flatwasher #10	
58	4751500	4	Flatwasher 5/16in	
59	4711600	1	Flatwasher 3/8in Narrow	
60	4845986	NLA	Slider Weldment (Bottom) (Use p/n 1001099550)	
60	4630012	NLA	Slider Weldment (Bottom) (Use p/n 1001099550)	
60A	0440234	4	Bushing (2 Per Assembly)	
61	4846020	1	Prop, Safety	
62	4922544	1	Harness, Lift Down (Not Shown - See CYLINDER SECTION for Breakdown)	
66		Ref	Bracket/Block Options:	
66A	0902703	1	Bracket for USA Built Machines (Prior to SN 0200138293)	
66B	0903273	1	Bracket for USA Built Machines (SN 0200138293 through 0200152398)	
66C	3200453	1	Block for USA Built Machines (SN 0200138293 through 0200152398)	
66D	0902703	1	Bracket for Belgium Built Machines	
68	1320122	1	Clamp	
69	1320110	1	Clamp, Support	
70	1670995	1	Cover, Hose/Cable	
73	4280295	6 in/15cm	Strip, Protective	
74	0100035	AR	Compound, Locking	
75	4922543	1	Harness, Lift Down (Not Shown - See ELECTRICAL SECTION for Breakdown)	
76	3300455	2	Locknut #10-24NC (Stainless Steel)	
78	0630550	3	Capscrew 1/4in-20NC x 3/4in	
79	4740438	2	Washer, Special	
80	3422927	1	Rollpin	
81		Ref	Bushing Options:	
81	0440234	4	0270853 Installation	
81	0440250	4	0272932 Installation	
82	0641410	2	Bolt 1/4in-20NC x 1 1/4in	
83	4740506	2	Flatwasher #10 (Stainless Steel)	
		Ref	Arm Kit Options (Include 2-12, 15-16, 19, 33, 37, 54 & 81):	
	2901930	1	0270853 Installation	
	2902253	1	0272932 Installation	

SECTION 3 - SCISSORS ARMS

FIGURE 3-2. SCISSORS ARMS INSTALLATION - 3369LE & M3369 (USA BUILT MACHINES) (SN 0200152398 through 0200230091)



SECTION 3 - SCISSORS ARMS

FIGURE 3-2. SCISSORS ARMS INSTALLATION - 3369LE & M3369 (USA BUILT MACHINES) (SN 0200152398 through 0200230091)

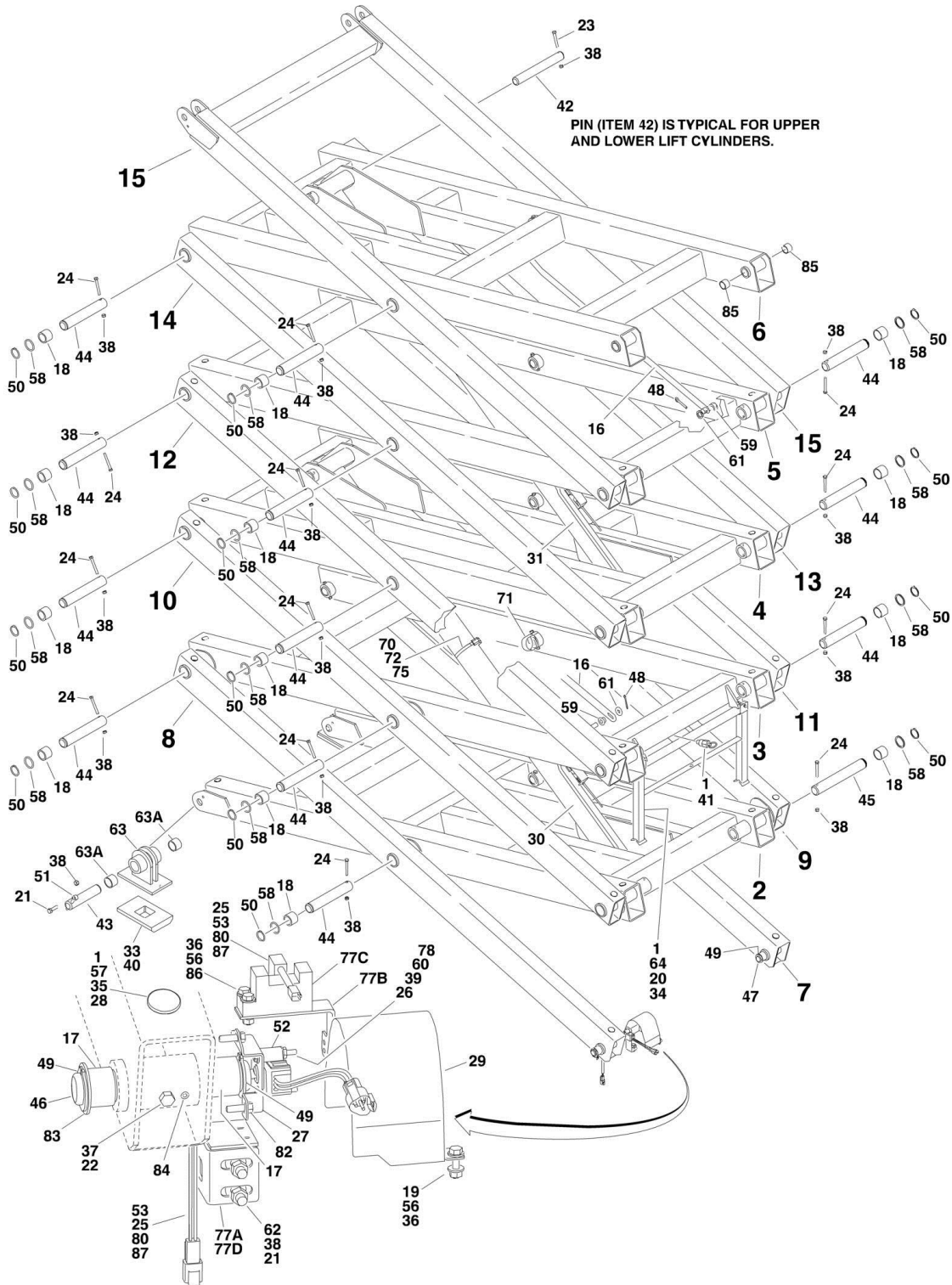
ITEM	PART NUMBER	QTY	DESCRIPTION	REV
		Ref	SCISSOR ARMS ASSEMBLY - 3369LE & M3369	
	0275481	Ref	Without Platform Overload	A
	0275525	Ref	With Platform Overload	A
1	0200654	1	Arm Weldment (Bottom Inboard)	
2	0200655	1	Arm Weldment (Lower Mid Inboard)	
3	0200656	1	Arm Weldment (Upper Mid Inboard)	
4	0200724	1	Arm Weldment (Top Inboard)	
5	0200658	1	Arm Weldment (Bottom Left Side Outboard)	
6	0200659	1	Arm Weldment (Lower Mid Left Side Outboard)	
7	0200660	1	Arm Weldment (Upper Mid Left Side Outboard)	
8	0200725	1	Arm Weldment (Top Outboard)	
9	0200667	1	Arm Weldment (Bottom Right Side Outboard)	
10	0200668	1	Arm Weldment (Lower Mid Right Side Outboard)	
11	0200669	1	Arm Weldment (Upper Mid Right Side Outboard)	
12	0440250	4	Bushing	
13	0440236	40	Bushing	
14	0641510	24	Bolt 5/16in-18NC x 1 1/4in	
15	3311505	24	Locknut 5/16in-18NC	
16	3340866	24	Pad, Arm	
17	4711500	24	Flatwasher 5/16in Thin	
20	0100011	AR	Compound, Locking	
21	0362840	1	Bar, Cable Carrier	
22	0362841	1	Bar, Cable Carrier	
23	0641418	2	Bolt 1/4in-20NC x 2 1/4in	
25	0681622	2	Bolt 3/8in-16NC x 2 3/4in (Grade 8)	
26	0681624	20	Bolt 3/8in-16NC x 3in (Grade 8)	
29	1060866	1	Cable, Electrical - 12/3 (Not Shown - See ELECTRICAL SECTION for Breakdown)	
30	1320110	1	Clamp, Support	
31	1320122	1	Clamp	
32	1670995	1	Cover, Hose/Cable	
33	1684119	1	Lift Cylinder Assembly (See CYLINDER SECTION for Breakdown)	
38	3300151	2	Nut, Acorn 1/4in-20NC	
39	3311605	22	Locknut 3/8in-16NC	
41	3422369	1	Pin, Plunger	
42	3422778	2	Pin, Pivot	
43	3422825	16	Pin, Pivot	
44	3422826	4	Pin, Pivot	
45	3450304	4	Pin, Cotter 3/32in x 1in	
47	3760420	20	Ring, Retaining	
48	4280295	6 in/15cm	Strip, Protective	
52	4711600	1	Flatwasher 3/8in Thin	
53	4740332	20	Washer, Special	
54	4740480	4	Washer, Plastic Insert	
55	4751500	4	Flatwasher 5/16in	
56	4846020	1	Prop, Safety	
57	4922477	1	Platform Harness (Not Shown - See ELECTRICAL SECTION for Breakdown)	

SECTION 3 - SCISSORS ARMS

ITEM	PART NUMBER	QTY	DESCRIPTION	REV
58	4922544	1	Lift Down Harness (Upper) (Not Shown - See ELECTRICAL SECTION for Breakdown)	
	2902253	1	Arm Kit (Includes 1 -17)	C
		Ref	SCISSOR ARMS INSTALLATION	
	0272932	Ref	Without Platform Overload	J
	0275552	Ref	With Platform Overload	F
101	0100035	AR	Compound, Locking	
103	0440234	4	Bushing	
104	0791406	3	Screw 1/4in-20NC x 3/4in	
105	0641408	2	Bolt 1/4in-20NC x 1in	
106	0641410	2	Bolt 1/4in-20NC x 1 1/4in	
107	0641610	2	Bolt 3/8in-16NC x 1 1/4in	
108	0681520	2	Bolt 5/16in-18NC x 2 1/2in (Grade 8)	
109	0721014	2	Screw, Machine #10-24NC	
110	0902713	1	Bracket, Limit Switch	
111	1670965	1	Cover, Limit Switch	
112	3020022	AR	Grease, Lithium	
113		Ref	Bracket/Block Components	
113A	0903273	1	Bracket	
113B	3200453	1	Block	
114	3300455	2	Locknut #10-24NC (Stainless Steel)	
115	3311001	2	Nut #10-32NF	
116	3311405	4	Locknut 1/4in-20NC	
117	3311505	2	Locknut 5/16in-18NC	
118	3311605	2	Locknut 3/8in-16NC	
119	3340856	2	Pad, Slide	
120	3422822	2	Pin, Pivot	
121	3422905	1	Pin, Pivot	
122	3422907	1	Pin, Pivot	
123	3422927	1	Rollpin	
124	3760387	4	Ring, Retaining	
125	3841143	2	Keeper, Pin	
126	3900325	2	Screw, Machine #10-24NC x 1/2in	
127	4360500	1	Switch, Rotary Angle Sensor	
128	4360502	1	Switch, Proximity Sensor	
129	4845986	NLA	Slider Weldment (Bottom) (Use p/n 1001099550)	
129	4630012	NLA	Slider Weldment (Bottom) (Use p/n 1001099550)	
129A	0440234	4	Bushing (2 Per Assembly)	
130	4711400	8	Flatwasher 1/4in Narrow	
131	4740438	2	Washer, Special	
132	4740506	2	Flatwasher (Stainless Steel)	
133	4751000	4	Flatwasher #10	
134	4922543	1	Harness, Lift Down (Lower) (Not Shown - See ELECTRICAL SECTION for Breakdown)	
136	1001125245	1	Decal Kit - Calibration (Includes 2 Decals) (USA Built Machines Only) (SN 0200199170 through 0200230091)	

SECTION 3 - SCISSORS ARMS

FIGURE 3-3. SCISSORS ARMS INSTALLATION - 4069LE & M4069 (USA BUILT MACHINES AND ALL BELGIUM BUILT MACHINES) (Prior to SN 0200152398)



SECTION 3 - SCISSORS ARMS

FIGURE 3-3. SCISSORS ARMS INSTALLATION - 4069LE & M4069 (USA BUILT MACHINES AND ALL BELGIUM BUILT MACHINES) (Prior to SN 0200152398)

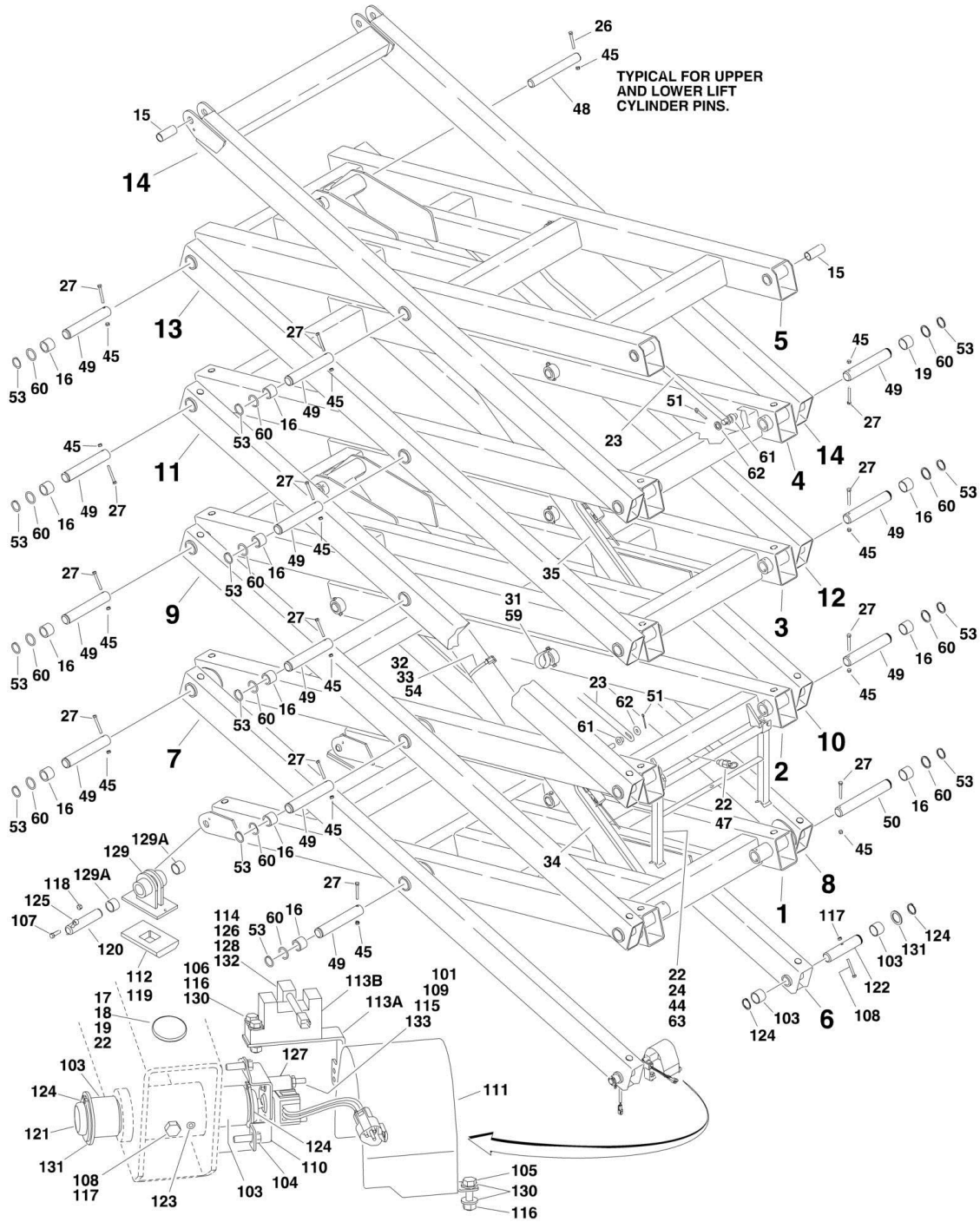
ITEM	PART NUMBER	QTY	DESCRIPTION	REV
		Ref	SCISSOR ARMS INSTALLATION - 4069LE & M4069	
	0270854	Ref	USA Built Machines (Prior to SN 0200112285)	H
	0272933	Ref	USA Built Machines (SN 0200112285 through 0200152398)	D
	0270854	Ref	Belgium Built Machines	H
1	0100011	AR	Compound, Locking	
2	0200683	1	Arm Weldment (Bottom Inboard)	
3	0200684	1	Arm Weldment (Lower Mid Inboard)	
4	0200685	1	Arm Weldment (Center Mid Inboard)	
5	0200686	1	Arm Weldment (Upper Mid Inboard)	
6		Ref	Arm Weldment (Top Inboard) Options:	
6	0200687	1	0270854 Installation	
6	0200726	1	0272933 Installation	
7	0200688	1	Arm Weldment (Bottom Right Side Outboard)	
8	0200689	1	Arm Weldment (Bottom Left Side Outboard)	
9	0200690	1	Arm Weldment (Lower Mid Right Side Outboard)	
10	0200691	1	Arm Weldment (Lower Mid Left Side Outboard)	
11	0200692	1	Arm Weldment (Center Mid Right Side Outboard)	
12	0200693	1	Arm Weldment (Center Mid Left Side Outboard)	
13	0200694	1	Arm Weldment (Upper Mid Right Side Outboard)	
14	0200695	1	Arm Weldment (Upper Mid Left Side Outboard)	
15		Ref	Arm Weldment (Top Outboard) Options:	
15	0200696	1	0270854 Installation	
15	0200727	1	0272933 Installation	
16	0362841	2	Bar, Cable Carrier	
17	0440234	4	Bushing	
18	0440236	52	Bushing	
19	0641408	2	Bolt 1/4in-20NC x 1in	
20	0641418	2	Bolt 1/4in-20NC x 2 1/4in	
21	0641610	2	Bolt 3/8in-16NC x 1 1/4in	
22	0681520	2	Bolt 5/16in-18NC x 2 1/2in (Grade 8)	
23	0681622	4	Bolt 3/8in-16NC x 2 3/4in (Grade 8)	
24	0681624	26	Bolt 3/8in-16NC x 3in (Grade 8)	
25	3900325	2	Screw, Machine #10-24NC	
26	0721014	2	Screw, Machine #10-24NC	
27	0902713	1	Bracket, Limit Switch	
28	0940090	32	Bumper, Arm Spacer	
29	1670965	1	Cover, Limit Switch	
30	1684120	1	Lift Cylinder Assembly - Lower (See CYLINDER SECTION for Breakdown)	
31	1684121	1	Lift Cylinder Assembly - Upper (See CYLINDER SECTION for Breakdown)	
33	3020022	AR	Lube, Lithium Grease	
34	3300151	2	Nut, Acorn 1/4in-20NC	
35	3311401	32	Nut 1/4in-20NC	
36	3311405	4	Locknut 1/4in-20NC	
37	3311505	2	Locknut 5/16in-18NC	
38	3311605	32	Locknut 3/8in-16NC	
39	3311001	4	Locknut #10-32NF	
40	3340856	2	Pad, Slide	

SECTION 3 - SCISSORS ARMS

ITEM	PART NUMBER	QTY	DESCRIPTION	REV
41	3422369	1	Pin, Plunger	
42	3422778	4	Pin, Pivot	
43	3422822	2	Pin, Pivot	
44	3422825	24	Pin, Pivot	
45	3422826	2	Pin, Pivot	
46	3422905	1	Pin, Pivot	
47	3422907	1	Pin, Pivot	
48	3450304	4	Pin, Cotter 3/32in x 1in	
49	3760387	4	Ring, Retaining	
50	3760420	26	Ring, Retaining	
51	3841143	2	Keeper, Pin	
52	4360500	1	Switch, Rotary Angle Sensor	
53	4360502	1	Switch, Proximity Sensor	
56	4711400	10	Flatwasher 1/4in Narrow	
57	4711500	32	Flatwasher 5/16in Narrow	
58	4740332	26	Washer, Special	
59	4740480	4	Washer, Plastic Insert	
60	4751000	8	Flatwasher #10	
61	4751500	4	Flatwasher 5/16in	
62	4711600	1	Flatwasher 3/8in Narrow	
63	4845986	NLA	Slider Weldment (Bottom) (Use p/n 1001099550)	
63	4630012	NLA	Slider Weldment (Bottom) (Use p/n 1001099550)	
63A	0440234	4	Bushing	
64	4846020	1	Prop, Safety	
65	4922545	1	Harness, Lift Down (Not Shown - See ELECTRICAL SECTION for Breakdown)	
70	1320122	1	Clamp	
71	1320110	1	Clamp, Support	
72	1670995	1	Cover, Hose/Cable	
75	4280295	6 in/15cm	Strip, Protective	
77		Ref	Bracket/Block Options:	
77A	0902703	1	Bracket for USA Built Machines (Prior to SN 0200138293)	
77B	0903273	1	Bracket for USA Built Machines (SN 0200138293 through 0200152398)	
77C	3200453	1	Block for USA Built Machines (SN 0200138293 through 0200152398)	
77D	0902703	1	Bracket for All Belgium Built Machines	
78	0100035	AR	Compound, Locking	
79	4922543	1	Harness, Lift Down (Not Shown - See ELECTRICAL SECTION for Breakdown)	
80	3300455	2	Locknut #10-24NC (Stainless Steel)	
82	0630550	3	Capscrew 1/4in-20NC x 3/4in	
83	4740438	2	Washer, Special	
84	3422927	1	Rollpin	
85		Ref	Bushing Options:	
85	0440234	4	0270853 Installation	
85	0440250	4	0272932 Installation	
86	0641410	2	Bolt 1/4in-20NC x 1 1/4in	
87	4740506	2	Flatwasher #10 (Stainless Steel)	
		Ref	Arm Kit Options (Includes 2-15, 17, 18, 28, 35, 57 & 81)	
	2901931	1	0270854 Installation	
	2902254	1	0272933 Installation	

SECTION 3 - SCISSORS ARMS

FIGURE 3-4. SCISSORS ARMS INSTALLATION - 4069LE & M4069 (USA BUILT MACHINES) (SN 0200152398 through 0200230091)



SECTION 3 - SCISSORS ARMS

FIGURE 3-4. SCISSORS ARMS INSTALLATION - 4069LE & M4069 (USA BUILT MACHINES) (SN 0200152398 through 0200230091)

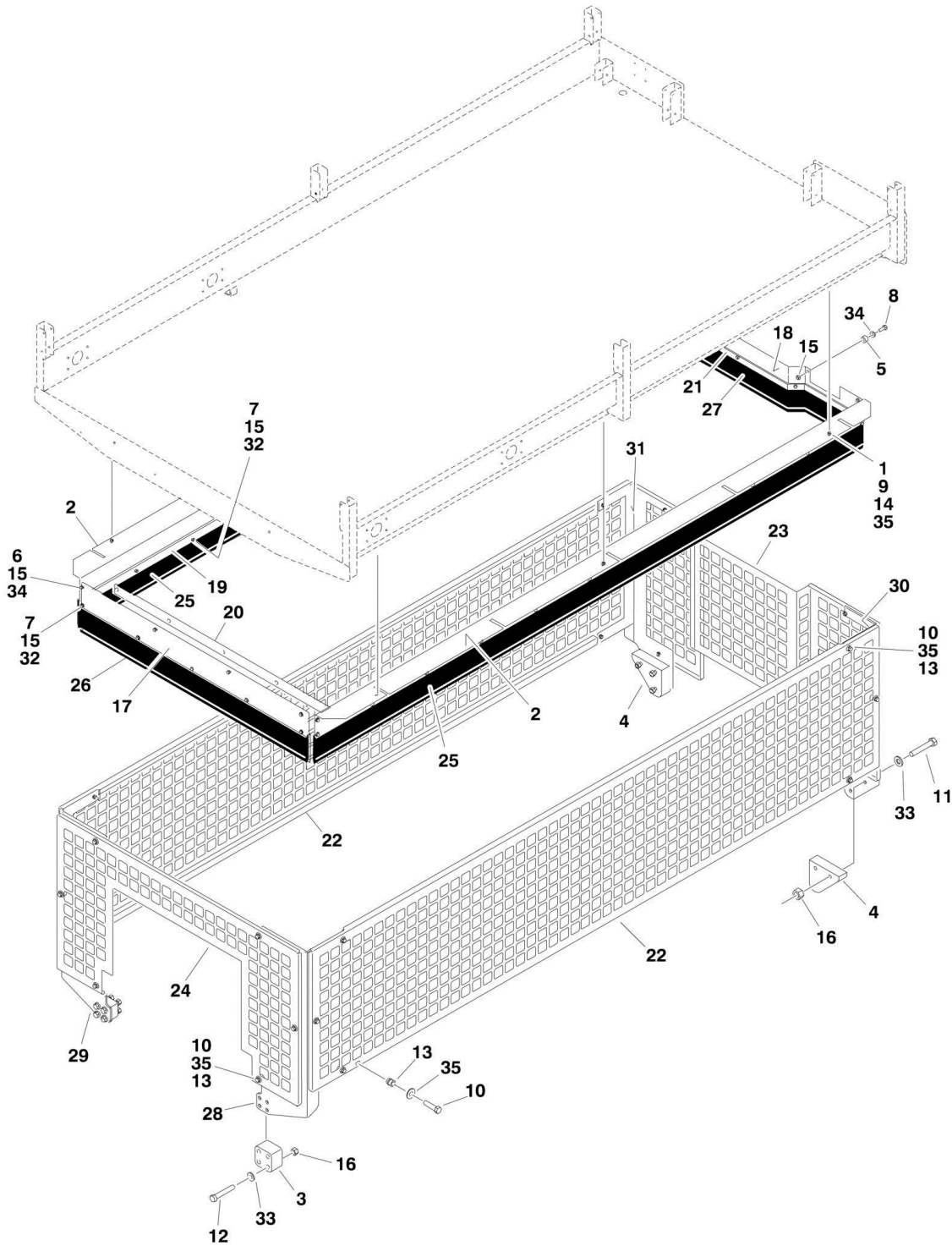
ITEM	PART NUMBER	QTY	DESCRIPTION	REV
		Ref	SCISSOR ARMS ASSEMBLY - 4069LE & M4069	
	0275482	Ref	Without Platform Overload	A
	0275526	Ref	With Platform Overload	B
1	0200683	1	Arm Weldment (Bottom Inboard)	
2	0200684	1	Arm Weldment (Lower Mid Inboard)	
3	0200685	1	Arm Weldment (Center Mid Inboard)	
4	0200686	1	Arm Weldment (Upper Mid Inboard)	
5	0200726	1	Arm Weldment (Top Inboard)	
6	0200688	1	Arm Weldment (Bottom Right Side Outboard)	
7	0200689	1	Arm Weldment (Bottom Left Side Outboard)	
8	0200690	1	Arm Weldment (Lower Mid Right Side Outboard)	
9	0200691	1	Arm Weldment (Lower Mid Left Side Outboard)	
10	0200692	1	Arm Weldment (Center Mid Right Side Outboard)	
11	0200693	1	Arm Weldment (Center Mid Left Side Outboard)	
12	0200694	1	Arm Weldment (Upper Mid Right Side Outboard)	
13	0200695	1	Arm Weldment (Upper Mid Left Side Outboard)	
14	0200727	1	Arm Weldment (Top Outboard)	
15	0440250	4	Bushing	
16	0440236	52	Bushing	
17	0940090	32	Bumper, Arm Spacer	
18	3311401	32	Nut 1/4in-20NC	
19	4711500	32	Flatwasher 5/16in Narrow	
22	0100011	AR	Compound, Locking	
23	0362841	2	Bar, Cable Carrier	
24	0641418	2	Bolt 1/4in-20NC x 2 1/4in	
26	0681622	4	Bolt 3/8in-16NC x 2 3/4in (Grade 8)	
27	0681624	26	Bolt 3/8in-16NC x 3in (Grade 8)	
31	1320110	1	Clamp, Support	
32	1320122	1	Clamp	
33	1670995	1	Cover, Hose/Cable	
34	1684120	1	Lift Cylinder Assembly - Lower (See CYLINDER SECTION for Breakdown)	
35	1684121	1	Lift Cylinder Assembly - Upper (See CYLINDER SECTION for Breakdown)	
44	3300151	2	Nut, Acorn 1/4in-20NC	
45	3311605	30	Locknut 3/8in-16NC	
47	3422369	1	Pin, Plunger	
48	3422778	4	Pin, Pivot	
49	3422825	24	Pin, Pivot	
50	3422826	2	Pin, Pivot	
51	3450304	4	Pin, Cotter 3/32in x 1in	
53	3760420	26	Ring, Retaining	
54	4280295	6 in/15cm	Strip, Protective	
59	4711600	1	Flatwasher 3/8in Thin	
60	4740332	26	Washer, Special	
61	4740480	4	Washer, Plastic Insert	
62	4751500	4	Flatwasher 5/16in	
63	4846020	1	Prop, Safety	
64	4922478	1	Platform Harness (Not Shown - See ELECTRICAL SECTION for	

SECTION 3 - SCISSORS ARMS

ITEM	PART NUMBER	QTY	DESCRIPTION	REV
65	4922545	1	Breakdown) Lift Down Harness (Upper) (Not Shown - See ELECTRICAL SECTION for Breakdown)	
	2902254	1	Arm Kit Options (Includes Items 1-19)	
		Ref	SCISSOR ARMS INSTALLATION	
	0272933	Ref	Without Platform Overload	J
	0275553	Ref	With Platform Overload	G
101	0100035	AR	Compound, Locking	
103	0440234	4	Bushing	
104	0791406	3	Screw 1/4in-20NC x 3/4in	
105	0641408	2	Bolt 1/4in-20NC x 1in	
106	0641410	2	Bolt 1/4in-20NC x 1 1/4in	
107	0641610	2	Bolt 3/8in-16NC x 1 1/4in	
108	0681520	2	Bolt 5/16in-18NC x 2 1/2in (Grade 8)	
109	0721014	2	Screw, Machine #10-24NC	
110	0902713	1	Bracket, Limit Switch	
111	1670965	1	Cover, Limit Switch	
112	3020022	AR	Lube, Lithium Grease	
113		Ref	Bracket/Block Components	
113A	0903273	1	Bracket	
113B	3200453	1	Block	
114	3300455	2	Locknut #10-24NC (Stainless Steel)	
115	3311001	2	Locknut #10-32NF	
116	3311405	4	Locknut 1/4in-20NC	
117	3311505	2	Locknut 5/16in-18NC	
118	3311605	2	Locknut 3/8in-16NC	
119	3340856	2	Pad, Slide	
120	3422822	2	Pin, Pivot	
121	3422905	1	Pin, Pivot	
122	3422907	1	Pin, Pivot	
123	3422927	1	Rollpin	
124	3760387	4	Ring, Retaining	
125	3841143	2	Keeper, Pin	
126	3900325	2	Screw #10-24 (Stainless Steel)	
127	4360500	1	Switch, Rotary Angle Sensor	
128	4360502	1	Switch, Proximity Sensor	
129	4845986	NLA	Slider Weldment (Bottom) (Use p/n 1001099550)	
129	4630012	NLA	Slider Weldment (Bottom) (Use p/n 1001099550)	
129A	0440234	4	Bushing	
130	4711400	8	Flatwasher 1/4in Thin	
131	4740438	2	Washer, Special	
132	4740506	2	Flatwasher #10 (Stainless Steel)	
133	4751000	8	Flatwasher #10	
134	4922543	1	Harness, Lift Down (Lower) (Not Shown - See ELECTRICAL SECTION for Breakdown)	
136	1001125244	1	Decal Kit - Calibration (Includes 2 Decals) (USA Built Machines Only) (SN 0200199170 through 0200230091)	

SECTION 3 - SCISSORS ARMS

FIGURE 3-5. SCISSORS GUARDS INSTALLATION



SECTION 3 - SCISSORS ARMS

FIGURE 3-5. SCISSORS GUARDS INSTALLATION

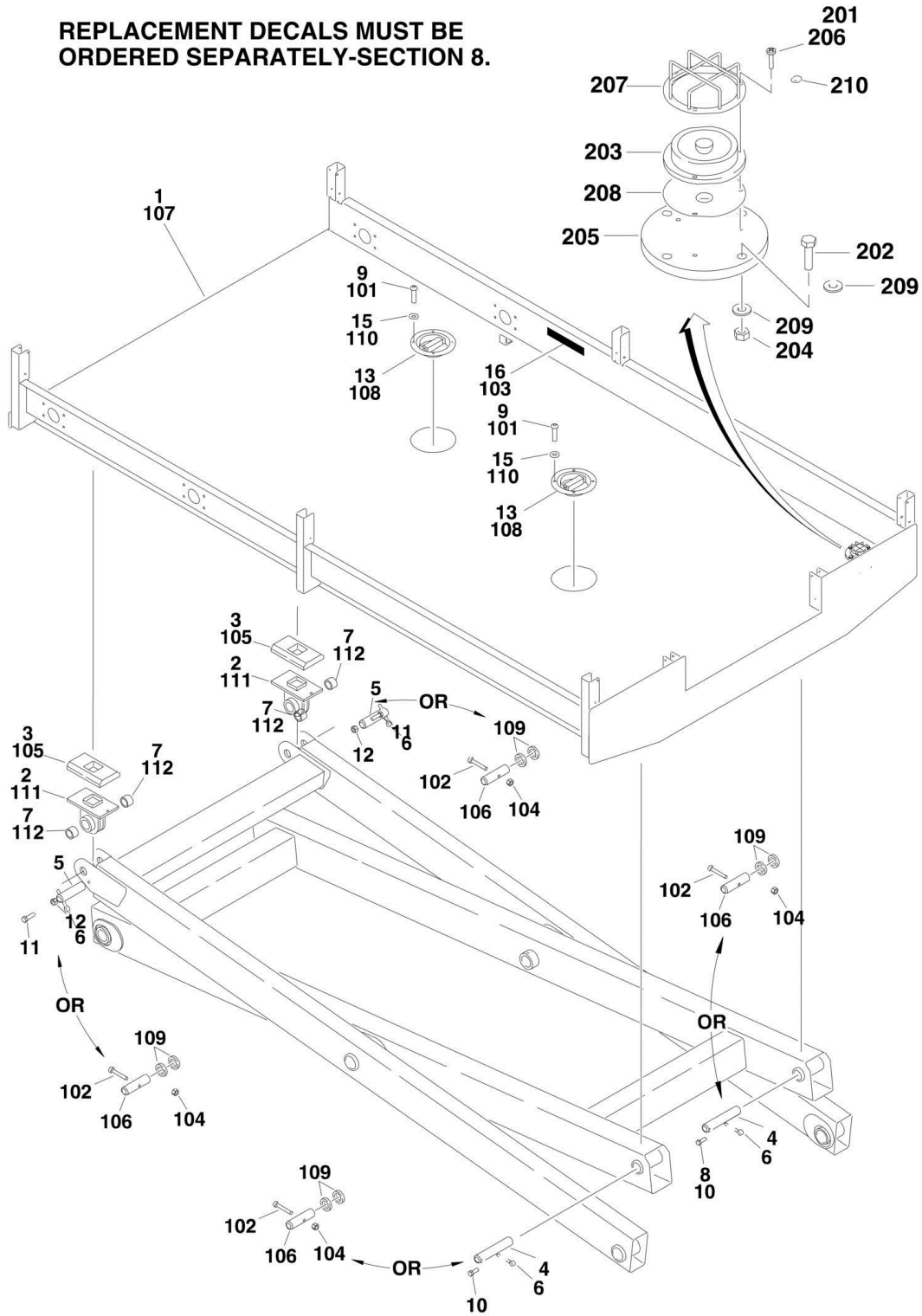
ITEM	PART NUMBER	QTY	DESCRIPTION	REV
	0270997	Ref	SCISSOR ARM GUARD INSTALLATION	
1	0100011	AR	Compound, Locking	
2	0182008	2	Angle	
3	0561410	2	Block, Spacer	
4	0561411	2	Block, Spacer	
5	0561415	4	Block, Spacer	
6	0641405	4	Bolt 1/4in-20NC x 5/8in	
7	0641407	32	Bolt 1/4in-20NC x 7/8in	
8	0641409	4	Bolt 1/4in-20NC x 1 1/8in	
9	0641607	6	Bolt 3/8in-16NC x 7/8in	
10	0641612	24	Bolt 3/8in-16NC x 1 1/2in	
11	0641824	6	Bolt 1/2in-13NC x 3in	
12	0641826	4	Bolt 1/2in-13NC x 3 1/4in	
13	2080056	24	Fastener 3/8in-16NC x 5/16	
14	2080058	6	Fastener 3/8in-16NC x 5/32	
15	3311405	40	Locknut 1/4in-20NC	
16	3311805	10	Locknut 1/2in-13NC	
17	3572410	1	Plate	
18	3572411	1	Plate	
19	3572449	2	Plate, Backing	
20	3572450	1	Plate, Backing	
21	3572452	1	Plate, Backing	
22	4061013	2	Shield	
23	4061015	1	Shield	
24	4061022	1	Shield	
25	4280311	2	Strip, Rubber	
26	4280312	1	Strip, Rubber	
27	4280313	1	Strip, Rubber	
28	4340715	1	Support	
29	4340716	1	Support	
30	4340717	1	Support	
31	4340718	1	Support	
32	4711400	32	Flatwasher 1/4 Thin	
33	4711800	10	Flatwasher 1/2 Thin	
34	4751400	8	Flatwasher 1/4in Regular	
35	4751600	30	Flatwasher 3/8in Regular	
	2902126	1	Kit, Support Arm Guard (Includes Items 28-31) (USA Built Machines) (SN 0200103708 through 0200230091)	
	2902126	1	Kit, Support Arm Guard (Includes Items 28-31) (Belgium Built Machines) (SN 1200000398 to Present)	
	2902128	1	Kit, Arm Guard (LE) (Includes Items 2 & 17-24) (USA Built Machines) (SN 0200103708 through 0200230091)	
	2902128	1	Kit, Arm Guard (LE) (Includes Items 2 & 17-24) (Belgium Built Machines) (SN 1200000398 to Present)	

SECTION 4 - PLATFORM

SECTION 4 - PLATFORM

FIGURE 4-1. PLATFORM AND ACCESSORIES INSTALLATION

REPLACEMENT DECALS MUST BE ORDERED SEPARATELY-SECTION 8.



SECTION 4 - PLATFORM

FIGURE 4-1. PLATFORM AND ACCESSORIES INSTALLATION

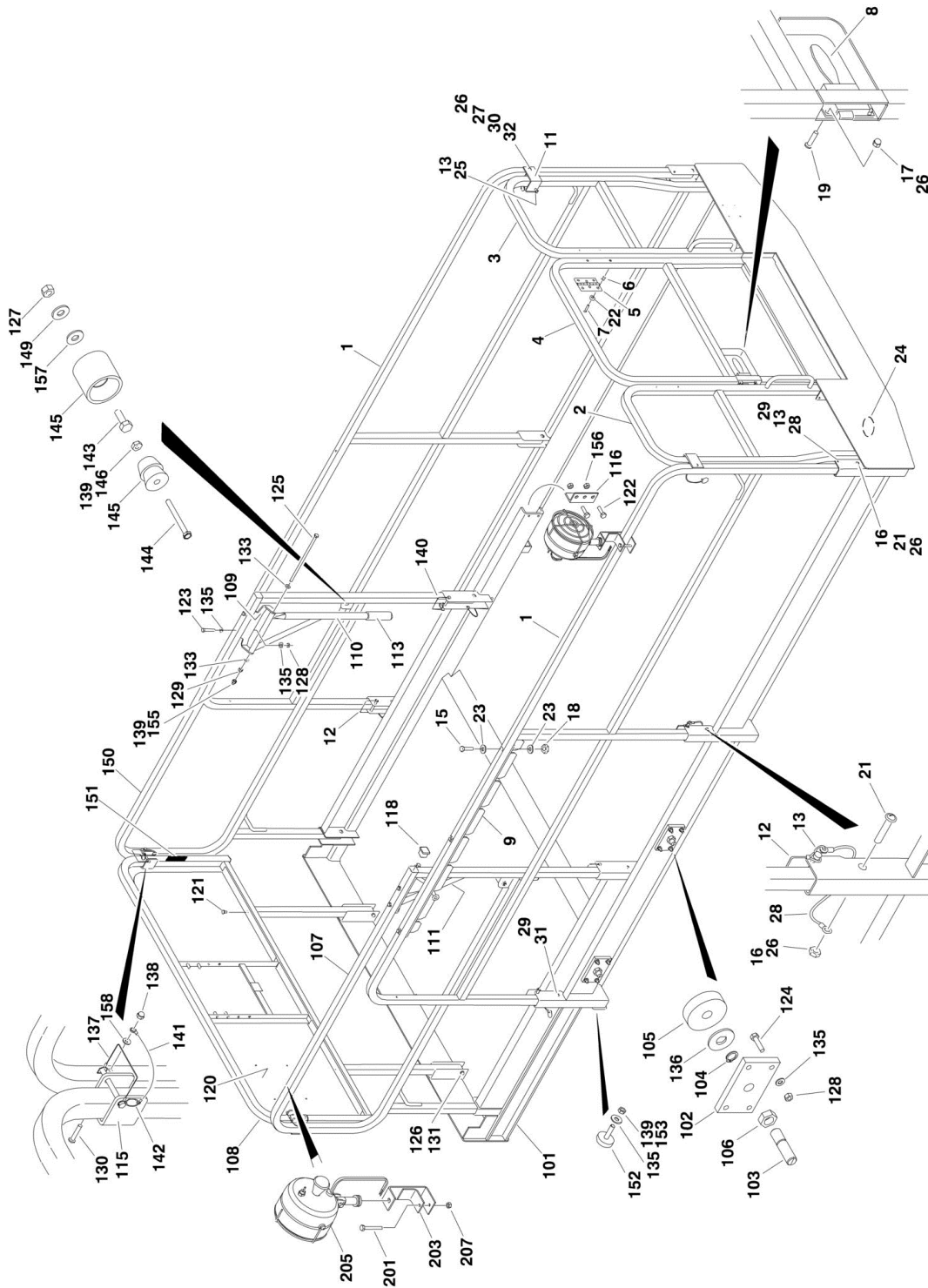
ITEM	PART NUMBER	QTY	DESCRIPTION	REV
		Ref	PLATFORM INSTALLATION ON USA BUILT MACHINES (Prior to SN 0200112285)	
		Ref	PLATFORM INSTALLATION ON ALL BELGIUM BUILT MACHINES	
	0259563	Ref	Platform without D-Rings	B
	0259564	Ref	Platform with D-Rings	C
1		Ref	Platform Weldment Options:	
1	3510723	1	Platform without D-Rings	
1	3510734	1	Platform with D-Rings	
2	4845987	2	Slider Weldment	
3	3340856	2	Block, Slide Pad	
4	3422823	2	Pin, Pivot	
5	3422824	2	Pin, Slider	
6	3841143	4	Keeper, Pin	
7	0440234	4	Bearing	
8	0100011	AR	Compound, Locking	
9	0630476	AR	Screw, Button Head	
10	0641608	2	Bolt 3/8in-16NC x 1in	
11	0641610	2	Bolt 3/8in-16NC x 1-1/4in	
12	3311605	2	Locknut 3/8in-16NC	
13	3760321	2	D-Ring, Swivel (Platform with D-Rings Only)	
15	4711500	AR	Flatwasher 5/16in Thin	
16	1703175	2	Decal - Lanyard (Platforms with D-Rings Only)	
		Ref	PLATFORM INSTALLATION ON USA BUILT MACHINES (SN 0200112285 through 0200230091)	
		Ref	PLATFORM INSTALLATION ON ALL BELGIUM BUILT MACHINES	
	0272959	Ref	Platform without D-Rings (Australian Spec)	E
	0272960	Ref	Platform with D-Rings (Australian Spec)	E
	See Note	Ref	All Platforms with Load Sensing (Note: For Machines with Load Sensing Refer to JLG Supplement p/n 3124288 for Components.)	
101	0630476	AR	Screw, Button Head (Platform with D-Rings Only)	
102		Ref	Capscrew, Socket Head Options:	
102	3931648	4	Capscrew, Socket Head 3/8in-16NC x 3in	
102	4032022	4	Capscrew, Socket Head M10 x 90mm	
103	1703175	2	Decal - Lanyard (Platforms with D-Rings Only)	
104		Ref	Locknut Options:	
104	3311605	4	Locknut 3/8in-16NC	
104	3291005	4	Locknut M10	
105	3340856	2	Pad, Slide	
106		Ref	Pin Options:	
106	3422962	4	Pin (SN 0200112285 through 0200152400)	
106	3423049	4	Pin (SN 0200152401 through 0200230091)	
107		Ref	Platform Weldment Options:	
107	3510795	1	Platform without D-Rings	
107	3510796	1	Platform with D-Rings	
108	3760321	2	D-Ring, Swivel (Platform with D-Rings Only)	
109	4568295	4	Tube, Spacer	
110	4711500	AR	Flatwasher 5/16in Thin	
111	4846416	NLA	Slider (Use p/n 1001099533) (Prior to SN 0200194520)	

SECTION 4 - PLATFORM

ITEM	PART NUMBER	QTY	DESCRIPTION	REV
111	1001099533	2	Slider (SN 0200194520 through 0200230091)	A
112	0440250	4	Bushing (Part of Arms Assembly)	
	0270543	Ref	BUBBLE LEVEL INSTALLATION (OPTIONAL)	
201	0100011	AR	Compound, Locking	
202	0641408	4	Bolt 1/4in-20NC x 1in	
203	2420038	1	Level, Bubble	
204	3311405	4	Locknut 1/4in-20NC	
205	3572527	1	Plate, Mounting	
206	3900297	3	Screw #6-32 x 5/8in	
207	4061011	1	Cover	
208	4130383	1	Washer, Spring	
209	4711400	8	Flatwasher 1/4in Narrow	
210	4770600	3	Starwasher #6	

SECTION 4 - PLATFORM

FIGURE 4-2. FOLDDOWN HANDRAILS AND EXTENSION INSTALLATION (MANUALLY OPERATED PLATFORM)



SECTION 4 - PLATFORM

FIGURE 4-2. FOLDDOWN HANDRAILS AND EXTENSION INSTALLATION (MANUALLY OPERATED PLATFORM)

ITEM	PART NUMBER	QTY	DESCRIPTION	REV
		Ref	FOLDDOWN HANDRAILS INSTALLATIONS OPTIONS:	
	0259568	Ref	Self-Closing Welded Gate	J
1	4846123	2	Side Rail Weldment	
2	4846124	1	Rear Rail Weldment (Left Side)	
3	4846125	1	Rear Rail Weldment (Right Side)	
4	4846122	1	Gate Weldment	
5	2600253	2	Hinge	
6	2080069	12	Fastener #10-32NF	
7	3900267	12	Screw, Socket Head	
8	2940074	1	Latch	
9	3571829	1	Plate, Latch	
11	0901870	2	Bracket	
12	3421565	3	Pin, Snap	
13	3760170	5	Ring, Split	
15	0641516	3	Bolt 5/16in-18NC x 2in	
16		Ref	Nut Options:	
16	3300356	10	Nut, Acorn 5/16in-18NC	
16	2080064	10	Nut, Nylon Lock 5/16in-18NC	
17	3300432	4	Nut, Acorn #10-24NC	
18	3311505	3	Locknut 5/16in-18NC	
19	3911010	4	Screw #10-24NC x 3/4in	
21	3911532	NLA	Screw 5/16in-18NC x 2in (Use p/n 3900323)	
22	4751000	16	Flatwasher #10 Regular	
23	4751500	6	Flatwasher 5/16in Regular	
24	2540020	1	Grommet	
25	3422219	2	Pin, Snap	
26	0100011	AR	Compound, Locking	
27		Ref	Nut Options:	
27	3300151	AR	Nut, Acorn 1/4in-20NC	
27	2080063	AR	Nut, Nylon Lock 1/4in-20NC	
28	1060808	5	Lanyard	
29	3911536	1	Screw 5/16in-18NC x 2-1/4in	
30		Ref	Screw Options:	
30	3911428	2	Screw, Hex 1/4in-20NC x 1-3/4in	
30	3900318	2	Screw, Torx Drive 1/4in-20NC x 1-3/4in	
31		Ref	Clamp	
31	1320061	1	USA Built Machines (SN 0200099149 through 0200230091)	
31	1320061	1	Belgium Built Machines (SN 1200000398 to Present)	
32	4711400	2	Flatwasher 1/4in Thin	
	0259565	Ref	PLATFORM EXTENSION INSTALLATION	L
101	4846117	1	Extension Weldment	
102	3537619	4	Mounting Weldment - Roller	
103	3841233	4	Rod, Roller	
104	3760348	4	Ring, Retaining	
105	3860059	4	Roller, Extension	
106	3322202	4	Nut, Jam 3/4in	
107	4846121	1	Side Rail Weldment (Left Side)	
108	4846120	1	Front Rail Weldment	
109	3537609	2	Plate, Pivot	

SECTION 4 - PLATFORM

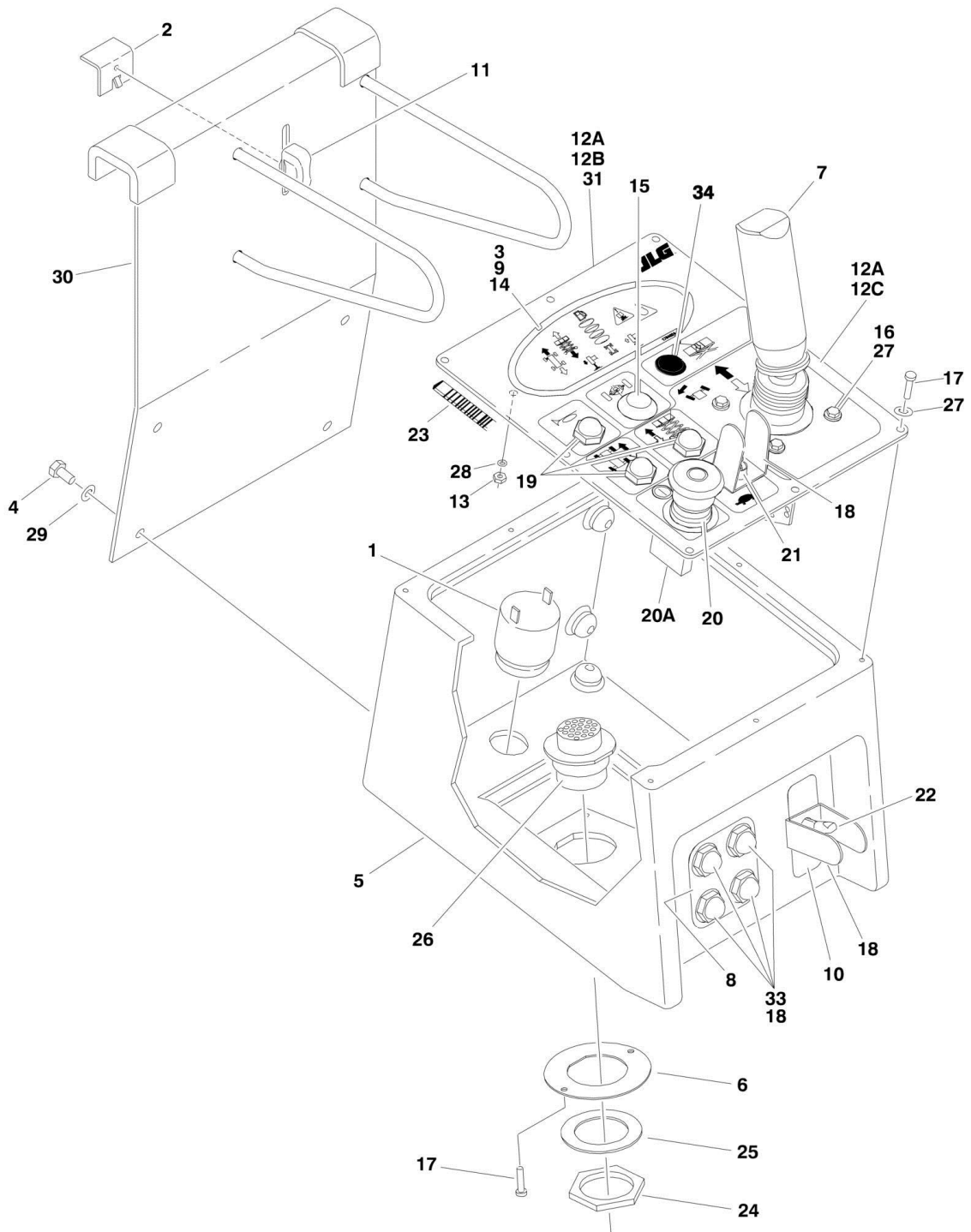
ITEM	PART NUMBER	QTY	DESCRIPTION	REV
110	4846191	1	Handle Weldment (Right Side)	
111	4846181	1	Handle Weldment (Left Side)	
113	2560088	2	Handle	
115	0901870	2	Bracket	
116		Ref	Angle, Extension Stop Options:	
116	0181684	2	USA Built Machines (Prior to SN 0200106147)	
116	0182035	2	USA Built Machines (SN 0200106147 through 0200230091)	
116	0182035	2	Belgium Built Machines (SN 1200000398 to Present)	
117	3020022	AR	Grease, Lithium (Not Shown)	
118	3520072	4	Cap-Plug	
120	3571862	1	Plate, Placard	
121	3820020	7	Rivet	
122		Ref	Bolt Options:	
122	0641407	4	Bolt 1/4in-20NC x 7/8in	
122	0681508	4	Bolt 5/16in-18NC x 1in	
123	0641516	4	Bolt 5/16in-18NC x 2in	
124	0641510	16	Bolt 5/16in-18NC x 1-1/4in	
125	0641676	2	Bolt 3/8in-16NC x 9-1/2in	
126		Ref	Nut Options:	
126	3300356	6	Nut, Acorn 5/16in-18NC	
126	2080064	6	Nut, Nylon Lock 5/16in-18NC	
127	3311405	2	Locknut 1/4in-20NC	
128	3311505	20	Locknut 5/16in-18NC	
129	3311605	AR	Locknut 3/8in-16NC	
130		Ref	Screw Options:	
130	3911428	2	Screw , Hex 1/4in-20NC x 1-3/4in	
130	3900318	2	Screw, Torx Drive 1/4in-20NC x 2in	
131	3911532	NLA	Screw 5/16in-18NC x 2in (Use p/n 3900323)	
133	4711600	4	Flatwasher 3/8in Thin	
135	4711500	26	Flatwasher 5/16in Thin	
136	4752200	4	Flatwasher 3/4in Regular	
137	3422219	2	Pin, Snap	
138		Ref	Nut Options:	
138	3300151	2	Nut, Acorn 1/4in-20NC	
138	2080063	2	Nut, Nylon Lock 1/4in-20NC	
139	0100011	AR	Compound, Locking	
140	3421565	2	Pin, Snap	
141	1060808	4	Lanyard	
142	3760170	4	Ring, Split	
143	0641406	2	Bolt 1/4in-20NC x 3/4in	
144	0700619	2	Screw M6 x 55mm	
145	2940127	2	Latch, Rubber	
146	3290601	2	Nut 6mm	
149	4751400	2	Flatwasher 1/4in Regular	
150	4846256	1	Side Rail Weldment (Right Side)	
151	4420055	10 in /25cm	Tape	
152	0940090	2	Bumper	
153	3311401	2	Nut 1/4in-20NC	
154	0100048	AR	Grease (Not Shown) (Prior to SN 0200162855)	
155		Ref	Nut, Acorn 3/8in-16NC Options:	
155	3300420	2	Nut, Acorn 3/8in-16NC (Prior to SN 0200162855)	

SECTION 4 - PLATFORM

ITEM	PART NUMBER	QTY	DESCRIPTION	REV
155	3300467	2	Nut, Acorn 3/8in-16NC (SN 0200162855 through 0200230091)	
156	3271505	AR	Locknut 5/16in-18NC	
157	4751600	AR	Flatwasher 3/8in Regular	
158	4711400	AR	Flatwasher 1/4in Thin	
		Ref	WORKLIGHT INSTALLATIONS OPTIONS:	
	0271125	Ref	Worklight Installations (3369LE/M3369)	B
	0271126	Ref	Worklight Installations (4069LE/M4069)	B
201	0641416	2	Bolt 1/4in-20NC x 2in	
202	0840026	2	Boot, Cable (Not Shown - Located on Frame)	
203	0901930	2	Bracket	
204	2820025	1 ft/0.3m	Plastic, Guard (Not Shown - Located on Frame)	
205	2920095	2	Lamp, 48Volt	
206	3311005	2	Locknut #10-24NC (Not Shown - Located on Frame)	
207	3311405	2	Locknut 1/4in-20NC	
209	3911006	2	Screw (Not Shown - Located on Frame)	
210	4360164	1	Breaker, Circuit 5Amp (Not Shown - Located on Frame)	
214		Ref	Harness, Worklights (Not Shown - See ELECTRICAL SECTION for Breakdown)	
214	4922585	1	Harness, Worklights (3369LE/M3369)	
214	4922586	1	Harness, Worklights (4069LE/M4069)	

SECTION 4 - PLATFORM

FIGURE 4-3. PLATFORM CONSOLE BOX ASSEMBLY



SECTION 4 - PLATFORM

FIGURE 4-3. PLATFORM CONSOLE BOX ASSEMBLY

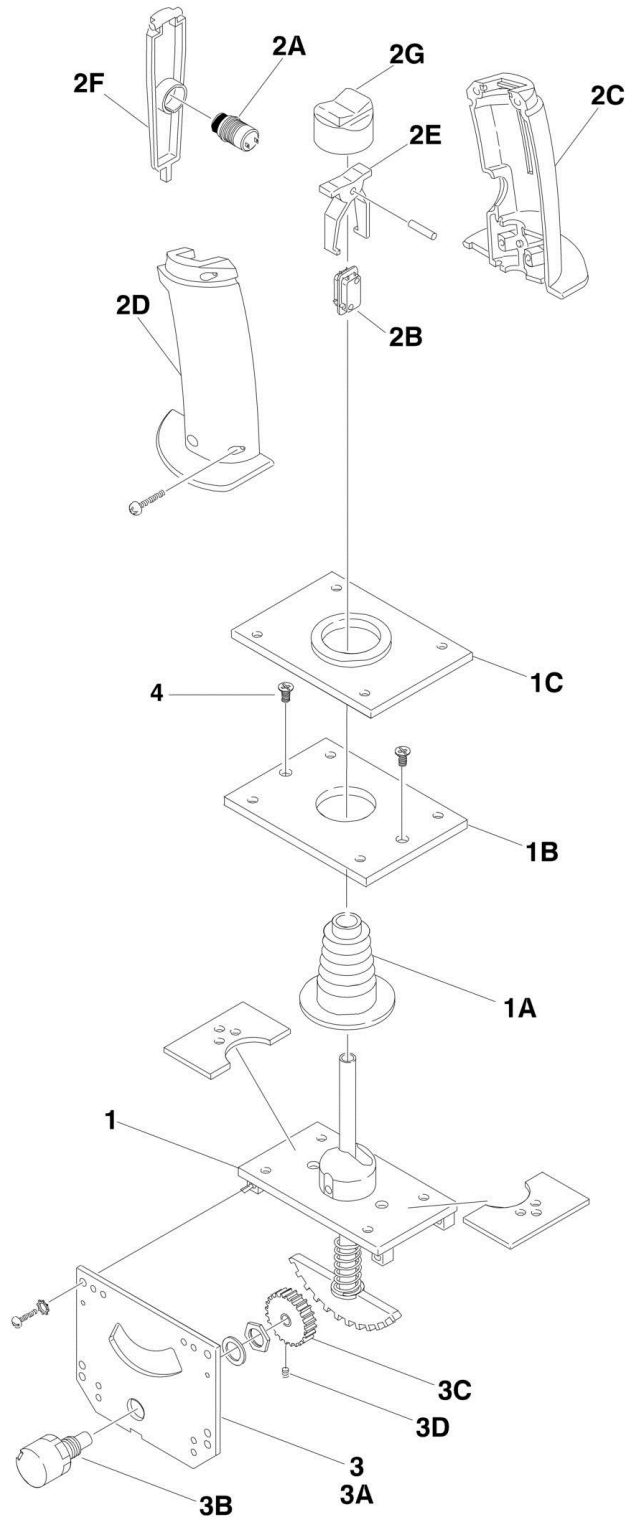
ITEM	PART NUMBER	QTY	DESCRIPTION	REV
		Ref	CONSOLE BOX ASSEMBLY OPTIONS:	
	0270579	Ref	Console Box Assembly 3369LE & 4069LE without Leveling Jacks	G
	0270580	Ref	Console Box Assembly 3369LE & 4069LE with Leveling Jacks	G
	0270995	Ref	Console Box Assembly M3369 & M4069 2WD without Leveling Jacks	H
	0270996	Ref	Console Box Assembly M3369 & M4069 2WD with Leveling Jacks	H
	0270476	Ref	Console Box Assembly M3369 & M4069 4WD without Leveling Jacks	G
	0270477	Ref	Console Box Assembly M3369 & M4069 4WD with Leveling Jacks	G
1	0140011	1	Alarm	
2	0181847	1	Angle, Latch	
3		Ref	Display, PC Control Console Options:	
3	0610145	NLA	Display, PC Control Console (Use p/n 0610169) (Prior to SN 0200121050)	
3	0610169	1	Display, PC Control Console (SN 0200121050 through 0200230091)	
4	0641404	4	Bolt 1/4in-20NC x 1/2in	
5	0861357	1	Box	
6	0902499	1	Bracket, "D" Slot	
7		Ref	Drive/Steer Controller Assembly Options:	
7	1600308	NLA	USA Built Machines (Use p/n 1600403) (See DRIVE/STEER CONTROLLER ASSEMBLY for Breakdown) (Prior to SN 0200142020)	
7	1600403	1	USA Built Machines (See DRIVE/STEER CONTROLLER ASSEMBLY (USA BUILT MACHINES) for Breakdown) (SN 0200142020 through 0200230091)	
7	1600308	NLA	Belgium Built Machines (Use p/n 1600403) (See DRIVE/STEER CONTROLLER ASSEMBLY for Breakdown)	
8		Ref	Decal - Outrigger Select Options:	
8	Not Required	0	Decal - without Leveling Jacks	
8	1704574	1	Decal - with Leveling Jacks	
9		Ref	Decal - Platform Display Options:	
9	1704893	NLA	Decal - Platform Display (Use Item 12B) (Prior to SN 0200121050)	
9	1705911	1	Decal - Platform Display (SN 0200121050 through 0200230091)	
10		Ref	Decal - Generator Enable Options:	
10	Not Required	0	Decal - Generator Enable 3369LE & 4069LE	
10	1704921	1	Decal - Generator Enable M3369 & M4069	
11	2560141	1	Thumbscrew	
12		Ref	Nameplate Options:	
12A	3252766	1	Nameplate - USA Built (Prior to SN 0200112230)	
12A	3252766	1	Nameplate - All Belgium Built Machines	
12A	1705700	NLA	Nameplate - USA Built (Use p/n 2900971 kit Includes Items 12B & 12C) (SN 0200112230 through 0200121050)	
12B	1705911	1	Nameplate - USA Built (Top Half of 2 pc Decal) (SN 0200121050 through 0200230091)	
12C	1705912	1	Nameplate - USA Built (Bottom Half of 2 pc Decal) (SN 0200121050 through 0200230091)	
13	3310601	4	Nut #6-32NC	

SECTION 4 - PLATFORM

ITEM	PART NUMBER	QTY	DESCRIPTION	REV
14	3340895	1	Pad, Spacer (USA Built Machines) (Prior to SN 0200121050)	
14	3340895	1	Pad, Spacer (All Belgium Built Machines)	
15		Ref	Control Options:	
15	3520080	1	Plug, Hole 2WD	
15	4360387	1	Switch, Push Button 4WD	
16	3900178	4	Screw, Plastite #10-32 x 1/2in	
17	3900265	10	Screw, Self-Tapping #8-18 x 3/4in	
18	4060802	AR	Guard, Switch	
19	4360387	3	Switch, Push Button	
20	4360475	1	Switch, Emergency Stop	
20	7020175	1	Cap	
20A	7020176	1	Block, Contact	
21	4360482	1	Switch, Toggle	
22		Ref	Control Options:	
22	3520079	1	Plug, Hole (3369LE & 4069LE)	
22	4360482	1	Switch, Toggle (M3369 & M4069)	
23	4420008	38 in /96cm	Tape, Insulation	
24	4460470	1	Nut, Terminal	
25	4460471	1	Lockwasher, Terminal	
26	4460480	1	Connector, Terminal	
27	4740120	12	Washer, Nylon	
28	4760600	4	Lockwasher #6	
29	4791400	4	Starwasher 1/4in	
30	4845938	1	Bracket, Box Hanger	
31	4846249	1	Lid	
32		Ref	Harness, Platform Console Box (Not Shown - See ELECTRICAL SECTION for Breakdown)	
32	4922526	1	Harness - Without Leveling Jacks	
32	4922527	1	Harness - With Leveling Jacks	
33		Ref	Control Options:	
33	3520080	4	Plug, Hole (Without Leveling Jacks)	
33	4360387	4	Switch, Push Button (With Leveling Jacks)	
34		Ref	Component Options:	
34	3520193	1	Plug	
34	2920026	1	Lamp, Indicator	
34	2920029	1	Bulb, Light	

SECTION 4 - PLATFORM

FIGURE 4-4. DRIVE/STEER CONTROLLER ASSEMBLY (Prior to SN 0200142020, SN 1200000100 through 0200230091)



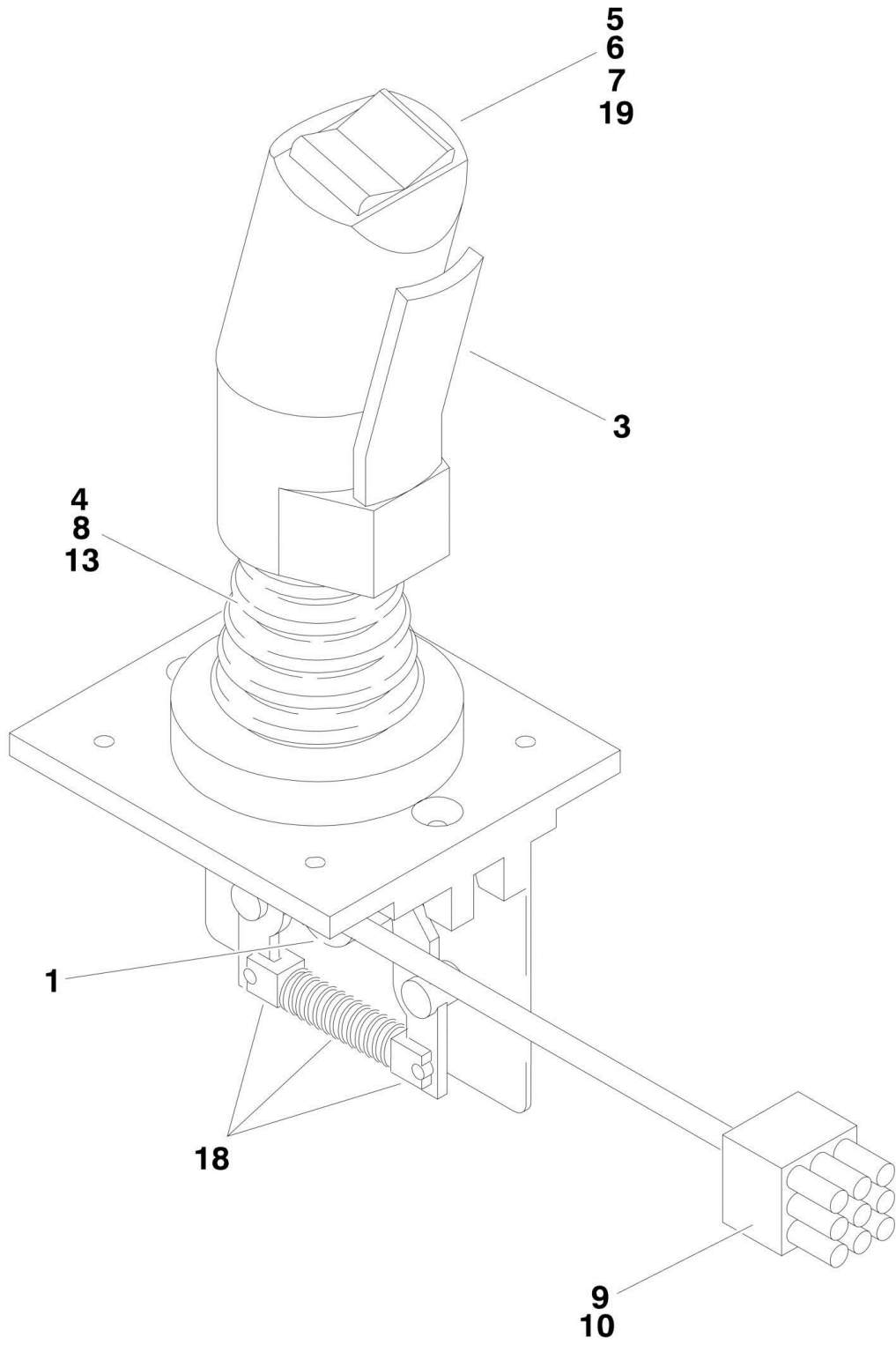
SECTION 4 - PLATFORM

FIGURE 4-4. DRIVE/STEER CONTROLLER ASSEMBLY (Prior to SN 0200142020, SN 1200000100 through 0200230091)

ITEM	PART NUMBER	QTY	DESCRIPTION	REV
	1600308	Ref	CONTROLLER ASSEMBLY (Note: Original Equipment Assembly p/n 1600308 may have been replaced with p/n 1600403 as Service Replacement Assembly. Identify P/N before ordering replacement components. If equipped with p/n 1600403 refer to next figure.)	D
	7020527	1	Mechanical Assembly	
1	7020503	1	Handle/Housing Assembly	
1A	7020520	1	Housing	
1B	7020504	1	Plate, Mounting	
1C	7020502	1	Gasket	
2	7020529	1	Grip Assembly	
2A	7020501	1	Switch, Push Button	
2A	7020530	1	Switch, Push Button with wires	
2B	7020500	1	Switch, Micro	
2C	7020541	1	Grip - Right Half (was p/n 7020531)	
2D	7020541	1	Grip - Left Half (was p/n 7020532)	
		Ref	Note: Handle Kit p/n 7020541 includes both right side and left side grips.	
2E	7027365	1	Actuator, Switch (was p/n 7003791)	
2F	7011997	1	Trigger	
2G	7003790	1	Cap, Rubber	
3	7020533	1	Electrical Assembly	
3	7020535	2	Resistor	
3A	7020509	1	Plate, Mounting - Potentiometer	
3B	7020534	1	Potentiometer	
3C	7011940	1	Gear, Pinion	
3D	7020511	1	Setscrew #6-32 x 1/8in	
3	4460265	1	Plug, Male - 9 Pin (Not Shown)	
3	4460268	8	Socket, Female (Not Shown)	
3	4460266	1	Connector, Receptacle - 9 Pin (Not Shown - Part of Console Harness)	
3	4460267	8	Pin, Male (Not Shown - Part of Console Harness)	
4	7020528	2	Screw #10-32NF x 3/8in	

SECTION 4 - PLATFORM

FIGURE 4-5. DRIVE/STEER CONTROLLER ASSEMBLY (SN 0200142020 through 0200230091)



SECTION 4 - PLATFORM

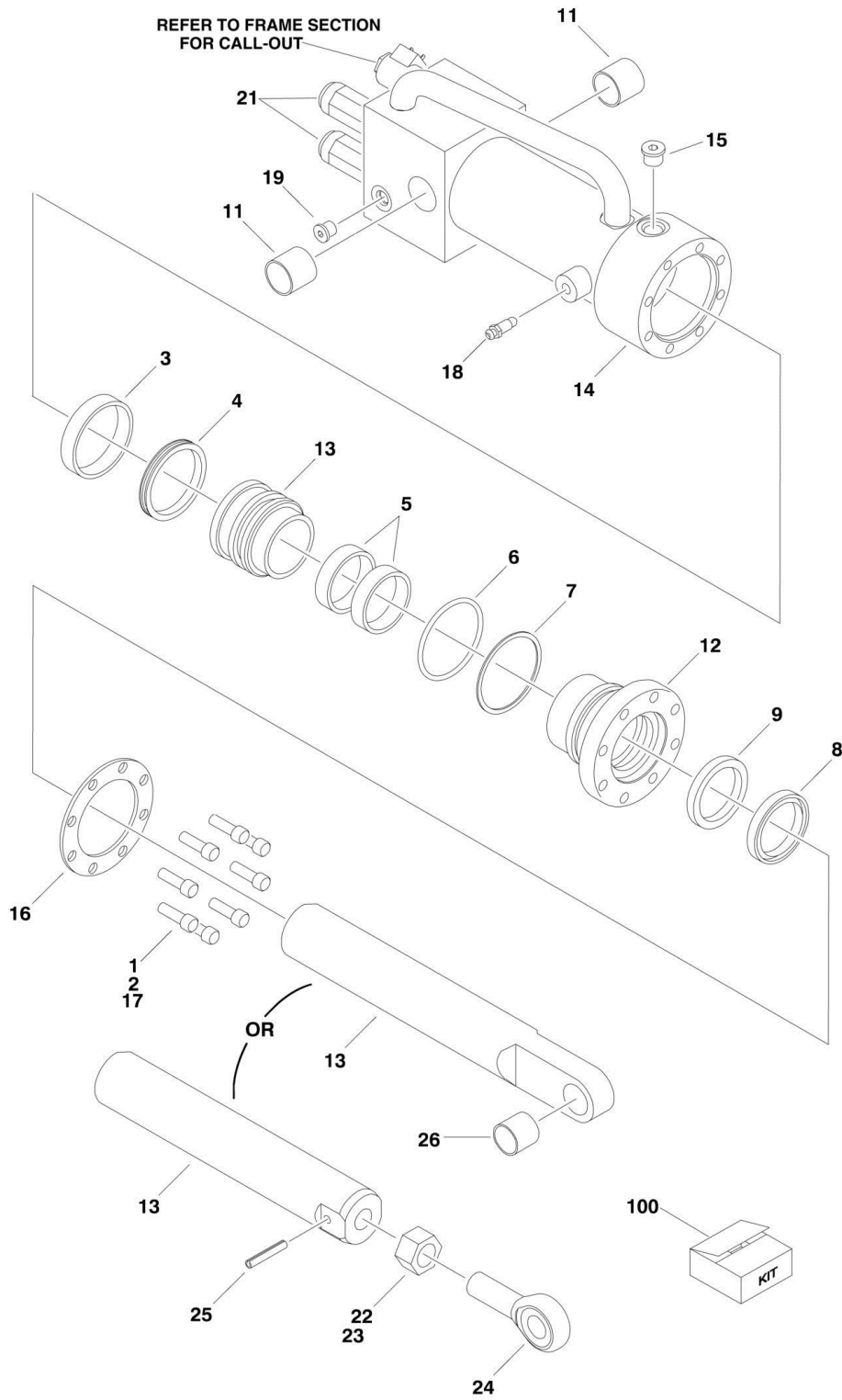
FIGURE 4-5. DRIVE/STEER CONTROLLER ASSEMBLY (SN 0200142020 through 0200230091)

ITEM	PART NUMBER	QTY	DESCRIPTION	REV
	1600403	Ref	CONTROLLER ASSEMBLY	G
1	70000081	1	Potentiometer	
2	7027367	1	Switch, Push Button (Not Shown - Located Behind #3)	
3	7027765	1	Lever, Enabler	
4	7027766	1	Ring, Retaining	
5	70000082	1	Microswitch	
6	70000083	1	Coupler, Microswitch	
7	70000084	1	Cap, Rubber	
8	70000085	1	Boot, Rubber	
9	4460265	1	Plug, Male - 9 Pin	
10	4460226	8	Socket, Female	
11	4460266	1	Connector, Receptacle - 9 Pin (Not Shown - Part of Console Harness)	
12	4460267	8	Pin, Male (Not Shown - Part of Console Harness)	
13	70000685	1	Washer, Plastic Bushing	
14	70000684	AR	Screw, Handle (Not Shown)	
15	Not Available	AR	Nut, Handle (Not Shown)	
16	70000683	AR	Washer, Neoprene (Not Shown)	
17	70000686	AR	Screw, Handle (Not Shown)	
18	70004194	1	Return Spring Kit	
19	7027365	1	Actuator, Switch	
	70003650	1	Handle Repair Kit (Includes handle gasket, push button, lever, front handle half, back handle half, top actuator, boot and hardware.	

SECTION 5 - CYLINDER

SECTION 5 - CYLINDER

FIGURE 5-1. AXLE LOCKOUT CYLINDER ASSEMBLY



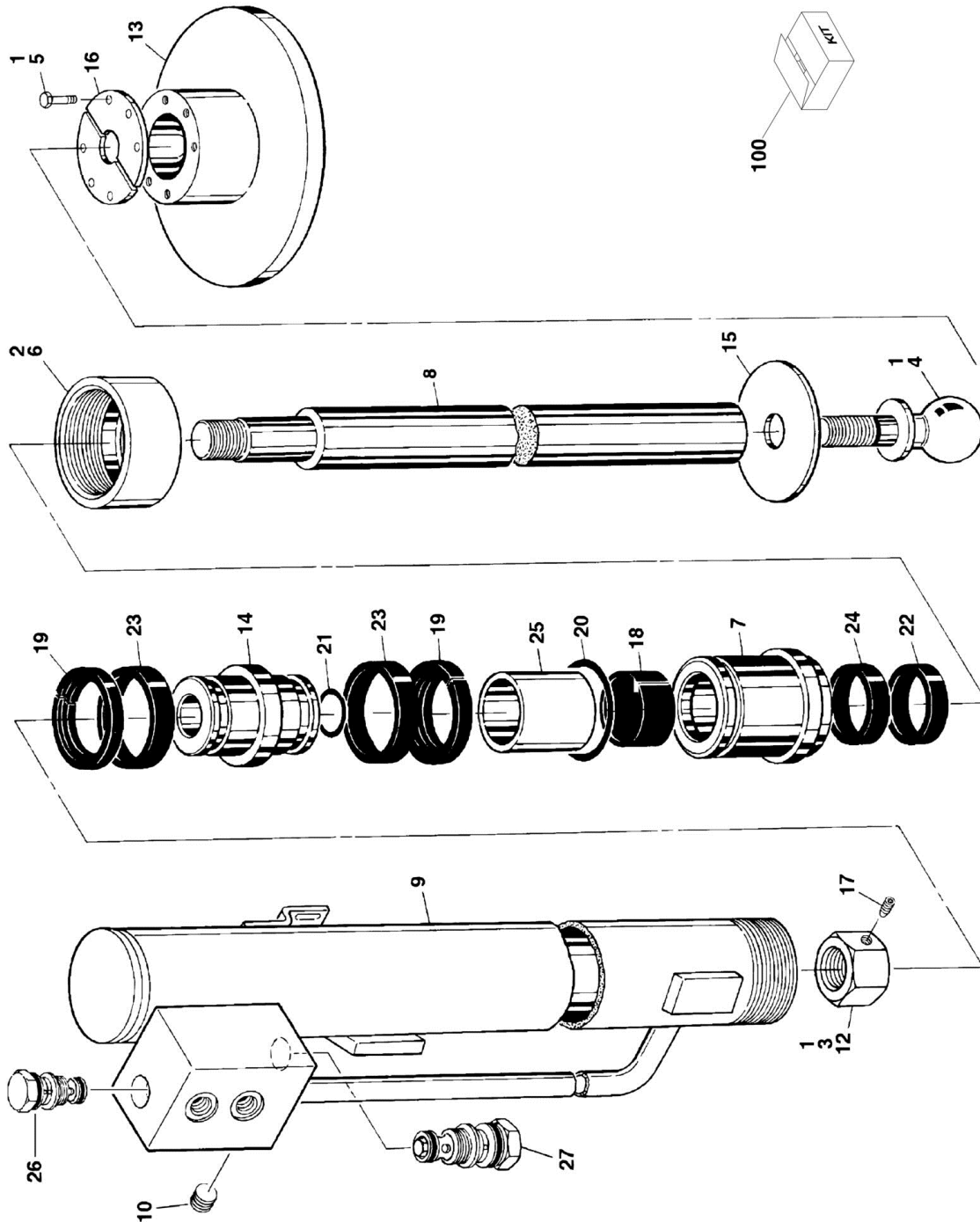
SECTION 5 - CYLINDER

FIGURE 5-1. AXLE LOCKOUT CYLINDER ASSEMBLY

ITEM	PART NUMBER	QTY	DESCRIPTION	REV
	1684064	Ref	AXLE LOCKOUT CYLINDER ASSEMBLY	J
1	0100011	AR	Compound, Locking	
2	0100038	AR	Primer, Locking	
3	See Note	NSS	Ring, Wear (Note: Use Item 100)	
4	See Note	NSS	T-Seal (Note: Use Item 100)	
5	See Note	NSS	Ring, Wear (Note: Use Item 100)	
6	See Note	NSS	O-Ring (Note: Use Item 100)	
7	See Note	NSS	Ring, Back-Up (Note: Use Item 100)	
8	See Note	NSS	Seal, Wiper (Note: Use Item 100)	
9	See Note	NSS	Seal, Rod (Note: Use Item 100)	
11		Ref	Bushing	
11	0961890	2	USA Built Machines (Prior to SN 0200108543)	
11	0962474	2	USA Built Machines (SN 0200108543 through 0200230091)	
11	0961890	2	Belgium Built Machines (Prior to SN 1200000459)	
11	0962474	2	Belgium Built Machines (SN 1200000459 to Present)	
12	1683076	1	Head	
13		Ref	Rod/Piston Options:	
13	1684072	1	USA Built Machines (Prior to SN 0200103611)	
13	1684138	1	USA Built Machines (SN 0200103611 through 0200230091)	
13	1684138	1	Belgium Built Machines (SN 1200000398 to Present)	
14	1684063	1	Barrel Weldment	
15	2220885	1	Plug, O-Ring #6	
16	3760367	1	Ring, Washer	
17	3931516	8	Capscrew, Socket Head 5/16in-18NC x 1in	
18	4640858	2	Valve, Bleeder	
19	2220883	2	Plug, O-Ring #4	
20	2220886	2	Plug, O-Ring #8 (Not Shown - Used for Shipping Only)	
21	4641174	2	Valve, Counter Balance	
21	7023902	2	Seal Kit - 4641174 Valve (1 per Assembly)	
22	0100019	AR	Compound, Locking (USA Built Machines Only) (Prior to SN 0200103611)	
23	3322201	1	Nut, Jam 3/4in-16NF (USA Built Machines Only) (Prior to SN 0200103611)	
24	3841517	1	End, Rod (USA Built Machines Only) (Prior to SN 0200103611)	
25	3440824	1	Rollpin (USA Built Machines Only) (Prior to SN 0200103611)	
26		Ref	Bearing	
26	0962140	1	USA Built Machines Only (SN 0200103611 through 0200230091)	
26	0962140	1	Belgium Built Machines Only (SN 1200000398 to Present)	
100	2901548	1	KIT OPTIONS: Seal Kit (Includes Items 3-9)	

SECTION 5 - CYLINDER

FIGURE 5-2. LEVELING JACK CYLINDER ASSEMBLY (USA BUILT MACHINES) (Prior to SN 0200104829)



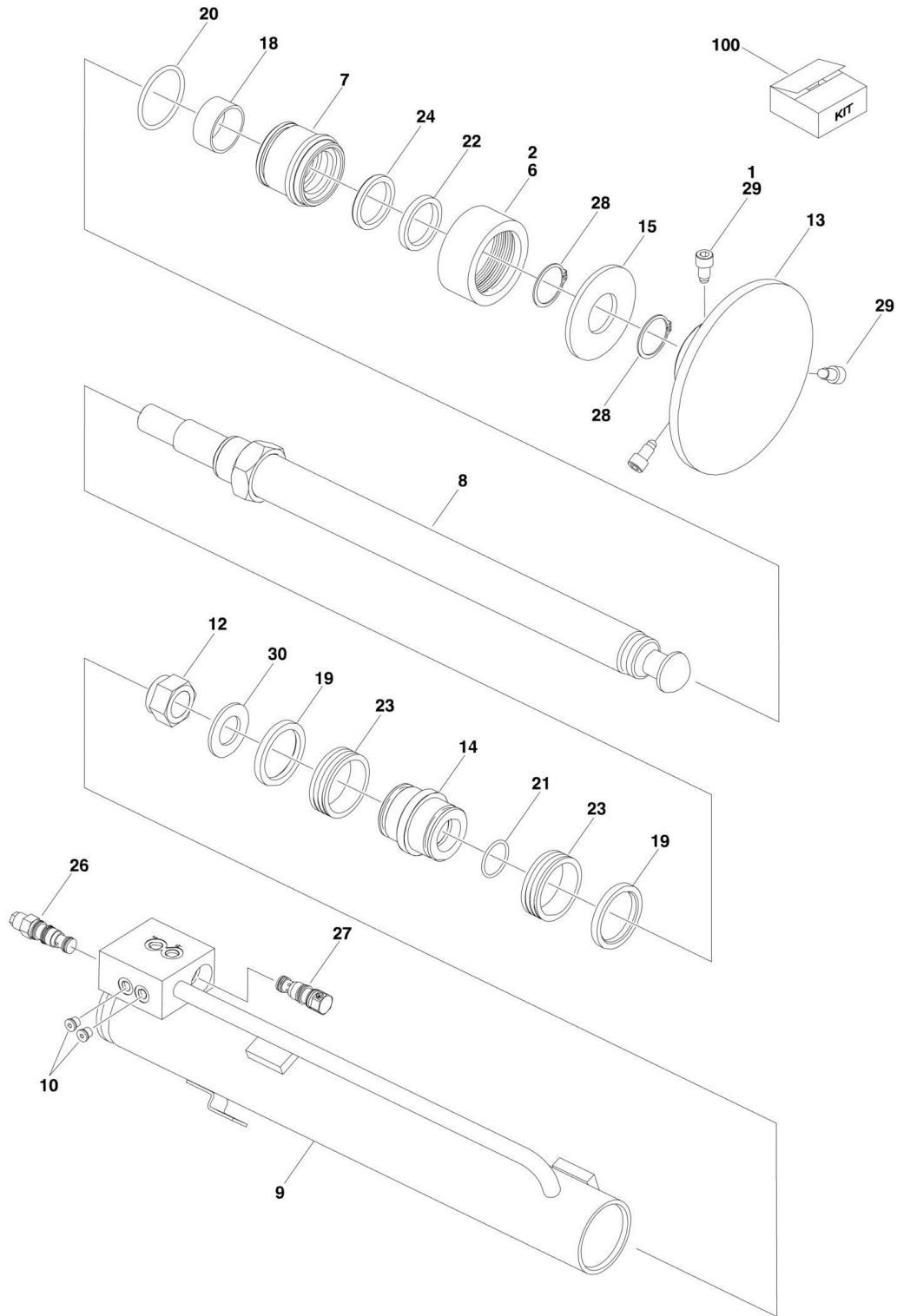
SECTION 5 - CYLINDER

FIGURE 5-2. LEVELING JACK CYLINDER ASSEMBLY (USA BUILT MACHINES) (Prior to SN 0200104829)

ITEM	PART NUMBER	QTY	DESCRIPTION	REV
		Ref	Note: Original Equipment Cylinder may have been replaced with Service Replacement p/n 1684217 - See next figure. Identify p/n stamped on cylinder before ordering parts.	
	1683966	Ref	LEVELING JACK CYLINDER ASSEMBLY	G
1	0100011	AR	Compound, Locking	
2	0100035	AR	Compound, Locking	
3	0100038	AR	Primer, Locking	
4	0320015	1	Ball, Trailer	
5	0681606	6	Bolt 3/8in-16NC x 3/4in Grade 8	
6	1120108	1	Cap	
7	1681283	1	Head	
8	1682723	1	Rod	
9	1683967	1	Barrel	
10	2220883	2	Plug	
12	3300281	1	Nut	
13	3340904	NLA	Pad, Jack Kit (Includes Items 5,13 & 16) (Use p/n 2902023)	
14	3480092	1	Piston	
15	3536708	1	Plate	
16	3760453	1	Ring, Retainer	
17	3900170	1	Screw, Locking	
18	See Note	NSS	Ring, Wear (Note: Use Item 100)	
19	See Note	NSS	Guidelock (Note: Use Item 100)	
20	See Note	NSS	O-Ring (Note: Use Item 100)	
21	See Note	NSS	O-Ring (Note: Use Item 100)	
22	See Note	NSS	Seal, Wiper (Note: Use Item 100)	
23	See Note	NSS	Polyseal (Note: Use Item 100)	
24	See Note	NSS	Hydrolock (Note: Use Item 100)	
25	4565647	1	Tube, Spacer	
26	4640495	1	Valve, Counter Balance	
26	2900770	1	Seal Kit - 4640495 Valve	
27	4641156	1	Valve, Check	
27	2900770	1	Seal Kit - 4641156 Valve	
		Ref	KIT OPTIONS:	
100	2901941	1	Seal Kit (Includes Items 18-24)	

SECTION 5 - CYLINDER

FIGURE 5-3. LEVELING JACK CYLINDER ASSEMBLY (SN 0200104829 through 0200112734, SN 1200000100 through 0200230091)



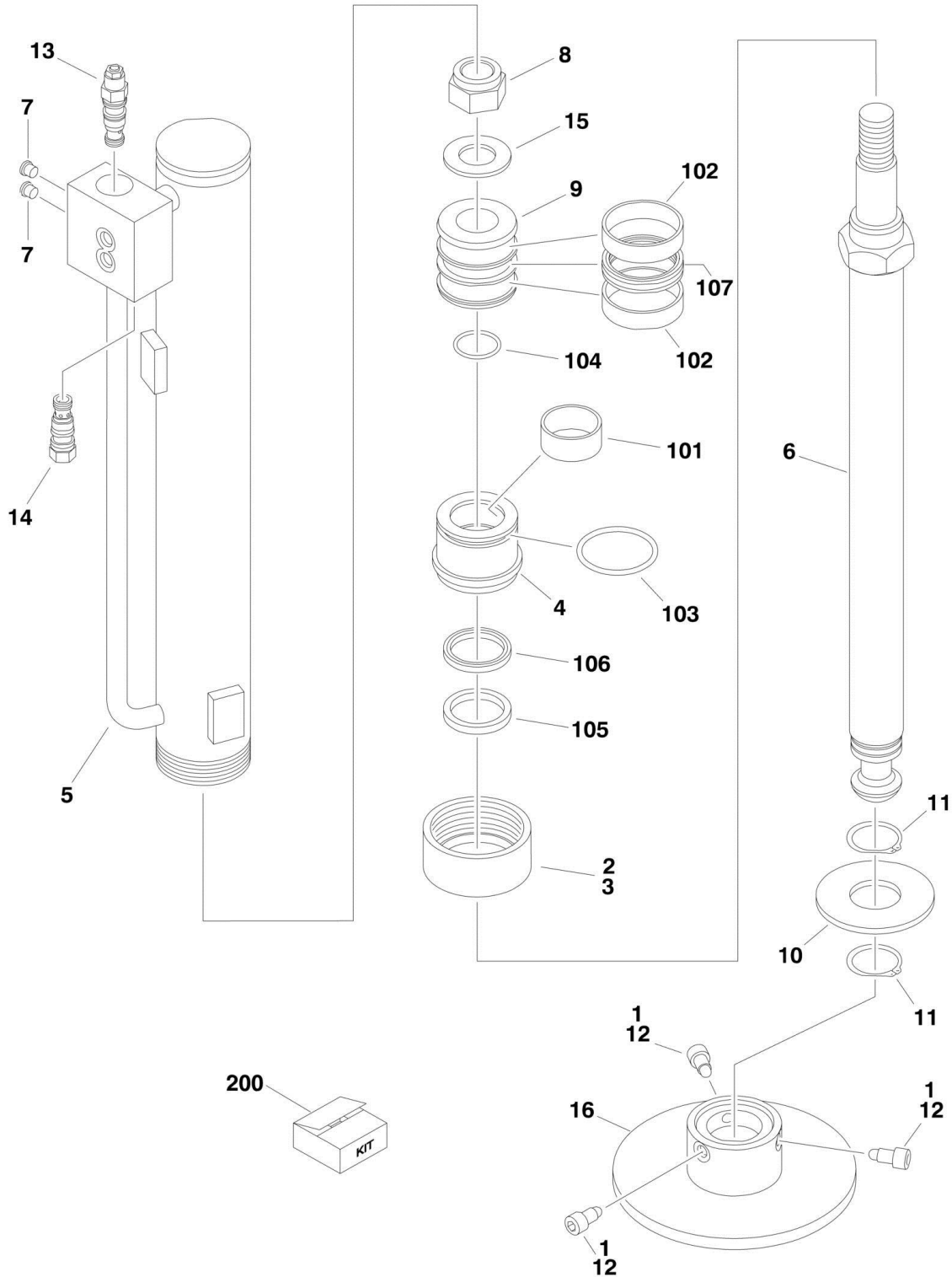
SECTION 5 - CYLINDER

FIGURE 5-3. LEVELING JACK CYLINDER ASSEMBLY (SN 0200104829 through 0200112734, SN 1200000100 through 0200230091)

ITEM	PART NUMBER	QTY	DESCRIPTION	REV
	1684217	Ref	LEVELING JACK CYLINDER ASSEMBLY	A
1	0100011	AR	Compound, Locking	
2	0100035	AR	Compound, Locking	
6	1120108	1	Cap, End	
7	1681283	1	Head	
8	1684206	1	Rod, Cylinder	
9	1683967	1	Barrel, Cylinder	
10	2220883	2	Plug	
12	3300465	1	Locknut 1 1/4in-12NC	
13	4846584	1	Pad, Jack	
14	3480092	1	Piston	
15	3573513	1	Plate	
18	See Note	NSS	Ring, Wear (Note: Use Item 100)	
19	See Note	NSS	Guidelock (Note: Use Item 100)	
20	See Note	NSS	O-Ring (Note: Use Item 100)	
21	See Note	NSS	O-Ring (Note: Use Item 100)	
22	See Note	NSS	Seal, Wiper (Note: Use Item 100)	
23	See Note	NSS	Polyseal (Note: Use Item 100)	
24	See Note	NSS	Hydrolock (Note: Use Item 100)	
26	4640495	1	Valve, Counter Balance	
26	2900770	1	Seal Kit - 4640495 Valve	
27	4641156	1	Valve, Check	
27	2900770	1	Seal Kit - 4641156 Valve	
28	3760460	2	Ring, Retaining	
29	3900321	3	Screw, Special 1/2in-13NC x 1 1/4	
30	4713000	1	Flatwasher 1 1/4in	
		Ref	KIT OPTIONS:	
100	2901941	1	Seal Kit (Includes Items 18-24)	

SECTION 5 - CYLINDER

FIGURE 5-4. LEVELING JACK CYLINDER ASSEMBLY (USA BUILT MACHINES) (ORIGINAL EQUIPMENT) (SN 0200112735 through 0200214444)



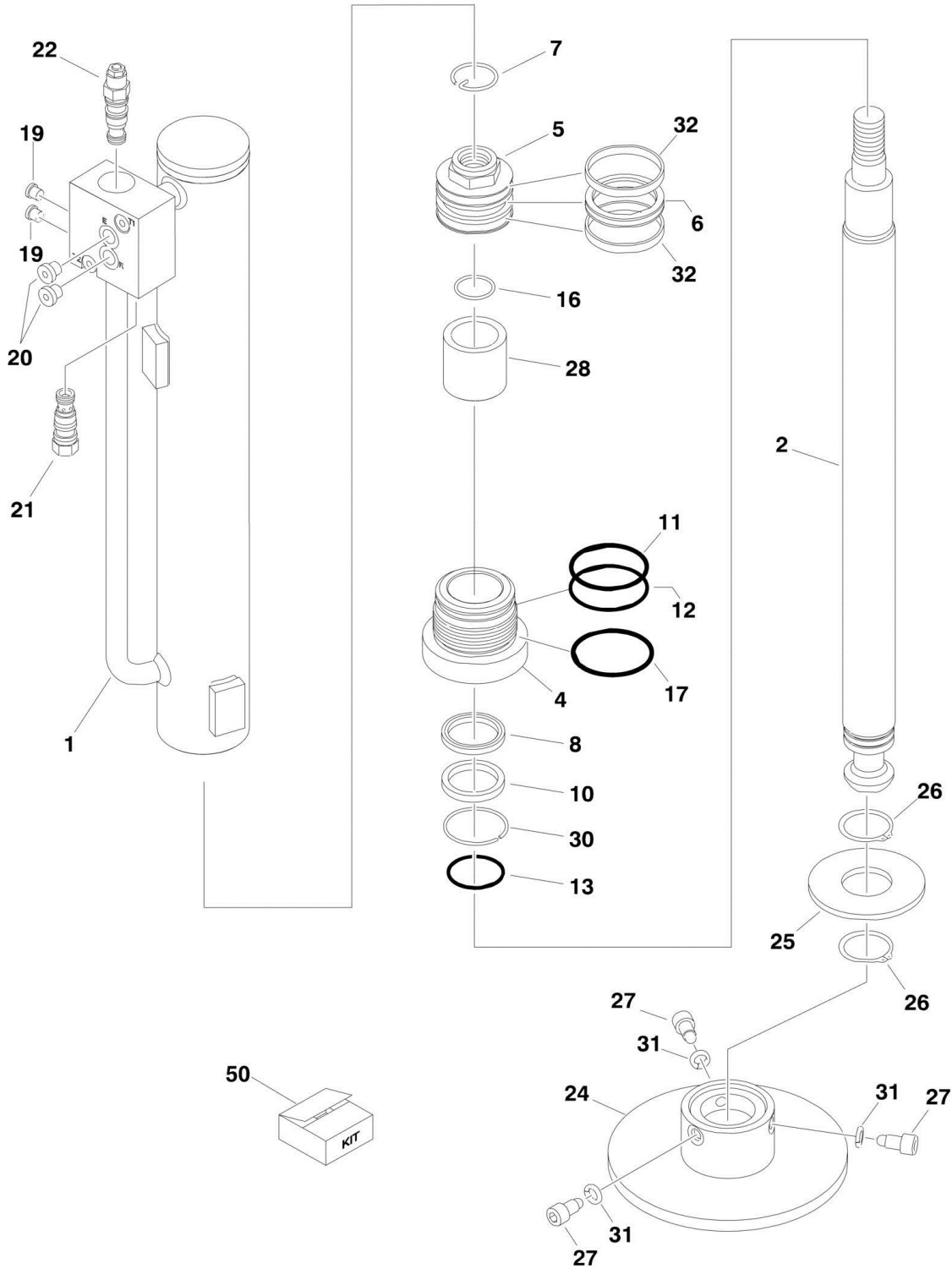
SECTION 5 - CYLINDER

FIGURE 5-4. LEVELING JACK CYLINDER ASSEMBLY (USA BUILT MACHINES) (ORIGINAL EQUIPMENT) (SN 0200112735 through 0200214444)

ITEM	PART NUMBER	QTY	DESCRIPTION	REV
		Ref	Note: Original Equipment Cylinder may have been replaced with Service Replacement Cylinder. Identify p/n stamped on cylinder before ordering parts.	
	1684291	Ref	LEVELING JACK CYLINDER ASSEMBLY	D
1	0100011	AR	Compound, Locking	
2	0100035	AR	Compound, Locking	
3	1120108	1	Cap, End	
4	1681283	1	Head	
5	1683967	1	Barrel, Cylinder	
6	1684206	1	Rod, Cylinder	
7	2220883	2	Plug	
8	3300465	1	Locknut -1/4in-12NC	
9	3480279	1	Piston	
10	3573513	1	Plate	
11	3760460	2	Ring, Retaining	
12	3900321	3	Screw, Special 1/2in-13NC x 1-1/4in	
13	4640495	1	Valve, Counter Balance	
13	2900770	1	Seal Kit - 4640495 Valve	
14	4641156	1	Valve, Check	
14	2900770	1	Seal Kit - 4641156 Valve	
15	4713000	1	Flatwasher 1-1/4in	
16	4846584	1	Pad, Jack	
101	See Note	NSS	Ring, Wear (Note: Use Item 200)	
102	See Note	NSS	Ring, Wear (Note: Use Item 200)	
103	See Note	NSS	O-Ring (Note: Use Item 200)	
104	See Note	NSS	O-Ring (Note: Use Item 200)	
105	See Note	NSS	Seal, Wiper (Note: Use Item 200)	
106	See Note	NSS	Polyseal (Note: Use Item 200)	
107	See Note	NSS	Seal, Piston (Note: Use Item 200)	
		Ref	KIT OPTIONS:	
200	2902264	1	Seal Kit (Includes Items 101-107)	

SECTION 5 - CYLINDER

FIGURE 5-5. LEVELING JACK CYLINDER ASSEMBLY (USA BUILT MACHINES) (SERVICE REPLACEMENT) (SN 0200214444 through 0200230091)



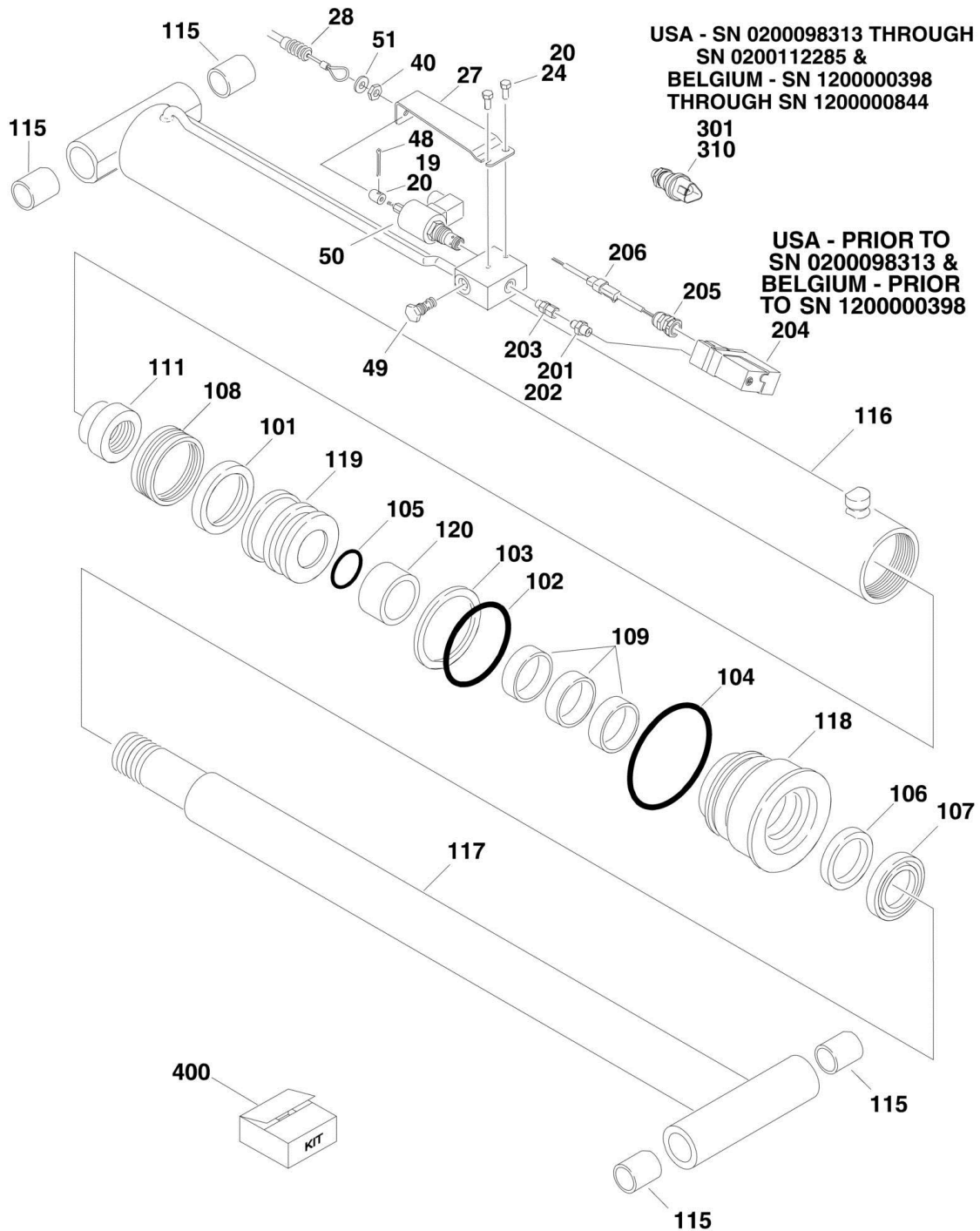
SECTION 5 - CYLINDER

FIGURE 5-5. LEVELING JACK CYLINDER ASSEMBLY (USA BUILT MACHINES) (SERVICE REPLACEMENT) (SN 0200214444 through 0200230091)

ITEM	PART NUMBER	QTY	DESCRIPTION	REV
	1001140600	Ref	LEVELING JACK CYLINDER ASSEMBLY	B
1	70003826	1	Barrel	
2	70003827	1	Rod	
4	70003818	1	Head	
5	70003819	1	Piston	
6	See Note	NSS	Seal, Piston (Note: Use Item 50)	
7	70002216	1	Retainer	
8	See Note	NSS	Seal, Rod (Note: Use Item 50)	
10	See Note	NSS	Seal, Wiper (Note: Use Item 50)	
11	See Note	NSS	O-Ring (Note: Use Item 50)	
12	See Note	NSS	Ring, Back-up (Note: Use Item 50)	
13	70003820	1	O-Ring	
16	See Note	NSS	O-Ring (Note: Use Item 50)	
17	See Note	NSS	O-Ring (Note: Use Item 50)	
19	7017406	2	Plug	
20	7024844	2	Plug	
21	4641156	1	Valve, Check	
21	2900770	1	Seal Kit - 4641156 Valve	
22	4640495	1	Valve, Counter Balance	
22	2900770	1	Seal Kit - 4640495 Valve	
24	70003828	1	Pad, Jack	
25	70003821	1	Plate	
26	70003822	2	Ring, Retaining	
27	70003823	3	Screw, Special 1/2in-13NC x 1-1/4in	
28	70003824	1	Spacer	
30	70002219	1	Ring, Retaining	
31	70003825	3	Lockwasher	
32	See Note	NSS	Ring, Wear (Note: Use Item 50)	
50	70003829	1	Seal Kit (Includes Items 6, 8-12, 16, 17 & 32)	

SECTION 5 - CYLINDER

FIGURE 5-6. LIFT CYLINDER COMPONENTS ASSEMBLY - 3369LE & M3369



SECTION 5 - CYLINDER

FIGURE 5-6. LIFT CYLINDER COMPONENTS ASSEMBLY - 3369LE & M3369

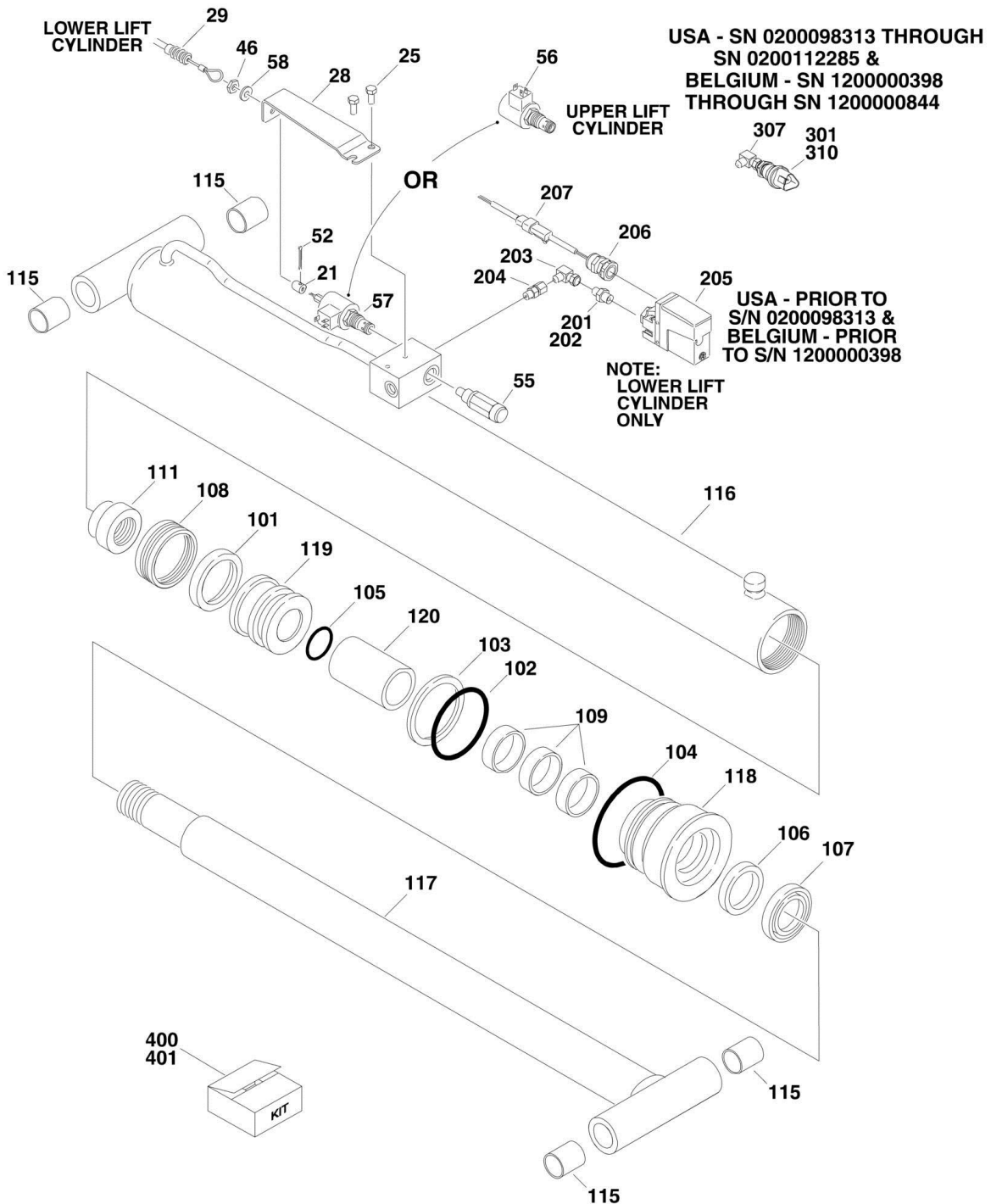
ITEM	PART NUMBER	QTY	DESCRIPTION	REV
		Ref	LIFT CYLINDER SUB-ASSEMBLY - 3369LE & M3369	
	0270853	Ref	USA Built Machines (Prior to SN 0200112285)	H
	0272932	Ref	USA Built Machines (SN 0200112285 through 0200152397)	D
	0275481	Ref	USA Built ANSI and ANSI Export Spec Machines (SN 0200152398 through 0200230091)	A
	0275525	Ref	USA Built ANSI Export and Japanese Spec Machines (SN 0200152398 through 0200230091)	A
	0270853	Ref	Belgium Built Machines	H
19	0080228	1	Adapter	
20	0100011	AR	Compound, Locking	
24	0641506	2	Bolt 5/16in-18NC x 3/4in	
27	0902421	1	Bracket	
28	1060846	1	Cable, Manual Descent	
40	3321402	2	Nut, Jam 1/4in-28NF	
48	3450405	1	Pin, Cotter 1/8in x 1 1/4in	
49	4641002	1	Valve, Check/Restrictor	
49	7012953	1	Seal Kit - 4641002 Valve	
50	4641172	1	Valve, Solenoid	
50	7017445	1	Cartridge, Valve	
50	7012967	1	Seal Kit - Valve	
50	7012943	1	Coil	
51	4711400	2	Flatwasher 1/4in Narrow	
		Ref	LIFT CYLINDER ASSEMBLIES	
	1683858	Ref	USA Built Machines (Prior to SN 0200100577)	C
	1684119	Ref	USA Built Machines (SN 0200100577 through 0200230091)	D
	1684119	Ref	Belgium Built Machines	D
101	See Note	NSS	Seal (Note: Use Item 400)	
102	See Note	NSS	O-Ring (Note: Use Item 400)	
103	See Note	NSS	Ring, Back-Up (Note: Use Item 400)	
104	See Note	NSS	O-Ring (Note: Use Item 400)	
105	See Note	NSS	O-Ring (Note: Use Item 400)	
106	See Note	NSS	Seal (Note: Use Item 400)	
107	See Note	NSS	Wiper (Note: Use Item 400)	
108	See Note	NSS	Ring, Wear (Note: Use Item 400)	
109	See Note	NSS	Ring, Wear (Note: Use Item 400)	
111	7003226	1	Locknut	
115	0962012	4	Bushing	
116	7019898	1	Barrel Weldment	
117	70001358	1	Rod Weldment	
118	7019886	1	Head	
119	7024101	1	Piston	
120	70001357	1	Spacer	
		Ref	OVERLOAD CUT-OUT INSTALLATIONS (FRENCH SPEC)	
		Ref	USA Manufactured (Prior to SN 0200098313)	
		Ref	Belgium Manufactured (Prior to SN 1200000398)	
	0271403	Ref	Lift Down Cut-Out	C
	0271481	Ref	All Function Cut-Out	B
201	0100020	AR	Sealant, Pipe	
202	2220440	1	Fitting, Straight	
203	2221029	1	Fitting, Straight	

SECTION 5 - CYLINDER

ITEM	PART NUMBER	QTY	DESCRIPTION	REV
204	4360507	1	Switch, Pressure	
205	4460428	1	Connector, Strain Relief	
206	4922596	1	Harness, Overload (See ELECTRICAL SECTION for Breakdown)	
		Ref	OVERLOAD CUT-OUT INSTALLATIONS (FRENCH SPEC)	
		Ref	NOTE: Used on USA Manufactured Machines with SN 0200098313 to SN 0200112285 and Belgium Manufactured Machines with SN 1200000398 to SN 1200000844 Only. For Machines with Overload Refer to JLG Supplement p/n 3124288.	
	0271651	Ref	Overload Cut-Out Installations (French Spec) 4069LE/M4069	C
301	4360518	1	Transducer, Pressure	
310	4922686	1	Harness, Overload (See ELECTRICAL SECTION for Breakdown)	
		Ref	KIT OPTIONS:	
400	7024103	1	Seal Kit (Includes Items 101-109)	

SECTION 5 - CYLINDER

FIGURE 5-7. LIFT CYLINDER COMPONENTS ASSEMBLY - 4069LE & M4069



SECTION 5 - CYLINDER

FIGURE 5-7. LIFT CYLINDER COMPONENTS ASSEMBLY - 4069LE & M4069

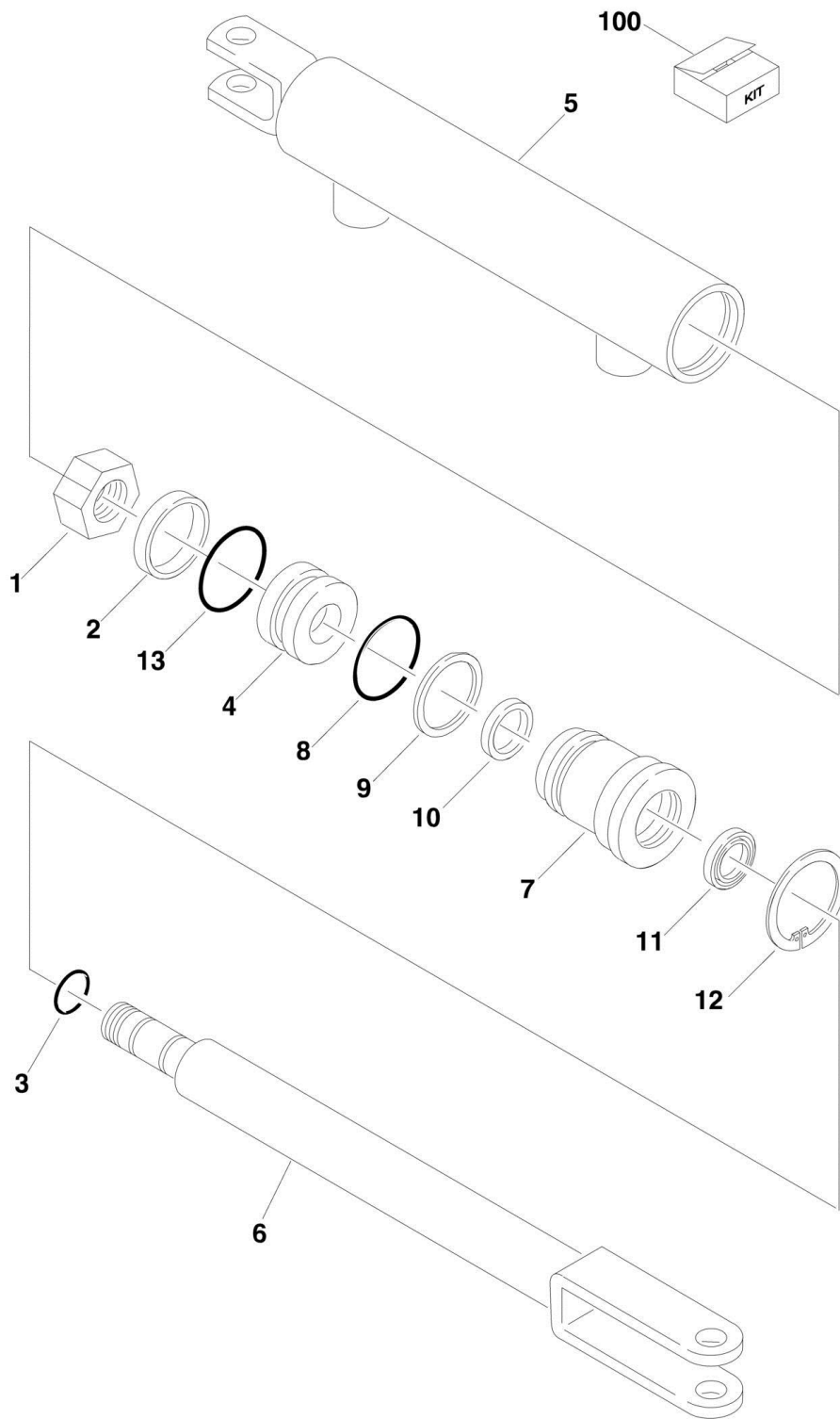
ITEM	PART NUMBER	QTY	DESCRIPTION	REV
		Ref	LIFT CYLINDER SUB-ASSEMBLY - 4069LE & M4069	
	0270854	Ref	USA Manufactured (Prior to SN 0200112285)	H
	0272933	Ref	USA Manufactured (SN 0200112285 through 0200152397)	D
	0275482	Ref	USA Built ANSI and ANSI Export Spec Machines (SN 0200152398 through 0200230091)	A
	0275526	Ref	USA Built ANSI Export and Japanese Spec Machines (SN 0200152398 through 0200230091)	A
	0270854	Ref	Belgium Built Machines	H
21	0080228	1	Adapter (Lower Cylinder)	
25	0641506	2	Bolt 5/16in-18NC x 3/4in (Lower Cylinder)	
28	0902421	1	Bracket (Lower Cylinder)	
29	1060846	1	Cable, Manual Descent (Lower Cylinder)	
46	3321402	2	Nut, Jam 1/4in-28NF (Lower Cylinder)	
52	3450405	1	Pin, Cotter 1/8in x 1 1/4in (Lower Cylinder)	
55	4641118	2	Valve, Relief (Lower and Upper Cylinders) (1 Per Cylinder)	
55	7012998	1	Seal Kit - 4641118 Valve	
56	4641168	1	Cartridge, Solenoid Valve (Upper Cylinder)	
56	7017467	1	Seal Kit - Valve	
56	7012944	1	Coil	
57	4641172	1	Valve, Solenoid (Lower Cylinder)	
57	7017445	1	Cartridge, Valve	
57	7012967	1	Seal Kit - Valve	
57	7012943	1	Coil	
58	4711400	2	Flatwasher 1/4in Narrow (Lower Cylinder)	
		Ref	LIFT CYLINDER ASSEMBLY	
	1684120	Ref	Lower Cylinder	C
	1684121	Ref	Upper Cylinder	C
101	See Note	NSS	Seal (Note: Use Items 400 & 401)	
102	See Note	NSS	O-Ring (Note: Use Items 400 & 401)	
103	See Note	NSS	Ring, Back-up (Note: Use Items 400 & 401)	
104	See Note	NSS	O-Ring (Note: Use Items 400 & 401)	
105	See Note	NSS	O-Ring (Note: Use Items 400 & 401)	
106	See Note	NSS	Seal (Note: Use Items 400 & 401)	
107	See Note	NSS	Wiper (Note: Use Items 400 & 401)	
108	See Note	NSS	Ring, Wear (Note: Use Items 400 & 401)	
109	See Note	NSS	Ring, Wear (Note: Use Items 400 & 401)	
111		Ref	Locknut Options:	
111	7003226	1	1684120 Cylinder	
111	7003212	1	1684121 Cylinder	
115	7019889	4	Bushing	
116		Ref	Barrel Weldment Options:	
116	7019888	1	1684120 Cylinder	
116	7019895	1	1684121 Cylinder	
117		Ref	Rod Weldment Options:	
117	7023505	1	1684120 Cylinder	
117	7023508	1	1684121 Cylinder	
118		Ref	Head Options:	
118	7019886	1	1684120 Cylinder	
118	7019893	1	1684121 Cylinder	
119		Ref	Piston Options:	

SECTION 5 - CYLINDER

ITEM	PART NUMBER	QTY	DESCRIPTION	REV
119	7024101	1	1684120 Cylinder	
119	7019862	1	1684121 Cylinder	
120		Ref	Spacer Options:	
120	7023509	1	1684120 Cylinder	
120	7023510	1	1684121 Cylinder	
		Ref	OVERLOAD CUT-OUT INSTALLATIONS (FRENCH SPEC)	
		Ref	USA Manufactured (Prior to SN 0200098313)	
		Ref	Belgium Manufactured (Prior to SN 1200000398)	
	0271404	Ref	Lift Down Cut-Out	C
	0271482	Ref	All Function Cut-Out	B
201	0100020	AR	Sealant, Pipe	
202	2220440	1	Fitting, Straight	
203	2220654	1	Fitting, 90	
204	2221020	1	Fitting, Straight	
205	4360507	1	Switch, Pressure	
206	4460428	1	Connector, Strain Relief	
207	4922596	1	Harness, Overload (See ELECTRICAL SECTION for Breakdown)	
		Ref	OVERLOAD CUT-OUT INSTALLATIONS (FRENCH SPEC)	
		Ref	NOTE: Used on USA Manufactured Machines with SN 0200098313 to SN 0200112285 and Belgium Manufactured Machines with SN 1200000398 to SN 1200000844 Only. For Machines with Overload Refer to JLG Supplement p/n 3124288.	
	0271652	Ref	Overload Cut-Out Installations (French Spec) 4069LE/M4069	C
301	4360518	1	Transducer, Pressure	
307	2221116	1	Fitting 90	
310	4922686	1	Harness, Overload (See ELECTRICAL SECTION for Breakdown)	
		Ref	KIT OPTIONS:	
		Ref	Seal Kit Options (Includes Items 101-109):	
400	7024103	1	1684120 Cylinder	
401	7024102	1	1684121 Cylinder	

SECTION 5 - CYLINDER

FIGURE 5-8. STEER CYLINDER ASSEMBLY



SECTION 5 - CYLINDER

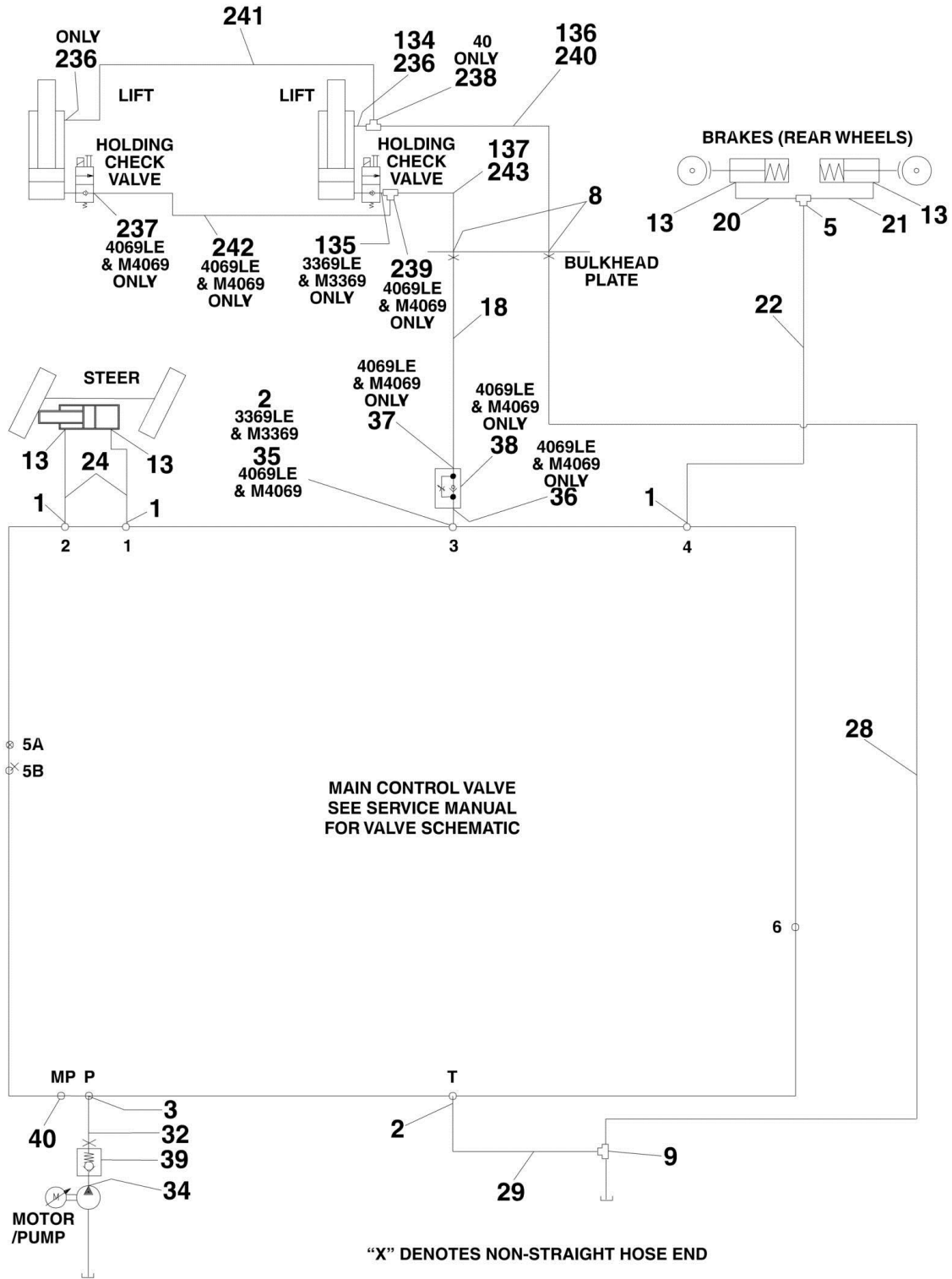
FIGURE 5-8. STEER CYLINDER ASSEMBLY

ITEM	PART NUMBER	QTY	DESCRIPTION	REV
	1683994	Ref	STEER CYLINDER ASSEMBLY	D
1	7001626	1	Locknut	
2	See Note	NSS	Seal, Piston (Note: Use Item 100)	
3	See Note	NSS	O-Ring (Note: Use Item 100)	
4	70002518	1	Piston (was p/n 7017291)	
5	7023022	1	Barrel	
6	7023021	1	Rod	
7	7017294	1	Guide	
8	See Note	NSS	O-Ring (Note: Use Item 100)	
9	See Note	NSS	Ring, Back-up (Note: Use Item 100)	
10	See Note	NSS	Seal (Note: Use Item 100)	
11	See Note	NSS	Wiper (Note: Use Item 100)	
12	See Note	NSS	Ring, Retainer (Note: Use Item 100)	
13	See Note	NSS	O-Ring (Note: Use Item 100)	
		Ref	KIT OPTIONS:	
100	70002517	1	Seal Kit Options (Includes Items 2, 3 & 8-13) (was p/n 7017290)	

SECTION 6 - HYDRAULIC

SECTION 6 - HYDRAULIC

FIGURE 6-1. HYDRAULIC DIAGRAM - FIXED AXLE



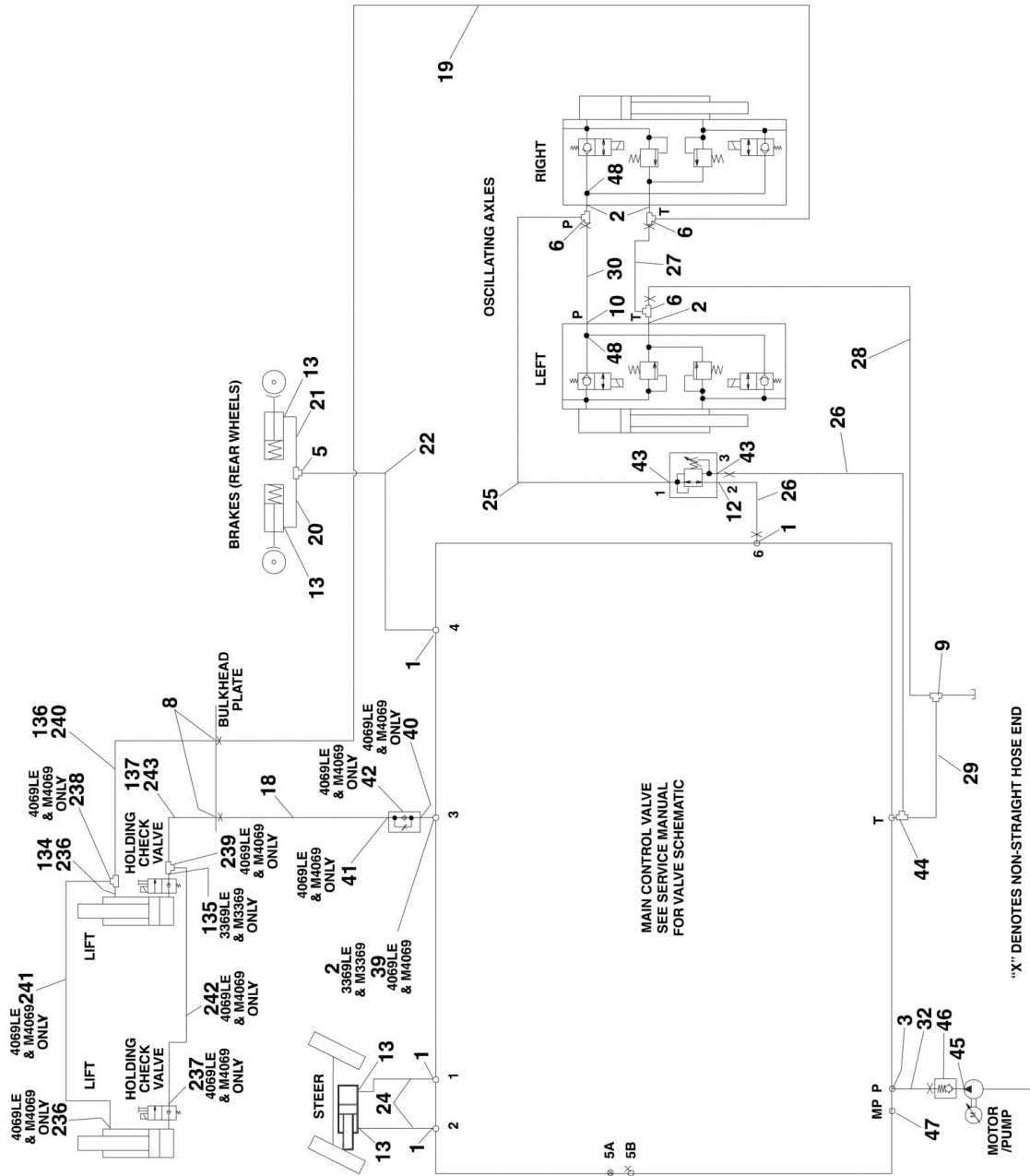
SECTION 6 - HYDRAULIC

FIGURE 6-1. HYDRAULIC DIAGRAM - FIXED AXLE

ITEM	PART NUMBER	QTY	DESCRIPTION	REV
		Ref	HYDRAULIC DIAGRAMS	
	2792443	Ref	Hydraulic Diagrams 3369LE & M3369	E
	2792445	Ref	Hydraulic Diagrams 4069LE & M4069	F
1	2220415	3	Fitting, Straight	
2	2220371	2	Fitting, Straight	
3	2220373	1	Fitting, Straight	
5	2220504	1	Fitting, Tee	
8	2230024	2	Fitting, Bulkhead	
9	2221041	1	Fitting, Tee	
13	2220466	4	Fitting, 90	
18	2752958	1	Hose	
20	2752593	1	Hose	
21	2752444	1	Hose	
22	2750905	1	Hose	
24	2752983	2	Hose	
28	2753527	1	Hose	
29	2753528	1	Hose	
32		Ref	Hose Options:	
32	2750766	1	Hose 3369LE & M3369	
32	2753187	1	Hose 4069LE & M4069	
34	2220810	1	Fitting, Straight	
35	2220600	1	Fitting, Straight (4069LE & M4069)	
36	2220651	1	Fitting, Straight (4069LE & M4069)	
37	2221044	1	Fitting, 45 (4069LE & M4069)	
38	4640757	1	Valve, Color Flow (4069LE & M4069)	
39	4640744	1	Valve, Inline Check	
40	2221086	1	Fitting, Nipple	
	0275481	Ref	HYDRAULIC COMPONENTS FROM ARMS ASSEMBLY - 3369LE & M3369 WITHOUT LSS	A
	0275526	Ref	HYDRAULIC COMPONENTS FROM ARMS ASSEMBLY - 3369LE & M3369 WITH LSS	A
134	2220371	1	Fitting, Straight	
135	2220473	1	Fitting, 90	
136	2753137	1	Hose	
137	2753526	1	Hose	
	0275482	Ref	HYDRAULIC COMPONENTS FROM ARMS ASSEMBLY - 4069LE & M4069 WITHOUT LSS	B
	0275526	Ref	HYDRAULIC COMPONENTS FROM ARMS ASSEMBLY - 4069LE & M4069 WITH LSS	B
236	2220371	2	Fitting, Straight	
237	2220473	1	Fitting, 90	
238	2220635	1	Fitting, Tee	
239	2220899	1	Fitting, Tee	
240	2753137	1	Hose	
241	2753414	1	Hose	
242	2753415	1	Hose	
243	2753526	1	Hose	

SECTION 6 - HYDRAULIC

FIGURE 6-2. HYDRAULIC DIAGRAM - OSCILLATING AXLE



SECTION 6 - HYDRAULIC

FIGURE 6-2. HYDRAULIC DIAGRAM - OSCILLATING AXLE

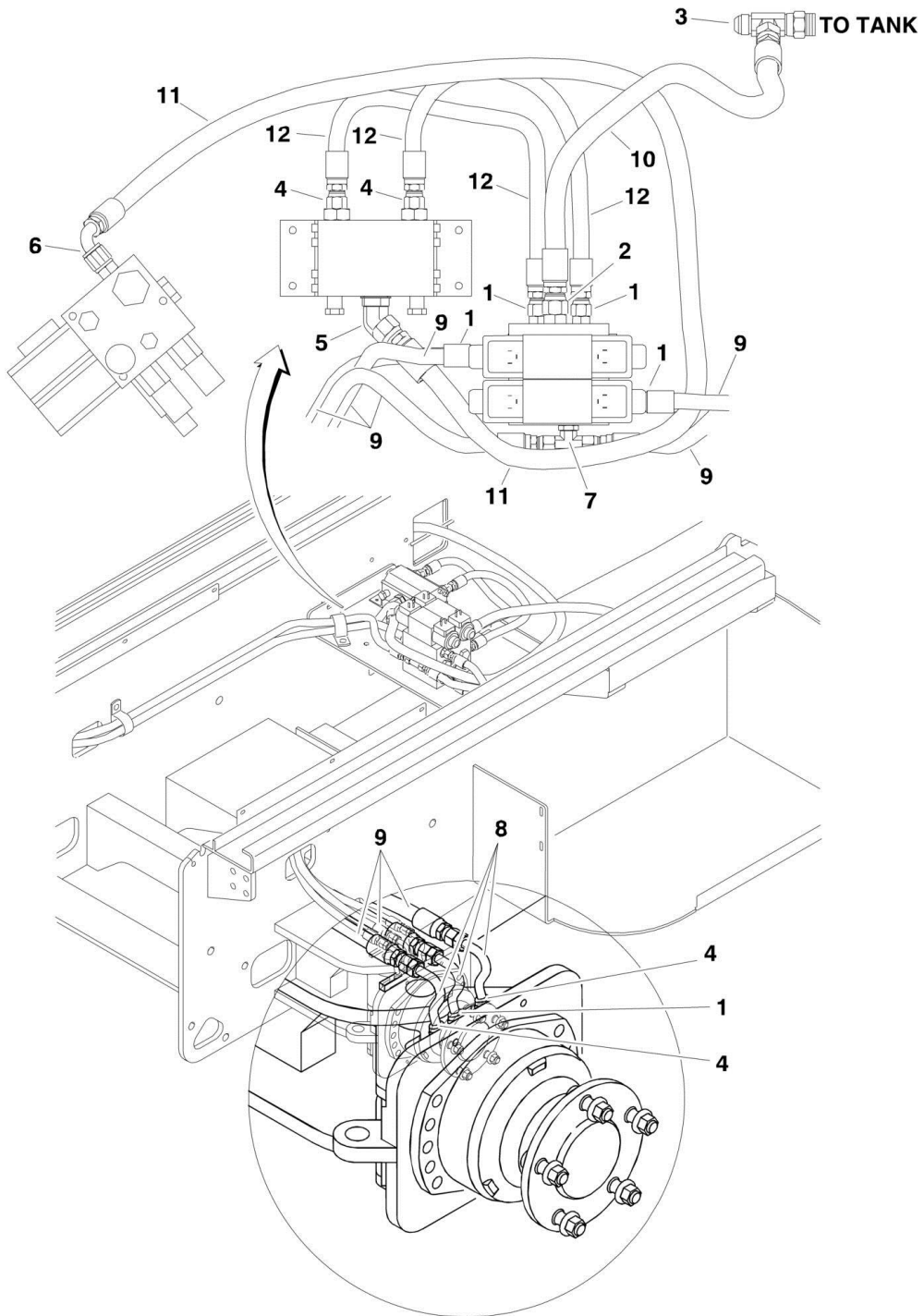
ITEM	PART NUMBER	QTY	DESCRIPTION	REV
		Ref	HYDRAULIC DIAGRAMS	
	2792444	Ref	Hydraulic Diagrams 3369LE & M3369	G
	2792446	Ref	Hydraulic Diagrams 4069LE & M4069	H
1	2220415	4	Fitting, Straight	
2	2220371	4	Fitting, Straight	
3	2220373	1	Fitting, Straight	
5	2220504	1	Fitting, Tee	
6	2220635	3	Fitting, Tee	
8	2230024	2	Fitting, Bulkhead	
9	2221041	1	Fitting, Tee	
10	2220819	1	Fitting, 90	
12	2220473	1	Fitting, 90	
13	2220466	4	Fitting, 90	
18	2752958	1	Hose	
19	2753389	1	Hose	
20	2752593	1	Hose	
21	2752444	1	Hose	
22	2750905	1	Hose	
24	2752983	2	Hose	
25	2753530	1	Hose	
26	2753531	2	Hose	
27	2753327	1	Hose	
28	2753523	1	Hose	
29	2753528	1	Hose	
30	2753529	1	Hose	
32	2753187	1	Hose	
39	2220600	1	Fitting, Straight (4069LE & M4069)	
40	2220651	1	Fitting, Straight (4069LE & M4069)	
41	2221044	1	Fitting, 45 (4069LE & M4069)	
42	4640757	1	Valve, Color Flow (4069LE & M4069)	
43	2220582	2	Fitting, Straight	
44	2220606	1	Fitting, Tee	
45	2220810	1	Fitting, Straight	
46	4640744	1	Valve, Inline Check	
47	2221086	1	Fitting, Nipple	
48	2221115	2	Fitting, Restrictor .022	
	0275481	Ref	HYDRAULIC COMPONENTS FROM ARMS ASSEMBLY - 3369LE & M3369 WITHOUT LSS	A
	0275526	Ref	HYDRAULIC COMPONENTS FROM ARMS ASSEMBLY - 3369LE & M3369 WITH LSS	A
134	2220371	1	Fitting, Straight	
135	2220473	1	Fitting, 90	
136	2753137	1	Hose	
137	2753526	1	Hose	
	0275482	Ref	HYDRAULIC COMPONENTS FROM ARMS ASSEMBLY - 4069LE & M4069 WITHOUT LSS	B
	0275526	Ref	HYDRAULIC COMPONENTS FROM ARMS ASSEMBLY - 4069LE & M4069 WITH LSS	B
236	2220371	2	Fitting, Straight	
237	2220473	1	Fitting, 90	

SECTION 6 - HYDRAULIC

ITEM	PART NUMBER	QTY	DESCRIPTION	REV
238	2220635	1	Fitting, Tee	
239	2220899	1	Fitting, Tee	
240	2753137	1	Hose	
241	2753414	1	Hose	
242	2753415	1	Hose	
243	2753526	1	Hose	

SECTION 6 - HYDRAULIC

FIGURE 6-3. HYDRAULIC DIAGRAM - 4WD (OPTIONAL)



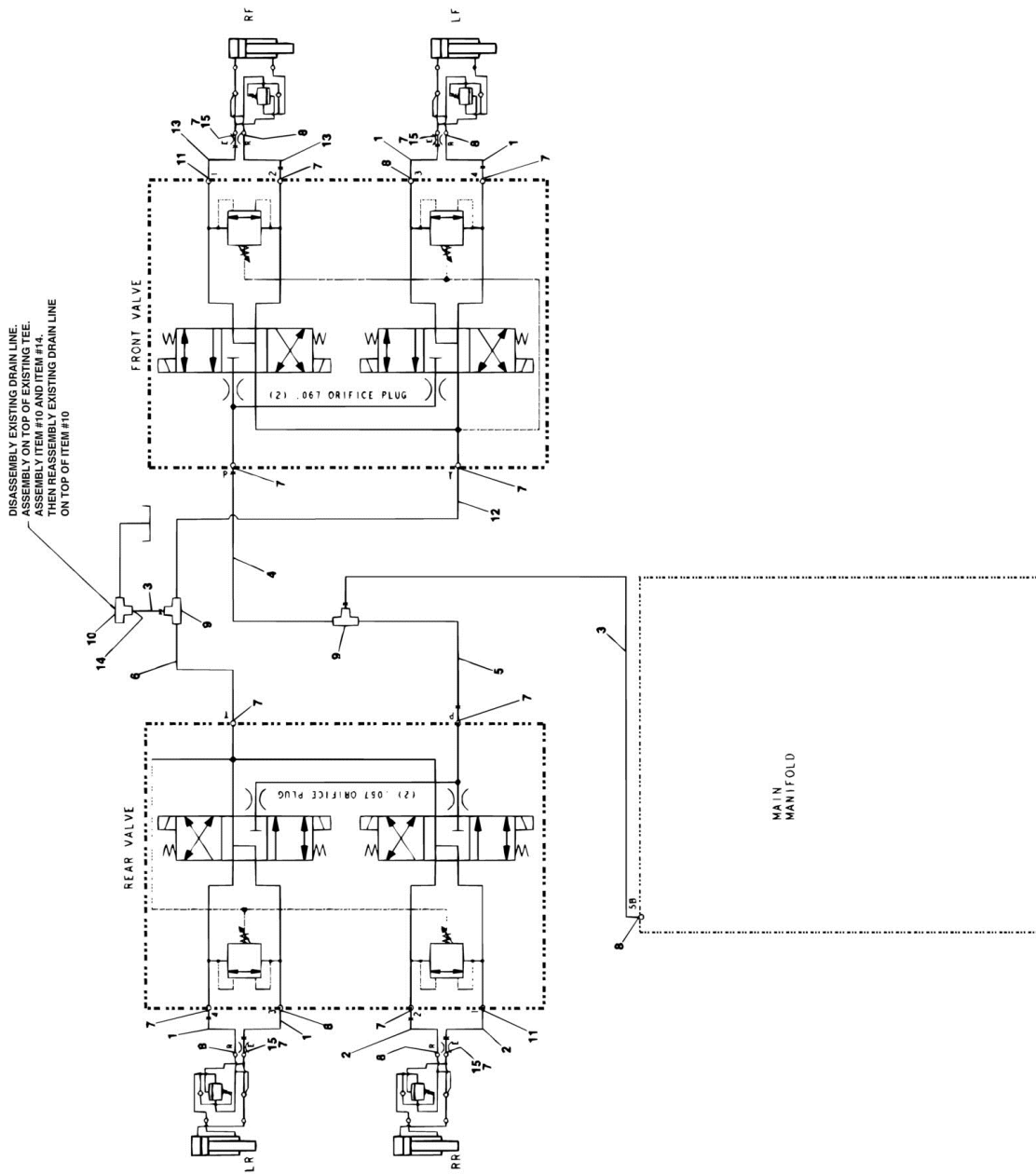
SECTION 6 - HYDRAULIC

FIGURE 6-3. HYDRAULIC DIAGRAM - 4WD (OPTIONAL)

ITEM	PART NUMBER	QTY	DESCRIPTION	REV
	0270991	Ref	HYDRAULIC DIAGRAM	E
1	2220371	8	Fitting, Straight	
2	2220373	1	Fitting, Straight	
3	2220385	1	Fitting, Tee	
4	2220497	6	Fitting, Straight	
5	2220499	1	Fitting, 45	
6	2220600	1	Fitting, Straight	
7	2220899	1	Fitting, Tee	
8	2230087	6	Fitting, Special	
9	2752966	6	Hose	
10	2752516	1	Hose	
11	2752497	1	Hose	
12	2753118	2	Hose	

SECTION 6 - HYDRAULIC

FIGURE 6-4. HYDRAULIC DIAGRAM - LEVELING JACKS (OPTIONAL)



SECTION 6 - HYDRAULIC

FIGURE 6-4. HYDRAULIC DIAGRAM - LEVELING JACKS (OPTIONAL)

ITEM	PART NUMBER	QTY	DESCRIPTION	REV
	2792494	Ref	HYDRAULIC DIAGRAM	E
1	2753532	4	Hose	
2	2753529	2	Hose	
3	2753397	2	Hose	
4	2753059	1	Hose	
5	2750908	1	Hose	
6	2750915	1	Hose	
7	2220371	12	Fitting, Straight	
8	2220473	7	Fitting, 90	
9	2220490	2	Fitting, Tee	
10	2220385	1	Fitting, Straight	
11	2220819	2	Fitting, 90	
12	2753120	1	Hose	
13	2753524	2	Hose	
14	2220619	1	Fitting, Reducer	
15	2221089	4	Orifice (.0625)	

SECTION 6 - HYDRAULIC

FIGURE 6-5. HYDRAULIC DIAGRAM LIST

ITEM	PART NUMBER	QTY	DESCRIPTION	REV
		Ref	Note: Diagrams not shown in manual are available from JLG Service/Parts Department.	
	0270991	Ref	Hydraulic Diagram - 4WD (Optional)	
	2792494	Ref	Hydraulic Diagram - Leveling Jacks (Optional)	
		Ref	Hydraulic Diagram - Scissors Arms	
	0275481	Ref	Hydraulic Diagram - Scissors Arms 3369LE & M3369	
	0275482	Ref	Hydraulic Diagram - Scissors Arms 4069LE & M4069	
		Ref	Hydraulic Diagram - Standard	
	2792443	Ref	Hydraulic Diagram - Standard 3369LE & M4069 with Fixed Axle	
	2792444	Ref	Hydraulic Diagram - Standard 3369LE & M4069 with Oscillating Axle	
	2792445	Ref	Hydraulic Diagram - Standard 4069LE & M4069 with Fixed Axle	
	2792446	Ref	Hydraulic Diagram - Standard 4069LE & M4069 with Oscillating Axle	
	1001175082	Ref	Hydraulic Diagram - LOXAM Spec 4069LE with Oscillating Axle (Not Shown)	
	2792442	Ref	Hydraulic Schematic	

SECTION 7 - ELECTRICAL

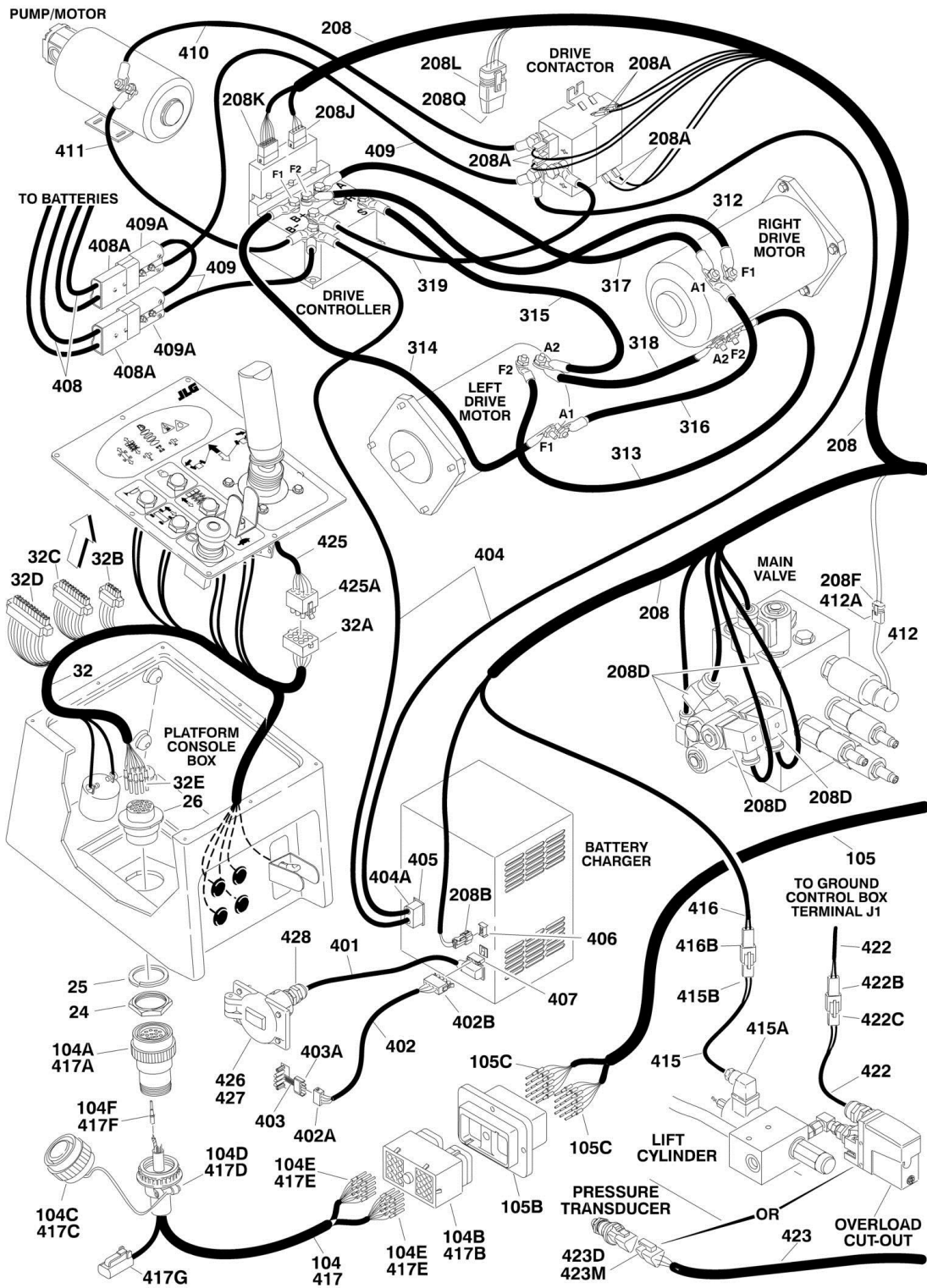
SECTION 7 - ELECTRICAL

FIGURE 7-1. ELECTRICAL SCHEMATIC

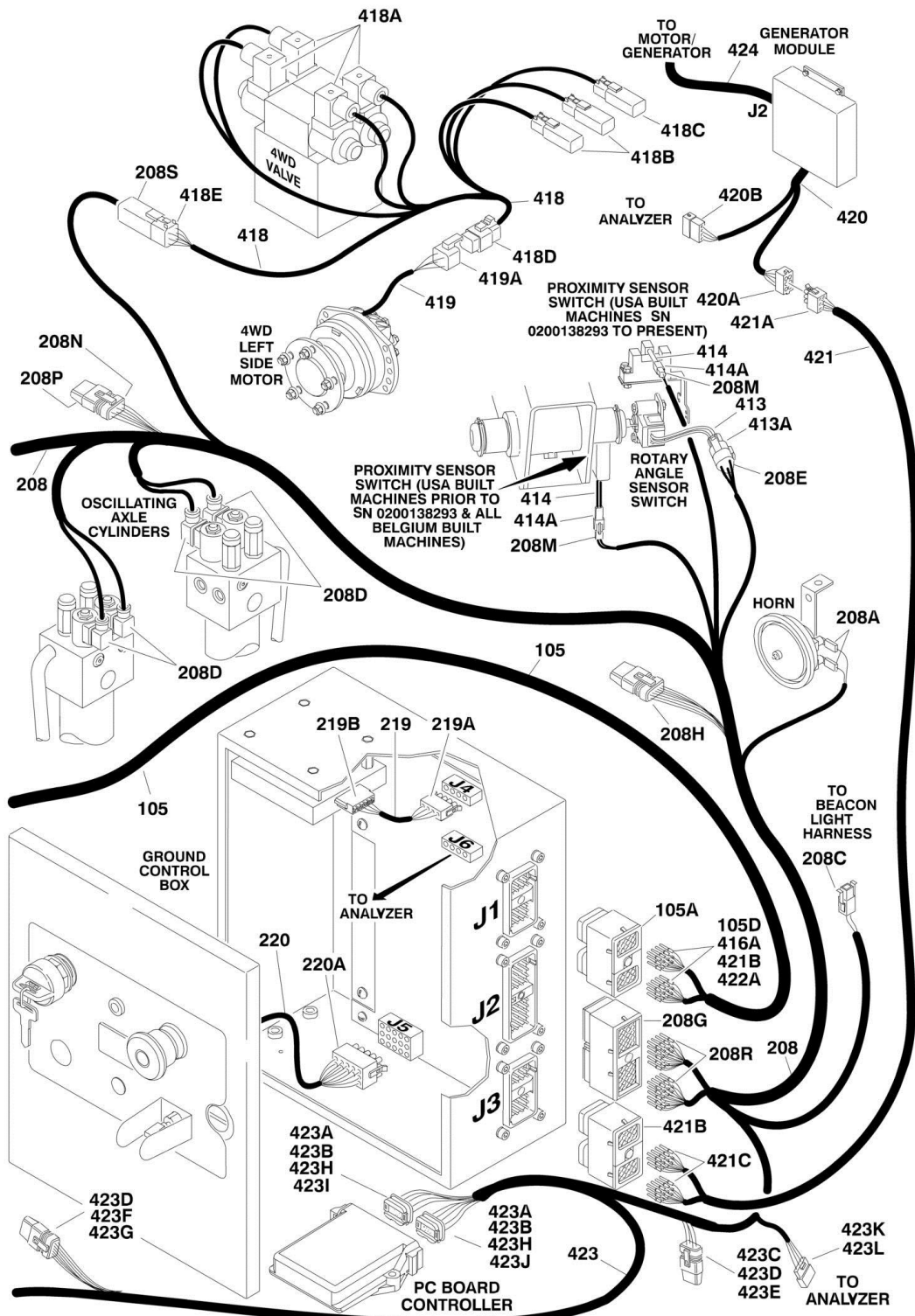
ITEM	PART NUMBER	QTY	DESCRIPTION	REV
		Ref	ELECTRICAL DIAGRAM LIST	
		Ref	Note: See Service Manual for schematics. For information on diagrams, contact JLG Service Parts Department.	
	1870130	Ref	Electrical Schematic - Standard (All Specs except Australian Spec)	
	1870130	Ref	Electrical Schematic - Standard (Australian Spec) (Prior to SN 0200160510)	
	1870229	Ref	Electrical Schematic - Standard (SN 0200160510 through 0200230091)	
	2000327	Ref	Electrical Schematic - Kubota (M3369/M4069)	
	0270787	Ref	Electrical Schematic - Yanmar (M3369/M4069)	

SECTION 7 - ELECTRICAL

FIGURE 7-2. STANDARD ELECTRICAL COMPONENTS INSTALLATION (WITH MAC CHARGER)



SECTION 7 - ELECTRICAL



SECTION 7 - ELECTRICAL

FIGURE 7-2. STANDARD ELECTRICAL COMPONENTS INSTALLATION (WITH MAC CHARGER)

ITEM	PART NUMBER	QTY	DESCRIPTION	REV
		Ref	CONSOLE BOX COMPONENTS	
24	4460470	1	Nut, Terminal	
25	4460471	1	Lockwasher, Terminal	
26	4460480	1	Connector, Terminal	
32		Ref	Harness, Console Box Options:	
32	4922526	1	Without Leveling Jacks	D
32	4922527	1	With Leveling Jacks	C
32A	4460266	1	Receptacle - 9 Pin	
32A	4460267	8	Pin, Male	
32B	4460817	1	Plug, Male - 5 Position	
32C	4460818	1	Plug, Male - 10 Position	
32D	4460895	1	Plug, Male - 12 Position	
32E	4460465	18	Socket, Female	
		Ref	PLATFORM CABLES INSTALLATION	
	0270572	Ref	Platform Cables Installation 3369LE & M3369	C
	0270573	Ref	Platform Cables Installation 4069LE & M4069	C
104		Ref	Harness Assembly (Routed Through Scissor Arms) (Part of Cables Installation) (Prior to SN 0200152398)	
104	4922477	1	Harness Assembly 3369LE & M3369	A
104	4922478	1	Harness Assembly 4069LE & M4069	A
104	1060899	Ref	Cable, Electrical - 16/20	
104	1060899	81 ft /24.7m	Cable, Electrical -16/20 3369LE & M3369	
104	1060899	88.1 ft /26.9m	Cable, Electrical -16/20 4069LE & M4069	
104A	4460481	1	Plug, Male	
104B	4460812	1	Plug, Male - 24 Position	
104C	4460468	1	Cap, Dust	
104D	4460473	1	Clamp	
104E	4460465	19	Socket, Female	
104F	4460464	18	Pin, Male	
105	4922479	1	Harness Assembly (Ground Control Box to Item 104)	D
105	1060815	7 ft/2.13m	Cable, Electrical -16/18	
105A	4460812	1	Plug, Male - 24 Position	
105B	4460846	1	Receptacle, Female - 24 Position	
105C	4460464	21	Pin, Male	
105D	4460465	21	Socket, Female	
105E	1060899	7 ft/ 2.1m	Cable (Not Shown)	
		Ref	GROUND CONTROL BOX ASSEMBLY INSTALLATIONS	
208	4922528	1	Harness, Valve	F
208A	4460260	8	Connector	
208A	4460259	8	Terminal	
208A	3990010	1	Diode 6A 600V (Located at Horn Only)	
208B	4460320	1	Plug, Male, 2 Position	
208B	4460465	2	Socket, Female	
208C	4460424	1	Connector, Female - 2 Position	
208C	4460267	2	Pin, Male	
208D	4460499	9	Connector, DIN	
208E	4460539	1	Plug, Male - 3 Position	
208E	4460465	3	Socket, Female	

SECTION 7 - ELECTRICAL

ITEM	PART NUMBER	QTY	DESCRIPTION	REV
208F	4460742	1	Plug, Male - 2 Position	
208F	4460743	2	Socket, Female	
208G	4460814	1	Connector, Female - 40 Position	
208H	4460836	1	Connector - 12 Position	
208H	4460837	1	Housing, Connector - 12 Position	
208H	4460465	5	Socket, Female	
208J	4460868	1	Plug, Male - 6 Position	
208J	4460877	2	Socket, Female	
208K	4460870	1	Plug, Male - 12 Position	
208K	4460877	4	Socket, Female	
208L	4460884	1	Connector - 4 Position	
208L	4460465	4	Socket, Female	
208M	4460891	1	Plug, Male - 2 Position	
208M	4460465	2	Socket, Female	
208N	4460894	1	Plug, Male - 6 Position	
208N	4460466	1	Plug, Sealing	
208P	4460892	1	Connector, Female - 6 Position Buss Bar	
208Q	4460893	1	Connector, Female - 4 Position Buss Bar	
208R	4460465	24	Socket, Female	
208S		Ref	Connector Options:	
208S	4460899	1	Receptacle, Female - 6 Position	
208S	4460930	1	Plug, Male - 8 Position	
208S	4460464	AR	Pin, Male	
208S	4460465	AR	Socket, Female	
208S	4460466	AR	Plug, Sealing	
219		Ref	Harness, Tilt Options:	
219	4922339	1	Harness, Tilt (Prior to SN 0200125304)	C
219	Not Available		Harness, Tilt (Part of Tilt Sensor p/n 4000006) (SN 0200125304 through 0200230091)	
219A	4460321	1	Plug, Male - 6 Position	
219A	4460267	4	Socket, Female	
219B	4460824	1	Connector, Female - 4 Position	
219B	4460825	4	Socket, Female	
220		Ref	Harness, Ground Control Box Options:	
220	4922480	1	Harness, Ground Control Box 3369LE & 4069LE	B
220	4922604	1	Harness, Ground Control Box M3369 & M4069	A
220	4923619	1	Harness, Ground Control Box M4069 with Leveling Jacks and Full Drive Height (Optional on Australian Spec Only)	B
220A	4460434	1	Plug, Male - 15 Position	
220A	4460268	8	Socket, Female	
		Ref	ELECTRICAL DRIVE COMPONENTS INSTALLATIONS	
	0270473	Ref	USA Built Machines (Prior to SN 0200174517)	H
	1001099375	Ref	USA Built Machines (SN 0200174517 through 0200230091)	C
	0270473	Ref	Belgium Built Machines	H
312	1060888	1	Cable, Electrical (Controller F2 to Right Motor F1)	
313	1060889	1	Cable, Electrical (Right Motor F2 to Left Motor F2)	
314	1060890	1	Cable, Electrical (Controller F1 to Left Motor F1)	
315	1060891	1	Cable, Electrical (Controller S to Right Motor A2)	
316	1060892	1	Cable, Electrical (Left Motor A1 to Right Motor A1)	
317	1060893	1	Cable, Electrical (Controller A to Right Motor A1)	
318	1060894	1	Cable, Electrical (Left Motor A2 to Right Motor A2)	
319	1060895	1	Cable, Electrical (Contactor to Controller B+)	

SECTION 7 - ELECTRICAL

ITEM	PART NUMBER	QTY	DESCRIPTION	REV
		Ref	STANDARD HARNESS COMPONENTS	
401	1060759	1	Cable, Electrical - Battery Charger	
402	1060913	1	Cable, Remote LED Light	
402A	4460761	1	Connector, Female - 4 Position	
402A	4460226	4	Socket, Female	
402B	4460321	1	Plug, Male - 4 Position	
402B	4460226	4	Socket, Female	
403	Not Available	1	LED Light Harness Assembly - Battery Condition (Purchase Complete p/n 0610131)	
403A	4460321	1	Plug, Male - 4 Position	
403A	4460227	4	Pin, Male	
404		Ref	Harness, Battery Charger Options:	
404	4922518	1	USA Built Machines (Prior to SN 0200097450)	B
404	4922628	1	USA Built Machines (SN 0200097450 through 0200230091)	B
404	4922628	1	Belgium Built Machines (SN 1200000398 to Present)	B
404A	4460444	1	Connector, Anderson	
405	7020644	1	Harness, Internal Charger DC	
405	7011590	1	Plug, DC	
406	7020645	1	Harness, Internal Charger PC Board - 17 Position	
406	7011621	1	Connector - 2 Position	
407	7020646	1	Harness, Internal Charger LED - 4 Position	
408	1060886	2	Cable, Battery - Batteries to Connector	
408A	7023345	2	Connector, Anderson (1 Per Cable)	
409	1060887	1	Cable, Battery - Connector to Contactor	
409A	7023345	2	Connector, Anderson	
410	1060900	1	Cable, Electrical (Pump to Contactor B+)	
411	1060901	1	Cable, Electrical (Pump to Ground)	
412	Not Available	1	Harness - Pressure Switch (Purchase Complete Switch)	
412A	Not Available	1	Connector, Female - 2 Position (Purchase Complete Switch)	
412A	Not Available	2	Pin, Male	
413	Not Available	1	Harness - Angle Sensor (Purchase Complete Switch)	
413A	Not Available	1	Connector, Female - 3 Position (Purchase Complete Switch)	
413A	4460464	3	Pin, Male	
414	Not Available	1	Harness - Proximity Sensor (Purchase Complete Switch)	
414A	4460897	1	Connector, Female - 2 Position	
414A	4460464	2	Pin, Male	
415		Ref	Harness, Lift Down (Upper) Options:	
415	4922544	1	Harness, Lift Down (Upper) 3369LE & M3369	
415	4922545	1	Harness, Lift Down (Upper) 4069LE & M4069 (Not Shown)	
415	1060680	Ref	Cable, Electrical - 18/2	
415	1060680	12.5 ft /3.8m	Cable, Electrical - 18/2 3369LE & M3369	B
415	1060680	36.5 ft /11.1m	Cable, Electrical - 18/2 4069LE & M4069	B
415A	4460499	AR	Connector, DIN	
415B	4460891	1	Plug, Male - 2 Position	
415B	4460465	2	Socket, Female	
416	4922543	1	Harness, Lift Down (Lower)	B
416	1060680	6 ft/1.8m	Cable, Electrical - 18/2	
416A	4460465	2	Socket, Female	
416B	4460897	1	Connector, Female - 2 Position	
416B	4460464	2	Pin, Male	

SECTION 7 - ELECTRICAL

ITEM	PART NUMBER	QTY	DESCRIPTION	REV
417		Ref	Harness Assembly (Routed Through Scissor Arms) (Part of Scissors Arms Installation) (SN 0200152398 through 0200230091)	
417	4922477	1	Harness Assembly 3369LE & M3369	B
417	4922478	1	Harness Assembly 4069LE & M4069	B
417	1060899	Ref	Cable, Electrical -16/20	
417	1060899	81 ft /24.7m	Cable, Electrical -16/20 3369LE & M3369	
417	1060899	88.1 ft /26.9m	Cable, Electrical -16/20 4069LE & M4069	
417A	4460481	1	Plug, Male	
417B	4460812	1	Plug, Male - 24 Position	
417C	4460468	1	Cap, Dust	
417D	4460473	1	Clamp	
417E	4460465	19	Socket, Female	
417F	4460464	18	Pin, Male	
417G	4460891	1	Plug, Male - 2 Position	
417G	4460465	2	Socket, Female	
418	4922551	1	Harness, 4WD	C
418	4922551	1	USA Built Machines (Prior to SN 0200196451)	D
418	1001101989	1	USA Built Machines (SN 0200196451 through 0200230091)	B
418	4922551	1	Belgium Built Machines	D
418A	4460499	4	Connector, DIN	
418B	4460884	2	Plug, Male - 4 Position	
418B	4460893	2	Buss Bar - 4 Position	
418B	4460465	8	Socket, Female	
418C	4460894	1	Plug, Male - 6 Position	
418C	4460892	1	Buss Bar - 6 Position	
418C	4460465	6	Socket, Female	
418D		Ref	Connector, Male Options:	
418D	4460539	1	3 Pin Connector Kit	
418D	4460884	1	4 Pin Connector Kit	
418D	4460465	AR	Socket, Female	
418E		Ref	Connector Options:	
418E	4460894	1	Plug, Male - 6 Position	
418E	4460931	1	Receptacle, Female - 8 Position	
418E	4460464	AR	Pin, Male	
418E	4460465	AR	Socket, Female	
418E	4460466	AR	Plug, Sealing	
419	Not Available	1	Harness, Speed Sensor (4WD Only)	
419A		Ref	Connector, Female Options:	
419A	7024033	1	3 Pin Connector Kit	
419A	7024928	1	4 Pin Connector Kit	
420	Not Available	1	Harness, Generator Control (M3369 & M4069)	
420A	4460224	1	Connector, Female - 6 Position	
420A	4460226	5	Socket, Female	
420B	4460761	1	Connector, Female - 4 Position	
420B	4460227	4	Pin, Male	
421		Ref	Harness, Generator Options:	
421	4922529	1	Harness, Generator M3369 & M4069 with Leveling Jacks (See OPTIONAL ELECTRICAL COMPONENTS INSTALLATION for Breakdown)	
421	4922602	1	OPTIONAL ELECTRICAL COMPONENTS INSTALLATION	

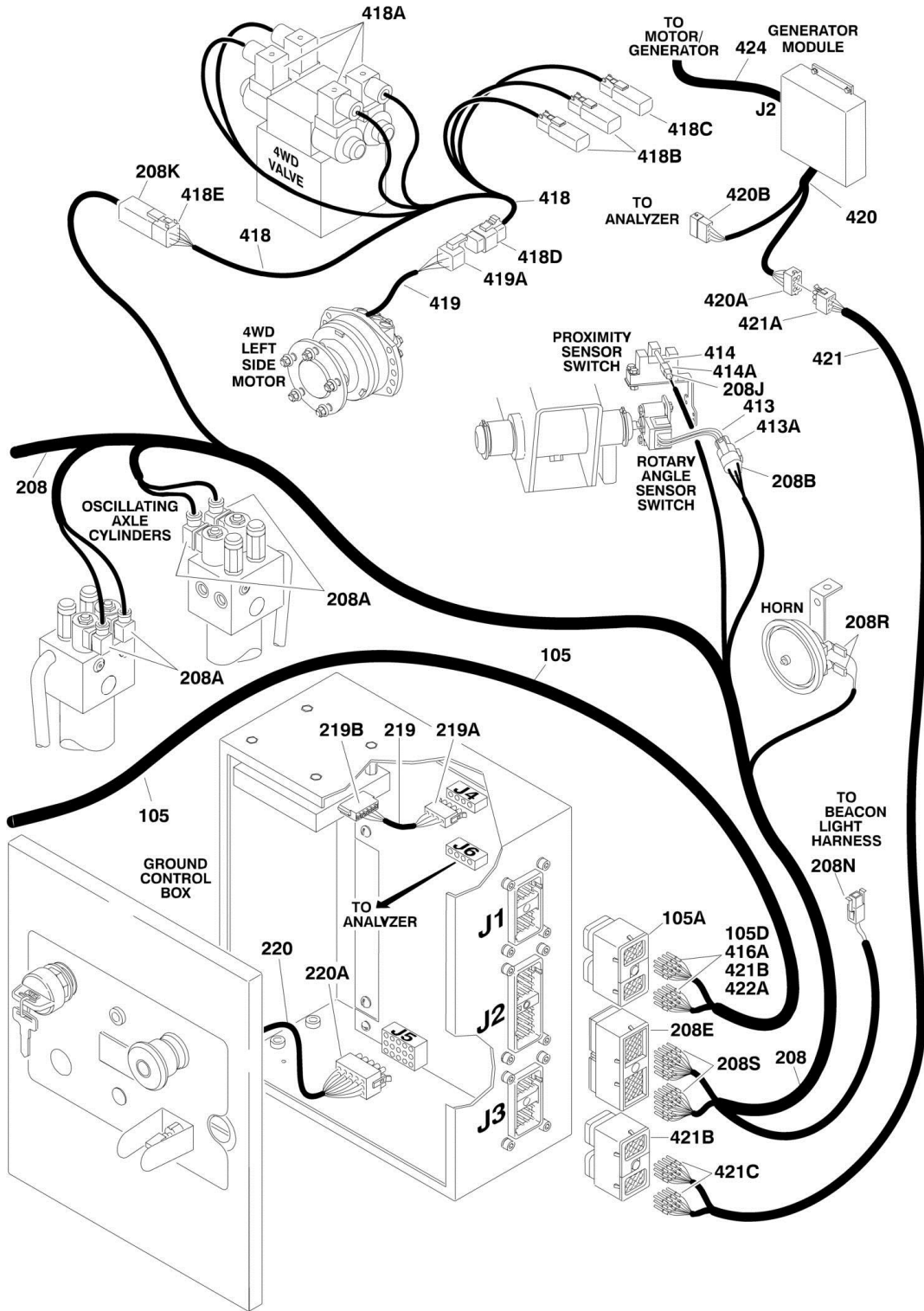
SECTION 7 - ELECTRICAL

ITEM	PART NUMBER	QTY	DESCRIPTION	REV
			M3369 & M4069 without Leveling Jacks	
421A	4460225	1	Plug, Male - 6 Position	
421A	4460227	4	Pin, Male	
421B	4460896	1	Plug, Male - 24 Position	
421C	4460465	4	Socket, Female	
422	4922596	1	Harness, Overload Cut-Out (French Spec) (USA Built Machines Only) (Prior to SN 0200098313)	
422	1060680	20 ft/6.1m	Cable, Electrical - 18/2	
422A	4460465	2	Socket, Female	
422B	4460897	1	Connector, Female - 2 Position	
422B	4460466	2	Plug, Sealing	
422C	4460891	1	Plug, Male - 2 Position	
422C	4460465	2	Socket, Female	
423		Ref	Harness, Overload Cut-Out (French Spec)	
423	4922686	1	USA Built Machines Only (SN 0200098313 through 0200112285)	
423	4922686	1	Belgium Built Machines Only (SN 1200000398 through 1200000844)	
423A	4460517	10	Socket, Female	
423B	4460915	2	Lock, Wedge	
423C	4460884	1	Plug, Male - 4 Position	
423D	4460465	20	Socket, Female	
423E	4460893	1	Buss Bar - 4 Position	
423F	4460898	1	Buss Bar - 12 Position	
423G	4460933	1	Plug, Male - 12 Position	
423H	4460916	14	Plug, Seal	
423I	4460909	1	Connector - 12 Position	
423J	4460908	1	Connector - 12 Position	
423K	4460761	1	Connector, Female - 4 Position	
423L	4460227	4	Pin, Male	
423M	4460539	1	Plug, Male - 3 Position	
424		Ref	Harness, Motor/Generator Options:	
424	7023486	1	Yanmar Engine	
424	70000328	1	Kubota Engine	
424	70000329	1	Fuse 15Amp (Kubota Engine)	
424	70000330	1	Fuse 20Amp (Kubota Engine)	
425	Not Available	1	Harness, Controller (Part of Electrical Assembly)	
425A	4460265	1	Plug, Male - 9 Position	
425A	4460268	8	Socket, Female	
426		Ref	Plug Charger Installation	
426	4460805	Ref	Australian Spec (250VAC/50Hz)	
426		Ref	CE Specs:	
426	0275663	Ref	220V with CEE 7 Post Ground Receptacle, Plug and Circuit Breaker (70mm x 70mm Box)	A
426	0275664	Ref	220V with CEE 7 Side Ground Receptacle, Plug and Circuit Breaker (70mm x 70mm Box)	A
426	0275665	Ref	220V with AFSINT 107 Keyed Ground Receptacle, Plug and Circuit Breaker (2 x 4 Box)	A
426	0275666	Ref	110V with IEC Yellow Receptacle, Plug and Circuit Breaker	A
426	0275667	Ref	220V with IEC Blue Receptacle, Plug and Circuit Breaker	A
426		Ref	Plug Options:	
426	4461202	1	0275663 Installation	
426	4461205	1	0275664 Installation	

SECTION 7 - ELECTRICAL

ITEM	PART NUMBER	QTY	DESCRIPTION	REV
426	4461249	1	0275665 Installation	
426	4461196	1	0275666 Installation	
426	4461199	1	0275667 Installation	
427	4460802	1	Cover, Plug	
427		Ref	Plug Options:	
427		Ref	CE Spec (See ELECTRICAL SECTION)	
427	4460805	1	250VAC/50Hz (Australian Spec)	
428	4460428	1	Connector, Strain Relief	

SECTION 7 - ELECTRICAL



SECTION 7 - ELECTRICAL

FIGURE 7-3. STANDARD ELECTRICAL COMPONENTS INSTALLATION (WITH DELTA-Q CHARGER)

ITEM	PART NUMBER	QTY	DESCRIPTION	REV
		Ref	CONSOLE BOX COMPONENTS	
24	4460470	1	Nut, Terminal	
25	4460471	1	Lockwasher, Terminal	
26	4460480	1	Connector, Terminal	
32		Ref	Harness, Console Box Options:	
32	4922526	1	Without Leveling Jacks	D
32	4922527	1	With Leveling Jacks	C
32A	4460266	1	Receptacle - 9 Pin	
32A	4460267	8	Pin, Male	
32B	4460817	1	Plug, Male - 5 Position	
32C	4460818	1	Plug, Male - 10 Position	
32D	4460895	1	Plug, Male - 12 Position	
32E	4460465	18	Socket, Female	
		Ref	PLATFORM CABLES INSTALLATION	
	0270572	Ref	Platform Cables Installation 3369LE & M3369	C
	0270573	Ref	Platform Cables Installation 4069LE & M4069	C
105	4922479	1	Harness Assembly	D
105	1060815	7 ft/2.13m	Cable, Electrical -16/18	
105A	4460812	1	Plug, Male - 24 Position	
105B	4460846	1	Receptacle, Female - 24 Position	
105C	4460464	21	Pin, Male	
105D	4460465	21	Socket, Female	
105E	1060899	7 ft/ 2.1m	Cable (Not Shown)	
105F	4460121	1	Cap, Terminal (Not Shown) (SN 0200241795 to Present)	
105G	1001103012	1	Connector (Not Shown) (SN 0200241795 to Present)	
105H	4922099	9.5 ft/ 2.9m	Cable (Not Shown) (SN 0200241795 to Present)	
105I	4921488	7.6 ft/ 2.3m	Cable (Not Shown) (SN 0200241795 to Present)	
105J	4921489	7.6 ft/ 2.3m	Cable (Not Shown) (SN 0200241795 to Present)	
105K	4460897	1	Connector (Not Shown) (SN 0200241795 to Present)	
105L	4461095	1	Plug (Not Shown) (SN 0200241795 to Present)	
105M	4461070	1	Connector (Not Shown) (SN 0200241795 to Present)	
105N	4460945	1	Receptacle, 3 Way T type (Not Shown) (SN 0200241795 to Present)	
105P	1001116812	2	Plug, 3-Pin (Not Shown) (SN 0200241795 to Present)	
105Q	4460035	3	Terminal (Not Shown) (SN 0200241795 to Present)	
105R	1001130615	1	Plug, 3 Position (Not Shown) (SN 0200241795 to Present)	
105S	4460944	8	Socket (Not Shown) (SN 0200241795 to Present)	
105T	1001107854	4	Socket (Not Shown) (SN 0200241795 to Present)	
105U	1001197457	4	Wire Seal (Not Shown) (SN 0200249094 to Present)	
		Ref	GROUND CONTROL BOX ASSEMBLY AND INSTALLATIONS	
208	1001105438	1	Harness, Valve	B
208A	4460499	9	Connector, DIN	
208B	4460539	1	Plug, Male - 3 Position	
208B	4460465	3	Socket, Female	
208C	4460742	1	Plug, Male - 2 Position	
208C	4460743	2	Socket, Female	
208D	4460761	1	Connector, Female - 4 Position	

SECTION 7 - ELECTRICAL

ITEM	PART NUMBER	QTY	DESCRIPTION	REV
208D	4460226	4	Socket, Female	
208E	4460814	1	Connector, Female - 40 Position	
208F	4460868	1	Plug, Male - 6 Position	
208F	4460877	2	Socket, Female	
208G	4460870	1	Plug, Male - 12 Position	
208G	4460877	4	Socket, Female	
208H	4460884	1	Connector - 4 Position	
208H	4460465	4	Socket, Female	
208J	4460891	1	Plug, Male - 2 Position	
208J	4460465	2	Socket, Female	
208K	4460930	1	Plug, Male - 8 Position	
208K	4460465	1	Socket, Female	
208K	4460466	AR	Plug, Sealing	
208L	4460931	1	Receptacle, Female - 8 Position	
208L	4460465	6	Socket, Female	
208L	4460466	2	Plug, Sealing	
208M	1001116810	1	Plug, Male - 4 Position	
208M	4460465	2	Socket, Female	
208N	4460424	1	Connector, Female - 2 Position	
208N	4460267	2	Pin, Male	
208P	4460320	1	Plug, Male, 2 Position	
208P	4460465	2	Socket, Female	
208R	4460260	8	Connector	
208R	4460259	8	Terminal	
208R	3990010	1	Diode 6A 600V (Located at Horn Only)	
208S	4460465	24	Socket, Female	
219	Not Available	1	Harness, Tilt (Part of Tilt Sensor p/n 4000006)	
219A	4460321	1	Plug, Male - 6 Position	
219A	4460267	4	Socket, Female	
219B	4460824	1	Connector, Female - 4 Position	
219B	4460825	4	Socket, Female	
220		Ref	Harness, Ground Control Box Options:	
220	4922480	1	Harness, Ground Control Box 3369LE & 4069LE	B
220	4922604	1	Harness, Ground Control Box M3369 & M4069	A
220	4923619	1	Harness, Ground Control Box M4069 with Leveling Jacks and Full Drive Height (Optional on Australian Spec Only)	B
220A	4460434	1	Plug, Male - 15 Position	
220A	4460268	8	Socket, Female	
	1001099375	Ref	ELECTRICAL DRIVE COMPONENTS INSTALLATIONS	C
312	1060888	1	Cable, Electrical (Controller F2 to Right Motor F1)	
313	1060889	1	Cable, Electrical (Right Motor F2 to Left Motor F2)	
314	1060890	1	Cable, Electrical (Controller F1 to Left Motor F1)	
315	1060891	1	Cable, Electrical (Controller S to Right Motor A2)	
316	1060892	1	Cable, Electrical (Left Motor A1 to Right Motor A1)	
317	1060893	1	Cable, Electrical (Controller A to Right Motor A1)	
318	1060894	1	Cable, Electrical (Left Motor A2 to Right Motor A2)	
319	1060895	1	Cable, Electrical (Contactor to Controller B+)	
		Ref	STANDARD HARNESS COMPONENTS	
401	1060689	1	Cable, Electrical - Battery Charger	
402B	4460321	1	Plug, Male - 4 Position	
402B	4460226	4	Socket, Female	
403	Not Available	1	LED Light Harness Assembly - Battery Condition (Purchase	

SECTION 7 - ELECTRICAL

ITEM	PART NUMBER	QTY	DESCRIPTION	REV
			Complete p/n 0610131)	
403A	4460321	1	Plug, Male - 4 Position	
403A	4460227	4	Pin, Male	
404		Ref	Battery Charger Components	
404A	Not Available	1	Harness, Battery Charger Power	
404B	1001116811	1	Receptacle, Female - 4 Position	
404B	4460508	4	Pin, Male	
404C	Not Available	1	Connector, Strain Relief	
404D	Not Available	1	Harness, Battery Charger Signal	
404E	4460930	1	Plug, Male - 8 Position	
404E	4460464	7	Socket, Female	
404F	Not Available	1	Connector, Strain Relief	
404G	Not Available	1	Harness, Battery Charger AC Plug	
404H	Not Available	1	Connector, Plug	
404J	Not Available	1	Connector, Strain Relief	
407	1001114496	1	Harness, Battery Temperature Sensor (Includes Sensor)	
407A	4460509	2	Socket, Female	
408	1060886	2	Cable, Battery - Batteries to Connector	C
408A	7023345	2	Connector, Anderson (1 Per Cable)	
409	1060887	1	Cable, Battery - Connector to Contactor	C
409A	7023345	2	Connector, Anderson	
410	1060900	1	Cable, Electrical (Pump to Contactor B+)	B
411	1060901	1	Cable, Electrical (Pump to Ground)	B
412	Not Available	1	Harness - Pressure Switch (Purchase Complete Switch)	
412A	Not Available	1	Connector, Female - 2 Position (Purchase Complete Switch)	
412A	Not Available	2	Pin, Male	
413	Not Available	1	Harness - Angle Sensor (Purchase Complete Switch)	
413A	Not Available	1	Connector, Female - 3 Position (Purchase Complete Switch)	
413A	4460464	3	Pin, Male	
414	Not Available	1	Harness - Proximity Sensor (Purchase Complete Switch)	
414A	4460897	1	Connector, Female - 2 Position	
414A	4460464	2	Pin, Male	
415		Ref	Harness, Lift Down (Upper) Options:	
415	4922544	1	Harness, Lift Down (Upper) 3369LE & M3369	B
415	4922545	1	Harness, Lift Down (Upper) 4069LE & M4069 (Not Shown)	B
415	1060680	Ref	Cable, Electrical - 18/2	
415	1060680	12.5 ft /3.8m	Cable, Electrical - 18/2 3369LE & M3369	
415	1060680	36.5 ft /11.1m	Cable, Electrical - 18/2 4069LE & M4069	
415A	4460499	AR	Connector, DIN	
415B	4460891	1	Plug, Male - 2 Position	
415B	4460465	2	Socket, Female	
416	4922543	1	Harness, Lift Down (Lower)	B
416	1060680	6 ft/1.8m	Cable, Electrical - 18/2	
416A	4460465	2	Socket, Female	
416B	4460897	1	Connector, Female - 2 Position	
416B	4460464	2	Pin, Male	
417		Ref	Harness Assembly	
417	4922477	1	Harness Assembly 3369LE & M3369	B
417	4922478	1	Harness Assembly 4069LE & M4069	B
417	1060899	Ref	Cable, Electrical -16/20	

SECTION 7 - ELECTRICAL

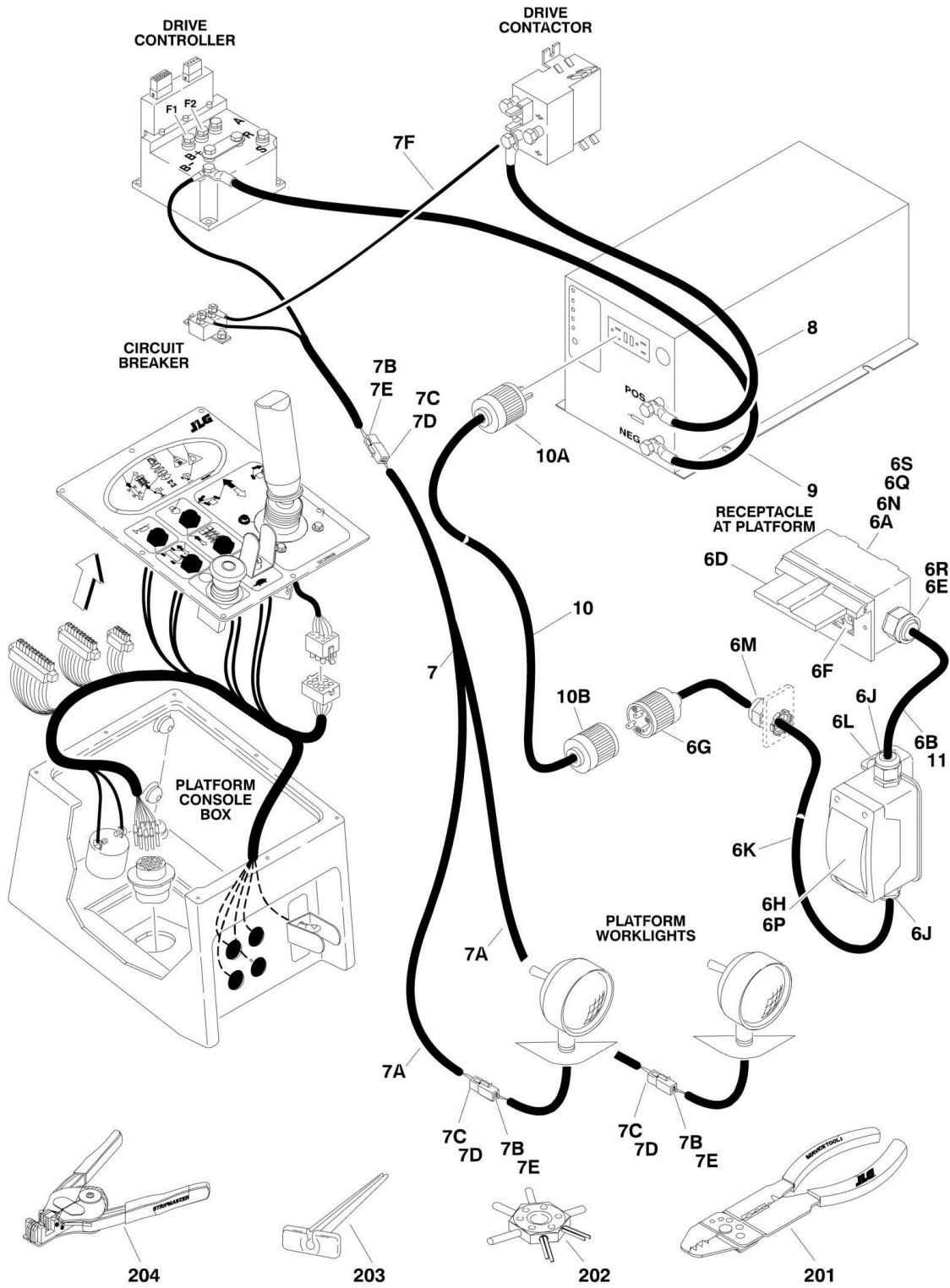
ITEM	PART NUMBER	QTY	DESCRIPTION	REV
417	1060899	81 ft /24.7m	Cable, Electrical -16/20 3369LE & M3369	
417	1060899	88.1 ft /26.9m	Cable, Electrical -16/20 4069LE & M4069	
417A	4460481	1	Plug, Male	
417B	4460812	1	Plug, Male - 24 Position	
417C	4460468	1	Cap, Dust	
417D	4460473	1	Clamp	
417E	4460465	19	Socket, Female	
417F	4460464	18	Pin, Male	
417G	4460891	1	Plug, Male - 2 Position	
417G	4460465	2	Socket, Female	
418	1001101989	1	Harness, 4WD	B
418A	4460499	4	Connector, DIN	
418B	4460884	2	Plug, Male - 4 Position	
418B	4460893	2	Buss Bar - 4 Position	
418B	4460465	8	Socket, Female	
418C	4460894	1	Plug, Male - 6 Position	
418C	4460892	1	Buss Bar - 6 Position	
418C	4460465	6	Socket, Female	
418D	4460884	1	Plug, Male - 4 Position	
418D	4460465	AR	Socket, Female	
418E		Ref	Connector Options:	
418E	4460894	1	Plug, Male - 6 Position	
418E	4460931	1	Receptacle, Female - 8 Position	
418E	4460464	AR	Pin, Male	
418E	4460465	AR	Socket, Female	
418E	4460466	AR	Plug, Sealing	
419	Not Available	1	Harness, Speed Sensor (4WD Only)	
419A	7024928	1	Receptacle, Female - 4 Position	
419A	4460464	AR	Pin, Male	
420	70000328	1	Harness, Generator Control (M3369 & M4069)	
420A	4460224	1	Connector, Female - 6 Position	
420A	4460226	5	Socket, Female	
420B	4460761	1	Connector, Female - 4 Position	
420B	4460227	4	Pin, Male	
421		Ref	Harness, Generator Options:	
421	4922529	1	Harness, Generator M3369 & M4069 with Leveling Jacks (See OPTIONAL ELECTRICAL COMPONENTS INSTALLATION for Breakdown)	
421	4922602	1	Harness, Generator M3369 & M4069 without Leveling Jacks	A
421A	4460225	1	Plug, Male - 6 Position	
421A	4460227	4	Pin, Male	
421B	4460896	1	Plug, Male - 24 Position	
421C	4460465	4	Socket, Female	
424		Ref	Harness, Motor/Generator Options:	
424	7023486	1	Yanmar Engine	
424	70000328	1	Kubota Engine	
424	70000329	1	Fuse 15Amp (Kubota Engine)	
424	70000330	1	Fuse 20Amp (Kubota Engine)	
425	Not Available	1	Harness, Controller (Part of Electrical Assembly)	
425A	4460265	1	Plug, Male - 9 Position	

SECTION 7 - ELECTRICAL

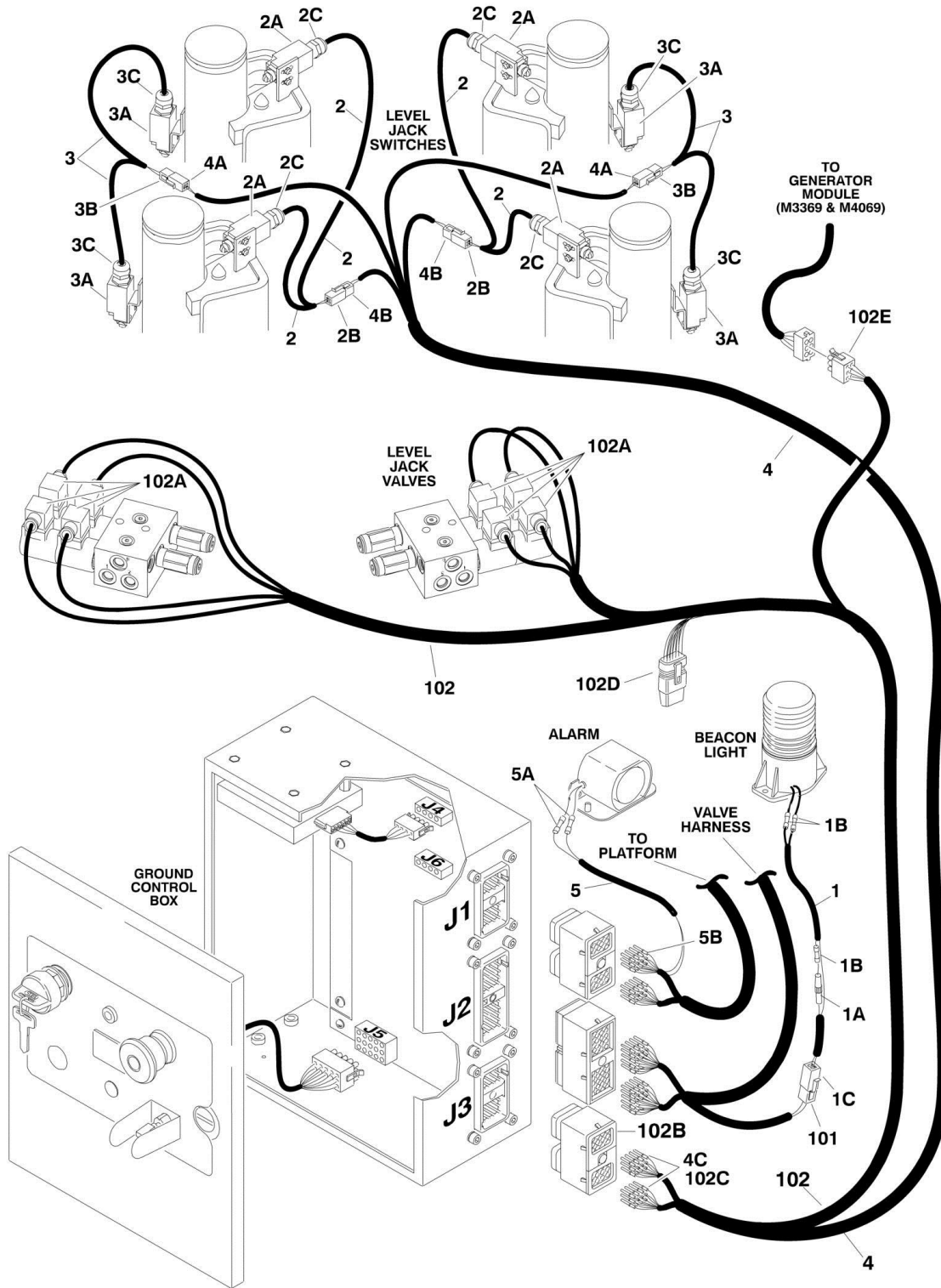
ITEM	PART NUMBER	QTY	DESCRIPTION	REV
425A	4460268	8	Socket, Female	
426		Ref	Plug Charger Installation	
426	4460805	Ref	Australian Spec (250VAC/50Hz)	
426		Ref	CE Specs:	
426	0275663	Ref	220V with CEE 7 Post Ground Receptacle, Plug and Circuit Breaker (70mm x 70mm Box)	A
426	0275664	Ref	220V with CEE 7 Side Ground Receptacle, Plug and Circuit Breaker (70mm x 70mm Box)	A
426	0275665	Ref	220V with AFSINT 107 Keyed Ground Receptacle, Plug and Circuit Breaker (2 x 4 Box)	A
426	0275666	Ref	110V with IEC Yellow Receptacle, Plug and Circuit Breaker	A
426	0275667	Ref	220V with IEC Blue Receptacle, Plug and Circuit Breaker	A
426		Ref	Plug Options:	
426	4461202	1	0275663 Installation	
426	4461205	1	0275664 Installation	
426	4461249	1	0275665 Installation	
426	4461196	1	0275666 Installation	
426	4461199	1	0275667 Installation	
427	4460802	1	Cover, Plug	
428	4460428	1	Connector, Strain Relief	

SECTION 7 - ELECTRICAL

FIGURE 7-4. OPTIONAL ELECTRICAL COMPONENTS INSTALLATION



SECTION 7 - ELECTRICAL



SECTION 7 - ELECTRICAL

FIGURE 7-4. OPTIONAL ELECTRICAL COMPONENTS INSTALLATION

ITEM	PART NUMBER	QTY	DESCRIPTION	REV
		Ref	OPTIONAL HARNESS COMPONENTS	
1	4922426	1	Harness - Beacon	A
1	1060680	8 ft/2.5m	Cable, Electrical - 18/2	
1A	2400056	1	Fuse - 5A	
1A	4460044	1	Fuseholder	
1B	4460248	3	Terminal, Butt	
1C	4460268	2	Socket, Female	
1C	4460320	1	Plug, Male - 2 Position	
2	4922454	2	Harness - Leveling Jacks (N.O. Limit Switches)	D
2	1060680	8.5 ft /2.6m	Cable, Electrical - 18/2	
2A		Ref	Switch, Limit Options:	
2A	4360321	NLA	USA Built Machines (Use p/n 4360548) (Prior to SN 0200115206)	
2A	4360548	2	Switch, Limit (SN 0200115206 through 0200230091)	
2A	4360321	NLA	All Belgium Built Machines (Use p/n 4360548)	
2B	4460424	1	Connector, Female - 2 Position	
2B	4460267	2	Pin, Male	
2C		Ref	Connector, Strain Relief Options:	
2C	4460428	2	Connector used with (#2A) p/n 4360321	
2C	4460968	2	Connector used with (#2A) p/n 4360548	
3	4922455	2	Harness - Leveling Jacks (N.C. Limit Switches)	D
3	1060680	9.9 ft /3.1m	Cable, Electrical - 18/2	
3A		Ref	Switch, Limit Options:	
3A	4360321	NLA	USA Built Machines (Use p/n 4360548)	
3A	4360548	2	Switch, Limit (SN 0200115206 through 0200230091)	
3A	4360321	NLA	All Belgium Built Machines (Use p/n 4360548)	
3B	4460320	1	Plug, Male - 2 Position	
3B	4460268	2	Socket, Female	
3C		Ref	Connector, Strain Relief Options:	
3C	4460428	2	Connector used with (#3A) p/n 4360321	
3C	4460968	2	Connector used with (#3A) p/n 4360548	
4	4922456	1	Harness, Connecting - Leveling Jacks	B
4	1060680	30 ft/9.1m	Cable, Electrical - 18/2	
4A	4460424	2	Connector, Female - 2 Position	
4A	4460267	4	Pin, Male	
4B	4460320	2	Plug, Male - 2 Position	
4B	4460268	4	Socket, Female	
4C	4460465	3	Socket, Female	
5	4922517	1	Harness - Alarm	B
5	1060680	7 ft/2.2m	Cable, Electrical - 18/2	
5A	4460248	2	Terminal	
5B	4460465	2	Socket, Female	
6		Ref	AC to Platform Receptacle Components Options:	
6	0270111	Ref	220V Receptacle (Locally Supplied Components)	G
6	1001094908		220V with CEE 7 Post Ground Receptacle, Plug and Circuit Breaker (2 x 4 Box)	A
6	1001094909		220V with CEE 7 Side Ground Receptacle, Plug and Circuit Breaker (2 x 4 Box)	A
6	1001094910		220V with AFSINT 107 Keyed Ground Receptacle, Plug and	A

SECTION 7 - ELECTRICAL

ITEM	PART NUMBER	QTY	DESCRIPTION	REV
6	1001094911		Circuit Breaker (2 x 4 Box) 110V with IEC Yellow Receptacle, Plug and Circuit Breaker	B
6	1001094912		220V with IEC Blue Receptacle, Plug and Circuit Breaker	B
6	1001094913		220V with CEE 7 Post Ground Receptacle, Plug and Circuit Breaker (70mm x 70mm Box)	B
6	1001094914		220V with CEE 7 Side Ground Receptacle, Plug and Circuit Breaker (70mm x 70mm Box)	B
6A		Ref	Box, Switch Options:	
6A	0861731	1	1001094908, 1001094809 & 1001094910 Installations	
6A	0861781	1	1001094911, 1001094912 & 0275715 Installations	
6A	See Note	1	1001094913/1001094914 Installations (Note: was p/n 0861782 which is no longer available. Use p/n 1001100343 CEE 7 Side Ground Service Kit or p/n 1001100344 CEE 7 Post Ground Service Kit. Kits includes 6A Box p/n 1001141967 and Items 6D, 6F & 6G.)	
6A	1001141967	1	1001100343, 1001100344, 1001141970 & 1001141971 Kits	
6B		Ref	Harness/Cable, Electrical - 12/3 (Part of Receptacle Installation) (Prior to SN 0200152398)	
6B	4922592	1	Harness/Cable, Electrical - 12/3 110V (3369LE & M3369)	B
6B	4922593	1	Harness/Cable, Electrical - 12/3 110V (4069LE & M4069)	B
6B	1060866	1	Harness/Cable, Electrical - 12/3 220V (3369LE & M3369)	C
6B	1060867	1	Harness/Cable, Electrical - 12/3 220V (4069LE & M4069)	C
6C		Ref	Decal - AC Power Options: (Not Shown)	
6C	1703464	1	110V	
6C	3252507	1	220V	
6D		Ref	Shield, Cover Options:	
6D	See Note		0270111 Installation (Note: Purchase Locally)	
6D	4461244	1	1001094908 Installation	
6D	1001141968	1	1001141971 & 1001100343 Service Kit	
6D	1001141969	1	1001141970 & 1001100344 Service Kit	
6D	4461245	1	1001094909 Installation	
6D	4461246	1	1001094910 Installation	
6D	0861781	1	1001094911 & 1001094912 Installations	
6D	4461204	NLA	1001094913 Installation (Includes Receptacle) (Use p/n 1001100343)	
6D	4461207	NLA	1001094914 Installation (Includes Receptacle) (Use p/n 1001100344)	
6E		Ref	Connector, Strain Relief Option:	
6E	4460051	1	0270109 Installation (Standard) (Prior to SN 0200119593)	
6E	4460071	1	0270109 Installation (Water Tight) (SN 0200119593 through 0200230091)	
6E	4460328	1	0270111 Installation (Standard) (Prior to SN 0200125740)	
6E	4460071	1	0270111 Installation (Water Tight) (SN 0200125740 through 0200230091)	
6E	4460662	1	1001094908, 1001094909 & 1001094910 Installations	
6E	4460968	1	1001094911 & 1001094912 Installations	
6E	4461257	1	1001094913 & 1001094914 Installations	
6F		Ref	Receptacle Options:	
6F	Not Available		0270111 Installation	
6F	4461244	1	1001094908 Installation	
6F	1001141968	1	1001141971 & 1001100343 Service Kit	
6F	1001141969	1	1001141970 & 1001100344 Service Kit	
6F	4461245	1	1001094909 Installation	
6F	4461246	1	1001094910 Installation	

SECTION 7 - ELECTRICAL

ITEM	PART NUMBER	QTY	DESCRIPTION	REV
6F	4461198	1	1001094911 Installation	
6F	4461201	1	1001094912 Installation	
6F	4461204	NLA	1001094913 Installation (Includes Receptacle) (Use p/n 1001100343)	
6F	4461207	NLA	1001094914 Installation (Includes Receptacle) (Use p/n 1001100344)	
6G		Ref	Plug, Male Options:	
6G	See Note		0270111 Installation (Note: Purchase Locally)	
6G	4461202	1	1001094908 Installation & 1001141971/1001100343 Service Kit	
6G	4461205	1	1001094909 Installation & 1001141970/1001100344 Service Kit	
6G	4461249	1	1001094910 Installation	
6G	4461196	1	1001094911 Installation	
6G	4461199	1	1001094912 Installation	
6G	4461202	1	1001094913 Installation	
6G	4461205	1	1001094914 Installation	
6H	2902549	1	Circuit Breaker Kit (All Installations except 0270111 Installation)	
		Ref	Note: For machines equipped with a single circuit breaker use both p/ns 1001109475 & 1001109482 as replacement.	
6H	1001109475	1	Circuit Breaker, 16A	
6H	1001109482	1	Circuit Breaker, 30MA RCD	
6H	0861880	1	Box, Breaker	
6H	4460956	1	End Barrier, Terminal Block	
6H	4460957	1	Block, Terminal	
6J	1001097150	2	Connector, Strain Relief (All Installations except 0270111 Installation)	
6K	1060908	6 ft/1.9m	Cable, Electrical 12/3 (All Installations except 0270111 Installation)	
6L	1001094915		Bracket (All except 0270111 Installation)	
6M	4460071	1	Connector, Strain Relief (Water Tight)	
6M	3300048	1	Nut, Conduit Locknut	
6N		Ref	Hardware Options:	
6N	4010408	AR	Screw M4 x 16mm	
6N	4010608	AR	Screw M6 x 16mm	
6N	3290405	AR	Locknut M4	
6N	3290605	AR	Locknut M6	
6N	4811400	AR	Flatwasher M4	
6N	4811700	AR	Flatwasher M6	
6P		Ref	Hardware Options:	
6P	0641407	AR	Bolt 1/4in- 20NC x 7/8in	
6P	4010408	AR	Screw M4 x 16mm	
6P	3290405	AR	Locknut M4	
6P	3311405	AR	Locknut 1/4in - 20NC	
6P	4751400	AR	Flatwasher 1/4in Regular	
6P	4811400	AR	Flatwasher M4	
6Q		Ref	Bracket, AC Receptacle Box Options:	
6Q	Not Required	0	0270111, 1001094908, 1001094909 & 1001094910 Installations	
6Q		Ref	1001094911, 1001094912, 1001094913 & 1001094914 Installations	
6Q	1001093993	1	Bracket, AC Receptacle Box (Prior to SN 0200221362)	
6Q	1001151377	1	Bracket, AC Receptacle Box (SN 0200221362 through 0200230091)	

SECTION 7 - ELECTRICAL

ITEM	PART NUMBER	QTY	DESCRIPTION	REV
6R		Ref	Adapter Options:	
6R	Not Required	0	0270111, 1001094908, 1001094909, 1001094910, 1001094911 & 1001094912 Installations	
6R	4461258	1	1001094913 & 1001094914 Installations	
6S	0275452		Receptacle Box Kit (220V CEE 7 Post Ground) (Includes Items 6A, 6D, 6F & 6G) (1001094908 Installation)	1
6S	0275453		Receptacle Box Kit (220V CEE 7 Side Ground) (Includes Items 6A, 6D, 6F & 6G) (1001094909 Installation)	1
6S	0275454		Receptacle Box Kit (220V AFSINT 107 Keyed Ground) (Includes Items 6A, 6D, 6F & 6G) (1001094910 Installation)	1
6S	0275216		Receptacle Box Kit (110V IEC Yellow) (Includes Items 6A, 6D, 6F & 6G) (1001094911 Installation)	1
6S	0275217		Receptacle Box Kit (220V IEC Blue) (Includes Items 6A, 6D, 6F & 6G) (1001094912 Installation)	1
6S	0275218	NLA	Receptacle Box Kit (220V CEE 7 Post Ground) (Includes Items 6A, 6D, 6F & 6G) (1001094913 Installation) (Use p/n 1001100343)	2
6S	1001141971	NLA	Receptacle Box Kit (220V CEE 7 Post Ground) (Includes Items 6A, 6D, 6F & 6G) (1001094913 Installation) (Use p/n 1001100343)	2
6S	0275219	NLA	Receptacle Box Kit (220V CEE 7 Side Ground) (Includes Items 6A, 6D, 6F, 6G & 808E) (1001094914 Installation) (Use p/n 1001100344)	2
6S	1001141970	NLA	Receptacle Box Kit (220V CEE 7 Side Ground) (Includes Items 6A, 6D, 6F, 6G & 808E) (1001094914 Installation) (Use p/n 1001100344)	2
7		Ref	Harness - Worklights	
7	4922585	1	Harness -Worklights 3369LE/M3369	
7	4922586	1	Harness -Worklights 4069LE/M4069	
7A	1060341	Ref	Cable - 16/2	
7A	1060341	84 ft /25.6m	Cable - 16/2 3369LE/M3369	
7A	1060341	92 ft /28.0m	Cable - 16/2 4069LE/M4069	
7B	4460267	6	Pin, Male	
7C	4460268	6	Socket, Female	
7D	4460320	3	Plug, Male, 2 Position	
7E	4460424	3	Connector, Female - 2 Position	
7F	4922431	1	Cable, Worklights (Circuit Breaker to Contactor)	
8	1060911	1	Cable, Inverter (+)	
9	1060912	1	Cable, Inverter (-)	
10	1060910	1	Cable, AC	A
10A	4460138	1	Plug, Male	
10B	4460779	1	Receptacle, Female	
11		Ref	AC to Platform Receptacle Harness - 12/3 Options (Part of Scissors Arms Installation): (SN 0200152398 through 0200230091)	
11	1060866	1	AC to Platform Receptacle Harness - 12/3 3369LE & M3369	E
11	1060867	1	AC to Platform Receptacle Harness - 12/3 4069LE & M4069	E
		Ref	GROUND CONTROL BOX ASSEMBLY AND INSTALLATIONS	
101		Ref	Beacon Harness Components from Valve Harness	
101	4460424	1	Connector, Female - 2 Position	
101	4460267	2	Pin, Male	
102		Ref	Harness, Leveling Jack Valves Options:	
102		Ref	Without Leveling Jack (See ELECTRICAL SCHEMATIC for	

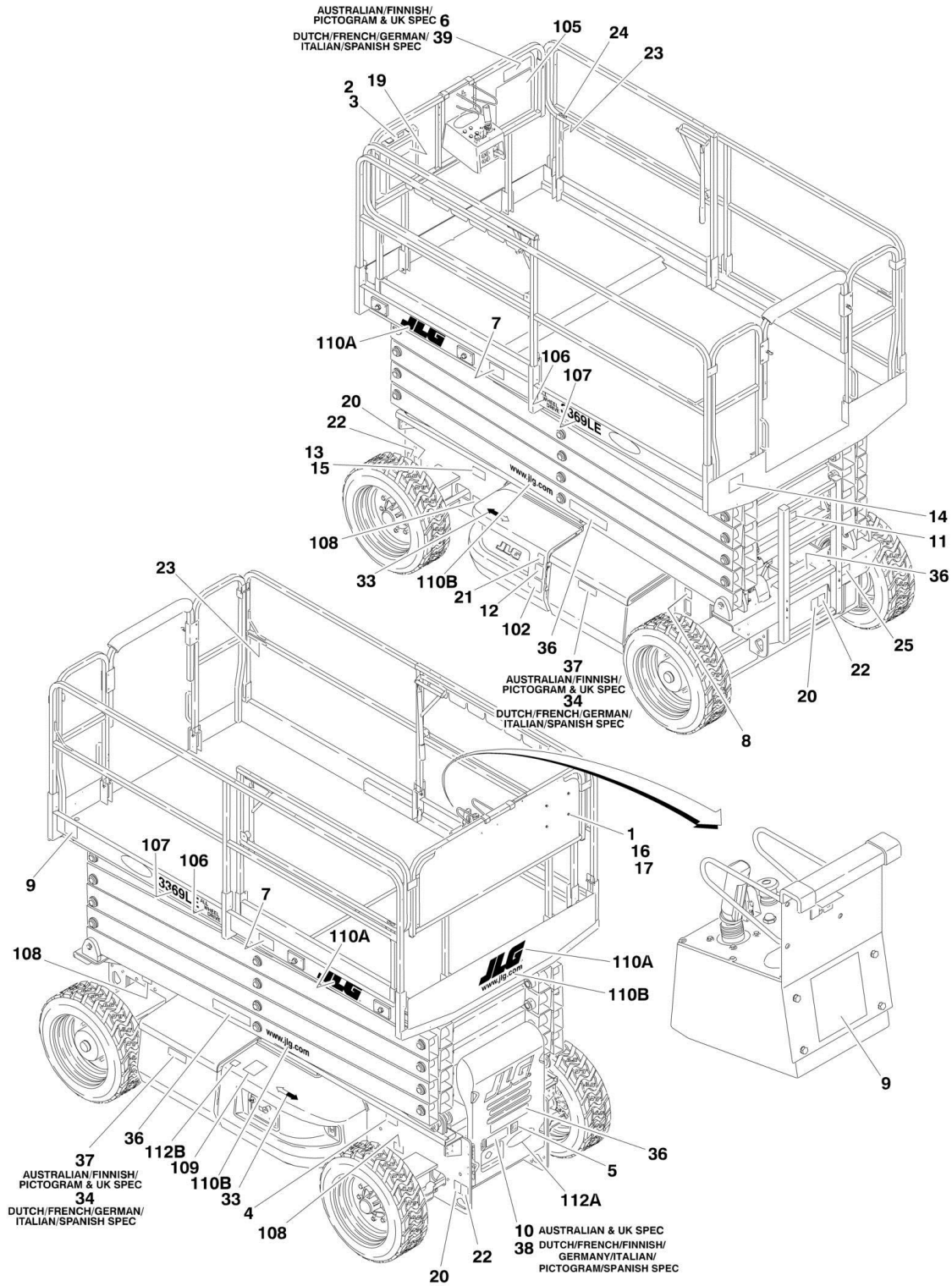
SECTION 7 - ELECTRICAL

ITEM	PART NUMBER	QTY	DESCRIPTION	REV
102	4922529	1	Breakdown) With Leveling Jack	B
102A	4460499	8	Connector, DIN	
102B	4460896	1	Plug, Male - 24 Position	
102C	4460465	10	Socket, Female	
102D	4460836	1	Connector - 12 Position	
102D	4460837	1	Housing, Connector - 12 Position	
102D	4460465	8	Socket, Female	
102E	4460225	1	Plug, Male - 6 Position	
102E	4460227	4	Pin, Male	
		Ref	TOOLS	
201	7002821	1	Crimper (For Wire to Pin/Socket Connections)	
202	7002823	1	Extractor (For Removal of Pin/Socket from Connectors)	
203	4460467	1	Extractor, Pin (Blue 16-18 Gauge) (For Removal of Pin/Socket from Connectors)	
203	4460510	1	Extractor, Pin (Yellow 12-14 Gauge) (For Removal of Pin/Socket from Connectors)	
204	7002828	1	Stripper, Wire	
205	2901443	1	Analyzer Kit (Not Shown)	

SECTION 8 - DECALS

SECTION 8 - DECALS

**FIGURE 8-1. DECAL INSTALLATION (USA BUILT MACHINES AND ALL BELGIUM BUILT MACHINES)
(Prior to SN 0200150261)**



SECTION 8 - DECALS

**FIGURE 8-1. DECAL INSTALLATION (USA BUILT MACHINES AND ALL BELGIUM BUILT MACHINES)
(Prior to SN 0200150261)**

ITEM	PART NUMBER	QTY	DESCRIPTION	REV
		Ref	DECAL INSTALLATIONS	
		Ref	LE Models:	
	0270593	Ref	Australian Spec	5
	0270598	Ref	Dutch Spec	6
	0274586	Ref	Finnish Specs	2
	0270595	Ref	French Spec	6
	0270596	Ref	German Spec	6
	0270597	Ref	Italian Spec	6
	0273195	Ref	Norwegian Spec	3
	0274586	Ref	Pictogram Decals	2
	0270599	Ref	Spanish Spec	6
	0270592	Ref	UK English Spec	8
		Ref	M Models:	
	0270593	Ref	Australian Spec	5
	0273387	Ref	Dutch Spec	2
	0273384	Ref	French Spec	2
	0273385	Ref	German Spec	2
	0273386	Ref	Italian Spec	2
	0273389	Ref	Norwegian Spec	3
	0273388	Ref	Spanish Spec	2
	0273383	Ref	UK English Spec	2
1	0641405	4	Bolt 1/4in-20NC x 5/8in	
2	0860520	1	Box, Manual Storage	
3	1060279	1	Cable, Lanyard	
4	1700584	1	Decal - Patent	
5	1701644	1	Decal - Battery Charger	
6		Ref	Nameplate - Caution Options:	
6	See Item 39	1	All Spec except Australian and UK Specs	
6	1704625	1	Australian and UK Specs	
6	1706338	1	Finnish and Pictogram Specs	
6	1705267	1	Norwegian Spec	
7		Ref	Decal Options:	
7	Not Required	0	Australian, Finnish and Pictogram Specs	
7	1702928	2	Decal - CE (All CE Spec Machines Built in USA) (Prior to SN 0200103487)	
7	1705084	2	Decal - CE (All CE Spec Machines Built in USA) (SN 0200103487 through 0200113842)	
7	Not Required	0	Decal (All CE Spec LE Models Built in USA) (SN 0200113843 through 0200150261)	
7	Not Required	0	Decal (All CE Spec LE Models Built in Belgium)	
7	1705084	2	Decal - Sound Power Level (All CE Spec Models Built in USA) (SN 0200113843 through 0200150261)	
7	1705084	2	Decal - Sound Power Level (All CE Spec Models Built in Belgium)	
8	1702155	2	Decal - Battery Disconnect	
9	Not Available	1	Decal - Bar Code	
10		Ref	Decal - Danger/Warning Options:	
10	See Item 38	AR	Australian Spec	
10	1704324	AR	Dutch Spec	
10	See Item 38	AR	Finnish Spec	

SECTION 8 - DECALS

ITEM	PART NUMBER	QTY	DESCRIPTION	REV
10	1704326	AR	French Spec	
10	1704323	AR	German Spec	
10	1704325	AR	Italian Spec	
10	See Item 38	AR	Norwegian Spec	
10	See Item 38	AR	Pictogram Spec	
10	1704327	AR	Spanish Spec	
10	See Item 38	AR	UK English Spec	
11	1704211	1	Decal - Safety Prop	
12	1704412	1	Decal - Hydraulic Oil	
13	2080057	AR	Fastener	
14	3251813	1	Decal - USA	
15	Not Available	1	Nameplate - Serial Number	
16	3311405	4	Locknut 1/4in-20NC	
17	4711400	8	Flatwasher 1/4in Narrow	
19		Ref	Decal - Manual Reference Options:	
19	1703788	1	USA Built Machines (Prior to SN 0200101481)	
19	1701509	1	USA Built Machines (SN 0200101481 through 0200150261)	
19	1701509	1	Belgium Built Machines	
20	1703811	4	Decal - Lifting Lugs	
21	1703812	1	Decal - Hydraulic Oil	
22	1703814	4	Decal - Tie Down	
23	1704277	4	Decal - Attach Lanyard Here	
24	1703819	2	Decal - Directional Arrow	
25	1703822	1	Decal - Manual Descent	
33	1703687	2	Decal - Directional Arrow	
34		Ref	Decal - Battery Warning Options:	
34	See Item 37	1	Australian Spec	
34	1704335	2	Dutch Spec	
34	1704337	2	French Spec	
34	See Item 37	1	Finnish Spec	
34	1704334	2	German Spec	
34	1704336	2	Italian Spec	
34	See Item 37	1	Norwegian Spec	
34	See Item 37	1	Pictogram Spec	
34	1704338	2	Spanish Spec	
34	See Item 37	1	UK English Spec	
36		Ref	Decal - Warning Crushing Hazard/Danger Electrocution Options:	
36	1703818	4	Australian Spec	
36	1703894	4	Dutch Spec	
36	1703865	4	French Spec	
36	1706338	4	Finnish Spec	
36	1703882	4	German Spec	
36	1703887	4	Italian Spec	
36	1705257	4	Norwegian Spec	
36	1706338	4	Pictogram Spec	
36	1703841	4	Spanish Spec	
36	1703818	4	UK English Spec	
37		Ref	Decal - Battery Warning Options:	
37	1703813	2	Australian and UK Specs	
37	1705670	2	Finnish and Pictogram Specs	
37	1705256	2	Norwegian Spec	

SECTION 8 - DECALS

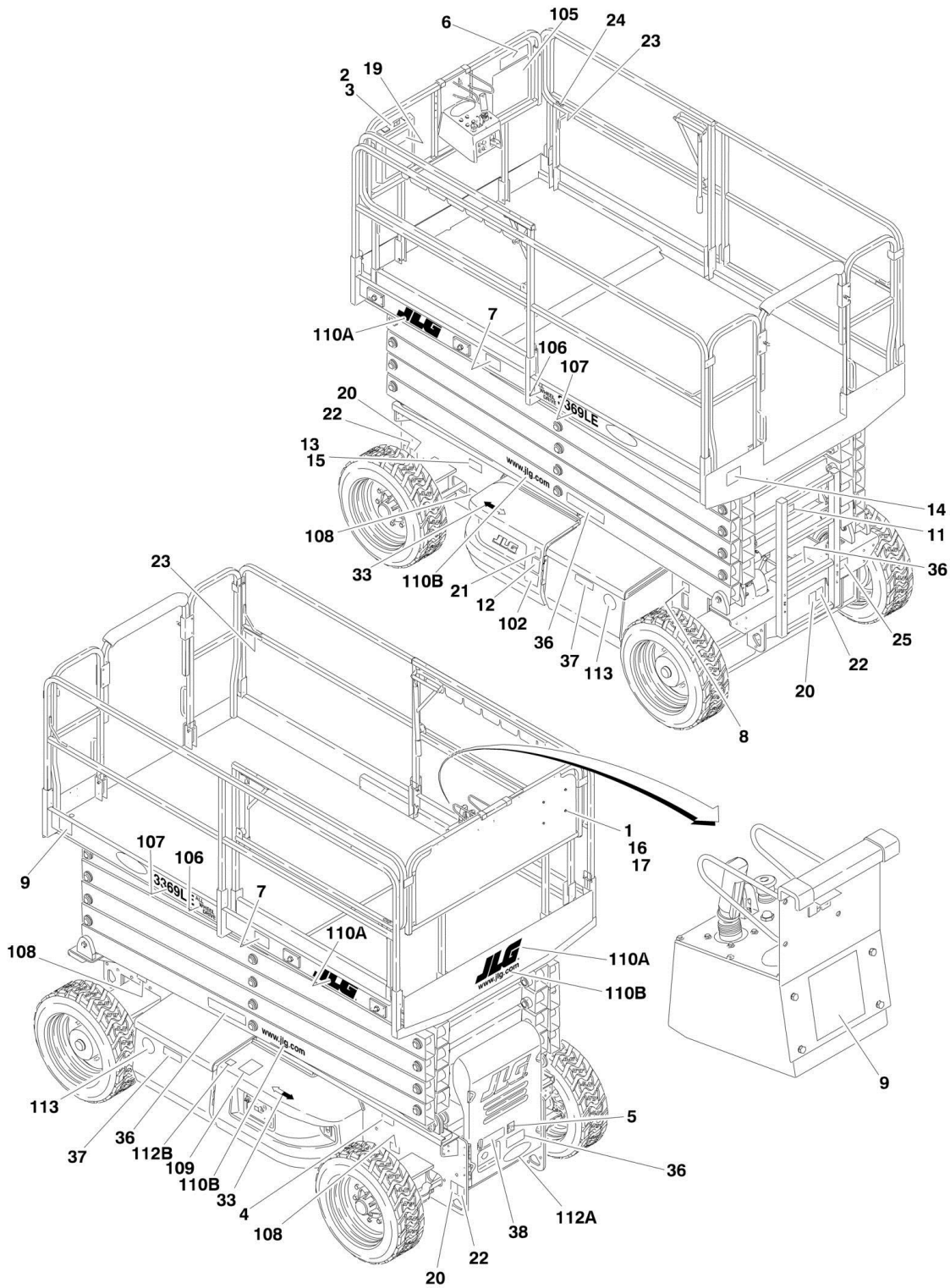
ITEM	PART NUMBER	QTY	DESCRIPTION	REV
37	See Item 34	1	Dutch, French, German, Italian and Spanish Specs	
38		Ref	Decal - Battery Charger Instructions	
38	1704248	1	Australian and UK Specs	
38	1706492	1	Finnish and Pictogram Specs	
38	1705259	2	Norwegian Spec	
38	See Item 10	1	Dutch, French, German, Italian and Spanish Specs	
39		Ref	Decal - Caution Options:	
39	Not Required	0	Australian, Finnish, Norwegian, Pictogram and UK Specs	
39	1704649	1	Dutch Spec	
39	1704626	1	French Spec	
39	1704674	1	German Spec	
39	1704673	1	Italian Spec	
39	1704672	1	Spanish Spec	
		Ref	Decal Kit Options:	
	2901912	1	Master Kit (Includes Items 19-25)	
		Ref	Multi-Color Kit Options:	
	2902040	1	Australian Spec (Includes Items 36-38)	
	2901927	1	Dutch Spec (Includes Items 36 & 39)	
	Not Available	1	Finnish Spec	
	2901924	1	French Spec (Includes Items 36 & 39)	
	2901929	1	German Spec (Includes Items 36 & 39)	
	2901928	1	Italian Spec (Includes Items 36 & 39)	
	Not Available		Norwegian Spec	
	2901925	1	Spanish Spec (Includes Items 36 & 39)	3
	2902040	1	UK English Spec (Includes Items 36-38)	
	0010572	Ref	OPTIONAL DECAL INSTALLATIONS	
		Ref	Note: Refer to Outrigger Installation in FRAME SECTION for Outrigger Decals.	
102		Ref	Decal - Biodegradable Oil (Optional)	
102	1704174	1	All except German Spec	
102	1704175	1	German Spec	
105		Ref	Decal - Capacity Options:	
105	1704530	1	3369LE & M3369 (450KG)	
105	1706491	1	3369LE with 60kph Wind Limitation (450KG)	
105	1704580	1	4069LE & M4069 (380KG)	
106	1704998	2	Decal - All Wheel Drive (4WD Only)	
107		Ref	Decal - Model Options:	
107	1704783	2	3369LE	
107	1704784	2	4069LE	
107	1704908	2	M3369	
107	1704909	2	M4069	
108		Ref	Decal - Maximum Tire Load Options:	
108	1703490	4	3369LE & M3369	
108	1704953	4	4069LE & M4069	
109	1001093687	1	Decal - Generator (M3369 & M4069 Only) (Supersedes all Prior Specs - p/n 1704286, 1704360, 1704358, 1704361, 1704359, 1705260 & 1704362)	
110	0270262	Ref	JLG Decals Installation	B
110A	1702773	3	Decal - JLG	
110B	1704885	3	Decal - Web Page	
112	0270788	Ref	M3369 & M4069 Decal Installation	J
112	0274684	Ref	M3369 & M4069 Decal Installation	C

SECTION 8 - DECALS

ITEM	PART NUMBER	QTY	DESCRIPTION	REV
112A	1704830	1	Decal - Battery Charger	
112B	1701505	1	Decal - Diesel Fuel	

SECTION 8 - DECALS

FIGURE 8-2. DECAL INSTALLATION (USA BUILT MACHINES) (SN 0200150261 through 0200230091)



SECTION 8 - DECALS

FIGURE 8-2. DECAL INSTALLATION (USA BUILT MACHINES) (SN 0200150261 through 0200230091)

ITEM	PART NUMBER	QTY	DESCRIPTION	REV
		Ref	DECAL INSTALLATIONS	
	0275084	Ref	Decal Installations 3369LE & 4069LE	B
	0275085	Ref	Decal Installations M3369 & M4069	B
1	0641405	4	Bolt 1/4in-20NC x 5/8in	
2	0860520	1	Box, Manual Storage	
3	1060279	1	Cable, Lanyard	
4	1700584	1	Decal - Patent (USA Built Machines) (SN 0200150261 through 0200205400)	
5	1701644	1	Decal - Battery Charger	
6	1706338	1	Decal - Warning Crushing Hazard/Danger Electrocution	
7		Ref	Decal Options:	
7	Not Required	0	Decal 3369LE & 4069LE	
7	1705084	2	Decal M3369 & M4069	
8	1702155	1	Decal - Battery Disconnect	
9	Not Available	1	Decal - Bar Code	
11	1704211	1	Decal - Safety Prop	
12	1704412	1	Decal - Hydraulic Oil	
13	2080057	AR	Fastener	
14	3251813	1	Decal - USA	
15	Not Available	1	Nameplate - Serial Number	
16	3311405	4	Locknut 1/4in-20NC	
17	4711400	8	Flatwasher 1/4in Narrow	
19	1701509	1	Decal - Manual Reference	
20	1703811	4	Decal - Lifting Lugs	
21	1703812	1	Decal - Hydraulic Oil	
22	1703814	4	Decal - Tie Down	
23	1704277	4	Decal - Attach Lanyard Here	
24	1703819	2	Decal - Directional Arrow	
25	1703822	1	Decal - Manual Descent	
33	1703687	2	Decal - Directional Arrow	
36	1706338	4	Decal - Warning Crushing Hazard/Danger Electrocution	
37	1705670	2	Decal - Battery Warning	
38	1706492	1	Decal - Battery Charger Instructions	
	2901912	1	Decal Kit (Includes Items 19-25)	
	0010572	Ref	OPTIONAL DECAL INSTALLATIONS	26
		Ref	Note: Refer to Outrigger Installation in FRAME SECTION for Outrigger Decals.	
102		Ref	Decal - Biodegradable Oil (Optional)	
102	1704174	1	All except German Spec	
102	1704175	1	German Spec	
105		Ref	Decal - Capacity Options:	
105	1704530	1	Decal - Capacity 3369LE & M3369 (450KG)	
105	1706491	1	Decal - Capacity 3369LE with 60kph Wind Limitation (450KG)	
105	1704580	1	Decal - Capacity 4069LE & M4069 (380KG)	
105	1001177598	1	Decal - Capacity 4069LE with 60kph Wind Limitation (360KG)	
106	1704998	2	Decal - All Wheel Drive (4WD Only)	
107		Ref	Decal - Model Options:	
107	1704783	2	Decal (3369LE)	
107	1704784	2	Decal (4069LE)	
107	1704908	2	Decal (M3369)	

SECTION 8 - DECALS

ITEM	PART NUMBER	QTY	DESCRIPTION	REV
107	1704909	2	Decal (M4069)	
108		Ref	Decal - Maximum Tire Load Options:	
108	1703490	4	Decal - Maximum Tire Load 3369LE & M3369	
108	1704953	4	Decal - Maximum Tire Load 4069LE & M4069	
108	1001119580	4	Decal - Maximum Tire Load 4069LE Loxam Spec	
109		Ref	Decal - Generator Options (M3369 & M4069 Only):	
109	1001093687	1	USA Built Machines (Supersedes all Prior Specs - p/n 1704286, 1704360, 1704358, 1704361, 1704359, 1705260 & 1704362) (Prior to SN 0200169458)	
109	1001093687	1	USA Built Machines (SN 0200169458 through 0200230091)	
110	0270262	Ref	JLG Decals Installation	B
110A	1702773	3	Decal - JLG	
110B	1704885	3	Decal - Web Page	
112	0270788	Ref	M3369 & M4069 Decal Installation	J
	0274684	Ref	M3369 & M4069 Decal Installation	C
112A	1704830	1	Decal - Battery Charger	
112B	1701505	1	Decal - Diesel Fuel	
113	1001121510	2	Decal - Hybrid (USA Built Machines) (SN 0200199013 through 0200230091)	

SECTION 9 - RECOMMENDED SERVICE PARTS STOCK

SECTION 9 - RECOMMENDED SERVICE PARTS STOCK

SECTION 9 - RECOMMENDED SERVICE PARTS STOCK

FIGURE 9-1. MODELS 3369LE/M3369/4069LE/M4069 STANDARD PARTS

ITEM	PART NUMBER	QTY	DESCRIPTION	REV
	Note	Ref	Note: The following list will service one machine (built to current production per date on the front cover) with emergency repair parts which can be installed in the field. Parts from the list should be replaced when inventory is depleted to keep service parts stock supplied. For further information, contact your JLG dealer or the JLG Industries Parts Department.	
		Ref	STANDARD PARTS	
	7024013	1	Coil	
	7012944	1	Coil	
	7017451	1	Coil	
	7021619	1	Switch, Pressure	
	7021616	1	Filter, Cartridge	
	4360069	1	Breaker, Circuit - 10Amp	
	4360328	1	Switch, Toggle	
	4360470	1	Switch, Key (CE Spec)	
	4360469	1	Switch, Key (Australian Spec)	
	2860030	1	Key, Replacement	
	4360475	1	Switch, Emergency Stop	
	7020176	1	Block, Contact	
	1001102811	1	Switch, Dual Axis	
	1120534	1	Cap, Filler/Breather	
	4360500	1	Switch, Rotary Angle Sensor	
	4360502	1	Switch, Proximity Sensor	
	2940074	1	Latch, Platform	
	1600403	1	Controller Assembly	
	4360387	1	Switch, Push Button	
	4360475	1	Switch Assembly	
	4360482	1	Switch, Toggle	
	70000081	1	Potentiometer	
	7017445	1	Coil	
	3990010	2	Diode	

SECTION 9 - RECOMMENDED SERVICE PARTS STOCK

FIGURE 9-2. MODELS 3369LE/M3369/4069LE/M4069 VARIABLE PARTS

ITEM	PART NUMBER	QTY	DESCRIPTION	REV
	Note	Ref	Note: The following list will service one machine (built to current production per date on the front cover) with emergency repair parts which can be installed in the field. Parts from the list should be replaced when inventory is depleted to keep service parts stock supplied. For further information, contact your JLG dealer or the JLG Industries Parts Department.	
		Ref	VARIABLE PARTS	
	7027280	1 doz	Filter, Oil - Yanmar Engine (M3369 & M4069 Only)	
	7018141	12	Filter, Fuel - Yanmar Engine (M3369 & M4069 Only)	
	7020217	12	Filter, Air - Yanmar Engine (M3369 & M4069 Only)	
	7020200	1	Regulator, Voltage for Yanmar Engine (M3369 & M4069 Only)	
	7020156	1	Module, Control for Yanmar Engine (M3369 & M4069 Only)	
	70000323	1	Relay - Yanmar Engine (M3369 & M4069 Only)	
	7023274	1	Relay - Yanmar Engine (M3369 & M4069 Only)	
	70000319	1 doz	Filter, Oil - Kubota Engine (M3369 & M4069 Only)	
	70000318	12	Filter, Fuel - Kubota Engine (M3369 & M4069 Only)	
	70000313	12	Filter, Air - Kubota Engine (M3369 & M4069 Only)	
	70000289	1	Regulator, Voltage for Kubota Engine (M3369 & M4069 Only)	
	70000326	1	Module, Control for Kubota Engine (M3369 & M4069 Only)	
	70000322	1	Relay - Kubota Engine (M3369 & M4069 Only)	
	70000323	1	Relay - Kubota Engine (M3369 & M4069 Only)	
	70000329	2	Fuse 15Amp - Kubota Engine (M3369 & M4069 Only)	
	70000330	2	Fuse 120Amp - Kubota Engine (M3369 & M4069 Only)	
	1600421	1	Module, Sevcon	
	7012943	1	Coil (Machines with Leveling Jacks)	
	1001155878	1	Module, Ground Control	
	4360164	1	Breaker, Circuit 5Amp (With Worklights Options)	
	0610169	1	Module, Platform	
	2400056	2	Fuse - 5Amp (Machines with Beacon Option)	
	4360548	1	Limit Switch	

SECTION 10 - SPECIAL OPTIONS

SECTION 10 - SPECIAL OPTIONS

FIGURE 10-1. SPECIAL OPTIONS

ITEM	PART NUMBER	QTY	DESCRIPTION	REV
	Note	Ref	Note: This list is to accommodate machines ordered with special equipment. Options may not be applicable to all models. For more specific parts information contact JLG Parts Department.	
		Ref	MISCELLANEOUS SPECIAL OPTIONS:	
		Ref	Airline Installations	
	0274808	Ref	Airline Installations 3369LE & M3369	
	1001096087	Ref	Airline Installations 4069LE & M4069	
	1001181152	Ref	Combine Filter Service Kit	
		Ref	Decal Installations	
	0251642	Ref	Corner Stripes Installation	
		Ref	Decal Kits:	
	1001125245	Ref	Decal Kit - Calibration (3369LE/M3369)	
	1001125244	Ref	Decal Kit - Calibration (4069LE/M4069)	
	2901912	Ref	Decal Kit - Master	
		Ref	Decal Kit - Multi-Color	
	2902040	1	Australian Spec	
	2901927	1	Dutch Spec	
	2901924	1	French Spec	
	2901929	1	German Spec	
	2901928	1	Italian Spec	
	2901925	1	Spanish Spec	
	2902040	1	UK English Spec	
		Ref	Electrical Connector Kits	
	1001148902	Ref	Amp/Tyco Electrical Connector Kit	
	1001148903	Ref	Deutsch DT Electrical Connector Kit	
	1001148904	Ref	Deutsch HD Electrical Connector Kit	
	1001148905	Ref	Packard Electrical Connector Kit	
	1001148906	Ref	Various Electrical Connectors Kit	
		Ref	Filter Kits:	
		Ref	Yanmar Engine	
	1001111699	1	Combined Filter Kit (Hydraulic/Air and Fuel/Engine Oil)	
	1001111673	1	Hydraulic/Air Filter	
	1001111683	1	Fuel/Engine Oil Filter	
		Ref	Kubota Engine	
	1001111710	1	Combined Filter Kit (Hydraulic/Air and Fuel/Engine Oil)	
	1001111672	1	Hydraulic/Air Filter	
	1001111687	1	Fuel/Engine Oil Filter	
		Ref	Fluids Options	
		Ref	Hydraulic Oil Options:	
	2300028	Ref	Mobil DTE 10 Excel 15 (Bulk Drum)	
	70010346	Ref	Mobil DTE 10 Excel 15 (1 Gallon)	
	2300016	Ref	Mobil DTE 10 Excel 32	
	2300029	Ref	Mobil EAL ISO 46 Biodegradable	
		Ref	Platform Padding Installations	
	0274793	Ref	Platform Padding Installation (ANSI, ANSI Export and CSA Specs)	
	0274794	Ref	Platform Padding and Deck Bumpers Installation (ANSI, ANSI Export and CSA Specs)	

SECTION 10 - SPECIAL OPTIONS

ITEM	PART NUMBER	QTY	DESCRIPTION	REV
	1001177623	Ref	Platform Padding, Deck Bumpers Installation and Soft Touch Switches	
		Ref	Platform Worklights Installations	
	0271125	Ref	Platform Worklights Installations 3369LE & M3369	
	0271126	Ref	Platform Worklights Installations 4069LE & M4069	
	1001100007	Ref	Programmable Security Lock Installation	
	1001099389	1	Lock, Programmable Security	
	1001100008	1	Bracket	
	1001100935	1	Harness, Programmable Security Lock	
	1001185245	Ref	Soft Touch Ground Harness Installation	
	1001197711	Ref	Telematics Harness	
		Ref	Tie Strap Installations	
		Ref	Tie Strap Installations 3369LE & M3369	
	0270606	Ref	USA Built Machines (Prior to SN 0200112285)	
	0272946	Ref	USA Built Machines (SN 0200112285 through 0200230091)	
	0270606	Ref	Belgium Built Machines (Prior to SN 1200001088)	
	0272946	Ref	Belgium Built Machines (SN 1200001088 to Present)	
		Ref	Tie Strap Installations 4069LE & M4069	
	0270607	Ref	USA Built Machines (Prior to SN 0200112285)	
	0272947	Ref	USA Built Machines (SN 0200112285 through 0200230091)	
	0270607	Ref	Belgium Built Machines (Prior to SN 1200001088)	
	0272947	Ref	Belgium Built Machines (SN 1200001088 to Present)	
		Ref	Tools For Service:	
	7002828	1	Wire Stripper	
	7002821	1	Wire Crimper (To install wire ends to wires)	
	7002823	1	Pin/Socket Extractor - Universal (To Remove Pins/Sockets from Connectors)	
	4460467	1	Extractor - 16-18 Gauge (For Removal of Pins/Sockets for Deutsch Connectors)	
	4460510	1	Extractor - 12-14 Gauge (For Removal of Pins/Sockets for Deutsch Connectors)	
	7002822	1	Screwdriver, Potentiometer (To Adjust Drive Controller)	
	7016654	1	Screwdriver, Magnetic	
	7004275	1	Seal Installation Tool - 1in	
	7004276	1	Seal Installation Tool - 1 1/2in	
	7002826	1	Seal Installation Tool - 2in	
	2900838	1	U.S. Standards Fastener (Hardware) Kit	
	7014676	1	U.S. Standards Tool Kit	
	2901443	1	Analyzer Kit	
	2915230	1	Battery Charger Reprogram Controller	
	1001137005	1	Software USB Cable Kit	

PART NUMBER INDEX

PART NUMBER INDEX

0010572.....66, 191, 195	0270384 63	027134459	0400191.....42, 48, 51, 55
0080228..... 139, 143	0270385 63	0271403 139	0400201.....40, 46
0100011.... 13, 17, 40, 42, 46, 48, 51, 59, 65, 73, 83, 87, 91, 95, 99, 103, 107, 111, 112, 115, 116, 129, 131, 133, 135, 139	0270417 22	0271404 144	0440162..... 11, 13
0100019.....21, 65, 129	0270473 21, 61, 167	0271442 73, 79	0440234.... 91, 92, 96, 99, 100, 104, 111
0100020.46, 74, 139, 144	0270476 119	0271447 73, 79	0440236... 91, 95, 99, 103
0100035 92, 96, 100, 104, 131, 133, 135	0270477 119	0271481 139	0440247..... 11, 13
0100038..... 129, 131	0270514 63	0271482 144	0440250 92, 95, 100, 103, 112
0100048..... 116	0270518 83	0271651 75, 140	0561407..... 66
0100051..... 87	0270519 11	0271652 75, 144	0561410..... 107
0100083..... 61	0270523 22	0271690 22	0561411..... 107
0140011 119	0270524 87	0271948 22	0561415..... 107
0140028..... 74	0270530 22	0271949 22	0610131.... 40, 42, 46, 48, 51
0140032..... 74	0270533 17	0272932 91, 96, 139	0610143..... 79
0181684..... 116	0270543 112	0272933 99, 104, 143	0610145..... 119
0181847..... 119	0270544 73, 79	0272946 203	0610154..... 75
0182008..... 107	0270568 17	0272947 203	0610169..... 119, 200
0182014..... 74, 83	0270570 22	0272959 111	0630476..... 111
0182017..... 87	0270572 166, 174	0272960 111	0630526..... 87
0182035..... 116	0270573 166, 174	0273049 74	0630549..... 13, 59, 87
0200654..... 91, 95	0270576 69	0273195 189	0630550..... 92, 100
0200655..... 91, 95	0270579 119	0273383 189	0641404..... 59, 83, 119
0200656..... 91, 95	0270580 119	0273384 189	0641405..... 51, 107, 189, 195
0200657..... 91	0270581 22	0273385 189	0641406.... 13, 61, 65, 69, 73, 116
0200658..... 91, 95	0270582 73	0273386 189	0641407.... 42, 48, 74, 83, 107, 116, 184
0200659..... 91, 95	0270583 73	0273387 189	0641408.... 17, 69, 91, 96, 99, 104, 112
0200660..... 91, 95	0270588 189	0273388 189	0641409..... 107
0200661..... 91	0270592 189	0273389 189	0641410.... 46, 75, 92, 96, 100, 104
0200667..... 91, 95	0270593 189	0273468 22	0641412..... 61
0200668..... 91, 95	0270595 189	0273477 22	0641416..... 17, 117
0200669..... 91, 95	0270596 189	0273478 189	0641418.... 13, 40, 46, 51, 91, 95, 99, 103
0200683..... 99, 103	0270597 189	0274586 189	0641504..... 87
0200684..... 99, 103	0270598 189	0274684 46, 74, 191, 196	0641506.13, 83, 139, 143
0200685..... 99, 103	0270599 189	0274793 202	0641507..... 83
0200686..... 99, 103	0270606 203	0274794 202	0641508..... 73, 74
0200687 99	0270607 203	0274808 202	0641509..... 51
0200688..... 99, 103	0270619 51	0275084 195	0641510..... 91, 95, 116
0200689..... 99, 103	0270620 51	0275085 195	0641512..... 74
0200691..... 99, 103	0270627 22	0275216 185	0641514..... 74
0200692..... 99, 103	0270683 74, 83	0275217 185	0641516..... 115, 116
0200693..... 99, 103	0270692 73	0275218 185	0641528..... 65
0200694..... 99, 103	0270740 69	0275219 185	0641604..... 40, 46
0200695..... 99, 103	0270768 73, 79	0275452 185	0641607..... 107
0200696..... 99	0270769 73	0275453 185	0641608..... 59, 65, 111
0200724..... 91, 95	0270771 73	0275454 185	0641609..... 21, 46
0200725..... 91, 95	0270787 40, 41, 162	0275481 95, 139, 151, 153, 160	0641610.... 13, 17, 91, 96, 99, 104, 111
0200726..... 99, 103	0270788.40, 74, 191, 196	0275482 ... 103, 143, 151, 153, 160	0641612..... 51, 107
0200727..... 99, 103	0270841 42, 48	0275525 95, 139	0641616..... 46
0251642..... 202	0270842 42, 48	0275526 ... 103, 143, 151, 153	0641618..... 83
0258997 22	0270853 91, 139	0275552 96	0641632..... 40, 46
0259563..... 111	0270854 99, 143	0275553 104	0641660..... 40, 46
0259564..... 111	0270939 83	0275663 170, 178	0641676..... 116
0259565..... 115	0270940 74	0275664 170, 178	0641820..... 46
0259568..... 115	0270941 74	0275665 170, 178	0641824..... 63, 107
0259576..... 63	0270942 74	0275666 170, 178	0641826..... 21, 107
0259577..... 63	0270991 13, 157, 160	0275667 170, 178	0641828..... 63, 65
0259593..... 63	0270992 13, 21	0275787 73, 79	0642012..... 17
0259613..... 75	0270995 119	0275788 73	
0270111 182	0270996 119	0320015 131	
0270262..... 191, 196	0270997 107	0362840 91, 95	
	0270998 73	0362841 .. 91, 95, 99, 103	
	0270999 73	0400055 87	
	0271000 73	0400188 48	
	0271001 73	0400189 48	
	0271009 69	0400190 42, 48, 51, 55	
	0271125 117, 203		
	0271126 117, 203		
	0271238 65		

PART NUMBER INDEX

0642016.....	51	1001099389.....	203	1060689.....	48, 51, 175	1683966.....	65, 131
0681508.....	116	1001099428.....	79	1060759.....	42, 48, 51, 168	1683967.....	131, 133, 135
0681520..	91, 96, 99, 104	1001099429.....	79	1060808.....	115, 116	1683994.....	11, 13, 147
0681606.....	131	1001099533.....	112	1060815.....	166, 174	1684063.....	129
0681622..	91, 95, 99, 103	1001100007.....	203	1060819.....	40	1684064.....	17, 129
0681624..	91, 95, 99, 103	1001100008.....	203	1060820.....	40, 46	1684072.....	129
0681809.....	21	1001100935.....	203	1060846.....	139, 143	1684119.....	91, 95, 139
0682011.....	21	1001101934.....	21, 35	1060866.....	95, 183, 185	1684120.....	99, 103, 143
0682012.....	21	1001101989.....	13, 169, 177	1060867.....	183, 185	1684121.....	99, 103, 143
0682016.....	65	1001102512.....	80	1060884.....	87	1684138.....	129
0682020.....	17	1001102534.....	87	1060885.....	87	1684206.....	133, 135
0700619.....	116	1001102811.....	198	1060886.....	87, 168, 176	1684217.....	65, 133
0700812.....	83	1001103012.....	174	1060887.....	87, 168, 176	1684291.....	65, 135
0721008.....	42, 49, 51	1001103105.....	48, 51, 57	1060888.....	61, 167, 175	1700584.....	189, 195
0721014..	91, 96, 99, 104	1001104956.....	87	1060889.....	61, 167, 175	1701505.....	40, 74, 192, 196
0721016.....	51	1001105085.....	87	1060890.....	61, 167, 175	1701509.....	190, 195
0791406.....	96, 104	1001105438.....	74, 174	1060891.....	61, 167, 175	1701644.....	189, 195
0840026.....	117	1001107854.....	174	1060892.....	61, 167, 175	1701785.....	66
0840048.....	87	1001109475.....	184	1060893.....	61, 167, 175	1702155.....	189, 195
0840049.....	87	1001109482.....	184	1060894.....	61, 167, 175	1702773.....	191, 196
0860520.....	189, 195	1001111672.....	202	1060895.....	61, 167, 175	1702928.....	189
0861357.....	119	1001111673.....	202	1060899.....	166, 169, 174, 176, 177	1703175.....	111
0861385.....	79	1001111683.....	202	1060900.....	83, 168, 176	1703464.....	183
0861493.....	75	1001111687.....	202	1060901.....	83, 168, 176	1703490.....	191, 196
0861731.....	183	1001111699.....	202	1060908.....	184	1703687.....	190, 195
0861781.....	183	1001111710.....	202	1060910.....	59, 185	1703788.....	190
0861880.....	184	1001114496.....	87	1060911.....	59, 185	1703811.....	190, 195
0901870.....	115, 116	1001116810.....	175	1060912.....	59, 185	1703812.....	190, 195
0901930.....	117	1001116811.....	57, 176	1060913.....	42, 48, 51, 168	1703813.....	190, 195
0902421.....	139, 143	1001116812.....	174	1060916.....	40, 46	1703818.....	190
0902499.....	119	1001119580.....	196	1060917.....	40, 46	1703819.....	190, 195
0902659.....	40, 46	1001121510.....	196	1060933.....	59	1703822.....	190, 195
0902696.....	73	1001125244.....	104, 202	1060934.....	59	1703841.....	190
0902701.....	83	1001125245.....	96, 202	1060935.....	59	1703865.....	190
0902703.....	92, 100	1001128736.....	65	1060950.....	40, 46	1703882.....	190
0902704.....	13	1001128890.....	65	1120108.....	131, 133, 135	1703887.....	190
0902713..	91, 96, 99, 104	1001130615.....	174	1120485.....	75	1703894.....	190
0902727.....	41	1001131751.....	66	1120534.....	83, 198	1704174.....	191, 195
0902728.....	41	1001137005.....	203	1320022.....	74	1704175.....	191, 195
0902778.....	75	1001140600.....	65, 137	1320030.....	74	1704211.....	190, 195
0902780.....	59	1001141967.....	183	1320033.....	74, 83	1704248.....	191
0903273..	92, 96, 100, 104	1001141968.....	183	1320061.....	115	1704277.....	190, 195
0920118.....	21	1001141969.....	183	1320095.....	13	1704323.....	190
0940087.....	87	1001141970.....	185	1320110.....	92, 95, 100, 103	1704324.....	189
0940090.....	99, 103, 116	1001141971.....	185	1320122.....	92, 95, 100, 103	1704325.....	190
0961890.....	129	1001148902.....	202	1320135.....	46	1704326.....	190
0961950.....	17, 18	1001148903.....	202	1320285.....	13	1704327.....	190
0961951.....	11, 13	1001148904.....	202	1320286.....	13	1704334.....	190
0962012.....	139	1001148905.....	202	1600308.....	119, 123	1704335.....	190
0962140.....	11, 13, 129	1001148906.....	202	1600311.....	61	1704336.....	190
0962474.....	129	1001151377.....	184	1600403.....	119, 125, 198	1704337.....	190
1001091644.....	79	1001155878.....	79, 200	1600421.....	61, 200	1704338.....	190
1001092586.....	13, 15	1001159355.....	47	1670965.....	91, 96, 99, 104	1704412.....	190, 195
1001093687.....	191, 196	1001159358.....	46	1670971.....	65	1704530.....	191, 195
1001093993.....	184	1001159360.....	46, 74	1670972.....	87	1704574.....	119
1001094908.....	182	1001175082.....	160	1670979.....	69	1704580.....	191, 195
1001094909.....	182	1001177598.....	195	1670980.....	69	1704625.....	189
1001094910.....	182	1001177623.....	203	1670981.....	69	1704626.....	191
1001094911.....	183	1001181087.....	79	1670990.....	69	1704649.....	191
1001094912.....	183	1001181152.....	202	1670995.....	92, 95, 100, 103	1704672.....	191
1001094913.....	183	1001185245.....	203	1671009.....	69	1704673.....	191
1001094914.....	183	1001197457.....	174	1671010.....	40, 46	1704674.....	191
1001094915.....	184	1001197711.....	203	1681283.....	131, 133, 135	1704783.....	191, 195
1001096087.....	202	1060279.....	189, 195	1682723.....	131	1704784.....	191, 195
1001097150.....	184	1060341.....	185	1683076.....	129	1704830.....	46, 192, 196
1001099375..	21, 61, 167, 175	1060680.....	168, 170, 176, 182	1683858.....	91, 139	1704885.....	191, 196

PART NUMBER INDEX

1704893.....	119	2221029.....	139	2792444.....	153, 160	3272001.....	17, 65
1704908.....	191, 195	2221041.....	151, 153	2792445.....	151, 160	3290405.....	184
1704909.....	191, 196	2221044.....	151, 153	2792446.....	153, 160	3290601.....	116
1704921.....	119	2221046.....	74	2792494.....	159, 160	3290605.....	184
1704953.....	191, 196	2221047.....	74	2820018.....	63, 74	3291005.....	111
1704954.....	66	2221086.....	151, 153	2820025.....	117	3300048.....	184
1704955.....	66	2221089.....	159	2820134.....	40	3300151..	91, 95, 99, 103, 115, 116
1704998.....	13, 191, 195	2221115.....	153	2820135.....	40, 46	3300240.....	11, 13
1705051.....	59	2221116.....	144	2820136.....	40, 46	3300281.....	131
1705052.....	59	2230024.....	151, 153	2820137.....	40, 46	3300356.....	115, 116
1705084.....	189, 195	2230087.....	157	2820138.....	40, 46	3300374.....	40, 46
1705256.....	190	2300016.....	202	2820228.....	46	3300420.....	116
1705257.....	190	2300028.....	202	2860030.....	80, 198	3300426.....	22
1705259.....	191	2300029.....	202	2900768.....	21	3300429.....	87
1705267.....	189	2400056.....	182, 200	2900770 ...	131, 133, 135, 137	3300432.....	115
1705670.....	190, 195	2420038.....	112	2900838.....	203	3300455.92, 96, 100, 104	
1705700.....	119	2420172.....	79	2901443.....	186, 203	3300465.....	133, 135
1705710.....	79	2460037.....	59	2901548.....	129	3300467.....	117
1705911.....	119	2540020.....	115	2901912 ...	191, 195, 202	3310601.....	119
1705912.....	119	2540038.....	17, 87	2901912.....	191, 202	3310801.....	87
1706338.....	189, 190, 195	2540039.....	17	2901924.....	191, 202	3310805.....	65
1706491.....	191, 195	2560088.....	116	2901925.....	191, 202	3311001....	51, 91, 96, 99, 104
1706492.....	191, 195	2560137.....	51	2901927.....	191, 202	3311005.....	42, 49, 117
1810140.....	80	2560141.....	119	2901928.....	191, 202	3311401..	83, 87, 99, 103, 116
1870130.....	162	2600253.....	115	2901929.....	191, 202	3311405....	13, 17, 40, 46, 47, 49, 51, 61, 69, 73, 74, 75, 83, 91, 96, 99, 104, 107, 112, 116, 117, 184, 190, 195
1870229.....	162	2600258.....	51	2901930.....	92	3311505....	51, 65, 74, 75, 83, 87, 91, 95, 96, 99, 104, 115, 116
2000327.....	46, 162	2600275.....	74, 83	2901931.....	100	3311604.....	59
2000332.....	47	2680486.....	51	2901941.....	131, 133	3311605....	13, 17, 40, 46, 47, 51, 83, 91, 95, 96, 99, 103, 104, 111, 116
2080052.....	65, 69	2680491.....	40, 46	2902040.....	191, 202	3311805.....	47, 63, 107
2080056.....	107	2720058.....	75	2902126.....	107	3312005.....	51
2080057.....	190, 195	2720271.....	75	2902128.....	107	3313003.....	11, 13
2080058.....	107	2750766.....	151	2902140.....	52	3321402.....	41, 139, 143
2080061.....	17	2750905.....	151, 153	2902141.....	40	3322201.....	129
2080063.....	115, 116	2750908.....	159	2902141.....	40	3322202.....	40, 46, 115
2080064.....	115, 116	2750915.....	159	2902253.....	92, 96	3340856..	91, 96, 99, 104, 111
2080069.....	115	2750915.....	159	2902254.....	100, 104	3340866.....	91, 95
2220315.....	40	2752444.....	151, 153	2902264.....	135	3340895.....	120
2220371....	151, 153, 157, 159	2752497.....	157	2902423.....	41	3340903.....	87
2220373....	151, 153, 157	2752516.....	157	2902549.....	184	3340904.....	131
2220377.....	83	2752593.....	151, 153	2915230.....	57, 203	3380609.....	47
2220385.....	157, 159	2752958.....	151, 153	2920026.....	120	3421565.....	115, 116
2220415.....	151, 153	2752966.....	157	2920029.....	120	3422219.....	115, 116
2220440.....	139, 144	2752983.....	151, 153	2920095.....	117	3422369.91, 95, 100, 103	
2220466.....	151, 153	2753059.....	159	2920146.....	63	3422745.....	17
2220473....	151, 153, 159	2753118.....	157	2920151.....	79	3422778.92, 95, 100, 103	
2220490.....	159	2753120.....	159	2920151.....	79	3422822.92, 96, 100, 104	
2220497.....	157	2753137 ...	151, 153, 154	2940074.....	115, 198	3422823.....	111
2220499.....	157	2753187.....	151, 153	2940098.....	51	3422824.....	111
2220504.....	151, 153	2753327.....	153	2940127.....	116	3422825.92, 95, 100, 103	
2220582.....	153	2753327.....	153	2940133.....	87	3422826.92, 95, 100, 103	
2220600....	151, 153, 157	2753389.....	153	2940135.....	74, 83	3422897.....	11, 13
2220606.....	153	2753397.....	159	2940137.....	40, 46	3422899.....	17
2220619.....	159	2753414.....	151, 154	3000018.....	87	3422900.....	17
2220635....	151, 153, 154	2753415.....	151, 154	3020008.....	21	3422905.92, 96, 100, 104	
2220651.....	151, 153	2753523.....	153	3020022 .91, 96, 99, 104, 116		3422907.92, 96, 100, 104	
2220654.....	144	2753524.....	159	3020037.....	21, 83		
2220805.....	46	2753526 ...	151, 153, 154	3160245.....	21, 35		
2220810.....	151, 153	2753527.....	151	3160252.....	83		
2220819.....	153, 159	2753528.....	151, 153	3160256.....	21, 33		
2220883....	66, 129, 131, 133, 135	2753529.....	153, 159	3160267.....	21, 35		
2220885.....	129	2753530.....	153	3200425.....	47		
2220886.....	129	2753531.....	153	3200453 92, 96, 100, 104			
2220890.....	36	2753532.....	159	3220121.....	41		
2220899....	151, 154, 157	2780234.....	11	3251813.....	190, 195		
2221020.....	144	2780236.....	21, 25	3252507.....	183		
		2780260.....	21	3252759.....	79		
		2780282.....	21, 29	3252766.....	119		
		2792442.....	160	3271505.....	117		
		2792443.....	151, 160				

PART NUMBER INDEX

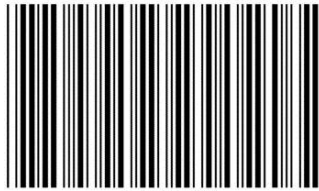
3422927	92, 96, 100, 104	3900266 11, 13	4360502	92, 96, 100, 104, 198	4460662 183
3422962 111	3900267 115	4360507 140, 144	4460742 167, 174
3423049 111	3900297 112	4360518 140, 144	4460743 167, 174
3440420 65	3900300 79	4360548 182, 200	4460761	... 168, 169, 170, 174, 177
3440824 129	3900305 87	4400433 83	4460779 185
3450304	92, 95, 100, 103	3900318 115, 116	4400434 75	4460802	. 42, 49, 51, 171, 178
3450405 139, 143	3900321 133, 135	4420008 120	4460805	. 42, 49, 51, 170, 171, 178
3450812 11, 13	3900325	.. 91, 96, 99, 104	4420051 65	4460812	... 166, 169, 174, 177
3460475 47	3910616 79	4420052 65	4460814 167, 175
3480092 131, 133	3910804 79	4420055 116	4460817 166, 174
3480279 135	3911006 117	4460035 174	4460818 166, 174
3510723 111	3911010 115	4460044 182	4460824 167, 175
3510734 111	3911014 79	4460051 183	4460825 167, 175
3510795 111	3911428 115, 116	4460071 183, 184	4460836 167, 186
3510796 111	3911532 115, 116	4460121 174	4460837 167, 186
3520026 79	3911536 115	4460138 185	4460846 166, 174
3520028 79	3930820 65	4460224 169, 177	4460868 167, 175
3520030 80	3931430 87	4460225 170, 177, 186	4460870 167, 175
3520071 63	3931516 129	4460226 125, 168, 169, 175, 177	4460877 167, 175
3520072 116	3931648 111	4460227 168, 169, 170, 176, 177, 186	4460884	... 167, 169, 170, 175, 177
3520079 79, 120	3941004 63	4460248 182	4460891	... 167, 168, 169, 170, 175, 176, 177
3520080 80, 120	3941606 61	4460259 166, 175	4460892 167, 169, 177
3520193 79, 120	3960389	... 40, 46, 47, 74, 83	4460260 166, 175	4460893	... 167, 169, 170, 177
3536708 131	3960418 40, 46, 47, 74	4460265 123, 125, 170, 177	4460894 167, 169, 177
3537609 115	3990010 166, 175, 198	4460266 123, 125, 166, 174	4460895 166, 174
3537619 115	4000006 80	4460267 123, 125, 166, 167, 174, 175, 182, 185	4460896 170, 177, 186
3571584 42, 49, 51	4010408 184	4460268 123, 167, 170, 175, 178, 182, 185	4460897	... 168, 170, 174, 176
3571653 63	4010608 184	4460320 166, 175, 182, 185	4460898 170
3571829 115	4032022 111	4460321 167, 168, 175, 176	4460899 167
3571862 116	4060802 80, 120	4460328 183	4460908 170
3572410 107	4060803 69	4460424 166, 175, 182, 185	4460909 170
3572411 107	4061003 65	4460428	. 42, 49, 51, 140, 144, 171, 178, 182	4460915 170
3572449 107	4061011 112	4460434 167, 175	4460916 170
3572450 107	4061013 107	4460444 168	4460930 57, 167, 175, 176
3572452 107	4061015 107	4460464 57, 166, 167, 168, 169, 174, 176, 177	4460931 169, 175, 177
3572527 112	4061022 107	4460465 166, 167, 168, 169, 170, 174, 175, 176, 177, 182, 186	4460933 170
3572553 17	4070987 79	4460466 167, 169, 170, 175, 177	4460944 174
3572554 17	4070991 79	4460467 186, 203	4460945 174
3572780 41	4071008 17	4460468 166, 169, 177	4460956 184
3572850 13	4130383 112	4460470 120, 166, 174	4460957 184
3573513 133, 135	4130386 13	4460471 120, 166, 174	4460968 182, 183
3600319 83, 85	4160116 65	4460473 166, 169, 177	4461070 174
3600367 83, 85	4160189 40, 46	4460477 166, 169, 177	4461095 174
3740135 61	4240084 61	4460480 120, 166, 174	4461196 171, 178, 184
3760115 17	4280295	92, 95, 100, 103	4460481 166, 169, 177	4461198 184
3760170 115, 116	4280311 107	4460488 120, 166, 174	4461199 171, 178, 184
3760321 111	4280312 107	4460499 166, 168, 169, 174, 176, 177, 186	4461201 184
3760348 40, 46, 115	4280313 107	4460508 57, 176	4461202 170, 178, 184
3760367 129	4300145 21	4460509 176	4461204 183, 184
3760387	92, 96, 100, 104	4340715 107	4460510 186, 203	4461205 170, 178, 184
3760420	92, 95, 100, 103	4340716 107	4460517 170	4461207 183, 184
3760453 131	4340717 107	4460539 166, 169, 170, 174	4461244 183
3760460 133, 135	4340718 107	4460508 57, 176	4461245 183
3820020 116	4341095 47	4460509 176	4461246 183
3841143	. 17, 92, 96, 100, 104, 111	4360069 79, 198	4460510 186, 203	4461249 171, 178, 184
3841233 40, 46, 115	4360164 117, 200	4460517 170	4461257 183
3841258 17	4360321 182	4460539 166, 169, 170, 174	4461258 185
3841326 65	4360328 79, 198	4520209 22		
3841517 129	4360387 80, 120, 198				
3860059 40, 46, 115	4360469 80, 198				
3900128 79	4360470 80, 198				
3900170 131	4360475 80, 120, 198				
3900178 120	4360481 80				
3900184 40, 46	4360482 59, 120, 198				
3900190 87	4360500	92, 96, 100, 104, 198				
3900265 120						

PART NUMBER INDEX

4520247.....22	4751800..... 63	4922527 120, 166, 174	70000329.... 48, 170, 177, 200
4520249.....22	4752200..... 40, 46, 116	4922528 74, 166	70000330.... 48, 170, 177, 200
4520260.....22	4760600..... 80, 120	4922529 73, 169, 177, 186	70000382..... 48
4520269.....22	4761000..... 80	4922543 92, 96, 100, 104, 168, 176	70000683..... 125
4565647..... 131	4761400..... 74	4922544 92, 96, 168, 176	70000684..... 125
4568203..... 83	4770600..... 112	4922545 ... 100, 104, 168, 176	70000685..... 125
4568271..... 41	4791400..... 120	4922551 13, 169	70000686..... 125
4568295..... 111	4811400..... 184	4922585 117, 185	70000898..... 17
4630012.92, 96, 100, 104	4811700..... 184	4922586 117, 185	70000967..... 48
4640113.....22	4845938 120	4922592 183	70001091..... 35
4640392.....22	4845986.92, 96, 100, 104	4922593 183	70001121..... 47
4640495.... 131, 133, 135, 137	4845987 111	4922596 140, 144, 170	70001144..... 48
4640744..... 151, 153	4846020.92, 95, 100, 103	4922602 40, 74, 169, 177	70001357..... 139
4640757..... 151, 153	4846117 115	4922604 80, 167, 175	70001358..... 139
4640858..... 129	4846120 115	4922628 42, 49, 168	70001366..... 29
4641002..... 139	4846121 115	4922668 59	70001367..... 29
4641118..... 143	4846122 115	4922686 75, 140, 144, 170	70001368..... 30
4641127..... 13, 15	4846123 115	4923619 80, 167, 175	70001369..... 29
4641129..... 15	4846124 115	70000081 125, 198	70001370..... 29
4641148..... 13	4846125 115	70000082 125	70001371..... 29
4641150..... 65, 66	4846159 63	70000083 125	70001372..... 29
4641151..... 66	4846181 116	70000084 125	70001373..... 29
4641152..... 66	4846191 116	70000085 125	70001374..... 29
4641156.... 131, 133, 135, 137	4846224 65	70000289 47, 200	70001375..... 29
4641168..... 143	4846225 65	70000290 47	70001376..... 29
4641172..... 139, 143	4846249 120	70000291 47	70001377..... 29
4641173..... 17	4846256 116	70000292 47	70001378..... 29
4641174..... 129	4846275 63	70000293 47	70001379..... 29
4641178..... 73, 77	4846282 63	70000294 47	70001380..... 30
4641182..... 17	4846297 87	70000295 47	70001422..... 15
4711400.... 13, 17, 40, 46, 51, 59, 61, 69, 75, 92, 96, 100, 104, 107, 112, 115, 117, 139, 143, 190, 195	4846299 17	70000296 47	70002083..... 48
4711500.... 74, 87, 92, 95, 100, 103, 111, 116	4846301 11, 13	70000297 47	70002216..... 137
4711600.... 17, 18, 21, 47, 83, 92, 95, 100, 103, 116	4846317 41, 47	70000298 47	70002219..... 137
4711800..... 47, 65, 107	4846327 41	70000299 47	70002244..... 48
4712000..... 18, 51	4846330 51	70000300 47	70002261..... 35
4712200..... 11, 13	4846333 18	70000301 47	70002262..... 35
4713000.11, 13, 133, 135	4846359 74, 83	70000302 47	70002263..... 35
4740076..... 75, 83	4846365 51	70000303 47	70002264..... 35
4740120..... 120	4846410 41	70000304 47	70002265..... 35
4740158..... 17, 18	4846411 59	70000305 47	70002267..... 36
4740274..... 47	4846416 111	70000306 47	70002268..... 36
4740332.92, 95, 100, 103	4846520 59	70000307 47	70002269..... 36
4740415..... 65	4846584 133, 135	70000308 47	70002408..... 21
4740438.92, 96, 100, 104	4860191 22	70000309 47	70002517..... 147
4740474..... 87	4860221 22	70000310 47	70002518..... 147
4740480..87, 92, 95, 100, 103	4860222 22	70000311 47	70002543..... 48
4740506.92, 96, 100, 104	4891500 83	70000312 47	70002545..... 48
4750800..... 65	4891600 73	70000313 48, 200	7000281..... 29
4751000.... 42, 49, 51, 92, 96, 100, 104, 115	4892000 21, 65	70000314 48	70002947..... 15
4751400.... 42, 47, 49, 61, 65, 69, 74, 83, 107, 116, 184	4921488 174	70000315 48	70003618..... 48
4751500.... 52, 65, 75, 83, 92, 95, 100, 103, 115	4921489 174	70000316 48	70003619..... 48
4751600.... 13, 40, 46, 47, 59, 61, 65, 107, 117	4922099 174	70000317 48	70003650..... 125
	4922339 80, 167	70000318 48, 200	70003711..... 25
	4922426 63, 182	70000319 48, 200	70003712..... 25
	4922431 185	70000320 48, 200	70003713..... 25
	4922454 66, 182	70000321 48	70003714..... 25
	4922455 66, 182	70000322 48, 200	70003715..... 25
	4922456 66, 182	70000323 41, 48, 200	70003716..... 25
	4922477 95, 166, 169, 176	70000324 48	70003717..... 25
	4922478 ... 103, 166, 169, 176	70000325 48	70003718..... 25
	4922479 166, 174	70000326 48, 200	70003719..... 25
	4922480 80, 167, 175	70000327 48	70003720..... 25
	4922517 74, 182	70000328 48, 170, 177	70003721..... 25
	4922518 42, 51, 168		70003722..... 25
	4922526 120, 166, 174		70003723..... 25

PART NUMBER INDEX

70003724	25	7017009	29	7020295	83	7023021	147
70003725	26	7017022	29	7020296	83	7023022	147
70003818	137	7017294	147	7020297	83	7023211	41
70003819	137	7017402	77	7020298	83	7023212	79
70003820	137	7017406	137	7020299	83	7023218	41
70003821	137	7017433	77	7020500	123	7023229	33
70003822	137	7017445	139, 143, 198	7020501	123	7023274	41, 200
70003823	137	7017451	77, 198	7020502	123	7023343	33
70003824	137	7017467	143	7020503	123	7023344	33
70003825	137	7017496	77	7020504	123	7023345	168, 176
70003826	137	7018124	41	7020509	123	7023485	41
70003827	137	7018125	41	7020511	123	7023486	41, 170, 177
70003828	137	7018127	41	7020520	123	7023489	41
70003829	137	7018141	41, 200	7020527	123	7023496	41
70004194	125	7018143	41	7020528	123	7023505	143
70004264	77	7018535	55	7020529	123	7023508	143
70004265	48	7018537	55	7020530	123	7023509	144
70004394	48	7018564	55	7020533	123	7023510	144
70010346	202	7018570	55	7020534	123	7023801	36
7001626	147	7018571	55	7020535	123	7023803	25
7002821	186, 203	7018942	15	7020541	123	7023806	35
7002822	203	7019609	33	7020640	55	7023807	35
7002823	186, 203	7019862	144	7020644	55, 168	7023808	85
7002826	203	7019886	139, 143	7020645	55, 168	7023819	85
7002828	186, 203	7019888	143	7020646	55, 168	7023872	36
7003212	143	7019889	143	7020648	55	7023902	129
7003226	139, 143	7019893	143	7020649	55	7023904	77
7003790	123	7019895	143	7020650	55	7023931	77
7004275	203	7019898	139	7020651	55	7023932	77
7004276	203	7020033	11	7020653	55	7024007	35
7007640	29	7020035	11	7020654	55	7024008	35
7007900	21	7020036	11	7020662	55	7024009	35
7007913	21	7020037	11	7020683	55	7024011	15
7007933	21	7020038	11	7021323	25	7024013	15, 198
7007977	21	7020039	11	7021324	25	7024033	35, 169
7010542	77	7020040	11	7021325	25	7024047	26
7010543	77	7020041	11	7021326	25	7024049	25
7011529	55	7020042	11	7021327	25	7024051	25
7011590	55, 168	7020054	11	7021328	25	7024053	25
7011621	55, 168	7020055	11	7021329	26	7024054	26
7011716	21	7020140	11	7021333	26	7024101	139, 144
7011757	21	7020148	11	7021335	25	7024102	144
7011940	123	7020156	41, 200	7021336	25	7024103	140, 144
7011997	123	7020157	41	7021337	25	7024501	17
7012518	77	7020158	41	7021338	26	7024502	17
7012540	15	7020159	41	7021339	25	7024738	29
7012545	33, 83	7020161	41	7021340	25	7024741	29
7012547	33	7020163	41	7021341	25	7024832	77
7012548	33, 83	7020164	41	7021342	25	7024844	137
7012549	33	7020165	41	7021344	25	7024928	35, 169, 177
7012773	15	7020166	41	7021375	15	7024931	25
7012903	66	7020167	41	7021616	77, 198	7024960	85
7012941	77	7020175	80, 120	7021619	77, 198	7024961	85
7012943	66, 77, 139, 143, 200	7020176	80, 120, 198	7021653	66	7024963	35
7012944	77, 143, 198	7020184	33	7021661	17	7024981	26
7012953	139	7020185	33	7022391	77	7024983	25
7012967	77, 139, 143	7020189	33	7022392	77	7024985	25
7012998	77, 143	7020197	41	7022394	77	7024986	26
7014676	203	7020198	41	7022586	35	7026669	42
7016177	87	7020199	41	7022587	35	7026670	42
7016314	75	7020200	42, 200	7022588	36	7027280	41, 200
7016319	63	7020202	42	7022589	36	7027365	123, 125
7016372	63	7020206	41	7022590	36	7027367	125
7016654	203	7020217	42, 200	7022591	36	7027765	125
7017007	30	7020292	83	7022906	55	7027766	125
		7020294	83	7022924	55		



3121825



An Oshkosh Corporation Company

JLG Industries, Inc.
1 JLG Drive
McConnellsburg PA. 17233-9533
USA
Phone: +1-717-485-5161
Customer Support Toll Free: 1-877-554-5438
Fax: +1-717-485-6417

JLG Worldwide Locations

JLG Industries (Australia)
P.O. Box 5119
11 Bolwarra Road
Port Macquarie
N.S.W. 2444
Australia
Phone: +61 2 65811111
Fax: +61 2 65813058

JLG Latino Americana Ltd.
Rua Antonia Martins Luiz, 580
Distrito Industrial João Narezzi
13347-404 Indaiatuba - SP
Brazil
Phone: +55 19 3936 8870
Fax: +55 19 3935 2312

JLG Industries (UK) Ltd
Bentley House
Bentley Avenue
Middleton
Greater Manchester
M24 2GP
England
Phone: +44 (0)161 654 1000
Fax: +44 (0)161 654 1001

JLG France SAS
Z.I. de Baulieu
47400 Fauillet
France
Phone: +33 (0)5 53 88 31 70
Fax: +33 (0)5 53 88 31 79

JLG Deutschland GmbH
Max-Planck-Str. 21
D - 27721 Ritterhude-Ihlpohl
Germany
Phone: +49 (0)421 69 350 20
Fax: +49 (0)421 69 350 45

JLG Equipment Services Ltd.
Rm 1107 Landmark North
39 Lung Sum Avenue
Sheung Shui N.T.
Hong Kong
Phone: +852 2639 5783
Fax: +852 2639 5797

JLG Industries (Italia) s.r.l.
Via Po, 22
20010 Pregnana Milanese - MI
Italy
Phone: +39 029 359 5210
Fax: +39 029 359 5845

JLG Europe B.V.
Polaris Avenue 63
2132 JH Hoofddorp
The Netherlands
Phone: +31 (0)23 565 5665
Fax: +31 (0)23 557 2493

JLG Polska
Ul. Krolewska
00-060 Warszawa
Poland
Phone: +48 (0)914 320 245
Fax: +48 (0)914 358 200

Plataformas Elevadoras
JLG Iberica, S.L.
Trapadella, 2
P.I. Castellbisbal Sur
08755Castellbisbal, Barcelona
Spain
Phone: +34 93 772 4 700
Fax: +34 93 771 1762

JLG Sverige AB
Enkopingsvagen 150
Box 704
SE - 176 27 Jarfalla
Sweden
Phone: +46 (0)850 659 500
Fax: +46 (0)850 659 534

www.jlg.com