



Illustrated Parts Manual

Model LIFTLUX 153-22

***Prior to SN 1200015676
excluding SN 1200012750
& SN 1200014132***

3121302

September 14, 2012



An Oshkosh Corporation Company

REVISION LOG

May 27, 2005 - Original Issue of Manual
February 15, 2006 - Revised Manual (Edited to B/M 0010653 Revision 9)
October 15, 2006 - Revised Manual (Edited to B/M 0010653 Revision 12)
January 31, 2007 - Revised Manual (Edited to B/M 0010653 Revision 14)
July 31, 2007 - Revised Manual (Edited to B/M 0010653 Revision 15)
December 31, 2007 - Revised Manual (Edited to B/M 0010653 Revision 16)
April 30, 2008 - Revised Manual
January 15, 2009 - Revised Manual
November 25, 2009 - Revised Manual
September 14, 2012 - Revised Manual

TABLE OF CONTENTS

SECTION 1 - FRAME.....	7
FIGURE 1-1. CHASSIS AND FRONT AXLE INSTALLATION.....	8
FIGURE 1-2. REAR AXLE INSTALLATION	10
FIGURE 1-3. WHEEL DRIVE INSTALLATION.....	12
FIGURE 1-4. DRIVE MOTOR ASSEMBLY	14
FIGURE 1-5. DRIVE HUB ASSEMBLY	16
FIGURE 1-6. LADDER AND LEVELING SWITCHES INSTALLATION	20
SECTION 2 - GROUND CONTROLS	23
FIGURE 2-1. VALVE SIDE COMPONENTS INSTALLATION	24
FIGURE 2-2. MAIN VALVE BANK ASSEMBLY.....	28
FIGURE 2-3. DRIVE VALVE ASSEMBLY	30
FIGURE 2-4. HAND PUMP ASSEMBLY	32
FIGURE 2-5. MAIN TERMINAL BOX	34
FIGURE 2-6. ENGINE SIDE COMPONENTS INSTALLATION.....	36
FIGURE 2-7. ENGINE AND AIR CLEANER INSTALLATION	38
FIGURE 2-8. HOODS INSTALLATION	42
SECTION 3 - SCISSOR ARMS.....	45
FIGURE 3-1. SCISSORS ARMS INSTALLATION.....	46
FIGURE 3-2. SCISSORS PROTECTION INSTALLATION.....	52
SECTION 4 - PLATFORM.....	55
FIGURE 4-1. PLATFORM AND ACCESSORIES INSTALLATION.....	56
FIGURE 4-2. CONSOLE PANEL PARTS.....	60
SECTION 5 - CYLINDER.....	63
FIGURE 5-1. LIFT CYLINDER ASSEMBLY	64
FIGURE 5-2. STEERING CYLINDER ASSEMBLY (Prior to SN 1200009745).....	68
FIGURE 5-3. STEERING CYLINDER ASSEMBLY (SN 1200009745 through 1200015676)	70
FIGURE 5-4. LEVELING CYLINDER ASSEMBLY (Prior to SN 1200009745)	72
FIGURE 5-5. LEVELING CYLINDER ASSEMBLY (SN 1200009745 through 1200015676).....	74
FIGURE 5-6. EXTENSION CYLINDER ASSEMBLY (Prior to SN 1200009745)	76
FIGURE 5-7. EXTENSION CYLINDER ASSEMBLY (SN 1200009745 through 1200015676).....	78
SECTION 6 - HYDRAULIC	81
FIGURE 6-1. HYDRAULIC DIAGRAM.....	82
SECTION 7 - ELECTRICAL	87
FIGURE 7-1. ELECTRICAL PLANS - DIESEL CONTROL.....	88
SECTION 8 - DECALS.....	103
FIGURE 8-1. DECAL INSTALLATION.....	104
SECTION 9 - RECOMMENDED SERVICE PARTS STOCK	107
FIGURE 9-1. MODEL LIFTLUX 153-22 STANDARD PARTS	108
FIGURE 9-2. MODEL LIFTLUX 153-22 VARIABLE PARTS	110

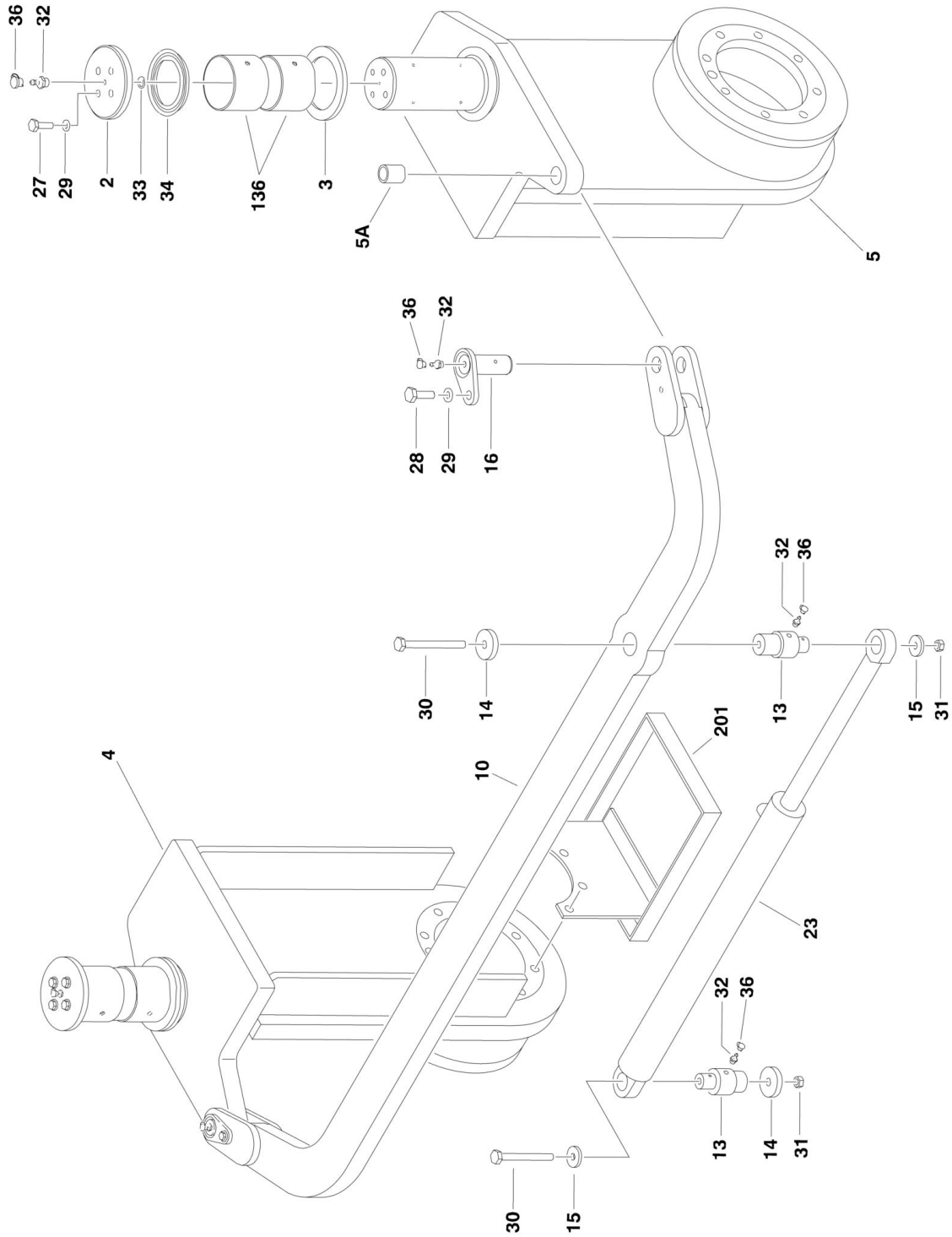
TABLE OF CONTENTS

SECTION 10 - SPECIAL OPTIONS	111
FIGURE 10-1. SPECIAL OPTIONS	112
SECTION 11 - REAR COVER	113
FIGURE 11-1. REAR COVER.....	114
PART NUMBER INDEX.....	115

SECTION 1 - FRAME

SECTION 1 - FRAME

FIGURE 1-1. CHASSIS AND FRONT AXLE INSTALLATION



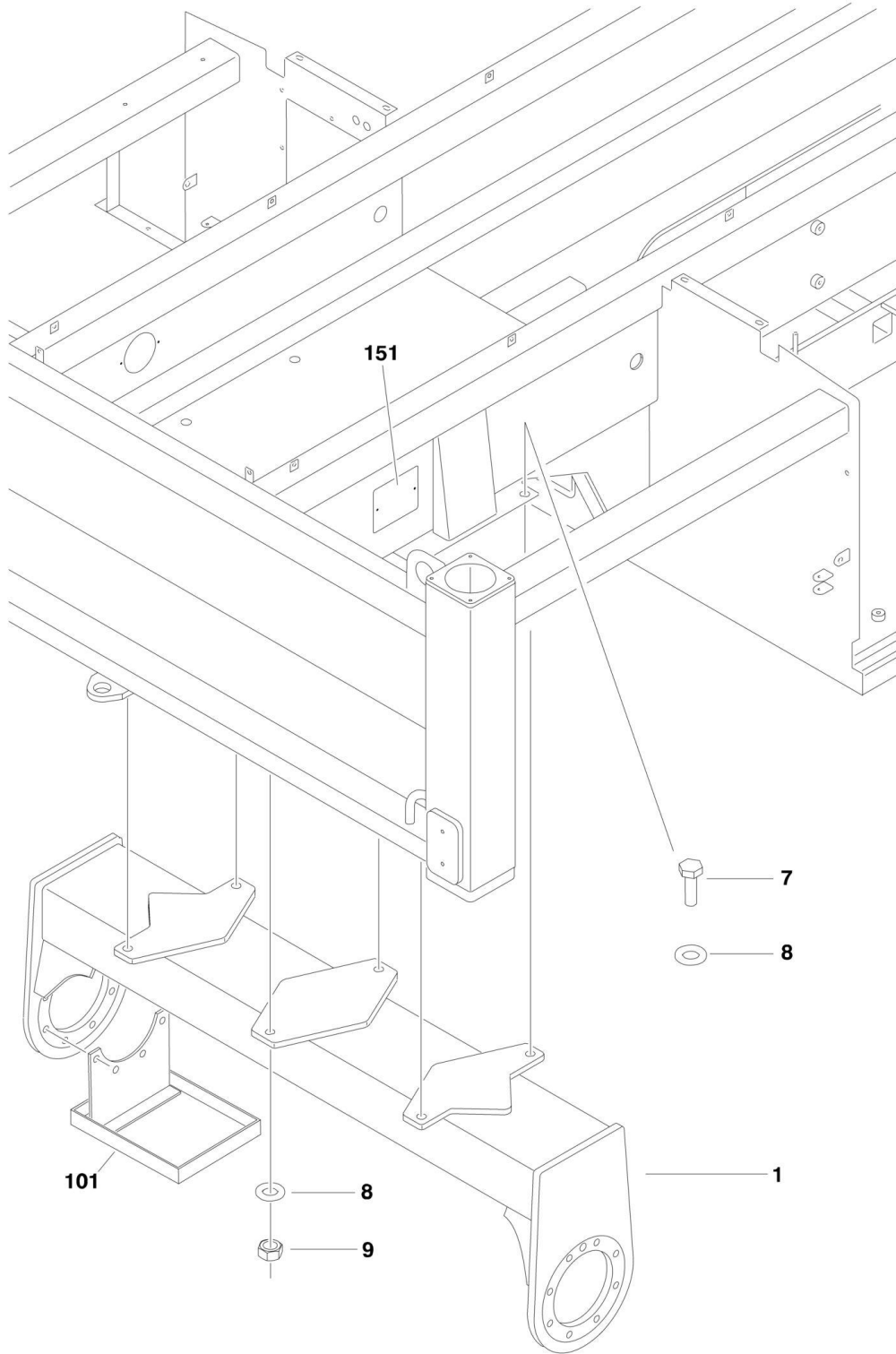
SECTION 1 - FRAME

FIGURE 1-1. CHASSIS AND FRONT AXLE INSTALLATION

ITEM	PART NUMBER	QTY	DESCRIPTION	REV
	S15322L-120-00-1	Ref	FRONT AXLE INSTALLATION	3-B
2	S201005	2	Cap (was p/n S200250)	
3	S200243	2	Thrustwasher	
4	S006663	1	Spindle, Right	
4A	S001551	1	Bushing (Not Shown)	
5	S006613	1	Spindle, Left	
5A	S001551	1	Bushing	
10	S006811	1	Rod, Tie	
13	S900052	2	Pin	
14	S200252	2	Washer (Brass)	
15	S200253	2	Washer (Brass)	
16	S200249	2	Pin	
23		Ref	Steering Cylinder Assembly Options: (See CYLINDER SECTION for Breakdown)	
23	H000299	1	Steering Cylinder Assembly (Prior to SN 1200009745)	
23	H900007	1	Steering Cylinder Assembly (SN 1200009745 through 1200015676, Excluding 1200012750 and 1200014132)	
27	0761214	8	Bolt, M12x30	
28	0761210	2	Bolt, M12x20	
29	4832100	10	Lockwasher, M12	
30	0701230	2	Bolt, M12x125	
31	3291205	2	Nut, M12	
32	S000141	6	Fitting, Grease	
33	S001613	2	O-Ring	
34	S001286	2	Seal	
36	S000142	6	Cap, Grease Fitting	
	0010653	Ref	FINAL ASSEMBLY LIST COMPONENTS	16
136	S000182	4	Bushing	
	S015312-120-03-0	Ref	OIL PAN INSTALLATION	1-A
201	S200239	2	Oil Pan	
	S15322L-110-48-0	Ref	FRAME ACCESS PLATE	0-A
251	S200273	1	Plate, Frame Access (Located on Frame Between Front Wheels - Not Shown)	

SECTION 1 - FRAME

FIGURE 1-2. REAR AXLE INSTALLATION



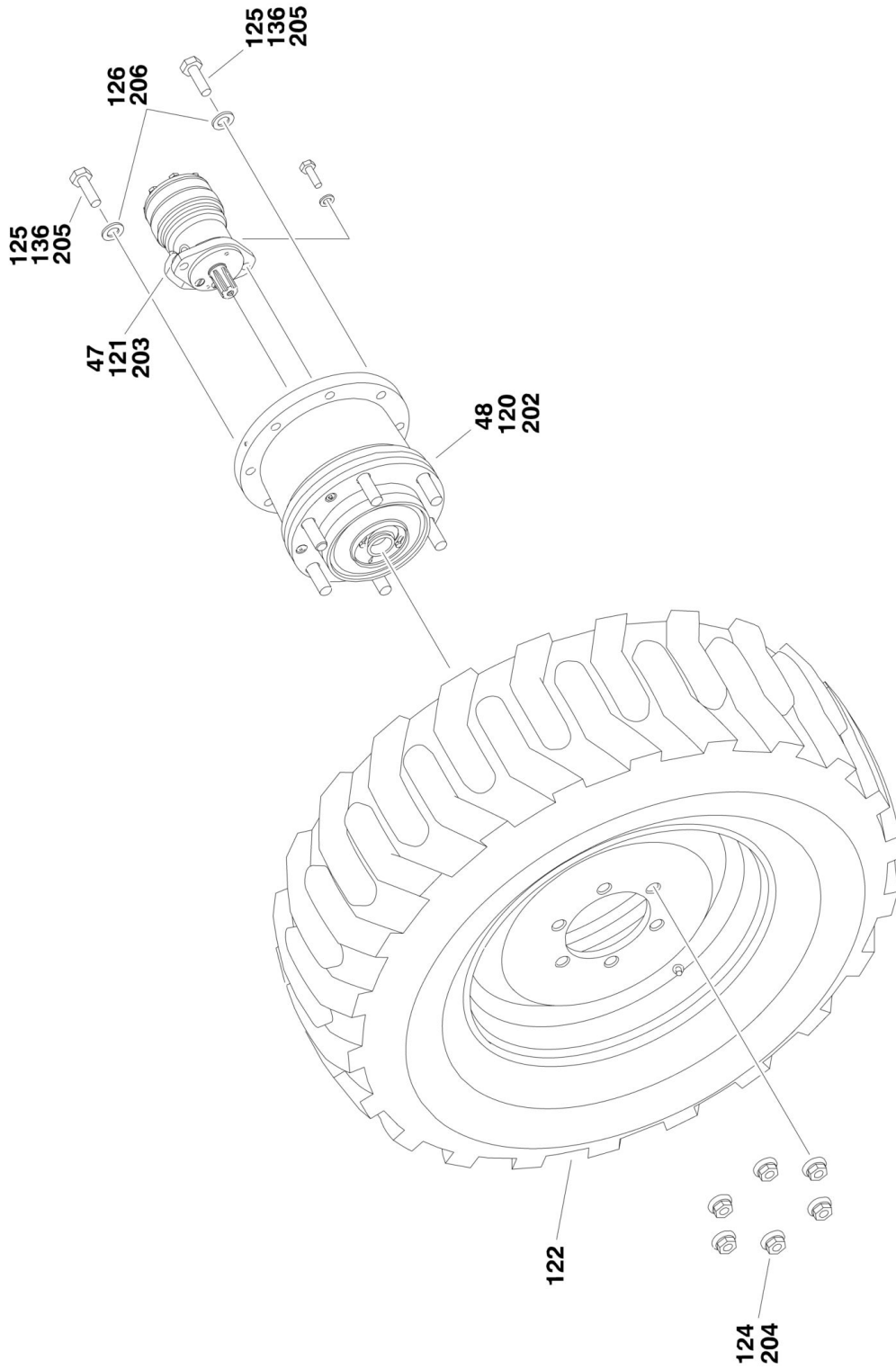
SECTION 1 - FRAME

FIGURE 1-2. REAR AXLE INSTALLATION

ITEM	PART NUMBER	QTY	DESCRIPTION	REV
	S15322L-130-00-0	Ref	REAR AXLE INSTALLATION	1-A
1	S200240	1	Rear Axle	
7	0712022	6	Bolt, M20x70	
8	5242000	6	Washer, Hardened	
9	3332011	6	Nut, M20	
	S015312-120-03-0	Ref	OIL PAN INSTALLATION	1-A
101	S200239	2	Oil Pan	
	S15322L-110-01-1	Ref	FRAME COVERS INSTALLATION	0-B
151	S900006		Plate, Cover	

SECTION 1 - FRAME

FIGURE 1-3. WHEEL DRIVE INSTALLATION



SECTION 1 - FRAME

FIGURE 1-3. WHEEL DRIVE INSTALLATION

ITEM	PART NUMBER	QTY	DESCRIPTION	REV
	0010653	Ref	FINAL ASSEMBLY LIST COMPONENTS	16
47	H000193	2	Drive Motor Assembly (See DRIVE MOTOR ASSEMBLY for Breakdown)	
48	H000218	2	Drive Hub Assembly (See DRIVE HUB ASSEMBLY for Breakdown)	
	S15322L-120-00-1	Ref	FRONT AXLE INSTALLATION	3-B
120	H000218	2	Drive Hub Assembly (See DRIVE HUB ASSEMBLY for Breakdown)	
121	H000193	2	Drive Motor Assembly (See DRIVE MOTOR ASSEMBLY for Breakdown)	
122		Ref	Tire and Wheel Assembly Options:	
		Ref	Note: Assemblies may require ballast/foam filling to manufacturer's specifications prior to installation on a machine. Refer to Operation and Safety or Service and Maintenance Manuals. Purchase individual tire and/or rim only if able to foam fill tire and wheel assembly, otherwise, purchase complete assembly.	
122		Ref	Assembly Used (Prior to SN 1200008563)	
122	S900334	2	LH (was p/n S000154)	
122	S900333	2	RH (was p/n S000154)	
122	70000151	4	Tire (1 per Assembly)	
122	70000152	4	Rim (1 per Assembly)	
122		Ref	Assembly Used (SN 1200008563 through 1200015676, Excluding 1200012750 and 1200014132)	
122	S900225	2	LH	
122	S900226	2	RH	
122	4520288	4	Tire (1 per Assembly)	
122	S900227	4	Rim (1 per Assembly)	
124	S003991	12	Nut, Wheel	
125	0771619	AR	Bolt, M16x55	
126	5241600	16	Washer, Hardened	
136	0771620	8	Bolt, M16x60 (SN 1200009745 through 1200015676, Excluding 1200012750 and 1200014132)	
	S15322L-130-00-0	Ref	REAR AXLE INSTALLATION	1-A
202	H000218	2	Drive Hub Assembly (See DRIVE HUB ASSEMBLY for Breakdown)	
203	H000193	2	Drive Motor Assembly (See DRIVE MOTOR ASSEMBLY for Breakdown)	
204	S003991	12	Nut, Wheel	
205	0771619	AR	Bolt, M16x55	
206	5241600	16	Washer, Hardened	

SECTION 1 - FRAME

FIGURE 1-4. DRIVE MOTOR ASSEMBLY

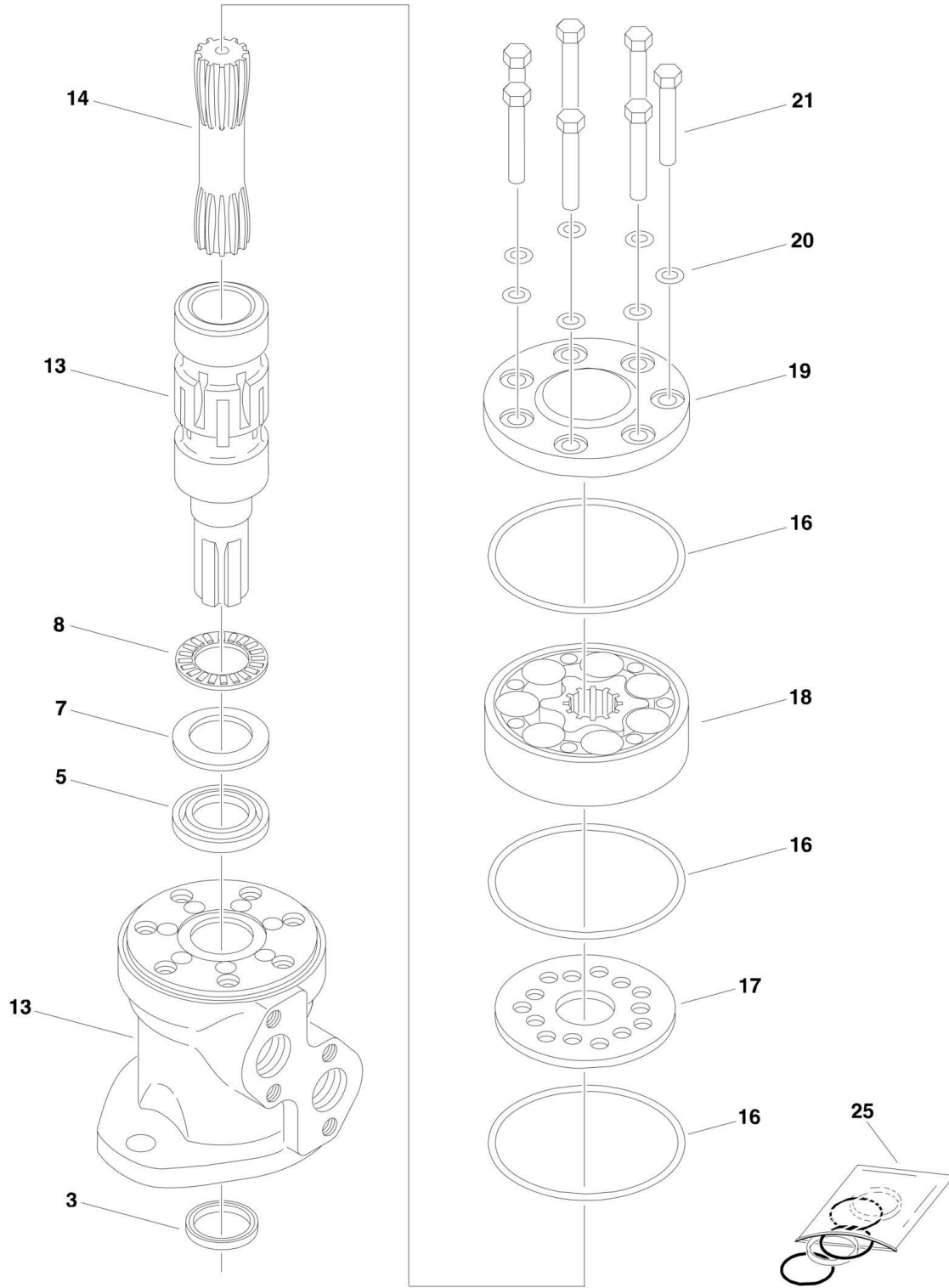
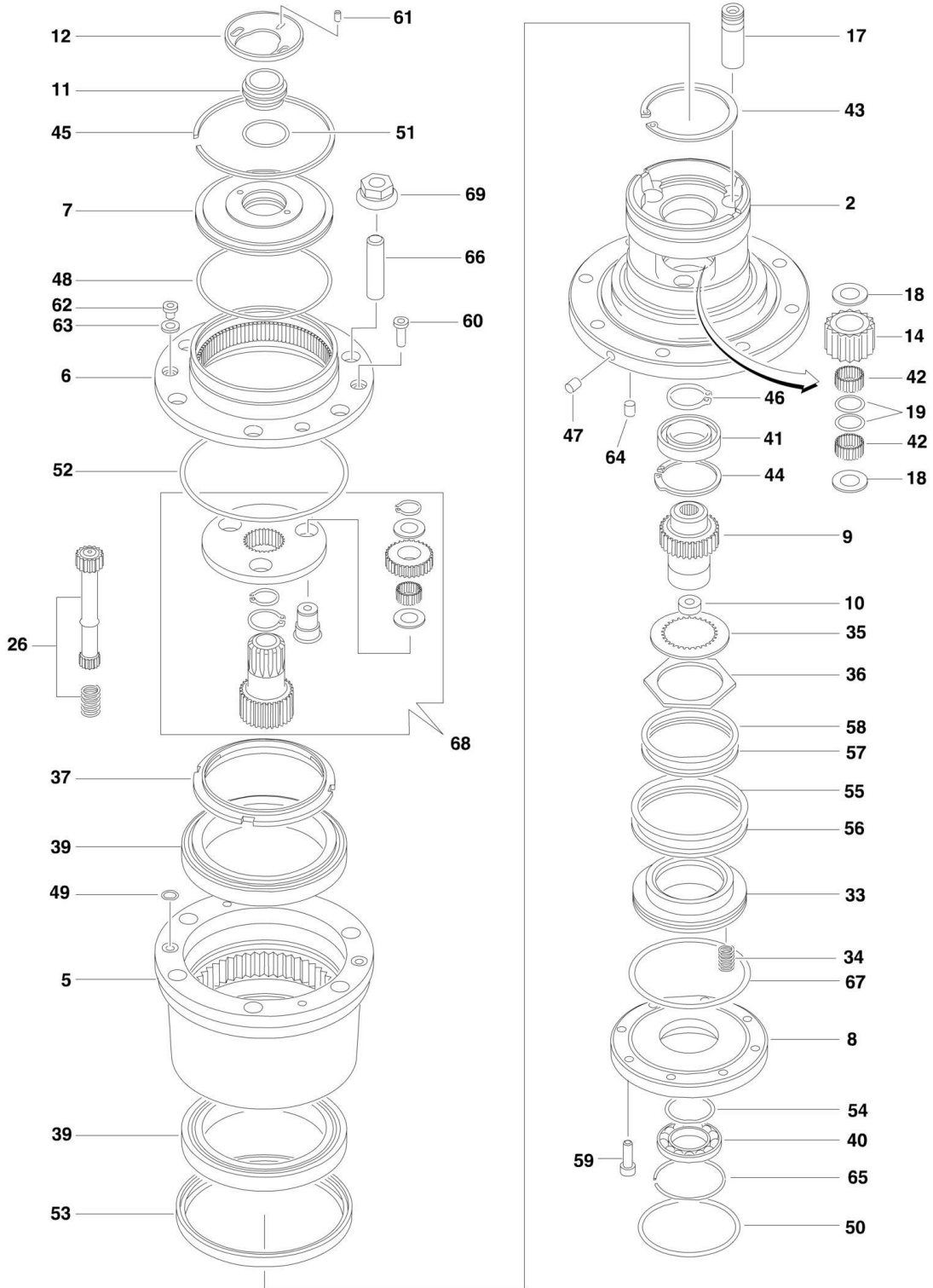


FIGURE 1-4. DRIVE MOTOR ASSEMBLY

ITEM	PART NUMBER	QTY	DESCRIPTION	REV
	H000193	Ref	MOTOR ASSEMBLY - COMPLETE	D
3	7027861	1	Seal, Dust	
5	Item 25	1	Seal, Shaft	
7	7020128	1	Race, Bearing	
8	7020129	1	Bearing, Needle	
13	Not Available	1	Shaft and Housing	
14	7027938	1	Shaft, Cardan	
16	Item 25	3	O-Ring	
17	7027939	1	Plate, Distributor	
18	Not Available	1	Gear Set	
19	7027940	1	Cover, End	
20	Item 25	7	Washer	
21	Not Available	7	Screw, M8 x 45mm	
25	7020127	1	Seal Kit - H000193 Motor (Includes Items 3, 5, 16 & 20)	

SECTION 1 - FRAME

FIGURE 1-5. DRIVE HUB ASSEMBLY



SECTION 1 - FRAME

FIGURE 1-5. DRIVE HUB ASSEMBLY

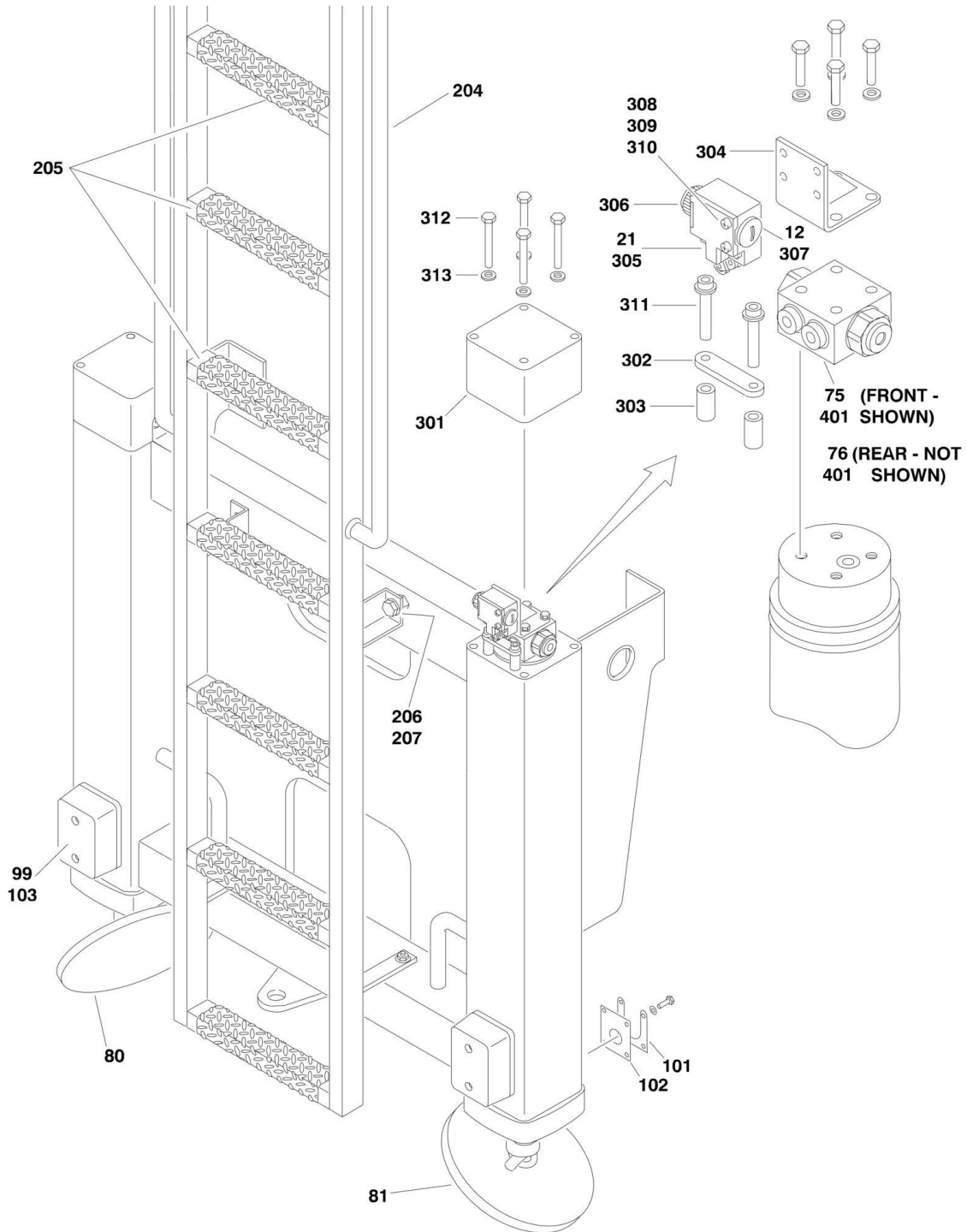
ITEM	PART NUMBER	QTY	DESCRIPTION	REV
	H000218		DRIVE HUB ASSEMBLY - COMPLETE	F
2	Not Available	1	Spindle	
5	Not Available	1	Hub	
6	70000239	1	Gear Ring	
7	Not Available	1	Cover	
8	Not Available	1	Flange	
9	Not Available	1	Coupling	
10	Not Available	1	Thrustwasher	
11	70000273	1	Thrustwasher	
12	Not Available	1	Circlip	
14	Not Available	3	Gear, Planetary	
17	Not Available	3	Pin	
18	Not Available	6	Thrustwasher	
19	Not Available	6	Spacer	
26	70000240	1	Sun Pinion	
33	Not Available	1	Piston	
34	70000241	16	Spring	
35	70000242	5	Disc	
36	70000243	6	Disc	
37	70000244	1	Lock Nut	
39	70000245	2	Bearing	
40	70000246	1	Bearing	
41	70000247	1	Bearing	
42	Not Available	6	Bearing	
43	Not Available	1	Circlip	
44	Not Available	1	Circlip	
45	Not Available	1	Disc	
46	Not Available	1	Circlip	
47	Not Available	1	Plug	
48	70000248	1	O-Ring	
49	70000249	2	O-Ring	
50	70000250	1	O-Ring	
51	70000251	1	O-Ring	
52	70000252	1	O-Ring	
53	70000253	1	Oil Seal	
54	70000254	1	Gasket	
55	70000255	1	O-Ring	
56	70000256	1	Blocking Ring	
57	70000257	1	O-Ring	
58	70000258	1	Blocking Ring	
59	Not Available	8	Screw	
60	Not Available	2	Screw	
61	Not Available	2	Screw	
62	Not Available	2	Plug	
63	Not Available	2	Washer	
64	Not Available	1	Plug	
65	Not Available	1	Disc	
66	70000259	6	Stud	
67	70000260	1	O-Ring	
68	70000261	1	Gear Kit, Reduction	

SECTION 1 - FRAME

ITEM	PART NUMBER	QTY	DESCRIPTION	REV
69	S003991	6 Ref	Nut, Wheel Note: No seal kit available. Purchase individual seals.	

SECTION 1 - FRAME

FIGURE 1-6. LADDER AND LEVELING SWITCHES INSTALLATION



SECTION 1 - FRAME

FIGURE 1-6. LADDER AND LEVELING SWITCHES INSTALLATION

ITEM	PART NUMBER	QTY	DESCRIPTION	REV
	0010653	Ref	FINAL ASSEMBLY LIST COMPONENTS	16
12	E000230	4	Plug	
21	E000359	4	Switch, Limit	
75	H000558	2	Valve, Front Safety (8 Bar - Purchase Complete - No Serviceable Parts)	C
76	H000559	2	Valve, Rear Safety (1 Bar - Purchase Complete - No Serviceable Parts)	C
80		Ref	Leveling Cylinder Assembly (Right Front, Left Rear) Options: (see CYLINDER SECTION for Breakdown)	
80	H000688	2	Leveling Cylinder Assembly (Right Front, Left Rear) (Prior to SN 120009743)	
80	H900016	2	Leveling Cylinder Assembly (Right Front, Left Rear) (SN 120009743 through 1200015676, Excluding 1200012750 and 1200014132)	
81		Ref	Leveling Cylinder Assembly (Left Front, Right Rear) Options: (see CYLINDER SECTION for Breakdown)	
81	H000689	2	Leveling Cylinder Assembly (Right Front, Left Rear) (Prior to SN 120009743)	
81	H900017	2	Leveling Cylinder Assembly (Right Front, Left Rear) (SN 120009743 through 1200015676, Excluding 1200012750 and 1200014132)	
99	S001640	4	Bumper	
	S15322L-110-02-0	Ref	FRAME END PLATE INSTALLATION	0-C
101	S900002	4	Plate	
102	S900003	4	Gasket	
103	S001640	4	Bumper	
	S15322L-180-00-0	Ref	LADDER INSTALLATION	0-A
204	S200408	1	Ladder	
205	S004500	6	Non Slip Strip (Prior to SN 1200003750)	
205	S004501	1	Non Slip Strip (Prior to SN 1200003750)	
206	0761010	4	Bolt, M10x20	
207	4832000	4	Lockwasher, M10	
	S15322L-190-00-0	Ref	LEVELING SWITCHES INSTALLATION	2-D
301		Ref	Cover Options:	
301	S004039	2	Right Front, Left Rear	
301	S900238	2	Left Front, Right Rear	
302	S900013	4	Plate	
303	S900014	8	Spacer	
304	S900021	4	Bracket, Switch	
305	E000359	4	Switch, Limit	
306	E000231	4	Gland, Cable	
307	E000230	4	Plug	
308	4811400	16	Washer, M4	
309	4031510	16	Screw, M4x30	
310	3290405	16	Nut, M4	
311	0760816	8	Bolt, M8x40	
312	0700832	16	Bolt, M8x150	
313	4811900	16	Washer, M8	
	SL15322D4WDS-HYDSCH	Ref	HYDRAULIC INSTALLATION	
401		Ref	Leveling Cylinder Safety Valve Options:	
401	H000558	2	Front (8 Bar - Purchase Complete - No Serviceable Parts)	C

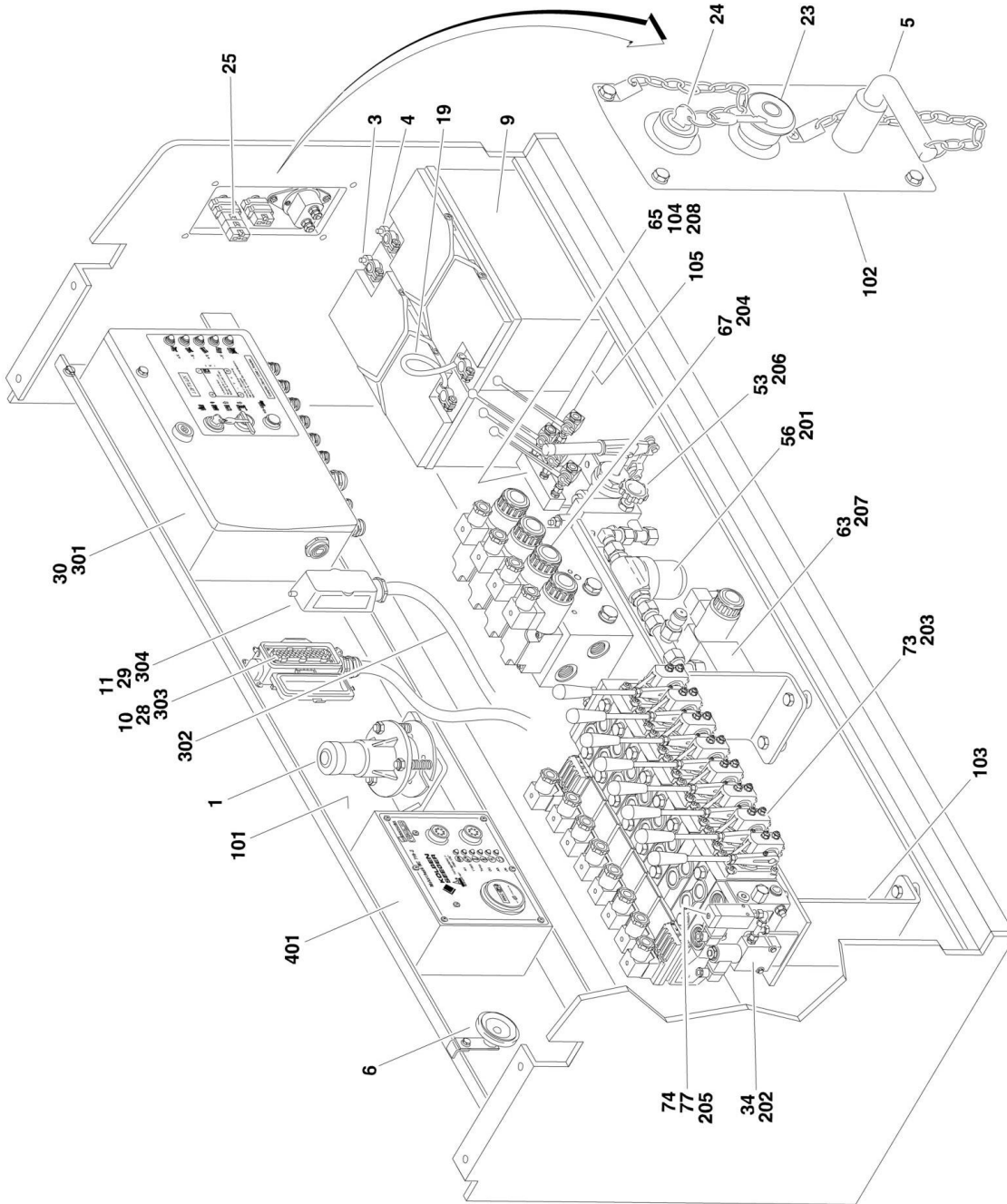
SECTION 1 - FRAME

ITEM	PART NUMBER	QTY	DESCRIPTION	REV
401	H000559	2	Rear (1 Bar - Purchase Complete - No Serviceable Parts)	C

SECTION 2 - GROUND CONTROLS

SECTION 2 - GROUND CONTROLS

FIGURE 2-1. VALVE SIDE COMPONENTS INSTALLATION



SECTION 2 - GROUND CONTROLS

FIGURE 2-1. VALVE SIDE COMPONENTS INSTALLATION

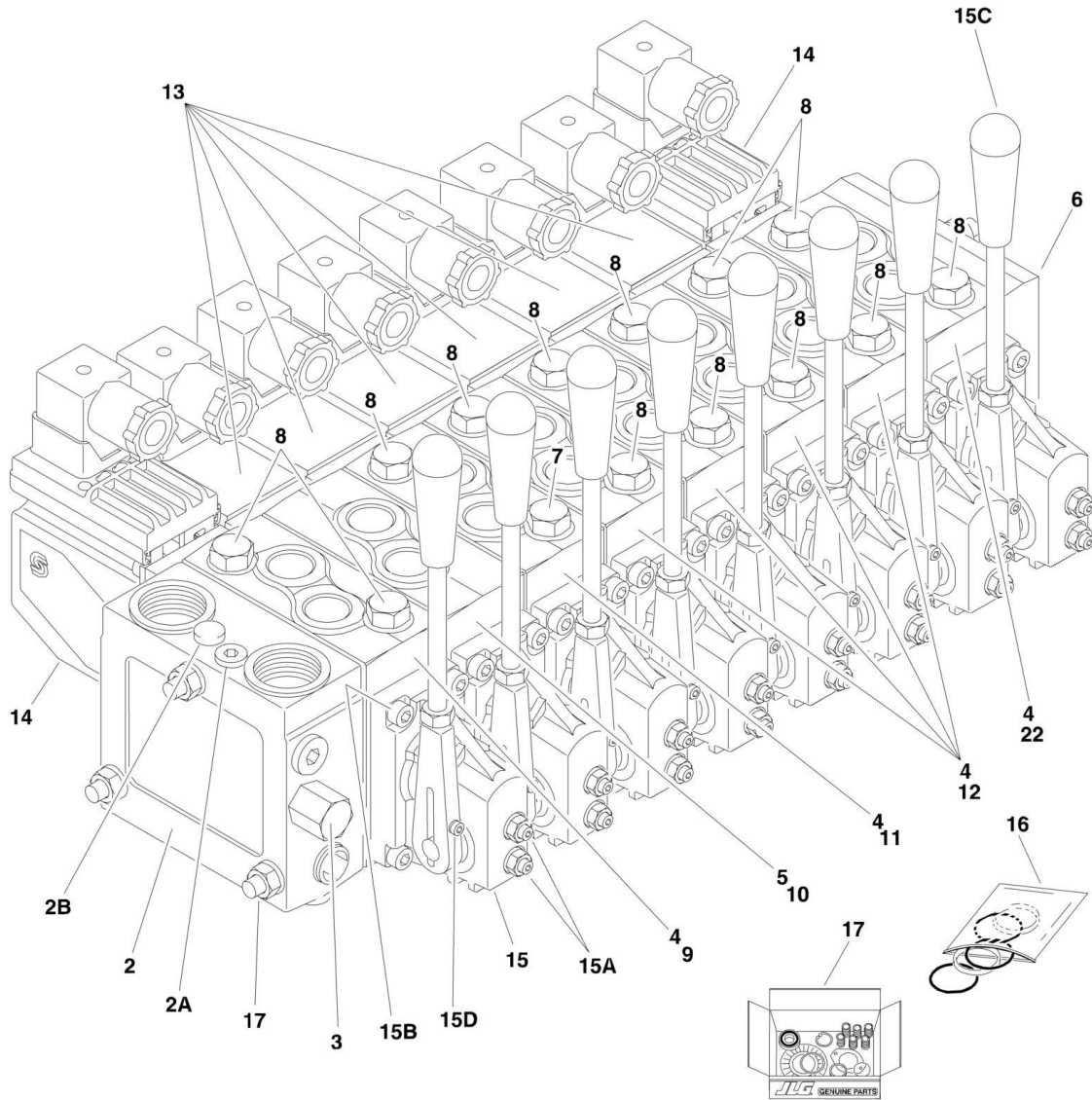
ITEM	PART NUMBER	QTY	DESCRIPTION	REV
	0010653	Ref	FINAL ASSEMBLY LIST COMPONENTS	16
1	E000044	1	Switch, Tilt Indicator	
3	E000057	1	Terminal, Negative Battery	
4	E000058	1	Terminal, Positive Battery	
5	E000059	1	Switch, Battery Disconnect	
5	70001114	1	Handle	
6	E000063	1	Horn, 24V	
9	8008750	2	Battery	
10	E000102	1	Connector Housing, Female 24-Pin	
11	E000103	1	Connector Housing, Male 24-Pin	
19	E000275	1	Cable, Battery Connector	
23	E000377	1	Switch, Emergency Stop	
24	E000390	1	Switch, Leveling Cylinder Key	
24	7027962		Key	
25	E000391	3	Contact Block	
28	E000481	1	Connector Insert, Female 24-Pin	
29	E000482	1	Connector Insert, Male 24-Pin	
30		Ref	Main Terminal Box (See MAIN TERMINAL BOX for Breakdown)	
34	H000019	1	Valve, Lowering	
34	7012986	1	Coil	
34	7012941	1	Cartridge	
34	7010543	1	Seal Kit	
53	H000285	1	Hand Pump Assembly (See HAND PUMP ASSEMBLY for Breakdown)	
56	H000311	1	Filter, Mini High Pressure	
56	70000020	1	Element	
63	H000370	1	Valve, Steer (Note: Service Parts Are No Longer Available)	C
65	H000381	1	Manifold, Pressure Distribution	
67	H000414	1	Drive Valve Assembly (See DRIVE VALVE ASSEMBLY for Breakdown)	
73	H000534	1	Main Valve Assembly (See MAIN VALVE BANK ASSEMBLY for Breakdown)	
74	H000536	1	Switch, Pressure	
77	H000570	1	Shim, Pressure Switch (Prior to SN 1200006448)	
	S15322L-110-00-0	Ref	BRACKETS AND MOUNTING PANEL COMPONENTS	
101	S200265	1	Panel, Electrical Carrier	
102	S200263	1	Plate, Main Switch	
103	S200266	1	Bracket, Valve Mounting	
104	S200267	1	Bracket, Hydraulic Pressure Manifold (Not Shown)	
105	S200274	1	Tray, Battery	
201	H000311	1	Filter, Mini High Pressure	
201	70000020	1	Element	
202	H000019	1	Valve, Lowering	
202	7012986	1	Coil	
202	7012941	1	Cartridge	
202	7010543	1	Seal Kit	
203	H000534	1	Main Valve Assembly (See MAIN VALVE BANK ASSEMBLY for Breakdown)	
204	H000414	1	Drive Valve Assembly (See DRIVE VALVE ASSEMBLY for Breakdown)	
205	H000536	1	Switch, Pressure	

SECTION 2 - GROUND CONTROLS

ITEM	PART NUMBER	QTY	DESCRIPTION	REV
206	H000285	1	Hand Pump Assembly (See HAND PUMP ASSEMBLY for Breakdown)	
207	H000370	1	Valve, Steer	C
207	70000440	4	O-Ring, Valve Mounting	
207	70000441	2	Coil	
207	70000442	2	Nut	
207	70000443	2	O-Ring	
208	H000381	1	Manifold, Pressure Distribution	
		Ref	ELECTRICAL COMPONENTS	
	E000499	Ref	Electrical Components (Prior to SN 1200004503)	
	E900002	Ref	Electrical Components (SN 1200004503 through 1200015676)	1
301		Ref	Main Terminal Box (See MAIN TERMINAL BOX for Breakdown)	
302	E000083	AR	Cable, Control	
303	E000481	1	Connector Insert, Female 24-Pin	
303	E000102	1	Connector Housing, Female 24-Pin	
304	E000482	1	Connector Insert, Male 24-Pin	
304	E000103	1	Connector Housing, Male 24-Pin	
		Ref	ENGINE INSTALLATION	
	S15322L-161-00-0	Ref	Engine Installation (Prior to SN 1200003750)	0-C
	H900002	Ref	Engine Installation (SN 1200003750 through 1200015676)	D
401	H005559	1	Control Box, Deutz Engine	
401	70001352	1	PC Board with LEDs (was p/n 70000633)	
401	70001353	1	E-Prom w/ Software	
401	70001355	1	Diode	
401	70000634	1	Hourmeter	
401	70000635	2	Switch, Pushbutton	
401	70001122	4	Mount, Isolator	

SECTION 2 - GROUND CONTROLS

FIGURE 2-2. MAIN VALVE BANK ASSEMBLY



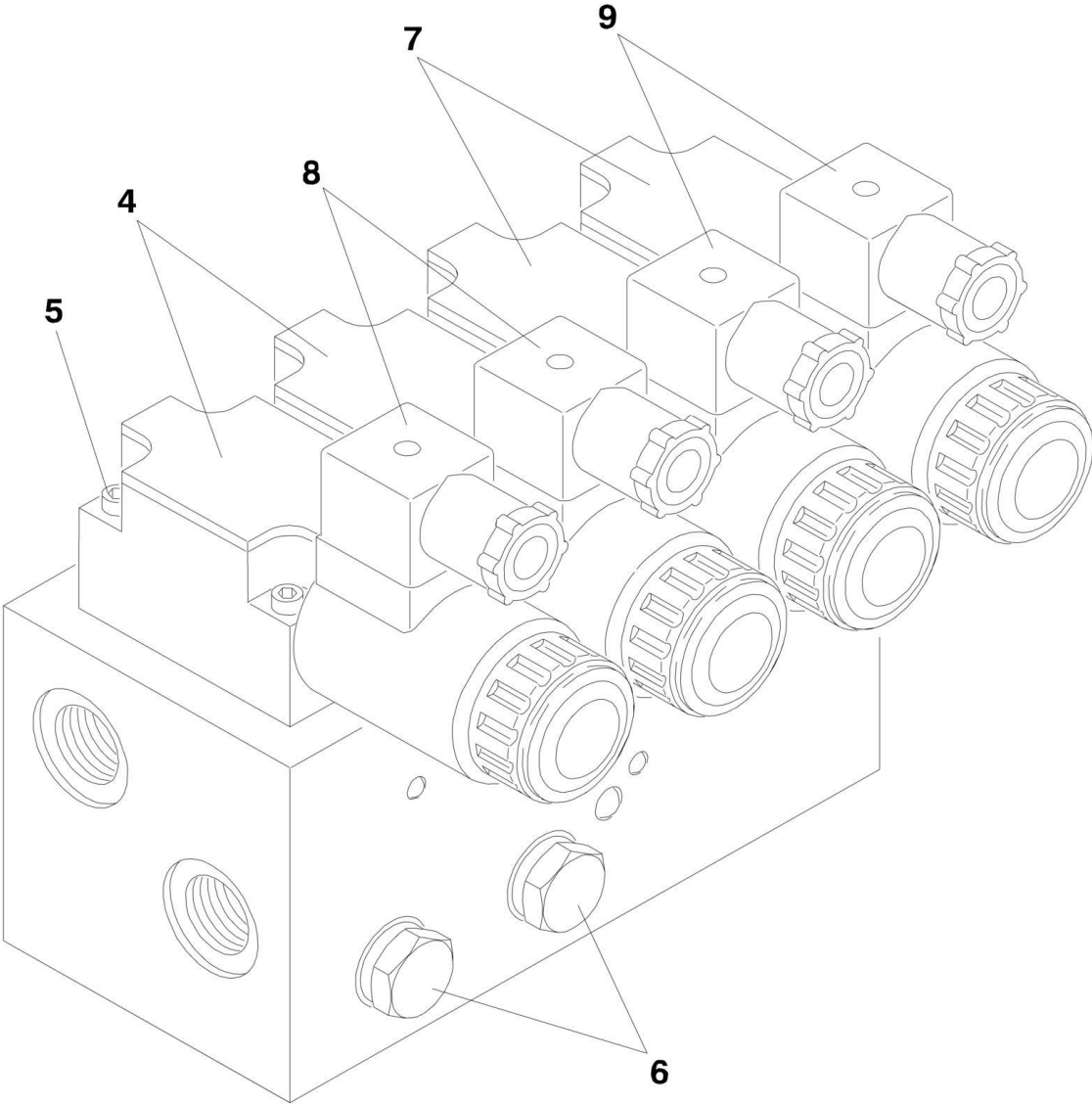
SECTION 2 - GROUND CONTROLS

FIGURE 2-2. MAIN VALVE BANK ASSEMBLY

ITEM	PART NUMBER	QTY	DESCRIPTION	REV
	H000534	Ref	MAIN VALVE ASSEMBLY	A
2	H000205	1	Section, Pump (Left Side)	
2	8007939	1	Seal Kit - H000205 Section	
2A	8007944	1	Pilot Supply Assembly	
2B	7027912	1	Relief Assembly	
3	H000352	1	External Pilot Supply	
4	7028847	7	Valve Section (With Relief Valve) (All Functions Except Lift) (Was p/n H000188)	
4	8007935	7	Seal Kit - 7028847 Section (Was p/n H000031)	
5	H000542	1	Valve Section (Without Relief Valve) (Lift Functions Only)	
5	8007935	1	Seal Kit - H000542 Section (Was p/n H000031)	
6	H000580	1	End Plate	
6	See Item 17	1	Seal Kit - H000580 Section	
7	H000609	1	Valve, Relief (Platform Function Only)	
8	H005250	13	Valve, Relief (All Functions Except Lift Function)	
9	H000514	1	Spool (Drive)	
10	H000515	1	Spool (Lift)	
11	H000207	1	Spool (Platform)	
12	H000512	4	Spool (Outrigger)	
13	H000191	6	Electrical Activator (on-off) (All Functions Except Drive and Drive 2)	
13	8007954	6	Seal Kit - H000191 Electrical Activator (Was p/n H000032)	
13	7028846	24	Screw, Mounting	
13	7028849	6	DIN Connector (Black)	
14	H000206	2	Electrical Activator (Proportional High) (Drive and Drive 2 Functions)	
14	8007954	2	Seal Kit - H000206 Electrical Activator (Was p/n H000032)	
14	7028846	8	Screw, Mounting	
14	8007953	2	DIN Connector (White)	
15	7028893	8	Mechanical Activation Assembly (Was p/n H000187)	
15	8007894	8	Seal Kit - 7028893 Mechanical Activator (Was p/n H005248)	
15A	1003107	16	Nut, Seal (2 per Assembly)	
15A	8007915	16	Pin, Threaded (2 per Assembly)	
15B	0318854	32	Screw (4 per Assembly)	
15C	H005247	8	Base and Lever Assembly (1 per Assembly)	
15D	0307544	8	Screw (1 per Assembly)	
15D	0893076	8	Washer (1 Per Assembly)	
16	8007925	1	Assembly Kit (Includes Hardware and Seals for Between Valve Sections) (Was p/n H000118)	
17	7028848	8	Seal Kit for Between Valve Sections (Was p/n H005249) Note: One Seal Kit does both sides of section.	
22	7027913	1	Spool (Drive 2)	

SECTION 2 - GROUND CONTROLS

FIGURE 2-3. DRIVE VALVE ASSEMBLY



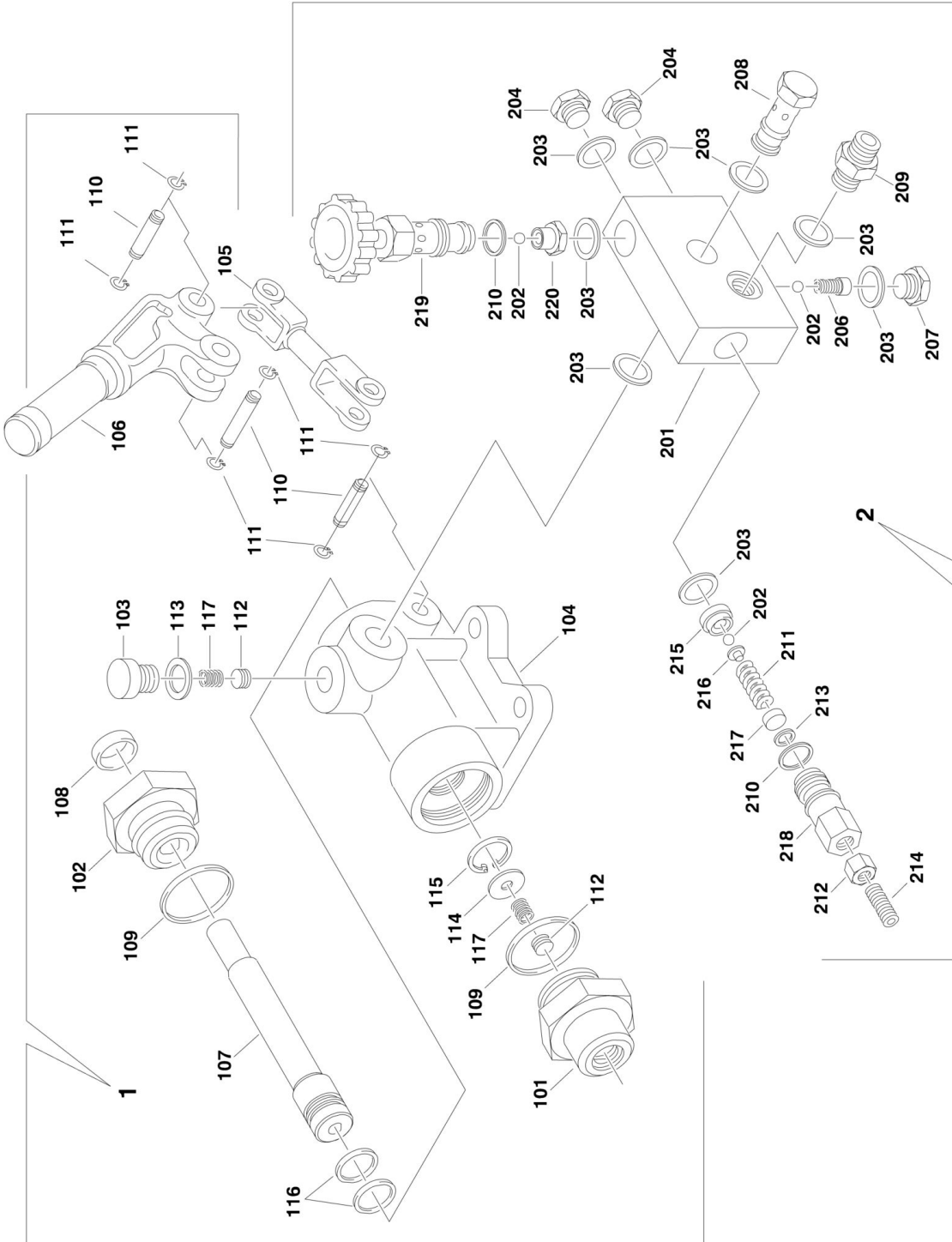
SECTION 2 - GROUND CONTROLS

FIGURE 2-3. DRIVE VALVE ASSEMBLY

ITEM	PART NUMBER	QTY	DESCRIPTION	REV
	H000414	Ref	DRIVE VALVE ASSEMBLY	
4	70000265	AR	Valve, Spool	
4	70000331	1	Coil	
4	Not Available	1	Nut, Coil	
4	Not Available	1	Seal Kit	
5	70000266	16	DIN Screw	
6	70000267	2	Flow Divider	
7	70000268	AR	Valve, Spool	
7	70000331	1	Coil	
7	Not Available	1	Nut, Coil	
7	Not Available	1	Seal Kit	
8	70000333	2	DIN Connector (Gray)	
9	70000332	2	DIN Connector (Black)	

SECTION 2 - GROUND CONTROLS

FIGURE 2-4. HAND PUMP ASSEMBLY



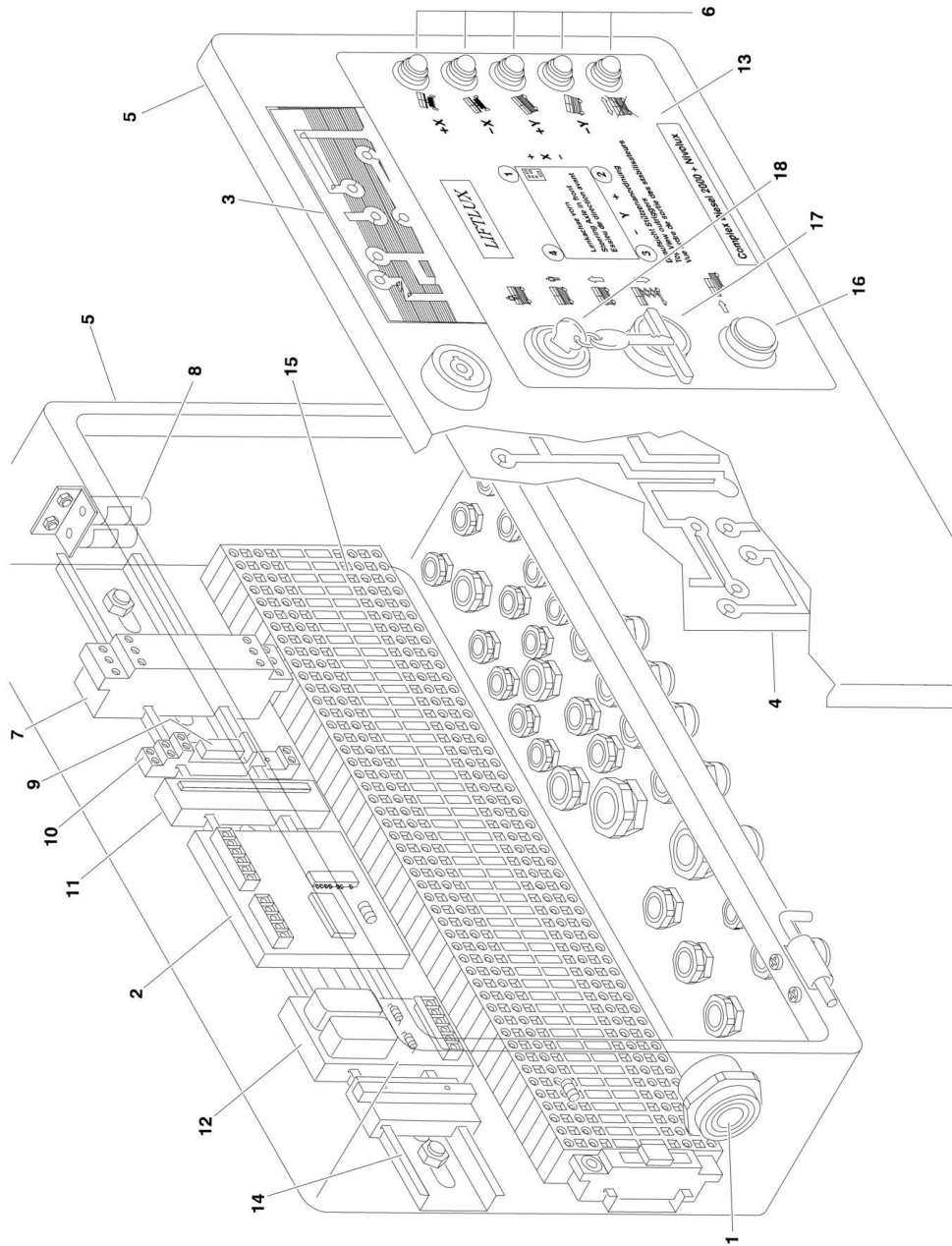
SECTION 2 - GROUND CONTROLS

FIGURE 2-4. HAND PUMP ASSEMBLY

ITEM	PART NUMBER	QTY	DESCRIPTION	REV
	H000285	Ref	HAND PUMP ASSEMBLY	D
1	70000513	1	Pump Assembly (See Items 101-117 for Breakdown)	
2	70000528	1	Valve Assembly (See Items 201-220 for breakdown)	
	70000513	Ref	PUMP ASSEMBLY	
101	70000514	1	Valve, Suction	
102	Not Available	1	Plug	
103	Not Available	1	Plug	
104	Not Available	1	Body	
105	70000515	1	Rod, Connecting	
106	70000516	1	Lever	
107	70000517	1	Piston	
108	70000518	1	Seal	
109	70000519	2	Seal	
110	70000520	2	Pin	
111	70000521	6	Ring, Retaining	
112	70000522	2	Ball	
113	70000523	1	Ring	
114	70000524	1	Washer	
115	70000525	1	Ring, Internal Retaining	
116	70000526	2	Seal	
117	70000527	2	Spring	
	70000528	Ref	VALVE ASSEMBLY	
201	Not Available	1	Body	
202	70000529	3	Ball	
203	70000530	8	Ring	
204	Not Available	2	Bolt M8 x 8mm	
205	70000531	1	Spinner (Not Shown)	
206	70000532	1	Spring	
207	Not Available	1	Plug	
208	70000533	1	Screw	
209	70000534	1	Fitting, Straight	
210	70000535	2	Seal	
211	70000536	1	Spring	
212	Not Available	1	Nut, M10	
213	70000537	1	Seal	
214	Not Available	1	Setscrew	
215	70000538	1	Relief, Valve	
216	70000539	1	Pin, Ball Driving	
217	70000540	1	Plate, Seal	
218	70000541	1	Valve Body	
219	70000542	1	Knob Assembly	
220	70000543	1	Valve Body	

SECTION 2 - GROUND CONTROLS

FIGURE 2-5. MAIN TERMINAL BOX



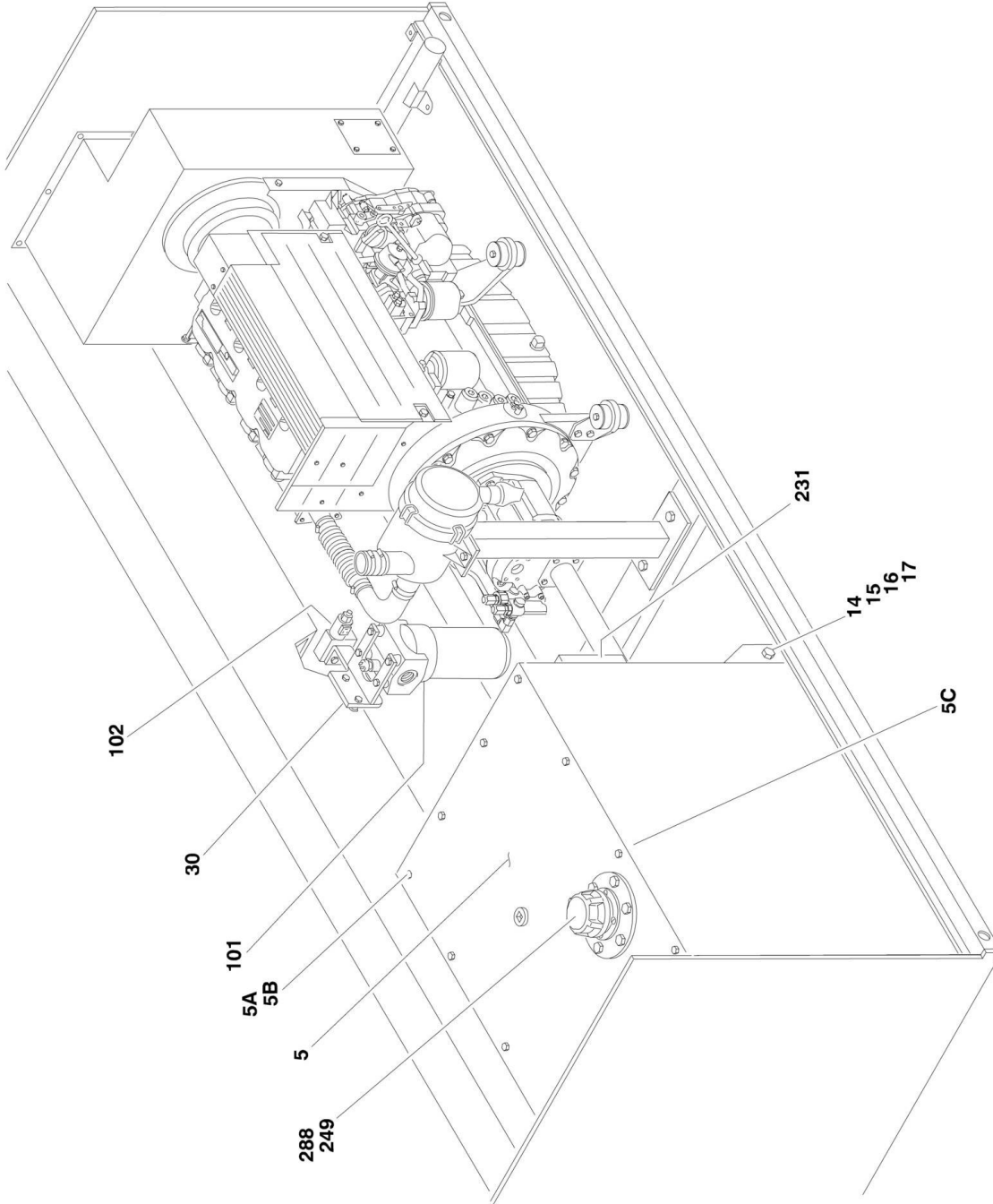
SECTION 2 - GROUND CONTROLS

FIGURE 2-5. MAIN TERMINAL BOX

ITEM	PART NUMBER	QTY	DESCRIPTION	REV
		Ref	MAIN TERMINAL BOX	
	E000499	Ref	Main Terminal Box (Prior to SN 1200004503)	
	E900002	Ref	Main Terminal Box (SN 1200004503 through 1200015676)	1
1	E000407	1	Alarm	
2	E000189	1	Card, Pump Delay	
3	E000214	1	Card, Nivelux Control	
4	E000218	1	Card, Complex Control	
5	E000375	1	Housing, Control Box	
6	E000419	5	LED, Red	
7	E000457	1	Relay	
8	E001206	1	Sensor, Level	
9	E001375	1	Relay	
10	E001376	1	Base, Relay	
11	E007404	1	Card, Trigger Control	
12	E700100	1	Module, Load Sensing	
13	E900057	1	Decal, Cover	
14	E900059	2	Rail, DIN	
15	E900060	1	Strip, Terminal	
16	E000412	1	Switch, Deck Extend	
17	E000436	1	Switch, Lift	
18	E000378	1	Switch, Key	
19		Ref	Strain Relief, PG7 (Not Shown)	
20	E000018	6	Strain Relief, PG9 (Not Shown)	
21	E000015	9	Strain Relief, PG13.5 (Not Shown)	
22	E000303	1	Strain Relief, PG16 (Not Shown)	
22	E000292	1	Nut, Brass (For PG16 Strain Relief - Not Shown)	
23	E000304	1	Strain Relief, PG21 (Not Shown)	
24	70000952	1	Connector (2 Pin for Nivelux Board - Not Shown)	
25	70000953	2	Connector (3 Pin for Nivelux Board - Not Shown)	
26	70000954	1	Connector (4 Pin for Nivelux Board - Not Shown)	
27	70000955	1	Connector (8 Pin for Complex Board - Not Shown)	
28	70000956	4	Connector (12 Pin for Nivelux and Complex Board - Not Shown)	
29	70003616	1	Connector (6 Pin for Nivelux and Complex Board - Not Shown)	
30	E900004	1	Harness, Frame (Not Shown)	

SECTION 2 - GROUND CONTROLS

FIGURE 2-6. ENGINE SIDE COMPONENTS INSTALLATION



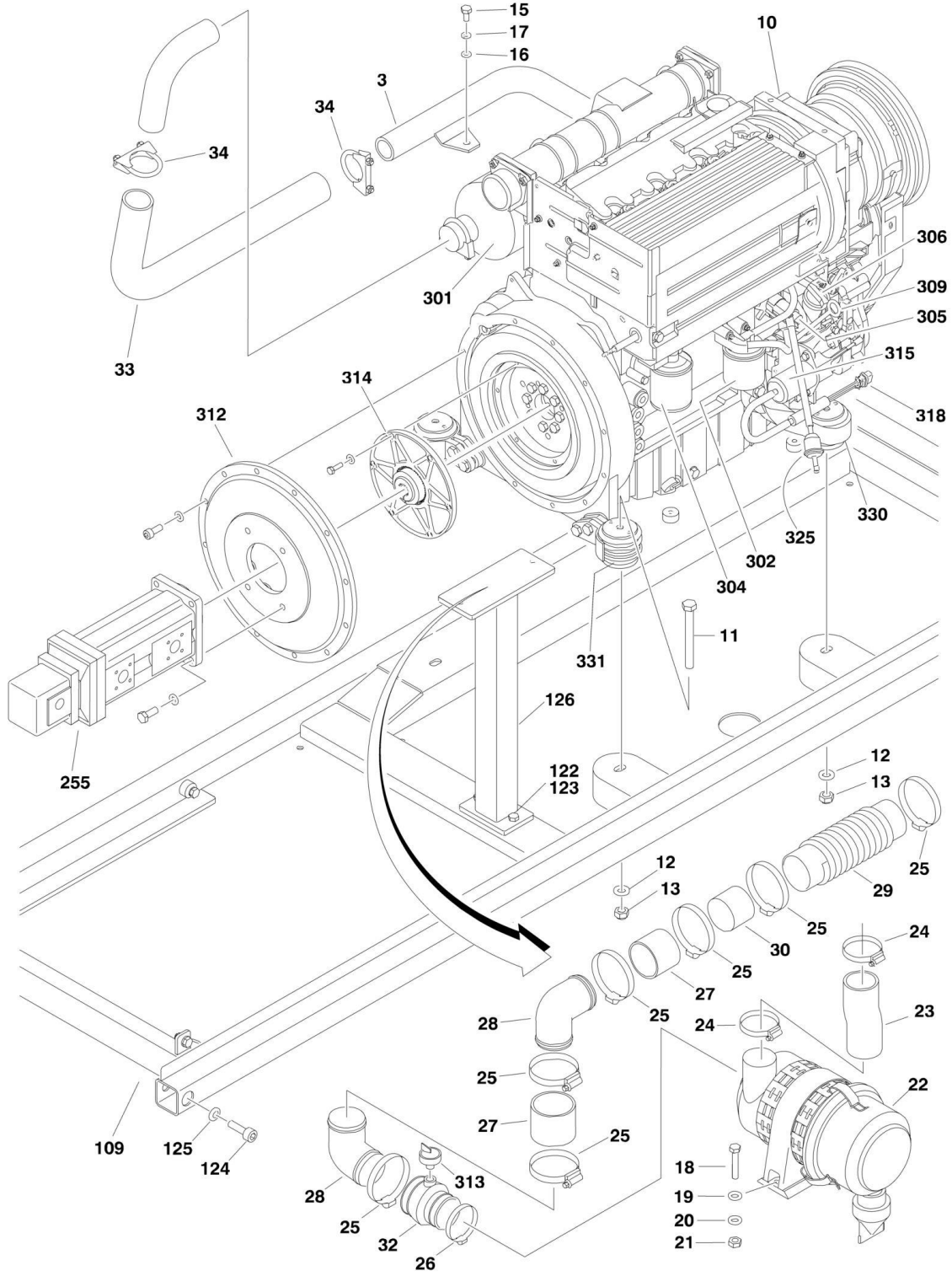
SECTION 2 - GROUND CONTROLS

FIGURE 2-6. ENGINE SIDE COMPONENTS INSTALLATION

ITEM	PART NUMBER	QTY	DESCRIPTION	REV
		Ref	ENGINE TRAY INSTALLATION	
	S15322L-161-00-0	Ref	Engine Tray Installation (Prior to SN 1200003750)	0-C
	H900002-161-00-0	Ref	Engine Tray Installation (SN 1200003750 through 1200015676)	1-A
5		Ref	Tank, Hydraulic Options:	
5	1001091171	1	Tank, Hydraulic (was p/n H000009) (Prior to SN 1200011761)	
5	1001091171	1	Tank, Hydraulic (SN 1200011761 through 1200015676)	
5A	0760810	10	Bolt, M8x20 (Prior to SN 1200011761)	
5B	4831900	10	Lockwasher, M8 (Prior to SN 1200011761)	
5C	3860605	1	Seal Only (Prior to SN 1200011761)	
14	3291001	4	Nut, M10	
15	0761012	4	Bolt Metric M10x25	
16	4832000	4	Washer, M10	
17	4832000	4	Lockwasher, M10	
	S15322L-166-04-0	Ref	BRACKET INSTALLATION	A
30	S200264	1	Bracket, Oil Filter	
	H000412	Ref	FUEL TANK INSTALLATION	C
50	H000412	1	Tank, Fuel (Mounted on Frame - Not Shown)	
50	70000902	1	Cap, Fuel (Not Shown)	
50	H000051	2	Strap, Fuel Tank (Not Shown)	
	SL15322D4WDSH YDSCH	Ref	HYDRAULIC INSTALLATION	
101	H000527	1	Filter, Pressure	
101	70000022	1	Element	
102	H000077	1	Valve, Directional Control	
102	7017444	1	Coil	
102	7017414	1	Cartridge	
102	2900708	1	Seal Kit	
	0010653	Ref	FINAL ASSEMBLY LIST COMPONENTS	16
231	H000013	1	Indicator, Hydraulic Level	
240	H000051	2	Strap, Fuel Tank (Not Shown)	
249	H000241	1	Breather, Air	
288	H005783	1	Gasket, Air Breather Filter (Prior to SN 1200003750)	

SECTION 2 - GROUND CONTROLS

FIGURE 2-7. ENGINE AND AIR CLEANER INSTALLATION



SECTION 2 - GROUND CONTROLS

FIGURE 2-7. ENGINE AND AIR CLEANER INSTALLATION

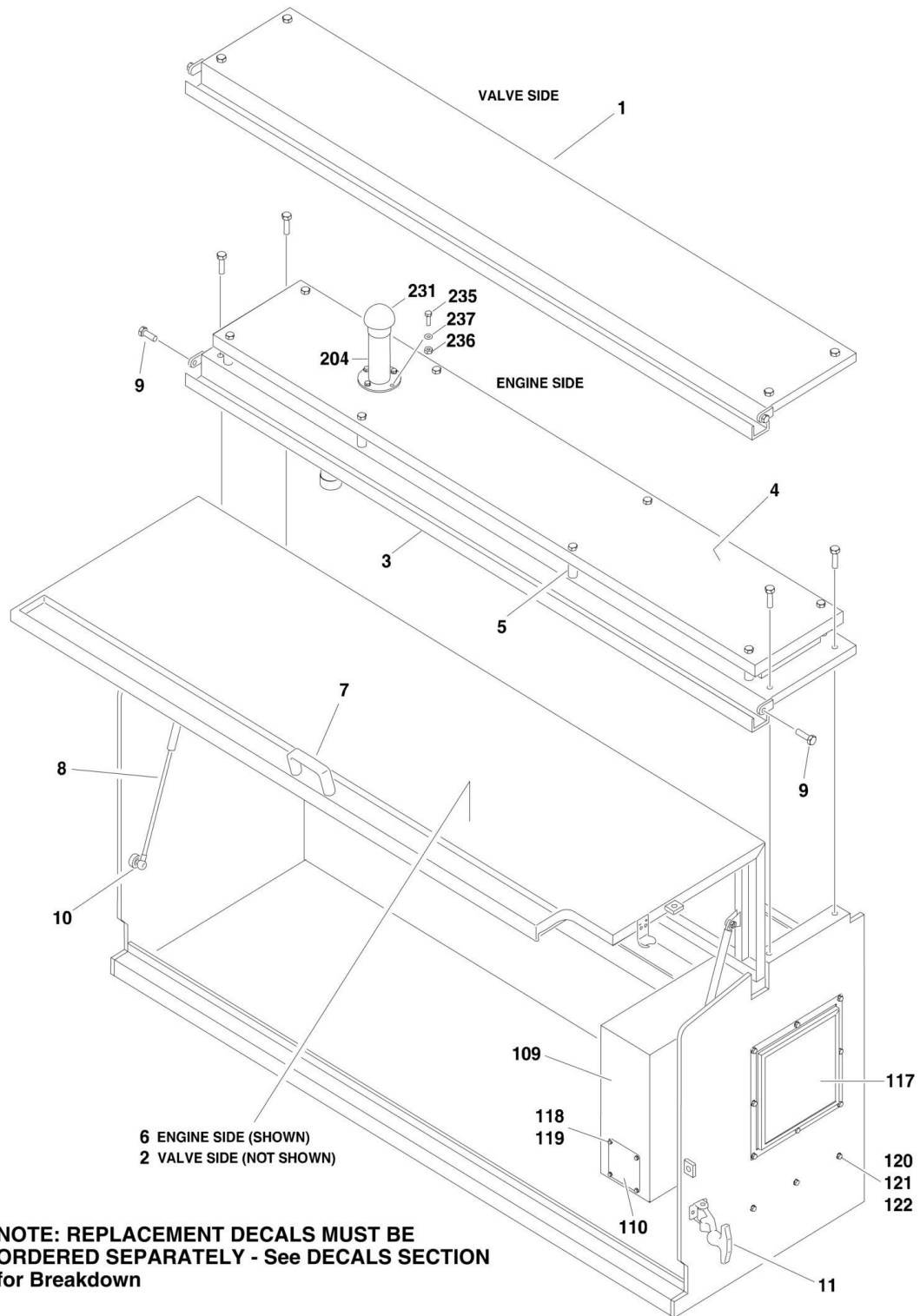
ITEM	PART NUMBER	QTY	DESCRIPTION	REV
		Ref	ENGINE AND AIR CLEANER INSTALLATION	
	S15322L-161-00-0	Ref	Engine and Air Cleaner Installation (Prior to SN 1200003750)	0-B
	H900002-161-00-0	Ref	Engine and Air Cleaner Installation (SN 1200003750 through 1200015676)	1-A
3	S200024	1	Pipe, Exhaust	
10		Ref	Engine Options (See Items 301-331 for Breakdown):	
10	H000439	1	Engine (Prior to SN 1200003750)	
10	H900002	1	Engine (SN 1200003750 through 1200015676)	
11	0761227	4	Bolt, M12x100	
12	4812100	4	Washer, M12	
13	3291201	4	Nut, M12	
15	0761012	3	Bolt, M10x25	
16	4812000	3	Washer, M10	
17	4832000	3	Lockwasher, M10	
18	0700817	2	Bolt, M8x45	
19	4811900	2	Washer, M8	
20	4931900	2	Lockwasher, M8	
21	3290801	2	Nut, M8	
22	H004005	1	Air Cleaner Assembly	
22	H005232	1	Filter, Primary (Outer)	
22	70000054	1	Filter, Safety (Inner)	
22	70000262	3	Clip, Flexible	
23	H005236	1	Hose (Intake Pipe to Air Cleaner)	
24	8005376	2	Clamp, 65mm Hose	
25	70000262	7	Clamp, 70-90x13 Hose	
26	H005241	1	Clamp, C50-70x13 Hose	
27	H005237	2	Hose, 70 x 80 x 65mm Intake	
28	H005238	2	Elbow, Ø 70 - 90mm Intake Pipe	
29	H005234	1	Tube, Rubber Intake	
30	H005239	1	Pipe, 70 x 80 x 100mm Intake	
32	70000052	1	Hose, 50-70mm Adapter	
33	S005171	1	Tube, Flexible Exhaust	
34	S005172	3	Clamp, Exhaust	
	S15322L-161-01-0	Ref	ENGINE TRAY INSTALLATION	1-C
109	S200262	1	Tray, Engine	
122	0761010	2	Bolt, M10x20	
123	4832000	2	Lockwasher, M10	
124	4032310	2	Bolt, M16x30	
125	4812300	2	Washer, M16	
126	S200268	1	Bracket, Air Cleaner	
	0010653	Ref	FINAL ASSEMBLY LIST COMPONENTS	16
255	H000310	1	Pump	C
255	70000938	1	Seal Kit, Front Pump	
255	70000939	1	Seal Kit, Middle Pump	
255	70000940	1	Seal Kit, Adapter	
255	70000941	1	Seal Kit, Rear Pump	
		Ref	ENGINE COMPONENTS	
	H000439	Ref	Engine Components (Prior to SN 1200003750)	
	H900002	Ref	Engine Components (SN 1200003750 through 1200015676)	
301	7020455	1	Muffler (was p/n H004087)	

SECTION 2 - GROUND CONTROLS

ITEM	PART NUMBER	QTY	DESCRIPTION	REV
302	7020023	1	Filter, Fuel	
303	70000059	1	Starter (Not Shown)	
303	7026608	1	Solenoid, Starter	
304	7016331	1	Filter, Oil	
305	7027238	1	Pump, Fuel Supply	
305	7020411	1	Seal, O-Ring	
306	7020465	2	Cap, Filler	
307	7020414	1	V-Belt (Not Shown)	
308	7024579	1	Gear, Ring (Not Shown)	
309	7027248	1	Dipstick	
309	70000044	1	O-Ring, Dipstick	
310	70000062	1	Solenoid, Shutdown (Bolts to Front of Engine - Not Shown)	
310	70000061	1	Spring	
310	70000060	1	Harness	
310	7027249	1	O-Ring	
311	7027239	1	Solenoid, Start (Threads into Side of Front Cover - Not Shown)	
312	H004080	1	Flange, Pump Mounting	
313	70000050	1	Indicator, Clog	
314	See Note	1	Centa-Coupling Assembly (was p/n H004089) (Note: Not Available - Purchase Individual Parts)	
314	1001093793	1	Flange, Coupling	
314	1001093794	1	Hub, Coupling	
315	70000055	1	Solenoid, Throttle Control	
316	70000057	1	Generator (Not Shown)	
316	70000058	1	Regulator (Not Shown)	
317	70000922	3	Glow Plug (Not Shown)	
317	7020492	3	Sealing Ring, Glow Plug (Not Shown)	
318	70000056	1	Harness, Throttle Control Solenoid	
319	7020168	1	Sender, Oil Temperature (Not Shown)	
319	7020480	1	Seal (Not Shown)	
320	7020443	1	Switch, Oil Pressure (Not Shown)	
321	7020449	1	Gasket, Intake Manifold (Not Shown)	
322	7020459	1	Thermostat (Not Shown)	
323	7020495	1	Pump, Oil (Not Shown)	
323	7020468	1	Seal, Oil Pump (Not Shown)	
324	7020471	1	Gasket, Exhaust Manifold (Not Shown)	
325	7027245	1	Filter, In-Line Fuel	
326	7027246	AR	Pump, Fuel Injection (Series A) (Not Shown)	
326	7027608	AR	Pump, Fuel Injection (Series B) (Not Shown)	
326	7027609	AR	Pump, Fuel Injection (Series C) (Not Shown)	
326	7027610	AR	Pump, Fuel Injection (Series D) (Not Shown)	
327	70001660	1	Harness, Engine (Not Shown)	
328	70001661	1	Harness, Air Filter (Not Shown)	
329	70001662	1	Harness, Glow Plug and Relay (Not Shown)	
330	70001136	1	Mount, Engine (Front Left)	
330	70001137	1	Mount, Engine (Front Right)	
331	70001138	2	Mount, Engine (Rear)	

SECTION 2 - GROUND CONTROLS

FIGURE 2-8. HOODS INSTALLATION



SECTION 2 - GROUND CONTROLS

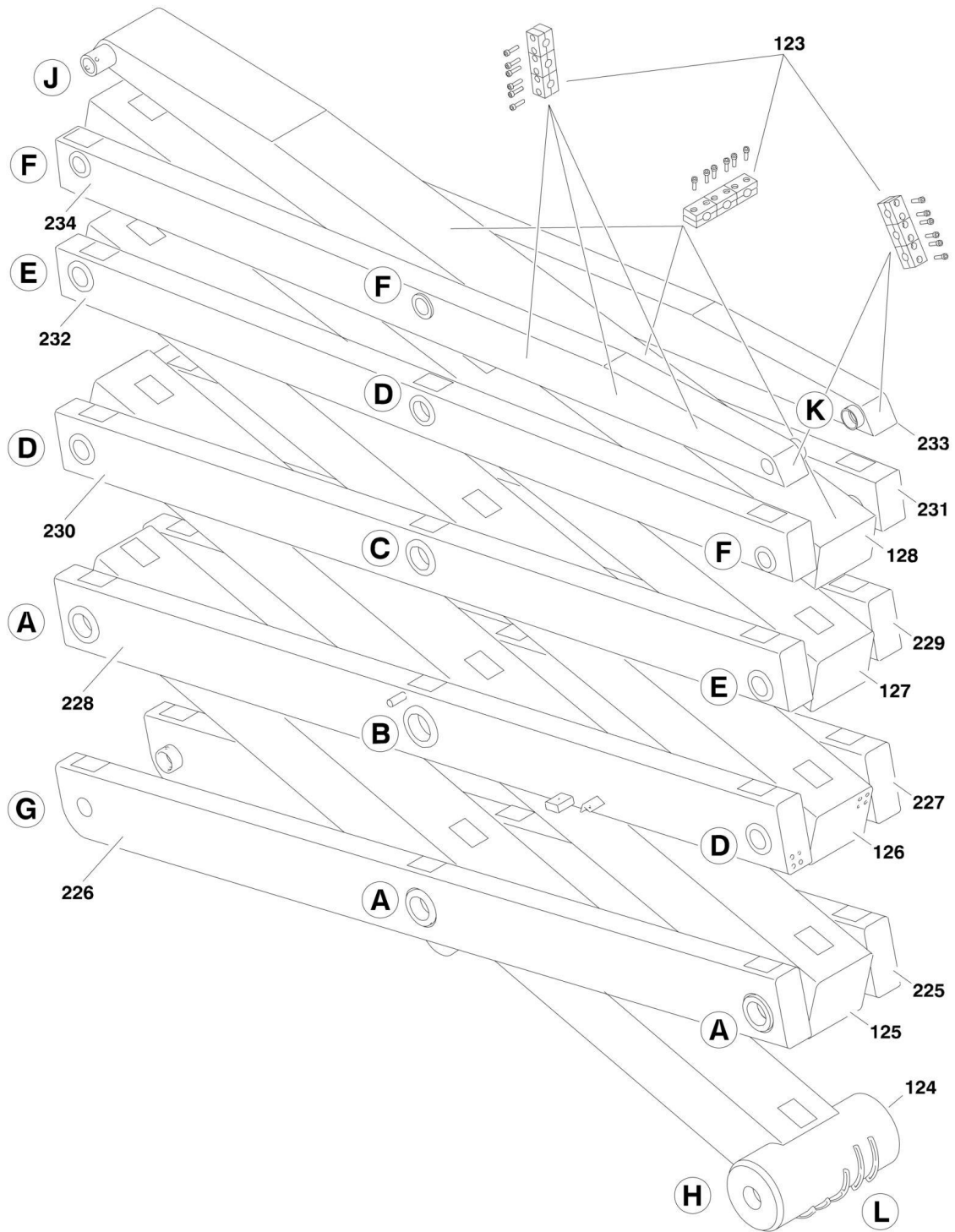
FIGURE 2-8. HOODS INSTALLATION

ITEM	PART NUMBER	QTY	DESCRIPTION	REV
	SL153-22-L-150.00.0	Ref	HOODS INSTALLATION	1-A
1	S200260	1	Panel, RH Cabinet Top Filler	
2	S200261	1	Hood, RH	
3	S200255	1	Panel, LH Cabinet Top Filler	
4	S200258	1	Cover, LH Cabinet Top	
5	S000226	8	Spacer	
6	S200259	1	Hood, LH	
7	S001676	2	Handle	
8	S000246	4	Spring, Gas	
9	S900008	4	Bolt, Special	
10	S900007	4	Pin	
11	S000056	4	Strap, Hood	
	SL110-20.161.02.0	Ref	FAN SHROUD INSTALLATION	2-A
109	S200270	1	Shroud, Fan	
110	S200272	1	Cover, Access	
117	S200271	1	Screen, Safety	
118	0760606	4	Bolt, M6x12	
119	4811700	4	Washer, M6	
120	0760814	11	Bolt, M8x30	
121	3290801	10	Nut, M8	
122	4811900	20	Washer, M8	
	S15322L-161-00-0	Ref	ENGINE INSTALLATION	0-B
204	S900005	1	Pipe, Air Intake	
231	70000051	1	Cap, Intake Pipe	
235	0760812	4	Bolt, M8x25	
236	3290801	4	Nut, M8	
237	4811900	4	Washer, M8	

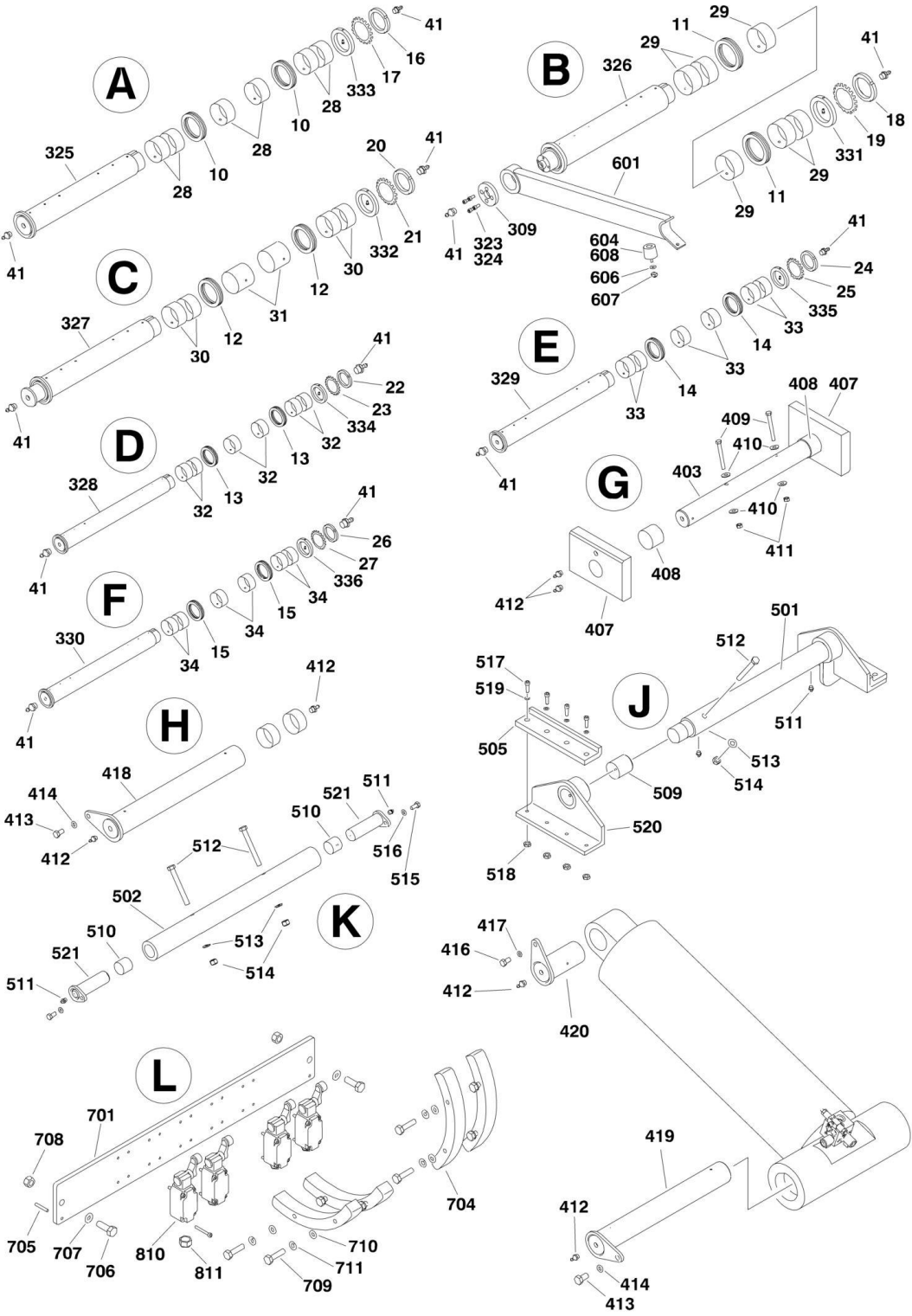
SECTION 3 - SCISSOR ARMS

SECTION 3 - SCISSOR ARMS

FIGURE 3-1. SCISSORS ARMS INSTALLATION



SECTION 3 - SCISSOR ARMS



SECTION 3 - SCISSOR ARMS

FIGURE 3-1. SCISSORS ARMS INSTALLATION

ITEM	PART NUMBER	QTY	DESCRIPTION	REV
	S15322L-200-00-0	Ref	SCISSOR ARMS ASSEMBLY	1
10	S001802	6	Bearing, Thrust	
11	S001491	2	Bearing, Thrust	
12	S000124	2	Bearing, Thrust	
13	S001803	6	Bearing, Thrust	
14	S001804	4	Bearing, Thrust	
15	S001805	6	Bearing, Thrust	
16	S001806	3	Nut, KM 15	
17	S001807	3	Washer, MB 15 Retaining	
18	S001241	1	Nut, KM 20	
19	S001238	1	Washer, MB 20 Retaining	
20	S001240	1	Nut, KM 16	
21	S000234	1	Washer, MB 16 Retaining	
22	S001808	3	Nut, KM 14	
23	S001809	3	Washer, MB 14 Retaining	
24	S000191	2	Nut, KM 12	
25	S000233	2	Washer, MB 12 Retaining	
26	S000192	3	Nut, KM 10	
27	S000193	3	Washer, MB 10 Retaining	
28	S001810	18	Bushing	
29	S001496	6	Bushing	
30	S000118	4	Bushing	
31	S000182	2	Bushing	
32	S000120	18	Bushing	
33	S000083	12	Bushing	
34	S000178	18	Bushing	
41	S000141	26	Fitting, Grease	
	S15322L-210-00-0	Ref	INNER SCISSOR ARMS	1-A
123	S000014	9	Retainer, Cable	
124	S200151	1	Beam, #1 Scissor Center	
125	S200154	1	Beam, #2 Scissor Center	
126	S200157	1	Beam, #3 Scissor Center	
127	S200160	1	Beam, #4 Scissor Center	
128	S200163	1	Beam, #5 Scissor Center	
	S15322L-220-00-0	Ref	OUTER SCISSOR ARMS	2-B
225	S200153	1	Beam, #1 Left Scissor	
226	S200152	1	Beam, #1 Right Scissor	
227	S200156	1	Beam, #2 Left Scissor	
228	S200155	1	Beam, #2 Right Scissor	
229	S200159	1	Beam, #3 Left Scissor	
230	S200158	1	Beam, #3 Right Scissor	
231	S200162	1	Beam, #4 Left Scissor	
232	S200161	1	Beam, #4 Right Scissor	
233	S200165	1	Beam, #5 Left Scissor	
234	S200164	1	Beam, #5 Right Scissor	
	S15322L-230-00-0	Ref	SCISSOR ARM PINS	B
309	S200175	1	Retainer, Prop Arm	
323	4031909	4	Bolt, M8x25	
324	4811900	4	Washer, M8	
325	S007111	3	Pin, 85 mm	

SECTION 3 - SCISSOR ARMS

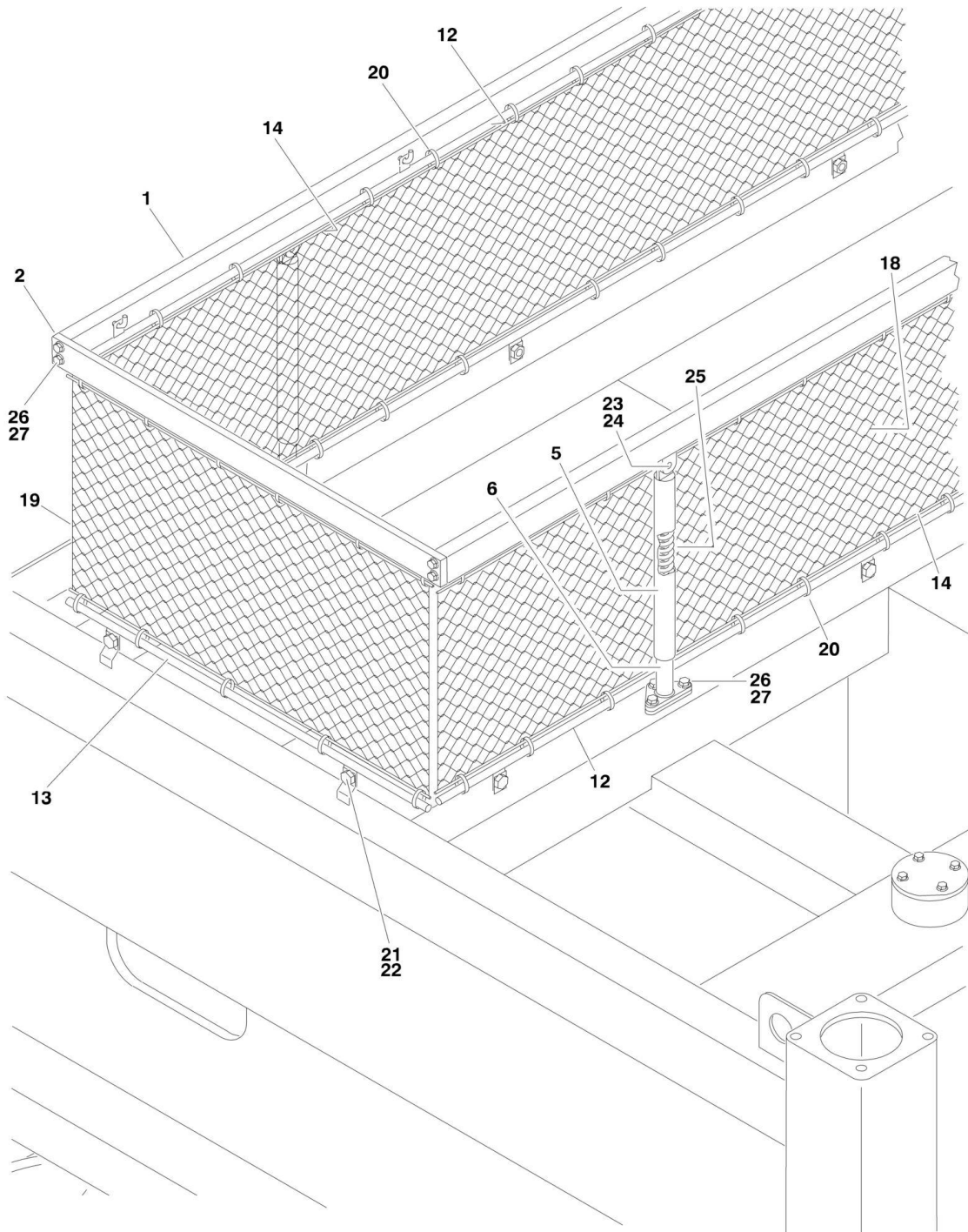
ITEM	PART NUMBER	QTY	DESCRIPTION	REV
326	S007112	1	Pin, 110 mm	
327	S007114	1	Pin, 90 mm	
328	S007113	3	Pin, 80 mm	
329	S007115	2	Pin, 70 mm	
330	S007119	3	Pin, 60 mm	
331	S200171	1	Washer + Fixing Pin	
332	S200170	1	Washer + Fixing Pin	
333	S200166	3	Washer + Fixing Pin	
334	S200168	3	Washer + Fixing Pin	
335	S200167	2	Washer + Fixing Pin	
336	S200169	3	Washer + Fixing Pin	
	S15322L-240-00-1	Ref	SCISSOR ARMS TO FRAME INSTALLATION	1-B
403	S007029	1	Pin, 70 mm	
407	S004034	2	Block, Wear	
408	S200176	2	Spacer	
409	0701628	2	Bolt, M16x110	
410	4812300	4	Washer, M16	
411	3291601	2	Nut, M16	
412	S000141	7	Fitting, Grease	
413	0762015	2	Bolt, M20x35	
414	4812500	2	Washer, M20	
416	4032111	1	Bolt, M12x35	
417	4812100	1	Washer, M12	
418	S007026	1	Pin, 85 mm	
419	S007027	1	Pin, 85 mm	
420	S007028	1	Pin, 85 mm	
	S15322L-240-01-0	Ref	SCISSOR ARMS TO PLATFORM INSTALLATION	1
501	S007030	1	Pin, 60 mm	
502	S007031	1	Pin, 60 mm	
505	S200174	2	Pad, Wear	
509	S000140	2	Bushing	
510	S000227	2	Bushing	
511	S000141	4	Fitting, Grease	
512	0701229	2	Bolt, M12x120	
513	4812100	2	Washer, M12	
514	2391204	2	Nut, M12	
515	0761012	2	Bolt, M10x25	
516	4812000	4	Washer, M10	
517	4032009	8	Bolt, M10x25	
518	3291005	8	Nut, M10	
519	4812000	8	Washer, M10	
520	S200173	2	Slide, Platform	
521	S007033	2	Pin, 35 mm	
	S15322L-250-00-0	Ref	SAFETY PROP ASSEMBLY	1
601	S200172	1	Prop, Safety	
604	S001594	1	Bumper, Rubber	
606	4811900	1	Washer, M8	
607	3290805	1	Nut, M8	
608	0760812	1	Bolt, M8x25	
	S15322L-260-00-0	Ref	LIMIT SWITCH CAMS INSTALLATION	A
701	S900019	1	Panel, Limit Switch Mounting	

SECTION 3 - SCISSOR ARMS

ITEM	PART NUMBER	QTY	DESCRIPTION	REV
704	S200134	4	Cam	
705	3371708	2	Roll Pin	
706	0761216	2	Bolt, M12x40	
707	4812100	2	Washer, M12	
708	3291205	2	Nut, M12	
709	0761014	8	Bolt, M10x30	
710	4812000	8	Washer, M10	
711	4832000	8	Lockwasher, M10	
		Ref	ELECTRICAL COMPONENTS	
	E000499	Ref	Electrical Components (Prior to SN 1200004503)	
	E900002	Ref	Electrical Components (SN 1200004503 through 1200015676)	1
810	E000376	4	Switch, Limit	
811	E000269	4	Connector, Strain Relief	

SECTION 3 - SCISSOR ARMS

FIGURE 3-2. SCISSORS PROTECTION INSTALLATION



SECTION 3 - SCISSOR ARMS

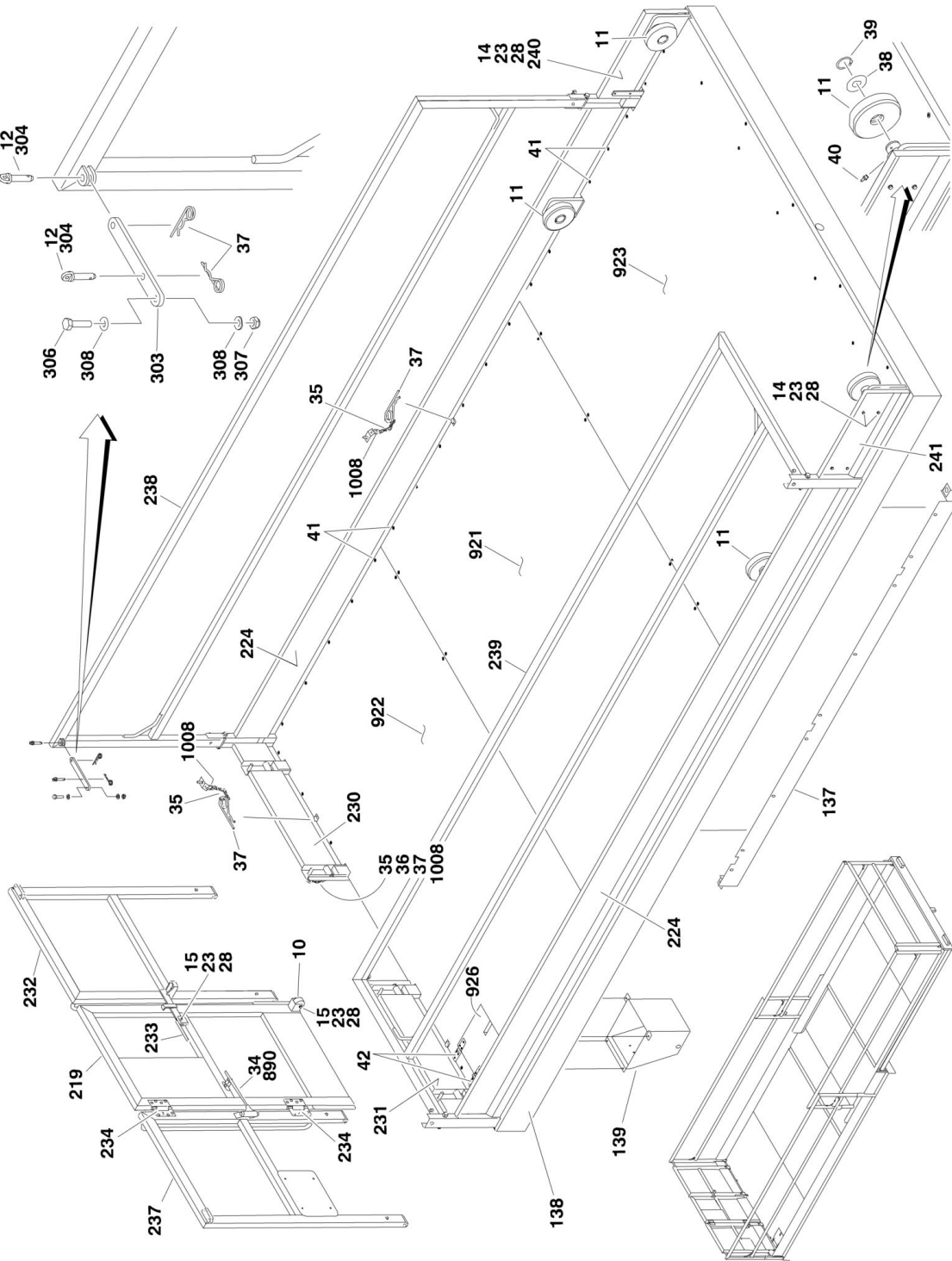
FIGURE 3-2. SCISSORS PROTECTION INSTALLATION

ITEM	PART NUMBER	QTY	DESCRIPTION	REV
	S15322L-170-00-0	Ref	SCISSOR PROTECTION INSTALLATION	1-A
1	S200256	2	Tube, Long Arm Guard	
2	S900153	2	Tube, Short Arm Guard	
5	S900012	4	Column, Upper	
6	S900011	4	Column, Lower	
12	S900009	4	Tube, Long Round	
13	S900010	4	Tube, Short Round	
14	S005042	8	Spring Rod (Cut To Length)	
18	S001833	2	Screen, Long	
19	S001834	2	Screen, Short	
20	4240032	50	Tie, Cable (Not Shown)	
21	0760810	16	Bolt, M8x20	
22	3290805	16	Nut, M8	
23	0761015	4	Bolt, M10x35	
24	3291005	4	Nut, M10	
25	S001596	4	Spring, Compression	
26	0761010	20	Bolt, M10x20	
27	4832000	20	Lockwasher, M10	

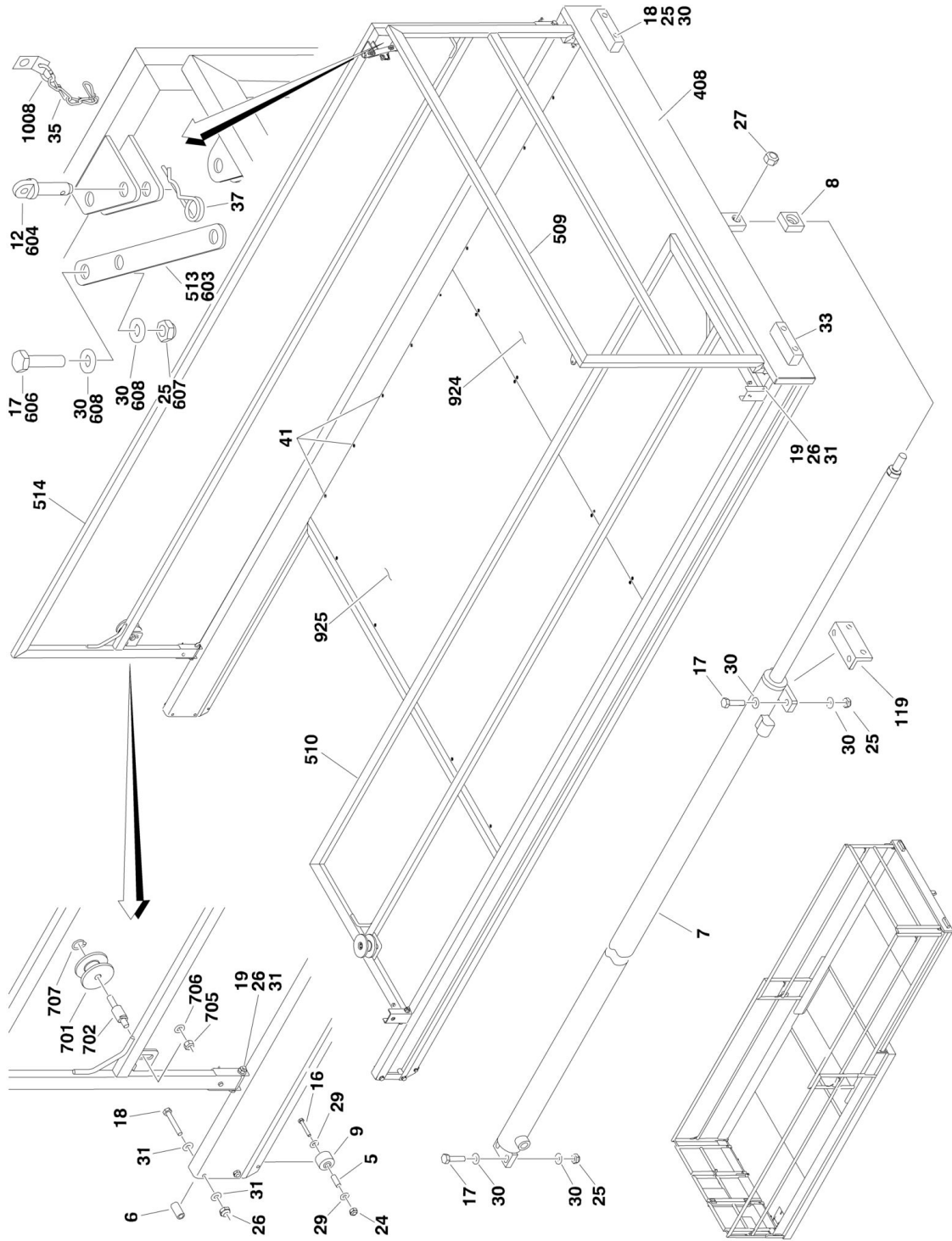
SECTION 4 - PLATFORM

SECTION 4 - PLATFORM

FIGURE 4-1. PLATFORM AND ACCESSORIES INSTALLATION



SECTION 4 - PLATFORM



SECTION 4 - PLATFORM

FIGURE 4-1. PLATFORM AND ACCESSORIES INSTALLATION

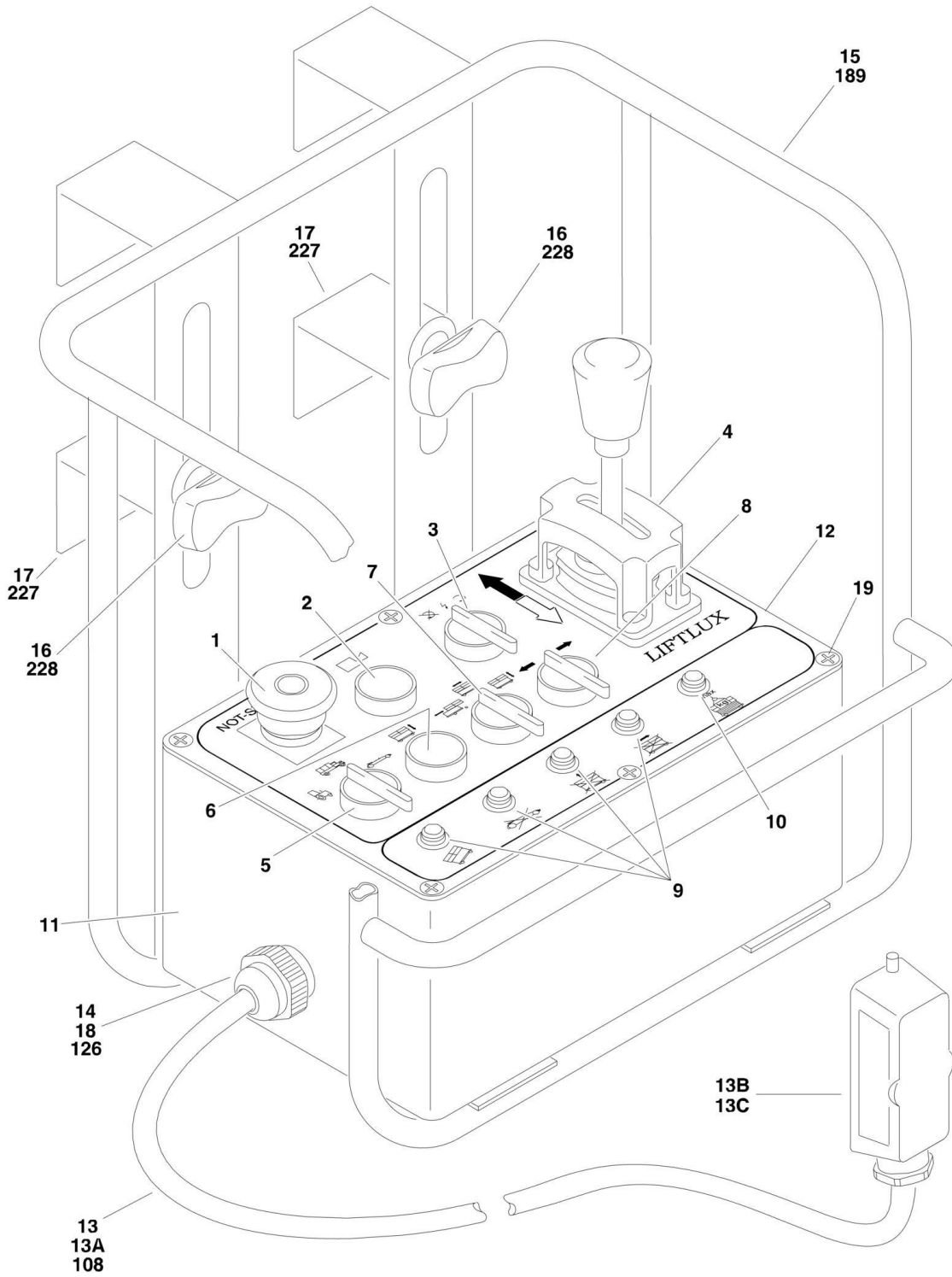
ITEM	PART NUMBER	QTY	DESCRIPTION	REV
	S15322L-300-00-1	Ref	PLATFORM ASSEMBLY	
5	S900017	2	Spacer, Tube	
6	S900016	4	Spacer, Tube	
7		Ref	Extension Cylinder Assembly Options: (see CYLINDER SECTION for Breakdown)	
7	H000612	1	Extension Cylinder Assembly (Prior to SN 1200009745)	
7	H900013	1	Extension Cylinder Assembly (SN 1200009745 through 1200015676)	
8	S900015	1	Block, Coupling	
9	S900155	2	Roller, Supporting	
10		Ref	Door Roller Options:	
10	S000031	1	Door Roller (Prior to SN 1200004503)	
10	S900154	1	Door Roller (SN 1200004503 through 1200015676)	
11	S005049	4	Roller	
12	S200223	8	Pin, Link	
14	0760614	4	Bolt, M6x30	
15	0700619	2	Bolt, M6x55	
16	0700818	2	Bolt, M8x50	
17	0761014	4	Bolt, M10x30	
18	0701022	8	Bolt, M10x70	
19	0701224	14	Bolt, M12x80	
23	3290605	6	Nut, M6	
24	3290805	8	Nut, M8	
25	3291005	12	Nut, M10	
26	3291205	14	Nut, M12	
27	3291605	1	Nut, M16	
28	4811700	12	Washer, M6	
29	4811900	16	Washer, M8	
30	4812000	24	Washer, M10	
31	4812100	28	Washer, M12	
33	S000055	2	Bumper	
34	S000030	1	Closer, Gate	
35	S001443	36	Chain	
36	S000510	4	Pin, 4mm Cotter	
37	S000145	20	Pin, 3mm Cotter	
38	S000069	4	Thrustwasher	
39	S003950	4	Ring, Snap	
40	S000141	4	Fitting, Grease	
41	S001445	126	Screw, Deck Floor	
42	S000237	2	Hinge	
	S15322L-310-00-1	Ref	MAIN PLATFORM DECK INSTALLATION	A
119	S200226	1	Plate, Extension Cylinder Mounting	
137	S200218	2	Channel, Safety	
138	S200202	1	Weldment, Main Platform	
139	S200232	1	Compartment, Connector	
	S15322L-311-00-0	Ref	MAIN PLATFORM RAILING INSTALLATION	
219	S200224	1	Gate	
224	S200212	2	Kick Plate, Side	
230	S200219	1	Kick Plate, RF	
231	S200220	1	Kick Plate, LF	

SECTION 4 - PLATFORM

ITEM	PART NUMBER	QTY	DESCRIPTION	REV
232	S200221	1	Rail, RF	
233	S200238	1	Latch, Gate	
234	S000228	2	Hinge	
237	S200222	1	Rail, LF	
238	S200215	1	Rail, RH	
239	S200214	1	Rail, LH	
240	S200217	1	Kick Plate, RH Bolted	
241	S200216	1	Kick Plate, LH Bolted	
	S15322L-311-28-0	Ref	MAIN PLATFORM RAILING LINK INSTALLATION	
303	S200233	2	Link	
304	S200223	4	Pin, Link	
306	0761014	2	Bolt, M10x30	
307	3291005	2	Nut, M10	
308	4812000	4	Washer, M10	
	S15322L-320-00-0	Ref	EXTENSION PLATFORM DECK INSTALLATION	
408	S200203	1	Weldment, Extension Platform	
	S15322L-321-00-0	Ref	EXTENSION PLATFORM RAILING INSTALLATION	
509	S200229	1	Rail, Rear	
510	S200227	1	Rail, LH	
513	S200233	2	Link	
514	S200228	1	Rail, RH	
	S15322L-321-13-0	Ref	EXTENSION PLATFORM RAILING LINK INSTALLATION	
603	S200233	2	Link	
604	S200223	4	Pin, Link	
606	0761014	2	Bolt, M10x30	
607	3291005	2	Nut, M10	
608	4812000	4	Washer, M10	
	S015312-321-25-0	Ref	EXTENSION PLATFORM GUIDE ROLLER INSTALLATION	
701	S200231	2	Roller	
702	S200230	2	Pin	
705	3291605	2	Nut, M16	
706	4812300	2	Washer, M16	
707	3760499	2	Ring, Snap	
	0010653	Ref	FINAL ASSEMBLY LIST COMPONENTS	16
890	S000030	1	Closer, Door	
921	S900022	1	Plate, Main Platform Middle Floor	
922	S900023	1	Plate, Main Platform Front Floor	
923	S900024	1	Plate, Main Platform Rear Floor	
924	S900025	1	Plate, Extension Platform Floor (1910mm x 1470mm)	
925	S900026	1	Plate, Extension Platform Floor (1910mm x 1480mm)	
926	S900027	1	Door, Connector Compartment	
	X15322L	Ref	MISCELLANEOUS PARTS LIST COMPONENTS	
1008	S001677	36	Ring	

SECTION 4 - PLATFORM

FIGURE 4-2. CONSOLE PANEL PARTS



SECTION 4 - PLATFORM

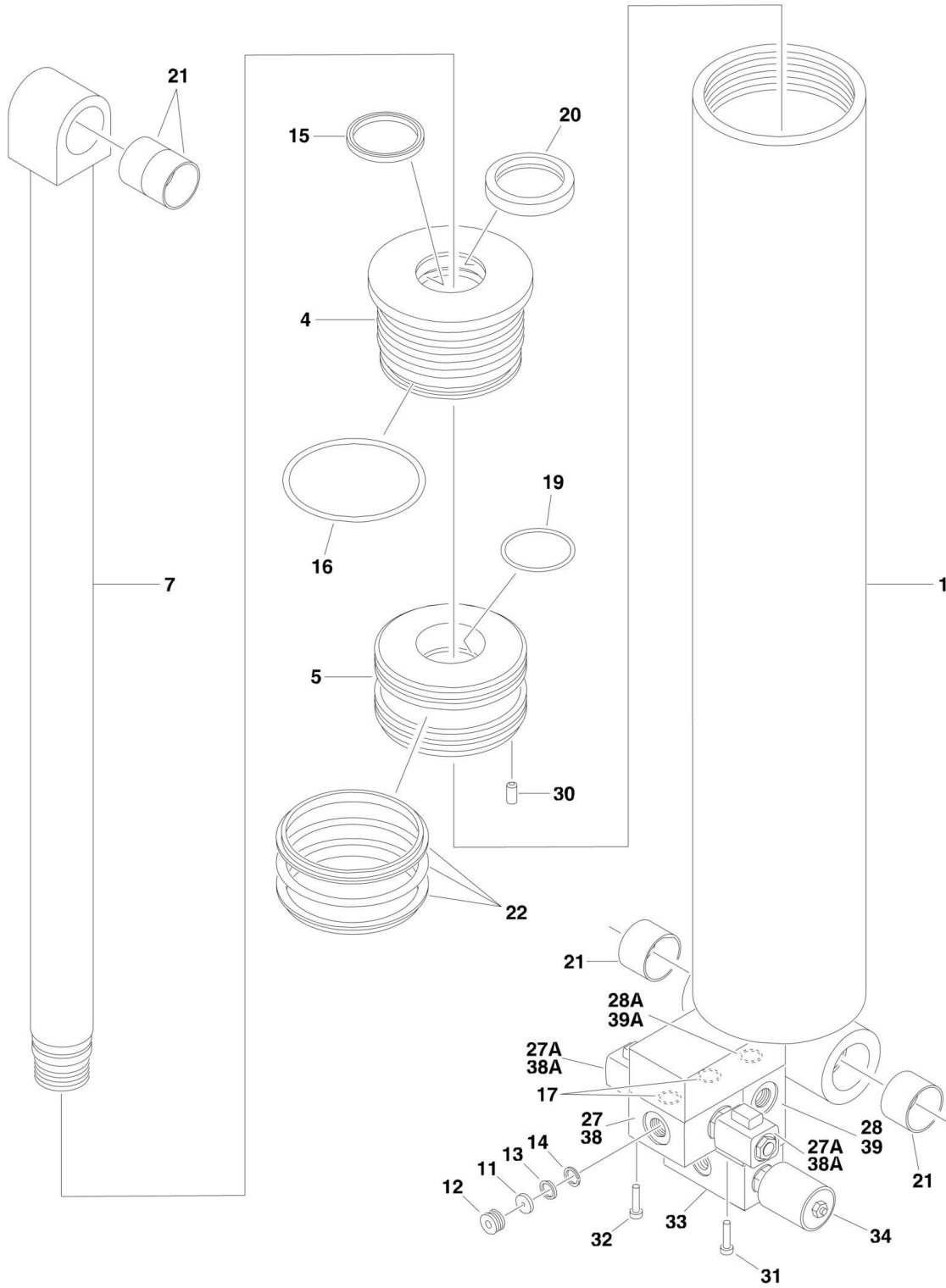
FIGURE 4-2. CONSOLE PANEL PARTS

ITEM	PART NUMBER	QTY	DESCRIPTION	REV
1	E000377	1	Switch, Emergency Stop (Momentary-Off-Type)	
2	E000412	1	Switch, Push Button	
3	E000511	1	Switch, Engine On/Off	
4	E000051	1	Joystick	
5	E000435	1	Switch, 3 Step (Slow/Fast/Diff)	
6	E000412	1	Switch, Push Button	
7	E000435	1	Switch, 3 Step (Drive/Lift/Extend)	
8	E000436	1	Switch, Steering	
9	E000419	4	LED, Red	
10	E000420	1	LED, Red Flashing	
11	E001328	1	Housing, Control Box (was p/n E001185)	
12	E001190	1	Lid, Control Box	
13	Not Available	1	Cable Assy, Control	
13A	E000083	AR	Cable (25 Wires)	
13B	E000103	1	Connector Housing, Male 24-Pin	
13C	E000482	1	Connector Insert, Male 24-Pin	
14	E000304	1	Plug, PG 21	
15	S000009	1	Bracket, Console Panel	
16	2560141	2	Screw, Thumb (SN 1200004227 through 1200015676)	
17	0181847	2	Clamp, Console Bracket (SN 1200004227 through 1200015676)	
18	E000432	1	Nut, Brass	
19	1001109990	6	Screw M3 x 30mm	
	0010653	Ref	FINAL ASSEMBLY LIST COMPONENTS	16
108	E000083	AR	Cable (25 Wires)	
126	E000432	1	Nut, Brass	
189	S000009	1	Bracket, Console Panel	
227	0181847	2	Clamp, Console Bracket (SN 1200004227 through 1200015676)	
228	2560141	2	Screw, Thumb (SN 1200004227 through 1200015676)	

SECTION 5 - CYLINDER

SECTION 5 - CYLINDER

FIGURE 5-1. LIFT CYLINDER ASSEMBLY



SECTION 5 - CYLINDER

FIGURE 5-1. LIFT CYLINDER ASSEMBLY

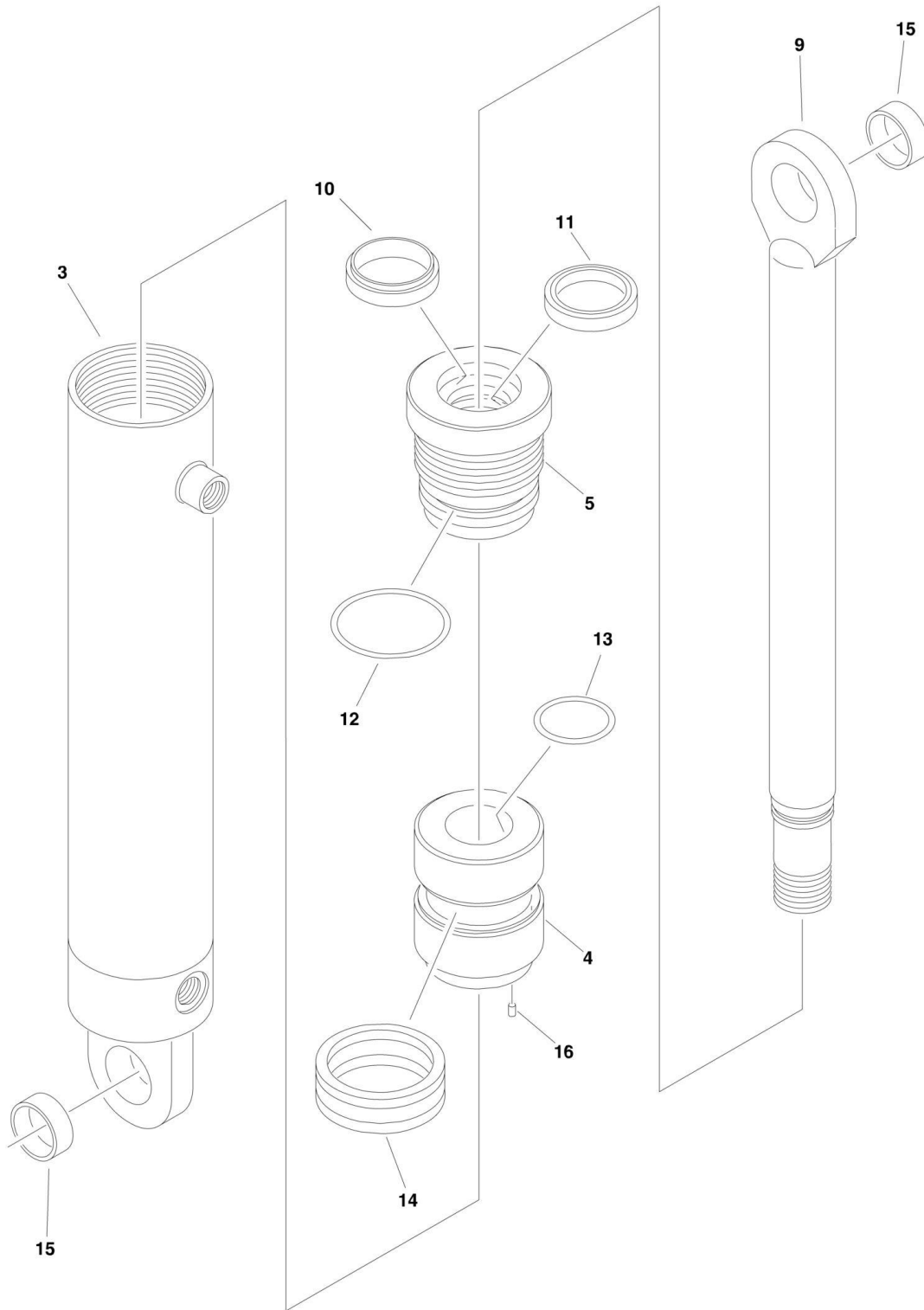
ITEM	PART NUMBER	QTY	DESCRIPTION	REV
	H000684	Ref	LIFT CYLINDER ASSEMBLY	
1	S200426	1	Barrel Weldment	
4	S200185	1	Head	
5	S200184	1	Piston	
7	S200182	1	Rod Weldment	
11	70000185	1	Collar, Throttle (see note)	
12	70000186	1	Screw, Throttle (see note)	
13	70000187	1	Ring, Throttle (see note)	
14	Not Available	1	Ring, Snap	
15	H003090	1	Seal, Rod	
16	H003113	1	O-Ring	
17	70000188	2	O-Ring	
19	H003109	1	O-Ring	
20	H003084	1	Wiper	
21	S001810	4	Bushing	
22	H000530	1	Seal Set, Piston	
27	H005243	1	Valve, Load Retaining	
27A	H000071	2	Valve, Holding	
27A		Ref	Coil Options:	
27A	7012986	AR	Hydraforce Version	
27A	Not Available		Oil Controls SPA Version	
27A		Ref	Seal Kit Options:	
27A	7012998	AR	Hydraforce Version	
27A	Not Available		Oil Controls SPA Version	
28	H005244	1	Block, Check Valve	
28	H000271	1	Piston	
28		Ref	Holding Valve Options:	
28	H000270	1	Holding Valve (Prior to SN 1200009742)	
28	7012967	1	Seal Kit	
28	7012955	1	Holding Valve (SN 1200009742 through 1200015676)	
28	7012998	1	Seal Kit	
28A	70000189	1	O-Ring	
30	S200910	1	Setscrew	
31	4031713	4	Screw	
32	4031912	4	Screw	
	0010653	Ref	FINAL ASSEMBLY LIST COMPONENTS	16
33	H705721	1	Block, Hydraulic	
34	H705722	2	Sensor, Pressure	
35	H705723	2	Harness, Pressure Sensor (Not Shown)	
36	H705724	2	Cap, Pressure Sensor (Not Shown)	
38	H005243	1	Valve, Load Retaining	
38A	H000071	2	Valve, Holding	
38A		Ref	Coil Options:	
38A	7012986	AR	Hydraforce Version	
38A	Not Available		Oil Controls SPA Version	
38A		Ref	Seal Kit Options:	
38A	7012998	AR	Hydraforce Version	
38A	Not Available		Oil Controls SPA Version	
39	H005244	1	Block, Check Valve	
39	H000271	1	Piston	

SECTION 5 - CYLINDER

ITEM	PART NUMBER	QTY	DESCRIPTION	REV
39		Ref	Holding Valve Options:	
39	H000270	1	Holding Valve (Prior to SN 1200009742)	
39	7012967	1	Seal Kit	
39	7012955	1	Holding Valve (SN 1200009742 through 1200015676)	
39	7012998	1	Seal Kit	
39A	70000189	1	O-Ring	
		Ref	Notes:	
		Ref	No seal kit available. Purchase individual seals. S200298 Throttle Kit no longer available. Order individual pieces.	

SECTION 5 - CYLINDER

FIGURE 5-2. STEERING CYLINDER ASSEMBLY (Prior to SN 120009745)



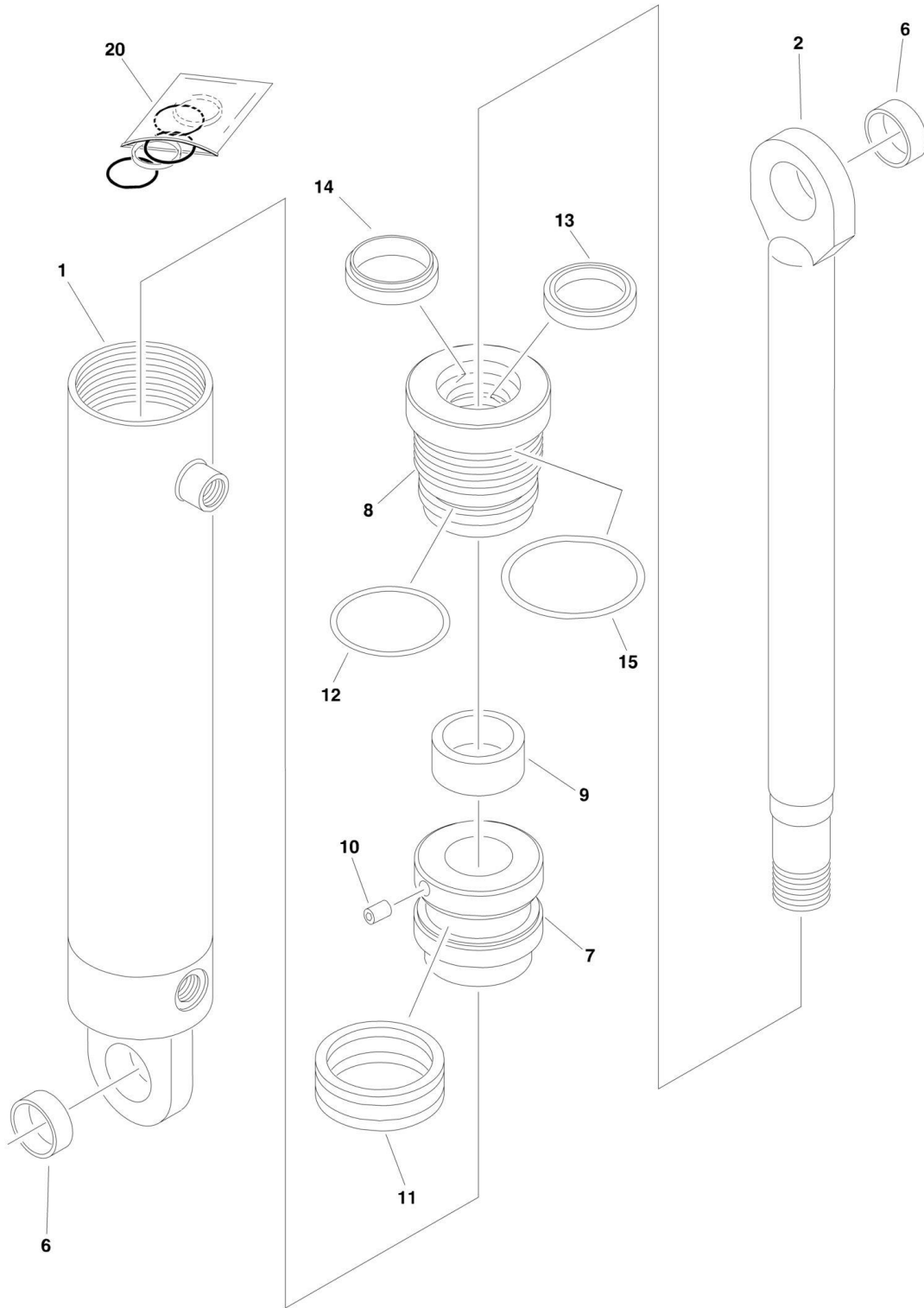
SECTION 5 - CYLINDER

FIGURE 5-2. STEERING CYLINDER ASSEMBLY (Prior to SN 1200009745)

ITEM	PART NUMBER	QTY	DESCRIPTION	REV
	H000299	Ref	STEERING CYLINDER ASSEMBLY	
3	S200188	1	Barrel Weldment	
4	S200189	1	Piston	
5	S200437	1	Head	
9	S200187	1	Rod Weldment	
10	H003064	1	Wiper	
11	H003066	1	Seal, Rod	
12	H003080	1	O-Ring	
13	H003075	1	O-Ring	
14	H003068	1	Seal, Piston	
15	S000263	2	Bushing	
16	Not Available	1	Setscrew	
		Ref	Note: No seal kit available. Purchase individual seals.	

SECTION 5 - CYLINDER

FIGURE 5-3. STEERING CYLINDER ASSEMBLY (SN 120009745 through 1200015676)



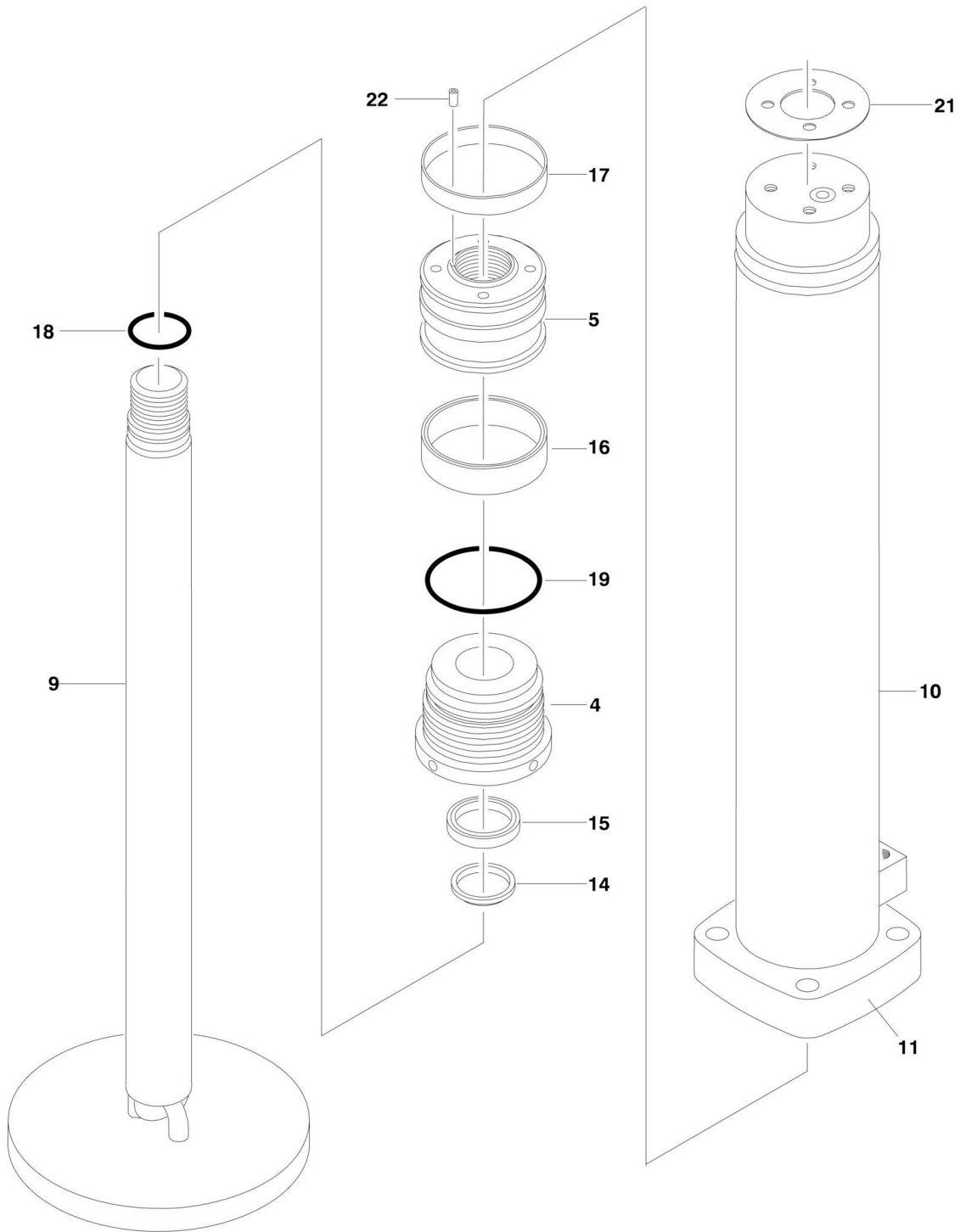
SECTION 5 - CYLINDER

FIGURE 5-3. STEERING CYLINDER ASSEMBLY (SN 1200009745 through 1200015676)

ITEM	PART NUMBER	QTY	DESCRIPTION	REV
	H900007	Ref	STEERING CYLINDER ASSEMBLY	C
1	70000763	1	Barrel	
2	70000762	1	Rod	
6	70000749	2	Bushing	
7	70000750	1	Piston	
8	70000751	1	Head	
9	70000752	1	Spacer	
10	Not Available	1	Setscrew	
11	Item 20	1	Seal, Piston	
12	Item 20	1	Seal, Head	
13	Item 20	1	Seal, Rod	
14	Item 20	1	Wiper	
15	Item 20	1	O-Ring	
20	70000755	1	Seal Kit (Includes Items 11-15)	

SECTION 5 - CYLINDER

FIGURE 5-4. LEVELING CYLINDER ASSEMBLY (Prior to SN 1200009745)



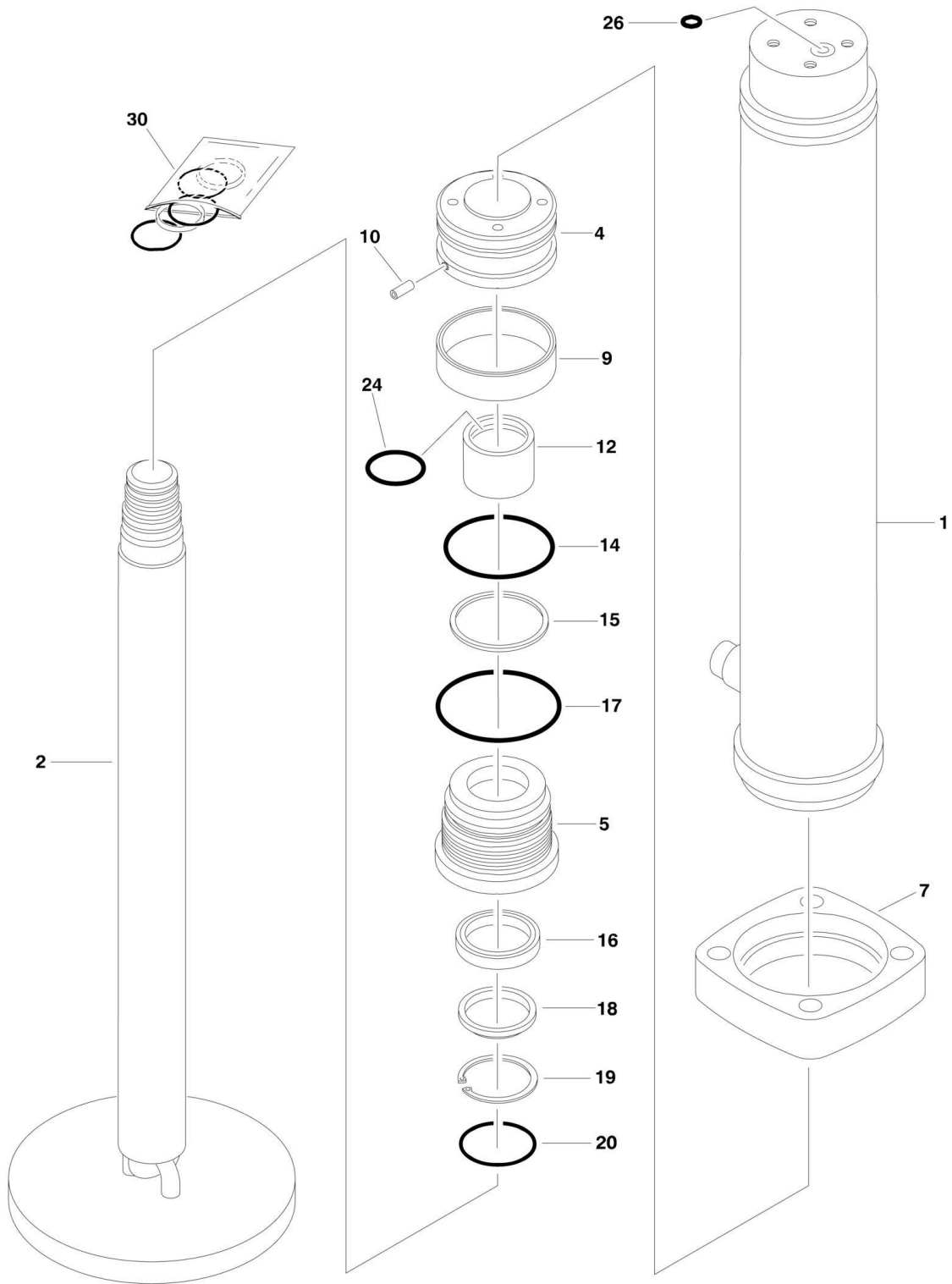
SECTION 5 - CYLINDER

FIGURE 5-4. LEVELING CYLINDER ASSEMBLY (Prior to SN 1200009745)

ITEM	PART NUMBER	QTY	DESCRIPTION	REV
		Ref	LEVELING CYLINDER ASSEMBLY	
	H000688	Ref	Right Front, Left Rear	
	H000689	Ref	Left Front, Right Rear	
4	S200307	1	Head	
5	S200308	1	Piston	
9	S200305	1	Rod Weldment (with Ground Pad)	
10		Ref	Barrel Weldment Options:	
10	70000203	1	H000688 Cylinder	
10	S200306	1	H000689 Cylinder	
11	S200309	1	Flange, Mounting	
14	H003082	1	Wiper	
15	H003088	1	Seal, Rod	
16	H003094	1	Seal, Piston	
17	H003103	1	Ring, Wear	
18	H003106	1	O-Ring	
19	H003108	1	O-Ring	
21	70000204	1	Gasket, Cover Plate	
22	Not Available	1	Setscrew	
		Ref	Note: No seal kit available. Purchase individual seals.	

SECTION 5 - CYLINDER

FIGURE 5-5. LEVELING CYLINDER ASSEMBLY (SN 1200009745 through 1200015676)



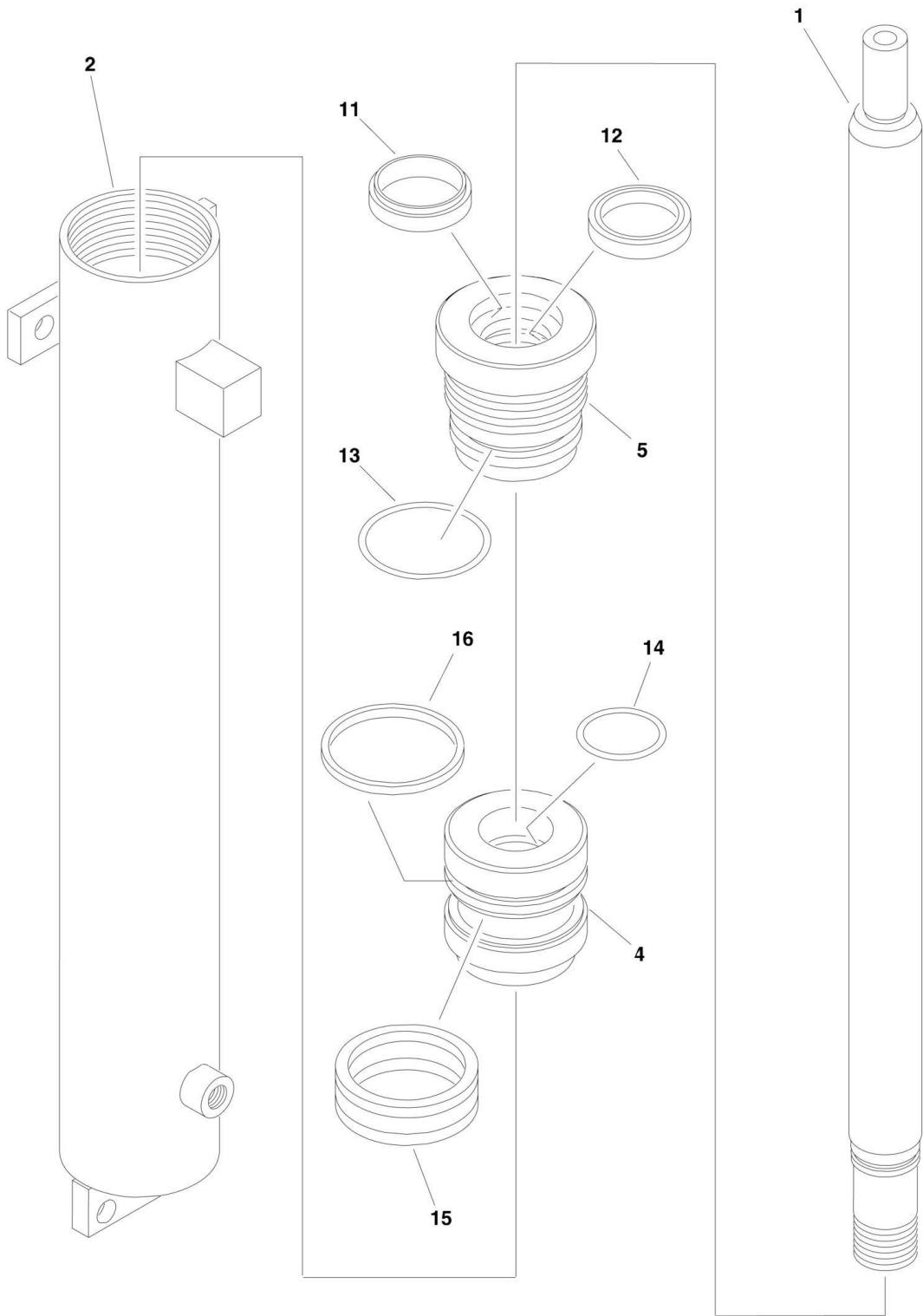
SECTION 5 - CYLINDER

FIGURE 5-5. LEVELING CYLINDER ASSEMBLY (SN 1200009745 through 1200015676)

ITEM	PART NUMBER	QTY	DESCRIPTION	REV
		Ref	LEVELING CYLINDER ASSEMBLY	
	H900016	Ref	Right Front, Left Rear	C
	H900017	Ref	Left Front, Right Rear	C
1		Ref	Barrel Options:	
1	70000775	1	H900016 Cylinder	
1	70000776	1	H900017 Cylinder	
2	70000774	1	Rod	
4	70000764	1	Piston	
5	70000765	1	Head	
7	70000766	1	Plate, Mounting	
9	Item 30	1	Seal, Piston	
10	Not Available	1	Setscrew	
12	70000767	1	Spacer	
14	Item 30	1	Seal, Head	
15	Item 30	1	Ring, Backup	
16	Item 30	1	Seal, Rod	
17	Item 30	1	O-Ring	
18	Item 30	1	Wiper	
19	70000768	1	Ring, Snap	
20	Item 30	1	O-Ring	
24	Item 30	1	O-Ring	
26	70000700	1	O-Ring	
30	70000771	1	Seal Kit (Includes Items 9, 14-18, 20 & 24)	

SECTION 5 - CYLINDER

FIGURE 5-6. EXTENSION CYLINDER ASSEMBLY (Prior to SN 120009745)



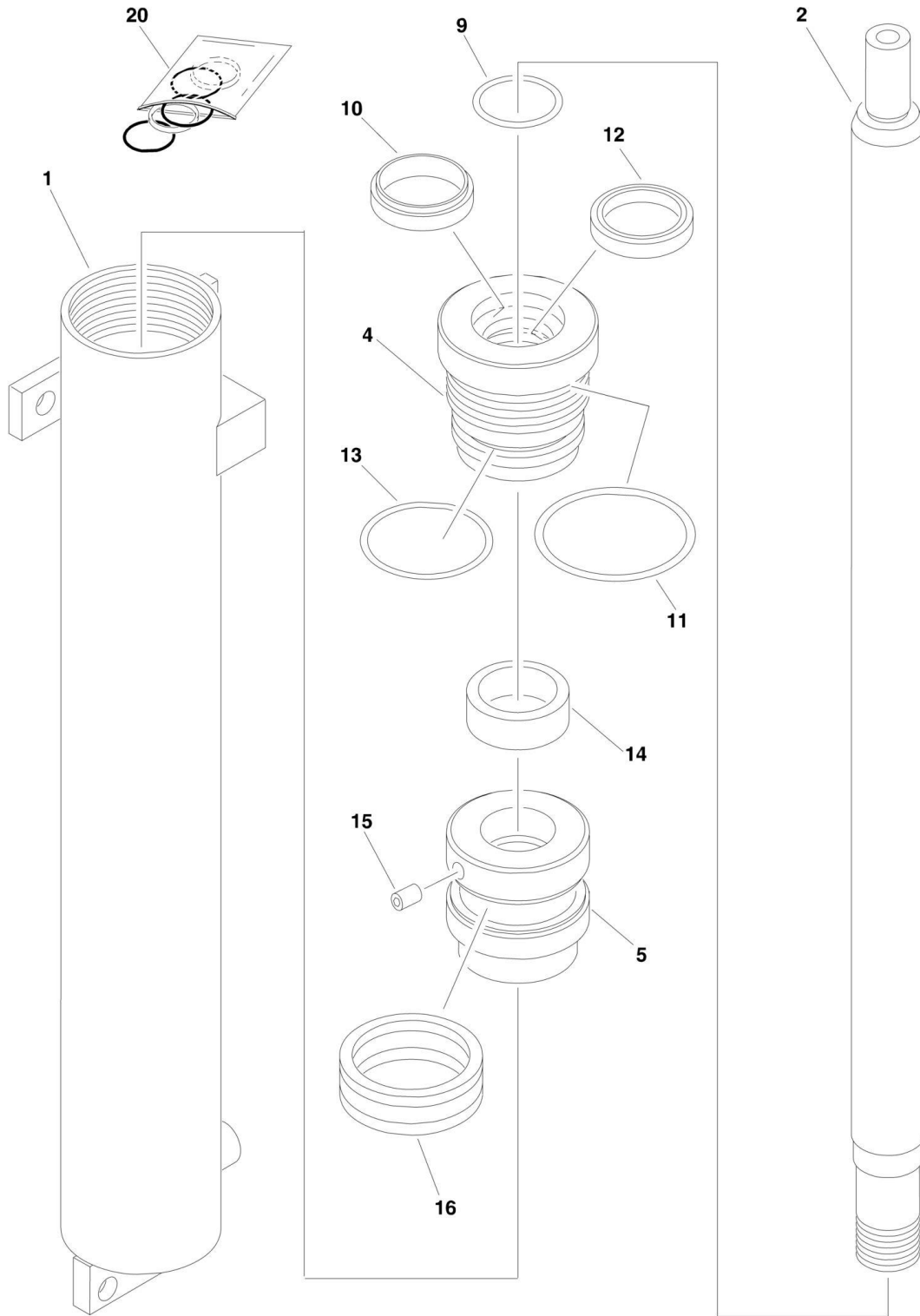
SECTION 5 - CYLINDER

FIGURE 5-6. EXTENSION CYLINDER ASSEMBLY (Prior to SN 1200009745)

ITEM	PART NUMBER	QTY	DESCRIPTION	REV
	H000612	Ref	EXTENSION CYLINDER ASSY	
1	S200204	1	Rod	
2	S200205	1	Barrel Weldment	
4	S201656	1	Piston	
5	S200208	1	Head (Was P/N S200207)	
11	H003063	1	Wiper	
12	H003065	1	Seal, Rod	
13	H003074	1	O-Ring	
14	H003078	1	O-Ring	
15	H003069	1	Seal, Piston	
16	H003070	1	Ring, Wear	
		Ref	Note: No seal kit available. Purchase individual seals.	

SECTION 5 - CYLINDER

FIGURE 5-7. EXTENSION CYLINDER ASSEMBLY (SN 1200009745 through 1200015676)



SECTION 5 - CYLINDER

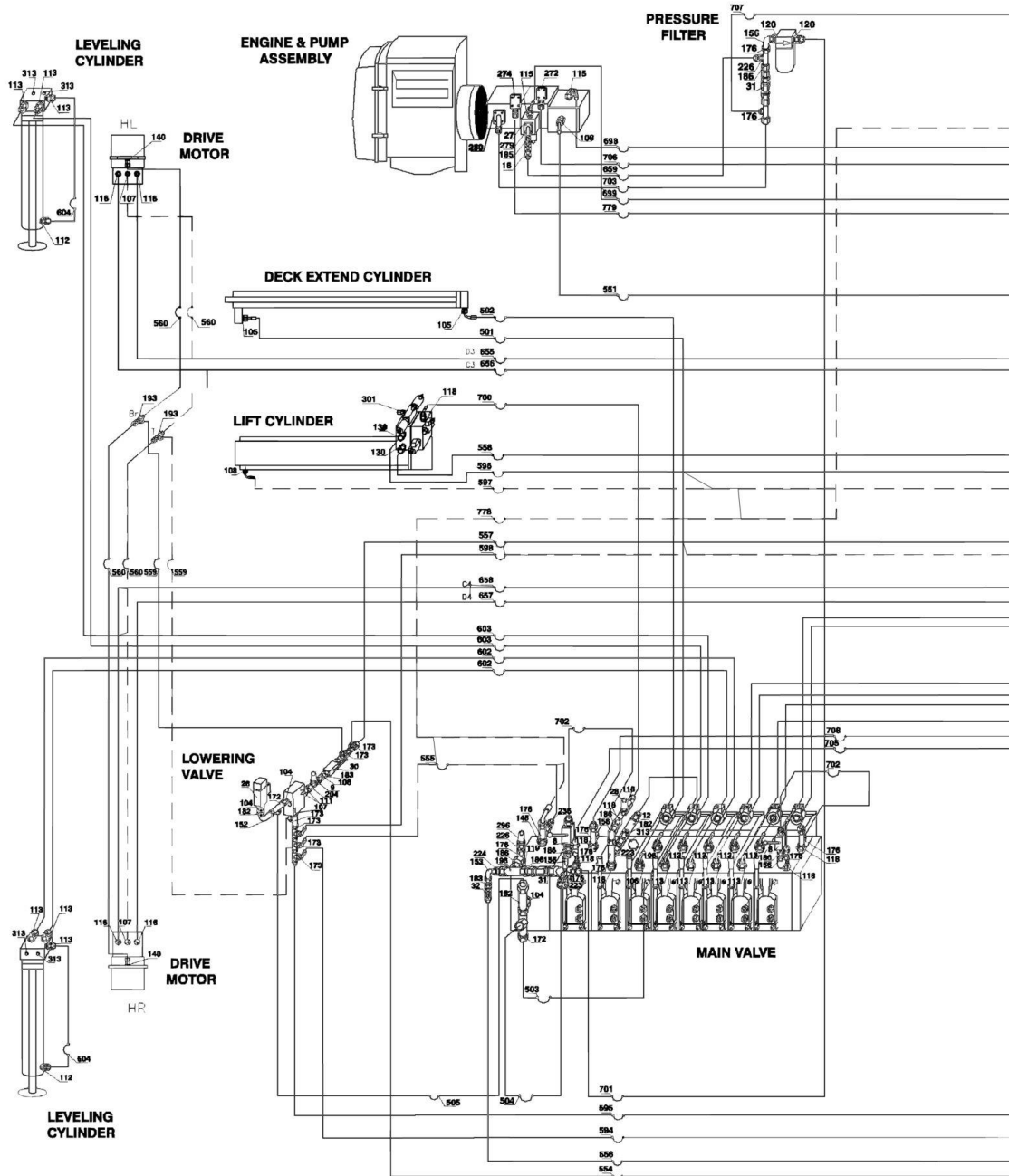
FIGURE 5-7. EXTENSION CYLINDER ASSEMBLY (SN 1200009745 through 1200015676)

ITEM	PART NUMBER	QTY	DESCRIPTION	REV
	H900013	Ref	EXTENSION CYLINDER ASSEMBLY	B
1	70000761	1	Barrel	
2	70000760	1	Rod	
4	70000707	1	Head	
5	70000708	1	Piston	
9	Item 20	1	O-Ring	
10	Item 20	1	Wiper	
11	Item 20	1	O-Ring	
12	Item 20	1	Seal, Rod	
13	Item 20	1	Seal, Head	
14	70000759	1	Spacer	
15	Not Available	1	Setscrew	
16	Item 20	1	Seal, Piston	
20	70000713	1	Seal Kit (Includes Items 9-13 & 16)	

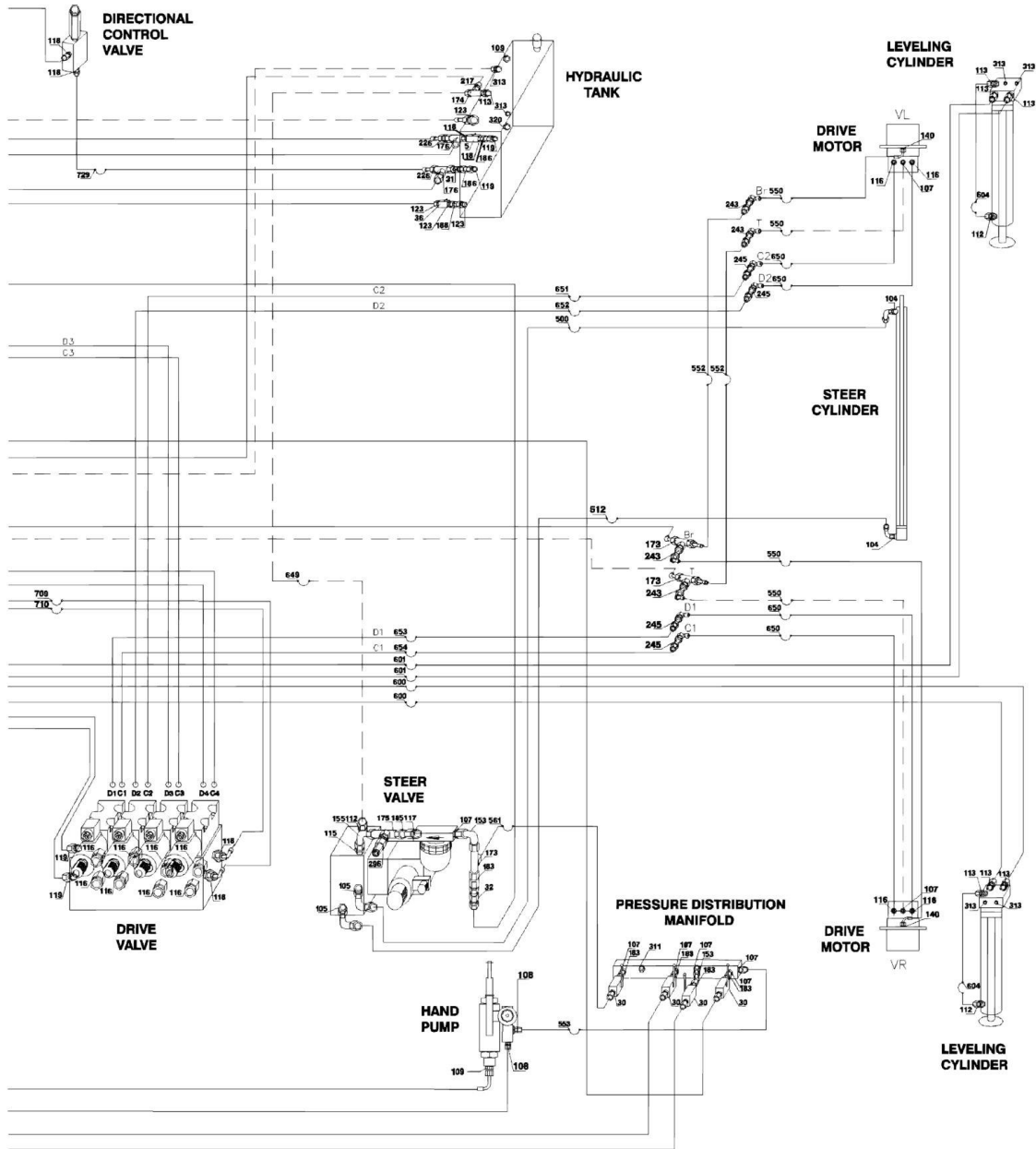
SECTION 6 - HYDRAULIC

SECTION 6 - HYDRAULIC

FIGURE 6-1. HYDRAULIC DIAGRAM



SECTION 6 - HYDRAULIC



SECTION 6 - HYDRAULIC

FIGURE 6-1. HYDRAULIC DIAGRAM

ITEM	PART NUMBER	QTY	DESCRIPTION	REV
	RP-SL153-22D4WDS-A-1-1		HYDRAULIC DIAGRAM	B
5	H000015	1	Valve, NW 15 Ball	
8	H000359	2	Valve, KH 18-PL 2/2 Directional Ball	
9	H000018	1	Valve, Lowering Speed Adjustment Throttle	
12	H000351	4	Valve, RHD-8PL Check	
18	H000115	1	Valve, 15-PL Check	
26	H000536	2	Switch, Pressure	
27	H000147	1	Valve, Solenoid	
27	7017410	1	Cartridge	
27	7012998	1	Seal Kit - 7017410 Valve	
27	7012986	1	Coil	
27	70001938	1	O-Ring (Between Valve and Pump)	
28	H000524	1	Valve, DRV 12G1/2in 350bar Throttle Check	
30	H000344	5	Valve, KH 10-PL 2/2 Directional Ball	
31	H000339	3	Valve, RHD 18-PL Check	
32	H000312	2	Valve, RHD 10-PL Check	
36	H000279	1	Valve, Low-Pressure Ball	
	H001091	1	HYDRAULIC FITTING KIT	7
104	2142706	4	Connector, 8-1/4-10-19-L BSPP Male	
105	2142707	4	Connector, 8-3/8-11.5-22-L BSPP Male	
106	2142743	2	Connector, 8-1/2-12-27-L BSPP Male	
107	2142708	11	Connector, 10-1/4-11-19-L BSPP Male	
108	2142709	AR	Connector, 10-3/8-12.5-22-L BSPP Male	
109	2142710	2	Connector, 10-1/2-13-27-L BSPP Male	
111	2142711	1	Connector, 12-1/4-12-19-L BSPP Male	
112	2142712	1	Connector, 12-3/8-12.5-22-L BSPP Male	
115	2142714	AR	Connector, 15-3/8-13.5-24-L BSPP Male	
116	2142715	16	Connector, 15-1/2-14-27-L BSPP Male	
117	2142751	1	Connector, 15-1/4-13-19 BSPP Male	
118	2142716	AR	Connector, 18-1/2-14.5-27-L BSPP Male	
119	2142717	5	Connector, 18-3/4-14.5-32-L BSPP Male	
120	2142752	2	Connector, 18LR1EDA3C (SPL) BSPP Male	
123	2142719	4	Connector, 28-1-17.5-41 BSPP Male	
130		Ref	Fitting Options:	
130	2140803	AR	Fitting (Prior to SN 1200007526)	
130	H000148	4	Fitting (SN 1200007526 to Present)	
145	2142744	1	Connector, 28-3/4-17.5-41-L BSPP Male	
153	2143403	3	Elbow, 10-16X1.5-15-29-14-L Swivel Nut	
155	2143405	4	Elbow, 15-22X1.5-21-32.5-19-L Swivel Nut	
156	2143406	5	Elbow, 18-26X1.5-23.5-35.5-24-L Swivel Nut	
162	2142102	1	Tee, 8-8-14X1.5-14-27.5-12-L Swivel Nut Branch	
172	2142202	1	Tee, 8-8-14X1.5-14-27.5-12-L Swivel Nut Run	
173	2142203	9	Tee, 10-10-16X1.5-15-29-14-L Swivel Nut Run	
174	2142204	1	Tee, 12-12-18X1.5-17-29.5-17-L Swivel Nut Run	
175	2142205	1	Tee, 15-15-22X1.5-21-32.5-19-L Swivel Nut Run	
176	2142206	11	Tee, 18-18-26X1.5-23.5-35.5-24-L Swivel Nut Run	
178	2142208	1	Tee, 28-28-36X2-30.5-41.5-36-L Swivel Nut Run	
182	2143602	1	Union, Flareless 8-14X1.5-14X1.5-32 L Swivel	
183	2143603	7	Union, Flareless 10-16X1.5-16X1.5-33 L Swivel	

SECTION 6 - HYDRAULIC

ITEM	PART NUMBER	QTY	DESCRIPTION	REV
185	2143605	2	Union, Flareless 15-22X1.5-22X1.5-38 L Swivel	
186	2143606	8	Union, Flareless 18-26X1.5-26X1.5-36 L Swivel	
188	2143608	1	Union, Flareless 28-36X2-36X2-46 L Swivel	
193	2141908	2	Tee, 10-10-10-15-14-14-L Union	
196	2141911	1	Tee, 18-18-18-23.5-24-24-L Union	
204	2142804	1	Connector, 12-18X1.5-3/8-34-22-L BSPP Swivel	
217	2143507	1	Reducer, 12-10-18X1.5-26 L Swivel Tube End	
223	2143513	2	Reducer, 18-8-26X1.5-28 L Swivel Tube End	
224	2143514	1	Reducer, 18-10-26X1.5-29 L Swivel Tube End	
226	2143516	4	Reducer, 18-15-26X1.5-30 L Swivel Tube End	
235	2143525	1	Reducer, 28-10-36X2-35 L Swivel Tube End	
243	2141503	4	Union, 10-10-16X1.5-10-28-22-22 L Bulkhead	
245	2141505	4	Union, 15-15-22X1.5-12-31-27-30 L Bulkhead	
272	2143705	1	Connection, BFW 18-PL/LK 40 Hydraulic Flange	
274	2143707	1	Connection, BFW 28-PL/LK 40 Hydraulic Flange	
279	2143703	1	Connection, BFW 15-PL/LK 35 Hydraulic Flange	
280	2143717	1	Connection, BFW 18-L/LK 35A3C (SPL) Hydraulic Flange	
296		Ref	Fitting Options:	
296	2142503	2	Fitting (Prior to SN 1200007526)	
296	2144105	2	Fitting (SN 1200007526 to Present)	
301		Ref	Fitting Options:	
301	2142512	1	Cap With Nut M16 SMK 20-R1/4-PC (Prior to SN 1200004133)	
301	2221222	1	Fitting, Diagnostic Test Port (SN 1200004133 to Present)	
311	2143803	1	Plug, Blanking	
313	2143807	3	Plug, Blanking	
320	2221214	1	Plug With Sealing Ring, 3/4in Magnetic Oil Drain	
	H001093		HYDRAULIC FITTING KIT	2
104	2142706	1	Connector, 8-1/4-10-19-L BSPP Male	
112	2142712	4	Connector, 12-3/8-12.5-22-L BSPP Male	
113	2142713	21	Connector, 12-1/2-13-27-L BSPP Male	
152	2143402	1	Elbow, 8-14X1.5-14-27.5-12-L Swivel Nut	
172	2142202	1	Tee, 8-8-14X1.5-14-27.5-12-L Swivel Nut Run	
182	2143602	1	Union, Flareless 8-14X1.5-14X1.5-32 L Swivel	
313	2143807	8	Plug, Blanking	
	H001090		HYDRAULIC HOSE KIT	2
500	2754366	1	2 SN 06 DKOL 90 DKOL 90 (180grd) -3800	
501	2754362	1	2 SN 06 DKOL -DKOL - 30000	
502	2754365	1	2 SN 06 DKOL 90 DKOL - 28500	
503	2754361	1	2 SN 06 DKOL DKOL - 1000	
504	2754364	1	2 SN 06 DKOL 90 DKOL - 500	
505	2754363	1	2 SN 06 DKOL 90 DKOL - 520	
512	2754366	1	2 SN 06 DKOL 90 DKOL 90 (180grd) -3800	
550	2754370	4	2 SN 08 DKOL 90 DKOL - 1250	
551	2754377	1	2 SN 08 DKOL 90 DKOL 90 (180grd) -3200	
552	2754368	2	2 SN 08 DKOL DKOL - 2400	
553	2754375	1	2 SN 08 DKOL 90 DKOL 90 (180grd) -1700	
554	2754371	1	2 SN 08 DKOL 90 DKOL - 2000	
555	2754367	1	2 SN 08 DKOL DKOL - 520	
556	2754376	1	2 SN 08 DKOL 90 DKOL 90 (180grd) -2200	
557	2754372	1	2 SN 08 DKOL 90 DKOL - 2200	
558	2754378	1	2 SN 08 DKOL 90 DKOL 90 (180grd) -3300	

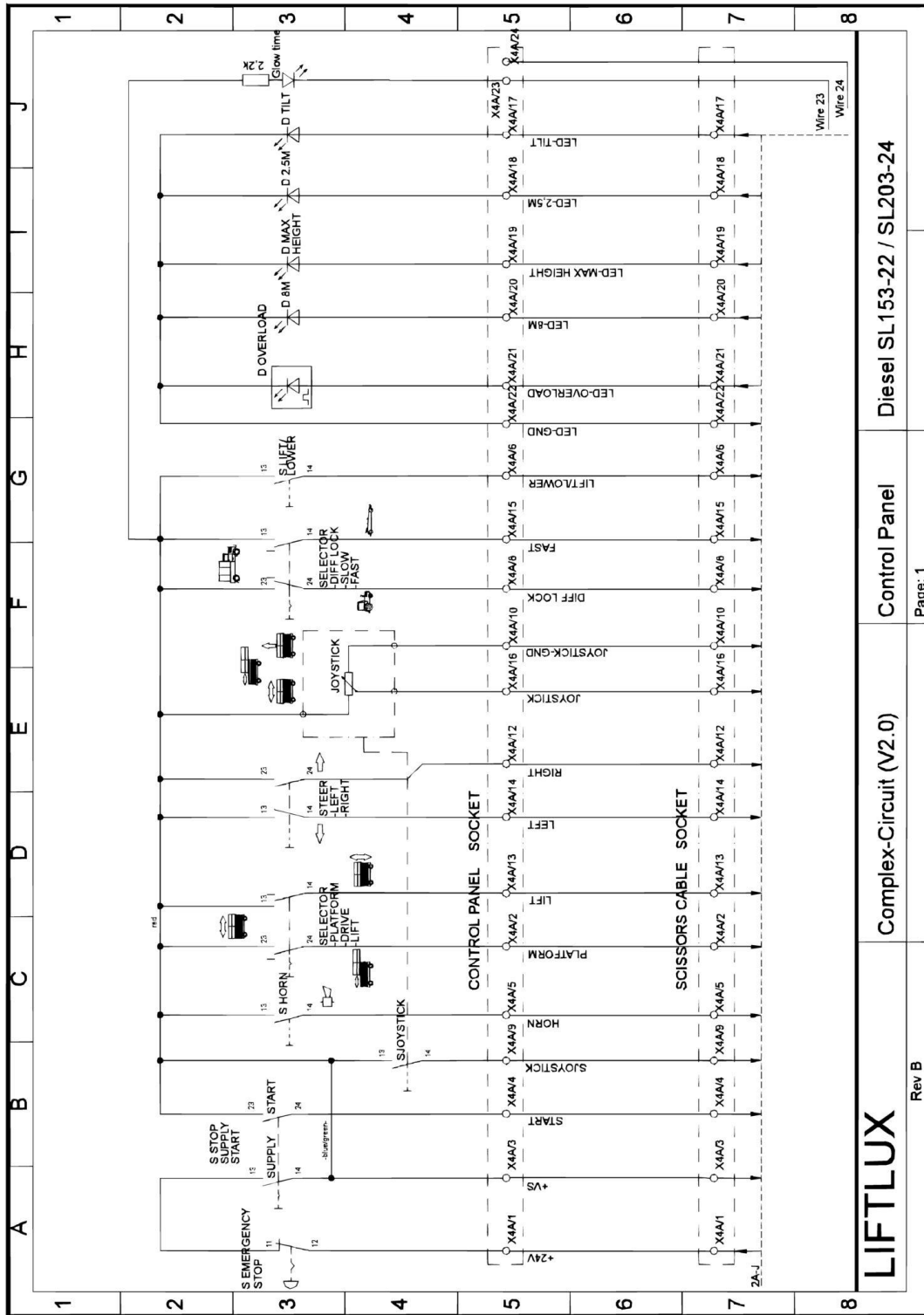
SECTION 6 - HYDRAULIC

ITEM	PART NUMBER	QTY	DESCRIPTION	REV
559	2754373	2	2 SN 08 DKOL 90 DKOL -3100	
560	2754369	4	2 SN 08 DKOL 90 DKOL -900	
561	2754374	1	2 SN 08 DKOL 90 DKOL 90 (180grd) -520	
594	2754354	1	1 SN 08 DKOL 90 DKOL 90 (180grd) -1000	
595	2754350	1	1 SN 08 DKOL 90 DKOL -1200	
596	2754352	1	1 SN 08 DKOL 90 DKOL -3000	
597	2754353	1	1 SN 08 DKOL 90 DKOL -3800	
598	2754351	1	1 SN 08 DKOL 90 DKOL -2400	
649	2754355	1	1 SN 10 DKOL 90 DKOL 90 (180grd) -2400	
650	2754381	4	2 SN 12 DKOL 90 DKOL -1250	
651	2754380	1	2 SN 12 DKOL DKOL -2000	
652	2754380	1	2 SN 12 DKOL DKOL -2000	
653	2754379	1	2 SN 12 DKOL DKOL -1700	
654	2754379	1	2 SN 12 DKOL DKOL -1700	
655	2754382	1	2 SN 12 DKOL 90 DKOL -3200	
656	2754382	1	2 SN 12 DKOL 90 DKOL -3200	
657	2754382	1	2 SN 12 DKOL 90 DKOL -3200	
658	2754382	1	2 SN 12 DKOL 90 DKOL -3200	
659	2754383	1	2 SN 12 DKOL 90 DKOL 90 (180grd) -650	
698	2754357	1	1 SN 12 DKOL 90 DKOL 90 (180grd) -700	
699	2754356	1	1 SN 12 DKOL 90 DKOL -600	
700	2754386	1	2 SN 16 DKOL 45 DKOL 90 (180grd) -3000	
701	2754389	1	2 SN 16 DKOL 90 DKOL 90 (180grd) -2500	
702	2754388	2	2 SN 16 DKOL 90 DKOL -560	
703	2754391	1	2 SN 16 DKOL 90 DKOL 90 (180grd) -620	
705	2754385	1	2 SN 16 DKOL DKOL 90 (180grd) -800	
706	2754388	1	2 SN 16 DKOL 90 DKOL -800	
707	2754390	1	2 SN 16 DKOL 90 DKOL 90 (180grd) -560	
708	2754384	1	2 SN 16 DKOL DKOL -770	
709	2754397	1	2 SN 16 DKOL 90 DKOL -770	
710	2754397	1	2 SN 16 DKOL 90 DKOL -770	
729	2754358	1	1 SN 16 DKOL 90 DKOL -670	
778	2754360	1	1 SN 25 DKOL 90 DKOL 90 (180grd) -3500	
779	2754359	1	1 SN 25 DKOL 90 DKOL 90 (180grd) -900	
	H001092	Ref	HYDRAULIC HOSE KIT	2
600	2754394	2	2 SN 10 DKOL -90 DKOL -5200	
601	2754394	2	2 SN 10 DKOL -90 DKOL -5200	
602	2754393	2	2 SN 10 DKOL -90 DKOL -4500	
603	2754393	2	2 SN 10 DKOL -90 DKOL -4500	
604	2754392	4	2 SN 10 DKOL 90 DKOL -900	

SECTION 7 - ELECTRICAL

SECTION 7 - ELECTRICAL

FIGURE 7-1. ELECTRICAL PLANS - DIESEL CONTROL



LIFTLUX

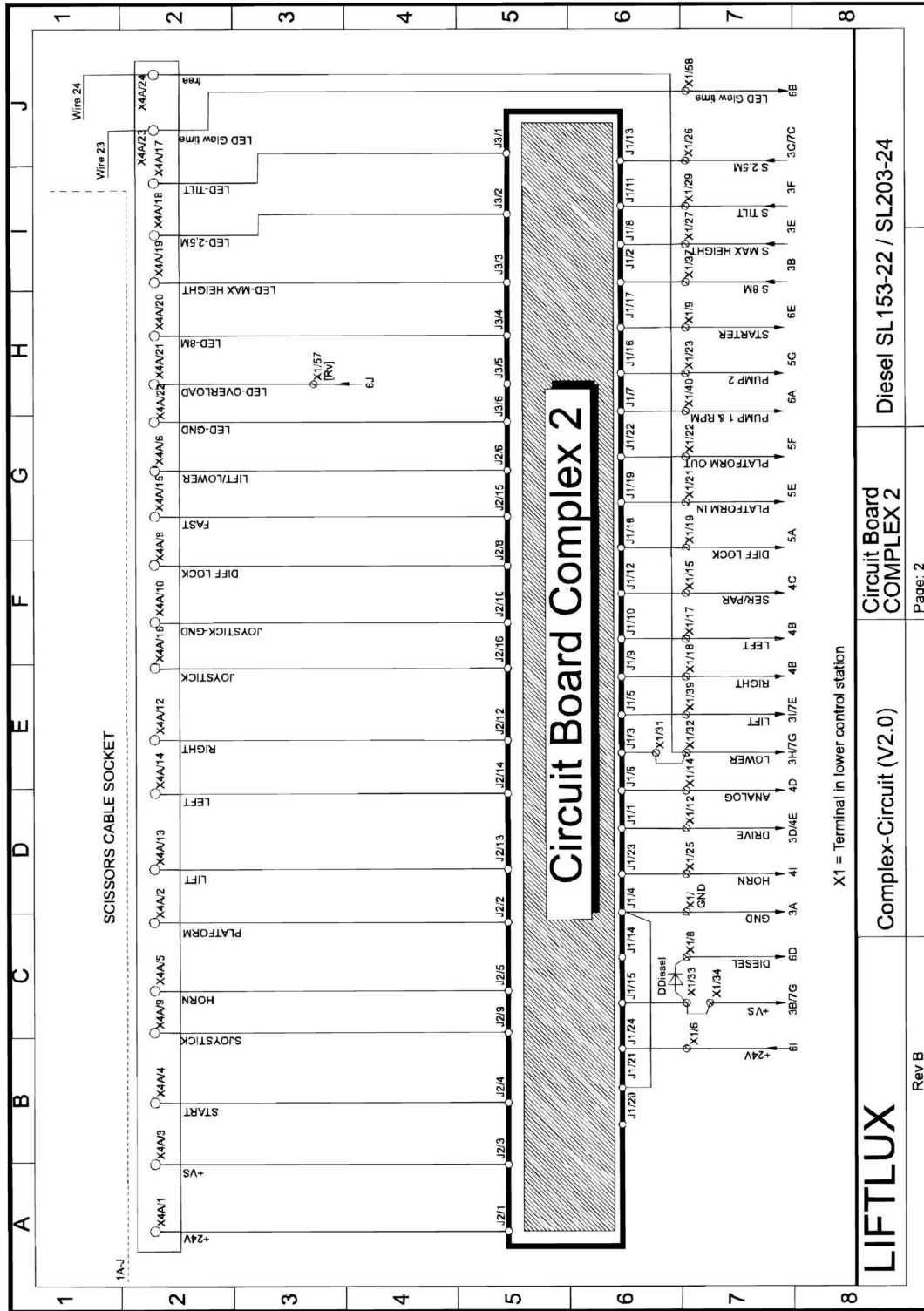
Complex-Circuit (V2.0)

Control Panel

Diesel SL153-22 / SL203-24

Rev B

Page: 1



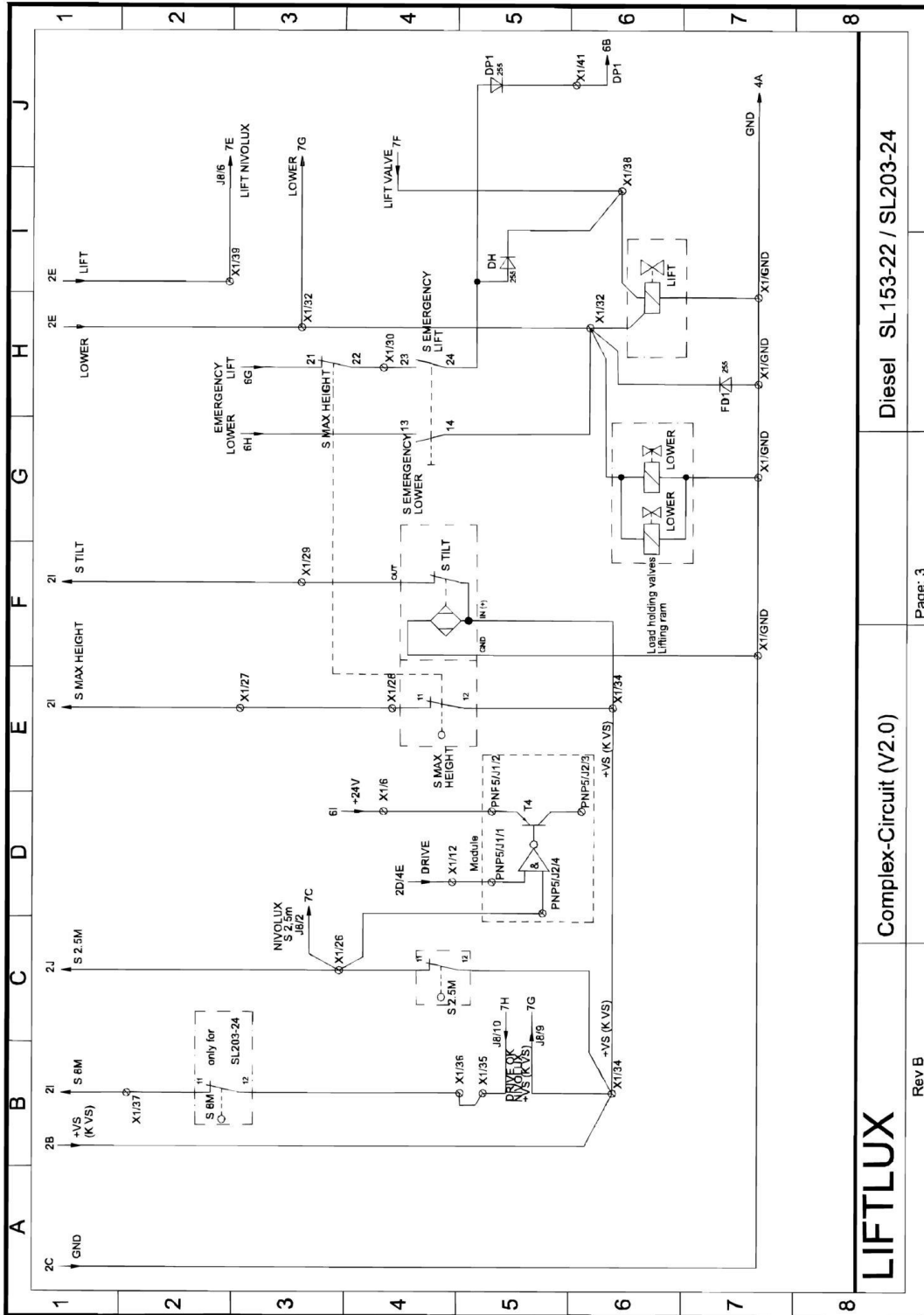
LIFTLUX
Rev B

Complex-Circuit (V2.0)

Circuit Board COMPLEX 2
Page: 2

Diesel SL153-22 / SL203-24

SECTION 7 - ELECTRICAL



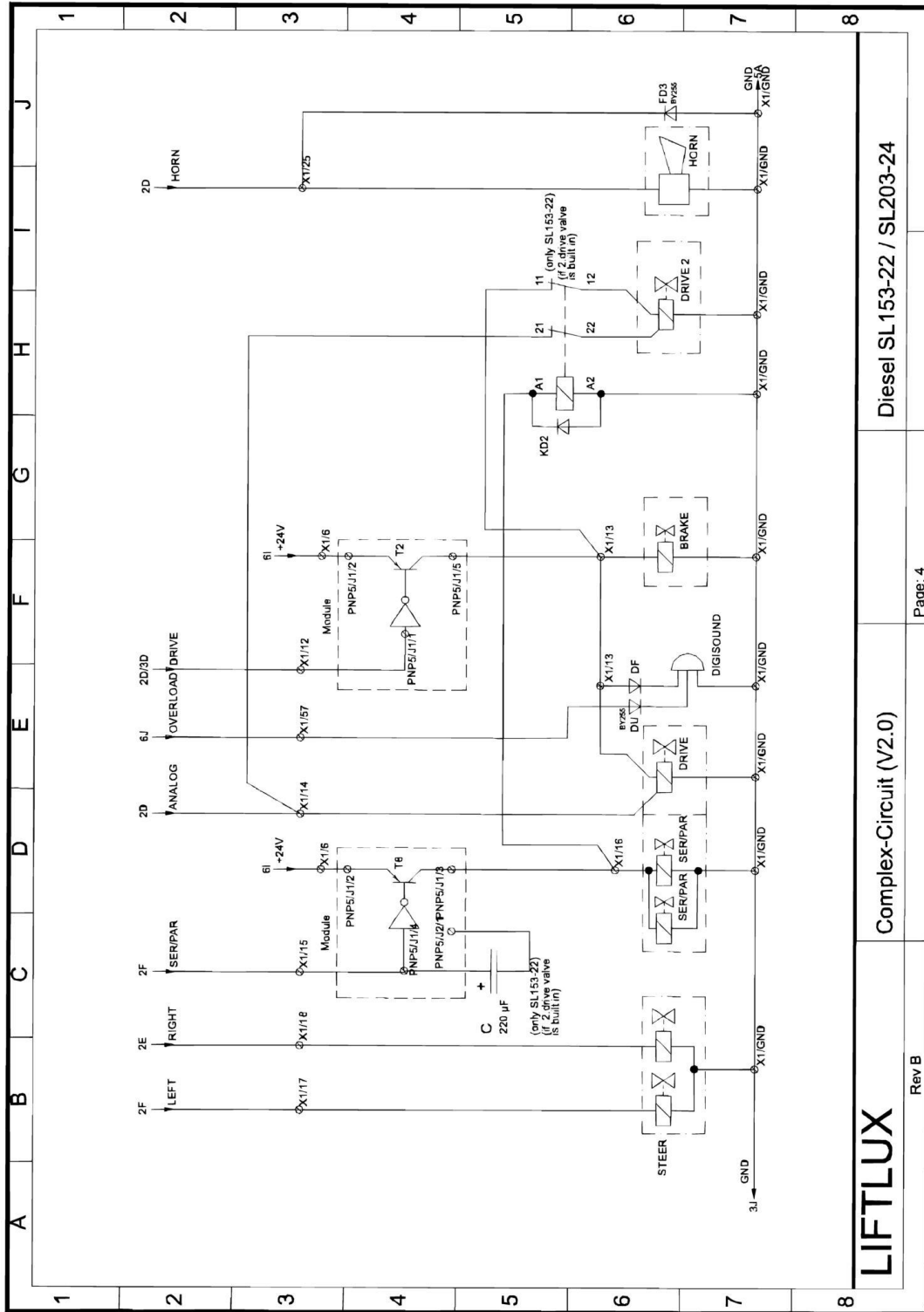
LIFTLUX

Complex-Circuit (V2.0)

Diesel SL153-22 / SL203-24

Rev B

Page: 3

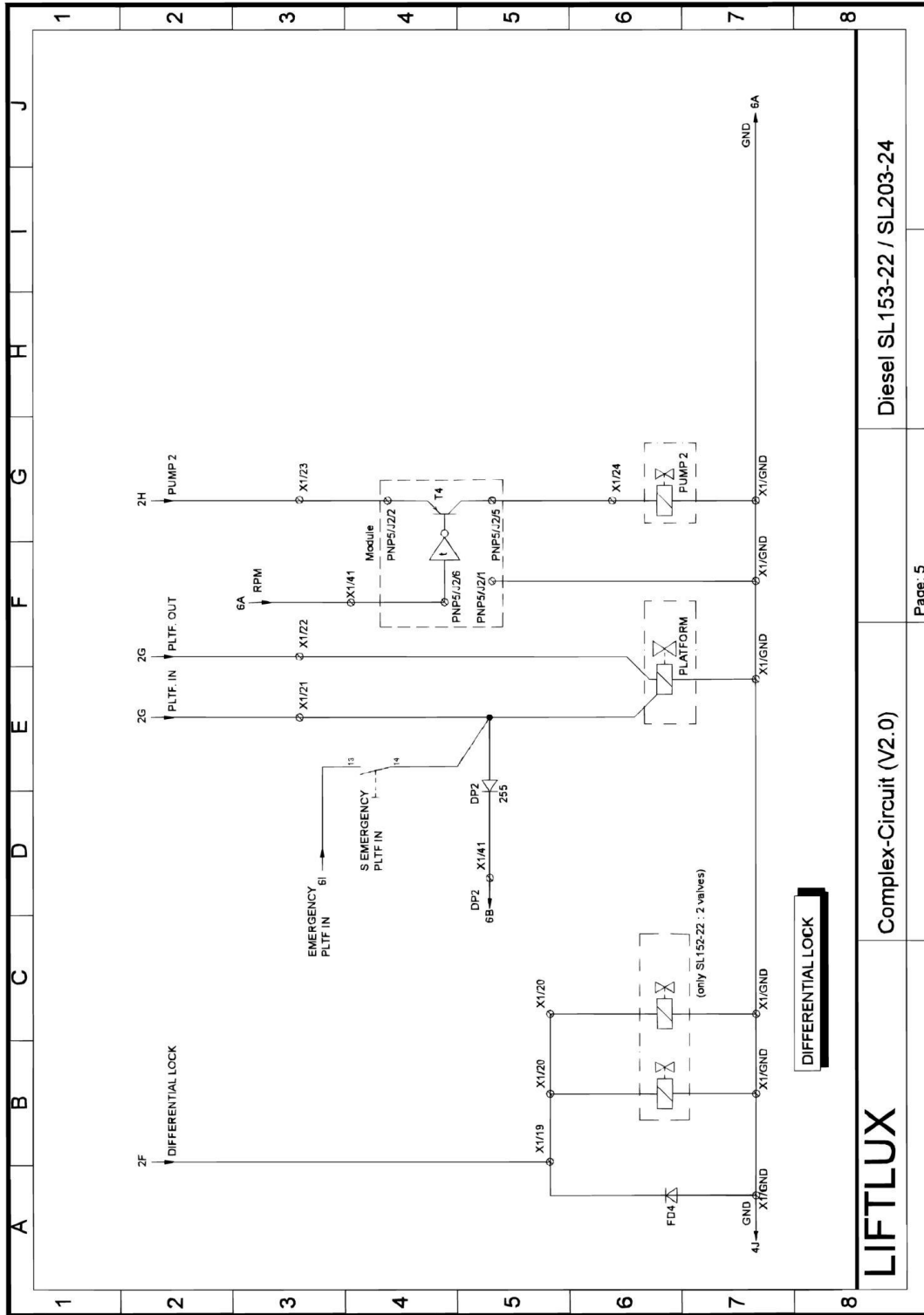


LIFTLUX Rev B

Complex-Circuit (V2.0)

Diesel SL153-22 / SL203-24

SECTION 7 - ELECTRICAL

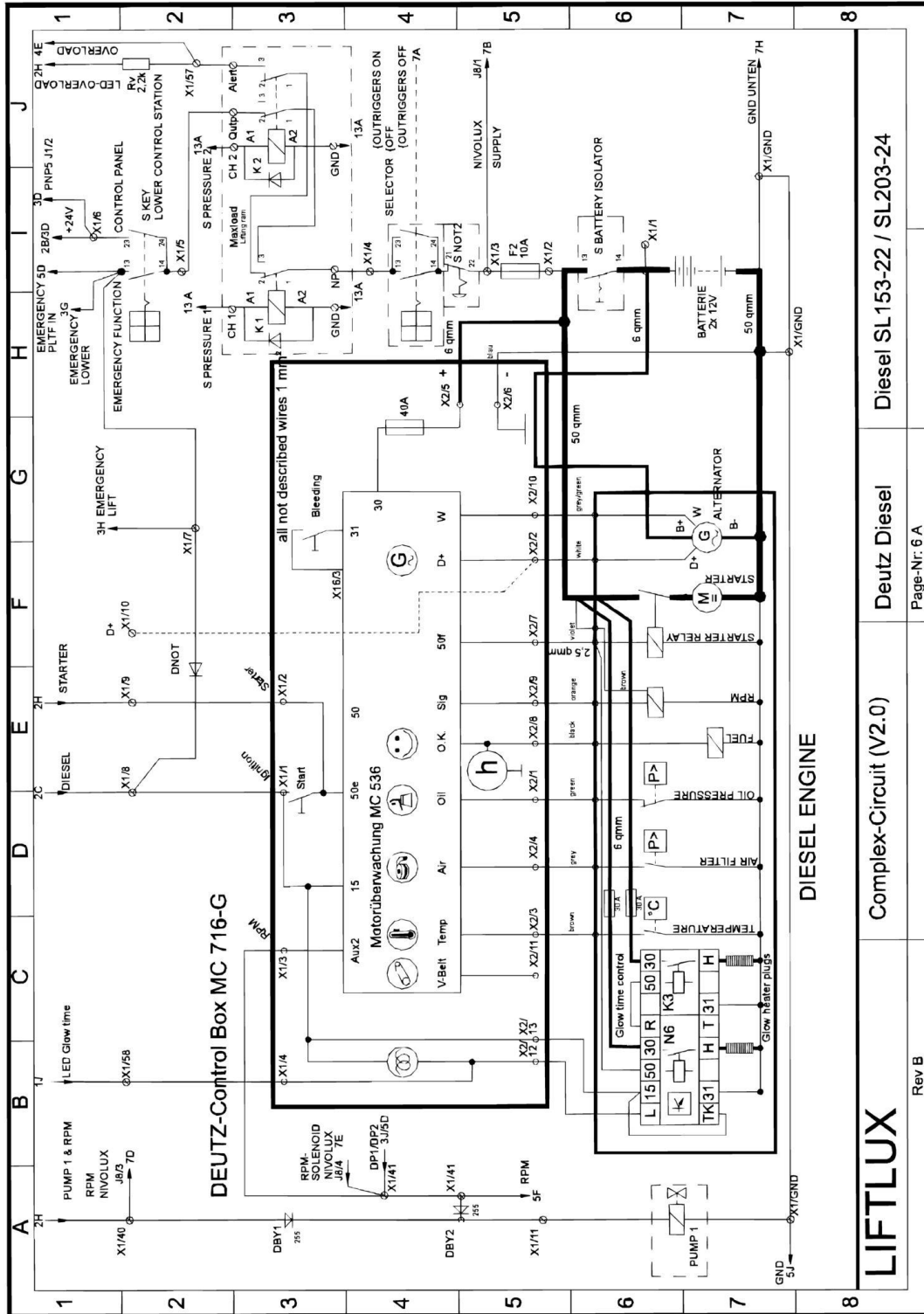


LIFTLUX

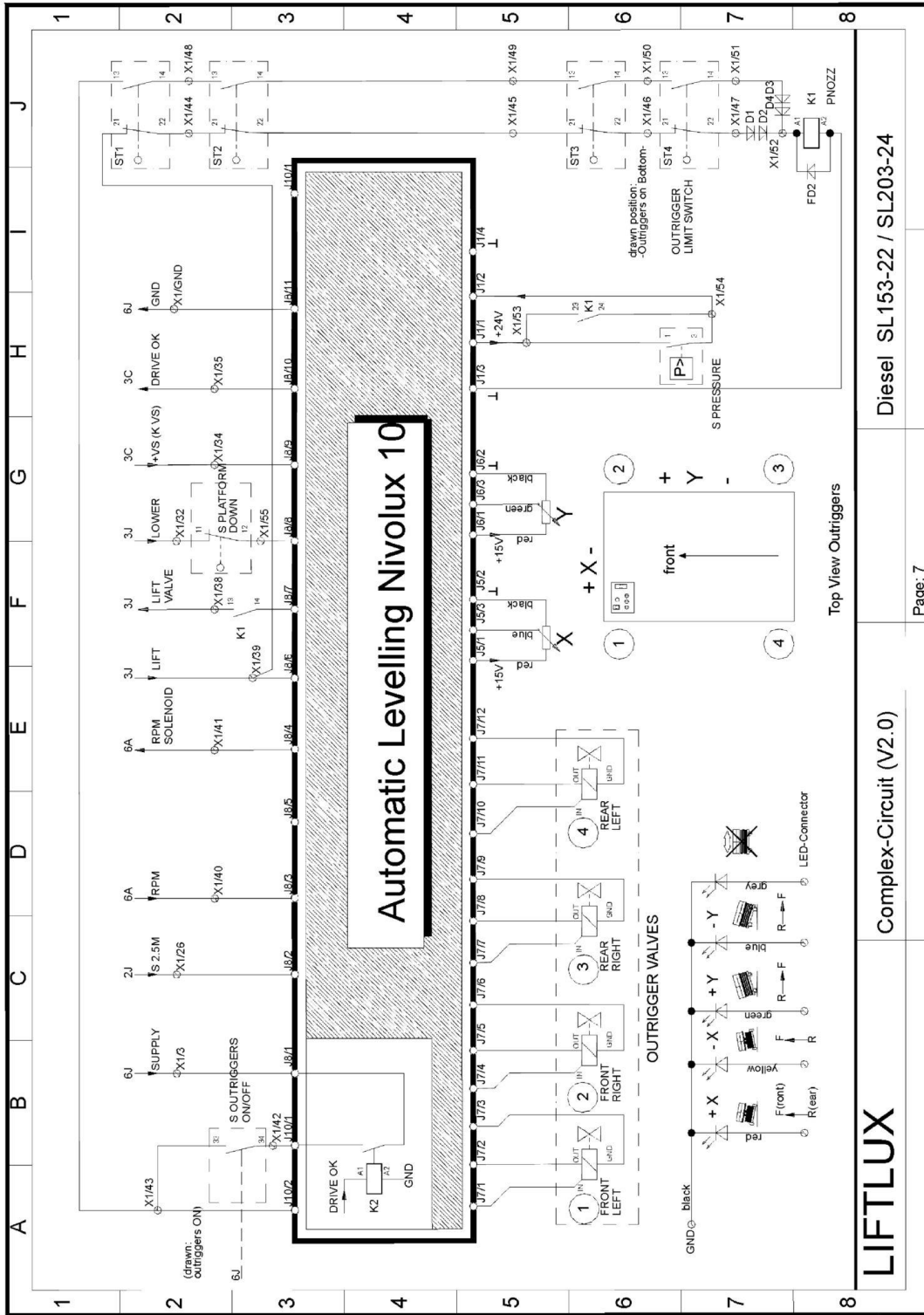
Complex-Circuit (V2.0)

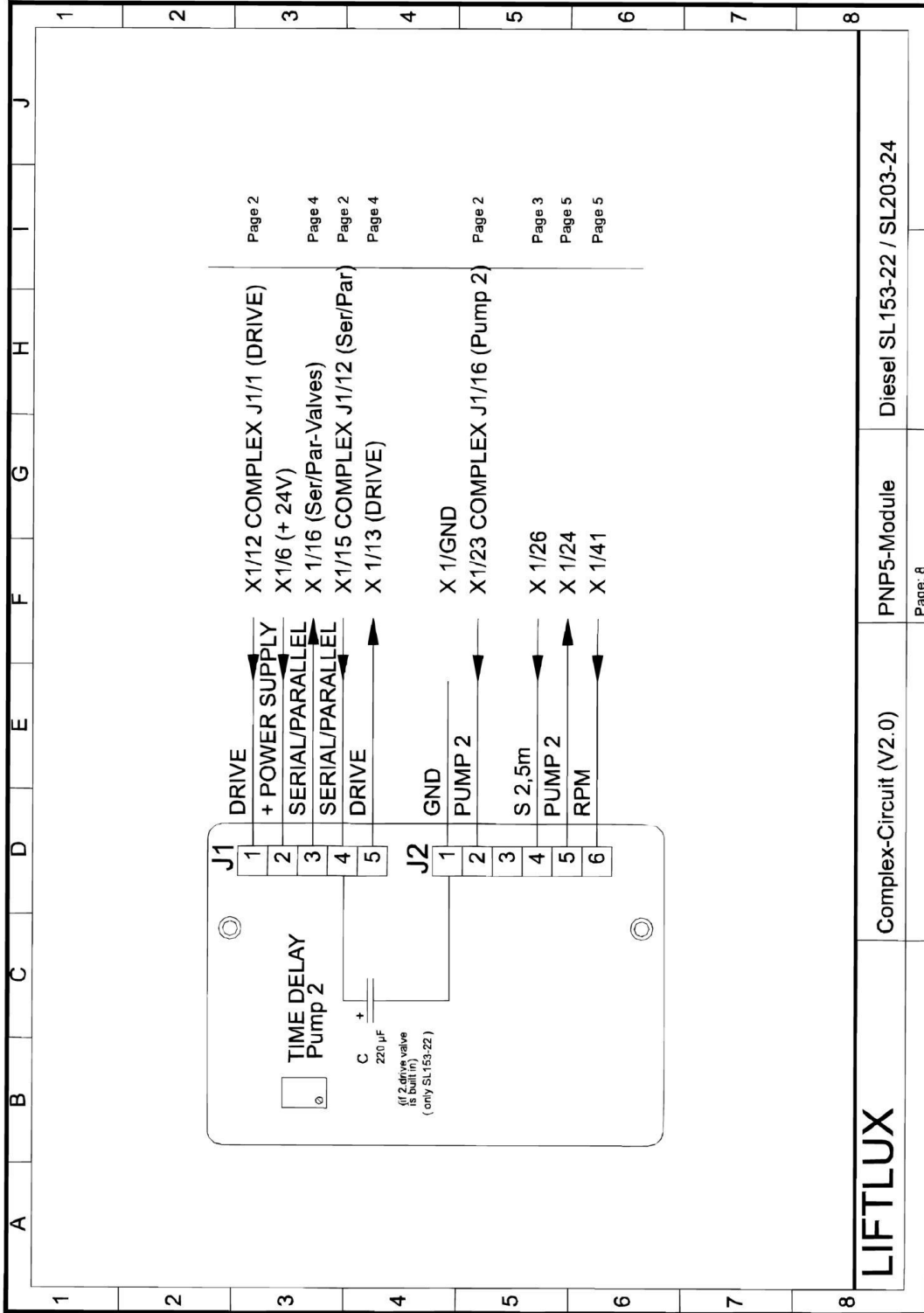
Diesel SL153-22 / SL203-24

Page: 5



SECTION 7 - ELECTRICAL





LIFTLUX	Complex-Circuit (V2.0)	PNP5-Module	Diesel SL153-22 / SL203-24
	Page: 8		

SECTION 7 - ELECTRICAL

A	B	C	D	E	F	G	H	I	J
1	1	2	3	4					
2	6I								
3	6I								
4	6I								
5	6I								
6	6I								
7	6I								
8	6I								
1	1	2	3	4					
2	1	2	3	4					
3	1	2	3	4					
4	1	2	3	4					
5	1	2	3	4					
6	1	2	3	4					
7	1	2	3	4					
8	1	2	3	4					

LIFTLUX

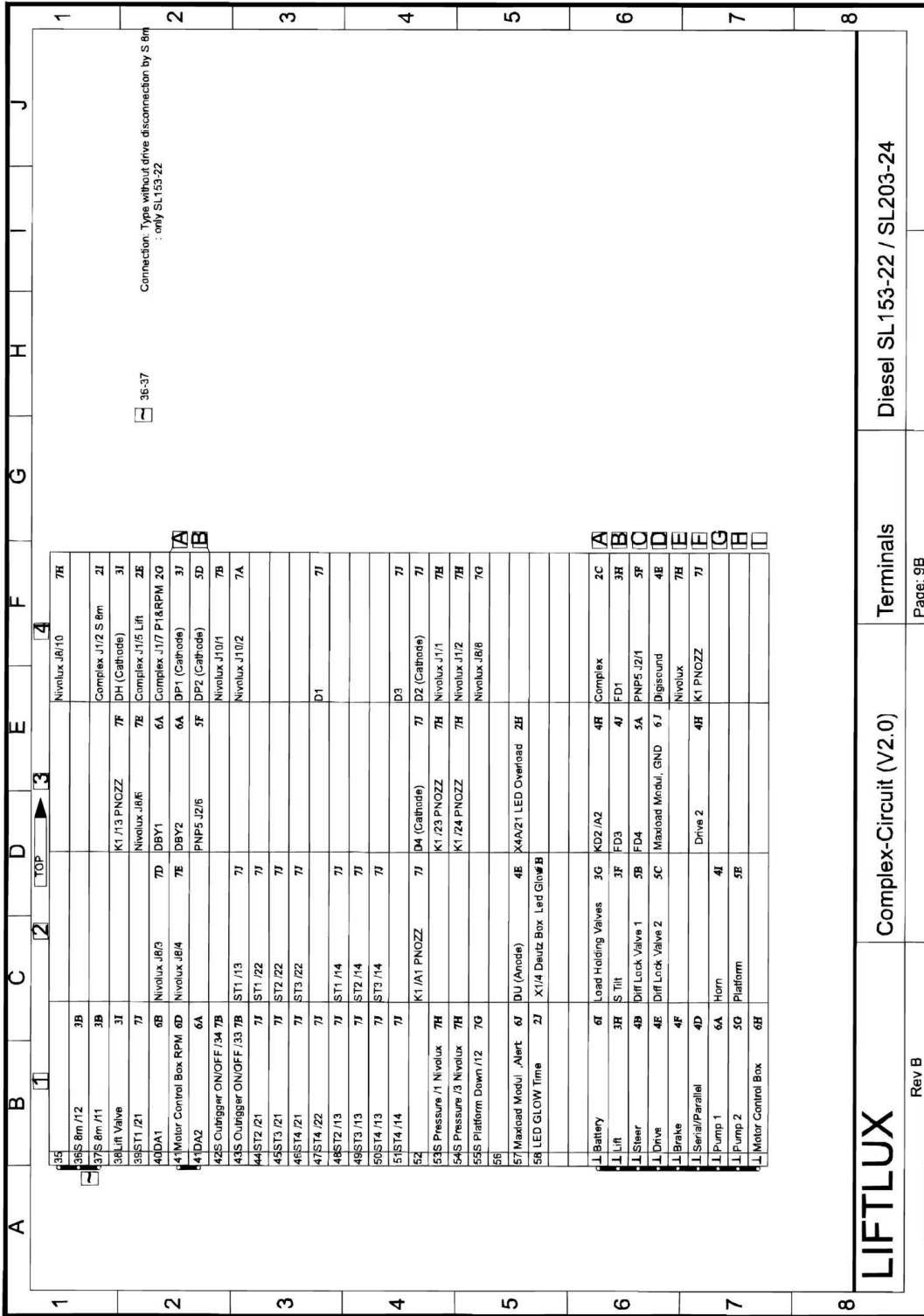
Rev B

Complex-Circuit (V2.0)

Terminals

Diesel SL153-22 / SL203-24

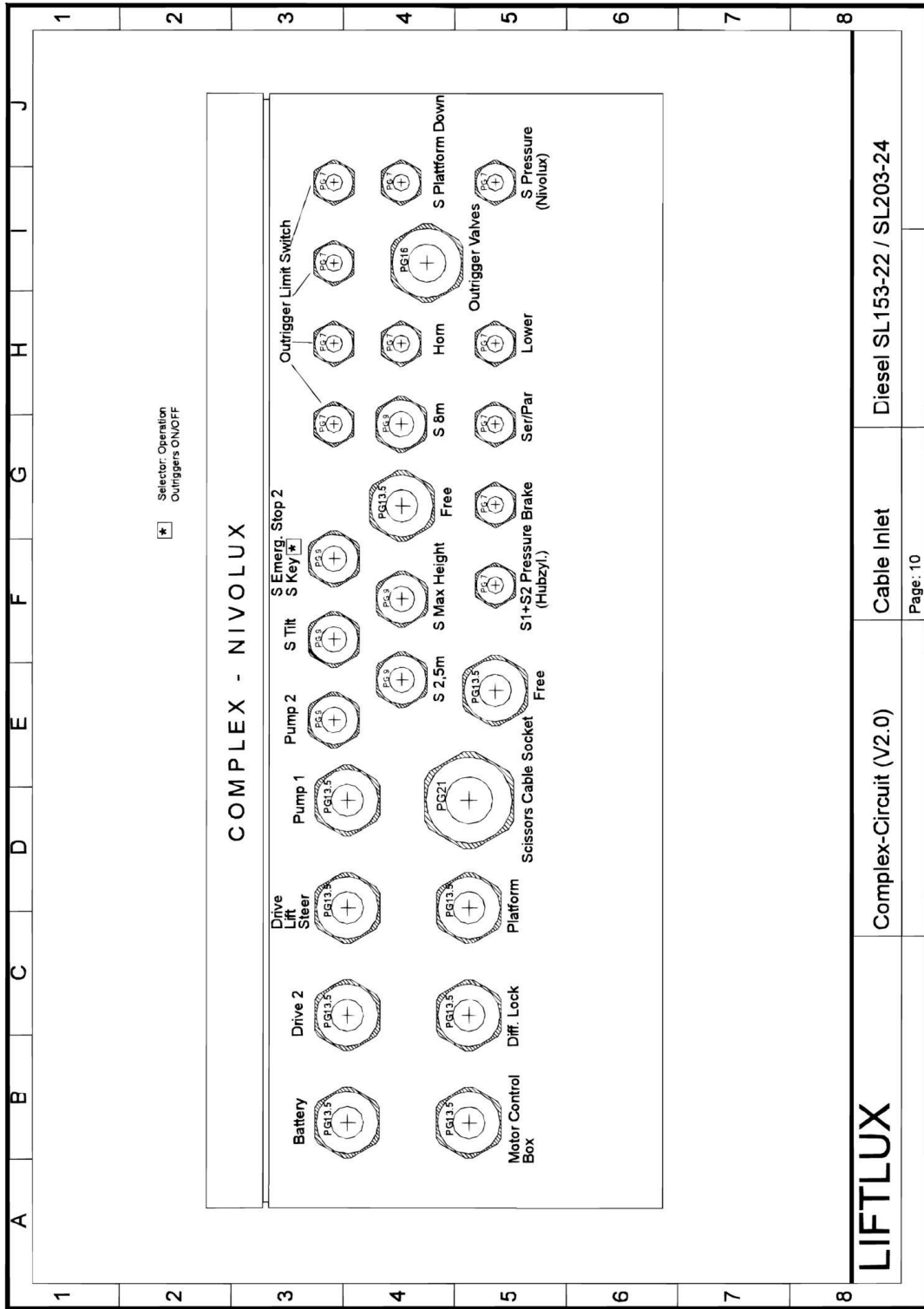
Page: 9A



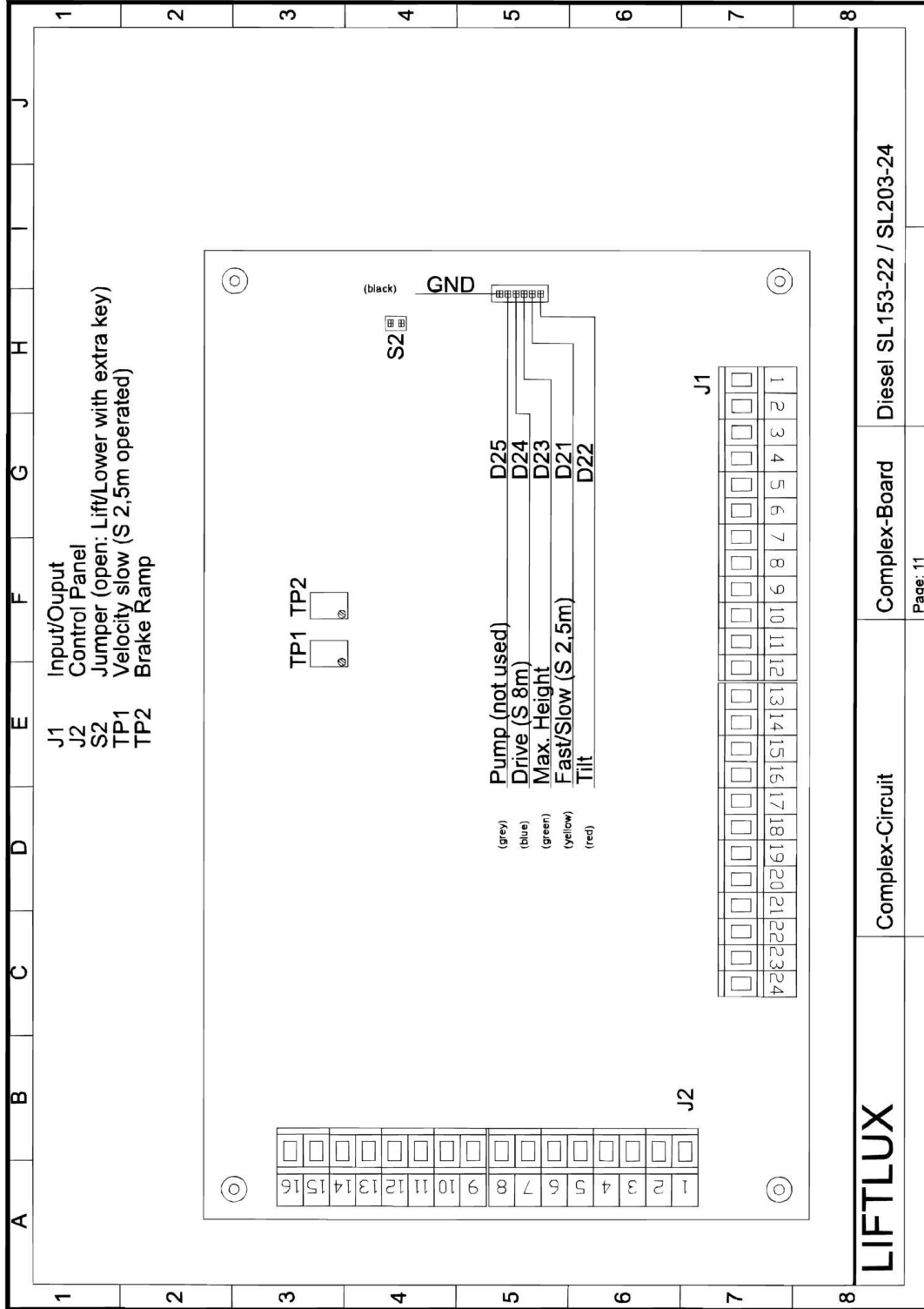
<p>LIFTLUX</p> <p>Rev B</p>	<p>Complex-Circuit (V2.0)</p>	<p>Terminals</p> <p>Page: 9B</p>
------------------------------------	-------------------------------	----------------------------------

Diesel SL153-22 / SL203-24

SECTION 7 - ELECTRICAL

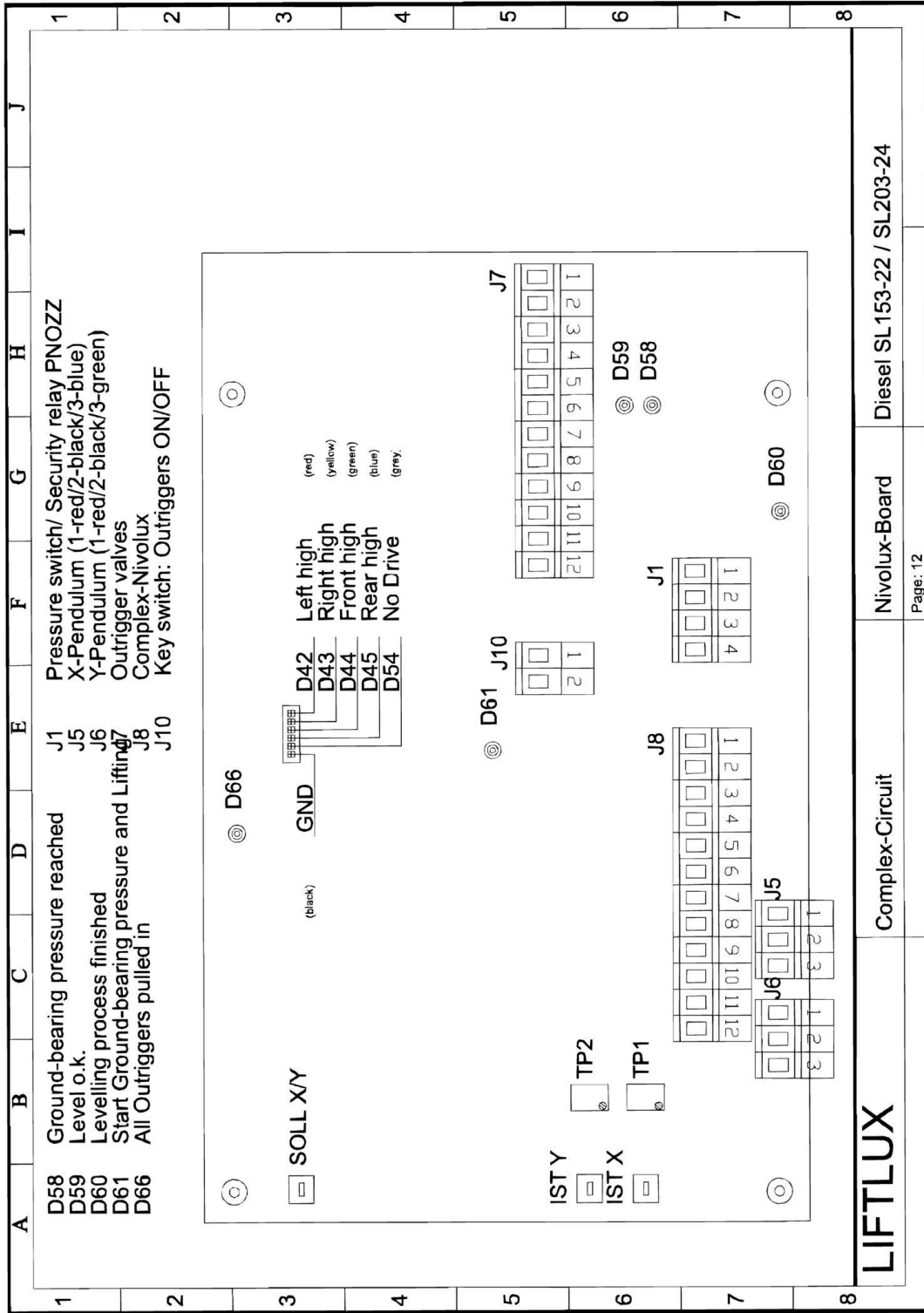


SECTION 7 - ELECTRICAL



Page: 11

SECTION 7 - ELECTRICAL



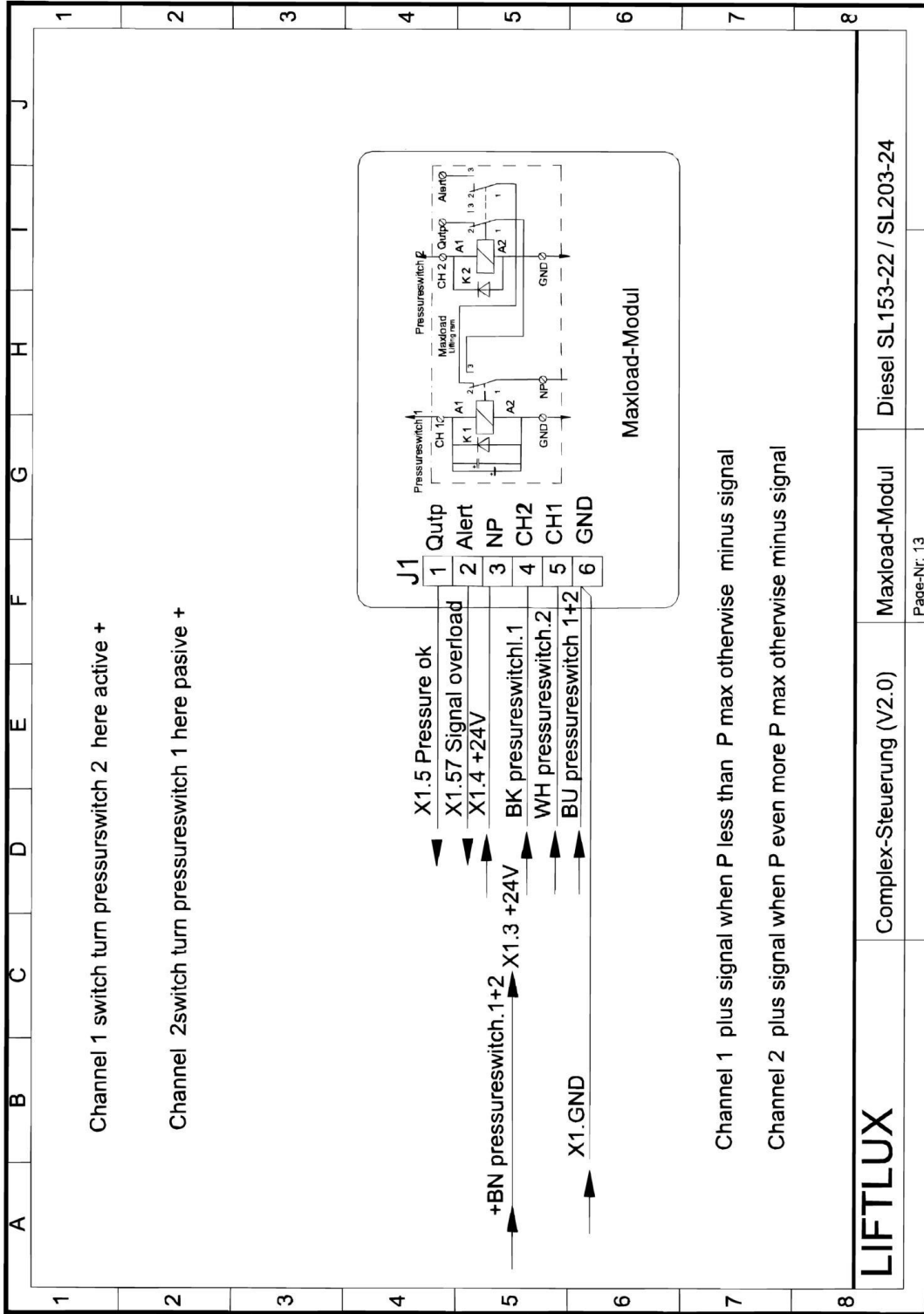
LIFTLUX

Complex-Circuit

Nivolux-Board

Diesel SL 153-22 / SL203-24

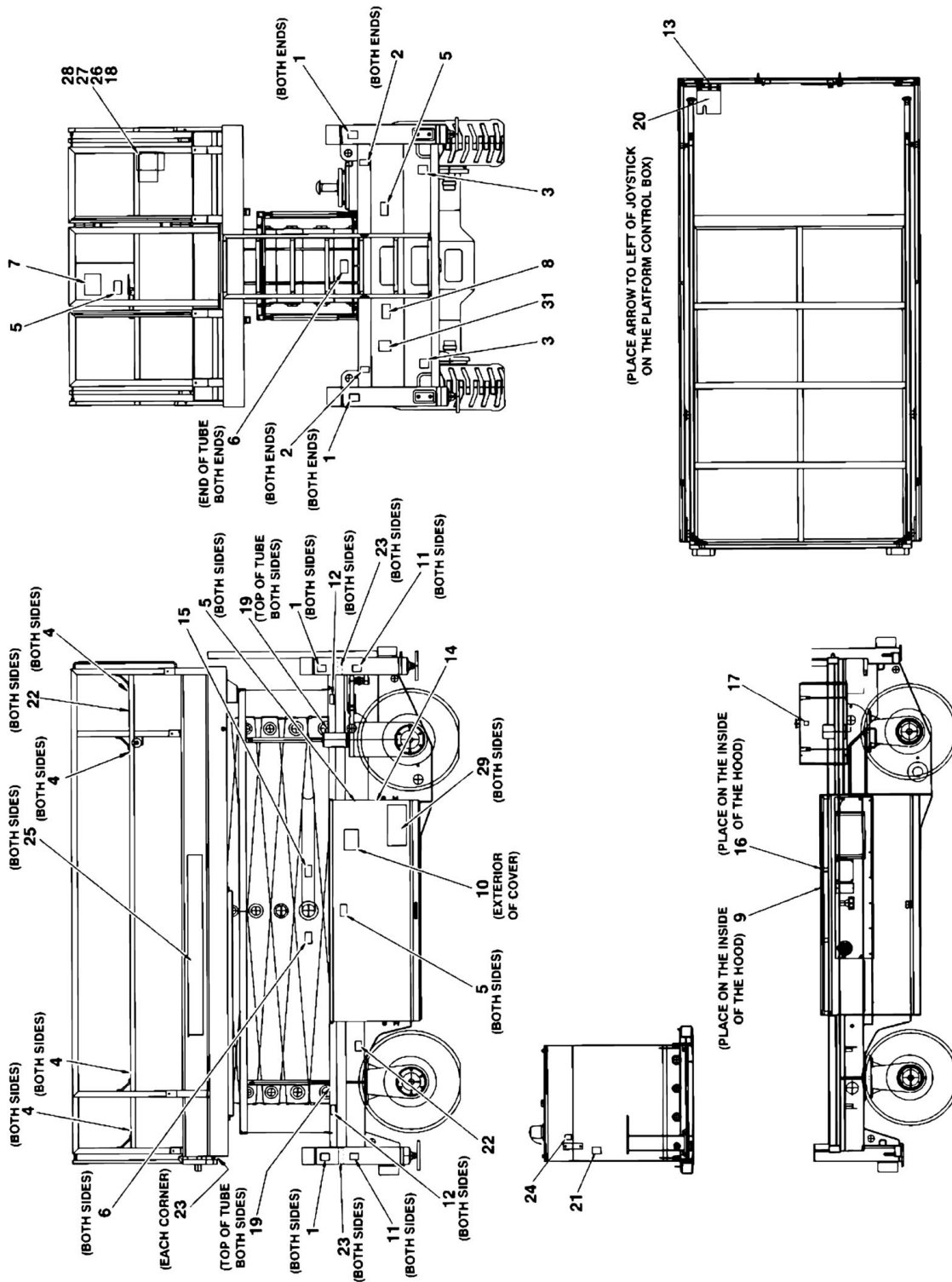
Page: 12



SECTION 8 - DECALS

SECTION 8 - DECALS

FIGURE 8-1. DECAL INSTALLATION



SECTION 8 - DECALS

FIGURE 8-1. DECAL INSTALLATION

ITEM	PART NUMBER	QTY	DESCRIPTION	REV
	0274543	Ref	DECAL INSTALLATION	D
1	1701785	8	Decal, Crushing	
2	1703811	4	Decal, Lifting Lug	
3	1703814	4	Decal, Tie Down	
4	1704277	8	Decal, Lanyard Attach	
5	1705671	6	Decal, Electrocution	
6	1705673	4	Decal, Crushing	
7	1706455	1	Decal, Capacity	
8	1706472	1	Decal, Fall Hazard	
9	1706481	1	Decal, Manual Descent	
10	1706482	1	Decal, Manual Descent Inside	
11	1706483	4	Decal, Pad Load	
12	1706484	4	Decal, Wheel Load	
13	1706485	1	Decal, Control Box Location	
14	1706512	1	Decal, Ground Control	
15	1706487	1	Decal, Safety Prop	
16	1706471	1	Decal, Manual Descent Ext	
17	1701505	1	Decal, Diesel Fuel	
18	1701509	1	Decal, Manual	
19	1703687	4	Decal, Direction Arrow	
20	1703819	3	Decal, Direction Arrow	
21	1704412	1	Decal, Hydraulic Oil	
22	Not Available	1	Nameplate, Serial Number	
23	4420051	1.2 m	Tape, Safety	
24	1703812	1	Decal, Hydraulic Oil	
25	1706541	2	Decal, 153-22 Liftlux	
26	0860520	1	Box, Manual Storage	
27	1060279	1	Lanyard	
28	2080040	4	Fastener, Huck	
29	1702773	3	Decal, JLG	
30	1704885	1	Decal, Website (Not Shown - Located on Rear of Machine)	
31	1705084	1	Decal, Noise Level	

SECTION 9 - RECOMMENDED SERVICE PARTS STOCK

SECTION 9 - RECOMMENDED SERVICE PARTS STOCK

SECTION 9 - RECOMMENDED SERVICE PARTS STOCK

FIGURE 9-1. MODEL LIFTLUX 153-22 STANDARD PARTS

ITEM	PART NUMBER	QTY	DESCRIPTION	REV
	Note	Ref	The following list will service one machine (built to current production per date on the front cover) with emergency repair parts which can be installed in the field. Parts from the list should be replaced when inventory is depleted to keep service parts stock supplied. For further information, contact your JLG dealer or the JLG Industries Parts Department.	
		Ref	STANDARD PARTS	
	E000059	1	Switch, Battery Disconnect	
	E000377	1	Switch, Emergency Stop	
	E000390	1	Switch, Key	
	E000391	1	Contact Block	
	7012986	1	Coil	
	70000020	12	Element, Mini Pressure Filter	
	70000441	1	Coil	
	H000536	1	Switch, Pressure	
	70000331	1	Coil	
	E000457	1	Relay	
	E001375	1	Relay	
	E000412	1	Switch, Pushbutton	
	E000436	1	Switch, Lift	
	E000378	1	Switch, Key	
	70000022	12	Element, Pressure Filter	
	7017444	1	Coil	
	H000241	1	Breather, Hydraulic	
	S200238	1	Latch, Gate	
	E000511	1	Switch, On/Off	
	E000051	1	Joystick	
	E000435	1	Switch, 3 Step	
	E000436	1	Switch, Steering	

SECTION 9 - RECOMMENDED SERVICE PARTS STOCK

FIGURE 9-2. MODEL LIFTLUX 153-22 VARIABLE PARTS

ITEM	PART NUMBER	QTY	DESCRIPTION	REV
	Note	1	The following list will service one machine (built to current production per date on the front cover) with emergency repair	
		Ref	VARIABLE PARTS	
	E000359	1	Switch, Limit	
	E000044	1	Switch, Tilt	
	70000633	1	Board, PC	
	70000635	1	Switch, Pushbutton	
	E000189	1	Card, Pump Delay	
	E000214	1	Board, Nivelux Control	
	E000218	1	Card, Complex Control	
	E001206	1	Sensor, Level	
	E007404	1	Card, Trigger Control	
	E700100	1	Module, Load Sensing	
	H005232	12	Element, Primary Air Filter	
	70000054	12	Element, Secondary Air Filter	
	7020023	12	Filter, Fuel (Deutz Engine)	
	7016331	12	Filter, Oil (Deutz Engine)	
	E000376	1	Switch, Limit	

SECTION 10 - SPECIAL OPTIONS

SECTION 10 - SPECIAL OPTIONS

FIGURE 10-1. SPECIAL OPTIONS

ITEM	PART NUMBER	QTY	DESCRIPTION	REV
	Note	Ref	Note: This list is to accommodate machines ordered with special equipment. Options may not be applicable to all models. For more specific parts information contact JLG Parts Department.	
		Ref	MISCELLANEOUS SPECIAL OPTIONS	
	0256789	Ref	Camera Mount Assembly	
		Ref	Tools For Service:	
	7002828	1	Stripper, Wire	
	7002821	1	Crimper, Wire Terminal	
	7002823	1	Extractor, Pin/Socket - Universal (For Most Connectors)	
	4460467	1	Extractor, Pin/Socket - 16-18 Gauge (For Deutsch Connectors)	
	4460510	1	Extractor, Pin/Socket - 12-14 Gauge (For Deutsch Connectors)	
	7002822	1	Screwdriver, Potentiometer (To Adjust Drive Controller)	
	7016654	1	Screwdriver, Magnetic	
	7004275	1	Installer, Seal - 1in	
	7004276	1	Installer, Seal - 1 1/2in	
	7002826	1	Installer, Seal - 2in	
		Ref	Filter Kits	
	1001111716	1	Combined Filter Kit	
	1001111685	1	Fuel and Engine Filters Kit	
	1001111678	1	Hydraulic/Air Filters Kit	
		Ref	Fluids	
	2300014	AR	Hydraulic Oil, SBW SGL 93/HLP 46 N	
	3020016	AR	Engine Oil, Delvac MX 15W-40	
	3020008	AR	Gear Lube, ATF 184	

SECTION 11 - REAR COVER

SECTION 11 - REAR COVER

FIGURE 11-1. REAR COVER



An Oshkosh Corporation Company

JLG Industries, Inc.
1 JLG Drive
McConnellsburg PA. 17233-9533
USA
Phone: +1-717-485-5161
Customer Support Toll Free: 1-877-554-5438
Fax: +1-717-485-6417

JLG Worldwide Locations

JLG Industries (Australia)
P.O. Box 5119
11 Bolwarra Road
Port Macquarie
N.S.W. 2444
Australia
Phone: +61 2 65811111
Fax: +61 2 65813058

JLG Latino Americana Ltd.
Rua Antonia Martins Luiz, 580
Distrito Industrial João Narezzi
13347-404 Indaiatuba - SP
Brazil
Phone: +55 19 3936 8870
Fax: +55 19 3935 2312

JLG Industries (UK) Ltd
Bentley House
Bentley Avenue
Middleton
Greater Manchester
M24 2GP
England
Phone: +44 (0)161 654 1000
Fax: +44 (0)161 654 1001

JLG France SAS
Z.I. de Baulieu
47400 Fauillet
France
Phone: +33 (0)5 53 88 31 70
Fax: +33 (0)5 53 88 31 79

JLG Deutschland GmbH
Max-Planck-Str. 21
D - 27721 Ritterhude-Ihlpohl
Germany
Phone: +49 (0)421 69 350 20
Fax: +49 (0)421 69 350 45

JLG Equipment Services Ltd.
Rm 1107 Landmark North
39 Lung Sum Avenue
Sheung Shui N.T.
Hong Kong
Phone: +852 2639 5783
Fax: +852 2639 5797

JLG Industries (Italia) s.r.l.
Via Po. 22
20010 Pregnana Milanese - MI
Italy
Phone: +39 029 359 5210
Fax: +39 029 359 5845

JLG Europe B.V.
Polaris Avenue 63
2132 JH Hooftdorp
The Netherlands
Phone: +31 (0)23 565 5665
Fax: +31 (0)23 557 2493

JLG Polska
Ul. Krolewska
00-060 Warszawa
Poland
Phone: +48 (0)914 320 245
Fax: +48 (0)914 358 200

Plataformas Elevadoras
JLG Iberica, S.L.
Trapadella, 2
P.I. Castellbisbal Sur
08755Castellbisbal, Barcelona
Spain
Phone: +34 93 772 4 700
Fax: +34 93 771 1762

JLG Sverige AB
Enkopingsvagen 150
Box 704
SE - 176 27 Jartalla
Sweden
Phone: +46 (0)850 659 500
Fax: +46 (0)850 659 534

www.jlg.com

PART NUMBER INDEX

PART NUMBER INDEX

00106539, 13, 21, 25, 37, 39, 59, 61, 65	1706485 105	2754354 86	4460467 112
0181847 61	1706487 105	2754355 86	4460510 112
0256789 112	1706512 105	2754356 86	4520288 13
0274543 105	1706541 105	2754357 86	4811400 21
0307544 29	2080040 105	2754358 86	4811700 43, 58
0318854 29	2140803 84	2754359 86	4811900 21, 39, 43, 48, 49, 58
0700619 58	2141503 85	2754360 86	4812000 39, 49, 50, 58, 59
0700817 39	2141505 85	2754361 85	4812100 39, 49, 50, 58
0700818 58	2141908 85	2754362 85	4812300 39, 49, 59
0700832 21	2141911 85	2754363 85	4812500 49
0701022 58	2142102 84	2754364 85	4831900 37
0701224 58	2142202 84, 85	2754365 85	4832000 21, 37, 39, 50, 53
0701229 49	2142203 84	2754366 85	4832100 9
0701230 9	2142204 84	2754367 85	4931900 39
0701628 49	2142205 84	2754368 85	5241600 13
0712022 11	2142206 84	2754369 86	5242000 11
0760606 43	2142208 84	2754370 85	7000020 25, 108
0760614 58	2142503 85	2754371 85	7000022 37, 108
0760810 37, 53	2142512 85	2754372 85	7000044 40
0760812 43, 49	2142706 84, 85	2754373 86	7000050 40
0760814 43	2142707 84	2754374 86	7000051 43
0760816 21	2142708 84	2754375 85	7000052 39
0761010 21, 39, 53	2142709 84	2754376 85	7000054 39, 110
0761012 37, 39, 49	2142710 84	2754377 85	7000055 40
0761014 50, 58, 59	2142711 84	2754378 85	7000056 40
0761015 53	2142712 84, 85	2754379 86	7000057 40
0761210 9	2142713 85	2754380 86	7000058 40
0761214 9	2142714 84	2754381 86	7000059 40
0761216 50	2142715 84	2754382 86	7000060 40
0761227 39	2142716 84	2754383 86	7000061 40
0762015 49	2142717 84	2754384 86	7000062 40
0771619 13	2142719 84	2754385 86	7000151 13
0771620 13	2142743 84	2754386 86	7000152 13
0860520 105	2142744 84	2754388 86	7000185 65
0893076 29	2142751 84	2754389 86	7000186 65
1001091171 37	2142752 84	2754390 86	7000187 65
1001093793 40	2142804 85	2754391 86	7000188 65
1001093794 40	2143402 85	2754392 86	7000189 65, 66
1001109990 61	2143403 84	2754393 86	7000203 73
1001111678 112	2143405 84	2754394 86	7000204 73
1001111685 112	2143406 84	2754397 86	7000239 17
1001111716 112	2143507 85	2900708 37	7000240 17
1003107 29	2143513 85	3020008 112	7000241 17
1060279 105	2143514 85	3020016 112	7000242 17
1701505 105	2143516 85	3290405 21	7000243 17
1701509 105	2143525 85	3290605 58	7000244 17
1701785 105	2143602 84, 85	3290801 39, 43	7000245 17
1702773 105	2143603 84	3290805 49, 53, 58	7000246 17
1703687 105	2143605 85	3291001 37	7000247 17
1703811 105	2143606 85	3291005 49, 53, 58, 59	7000248 17
1703812 105	2143608 85	3291201 39	7000249 17
1703814 105	2143703 85	3291205 9, 50, 58	7000250 17
1703819 105	2143705 85	3291601 49	7000251 17
1704277 105	2143707 85	3291605 58, 59	7000252 17
1704412 105	2143717 85	3332011 11	7000253 17
1704885 105	2143803 85	3371708 50	7000254 17
1705084 105	2143807 85	3760499 59	7000255 17
1705671 105	2144105 85	3860605 37	7000256 17
1705673 105	2221214 85	4031510 21	7000257 17
1706455 105	2221222 85	4031713 65	7000258 17
1706471 105	2300014 112	4031909 48	7000259 17
1706472 105	2391204 49	4031912 65	7000260 17
1706481 105	2560141 61	4032009 49	7000261 17
1706482 105	2754350 86	4032111 49	7000262 39
1706483 105	2754351 86	4032310 39	
1706484 105	2754352 86	4240032 53	
	2754353 86	4420051 105	

PART NUMBER INDEX

70000265	31	70000775	75	7027248	40	E001190	61
70000266	31	70000776	75	7027249	40	E001206	35, 110
70000267	31	70000902	37	7027608	40	E001328	61
70000268	31	70000922	40	7027609	40	E001375	35, 108
70000273	17	70000938	39	7027610	40	E001376	35
70000331	31, 108	70000939	39	7027861	15	E007404	35, 110
70000332	31	70000940	39	7027912	29	E700100	35, 110
70000333	31	70000941	39	7027913	29	E900002	26, 35, 50
70000440	26	70000952	35	7027938	15	E900004	35
70000441	26, 108	70000953	35	7027939	15	E900057	35
70000442	26	70000954	35	7027940	15	E900059	35
70000443	26	70000955	35	7027962	25	E900060	35
70000513	33	70000956	35	7028846	29	H000013	37
70000514	33	70001114	25	7028847	29	H000015	84
70000515	33	70001122	26	7028848	29	H000018	84
70000516	33	70001136	40	7028849	29	H000019	25
70000517	33	70001137	40	7028893	29	H000051	37
70000518	33	70001138	40	8005376	39	H000071	65
70000519	33	70001352	26	8007894	29	H000077	37
70000520	33	70001353	26	8007915	29	H000115	84
70000521	33	70001355	26	8007925	29	H000147	84
70000522	33	70001660	40	8007935	29	H000148	84
70000523	33	70001661	40	8007939	29	H000191	29
70000524	33	70001662	40	8007944	29	H000193	13, 15
70000525	33	70001938	84	8007953	29	H000205	29
70000526	33	70003616	35	8007954	29	H000206	29
70000527	33	7002821	112	8008750	25	H000207	29
70000528	33	7002822	112	E000015	35	H000218	13, 17
70000529	33	7002823	112	E000018	35	H000241	37, 108
70000530	33	7002826	112	E000044	25, 110	H000270	65, 66
70000531	33	7002828	112	E000051	61, 108	H000271	65
70000532	33	7004275	112	E000057	25	H000279	84
70000533	33	7004276	112	E000058	25	H000285	25, 26, 33
70000534	33	7010543	25	E000059	25, 108	H000299	9, 69
70000535	33	7012941	25	E000063	25	H000310	39
70000536	33	7012955	65, 66	E000083	26, 61	H000311	25
70000537	33	7012967	65, 66	E000102	25, 26	H000312	84
70000538	33	7012986	25, 65, 84, 108	E000103	25, 26, 61	H000339	84
70000539	33	7012998	65, 66, 84	E000189	35, 110	H000344	84
70000540	33	7016331	40, 110	E000214	35, 110	H000351	84
70000541	33	7016654	112	E000218	35, 110	H000352	29
70000542	33	7017410	84	E000230	21	H000359	84
70000543	33	7017414	37	E000231	21	H000370	25, 26
70000633	110	7017444	37, 108	E000269	50	H000381	25, 26
70000634	26	7020023	40, 110	E000275	25	H000412	37
70000635	26, 110	7020127	15	E000292	35	H000414	25, 31
70000700	75	7020128	15	E000303	35	H000439	39
70000707	79	7020129	15	E000304	35, 61	H000512	29
70000708	79	7020168	40	E000359	21, 110	H000514	29
70000713	79	7020411	40	E000375	35	H000515	29
70000749	71	7020414	40	E000376	50, 110	H000524	84
70000750	71	7020443	40	E000377	25, 61, 108	H000527	37
70000751	71	7020449	40	E000378	35, 108	H000530	65
70000752	71	7020455	39	E000390	25, 108	H000534	25, 29
70000755	71	7020459	40	E000391	25, 108	H000536	25, 84, 108
70000759	79	7020465	40	E000407	35	H000542	29
70000760	79	7020468	40	E000412	35, 61, 108	H000558	21
70000761	79	7020471	40	E000419	35, 61	H000559	21, 22
70000762	71	7020480	40	E000420	61	H000570	25
70000763	71	7020492	40	E000432	61	H000580	29
70000764	75	7020495	40	E000435	61, 108	H000609	29
70000765	75	7024579	40	E000436	35, 61, 108	H000612	58, 77
70000766	75	7026608	40	E000457	35, 108	H000684	65
70000767	75	7027238	40	E000481	25, 26	H000688	21, 73
70000768	75	7027239	40	E000482	25, 26, 61	H000689	21, 73
70000771	75	7027245	40	E000499	26, 35, 50	H001090	85
70000774	75	7027246	40	E000511	61, 108	H001091	84

PART NUMBER INDEX

H001092.....86	S000191..... 48	S15322L-110-01-1 11	S200214 59
H001093.....85	S000192..... 48	S15322L-110-02-0 21	S200215 59
H003063.....77	S000193..... 48	S15322L-110-48-0 9	S200216 59
H003064.....69	S000226..... 43	S15322L-120-00-1 .. 9, 13	S200217 59
H003065.....77	S000227..... 49	S15322L-130-00-0 11, 13	S200218 58
H003066.....69	S000228..... 59	S15322L-161-00-026, 37,	S200219 58
H003068.....69	S000233..... 48	39, 43	S200220 58
H003069.....77	S000234..... 48	S15322L-161-01-0 39	S200221 59
H003070.....77	S000237..... 58	S15322L-166-04-0 37	S200222 59
H003074.....77	S000246..... 43	S15322L-170-00-0 53	S200223 58, 59
H003075.....69	S000263..... 69	S15322L-180-00-0 21	S200224 58
H003078.....77	S000510..... 58	S15322L-190-00-0 21	S200226 58
H003080.....69	S001238..... 48	S15322L-200-00-0 48	S200227 59
H003082.....73	S001240..... 48	S15322L-210-00-0 48	S200228 59
H003084.....65	S001241..... 48	S15322L-220-00-0 48	S200229 59
H003088.....73	S001286..... 9	S15322L-230-00-0 48	S200230 59
H003090.....65	S001443..... 58	S15322L-240-00-1 49	S200231 59
H003094.....73	S001445..... 58	S15322L-240-01-0 49	S200232 58
H003103.....73	S001491..... 48	S15322L-250-00-0 49	S200233 59
H003106.....73	S001496..... 48	S15322L-260-00-0 49	S200238 59, 108
H003108.....73	S001551..... 9	S15322L-300-00-1 58	S200239 9, 11
H003109.....65	S001594..... 49	S15322L-310-00-1 58	S200240 11
H003113.....65	S001596..... 53	S15322L-311-00-0 58	S200243 9
H004005.....39	S001613..... 9	S15322L-311-28-0 59	S200249 9
H004080.....40	S001640..... 21	S15322L-320-00-0 59	S200252 9
H005232..... 39, 110	S001676..... 43	S15322L-321-00-0 59	S200253 9
H005234.....39	S001677..... 59	S15322L-321-13-0 59	S200255 43
H005236.....39	S001802..... 48	S200024 39	S200256 53
H005237.....39	S001803..... 48	S200134 50	S200258 43
H005238.....39	S001804..... 48	S200151 48	S200259 43
H005239.....39	S001805..... 48	S200152 48	S200260 43
H005241.....39	S001806..... 48	S200153 48	S200261 43
H005243.....65	S001807..... 48	S200154 48	S200262 39
H005244.....65	S001808..... 48	S200155 48	S200263 25
H005247.....29	S001809..... 48	S200156 48	S200264 37
H005250.....29	S001810..... 48, 65	S200157 48	S200265 25
H005559.....26	S001833..... 53	S200158 48	S200266 25
H005783.....37	S001834..... 53	S200159 48	S200267 25
H705721.....65	S003950..... 58	S200160 48	S200268 39
H705722.....65	S003991..... 13, 18	S200161 48	S200270 43
H705723.....65	S004034..... 49	S200162 48	S200271 43
H705724.....65	S004039..... 21	S200163 48	S200272 43
H900002.....26, 39	S004500..... 21	S200164 48	S200273 9
H900002-161-00-0.37, 39	S004501..... 21	S200165 48	S200274 25
H900007.....9, 71	S005042..... 53	S200166 49	S200305 73
H900013.....58, 79	S005049..... 58	S200167 49	S200306 73
H900016.....21, 75	S005171..... 39	S200168 49	S200307 73
H900017.....21, 75	S005172..... 39	S200169 49	S200308 73
RP-SL153-22D4WDS-A-	S006613..... 9	S200170 49	S200309 73
1-1.....84	S006663..... 9	S200171 49	S200408 21
S000009.....61	S006811..... 9	S200172 49	S200426 65
S000014.....48	S007026..... 49	S200173 49	S200437 69
S000030.....58, 59	S007027..... 49	S200174 49	S200910 65
S000031.....58	S007028..... 49	S200175 48	S201005 9
S000055.....58	S007029..... 49	S200176 49	S201656 77
S000056.....43	S007030..... 49	S200182 65	S900002 21
S000069.....58	S007031..... 49	S200184 65	S900003 21
S000083.....48	S007033..... 49	S200185 65	S900005 43
S000118.....48	S007111..... 48	S200187 69	S900006 11
S000120.....48	S007112..... 49	S200188 69	S900007 43
S000124.....48	S007113..... 49	S200189 69	S900008 43
S000140.....49	S007114..... 49	S200202 58	S900009 53
S000141.....9, 48, 49, 58	S007115..... 49	S200203 59	S900010 53
S000142.....9	S007119..... 49	S200204 77	S900011 53
S000145.....58	S015312-120-03-0.. 9, 11	S200205 77	S900012 53
S000178.....48	S015312-321-25-0 59	S200208 77	S900013 21
S000182.....9, 48	S15322L-110-00-0 25	S200212 58	S900014 21

PART NUMBER INDEX

S900015.....	58	S900024.....	59	S900155.....	58	SL110-20.161.02.0.....	43
S900016.....	58	S900025.....	59	S900225.....	13	SL15322D4WDSHYDSC	
S900017.....	58	S900026.....	59	S900226.....	13	H.....	37
S900019.....	49	S900027.....	59	S900227.....	13	SL15322D4WDS-	
S900021.....	21	S900052.....	9	S900238.....	21	HYDSCH.....	21
S900022.....	59	S900153.....	53	S900333.....	13	SL153-22-L-150.00.0..	43
S900023.....	59	S900154.....	58	S900334.....	13	X15322L.....	59