



Illustrated Parts Manual

Model LIFTLUX 153-22

***SN 1200015676 to Present
including SN 1200012750
& SN 1200014132***

3121329

September 14, 2012



An  Shkesh Corporation Company

REVISION LOG

July 31, 2007 - Original Issue of Manual (Edited to B/M 0010704 Revision 1)

December 31, 2007 - Revised (Edited to B/M 0010704 Revision 4)

April 30, 2008 - Revised (Edited to B/M 0010704 Revision 4)

January 15, 2009 - Revised (Edited to B/M 0010704 Revision 5)

November 25, 2009 - Revised (Edited to B/M 0010704 Revision 5)

September 14, 2012 - Revised (Edited to B/M 0010704 Revision 8)

TABLE OF CONTENTS

SECTION 1 - FRAME.....	7
FIGURE 1-1. STEERING INSTALLATION	8
FIGURE 1-2. REAR AXLE INSTALLATION	10
FIGURE 1-3. WHEEL DRIVE INSTALLATION.....	12
FIGURE 1-4. DRIVE MOTOR ASSEMBLY	14
FIGURE 1-5. DRIVE HUB ASSEMBLY	16
FIGURE 1-6. LADDER AND LEVELING JACKS INSTALLATION.....	20
SECTION 2 - GROUND CONTROLS	23
FIGURE 2-1. VALVE SIDE COMPONENTS INSTALLATION	24
FIGURE 2-2. MAIN VALVE BANK ASSEMBLY.....	28
FIGURE 2-3. DRIVE VALVE ASSEMBLY	30
FIGURE 2-4. HAND PUMP ASSEMBLY	32
FIGURE 2-5. MAIN TERMINAL BOX	34
FIGURE 2-6. ENGINE SIDE COMPONENTS INSTALLATION.....	36
FIGURE 2-7. ENGINE INSTALLATION.....	38
FIGURE 2-8. FUEL TANK INSTALLATION.....	42
FIGURE 2-9. HOODS INSTALLATION	44
SECTION 3 - SCISSORS ARMS	47
FIGURE 3-1. SCISSORS ARMS INSTALLATION.....	48
FIGURE 3-2. ARM GUARDS INSTALLATION	54
SECTION 4 - PLATFORM.....	57
FIGURE 4-1. PLATFORM AND RAILS INSTALLATION	58
FIGURE 4-2. PLATFORM CONSOLE ASSEMBLY AND INSTALLATION.....	62
FIGURE 4-3. DRIVE/STEER CONTROLLER ASSEMBLY	64
SECTION 5 - CYLINDER	67
FIGURE 5-1. LIFT CYLINDER AND VALVES ASSEMBLY.....	68
FIGURE 5-2. STEERING CYLINDER ASSEMBLY	70
FIGURE 5-3. LEVELING CYLINDER ASSEMBLY	72
FIGURE 5-4. EXTENSION CYLINDER ASSEMBLY	74
SECTION 6 - HYDRAULIC	77
FIGURE 6-1. HYDRAULIC DIAGRAM (SN 1200015676 through 1200021116)	78
FIGURE 6-2. HYDRAULIC DIAGRAM (SN 1200021117 to Present)	84
SECTION 7 - ELECTRICAL	89
FIGURE 7-1. ELECTRICAL PLANS - DIESEL CONTROL.....	90
FIGURE 7-2. HARNESS COMPONENTS INSTALLATION.....	110
SECTION 8 - DECALS.....	117
FIGURE 8-1. DECAL INSTALLATION.....	118
SECTION 9 - RECOMMENDED SERVICE PARTS STOCK	123
FIGURE 9-1. MODEL 153-22 STANDARD PARTS.....	124

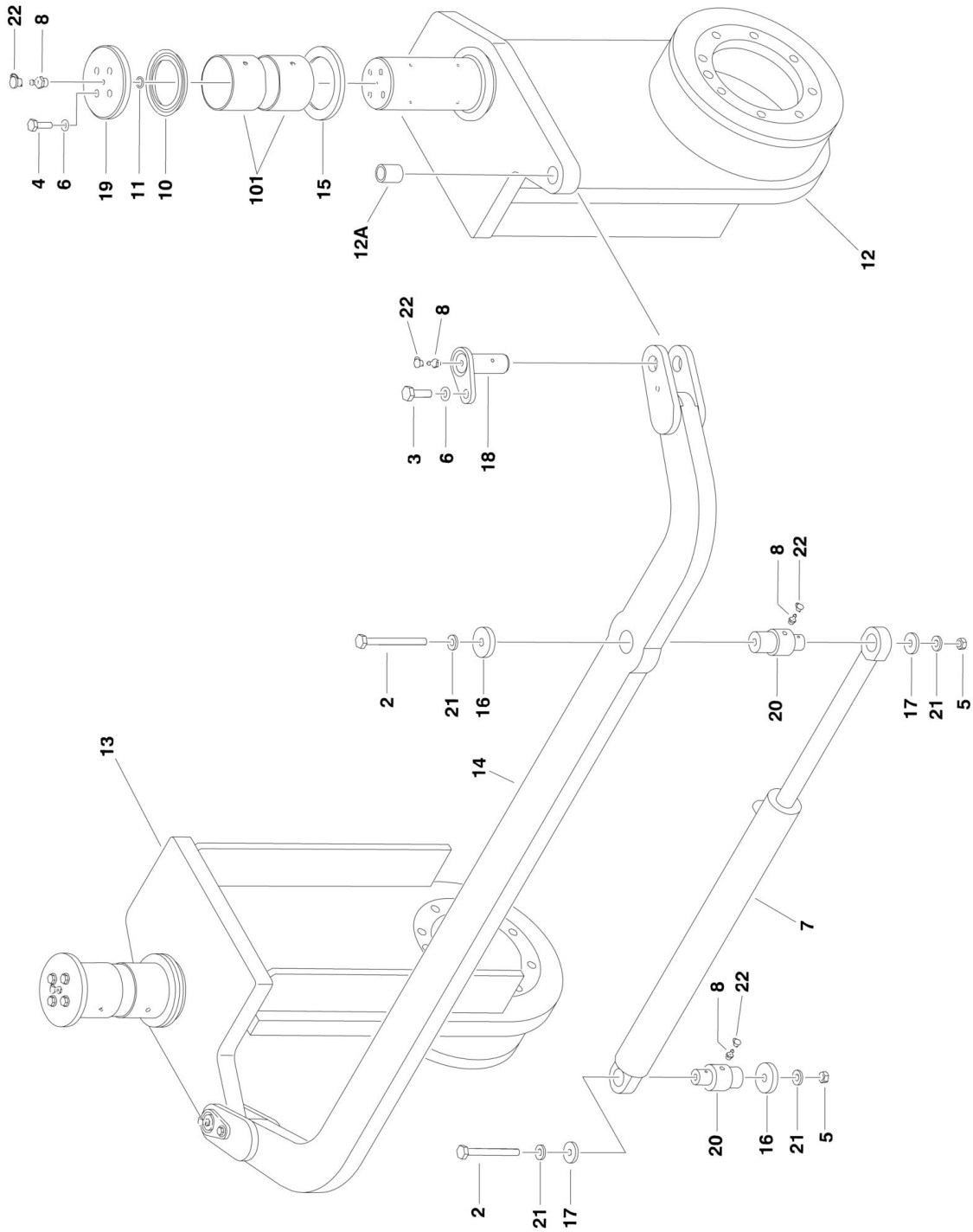
TABLE OF CONTENTS

FIGURE 9-2. MODEL 153-22 VARIABLE PARTS	126
SECTION 10 - SPECIAL OPTIONS	127
FIGURE 10-1. SPECIAL OPTIONS	128
PART NUMBER INDEX.....	129

SECTION 1 - FRAME

SECTION 1 - FRAME

FIGURE 1-1. STEERING INSTALLATION



SECTION 1 - FRAME

FIGURE 1-1. STEERING INSTALLATION

ITEM	PART NUMBER	QTY	DESCRIPTION	REV
	0275676	Ref	STEERING INSTALLATION	F
2	0711231	2	Bolt M12 x 140mm	
3	0761210	2	Bolt M12 x 20mm	
4	0761214	8	Bolt M12 x 30mm	
5	3331215	2	Nut M12	
6	4832100	10	Lockwasher M12	
7	H900007	1	Cylinder, Steering (See CYLINDER SECTION for Breakdown)	
8	2160016	6	Fitting, Grease	
10	S001286	2	Ring, Sealing	
11	S001613	2	O-Ring	
12	S006613	1	Knuckle, LH	
12A	S001551	1	Bushing	
13	S006663	1	Knuckle, RH	
13A	S001551	1	Bushing (Not Shown)	
14	S006811	1	Rod, Tie	
15	S200243	2	Washer, Thrust	
16	S200252	2	Washer, 50mm O.D.	
17	S200253	2	Washer, 40mm O.D.	
18	S201004	2	Pin	
19	S201005	2	Cap, Steering Knuckle	
20	S900052	2	Pin	
21	4812100	4	Washer M12	
22	S000142	6	Cap, Grease Fitting	
	S006029	Ref	FRAME WELDMENT	H
101	S000182	4	Bushing	

SECTION 1 - FRAME

FIGURE 1-2. REAR AXLE INSTALLATION

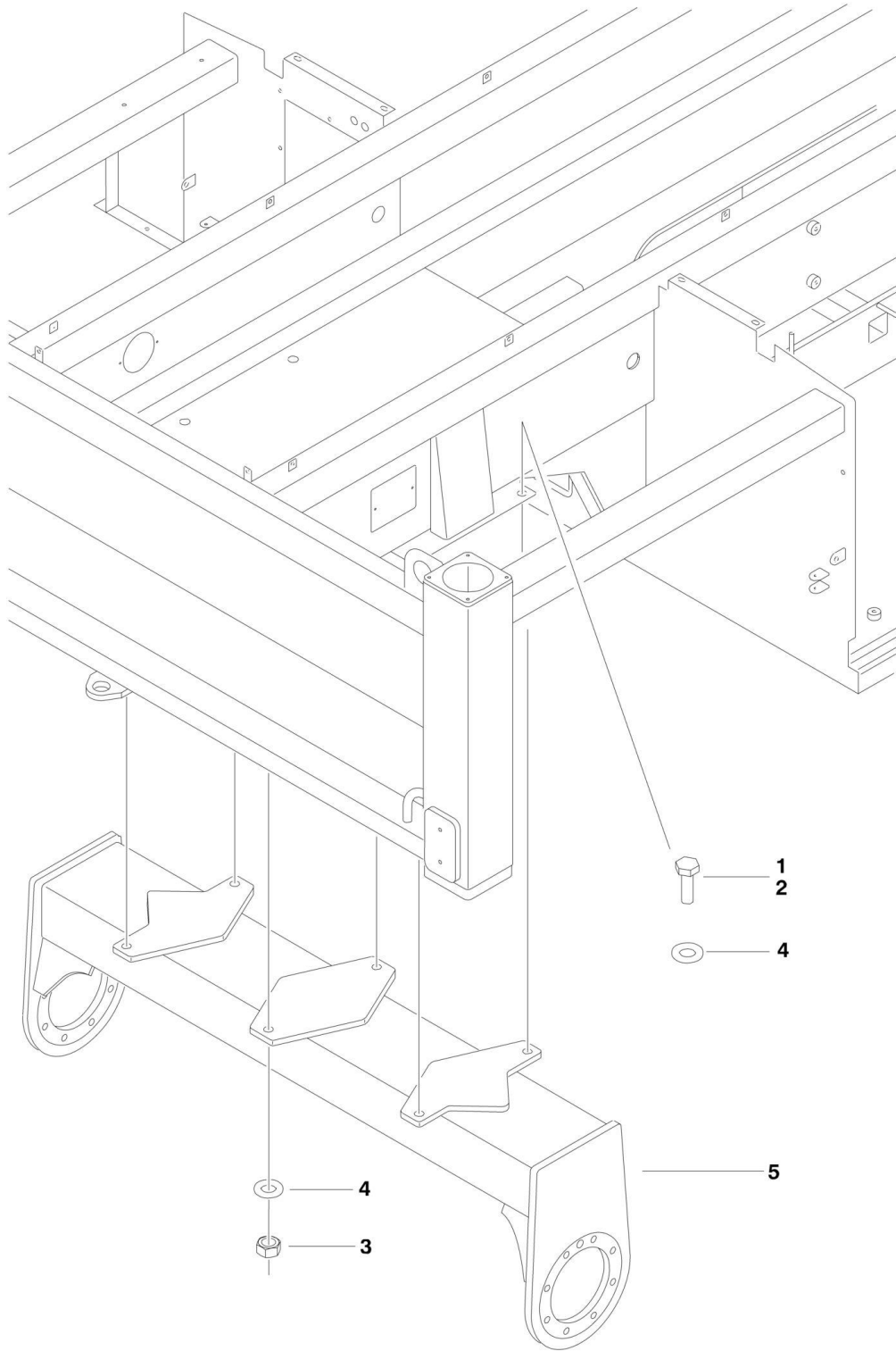
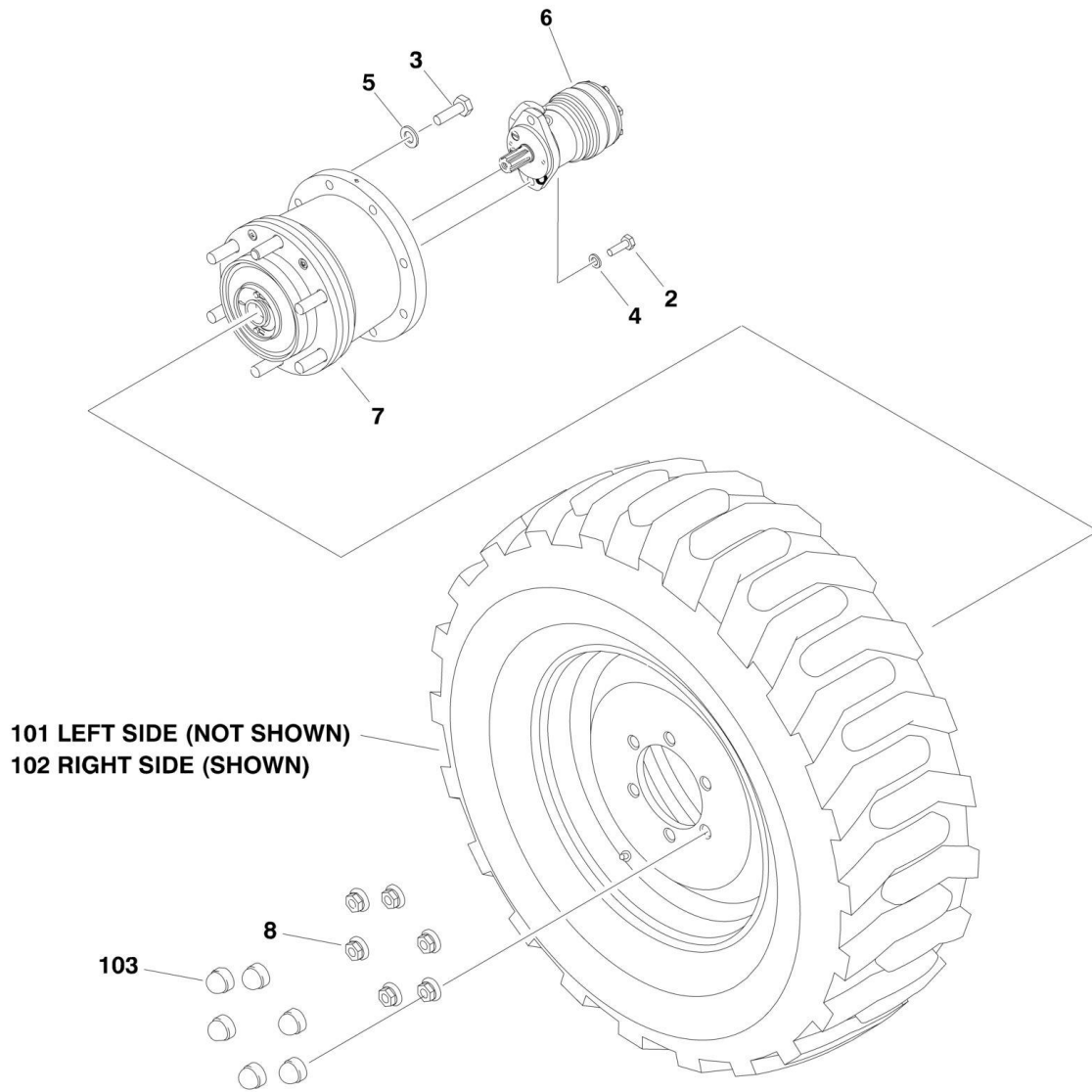


FIGURE 1-2. REAR AXLE INSTALLATION

ITEM	PART NUMBER	QTY	DESCRIPTION	REV
	0275675	Ref	REAR AXLE INSTALLATION	B
1	0100019	AR	Compound, Locking	
2	0712022	6	Bolt M20 x 70mm	
3	3332011	6	Nut M20	
4	5242000	12	Washer, M20 Hardened	
5	S200240	1	Axle Weldment, Rear	

SECTION 1 - FRAME

FIGURE 1-3. WHEEL DRIVE INSTALLATION



SECTION 1 - FRAME

FIGURE 1-3. WHEEL DRIVE INSTALLATION

ITEM	PART NUMBER	QTY	DESCRIPTION	REV
	0275832	Ref	DRIVE INSTALLATION	F
2	0761215	8	Bolt M12 x 35mm	
3	0771619	32	Bolt M16 x 55mm	
4	4832100	8	Lockwasher M12	
5	5241600	32	Washer, M16 Hardened	
6	H000443	4	Drive Motor Assembly (See DRIVE MOTOR ASSEMBLY for Breakdown)	
7	H000219	4	Drive Hub Assembly (See DRIVE HUB ASSEMBLY for Breakdown)	
8	S003991	24	Wheel Nut	
9	3020008	2 l	Lubricant, Mobilube HD 80W-90 (0.5L Per Hub) (Not Shown)	
	S900224	Ref	TIRE AND WHEEL INSTALLATION	E
101	S900225	2	Wheel and Tire Assembly - Foam Filled (Left Side)	
102	S900226	2	Wheel and Tire Assembly - Foam Filled (Right Side) (Note: Assemblies may require ballast/foam filling to manufacturer's specifications prior to installing on a machine. Refer to Operation and Safety or Service and Maintenance Manuals. Purchase individual tire and/or rim only if able to foam fill tire and wheel assembly, otherwise, purchase complete assembly.)	
102	S900227	4	Rim (1 per Assembly)	
102	4520288	4	Tire (1 per Assembly)	
103	S004000	24	Cap, Wheel Nut	

SECTION 1 - FRAME

FIGURE 1-4. DRIVE MOTOR ASSEMBLY

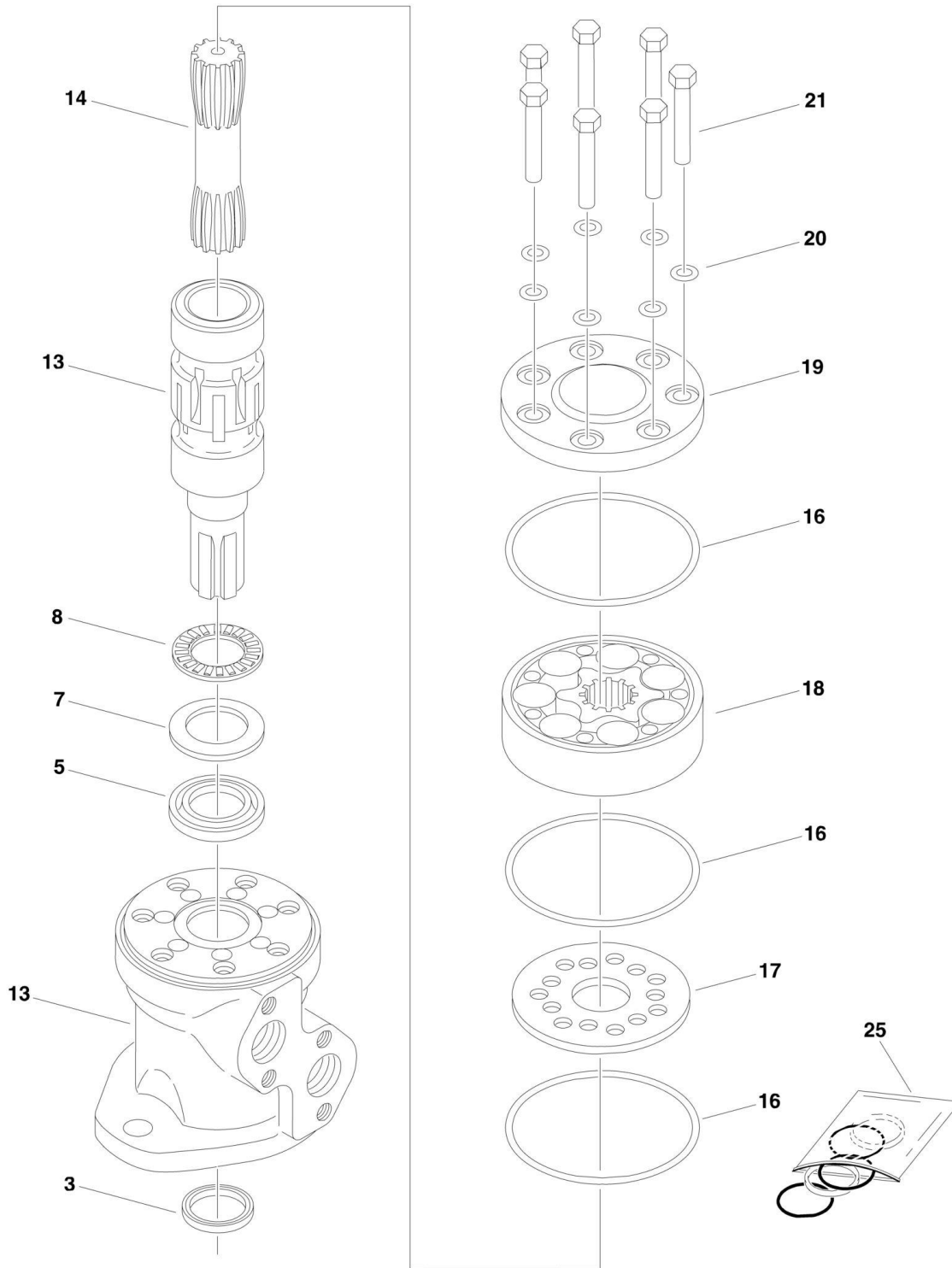
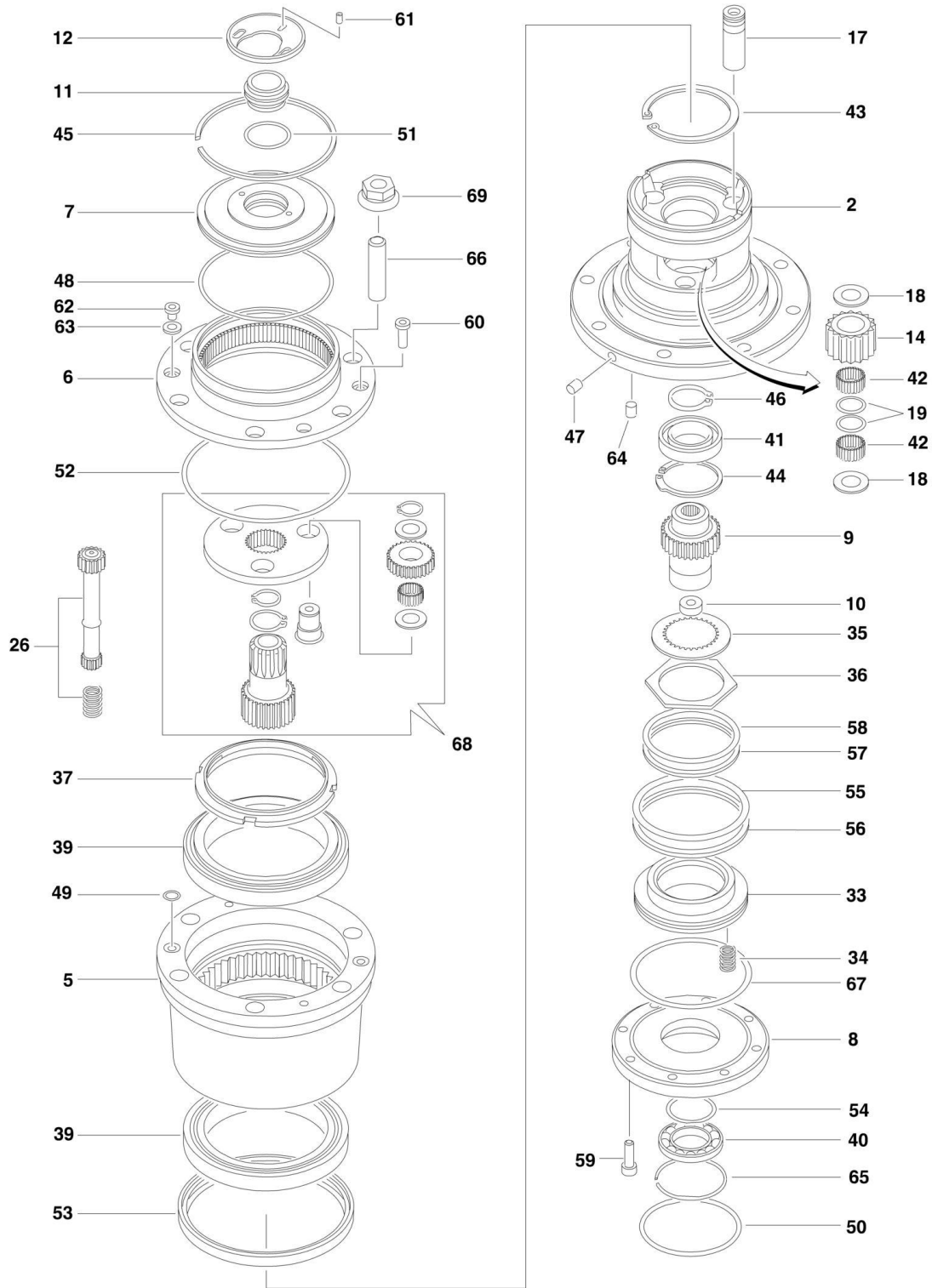


FIGURE 1-4. DRIVE MOTOR ASSEMBLY

ITEM	PART NUMBER	QTY	DESCRIPTION	REV
	H000443	Ref	DRIVE MOTOR ASSEMBLY	D
3	7027861	1	Seal, Dust	
5	Item 25	1	Seal, Shaft	
7	7020128	1	Race, Bearing	
8	7020129	1	Bearing, Needle	
13	Not Available	1	Shaft and Housing	
14	7027941	1	Shaft, Cardan	
16	Item 25	3	O-Ring	
17	7027939	1	Plate, Distributor	
18	Not Available	1	Gear Set	
19	7027940	1	Cover, End	
20	Item 25	7	Washer	
21	Not Available	7	Screw M8 x 45mm	
25	7020127	1	Seal Kit, Motor (Includes Items 3,5,16 & 20)	

SECTION 1 - FRAME

FIGURE 1-5. DRIVE HUB ASSEMBLY



SECTION 1 - FRAME

FIGURE 1-5. DRIVE HUB ASSEMBLY

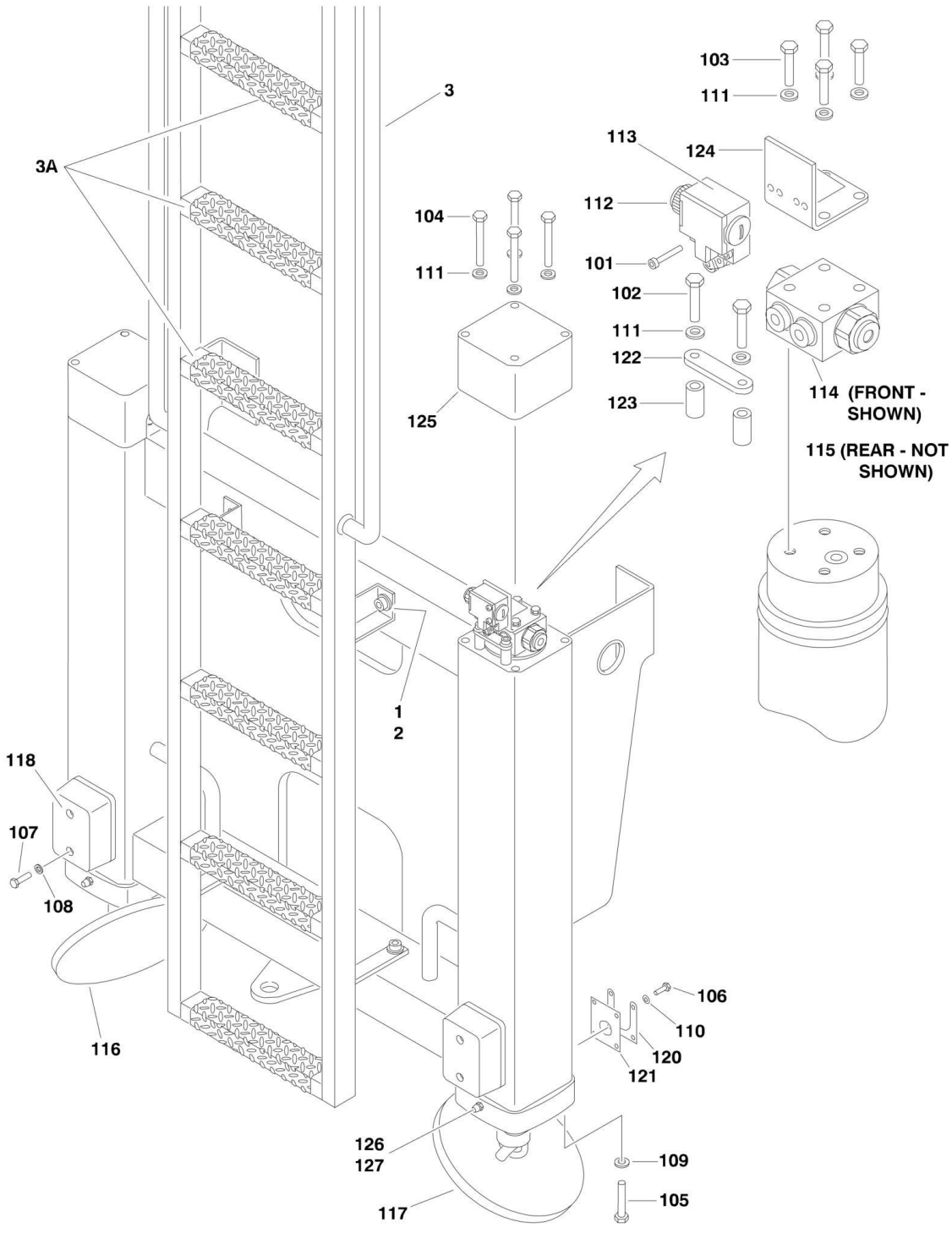
ITEM	PART NUMBER	QTY	DESCRIPTION	REV
	H000219	Ref	DRIVE HUB ASSEMBLY	E
2	Not Available	1	Spindle	
5	Not Available	1	Hub	
6	70000239	1	Gear Ring	
7	Not Available	1	Cover	
8	Not Available	1	Flange	
9	Not Available	1	Coupling	
10	Not Available	1	Thrust Washer	
11	Not Available	1	Thrust Washer	
12	Not Available	1	Circlip	
14	Not Available	3	Planetary Gear	
17	Not Available	3	Pin	
18	Not Available	6	Thrust Washer	
19	Not Available	6	Spacer	
26	70000240	1	Sun Pinion	
33	Not Available	1	Piston	
34	70000241	16	Spring	
35	70000242	5	Disc	
36	70000243	6	Disc	
37	70000244	1	Lock Nut	
39	70000245	2	Bearing	
40	70000246	1	Bearing	
41	70000247	1	Bearing	
42	Not Available	6	Bearing	
43	Not Available	1	Circlip	
44	Not Available	1	Circlip	
45	Not Available	1	Disc	
46	Not Available	1	Circlip	
47	Not Available	1	Plug	
48	70000248	1	O-Ring	
49	70000249	2	O-Ring	
50	70000250	1	O-Ring	
51	70000251	1	O-Ring	
52	70000252	1	O-Ring	
53	70000253	1	Oil Seal	
54	70000254	1	Gasket	
55	70000255	1	O-Ring	
56	70000256	1	Blocking Ring	
57	70000257	1	O-Ring	
58	70000258	1	Blocking Ring	
59	Not Available	8	Screw	
60	Not Available	2	Screw	
61	Not Available	2	Screw	
62	Not Available	2	Plug	
63	Not Available	2	Washer	
64	Not Available	1	Plug	
65	Not Available	1	Disc	
66	70000259	6	Threaded Stud	
67	70000260	1	O-Ring	
68	70000346	1	Reduction Gear Kit	

SECTION 1 - FRAME

ITEM	PART NUMBER	QTY	DESCRIPTION	REV
69	S003991	6	Nut, Wheel	

SECTION 1 - FRAME

FIGURE 1-6. LADDER AND LEVELING JACKS INSTALLATION



SECTION 1 - FRAME

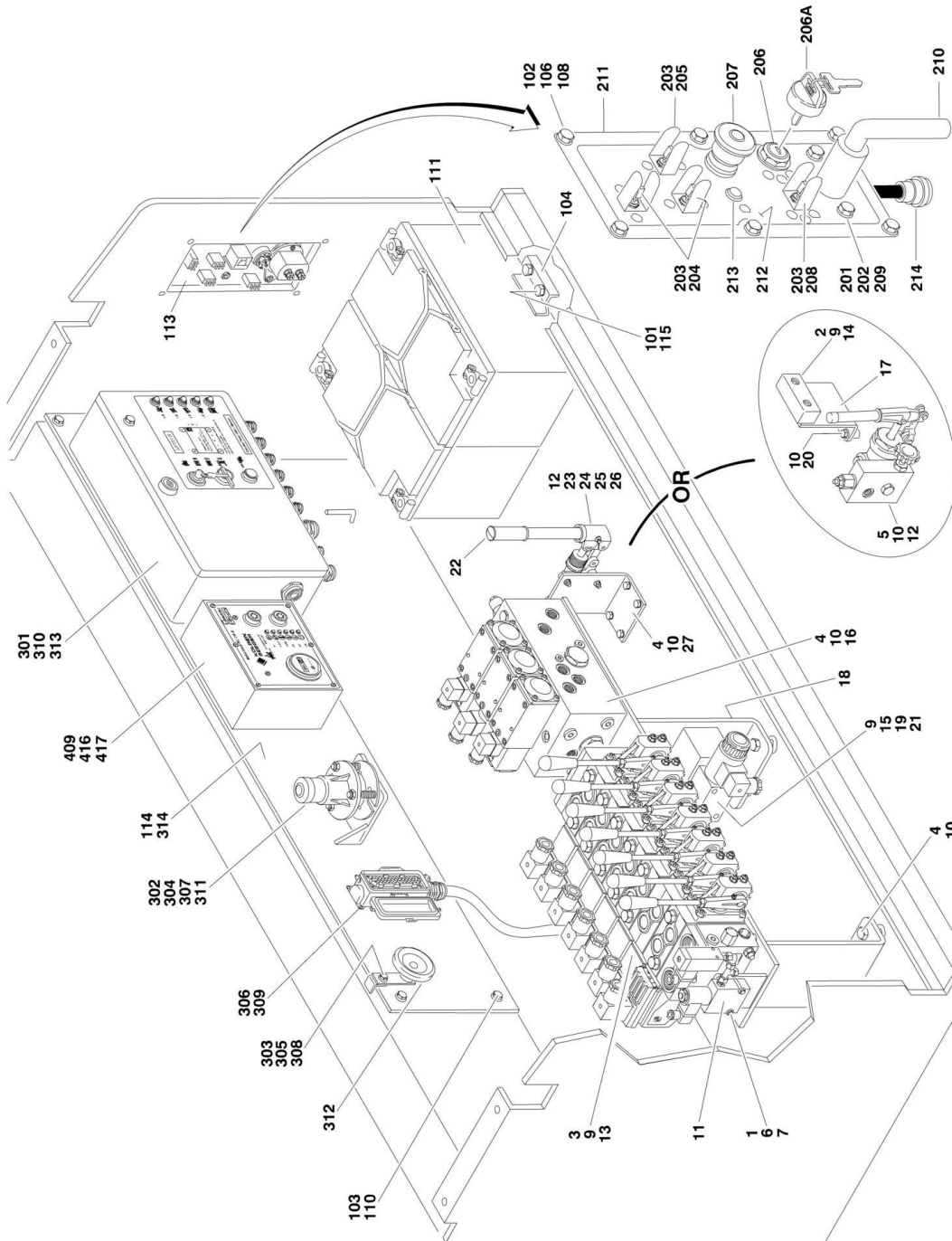
FIGURE 1-6. LADDER AND LEVELING JACKS INSTALLATION

ITEM	PART NUMBER	QTY	DESCRIPTION	REV
	0275751	Ref	LADDER INSTALLATION	A
1	0761010	4	Bolt M10 x 20mm	
2	4832000	4	Lockwasher M10	
3	S200408	1	Ladder	
3A	S004014	8	Plate, Tread	
3A	3820510	24	Rivet	
	0275478	Ref	LEVELING JACKS INSTALLATION	C
101	4031510	16	Capscrew M4 x 30mm	
102	0700817	8	Bolt M8 x 45mm	
103	0700818	16	Bolt M8 x 50mm	
104	0700833	16	Bolt M8 x 160mm	
105	0701222	16	Bolt M12 x 70mm	
106	0760608	16	Bolt M6 x 16mm	
107	0701018	8	Bolt M10 x 50mm	
108	4832000	8	Lockwasher M10	
109	4832100	16	Lockwasher M12	
110	4831700	16	Lockwasher M6	
111	4831900	40	Lockwasher M8	
112	E000269	4	Strain Relief, PG13.5	
113	E000359	4	Switch, Limit	
114	H000558	2	Valve, Front Safety (No Serviceable Parts - Purchase Complete)	
115	H000559	2	Valve, Rear Safety (No Serviceable Parts - Purchase Complete)	
116	H900018	2	Cylinder, RH Leveling Jack (See CYLINDER SECTION for Breakdown)	
117	H900019	2	Cylinder, LH Leveling Jack (See CYLINDER SECTION for Breakdown)	
118	S001640	4	Bumper	
119	S004039	2	Cover, Leveling Jack Switch (RF and LR - Not Shown)	
120	S900002	4	Plate, Cover	
121	S900003	4	Gasket	
122	S900013	4	Plate, Switch	
123	S900014	8	Tube, Spacer	
124	S900021	4	Bracket, Limit Switch Mounting	
125	S900238	2	Cover, Leveling Jack Switch (LF and RR)	
126	2160016	4	Fitting, Grease	
127	S000142	4	Cap, Grease Fitting	

SECTION 2 - GROUND CONTROLS

SECTION 2 - GROUND CONTROLS

FIGURE 2-1. VALVE SIDE COMPONENTS INSTALLATION



SECTION 2 - GROUND CONTROLS

FIGURE 2-1. VALVE SIDE COMPONENTS INSTALLATION

ITEM	PART NUMBER	QTY	DESCRIPTION	REV
	0275477	Ref	VALVE COMPARTMENT INSTALLATION	F
1	0700617	2	Bolt M6 x 45mm	
2	0760810	2	Bolt M8 x 20mm	
3	0760812	4	Bolt M8 x 25mm	
4	0761012	AR	Bolt M10 x 25mm	
5	0761015	4	Bolt M10 x 35mm	
6	3290605	2	Nut M6	
7	4811700	4	Washer M6	
9	4831900	AR	Lockwasher M8	
10	4832000	AR	Lockwasher M10	
11	H000019	1	Valve, Lowering	D
11	7012986	1	Coil	
11	7012941	1	Cartridge	
11	7010543	1	Seal Kit	
12		Ref	Hand Pump Assembly Options:	
12	H000285	1	Hand Pump Assembly (See HAND PUMP ASSEMBLY for Breakdown) (SN 1200015676 through 1200021116)	
12	320066	1	Hand Pump Assembly (No Breakdown Available at Time of Printing) (SN 1200021117 to Present)	
13	H000324	1	Main Valve Assembly (See MAIN VALVE BANK ASSEMBLY for Breakdown)	
14	H000363	1	Manifold, Pressure Distribution (SN 1200015676 through 1200021117)	
15	H000370	NLA	Valve, Steer (Note: Service Parts are No Longer Available)	C
16		Ref	Drive Valve Assembly Options (See DRIVE VALVE ASSEMBLY for Breakdown):	
16	1001113273	1	All machines (was p/n H005376) (Except SN 1200022994 through 1200022995)	
16	1001113273	1	Drive Valve Assembly (was p/n 100111759) (SN 1200022994 through 1200022995)	
17	S200267	1	Bracket, Hydraulic Pressure Manifold (SN 1200015676 through 1200021116)	
18	S201091	1	Bracket, Valve Mounting	
19	0760814	2	Bolt M8 x 30mm	
20	0761010	2	Bolt M10 x 20mm	
21	3291001	2	Nut M10	
22	DL0113	1	Lever, Hand Pump (SN 1200021117 to Present)	
23	0700817	2	Bolt M8 x 45mm	
24	0700820	1	Bolt M8 x 60mm	
25	4811900	3	Flatwasher M8	
26	3290805	3	Locknut M8	
27	1001103611	1	Bracket, Hand Pump (SN 1200021117 to Present)	
	0275598	Ref	GROUND CONTROL INSTALLATION	D
101	0700815	4	Bolt M8 x 35mm	
102	0760610	6	Bolt M6 x 20mm	
103	0761010	4	Bolt M10 x 20mm	
104	1787217	2	Clamp, Battery	
106	3290605	6	Nut M6	
108	4811700	12	Washer M6	
110	4832000	4	Lockwasher M10	
111	8008750	2	Battery	

SECTION 2 - GROUND CONTROLS

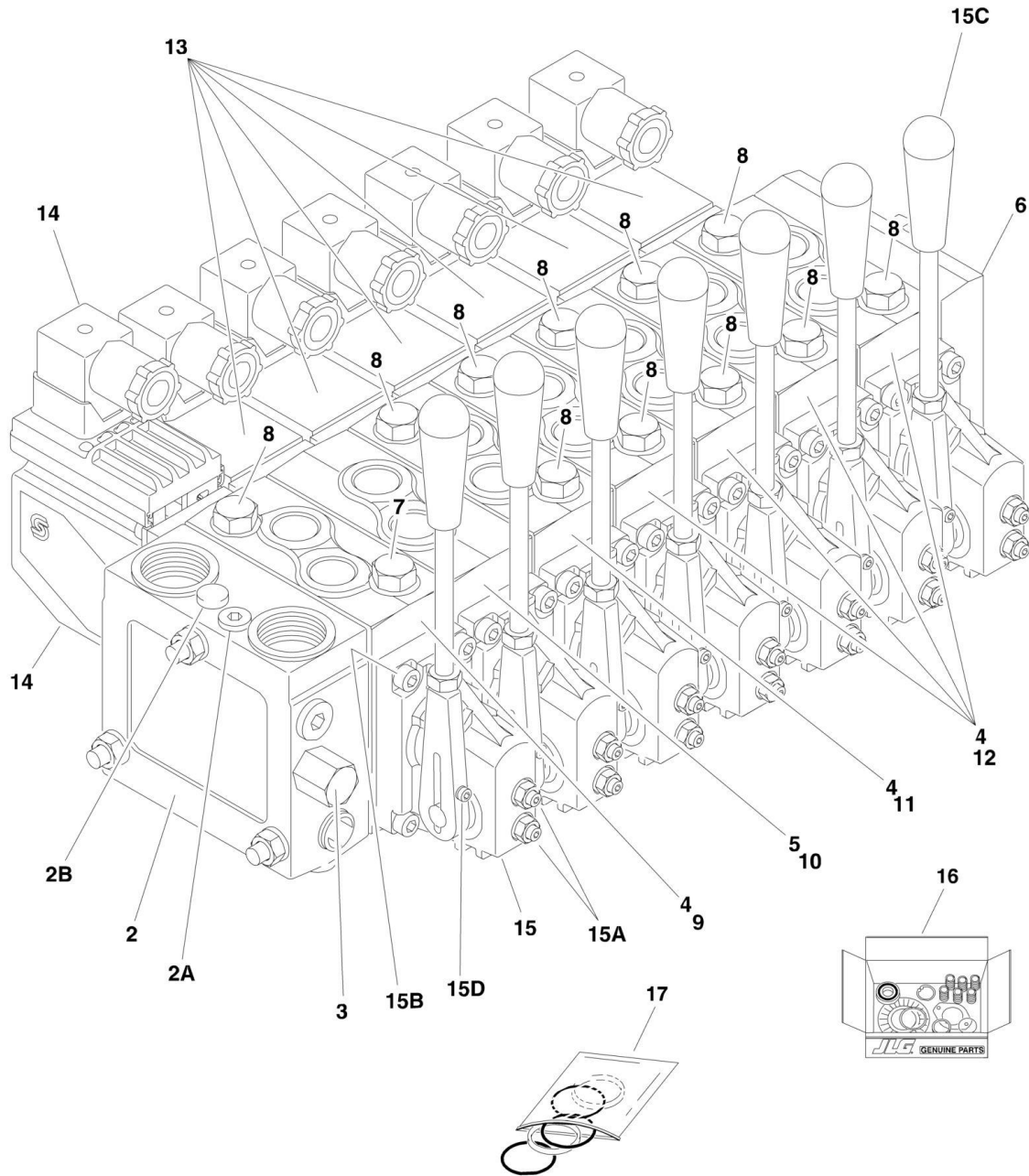
ITEM	PART NUMBER	QTY	DESCRIPTION	REV
113	E900032	1	Ground Control Panel Assembly (See Items 201-214 for Breakdown)	
114	E900070	1	Electrical Panel Assembly (See Items 301-314 for Breakdown)	
115	4831900	4	Lockwasher M8	
	E900032	Ref	GROUND CONTROL PANEL ASSEMBLY (Note: All machines from start of production to revision D have been updated to revision E.)	E
		Ref	Note: All machines from start of production to revision D have been updated to revision E.	
201	0760608	2	Bolt M6 x 16mm	
202	3290605	2	Nut M6	
203	4060802	4	Guard, Switch	
204	4360314	2	Switch, Toggle	
205	4360671	1	Switch, Toggle	
206	4360469	1	Switch, Key	
206A	2860030	2	Key, Replacement	
207	4360475	1	Switch, Emergency Stop	
207	7020175	1	Cap, Red	
207	7020176	1	Block, Contact	
208	4360698	1	Switch, Toggle	
209	4811700	4	Flatwasher M6	
210	E000059	1	Switch, Battery Disconnect	
210	70001114	1	Handle	
211	E900033	1	Plate, Switch Mounting	
212	E900034	1	Decal, Ground Panel	
213	E900048	1	LED, Yellow	
214	E900055	1	Harness, Ground Panel (See ELECTRICAL SECTION for Breakdown)	
	E900070	Ref	ELECTRICAL PANEL ASSEMBLY	C
301	0760605	4	Bolt M6 x 10mm	
302	0760610	4	Bolt M6 x 20mm	
303	0760810	1	Bolt M8 x 20mm	
304	3290605	4	Nut M6	
305	3290805	1	Nut M8	
306	4031605	4	Capscrew M5 x 10mm	
307	4811700	8	Flatwasher M6	
308	4811900	2	Flatwasher M8	
309	4831600	4	Lockwasher M5	
310	4831700	4	Lockwasher M6	
311	E000044	1	Switch, Tilt	
312	E000063	1	Horn	
313	E900062	1	Main Terminal Box (See MAIN TERMINAL BOX for Breakdown)	
314	S200265	1	Panel, Electrical Carrier	
	0275476	Ref	ENGINE INSTALLATION	G
409		Ref	Control Box, Deutz Engine Options:	
409	H005559	1	Control Box, Deutz Engine (SN 1200015676 through 1200016717)	
409	1001094781	1	Control Box, Deutz Engine (SN 1200016718 to Present)	
409	70001352	1	PC Board with LEDs (was p/n 70000633)	
409	70001353	1	E-Prom w/ Software	
409	70001355	1	Diode	
409	70000634	1	Hourmeter	
409	70000635	2	Switch, Pushbutton	

SECTION 2 - GROUND CONTROLS

ITEM	PART NUMBER	QTY	DESCRIPTION	REV
409	70001122	4	Mount, Isolator	
416	3290405	4	Locknut M4	
417	4811400	4	Flatwasher M4	

SECTION 2 - GROUND CONTROLS

FIGURE 2-2. MAIN VALVE BANK ASSEMBLY



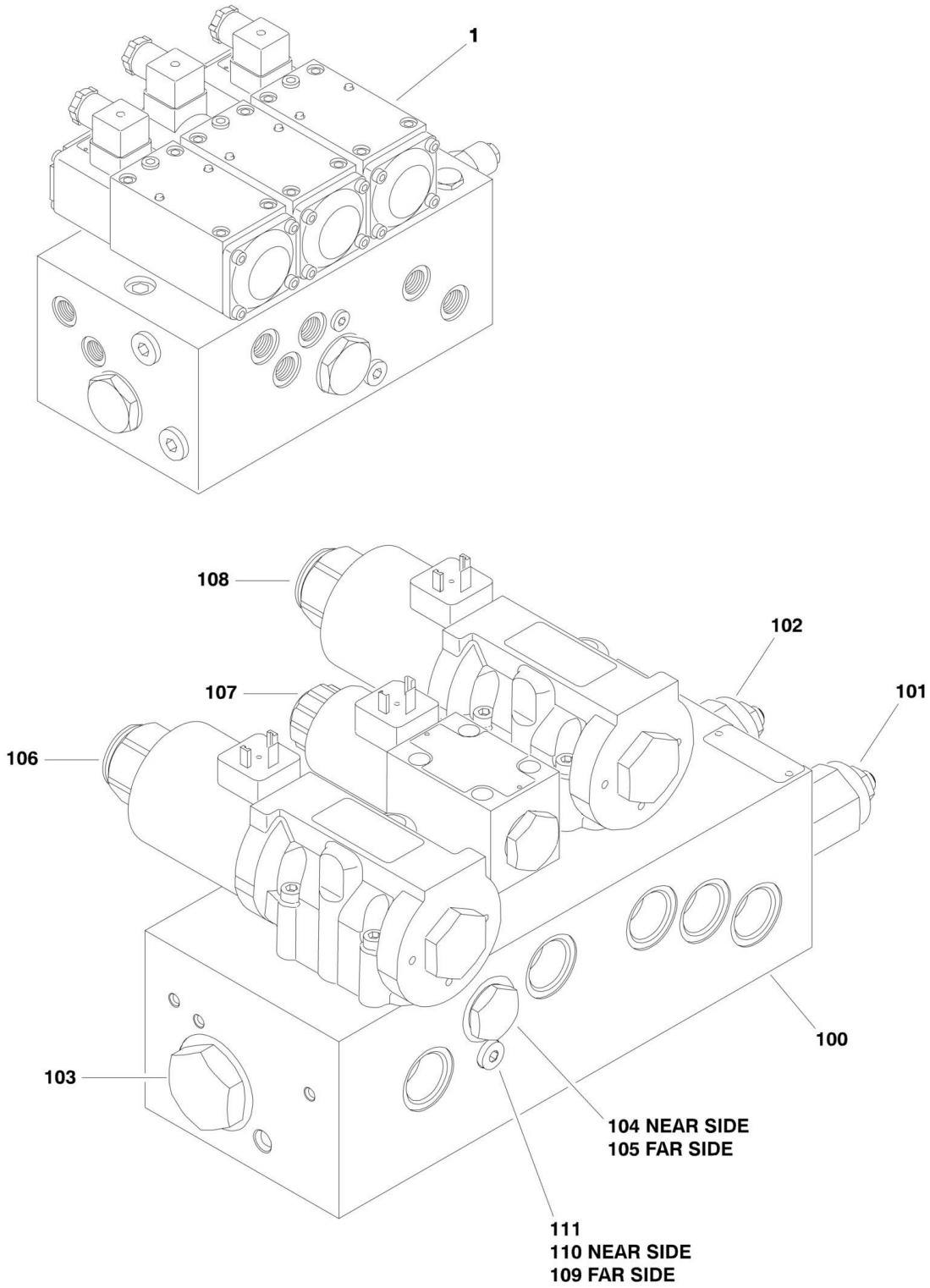
SECTION 2 - GROUND CONTROLS

FIGURE 2-2. MAIN VALVE BANK ASSEMBLY

ITEM	PART NUMBER	QTY	DESCRIPTION	REV
	H000324	Ref	MAIN VALVE ASSEMBLY	F
2	H000353	1	Section, Pump (Left Side)	
2	8007939	1	Seal Kit - H000353 Section	
2A	8007944	1	Pilot Supply Assembly	
2B	7027912	1	Relief Assembly	
3	H000352	1	External Pilot Supply	
4	7028847	6	Valve Section (With Relief Valve) (All Functions Except Lift) (Was p/n H000188)	
4	8007935	6	Seal Kit - 7028847 Section (Was p/n H000031)	
5	H000542	1	Valve Section (Without Relief Valve) (Lift Functions Only)	
5	8007935	1	Seal Kit - H000542 Section (Was p/n H000031)	
6	H000580	1	End Plate	
6	See Item 17	1	Seal Kit - H000580 Section	
7		Ref	Valve, Relief (Platform Function Only) Options:	
7	H000602	1	Valve, Relief (Platform Function Only) (SN 1200015676 through 1200016338)	
7	H000609	1	Valve, Relief (Platform Function Only) (SN 1200016339 to Present)	
8	H005250	11	Valve, Relief (All Functions Except Lift Function)	
9		Ref	Spool (Platform) Options:	
9	H000390	1	Spool (Platform) (SN 1200015676 through 1200016338)	
9	H000514	1	Spool (Platform) (SN 1200016339 to Present)	
10	7027915	1	Spool (Drive)	
11	H000516	1	Spool (Lift)	
12	H000512	4	Spool (Outrigger)	
13	H000191	6	Electrical Activator (on-off) (All Functions Except Drive)	
13	8007954	6	Seal Kit - H000191 Electrical Activator (Was p/n H000032)	
13	7028846	24	Screw, Mounting	
13	7028849	6	DIN Connector (Black)	
14	H000206	1	Electrical Activator (Proportional High) (Drive Function Only)	
14	8007954	1	Seal Kit - H000206 Electrical Activator (Was p/n H000032)	
14	7028846	4	Screw, Mounting	
14	8007953	1	DIN Connector (White)	
15	7028893	7	Mechanical Activation Assembly (Was p/n H000187)	
15	8007894	7	Seal Kit - 7028893 Mechanical Activator (Was p/n H005248)	
15A	1003107	14	Nut, Seal (2 per Assembly)	
15A	8007915	14	Pin, Threaded (2 per Assembly)	
15B	0318854	28	Screw (4 per Assembly)	
15C	H005247	7	Base and Lever Assembly (1 per Assembly)	
15D	0307544	7	Screw (1 per Assembly)	
15D	0893076	7	Washer (1 Per Assembly)	
16	8003064	1	Assembly Kit (Includes Hardware and Seals for Between Valve Sections)	
17	7028848	9	Seal Kit for Between Valve Sections (Was p/n H005249) (Note: One Seal Kit does both sides of section.)	
		Ref	Note: One Seal Kit does both sides of section.	

SECTION 2 - GROUND CONTROLS

FIGURE 2-3. DRIVE VALVE ASSEMBLY



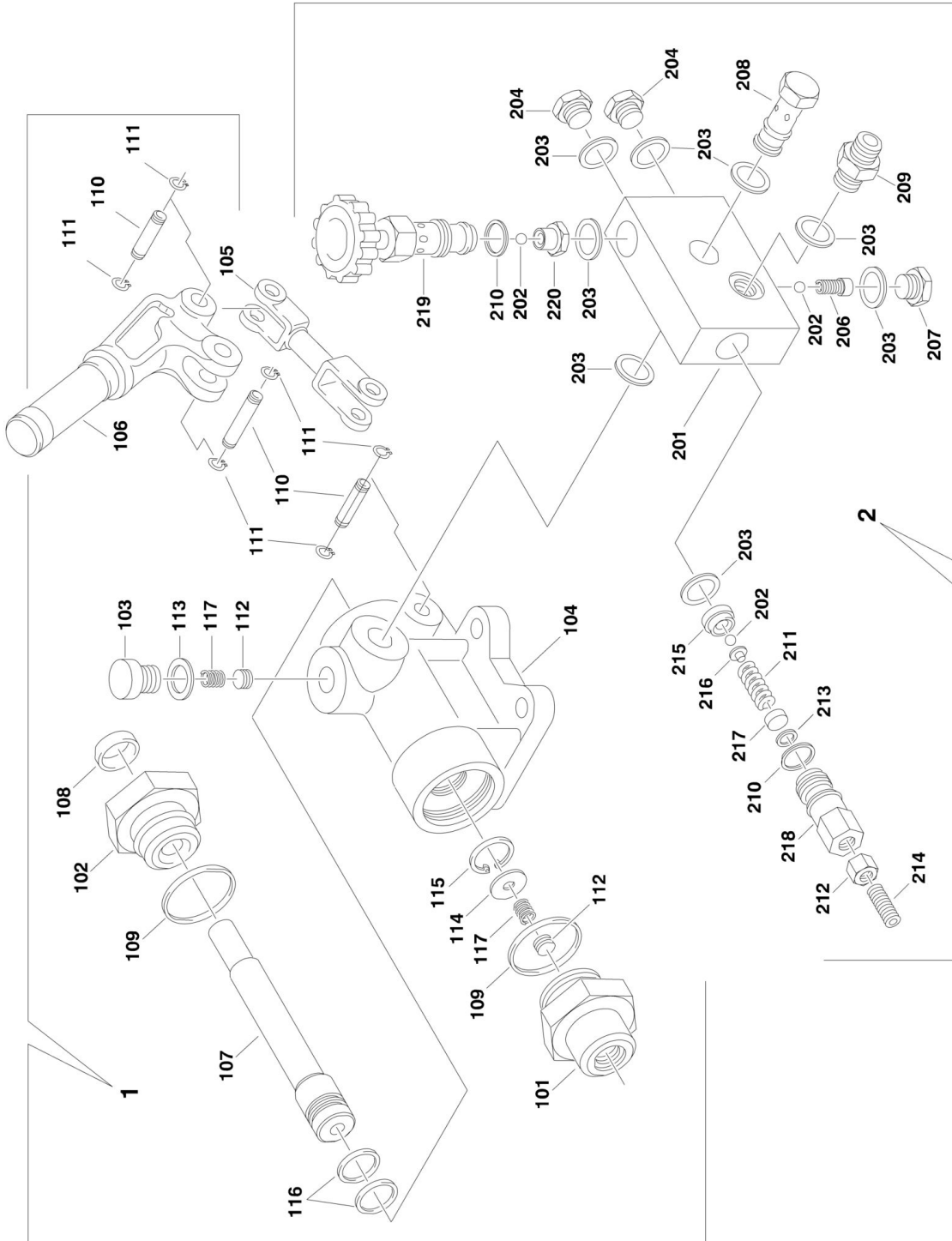
SECTION 2 - GROUND CONTROLS

FIGURE 2-3. DRIVE VALVE ASSEMBLY

ITEM	PART NUMBER	QTY	DESCRIPTION	REV
1	See Note	Ref Ref	DRIVE VALVE ASSEMBLY Drive Valve Assembly (All Machines) (Note: Was p/n H005376. No Service Parts Available. Use p/n 1001113273 as Replacement.) (Except SN 1200022994 through 1200022995)	
100	See Note	Ref	Drive Valve Assembly (Note: Was p/n 1001111759 - use p/n 1001113273 as service replacement) (SN 1200022994 through 1200022995)	
101	70003606	1	Cartridge, Relief	
102	70003606	1	Cartridge, Relief	
103	70003607	1	Cartridge, Flow Divider	
104	70003608	1	Cartridge, Flow Divider	
105	70003608	1	Cartridge, Flow Divider	
106	70003609	1	Directional Valve Assembly	
107	70003610	1	Directional Valve Assembly	
108	70003609	1	Directional Valve Assembly	
109	70003611	1	Orifice .8mm	
110	70003611	1	Orifice .8mm	
111	See Note	2	Plug (Note: Not Available - Purchase Locally)	

SECTION 2 - GROUND CONTROLS

FIGURE 2-4. HAND PUMP ASSEMBLY



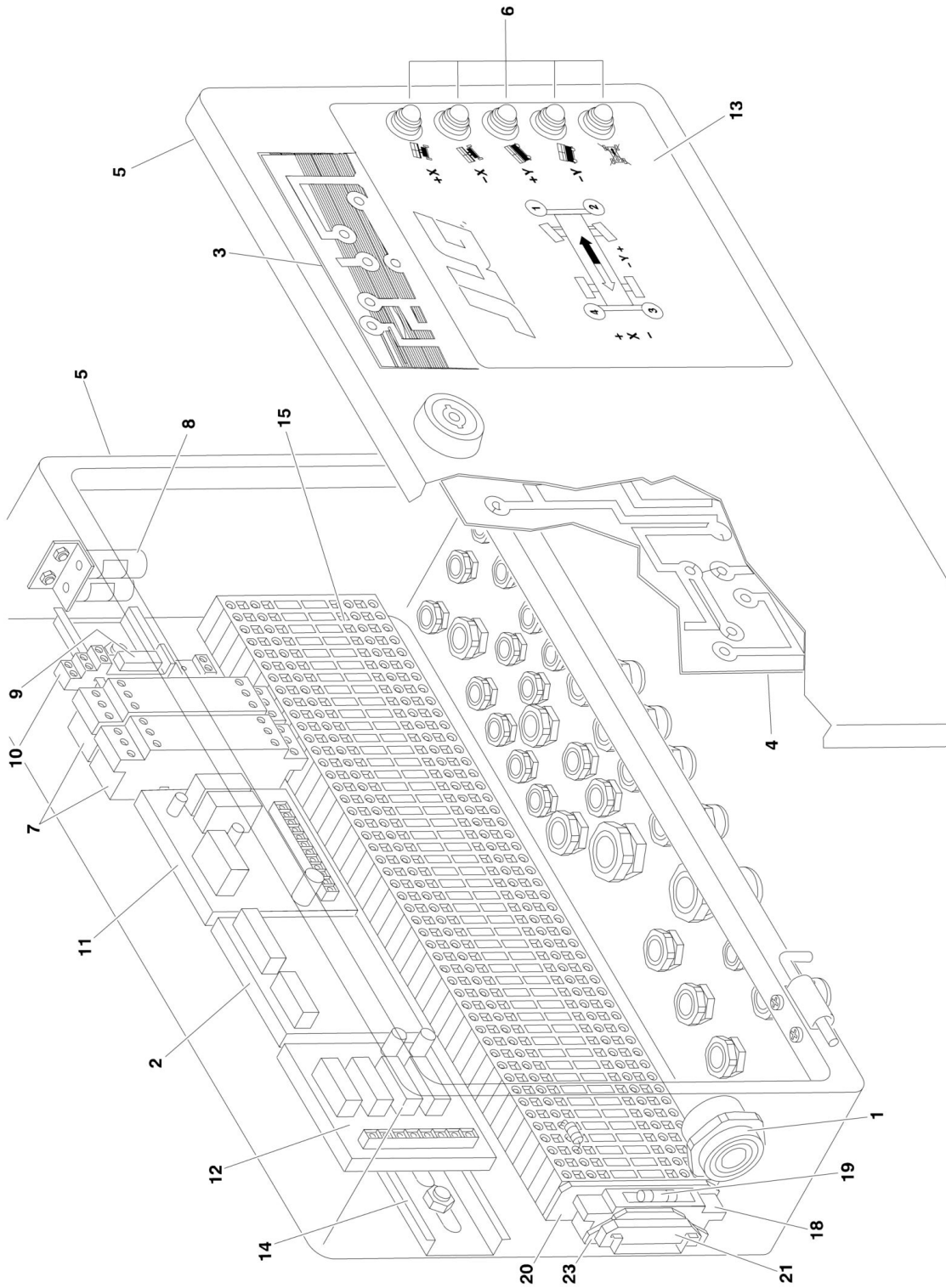
SECTION 2 - GROUND CONTROLS

FIGURE 2-4. HAND PUMP ASSEMBLY

ITEM	PART NUMBER	QTY	DESCRIPTION	REV
	H000285	Ref	HAND PUMP ASSEMBLY	D
1	70000513	1	Pump Assembly (See Items 101-117 for Breakdown)	
2	70000528	1	Valve Assembly (See Items 201-220 for breakdown)	
	70000513	Ref	PUMP ASSEMBLY	
101	70000514	1	Valve, Suction	
102	Not Available	1	Plug	
103	Not Available	1	Plug	
104	Not Available	1	Body	
105	70000515	1	Rod, Connecting	
106	70000516	1	Lever	
107	70000517	1	Piston	
108	70000518	1	Seal	
109	70000519	2	Seal	
110	70000520	2	Pin	
111	70000521	6	Ring, Retaining	
112	70000522	2	Ball	
113	70000523	1	Ring	
114	70000524	1	Washer	
115	70000525	1	Ring, Internal Retaining	
116	70000526	2	Seal	
117	70000527	2	Spring	
	70000528	Ref	VALVE ASSEMBLY	
201	Not Available	1	Body	
202	70000529	3	Ball	
203	70000530	8	Ring	
204	Not Available	2	Bolt M8 x 8mm	
205	70000531	1	Spinner (Not Shown)	
206	70000532	1	Spring	
207	Not Available	1	Plug	
208	70000533	1	Screw	
209	70000534	1	Fitting, Straight	
210	70000535	2	Seal	
211	70000536	1	Spring	
212	Not Available	1	Nut M10	
213	70000537	1	Seal	
214	Not Available	1	Setscrew	
215	70000538	1	Relief, Valve	
216	70000539	1	Pin, Ball Driving	
217	70000540	1	Plate, Seal	
218	70000541	1	Valve Body	
219	70000542	1	Knob Assembly	
220	70000543	1	Valve Body	

SECTION 2 - GROUND CONTROLS

FIGURE 2-5. MAIN TERMINAL BOX



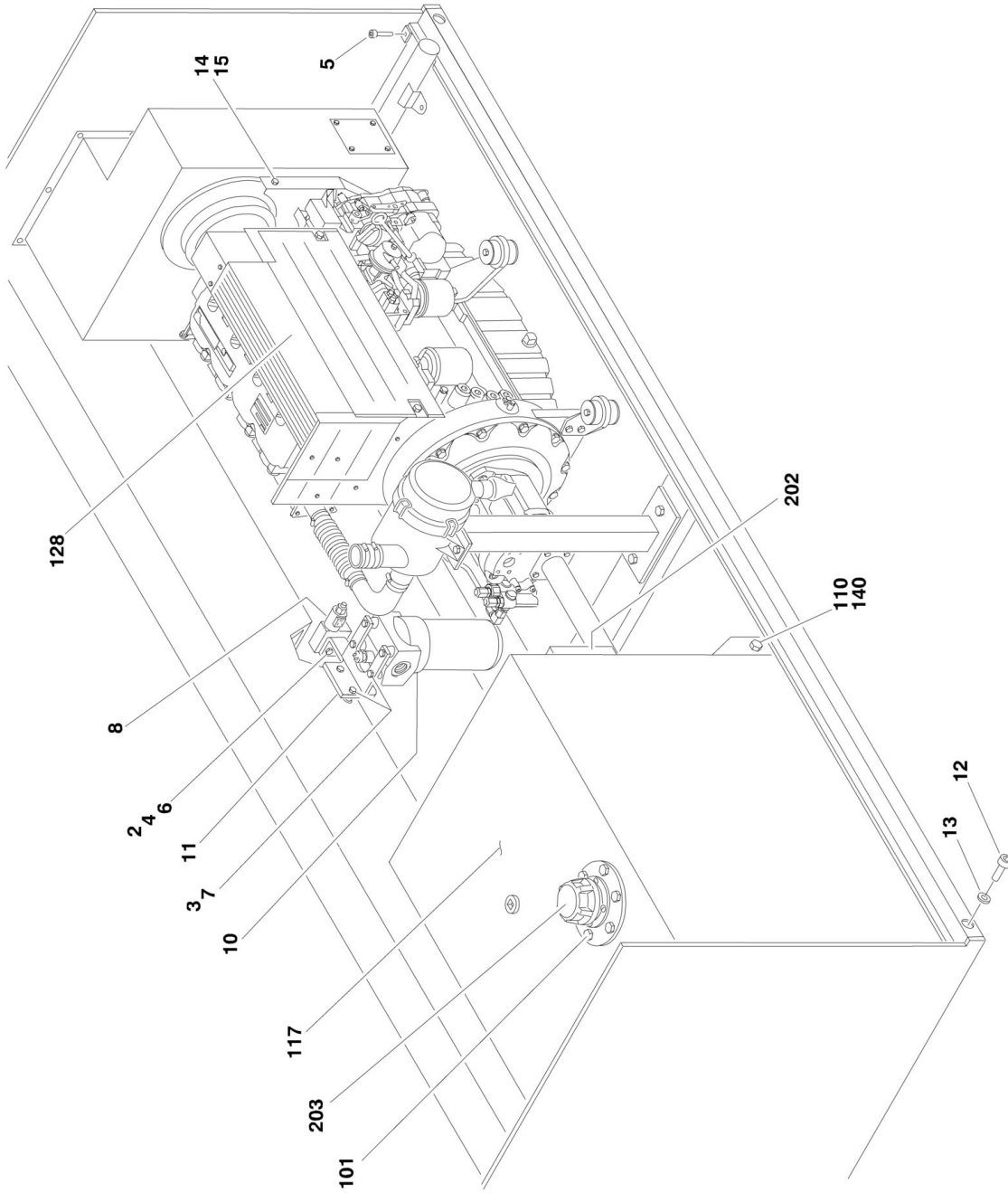
SECTION 2 - GROUND CONTROLS

FIGURE 2-5. MAIN TERMINAL BOX

ITEM	PART NUMBER	QTY	DESCRIPTION	REV
	E900062	Ref	MAIN TERMINAL BOX ASSEMBLY	F
1	0140011	1	Alarm	
2	E000189	1	Card, Pump Delay	
3	E000214	1	Card, Nivelux Control	
4		Ref	Card, Complex Control Options:	
4	E000218	1	Card, Complex Control (SN 1200015676 through 1200022116)	
4	1001112938	1	Card, Complex Control (SN 1200022117 to Present)	
5	E000375	1	Housing, Control Box	
6	E000419	5	LED, Red	
7	E000457	2	Relay	
8	E001206	1	Sensor, Level	
9	E001375	1	Relay	
10	E001376	1	Base, Relay	
11	1001094642	1	Card, Trigger Control	
12	1001094641	1	Module, Load Sensing and Time Override	
13	E900057	1	Decal, Cover	
14	E900059	2	Rail, DIN	
15	1001093353	75	Block, Terminal	
18	1001092405	1	Holder, Fuse	
19	1001092406	1	Fuse, 10A	
20	1001093354	1	Plate, Terminal Intermediate	
21	1001093355	2	Stop, Terminal End	
22	1001093361	17	Terminal, Jumper (Not Shown)	
23	1001093379	1	Plate, Terminal End	
24	70000952	1	Connector (2 Pin for Nivelux Board - Not Shown)	
25	70000953	2	Connector (3 Pin for Nivelux Board - Not Shown)	
26	70000954	1	Connector (4 Pin for Nivelux Board - Not Shown)	
27	70000955	1	Connector (8 Pin for Complex Board - Not Shown)	
28	70000956	4	Connector (12 Pin for Nivelux and Complex Board - Not Shown)	
29	70003616	1	Connector (6 Pin for Nivelux and Complex Board - Not Shown)	
	1001093416	Ref	TERMINAL BRIDGE INSTALLATION	A
101	1001093361	1	Terminal, Jumper (Not Shown)	

SECTION 2 - GROUND CONTROLS

FIGURE 2-6. ENGINE SIDE COMPONENTS INSTALLATION



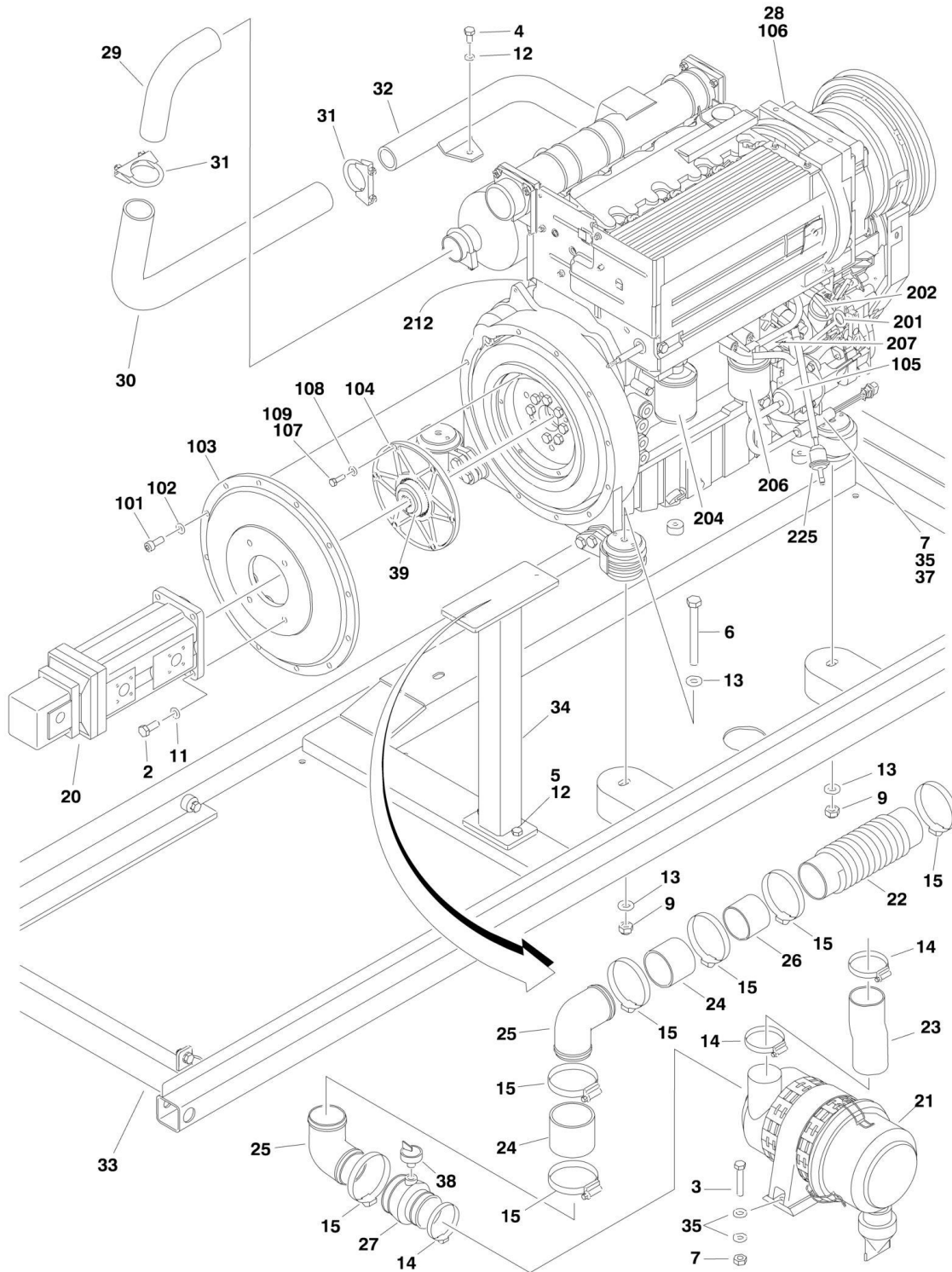
SECTION 2 - GROUND CONTROLS

FIGURE 2-6. ENGINE SIDE COMPONENTS INSTALLATION

ITEM	PART NUMBER	QTY	DESCRIPTION	REV
	0275476	Ref	ENGINE SIDE COMPONENTS INSTALLATION	G
2	0700618	2	Bolt M6 x 50mm	
3	0761010	6	Bolt M10 x 20mm	
4	3290605	2	Nut M6	
5	4032316	2	Capscrew M16 x 60	
6	4811700	4	Flatwasher M6	
7	4832000	6	Lockwasher M10	
8	H000077	1	Valve, Directional Control	
8	7017444	1	Coil	
8	7017414	1	Cartridge	
8	2900708	1	Seal Kit - 7017414 Valve	
10	H900046	1	Filter, Pressure	
10	70000899	1	Element	
11	S900241	1	Bracket, Oil Filter	
12	4032310	2	Capscrew M16 x 30mm	
13	4832300	2	Lockwasher M16	
14	0760505	2	Bolt M5 x 10mm	
15	4831600	2	Lockwasher M5	
18	8007986	1	Mount, Tie Strap (Not Shown)	
	0275614	Ref	ENGINE TRAY INSTALLATION	I
101	0760505	6	Bolt M5 x 10mm	
110	4812000	8	Flatwasher M10	
117	1001091075	1	Tank, Hydraulic (See Items 201-203 for Breakdown)	
128	H900047	1	Engine Installation (See ENGINE INSTALLATION for Breakdown)	
140	0761014	4	Bolt M10 x 30mm	
	1001091075	Ref	HYDRAULIC TANK ASSEMBLY	B
202	H000013	1	Gauge, Hydraulic Oil Level	
203	H000241	1	Breather	

SECTION 2 - GROUND CONTROLS

FIGURE 2-7. ENGINE INSTALLATION



SECTION 2 - GROUND CONTROLS

FIGURE 2-7. ENGINE INSTALLATION

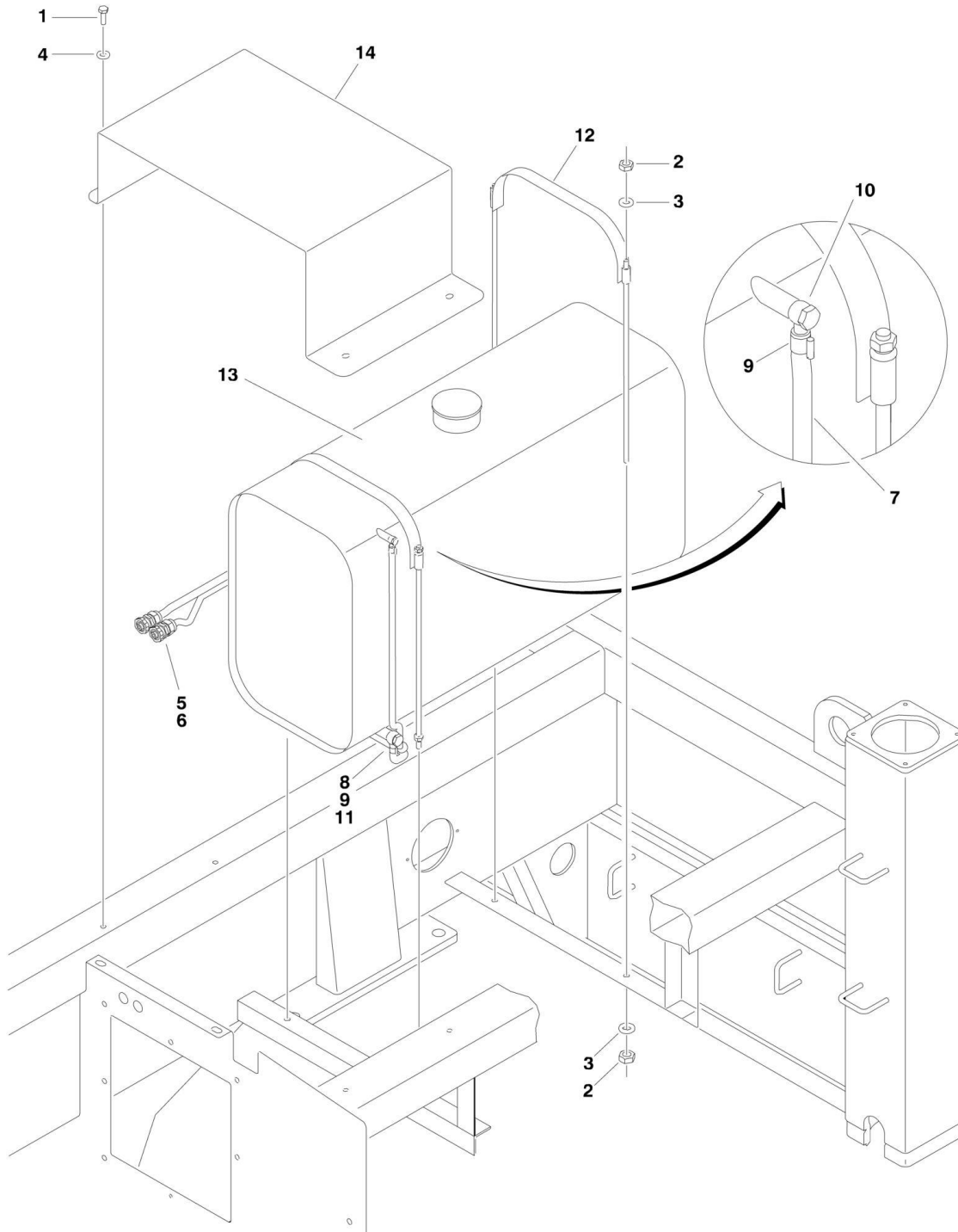
ITEM	PART NUMBER	QTY	DESCRIPTION	REV
	0275614	Ref	ENGINE INSTALLATION	I
2	0760812	4	Bolt M8 x 25mm	
3	0760817	2	Bolt M8 x 45mm	
4	0761010	2	Bolt M10 x 20mm	
5	0761012	2	Bolt M10 x 25mm	
6	0761228	4	Bolt M12 x 110mm	
7	3290805	AR	Nut M8	
8	3291005	4	Nut M10	
9	3291205	4	Nut M12	
11	4831900	4	Lockwasher M8	
12	4832000	4	Lockwasher M10	
13	4812100	8	Flatwasher M12	
14	8005376	3	Clamp, Hose	
15	8405204	7	Clamp, Hose	
20	H000310	1	Pump, Hydraulic	
20	70000938	1	Seal Kit, Front Pump Section	
20	70000939	1	Seal Kit, Middle Pump Section	
20	70000941	1	Seal Kit, Rear Pump Section	
20	70000940	1	Seal Kit, Adapter	
21	H004005	1	Air Cleaner	
21	H005232	1	Primary Element (Outer)	
21	70000054	1	Safety Element (Inner)	
22	H005234	1	Rubber Intake Tube	
23	H005236	1	Hose, Intake (Intake Pipe to Air Cleaner)	
24	H005237	2	Hose, Air Intake	
25	H005238	2	Elbow, Air Intake	
26	H005239	1	Pipe, Intake	
27	H005242	1	Sleeve, Reducing	
28	H900047	1	Engine/Pump Assembly (See Items 101 - 106 for Breakdown)	
29	H900066	1	Elbow, Exhaust	
30	S005171	1	Pipe, Exhaust Flex	
31	S005172	2	Clamp, Exhaust	
32	S200024	1	Tailpipe	
33	S200262	1	Tray, Engine	
34	S200268	1	Bracket, Air Filter	
35	4811900	AR	Flatwasher M8	
37	1001091513	1	Bracket, Solenoid Wiring Loom	
38	1001091514	1	Indicator, Air Cleaner Clog	
39	1001093794	1	Hub, Coupling	
	H900047	Ref	ENGINE/PUMP ASSEMBLY	E
101	4032009	AR	Capscrew M10 x 25mm	
102	4832000	AR	Lockwasher M10	
103	H004080	1	Flange, Pump Mounting	
104	1001093793	1	Flange, Coupling	
104	See Note	1	Coupling Assembly (was p/n H004089) (Note: P/N H004089 no longer available. Replace with p/n 1001093793 & p/n 1001093794.)	
105	H005224	1	Solenoid, Throttle	B
105	70000055	1	Solenoid	
105	70000056	1	Cable, Electrical	

SECTION 2 - GROUND CONTROLS

ITEM	PART NUMBER	QTY	DESCRIPTION	REV
106	H900048	1	Engine Assembly (See Items 201 - 225 for Breakdown)	D
107	0760812	6	Bolt M8 x 25mm	
108	4831900	6	Lockwasher M8 (SN 1200015676 through 1200022109)	
109	0100011	AR	Compound, Locking (SN 1200022110 to Present)	
	H900048	Ref	ENGINE COMPONENTS	
201	7027248	1	Dipstick	
202	7020465	1	Cap, Filler	
203	Not Available	1	Pump, Oil Lube (Not Shown)	
203	Not Available	1	Seal Between Oil Pump and Engine Block (Not Shown)	
204	7016331	1	Filter, Oil	
205	Not Available	1	Pump, Injector - A (Not Shown)	
205	Not Available	1	Pump, Injector - B (Not Shown)	
205	Not Available	1	Pump, Injector - C (Not Shown)	
205	Not Available	1	Pump, Injector - D (Not Shown)	
205	Not Available	4	Gasket (1 per Injector) (Not Shown)	
206	7020023	1	Filter, Fuel	
207	7027238	1	Pump Fuel Supply	
207	7020411	1	Seal Between Fuel Pump and Engine Block (Not Shown)	
208	Not Available	4	Gasket, Intake Manifold (Not Shown)	
209	7020414	1	V-Belt (Not Shown)	
210	Not Available	4	Gasket, Exhaust Manifold to Engine Block (Not Shown)	
210	Not Available	1	Gasket, Exhaust Manifold to Exhaust Pipe (Not Shown)	
211	H004087	1	Muffler	
212	70000059	1	Starter	
212	7026608	1	Solenoid, Starter	
214	Not Available	1	Sender, Temperature (Not Shown)	
214	Not Available	1	Ring, Sealing	
215	Not Available	1	Switch, Oil Pressure (Not Shown)	
216	70000062	1	Solenoid, Shutdown (Bolts to Front of Engine - Not Shown)	
216	70000061	1	Spring	
217	7027239	1	Solenoid, Start (Threads into Side of Front Cover - Not Shown)	
220	Not Available	2	Plug, Intake Heater (Not Shown)	
221	Not Available	1	Thermostat (Not Shown)	
223	Not Available	1	Flywheel (Not Shown)	
224	7024579	1	Gear, Ring (Not Shown)	
225	7027245	1	Filter, Fuel In-line	

SECTION 2 - GROUND CONTROLS

FIGURE 2-8. FUEL TANK INSTALLATION



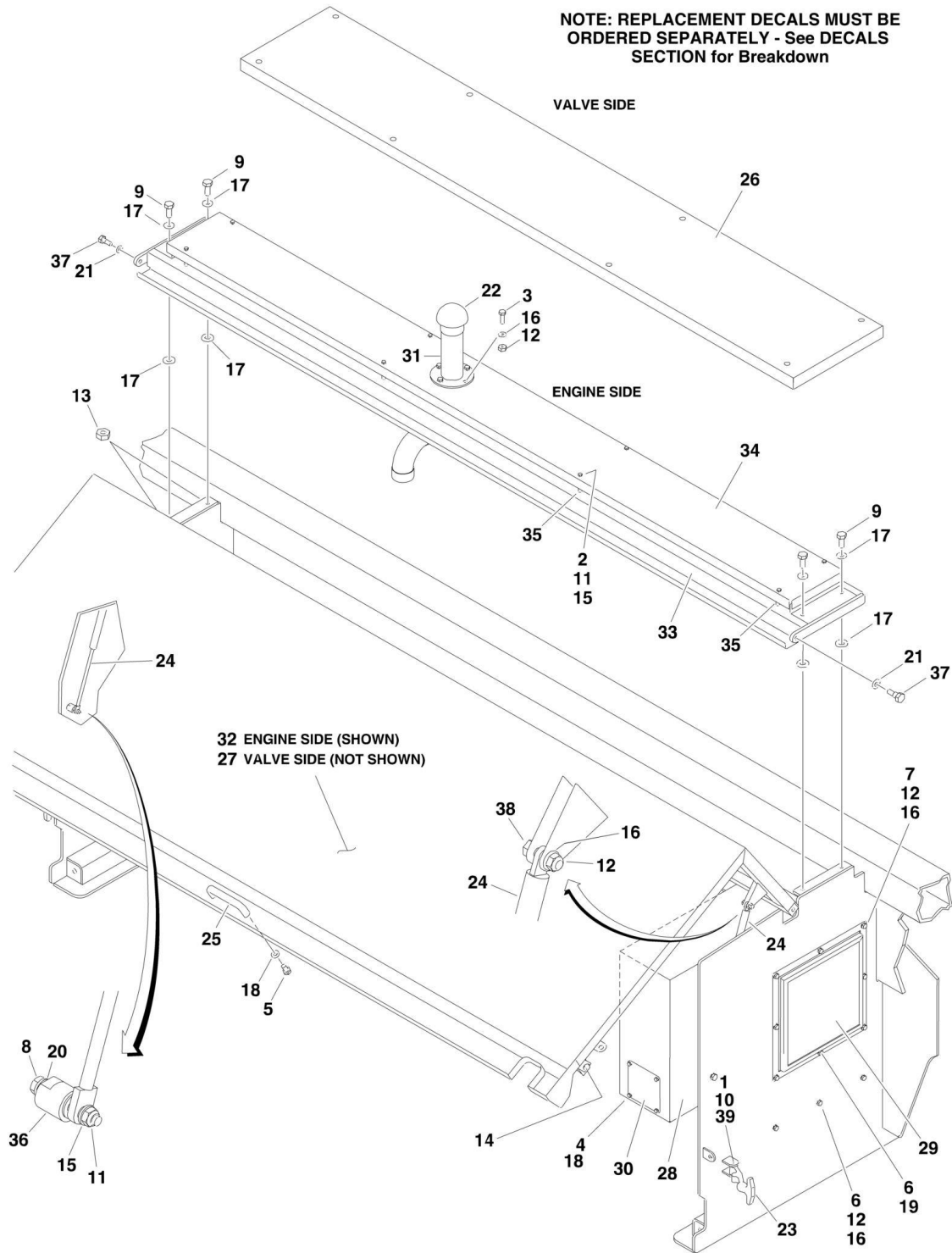
SECTION 2 - GROUND CONTROLS

FIGURE 2-8. FUEL TANK INSTALLATION

ITEM	PART NUMBER	QTY	DESCRIPTION	REV
	0275669	Ref	FUEL TANK INSTALLATION	D
1	0761006	4	Bolt M10 x 12mm (SN 1200015676 through 1200016718)	
2	3290805	8	Nut M8	
3	4831900	8	Lockwasher M8	
4	4832000	4	Lockwasher M10 (SN 1200015676 through 1200016718)	
5	E900051	2	Connector, Stain Relief	
6	E900052	2	Nut, Strain Relief	
7	H000038	4.1 m/14ft	Hose (5.5mm)	
8	H000039	3 m/10ft	Hose (7.5mm)	
9	H000040	4	Clamp	
10	H000048	1	Fitting, Hose	
11	H000049	1	Fitting, Hose	
12	H000051	2	Strap, Fuel Tank	
13	H000412	1	Tank, Fuel	
13	70000902	1	Cap, Fuel	
14	S900281	1	Shield, Fuel Tank (SN 1200015676 through 1200016718)	
15	8007986	AR	Mount, Tie Strap (Not Shown)	

SECTION 2 - GROUND CONTROLS

FIGURE 2-9. HOODS INSTALLATION



SECTION 2 - GROUND CONTROLS

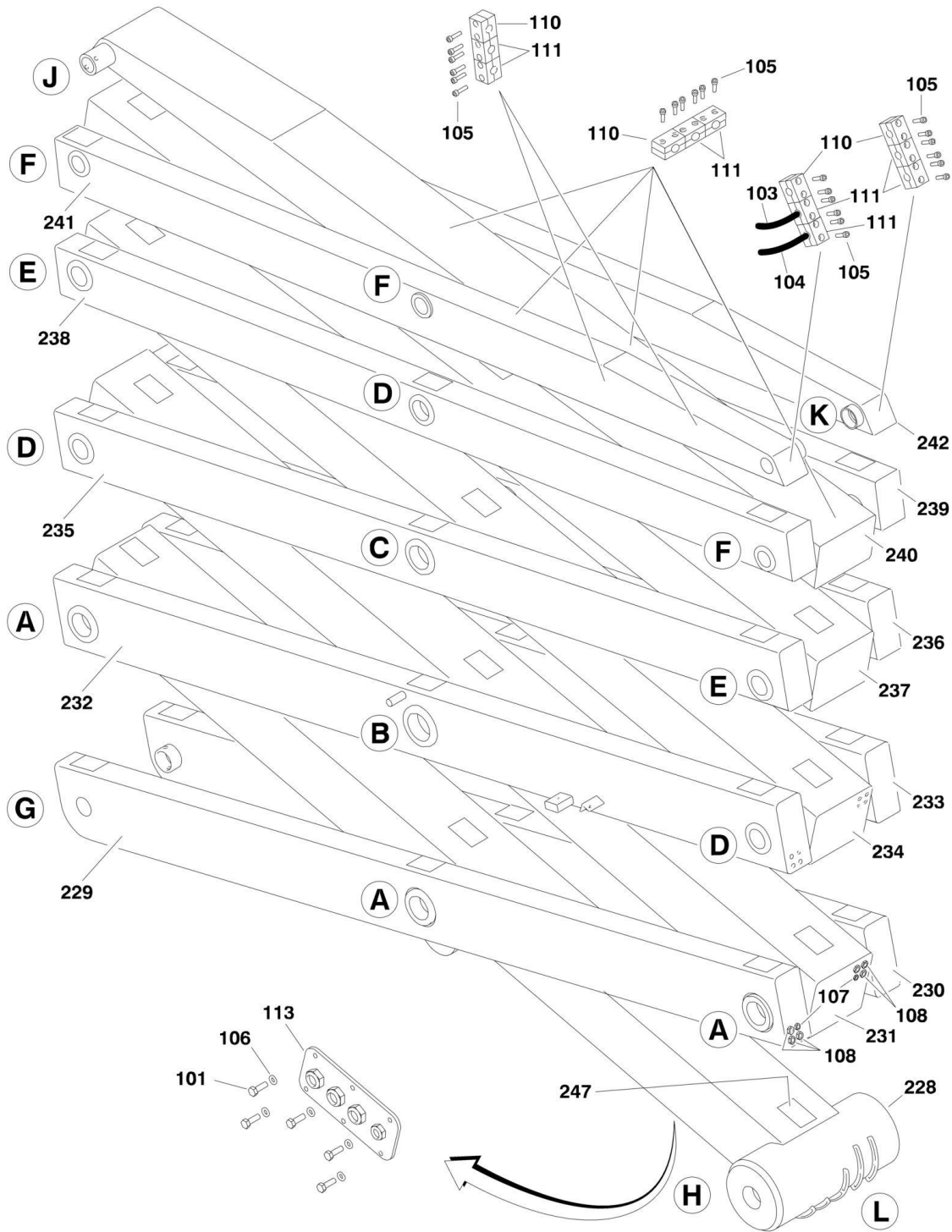
FIGURE 2-9. HOODS INSTALLATION

ITEM	PART NUMBER	QTY	DESCRIPTION	REV
	0275728	Ref	HOODS AND COVERS INSTALLATION	D
1	0700518	4	Bolt M5 x 55mm	
2	1001096653	8	Bolt M6 x 70mm	
3	0700812	4	Bolt M8 x 25mm	
4	0760605	4	Bolt M6 x 10mm	
5	0760608	4	Bolt M6 x 16mm	
6	0760812	4	Bolt M8 x 25mm	
7	0760814	7	Bolt M8 x 30mm	
8	0761010	4	Bolt M10 x 20mm	
9	0761012	8	Bolt M10 x 25mm	
10	3290505	4	Locknut M5	
11	3290605	12	Locknut M6	
12	3290805	18	Locknut M8	
13	3291005	8	Locknut M10	
14	3820408	8	Rivet	
15	4811700	20	Flatwasher M6	
16	4811900	36	Flatwasher M8	
17	4812000	16	Flatwasher M10	
18	4831700	8	Lockwasher M6	
19	4831900	1	Lockwasher M8	
20	4832000	4	Lockwasher M10	
21	4832100	4	Lockwasher M12	
22	1001091761	1	Cap, Rain	
23	S000056	4	Strap, Hood	
24	S000246	4	Spring, Gas	
25	S001676	2	Handle	
26	S200260	1	Panel, Cabinet Top (Right)	
27	S200261	1	Hood (Right)	
28	S200270	1	Shroud, Fan	
29	S200271	1	Screen, Safety	
30	S200272	1	Cover, Access	
31	S900005	1	Pipe, Air Intake	
32	S900055	1	Hood (Left)	
33	S900058	1	Panel, Cabinet Top (Left)	
34	S900059	1	Cover, Cabinet Top Panel (Left)	
35	S900060	8	Spacer	
36	S900078	4	Pin, Hood Strut Mounting	
37	S900079	4	Bolt, Special	
38	0760815	4	Bolt M8 x 35mm	
39	4811600	8	Flatwasher M5	

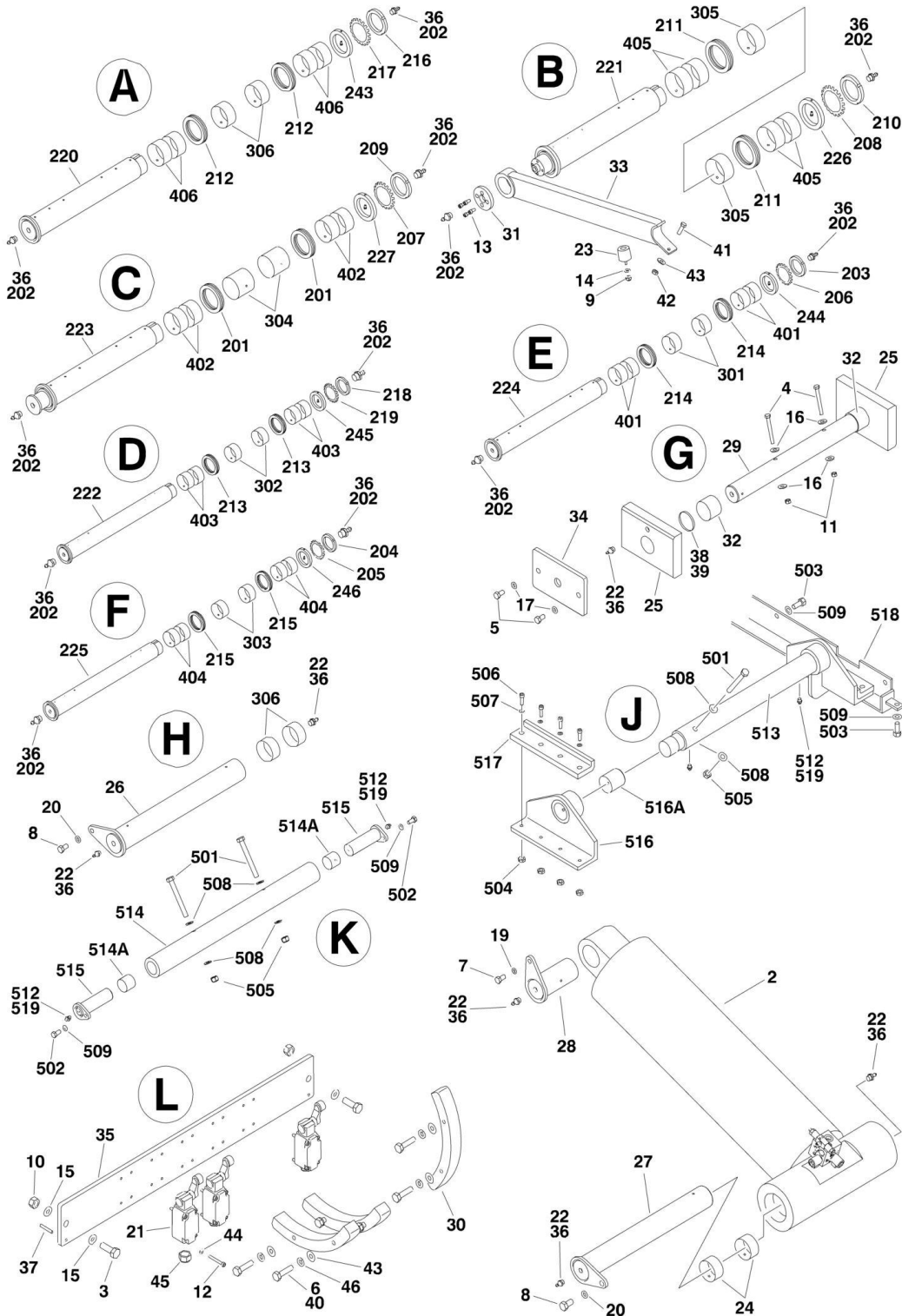
SECTION 3 - SCISSORS ARMS

SECTION 3 - SCISSORS ARMS

FIGURE 3-1. SCISSORS ARMS INSTALLATION



SECTION 3 - SCISSORS ARMS



SECTION 3 - SCISSORS ARMS

FIGURE 3-1. SCISSORS ARMS INSTALLATION

ITEM	PART NUMBER	QTY	DESCRIPTION	REV
	0275781	Ref	SCISSOR ARMS INSTALLATION	F
2	0275780	1	Lift Cylinder with Valves Assembly (See CYLINDER SECTION for Breakdown)	
3	0701217	2	Bolt M12 x 45mm	
4	0701629	2	Bolt M16 x 120mm	
5	0760605	4	Bolt M6 x 10mm	
6	0761014	6	Bolt M10 x 30mm	
7	0761216	1	Bolt M12 x 40mm	
8	0762015	2	Bolt M20 x 35mm	
9	3290805	1	Nut M8	
10	3291205	2	Nut M12	
11	3291605	2	Nut M16	
12	4031612	12	Capscrew M5 x 40mm	
13	4031908	4	Capscrew M8 x 20mm	
14	4811900	1	Washer M8	
15	4812100	4	Washer M12	
16	4812300	4	Washer M16	
17	4831700	4	Lockwasher M6	
19	4832100	1	Lockwasher M12	
20	4832500	2	Lockwasher M20	
21	E000376	3	Switch, Limit	
22	2160016	7	Fitting, Grease	
23	S001594	1	Bumper, Rubber	
24	S001810	2	Bushing	
25	S004034	2	Block, Slide	
26	S007026	1	Pin	
27	S007027	1	Pin	
28	S007028	1	Pin	
29	S007029	1	Pin	
30	S200134	3	Cam	
31	S200175	1	Retainer, Prop Arm	
32	S200176	2	Spacer	
33	S201017	1	Prop, Safety	
34	S900006	2	Plate, Pin Cover	
35	S900019	1	Panel, Limit Switch Mounting	
36	S000142	32	Cap, Grease Fitting	
37	3440816	2	Roll Pin	
38	S900335	AR	Shim, 2mm	
39	S900336	AR	Shim, 3mm	
40	0100019	AR	Compound, Locking	
41	0761015	1	Bolt M10 x 35mm	
42	3291005	1	Locknut M10	
43	4812000	8	Flatwasher M10	
44	4831600	12	Lockwasher M5	
45	E000269	3	Relief, Strain	
46	4832000	6	Lockwasher M10	
	0275762	Ref	SCISSOR ARMS AND CABLE SUB-ASSEMBLY	C
101	0700812	6	Bolt M8 x 25mm	
103	2754362	1	Hose	
104	2754365	1	Hose	

SECTION 3 - SCISSORS ARMS

ITEM	PART NUMBER	QTY	DESCRIPTION	REV
105	4031709	48	Capscrew M6 x 25mm	
106	4831900	6	Lockwasher M8	
107	E000016	8	Connector, Strain Relief	
108	E000045	24	Connector, Strain Relief	
110	H000371	8	Clamp, Cable	
111	H000430	16	Clamp, Cable	
113	S900223	1	Cover	
114	1062255	AR	Tie, Cable (Not Shown)	
	S900020	Ref	SCISSOR ARMS ASSEMBLY	C
201	S000124	2	Bearing, Thrust	
202	2160016	26	Fitting, Grease	
203	S000191	2	Nut, KM 12	
204	S000192	3	Nut, KM 10	
205	S000193	3	Washer, MB 10 Retaining	
206	S000233	2	Washer, MB 12 Retaining	
207	S000234	1	Washer, MB 16 Retaining	
208	S001238	1	Washer, MB 20 Retaining	
209	S001240	1	Nut, KM 16	
210	S001241	1	Nut, KM 20	
211	S001491	2	Bearing, Thrust	
212	S001802	6	Bearing, Thrust	
213	S001803	6	Bearing, Thrust	
214	S001804	4	Bearing, Thrust	
215	S001805	6	Bearing, Thrust	
216	S001806	3	Nut, KM 15	
217	S001807	3	Washer, MB 15 Retaining	
218	S001808	3	Nut, KM 14	
219	S001809	3	Washer, MB 14 Retaining	
220	S007111	3	Pin, 85 mm	
221	S007112	1	Pin, 110 mm	
222	S007113	3	Pin, 80 mm	
223	S007114	1	Pin, 90 mm	
224	S007115	2	Pin, 70 mm	
225	S007119	3	Pin, 60 mm	
226	S200091	1	Washer and Pin	
227	S200092	1	Washer and Pin	
228	S200151	1	Arm, #1 Inner	
229	S200152	1	Arm, #1 RH Outer	
230	S200153	1	Arm, #1 LH Outer	
231	S200154	1	Arm, #2 Inner	
232	S200155	1	Arm, #2 RH Outer	
233	S200156	1	Arm, #2 LH Outer	
234	S200157	1	Arm, #3 Inner	
235	S200158	1	Arm, #3 RH Outer	
236	S200159	1	Arm, #3 LH Outer	
237	S200160	1	Arm, #4 Inner	
238	S200161	1	Arm, #4 RH Outer	
239	S200162	1	Arm, #4 LH Outer	
240	S200163	1	Arm, #5 Inner	
241	S200164	1	Arm, #5 RH Outer	
242	S200165	1	Arm, #5 LH Outer	

SECTION 3 - SCISSORS ARMS

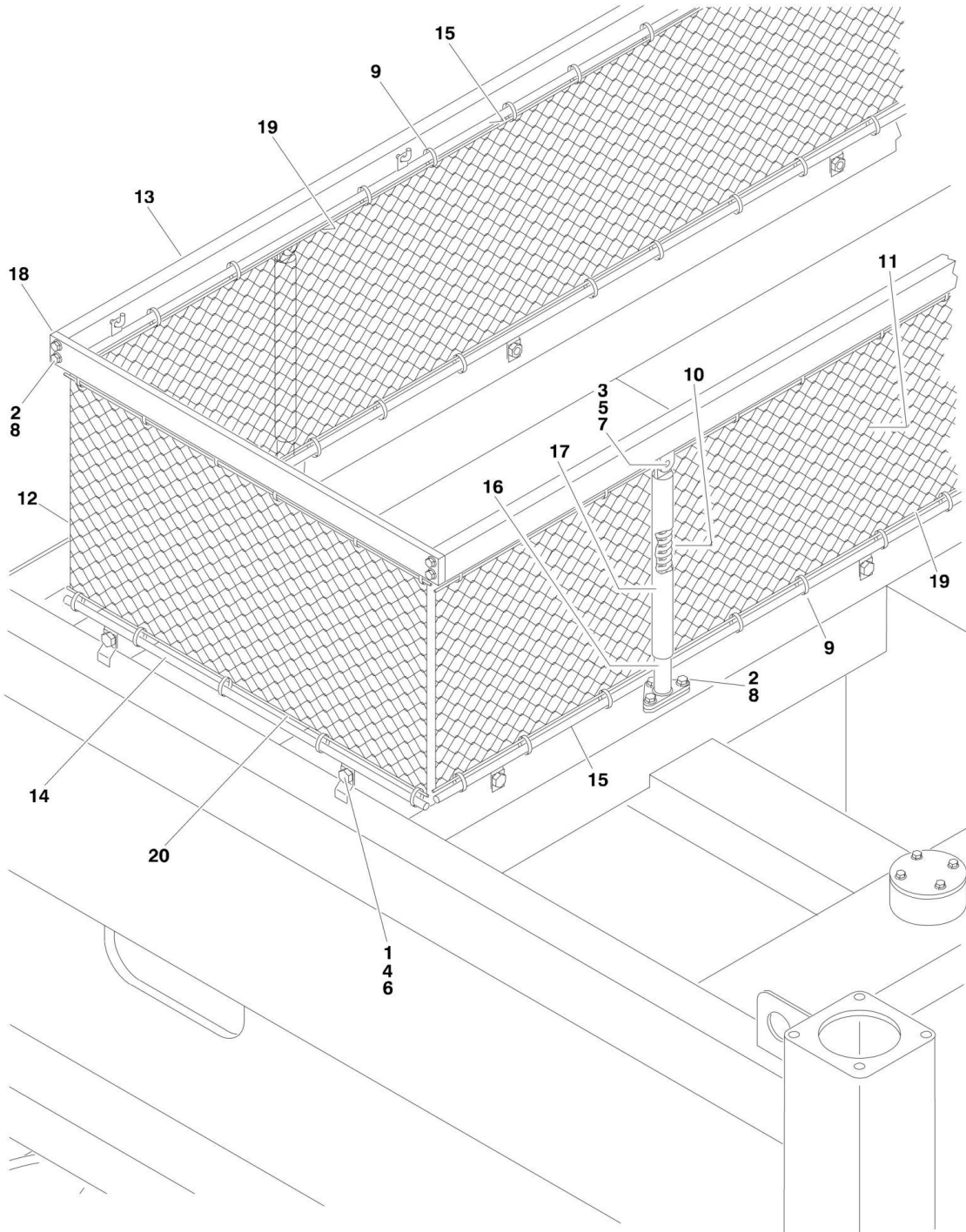
ITEM	PART NUMBER	QTY	DESCRIPTION	REV
243	S200166	3	Washer and Pin	
244	S200167	2	Washer and Pin	
245	S200168	3	Washer and Pin	
246	S200169	3	Washer and Pin	
247	S900240	75	Pad	
		Ref	INNER SCISSOR ARM WELDMENTS	
	S200151	Ref	Arm, #1 Inner	E
	S200154	Ref	Arm, #2 Inner	C
	S200157	Ref	Arm, #3 Inner	C
	S200160	Ref	Arm, #4 Inner	C
	S200163	Ref	Arm, #5 Inner	B
301	S000083	4	Bushing, 70 x 50mm (S200157 qty 2 & S200160 qty 2)	
302	S000120	6	Bushing, 80 x 60mm (S200154 qty 2, S200157 qty 2 & S200160 qty 2)	
303	S000178	6	Bushing, 60 x 60mm (S200160 qty 2 & S200163 qty 4)	
304	S000182	2	Bushing, 90 x 90mm (S200157 qty 2)	
305	S001496	2	Bushing, 110 x 60mm (S200154 qty 2)	
306	S001810	8	Bushing, 85 x 60mm (S200151 qty 6 & S200154 qty 2)	
		Ref	OUTER SCISSOR ARM WELDMENTS	
	S200152	Ref	Arm, #1 RH Outer	B
	S200153	Ref	Arm, #1 LH Outer	B
	S200155	Ref	Arm, #2 RH Outer	C
	S200156	Ref	Arm, #2 LH Outer	C
	S200158	Ref	Arm, #3 RH Outer	C
	S200159	Ref	Arm, #3 LH Outer	C
	S200161	Ref	Arm, #4 RH Outer	B
	S200162	Ref	Arm, #4 LH Outer	B
	S200164	Ref	Arm, #5 RH Outer	B
	S200165	Ref	Arm, #5 LH Outer	B
401	S000083	8	Bushing, 70 x 50mm (S200158 qty 2, S200159 qty 2, S200161 qty 2 & S200162 qty 2)	
402	S000118	4	Bushing, 90 x 60mm (S200158 qty 2 & S200159 qty 2)	
403	S000120	12	Bushing, 80 x 60mm (S200155 qty 2, S200156 qty 2, S200158 qty 2, S200159 qty 2, S200161 qty 2 & S200162 qty 2)	
404	S000178	12	Bushing, 60 x 60mm (S200161 qty 2, S200162 qty 2, S200164 qty 4 & S200165 qty 4)	
405	S001496	4	Bushing, 110 x 60mm (S200155 qty 2 & S200156 qty 2)	
406	S001810	12	Bushing, 85 x 60mm (S200152 qty 4, S200153 qty 4, S200155 qty 2 & S200156 qty 2)	
	0275725	Ref	SCISSOR ARMS TO PLATFORM ATTACHMENT INSTALLATION	D
501	0701229	3	Bolt M12 x 120mm	
502	0761012	2	Bolt M10 x 25mm	
503	0761010	14	Bolt M10 x 20mm	
504	3291005	8	Nut M10	
505	3291205	3	Nut M12	
506	4032011	8	Capscrew M10 x 35mm	
507	4812000	8	Washer M10	
508	4812100	6	Washer M12	
509	4832000	16	Lockwasher M10	
512	2160016	4	Fitting, Grease	
513	S007030	1	Pin, 60 mm	
514	S007031	1	Pin, 60 mm	

SECTION 3 - SCISSORS ARMS

ITEM	PART NUMBER	QTY	DESCRIPTION	REV
514A	S000139	2	Bushing	
515	S007033	2	Pin, 35 mm	
516		Ref	Slide, Platform Options:	
516	S200173	2	Slide, Platform (SN 1200015676 through 1200016717)	
516	1001097179	2	Slide, Platform (SN 1200016718 to Present)	
516A	S000140	2	Bushing	
517	S200174	2	Pad, Wear	
518	S200218	2	Channel, Platform Retaining	
519	S000142	4	Cap, Grease Fitting	

SECTION 3 - SCISSORS ARMS

FIGURE 3-2. ARM GUARDS INSTALLATION



SECTION 3 - SCISSORS ARMS

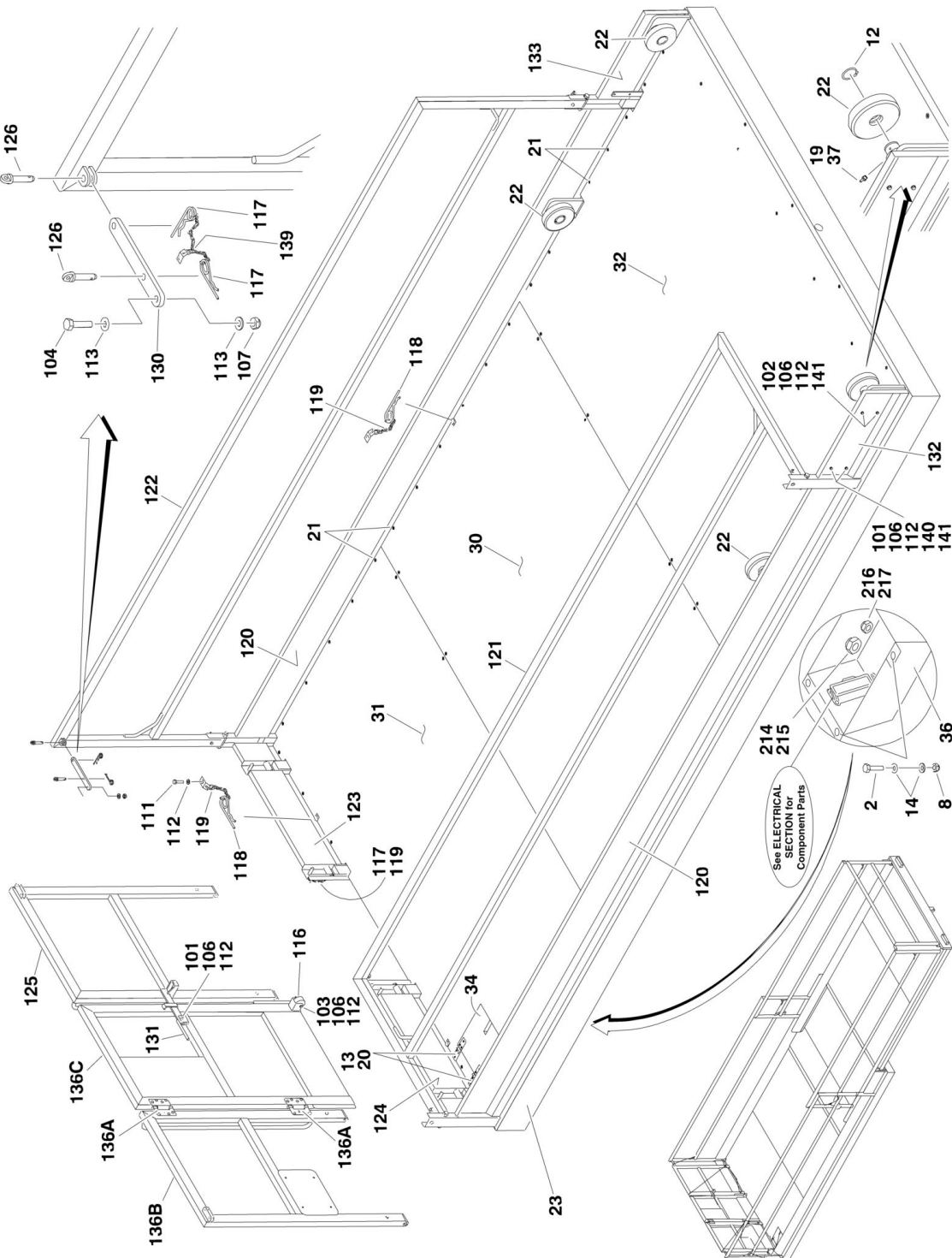
FIGURE 3-2. ARM GUARDS INSTALLATION

ITEM	PART NUMBER	QTY	DESCRIPTION	REV
	0275735	Ref	ARM GUARDS INSTALLATION	E
1	0760812	16	Bolt M8 x 25mm	
2	0761012	20	Bolt M10 x 25mm	
3	0761016	4	Bolt M10 x 40mm	
4	3290805	16	Nut M8	
5	3291005	4	Nut M10	
6	4811900	32	Washer M8	
7	4812000	8	Washer M10	
8	4832000	20	Lockwasher M10	
9	1062255	AR	Tie, Cable	
10	S001596	Ref	Spring	
10	S001596	12	Spring (SN 1200015676 through 1200016717)	
10	S001596	8	Spring (SN 1200016718 to Present)	
11	S001833	2	Safety Screen, Long	
12	S001834	2	Safety Screen, Short	
13	S200256	2	Tube, Long Upper	
14	S900009	4	Rod, Short Hanger	
15	S900010	4	Rod, Long Hanger	
16	S900011	4	Column, Lower	
17	S900012	4	Column, Upper	
18	S900153	2	Tube, Short Upper	
19	S005042-05	4	Spring Rod, Long	
20	S005042-06	4	Spring Rod, Short	

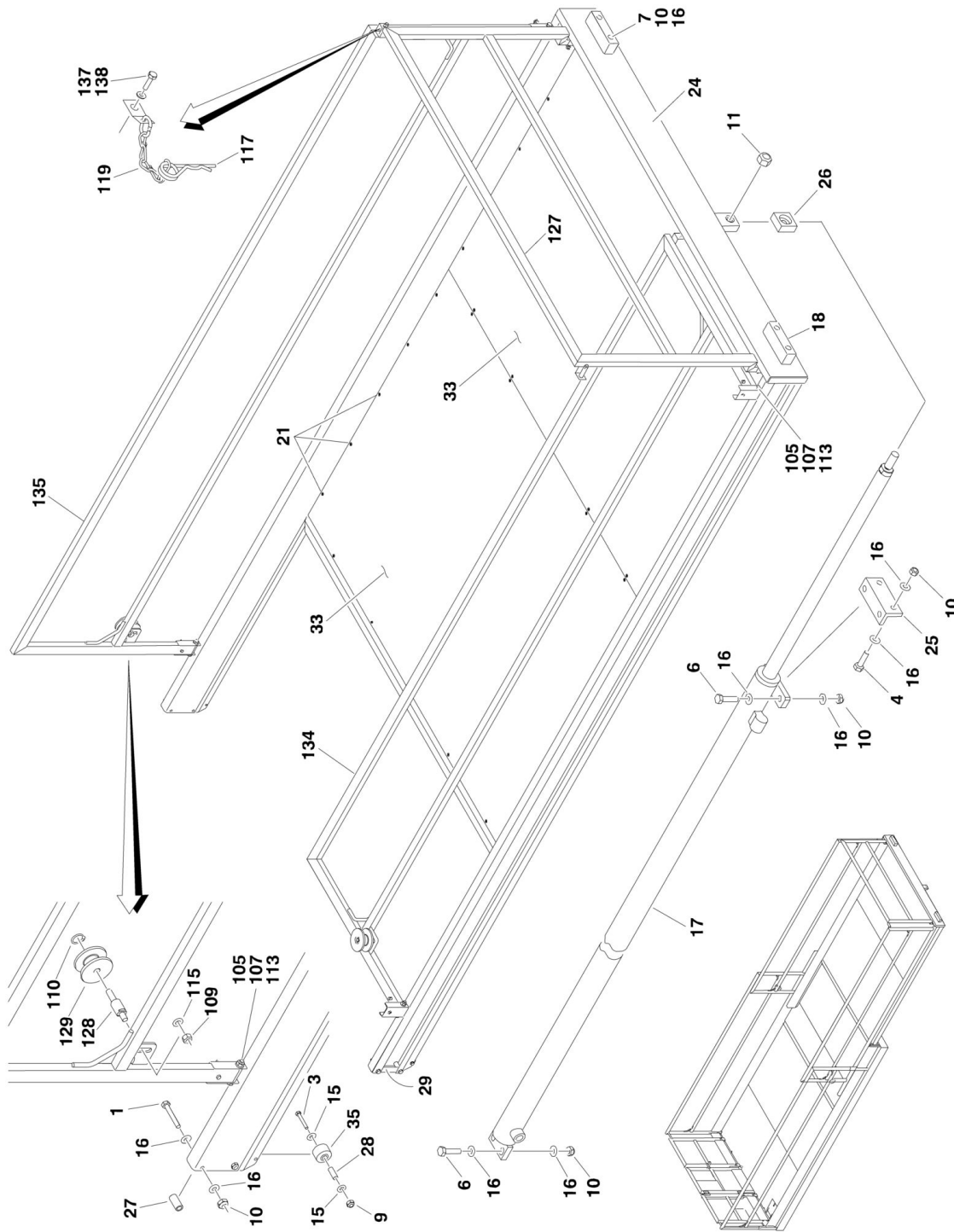
SECTION 4 - PLATFORM

SECTION 4 - PLATFORM

FIGURE 4-1. PLATFORM AND RAILS INSTALLATION



SECTION 4 - PLATFORM



SECTION 4 - PLATFORM

FIGURE 4-1. PLATFORM AND RAILS INSTALLATION

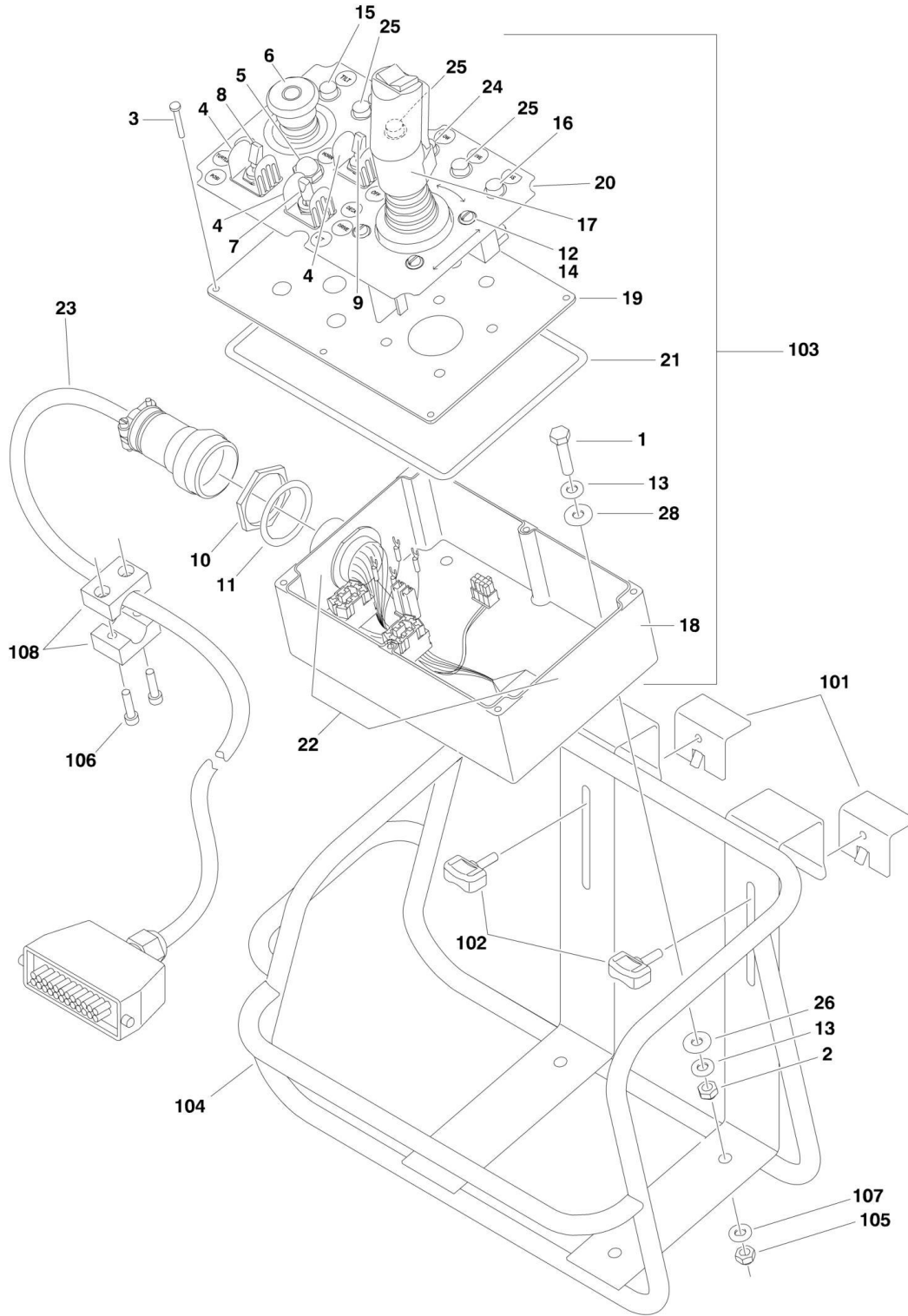
ITEM	PART NUMBER	QTY	DESCRIPTION	REV
	0275726	Ref	PLATFORM AND EXTENSION INSTALLATION	G
1	0701022	4	Bolt M10 x 70mm	
2	0760610	4	Bolt M6 x 20mm	
3	0760819	2	Bolt M8 x 55mm	
4	0761015	2	Bolt M10 x 35mm	
6	0761016	4	Bolt M10 x 40mm	
7	0701024	4	Bolt M10 x 80mm	
8	3290605	4	Nut M6	
9	3290805	2	Nut M8	
10	3291005	14	Nut M10	
11	3291605	1	Nut M16	
12	3760491	4	Ring, Snap	
13	3900376	12	Screw, M4 Countersunk	
14	4811700	8	Washer M6	
15	4811900	4	Washer M8	
16	4812000	28	Washer M10	
17	H900013	1	Cylinder, Deck Extension (See CYLINDER SECTION for Breakdown)	
18	S000055	2	Bumper	
19	2160016	4	Fitting, Grease	
20	S000237	2	Hinge	
21	S001445	AR	Screw, Deck Floor	
22	S005049	4	Roller	
23	S200202	1	Platform Weldment, Main	
24	S200203	1	Platform Weldment, Extension	
25	S200226	1	Bracket, Extension Cylinder Mounting	
26	S900015	1	Block, Coupling	
27	S900016	4	Spacer, Tube	
28	S900017	2	Spacer, Tube	
29	S900018	2	Plate, Stop	
30	S900022	1	Plate, Main Platform Middle Floor	
31	S900023	1	Plate, Main Platform Front Floor	
32		Ref	Plate, Main Platform Rear Floor Options:	
32	S900024	1	Plate, Main Platform Rear Floor (SN 1200015676 through 1200016717)	
32	1001098098	1	Plate, Main Platform Rear Floor (SN 1200016718 to Present)	
33	S900025	2	Plate, Extension Platform Floor	
34	S900030	1	Door, Connector Compartment	
35	S900155	2	Roller, Support	
36	S900229	1	Compartment, Connector	
37	S000142	4	Cap, Grease Fitting	
	0275727	Ref	PLATFORM RAILS INSTALLATION	E
101	0760614	AR	Bolt M6 x 30mm	
102		Ref	Bolt Options:	
102	0760615	4	Bolt (M6 x 35mm) (SN 1200015676 through 1200016717)	
102	0760805	4	Bolt (M8 x 10mm) (SN 1200016718 to Present)	
103	0760619	1	Bolt M6 x 55mm	
104	0761016	2	Bolt M10 x 40mm	
105	0761024	14	Bolt M10 x 80mm	
106	3290605	10	Nut M6	

SECTION 4 - PLATFORM

ITEM	PART NUMBER	QTY	DESCRIPTION	REV
107	3291005	16	Nut M10	
109	3291605	2	Nut M16	
110	3760518	2	Ring, Snap	
111	3900376	4	Screw, M4 Countersunk	
112	4811700	AR	Washer M6	
113	4812000	32	Washer M10	
115	4812300	2	Washer M16	
116	S000031	1	Roller, Gate	
117	S000145	20	Pin, 3mm Cotter	
118	S000510	4	Pin, 4mm Cotter	
119	S001443	20	Chain w/Plate	
120	S200212	2	Kick Plate, Side	
121	S200214	1	Rail, LH Platform	
122	S200215	1	Rail, RH Platform	
123	S200219	1	Kick Plate, RF	
124	S200220	1	Kick Plate, LF	
125	1001101878	1	Rail, RF (was p/n S200221)	
126	S200223	4	Pin, Link	
127	1001135526	1	Rail, Rear (was p/n S200229)	
128	S200230	2	Pin	
129	S200231	2	Roller	
130	S200233	2	Link	
131	S200238	1	Latch, Gate	
132	S201073	1	Kick Plate, LH Bolted	
133	S201074	1	Kick Plate, RH Bolted	
134	S201081	1	Rail, LH Extension	
135	S201082	1	Rail, RH Extension	
136	S900301	1	Gate and Rail Assembly	
136A	2600281	2	Hinge	
136A	2080040	16	Rivet	
136B	1001101877	1	Rail, LF	
136C	1001101876	1	Gate	
137	0760605	2	Bolt M6 x 10mm	
138	4831700	2	Lockwasher M6	
139	S900275	4	Chain w/Plate	
140	0760805	4	Bolt M8 x 10mm (SN 1200016718 to Present)	
141	4831900	8	Lockwasher M8 (SN 1200016718 to Present)	
	0275784	Ref	RECEPTACLES INSTALLATION	C
214	E000016	1	Connector, Strain Relief	
215	1001097369	1	Nut, Strain Relief	
216	1001097370	1	Nut, Strain Relief	
217	E000045	1	Connector, Strain Relief	

SECTION 4 - PLATFORM

FIGURE 4-2. PLATFORM CONSOLE ASSEMBLY AND INSTALLATION



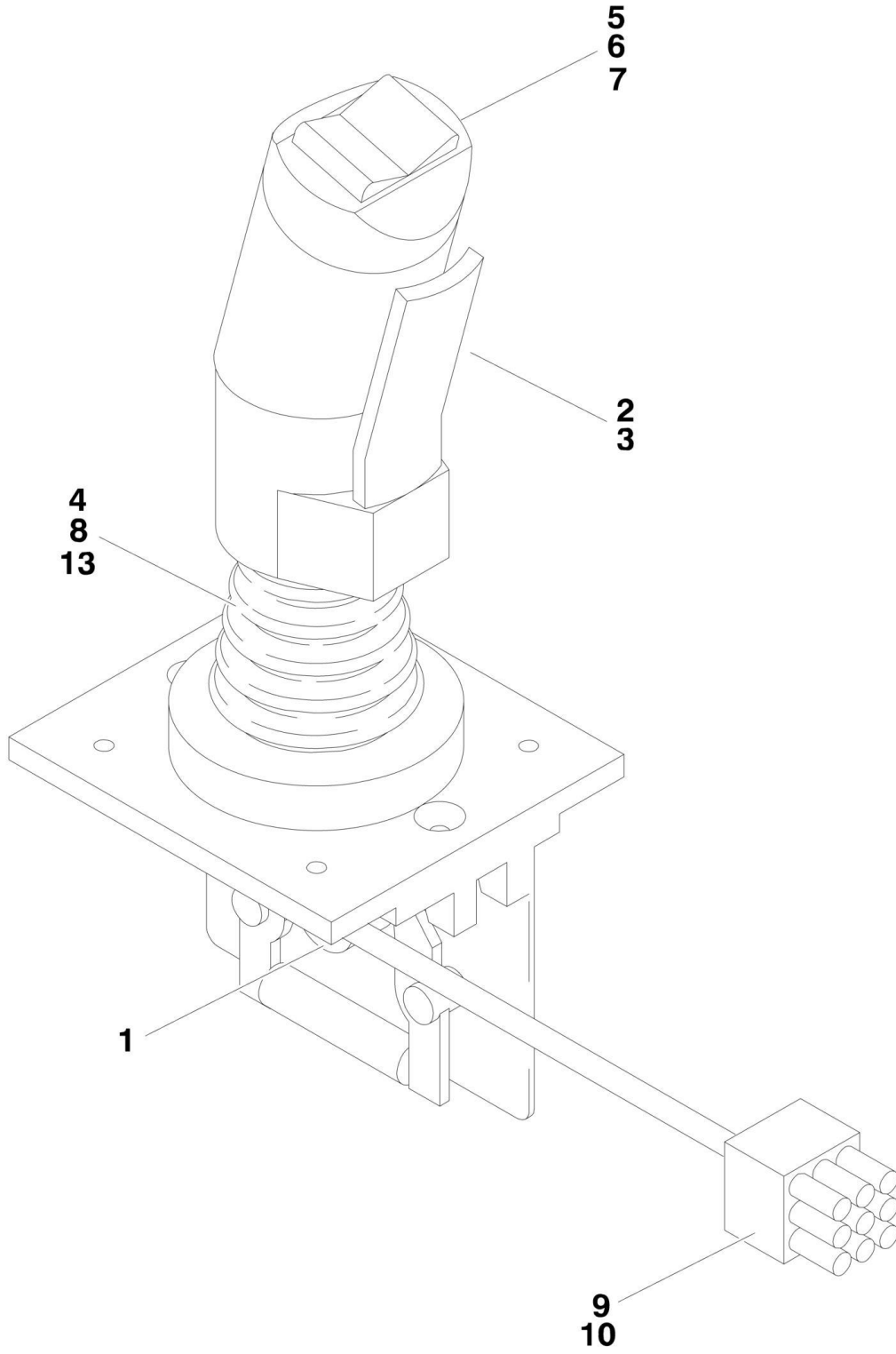
SECTION 4 - PLATFORM

FIGURE 4-2. PLATFORM CONSOLE ASSEMBLY AND INSTALLATION

ITEM	PART NUMBER	QTY	DESCRIPTION	REV
	E900027	Ref	PLATFORM CONSOLE ASSEMBLY	E
1		Ref	Bolt Options:	
1	0760508	4	Bolt (M5 x 16mm) (SN 1200015676 through 1200016717)	
1	0760815	4	Bolt (M8 x 35mm) (SN 1200016718 to Present)	
2		Ref	Locknut Options:	
2	3290505	4	Locknut (M5 Locknut) (SN 1200015676 through 1200016717)	
2	3290805	4	Locknut (M8 Locknut) (SN 1200016718 to Present)	
3	4010414	6	Screw M4 x 30mm	
4	4060802	3	Guard, Switch	
5	4360387	1	Switch, Push Button	
6	4360475	1	Switch, Emergency Stop	
6	7020175	1	Cap, Red	
6	7020176	1	Block, Contact	
7	4360525	1	Switch, Toggle	
8	4360693	1	Switch, Toggle	
9	4360698	1	Switch, Toggle	
10	4460470	1	Nut, Terminal	
11	4460471	1	Lockwasher, Terminal	
12	4740120	4	Washer, Nylon	
13		Ref	Flatwasher Options:	
13	4811600	4	Flatwasher (M5 Flatwasher) (SN 1200015676 through 1200016717)	
13	4811900	8	Flatwasher (M8 Flatwasher) (SN 1200016718 to Present)	
14	8303891	4	Screw #10-32NF x 3/4in	
15	E000419	1	Light, LED (Red)	
16	E000420	1	Light, Flashing LED (Red)	
17	E900025	1	Drive/Steer Controller Assembly (See DRIVE/STEER CONTROLLER ASSEMBLY for Breakdown)	
18	1001096367	1	Box, Control (was p/n E900028)	
19	E900029	1	Lid, Control Box	
20	E900030	1	Decal, Console	
21	E900031	1	Seal	
22	E900041	1	Harness, Platform Console Box (See ELECTRICAL SECTION for Breakdown)	
23	E900042	1	Harness, Jumper (See ELECTRICAL SECTION for Breakdown)	
24	E900048	1	Light, LED (Yellow)	
25	E900049	3	Light, LED (Green)	
26	4811902	8	Flatwasher M8 (Large O.D) (SN 1200016718 to Present)	
	0275611	Ref	PLATFORM CONSOLE INSTALLATION	B
101	0181847	2	Clamp, Console Bracket	
102	2560141	2	Screw, Thumb	
103	E900027	1	Console Assembly, Platform (see Items 1 - 26 for Breakdown)	
104		Ref	Bracket, Console Panel Options:	
104	S000009	1	Bracket, Console Panel (SN 1200015676 through 1200016717)	
104	1001096366	1	Bracket, Console Panel (SN 1200016718 to Present)	
105	3290805	4	Locknut M8	
106	4031709	2	Screw M6 x 25mm	
107	4811900	4	Flatwasher M8	
108	H000371	1	Clamp	

SECTION 4 - PLATFORM

FIGURE 4-3. DRIVE/STEER CONTROLLER ASSEMBLY



SECTION 4 - PLATFORM

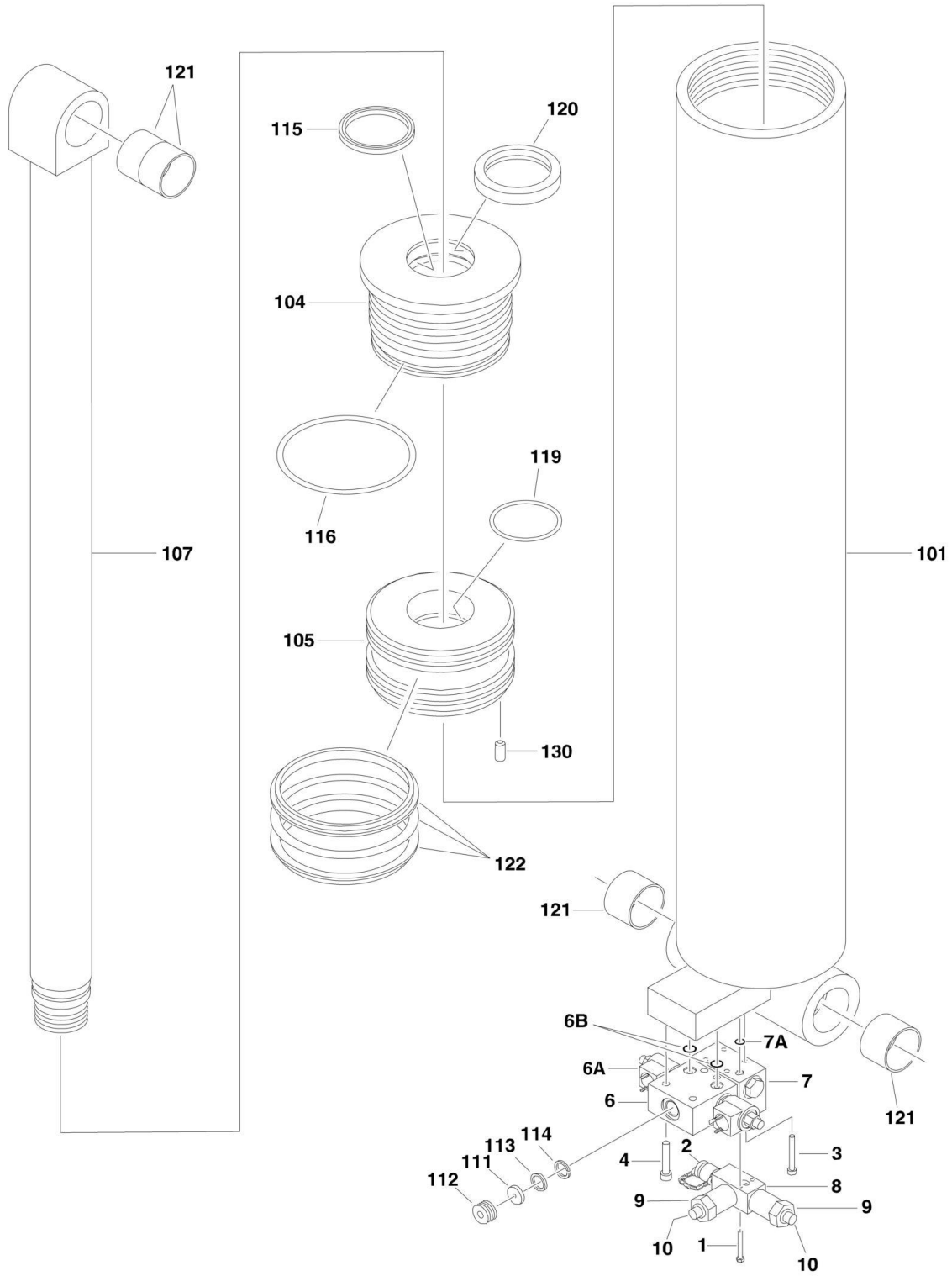
FIGURE 4-3. DRIVE/STEER CONTROLLER ASSEMBLY

ITEM	PART NUMBER	QTY	DESCRIPTION	REV
	E900025		DRIVE/STEER CONTROLLER ASSEMBLY	B
1	70000081	1	Potentiometer	
2	7027367	1	Switch, Push Button (Not Shown - Located Behind Item #3 Lever)	
3	7027765	1	Lever, Enabler	
4	7027766	1	Ring, Retaining	
5	70000082	1	Microswitch	
6	70000083	1	Coupler, Microswitch	
7	70000084	1	Cap, Rubber	
8	70000085	1	Boot, Rubber	
9	4460265	1	Plug, Male - 9 Pin	
10	4460226	6	Socket, Female	
11	4460266	1	Connector, Receptacle - 9 Pin (Not Shown - Part of Console Harness)	
12	4460267	6	Pin, Male (Not Shown - Part of Console Harness)	
13	70000685	1	Washer, Plastic Bushing	
14	70000684	AR	Screw, Handle (Not Shown)	
15	Not Available	AR	Nut, Handle (Not Shown)	
16	70000683	AR	Washer, Neoprene (Not Shown)	
17	70000686	AR	Screw, Handle (Not Shown)	

SECTION 5 - CYLINDER

SECTION 5 - CYLINDER

FIGURE 5-1. LIFT CYLINDER AND VALVES ASSEMBLY



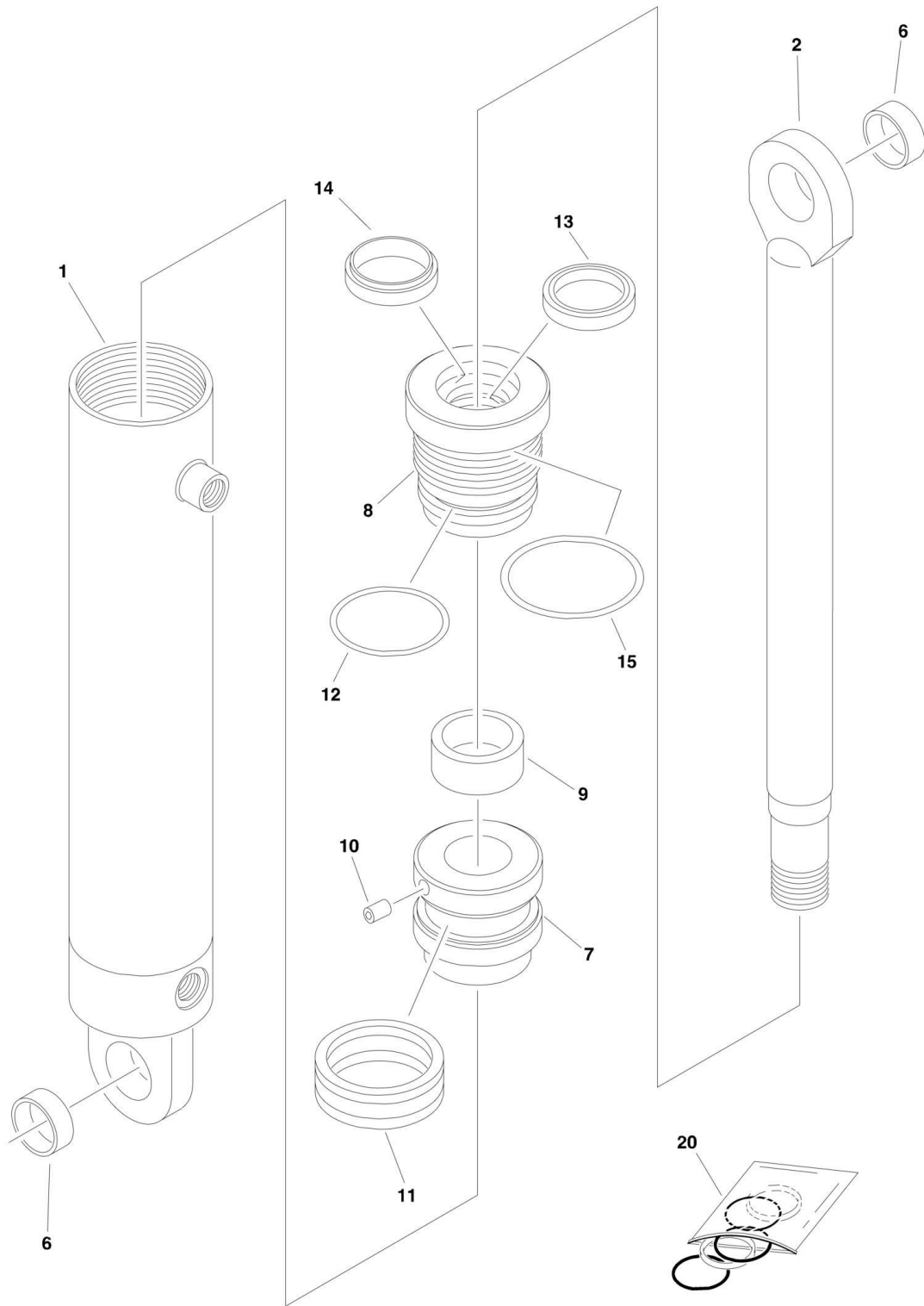
SECTION 5 - CYLINDER

FIGURE 5-1. LIFT CYLINDER AND VALVES ASSEMBLY

ITEM	PART NUMBER	QTY	DESCRIPTION	REV
	0275780	Ref	LIFT CYLINDER AND VALVES INSTALLATION	C
1	0760516	2	Bolt M5 x 40mm	
2	2221222	1	Fitting, Test Port	
3	4031714	4	Capscrew M6 x 50mm	
4	4031913	4	Capscrew M8 x 45mm	
6	H005243	1	Valve Assembly, Holding	
6A	70000942	2	Cartridge, Valve	
6A	7012998	AR	Seal Kit - Cartridge (1 Per Cartridge)	
6A	7012986	2	Coil	
6B	70000188	2	O-Ring (Between Valve and Cylinder)	
7	H005244	1	Block, Check Valve	
7	H000271	1	Piston	
7	7012955	1	Valve, Holding	
7	7012998		Seal Kit	
7A	70000189	1	O-Ring	
8	H705721	1	Block, Pressure Sensor	
9	H705722	2	Sensor, Pressure	
10	H705724	2	Cap, Pressure Sensor	
	H000684	Ref	LIFT CYLINDER ONLY	
101	S200426	1	Barrel Weldment	
104	S200185	1	Head	
105	S200184	1	Piston	
107	S200182	1	Rod Weldment	
111	70000185	1	Collar, Throttle	
112	70000186	1	Screw, Throttle	
113	70000187	1	Ring, Throttle	
114	Not Available	1	Ring, Snap	
115	H003090	1	Seal, Rod	
116	H003113	1	O-Ring	
119	H003109	1	O-Ring	
120	H003084	1	Wiper	
121	S001810	4	Bushing	
122	H000530	1	Seal Set, Piston	
130	S200910	1	Setscrew (Note: No seal kit available. Purchase individual seals.)	
		Ref	Note: No seal kit available. Purchase individual seals.	

SECTION 5 - CYLINDER

FIGURE 5-2. STEERING CYLINDER ASSEMBLY



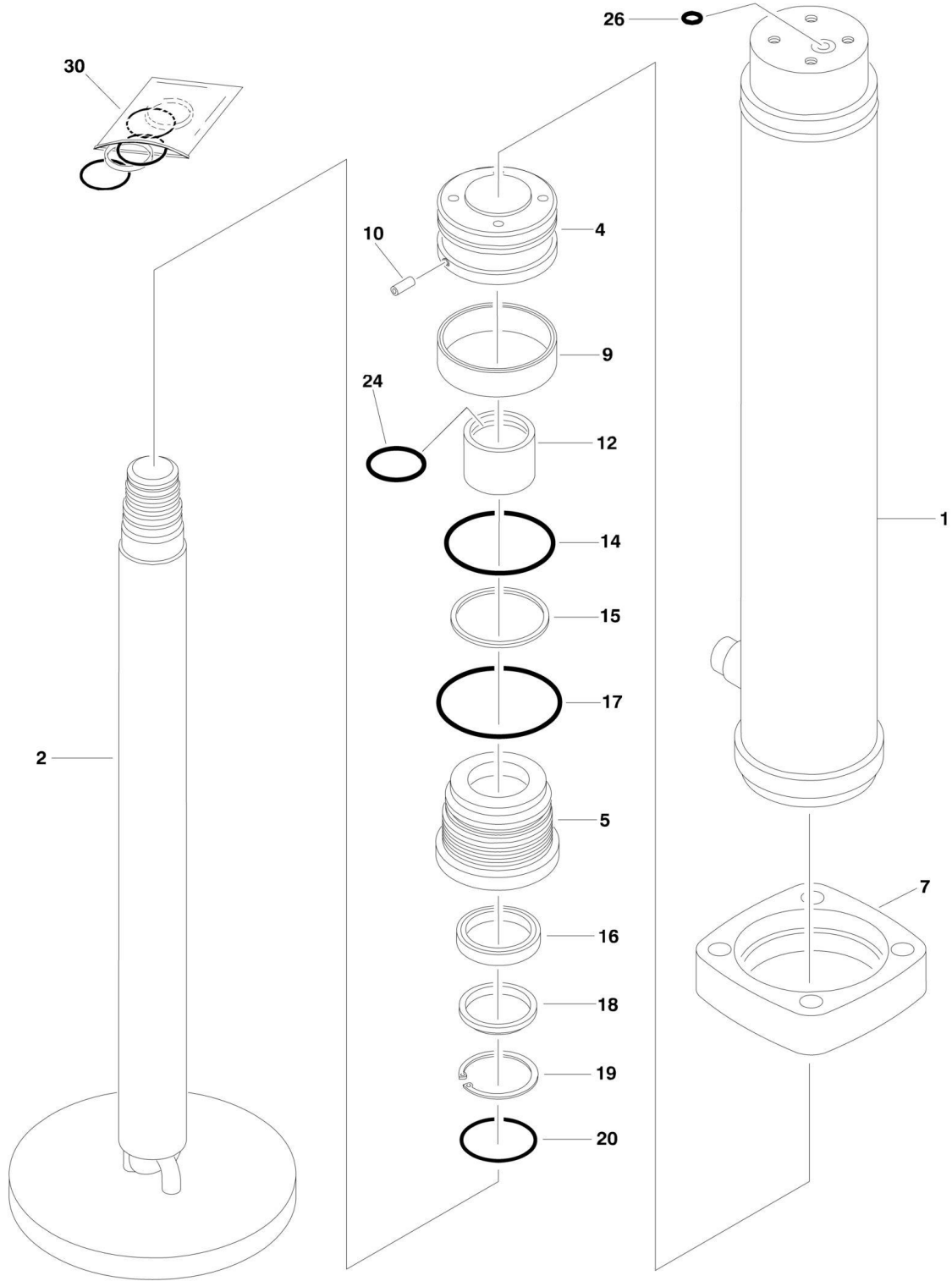
SECTION 5 - CYLINDER

FIGURE 5-2. STEERING CYLINDER ASSEMBLY

ITEM	PART NUMBER	QTY	DESCRIPTION	REV
	H900007	Ref	STEERING CYLINDER ASSEMBLY	C
1	70000763	1	Barrel	
2	70000762	1	Rod	
6	70000749	2	Bushing	
7	70000750	1	Piston	
8	70000751	1	Head	
9	70000752	1	Spacer	
10	Not Available	1	Setscrew	
11	Item 20	1	Seal, Piston	
12	Item 20	1	Seal, Head	
13	Item 20	1	Seal, Rod	
14	Item 20	1	Wiper	
15	Item 20	1	O-Ring	
20	70000755	1	Seal Kit (Includes Items 11,12,13,14 & 15)	

SECTION 5 - CYLINDER

FIGURE 5-3. LEVELING CYLINDER ASSEMBLY



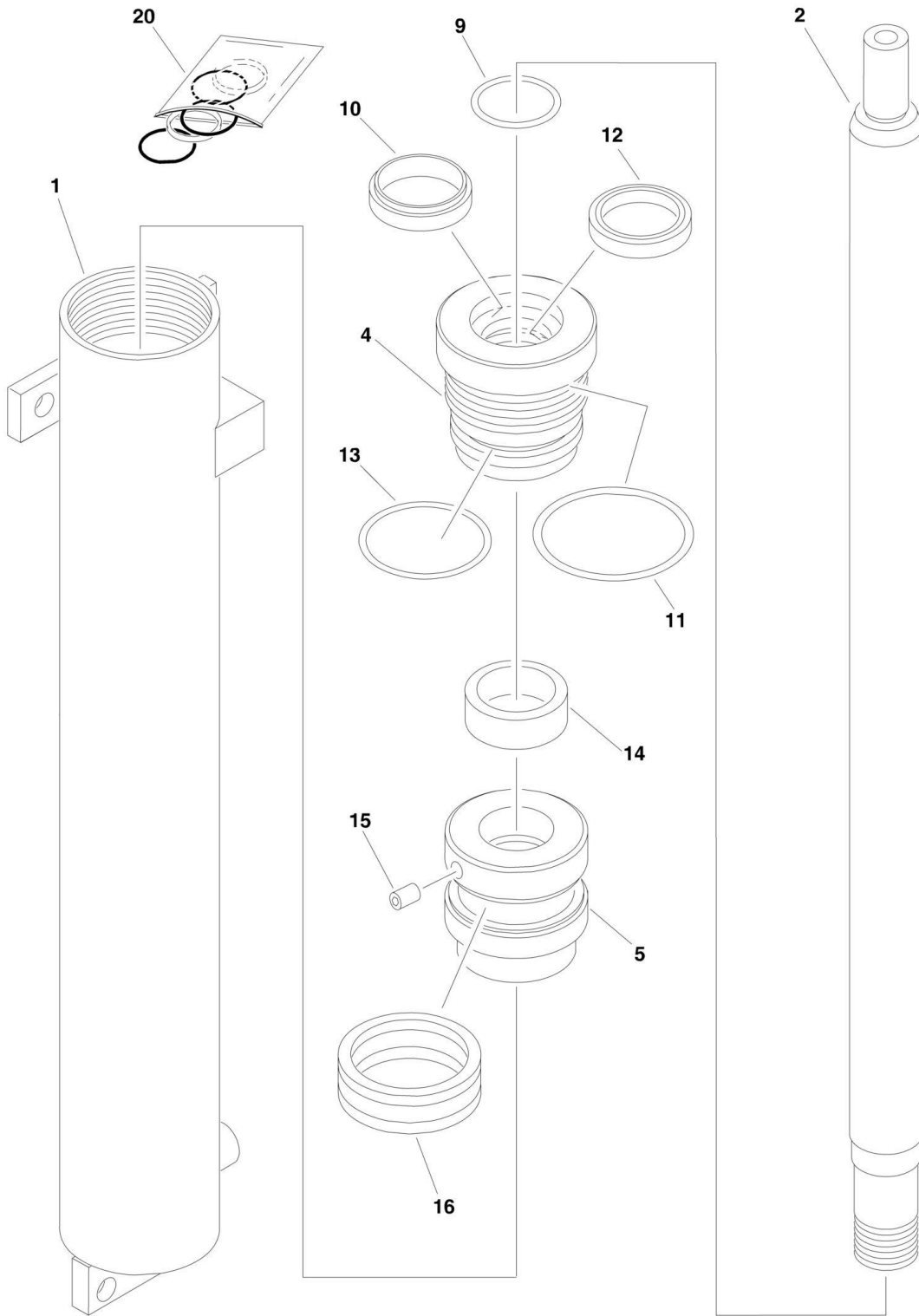
SECTION 5 - CYLINDER

FIGURE 5-3. LEVELING CYLINDER ASSEMBLY

ITEM	PART NUMBER	QTY	DESCRIPTION	REV
		Ref	LEVELING CYLINDER ASSEMBLY	
	H900018	Ref	Right Front and Left Rear Cylinders	E
	H900019	Ref	Left Front and Right Rear Cylinders	E
1		Ref	Barrel Options:	
1	70000770	1	H900018 Cylinder	
1	70000772	1	H900019 Cylinder	
2	70000769	1	Rod	
4	70000764	1	Piston	
5	70000765	1	Head	
7	70000766	1	Flange, Mounting	
9	Item 30	1	Seal, Piston	
10	Not Available	1	Setscrew	
12	70000767	1	Spacer	
14	Item 30	1	Seal, Head	
15	Item 30	1	Ring, Backup	
16	Item 30	1	Seal, Rod	
17	Item 30	1	O-Ring	
18	Item 30	1	Wiper	
19	70000768	1	Ring, Retaining	
20	Item 30	1	O-Ring	
24	Item 30	1	O-Ring	
26	70000700	1	O-Ring	
30	70000771	1	Seal Kit (Includes Items 9,14-18,20 & 24)	

SECTION 5 - CYLINDER

FIGURE 5-4. EXTENSION CYLINDER ASSEMBLY



SECTION 5 - CYLINDER

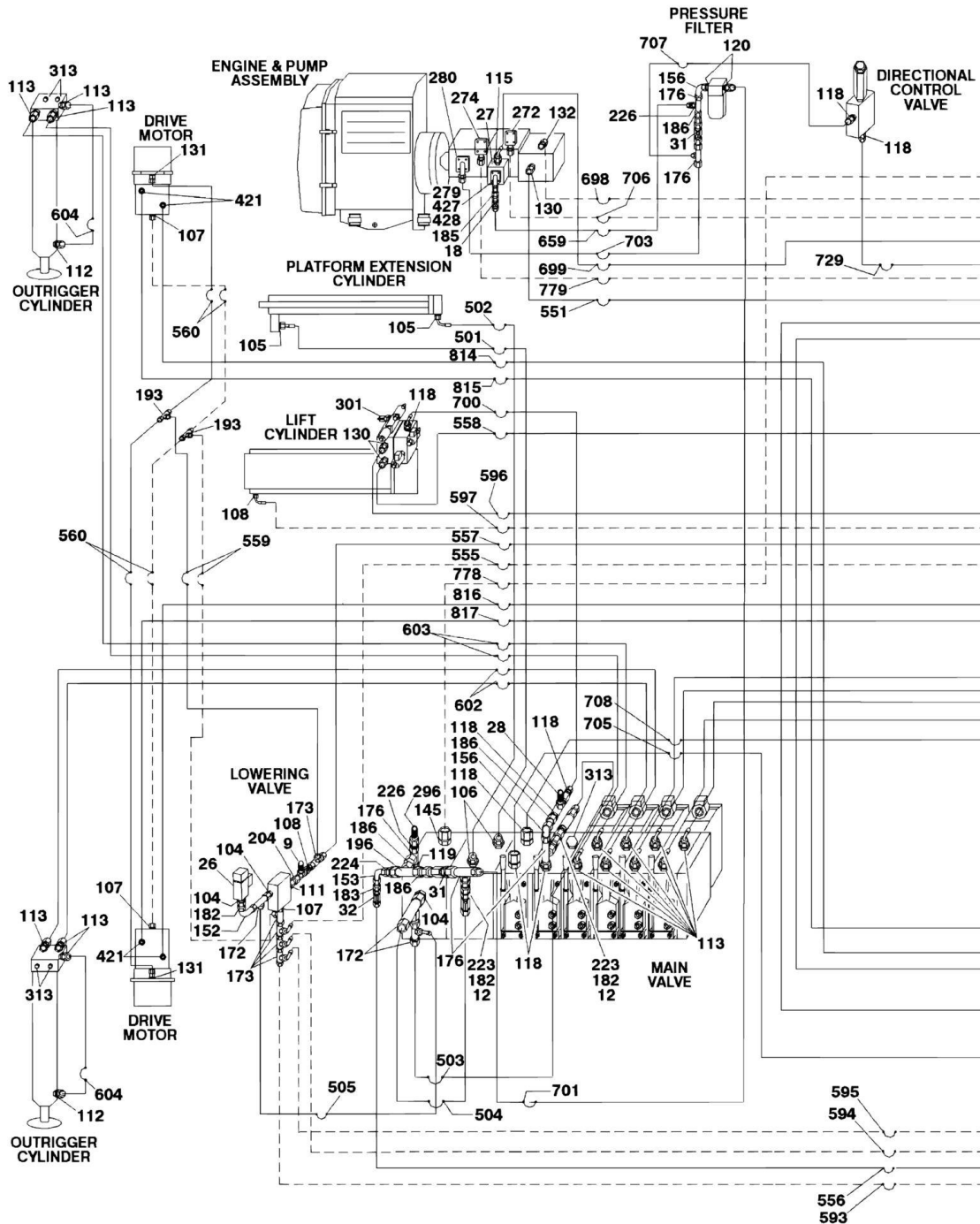
FIGURE 5-4. EXTENSION CYLINDER ASSEMBLY

ITEM	PART NUMBER	QTY	DESCRIPTION	REV
	H900013	Ref	EXTENSION CYLINDER ASSEMBLY	B
1	70000761	1	Barrel	
2	70000760	1	Rod	
4	70000707	1	Head	
5	70000708	1	Piston	
9	Item 20	1	O-Ring	
10	Item 20	1	Wiper	
11	Item 20	1	O-Ring	
12	Item 20	1	Seal, Rod	
13	Item 20	1	Seal, Head	
14	70000759	1	Spacer	
15	Not Available	1	Setscrew	
16	Item 20	1	Seal, Piston	
20	70000713	1	Seal Kit (Includes Items 9-13 & 16)	

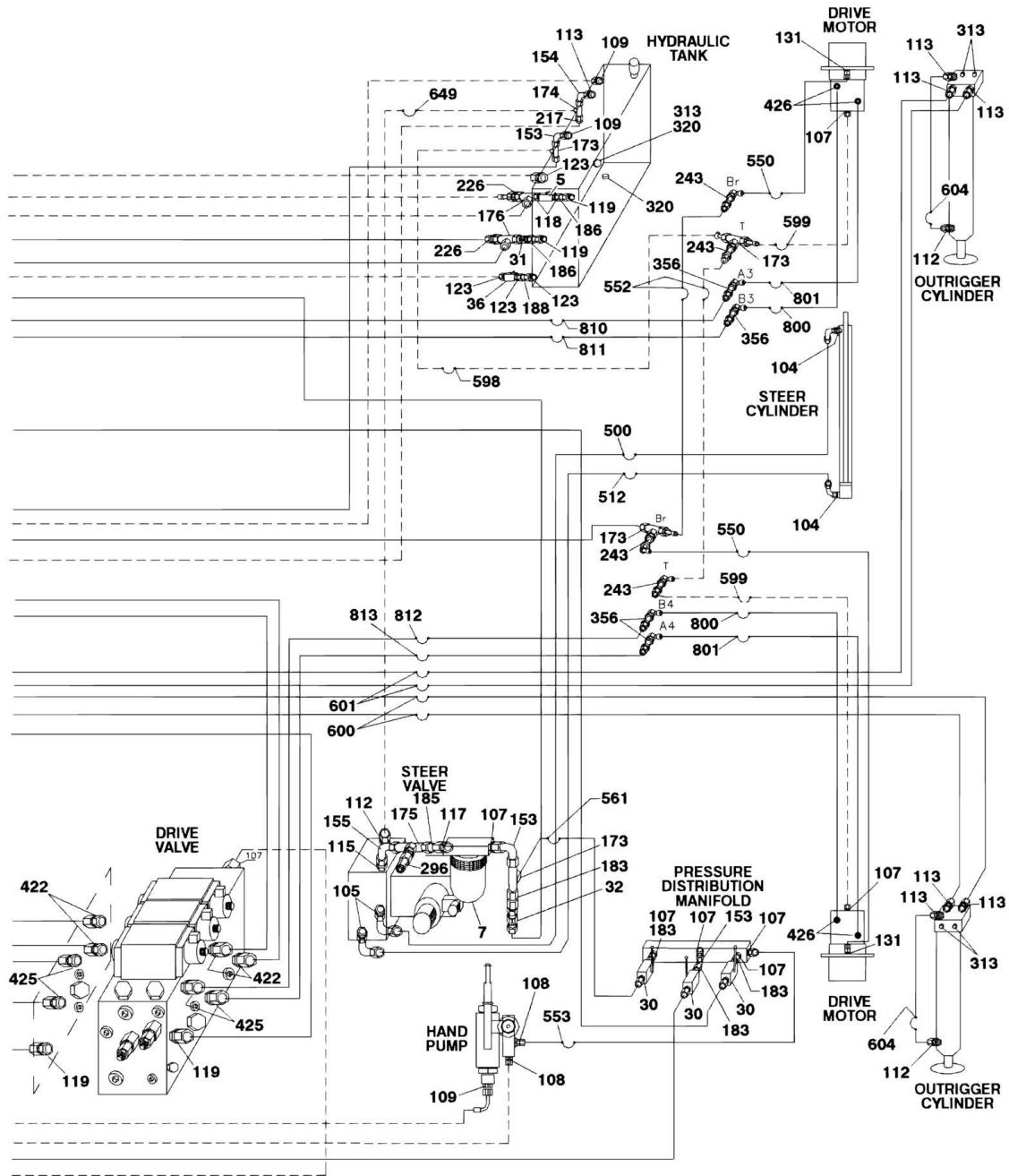
SECTION 6 - HYDRAULIC

SECTION 6 - HYDRAULIC

FIGURE 6-1. HYDRAULIC DIAGRAM (SN 1200015676 through 1200021116)



SECTION 6 - HYDRAULIC



SECTION 6 - HYDRAULIC

FIGURE 6-1. HYDRAULIC DIAGRAM (SN 1200015676 through 1200021116)

ITEM	PART NUMBER	QTY	DESCRIPTION	REV
	H900049	Ref	HYDRAULIC INLINE VALVES	F
	H900052	Ref	INLINE VALVE KIT	3
5	H000015	1	Valve, Ball (Not Serviceable - Replace Complete Valve)	
7	H000311	1	Filter, Hydraulic	A
7	70000020	1	Element, Filter	
7	70000021	1	Seal	
9	H000018	1	Valve, Lowering Speed Adjustment Throttle (Not Serviceable - Replace Complete Valve)	
12	H000351	2	Valve, Check (Not Serviceable - Replace Complete Valve)	
18	H000115	1	Valve, Check (Not Serviceable - Replace Complete Valve)	
26	H000536	1	Pressure Switch with Connector Plug (Not Serviceable - Replace Complete Valve)	
27	H000147	1	Solenoid Valve Assembly	C
27	7017410	1	Cartridge, Valve	
27	7012998	1	Seal Kit - 7017410 Valve	
27	7012986	1	Coil	
27	70001938	1	O-Ring (Between Valve and Pump)	
28	H000524	1	Valve, Throttle Check (Not Serviceable - Replace Complete Valve)	
30	H000344	3	Valve, Ball (Not Serviceable - Replace Complete Valve)	
31	H000339	3	Valve, Check (Not Serviceable - Replace Complete Valve)	
32	H000312	2	Valve, Check (Not Serviceable - Replace Complete Valve)	
36	H000279	1	Valve, Ball (Not Serviceable - Replace Complete Valve)	
	H900050	Ref	FITTING KIT	4
104	2142706	5	Fitting, Straight	
105	2142707	4	Fitting, Straight	
106	2142743	2	Fitting, Straight	
107	2142708	11	Fitting, Straight	
108	2142709	4	Fitting, Straight	
109	2142710	AR	Fitting, Straight	
111	2142711	1	Fitting, Straight	
112	2142712	5	Fitting, Straight	
113	2142713	21	Fitting, Straight	
115	2142714	2	Fitting, Straight	
117	2142751	1	Fitting, Straight	
118	2142716	10	Fitting, Straight	
119	2142717	5	Fitting, Straight	
120	2142752	2	Fitting, Straight	
123	2142719	4	Fitting, Straight	
130	2140803	3	Fitting, Straight	
131	H000148	4	Connecting Piece	
132	2140807	1	Fitting, Straight	
145	2142744	1	Fitting, Straight	
152	2143402	1	Fitting, 90	
153	2143403	AR	Fitting, 90	
154	2143404	1	Fitting, 90	
155	2143405	1	Fitting, 90	
156	2143406	2	Fitting, 90	
172	2142202	3	Fitting, Tee	
173	2142203	AR	Fitting, Tee	

SECTION 6 - HYDRAULIC

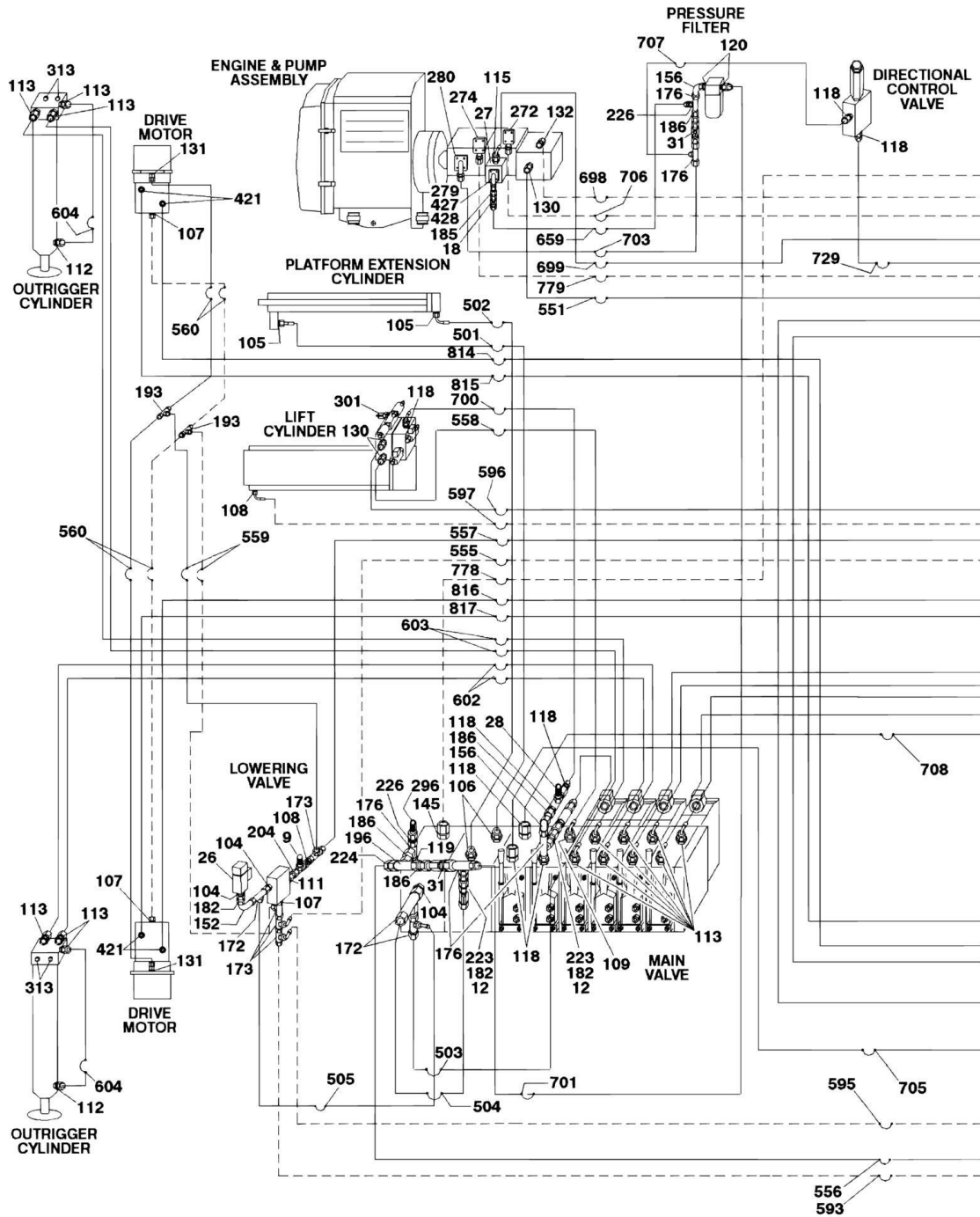
ITEM	PART NUMBER	QTY	DESCRIPTION	REV
174	2142204	1	Fitting, Tee	
175	2142205	1	Fitting, Tee	
176	2142206	7	Fitting, Tee	
182	2143602	3	Fitting, Union	
183	2143603	5	Fitting, Union	
185	2143605	2	Fitting, Union	
186	2143606	6	Fitting, Union	
188	2143608	1	Fitting, Union	
193	2141908	2	Fitting, Tee	
196	2141911	1	Fitting, Tee	
204	2142804	1	Fitting, Straight	
217	2143507	1	Fitting, Reducer	
223	2143513	2	Fitting, Reducer	
224	2143514	1	Fitting, Reducer	
226	2143516	4	Fitting, Reducer	
243	2141503	4	Fitting, Bulkhead Union	
272	2143705	1	Flange Kit	
274	2143707	1	Flange Kit	
279	2143703	1	Flange Kit	
280	2143717	1	Flange Kit	
296	2144105	2	Fitting, Test	
313	2143807	10	Plug	
320	2221214	2	Plug, Magnetic (w/ Copper Sealing Ring) (Prior to SN 1200015807)	
356	2141517	4	Fitting, Straight	
421	2142733	4	Fitting, Straight	
422	2142734	4	Fitting, Straight	
425	2142735	4	Fitting, Straight	
426	2142740	4	Fitting, Straight	
427	4031718	2	Bolt, Socket Head M8 x 70mm	
428	4031720	2	Bolt, Socket Head M8 x 80mm	
	H900051	Ref	HYDRAULIC HOSE KIT	5
500	2755039	1	Hose	
501	2754477	1	Hose	
502	2754516	1	Hose	
503	2754361	1	Hose	
504	2754364	1	Hose	
505	2754479	1	Hose	
512	2754366	1	Hose	
550	2754480	2	Hose	
551	2754377	1	Hose	
552	2754368	2	Hose	
553	2754375	1	Hose	
555		Ref	Hose Options:	
555	2755040	1	Hose (SN 1200015676 through 1200015806)	
555	2754494	1	Hose (SN 1200015807 through 1200021117)	
556	2754376	1	Hose	
557	2754372	1	Hose	
558	2754482	1	Hose	
559	2754373	2	Hose	
560	2754369	4	Hose	
561	2754481	1	Hose	

SECTION 6 - HYDRAULIC

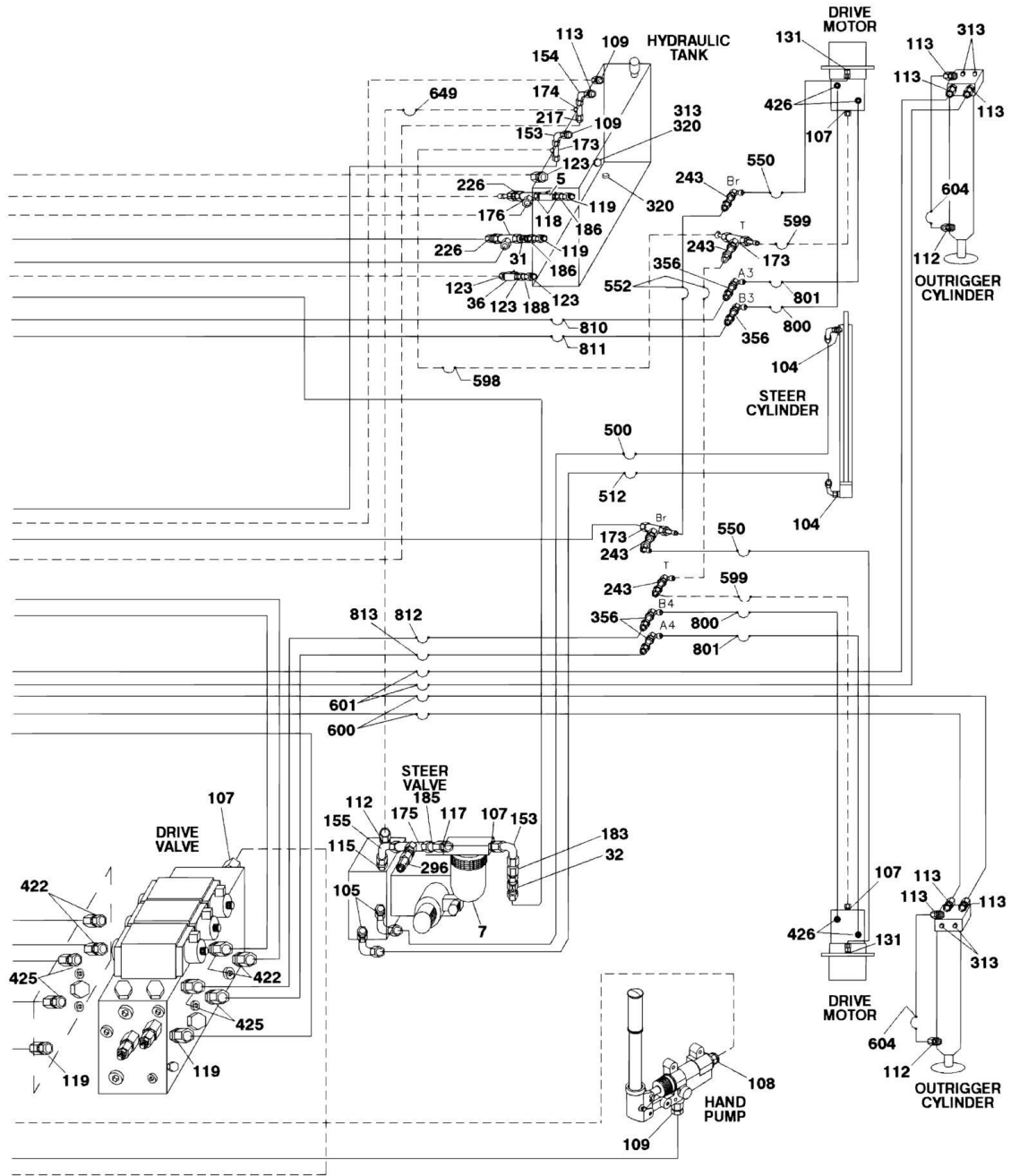
ITEM	PART NUMBER	QTY	DESCRIPTION	REV
593	2754473	1	Hose	
594	2754354	1	Hose	
595	2754350	1	Hose	
596		Ref	Hose Options:	
596	2754475	1	Hose (SN 1200015676 through 1200015806)	
596	2754352	1	Hose (SN 1200015807 through 1200021117)	
597	2754353	1	Hose	
598	1001092080	1	Hose	
599	2754474	2	Hose	
600	2754493	2	Hose	
601	2754492	2	Hose	
602	2754393	2	Hose	
603	2754393	2	Hose	
604	2754392	4	Hose	
649	2754476	1	Hose	
659	2754383	1	Hose	
698	2754357	1	Hose	
699	2754356	1	Hose	
700	2754484	1	Hose	
701	2754485	1	Hose	
703	2754391	1	Hose	
705	2754483	1	Hose	
706	2754388	1	Hose	
707	2754390	1	Hose	
708	2754483	1	Hose	
729	2754358	1	Hose	
778	2754495	1	Hose	
779	2754359	1	Hose	
800	2754487	2	Hose	
801	2754486	2	Hose	
810	2754489	1	Hose	
811	2754489	1	Hose	
812	2754488	1	Hose	
813	2754488	1	Hose	
814	2754491	1	Hose	
815	2754491	1	Hose	
816	2754490	1	Hose	
817	2754490	1	Hose	

SECTION 6 - HYDRAULIC

FIGURE 6-2. HYDRAULIC DIAGRAM (SN 1200021117 to Present)



SECTION 6 - HYDRAULIC



SECTION 6 - HYDRAULIC

FIGURE 6-2. HYDRAULIC DIAGRAM (SN 1200021117 to Present)

ITEM	PART NUMBER	QTY	DESCRIPTION	REV
	H900049	Ref	HYDRAULIC INLINE VALVES	I
	H900052	Ref	INLINE VALVE KIT	5
5	H000015	1	Valve, Ball (Not Serviceable - Replace Complete Valve)	
7	H000311	1	Filter, Hydraulic	A
7	70000020	1	Element, Filter	
7	70000021	1	Seal	
9	H000018	1	Valve, Lowering Speed Adjustment Throttle (Not Serviceable - Replace Complete Valve)	
12	H000351	2	Valve, Check (Not Serviceable - Replace Complete Valve)	
18	H000115	1	Valve, Check (Not Serviceable - Replace Complete Valve)	
26	H000536	1	Pressure Switch with Connector Plug (Not Serviceable - Replace Complete Valve)	
27	H000147	1	Solenoid Valve Assembly	C
27	7017410	1	Cartridge, Valve	
27	7012998	1	Seal Kit - 7017410 Valve	
27	7012986	1	Coil	
27	70001938	1	O-Ring (Between Valve and Pump)	
28	H000524	1	Valve, Throttle Check (Not Serviceable - Replace Complete Valve)	
31	H000339	3	Valve, Check (Not Serviceable - Replace Complete Valve)	
32	H000312	1	Valve, Check (Not Serviceable - Replace Complete Valve)	
36	H000279	1	Valve, Ball (Not Serviceable - Replace Complete Valve)	
	H900050	Ref	FITTING KIT	7
104	2142706	5	Fitting, Straight	
105	2142707	4	Fitting, Straight	
106	2142743	2	Fitting, Straight	
107	2142708	AR	Fitting, Straight	
108	2142709	3	Fitting, Straight	
109	2142710	4	Fitting, Straight	
111	2142711	1	Fitting, Straight	
112	2142712	5	Fitting, Straight	
113	2142713	21	Fitting, Straight	
115	2142714	2	Fitting, Straight	
117	2142751	1	Fitting, Straight	
118	2142716	10	Fitting, Straight	
119	2142717	5	Fitting, Straight	
120	2142752	2	Fitting, Straight	
123	2142719	4	Fitting, Straight	
130	2140803	3	Fitting, Straight	
131	H000148	4	Connecting Piece	
132	2140807	1	Fitting, Straight	
145	2142744	1	Fitting, Straight	
152	2143402	1	Fitting, 90	
153	2143403	2	Fitting, 90	
154	2143404	1	Fitting, 90	
155	2143405	1	Fitting, 90	
156	2143406	2	Fitting, 90	
172	2142202	3	Fitting, Tee	
173	2142203	AR	Fitting, Tee	
174	2142204	1	Fitting, Tee	

SECTION 6 - HYDRAULIC

ITEM	PART NUMBER	QTY	DESCRIPTION	REV
175	2142205	1	Fitting, Tee	
176	2142206	7	Fitting, Tee	
182	2143602	3	Fitting, Union	
183	2143603	1	Fitting, Union	
185	2143605	2	Fitting, Union	
186	2143606	6	Fitting, Union	
188	2143608	1	Fitting, Union	
193	2141908	2	Fitting, Tee	
196	2141911	1	Fitting, Tee	
204	2142804	1	Fitting, Straight	
217	2143507	1	Fitting, Reducer	
223	2143513	2	Fitting, Reducer	
224	2143514	1	Fitting, Reducer	
226	2143516	4	Fitting, Reducer	
243	2141503	4	Fitting, Bulkhead Union	
272	2143705	1	Flange Kit	
274	2143707	1	Flange Kit	
279	2143703	1	Flange Kit	
280	2143717	1	Flange Kit	
296	2144105	2	Fitting, Test	
313	2143807	9	Plug	
356	2141517	4	Fitting, Straight	
421	2142733	4	Fitting, Straight	
422	2142734	4	Fitting, Straight	
425	2142735	4	Fitting, Straight	
426	2142740	4	Fitting, Straight	
427	4031718	2	Bolt, Socket Head M8 x 70mm	
428	4031720	2	Bolt, Socket Head M8 x 80mm	
	H900051	Ref	HYDRAULIC HOSE KIT	9
500	2755039	1	Hose	
501	2754477	1	Hose	
502	2754516	1	Hose	
503	2754361	1	Hose	
504	2754364	1	Hose	
505	2754479	1	Hose	
512	2754366	1	Hose	
550	2754480	2	Hose	
551	2754377	1	Hose	
552	2754368	2	Hose	
555	2754494	1	Hose	
556	2754376	1	Hose	
557	2754372	1	Hose	
558	2754482	1	Hose	
559	2754373	2	Hose	
560	2754369	4	Hose	
593	2754473	1	Hose Only (SN 1200015676 through 1200022994)	
595	2754350	1	Hose	
596	2754352	1	Hose	
597	2754353	1	Hose	
598	1001092080	1	Hose	
599	2754474	2	Hose	

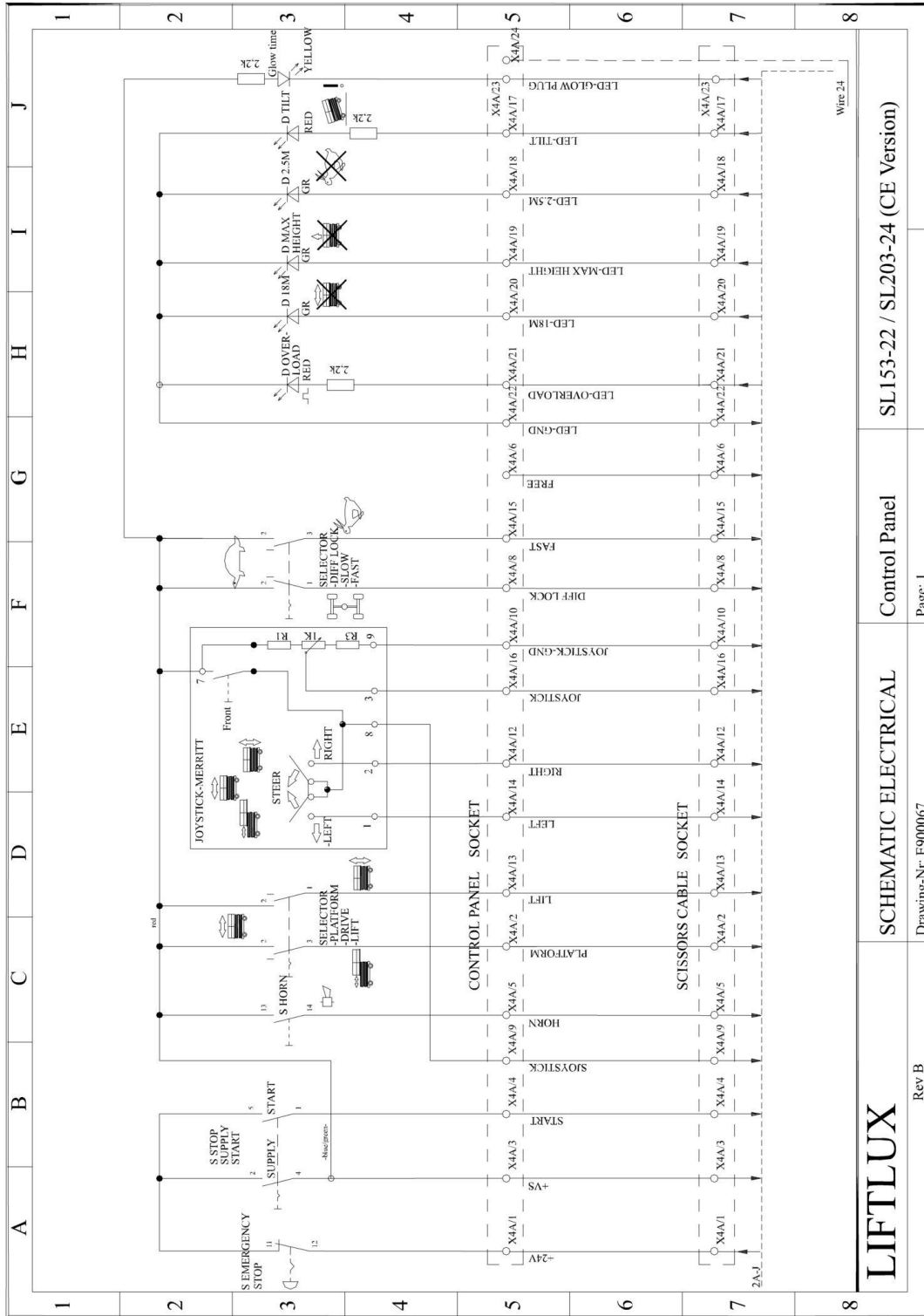
SECTION 6 - HYDRAULIC

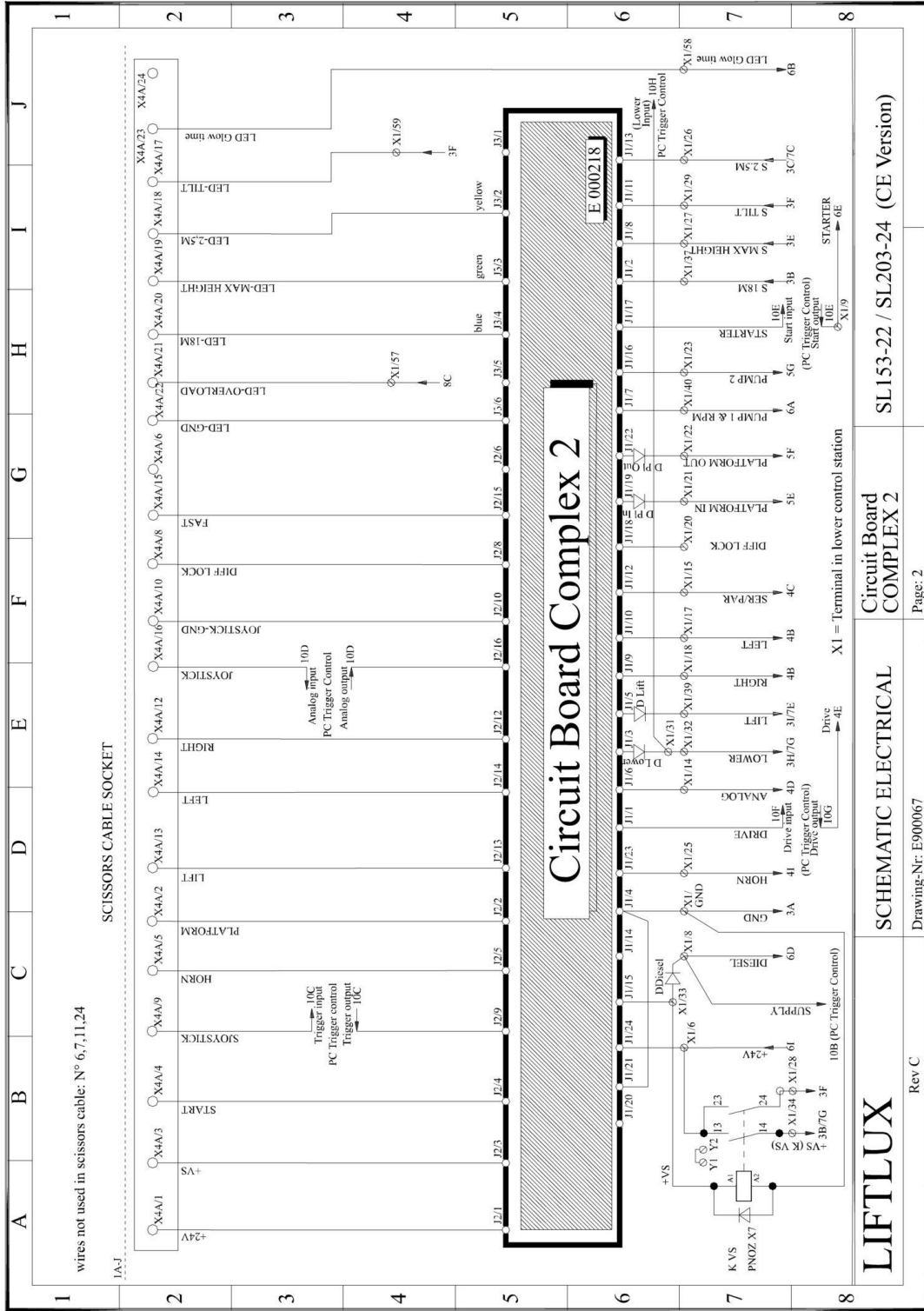
ITEM	PART NUMBER	QTY	DESCRIPTION	REV
600	2754493	2	Hose	
601	2754492	2	Hose	
602	2754393	2	Hose	
603	2754393	2	Hose	
604	2754392	4	Hose	
649	2754476	1	Hose	
659	2754383	1	Hose	
698	2754357	1	Hose	
699	2754356	1	Hose	
700	2754484	1	Hose	
701	2754485	1	Hose	
703	2754391	1	Hose	
705	2754483	1	Hose	
706	2754388	1	Hose	
707	2754390	1	Hose	
708	2754483	1	Hose	
729	2754358	1	Hose	
778	2754495	1	Hose	
779	2754359	1	Hose	
800	2754487	2	Hose	
801	2754486	2	Hose	
810	2754489	1	Hose	
811	2754489	1	Hose	
812	2754488	1	Hose	
813	2754488	1	Hose	
814	2754491	1	Hose	
815	2754491	1	Hose	
816	2754490	1	Hose	
817	2754490	1	Hose	

SECTION 7 - ELECTRICAL

SECTION 7 - ELECTRICAL

FIGURE 7-1. ELECTRICAL PLANS - DIESEL CONTROL





LIFTLUX

SCHEMATIC ELECTRICAL

Circuit Board COMPLEX 2

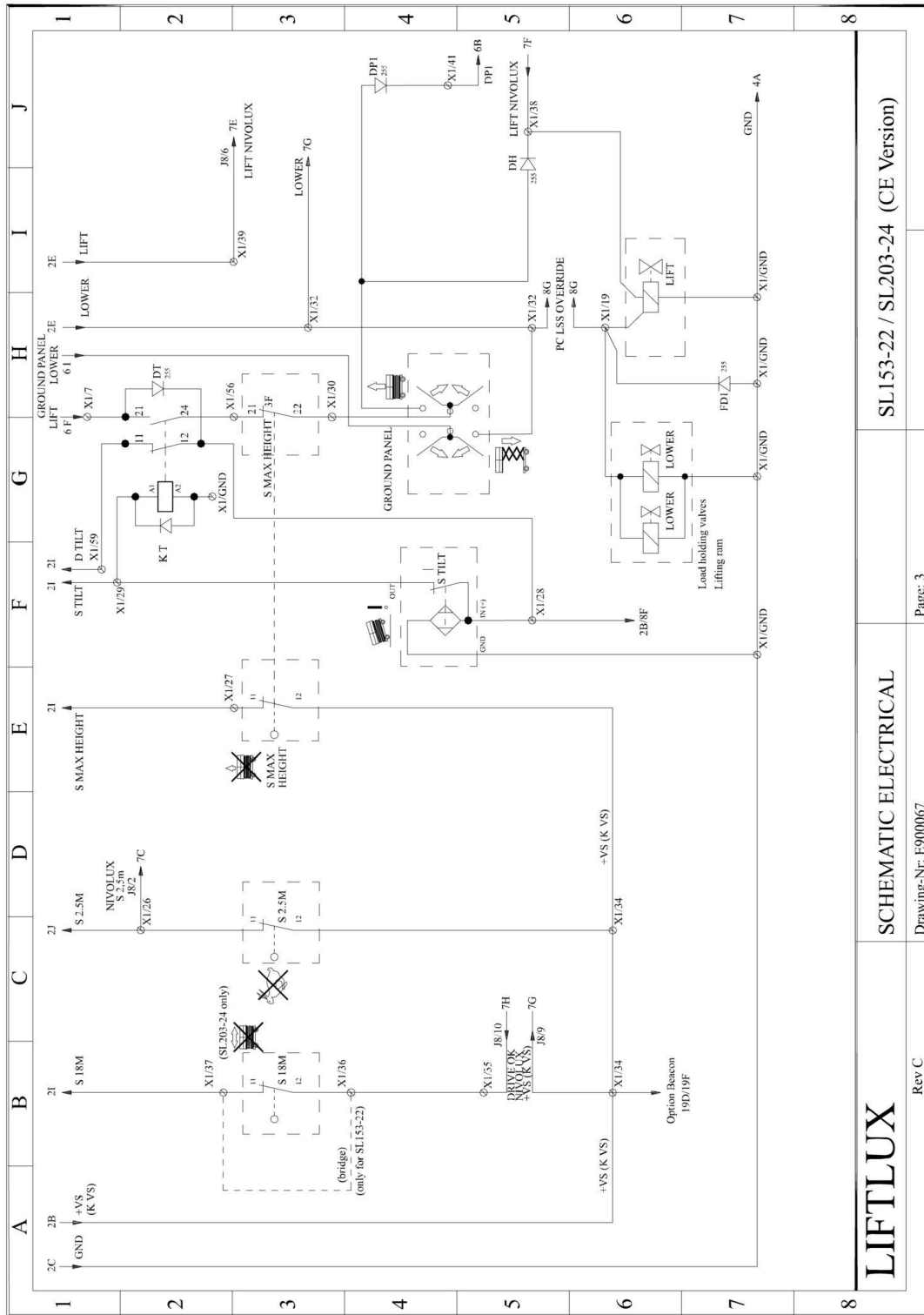
Rev C

Drawing-Nr: E900067

Page: 2

SL153-22 / SL203-24 (CE Version)

SECTION 7 - ELECTRICAL



LIFTLUX

SCHEMATIC ELECTRICAL

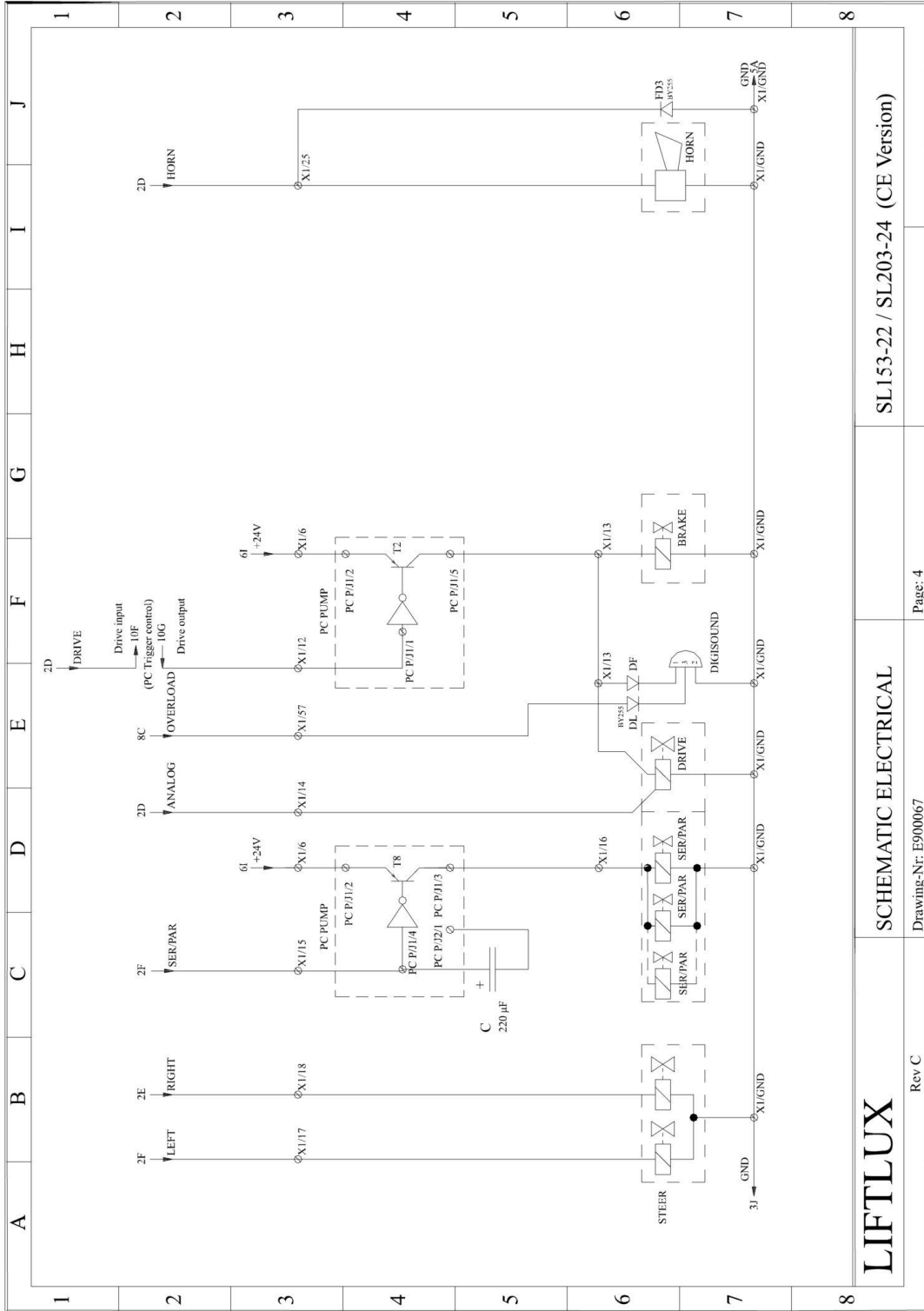
SL153-22 / SL203-24 (CE Version)

Rev C

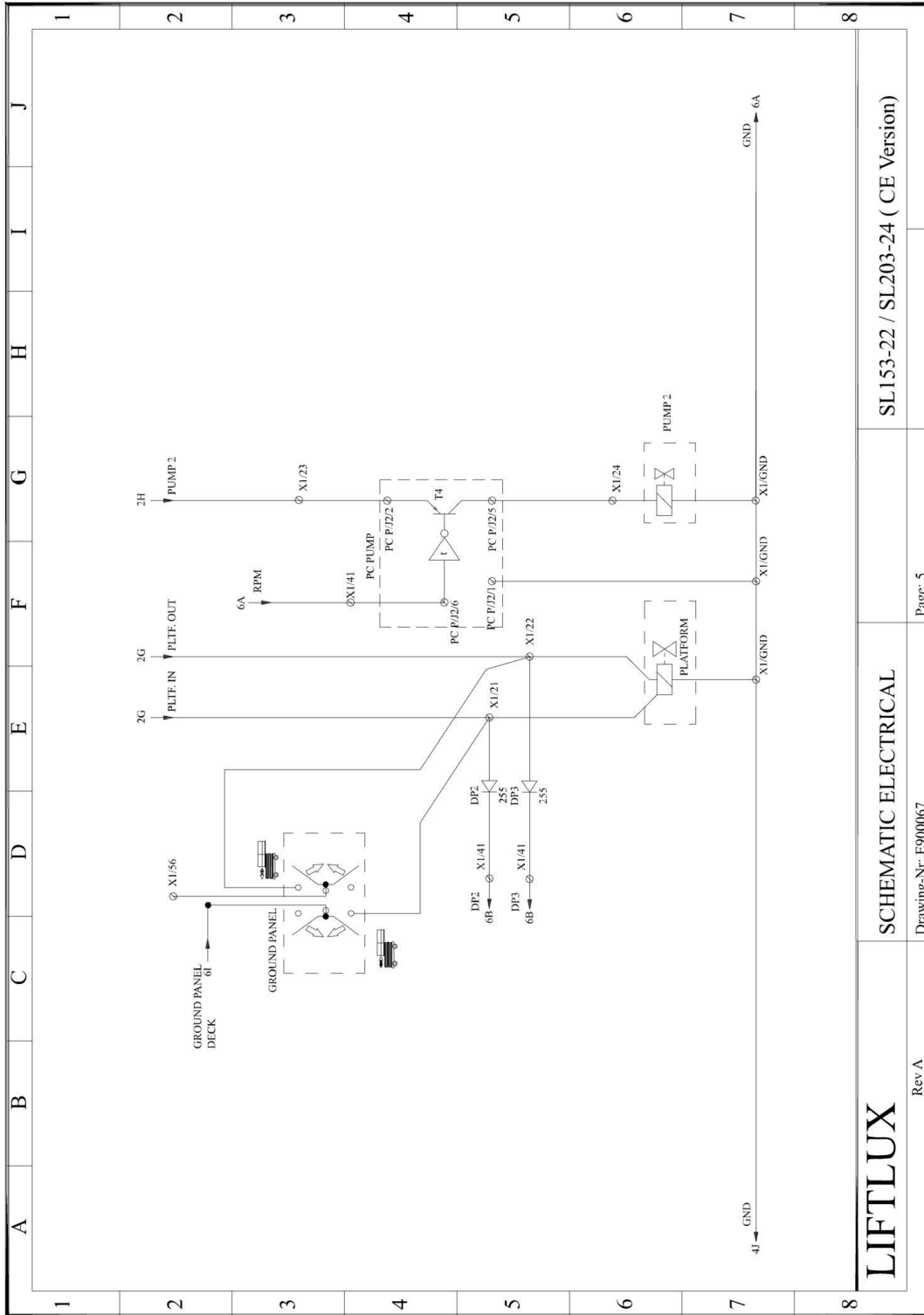
Drawing-Nr: E900067

Page: 3

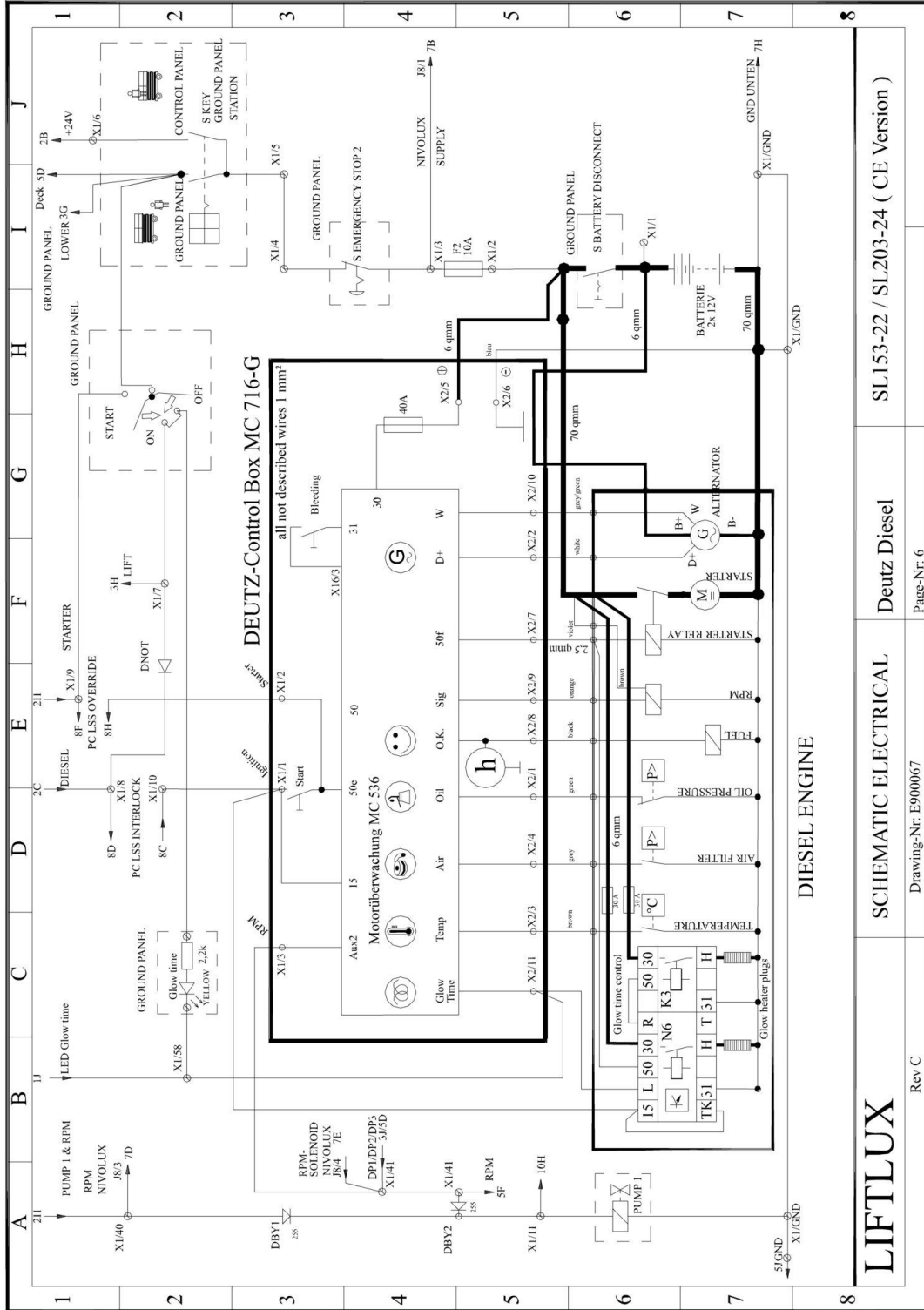
SECTION 7 - ELECTRICAL



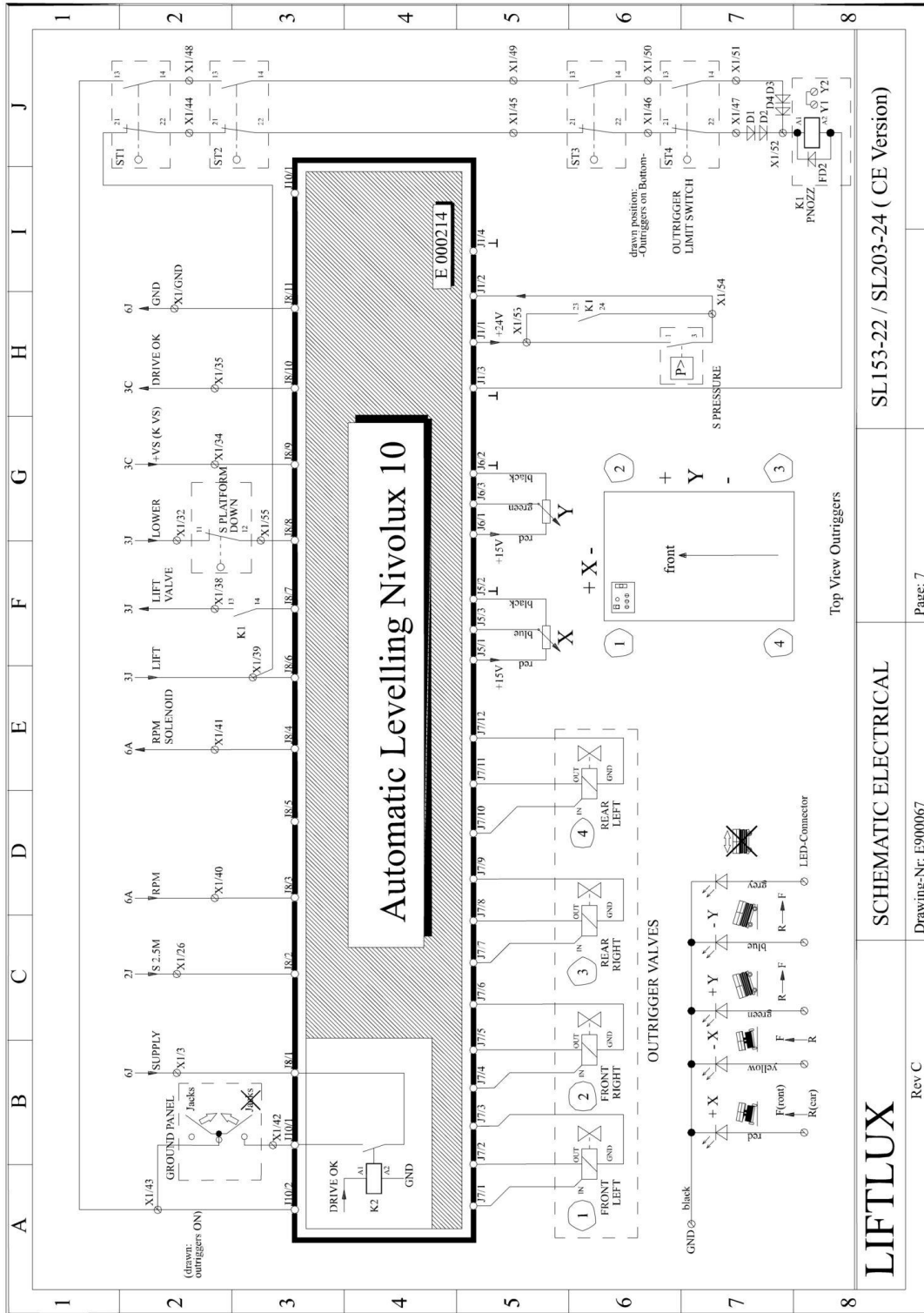
SECTION 7 - ELECTRICAL

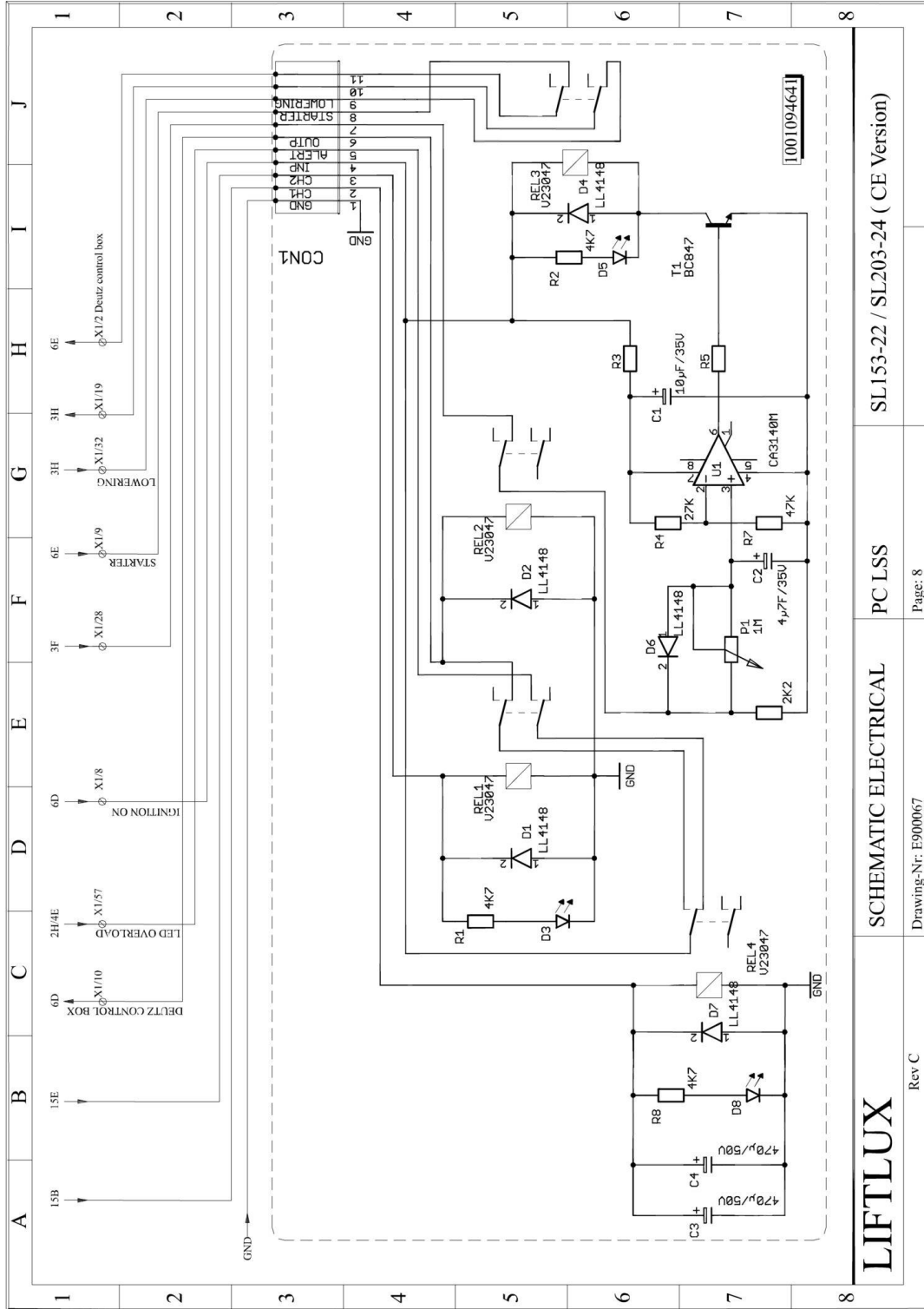


<p>LIFTLUX Rev A</p>	<p>SCHEMATIC ELECTRICAL Drawing-Nr: E900067</p>	<p>SL153-22 / SL203-24 (CE Version)</p>	<p>Page: 5</p>
---------------------------------	---	--	----------------



SECTION 7 - ELECTRICAL





SL153-22 / SL203-24 (CE Version)

PC LSS

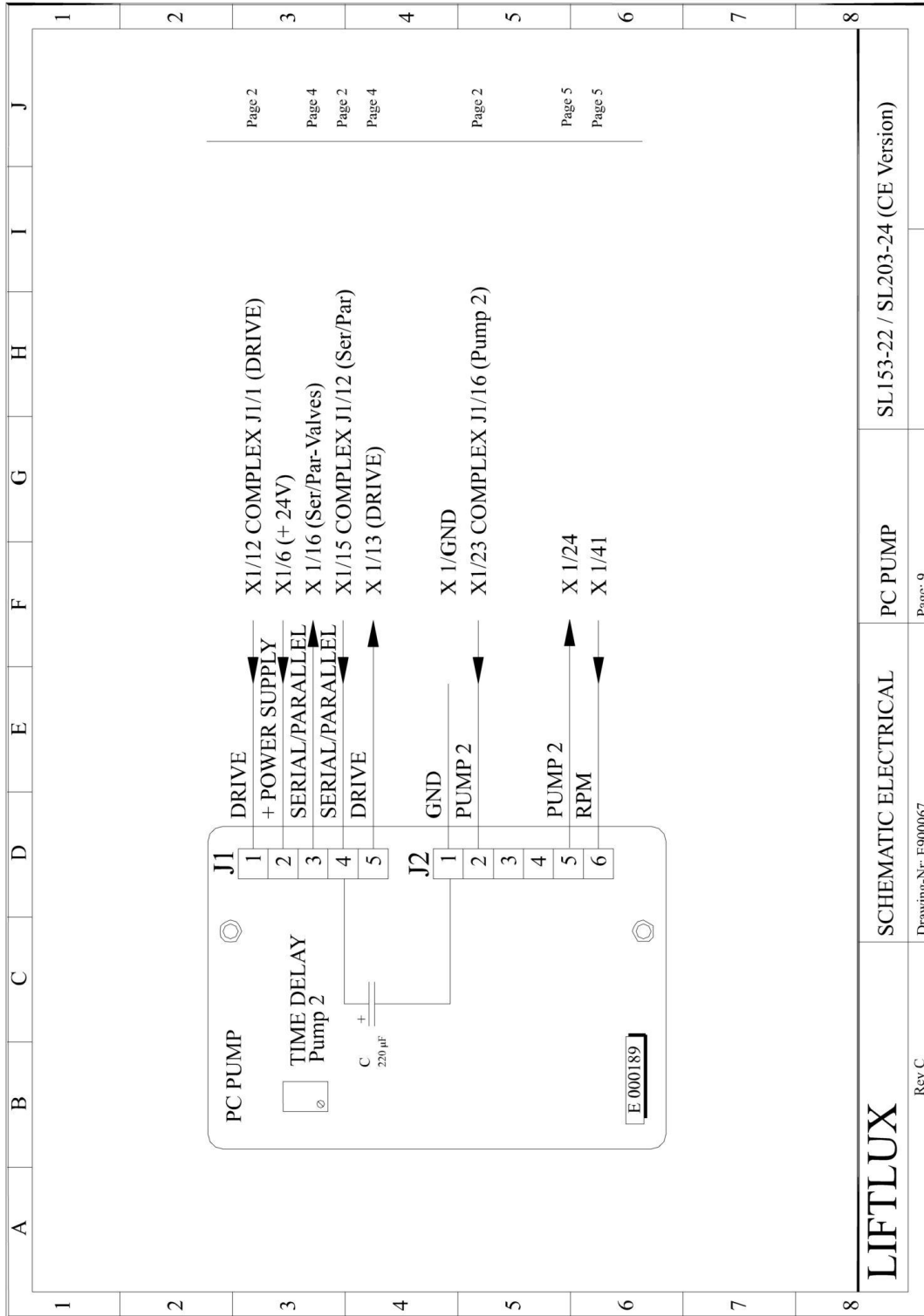
SCHEMATIC ELECTRICAL

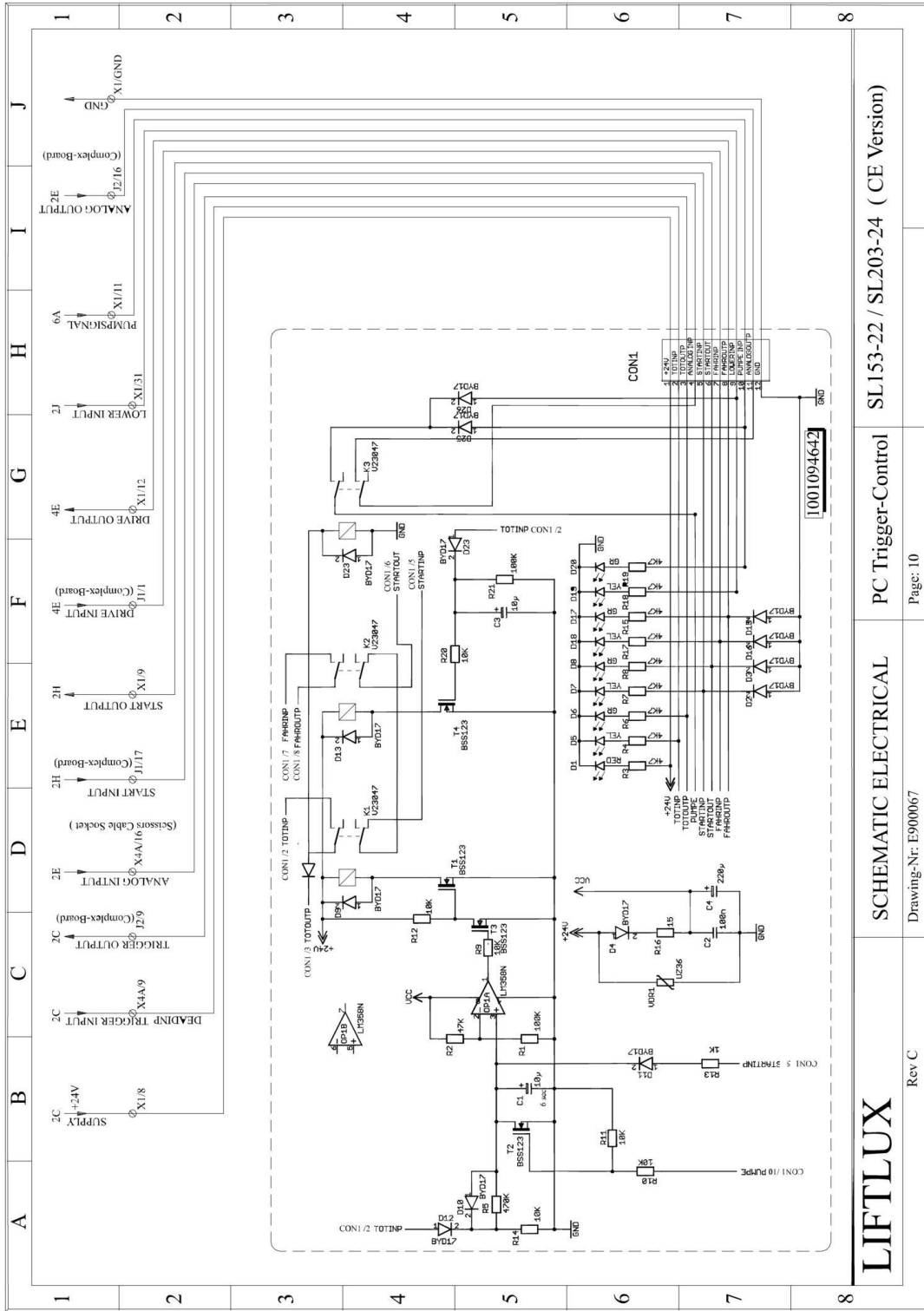
Rev C

Page: 8

Drawing-Nr: E900067

SECTION 7 - ELECTRICAL





LIFTLUX

SCHEMATIC ELECTRICAL

PC Trigger-Control

SL153-22 / SL203-24 (CE Version)

Rev C

Drawing-Nr: E900067

Page: 10

SECTION 7 - ELECTRICAL

A	B	C	D	E	F	G	H	I	J
1	1	Ground panel Battery +	6I						
2	2	Ground panel Battery out	6I						
3	3	Ground panel S Emergency	6I	PS 1/PS2 +VS brown	I5C Nivolux J8/1				
4	4	Ground panel S Emergency	6I						
5	5								
6	6			PC P J1/2	4D	Ground panel S Key.			
7	7	KT /21	3G	K VS /13,23	2B	Complex J1/24			
8	8			DNOT	6F	Ground panel S Key on			
9	9	PC LSS Imp	8D	PC Trigger C COM 1	I0 B/DNOT (Cathode)	6F	D Diesel (Cathode)		
10	10	PC LSS COM 8	8F		Ground panel S Key start	6H	PC Trigger C COM 6		
11	11	Motor Control Box Ignition	6D		PC LSS Output	8C			
12	12	Pump 1	6A		PC Trigger C COM 10	I0H/DBY1/DBY2 (Cathode)			
13	13	Brake Valve	4F		PC P J1/1	4F	PC Trigger C COM 8		
14	14	Drive Valve IN	4E						
15	15	Drive Valve Analog	4D						
16	16	Ser/Pur Valve	4D						
17	17	Steer Left Valve	4B						
18	18	Steer Right Valve	43						
19	19	Lower Load Holding Valves	3G	Lift Valve	3H	FD 1 (Cathode)			
20	20		5C						
21	21	Platform IN Valve	5E	DP2					
22	22	Platform OUT Valve	5F	Ground panel Deck	5F	DF3			
23	23								
24	24								
25	25	Horn	4I						
26	26	S 2.5m /11	3C						
27	27	S Max Height /11	3B						
28	28	S Tilt IN	3F	KT /12	3F	K VS /24			
29	29	S Tilt OUT	3F	KT / A1	3F				
30	30	S Max Height /22	3H						
31	31	PC Trigger C COM 9	I0H						
32	32								
33	33	S Max Height /12	3E	S 2.5m /12	3C				
34	34	Option Beacon Front Side	I9F	Option Beacon Rear Side	I9D				

LIFTLUX

SCHEMATIC ELECTRICAL

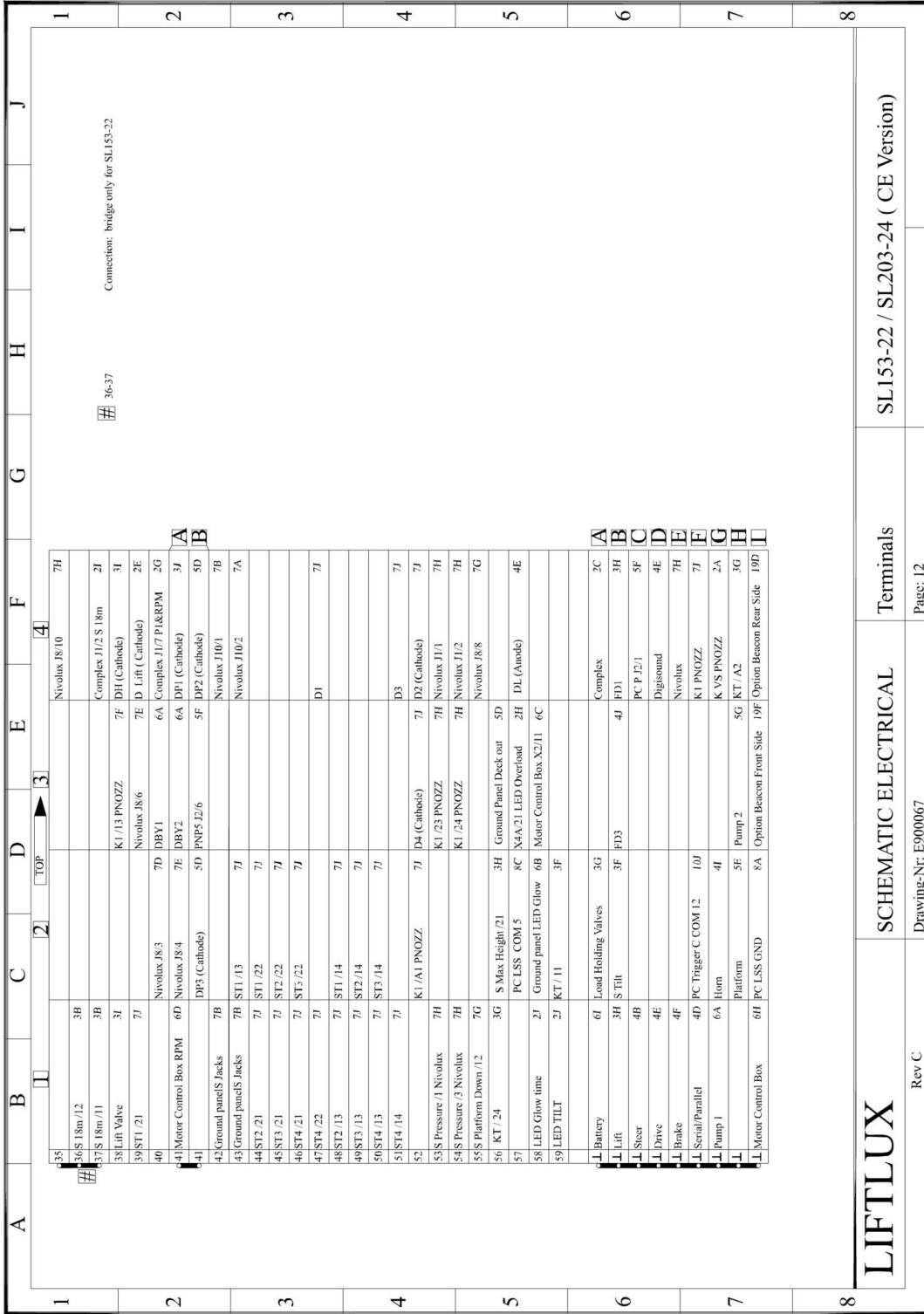
SL153-22 / SL203-24 (CE Version)

Rev C

Drawing-Nr: E900067

Terminals

Page: 11



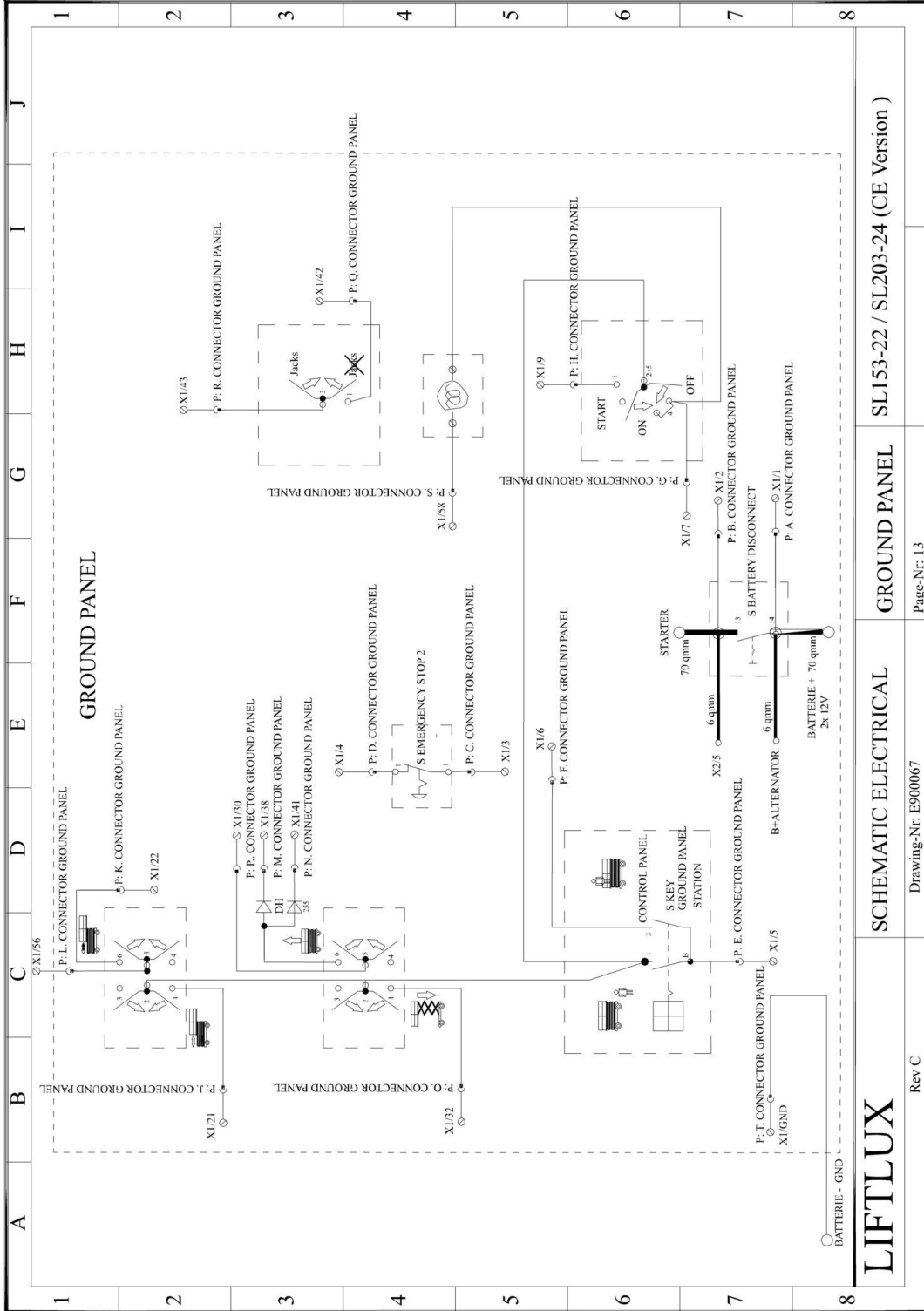
36-37
 Connection: bridge only for SL153-22

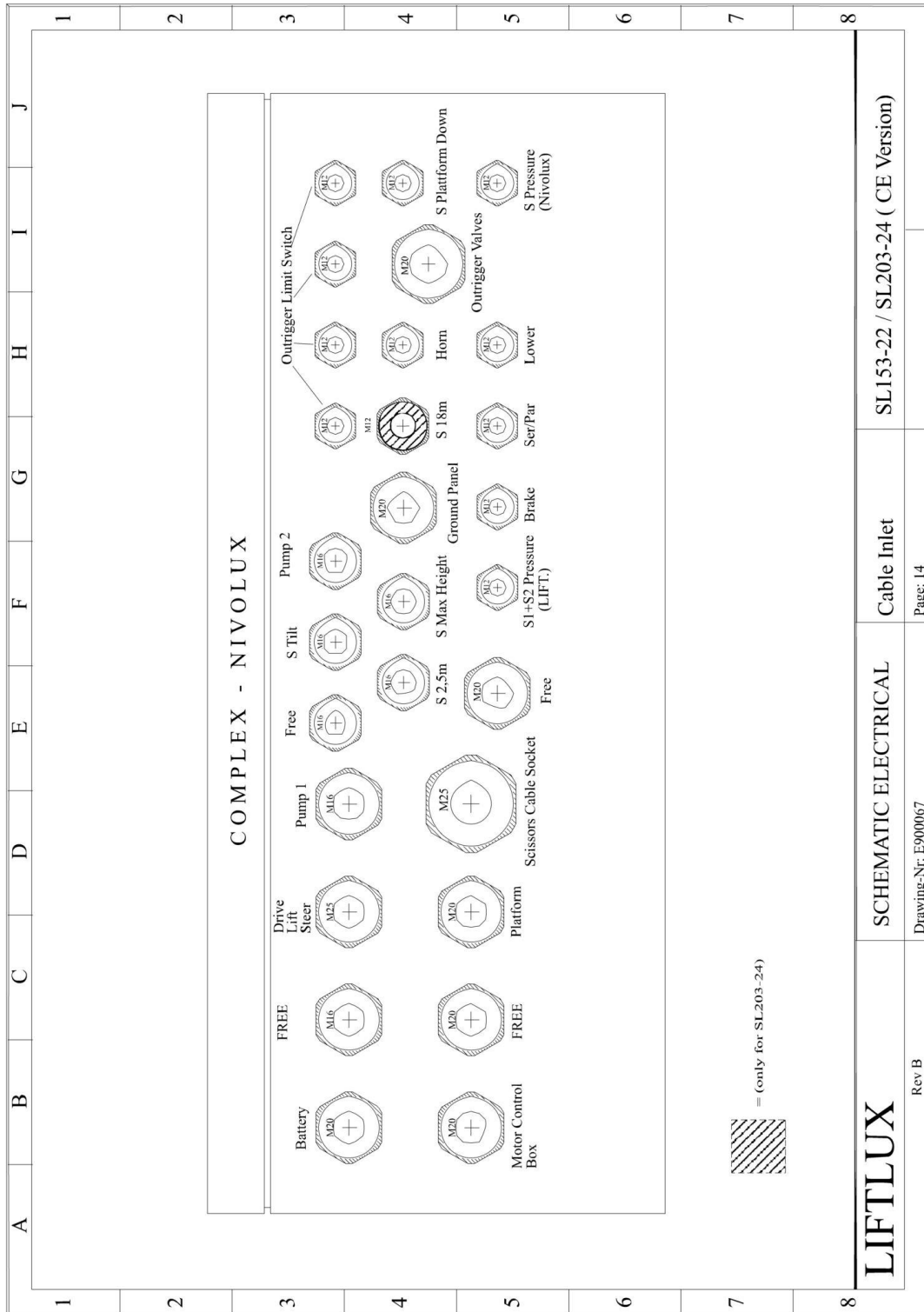
LIFTLUX

SCHEMATIC ELECTRICAL Terminals SL153-22 / SL203-24 (CE Version)

Rev C Drawing-Nr: E900067 Page: 12

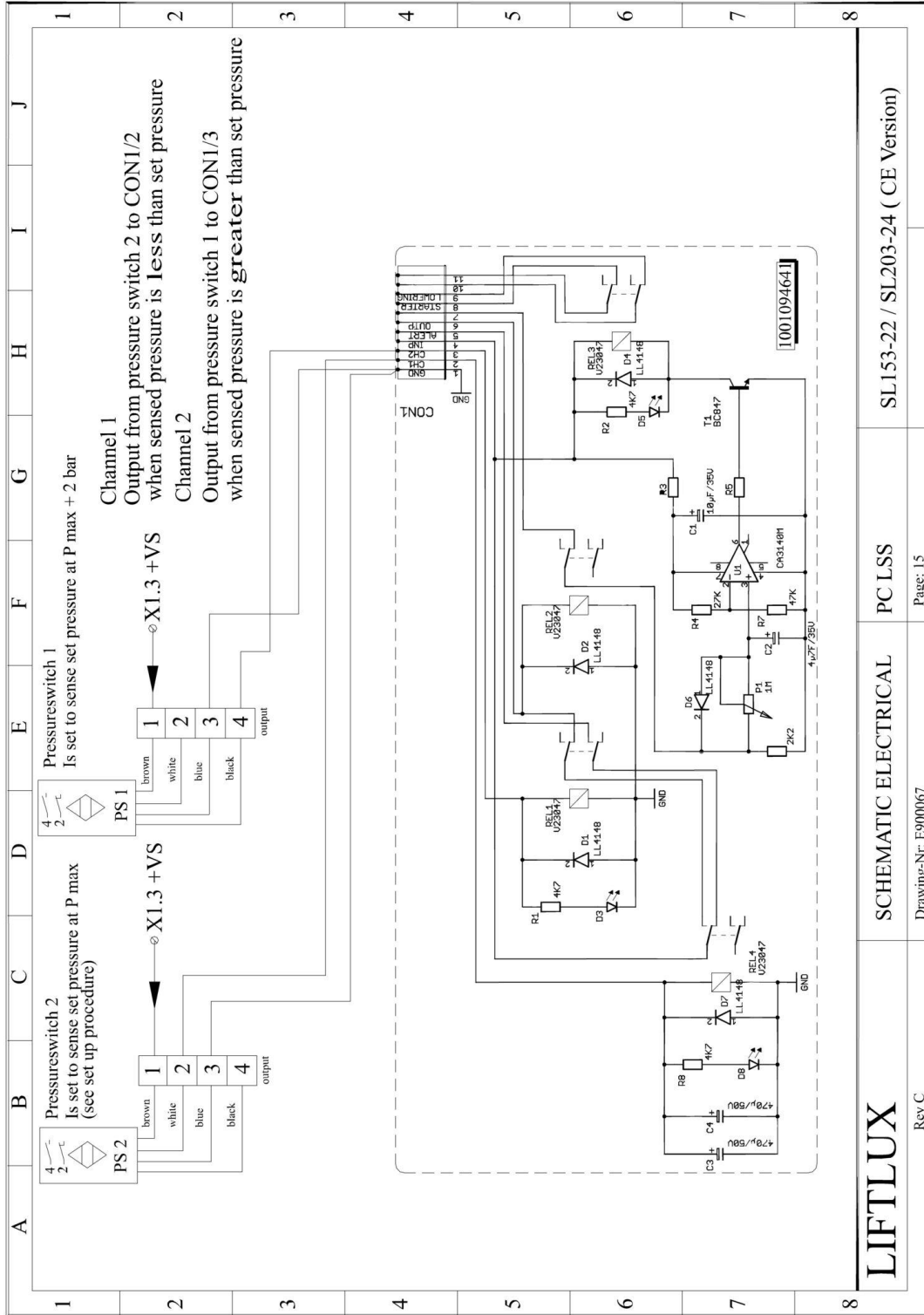
SECTION 7 - ELECTRICAL





 = (only for SL203-24)

SECTION 7 - ELECTRICAL



LIFTLUX

Rev C

SCHEMATIC ELECTRICAL

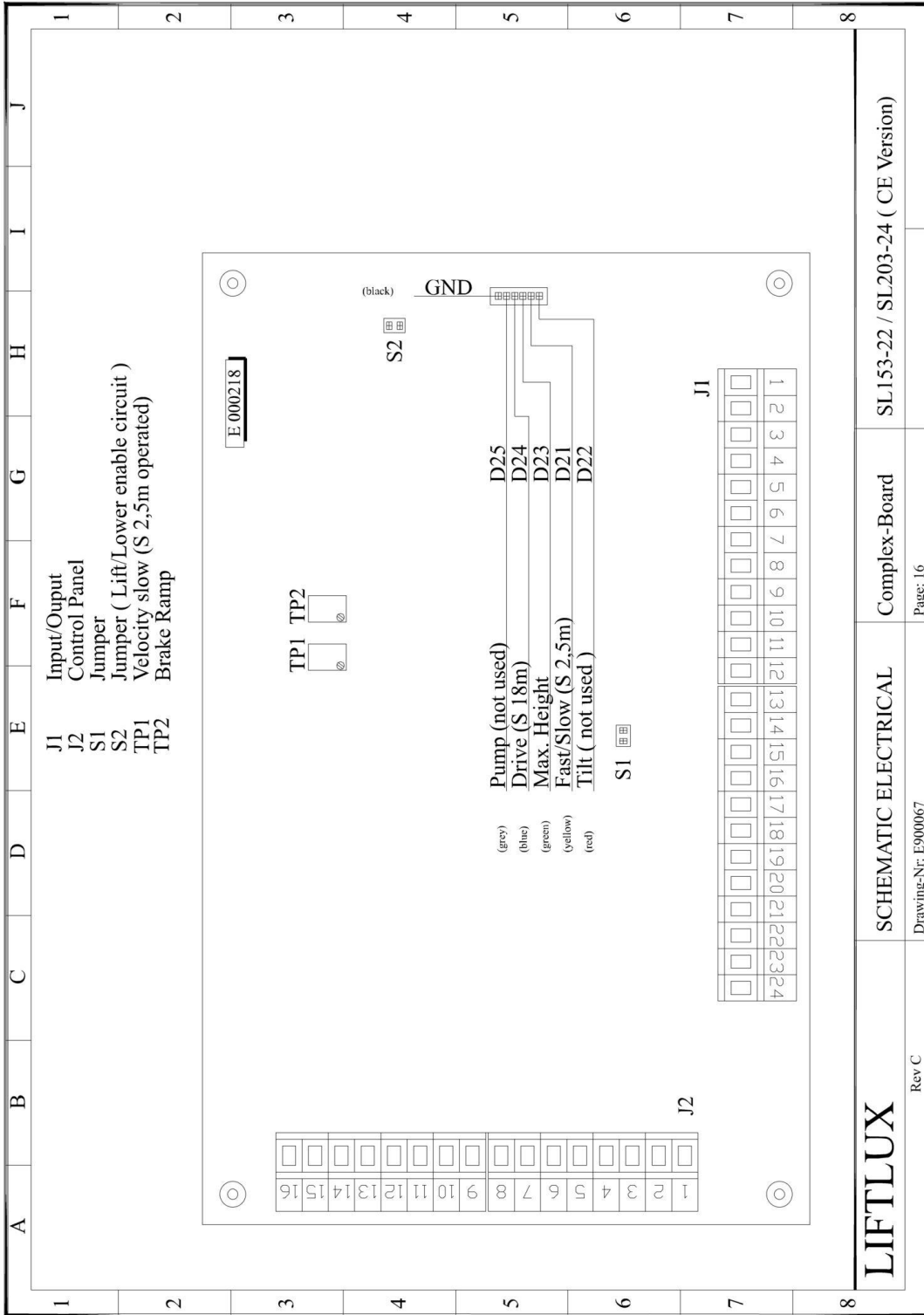
PC LSS

SL153-22 / SL203-24 (CE Version)

Page: 15

Drawing-Nr: E900067

SECTION 7 - ELECTRICAL



LIFTLUX

SL153-22 / SL203-24 (CE Version)

Complex-Board

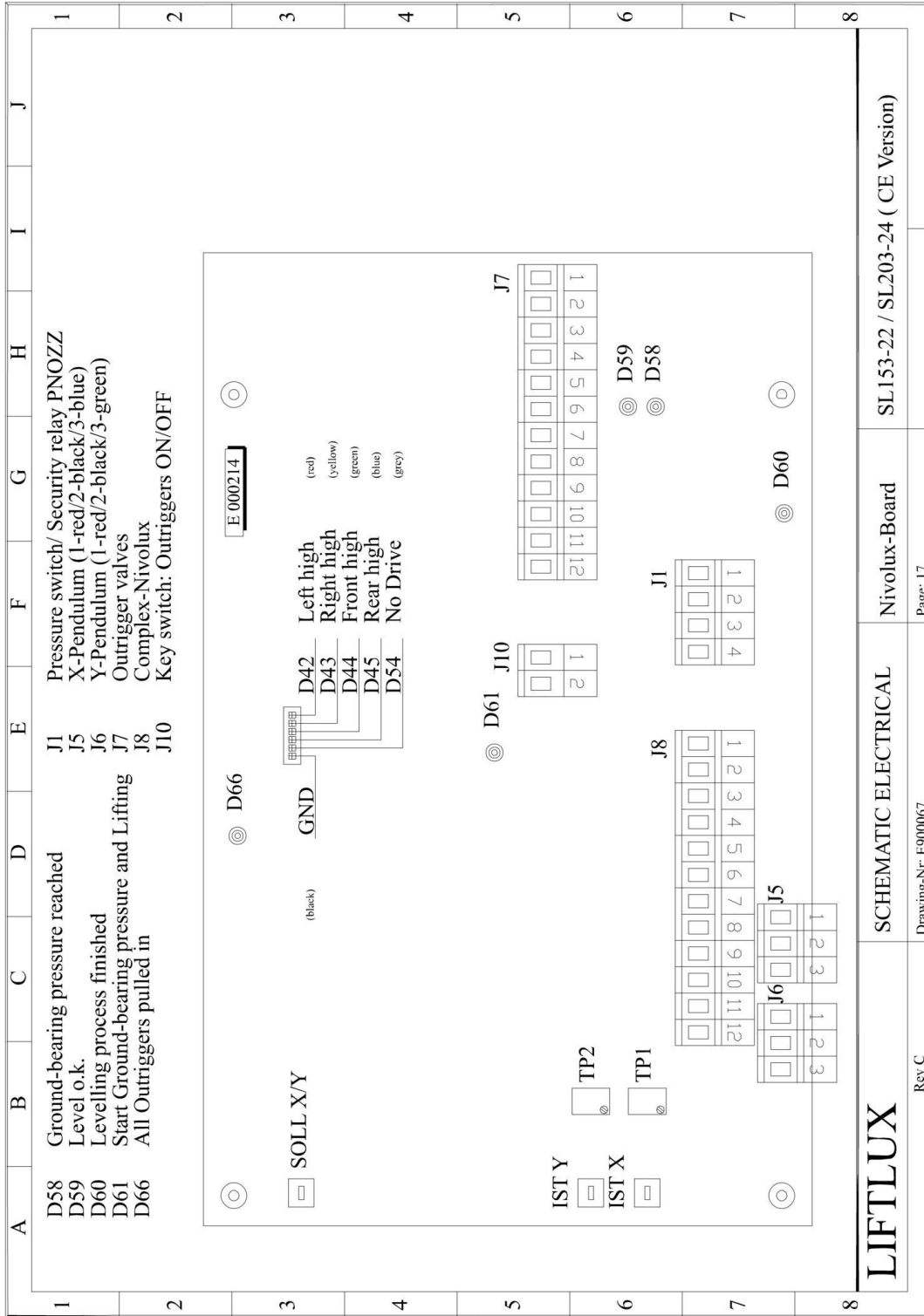
SCHEMATIC ELECTRICAL

Page: 16

Drawing-Nr: E900067

Rev C

SECTION 7 - ELECTRICAL



LIFTLUX

SCHEMATIC ELECTRICAL

Nivolux-Board

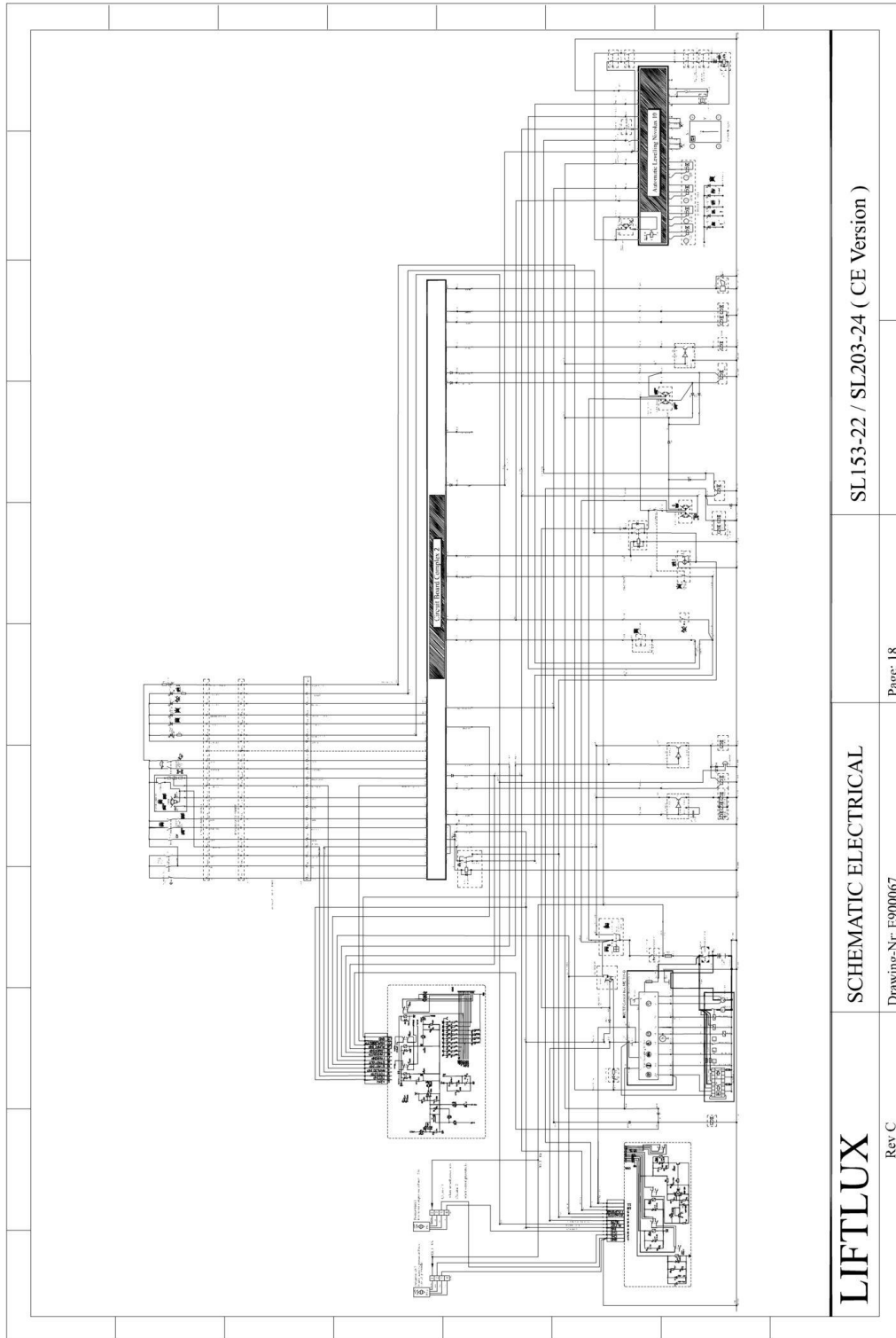
SL153-22 / SL203-24 (CE Version)

Drawing-Nr: E900067

Page: 17

Rev C

SECTION 7 - ELECTRICAL



LIFTLUX

Rev C

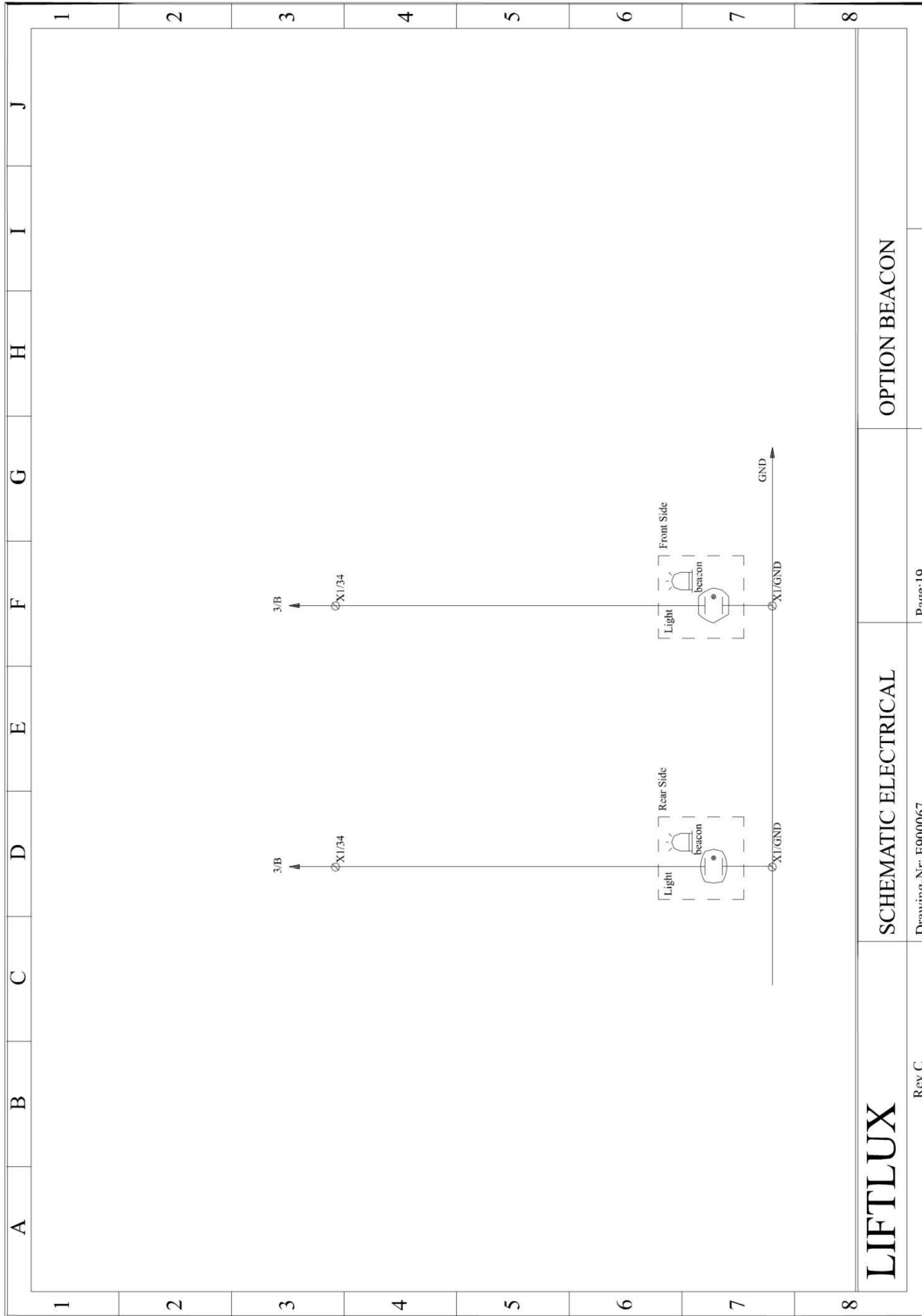
SCHEMATIC ELECTRICAL

Drawing-Nr: E900067

SL153-22 / SL203-24 (CE Version)

Page: 18

SECTION 7 - ELECTRICAL



LIFTLUX

SCHEMATIC ELECTRICAL

OPTION BEACON

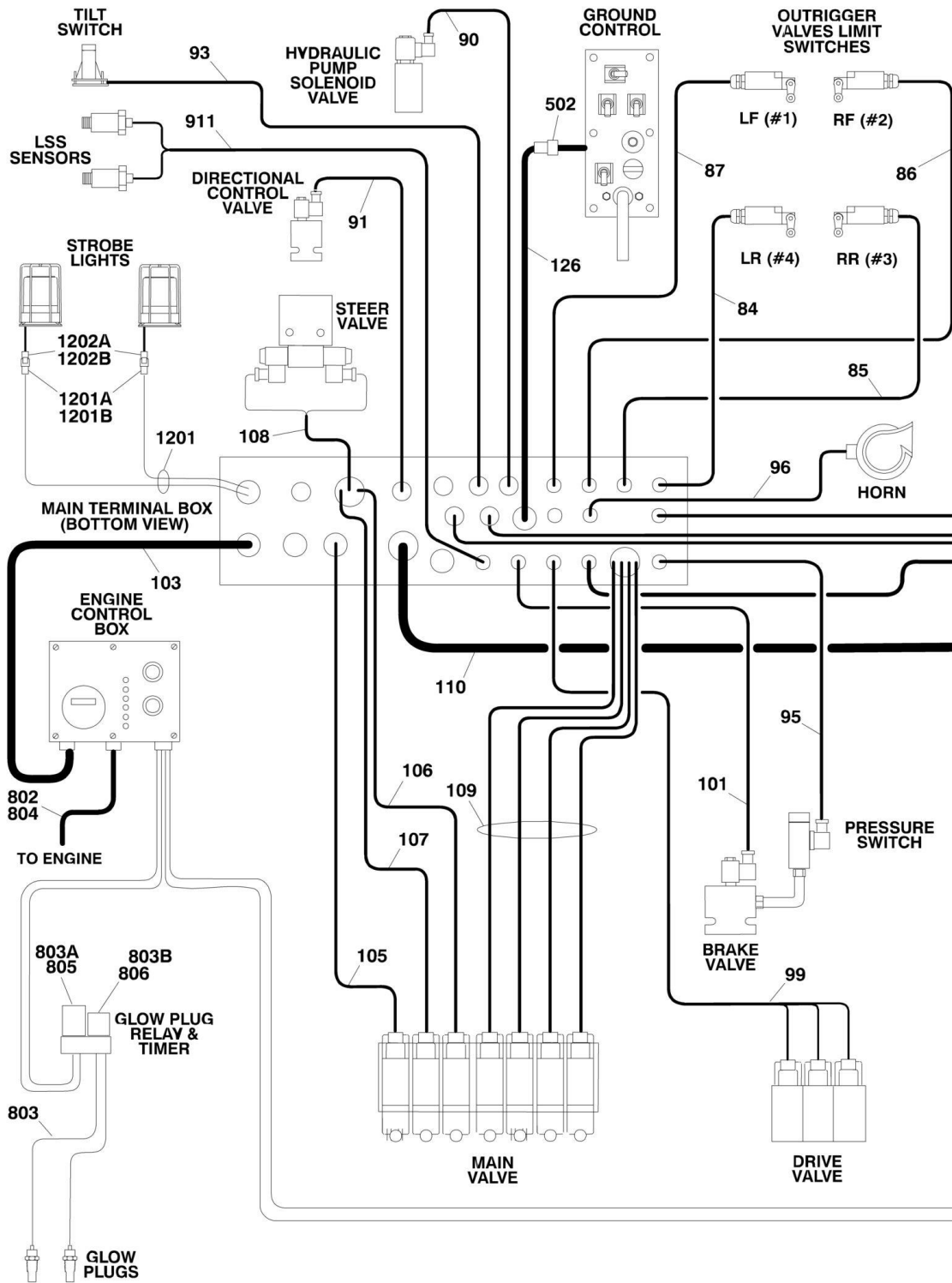
Rev C

Drawing-Nr: E900067

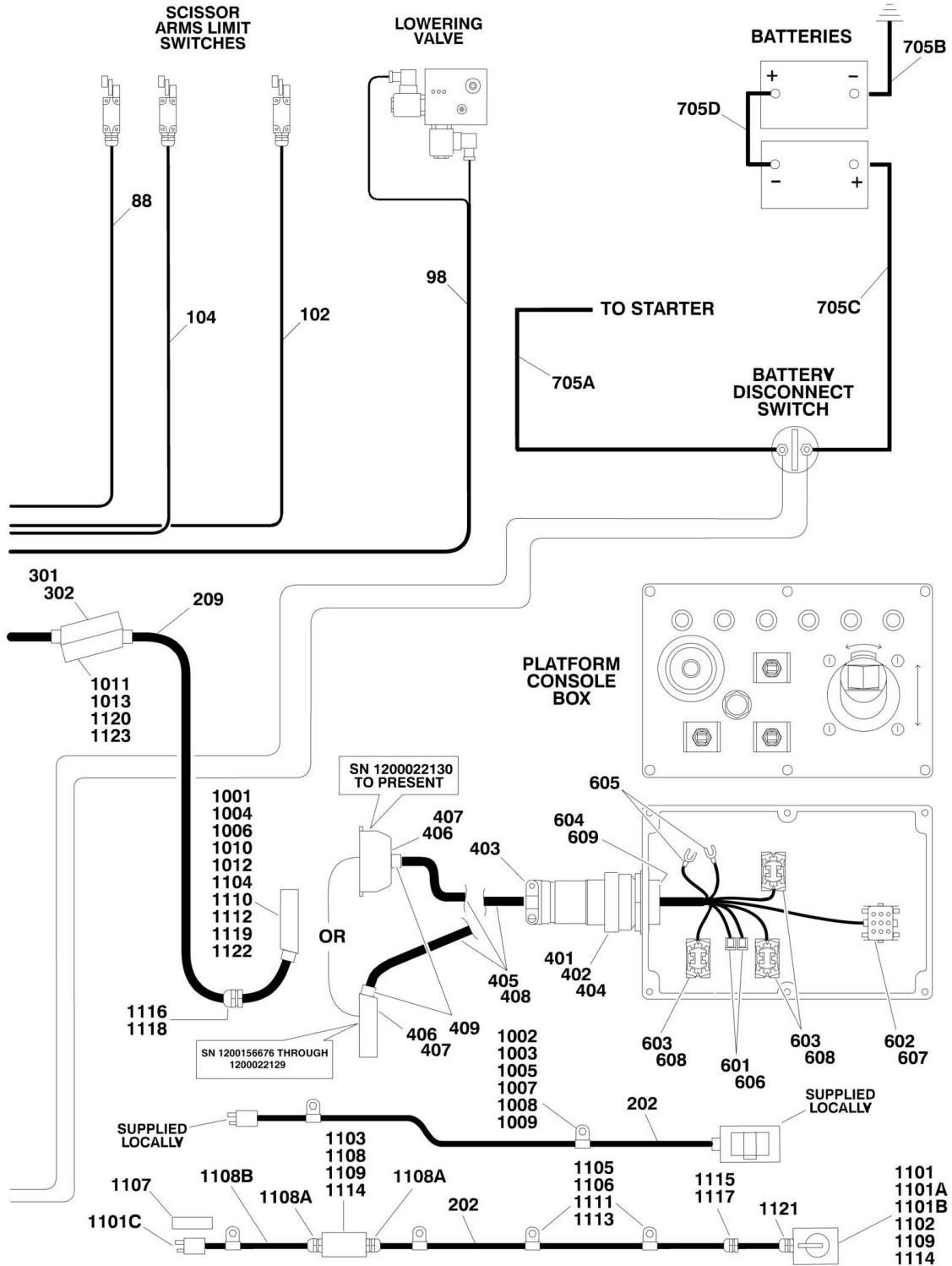
Page:19

SECTION 7 - ELECTRICAL

FIGURE 7-2. HARNESS COMPONENTS INSTALLATION



SECTION 7 - ELECTRICAL



SECTION 7 - ELECTRICAL

FIGURE 7-2. HARNESS COMPONENTS INSTALLATION

ITEM	PART NUMBER	QTY	DESCRIPTION	REV
	1001093430	Ref	MAIN TERMINAL BOX HARNESS KIT INSTALLATION	C
84	70001222	1	Harness, #4 Outrigger Limit Switch	
85	70001223	1	Harness, #3 Outrigger Limit Switch	
86	70001224	1	Harness, #2 Outrigger Limit Switch	
87	70001225	1	Harness, #1 Outrigger Limit Switch	
88	70001226	1	Harness, Platform Down Limit Switch	
90	70001227	1	Harness, Hydraulic Pump Solenoid Valve	
91	70001228	1	Harness, Directional Control Valve	
93	70001229	1	Harness, Tilt Switch	
95	70001230	1	Harness, Pressure Switch	
96	70001231	1	Harness, Horn	
98	70001232	1	Harness, Lowering Valve	
99	70001233	1	Harness, Drive Speed Valve	
101	70001234	1	Harness, Brake Valve	
102	70001235	1	Harness, Max Height Limit Switch	
103	70001236	1	Harness, Engine Control Box	
104	70001237	1	Harness, 2.5M Limit Switch	
105	70001238	1	Harness, Platform Extend Valve	
106	70001239	1	Harness, Lift Valve	
107	70001240	1	Harness, Drive Valve	
108	70001241	1	Harness, Steer Valve	
109	70001259	1	Harness Assembly, Outrigger Valves	
110	70001246	1	Harness, Remote Control Box Connector	
126	70001247	1	Harness, Ground Control Panel	
	0275762	Ref	SCISSORS ARMS AND CABLES INSTALLATION	B
202	1060663	29 m/96ft	Cable, Electrical 12/3	
209	E000083	29 m/96ft	Cable, Electrical (25 Wire)	
	E900062	Ref	MAIN TERMINAL BOX ASSEMBLY	E
301	E000102	1	Housing, Connector - Female 24 Pin	
302	E000481	1	Insert, Connector - Female 24 Pin	
	E900042	Ref	PLATFORM CONSOLE JUMPER HARNESS	E
401	4460465	24	Socket, Female	
402	4460468	1	Cap, Dust	
403	4460492	1	Clamp, Cable	
404	4460502	1	Connector - 31 Position	
405	E000083	6 m/20ft	Cable, Electrical (25 Wire)	
406		Ref	Housing, Connector - Male 24 Pin Options:	
406	E000103	1	Housing, Connector - Male 24 Pin (SN 156676 through 1200022129)	
406	E000108	1	Housing, Connector - Male 24 Pin (SN 1200022130 to Present)	
407	E000482	1	Insert, Connector - Male 24 Pin	
408	E900043	6 m/20ft	Loom, Wire	
409	E900045	1	Relief, Strain	
	E900055	Ref	GROUND CONTROL PANEL HARNESS	E
501	4460418	4	Connector, Female - 6 Position (Attaches to Toggle Switch - Not Shown)	
501	4460419	AR	Terminal, Female (Not Shown)	
502	4460462	1	Connector - 23 Position	
502	4460465	AR	Terminal, Female	
503	E900056	2	Diode, BY255 (Not Shown)	

SECTION 7 - ELECTRICAL

ITEM	PART NUMBER	QTY	DESCRIPTION	REV
	E900041	Ref	PLATFORM CONSOLE BOX HARNESS	D
601	4460260	2	Terminal, Locking Female	
602	4460266	1	Connector, female - 9 Position	
603	4460418	3	Connector - 6 Position	
604	4460503	1	Connector - 31 Position	
606	4460259	AR	Connector, Female - 1 Position Locking	
607	4460267	6	Pin, Male	
608	4460419	15	Socket, Female	
609	4460464	20	Pin, Male	
610	Not Available	3	Resistor, 2.2 kOhm (Not Shown)	
	0275598	Ref	BATTERY CABLES INSTALLATION	D
705	2902547	1	Battery Cable Kit	
705A	Not Available	1	Battery Cable (Battery Disconnect Switch to Starter)	
705A	Not Available	2	Boot, Terminal (Red) (Not Shown)	
705B	Not Available	1	Battery Cable (Battery Negative to Engine Ground)	
705B	Not Available	1	Boot, Terminal (Black) (Not Shown)	
705B	Not Available	1	Boot, Square Terminal (Black) (Not Shown)	
705C	Not Available	1	Battery Cable (Battery Positive to Battery Disconnect Switch)	
705C	Not Available	1	Boot, Terminal (Red) (Not Shown)	
705C	Not Available	1	Boot, Square Terminal (Red) (Not Shown)	
705D	Not Available	1	Battery Cable (Battery Positive to Battery Negative Jumper)	
705D	Not Available	1	Boot, Square Terminal (Red) (Not Shown)	
705D	Not Available	1	Boot, Square Terminal (Black) (Not Shown)	
712	E000007	11 m/37ft	Loom, Wire (15mm O.D. - Not Shown)	
716	E000005	3 m/10ft	Loom, Wire (8mm O.D. - Not Shown)	
717	E000084	3 m/10ft	Loom, Wire (12mm O.D. - Not Shown)	
	0275614	Ref	ENGINE HARNESES INSTALLATION	K
		Ref	Engine Harnesses Installation (SN 1200015676 through 1200021260)	
801	1001105080	1	Harness, Air Cleaner Indicator (Not Shown - was p/n 70001859)	
802	1001105077	1	Harness, Engine (was p/n 70001860)	
803	1001105079	1	Harness, Glow Plug (was p/n 70001861)	
803A	See Note	1	Relay, Glow Plug Timer (Note: Was p/n 70000924. This p/n is no longer available. Purchase qty1 each of Relay p/n 70003647 and Base p/n 70003648.)	
803B	70000925	1	Relay	
803B	70000926	1	Base, Relay	
803C	8229236	2	Fuse, 30A (Not Shown)	
		Ref	Engine Harnesses Installation (SN 1200021261 to Present)	
804	1001105682	1	Harness, Engine	
805	See Note	1	Relay, Glow Plug Timer (Note: Was p/n 70000924. This p/n is no longer available. Purchase qty1 each of Relay p/n 70003647 and Base p/n 70003648.)	
806	70000925	1	Relay	
806	70000926	1	Base, Relay	
807	8229236	2	Fuse, 30A (Not Shown)	
	0275780	Ref	LIFT CYLINDER AND VALVES INSTALLATION	C
911	H705723	2	Harness, LSS Pressure Sensor	
	0275784	Ref	AC RECEPTACLES INSTALLATION (WITHOUT CIRCUIT BREAKER / LOCALLY SUPPLIED RECEPTACLE AND PLUG)	C
1001	0760508	4	Bolt M5 x 16mm	
1002	0760610	2	Bolt M6 x 20mm	
1003	1320224	2	Clamp	

SECTION 7 - ELECTRICAL

ITEM	PART NUMBER	QTY	DESCRIPTION	REV
1004	3290505	4	Locknut M5	
1005	3290605	2	Locknut M6	
1006	4811600	8	Flatwasher M5	
1007	4811700	2	Flatwasher M6	
1008	4811702	2	Flatwasher M6 Large O.D.	
1009	4831700	2	Lockwasher M6	
1010	E000102	1	Housing, Connector - Female 24 Pin	
1011	E000103	1	Housing, Connector - Male 24 Pin	
1012	E000481	1	Insert, Connector - Female 24 Pin	
1013	E000482	1	Connector, 24 Pin Male	
		Ref	AC RECEPTACLE INSTALLATION (WITH CIRCUIT BREAKER)	
	1001110548	Ref	110V IEC60309 (Yellow)	A
	1001110549	Ref	200V IEC60309 (Blue)	A
	1001110547	Ref	220V AFSINT Keyed Ground (2x4 Box)	A
	1001110545	Ref	220V CEE7 Post Ground (2x4 Box)	A
	1001110546	Ref	220V CEE7 Side Ground (2x4 Box)	A
	1001110550	Ref	220V CEE7 Post Ground 70mm x 70mm Box	A
	1001110551	Ref	220V CEE7 Side Ground (70mm x 70mm Box)	A
1101		Ref	Receptacle and Plug Kit Options:	
1101	0275216	1	110V IEC60309 (Yellow)	1
1101	0275217	1	220V IEC60309 (Blue)	1
1101	0275454	1	220V AFSINT Keyed Ground (2x4 Box)	1
1101	0275452	1	220V CEE7 Post Ground (2x4 Box)	1
1101	0275453	1	220V CEE7 Side Ground (2x4 Box)	1
1101	0275218	1	220V CEE7 Post Ground 70mm x 70mm Box	B
1101	0275219	1	220V CEE7 Side Ground (70mm x 70mm Box)	B
1101A		Ref	Box, Receptacle Options:	
1101A	0861781	1	0275216 & 0275217 Kits	
1101A	0861731	1	0275454, 0275452 & 0275453 Kits	
1101A	1001141967	1	0275218 & 0275219 Kits	
1101B		Ref	Receptacle, Female (Includes Box Cover) Options:	
1101B	4461198	1	0275216 Kit	
1101B	4461201	1	0275217 Kit	
1101B	4461246	1	0275454 Kit	
1101B	4461244	1	0275452 Kit	
1101B	4461245	1	0275453 Kit	
1101B	1001141968	1	0275218 Kit	
1101B	1001141969	1	0275219 Kit	
1101C		Ref	Plug, Male Options:	
1101C	4461196	1	0275216 Kit	
1101C	4461199	1	0275217 Kit	
1101C	4461249	1	0275454 Kit	
1101C	4461202	1	0275452 & 0275218 Kit	
1101C	4461205	1	0275453 & 0275219 Kit	
1102	0760408	2	Bolt M4 x 16mm	
1103	0760410	2	Bolt M4 x 20mm	
1104	0760508	4	Bolt M5 x 16mm	
1105	0760610	4	Bolt M6 x 20mm	
1106	1320224	2	Clamp	
1107		Ref	Decal - Voltage Options:	
1107	1703464	1	120V	

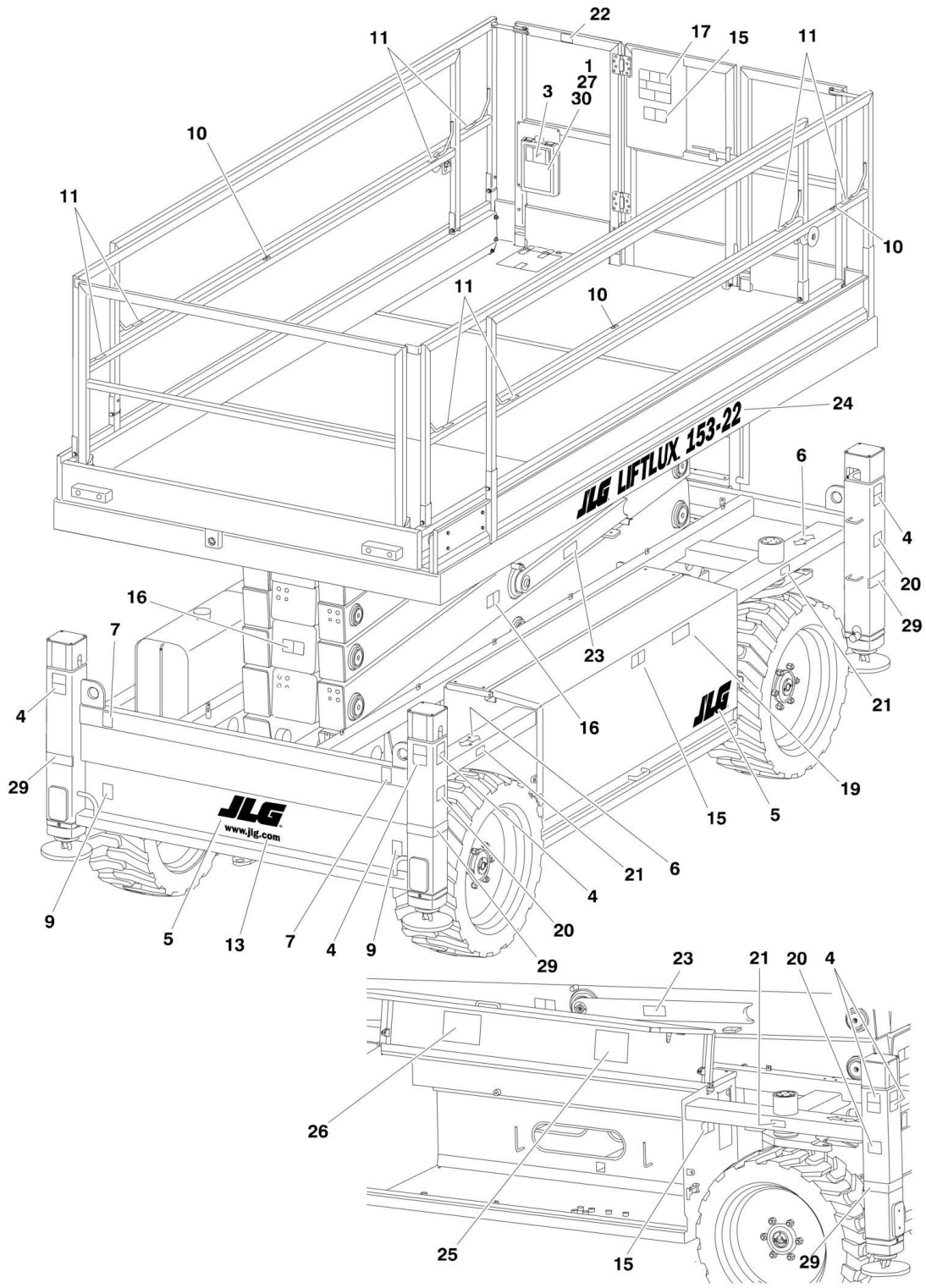
SECTION 7 - ELECTRICAL

ITEM	PART NUMBER	QTY	DESCRIPTION	REV
1107	3252507	1	220V	
1108	2902541	1	Circuit Breaker Kit	
1108	1001109475	1	Breaker, Circuit (16 Amp)	
1108	1001109482	1	Breaker, Circuit (30 mAmp)	
1108	4460956	1	Barrier, Terminal	
1108A	1001097150	2	Connector, Strain Relief	
1108B	1060908	4.6 ft/1.4m	Cable, Electrical 12/3	
1109	3290405	4	Locknut M4	
1110	3290505	4	Locknut M5	
1111	3290605	4	Locknut M6	
1112	4811600	8	Flatwasher M5	
1113	4811700	8	Flatwasher M6	
1114	1001091102	4	Flatwasher M6 Large O.D.	
1115	1001097369	1	Nut, Conduit	
1116	1001097370	1	Nut, Conduit	
1117	E000016	1	Connector, Strain Relief	
1118	E000045	1	Connector, Strain Relief	
1119	E000102	1	Housing, Connector - Female 24 Pin	
1120	E000103	1	Housing, Connector - Male 24 Pin	
1121		Ref	Connector, Strain Relief Options:	
1121	E000269	1	IEC60309 Installations and 70mm x 70mm Box Installations	
1121	4460662	1	2 x 4 Box Installations	
1122	E000481	1	Insert, Connector - Female 24 Pin	
1123	E000482	1	Connector, 24 Pin Male	
		Ref	OPTIONAL HARNESS COMPONENTS	
1201	1001099183	1	Harness Assembly, Beacon	
1201A	4460897	2	Connector, Female - 2 Position	
1201B	4460464	4	Pin, Male	
1202		Ref	Lamp Components, Beacon	
1202A	4460891	1	Connector, Male - 2 Position	
1202B	4460465	2	Socket, Female	

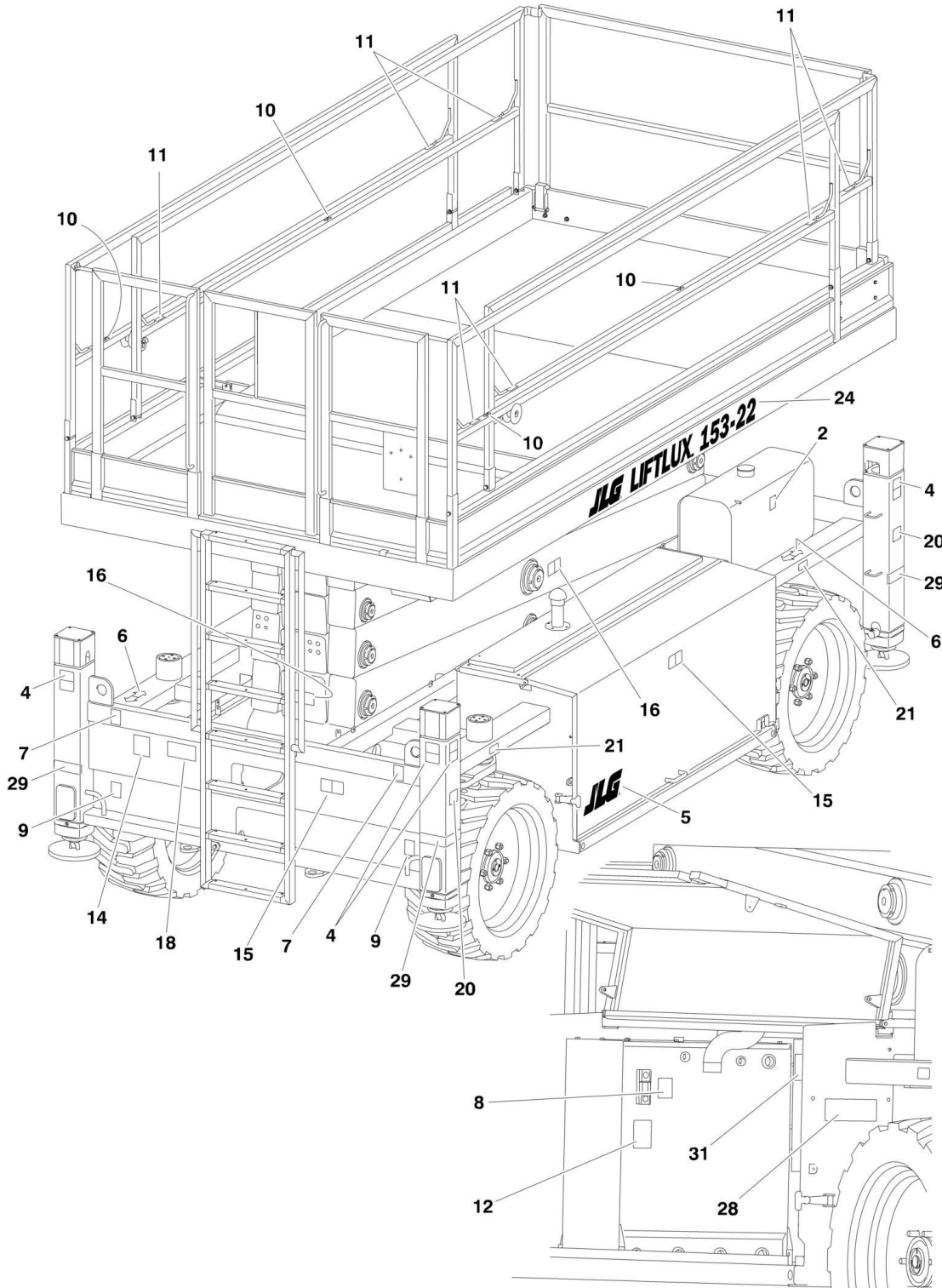
SECTION 8 - DECALS

SECTION 8 - DECALS

FIGURE 8-1. DECAL INSTALLATION



SECTION 8 - DECALS



SECTION 8 - DECALS

FIGURE 8-1. DECAL INSTALLATION

ITEM	PART NUMBER	QTY	DESCRIPTION	REV
		Ref	DECAL INSTALLATION	
	0274543	Ref	Decal Installation (SN 1200015676 through 1200016717)	D
	1001098529	Ref	Decal Installation (SN 1200016718 to Present)	C
1	1060279	1	Lanyard	
2	1701505	1	Decal, Diesel Fuel	
3		Ref	Decal, Manual Options:	
3	1701509	1	Decal, Manual (SN 1200015676 through 1200016717)	
3	1701640	1	Decal, Manual (SN 1200016718 to Present)	
4	1701785	8	Decal, Crushing	
5	1702773	3	Decal, JLG	
6	1703687	4	Decal, Direction Arrow	
7	1703811	4	Decal, Lifting Lug	
8	1703812	1	Decal, Hydraulic Oil	
9	1703814	4	Decal, Tie Down	
10	1703819	Ref	Decal, Direction Arrow Options:	
10	1703819	3	Decal, Direction Arrow (SN 1200015676 through 1200016717)	
10	1703819	4	Decal, Direction Arrow (SN 1200016718 to Present)	
11	1704277	8	Decal, Lanyard Attach	
12	1704412	1	Decal, Hydraulic Oil	
13	1704885	1	Decal, Website	
14	1705084	1	Decal, Noise Level	
15	1705671	Ref	Decal, Electrocutation Options:	
15	1705671	6	Decal, Electrocutation (SN 1200015676 through 1200016717)	
15	1705671	5	Decal, Electrocutation (SN 1200016718 to Present)	
16	1705673	4	Decal, Crushing	
17	1706455	1	Decal, Capacity	
18	1706472	1	Decal, Fall Hazard (SN 1200015676 through 1200021117)	
19	1706482	1	Decal, Manual Descent Inside	
20	1706483	4	Decal, Pad Load	
21	1706484	4	Decal, Wheel Load	
22	1706485	1	Decal, Control Box Location	
23	1706487	1	Decal, Safety Prop	
24	1706541	2	Decal, 153-22 Liftlux	
25		Ref	Decal, Manual Descent Options:	
25	1706481	1	Decal, Manual Descent (SN 1200015676 through 1200016717)	
25	1706598	1	Decal, Manual Descent (SN 1200016718 through 1200021116)	
25	1001103745	1	Decal, Manual Descent (SN 1200021117 to Present)	
26		Ref	Decal, Manual Descent Ext Options:	
26	1706471	1	Decal, Manual Descent Ext (SN 1200015676 through 1200016717)	
26	1706599	1	Decal, Manual Descent Ext (SN 1200016718 through 1200021116)	
26	Not Required	0	Decal, Manual Descent Ext (SN 1200021117 to Present)	
27	2080040	4	Fastener, Huck	
28	Not Available	1	Nameplate, Serial Number	
29	4420051	1.2 m	Tape, Safety	
30		Ref	Box, Manual Storage Options:	
30	0860520	1	Box, Manual Storage (SN 1200015676 through 1200016717)	
30	8990147	1	Box, Manual Storage (SN 1200016718 to Present)	
30	70003486	2	Clip, Box Latching (Used on Box p/n 8990147 Only)	

SECTION 8 - DECALS

ITEM	PART NUMBER	QTY	DESCRIPTION	REV
31	1706098	1	Decal, Ether Warning	

SECTION 9 - RECOMMENDED SERVICE PARTS STOCK

SECTION 9 - RECOMMENDED SERVICE PARTS STOCK

SECTION 9 - RECOMMENDED SERVICE PARTS STOCK

FIGURE 9-1. MODEL 153-22 STANDARD PARTS

ITEM	PART NUMBER	QTY	DESCRIPTION	REV
	Note	1	The following list will service one machine (built to current production per date on the front cover) with emergency repair	
		Ref	STANDARD PARTS	
	7012986	1	Coil	
	70000441	1	Coil	
	4360314	1	Switch, Toggle	
	4360671	1	Switch, Toggle	
	4360698	1	Switch, Toggle	
	4360469	1	Switch, Key	
	2860030	1	Key, Replacement	
	4360475	1	Switch, Emergency Stop	
	E000059	1	Switch, Battery Disconnect	
	70001355	2	Diode	
	70000635	1	Switch, Push Button	
	E000457	1	Relay	
	E001375	1	Relay	
	7017444	1	Coil	
	70000899	4	Element, Filter	
	H000241	4	Breather	
	H005232	4	Element, Primary Air Filter	
	70000054	4	Element, Secondary Air Filter	
	7016331	4	Filter, Oil (Deutz Engine)	
	7020023	4	Filter, Fuel (Deutz Engine)	
	7027245	4	Filter, In-line Fuel (Deutz Engine)	
	S200238	1	Latch	
	4360387	1	Switch, Push Button	
	4360525	1	Switch, Toggle	
	4360693	1	Switch, Toggle	
	E900025	1	Controller, Drive/Steer	
	70000020	4	Element, Mini Pressure Filter	
	70000924	1	Relay, Glow Plug Timer	
	70000925	1	Relay	
	8229236	1	Fuse, 30A	

SECTION 9 - RECOMMENDED SERVICE PARTS STOCK

FIGURE 9-2. MODEL 153-22 VARIABLE PARTS

ITEM	PART NUMBER	QTY	DESCRIPTION	REV
	Note	1	The following list will service one machine (built to current production per date on the front cover) with emergency repair	
		Ref	VARIABLE PARTS	
	E000359	1	Limit Switch	
	E000044	1	Switch, Tilt	
	70001352	1	PC Board - Engine Control	
	E000189	1	PC Board - Pump Delay	
	E000214	1	PC Board - Nivelux Control	
	1001112938	1	PC Board - Complex Control	
	1001094642	1	PC Board - Trigger Control	
	E000376	1	Limit Switch	
	1001109475	1	Breaker, Circuit 16 Amp (Used with Optional AC Receptacle at Platform)	
	1001109482	1	Breaker, Circuit 30 mAmp (Used with Optional AC Receptacle at Platform)	

SECTION 10 - SPECIAL OPTIONS

SECTION 10 - SPECIAL OPTIONS

FIGURE 10-1. SPECIAL OPTIONS

ITEM	PART NUMBER	QTY	DESCRIPTION	REV
		Ref	MISCELLANEOUS SPECIAL OPTIONS	
	0256789	Ref	Camera Mount Assembly	
	1001098929	Ref	Beacon Lamp Installation	
	2920161	2	Lamp, Beacon	
	4060865	2	Guard, Stone	
	1001099040	2	Bracket, Beacon Lamp	
		Ref	Tools For Service:	
	7002828	1	Stripper, Wire	
	7002821	1	Crimper, Wire Terminal	
	7002823	1	Extractor, Pin/Socket - Universal (For Most Connectors)	
	4460467	1	Extractor, Pin/Socket - 16-18 Gauge (For Deutsch Connectors)	
	4460510	1	Extractor, Pin/Socket - 12-14 Gauge (For Deutsch Connectors)	
	7002822	1	Screwdriver, Potentiometer (To Adjust Drive Controller)	
	7016654	1	Screwdriver, Magnetic	
	7004275	1	Installer, Seal - 1in	
	7004276	1	Installer, Seal - 1 1/2in	
	7002826	1	Installer, Seal - 2in	
		Ref	Filter Kits	
	1001111713	1	Combined Filter Kit	
	1001111685	1	Fuel and Engine Filters Kit	
	1001111674	1	Hydraulic/Air Filters Kit	
		Ref	Fluids	
	2300014	AR	Hydraulic Oil, Mobilfluid 424	
	2300029	AR	Hydraulic Oil, Mobil EAL Envirosyn H 46	
	3020016	AR	Engine Oil, Delvac MX 15W-40	
	3020008	AR	Gear Lube, ATF 184	

PART NUMBER INDEX

SECTION 10 - SPECIAL OPTIONS

0100011.....40	0760812 ... 25, 39, 40, 45, 55	1001109475 115, 126	2142706.....80, 86
0100019.....11, 50	0760814 25, 45	1001109482 115, 126	2142707.....80, 86
0140011.....35	0760815 45, 63	1001110545 114	2142708.....80, 86
0181847.....63	0760817 39	1001110546 114	2142709.....80, 86
0256789.....128	0760819 60	1001110547 114	2142710.....80, 86
0274543.....120	0761006 43	1001110548 114	2142711.....80, 86
0275216.....114	0761010 ... 21, 25, 37, 39, 45, 52	1001110549 114	2142712.....80, 86
0275217.....114	0761012 ... 25, 39, 45, 52, 55	1001110550 114	2142713.....80, 86
0275218.....114	0761014 37, 50	1001110551 114	2142714.....80, 86
0275219.....114	0761015 25, 50, 60	1001111674 128	2142716.....80, 86
0275452.....114	0761016 55, 60	1001111685 128	2142717.....80, 86
0275453.....114	0761024 60	1001111713 128	2142719.....80, 86
0275454.....114	0761210 9	1001112938 35, 126	2142733.....81, 87
0275476.....26, 37	0761214 9	1001113273 25	2142734.....81, 87
0275477.....25	0761215 13	1001135526 61	2142735.....81, 87
0275478.....21	0761216 50	1001141967 114	2142740.....81, 87
0275598.....25, 113	0761228 39	1001141968 114	2142743.....80, 86
0275611.....63	0762015 50	1001141969 114	2142744.....80, 86
0275614.....37, 39, 113	0771619 13	1003107 29	2142751.....80, 86
0275669.....43	0860520 120	1060279 120	2142752.....80, 86
0275675.....11	0861731 114	1060663 112	2142804.....81, 87
0275676.....9	0861781 114	1060908 115	2143402.....80, 86
0275725.....52	0893076 29	1062255 51, 55	2143403.....80, 86
0275726.....60	1001091075 37	1320224 113, 114	2143404.....80, 86
0275727.....60	1001091102 115	1701505 120	2143405.....80, 86
0275728.....45	1001091513 39	1701509 120	2143406.....80, 86
0275735.....55	1001091514 39	1701640 120	2143507.....81, 87
0275751.....21	1001091761 45	1701785 120	2143513.....81, 87
0275762.....50, 112	1001092080 82, 87	1702773 120	2143514.....81, 87
0275780.....50, 69, 113	1001092405 35	1703464 114	2143516.....81, 87
0275781.....50	1001092406 35	1703687 120	2143602.....81, 87
0275784.....61, 113	1001093353 35	1703811 120	2143603.....81, 87
0275832.....13	1001093354 35	1703812 120	2143605.....81, 87
0307544.....29	1001093355 35	1703814 120	2143606.....81, 87
0318854.....29	1001093361 35	1703819 120	2143608.....81, 87
0700518.....45	1001093379 35	1704277 120	2143703.....81, 87
0700617.....25	1001093416 35	1704412 120	2143705.....81, 87
0700618.....37	1001093430 112	1704885 120	2143707.....81, 87
0700812.....45, 50	1001093793 39	1705084 120	2143717.....81, 87
0700815.....25	1001093794 39	1705671 120	2143807.....81, 87
0700817.....21, 25	1001094641 35	1705673 120	2144105.....81, 87
0700818.....21	1001094642 35, 126	1706098 121	21600169, 21, 50, 51, 52, 60
0700820.....25	1001094781 26	1706455 120	2221214.....81
0700833.....21	1001096366 63	1706471 120	2221222.....69
0701018.....21	1001096367 63	1706472 120	2300014.....128
0701022.....60	1001096653 45	1706481 120	2300029.....128
0701024.....60	1001097150 115	1706482 120	2560141.....63
0701217.....50	1001097179 53	1706483 120	2600281.....61
0701222.....21	1001097369 61, 115	1706484 120	2754350.....82, 87
0701229.....52	1001097370 61, 115	1706485 120	2754352.....82, 87
0701629.....50	1001098098 60	1706487 120	2754353.....82, 87
0711231.....9	1001098529 120	1706541 120	2754354.....82
0712022.....11	1001098929 128	1706598 120	2754355.....82, 88
0760408.....114	1001099040 128	1787217 25	2754356.....82, 88
0760410.....114	1001099183 115	2080040 61, 120	2754357.....82, 88
0760505.....37	1001101876 61	2140803 80, 86	2754358.....82, 88
0760508.....63, 113, 114	1001101877 61	2140807 80, 86	2754359.....82, 88
0760516.....69	1001101878 61	2141503 81, 87	2754361.....81, 87
0760605.....26, 45, 50, 61	1001103611 25	2141517 81, 87	2754362.....50
0760608.....21, 26, 45	1001103745 120	2141908 81, 87	2754364.....81, 87
0760610.....25, 26, 60, 113, 114	1001105077 113	2141911 81, 87	2754365.....50
0760614.....60	1001105079 113	2142202 80, 86	2754366.....81, 87
0760615.....60	1001105080 113	2142203 80, 86	2754368.....81, 87
0760619.....60	1001105682 113	2142204 81, 86	2754369.....81, 87
0760805.....60, 61		2142205 81, 87	2754372.....81, 87
0760810.....25, 26		2142206 81, 87	2754373.....81, 87
			2754375.....81

SECTION 10 - SPECIAL OPTIONS

2754376	81, 87	4031718	81, 87	4831700	21, 26, 45, 50,	70000527	33
2754377	81, 87	4031720	81, 87	61, 114		70000528	33
2754383	82, 88	4031908	50	4831900	21, 25, 26, 39,	70000529	33
2754388	82, 88	4031913	69	40, 43, 45, 51, 61		70000530	33
2754390	82, 88	4032009	39	4832000	21, 25, 37, 39,	70000531	33
2754391	82, 88	4032011	52	43, 45, 50, 52, 55		70000532	33
2754392	82, 88	4032310	37	4832100	9, 13, 21, 45, 50	70000533	33
2754393	82, 88	4032316	37	4832300	37	70000534	33
2754473	82, 87	4060802	26, 63	4832500	50	70000535	33
2754474	82, 87	4060865	128	5241600	13	70000536	33
2754475	82	4360314	26, 124	5242000	11	70000537	33
2754476	82, 88	4360387	63, 124	70000020	80, 86, 124	70000538	33
2754477	81, 87	4360469	26, 124	70000021	80, 86	70000539	33
2754479	81, 87	4360475	26, 63, 124	70000054	39, 124	70000540	33
2754480	81, 87	4360525	63, 124	70000055	39	70000541	33
2754481	81	4360671	26, 124	70000056	39	70000542	33
2754482	81, 87	4360693	63, 124	70000059	40	70000543	33
2754483	82, 88	4360698	26, 63, 124	70000061	40	70000634	26
2754484	82, 88	4420051	120	70000062	40	70000635	26, 124
2754485	82, 88	4460226	65	70000081	65	70000683	65
2754486	82, 88	4460259	113	70000082	65	70000684	65
2754487	82, 88	4460260	113	70000083	65	70000685	65
2754488	82, 88	4460265	65	70000084	65	70000686	65
2754489	82, 88	4460266	65, 113	70000085	65	70000700	73
2754490	82, 88	4460267	65, 113	70000185	69	70000707	75
2754491	82, 88	4460418	112, 113	70000186	69	70000708	75
2754492	82, 88	4460419	112, 113	70000187	69	70000713	75
2754493	82, 88	4460462	112	70000188	69	70000749	71
2754494	81, 87	4460464	113, 115	70000189	69	70000750	71
2754495	82, 88	4460465	112, 115	70000239	17	70000751	71
2754516	81, 87	4460467	128	70000240	17	70000752	71
2755039	81, 87	4460468	112	70000241	17	70000755	71
2755040	81	4460470	63	70000242	17	70000759	75
2860030	26, 124	4460471	63	70000243	17	70000760	75
2900708	37	4460492	112	70000244	17	70000761	75
2902541	115	4460502	112	70000245	17	70000762	71
2902547	113	4460503	113	70000246	17	70000763	71
2920161	128	4460510	128	70000247	17	70000764	73
3020008	13, 128	4460662	115	70000248	17	70000765	73
3020016	128	4460891	115	70000249	17	70000766	73
320066	25	4460897	115	70000250	17	70000767	73
3252507	115	4460956	115	70000251	17	70000768	73
3290405	27, 115	4461196	114	70000252	17	70000769	73
3290505	45, 63, 114, 115	4461198	114	70000253	17	70000770	73
3290605	25, 26, 37, 45,	4461199	114	70000254	17	70000771	73
60, 114, 115		4461201	114	70000255	17	70000772	73
3290805	25, 26, 39, 43,	4461202	114	70000256	17	70000899	37, 124
45, 50, 55, 60, 63		4461205	114	70000257	17	70000902	43
3291001	25	4461244	114	70000258	17	70000924	124
3291005	39, 45, 50, 52,	4461245	114	70000259	17	70000925	113, 124
55, 60, 61		4461246	114	70000260	17	70000926	113
3291205	39, 50, 52	4461249	114	70000346	17	70000938	39
3291605	50, 60, 61	4520288	13	70000441	124	70000939	39
3331215	9	4740120	63	70000513	33	70000940	39
3332011	11	4811400	27	70000514	33	70000941	39
3440816	50	4811600	45, 63, 114, 115	70000515	33	70000942	69
3760491	60	4811700	25, 26, 37, 45,	70000516	33	70000952	35
3760518	61	60, 61, 114, 115		70000517	33	70000953	35
3820408	45	4811702	114	70000518	33	70000954	35
3820510	21	4811900	25, 26, 39, 45,	70000519	33	70000955	35
3900376	60, 61	50, 55, 60, 63		70000520	33	70000956	35
4010414	63	4811902	63	70000521	33	70001114	26
4031510	21	4812000	37, 45, 50, 52,	70000522	33	70001122	27
4031605	26	55, 60, 61		70000523	33	70001222	112
4031612	50	4812100	9, 39, 50, 52	70000524	33	70001223	112
4031709	51, 63	4812300	50, 61	70000525	33	70001224	112
4031714	69	4831600	26, 37, 50	70000526	33	70001225	112

SECTION 10 - SPECIAL OPTIONS

70001226.....	112	7027861.....	15	E900049.....	63	H005232.....	39, 124
70001227.....	112	7027912.....	29	E900051.....	43	H005234.....	39
70001228.....	112	7027915.....	29	E900052.....	43	H005236.....	39
70001229.....	112	7027939.....	15	E900055.....	26, 112	H005237.....	39
70001230.....	112	7027940.....	15	E900056.....	112	H005238.....	39
70001231.....	112	7027941.....	15	E900057.....	35	H005239.....	39
70001232.....	112	7028846.....	29	E900059.....	35	H005242.....	39
70001233.....	112	7028847.....	29	E900062.....	26, 35, 112	H005243.....	69
70001234.....	112	7028848.....	29	E900070.....	26	H005244.....	69
70001235.....	112	7028849.....	29	H000013.....	37	H005247.....	29
70001236.....	112	7028893.....	29	H000015.....	80, 86	H005250.....	29
70001237.....	112	8003064.....	29	H000018.....	80, 86	H005559.....	26
70001238.....	112	8005376.....	39	H000019.....	25	H705721.....	69
70001239.....	112	8007894.....	29	H000038.....	43	H705722.....	69
70001240.....	112	8007915.....	29	H000039.....	43	H705723.....	113
70001241.....	112	8007935.....	29	H000040.....	43	H705724.....	69
70001246.....	112	8007939.....	29	H000048.....	43	H900007.....	9, 71
70001247.....	112	8007944.....	29	H000049.....	43	H900013.....	60, 75
70001259.....	112	8007953.....	29	H000051.....	43	H900018.....	21, 73
70001352.....	26, 126	8007954.....	29	H000077.....	37	H900019.....	21, 73
70001353.....	26	8007986.....	37, 43	H000115.....	80, 86	H900046.....	37
70001355.....	26, 124	8008750.....	25	H000147.....	80, 86	H900047.....	37, 39
70001938.....	80, 86	8229236.....	113, 124	H000148.....	80, 86	H900048.....	40
70003486.....	120	8303891.....	63	H000191.....	29	H900049.....	80, 86
70003606.....	31	8405204.....	39	H000206.....	29	H900050.....	80, 86
70003607.....	31	8990147.....	120	H000219.....	13, 17	H900051.....	81, 87
70003608.....	31	DL0113.....	25	H000241.....	37, 124	H900052.....	80, 86
70003609.....	31	E000005.....	113	H000271.....	69	H900066.....	39
70003610.....	31	E000007.....	113	H000279.....	80, 86	S000009.....	63
70003611.....	31	E000016.....	51, 61, 115	H000285.....	25, 33	S000031.....	61
70003616.....	35	E000044.....	26, 126	H000310.....	39	S000055.....	60
7002821.....	128	E000045.....	51, 61, 115	H000311.....	80, 86	S000056.....	45
7002822.....	128	E000059.....	26, 124	H000312.....	80, 86	S000083.....	52
7002823.....	128	E000063.....	26	H000324.....	25, 29	S000118.....	52
7002826.....	128	E000083.....	112	H000339.....	80, 86	S000120.....	52
7002828.....	128	E000084.....	113	H000344.....	80	S000124.....	51
7004275.....	128	E000102.....	112, 114, 115	H000351.....	80, 86	S000139.....	53
7004276.....	128	E000103.....	112, 114, 115	H000352.....	29	S000140.....	53
7010543.....	25	E000108.....	112	H000353.....	29	S000142.....	9, 21, 50, 53, 60
7012941.....	25	E000189.....	35, 126	H000363.....	25	S000145.....	61
7012955.....	69	E000214.....	35, 126	H000370.....	25	S000178.....	52
7012986.....	25, 69, 80, 86, 124	E000218.....	35	H000371.....	51, 63	S000182.....	9, 52
7012998.....	69, 80, 86	E000269.....	21, 50, 115	H000390.....	29	S000191.....	51
7016331.....	40, 124	E000359.....	21, 126	H000412.....	43	S000192.....	51
7016654.....	128	E000375.....	35	H000430.....	51	S000193.....	51
7017410.....	80, 86	E000376.....	50, 126	H000443.....	13, 15	S000233.....	51
7017414.....	37	E000419.....	35, 63	H000512.....	29	S000234.....	51
7017444.....	37, 124	E000420.....	63	H000514.....	29	S000237.....	60
7020023.....	40, 124	E000457.....	35, 124	H000516.....	29	S000246.....	45
7020127.....	15	E000481.....	112, 114, 115	H000524.....	80, 86	S000510.....	61
7020128.....	15	E000482.....	112, 114, 115	H000530.....	69	S001238.....	51
7020129.....	15	E001206.....	35	H000536.....	80, 86	S001240.....	51
7020175.....	26, 63	E001375.....	35, 124	H000542.....	29	S001241.....	51
7020176.....	26, 63	E001376.....	35	H000558.....	21	S001286.....	9
7020411.....	40	E900025.....	63, 65, 124	H000559.....	21	S001443.....	61
7020414.....	40	E900027.....	63	H000580.....	29	S001445.....	60
7020465.....	40	E900029.....	63	H000602.....	29	S001491.....	51
7024579.....	40	E900030.....	63	H000609.....	29	S001496.....	52
7026608.....	40	E900031.....	63	H000684.....	69	S001551.....	9
7027238.....	40	E900032.....	26	H003084.....	69	S001594.....	50
7027239.....	40	E900033.....	26	H003090.....	69	S001596.....	55
7027245.....	40, 124	E900034.....	26	H003109.....	69	S001613.....	9
7027248.....	40	E900041.....	63, 113	H003113.....	69	S001640.....	21
7027367.....	65	E900042.....	63, 112	H004005.....	39	S001676.....	45
7027765.....	65	E900043.....	112	H004080.....	39	S001802.....	51
7027766.....	65	E900045.....	112	H004087.....	40	S001803.....	51
		E900048.....	26, 63	H005224.....	39	S001804.....	51

SECTION 10 - SPECIAL OPTIONS

S001805.....	51	S200134.....	50	S200231.....	61	S900015.....	60
S001806.....	51	S200151.....	51, 52	S200233.....	61	S900016.....	60
S001807.....	51	S200152.....	51, 52	S200238.....	61, 124	S900017.....	60
S001808.....	51	S200153.....	51, 52	S200240.....	11	S900018.....	60
S001809.....	51	S200154.....	51, 52	S200243.....	9	S900019.....	50
S001810.....	50, 52, 69	S200155.....	51, 52	S200252.....	9	S900020.....	51
S001833.....	55	S200156.....	51, 52	S200253.....	9	S900021.....	21
S001834.....	55	S200157.....	51, 52	S200256.....	55	S900022.....	60
S003991.....	13, 18	S200158.....	51, 52	S200260.....	45	S900023.....	60
S004000.....	13	S200159.....	51, 52	S200261.....	45	S900024.....	60
S004014.....	21	S200160.....	51, 52	S200262.....	39	S900025.....	60
S004034.....	50	S200161.....	51, 52	S200265.....	26	S900030.....	60
S004039.....	21	S200162.....	51, 52	S200267.....	25	S900052.....	9
S005042-05.....	55	S200163.....	51, 52	S200268.....	39	S900055.....	45
S005042-06.....	55	S200164.....	51, 52	S200270.....	45	S900058.....	45
S005049.....	60	S200165.....	51, 52	S200271.....	45	S900059.....	45
S005171.....	39	S200166.....	52	S200272.....	45	S900060.....	45
S005172.....	39	S200167.....	52	S200408.....	21	S900078.....	45
S006029.....	9	S200168.....	52	S200426.....	69	S900079.....	45
S006613.....	9	S200169.....	52	S200910.....	69	S900153.....	55
S006663.....	9	S200173.....	53	S201004.....	9	S900155.....	60
S006811.....	9	S200174.....	53	S201005.....	9	S900223.....	51
S007026.....	50	S200175.....	50	S201017.....	50	S900224.....	13
S007027.....	50	S200176.....	50	S201073.....	61	S900225.....	13
S007028.....	50	S200182.....	69	S201074.....	61	S900226.....	13
S007029.....	50	S200184.....	69	S201081.....	61	S900227.....	13
S007030.....	52	S200185.....	69	S201082.....	61	S900229.....	60
S007031.....	52	S200202.....	60	S201091.....	25	S900238.....	21
S007033.....	53	S200203.....	60	S900002.....	21	S900240.....	52
S007111.....	51	S200212.....	61	S900003.....	21	S900241.....	37
S007112.....	51	S200214.....	61	S900005.....	45	S900275.....	61
S007113.....	51	S200215.....	61	S900006.....	50	S900281.....	43
S007114.....	51	S200218.....	53	S900009.....	55	S900301.....	61
S007115.....	51	S200219.....	61	S900010.....	55	S900335.....	50
S007119.....	51	S200220.....	61	S900011.....	55	S900336.....	50
S200024.....	39	S200223.....	61	S900012.....	55		
S200091.....	51	S200226.....	60	S900013.....	21		
S200092.....	51	S200230.....	61	S900014.....	21		



An Oshkosh Corporation Company

JLG Industries, Inc.
1 JLG Drive
McConnellsburg PA. 17233-9533
USA
Phone: +1-717-485-5161
Customer Support Toll Free: 1-877-554-5438
Fax: +1-717-485-6417

JLG Worldwide Locations

JLG Industries (Australia)
P.O. Box 5119
11 Bolwarra Road
Port Macquarie
N.S.W. 2444
Australia
Phone: +61 2 65811111
Fax: +61 2 65813058

JLG Latino Americana Ltd.
Rua Antonia Martins Luiz, 580
Distrito Industrial João Narezzi
13347-404 Indaiatuba - SP
Brazil
Phone: +55 19 3936 8870
Fax: +55 19 3935 2312

JLG Industries (UK) Ltd
Bentley House
Bentley Avenue
Middleton
Greater Manchester
M24 2GP
England
Phone: +44 (0)161 654 1000
Fax: +44 (0)161 654 1001

JLG France SAS
Z.I. de Baulieu
47400 Fauillet
France
Phone: +33 (0)5 53 88 31 70
Fax: +33 (0)5 53 88 31 79

JLG Deutschland GmbH
Max-Planck-Str. 21
D - 27721 Ritterhude-Ihlpohl
Germany
Phone: +49 (0)421 69 350 20
Fax: +49 (0)421 69 350 45

JLG Equipment Services Ltd.
Rm 1107 Landmark North
39 Lung Sum Avenue
Sheung Shui N.T.
Hong Kong
Phone: +852 2639 5783
Fax: +852 2639 5797

JLG Industries (Italia) s.r.l.
Via Po. 22
20010 Pregnana Milanese - MI
Italy
Phone: +39 029 359 5210
Fax: +39 029 359 5845

JLG Europe B.V.
Polaris Avenue 63
2132 JH Hoofddorp
The Netherlands
Phone: +31 (0)23 565 5665
Fax: +31 (0)23 557 2493

JLG Polska
Ul. Krolewska
00-060 Warszawa
Poland
Phone: +48 (0)914 320 245
Fax: +48 (0)914 358 200

Plataformas Elevadoras
JLG Iberica, S.L.
Trapadella, 2
P.I. Castellbisbal Sur
08755Castellbisbal, Barcelona
Spain
Phone: +34 93 772 4 700
Fax: +34 93 771 1762

JLG Sverige AB
Enkopingsvagen 150
Box 704
SE - 176 27 Jarfalla
Sweden
Phone: +46 (0)850 659 500
Fax: +46 (0)850 659 534

www.jlg.com