



# Illustrated Parts Manual

**Models**  
**400RTS**  
**500RTS**

P/N  
3120697

*September 30, 2013*

**ANSI**



An Oshkosh Corporation Company



## REVISION LOG

June 1, 1993 - Original Issue Of Manual  
January 1996 - Revised  
December 1997 - Revised  
November 11, 1999 - Updated Page 7-3, 7-5, 7-14 & 7-15  
July 18, 2000 - Revised  
July 11, 2003 - Revised (Manual edited to 0010488 Revision 36 - 400RTS)  
(Manual edited to 0010458 Revision 59 - 500RTS)  
February 4, 2004 - Revised (Manual edited to 0010458 Revision 62 - 500RTS)  
June 14, 2004 - Revised (Manual edited to 0010458 Revision 63 - 500RTS)  
June 30, 2007 - Revised (Manual edited to 0010458 Revision 69 - 500RTS)  
March 1, 2011 - Revised  
September 30, 2013 - Revised



# TABLE OF CONTENTS

SECTION 1 - FRAME.....	7
FIGURE 1-1. FRAME, STEERING, AND AXLE INSTALLATIONS.....	8
FIGURE 1-2. LOCKOUT VALVE ASSEMBLY.....	14
FIGURE 1-3. TIRE AND WHEEL DRIVE INSTALLATIONS.....	16
FIGURE 1-4. DRIVE MOTOR ASSEMBLY.....	20
FIGURE 1-5. DRIVE BRAKE ASSEMBLY.....	22
FIGURE 1-6. DRIVE HUB ASSEMBLIES.....	26
FIGURE 1-7. DRIVE HUB/BRAKE ASSEMBLIES.....	30
FIGURE 1-8. FRAME MOUNTED COMPONENTS INSTALLATION.....	34
FIGURE 1-9. FRAME MOUNTED OPTIONS INSTALLATION.....	38
FIGURE 1-10. TOW PACKAGE INSTALLATION - BALL (OPTIONAL).....	42
FIGURE 1-11. TOW PACKAGE INSTALLATION - PINTLE HOOK (OPTIONAL).....	44
SECTION 2 - GROUND CONTROLS.....	47
FIGURE 2-1. CONTROL VALVES AND TANKS INSTALLATION.....	48
FIGURE 2-2. CONTROL VALVE ASSEMBLY (Prior to SN 107516).....	54
FIGURE 2-3. CONTROL VALVE ASSEMBLY (SN 107516 to Present).....	58
FIGURE 2-4. ENGINE INSTALLATION - FORD VSG-411.....	60
FIGURE 2-5. DUAL FUEL COMPONENTS INSTALLATION - FORD VSG-411 ENGINE OPTION.....	66
FIGURE 2-6. 110 VOLT GENERATOR INSTALLATION (FORD VSG-411) (OPTIONAL).....	68
FIGURE 2-7. ENGINE INSTALLATION - FORD LSG-423.....	70
FIGURE 2-8. ENGINE INSTALLATION - FORD LRG-423 DIS/LRG-425.....	76
FIGURE 2-9. DUAL FUEL COMPONENTS INSTALLATION - FORD LSG-423/LRG-423 DIS/ LRG-425.....	84
FIGURE 2-10. GENERATOR INSTALLATION - FORD LSG-423/LRG-423/LRG-425.....	88
FIGURE 2-11. ENGINE INSTALLATION - DEUTZ F3L1011.....	92
FIGURE 2-12. 110 VOLT GENERATOR INSTALLATION - DEUTZ (OPTIONAL).....	98
FIGURE 2-13. PUMP ASSEMBLY - SUNSTRAND.....	102
FIGURE 2-14. PUMP ASSEMBLY - BARNES.....	106
FIGURE 2-15. GROUND CONTROL BOX INSTALLATION.....	108
FIGURE 2-16. HOODS AND BEACON LIGHT INSTALLATION.....	112
SECTION 3 - SCISSORS ARMS.....	117
FIGURE 3-1. SIZZORS ARMS INSTALLATION - 400RTS (Prior to SN 41058).....	118
FIGURE 3-2. SIZZORS ARMS INSTALLATION - 400RTS (SN 41058 to Present).....	122
FIGURE 3-3. SIZZORS ARMS INSTALLATION - 500RTS (Prior to SN 27997).....	126
FIGURE 3-4. SIZZORS ARMS INSTALLATION - 500RTS (SN 27997 to Present).....	130
SECTION 4 - PLATFORM.....	135
FIGURE 4-1. FIXED PLATFORM (STANDARD), HANDRAILS AND OPTIONAL COMPONENTS INSTALLATION.....	136
FIGURE 4-2. PLATFORM EXTENSION INSTALLATION (OPTIONAL).....	142
FIGURE 4-3. PLATFORM EXTENSION INSTALLATION - MEGADECK (OPTIONAL).....	146
FIGURE 4-4. POWER DECK EXTENSION AND PLATFORM ASSEMBLY.....	150
FIGURE 4-5. PLATFORM CONSOLE BOX ASSEMBLY.....	154
FIGURE 4-6. DRIVE/LIFT CONTROLLER ASSEMBLY (Prior to SN 57701).....	158
FIGURE 4-7. DRIVE/LIFT CONTROLLER ASSEMBLY (SN 57701 to Present).....	160

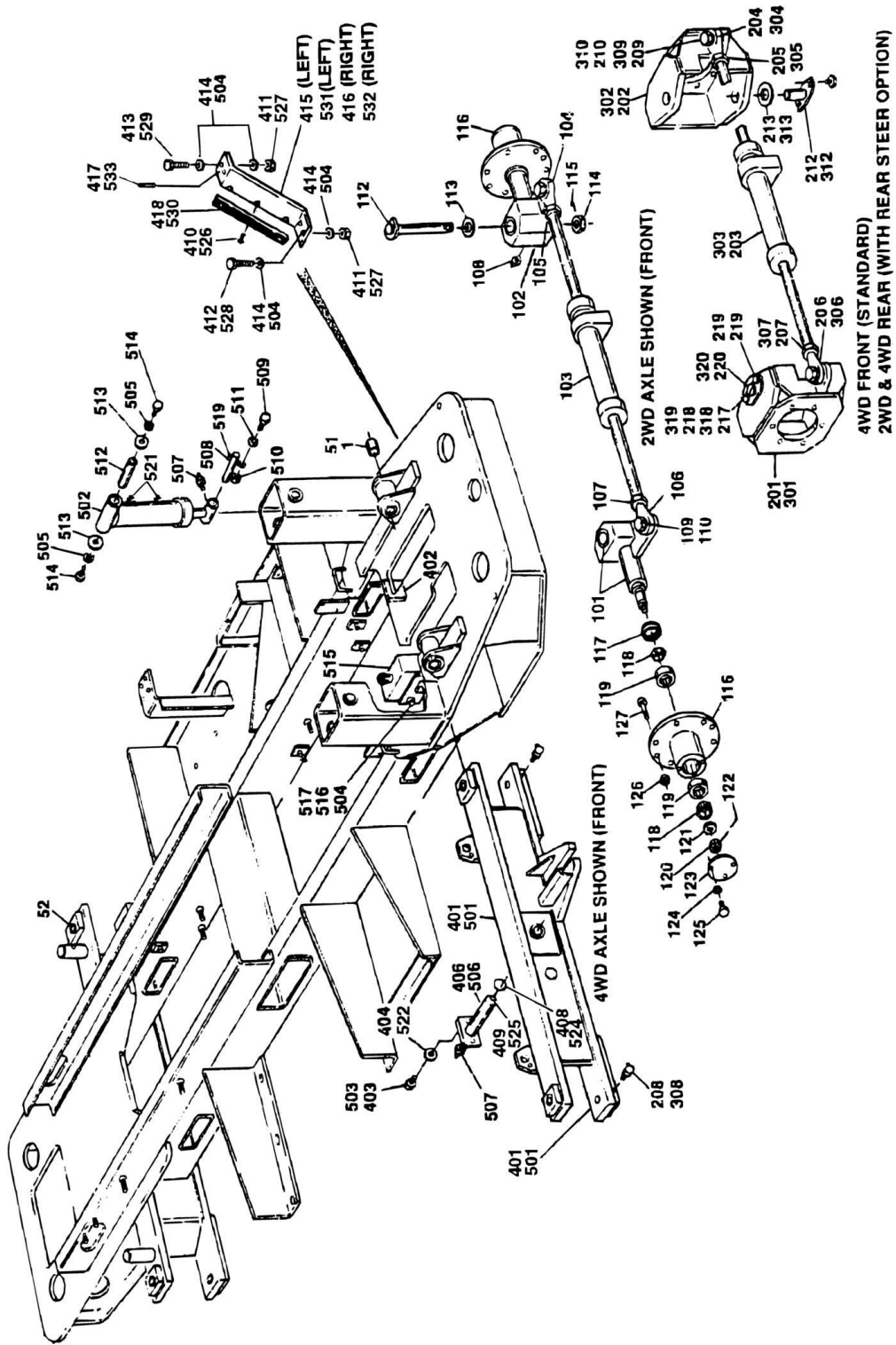
# TABLE OF CONTENTS

SECTION 5 - CYLINDER.....	163
FIGURE 5-1. AXLE LOCKOUT CYLINDER ASSEMBLY (OSCILLATING CYLINDER) (OPTIONAL) .....	164
FIGURE 5-2. LEVELING JACK CYLINDER ASSEMBLY (HYDRAULIC JACK OPTION) (Prior to SN 104832) .....	166
FIGURE 5-3. LEVELING JACK CYLINDER ASSEMBLY (HYDRAULIC JACK OPTION) (SN 104832 to Present) .....	168
FIGURE 5-4. LIFT CYLINDER ASSEMBLIES .....	172
FIGURE 5-5. PLATFORM EXTENSION CYLINDER ASSEMBLY .....	176
FIGURE 5-6. STEER CYLINDER ASSEMBLY (MACHINES BUILT PRIOR TO JUNE 1993) .....	178
FIGURE 5-7. STEER CYLINDER ASSEMBLY (MACHINES BUILT JUNE 1993 TO PRESENT).....	180
SECTION 6 - HYDRAULIC.....	183
FIGURE 6-1. HYDRAULIC DIAGRAM - AUXILIARY POWER.....	184
FIGURE 6-2. HYDRAULIC DIAGRAM - OSCILLATING AXLE (OPTIONAL).....	186
FIGURE 6-3. HYDRAULIC DIAGRAM - PLATFORM EXTENSION.....	188
FIGURE 6-4. HYDRAULIC DIAGRAM - STANDARD 2WD/2WS.....	192
FIGURE 6-5. HYDRAULIC DIAGRAM - STANDARD 4WD/2WS.....	198
FIGURE 6-6. HYDRAULIC DIAGRAM - STANDARD 4WD/4WS.....	204
FIGURE 6-7. HYDRAULIC DIAGRAM - STANDARD 2WD/4WS.....	210
FIGURE 6-8. HYDRAULIC DIAGRAM - TOW PACKAGE (OPTIONAL).....	216
FIGURE 6-9. HYDRAULIC DIAGRAM LIST.....	218
SECTION 7 - ELECTRICAL.....	221
FIGURE 7-1. ELECTRICAL DIAGRAM LIST .....	222
FIGURE 7-2. WIRING DIAGRAM - 0610114 CIRCUIT CARD.....	228
FIGURE 7-3. WIRING DIAGRAM - DUAL FUEL (FORD) .....	230
FIGURE 7-4. WIRING DIAGRAM - 110 VOLT GENERATOR (FORD).....	232
FIGURE 7-5. WIRING DIAGRAM - 110 VOLT GENERATOR (DEUTZ) .....	234
FIGURE 7-6. WIRING DIAGRAM - STANDARD 500RTS (FORD LRG-425 GAS MACHINES) .....	236
FIGURE 7-7. WIRING DIAGRAM - STANDARD 500RTS (DEUTZ DIESEL MACHINES).....	238
FIGURE 7-8. WIRING DIAGRAM - CSA SPEC 500RTS (FORD LRG-425 GAS MACHINES).....	240
FIGURE 7-9. WIRING DIAGRAM - CSA SPEC 500RTS (DEUTZ DIESEL MACHINES) .....	242
SECTION 8 - DECALS .....	245
FIGURE 8-1. DECALS INSTALLATION - COMMON.....	246
FIGURE 8-2. DECALS INSTALLATION - COUNTRY SPECS.....	250
SECTION 9 - RECOMMENDED SERVICE PARTS STOCK.....	255
FIGURE 9-1. MODEL 400RTS/500RTS STANDARD PARTS .....	256
FIGURE 9-2. MODEL 400RTS/500RTS VARIABLE PARTS .....	258
SECTION 10 - SPECIAL OPTIONS .....	259
FIGURE 10-1. SPECIAL OPTIONS .....	260
PART NUMBER INDEX.....	263

**SECTION 1 - FRAME**

# SECTION 1 - FRAME

## FIGURE 1-1. FRAME, STEERING, AND AXLE INSTALLATIONS





# SECTION 1 - FRAME

## FIGURE 1-1. FRAME, STEERING, AND AXLE INSTALLATIONS

ITEM	PART NUMBER	QTY	DESCRIPTION	REV
		Ref	<b>FRAME, STEERING AND AXLE INSTALLATIONS</b>	
		Ref	<b>FRAME WELDMENT - 2WS OPTIONS:</b>	
	2360364	Ref	<b>FRAME WELDMENT (Prior to SN 46528)</b>	8
	2360491	Ref	<b>FRAME WELDMENT (SN 46528 to Present)</b>	2
1	0961739	2	Bushing, Bronze (Sizzor Arm Pivot)	
		Ref	<b>FRAME WELDMENT - 4WS OPTIONS:</b>	
	2360358	Ref	<b>FRAME WELDMENT (Prior to SN 46528)</b>	9
	2360492	Ref	<b>FRAME WELDMENT (SN 46528 to Present)</b>	2
51	0961739	2	Bushing, Bronze (Sizzor Arm Pivot)	
52	0961029	4	Bushing, Bronze (Kingpin Pivot)	
	0252790	Ref	<b>STEERING INSTALLATION - 2WD FRONT</b>	3
	0254214	Ref	<b>STEERING INSTALLATION - 2WD FRONT (CSA)</b>	7-2
	0254215	Ref	<b>STEERING INSTALLATION - 2WD FRONT (CSA)</b>	7-2
101		Ref	Spindle Weldment (R.H.) Options:	
101	4130287	1	Spindle Weldment (R.H.) (Standard)	
101	4130306	1	Spindle Weldment (R.H.) (CSA)	
101	0960523	2	Bushing, Bronze (Kingpin)	
102		Ref	Spindle Weldment (L.H.) Options:	
102	4130288	1	Spindle Weldment (Standard)	
102	4130307	1	Spindle, Weldment (CSA)	
102	0960523	2	Bushing, Bronze (Kingpin)	
103		Ref	Steer Cylinder Assembly (See CYLINDER SECTION For Breakdown) Options:	
103	1682681	1	Standard (Prior to June 1993)	
103	1682967	1	Standard (June 1993 to Present)	
103	1682967	1	CSA	
104	1660204	1	Rod-End (Left Side)	
105	3322602	1	Nut, Jam 1in - 12NF Right Hand Threads (Left Side)	
106	1660205	1	Rod-End (Right Side)	
107	3300228	1	Nut, Jam 1in-12in NF Left Hand Threads (Right Side)	
108	2160002	2	Fitting, Grease	
109	0642622	2	Bolt 1in - 8NC x 2 3/4in	
110	4712600	AR	Flatwasher 1in Narrow	
112	3421243	2	Kingpin	
113	0440183	2	Bearing, Thrust	
114	3323403	2	Nut, Slotted 1 1/2in-12NF	
115	3451012	2	Pin, Cotter 5/16in x 3in	
116	2780177	2	Hub, Wheel	
117	3960353	2	Seal, Oil	
118	0440174	4	Cup, Bearing	
119	0440175	4	Cone, Bearing	
120	3322603	2	Nut, Slotted 1in -12NF	
121	4740034	2	Washer, Hardened	
122	3450610	2	Pin, Cotter 3/16in x 2 1/2in	
123	1120311	2	Cap, Hub	
124	0721004	6	Screw, Machine #10-24NC x 1/2in	
125	4761000	6	Lockwasher #10	
126	3300012	18	Nut, Wheel	
127	0630137	18	Stud, Wheel	
	0100019	AR	Loctite	

# SECTION 1 - FRAME

ITEM	PART NUMBER	QTY	DESCRIPTION	REV
	0100011	AR	LOCTITE #242	
	0253078	Ref	<b>STEERING INSTALLATION - 4WD FRONT (STANDARD PARTS WITH 2WS)</b>	6
	0253059	Ref	<b>STEERING INSTALLATION - 2WD REAR (STANDARD PARTS WHEN EQUIPPED WITH OPTIONAL REAR STEER)</b>	9
	0254214	Ref	<b>STEERING INSTALLATION - 2WD REAR (STANDARD PARTS WHEN EQUIPPED WITH OPTIONAL REAR STEER) (CSA)</b>	7
201	4130279	1	Spindle Weldment (Right Side - Front/Left Side - Rear)	
202	4130280	1	Spindle Weldment (Left Side - Front/Right Side - Rear)	
203		Ref	Steer Cylinder Assembly (See CYLINDER SECTION For Breakdown) Options:	
203	1682967	1	Standard (Prior to June 1993) (was p/n 1682681)	
203	1682967	1	Standard (June 1993 to Present)	
203	1682967	1	CSA	
204	1660204	1	Rod-End	
205	3322602	1	Nut, Jam 1in-12NF	
206	1660205	1	Rod-End	
207	3300228	1	Nut, Jam 1in-12NF Left Hand Thread	
208	2160003	4	Fitting, Grease - 45	
209	0642622	2	Bolt 1in-8NC x 2 3/4in	
210	4712600	AR	Flatwasher 1in Narrow	
212	3421190	4	Kingpin	
213	0440161	4	Bearing, Thrust	
217	0641608	8	Bolt 3/8in-16NC x 1in	
218	4751600	8	Flatwasher 3/8in	
219	1380124	8	Clip, Retainer <b>(Prior to SN 69836)</b>	
220	4920096	4 ft/1.2m	Wire, Safety (4 Pieces 1 ft/30 cm Long) <b>(Prior to SN 69836)</b>	
	0100019	AR	Loctite	
	0100011	AR	LOCTITE #242	
	0252532	Ref	<b>STEERING INSTALLATION - 4WD FRONT AND REAR (STANDARD PARTS WHEN EQUIPPED WITH OPTIONAL REAR STEER)</b>	8
301	4130279	1	Spindle Weldment (Right Side - Front/Left Side-Rear)	
302	4130280	2	Spindle Weldment (Left Side - Front/Right Side - Rear)	
303		Ref	Steer Cylinder Assembly (See CYLINDER SECTION For Breakdown) Options:	
303	1682681	2	Prior to June 1993	
303	1682967	2	June 1993 to Present	
304	1660204	2	Rod-End	
305	3322602	2	Nut, Jam 1in-12NF	
306	1660205	2	Rod-End	
307	3300228	2	Nut, Jam 1in-12NF Left Hand Thread	
308	2160003	8	Fitting, Grease - 45	
309	0642622	4	Bolt 1in-8NC x 2 3/4in	
310	4712600	AR	Flatwasher 1in Narrow	
312	3421190	8	Kingpin	
313	0440161	8	Bearing, Thrust	
317	0641608	16	Bolt 3/8in-16NC x 1in	
318	4751600	16	Flatwasher 3/8in	
319	1380124	16	Clip, Retainer <b>(Prior to SN 69836)</b>	
320	4920096	8 ft/2.4m	Wire, Safety (8 Pieces 1 ft/30cm long) <b>(Prior to SN 69836)</b>	
	0100019	AR	Loctite	
		Ref	<b>FIXED AXLE INSTALLATIONS (STANDARD PARTS)</b>	

## SECTION 1 - FRAME

ITEM	PART NUMBER	QTY	DESCRIPTION	REV
	0253171	Ref	<b>FIXED AXLE INSTALLATION - 2WD</b>	4
	0253172	Ref	<b>FIXED AXLE INSTALLATION - 4WD</b>	4
401		Ref	Axle Weldment - 2WD Options:	
401	4844129	1	Prior to October 1994	
401	4844868	1	October 1994 to Present	
401	0961029	4	Bushing, Bronze (Kingpin Pivot)	
401		Ref	Axle Weldment - 4WD Options:	
401	4844059	1	Prior to October 1994	
401	4844867	1	October 1994 to Present	
401	0961029	4	Bushing, Bronze (Kingpin Pivot)	
402	0560901	2	Block, Stop	
403	0641610	1	Bolt 3/8in-16NC x 1 1/4in	
404	4740185	2	Flatwasher	
406		Ref	Pin Weldment Options:	
406	4842621	1	Prior to October 1994	
406	3422401	1	October 1994 to Present	
408	3780183	2	O-Ring (October 1994 to Present)	
409	4640812	1	Valve, Relief (October 1994 to Present)	
410	3820030	6	Rivet, Pop 3/16 <b>(Prior to SN 77909)</b>	
411	3311605	8	Nut 3/8in-16NC (September 1995 to Present)	
412	0641612	4	Bolt 3/8in x 1 1/2in-16NC (September 1995 to Present)	
413	0641614	4	Bolt 3/8in x 1 3/4in-16NC (September 1995 to Present)	
414	4751600	16	Flatwasher (September 1995 to Present)	
415	0902214	1	Bracket, L.H. (September 1995 to Present)	
416	0902215	1	Bracket, R.H. (September 1995 to Present)	
417	3440616	4	Pin, Roll 3/16in x 1in (September 1995 to Present)	
418	4280298	2	Strip, Wear <b>(Prior to SN 77909)</b>	
		Ref	<b>OSCILLATING AXLE INSTALLATION - OPTION (STANDARD PARTS WHEN EQUIPPED)</b>	
	0252772	Ref	<b>OSCILLATING AXLE INSTALLATION - 2WD</b>	11
	0252525	Ref	<b>OSCILLATING AXLE INSTALLATION - 4WD</b>	12
501		Ref	Axle Weldment - 2WDOptions:	
501	4844129	1	Prior to October 1994	
501	4844868	1	October 1994 to Present	
501	0961029	4	Bushing, Bronze (Prior to October 1994)	
501		Ref	Axle Weldment - 4WD Options:	
501	4844059	1	Prior to October 1994	
501	4844867	1	October 1994 to Present	
501	0961029	4	Bushing, Bronze (Prior to October 1994)	
502	1682185	2	Axle Lockout Cylinder Assembly (See CYLINDER SECTION for Breakdown)	
503	0641608	2	Bolt 3/8in-16NC x 1in	
504	4751600	18	Flatwasher 3/8in	
505	4761600	4	Lockwasher 3/8in	
506		Ref	Pin, Axle Pivot Options:	
506	4842621	1	Prior to October 1994	
506	3422401	1	October 1994 to Present	
507	2160002	3	Fitting, Grease	
508	3422137	2	Pin, Attach (Bottom)	
509	0641510	2	Bolt 5/16in-18NC x 1 1/4in	
510	3311505	2	Locknut 5/16in-18NC	
511	4751500	2	Flatwasher 5/16in	

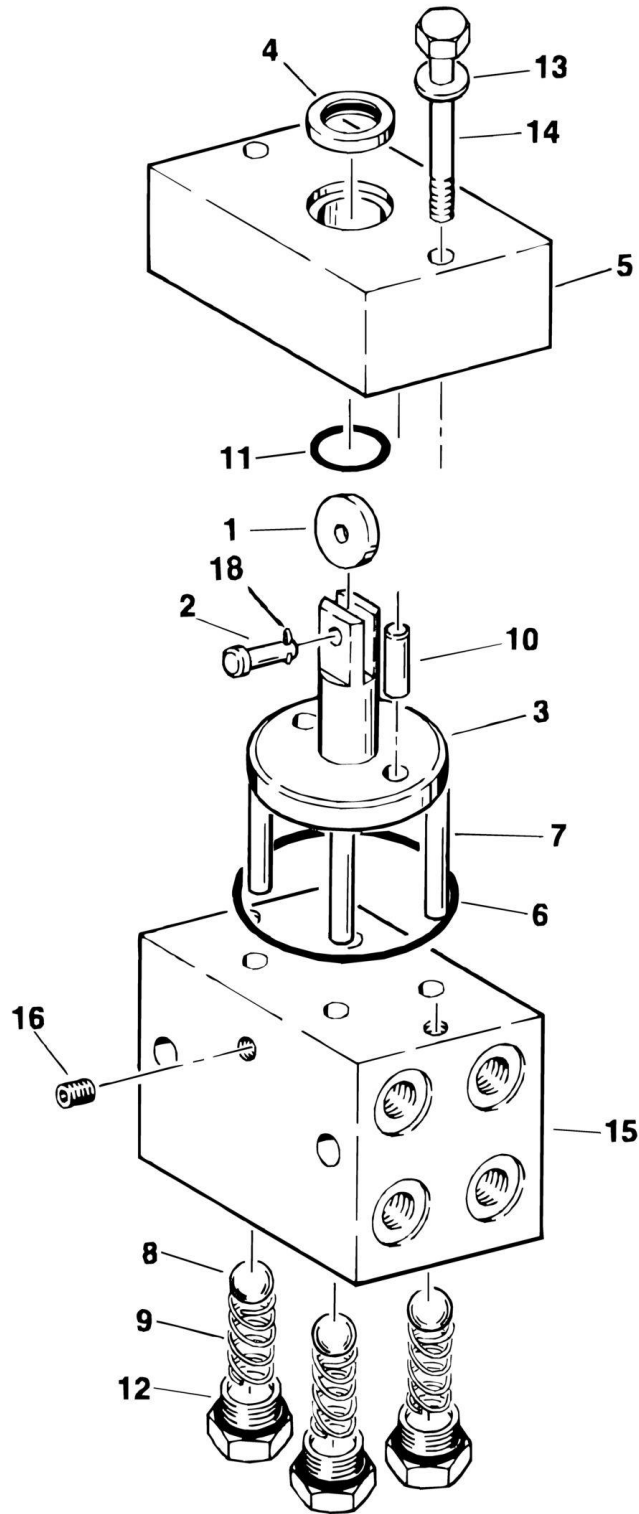
## SECTION 1 - FRAME

ITEM	PART NUMBER	QTY	DESCRIPTION	REV
512	3421335	2	Pin, Attach (Top)	
513	4740308	4	Flatwasher, Special	
514	0641608	4	Bolt 3/8-16NC x 1in	
515	4640485	1	Lockout Valve Assembly (See LOCKOUT VALVE ASSEMBLY for Breakdown)	
516	0641632	2	Bolt 3/8in-16NC x 4in	
517	3311605	2	Nut 3/8in-16NC	
519	3841143	2	Pin, Keeper	
521	4640273	6	Bleeder (October 1994 to Present)	
522	4740185	2	Washer (October 1994 to Present)	
524	3780183	2	O-Ring (October 1994 to Present)	
525	4640812	1	Valve, Relief (October 1994 to Present)	
526	3820030	6	Rivet, Pop 3/16 <b>(Prior to SN 77909)</b>	
527	3311605	8	Nut 3/8in-16NC (September 1995 to Present)	
528	0641612	4	Bolt 3/8in - 16NC x 1 1/2in (September 1995 to Present)	
529	0641614	4	Bolt 3/8in- 16NC x 1 3/4in (September 1995 to Present)	
530	4280298	2	Strip, Wear <b>(Prior to SN 77909)</b>	
531	0902214	1	Bracket, L.H. (September 1995 to Present)	
532	0902215	1	Bracket, R.H. (September 1995 to Present)	
533	3440616	4	Pin, Roll (September 1995 to Present)	
	0100019	AR	Loctite	



# SECTION 1 - FRAME

## FIGURE 1-2. LOCKOUT VALVE ASSEMBLY



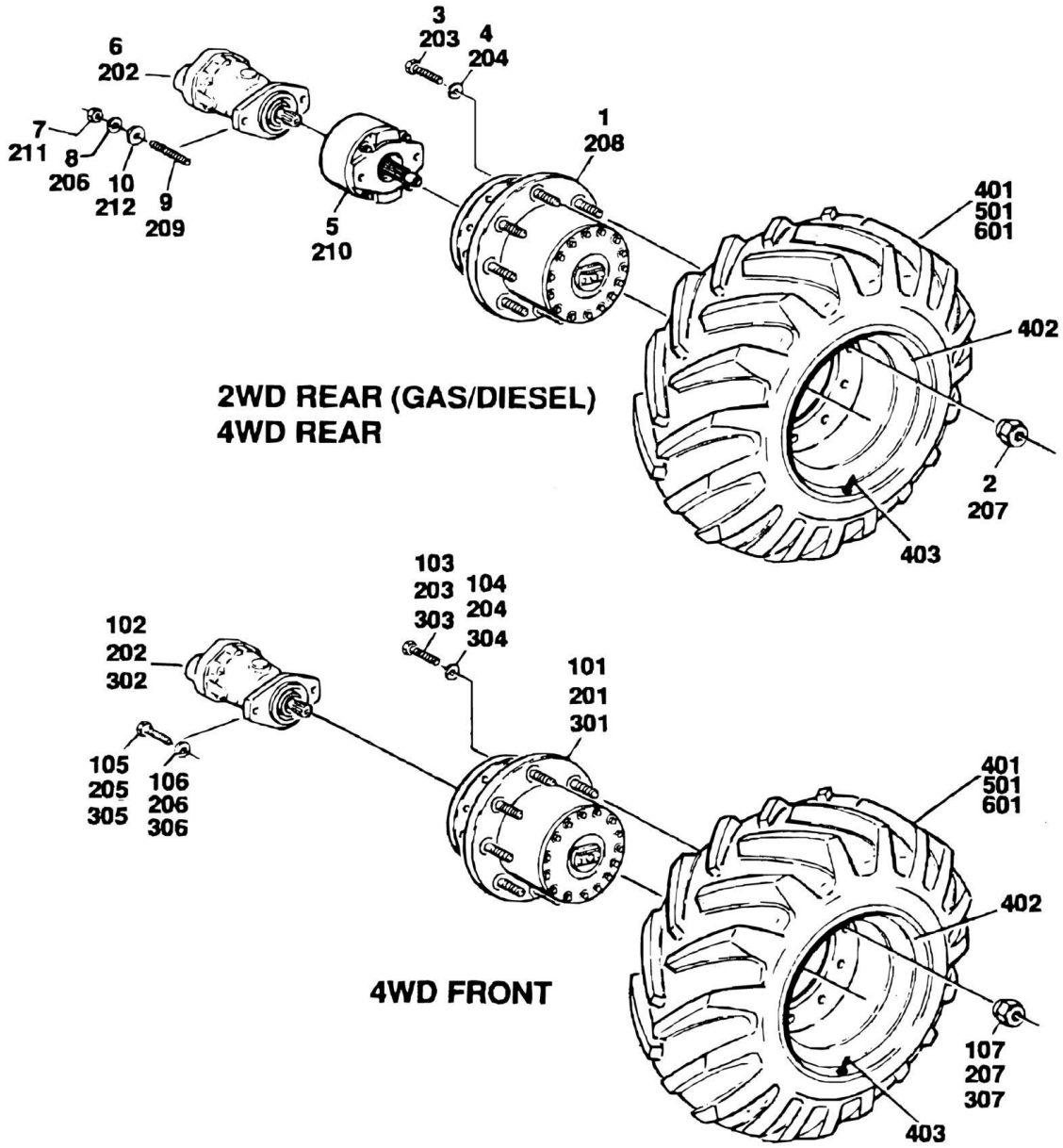
## SECTION 1 - FRAME

**FIGURE 1-2. LOCKOUT VALVE ASSEMBLY**

ITEM	PART NUMBER	QTY	DESCRIPTION	REV
	4640485	Ref	<b>LOCKOUT VALVE ASSEMBLY</b>	B
1	3860037	1	Roller, Cam	
2	3430407	1	Pin, Clevis 1/4in x 1in	
3	3840833	1	Rod, Plunger	
4	3960047	1	Seal, Rod	
5	0560679	1	Block, Valve Top	
6	3790231	1	O-Ring	
7	3840854	4	Rod	
8	0320008	4	Ball, Valve	
9	4160078	4	Spring	
10	3421284	2	Pin	
11	3790116	1	O-Ring	
12	2180658	4	Plug, Modified	
13	0641518	2	Bolt 5/16in-18NC x 2 1/4in	
14	4761500	2	Lockwasher 5/16in	
15	0560467	1	Block, Valve	
16	2200222	1	Plug 1/4in NPT	
18	3450203	1	Pin, Cotter	
	0100011	AR	Loctite	

# SECTION 1 - FRAME

## FIGURE 1-3. TIRE AND WHEEL DRIVE INSTALLATIONS





# SECTION 1 - FRAME

## FIGURE 1-3. TIRE AND WHEEL DRIVE INSTALLATIONS

ITEM	PART NUMBER	QTY	DESCRIPTION	REV
		Ref	<b>TIRE AND WHEEL DRIVE INSTALLATIONS</b>	
	0252484	Ref	<b>WHEEL DRIVE INSTALLATION - 2WD/2WS</b>	3
1	2780169	2	Drive Hub Assembly (See DRIVE HUB ASSEMBLIES for Breakdown)	
2	3300012	18	Nut, Wheel	
3	0642014	12	Bolt 5/8in-11NC x 1 3/4in	
4	4762000	12	Lockwasher 5/8in	
5	0920084	2	Drive Brake Assembly (See DRIVE BRAKE ASSEMBLY for Breakdown) <b>(Prior to SN 36645)</b>	
5	0920110	2	Drive Brake Assembly (See DRIVE BRAKE ASSEMBLY for Breakdown) <b>(SN 36645 to Present)</b>	
6	3160158	2	Drive Motor Assembly (See DRIVE MOTOR ASSEMBLY for Breakdown)	
7	3311801	4	Nut 1/2in-13NC	
8	4761800	4	Lockwasher 1/2in	
9	4300092	4	Stud 1/2in-13NC x 5 1/2in	
10	4711800	4	Flatwasher 1/2in Narrow	
	0100011	AR	LOCTITE #242	
	0251661	Ref	<b>WHEEL DRIVE INSTALLATION - 2WD/4WS</b>	B
101	2780195	2	Drive Hub/Brake Assembly (See DRIVE HUB/BRAKE ASSEMBLIES for Breakdown)	
102	3160158	2	Drive Motor Assembly (See DRIVE MOTOR ASSEMBLY for Breakdown)	
103	0642014	12	Bolt 5/8in-11NC x 1 3/4in	
104	4762000	12	Lockwasher 5/8in	
105	0641810	4	Bolt 1/2in-13NC x 1 1/4in	
106	4761800	4	Lockwasher 1/2in	
107	3300012	18	Nut, Wheel	
	0253545	Ref	<b>WHEEL DRIVE INSTALLATION - 4WD/2WS FRONT AND REAR (2MPH)</b>	2
	0255103	Ref	<b>WHEEL DRIVE INSTALLATION - 4WD/2WS FRONT AND REAR (4MPH)</b>	2
201		Ref	Drive Hub/Brake Assembly (See DRIVE HUB/BRAKE ASSEMBLIES for Breakdown) Options:	
201	2780191	2	2 MPH	
201	2780193	2	4 MPH	
202	3160158	4	Drive Motor Assembly (See DRIVE MOTOR ASSEMBLY for Breakdown)	
203	0642014	24	Bolt 5/8in-11NC x 1 7/8in	
204	4762000	24	Lockwasher 5/8in	
205	0641810	4	Bolt 1/2in-13NC x 1 1/4in	
206	4761800	8	Lockwasher 1/2in	
207	3300012	36	Nut, Wheel	
208		Ref	Drive Hub Assembly (See DRIVE HUB ASSEMBLIES for Breakdown) Options:	
208	2780167	2	2 MPH	
208	2780175	2	4 MPH	
209	4300092	4	Stud 1/2in-13NC x 5 1/2in	
210	0920084	2	Drive Brake Assembly (See DRIVE BRAKE ASSEMBLY for Breakdown) <b>(Prior to SN 36645)</b>	
210	0920110	2	Drive Brake Assembly (See DRIVE BRAKE ASSEMBLY for Breakdown) <b>(SN 36645 to Present)</b>	

# SECTION 1 - FRAME

ITEM	PART NUMBER	QTY	DESCRIPTION	REV
211	3311801	4	Nut 1/2in-13NC	
212	4711800	4	Flatwasher 1/2in	
	0100011	AR	LOCTITE #242	
	0251660	Ref	<b>WHEEL DRIVE INSTALLATION - 4WD/4WS FRONTFRONT AND REAR (2MPH)</b>	B
301	2780191	4	Drive Hub/Brake Assembly (See DRIVE HUB/BRAKE ASSEMBLIES for Breakdown)	
302	3160158	4	Drive Motor Assembly (See DRIVE MOTOR ASSEMBLY for Breakdown)	
303	0642014	24	Bolt 5/8in - 11NC x 1 3/4in	
304	4762000	24	Lockwasher 5/8in	
305	0641810	8	Bolt 1/2in-13NC x 1 1/4in	
306	4761800	8	Lockwasher 1/2in	
307	3300012	36	Nut, Wheel	
		Ref	<b>TIRE AND WHEEL INSTALLATIONS:</b>	
		Ref	<b>STANDARD 31-15.5 x 15</b>	-
	0250888	Ref	<b>Standard 31-15.5 x 15 (Prior to SN 115825)</b>	-
	0273457	Ref	<b>Standard 31-15.5 x 15 (SN 115825 to Present)</b>	A
		Ref	<b>OPTIONAL 12 x 16.5 LOADER LUG Options:</b>	
	0251261	Ref	<b>Optional 12 X 16.5 Loader Lug (Prior to SN 44590)</b>	-
	0258395	Ref	<b>Optional 12 X 16.5 Loader Lug (SN 44590 to Present)</b>	1
	0259697	Ref	<b>OPTIONAL 31 x 13.5 x 15 STRAIGHT RIB (SN 67581 to Present)</b>	1
		Ref	<b>Note: Assemblies may require ballast/foam filling to manufacturer's specifications prior to installing on a machine. Refer to Operation and Safety or Service and Maintenance Manuals. Purchase individual tire and/or rim only if able to foam fill tire and wheel assembly, otherwise, purchase complete assembly.</b>	
		Ref	Tire and Wheel Assembly - Left Side Options:	
		Ref	Standard 31-16.5 x 15 Options:	
	0250886	2	Standard 31-16.5 x 15 (Prior to SN 115825)	B
	0273412	2	Standard 31-16.5 x 15 (SN 115825 to Present)	A
		Ref	Optional 12 x 16.5 Loaded Lug Options:	
	0251260	2	Optional 12 x 16.5 Loaded Lug (Prior to SN 44590)	-
	0258393	2	Optional 12 x 16.5 Loaded Lug (SN 44590 to Present)	1
	0259695	2	Optional 31 x 13.5 x 15 Straight Rib	
		Ref	Tire and Wheel Assembly - Right Side Options:	
		Ref	Standard 31-16.5 x 15 Options:	
	0273413	2	Standard 31-16.5 x 15 (was p/n 0250887) (Prior to SN 115825)	B
	0273413	2	Standard 31-16.5 x 15 (SN 115825 to Present)	A
		Ref	Optional 12 x 16.5 Loaded Lug Options:	
	0251259	2	Optional 12 x 16.5 Loaded Lug (Prior to SN 44590)	-
	0258394	2	Optional 12 x 16.5 Loaded Lug (SN 44590 to Present)	1
	0259695	2	Optional 31 x 13.5 x 15 Straight Rib	
401		Ref	Tire Options:	
401	4520267	4	Standard 31-16.5 x 15 - OTR Tritan (was p/n 4520123)	
401	4520267	4	Standard 31-16.5 x 15 - OTR NHS	
401	4520129	4	Optional 12 x 16.5 Loaded Lug	
401	4520225	4	Optional 31 x 13.5 x 15 Straight Rib	
402		Ref	Wheel Options:	
402	4843635	4	Wheel - 15 x 13	
402	4860126	4	Wheel - 16.5 x 9.75	

## SECTION 1 - FRAME

ITEM	PART NUMBER	QTY	DESCRIPTION	REV
402	4860065	4	Wheel - 15 x 10	
403		Ref	Stem, Valve Options:	
403	4640392	4	Standard 31-16.5 x 15	
403	4640113	4	Optional 12 x 16.5 Loaded Lug	
403	4640392	4	Optional 31 x 13.5 x 15 Straight Rib	
404	1702738	4	Decal - 45 PSI (Not Shown) (Optional 31 x 13.5 x 15 Straight Rib Only)	
		Ref	<b>TIRE AND WHEEL INSTALLATIONS</b>	
	0253089	Ref	<b>OPTIONAL FOAM FILLED 12 x 16.5</b>	-
		Ref	<b>TIRE AND WHEEL INSTALLATION - OPTIONAL FOAM FILLED OPTIONS:</b>	-
	0255660	Ref	<b>FOAM FILLED 31 x 15.50 x 15 - OTR TRITAN (Prior to SN 115825)</b>	-
	0272826	Ref	<b>FOAM FILLED 31 x 15.50 x 15 - OTR NHS (SN 115825 to Present)</b>	A
		Ref	<b>Note: Assemblies may require ballast/foam filling to manufacturer's specifications prior to installing on a machine. Refer to Operation and Safety or Service and Maintenance Manuals. Purchase individual tire and/or rim only if able to foam fill tire and wheel assembly, otherwise, purchase complete assembly.</b>	
501		Ref	Tire and Wheel Assembly - Left Side Options:	-
501	0253088	2	12 x 16.5	
501	0273414	2	31 x 15.50 x 15 - OTR Tritan (was p/n 0255661)	
501	0273414	2	31 x 15.50 x 15 - OTR NHS	
501		Ref	Tire and Wheel Assembly - Right Side Options:	-
501	0253087	2	12 x 16.5	
501	0273415	2	31 x 15.50 x 15 - OTR Tritan (was p/n 0255662)	
501	0273415	2	31 x 15.50 x 15 - OTR NHS	
		Ref	<b>TIRE AND WHEEL INSTALLATION - OPTIONAL NON-MARKING TIRES</b>	
601	4520153	4	Tire and Wheel Assembly - Non Marking	A

# SECTION 1 - FRAME

## FIGURE 1-4. DRIVE MOTOR ASSEMBLY

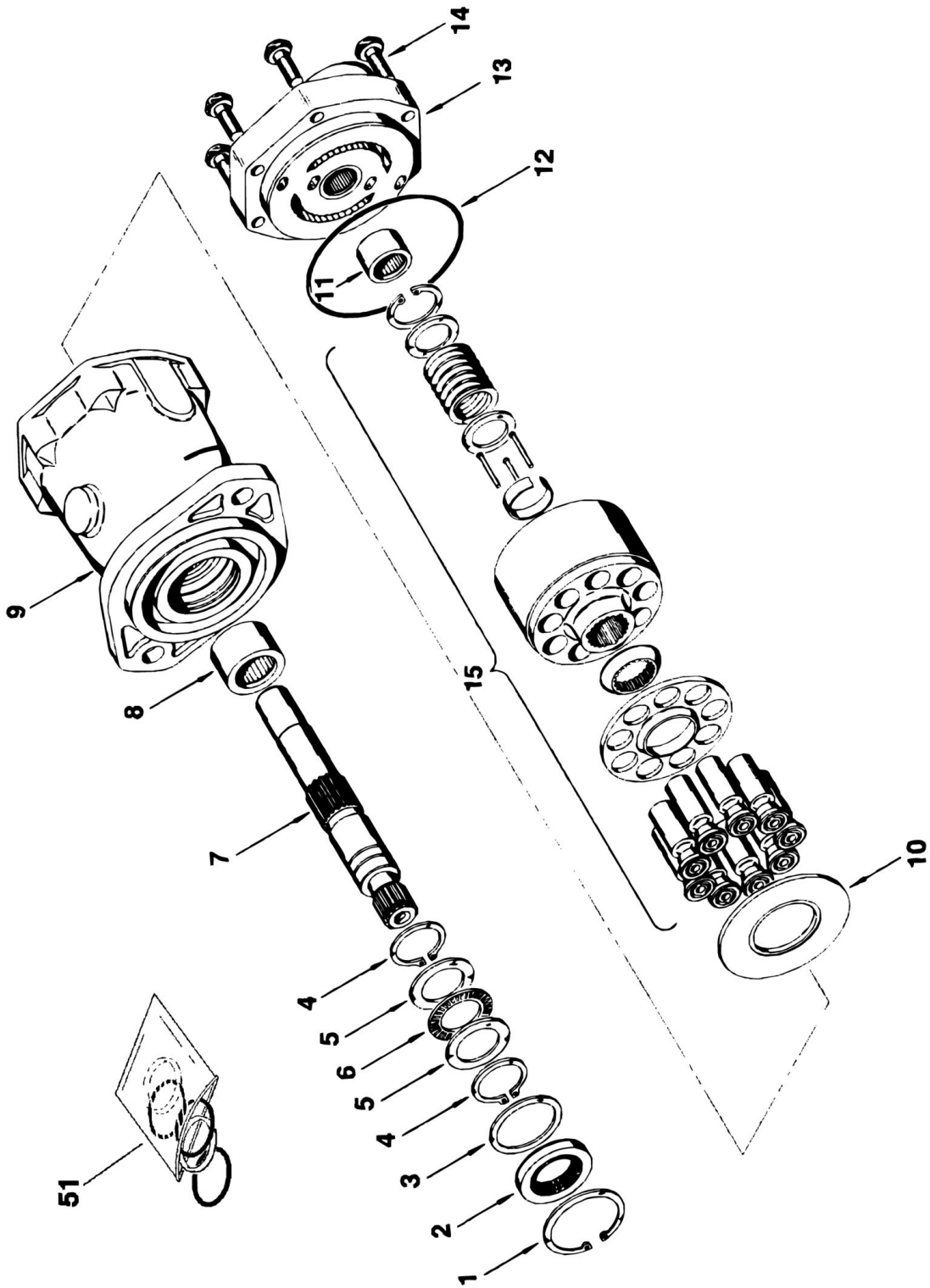
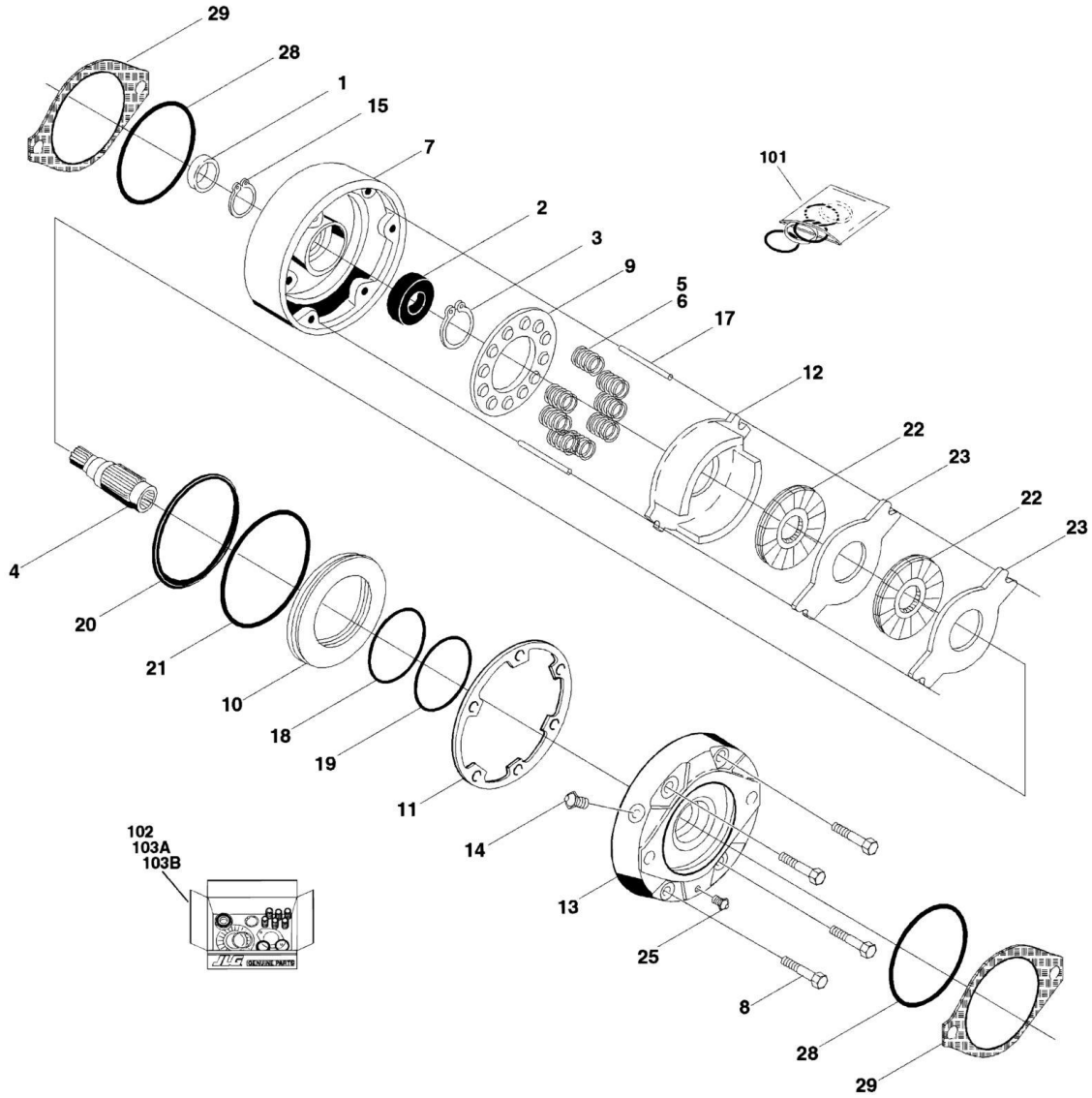


FIGURE 1-4. DRIVE MOTOR ASSEMBLY

ITEM	PART NUMBER	QTY	DESCRIPTION	REV
		Ref	<b>DRIVE MOTOR ASSEMBLY</b>	
	3160158	Ref	<b>DRIVE MOTOR ASSEMBLY (STANDARD PARTS)</b>	
1	Item 51	1	Ring, Retaining	
2	Item 51	1	Seal, Shaft	
3	7004906	1	Washer	
4	Item 51	2	Ring, Retaining	
5	7004907	2	Race, Thrust	
6	7004908	1	Bearing, Thrust	
7	7007874	1	Shaft, Splined	
8	7004910	1	Bearing	
9	7007875	1	Housing Assembly (Includes Item 8)	
10	7007876	1	Insert, Camplate	
11	7004917	1	Bearing	
12	Item 51	1	O-Ring	
13	7007878	1	Back Plate Assembly (Includes Item 11)	
14	7007879	6	Bolt	
15	7007880	1	Rotating Kit Assembly (Sold as an Assembly Only)	
51	2900714	1	Seal Kit (Includes Items 1, 2, 4 & 12)	

# SECTION 1 - FRAME

## FIGURE 1-5. DRIVE BRAKE ASSEMBLY



# SECTION 1 - FRAME

## FIGURE 1-5. DRIVE BRAKE ASSEMBLY

ITEM	PART NUMBER	QTY	DESCRIPTION	REV
		Ref	<b>DRIVE BRAKE ASSEMBLIES</b>	
	0920084	Ref	<b>MICO - (ORIGINAL EQUIPMENT) (MACHINES BUILT) (Prior to SN 36645)</b>	-
	0920110	Ref	<b>MICO - (SERVICE REPLACEMENT) (MACHINES BUILT) (SN 36645 to Present)</b>	2
		Ref	<b>Note: Original Equipment Brake may have been replaced with Service Replacement Brake. Identify the brake by the serial number plate before ordering parts.</b>	
1	See Note	1	Seal, Oil (Note: Use Item 101 & 102)	
2	Item 102	1	Bearing	
3	7007977	1	Ring, Retaining	
4	7011712	1	Shaft	
5		Ref	Spring Options:	
5	7007979	6	Spring (Inner (Use with p/n 0920084) <b>(Prior to SN 36645)</b> )	
5	7007970	6	Spring (Red (Use with p/n 0920110) <b>(SN 36645 to Present)</b> )	
6		Ref	Spring Options:	
6	7007980	6	Spring (Outer (Use with p/n 0920084) <b>(Prior to SN 36645)</b> )	
6	7018602	3	Spring (Blue (Use with p/n 0920110) <b>(SN 36645 to Present)</b> )	
7		Ref	Housing Options:	
7	7011713	1	Housing (Use with p/n 0920084) <b>(Prior to SN 36645)</b>	
7	7018605	1	Housing (Use with p/n 0920110) <b>(SN 36645 to Present)</b>	
8		Ref	Bolt, Washer Head Options:	
8	7007985	4	Bolt, Washer Head (Use with p/n 0920084) <b>(Prior to SN 36645)</b>	
8	7018607	4	Bolt, Washer Head (Use with p/n 0920110) <b>(SN 36645 to Present)</b>	
9		Ref	Guide, Spring Options:	
9	7011717	1	Guide, Spring (Use with p/n 0920084) <b>(Prior to SN 36645)</b>	
9	7018606	1	Guide, Spring (Use with p/n 0920110) <b>(SN 36645 to Present)</b>	
10		Ref	Piston Options:	
10	7007923	1	Piston (Use with p/n 0920084) <b>(Prior to SN 36645)</b>	
10	7018603	1	Piston (Use with p/n 0920110) <b>(SN 36645 to Present)</b>	
11	See Note	1	Seal, Case (Note: Use Item 101,102, 103A & 103B)	
12	Item 103B	1	Plate, Return	
12	7011715	2	Separator Assembly	
12	7011714	4	Pin	
12	7007983	2	Separator	
13	7007986	1	Cover	
14	7007914	1	Screw, Bleeder	
15	7011716	1	Ring, Retainer	
17	7007987	2	Pin, Dowel	
18	Item 101	1	Ring, Back-Up	
19	Item 101	1	O-Ring	
20	Item 101	1	Ring, Back-Up	
21	Item 101	1	O-Ring	
22	See Note	2	Rotor (Note: Use Item 103A & 103B)	
23	See Note	2	Stator (Note: Use Item 103A & 103B)	
25	7007924	1	Plug, Pipe	
28	See Note	2	O-Ring (Note: Use Item 101,102, 103A & 103B)	
29	7007933	2	Gasket	
101	2900766	1	Seal Kit (Includes Items 1, 11, 18, 19, 20, 21, 28 & 29)	
102	2900768	1	Bearing Kit (Includes Items 1, 2, 11, 28 & 29)	

## SECTION 1 - FRAME

ITEM	PART NUMBER	QTY	DESCRIPTION	REV
103		Ref	Lining Kit Options:	
103A	2900767	1	Lining Kit (Includes Items 58, 11, 22, 23, 28 & 29 (Use with p/n 0920084) <b>(Prior to SN 36645)</b>	
103B	7018608	1	Lining Kit (Includes Items 58, 11, 22, 23, 28 & 29 (Use with p/n 0920110) <b>(SN 36645 to Present)</b>	





# SECTION 1 - FRAME

## FIGURE 1-6. DRIVE HUB ASSEMBLIES

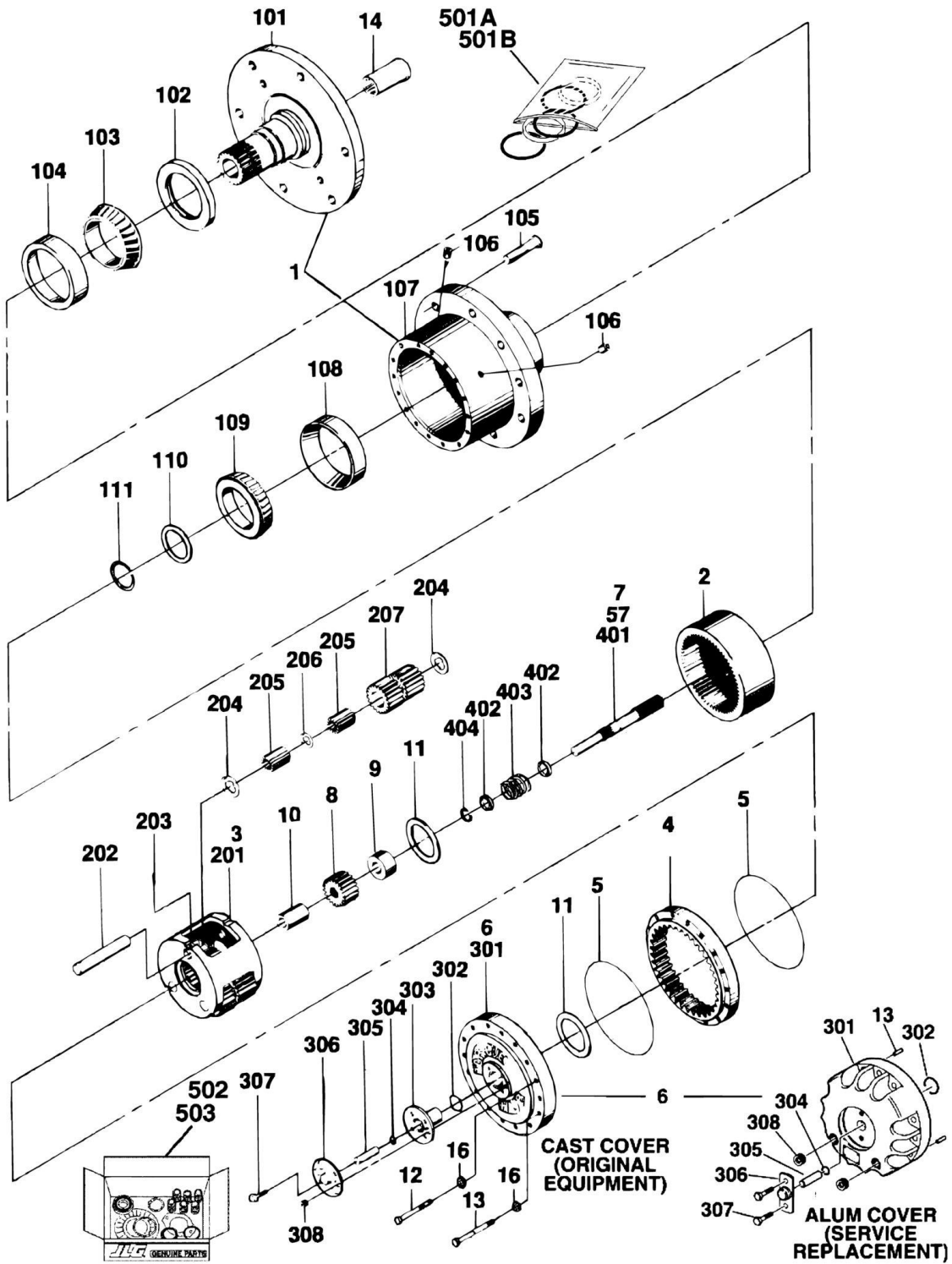


FIGURE 1-6. DRIVE HUB ASSEMBLIES

ITEM	PART NUMBER	QTY	DESCRIPTION	REV
		Ref	<b>DRIVE HUB ASSEMBLIES</b>	
	2780169	Ref	<b>DRIVE HUB ASSEMBLY - 2WD/2WS GAS/DIESEL (2MPH)</b>	B
	2780167	Ref	<b>DRIVE HUB ASSEMBLY - 4WD/2WS REAR DRIVE ONLY (2MPH)</b>	B
	2780175	Ref	<b>DRIVE HUB ASSEMBLY - 4WD/2WS REAR DRIVE ONLY (4MPH)</b>	B
1		Ref	Hub-Spindle Sub Assembly (See Items 101-111 for Breakdown)	
2	7000246	1	Gear, Internal	
3	7000247	1	Carrier Assembly (See Items 201-207 for Breakdown)	
4	7000248	1	Gear, Ring	
5	7000230	2	O-Ring	
6	7001989	1	Cover Assembly (Includes Items 301-308)	
7		Ref	Input Shaft Assembly (See Items 401-404 for Breakdown) Options:	
7	7000250	1	INPUT SHAFT ASSEMBLY (2WD MACHINES)	
7	7007650	1	INPUT SHAFT ASSEMBLY (4WD MACHINES)	
8		Ref	Gear, Input Options:	
8	7000251	1	Gear, Input (2WD)	
8	7007652	1	Gear, Input (4WD)	
9		Ref	Spacer, Thrust Options:	
9	7000252	1	Spacer, Thrust (2WD Machines)	
9	7007653	1	Spacer, Thrust (4WD Machines)	
10		Ref	Spacer, Thrust Options:	
10	Not Required	0	Spacer, Thrust (2WD Machines)	
10	7007654	1	Spacer, Thrust (4WD Machines)	
11	7000253	2	Washer, Thrust	
12	7000217	12	Bolt	
13	7000214	4	Bolt, Shoulder	
14	7000206	1	Coupling	
16	7007603	16	Flatwasher	
		Ref	<b>HUB - SPINDLE SUB-ASSEMBLY</b>	
101	7001997	1	Spindle	
102	7001998	1	Seal	
103	Item 502	1	Cone, Bearing	
104	Item 502	1	Cup, Bearing	
105	7007697	9	Bolt, Wheel	
106	7000242	2	Plug, Pipe	
107	7007601	1	Hub	
108	7000257	1	Cup, Bearing	
109	7000258	1	Cone, Bearing	
110	7000232	1	Spacer	
111	7000229	1	Ring, Retaining	
	7000247	Ref	<b>Carrier Assembly</b>	
201	7001931	1	Carrier	
202	7001911	3	Shaft	
203	7001913	3	Pin, Roll	
204	7001985	6	Washer, Thrust	
205	7001909	96	Roller, Needle	
206	7000263	3	Spacer	
207	7001912	3	Gear, Cluster (2MPH)	

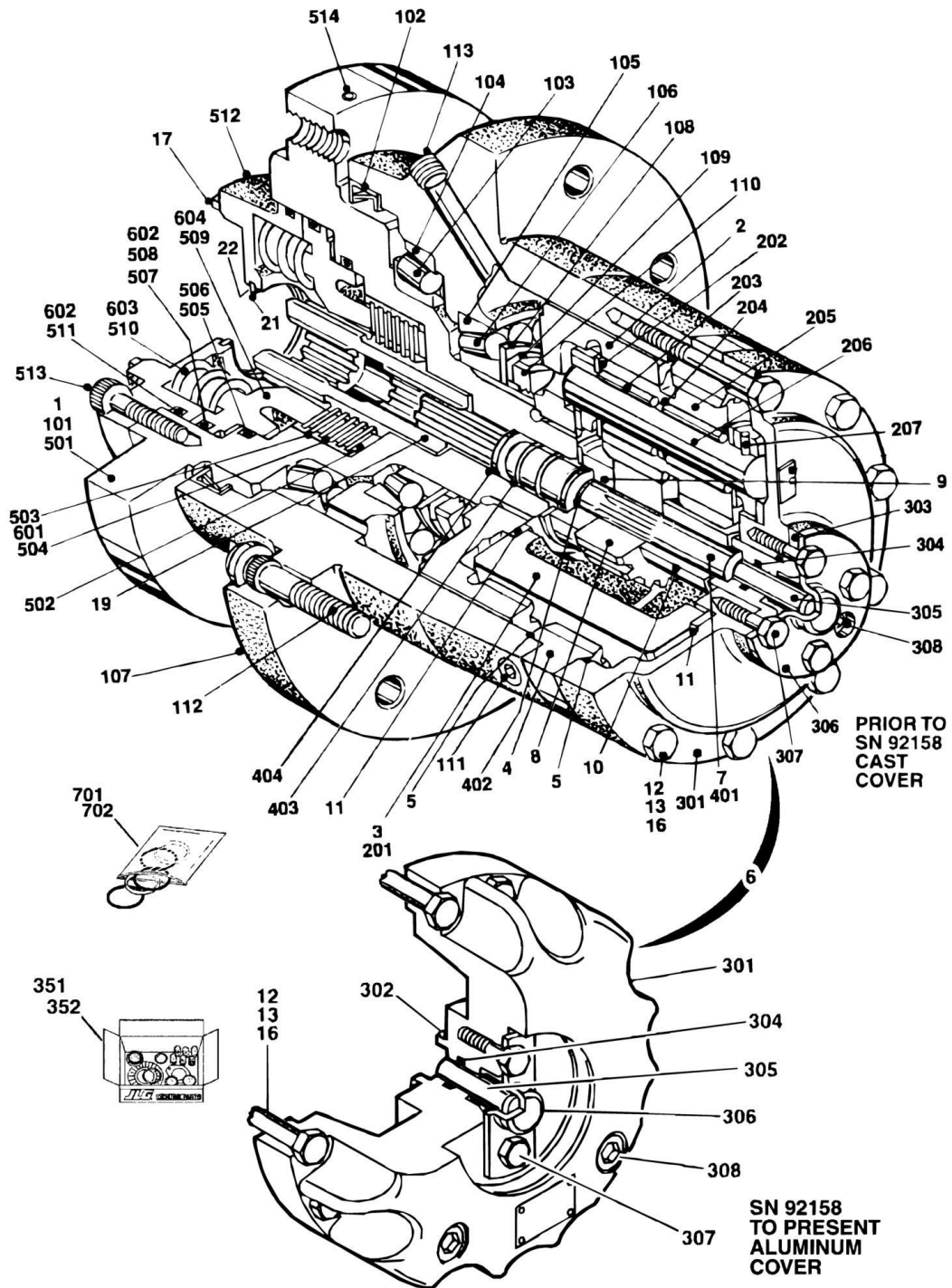
## SECTION 1 - FRAME

ITEM	PART NUMBER	QTY	DESCRIPTION	REV
207	7007643	3	Gear, Cluster (4MPH)	
		Ref	<b>COVER ASSEMBLY</b>	
	See Kit Options	Ref	<b>Cast Cover (Original Equipment)</b>	
	See Kit Options	Ref	<b>Aluminum Cover (Service Replacement)</b>	
301		Ref	Cover Options:	
301	70001111	1	Cast Cover (Original Equipment) (was p/n 7000226)	
301	70001349	1	Aluminum Cover (Service Replacement) (was p/n 7017091)	
302		Ref	O-Ring Options:	
302	70001111	1	Cast Cover (Original Equipment)	
302	70001349	1	Aluminum Cover (Service Replacement) (was p/n 7017070)	
303		Ref	Cap, Cover	
303	70001111	1	Cast Cover (Original Equipment)	
303	Not Required	0	Aluminum Cover (Service Replacement)	
304		Ref	O-Ring Options:	
304	70001111	1	Cast Cover (Original Equipment)	
304	70001349	1	Aluminum Cover (Service Replacement) (was p/n 7017095)	
305		Ref	Rod, Disconnect Options:	
305	70001111	1	Cast Cover (Original Equipment)	
305	70001349	1	Aluminum Cover (Service Replacement) (was p/n 7017092)	
306		Ref	Cap, Disconnect	
306	70001111	1	Cast Cover (Original Equipment)	
306	70001349	1	Aluminum Cover (Service Replacement) (was p/n 7017093)	
307		Ref	Bolt Options:	
307	70001111	4	Cast Cover (Original Equipment) (was p/n 7000220)	
307	70001349	2	Aluminum Cover (Service Replacement) (was p/n 7000216)	
308		Ref	Plug, Pipe Options:	
308	70001111	1	Cast Cover (Original Equipment) (was p/n 7000243)	
308	70001349	2	Aluminum Cover (Service Replacement) (was p/n 7017094)	
		Ref	Cover Kit Options:	
		Ref	<b>Note: Kit Replaces Items 5, 11 (Spacer), 12, 13 (Dowel Pins) &amp; 301-308.</b>	
	70001111	1	Cast Cover (Original Equipment) (was p/n 7001989 and p/n 7017099)	
	70001349	1	Aluminum Cover (Service Replacement) (was p/n 7017090)	
	7000250	Ref	<b>INPUT SHAFT ASSEMBLY (2WD MACHINES)</b>	
	7007650	Ref	<b>INPUT SHAFT ASSEMBLY (4WD MACHINES)</b>	
401	7000260	1	Shaft (2WD Machines)	
401	7007651	1	Shaft (4WD Machines)	
402	7000263	2	Spacer	
403	7000262	1	Spring	
404	7000261	1	Ring, Retaining	
501		Ref	Seal Kit Options:	
501A	7017063	1	Seal Kit (Includes Items 5, 11, 102, 111, 302 & 304)	
501B	2900034	1	Seal Kit (Includes Items 5, 102 110 & 111)	
502	7010429	1	Bearing Kit (Includes Items 103 & 104)	
503	2900137		Disconnect and Seal Kit (Includes Items 5, 102, 110, 110 & 302 - 307)	



# SECTION 1 - FRAME

## FIGURE 1-7. DRIVE HUB/BRAKE ASSEMBLIES



# SECTION 1 - FRAME

## FIGURE 1-7. DRIVE HUB/BRAKE ASSEMBLIES

ITEM	PART NUMBER	QTY	DESCRIPTION	REV
		Ref	<b>Drive Hub/Brake Assembly Options:</b>	
	2780195	Ref	<b>2WD/4WS GAS/DIESEL MACHINES (2MPH)</b>	-
	2780191	Ref	<b>4WD GAS/DIESEL MACHINES (2MPH)</b>	-
	2780193	Ref	<b>4WD/2WS GAS/DIESEL MACHINES (4MPH)</b>	-
1	See Note	1	Hub/Spindle/Brake Assembly (Note: Not sold as a complete assembly) (See Items 101-113 for Breakdown)	
2	7007691	1	Gear, Internal	
3		Ref	Carrier Assembly Options (See Items 201-207 for Breakdown):	
3	Not Available		2WD/4WS Machines	
3	7000247	1	4WD with 2MPH Machines	
3	See Note	1	4WD with 4MPH Machines (Note: Purchase 7000247 and install (3) 7007643 Cluster Gears to make this carrier assembly)	
4	7000248	1	Gear, Internal	
5	See Note	2	O-Ring (Note: Use Items 351 & 352)	
6		Ref	Cover Assembly (See Items 301-308 for Breakdown)	
7		Ref	In put Shaft Assembly Options (See Items 401-404 for Breakdown):	
7	7007650	1	4WD Machines	
7	7000250	1	2WD/4WS Machines	
8		Ref	Gear, Input Options:	
8	7007652	1	4WD Machines	
8	7000251	1	2WD/4WS Machines	
9		Ref	Spacer, Input Options:	
9	7007653	1	4WD Machines	
9	7000252	1	2WD/4WS Machines	
10		Ref	Spacer, Input Options:	
10	7007654	1	4WD Machines	
10	Not Required	0	2WD/4WS Machines	
11	7000253	2	Washer, Thrust	
11	7017096	1	Spacer Only <b>(SN 92158 to Present)</b>	
12		Ref	Bolt Options:	
12	7000217	12	<b>Bolt (Prior to SN 92158)</b>	
12	7017067	12	<b>Bolt (SN 92158 to Present)</b>	
13		Ref	Hardware Options:	
13	7000214	4	<b>Bolt Used (Prior to SN 92158)</b>	
13	7017080	4	<b>Dowel Pin Used (SN 92158 to Present)</b>	
16	7007603	16	Flatwasher	
17	7007692	1	Gasket	
19	7010470	1	Coupling	
21	7010459	1	Ring, Retainer	
22	7001922	1	Washer, Thrust	
		Ref	<b>HUB/SPINDLE/BRAKE SUB-ASSEMBLY</b>	
101		Ref	Brake Assembly Options:	
101	7010473	1	2WD/4WS Machines and 4WD Machines with I.D. Plate (Stamped July 1992 or Later (See Items 601-604 for Breakdown)	
101	7010469	1	4WD Machines with I.D. Plate Stamped Prior to July 1992 (See Items 501-514 for Breakdown)	
102	Item 701	1	Seal, Lip	
103	7007683	1	Cup, Bearing	
104	7007684	1	Cone, Bearing	

# SECTION 1 - FRAME

ITEM	PART NUMBER	QTY	DESCRIPTION	REV
105	7007685	1	Cup, Bearing	
106	7007686	1	Cone, Bearing	
107	7007687	1	Housing	
108	7007688	1	Flatwasher, Tanged	
109	7007689	1	Flatwasher, Tanged	
110	7007690	1	Nut, Bearing	
111	7000242	2	Plug, Pipe 1/4in NPT	
112	7000241	9	Stud, Wheel	
113	7007617	2	Plug, Pipe 3/8in NPT (Magnetic)	
	7000247	Ref	<b>CARRIER ASSEMBLY - 4WD(2MPH) MACHINES</b>	
	NPN	Ref	<b>CARRIER ASSEMBLY - 4WD(4MPH) MACHINES</b>	
	NPN	Ref	<b>CARRIER ASSEMBLY - 2WD/4WS MACHINES</b>	
201	7001931	1	Carrier	
202	7001985	6	Washer, Thrust - Tanged	
203	7001909	96	Bearing, Needle	
204	7000263	3	Spacer, Thrust	
205	7001911	3	Shaft, Planet	
206		Ref	Gear, Cluster Options:	
206	7001912	3	4WD with 2MPH Hub and 2WD/4WS	
206	7007643	3	4WD with 4MPH Hub	
207		Ref	Rollpin Options:	
207	7001913	3	4WD Machines	
207	7010474	3	2WD/4WS Machines	
		Ref	<b>COVER ASSEMBLY</b>	
	See Kit Options	Ref	<b>Cast Cover (Original Equipment)</b>	
	See Kit Options	Ref	<b>Aluminum Cover (Service Replacement)</b>	
301		Ref	Cover Options:	
301	70001111	1	Cast Cover (Original Equipment) (was p/n 7000226)	
301	70001349	1	Aluminum Cover (Service Replacement) (was p/n 7017091)	
302		Ref	O-Ring Options:	
302	70001111	1	Cast Cover (Original Equipment)	
302	70001349	1	Aluminum Cover (Service Replacement) (was p/n 7017070)	
303		Ref	Cap, Cover	
303	70001111	1	Cast Cover (Original Equipment)	
303	Not Required	0	Aluminum Cover (Service Replacement)	
304		Ref	O-Ring Options:	
304	70001111	1	Cast Cover (Original Equipment)	
304	70001349	1	Aluminum Cover (Service Replacement) (was p/n 7017095)	
305		Ref	Rod, Disconnect Options:	
305	70001111	1	Cast Cover (Original Equipment)	
305	70001349	1	Aluminum Cover (Service Replacement) (was p/n 7017092)	
306		Ref	Cap, Disconnect	
306	70001111	1	Cast Cover (Original Equipment)	
306	70001349	1	Aluminum Cover (Service Replacement) (was p/n 7017093)	
307		Ref	Bolt Options:	
307	70001111	4	Cast Cover (Original Equipment) (was p/n 7000220)	
307	70001349	2	Aluminum Cover (Service Replacement) (was p/n 7000216)	
308		Ref	Plug, Pipe Options:	
308	70001111	1	Cast Cover (Original Equipment) (was p/n 7000243)	
308	70001349	2	Aluminum Cover (Service Replacement) (was p/n 7017094)	
		Ref	Cover Kit Options:	

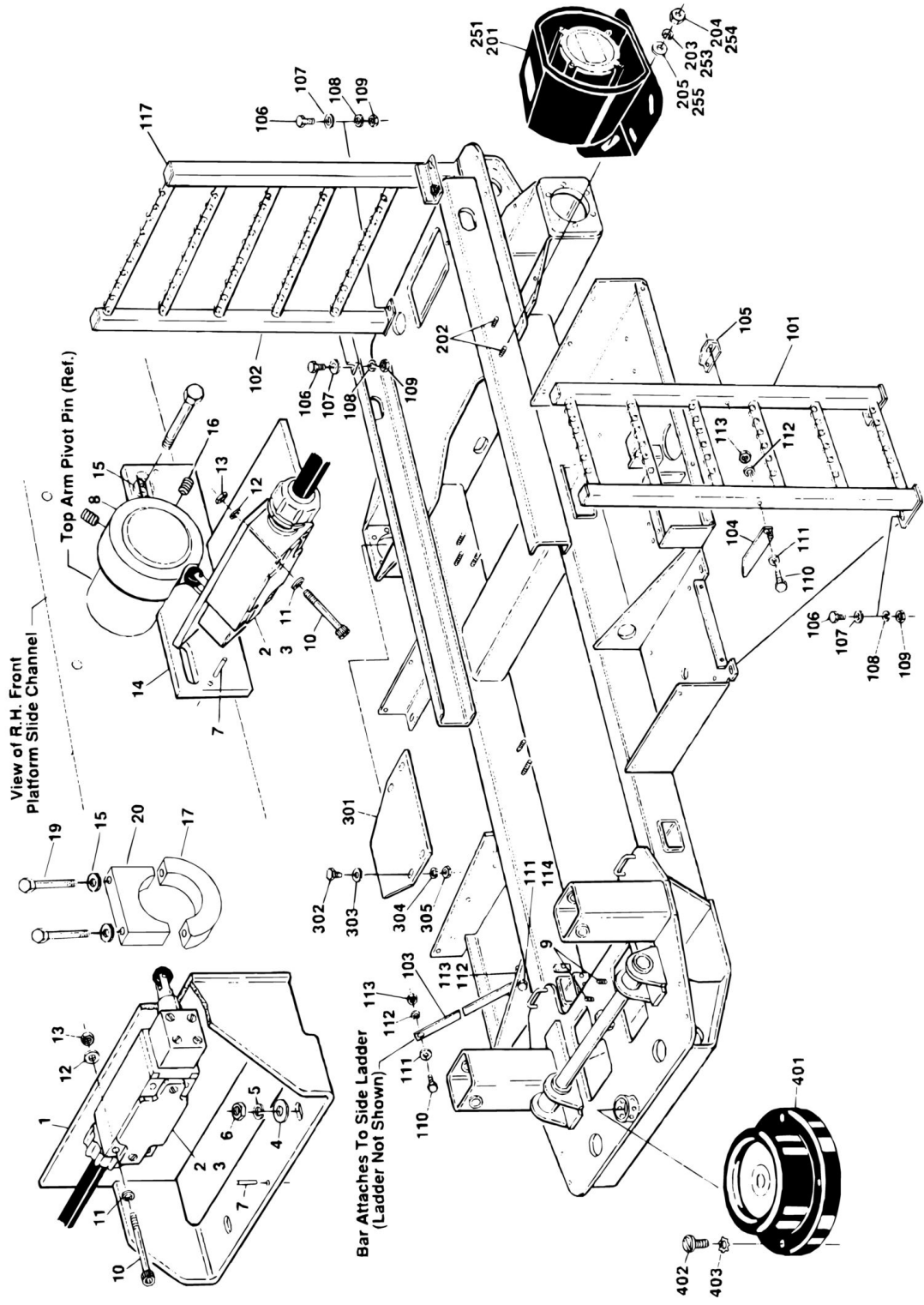


## SECTION 1 - FRAME

ITEM	PART NUMBER	QTY	DESCRIPTION	REV
		Ref	<b>Note: Kit Replaces Items 5, 11 (Spacer), 12, 13 (Dowel Pins) &amp; 301-308.</b>	
351	70001111	1	Cast Cover (Original Equipment) (was p/n 7001989 and p/n 7017099)	
352	70001349	1	Aluminum Cover (Service Replacement) (was p/n 7017090)	
	7007650	Ref	<b>INPUT SHAFT ASSEMBLY - 4WD MACHINES</b>	
	7000250	Ref	<b>INPUT SHAFT ASSEMBLY - 2WD/4WS MACHINES</b>	
401		Ref	Shaft Options:	
401	7007651	1	4WD Machines	
401	7000260	1	2WD/4WS Machines	
402	7000261	1	Ring, Retaining	
403	7000262	1	Spring	
404	7000263	2	Spacer, Thrust	
	7010469	Ref	<b>BRAKE ASSEMBLY - 4WD MACHINES WITH I.D. PLATE STAMPED JUNE 1992 OR EARLIER</b>	
501	7014100	1	Spindle	
502	7014101	1	Spacer	
503	7014102	7	Disc, Stationary	
504	7014103	6	Disc, Rotating	
505	Item 702	1	Ring, Back-up	
506	Item 702	1	O-Ring	
507	Item 702	1	Ring, Back-up Ring	
508	Item 702	1	O-Ring	
509	7014108	1	Piston	
510	7014109	6	Spring	
510	7014110	2	Spring	
511	Item 702	1	O-Ring	
512	7014112	1	Cover	
513	Not Available	8	Bolt, Socket Head 3/8in-16NC x 1 1/4in	
514	7014113	1	Expander	
	7010473	Ref	<b>BRAKE ASSEMBLY - 2WD/4WS MACHINES AND 4WD MACHINES WITH I.D. PLATE STAMPED JULY 1992 OR LATER</b>	
601	7010475	1	Brake Lining Kit	
602	7010476	1	Brake O-Ring Kit	
603	7010477	1	Brake Spring Repair Kit	
604	7010478	1	Brake Piston Repair Kit	
		Ref	Kit Options:	
701	70001940	1	Seal Kit - Hub (Includes Items 5, 17, 102, 306 & 307) (was p/n 2900754)	
702	2900816	1	Brake O-Ring Kit (Includes Items 505-508 & 511)	

# SECTION 1 - FRAME

## FIGURE 1-8. FRAME MOUNTED COMPONENTS INSTALLATION



# SECTION 1 - FRAME

## FIGURE 1-8. FRAME MOUNTED COMPONENTS INSTALLATION

ITEM	PART NUMBER	QTY	DESCRIPTION	REV
		Ref	<b>FRAME MOUNTED COMPONENTS INSTALLATION</b>	
	0253517	Ref	<b>LIMIT SWITCH INSTALLATION - 500RTS (Prior to SN 111178)</b>	5
	0272935	Ref	<b>LIMIT SWITCH INSTALLATION - 500RTS (SN 111178 through 112736)</b>	1
	0272969	Ref	<b>LIMIT SWITCH INSTALLATION - 500RTS (SN 112737 to Present)</b>	1
	0254058	Ref	<b>LIMIT SWITCH INSTALLATION - 400RTS WITH STANDARD TIRES (Prior to SN 111178)</b>	B
	0254059	Ref	<b>LIMIT SWITCH INSTALLATION - 400RTS WITH 31 x 15.5-15 (Prior to SN 111178)</b>	A
	0272936	Ref	<b>LIMIT SWITCH INSTALLATION - 400RTS WITH 31 x 15.5-15 (SN 111178 to Present)</b>	1
1		Ref	Bracket, Mounting Options:	
1		Ref	Bracket, Mounting 500RTS Options:	
1	0901902	1	Bracket, Mounting <b>(Prior to SN 111178)</b>	
1	4846822	1	Bracket, Mounting <b>(SN 111178 to Present)</b>	
1	Not Required	0	Bracket, Mounting 400RTS With Standard Tires	
1		Ref	Bracket, Mounting 400RTS With 31 x 15.5-15 Tires Options:	
1	0901966	1	Bracket, Mounting <b>(Prior to SN 111178)</b>	
1	4846822	1	Bracket, Mounting <b>(SN 111178 to Present)</b>	
2	4360300	AR	Switch, Limit	
3	4460049	AR	Connector, Strain Relief	
4		Ref	Washer Options:	
4	4751500	2	Flatwasher 5/16 <b>(Prior to SN 111178)</b>	
4	4891600	2	Washer, Hardened 3/8 <b>(SN 111178 to Present)</b>	
4	Not Required	0	Washer 400RTS With Standard Tires	
5		Ref	Lockwasher Options:	
5	4761500	2	Lockwasher 5/16 <b>(Prior to SN 111178)</b>	
5	Not Required	0	Lockwasher 400RTS With Standard Tires	
6		Ref	Nut Options:	
6	3311501	2	Nut 5/16in-18NC	
6	Not Required	0	Nut 400RTS With Standard Tires	
7	3440413	AR	Rollpin 1/8in x 13/16 <b>(Prior to SN 112737)</b>	
8	1100083	1	Cam (Hi-Drive Cutout) <b>(Prior to SN 112737)</b>	
9	4300038	2	Stud (Welded Part)	
10	3911032	AR	Bolt, Socket Head #10-24NC x 2in	
11	4751000	AR	Flatwasher #10	
12	4761000	AR	Lockwasher #10 <b>(Prior to SN 111178)</b>	
13	3311005	AR	Locknut #10-24NC	
14	0901917	1	Bracket <b>(Prior to SN 112737)</b>	
15	4751600	AR	Flatwasher 3/8in	
16	3951503	2	Setscrew 5/16in-18NC x 3/4 <b>(Prior to SN 112737)</b>	
17	1100137	1	Cam, Limit Switch <b>(SN 111178 to Present)</b>	
18	0100011	AR	Loctite #242 (Not Shown) <b>(SN 111178 to Present)</b>	
19	0641626	2	Bolt 3/8 - 16NC x 3 1/4 <b>(SN 111178 to Present)</b>	
20	3574274	1	Plate, Clamp <b>(SN 111178 to Present)</b>	
21	1060965	1	Cable - 16/2 (92ft/28.1m) (Not Shown) <b>(SN 1075516 to Present)</b>	
22	1060966	1	Cable - 16/2 (85ft/25.9m) (Not Shown) <b>(SN 1075516 through 109670)</b>	
	0253237	Ref	<b>LADDER INSTALLATION - 500RTS WITHOUT DUAL EXTENDABLE PLATFORMS</b>	5

# SECTION 1 - FRAME

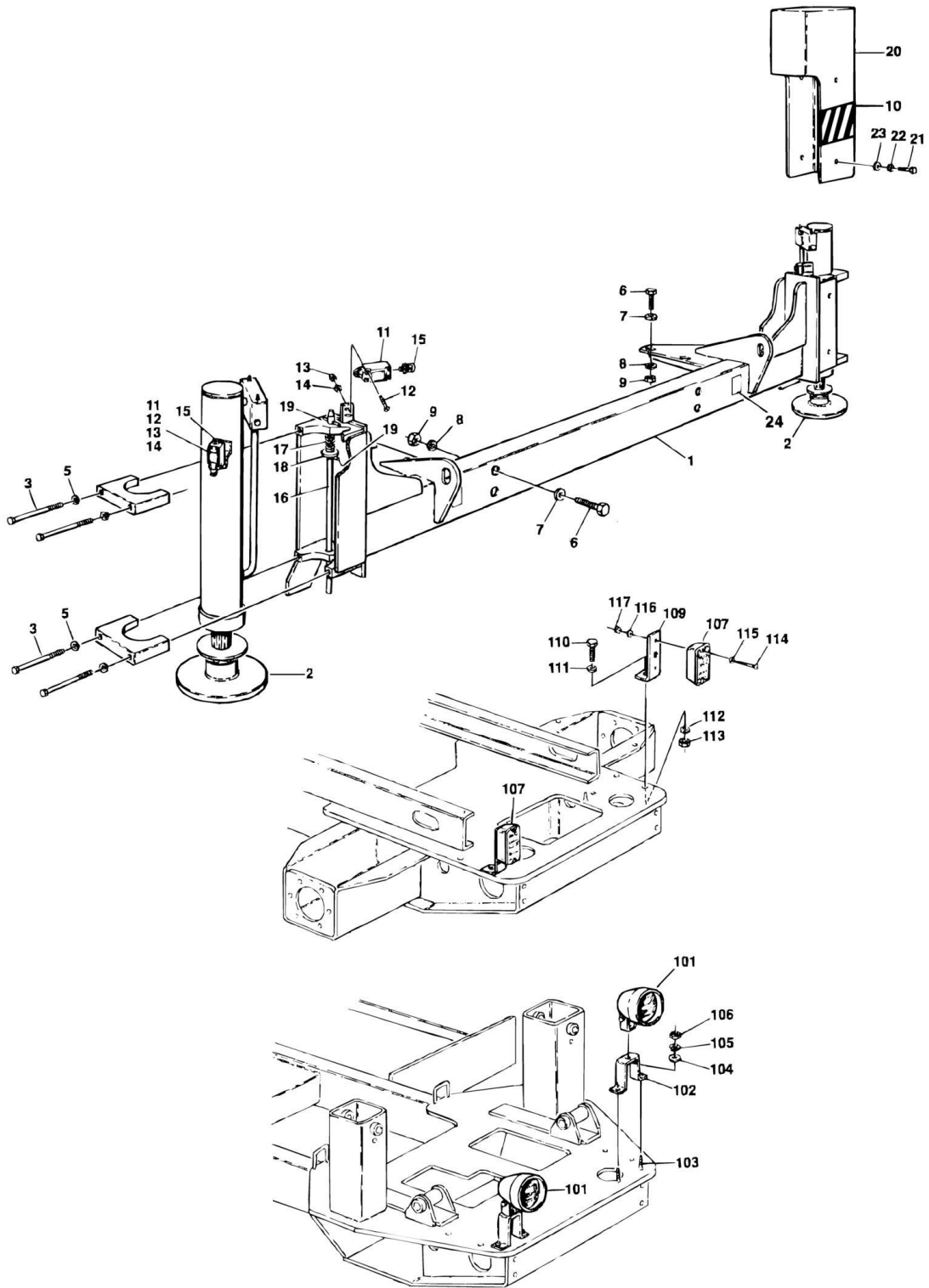
ITEM	PART NUMBER	QTY	DESCRIPTION	REV
	0253238	Ref	<b>LADDER INSTALLATION - 500RTS WITH DUAL EXTENDABLE PLATFORMS</b>	3
	0271332	Ref	<b>LADDER INSTALLATION - 500RTS WITH MEGADECK PLATFORMS (SN 95337 to Present)</b>	2
	0253933	Ref	<b>LADDER INSTALLATION - 400RTS WITHOUT DUAL EXTENDABLE PLATFORMS</b>	4
	0253934	Ref	<b>LADDER INSTALLATION - 400RTS WITH DUAL EXTENDABLE PLATFORMS</b>	2
101		Ref	Ladder Weldment - Side Options:	
101	4844249	2	Ladder Weldment - Side 500RTS	
101	4846407	2	Ladder Weldment - Side 500RTS - With Megadeck Platform	
101	4844490	2	Ladder Weldment - Side 400RTS	
102		Ref	Ladder Weldment - Rear	
102	4844250	1	Ladder Weldment - Rear 500RTS Without Dual Extendable Platform <b>(Prior to SN 65789)</b>	
102	4846051	1	Ladder Weldment - Rear 500RTS Without Dual Extendable Platform <b>(SN 65789 to Present)</b>	
102	Not Required	0	Ladder Weldment - Rear 500RTS With Dual Extendable Platform	
102	Not Required	0	Ladder Weldment - Rear 500RTS - With Megadeck Platform	
102	4844491	1	Ladder Weldment - Rear 400RTS Without Dual Extendable Platform <b>(Prior to SN 65789)</b>	
102	4846055	1	Ladder Weldment - Rear 400RTS Without Dual Extendable Platform <b>(SN 65789 to Present)</b>	
102	Not Required	0	Ladder Weldment - Rear 400RTS With Dual Extendable Platform	
103	0362171	1	Bar	
104	0181678	1	Angle, Mounting	
105	0181679	1	Angle, Mounting	
106	0641612	AR	Bolt 3/8in-16NC x 1 1/2in	
107	4751600	AR	Flatwasher 3/8in	
108	4761600	AR	Lockwasher 3/8in	
108	Not Required	0	Lockwasher 3/8in 500RTS - With Megadeck Platform	
109		Ref	Nut Options:	
109	3311601	AR	Nut 3/8in-16NC (With Dual Extendable Platform)	
109	3311605	AR	Locknut 3/8-16NC (Without Dual Extendable Platform/Megadeck Platform)	
110	0641524	3	Bolt 5/16in-18NC x 3in	
111	4751500	8	Flatwasher 5/16in	
112	4761500	4	Lockwasher 5/16in	
112	Not Required	0	Lockwasher 5/16in 500RTS - With Megadeck Platform	
113		Ref	Nut Options:	
113	3311501	4	Nut 5/16in-18NC (With Dual Extendable Platform)	
113	3311505	4	Locknut 5/16in-18NC (Without Dual Extendable Platform/Megadeck Platform)	
114	0641510	1	Bolt 5/16in-18NC x 1 1/4in	
117	3520071	AR	Cap	
	0253446	Ref	<b>OPTIONAL TRAVEL ALARM INSTALLATION (STANDARD PARTS WHEN EQUIPPED) (Prior to SN 71538)</b>	A
	0253727	Ref	<b>OPTIONAL DESCENT ALARM INSTALLATION (STANDARD PARTS WHEN EQUIPPED) (Prior to SN 112737)</b>	B
	0273055	Ref	<b>OPTIONAL DESCENT ALARM INSTALLATION (STANDARD PARTS WHEN EQUIPPED) (SN 112737 to Present)</b>	1
	0253728	Ref	<b>OPTIONAL MOTION ALARM INSTALLATION (STANDARD PARTS WHEN EQUIPPED) (Prior to SN 112737)</b>	A

## SECTION 1 - FRAME

ITEM	PART NUMBER	QTY	DESCRIPTION	REV
	0273056	Ref	<b>OPTIONAL MOTION ALARM INSTALLATION (STANDARD PARTS WHEN EQUIPPED) (SN 112737 to Present)</b>	1
201	0140032	1	Alarm (Prior to SN 112737)	
202	4300038	2	Stud (Welded on Part) (Prior to SN 112737)	
203	4761500	2	Lockwasher 5/16 (Prior to SN 112737)	
204	3311501	2	Nut 5/16in-18NC (Prior to SN 112737)	
205	4751500	2	Flatwasher 5/16 (Prior to SN 112737)	
	3990010	AR	Diode - 6 Amp (Not Shown - Located at Ground Control)	
	3740049	1	Relay (Not Shown - Located at Ground Control)	
	1540002	1	Capacitor (Not Shown - Located at Ground Control) (SN 112737 to Present)	
	0273057	Ref	<b>OPTIONAL HORN INSTALLATION (STANDARD PARTS WHEN EQUIPPED)</b>	1
251	0140044	1	Alarm	
252	4300032	2	Stud (Welded on Part)	
253	4761400	2	Lockwasher 1/4in	
254	3311401	2	Nut 1/4in-20NC	
255	4751400	2	Flatwasher 1/4in	
	4460539	1	Terminal, Male - 3 Position	
	4460465	2	Socket, Female	
	4460466	1	Terminal, Sealing Plug	
	0253448	Ref	<b>AXLE COVERS INSTALLATION (2WS) (STANDARD PARTS)</b>	-
	0253449	Ref	<b>AXLE COVERS INSTALLATION (2WS) (STANDARD PARTS)</b>	-
301		Ref	Plate, Cover Options:	
301	4844186	2	Gas Machines	
301	3536092	2	Diesel Machines	
302	0641510	8	Bolt 5/16in-18NC x 1 1/4in	
303	4751500	16	Flatwasher 5/16in	
304	4761500	8	Lockwasher 5/16in	
305	3311501	8	Nut 5/16in-18NC	
	0253453	Ref	<b>CIRCULAR LEVEL INSTALLATION</b>	-
401	2420038	1	Level, Circular	
402	3910610	3	Screw #6-32NC x 5/8in	
403	4770600	3	Starwasher #6	

# SECTION 1 - FRAME

## FIGURE 1-9. FRAME MOUNTED OPTIONS INSTALLATION



# SECTION 1 - FRAME

## FIGURE 1-9. FRAME MOUNTED OPTIONS INSTALLATION

ITEM	PART NUMBER	QTY	DESCRIPTION	REV
	0253678	Ref	<b>LEVELING JACKS INSTALLATION (OPTIONAL ON 400RTS/STANDARD ON 500RTS) (Prior to SN 107516)</b>	15
	0271314	Ref	<b>LEVELING JACKS INSTALLATION 500RTS (SN 107516 to Present)</b>	4
1	4844346	2	Jack Cylinder Weldment	
2		Ref	Jack Cylinder Assembly Options (See CYLINDER SECTION for Breakdown):	
2	1684216	4	Jack Cylinder Assembly (was p/n 1682720) <b>(Prior to SN 104832)</b>	
2	1684216	4	Jack Cylinder Assembly <b>(SN 104832 through 107515)</b>	
2	1684217	4	Jack Cylinder Assembly (was p/n 1683966) <b>(SN 107516 to Present)</b>	
3		Ref	Bolt Options:	
3	0641828	16	Bolt 1/2-13NC x 3 1/2 <b>(Prior to SN 103576)</b>	
3	0641830	16	Bolt 1/2-13NC x 3 3/4 <b>(SN 103576 to Present)</b>	
5	4761800	16	Lockwasher 1/2in	
6	0642014	16	Bolt 5/8in-11NC x 1 3/4in	
7	4712000	32	Flatwasher 5/8in Narrow	
8	4762000	16	Lockwasher 5/8 <b>(Prior to SN 64796)</b>	
9	3312005	16	Nut 5/8in-11NC	
10	4420052	8.5 ft	Tape, Safety	
11		Ref	Switch, Limit Options:	
11	4360548	8	Switch, Limit (was p/n 4360321) <b>(Prior to SN 109670)</b>	
11	4360548	8	Switch, Limit <b>(SN 109670 to Present)</b>	
12	3911020	16	Screw, Machine #10-24NC x 1 1/4 <b>(Prior to SN 27385)</b>	
12	3930820	16	Screw #8-32 x 1 1/4 <b>(SN 27385 to Present)</b>	
13	3311005	16	Lock Nut #10-24NC <b>(Prior to SN 27385)</b>	
13	3310805	16	Lock Nut #8-32 <b>(SN 27385 to Present)</b>	
14	4751000	16	Flatwasher #10 <b>(Prior to SN 27385)</b>	
14	4750800	16	Flatwasher #8 <b>(SN 27385 to Present)</b>	
15		Ref	Connector, Strain Relief Options:	
15	4460428	8	Connector, Strain Relief <b>(Prior to SN 109670)</b>	
15	4460968	8	Connector, Strain Relief <b>(SN 109670 to Present)</b>	
16	3841208	4	Rod <b>(Prior to SN 26251)</b>	
16	3841326	4	Rod <b>(SN 26251 to Present)</b>	
17	4160116	4	Spring	
18	4740415	4	Washer, Special	
19	3440420	8	Rollpin	
20	4060848	4	Cover	
21	0641406	16	Bolt 1/4in-20NC x 3/4in	
22	4751400	16	Flatwasher 1/4in	
23	4761400	16	Lockwasher 1/4in	
24	1703814	4	Decal - Tie Down	
25	3520082	8	Plug, Cap (Not Shown)	
26	4460234	4	Pad, Adhesive (Not Shown)	
27	1060971	1	Cable, 16/2 (18ft/5.5m) (Not Shown) <b>(SN 79847 to Present)</b>	
28	1060968	1	Cable, 16/2 (16ft/4.9m) (Not Shown) <b>(SN 79847 to Present)</b>	
29	1060969	2	Cable, 16/2 (10ft/3.0m) (Not Shown) <b>(SN 79847 to Present)</b>	
30	1060970	1	Cable, 16/2 (23ft/7.0m) (Not Shown) <b>(SN 79847 to Present)</b>	
	0253821	Ref	<b>HEADLIGHTS AND TAILLIGHTS INSTALLATION(OPTIONAL)</b>	3
101	2920110	2	Headlight	

## SECTION 1 - FRAME

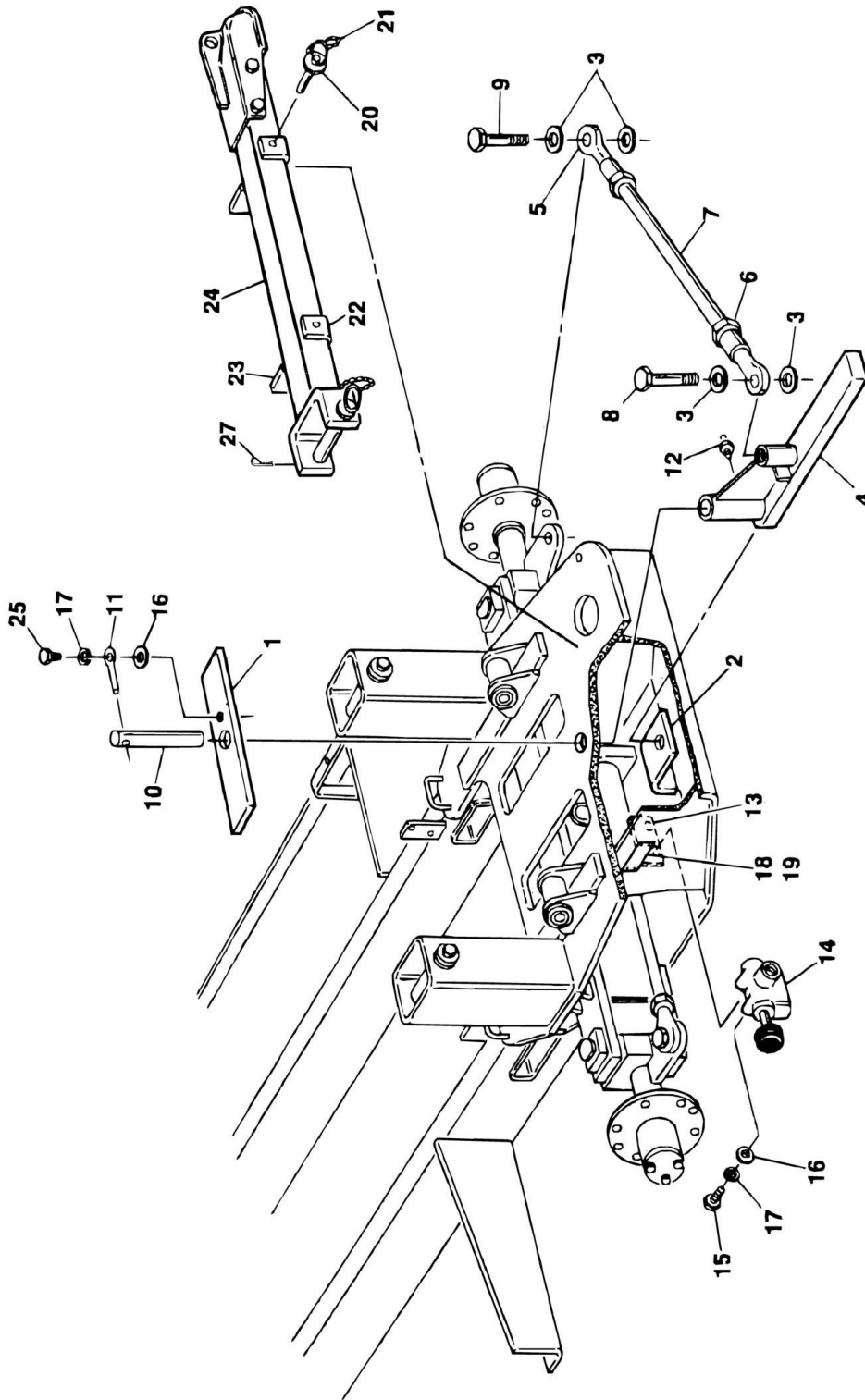
ITEM	PART NUMBER	QTY	DESCRIPTION	REV
102	0901927	2	Bracket - Headlight	
103	4300032	4	Stud (Welded on Part)	
104	4761400	4	Lockwasher 1/4in	
105	4751400	4	Flatwasher 1/4in	
106	3311401	4	Nut 1/4in-20NC	
107	2920113	2	Taillight	
109	0901928	2	Bracket - Taillight	
110	0642012	2	Bolt 5/8in-11NC x 1 1/2in	
111	4752000	2	Flatwasher 5/8in	
112	4762000	2	Lockwasher 5/8in	
113	3312001	2	Nut 5/8in-20NC	
114	3911040	4	Screw, Machine #10-24NC x 2 1/2in	
115	4771000	4	Starwasher #10	
116	4751000	4	Flatwasher #10	
117	3311001	4	Nut #10-24NC	
118	4360329	1	Switch, Toggle (Not Shown - Located at Platform Console Box)	
119	3790012	1	O-Ring (Not Shown - Located at Platform Console Box)	
125	1060341	30 ft/9m	Cable, Electrical - 16/2	
127	3740049	1	Relay, Bosch (Not Shown - Located at Ground Control)	
134	4460051	1	Relief, Strain (Not Shown - Located at Ground Control) <b>(SN 106887 to Present)</b>	
135	3300048	1	Locknut (Not Shown - Located at Ground Control) <b>(SN 106887 to Present)</b>	
136	0960238	1	Bushing (Not Shown - Located at Ground Control) <b>(SN 106887 to Present)</b>	





# SECTION 1 - FRAME

FIGURE 1-10. TOW PACKAGE INSTALLATION - BALL (OPTIONAL)



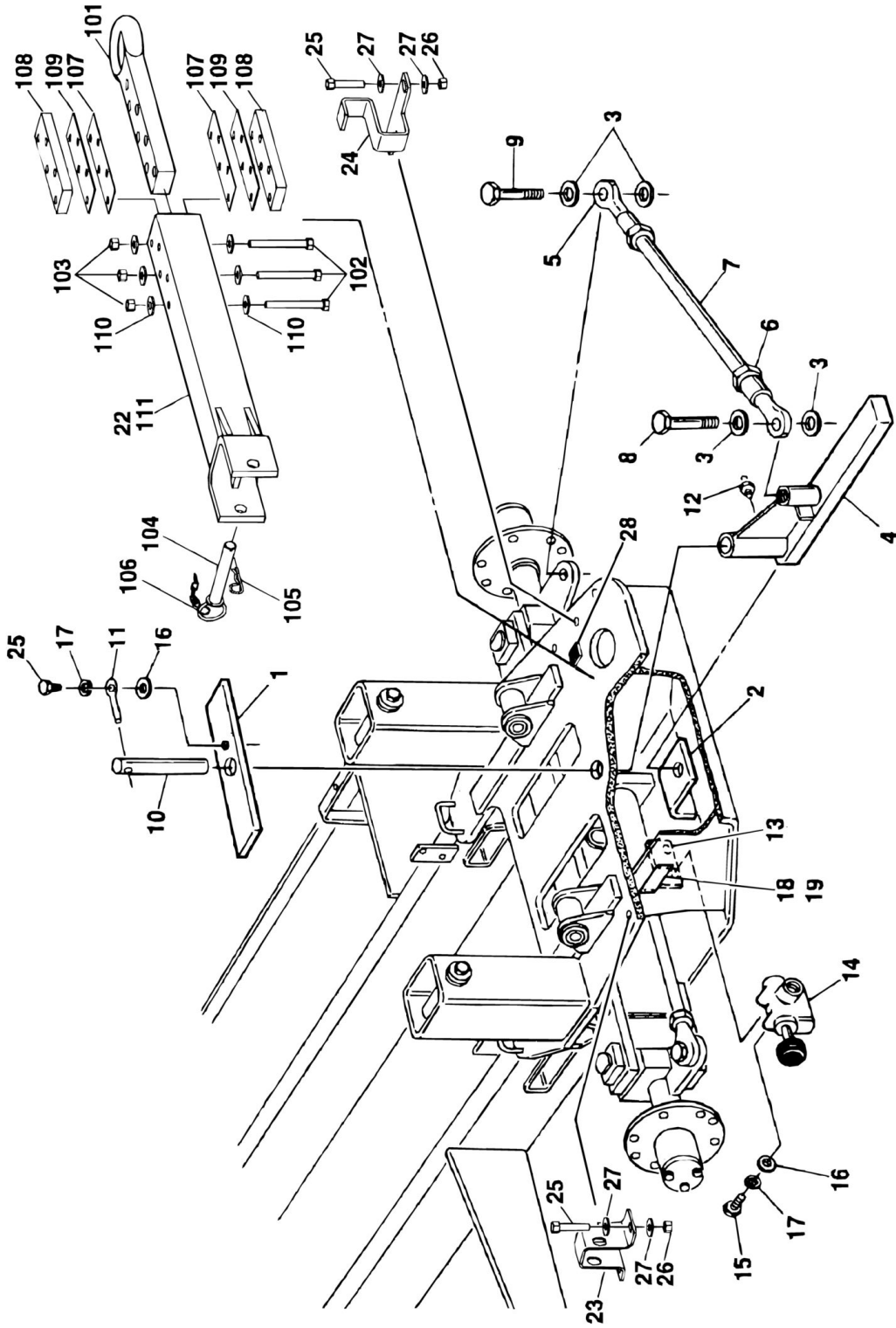
## SECTION 1 - FRAME

**FIGURE 1-10. TOW PACKAGE INSTALLATION - BALL (OPTIONAL)**

ITEM	PART NUMBER	QTY	DESCRIPTION	REV
	0253079	Ref	<b>TOW BAR INSTALLATION</b>	E
1	0362080	1	Bar	
2	3536156	1	Plate, Hitch Attach	
3	4712600	4	Flatwasher 1in	
4	2620037	1	Hitch, Tow	
5	1660114	2	Coupling, Tie-Rod	
6	3323002	2	Nut, Jam 1 1/4in-12NF	
7	3841184	1	Tie-Rod	
8	0642624	1	Bolt 1in-8NC x 3in	
9	0642636	1	Bolt 1in-8NC x 4 1/2in	
10	3422091	1	Pin	
11	3841143	1	Keeper, Pin	
12	2160002	1	Fitting, Grease	
13	0900479	1	Bracket, Valve Mounting	
14	4640261	1	Valve	
15	0641507	2	Bolt 5/16in-18NC x 7/8in	
16	4751500	3	Flatwasher 5/16in	
17	4761500	3	Lockwasher 5/16in	
18	3250872	1	Nameplate - Steer/Tow	
19	3820001	4	Rivet	
20	3420292	2	Pin, Quick Release	
21	1260017	2	Chain	
22	3536157	2	Plate	
23	3537973	2	Plate	
24	0362126	1	Tow Bar Assembly	
24	3420352	1	Pin, Tow	
24	3420158	1	Hairpin	
25	0641508	1	Bolt 5/16in-18NC x 1in	
27	3420372	1	Hairpin, Cotter	

# SECTION 1 - FRAME

## FIGURE 1-11. TOW PACKAGE INSTALLATION - PINTLE HOOK (OPTIONAL)



# SECTION 1 - FRAME

**FIGURE 1-11. TOW PACKAGE INSTALLATION - PINTLE HOOK (OPTIONAL)**

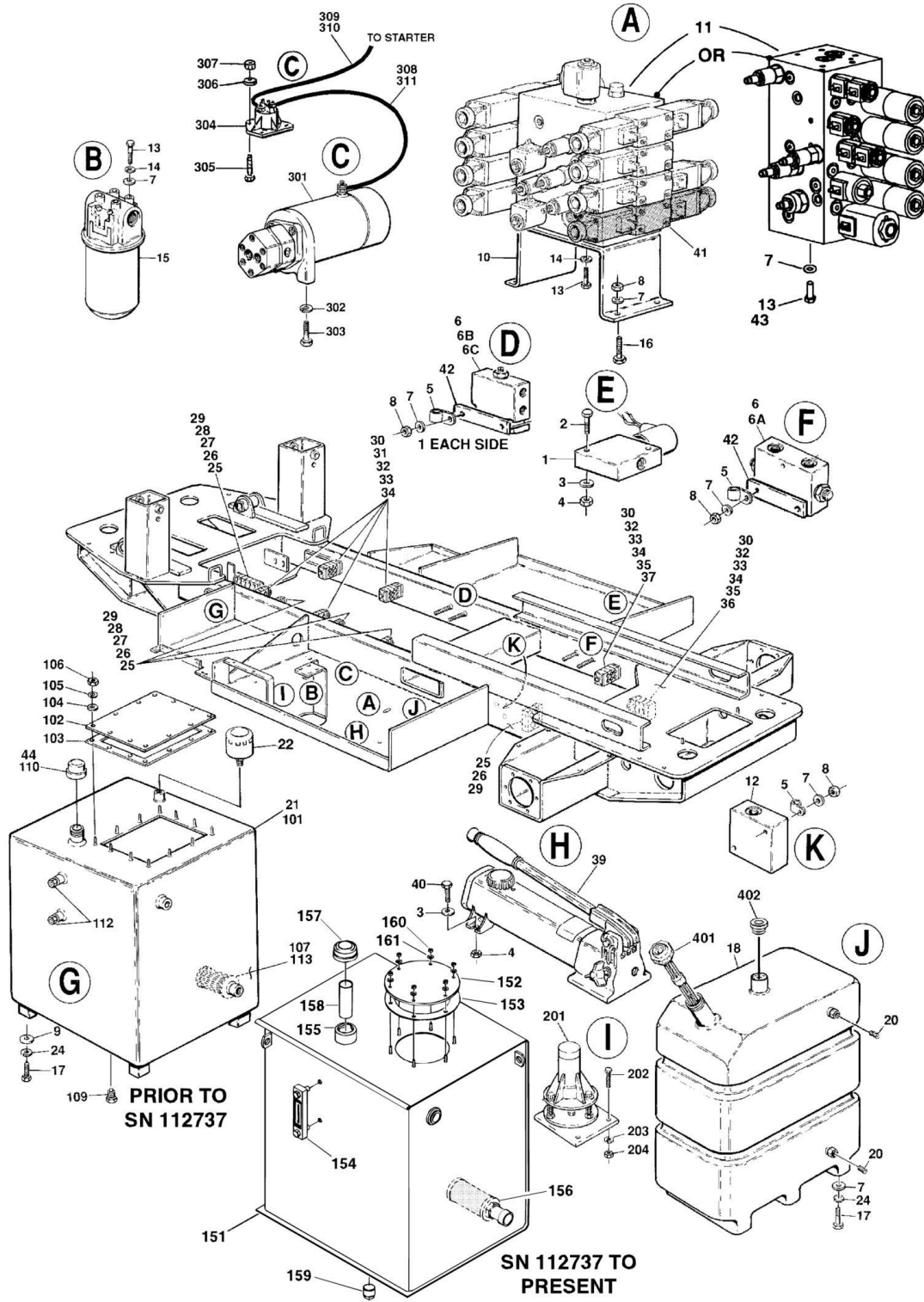
ITEM	PART NUMBER	QTY	DESCRIPTION	REV
	0271499	Ref	<b>TOW BAR INSTALLATION</b>	1
1	0362080	1	Bar	
2	3536156	1	Plate, Hitch Attach	
3	4712600	4	Flatwasher 1in	
4	2620037	1	Hitch, Tow	
5	1660114	2	Coupling, Tie-Rod	
6	3323002	2	Nut, Jam 1 1/4in-12NF	
7	3841184	1	Tie-Rod	
8	0642624	1	Bolt 1in-8NC x 3in	
9	0642636	1	Bolt 1in-8NC x 4 1/2in	
10	3422091	1	Pin	
11	3841143	1	Keeper, Pin	
12	2160002	1	Fitting, Grease	
13	0900479	1	Bracket, Valve Mounting	
14	4640261	1	Valve	
15	0641507	2	Bolt 5/16in-18NC x 7/8in	
16	4751500	3	Flatwasher 5/16in	
17	4761500	3	Lockwasher 5/16in	
18	3250872	1	Nameplate - Steer/Tow	
19	3820001	4	Rivet	
20	0641508	1	Bolt 5/16in-18NC x 1in	
22	0363019	1	Tow Bar Assembly (See Items 101-111 for breakdown)	
23	0902733	1	Bracket	
24	0902734	1	Bracket	
25	0642018	4	Bolt 5/8in-11NC x 2 1/4in	
26	3312005	4	Locknut 5/8in-11NC	
27	4752000	8	Flatwasher 5/8	
28	3340841	1	Pad	
	0363019	Ref	<b>TOW BAR ASSEMBLY</b>	B
101	0360406	1	Bar, Draw	
102	0642040	5	Bolt 5/8in-11NC x 5in	
103	3312005	5	Locknut 5/8in-11NC	
104	3420352	1	Pin, Towing	
105	3420372	1	Pin, Cotter	
106	3760170	1	Ring, Split	
107	4070450	2	Shim	
108	4070560	2	Shim	
109	4070561	2	Shim	
110	4752000	10	Flatwasher 5/8	
111	4846439	1	Tow Bar Weldment	



**SECTION 2 - GROUND CONTROLS**

# SECTION 2 - GROUND CONTROLS

## FIGURE 2-1. CONTROL VALVES AND TANKS INSTALLATION





## SECTION 2 - GROUND CONTROLS

**FIGURE 2-1. CONTROL VALVES AND TANKS INSTALLATION**

ITEM	PART NUMBER	QTY	DESCRIPTION	REV
		Ref	<b>CONTROL VALVES AND TANKS INSTALLATION</b>	
	0254054	Ref	<b>CONTROL VALVES AND TANKS INSTALLATION - 2WD/2WS WITHOUT LEVELING JACKS</b>	9
	0253424	Ref	<b>CONTROL VALVES AND TANKS INSTALLATION - 2WD/2WS WITH LEVELING JACKS (Prior to SN 107516)</b>	14
	0271668	Ref	<b>CONTROL VALVES AND TANKS INSTALLATION - 2WD/2WS WITH LEVELING JACKS (SN 107516 to Present)</b>	2
	0254053	Ref	<b>CONTROL VALVES AND TANKS INSTALLATION - 2WD/4WS WITHOUT LEVELING JACKS</b>	10
	0253423	Ref	<b>CONTROL VALVES AND TANKS INSTALLATION - 2WD/ 4WS WITH LEVELING JACKS (Prior to SN 107516)</b>	14
	0271669	Ref	<b>CONTROL VALVES AND TANKS INSTALLATION - 2WD/ 4WS WITH LEVELING JACKS (SN 107516 to Present)</b>	3
	0254052	Ref	<b>CONTROL VALVES AND TANKS INSTALLATION - 4WD/2WS WITHOUT LEVELING JACKS</b>	9
	0253422	Ref	<b>CONTROL VALVES AND TANKS INSTALLATION - 4WD/2WD WITH LEVELING JACKS (Prior to SN 107516)</b>	13
	0271670	Ref	<b>CONTROL VALVES AND TANKS INSTALLATION - 4WD/2WD WITH LEVELING JACKS (SN 107516 to Present)</b>	2
	0254051	Ref	<b>CONTROL VALVES AND TANKS INSTALLATION - 4WD/4WS WITHOUT LEVELING JACKS</b>	9
	0253421	Ref	<b>CONTROL VALVES AND TANKS INSTALLATION - 4WD/4WS WITH LEVELING JACKS (Prior to SN 107516)</b>	14
	0271671	Ref	<b>CONTROL VALVES AND TANKS INSTALLATION - 4WD/4WS WITH LEVELING JACKS (SN 107516 to Present)</b>	3
1	4640123	1	Solenoid Valve Assembly (Prior to April 1993)	
1	7004368	1	Coil (Hydraforce Version)	
1	7000558	1	Coil (FPS Version)	
1	7012518	1	Seal Kit (Hydraforce Version)	
1	7006075	1	Seal Kit (FPS Version)	
		Ref	<b>Note: Solenoid Valve 4640123 not required on 4WD/2WS Machines Built May 1993 to Present.</b>	
2	0641420	1	Bolt 1/4in-20NC x 2 1/2in (Prior to April 1993)	
3	4751400	AR	Flatwasher 1/4in	
4	3311405	2	Locknut 1/4in-20NC	
5	1320202	AR	Clamp, Hose <b>(Prior to SN 35422)</b>	
6		Ref	Valve, Flow Divider Options:	
6		Ref	2WD/2WS - 2WD/4WS:	
6A	4640629	1	Valve, Flow Divider (Machines built prior to July 1993)	
6A	2900745	1	Seal Kit	
6A	4640443	1	Valve, Flow Divider (Machines built July 1993 to Present)	
6A	2900745	1	Seal Kit - 4640443 Valve	
6		Ref	4WD/4WS	
6B	4640260	2	Valve, Flow Divider	
6B	7009739	1	Seal Kit (Vickers/Modular Controls)	
6B	7007321	1	Cartridge (Fluid Controls)	
6B	7007321	1	Seal Kit (Fluid Controls) (was p/n 7007323) (Note: No Longer Available for Purchase)	
6		Ref	4WD/2WS:	
6C	4640260	2	Valve, Flow Divider (Machines built prior to May 1993)	
6C	7009739	1	Seal Kit (Vickers/Modular Controls)	
6C	7007321	1	Cartridge (Fluid Controls)	

## SECTION 2 - GROUND CONTROLS

ITEM	PART NUMBER	QTY	DESCRIPTION	REV
6C	7007321	1	Seal Kit (Fluid Controls) (was p/n 7007323) (Note: No Longer Available for Purchase)	
6C	4640841	1	Valve, Flow Divider (Machines built May 1993 to Present)	
6C	7007321	1	Cartridge - 4640841 Valve	
7	4751500	AR	Flatwasher 5/16in	
8	3311505	AR	Locknut 5/16in-18NC	
9	4751600	8	Flatwasher 3/8in	
10	0901971	1	Bracket, Valve Mounting <b>(Prior to SN 63888)</b>	
11		Ref	Control Valve Assembly Options (See CONTROL VALVE ASSEMBLY for Breakdown) <b>(Prior to SN 107516)</b>	
11	4640840	1	Control Valve Assembly 400RTS	
11	4640786	1	Control Valve Assembly 500RTS	
11	4641190	1	Control Valve Assembly (See CONTROL VALVE ASSEMBLY for Breakdown) <b>(SN 107516 to Present)</b>	
12	3100071	1	Manifold	
13	0641506	6	Bolt 5/16in-18NC x 3/4in	
14	4761500	6	Lockwasher 5/16 <b>(Prior to SN 69708)</b>	
15	2120109	1	Filter Assembly	
15	2120110	1	Element	
16	0641508	4	Bolt 5/16in-18NC x 1 <b>(Prior to SN 63888)</b>	
17	0641608	AR	Bolt 3/8in-16NC x 1in	
18	4400273	1	Tank, Fuel - 400RTS/500RTS <b>(Prior to SN 34451)</b>	
18	4400402	1	Tank, Fuel - 400RTS/500RTS <b>(SN 34451 through 79764)</b>	
18	4400430	1	Tank, Fuel - 500RTS <b>(SN 79765 to Present)</b>	
18	7020257	1	Cap, Vented Kelch	
19	1120362	1	Cap, Fuel Tank <b>(Prior to SN 34451)</b>	
20	2200222	3	Plug, Pipe 1/4in NPT	
21		Ref	Hydraulic Tank Assembly Options:	
20	4400347	1	Hydraulic Tank Assembly (See Items 101-113 for Breakdown) <b>(Prior to SN 112737)</b>	
20	4400461	1	Hydraulic Tank Assembly (See Items 151-161 for Breakdown) <b>(SN 112737 to Present)</b>	
22		Ref	Breather Options:	
22	1340021	1	Breather <b>(Prior to SN 63179)</b>	
22	1340062	1	Breather <b>(SN 63179 to Present)</b>	
24	4761600	8	Lockwasher 3/8in	
25	0641511	AR	Bolt 5/16in-18NC x 1 3/8in Options:	
25		Ref	2WS <b>(Prior to SN 74638)</b>	
25		Ref	4WS	
26	1320187	AR	Clamp, 5/8in Twin Hole Options:	
26		Ref	2WS	
26		Ref	4WS	
27	1320188	6	Bolt, Stacking <b>(Prior to SN 74638)</b>	
28	1320189	6	Lockwasher, Stacking <b>(Prior to SN 74638)</b>	
29	1320190	AR	Plate, Clamp Cover	
29		Ref	2WS <b>(Prior to SN 74638)</b>	
29		Ref	4WS	
30	0641514	AR	Bolt 5/16in-18NC x 1 3/4in	
31	1320192	AR	Clamp, 7/8in Twin Hole	
31		Ref	2WD	
31		Ref	4WD	
32	1320193	AR	Bolt, Stacking	

## SECTION 2 - GROUND CONTROLS

ITEM	PART NUMBER	QTY	DESCRIPTION	REV
33	1320194	AR	Lockwasher, Stacking	
34	1320195	AR	Plate, Cover	
34		Ref	2WS	
34		Ref	4WS	
35		Ref	Clamp Options:	
35		Ref	Clamp 400RTS:	
35	Not Required	0	2WD-2WS	
35	1320198	AR	2WD-4WS - Clamp 5/8in Twin Hole <b>(Prior to SN 74638)</b>	
35	1320197	AR	4WD-2WS/4WD-4WS - Clamp 7/8in x 5/8in	
35		Ref	Clamp 500RTS:	
35	Not Required	0	2WD-2WS	
35	1320198	AR	2WD-4WS - Clamp 5/8in Twin Hole <b>(Prior to SN 74638)</b>	
35	1320197	AR	4WD-2WS/4WD-4WS - Clamp 7/8in x 5/8 <b>(Prior to SN 103576)</b>	
36		Ref	Clamp Options:	
36		Ref	Clamp 400RTS:	
36	Not Required	0	2WD-2WS/4WD-2WS	
36	1320200	1	2WD-4WS/4WD-4WS - Clamp 1 1/4in Twin Hole <b>(Prior to SN 74638)</b>	
36		Ref	Clamp 500RTS:	
36	Not Required	0	2WD-2WS/4WD-2WS	
36	1320200	1	2WD-4WS/4WD-4WS - Clamp 1 1/4in Twin Hole <b>(Prior to SN 74638)</b>	
37		Ref	Hardware Options:	
37		Ref	Hardware 400RTS:	
37	Not Required	0	2WD-2WS	
37	1320199	1	4WD-2WS/4WD-4WS - Clamp 3/4in x 1/2in	
37	0641530	1	2WD-4WS - Bolt 5/16in-18NC x 3 3/4 <b>(Prior to SN 74638)</b>	
37		Ref	Hardware 500RTS:	
37	Not Required	0	2WD-2WS	
37	1320199	1	4WD-2WS/4WD-4WS - Clamp 3/4in x 1/2 <b>(Prior to SN 74638)</b>	
37	0641530	1	2WD-4WS - Bolt 5/16in-18NC x 3 3/4 <b>(Prior to SN 74638)</b>	
39	3600130	1	Hand Pump Assembly	
39	7012592	1	Seal Kit - 3600130 Pump	
40	0641406	2	Bolt 1/4in-20NC x 3/4in	
41		Ref	Control Valve Assembly Options (Machines with 4WS Only) (See CONTROL VALVE ASSEMBLY for Breakdown):	
41	4641090	1	Control Valve Assembly (was p/n 4640788) <b>(Prior to SN 54922)</b>	
41	4641090	1	Control Valve Assembly <b>(SN 54922 through 107516)</b>	
42	3010099	AR	Link Options:	
42		Ref	2WD-2WS/2WD-4WS <b>(Prior to SN 63888)</b>	
42		Ref	4WD-2WS/4WD-4WS	
43	0100010	AR	Loctite #242	
44	2200009	1	Fitting, Cap Options:	
44		Ref	Fitting, Cap 400RTS <b>(SN 74638 to Present)</b>	
44		Ref	Fitting, Cap 500RTS <b>(SN 74638 through 103576)</b>	
45	4060807	6.75 ft/2.1m	Shield, Flex Trim (Not Shown) <b>(SN 101987 to Present)</b>	
	4400347	Ref	<b>HYDRAULIC TANK ASSEMBLY (Prior to SN 112737)</b>	3
101	4400348	1	Tank	
102	3536523	1	Plate, Cover	
103	3960435	1	Gasket	

## SECTION 2 - GROUND CONTROLS

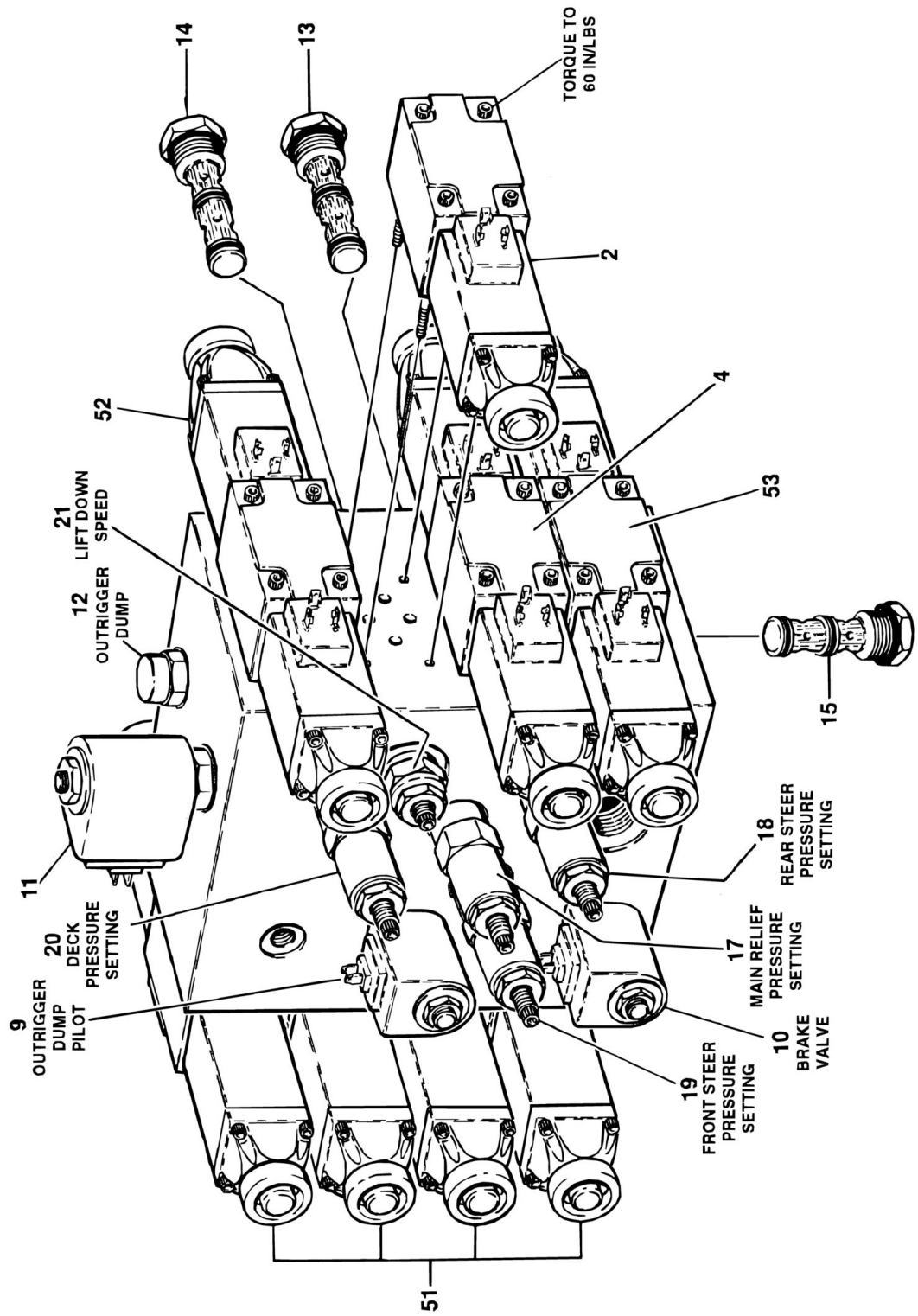
ITEM	PART NUMBER	QTY	DESCRIPTION	REV
104	4751400	12	Flatwasher 1/4in	
105	4761400	12	Lockwasher 1/4in	
106	3311401	12	Nut 1/4in-20NC	
107	2120120	1	Filter, Suction	
109	3520022	1	Plug, Magnetic	
110	2200009	1	Cap, Pipe	
112	2420115	2	Gauge, Sight	
113	2220340	1	Fitting	
	0100020	AR	Sealant, Pipe	
	4400461	Ref	<b>HYDRAULIC TANK ASSEMBLY (SN 112737 to Present)</b>	E
151	4400461	1	Tank	
152	7026122	1	Plate, Cover	
153	7024440	1	Gasket	
154	7024441	1	Gauge, Fluid Level	
155	7024443	1	Neck, Filler	
156	2120120	1	Strainer	
157	7024444	1	Fill Cap, Vented	
158	7024445	1	Strainer	
159	7024446	1	Plug, Magnetic	
160	3311401	6	Nut 1/4in-20NC	
161	4751400	6	Flatwasher 1/4in	
		Ref	<b>TILT INDICATOR INSTALLATIONS (STANDARD PARTS)</b>	
	0254055	Ref	<b>Tilt Indicator Installations 500RTS</b>	5
	0254063	Ref	<b>Tilt Indicator Installations 400RTS</b>	-
201		Ref	Sensor Options:	
201	4360354	1	Sensor, Tilt - 3, (500RTS was 2, Sensor p/n 4360349) <b>(Prior to SN 74959)</b>	
201	4360354	1	Sensor, Tilt -3, 500RTS <b>(SN 74959 to Present)</b>	
201	4360348	1	Sensor, Tilt - 5, (400RTS)	
202	0641406	2	Bolt 1/4in-20NC x 3/4in	
203	4751400	AR	Flatwasher 1/4in	
204	3311405	AR	Locknut 1/4in-20NC	
		Ref	<b>OPTIONAL AUXILIARY PUMP INSTALLATIONS: (MACHINES WITH PLATFORM EXTENSIONS ONLY)</b>	
	0254196	Ref	<b>MACHINES WITH PLATFORM EXTENSIONS (400RTS MODEL)</b>	10
	0254197	Ref	<b>MACHINES WITH PLATFORM EXTENSIONS (DUAL EXT.) (400RTS MODEL)</b>	12
	0253614	Ref	<b>MACHINES WITH PLATFORM EXTENSIONS (500RTS MODEL)</b>	14
	0253615	Ref	<b>MACHINES WITH PLATFORM EXTENSIONS (DUAL EXT.) (500RTS MODEL)</b>	19
	0271196	Ref	<b>MACHINES WITH PLATFORM EXTENSIONS (MEGADECK EXT.)</b>	B
	0273062	Ref	<b>MACHINES WITH PLATFORM EXTENSIONS (POWER DECK EXT.)</b>	B
301	3600050	1	Auxiliary Pump Assembly (Machines Built Prior to July 1993)	
301	7004249	1	Coupling	
301	7004248	1	Motor	
301	7010923	1	Pump	
301	3600208	1	Auxiliary Pump Assembly (Machines Built July 1993 to Present)	
301	7013710	1	Motor	
301	7013753		Brush Kit	

## SECTION 2 - GROUND CONTROLS

ITEM	PART NUMBER	QTY	DESCRIPTION	REV
301	7013711	1	Coupling	
301	7016746	1	Adapter, Motor to Pump	
301	7013712	1	Pump	
301	3600468	1	Auxiliary Pump Assembly (Service Replacement)	
301	7011003	1	Motor	
301	7011016	1	Coupling	
301	7012576	1	Adapter, Motor to Pump	
301	70001108	1	Pump Kit (includes Coupling)	
		Ref	<b>Note: Original Equipment pump may have been replaced with Service Replacement Valve. Identify the name plate on pump before ordering parts.</b>	
302	4761600	2	Lockwasher 3/8in	
303	0641608	2	Bolt 3/8in-16NC x 1in	
304	3740067	1	Relay	
305	0641406	2	Bolt 1/4in-20NC x 3/4in	
306	4751400	2	Flatwasher 1/4in	
307	3311405	2	Locknut 1/4in-20NC	
308	1060221	1	Cable, Battery	
308	1061003	1	Cable, Battery (Power Deck Only)	
309	1060401	1	Cable, Battery	
309	1061004	1	Cable, Battery (Power Deck Only)	
310	0840025	2	Boot, Cable	
310	Not Required	0	Boot, Cable (Power Deck Only)	
311	0840026	2	Boot, Cable	
311	Not Required	0	Boot, Cable (Power Deck Only)	
		Ref	<b>FUEL CAP INSTALLATIONS</b>	
		Ref	<b>Installation: (Prior to SN 34451)</b>	
401	1120362	1	Cap, Fuel	
402	Not Required	0	Not Required	
		Ref	<b>Installations: (SN 34451 to Present)</b>	
		Ref	<b>Standard Cap Installation</b>	2
401	1120486	1	Cap, Fuel	
402	2200108	1	Plug	
		Ref	<b>Protectoseal Cap Installation (Prior to SN 80990)</b>	1
401	1120485	1	Cap, Protectoseal (Not Shown)	
402	2420183	1	Gauge, Fuel (Not Shown)	
		Ref	<b>Protectoseal Cap Installation (SN 80990 to Present)</b>	1
401	1120485	1	Cap, Protectoseal (Not Shown)	

# SECTION 2 - GROUND CONTROLS

FIGURE 2-2. CONTROL VALVE ASSEMBLY (Prior to SN 107516)



## SECTION 2 - GROUND CONTROLS

**FIGURE 2-2. CONTROL VALVE ASSEMBLY (Prior to SN 107516)**

ITEM	PART NUMBER	QTY	DESCRIPTION	REV
		Ref	<b>CONTROL VALVE ASSEMBLIES</b>	
	4640840	Ref	<b>CONTROL VALVE ASSEMBLY (WITHOUT LEVELING JACKS OPTIONS) (STANDARD PARTS)</b>	D
	4640786	Ref	<b>CONTROL VALVE ASSEMBLY (WITH LEVELING JACKS OPTIONS) (STANDARD PARTS)</b>	C
2	4641094	1	Valve Assembly (Lift)	
2	7021322	1	Solenoid	
2	7012725	1	Seal Kit	
2	7012754	1	Repair Kit, Push Button End Cap (Includes Rubber Boot, Metal End Cap, O-Ring, and Metal Retainer)	
4	4641090	1	Valve Assembly (Front Steer)	
4	7012730	2	Solenoid	
4	7012725	1	Seal Kit	
4	7012754	2	Repair Kit, Push Button End Cap (Includes Rubber Boot, Metal End Cap, O-Ring, and Metal Retainer)	
9	7012941	1	Cartridge (Less Coil) (Outrigger Dump)	
9	7012944	1	Coil	
9	7010543	1	Seal Kit	
10	7012941	1	Cartridge (Less Coil) (Brake Valve)	
10	7012944	1	Coil	
10	7010543	1	Seal Kit	
11	7012910	1	Cartridge (Less Coil) (Main Dump)	
11	7012943	1	Coil	
11	2900756	1	Seal Kit	
12	7012940	1	Cartridge (Outrigger Dump)	
12	7012942	1	Seal Kit	
13	7012935	1	Cartridge (Rear Steer Shuttle Valve)	
13	7012518	1	Seal Kit	
14	7012935	1	Cartridge (Front Steer Shuttle Valve)	
14	7012518	1	Seal Kit	
15	7012935	1	Cartridge (Brake Shuttle Valve) (Hydraforce LS10-30)	
15	7012518	1	Seal Kit (LS10-30 Valve)	
15	7010542	1	Cartridge (Brake Shuttle Valve) (Hydraforce LS08-30)	
15	7010543	1	Seal Kit (L508-30 Valve)	
17	7012939	1	Cartridge (Main Relief Pressure Setting)	
17	2900708	1	Seal Kit	
18	7012938	1	Cartridge (Rear Steer Pressure Setting)	
18	2900708	1	Seal Kit	
19	7012938	1	Cartridge (Front Steer Pressure Setting)	
19	2900708	1	Seal Kit	
20	7012937	1	Cartridge (Traversing Deck Pressure Setting)	
20	2900708	1	Seal Kit	
21	7012936	1	Cartridge (Lift Down Speed)	
21	7017477	1	Seal Kit	
		Ref	<b>CONTROL VALVE OPTIONS</b>	-
51		Ref	Leveling Jack Valves Option:	
51	7012591	4	Cover Assembly (Includes Seals and Hardware) (Without Leveling Jacks)	
51	4640789	4	Valve Assembly (With Leveling Jacks) <b>(Prior to SN 54922)</b>	
51	7012730	8	Solenoid (2 Per Assembly)	
51	7012725	4	Seal Kit (1 Per Assembly)	

## SECTION 2 - GROUND CONTROLS

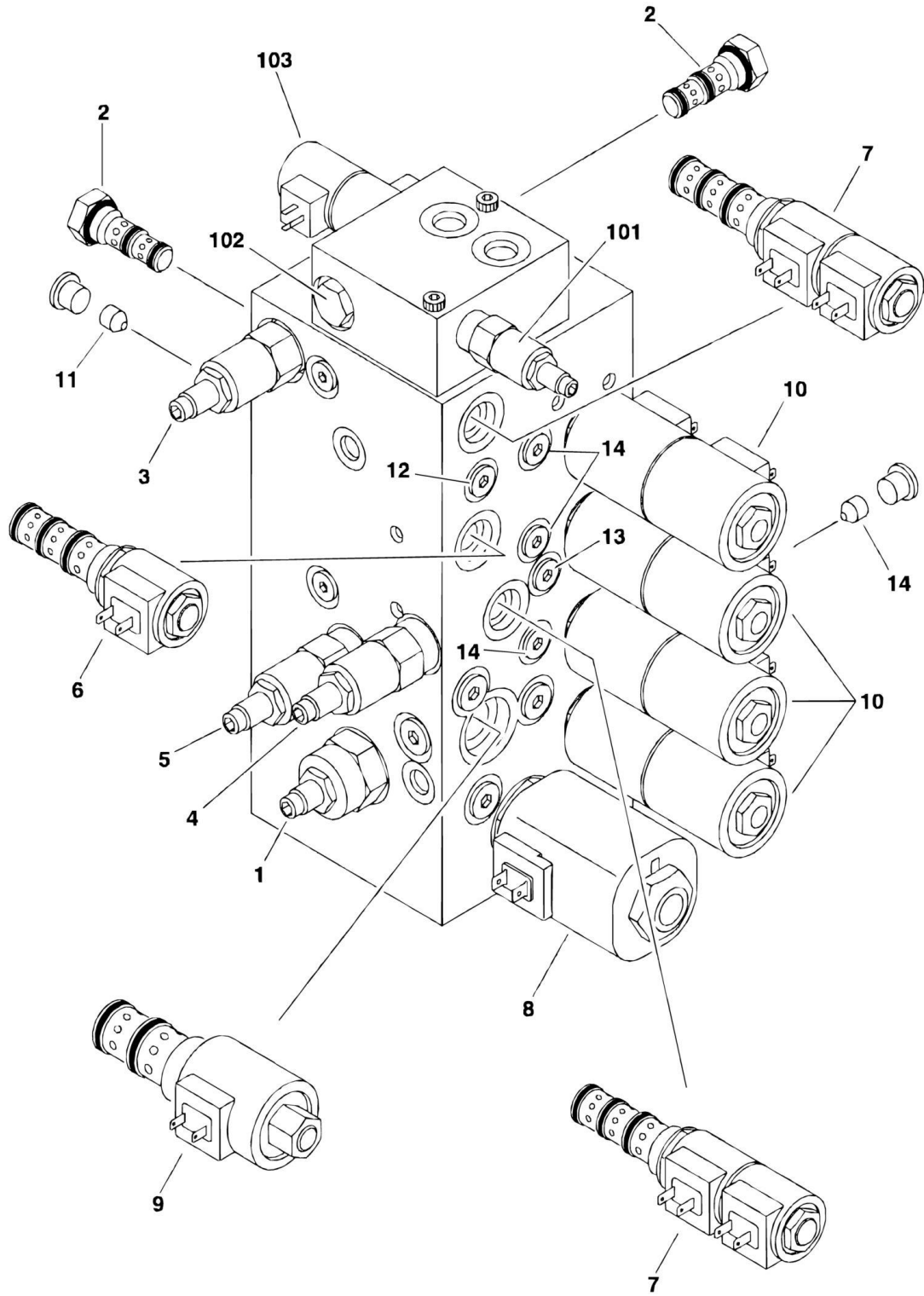
ITEM	PART NUMBER	QTY	DESCRIPTION	REV
51	7012736	4	Orifice - 1.2mm (P Port) (1 Per Assembly)	
51	7012754	8	Repair Kit, Push Button End Cap (Includes: Rubber Boot, Metal End Cap, O-Ring and Metal Retainer)	
51	4641091	4	Valve Assembly (With Leveling Jacks) <b>(SN 54922 to Present)</b>	
51	7018991	8	Solenoid (2 Per Assembly)	
51	7012773	4	Seal Kit (1 Per Assembly)	
52		Ref	Platform Extension Valves Option:	
52	7012591	1	Cover Assembly (Includes Seals and Hardware) (Without Platform Extensions)	
52	4640788	1	Valve Assembly (With Platform Extension) <b>(Prior to SN 54922)</b>	
52	7012730	2	Solenoid	
52	7012725	1	Seal Kit	
52	4641090	1	Valve Assembly (With Platform Extension) <b>(SN 54922 to Present)</b>	
52	7018991	2	Solenoid	
52	7012773	1	Seal Kit	
52	3931032	4	Bolt, Socket Head #10-24NC x 2in (With Platform Extension)	
52	7012754	2	Repair Kit, Push Button End Cap (Includes: Rubber Boot, Metal End Cap, O-Ring and Metal Retainer)	
		Ref	<b>Note: Original Equipment Valve may have been replaced with Service Replacement Valve. Identify the name plate on valve before ordering parts.</b>	
53		Ref	Rear Steer Valve Option:	
53	7012591	1	Cover Assembly (Includes Seals and Hardware) (Without Rear Steer)	
53	4640788	1	Valve Assembly (With Platform Extension) <b>(Prior to SN 54922)</b>	
53	7012730	2	Solenoid	
53	7012725	1	Seal Kit	
53	4641090	1	Valve Assembly (With Platform Extension) <b>(SN 54922 to Present)</b>	
53	7018991	2	Solenoid	
53	7012773	1	Seal Kit	
53	3931032	4	Bolt, Socket #10-24NC x 2in (With Rear Steer)	
53	7012754	2	Repair Kit, Push Button End Cap (Includes: Rubber Boot, Metal End Cap, O-Ring and Metal Retainer)	
		Ref	<b>Note: Original Equipment Valve may have been replaced with Service Replacement Valve. Identify the name plate on valve before ordering parts.</b>	





# SECTION 2 - GROUND CONTROLS

FIGURE 2-3. CONTROL VALVE ASSEMBLY (SN 107516 to Present)



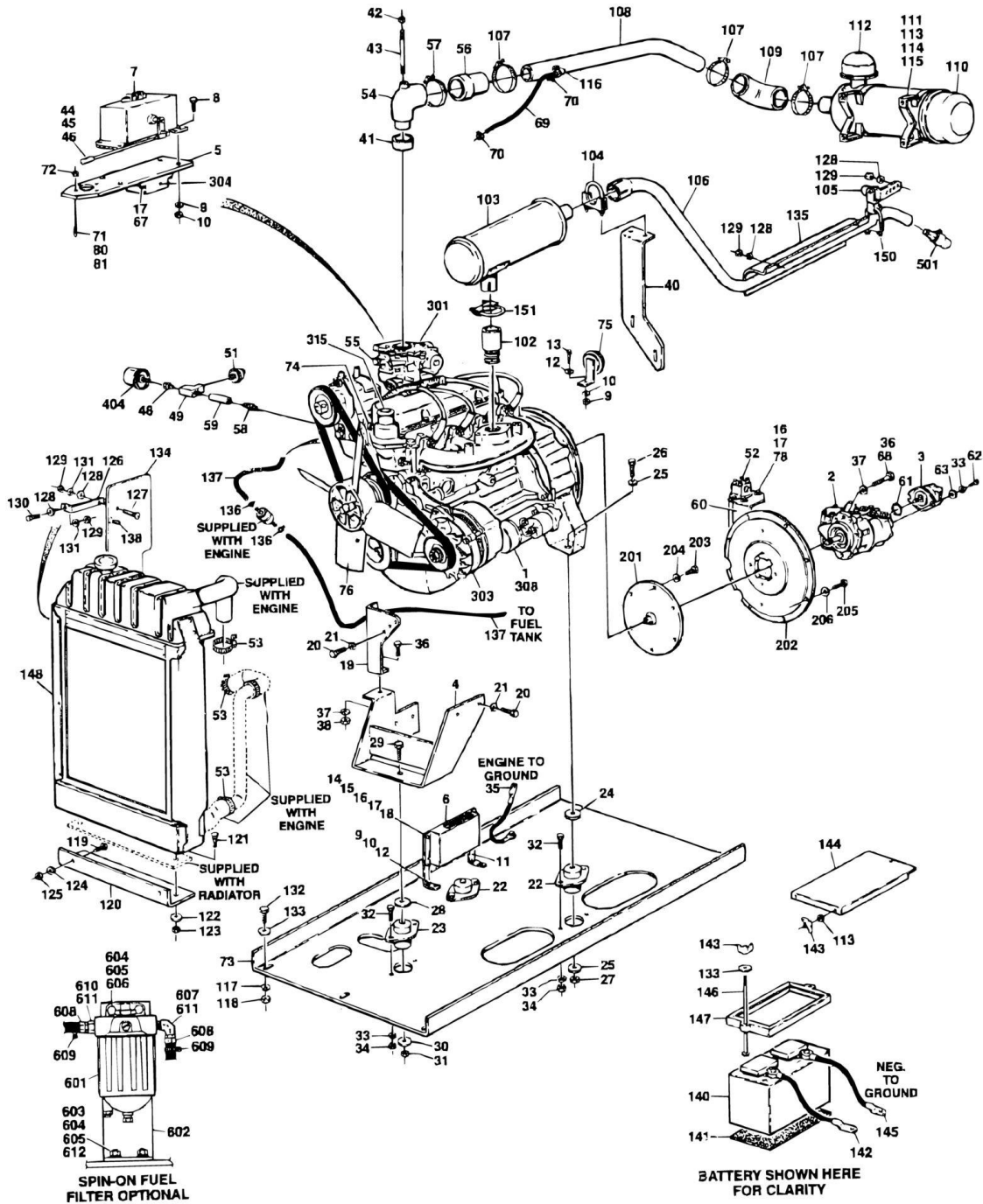
## SECTION 2 - GROUND CONTROLS

**FIGURE 2-3. CONTROL VALVE ASSEMBLY (SN 107516 to Present)**

ITEM	PART NUMBER	QTY	DESCRIPTION	REV
	4641190	Ref	<b>CONTROL VALVE ASSEMBLY</b>	B
1	7012936	1	Cartridge (Lift Down Speed)	
1	7017477	1	Seal Kit	
2	7010542	2	Cartridge (Brake Shuttle Valve) (Hydraforce LS08-30)	
2	7010543	2	Seal Kit (L508-30 Valve)	
3	7017420	1	Cartridge, Relief (Steer)	
3	7012998	1	Seal Kit - 7017420 Cartridge	
4	7023988	1	Cartridge, Relief (Deck)	
4	7012998	1	Seal Kit - 7023988 Cartridge	
5	7023989	1	Cartridge, Relief (Main)	
5	7017496	1	Seal Kit - 7023989 Cartridge	
6	7012941	1	Cartridge (Less Coil) (Brake Valve)	
6	7012944	1	Coil	
6	7010543	1	Seal Kit	
7	7017433	2	Cartridge (Less Coil) (Steer Valve)	
7	7012944	4	Coil	
7	7017402	2	Seal Kit	
8	7023990	1	Cartridge (Less Coil) (Lift Valve)	
8	7023994	1	Coil	
8	7012925	1	Seal Kit	
9	7012910	1	Cartridge (Less Coil) (Main Dump)	
9	7012943	1	Coil	
9	2900708	1	Seal Kit	
10	7017454	4	Cartridge (Less Coil)	
10	7012943	9	Coil	
10	7012903	4	Seal Kit	
11	Not Serviced	1	Plug, Orifice	
12	7017492	1	Plug, Orifice	
13	Not Serviced	1	Plug, Orifice	
14	7017493	4	Plug, Orifice	
	4641197	Ref	<b>CONTROL VALVE (STEER)</b>	B
101	7012981	1	Cartridge	
101	7012998	1	Seal Kit	
102	7010542	1	Cartridge (Shuttle Valve) (Hydraforce LS08-30)	
102	7010543	1	Seal Kit (L508-30 Valve)	
103	7017433	1	Cartridge (Less Coil) (Steer Valve)	
103	7012539	2	Coil	
103	7017402	1	Seal Kit	

# SECTION 2 - GROUND CONTROLS

## FIGURE 2-4. ENGINE INSTALLATION - FORD VSG-411



## SECTION 2 - GROUND CONTROLS

### FIGURE 2-4. ENGINE INSTALLATION - FORD VSG-411

ITEM	PART NUMBER	QTY	DESCRIPTION	REV
		Ref	<b>ENGINE ASSEMBLIES</b>	
	0253307	Ref	<b>ENGINE ASSEMBLY - STANDARD GAS</b>	8
	0253309	Ref	<b>ENGINE ASSEMBLY - DUAL FUEL</b>	8
1	2000118	1	Engine	
2	3600164	1	Pump Assembly - Sunstrand (See PUMP ASSEMBLY - SUNSTRAND for Breakdown)	
3	3600205	1	Pump Assembly - Barnes (See PUMP ASSEMBLY - BARNES for Breakdown)	
4	4843497	1	Bracket, Engine Mounting	
5	3533445	1	Plate, Governor and Carburetor Mounting	
6	2902064	1	Controller, Governor (Was p/n 1600117)	
7	2500005	1	Governor, Precision	
8	0641410	4	Bolt 1/4in-20NC x 1 1/4in	
9	4761400	9	Lockwasher 1/4in	
10	3311401	9	Nut 1/4in-20NC	
11	0901419	2	Bracket, Controller	
12	4751400	5	Flatwasher 1/4in	
13	0641408	1	Bolt 1/4in-20NC x 1in	
14	3911012	4	Screw, Machine #10-24NC x 3/4in	
15	3311001	4	Nut #10-24NC	
16	4751000	6	Flatwasher #10	
17	4761000	8	Lockwasher #10	
18	0100009	AR	Adhesive	
19	3533291	1	Plate, Engine	
20	0701014	5	Bolt, Metric M10 x 30mm	
21	4832000	5	Lockwasher, Metric M10	
22	3200202	2	Mount, Engine - Rear	
23	3200201	1	Mount, Engine - Front	
24	4740273	2	Washer, Snubbing	
25	4751700	4	Flatwasher 7/16in	
26	0641726	2	Bolt 7/16in - 14NC x 3 1/4in	
27	3311705	2	Locknut 7/16in - 14NC	
28	4740274	1	Washer, Snubbing	
29	0641826	1	Bolt 1/2in-13NC x 3 1/4in	
30	4751800	1	Flatwasher 1/2in	
31	3311805	2	Locknut 1/2in-13NC	
32	0641608	8	Bolt 3/8in-16NC x 1in	
33	4761600	8	Lockwasher 3/8in	
34	3311601	8	Nut 3/8in-16NC	
35	1060221	1	Cable, Battery (Engine to Ground)	
36	0641812	3	Bolt 1/2in-13NC x 1 1/2 <b>(SN 37789 to Present)</b>	
37	4761800	2	Lockwasher 1/2in	
40	0901858	1	Bracket, Exhaust Support	
41		Ref	Adapter, Carburetor	
41	0080092	1	Adapter, Carburetor (Standard Gas)	
41		Ref	Adapter, Carburetor (Dual Fuel) (See DUAL FUEL COMPONENTS INSTALLATION - FORD VSG-411 ENGINE OPTION for Call-out)	
42	3311405	1	Locknut 1/4in-20NC	
43		Ref	Stud Options:	

## SECTION 2 - GROUND CONTROLS

ITEM	PART NUMBER	QTY	DESCRIPTION	REV
43	4300056	1	Stud (Standard Gas)	
43		Ref	Stud (Dual Fuel) (See DUAL FUEL COMPONENTS INSTALLATION - FORD VSG-411 ENGINE OPTION for Call-out)	
44	3841049	1	Rod, Throttle	
45	3321402	2	Nut, Jam 1/4in-28NF	
46	1660157	2	Ball-joint	
48	2220273	1	Fitting, Reducer	
49	2180360	1	Fitting, Tee	
50	2420033	1	Sender, Oil Pressure	
51	4360357	1	Switch, Pressure	
52	2120135	1	Filter, Pressure	
52	2120136	1	Element, Filter	
53	1320014	2	Clamp, Hose	
54		Ref	Adapter, Air Intake Options:	
54	0080175	1	Adapter, Air Intake (Standard Gas)	
54		Ref	Adapter, Air Intake (Dual Fuel) (See DUAL FUEL COMPONENTS INSTALLATION - FORD VSG-411 ENGINE OPTION for Call-out)	
55		Ref	Plug Options:	
55	3520046	1	Plug (Standard Gas)	
55	Not Required	0	Plug (Dual Fuel)	
56	2720341	1	Hose - Air Cleaner Outlet	
57	1320058	1	Clamp, Hose	
58	2180537	1	Fitting, Nipple	
59	2200261	1	Fitting, Pipe Coupling	
60		Ref	Bracket Options:	
60	0901778	1	Bracket (Standard Gas)	
60		Ref	Bracket (Dual Fuel) (See DUAL FUEL COMPONENTS INSTALLATION - FORD VSG-411 ENGINE OPTION for Call-out)	
61	3790152	1	O-Ring	
62	0641610	2	Bolt 3/8in-16NC x 1 1/4in	
63	4740185	2	Washer, Hardened	
67	3911014	2	Screw, Machine #10-24NC x 7/8in	
68	0641810	2	Bolt 1/2in-13NC x 1 1/4 (Prior to SN 37789)	
69	2720042	18	Hose	
		in/46cm		
70	1320032	2	Clamp	
71	4300090	2	Stud	
72	3321501	2	Nut 5/16in-24NF	
73	3536481	1	Plate, Engine Mounting	
74	2420118	1	Sender, Temperature	
75	0140001	1	Horn	
76	2060019	1	Fan and Spacer Kit	
78	0721008	2	Screw, Machine #10-24NC x 1in	
80	4031709	1	Screw m6-1.25 x 25mm (SN 31574 to Present)	
81	3290607	1	Locknut m6-1.25 (SN 31574 to Present)	
82	0100019	AR	Loctite (Not Shown) (SN 31574 to Present)	
83	0100020	AR	Loctite (Not Shown) (SN 31574 to Present)	
	0253308	Ref	<b>ENGINE INSTALLATION (STANDARD PARTS)</b>	2
	0253310	Ref	<b>ENGINE INSTALLATION (STANDARD PARTS)</b>	1
102	4565830	1	Tube, Manifold	

## SECTION 2 - GROUND CONTROLS

ITEM	PART NUMBER	QTY	DESCRIPTION	REV
103	3220084	1	Muffler	
104	1320019	1	U-Clamp	
105		Ref	Bracket, Exhaust Hanger Options:	
105	0901387	1	Bracket, Exhaust Hanger <b>(Prior to SN 34962)</b>	
105	0902382	1	Bracket, Exhaust Hanger <b>(SN 34962 to Present)</b>	
106	4565956	1	Tailpipe	
107	1320058	3	Clamp, Hose	
108	4844298	1	Tube, Air Intake	
109	0080039	1	Elbow, Rubber	
110	1340020	1	Air Cleaner Assembly	
110	7004214	1	Element	
111	0340002	2	Band, Air Cleaner Mounting	
112	1120161	1	Cap, Air Inlet	
113	0641406	4	Bolt 1/4in-20NC x 3/4in	
114	4761400	4	Lockwasher 1/4in	
115	3311401	4	Nut 1/4in-20NC	
116	2220675	1	Fitting, 90	
117	4761600	9	Lockwasher 3/8in	
118	3311601	9	Nut 3/8in-16NC	
119	0641710	2	Bolt 7/16in-14NC x 1 1/4in	
120	3533663	1	Plate, Radiator Mounting	
121	0630403	2	Bolt, Carriage 7/16in-14NC x 1 1/2in	
122	4751700	2	Flatwasher 7/16in	
123	3311705	2	Locknut 7/16in-14NC	
124	4761700	2	Lockwasher 7/16in	
125	3311701	2	Nut 7/16in-14NC	
126	3533664	1	Plate, Radiator Support	
127	0630360	1	Bolt, Carriage 5/16in-18NC x 1 1/4in	
128	4751500	5	Flatwasher 5/16in	
129	3311501	5	Nut 5/16in-18NC	
130	0641508	1	Bolt 5/16in-18NC x 1in	
131	4761500	2	Lockwasher 5/16in	
132	0641610	6	Bolt 3/8in-16NC x 1 1/4in	
133	4751600	15	Flatwasher 3/8in	
134	4060713	1	Shield	
135	3536151	1	Guard, Exhaust	
136	1320022	2	Clamp	
137	2720058	6 ft/1.8m	Hose, Fuel Line	
138	0721004	3	Bolt #10-24NC x 1/2in	
140	0400003	1	Battery	
141	3980003	1	Masonite	
142	1060254	1	Cable, Battery (Battery + to Starter Solenoid)	
143	3300029	2	Wingnut 3/8in-16NC	
144	3536144	1	Cover, Battery	
145	1060360	1	Cable, Battery (Battery Neg to Ground)	
146	0630370	2	Rod, Tie-Down	
147	0400002	1	Tie-Down, Battery	
147	2910479	2	Clips, Tie Down	
148	3620027	1	Radiator	
150	1320020	1	U-Clamp 1 1/2in	
151	1320026	1	U-Clamp 1 3/4in	

## SECTION 2 - GROUND CONTROLS

ITEM	PART NUMBER	QTY	DESCRIPTION	REV
	0252808	Ref	<b>PUMP COUPLING INSTALLATION (STANDARD PARTS)</b>	-
201	1660207	1	Coupling, Pump	
202	0080163	1	Adapter, Pump Mounting	
203	0700808	6	Bolt, Metric 8mm 1.25 x 16mm	
204	4831900	6	Lockwasher, Metric 8mm	
205	0641610	8	Bolt 3/8in-16NC x 1 1/4in	
206	4761600	8	Lockwasher 3/8in	
	3020021	AR	Grease, Coupling	
		Ref	<b>Note: Coupling Spine must be greased with lithium soap based grease prior to installation.</b>	
	0250815	Ref	<b>ENGINE HEATER INSTALLATION (OPTIONAL - NOT SHOWN)</b>	A
	2580026	1	Heater, Engine Coolant (Located at Rear of Cylinder Head)	
	0701020	2	Bolt, Metric 10mm x 6mm	
	4564328	2	Spacer, Tube	
		Ref	<b>SPARE COMPONENTS</b>	
301	7000892	1	Carburetor (Standard Gas)	
301	1140009	1	Carburetor (LP Gas)	
	7019933	1	Carburetor Rebuild Kit (p/n was 7000878)	
	7023471	1	Assembly, Float (Not Shown)	
	70000163	1	Needle-Spring Load Fuel Valve	
	7012577	1	Fitting, Vacuum Line	
	7012578	1	Vacuum Line Assembly	
	7000884	1	Fuel Shut-Off	
	7024321	1	Gasket, Carburetor (Top)	
	7027607	1	Gasket, Carburetor (Bottom)	
302	7012564	1	Wiring Harness	
302	7014682	1	Tune-Up Kit (Includes Oil and Fuel Filters, Spark Plugs and Wire Set) ("Push On" Spark Plug Wires)	
302	7019998	1	Coil Pack ("Push On" Spark Plug Wires)	
302	7023669	1	Plug Wire Set ("Push On" Spark Plug Wires)	
302	7023668	1	Tune-Up Kit (Includes Oil and Fuel Filters, Spark Plugs and Wire Set) ("Clip On" Spark Plug Wires)	
302	7019939	1	Filter, Fuel (Not Shown)	
302	7019949	1	Filter, Oil (Not Shown)	
302	7019987	1	Coil Pack ("Clip On" Spark Plug Wires)	
302	7019989	1	Plug Wire Set ("Clip On" Spark Plug Wires)	
302	7014682	1	Tune-Up Kit (Includes Oil and Fuel Filters, Spark Plugs and Wire Set)	
302	7014680	1	Spare Components Kit (Includes Carburetor, Fuel Pump, Water Pump, Bosch Alternator, Starter and Ignition Control)	
303		Ref	Alternator Options:	
303	7000893	1	Bosch	
303	7019670	1	Prestolite (was p/n 7012653)	
303	7019934	1	Belt, Alternator	
303	7019935	1	Pulley, Alternator	
304	7023670	1	Control, Ignition (was p/n 7019665)	
305	3960423	1	Gasket, Thermostat (Not Shown)	
305	7014687	1	Spare Components Kit (Includes Carburetor, Fuel Pump, Water Pump, Prestolite Alternator, Starter and Ignition Control)	
306	7019666	1	Pump, Fuel (Not Shown)	
306	7019952	1	Separator, Fuel (Not Shown)	
306	7025153	1	Gasket, Fuel Pump (Not Shown)	
307	7019667	1	Cap, Oil Filler (Not Shown)	

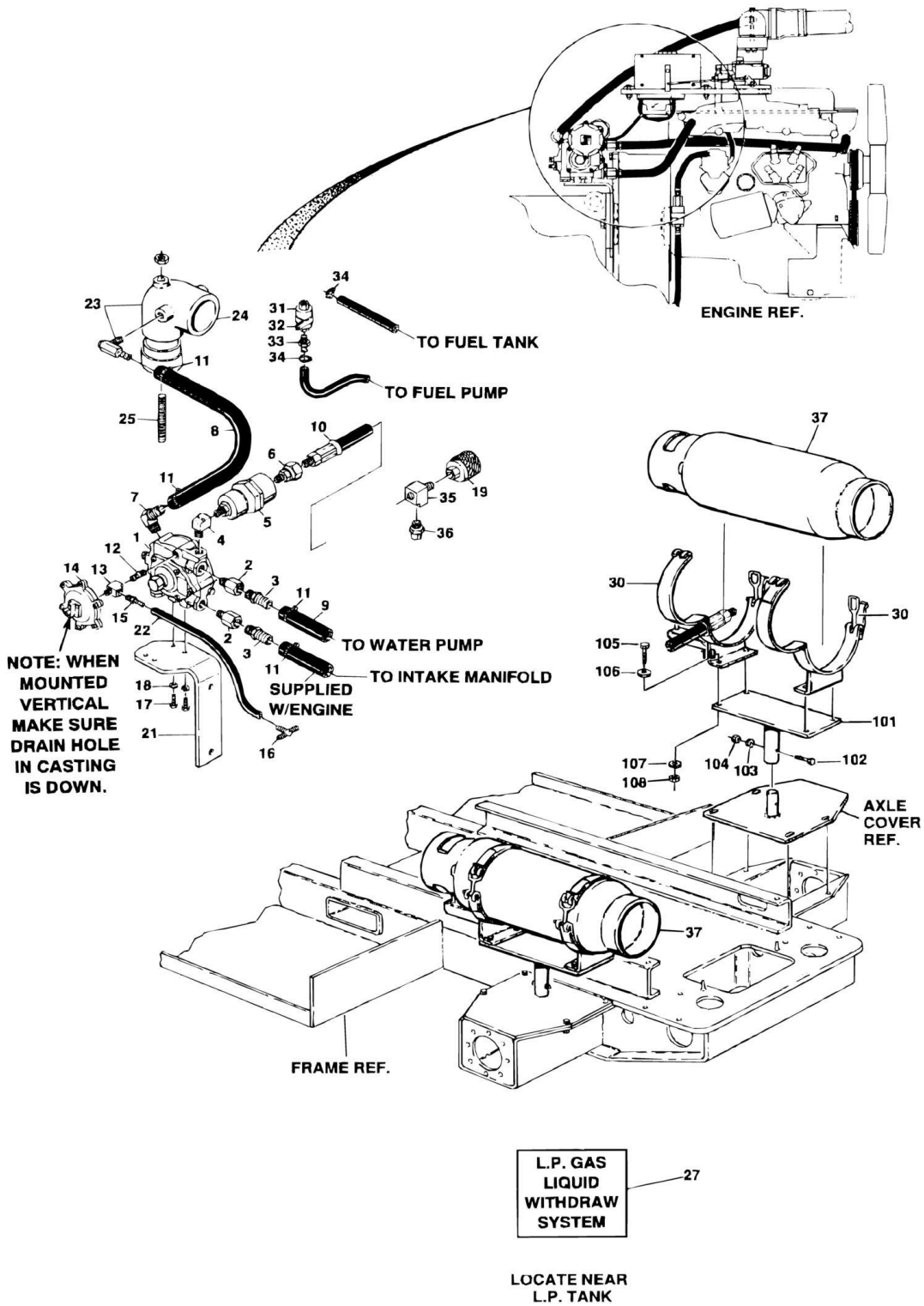


## SECTION 2 - GROUND CONTROLS

ITEM	PART NUMBER	QTY	DESCRIPTION	REV
308	7019668	1	Starter	
309	7019936	1	Pulley, Crankshaft (Not Shown)	
310	7019937	1	Pulley, Water Pump (Not Shown)	
310	7019938	1	Outlet, Water (Not Shown)	
310	7019945	1	Hose, Bypass (Not Shown)	
311	7019951	1	Pump, Water (Not Shown)	
311	7019941	1	Hose, Radiator (Upper)	
311	7019943	1	Hose, Radiator (Lower)	
311	7019942	1	Hose, Water Pump/Intake Inlet	
312	7019944	1	Block Assembly, 11-Stud Terminal (Not Shown)	
313	7019946	1	Flange, Exhaust Pipe (Not Shown)	
313	7019947	1	Gasket, Exhaust Pipe Flange (Not Shown)	
314	7019948	1	Manifold, Exhaust Outlet (Not Shown)	
315	7019950	1	Thermostat	
316	7019987	1	Coil, Ignition (Not Shown)	
317	7019954	1	Harness, Ignition Module Patch (Not Shown)	
318	7019959	1	Dipstick (Not Shown)	
	0251945	Ref	<b>ENGINE DISTRESS SWITCH INSTALLATION (OPTIONAL)</b>	B
404	2420131	1	Sender, Oil Pressure	
	0253875	Ref	<b>SPARK ARRESTOR INSTALLATION (OPTIONAL)</b>	-
501	3220083	1	Arrestor, Spark (Includes Mounting Hardware)	
	0253902	Ref	<b>SPIN-ON FUEL FILTER INSTALLATION (OPTIONAL)</b>	A
601	2120138	1	Filter, Fuel	
602	0901932	1	Bracket, Mounting	
603	4300068	2	Stud (Welded on Part)	
604	4751400	4	Flatwasher 1/4in	
605	4761400	4	Lockwasher 1/4in	
606	0641406	2	Bolt 1/4in-20NC x 3/4in	
607	2220459	1	Fitting, 90	
608	2220315	2	Fitting	
609	1320022	2	Clamp	
610	2220273	1	Fitting, Reducer	
611	0100020	AR	Sealant, Pipe	
612	3311401	2	Nut 1/4in-20NC	

# SECTION 2 - GROUND CONTROLS

FIGURE 2-5. DUAL FUEL COMPONENTS INSTALLATION - FORD VSG-411 ENGINE OPTION



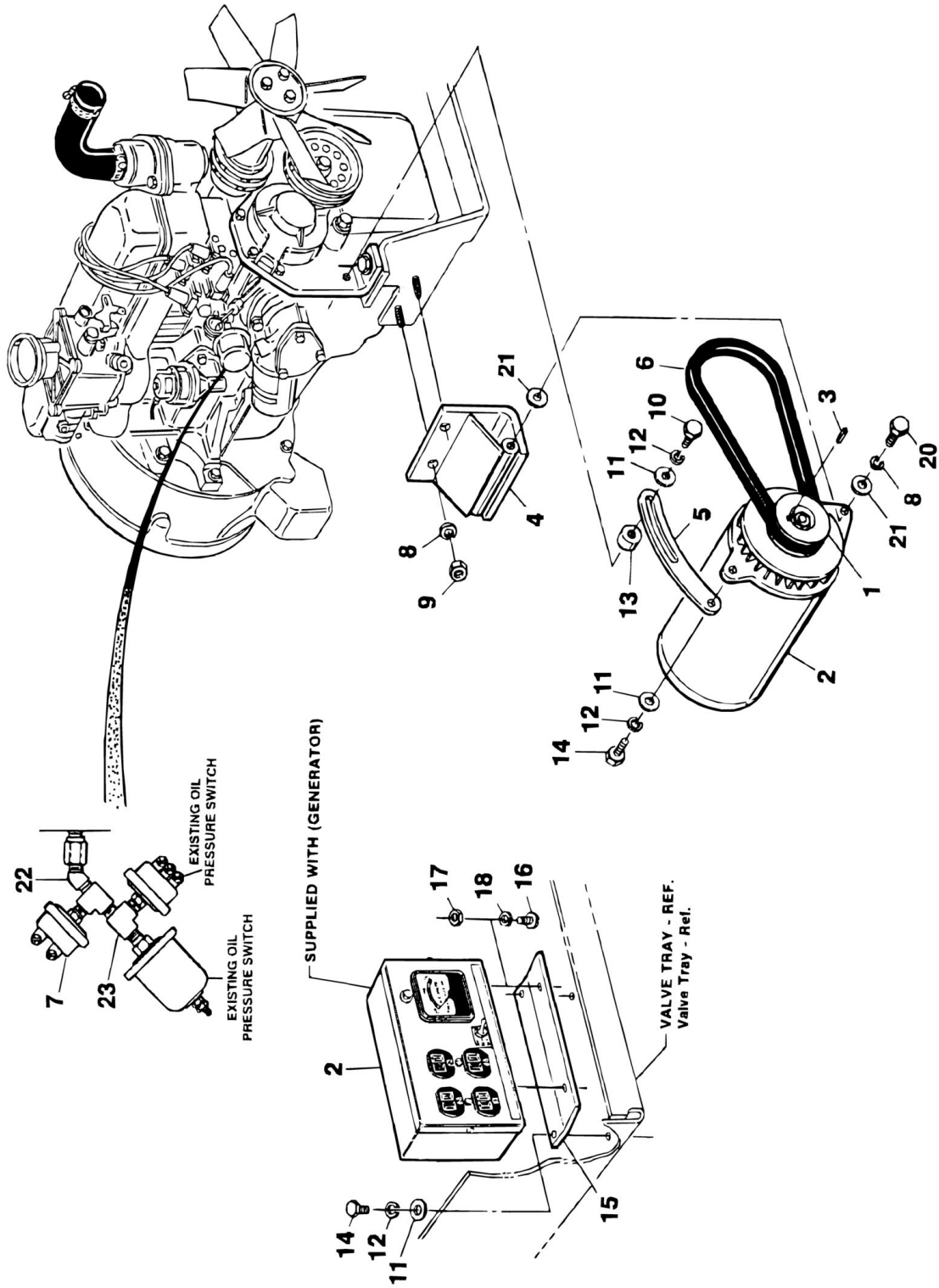
## SECTION 2 - GROUND CONTROLS

**FIGURE 2-5. DUAL FUEL COMPONENTS INSTALLATION - FORD VSG-411 ENGINE OPTION**

ITEM	PART NUMBER	QTY	DESCRIPTION	REV
	0250790	Ref	<b>DUAL FUEL INSTALLATION - VSG 411 FORD</b>	F
1	3720011	1	Regulator, LPG	
2	2220364	2	Fitting, Adapter	
3	2180535	2	Fitting, Barbed	
4	2220648	1	Fitting, 90	
5	2120077	1	Filter-Lock	
6	2220003	1	Fitting, Swivel	
7	2220675	1	Fitting, 90	
8	2720112	24 in/.61m	Hose, LP	
9	2720042	28 in/.71m	Hose, Heater	
10	2720118	1	Hose, LP (48 in/1.22m Length)	
11	1320032	AR	Clamp	
12	2180104	1	Fitting	
13	2180360	1	Fitting, Tee	
14	4360188	1	Switch, Vacuum	
15	2180536	1	Fitting, Barbed	
16	2180623	1	Fitting, Tee	
17	0641405	2	Bolt 1/4in-20NC x 5/8in	
18	4761400	2	Lockwasher 1/4in	
19	2180387	1	Fitting, Tank Connector	
21	0901778	1	Bracket	
23	0080167	1	Adapter, Air Intake	
24	0080092	1	Adapter, Carburetor	
25	3840979	1	Rod	
27	1700818	1	Decal - Liquid LPG	
30	1320023	2	Clamp, LP Tank	
31	4640391	1	Valve, Gasoline	
32	1320095	1	Clamp, Support	
33	2220805	2	Fitting, Straight	
34	1320022	2	Clamp	
35	2220290	1	Fitting, Tee	
36	2180389	1	Fitting, Pressure Relief	
37	4400040	2	Tank, LP (33.5 Lbs)	
37	4400275	2	Tank, LP (43.5 Lbs)	
	0253447	Ref	<b>LP TANK BRACKETS INSTALLATION</b>	-
101	4844185	2	Support, Tank Bracket	
102	0641522	2	Bolt 5/16in-18NC x 2 3/4in	
103	4761500	2	Lockwasher 5/16in	
104	3311501	2	Nut 5/16in-18NC	
105	0641610	8	Bolt 3/8in-16NC x 1 1/4in	
106	4751600	8	Flatwasher 3/8in	
107	4761600	8	Lockwasher 3/8in	
108	3311601		Nut 3/8in-16NC	

# SECTION 2 - GROUND CONTROLS

## FIGURE 2-6. 110 VOLT GENERATOR INSTALLATION (FORD VSG-411) (OPTIONAL)



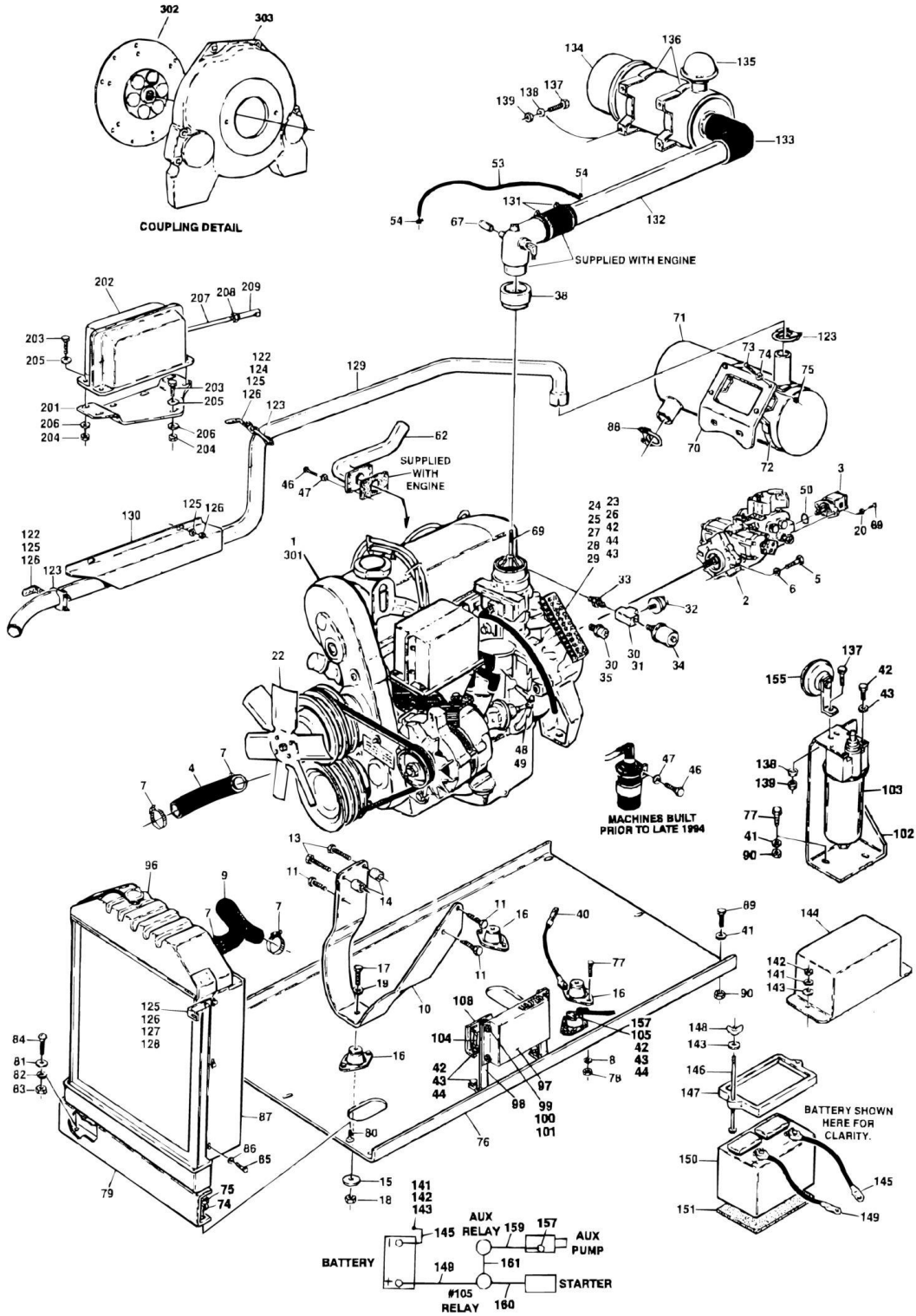
## SECTION 2 - GROUND CONTROLS

**FIGURE 2-6. 110 VOLT GENERATOR INSTALLATION (FORD VSG-411) (OPTIONAL)**

ITEM	PART NUMBER	QTY	DESCRIPTION	REV
	0250444	Ref	<b>110 VOLT GENERATOR INSTALLATION (FORD VSG-411) (OPTIONAL) (PRIOR TO JULY 1994)</b>	D
	0255037	Ref	<b>110 VOLT GENERATOR INSTALLATION (FORD VSG-411) (OPTIONAL) (JULY 1994 TO PRESENT)</b>	A
1	3580134	1	Pulley	
2	2460011	1	110 Volt Generator	
2	7003657	1	Control Box Assembly	
		Ref	<b>Note: Replacement 110V Control Box comes with 2 standard Receptacles p/n 4460190. Optional Industrial Twist Lock Receptacles p/n 44600027 must be ordered separately.</b>	
2	2420203	1	Voltmeter	
2	4360542	1	Breaker, Circuit	
2	2920162	1	Lamp	
2	7020191	1	Switch, Toggle	
2	3520028	1	Plug, Hole	
2	7012558	1	Generator Assembly	
2	7026199	1	Armature with Slip Rings	
2	7020108	4	Brushes	
2	7020109	4	Holder, Brush	
2	7012513	4	Cap, Brush Holder	
2	3580134	1	Pulley	
2	7012514	1	Fan	
2	7020193	1	Cord, Power - 12ft Length	
2	7020110	1	Bell End, Front	
2	7020111	1	Bell End, Rear	
2	7020190	2	Bearing	
3	7027887	1	Keystock	
4	0901650	1	Bracket, Generator Mounting	
5	4340569	1	Support, Adjustable	
6	0480057	1	V-Belt	
7	1360037	1	Sender, Oil (July 1994 to Present)	
8	4761600	4	Lockwasher 3/8in	
9	3311601	2	Nut 3/8in - 16NC	
10	0641511	1	Bolt 5/16in-18NC x 1 3/8in	
11	4751500	2	Flatwasher 5/16in	
12	4761500	2	Lockwasher 5/16in	
13	0961247	1	Bushing	
14	0641507	1	Bolt 5/16in-18NC x 7/8in	
15	0901609	1	Bracket, Box Mounting	
16	3911004	2	Screw, Machine #10-24NC x 1/2in	
17	3311001	2	Nut #10-24NC	
18	4761000	2	Lockwasher #10	
20	0681610	2	Bolt 3/8in-16NC x 1 1/4in (Grade 8)	
21	4751600	2	Flatwasher 3/8in	
22	2180749	1	Fitting, 45 (July 1994 to Present)	
23	2180360	1	Fitting, Tee (July 1994 to Present)	

# SECTION 2 - GROUND CONTROLS

## FIGURE 2-7. ENGINE INSTALLATION - FORD LSG-423



## SECTION 2 - GROUND CONTROLS

**FIGURE 2-7. ENGINE INSTALLATION - FORD LSG-423**

ITEM	PART NUMBER	QTY	DESCRIPTION	REV
	0254965	Ref	<b>ENGINE ASSEMBLY (STANDARD PARTS)</b>	C
	0254963	Ref	<b>ENGINE ASSEMBLY (STANDARD PARTS)</b>	C
1	2000125	1	Engine (Includes 301 thru 303)	
2	3600164	1	Pump Assembly - Sunstrand (See Pump Assembly - Sunstrand for Breakdown)	
3	3600205	1	Pump Assembly - Barnes (See Pump Assembly - Barnes for Breakdown)	
4	2720232	1	Hose, Radiator (Bottom)	
5	0641810	2	Bolt, 1/2in-13NC x 1 1/4in	
6	4761800	2	Lockwasher 1/2in	
7	1320012	4	Clamp, Hose	
8	4761600	AR	Lockwasher 3/8in	
9	2720254	1	Hose, Radiator (Top)	
10	3737289	1	Plate, Engine Mounting	
11	0711014	4	Bolt 10mm x 30mm	
13	0711020	2	Bolt 10mm x 60mm	
14	4562637	2	Spacer	
15	4740273	3	Washer, Snubbing	
16	3200362	3	Mount, Engine	
17	0641826	3	Bolt 1/2in-13NC x 3 1/4in	
18	3311805	3	Nut, Lock 1/2in	
19	4751800	3	Flatwasher 1/2in	
20	4740185	2	Washer, Hardened	
22	2060025	1	Fan	
23	0901401	1	Bracket, Terminal Strip	
24	1700901	1	Decal, Terminal Cable	
25	1670414	1	Cover, Terminal Strip	
26	1320070	2	Clamp, Wire	
27	3910812	2	Screw #8-32NC x 3/4in	
28	4770800	2	Starwasher #8	
29	3310801	2	Nut #8-32	
30	0100020	AR	Loctite	
31	2180360	1	Fitting, Tee	
32	4360357	1	Switch, Oil Pressure	
33	2220273	1	Fitting, Reducer	
34	2420131	1	Sender, Oil Pressure	
35	2420149	1	Sender, Water Temperature	
38	0080092	1	Adapter, Choke	
40	1060045	1	Cable	
41	4751600	12	Flatwasher 3/8in	
42	0641406	20	Bolt 1/4in-20NC x 3/4in	
43	4751400	40	Flatwasher 1/4in	
44	3311405	3	Locknut 1/4in	
46	0701010	7	Bolt 10mm x 20mm	
47	4740116	7	Lockwasher 10mm	
48	4564281	1	Tube, Dipstick	
49	2420109	1	Gauge, Dipstick	
50	3790152	1	O-Ring, Pump	
51	4921714	1	Harness, Wiring (Not Shown)	
53	2720015	10 in	Hose	

## SECTION 2 - GROUND CONTROLS

ITEM	PART NUMBER	QTY	DESCRIPTION	REV
54	1320022	2	Clamp, Hose	
62	4844613	1	Exhaust Manifold	
67	1120432	1	Cap, Vacuum	
69	4360056	1	Stud, Carb	
70	0901978	1	Bracket, Muffler Mounting	
71	3220089	1	Muffler, Spark Arrestor	
72	0340041	2	Clamp, Muffler	
73	0641506	4	Bolt 5/6in-18NC x 3/4in	
74	4751500	AR	Flatwasher 5/16in	
75	3311505	6	Locknut 5/16in	
76	3538178	1	Plate, Engine Tray	
77	0641608	8	Bolt, 3/8in-16NC x 1in	
78	3311601	6	Nut 3/8in	
79	4340660	1	Support, Radiator	
80	4300038	2	Stud	
81	4751700	2	Flatwasher 7/16in	
82	4761700	2	Lockwasher 7/16in	
83	3311701	2	Nut 7/16in	
84	0630375	2	Bolt, Carriage 7/6in-16NC x 1in	
85	3940804	6	Screw, Self Tapping #8-32 x 1in	
86	4750800	6	Flatwasher #8	
87	2680336	1	Fan Shroud	
88	1320019	1	Clamp, Muffler	
89	0641610	8	Bolt 3/8in-16NC x 1 1/4in	
90	3311605	8	Locknut 3/8in	
96	3620026	1	Radiator	
97	1600098	1	Controller, Engine	
98	0901419	1	Bracket	
99	0641006	4	Bolt #10-24NC x 3/4 Lg	
100	4751000	4	Flatwasher #10	
101	3311005	4	Locknut #10-24	
102	0902092	1	Bracket	
103	2120135	1	Filter, Charge	
104	3740061	1	Relay, Start Lockout	
105	3740059	1	Relay	
106 to 107	Not Required	0	Not Required	
108	0902093	1	Bracket, Relay Mounting	
109	0641510	2	Bolt	
110	4761500	2	Lockwasher	
111 to 112	Not Required	0	Not Required	
	0254964	Ref	<b>ENGINE INSTALLATION</b>	4/D
122		Ref	Bracket, Exhaust Hanger Options:	
122	0901387	2	Bracket, Exhaust Hanger <b>(Prior to SN 34962)</b>	
122	0902382	2	Bracket, Exhaust Hanger <b>(SN 34962 to Present)</b>	
123	1320011	3	Clamp, Muffler	
124	0641508	2	Bolt 5/16in-18NC x 1in	
125	4751500	8	Flatwasher 5/16in	
126	3311505	6	Locknut 5/16in	
127	3533664	1	Plate, Radiator Support	
128	0630360	2	Bolt, Carriage 5/16in-18NC x 1 1/4in	
129	4566520	1	Tube, Exhaust	



## SECTION 2 - GROUND CONTROLS

ITEM	PART NUMBER	QTY	DESCRIPTION	REV
130	3536151	1	Plate, Exhaust Guard	
131	1320058	4	Clamp, Hose	
132	4566541	1	Tube, Air Intake	
133	0080039	1	Adapter, Elbow	
134	1340020	1	Air Cleaner	
134	7004214	1	Element	
135	1120161	1	Bonnet	
136	0340002	2	Band, Mounting	
137	0641408	4	Bolt 1/4in-20NC x 1in	
138	4751400	4	Flatwasher 1/4in	
139	3311405	4	Locknut 1/4in	
141	4761600	3	Lockwasher 3/8in	
142	3311601	3	Nut 3/8in	
143	4751600	3	Flatwasher 3/8in	
144	3536144	1	Cover, Battery	
145	1060360	1	Cable, Battery	
146	0630370	2	Tie Down	
147	0400002	1	Battery Tie Down	
147	2910479	2	Clips, Tie Down	
148	3300029	2	Wingnut 3/8in	
149	1060254	1	Cable, Battery	
150	0400003	1	Battery	
151	3980003	1	Masonite	
155	0140001	1	Horn	
156	Not Required	0	Not Required	
157	0840025	4	Boot, Cable (Red)	
159	1060221	1	Cable Assembly, 12in	
160	1060080	1	Cable Assembly, 30in	
161	1060401	1	Cable Assembly, 56in	
162 to 166	Not Required	0	Not Required	
	0238044	Ref	<b>PRECISION GOVERNOR INSTALLATION</b>	A
201	0901373	1	Bracket, Governor	
202	2500004	1	Governor	
203	0641408	7	Bolt 1/4in-20NC x 1in	
204	3311401	7	Nut 1/4in-20NC	
205	4751400	7	Flatwasher 1/4in	
206	4761400	7	Lockwasher 1/4in	
207	3840898	1	Rod	
208	3321401	2	Nut 1/4in-28NF	
209	1660157	2	Coupling, Ball joint	
	2000125	Ref	<b>ENGINE SUB-ASSEMBLY</b>	-
301	2000088	1	Engine, Ford 423	
302	1660212	1	Coupling, Hayes	
303	4860155	1	Fly Wheel, Ford	
		Ref	<b>ENGINE COMPONENTS</b>	
	7000643	1	Carburetor (Standard Gas) With Built-in Choke	
	7000878	1	Rebuilt Kit	
	1140009	1	Carburetor - LP Gas	
	7000877	1	Fuel Shut-Off (With Wire)	
	7000884	1	Fuel Shut-Off (With Terminal Post)	
	7012577	1	Vacuum Line Fitting	

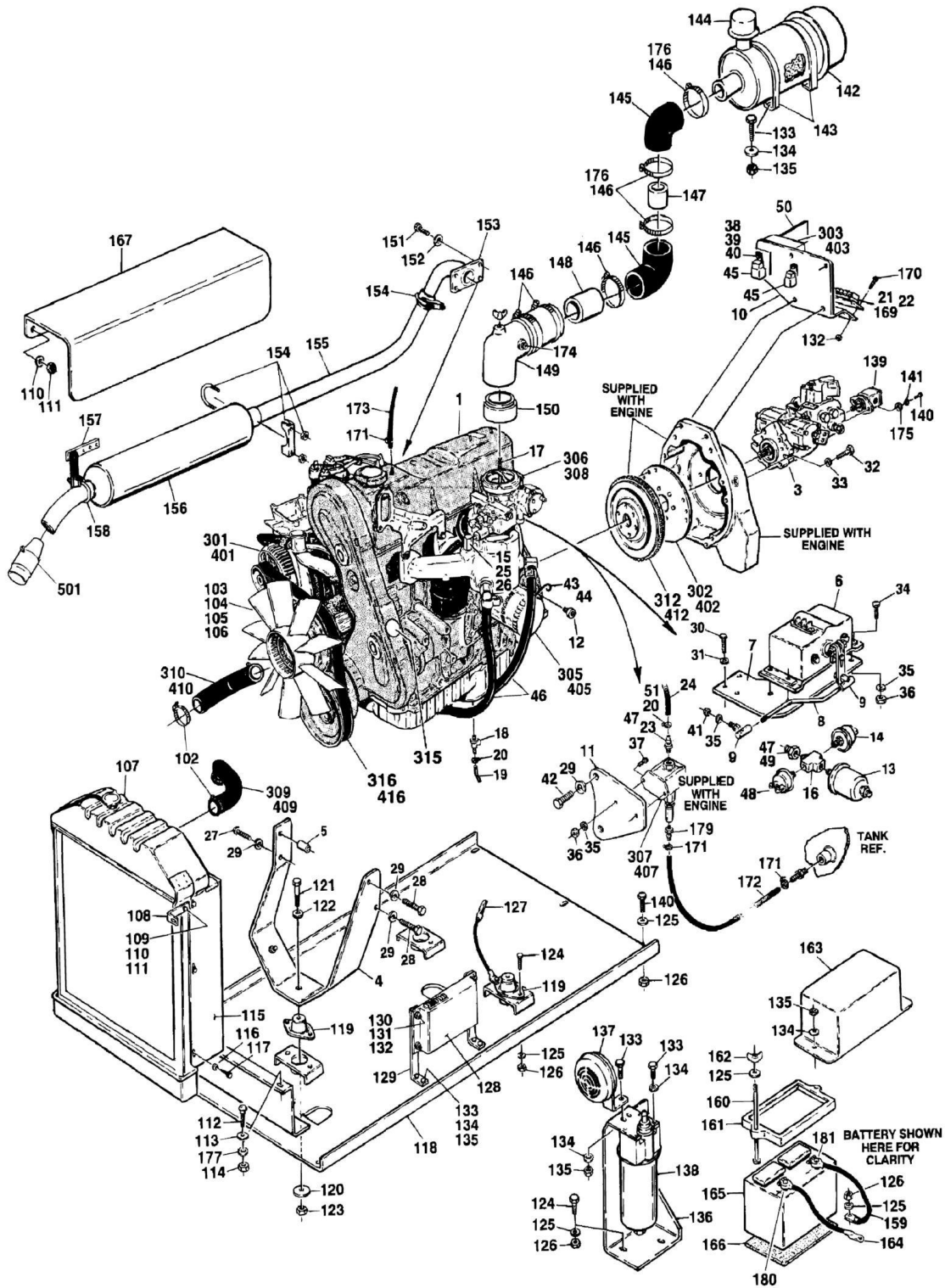
## SECTION 2 - GROUND CONTROLS

ITEM	PART NUMBER	QTY	DESCRIPTION	REV
	7012578	1	Vacuum Line Tube Assembly	
	7000867	1	Engine Harness	
	7010633	1	Fuel Pump Assembly	
	7012595	4	Spark Plug	
	7014677	1	Major Components Kit (Includes 1 each of Standard Gas Carburetor, Water Pump, Fuel Pump, Starter and Standard Alternator)	
	7014678	1	Gasket, Electrical Kit (Includes Upper and Lower Gasket Kits, 1 each of Thermostat, ring Gear, Belt, Coil, Ignition Module, Voltage Regulator, Starter Solenoid and Hose)	
	7014679	1	Tune-up Kit (Includes 4 Spark Plugs and 1 each of Oil Filter, Fuel Filter, Cap, Rotator and Ignition Wire Set)	



# SECTION 2 - GROUND CONTROLS

## FIGURE 2-8. ENGINE INSTALLATION - FORD LRG-423 DIS/LRG-425



## SECTION 2 - GROUND CONTROLS

**FIGURE 2-8. ENGINE INSTALLATION - FORD LRG-423 DIS/LRG-425**

ITEM	PART NUMBER	QTY	DESCRIPTION	REV
		Ref	<b>ENGINE ASSEMBLY (STANDARD PARTS) OPTIONS:</b>	
	0255207	Ref	<b>LRG 423 DIS (Prior to SN 46528)</b>	7
	0255208	Ref	<b>LRG 423 DIS (Prior to SN 46528)</b>	7
	0258320	Ref	<b>LRG 425 (SN 46528 to Present)</b>	6
	0258321	Ref	<b>LRG 425 (SN 46528 to Present)</b>	6
1	2000126	1	Engine, Ford LRG 423 DIS <b>(Prior to SN 30660)</b>	
1	2000149	1	Engine, Ford LRG 423 DIS <b>(SN 30660 through 46527)</b>	
1	2000156	1	Engine, Ford LRG 425 <b>(SN 46528 through 60461)</b>	
1	2000165	1	Engine, Ford LRG 425 <b>(SN 60462 to Present)</b>	
3	3600164	1	Pump Assembly - Sunstrand (See Pump Assembly - Sunstrand for Breakdown) <b>(Prior to SN 30660)</b>	
3	3600260	1	Pump Assembly - Sunstrand (See Pump Assembly - Sunstrand for Breakdown) <b>(SN 30660 to Present)</b>	
4	3200377	1	Mount, Front Engine	
5	4566605	1	Tube, Spacer	
6	2500005	1	Governor, Precision	
7	0902088	1	Bracket, Governor Mounting	
8	3841255	1	Rod, Throttle	
9	1660157	2	Ball Joint Coupling	
10	0902089	1	Bracket, Terminal Mounting Strip	
11	0902087	1	Bracket, Fuel Pump Mounting	
12	2420149	1	Sender, Water Temperature	
13	2420131	1	Sender, Oil Pressure	
14	4360357	1	Switch, Oil Pressure	
15	2220273	1	Fitting, Reducer	
16	2220994	1	Fitting, 1/8in Pipe Cross	
17	4300056	1	Stud, Carburetor	
18		Ref	Oil Drain Valve Options:	
18	4640750	1	Oil Drain Valve <b>(Prior to SN 23751)</b>	
18	4640989	1	Oil Drain Valve <b>(SN 23751 to Present)</b>	
19	2750532	2.5 ft	Hose, Low Pressure	
20	1320032	AR	Clamp, Hose	
21	1700901	1	Decal, Terminal Strip	
22	1670414	1	Cover, Terminal Strip	
23	2220315	1	Fitting, Straight Pipe Barb	
24	2720058	1.5 ft	Fuel Line - 5/16in I.D.	
25	2180536	1	Fitting, Straight Pipe Barb	
26	2720271	2.5 ft	Vacuum Hose - 3/16in I.D.	
27	0701022	2	Screw, M10 x 1.5 x 70 Lg	
28	0701014	2	Screw, M10 x 1.5 x 30 Lg	
29	4832000	4	Lockwasher - M10	
30	0700810	3	Screw, M8 x 1.25 x 20 Lg	
31	4831900	3	Lockwasher - M8	
32	0641812	2	Screw, 1/2in-13NC x 1 1/4in Lg	
33	4761800	2	Lockwasher, 1/2in	
34	0641408	AR	Bolt, 1/4in-20NC x 1in Lg	
35	4761400	AR	Lockwasher, 1/4in	
36	3311401	AR	Nut, 1/4in-20NC	
37	0641406	2	Bolt, 1/4in-20NC x 3/4 Lg	
38		Ref	Screw Options:	

## SECTION 2 - GROUND CONTROLS

ITEM	PART NUMBER	QTY	DESCRIPTION	REV
38	3911024	2	Screw #10-24NC x 1 1/2in Lg (Prior to SN 32690)	
38	3911026	2	Screw #10-24NC x 1 5/8in Lg (SN 32690 through 46527)	
38	3911014	2	Screw #10-24NC x 7/8in Lg (SN 46528 to Present)	
39		Ref	Nut Options:	
39	3311001	2	Nut #10-24NC (Prior to SN 32690)	
39	3311005	2	Locknut #10-24NC (SN 32690 to Present)	
40		Ref	Washer Options:	
40	4761000	2	Lockwasher, #10 (Prior to SN 32690)	
40	4751000	2	Flatwasher, #10 (SN 32690 to Present)	
41	3321401	1	Nut, 1/4in-28NF	
42	0701017	2	Screw, M10 x 1.5 x 45 Lg (Prior to SN 46528)	
43	4564281	1	Tube, Dipstick	
44		Ref	Gauge, Dipstick Options:	
44	2420109	1	Gauge, Dipstick (Prior to SN 48837)	
44	2420189	1	Gauge, Dipstick (SN 48837 through 60461)	
44	2420187	1	Gauge, Dipstick (SN 60462 to Present)	
45	3740080	3	Relay, Bosch	
46	4100025	2 ft	Guard, Hose	
47	0100020	AR	Loctite, #56747	
48		Ref	Switch, Oil Pressure Options:	
48	4360405	1	Switch, Oil Pressure (Prior to SN 80259)	
48	4360037	1	Switch, Oil Pressure (SN 80259 to Present)	
49	2220437	1	Fitting, Male Pipe 1/4in x 1/8in	
50	0902361	1	Bracket, Terminal Strip	
51	1320022	2	Clamp, Worm Gear (SN 99226 to Present)	
		Ref	<b>ENGINE INSTALLATION OPTIONS:</b>	
	0255209	Ref	<b>LRG 423 DIS (Prior to SN 46528)</b>	5
	0255210	Ref	<b>LRG 423 DIS (Prior to SN 46528)</b>	8
	0258319	Ref	<b>LRG 425 (SN 46528 to Present)</b>	7
	0258322	Ref	<b>LRG 425 (SN 46528 to Present)</b>	8
101	Not Required	0	Not Required	
102	1320012	4	Clamp, Hose Worm Gear	
103	2060014	1	Fan, 16in Pusher	
104	0080212	1	Adapter, Fan Spacer	
105	0700822	4	Screw, M8 x 1.25 x 70 Lg	
106	4831900	4	Lockwasher - M8	
107	3620026	1	Radiator	
108	0181781	1	Bracket, Radiator Support	
109	0630360	1	Bolt, 5/16in-18NC x 1 1/4in Lg	
110	4751500	4	Flatwasher, 5/16in	
111	3311505	4	Locknut, 5/16in-18NC	
112		Ref	Bolt Options:	
112	0630375	2	Bolt, 7/16in-14NC x 1in Lg (Prior to SN 46528)	
112	0630403	2	Bolt, 7/16in-14NC x 1 1/2in Lg (SN 46528 to Present)	
113	4751700	2	Flatwasher, 3/16in	
114	3311701	2	Nut, 7/16in-14NC	
115	2680386	1	Fan Shroud	
116		Ref	Flatwasher Options:	
116	4750800	6	Flatwasher, #8 (Prior to SN 46528)	
116	4751000	6	Flatwasher, #10 (SN 46528 to Present)	
117		Ref	Screw Options:	

## SECTION 2 - GROUND CONTROLS

ITEM	PART NUMBER	QTY	DESCRIPTION	REV
117	3940804	6	Screw, #8-32NC x 1in Lg Self-Tap <b>(Prior to SN 46528)</b>	
117	3941004	6	Screw, #10-24NC x 1/2in Lg Self-Tap <b>(SN 46528 to Present)</b>	
118		Ref	Engine Tray Options:	
118	4844942	1	Engine Tray - LRG 423 DIS <b>(Prior to SN 46528)</b>	
118	4845757	1	Engine Tray - LRG 425 <b>(SN 46528 to Present)</b>	
119	3200362	3	Mount, Engine	
120	4740274	3	Washer, Snubbing	
121	0641826	3	Screw, 1/2in-13NC x 3 1/4in Lg	
122	4751800	6	Flatwasher, 1/2in	
123	3311805	3	Locknut, 1/2in-13NC	
124	0641608	8	Screw, 3/8in-16NC x 1in Lg	
125	4751600	28	Flatwasher, 3/8in	
126	3311605	14	Locknut, 3/8in-16NC	
127		Ref	Cable Options:	
127	1060045	1	Cable <b>(Prior to SN 64796)</b>	
127	1060221	1	Cable <b>(SN 64796 to Present)</b>	
128	1600211	1	Controller	
129	0901419	1	Bracket	
130	0721006	4	Screw #10-24NC x 3/4in Lg	
131	4751000	4	Flatwasher, #10	
132	3311005	6	LOCKNUT, #10-24	
133	0641407	AR	Screw, 1/4in-20NC x 7/8in Lg	
134	4751400	AR	Flatwasher, 1/4in	
135	3311405	AR	Locknut, 1/4in-20NC	
136	0902092	1	Bracket, Filter Mount	
137	0140001	1	Horn <b>(Prior to SN 112737)</b>	
138	2120135	1	Filter, Charge Pressure	
138	2120136	1	Element, Charge Filter	
139	3600205	1	Pump, Gear (See Pump Assembly – Barnes for Breakdown)	
140	0641610	8	Screw, 3/8in-16NC x 1 1/4in Lg	
141	4761600	2	Lockwasher, 3/8in	
142	1340020	1	Air Cleaner	
142	7004214	1	Element, Air Cleaner	
143	0340002	2	Mounting Band	
144	1120161	1	Bonnet, Air Inlet	
145	0080039	2	Adapter, Elbow	
146	1320058	6	Clamp, Hose - Worm Gear	
147	4561815	1	Tube, Air Inlet (Standard Gas)	
147	4567127	1	Tube, Air Inlet (Dual Fuel)	
148	4566673	1	Tube, Air Intake	
149	0080124	1	Adapter	
150	0080092	1	Adapter, Choke	
151	0701010	4	Screw M10 x 1.5 x 20	
152	4832000	4	Lockwasher, M10	
153	4844962	1	Exhaust Manifold	
154	0340041	2	Clamp, 2in Muffler (Prior to September 1995)	
154	1320019	2	Clamp, 2in Muffler (September 1995 to Present)	
155	4566672	1	Tube, Exhaust	
156	3220095	1	Muffler, Spark Arrest	
157	0901387	1	Bracket <b>(Prior to SN 34962)</b>	
157	0902382	1	Bracket <b>(SN 34962 to Present)</b>	

## SECTION 2 - GROUND CONTROLS

ITEM	PART NUMBER	QTY	DESCRIPTION	REV
158	1320011	1	Clamp, 2 1/2in Muffler	
158	1320011	1	Clamp, 2 1/2in Muffler (Dual Fuel) <b>(Prior to SN 83238)</b>	
158	1320021	1	Clamp, 2 1/4in Muffler (Dual Fuel) <b>(SN 83238 to Present)</b>	
159	1060360	1	Cable	
160	0630370	2	Rod, Tie Down	
161		Ref	Tie Down, Battery Options:	
161	0400002	1	Tie Down, Battery <b>(Prior to SN 46528)</b>	
161	2910479	1	Clips	
161	0400174	1	Tie Down, Battery <b>(SN 46528 to Present)</b>	
162	3300029	2	Wing Nut, 3/8in-16NC	
163		Ref	Plate, Battery Cover Options:	
163	3536144	1	Ford LRG 423 DIS <b>(Prior to SN 46528)</b>	
163	1670841	1	Ford LRG 425 <b>(SN 46528 to Present)</b>	
164	1060254	1	Cable	
165		Ref	Battery, 12 Volt Options:	
165	0400003	1	Ford LRG 423 DIS <b>(Prior to SN 46528)</b>	
165	0400075	1	Ford LRG 425 <b>(SN 46528 to Present)</b>	
166		Ref	Masonite Options:	
166	3980003	1	Ford LRG 423 DIS <b>(Prior to SN 46528)</b>	
166	3980007	1	Ford LRG 425 <b>(SN 46528 to Present)</b>	
167	3538735	1	Plate, Exhaust Cover	
169	4921746	1	Wiring Harness	
170	3911012	4	Screw #10-24NC x 3/4in	
171	1320022	6	Clamp, Worm Gear	
172	2720015	10 ft	Hose 1/4in	
173	2720160	2 ft	Hose, Low Pressure 1/2in	
174		Ref	Vacuum Cap Options:	
174	1120342	2	Vacuum Cap <b>(Prior to SN 64796)</b>	
174	1120432	2	Vacuum Cap <b>(SN 64796 to Present)</b>	
175	4740185	1	Flatwasher <b>(SN 46528 to Present)</b>	
176	1320180	5	Clamp, Worm Gear <b>(SN 46528 to Present)</b>	
177	4761700	2	Lockwasher 7/16 <b>(SN 46528 to Present)</b>	
179	2220315	1	Fitting, Straight <b>(SN 46528 to Present)</b>	
180	0840046	1	Boot, Battery Pos <b>(SN 103576 to Present)</b>	
181	0840047	1	Boot, Battery Neg <b>(SN 103576 to Present)</b>	
	0100020	AR	Sealant, Pipe	
	2000126	Ref	<b>ENGINE COMPONENTS</b>	
	2000149	Ref	<b>ENGINE COMPONENTS</b>	
301	7012680	1	Alternator	
302	1660249	1	Coupling (13 Teeth) (was p/n 7012656) <b>(Prior to SN 30660)</b>	
302	1660250	1	Coupling (15 Teeth) (was p/n 7016662) <b>(SN 30660 through 46528)</b>	
303	7012681	1	Module, Ignition	
304	7012679	1	Starter (Not Shown)	
304	7025145	1	Solenoid, Starter	
305	7021869	1	Filter, Oil (was p/n 7014501)	
306	7012690	1	Carburetor	
306	7019933	1	Carburetor Kit	
306	7012683	1	Spring	
306	7023471	1	Float Assy	
307	7016600	1	Pump, Fuel	
307	7012678	1	Pump, Fuel (Electric)	



## SECTION 2 - GROUND CONTROLS

ITEM	PART NUMBER	QTY	DESCRIPTION	REV
307	7000884	1	Solenoid, Fuel	
307	7016601	1	Filter, Fuel	
308	7016605	1	Choke, Automatic	
309	7019926	1	Hose, Radiator (Top) (was p/n 7016375)	
310	7019927	1	Hose, Radiator (Bottom) (was p/n 7016376)	
311	7022153	1	Pump, Water (Not Shown) (was p/n 7016638)	
312	7019976	1	Flywheel	
312	7022180	1	Ring Gear	
312	7020120	1	Bell Housing	
313	7022143	1	Gasket, Exhaust Manifold (Not Shown)	
314	70002307	1	Gasket, Exhaust Pipe (Not Shown)	
314	7025126	1	Gasket, Intake Manifold to Head (Not Shown)	
314	7019924	1	Manifold, Exhaust (Not Shown)	
315	7022150	1	Belt, Timing (Engine 2000126)	
316	7019921	1	Belt, Alternator (Engine 2000126)	
317	4360157	1	Switch, Water Temperature (Not Shown)	
318	7012682	1	Harness, Engine (Not Shown)	
319	7019925	1	PCV Valve (Not Shown)	
320	7019929	1	Pulley, Idler (Not Shown)	
321	7019930	1	Coil Pack (Not Shown)	
321	7019931	1	Spark Plug Wires (Set) (Not Shown)	
321	7019932	4	Spark Plug Wires (Not Shown)	
322	7022178	1	Sensor, Crank Shaft (Not Shown)	
323	2420109	1	Gauge, Oil Dipstick (Not Shown) (Engine 2000149)	
323	4564281	1	Tube, Dipstick (Not Shown) (Engine 2000149)	
	2000156	Ref	<b>ENGINE COMPONENTS</b>	
	2000165	Ref	<b>ENGINE COMPONENTS</b>	
401	7019977	1	Alternator	
401	7019997	1	Regulator	
402	1660250	1	Coupling (15 Teeth) (was p/n 7016662) <b>(SN 46528 through 60461)</b>	
402	1660249	1	Coupling (13 Teeth) (was p/n 7012656) <b>(SN 60462 to Present)</b>	
403	7023687	1	Module, Ignition (was p/n 7019961)	
404	7012679	1	Starter (Not Shown)	
405	7021869	1	Filter, Oil	
406	7019988	1	Carburetor (Engine 2000156) (was p/n 7019974)	
406	7019988	1	Carburetor (Engine 2000165)	
406	7019933	1	Carburetor Kit	
406	7027292	1	Float Assembly	
406	7025122	1	Base, Carburetor	
406	7024321	1	Gasket, Carburetor (Top)	
406	7000646	1	Gasket, Carburetor (Bottom)	
406	7000646	1	Gasket, Carburetor	
406	7016605	1	Choke, Automatic	
407	7016600	1	Pump, Fuel (Facet Brand)	
407	7019983	1	Pump, Fuel (Airtex Brand)	
407	7000884	1	Solenoid, Fuel	
407	7016601	1	Filter, Fuel	
408	Not Required	0	Not Required	
409	7019926	1	Hose, Radiator (Top) (was p/n 7016375)	
410	7019927	1	Hose, Radiator (Bottom) (was p/n 7016376)	
411	7022153	1	Pump, Water (Not Shown)	

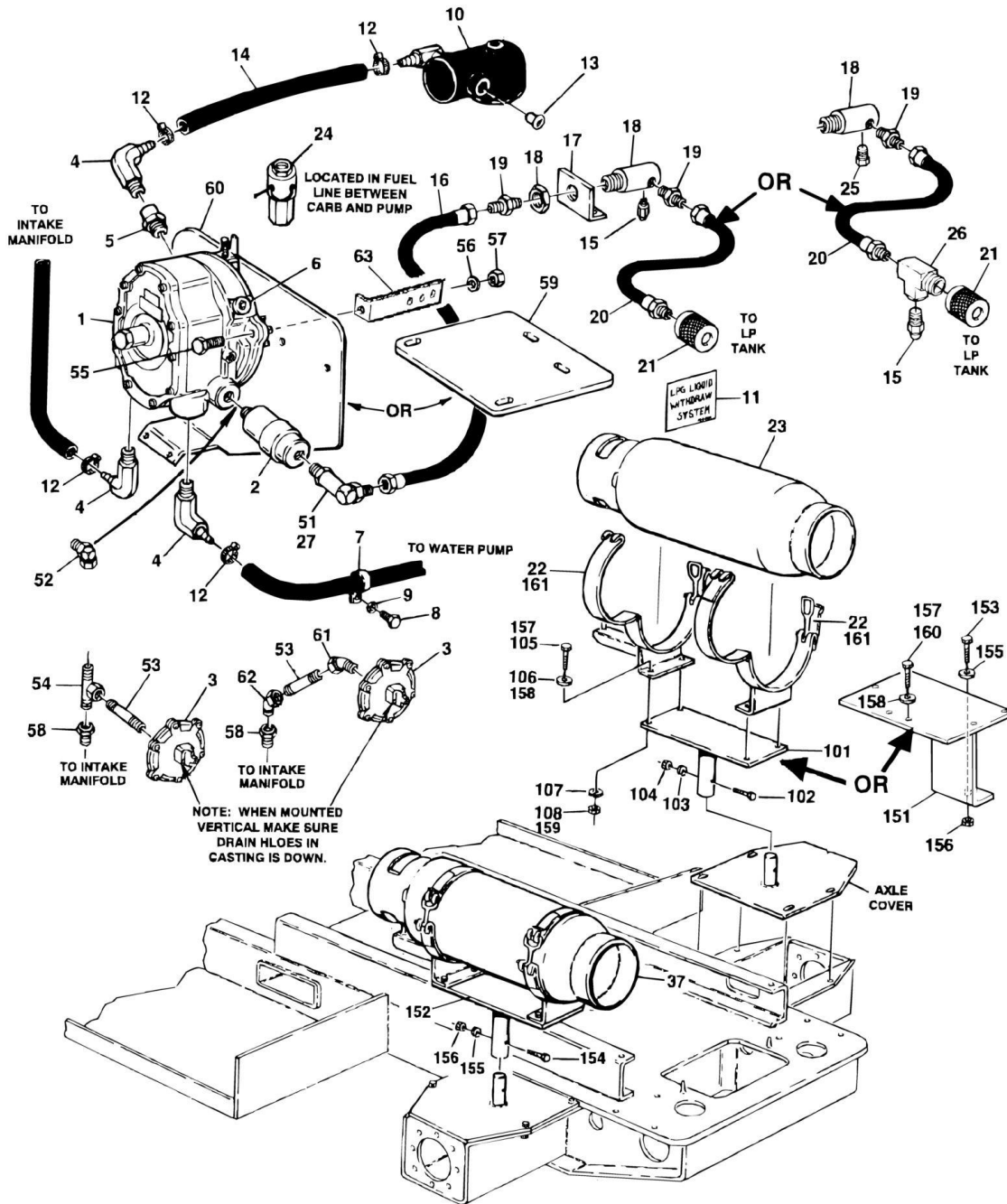
## SECTION 2 - GROUND CONTROLS

ITEM	PART NUMBER	QTY	DESCRIPTION	REV
411	7019982	1	Tube, Water Pump Inlet (Not Shown)	
411	7019985	1	Pulley, Water Pump (Not Shown)	
411	7022156	1	Thermostat (Not Shown)	
411	7025134	1	Gasket, Water Outlet Connection (Not Shown)	
412	7019976	1	Flywheel	
412	7022180	1	Ring Gear	
413	7022143	1	Gasket, Exhaust Manifold (Not Shown)	
414	70002307	1	Gasket, Exhaust Manifold to Pipe (Not Shown)	
414	7019924	1	Manifold, Exhaust (Not Shown)	
414	7025125	1	Gasket, Intake (Manifold to Cylinder Head) (Not Shown)	
415	7019978	1	Tensioner, Belt (Not Shown)	
416	7027402	1	BELT, DRIVE (WAS P/N 7019979)	
418	7019980	1	Harness, Engine Wiring (Not Shown)	
421	7019930	1	Coil Pack (Not Shown)	
421	7022157	1	Spark Plug Wires (Set) (Not Shown) (Engine 2000156)	
421	7019931	1	Spark Plug Wires (Set) (Not Shown) (Engine 2000165)	
421	7019932	4	Spark Plug (Not Shown) (Engine 2000165)	
422	7022178	1	Sensor, Crank Shaft (Not Shown)	
423	7019981	1	Indicator, Oil Level (Not Shown)	
	0253875	Ref	<b>SPARK ARRESTOR INSTALLATION (OPTIONAL)</b>	-
501	3220083	1	Spark Arrestor	
	0257154	Ref	<b>ENGINE HEATER INSTALLATION (OPTIONAL NOT SHOWN)</b>	A-1
	2580048	1	Block Heater Kit (Located Left Side of Intake)	



# SECTION 2 - GROUND CONTROLS

FIGURE 2-9. DUAL FUEL COMPONENTS INSTALLATION - FORD LSG-423/LRG-423 DIS/ LRG-425



## SECTION 2 - GROUND CONTROLS

**FIGURE 2-9. DUAL FUEL COMPONENTS INSTALLATION - FORD LSG-423/LRG-423 DIS/ LRG-425**

ITEM	PART NUMBER	QTY	DESCRIPTION	REV
		Ref	<b>DUAL FUEL COMPONENTS INSTALLATION (FORD LSG423, LRG423 AND LRG 425 ENGINES)</b>	
1	4700005	1	Vaporizer/Regulator	
1	7017515	1	Kit, Rebuilding	
2	2120077	1	LPG Filter Lock	
3	4360188	1	Vacuum Switch	
4	2220675	3	Fitting, 90, Pipe Barb	
5	2220251	1	Reducer	
6	2200204	1	Pipe Plug 3/4in NPT	
7	1320130	2	Clamp, 1in	
8	0701010	1	Screw, M10 x 1.5 x 20	
8	0700610	1	Screw, M6 x 1 x 20	
9	4832000	1	Lockwasher M10	
9	4831700	1	Lockwasher M6	
10	0080124	1	Adaptor, Carburetor	
11	1700712	4	Decal, Caution	
12	1320022	6	Clamp	
13	1120432	1	Cap, Vacuum	
14	2720112	2 ft	Hose, Vapor 5/8in	
15	2180389	1	Fitting, Relief	
16	2720249	1	Hose, L.P. 62in Lg	
17	0902094	1	Bracket, L.P. Filter	
18	2180388	1	Filter, Bulkhead	
19	2180418	1	Fitting, 1/4in NPT to 3/8in, 45, Flare	
20	2720144	1	Hose, L.P.	
21	2180387	1	Fitting, Tank Connector	
22	1320023	2	Clamp, LP Tank	
23	4400040	2	Tank, LP (33.5 Lbs) <b>(Prior to SN 61097)</b>	
23	4400281	2	Tank, LP (33.5 Lbs) <b>(SN 61097 to Present)</b>	
23	4400275	2	Tank, LP (43.5 Lbs)	
24	4640391	1	Lock, Fuel (Prior to June 1995)	
25	2200222	1	Pipe Plug 1/4in NPT <b>(SN 36855 to Present)</b>	
26	2220290	1	Fitting, Tee <b>(SN 36855 to Present)</b>	
27	2220504	1	Fitting, 90, 1/4in NPT to 3/8in, 45, Flare <b>(SN 26845 to Present)</b>	
	0254963	Ref	<b>DUAL FUEL COMPONENTS INSTALLATION - LSG-423</b>	D
	0254964	Ref	<b>DUAL FUEL COMPONENTS INSTALLATION - LSG-423</b>	4
	0255210	Ref	<b>DUAL FUEL COMPONENTS INSTALLATION - LRG-423</b>	8
	0255208	Ref	<b>DUAL FUEL COMPONENTS INSTALLATION - LRG-423</b>	E
	0258322	Ref	<b>DUAL FUEL COMPONENTS INSTALLATION - LRG-425</b>	8
	0258321	Ref	<b>DUAL FUEL COMPONENTS INSTALLATION - LRG-425</b>	6
51	2220003	1	Fitting, Straight (Not Shown) (LSG-423)	
51	2220082	1	Fitting, 90, (LRG-423/LRG-425) <b>(Prior to SN 99226)</b>	
51	2220504	1	Fitting, 90, (LRG-423/LRG-425) <b>(SN 99226 to Present)</b>	
52	2220082	1	Fitting, 90, (LSG-423)	
52	Not Required	0	LRG-423/LRG-425	
53	2180537	1	Fitting, Nipple (LSG-423)	
53	2180104	1	Fitting, Nipple (LRG-423/LRG-425)	
54	Not Required	0	LSG-423	
54	2180360	1	Fitting, Tee 1/8in NPT (LRG-423/LRG-425)	
55	0641510	2	Bolt 5/16in-18NC x 1 1/4in (LSG-423)	

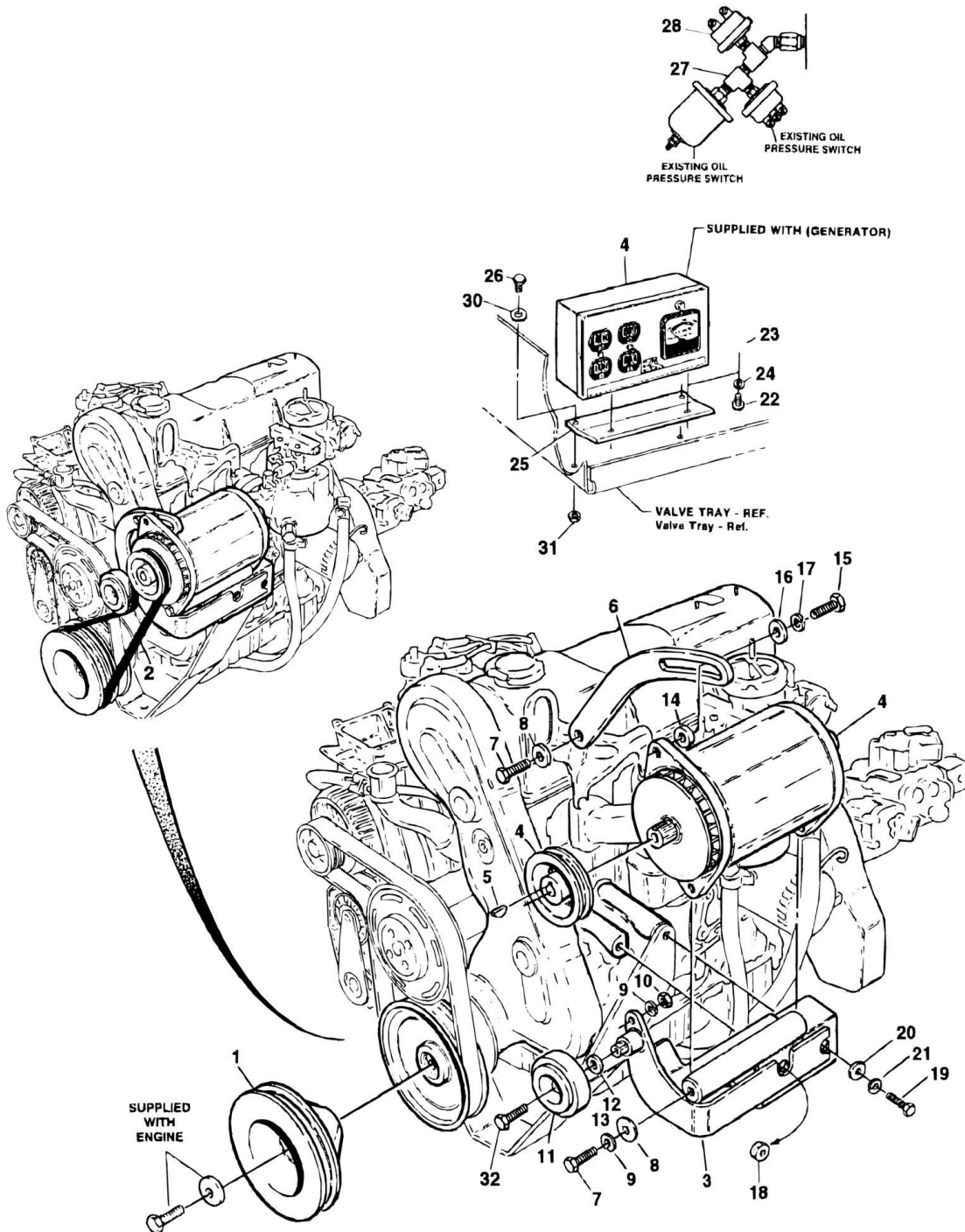
## SECTION 2 - GROUND CONTROLS

ITEM	PART NUMBER	QTY	DESCRIPTION	REV
55	0641416	2	Screw 1/4in-20NC x 2in Lg (LRG-423/LRG-425)	
56	4761500	2	Lockwasher 5/16in (LSG-423)	
56	4761400	2	Lockwasher 1/4in (LRG-423/LRG-425)	
57	3311501	2	Nut 5/16in-18NC (LSG-423)	
57	3311401	2	Nut 1/4in-20NC (LRG-423/LRG-425)	
58	2180250	1	Fitting, Adapter (LSG-423)	
58	2220273	1	Fitting, Adapter (LRG-423/LRG-425)	
59	3538436	1	Plate, Mounting (LSG-423)	
59	Not Required	0	LRG-423/LRG-425	
60	Not Required	0	LSG-423	
60	0902089	1	Bracket, Mounting (LRG-423/LRG-425)	
61	2180749	1	Fitting, 45, (LSG-423)	
61	Not Required	0	LRG-423/LRG-425	
62	2180504	1	Fitting, 45, (LSG-423)	
62	Not Required	0	LRG-423/LRG-425	
63	Not Required	0	LSG-423	
63	0902361	1	Bracket, Terminal <b>(SN 33309 to Present)</b>	
	0253447	Ref	<b>LP TANK BRACKETS INSTALLATION (Prior to SN 32690)</b>	-
101	4844185	2	Support, Tank Bracket	
102	0641522	2	Bolt 5/16in-18NC x 2 3/4in	
103	4761500	2	Lockwasher 5/16in	
104	3311501	2	Nut 5/16in-18NC	
105	0641610	8	Bolt 3/8in-16NC x 1 1/4in	
106	4751600	8	Flatwasher 3/8in	
107	4761600	8	Lockwasher 3/8in	
108	3311601		Nut 3/8in-16NC	
	0256909	Ref	<b>LP TANK BRACKETS INSTALLATION (SN 32690 to Present)</b>	2
151	0902360	1	Support, Tank Bracket (RH) <b>(Prior to SN 80673)</b>	
152	4844185	1	Support, Tank Bracket (LH) <b>(Prior to SN 80673)</b>	
152	4844185	2	Support, Tank Bracket <b>(SN 80673 to Present)</b>	
153	0641516	1	Bolt 5/16in-18NC x 2 <b>(Prior to SN 80673)</b>	
154	0641522	2	Bolt 5/16in-18NC x 2 3/4in	
155	4751500	4	Flatwasher 5/16in	
156	3311505	2	Locknut 5/16in-18NC	
157	0641610	8	Bolt 3/8in-16NC x 1 1/4in	
158	4751600	16	Flatwasher 3/8in	
159	3311605	8	Locknut 3/8in-16NC	
160	0100011	AR	Loctite	
161	1320023	2	Clamp, LP Gas	



# SECTION 2 - GROUND CONTROLS

## FIGURE 2-10. GENERATOR INSTALLATION - FORD LSG-423/LRG-423/LRG-425





## SECTION 2 - GROUND CONTROLS

**FIGURE 2-10. GENERATOR INSTALLATION - FORD LSG-423/LRG-423/LRG-425**

ITEM	PART NUMBER	QTY	DESCRIPTION	REV
	0257152	Ref	<b>GENERATOR INSTALLATION</b>	3/B
1	3580250	1	Pulley, Crankshaft	
2		Ref	Belt, Generator Options:	
2	0480090	1	Ford LSG 423/LRG 423 <b>(Prior to SN 46528)</b>	
2	0480110	1	Ford LRG 425 <b>(SN 46528 to Present)</b>	
3	0902372	1	Bracket, Generator Mounting	
4	2460011	1	110 Volt Generator	
4	7003657	1	Control Box Assembly	
		Ref	<b>Note: Replacement 110V Control Box comes with 2 standard Receptacles p/n 4460190. Optional Industrial Twist Lock Receptacles p/n 44600027 must be ordered separately.</b>	
4	2420203	1	Voltmeter	
4	4360542	1	Breaker, Circuit	
4	2920162	1	Lamp	
4	7020191	1	Switch, Toggle	
4	3520028	1	Plug, Hole	
4	7012558	1	Generator Assembly	
4	7026199	1	Armature with Slip Rings	
4	7020108	4	Brushes	
4	7020109	4	Holder, Brush	
4	7012513	4	Cap, Brush Holder	
4	3580134	1	Pulley	
4	7012514	1	Fan	
4	7020193	1	Cord, Power - 12ft Length	
4	7020110	1	Bell End, Front	
4	7020111	1	Bell End, Rear	
4	7020190	2	Bearing	
5	7027887	1	Key, Woodruff <b>(Prior to SN 46528)</b>	
6	0200530	1	Arm, Adjusting	
7	0641612	3	Bolt 3/8in-16NC x 1 1/2in	
8	4751600	3	Flatwasher 3/8in	
9	4761600	3	Lockwasher 3/8in	
10	3311601	1	Nut 3/8in-16NC	
11	3580239	1	Pulley, Idler	
12	4740275	1	Washer	
13	0100011	AR	Loctite	
14	4564417	1	Tube, Spacer	
15	0641512	1	Bolt 5/16in-18NC x 1 1/2in	
16	4751500	3	Flatwasher 5/16in	
17	4761500	3	Lockwasher 5/16in	
18	4566650	1	Tube, Spacer	
19	0701015	2	Bolt 10mm-1.5 x 35mm	
20	4812000	2	Flatwasher 10mm	
21	4832000	2	Lockwasher 10mm	
22	3911008	2	Screw, Machine #10-24 x 1/2in	
23	3311001	2	Nut #10-24	
24	4761000	2	Lockwasher #10	
25	0901609	1	Bracket, Box Mounting	
26		Ref	Bolt Options:	

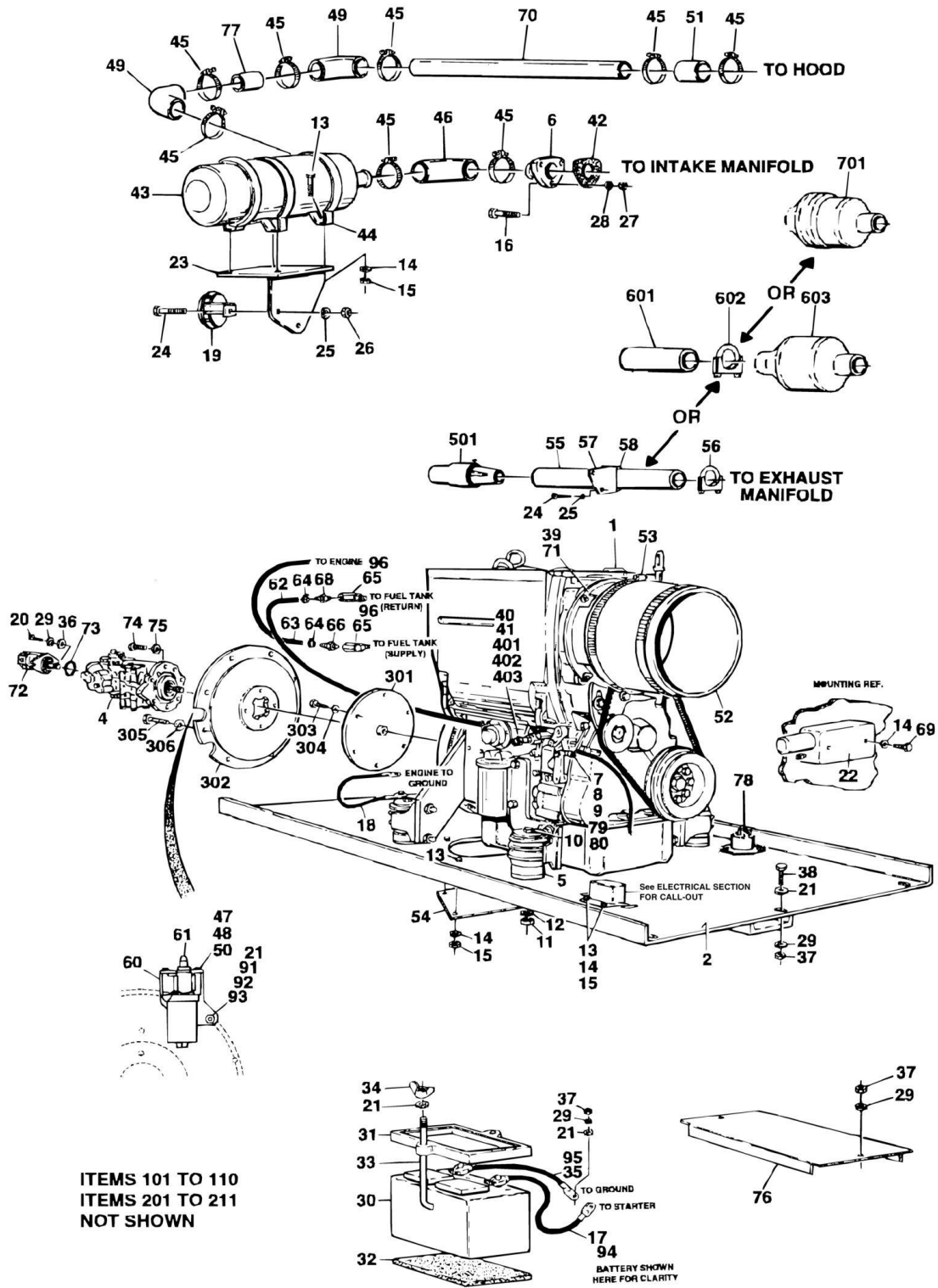
## SECTION 2 - GROUND CONTROLS

ITEM	PART NUMBER	QTY	DESCRIPTION	REV
26	0641507	2	Bolt 5/16-18NC x 7/8in	
26	0641407	2	Bolt 1/4in-24NC x 7/8in	
27	2180360	1	Fitting, Tee	
28	4360037	1	Switch, Oil Pressure	
29	4932735	1	Wiring, Diagram	
30	4711400	2	Flatwasher 1/4in	
31	3311405	2	Locknut 1/4in-20NC	
32	0641608	1	Bolt 3/8in-16NC x 1in	



# SECTION 2 - GROUND CONTROLS

## FIGURE 2-11. ENGINE INSTALLATION - DEUTZ F3L1011



## SECTION 2 - GROUND CONTROLS

### FIGURE 2-11. ENGINE INSTALLATION - DEUTZ F3L1011

ITEM	PART NUMBER	QTY	DESCRIPTION	REV
		Ref	<b>ENGINE INSTALLATION OPTIONS:</b>	
	0253370	Ref	<b>DEUTZ F3L1011 (Prior to SN 121830)</b>	18
	0273976	Ref	<b>DEUTZ F3L2011 (SN 121830 to Present)</b>	1
1		Ref	Engine Options:	
1	2000107	1	Deutz F3L1011 (includes Items 101-110) (Prior to July 1995)	
1	2000138	1	Deutz F3L1011F (includes Items 201-211) (July 1995 to SN 121830)	
1	2000242	1	Deutz F3L2011 (includes Items 251-271) <b>(SN 121830 to Present)</b>	
2		Ref	Tray, Engine Mounting Options:	
2	4844275	1	Tray, Engine Mounting <b>(Prior to SN 121830)</b>	
2	4844275	1	Tray, Engine Mounting <b>(SN 121830 to Present)</b>	
4		Ref	Pump Assembly - Sunstrand Options (See PUMP ASSEMBLY - SUNSTRAND for Breakdown):	
4	3600164	1	Pump Assembly - Sunstrand <b>(Prior to SN 30660)</b>	
4	3600260	1	Pump Assembly - Sunstrand <b>(SN 30660 to Present)</b>	
5	0080174	4	Adapter, Engine Mounting	
6	0080177	1	Adapter, Air Intake	
7	0080172	1	Adapter, Throttle for F3L1011	
7	4460302	1	Adapter, Throttle for F3L1011F/F3L2011	
8	3450202	1	Pin, Cotter 1/16in x 1/2in	
9	3951003	1	Setscrew #10-24NC x 3/8in for F3L1011	
9	0902244	1	Bracket, Throttle for F3L1011F	
9	0080249	1	Bracket, Throttle for F3L2011	
10		Ref	Bolt Options:	
10	0641844	4	Bolt 1/2in-13NC x 5 1/2 <b>(Prior to SN 33431)</b>	
10	0701230	4	Bolt m12-1.75 x 130mm <b>(SN 33431 through 72218)</b>	
10	0641840	4	Bolt 1/2in-13NC x 5 <b>(Prior to SN 72218)</b>	
11		Ref	Locknut Options:	
11	3311805	4	Locknut 1/2in-13NC <b>(Prior to SN 33431)</b>	
11	3311205	4	Locknut m12-1.75 <b>(SN 33431 through 72218)</b>	
11	3311805	4	Locknut 1/2in-13NC <b>(Prior to SN 72218)</b>	
12	4751800	4	Flatwasher 1/2in	
13	0641408	8	Bolt 1/4in-20NC x 1in	
14	4761400	10	Lockwasher 1/4in	
15	3311401	8	Nut 1/4in-20NC	
16	0641512	3	Bolt	
17	1060254	1	Cable, Battery	
18	1060093	1	Cable, Battery	
19	0140001	1	Horn <b>(Prior to SN 112737)</b>	
20	0641610	2	Bolt 3/8in-16NC x 1 1/4in	
21	4751600	11	Flatwasher 3/8in	
22	0060023	1	Actuator, Throttle	
22	7008828	1	Cable, Throttle	
23	0901838	1	Bracket, Air Cleaner Mounting	
24	0701010	4	Bolt, Metric M10 x 20mm	
25	4832000	4	Lockwasher 10m	
26	4711600	1	Flatwasher 3/8in	
27	3311501	3	Nut 5/16in-18NC	
28	4761500	3	Lockwasher 5/16in	

## SECTION 2 - GROUND CONTROLS

ITEM	PART NUMBER	QTY	DESCRIPTION	REV
29	4751600	9	Lockwasher 3/8in	
30		Ref	Battery Options:	
30	0400003	1	Battery <b>(Prior to SN 48582)</b>	
30	0400075	1	Battery <b>(SN 48582 to Present)</b>	
31		Ref	Tie-Down, Battery Options:	
31	0400002	1	Tie-Down, Battery <b>(Prior to SN 48582)</b>	
31	0400147	1	Tie-Down, Battery <b>(SN 48582 through 50805)</b>	
31	0400174	1	Tie-Down, Battery <b>(SN 50806 to Present)</b>	
32		Ref	Seat, Battery Options:	
32	3980003	1	Seat, Battery <b>(Prior to SN 48582)</b>	
32	3980007	1	Seat, Battery <b>(SN 48582 to Present)</b>	
33	0630370	2	Rod, Tie-Down	
34	3300029	2	Wingnut 3/8in-16NC	
35	1060360	1	Cable, Battery	
36	4740185	2	Washer, Hardened	
37	3311601	9	Nut 3/8in-16NC	
38	0641612	6	Bolt 3/8in-16NC x 1 1/2in	
39	4843513	1	Air Intake Weldment	
40	2180730	1	Fitting, Adapter	
41	2420110	1	Sender, Oil Pressure	
42	3960407	1	Gasket	
43	1340020	1	Air Cleaner Assembly	
43	7004214	1	Element, Air Cleaner	
44	0340002	2	Band, Mounting - Air Cleaner	
45	1320180	8	Clamp, Hose	
46	0080039	1	Elbow, Rubber 90	
47	0721008	2	Screw, Machine #10-24NC x 1 <b>(Prior to SN 30660)</b>	
47	0701015	2	Screw, Machine 10mm x 35mm <b>(SN 30660 to Present)</b>	
48	4761000	2	Lockwasher #10 <b>(Prior to SN 30660)</b>	
48	4761400	2	Lockwasher <b>(SN 30660 to Present)</b>	
49	0080046	2	Elbow, Rubber 90	
50	4751000	2	Flatwasher #10 <b>(Prior to SN 34060)</b>	
50	4751400	2	Flatwasher <b>(SN 34060 to Present)</b>	
51	2720379	3 in/7.6cm	Hose	
52	2720342	4 in/10cm	Hose, Air Intake	
53	1320059	3	Clamp, Hose	
54	3535551	1	Plate, Cover	
55	4565348	1	Tube, Exhaust	
56	1320019	1	U-Clamp	
57	0901705	1	Bracket, Muffler	
58	1320176	1	Clamp, Muffler	
60	0901778	1	Bracket, Charge Filter	
61	2120135	1	Filter, Charge Pressure	
61	2120136	1	Element, Charge Filter	
62	2720271	8 ft/2.44m	Line, Fuel (Return) <b>(Prior to SN 26251)</b>	
63	2720058	14 ft/4.27m	Line, Fuel (Supply)	
64	1320022	4	Clamp, Hose	
65	2200462	2	Fitting, 90 <b>(Prior to SN 26251)</b>	
66	2180348	1	Fitting, Barbed <b>(Prior to SN 26251)</b>	
66	2220317	2	Fitting, Barbed <b>(SN 26251 through 101986)</b>	
66	2220805	2	Fitting, Barbed <b>(SN 101987 to Present)</b>	

## SECTION 2 - GROUND CONTROLS

ITEM	PART NUMBER	QTY	DESCRIPTION	REV
68	2180666	1	Fitting, Barbed <b>(Prior to SN 26251)</b>	
69	0641406	2	Bolt 1/4in-20NC x 3/4in	
70	4565932	1	Tube, Air Intake	
71	4280280	1	Strip, Air Intake	
72	3600205	1	Gear Pump Assembly (See PUMP ASSEMBLY - BARNES for Breakdown)	
73	3790152	1	O-Ring	
74	0641810	2	Bolt 1/2in-13NC x 1 1/4 <b>(Prior to SN 33431)</b>	
74	0641812	2	Bolt 1/2in-13NC x 1 1/2 <b>(SN 33431 to Present)</b>	
75	4761800	2	Lockwasher 1/2in	
76		Ref	Cover, Battery Options:	
76	3536144	1	Cover, Battery <b>(Prior to SN 48582)</b>	
76	1670841	1	Cover, Battery <b>(SN 48582 to Present)</b>	
77	4565933	1	Tube, Air Intake Adapter	
78	3740067	1	Relay	
79	4711400	1	Washer, Flat 1/4in for F3L1011F/F3L2011	
80	0700605	2	Screw, Hex Hd 6mm x 10mm for F3L1011F/F3L2011	
91	4740308	2	Washer, Thick <b>(SN 34060 to Present)</b>	
92	4832000	2	Lockwasher <b>(SN 34060 to Present)</b>	
93	0701016	2	Bolt 10mm x 40mm <b>(SN 34060 to Present)</b>	
94	0840046	1	Boot, Battery Pos <b>(SN 83238 to Present)</b>	
95	0840047	1	Boot, Battery Neg <b>(SN 83238 to Present)</b>	
96	2220273	2	Fitting, Reducer <b>(SN 101987 to Present)</b>	
97	1320095	1	Clamp, Support (Not Shown) <b>(SN 103576 to Present)</b>	
98	4923062	1	Harness, Start Assist Solenoid (Not Shown) <b>(SN 121830 to Present)</b>	
	0100043	AR	Sealant, Pipe <b>(Prior to SN 103576)</b>	
	2000107	Ref	<b>ENGINE COMPONENTS - DEUTZ F3L1011 (Prior to July 1995)</b>	A
		Ref	<b>Note: Parts Below Not Shown</b>	
101	7020455	1	Muffler (was p/n 7000694)	
102	7014684	1	Filter and Gasket Kit (Includes Fuel Line Washer, Oil Plug Washer, Oil Filter, Fuel Filter, Injector Tip Gasket and Valve Cover Gasket)	
106	7027210	1	Sender, Oil Temperature	
109	7012626	1	Starter	
110	7020457	1	Alternator	
112	70003622	3	Injector	
112	7020424	3	Gasket, Injector Tip	
113	7012698	1	Pump, Fuel Supply	
113	7016309	1	Washer, Copper	
114	7016308	1	Ring, Air Intake (Plastic)	
115	7019607	1	Shutdown, Throttle	
116	7020471	3	Gasket, Exhaust	
117	7020477	1	Ring Gear Only	
118	7027250	1	Spring, Tension	
	2000138	Ref	<b>ENGINE COMPONENTS - DEUTZ F3L1011F (July 1995 to S/N 121830)</b>	A
		Ref	<b>Note: Parts Below Not Shown</b>	
201	7020455	1	Muffler (was p/n 7000694)	
203	7016328	1	Filter, Fuel	
204	7016331	1	Filter, Oil	
205	7019607	1	Device, Shutdown (was p/n 7016359)	

## SECTION 2 - GROUND CONTROLS

ITEM	PART NUMBER	QTY	DESCRIPTION	REV
206	7020168	1	Sender, Oil Temperature	
207	7020220	1	Harness	
208	7020414	1	V-Belt	
209		Ref	Starter Options:	
209	7016332	1	Start with 11 Tooth Pinion (July 1995 to Present with 133 Tooth Ring Gear) (was p/n 7020416)	
209	7020479	1	Start with 9 Tooth Pinion (July 1995 to Present with 110 Tooth Ring Gear)	
210	7020417	1	Alternator	
210	70000851	1	Bracket, Alternator Mounting	
211		Ref	Ring Gear Options:	
211	7020477	1	133 Tooth Ring Gear	
211	7024579	1	110 Tooth Ring Gear	
211	7020208	1	129 Tooth Ring Gear	
212	7012599	1	Pump, Fuel Injection	
212	7020426	3	Injector	
212	7020424	3	Gasket, Injector Tip	
212	7020425	3	Nozzle	
213	7012698	1	Pump, Fuel Supply	
213	7020406	1	Ring, Sealing	
213	7020411	1	O-Seal Between Fuel Pump and Engine Block	
213	7020412	1	Fitting, Tee	
213	7020419	1	Hose, Fuel Return	
216	7020471	3	Gasket, Exhaust Manifold to Exhaust Pipe	
218	7027250	1	Spring, Tension	
219	7000699	1	Seal (Doughnut)	
220	7020024	1	Breather Cap	
221	7020430	1	Gasket, Valve Cover	
222	7020435	1	Dipstick	
	2000242	Ref	<b>ENGINE COMPONENTS - DEUTZ F3L2011F (SN 121830 to Present)</b>	A
		Ref	<b>Note: Parts Below Not Shown</b>	
251	7027248	1	Dipstick	
252	7024579	1	Gear, Ring	
253	7020465	1	Cap, Filler	
254	7020495	1	Pump, Oil	
254	7020468	1	Seal Between Oil Pump and Engine Block	
255	7016331	1	Filter, Oil	
256	7027236	1	Sender, Oil Temperature	
257	7027246	3	Pump, Injector (was p/n 7027242)	
257	7027608	3	Pump, Injector (was p/n 7027611)	
257	7027609	3	Pump, Injector (was p/n 7027612)	
257	7027610	3	Pump, Injector (was p/n 7027613)	
257	7020447	1	Gasket, Compensation	
258	7020023	1	Filter, Fuel	
258	70000916	1	Pump Fuel Supply (was p/n 7027238)	
266	7020411	1	O-Seal Between Fuel Pump and Engine Block	
260	7027245	1	Filter, Fuel In Line	
261	70001871	3	Gasket, Intake Manifold (was p/n 7020449)	
262	7027239	1	Solenoid, Start Assist	
263	7020414	1	V-Belt	
264	7020471	3	Gasket, Exhaust Manifold to Exhaust Pipe	

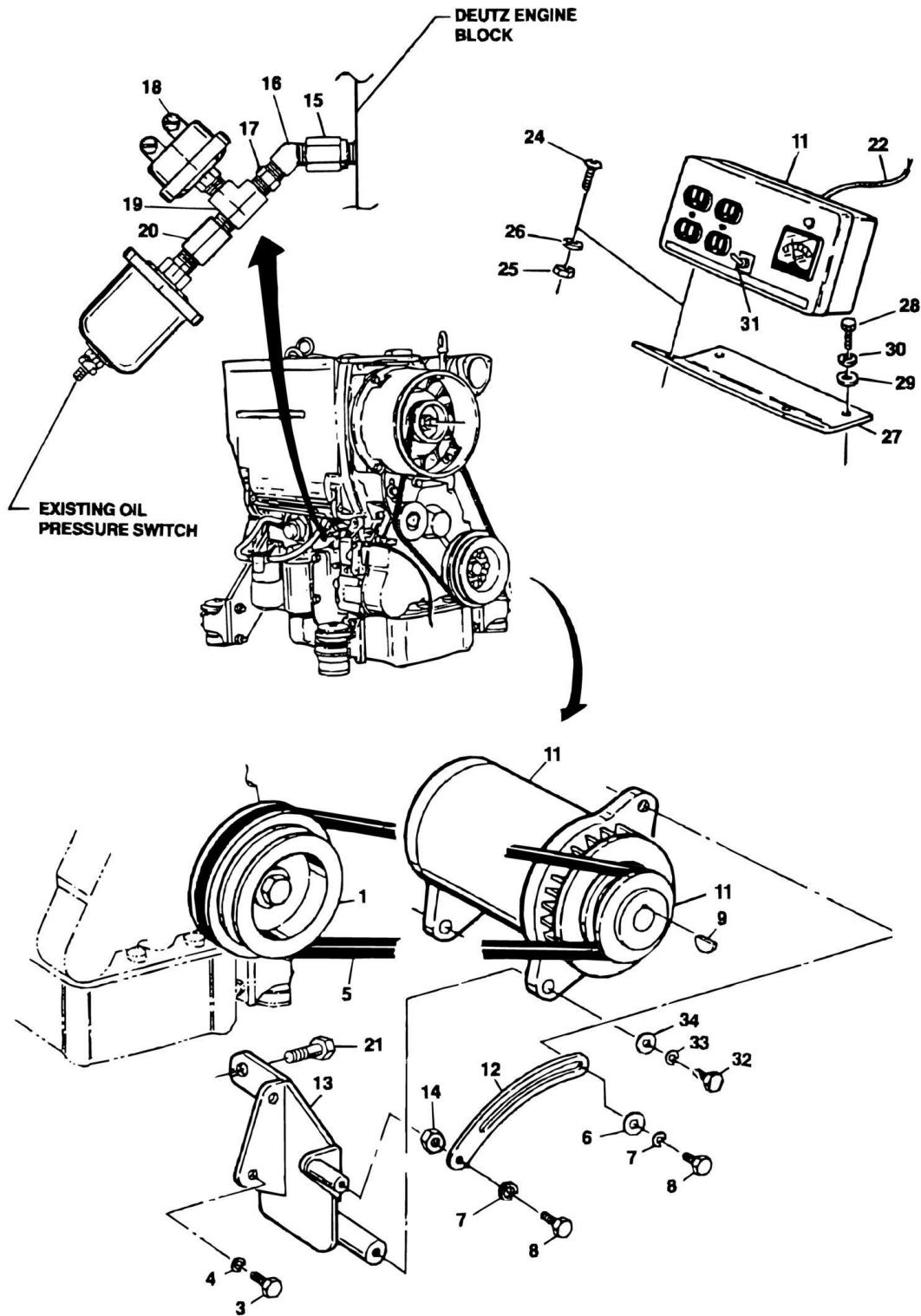


## SECTION 2 - GROUND CONTROLS

ITEM	PART NUMBER	QTY	DESCRIPTION	REV
265	7020479	1	Starter	
265	7026608	1	Relay	
266	7020417	1	Alternator	
266	7027252		Regulator, Voltage	
267	7016330	1	Sensor, Oil Pressure (was p/n 7020443)	
268	7027241	1	Transmitter, Temperature	
269	7027251	1	Device, Shutdown	
269	7027249	1	O-Ring	
269	7027250	1	Spring, Tension	
270	7020449	3	Gasket, Intake	
271	7020471	3	Gasket, Exhaust	
272	70003475	1	Thermostat (was p/n 7020459)	
272	7020460	1	Spring, Compression	
		Ref	<b>PUMP COUPLING INSTALLATIONS:</b>	
	0250597	Ref	<b>Pump Coupling Installations (Prior to SN 30660)</b>	-
	0256848	Ref	<b>Pump Coupling Installations (SN 30660 to Present)</b>	2
301		Ref	Coupling (Hayes) Options:	
301	1660184	1	Coupling (Hayes) <b>(Prior to SN 30660)</b>	
301	1660234	1	Coupling (Hayes) <b>(SN 30660 to Present)</b>	
		Ref	<b>Note: Coupling Spine must be greased with lithium soap based grease prior to installation.</b>	
302	0080163	1	Adapter, Pump Mounting	
303	0700810	6	Bolt, Metric 8mm x 20mm	
304	4831900	6	Lockwasher 8mm	
305	0701013	8	Bolt 10mm x 28mm	
306	4832000	8	Lockwasher 10mm	
	3020021	AR	Grease, Coupling <b>(Prior to SN 103576)</b>	
	0275748	Ref	<b>ENGINE DISTRESS SWITCH INSTALLATION (OPTIONAL)</b>	1
401	4360357	1	Switch, Pressure	
402	2180360	1	Fitting, Tee	
403	2180749	1	Fitting, 45	
	0100020	AR	Sealant, Pipe	
	0253875	Ref	<b>SPARK ARRESTOR INSTALLATION (OPTIONAL)</b>	-
501	3220083	1	Arrestor, Spark (Includes Mounting Hardware)	
	0256898	Ref	<b>SPARK ARRESTOR INSTALLATION (OPTIONAL) (Prior to SN 65349)</b>	-
601	4567159	1	Tube, Exhaust	
602	1320021	1	Clamp, Muffler 2 1/8in	
603	3220036	1	Arrestor, Spark	
	0259488	Ref	<b>SPARK ARRESTOR INSTALLATION (OPTIONAL) (SN 65349 to Present)</b>	1
701	3220118	1	Arrestor, Spark	

# SECTION 2 - GROUND CONTROLS

FIGURE 2-12. 110 VOLT GENERATOR INSTALLATION - DEUTZ (OPTIONAL)



## SECTION 2 - GROUND CONTROLS

**FIGURE 2-12. 110 VOLT GENERATOR INSTALLATION - DEUTZ (OPTIONAL)**

ITEM	PART NUMBER	QTY	DESCRIPTION	REV
	0251801	Ref	<b>110 VOLT GENERATOR INSTALLATION (DEUTZ) (OPTIONAL) (PRIOR TO JULY 1994)</b>	G
	0255038	Ref	<b>110 VOLT GENERATOR INSTALLATION (DEUTZ) (OPTIONAL) (JULY 1994 TO PRESENT)</b>	2
1	3580158	1	Pulley	
3	0701012	2	Bolt, Metric 10mm x 25mm	
4	4812000	2	Flatwasher, Metric 10mm	
5	0480059	1	V-Belt	
6	4751500	1	Flatwasher 5/16in	
7	4761500	2	Lockwasher 5/16in	
8	0681510	2	Bolt 5/16in-18NC x 1 1/4in (Grade 8)	
9	7027887	1	Key, Woodruff	
11	2460011	1	110 Volt Generator	
11	7003657	1	Control Box Assembly	
		Ref	<b>Note: Replacement 110V Control Box comes with 2 standard Receptacles p/n 4460190. Optional Industrial Twist Lock Receptacles p/n 44600027 must be ordered separately.</b>	
11	2420203	1	Voltmeter	
11	4360542	1	Breaker, Circuit	
11	2920162	1	Lamp	
11	7020191	1	Switch, Toggle	
11	3520028	1	Plug, Hole	
11	7012558	1	Generator Assembly	
11	7026199	1	Armature with Slip Rings	
11	7020108	4	Brushes	
11	7020109	4	Holdings, Brush	
11	7012513	4	Cap, Brush Holder	
11	3580134	1	Pulley	
11	7012514	1	Fan	
11	7020193	1	Cord, Power - 12ft Length	
11	7020110	1	Bell End, Front	
11	7020111	1	Bell End, Rear	
11	7020190	2	Bearing	
12	0361815	1	Arm, Adjustment	
13	4843410	1	Bracket, Generator Mounting	
14	3311501	1	Nut 5/16in-18NC	
15	2180730	1	Fitting, Adapter	
16	2180749	1	Fitting, 45	
17	2180537	1	Fitting, Nipple	
18	4360037	1	Switch, Pressure	
19	2180360	0	Fitting, Tee (Not Required July 1994 to Present)	
20	2200261	0	Fitting, Coupling (Not Required July 1994 to Present)	
21	0701414	1	Bolt, Metric 14MM x 30MM	
22	1060012	4 ft/1.2m	Cable, Electrical - 12/4 ( <b>Prior to SN 92438</b> )	
22	1060515	4 ft/1.2m	Cable, Electrical - 12/4 ( <b>SN 92438 to Present</b> )	
24	3911004	2	Screw, Machine #10-24NC x 1/2in	
25	3311001	2	Nut #10-24NC	
26	4761000	2	Lockwasher #10	
27	0901609	1	Bracket, Control Box Mounting	
28	0641507	2	Bolt 5/16in-18NC x 7/8in	

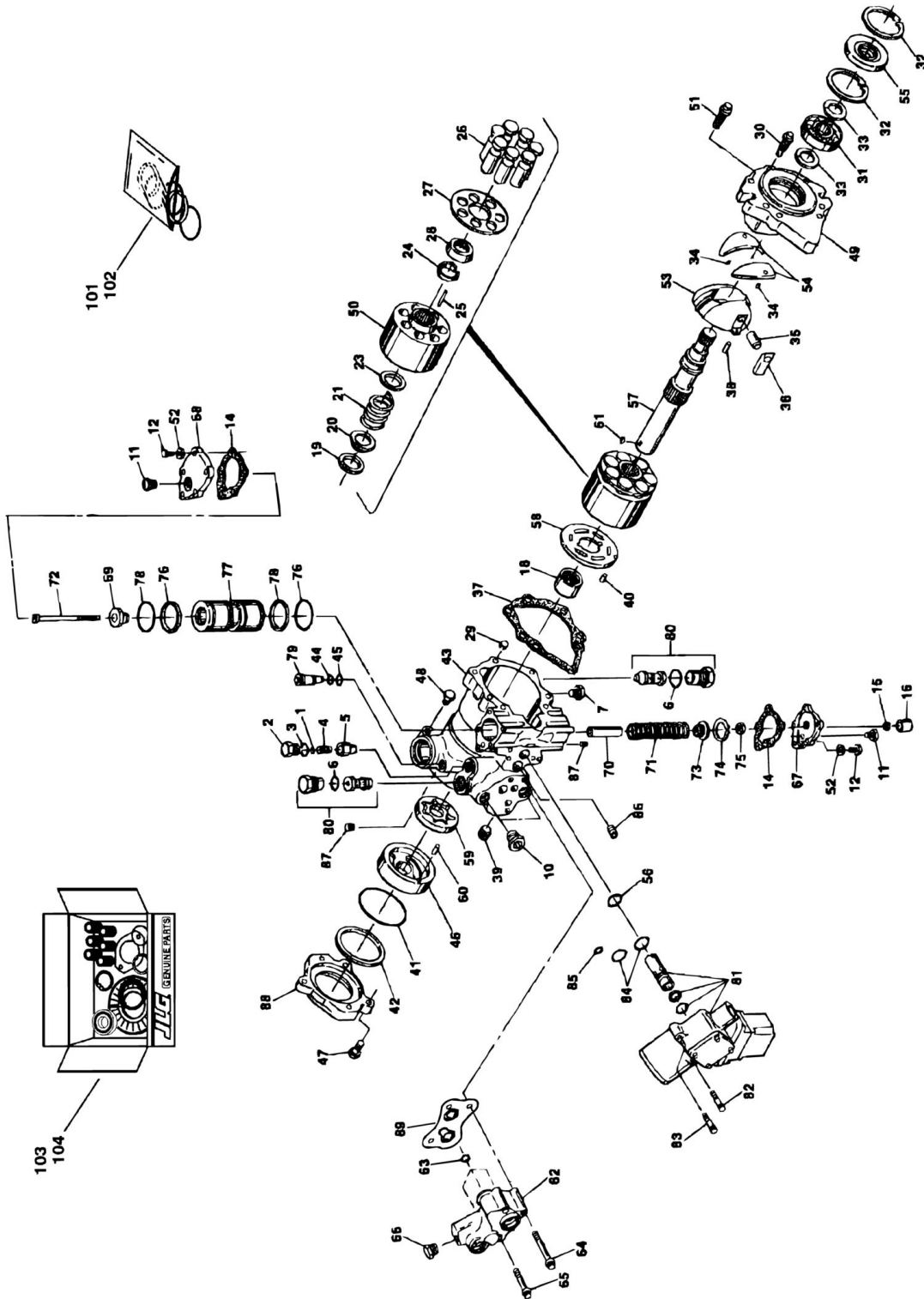
## SECTION 2 - GROUND CONTROLS

ITEM	PART NUMBER	QTY	DESCRIPTION	REV
29	4751500	2	Flatwasher 5/16in	
30	4761500	2	Lockwasher 5/16in	
31	3251476	1	Name tag - On/Off	
32	0681610	2	Bolt 3/8in-16NC x 1 1/4in (Grade 8)	
33	4761600	2	Lockwasher 3/8in	
34	4751600	2	Flatwasher 3/8in	
34	0100011	AR	LOCTITE #242	



# SECTION 2 - GROUND CONTROLS

## FIGURE 2-13. PUMP ASSEMBLY - SUNSTRAND



## SECTION 2 - GROUND CONTROLS

### FIGURE 2-13. PUMP ASSEMBLY - SUNSTRAND

ITEM	PART NUMBER	QTY	DESCRIPTION	REV
		Ref	<b>PUMP ASSEMBLY - SUNSTRAND</b>	
	3600164	Ref	<b>13 Tooth Pump Spline (Prior to SN 30660)</b>	A
	3600260	Ref	<b>15 Tooth Pump Spline (SN 30660 to Present)</b>	B
1	7007413	1	Shim Kit - Relief Valve	
2	7007414	1	Plug	
3	Item 101	1	O-Ring	
4	7007416	1	Spring, Relief Valve	
5	7007417	1	Valve, Relief	
6	Item 101	2	O-Ring	
7	7007419	2	Plug	
10	7007420	2	Plug	
11	7007208	2	Plug	
12	7007421	10	Screw	
14	7007422	2	Gasket, Servo Cover	
15	Item 101	1	Nut, Special	
16	7007424	1	Cover, Adjustment	
18	7007425	1	Bearing, Needle	
19	Item 104	1	Ring, Retaining	
20	Item 104	1	Washer	
21	Item 104	1	Spring	
23	Item 104	1	Washer	
24	Item 104	1	Retainer	
25	Item 104	3	Pin, Slipper Holddown	
26	Item 104	7	Piston Assembly	
27	Item 104	1	Guide, Slipper	
28	Item 104	1	Guide, Retainer	
29	7007435	1	Pin, Spring	
30	7007436	1	Screw - 12 Point Head	
31	7007437	1	Bearing, Ball	
32	7007438	2	Ring	
33	7007439	2	Ring	
34	7007440	2	Pin, Spring	
35	7007441	1	Handle, Pin	
36	7007442	1	Sleeve, Bearing	
37	Item 101	1	Gasket, Front Cover	
38	7007444	1	Pin	
39	7007445	1	Plug, Expansion	
40	Item 104	1	Pin	
41	See Note	1	O-Ring (Note: Use Items 101 & 103)	
42	See Note	1	Ring, Load Temper (Note: Use Items 101 & 103)	
43	7007449	1	Housing, Pump	
44	Item 101	1	Ring, Back-Up	
45	Item 101	1	O-Ring	
46	Item 103	1	Cover, Gerotor	
47	7007453	3	Bolt, Hex	
48	7007208	1	Plug	
49	7007454	1	Cover, Front	
50	Item 104	1	Block, Cylinder	
51	7007456	6	Screw - 12 Point Head	
52	7001438	10	Washer	

## SECTION 2 - GROUND CONTROLS

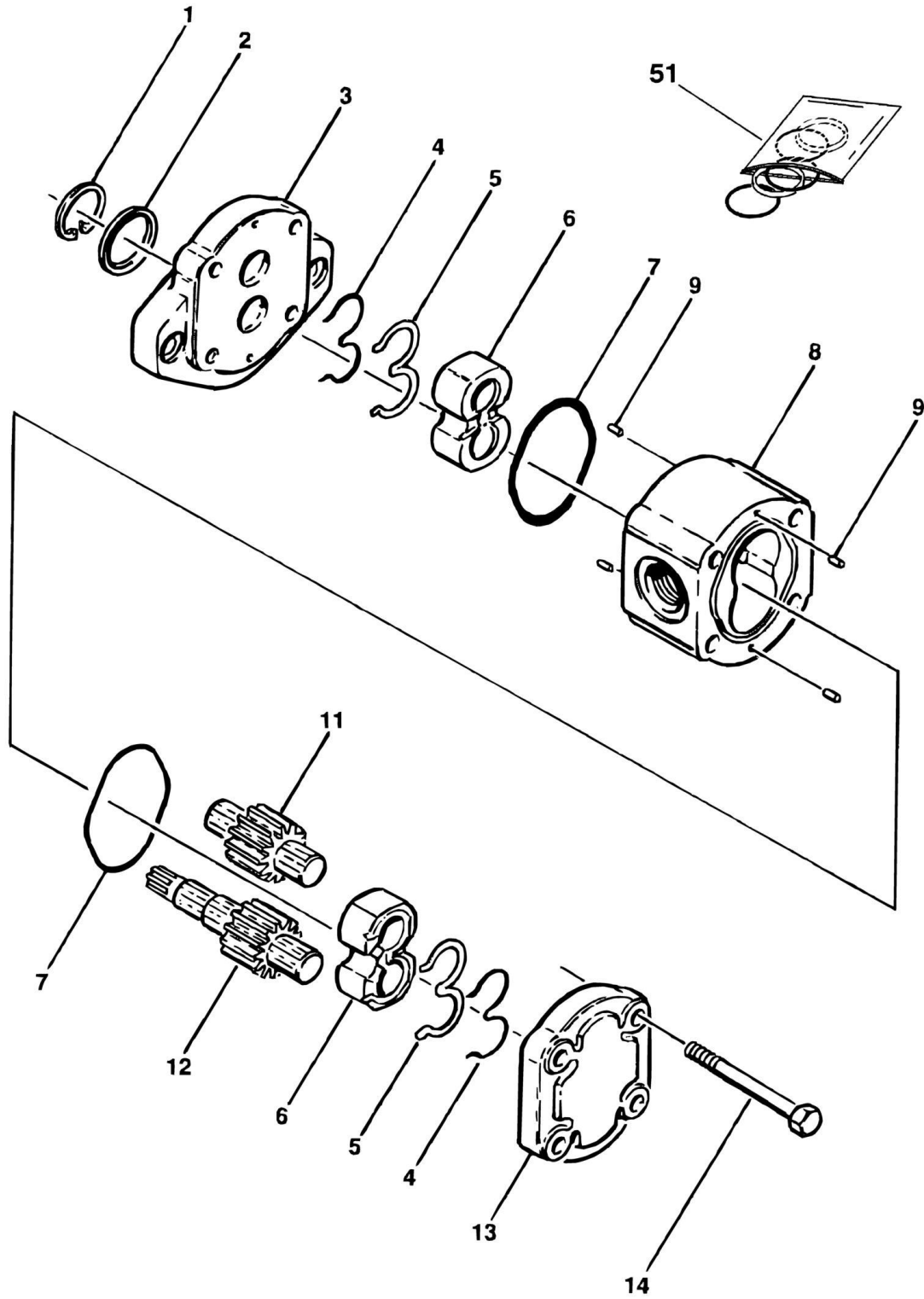
ITEM	PART NUMBER	QTY	DESCRIPTION	REV
53	Item 104	1	Swash plate	
54	7007458	1	Journal, Bearing	
55	See Note	1	Seal, Lip (Note: Use Items 101 & 104)	
56	Item 101	1	O-Ring	
57		Ref	Shaft, Main Pump	
57	7007461	1	13 Tooth Pump Spline <b>(Prior to SN 30660)</b>	
57	7010121	1	15 Tooth Pump Spline <b>(SN 30660 to Present)</b>	
58	Item 104	1	Plate, Valve	
59	Item 103	1	Gerotor Assembly	
60	Item 103	1	Pin	
61	Item 103	1	Key, Woodruff	
62	7007466	1	Adaptor, Remote Filtration (Without Bypass)	
63	Item 101	3	O-Ring	
64	7007468	2	Screw	
65	7007469	2	Screw	
66	7007470	1	Plug	
67	7007471	1	Cover, Servo (With Adjuster)	
67	7007490	2	Stop, Servo (Not Shown)	
67	7007491	2	Nut, Special (Not Shown)	
67	7007492	2	Ring, External (Not Shown)	
68	7007482	1	Cover, Servo (Without Adjuster)	
69	7007483	1	Guide, Spring	
70	7007484	1	Stop, Servo	
71	7007485	1	Spring	
72	7007486	1	Screw	
73	7007487	1	Guide, Spring	
74	7007488	1	Ring, Retaining	
75	7007499	1	Locknut	
76	See Note	2	Ring, Piston (Note: Use Items 101 & 102)	
77	7007494	1	Piston, Servo	
78	See Note	2	O-Ring (Note: Use Items 101 & 102)	
79	7007472	1	Valve, By-Pass	
80	7010122	2	Valve, Pressure Release (Includes Item 6) (Was P/N 7007473)	
81	7007474	1	Control, Dual Oil-Filled	
81	7007496	1	Coil Assembly (Pilot)	
81	7007497	1	Plug (Pump)	
81	7007498	1	Plug (Valve Harness)	
82	7007478	2	Screw	
83	7001498	2	Screw	
84	Item 101	2	O-Ring	
85	Item 101	1	O-Ring	
86	7007475	1	Plug, Orifice/Screen -.156	
87	7007477	2	Plug, Orifice -.37	
88	7007476	1	Adapter, Auxiliary Pump	
89	7010120	1	Spacer/Gasket	
101	2900752	1	Seal Kit - Complete (Includes Items 3, 6, 14, 15, 37, 41, 42, 44, 45, 55, 56, 63, 76, 78, 84 & 85)	
102	7007412	1	Seal Kit - Servo Piston (Includes Items 76 & 78)	
103	2900826	1	Charge Pump Kit (Includes Items 41, 42, 46, 59, 60, 61)	
104	2900827	1	Cylinder Block Kit (Includes Items 19-28, 40, 50, 53, 55, 58)	





# SECTION 2 - GROUND CONTROLS

## FIGURE 2-14. PUMP ASSEMBLY - BARNES



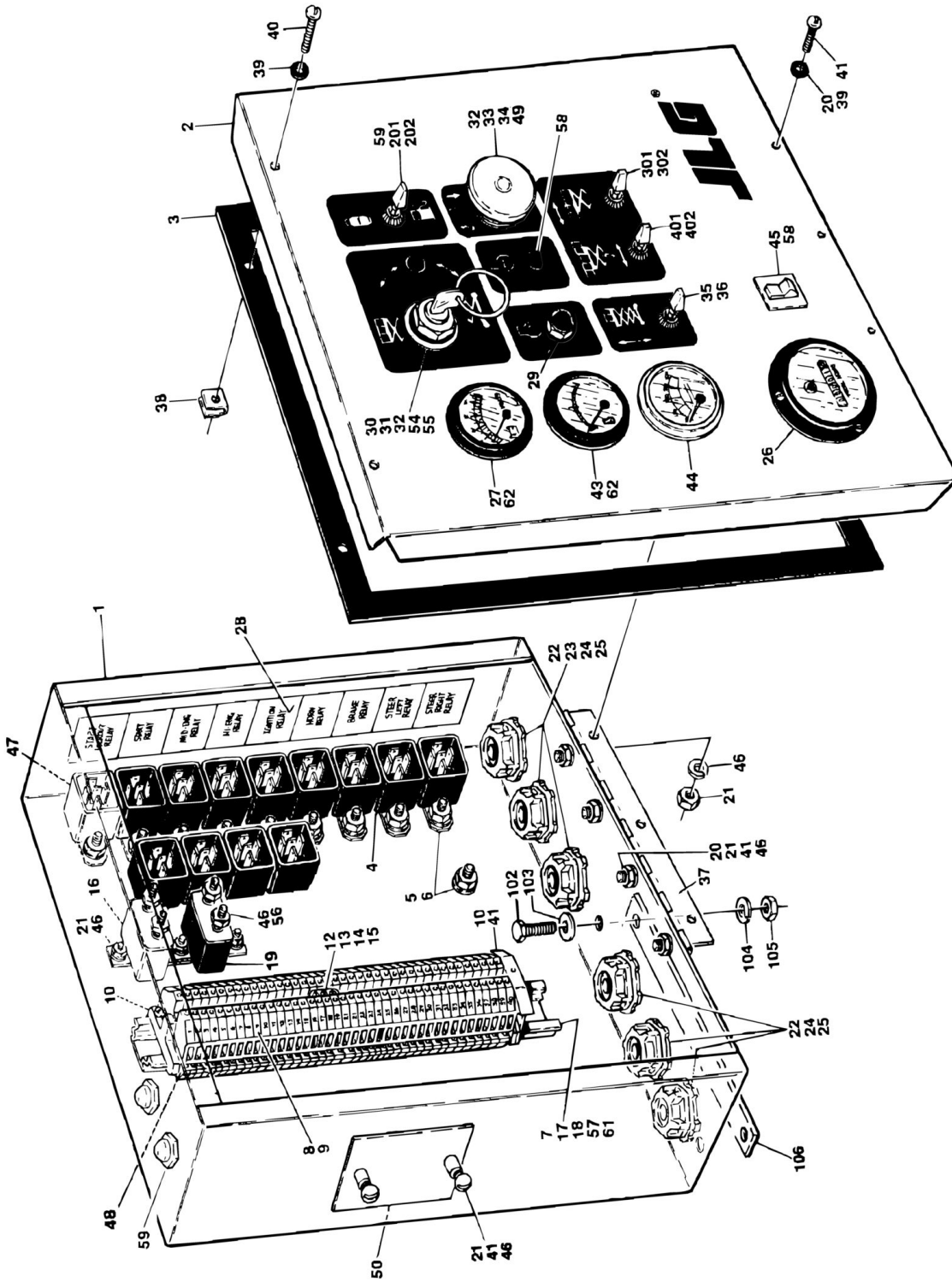
## SECTION 2 - GROUND CONTROLS

**FIGURE 2-14. PUMP ASSEMBLY - BARNES**

ITEM	PART NUMBER	QTY	DESCRIPTION	REV
	3600205	Ref	<b>PUMP ASSEMBLY - BARNES</b>	-
1	7010955	1	Ring, Retaining	
2	Item 51	1	Seal Shaft	
3	7010956	1	Flange, Mounting	
4	Item 51	2	Ring, Back-Up	
5	Item 51	2	E-Seal	
6	7010957	2	Bearing	
7	Item 51	2	O-Ring	
8	7010996	1	Housing, Gear	
9	7010959	4	Pin, Dowel	
11	7010997	1	Gear, Idler	
12	7010998	1	Gear, Drive	
13	7010960	1	Cover, End	
14	7010961	4	Bolt	
51	7010953	1	Seal Kit (Includes Items 2, 4, 5 & 7)	

# SECTION 2 - GROUND CONTROLS

## FIGURE 2-15. GROUND CONTROL BOX INSTALLATION



## SECTION 2 - GROUND CONTROLS

### FIGURE 2-15. GROUND CONTROL BOX INSTALLATION

ITEM	PART NUMBER	QTY	DESCRIPTION	REV
		Ref	<b>GROUND CONTROL BOX INSTALLATIONS:</b>	
	0860810	Ref	<b>FORD POWERED MACHINES</b>	8
	0861010	Ref	<b>FORD DIS 423 POWERED MACHINES (400RTS)</b>	5
	0861011	Ref	<b>FORD DIS 423/LRG-425 POWERED MACHINES (500RTS)</b>	6
	0861539	Ref	<b>FORD LRG-425 POWERED MACHINES (500RTS) (CSA SPEC) (SN 103703 to Present)</b>	1
	0860812	Ref	<b>DEUTZ POWERED MACHINES</b>	9
	0861234	Ref	<b>DEUTZ POWERED MACHINES (CSA SPEC) (SN 103703 to Present)</b>	6
1		Ref	Box, Ground Control Options:	
1	4845486	1	Box, Ground Control 500RTS (was p/n 4844268) <b>(Prior to SN 78383)</b>	
1	4845486	1	Box, Ground Control 500RTS <b>(SN 78383 to Present)</b>	
1	4844268	1	Box, Ground Control 400RTS	
2		Ref	Lid Options:	
2	3252217	1	Lid <b>(Prior to SN 65040)</b>	
2	3252642	1	Lid <b>(SN 65040 to Present)</b>	
3	4420037	4 ft/.2m	Strip, Rubber	
4	3740049	AR	Relay - 12V	
5	4761400	10	Lockwasher 1/4in	
6	3311401	10	Nut 1/4in-20NC	
7	3640500	1	Rail, Mounting	
8	4460298	44	Block, Terminal	
9	4460301	1	Marker, Terminal	
10	4460299	2	Stop, Terminal	
11	4460300	1	Barrier, Terminal	
12	4460309	1	Bar, Buss - 3 Position	
13	4460305	3	Screw	
14	4460306	3	Washer	
15	4460307	3	Sleeve	
16	4360216	1	Breaker, Circuit - 30 Amp	
17	4760600	2	Lockwasher #6	
18	3310601	2	Nut #6-32NC	
19	4360232	1	Breaker, Circuit - 15 Amp	
20	4761000	4	Flatwasher #10 <b>(Prior to SN 78383)</b>	
21	3311001	AR	Nut #10-24NC	
22	4460051	6	Connector, Strain Relief	
23	4460071	2	Connector, Strain Relief <b>(Prior to SN 30660)</b>	
24	3300048	6	Locknut, Conduit	
25	0960238	6	Bushing <b>(Prior to SN 108336)</b>	
26	2420009	1	Hourmeter	
27		Ref	Voltmeter Options:	
27	2420091	1	Voltmeter 500RTS <b>(Prior to SN 78383)</b>	
27	2420156	1	Voltmeter 500RTS <b>(SN 78383 to Present)</b>	
27	2420091	1	Voltmeter 400RTS	
28	1701682	1	Decal - Relay Functions	
29	4360274	1	Switch, Push Button (Start)	
30		Ref	Switch, Key (Select) Options:	
30	4360290	1	Switch, Key (Select) <b>(Prior to SN 65040)</b>	

## SECTION 2 - GROUND CONTROLS

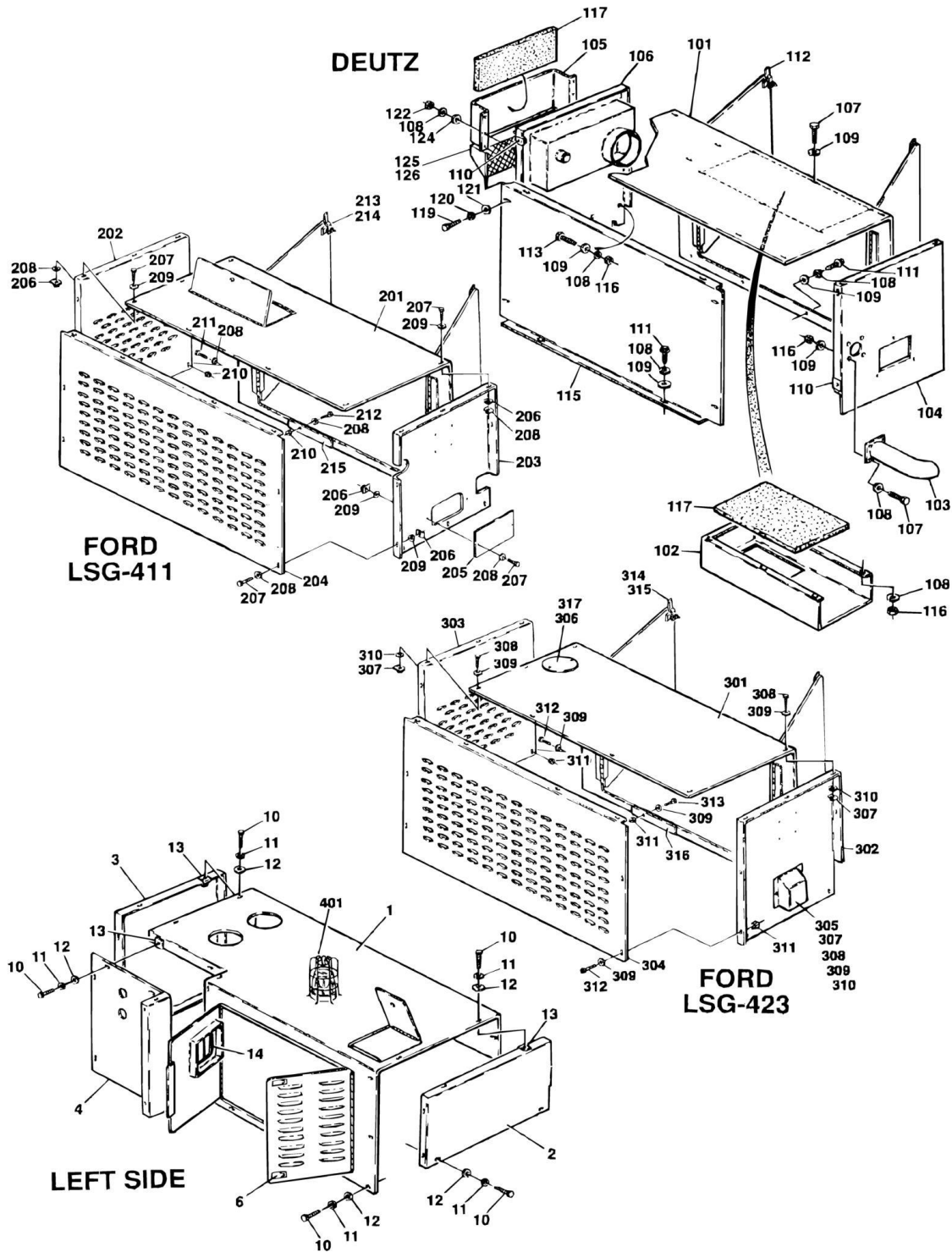
ITEM	PART NUMBER	QTY	DESCRIPTION	REV
30	4360469	1	Switch, Key (Select) (Common Key Style) <b>(SN 65040 to Present)</b>	
30		Ref	Key, Replacement Options:	
30	7010698	1 set	Key, Replacement <b>(Prior to SN 65040)</b>	
30	2860030	1 set	Key, Replacement (Common Key Style) <b>(SN 65040 to Present)</b>	
31	4360267	1	Block, Contact <b>(Prior to SN 66916)</b>	
32		Ref	Block, Contact Options:	
32	4360281	1	Block, Contact <b>(Prior to SN 66916)</b>	
32	4360478	1	Block, Contact <b>(SN 66916 to Present)</b>	
33		Ref	Switch, Push/Pull (Emergency Stop) Options:	
33	4360475	1	Switch, Push/Pull (Emergency Stop) (p/n was 4360289) <b>(Prior to SN 66916)</b>	
33	4360475	1	Switch, Push/Pull (Emergency Stop) <b>(SN 66916 to Present)</b>	
34	0100035	AR	Loctite #222 (Not Shown) <b>(Prior to SN 78383)</b>	
35	4360314	1	Switch, Toggle (Lift)	
36	3790012	1	O-Ring	
37	2600093	1	Hinge	
38	3300177	2	Nut, Tinnerman	
39	4740120	5	Washer, Nylon	
40	0750806	2	Screw, Round Head #8-32NC x 3/4in	
41	3911008	AR	Screw, Round Head #10-24NC x 1in	
43		Ref	Gauge, Oil Pressure Options:	
43	2420128	1	Ford	
43	2420111	1	Deutz	
44		Ref	Gauge, Water Temperature Options:	
44	2420127	1	Ford	
44	Not Required	0	Deutz	
45		Ref	Options:	
45	3520026	1	Plug, Hole (Ford)	
45	4360212	1	Breaker, Circuit - 3 Amp (Deutz)	
46	4761000	AR	Lockwasher #10	
47	3740077	1	Relay - 6V	
48	4460303	1	Strip, Ground Relay	
49	4740066	1	Washer, Thrust <b>(Prior to SN 66916)</b>	
50		Ref	Switch, Remote Speed Set (August 1995 to Present)	
50	4360228	1	Ford	
50	Not Required	0	Ford DIS 423/LRG-425	
50	Not Required	0	Deutz	
54	4070987	5	Shim,.015 <b>(SN 65040 to Present)</b>	
55	0720603	5	Screw #6-32NC x 3/8 <b>(SN 65040 to Present)</b>	
56	3321001	8	Nut #10-32NC <b>(SN 78383 to Present)</b>	
57	4750600	2	Flatwasher #6 <b>(SN 78383 to Present)</b>	
58	3520026	AR	Plug <b>(SN 78383 to Present)</b>	
59	3520028	AR	Plug <b>(SN 78383 to Present)</b>	
60	3340841	4	Pad, PVC (Not Shown) <b>(SN 108336 to Present)</b>	
61	3910606	2	Screw #6-32 x 3/4 <b>(SN 108336 to Present)</b>	
62	2420084	2	Kit, Gauge Light <b>(SN 108336 to Present)</b>	
		Ref	<b>GROUND CONTROL BOX INSTALLATION</b>	
	0255557	Ref	<b>FORD DIS 423 - 400RTS</b>	A
	0255558	Ref	<b>FORD DIS 423/425 - 500RTS</b>	A
	0253348	Ref	<b>FORD - 400RTS/500RTS</b>	A

## SECTION 2 - GROUND CONTROLS

ITEM	PART NUMBER	QTY	DESCRIPTION	REV
	0272224	Ref	<b>FORD LRG-425 - 500RTS (CSA SPEC) (SN 103703 to Present)</b>	1
	0253350	Ref	<b>DEUTZ - 400RTS/500RTS</b>	A
	0258665	Ref	<b>DEUTZ - 500RTS (CSA SPEC) (SN 103703 to Present)</b>	1
102	0641410	2	Bolt 1/4in-20NC x 1-1/4in	
103	4751400	4	Flatwasher 1/4in	
104	4761400	2	Lockwasher 1/4in	
105	3311401	2	Nut 1/4in-20NC	
106	0362591	1	Bar, Brace	
	0250790	Ref	<b>OPTIONAL DUAL FUEL CONTROLS INSTALLATION</b>	12
201	4360331	1	Switch, Toggle (Select)	
202	3790012	1	O-Ring	
		Ref	<b>OPTIONAL PLATFORM EXTENSION CONTROLS INSTALLATION - SINGLE EXTENSION</b>	
301	4360330	1	Switch, Toggle (Extend)	
302	3790012	1	O-Ring	
		Ref	<b>OPTIONAL PLATFORM EXTENSION CONTROLS INSTALLATION - DUAL EXTENSIONS</b>	
401	4360314	1	Switch, Toggle (Platform Select)	
402	3790012	1	O-Ring	

# SECTION 2 - GROUND CONTROLS

## FIGURE 2-16. HOODS AND BEACON LIGHT INSTALLATION





## SECTION 2 - GROUND CONTROLS

### FIGURE 2-16. HOODS AND BEACON LIGHT INSTALLATION

ITEM	PART NUMBER	QTY	DESCRIPTION	REV
	0253280	Ref	<b>HOOD INSTALLATION - LEFT SIDE (STANDARD ON ALL MACHINES)</b>	4
1	2680407	1	Hood Weldment - Left Side	
2	3536371	1	Plate - Left Side Rear	
3	3536372	1	Plate - Left Side Front	
4	3536373	1	Plate - Left Side	
6	2940042	2	Latch	
7	0100011	AR	Loctite #242 (Not Shown)	
10	0641406	32	Bolt 1/4in-20NC x 3/4in	
11	4751400	32	Flatwasher 1/4in	
12	4761400	32	Lockwasher 1/4in	
13	3300353	20	Nut, Tinnerman	
14	4060803	7.5 ft/2.3m	Trim - Strip	
	2902129	1	Kit, Hood (Includes Items 1-4)	
		Ref	<b>Note: Replacement decals must be ordered separately - See DECALS SECTION for Breakdown.</b>	
	0253382	Ref	<b>HOOD INSTALLATION - RIGHT SIDE (DIESEL MACHINES)</b>	7
101	2680408	1	Hood Weldment - Right Side	
102	3536430	1	Plate - Air Exhaust	
103	4844024	1	Snorkel, Exhaust	
104	3536431	1	Plate - Right Side Rear	
105	3535352	1	Plate - Air Intake	
106	4844279	1	Plate - Right Side Front	
107	0641406	20	Bolt 1/4in-20NC x 3/4in	
108	4761400	20	Lockwasher 1/4in	
109	4751400	34	Flatwasher 1/4in	
110	3300364	16	Nut, Tinnerman	
111	3941406	6	Screw, Self-Tapping 1/4in x 3/4 <b>(Prior to SN 44721)</b>	
112	2940042	2	Latch, Flush Mounting	
113	0641408	4	Bolt 1/4in-20NC x 1in	
114	0100011	AR	Loctite #242 (Not Shown)	
115		Ref	Plate - Right Side Inside Options:	
115	3380515	1	Plate - Right Side Inside (was p/n 3536434) <b>(Prior to SN 117135)</b>	
115	3380515	1	Plate - Right Side Inside <b>(SN 117135 to Present)</b>	
116	3311405	10	Locknut 1/4in-20NC	
117	2820047	2	Foam, Acoustical	
118	3536622	1	Cover, Pump	
119	0641508	16	Bolt 5/16in-18NC x 1in	
120	4761500	16	Lockwasher 5/16in	
121	4751500	16	Flatwasher 5/16in	
122	3311401	6	Nut 1/4in-20NC <b>(SN 44721 to Present)</b>	
123	3300353	8	Nut, Tinnerman 1/4in-20NC <b>(SN 44721 to Present)</b>	
124	4711400	6	Flatwasher 1/4 <b>(SN 44721 to Present)</b>	
125	4060969	1	Shield, Intake <b>(SN 48837 to Present)</b>	
126	3820019	6	Rivet <b>(SN 48837 to Present)</b>	
	2902130	1	Kit, Hood (Includes Items 101-106, 115, 118 & 125)	
		Ref	<b>Note: Replacement decals must be ordered separately - See DECALS SECTION for Breakdown.</b>	

## SECTION 2 - GROUND CONTROLS

ITEM	PART NUMBER	QTY	DESCRIPTION	REV
	0253299	Ref	<b>HOOD INSTALLATION - RIGHT SIDE (FORDVSG 411 GAS MACHINES)</b>	2
201	2680406	1	Hood Weldment - Right Side	
202	3536349	1	Plate - Right Side Front	
203	3536350	1	Plate - Right Side Rear	
204	3536351	1	Plate - Inside Cover	
205	3536622	1	Cover, Pump	
206	3300353	9	Nut, Tinnerman	
207	0641406	9	Bolt 1/4in-20NC x 3/4in	
208	4751400	20	Flatwasher 1/4in	
209	4761400	10	Lockwasher 1/4in	
210	3311405	9	Locknut 1/4in-20NC	
211	0641408	10	Bolt 1/4in-20NC x 1in	
212	0641406	2	Bolt 1/4in-20NC x 3/4in	
213	2940042	2	Latch, Flush Mount	
214	0100011	AR	Loctite #242	
215	0362100	1	Bar	
		Ref	<b>HOOD INSTALLATION - RIGHT SIDE OPTIONS:</b>	
	0254949	Ref	<b>FORD LSG 423 GAS MACHINES</b>	A
	0255269	Ref	<b>FORD LRG-423 DIS/LRG 425 GAS MACHINES</b>	6
301		Ref	Hood Weldment - Right Side	
301	2680415	1	Ford LSG-423	
301	2680419	1	Ford LRG-423/LRG-425	
302		Ref	Plate - Right Side Front Options:	
302	3538188	1	Ford LSG-423	
302		Ref	Ford LRG-423/LRG-425 Options:	
302	3538743	1	Ford LRG-423/LRG-425 <b>(Prior to SN 46528)</b>	
302	3570984	1	Ford LRG-423/LRG-425 <b>(SN 46528 to Present)</b>	
303		Ref	Plate - Right Side Rear Options:	
303	3538189	1	Ford LSG-423	
303		Ref	Ford LRG-423/LRG-425 Options:	
303	3538744	1	Ford LRG-423/LRG-425 <b>(Prior to SN 46528)</b>	
303	3570983	1	Ford LRG-423/LRG-425 <b>(SN 46528 to Present)</b>	
304		Ref	Plate - Inside Cover Options:	
304	3538450	1	Ford LSG-423	
304		Ref	Ford LRG-423/LRG-425 Options:	
304	3538745	1	Ford LRG-423/LRG-425 <b>(Prior to SN 37789)</b>	
304	3536351	1	Ford LRG-423/LRG-425 <b>(SN 37789 to Present)</b>	
305		Ref	Shield, Pump Cover Options:	
305	4060887	1	Ford LSG-423	
305	4060893	1	Ford LRG-423/LRG-425	
306	1670560	1	Cover Plate	
307	3300353	AR	Nut, Tinnerman	
308	0641406	AR	Bolt, 1/4in-20NC x 3/4in	
309	4751400	AR	Flatwasher 1/4in	
310	4761400	AR	Lockwasher 1/4in	
311	3311405	4	Locknut 1/4in-20NC	
312	0641408	AR	Bolt, 1/4in-20NC x 1in	
313	0641412	1	Bolt 1/4in-20NC x 1 1/2in Lg <b>(Prior to SN 46528)</b>	
314	2940042	2	Latch, Flush Mount	
315	0100011	AR	Loctite	
316	0362100	1	Bar	

## SECTION 2 - GROUND CONTROLS

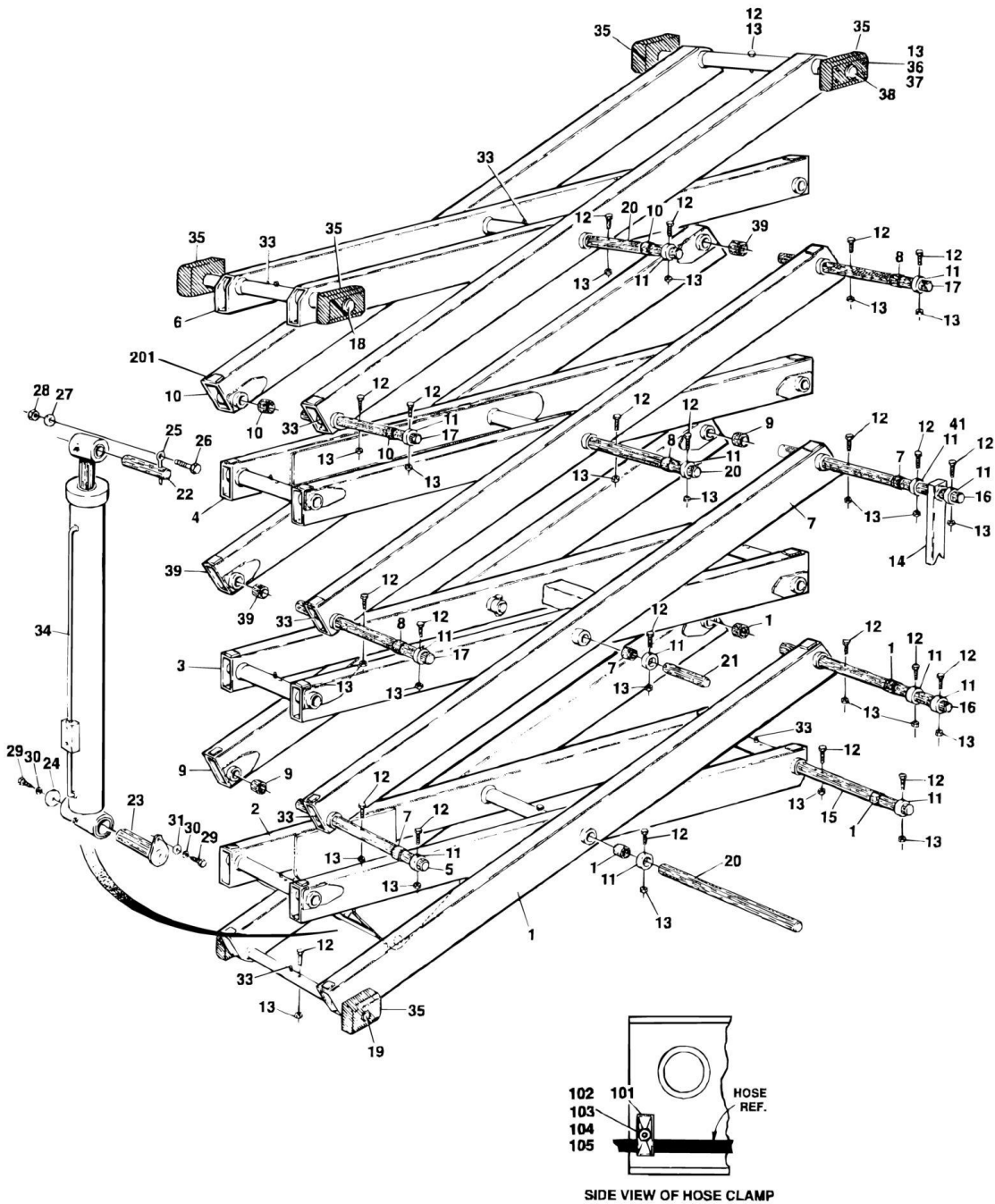
ITEM	PART NUMBER	QTY	DESCRIPTION	REV
317	0751006	2	Screw, Sheet Metal (Prior to SN 46528)	2
	2902131	1	Kit, Hood (Includes Items 301-306)	
		Ref	<b>Note: Replacement decals must be ordered separately - See DECALS SECTION for Breakdown.</b>	
	0253445	Ref	<b>BEACON LIGHT INSTALLATION (HOOD MOUNTED) (OPTION)</b>	
401	2920105	1	Light, Strobe - Amber	
401	7016603	1	Replacement Bulb	
401	4060829	1	Guard, Wire	
401	3041404	2	Screw, Self-Tap 1/4in x 1/2in	
401	0641406	2	Bolt 1/4in-20NC x 3/4in	
401	4751400	2	Flatwasher 1/4in	
401	3311405	2	Locknut 1/4in-20NC	



**SECTION 3 - SCISSORS ARMS**

# SECTION 3 - SCISSORS ARMS

## FIGURE 3-1. SIZZORS ARMS INSTALLATION - 400RTS (Prior to SN 41058)



## SECTION 3 - SCISSORS ARMS

**FIGURE 3-1. SIZZORS ARMS INSTALLATION - 400RTS (Prior to SN 41058)**

ITEM	PART NUMBER	QTY	DESCRIPTION	REV
	0253916	Ref	<b>ARMS ASSEMBLY - 400RTS</b>	7
	0253917	Ref	<b>ARMS ASSEMBLY (CSA)</b>	6
1	0200484	1	Arm Weldment (Bottom Outboard)	
1	0961731	4	Bushing, Bronze	
2	0200485	1	Arm Weldment (Bottom Inboard)	
3	0200486	1	Arm Weldment (2nd Inboard)	
4	0200516	1	Arm Weldment (3rd Inboard)	
5		Ref	Pin, Pivot Options:	
5	3422154	1	Standard	
5	3422172	1	CSA	
6	0200517	1	Arm Weldment (Top Inboard)	
7	0200490	1	Arm Weldment (2nd Outboard - Right Side)	
7	0961731	3	Bushing, Bronze	
8	0200491	1	Arm Weldment (3rd Outboard - Right Side)	
8	0961731	3	Bushing, Bronze	
9	0200494	1	Arm Weldment (2nd Outboard - Left Side)	
9	0961731	3	Bushing, Bronze	
10	0200493	1	Arm Weldment (Top Outboard)	
10	0961731	4	Bushing, Bronze	
11	1440237	28	Collar	
12	0681630	45	Bolt 3/8in-16NC x 3 3/4in (Grade 8)	
13	3311605	53	Locknut 3/8in-16NC	
14	3536607	2	Prop, Safety	
15	3422152	1	Pin, Pivot	
16	3422153	2	Pin, Pivot	
17	3422154	3	Pin, Pivot	
18	3422155	1	Pin, Pivot	
19	3422156	1	Pin, Pivot	
20	3422157	3	Pin, Pivot	
21		Ref	Pin, Pivot Options:	
21	3422158	1	Standard	
21	3422171	1	CSA	
22	3422102	1	Pin, Pivot	
23	3422103	1	Pin, Pivot	
24	4740401	1	Washer, Special	
25	3841203	1	Shaft, Keeper	
26	0641714	1	Bolt 7/16in-14NC x 1 3/4in	
27	4761700	1	Lockwasher 7/16in	
28	3311701	1	Nut 7/16in-14NC	
29	0641612	1	Bolt 3/8in -16NC x 1 1/2in	
30	4761600	2	Lockwasher 3/8in	
31	3311601	1	Nut 3/8in-16NC	
32	0641608	1	Bolt 3/8in-16NC x 1in	
33	2160006	30	Fitting, Grease	
34		Ref	Lift Cylinder Assembly Options (See CYLINDER SECTION for Breakdown):	
34	1683467	1	Lift Cylinder Assembly (was p/n 1682969) <b>(Prior to SN 28615)</b>	
34	1683467	1	Lift Cylinder Assembly <b>(SN 28615 to Present)</b>	
35	3340664	6	Pad, Sliding	
36	0641626	8	Bolt 3/8in-16NC x 3 1/4in	

## SECTION 3 - SCISSORS ARMS

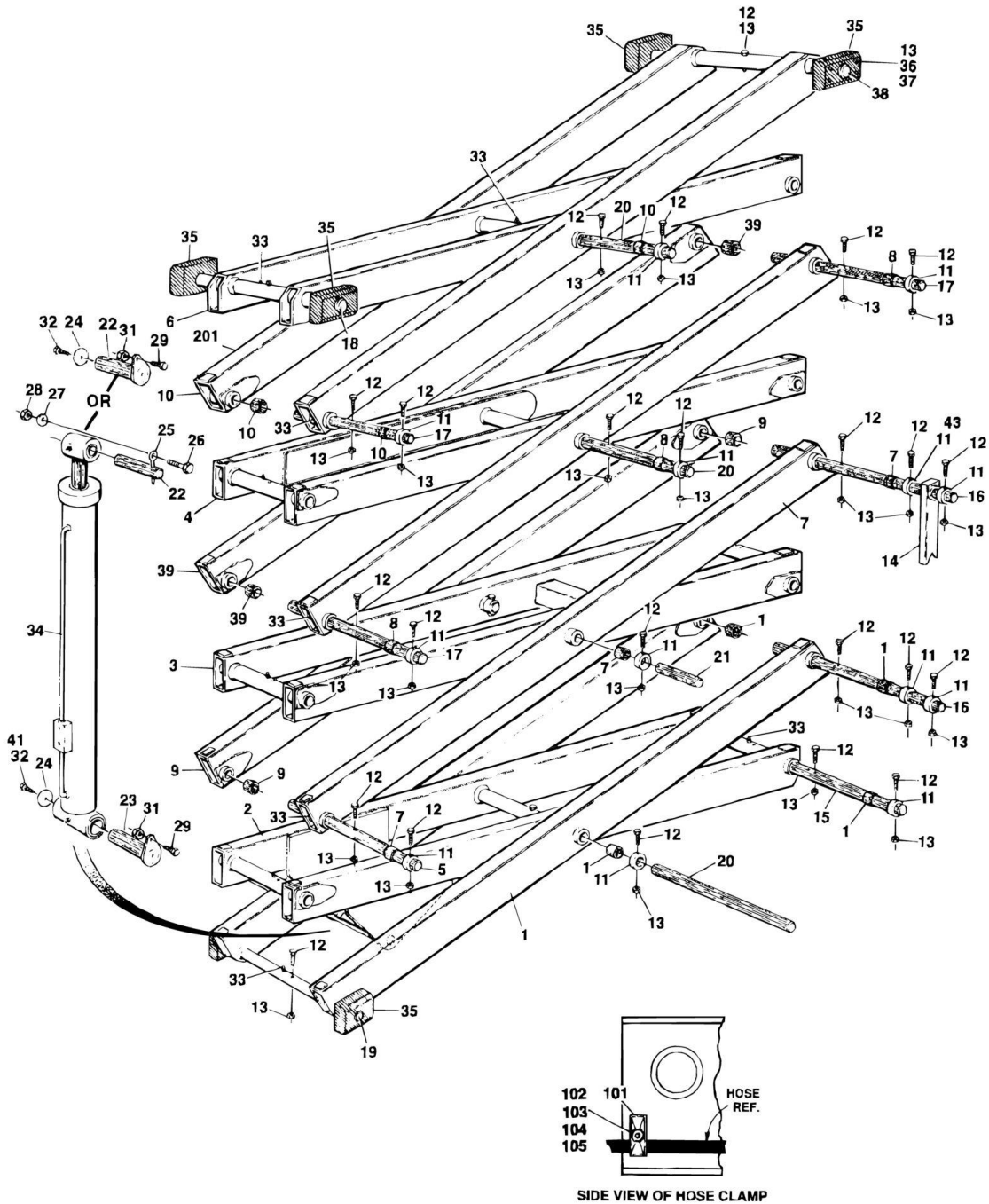
ITEM	PART NUMBER	QTY	DESCRIPTION	REV
37	4751600	16	Flatwasher 3/8in	
38	3422169	1	Pin, Pivot	
39	0200518	1	Arm Weldment (Upper Mid - Outboard)	
39	0961731	3	Bushing, Bronze	
40	1320095	1	Clamp, Hose (Not Shown)	
41	4740310	2	Washer, Thrust	
	0100011	AR	Loctite #242	
	2901329	1	Arm Kit, Complete (Includes Items 1, 2, 3, 4, 6, 7, 8, 9, 10 & 14) (Not Shown)	
	0254274	Ref	<b>HOSE CLAMP ASSEMBLY</b>	A
101	1320162	6	Clamp, Hose	
102	0641522	6	Bolt 5/16in-18 x 2 3/4in	
103	4751500	6	Flatwasher 5/16in	
104	4761500	6	Lockwasher 5/16in	
105	3311501	6	Nut 5/16in	
106	2820025	22 ft	Plastic, Spring Guard (Not Shown)	
	0252587	Ref	<b>ARM PADS</b>	3
201		Ref	Pad, Polyurethane Options:	
201	3340841	24	Pad, Polyurethane (p/n was 3340645) <b>(Prior to SN 47175)</b>	
201	3340841	24	Pad, Polyurethane <b>(SN 47175 to Present)</b>	





# SECTION 3 - SCISSORS ARMS

FIGURE 3-2. SIZZORS ARMS INSTALLATION - 400RTS (SN 41058 to Present)



## SECTION 3 - SCISSORS ARMS

**FIGURE 3-2. SIZZORS ARMS INSTALLATION - 400RTS (SN 41058 to Present)**

ITEM	PART NUMBER	QTY	DESCRIPTION	REV
	0257729	Ref	<b>ARMS ASSEMBLY - 400RTS</b>	3
	0257730	Ref	<b>ARMS ASSEMBLY (CSA)</b>	3
1	0200484	1	Arm Weldment (Bottom Outboard)	
1	0961731	4	Bushing, Bronze	
2	0200551	1	Arm Weldment (Bottom Inboard)	
3	0200552	1	Arm Weldment (2nd Inboard)	
4	0200578	1	Arm Weldment (3rd Inboard)	
5		Ref	Pin, Pivot Options:	
5	3422619	1	Standard	
5	3422172	1	CSA	
6	0200579	1	Arm Weldment (Top Inboard)	
7	0200490	1	Arm Weldment (2nd Outboard - Right Side)	
7	0961731	3	Bushing, Bronze	
8	0200491	1	Arm Weldment (3rd Outboard - Right Side)	
8	0961731	3	Bushing, Bronze	
9	0200494	1	Arm Weldment (2nd Outboard - Left Side)	
9	0961731	3	Bushing, Bronze	
10	0200493	1	Arm Weldment (Top Outboard)	
10	0961731	4	Bushing, Bronze	
11	1440324	28	Collar	
12	0681830	45	Bolt 1/2in-13NC x 3 3/4in (Grade 8)	
13	3311805	53	Locknut 1/2in-13NC	
14		Ref	Prop, Safety Options:	
14	3536607	2	Prop, Safety <b>(Prior to SN 42949)</b>	
14	3570875	2	Prop, Safety <b>(SN 42949 to Present)</b>	
15	3422617	1	Pin, Pivot	
16	3422618	2	Pin, Pivot	
17	3422619	3	Pin, Pivot	
18	3422620	1	Pin, Pivot	
19	3422621	1	Pin, Pivot	
20	3422622	3	Pin, Pivot	
21	3422623	2	Pin, Pivot	
22		Ref	Pin, Pivot Options:	
22	3422662	1	Pin, Pivot <b>(Prior to SN 42215)</b>	
22	3422624	1	Pin, Pivot <b>(SN 42215 to Present)</b>	
23	3422631	1	Pin, Pivot	
24	4740401	2	Washer, Special	
25	3841203	1	Shaft, Keeper <b>(Prior to SN 42215)</b>	
26	0641714	1	Bolt 7/16in-14NC x 1 3/4 <b>(Prior to SN 42215)</b>	
27	4761700	1	Lockwasher 7/16 <b>(Prior to SN 42215)</b>	
28	3311701	1	Nut 7/16in-14NC <b>(Prior to SN 42215)</b>	
29	0630524	2	Carriage Bolt 7/16in-14NC x 1 1/2in	
31	3311705	2	Locknut 7/16in-14NC	
32	0641608	2	Bolt 3/8in-16NC x 1in	
33	2160006	30	Fitting, Grease	
34	1683467	1	Lift Cylinder Assembly (See CYLINDER SECTION for Breakdown)	
35	3340664	6	Pad, Sliding	
36	0641626	8	Bolt 3/8in-16NC x 3 1/4in	
37	4751600	16	Flatwasher 3/8in	
38	3422626	1	Pin, Pivot	

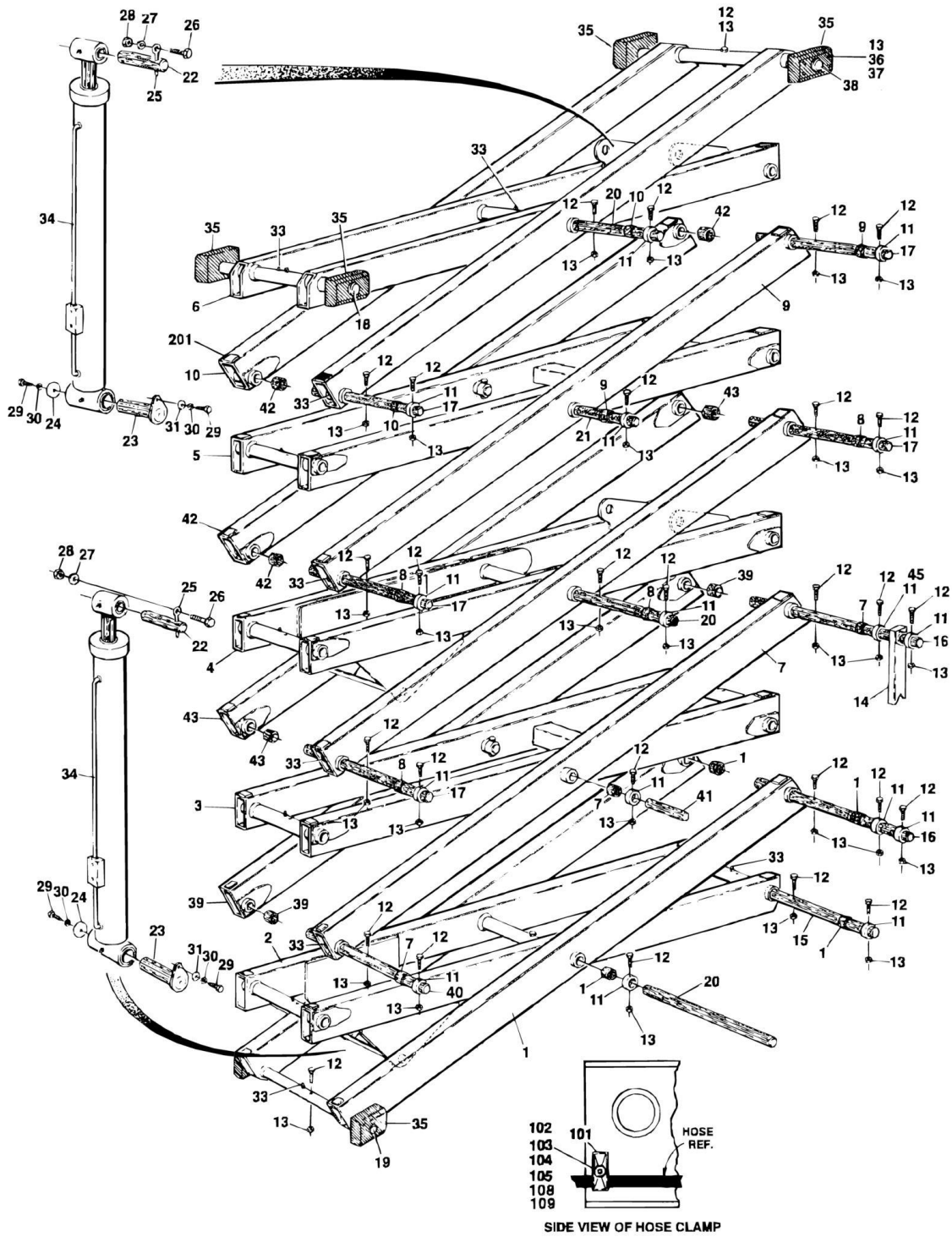
## SECTION 3 - SCISSORS ARMS

ITEM	PART NUMBER	QTY	DESCRIPTION	REV
39	0200518	1	Arm Weldment (Upper Mid - Outboard)	
39	0961731	3	Bushing, Bronze	
40	1320095	1	Clamp, Hose (Not Shown)	
41	0100011	AR	LOCTITE #242	
43	4740310	2	Washer, Thrust	
45	2540002	4 ft/1.2m	Grommet (Not Shown)	
	2901536	1	Arm Kit, Complete (Includes Items 1 thru 10,14 & 39) (Not Shown)	
	0254274	Ref	<b>HOSE CLAMP ASSEMBLY</b>	A
101	1320162	6	Clamp, Hose	
102	0641522	6	Bolt 5/16in-18 x 2 3/4in	
103	4751500	6	Flatwasher 5/16in	
104	4761500	6	Lockwasher 5/16in	
105	3311501	6	Nut 5/16in	
106	2820025	22 ft	Plastic, Spring Guard (Not Shown)	
	0252587	Ref	<b>ARM PADS</b>	3
201		Ref	Pad, Polyurethane Options:	
201	3340841	24	Pad, Polyurethane (p/n was 3340645) <b>(Prior to SN 47175)</b>	
201	3340841	24	Pad, Polyurethane <b>(SN 47175 to Present)</b>	



# SECTION 3 - SCISSORS ARMS

FIGURE 3-3. SIZZORS ARMS INSTALLATION - 500RTS (Prior to SN 27997)



## SECTION 3 - SCISSORS ARMS

**FIGURE 3-3. SIZZORS ARMS INSTALLATION - 500RTS (Prior to SN 27997)**

ITEM	PART NUMBER	QTY	DESCRIPTION	REV
	0253611	Ref	<b>ARMS ASSEMBLY - 500RTS</b>	9
	0253612	Ref	<b>ARMS ASSEMBLY (CSA)</b>	F
1	0200484	1	Arm Weldment (Bottom Outboard)	
1	0961731	4	Bushing, Bronze	
2	0200485	1	Arm Weldment (Bottom Inboard)	
3	0200486	1	Arm Weldment (2nd Inboard)	
4	0200487	1	Arm Weldment (3rd Inboard)	
5	0200488	1	Arm Weldment (4th Inboard)	
6	0200489	1	Arm Weldment (Top Inboard)	
7	0200490	1	Arm Weldment (2nd Outboard - Right Side)	
7	0961731	3	Bushing, Bronze	
8	0200491	1	Arm Weldment (3rd Outboard - Right Side)	
8	0961731	3	Bushing, Bronze	
9	0200492	1	Arm Weldment (4th Outboard - Right Side)	
9	0961731	3	Bushing, Bronze	
10	0200493	1	Arm Weldment (Top Outboard)	
10	0961731	4	Bushing, Bronze	
11	1440237	34	Collar	
12	0681630	51	Bolt 3/8in-16NC x 3 3/4in (Grade 8)	
13	3311605	59	Locknut 3/8in-16NC	
14	3536607	2	Prop, Safety	
15	3422152	1	Pin, Pivot	
16	3422153	2	Pin, Pivot	
17	3422154	5	Pin, Pivot	
18	3422155	1	Pin, Pivot	
19	3422156	1	Pin, Pivot	
20	3422157	3	Pin, Pivot	
21	3422158	2	Pin, Pivot	
22	3422102	2	Pin, Pivot	
23	3422103	2	Pin, Pivot	
24	4740401	2	Washer, Special	
25	3841203	2	Shaft, Keeper	
26	0641714	2	Bolt 7/16in-14NC x 1 3/4in	
27	4761700	2	Lockwasher 7/16in	
28	3311701	2	Nut 7/16in-14NC	
29	0641612	2	Bolt 3/8in-16NC x 1 1/2in	
30	4761600	3	Lockwasher 3/8in	
31	3311601	2	Nut 3/8in-16NC	
32	0641608	2	Bolt 3/8in-16NC x 1in	
33	2160006	38	Fitting, Grease	
34		Ref	Lift Cylinder Assembly Options (See CYLINDER SECTION for Breakdown)	
34	1683468	2	Lift Cylinder Assembly was p/n 1682748) ( <b>Prior to SN 28655</b> )	
34	1683468	2	Lift Cylinder Assembly ( <b>SN 28655 to Present</b> )	
35	3340664	6	Pad, Sliding	
36	0641626	8	Bolt 3/8in-16NC x 3 1/4in	
37	4751600	16	Flatwasher 3/8in	
38	3422169	1	Pin, Pivot	
39	0200494	1	Arm Weldment (2nd Outboard - Left Side)	
39	0961731	3	Bushing, Bronze	

## SECTION 3 - SCISSORS ARMS

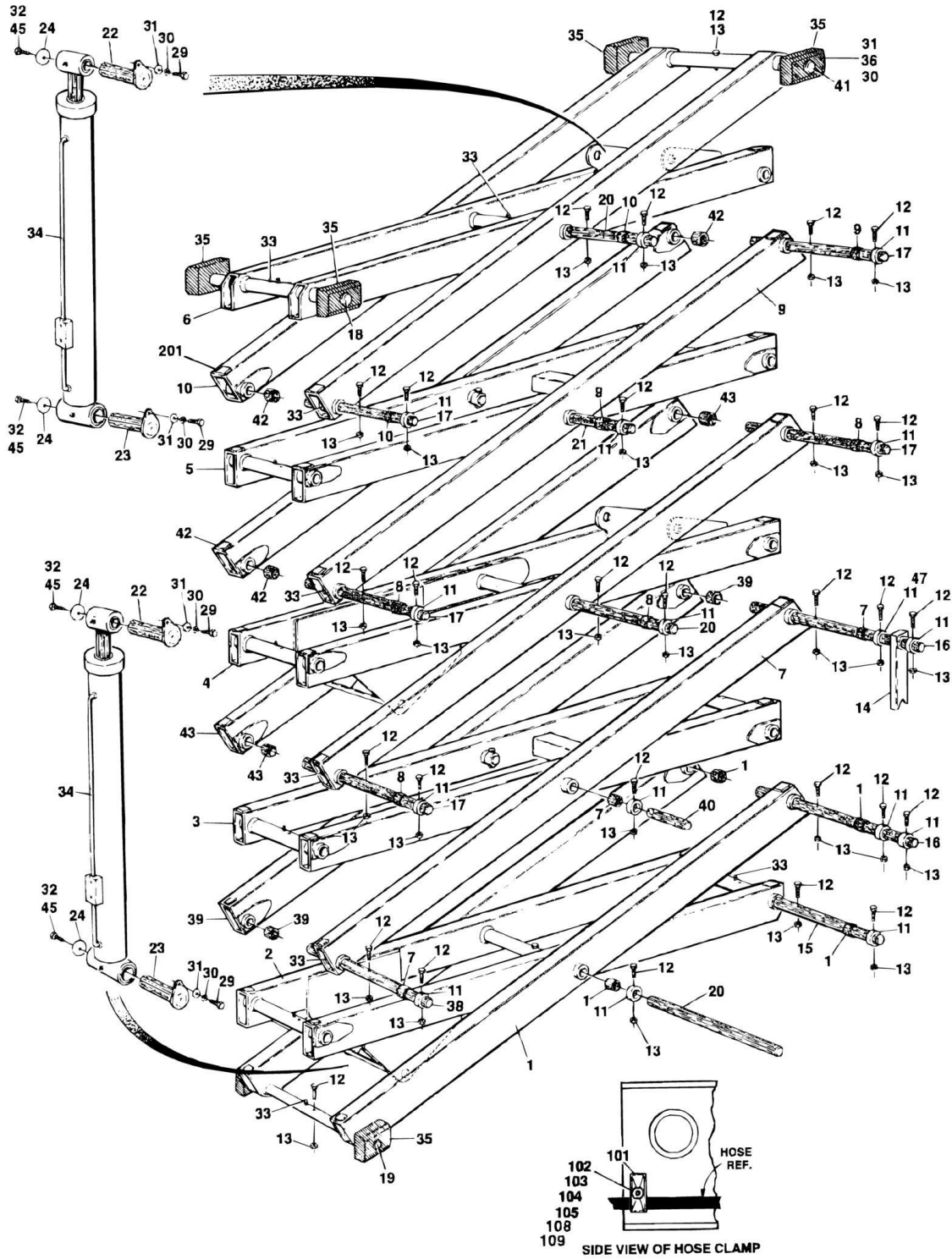
ITEM	PART NUMBER	QTY	DESCRIPTION	REV
40		Ref	Pin, Pivot Options:	
40	3422154	1	Standard	
40	3422172	1	CSA	
41		Ref	Pin, Pivot Options:	
41	3422158	2	Standard	
41	3422171	3	CSA	
42	0200506	1	Arm Weldment (4th Outboard - Left Side)	
42	0961731	3	Bushing, Bronze	
43	0200518	1	Arm Weldment (3rd Outboard - Left Side)	
43	0961731	3	Bushing, Bronze	
44	1320095	1	Clamp, Hose (Not Shown)	
45		Ref	Washer, Thrust Options:	
45	4740310	2	Standard	
45	Not Required	0	CSA	
	0100011	AR	Loctite, #242	
	2901328	1	Arm Kit, Complete (Includes Items: 1, 2, 3, 4, 5, 6, 7, 8, 9,10 & 14) Not Shown	
	0254272	Ref	<b>HOSE CLAMP ASSEMBLY</b>	4
101		Ref	Clamp, Hose Options:	
101	1320162	7	Clamp, Hose <b>(Prior to SN 70211)</b>	
101	1320061	10	Clamp, Hose <b>(SN 70211 to Present)</b>	
102		Ref	Bolt Options:	
102	0641522	7	Bolt 5/16in-18 x 2 3/4 <b>(Prior to SN 70211)</b>	
102	0641510	6	Bolt 5/16in-18 x 1 1/4 <b>(SN 70211 to Present)</b>	
103	4751500	10	Flatwasher 5/16in	
104	4761500	7	Lockwasher 5/16 <b>(Prior to SN 70211)</b>	
105	3311505	10	Locknut 5/16in	
106	4060806	1 ft	Shield, Flex Trim (Not Shown) <b>(Prior to SN 101987)</b>	
107	2820025	66 ft	Plastic, Spring Guard (Not Shown)	
108	1320270	13	Clamp <b>(SN 70211 to Present)</b>	
109	0641512	4	Bolt 5/16in-18NC x 1 1/2 <b>(SN 70211 to Present)</b>	
	0252588	Ref	<b>ARM PADS</b>	3
201		Ref	Pad, Polyurethane Options:	
201	3340645	32	Pad, Polyurethane <b>(Prior to SN 47175)</b>	
201	3340841	32	Pad, Polyurethane <b>(SN 47175 through 50805)</b>	
201	3340848	32	Pad, Polyurethane <b>(SN 50806 to Present)</b>	





# SECTION 3 - SCISSORS ARMS

## FIGURE 3-4. SCISSORS ARMS INSTALLATION - 500RTS (SN 27997 to Present)



## SECTION 3 - SCISSORS ARMS

**FIGURE 3-4. SIZZORS ARMS INSTALLATION - 500RTS (SN 27997 to Present)**

ITEM	PART NUMBER	QTY	DESCRIPTION	REV
		Ref	<b>ARMS ASSEMBLIES - 500RTS</b>	
	0256818	Ref	<b>STANDARD (Prior to SN 112737)</b>	12
	0272966	Ref	<b>STANDARD (SN 112737 to Present)</b>	1
	0256819	Ref	<b>CSA (Prior to SN 112737)</b>	11
	0272967	Ref	<b>CSA (SN 112737 to Present)</b>	1
1	0200484	1	Arm Weldment (Bottom Outboard)	
1	0961731	4	Bushing, Bronze	
2	0200551	1	Arm Weldment (Bottom Inboard)	
3	0200552	1	Arm Weldment (2nd Inboard)	
4	0200553	1	Arm Weldment (3rd Inboard)	
5	0200554	1	Arm Weldment (4th Inboard)	
6		Ref	Arm Weldment (Top Inboard) Options:	
6	0200555	1	Arm Weldment (Top Inboard) <b>(Prior to SN 112737)</b>	
6	0200740	1	Arm Weldment (Top Inboard) <b>(SN 112737 to Present)</b>	
7	0200490	1	Arm Weldment (2nd Outboard - Right Side)	
7	0961731	3	Bushing, Bronze	
8	0200491	1	Arm Weldment (3rd Outboard - Right Side)	
8	0961731	3	Bushing, Bronze	
9	0200492	1	Arm Weldment (4th Outboard - Right Side)	
9	0961731	3	Bushing, Bronze	
10		Ref	Arm Weldment (Top Outboard) Options:	
10	0200493	1	Arm Weldment (Top Outboard) <b>(Prior to SN 112737)</b>	
10	0200739	1	Arm Weldment (Top Outboard) <b>(SN 112737 to Present)</b>	
10	0961731	4	Bushing, Bronze	
11	1440324	34	Collar	
12	0681830	AR	Bolt 1/2in-13NC x 3 3/4in (Grade 8)	
13	3311805	51	Locknut 1/2in-13NC	
14		Ref	Prop, Safety Options:	
14	3570875	2	Prop, Safety (was p/n 3536607) <b>(Prior to SN 42949)</b>	
14	3570875	2	Prop, Safety <b>(SN 42949 to Present)</b>	
15	3422617	1	Pin, Pivot	
16	3422618	2	Pin, Pivot	
17	3422619	5	Pin, Pivot	
18	3422620	1	Pin, Pivot	
19	3422621	1	Pin, Pivot	
20	3422622	3	Pin, Pivot	
21	3422623	2	Pin, Pivot	
22	3422624	2	Pin, Pivot	
23	3422631	2	Pin, Pivot	
24	4740401	4	Washer, Special	
28	3311705	4	Locknut 7/16in-14NC <b>(SN 41058 to Present)</b>	
29		Ref	Bolt Options:	
29	0641612	4	Bolt 3/8in-16NC x 1 1/2 <b>(Prior to SN 41058)</b>	
29	0630524	4	Bolt, Carriage 7/16in-14NC x 1 1/2 <b>(SN 41058 to Present)</b>	
30	4761600	16	Lockwasher 3/8in	
31	3311605	8	Nut 3/8in-16NC	
32	0641608	4	Bolt 3/8in-16NC x 1in	
33	2160006	AR	Fitting, Grease	
34	1683468	2	Lift Cylinder Assembly (See CYLINDER SECTION for Breakdown)	

## SECTION 3 - SCISSORS ARMS

ITEM	PART NUMBER	QTY	DESCRIPTION	REV
35	3340664	AR	Pad, Sliding	
36	0641626	8	Bolt 3/8in-16NC x 3 1/4in	
38		Ref	Pin, Pivot Options:	
38	3422626	1	Standard p/n was 3422169 <b>(Prior to SN 44756)</b>	
38	3422626	1	Standard <b>(SN 44756 to Present)</b>	
38	3422626	1	CSA	
39	0200494	1	Arm Weldment (2nd Outboard - Left Side)	
39	0961731	3	Bushing, Bronze	
40		Ref	Pin, Pivot Options:	
40	3422623	2	Standard	
40	3422627	2	CSA	
41		Ref	Pin, Pivot Options:	
41	3422619	1	Standard	
41	3422628	1	CSA	
42	0200506	1	Arm Weldment (4th Outboard - Left Side)	
42	0961731	3	Bushing, Bronze	
43	0200518	1	Arm Weldment (3rd Outboard - Left Side)	
43	0961731	3	Bushing, Bronze	
44	1320095	1	Clamp, Hose (Not Shown)	
45	0100011	AR	Loctite	
47	4740310	2	Washer, Thrust	
49	2540002	4 ft	Grommet (Not Shown) <b>(SN 47537 to Present)</b>	
50	0681832	2	Bolt 1/2in-13NC x 4in (Grade 8) <b>(SN 95788 to Present)</b>	
54	1060964	1	Cable Electrical - 16/2 (40ft/12.2m) (Not Shown)	
55	1060967	1	Cable Electrical - 16/2 (35ft/10.7m) (Not Shown)	
		Ref	<b>SCISSOR ARMS KIT OPTIONS:</b>	
	See Note		<b>Prior to SN 32157</b> (Includes items 1 thru 10, 14, 39, 42 & 43) (Note: Recommend using 2901481 in place of original 2901460)	
	2901481	1	Scissor Arms Kit <b>(SN 32157 through 112736)</b>	
	2902256	1	Scissor Arms Kit <b>(SN 112737 to Present)</b>	
	2902185	1	Kit, Arm Pin - Standard/CSA Spec (Includes Items 18 & 38)	
	2902186	1	Kit, Arm Pin - Standard (Includes Items 15-17 & 19-23)	
	2902187	1	Kit, Arm Pin - CSA Spec (Includes Items 15-17, 19-23, 40 & 41)	
	0254272	Ref	<b>HOSE CLAMP ASSEMBLY</b>	4
101		Ref	Clamp, Hose Options:	
101	1320162	7	Clamp, Hose <b>(Prior to SN 70211)</b>	
101	1320061	10	Clamp, Hose <b>(SN 70211 to Present)</b>	
102		Ref	Bolt Options:	
102	0641522	7	Bolt 5/16in-18 x 2 3/4 <b>(Prior to SN 70211)</b>	
102	0641510	6	Bolt 5/16in-18 x 1 1/4 <b>(SN 70211 to Present)</b>	
103	4751500	10	Flatwasher 5/16in	
104	4761500	7	Lockwasher 5/16 <b>(Prior to SN 70211)</b>	
105	3311505	10	Locknut 5/16in	
106	4060806	1 ft	Shield, Flex Trim (Not Shown) <b>(Prior to SN 101987)</b>	
107	2820025	66 ft	Plastic, Spring Guard (Not Shown)	
108	1320270	13	Clamp <b>(SN 70211 to Present)</b>	
109	0641512	4	Bolt 5/16in-18NC x 1 1/2 <b>(SN 70211 to Present)</b>	
	0252588	Ref	<b>ARM PADS</b>	3
201		Ref	Pad Options:	
201	3340645	32	Pad, Polyurethane <b>(Prior to SN 47175)</b>	
201	3340841	32	Pad, Pvc <b>(SN 47175 through 50805)</b>	

## SECTION 3 - SCISSORS ARMS

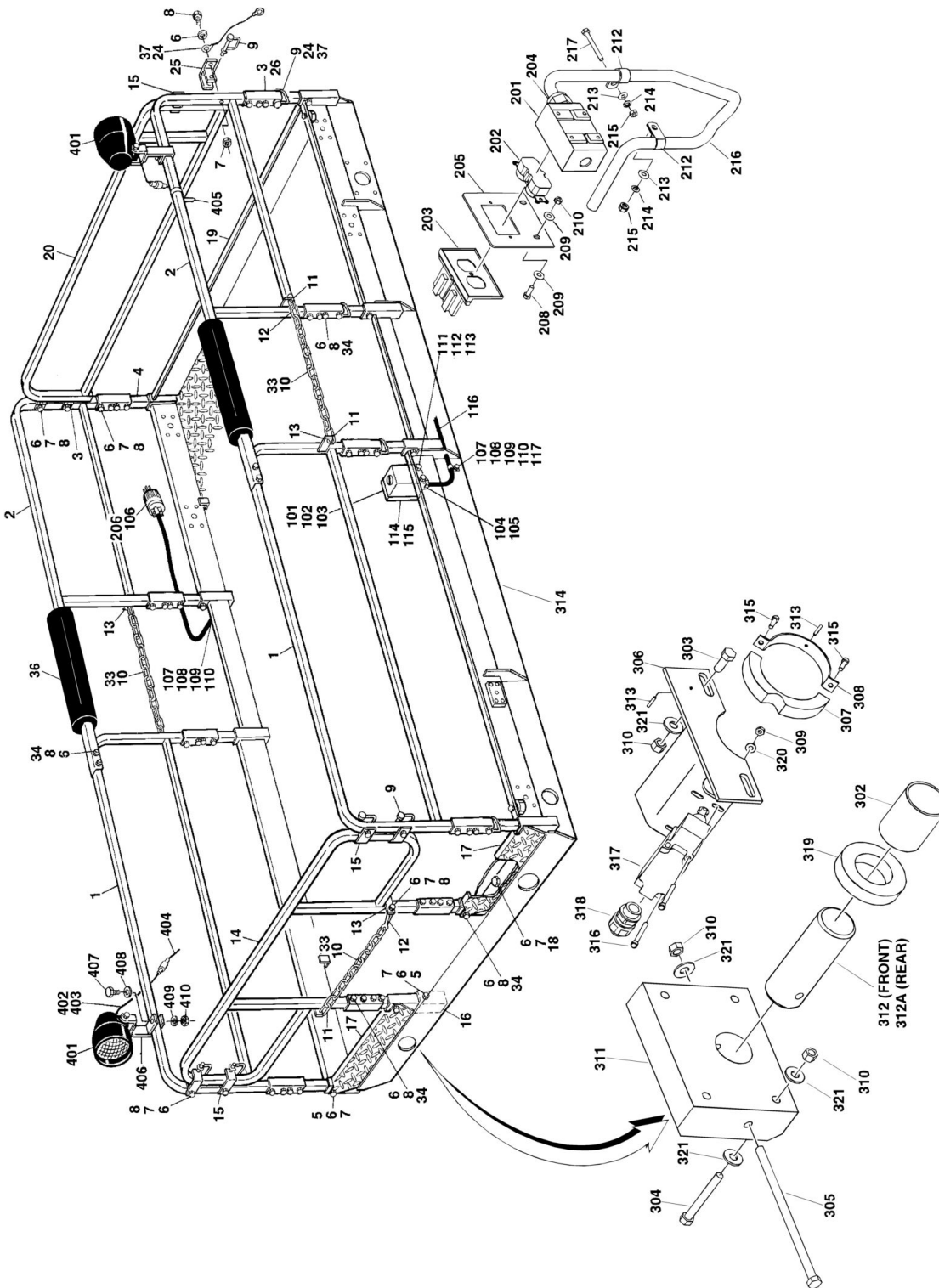
ITEM	PART NUMBER	QTY	DESCRIPTION	REV
201	3340848	32	Pad, Pvc (SN 50806 to Present)	



**SECTION 4 - PLATFORM**

# SECTION 4 - PLATFORM

## FIGURE 4-1. FIXED PLATFORM (STANDARD), HANDRAILS AND OPTIONAL COMPONENTS INSTALLATION





## SECTION 4 - PLATFORM

**FIGURE 4-1. FIXED PLATFORM (STANDARD), HANDRAILS AND OPTIONAL COMPONENTS INSTALLATION**

ITEM	PART NUMBER	QTY	DESCRIPTION	REV
		Ref	<b>HANDRAILS INSTALLATIONS</b>	
	0253200	Ref	<b>WITHOUT EXTENSIONS</b>	6
	0253198	Ref	<b>WITH FRONT EXTENSION</b>	6
	0253199	Ref	<b>WITH DUAL EXTENSIONS</b>	6
	0271538	Ref	<b>WITH MEGADECK EXTENSIONS</b>	A
1		Ref	Handrail Weldment - Side Rear Options:	
1	3640824	2	Without Extensions/With Front Extension/With Dual Extensions	
1	3641387	2	Megadeck	
2	3640830	2	Handrail Weldment - Side Front	
3		Ref	Hinge Options:	
3	4200004	AR	Without Extensions/With Front Extension/With Dual Extensions	
3	1271479	AR	With Megadeck Extensions	
4	4565891	8	Tube, Base (Side)	
5	0641420	AR	Bolt 1/4in-20NC x 2 1/2in	
6	4711400	AR	Flatwasher 1/4in Narrow	
7	3311405	AR	Locknut 1/4in-20NC	
8	0641416	AR	Bolt 1/4in-20NC x 2in	
9	3422219	AR	Spring-Pin	
10	1260136	AR	Chain - 2/0	
11	3010088	AR	Link	
12	1001101076	AR	Snap- (Includes Item 11) (was p/n 2940064)	
13	0362166	AR	Bar	
14		Ref	Handrail - Rear Options:	
14	3640832	1	Without Extensions/With Front Extension	
14	Not Required	0	With Dual Extensions/With Megadeck Extensions	
15		Ref	Bracket Weldment Options:	
15	0901870	AR	Without Extensions/With Front Extension	
15	Not Required	0	With Dual Extensions/With Megadeck Extensions	
16		Ref	Tube, Base (Rear) Options:	
16	4565892	2	Without Extensions/With Front Extension	
16	Not Required	0	With Dual Extensions/With Megadeck Extensions	
17		Ref	Kickplate (Rear) Options:	
17	3536109	2	Without Extensions/With Front Extension	
17	Not Required	0	With Dual Extensions/With Megadeck Extensions	
18		Ref	Bolt 1/4in-20NC x 3/4in Options:	
18	0641406	AR	Without Extensions/With Front Extension	
18	Not Required	0	With Dual Extensions/With Megadeck Extensions	
19		Ref	Kickplate (Front) Options:	
19	3536299	1	Without Extensions	
19	Not Required	0	With Front Extension/With Dual Extensions/With Megadeck Extensions	
20		Ref	Handrail (Front) Options:	
20	3640831	1	Without Extensions	
20	Not Required	0	With Front Extension/With Dual Extensions/With Megadeck Extensions	
24	1060379	AR	Cable, Lanyard	
25		Ref	Bracket Weldment Options:	
25	0901916	1	Without Extensions	

## SECTION 4 - PLATFORM

ITEM	PART NUMBER	QTY	DESCRIPTION	REV
25	Not Required	0	With Front Extension/With Dual Extensions/With Megadeck Extensions	
26		Ref	Strip Options:	
26	4420062	2 ft/.6m	Strip p/n was 4280284 <b>(Prior to SN 28969)</b>	
26	4420062	2 ft/.6m	Strip <b>(SN 28969 to Present)</b>	
33	2820097	AR	Mesh, Tubing <b>(SN 40584 to Present)</b>	
34	3300151	AR	Nut, Acorn 1/4in-20NC <b>(SN 50806 to Present)</b>	
35	0100019	AR	Loctite #271 (Not Shown)	
36	3340564	AR	Pad, Nylon Cover <b>(SN 56277 to Present)</b>	
37	3760170	AR	Ring, Quick Release Pin <b>(SN 56277 to Present)</b>	
	2902030	1	Kit, Platform Rails - With Front Extension (Includes Items 1, 2 & 14)	
	2902031	1	Kit, Platform Rails - With Dual Extensions (Includes Items 1 & 2)	
	2902053	1	Kit, Platform Rails - With Megadeck Extensions (Includes Items 1 & 2)	
	2902032	1	Kit, Platform Rails - Without Extensions (Includes Items 1, 2, 14 & 20)	
		Ref	<b>OPTIONAL RECEPTACLE INSTALLATIONS</b>	
	0253272	Ref	<b>110V RECEPTACLE - WITHOUT MEGA DECK</b>	5
	0256526	Ref	<b>220V RECEPTACLE - WITHOUT MEGA DECK</b>	4
101	0860038	1	Box, Electrical	
102		Ref	Receptacle, Electrical Options:	
102	4460190	1	110 Volt Receptacle	
102	Not Available		222 Volt Receptacle	
103	4060092	1	Shield, Cover	
104		Ref	Connector, Strain Relief Options:	
104	4460049	1	Connector, Strain Relief <b>(Prior to SN 56277)</b>	
104	4460051	1	Connector, Strain Relief <b>(SN 56277 to Present)</b>	
105	0960407	1	Bushing, Reducer <b>(Prior to SN 46528)</b>	
106		Ref	Plug, Connector Options:	
106	4460138	1	110 Volt Receptacle	
106	Not Available		222 Volt Receptacle	
107	1320041	4	Clamp	
108		Ref	Hardware Options:	
108	4300032	3	Stud <b>(Prior to SN 56277)</b>	
108	0641507	3	Bolt 5/16in-18NC x 7/8in <b>(SN 56277 to Present)</b>	
109		Ref	Hardware Options:	
109	3311401	3	Nut 1/4in-20NC <b>(Prior to SN 56277)</b>	
109	4711500	3	Flatwasher 5/16 <b>(SN 56277 to Present)</b>	
110		Ref	Lockwasher Options:	
110	4761400	3	Lockwasher 1/4 <b>(Prior to SN 56277)</b>	
110	4761500	3	Lockwasher 5/16 <b>(SN 56277 to Present)</b>	
111		Ref	Hardware Options:	
111	0721004	2	Screw, Machine #10-24NC x 1/2 <b>(Prior to SN 46528)</b>	
111	3900294	4	Self Drilling Screw #10-16NC x 1 <b>(SN 46528 to Present)</b>	
112	4751000	2	Flatwasher #10 <b>(Prior to SN 46528)</b>	
113	4761000	4	Lockwasher #10	
114	1700598	2	Decal - Ground <b>(Prior to SN 56277)</b>	
115	1700599	2	Decal - Neutral <b>(Prior to SN 56277)</b>	
116	1060308	AR	Cable, Electrical - 12/3	
117	3311501	3	Nut 5/16 <b>(SN 56277 to Present)</b>	
		Ref	<b>OPTIONAL RECEPTACLE INSTALLATIONS</b>	

## SECTION 4 - PLATFORM

ITEM	PART NUMBER	QTY	DESCRIPTION	REV
	0271633	Ref	<b>110V RECEPTACLE - WITH MEGA DECK</b>	2
	0271634	Ref	<b>220V RECEPTACLE - WITH MEGA DECK</b>	2
201	0860038	1	Box, Electrical	
202		Ref	Receptacle, Electrical Options:	
202	4460190	1	110 Volt Receptacle	
202	Not Available		220 Volt Receptacle	
203	4060092	1	Shield, Cover	
204	4460051	1	Connector, Strain Relief	
205	3538051	1	Plate, Mounting	
206		Ref	Plug, Connector Options:	
206	4460138	1	110 Volt Receptacle	
206	Not Available		220 Volt Receptacle	
207	1320041	4	Clamp	
208	0641406	2	Bolt 1/4in-20NC x 3/4in	
209	4751400	4	Flatwasher 1/4in (Wide)	
210	3311405	2	Locknut 1/4in-20NC	
212	1320061	2	Clamp	
213	4711500	2	Flatwasher 5/16in	
214	4761500	2	Lockwasher 5/16in	
215	3311501	2	Nut 5/16in-18NC	
216	2820025	2 ft	Plastic Spring Guard	
217	0641522	1	Bolt 5/16in-18NC x 2 3/4	
		Ref	<b>PLATFORM INSTALLATION</b>	
	3510387	Ref	<b>Platform Weldment (Prior to SN 112737)</b>	-
	0253611	Ref	<b>Slide Pad Installation (Standard) (Prior to SN 27997)</b>	9
	0253612	Ref	<b>Slide Pad Installation (CSA) (Prior to SN 27997)</b>	F
	0256818	Ref	<b>Slide Pad Installation (Standard) (SN 27997 through 112736)</b>	12
	0256819	Ref	<b>Slide Pad Installation (CSA) (SN 27997 through 112736)</b>	11
	0272972	Ref	<b>Platform Installation (SN 112737 to Present)</b>	B
	3510775	Ref	<b>Platform Weldment - Megadeck (Prior to SN 112737)</b>	-
	0272974	Ref	<b>Platform Installation - Megadeck (SN 112737 to Present)</b>	B
301	0100011	AR	Loctite #242 (Not Shown)	
302	0440252	4	Bearing, Load Management <b>(SN 112737 to Present)</b>	
303	0641607	2	Bolt 3/8in-16NC x 7/8in	
304		Ref	Bolt Options:	
304	0641626	8	Bolt 3/8in-16NC x 3 1/4 <b>(Prior to SN 112737)</b>	
304	0641623	8	Bolt 3/8in-16NC x 2 7/8 <b>(SN 112737 through 120380)</b>	
304	0641624	8	Bolt 3/8in-16NC x 3 <b>(SN 120381 to Present)</b>	
305	0641668	4	Bolt 3/8in-16NC x 8 1/2 <b>(SN 112737 to Present)</b>	
306	0901917	1	Bracket	
307	1100130	1	Cam, Limit Switch <b>(SN 112737 to Present)</b>	
308	1320293	1	Clamp, Limit Switch Cam <b>(SN 112737 to Present)</b>	
309	3311005	4	Locknut #10-24NC	
310	3311605	AR	Locknut 3/8-16NC	
311		Ref	Pad, Slide Options:	
311	3340664	4	Pad, Slide <b>(Prior to SN 112737)</b>	
311	3340924	4	Pad, Slide <b>(SN 112737 to Present)</b>	
312		Ref	Pin, Upper Slide (Front Slide) Options:	
312	3422155	1	Pin, Upper Slide (Front Slide) <b>(Prior to SN 27997)</b>	
312	3422620	1	Pin, Upper Slide (Front Slide) <b>(SN 27997 through 112736)</b>	
312	3423054	2	Pin, Upper Slide (Front Slide) <b>(SN 112737 to Present)</b>	

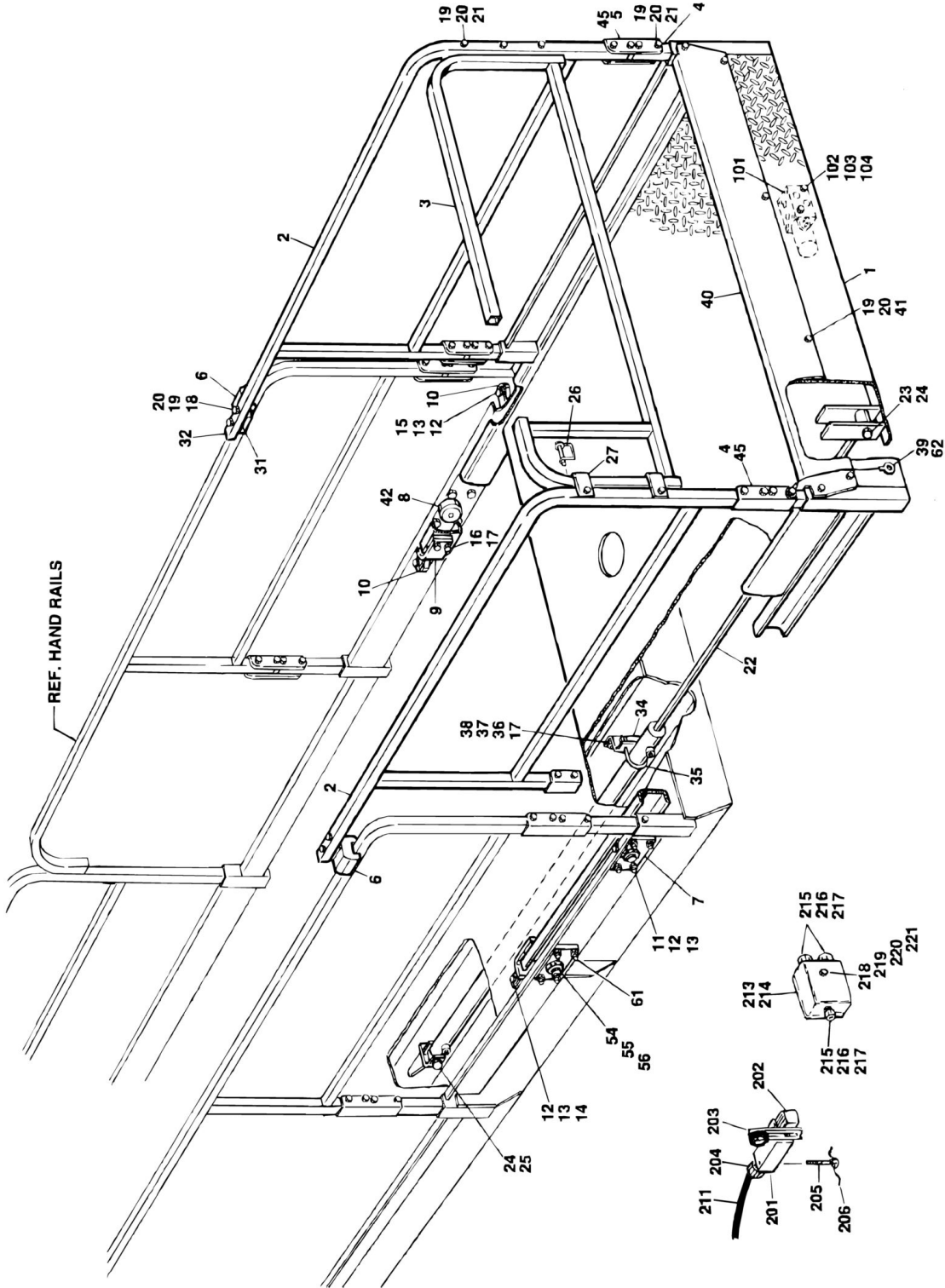
## SECTION 4 - PLATFORM

ITEM	PART NUMBER	QTY	DESCRIPTION	REV
312A		Ref	Pin, Upper Slide (Rear Slide) Options:	
312A	3422169	1	Pin, Upper Slide (Rear Slide) <b>(Prior to SN 27997)</b>	
312A	3422619	1	Pin, Upper Slide (Rear Slide) <b>(SN 27997 through 112736)</b>	
312A	3423054	2	Pin, Upper Slide (Rear Slide) <b>(SN 112737 to Present)</b>	
313	3440410	3	Pin, Roll	
314		Ref	Platform, Weldment Options:	
314	3510387	1	Standard <b>(Prior to SN 112737)</b>	
314	3510798	1	Standard <b>(SN 112737 to Present)</b>	
314	3510775	1	Megadeck <b>(Prior to SN 112737)</b>	
314	3510799	1	Megadeck <b>(SN 112737 to Present)</b>	
315	3931010	2	Bolt #10-24NC x 5/8 <b>(SN 112737 to Present)</b>	
316	3931028	4	Bolt #10-24NC x 1 3/4in	
317	4360300	1	Switch, Limit	
318	4460049	1	Connector, Strain Relief	
319	4568315	4	Spacer, Tube <b>(SN 112737 to Present)</b>	
320	4751000	4	Flatwasher #10	
321	4751600	AR	Flatwasher 3/8	
	0253795	Ref	<b>OPTIONAL PLATFORM WORKLIGHTS INSTALLATION</b>	A
401	2920111	2	Floodlight	
402	4460206	2	Terminal - Male	
403	4460185	2	Terminal - Female	
404	1060341	140 ft/43m	Cable, Electrical - 16/2	
405	4240033	10	Tie-Strap	
406	0901930	2	Bracket, Mounting	
407	0641416	2	Bolt 1/4in-20NC x 2in	
408	4751400	2	Flatwasher 1/4in	
409	4761400	2	Lockwasher 1/4in	
410	3311401	2	Nut 1/4in-20NC	



# SECTION 4 - PLATFORM

## FIGURE 4-2. PLATFORM EXTENSION INSTALLATION (OPTIONAL)



## SECTION 4 - PLATFORM

**FIGURE 4-2. PLATFORM EXTENSION INSTALLATION (OPTIONAL)**

ITEM	PART NUMBER	QTY	DESCRIPTION	REV
		Ref	<b>OPTIONAL PLATFORM EXTENSION INSTALLATIONS</b>	
	0254196	Ref	<b>SINGLE EXTENSION (400RTS)</b>	10
	0254197	Ref	<b>DUAL EXTENSIONS (400RTS)</b>	12
	0253614	Ref	<b>SINGLE EXTENSION (500RTS)</b>	14
	0253615	Ref	<b>DUAL EXTENSIONS (500RTS)</b>	19
		Ref	<b>Note: Quantities shown are for Single Extension. Double quantity for Dual Extensions.</b>	
1	3510397	1	Platform Extension Weldment	
2	3640822	2	Handrail - Side	
3	3640823	1	Handrail - End	
4	4565869	4	Tube, Base	
5	4200004	4	Hinge, Stamped	
6	3340653	2	Pad, Slide	
7		Ref	Bracket Options:	
7	4843706	4	Bracket, Roller Mounting (Prior to Feb. 1994)	
7	3537619	4	Bracket, Roller Mounting (Feb. 1994 to Present)	
8	3860059	4	Roller	
9	4844349	2	Bracket, Roller Mounting	
10	3860057	AR	Roller	
11	0641511	AR	Bolt 5/16in-18NC x 1 3/8in	
12	4711500	AR	Flatwasher 5/16 Narrow	
13	3311505	AR	Locknut 5/16in-18NC	
14	0641514	2	Bolt 5/16in-18NC x 1 3/4in	
15	0641516	2	Bolt 5/16in-18NC x 2 <b>(Prior to SN 44015)</b>	
16	0641607	4	Bolt 3/8in-16NC x 7/8in	
17	4761600	6	Lockwasher 3/8in	
18	0641420	4	Bolt 1/4in-20NC x 2 1/2in	
19	4751400	56	Flatwasher 1/4in	
20	3311405	29	Locknut 1/4in-20NC	
21	0641416	15	Bolt 1/4in-20NC x 2in	
22	1682872	2	Extension Cylinder Assembly (See CYLINDER SECTION for Breakdown )	
23	0642228	2	Bolt 3/4in-10NC x 3 1/2in	
24	3312205	4	Locknut 3/4in-10NC	
25	0642236	2	Bolt 3/4in-10NC x 4 1/2in	
26	3421453	6	Spring pin	
27	0901870	2	Bracket, Handrail Corner	
31	4070829	4	Shim	
32	3520072	2	Cap	
34	0901904	2	Bracket, Cylinder Support	
35	1320019	2	U-Clamp	
37	4711600	4	Flatwasher 3/8in Narrow	
38	3311601	4	Nut 3/8in-16NC	
39	1060379	6	Cable, Lanyard	
40	3536624	1	Kickplate	
41	0641406	4	Bolt 1/4in-20NC x 3/4in	
42	4752200	4	Flatwasher 3/4in	
45	4280284	1	Tape <b>(Prior to SN 30060)</b>	
		ft/30.5cm		
45	4420062	2 ft/0.6m	Tape <b>(SN 30060 to Present)</b>	

## SECTION 4 - PLATFORM

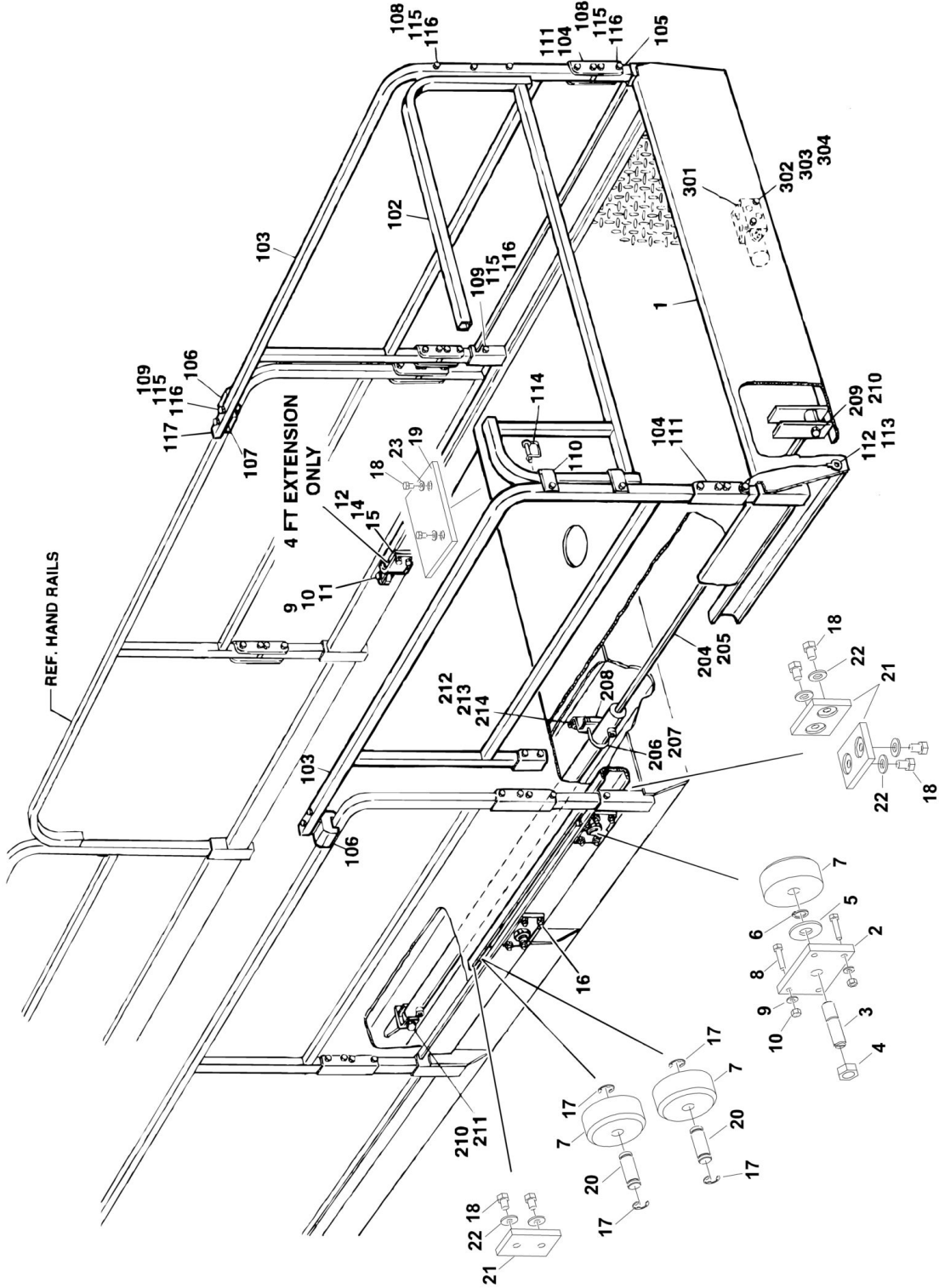
ITEM	PART NUMBER	QTY	DESCRIPTION	REV
46	1701907	1	Nameplate - Extension Capacity <b>(Prior to SN 44590)</b>	
47	3820011	2	Rivet <b>(Prior to SN 44590)</b>	
54	3841233	4	Rod, Roller Support	
55	3322202	4	Nut, Jam 3/4in	
56	3760348	4	Ring, Retainer	
61	0641512	1	Bolt 5/16in-18NC x 1 1/2 <b>(SN 44015 to Present)</b>	
62	3760170	AR	Ring, Quick Release Pin <b>(SN 54922 to Present)</b>	
64	1060966	1	Cable 16/2 (85ft/25.9m) (Not Shown) <b>(SN 109670 to Present)</b>	
	2902036	1	Kit, Extension Rail (Single Extension - 500RTS) (Includes Items 2 & 3)	
	2902037	1	Kit, Extension Rail (Dual Extension - 500RTS) (Includes Items 2 & 3)	
	0253410	Ref	<b>OPTIONAL SELECTOR VALVE ASSEMBLY - DUAL PLATFORM UNITS ONLY</b>	-
101	4640787	1	Selector Valve Assembly	
101	7011102	1	Coil	
102	0641426	2	Bolt 1/4in-20NC x 3 1/4in	
103	3311401	2	Nut 1/4in-20NC	
104	4761400	2	Lockwasher 1/4in	
		Ref	<b>LIMIT SWITCH INSTALLATIONS</b>	
	0254279	Ref	<b>SINGLE EXTENSION INSTALLATION - 400RTS</b>	-
	0254280	Ref	<b>DUAL EXTENSION INSTALLATION - 400RTS</b>	-
	0254277	Ref	<b>SINGLE EXTENSION INSTALLATION - 500RTS</b>	-
	0254278	Ref	<b>DUAL EXTENSION INSTALLATION - 500RTS</b>	-
201	4360277	1	Limit Switch	
202	4360236	1	Switch, Actuator Head	
203	4360237	1	Actuator Arm	
204	4460052	1	Strain Relief	
205	3900168	2	Screw #10-24	
206	1060341	1	Lock Wire	
207	4920017	1 ft	Cable (Not Shown - Located in Ground Control Box)	
208	3740049	1	Relay (Not Shown - Located in Ground Control Box)	
209	4460259	4	Terminal (Not Shown - Located in Ground Control Box)	
210	4460260	4	Housing (Not Shown - Located in Ground Control Box)	
211	1060341	AR	Cable, Electrical - 16/2	
211	1060341	60 ft	Cable, Electrical 400RTS	
211	1060341	72 ft	Cable, Electrical 500RTS	
212	4460035	3	Terminal, Splice (Not Shown - Located in Junction Box)	
213	0860037	1	Box, Junction	
214	3500812	1	Plate, Cover	
215	4460049	3	Connector	
216	3300047	3	Lock Nut, Conduit	
217	0960239	3	Bushing	
218	0641406	2	Bolt 1/4in-20 x 3/4in	
219	4751400	2	Flatwasher 1/4in	
220	4761400	2	Lockwasher 1/4in	
221	3311401	2	Nut 1/4in	





# SECTION 4 - PLATFORM

## FIGURE 4-3. PLATFORM EXTENSION INSTALLATION - MEGADECK (OPTIONAL)



## SECTION 4 - PLATFORM

**FIGURE 4-3. PLATFORM EXTENSION INSTALLATION - MEGADECK (OPTIONAL)**

ITEM	PART NUMBER	QTY	DESCRIPTION	REV
		Ref	<b>OPTIONAL PLATFORM EXTENSION INSTALLATIONS (PLATFORM LENGTH - 14.7FT/4.5M)</b>	
	0270858	Ref	<b>4FT/1.2M EXTENSION</b>	B
	0270859	Ref	<b>6FT/1.8M EXTENSION</b>	C
1		Ref	Platform Extension Weldment	
1	4846348	1	4ft/1.2m Extension	
1	4846349	1	6ft/1.8m Extension	
2	3537619	AR	Bracket, Roller Mounting	
3	3841233	AR	Rod, Roller Support	
4	3322202	AR	Nut, Jam 3/4in	
5	4752200	AR	Flatwasher 3/4in	
6	3760348	AR	Ring, Retainer	
7		Ref	Roller	
7	3860059	4	4ft/1.2m Extension	
7	3860097	6	6ft/1.8m Extension	
8	0641511	AR	Bolt 5/16in-18NC x 1 3/8in	
9	4711500	AR	Flatwasher 5/16in Narrow	
10	3311505	AR	Locknut 5/16in-18NC	
11	0641514	2	Bolt 5/16in-18NC x 1 3/4in (4ft/1.2m Extension Only)	
12	4844349	2	Bracket, Roller Mounting (4ft/1.2m Extension Only)	
13	3860057	2	Roller (4ft/1.2m Extension Only)	
14	4761600	4	Lockwasher 3/8in (4ft/1.2m Extension Only)	
15	0641607	4	Bolt 3/8in-16NC x 7/8in (4ft/1.2m Extension Only)	
16	0641512	1	Bolt 5/16in-18NC x 1 1/2in (4ft/1.2m Extension Only)	
17	1380151	8	Clip, E-Clip (6ft/1.8m Extension Only)	
18	0641604	16	Bolt 3/8in-16NC x 1/2in (6ft/1.8m Extension Only)	
19	3340913	2	Pad, Extension Support (6ft/1.8m Extension Only)	
20	3422728	4	Pin, Roller Extension (6ft/1.8m Extension Only)	
21	3340780	6	Pad, Wear (6ft/1.8m Extension Only)	
22	4751500	16	Flatwasher 5/16in Wide (6ft/1.8m Extension Only)	
		Ref	<b>OPTIONAL RAIL EXTENSION INSTALLATIONS</b>	
	0270860	Ref	<b>4FT/1.2M EXTENSION</b>	A
	0270861	Ref	<b>6FT/1.8M EXTENSION</b>	B
102	3641386	1	Handrail - End	
103		Ref	Handrail - Side Options:	
103	3640822	2	4ft/1.2m Extension	
103	3641391	2	6ft/1.8m Extension	
104	1271479	4	Channel, Rail Hinge	
105	4565869	4	Tube, Base	
106	3340653	2	Pad, Slide	
107	4070829	4	Shim	
108	0641416	17	Bolt 1/4in-20NC x 2in	
109	0641420	8	Bolt 1/4in-20NC x 2 1/2in	
110	0901870	AR	Bracket, Handrail Corner	
111	4420062	1 ft/30.5cm	Tape	
112	1060379	6	Cable, Lanyard	
113	3760170	6	Ring, Quick Release Pin	
114	3422219	6	Pin, Snapper	
115	3311505	25	Locknut 5/16in-18NC	

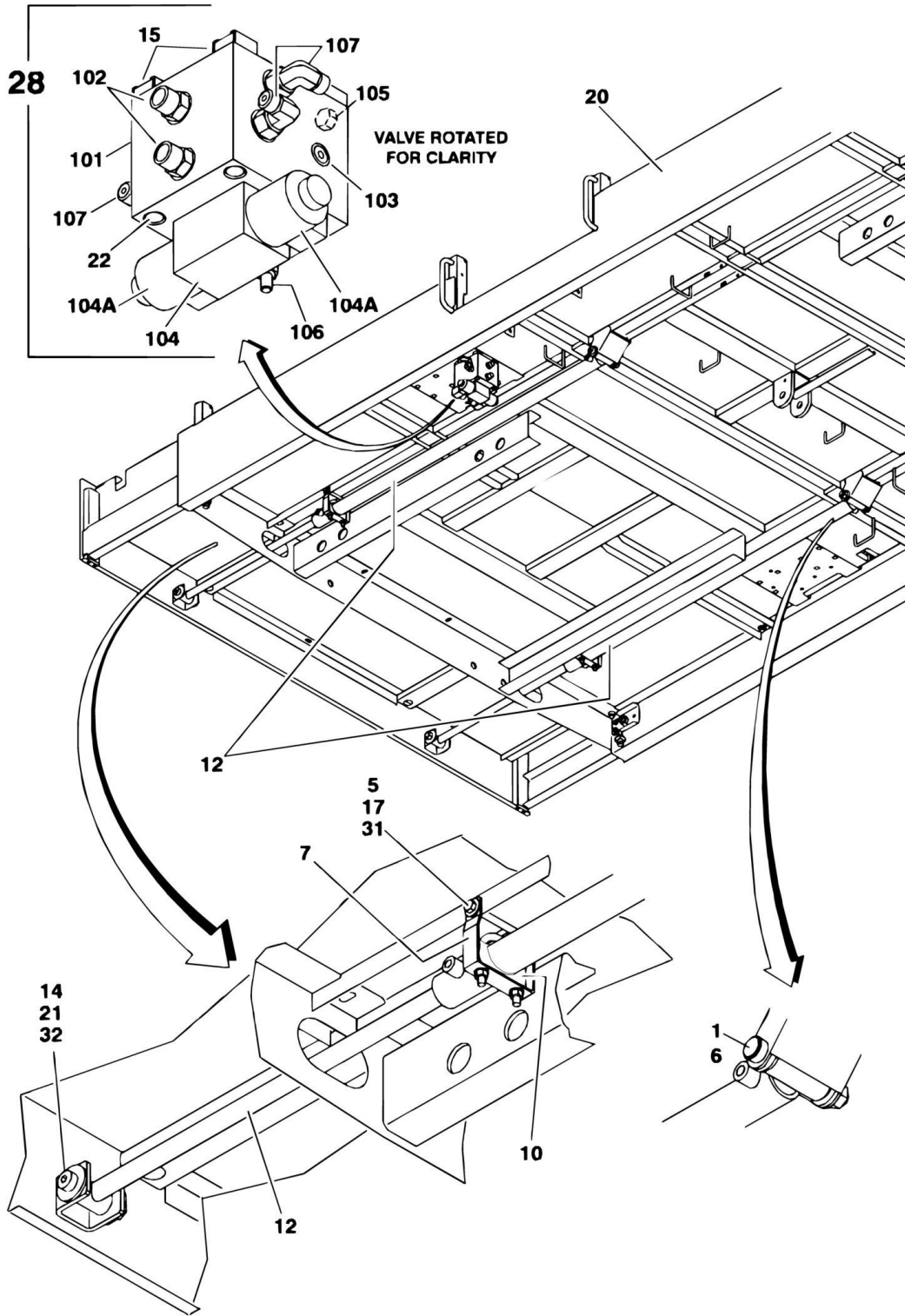
## SECTION 4 - PLATFORM

ITEM	PART NUMBER	QTY	DESCRIPTION	REV
116	4711400	50	Flatwasher 1/4in Narrow	
117	3520072	4	Plug	
118	0901916	1	Bracket (6ft/1.8m Extension Only)	
	0271196	Ref	<b>OPTIONAL POWER EXTENSION INSTALLATION (PLATFORM LENGTH - 14.7FT/4.5M)</b>	B
204	1682872	2	Extension Cylinder Assembly - 4ft/1.2m (See CYLINDER SECTION for Breakdown)	
205	1684107	2	Extension Cylinder Assembly - 6ft/1.8m (See CYLINDER SECTION for Breakdown)	
206	1320019	4	U-Clamp	
207	4711500	8	Flatwasher 5/16in Narrow	
208	0901904	4	Bracket, Cylinder Support	
209	0642228	4	Bolt 3/4in-10NC x 3 1/2in	
210	3312205	8	Locknut 3/4in-10NC	
211	0642236	4	Bolt 3/4in-10NC x 4 1/2in	
212	4711600	8	Flatwasher 3/8in Narrow	
213	4761600	10	Lockwasher 3/8in	
214	3311601	8	Nut 3/8in-16NC	
215	0641608	2	Bolt 3/8in-16NC x 1in	
	0253410	Ref	<b>OPTIONAL SELECTOR VALVE ASSEMBLY</b>	-
301	4640787	1	Selector Valve Assembly	
301	7011102	1	Coil	
302	0641426	2	Bolt 1/4in-20NC x 3 1/4in	
303	3311401	2	Nut 1/4in-20NC	
304	4761400	2	Lockwasher 1/4in	

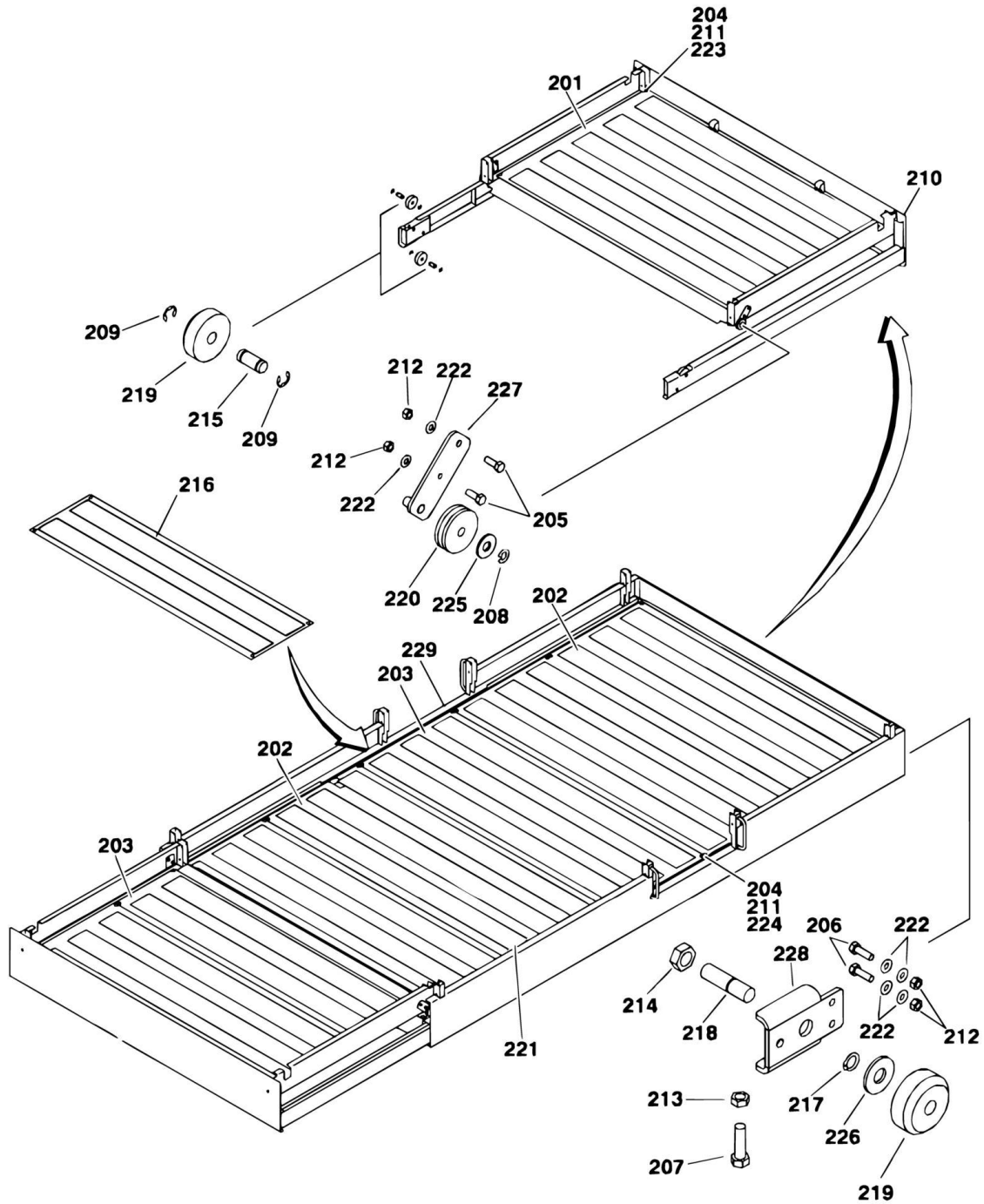


# SECTION 4 - PLATFORM

## FIGURE 4-4. POWER DECK EXTENSION AND PLATFORM ASSEMBLY



# SECTION 4 - PLATFORM



# SECTION 4 - PLATFORM

## FIGURE 4-4. POWER DECK EXTENSION AND PLATFORM ASSEMBLY

ITEM	PART NUMBER	QTY	DESCRIPTION	REV
	0273062	Ref	<b>DUAL DECK EXTENSION (PLATFORM LENGTH - 15.8FT/4.8M)</b>	B
1	3423052	4	Pin, Tele Barrel	
2	0100011	AR	Loctite #242 (Not Shown)	
5	0641636	4	Bolt 3/8in-16NC x 4 1/2in	
6	3760351	8	Ring, Retaining	
7	0902839	4	Bracket, Hanger	
10	1320019	4	Clamp	
12	1684266	4	Extension Cylinder Assembly (See CYLINDER SECTION for Breakdown)	
14	3272005	4	Locknut 5/8in-11NC	
15	3300471	8	Nut, Retainer 3/8in-16NC	
17	3311605	4	Locknut 3/8in-16NC	
20	0272990	1	Platform and Deck Extension Assembly (See Items 201 to 230 for Breakdown)	
21	3900330	4	Screw, Shoulder	
22	3931664	8	Capscrew 3/8in-16NC x 4in	
28	4641219	1	Valve Assembly (See Items 101-107 for Breakdown)	
31	4751600	8	Flatwasher 3/8in Wide	
32	4752200	8	Flatwasher 3/4in Wide	
	4641219	Ref	<b>VALVE ASSEMBLY</b>	C
101	Not Available	1	Block, Manifold	
102	2110806	2	Fitting, Straight	
103	2220883	1	Plug	
103	7024926	1	Orifice	
104	70001342	1	Control Valve Assembly (was p/n 7024019) (Note: No Longer Available for Purchase)	
104	7012773	1	Seal Kit - 7024019 & 70001342 Valve	
104A	7024013	2	Coil	
105	7026002	1	Cartridge	
105	2900770	1	Seal Kit - 7026002 Cartridge	
106	7024572	1	Cartridge	
106	7011346	1	Seal Kit - 7024572 Cartridge	
107	2130406	4	Fitting, 90	
	0272990		<b>PLATFORM AND DECK EXTENSION ASSEMBLY</b>	E
201	0272101	2	Plate, Floor	
201	4420069	30 ft/9m	Tape, Safety Tread	
202	0272241	3	Plate, Floor	
202	4420069	19.5 ft/6m	Tape, Safety Tread	
203	0272242	2	Plate, Floor	
203	4420069	19.5 ft/6m	Tape, Safety Tread	
204	0630485	36	Bolt, Carriage	
205	0641507	8	Bolt 5/16in-18NC x 7/8in	
206	0641508	8	Bolt 5/16in-18NC x 1in	
207	0641814	4	Bolt 1/2in-13NC x 1 3/4in	
208	1380150	4	E-Clip 1/2in	
209	1380151	16	E-Clip 3/4in	
210	2020006	2	Deck, Extension	
211	3300472	36	Nut, Acorn 3/8in-16NC	
212	3311505	16	Locknut 5/16in-18NC	
213	3311802	4	Nut, Jam 1/2in-13NC	

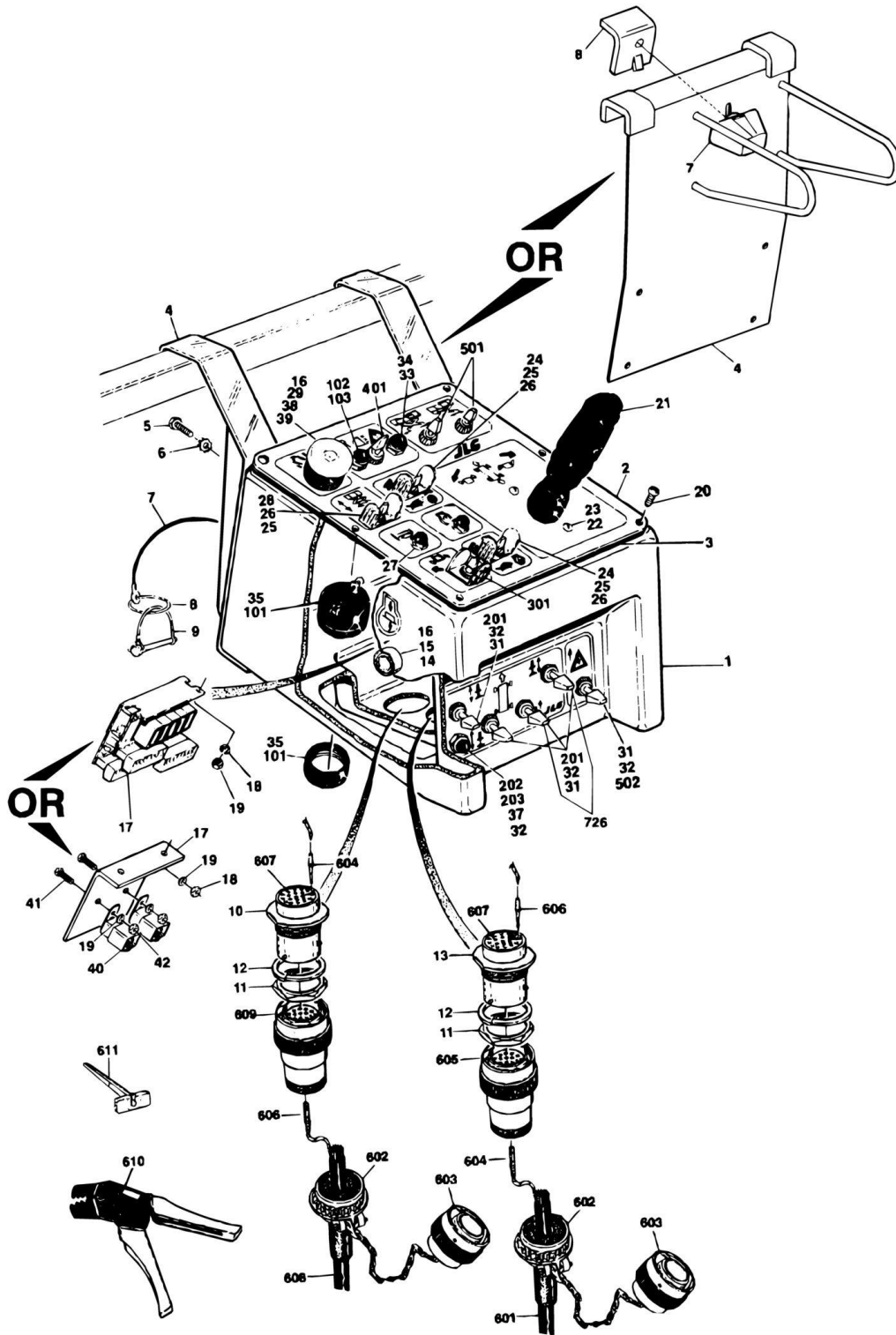


## SECTION 4 - PLATFORM

ITEM	PART NUMBER	QTY	DESCRIPTION	REV
214	3322202	4	Nut, Jam	
215	3422966	8	Pin	
216	0272998	2	Assembly, Deck Plate	
217	3760348	4	Ring, Retaining	
218	3841233	4	Rod, Roller	
219	3860059	12	Roller, Extension	
220	3860100	4	Roller, V-Groove	
221	4420066	113.5 ft/34.6m	Tape, Double Sided	
222	4711500	24	Flatwasher 5/16in Narrow	
223	4711600	8	Flatwasher 3/8in Narrow	
224	4751600	28	Flatwasher 3/8in Wide	
225	4751800	4	Flatwasher 1/2in Wide	
226	4752200	4	Flatwasher 3/4in Wide	
227	4846517	4	Mount, Roller	
228	4846519	4	Support, Roller	
229	3510842	1	Platform Weldment	

# SECTION 4 - PLATFORM

## FIGURE 4-5. PLATFORM CONSOLE BOX ASSEMBLY



## SECTION 4 - PLATFORM

### FIGURE 4-5. PLATFORM CONSOLE BOX ASSEMBLY

ITEM	PART NUMBER	QTY	DESCRIPTION	REV
		Ref	<b>PLATFORM CONSOLE BOX ASSEMBLIES:</b>	
	0253516	Ref	<b>Platform Console Box Assemblies 500RTS</b>	13
	0258664	Ref	<b>Platform Console Box Assemblies 400RTS/500RTS - CSA W/DEUTZ ENGINE (SN 103703 to Present)</b>	9
	0272223	Ref	<b>Platform Console Box Assemblies 500RTS - CSA W/FORD ENGINE (SN 103703 to Present)</b>	1
	0254074	Ref	<b>Platform Console Box Assemblies 400RTS W/JACKS</b>	11
	0254075	Ref	<b>Platform Console Box Assemblies 400RTS W/OUT STAB</b>	11
1		Ref	Box, Control Options:	
1	0860799	1	Box, Control 500RTS ( <b>Prior to SN 80656</b> )	
1	0861377	1	Box, Control 500RTS ( <b>SN 80656 to Present</b> )	
1	0860799	1	Box, Control 400RTS	
2		Ref	Nameplate, Lid Options:	
2	3252310	1	Nameplate, Lid ( <b>Prior to SN 57701</b> )	
2	3252620	1	Nameplate, Lid ( <b>SN 57701 to Present</b> )	
3	4420008	38	Tape, Insulation	
		in/96.5cm		
4		Ref	Bracket, Hanger Options:	
4	0901897	2	Bracket, Hanger ( <b>Prior to SN 46644</b> )	
4	0902456	1	Bracket, Hanger ( <b>SN 46644 through 57700</b> )	
4	4845938	1	Bracket, Hanger ( <b>SN 57701 to Present</b> )	
5	0641404	4	Bolt 1/4in-20NC x 1/2in	
6	4791400	4	Starwasher 1/4in	
7		Ref	Options:	
7	1060380	1	Lanyard 10 ( <b>Prior to SN 46644</b> )	
7	2560141	1	Handle, Thumb Screw ( <b>SN 46644 to Present</b> )	
8		Ref	Options:	
8	3760170	1	Ring ( <b>Prior to SN 46644</b> )	
8	0181847	1	Angle, Box Clamp ( <b>SN 46644 to Present</b> )	
9	3421453	1	Pin, Snap ( <b>Prior to SN 46644</b> )	
10	4460463	1	Receptacle (23 Pin)	
11	4460470	2	Nut, Conduit	
12	4460471	2	Lockwasher, Conduit	
13	4460480	1	Receptacle (20 Pin)	
14	4360339	1	Switch, Push Button (Enable)	
14	7012593	1	Cap, Rubber	
15	4360267	1	Block, Contact	
16	0100035	AR	Loctite #222	
17	0610103	1	Circuit Card Assembly, Time Delay (Prior to February 1995)	
17	7012590	1	Bracket, Mounting	
17	0610114	1	Circuit Card Assembly, Time Delay (February 1995 to S/N 57701)	
17	0610110	1	Bracket: Mounting Kit	
17	0902514	1	Bracket, Relay ( <b>SN 57701 to Present</b> )	
18		Ref	Nut Options:	
18	3310601	2	Nut #6-32NC ( <b>Prior to SN 57701</b> )	
18	3311001	2	Nut #10-24NC ( <b>SN 57701 to Present</b> )	
19		Ref	Lockwasher Options:	
19	4770600	2	Lockwasher #6 ( <b>Prior to SN 57701</b> )	
19	4761000	4	Lockwasher #10 ( <b>SN 57701 to Present</b> )	

## SECTION 4 - PLATFORM

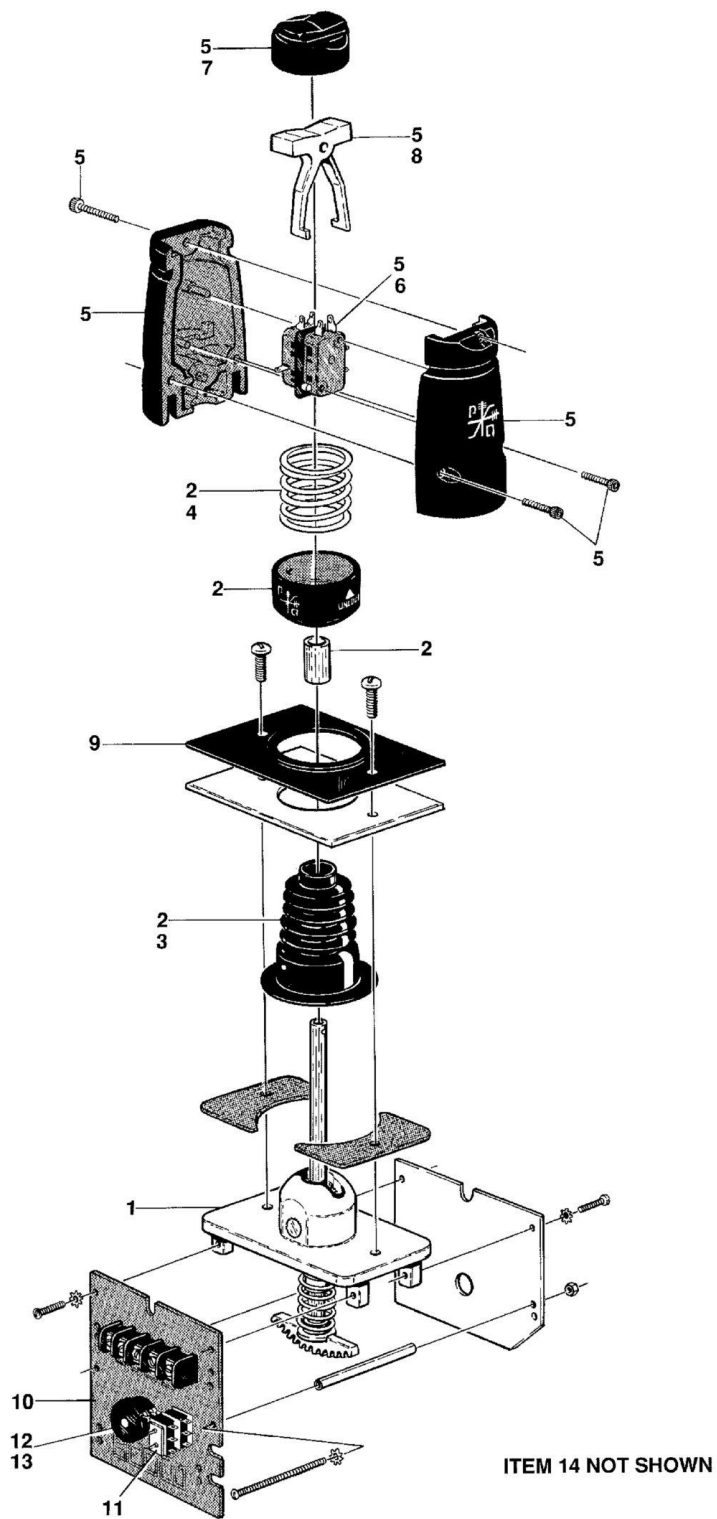
ITEM	PART NUMBER	QTY	DESCRIPTION	REV
20	3900177	8	Screw, Machine #8 x 1/2in	
21		Ref	Controller, PQ (Drive/Steer) Options:	
21	1600157	1	Controller, PQ (Drive/Steer) <b>(Prior to SN 57701)</b>	
21	1600290	1	Controller, PQ (Drive/Steer) <b>(SN 57701 to Present)</b>	
22	4740120	4	Washer, Nylon	
23	3900178	4	Screw, Machine #10-32NC x 3/4in	
24		Ref	Switch, Toggle Options:	
24	4360345	2	Switch, Toggle 400RTS <b>(Prior to SN 46198)</b>	
24	4360336	2	Switch, Toggle 400RTS <b>(SN 46198 to Present)</b>	
24	4360336	2	Switch, Toggle 500RTS	
25	4060802	3	Shield, Switch	
26	3790012	AR	O-Ring	
27	4360274	2	Switch, Push Button (Horn)	
28	4360314	AR	Switch, Toggle (Lift)	
29	4360289	1	Switch, Push-Pull (Emergency Stop) <b>(Prior to SN 65040)</b>	
29	7012611	1	Mushroom, Top	
29	7012612	1	Boot	
29	4360475	1	Switch, Push-Pull (Emergency Stop) <b>(SN 65040 to Present)</b>	
29	7020175	1	Cap	
29	7020176	1	Block, Contact	
31	3520079	AR	Plug, Hole	
32	0100009	AR	Sealant, Silicon	
33	2920029	3	Bulb, Light	
34	2920026	1	Lamp, Indicator - Red	
35		Ref	Alarm, Sonalert Options:	
35	Not Required	0	Alarm, Sonalert 400RTS	
35	0140011	1	Alarm, Sonalert 500RTS	
37		Ref	Options:	
37	3520081	1	Plug, Hole (Standard)	
37	2920027	1	Lamp, Green (CSA Spec)	
38		Ref	Switch, Contact Block Options:	
38	4360282	1	Switch, Contact Block August 1993 to S/N 65039	
38	4360476	1	Switch, Contact Block <b>(SN 65040 to Present)</b>	
39		Ref	Switch, Contact Block Options:	
39	Not Required	0	Switch, Contact Block 400RTS	
39	4360281	1	Switch, Contact Block 500RTS <b>(Prior to SN 66916)</b>	
39	4360478	1	Switch, Contact Block 500RTS <b>(SN 66916 to Present)</b>	
40	3740049	4	Relay <b>(SN 57701 to Present)</b>	
41	3911008	2	Screw #10-24NC x 1/2in <b>(SN 57701 to Present)</b>	
42	3321001	2	Nut #10-24NC <b>(SN 57701 to Present)</b>	
45	4750600	2	Flatwasher #6 <b>(SN 108336 to Present)</b>	
	0254063	Ref	<b>TILT ALARM INSTALLATION</b>	-
101	0140011	1	Alarm	
102	2920026	1	Lamp, Indicator - Red	
103	2920029	1	Bulb, Light	
		Ref	<b>OPTIONAL LEVELING JACK CONTROLS INSTALLATION</b>	-
201	4360314	4	Switch, Toggle	
201	3790012	4	O-Ring	
202	2920027	1	Lamp, Indicator - Green	
203	2920029	1	Bulb, Light	
		Ref	<b>OPTIONAL 4WS CONTROLS INSTALLATION</b>	

## SECTION 4 - PLATFORM

ITEM	PART NUMBER	QTY	DESCRIPTION	REV
301	4360314	1	Switch, Toggle (Rear Steer)	
301	4060802	1	Guard, Switch	
301	3790012	1	O-Ring	
	0253821	Ref	<b>OPTIONAL LIGHTS INSTALLATION</b>	2
401	4360329	1	Switch, Toggle	
401	3790012	1	O-Ring	
		Ref	<b>OPTIONAL PLATFORM EXTENSION INSTALLATION</b>	
	0253614	Ref	<b>SINGLE EXTENSION</b>	14
	0253615	Ref	<b>DUAL EXTENSIONS</b>	19
	0271196	Ref	<b>MEGADECK EXTENSIONS</b>	B
501	4360330	AR	Switch, Toggle (Extend)	
501	4360314	AR	Switch, Toggle (Platform Select)	
501	3790012	AR	O-Ring	
502	4360330	1	Switch, Toggle (Auxiliary Power)	
502	3790012	1	O-Ring	
		Ref	<b>HARNESSE ASSEMBLIES:</b>	
	4921543	Ref	<b>16/24 (500RTS) (Prior to SN 58035)</b>	2
	4922257	Ref	<b>16/24 (500RTS) (SN 58035 to Present)</b>	2
	4921598	Ref	<b>16/24 (400RTS) (Prior to SN 58035)</b>	2
	4922256	Ref	<b>16/24 (400RTS) (SN 58035 to Present)</b>	2
	4921544	Ref	<b>16/20 (500RTS) (Prior to SN 58035)</b>	3
	4922252	Ref	<b>16/20 (500RTS) (SN 58035 to Present)</b>	2
	4921599	Ref	<b>16/20 (400RTS) (Prior to SN 58035)</b>	3
	4922251	Ref	<b>16/20 (400RTS) (SN 58035 to Present)</b>	2
601	1060459	AR	Cable, Electrical 16/20 <b>(Prior to SN 58035)</b>	
601	1060825	AR	Cable, Electrical 16/20 <b>(SN 58035 to Present)</b>	
601	1060825	100 ft	Cable, Electrical 400RTS	
601	1060825	115 ft	Cable, Electrical 500RTS	
602	4460473	1	Cable Clamp	
603	4460468	1	Dust Cap Plug	
604	4460464	20	Pin, Male	
605	4460481	1	Plug, Connector 20 Pin	
606	4460465	AR	Socket, Female	
607	4460466	AR	Seal, Red	
608	1060458	AR	Cable, Electrical 16/24 <b>(Prior to SN 58035)</b>	
608	1060826	AR	Cable, Electrical 16/24 <b>(SN 58035 to Present)</b>	
608	1060826	100 ft	Cable, Electrical 400RTS	
608	1060826	115 ft	Cable, Electrical 500RTS	
609	4460462	1	Plug, Connector 23 Pin	
610	7002818	1	Crimper (For Wire to Pin/Socket Connections)	
611	4460467	1	Extractor (For Removal of Pin/Sockets from Connectors)	
	0273062	Ref	<b>POWER DECK SWITCH INSTALLATIONS</b>	
726	4360387	2	Switch, Push Button	

# SECTION 4 - PLATFORM

## FIGURE 4-6. DRIVE/LIFT CONTROLLER ASSEMBLY (Prior to SN 57701)



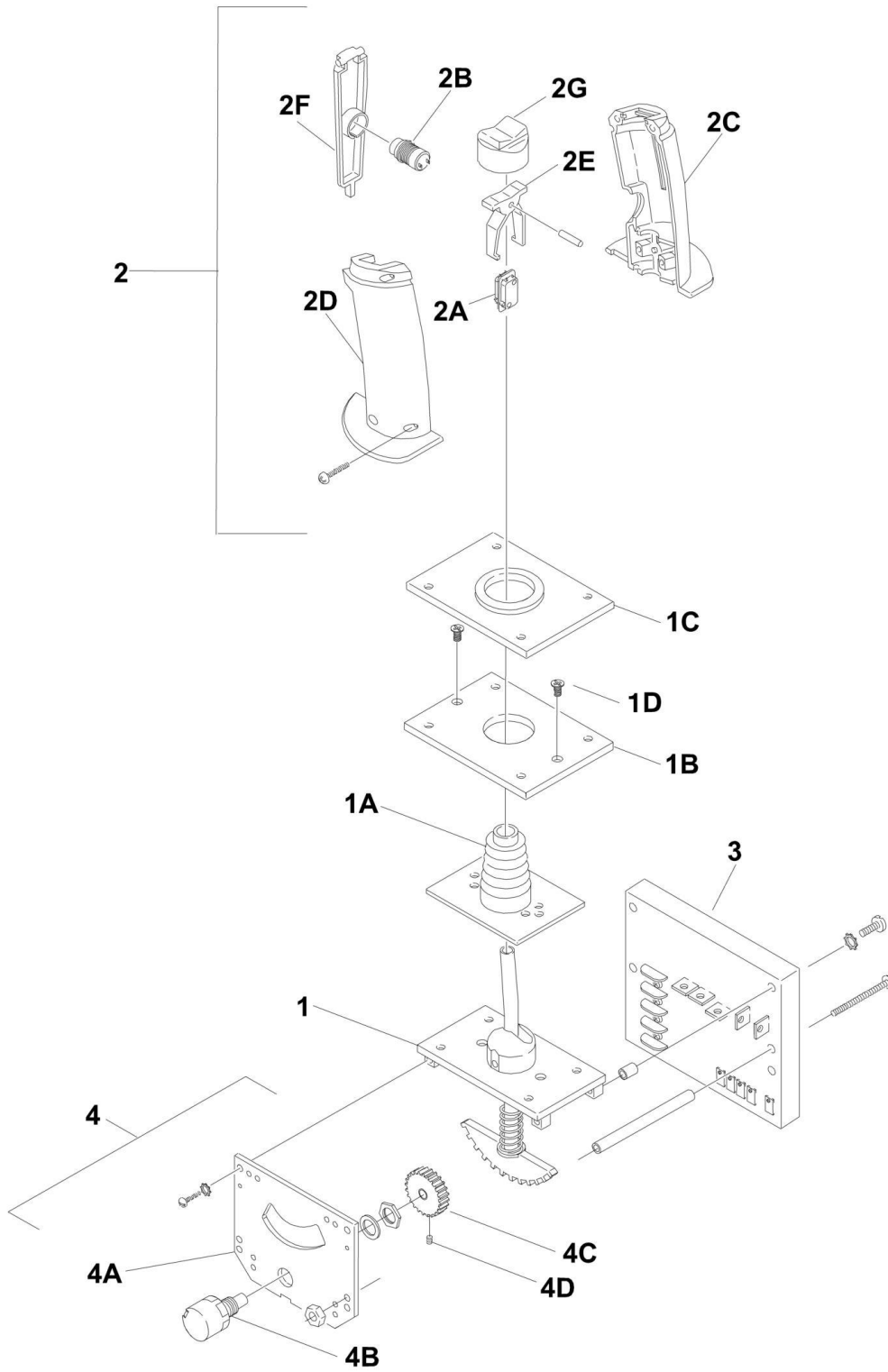
## SECTION 4 - PLATFORM

**FIGURE 4-6. DRIVE/LIFT CONTROLLER ASSEMBLY (Prior to SN 57701)**

ITEM	PART NUMBER	QTY	DESCRIPTION	REV
	1600157	Ref	<b>SLIDE LOCK CONTROLLER ASSEMBLY - STRAIGHT</b>	A
	7011931	1	Slide Lock Controller Handle Assembly (Includes Items 1-9)	
1	7011932	1	Stem Assembly	
2	7011933	1	Slide Lock Assembly	
3	7003772	1	Boot	
4	7011934	1	Spring, Compression	
5	7011935	1	Handle Assembly	
6	7003789	1	Switch, Assembly	
7	7003790	1	Cap, Rubber	
8	7003791	1	Actuator, Switch	
9	7011936	1	Gasket	
10		Ref	Electrical Assembly Options: (Includes PC Board Potentiometer and Harness)	
10	7011938	1	Electrical Assembly - With Trimpots	
10	7011923	1	Electrical Assembly - With Potentiometer	
12	7011940	1	Gear, Pinion	
13	7003751	1	Potentiometer - 500 Ohms	
14		Ref	Harness End Options: (Not Shown)	
14	4460343	1	Plug, Male 12 Position (Not Shown)	
14	4460367	1	Receptacle, Female - 12 Pin (Not Shown)	
14	4460226	12	Socket, Female (Not Shown)	
14	4460227	12	Pin, Male (Not Shown)	

# SECTION 4 - PLATFORM

FIGURE 4-7. DRIVE/LIFT CONTROLLER ASSEMBLY (SN 57701 to Present)





## SECTION 4 - PLATFORM

**FIGURE 4-7. DRIVE/LIFT CONTROLLER ASSEMBLY (SN 57701 to Present)**

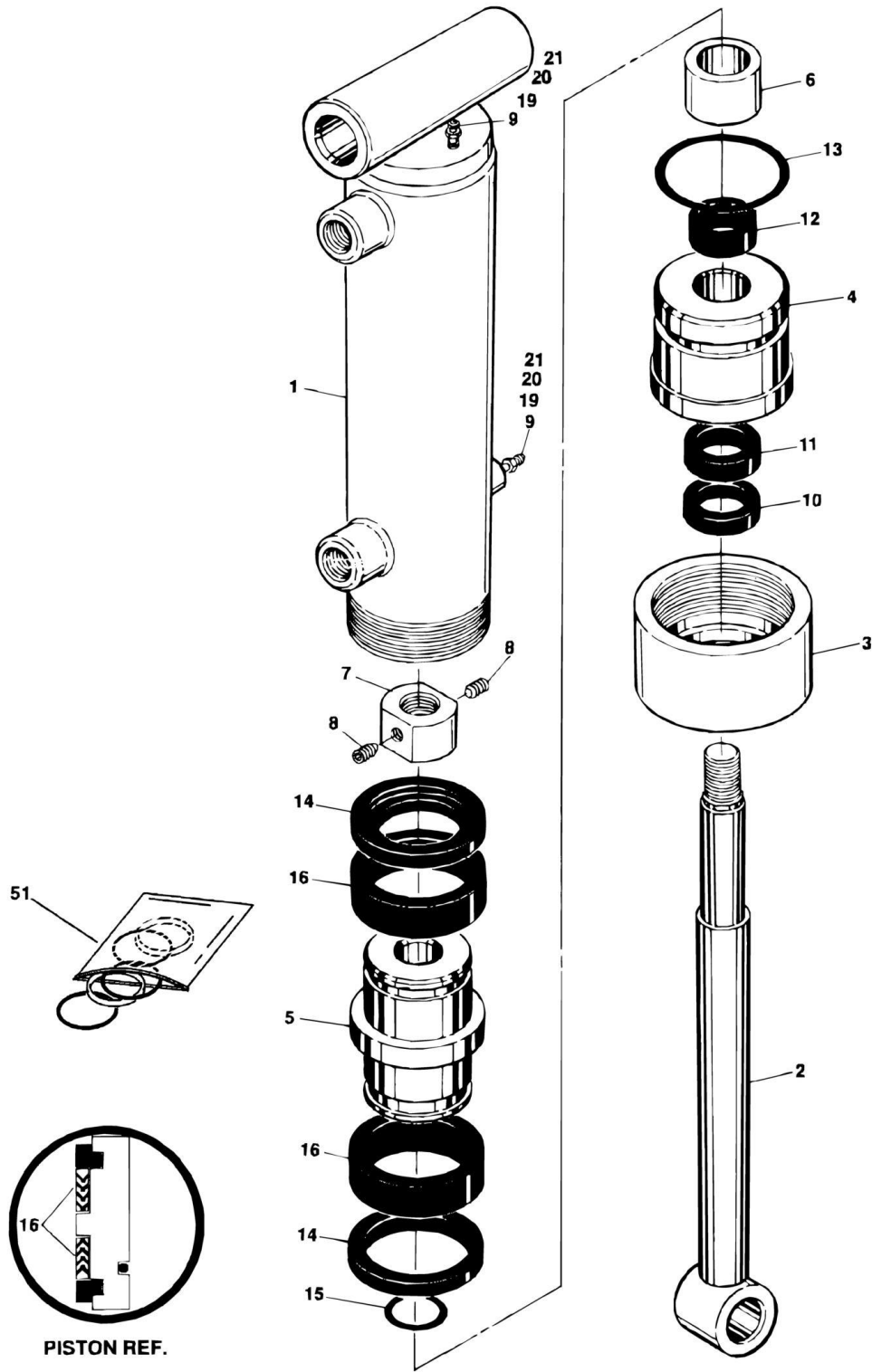
ITEM	PART NUMBER	QTY	DESCRIPTION	REV
	1600290	Ref	<b>CONTROLLER ASSEMBLY</b>	B
	7020503	1	Mechanical Assembly	
1	Not Serviced	1	Handle Assembly	
1A	7020520	1	Boot	
1B	7020504	1	Mounting Plate	
1C	7020502	1	Gasket	
1D	7020528	2	Screw #10-32NC x 3/8in	
2	7011991	1	Grip Assembly	
2A	7020500	2	Switch, Rocker	
2B	7020501	1	Switch, Push Button - Red	
2C	7020541	1	Grip - Right Half (was p/n 7020531)	
2D	7020541	1	Grip - Left Half (was p/n 7020532)	
		Ref	<b>Note: Right Handle Half and Left Handle Half Can No Longer Be Purchase Separately. Must Purchase p/n 7020541 You Will Receive Both Right and Left Handle Half's.</b>	
2E	7003791	1	Actuator, Switch	
2F	7011997	1	Trigger	
2G	7003790	1	Cap, Rubber	
3	7011938	1	Electrical Assembly	
3	4460367	1	Receptacle, Female - 12 Pin (Not Shown)	
3	4460226	12	Socket, Female (Not Shown)	
3	4460343	1	Plug, Male 12 Position (Not Shown)	
3	4460227	12	Pin, Male (Not Shown)	
4	7011923	1	Electrical Assembly	
4A	7020509	1	Potentiometer, Mounting Plate	
4B	7003751	1	Potentiometer	
4C	7011940	1	Gear, Pinion	
4D	7020511	1	Setscrew #6-32NC x 1/8in	
4E	7011982	1	Board, Circuit (Not Shown)	



**SECTION 5 - CYLINDER**

# SECTION 5 - CYLINDER

## FIGURE 5-1. AXLE LOCKOUT CYLINDER ASSEMBLY (OSCILLATING CYLINDER) (OPTIONAL)



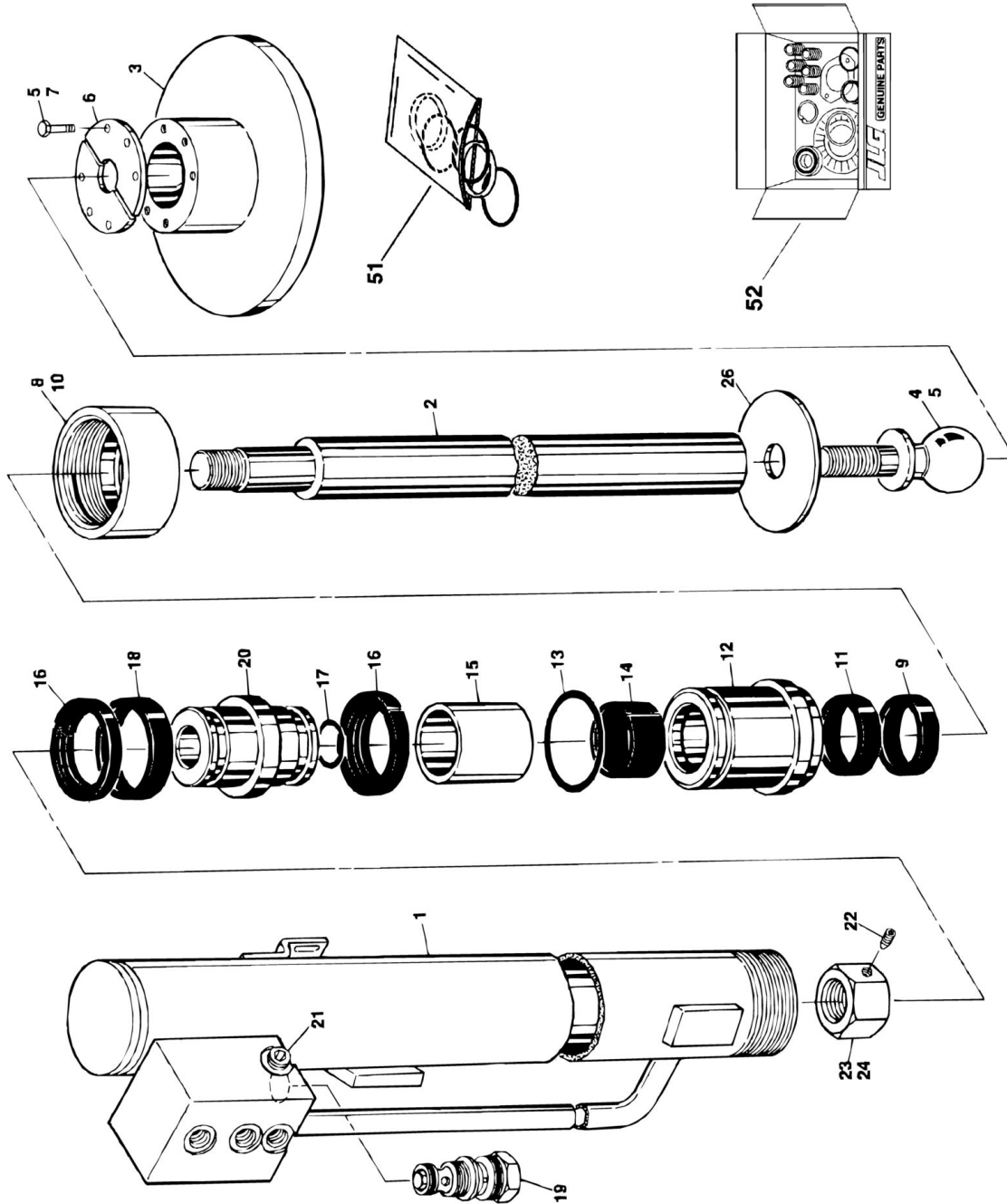
## SECTION 5 - CYLINDER

**FIGURE 5-1. AXLE LOCKOUT CYLINDER ASSEMBLY (OSCILLATING CYLINDER) (OPTIONAL)**

ITEM	PART NUMBER	QTY	DESCRIPTION	REV
	1682185	Ref	<b>AXLE LOCKOUT CYLINDER ASSEMBLY</b>	6
1	1682186	1	Barrel Weldment	
2	1681609	1	Rod Weldment	
3	1120108	1	Retainer, Head	
4	1681322	1	Head	
5	3480116	1	Piston	
6	4563647	1	Tube, Spacer	
7	3300273	1	Nut	
8	3900170	1	Setscrew 3/8in-16NC	
9	4640273	3	Bleeder (Prior to June 1994)	
10	Item 51	1	Wiper, Rod	
11	Item 51	1	Seal, Rod	
12	Item 51	1	Ring, Wear	
13	Item 51	1	O-Ring	
14	Item 51	2	Ring, Lock	
15	Item 51	1	O-Ring	
16	Item 51	2	Seal	
19	3321401	3	Nut (June 1994 to Present)	
20	3900175	3	Plug (June 1994 to Present)	
21	3960416	3	Washer (June 1994 to Present)	
	0100035	AR	Loctite #242	
51	2900379	1	Seal Kit (Includes Items 10-16)	

# SECTION 5 - CYLINDER

FIGURE 5-2. LEVELING JACK CYLINDER ASSEMBLY (HYDRAULIC JACK OPTION) (Prior to SN 104832)



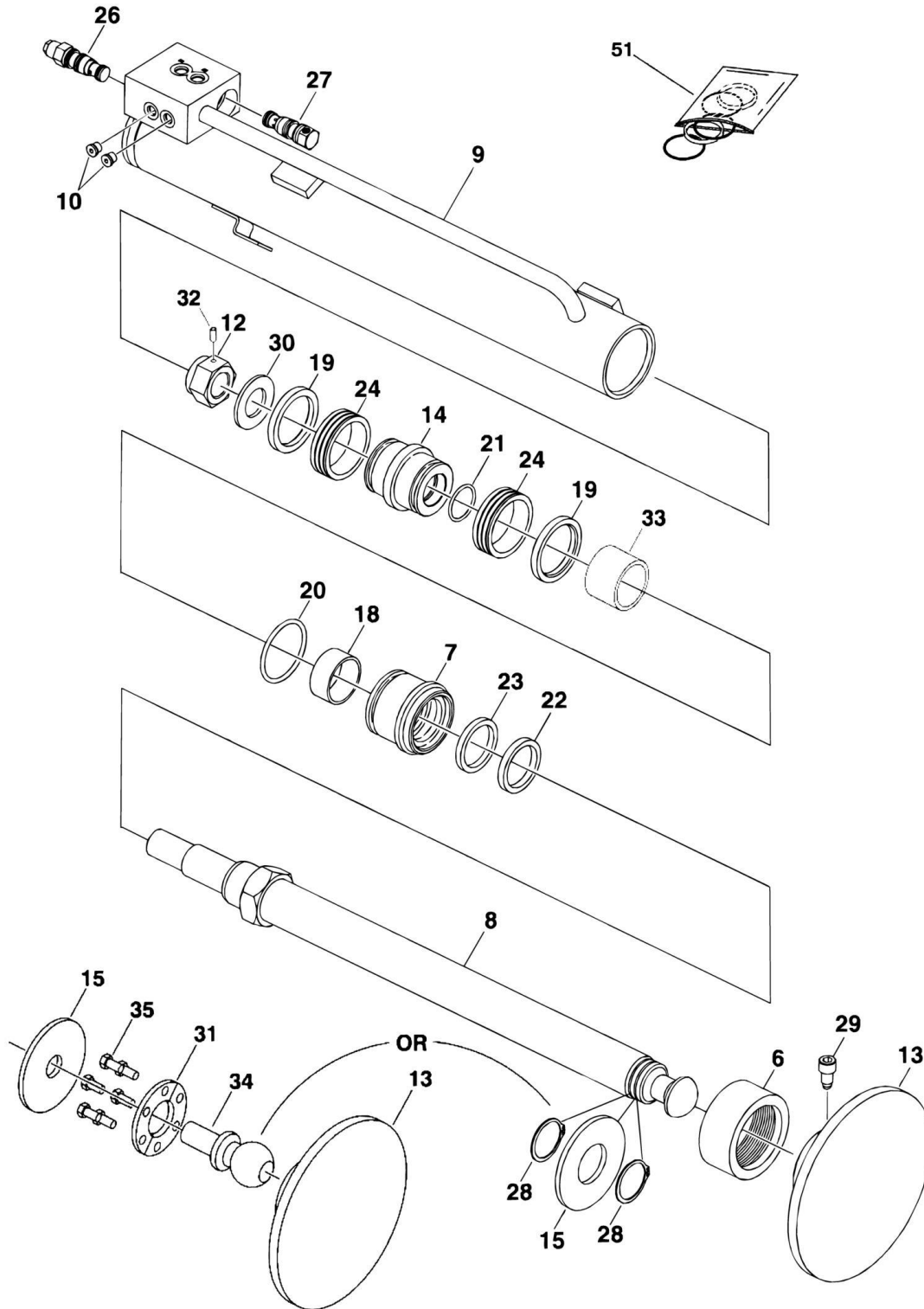
## SECTION 5 - CYLINDER

**FIGURE 5-2. LEVELING JACK CYLINDER ASSEMBLY (HYDRAULIC JACK OPTION) (Prior to SN 104832)**

ITEM	PART NUMBER	QTY	DESCRIPTION	REV
	1682720	Ref	<b>LEVELING JACK CYLINDER ASSEMBLY (ORIGINAL EQUIPMENT)</b>	4
		Ref	<b>Note: Original Cylinder may have been replaced with Service Replacement Cylinder. Identify p/n stamped on cylinder before ordering parts.</b>	
1	1682721	1	Barrel Weldment	
2	1682723	1	Rod, Cylinder	
3		Ref	Pad, Jack Options:	
3	2902023	1	Pad, Jack (p/n was 3340650) <b>(Prior to SN 91556)</b>	
3	2902023	1	Pad, Jack (p/n was 3340904) <b>(SN 91556 to Present)</b>	
4	0320015	1	Ball, Pivot	
5	0100011	AR	LOCTITE #242	
6		Ref	Ring, Retainer Options:	
6	3760261	1	Ring, Retainer <b>(Prior to SN 91556)</b>	
6	3760453	1	Ring, Retainer <b>(SN 91556 to Present)</b>	
7		Ref	Bolt Options:	
7	0681506	6	Bolt 15/16in-18NC x 3/4in Grade 8 <b>(Prior to SN 91556)</b>	
7	0681606	6	Bolt 3/6in-16NC x 3/4in Grade 8 <b>(SN 91556 to Present)</b>	
8	0100035	AR	Loctite #222	
9	Item 51	1	Wiper, Rod	
10	1120108	1	Retainer	
11	Item 51	1	Seal, Rod	
12	1681283	1	Head	
13	Item 51	1	O-Ring	
14	Item 51	1	Ring, Wear	
15	4565647	1	Spacer	
16	Item 51	2	Ring, Guidelock	
17	Item 51	1	O-Ring	
18	Item 51	2	Seal	
19	4640613	1	Cartridge, Pilot Operated Check Valve	
19	2900770	1	Seal Kit	
20	3480092	1	Piston	
21	2220885	1	Plug	
22	3900170	1	Setscrew 3/8in-16NC x 3/8in	
23	3300281	1	Nut	
24	0100038	AR	Primer, Loctite	
26	3536708	1	Plate, Actuator	
51	2901941	1	Seal Kit (Includes Items 9, 11, 13, 14 & 16-18)	
52	2902023	1	Jack Pad Kit (Includes Items 3, 6 & 7)	

# SECTION 5 - CYLINDER

FIGURE 5-3. LEVELING JACK CYLINDER ASSEMBLY (HYDRAULIC JACK OPTION) (SN 104832 to Present)





## SECTION 5 - CYLINDER

**FIGURE 5-3. LEVELING JACK CYLINDER ASSEMBLY (HYDRAULIC JACK OPTION) (SN 104832 to Present)**

ITEM	PART NUMBER	QTY	DESCRIPTION	REV
		Ref	<b>LEVELING JACK CYLINDER ASSEMBLY</b>	
	1684216	Ref	<b>Leveling Jack Cylinder Assembly (Service Replacement for p/n 1682720) (Prior to SN 107516)</b>	A
	1683966	Ref	<b>Leveling Jack Cylinder Assembly (Original Equipment) (SN 107516 to Present)</b>	G
	1684217	Ref	<b>Service Replacement for p/n 1683966</b>	B
		Ref	<b>Note: Original Cylinder may have been replaced with Service Replacement Cylinder. Identify p/n stamped on cylinder before ordering parts.</b>	
1	0100011	AR	Loctite #242 (Not Shown)	
2	0100035	AR	Loctite #222 (Not Shown)	
6	1120108	1	Retainer	
7	1681283	1	Head	
8	1684206	1	Rod, Cylinder	
9	1682721	1	Barrel Weldment (Cylinder p/n 1684216)	
9	1683967	1	Barrel Weldment (Cylinders p/n 1683966 & p/n 1684217)	
10	2220885	1	Plug (Cylinder p/n 1684216)	
10	2220883	2	Plug (Cylinders p/n 1683966 & p/n 1684217)	
12		Ref	Locknut Options:	
12	3300465	1	Cylinder p/n 1684216 & p/n 1684217	
12	3300281	1	Cylinder p/n 1683966	
13		Ref	Pad, Jack Options:	
13	4846584	1	Cylinder p/n 1684216 & p/n 1684217	
13	3340904	1	Cylinder p/n 1683966	
14	3480092	1	Piston	
15		Ref	Plate Options:	
15	3573513	1	Cylinder p/n 1684216 & p/n 1684217	
15	3536708	1	Cylinder p/n 1683966	
18	Item 51	1	Ring, Wear	
19	Item 51	2	Ring, Guidelock	
20	Item 51	1	O-Ring	
21	Item 51	1	O-Ring	
22	Item 51	1	Wiper, Rod	
23	Item 51	1	Seal, Rod	
24	Item 51	2	Seal	
26	Not Required	0	Valve, Counter Balance (Cylinder p/n 1684216)	
26	4640495	1	Valve, Counter Balance (Cylinders p/n 1683966 & p/n 1684217)	
27	4640613	1	Valve, Check (Cylinder p/n 1684216)	
27	4641156	1	Valve, Check (Cylinders p/n 1683966 & p/n 1684217)	
27	7011345	1	Cartridge (Cylinders p/n 1683966 & p/n 1684217)	
27	2900770	1	Kit, Seal (Cylinders p/n 1683966 & p/n 1684217)	
28	3760460	2	Ring, Retainer (Cylinder p/n 1684216 & p/n 1684217)	
29	3900321	3	Screw 1/2in-13NC x 1 1/4in (Cylinder p/n 1684216 & p/n 1684217)	
30	4713000	1	Washer 1 1/4in (Cylinder p/n 1684216 & p/n 1684217)	
31	3760453	1	Ring, Retainer (Cylinder p/n 1683966)	
32	3900170	1	Screw, Self Locking (Cylinder p/n 1683966)	
33	4565647	1	Tube, Spacer (Cylinder p/n 1683966)	
34	0320015	1	Ball, Pivot (Cylinder p/n 1683966)	
35	0681606	6	Bolt 3/6in-16NC x 3/4in Grade 8 (Cylinder p/n 1683966)	

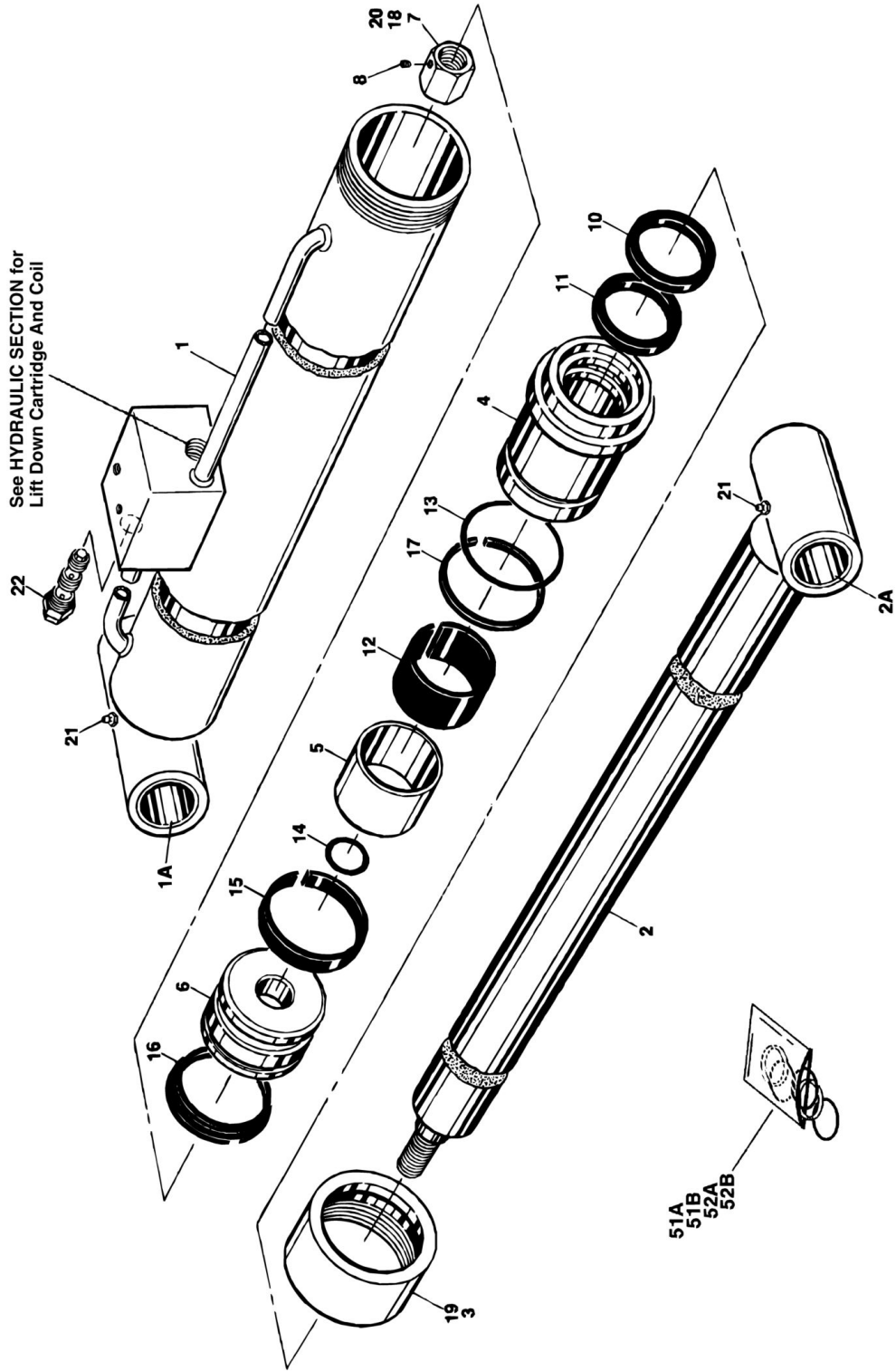
## SECTION 5 - CYLINDER

ITEM	PART NUMBER	QTY	DESCRIPTION	REV
51	2901941	1	Seal Kit (Includes Items 18-24)	



# SECTION 5 - CYLINDER

## FIGURE 5-4. LIFT CYLINDER ASSEMBLIES



## SECTION 5 - CYLINDER

### FIGURE 5-4. LIFT CYLINDER ASSEMBLIES

ITEM	PART NUMBER	QTY	DESCRIPTION	REV
		Ref	<b>LIFT CYLINDER ASSEMBLIES:</b>	
	1682748	Ref	<b>Lift Cylinder Assemblies 500RTS (Original Equipment) (Prior to SN 28655)</b>	F
	1683468	Ref	<b>Lift Cylinder Assemblies 500RTS (Service Replacement) (SN 28655 to Present)</b>	-
	1682969	Ref	<b>Lift Cylinder Assemblies 400RTS (Original Equipment) (Prior to SN 28655)</b>	B
	1683467	Ref	<b>Lift Cylinder Assemblies 400RTS (Service Replacement) (SN 28655 to Present)</b>	-
	1682931	Ref	<b>Lift Cylinder Assemblies 400RTS (S/N 8770 Only)</b>	B
		Ref	<b>Note: Original Cylinder may have been replaced with Service Replacement Cylinder. Identify p/n stamped on cylinder before ordering parts.</b>	
1		Ref	Barrel Weldment Options:	
1	1682749	1	Barrel Weldment 500RTS	
1	1682970	1	Barrel Weldment All 400RTS except S/N 8770	
1	1682932	1	Barrel Weldment 400RTS S/N 8770 Only	
1A	0960911	2	Bushing, Bronze	
2	1682751	1	Rod Weldment	
2A	0960911	2	Bushing, Bronze	
3		Ref	Retainer Options:	
3	1120358	1	Retainer 500RTS	
3	1120196	1	Retainer 400RTS	
4		Ref	Head Options:	
4	1681925	1	Head 500RTS	
4	1681680	1	Head 400RTS	
5		Ref	Tube, Spacer Options:	
5	4565842	1	Tube, Spacer 500RTS	
5	4566236	1	Tube, Spacer All 400RTS except S/N 8770	
5	4566233	1	Tube, Spacer 400RTS S/N 8770 Only	
6		Ref	Piston Options:	
6	3480137	1	Piston 500RTS <b>(Prior to SN 28655)</b>	
6	3480214	1	Piston 500RTS <b>(SN 28655 to Present)</b>	
6	3480135	1	Piston 400RTS (S/N 8770 Only) <b>(Prior to SN 28655)</b>	
6	3480220	1	Piston 400RTS <b>(SN 28655 to Present)</b>	
7	3300286	1	Nut, Piston	
8	3900170	1	Setscrew 3/8in-16NC x 3/8in	
10	See Note	1	Wiper, Rod (Note: Use Items 51A, 51B, 52A & 52B)	
11	See Note	1	Seal, Rod (Note: Use Items 51A, 51B, 52A & 52B)	
12	See Note	1	Ring, Wear (Note: Use Items 51A, 51B, 52A & 52B)	
13	See Note	1	O-Ring (Note: Use Items 51A, 51B, 52A & 52B)	
14	See Note	1	O-Ring (Note: Use Items 51A, 51B, 52A & 52B)	
15	See Note	1	Ring, Wear (Note: Use Items 51A, 51B, 52A & 52B)	
16	See Note	1	T-Seal (Note: Use Items 51A, 51B, 52A & 52B)	
17	See Note	1	Ring, Back-up (Note: Use Items 51A, 51B, 52A & 52B)	
18	0100011	AR	LOCTITE #242	
19	0100035	AR	Loctite #222	
20	0100038	AR	Primer, Loctite	
21	2160002	2	Fitting, Grease	
22		Ref	Cartridge, Thermal Relief Valve Options:	
22	4640819	1	Cartridge - 500RTS	

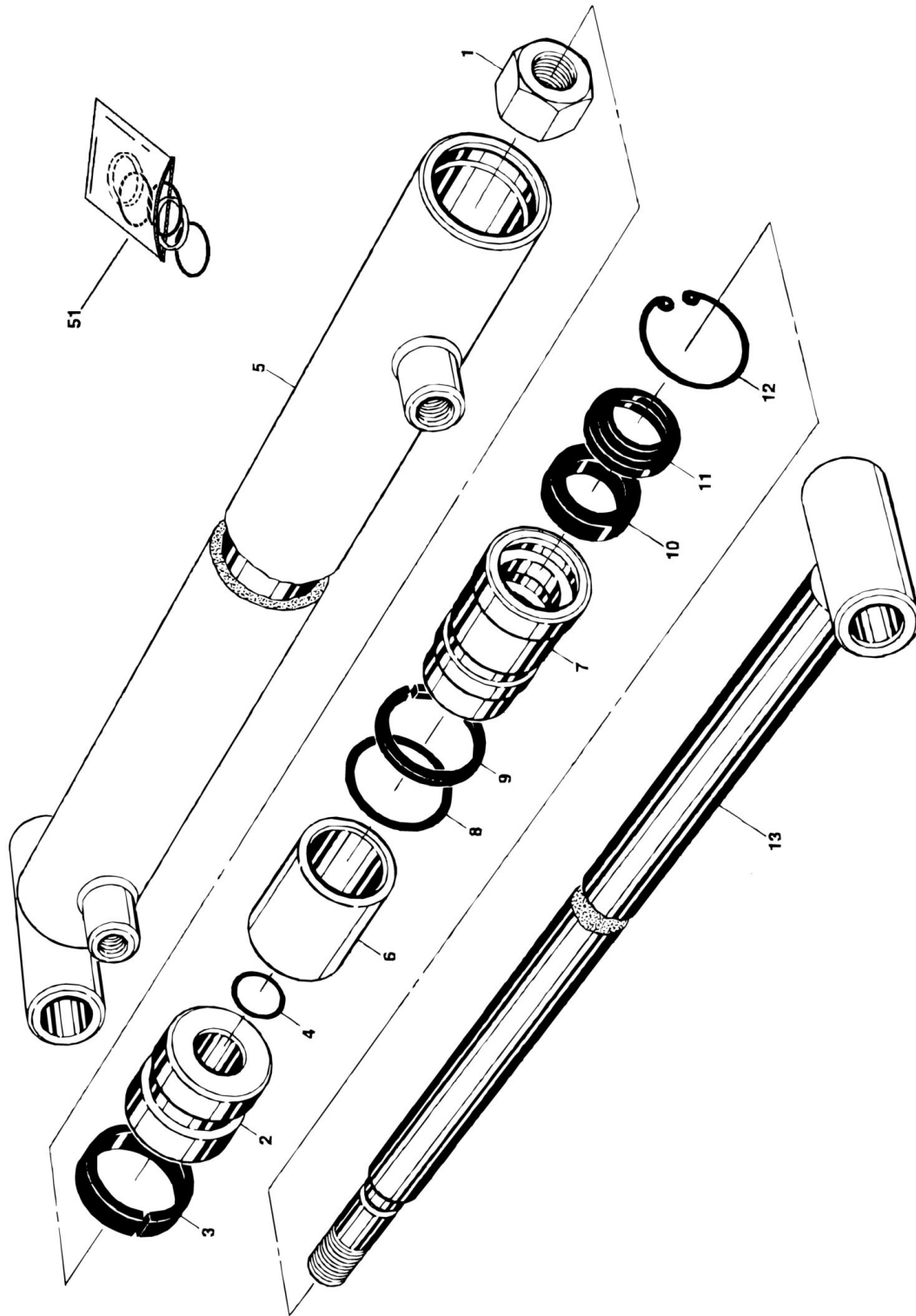
## SECTION 5 - CYLINDER

ITEM	PART NUMBER	QTY	DESCRIPTION	REV
22	7011112	1	Seal Kit	
22	4640509	1	Cartridge - 400RTS	
22	2900792	1	Seal Kit	
51		Ref	Seal Kit - 500RTS Lift Cylinder Options (Includes Items 10-17):	
51A	2901223	1	Seal Kit - 500RTS Lift Cylinder <b>(Prior to SN 28655)</b>	
51B	2901441	1	Seal Kit - 500RTS Lift Cylinder <b>(SN 28655 to Present)</b>	
52	2901252	1	Seal Kit - 400RTS Lift Cylinder Options (Includes Items 10-17):	
52A	2901252	1	Seal Kit - 400RTS Lift Cylinder <b>(Prior to SN 28655)</b>	
52B	2901439	1	Seal Kit - 400RTS Lift Cylinder <b>(SN 28655 to Present)</b>	
	0253786	Ref	<b>OPTIONAL LIFT CYLINDER BELLOWS INSTALLATION - 500RTS (NOT SHOWN)</b>	B/2
	0460097	2	Bellows, Cylinder (1 Per Cylinder)	
	1320058	2	Clamp (1 Per Cylinder)	



# SECTION 5 - CYLINDER

## FIGURE 5-5. PLATFORM EXTENSION CYLINDER ASSEMBLY





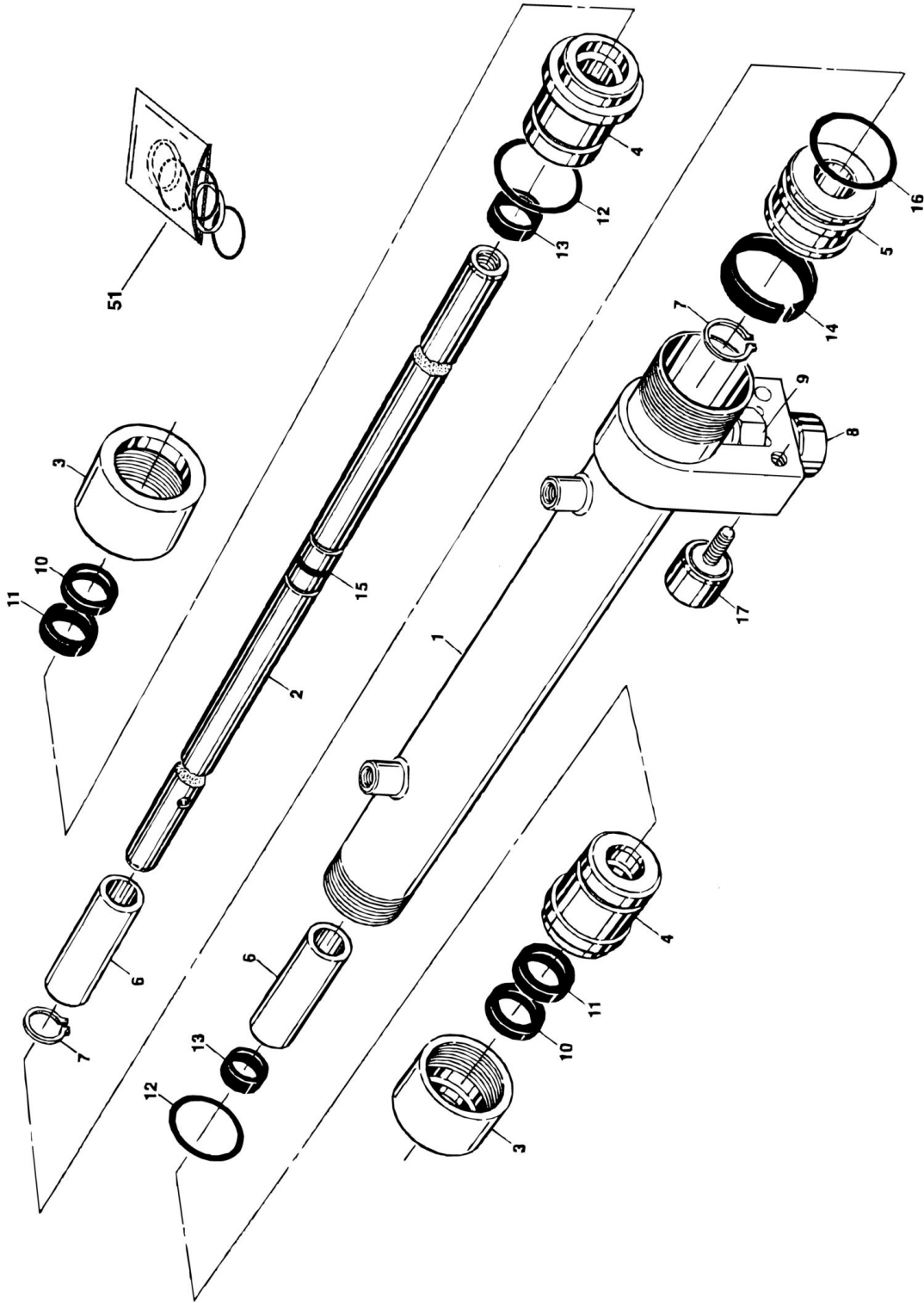
## SECTION 5 - CYLINDER

**FIGURE 5-5. PLATFORM EXTENSION CYLINDER ASSEMBLY**

ITEM	PART NUMBER	QTY	DESCRIPTION	REV
		Ref	<b>PLATFORM LENGTH - 14.7ft/4.5m</b>	
	1682872	Ref	<b>4ft EXTENSION CYLINDER ASSEMBLY</b>	
	1684107	Ref	<b>6ft EXTENSION CYLINDER ASSEMBLY</b>	B
		Ref	<b>PLATFORM LENGTH - 15.8ft/4.8m</b>	
	1684266	Ref	<b>4ft EXTENSION CYLINDER ASSEMBLY</b>	A
1		Ref	Locknut	
1	7001609	1	4ft/6ft (Platform Length - 14.7ft/4.5m)	
1	7001084	1	4ft (Platform Length - 15.8ft/4.8m)	
2	7001610	1	Piston	
3	Item 51	1	Seal	
4	Item 51	1	O-Ring	
5	7001615	1	Barrel - 4ft (Platform Length - 14.7ft/4.5m)	
5	7023030	1	Barrel - 6ft (Platform Length - 14.7ft/4.5m)	
5	7023035	1	Barrel - 4ft (Platform Length - 15.8ft/4.8m)	
6	7001616	1	Tube, Spacer - 4ft (Platform Length - 14.7ft/4.5m)	
6	7023029	1	Tube, Spacer - 6ft (Platform Length - 14.7ft/4.5m)	
6	7023036	1	Tube, Spacer - 4ft (Platform Length - 15.8ft/4.8m)	
7	7001613	1	Head	
8	Item 51	1	O-Ring	
9	Item 51	1	Ring, Back-Up	
10	Item 51	1	Seal	
11	Item 51	1	Ring, Wiper	
12	7001614	1	Ring, Retaining	
13	7001617	1	Rod - 4ft (Platform Length - 14.7ft/4.5m)	
13	7023031	1	Rod - 6ft (Platform Length - 14.7ft/4.5m)	
13	7001617	1	Rod - 4ft (Platform Length - 15.8ft/4.8m)	
51	7001608	1	Seal Kit (Includes Items 3,4, & 8-11)	
	0253788	Ref	<b>OPTIONAL EXTENSION CYLINDER BELLOWS INSTALLATION (NOT SHOWN)</b>	-
	0253791	Ref	<b>OPTIONAL EXTENSION CYLINDER BELLOWS INSTALLATION (NOT SHOWN)</b>	-
	0460098	AR	Bellows, Cylinder (1 Per Cylinder)	
	1320031	AR	Clamp (1 Per Cylinder)	

# SECTION 5 - CYLINDER

FIGURE 5-6. STEER CYLINDER ASSEMBLY (MACHINES BUILT PRIOR TO JUNE 1993)



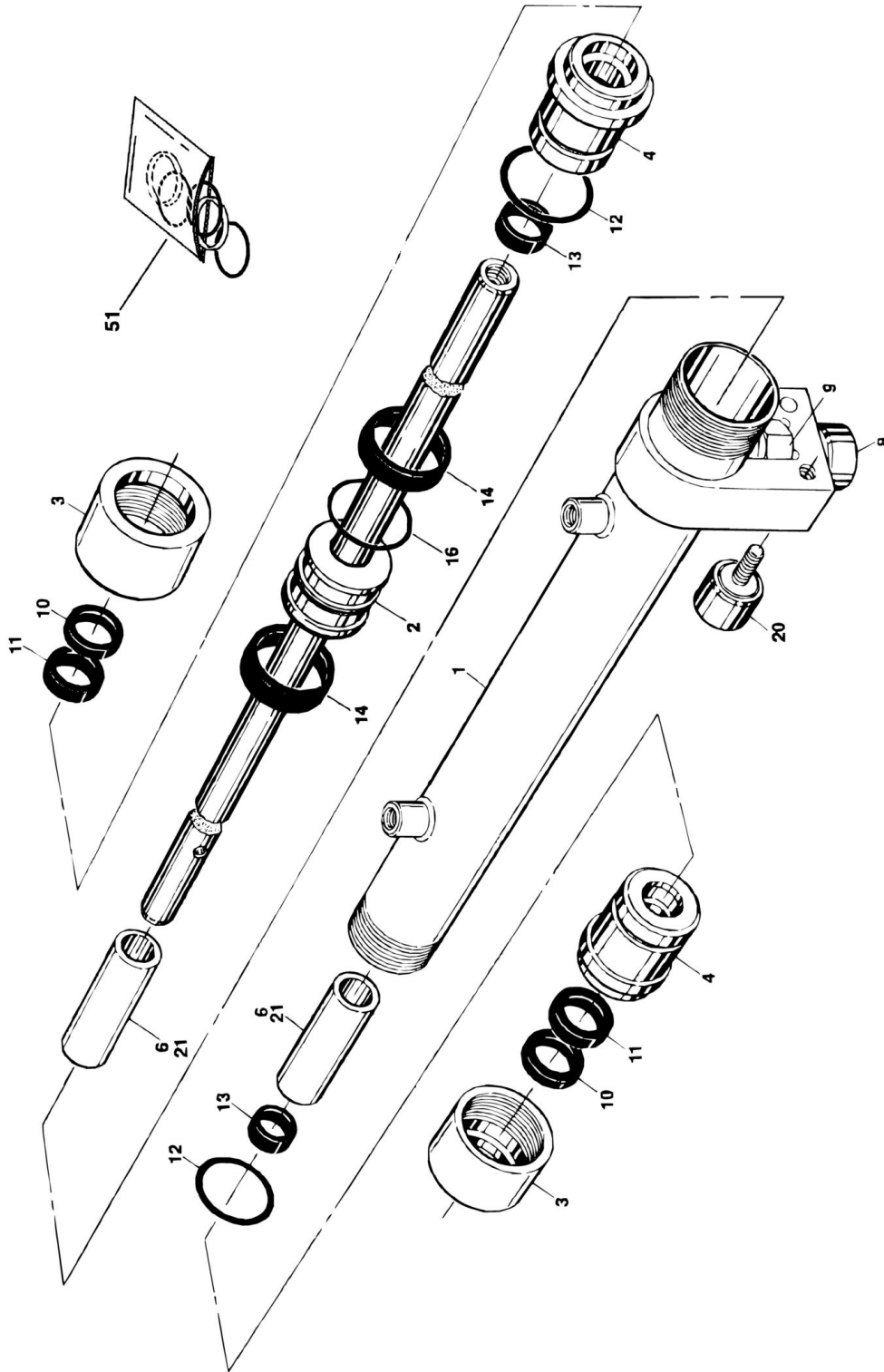
## SECTION 5 - CYLINDER

**FIGURE 5-6. STEER CYLINDER ASSEMBLY (MACHINES BUILT PRIOR TO JUNE 1993)**

ITEM	PART NUMBER	QTY	DESCRIPTION	REV
	1682681	Ref	<b>STEER CYLINDER ASSEMBLY (ORIGINAL EQUIPMENT)</b> <b>Note: Original Cylinder may have been replaced with Service Replacement Cylinder. Identify p/n stamped on cylinder before ordering parts.</b>	-
		Ref		
1	1682682	1	Barrel Weldment	
2	1682684	1	Rod Weldment	
3	1120108	2	Retainer, Head	
4	1681344	2	Head	
5	3480164	1	Piston	
6	4565716	2	Spacer	
7	3760143	2	Ring, Retainer	
8	3860056	1	Follower, Cam	
9	3300357	1	Nut, Special	
10	Item 51	2	Wiper, Rod	
11	Item 51	2	Seal, Rod	
12	Item 51	2	O-Ring	
13	Item 51	2	Ring, Wear	
14	Item 51	1	Ring, Wear	
15	3960007	1	T-Seal	
16	Item 51	1	O-Ring	
17	0440085	2	Bearing	
51	2901261	1	Seal Kit (Includes Items 10-14 & 16)	
	0100011	AR	LOCTITE #242	
	0100035	AR	Loctite #222	
	0253787	Ref	<b>OPTIONAL STEER CYLINDER BELLOWS INSTALLATION</b>	-
	0253790	Ref	<b>OPTIONAL STEER CYLINDER BELLOWS INSTALLATION</b>	-
	0460105	AR	Bellows, Cylinder (2 Per Cylinder)	
	1320058	AR	Clamp (Barrel End) (2 Per Cylinder)	
	1320015	AR	Clamp (Rod End) (2 Per Cylinder)	

# SECTION 5 - CYLINDER

FIGURE 5-7. STEER CYLINDER ASSEMBLY (MACHINES BUILT JUNE 1993 TO PRESENT)



## SECTION 5 - CYLINDER

**FIGURE 5-7. STEER CYLINDER ASSEMBLY (MACHINES BUILT JUNE 1993 TO PRESENT)**

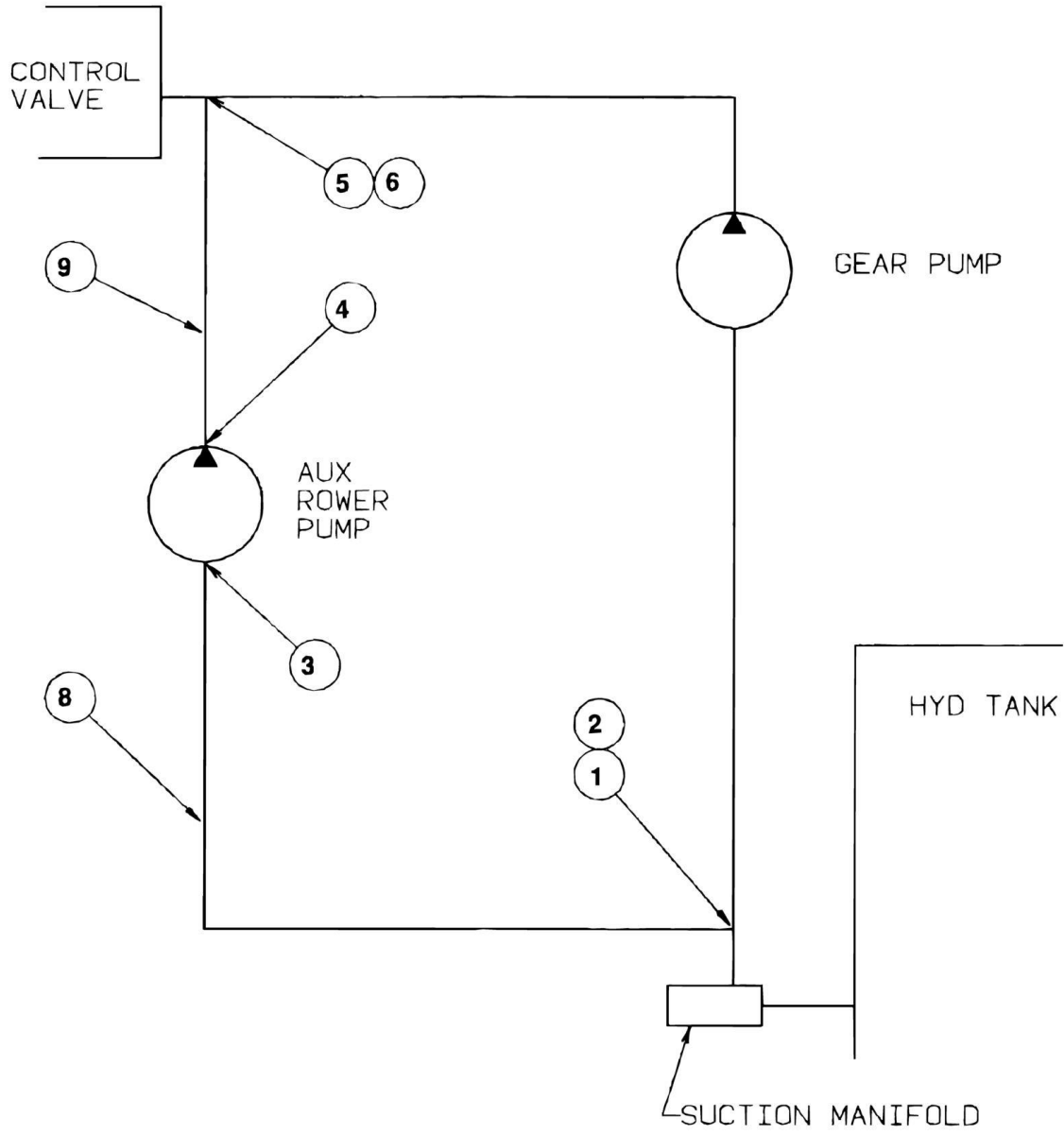
ITEM	PART NUMBER	QTY	DESCRIPTION	REV
	1682967	Ref	<b>STEER CYLINDER ASSEMBLY (SERVICE REPLACEMENT)</b> <b>Note: Original Cylinder may have been replaced with Service Replacement Cylinder. Identify p/n stamped on cylinder before ordering parts.</b>	5
		Ref		
1	1682682	1	Barrel Weldment	
2	1682968	1	Rod/Piston Weldment (Prior to May 1993)	
2	1682987	1	Rod/Piston Weldment (May 1993 to Present)	
3	1120108	2	Retainer, Head	
4	1681344	2	Head	
6	4566234	2	Spacer (Prior to October 1995)	
6	Not Required	0	(October 1995 to Present)	
8	3860056	1	Follower, Cam	
9	3300357	1	Nut, Special	
10	Item 51	2	Wiper, Rod	
11	Item 51	2	Seal, Rod	
12	Item 51	2	O-Ring	
13	Item 51	2	Ring, Wear	
14	Item 51	2	Ring, Wear	
16	Item 51	1	O-Ring <b>(Prior to SN 42117)</b>	
16	Item 51	1	"T" Seal <b>(SN 42117 to Present)</b>	
20	0440085	2	Bearing	
21	4568055	2	Spacer <b>(SN 74951 to Present)</b>	
51	2901261	1	Seal Kit (Includes Items 10-14 & 16)	
	0100011	AR	LOCTITE #242	
	0100035	AR	Loctite #222	
	0253787	Ref	<b>OPTIONAL STEER CYLINDER BELLOWS INSTALLATION</b>	-
	0253790	Ref	<b>OPTIONAL STEER CYLINDER BELLOWS INSTALLATION</b>	-
	0460105	AR	Bellows, Cylinder (2 Per Cylinder)	
	1320058	AR	Clamp (Barrel End) (2 Per Cylinder)	
	1320015	AR	Clamp (Rod End) (2 Per Cylinder)	



**SECTION 6 - HYDRAULIC**

# SECTION 6 - HYDRAULIC

## FIGURE 6-1. HYDRAULIC DIAGRAM - AUXILIARY POWER





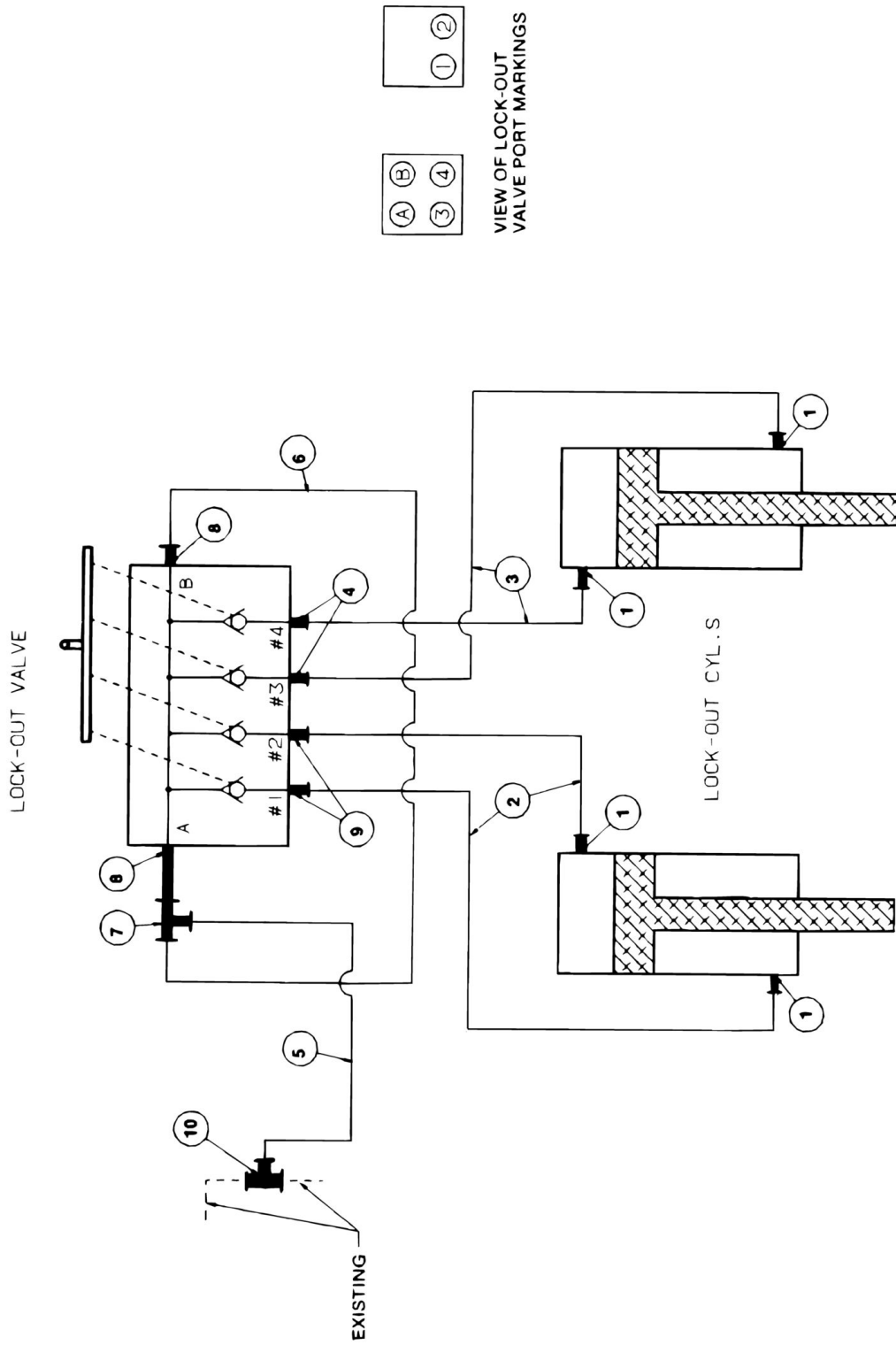
## SECTION 6 - HYDRAULIC

### FIGURE 6-1. HYDRAULIC DIAGRAM - AUXILIARY POWER

ITEM	PART NUMBER	QTY	DESCRIPTION	REV
	2792020	Ref	<b>HYDRAULIC DIAGRAM - AUXILIARY POWER</b>	2
1	2220622	1	Fitting, Reducer	
2	2220700	1	Fitting, Tee	
3	2220600	1	Fitting	
4	2220371	1	Fitting	
5	2220385	1	Fitting, Tee	
6	2220619	1	Fitting, Reducer	
8	2750968	1	Hose	
9	2750910	1	Hose	

# SECTION 6 - HYDRAULIC

## FIGURE 6-2. HYDRAULIC DIAGRAM - OSCILLATING AXLE (OPTIONAL)



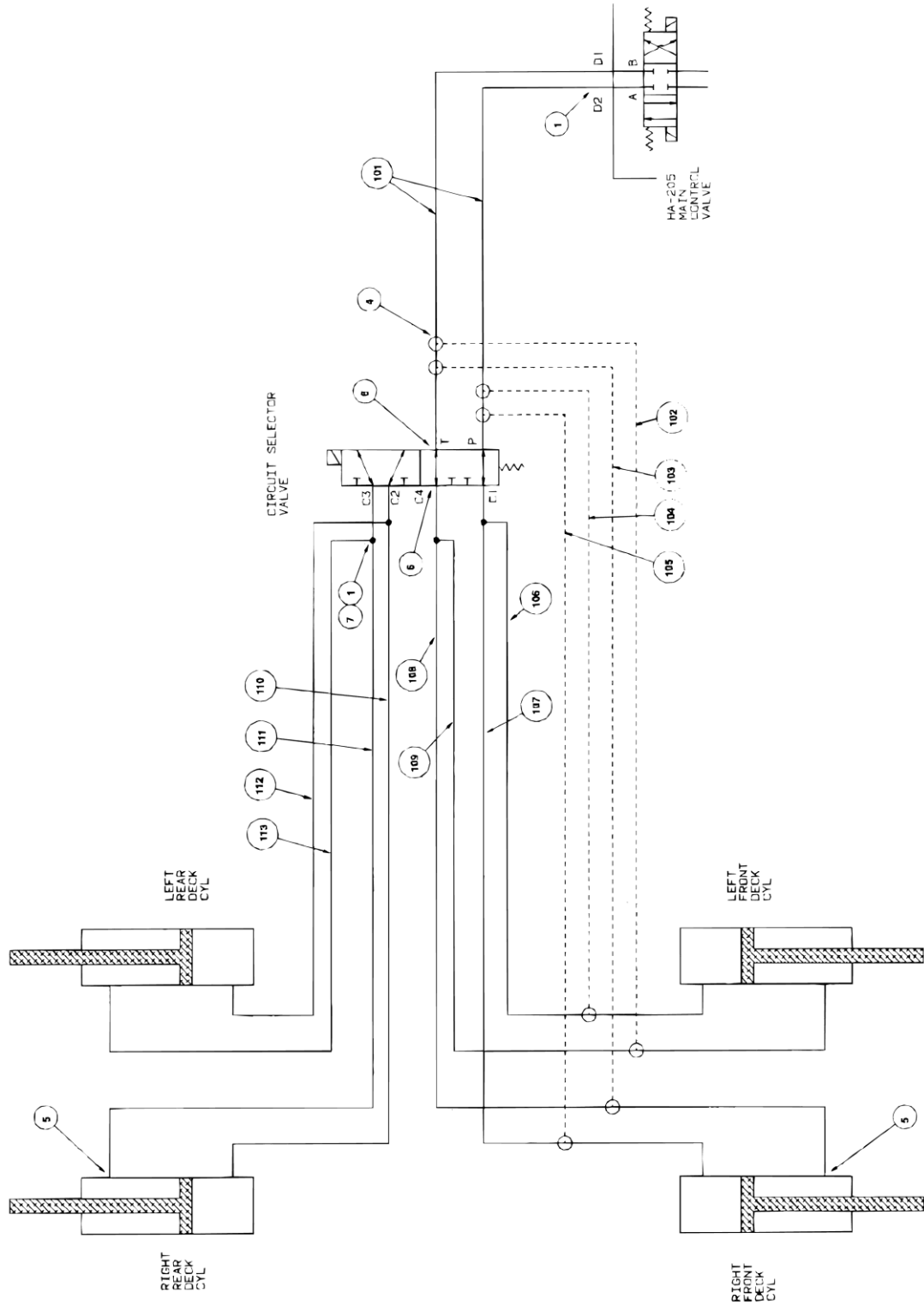
## SECTION 6 - HYDRAULIC

**FIGURE 6-2. HYDRAULIC DIAGRAM - OSCILLATING AXLE (OPTIONAL)**

ITEM	PART NUMBER	QTY	DESCRIPTION	REV
	2791574	Ref	<b>HYDRAULIC DIAGRAM - AXLE (OSCILLATING)</b>	5
1		Ref	Fitting Options:	
1	2220417	4	Fitting (Prior to October 1995)	
1	2220472	4	Fitting (October 1995 to SN 52963)	
1	2220414	4	Fitting <b>(SN 52963 to Present)</b>	
2	2750760	2	Hose	
3	2751010	2	Hose	
4	2220582	4	Fitting	
5	2750897	1	Hose (Prior to December 1989)	
6	2750900	1	Hose	
7	2220605	2	Fitting, Tee	
9	2220472	2	Fitting, 90	
10		Ref	Hose Options:	
10	2751404	1	Prior to April 1991	
10	2750897	1	April 1991 to Present	
	0100020	AR	Loctite #567	

# SECTION 6 - HYDRAULIC

## FIGURE 6-3. HYDRAULIC DIAGRAM - PLATFORM EXTENSION



## SECTION 6 - HYDRAULIC

### FIGURE 6-3. HYDRAULIC DIAGRAM - PLATFORM EXTENSION

ITEM	PART NUMBER	QTY	DESCRIPTION	REV
		Ref	<b>HYDRAULIC DIAGRAM - PLATFORM EXTENSION</b>	
	2792013	Ref	<b>HYDRAULIC DIAGRAM - PLATFORM EXTENSION - 500RTS (SINGLE)</b>	A
	2792064	Ref	<b>HYDRAULIC DIAGRAM - PLATFORM EXTENSION - 400RTS (SINGLE)</b>	-
	2792014	Ref	<b>HYDRAULIC DIAGRAM - PLATFORM EXTENSION - 500RTS (DUAL)</b>	A
	2792065	Ref	<b>HYDRAULIC DIAGRAM - PLATFORM EXTENSION - 400RTS (DUAL)</b>	-
1	2220582	AR	Fitting, Straight	
4		Ref	Fitting, Tee Options:	
4	2220504	2	Platform Extension (Single)	
4	Not Required	0	Platform Extension (Dual)	
5	2220414	AR	Fitting, Straight	
6		Ref	Fitting, 90, Options:	
6	Not Required	0	Platform Extension (Single)	
6	2220472	4	Platform Extension (Dual)	
7		Ref	Fitting, Tee Options:	
7	Not Required	0	Platform Extension (Single)	
7	2220605	4	Platform Extension (Dual)	
	2901243	Ref	<b>HOSE KIT - 500RTS WITH SINGLE PLATFORM EXTENSION</b>	B
	2901262	Ref	<b>HOSE KIT - 400RTS WITH SINGLE PLATFORM EXTENSION</b>	-
	2901244	Ref	<b>HOSE KIT - 500RTS WITH DUAL PLATFORM EXTENSION</b>	4
	2901263	Ref	<b>HOSE KIT - 400RTS WITH DUAL PLATFORM EXTENSION</b>	-
101	2752577	AR	Hose - 500RTS	
101	2752578	AR	Hose - 400RTS	
102		Ref	Hose Options:	
102	2752433	1	Platform Extension (Single)	
102	Not Required	0	Platform Extension (Dual)	
103		Ref	Hose Options:	
103	2752445	1	Platform Extension (Single)	
103	Not Required	0	Platform Extension (Dual)	
104		Ref	Hose Options:	
104	2750894	1	Platform Extension (Single)	
104	Not Required	0	Platform Extension (Dual)	
105		Ref	Hose Options:	
105	2750897	1	Platform Extension (Single)	
105	Not Required	0	Platform Extension (Dual)	
		Ref	<b>Note: Items 106-113 for Platform Extension (Dual) Only.</b>	
106	2750894	1	Hose	
107	2750897	1	Hose	
108	2752445	1	Hose	
109	2752433	1	Hose	
110	2751902	1	Hose - 500RTS <b>(Prior to SN 32427)</b>	
110	2751432	1	Hose - 500RTS <b>(SN 32427 to Present)</b>	
110	2751902	1	Hose - 400RTS	
111	2752441	1	Hose	
112	2751893	1	Hose	
113	2751914	1	Hose - 500RTS <b>(Prior to SN 32427)</b>	
113	2750769	1	Hose - 500RTS <b>(SN 32427 to Present)</b>	

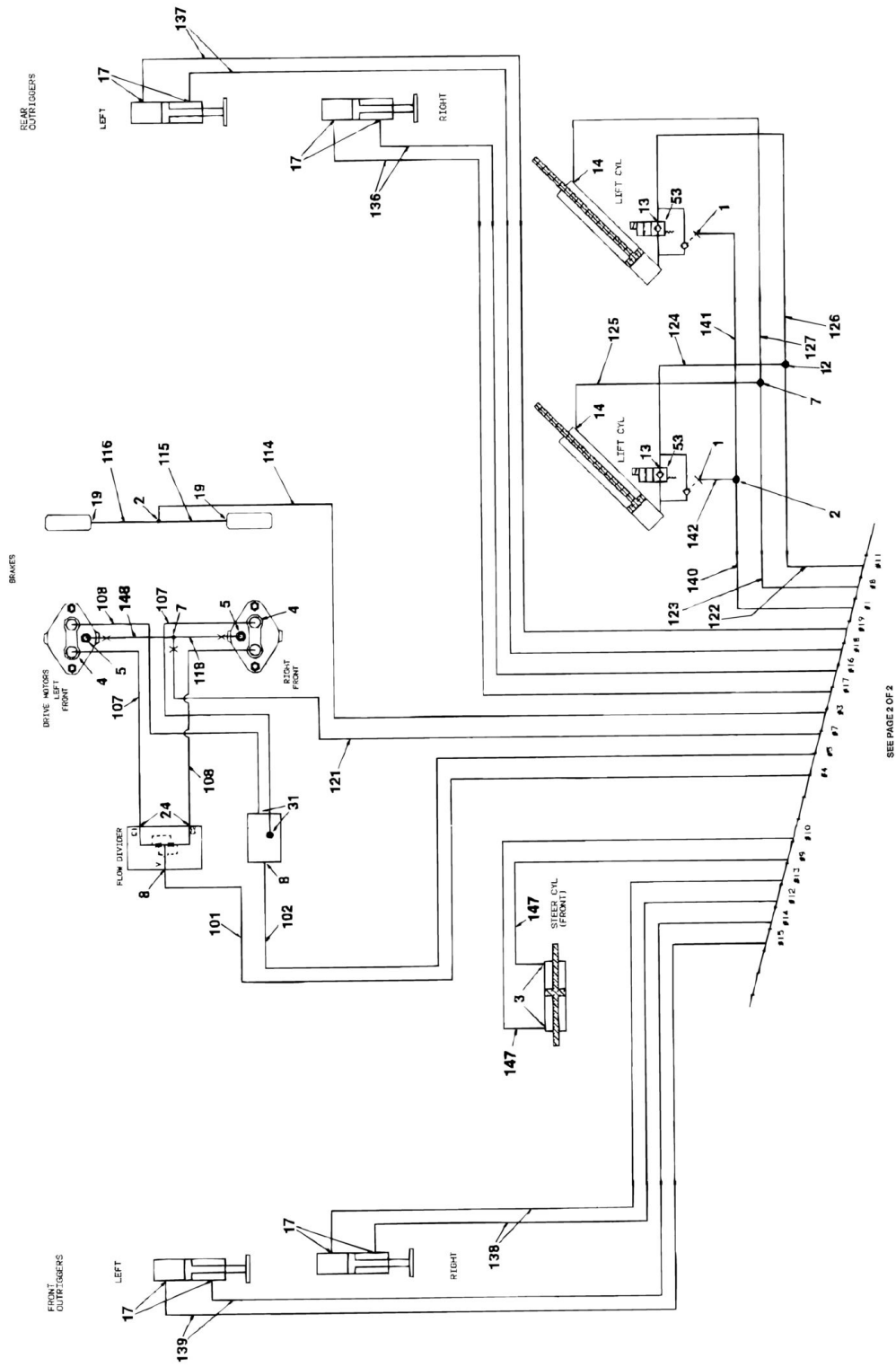
## SECTION 6 - HYDRAULIC

ITEM	PART NUMBER	QTY	DESCRIPTION	REV
113	2751914	1	Hose - 400RTS	



# SECTION 6 - HYDRAULIC

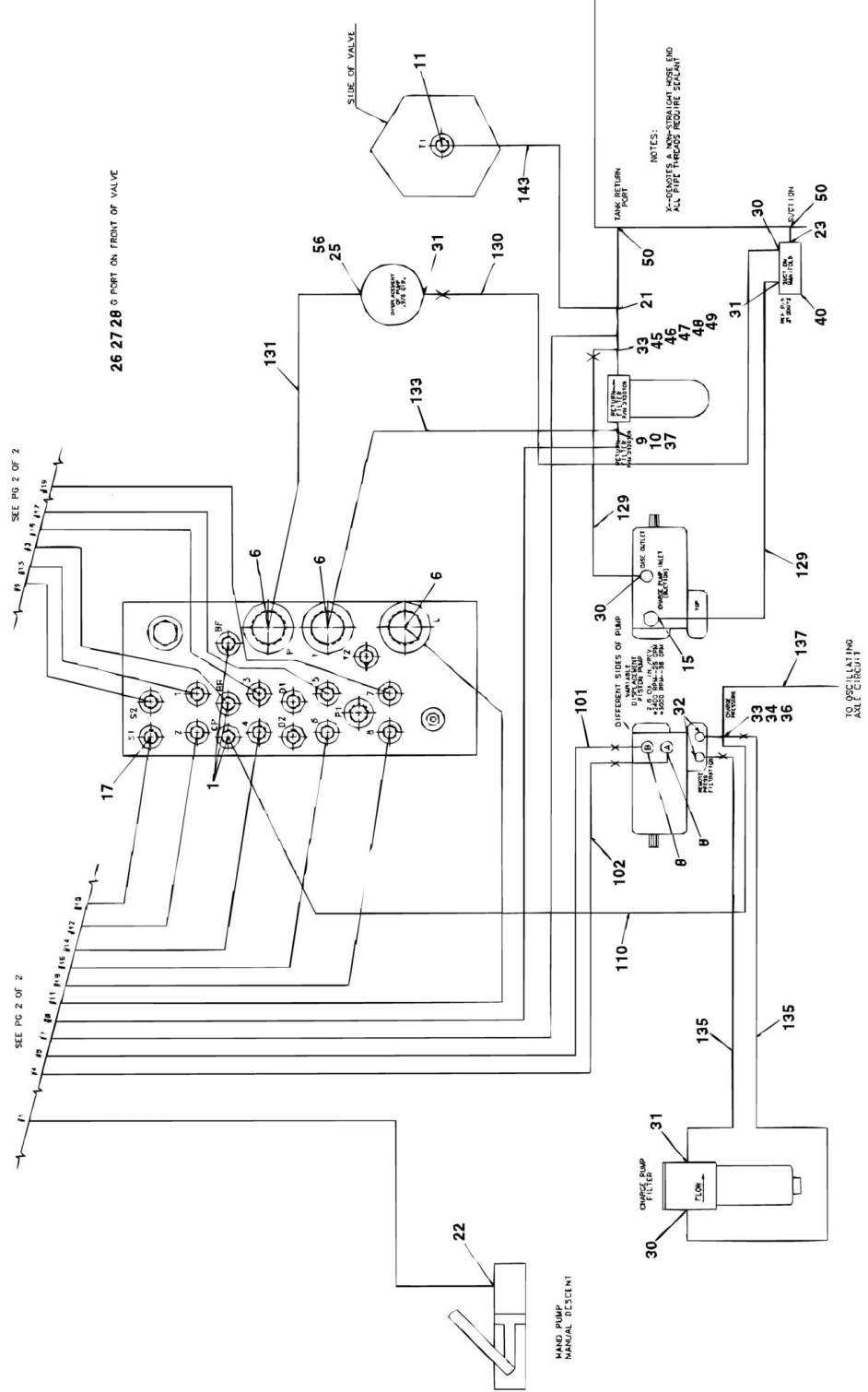
## FIGURE 6-4. HYDRAULIC DIAGRAM - STANDARD 2WD/2WS



SEE PAGE 2 OF 2



# SECTION 6 - HYDRAULIC



# SECTION 6 - HYDRAULIC

## FIGURE 6-4. HYDRAULIC DIAGRAM - STANDARD 2WD/2WS

ITEM	PART NUMBER	QTY	DESCRIPTION	REV
		Ref	<b>HYDRAULIC DIAGRAM - STANDARD 2WD/2WS</b>	
	2792514	Ref	<b>Hydraulic Diagram - Standard 2wd/2ws 500RTS - FORD ENGINE</b>	1
	2792508	Ref	<b>Hydraulic Diagram - Standard 2wd/2ws 500RTS - DEUTZ ENGINE</b>	1
1	2220415	AR	Fitting, Straight	
2	2220504	2	Fitting, Tee	
3	2220472	2	Fitting, 90	
4	2220498	4	Fitting, 45	
5	2220371	2	Fitting, Straight	
6	2220375	3	Fitting, Straight	
7	2220490	2	Fitting, Tee	
8	2220377	3	Fitting, Straight	
9	2221035	1	Fitting, Tee	
10	2220470	1	Fitting, 90	
11	2220646	1	Fitting, 90	
12	2220362	1	Fitting, Tee	
13	2220374	2	Fitting, Straight	
14	2220372	2	Fitting, Straight	
15		Ref	Fitting Options:	
15	2220465	1	Fitting, 90, (Ford Engine)	
15	2220568	1	Fitting, 45, (Deutz Engine)	
16	2220635	1	Fitting, Tee	
17	2220582	AR	Fitting, Straight	
19	2220466	2	Fitting, 90	
21		Ref	Fitting, 90, Options:	
21	Not Required	0	Ford Engine	
21	2220462	1	Deutz Engine	
22	2220414	1	Fitting, Straight	
23	2220844	1	Fitting, Straight	
24		Ref	Fitting, Straight Options:	
24	2220578	AR	Ford Engine	
24	2220451	2	Deutz Engine	
25	4640744	1	Valve, Check	
26	2220873	1	Fitting, Nipple	
27	2220428	1	Fitting, Disconnect	
28	2220429	1	Cap, Dust	
30		Ref	Fitting, Straight Options:	
30	2220451	4	Ford Engine	
30	2220435	5	Deutz Engine	
31	2220578	AR	Fitting, 90	
32	2220408	2	Fitting, Straight	
33	2220700	2	Fitting, Tee	
34	2220621	1	Fitting, Reducer	
36	2220609	1	Fitting, Reducer	
37	2220696	1	Fitting, Reducer	
40	3100072	1	Manifold	
43		Ref	Fitting, 90, Options:	
43	Not Required	0	Ford Engine	
43	2220507	1	Deutz Engine	

## SECTION 6 - HYDRAULIC

ITEM	PART NUMBER	QTY	DESCRIPTION	REV
45	2220871	1	Fitting	
46	2220642	1	Fitting, Tee	
47	2220710	1	Fitting, Adapter	
48	2220407	1	Fitting	
49	2220621	1	Fitting, Adapter	
50	2220349	1	Fitting, Adapter	
53	4640382	2	Cartridge, Solenoid Valve	
53		Ref	Repair Part Options (See Number Stamped on Cartridge Hex Nut):	
53	7009742	AR	Coil (Modular Controls P/N SV1-10-C-0-0) (1 Per Cartridge)	
53	7000645	AR	Coil (Hydraforce P/N SV10-20-0-N-0) (1 Per Cartridge)	
53	2900503	AR	Seal Kit (Modular Control P/N SV1-10-C-0-0) (1 Per Cartridge)	
53	2900800	AR	Seal Kit (Hydraforce P/N SV10-20-0-N-0) (1 Per Cartridge)	
54	0100020	AR	Sealant, Pipe (Not Shown)	
55	2220603	1	Fitting, Straight	
56	2220810	1	Fitting, Reducer	
		Ref	<b>HYDRAULIC HOSE KIT OPTIONS:</b>	
	2902090	Ref	<b>Hydraulic Hose Kit 500RTS - FORD ENGINE</b>	1
	2902089	Ref	<b>Hydraulic Hose Kit 500RTS - DEUTZ ENGINE</b>	9
101		Ref	Hose Options:	
101	2752353	1	Ford Engine	
101	2752351	1	Deutz Engine	
102	2752352	1	Hose	
106		Ref	Hose Options:	
106	2752649	1	Ford Engine	
106	Not Required	0	Deutz Engine	
107		Ref	Hose Options:	
107	2752250	2	Ford Engine	
107	2752247	2	Deutz Engine	
108		Ref	Hose Options:	
108	2752247	2	Ford Engine	
108	2752250	2	Deutz Engine	
110	2750895	1	Hose	
114	2751026	1	Hose	
115		Ref	Hose Options:	
115	2751391	1	Ford Engine	
115	2751013	1	Deutz Engine	
116		Ref	Hose Options:	
116	2751013	1	Ford Engine	
116	2751391	1	Deutz Engine	
118		Ref	Hose Options:	
118	2751006	1	Ford Engine	
118	2750910	1	Deutz Engine	
121	2751111	1	Hose	
122	2752505	1	Hose	
123	2752481	1	Hose	
124	2752506	1	Hose	
125	2750786	1	Hose	
126	2752507	1	Hose	
127	2752482	1	Hose	
129	2752525	2	Hose	
130	2752526	1	Hose	

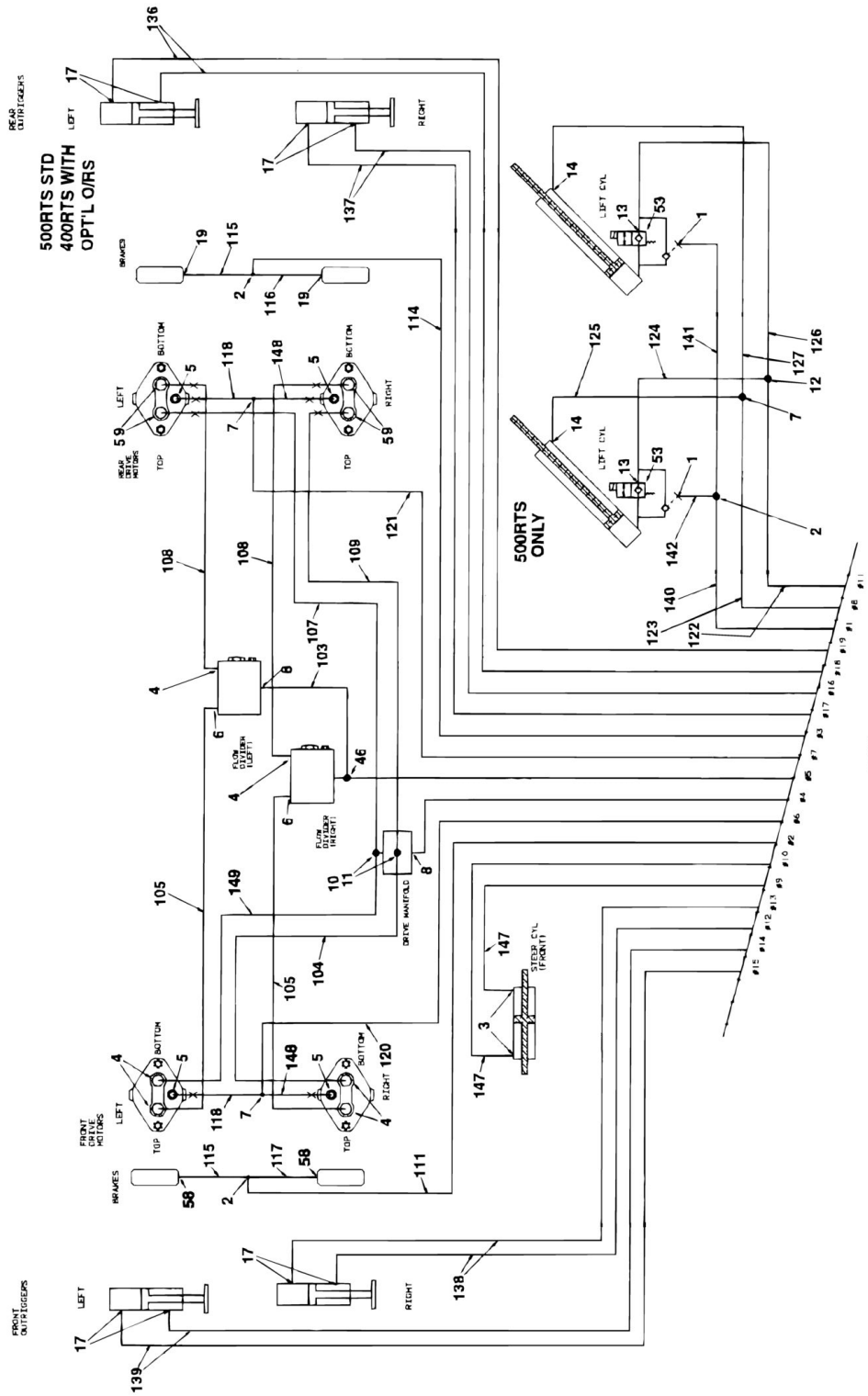
## SECTION 6 - HYDRAULIC

ITEM	PART NUMBER	QTY	DESCRIPTION	REV
131		Ref	Hose Options:	
131	2752513	1	Ford Engine	
131	2752491	1	Deutz Engine	
133	2750775	1	Hose	
135	2752678	2	Hose	
136		Ref	Hose Options:	
136	2751027	2	Ford Engine	
136	2751893	2	Deutz Engine	
137		Ref	Hose Options:	
137	2751893	2	Ford Engine	
137	2751027	3	Deutz Engine	
138	2752980	2	Hose	
139	2751892	2	Hose	
140	2752450	1	Hose	
141	2752451	1	Hose	
142	2751021	1	Hose	
143	2750920	1	Hose	
146	2751683	1	Hose	
147	2751395	2	Hose	
148		Ref	Hose Options:	
148	2751006	1	Ford Engine	
148	2750910	1	Deutz Engine	

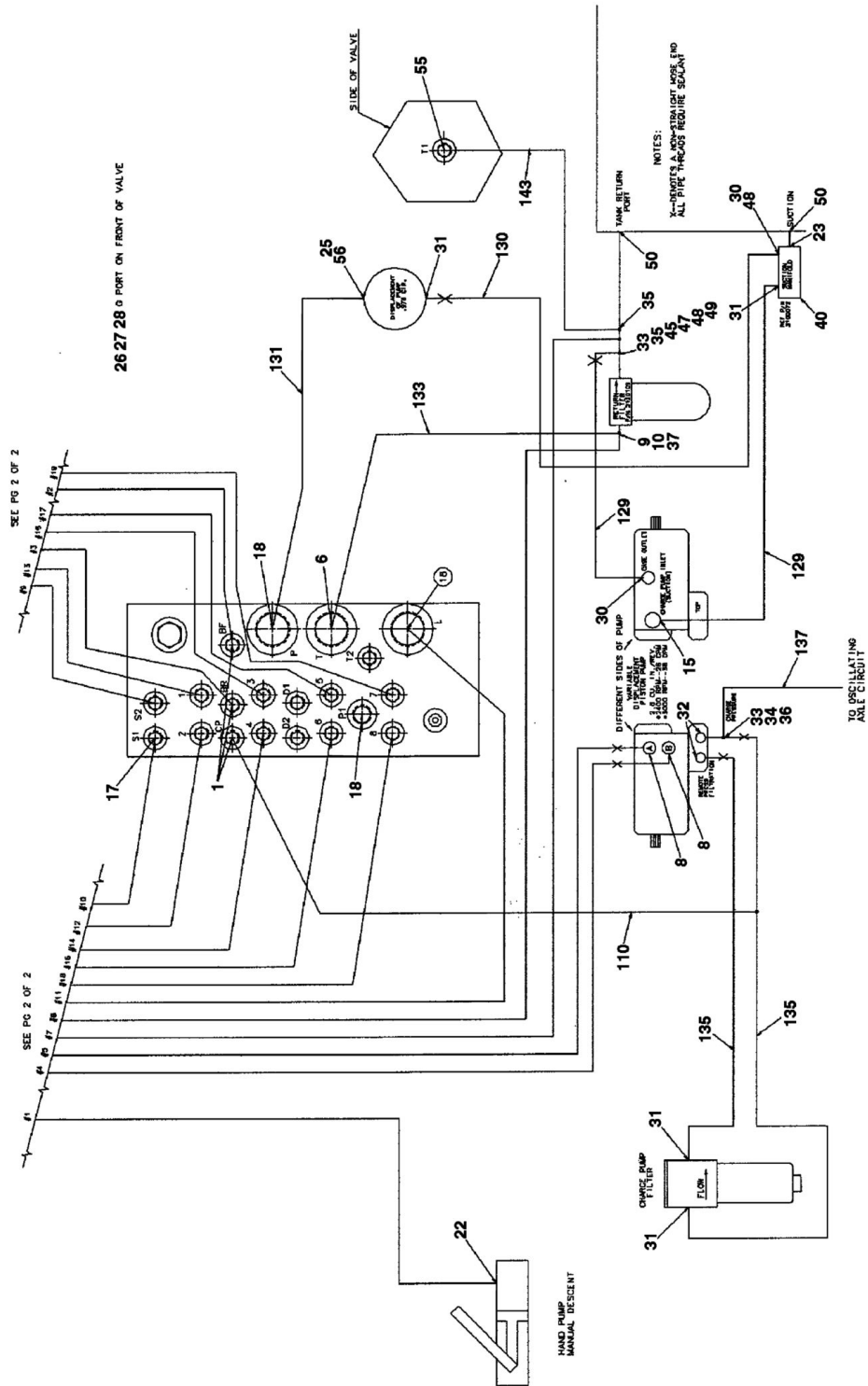


# SECTION 6 - HYDRAULIC

## FIGURE 6-5. HYDRAULIC DIAGRAM - STANDARD 4WD/2WS



# SECTION 6 - HYDRAULIC



# SECTION 6 - HYDRAULIC

## FIGURE 6-5. HYDRAULIC DIAGRAM - STANDARD 4WD/2WS

ITEM	PART NUMBER	QTY	DESCRIPTION	REV
		Ref	<b>HYDRAULIC DIAGRAM - STANDARD 4WD/2WS</b>	
	2792515	Ref	<b>Hydraulic Diagram - Standard 4wd/2ws 500RTS - FORD ENGINE</b>	1
	2792513	Ref	<b>Hydraulic Diagram - Standard 4wd/2ws 500RTS - DEUTZ ENGINE</b>	2
1	2220415	5	Fitting, Straight	
2	2220504	3	Fitting, Tee	
3	2220472	2	Fitting, 90	
4	2220366	6	Fitting, 90	
5	2220371	4	Fitting, Straight	
6	2220375	AR	Fitting, Straight	
7	2220490	3	Fitting, Tee	
8	2220377	AR	Fitting, Straight	
9	2221035	1	Fitting, Tee	
10	2220470	1	Fitting, 90	
11	2220622	AR	Fitting, Reducer	
12	2220362	1	Fitting, Tee	
13	2220374	2	Fitting	
14	2220372	2	Fitting	
15		Ref	Fitting Options:	
15	2220465	1	Fitting, 90, (Ford Engine)	
15	2220568	1	Fitting, 45, (Deutz Engine)	
17	2220582	18	Fitting, Straight	
18	2220375	AR	Fitting, Straight	
19	2220466	2	Fitting, 90	
20	2220619	1	Fitting, Reducer	
21	2220596	1	Fitting, 90	
22	2220414	1	Fitting, Straight	
23	2220844	1	Fitting, Straight	
24		Ref	Fitting Options:	
24	2220578	1	Fitting, 90, (Ford Engine)	
24	2220451	1	Fitting, Straight (Deutz Engine)	
25	4640744	1	Valve, Check	
26	2220873	AR	Fitting, Nipple	
27	2220428	AR	Fitting, Disconnect	
28	2220429	AR	Cap, Dust	
29	2220695	AR	Fitting, Tee	
30	2220451	AR	Fitting, Straight	
31	2220578	AR	Fitting, 90	
32	2220408	2	Fitting, Straight	
33	2220700	AR	Fitting, Tee	
34	2220621	AR	Fitting, Reducer	
35	2220635	2	Fitting, Tee	
36	2220609	1	Fitting, Reducer	
37	2220696	1	Fitting, Reducer	
38	2220282	1	Fitting	
39	2220679	1	Fitting	
40	3100072	1	Manifold	
41	2220275	1	Fitting, Reducer	
42		Ref	Fitting Options:	



## SECTION 6 - HYDRAULIC

ITEM	PART NUMBER	QTY	DESCRIPTION	REV
42	2220377	1	Fitting, Straight (Ford Engine)	
42	2220646	1	Fitting, 90, (Deutz Engine)	
43	2220385	1	Fitting, Tee	
44	2220618	1	Fitting	
45		Ref	Fitting Options:	
45	2220618	1	Fitting, Straight (Ford Engine)	
45	2220871	1	Fitting, 90, (Deutz Engine)	
46	2221026	1	Fitting, Tee	
47	2220710	1	Fitting, Adapter	
48	2220407	AR	Fitting	
49	2220621	1	Fitting, Adapter	
50	2220349	AR	Fitting, Adapter	
51	2220237	4	Fitting	
53	4640382	AR	Cartridge, Solenoid Valve	
53		Ref	Repair Part Options (See Number Stamped on Cartridge Hex Nut):	
53	7009742	AR	Coil (Modular Controls P/N SV1-10-C-0-0) (1 Per Cartridge)	
53	7000645	AR	Coil (Hydraforce P/N SV10-20-0-N-0) (1 Per Cartridge)	
53	2900503	AR	Seal Kit (Modular Control P/N SV1-10-C-0-0) (1 Per Cartridge)	
53	2900800	AR	Seal Kit (Hydraforce P/N SV10-20-0-N-0) (1 Per Cartridge)	
54	0100020	AR	Sealant, Pipe (Not Shown)	
55	2220603	1	Fitting, Straight	
56	2220810	1	Fitting, Reducer	
57	2220642	1	Fitting, Tee (Deutz Engine Only)	
58	2220923	2	Fitting, Adapter	
59	2221077	4	Fitting, 45	
		Ref	<b>HYDRAULIC HOSE KIT OPTIONS:</b>	
	2902091	Ref	<b>FORD ENGINE</b>	2
	2902088	Ref	<b>DEUTZ ENGINE</b>	2
101	2752351	1	Hose	
102	2752352	1	Hose	
103	2752344	1	Hose	
104	2752391	1	Hose	
105	2752392	2	Hose	
106		Ref	Hose Options:	
106	2752649	1	Ford Engine	
106	Not Required	0	Deutz Engine	
107	2752381	1	Hose	
108	2752390	2	Hose	
109	2752397	1	Hose	
110	2750895	1	Hose	
111	2751906	1	Hose	
114	2751026	1	Hose	
115	2751013	2	Hose	
116	2751391	1	Hose	
117	2751011	1	Hose	
118	2750910	2	Hose	
120	2752627	1	Hose	
121	2751111	1	Hose	
122	2752505	1	Hose	
123	2752481	1	Hose	
124	2752506	1	Hose	

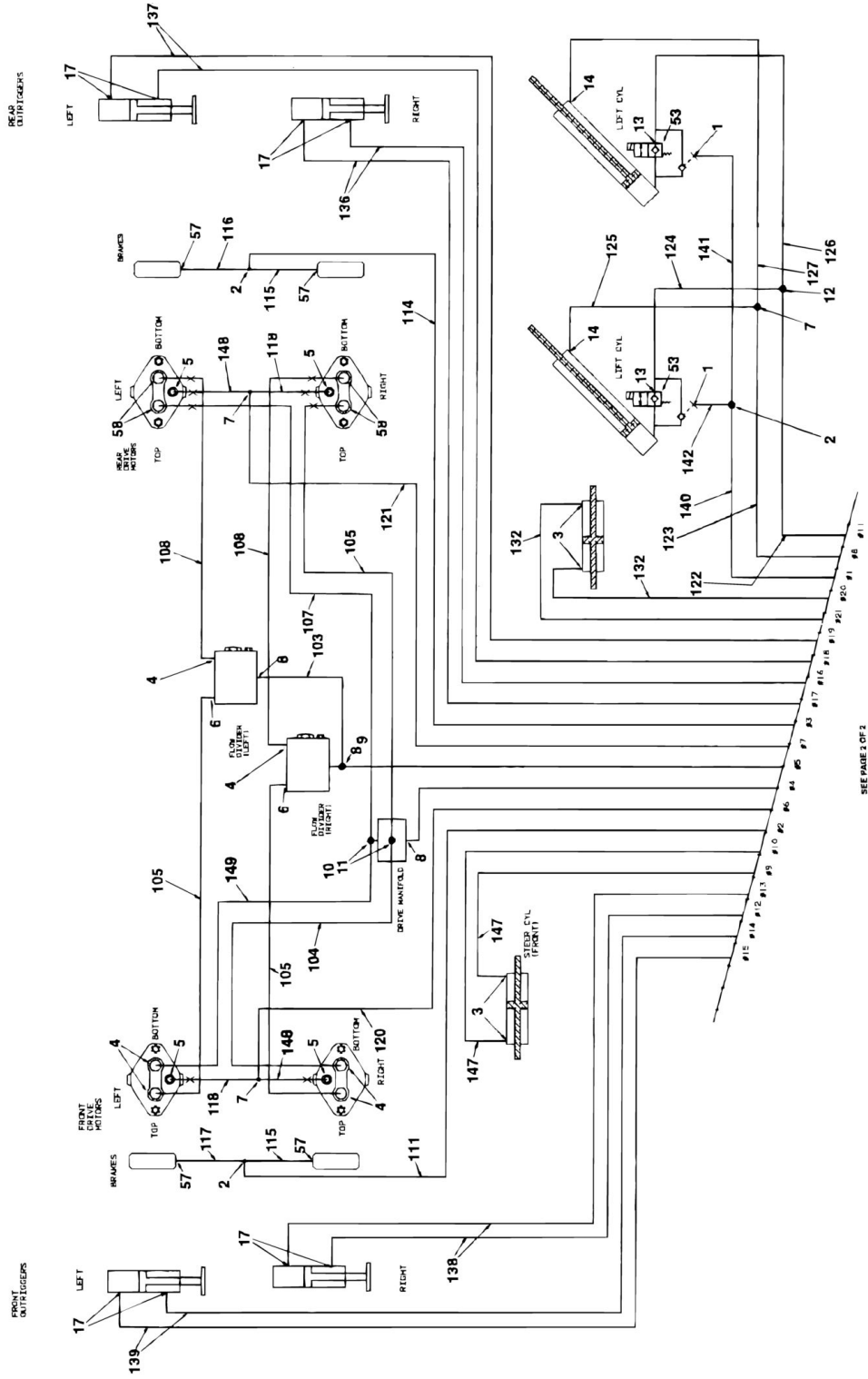
## SECTION 6 - HYDRAULIC

ITEM	PART NUMBER	QTY	DESCRIPTION	REV
125	2750786	1	Hose	
126	2752507	1	Hose	
127	2752482	1	Hose	
128		Ref	Hose Options:	
128	2752652	3	Ford Engine	
128	Not Required	0	Deutz Engine	
129		Ref	Hose Options:	
129	Not Required	0	Ford Engine	
129	2752525	1	Deutz Engine	
130		Ref	Hose Options:	
130	Not Required	0	Ford Engine	
130	2752526	1	Deutz Engine	
131		Ref	Hose Options:	
131	2752513	1	Ford Engine	
131	2752491	1	Deutz Engine	
133		Ref	Hose Options:	
133	2750775	1	Ford Engine	
133	2750968	1	Deutz Engine	
134		Ref	Hose Options:	
134	2752953	2	Ford Engine	
134	Not Required	0	Deutz Engine	
135		Ref	Hose Options:	
135	Not Required	0	Ford Engine	
135	2752678	2	Deutz Engine	
136	2751893	2	Hose	
137	2751027	2	Hose	
138	2752980	2	Hose	
139	2751892	2	Hose	
140	2752450	1	Hose	
141	2752451	1	Hose	
142	2751021	1	Hose	
143	2750920	1	Hose	
146	2751683	1	Hose	
147	2751395	2	Hose	
148	2751006	2	Hose	
149	2751507	1	Hose	



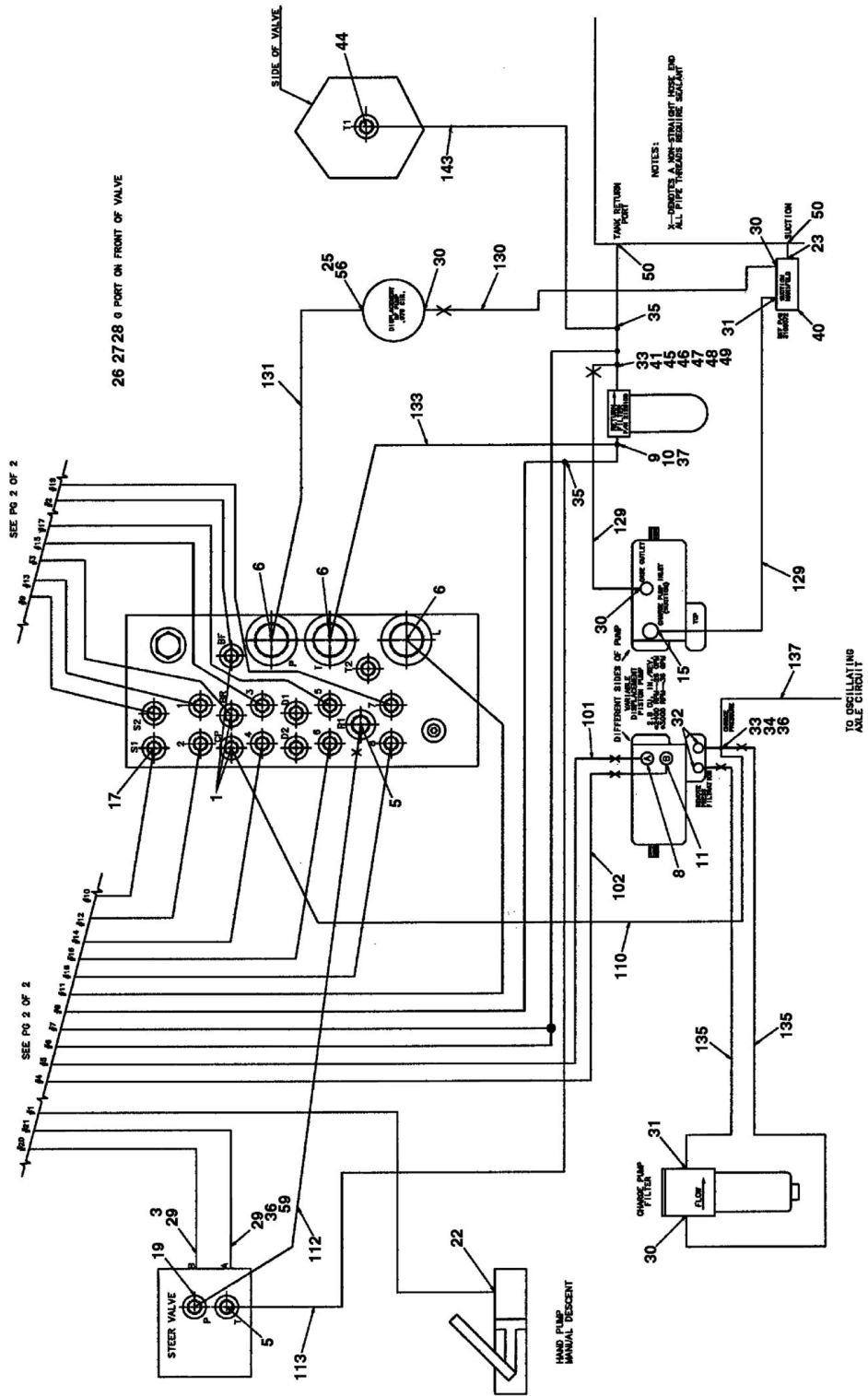
# SECTION 6 - HYDRAULIC

## FIGURE 6-6. HYDRAULIC DIAGRAM - STANDARD 4WD/4WS



SEE PAGE 1 OF 2

# SECTION 6 - HYDRAULIC



# SECTION 6 - HYDRAULIC

## FIGURE 6-6. HYDRAULIC DIAGRAM - STANDARD 4WD/4WS

ITEM	PART NUMBER	QTY	DESCRIPTION	REV
		Ref	<b>HYDRAULIC DIAGRAM - STANDARD 4WD/4WS</b>	
	2792517	Ref	<b>Hydraulic Diagram - Standard 4wd/4ws 500RTS - FORD ENGINE</b>	2
	2792512	Ref	<b>Hydraulic Diagram - Standard 4wd/4ws 500RTS - DEUTZ ENGINE</b>	2
1	2220415	AR	Fitting, Straight	
2	2220504	3	Fitting, Tee	
3	2220472	5	Fitting, 90	
4	2220366	6	Fitting, 90	
5	2220371	5	Fitting, Straight	
6	2220375	5	Fitting, Straight	
7	2220490	3	Fitting, Tee	
8	2220377	5	Fitting, Straight	
9	2221035	1	Fitting, Tee	
10	2220470	1	Fitting, 90	
11	2220646	1	Fitting, 90	
12	2220362	1	Fitting, Tee	
13	2220374	2	Fitting	
14	2220372	2	Fitting	
15	2220465	1	Fitting, 90	
17	2220582	AR	Fitting, Straight	
19	2220473	1	Fitting, 90	
20	2220619	1	Fitting, Reducer	
21	2220596	1	Fitting, 90	
22	2220414	1	Fitting, Straight	
23	2220844	1	Fitting, Straight	
24		Ref	Fitting Options:	
24	2220490	1	Fitting, Tee - Ford Engine	
24	2220451	1	Fitting, Reducer - Deutz Engine	
25	4640744	1	Valve, Check	
26	2220873	1	Fitting, Nipple	
27	2220428	1	Fitting, Disconnect	
28	2220429	1	Cap, Dust	
29	2220914	1	Fitting	
30	2220451	4	Fitting, 90	
31	2220578	AR	Fitting, 90	
32	2220408	2	Fitting, Straight	
33	2220700	AR	Fitting, Tee	
34	2220621	AR	Fitting, Reducer	
35	2220635	1	Fitting, Tee	
36	2220609	2	Fitting, Reducer	
37	2220696	1	Fitting, Reducer	
38	2220282	1	Fitting, Reducer	
39	2220679	1	Fitting, Tee	
40	3100072	1	Manifold	
41	2220275	1	Fitting, Reducer	
42	2220385	1	Fitting, Tee	
43	2220618	1	Fitting	
45		Ref	Fitting, 90, Options:	
45	Not Required	0	Ford Engine	

## SECTION 6 - HYDRAULIC

ITEM	PART NUMBER	QTY	DESCRIPTION	REV
45	2220403	1	Fitting, Straight - Deutz Engine	
46	2220642	1	Fitting, Tee	
47	2220710	1	Fitting, Adapter	
48	2220407	AR	Fitting	
49	2220621	1	Fitting, Adapter	
50	2220349	1	Fitting, Adapter	
51	2220237	2	Fitting	
53	4640382	2	Cartridge, Solenoid Valve	
53		Ref	Repair Part Options (See Number Stamped on Cartridge Hex Nut):	
53	7009742	AR	Coil (Modular Controls P/N SV1-10-C-0-0) (1 Per Cartridge)	
53	7000645	AR	Coil (Hydraforce P/N SV10-20-0-N-0) (1 Per Cartridge)	
53	2900503	AR	Seal Kit (Modular Control P/N SV1-10-C-0-0) (1 Per Cartridge)	
53	2900800	AR	Seal Kit (Hydraforce P/N SV10-20-0-N-0) (1 Per Cartridge)	
54	0100020	AR	Sealant, Pipe	
55	2220349	1	Fitting, 90	
56	2220810	1	Fitting, Reducer	
57	2220923	4	Fitting, Adapter	
58	2221077	4	Fitting, 45	
59	2220819	1	Fitting, 90	
		Ref	<b>HYDRAULIC HOSE KIT OPTIONS:</b>	
	2902093	Ref	<b>FORD</b>	2
	2902095	Ref	<b>DEUTZ</b>	2
101	2752351	1	Hose	
102	2752352	1	Hose Options:	
103	2752344	1	Hose	
104	2752391	1	Hose	
105	2752392	3	Hose	
106		Ref	Hose Options:	
106	2752649	1	Ford Engine	
106	Not Required	0	Deutz Engine	
107	2752381	1	Hose	
108	2752390	2	Hose	
110	2750895	1	Hose	
111	2751906	1	Hose	
114	2751026	1	Hose	
115	2751013	2	Hose	
116	2751391	1	Hose	
117	2751011	2	Hose	
118	2750910	4	Hose	
120	2752627	1	Hose	
121	2751111	1	Hose	
122	2752505	1	Hose	
123	2752481	1	Hose	
124	2752506	1	Hose	
125	2750786	1	Hose	
126	2752507	1	Hose	
127	2752482	1	Hose	
128		Ref	Hose Options:	
128	2752652	3	Ford Engine	
128	Not Required	0	Deutz Engine	
129		Ref	Hose Options:	

## SECTION 6 - HYDRAULIC

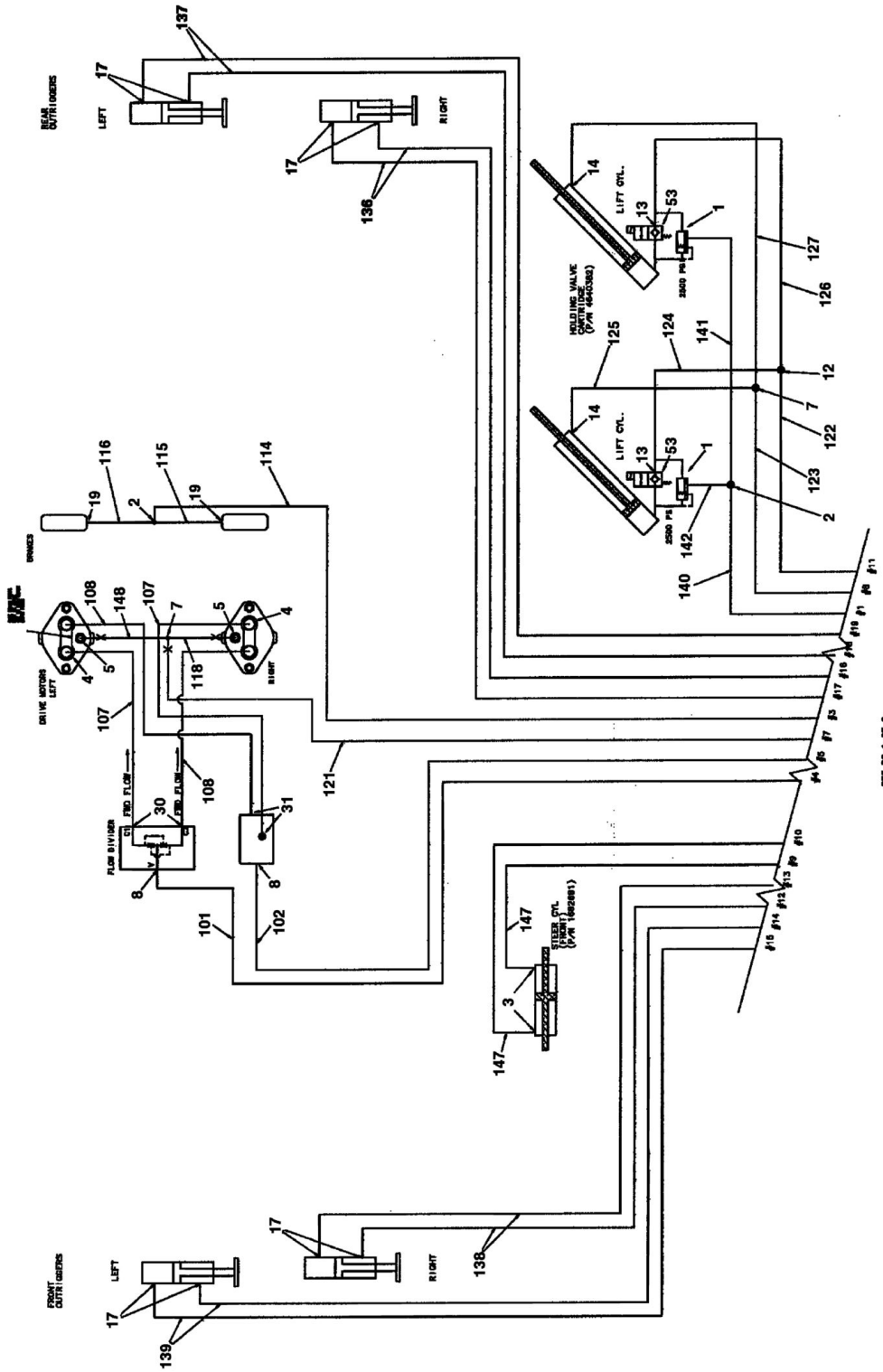
ITEM	PART NUMBER	QTY	DESCRIPTION	REV
129	Not Required	0	Ford Engine	
129	2752525	2	Deutz Engine	
130		Ref	Hose Options:	
130	Not Required	0	Ford Engine	
130	2752526	1	Deutz Engine	
131		Ref	Hose Options:	
131	2752513	1	Ford Engine	
131	2752491	1	Deutz Engine	
132	2752591	2	Hose	
133	2750775	1	Hose	
134		Ref	Hose Options:	
134	2752953	2	Ford Engine	
134	Not Required	0	Deutz Engine	
135		Ref	Hose Options:	
135	Not Required	0	Ford Engine	
135	2752678	2	Deutz Engine	
136	2751893	2	Hose	
137	2751027	3	Hose	
138	2752980	2	Hose	
139	2751892	2	Hose	
140	2752450	1	Hose	
141	2752451	1	Hose	
142	2751021	1	Hose	
143	2750902	1	Hose	
146	2751683	1	Hose	
147	2751395	2	Hose	
148	2751006	2	Hose	
149	2751507	1	Hose	



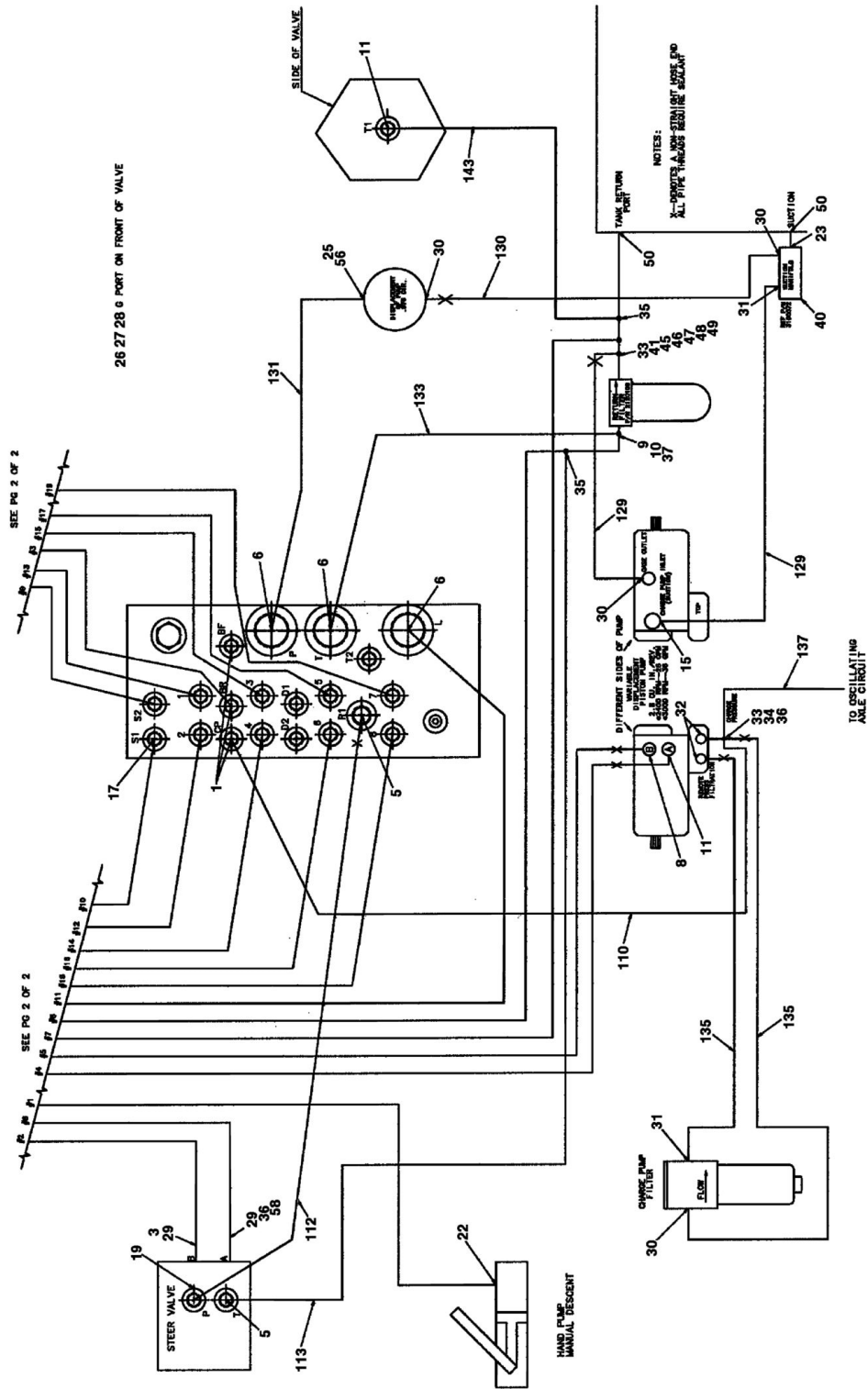


# SECTION 6 - HYDRAULIC

## FIGURE 6-7. HYDRAULIC DIAGRAM - STANDARD 2WD/4WS



SEE PG 1 OF 2



# SECTION 6 - HYDRAULIC

## FIGURE 6-7. HYDRAULIC DIAGRAM - STANDARD 2WD/4WS

ITEM	PART NUMBER	QTY	DESCRIPTION	REV
		Ref	<b>HYDRAULIC DIAGRAM - STANDARD 2WD/4WS</b>	
	2792516	Ref	<b>Hydraulic Diagram - Standard 2WD/4WS 500RTS - FORD ENGINE</b>	2
	2792511	Ref	<b>Hydraulic Diagram - Standard 2WD/4WS 500RTS - DEUTZ ENGINE</b>	2
1	2220415	AR	Fitting, Straight	
2	2220504	2	Fitting, Tee	
3	2220472	5	Fitting, 90	
4	2220366	4	Fitting, 90	
5	2220371	3	Fitting, Straight	
6	2220375	3	Fitting, Straight	
7	2220490	2	Fitting, Tee	
8	2220377	4	Fitting, Straight	
9	2221035	1	Fitting, Tee	
10	2220470	1	Fitting, 90	
11	2220603	1	Fitting, Straight	
12	2220362	1	Fitting, Tee	
13	2220374	2	Fitting	
14	2220372	2	Fitting	
15	2220465	1	Fitting, 90	
17	2220582	AR	Fitting, Straight	
19	2220473	3	Fitting, 90	
22	2220414	1	Fitting, Straight	
23	2220844	1	Fitting, Straight	
24		Ref	Fitting Options:	
24	Not Required	0	Ford Engine	
24	2220451	1	Fitting, Straight - Deutz Engine	
25	4640744	1	Valve, Check	
26	2220873	1	Fitting, Nipple	
27	2220428	1	Fitting, Disconnect	
28	2220429	1	Cap, Dust	
29	2220914	1	Fitting	
30	2220451	AR	Fitting, Straight	
31	2220578	AR	Fitting, 90	
32	2220408	2	Fitting, Straight	
33	2220700	2	Fitting, Tee	
34	2220621	1	Fitting, Reducer	
35	2220635	1	Fitting, Tee	
36	2220609	2	Fitting, Reducer	
37	2220696	1	Fitting, Reducer	
40	3100072	1	Manifold	
41	2220275	1	Fitting, Reducer	
45		Ref	Fitting, 90, Options:	
45	Not Required	0	Ford Engine	
45	2220403	1	Fitting, Straight - Deutz Engine	
46	2220642	1	Fitting, Tee	
47	2220710	1	Fitting, Adapter	
48	2220407	AR	Fitting	
49	2220621	1	Fitting, Adapter	
50	2220349	1	Fitting, Adapter	

## SECTION 6 - HYDRAULIC

ITEM	PART NUMBER	QTY	DESCRIPTION	REV
51	2220237	3	Fitting	
53	4640382	2	Cartridge, Solenoid Valve	
53		Ref	Repair Part Options (See Number Stamped on Cartridge Hex Nut):	
53	7009742	AR	Coil (Modular Controls P/N SV1-10-C-0-0) (1 Per Cartridge)	
53	7000645	AR	Coil (Hydraforce P/N SV10-20-0-N-0) (1 Per Cartridge)	
53	2900503	AR	Seal Kit (Modular Control P/N SV1-10-C-0-0) (1 Per Cartridge)	
53	2900800	AR	Seal Kit (Hydraforce P/N SV10-20-0-N-0) (1 Per Cartridge)	
54	0100020	AR	Sealant, Pipe (Not Shown)	
55	2220349	1	Fitting, 90	
56	2220810	1	Fitting, Reducer	
57	2220923	2	Fitting, Adapter	
58	2220819	1	Fitting, 90	
		Ref	<b>HYDRAULIC HOSE KIT OPTIONS:</b>	
	2902094	Ref	<b>FORD ENGINE</b>	2
	2902096	Ref	<b>DEUTZ ENGINE</b>	2
101	2752351	1	Hose	
102	2752352	1	Hose	
103	2752251	2	Hose	
104	2752252	2	Hose	
106		Ref	Hose Options:	
106	2752649	1	Ford Engine	
106	Not Required	0	Deutz Engine	
110	2750895	1	Hose	
114	2751026	1	Hose	
115	2751013	1	Hose	
116	2751391	1	Hose	
118	2750910	3	Hose	
121	2751111	1	Hose	
122	2752505	1	Hose	
123	2752481	1	Hose	
124	2752506	1	Hose	
125	2750786	1	Hose	
126	2752507	1	Hose	
127	2752482	1	Hose	
129		Ref	Hose Options:	
129	Not Required	0	Ford Engine	
129	2752525	1	Deutz Engine	
130		Ref	Hose Options:	
130	Not Required	0	Ford Engine	
130	2752526	1	Deutz Engine	
131	2752513	1	Hose	
132	2752591	2	Hose	
133	2750775	1	Hose	
134		Ref	Hose Options:	
134	2752953	1	Ford Engine	
134	Not Required	0	Deutz Engine	
135		Ref	Hose Options:	
135	Nor Required	1	Ford Engine	
135	2752678	2	Deutz Engine	
136	2751893	2	Hose	
137	2751027	3	Hose	

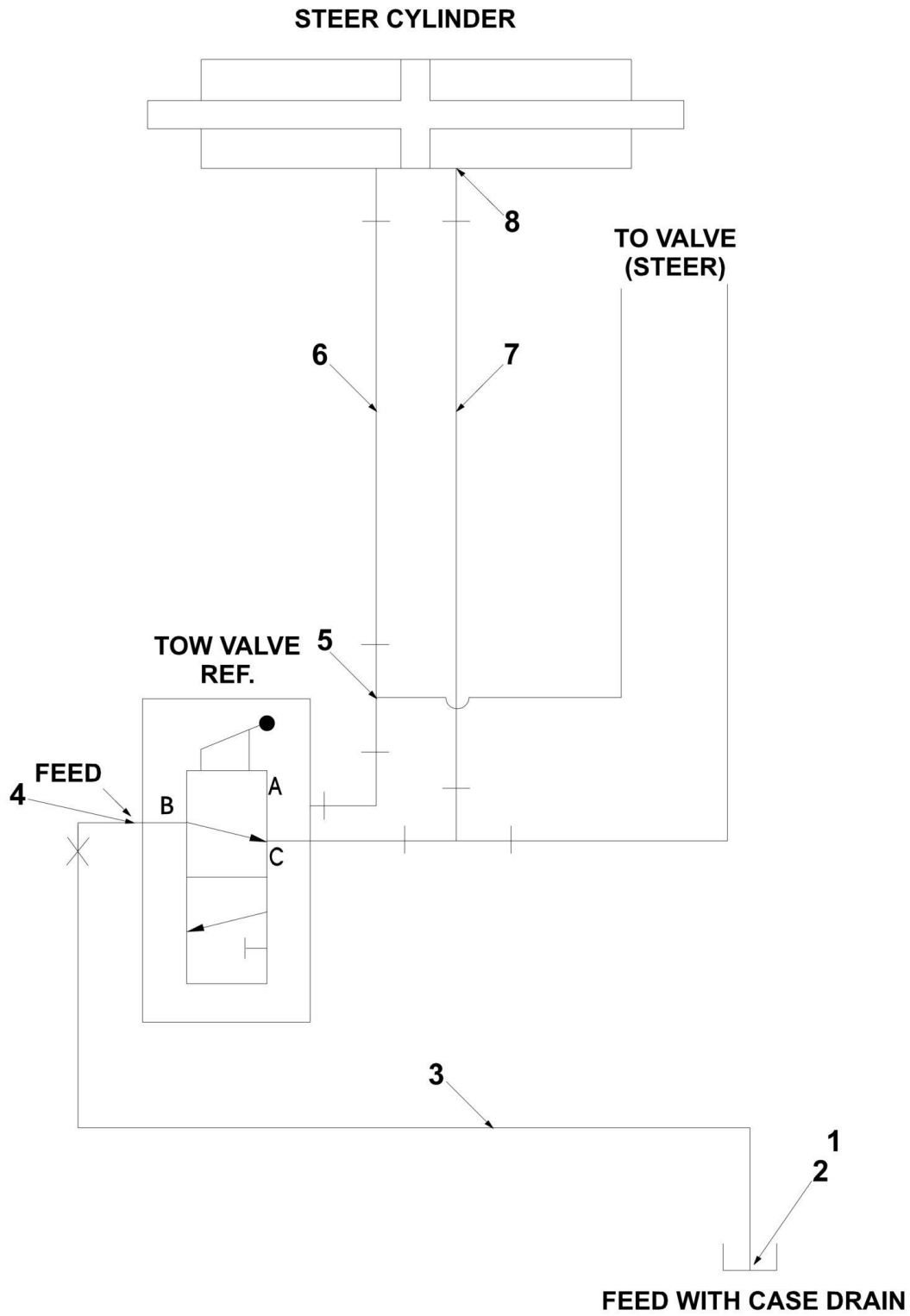
## SECTION 6 - HYDRAULIC

ITEM	PART NUMBER	QTY	DESCRIPTION	REV
138	2752980	2	Hose	
139	2751892	2	Hose	
140	2752450	1	Hose	
141	2752451	1	Hose	
142	2751021	1	Hose	
143	2750902	1	Hose	
146	2751683	1	Hose	
147	2751395	2	Hose	
148	2751006	1	Hose	



# SECTION 6 - HYDRAULIC

FIGURE 6-8. HYDRAULIC DIAGRAM - TOW PACKAGE (OPTIONAL)





## SECTION 6 - HYDRAULIC

**FIGURE 6-8. HYDRAULIC DIAGRAM - TOW PACKAGE (OPTIONAL)**

ITEM	PART NUMBER	QTY	DESCRIPTION	REV
	2791962	Ref	<b>HYDRAULIC DIAGRAM - TOW PACKAGE</b>	-
1	2220385	1	Fitting, Adapter	
2	2220618	1	Fitting, Adapter	
3	2751893	1	Hose	
4	2220468	3	Fitting, Straight	
5	2220605	2	Fitting, Straight	
6	2751018	1	Hose	
7	2751412	1	Hose	
8	2220472	2	Fitting, 90	

# SECTION 6 - HYDRAULIC

## FIGURE 6-9. HYDRAULIC DIAGRAM LIST

ITEM	PART NUMBER	QTY	DESCRIPTION	REV
		Ref	<b>Note: Diagrams not shown is available form JLG Service/Parts Departments.</b>	
	2791574	Ref	Hydraulic Diagram - Oscillating Axle	
	2792064	Ref	Hydraulic Diagram - Platform Extension (Single) - 400RTS	
	2792065	Ref	Hydraulic Diagram - Platform Extension (Dual) - 400RTS	
	2792013	Ref	Hydraulic Diagram - Platform Extension (Single) - 500RTS	
	2792014	Ref	Hydraulic Diagram - Platform Extension (Dual) - 500RTS	
	2792611	Ref	Hydraulic Diagram - Platform Extension (Dual) - 500RTS (Length - 15.8ft/4.8m)	
	2792020	Ref	Hydraulic Diagram - Auxiliary Power	
	2792047	Ref	Hydraulic Diagram - Standard 2WD/2WS - 400RTS (Deutz Engine)	
	2792048	Ref	Hydraulic Diagram - Standard 2WD/4WS - 400RTS (Deutz Engine)	
	2792049	Ref	Hydraulic Diagram - Standard 4WD/2WS - 400RTS (Deutz Engine)	
	2792050	Ref	Hydraulic Diagram - Standard 4WD/4WS - 400RTS (Deutz Engine)	
	2792164	Ref	Hydraulic Diagram - Standard 2WD/2WS - 400RTS (Ford Engine)	
	2792165	Ref	Hydraulic Diagram - Standard 2WD/4WS - 400RTS (Ford Engine)	
	2792166	Ref	Hydraulic Diagram - Standard 4WD/2WS - 400RTS (Ford Engine)	
	2792167	Ref	Hydraulic Diagram - Standard 4WD/4WS - 400RTS (Ford Engine)	
	2791997	Ref	Hydraulic Diagram - Standard 2WD/2WS - 500RTS (Deutz Engine) <b>(Prior to SN 107516)</b>	
	2792508	Ref	Hydraulic Diagram - Standard 2WD/2WS - 500RTS (Deutz Engine) <b>(SN 107516 to Present)</b>	
	2791995	Ref	Hydraulic Diagram - Standard 2WD/4WS - 500RTS (Deutz Engine) <b>(Prior to SN 107516)</b>	
	2792511	Ref	Hydraulic Diagram - Standard 2WD/4WS - 500RTS (Deutz Engine) <b>(SN 107516 to Present)</b>	
	2791988	Ref	Hydraulic Diagram - Standard 4WD/2WS - 500RTS (Deutz Engine) <b>(Prior to SN 107516)</b>	
	2792513	Ref	Hydraulic Diagram - Standard 4WD/2WS - 500RTS (Deutz Engine) <b>(SN 107516 to Present)</b>	
	2791996	Ref	Hydraulic Diagram - Standard 4WD/4WS - 500RTS (Deutz Engine) <b>(Prior to SN 107516)</b>	
	2792512	Ref	Hydraulic Diagram - Standard 4WD/4WS - 500RTS (Deutz Engine) <b>(SN 107516 to Present)</b>	
	2792168	Ref	Hydraulic Diagram - Standard 2WD/2WS - 500RTS (Ford Engine) <b>(Prior to SN 107516)</b>	
	2792514	Ref	Hydraulic Diagram - Standard 2WD/2WS - 500RTS (Ford Engine) <b>(SN 107516 to Present)</b>	
	2792170	Ref	Hydraulic Diagram - Standard 2WD/4WS - 500RTS (Ford Engine) <b>(Prior to SN 107516)</b>	
	2792516	Ref	Hydraulic Diagram - Standard 2WD/4WS - 500RTS (Ford Engine) <b>(SN 107516 to Present)</b>	
	2792169	Ref	Hydraulic Diagram - Standard 4WD/2WS - 500RTS (Ford Engine) <b>(Prior to SN 107516)</b>	
	2792515	Ref	Hydraulic Diagram - Standard 4WD/2WS - 500RTS (Ford Engine) <b>(SN 107516 to Present)</b>	
	2792171	Ref	Hydraulic Diagram - Standard 4WD/4WS - 500RTS (Ford Engine) <b>(Prior to SN 107516)</b>	
	2792517	Ref	Hydraulic Diagram - Standard 4WD/4WS - 500RTS (Ford Engine) <b>(SN 107516 to Present)</b>	
	2792027	Ref	Hydraulic Diagram - Leveling Jacks - 400RTS	
	2791962	Ref	Hydraulic Diagram - Tow Bar (Optional)	

## SECTION 6 - HYDRAULIC

ITEM	PART NUMBER	QTY	DESCRIPTION	REV
	2792371	Ref	Hydraulic Schematic	



**SECTION 7 - ELECTRICAL**

# SECTION 7 - ELECTRICAL

## FIGURE 7-1. ELECTRICAL DIAGRAM LIST

ITEM	PART NUMBER	QTY	DESCRIPTION	REV
		Ref	<b>Note: Diagrams not shown in manual are available from the JLG Service/ Parts Department.</b>	
	1282015	Ref	<b>ELECTRICAL DIAGRAM - ALARMS (OPTIONAL) (DWG ONLY)</b>	-
	0253727	Ref	<b>ELECTRICAL COMPONENTS - DESCENT ALARM (B/M ONLY) (Prior to SN 112737)</b>	B
	0273055	Ref	<b>ELECTRICAL COMPONENTS - DESCENT ALARM (B/M ONLY) (SN 112737 to Present)</b>	1
	0253728	Ref	<b>ELECTRICAL COMPONENTS - MOTION ALARM (B/M ONLY) (Prior to SN 112737)</b>	A
	0273056	Ref	<b>ELECTRICAL COMPONENTS - MOTION ALARM (B/M ONLY) (SN 112737 to Present)</b>	1
	0253446	Ref	<b>ELECTRICAL COMPONENTS - TRAVEL ALARM (B/M ONLY)</b>	A
	0140032	1	Alarm, Horn	
	3990010	AR	Diode - 6 Amp	
	3740049	1	Relay (Located in Ground Control Box)	
	1540002	1	Capacitor (Not Shown - Located at Ground Control) <b>(SN 112737 to Present)</b>	
	1282141	Ref	<b>ELECTRICAL DIAGRAM - AUXILIARY POWER (OPTIONAL - USED WITH PLATFORM EXTENSION)</b>	O
	1281992	Ref	<b>ELECTRICAL DIAGRAM - AUXILIARY POWER (OPTIONAL - USED WITH PLATFORM EXTENSION)</b>	O
	0271196	Ref	<b>ELECTRICAL DIAGRAM - AUXILIARY POWER (OPTIONAL - USED WITH PLATFORM MEGADECK EXTENSIONS)</b>	B
	0273062	Ref	<b>ELECTRICAL DIAGRAM - AUXILIARY POWER (OPTIONAL - USED WITH PLATFORM POWER DECK EXTENSIONS)</b>	B
	4922859	1	Harness, Auxiliary Power	
	4922848	1	Harness, Power Deck	
	0610114	Ref	<b>ELECTRICAL DIAGRAM - 0610114 CIRCUIT CARD (SEE PLATFORM SECTION FOR COMPONENTS)</b>	B
	1281738	Ref	<b>ELECTRICAL DIAGRAM - DUAL FUEL (OPTIONAL ON FORD ENGINES) (DWG ONLY)</b>	H
	4931444	Ref	<b>ELECTRICAL COMPONENTS - DUAL FUEL (B/M ONLY) (SEE GROUND CONTROLS SECTION FOR COMPONENTS) (Prior to SN 27785)</b>	E-F
	4932451	Ref	<b>ELECTRICAL COMPONENTS - DUAL FUEL (B/M ONLY) (SEE GROUND CONTROLS SECTION FOR COMPONENTS) (SN 27785 to Present)</b>	-/2
	4932897	Ref	<b>ELECTRICAL COMPONENTS - DUAL FUEL (B/M ONLY) (SEE GROUND CONTROLS SECTION FOR COMPONENTS)</b>	-/2
	4932387	Ref	<b>ELECTRICAL DIAGRAM - GENERATOR 110V (OPTIONAL ON DEUTZ ENGINES) (PRIOR TO JULY 1994)</b>	2
	4932734	Ref	<b>ELECTRICAL DIAGRAM - GENERATOR 110V (OPTIONAL ON DEUTZ ENGINES) (JULY 1994 TO PRESENT)</b>	3
	4932387	Ref	<b>ELECTRICAL DIAGRAM - GENERATOR 220V (OPTIONAL ON DEUTZ ENGINES) (SN 108548 to Present)</b>	3
	4932041	Ref	<b>ELECTRICAL DIAGRAM - GENERATOR 110V (OPTIONAL ON FORD ENGINES) (PRIOR TO JULY 1994)</b>	B
	4932735	Ref	<b>ELECTRICAL DIAGRAM - GENERATOR 110V (OPTIONAL ON FORD ENGINES) (JULY 1994 TO PRESENT)</b>	5
	3990010	1	Diode 6 Amp	
	3740049	2	Relay (Located in Ground Control Box)	
	4932387	Ref	<b>ELECTRICAL DIAGRAM - GENERATOR 220V (OPTIONAL ON DEUTZ ENGINES)</b>	2

## SECTION 7 - ELECTRICAL

ITEM	PART NUMBER	QTY	DESCRIPTION	REV
	0254118	Ref	<b>ELECTRICAL DIAGRAM - HOURMETER (QUARTZ)</b>	2
	1060016	AR	<b>ELECTRICAL CABLE - LIFT CYLINDER (STANDARD 12/3)</b>	
	1060016	75 ft/22.9m	Electrical Cable - Lift Cylinder 500RTS	
	1060016	30 ft/9.2m	Electrical Cable - Lift Cylinder 400RTS	
	1282038	Ref	<b>ELECTRICAL DIAGRAM - LIGHTS (OPTIONAL HEADLIGHTS/TAILLIGHTS) (DWG ONLY)</b>	E
	0253821	Ref	<b>ELECTRICAL COMPONENTS - HEADLIGHTS AND TAILLIGHTS (B/M ONLY)</b>	3
	0253818	Ref	<b>ELECTRICAL COMPONENTS - HEADLIGHTS, TAILLIGHTS, BRAKE LIGHTS AND SIGNAL LIGHTS (B/M ONLY)</b>	3
	2920110	4	Headlight	
	2920113	2	Taillight	
	4360239	1	Switch, Toggle (Located at Platform Control)	
	1060341	60 ft/18m	Cable, Electrical 16/2	
	3740049	3	Relay	
	4460051	1	Strain Relief	
	3300048	1	Locknut	
	0960238	1	Bushing	
	0253451	Ref	<b>ELECTRICAL DIAGRAM - OIL COOLER (OPTIONAL - SEE SPECIAL OPTIONS SECTION FOR COMPONENTS)</b>	4
		Ref	<b>ELECTRICAL CABLE - PLATFORM TO GROUND</b>	
		Ref	Standard 16/24 Cable	
	4921543	1	Standard 16/24 Cable 500RTS (Prior to SN 58035)	
	4922257	1	Standard 16/24 Cable 500RTS (SN 58035 to Present)	
	4921598	1	Standard 16/24 Cable 400RTS (Prior to SN 58035)	
	4922256	1	Standard 16/24 Cable 400RTS (SN 58035 to Present)	
		Ref	Optional 16/20 (Use with Leveling Jacks and Headlight/Taillight Options:	
	4921544	1	Optional 16/20 500RTS (Prior to SN 58035)	
	4922252	1	Optional 16/20 500RTS (SN 58035 to Present)	
	4921599	1	Optional 16/20 400RTS (Prior to SN 58035)	
	4922251	1	Optional 16/20 400RTS (SN 58035 to Present)	
	0253795	Ref	<b>ELECTRICAL DIAGRAM- PLATFORM WORKLIGHTS (SEE PLATFORM SECTION FOR COMPONENTS)</b>	A
		Ref	<b>ELECTRICAL CABLE - RECEPTACLE 110V/220V AT PLATFORM (OPTIONAL)</b>	
	1060308	Ref	<b>Electrical Cable - Receptacle 110v/220v at Platform (Optional) (Prior to SN 107516)</b>	
	1060973	Ref	<b>Electrical Cable - Receptacle 110v/220v at Platform (Optional) (SN 107516 to Present)</b>	A
	1060308	80 ft/24.4M	Electrical Cable - Receptacle 110v/220v at Platform (Optional) 500RTS (Prior to SN 107516)	
	1060908	96 ft/29.3M	Electrical Cable - Receptacle 110v/220v at Platform (Optional) 500RTS (SN 107516 to Present)	
	Bulk	67 ft/14.3M	Electrical Cable - Receptacle 110v/220v at Platform 400RTS	
		Ref	<b>ELECTRICAL DIAGRAM - STANDARD (500RTS - DEUTZ DIESEL) OPTIONS:</b>	
	1281974	Ref	<b>Electrical Diagram - Standard (500rts - Deutz Diesel) (with Enable Timer) (Prior to SN 61097)</b>	H
	1283064	Ref	<b>Electrical Diagram - Standard (500rts - Deutz Diesel) (with Trigger Switch) (SN 61097 to Present)</b>	F
	4932590	Ref	<b>Ground Electrical Components (B/M Only)</b>	9
		Ref	<b>Platform Electrical Components Options (B/M Only):</b>	

## SECTION 7 - ELECTRICAL

ITEM	PART NUMBER	QTY	DESCRIPTION	REV
	4932588	Ref	<b>Platform Electrical Components (Prior to SN 61097)</b>	3
	4933096	Ref	<b>Platform Electrical Components (SN 61097 to Present)</b>	2
	3990010	AR	Diode - 6 Amp (Platform)	
	3990010	10	Diode - 6 Amp (Ground)	
	4921540	1	Harness (Valves to Ground Control Box)	
	4921770	1	Harness (Engine to Ground Control Box)	
	1060341	AR	Cable, Electrical - 16/2 (To Limit Switches and Lift Down Coil) Options:	
	1060341	237 ft/72.3m	Cable, Electrical - 16/2 ( <b>Prior to SN 103272</b> )	
	1060341	340 ft/104m	Cable, Electrical - 16/2 ( <b>SN 103272 through 107515</b> )	
	1060341	13 ft/4m	Cable, Electrical - 16/2 ( <b>SN 107516 to Present</b> )	
	3730003	1	Resistor - 20 ohm	
	1283068	Ref	<b>ELECTRICAL DIAGRAM - CSA SPEC (500RTS - DEUTZ DIESEL) OPTIONS:</b>	E
	4933057	Ref	<b>Ground Electrical Components (B/M Only)</b>	6
	4933098	Ref	<b>Platform Electrical Components (B/M Only)</b>	2
	3990010	6	Diode - 6 Amp (Platform)	
	3990010	10	Diode - 6 Amp (Ground)	
	4921540	1	Harness (Valves to Ground Control Box)	
	4921770	1	Harness (Engine to Ground Control Box)	
	1060341	AR	Cable, Electrical - 16/2 (To Limit Switches and Lift Down Coil) Options:	
	1060341	237 ft/72.3m	Cable, Electrical - 16/2 ( <b>Prior to SN 103272</b> )	
	1060341	340 ft/104m	Cable, Electrical - 16/2 ( <b>SN 103272 through 107515</b> )	
	1060341	13 ft/4m	Cable, Electrical - 16/2 ( <b>SN 107516 to Present</b> )	
	3730003	1	Resistor - 20 ohm	
		Ref	<b>ELECTRICAL DIAGRAM - STANDARD (400RTS - DEUTZ DIESEL) OPTIONS:</b>	
	1282100	Ref	<b>Electrical Diagram - Standard (400RTS - Deutz Diesel) (with Enable Timer) (Prior to SN 61097)</b>	E
	1283066	Ref	<b>Electrical Diagram - Standard (400rts - Deutz Diesel) (with Trigger Switch) (SN 61097 to Present)</b>	B
		Ref	<b>Ground Electrical Components Options (B/M Only):</b>	
	4932650	Ref	<b>Ground Electrical Components (Prior to SN 61097)</b>	4
	4932850	Ref	<b>Ground Electrical Components (SN 61097 to Present)</b>	4
		Ref	<b>Platform Electrical Components Options (B/M Only):</b>	
	4932645	Ref	<b>Platform Electrical Components (Prior to SN 61097)</b>	4
	4933097	Ref	<b>Platform Electrical Components (SN 61097 to Present)</b>	2
	3990010	AR	Diode - 6 Amp (Platform)	
	3990010	10	Diode - 6 Amp (Ground)	
	4921540	1	Harness (Valves to Ground Control Box)	
	4921545	1	Harness (Engine to Ground Control Box)	
	1060341	237 ft/72.3m	Cable, Electrical - 16/2 (To Limit Switches and Lift Down Coil)	
	3730003	1	Resistor - 20 ohm	
	1282099	Ref	<b>ELECTRICAL DIAGRAM - STANDARD (400RTS - FORD VSG-411 GAS) (REF DWG ONLY)</b>	D
	4932649	Ref	<b>Ground Electrical Components (B/M Only)</b>	B
	4932648	Ref	<b>Platform Electrical Components (B/M Only)</b>	A
	3990010	8	Diode - 6 Amp (Platform)	



## SECTION 7 - ELECTRICAL

ITEM	PART NUMBER	QTY	DESCRIPTION	REV
	3990010	10	Diode - 6 Amp (Ground)	
	4921540	1	Harness (Valves to Ground Control Box)	
	4921546	1	Harness (Engine to Ground Control Box)	
	1060341	237 ft/72.3m	Cable, Electrical - 16/2 (To Limit Switches and Lift Down Coil) Options:	
	3730003	1	Resistor - 20 ohm	
	1282341	Ref	<b>ELECTRICAL DIAGRAM - STANDARD (500RTS FORD LSG-423 GAS) (REF DWG ONLY)</b>	B
	4932744	Ref	<b>Ground Electrical Components (B/M Only)</b>	2
	4932588	Ref	<b>Platform Electrical Components (B/M Only)</b>	3
	3990010	8	Diode - 6 Amp (Platform)	
	3990010	10	Diode - 6 Amp (Ground)	
	4921540	1	Harness (Valves to Ground Control Box)	
	4921714	1	Harness (Engine to Ground Control Box)	
	1060341	237 ft/72.3m	Cable, Electrical - 16/2 (To Limit Switches and Lift Down Coil)	
	3730003	1	Resistor - 20 ohm	
		Ref	<b>ELECTRICAL DIAGRAM - STANDARD (500RTS FORD LRG-423/LRG-425 GAS) (REF DWG ONLY) OPTIONS:</b>	
	1282366	Ref	<b>Electrical Diagram - Standard (500rts Ford Lrg-423/lrg-425 Gas) (Ref Dwg Only) (with Enable Timer) (Prior to SN 61097)</b>	E
	1283065	Ref	<b>Electrical Diagram - Standard (500rts Ford Lrg-423/lrg-425 Gas) (Ref Dwg Only) (with Trigger Switch) (SN 61097 to Present)</b>	F
	4932775	Ref	<b>Ground Electrical Components (B/M Only)</b>	5
		Ref	<b>Platform Electrical Components Options (B/M Only):</b>	
	4932588	Ref	<b>Platform Electrical Components (Prior to SN 61097)</b>	3
	4933096	Ref	<b>Platform Electrical Components (SN 61097 to Present)</b>	2
	3990010	AR	Diode - 6 Amp (Platform)	
	3990010	10	Diode - 6 Amp (Ground)	
	4921540	1	Harness (Valves to Ground Control Box)	
	4921731	1	Harness (Engine to Ground Control Box)	
	1060341	AR	Cable, Electrical - 16/2 (To Limit Switches and Lift Down Coil) Options:	
	1060341	237 ft/72.3m	Cable, Electrical - 16/2 (Prior to SN 103272)	
	1060341	340 ft/104m	Cable, Electrical - 16/2 (SN 103272 through 107515)	
	1060341	13 ft/4m	Cable, Electrical - 16/2 (SN 107516 to Present)	
	1283328	Ref	<b>ELECTRICAL DIAGRAM - CSA SPEC (500RTS FORD LRG-423/LRG-425 GAS) (REF DWG ONLY)</b>	B
	4933255	Ref	<b>Ground Electrical Components (B/M Only)</b>	1
	4933254	Ref	<b>Platform Electrical Components (B/M Only)</b>	2
	3990010	7	Diode - 6 Amp (Platform)	
	3990010	10	Diode - 6 Amp (Ground)	
	4921540	1	Harness (Valves to Ground Control Box)	
	4921731	1	Harness (Engine to Ground Control Box)	
	1060341	AR	Cable, Electrical - 16/2 (To Limit Switches and Lift Down Coil) Options:	
	1060341	340 ft/104m	Cable, Electrical - 16/2 (Prior to SN 107516)	
	1060341	13 ft/4m	Cable, Electrical - 16/2 (SN 107516 to Present)	
		Ref	<b>ELECTRICAL DIAGRAM - STANDARD (400RTS FORD LRG-423) (REF DWG ONLY) OPTIONS:</b>	

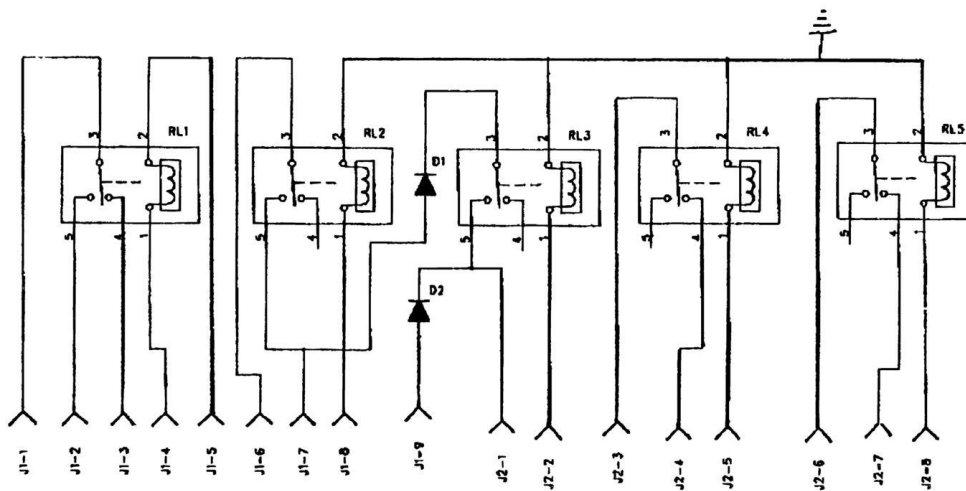
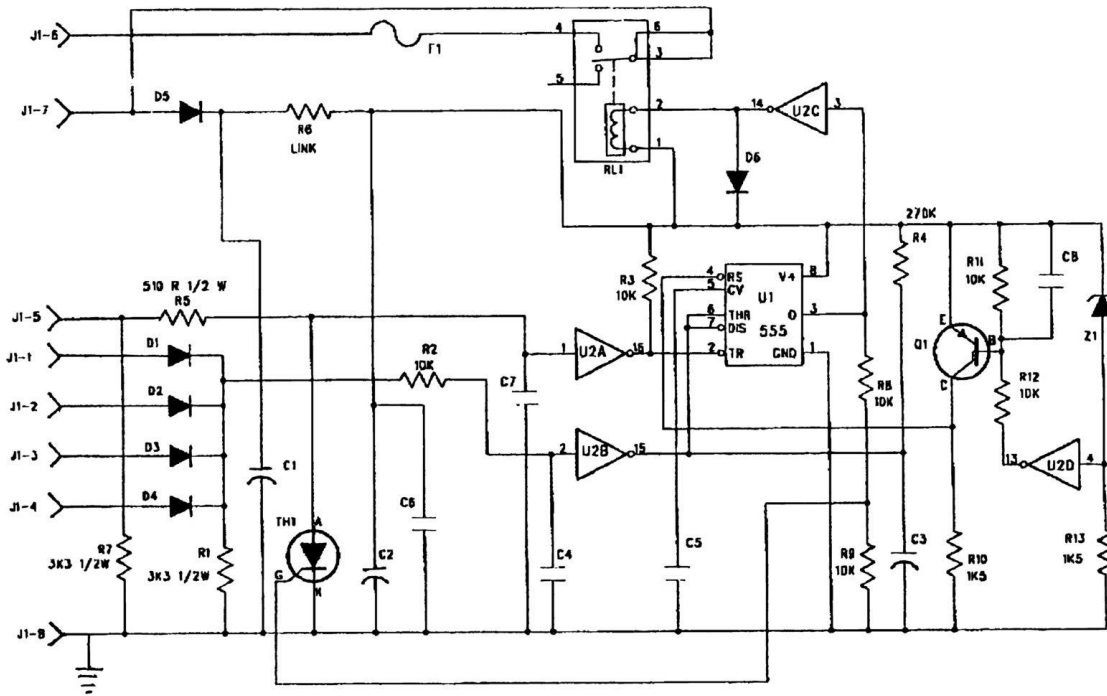
## SECTION 7 - ELECTRICAL

ITEM	PART NUMBER	QTY	DESCRIPTION	REV
	1282365	Ref	<b>Electrical Diagram - Standard (400rts Ford Lrg-423) (Ref Dwg Only) (with Enable Timer) (Prior to SN 61097)</b>	E
	1283067	Ref	<b>Electrical Diagram - Standard (400rts Ford Lrg-423) (Ref Dwg Only) (with Trigger Switch) (SN 61097 to Present)</b>	D
	4932776	Ref	<b>Ground Electrical Components (B/M Only)</b>	5
		Ref	<b>Platform Electrical Components Options (B/M Only):</b>	
	4932588	Ref	<b>Platform Electrical Components (Prior to SN 61097)</b>	3
	4933096	Ref	<b>Platform Electrical Components (SN 61097 to Present)</b>	1
	3990010	8	Diode - 6 Amp (Platform)	
	3990010	8	Diode - 6 Amp (Ground)	
	4921731	1	Harness (Engine to Ground Control Box)	
	4921590	1	Harness (Valve to Ground Control Box)	
	1060341	1	Cable, Electric 16/2	
	0258916	Ref	<b>ELECTRICAL DIAGRAM - COLD WEATHER</b>	A
	0259097	Ref	<b>ELECTRICAL DIAGRAM - OIL PRESSURE SHUT DOWN (FORD LRG-425)</b>	A
		Ref	<b>OVERLOAD PROT. (JAPANESE SPEC.) OPTIONS:</b>	
	0257053	Ref	<b>Overload Prot. (Japanese Spec.) (Prior to SN 83971)</b>	-
	0270786	Ref	<b>Overload Prot. (Japanese Spec.) (SN 83971 to Present)</b>	D
	1282951	Ref	<b>STATIC STEER</b>	A
	4933042	Ref	<b>STATIC STEER (4WD/2WS)</b>	1
	4933043	Ref	<b>STATIC STEER (4WD/4WS)</b>	2
	3990010	AR	Diode - 6 Amp	



# SECTION 7 - ELECTRICAL

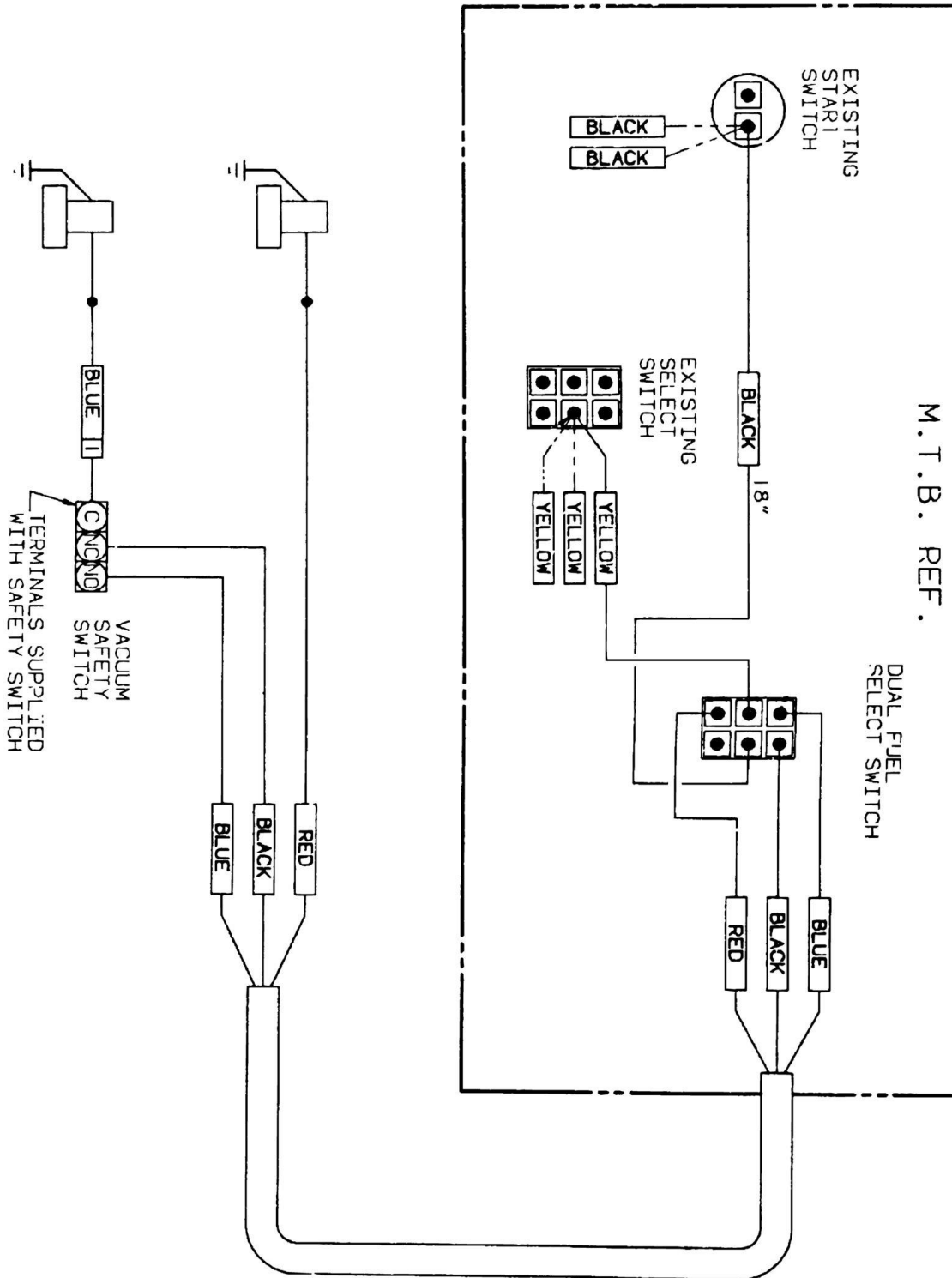
## FIGURE 7-2. WIRING DIAGRAM - 0610114 CIRCUIT CARD





# SECTION 7 - ELECTRICAL

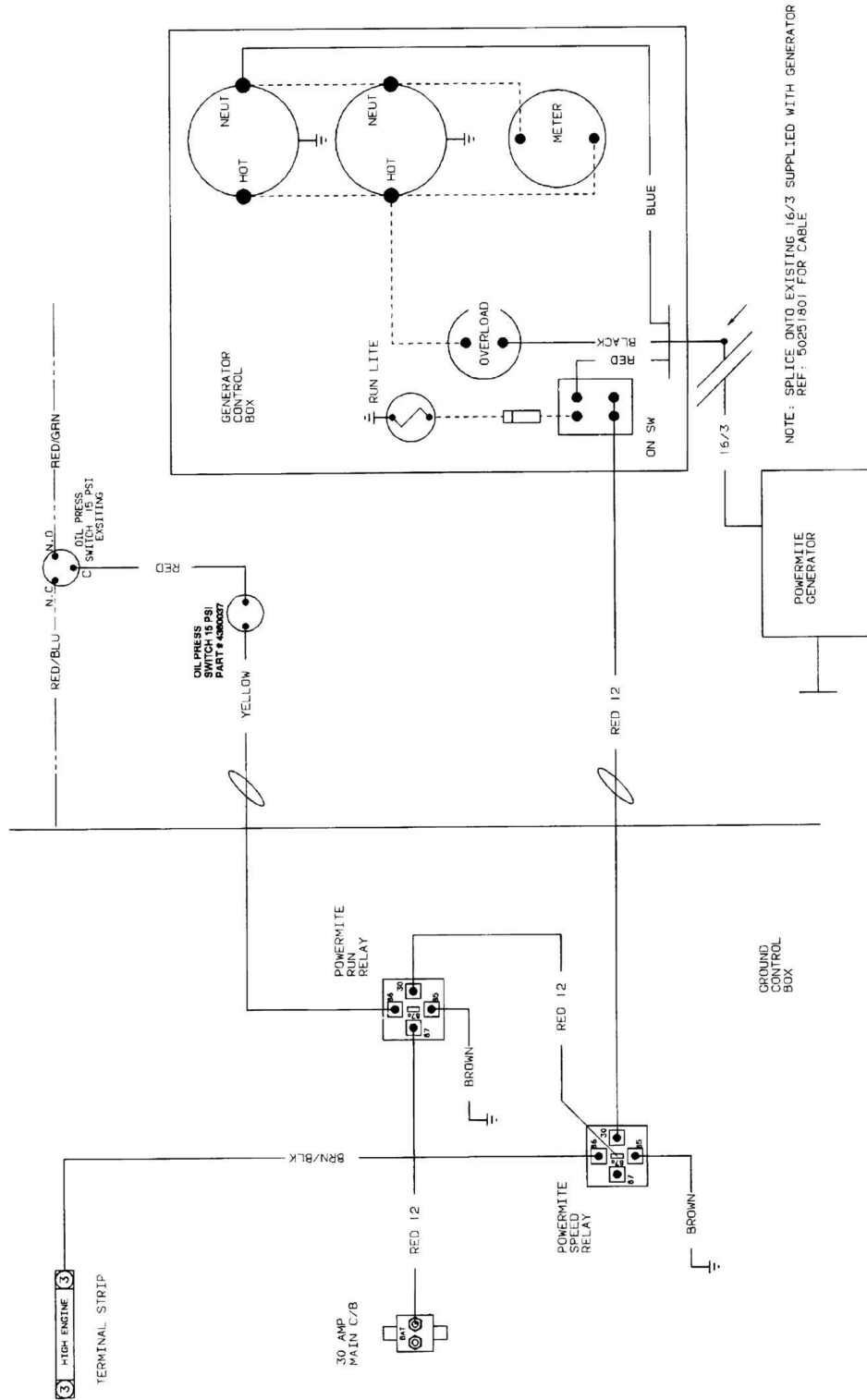
## FIGURE 7-3. WIRING DIAGRAM - DUAL FUEL (FORD)





# SECTION 7 - ELECTRICAL

## FIGURE 7-4. WIRING DIAGRAM - 110 VOLT GENERATOR (FORD)

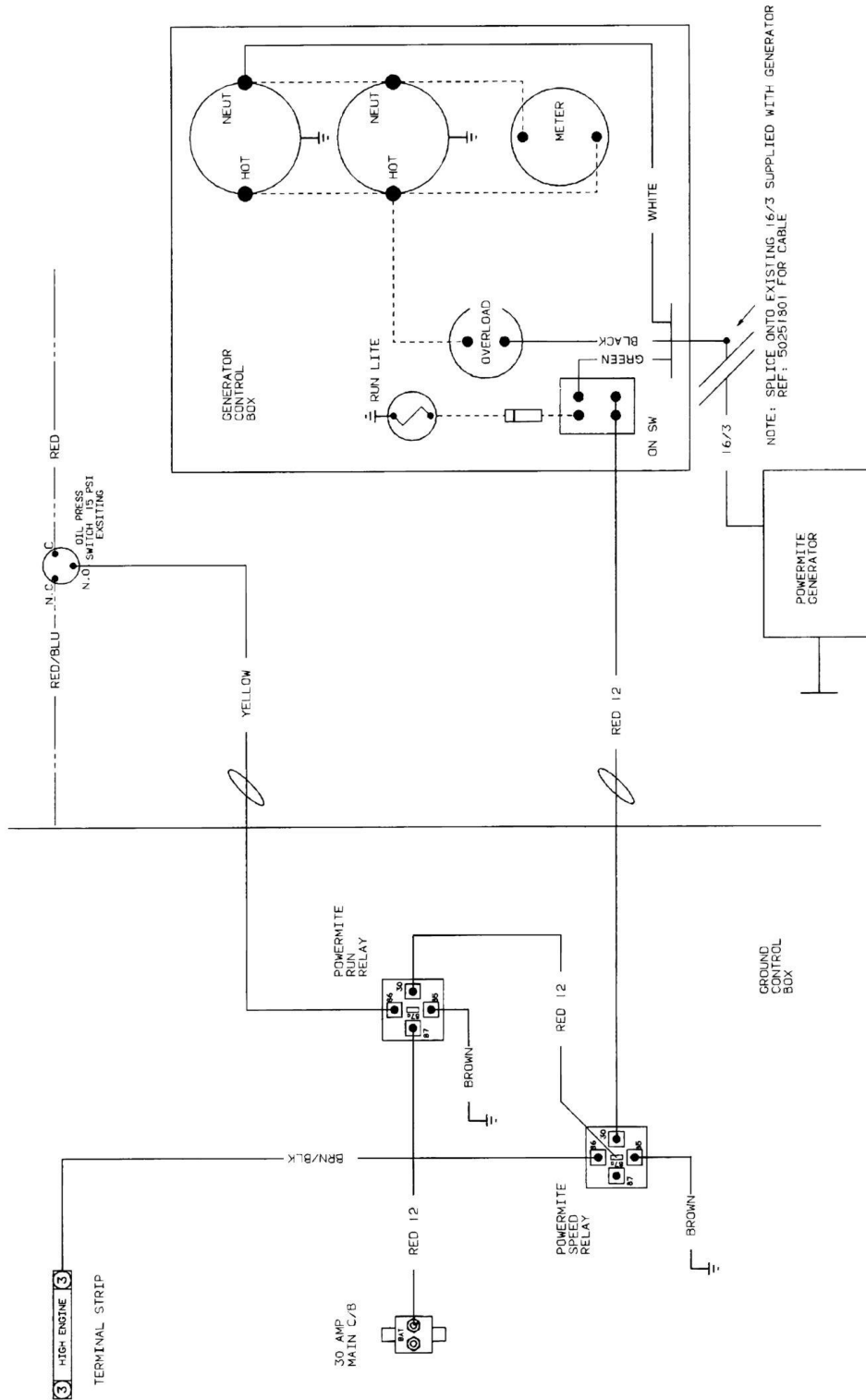






# SECTION 7 - ELECTRICAL

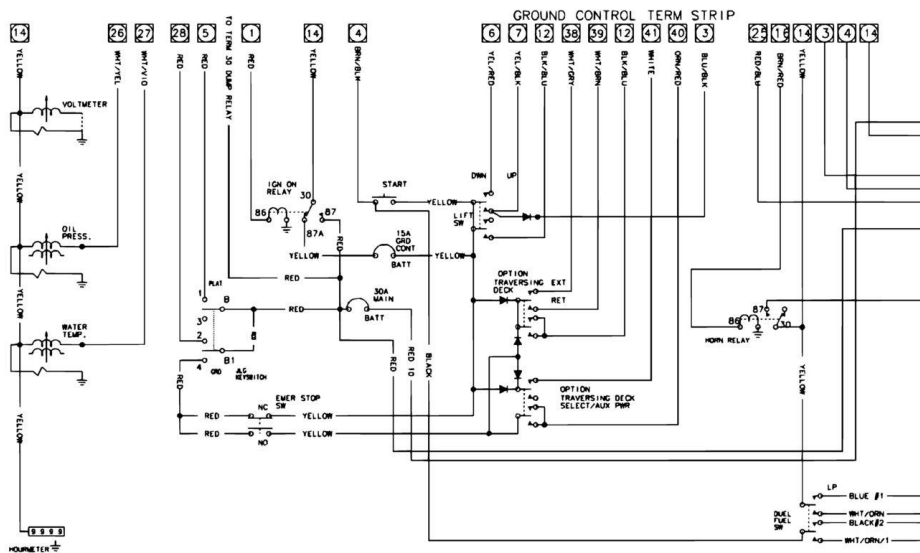
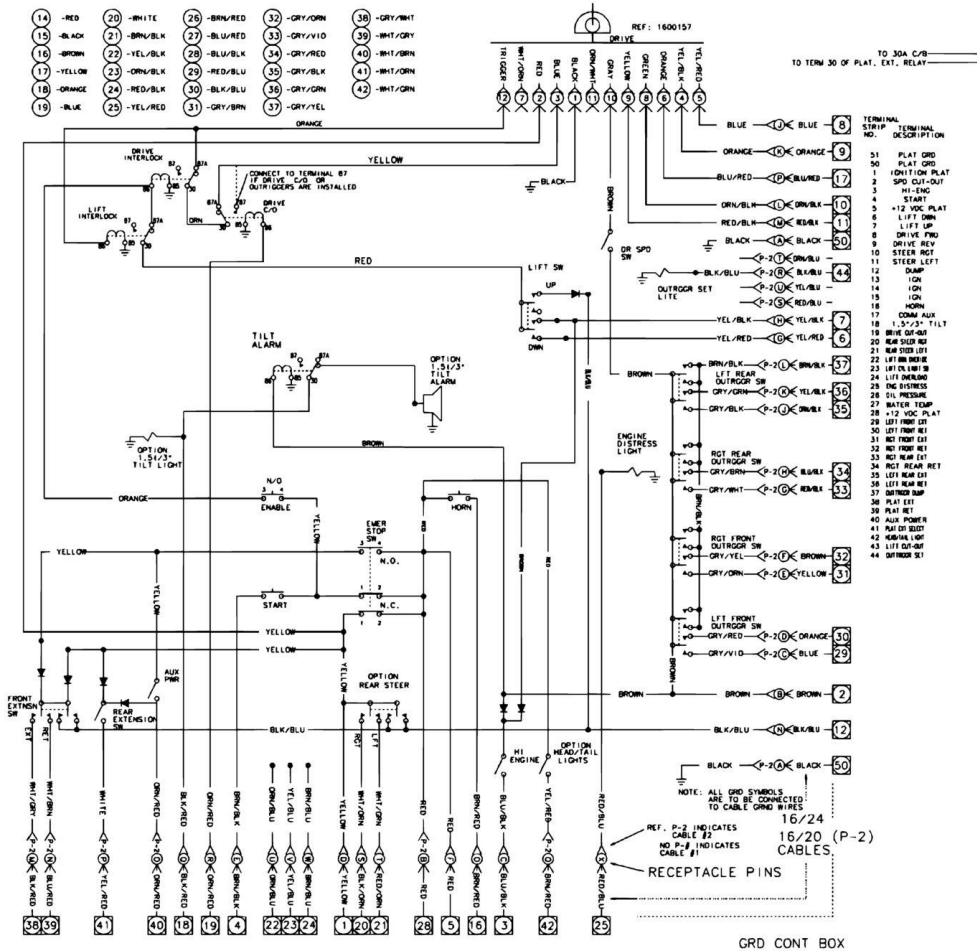
## FIGURE 7-5. WIRING DIAGRAM - 110 VOLT GENERATOR (DEUTZ)



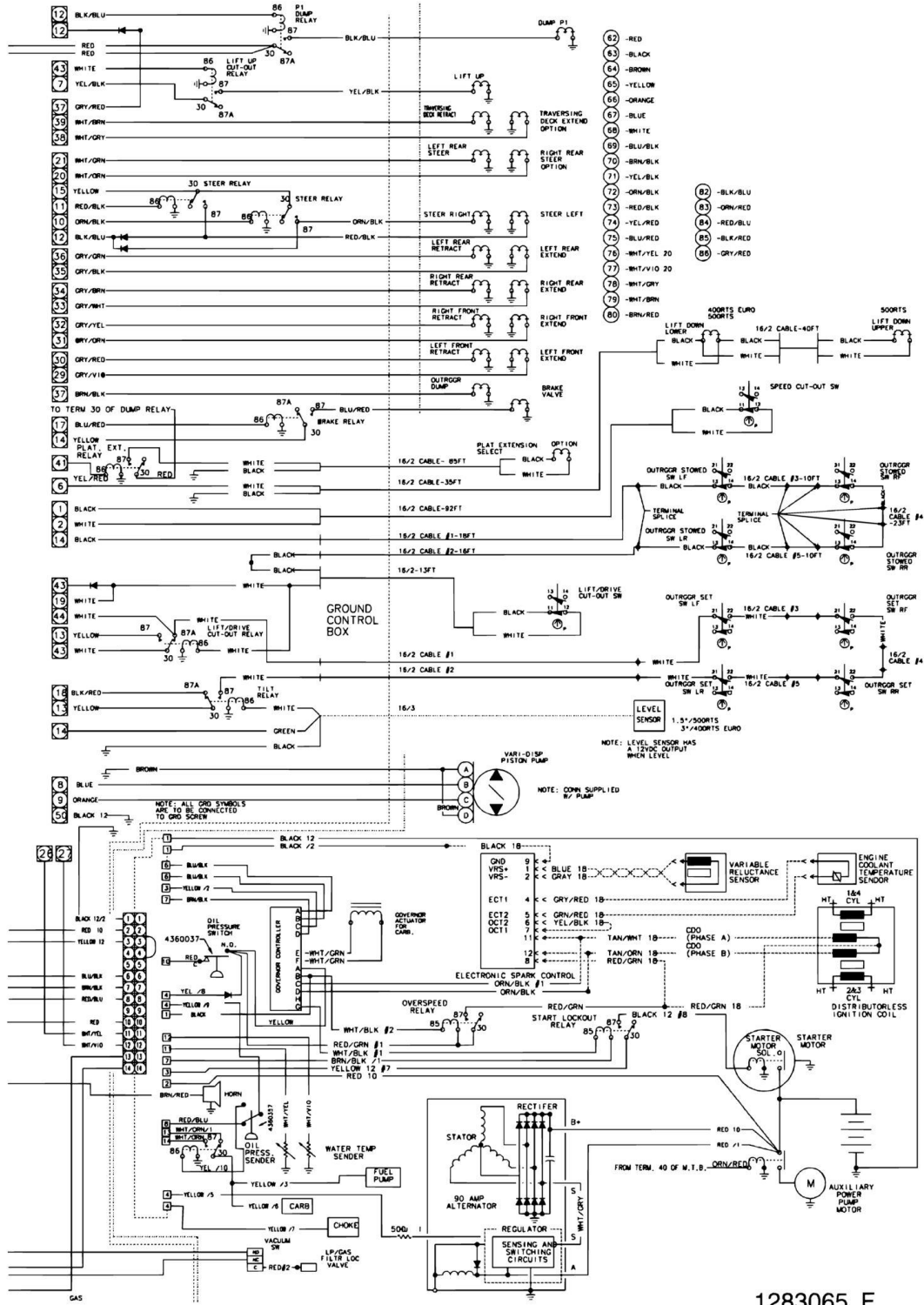


# SECTION 7 - ELECTRICAL

## FIGURE 7-6. WIRING DIAGRAM - STANDARD 500RTS (FORD LRG-425 GAS MACHINES)



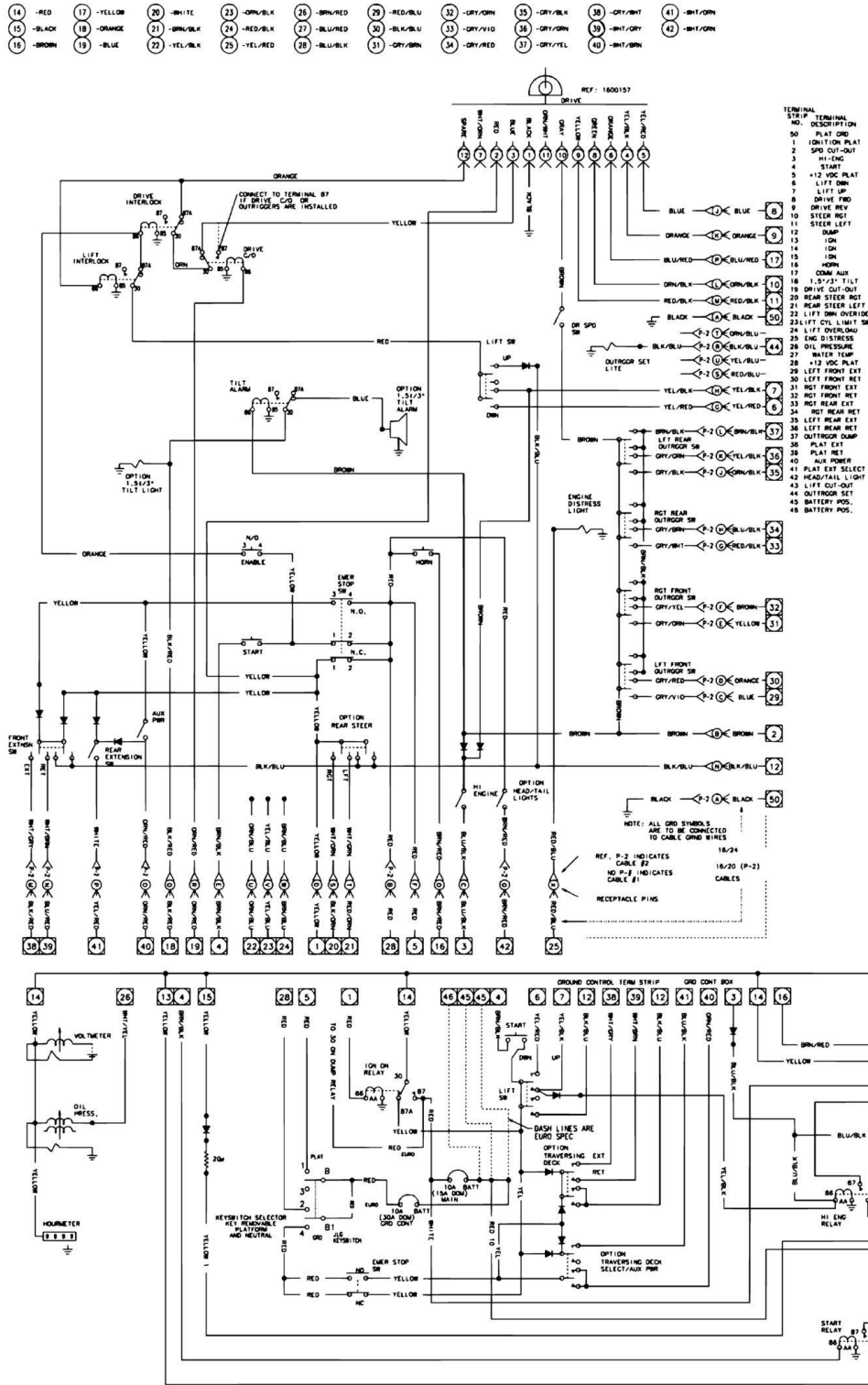
# SECTION 7 - ELECTRICAL



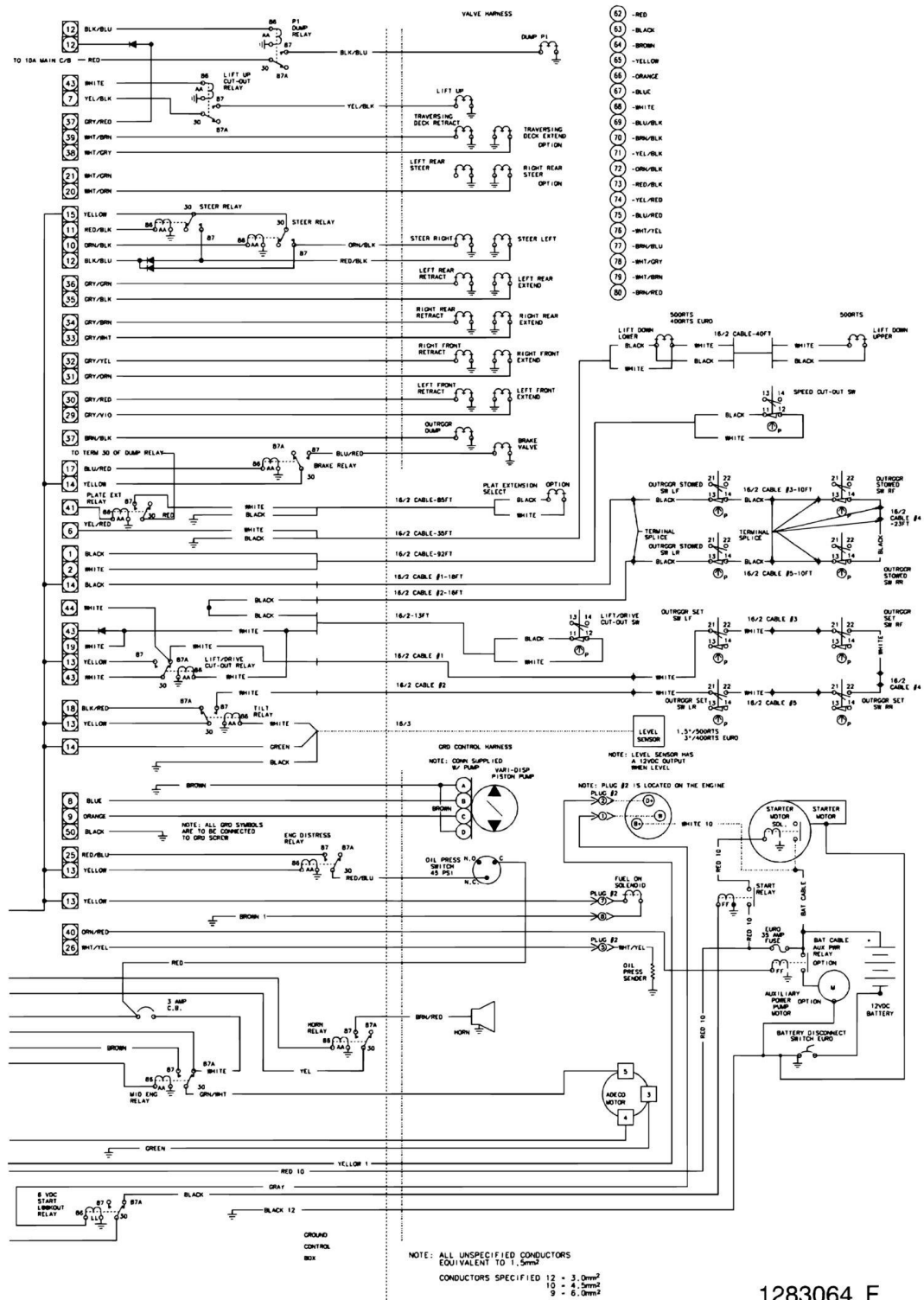
1283065\_F

# SECTION 7 - ELECTRICAL

## FIGURE 7-7. WIRING DIAGRAM - STANDARD 500RTS (DEUTZ DIESEL MACHINES)



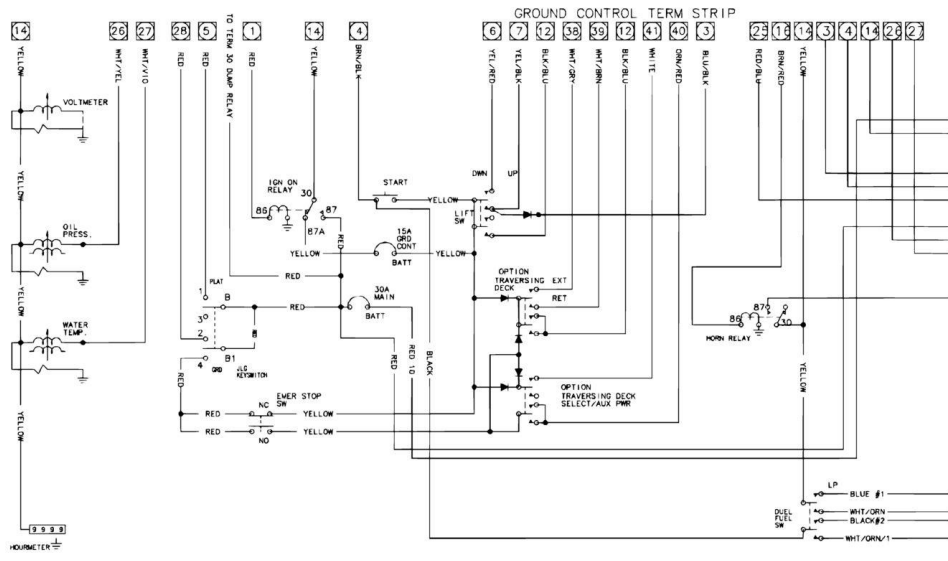
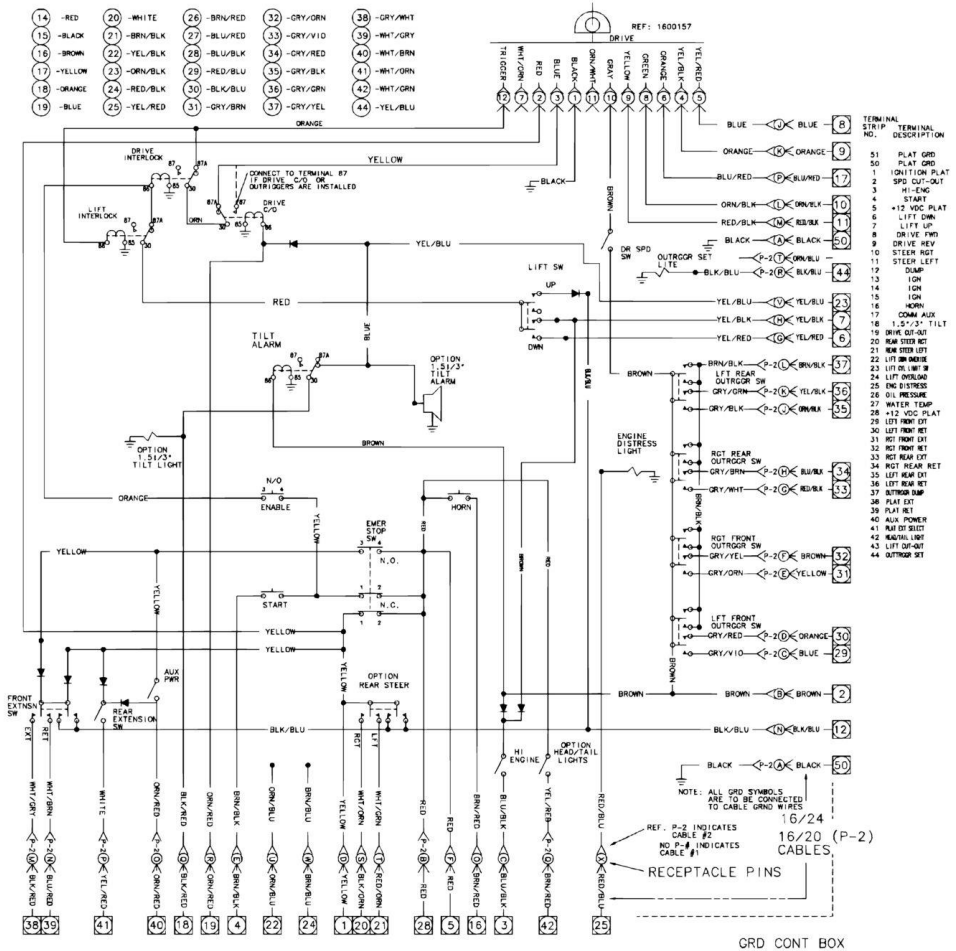
# SECTION 7 - ELECTRICAL



1283064\_F

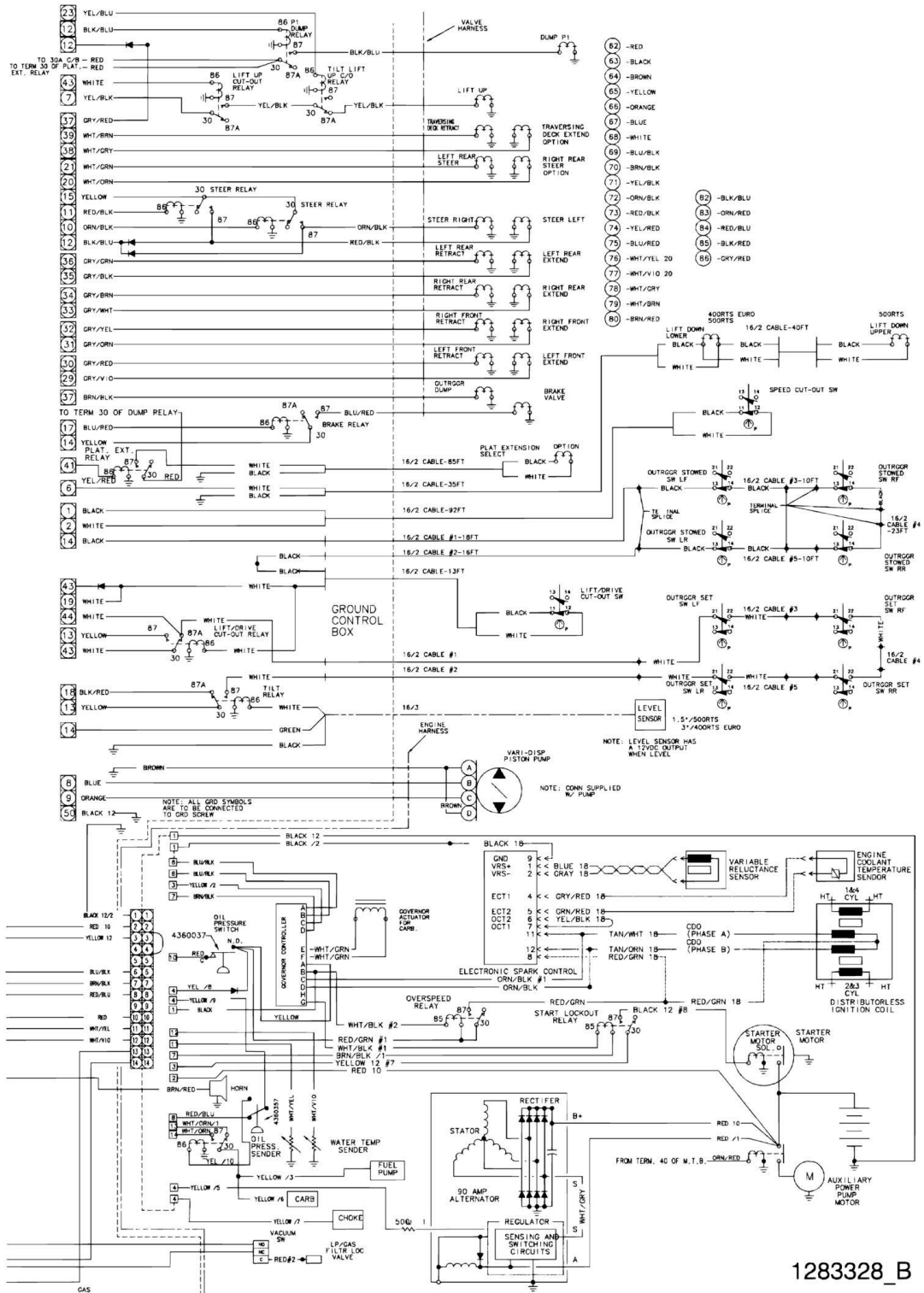
# SECTION 7 - ELECTRICAL

## FIGURE 7-8. WIRING DIAGRAM - CSA SPEC 500RTS (FORD LRG-425 GAS MACHINES)





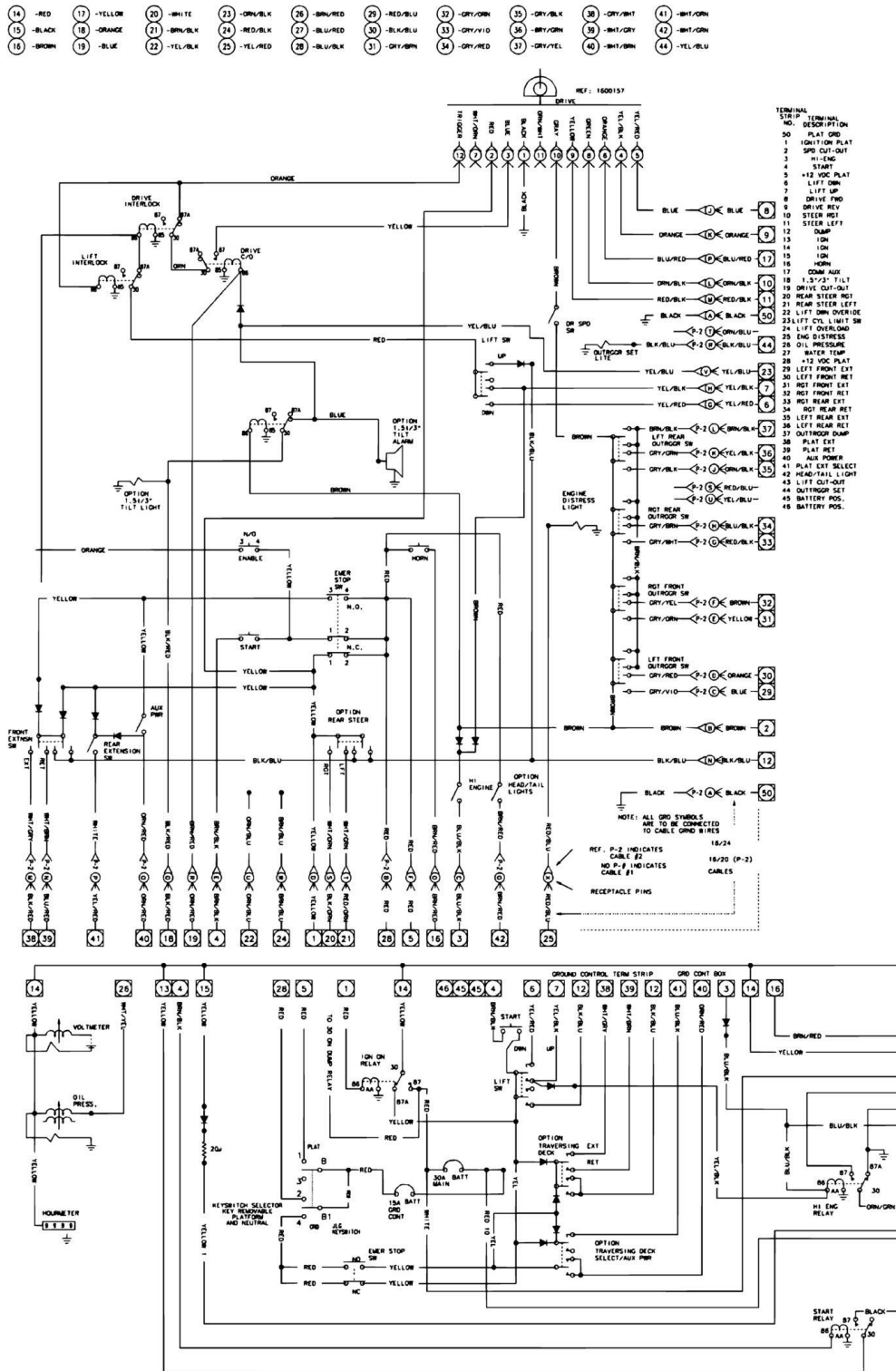
# SECTION 7 - ELECTRICAL



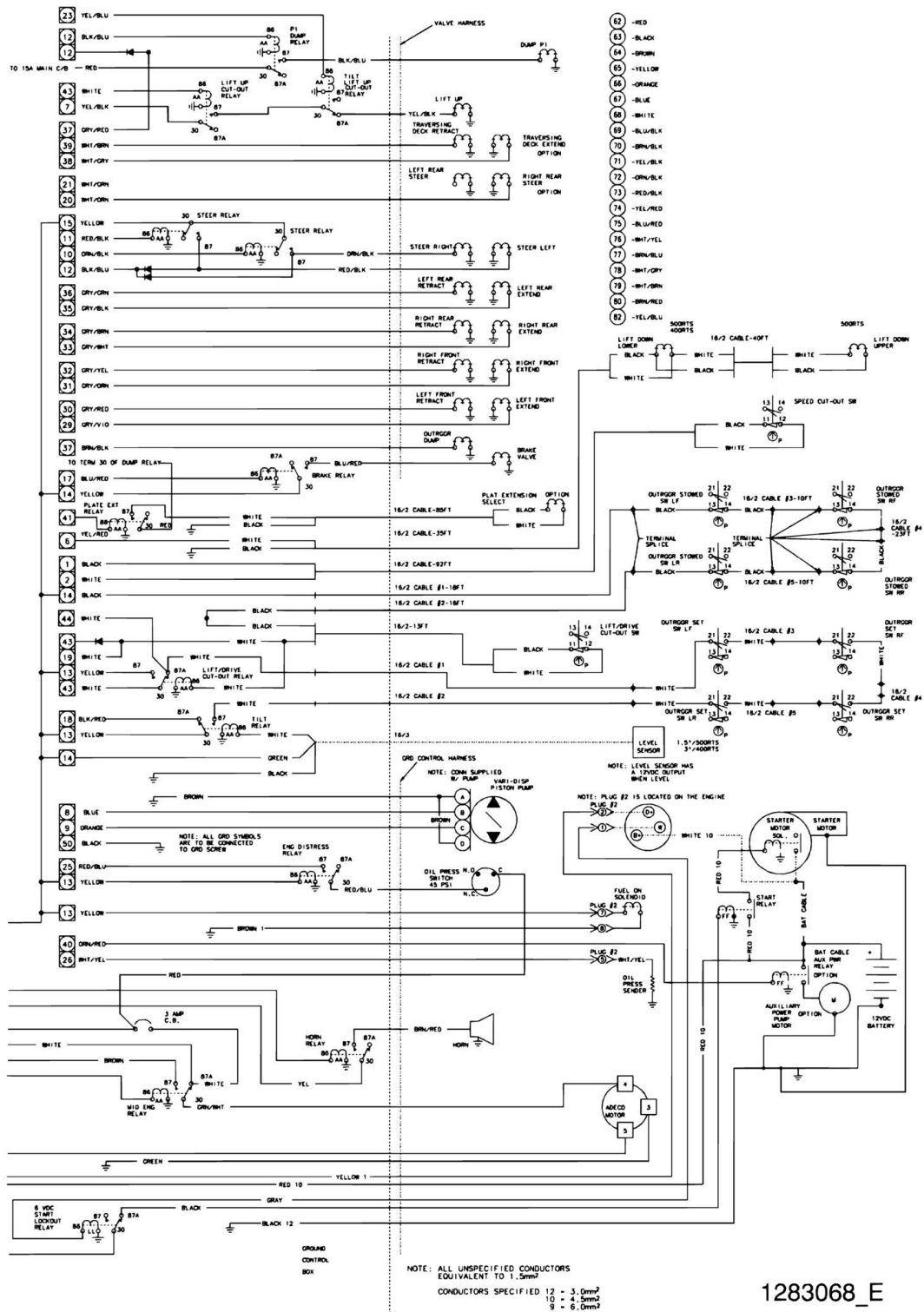
1283328\_B

# SECTION 7 - ELECTRICAL

## FIGURE 7-9. WIRING DIAGRAM - CSA SPEC 500RTS (DEUTZ DIESEL MACHINES)



# SECTION 7 - ELECTRICAL



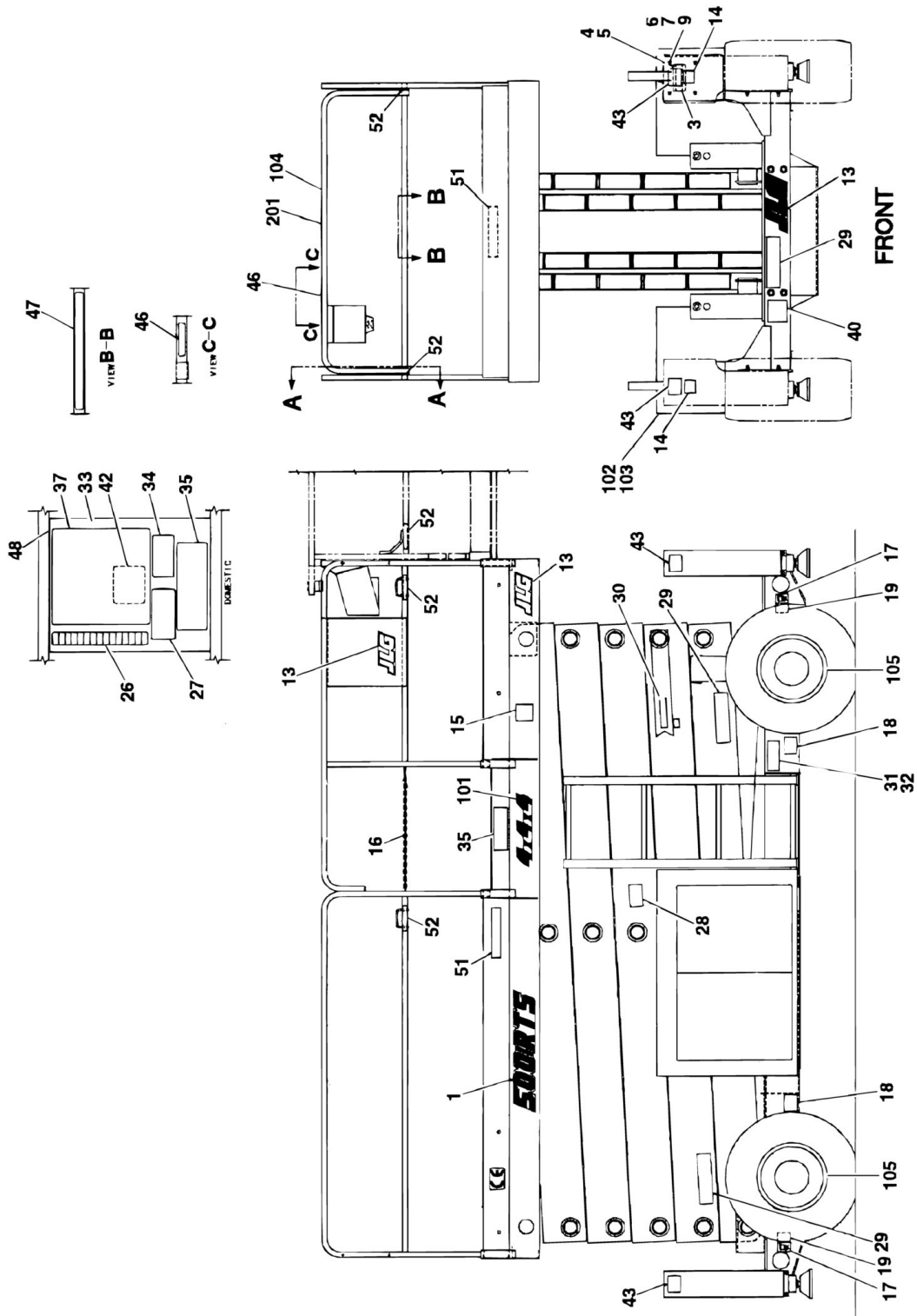
1283068\_E



**SECTION 8 - DECALS**

# SECTION 8 - DECALS

## FIGURE 8-1. DECALS INSTALLATION - COMMON



## SECTION 8 - DECALS

### FIGURE 8-1. DECALS INSTALLATION - COMMON

ITEM	PART NUMBER	QTY	DESCRIPTION	REV
		Ref	<b>Decals Installation</b>	
	0254184	Ref	<b>DECALS INSTALLATION - COMMON</b>	7-14
	0253518	Ref	<b>DECALS INSTALLATION - COMMON</b>	7-14
	0271147	Ref	<b>DECALS INSTALLATION - JLG LOGO</b>	1
1		Ref	Decal - Model Designation Options:	
1	1701838	2	Decal - Model Designation 500RTS	
1	1702012	2	Decal - Model Designation 400RTS	
2	1701504	1	Decal - Hydraulic Oil	
3		Ref	Decal - Manual Options:	
3	1701509	1	Decal - Manual 500RTS <b>(Prior to SN 71538)</b>	
3	1703788	1	Decal - Manual 500RTS <b>(SN 71538 through 102555)</b>	
3	1701509	1	Decal - Manual 500RTS <b>(SN 102556 to Present)</b>	
3	1701509	1	Decal - Manual 400RTS	
4	0860520	1	Box, Manual Storage	
5	1060279	1	Cable, Lanyard	
6	0641405	4	Bolt 1/4in-20NC x 5/8in	
7	4751400	4	Flatwasher 1/4in	
8	4761400	4	Lockwasher 1/4in (Prior to 71538)	
9		Ref	Nut Options:	
9	3311405	4	Nut (p/n was 3311401) <b>(Prior to SN 71538)</b>	
9	3311405	4	Nut <b>(SN 71538 to Present)</b>	
10	1701837	20 ft/6m	Decal - Stripe (Prior to 68833)	
11	1701832	2	Decal - JLG (6in/15.3cm) (Prior to C# 132417)	
12	1701843	2	Decal - Sizzor (Prior to C# 132417)	
13	1701871	5	Decal - JLG (5in/12.7cm)	
14		Ref	Decal - O/R Maximum Load Options:	
14	1701857	4	Decal - O/R Maximum Load <b>(Prior to SN 44590)</b>	
14	1703795	4	Decal - O/R Maximum Load <b>(SN 44590 to Present)</b>	
15	1702631	1	Decal - Bar Code	
16	2820097	7.5 ft/2.3m	Tubing	
17		Ref	Decal - Tie Down Options:	
17	1702300	4	Decal - Tie Down <b>(Prior to SN 71538)</b>	
17	1703814	4	Decal - Tie Down <b>(SN 71538 to Present)</b>	
18	1704525	4	Decal - Maximum Tire Load <b>(SN 71538 to Present)</b>	
19	1703811	4	Decal - Lifting Lugs <b>(SN 71538 to Present)</b>	
	2910033	1	Decal Kit - Common 500/400RTS (Includes Items 1, 2, 3, 5, 11, 12, 13, 14, 17, 18 & 19)	
	2902077	1	Decal Kit - Common 500RTS (Includes Items 2, 3, 14, 17, 18 & 19) <b>(SN 101987 to Present)</b>	
	0254466	Ref	<b>DECALS INSTALLATION (STANDARD PARTS)</b>	3-9
	0253519	Ref	<b>DECALS INSTALLATION (STANDARD PARTS)</b>	3-9
26	1704480	1	Decal - Legend <b>(SN 71538 to Present)</b>	
27	1704521	1	Decal - Gradeability <b>(SN 71538 to Present)</b>	
28	1701841	4	Decal - Crushing Hazard <b>(Prior to SN 71538)</b>	
29		Ref	Decal Options:	
29	3250873	4	Decal 500RTS - Moving Machinery <b>(Prior to SN 71538)</b>	
29	1703818	6	Decal 500RTS - Warning Crushing Hazard <b>(SN 71538 to Present)</b>	
29	3250873	4	Decal 400RTS	

## SECTION 8 - DECALS

ITEM	PART NUMBER	QTY	DESCRIPTION	REV
30		Ref	Decal - Safety Prop Options:	
30	1701839	2	Decal - Safety Prop 500RTS <b>(Prior to SN 71538)</b>	
30	1704481	2	Decal - Safety Prop 500RTS <b>(SN 71538 to Present)</b>	
30	1701839	2	Decal - Safety Prop 400RTS	
31	Not Available	1	Nameplate - Serial Number	
32	3820001	AR	Rivet	
33		Ref	Nameplate - Billboard Options:	
33	3252309	1	Nameplate - Billboard 500RTS <b>(Prior to SN 71538)</b>	
33	3572123	1	Nameplate - Billboard 500RTS <b>(SN 71538 to Present)</b>	
33	3252309	1	Nameplate - Billboard 400RTS	
34		Ref	Decal - Drive Height Options:	
34	3252228	1	Decal - Drive Height 500RTS	
34	Not Required	0	Decal - Drive Height 400RTS	
35		Ref	Decal - Capacity Options:	
35	3252222	4	Decal - Capacity 500RTS <b>(Prior to SN 71538)</b>	
35	3252688	5	Decal - Capacity 500RTS <b>(SN 71538 through 83088)</b>	
35	3252758	5	Fixed Platform - 500RTS <b>(SN 83089 to Present)</b>	
35	3252757	5	Dual Extension - 500RTS <b>(SN 83089 to Present)</b>	
35	3252753	5	Single Extension - 500RTS <b>(SN 83089 to Present)</b>	
35	1705008	3	Megadeck Extensions - 500RTS <b>(SN 98957 to Present)</b>	
35	3252297	4	Decal - Capacity 400RTS	
36		Ref	Nameplate Options:	
36	3251249	1	Daily Checklist 500RTS <b>(Prior to SN 71538)</b>	
36	1704515	1	Decal - Safety Prop 500RTS <b>(SN 71538 to Present)</b>	
36	3251249	1	Daily Checklist 400RTS	
37		Ref	Decal Options:	
37	1701840	1	Grd/Emerg Controls 500RTS <b>(Prior to SN 71538)</b>	
37	1703816	1	Danger/Warning 500RTS <b>(SN 71538 to Present)</b>	
37	1701840	1	Grd/Emerg Controls 400RTS	
38	1701831	1	Decal - Manual Lowering	
39		Ref	Decal - Battery Options:	
39	1701411	1	Decal - Battery <b>(Prior to SN 50806)</b>	
39	1702279	1	Decal - Battery <b>(SN 50806 through 71537)</b>	
39	1704479	1	Decal - Battery <b>(SN 71538 to Present)</b>	
40		Ref	Decal - Inspection Options:	
40	1700593	1	Decal - Inspection <b>(Prior to SN 50806)</b>	
40	1702153	1	Decal - Inspection <b>(SN 50806 to Present)</b>	
41		Ref	Decal - Manual Descent Options:	
41	1702901	1	Decal - Manual Descent 500RTS <b>(SN 71538 to Present)</b>	
41	Not Required	0	Decal - Manual Descent 400RTS	
42		Ref	Nameplate - USA Options:	
42	3251813	1	Nameplate - USA 500RTS <b>(SN 71538 to Present)</b>	
42	Not Required	0	Nameplate - USA 400RTS	
43		Ref	Decal - Outrigger Danger Options:	
43	1701214	4	With Outriggers	
43	Not Required	0	Without Outriggers	
46		Ref	Nameplate - Control Box Location	
46	3252136	1	Nameplate - Control Box Location 500RTS <b>(Prior to SN 71538)</b>	
46	1703821	1	Nameplate - Control Box Location 500RTS <b>(SN 71538 to Present)</b>	
46	3252136	1	Nameplate - Control Box Location 400RTS	
47		Ref	Decal - Gate Options:	

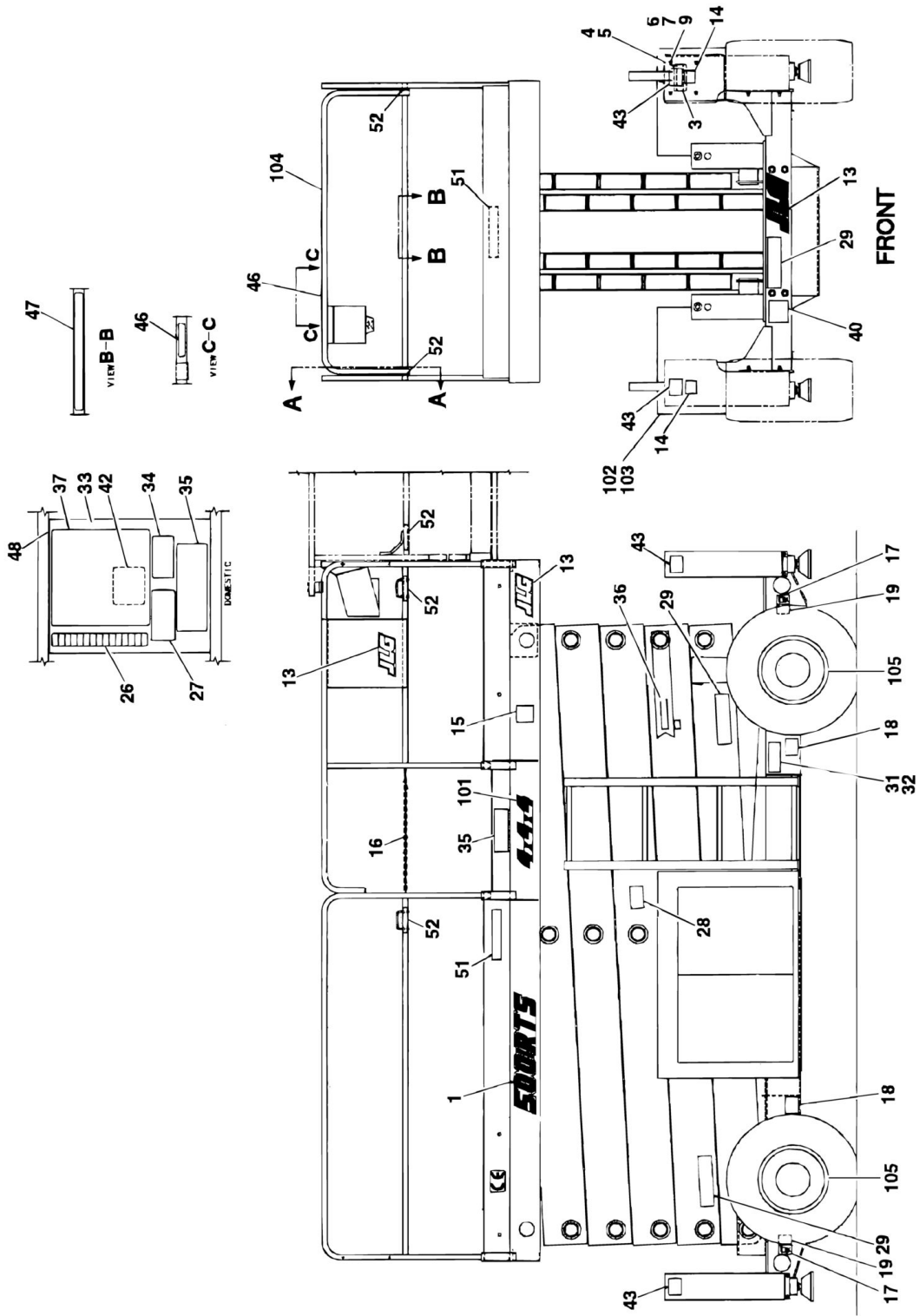


## SECTION 8 - DECALS

ITEM	PART NUMBER	QTY	DESCRIPTION	REV
47	3252234	1	Decal - Gate 500RTS ( <b>Prior to SN 71538</b> )	
47	1702249	1	Decal - Gate 500RTS ( <b>SN 71538 to Present</b> )	
47	3252234	1	Decal - Gate 400RTS	
48	3820019	4	Rivet	
52		Ref	Decal - Attach Lanyard Here	
52	1702612	6	Decal - Attach Lanyard Here 500RTS ( <b>Prior to SN 71538</b> )	
52	1704277	6	Decal - Attach Lanyard Here 500RTS ( <b>SN 71538 to Present</b> )	
52	1702612	6	Decal - Attach Lanyard Here 400RTS	
	2900848	1	Decal Kit - Domestic 500/400RTS (Includes Items 2, 3, 10, 11, 12, 13, 28, 29, 30, 33, 36, 37, 38, 39, 40, 43, 46, 47, 52 & 102)	
	2902078	1	Decal Kit - Common 500RTS (Includes Items 26, 27, 29, 30, 34, 36-43, 46, 47 & 52) ( <b>SN 101987 to Present</b> )	
		Ref	<b>DECAL INSTALLATION - OPTIONAL</b>	
101		Ref	Decal - Drive Configuration Options:	
101	1701836	2	4 x 4 x 4 (4WD/4WS)	
101	1701835	2	4 x 4 x 2 (4WD/2WS)	
101	1701834	2	4 x 2 x 4 (2WD/4WS)	
101	1701833	2	4 x 2 x 2 (2WD/2WS)	
102		Ref	Decal - Fuel Options:	
102	1701542	1	Fuel (Gas/Dual Fuel Machines)	
102	1701505	1	Fuel (Diesel Machines)	
103	1700712	1	Decal - Caution (LPG)	
104	1703792	1	Decal - Extension Capacity	
105	1702137	4	Decal - Tire Pressure	
	0256488	Ref	<b>Prop 65 Decal Installation - Gas Machines</b>	-
	0256487	Ref	<b>Prop 65 Decal Installation - Diesel Machines</b>	-
201		Ref	Decal - Prop 65 Options:	
201	1702961	1	Gas Machines	
201	1702962	1	Diesel Machines	

# SECTION 8 - DECALS

## FIGURE 8-2. DECALS INSTALLATION - COUNTRY SPECS



## SECTION 8 - DECALS

### FIGURE 8-2. DECALS INSTALLATION - COUNTRY SPECS

ITEM	PART NUMBER	QTY	DESCRIPTION	REV
		Ref	<b>Decals Installation</b>	
	0254184	Ref	<b>DECALS INSTALLATION - COMMON</b>	7-14
	0253518	Ref	<b>DECALS INSTALLATION - COMMON</b>	7-14
	0271147	Ref	<b>DECALS INSTALLATION - JLG LOGO</b>	1
1		Ref	Decal - Model Designation Options:	
1	1701838	2	Decal - Model Designation 500RTS	
1	1702012	2	Decal - Model Designation 400RTS	
2	1701504	1	Decal - Hydraulic Oil	
3		Ref	Decal - Manual Options:	
3	1701509	1	Decal - Manual 500RTS <b>(Prior to SN 71538)</b>	
3	1703788	1	Decal - Manual 500RTS <b>(SN 71538 through 102555)</b>	
3	1701509	1	Decal - Manual 500RTS <b>(SN 102556 to Present)</b>	
3	1701509	1	Decal - Manual 400RTS	
4	0860520	1	Box, Manual Storage	
5	1060279	1	Cable, Lanyard	
6	0641405	4	Bolt 1/4in-20NC x 5/8in	
7	4751400	4	Flatwasher 1/4in	
8	4761400	4	Lockwasher 1/4in (Prior to 71538)	
9		Ref	Nut Options:	
9	3311405	4	Nut (p/n was 3311401) <b>(Prior to SN 71538)</b>	
9	3311405	4	Nut <b>(SN 71538 to Present)</b>	
10	1701837	20 ft/6m	Decal - Stripe (Prior to 68833)	
11	1701832	2	Decal - JLG (6in/15.3cm) (Prior to C# 132417)	
12	1701843	2	Decal - Sizzor (Prior to C# 132417)	
13	1701871	5	Decal - JLG (5in/12.7cm)	
14		Ref	Decal - O/R Maximum Load Options:	
14	1701857	4	Decal - O/R Maximum Load <b>(Prior to SN 44590)</b>	
14	1703795	4	Decal - O/R Maximum Load <b>(SN 44590 to Present)</b>	
15	1702631	1	Decal - Bar Code	
16	2820024	7.5 ft/2.3m	Tubing	
17		Ref	Decal - Tie Down Options:	
17	1702300	4	Decal - Tie Down <b>(Prior to SN 71538)</b>	
17	1703814	4	Decal - Tie Down <b>(SN 71538 to Present)</b>	
18	1704525	4	Decal - Maximum Tire Load <b>(SN 71538 to Present)</b>	
19	1703811	4	Decal - Lifting Lugs <b>(SN 71538 to Present)</b>	
	2910033	1	Decal Kit - Common 500RTS/400RTS (Includes Items 1, 2, 3, 5, 11, 12, 13, 14, 17, 18 & 19)	
	2902077	1	Decal Kit - Common 500RTS (Includes Items 2, 3, 14, 17, 18 & 19) <b>(SN 101987 to Present)</b>	
		Ref	<b>DECALS INSTALLATION (STANDARD PARTS)</b>	
	0258006	Ref	<b>Decals Installation (Standard Parts) 500RTS - BRAZILIAN SPEC</b>	5
	0257989	Ref	<b>Decals Installation (Standard Parts) 400RTS - BRAZILIAN SPEC</b>	3
	0254926	Ref	<b>Decals Installation (Standard Parts) 500RTS/400RTS - JAPANESE SPEC</b>	2
	0256259	Ref	<b>Decals Installation (Standard Parts) 500RTS/400RTS - LATIN AMERICAN SPEC</b>	6
26		Ref	Decal - Legend Options <b>(SN 71538 to Present)</b>	
26	1704543	1	Decal - Legend 500RTS - Brazilian Spec	

## SECTION 8 - DECALS

ITEM	PART NUMBER	QTY	DESCRIPTION	REV
26	Not Required	0	Decal - Legend 400RTS - Brazilian Spec	
26	Not Required	0	Decal - Legend 500RTS/400RTS - Japanese Spec	
26	1704554	1	Decal - Legend 500RTS/400RTS - Latin American Spec	
27		Ref	Decal - Grade ability Options <b>(SN 71538 to Present)</b>	
27	1704547	1	Decal - Gradeability 500RTS - Brazilian Spec	
27	Not Required	0	Decal - Gradeability 400RTS - Brazilian Spec	
27	Not Required	0	Decal - Gradeability 500RTS/400RTS - Japanese Spec	
27	1704555	1	Decal - Gradeability 500RTS/400RTS - Latin American Spec	
28		Ref	Decal - Crushing Hazard	
28	Not Required	0	Decal - Crushing Hazard 500RTS - Brazilian Spec	
28	1703583	4	Decal - Crushing Hazard 400RTS - Brazilian Spec	
28	1702350	4	Decal - Crushing Hazard 500RTS/400RTS - Japanese Spec	
28	Not Required	0	Decal - Crushing Hazard 500RTS/400RTS - Latin American Spec	
29		Ref	Decal Options:	
29	1703833	6	Decal 500RTS - Warning Crushing Hazard - Brazilian Spec	
29	1703612	4	Decal 400RTS - Electrocutation - Brazilian Spec	
29	1701620	4	Decal 500RTS/400RTS - Danger - Japanese Spec	
29	1703841	6	Decal 500RTS/400RTS - Warning Crushing Hazard - Latin American Spec	
30		Ref	Decal - Safety Prop Options:	
30	1704481	1	Decal - Safety Prop 500RTS - Brazilian Spec	
30	1703550	2	Decal - Safety Prop 400RTS - Brazilian Spec	
30	1701622	2	Decal - Safety Prop 500RTS/400RTS - Japanese Spec	
30	1704481	1	Decal - Safety Prop 500RTS/400RTS - Latin American Spec	
31	Not Available	1	Nameplate - Serial Number	
32		Ref	Hardware Options:	
32	3820001	AR	Rivet <b>(Prior to SN 101987)</b>	
32	2080057	AR	Amtak <b>(SN 101987 to Present)</b>	
33		Ref	Nameplate - Billboard Options:	
33	3572123	1	Nameplate - Billboard 500RTS - Brazilian Spec	
33	3252230	1	Nameplate - Billboard 400RTS - Brazilian Spec	
33	3252430	1	Nameplate - Billboard 500RTS/400RTS - Japanese Spec	
33	3572123	1	Nameplate - Billboard 500RTS/400RTS - Latin American Spec	
34		Ref	Decal - Drive Height Options:	
34	3252690	1	Decal - Drive Height 500RTS - Brazilian Spec	
34	Not Required	0	Decal - Drive Height 400RTS - Brazilian Spec	
34	1702341	1	Decal - Drive Height 500RTS/400RTS - Japanese Spec	
34	3252691	1	Decal - Drive Height 500RTS/400RTS - Latin American Spec	
35		Ref	Decal - Capacity Options:	
35	3252688	5	Decal - Capacity 500RTS <b>(Prior to SN 83089)</b>	
35	3252758	5	Fixed Platform - 500RTS <b>(SN 83089 to Present)</b>	
35	3252757	5	Dual Extension - 500RTS <b>(SN 83089 to Present)</b>	
35	3252753	5	Single Extension - 500RTS <b>(SN 83089 to Present)</b>	
35	1705008	3	Megadeck Extensions - 500RTS <b>(SN 98957 to Present)</b>	
35	3252297	4	Decal - Capacity 400RTS	
36		Ref	Nameplate Options:	
36	1704515	1	Nameplate 500RTS Decal - Safety Prop - Brazilian Spec	
36	Not Required	0	Nameplate 400RTS - Brazilian Spec	
36	1702351	1	Nameplate 500RTS/400RTS Daily Checklist - Japanese Spec	
36	1704515	1	Nameplate 500RTS/400RTS - Latin American Spec	
37		Ref	Decal Options:	

## SECTION 8 - DECALS

ITEM	PART NUMBER	QTY	DESCRIPTION	REV
37	1703835	1	Decal 500RTS Danger/Warning - Brazilian Spec	
37	1703551	1	Decal 400RTS Grd/Emerg Controls - Brazilian Spec	
37	1701624	1	Decal 500RTS/400RTS Grd/Emerg Controls - Japanese Spec	
37	1703843	1	Decal 500RTS/400RTS Danger/Warning - Latin American Spec	
38		Ref	Decal - Manual Lowering Options:	
38	1703700	1	Decal - Manual Lowering 500RTS/400RTS - Brazilian Spec	
38	1702342	1	Decal - Manual Lowering 500RTS/400RTS - Japanese Spec	
38	1703523	1	Decal - Manual Lowering 500RTS/400RTS - Latin American Spec	
39		Ref	Decal - Battery Options:	
39	1704550	1	Decal - Battery 500RTS - Brazilian Spec	
39	1703702	1	Decal - Battery 400RTS - Brazilian Spec	
39	1701625	1	Decal - Battery 500RTS/400RTS - Japanese Spec	
39	1704551	1	Decal - Battery 500RTS/400RTS - Latin American Spec	
40		Ref	Decal - Inspection Options:	
40	1703961	1	Decal - Inspection 500RTS - Brazilian Spec	
40	Not Required	0	Decal - Inspection 400RTS - Brazilian Spec	
40	1701621	1	Decal - Inspection 500RTS/400RTS - Japanese Spec	
40	1702552	1	Decal - Inspection 500RTS/400RTS - Latin American Spec	
41		Ref	Decal - Manual Descent Options:	
41	1703543	1	Decal - Manual Descent 500RTS - Brazilian Spec	
41	Not Required	0	Decal - Manual Descent 400RTS - Brazilian Spec	
41	Not Required	0	Decal - Manual Descent 500RTS/400RTS - Japanese Spec	
41	1702976	1	Decal - Manual Descent 500RTS/400RTS - Latin American Spec	
42		Ref	Nameplate - USA Options:	
42	3251813	1	Nameplate - USA 500RTS - Brazilian Spec	
42	Not Required	0	Nameplate - USA 400RTS - Brazilian Spec	
42	Not Required	0	Nameplate - USA 500RTS/400RTS - Japanese Spec	
42	3251813	1	Nameplate - USA 500RTS/400RTS - Latin American Spec	
43		Ref	Decal - Outrigger Danger Options:	
43	1704535	8	Decal - Outrigger Danger 500RTS - Brazilian Spec	
43	1703699	4	Decal - Outrigger Danger 400RTS - Brazilian Spec	
43	1701785	4	Decal - Outrigger Danger 500RTS/400RTS - Japanese Spec	
43	1704534	8	Decal - Outrigger Danger 500RTS/400RTS - Latin American Spec	
44		Ref	Decal - Caution Options:	
44	Not Required	0	Decal - Caution 500RTS - Brazilian Spec	
44	1703552	1	Decal - Caution 400RTS - Brazilian Spec	
44	3252149	1	Decal - Caution 500RTS/400RTS - Japanese Spec	
44	Not Required	0	Decal - Caution 500RTS/400RTS - Latin American Spec	
46		Ref	Nameplate - Control Box Location Options:	
46	1703829	1	Nameplate - Control Box Location 500RTS - Brazilian Spec	
46	1703701	1	Nameplate - Control Box Location 400RTS - Brazilian Spec	
46	Not Required	0	Nameplate - Control Box Location 500RTS/400RTS - Japanese Spec	
46	1703837	1	Nameplate - Control Box Location 500RTS/400RTS - Latin American Spec	
47		Ref	Decal - Gate Options:	
47	1703707	1	Decal - Gate 500RTS/400RTS - Brazilian Spec	
47	1702343	1	Decal - Gate 500RTS/400RTS - Japanese Spec	
47	1702594	1	Decal - Gate 500RTS/400RTS - Latin American Spec	

## SECTION 8 - DECALS

ITEM	PART NUMBER	QTY	DESCRIPTION	REV
48	3820019	4	Rivet	
52		Ref	Decal - Attach Lanyard Here	
52	1704277	6	Decal - Attach Lanyard Here 500RTS - Brazilian Spec	
52	1703900	6	Decal - Attach Lanyard Here 400RTS - Brazilian Spec	
52	Not Required	0	Decal - Attach Lanyard Here 500RTS/400RTS - Japanese Spec	
52	1704277	6	Decal - Attach Lanyard Here 500RTS/400RTS - Latin American Spec	
	2910015	1	Decal Kit - Common 500/400RTS (Includes Items 1, 2, 3, 10, 11, 12, 13, 16, 26, 27, 28, 29, 30, 33, 34, 36, 37, 38, 39, 40, 41, 42, 43, 44, 46, 47, 52 & 102)	
		Ref	<b>DECAL INSTALLATION - OPTIONAL</b>	
101		Ref	Decal - Drive Configuration Options:	
101	1701836	2	4 x 4 x 4 (4WD/4WS)	
101	1701835	2	4 x 4 x 2 (4WD/2WS)	
101	1701834	2	4 x 2 x 4 (2WD/4WS)	
101	1701833	2	4 x 2 x 2 (2WD/2WS)	
102		Ref	Decal - Fuel Options:	
102	1701542	1	Fuel (Gas/Dual Fuel Machines)	
102	1701505	1	Fuel (Diesel Machines)	
103	1700712	1	Decal - Caution (LPG)	
104	1703792	1	Decal - Extension Capacity	
105	1702137	4	Decal - Tire Pressure	

## **SECTION 9 - RECOMMENDED SERVICE PARTS STOCK**

## **SECTION 9 - RECOMMENDED SERVICE PARTS STOCK**

## SECTION 9 - RECOMMENDED SERVICE PARTS STOCK

FIGURE 9-1. MODEL 400RTS/500RTS STANDARD PARTS

ITEM	PART NUMBER	QTY	DESCRIPTION	REV
	Note	1	<b>Note: The following list will service one machine (built to current production per date on the front cover) with emergency repair parts which can be installed in the field. Parts from the list should be replaced when inventory is depleted to keep service parts stock supplied. For further information, contact your JLG dealer or the JLG Industries Parts Department.</b>	
		Ref	<b>STANDARD PARTS</b>	
	1340062	1	Breather, Hydraulic Tank	
	4360354	1	Switch, Tilt Indicator (3)	
	4360348	1	Switch, Tilt Indicator (5)	
	7012944	1	Coil	
	7023994	1	Coil	
	7012943	1	Coil	
	7012539	1	Coil	
	2120136	4	Element, Filter	
	7004214	4	Element, Air Cleaner	
	3740049	1	Relay	
	4360216	1	Breaker, Circuit	
	4360232	1	Breaker, Circuit	
	4360212	1	Breaker, Circuit (Deutz)	
	4360274	1	Switch, Push Button	
	4360469	1	Switch, Key	
	2860030	1	Key, Replacement	
	4360478	1	Switch, Push/Pull	
	4360314	1	Switch, Toggle	
	3740077	1	Relay	
	1001101076	1	Snap, Chain	
	4360339	1	Switch, Push Button	
	4360475	1	Switch, Mushroom	
	1600290	1	Controller, PQ	
	4360336	1	Switch, Toggle	





## SECTION 9 - RECOMMENDED SERVICE PARTS STOCK

FIGURE 9-2. MODEL 400RTS/500RTS VARIABLE PARTS

ITEM	PART NUMBER	QTY	DESCRIPTION	REV
	Note	1	<b>Note: The following list will service one machine (built to current production per date on the front cover) with emergency repair parts which can be installed in the field. Parts from the list should be replaced when inventory is depleted to keep service parts stock supplied. For further information, contact your JLG dealer or the JLG Industries Parts Department.</b>	
		Ref	<b>VARIABLE PARTS</b>	
	4360300	1	Switch, Limit	
	4360548	1	Switch, Limit	
	2500005	1	Governor, Precision	
	1600211	1	Controller, Governor	
	7021869	1 Dozen	Filter, Oil (Ford LRG-425)	
	3740080	1	Relay (Ford LRG-425)	
	1660250	1	Coupling, Pump (Ford LRG-425)	
	7020023	1 Dozen	Filter, Fuel (Deutz F3L2011)	
	7016331	1 Dozen	Filter, Oil (Deutz F3L2011)	
	1660234	1	Coupling, Pump (Deutz F3L2011)	
	3740067	1	Relay (Deutz F3L2011)	
	0060023	1	Actuator, Throttle (Deutz F3L2011)	
	4360228	1	Switch, Remote Speed (Ford LRG-425)	
	4360331	1	Switch, Dual Fuel (Ford LRG-425)	
	4360236	1	Switch, Limit	

**SECTION 10 - SPECIAL OPTIONS**

# SECTION 10 - SPECIAL OPTIONS

## FIGURE 10-1. SPECIAL OPTIONS

ITEM	PART NUMBER	QTY	DESCRIPTION	REV
		Ref	<b>MISCELLANEOUS SPECIAL OPTIONS</b>	
	0253443	Ref	<b>Airline to Platform Installation - 1/2in</b>	B
	1702788	Ref	<b>Biodegradable Hydraulic Fluid Decal</b>	-
	0256789	Ref	<b>Camera Mount Assembly</b>	
	0258916	Ref	<b>Cold Start Kit (Deutz)</b>	
	2901111	1	Cold Weather Kit	
		Ref	<b>Capacity Decals - Japanese</b>	
	1702345	4	Fixed Platform (400RTS)	
	1702347	4	Single Ext. (400RTS)	
	1702349	4	Dual Ext. (400RTS)	
	1702344	4	Fixed Platform (500RTS)	
	1702346	4	Single Ext. (500RTS)	
	1702348	4	Dual Ext. (500RTS)	
		Ref	<b>DECAL INSTALLATIONS</b>	
	0272226	1	<b>Decal - CSA</b>	
	0273259	1	<b>Decal - Hertz Rentals - 500RTS</b>	
	0271151	1	<b>Decal - United Rentals - 400RTS</b>	
	0271911	1	<b>Decal - United Rentals - 500RTS</b>	
	0271117	1	<b>Decal - Sunbelt Rentals - 400RTS/500RTS</b>	
	0274531	1	<b>Decal - H and E Equipment - 500RTS</b>	
		Ref	<b>Electrical Connector Kits</b>	
	1001148902	Ref	Amp/Tyco Electrical Connector Kit	
	1001148903	Ref	Deutsch DT Electrical Connector Kit	
	1001148904	Ref	Deutsch HD Electrical Connector Kit	
	1001148905	Ref	Packard Electrical Connector Kit	
	1001148906	Ref	Various Electrical Connectors Kit	
		Ref	<b>Filter Kits</b>	
		Ref	<b>Deutz Engines</b>	
		Ref	<b>Combined Filter Kit (Hydraulic/Air and Fuel/Engine Oil)</b>	
	1001111695	1	<b>Combined Filter Kit (Hydraulic/Air &amp; Fuel/Engine Oil) (Prior to SN 121830)</b>	
	1001111694	1	<b>Combined Filter Kit (Hydraulic/Air &amp; Fuel/Engine Oil) (was p/n 2910475) (SN 121830 to Present)</b>	
	1001111668	1	<b>Hydraulic/Air Filter</b>	
	1001111680	1	<b>Fuel/Engine Oil Filter (Prior to SN 121830)</b>	
		Ref	<b>Ford Engines</b>	
		Ref	<b>Combined Filter Kit (Hydraulic/Air and Fuel/Engine Oil)</b>	
	2910943	1	<b>VSG-411 and LSG/LRG-423 (was p/n 2910472 &amp; 2910473) (Prior to SN 46528)</b>	
	2910474	1	<b>LRG-425 (SN 46528 to Present)</b>	
	0253818	Ref	<b>Headlights/Taillights at Both Front and Rear of Machine</b>	3
	1282038	Ref	<b>Headlights/Taillights at Both Front and Rear of Machine</b>	3
	2920110	4	Headlight	
	2920113	4	Light - Stop, Tail and Turn Signal	
	4360318	1	Switch, Toggle (At Platform)	
	4360135	1	Switch, Turn Signal	
	4360089	1	Switch, Flasher	
	3740049	3	Relay	
	4460051	1	Strain Relief	

## SECTION 10 - SPECIAL OPTIONS

ITEM	PART NUMBER	QTY	DESCRIPTION	REV
	3300048	1	Locknut	
	0960238	1	Bushing	
	0259219	Ref	<b>Hose Shield Installation (4WD/2WS)</b>	2
	4100033	8.7 ft/2.7m	Shield, Hose Protection	
	0259220	Ref	<b>Hose Shield Installation (4WD/4WS)</b>	2
	4100033	17.3 ft/5.3m	Shield, Hose Protection	
	0254118	Ref	<b>Hourmeter (Quartz) Installation</b>	2
	2420151	1	Hourmeter	
	1060341	AR	Cable, Electrical - 16/2	
	1682931	Ref	Lift Cylinder Assembly (S/N 8770 Only)	B
	0254116	Ref	<b>Manual Descent from Platform Installation</b>	A
	3600130	1	Hand Pump Assembly	
	3534173	1	Plate, Pump Mounting	
	2751021	1	Hose (42in length)	
	2751454	1	Hose (620in Length)	
	4640013	1	Valve, Shuttle	
	3251984	1	Nameplate - Manual Lowering	
	3020022	Ref	<b>Grease, Synthetic</b>	AR
	2300014	Ref	<b>Mobil 424</b>	AR
	2300027	Ref	<b>Mobil 224H Bio</b>	AR
	2300016	Ref	<b>Mobil DTE 13M</b>	AR
	2300021	Ref	<b>Union Carbide Ucon HP5046 Fire Resistant</b>	AR
	0253451	Ref	<b>Oil Cooler Installation</b>	4
	3620015	1	Oil Cooler Assembly ( <b>Prior to SN 31001</b> )	
	3620003	1	Oil Cooler Assembly ( <b>SN 31001 to Present</b> )	
	2060012	1	Fan	
	4844177	1	Bracket, Mounting - Oil Cooler	
	4060843	1	Shield	
	4360181	1	Switch, Temperature	
	4640760	1	Valve, Check	
	3740049	1	Relay	
	0259097	Ref	<b>Oil Pressure Shut Down Installation (Ford Only)</b>	1
	3740118	1	Relay, Delay	
	3990010	2	Diode, 6 Amp	
	0257155	Ref	<b>Oxy/Act Lines Installation (400RTS Only)</b>	1
	0257053	Ref	<b>Overload Prot. (Japanese Spec) (Prior to SN 83971)</b>	-
	3740049	1	Relay	
	3990010	10	Diode, 6 Amp	
	1060042	35 ft	Control Cable, 16/5	
	1692617	1	Switch, Pressure	
	0270786	Ref	<b>Overload Prot. (Japanese Spec) (SN 83971 to Present)</b>	3
	3740049	3	Relay	
	3990010	2	Diode, 6 Amp	
	1060042	35 ft	Control Cable, 16/5	
	1692617	1	Switch, Pressure	
	0252529	1	Switch, Limit Installation	
	0256972	Ref	<b>Pipe Rack Installation</b>	2
	0254751	Ref	<b>Platform Access Gates Installation</b>	2
	4844788	1	Gate, End	
	4844787	1	Gate, Side	

## SECTION 10 - SPECIAL OPTIONS

ITEM	PART NUMBER	QTY	DESCRIPTION	REV
		Ref	Latch	
	2940006	1	Latch ( <b>Prior to SN 50148</b> )	
	2940006	1	Latch ( <b>SN 50148 to Present</b> )	
	2901812	Ref	<b>Tie Strap Kit</b>	
	4520153	Ref	<b>Tire and Wheel Assembly (Non-Marking White)</b>	A
		Ref	<b>Tool For Service:</b>	
	7002840	1	Antirotaion Pin Removal Tool	
	7002821	Ref	Crimper, Wire	
	2900838	Ref	Fastener Kit - U.S. Standards	
	7002823	Ref	Pin Extractor - Universal (For Electrical Connectors with Pins and Sockets)	
	7016654	Ref	Screwdriver, Magnetic	
	7002822	Ref	Screwdriver, Pontimeter	
	7004275	Ref	Seal Tool 1in (For Cylinders)	
	7004276	Ref	Seal Tool 1 1/2in (For Cylinders)	
	7002826	Ref	Seal Tool 2in (For Cylinders)	
	7002828	Ref	Stripper, Wire	
	7014676	Ref	Tool Kit - U.S. Standards	
	0256152	Ref	<b>220V/2500W Generator</b>	-
	0480059	1	Belt, Vee	
	2460013	1	Generator/Powermite	
	4360037	1	Switch, Pressure	
	4932387	Ref	Wiring Diagram	

**PART NUMBER INDEX**

## SECTION 10 - SPECIAL OPTIONS

0060023.....93, 258	0200740.....131	0253612.....127, 139	0256818.....131, 139
0080039.....63, 73, 79, 94	0238044.....73	0253614.....52, 143, 157	0256819.....131, 139
0080046.....94	0250444.....69	0253615.....52, 143, 157	0256848.....97
0080092.....61, 67, 71, 79	0250597.....97	0253678.....39	0256898.....97
0080124.....79, 85	0250790.....67, 111	0253727.....36, 222	0256909.....86
0080163.....64, 97	0250815.....64	0253728.....36, 222	0256972.....261
0080167.....67	0250886.....18	0253786.....174	0257053.....226, 261
0080172.....93	0250888.....18	0253787.....179, 181	0257152.....89
0080174.....93	0251259.....18	0253788.....177	0257154.....82
0080175.....62	0251260.....18	0253790.....179, 181	0257155.....261
0080177.....93	0251261.....18	0253791.....177	0257412.....53
0080212.....78	0251660.....18	0253795.....140, 223	0257413.....53
0080249.....93	0251661.....17	0253818.....223, 260	0257729.....123
0100009.....61, 156	0251801.....99	0253821.....39, 157, 223	0257730.....123
0100010.....51	0251945.....65	0253875.....65, 82, 97	0257989.....251
0100011.....10, 15, 17, 18, 35, 86, 89, 100, 113, 114, 120, 124, 128, 132, 139, 152, 167, 169, 173, 179, 181	0252484.....17	0253902.....65	0258006.....251
0100019.....9, 10, 12, 62, 138	0252525.....11	0253916.....119	0258319.....78
0100020.....52, 62, 65, 71, 78, 80, 97, 187, 195, 201, 207, 213	0252529.....261	0253917.....119	0258320.....77
0100035.....110, 155, 165, 167, 169, 173, 179, 181	0252532.....10	0253933.....36	0258321.....77, 85
0100038.....167, 173	0252587.....120, 124	0253934.....36	0258322.....78, 85
0100043.....95	0252588.....128, 132	0254051.....49	0258393.....18
0140001.....62, 73, 79, 93	0252772.....11	0254052.....49	0258394.....18
0140011.....156	0252790.....9	0254053.....49	0258395.....18
0140032.....37, 222	0252808.....64	0254054.....49	0258664.....155
0140044.....37	0253059.....10	0254055.....52	0258665.....111
0181678.....36	0253078.....10	0254058.....35	0258916.....226, 260
0181679.....36	0253079.....43	0254059.....35	0259097.....226, 261
0181781.....78	0253087.....19	0254063.....52, 156	0259219.....261
0181847.....155	0253088.....19	0254074.....155	0259220.....261
0200484.....119, 123, 127, 131	0253089.....19	0254075.....155	0259488.....97
0200485.....119, 127	0253171.....11	0254075.....155	0259695.....18
0200486.....119, 127	0253172.....11	0254116.....261	0259697.....18
0200487.....127	0253198.....137	0254118.....223, 261	0270492.....53
0200488.....127	0253199.....137	0254184.....247, 251	0270786.....226, 261
0200489.....127	0253200.....137	0254196.....52, 143	0270858.....147
0200490.....119, 123, 127, 131	0253237.....35	0254197.....52, 143	0270859.....147
0200491.....119, 123, 127, 131	0253238.....36	0254214.....9, 10	0270860.....147
0200492.....127, 131	0253272.....138	0254215.....9	0270861.....147
0200493.....119, 123, 127, 131	0253280.....113	0254272.....128, 132	0271117.....260
0200494.....119, 123, 127, 132	0253299.....114	0254274.....120, 124	0271147.....247, 251
0200506.....128, 132	0253307.....61	0254277.....144	0271151.....260
0200516.....119	0253308.....62	0254278.....144	0271196.....52, 148, 157, 222
0200517.....119	0253309.....61	0254279.....144	0271314.....39
0200518.....120, 124, 128, 132	0253310.....62	0254280.....144	0271332.....36
0200530.....89	0253348.....110	0254466.....247	0271499.....45
0200551.....123, 131	0253348.....110	0254466.....247	0271538.....137
0200552.....123, 131	0253350.....111	0254751.....261	0271633.....139
0200553.....131	0253370.....93	0254926.....251	0271634.....139
0200554.....131	0253370.....93	0254949.....114	0271668.....49
0200555.....131	0253382.....113	0254963.....71, 85	0271669.....49
0200578.....123	0253410.....144, 148	0254964.....72, 85	0271670.....49
0200579.....123	0253421.....49	0254965.....71	0271671.....49
0200739.....131	0253422.....49	0255037.....69	0271911.....260
	0253423.....49	0255038.....99	0272101.....152
	0253424.....49	0255103.....17	0272223.....155
	0253443.....260	0255207.....77	0272224.....111
	0253445.....115	0255208.....77, 85	0272226.....260
	0253446.....36, 222	0255209.....78	0272241.....152
	0253447.....67, 86	0255210.....78, 85	0272242.....152
	0253448.....37	0255269.....114	0272826.....19
	0253449.....37	0255557.....110	0272935.....35
	0253451.....223, 261	0255558.....110	0272936.....35
	0253453.....37	0255660.....19	0272966.....131
	0253516.....155	0256152.....262	0272967.....131
	0253517.....35	0256259.....251	0272969.....35
	0253518.....247, 251	0256487.....249	0272972.....139
	0253519.....247	0256488.....249	
	0253545.....17	0256526.....138	
	0253611.....127, 139	0256789.....260	



## SECTION 10 - SPECIAL OPTIONS

0272974.....	139	114, 115, 137, 139,	0681506.....	167	0901966.....	35	
0272990.....	152	143, 144	0681510.....	99	0901971.....	50	
0272998.....	153	0641407.....	79, 90	0681606.....	167, 169	0901978.....	72
0273055.....	36, 222	0641408 ...	61, 73, 77, 93,	0681610.....	69, 100	0902087.....	77
0273056.....	37, 222	113, 114	0641410.....	61, 111	0902088.....	77	
0273057.....	37	0641412.....	114	0681830.....	123, 131	0902089.....	77, 86
0273062.....	52, 152, 157,	0641416 ....	86, 137, 140,	0681832.....	132	0902092.....	72, 79
222		143, 147	0700605.....	95	0902093.....	72	
0273259.....	260	0641420 ....	49, 137, 143,	0700610.....	85	0902094.....	85
0273412.....	18	147	0700808.....	64	0902214.....	11, 12	
0273413.....	18	0641426.....	144, 148	0700810.....	77, 97	0902215.....	11, 12
0273414.....	19	0641506.....	50, 72	0700822.....	78	0902244.....	93
0273415.....	19	0641507 ...	43, 45, 69, 90,	0701010.....	71, 79, 85, 93	0902360.....	86
0273457.....	18	99, 138, 152	0701012.....	99	0902361.....	78, 86	
0273976.....	93	0641508 ...	43, 45, 50, 63,	0701013.....	97	0902372.....	89
0274531.....	260	72, 113, 152	0701014.....	61, 77	0902382.....	63, 72, 79	
0275748.....	97	0641510 ...	11, 36, 37, 72,	0701015.....	89, 94	0902456.....	155
0320008.....	15	85, 128, 132	0701016.....	95	0902514.....	155	
0320015.....	167, 169	0641511 50, 69, 143, 147	0701017.....	78	0902733.....	45	
0340002 ...	63, 73, 79, 94	0641512 89, 93, 128, 132,	0701020.....	64	0902734.....	45	
0340041.....	72, 79	144, 147	0701022.....	77	0902839.....	152	
0360406.....	45	0641514 ..... 50, 143, 147	0701230.....	93	0920084.....	17, 23	
0361815.....	99	0641516 ..... 86, 143	0701414.....	99	0920110.....	17, 23	
0362080.....	43, 45	0641518.....	15	0711014.....	71	0960238 ....	40, 109, 223,
0362100.....	114	0641522 67, 86, 120, 124,	0711020.....	71	261		
0362126.....	43	128, 132, 139	0720603.....	110	0960239.....	144	
0362166.....	137	0641524.....	36	0721004.....	9, 63, 138	0960407.....	138
0362171.....	36	0641530.....	51	0721006.....	79	0960523.....	9
0362591.....	111	0641604.....	147	0721008.....	62, 94	0960911.....	173
0363019.....	45	0641607 ...	139, 143, 147	0750806.....	110	0961029.....	9, 11
0400002 ...	63, 73, 80, 94	0641608 ...	10, 11, 12, 50,	0751006.....	115	0961247.....	69
0400003 ...	63, 73, 80, 94	53, 61, 72, 79, 90, 119,	0840025.....	53, 73	0961731 ...	119, 120, 123,	
0400075.....	80, 94	123, 127, 131, 148	0840026.....	53	124, 127, 128, 131, 132		
0400147.....	94	0641610 ...	11, 62, 63, 64,	0840046.....	80, 95	0961739.....	9
0400174.....	80, 94	67, 72, 79, 86, 93	0840047.....	80, 95	1001101076.....	137, 256	
0440085.....	179, 181	0641612 ...	11, 12, 36, 89,	0860037.....	144	1001111668.....	260
0440161.....	10	94, 119, 127, 131	0860038.....	138, 139	1001111680.....	260	
0440174.....	9	0641614.....	11, 12	0860520.....	247, 251	1001111694.....	260
0440175.....	9	0641623.....	139	0860799.....	155	1001111695.....	260
0440183.....	9	0641624.....	139	0860810.....	109	1001148902.....	260
0440252.....	139	0641626 ....	35, 119, 123,	0860812.....	109	1001148903.....	260
0460097.....	174	127, 132, 139	0861010.....	109	1001148904.....	260	
0460098.....	177	0641632.....	12	0861011.....	109	1001148905.....	260
0460105.....	179, 181	0641636.....	152	0861234.....	109	1001148906.....	260
0480057.....	69	0641668.....	139	0861377.....	155	1060012.....	99
0480059.....	99, 262	0641710.....	63	0861539.....	109	1060016.....	223
0480090.....	89	0641714 ...	119, 123, 127	0900479.....	43, 45	1060042.....	261
0480110.....	89	0641726.....	61	0901373.....	73	1060045.....	71, 79
0560467.....	15	0641810 ...	17, 18, 62, 71,	0901387.....	63, 72, 79	1060080.....	73
0560679.....	15	95	0901401.....	71	1060093.....	93	
0560901.....	11	0641812.....	61, 77, 95	0901419.....	61, 72, 79	1060221 ...	53, 61, 73, 79
0610103.....	155	0641814.....	152	0901609.....	69, 89, 99	1060254 ...	63, 73, 80, 93
0610110.....	155	0641826.....	61, 71, 79	0901650.....	69	1060279.....	247, 251
0610114.....	155, 222	0641828.....	39	0901705.....	94	1060308.....	138, 223
0630137.....	9	0641830.....	39	0901778.....	62, 67, 94	1060341 ....	40, 140, 144,
0630360.....	63, 72, 78	0641840.....	93	0901838.....	93	223, 224, 225, 226, 261	
0630370 ...	63, 73, 80, 94	0641844.....	93	0901858.....	61	1060360 ...	63, 73, 80, 94
0630375.....	72, 78	0642012.....	40	0901870.....	137, 143, 147	1060379 ...	137, 143, 147
0630403.....	63, 78	0642014.....	17, 18, 39	0901897.....	155	1060380.....	155
0630485.....	152	0642018.....	45	0901902.....	35	1060401.....	53, 73
0630524.....	123, 131	0642040.....	45	0901904.....	143, 148	1060458.....	157
0641006.....	72	0642228.....	143, 148	0901916.....	137, 148	1060459.....	157
0641404.....	155	0642236.....	143, 148	0901917.....	35, 139	1060515.....	99
0641405.....	67, 247, 251	0642622.....	9, 10	0901927.....	40	1060825.....	157
0641406 ...	39, 51, 52, 53,	0642624.....	43, 45	0901928.....	40	1060826.....	157
63, 65, 71, 77, 95, 113,		0642636.....	43, 45	0901930.....	140	1060908.....	223
				0901932.....	65	1060964.....	132

## SECTION 10 - SPECIAL OPTIONS

1060965.....35	132009567, 95, 120, 124, 128, 132	1682931 ..... 173, 261	1702351.....252
1060966.....35, 144	1320130 ..... 85	1682932 ..... 173	1702552.....253
1060967.....132	1320162 ... 120, 124, 128, 132	1682967 ..... 9, 10, 181	1702594.....253
1060968.....39	1320176 ..... 94	1682968 ..... 181	1702612.....249
1060969.....39	1320180 ..... 80, 94	1682969 ..... 173	1702631.....247, 251
1060970.....39	1320187 ..... 50	1682970 ..... 173	1702738.....19
1060971.....39	1320188 ..... 50	1682987 ..... 181	1702788.....260
1060973.....223	1320189 ..... 50	1683467 ... 119, 123, 173	1702901.....248
1061003.....53	1320190 ..... 50	1683468 ... 127, 131, 173	1702961.....249
1061004.....53	1320192 ..... 50	1683966 ..... 169	1702962.....249
1100083.....35	1320193 ..... 50	1683967 ..... 169	1702976.....253
1100130.....139	1320194 ..... 51	1684107 ..... 148, 177	1703523.....253
1100137.....35	1320195 ..... 51	1684206 ..... 169	1703543.....253
1120108.... 165, 167, 169, 179, 181	1320197 ..... 51	1684216 ..... 39, 169	1703550.....252
1120161.....63, 73, 79	1320198 ..... 51	1684217 ..... 39, 169	1703551.....253
1120196.....173	1320199 ..... 51	1684266 ..... 152, 177	1703552.....253
1120311.....9	1320200 ..... 51	1692617 ..... 261	1703583.....252
1120342.....80	1320202 ..... 49	1700593 ..... 248	1703612.....252
1120358.....173	1320270 ..... 128, 132	1700598 ..... 138	1703699.....253
1120362.....50, 53	1320293 ..... 139	1700599 ..... 138	1703700.....253
1120432.....72, 80, 85	1340020 ... 63, 73, 79, 94	1700712 ..... 85, 249, 254	1703701.....253
1120485.....53	1340021 ..... 50	1700818 ..... 67	1703702.....253
1120486.....53	1340062 ..... 50, 256	1700901 ..... 71, 77	1703707.....253
1140009.....64, 73	1360037 ..... 69	1701214 ..... 248	1703788.....247, 251
1260017.....43	1380124 ..... 10	1701411 ..... 248	1703792.....249, 254
1260136.....137	1380150 ..... 152	1701504 ..... 247, 251	1703795.....247, 251
1271479.....137, 147	1380151 ..... 147, 152	1701505 ..... 249, 254	1703811.....247, 251
1281738.....222	1440237 ..... 119, 127	1701509 ..... 247, 251	1703814.....39, 247, 251
1281974.....223	1440324 ..... 123, 131	1701542 ..... 249, 254	1703816.....248
1281992.....222	1540002 ..... 37, 222	1701620 ..... 252	1703818.....247
1282015.....222	1600098 ..... 72	1701621 ..... 253	1703821.....248
1282038.....223, 260	1600157 ..... 156, 159	1701622 ..... 252	1703829.....253
1282099.....224	1600211 ..... 79, 258	1701624 ..... 253	1703833.....252
1282100.....224	1600290 ... 156, 161, 256	1701625 ..... 253	1703835.....253
1282141.....222	1660114 ..... 43, 45	1701682 ..... 109	1703837.....253
1282341.....225	1660157 ..... 62, 73, 77	1701785 ..... 253	1703841.....252
1282365.....226	1660184 ..... 97	1701831 ..... 248	1703843.....253
1282366.....225	1660204 ..... 9, 10	1701832 ..... 247, 251	1703900.....254
1282951.....226	1660205 ..... 9, 10	1701833 ..... 249, 254	1703961.....253
1283064.....223	1660207 ..... 64	1701834 ..... 249, 254	1704277.....249, 254
1283065.....225	1660212 ..... 73	1701835 ..... 249, 254	1704479.....248
1283066.....224	1660234 ..... 97, 258	1701836 ..... 249, 254	1704480.....247
1283067.....226	1660249 ..... 80, 81	1701837 ..... 247, 251	1704481.....248, 252
1283068.....224	1660250 ..... 80, 81, 258	1701838 ..... 247, 251	1704515.....248, 252
1283328.....225	1670414 ..... 71, 77	1701839 ..... 248	1704521.....247
1320011.....72, 80	1670560 ..... 114	1701840 ..... 248	1704525.....247, 251
1320012.....71, 78	1670841 ..... 80, 95	1701841 ..... 247	1704534.....253
1320014.....62	1681283 ..... 167, 169	1701843 ..... 247, 251	1704535.....253
1320015.....179, 181	1681322 ..... 165	1701857 ..... 247, 251	1704543.....251
1320019.... 63, 72, 79, 94, 143, 148, 152	1681344 ..... 179, 181	1701871 ..... 247, 251	1704547.....252
1320020.....63	1681609 ..... 165	1701907 ..... 144	1704550.....253
1320021.....80, 97	1681680 ..... 173	1702012 ..... 247, 251	1704551.....253
1320022.... 63, 65, 67, 72, 78, 80, 85, 94	1681925 ..... 173	1702137 ..... 249, 254	1704554.....252
1320023.....67, 85, 86	1682185 ..... 11, 165	1702153 ..... 248	1704555.....252
1320026.....63	1682186 ..... 165	1702249 ..... 249	1705008.....248, 252
1320031.....177	1682681 ..... 9, 10, 179	1702279 ..... 248	2000088.....73
1320032.....62, 67, 77	1682682 ..... 179, 181	1702300 ..... 247, 251	2000107.....93, 95
1320041.....138, 139	1682684 ..... 179	1702341 ..... 252	2000118.....61
1320058.... 62, 63, 73, 79, 174, 179, 181	1682720 ..... 167	1702342 ..... 253	2000125.....71, 73
1320059.....94	1682721 ..... 167, 169	1702343 ..... 253	2000126.....77, 80
1320061.... 128, 132, 139	1682723 ..... 167	1702344 ..... 260	2000138.....93, 95
1320070.....71	1682748 ..... 173	1702345 ..... 260	2000149.....77, 80
	1682749 ..... 173	1702346 ..... 260	2000156.....77, 81
	1682751 ..... 173	1702347 ..... 260	2000165.....77, 81
	1682872 ... 143, 148, 177	1702348 ..... 260	2000242.....93, 96
		1702349 ..... 260	2020006.....152
		1702350 ..... 252	2060012.....261

## SECTION 10 - SPECIAL OPTIONS

2060014..... 78	2220375 ... 194, 200, 206, 212	2220696.... 194, 200, 206, 212	2680415..... 114
2060019..... 62	2220377 ... 194, 200, 201, 206, 212	2220700.... 185, 194, 200, 206, 212	2680419..... 114
2060025..... 71	2220385 ... 185, 201, 206, 217	2220710.... 195, 201, 207, 212	2720015..... 71, 80
2080057..... 252	2220403 ..... 207, 212	2220805..... 67, 94	2720042..... 62, 67
2110806..... 152	2220407 ... 195, 201, 207, 212	2220810.... 195, 201, 207, 213	2720058..... 63, 77, 94
2120077..... 67, 85	2220408 ... 194, 200, 206, 212	2220844.... 194, 200, 206, 212	2720112..... 67, 85
2120109..... 50	2220414 ... 187, 189, 194, 200, 206, 212	2220871..... 195, 201	2720118..... 67
2120110..... 50	2220415 ... 194, 200, 206, 212	2220873.... 194, 200, 206, 212	2720144..... 85
2120120..... 52	2220417 ..... 187	2220883..... 152, 169	2720160..... 80
2120135 .... 62, 72, 79, 94	2220428 ... 194, 200, 206, 212	2220885..... 167, 169	2720232..... 71
2120136 .. 62, 79, 94, 256	2220429 ... 194, 200, 206, 212	2220914..... 206, 212	2720249..... 85
2120138 ..... 65	2220435 ..... 194	2220923.... 201, 207, 213	2720254..... 71
2130406 ..... 152	2220437 ..... 78	2220994..... 77	2720271 ..... 77, 94
2160002 .... 9, 11, 43, 45, 173	2220451 ... 194, 200, 206, 212	2221026..... 201	2720341 ..... 62
2160003 ..... 10	2220459 ..... 65	2221035.... 194, 200, 206, 212	2720342 ..... 94
2160006 ... 119, 123, 127, 131	2220462 ..... 194	2221077..... 201, 207	2720379 ..... 94
2180104 ..... 67, 85	2220465 ... 194, 200, 206, 212	2300014..... 261	2750532 ..... 77
2180250 ..... 86	2220466 ..... 194, 200	2300016..... 261	2750760 ..... 187
2180348 ..... 94	2220468 ..... 217	2300021..... 261	2750769 ..... 189
2180360 ... 62, 67, 69, 71, 85, 90, 97, 99	2220470 ... 194, 200, 206, 212	2300027..... 261	2750775 ... 196, 202, 208, 213
2180387 ..... 67, 85	2220472 ... 187, 189, 194, 200, 206, 212, 217	2360358..... 9	2750786 ... 195, 202, 207, 213
2180388 ..... 85	2220473 ..... 206, 212	2360364..... 9	2750894 ..... 189
2180389 ..... 67, 85	2220490 ... 194, 200, 206, 212	2360491..... 9	2750895 ... 195, 201, 207, 213
2180418 ..... 85	2220498 ..... 194	2360492..... 9	2750897 ..... 187, 189
2180504 ..... 86	2220504 .... 85, 189, 194, 200, 206, 212	2420009..... 109	2750900 ..... 187
2180535 ..... 67	2220507 ..... 194	2420033..... 62	2750902 ..... 208, 214
2180536 ..... 67, 77	2220568 ..... 194, 200	2420038..... 37	2750910 ... 185, 195, 196, 201, 207, 213
2180537 ..... 62, 85, 99	2220578 ... 194, 200, 206, 212	2420084..... 110	2750920 ..... 196, 202
2180623 ..... 67	2220582 ... 187, 189, 194, 200, 206, 212	2420091..... 109	2750968 ..... 185, 202
2180658 ..... 15	2220596 ..... 200, 206	2420109..... 71, 78, 81	2751006 ... 195, 196, 202, 208, 214
2180666 ..... 95	2220600 ..... 185	2420110..... 94	2751010 ..... 187
2180730 ..... 94, 99	2220603 .... 195, 201, 212	2420111..... 110	2751011 ..... 201, 207
2180749 .... 69, 86, 97, 99	2220605 .... 187, 189, 217	2420115..... 52	2751013 ... 195, 201, 207, 213
2200009 ..... 51, 52	2220609 ... 194, 200, 206, 212	2420118..... 62	2751018 ..... 217
2200108 ..... 53	2220618 .... 201, 206, 217	2420127 ..... 110	2751021 ... 196, 202, 208, 214, 261
2200204 ..... 85	2220619 .... 185, 200, 206	2420128 ..... 110	2751026 ... 195, 201, 207, 213
2200222 ..... 15, 50, 85	2220621 ... 194, 195, 200, 201, 206, 207, 212	2420131..... 65, 71, 77	2751027 ... 196, 202, 208, 213
2200261 ..... 62, 99	2220622 ..... 185, 200	2420149..... 71, 77	2751111 ... 195, 201, 207, 213
2200462 ..... 94	2220635 ... 194, 200, 206, 212	2420151..... 261	2751391 ... 195, 201, 207, 213
2220003 ..... 67, 85	2220642 ... 195, 201, 207, 212	2420156..... 109	2751395 ... 196, 202, 208, 214
2220082 ..... 85	2220646 .... 194, 201, 206	2420183..... 53	2751404 ..... 187
2220237 .... 201, 207, 213	2220648 ..... 67	2420187 ..... 78	2751412 ..... 217
2220251 ..... 85	2220675 ..... 63, 67, 85	2420189 ..... 78	2751432 ..... 189
2220273 ... 62, 65, 71, 77, 86, 95	2220679 ..... 200, 206	2420203..... 69, 89, 99	2751454 ..... 261
2220275 .... 200, 206, 212	2220695 ..... 200	2460011 ..... 69, 89, 99	2751507 ..... 202, 208
2220282 ..... 200, 206		2460013 ..... 262	2751683 ... 196, 202, 208, 214
2220290 ..... 67, 85		2500004 ..... 73	2751892 ... 196, 202, 208, 214
2220315 ..... 65, 77, 80		2500005 ..... 61, 77, 258	2751893 ... 189, 196, 202, 208, 213, 217
2220317 ..... 94		2540002 ..... 124, 132	2751902 ..... 189
2220340 ..... 52		2560141 ..... 155	2751906 ..... 201, 207
2220349 ... 195, 201, 207, 212, 213		2580026 ..... 64	2751914 ..... 189, 190
2220362 ... 194, 200, 206, 212		2580048 ..... 82	2752247 ..... 195
2220364 ..... 67		2600093 ..... 110	
2220366 .... 200, 206, 212		2620037 ..... 43, 45	
2220371 ... 185, 194, 200, 206, 212		2680336 ..... 72	
2220372 ... 194, 200, 206, 212		2680386 ..... 78	
2220374 ... 194, 200, 206, 212		2680406 ..... 114	
		2680407 ..... 113	
		2680408 ..... 113	

## SECTION 10 - SPECIAL OPTIONS

2752250.....195	2792047.....218	2901941.....167, 170	3252149.....253
2752251.....213	2792048.....218	2902023.....167	3252217.....109
2752252.....213	2792049.....218	2902030.....138	3252222.....248
2752344.....201, 207	2792050.....218	2902031.....138	3252228.....248
2752351....195, 201, 207, 213	2792064.....189, 218	2902032.....138	3252230.....252
2752352....195, 201, 207, 213	2792065.....189, 218	2902036.....144	3252234.....249
2752353.....195	2792164.....218	2902037.....144	3252297.....248, 252
2752381.....201, 207	2792165.....218	2902053.....138	3252309.....248
2752390.....201, 207	2792166.....218	2902064.....61	3252310.....155
2752391.....201, 207	2792167.....218	2902077.....247, 251	3252430.....252
2752392.....201, 207	2792168.....218	2902078.....249	3252620.....155
2752397.....201	2792169.....218	2902088.....201	3252642.....109
2752433.....189	2792170.....218	2902089.....195	3252688.....248, 252
2752441.....189	2792171.....218	2902090.....195	3252690.....252
2752445.....189	2792371.....219	2902091.....201	3252691.....252
2752450....196, 202, 208, 214	2792508.....194, 218	2902093.....207	3252753.....248, 252
2752451....196, 202, 208, 214	2792511.....212, 218	2902094.....213	3252757.....248, 252
2752481....195, 201, 207, 213	2792512.....206, 218	2902095.....207	3252758.....248, 252
2752482....195, 202, 207, 213	2792513.....200, 218	2902096.....213	3272005.....152
2752491....196, 202, 208	2792514.....194, 218	2902129.....113	3290607.....62
2752505....195, 201, 207, 213	2792515.....200, 218	2902130.....113	3300012.....9, 17, 18
2752506....195, 201, 207, 213	2792516.....212, 218	2902131.....115	3300029....63, 73, 80, 94
2752507....195, 202, 207, 213	2792517.....206, 218	2902185.....132	3300047.....144
2752513....196, 202, 208, 213	2792611.....218	2902186.....132	3300048....40, 109, 223, 261
2752525....195, 202, 208, 213	2820024.....251	2902187.....132	3300151.....138
2752526....195, 202, 208, 213	2820025...120, 124, 128, 132, 139	2902256.....132	3300177.....110
2752577.....189	2820047.....113	2910015.....254	3300228.....9, 10
2752578.....189	2820097.....138, 247	2910033.....247, 251	3300273.....165
2752591.....208, 213	2860030.....110, 256	2910474.....260	3300281.....167, 169
2752627.....201, 207	2900034.....28	2910479.....63, 73, 80	3300286.....173
2752649....195, 201, 207, 213	2900137.....28	2920026.....156	3300353.....113, 114
2752652.....202, 207	2900379.....165	2920027.....156	3300357.....179, 181
2752678....196, 202, 208, 213	2900503...195, 201, 207, 213	2920029.....156	3300364.....113
2752953....202, 208, 213	2900708.....55, 59	2920105.....115	3300465.....169
2752980....196, 202, 208, 214	2900714.....21	2920110.....39, 223, 260	3300471.....152
2780167.....17, 27	2900745.....49	2920111.....140	3300472.....152
2780169.....17, 27	2900752.....104	2920113.....40, 223, 260	3310601.....109, 155
2780175.....17, 27	2900756.....55	2920162.....69, 89, 99	3310801.....71
2780177.....9	2900766.....23	2940006.....262	3310805.....39
2780191.....17, 18, 31	2900767.....24	2940042.....113, 114	3311001....40, 61, 69, 78, 89, 99, 109, 155
2780193.....17, 31	2900768.....23	3010088.....137	3311005....35, 39, 72, 78, 79, 139
2780195.....17, 31	2900770...152, 167, 169	3010099.....51	3311205.....93
2791574.....187, 218	2900792.....174	3020021.....64, 97	3311401....37, 40, 52, 61, 63, 65, 73, 77, 86, 93, 109, 111, 113, 138, 140, 144, 148
2791962.....217, 218	2900800...195, 201, 207, 213	3020022.....261	3311405....49, 52, 53, 61, 71, 73, 79, 90, 113, 114, 115, 137, 139, 143, 247, 251
2791988.....218	2900816.....33	3041404.....115	3311501....35, 36, 37, 63, 67, 86, 93, 99, 120, 124, 138, 139
2791995.....218	2900826.....104	3100071.....50	3311505....11, 36, 50, 72, 78, 86, 128, 132, 143, 147, 152
2791996.....218	2900827.....104	3100072...194, 200, 206, 212	3311601....36, 61, 63, 67, 69, 72, 73, 86, 89, 94, 119, 127, 143, 148
2791997.....218	2900838.....262	3160158.....17, 18, 21	3311605....11, 12, 36, 72, 79, 86, 119, 127, 131, 139, 152
2792013.....189, 218	2900848.....249	3200201.....61	3311701..63, 72, 78, 119, 123, 127
2792014.....189, 218	2901111.....260	3200202.....61	
2792020.....185, 218	2901223.....174	3200362.....71, 79	
2792027.....218	2901243.....189	3200377.....77	
	2901244.....189	3220036.....97	
	2901252.....174	3220083.....65, 82, 97	
	2901261.....179, 181	3220084.....63	
	2901262.....189	3220089.....72	
	2901263.....189	3220095.....79	
	2901328.....128	3220118.....97	
	2901329.....120	3250872.....43, 45	
	2901439.....174	3250873.....247	
	2901441.....174	3251249.....248	
	2901481.....132	3251476.....100	
	2901536.....124	3251813.....248, 253	
	2901812.....262	3251984.....261	
		3252136.....248	

## SECTION 10 - SPECIAL OPTIONS

3311705	61, 63, 123, 131	3422631	..... 123, 131	3537973	.....43	3790116	..... 15
3311801	..... 17, 18	3422662	..... 123	3538051	.....139	3790152	..... 62, 71, 95
3311802	..... 152	3422728	..... 147	3538178	.....72	3790231	..... 15
3311805	... 61, 71, 79, 93, 123, 131	3422966	..... 153	3538188	.....114	3820001	..43, 45, 248, 252
3312001	..... 40	3423052	..... 152	3538189	.....114	3820011	..... 144
3312005	..... 39, 45	3423054	..... 139, 140	3538436	.....86	3820019	... 113, 249, 254
3312205	..... 143, 148	3430407	..... 15	3538450	.....114	3820030	..... 11, 12
3321001	..... 110, 156	3440410	..... 140	3538735	.....80	3840833	..... 15
3321401	..... 73, 78, 165	3440413	..... 35	3538743	.....114	3840854	..... 15
3321402	..... 62	3440420	..... 39	3538744	.....114	3840898	..... 73
3321501	..... 62	3440616	..... 11, 12	3538745	.....114	3840979	..... 67
3322202	... 144, 147, 153	3450202	..... 93	3570875	..... 123, 131	3841049	..... 62
3322602	..... 9, 10	3450203	..... 15	3570983	.....114	3841143	..... 12, 43, 45
3322603	..... 9	3450610	..... 9	3570984	.....114	3841184	..... 43, 45
3323002	..... 43, 45	3451012	..... 9	3572123	.....248, 252	3841203	... 119, 123, 127
3323403	..... 9	3480092	..... 167, 169	3573513	.....169	3841208	..... 39
3340564	..... 138	3480116	..... 165	3574274	.....35	3841233	... 144, 147, 153
3340645	..... 128, 132	3480135	..... 173	3580134	.....69, 89, 99	3841255	..... 77
3340653	..... 143, 147	3480137	..... 173	3580158	.....99	3841326	..... 39
3340664	... 119, 123, 127, 132, 139	3480164	..... 179	3580239	.....89	3860037	..... 15
3340780	..... 147	3480214	..... 173	3580250	.....89	3860056	..... 179, 181
3340841	... 45, 110, 120, 124, 128, 132	3480220	..... 173	3600050	.....52	3860057	..... 143, 147
3340848	..... 128, 133	3500812	..... 144	3600130	.....51, 261	3860059	... 143, 147, 153
3340904	..... 169	3510387	..... 139, 140	3600164	...61, 71, 77, 93, 103	3860097	..... 147
3340913	..... 147	3510397	..... 143	3600205	...61, 71, 79, 95, 107	3860100	..... 153
3340924	..... 139	3510775	..... 139, 140	3600208	.....52	3900168	..... 144
3380515	..... 113	3510798	..... 140	3600260	.....77, 93, 103	3900170	... 165, 167, 169, 173
3420158	..... 43	3510799	..... 140	3600268	.....53	3900175	..... 165
3420292	..... 43	3510842	..... 153	3600468	.....261	3900177	..... 156
3420352	..... 43, 45	3520022	..... 52	3620003	.....261	3900178	..... 156
3420372	..... 43, 45	3520026	..... 110	3620015	.....261	3900294	..... 138
3421190	..... 10	3520028	..69, 89, 99, 110	3620026	.....72, 78	3900321	..... 169
3421243	..... 9	3520046	..... 62	3620027	.....63	3900330	..... 152
3421284	..... 15	3520071	..... 36	3640500	.....109	3910606	..... 110
3421335	..... 12	3520072	..... 143, 148	3640822	.....143, 147	3910610	..... 37
3421453	..... 143, 155	3520079	..... 156	3640823	.....143	3910812	..... 71
3422091	..... 43, 45	3520081	..... 156	3640824	.....137	3911004	..... 69, 99
3422102	..... 119, 127	3520082	..... 39	3640830	.....137	3911008	... 89, 110, 156
3422103	..... 119, 127	3533291	..... 61	3640831	.....137	3911012	..... 61, 80
3422137	..... 11	3533445	..... 61	3640832	.....137	3911014	..... 62, 78
3422152	..... 119, 127	3533663	..... 63	3640836	.....147	3911020	..... 39
3422153	..... 119, 127	3533664	..... 63, 72	3641387	.....137	3911024	..... 78
3422154	... 119, 127, 128	3534173	..... 261	3641391	.....147	3911026	..... 78
3422155	... 119, 127, 139	3535352	..... 113	3720011	.....67	3911032	..... 35
3422156	..... 119, 127	3535551	..... 94	3730003	.....224, 225	3911040	..... 40
3422157	..... 119, 127	3536092	..... 37	3737289	.....71	3930820	..... 39
3422158	... 119, 127, 128	3536109	..... 137	3740049	37, 40, 109, 144, 156, 222, 223, 256, 260, 261	3931010	..... 140
3422169	... 120, 127, 140	3536144	... 63, 73, 80, 95	3740059	.....72	3931028	..... 140
3422171	..... 119, 128	3536151	..... 63, 73	3740061	.....72	3931032	..... 56
3422172	... 119, 123, 128	3536156	..... 43, 45	3740067	.....53, 95, 258	3931664	..... 152
3422219	..... 137, 147	3536157	..... 43	3740077	.....110, 256	3940804	..... 72, 79
3422401	..... 11	3536299	..... 137	3740080	.....78, 258	3941004	..... 79
3422617	..... 123, 131	3536349	..... 114	3740118	.....261	3941406	..... 113
3422618	..... 123, 131	3536350	..... 114	3760143	.....179	3951003	..... 93
3422619	... 123, 131, 132, 140	3536351	..... 114	3760170	...45, 138, 144, 147, 155	3951503	..... 35
3422620	... 123, 131, 139	3536371	..... 113	3760261	.....167	3960007	..... 179
3422621	..... 123, 131	3536372	..... 113	3760348	... 144, 147, 153	3960047	..... 9
3422622	..... 123, 131	3536373	..... 113	3760351	.....152	3960407	..... 94
3422623	... 123, 131, 132	3536430	..... 113	3760453	..... 167, 169	3960416	..... 165
3422624	..... 123, 131	3536431	..... 113	3760460	.....169	3960423	..... 64
3422626	..... 123, 132	3536481	..... 62	3780183	..... 11, 12	3960435	..... 51
3422627	..... 132	3536523	..... 51	3790012	...40, 110, 111, 156, 157	3980003	... 63, 73, 80, 94
3422628	..... 132	3536607	... 119, 123, 127			3980007	..... 80, 94
		3536622	..... 113, 114			3990010	... 37, 222, 224, 225, 226, 261
		3536624	..... 143				
		3536708	..... 167, 169				
		3537619	..... 143, 147				

## SECTION 10 - SPECIAL OPTIONS

4031709.....	62	4360330.....	111, 157	4460470.....	155	4640840.....	50, 55
4060092.....	138, 139	4360331.....	111, 258	4460471.....	155	4640841.....	50
4060713.....	63	4360336.....	156, 256	4460473.....	157	4640989.....	77
4060802.....	156, 157	4360339.....	155, 256	4460480.....	155	4641090.....	51, 55, 56
4060803.....	113	4360345.....	156	4460481.....	157	4641091.....	56
4060806.....	128, 132	4360348.....	52, 256	4460539.....	37	4641094.....	55
4060807.....	51	4360354.....	52, 256	4460968.....	39	4641156.....	169
4060829.....	115	4360357 ...	62, 71, 77, 97	4520129.....	18	4641190.....	50, 59
4060843.....	261	4360387.....	157	4520153.....	19, 262	4641197.....	59
4060848.....	39	4360405.....	78	4520225.....	18	4641219.....	152
4060887.....	114	4360469.....	110, 256	4520267.....	18	4700005.....	85
4060893.....	114	4360475 ...	110, 156, 256	4561815.....	79	471140090, 95, 113, 137,	148
4060969.....	113	4360476.....	156	4562637.....	71	4711500....	138, 139, 143, 147, 148, 153
4070450.....	45	4360478 ...	110, 156, 256	4563647.....	165	4711600.....	93, 143, 148, 153
4070560.....	45	4360542.....	69, 89, 99	4564281.....	71, 78, 81	4711800.....	17, 18
4070561.....	45	4360548.....	39, 258	4564328.....	64	4712000.....	39
4070829.....	143, 147	4400040.....	67, 85	4564417.....	89	4712600.....	9, 10, 43, 45
4070987.....	110	4400273.....	50	4565348.....	94	4713000.....	169
4100025.....	78	4400275.....	67, 85	4565647.....	167, 169	4740034.....	9
4100033.....	261	4400281.....	85	4565716.....	179	4740066.....	110
4130279.....	10	4400347.....	50, 51	4565830.....	62	4740116.....	71
4130280.....	10	4400348.....	51	4565842.....	173	4740120.....	110, 156
4130287.....	9	4400402.....	50	4565869.....	143, 147	4740185....	11, 12, 62, 71, 80, 94
4130288.....	9	4400430.....	50	4565891.....	137	4740273.....	61, 71
4130306.....	9	4400461.....	50, 52	4565892.....	137	4740274.....	61, 79
4130307.....	9	4420008.....	155	4565932.....	95	4740275.....	89
4160078.....	15	4420037.....	109	4565933.....	95	4740308.....	12, 95
4160116.....	39	4420052.....	39	4565956.....	63	4740310....	120, 124, 128, 132
4200004.....	137, 143	4420062 ...	138, 143, 147	4566233.....	173	4740401....	119, 123, 127, 131
4240033.....	140	4420066.....	153	4566234.....	181	4740415.....	39
4280280.....	95	4420069.....	152	4566236.....	173	4750600.....	110, 156
4280284.....	143	4460035.....	144	4566520.....	72	4750800.....	39, 72, 78
4280298.....	11, 12	4460049 ...	35, 138, 140, 144	4566541.....	73	4751000....	35, 39, 40, 61, 72, 78, 79, 94, 138, 140
4300032.....	37, 40, 138	4460051 ....	40, 109, 138, 139, 223, 260	4566605.....	77	4751400....	37, 39, 40, 49, 52, 53, 61, 65, 71, 73, 79, 94, 111, 113, 114, 115, 139, 140, 143, 144, 247, 251
4300038.....	35, 37, 72	4460052.....	144	4566650.....	89	4751500....	11, 35, 36, 37, 43, 45, 50, 63, 69, 72, 78, 86, 89, 99, 100, 113, 120, 124, 128, 132, 147
4300056.....	62, 77	4460051.....	40, 109, 138, 139, 223, 260	4566672.....	79	4751600....	10, 11, 35, 36, 50, 63, 67, 69, 71, 73, 79, 86, 89, 93, 94, 100, 120, 123, 127, 140, 152, 153
4300068.....	65	4460052.....	144	4566673.....	79	4751700....	61, 63, 72, 78
4300090.....	62	4460071.....	109	4567127.....	79	4751800....	61, 71, 79, 93, 153
4300092.....	17	4460138.....	138, 139	4567159.....	97	4752000.....	40, 45
4340569.....	69	4460185.....	140	4568055.....	181	4752200....	143, 147, 152, 153
4340660.....	72	4460190.....	138, 139	4568315.....	140	4760600.....	109
4360037 ...	78, 90, 99, 262	4460206.....	140	4640013.....	261	47610009, 35, 61, 69, 78,	89, 94, 99, 109, 110, 138, 155
4360056.....	72	4460226.....	159, 161	4640113.....	19	4761400....	37, 39, 40, 52, 61, 63, 65, 67, 73, 77,
4360089.....	260	4460227.....	159, 161	4640123.....	49		
4360135.....	260	4460234.....	39	4640260.....	49		
4360157.....	81	4460259.....	144	4640261.....	43, 45		
4360181.....	261	4460260.....	144	4640273.....	12, 165		
4360188.....	67, 85	4460298.....	109	4640382 ...	195, 201, 207, 213		
4360212.....	110, 256	4460299.....	109	4640391.....	67, 85		
4360216.....	109, 256	4460300.....	109	4640392.....	19		
4360228.....	110, 258	4460301.....	109	4640443.....	49		
4360232.....	109, 256	4460302.....	93	4640485.....	12, 15		
4360236.....	144, 258	4460303.....	110	4640495.....	169		
4360237.....	144	4460305.....	109	4640509.....	174		
4360239.....	223	4460306.....	109	4640613.....	167, 169		
4360267.....	110, 155	4460307.....	109	4640629.....	49		
4360274....	109, 156, 256	4460309.....	109	4640744 ...	194, 200, 206, 212		
4360277.....	144	4460343.....	159, 161	4640750.....	77		
4360281.....	110, 156	4460367.....	159, 161	4640760.....	261		
4360282.....	156	4460428.....	39	4640786.....	50, 55		
4360289.....	156	4460462.....	157	4640787.....	144, 148		
4360290.....	109	4460463.....	155	4640788.....	56		
4360300.....	35, 140, 258	4460464.....	157	4640789.....	55		
4360314....	110, 111, 156, 157, 256	4460465.....	37, 157	4640812.....	11, 12		
4360318.....	260	4460466.....	37, 157	4640819.....	173		
4360329.....	40, 157	4460467.....	157				
		4460468.....	157				

## SECTION 10 - SPECIAL OPTIONS

86, 93, 94, 109, 111, 113, 114, 138, 140, 144, 148, 247, 251	4846584 ..... 169	7000232.....27	7004249..... 52
4761500 ... 15, 35, 36, 37, 43, 45, 50, 63, 67, 69, 72, 86, 89, 93, 99, 100, 113, 120, 124, 128, 132, 138, 139	4846822 ..... 35	7000241.....32	7004275 ..... 262
4761600 ... 11, 36, 50, 53, 61, 63, 64, 67, 69, 71, 73, 79, 86, 89, 100, 119, 127, 131, 143, 147, 148	4860065 ..... 19	7000242.....27, 32	7004276 ..... 262
4761700 . 63, 72, 80, 119, 123, 127	4860126 ..... 18	7000246.....27	7004368 ..... 49
4761800 ... 17, 18, 39, 61, 71, 77, 95	4860155 ..... 73	7000247.....27, 31, 32	7004906 ..... 21
4762000 .... 17, 18, 39, 40	4891600 ..... 35	7000248.....27, 31	7004907 ..... 21
4770600 ..... 37, 155	4920017 ..... 144	7000250.....27, 28, 31, 33	7004908 ..... 21
4770800 ..... 71	4920096 ..... 10	7000251.....27, 31	7004910 ..... 21
4771000 ..... 40	4921540 ..... 224, 225	7000252.....27, 31	7004917 ..... 21
4791400 ..... 155	4921543 ..... 157, 223	7000253.....27, 31	7006075 ..... 49
4812000 ..... 89, 99	4921544 ..... 157, 223	7000257.....27	7007208 ..... 103
4831700 ..... 85	4921545 ..... 224	7000258.....27	7007321 ..... 49, 50
4831900 .... 64, 77, 78, 97	4921546 ..... 225	7000260.....28, 33	7007412 ..... 104
4832000 ... 61, 77, 79, 85, 89, 93, 95, 97	4921590 ..... 226	7000261.....28, 33	7007413 ..... 103
4842621 ..... 11	4921598 ..... 157, 223	7000262.....28, 33	7007414 ..... 103
4843410 ..... 99	4921599 ..... 157, 223	7000263.....27, 28, 32, 33	7007416 ..... 103
4843497 ..... 61	4921714 ..... 71, 225	70003475.....97	7007417 ..... 103
4843513 ..... 94	4921731 ..... 225, 226	70003622.....95	7007419 ..... 103
4843635 ..... 18	4921746 ..... 80	7000558.....49	7007420 ..... 103
4843706 ..... 143	4921770 ..... 224	7000643.....73	7007421 ..... 103
4844024 ..... 113	4922251 ..... 157, 223	7000645 .... 195, 201, 207, 213	7007422 ..... 103
4844059 ..... 11	4922252 ..... 157, 223	7000646.....81	7007424 ..... 103
4844129 ..... 11	4922256 ..... 157, 223	7000699.....96	7007425 ..... 103
4844177 ..... 261	4922257 ..... 157, 223	7000867 ..... 74	7007435 ..... 103
4844185 ..... 67, 86	4922848 ..... 222	7000877 ..... 73	7007436 ..... 103
4844186 ..... 37	4922859 ..... 222	7000878 ..... 73	7007437 ..... 103
4844249 ..... 36	4923062 ..... 95	7000884.....64, 73, 81	7007438 ..... 103
4844250 ..... 36	4931444 ..... 222	7000889.....64	7007439 ..... 103
4844268 ..... 109	4932041 ..... 222	7000892.....64	7007440 ..... 103
4844275 ..... 93	4932387 ..... 222, 262	7001084 ..... 177	7007441 ..... 103
4844279 ..... 113	4932451 ..... 222	7001438 ..... 103	7007442 ..... 103
4844298 ..... 63	4932588 .... 224, 225, 226	7001498 ..... 104	7007444 ..... 103
4844346 ..... 39	4932590 ..... 223	7001608 ..... 177	7007445 ..... 103
4844349 ..... 143, 147	4932645 ..... 224	7001609 ..... 177	7007449 ..... 103
4844490 ..... 36	4932648 ..... 224	7001610 ..... 177	7007453 ..... 103
4844491 ..... 36	4932649 ..... 224	7001611 ..... 177	7007454 ..... 103
4844613 ..... 72	4932650 ..... 224	7001613 ..... 177	7007456 ..... 103
4844787 ..... 261	4932734 ..... 222	7001614 ..... 177	7007458 ..... 104
4844788 ..... 261	4932735 ..... 90, 222	7001615 ..... 177	7007461 ..... 104
4844867 ..... 11	4932744 ..... 225	7001616 ..... 177	7007466 ..... 104
4844868 ..... 11	4932775 ..... 225	7001617 ..... 177	7007468 ..... 104
4844942 ..... 79	4932776 ..... 226	7001909 ..... 27, 32	7007469 ..... 104
4844962 ..... 79	4932850 ..... 224	7001911 ..... 27, 32	7007470 ..... 104
4845486 ..... 109	4932897 ..... 222	7001912 ..... 27, 32	7007471 ..... 104
4845757 ..... 79	4933042 ..... 226	7001913 ..... 27, 32	7007472 ..... 104
4845938 ..... 155	4933043 ..... 226	7001922 ..... 31	7007474 ..... 104
4846051 ..... 36	4933057 ..... 224	7001931 ..... 27, 32	7007475 ..... 104
4846055 ..... 36	4933096 .... 224, 225, 226	7001985 ..... 27, 32	7007476 ..... 104
4846348 ..... 147	4933097 ..... 224	7001989 ..... 27	7007477 ..... 104
4846349 ..... 147	4933098 ..... 224	7001997 ..... 27	7007478 ..... 104
4846407 ..... 36	4933254 ..... 225	7001998 ..... 27	7007482 ..... 104
4846439 ..... 45	4933255 ..... 225	7002818 ..... 157	7007483 ..... 104
4846517 ..... 153	70000163 ..... 64	7002821 ..... 262	7007484 ..... 104
4846519 ..... 153	70000851 ..... 96	7002822 ..... 262	7007485 ..... 104
	70000916 ..... 96	7002823 ..... 262	7007486 ..... 104
	70001108 ..... 53	7002826 ..... 262	7007487 ..... 104
	70001111 ..... 28, 32, 33	7002828 ..... 262	7007488 ..... 104
	70001342 ..... 152	7002840 ..... 262	7007490 ..... 104
	70001349 ..... 28, 32, 33	7003657 ..... 69, 89, 99	7007491 ..... 104
	70001871 ..... 96	7003751 ..... 159, 161	7007492 ..... 104
	70001940 ..... 33	7003772 ..... 159	7007494 ..... 104
	7000206 ..... 27	7003789 ..... 159	7007496 ..... 104
	7000214 ..... 27, 31	7003790 ..... 159, 161	7007497 ..... 104
	7000217 ..... 27, 31	7003791 ..... 159, 161	7007498 ..... 104
	7000229 ..... 27	7004214 .... 63, 73, 79, 94, 256	7007499 ..... 104
	7000230 ..... 27	7004248.....52	7007601 ..... 27
	70002307 ..... 81, 82		7007603 ..... 27, 31

## SECTION 10 - SPECIAL OPTIONS

7007617.....	32	7010998.....	107	7012943.....	55, 59, 256	7019929.....	81
7007643.....	28, 32	7011003.....	53	7012944.....	55, 59, 256	7019930.....	81, 82
7007650.....	27, 28, 31, 33	7011016.....	53	7012981.....	59	7019931.....	81, 82
7007651.....	28, 33	7011102.....	144, 148	7012998.....	59	7019932.....	81, 82
7007652.....	27, 31	7011112.....	174	7013710.....	52	7019933.....	64, 80, 81
7007653.....	27, 31	7011345.....	169	7013711.....	53	7019934.....	64
7007654.....	27, 31	7011346.....	152	7013712.....	53	7019935.....	64
7007683.....	31	7011712.....	23	7013753.....	52	7019936.....	65
7007684.....	31	7011713.....	23	7014100.....	33	7019937.....	65
7007685.....	32	7011714.....	23	7014101.....	33	7019938.....	65
7007686.....	32	7011715.....	23	7014102.....	33	7019939.....	64
7007687.....	32	7011716.....	23	7014103.....	33	7019941.....	65
7007688.....	32	7011717.....	23	7014108.....	33	7019942.....	65
7007689.....	32	7011923.....	159, 161	7014109.....	33	7019943.....	65
7007690.....	32	7011931.....	159	7014110.....	33	7019944.....	65
7007691.....	31	7011932.....	159	7014112.....	33	7019945.....	65
7007692.....	31	7011933.....	159	7014113.....	33	7019946.....	65
7007697.....	27	7011934.....	159	7014676.....	262	7019947.....	65
7007874.....	21	7011935.....	159	7014677.....	74	7019948.....	65
7007875.....	21	7011936.....	159	7014678.....	74	7019949.....	64
7007876.....	21	7011938.....	159, 161	7014679.....	74	7019950.....	65
7007878.....	21	7011940.....	159, 161	7014680.....	64	7019951.....	65
7007879.....	21	7011982.....	161	7014682.....	64	7019952.....	64
7007880.....	21	7011991.....	161	7014684.....	95	7019954.....	65
7007914.....	23	7011997.....	161	7014687.....	64	7019959.....	65
7007923.....	23	7012513.....	69, 89, 99	7016308.....	95	7019976.....	81, 82
7007924.....	23	7012514.....	69, 89, 99	7016309.....	95	7019977.....	81
7007933.....	23	7012518.....	49, 55	7016328.....	95	7019978.....	82
7007970.....	23	7012539.....	59, 256	7016330.....	97	7019980.....	82
7007977.....	23	7012558.....	69, 89, 99	7016331.....	95, 96, 258	7019981.....	82
7007979.....	23	7012564.....	64	7016332.....	96	7019982.....	82
7007980.....	23	7012576.....	53	7016600.....	80, 81	7019983.....	81
7007983.....	23	7012577.....	64, 73	7016601.....	81	7019985.....	82
7007985.....	23	7012578.....	64, 74	7016603.....	115	7019987.....	64, 65
7007986.....	23	7012590.....	155	7016605.....	81	7019988.....	81
7007987.....	23	7012591.....	55, 56	7016654.....	262	7019989.....	64
7008828.....	93	7012592.....	51	7016746.....	53	7019997.....	81
7009739.....	49	7012593.....	155	7017063.....	28	7019998.....	64
7009742.....	195, 201, 207, 213	7012595.....	74	7017067.....	31	7020023.....	96, 258
7010120.....	104	7012599.....	96	7017080.....	31	7020024.....	96
7010121.....	104	7012611.....	156	7017096.....	31	7020108.....	69, 89, 99
7010122.....	104	7012612.....	156	7017402.....	59	7020109.....	69, 89, 99
7010129.....	104	7012626.....	95	7017420.....	59	7020110.....	69, 89, 99
7010429.....	28	7012678.....	80	7017433.....	59	7020111.....	69, 89, 99
7010459.....	31	7012679.....	80, 81	7017454.....	59	7020120.....	81
7010469.....	31, 33	7012680.....	80	7017477.....	55, 59	7020168.....	96
7010470.....	31	7012681.....	80	7017492.....	59	7020175.....	156
7010473.....	31, 33	7012682.....	81	7017493.....	59	7020176.....	156
7010474.....	32	7012683.....	80	7017496.....	59	7020190.....	69, 89, 99
7010475.....	33	7012690.....	80	7017515.....	85	7020191.....	69, 89, 99
7010476.....	33	7012698.....	95, 96	7018602.....	23	7020193.....	69, 89, 99
7010477.....	33	7012725.....	55, 56	7018603.....	23	7020208.....	96
7010478.....	33	7012730.....	55, 56	7018605.....	23	7020220.....	96
7010542.....	55, 59	7012736.....	56	7018606.....	23	7020257.....	50
7010543.....	55, 59	7012754.....	55, 56	7018607.....	23	7020406.....	96
7010633.....	74	7012773.....	56, 152	7018608.....	24	7020411.....	96
7010698.....	110	7012903.....	59	7018991.....	56	7020412.....	96
7010923.....	52	7012910.....	55, 59	7019607.....	95	7020414.....	96
7010953.....	107	7012925.....	59	7019666.....	64	7020417.....	96, 97
7010955.....	107	7012935.....	55	7019667.....	64	7020419.....	96
7010956.....	107	7012936.....	55, 59	7019668.....	65	7020424.....	95, 96
7010957.....	107	7012937.....	55	7019670.....	64	7020425.....	96
7010959.....	107	7012938.....	55	7019921.....	81	7020426.....	96
7010960.....	107	7012939.....	55	7019924.....	81, 82	7020430.....	96
7010961.....	107	7012940.....	55	7019925.....	81	7020435.....	96
7010996.....	107	7012941.....	55, 59	7019926.....	81	7020447.....	96
7010997.....	107	7012942.....	55	7019927.....	81	7020449.....	97



## SECTION 10 - SPECIAL OPTIONS

7020455 .....	95	7022143 .....	81, 82	7024013.....	152	7027210 .....	95
7020457 .....	95	7022150 .....	81	7024321.....	64, 81	7027236 .....	96
7020460 .....	97	7022153 .....	81	7024440.....	52	7027239 .....	96
7020465 .....	96	7022156 .....	82	7024441.....	52	7027241 .....	97
7020468 .....	96	7022157 .....	82	7024443.....	52	7027245 .....	96
7020471 .....	95, 96, 97	7022178 .....	81, 82	7024444.....	52	7027246 .....	96
7020477 .....	95, 96	7022180 .....	81, 82	7024445.....	52	7027248 .....	96
7020479 .....	96, 97	7023029 .....	177	7024446.....	52	7027249 .....	97
7020495 .....	96	7023030 .....	177	7024572.....	152	7027250 .....	95, 96, 97
7020500 .....	161	7023031 .....	177	7024579.....	96	7027251 .....	97
7020501 .....	161	7023035 .....	177	7024926.....	152	7027252 .....	97
7020502 .....	161	7023036 .....	177	7025122.....	81	7027292 .....	81
7020503 .....	161	7023471 .....	64, 80	7025125.....	82	7027402 .....	82
7020504 .....	161	7023668 .....	64	7025126.....	81	7027607 .....	64
7020509 .....	161	7023669 .....	64	7025134.....	82	7027608 .....	96
7020511 .....	161	7023670 .....	64	7025145.....	80	7027609 .....	96
7020520 .....	161	7023687 .....	81	7025153.....	64	7027610 .....	96
7020528 .....	161	7023988 .....	59	7026002.....	152	7027887 .....	69, 89, 99
7020541 .....	161	7023989 .....	59	7026122.....	52		
7021322 .....	55	7023990 .....	59	7026199.....	69, 89, 99		
7021869 .....	80, 81, 258	7023994 .....	59, 256	7026608.....	97		



**Corporate Office  
JLG Industries, Inc.  
1 JLG Drive  
McConnellsburg, PA 17233-9533 USA**  
☎ (717) 485-5161 (Corporate)  
☎ (877) 554-5438 (Customer Support)  
📠 (717) 485-6417

**Visit our website for JLG Worldwide Locations.  
[www.jlg.com](http://www.jlg.com)**



**OSHKOSH™**