



Illustrated Parts Manual

Model LIFTLUX 203-24

***Prior to SN 1200015548
excluding SN 1200012378
& SN 1200014130***

3121308

December 15, 2014

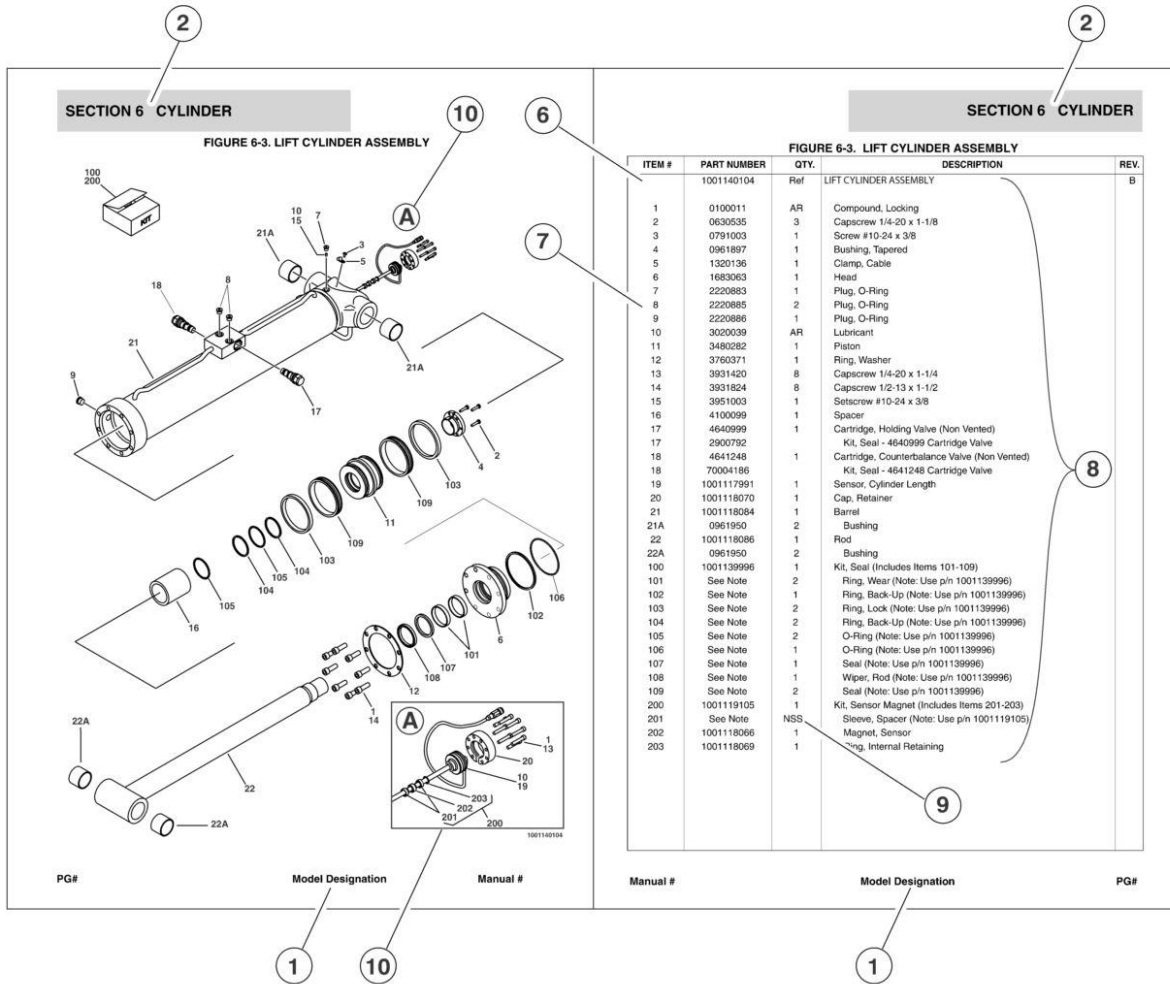


An Oshkosh Corporation Company

REVISION LOG

May 27, 2005 - Original Issue of Manual
March 15, 2006 - Revised Manual (Edited to B/M 0010656 Revision 6)
October 30, 2006 - Revised Manual (Edited to B/M 0010656 Revision 8)
June 30, 2007 - Revised Manual (Edited to B/M 0010656 Revision 11)
November 15, 2007 - Revised Manual (Edited to B/M 0010656 Revision 12)
April 30, 2008 - Revised Manual
May 15, 2009 - Revised Manual
March 15, 2011 - Revised Manual
November 10, 2011 - Revised Manual
February 27, 2012 - Revised Manual
June 29, 2012 - Revised Manual
September 21, 2012 - Revised Manual
January 30, 2013 - Revised Manual
April 18, 2013 - Revised Manual
July 16, 2013 - Revised Manual
October 15, 2013 - Revised Manual
December 15, 2014 - Revised Manual

GENERAL INFORMATION



1) MACHINE IDENTIFICATION

Machines are identified by model and in some cases a combination of models, serial number (SN) or regional standard (i.e. ANSI, CE, CSA). Components may also be identified by SN or manufacturer. Common components that may be identified by these characteristics are engines and hydraulic components.

2) PARTS MANUAL ORGANIZATION

Product information in this manual is organized under section titles. Frame, Cylinder, Hydraulic and Electrical are a few examples. Each section is organized by figure and page number. The information within the Figure is then organized by item number, part number, description and corresponding illustration(s).

3) TABLE OF CONTENTS

A table of contents is found toward the beginning of the manual. Figure number, description and page number are provided for quick reference to the page containing the related information.

4) RECOMMENDED SPARE PARTS

The Recommended Spare Parts, located near the end of the manual, reference most frequently used maintenance parts.

5) PART NUMBER INDEX

A numerical index listing all part numbers and the corresponding page number(s) appears at the back of the manual.

GENERAL INFORMATION

6) NON-SERVICED PARTS

In some instances, it is necessary to display non-serviced parts, assemblies or installations. In the case of assemblies and installations there will be a Ref in the Qty column. In case of parts that are not available for service within assemblies or components, there will be a NSS (Not Sold Separately) or NLA (No Longer Available) listed in the Qty. column of the manual.

7) PARTS LIST ITEM NUMBERS

Numbers shown in the item# column correspond to numbers used in the associated illustration (s). Item numbers which are missing from the sequence in the parts list are not used on that page

8) INDENTED PARTS DESCRIPTION

An indented part description is included in the item under which it is indented.

9) ABBREVIATION AND SYMBOLS

AC.....	.. Alternating Current	LCD.....	.. Liquid Crystal Display
ADE.....	.. Advanced Design Electronics	LED.....	.. Light Emitting Diodes
ANSI.....	.. American National Standards Institute	LH.....	.. Left Hand
AR.....	.. As Required	LSS.....	.. Load Sensing System
ASSY.....	.. Assembly	M(m).....	.. Metric/Meter
AUX.....	.. Auxiliary	MM (mm).....	.. Milimeter
AWG.....	.. American Wire Gauge	mA.....	.. Milliamps
B/M.....	.. Bill of Material	NLA.....	.. No Longer Available
CE.....	.. European Conformity	NPT.....	.. National Pipe Threads
CCW.....	.. Counter Clockwise	NSS.....	.. Not Sold Separately
cm.....	.. Centimeter	OD.....	.. Outside Diameter
CW.....	.. Clockwise	ORB.....	.. O-Ring Boss
CSA.....	.. Canadian Standards Association	ORFS.....	.. O-Ring Face Seal
CYL.....	.. Cylinder	OZ (oz).....	.. Ounces
DIA.....	.. Diameter	PG.....	.. Page
DC.....	.. Direct Current	P/N.....	.. Part Number
EMS.....	.. Emergency Stop	qt.....	.. Quarts
ENG.....	.. Engine	QTY.....	.. Quantity
FT (ft).....	.. Feet	REF.....	.. Reference
GA (Ga).....	.. Gauge	REV.....	.. Revision Level
HYD.....	.. Hydraulic	RH.....	.. Right Hand
Hz.....	.. Hertz	SAE.....	.. Society of Automotive Engineers
ID.....	.. Inside Diameter	SN.....	.. Serial Number
in.....	.. inches	SPEC(S).....	.. Specifications
ISO.....	.. International Organization for Standards	T/T.....	.. Turntable
JIC.....	.. Joint Industry Council	UGM.....	.. Universal Ground Module
KG.....	.. Kilogram	V.....	.. Volts
L.....	.. Liter	W.....	.. Watts
LB.....	.. Pounds	#.....	.. Number

10) ILLUSTRATION REFERENCE LETTERS

When necessary, illustrations may contain reference letters that are intended to track information (i.e. hoses, harnesses) from one point to another or to track visual enlargement of components to show details that may be located in another area on the illustration.

Note: Due to continuous product improvements, JLG Industries, Inc. reserves the right to make specification changes without prior notification. Contact JLG Industries, Inc. for updated information.

TABLE OF CONTENTS

SECTION 1 - FRAME.....	9
FIGURE 1-1. STEERING INSTALLATION	10
FIGURE 1-2. REAR AXLE INSTALLATION	12
FIGURE 1-3. WHEEL DRIVE INSTALLATION.....	14
FIGURE 1-4. DRIVE MOTOR ASSEMBLY	18
FIGURE 1-5. DRIVE HUB ASSEMBLY	20
FIGURE 1-6. LADDER AND LEVELING CYLINDERS INSTALLATION.....	24
SECTION 2 - GROUND CONTROLS	27
FIGURE 2-1. VALVE SIDE COMPONENTS INSTALLATION	28
FIGURE 2-2. MAIN VALVE ASSEMBLY	32
FIGURE 2-3. DRIVE VALVE ASSEMBLY	34
FIGURE 2-4. HAND PUMP ASSEMBLY	36
FIGURE 2-5. MAIN TERMINAL BOX	38
FIGURE 2-6. ENGINE SIDE COMPONENTS INSTALLATION	40
FIGURE 2-7. ENGINE AND AIR CLEANER INSTALLATION	44
FIGURE 2-8. HOODS INSTALLATION	48
SECTION 3 - SCISSORS ARMS	51
FIGURE 3-1. SCISSORS ARMS INSTALLATION.....	52
FIGURE 3-2. SCISSORS PROTECTION INSTALLATION.....	58
SECTION 4 - PLATFORM.....	61
FIGURE 4-1. PLATFORM AND ACCESSORIES INSTALLATION.....	62
FIGURE 4-2. CONSOLE PANEL PARTS.....	66
SECTION 5 - CYLINDER	69
FIGURE 5-1. LIFT CYLINDER ASSEMBLY	70
FIGURE 5-2. STEER CYLINDER ASSEMBLY (ORIGINAL EQUIPMENT)	72
FIGURE 5-3. STEER CYLINDER ASSEMBLY (SERVICE REPLACEMENT)	74
FIGURE 5-4. LEVELING CYLINDER ASSEMBLY (ORIGINAL EQUIPMENT)	76
FIGURE 5-5. LEVELING CYLINDER ASSEMBLY (SERVICE REPLACEMENT)	78
FIGURE 5-6. EXTENSION CYLINDER ASSEMBLY (ORIGINAL EQUIPMENT)	80
FIGURE 5-7. EXTENSION CYLINDER ASSEMBLY (SERVICE REPLACEMENT)	82
SECTION 6 - HYDRAULIC	85
FIGURE 6-1. HYDRAULIC DIAGRAM.....	86
SECTION 7 - ELECTRICAL	91
FIGURE 7-1. ELECTRICAL PLANS - DIESEL CONTROL.....	92
SECTION 8 - DECALS.....	107
FIGURE 8-1. DECAL INSTALLATION.....	108
SECTION 9 - RECOMMENDED SERVICE PARTS STOCK	111
FIGURE 9-1. MODEL 203-24 STANDARD PARTS.....	112
FIGURE 9-2. MODEL 203-24 VARIABLE PARTS.....	114
SECTION 10 - SPECIAL OPTIONS	115
FIGURE 10-1. SPECIAL OPTIONS.....	116
PART NUMBER INDEX	117

SECTION 1 - FRAME

SECTION 1 - FRAME

FIGURE 1-1. STEERING INSTALLATION

ITEM	PART NUMBER	QTY	DESCRIPTION	REV
	0010656	Ref	FINAL ASSEMBLY LIST COMPONENTS	11
92	S000182	4	Bushing (Prior to SN 1200010708)	
	S20324L-110-00-1	Ref	FRAME INSTALLATION	
180	S000182	4	Bushing	
	S20324L-120-00-0	Ref	FRONT AXLE INSTALLATION	
202	S201005	2	Cap	
203	S200243	2	Washer	
213	S006615	1	Spindle, Left	
213A	S001551	1	Bushing	
214	S006665	1	Spindle, Right	
214A	S001551	1	Bushing (Not Shown)	
215	S006812	1	Rod, Tie	
220	S900052	1	Pin	
221	S200252	1	Washer (50mm O.D.)	
222	S200253	1	Washer (40mm O.D.)	
228	S201004	2	Pin	
229	S900053	1	Pin	
233	H000299	NLA	Cylinder, Steering (Use p/n H900007) (See CYLINDER SECTION for Breakdown):	
237	0761214	8	Bolt, M12x30	
238	0761210	3	Bolt, M12x20	
239	4832100	11	Lockwasher, M12	
240	0701230	1	Bolt, M12x125	
241	3291205	1	Nut, M12	
242	S000141	6	Fitting, Grease	
243	S001613	2	O-Ring	
244	S005143	2	Seal	
	S15322L-110-48-0	Ref	FRAME ACCESS PLATE	
301	S200273	1	Plate, Access (Not Shown - On Frame Between Front Wheels)	
	X20324L	Ref	MISCELLANEOUS PARTS LIST COMPONENTS	2
402	S000141	6	Fitting, Grease	
403	S000142	6	Cap, Grease Fitting	

SECTION 1 - FRAME

FIGURE 1-2. REAR AXLE INSTALLATION

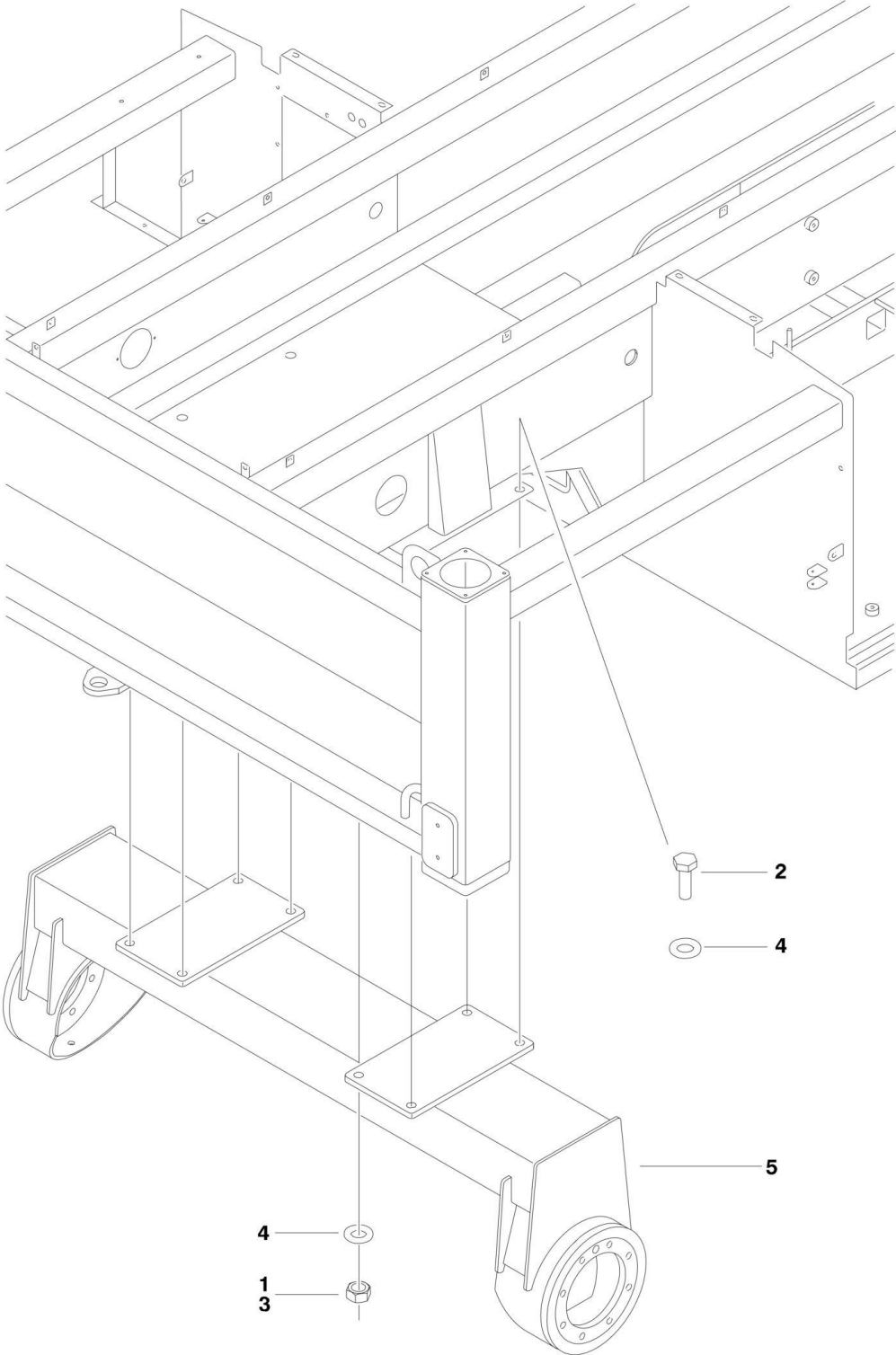
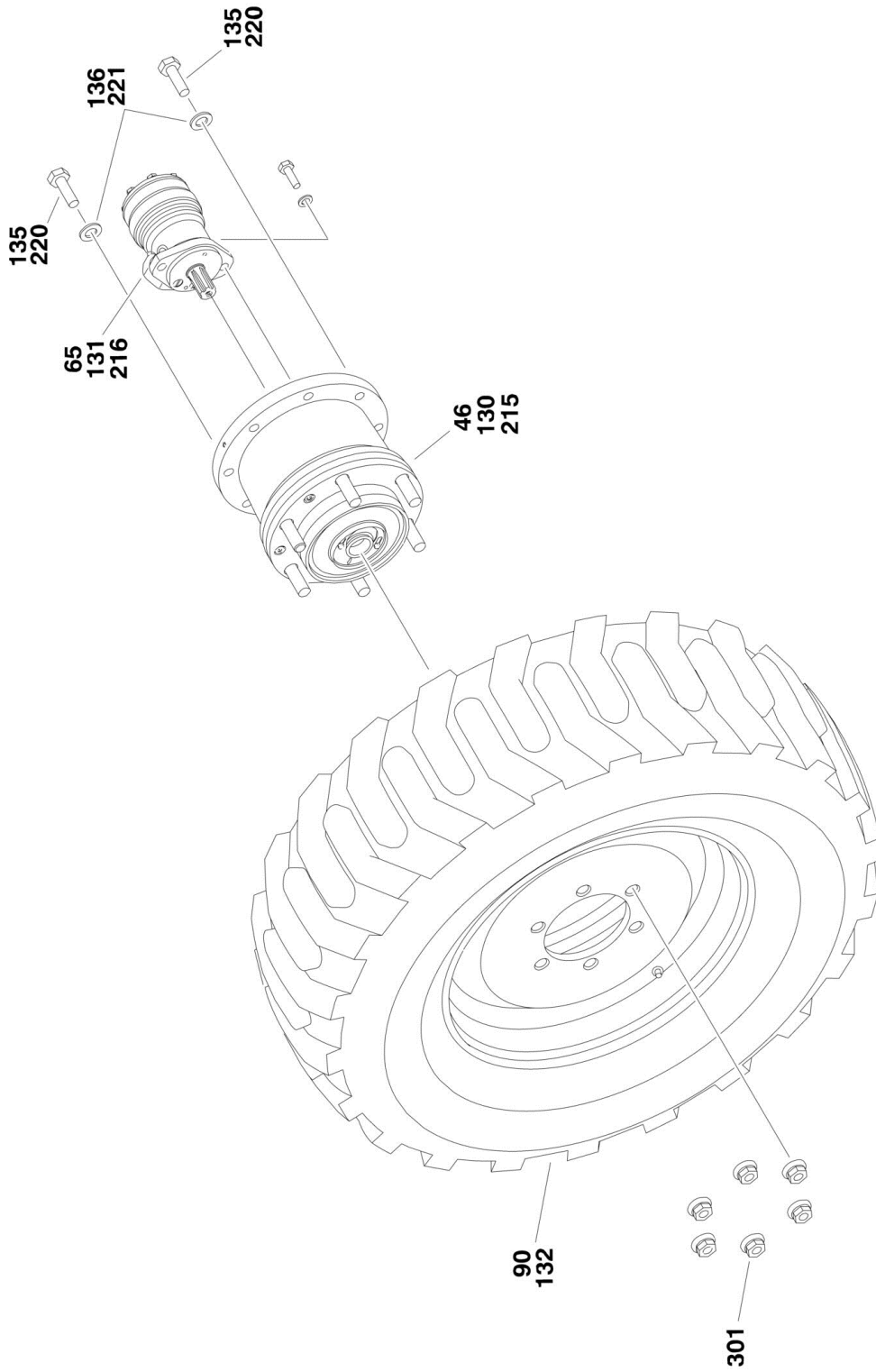


FIGURE 1-2. REAR AXLE INSTALLATION

ITEM	PART NUMBER	QTY	DESCRIPTION	REV
	S20324L-130-00-0	Ref	REAR AXLE INSTALLATION	
1	0100019	AR	Loctite	
2	0712022	8	Bolt, M20x65	
3	3332011	8	Nut, M20	
4	5242000	16	Washer, Hardened	
5	S201059	1	Weldment, Rear Axle	

SECTION 1 - FRAME

FIGURE 1-3. WHEEL DRIVE INSTALLATION



SECTION 1 - FRAME

FIGURE 1-3. WHEEL DRIVE INSTALLATION

ITEM	PART NUMBER	QTY	DESCRIPTION	REV
	0010656	Ref	FINAL ASSEMBLY LIST COMPONENTS	11
46	H000219	4	Drive Hub Assembly (See DRIVE HUB ASSEMBLY for Breakdown)	
65	H000443	4	Drive Motor Assembly (See DRIVE MOTOR ASSEMBLY for Breakdown)	
90		Ref	Wheel and Tire Assembly Options:	
		Ref	Note: Assemblies may require ballast/foam filling to manufacturer's specifications prior to installing on a machine. Refer to Operation and Safety or Service and Maintenance Manuals. Purchase individual tire and/or rim only if able to foam fill tire and wheel assembly, otherwise, purchase complete assembly.	
90		Ref	Wheel and Tire Assembly (Prior to SN 1200008400)	
90	S000154	NLA	RH (Use p/n S900333)	
90	S000154	NLA	LH (Use p/n S900333)	
90	70000151	AR	Tire (1 per Assembly)	
90	70000152	AR	Rim (1 per Assembly)	
90		Ref	Wheel and Tire Assembly (SN 1200008400 through 1200015548)	
90	S900226	2	RH	C
90	S900225	2	LH	C
90	4520288	AR	Tire (1 per Assembly)	
90	S900227	AR	Rim (1 per Assembly)	
	S20324L-120-00-0	Ref	FRONT AXLE INSTALLATION	
130	H000219	2	Drive Hub Assembly (See DRIVE HUB ASSEMBLY for Breakdown)	
131	H000443	2	Drive Motor Assembly (See DRIVE MOTOR ASSEMBLY for Breakdown)	
132		Ref	Wheel and Tire Assembly Options:	
		Ref	Note: Assemblies may require ballast/foam filling to manufacturer's specifications prior to installing on a machine. Refer to Operation and Safety or Service and Maintenance Manuals. Purchase individual tire and/or rim only if able to foam fill tire and wheel assembly, otherwise, purchase complete assembly.	
132		Ref	Wheel and Tire Assembly (Prior to SN 1200008400)	
132	S000154	NLA	RH (Use p/n S900333)	
132	S000154	NLA	LH (Use p/n S900333)	
132	70000151	AR	Tire (1 per Assembly)	
132	70000152	AR	Rim (1 per Assembly)	
132		Ref	Wheel and Tire Assembly (SN 1200008400 through 1200015548)	
132	S900226	1	RH	
132	S900225	1	LH	
132	4520288	AR	Tire (1 per Assembly)	
132	S900227	AR	Rim (1 per Assembly)	
135	0771619	16	Bolt, M16x55	
136	5241600	16	Flatwasher, Hardened	
	S20324L-130-00-0	Ref	REAR AXLE INSTALLATION	
215	H000219	2	Drive Hub Assembly (See DRIVE HUB ASSEMBLY for Breakdown)	
216	H000443	2	Drive Motor Assembly (See DRIVE MOTOR ASSEMBLY for Breakdown)	

SECTION 1 - FRAME

ITEM	PART NUMBER	QTY	DESCRIPTION	REV
220	0771619	16	Bolt, M16x55	
221	5241600	16	Flatwasher, Hardened	
	X20324L	Ref	MISCELLANEOUS PARTS LIST COMPONENTS	2
301	S003991	24	Nut, Wheel	

SECTION 1 - FRAME

FIGURE 1-4. DRIVE MOTOR ASSEMBLY

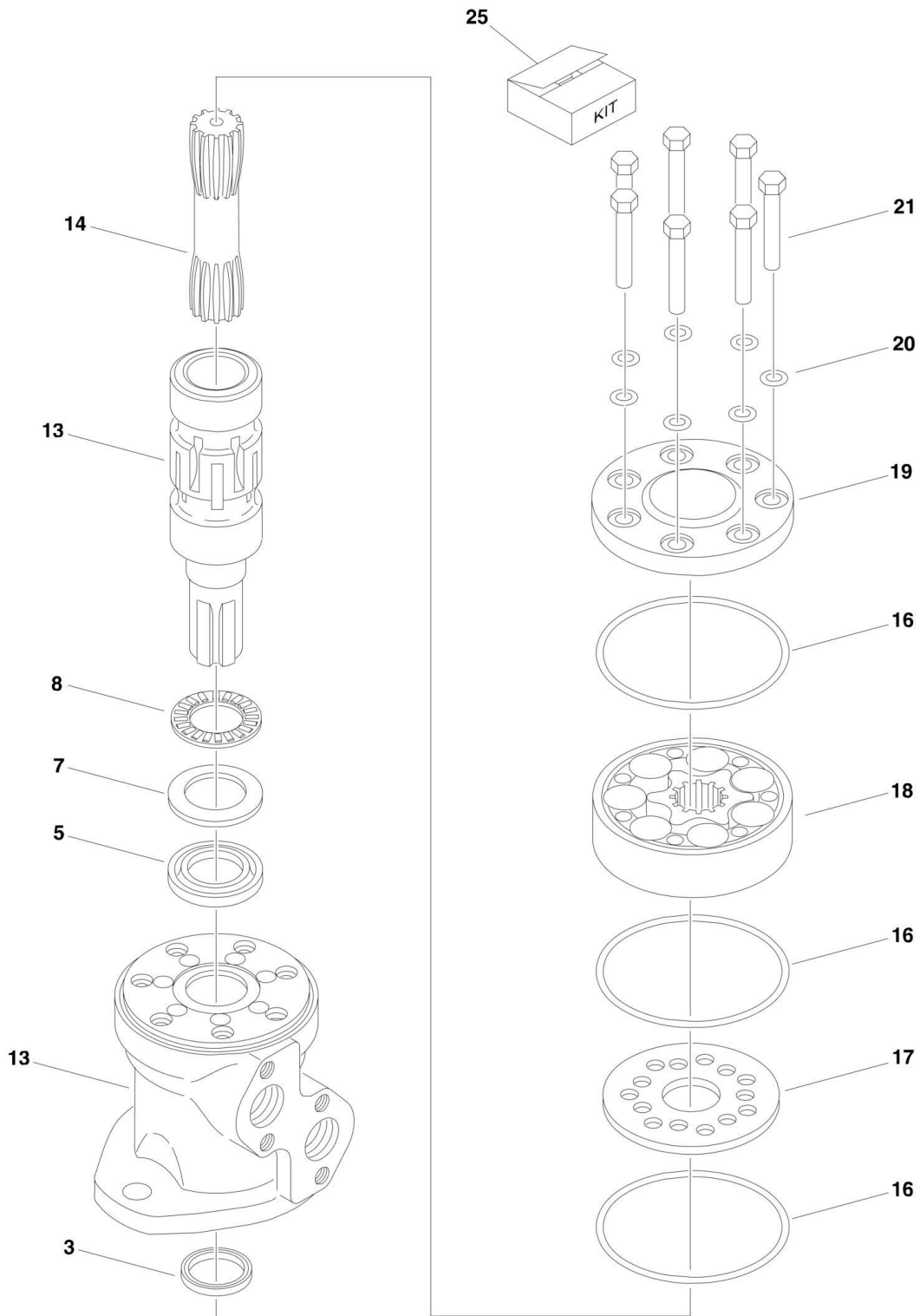
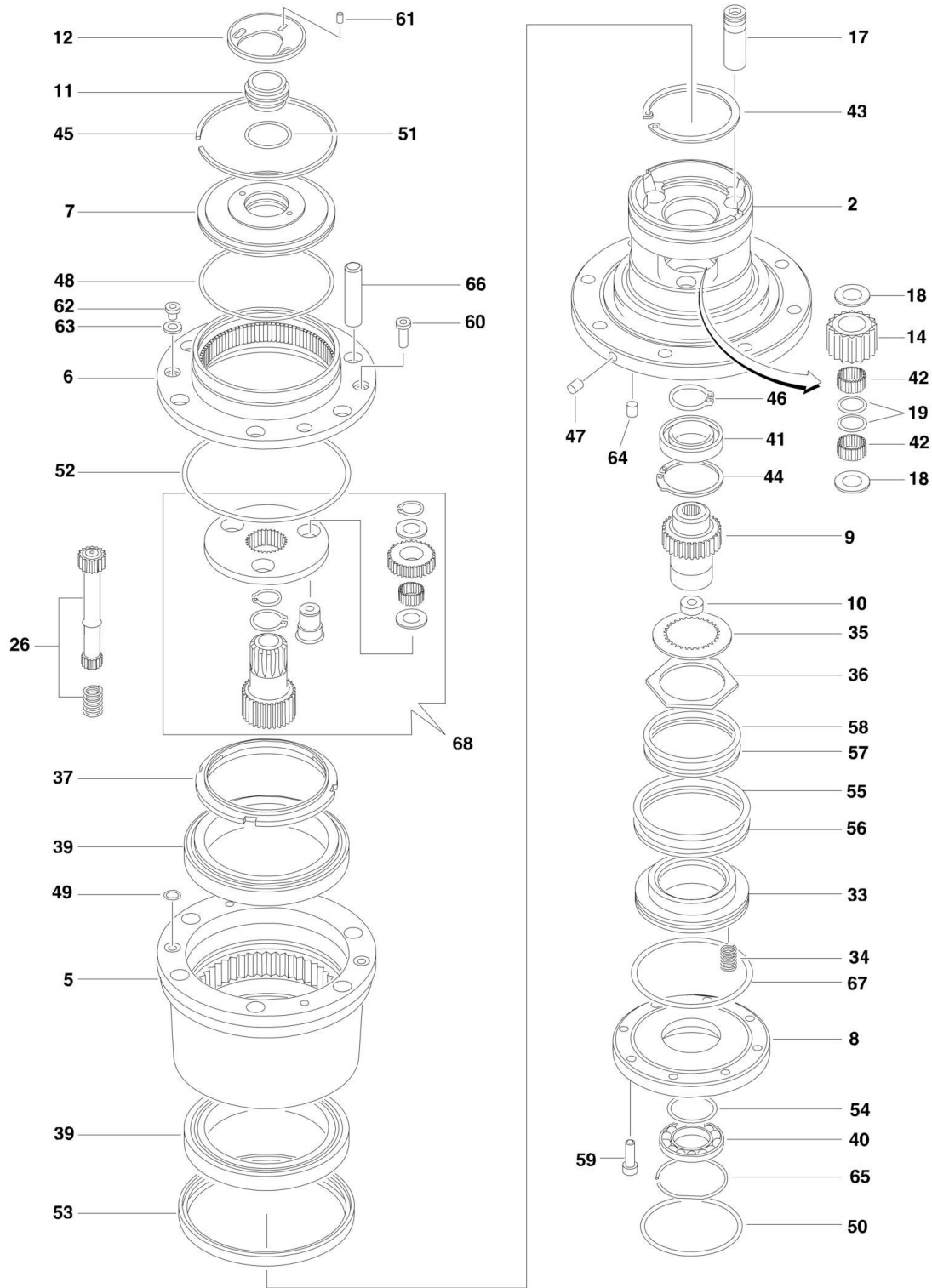


FIGURE 1-4. DRIVE MOTOR ASSEMBLY

ITEM	PART NUMBER	QTY	DESCRIPTION	REV
	H000443	Ref	DRIVE MOTOR ASSEMBLY	D
3	7027861	1	Seal, Dust	
5	See Note	NSS	Seal, Shaft (Note: Use Item 25)	
7	7020128	1	Race, Bearing	
8	7020129	1	Bearing, Needle	
13	See Note	1	Shaft and Housing (Note: Not Available - Replace Complete Assembly)	
14	7027941	1	Shaft, Cardan	
16	See Note	NSS	O-Ring (Note: Use Item 25)	
17	7027939	1	Plate, Distributor	
18	See Note	1	Gear Set (Note: Not Available - Replace Complete Assembly)	
19	7027940	1	Cover, End	
20	See Note	NSS	Washer (Note: Use Item 25)	
21	See Note	7	Screw, M8 x 45mm (Note: Not Available - Purchase Locally)	
25	7020127	1	Seal Kit - H000443 Motor (Includes Items 3, 5, 16 & 20)	

SECTION 1 - FRAME

FIGURE 1-5. DRIVE HUB ASSEMBLY



SECTION 1 - FRAME

FIGURE 1-5. DRIVE HUB ASSEMBLY

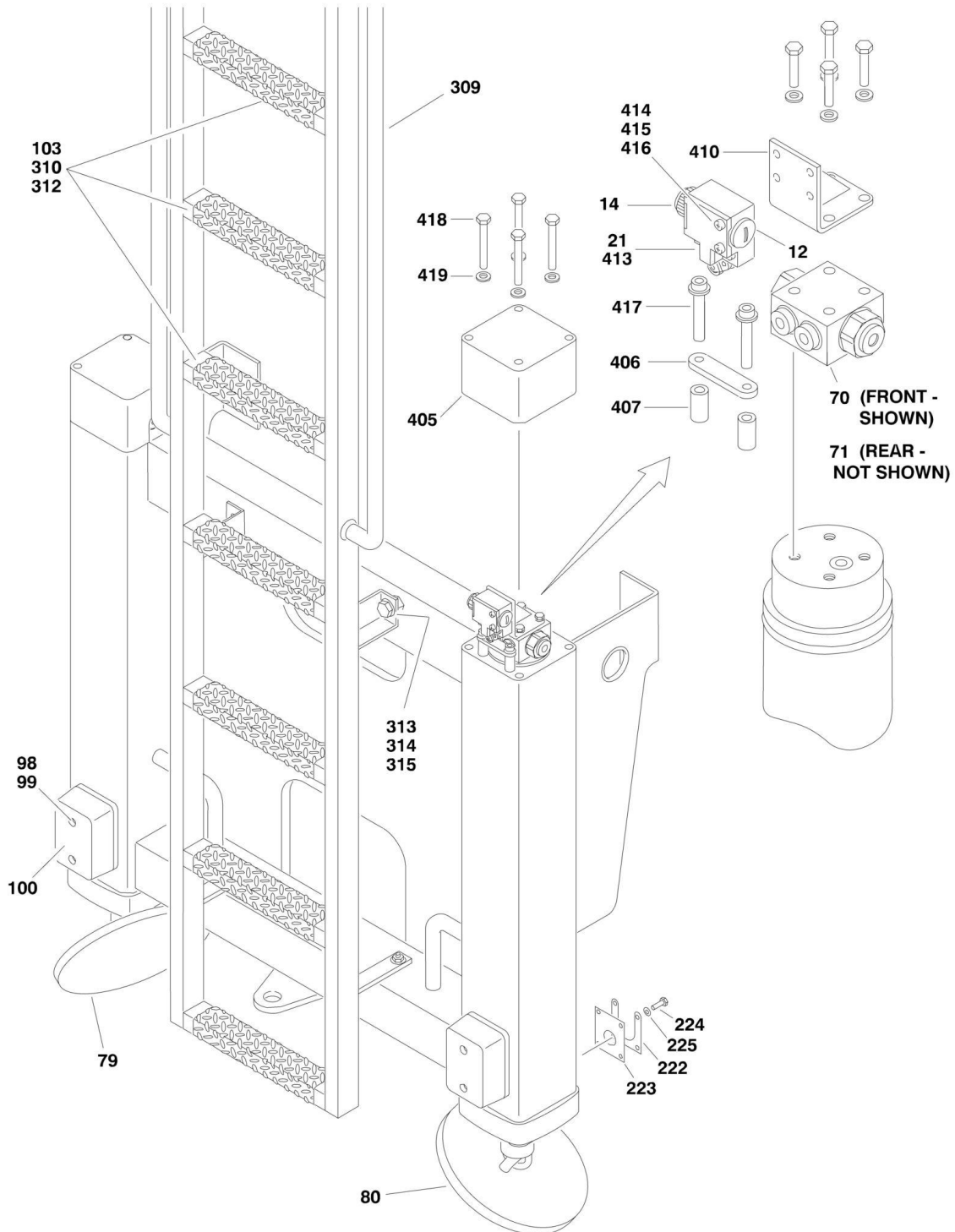
ITEM	PART NUMBER	QTY	DESCRIPTION	REV
	H000219	Ref	DRIVE HUB ASSEMBLY	D
2	See Note	1	Spindle (Note: Not Available - Replace Complete Assembly)	
5	See Note	1	Hub (Note: Not Available - Replace Complete Assembly)	
6	70000239	1	Gear Ring	
7	See Note	1	Cover (Note: Not Available - Replace Complete Assembly)	
8	See Note	1	Flange (Note: Not Available - Replace Complete Assembly)	
9	See Note	1	Coupling (Note: Not Available - Replace Complete Assembly)	
10	See Note	1	Thrustwasher (Note: Not Available - Replace Complete Assembly)	
11	See Note	1	Thrustwasher (Note: Not Available - Replace Complete Assembly)	
12	See Note	1	Circlip (Note: Not Available - Purchase Locally)	
14	See Note	3	Gear, Planetary (Note: Not Available - Replace Complete Assembly)	
17	See Note	3	Pin (Note: Not Available - Replace Complete Assembly)	
18	See Note	6	Thrustwasher (Note: Not Available - Replace Complete Assembly)	
19	See Note	6	Spacer (Note: Not Available - Replace Complete Assembly)	
26	70000240	1	Pinion, Sun	
33	See Note	1	Piston (Note: Not Available - Replace Complete Assembly)	
34	70000241	16	Spring	
35	70000242	5	Disc	
36	70000243	6	Disc	
37	70000244	1	Nut, Lock	
39	70000245	2	Bearing	
40	70000246	1	Bearing	
41	70000247	1	Bearing	
42	See Note	6	Bearing (Note: Not Available - Replace Complete Assembly)	
43	See Note	1	Circlip (Note: Not Available - Purchase Locally)	
44	See Note	1	Circlip (Note: Not Available - Purchase Locally)	
45	See Note	1	Disc (Note: Not Available - Replace Complete Assembly)	
46	See Note	1	Circlip (Note: Not Available - Purchase Locally)	
47	See Note	1	Plug (Note: Not Available - Purchase Locally)	
48	70000248	1	O-Ring	
49	70000249	2	O-Ring	
50	70000250	1	O-Ring	
51	70000251	1	O-Ring	
52	70000252	1	O-Ring	
53	70000253	1	Oil Seal	
54	70000254	1	Gasket	
55	70000255	1	O-Ring	
56	70000256	1	Ring, Blocking	
57	70000257	1	O-Ring	
58	70000258	1	Ring, Blocking	
59	See Note	8	Screw (Note: Not Available - Purchase Locally)	
60	See Note	2	Screw (Note: Not Available - Purchase Locally)	
61	See Note	2	Screw (Note: Not Available - Purchase Locally)	
62	See Note	2	Plug (Note: Not Available - Purchase Locally)	
63	See Note	2	Washer (Note: Not Available - Purchase Locally)	
64	See Note	1	Plug (Note: Not Available - Purchase Locally)	
65	See Note	1	Disc (Note: Not Available - Replace Complete Assembly)	
66	70000259	6	Stud, Threaded	
67	70000260	1	O-Ring	

SECTION 1 - FRAME

ITEM	PART NUMBER	QTY	DESCRIPTION	REV
68	7000346	1	Gear Kit, Reduction	

SECTION 1 - FRAME

FIGURE 1-6. LADDER AND LEVELING CYLINDERS INSTALLATION



SECTION 1 - FRAME

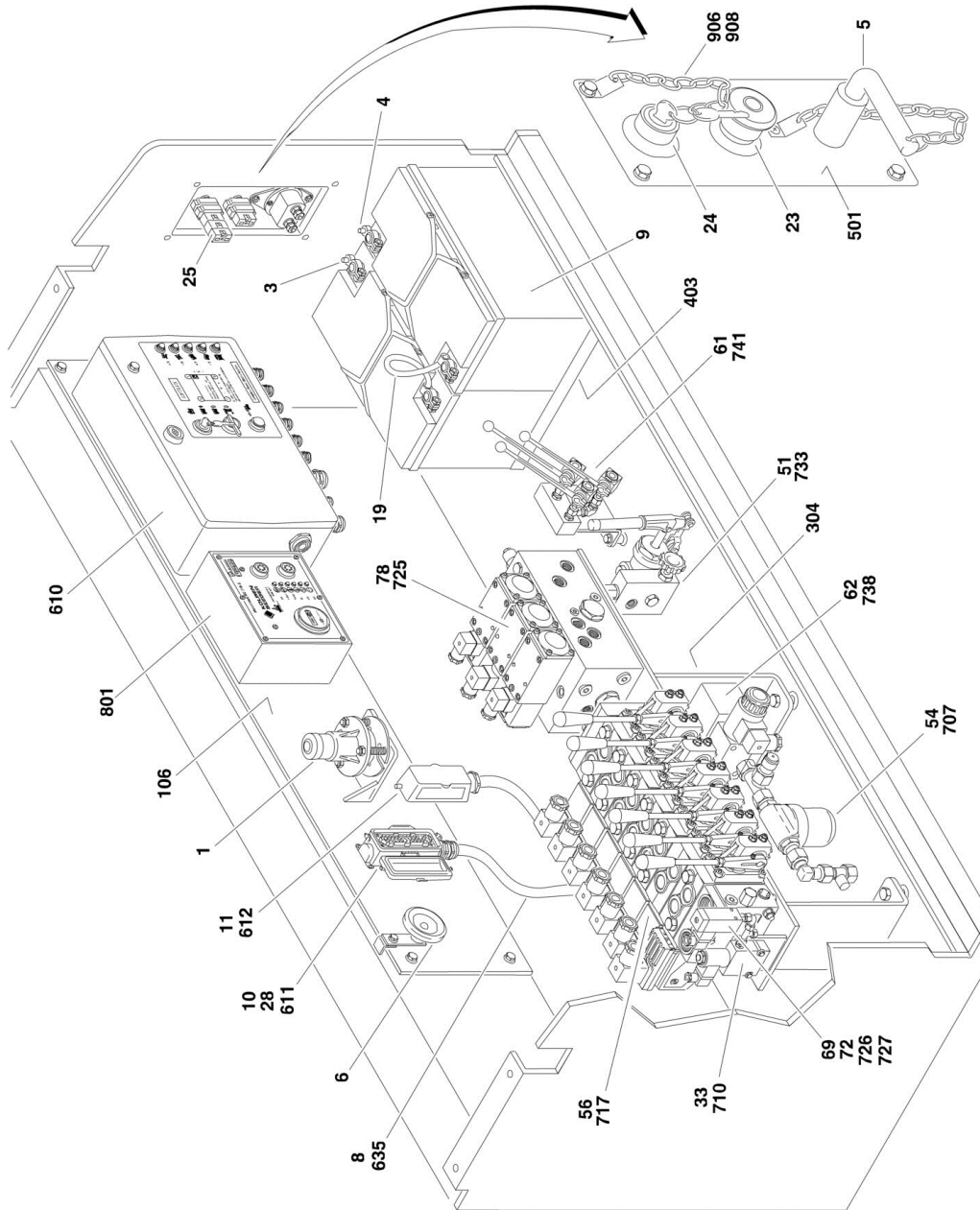
FIGURE 1-6. LADDER AND LEVELING CYLINDERS INSTALLATION

ITEM	PART NUMBER	QTY	DESCRIPTION	REV
	0010656	Ref	FINAL ASSEMBLY LIST COMPONENTS	11
12	E000230	4	Plug	
14	E000248	4	Gland, Cable	
21	E000359	4	Switch, Limit	
70	H000558	2	Valve, Leveling Cylinder (Front -8 Bar)	C
71	H000559	2	Valve, Leveling Cylinder (Rear -1 Bar)	C
79	H005778	NLA	Cylinder, Leveling (Use p/n H900018) (Right Front, Left Rear) (See CYLINDER SECTION for Breakdown):	
80	H005779	NLA	Cylinder, Leveling (Use p/n H900019) (Left Front, Right Rear) (See CYLINDER SECTION for Breakdown):	
98	4032015	8	Screw, M10x55	
99	4812000	8	Flatwasher, M10	
100	S001640	4	Bumper	
103	S004500		Non-Slip Strip (Including 1200003156)	
	S20324L-110-03-0	Ref	FRAME END PLATE INSTALLATION	
222	S900002	2	Plate	
223	S900003	2	Gasket	
224	0760608	8	Screw, M6x12	
225	4831700	8	Lockwasher, M6	
	S20324L-180-00-1	Ref	LADDER INSTALLATION	
309	S900064	1	Ladder	
310	S004500		Non-Slip Strip (Including 1200003156)	
312	3820510	24	Rivet, Blind (Including 1200003156)	
313	0761010	4	Bolt, M10x20	
314	4812000	4	Flatwasher, M10	
315	4832000	4	Lockwasher, M10	
	S15322L-190-00-0	Ref	LEVELING VALVE LIMIT SWITCHES INSTALLATION	D
405	S004039	4	Cover, Leveling Valve	
406	S900013	4	Plate	
407	S900014	8	Tube	
410	S900021	4	Bracket, Switch	
413	E000359	4	Switch, Limit	
414	4831500	16	Lockwasher, M4	
415	4031510	16	Screw, M4x30	
416	3290405	16	Nut, M4	
417	0700816	8	Bolt, M8x40	
418	0700832	16	Bolt, M8x150	
419	4811900	16	Flatwasher, M8	

SECTION 2 - GROUND CONTROLS

SECTION 2 - GROUND CONTROLS

FIGURE 2-1. VALVE SIDE COMPONENTS INSTALLATION



SECTION 2 - GROUND CONTROLS

FIGURE 2-1. VALVE SIDE COMPONENTS INSTALLATION

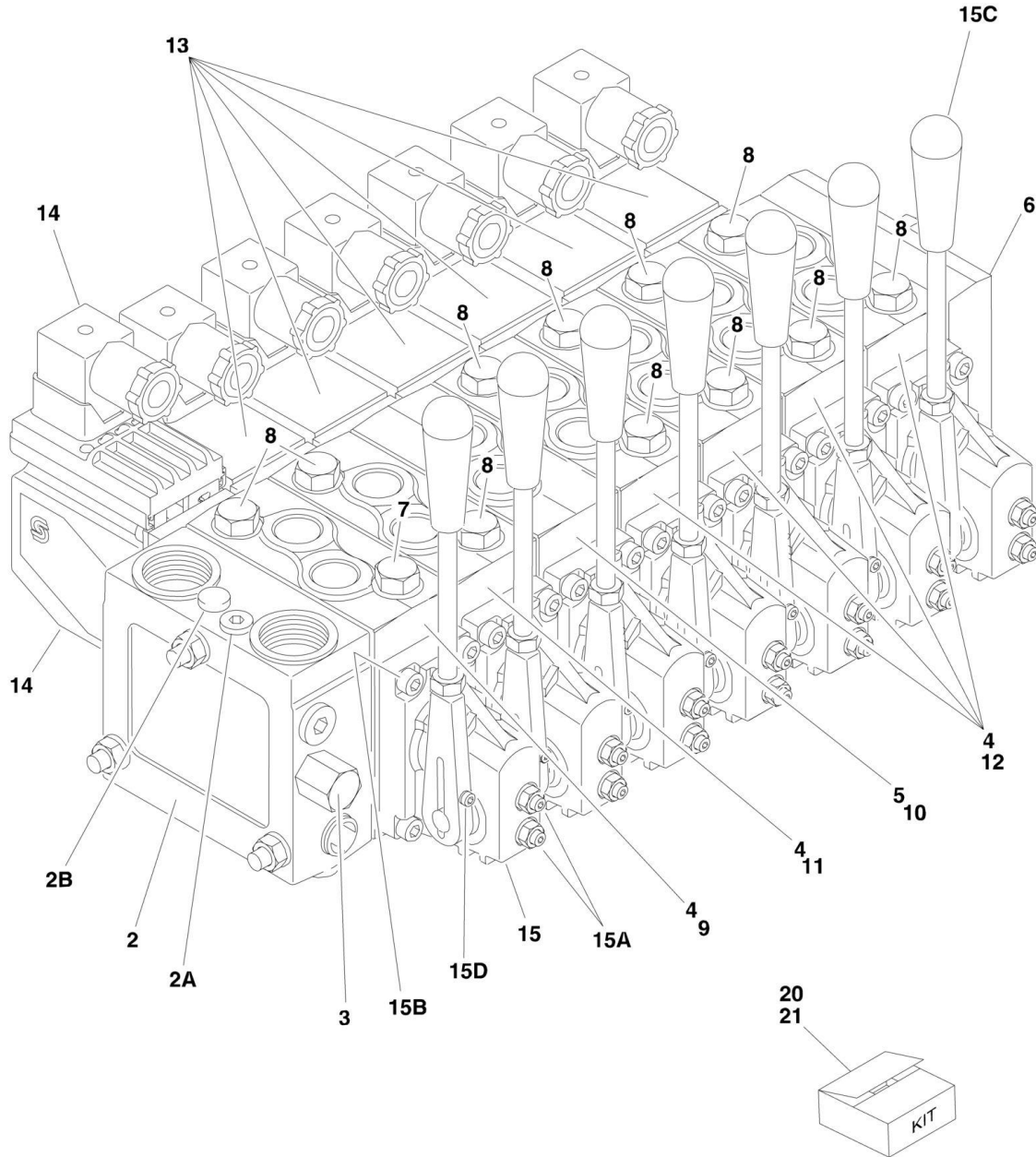
ITEM	PART NUMBER	QTY	DESCRIPTION	REV
	0010656	Ref	FINAL ASSEMBLY LIST COMPONENTS	11
1	E000044	1	Switch, Tilt	
3	E000057	1	Terminal, Battery (Negative)	
4	E000058	1	Terminal, Battery (Positive)	
5	E000059	1	Switch, Battery Disconnect	
5	70001114	1	Handle	
6	E000063	1	Horn	
8	E000083	AR	Cable, Control (25 Wire)	
9	8008750	2	Battery	
10	E000102	1	Connector Housing, Female 24-Pin	
11	E000103	1	Connector Housing, Male 24-Pin	
19	E000275	1	Cable, Battery Connector	
23	E000377	1	Switch, Emergency Stop	
24	E000390	1	Switch, Leveling Cylinder Key	
24	7027962	1	Key	
25	E000391	3	Block, Contact	
28	E000481	1	Insert, Female 24-Pin Connector	
33	H000019	1	Valve, Lowering	
33	7012986	1	Coil	
33	7012941	1	Cartridge	
33	7010543	1	Seal Kit	
51	H000285	1	Pump Assembly, Hand (See HAND PUMP ASSEMBLY for Breakdown)	
54	H000311	1	Filter, Mini High Pressure	
54	70000020	1	Element	
56	H000324	1	Valve Assembly, Main (See MAIN VALVE ASSEMBLY for Breakdown)	
61	H000363	1	Manifold, Pressure Distribution	
62	H000370	NLA	Valve, Steer (Note: Valve currently purchased from multiple vendors. Service parts no longer available.)	
69	H000536	1	Switch, Pressure	
72	H000570	1	Shim, Pressure Switch	
78	H005376	NLA	Valve Assembly, Drive (Use p/n 1001113273) (See DRIVE VALVE ASSEMBLY for Breakdown)	
	S20324L-162-01-0	Ref	ELECTRICAL MOUNTING PANEL ASSEMBLY	A
106	S200265	1	Panel, Electrical Carrier	
	S15322L-163-13-0	Ref	PRESSURE DISTRIBUTION MANIFOLD BRACKET ASSEMBLY	
201	S200267	1	Bracket, Hydraulic Pressure Manifold (Not Shown)	
	S20324L-163-18-0	Ref	VALVE MOUNTING BRACKET ASSEMBLY	D
304	S201091	1	Bracket, Valve Mounting	
	S20324L-163-20-0	Ref	BATTERY TRAY ASSEMBLY	
403	S200274	1	Tray, Battery	
	S015312-600-07-0	Ref	GROUND CONTROL SWITCH MOUNTING PANEL	
501	S200263	1	Panel, Switch Mounting	
		Ref	ELECTRICAL COMPONENTS	
	E000499	Ref	Electrical Components (Prior to SN 1200004651)	B
	E900002	Ref	Electrical Components (SN 1200004651 through 1200015548)	3
610		Ref	Main Terminal Box (See MAIN TERMINAL BOX for Breakdown)	
611	E000102	1	Connector Housing, Female 24-Pin	
612	E000482	1	Insert, Male 24-Pin Connector	

SECTION 2 - GROUND CONTROLS

ITEM	PART NUMBER	QTY	DESCRIPTION	REV
635	E000083	AR	Cable, Control (25 Wire)	
	H900025	Ref	HYDRAULIC DIAGRAM COMPONENTS	3-C
707	H000311	1	Filter, Mini High Pressure	
707	70000020	1	Element	
710	H000019	1	Valve, Lowering	
710	7012986	1	Coil	
710	7012941	1	Cartridge	
710	7010543	1	Seal Kit	
717	H000324	1	Valve Assembly, Main (See MAIN VALVE ASSEMBLY for Breakdown)	
725	H005376	NLA	Valve Assembly, Drive (Use p/n 1001113273) (See DRIVE VALVE ASSEMBLY for Breakdown)	
726	H000536	1	Switch, Pressure	
727	H000570	1	Shim, Pressure Switch	
733	H000285	1	Pump Assembly, Hand (See HAND PUMP ASSEMBLY for Breakdown)	
738	H000370	1	Valve, Steer (Note: JLG purchases this valve from multiple vendors so no service parts are offered.)	
741	H000363	1	Manifold, Pressure Distribution	
		Ref	ENGINE INSTALLATION	
	S15322L-161-00-0	Ref	Engine Installation (Including 1200003156)	0-B
	H900002-161-00-0	Ref	All Machines (Excluding 1200003156)	1-D
801	H005559	1	Control Box, Deutz Engine	
801	70001352	1	PC Board with LEDs	
801	70001353	1	E-Prom w/ Software	
801	70001355	1	Diode	
801	70000634	1	Hourmeter	
801	70000635	2	Switch, Pushbutton	
801	70001122	4	Mount, Isolator	
	X20324L	Ref	MISCELLANEOUS PARTS LIST COMPONENTS	2
906	S001443	2	Chain	
908	S001677	2	Ring, Key	

SECTION 2 - GROUND CONTROLS

FIGURE 2-2. MAIN VALVE ASSEMBLY



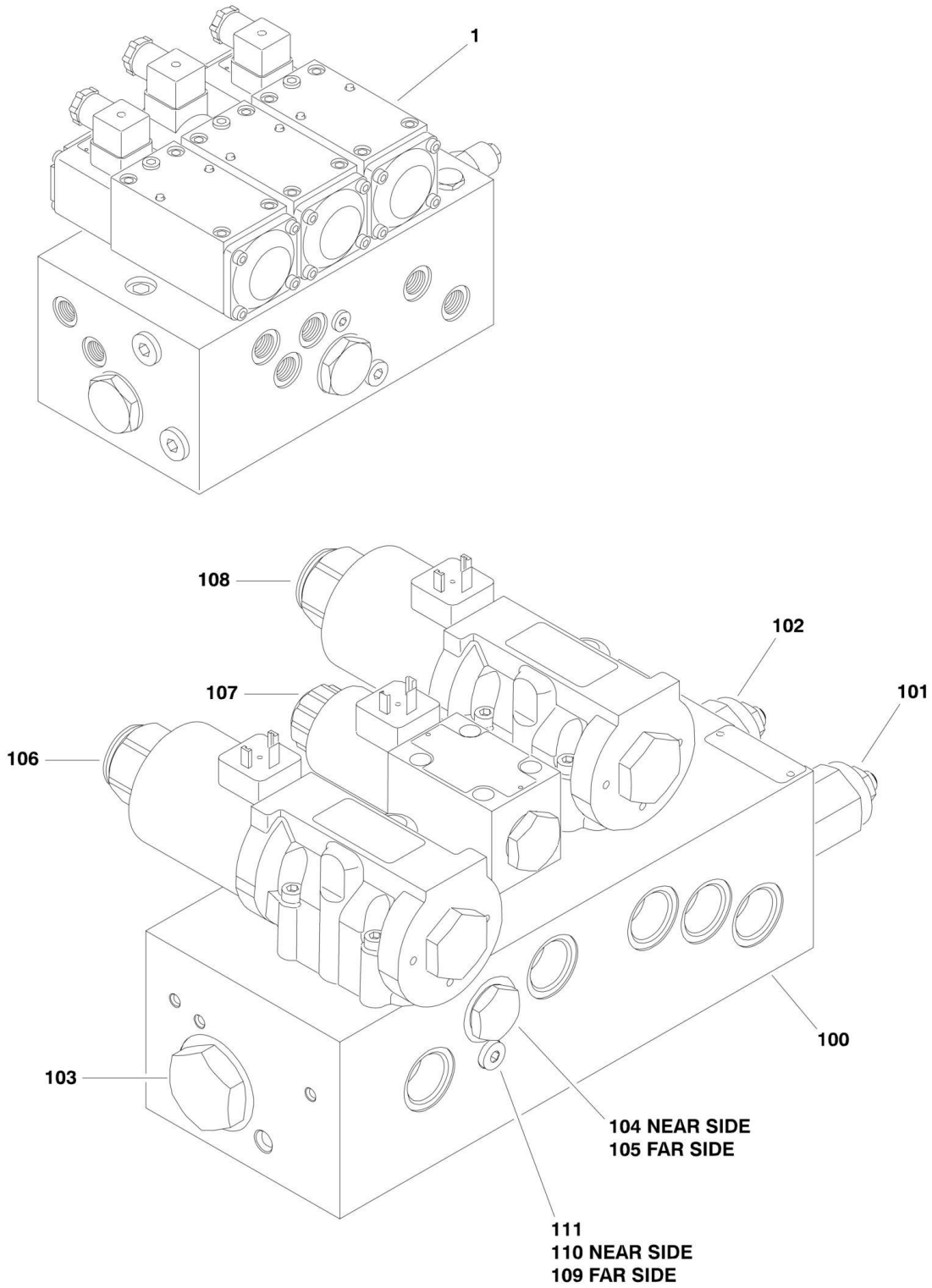
SECTION 2 - GROUND CONTROLS

FIGURE 2-2. MAIN VALVE ASSEMBLY

ITEM	PART NUMBER	QTY	DESCRIPTION	REV
	H000324	Ref	MAIN VALVE ASSEMBLY	E
2	H000353	1	Section, Pump (Left Side)	
2	8007939	1	Seal Kit - H000353 Section	
2A	8007944	1	Supply Assembly, Pilot	
2B	7027912	1	Relief Assembly	
3	H000352	1	Pilot Supply, External	
4	7028847	6	Valve Section (With Relief Valve) (All Functions Except Lift) (was p/n H000188)	
4	H000031	6	Seal Kit - 7028847 Section (Use p/n 8007935)	
5	H000542	1	Valve Section (Without Relief Valve) (Lift Functions Only)	
5	H000031	1	Seal Kit - H000542 Section (Use p/n 8007935)	
6	H000580	1	End Plate	
6	See Note	NSS	Seal Kit - H000580 Section (Note: Use Item 21)	
7	H000602	1	Valve, Relief (Platform Function Only)	
8	H005250	11	Valve, Relief (All Functions Except Lift Function)	
9	H000390	1	Spool (Platform)	
10	7027915	1	Spool (Drive)	
11	H000516	1	Spool (Lift)	
12	H000512	4	Spool (Outrigger)	
13	H000191	6	Activator, Electrical (On-Off) (All Functions Except Drive)	
13	H000032	6	Seal Kit - H000191 Electrical Activator (Use p/n 8007954)	
13	7028846	24	Screw, Mounting	
13	7028849	6	Connector, DIN (Black)	
14	H000206	1	Activator, Electrical (Proportional High) (Drive Function Only)	
14	H000032	1	Seal Kit - H000206 Electrical Activator (Use p/n 8007954)	
14	7028846	4	Screw, Mounting	
14	8007953	1	Connector, DIN (White)	
15	7028893	7	Activation Assembly, Mechanical (was p/n H000187)	
15	H005248	7	Seal Kit - 7028893 Mechanical Activator (Use p/n 8007894)	
15A	1003107	14	Nut, Seal (2 per Assembly)	
15A	8007915	14	Pin, Threaded (2 per Assembly)	
15B	0318854	28	Screw (4 per Assembly)	
15C	H005247	7	Base and Lever Assembly (1 per Assembly)	
15D	0307544	7	Screw (1 per Assembly)	
15D	0893076	7	Washer (1 Per Assembly)	
20	8003064	1	Assembly Kit (Includes Hardware and Seals for Between Valve Sections)	
21	7028848	9	Seal Kit for Between Valve Sections (was p/n H005249) (Note: One Seal Kit does both sides of section.)	

SECTION 2 - GROUND CONTROLS

FIGURE 2-3. DRIVE VALVE ASSEMBLY



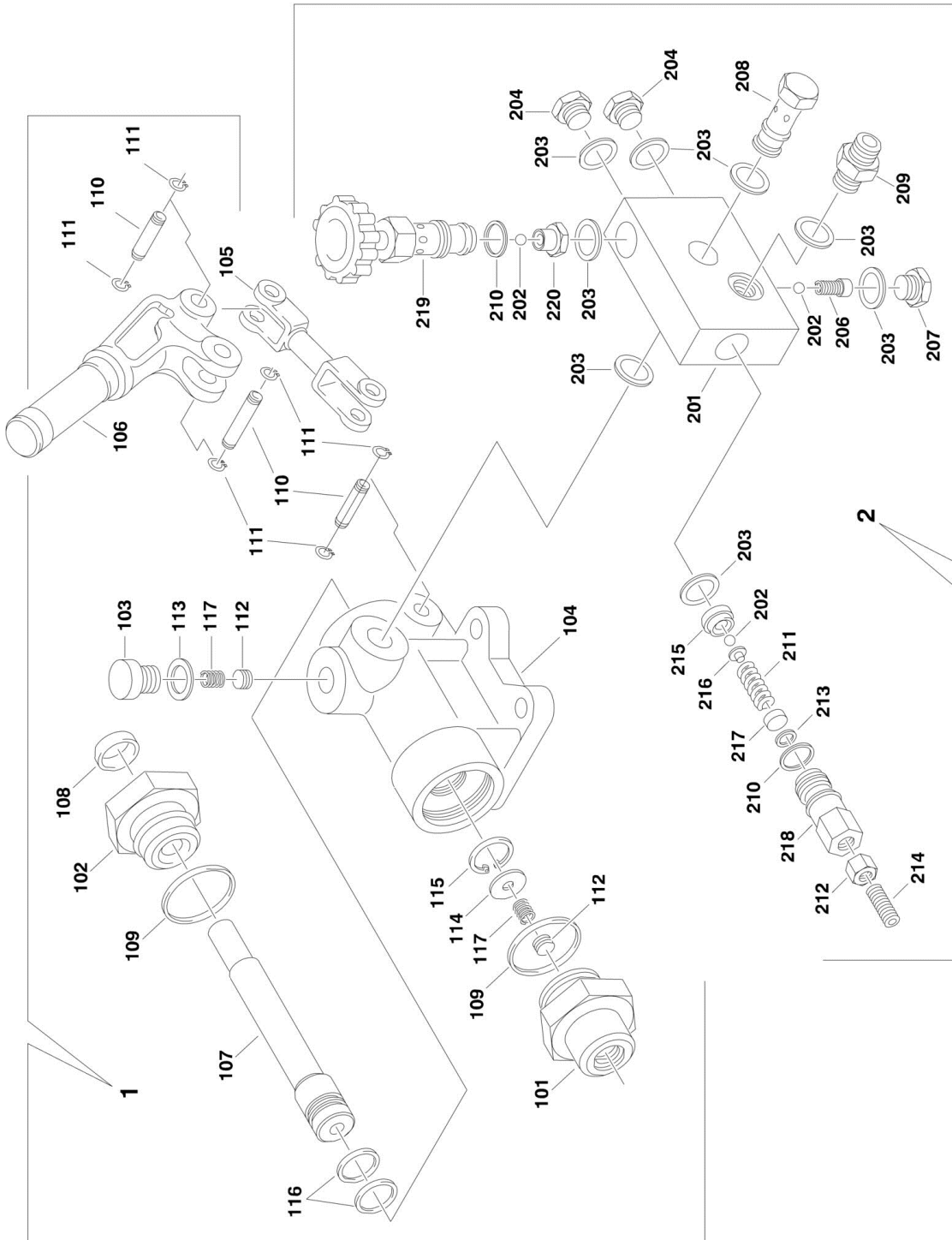
SECTION 2 - GROUND CONTROLS

FIGURE 2-3. DRIVE VALVE ASSEMBLY

ITEM	PART NUMBER	QTY	DESCRIPTION	REV
1	H005376	Ref	DRIVE VALVE ASSEMBLY	
		Ref	Drive Valve Assembly (Original Equipment)	
		Ref	Note: No Service Parts Available. Use p/n 1001113273 as Replacement.	
100	1001111759	Ref	Drive Valve Assembly (Service Replacement for H005376 Valve)	
101	70003606	1	Cartridge, Relief	
102	70003606	1	Cartridge, Relief	
103	70003607	1	Cartridge, Flow Divider	
104	70003608	1	Cartridge, Flow Divider	
105	70003608	1	Cartridge, Flow Divider	
106	70003609	1	Directional Valve Assembly	
107	70003610	1	Directional Valve Assembly	
108	70003609	1	Directional Valve Assembly	
109	70003611	1	Orifice .8mm	
110	70003611	1	Orifice .8mm	
111	See Note	2	Plug (Note: Not Available - Purchase Locally)	

SECTION 2 - GROUND CONTROLS

FIGURE 2-4. HAND PUMP ASSEMBLY



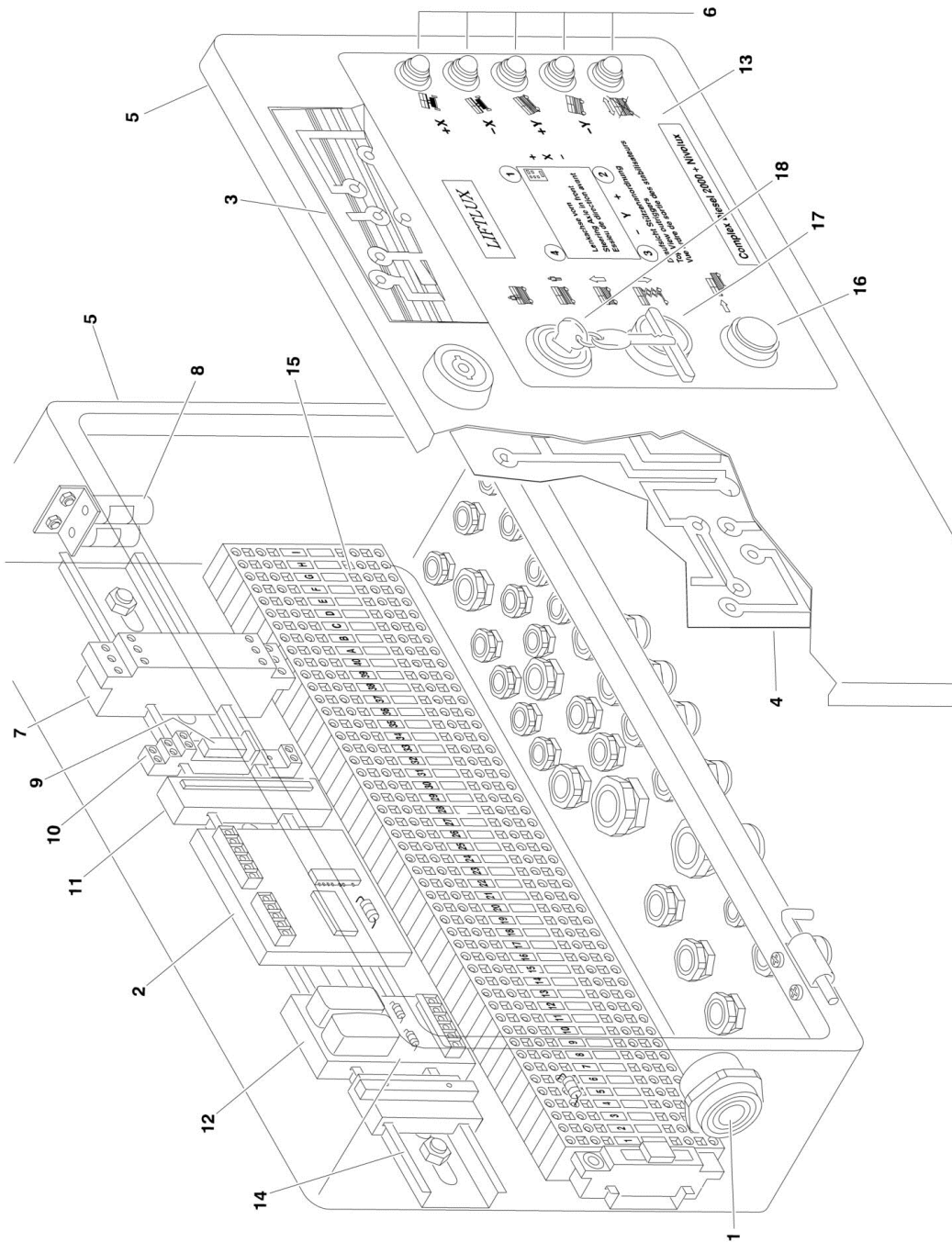
SECTION 2 - GROUND CONTROLS

FIGURE 2-4. HAND PUMP ASSEMBLY

ITEM	PART NUMBER	QTY	DESCRIPTION	REV
	H000285	Ref	HAND PUMP ASSEMBLY	D
1	70000513	1	Pump Assembly (See Items 101-117 for Breakdown)	
2	70000528	1	Valve Assembly (See Items 201-220 for breakdown)	
	70000513	Ref	PUMP ASSEMBLY	
101	70000514	1	Valve, Suction	
102	See Note	1	Plug (Note: Not Available - Purchase Locally)	
103	See Note	1	Plug (Note: Not Available - Purchase Locally)	
104	See Note	1	Body (Note: Not Available - Purchase Pump Assembly)	
105	70000515	1	Rod, Connecting	
106	70000516	1	Lever	
107	70000517	1	Piston	
108	70000518	1	Seal	
109	70000519	2	Seal	
110	70000520	2	Pin	
111	70000521	6	Ring, Retaining	
112	70000522	2	Ball	
113	70000523	1	Ring	
114	70000524	1	Washer	
115	70000525	1	Ring, Internal Retaining	
116	70000526	2	Seal	
117	70000527	2	Spring	
	70000528	Ref	VALVE ASSEMBLY	
201	See Note	1	Body (Note: Not Available - Purchase Pump Assembly)	
202	70000529	3	Ball	
203	70000530	8	Ring	
204	See Note	2	Bolt, M8 x 8mm (Note: Not Available - Purchase Locally)	
205	70000531	1	Spinner (Not Shown)	
206	70000532	1	Spring	
207	See Note	1	Plug (Note: Not Available - Purchase Locally)	
208	70000533	1	Screw	
209	70000534	1	Fitting, Straight	
210	70000535	2	Seal	
211	70000536	1	Spring	
212	See Note	1	Nut, M10 (Note: Not Available - Purchase Locally)	
213	70000537	1	Seal	
214	See Note	1	Setscrew (Note: Not Available - Purchase Locally)	
215	70000538	1	Relief, Valve	
216	70000539	1	Pin, Ball Driving	
217	70000540	1	Plate, Seal	
218	70000541	1	Valve Body	
219	70000542	1	Knob Assembly	
220	70000543	1	Valve Body	

SECTION 2 - GROUND CONTROLS

FIGURE 2-5. MAIN TERMINAL BOX



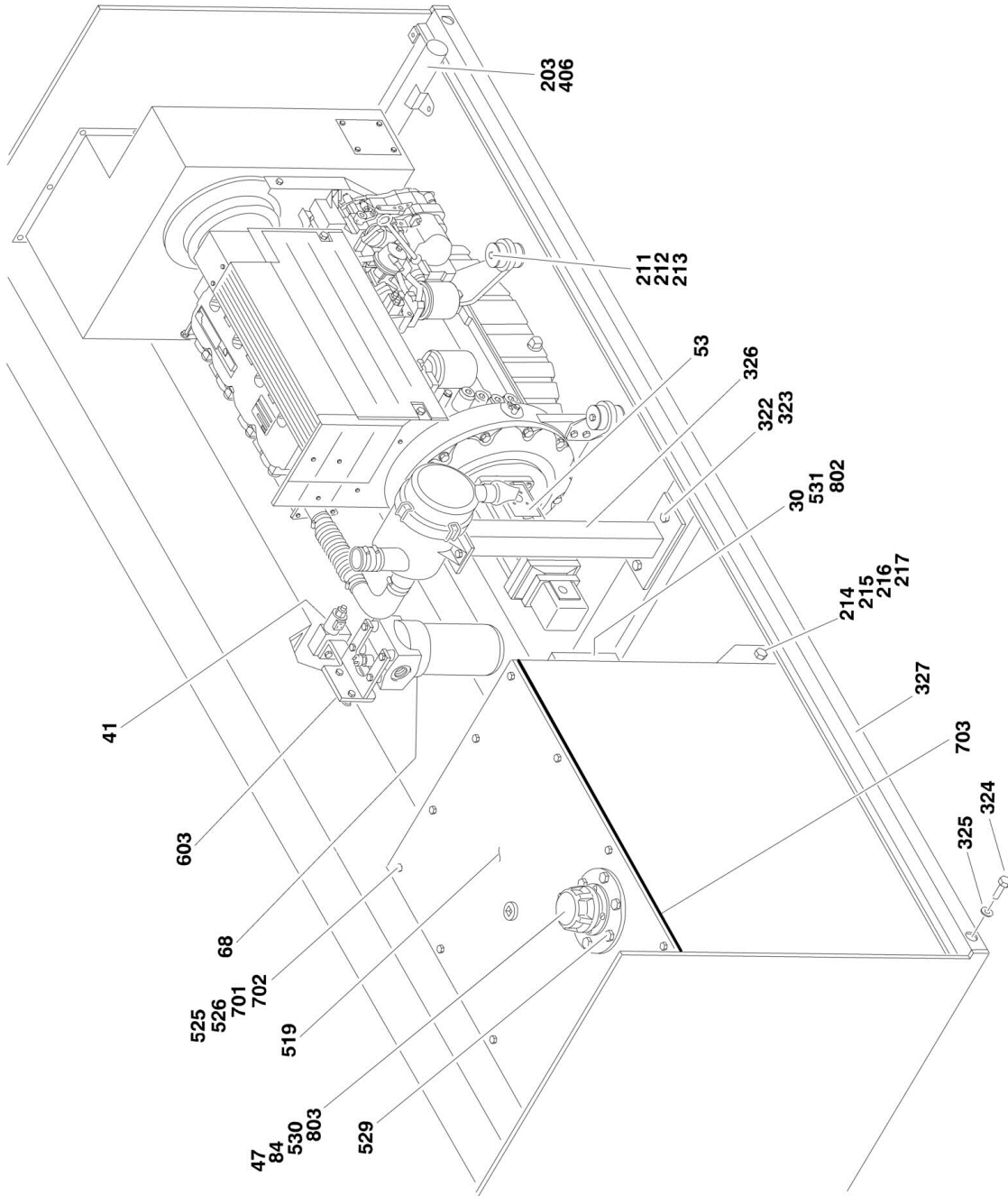
SECTION 2 - GROUND CONTROLS

FIGURE 2-5. MAIN TERMINAL BOX

ITEM	PART NUMBER	QTY	DESCRIPTION	REV
		Ref	MAIN TERMINAL BOX	
1	0140011	1	Alarm	
2	E000189	1	Card, Pump Delay	
3	E000214	1	Card, Nivelux Control	
4	E000218	1	Card, Complex Control	
5	E000375	1	Housing, Control Box	
6	E000419	5	LED, Red	
7	E000457	1	Relay	
8	E001206	1	Sensor, Level	
9	E001375	1	Relay	
10	E001376	1	Base, Relay	
11	E007404	1	Card, Trigger Control	
12	E700100	1	Module, Load Sensing	
13	E900057	1	Decal, Cover	
14	E900059	2	Rail, DIN	
15	E900060	1	Strip, Terminal	
16	E000412	1	Switch, Deck Extend	
17	E000436	1	Switch, Lift	
18	E000378	1	Switch, Key	
19		Ref	Strain Relief, PG7 (Not Shown)	
20	E000018	6	Strain Relief, PG9 (Not Shown)	
21	E000015	9	Strain Relief, PG13.5 (Not Shown)	
22	E000303	1	Strain Relief, PG16 (Not Shown)	
22	E000292	1	Nut, Brass (For PG16 Strain Relief - Not Shown)	
23	E000304	1	Strain Relief, PG21 (Not Shown)	
24	E900004	1	Harness, Chassis (Not Shown)	
24	E000102	1	Connector Housing, Female 24-Pin (Not Shown)	
24	E000481	1	Connector Insert, Female 24-Pin (Not Shown)	
25	70000952	1	Connector (2 Pin for Nivelux Board - Not Shown)	
26	70000953	2	Connector (3 Pin for Nivelux Board - Not Shown)	
27	70000954	1	Connector (4 Pin for Nivelux Board - Not Shown)	
28	70000955	1	Connector (8 Pin for Complex Board - Not Shown)	
29	70000956	4	Connector (12 Pin for Nivelux and Complex Board - Not Shown)	
30	70003616	1	Connector (6 Pin for Nivelux and Complex Board - Not Shown)	

SECTION 2 - GROUND CONTROLS

FIGURE 2-6. ENGINE SIDE COMPONENTS INSTALLATION



SECTION 2 - GROUND CONTROLS

FIGURE 2-6. ENGINE SIDE COMPONENTS INSTALLATION

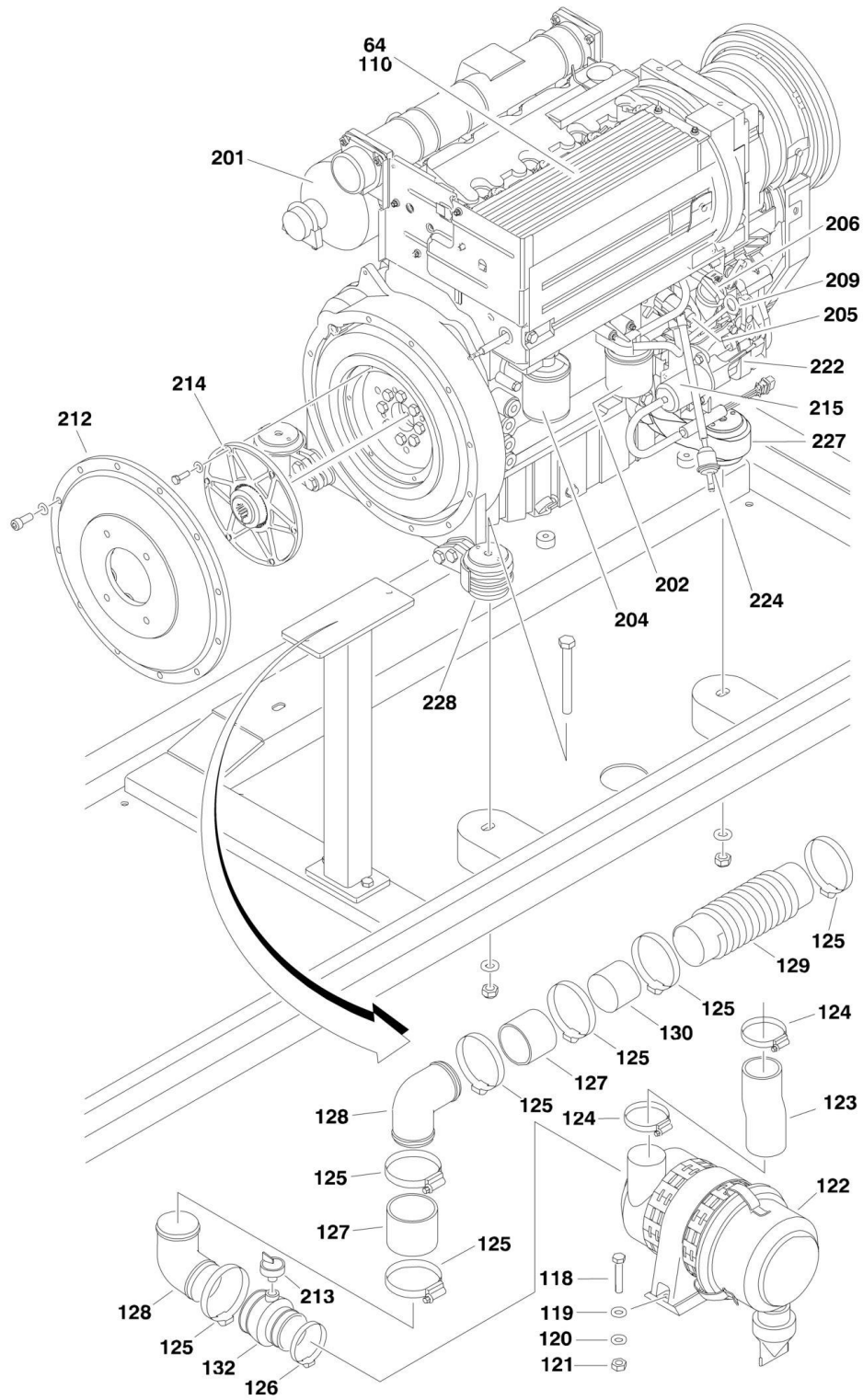
ITEM	PART NUMBER	QTY	DESCRIPTION	REV
	0010656	Ref	FINAL ASSEMBLY LIST COMPONENTS	11
30	H000013	1	Gauge, Hydraulic Oil Level (Prior to SN 1200012123)	
37	H000048	1	Fitting, Fuel Hose (Not Shown)	
38	H000049	1	Fitting, Fuel Hose (Not Shown)	
39	H000051	2	Strap, Fuel Tank (Not Shown)	
41	H000077	1	Valve, Directional Control	
41	7017444	1	Coil	
41	7017414	1	Cartridge	
41	2900708	1	Seal Kit	
47	H000241	1	Breather (Prior to SN 1200012123)	
53	H000310	1	Pump, Hydraulic	
53	70000938	1	Seal Kit, Front Pump Section	
53	70000939	1	Seal Kit, Middle Pump Section	
53	70000941	1	Seal Kit, Rear Pump Section	
53	70000940	1	Seal Kit, Adapter	
63	H000412	1	Tank, Fuel (Located on Frame - Not Shown)	
68	H000527	1	Filter, Pressure	
68	70000022	1	Element	
84	H005783	1	Seal, Breather (Including 1200003156)	
105	S005171	1	Pipe, Exhaust Flex (Not Shown)	
106	S005172	3	Clamp, Exhaust (Not Shown)	
		Ref	ENGINE ASSEMBLY INSTALLATION	
	S15322L-161-00-0	Ref	Engine Assembly Installation (Including 1200003156)	0-B
	H900002-161-00-0	Ref	All Machines (Including 1200003156)	1-A
203	S200024	1	Tailpipe	
211	0701227	4	Bolt, M12x100	
212	4812100	4	Flatwasher, M12	
213	3291205	4	Nut, M12	
214	3291001	3	Nut, M10	
215	0761012	7	Bolt, M10x25	
216	4812000	7	Flatwasher, M10	
217	4832000	7	Lockwasher, M10	
233	S005171	1	Pipe, Exhaust Flex (Not Shown)	
234	S005172	3	Clamp, Exhaust (Not Shown)	
	S15322L-161-01-0	Ref	ENGINE TRAY INSTALLATION	C
322	0761010	2	Bolt, M10x20	
323	4832000	2	Lockwasher, M10	
324	0761614	2	Bolt, M16x30	
325	4812300	2	Flatwasher, M16	
326	S200268	1	Bracket, Air Filter	
327	S200262	1	Tray, Engine	
	S15322L-161-03-0	Ref	TAILPIPE ASSEMBLY	
406	S200024	1	Tailpipe	
	S15322L-161-05-0	Ref	HYDRAULIC TANK INSTALLATION	A
519		Ref	Hydraulic Tank Options:	
519	H000009	1	Hydraulic Tank (See Items 701 - 703 for Breakdown) (Prior to SN 1200012123)	
519	1001091075	1	Hydraulic Tank (See Items 801 - 803 for Breakdown) (SN 1200012123 through 1200015548)	
525	0760812	10	Bolt, M8x22 (Prior to SN 1200010203)	

SECTION 2 - GROUND CONTROLS

ITEM	PART NUMBER	QTY	DESCRIPTION	REV
526	4811900	10	Flatwasher, M8 (Prior to SN 1200010203)	
529	4010408	6	Bolt, M4x12	
530	H000241	1	Breather (Prior to SN 1200012123)	
531	H000013	1	Gauge, Hydraulic Oil Level (Prior to SN 1200012123)	
	S15322L-166-04-0	Ref	PRESSURE FILTER AND VALVE BRACKET ASSEMBLY	
603	S200264	1	Bracket, Oil Pressure Filter	
	H000009	Ref	HYDRAULIC TANK ASSEMBLY (Prior to SN 1200012123)	H
701	0760810	10	Bolt, M8x20 (SN 1200010203 through 1200012123)	
702	4811900	10	Flatwasher, M8 (SN 1200010203 through 1200012123)	
703	3960605	1	Seal (SN 1200011075 through 1200012122)	
	1001091075	Ref	HYDRAULIC TANK ASSEMBLY (SN 1200012123 through 1200015548)	B
802	H000013	1	Gauge, Hydraulic Oil Level	
803	H000241	1	Breather	

SECTION 2 - GROUND CONTROLS

FIGURE 2-7. ENGINE AND AIR CLEANER INSTALLATION



SECTION 2 - GROUND CONTROLS

FIGURE 2-7. ENGINE AND AIR CLEANER INSTALLATION

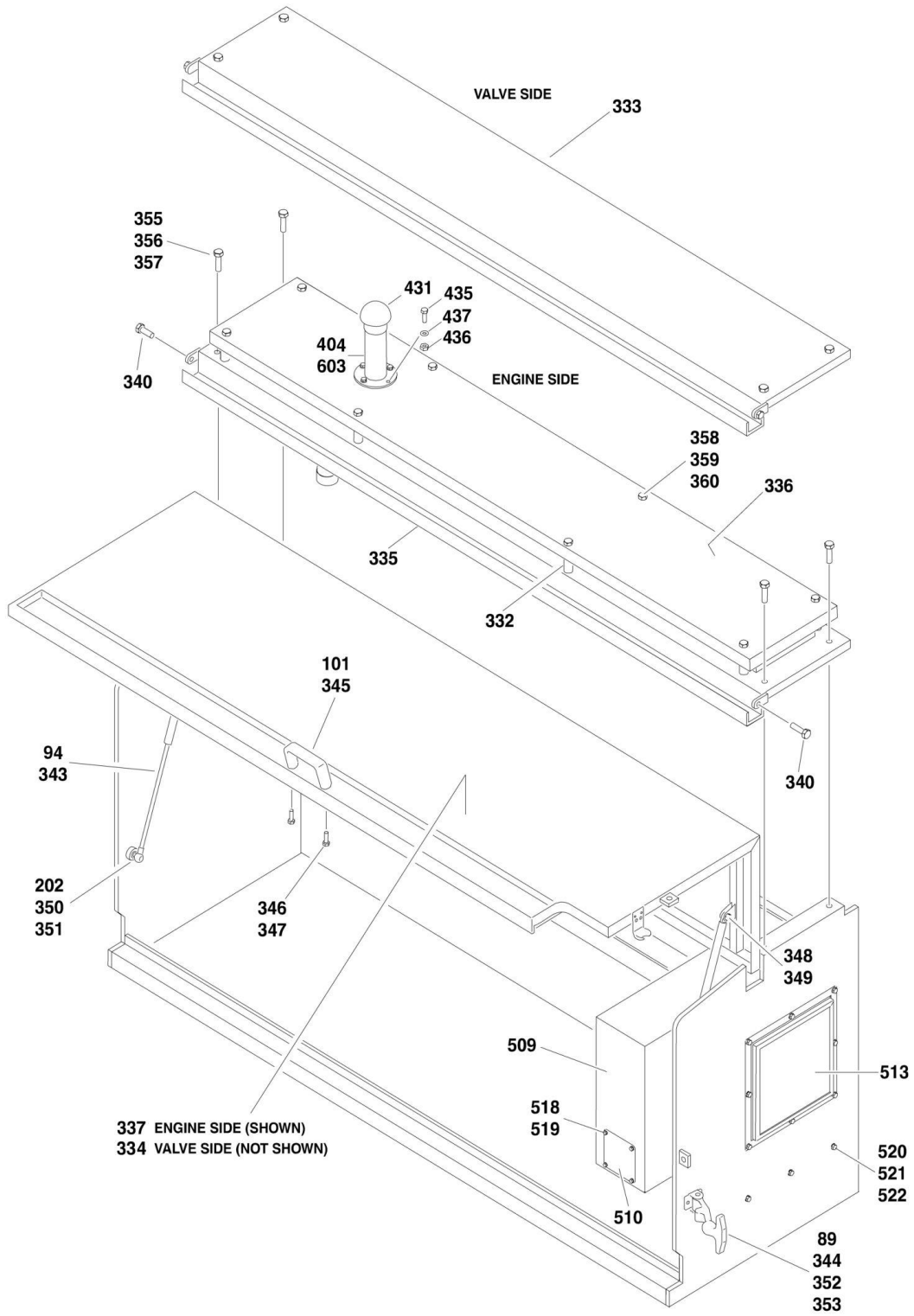
ITEM	PART NUMBER	QTY	DESCRIPTION	REV
	0010656	Ref	FINAL ASSEMBLY LIST COMPONENTS	11
34	H000038	4	Hose, 5.5mm Fuel (Not Shown)	
35	H000039	4	Hose, 7.5mm Fuel (Not Shown)	
36	H000040	4	Clamp, Hose (Not Shown)	
64		Ref	Engine, Deutz Options: (See Items 401 - 417 for Breakdown)	
64	H000439	1	Engine, Deutz (Including 1200003156)	
64	H900002	1	All Machines (Excluding 1200003156)	
		Ref	ENGINE INSTALLATION	
	S15322L-161-00-0	Ref	Engine Installation (Including 1200003156)	0-B
	H900002-161-00-0	Ref	All Machines (Excluding 1200003156)	1-A
110		Ref	Engine, Deutz Options: (See Items 401 - 417 for Breakdown)	
110	H000439	1	Engine, Deutz (Including 1200003156)	
110	H900002	1	All Machines (Excluding 1200003156)	
118	0700817	2	Bolt, M8x45	
119	4811900	2	Washer, M8	
120	4831900	2	Lockwasher, M8	
121	3290801	2	Nut, M8	
122	70000066	1	Filter Assembly, Air	
122	H005232	1	Element, Primary (Outer)	
122	70000054	1	Element, Safety (Inner)	
122	70000262	3	Clip, End Cap	
123	H005236	1	Hose, Intake (Intake Pipe to Air Cleaner)	
124	8005376	2	Clamp, 65mm Hose	
125	70000262	7	Clamp, 70-90x13 Hose	
126	H005241	1	Clamp, C50-70x13 Hose	
127	H005237	2	Hose, Intake 70x80x65mm	
128	H005238	2	Pipe, Intake Elbow	
129	H005234	1	Tube, Rubber Intake	
130	H005239	1	Pipe, Intake 70x80x100mm	
132	70000052	1	Hose, 50-70mm Adapter	
		Ref	ENGINE COMPONENTS	
	H000439	Ref	Engine Components (Including 1200003156)	
	H900002	Ref	All Machines (Excluding 1200003156)	
201	7020455	1	Muffler	
202	7020023	1	Filter, Fuel	
203	70000059	1	Starter (Not Shown)	
203	7026608	1	Solenoid, Starter	
204	7016331	1	Filter, Oil	
205	7027238	1	Pump, Fuel Supply	
205	7020411	1	Seal, O-Ring	
206	7020465	2	Cap, Filler	
207	7020414	1	V-Belt (Not Shown)	
208	7024579	1	Gear, Ring (Not Shown)	
209	7027248	1	Dipstick	
209	70000044	1	O-Ring, Dipstick	
210	70000062	1	Solenoid, Shutdown (Bolts to Front of Engine - Not Shown)	
210	70000061	1	Spring	
210	70000060	1	Harness	
210	7027249	1	O-Ring	
211	7027239	1	Solenoid, Start (Threads into Side of Front Cover - Not Shown)	

SECTION 2 - GROUND CONTROLS

ITEM	PART NUMBER	QTY	DESCRIPTION	REV
212	H004080	1	Flange, Pump Mounting	
213	70000050	1	Indicator, Clog	
214	H004089	1	Centa-Coupling	
215	H005224	1	Solenoid Assembly, Throttle Control	
215	70000055	1	Solenoid	
215	70000056	1	Cable, Electrical	
216	70000057	1	Generator (Not Shown)	
216	70000058	1	Regulator (Not Shown)	
217	70000922	3	Glow Plug (Not Shown)	
217	7020492	3	Sealing Ring, Glow Plug (Not Shown)	
218	7020168	1	Sender, Oil Temperature	
218	7020480	1	Seal (Not Shown)	
219	7020443	1	Switch, Oil Pressure (Not Shown)	
220	7020449	1	Gasket, Intake Manifold (Not Shown)	
221	7020459	1	Thermostat (Not Shown)	
222	7020495	1	Pump, Oil	
222	7020468	1	Seal, Oil Pump	
223	7020471	1	Gasket, Exhaust Manifold (Not Shown)	
224	7027245	1	Filter, In-Line Fuel	
225	7027246	AR	Pump, Fuel Injection (Series A) (Not Shown)	
225	7027608	AR	Pump, Fuel Injection (Series B) (Not Shown)	
225	7027609	AR	Pump, Fuel Injection (Series C) (Not Shown)	
225	7027610	AR	Pump, Fuel Injection (Series D) (Not Shown)	
227	70001136	1	Mount, Motor (LH Front)	
227	70001137	1	Mount, Motor (RH Front)	
228	70001138	2	Mount, Motor (Rear)	

SECTION 2 - GROUND CONTROLS

FIGURE 2-8. HOODS INSTALLATION



SECTION 2 - GROUND CONTROLS

FIGURE 2-8. HOODS INSTALLATION

ITEM	PART NUMBER	QTY	DESCRIPTION	REV
	0010656	Ref	FINAL ASSEMBLY LIST COMPONENTS	11
89	S000056	4	Strap, Hood	
94	S000246	4	Spring, Gas	
101	S001676	2	Handle	
	S20324L-110-00-0	Ref	FRAME INSTALLATION	
202	S900007	4	Pin	
	S20324L-150-00-1	Ref	HOODS INSTALLATION	
332	S900060	8	Spacer	
333	S900057	1	Panel, RH Cabinet Top Filler	
334	S900056	1	Hood, RH	
335	S900058	1	Panel, LH Cabinet Top Filler	
336	S900059	1	Cover, LH Cabinet Top	
337	S900055	1	Hood, LH	
340	S900079	4	Bolt, Special	
343	S000246	4	Spring, Gas	
344	S000056	4	Strap, Hood	
345	S001676	2	Handle	
346	0760608	4	Bolt, M6x12	
347	4831700	4	Lockwasher, M6	
348	0760814	4	Bolt, M8x30	
349	3290805	4	Nut, M8	
350	0761010	4	Bolt, M10x20	
351	4832000	4	Lockwasher, M10	
352	0760517	4	Bolt, M5x45	
353	3290505	4	Nut, M5	
354		Ref	Rivet, M4 Blind (Not Shown)	
355	0761012	8	Bolt, M10x25	
356	3291005	8	Nut, M10	
357	4812000	8	Washer, M10	
358	0700621	8	Bolt, M6x65	
359	3290605	8	Nut, M6	
360	4811700	8	Washer, M6	
		Ref	ENGINE INSTALLATION	
	S15322L-161-00-0	Ref	Engine Installation (Including 1200003156)	0-B
	H900002-161-00-0	Ref	All Machines (Excluding 1200003156)	1-A
404	S900005	1	Pipe, Air Intake	
431	70000051	1	Cap, Intake Pipe	
435	0760812	4	Bolt, M8x25	
436	3290805	4	Nut, M8	
437	4811900	4	Washer, M8	
	S15322L-161-02-0	Ref	COOLING FAN SHROUD INSTALLATION	2
509	S200270	1	Shroud, Fan	
510	S200272	1	Plate, Access Cover	
513	S200271	1	Screen, Safety	
518	0760608	4	Bolt, M6x12	
519	4811700	4	Washer, M6	
520	0760814	AR	Bolt, M8x30	
521	3290805	10	Nut, M8	
522	4811900	20	Washer, M8	
	S15322L-161-04-0	Ref	AIR INTAKE PIPE ASSEMBLY	

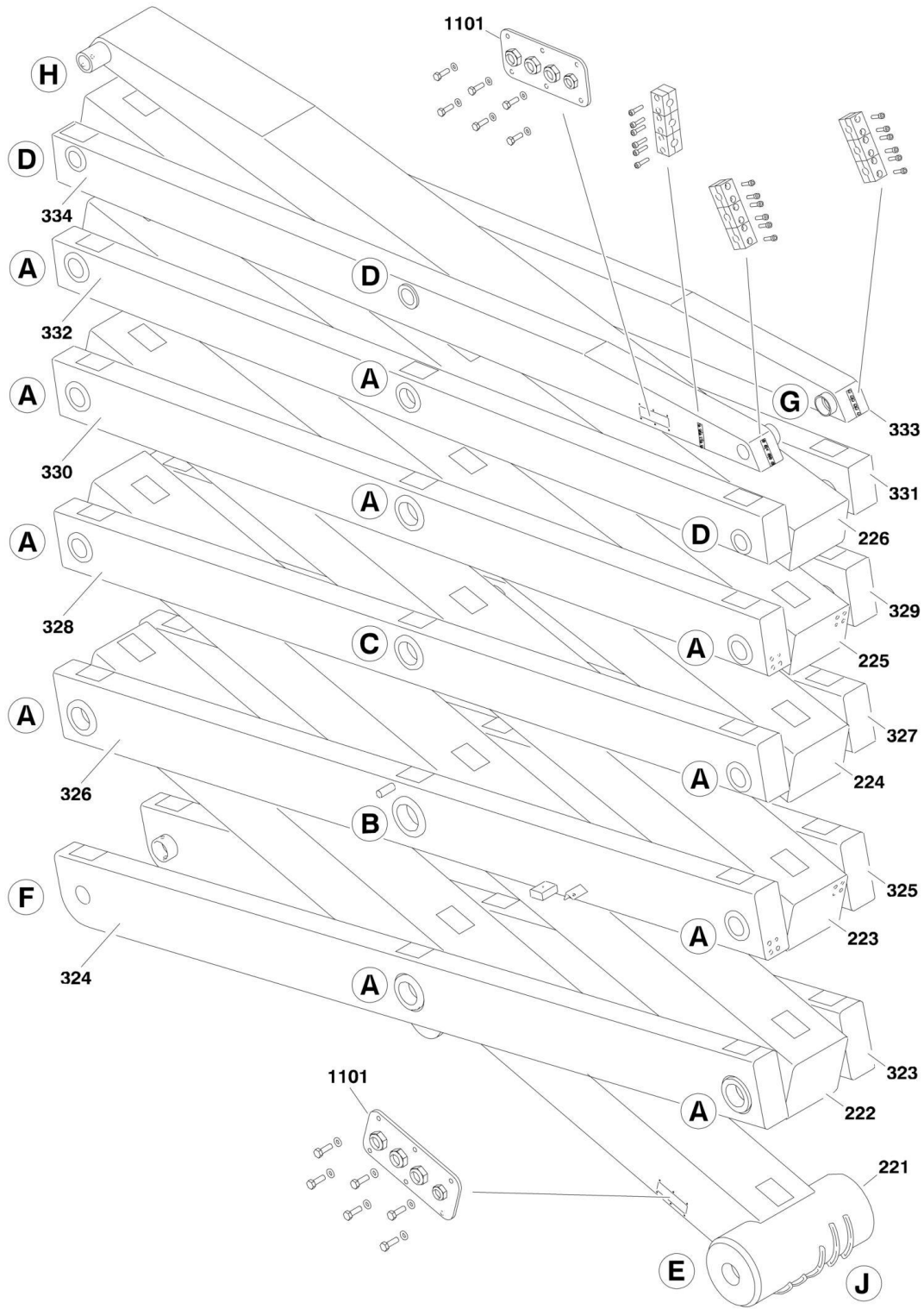
SECTION 2 - GROUND CONTROLS

ITEM	PART NUMBER	QTY	DESCRIPTION	REV
603	S900005	1	Pipe, Air Intake	

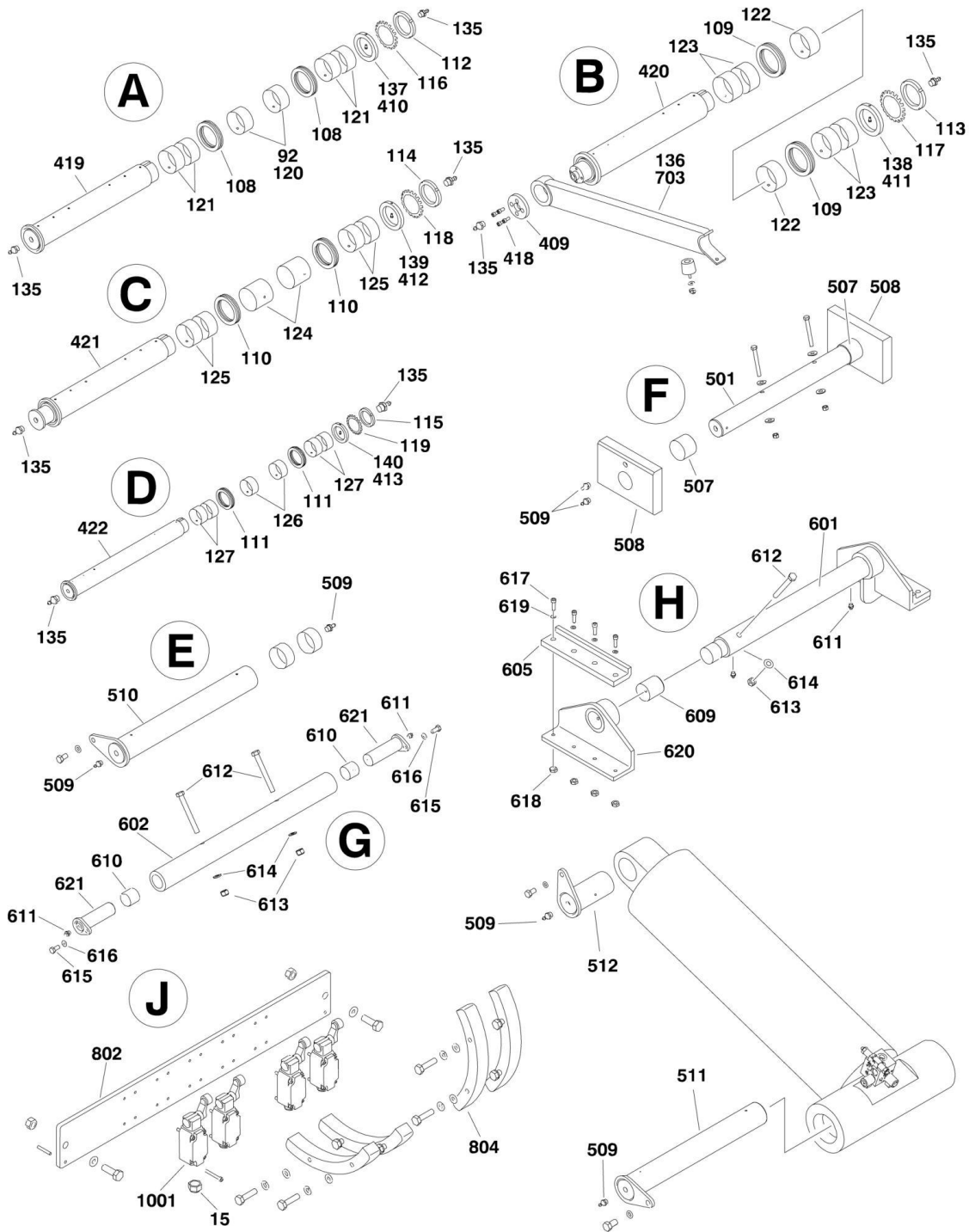
SECTION 3 - SCISSORS ARMS

SECTION 3 - SCISSORS ARMS

FIGURE 3-1. SCISSORS ARMS INSTALLATION



SECTION 3 - SCISSORS ARMS



SECTION 3 - SCISSORS ARMS

FIGURE 3-1. SCISSORS ARMS INSTALLATION

ITEM	PART NUMBER	QTY	DESCRIPTION	REV
	0010656	Ref	FINAL ASSEMBLY LIST COMPONENTS	11
2	E000045	39	Strain Relief, PG21 (Not Shown)	
15	E000269	4	Strain Relief, PG13.5	
92	S000182	22	Bushing (Prior to SN 1200010708)	
	S20324L-200-00-0	Ref	SCISSOR ARM ASSEMBLY	1
108	S000124	22	Bearing, Ball Thrust	
109	S001237	2	Bearing, Ball Thrust	
110	S201582	2	Bearing, Ball Thrust	
111	S000123	6	Bearing, Ball Thrust	
112	S001240	11	Nut, 80mm	
113	S001241	1	Nut, 100mm	
114	S000021	1	Nut, 90mm	
115	S000191	3	Nut, 60mm	
116	S000234	11	Ring, 80mm Lock	
117	S001238	1	Ring, 100mm Lock	
118	S000129	1	Ring, 90mm Lock	
119	S000233	3	Ring, 60mm Lock	
120	S000182	22	Bushing	
121	S000118	44	Bushing	
122	S000189	2	Bushing	
123	S000187	4	Bushing	
124	S200911	2	Bushing	
125	S001494	4	Bushing	
126	S000188	6	Bushing	
127	S000116	12	Bushing	
135	S000141	32	Fitting, Grease	
136	S201017	1	Prop, Safety	
137	S200092	11	Washer w/ Retainer	
138	S900257	1	Washer w/ Retainer	
139	S900258	1	Washer w/ Retainer	
140	S200090	3	Washer w/ Retainer	
	S20324L-210-00-0	Ref	INNER SCISSOR ARM WELDMENTS	
221	S201025	1	Arm, #1 Inner	
222	S201028	1	Arm, #2 Inner	
223	S201031	1	Arm, #3 Inner	
224	S900261	1	Arm, #4 Inner	
225	S201034	1	Arm, #5 Inner	
226	S201037	1	Arm, #6 Inner	
	S20324L-220-00-0	Ref	OUTER SCISSOR ARM WELDMENTS	
323	S201027	1	Arm, LH #1 Outer	
324	S201026	1	Arm, RH #1 Outer	
325	S201030	1	Arm, LH #2 Outer	
326	S201029	1	Arm, RH #2 Outer	
327	S201033	1	Arm, LH #3 Outer	
328	S201032	1	Arm, RH #3 Outer	
329	S900263	1	Arm, LH #4 Outer	
330	S900262	1	Arm, RH #4 Outer	
331	S201036	1	Arm, LH #5 Outer	
332	S201035	1	Arm, RH #5 Outer	
333	S201039	1	Arm, LH #6 Outer	

SECTION 3 - SCISSORS ARMS

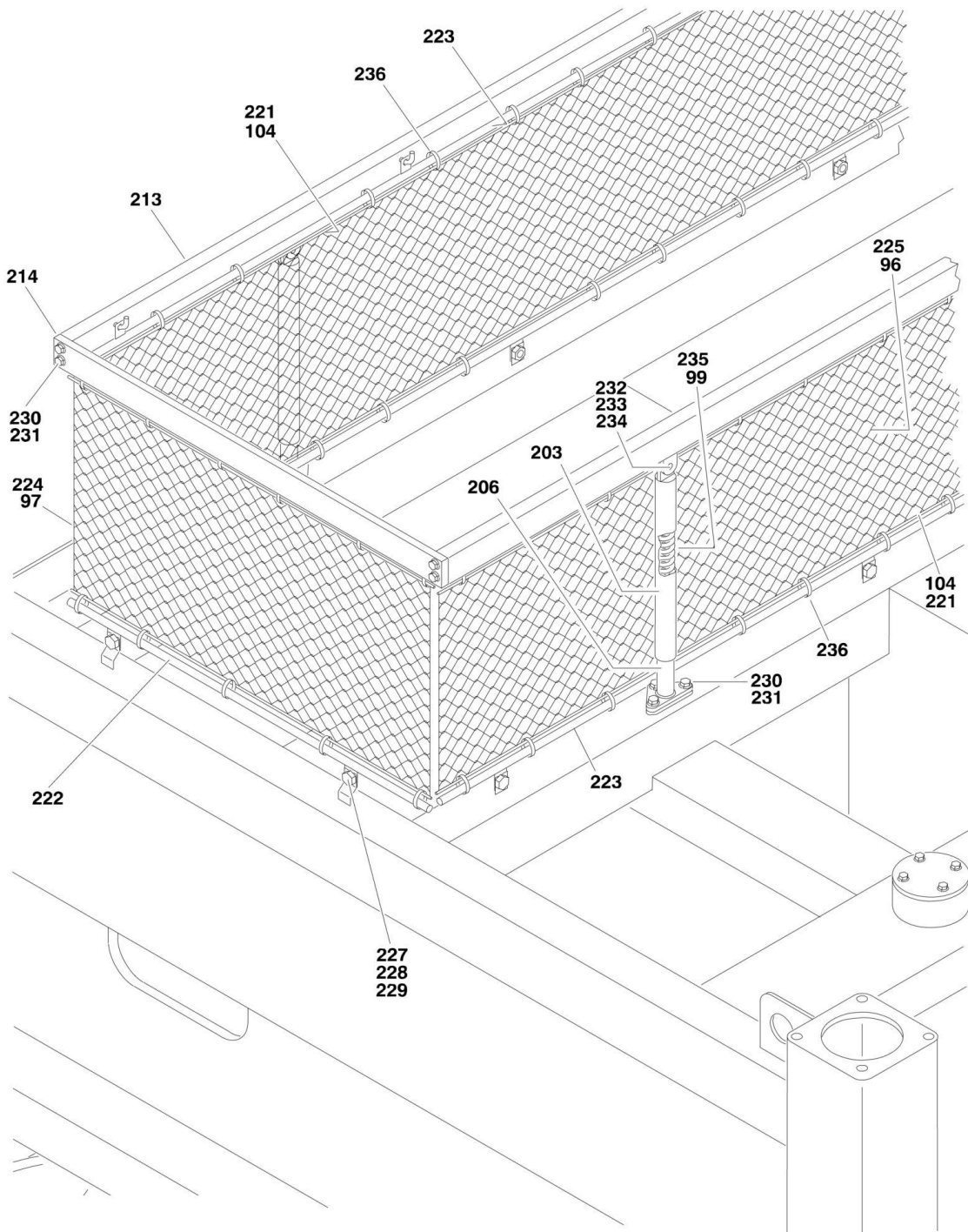
ITEM	PART NUMBER	QTY	DESCRIPTION	REV
334	S201038	1	Arm, RH #6 Outer	
	S20324L-230-00-0	Ref	SCISSOR PIN ASSEMBLIES	B
409	S200175	1	Plate, Safety Prop Retainer	
410	S200092	11	Washer w/ Retainer	
411	S900257	1	Washer w/ Retainer	
412	S900258	1	Washer w/ Retainer	
413	S200090	3	Washer w/ Retainer	
418	0760810	4	Bolt, M8x20	
419	S007116	11	Pin, 90mm Diameter	
420	S007117	1	Pin, 120mm Diameter	
421	S900259	1	Pin, 100mm Diameter	
422	S900260	3	Pin, 75mm Diameter	
	S20324L-240-00-1	Ref	SCISSOR TO FRAME ATTACHMENT PIN INSTALLATION	
501	S007036	1	Pin, Guide Block 85mm Diameter	
507	S201024	2	Spacer	
508	S004035	2	Block, Wear	
509	S000141	7	Fitting, Grease	
510	S007034	1	Pin, Scissor Stack To Frame Attaching 90mm Diameter	
511	S900074	1	Pin, Lift Cylinder to Frame 90mm Diameter	
512	S007035	1	Pin, Lift Cylinder to Scissor Arm 90mm Diameter	
	S20324L-240-00-2	Ref	SCISSOR TO PLATFORM ATTACHMENT INSTALLATION	
601	S007037	1	Pin, Platform Slide Support to Scissor Arm 75mm Diameter	
602	S007038	1	Pin, Upper Scissor Arm 75mm Diameter	
605	S200097	2	Pad, Wear	
609	S000178	2	Bushing	
610	S000227	2	Bushing	
611	S000141	4	Fitting, Grease	
612	0701629	3	Bolt, M16x120	
613	3291605	3	Nut, M16	
614	4812300	3	Flatwasher, M16	
615	0761012	2	Bolt, M10x25	
616	4812000	2	Flatwasher, M10	
617	0761014	8	Bolt, M10x30	
618	3291005	8	Nut, M10	
619	4812000	8	Flatwasher, M10	
620	S200096	2	Slide, Platform Support	
621	S007039	2	Pin, Platform to Scissor Arm 40mm Diameter	
	S20324L-250-00-0	Ref	SAFETY PROP ASSEMBLY	
703	S201017	1	Prop, Safety	
	S20324L-260-00-0	Ref	LIMIT SWITCH INSTALLATION	
802	S900075	1	Panel, Limit Switch Mounting	
804	S200134	4	Cam	
	S20324L-270-00-0	Ref	SCISSOR ARMS CABLE INSTALLATION	1
901	E000045	39	Strain Relief, PG21 (Not Shown)	
902	E000016	12	Strain Relief, PG16 (Not Shown)	
903	E000301	12	Plug, PG16 (Not Shown)	
		Ref	ELECTRICAL COMPONENTS	
	E000499	Ref	Electrical Components (Prior to SN 1200004651)	B
	E900002	Ref	Electrical Components (SN 1200004651 through 1200015548)	3
1001	E000359	4	Switch, Limit	
	S900223	Ref	CABLE COVER PLATE	

SECTION 3 - SCISSORS ARMS

ITEM	PART NUMBER	QTY	DESCRIPTION	REV
1101	S900223	2	Plate, Cover (SN 120008400 through 120015548)	

SECTION 3 - SCISSORS ARMS

FIGURE 3-2. SCISSORS PROTECTION INSTALLATION



SECTION 3 - SCISSORS ARMS

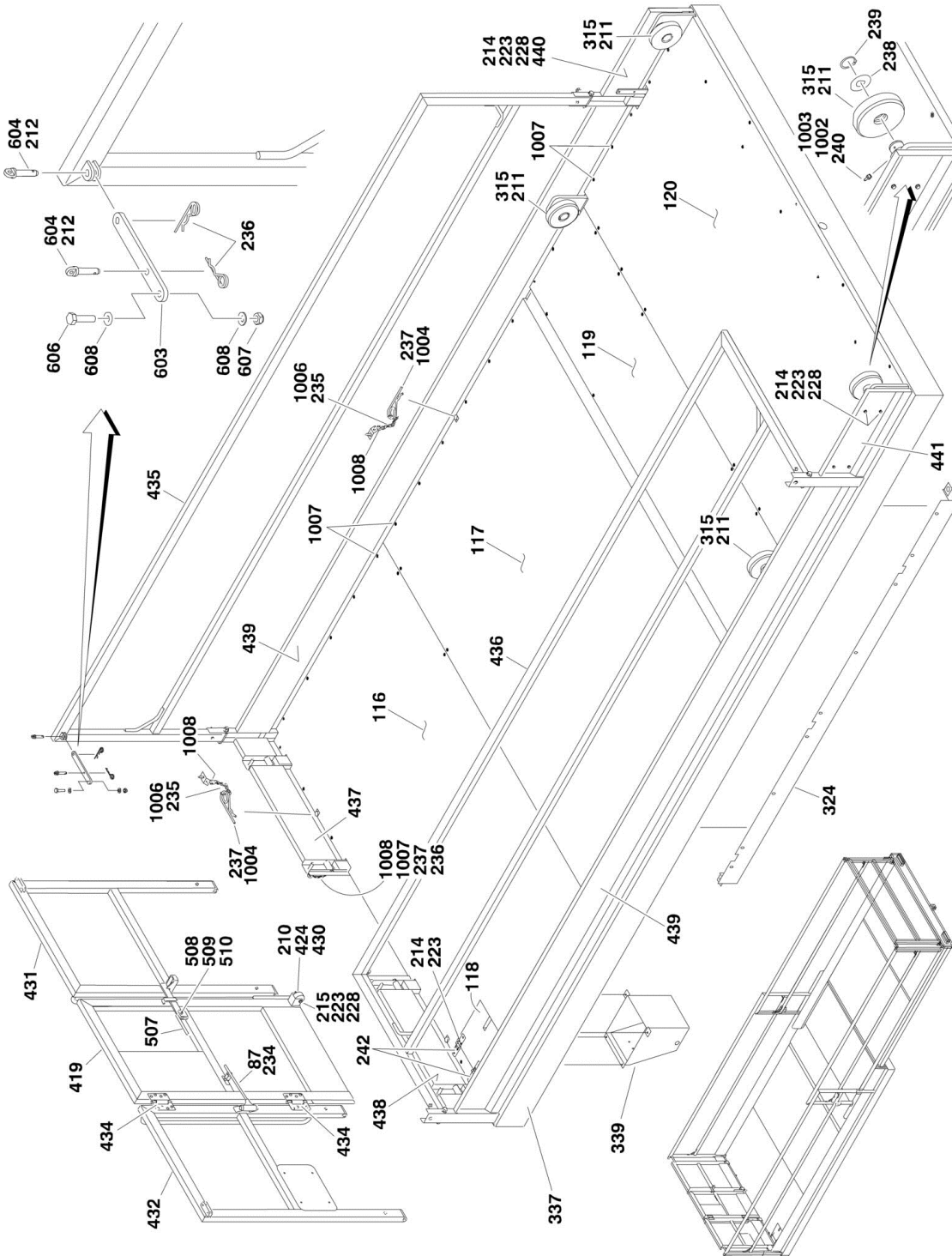
FIGURE 3-2. SCISSORS PROTECTION INSTALLATION

ITEM	PART NUMBER	QTY	DESCRIPTION	REV
	0010656	Ref	FINAL ASSEMBLY LIST COMPONENTS	11
96	S000274	2	Screen, Long Safety	
97	S000275	2	Screen, Short Safety	
99	S001596	4	Spring	
104		Ref	Spring Rod Options:	
104	S005042-01	4	Long (Was S005042)	
104	S005042-02	4	Short (Was S005042)	
	S20324L-170-00-0	Ref	SCISSOR PROTECTION INSTALLATION	
203	S900063	4	Column, Lower	
206	S900082	4	Column, Upper	
213	S900061	2	Tube, Long Upper	
214	S900080	2	Tube, Short Upper	
221		Ref	Spring Rod Options:	
221	S005042-01	4	Long (Was S005042)	
221	S005042-02	4	Short (Was S005042)	
222	S900081	4	Rod, Short Hanger	
223	S900062	4	Rod, Long Hanger	
224	S000275	2	Screen, Short Safety	
225	S000274	2	Screen, Long Safety	
227	0760810	18	Bolt, M8x20	
228	3290801	18	Nut, M8	
229	4811900	36	Flatwasher, M8	
230	0761012	12	Bolt, M10x25	
231	4832000	12	Lockwasher, M10	
232	4812000	4	Flatwasher, M10	
233	0761015	4	Bolt, M10x35	
234	3291005	4	Nut, M10	
235	S001596	4	Spring	
236	4240032	70	Tie, Cable (Not Shown)	

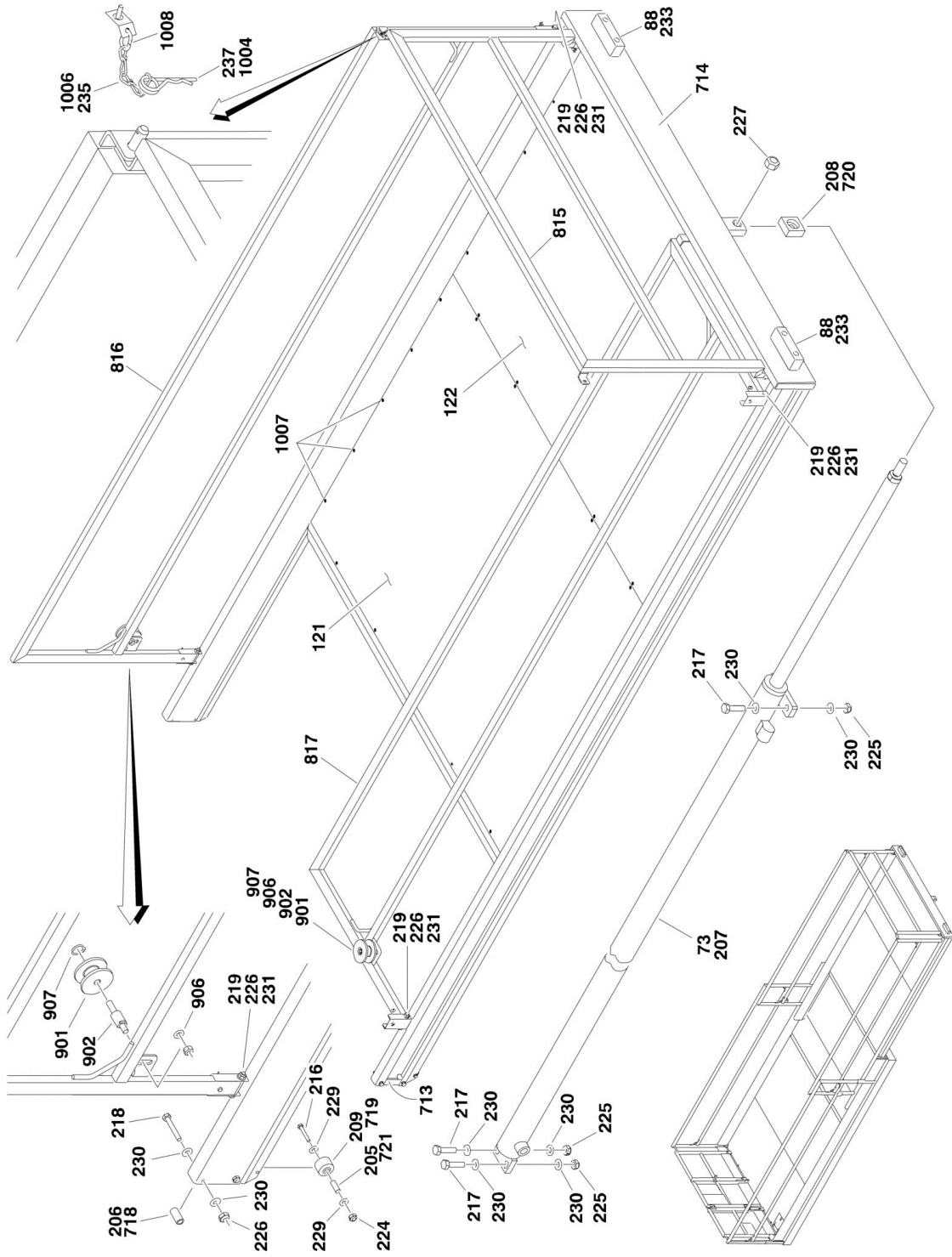
SECTION 4 - PLATFORM

SECTION 4 - PLATFORM

FIGURE 4-1. PLATFORM AND ACCESSORIES INSTALLATION



SECTION 4 - PLATFORM



SECTION 4 - PLATFORM

FIGURE 4-1. PLATFORM AND ACCESSORIES INSTALLATION

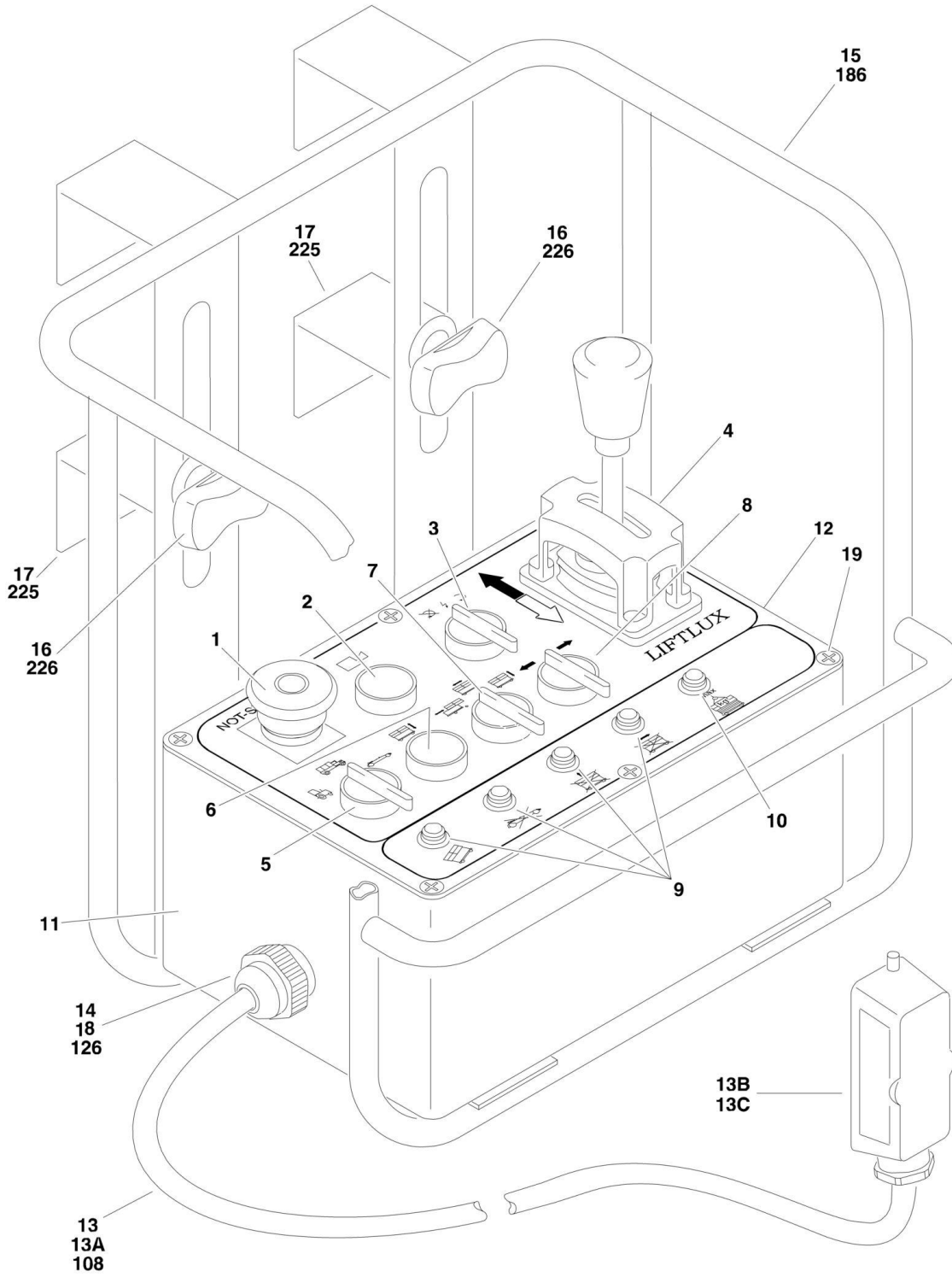
ITEM	PART NUMBER	QTY	DESCRIPTION	REV
	0010656	Ref	FINAL ASSEMBLY LIST COMPONENTS	11
73	H000612	NLA	Cylinder, Extension (Use p/n H900013) (See CYLINDER SECTION for Breakdown)	
87	S000030	1	Closer, Door	
88	S000055	2	Bumper	
116	S900028	1	Plate, Main Deck Front Floor	
117	S900029	1	Plate, Main Deck Front Middle Floor	
118	S900030	1	Door, Connector Compartment	
119	S900031	1	Plate, Main Deck Rear Middle Floor	
120	S900032	1	Plate, Main Deck Rear Floor	
121	S900033	1	Plate, Extension Deck Front Floor	
122	S900034	1	Plate, Extension Deck Rear Floor	
	S20324L-300-00-0	Ref	PLATFORM INSTALLATION	
205	S900017	2	Spacer	
206	S900016	4	Spacer	
207	H000612	1	Cylinder, Extension (See CYLINDER SECTION for Breakdown)	
208	S900015	1	Block, Cylinder Rod Attaching	
209	S900155	2	Roller	
210	S000031	1	Roller	
211	S005049	4	Roller	
212	S200223	4	Pin	
214	0760614	10	Bolt, M6x30	
215	0700619	2	Bolt, M6x55	
216	0700818	2	Bolt, M8x50	
217	0761014	4	Bolt, M10x30	
218	0701022	8	Bolt, M10x70	
219	0701224	14	Bolt, M12x80	
223	3290605	12	Nut, M6	
224	3290805	8	Nut, M8	
225	3291005	12	Nut, M10	
226	3291205	14	Nut, M12	
227	3291605	1	Nut, M16	
228	4811700	12	Flatwasher, M6	
229	4811900	16	Flatwasher, M8	
230	4812000	24	Flatwasher, M10	
231	4812100	28	Flatwasher, M12	
233	S000055	2	Bumper	
234	S000030	1	Closer, Door	
235	S001443	32	Chain	
236	S000510	4	Cotter, M4 Spring	
237	S000145	20	Cotter, M3 Spring	
238	S000069	4	Thrustwasher	
239	S003950	4	Ring, Snap	
240	S000141	4	Fitting, Grease	
242	S000237	2	Hinge	
	S2032L4-310-00-1	Ref	MAIN PLATFORM DECK INSTALLATION	A
315	S005049	4	Roller	
319	S200226	1	Bracket, Extension Cylinder (Not Shown)	
324	S200218	2	Channel, Safety	
337	S201068	1	Weldment, Main Platform	

SECTION 4 - PLATFORM

ITEM	PART NUMBER	QTY	DESCRIPTION	REV
339	S900229	1	Compartment, Connector	
	S20324L-311-00-0	Ref	MAIN PLATFORM DECK RAILING INSTALLATION	
419	S201079	1	Gate	
424	S900155	1	Roller	
430	S900017	1	Spacer	
431	S201077	1	Rail, Right Front	
432	S201078	1	Rail, Left Front	
434	S000228	2	Hinge	
435	S201072	1	Rail, Right Side	
436	S201071	1	Rail, Left Side	
437	S201075	1	Kick Board, Right Front	
438	S201076	1	Kick Board, Left Front	
439	S201070	2	Kick Board, Side	
440	S201074	1	Kick Board, Right Bolted	
441	S201073	1	Kick Board, Left Bolted (Not Shown)	
	S15322L-311-19-0	Ref	GATE LATCH ASSEMBLY	B
507	S200238	1	Latch	
508	0760614	1	Bolt, M6x30	
509	3290605	1	Nut, M6	
510	4811700	2	Flatwasher, M6	
	S15322L-311-28-0	Ref	PLATFORM RAILING CORNER LINK INSTALLATION	
603	S200233	2	Link	
604	S200223	4	Pin	
606	0761014	2	Bolt, M10x30	
607	3291005	2	Nut, M10	
608	4812000	4	Flatwasher, M10	
	S20324L-320-00-0	Ref	EXTENSION DECK INSTALLATION	
713	S900110	2	Plate, Stop	
714	S201080	1	Weldment, Extension Platform	
718	S900016	4	Spacer	
719	S900155	2	Roller	
720	S900015	1	Block, Cylinder Rod Attaching	
721	S900017	2	Spacer	
	S20324L-321-00-0	Ref	EXTENSION DECK RAILING INSTALLATION	
815	S201083	1	Rail, Rear	
816	S201082	1	Rail, Right	
817	S201081	1	Rail, Left	
	S015312-321-25-0	Ref	GUIDE ROLLER INSTALLATION	
901	S200231	2	Roller	
902	S200230	2	Pin	
906	4812300	2	Flatwasher, M16	
907	3760499	2	Ring, Snap	
	X20324L	Ref	MISCELLANEOUS PARTS LIST COMPONENTS	2
1002	S000141	4	Fitting, Grease	
1003	S000142	4	Cap, Grease Fitting	
1004	S000145	20	Cotter, M3 Spring	
1006	S001443	32	Chain	
1007	S001445	122	Screw, Self-Tapping	
1008	S001677	32	Ring, Key	

SECTION 4 - PLATFORM

FIGURE 4-2. CONSOLE PANEL PARTS



SECTION 4 - PLATFORM

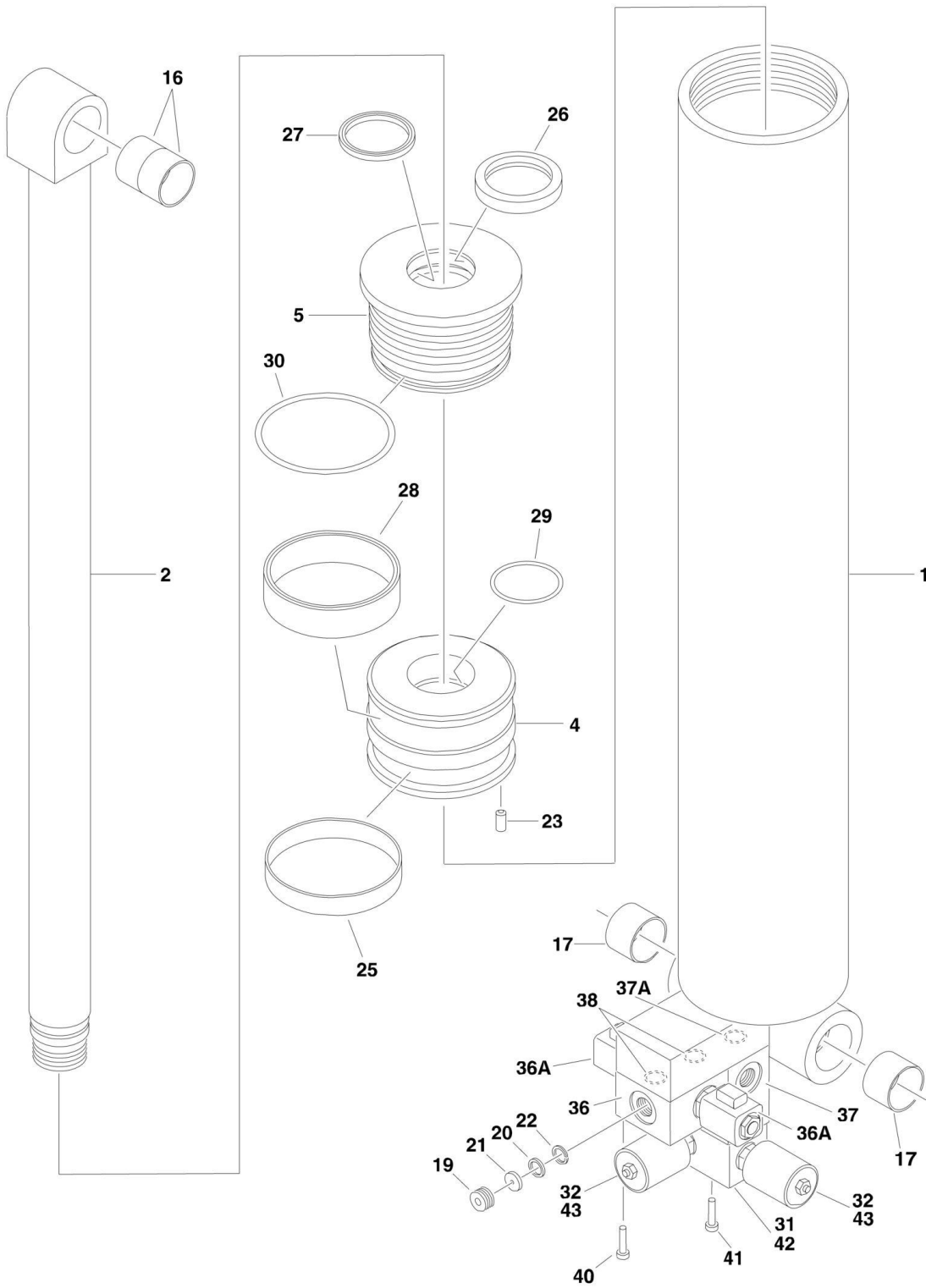
FIGURE 4-2. CONSOLE PANEL PARTS

ITEM	PART NUMBER	QTY	DESCRIPTION	REV
		Ref	CONSOLE PANEL PARTS	
1	E000377	1	Switch, Emergency Stop (Momentary-Off-Type)	
2	E000412	1	Switch, Push Button	
3	E000511	1	Switch, Engine On/Off	
4	E000051	1	Joystick	
5	E000435		Switch, 3 Step (Slow/Fast/Diff.)	
6	E000412		Switch, Push Button	
7	E000435		Switch, 3 Step (Drive/Lift/Extend)	
8	E000436		Switch, Steering	
9	E000419	4	LED, Red	
10	E000420	1	LED, Red Flashing	
11	E001185	1	Housing, Control Box (Use p/n E001328)	
12	E001190		Lid, Control Box	
13	See Note	1	Cable Assy, Control (Note: Not Available - Purchase Individual Components)	
13A	E000083	AR	Cable (25 Wires)	
13B	E000103	1	Connector Housing, Male 24-Pin	
13C	E000482	1	Connector Insert, Male 24-Pin	
14	E000304	1	Plug, PG 21	
15	S000009	1	Bracket, Console Panel	
16	2560141	2	Screw, Thumb (SN 1200004227 through 1200015548)	
17	0181847	2	Clamp, Console Bracket (SN 1200004227 through 1200015548)	
18	E000432	1	Nut, Brass	
19	1001109990	6	Screw, Socket Head M3 x 30mm	
	0010656	Ref	FINAL ASSEMBLY LIST COMPONENTS	11
108	E000083	AR	Cable (25 Wires)	
126	E000432	1	Nut, Brass	
186	S000009	1	Bracket, Console Panel	
225	0181847	2	Clamp, Console Bracket (SN 1200004227 through 1200015548)	
226	2560141	2	Screw, Thumb (SN 1200004227 through 1200015548)	

SECTION 5 - CYLINDER

SECTION 5 - CYLINDER

FIGURE 5-1. LIFT CYLINDER ASSEMBLY



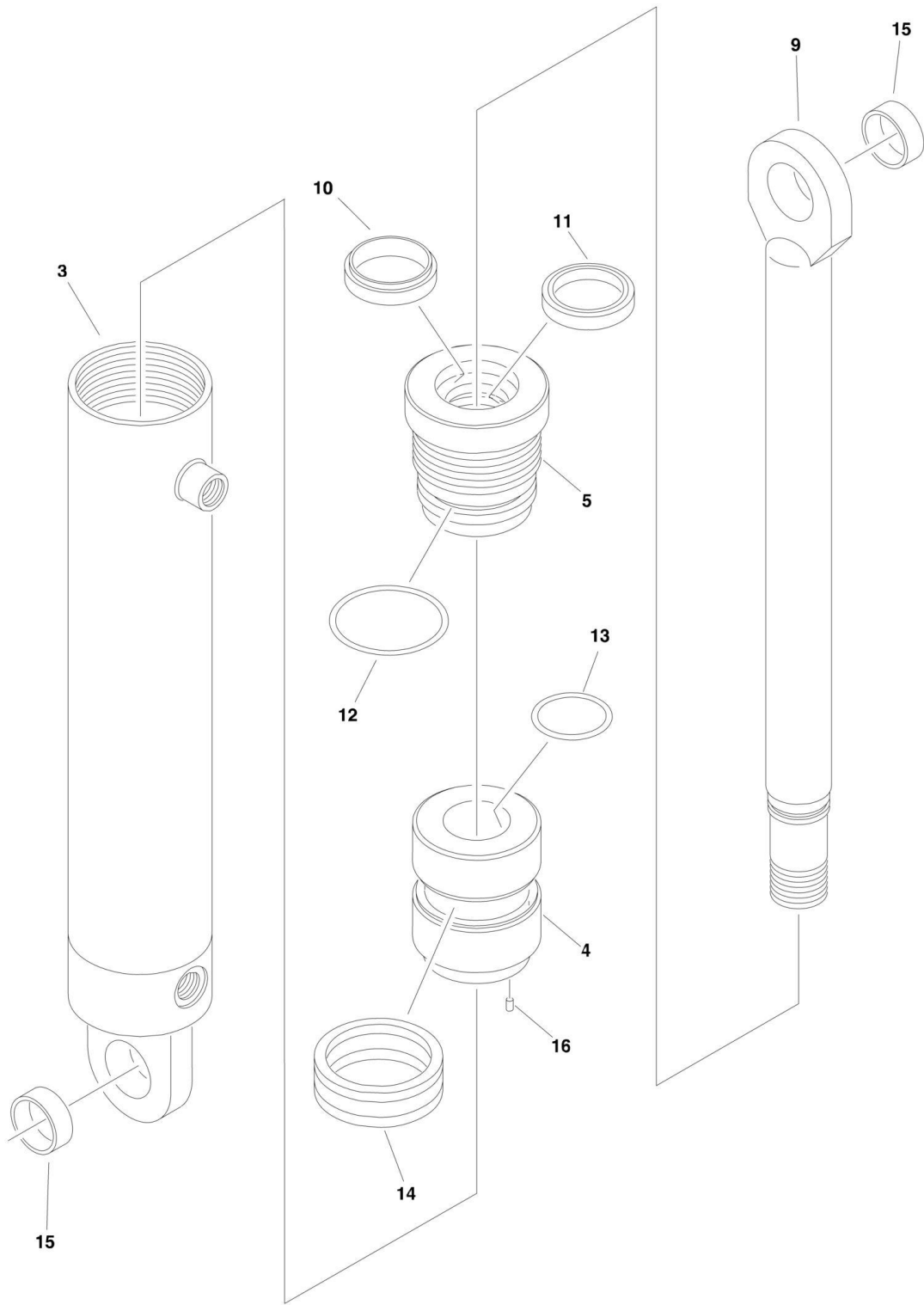
SECTION 5 - CYLINDER

FIGURE 5-1. LIFT CYLINDER ASSEMBLY

ITEM	PART NUMBER	QTY	DESCRIPTION	REV
	H005782	Ref	LIFT CYLINDER ASSEMBLY	
1	S201000	1	Barrel Weldment	
2	S200999	1	Rod Weldment	
4	S201001	1	Piston	
5	S201002	1	Head	
16	S000118	2	Bushing	
17	S001735	2	Bushing	
19	70000186	1	Screw, Throttle	
20	70000187	1	Ring, Throttle	
21	70000185	1	Plate, Throttle	
22	See Note	1	Ring, Snap (Note: Not Available - Purchase Locally)	
23	See Note	1	Setscrew (Note: Not Available - Purchase Locally)	
25	70000207	1	Ring, Wear	
26	H003085	1	Wiper	
27	H003091	1	Seal, Rod	
28	H003098	1	Seal, Piston	
29	H003108	1	O-Ring	
30	H003114	1	O-Ring	
	0010656	Ref	FINAL ASSEMBLY LIST COMPONENTS	11
31	H705721	1	Block, Hydraulic	
32	H705722	2	Sensor, Pressure	
33	H705723	2	Harness, Pressure Sensor (Not Shown)	
34	H705724	2	Cap, Pressure Sensor (Not Shown)	
36	H005243	1	Valve Assembly, Load Retaining	
36A	H000071	2	Valve, Holding	
36A		Ref	Coil Options:	
36A	7012986	AR	Hydraforce Version	
36A	See Note	AR	Oil Controls SPA Version (Note: Not Available for Purchase - Use p/n H000071)	
36A		Ref	Seal Kit Options:	
36A	7012998	AR	Hydraforce Version	
36A	See Note	AR	Oil Controls SPA Version (Note: Not Available for Purchase - Use p/n H000071)	
37	H005244	1	Block, Check Valve	
37	H000271	1	Piston	
37		Ref	Holding Valve Options:	
37	H000270	1	Holding Valve (Prior to SN 1200009742)	
37	7012967	1	Seal Kit	
37	7012955	1	Holding Valve (SN 1200009742 through 1200015548)	
37	7012998	1	Seal Kit	
37A	70000189	1	O-Ring	
38	70000188	2	O-Ring	
40	See Note	4	Screw (Note: Not Available - Purchase Locally)	
41	See Note	4	Screw (Note: Not Available - Purchase Locally)	
	H20324	Ref	HYDRAULIC SCHEMATIC	2
42	H705721	1	Block, Hydraulic	
43	H705722	2	Sensor, Pressure	
		Ref	Note: No seal kit available. Purchase individual seals.	

SECTION 5 - CYLINDER

FIGURE 5-2. STEER CYLINDER ASSEMBLY (ORIGINAL EQUIPMENT)



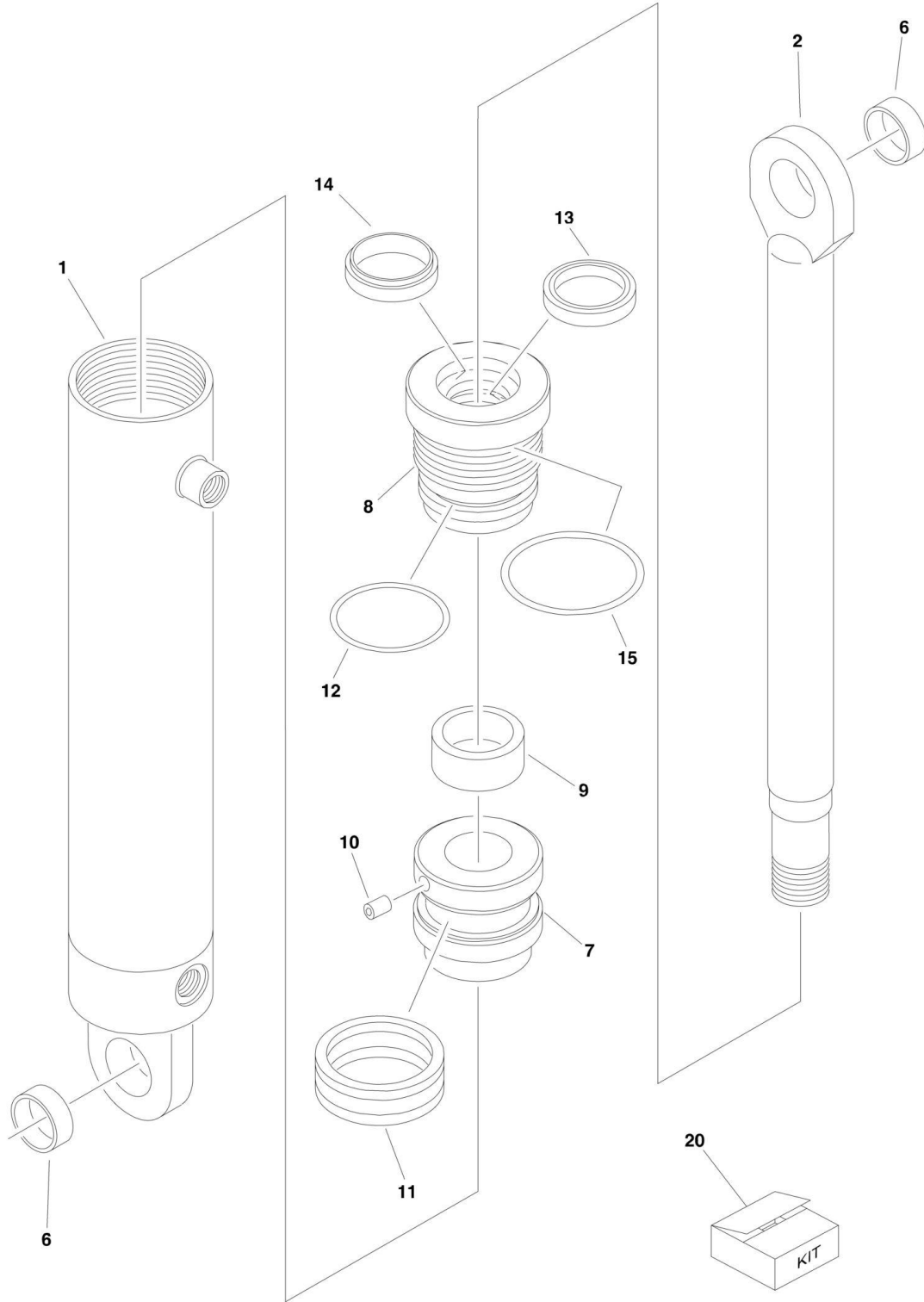
SECTION 5 - CYLINDER

FIGURE 5-2. STEER CYLINDER ASSEMBLY (ORIGINAL EQUIPMENT)

ITEM	PART NUMBER	QTY	DESCRIPTION	REV
		Ref	Note: Original Equipment Cylinder may have been replaced with Service Replacement Cylinder. Identify p/n stamped on cylinder before ordering parts.	
	H000299	Ref	STEERING CYLINDER ASSEMBLY (Original Equipment)	
3	S200188	1	Barrel Weldment	
4	S200189	1	Piston	
5	S200437	1	Head	
9	S200187	1	Rod Weldment	
10	H003064	1	Wiper	
11	H003066	1	Seal, Rod	
12	H003080	1	O-Ring	
13	H003075	1	O-Ring	
14	H003068	1	Seal, Piston	
15	S000263	2	Bushing	
16	See Note	1	Setscrew (Note: Not Available - Purchase Locally)	
		Ref	Note: No seal kit available. Purchase Individual seals.	

SECTION 5 - CYLINDER

FIGURE 5-3. STEER CYLINDER ASSEMBLY (SERVICE REPLACEMENT)



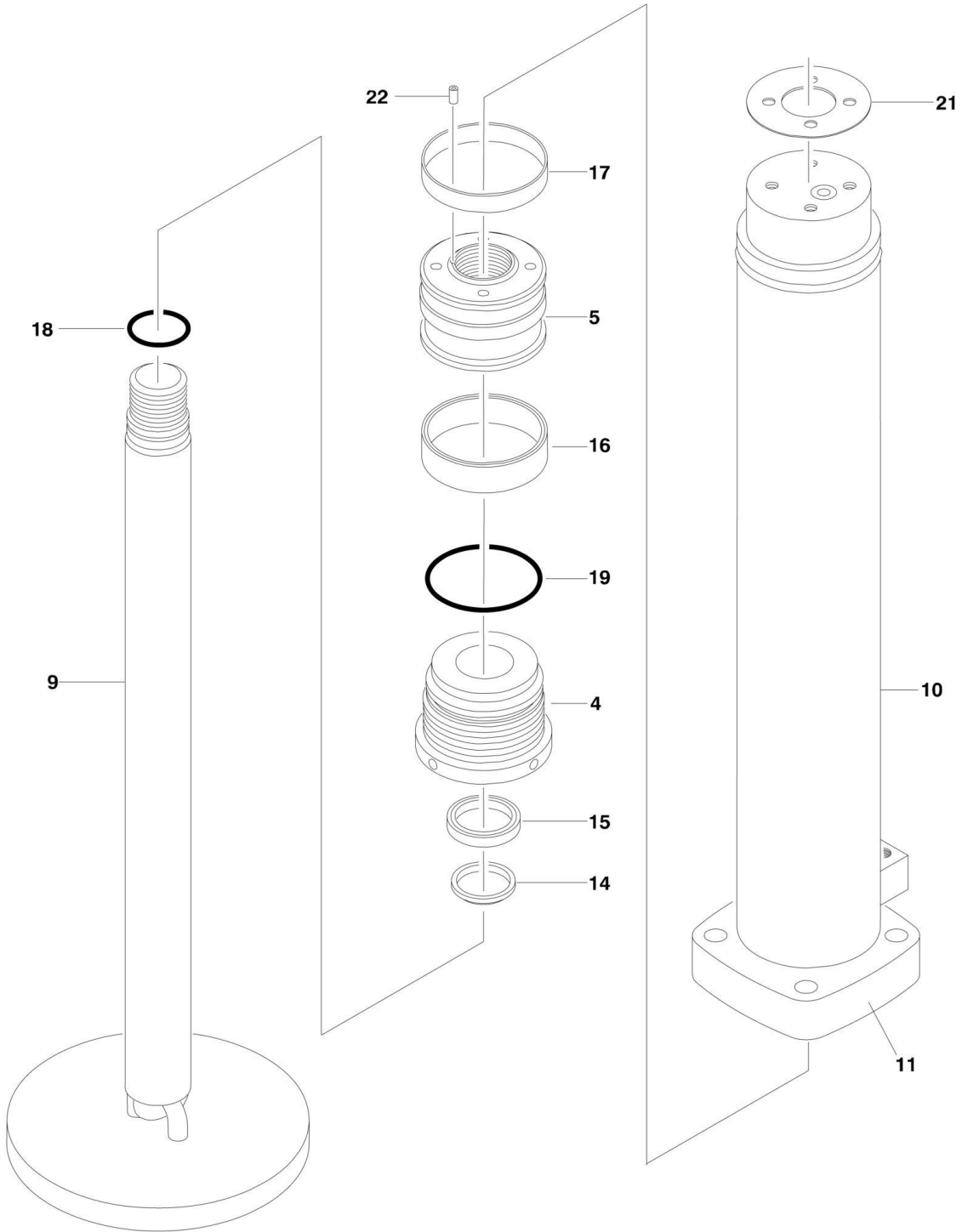
SECTION 5 - CYLINDER

FIGURE 5-3. STEER CYLINDER ASSEMBLY (SERVICE REPLACEMENT)

ITEM	PART NUMBER	QTY	DESCRIPTION	REV
	H900007	Ref	STEERING CYLINDER ASSEMBLY (SERVICE REPLACEMENT)	A
1	70000763	1	Barrel	
2	70000762	1	Rod	
6	70000749	2	Bushing	
7	70000750	1	Piston	
8	70000751	1	Head	
9	70000752	1	Spacer	
10	See Note	1	Setscrew (Note: Not Available - Purchase Locally)	
11	See Note	1	Seal, Piston (Note: Use Item 20)	
12	See Note	1	Seal, Head (Note: Use Item 20)	
13	See Note	1	Seal, Rod (Note: Use Item 20)	
14	See Note	1	Wiper (Note: Use Item 20)	
15	See Note	1	O-Ring (Note: Use Item 20)	
20	70000755	1	Seal Kit (Includes Items 11, 12, 13, 14 & 15)	

SECTION 5 - CYLINDER

FIGURE 5-4. LEVELING CYLINDER ASSEMBLY (ORIGINAL EQUIPMENT)



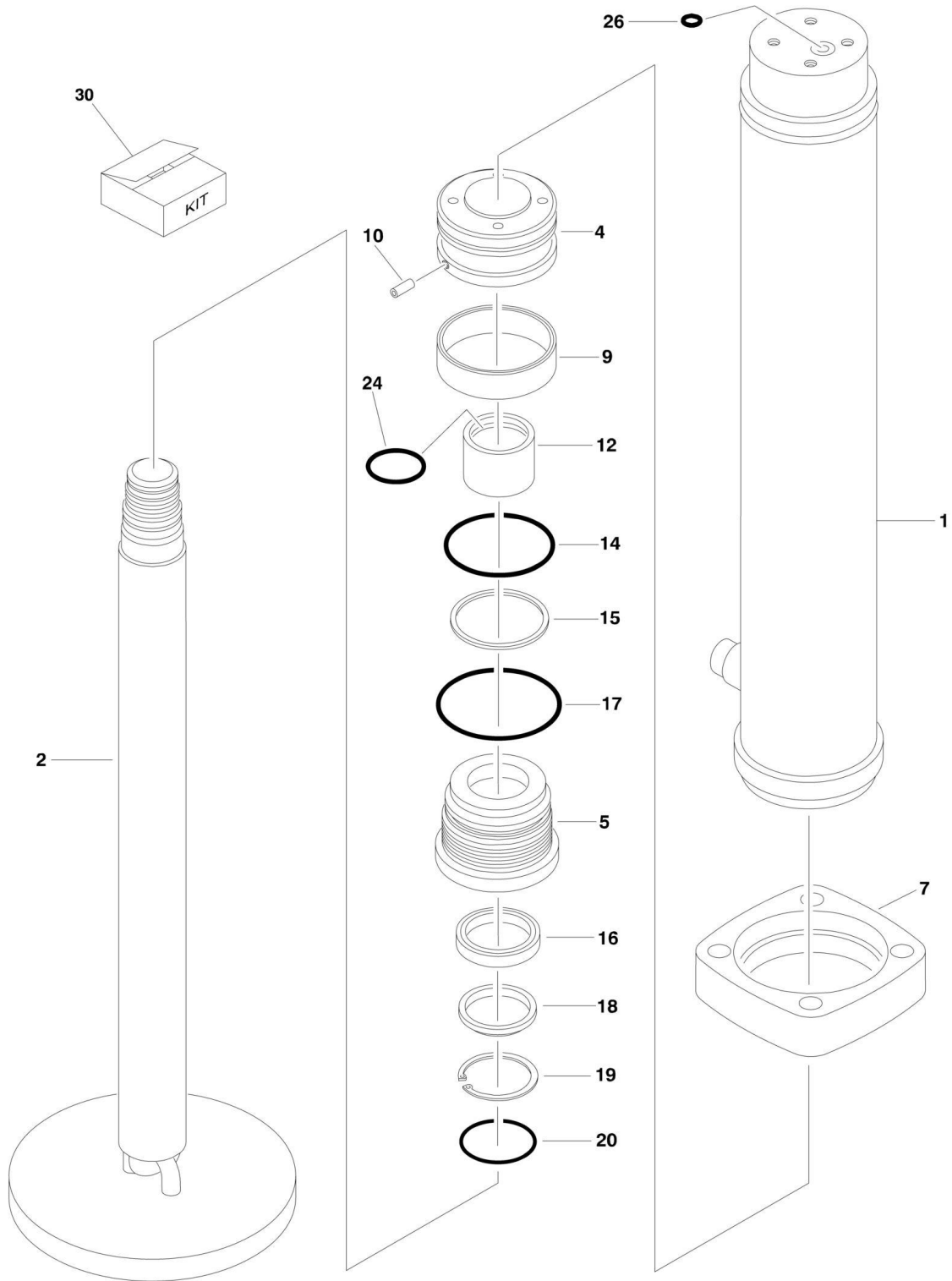
SECTION 5 - CYLINDER

FIGURE 5-4. LEVELING CYLINDER ASSEMBLY (ORIGINAL EQUIPMENT)

ITEM	PART NUMBER	QTY	DESCRIPTION	REV
		Ref	Note: Original Equipment Cylinder may have been replaced with Service Replacement Cylinder. Identify p/n stamped on cylinder before ordering parts.	
		Ref	LEVELING CYLINDER ASSEMBLY	
	H005778	Ref	Right Front, Left Rear (Original Equipment)	
	H005779	Ref	Left Front, Right Rear (Original Equipment)	
4	S200307	1	Head	
5	S200308	1	Piston	
9	S201064	1	Rod Weldment (with Ground Pad)	
10		Ref	Barrel Weldment Options:	
10	S201065	1	H005778 Cylinder	
10	70000205	1	H005779 Cylinder	
11	S200309	1	Flange, Mounting	
14	H003082	1	Wiper	
15	H003088	1	Seal, Rod	
16	H003094	1	Seal, Piston	
17	H003103	1	Ring, Wear	
18	H003106	1	O-Ring	
19	H003108	1	O-Ring	
21	70000204	1	Gasket, Cover Plate	
22	See Note	1	Setscrew (Note: Not Available - Purchase Locally)	
		Ref	Note: No seal kit available. Purchase Individual seals.	

SECTION 5 - CYLINDER

FIGURE 5-5. LEVELING CYLINDER ASSEMBLY (SERVICE REPLACEMENT)



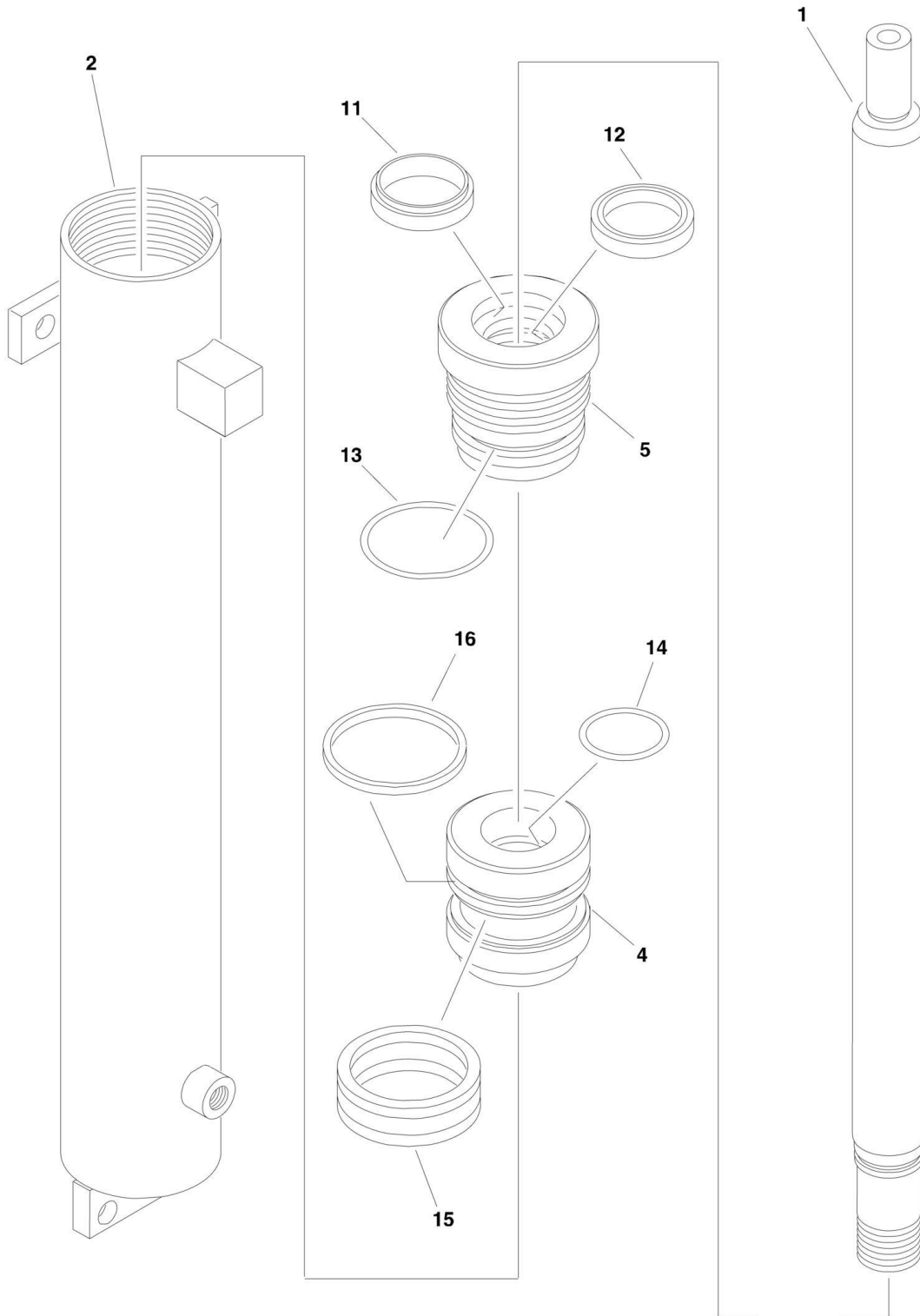
SECTION 5 - CYLINDER

FIGURE 5-5. LEVELING CYLINDER ASSEMBLY (SERVICE REPLACEMENT)

ITEM	PART NUMBER	QTY	DESCRIPTION	REV
		Ref	LEVELING CYLINDER ASSEMBLY	
	H900018	Ref	Right Front, Left Rear (Service Replacement)	E
	H900019	Ref	Left Front, Right Rear (Service Replacement)	E
1		Ref	Barrel Options:	
1	70000770	1	H900018 Cylinder	
1	70000772	1	H900019 Cylinder	
2	70000769	1	Rod	
4	70000764	1	Piston	
5	70000765	1	Head	
7	70000766	1	Flange, Mounting	
9	See Note	1	Seal, Piston (Note: Use Item 30)	
10	See Note	1	Setscrew (Note: Not Available - Purchase Locally)	
12	70000767	1	Spacer	
14	See Note	1	Seal, Head (Note: Use Item 30)	
15	See Note	1	Ring, Backup (Note: Use Item 30)	
16	See Note	1	Seal, Rod (Note: Use Item 30)	
17	See Note	1	O-Ring (Note: Use Item 30)	
18	See Note	1	Wiper (Note: Use Item 30)	
19	70000768	1	Ring, Snap	
20	See Note	1	O-Ring (Note: Use Item 30)	
24	See Note	1	O-Ring (Note: Use Item 30)	
26	70000700	1	O-Ring	
30	70000771	1	Seal Kit (Includes Items 9, 14, 15, 16, 17, 18, 20 & 24)	

SECTION 5 - CYLINDER

FIGURE 5-6. EXTENSION CYLINDER ASSEMBLY (ORIGINAL EQUIPMENT)



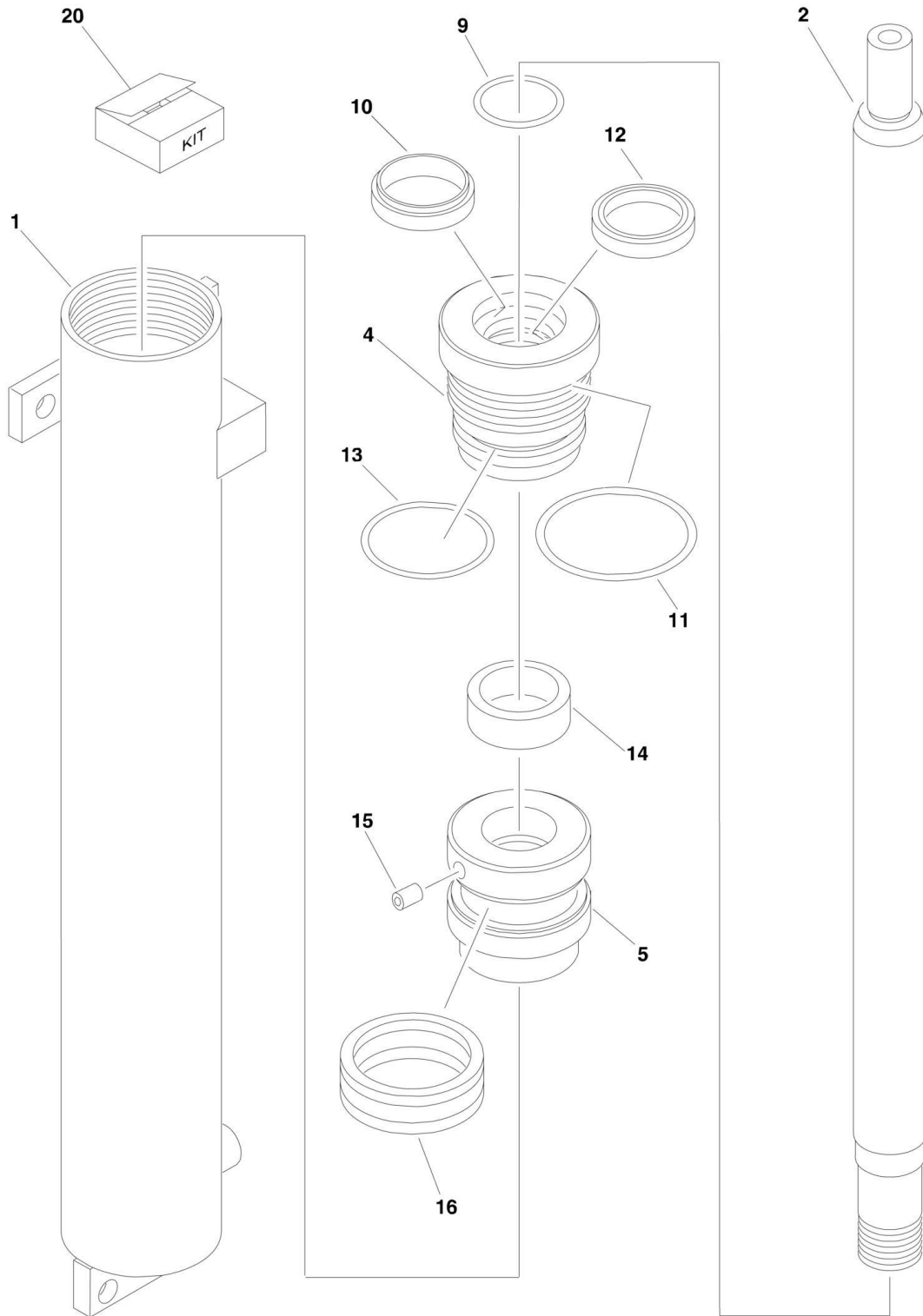
SECTION 5 - CYLINDER

FIGURE 5-6. EXTENSION CYLINDER ASSEMBLY (ORIGINAL EQUIPMENT)

ITEM	PART NUMBER	QTY	DESCRIPTION	REV
		Ref	Note: Original Equipment Cylinder may have been replaced with Service Replacement Cylinder. Identify p/n stamped on cylinder before ordering parts.	
	H000612	Ref	EXTENSION CYLINDER ASSEMBLY (Original Equipment)	
1	S200204	1	Rod	
2	S200205	1	Barrel Weldment	
4	S201656	1	Piston	
5	S200207	1	Head (Use P/N S200208)	
11	H003063	1	Wiper	
12	H003065	1	Seal, Rod	
13	H003074	1	O-Ring	
14	H003078	1	O-Ring	
15	H003069	1	Seal, Piston	
16	H003070	1	Ring, Wear	
		Ref	Note: No seal kit available. Purchase Individual seals.	

SECTION 5 - CYLINDER

FIGURE 5-7. EXTENSION CYLINDER ASSEMBLY (SERVICE REPLACEMENT)



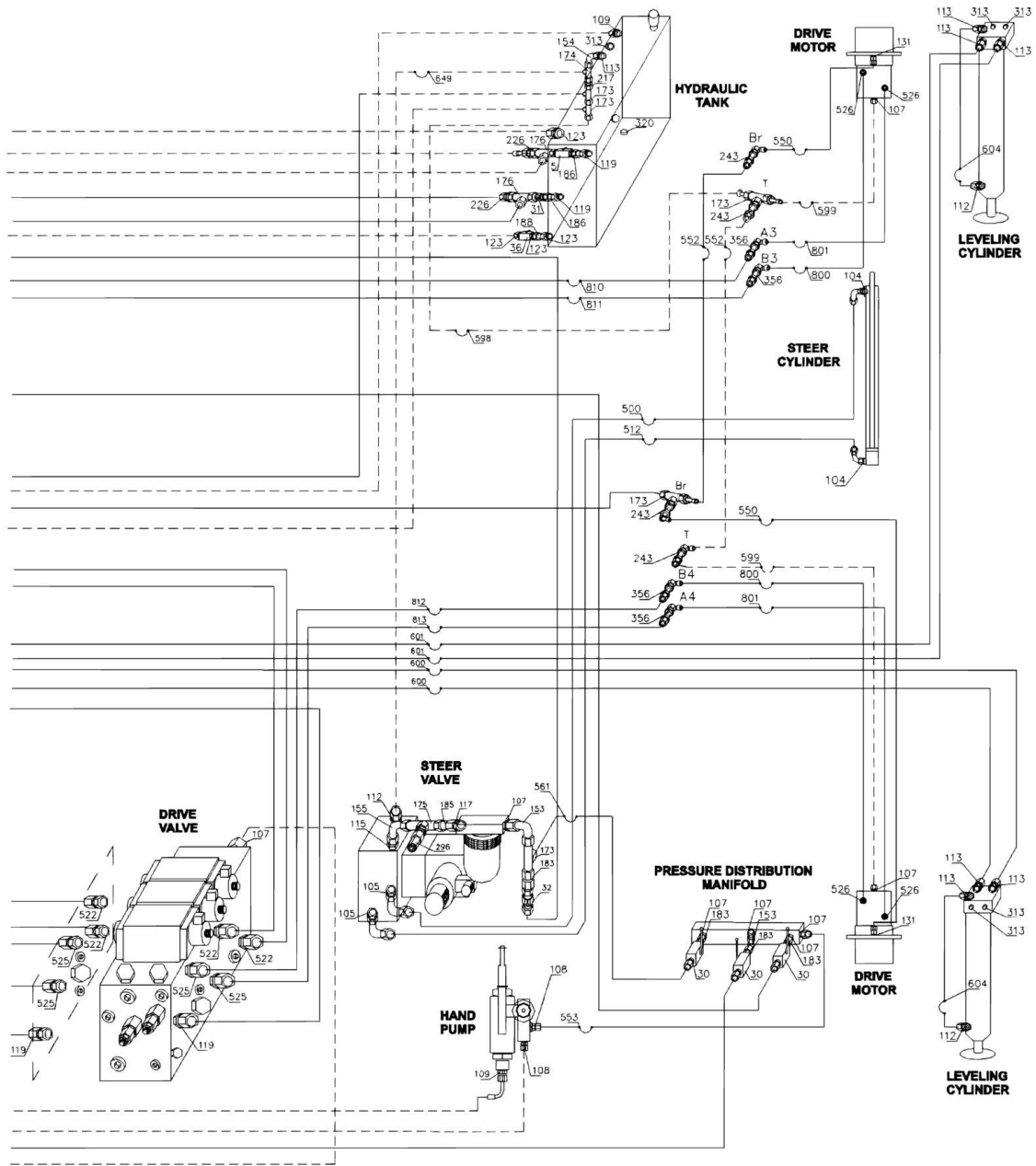
SECTION 5 - CYLINDER

FIGURE 5-7. EXTENSION CYLINDER ASSEMBLY (SERVICE REPLACEMENT)

ITEM	PART NUMBER	QTY	DESCRIPTION	REV
	H900013	Ref	EXTENSION CYLINDER ASSEMBLY (SERVICE REPLACEMENT)	B
1	70000761	1	Barrel	
2	70000760	1	Rod	
4	70000707	1	Head	
5	70000708	1	Piston	
9	See Note	1	O-Ring (Note: Use Item 20)	
10	See Note	1	Wiper (Note: Use Item 20)	
11	See Note	1	O-Ring (Note: Use Item 20)	
12	See Note	1	Seal, Rod (Note: Use Item 20)	
13	See Note	1	Seal, Head (Note: Use Item 20)	
14	70000759	1	Spacer	
15	See Note	1	Setscrew (Note: Not Available - Purchase Locally)	
16	See Note	1	Seal, Piston (Note: Use Item 20)	
20	70000713	1	Seal Kit (Includes Items 9, 10, 11, 12, 13 & 16)	

SECTION 6 - HYDRAULIC

SECTION 6 - HYDRAULIC



SECTION 6 - HYDRAULIC

FIGURE 6-1. HYDRAULIC DIAGRAM

ITEM	PART NUMBER	QTY	DESCRIPTION	REV
	H20324-FS-A-1-1	Ref	HYDRAULIC INLINE VALVES	A
5	H000015	1	Valve, NW 15 ND Ball	
9	H000018	1	Valve, UC-SVC-1701 Lowering Speed Adjustment Throttle	
12	H000351	2	Valve, RHD-8PL Check	
18	H000115	1	Valve, 15-PL Check	
27	H000147	1	Valve, Solenoid	
27	7017410	1	Cartridge	
27	7012998	1	Seal Kit - 7017410 Cartridge	
27	7012986	1	Coil	
27	70001938	1	O-Ring (Between Valve and Pump)	
28	H000524	1	Valve, DRV 12G1/2in 350bar Throttle Check	
30	H000344	3	Valve, KH 10-PL 2/2 Directional Ball	
31	H000339	3	Valve, RHD 18-PL Check	
32	H000312	2	Valve, RHD 10-PL Check	
36	H000279	1	Valve, Low-Pressure Ball	
	H005781	Ref	HYDRAULIC FITTING KIT	6
104	2142706	5	BSPP Male Connector 8-1/4-10-19-L	
105	2142707	4	BSPP Male Connector 8-3/8-11.5-22-L	
106	2142743	2	BSPP Male Connector 8-1/2-12-27-L	
107	2142708	11	BSPP Male Connector 10-1/4-11-19-L	
108	2142709	4	BSPP Male Connector 10-3/8-12.5-22-L	
109	2142710	2	BSPP Male Connector 10-1/2-13-27-L	
111	2142711	1	BSPP Male Connector 12-1/4-12-19-L	
112	2142712	1	BSPP Male Connector 12-3/8-12.5-22-L	
113	2142713	1	BSPP Male Connector 12-1/2-13-27-L	
115	2142714	AR	BSPP Male Connector 15-3/8-13.5-24-L	
117	2142751	1	BSPP Male Connector 15-1/4-13-19	
118	2142716	AR	BSPP Male Connector 18-1/2-14.5-27-L	
119	2142717	5	BSPP Male Connector 18-3/4-14.5-32-L	
120	2142752	AR	BSPP Male Connector 18LR1EDA3C (SPL)	
123	2142719	4	BSPP Male Connector 28-1-17.5-41	
130	2140803	2	Male Connector 10-14X1.5-11-19L	
131	H000148	4	Connecting Piece M10x1 / M16x1,5	
132	2140807	1	Male Connector 15-18X1.5-24 L	
145	2142744	1	BSPP Male Connector 28-3/4-17.5-41-L	
153	2143403	3	Swivel Nut Elbow 10-16X1.5-15-29-14-L	
154	2143404	1	Swivel Nut Elbow EW 12-PL/OMD (SN 1200007771 through 1200015548)	
155	2143405	1	Swivel Nut Elbow 15-22X1.5-21-32.5-19-L	
156	2143406	2	Swivel Nut Elbow 18-26X1.5-23.5-35.5-24-L	
172	2142202	1	Swivel Nut Run Tee 8-8-14X1.5-14-27.5-12-L	
173	2142203	10	Swivel Nut Run Tee 10-10-16X1.5-15-29-14-L	
174	2142204	1	Swivel Nut Run Tee 12-12-18X1.5-17-29.5-17-L	
175	2142205	1	Swivel Nut Run Tee 15-15-22X1.5-21-32.5-19-L	
176	2142206	7	Swivel Nut Run Tee 18-18-26X1.5-23.5-35.5-24-L	
182	2143602	3	Swivel Union-Flareless 8-14X1.5-14X1.5-32 L	
183	2143603	5	Swivel Union-Flareless 10-16X1.5-16X1.5-33 L	
185	2143605	2	Swivel Union-Flareless 15-22X1.5-22X1.5-38 L	
186	2143606	6	Swivel Union-Flareless 18-26X1.5-26X1.5-36 L	
188	2143608	1	Swivel Union-Flareless 28-36X2-36X2-46 L	

SECTION 6 - HYDRAULIC

ITEM	PART NUMBER	QTY	DESCRIPTION	REV
193	2141908	2	Union Tee 10-10-10-15-14-14-L	
196	2141911	1	Union Tee 18-18-18-23.5-24-24-L	
204	2142804	1	BSPP Swivel Connector 12-18X1.5-3/8-34-22-L	
217	2143507	1	Swivel Tube End Reducer 12-10-18X1.5-26 L	
223	2143513	2	Swivel Tube End Reducer 18-8-26X1.5-28 L	
224	2143514	1	Swivel Tube End Reducer 18-10-26X1.5-29 L	
226	2143516	4	Swivel Tube End Reducer 18-15-26X1.5-30 L	
243	2141503	4	Bulkhead Union 10-10-16X1.5-10-28-22-22 L	
272	2143705	1	Hydraulic Flange Connection BFW 18-PL/LK 40	
274	2143707	1	Hydraulic Flange Connection BFW 28-PL/LK 40	
279	2143703	1	Hydraulic Flange Connection BFW 15-PL/LK 35	
280	2143717	1	Hydraulic Flange Connection BFW 18-L/LK 35A3C (SPL)	
296		Ref	Fitting Options:	
296	2142503	2	Fitting (Prior to SN 1200007771)	
296	2144105	2	Fitting (SN 1200007771 through 1200015548)	
301	2221222	AR	Test Port M16x2	
313	2143807	3	Plug	
320	2221214	1	Oil Drain Plug M. Magnet R 3/4in With Copper Sealing Ring.	
356	2141517	4	BSPP Male Connector 20-20-30x2-17.5-33.5-41-41S	
521	2142733	4	BSPP Male Connector 16-1/2-18.5-27-S	
522	2142734	4	BSPP Male Connector 16-3/4-20.5-32-S	
525	2142735	4	BSPP Male Connector 20-3/4-20.5-32-S	
526	2142745	4	BSPP Male Connector 20-1/2-20.5-32-S (Use p/n 2142740)	
	H001093	Ref	HYDRAULIC FITTING KIT	2
104	2142706	1	BSPP Male Connector 8-1/4-10-19-L	
112	2142712	4	BSPP Male Connector 12-3/8-12.5-22-L	
113	2142713	21	BSPP Male Connector 12-1/2-13-27-L	
152	2143402	1	Swivel Nut Elbow 8-14X1.5-14-27.5-12-L	
172	2142202	1	Swivel Nut Run Tee 8-8-14X1.5-14-27.5-12-L	
182	2143602	1	Swivel Union-Flareless 8-14X1.5-14X1.5-32 L	
313	2143807	8	Plug	
	H005780	Ref	HYDRAULIC HOSE KIT	5
500	2754366	1	Hydraulic Hose - 2 SN 06 DKOL 90 DKOL 90 (180grd) -3800	
501	2754477	1	Hydraulic Hose - 2 SN 06 DKOL DKOL - 38500	
502	2754478	1	Hydraulic Hose - 2 SN 06 DKOL 90 DKOL - 40000	
503	2754361	1	Hydraulic Hose - 2 SN 06 DKOL DKOL - 1000	
504	2754364	1	Hydraulic Hose - 2 SN 06 DKOL 90 DKOL 90 - 370	
505	2754479	1	Hydraulic Hose - 2 SN 06 DKOL 90 DKOL 90 - 1370	
512	2754366	1	Hydraulic Hose - 2 SN 06 DKOL 90 DKOL 90 (180grd) -3800	
550	2754480	4	Hydraulic Hose - 2 SN 08 DKOL DKOL - 1590	
551	2754377	1	Hydraulic Hose - 2 SN 08 DKOL 90 DKOL 90 (45grd) -2450	
552	2754368	2	Hydraulic Hose - 2 SN 08 DKOL DKOL - 2400	
553	2754375	1	Hydraulic Hose - 2 SN 08 DKOL 90 DKOL 90 (180grd) -620	
555	2754494	1	Hydraulic Hose - 2 SN 08 DKOL DKOL - 2700	
556	2754376	1	Hydraulic Hose - 2 SN 08 DKOL 90 DKOL 90 (180grd) -2200	
557	2754372	1	Hydraulic Hose - 2 SN 08 DKOL 90 DKOL - 2200	
558	2754482	1	Hydraulic Hose - 2 SN 08 DKOL 90 DKOL 90 (180grd) -3600	
559	2754373	2	Hydraulic Hose - 2 SN 08 DKOL 90 DKOL -2350	
560	2754369	4	Hydraulic Hose - 2 SN 08 DKOL 90 DKOL -900	
561	2754481	1	Hydraulic Hose - 2 SN 08 DKOL 90 DKOL 90 (180grd) -1300	
593	2754473	1	Hydraulic Hose - 1 SN 08 DKOL 90 DKOL 90 (180grd) -900	

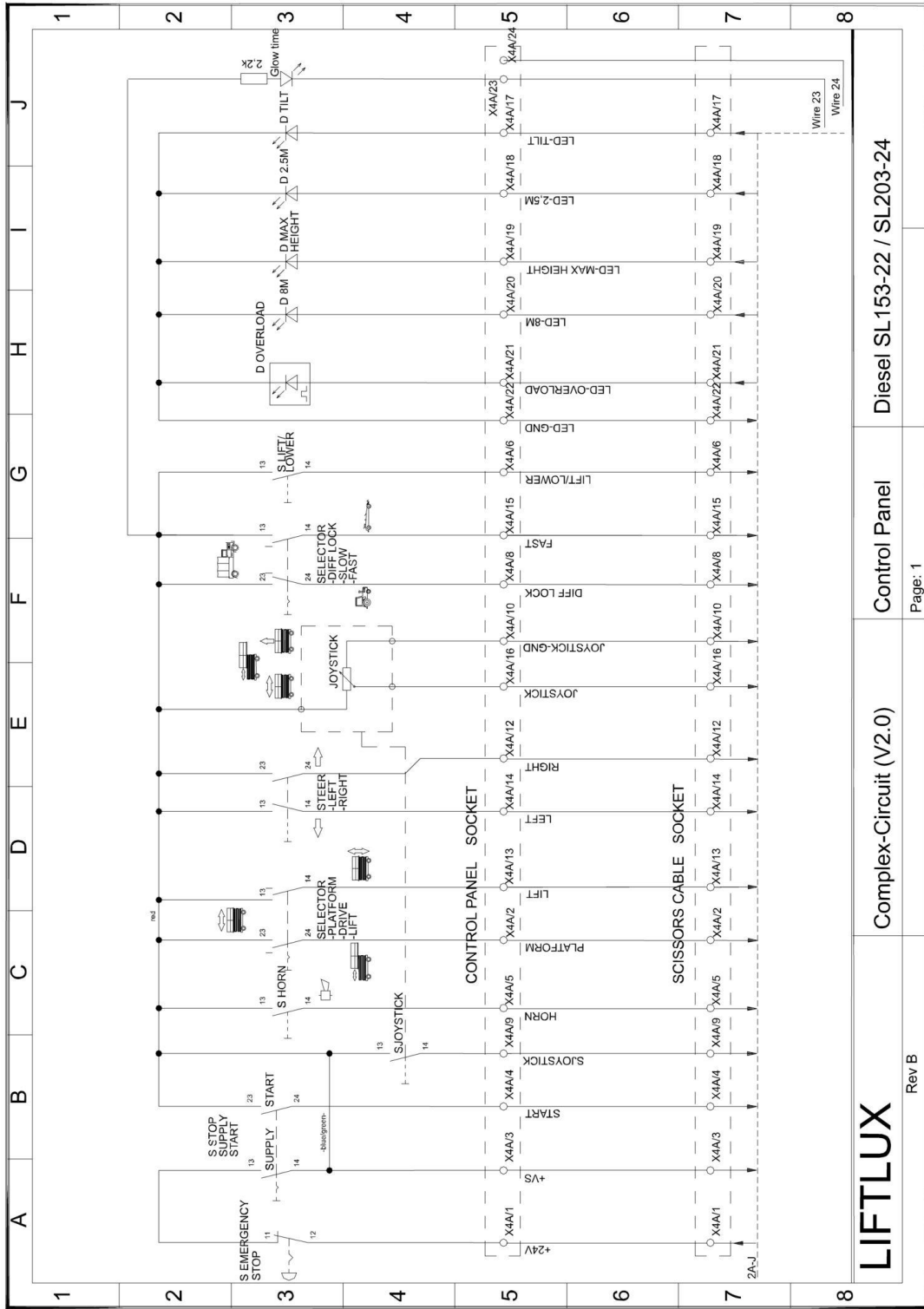
SECTION 6 - HYDRAULIC

ITEM	PART NUMBER	QTY	DESCRIPTION	REV
594	2754354	1	Hydraulic Hose - 1 SN 08 DKOL 90 DKOL 90 (180grd) -1100	
595	2754350	1	Hydraulic Hose - 1 SN 08 DKOL 90 DKOL -1200	
596	2754475	1	Hydraulic Hose - 1 SN 08 DKOL 90 DKOL 45 -2600	
597	2754353	1	Hydraulic Hose - 1 SN 08 DKOL 90 DKOL -3800	
598		Ref	Hydraulic Hose Options:	
598	2754350	1	Hydraulic Hose (Prior to SN 1200007771)	
598	2754561	1	Hydraulic Hose (SN 1200007771 through 1200012747)	
598	1001092080	1	Hydraulic Hose (SN 1200012748 through 1200015548)	
599	2754474	2	Hydraulic Hose - 1 SN 08 DKOL 90 DKOL -1600	
649	2754476	1	Hydraulic Hose - 1 SN 10 DKOL 90 DKOL 90 (180grd) -2600	
659	2754383	1	Hydraulic Hose - 2 SN 12 DKOL 90 DKOL 90 (0grd) -500	
698	2754357	1	Hydraulic Hose - 1 SN 08 DKOL 90 DKOL 90 (90grd) -700	
699	2754356	1	Hydraulic Hose - 1 SN 12 DKOL 90 DKOL -600	
700	2754484	1	Hydraulic Hose - 2 SN 16 DKOL 45 DKOL 90 (180grd) -3400	
701	2754485	1	Hydraulic Hose - 2 SN 16 DKOL 90 DKOL 90 (0grd) -2200	
703	2754391	1	Hydraulic Hose - 2 SN 16 DKOL 90 DKOL (0grd) -250	
705	2754483	1	Hydraulic Hose - 2 SN 16 DKOL DKOL 90 -1000	
706	2754388	1	Hydraulic Hose - 2 SN 16 DKOL 90 DKOL -660	
707	2754390	1	Hydraulic Hose - 2 SN 16 DKOL 90 DKOL 90 (180grd) -560	
708	2754483	1	Hydraulic Hose - 2 SN 16 DKOL DKOL90 -1000	
729	2754358	1	Hydraulic Hose - 1 SN 16 DKOL 90 DKOL -670	
778	2754495	1	Hydraulic Hose - 1 SN 25 DKOL 90 DKOL 90 (180grd) -2550	
779	2754359	1	Hydraulic Hose - 1 SN 25 DKOL 90 DKOL 45 (180grd) -900	
800	2754487	2	Hydraulic Hose - 4 SP 16 DKOS 90 DKOS -1620	
801	2754486	2	Hydraulic Hose - 4 SP 16 DKOS 90 DKOS -1640	
810	2754489	1	Hydraulic Hose - 4 SP 16 DKOS 90 DKOS -2500	
811	2754489	1	Hydraulic Hose - 4 SP 16 DKOS 90 DKOS -2500	
812	2754488	1	Hydraulic Hose - 4 SP 16 DKOS 90 DKOS -1760	
813	2754488	1	Hydraulic Hose - 4 SP 16 DKOS 90 DKOS -1760	
814	2754491	1	Hydraulic Hose - 4 SP 12 DKOS 90 DKOS 90 (180grd) -3900	
815	2754491	1	Hydraulic Hose - 4 SP 12 DKOS 90 DKOS 90 (180grd) -3900	
816	2754490	1	Hydraulic Hose - 4 SP 12 DKOS 90 DKOS 90 (180grd) -3350	
817	2754490	1	Hydraulic Hose - 4 SP 12 DKOS 90 DKOS 90 (180grd) -3350	
	H005784	Ref	HYDRAULIC HOSE KIT	2
600	2754493	2	Hydraulic Hose - 2 SN 10 DKOL -90 L50 DKOL -5300	
601	2754492	2	Hydraulic Hose - 2 SN 10 DKOL -90 L50 DKOL -5430	
602	2754393	2	Hydraulic Hose - 2 SN 10 DKOL -90 L50 DKOL -4500	
603	2754393	2	Hydraulic Hose - 2 SN 10 DKOL -90 L50 DKOL -4500	
604	2754392	4	Hydraulic Hose - 2 SN 10 DKOL 90 DKOL -900	

SECTION 7 - ELECTRICAL

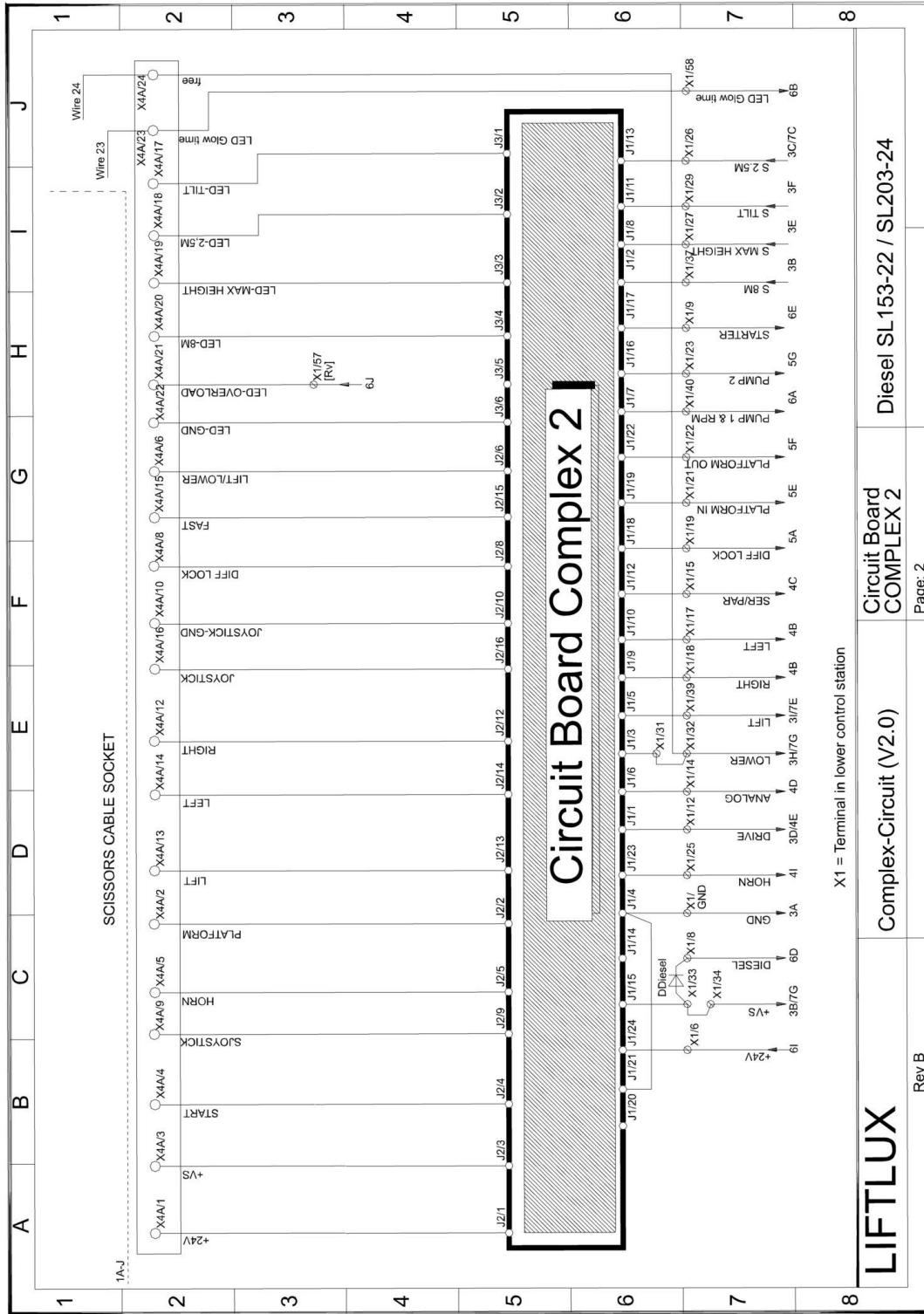
SECTION 7 - ELECTRICAL

FIGURE 7-1. ELECTRICAL PLANS - DIESEL CONTROL



LIFTLUX	Complex-Circuit (V2.0)	Control Panel	Diesel SL 153-22 / SL203-24
Rev B		Page: 1	

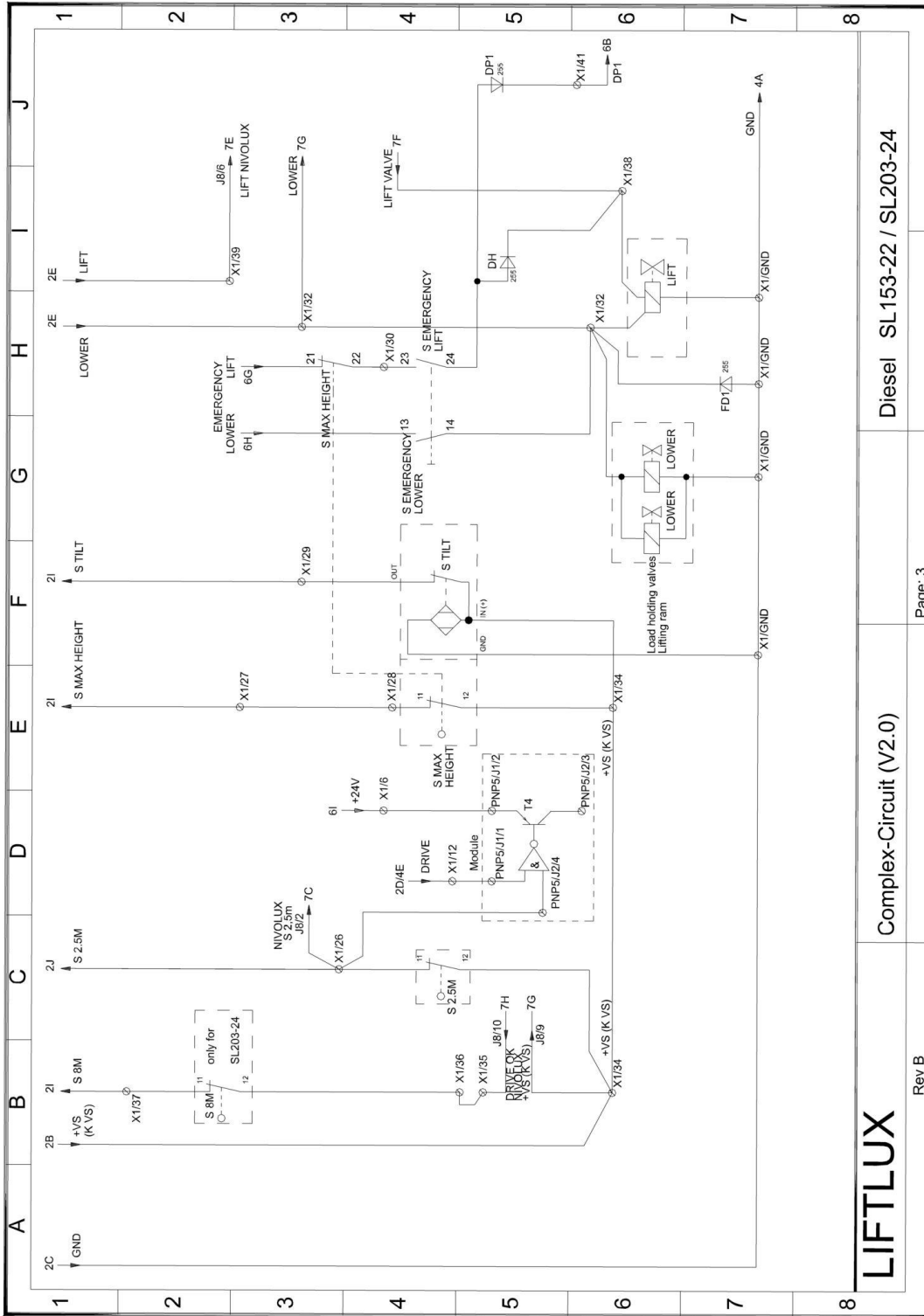
SECTION 7 - ELECTRICAL



LIFTLUX Complex-Circuit (V2.0) Circuit Board COMPLEX 2 Diesel SL153-22 / SL203-24

Rev B Page: 2

SECTION 7 - ELECTRICAL



LIFTLUX

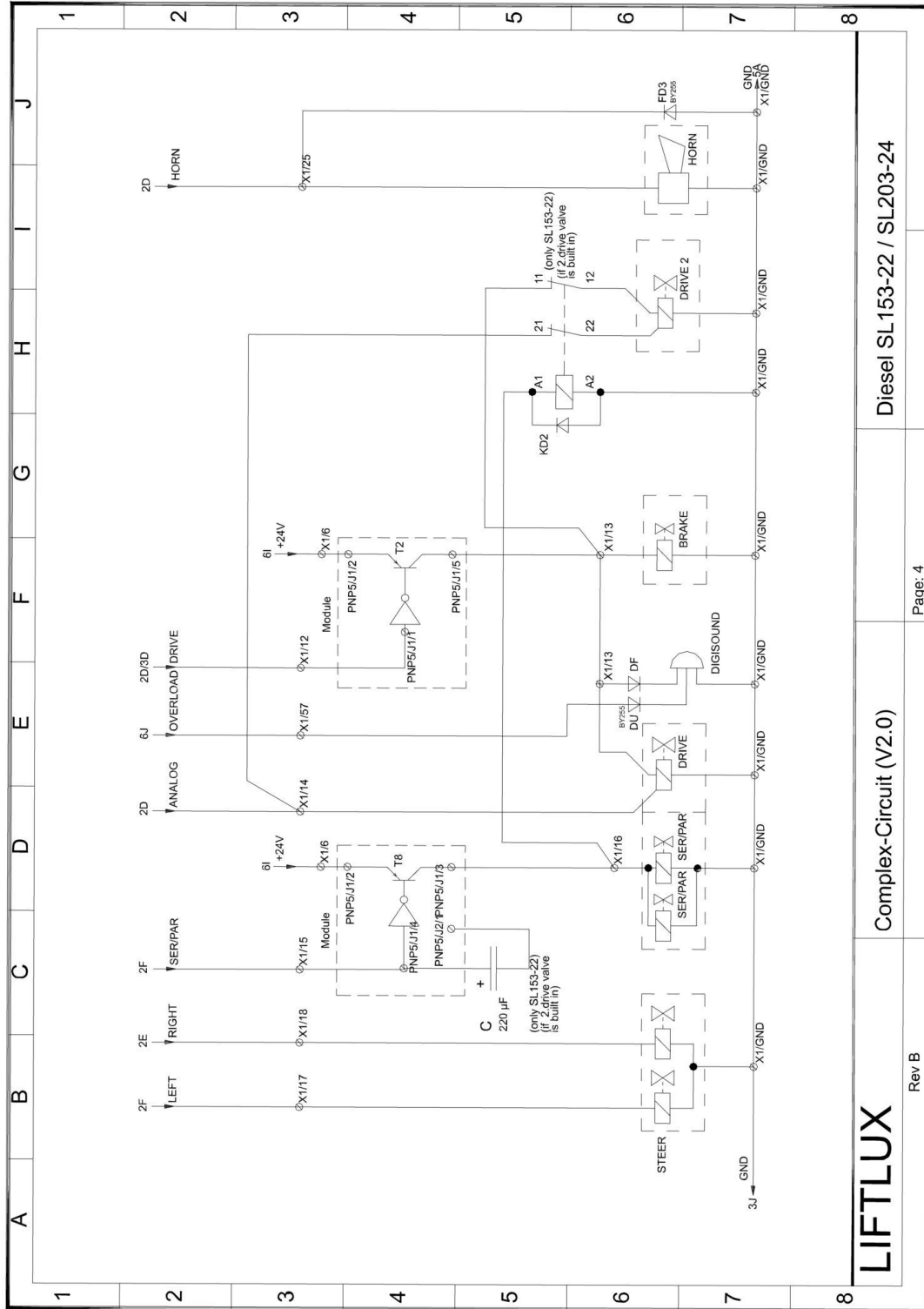
Rev B

Complex-Circuit (V2.0)

Page: 3

Diesel SL153-22 / SL203-24

SECTION 7 - ELECTRICAL



LIFTLUX

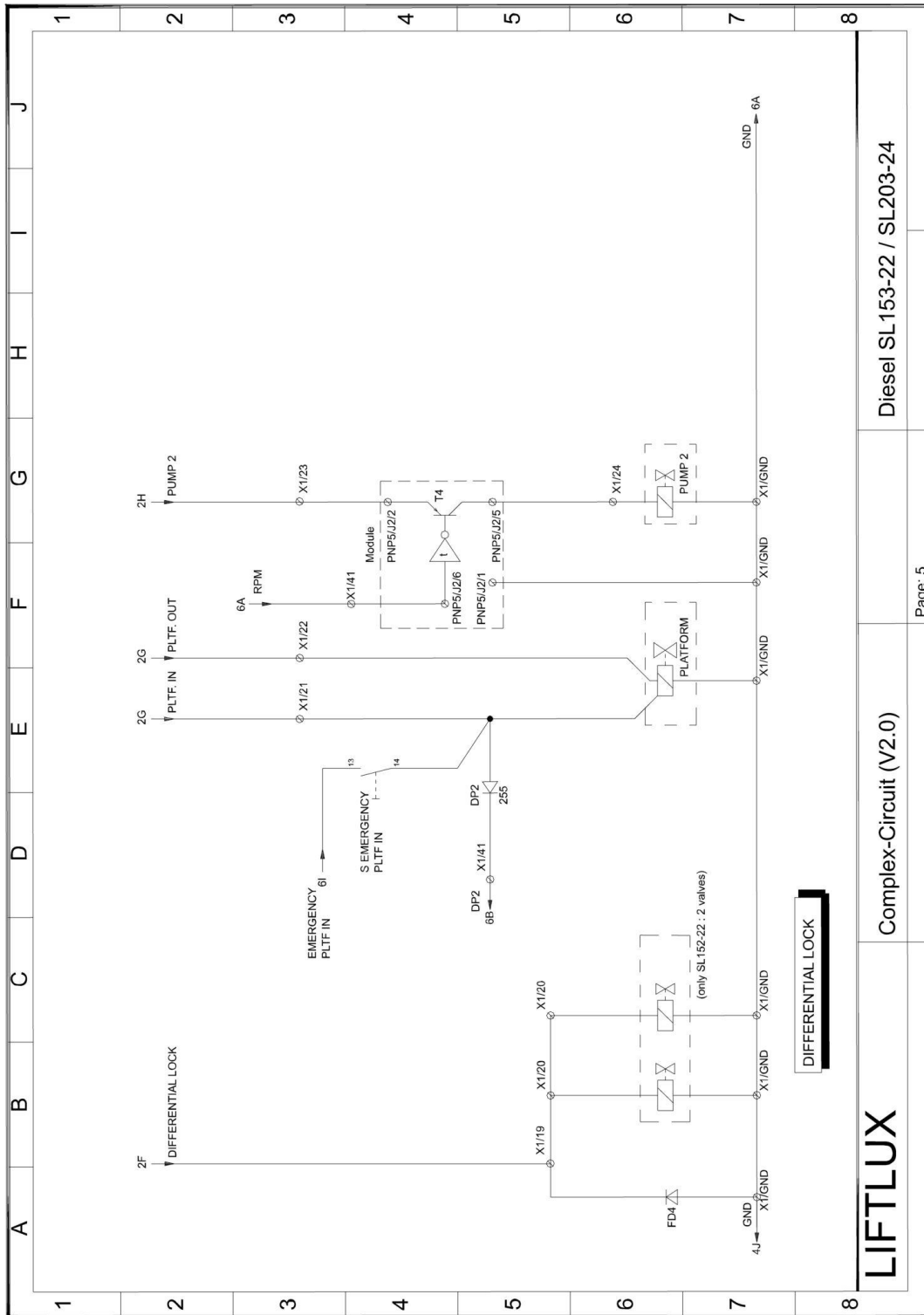
Complex-Circuit (V2.0)

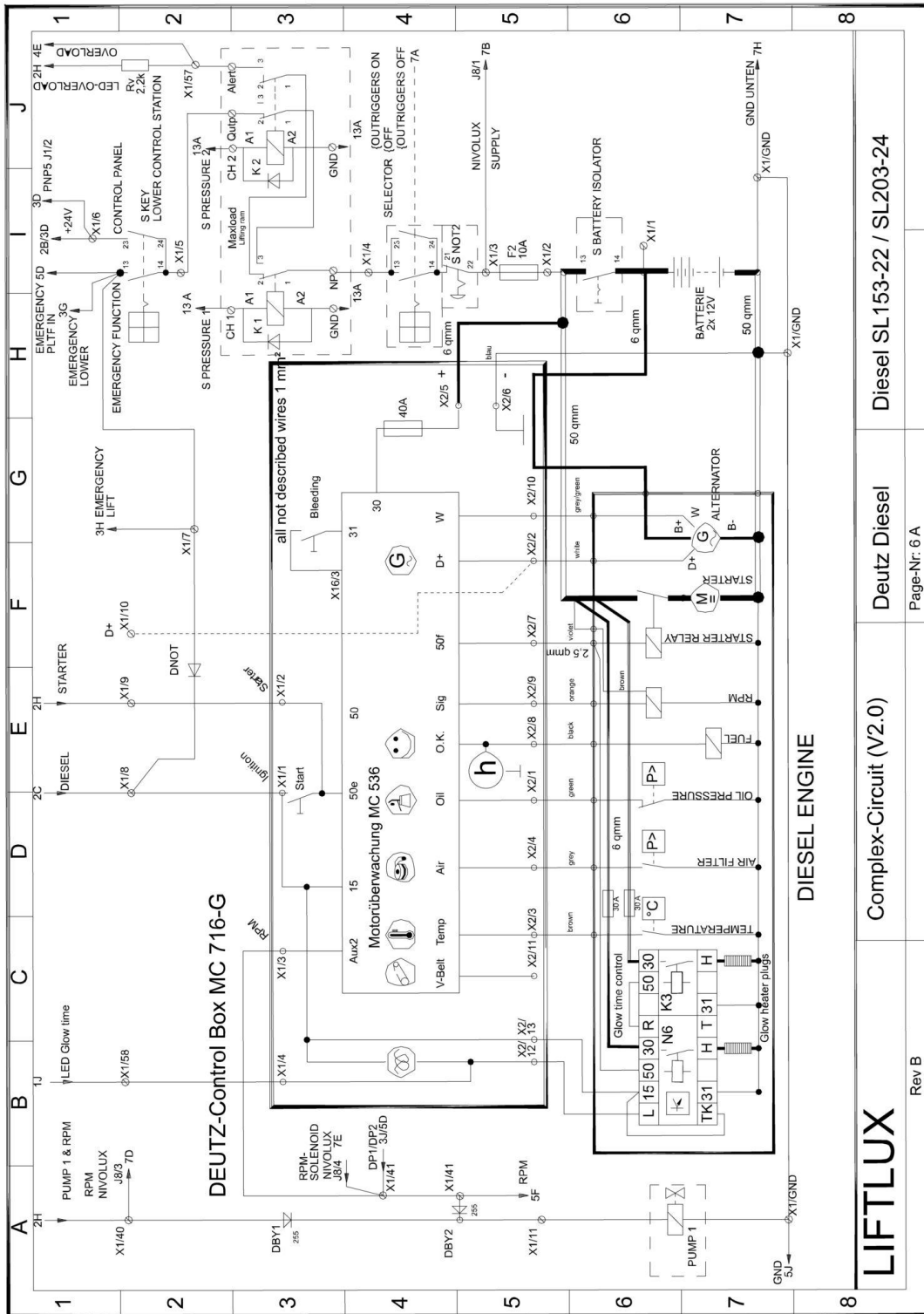
Diesel SL153-22 / SL203-24

Rev B

Page: 4

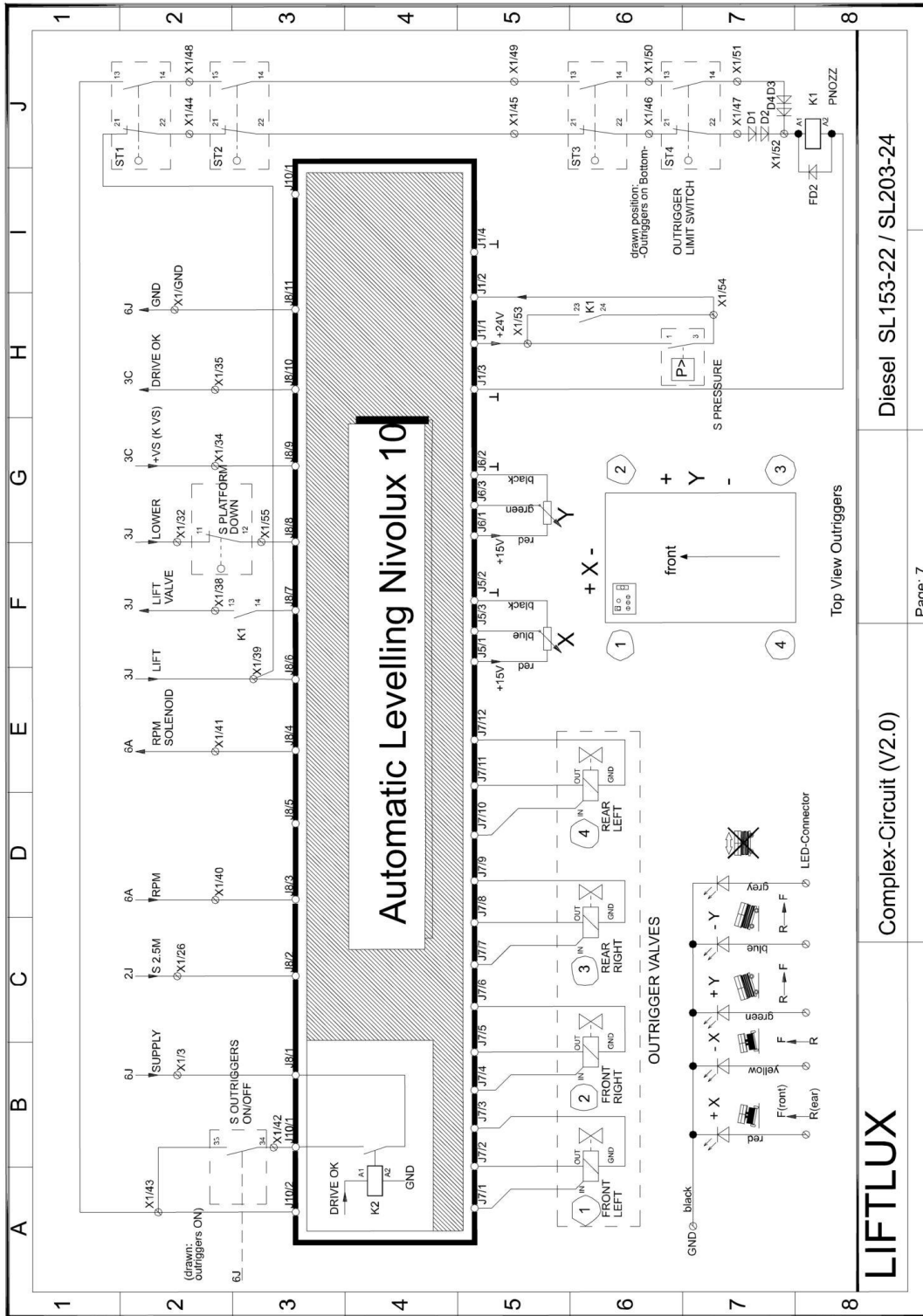
SECTION 7 - ELECTRICAL

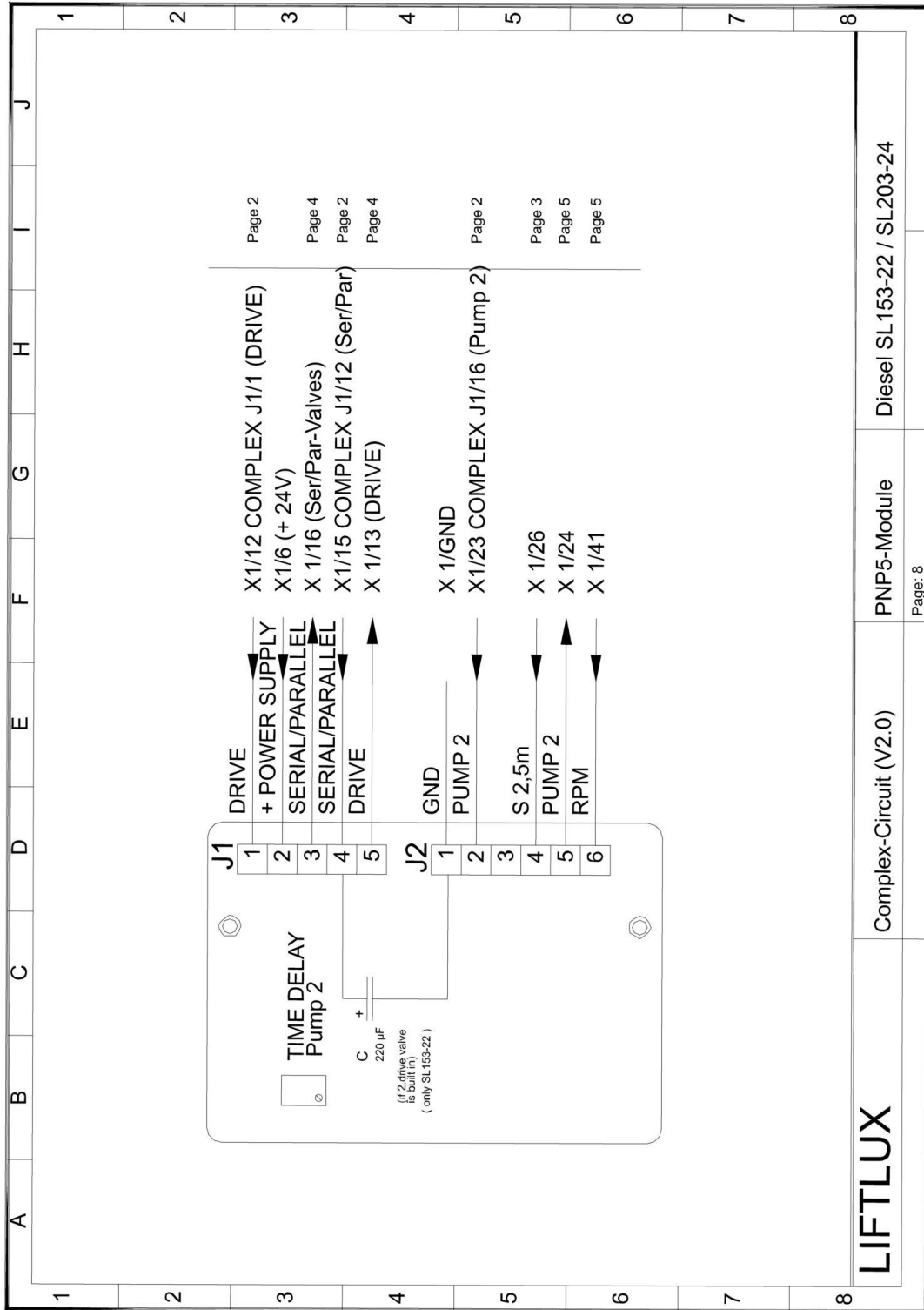




	Diesel	Diesel SL153-22 / SL203-24	
	Complex-Circuit (V2.0)	Deutz Diesel	Page-Nr: 6 A
LIFTFLUX	Rev B		

SECTION 7 - ELECTRICAL





LIFTLUX

Complex-Circuit (V2.0)

PNP5-Module

Diesel SL153-22 / SL203-24

Page: 8

SECTION 7 - ELECTRICAL

A	B	C	D	E	F	G	H	I	J
1	1	1	3	4					
2	2	2	3	4					
3	3	3	3	4					
4	4	4	3	4					
5	5	5	3	4					
6	6	6	3	4					
7	7	7	3	4					
8	8	8	3	4					

Item	Description	Terminal	Notes
1	Battery +	6I	
2	Battery Isolator OUT	6I	FZ (10A) IN
3	S Emergency Stop 2 / 22	6I	Nivolux JB/1
4	Maxload Modul NP	6I	FZ (10A) OUT
5	Maxload Modul Outp	6I	S Em. S1/2 / 21 S Key / 13, 22
6		3D	S Key L.C.S. / 14, 24
6		3D	S Key L.C.S. / Control Panel
6		3B	Complex J1/24
6		6F	S Key L.C.S. / Em. Functio/d
7	S Max Height / 21	3H	D Diesel (Cathode) 2C
7		6F	Complex J1/17 Starter 2I
8	Motor Control Box Ignitio/d		
9	Motor Control Box Start	6E	
10	Motor Control Box D+	6F	
11	Pump 1	6A	DBY1 (Cathode) 6A
12		4F	Complex J1/1 Drive 2D
13	Brake Valve	4F	PNP5 J1/5 4F
13	Drive Valve IN	4E	DF (Anode) -4E
14	Drive Valve Analog	4D	Complex J1/16 Analog 3D
15	Ser/Par Valve	4D	Complex J1/12 Ser/Par 2F
17	Steer Left Valve	4B	PNP5 J1/3 4D
18	Steer Right Valve	4B	Complex J1/10 Left 2F
19		4B	Complex J1/9 Right 2E
20		5A	Complex J1/18 Diff Lock 2F
20	Diff Lock Valve 1	5B	
20	Diff Lock Valve 2	5C	
21	Platform IN Valve	5E	S Emerg. P/H IN / 14 5E
22	Platform OUT Valve	5F	Complex J1/19 Platf. IN 2G
23		5G	Complex J1/22 Platf. OUT G
24	Pump 2 Valve	5G	Complex J1/16 Pump 2 3I
25	Horn	4I	PNP5 J2/5 5G
26	S 2.5m / 11	3C	Complex J1/23 Horn 2D
27		7C	Complex J1/13 S 2.5m 2I
28	S Max Height / 11	3E	Complex J1/18 S Max Height
29	Tilt OUT	3F	
30	S Max Height / 22	3H	Complex J1/11 S Tilt 2I
31		3H	S Emerg. Lift 23 3I
32	Lower Valve	3H	Complex J1/13 Lower 2E
33	Lower Load Holding Valve	2J	S Emerg. Lower / 14 3G
34	S Max Height / 12	3E	FD 1 (Cathode) 3H
34	S Tilt IN	3F	Complex J1/15 +VS 2C
		7G	Nivolux JB/9

LIFTLUX

Diesel SL153-22 / SL203-24

Complex-Circuit (V2.0)

Terminals

Rev B

Page: 9A

SECTION 7 - ELECTRICAL

1	2	3	4	5	6	7	8
35							
36	S 8m /12	3B					
37	S 8m /11	3B					
38	Lift Valve	3I					
39	ST1 /21	7I					
40	DA1	6B	Nivolux J8/3	7D	DBY1	6A	Complex J117 P1&RPM 2G
41	Motor Control Box RPM	6D	Nivolux J8/4	7E	DBY2	6A	DP1 (Cathode)
42	DA2	6A					
43	S Outrigger ON/OFF /34	7B					
44	S Outrigger ON/OFF /33	7B	ST1 /13	7I			
45	ST2 /21	7I	ST1 /22	7I			
46	ST3 /21	7I	ST2 /22	7I			
47	ST4 /21	7I	ST3 /22	7I			
48	ST2 /13	7I	ST1 /14	7I			
49	ST3 /13	7I	ST2 /14	7I			
50	ST4 /13	7I	ST3 /14	7I			
51	ST4 /14	7I					
52							
53	S Pressure /1 Nivolux	7H	K1 /A1 PNOZZ	7I	D4 (Cathode)	7I	D3
54	S Pressure /3 Nivolux	7H					
55	S Platform Down /12	7G					
56	LED GLOW Time	2I					
57	Maxload Modul ,Alert:	6I	DU (Anode)	4E	X14A21 LED Overload	2II	
58	LED GLOW Time	2I	X1/4 Deutz Box	Let Glow B			
59							
60	Battery	6I	Load Holding Valves	3G	KD2 /A2	4H	Complex
61	Lift	3H	S Tilt	3F	FD3	4I	FD1
62	Steer	4B	Diff Lock Valve 1	5B	FD4	5A	PNP5 J2/1
63	Drive	4E	Diff Lock Valve 2	5C	Maxload Modul, GND	6J	Digisound
64	Brake	4F					Nivolux
65	Serial/Parallel	4D					K1 PNOZZ
66	Pump 1	6A	Horn	4I			
67	Pump 2	5G	Platform	5E			
68	Motor Control Box	6H					

Connection: Type without drive disconnection by S 8m
only SL153-22

36-37

LIFTLUX

Rev B

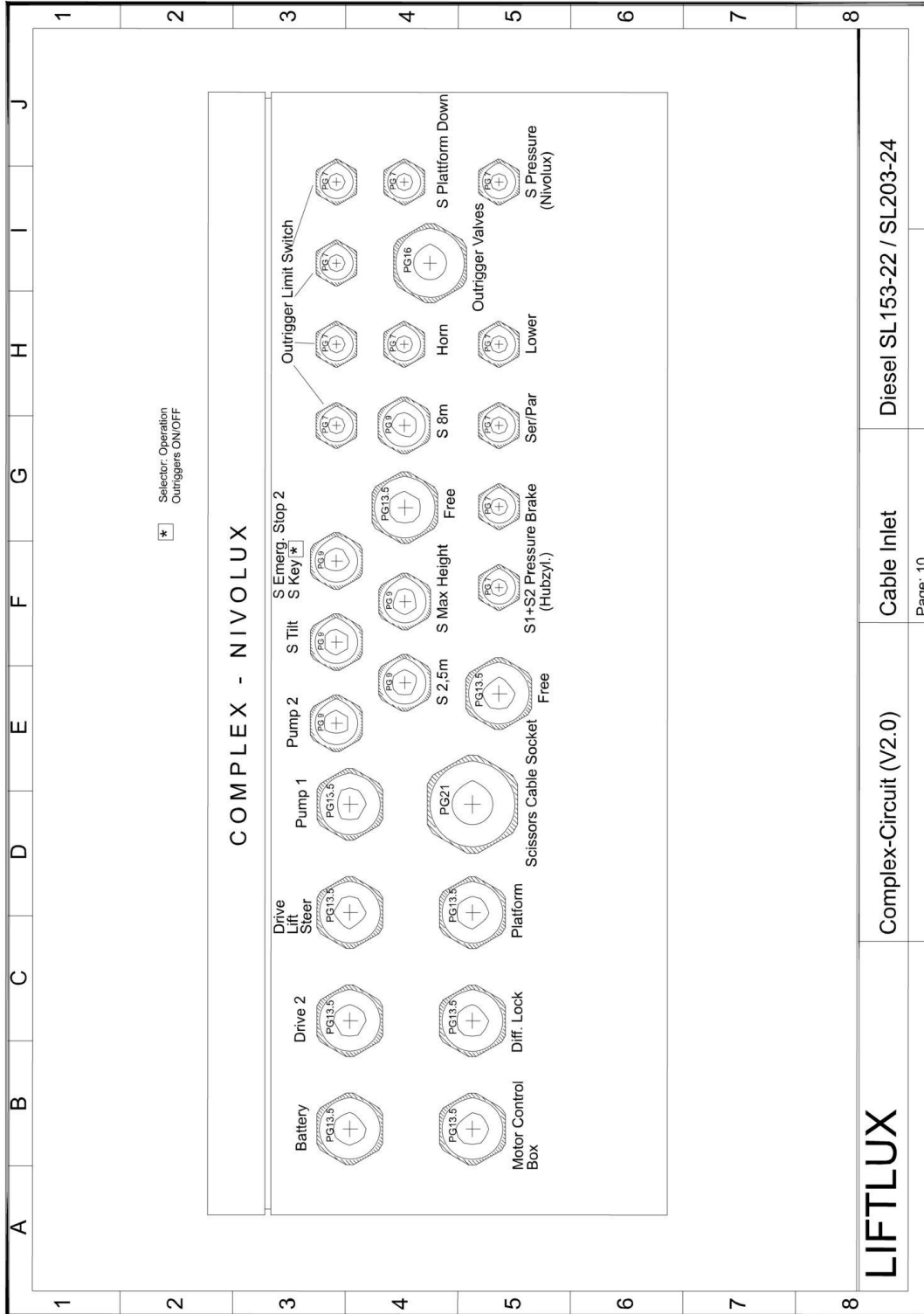
Complex-Circuit (V2.0)

Terminals

Diesel SL153-22 / SL203-24

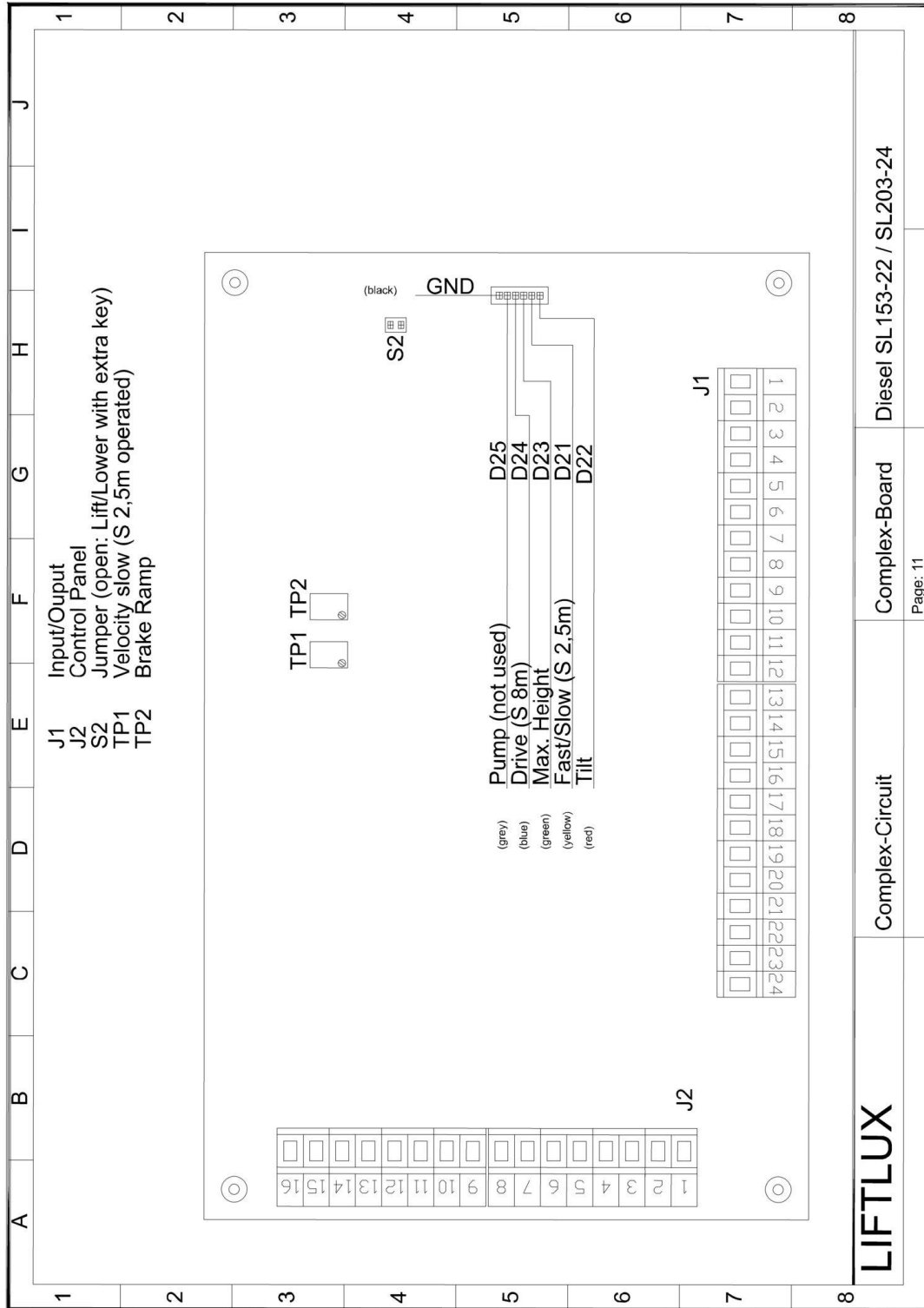
Page: 9B

SECTION 7 - ELECTRICAL



Complex-Circuit (V2.0)	Cable Inlet	Diesel SL153-22 / SL203-24
Page: 10		

SECTION 7 - ELECTRICAL



LIFTLUX

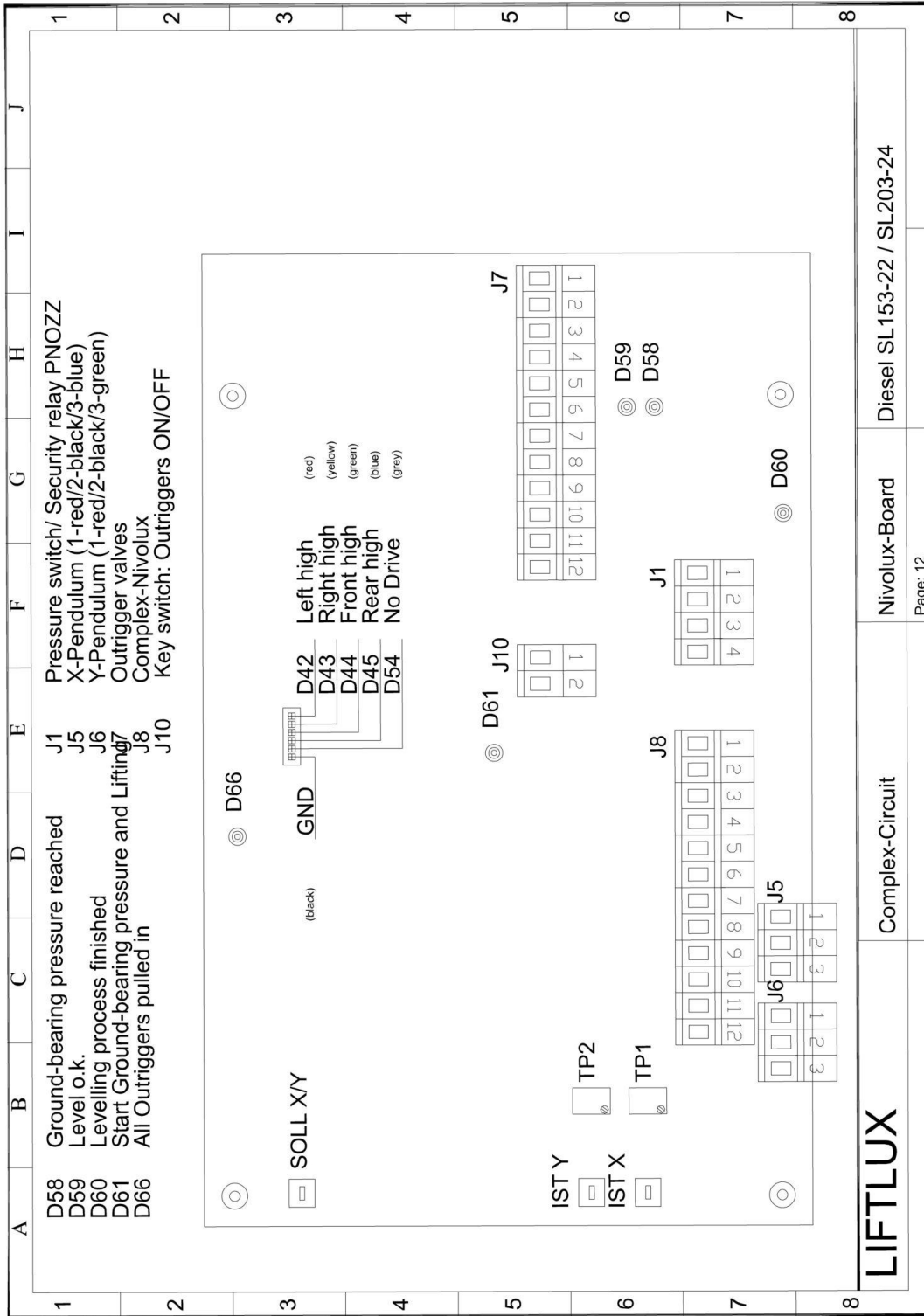
Diesel SL153-22 / SL203-24

Complex-Board

Complex-Circuit

Page: 11

SECTION 7 - ELECTRICAL



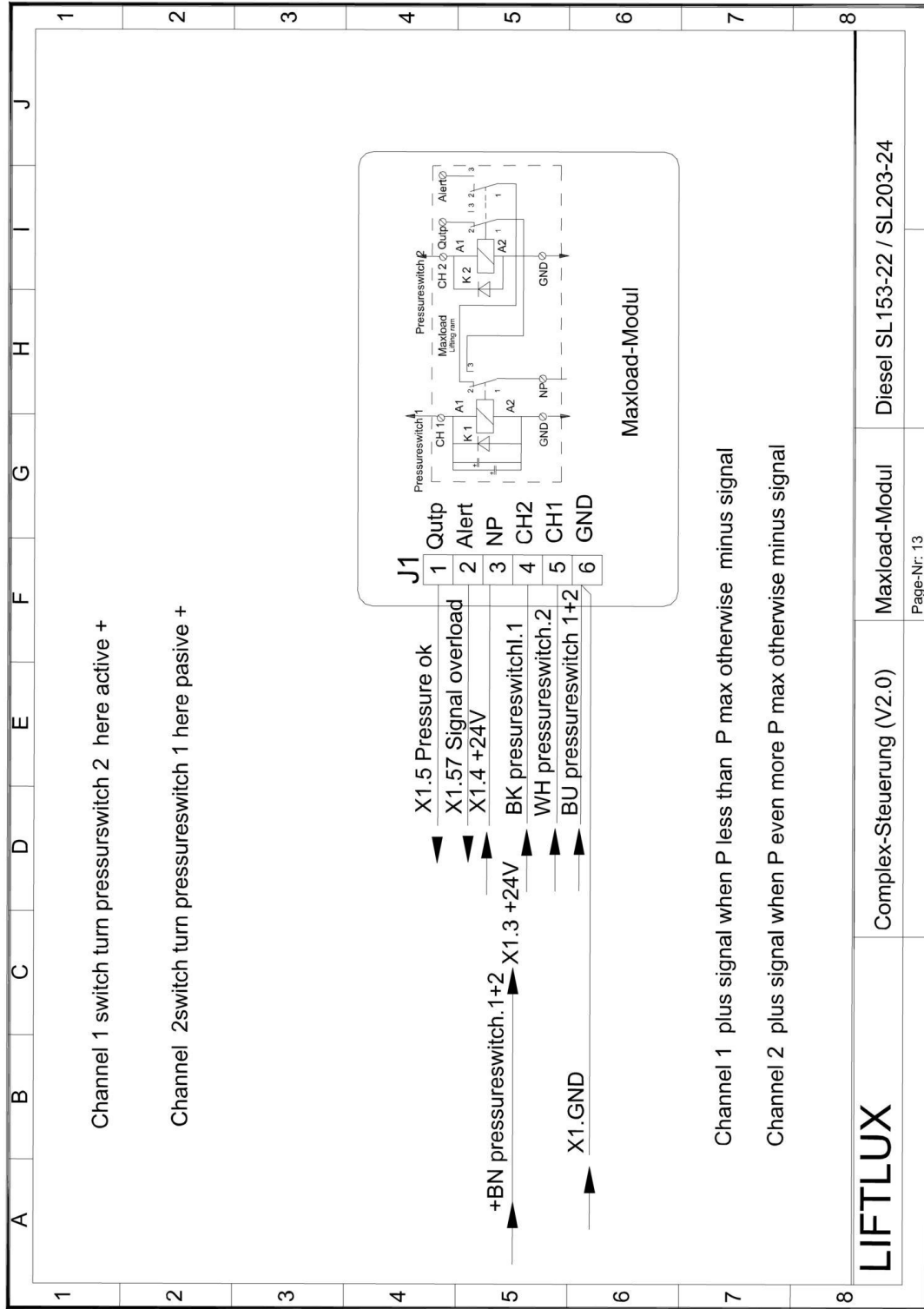
LIFTLUX

Diesel SL153-22 / SL203-24

Nivolux-Board

Complex-Circuit

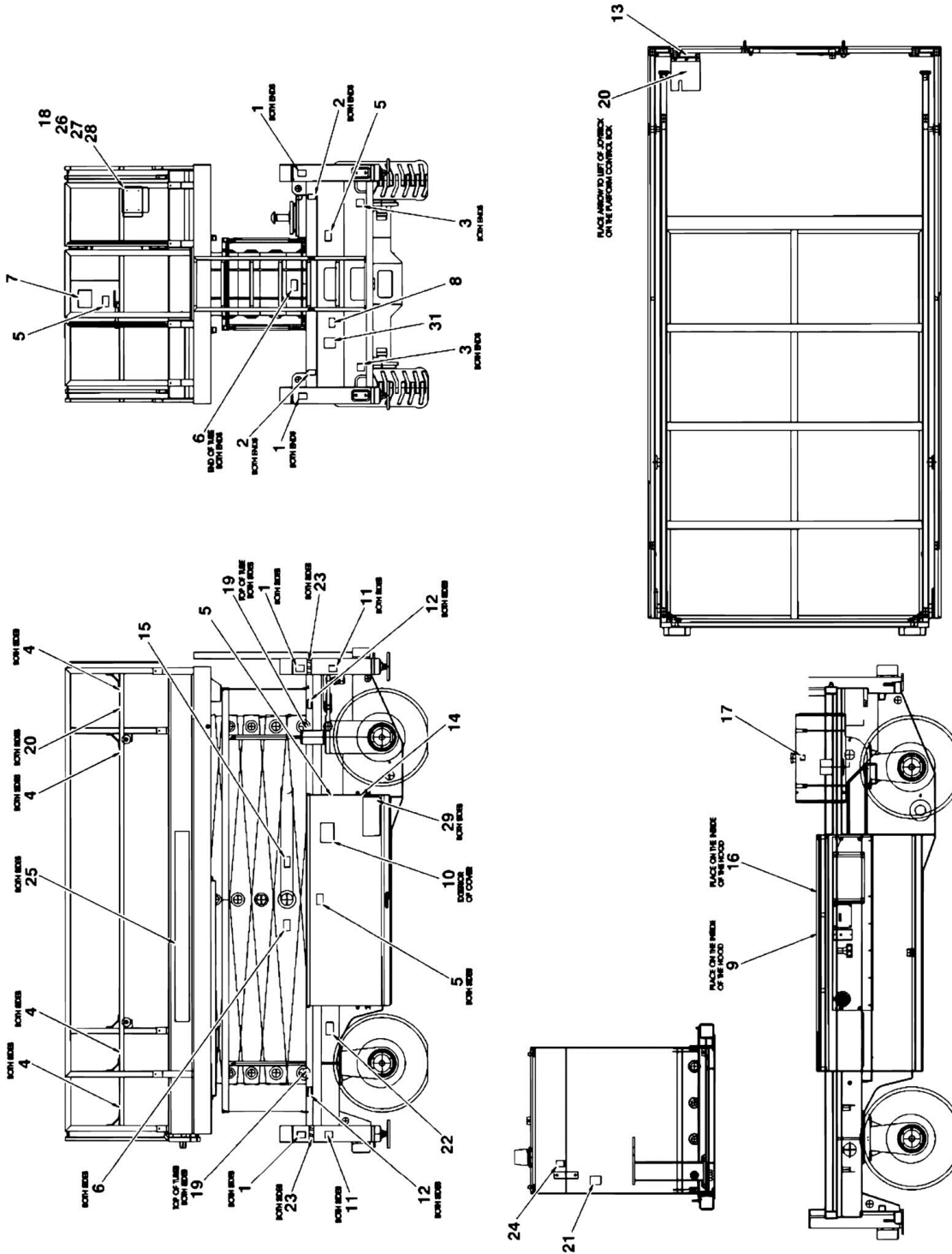
Page: 12



SECTION 8 - DECALS

SECTION 8 - DECALS

FIGURE 8-1. DECAL INSTALLATION



SECTION 8 - DECALS

FIGURE 8-1. DECAL INSTALLATION

ITEM	PART NUMBER	QTY	DESCRIPTION	REV
	0274681	Ref	DECAL INSTALLATION	C
1	1701785	8	Decal, Crushing	
2	1703811	4	Decal, Lifting Lug	
3	1703814	4	Decal, Tie Down	
4	1704277	8	Decal, Lanyard Attach	
5	1705671	6	Decal, Electrocution	
6	1705673	4	Decal, Crushing	
7	1706455	1	Decal, Capacity	
8	1706472	1	Decal, Fall Hazard	
9	1706598	1	Decal, Manual Descent	
10	1706482	1	Decal, Manual Descent Inside	
11	1706559	4	Decal, Pad Load	
12	1706560	4	Decal, Wheel Load	
13	1706485	1	Decal, Control Box Location	
14	1706512	1	Decal, Ground Control	
15	1706487	1	Decal, Safety Prop	
16	1706599	1	Decal, Manual Descent	
17	1701505	1	Decal, Diesel Fuel	
18	1701509	1	Decal, Manual	
19	1703687	4	Decal, Direction Arrow	
20	1703819	3	Decal, Direction Arrow	
21	1704412	1	Decal, Hydraulic Oil	
22	See Note	1	Nameplate, Serial Number (Note: Not Available for Purchase)	
23	4420051	1.2 m	Tape, Safety	
24	1703812	1	Decal, Hydraulic Oil	
25	1706561	2	Decal, 203-24 Liftlux	
26	0860520	1	Box, Manual Storage	
27	1060279	1	Cable, Lanyard	
28	2080040	4	Fastener, Huck	
29	1702773	3	Decal, JLG (Decal Located on End of Machine - Not Shown)	
30	1704885	1	Decal, JLG Website (Located on End of Machine - Not Shown)	
31	1705084	1	Decal, Noise Level	

SECTION 9 - RECOMMENDED SERVICE PARTS STOCK

SECTION 9 - RECOMMENDED SERVICE PARTS STOCK

SECTION 9 - RECOMMENDED SERVICE PARTS STOCK

FIGURE 9-1. MODEL 203-24 STANDARD PARTS

ITEM	PART NUMBER	QTY	DESCRIPTION	REV
	Note	Ref	Note: The following list will service one machine (built to current production per date on the front cover) with emergency repair parts which can be installed in the field. Parts from the list should be replaced when inventory is depleted to keep service parts stock supplied. For further information, contact your JLG dealer or the JLG Industries Parts Department.	
		Ref	STANDARD PARTS	
	E000059	1	Switch, Battery Disconnect	
	E000377	1	Switch, Emergency Stop	
	E000390	1	Switch, Key	
	E000391	1	Block, Contact	
	7012986	1	Coil	
	70000020	12	Element, Mini Pressure Filter	
	70000441	1	Coil	
	H000536	1	Switch, Pressure	
	E000457	1	Relay	
	E001375	1	Relay	
	7017444	1	Coil	
	H000241	1	Breather, Hydraulic	
	70000899	12	Element, Pressure Filter	
	S200238	1	Latch, Platform	
	E000412	1	Switch, Pushbutton	
	E000511	1	Switch, Engine On/Off	
	E000051	1	Joystick	
	E000435	1	Switch, 3 Position	
	E000436	1	Switch, Steering	

SECTION 9 - RECOMMENDED SERVICE PARTS STOCK

FIGURE 9-2. MODEL 203-24 VARIABLE PARTS

ITEM	PART NUMBER	QTY	DESCRIPTION	REV
	Note	Ref	Note: The following list will service one machine (built to current production per date on the front cover) with emergency repair parts which can be installed in the field. Parts from the list should be replaced when inventory is depleted to keep service parts stock supplied. For further information, contact your JLG dealer or the JLG Industries Parts Department.	
		Ref	VARIABLE PARTS	
	E000359	1	Switch, Limit	
	E000044	1	Switch, Tilt	
	70000633	1	PC Board	
	70000635	1	Switch, Pushbutton	
	E000189	1	Card, Pump Delay	
	E000214	1	Board, Nivelux Control	
	E000218	1	Card, Complex Control	
	E001206	1	Sensor, Level	
	E007404	1	Card, Trigger Control	
	E700100	1	Module, Load Sensing	
	H005232	12	Element, Primary Air Filter	
	70000054	12	Element, Secondary Air Filter	
	7020023	12	Filter, Fuel (Deutz Engine)	
	7016331	12	Filter, Oil (Deutz Engine)	

SECTION 10 - SPECIAL OPTIONS

SECTION 10 - SPECIAL OPTIONS

FIGURE 10-1. SPECIAL OPTIONS

ITEM	PART NUMBER	QTY	DESCRIPTION	REV
	Note	Ref	Note: This list is to accommodate machines ordered with special equipment. Options may not be applicable to all models. For more specific parts information contact JLG Parts Department.	
		Ref	MISCELLANEOUS SPECIAL OPTIONS	
		Ref	Fluids	
	3020016	AR	Oil, Motor Mobil Delvac MX 15W-40	
	3020008	AR	Oil, Transmission ATF 184	
	2300014	AR	Oil, Hydraulic Mobil Fluid 424	
		Ref	Maintenance Kits:	
	7100111713	1	Combined Filter Kit	
	7100111685	1	Fuel/Oil Filter Kit	
	7100111678	1	Hydraulic/Air Filter Kit	
		Ref	Tools For Service:	
	7002828	1	Stripper, Wire	
	7002821	1	Crimper, Wire (To Install Wire Ends to Wires)	
	7002823	1	Extractor, Pin/Socket - Universal (For Most Connectors)	
	4460467	1	Extractor, Pin/Socket - 16-18 Gauge (For Deutsch Connectors)	
	4460510	1	Extractor, Pin/Socket - 12-14 Gauge (For Deutsch Connectors)	
	7002822	1	Screwdriver, Potentiometer (To Adjust Drive Controller)	
	7016654	1	Screwdriver, Magnetic	
	7004275	1	Installer, Seal - 1in	
	7004276	1	Installer, Seal - 1-1/2in	
	7002826	1	Installer, Seal - 2in	

PART NUMBER INDEX

PART NUMBER INDEX

0010656....11, 15, 25, 29, 41, 45, 49, 54, 59, 64, 67, 71	1706561 109	2754358 90	4520288..... 15
0100019..... 13	1706598 109	2754359 90	4811700..... 49, 64, 65
0140011..... 39	1706599 109	2754361 89	4811900.... 25, 42, 45, 49, 59, 64
0181847..... 67	2080040 109	2754364 89	4812000.... 25, 41, 49, 55, 59, 64, 65
0274681..... 109	2140803 88	2754366 89	4812100..... 41, 64
0307544..... 33	2140807 88	2754368 89	4812300..... 41, 55, 65
0318854..... 33	2141503 89	2754369 89	4831500..... 25
0700619..... 64	2141517 89	2754372 89	4831700..... 25, 49
0700621..... 49	2141908 89	2754373 89	4831900..... 45
0700816..... 25	2141911 89	2754375 89	4832000.... 25, 41, 49, 59
0700817..... 45	2142202 88, 89	2754376 89	4832100..... 11
0700818..... 64	2142203 88	2754377 89	5241600..... 15, 16
0700832..... 25	2142204 88	2754383 90	5242000..... 13
0701022..... 64	2142205 88	2754388 90	7000020..... 29, 30, 112
0701224..... 64	2142206 88	2754390 90	7000022..... 41
0701227..... 41	2142503 89	2754391 90	7000044..... 45
0701230..... 11	2142706 88, 89	2754392 90	7000050..... 46
0701629..... 55	2142707 88	2754393 90	7000051..... 49
0712022..... 13	2142708 88	2754473 89	7000052..... 45
0760517..... 49	2142709 88	2754474 90	7000054..... 45, 114
0760608..... 25, 49	2142710 88	2754475 90	7000055..... 46
0760614..... 64, 65	2142711 88	2754476 90	7000056..... 46
0760810..... 42, 55, 59	2142712 88, 89	2754477 89	7000057..... 46
0760812..... 41, 49	2142713 88, 89	2754478 89	7000058..... 46
0760814..... 49	2142714 88	2754479 89	7000059..... 45
0761010..... 25, 41, 49	2142716 88	2754480 89	7000060..... 45
0761012.... 41, 49, 55, 59	2142717 88	2754481 89	7000061..... 45
0761014..... 55, 64, 65	2142719 88	2754482 89	7000062..... 45
0761015..... 59	2142733 89	2754483 90	7000066..... 45
0761210..... 11	2142734 89	2754484 90	7000151..... 15
0761214..... 11	2142735 89	2754485 90	7000152..... 15
0761614..... 41	2142743 88	2754486 90	7000185..... 71
0771619..... 15, 16	2142744 88	2754487 90	7000186..... 71
0860520..... 109	2142745 89	2754488 90	7000187..... 71
0893076..... 33	2142751 88	2754489 90	7000188..... 71
1001091075..... 41, 42	2142752 88	2754490 90	7000189..... 71
1001092080..... 90	2142804 89	2754491 90	7000204..... 77
1001109990..... 67	2143402 89	2754492 90	7000205..... 77
1001111759..... 35	2143403 88	2754493 90	7000207..... 71
1003107..... 33	2143404 88	2754494 89	7000239..... 21
1060279..... 109	2143405 88	2754495 90	7000240..... 21
1701505..... 109	2143406 88	2754561 90	7000241..... 21
1701509..... 109	2143507 89	2900708 41	7000242..... 21
1701785..... 109	2143513 89	3020008 116	7000243..... 21
1702773..... 109	2143514 89	3020016 116	7000244..... 21
1703687..... 109	2143516 89	3290405 25	7000245..... 21
1703811..... 109	2143602 88, 89	3290505 49	7000246..... 21
1703812..... 109	2143603 88	3290605 49, 64, 65	7000247..... 21
1703814..... 109	2143605 88	3290801 45, 59	7000248..... 21
1703819..... 109	2143606 88	3290805 49, 64	7000249..... 21
1704277..... 109	2143608 88	3291001 41	7000250..... 21
1704412..... 109	2143703 89	3291005 ... 49, 55, 59, 64, 65	7000251..... 21
1704885..... 109	2143705 89	3291205 11, 41, 64	7000252..... 21
1705084..... 109	2143707 89	3291605 55, 64	7000253..... 21
1705671..... 109	2143717 89	3332011 13	7000254..... 21
1705673..... 109	2143807 89	3760499 65	7000255..... 21
1706455..... 109	2144105 89	3820510 25	7000256..... 21
1706472..... 109	2221214 89	3960605 42	7000257..... 21
1706482..... 109	2221222 89	4010408 42	7000258..... 21
1706485..... 109	2300014 116	4031510 25	7000259..... 21
1706487..... 109	2560141 67	4032015 25	7000260..... 21
1706512..... 109	2754350 90	4240032 59	7000262..... 45
1706559..... 109	2754353 90	4420051 109	7000346..... 22
1706560..... 109	2754354 90	4460467 116	7000441..... 112
	2754356 90	4460510 116	
	2754357 90		

PART NUMBER INDEX

70000513	37	70000956	39	7027939.....	19	E900002.....	29, 55
70000514	37	70001114	29	7027940.....	19	E900004.....	39
70000515	37	70001122	30	7027941.....	19	E900057.....	39
70000516	37	70001136	46	7027962.....	29	E900059.....	39
70000517	37	70001137	46	7028846.....	33	E900060.....	39
70000518	37	70001138	46	7028847.....	33	H000009	41, 42
70000519	37	70001352	30	7028848.....	33	H000013	41, 42
70000520	37	70001353	30	7028849.....	33	H000015	88
70000521	37	70001355	30	7028893.....	33	H000018	88
70000522	37	70001938	88	71001111678.....	116	H000019	29, 30
70000523	37	70003606	35	71001111685.....	116	H000031	33
70000524	37	70003607	35	71001111713.....	116	H000032	33
70000525	37	70003608	35	8003064.....	33	H000038	45
70000526	37	70003609	35	8005376.....	45	H000039	45
70000527	37	70003610	35	8007915.....	33	H000040	45
70000528	37	70003611	35	8007939.....	33	H000048	41
70000529	37	70003616	39	8007944.....	33	H000049	41
70000530	37	7002821	116	8007953.....	33	H000051	41
70000531	37	7002822	116	8008750.....	29	H000071	71
70000532	37	7002823	116	E000015	39	H000077	41
70000533	37	7002826	116	E000016	55	H000115	88
70000534	37	7002828	116	E000018	39	H000147	88
70000535	37	7004275	116	E000044	29, 114	H000148	88
70000536	37	7004276	116	E000045	54, 55	H000191	33
70000537	37	7010543	29, 30	E000051	67, 112	H000206	33
70000538	37	7012941	29, 30	E000057	29	H000219	15, 21
70000539	37	7012955	71	E000058	29	H000241	41, 42, 112
70000540	37	7012967	71	E000059	29, 112	H000270	71
70000541	37	7012986 ...	29, 30, 71, 88, 112	E000063	29	H000271	71
70000542	37	7012998	71, 88	E000083	29, 30, 67	H000279	88
70000543	37	7016331	45, 114	E000102	29, 39	H000285	29, 30, 37
70000633	114	7016654	116	E000103	29, 67	H000299	11, 73
70000634	30	7017410	88	E000189	39, 114	H000310	41
70000635	30, 114	7017414	41	E000214	39, 114	H000311	29, 30
70000700	79	7017444	41, 112	E000218	39, 114	H000312	88
70000707	83	7020023	45, 114	E000230	25	H000324	29, 30, 33
70000708	83	7020127	19	E000248	25	H000339	88
70000713	83	7020128	19	E000269	54	H000344	88
70000749	75	7020129	19	E000275	29	H000351	88
70000750	75	7020168	46	E000292	39	H000352	33
70000751	75	7020411	45	E000301	55	H000353	33
70000752	75	7020414	45	E000303	39	H000363	29, 30
70000755	75	7020443	46	E000304	39, 67	H000370	29, 30
70000759	83	7020449	46	E000359	25, 55, 114	H000390	33
70000760	83	7020455	45	E000375	39	H000412	41
70000761	83	7020459	46	E000377	29, 67, 112	H000439	45
70000762	75	7020465	45	E000378	39	H000443	15, 19
70000763	75	7020468	46	E000390	29, 112	H000512	33
70000764	79	7020471	46	E000391	29, 112	H000516	33
70000765	79	7020480	46	E000412	39, 67, 112	H000524	88
70000766	79	7020492	46	E000419	39, 67	H000527	41
70000767	79	7020495	46	E000420	67	H000536	29, 30, 112
70000768	79	7024579	45	E000432	67	H000542	33
70000769	79	7026608	45	E000435	67, 112	H000558	25
70000770	79	7027238	45	E000436	39, 67, 112	H000559	25
70000771	79	7027239	45	E000457	39, 112	H000570	29, 30
70000772	79	7027245	46	E000481	29, 39	H000580	33
70000899	112	7027246	46	E000482	29, 67	H000602	33
70000922	46	7027248	45	E000499	29, 55	H000612	64, 81
70000938	41	7027249	45	E000511	67, 112	H001093	89
70000939	41	7027608	46	E001185	67	H003063	81
70000940	41	7027609	46	E001190	67	H003064	73
70000941	41	7027610	46	E001206	39, 114	H003065	81
70000952	39	7027861	19	E001375	39, 112	H003066	73
70000953	39	7027912	33	E001376	39	H003068	73
70000954	39	7027915	33	E007404	39, 114	H003069	81
70000955	39			E700100	39, 114	H003070	81

PART NUMBER INDEX

H00307481	S000145..... 64, 65	S15322L-311-19-0 65	S20106864
H00307573	S000154..... 15	S15322L-311-28-0 65	S20107065
H00307881	S000178..... 55	S200024..... 41	S20107165
H00308073	S000182..... 11, 54	S200090..... 54, 55	S20107265
H00308277	S000187..... 54	S200092..... 54, 55	S20107365
H00308571	S000188..... 54	S200096..... 55	S20107465
H00308877	S000189..... 54	S200097..... 55	S20107565
H00309171	S000191..... 54	S200134..... 55	S20107665
H00309477	S000227..... 55	S200175..... 55	S20107765
H00309871	S000228..... 65	S200187..... 73	S20107865
H00310377	S000233..... 54	S200188..... 73	S20107965
H00310677	S000234..... 54	S200189..... 73	S20108065
H00310871, 77	S000237..... 64	S200204..... 81	S20108165
H00311471	S000246..... 49	S200205..... 81	S20108265
H00408046	S000263..... 73	S200207..... 81	S20108365
H00408946	S000274..... 59	S200218..... 64	S20109129
H00522446	S000275..... 59	S200223..... 64, 65	S20158254
H00523245, 114	S000510..... 64	S200226..... 64	S20165681
H00523445	S001237..... 54	S200230..... 65	S20324L-110-00-0..... 49
H00523645	S001238..... 54	S200231..... 65	S20324L-110-00-1..... 11
H00523745	S001240..... 54	S200233..... 65	S20324L-110-03-0..... 25
H00523845	S001241..... 54	S200238..... 65, 112	S20324L-120-00-0. 11, 15
H00523945	S001443..... 30, 64, 65	S200243..... 11	S20324L-130-00-0. 13, 15
H00524145	S001445..... 65	S200252..... 11	S20324L-150-00-1..... 49
H00524371	S001494..... 54	S200253..... 11	S20324L-162-01-0..... 29
H00524471	S001551..... 11	S200262..... 41	S20324L-163-18-0..... 29
H00524733	S001596..... 59	S200263..... 29	S20324L-163-20-0..... 29
H00524833	S001613..... 11	S200264..... 42	S20324L-170-00-0..... 59
H00525033	S001640..... 25	S200265..... 29	S20324L-180-00-1..... 25
H00537629, 30, 35	S001676..... 49	S200267..... 29	S20324L-200-00-0..... 54
H00555930	S001677..... 30, 65	S200268..... 41	S20324L-210-00-0..... 54
H00577825, 77	S001735..... 71	S200270..... 49	S20324L-220-00-0..... 54
H00577925, 77	S003950..... 64	S200271..... 49	S20324L-230-00-0..... 55
H00578089	S003991..... 16	S200272..... 49	S20324L-240-00-1..... 55
H00578188	S004035..... 55	S200273..... 11	S20324L-240-00-2..... 55
H00578271	S004039..... 25	S200274..... 29	S20324L-250-00-0..... 55
H00578341	S004500..... 25	S200307..... 77	S20324L-260-00-0..... 55
H00578490	S005042-01..... 59	S200308..... 77	S20324L-270-00-0..... 55
H2032471	S005042-02..... 59	S200309..... 77	S20324L-300-00-0..... 64
H20324-FS-A-1-188	S005049..... 64	S200437..... 73	S20324L-311-00-0..... 65
H70572171	S005143..... 11	S200911..... 54	S20324L-320-00-0..... 65
H70572271	S005171..... 41	S200999..... 71	S20324L-321-00-0..... 65
H70572371	S005172..... 41	S201000..... 71	S2032L4-310-00-1..... 64
H70572471	S006615..... 11	S201001..... 71	S90000225
H90000245	S006665..... 11	S201002..... 71	S90000325
H900002-161-00-030, 41, 45, 49	S006812..... 11	S201004..... 11	S90000549, 50
H90000775	S007034..... 55	S201005..... 11	S90000749
H90001383	S007035..... 55	S201017..... 54, 55	S90001325
H90001879	S007036..... 55	S201024..... 55	S90001425
H90001979	S007037..... 55	S201025..... 54	S90001564, 65
H90002530	S007038..... 55	S201026..... 54	S90001664, 65
S00000967	S007039..... 55	S201027..... 54	S90001764, 65
S00002154	S007116..... 55	S201028..... 54	S90002125
S00003064	S007117..... 55	S201029..... 54	S90002864
S00003164	S015312-321-25-0 65	S201030..... 54	S90002964
S00005564	S015312-600-07-0 29	S201031..... 54	S90003064
S00005649	S15322L-110-48-0 11	S201032..... 54	S90003164
S00006964	S15322L-161-00-030, 41, 45, 49	S201033..... 54	S90003264
S00011654	S15322L-161-01-0 41	S201034..... 54	S90003364
S00011854, 71	S15322L-161-02-0 49	S201035..... 54	S90003464
S00012354	S15322L-161-03-0 41	S201036..... 54	S90005211
S00012454	S15322L-161-04-0 49	S201037..... 54	S90005311
S00012954	S15322L-161-05-0 41	S201038..... 55	S90005549
S00014111, 54, 55, 64, 65	S15322L-161-05-0 41	S201039..... 54	S90005649
S00014211, 65	S15322L-163-13-0 29	S201059..... 13	S90005749
	S15322L-166-04-0 42	S201064..... 77	S90005849
	S15322L-190-00-0 25	S201065..... 77	S90005949

PART NUMBER INDEX

S900060.....	49	S900079.....	49	S900225.....	15	S900260.....	55
S900061.....	59	S900080.....	59	S900226.....	15	S900261.....	54
S900062.....	59	S900081.....	59	S900227.....	15	S900262.....	54
S900063.....	59	S900082.....	59	S900229.....	65	S900263.....	54
S900064.....	25	S900110.....	65	S900257.....	54, 55	X20324L....	11, 16, 30, 65
S900074.....	55	S900155.....	64, 65	S900258.....	54, 55		
S900075.....	55	S900223.....	55, 56	S900259.....	55		

PART NUMBER INDEX



3121308



An Oshkosh Corporation Company

JLG Industries, Inc.
1 JLG Drive
McConnellsburg PA. 17233-9533
USA
Phone: +1-717-485-5161
Customer Support Toll Free: 1-877-554-5438
Fax: +1-717-485-6417

JLG Worldwide Locations

JLG Industries (Australia)
P.O. Box 5119
11 Bolwarra Road
Port Macquarie
N.S.W. 2444
Australia
Phone: +61 2 65811111
Fax: +61 2 65813058

JLG Latino Americana Ltd.
Rua Antonia Martins Luiz, 580
Distrito Industrial João Narezzi
13347-404 Indaiatuba - SP
Brazil
Phone: +55 19 3936 8870
Fax: +55 19 3935 2312

JLG Industries (UK) Ltd
Bentley House
Bentley Avenue
Middleton
Greater Manchester
M24 2GP
England
Phone: +44 (0)161 654 1000
Fax: +44 (0)161 654 1001

JLG France SAS
Z.I. de Baulieu
47400 Fauillet
France
Phone: +33 (0)5 53 88 31 70
Fax: +33 (0)5 53 88 31 79

JLG Deutschland GmbH
Max-Planck-Str. 21
D - 27721 Ritterhude-Ihlpohl
Germany
Phone: +49 (0)421 69 350 20
Fax: +49 (0)421 69 350 45

JLG Equipment Services Ltd.
Rm 1107 Landmark North
39 Lung Sum Avenue
Sheung Shui N.T.
Hong Kong
Phone: +852 2639 5783
Fax: +852 2639 5797

JLG Industries (Italia) s.r.l.
Via Po, 22
20010 Pregnana Milanese - MI
Italy
Phone: +39 029 359 5210
Fax: +39 029 359 5845

JLG Europe B.V.
Polaris Avenue 63
2132 JH Hoofddorp
The Netherlands
Phone: +31 (0)23 565 5665
Fax: +31 (0)23 557 2493

JLG Polska
Ul. Krolewska
00-060 Warszawa
Poland
Phone: +48 (0)914 320 245
Fax: +48 (0)914 358 200

Plataformas Elevadoras
JLG Iberica, S.L.
Trapadella, 2
P.I. Castellbisbal Sur
08755Castellbisbal, Barcelona
Spain
Phone: +34 93 772 4 700
Fax: +34 93 771 1762

JLG Sverige AB
Enkopingsvagen 150
Box 704
SE - 176 27 Jarfalla
Sweden
Phone: +46 (0)850 659 500
Fax: +46 (0)850 659 534

www.jlg.com