



Illustrated Parts Manual

Models LIFTLUX 210-25 & 245-25

*Prior to SN 1200020465
excluding SN's: 1200016563,
1200018190, 1200019542,
1200019543, 1200019933,
1200020020, 1200020242
& 1200020317*

3121305
January 1, 2015



An Oshkosh Corporation Company

REVISION LOG

May 27, 2005 - Original Issue of Manual
October 26, 2005 - Revised (210-25 - Manual Edited to B/M 0010657 Revision 4)
(245-25 - Manual Edited to B/M 0010659 Revision 4)
July 31, 2006 - Revised (210-25 - Manual Edited to B/M 0010657 Revision 7)
(245-25 - Manual Edited to B/M 0010659 Revision 8)
February 28, 2007 - Revised (210-25 - Manual Edited to B/M 0010657 Revision 11)
(245-25 - Manual Edited to B/M 0010659 Revision 12)
June 15, 2007 - Revised (210-25 - Manual Edited to B/M 0010657 Revision 12)
(245-25 - Manual Edited to B/M 0010659 Revision 13)
November 1, 2007 - Revised (210-25 - Manual Edited to B/M 0010657 Revision 12)
(245-25 - Manual Edited to B/M 0010659 Revision 13)
January 31, 2008 - Revised (210-25 - Manual Edited to B/M 0010657 Revision 12)
(245-25 - Manual Edited to B/M 0010659 Revision 13)
July 31, 2008 - Revised (210-25 - Manual Edited to B/M 0010657 Revision 13)
(245-25 - Manual Edited to B/M 0010659 Revision 14)
May 15, 2009 - Revised (210-25 - Manual Edited to B/M 0010657 Revision 13)
(245-25 - Manual Edited to B/M 0010659 Revision 14)
November 15, 2010 - Revised
April 8, 2011 - Revised
July 11, 2011 - Revised
October 3, 2011 - Revised
February 24, 2012 - Revised
June 29, 2012 - Revised
September 21, 2012 - Revised
January 31, 2013 - Revised
April 18, 2013 - Revised
July 16, 2013 - Revised
October 15, 2013 - Revised
January 1, 2015 - Revised

GENERAL INFORMATION

SECTION 6 CYLINDER

FIGURE 6-3. LIFT CYLINDER ASSEMBLY

PG# Model Designation Manual #

SECTION 6 CYLINDER

FIGURE 6-3. LIFT CYLINDER ASSEMBLY

ITEM #	PART NUMBER	QTY.	DESCRIPTION	REV.
	1001140104	Ref	LIFT CYLINDER ASSEMBLY	B
1	0100011	AR	Compound, Locking	
2	0630535	3	Capscrew 1/4-20 x 1-1/8	
3	0791003	1	Screw #10-24 x 3/8	
4	0961897	1	Bushing, Tapered	
5	1320136	1	Clamp, Cable	
6	1663063	1	Head	
7	2220893	1	Plug, O-Ring	
8	2220885	2	Plug, O-Ring	
9	2220886	1	Plug, O-Ring	
10	3020039	AR	Lubricant	
11	3480282	1	Piston	
12	3760371	1	Ring, Washer	
13	3931420	8	Capscrew 1/4-20 x 1-1/4	
14	3531824	8	Capscrew 1/2-13 x 1-1/2	
15	3951003	1	Setcrew #10-24 x 3/8	
16	4100099	1	Spacer	
17	4640999	1	Cartridge, Holding Valve (Non Vented)	
17	2900792		Kit, Seal - 4640999 Cartridge Valve	
18	4641248	1	Cartridge, Counterbalance Valve (Non Vented)	
18	70004186		Kit, Seal - 4641248 Cartridge Valve	
19	1001117991	1	Sensor, Cylinder Length	
20	1001118070	1	Cap, Retainer	
21	1001118084	1	Barrel	
21A	0961950	2	Bushing	
22	1001118086	1	Rod	
22A	0961950	2	Bushing	
100	1001139996	1	Kit, Seal (Includes Items 101-109)	
101	See Note	2	Ring, Wear (Note: Use p/n 1001139996)	
102	See Note	1	Ring, Back-Up (Note: Use p/n 1001139996)	
103	See Note	2	Ring, Lock (Note: Use p/n 1001139996)	
104	See Note	2	Ring, Back-Up (Note: Use p/n 1001139996)	
105	See Note	2	O-Ring (Note: Use p/n 1001139996)	
106	See Note	1	O-Ring (Note: Use p/n 1001139996)	
107	See Note	1	Seal (Note: Use p/n 1001139996)	
108	See Note	1	Wiper, Rod (Note: Use p/n 1001139996)	
109	See Note	2	Seal (Note: Use p/n 1001139996)	
200	1001119105	1	Kit, Sensor Magnet (Includes Items 201-203)	
201	See Note	NSS	Sleeve, Spacer (Note: Use p/n 1001119105)	
202	1001118066	1	Magnet, Sensor	
203	1001118069	1	Spring, Internal Retaining	

Manual # Model Designation PG#

1) MACHINE IDENTIFICATION

Machines are identified by model and in some cases a combination of models, serial number (SN) or regional standard (i.e. ANSI, CE, CSA). Components may also be identified by SN or manufacturer. Common components that may be identified by these characteristics are engines and hydraulic components.

2) PARTS MANUAL ORGANIZATION

Product information in this manual is organized under section titles. Frame, Cylinder, Hydraulic and Electrical are a few examples. Each section is organized by figure and page number. The information within the Figure is then organized by item number, part number, description and corresponding illustration(s).

3) TABLE OF CONTENTS

A table of contents is found toward the beginning of the manual. Figure number, description and page number are provided for quick reference to the page containing the related information.

4) RECOMMENDED SPARE PARTS

The Recommended Spare Parts, located near the end of the manual, reference most frequently used maintenance parts.

5) PART NUMBER INDEX

A numerical index listing all part numbers and the corresponding page number(s) appears at the back of the manual.

GENERAL INFORMATION

6) NON-SERVICED PARTS

In some instances, it is necessary to display non-serviced parts, assemblies or installations. In the case of assemblies and installations there will be a Ref in the Qty column. In case of parts that are not available for service within assemblies or components, there will be a NSS (Not Sold Separately) or NLA (No Longer Available) listed in the Qty. column of the manual.

7) PARTS LIST ITEM NUMBERS

Numbers shown in the item# column correspond to numbers used in the associated illustration (s). Item numbers which are missing from the sequence in the parts list are not used on that page

8) INDENTED PARTS DESCRIPTION

An indented part description is included in the item under which it is indented.

9) ABBREVIATION AND SYMBOLS

AC.....	.. Alternating Current	LCD Liquid Crystal Display
ADE.....	.. Advanced Design Electronics	LED Light Emitting Diodes
ANSI American National Standards Institute	LH.....	.. Left Hand
AR.....	.. As Required	LSS Load Sensing System
ASSY Assembly	M(m).....	.. Metric/Meter
AUX.....	.. Auxiliary	MM (mm) Milimeter
AWG.....	.. American Wire Gauge	mA.....	.. Milliamps
B/M.....	.. Bill of Material	NLA.....	.. No Longer Available
CE.....	.. European Conformity	NPT National Pipe Threads
CCW Counter Clockwise	NSS Not Sold Separately
cm.....	.. Centimeter	OD.....	.. Outside Diameter
CW.....	.. Clockwise	ORB.....	.. O-Ring Boss
CSA.....	.. Canadian Standards Association	ORFS.....	.. O-Ring Face Seal
CYL.....	.. Cylinder	OZ (oz) Ounces
DIA.....	.. Diameter	PG.....	.. Page
DC.....	.. Direct Current	P/N.....	.. Part Number
EMS Emergency Stop	qt.....	.. Quarts
ENG Engine	QTY.....	.. Quantity
FT (ft).....	.. Feet	REF Reference
GA (Ga).....	.. Gauge	REV Revision Level
HYD.....	.. Hydraulic	RH.....	.. Right Hand
Hz.....	.. Hertz	SAE.....	.. Society of Automotive Engineers
ID.....	.. Inside Diameter	SN.....	.. Serial Number
in.....	.. inches	SPEC(S).....	.. Specifications
ISO.....	.. International Organization for Standards	T/T.....	.. Turntable
JIC.....	.. Joint Industry Council	UGM Universal Ground Module
KG Kilogram	V.....	.. Volts
L.....	.. Liter	W.....	.. Watts
LB.....	.. Pounds	#.....	.. Number

10) ILLUSTRATION REFERENCE LETTERS

When necessary, illustrations may contain reference letters that are intended to track information (i. e. hoses, harnesses) from one point to another or to track visual enlargement of components to show details that may be located in another area on the illustration.

Note: Due to continuous product improvements, JLG Industries, Inc. reserves the right to make specification changes without prior notification. Contact JLG Industries, Inc. for updated information.

TABLE OF CONTENTS

SECTION 1 - FRAME.....	9
FIGURE 1-1. CHASSIS AND FRONT AXLE INSTALLATION.....	10
FIGURE 1-2. REAR AXLE INSTALLATION.....	12
FIGURE 1-3. WHEEL DRIVE INSTALLATION.....	16
FIGURE 1-4. DRIVE MOTOR ASSEMBLY.....	18
FIGURE 1-5. DRIVE HUB ASSEMBLY.....	20
FIGURE 1-6. LADDER AND LEVELING CYLINDERS INSTALLATION.....	24
SECTION 2 - GROUND CONTROLS.....	27
FIGURE 2-1. RIGHT SIDE COMPONENTS INSTALLATION.....	28
FIGURE 2-2. MAIN VALVE ASSEMBLY.....	32
FIGURE 2-3. DRIVE VALVE ASSEMBLY.....	34
FIGURE 2-4. HAND PUMP ASSEMBLY.....	36
FIGURE 2-5. GROUND CONTROL BOX.....	38
FIGURE 2-6. LEFT SIDE COMPONENTS INSTALLATION.....	40
FIGURE 2-7. ENGINE INSTALLATION.....	44
FIGURE 2-8. PISTON PUMP ASSEMBLY.....	50
FIGURE 2-9. HOODS INSTALLATION.....	52
SECTION 3 - SCISSORS ARMS.....	55
FIGURE 3-1. SCISSORS ARMS INSTALLATION (210-25).....	56
FIGURE 3-2. SCISSORS ARMS INSTALLATION (245-25).....	60
FIGURE 3-3. SCISSORS PROTECTION INSTALLATION.....	66
SECTION 4 - PLATFORM.....	69
FIGURE 4-1. PLATFORM AND ACCESSORIES INSTALLATION (210-25).....	70
FIGURE 4-2. PLATFORM AND ACCESSORIES INSTALLATION (245-25).....	76
FIGURE 4-3. CONSOLE PANEL PARTS.....	82
SECTION 5 - CYLINDER.....	85
FIGURE 5-1. LIFT CYLINDER ASSEMBLY.....	86
FIGURE 5-2. STEERING CYLINDER ASSEMBLY (ORIGINAL EQUIPMENT).....	88
FIGURE 5-3. STEERING CYLINDER ASSEMBLY (SERVICE REPLACEMENT).....	90
FIGURE 5-4. LEVELING CYLINDER ASSEMBLY (ORIGINAL EQUIPMENT).....	92
FIGURE 5-5. LEVELING CYLINDER ASSEMBLY (SERVICE REPLACEMENT).....	94
FIGURE 5-6. AXLE LOCKOUT CYLINDER ASSEMBLY (ORIGINAL EQUIPMENT).....	96
FIGURE 5-7. AXLE LOCKOUT CYLINDER ASSEMBLY (SERVICE REPLACEMENT).....	98
FIGURE 5-8. EXTENSION CYLINDER ASSEMBLY (210-25) (ORIGINAL EQUIPMENT).....	100
FIGURE 5-9. EXTENSION CYLINDER ASSEMBLY (210-25) (SERVICE REPLACEMENT).....	102
FIGURE 5-10. EXTENSION CYLINDER ASSEMBLY (245-25) (ORIGINAL EQUIPMENT).....	104
FIGURE 5-11. EXTENSION CYLINDER ASSEMBLY (245-25) (SERVICE REPLACEMENT).....	106
SECTION 6 - HYDRAULIC.....	109
FIGURE 6-1. HYDRAULIC DIAGRAM.....	110
SECTION 7 - ELECTRICAL.....	117
FIGURE 7-1. ELECTRICAL PLANS - DIESEL CONTROL.....	118
SECTION 8 - DECALS.....	133
FIGURE 8-1. DECAL INSTALLATION.....	134
SECTION 9 - RECOMMENDED SERVICE PARTS STOCK.....	137
FIGURE 9-1. MODELS 210-25/245-25 STANDARD PARTS.....	138
FIGURE 9-2. MODELS 210-25/245-25 VARIABLE PARTS.....	140
SECTION 10 - SPECIAL OPTIONS.....	141
FIGURE 10-1. SPECIAL OPTIONS.....	142

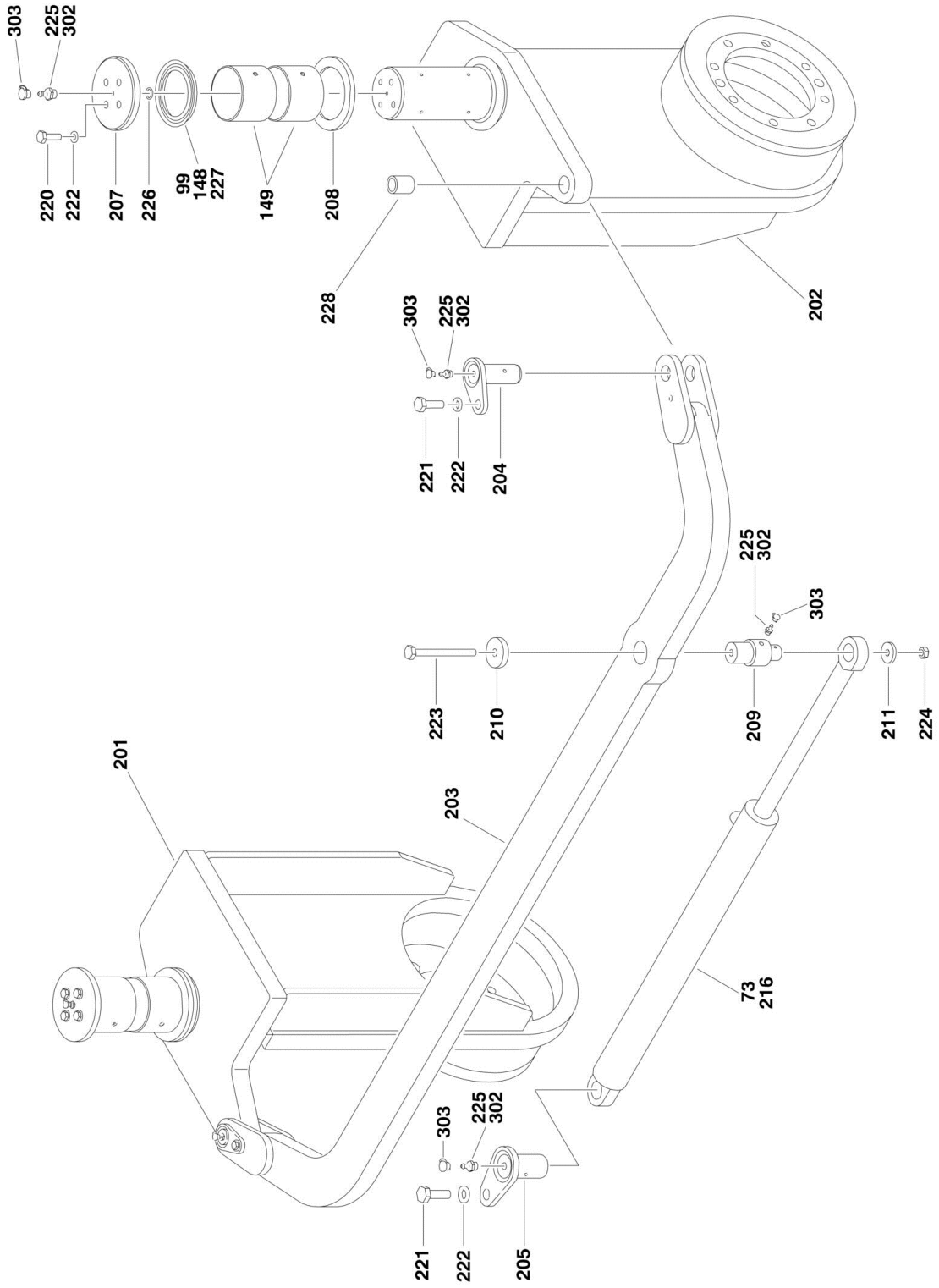
TABLE OF CONTENTS

PART NUMBER INDEX.....143

SECTION 1 - FRAME

SECTION 1 - FRAME

FIGURE 1-1. CHASSIS AND FRONT AXLE INSTALLATION



SECTION 1 - FRAME

FIGURE 1-1. CHASSIS AND FRONT AXLE INSTALLATION

ITEM	PART NUMBER	QTY	DESCRIPTION	REV
		Ref	FINAL ASSEMBLY LIST COMPONENTS	
	0010657	Ref	Final Assembly List Components 210-25	13
	0010659	Ref	Final Assembly List Components 245-25	14
73		Ref	Steering Cylinder Options (See CYLINDER SECTION for Breakdown):	
73	H000663	NLA	Original Equipment (Use p/n H900014)	
73	H900014	1	Service Replacement	
99	S001614	2	Seal	
	SL210-25.110.00.0	Ref	FRAME INSTALLATION	B
148	S001614	2	Seal	
149	S200911	4	Bushing	
	SL210-25.120.00.1	Ref	FRONT AXLE INSTALLATION	A
201	S201587	1	Spindle, RH	
202	S201586	1	Spindle, LH	
203	S201585	1	Rod, Tie	
204	S201589	2	Pin, Tie Rod	
205	S900088	1	Pin, Steering Cylinder to Frame	
207	S201588	2	Spindle Cap	
208	S000004	2	Thrust Washer	
209	S900085	1	Pin, Steer Cylinder to Tie Rod	
210	S900086	1	Washer	
211	S900087	1	Washer	
216		Ref	Steering Cylinder Options (See CYLINDER SECTION for Breakdown):	
216	H000663	NLA	Original Equipment (Use p/n H900014)	
216	H900014	1	Service Replacement	
220	0761214	8	Bolt, M12x30	
221	0761210	3	Bolt, M12x20	
222	4832100	11	M12 Lockwasher	
223	0701230	1	Bolt, M12x125	
224	3291205	1	M12 Nut	
225	S000141	6	Fitting, Grease	
226	S001613	2	O-Ring	
227	S001614	2	Seal	
228	S001551	2	Bushing (Use p/n S900322)	
		Ref	MISCELLANEOUS PARTS LIST COMPONENTS	
	X21025L	Ref	Miscellaneous Parts List Components 210-25	2
	X24525L	Ref	Miscellaneous Parts List Components 245-25	2
302	S000141	6	Fitting, Grease	
303	S000142	6	Cap, Grease Fitting	

FIGURE 1-2. REAR AXLE INSTALLATION

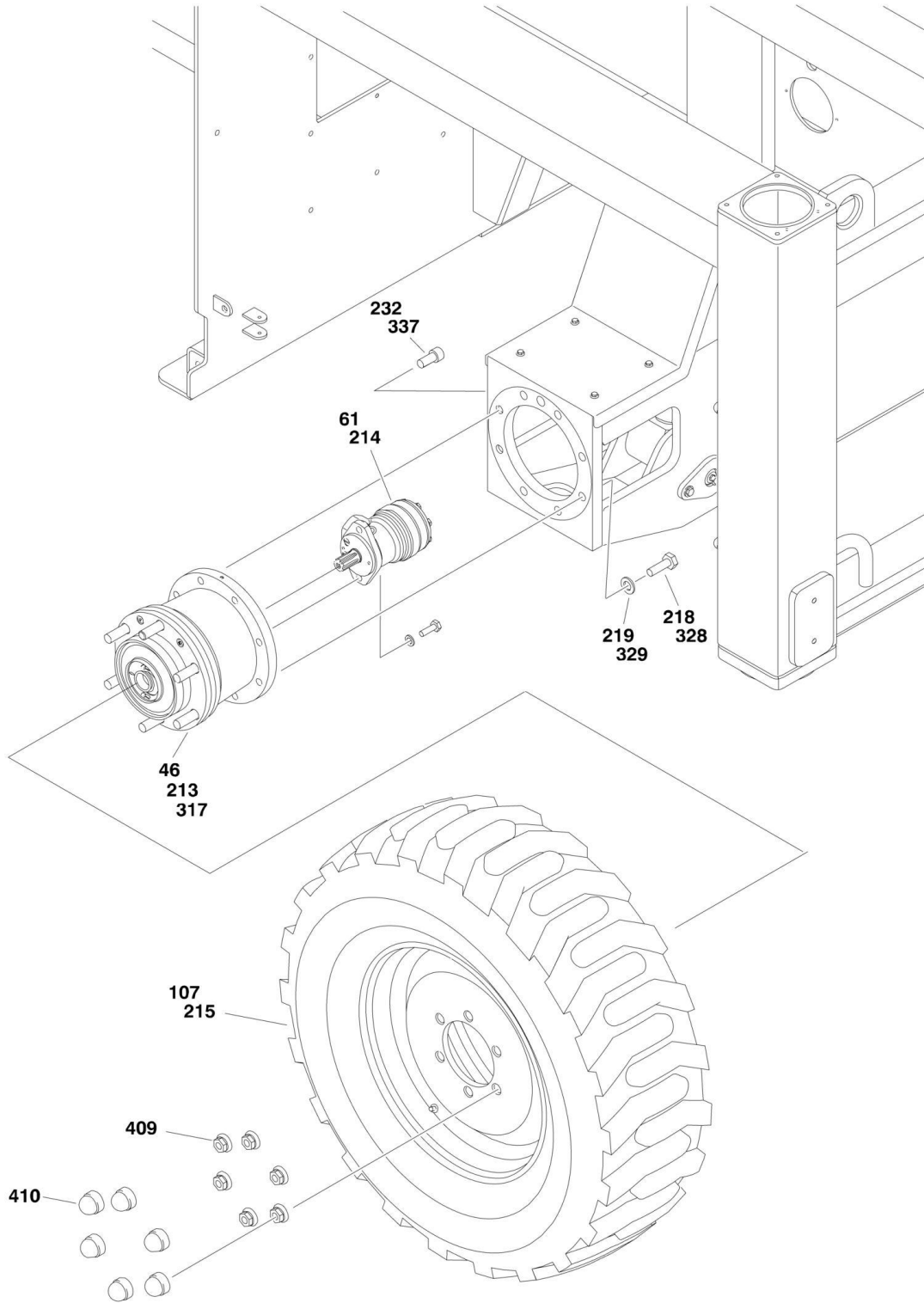
ITEM	PART NUMBER	QTY	DESCRIPTION	REV
		Ref	FINAL ASSEMBLY LIST COMPONENTS	
	0010657	Ref	Final Assembly List Components 210-25	13
	0010659	Ref	Final Assembly List Components 245-25	14
22	E000376	2	Limit Switch	
52		Ref	Cylinder, Axle Lockout (See CYLINDER SECTION for Breakdown) Options:	
52	H000291	NLA	Original Equipment (Use p/n H900009)	
52	H900009	2	Service Replacement	
97	S001640	2	Bumper	
	SL210-25.130.00.0	Ref	REAR AXLE INSTALLATION	B
101	S201591	1	Axle Mounting Weldment	
102	S201592	1	Oscillating Axle Weldment	
105	S201594	1	Pivoting Pin for Oscillating Axle Adjustment	
105A	S900191	1	Washer	
106	S201595	2	Pin, Upper Cylinder	
107	S201596	2	Pin, Lower Cylinder	
112	S000141	3	Fitting, Grease	
115		Ref	Cylinder, Axle Lockout (See CYLINDER SECTION for Breakdown) Options:	
115	H000291	NLA	Original Equipment (Use p/n H900009)	
115	H900009	2	Service Replacement	
116	S001640	2	Bumper	
120	0760808	8	Bolt, M8x16	
121	4811900	8	M8 Washer	
122	4831900	8	M8 Lockwasher	
123	4032017	4	Bolt, M10x65	
124	4812000	4	M10 Washer	
125	3291005	4	M10 Nut	
126	0761214	5	Bolt, M12x30	
127	4832100	5	M12 Lockwasher	
130	0712024	8	Bolt, M20x80	
131	3332015	8	M20 Locknut	
132	5242000	8	Washer, Hardened	
133	S001557	2	Bushing	
135	3333615	1	M36 Nut	
	SL210-25.130.08.0	Ref	REAR AXLE COVER PLATE INSTALLATION	
203	S900209	2	Plate, Dust Flap Reinforcement	
204	S900236	2	Flap, Rubber	
205	3820510	8	Rivet	
206	S201593	2	Plate, Cover	
	SL210-25.130.10.0	Ref	REAR AXLE LIMIT SWITCH PLATE INSTALLATION	
301	S201597	1	Plate, Limit Switch Mounting	
302	S900188	1	Cover, Limit Switch	
303	S900189	2	Bushing	
304	S900211	2	Washer	
305	S900190	2	Bushing	
306	0701222	4	Bolt, M12x70	
307	4812100	2	M12 Washer	
308	4832100	4	M12 Lockwasher	
310	4031614	8	Bolt, M5x50	

SECTION 1 - FRAME

ITEM	PART NUMBER	QTY	DESCRIPTION	REV
311	4831600	8	M5 Lockwasher	
313	E000376	2	Limit Switch	
	SL210-25.160.09.0	Ref	FRAME COVER PLATE	A
401	S900096	1	Plate, Cover (Not Shown)	
		Ref	MISCELLANEOUS PARTS LIST COMPONENTS	
	X21025L	Ref	Miscellaneous Parts List Components 210-25	2
	X24525L	Ref	Miscellaneous Parts List Components 245-25	2
502	S000141	5	Fitting, Grease	
503	S000142	5	Cap, Grease Fitting	

SECTION 1 - FRAME

FIGURE 1-3. WHEEL DRIVE INSTALLATION



SECTION 1 - FRAME

FIGURE 1-3. WHEEL DRIVE INSTALLATION

ITEM	PART NUMBER	QTY	DESCRIPTION	REV
		Ref	FINAL ASSEMBLY LIST COMPONENTS	
	0010657	Ref	Final Assembly List Components 210-25	13
	0010659	Ref	Final Assembly List Components 245-25	14
46	H000219	2	Drive Hub Assembly (See DRIVE HUB ASSEMBLY for Breakdown)	
61	H000443	2	Drive Motor Assembly (See DRIVE MOTOR ASSEMBLY for Breakdown)	
107		Ref	Wheel and Tire Assembly Options (was p/n S201112):	
107	S900327	2	RH	
107	S900328	2	LH	
		Ref	Note: Assemblies may require ballast/foam filling to manufacturer's specifications prior to installation on a machine. Refer to Operation and Safety or Service and Maintenance Manuals. Purchase individual tire and/or rim only if able to foam fill tire and wheel assembly, otherwise, purchase complete assembly.	
107	70000154	AR	Wheel	
107	70000153	AR	Tire	
	SL210-25.120.00.1	Ref	FRONT AXLE INSTALLATION	A
213	H000219	2	Drive Hub Assembly (See DRIVE HUB ASSEMBLY for Breakdown)	
214	H000443	2	Drive Motor Assembly (See DRIVE MOTOR ASSEMBLY for Breakdown)	
215		Ref	Wheel and Tire Assembly Options (was p/n S201112):	
215	S900327	2	RH	
215	S900328	2	LH	
		Ref	Note: Assemblies may require ballast/foam filling to manufacturer's specifications prior to installation on a machine. Refer to Operation and Safety or Service and Maintenance Manuals. Purchase individual tire and/or rim only if able to foam fill tire and wheel assembly, otherwise, purchase complete assembly.	
215	70000154	AR	Wheel	
215	70000153	AR	Tire	
218	0771619	12	Bolt, M16x55	
219	5241600	12	Flatwasher, Hardened	
232	5272411	4	Bolt, M16x35	
	SL210-25.130.00.0	Ref	REAR AXLE INSTALLATION	B
317	H000219	2	Drive Hub Assembly (See DRIVE HUB ASSEMBLY for Breakdown)	
328	0771619	12	Bolt, M16x55	
329	5241600	12	Flatwasher, Hardened	
337	5272411	4	Bolt, M16x35	
		Ref	MISCELLANEOUS PARTS LIST COMPONENTS	
	X21025L	Ref	Miscellaneous Parts List Components 210-25	2
	X24525L	Ref	Miscellaneous Parts List Components 245-25	2
409	S003991	12	Lug Nut	
410	S004000	12	Cap, Lug Nut	

SECTION 1 - FRAME

FIGURE 1-4. DRIVE MOTOR ASSEMBLY

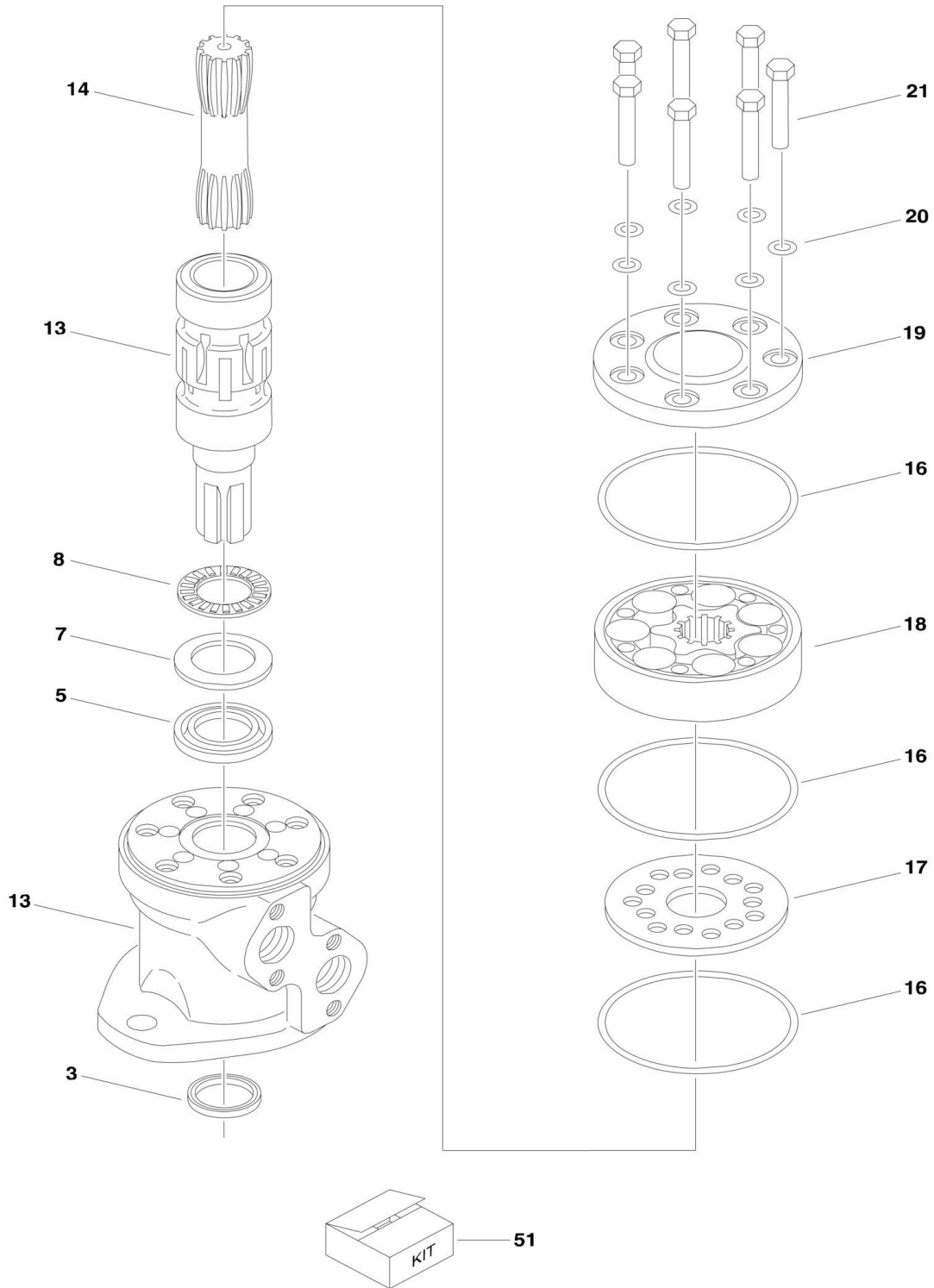
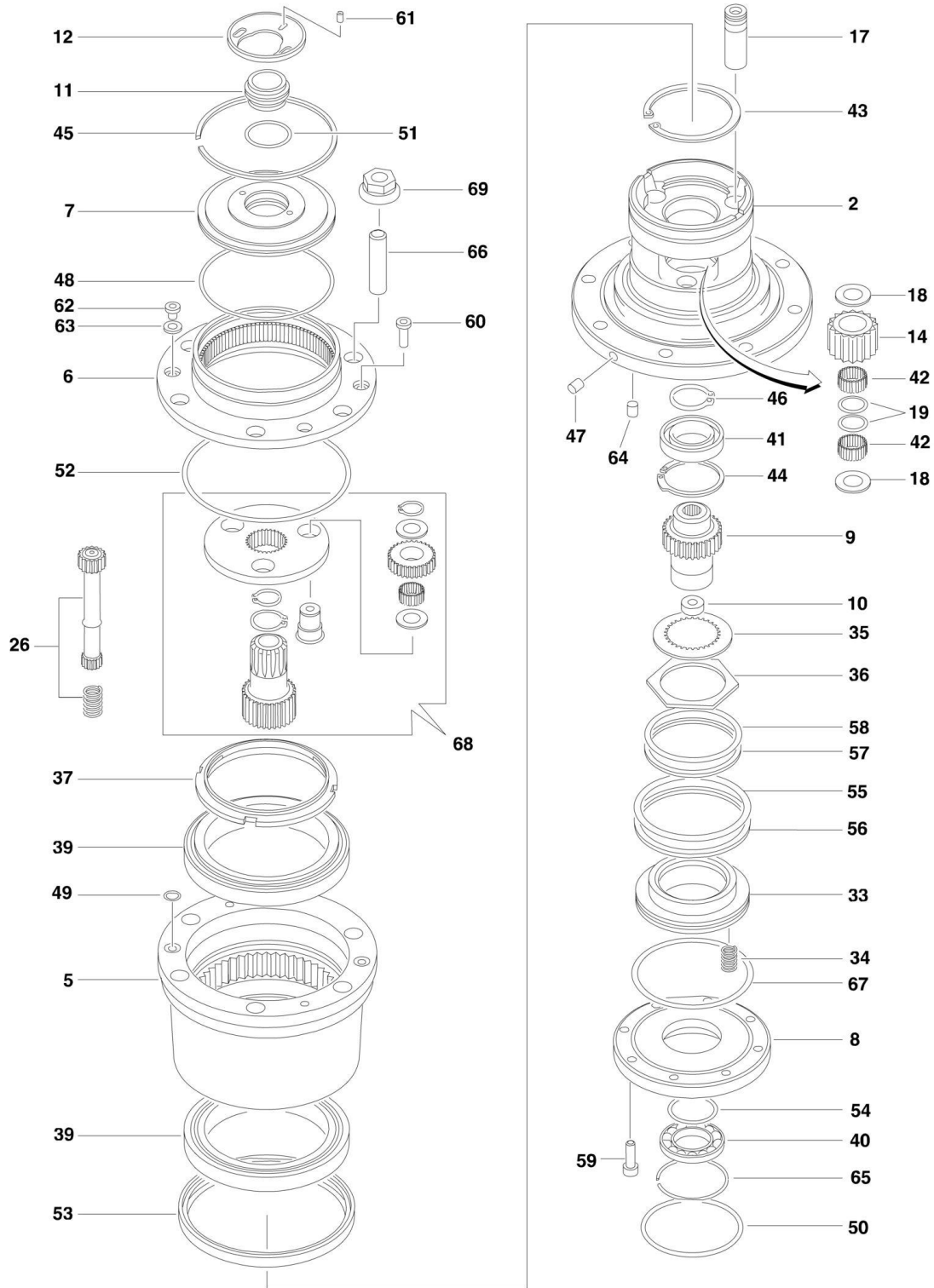


FIGURE 1-4. DRIVE MOTOR ASSEMBLY

ITEM	PART NUMBER	QTY	DESCRIPTION	REV
	H000443	Ref	DRIVE MOTOR ASSEMBLY	D
3	7027861	1	Seal, Dust	
5	See Note	NSS	Seal, Shaft (Use Item 51)	
7	7020128	1	Race, Bearing	
8	7020129	1	Bearing, Needle	
13	See Note	1	Shaft and Housing (Note: Not Available - Purchase Complete Assembly)	
14	7027941	1	Shaft, Cardan	
16	See Note	NSS	O-Ring (Use Item 51)	
17	7027939	1	Plate, Distributor	
18	See Note	1	Gear Set (Note: Not Available - Purchase Complete Assembly)	
19	7027940	1	Cover, End	
20	See Note	NSS	Washer (Use Item 51)	
21	See Note	7	Screw M8 x 45mm (Note: Not Available - Purchase Locally)	
51	7020127	1	Seal Kit - H000443 Motor (Includes Items 3, 5, 16 & 20)	

SECTION 1 - FRAME

FIGURE 1-5. DRIVE HUB ASSEMBLY



SECTION 1 - FRAME

FIGURE 1-5. DRIVE HUB ASSEMBLY

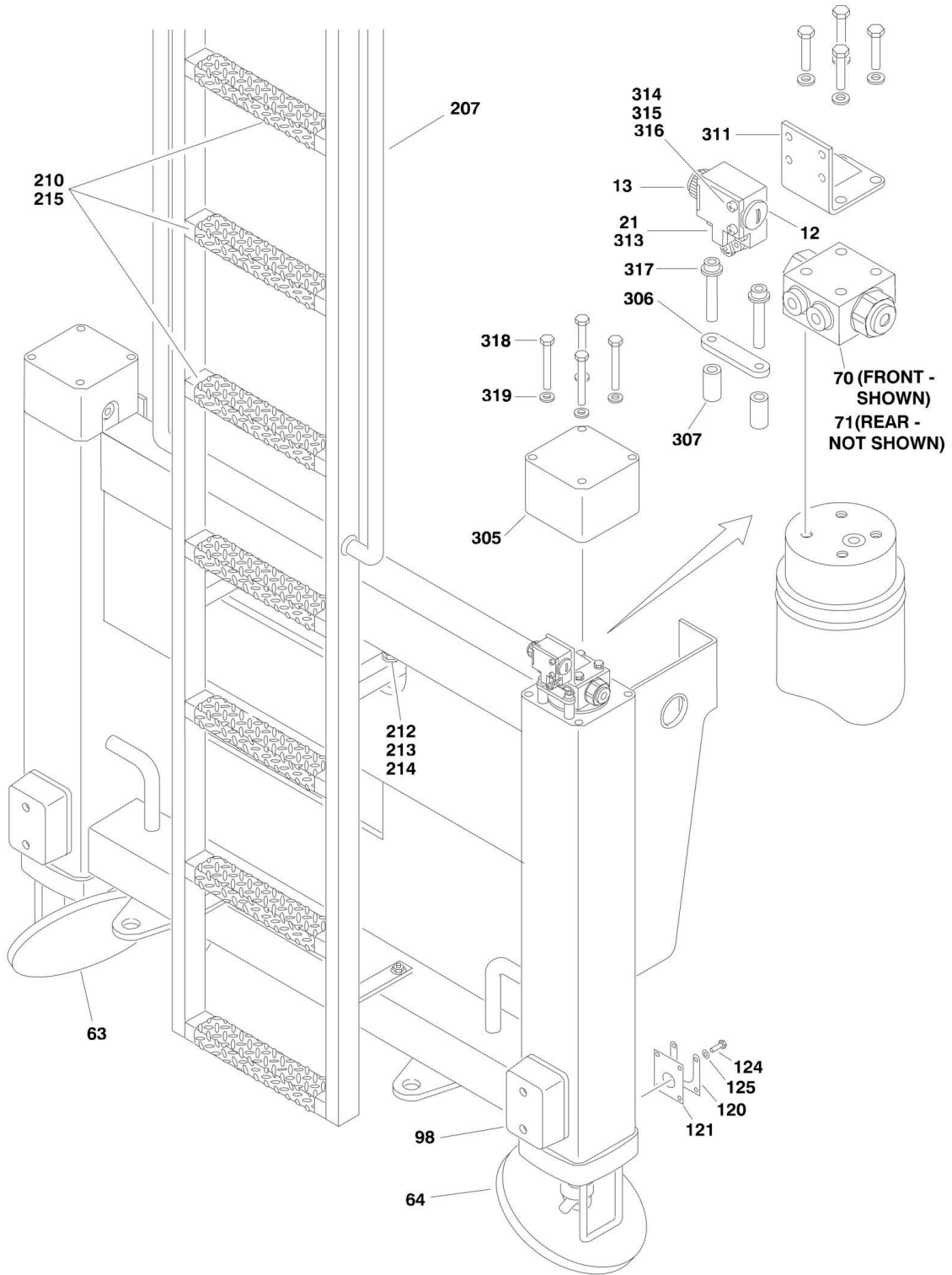
ITEM	PART NUMBER	QTY	DESCRIPTION	REV
	H000219	Ref	DRIVE HUB ASSEMBLY - COMPLETE	E
2	See Note	1	Spindle (Note: Not Available - Purchase Complete Assembly)	
5	See Note	1	Hub (Note: Not Available - Purchase Complete Assembly)	
6	70000239	1	Gear Ring	
7	See Note	1	Cover (Note: Not Available - Purchase Complete Assembly)	
8	See Note	1	Flange (Note: Not Available - Purchase Complete Assembly)	
9	See Note	1	Coupling (Note: Not Available - Purchase Complete Assembly)	
10	See Note	1	Thrustwasher (Note: Not Available - Purchase Complete Assembly)	
11	See Note	1	Thrustwasher (Note: Not Available - Purchase Complete Assembly)	
12	See Note	1	Circlip (Note: Not Available - Purchase Locally)	
14	See Note	3	Planetary Gear (Note: Not Available - Purchase Complete Assembly)	
17	See Note	3	Pin (Note: Not Available - Purchase Complete Assembly)	
18	See Note	6	Thrustwasher (Note: Not Available - Purchase Complete Assembly)	
19	See Note	6	Spacer (Note: Not Available - Purchase Complete Assembly)	
26	70000240	1	Sun Pinion	
33	See Note	1	Piston (Note: Not Available - Purchase Complete Assembly)	
34	70000241	16	Spring	
35	70000242	5	Disc	
36	70000243	6	Disc	
37	70000244	1	Lock Nut	
39	70000245	2	Bearing	
40	70000246	1	Bearing	
41	70000247	1	Bearing	
42	See Note	6	Bearing (Note: Not Available - Purchase Complete Assembly)	
43	See Note	1	Circlip (Note: Not Available - Purchase Locally)	
44	See Note	1	Circlip (Note: Not Available - Purchase Locally)	
45	See Note	1	Disc (Note: Not Available - Purchase Complete Assembly)	
46	See Note	1	Circlip (Note: Not Available - Purchase Locally)	
47	See Note	1	Plug (Note: Not Available - Purchase Locally)	
48	70000248	1	O-Ring	
49	70000249	2	O-Ring	
50	70000250	1	O-Ring	
51	70000251	1	O-Ring	
52	70000252	1	O-Ring	
53	70000253	1	Oil Seal	
54	70000254	1	Gasket	
55	70000255	1	O-Ring	
56	70000256	1	Blocking Ring	
57	70000257	1	O-Ring	
58	70000258	1	Blocking Ring	
59	See Note	8	Screw (Note: Not Available - Purchase Locally)	
60	See Note	2	Screw (Note: Not Available - Purchase Locally)	
61	See Note	2	Screw (Note: Not Available - Purchase Locally)	
62	See Note	2	Plug (Note: Not Available - Purchase Locally)	
63	See Note	2	Washer (Note: Not Available - Purchase Locally)	
64	See Note	1	Plug (Note: Not Available - Purchase Locally)	

SECTION 1 - FRAME

ITEM	PART NUMBER	QTY	DESCRIPTION	REV
65	See Note	1	Disc (Note: Not Available - Purchase Complete Assembly)	
66	70000259	6	Threaded Stud	
67	70000260	1	O-Ring	
68	70000346	1	Reduction Gear Kit	
69	S003991	6	Nut, Wheel	

SECTION 1 - FRAME

FIGURE 1-6. LADDER AND LEVELING CYLINDERS INSTALLATION



SECTION 1 - FRAME

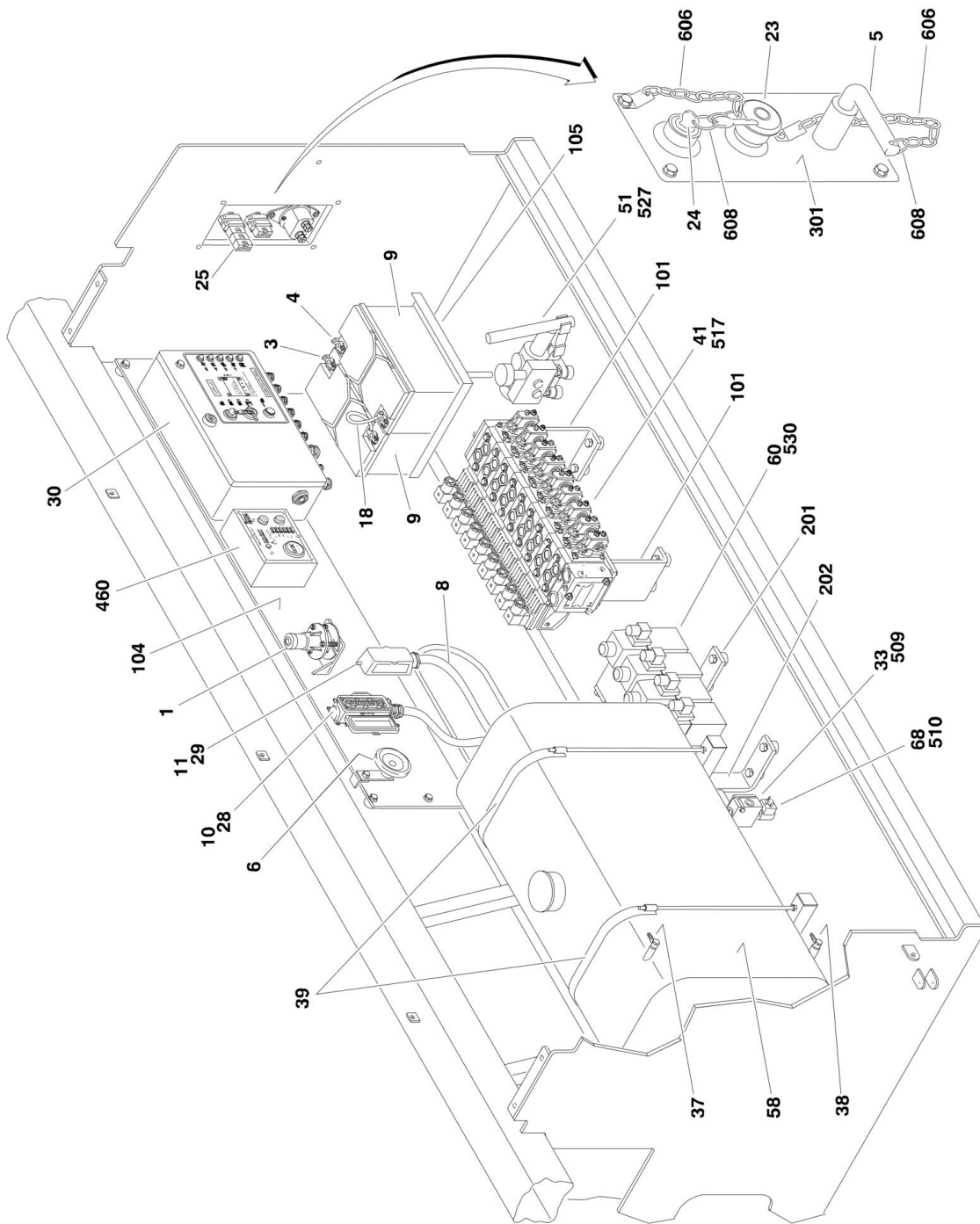
FIGURE 1-6. LADDER AND LEVELING CYLINDERS INSTALLATION

ITEM	PART NUMBER	QTY	DESCRIPTION	REV
		Ref	FINAL ASSEMBLY LIST COMPONENTS	
	0010657	Ref	Final Assembly List Components 210-25	13
	0010659	Ref	Final Assembly List Components 245-25	14
12	E000230	4	Plug	
13	E000231	4	Gland, Cable	
21	E000359	4	Switch, Limit	
63		Ref	Leveling Cylinder Assembly (RF,LR) Options (See CYLINDER SECTION for Breakdown):	
63	H000447	NLA	Original Equipment (Use p/n H900008)	
63	H900008	2	Service Replacement	
64		Ref	Leveling Cylinder Assembly (LF, RR) Options (See CYLINDER SECTION for Breakdown):	
64	H000448	NLA	Original Equipment (Use p/n H900010)	
64	H900010	2	Service Replacement	
70	H000558	2	Valve, Leveling Cylinder (8 Bar)	
71	H000559	2	Valve, Leveling Cylinder (1 Bar)	
98	S001640	4	Bumper	
	SL210-25.110.03.0	Ref	FRAME END PLATE INSTALLATION	C
120	S900002	4	Plate	
121	S900003	4	Gasket	
124	0760608	16	Bolt, M6x16	
125	4831700	16	Lockwasher M6	
		Ref	LADDER INSTALLATION	A
	SL210-25.180.00.0	Ref	Ladder Installation 210-25	A
	SL245-25.180.00.0	Ref	Ladder Installation 245-25	
207		Ref	Ladder Options:	
207	S900220	1	SL210-25	
207	S201601	1	SL245-25	
210	S004014	AR	Tread Plate	
212	0761012	4	Bolt M10x25	
213	4812000	4	Flatwasher M10	
214	4832000	4	Lockwasher M10	
215	3820510	AR	Rivet	
	SL210-25.190.00.0	Ref	LEVELING SWITCHES INSTALLATION	A
305		Ref	Cover, Switch Options:	
305	S201599	2	LH	
305	S900187	2	RH	
306	S900102	4	Plate	
307	S900103	8	Spacer	
311	S900104	4	Bracket, Switch	
313	E000359	4	Switch, Limit	
314	4811400	16	Flatwasher M4	
315	4031510	16	Bolt, M4x30	
316	3290405	16	Nut M4	
317	5271811	8	Bolt M8x50	
318	0700834	16	Bolt M8x170	
319	4811900	16	Flatwasher M8	

SECTION 2 - GROUND CONTROLS

SECTION 2 - GROUND CONTROLS

FIGURE 2-1. RIGHT SIDE COMPONENTS INSTALLATION



SECTION 2 - GROUND CONTROLS

FIGURE 2-1. RIGHT SIDE COMPONENTS INSTALLATION

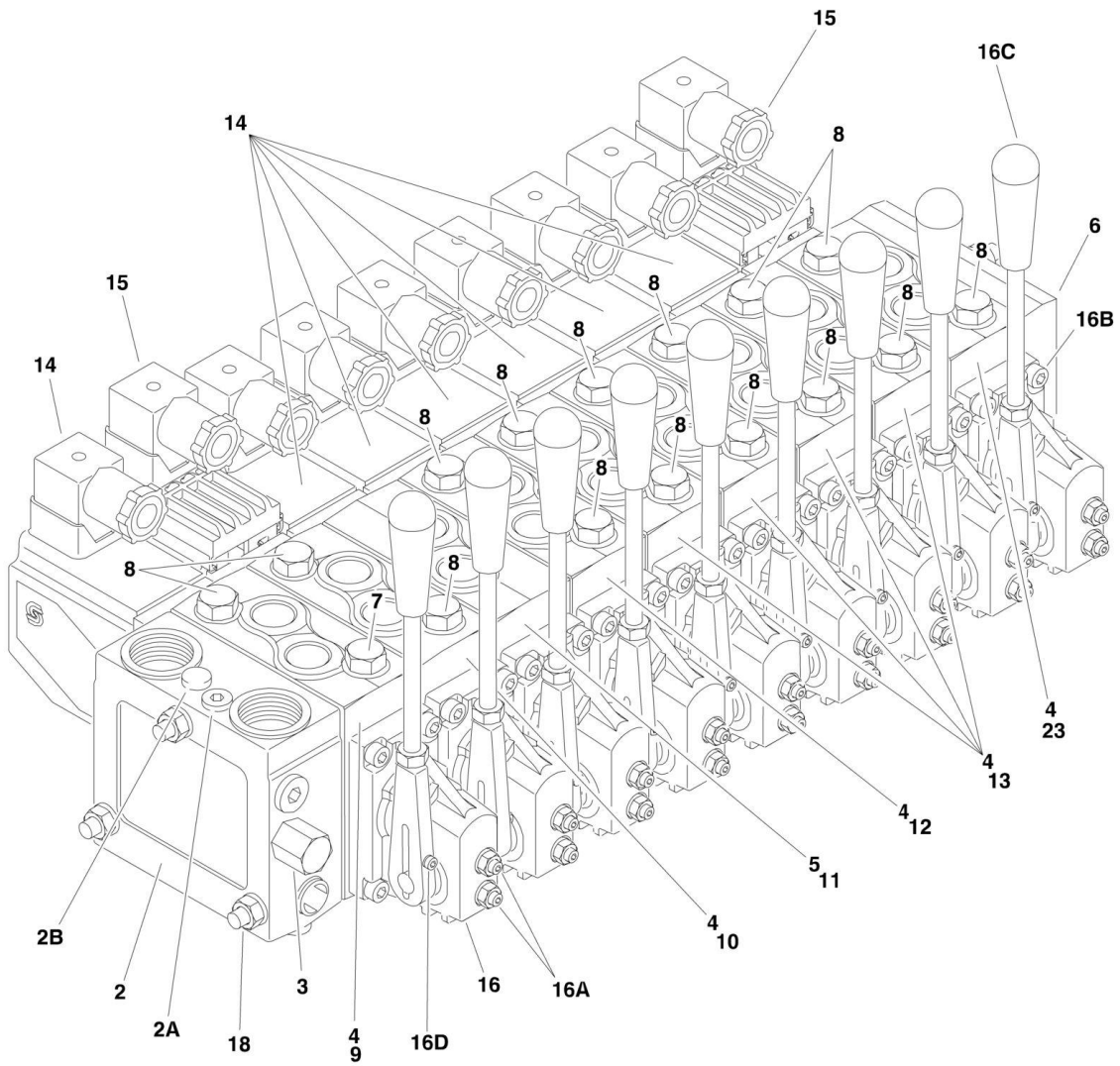
ITEM	PART NUMBER	QTY	DESCRIPTION	REV
		Ref	FINAL ASSEMBLY LIST COMPONENTS	
	0010657	Ref	Final Assembly List Components 210-25	13
	0010659	Ref	Final Assembly List Components 245-25	14
1	E000044	1	Switch, Tilt	
3	E000057	1	Terminal, Battery (Negative)	
4	E000058	1	Terminal, Battery (Positive)	
5	E000059	1	Switch, Battery Isolator	
5	70001114	1	Handle	
6	E000063	1	Horn	
8	E000083	AR	Cable, Control	
9	8008750	2	Battery	
10	E000102	1	Connector Housing, Female 24-Pin	
11	E000103	1	Connector Housing, Male 24-Pin	
18	E000275	1	Cable, Battery Connector	
23	E000377	1	Switch, Emergency Stop	
24	E000390	1	Switch, Outrigger Cylinder Key	
24	7027962	1	Key	
25	E000391	3	Block, Contact	
28	E000481	1	Connector Insert, Female 24-Pin	
29	E000482	1	Connector Insert, Male 24-Pin	
30		Ref	Box, Ground Control (See GROUND CONTROL BOX for Breakdown)	
33	H000019	1	Solenoid Valve	
33	7012986	1	Coil	
33	7012941	1	Cartridge	
33	7010543	1	Seal Kit	
34	H000038	4 meters	Hose, Fuel Line (5.5 mm I.D. - Not Shown)	
35	H000039	4 meters	Hose, Fuel Line (7.5 mm I.D. - Not Shown)	
36	H000040	4	Clamp, Hose (Not Shown)	
37	H000048	1	Fitting, Fuel Hose (Return)	
38	H000049	1	Fitting, Fuel Hose (Feed)	
39	H000051	2	Strap, Fuel Tank Mounting	
41	H000121	1	Main Valve Assembly (See MAIN VALVE ASSEMBLY for Breakdown)	
51	H000285	1	Hand Pump Assembly (See HAND PUMP ASSEMBLY for Breakdown)	
58	H000412	1	Tank, Fuel	
60	H000436	1	Drive Valve Assembly (See DRIVE VALVE ASSEMBLY for Breakdown)	
68	H000536	1	Pressure Switch	
	SL210-25.160.00.0	Ref	MOUNTING BRACKETS INSTALLATION	A
101	S201613	1	Bracket, Main Valve	
104	S200563	1	Panel, Electrical Carrier	
105	S900094	1	Tray, Battery	
115	0761012	15	Bolt, M10x25 (Not Shown)	
116	4812000	25	M10 Washer (Not Shown)	
117	0761014	4	Bolt, M10x30 (Not Shown)	
118	0760610	4	Bolt, M6x20 (Not Shown)	
119	4811700	4	M6 Washer (Not Shown)	
120	0761010	4	Bolt, M10x20 (Not Shown)	

SECTION 2 - GROUND CONTROLS

ITEM	PART NUMBER	QTY	DESCRIPTION	REV
	SL210-25.160.02.0	Ref	DRIVE VALVE MOUNTING BRACKET ASSEMBLY	A
201	S900192	1	Bracket, LH Valve	
202	S900089	1	Bracket, RH Valve	
	SL153-00-600.07.0	Ref	SWITCH MOUNTING PLATE	
301	S200263	1	Plate, Switch Mounting	
		Ref	ENGINE INSTALLATION	
	H900003	Ref	Engine Installation (Prior to SN 1200019244)	E
	1001102686	Ref	Engine Installation (SN 1200019244 through 1200020465)	A
460	H005559	1	Control Box, Deutz Engine	
460	70001352	1	PC Board with LEDs	
460	70001353	1	E-Prom w/Software	
460	70001355	1	Diode	
460	70000634	1	Hourmeter	
460	70000635	2	Switch, Pushbutton	
460	70001122	4	Mount, Vibration	
		Ref	HYDRAULIC DIAGRAM COMPONENTS	
	H900033	Ref	Hydraulic Diagram Components 210-25	1
	H900035	Ref	Hydraulic Diagram Components 245-25	1
509	H000019	1	Solenoid Valve	
509	7012986	1	Coil	
509	7012941	1	Cartridge	
509	7010543	1	Seal Kit	
510	H000536	1	Pressure Switch	
517	H000121	1	Main Valve Assembly (See MAIN VALVE ASSEMBLY for Breakdown)	
527	H000285	1	Hand Pump Assembly (See HAND PUMP ASSEMBLY for Breakdown)	
530	H000436	1	Drive Valve Assembly (See DRIVE VALVE ASSEMBLY for Breakdown)	
		Ref	MISCELLANEOUS PARTS LIST COMPONENTS	
	X21025L	Ref	Miscellaneous Parts List Components 210-25	2
	X24525L	Ref	Miscellaneous Parts List Components 245-25	2
606	S001443	3	Chain with Plate	
608	S001677	2	Ring, Key	

SECTION 2 - GROUND CONTROLS

FIGURE 2-2. MAIN VALVE ASSEMBLY



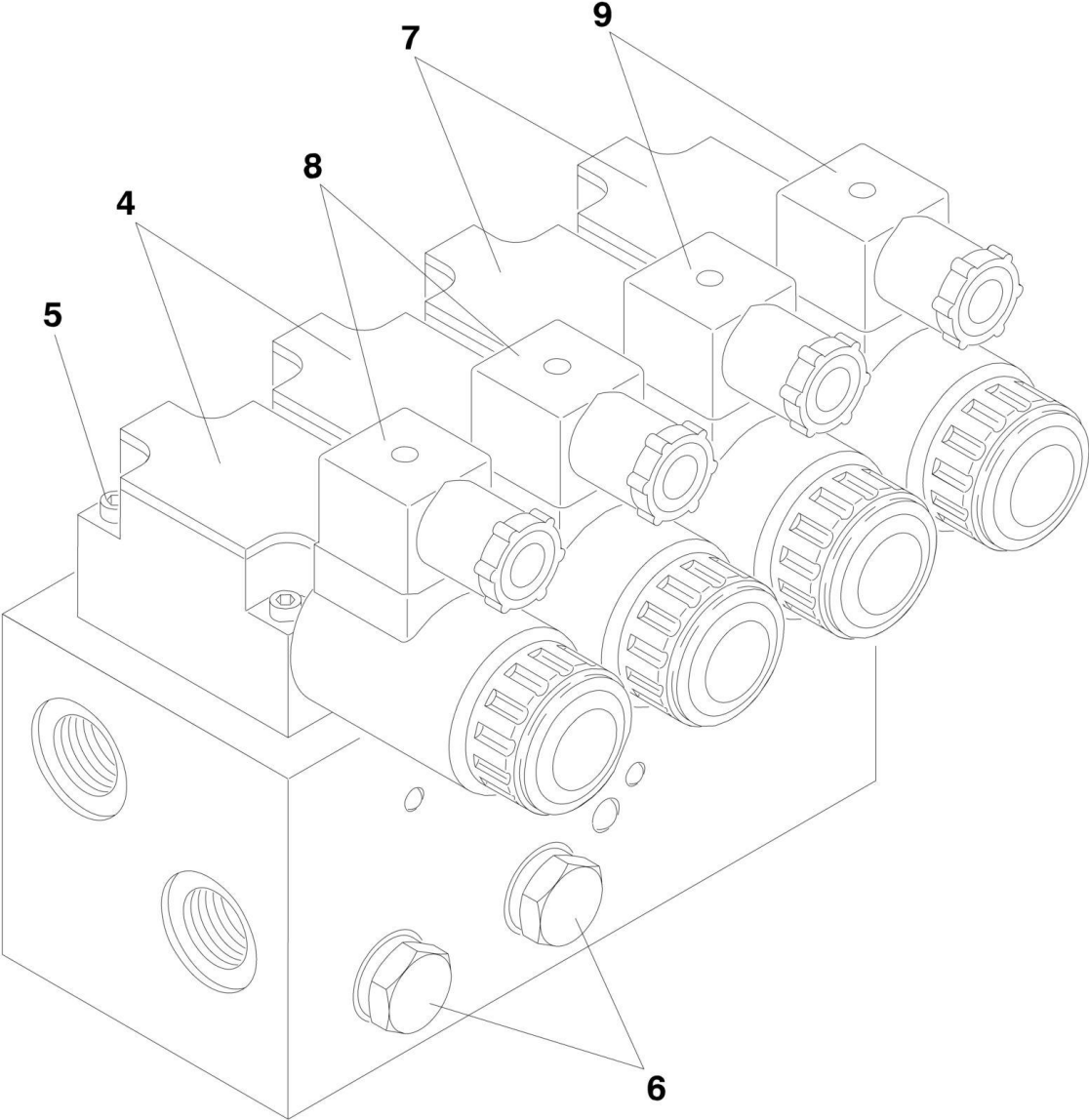
SECTION 2 - GROUND CONTROLS

FIGURE 2-2. MAIN VALVE ASSEMBLY

ITEM	PART NUMBER	QTY	DESCRIPTION	REV
	H000121		MAIN CONTROL VALVE ASSEMBLY	D
2	H000116	1	Section, Pump (Left Side)	
2	8007939	1	Seal Kit - H000116 Section	
2A	8007944	1	Pilot Supply Assembly	
2B	7027912	1	Relief Assembly	
3	H000352	1	External Pilot Supply	
4	7028847	8	Valve Section (With Relief Valve) (All Functions Except Lift) (was p/n H000188)	
4	H000031	8	Seal Kit - 7028847 Section (Use p/n 8007935)	
5	H000542	1	Valve Section (Without Relief Valve) (Lift Functions Only)	
5	H000031	1	Seal Kit - H000542 Section (Use p/n 8007935)	
6	H000580	1	End Plate	
6	See Item 18	1	Seal Kit - H000580 Section	
7		Ref	Valve, Relief (Platform Function Only) Options:	
7	H000602	1	Valve, Relief (Prior to SN 1200016203)	
7	H000609	1	Valve, Relief (SN 1200016203 through 1200020465)	
8	H005250	15	Valve, Relief (All Functions Except Lift Function)	
9		Ref	Spool (Platform) Options:	
9	H000390	1	Spool (Prior to SN 1200016203)	
9	H000514	1	Spool (SN 1200016203 through 1200020465)	
10	H005279	1	Spool (Drive 2)	
11	H000516	1	Spool (Lift)	
12	H000207	1	Spool (Steer)	
13	H000389	4	Spool (Outrigger)	
14	H000191	7	Electrical Activator (on-off) (All Functions Except Drive and Drive 2)	
14	H000032	7	Seal Kit - H000191 Electrical Activator (Use p/n 8007954)	
14	7028846	28	Screw, Mounting	
14	7028849	7	DIN Connector (Black)	
15	H000206	2	Electrical Activator (Proportional High) (Drive and Drive 2 Functions)	
15	H000032	2	Seal Kit - H000206 Electrical Activator (Use p/n 8007954)	
15	7028846	8	Screw, Mounting	
15	8007953	2	DIN Connector (White)	
16	7028893	8	Mechanical Activation Assembly (was p/n H000187)	
16	H005248	8	Seal Kit - 7028893 Mechanical Activator (Use p/n 8007894)	
16A	1003107	16	Nut, Seal (2 per Assembly)	
16A	8007915	16	Pin, Threaded (2 per Assembly)	
16B	0318854	32	Screw (4 per Assembly)	
16C	H005247	8	Base and Lever Assembly (1 per Assembly)	
16D	0307544	8	Screw (1 per Assembly)	
16D	0893076	8	Washer (1 Per Assembly)	
18	H000397	1	Assembly Kit (Includes Hardware and Seals for Between Valve Sections)	
18	7028848	9	Seal Kit for Between Valve Sections (was p/n H005249) (Note: One Seal Kit does both sides of section)	
23	H000514	1	Spool (Drive 1)	

SECTION 2 - GROUND CONTROLS

FIGURE 2-3. DRIVE VALVE ASSEMBLY



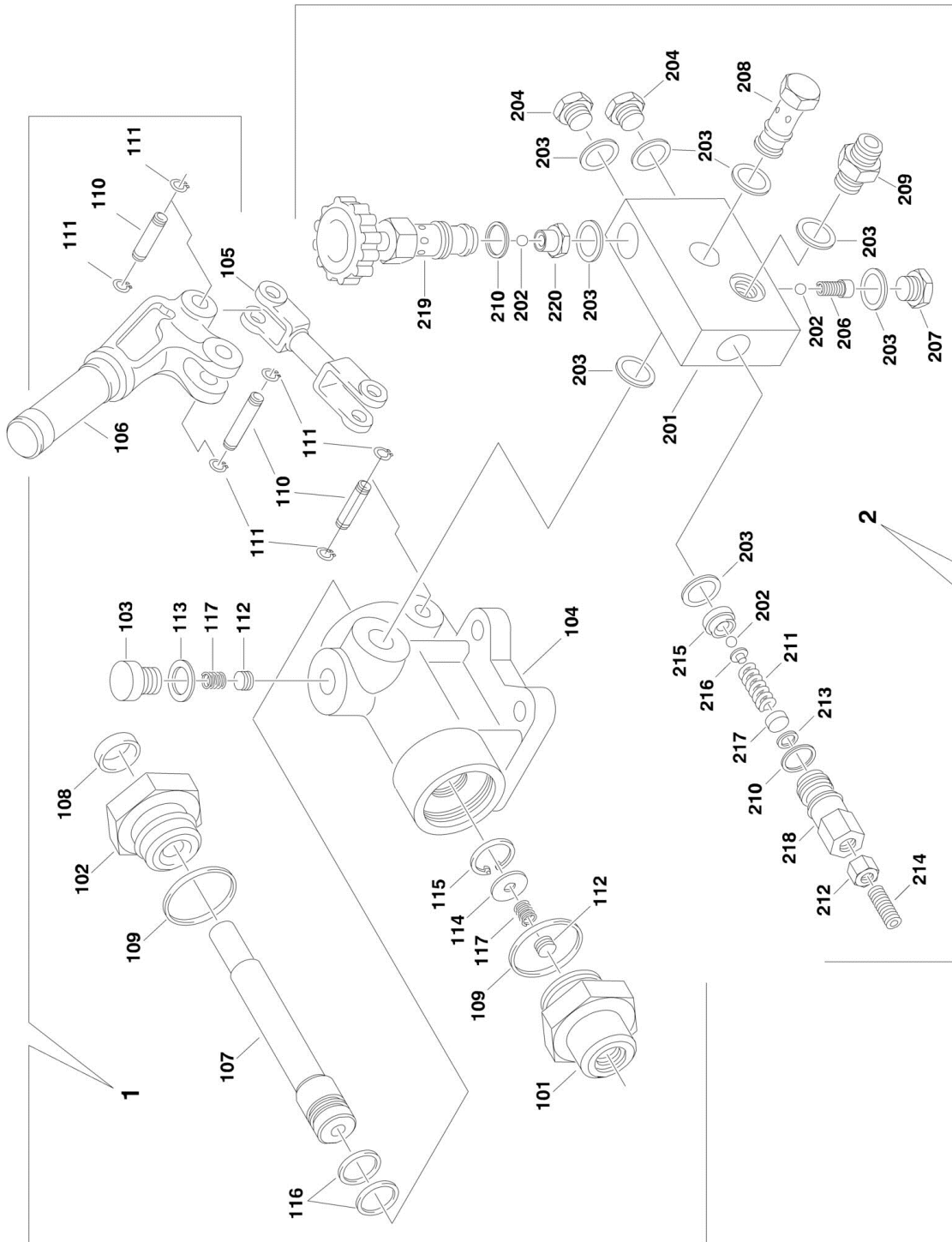
SECTION 2 - GROUND CONTROLS

FIGURE 2-3. DRIVE VALVE ASSEMBLY

ITEM	PART NUMBER	QTY	DESCRIPTION	REV
	H000436	Ref	DRIVE VALVE ASSEMBLY	D
4	70000269	2	Spool Valve	
4	70000385	AR	Coil	
		Ref	Note: Coil Nut, and Seal Kit Not Currently Available	
5	70000270	16	DIN Screw	
6	70000267	2	Flow Divider	
7	70000271	2	Spool Valve	
7	70000385	AR	Coil	
		Ref	Note: Coil Nut, and Seal Kit Not Currently Available	
8	70000333	2	DIN Connector (Gray)	
9	70000332	2	DIN Connector (Black)	

SECTION 2 - GROUND CONTROLS

FIGURE 2-4. HAND PUMP ASSEMBLY



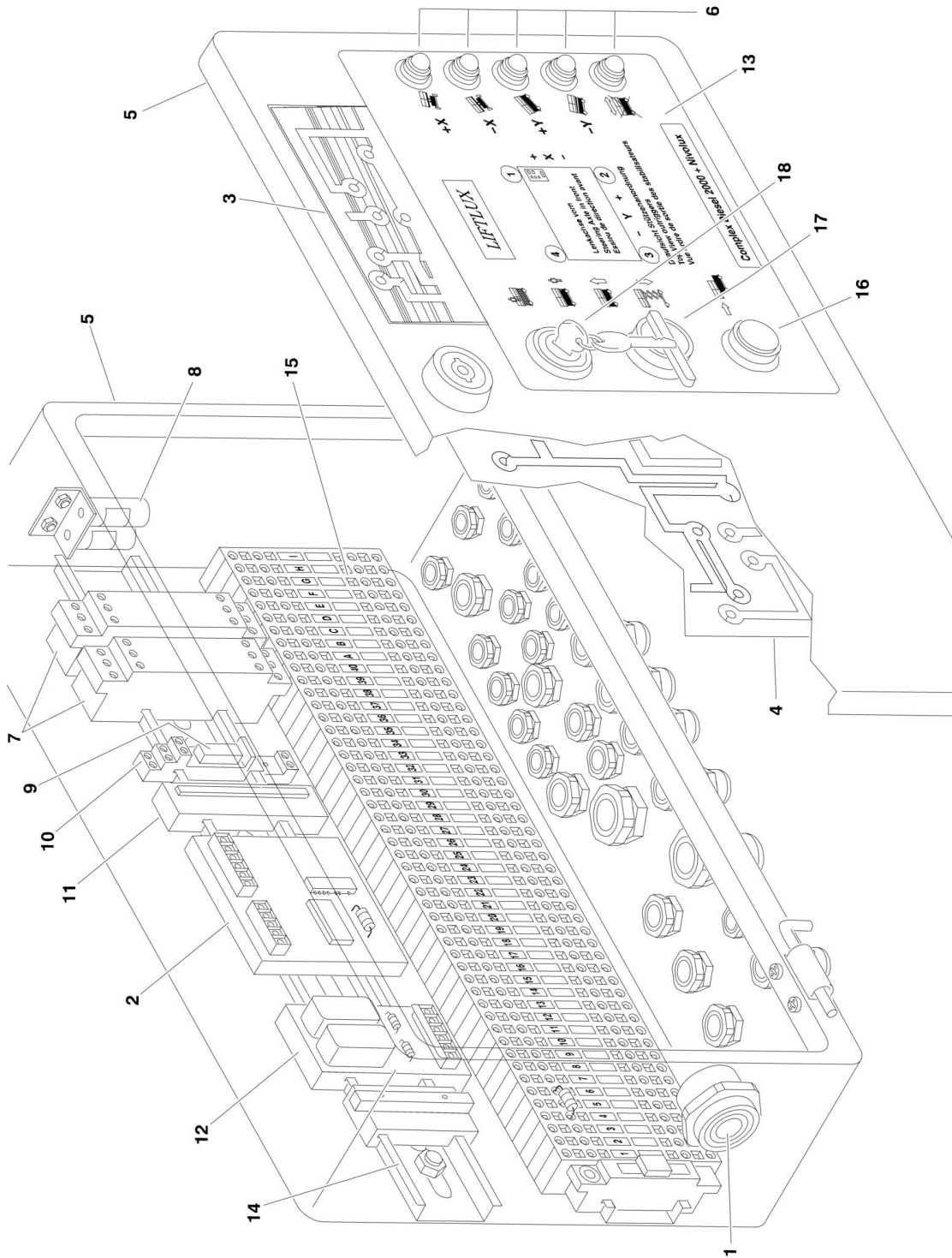
SECTION 2 - GROUND CONTROLS

FIGURE 2-4. HAND PUMP ASSEMBLY

ITEM	PART NUMBER	QTY	DESCRIPTION	REV
	H000285	Ref	HAND PUMP ASSEMBLY	E
1	70000513	1	Pump Assembly (See Items 101-117 for Breakdown)	
2	70000528	1	Valve Assembly (See Items 201-220 for breakdown)	
	70000513	Ref	PUMP ASSEMBLY	
101	70000514	1	Valve, Suction	
102	See Note	1	Plug (Note: Not Available - Purchase Locally)	
103	See Note	1	Plug (Note: Not Available - Purchase Locally)	
104	See Note	1	Body (Note: Not Available - Purchase Valve Assembly)	
105	70000515	1	Rod, Connecting	
106	70000516	1	Lever	
107	70000517	1	Piston	
108	70000518	1	Seal	
109	70000519	2	Seal	
110	70000520	2	Pin	
111	70000521	6	Ring, Retaining	
112	70000522	2	Ball	
113	70000523	1	Ring	
114	70000524	1	Washer	
115	70000525	1	Ring, Internal Retaining	
116	70000526	2	Seal	
117	70000527	2	Spring	
	70000528	Ref	VALVE ASSEMBLY	
201	See Note	1	Body (Note: Not Available - Purchase Valve Assembly)	
202	70000529	3	Ball	
203	70000530	8	Ring	
204	See Note	2	Bolt M8 x 8mm (Note: Not Available - Purchase Locally)	
205	70000531	1	Spinner (Not Shown)	
206	70000532	1	Spring	
207	See Note	1	Plug (Note: Not Available - Purchase Locally)	
208	70000533	1	Screw	
209	70000534	1	Fitting, Straight	
210	70000535	2	Seal	
211	70000536	1	Spring	
212	See Note	1	Nut M10 (Note: Not Available - Purchase Locally)	
213	70000537	1	Seal	
214	See Note	1	Setscrew (Note: Not Available - Purchase Locally)	
215	70000538	1	Relief, Valve	
216	70000539	1	Pin, Ball Driving	
217	70000540	1	Plate, Seal	
218	70000541	1	Valve Body	
219	70000542	1	Knob Assembly	
220	70000543	1	Valve Body	

SECTION 2 - GROUND CONTROLS

FIGURE 2-5. GROUND CONTROL BOX



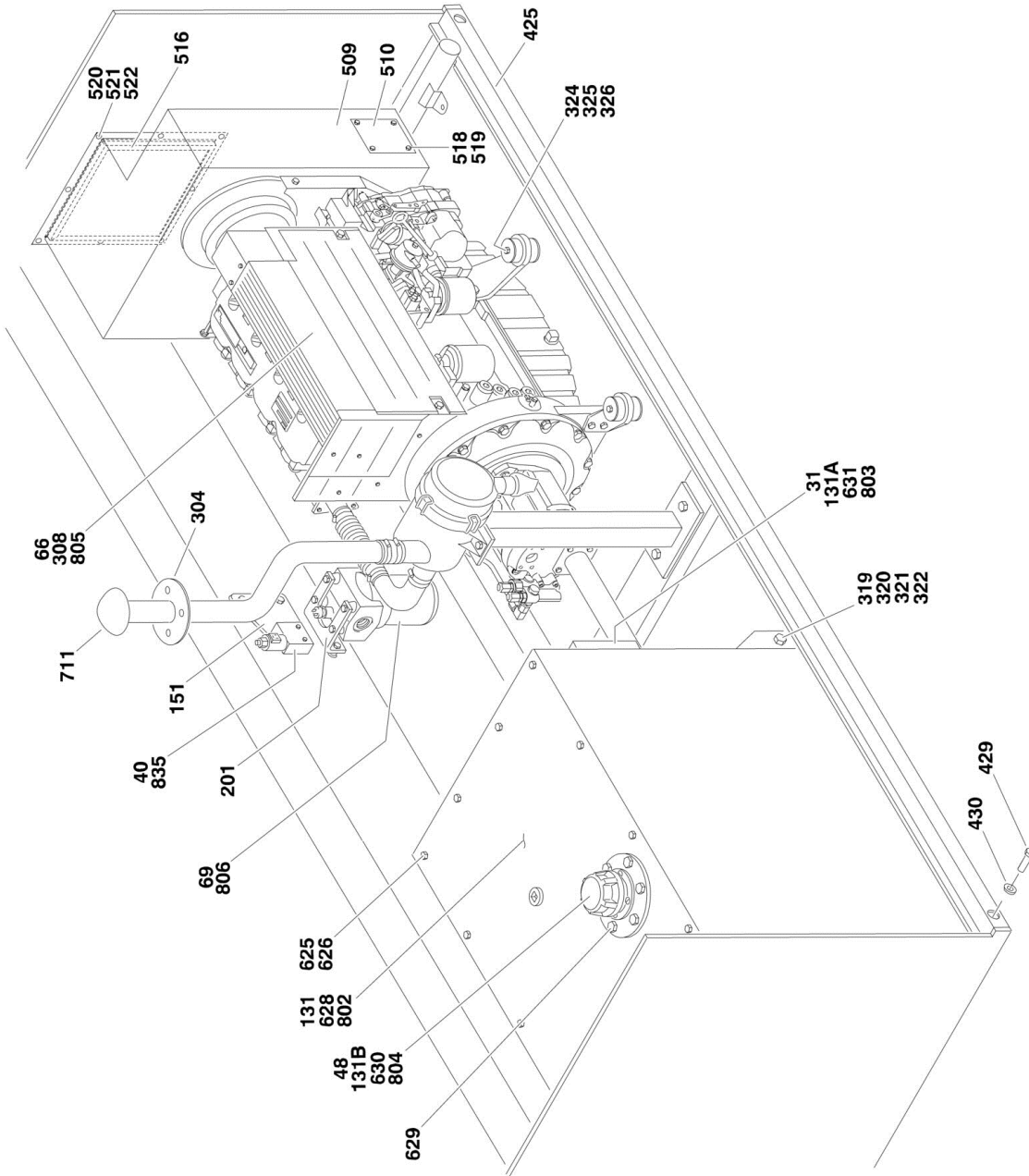
SECTION 2 - GROUND CONTROLS

FIGURE 2-5. GROUND CONTROL BOX

ITEM	PART NUMBER	QTY	DESCRIPTION	REV
		Ref	GROUND CONTROL BOX ASSEMBLY	
1	0140011	1	Alarm	
2	E000189	1	Card, Pump Delay	
3	E000214	1	Card, Nivelux Control	
4	E000218	1	Card, Complex Control	
5	E000375	1	Housing, Control Box	
6	E000419	5	LED, Red	
7	E000457	2	Relay	
8	E001206	1	Sensor, Level	
9	E001375	1	Relay	
10	E001376	1	Base, Relay	
11	E007404	1	Card, Trigger Control	
12	E700100	1	Module, Load Sensing	
13	E900057	1	Decal, Cover	
14	E900059	2	Rail, DIN	
15	E900060	1	Strip, Terminal	
16	E000412	1	Switch, Deck Extend	
17	E000436	1	Switch, Lift	
18	E000378	1	Switch, Key	
19	70000952	1	Connector (2 Pin for Nivelux Board - Not Shown)	
20	70000953	2	Connector (3 Pin for Nivelux Board - Not Shown)	
21	70000954	1	Connector (4 Pin for Nivelux Board - Not Shown)	
22	70000955	1	Connector (8 Pin for Complex Board - Not Shown)	
23	70000956	4	Connector (12 Pin for Nivelux and Complex Board - Not Shown)	
24	70003616	1	Connector (6 Pin for Nivelux and Complex Board - Not Shown)	

SECTION 2 - GROUND CONTROLS

FIGURE 2-6. LEFT SIDE COMPONENTS INSTALLATION



SECTION 2 - GROUND CONTROLS

FIGURE 2-6. LEFT SIDE COMPONENTS INSTALLATION

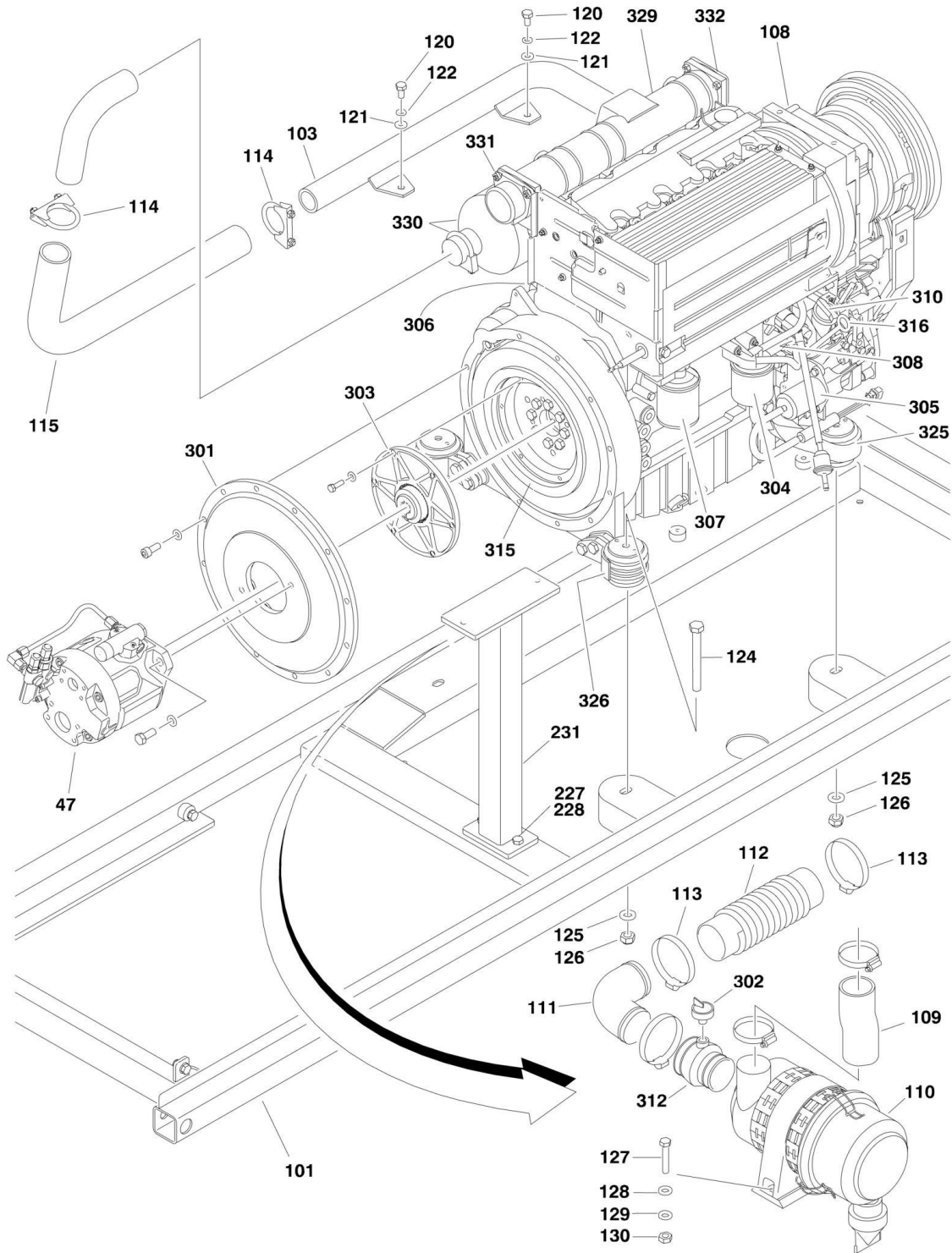
ITEM	PART NUMBER	QTY	DESCRIPTION	REV
		Ref	FINAL ASSEMBLY LIST COMPONENTS	
	0010657	Ref	Final Assembly List Components 210-25	13
	0010659	Ref	Final Assembly List Components 245-25	14
31	H000013	1	Gauge, Hydraulic Oil Level (Prior to SN 1200011214)	
40	H000077	1	Valve, Directional Control	
40	7017444	1	Coil	
40	7017414	1	Cartridge	
40	2900708	1	Seal Kit	
42	H000122	1	Valve, Shut-Off (Bolts to Front of Hydraulic Tank - Not Shown)	
48	H000241	1	Breather (Prior to SN 1200011214)	
66		Ref	Engine, Deutz F4L2011F Options:	
66	H900003	1	Engine, Deutz F4L2011F (Prior to SN 1200019244)	
66	1001102686	1	Engine, Deutz F4L2011F (SN 1200019244 through 1200020465)	
69	H000540	1	Filter, Pressure	
69	70000023	1	Element	
131	1001091145	1	Tank Assembly, Hydraulic (SN 1200011214 through 1200020465)	
131A	H000013	1	Gauge, Hydraulic Oil Level	
131B	H000241	1	Breather	
	SL210-25.160.06.0	Ref	DIRECTIONAL CONTROL VALVE BRACKET	
151	S900090	1	Bracket, Directional Control Valve	
	SL210-25.160.07.0	Ref	HYDRAULIC PRESSURE FILTER BRACKET	
201	S900095	1	Bracket, Pressure Filter	
	SL210-25.161.00.0	Ref	ENGINE ASSEMBLY INSTALLATION	B
304	S201661	1	Pipe, Air Intake	
308		Ref	Engine, Deutz F4L2011F Options:	
308	H900003	1	Engine, Deutz F4L2011F (Prior to SN 1200019244)	
308	1001102686	1	Engine, Deutz F4L2011F (SN 1200019244 through 1200020465)	
319	3291001	3	Nut M10	
320	0761012	4	Bolt, M10 x25	
321	4812000	4	Flatwasher M10	
322	4832000	4	Lockwasher M10	
324	0701227	4	Bolt, M12x100	
325	4812100	4	Flatwasher M10	
326	3291205	4	Nut M12	
	SL210-25.161.01.0	Ref	ENGINE TRAY INSTALLATION	C
425	S201610	1	Tray, Engine	
429	0761614	2	Bolt, 16x30	
430	4812300	2	Flatwasher M16	
	SL210-25.161.02	Ref	COOLING FAN SHROUD INSTALLATION	
509	S900091	1	Shroud, Fan	
510	S900092	1	Plate, Access Cover	
516	S900093	1	Safety Screen	
518	0760606	4	Bolt M6x12	
519	4811700	4	Flatwasher M6	
520	0760814	10	Bolt, M8 x 30	
521	3290805	10	Nut M8	
522	4811900	20	Flatwasher M8	

SECTION 2 - GROUND CONTROLS

ITEM	PART NUMBER	QTY	DESCRIPTION	REV
	SL210-25.161.05.0	Ref	HYDRAULIC TANK INSTALLATION (Prior to SN 1200011214)	
625	0760812	12	Bolt, M8x22	
626	4811900	12	Flatwasher M8	
627	H003010	1	Seal, Tank Lid (Not Shown)	
628	H000442	1	Tank, Hydraulic	
629	4010508	6	Bolt M5x16	
630	H000241	1	Breather	
631	H000013	1	Gauge, Hydraulic Oil Level	
		Ref	ENGINE COMPONENTS	
	H900003	Ref	Engine Components (Prior to SN 1200019244)	E
	1001102686	Ref	Engine Components (SN 1200019244 through 1200020465)	A
711	70000051	1	Cap, Air Cleaner	
		Ref	HYDRAULIC DIAGRAM COMPONENTS	
	H900033	Ref	Hydraulic Diagram Components 210-25	1
	H900035	Ref	Hydraulic Diagram Components 245-25	1
802	H000442	1	Tank, Hydraulic (Prior to SN 1200011214)	
803	H000013	1	Gauge, Hydraulic Oil Level	
804	H000241	1	Breather	
805		Ref	Engine, Deutz F4L2011F Options:	
805	H900003	1	Engine, Deutz F4L2011F (Prior to SN 1200019244)	
805	1001102686	1	Engine, Deutz F4L2011F (SN 1200019244 through 1200020465)	
806	H000540	1	Filter, Pressure	
806	70000023	1	Element	
835	H000077	1	Valve, Directional Control	
835	7017444	1	Coil	
835	7017414	1	Cartridge	
835	2900708	1	Seal Kit	
837	H000122	1	Valve, Shut-Off (Bolts to Front of Hydraulic Tank - Not Shown)	

SECTION 2 - GROUND CONTROLS

FIGURE 2-7. ENGINE INSTALLATION



SECTION 2 - GROUND CONTROLS

FIGURE 2-7. ENGINE INSTALLATION

ITEM	PART NUMBER	QTY	DESCRIPTION	REV
		Ref	FINAL ASSEMBLY LIST COMPONENTS	
	0010657	Ref	Final Assembly List Components 210-25	13
	0010659	Ref	Final Assembly List Components 245-25	14
47	H000220	1	Pump, Hydraulic (See PISTON PUMP ASSEMBLY for Breakdown)	
	SL210-25.161.00.0	Ref	ENGINE ASSEMBLY INSTALLATION	B
101	S201610	1	Tray, Engine	
103	S201602	1	Tailpipe	
108		Ref	Engine, Deutz F4L2011F Options (See Items 301-326 for Breakdown):	
108	H900003	1	Engine, Deutz F4L2011F (Prior to SN 1200019244)	
108	1001102686	1	Engine, Deutz F4L2011F (SN 1200019244 through 1200020465)	
109	S000091	1	Sleeve, Rubber 60mm	
110	70000053	1	Air Cleaner Assembly	
110	H005232	1	Primary Filter Element	
110	70000054	1	Safety Filter Element	
111	H005238	1	Elbow, Air Intake	
112	H005234	1	Hose, Air Intake	
113	H005241	2	Hose Clamp, C50-70x13	
114	S005172	3	Clamp, Exhaust	
115	S005171	1	Pipe, Exhaust Flex	
120	0761012	3	Bolt, M10 x 25	
121	4812000	3	Flatwasher M10	
122	4832000	3	Lockwasher M10	
124	0701227	4	Bolt, M12 x 100	
125	4812100	4	Flatwasher M12	
126	3291205	4	Nut M12	
127	0700817	2	Bolt, M8 x 45	
128	4811900	2	Flatwasher M8	
129	4831900	2	Lockwasher M8	
130	3290801	2	Nut M8	
	SL210-25.161.01.0	Ref	ENGINE TRAY INSTALLATION	C
227	4032008	2	Bolt, M10x20	
228	4832000	2	Lockwasher M12	
231	S201614	1	Bracket, Air Filter	
		Ref	ENGINE COMPONENTS	
	H900003	Ref	Engine Components (Prior to SN 1200019244)	E
	1001102686	Ref	Engine Components (SN 1200019244 through 1200020465)	A
301	H004083	1	Flange	
302	70000050	1	Indicator, Clog (Engine p/n H900003 Only)	
303	H004084	1	Centa-Coupling	
304	7020023	1	Filter, Fuel	
304	70003463		Filter, Fuel (Bio-Diesel)	
305	70000055	1	Solenoid, Throttle Control	
305	70000056	1	Cable, Electrical	
305	70001134	1	Seal, O-Ring	
306	70000059	1	Starter Motor	
306		Ref	Solenoid, Starter	
306	7026608	1	Engine p/n H900003	

SECTION 2 - GROUND CONTROLS

ITEM	PART NUMBER	QTY	DESCRIPTION	REV
306	70001852	1	Engine p/n 1001102686	
307	7016331	1	Oil Filter	
308		Ref	Pump, Fuel Supply Options:	
308		Ref	Engine p/n H900003	
308	7027238	1	Pump, Fuel Supply	
308	7020411	1	Seal, O-Ring	
308		Ref	Engine p/n 1001102686	
308	70000916	1	Pump, Fuel Supply	
308	70000917	1	Seal, O-Ring	
308	70000918	1	Seal, O-Ring (Pump, Hand)	
308	70000919	1	Pump, Hand	
308	70001435	1	Kit Repair - Fuel Pump	
310	7020465	AR	Filler Cap	
312	70000052	1	Hose, Rubber Reducing (Attaches Air Cleaner to Elbow)	
313		Ref	V-Belt Options: (Not Shown)	
313	7020414	1	Engine p/n H900003	
313	70000075	1	Engine p/n 1001102686	
314	7020459	1	Thermostat (Not Shown) (Engine p/n H900003 Only)	
315	70000264	1	Flywheel	
315	7024579	1	Gear, Ring (Not Shown)	
316	70000043	1	Dipstick	
316	70000044	1	O-Ring	
317	70000062	1	Solenoid, Shutdown (Bolts to Front of Engine - Not Shown)	
317	70000061	1	Spring	
317	7027249	1	Seal, O-Ring	
318		Ref	Solenoid, Start Options (Threads into Side of Front Cover - Not Shown):	
318	7027239	1	Engine p/n H900003	
318	70000073	1	Engine p/n 1001102686	
318	70000074		O-Ring	
319		Ref	Sender, Temperature Options (Not Shown):	
319	7020168	1	Engine p/n H900003	
319	70001851	1	Engine p/n 1001102686	
319	7020480	1	Sealing Ring	
320		Ref	Switch, Oil Pressure Options (Not Shown):	
320	7020443	1	Engine p/n H900003	
320	7016330	1	Engine p/n 1001102686	
321	70000922	2	Glow Plug (Not Shown)	
321	7020492	2	Sealing Ring, Glow Plug (Not Shown)	
322	1001105080	1	Harness, Air Cleaner Indicator (was p/n 70001779 - Not Shown)	
323	70001841	1	Valve, EGR (Not Shown) (Engine p/n H900003 Only)	
324	70001136	1	Mount Assembly, Left Front (Not Shown)	
325	70001137	1	Mount Assembly, Right Front	
326	70001138	2	Mount Assembly, Rear	
327	70001850	1	Pump, Oil Lube (Not Shown) (was p/n 70000045)	
327	7020468	1	Seal Between Oil Pump and Engine Block (Not Shown)	
328		Ref	Pump, Injector Options:	
328		Ref	Engine p/n H900003	
328	70000046	AR	Pump, Injector - A (Not Shown)	
328	70000047	AR	Pump, Injector - B (Not Shown)	
328	70000048	AR	Pump, Injector - C (Not Shown)	
328	70000049	AR	Pump, Injector - D (Not Shown)	

SECTION 2 - GROUND CONTROLS

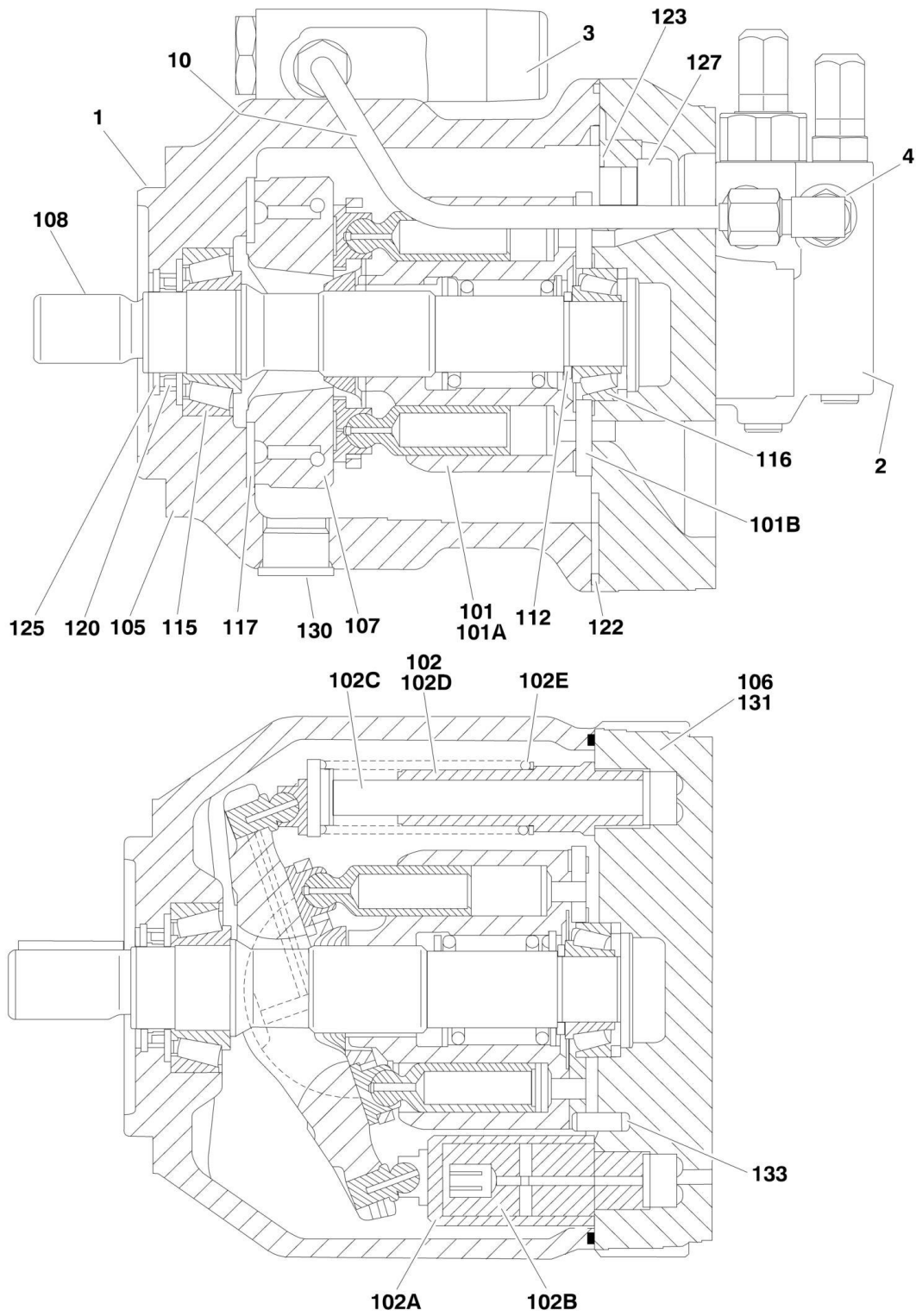
ITEM	PART NUMBER	QTY	DESCRIPTION	REV
328	See Note	4	Gasket (1 per Injector) (Not Shown) (Note: Not Available for Purchase)	
328		Ref	Engine p/n 1001102686	
328	70000912	AR	Pump, Injector - A (Not Shown)	
328	70000913	AR	Pump, Injector - B (Not Shown)	
328	70000914	AR	Pump, Injector - C (Not Shown)	
328	70000915	AR	Pump, Injector - D (Not Shown)	
328	70003464	4	O-Ring (1 per Injector) (Not Shown)	
329	70003470	1	Manifold , Intake	
329	7020449	4	Gasket, Intake Manifold (Not Shown) (Engine p/n H900003)	
329	70001871	4	Gasket, Intake Manifold (Not Shown) (Engine p/n 1001102686)	
330	7000695	1	Muffler	
330	70001844	1	Clamp, Muffler	
330	7020471	8	Gasket, Exhaust (Not Shown)	
330	70003461	8	Stud, Exhaust (Not Shown) (Engine p/n 1001102686 Only)	
330	70001846	4	Flange, Exhaust (Not Shown) (Engine p/n 1001102686 Only)	
331	70003455	1	Adapter, Hose	
331	3960407	1	Gasket, Intake (was p/n 70000920)	
332	70003469	1	Flange, Intake	
332	70003468	1	Sealing Ring	
333		Ref	Generator Options (Not Shown):	
333		Ref	Engine p/n H900003	
333	70000057	1	Generator (Not Shown)	
333	70000058	1	Regulator, Voltage	
333		Ref	Engine p/n 1001102686	
333	70003446	1	Generator (Not Shown)	
333	70000052	1	Regulator, Voltage	
334		Ref	Harness, Shutdown Actuator Options (Not Shown):	
334	70001854	1	Engine p/n H900003 (was p/n 70000060)	
334	70001842	1	Engine p/n 1001102686	
335	70001840	1	Restrictor, EGR (Not Shown) (Engine p/n 1001102686 Only)	
336		Ref	Gasket, Head Options (Not Shown) (Engine p/n 1001102686 Only):	
336	70003456	1	Gasket - 1 Notch	
336	70003457	1	Gasket - 2 Notch	
336	70003458	1	Gasket - 3 Notch	
337	70003460	1	Pipe, Exhaust (Not Shown) (Engine p/n 1001102686 Only)	
337	70001835	1	Gasket, EGR Valve Housing to Exhaust Pipe	
337	70001836	1	Gasket, Exhaust Pipe to Cylinder Head	
338	70003462	1	Adapter, Exhaust Pipe (Not Shown) (Engine p/n 1001102686 Only)	
339	70003465	1	Sensor (Not Shown) (Engine p/n 1001102686 Only)	
339	70003466	1	Shaped Packing	
339	70003467	1	Clip	
340	70003471	1	Harness, Starter (Not Shown) (Engine p/n 1001102686 Only)	
341	70003472	1	Bracket, Oil Filter (Not Shown) (Engine p/n 1001102686 Only)	
341	70003473	1	Gasket, Oil Filter Bracket	
342	70001127	1	Cooler, Oil (Not Shown) (Engine p/n 1001102686 Only)	
343	70001125	1	Cap, Breather (Not Shown) (Engine p/n 1001102686 Only)	
343	70001126	1	Seal, Breather Cap	
344	70003459	1	Manifold, Exhaust (Not Shown) (Engine p/n 1001102686 Only)	
344	70001838	2	Gasket, Exhaust Manifold to Cylinder Head	

SECTION 2 - GROUND CONTROLS

ITEM	PART NUMBER	QTY	DESCRIPTION	REV
344	70001837	1	Gasket, Exhaust Manifold	

SECTION 2 - GROUND CONTROLS

FIGURE 2-8. PISTON PUMP ASSEMBLY



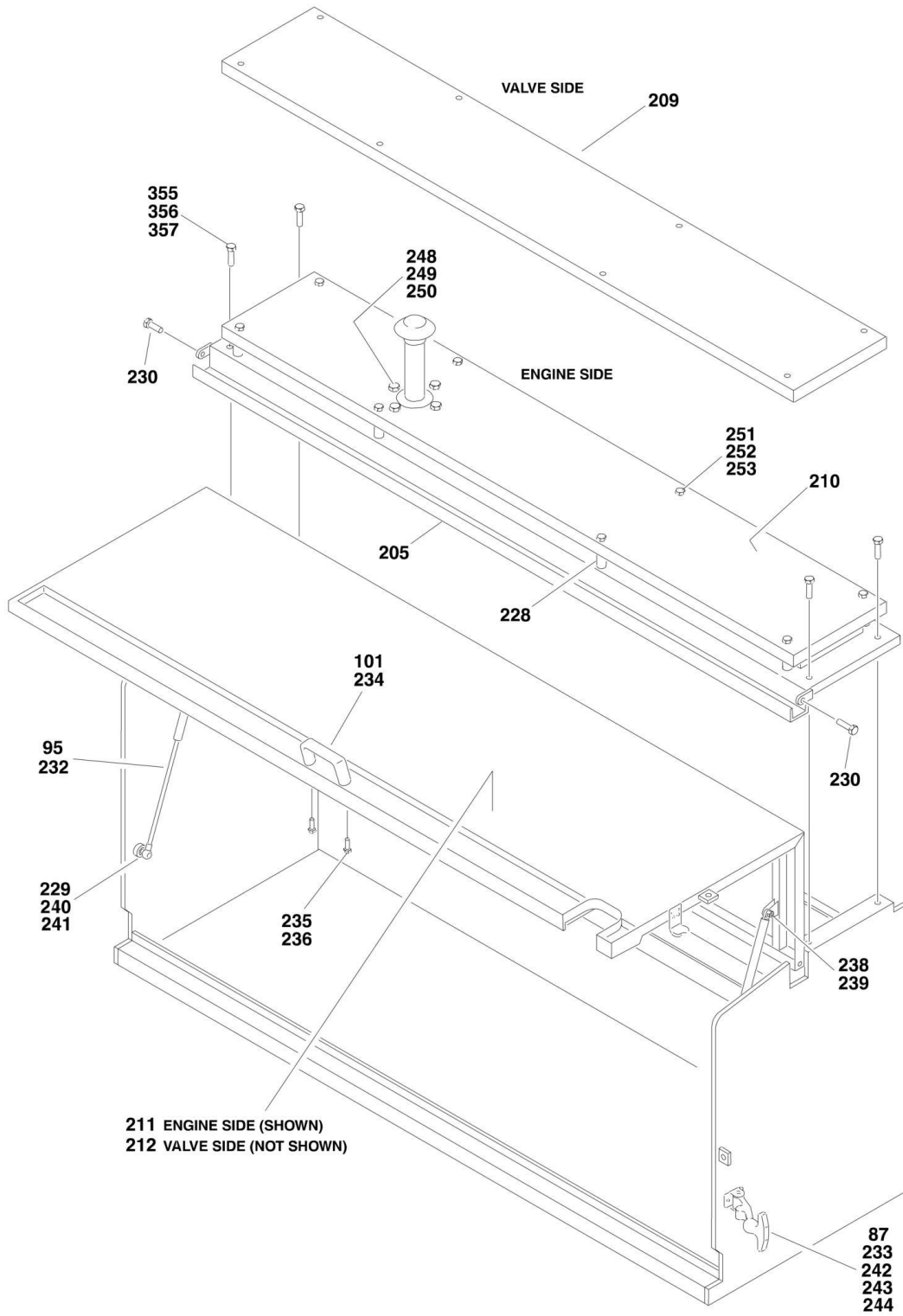
SECTION 2 - GROUND CONTROLS

FIGURE 2-8. PISTON PUMP ASSEMBLY

ITEM	PART NUMBER	QTY	DESCRIPTION	REV
	H000220	Ref	PISTON PUMP ASSEMBLY	C
1	70003737	1	Pump (See Items 101-133 for Breakdown)	
2	70003738	1	Valve, Control	
2	70021667	1	Gasket (Between Pump and Valve)	
2	7024954	4	Bolt, M6 x 30mm	
3	70003739	1	Valve, Control	
3	70003751	1	Gasket (Between Pump and Valve)	
3	70003752	1	Bolt, M6 x 16mm	
3	70003753	2	Bolt, M6 x 25mm	
3	70003754	1	Cap, Tamper Proof	
4	70003740	1	Fitting, Adapter	
4	70003755	1	O-Ring	
10	70003741	1	Tube	
	70003737	Ref	PUMP ASSEMBLY	
101	70003173	1	Rotary Group	
101A	See Note	NSS	Hydraulic Section, Rotary Group (Note: Not Available - Purchase p/n 70003173)	
101B	70003750	1	Plate, Control	
102	70003742	1	Control Mechanism	
102A	See Note	NSS	Piston, Control (Note: Not Available - Purchase p/n 70003742)	
102B	See Note	NSS	Guide, Piston (Note: Not Available - Purchase p/n 70003742)	
102C	See Note	NSS	Piston (Note: Not Available - Purchase p/n 70003742)	
102D	See Note	NSS	Guide, Piston (Note: Not Available - Purchase p/n 70003742)	
102E	See Note	NSS	Spring (Note: Not Available - Purchase p/n 70003742)	
105	See Note	NSS	Housing, Pump (Note: Not Available - Purchase p/n 70003737)	
106	70003743	1	Control Mechanism	
107	70003744	1	Plate, Swash	
108	70003175	1	Shaft, Drive	
112	7012709	1	Shim	
115	7024038	1	Bearing, Roller	
116	7012706	1	Bearing, Roller	
117	70003745	2	Liner, Bearing	
120	7024818	1	Seal Ring, Shaft	
122	70003746	1	Seal Ring, Shaft	
123	70003747	4	O-Ring	
125	70003177	1	Ring, Retainer	
127	70003748	4	Bolt	
130	70003749	1	Plug	
131	70003340	1	Plug	
133	7024952	1	Plug	

SECTION 2 - GROUND CONTROLS

FIGURE 2-9. HOODS INSTALLATION



SECTION 2 - GROUND CONTROLS

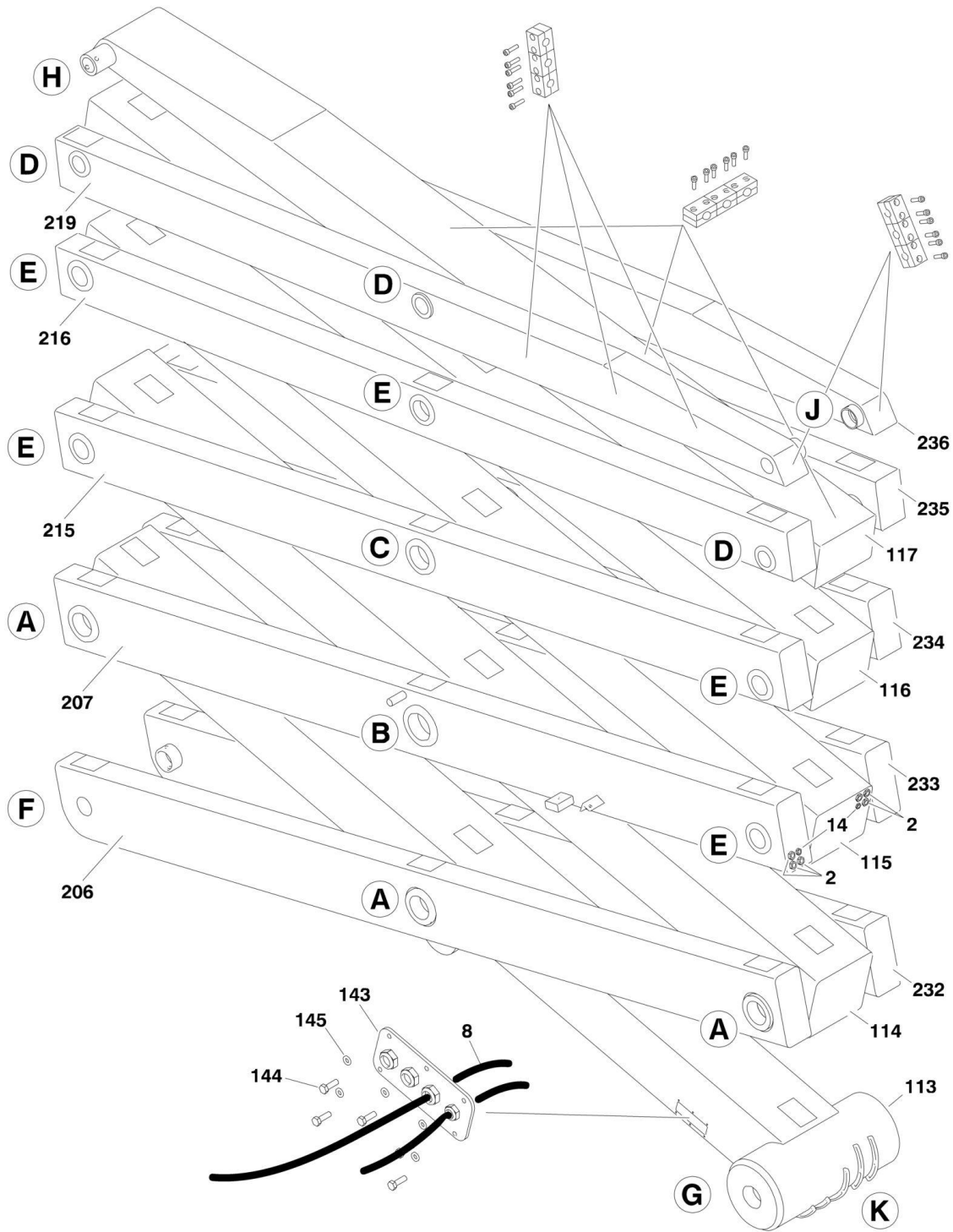
FIGURE 2-9. HOODS INSTALLATION

ITEM	PART NUMBER	QTY	DESCRIPTION	REV
		Ref	FINAL ASSEMBLY LIST COMPONENTS	
	0010657	Ref	Final Assembly List Components 210-25	13
	0010659	Ref	Final Assembly List Components 245-25	14
		Ref	Note: Replacement decals must be ordered separately - See DECALS SECTION.	
87	S000056	4	Strap, Hood	
95		Ref	Spring, Gas Options:	
95	S001513	4	Spring, Gas (Prior to SN 1200012255)	
95	1001093028	4	Spring, Gas (SN 1200012255 through 1200020465)	
101	S001676	2	Handle	
	SL210-25.150.00.1	Ref	HOODS INSTALLATION	C
205	S201604		Panel, Cabinet Top Filler	
209	S201608	1	Cover, RH Cabinet Top	
210	S201605	1	Cover, LH Cabinet Top	
211	S201606	1	Hood, LH	
212	S201609	1	Hood, RH	
228	S900098	16	Spacer	
229	S900097	4	Pin	
230	S900099	4	Bolt, Special	
232		Ref	Spring, Gas Options:	
232	S001513	4	Spring, Gas (Prior to SN 1200012255)	
232	1001093028	4	Spring, Gas (SN 1200012255 through 1200020465)	
233	S000056	4	Strap, Hood	
234	S001676	2	Handle	
235	0760606	4	Bolt, M6x12	
236	4831700	4	Lockwasher M6	
238	0760814	4	Bolt M8x30	
239	3290805	4	Nut M8	
240	0761010	4	Bolt M10x20	
241	4832000	4	Lockwasher M10	
242	0760517	4	Bolt, M5x45	
243	3290505	4	Nut M5	
244	3820408	8	Rivet	
248	0761012	4	Bolt M10x25	
249	3291005	4	Nut M10	
250	4812000	4	Flatwasher M10	
251	0700621	16	Bolt M6x65	
252	3290605	16	Nut M6	
253	4811700	16	Flatwasher M6	

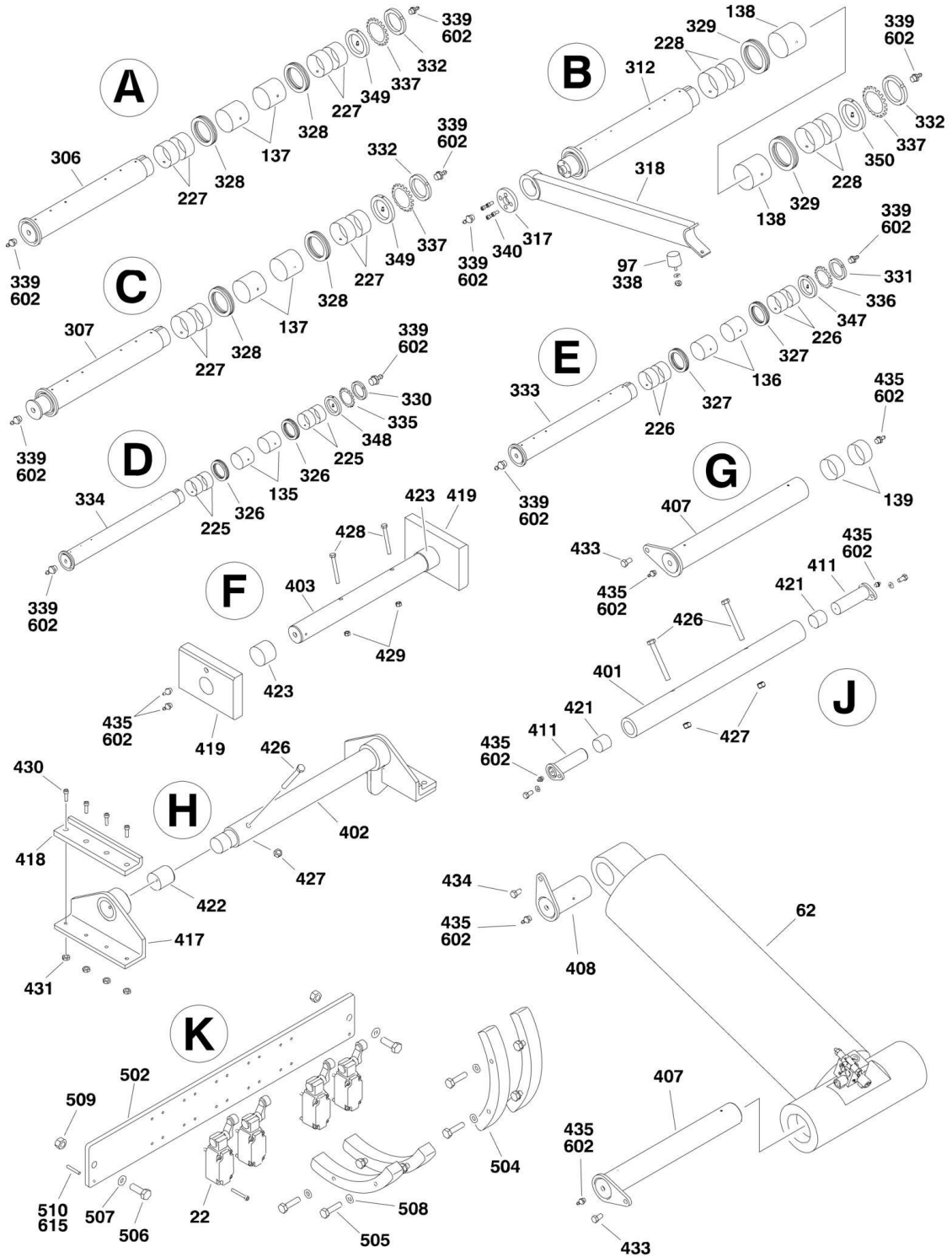
SECTION 3 - SCISSORS ARMS

SECTION 3 - SCISSORS ARMS

FIGURE 3-1. SCISSORS ARMS INSTALLATION (210-25)



SECTION 3 - SCISSORS ARMS



SECTION 3 - SCISSORS ARMS

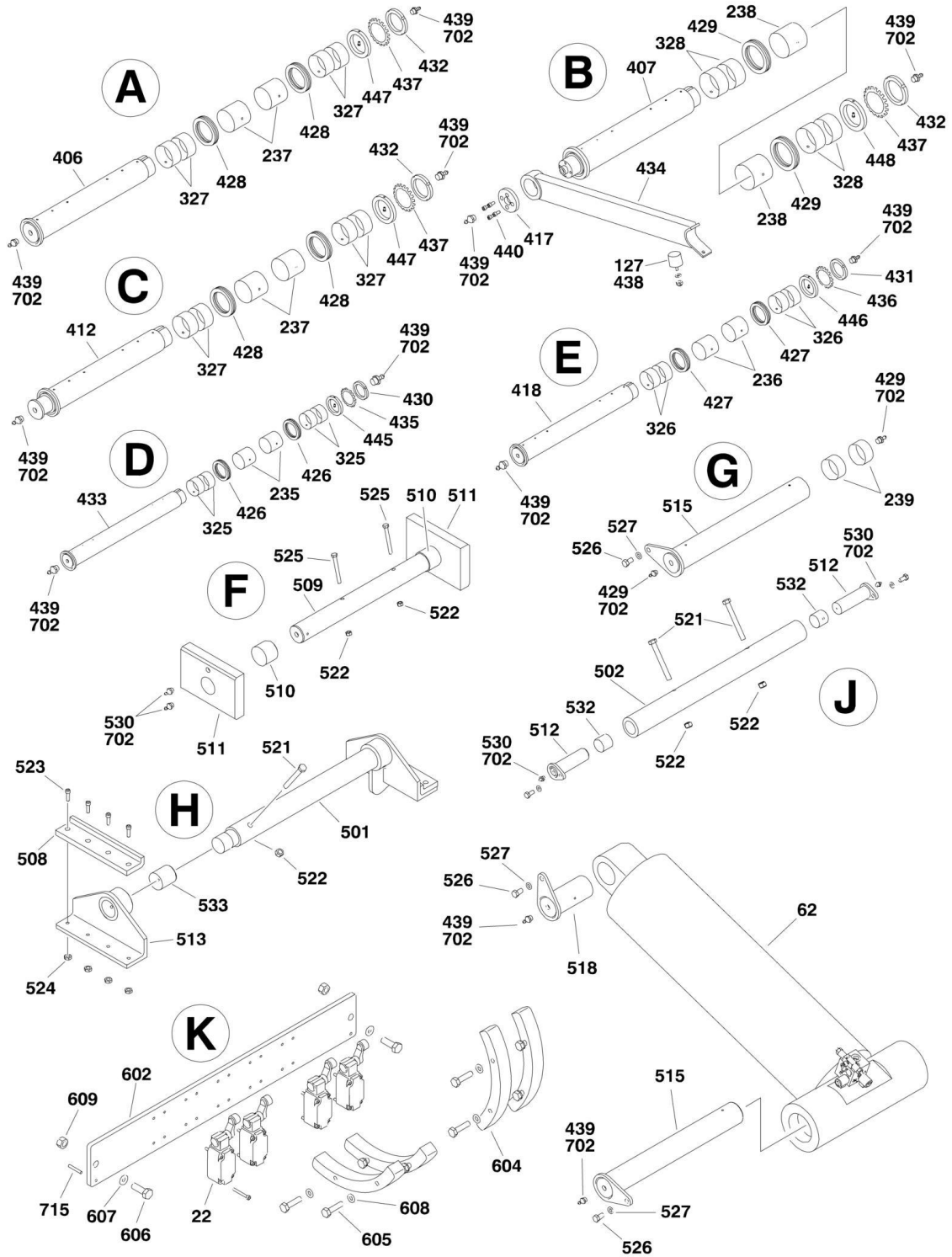
FIGURE 3-1. SCISSORS ARMS INSTALLATION (210-25)

ITEM	PART NUMBER	QTY	DESCRIPTION	REV
	0010657	Ref	FINAL ASSEMBLY LIST COMPONENTS	13
2	E000045	26	Gland Nut, PG21	
8	E000083	35	Cable (25 Wires)	
14	E000269	4	Gland, Cable	
22	E000376	4	Switch, Limit	
62	H000444	1	Lift Cylinder Assembly (See CYLINDER SECTION for Breakdown)	
97	S001592	1	Bumper	
	SL210-25.210.00.0	Ref	INNER SCISSOR ARM WELDMENTS	A
113	S201615	1	Arm, #1 Inner	
114	S200078	1	Arm, #2 Inner	
115	S200081	1	Arm, #3 Inner	
116	S200084	1	Arm, #4 Inner	
117	S200087	1	Arm, #5 Inner	
135	S000188	6	Bushing, 75 x 80mm	
136	S000117	10	Bushing, 90 x 100mm	
137	S001595	8	Bushing, 110 x 110mm	
138	S001498	2	Bushing, 130 x 100mm	
139	S001496	2	Bushing, 110 x 60mm	
143	S900223	1	Plate, Cable Mounting	
143	S900236	1	Gasket	
144	0760812	6	Bolt M8x25	
145	4831900	6	Lockwasher M8	
	SL210-25.220.00.0	Ref	OUTER SCISSOR ARM WELDMENTS	A
206	S200076	1	Arm, RH #1 Outer	
207	S200079	1	Arm, RH #2 Outer	
215	S200082	1	Arm, RH #3 Outer	
216	S200085	1	Arm, RH #4 Outer	
219	S200088	1	Arm, RH #5 Outer	
225	S000116	12	Bushing, 75 x 60mm	
226	S000118	20	Bushing, 90 x 60mm	
227	S001496	16	Bushing, 110 x 60mm	
228	S001497	4	Bushing, 130 x 60mm	
232	S200077	1	Arm, LH #1 Outer	
233	S200080	1	Arm, LH #2 Outer	
234	S200083	1	Arm, LH #3 Outer	
235	S200086	1	Arm, LH #4 Outer	
236	S200089	1	Arm, LH #5 Outer	
	SL210-25.230.00.0	Ref	SCISSOR ARM PINS	
306	S007120	3	Pin, 110 mm	
307	S007122	1	Pin, 110 mm	
312	S007121	1	Pin, 130 mm	
317	S200094	1	Washer, Safety Prop	
318	S201017	1	Safety Prop	
326	S000123	6	Bearing, Ball Thrust	
327	S000124	10	Bearing, Ball Thrust	
328	S001491	8	Bearing, Ball Thrust	
329	S001492	2	Bearing, Ball Thrust	
330	S000191	3	Nut, 60mm	
331	S001240	5	Nut, 80mm	
332	S001241	5	Nut, 100mm	

SECTION 3 - SCISSORS ARMS

ITEM	PART NUMBER	QTY	DESCRIPTION	REV
333	S007123	5	Pin, 90 mm	
334	S007124	3	Pin, 75 mm	
335	S000233	3	Retaining Washer, 60mm	
336	S000234	5	Retaining Washer, 80mm	
337	S001238	5	Retaining Washer, 100mm	
338	S001592	1	Bumper	
339	S000141	26	Fitting, Grease	
340	4032109	4	Bolt M12x25	
347	S200092	5	Washer and Pin	
348	S200090	3	Washer and Pin	
349	S200091	4	Washer and Pin	
350	S200093	1	Washer and Pin	
	SL210-25.240.00.0	Ref	SCISSOR ARMS ATTACHMENT INSTALLATION	
401	S007044	1	Pin, 75 mm	
402	S007043	1	Pin, 75 mm	
403	S007042	1	Pin, Scissor Slide Block	
407	S007040	2	Pin, 110mm	
408	S007041	1	Pin, Lift Cylinder to Scissor Arm	
411	S007045	2	Pin, Outer Scissor Arm to Platform	
417	S200096	2	Slide Support	
418	S200097	2	Pad, Wear	
419		Ref	Slide Block Options:	
419	S200099		RH	
419	S200098		LH	
421	S001499	2	Bushing, 45 x 50mm	
422	S000010	2	Bushing, 60 x 70mm	
423	S900219	2	Spacer	
424	0701229	2	Bolt M12x120	
425	3291205	2	Nut M12	
426	0701631	3	Bolt M16x140	
427	3291605	3	Nut M16	
428	0702031	2	Bolt M20x140	
429	3292005	2	Nut M20	
430	4032013	8	Bolt M10x40	
431	3291005	8	Nut M10	
433	5202018	2	Bolt M20x50	
434	5201616	1	Bolt M16x40	
435	S000141	13	Fitting, Grease	
	SL210-25.260.00.0	Ref	LIMIT SWITCH INSTALLATION	A
502	S900111	1	Plate, Limit Switch Mounting	
504	S200132	5	Cam	
505	0761014	8	Bolt M10x30	
506	0761216	2	Bolt M12x40	
507	4812100	2	Flatwasher M12	
508	4812000	8	Flatwasher M10	
509	3291205	2	Nut M12	
510	3371708	2	Rollpin	
	X21025L	Ref	MISCELLANEOUS PARTS LIST COMPONENTS	2
602	S000141	39	Fitting, Grease	
603	S000142	39	Cap, Grease Fitting	
615	3371708	2	Rollpin	

SECTION 3 - SCISSORS ARMS



SECTION 3 - SCISSORS ARMS

FIGURE 3-2. SCISSORS ARMS INSTALLATION (245-25)

ITEM	PART NUMBER	QTY	DESCRIPTION	REV
	0010659	Ref	FINAL ASSEMBLY LIST COMPONENTS	14
2	E000045	36	Gland Nut, PG21	
8	E000083	45	Cable (25 Wires)	
14	E000269	4	Gland, Cable	
22	E000376	4	Switch, Limit	
62	H000444	1	Lift Cylinder Assembly (See CYLINDER SECTION for Breakdown)	
127	S001592	1	Bumper	
	SL245-25.210.00.0	Ref	INNER SCISSOR ARM WELDMENTS	
235	S000188	6	Bushing, 75 x 80mm	
236	S000117	14	Bushing, 90 x 100mm	
237	S001595	10	Bushing, 110 x 110mm	
238	S001498	2	Bushing, 130 x 100mm	
239	S001496	2	Bushing, 110 x 60mm	
241	S900223	1	Plate, Cable Mounting	
241	S900236	1	Gasket	
242	0760812	6	Bolt M8x25	
243	4831900	6	Lockwasher M8	
244	S200075	1	Arm, #1 Inner	
245	S200078	1	Arm, #2 Inner	
246	S200081	1	Arm, #3 Inner	
247	S900242	1	Arm, #4 Inner	
248	S900243	1	Arm, #5 Inner	
249	S900244	1	Arm, #6 Inner	
	SL245-25.220.00.0	Ref	OUTER SCISSOR ARM WELDMENTS	
325	S000116	12	Bushing, 75 x 60mm	
326	S000118	28	Bushing, 90 x 60mm	
327	S001496	20	Bushing, 110 x 60mm	
328	S001497	4	Bushing, 130 x 60mm	
331	S900223	1	Plate, Cable Mounting	
332	0760812	6	Bolt M8x25	
333	4831900	6	Lockwasher M8	
334	S900251	1	Arm, LH #1 Outer	
335	S900245	1	Arm, RH #1 Outer	
336	S900252	1	Arm, LH #2 Outer	
337	S900246	1	Arm, RH #2 Outer	
338	S900253	1	Arm, LH #3 Outer	
339	S900247	1	Arm, RH #3 Outer	
340	S900254	1	Arm, LH #4 Outer	
341	S900248	1	Arm, RH #4 Outer	
342	S900255	1	Arm, LH #5 Outer	
343	S900249	1	Arm, RH #5 Outer	
344	S900256	1	Arm, LH #6 Outer	
345	S900250	1	Arm, RH #6 Outer	
	SL245-25.230.00.0	Ref	SCISSOR ARM PINS	
406	S007120	4	Pin, 110 mm	
407	S007121	1	Pin, 130 mm	
412	S007122	1	Pin, 110 mm	
417	S200094	1	Washer, Safety Prop	
418	S007123	7	Pin, 90 mm	
426	S000123	6	Bearing, Ball Thrust	

SECTION 3 - SCISSORS ARMS

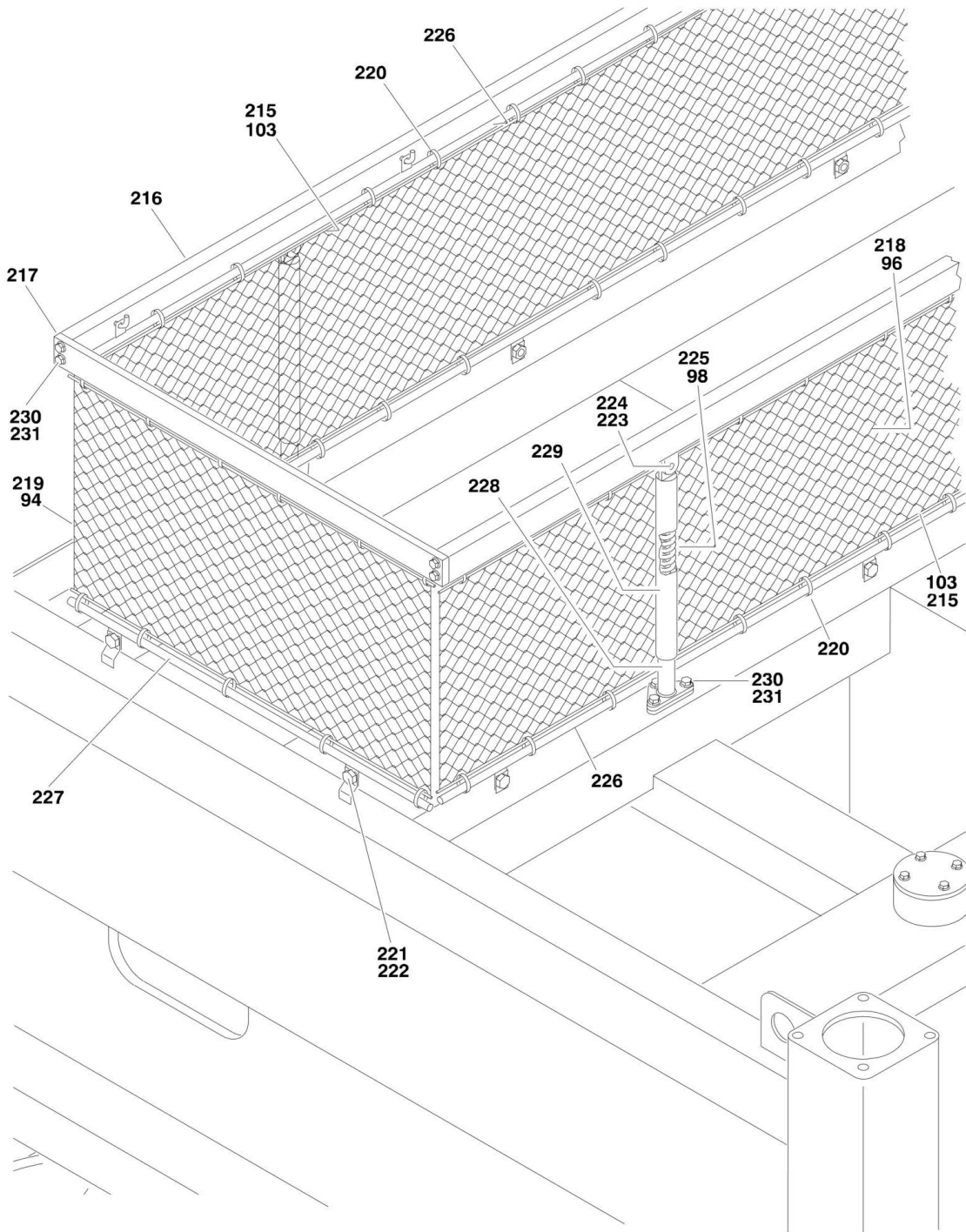
ITEM	PART NUMBER	QTY	DESCRIPTION	REV
427	S000124	14	Bearing, Ball Thrust	
428	S001491	10	Bearing, Ball Thrust	
429	S001492	2	Bearing, Ball Thrust	
430	S000191	3	Nut 60mm	
431	S001240	7	Nut, 80mm	
432	S001241	6	Nut, 100mm	
433	S007124	3	Pin, 75 mm	
434	S200095	1	Prop, Safety	
435	S000233	3	Retaining Washer, 60mm	
436	S000234	7	Retaining Washer, 80mm	
437	S001238	6	Retaining Washer, 100mm	
438	S001592	1	Bumper	
439	S000141	32	Fitting, Grease	
440	4032109	4	Bolt M12x25	
445	S200090	3	Washer and Pin	
446	S200092	7	Washer and Pin	
447	S200091	5	Washer and Pin	
448	S200093	1	Washer and Pin	
	SL245-25.240.00.0	Ref	SCISSOR ARMS ATTACHMENT INSTALLATION	
501	S900122	1	Pin, 75 mm	
502	S900123	1	Pin, 75 mm	
508	S900121	2	Pad, Wear	
509	S900125	1	Pin, 90 mm	
510	S200100	2	Spacer	
511		Ref	Wear Block Options:	
511	S200098	1	LH	
511	S200099	1	RH	
512	S900124	2	Pin, Outer Scissor Arm to Platform	
513	S900120	2	Slide Support	
515	S900126	2	Pin, 110 mm	
518	S900127	1	Pin, Lift Cylinder to Scissor Arm	
521	0701629	3	Bolt M16x120	
522	3291605	5	Nut M16	
523	4032013	8	Bolt M10x40	
524	3291005	8	Nut M10	
525	0701631	2	Bolt M16x140	
526	0762016	3	Bolt M20x40	
527	4832300	3	Lockwasher M20	
530	S000141	11	Fitting, Grease	
532	S001499	2	Bushing, 45 x 50mm	
533	S000010	2	Bushing, 60 x 70mm	
	SL210-25.260.00.0	Ref	LIMIT SWITCH INSTALLATION	A
602	S900111	1	Plate, Limit Switch Mounting	
604	S200132	4	Cam	
605	0761014	8	Bolt M10x30	
606	0761216	2	Bolt M12x40	
607	4812100	2	Flatwasher M12	
608	4812000	8	Flatwasher M10	
609	3291205	2	Nut M12	
610	3371708	2	Rollpin (Not Shown)	
	X24525L	Ref	MISCELLANEOUS PARTS LIST COMPONENTS	2

SECTION 3 - SCISSORS ARMS

ITEM	PART NUMBER	QTY	DESCRIPTION	REV
702	S000141	39	Fitting, Grease	
703	S000142	39	Cap, Grease Fitting	
715	3371708	2	Rollpin	
	S900128	1	Scissor Arm Set - (Includes Items 92, 136-139, 144-149, 225-228, 234-245, 306, 307, 312, 318, 326-333, 335-337, 339, & 345-348)	

SECTION 3 - SCISSORS ARMS

FIGURE 3-3. SCISSORS PROTECTION INSTALLATION



SECTION 3 - SCISSORS ARMS

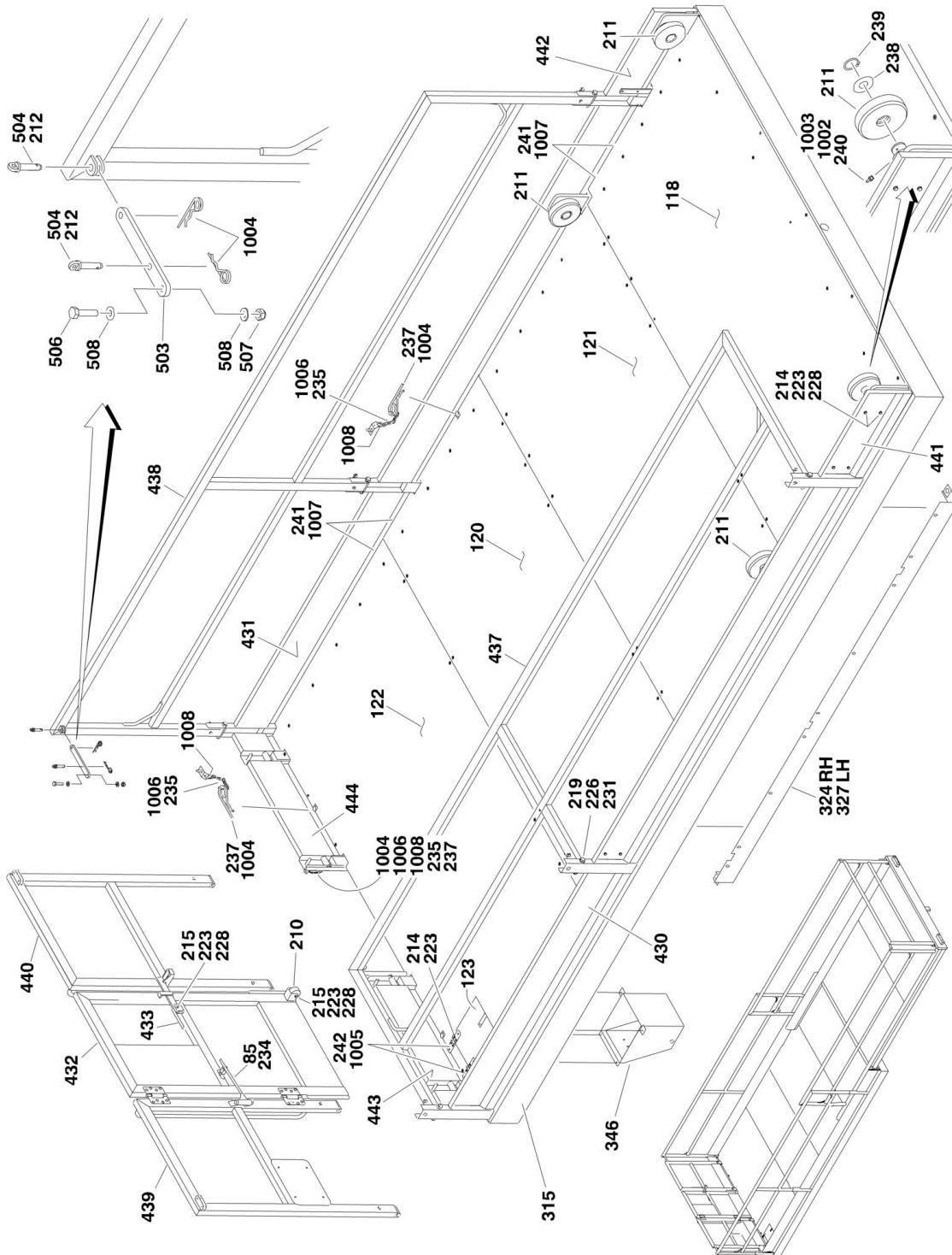
FIGURE 3-3. SCISSORS PROTECTION INSTALLATION

ITEM	PART NUMBER	QTY	DESCRIPTION	REV
		Ref	FINAL ASSEMBLY LIST COMPONENTS	
	0010657	Ref	Final Assembly List Components	13
	0010659	Ref	Final Assembly List Components	14
94	S001511	2	Safety Screen, Short	
96	S001520	2	Safety Screen, Long	
98	S001596	4	Spring, Compression	
103	S005042	8	Spring Rod (Cut To Length)	
	SL210-25-L- 170.00.0	Ref	SCISSOR PROTECTION INSTALLATION	
215	S005042	8	Spring Rod (Cut To Length)	
216	S900100	2	Upper Tube, Long	
217	S900101	2	Upper Tube, Short	
218	S001520	2	Safety Screen, Long	
219	S001511	2	Safety Screen, Short	
220	4240032	70	Tie Strap (Not Shown)	
221	0760810	18	Bolt, M8x20	
222	3290805	18	M8 Nut	
223	0761015	4	Bolt, M10x35	
224	3291005	4	M10 Nut	
225	S001596	4	Spring, Compression	
226	S201676	4	Rod, Long Hanger	
227	S201677	4	Rod, Short Hanger	
228	S201673	4	Column, Lower	
229	S201674	4	Column, Upper	
230	0761010	20	Bolt, M10x20	
231	4832000	20	M10 Lockwasher	

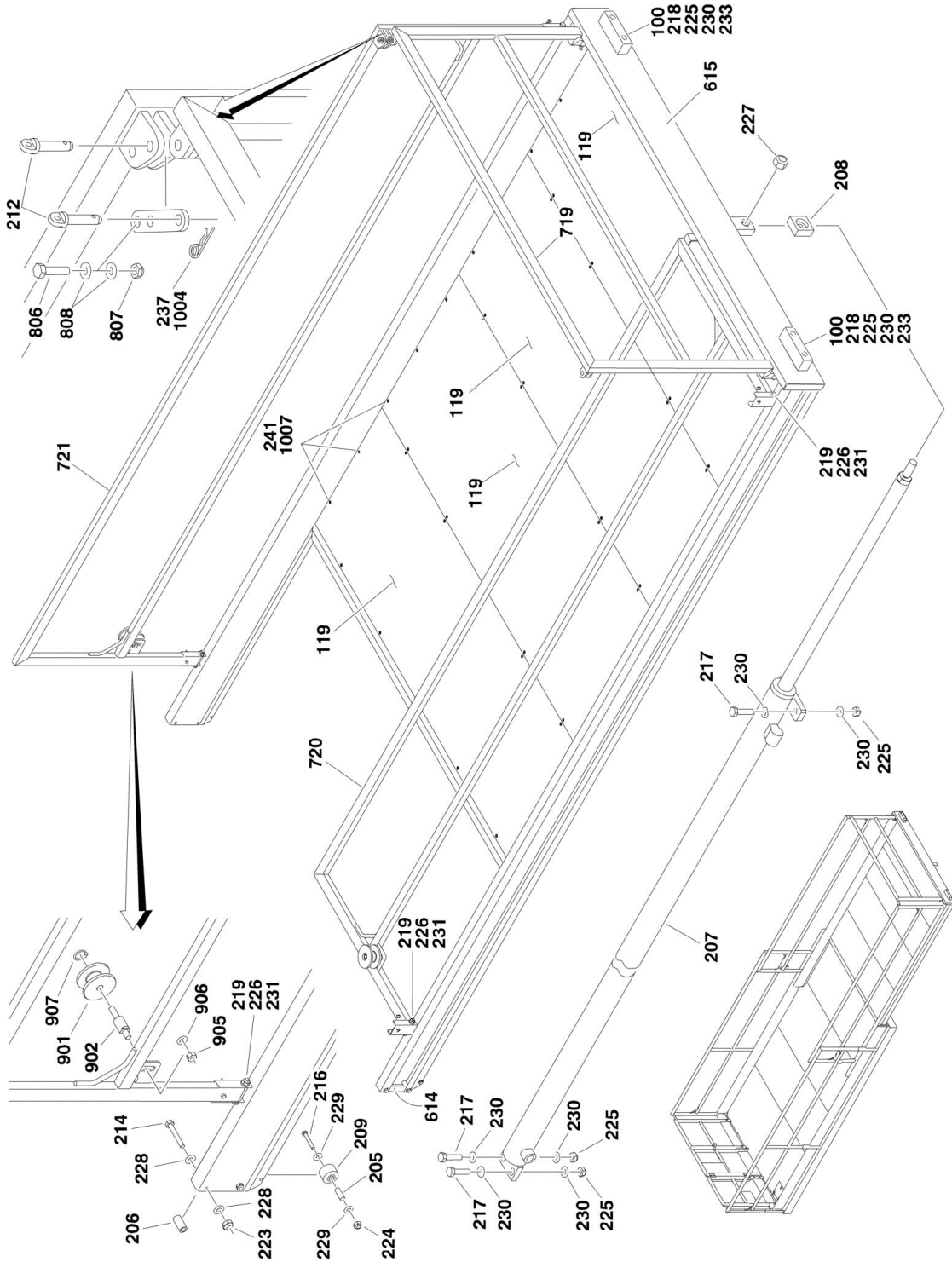
SECTION 4 - PLATFORM

SECTION 4 - PLATFORM

FIGURE 4-1. PLATFORM AND ACCESSORIES INSTALLATION (210-25)



SECTION 4 - PLATFORM



SECTION 4 - PLATFORM

FIGURE 4-1. PLATFORM AND ACCESSORIES INSTALLATION (210-25)

ITEM	PART NUMBER	QTY	DESCRIPTION	REV
	0010657	Ref	FINAL ASSEMBLY LIST COMPONENTS	13
		Ref	Note: Replacement decals must be purchased separately - See DECALS SECTION.	
85	S000030	1	Gate Closer	
100	S000055	2	Bumper	
118	S900035	1	Plate, Main Deck Rear Floor	
119	S900036	4	Plate, Extension Deck Floor	
120	S900037	1	Plate, Main Deck Front Middle Floor	
121	S900038	1	Plate, Main Deck Rear Middle Floor	
122	S900039	1	Plate, Main Deck Front Floor	
123	S900040	1	Door, Connector Compartment	
	SL210-25.300.00.0	Ref	PLATFORM INSTALLATION	
205	S900017	2	Spacer	
206	S900016	4	Spacer	
207		Ref	Extension Cylinder Options:	
207	H005351	NLA	Original Equipment (Use p/n H900006)	
207	H900006	1	Service Replacement	
208	S900015	1	Block, Coupling	
209	S900155	2	Roller, Support	
210	S000031	1	Roller, Gate	
211	S005049	4	Roller, Platform	
212	S200223	8	Pin, Link	
214	0760614	4	Bolt, M6x30	
215	0700619	2	Bolt, M6x55	
216	0700818	2	Bolt, M8x50	
217	0761014	4	Bolt, M10x30	
218	0701022	8	Bolt, M10x70	
219	0701224	14	Bolt, M12x80	
223	3290605	6	M6 Nut	
224	3290805	8	M8 Nut	
225	3291005	12	M10 Nut	
226	3291205	14	M12 Nut	
227	3291605	1	M16 Nut	
228	4811700	12	M6 Washer	
229	4811900	16	M8 Washer	
230	4812000	24	M10 Washer	
231	4812100	28	M12 Washer	
233	S000055	2	Bumper	
234	S000030	1	Gate Closer	
235	S001443	36	Chain w/Attaching Plate	
236	S000510	4	Spring Cotter, 4mm	
237	S000145	20	Spring Cotter, 3mm	
238	S000069	4	Thrustwasher	
239	S003950	4	Ring, Snap	
240	S000141	4	Fitting, Grease	
241	S001445	50	Screw, Self-Tapping	
242	S000237	2	Hinge	
	SL210-25.310.00.1	Ref	MAIN PLATFORM WELDMENT	
315	S201616	1	Platform	
319	S900109	1	Bracket, Extension Cylinder Attaching (Not Shown)	

SECTION 4 - PLATFORM

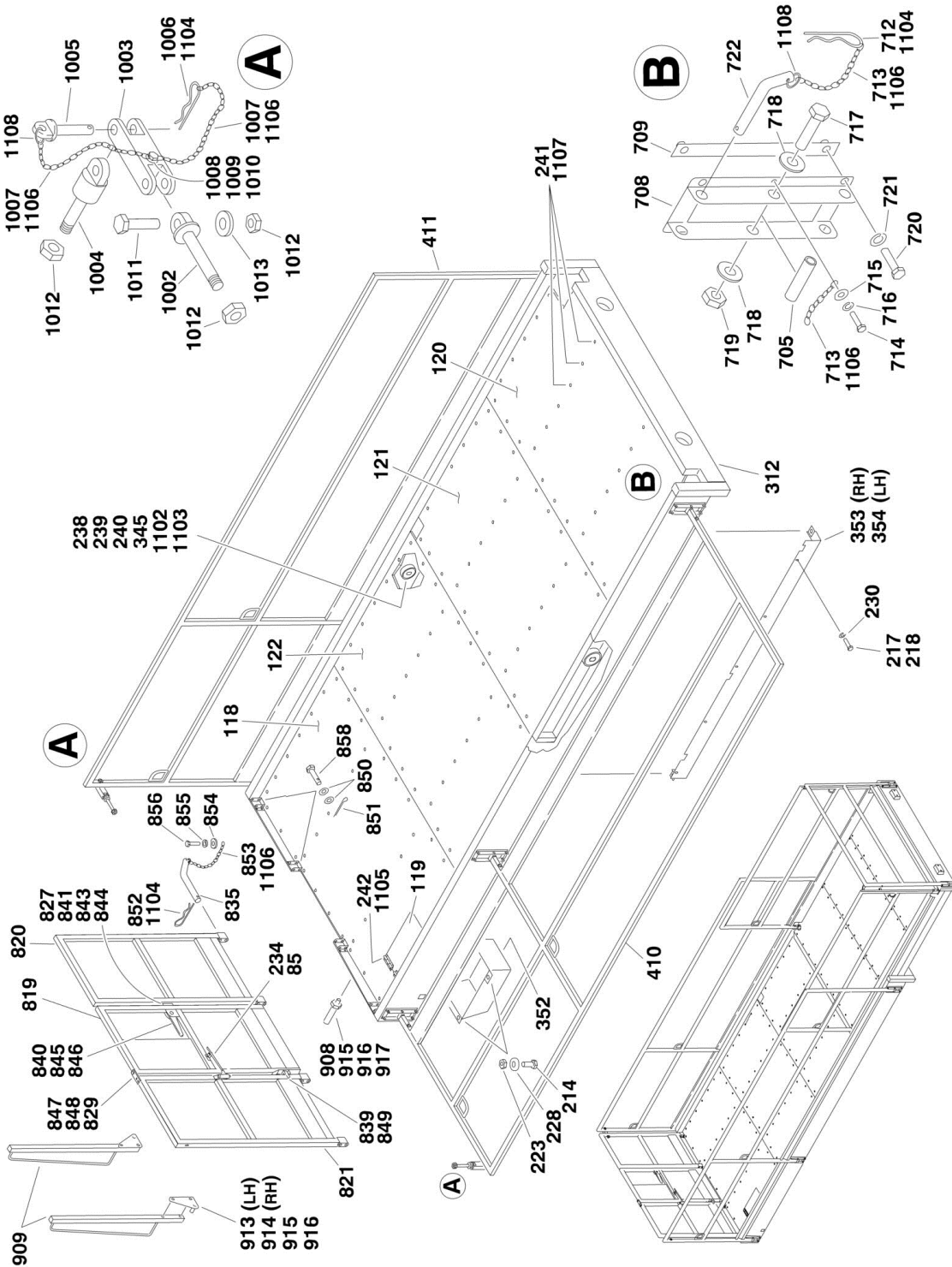
ITEM	PART NUMBER	QTY	DESCRIPTION	REV
324	S201624	1	Safety Channel	
327	S201625	1	Safety Channel	
346	S900212	1	Connector Box	
	SL210-25.311.00.0	Ref	MAIN PLATFORM RAILING INSTALLATION	2
430	S201618	1	Kickplate	
431	S201619	1	Kickplate	
432	S201632	1	Gate	
433		Ref	Lock, Door Options:	
433	S201633	1	Lock, Door (Prior to SN 1200004692)	
433	S200032	1	Lock, Door (SN 1200004692 through 1200020465)	
437	S201620	1	Main Deck Rail	
438	S201621	1	Main Deck Rail	
439	S201629	1	Rail	
440	S201628	1	Rail	
441	S201622	1	Kickplate	
442	S201623	1	Kickplate	
443	S201627	1	Kickplate	
444	S201626	1	Kickplate	
	SL153-22-L-311.28.0	Ref	MAIN PLATFORM RAILING LINK INSTALLATION	
503	S200237	2	Link, Connector (Use p/n S200233)	
504	S200223	4	Pin, Link	
506	0761014	2	Bolt, M10x30	
507	3291005	2	M10 Nut	
508	4812000	4	M10 Washer	
	SL210-25.320.00.0	Ref	EXTENSION PLATFORM WELDMENT	
614	S900110	2	Plate, Stop	
615	S201617	1	Extension	
	SL210-25.321.00.0	Ref	EXTENSION PLATFORM RAILING INSTALLATION	
719	S201637	1	Rail, Extension Deck Rear	
720	S201635	1	Rail, Extension Deck	
721	S201636	1	Rail, Extension Deck	
	SL153-22-L-321.13.0	Ref	EXTENSION PLATFORM RAILING LINK INSTALLATION	
803	S200237	2	Link, Connector	
804	S200223	4	Pin, Link	
806	0761014	2	Bolt, M10x30	
807	3291005	2	M10 Nut	
808	4812000	4	M10 Washer	
	SL153-00.321.12.0	Ref	GUIDE ROLLER INSTALLATION	A
901	S200231	2	Roller, Guide	
902	S200230	2	Pin	
905	3291605	2	16mm Nut	
906	4812300	2	16mm Washer	
907	3760499	2	Snap Ring	
	X21025L	Ref	MISCELLANEOUS PARTS LIST COMPONENTS	
1002	S000141	4	Fitting, Grease	
1003	S000142	4	Cap, Grease Fitting	
1004	S000145	20	Spring Cotter, 3mm	
1005	S000237	2	Hinge	
1006	S001443	36	Chain w/Attaching Plate	
1007	S001445	50	Screw, Self-Tapping	

SECTION 4 - PLATFORM

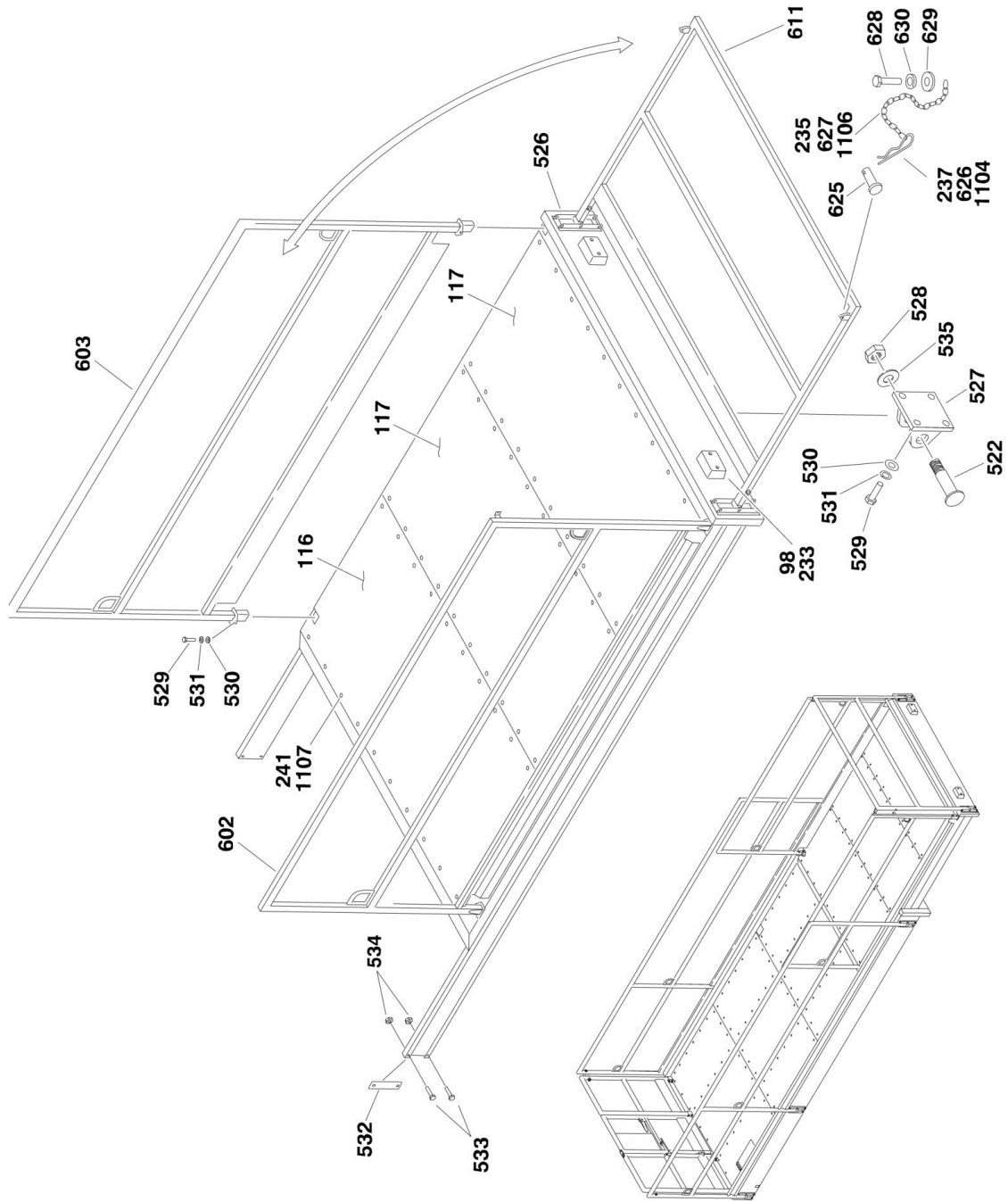
ITEM	PART NUMBER	QTY	DESCRIPTION	REV
1008	S001677	36	Ring, Key	

SECTION 4 - PLATFORM

FIGURE 4-2. PLATFORM AND ACCESSORIES INSTALLATION (245-25)



SECTION 4 - PLATFORM



SECTION 4 - PLATFORM

FIGURE 4-2. PLATFORM AND ACCESSORIES INSTALLATION (245-25)

ITEM	PART NUMBER	QTY	DESCRIPTION	REV
	0010659	Ref	FINAL ASSEMBLY LIST COMPONENTS	14
		Ref	Note: Replacement decals must be purchased separately - See DECALS SECTION.	
85	S000030	1	Gate Closer	
98	S001640	2	Bumper	
116	S900041	1	Plate, Extension Deck Front Floor	
117	S900042	2	Plate, Extension Deck Floor	
118	S900043	1	Plate, Main Deck Front Floor	
119	S900044	1	Door, Connector Compartment	
120	S900045	1	Plate, Main Deck Rear Floor	
121	S900046	1	Plate, Main Deck Rear Middle Floor	
122	S900130	1	Plate, Main Deck Front Middle Floor	
	SL245-25.300.00.0	Ref	PLATFORM INSTALLATION	
214	0760614	4	Bolt, M6 x 30	
215	0700619	2	Bolt, M6 x 55 (Not Shown)	
216	0700818	2	Bolt, M8 x 50 (Not Shown)	
217	0761014	4	Bolt, M10 x 30	
218	0701022	8	Bolt, M10 x 70	
219	0701224	14	Bolt, M12 x 80 (Not Shown)	
223	3290605	6	M6 Locknut	
224	3290805	8	M8 Locknut (Not Shown)	
225	3291005	12	M10 Locknut (Not Shown)	
226	3291205	14	M12 Locknut (Not Shown)	
227	3291605	1	M16 Locknut (Not Shown)	
228	4811700	12	M6 Washer	
229	4811900	16	M8 Washer (Not Shown)	
230	4812000	24	M10 Washer	
231	4812100	28	M12 Washer (Not Shown)	
233	S001640	2	Bumper	
234	S000030	1	Gate Closer	
235	S001443	36	Chain w/Attaching Plate	
236	S000510	4	4mm Spring Cotter (Not Shown)	
237	S000145	20	3mm Spring Cotter	
238	S000069	4	Thrust Washer	
239	S003950	4	Snap Ring	
240	S000141	4	Fitting, Grease	
241	S001445	50	Screw, Self-Tapping	
242	S000237	2	Hinge	
	SL245-25.310.00.1	Ref	MAIN PLATFORM WELDMENT	
312	S200012	1	Platform	
337	S000014	12	Plate, Cable Routing (Not Shown)	
345	S005049	4	Roller	
352	S900212	1	Connector Compartment	
353	S900279	1	Safety Channel	
354	S900280	1	Safety Channel	
	SL245-25.311.00.0	Ref	MAIN PLATFORM RAILING INSTALLATION	
410	S200015	1	Rail	
411	S200017	1	Rail	
	SL245-25.320.00.1	Ref	EXTENSION PLATFORM WELDMENT	
512		Ref	Spacer (Not Shown)	

SECTION 4 - PLATFORM

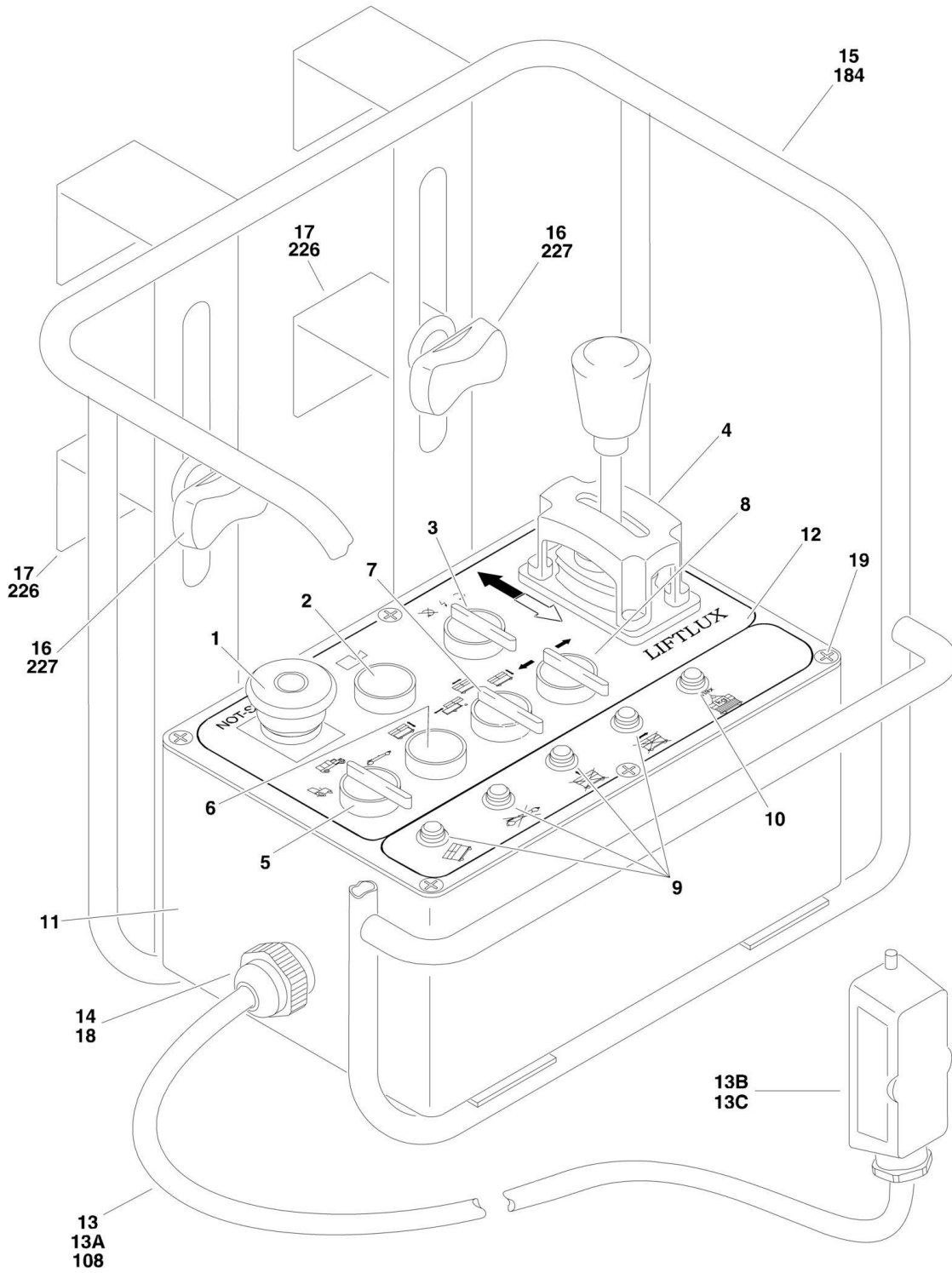
ITEM	PART NUMBER	QTY	DESCRIPTION	REV
522	S900194	2	Pin, Extension Cylinder Coupling	
526	S200033	1	Extension Platform	
527	S900193	2	Bracket, Extension Cylinder Attaching	
528	3292005	2	M20 Locknut	
529	0761012	8	Bolt, M10 x 25	
530	4812000	8	M10 Washer	
531	4832000	8	M10 Lockwasher	
532	S900114	2	Plate, Stop	
533	0761215	4	Bolt, M12 x 35	
534	3291205	4	M12 Locknut	
535	4812500	2	M20 Washer	
	SL245-25.321.00.0	Ref	EXTENSION PLATFORM RAILING INSTALLATION	
602	S200034	1	Rail, LH Extension	
603	S200035	1	Rail, RH Extension	
611	S200036	1	Rail, Rear Extension	
625	S900270	2	Pin, Rail (Use p/n S900113)	
626	S000145	2	3mm Spring Cotter	
627	S001443	2	Chain w/Attaching Plate	
628	0760608	2	Bolt, M6x16	
629	4811700	2	M6 Washer	
630	4831700	2	M6 Lockwasher	
	SL320-30.411.01.3	Ref	PLATFORM RAILING HINGE INSTALLATION	B
705	S900172	8	Spacer	
708	S200539	8	Bracket, Hinge	
709	S900171	16	Anchor Plate	
712	S000145	8	3mm Spring Cotter	
713	S001443	8	Chain w/Attaching Plate	
714	0760608	48	Bolt, M6x16	
715	4811700	48	M6 Washer	
716	4831700	48	M6 Lockwasher	
717	0701030	8	Bolt, M10x130	
718	4812000	16	M10 Washer	
719	3291001	16	M10 Nut	
720	0761012	32	Bolt, M10x25	
721	4832000	32	M10 Lockwasher	
722	S900173	8	Pin	
	SL260-25.411.04.1	Ref	MAIN DECK FRONT RAILING INSTALLATION	
819	S200031	1	Gate	
820	S200028	1	Rail, Right Front	
821	S200027	1	Rail, Left Front	
827	S200525	1	Plate, Door Latch Handle Cover	
829	S200522	1	Plate, Hinge	
835	S200537	4	Pin	
839	S200523	1	Pin, Lower Hinge	
840	S200524	1	Handle, Latch	
841	S200526	1	Striker, Lock	
843	4031709	4	Bolt , M6x25	
844	4031712	2	Bolt , M6x40	
845	0700816	1	Bolt, M8x40	
846	3290805	1	M8 Nut	
847	0761012	2	Bolt, M10x25	

SECTION 4 - PLATFORM

ITEM	PART NUMBER	QTY	DESCRIPTION	REV
848	4832000	2	M10 Lockwasher	
849	4751900	1	Washer	
850	4812100	8	M12 Washer	
851	3391210	5	Cotter Pin	
852	S000145	4	3mm Spring Cotter	
853	S001443	8	Chain w/Attaching Plate	
854	4811700	8	M6 Washer	
855	4831700	8	M6 Lockwasher	
856	0760608	8	Bolt, M6x12	
858	S200538	4	Pin	
	SL260-25.411.05.1	Ref	PLATFORM ENTRY HANDLE INSTALLATION	
908	S200530	2	Pin	
909	S200534	2	Grab Handle	
913	S200516	1	Plate, Left Grab Handle Hinge	
914	S200515	1	Plate, Right Grab Handle Hinge	
915	3291605	6	M16 Nut	
916	4812300	6	M16 Washer	
917		Ref	Rubber Hose, 16x4x50mm	
	SL245-12.10-311.35	Ref	MAIN PLATFORM RAILING LINK INSTALLATION	B
1002		Ref	Bolt, Link Eye Options:	
1002	S900117	2	63mm Long	
1002	S900118	2	125mm Long	
1003	S900116	2	Link	
1004	S900200	2	Bolt, Link Eye	
1005	S200535	2	Pin, Rail Connector	
1006	S000145	4	Pin, Spring	
1007	S001443	4	Chain w/Attaching Plate	
1008	0760606	2	Bolt, M6 x 12mm	
1009	4810600	2	M6 Washer	
1010	4830600	2	M6 Lockwasher	
1011	0761217	2	Bolt ,M12 x 45mm	
1012	3291201	6	M12 Nut	
1013	4811200	4	W12 Washer	
	X24525L	Ref	MISCELLANEOUS PARTS LIST COMPONENTS	
1102	S000141	4	Fitting, Grease	
1103	S000142	4	Cap, Grease Fitting	
1104	S000145	40	3mm Spring Cotter	
1105	S000237	2	Hinge	
1106	S001443	36	Chain w/Attaching Plate	
1107	S001445	50	Screw, Self-Tapping	
1108	S001677	36	Ring	

SECTION 4 - PLATFORM

FIGURE 4-3. CONSOLE PANEL PARTS



SECTION 4 - PLATFORM

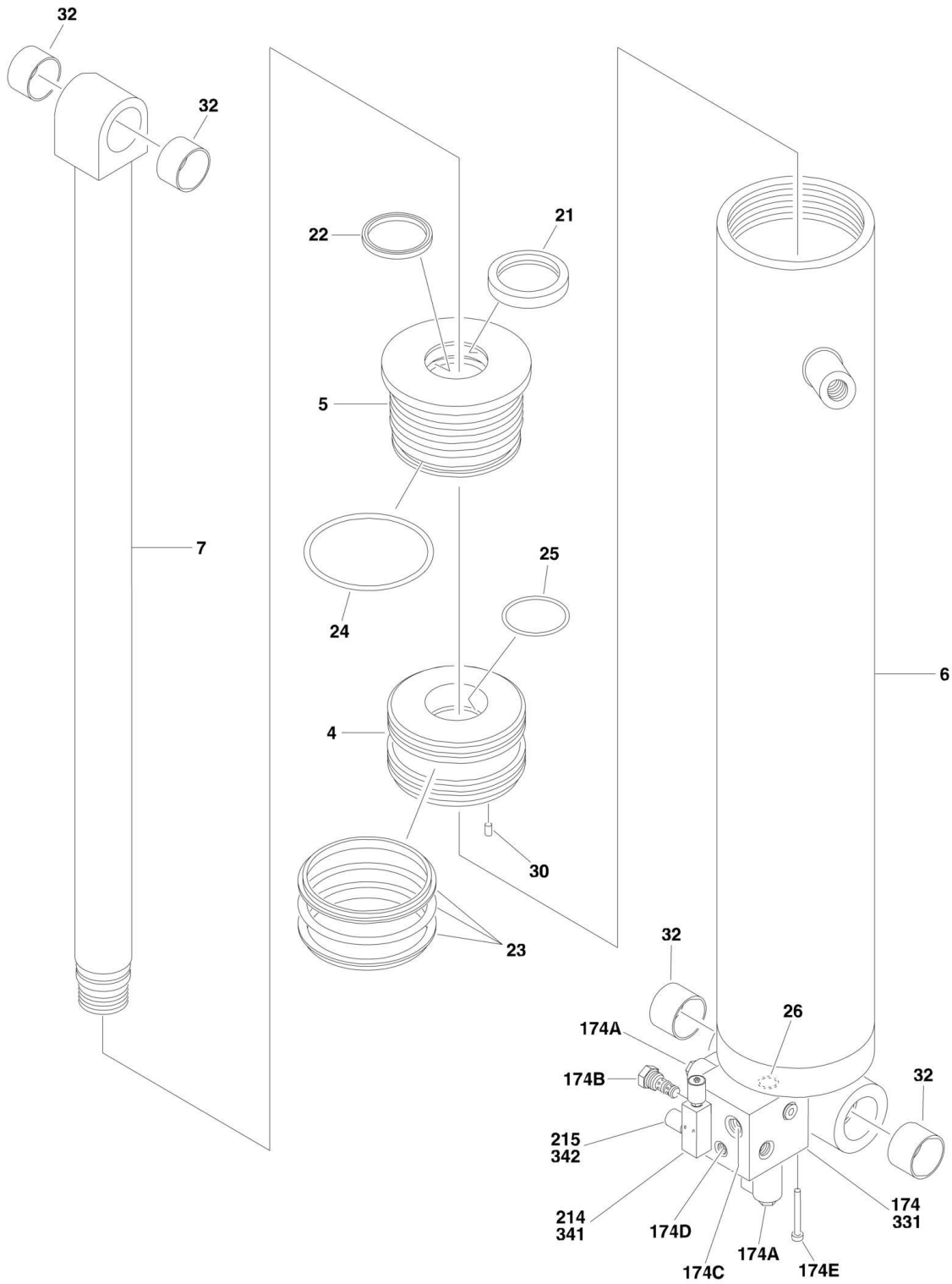
FIGURE 4-3. CONSOLE PANEL PARTS

ITEM	PART NUMBER	QTY	DESCRIPTION	REV
		Ref	CONSOLE PANEL PARTS	
1	E000377	1	Emergency Stop Switch (Momentary-Off-Type)	
2	E000412	1	Switch, Push Button	
3	E000511	1	Switch, Engine On/Off	
4	E000051	1	Joystick	
5	E000435		Switch, 3 Step (Slow/Fast/Diff.)	
6	E000412		Switch, Push Button	
7	E000435		Switch, 3 Step (Drive/Lift/Extend)	
8	E000436		Switch, Steering	
9	E000419	4	LED, Red Complete	
10	E000420	1	LED, Green Complete	
11	E001328	1	Control Box Housing (was E001185)	
12	E001190		Lid, Control Box	
13	Not Available	1	Cable Assy, Control	
13A	E000083	AR	Cable (25 Wires)	
13B	E000108	1	Connector Housing, Male 24-Pin	
13C	E000482	1	Connector Insert, Male 24-Pin	
14	E000304	1	Plug PG 21	
15	S000009	1	Bracket, Console Panel	
16	2560141	2	Screw, Thumb (SN 1200004269 through 1200020465)	
17	0181847	2	Clamp, Console Bracket (SN 1200004269 through 1200020465)	
18	E000432	1	Nut, Brass	
19	1001109990	6	Screw, Socket Head M3 x 30mm	
		Ref	FINAL ASSEMBLY LIST COMPONENTS	
	0010657	Ref	Final Assembly List Components 210-25	13
	0010659	Ref	Final Assembly List Components 245-25	14
108	E000083	AR	Cable (25 Wires)	
184	S000009	1	Bracket, Console Panel	
226	0181847	2	Clamp, Console Bracket (SN 1200004269 through 1200020465)	
227	2560141	2	Screw, Thumb (SN 1200004269 through 1200020465)	

SECTION 5 - CYLINDER

SECTION 5 - CYLINDER

FIGURE 5-1. LIFT CYLINDER ASSEMBLY



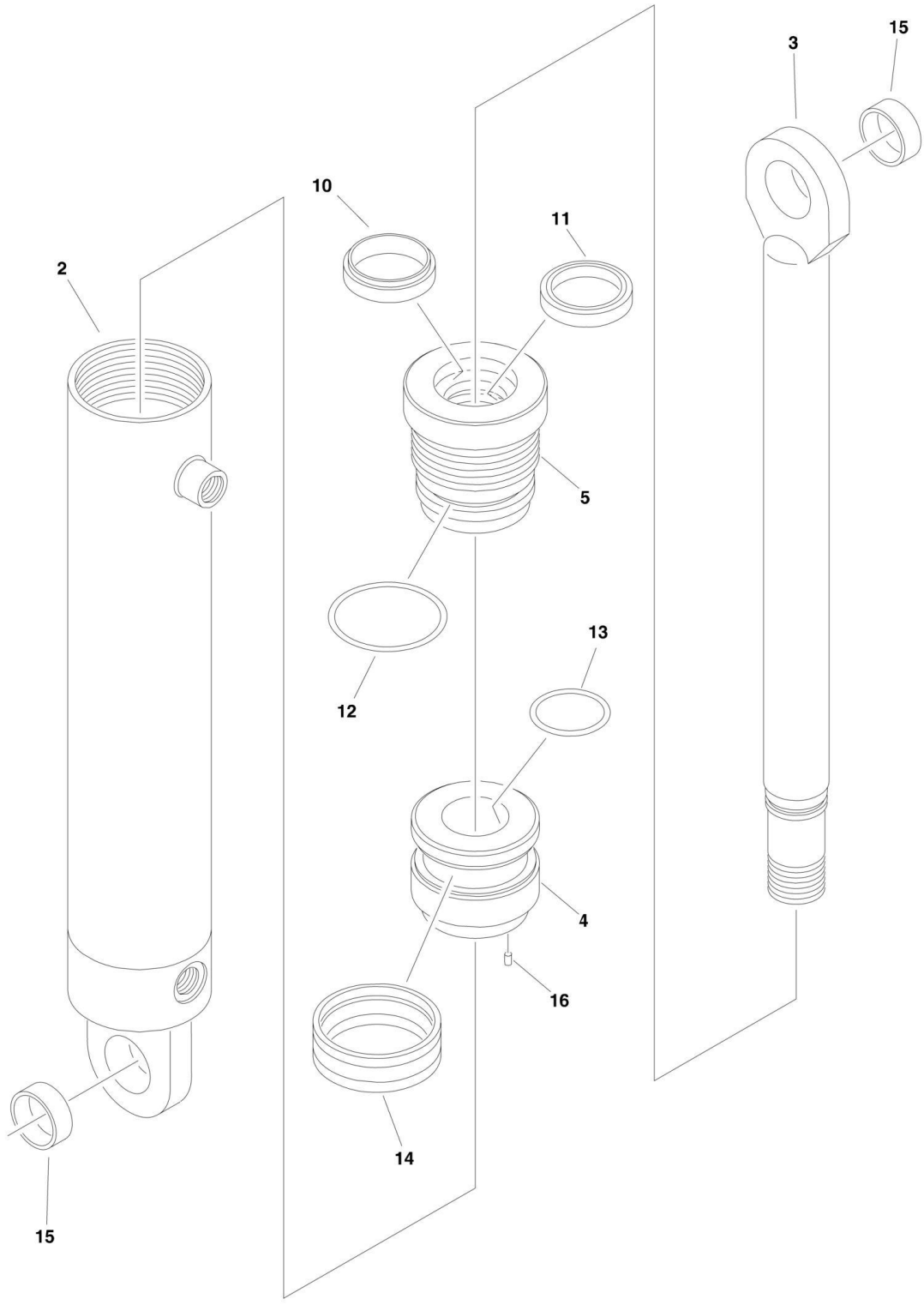
SECTION 5 - CYLINDER

FIGURE 5-1. LIFT CYLINDER ASSEMBLY

ITEM	PART NUMBER	QTY	DESCRIPTION	REV
	H000444	Ref	LIFT CYLINDER ASSEMBLY	
4	S201640	1	Piston	
5	S201641	1	Cylinder Head	
6	S201639	1	Cylinder Barrel	
7	S201638	1	Piston Rod	
21	H003085	1	Wiper	
22	H003091	1	Rod Seal	
23	H000532	1	Piston Seal	
24	H003115	1	O-Ring	
25	H003108	1	O-Ring	
26	70000150	1	O-Ring	
27	70000184	1	O-Ring (Not Shown)	
30	S200910	1	Setscrew	
32	S001496	4	Bushing	
		Ref	Note: No seal kit available. Purchase individual seals.	
		Ref	FINAL ASSEMBLY LIST COMPONENTS	
	0010657	Ref	Final Assembly List Components 210-25	13
	0010659	Ref	Final Assembly List Components 245-25	14
174	H000713	1	Lift/Lower Valve	
174A	70000219	2	Cartridge, Solenoid Valve (Less Coil)	
174A	7023919	2	Seal Kit - 70000219 Cartridge	
174A	7017444	2	Coil	
174B	70000220	1	Check Valve Cartridge	
174B	7021632	1	Seal Kit - 70000220 Cartridge	
174C	See Note	1	Orifice (Note - Not Available for Purchase)	
174D	See Note	1	Orifice (Note - Not Available for Purchase)	
174E	4031925	4	Capscrew M8 x 120mm	
214	H705721	1	Block, Hydraulic	
215	H705722	2	Sensor, Pressure	
216	H705723	2	Harness, Pressure Sensor (Not Shown)	
217	H705724	2	Cap, Pressure Sensor (Not Shown)	
		Ref	HYDRAULIC DIAGRAM	
	H900033	Ref	Hydraulic Diagram 210-25	1
	H900035	Ref	Hydraulic Diagram 245-25	1
331	H000713	1	Lift/Lower Valve	
341	H705721	1	Block, Hydraulic	
342	H705722	2	Sensor, Pressure	

SECTION 5 - CYLINDER

FIGURE 5-2. STEERING CYLINDER ASSEMBLY (ORIGINAL EQUIPMENT)



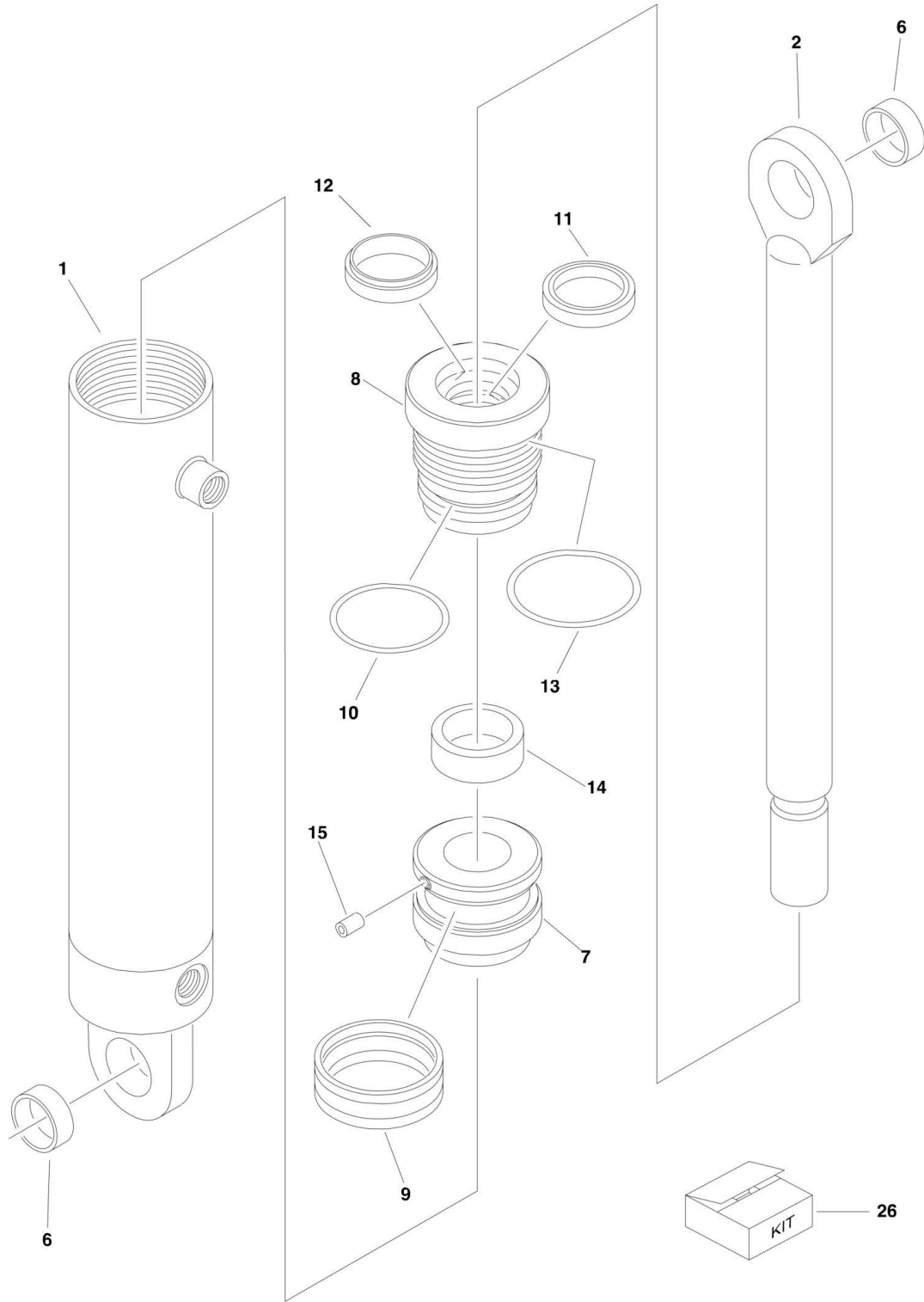
SECTION 5 - CYLINDER

FIGURE 5-2. STEERING CYLINDER ASSEMBLY (ORIGINAL EQUIPMENT)

ITEM	PART NUMBER	QTY	DESCRIPTION	REV
		Ref	Note: Original Equipment Cylinder may have been replaced with Service Replacement Cylinder. Identify p/n stamped on cylinder before ordering parts.	
	H000663	Ref	STEERING CYLINDER ASSEMBLY (ORIGINAL EQUIPMENT)	
2	S200045	1	Cylinder Barrel	
3	S200044	1	Piston Rod	
4	S200046	1	Piston	
5	S200047	1	Cylinder Head	
10	H003064	1	Wiper	
11	H003066	1	Rod Seal	
12	H003080	1	O-Ring	
13	H003075	1	O-Ring	
14	70000198	1	Piston Seal	
15	S001556	2	Bushing	
16	See Note	1	Setscrew (Note - Not Available - Purchase Locally)	
		Ref	Note: No seal kit available. Purchase individual seals.	

SECTION 5 - CYLINDER

FIGURE 5-3. STEERING CYLINDER ASSEMBLY (SERVICE REPLACEMENT)



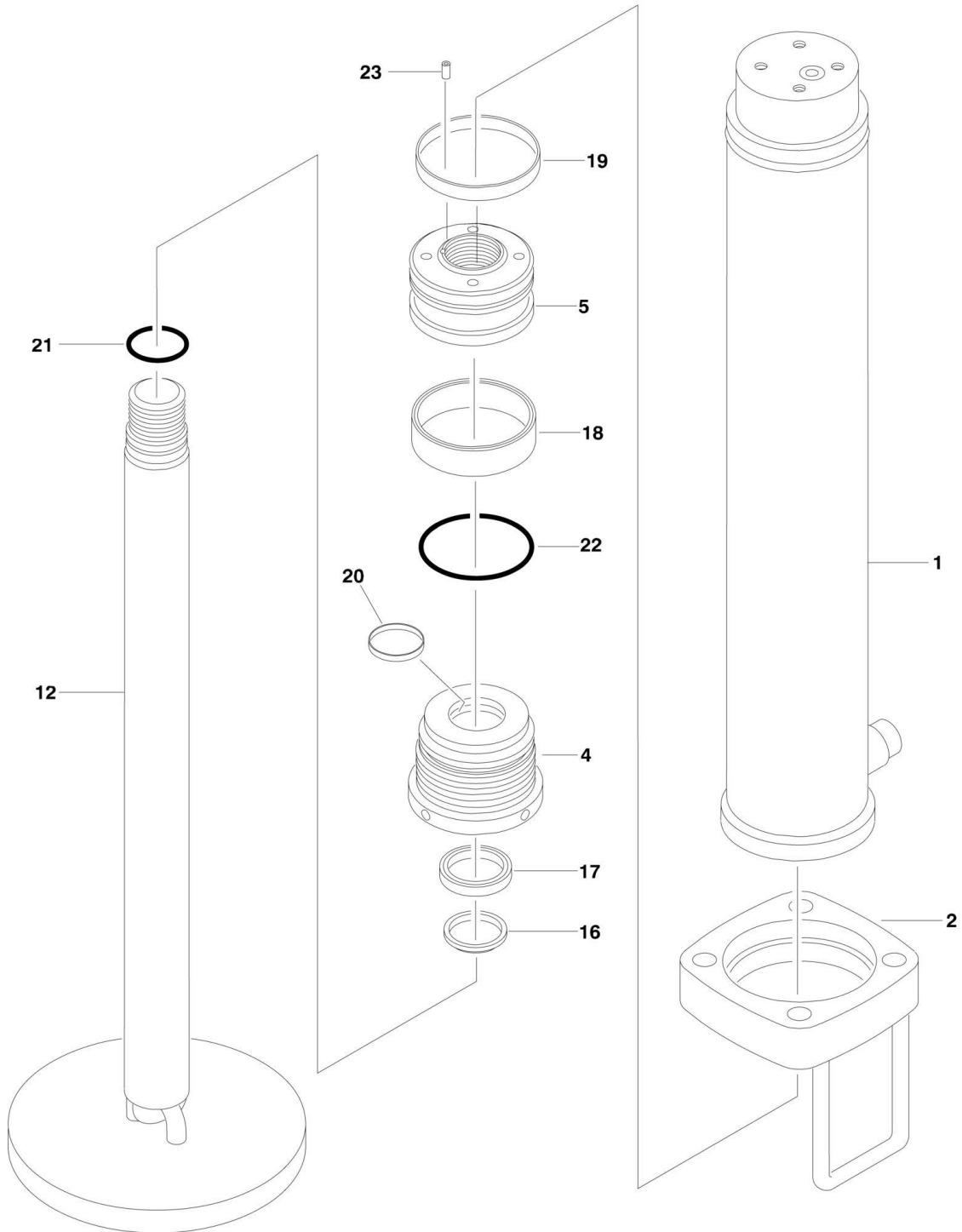
SECTION 5 - CYLINDER

FIGURE 5-3. STEERING CYLINDER ASSEMBLY (SERVICE REPLACEMENT)

ITEM	PART NUMBER	QTY	DESCRIPTION	REV
	H900014	Ref	STEERING CYLINDER ASSEMBLY (SERVICE REPLACEMENT)	
1	70000754	1	Barrel	
2	70000753	1	Rod	
6	70000749	2	Bushing	
7	70000750	1	Piston	
8	70000751	1	Head	
9	See Note	NSS	Piston Seal (Note: Use Item 26)	
10	See Note	NSS	Head Seal (Note: Use Item 26)	
11	See Note	NSS	Rod Seal (Note: Use Item 26)	
12	See Note	NSS	Wiper (Note: Use Item 26)	
13	See Note	NSS	O-Ring (Note: Use Item 26)	
14	70000752	1	Spacer	
15	See Note	1	Setscrew (Note - Not Available - Purchase Locally)	
26	70000755	1	Seal Kit (Includes Items 9, 10, 11, 12 & 13)	

SECTION 5 - CYLINDER

FIGURE 5-4. LEVELING CYLINDER ASSEMBLY (ORIGINAL EQUIPMENT)



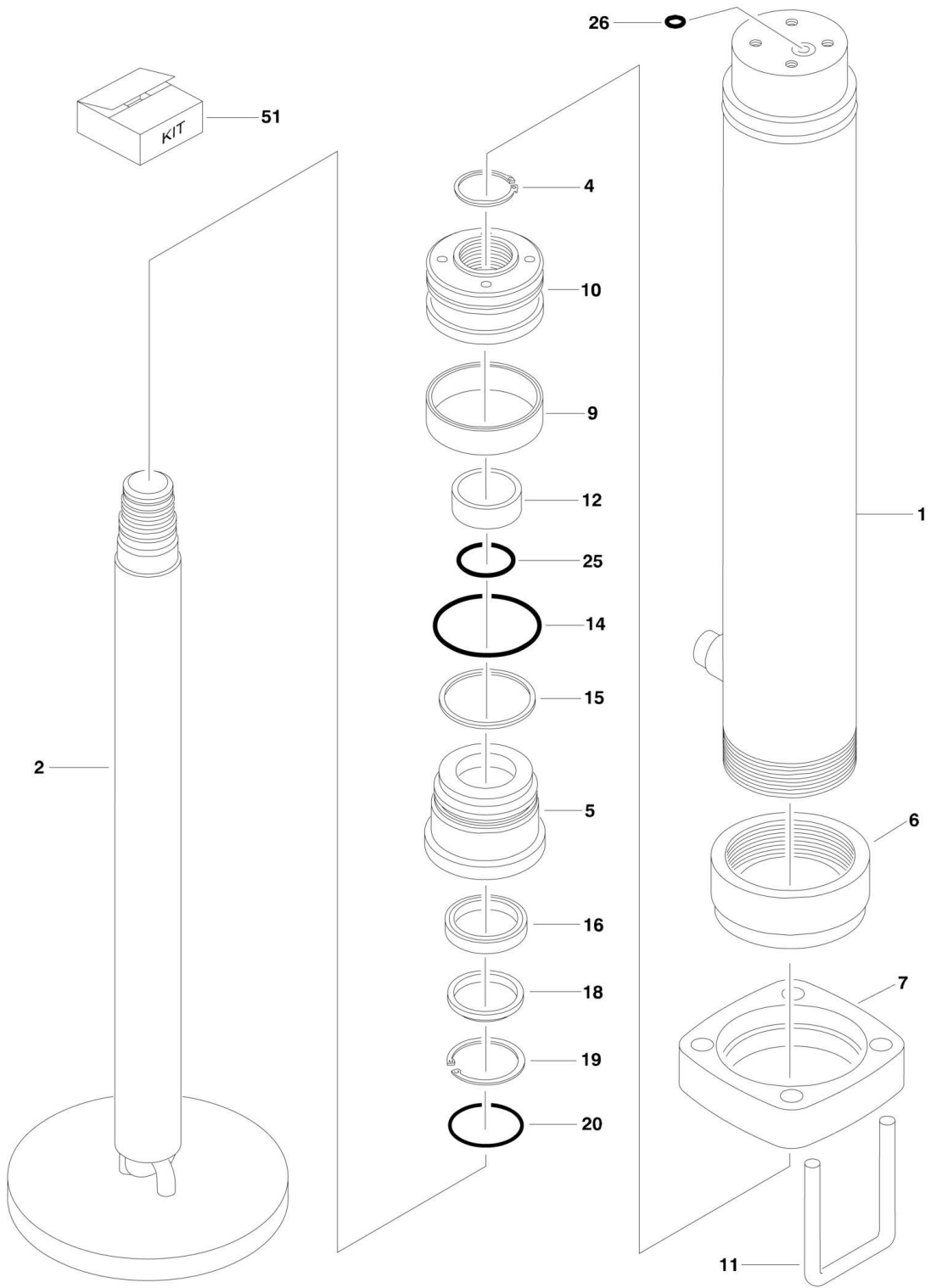
SECTION 5 - CYLINDER

FIGURE 5-4. LEVELING CYLINDER ASSEMBLY (ORIGINAL EQUIPMENT)

ITEM	PART NUMBER	QTY	DESCRIPTION	REV
		Ref	Note: Original Equipment Cylinder may have been replaced with Service Replacement Cylinder. Identify p/n stamped on cylinder before ordering parts.	
		Ref	LEVELING CYLINDER ASSEMBLY	
	H000447	Ref	Right Front, Left Rear (Original Equipment)	H
	H000448	Ref	Left Front, Right Rear (Original Equipment)	H
1		Ref	Cylinder Barrel Options:	
1	S201643	1	H000447	
1	S201644	1	H000448	
2	S201647	1	Mounting Flange Weldment	
4	S201645	1	Cylinder Head	
5	S201646	1	Piston	
12	S201642	1	Cylinder Rod Assembly	
16	H003083	1	Wiper	
17	H003089	1	Rod Seal	
18	H000300	1	Piston Seal	
19	H005775	1	Wear Ring	
20	70000200	1	Wear Ring	
21	H005774	1	O-Ring	
22	H003110	1	O-Ring	
23	See Note	1	Setscrew (Note - Not Available - Purchase Locally)	
		Ref	Note: No seal kit available. Purchase individual seals.	

SECTION 5 - CYLINDER

FIGURE 5-5. LEVELING CYLINDER ASSEMBLY (SERVICE REPLACEMENT)



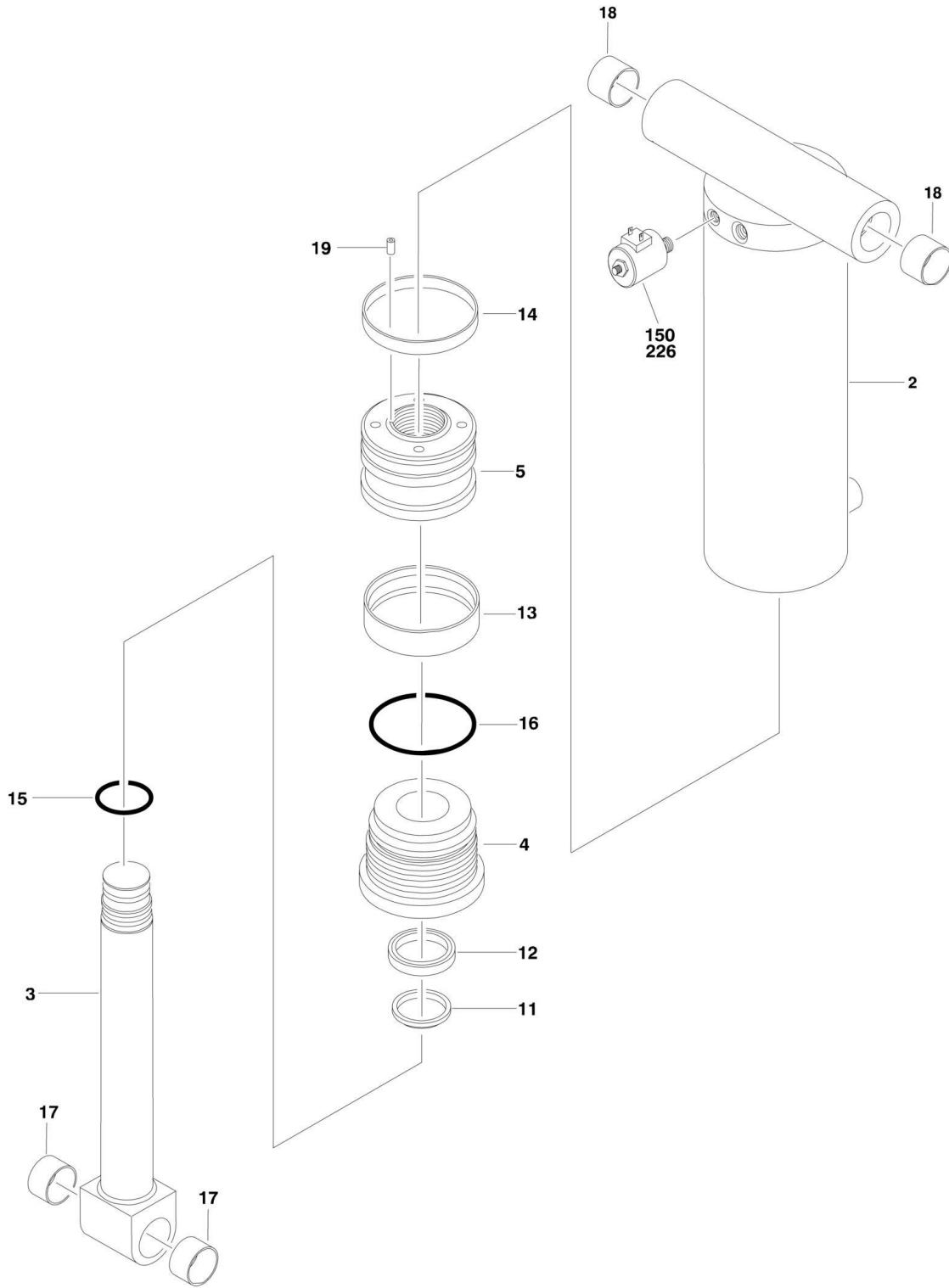
SECTION 5 - CYLINDER

FIGURE 5-5. LEVELING CYLINDER ASSEMBLY (SERVICE REPLACEMENT)

ITEM	PART NUMBER	QTY	DESCRIPTION	REV
		Ref	LEVELING CYLINDER ASSEMBLY	
	H900008	Ref	Right Front, Left Rear (Service Replacement for p/n H900447)	
	H900010	Ref	Left Front, Right Rear (Service Replacement for p/n H900448)	
1		Ref	Barrel Options:	
1	70000703	1	RF, LR	
1	70000706	1	LF, RR	
2	70000702	1	Rod Assembly	
4	70000692	1	Snap Ring	
5	70000693	1	Head	
6	70000694	1	Cap	
7	70000695	1	Mounting Flange	
9	See Note	NSS	Piston Seal (Note: Use Item 51)	
10	70000696	1	Piston	
11	70000697	1	Pad Stop	
12	70000698	1	Spacer	
14	See Note	NSS	O-Ring (Note: Use Item 51)	
15	See Note	NSS	Ring, Back-Up (Note: Use Item 51)	
16	See Note	NSS	Seal, Rod (Note: Use Item 51)	
18	See Note	NSS	Wiper (Note: Use Item 51)	
19	70000699	1	Snap Ring	
20	See Note	NSS	O-Ring (Note: Use Item 51)	
25	See Note	NSS	O-Ring (Note: Use Item 51)	
26	70000700	1	O-Ring	
51	70000704	1	Seal Kit (Includes Items 9, 14, 15, 16, 18, 20 & 25)	

SECTION 5 - CYLINDER

FIGURE 5-6. AXLE LOCKOUT CYLINDER ASSEMBLY (ORIGINAL EQUIPMENT)



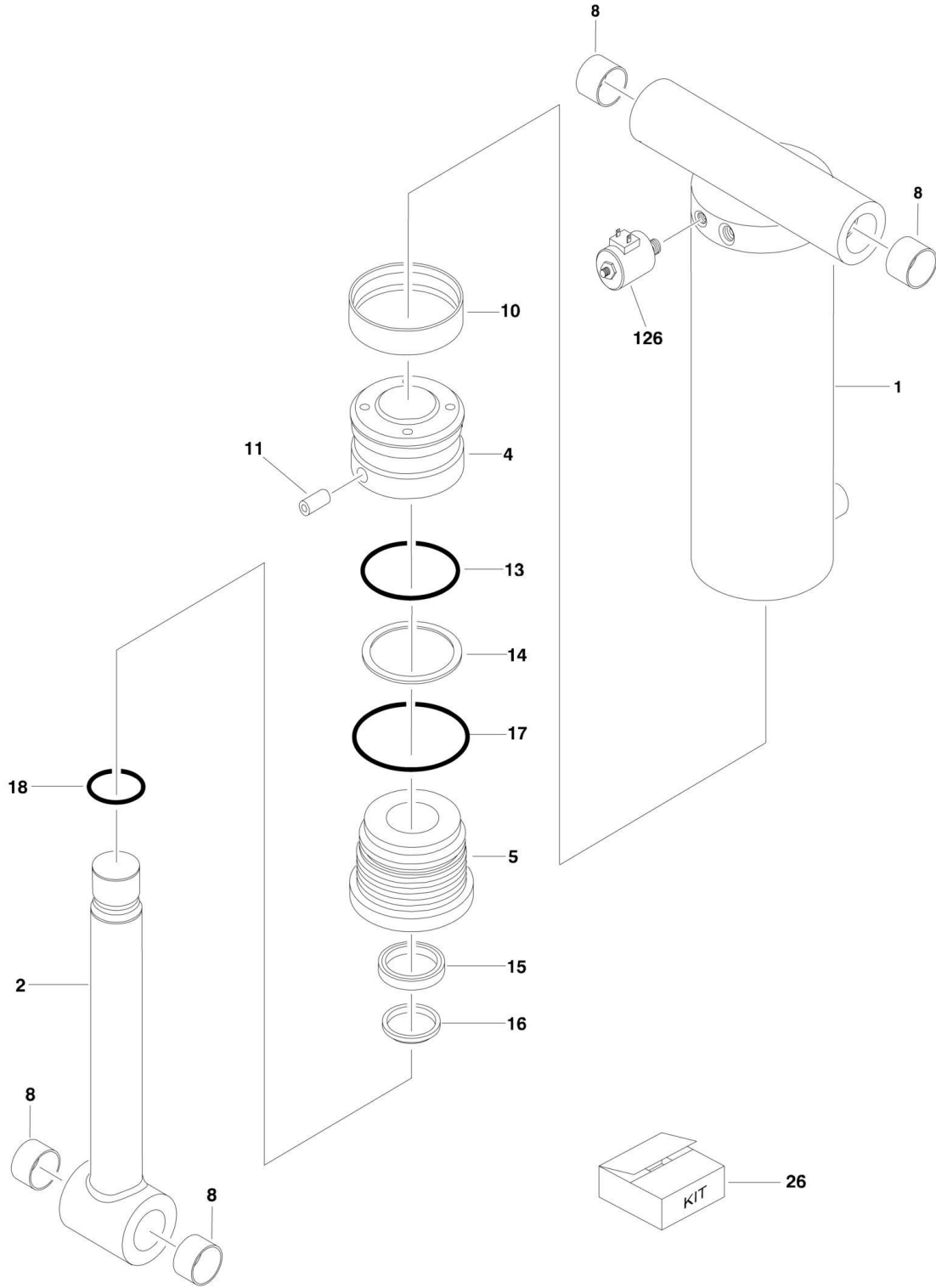
SECTION 5 - CYLINDER

FIGURE 5-6. AXLE LOCKOUT CYLINDER ASSEMBLY (ORIGINAL EQUIPMENT)

ITEM	PART NUMBER	QTY	DESCRIPTION	REV
		Ref	Note: Original Equipment Cylinder may have been replaced with Service Replacement Cylinder. Identify p/n stamped on cylinder before ordering parts.	
	H000291	Ref	AXLE LOCKOUT CYLINDER ASSEMBLY (ORIGINAL EQUIPMENT)	
2	S200062	1	Cylinder Barrel	
3	S200061	1	Piston Rod	
4	S200063	1	Cylinder Head	
5	S200064	1	Piston	
11	H003081	1	Wiper	
12	H003087	1	Rod Seal	
13	H003094	1	Piston Seal	
14	H003102	1	Wear Ring	
15	H003105	1	O-Ring	
16	H003108	1	O-Ring	
17	S000059	2	Bushing	
18	S000136	2	Bushing	
19	See Note	1	Setscrew (Note - Not Available - Purchase Locally)	
		Ref	Note: No seal kit available. Purchase individual seals.	
		Ref	FINAL ASSEMBLY LIST COMPONENTS	
	0010657	Ref	Final Assembly List Components 210-25	13
	0010659	Ref	Final Assembly List Components 245-25	14
150	H000280	1	Valve, Load Check	
		Ref	INLINE VALVE KIT	
	H900033	Ref	Inline Valve Kit 210-25	1
	H900035	Ref	Inline Valve Kit 245-25 (Prior to SN 1200007826)	1
	H900070	Ref	Inline Valve Kit 245-25 (SN 1200007826 through 1200020465)	1
226	H000280	1	Valve, Load Check	
226	7012986	AR	Coil	
226	7024897	AR	Cartridge	
226	7012972	AR	Seal Kit	

SECTION 5 - CYLINDER

FIGURE 5-7. AXLE LOCKOUT CYLINDER ASSEMBLY (SERVICE REPLACEMENT)



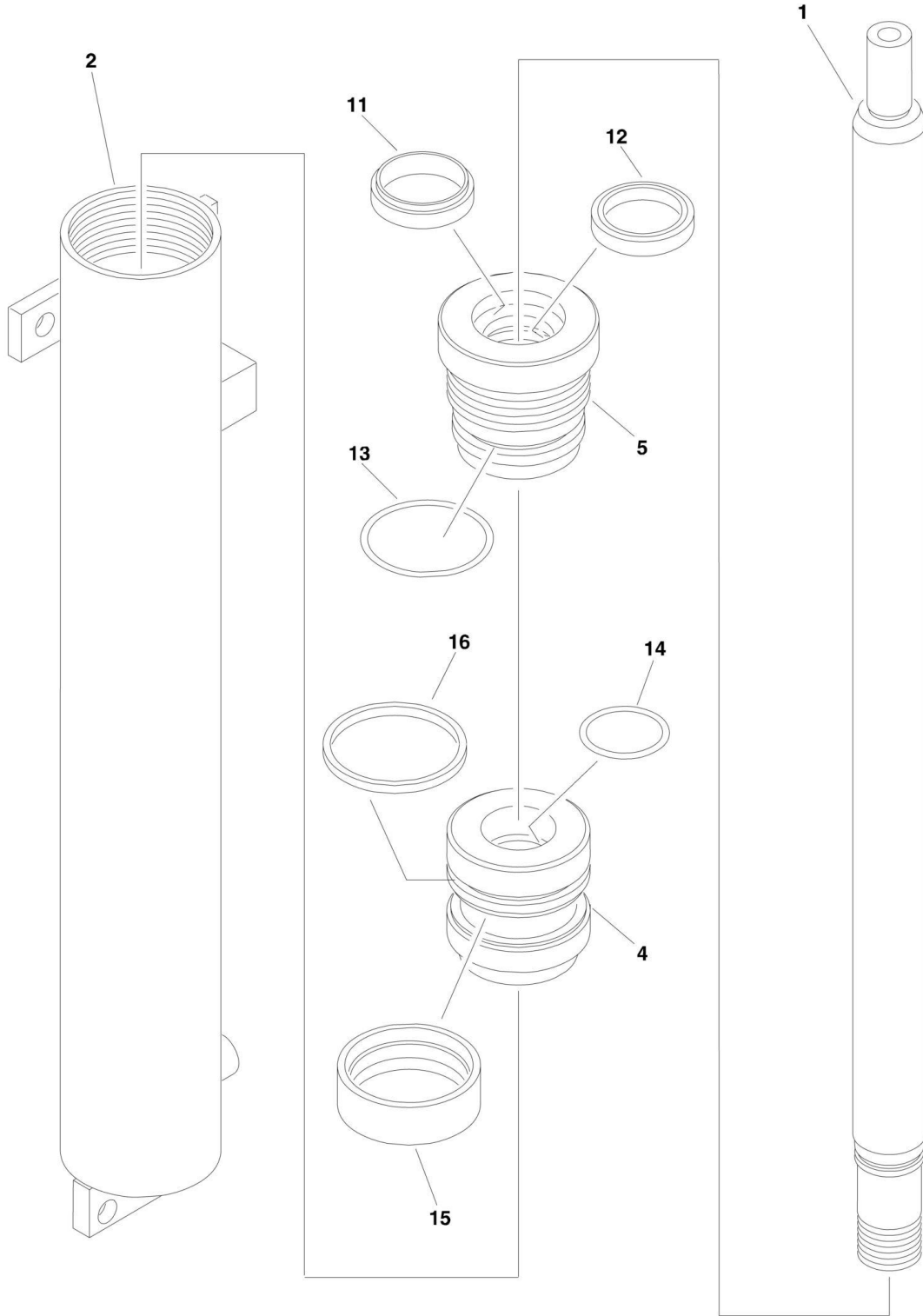
SECTION 5 - CYLINDER

FIGURE 5-7. AXLE LOCKOUT CYLINDER ASSEMBLY (SERVICE REPLACEMENT)

ITEM	PART NUMBER	QTY	DESCRIPTION	REV
	H900009	Ref	AXLE LOCKOUT CYLINDER ASSEMBLY (SERVICE REPLACEMENT)	
1	70000748	1	Barrel	
2	70000747	1	Rod	
4	70000744	1	Piston	
5	70000745	1	Head	
8	70000746	4	Bushing	
10	See Note	NSS	Piston Seal (Note: Use Item 26)	
11	See Note	1	Setscrew (Note: Not Available - Purchase Locally)	
13	See Note	NSS	Head Seal (Note: Use Item 26)	
14	See Note	NSS	Backup Ring (Note: Use Item 26)	
15	See Note	NSS	Rod Seal (Note: Use Item 26)	
16	See Note	NSS	Wiper (Note: Use Item 26)	
17	See Note	NSS	O-Ring (Note: Use Item 26)	
18	See Note	NSS	O-Ring (Note: Use Item 26)	
26	See Note	NSS	Seal Kit (Includes Items 10, 13, 14, 15, 16, 17 & 18)	
		Ref	INLINE VALVE KIT	
	H900033	Ref	Inline Valve kit 210-25	1
	H900070	Ref	Inline Valve kit 245-25	1
126	H000280	1	Valve, Load Check	
126	7012986	AR	Coil	
126	7024897	AR	Cartridge	
126	7012972	AR	Seal Kit	

SECTION 5 - CYLINDER

FIGURE 5-8. EXTENSION CYLINDER ASSEMBLY (210-25) (ORIGINAL EQUIPMENT)



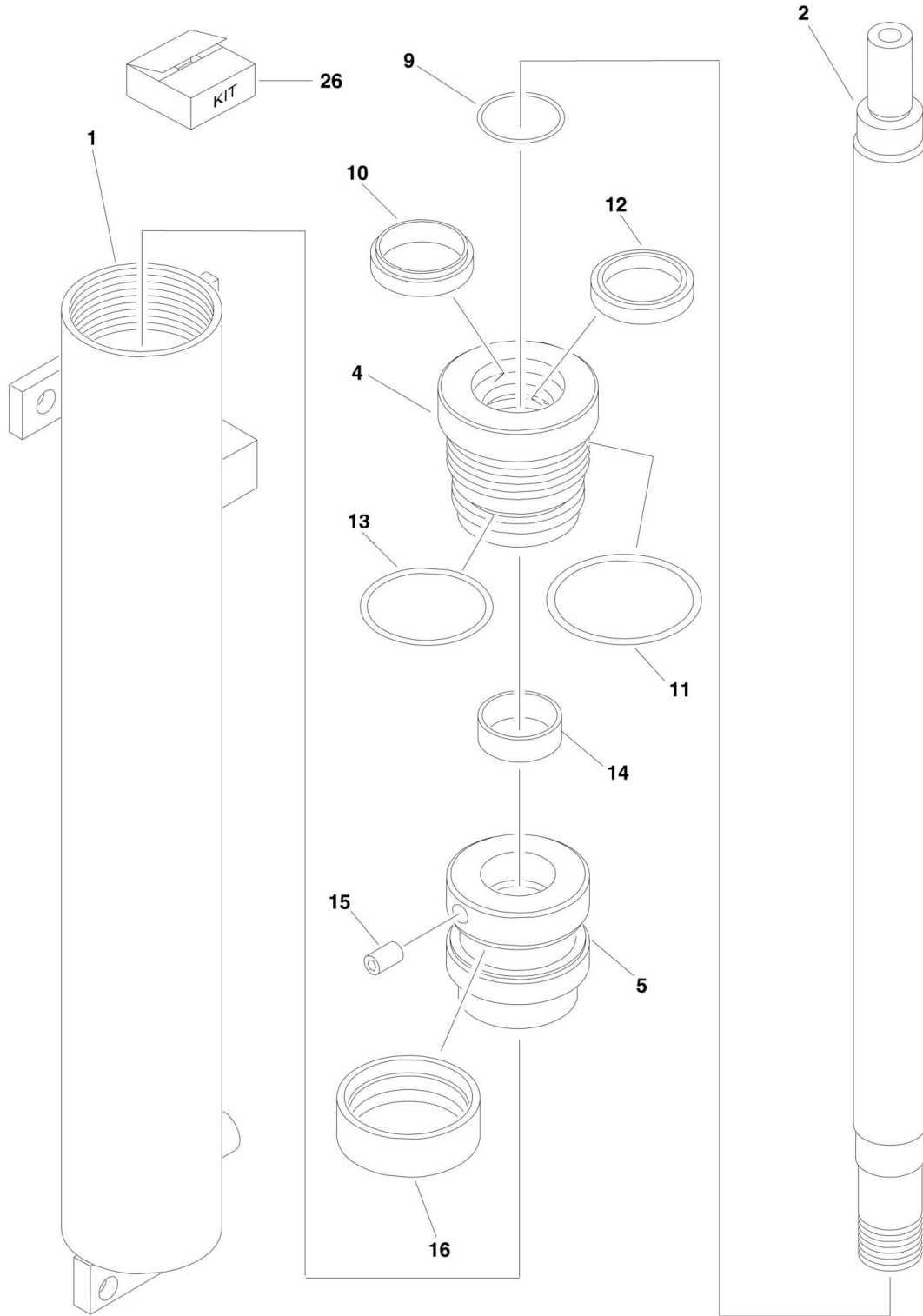
SECTION 5 - CYLINDER

FIGURE 5-8. EXTENSION CYLINDER ASSEMBLY (210-25) (ORIGINAL EQUIPMENT)

ITEM	PART NUMBER	QTY	DESCRIPTION	REV
		Ref	Note: Original Equipment Cylinder may have been replaced with Service Replacement Cylinder. Identify p/n stamped on cylinder before ordering parts.	
	H005351	Ref	EXTENSION CYLINDER ASSEMBLY (ORIGINAL EQUIPMENT)	B
1	S201653	1	Rod	
2	S201654	1	Cylinder Barrel	
4	S201656	1	Piston	
5	S201657	1	Cylinder Head	
11	H003063	1	Wiper	
12	H003065	1	Rod Seal	
13	H003074	1	O-Ring	
14	H003078	1	O-Ring	
15	H003069	1	Piston Seal	
16	H003070	1	Wear Ring	
		Ref	Note: No seal kit available. Purchase individual seals.	

SECTION 5 - CYLINDER

FIGURE 5-9. EXTENSION CYLINDER ASSEMBLY (210-25) (SERVICE REPLACEMENT)



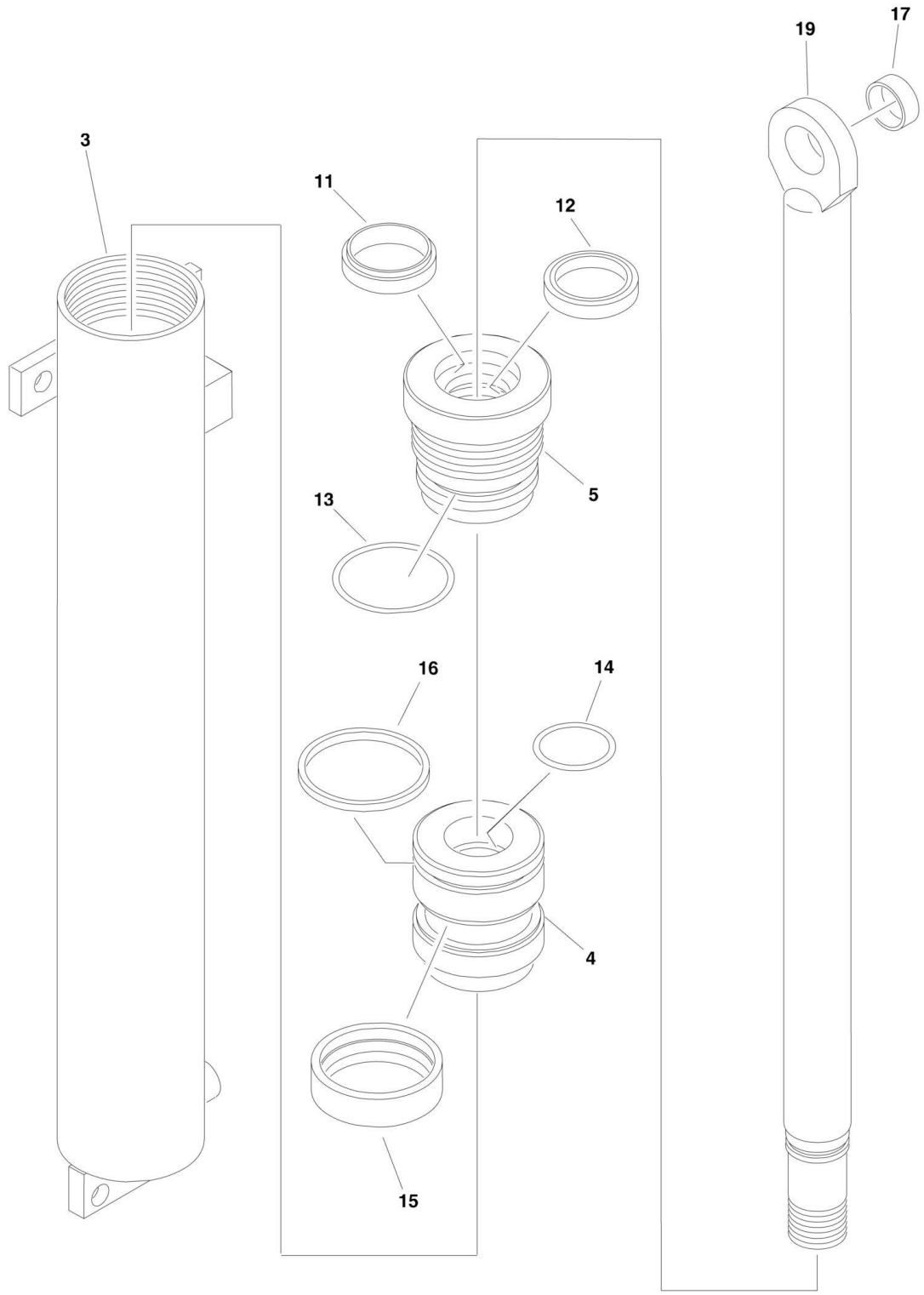
SECTION 5 - CYLINDER

FIGURE 5-9. EXTENSION CYLINDER ASSEMBLY (210-25) (SERVICE REPLACEMENT)

ITEM	PART NUMBER	QTY	DESCRIPTION	REV
	H900006	Ref	EXTENSION CYLINDER ASSEMBLY (SERVICE REPLACEMENT)	D
1	70000715	1	Barrel	
2	70000714	1	Rod	
4	70000707	1	Head	
5	70000708	1	Piston	
9	See Note	NSS	O-Ring (Note: Use Item 26)	
10	See Note	NSS	Wiper (Note: Use Item 26)	
11	See Note	NSS	O-Ring (Note: Use Item 26)	
12	See Note	NSS	Rod Seal (Note: Use Item 26)	
13	See Note	NSS	Seal, Head (Note: Use Item 26)	
14	70000709	1	Spacer	
15	See Note	1	Setscrew (Note: Not Available - Purchase Locally)	
16	See Note	NSS	Piston Seal (Note: Use Item 26)	
26	70000713	1	Seal Kit (Includes Items 9, 10, 11, 12, 13 & 16)	

SECTION 5 - CYLINDER

FIGURE 5-10. EXTENSION CYLINDER ASSEMBLY (245-25) (ORIGINAL EQUIPMENT)



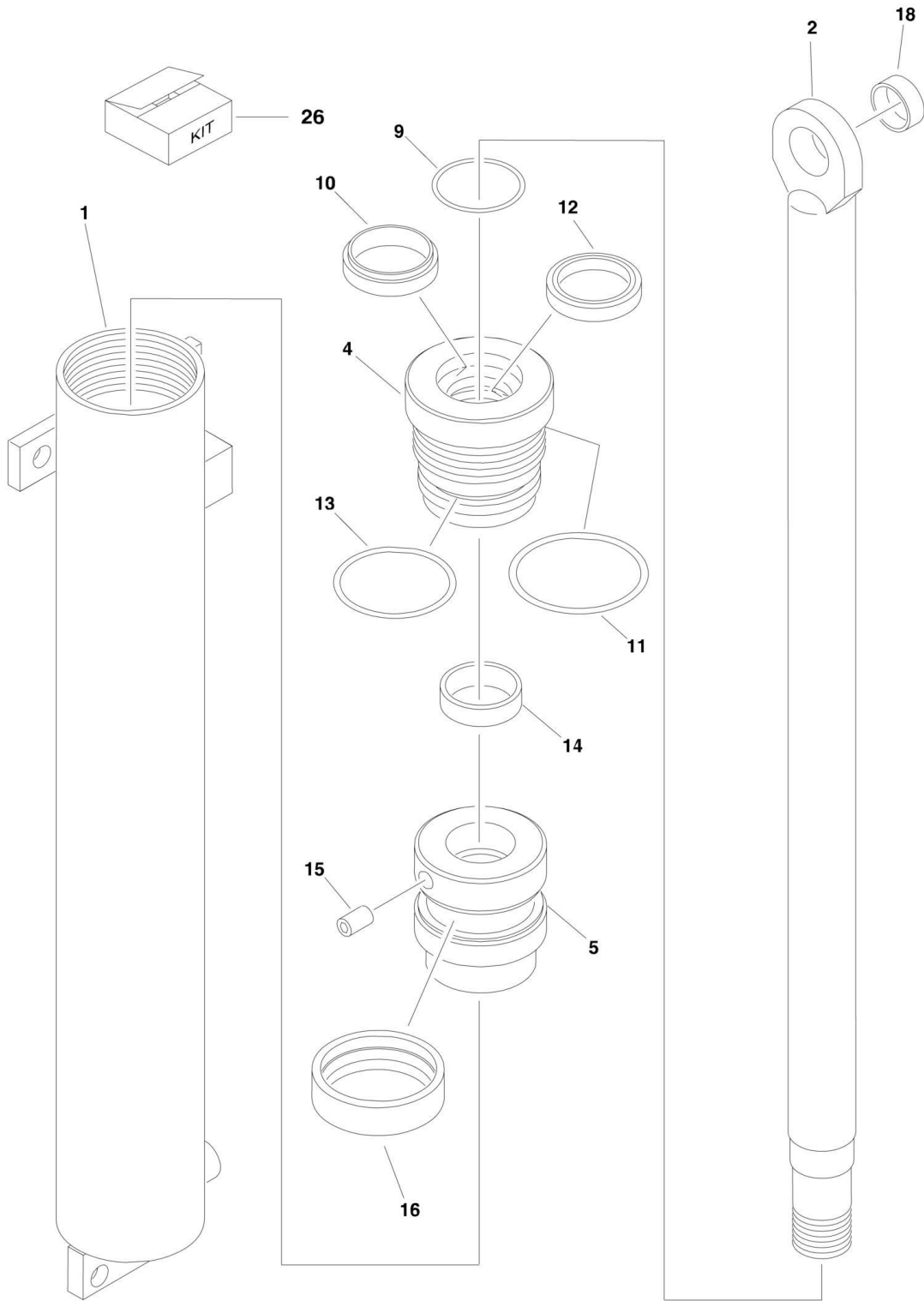
SECTION 5 - CYLINDER

FIGURE 5-10. EXTENSION CYLINDER ASSEMBLY (245-25) (ORIGINAL EQUIPMENT)

ITEM	PART NUMBER	QTY	DESCRIPTION	REV
		Ref	Note: Original Equipment Cylinder may have been replaced with Service Replacement Cylinder. Identify p/n stamped on cylinder before ordering parts.	
	H000446	Ref	EXTENSION CYLINDER ASSEMBLY (ORIGINAL EQUIPMENT)	C
3	S200067	1	Cylinder Barrel	
4	S200069	1	Piston (Use p/n S201656)	
5	S200070	1	Cylinder Head (Use p/n S201657)	
11	H003063	1	Wiper	
12	H003065	1	Rod Seal	
13	H003074	1	O-Ring	
14	H003078	1	O-Ring	
15	H003069	1	Piston Seal	
16	H003070	1	Wear Ring	
17	70000195	1	Bushing	
19	S200066	1	Rod	
		Ref	Note: No seal kit available. Purchase individual seals.	

SECTION 5 - CYLINDER

FIGURE 5-11. EXTENSION CYLINDER ASSEMBLY (245-25) (SERVICE REPLACEMENT)



SECTION 5 - CYLINDER

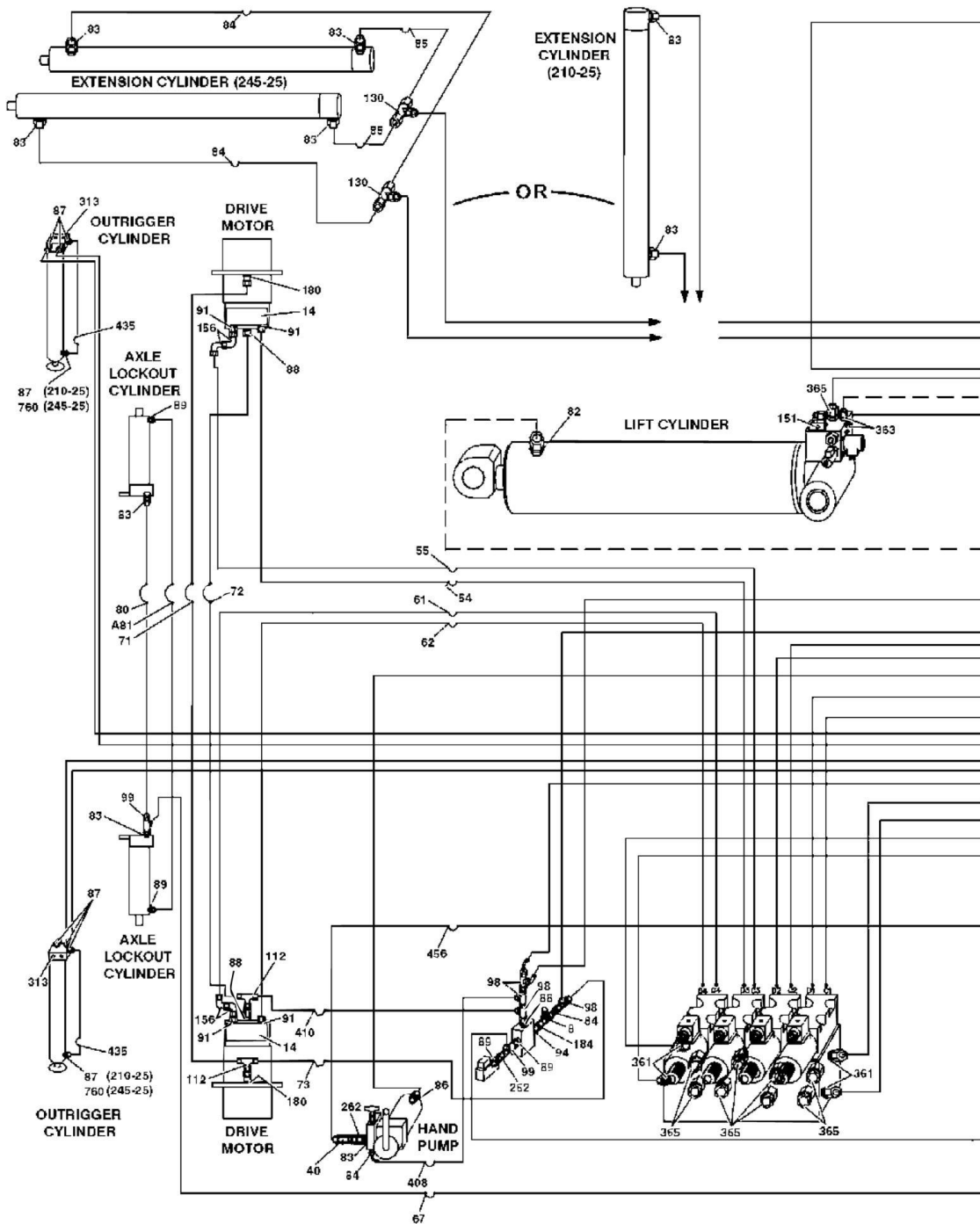
FIGURE 5-11. EXTENSION CYLINDER ASSEMBLY (245-25) (SERVICE REPLACEMENT)

ITEM	PART NUMBER	QTY	DESCRIPTION	REV
	H900020	Ref	EXTENSION CYLINDER ASSEMBLY (SERVICE REPLACEMENT)	D
1	70000712	1	Barrel	
2	70000711	1	Rod	
4	70000707	1	Head	
5	70000708	1	Piston	
9	See Note	NSS	O-Ring (Note: Use Item 26)	
10	See Note	NSS	Wiper (Note: Use Item 26)	
11	See Note	NSS	O-Ring (Note: Use Item 26)	
12	See Note	NSS	Rod Seal (Note: Use Item 26)	
13	See Note	NSS	Head Seal (Note: Use Item 26)	
14	70000709	1	Spacer	
15	See Note	1	Setscrew (Note: Not Available - Purchase Locally)	
16	See Note	NSS	Piston Seal (Note: Use Item 26)	
18	70000710	1	Rod Bushing	
26	70000713	1	Seal Kit (Includes Items 9, 10, 11, 12, 13 & 16)	

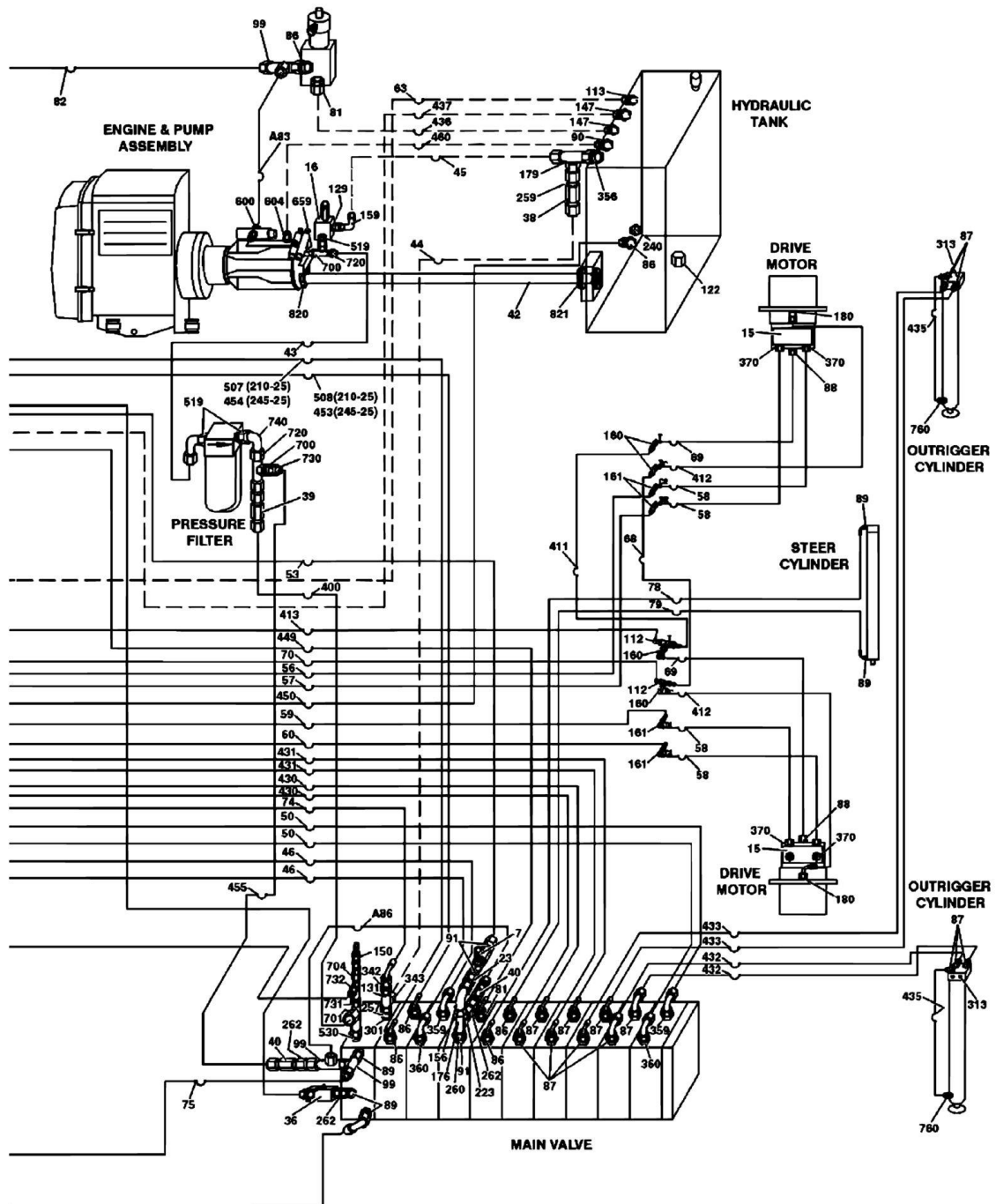
SECTION 6 - HYDRAULIC

SECTION 6 - HYDRAULIC

FIGURE 6-1. HYDRAULIC DIAGRAM



SECTION 6 - HYDRAULIC



SECTION 6 - HYDRAULIC

FIGURE 6-1. HYDRAULIC DIAGRAM

ITEM	PART NUMBER	QTY	DESCRIPTION	REV
		Ref	HYDRAULIC DIAGRAM	
	H900033	Ref	Hydraulic Diagram 210-25	1
	H900035	Ref	Hydraulic Diagram 245-25	1
7	H000524	1	Valve, Throttle Check	
8	H000018	1	Valve, Lowering Speed Adjustment Throttle	
14	H000331	2	Valve, Double Relief	
15	H000723	2	Valve, Brake	
16	H005529	1	Valve, Pressure Control	
16	7024895	1	Cartridge	
16	7017444	1	Coil	
16	7024896	1	Seal Kit - 7024895 Cartridge	
36	H000306	1	Valve, Valve, Flow Control	
38	H000273	1	Check Valve	
39	H000123	1	Check Valve	
40	H000351	3	Check Valve	
	H001013	Ref	HYDRAULIC FITTING KIT	8
81	2142710	1	BSPP Male Connector 10-1/2-13-27-L	
82	2142712	1	BSPP Male Connector 12-3/8-12.5-22-L	
83	2142707	7	BSPP Male Connector 8-3/8-11.5-22-L	
84	2142709	2	BSPP Male Connector 10-3/8-12.5-22-L	
86	2142743	7	BSPP Male Connector 8-1/2-12-27-L	
87	2142715	AR	BSPP Male Connector 15-1/2-14-27-L	
88	2142708	5	BSPP Male Connector 10-1/4-11-19-L	
89	2142706	AR	BSPP Male Connector 8-1/4-10-19-L	
90	2142746	1	BSPP Male Connector 12-3/4-14-32-L	
91	2142716	AR	BSPP Male Connector 18-1/2-14.5-27-L	
94	2142711	1	BSPP Male Connector 12-1/4-12-19-L	
98	2142203	4	Swivel Nut Run Tee 10-10-16X1.5-15-29-14-L	
99	2142202	AR	Swivel Nut Run Tee 8-8-14X1.5-14-27.5-12-L	
112	2142103	4	Swivel Nut Branch Tee 10-10-16X1.5-15-29-14-L	
113	2142713	1	BSPP Male Connector 12-1/2-13-27-L	
122	2143809	1	Blanking Plug	
123	2143810	1	Blanking Plug (Prior to SN 1200004079)	
124	2143812	1	Blanking Plug (Prior to SN 1200004079)	
129	2142741	1	BSPP Male Connector 35-1-17.5-46-L	
131	2141914	1	Union Tee 35-35-35-34.5-41-41-L	
147	2142754	2	BSPP Male Connector 10-3/4-13.5-32-L	
150	2142503	1	Cap, Fitting	
151	2221222	1	Test Port (245-25 SN 1200004079 through 1200007826; 210-25 SN 1200004079 through 1200020465)	
152	2143402	1	Swivel Nut Elbow 8-14X1.5-14-27.5-12-L (Prior to SN 1200004269)	
156	2143406	AR	Swivel Nut Elbow 18-26X1.5-23.5-35.5-24-L	
159	2143409	1	Swivel Nut Elbow 35-45X2-34.5-51-41-L	
160	2141503	4	Bulkhead Union 10-10-16X1.5-10-28-22-22 L	
161	2141506	4	Bulkhead Union 18-18-26X1.5-13.5-32.5-32-36 L	
176	2142206	1	Swivel Nut Run Tee 18-18-26X1.5-23.5-35.5-24-L	
179	2142209	1	Swivel Nut Run Tee 35-35-45X2-34.5-51-41-L	
180	H000148	4	Special Connection Piece M10X1 / 16X1.5	
184	2142804	1	BSPP Swivel Connector 12-18X1.5-3/8-34-22-L	

SECTION 6 - HYDRAULIC

ITEM	PART NUMBER	QTY	DESCRIPTION	REV
223	2143513	1	Swivel Tube End Reducer 18-8-26X1.5-28 L (Prior to SN 1200004269)	
240	2221214	1	Oil Drain Plug M. Magnet R 3/4in With Copper Sealing Ring.	
257	2143608	1	Swivel Union-Flareless 28-36X2-36X2-46 L	
259	2143609	1	Swivel Union-Flareless 35-45X2-45X2-48 L	
260	2143606	1	Swivel Union-Flareless 18-26X1.5-26X1.5-36 L	
262	2143602	5	Swivel Union-Flareless 8-14X1.5-14X1.5-32 L	
301	2142744	1	BSPP Male Connector 28-3/4-17.5-41-L	
311	2143803	2	Blanking Plug For Ports VSTI R 1/4in-ED (SN 1200004269 through 1200020465)	
313	2143807	8	Blanking Plug For Ports VSTI R 1/2in-ED (SN 1200004269 through 1200020465)	
342	2143579	1	Swivel Tube End Reducer 35-10-45X2-38-41 L	
343	2143534	1	Swivel Tube End Reducer 35-28-45X2-40.5-41 L	
356	2142742	1	BSPP Male Connector 35-1 1/2-19.5-55-L	
359	2142747	2	BSPP Male Connector 22-1/2-16.5-32-L	
360	2142753	2	BSPP Male Connector SPL 22-1/2-60-32L	
361	2142748	4	BSPP Male Connector 22-1-17.5-41-L	
363	2140803	2	Male Connector 10-14X1.5-11-19 L	
365	2142717	AR	BSPP Male Connector 18-3/4-14.5-32-L	
370	2144007	4	Swivel Joint High Pressure WH-LR KD-18	
519	2142749	3	BSPP Male Connector 30-1-23.5-46 S	
530	2142750	1	BSPP Male Connector 25-3/4-16-41 S	
600		Ref	Male Connector Options:	
600	2142755	1	BSPP (Use p/n 2144801) (Prior to SN 1200011210)	
600	2144801	1	UNF (SN 1200011210 through 1200020465)	
604		Ref	Male Connector Options:	
604	2142756	1	BSPP (Use p/n 2144805) (Prior to SN 1200011210)	
604	2144805	1	UNF (SN 1200011210 through 1200020465)	
659		Ref	GFS SAE Straight Flange Adapter Options:	
659	2144213	1	GFS SAE Straight Flange Adapter 1-30S-44.5-63-36-S (Prior to SN 1200004692)	
659	2221228	1	GFS SAE Straight Flange Adapter (GFS 34/30 PS/OMD) (Includes Adapter, Half Flanges - 2, O-Ring - 1, Screws - 4 & Washers - 4) (SN 1200004692 through 1200020465)	
700	2142219	2	Swivel Nut Run Tee 30-M42X2-35.5-55-41-S	
701	2142218	1	Swivel Nut Run Tee 25-M36X2-30-50-36-S	
704	2142215	1	Swivel Nut Run Tee 14-M22X1.5-22-35-19-S	
720	2143619	2	Swivel Union-Flareless 30-42X2-42X2-52-S	
730	2143568	1	Swivel Tube End Reducer 30-10-42X2-43.5-41-S	
731	2143564	1	Swivel Tube End Reducer 25-14-36X2-39.5-32-S	
732	2143547	1	Swivel Tube End Reducer 14-10-22X1.5-31-19-S	
740	2143419	1	Swivel Nut Elbow 25-36X2-30-50-36-S	
760	2144005	AR	Swivel Joint High Pressure WH-LR KD-15	
820	2171824	1	Flange Kit DIN Size 24 (3000 PSI) (Includes O-Ring - 1, Screws - 4 & Washers - 4)	
821	2171832	1	Flange Kit DIN Size 32 (3000 PSI) (Includes O-Ring - 1, Screws - 4 & Washers - 4)	
	H001014	Ref	HYDRAULIC HOSE KIT	4
41	1321564	2	Hose Clamp	
42	2754464	1	304 DIN 38X190 SFL/SFL 38-50 - 220	
43	2754463	1	4SP25 DKSO 90 DKOS 90 (180grd) - 1320	
44	2754426	1	1 SN 32 DKOL 90 DKOL - 2050	

SECTION 6 - HYDRAULIC

ITEM	PART NUMBER	QTY	DESCRIPTION	REV
45	2754422	1	1 SN 32 DKOL 45 DKOL - 1500	
46	2754459	2	2 SN 20 DKSO 90 DKOS 90 (180grd) - 1200	
50	2754458	2	2 SN 20 DKOL 45 DKOL 90 (180grd) - 1200	
53	2754455	1	2 SN 16 DKOL DKOL 90 - 2200	
54	2754453	1	2 SN 16 DKOL DKOL-3600	
55	2754453	1	2 SN 16 DKOL DKOL-3600	
56	2754457	1	2 SN 16 DKOL 90 DKOL - 2850	
57	2754457	1	2 SN 16 DKOL 90 DKOL - 2850	
58	2754454	4	2 SN 16 DKOL 90 DKOL - 1400	
59	2754456	1	2 SN 16 DKOL 90 DKOL - 2250	
60	2754455	1	2 SN 16 DKOL 90 DKOL - 2200	
61	2754452	1	2 SN 16 DKOL -DKOL - 3080	
62	2754451	1	2 SN 16 DKOL -DKOL - 2950	
63	2754445	1	2 SN 10 DKOL DKOL 90 - 3400	
67	2754429	1	2 SN 06 DKOL DKOL 90 - 3500	
68	2754441	1	2 SN 08 DKOL -90 DKOL -90 (180grd) - 1650	
69	2754418	2	1 SN 08 DKOL 90 DKOL - 1400	
70	2754437	1	2 SN 08 DKOL DKOL -90-2100	
71	2754439	1	2 SN 08 DKOL -90 DKOL -2250	
72	2754417	1	1 SN 08 DKOL -45 DKOL45 (180grd) -2200	
73	2754440	1	2 SN 08 DKOL -90 DKOL -2950	
74	2754420	1	1 SN 08 DKOL -90 DKOL -90 (180grd) -1400	
75	2754433	1	2 SN 06 DKOL -90 DKOL -90 (180grd) - 1330	
78	2754432	1	2 SN 06 DKOL 90 DKOL -3950	
79	2754432	1	2 SN 06 DKOL 90 DKOL -3950	
80	2754434	1	2 SN 06 DKOL -90 DKOL -90 (180grd) - 1850	
A81	2754427	1	2 SN 06 DKOL DKOL -1250	
A82	2754430	1	2 SN 06 DKOL 90 DKOL -2000	
A83	2754415	1	1 SN 06 DKOL 90 DKOL 45 (180grd) -1200	
A86	2754428	1	2 SN 06 DKOL 90 DKOL -460	
400	2754462	1	4 SP 25 DKOS (25:20) DKOS (180grd) - 1570	
408	2754436	1	2 SN 08 DKOL 90 DKOL -1800	
410	2754416	1	1 SN 08 DKOL DKOL - 2600	
411	2754421	1	1 SN 08 DKOL 90 DKOL -90 (180grd) -1770	
412	2754435	2	2 SN 08 DKOL 90 DKOL -1500	
413	2754442	1	2 SN 08 DKOL 90 DKOL 90 (180grd) - 2100	
430	2754447	2	2 SN 12 DKOL DKOL 90 H60 -5300	
431	2754449	2	2 SN 12 DKOL DKOL 90 H60 -5800	
432	2754446	2	2 SN 12 DKOL DKOL 90 H60 -4650	
433	2754448	2	2 SN 12 DKOL DKOL 90 H60 -5450	
435	2754450	4	2 SN 12 DKOL 90 DKOL 90 -1090	
436	2754419	1	1 SN 08 DKOL 90 DKOL 90 (180grd) - 1200	
437	2754443	1	2 SN 08 DKOL 90 DKOL 90 (180grd) - 3800	
449	2754438	1	2 SN 08 DKOL 90 DKOL 90 -2150	
450	2754431	1	2 SN 06 DKOL DKOL 90 -2700	
455	2754461	1	4 SP 06 DKOS 90 DKOL -2050	
456	2754460	1	4 SP 06 DKOS 90 DKOL -1600	
460	2754392	1	2 SN 10 DKOL 90 DKOL -900	
	H001016	Ref	HYDRAULIC HOSE KIT - 245-25	2
A84	2754525	2	2 SN 06 DKOL DKOL- 5650	
A85	2754529	2	2 SN 06 DKOL 90 DKOL - 3250	

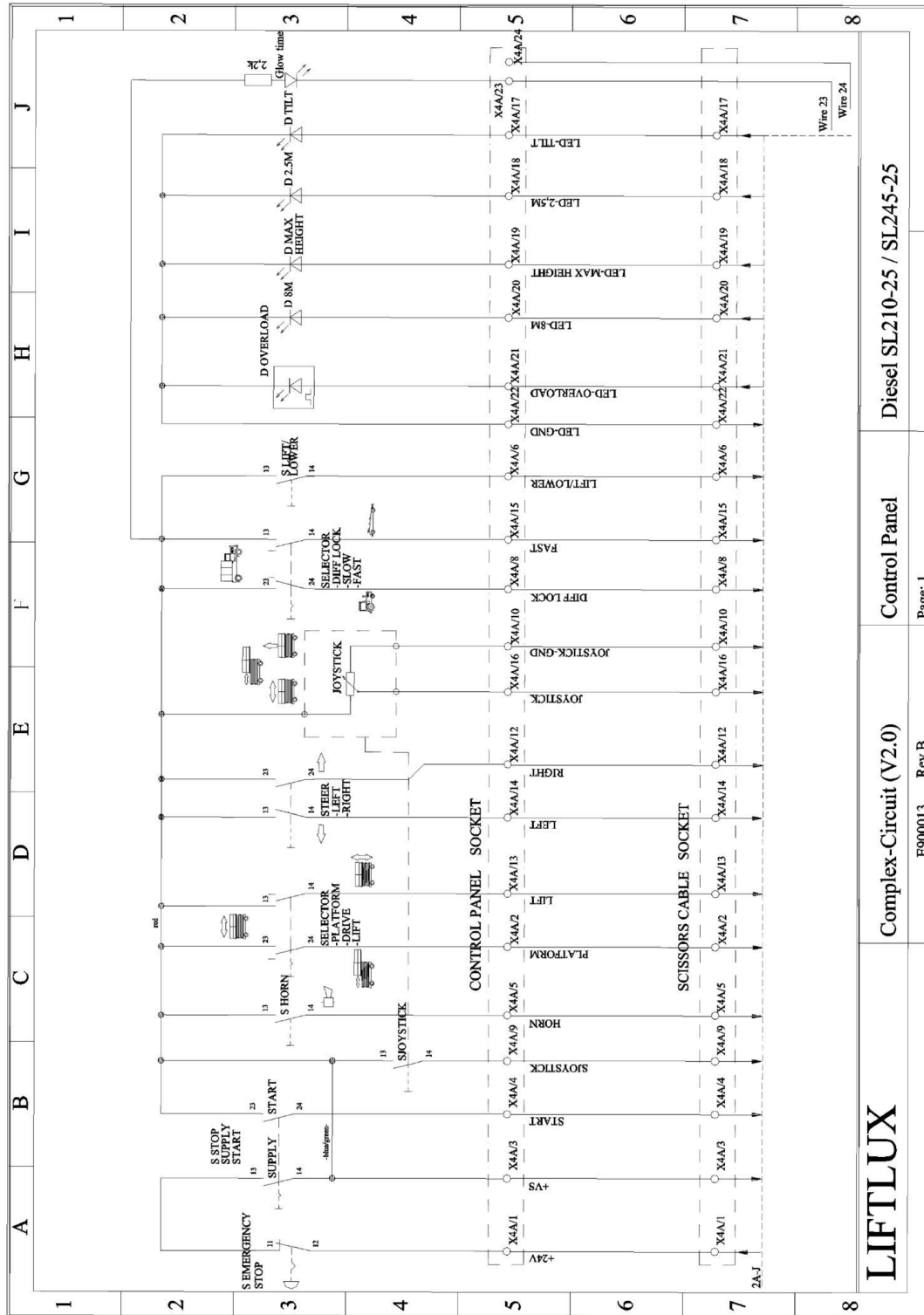
SECTION 6 - HYDRAULIC

ITEM	PART NUMBER	QTY	DESCRIPTION	REV
453	2754526	1	2 SN 06 DKOL DKOL- 42000	
454	2754478	1	2 SN 06 DKOL 90 DKOL - 40000	
	H005412	Ref	HYDRAULIC HOSE KIT - 210-25	2
507	2754514	1	2SN 06 DKOL 90 DKOL - 36000	
508	2754513	1	2SN 06 DKOL DKOL - 38000	
		Ref	HYDRAULIC FITTING KIT OPTIONS:	
	H001015	Ref	ALL 245-25 & 210-25 (Prior to SN 1200004079)	2
83	2142707	5	Fitting, Male Connector	
86	2142743	2	Fitting, Male Connector	
130	2141907	2	T-Bolted Joint T 08-PL/OMD	
	H005765	Ref	Hydraulic Fitting Kit 210-25 (SN 1200004079 through 1200020465)	1
83	2142707	2	Fitting, Male Connector	
86	2142743	2	Fitting, Male Connector	

SECTION 7 - ELECTRICAL

SECTION 7 - ELECTRICAL

FIGURE 7-1. ELECTRICAL PLANS - DIESEL CONTROL



LIFTLUX

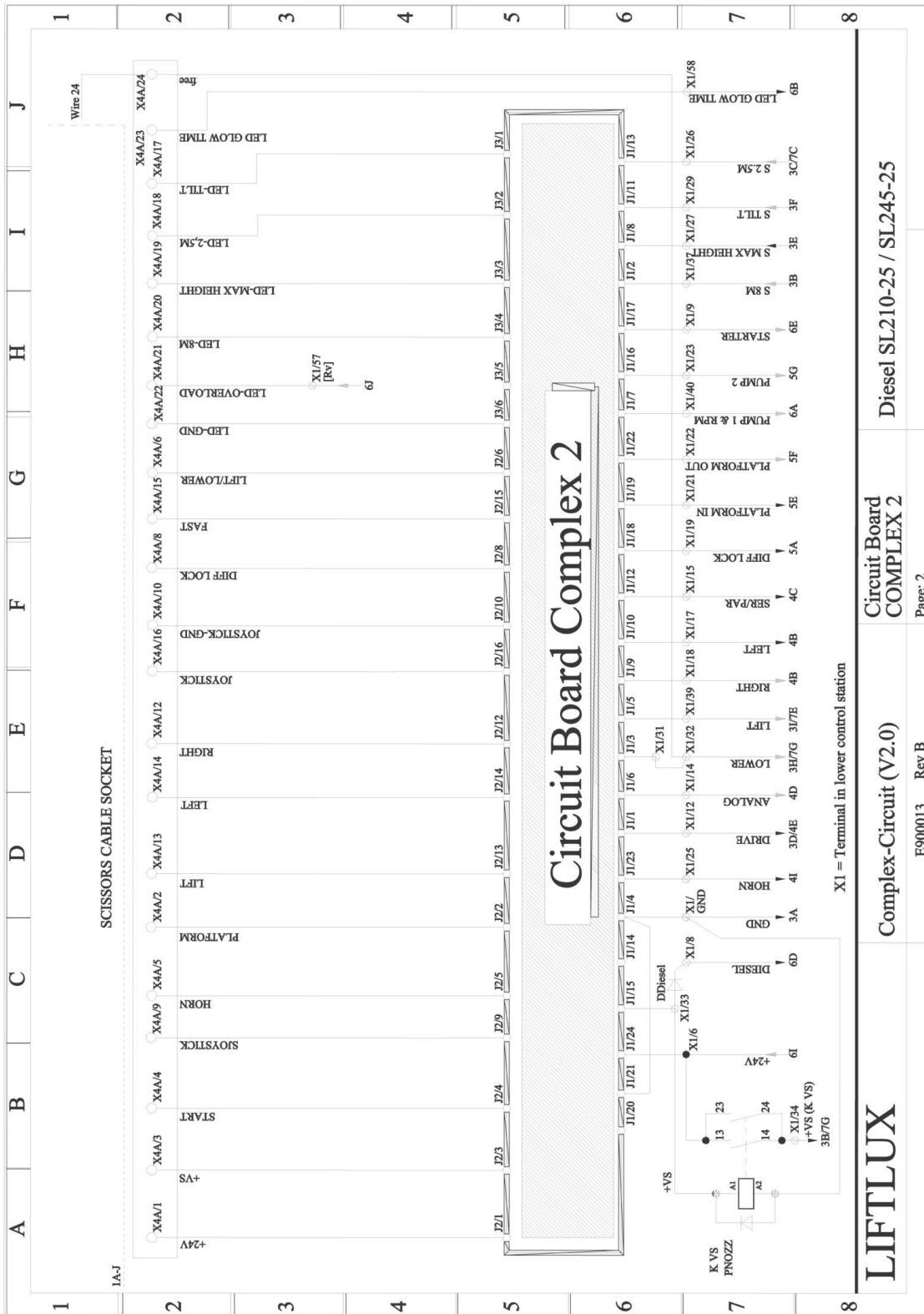
Complex-Circuit (V2.0)

Control Panel

Diesel SL210-25 / SL245-25

Page: 1

E900013 Rev B



Diesel SL210-25 / SL245-25

Circuit Board COMPLEX 2

Complex-Circuit (V2.0)

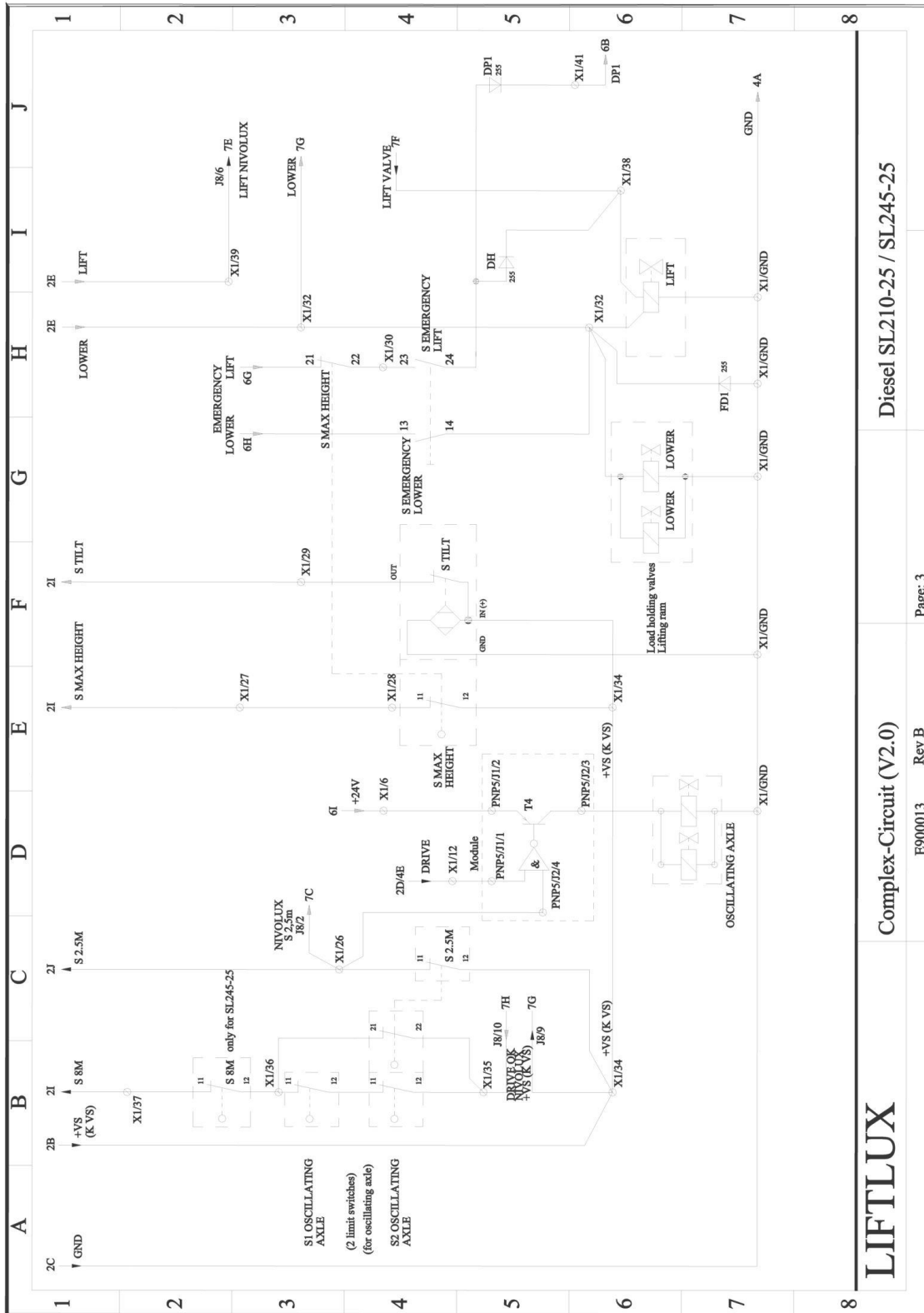
LIFTLUX

Page: 2

Rev B

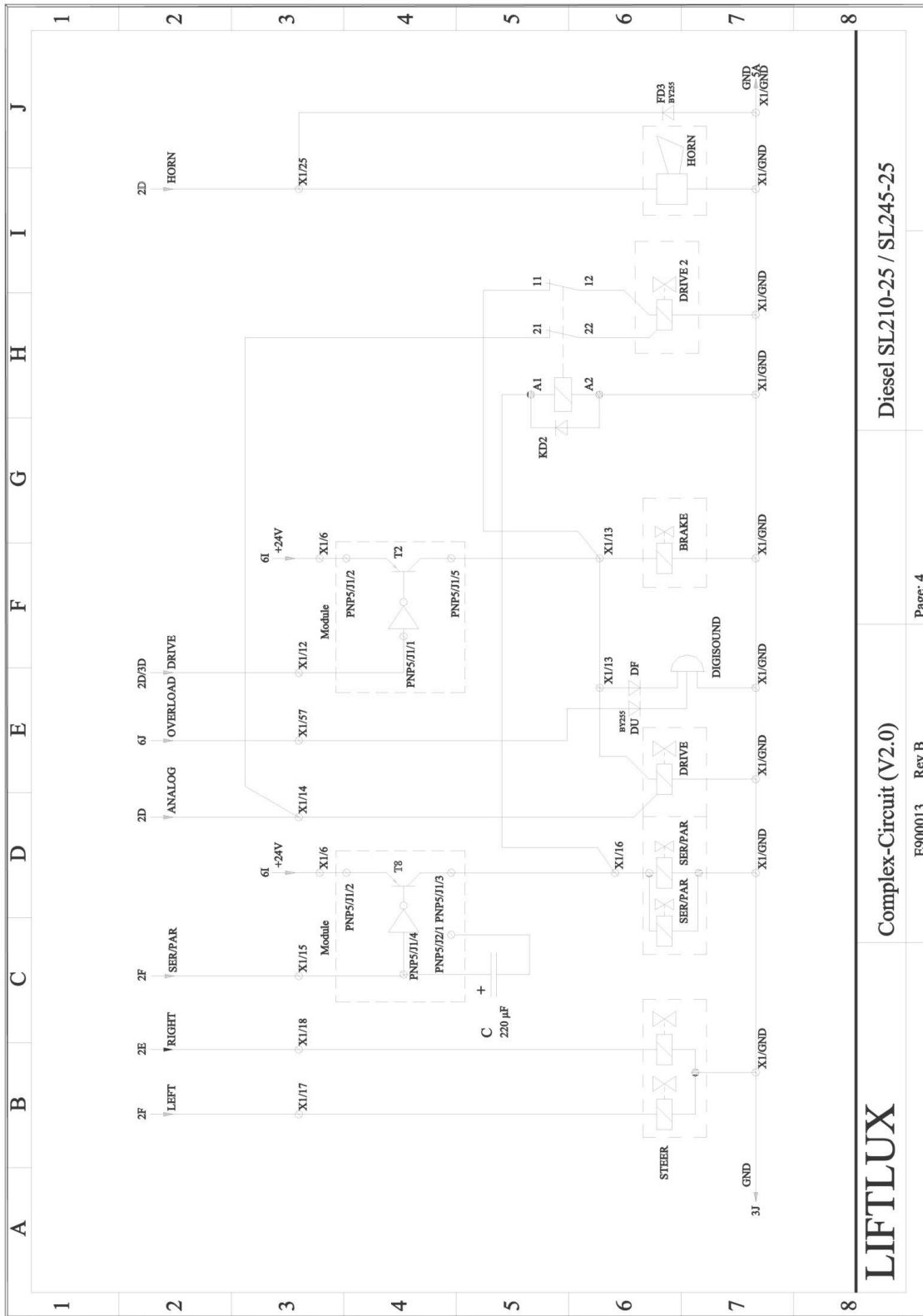
E900013

SECTION 7 - ELECTRICAL



LIFTLUX

SECTION 7 - ELECTRICAL



LIFTLUX

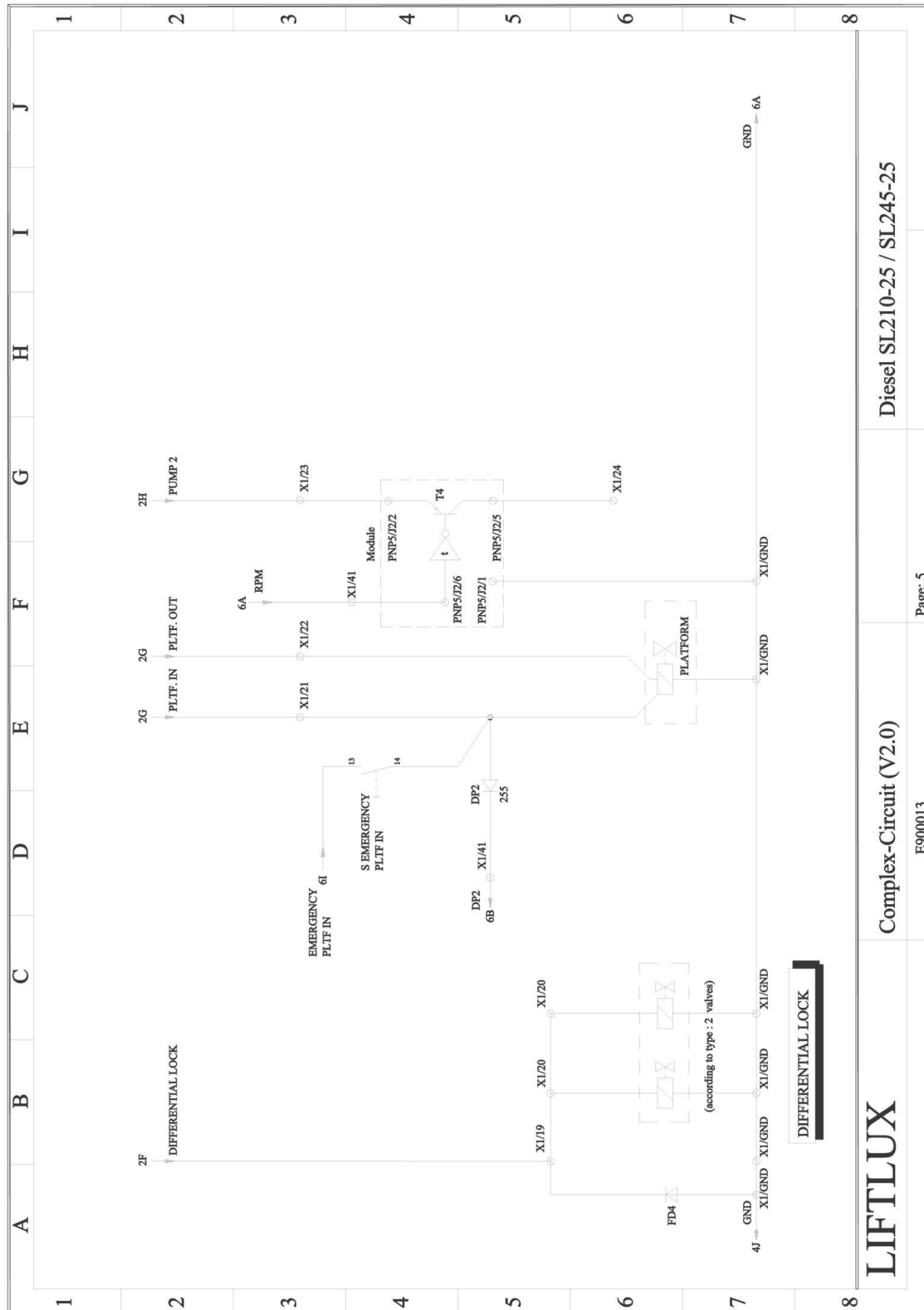
Complex-Circuit (V2.0)

Diesel SL210-25 / SL245-25

Page: 4

E900013 Rev B

SECTION 7 - ELECTRICAL



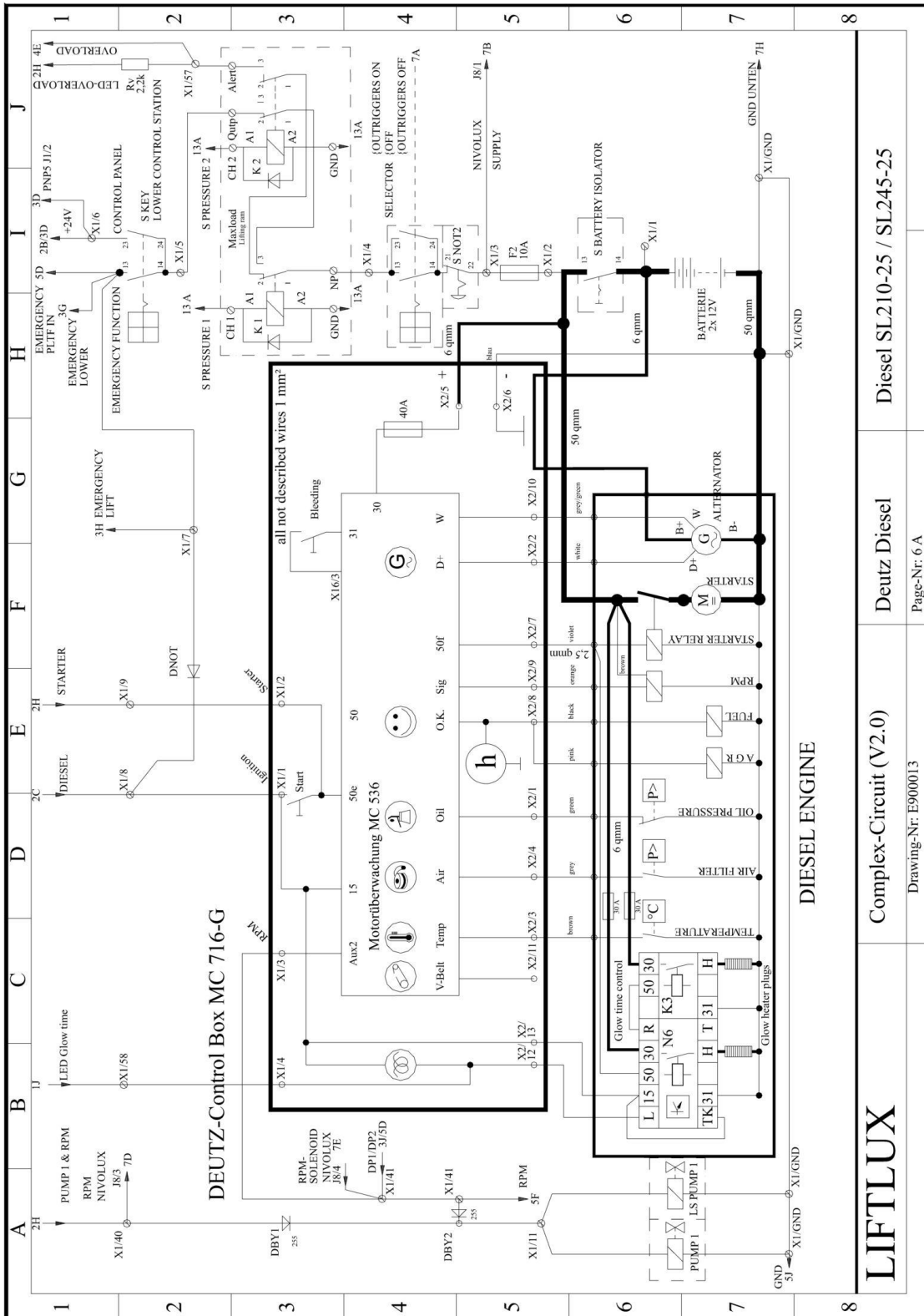
Diesel SL210-25 / SL245-25

Complex-Circuit (V2.0)

LIFTLUX

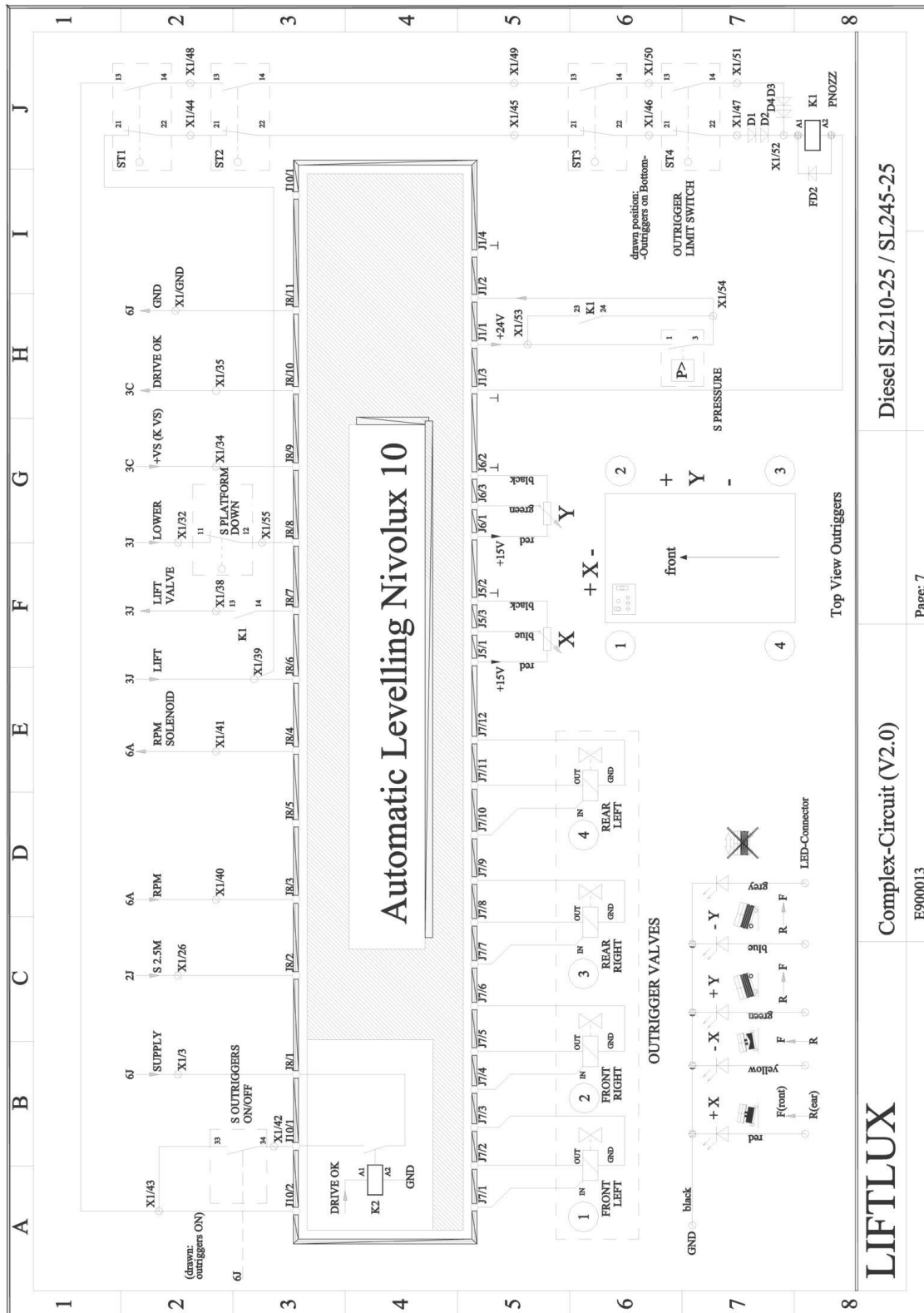
Page: 5

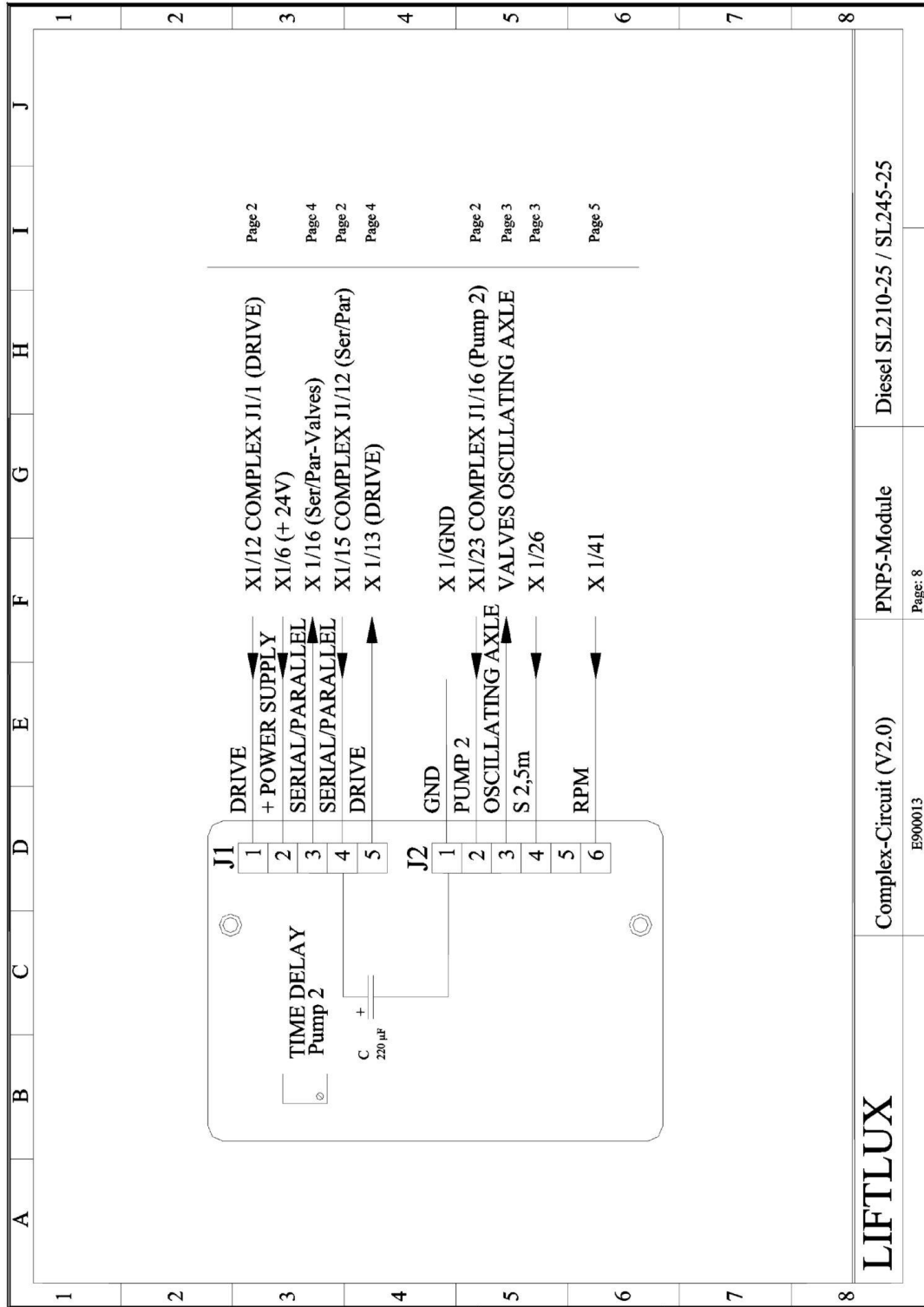
E900013



LIFTLUX Diesel SL210-25 / SL245-25 Complex-Circuit (V2.0) Deutz Diesel Page-Nr: 6 A Drawing-Nr: E900013

SECTION 7 - ELECTRICAL





LIFTLUX

Complex-Circuit (V2.0)

PNP5-Module

Diesel SL210-25 / SL245-25

E900013

Page: 8

SECTION 7 - ELECTRICAL

A	B	C	D	E	F	G	H	I	J
1	1 Battery + 6I								
	2 Battery Isolator OUT 6I								
	3 S Emergency Stop 2, 22 6I								
	4 Mastload Modul NP 6I								
	5 Mastload Modul Outp 6I								
	6								
	6								
	7 S Max Height /21 3H								
	8 Motor Control Box Ignition/D 6E								
	9 Motor Control Box Start 6E								
	10								
	11 Pump 1 6A								
	12								
	13 Brake Valve 4F								
	13 Drive Valve IN 4E								
	14 Drive Valve Analog 4D								
	15								
	16 Ser/Par Valve 4D								
	17 Steer Left Valve 4B								
	18 Steer Right Valve 4B								
	19								
	20 Diff Lock Valve 1 5B								
	20 Diff Lock Valve 2 5C								
	21 Platform IN Valve 5E								
	22 Platform OUT Valve 5F								
	23								
	24								
	25 Horn 4I								
	26 S 2.5m /11 3C								
	27								
	28 S Max Height /11 3E								
	29 S Tilt OUT 3F								
	30 S Max Height /22 3H								
	31								
	32 Lower Valve (not connect) 3H 3H								
	32 Lower Load Holding Valve 6G 3H								
	33								
	34 S Max Height /12 3E								
	34 S Tilt IN 3F								

LIFTLUX

Diesel SL210-25 / SL245-25

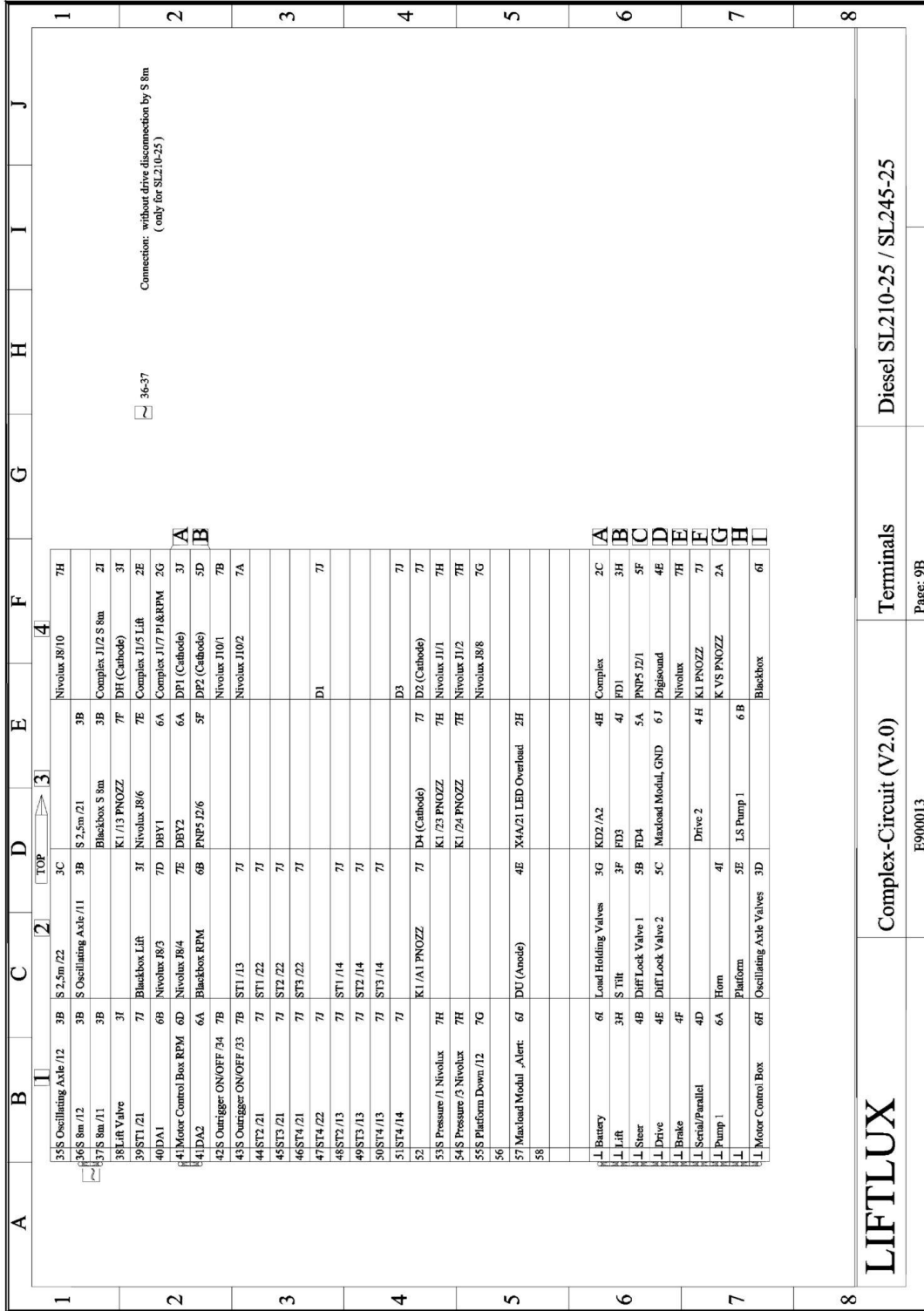
Terminals

Complex-Circuit (V2.0)

Page: 9A

Rev B

E900013



LIFTLUX

Diesel SL210-25 / SL245-25

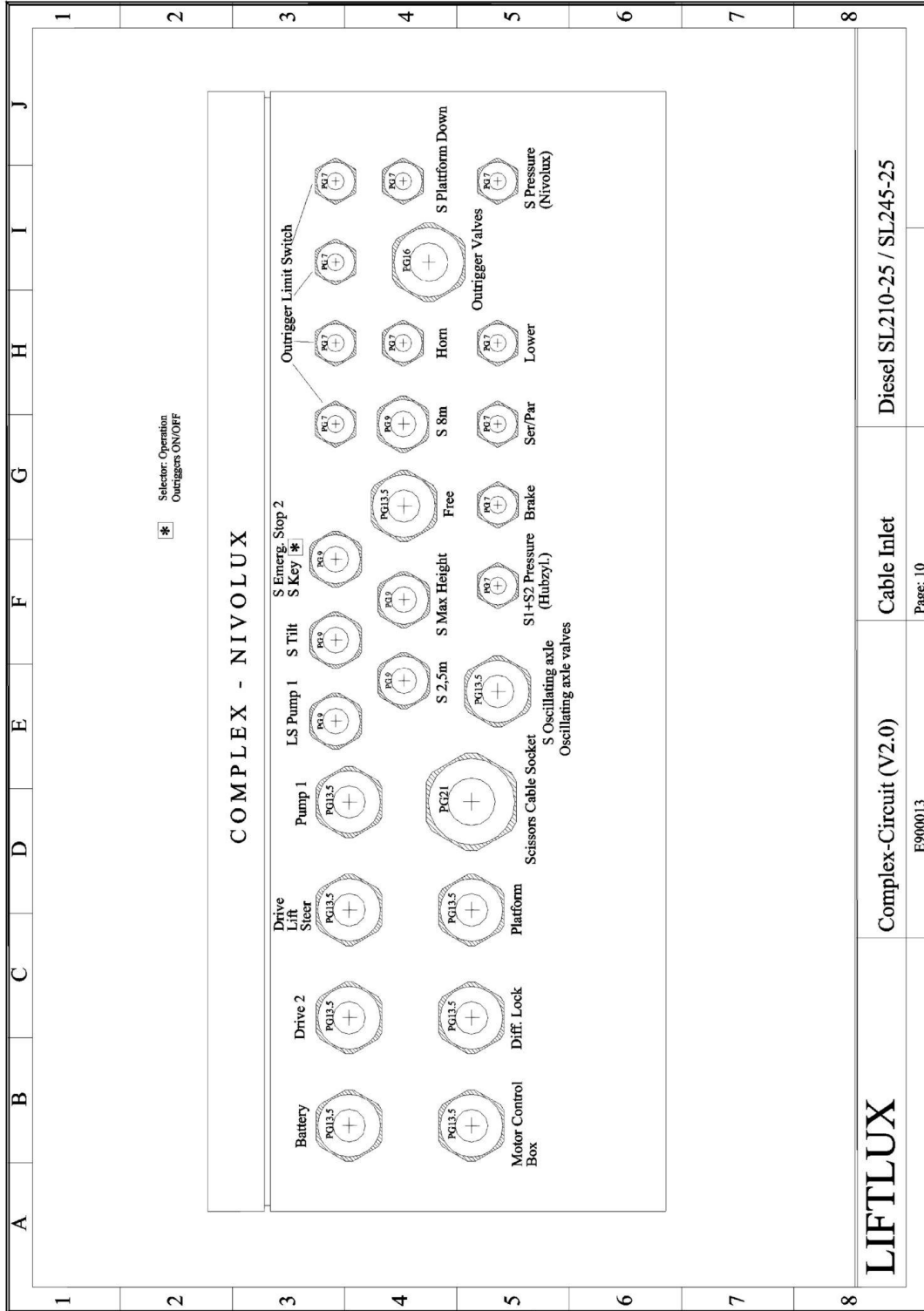
Terminals

Complex-Circuit (V2.0)

Page: 9B

E900013

SECTION 7 - ELECTRICAL



Diesel SL210-25 / SL245-25

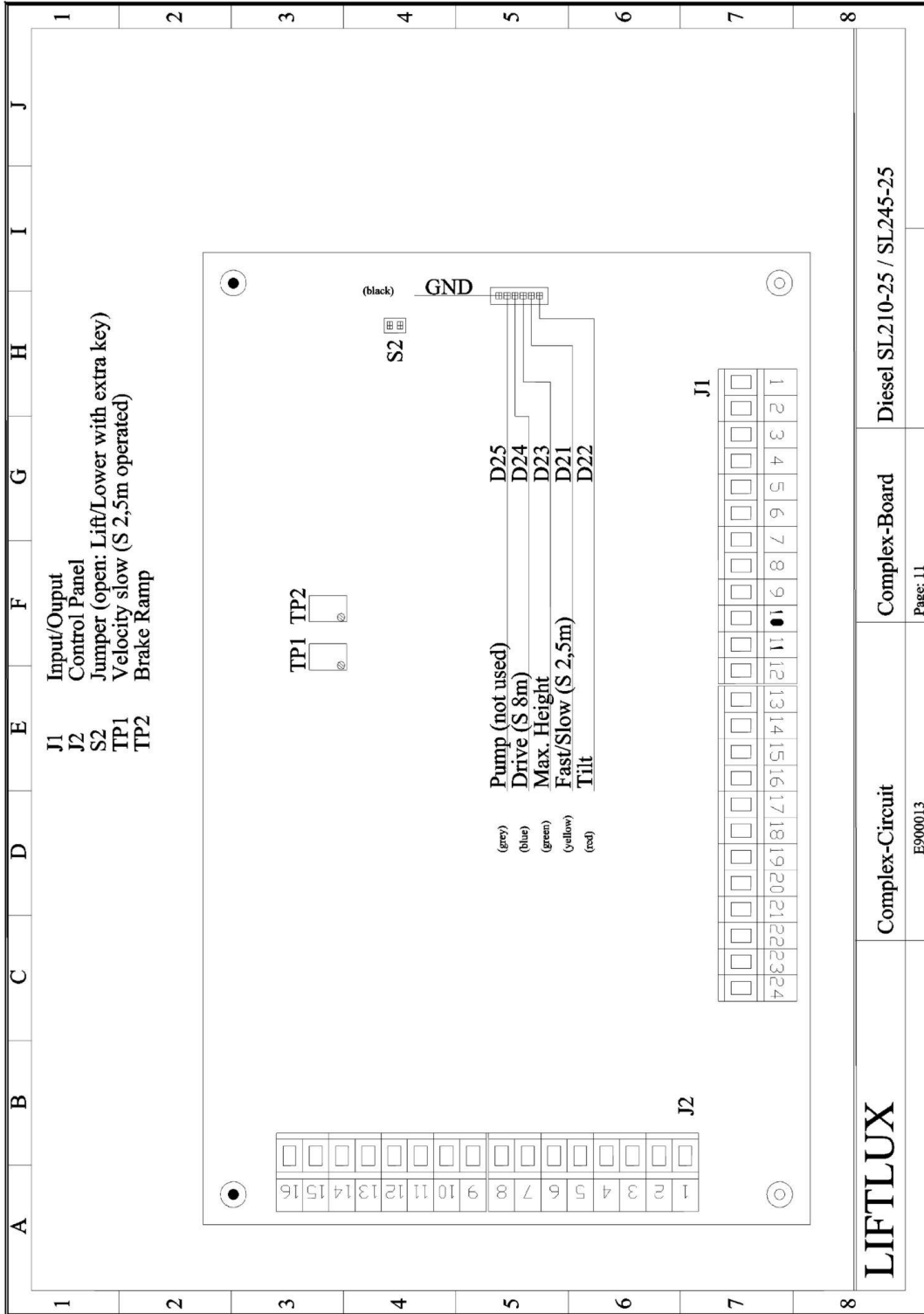
Cable Inlet

Complex-Circuit (V2.0)

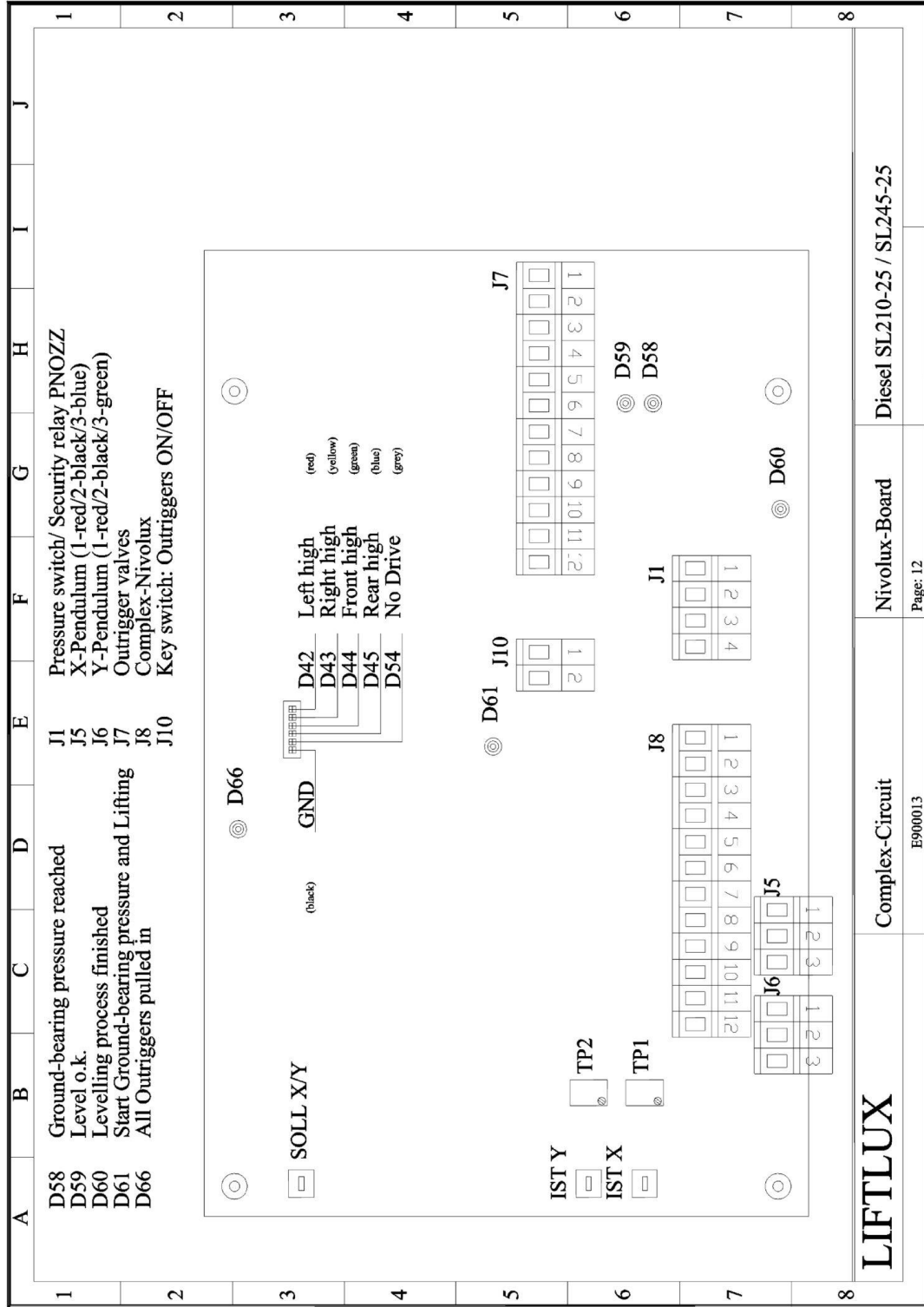
LIFTLUX

Page: 10

E900013

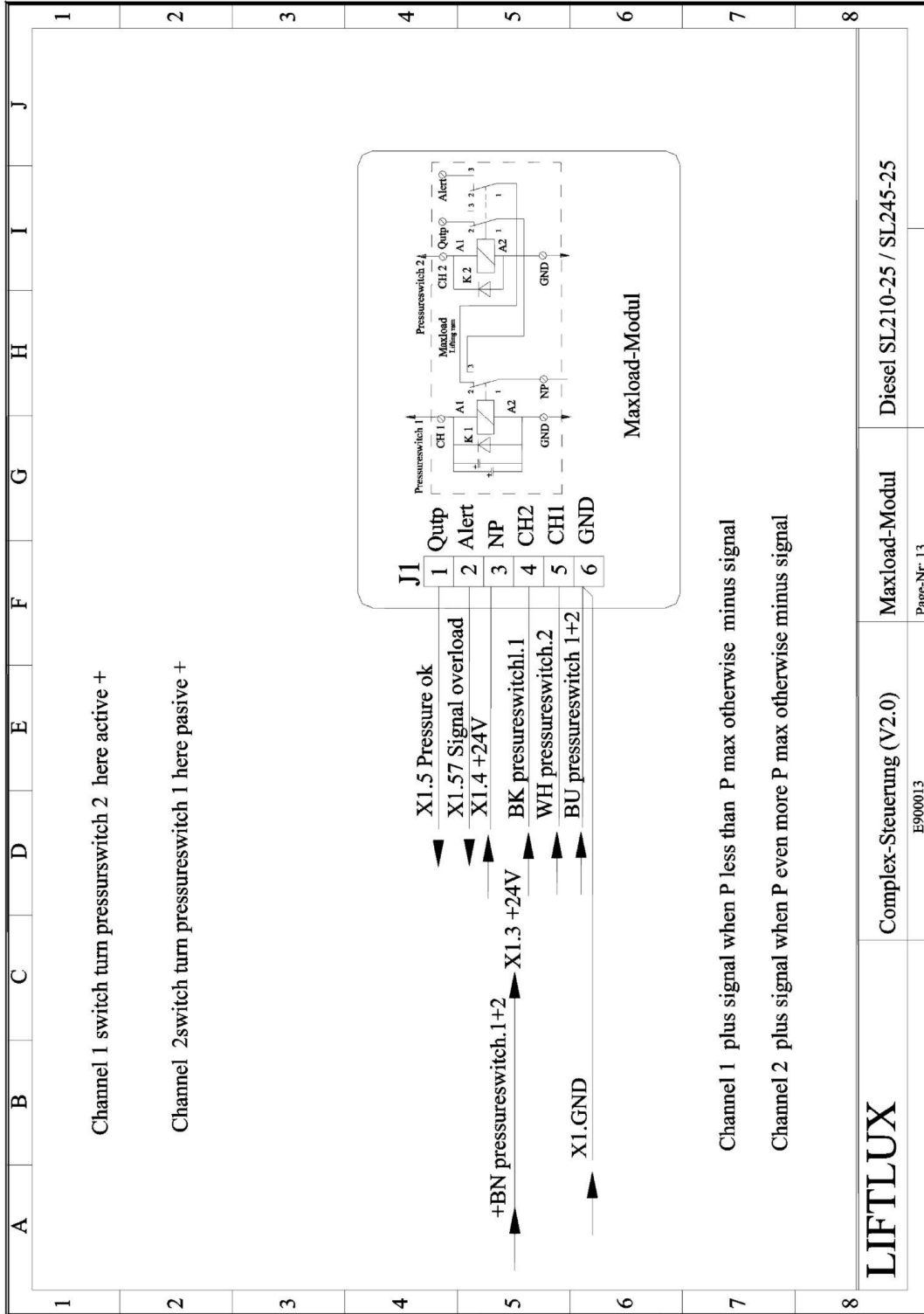


SECTION 7 - ELECTRICAL



Complex-Circuit Nivolux-Board Diesel SL210-25 / SL245-25

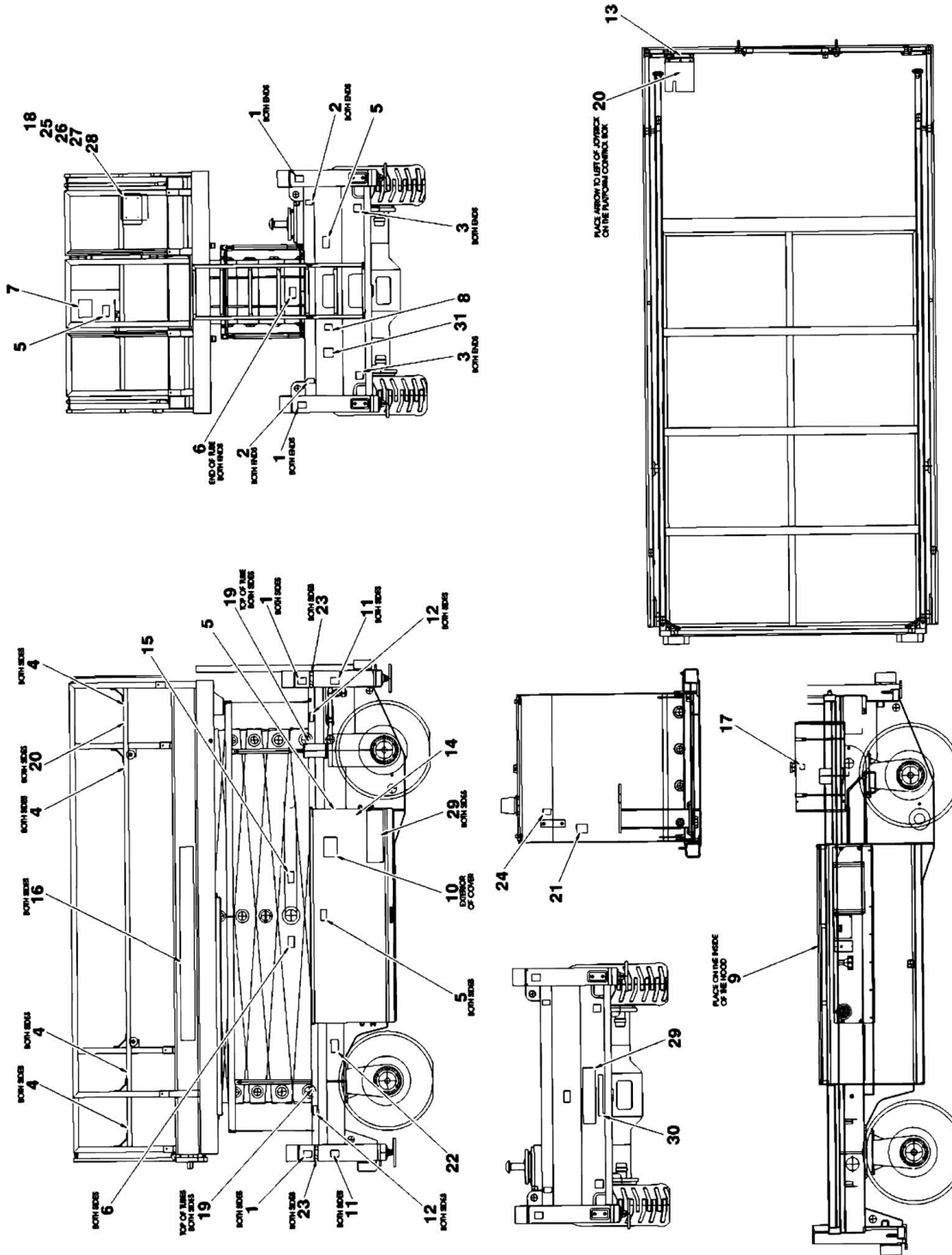
E900013 Page: 12



SECTION 8 - DECALS

SECTION 8 - DECALS

FIGURE 8-1. DECAL INSTALLATION



SECTION 8 - DECALS

FIGURE 8-1. DECAL INSTALLATION

ITEM	PART NUMBER	QTY	DESCRIPTION	REV
		Ref	DECAL INSTALLATION	
	0274682	Ref	Decal Installation 210-25	C
	0274582	Ref	Decal Installation 245-25	C
1	1701785	8	Decal - Crushing	
2	1703811	4	Decal - Lifting Lug	
3	1703814	4	Decal - Tie Down	
4	1704277	8	Decal - Lanyard Attach	
5	1705671	6	Decal - Electrocution	
6	1705673	4	Decal - Crushing	
7		Ref	Decal - Capacity Options:	
7	1706473	1	Decal - Capacity 210-25	
7	1706474	1	Decal - Capacity 245-25	
8	1706472	1	Decal - Fall Hazard	
9	1706490	1	Decal - Manual Descent	
10	1706482	1	Decal - Manual Descent Inside	
11		Ref	Decal - Pad Load Options:	
11	1706562	4	Decal - Pad Load 210-25	
11	1706508	4	Decal - Pad Load 245-25	
12		Ref	Decal - Wheel Load Options:	
12	1706563	4	Decal - Wheel Load 210-25	
12	1706507	4	Decal - Wheel Load 245-25	
13	1706485	1	Decal - Control Box Location	
14	1706512	1	Decal - Ground Control	
15	1706487	1	Decal - Safety Prop	
16		Ref	Decal - Liftlux Options:	
16	1706564	2	Decal - Liftlux 210-25	
16	1706498	2	Decal - Liftlux 245-25	
17	1701505	1	Decal - Diesel Fuel	
18	1701509	1	Decal - Manual	
19	1703687	4	Decal - Direction Arrow	
20	1703819	3	Decal - Direction Arrow	
21	1704412	1	Decal - Hydraulic Oil	
22	See Note	1	Nameplate - Serial Number (Note: Not Available for Purchase)	
23	4420051	1.2 m	Tape, Safety	
24	1703812	1	Decal - Hydraulic Oil	
25	0860520	1	Box, Manual Storage	
26	1060279	1	Cable, Lanyard	
27	2080040	4	Fastener, Huck	
28	S900129	1	Plate, Manual Storage Box	
29	1702773	3	Decal - JLG	
30	1704885	1	Decal - Website	
31	1705515	1	Decal - Noise Level	

SECTION 9 - RECOMMENDED SERVICE PARTS STOCK

SECTION 9 - RECOMMENDED SERVICE PARTS STOCK

SECTION 9 - RECOMMENDED SERVICE PARTS STOCK

FIGURE 9-1. MODELS 210-25/245-25 STANDARD PARTS

ITEM	PART NUMBER	QTY	DESCRIPTION	REV
	Note	Ref	Note: The following list will service one machine (built to current production per date on the front cover) with emergency repair parts which can be installed in the field. Parts from the list should be replaced when inventory is depleted to keep service parts stock supplied. For further information, contact your JLG dealer or the JLG Industries Parts Department.	
		Ref	STANDARD PARTS	
	H000019	1	Solenoid	
	7012986	1	Coil	
	E000436	1	Switch, 3 Position	
	E000457	1	Relay	
	E700100	1	Relay	
	E000390	1	Key Switch	
	E000391	1	Contact Block	
	E000059	1	Battery Disconnect Switch	
	E000377	1	Switch, Emergency Stop	
	H000241	12	Air Breather Filter	
	70000023	4	Element, Pressure Filter	
	70000054	12	Element, Air Cleaner Filter	
	7017444	1	Relay	
	E000511	1	Switch, On/Off	
	E000435	1	Switch 3 Steps	
	E000051	1	Joystick	

SECTION 9 - RECOMMENDED SERVICE PARTS STOCK

FIGURE 9-2. MODELS 210-25/245-25 VARIABLE PARTS

ITEM	PART NUMBER	QTY	DESCRIPTION	REV
	Note	Ref	Note: The following list will service one machine (built to current production per date on the front cover) with emergency repair parts which can be installed in the field. Parts from the list should be replaced when inventory is depleted to keep service parts stock supplied. For further information, contact your JLG dealer or the JLG Industries Parts Department.	
		Ref	VARIABLE PARTS	
	E000376	1	Limit Switch	
	E000359	1	Limit Switch	
	7016331	12	Filter, Oil (Deutz Engine)	
	7020023	12	Filter, Fuel (Deutz Engine)	
	70003463	12	Filter, Fuel (Bio-Diesel) (Deutz Engine)	
	S200032	1	Latch, Gate (210-25)	
	S200524	1	Latch, Gate (245-25)	

SECTION 10 - SPECIAL OPTIONS

SECTION 10 - SPECIAL OPTIONS

FIGURE 10-1. SPECIAL OPTIONS

ITEM	PART NUMBER	QTY	DESCRIPTION	REV
		Ref	MISCELLANEOUS SPECIAL OPTIONS	
		Ref	Filter Kits:	
	1001111715	1	Combined Filter Kit (Hydraulic/Air and Fuel/Engine Oil)	
	1001111675	1	Hydraulic/Air Filter	
	1001111688	1	Fuel/Engine Oil Filter	
		Ref	Tools For Service:	
	7002828	1	Wire Stripper	
	7002821	1	Wire Crimper (To Install Wire Ends to Wires)	
	7002823	1	Pin/Socket Extractor - Universal (To Remove Pins/Sockets from Connectors)	
	4460467	1	Extractor - 16-18 Gauge (For Removal of Pins/Sockets for Deutsch Connectors)	
	4460510	1	Extractor - 12-14 Gauge (For Removal of Pins/Sockets for Deutsch Connectors)	
	7002822	1	Screwdriver, Potentiometer (To Adjust Drive Controller)	
	7016654	1	Screwdriver, Magnetic	
	7004275	1	Seal Installation Tool - 1in	
	7004276	1	Seal Installation Tool - 1-1/2in	
	7002826	1	Seal Installation Tool - 2in	
	1001094298	1	Hand Rail Tool (245-25 Only)	
		Ref	Fluids	
	2300014	290 k	Oil, MobilFluid 424	
	2300029	290 k	Oil, Mobil EAL Envirosyn H 46	
	3020008	2 ltr	Oil, Mobilube HD 80W-90	
	3020016	6 ltr	Oil, Motor Delvac MX 15W-40	

PART NUMBER INDEX

PART NUMBER INDEX

0010657.....11, 13, 17, 25, 29, 41, 45, 53, 58, 67, 72, 83, 87, 97	1321564.....113	2142754.....112	2754447.....114
0010659.....11, 13, 17, 25, 29, 41, 45, 53, 62, 67, 78, 83, 87, 97	1701505.....135	2142755.....113	2754448.....114
0140011.....39	1701509.....135	2142756.....113	2754449.....114
0181847.....83	1701785.....135	2142804.....112	2754450.....114
0274582.....135	1702773.....135	2143402.....112	2754451.....114
0274682.....135	1703687.....135	2143406.....112	2754452.....114
0307544.....33	1703811.....135	2143409.....112	2754453.....114
0318854.....33	1703812.....135	2143419.....113	2754454.....114
0700619.....72, 78	1703814.....135	2143513.....113	2754455.....114
0700621.....53	1703819.....135	2143534.....113	2754456.....114
0700816.....79	1704277.....135	2143547.....113	2754457.....114
0700817.....45	1704412.....135	2143564.....113	2754458.....114
0700818.....72, 78	1704885.....135	2143568.....113	2754459.....114
0700834.....25	1705515.....135	2143579.....113	2754460.....114
0701022.....72, 78	1705671.....135	2143602.....113	2754461.....114
0701030.....79	1705673.....135	2143606.....113	2754462.....114
0701222.....13	1706472.....135	2143608.....113	2754463.....113
0701224.....72, 78	1706473.....135	2143609.....113	2754464.....113
0701227.....41, 45	1706474.....135	2143619.....113	2754478.....115
0701229.....59	1706482.....135	2143803.....113	2754513.....115
0701230.....11	1706485.....135	2143807.....113	2754514.....115
0701629.....63	1706487.....135	2143809.....112	2754525.....114
0701631.....59, 63	1706490.....135	2143810.....112	2754526.....115
0702031.....59	1706498.....135	2143812.....112	2754529.....114
0712024.....13	1706507.....135	2144005.....113	2900708.....41, 42
0760517.....53	1706508.....135	2144007.....113	3020008.....142
0760606.....41, 53, 80	1706512.....135	2144213.....113	3020016.....142
0760608.....25, 79, 80	1706562.....135	2144801.....113	3290405.....25
0760610.....29	1706563.....135	2144805.....113	3290505.....53
0760614.....72, 78	1706564.....135	2171824.....113	3290605.....53, 72, 78
0760808.....13	2080040.....135	2171832.....113	3290801.....45
0760810.....67	2140803.....113	2221214.....113	3290805.....41, 53, 67, 72, 78, 79
0760812.....42, 58, 62	2141503.....112	2221222.....112	3291001.....41, 79
0760814.....41, 53	2141506.....112	2221228.....113	3291005.....13, 53, 59, 63, 67, 72, 73, 78
0761010.....29, 53, 67	2141907.....115	2300014.....142	3291201.....80
0761012.....25, 29, 41, 45, 53, 79	2141914.....112	2300029.....142	3291205.....11, 41, 45, 59, 63, 72, 78, 79
0761014.....29, 59, 63, 72, 73, 78	2142103.....112	2560141.....83	3291605.....59, 63, 72, 73, 78, 80
0761015.....67	2142202.....112	2754392.....114	3292005.....59, 79
0761210.....11	2142203.....112	2754415.....114	3332015.....13
0761214.....11, 13	2142206.....112	2754416.....114	3333615.....13
0761215.....79	2142209.....112	2754417.....114	3371708.....59, 63, 64
0761216.....59, 63	2142215.....113	2754418.....114	3391210.....80
0761217.....80	2142218.....113	2754419.....114	3760499.....73
0761614.....41	2142219.....113	2754420.....114	3820408.....53
0762016.....63	2142503.....112	2754421.....114	3820510.....13, 25
0771619.....17	2142706.....112	2754422.....114	3960407.....47
0860520.....135	2142707.....112, 115	2754426.....113	4010508.....42
0893076.....33	2142708.....112	2754427.....114	4031510.....25
1001091145.....41	2142709.....112	2754428.....114	4031614.....13
1001093028.....53	2142710.....112	2754429.....114	4031709.....79
1001094298.....142	2142711.....112	2754430.....114	4031712.....79
1001102686.....30, 41, 42, 45	2142712.....112	2754431.....114	4031925.....87
1001105080.....46	2142713.....112	2754432.....114	4032008.....45
1001109990.....83	2142715.....112	2754433.....114	4032013.....59, 63
1001111675.....142	2142716.....112	2754434.....114	4032017.....13
1001111688.....142	2142717.....113	2754435.....114	4032109.....59, 63
1001111715.....142	2142741.....112	2754436.....114	4240032.....67
1003107.....33	2142742.....113	2754437.....114	4420051.....135
1060279.....135	2142743.....112, 115	2754438.....114	4460467.....142
	2142744.....113	2754439.....114	4460510.....142
	2142746.....112	2754440.....114	4751900.....80
	2142747.....113	2754441.....114	4810600.....80
	2142748.....113	2754442.....114	
	2142749.....113	2754443.....114	
	2142750.....113	2754444.....114	
	2142753.....113	2754445.....114	
		2754446.....114	

PART NUMBER INDEX

4811200	80	70000248	21	70000706	95	70003446	47
4811400	25	70000249	21	70000707	103, 107	70003455	47
4811700 ...	29, 41, 53, 72, 78, 79, 80	70000250	21	70000708	103, 107	70003456	47
4811900 ...	13, 25, 41, 42, 45, 72, 78	70000251	21	70000709	103, 107	70003457	47
4812000 ...	13, 25, 29, 41, 45, 53, 59, 63, 72, 73, 78, 79	70000252	21	70000710	107	70003458	47
4812100 ...	13, 41, 45, 59, 63, 72, 78, 80	70000253	21	70000711	107	70003459	47
4812300	41, 73, 80	70000254	21	70000712	107	70003460	47
4812500	79	70000255	21	70000713	103, 107	70003461	47
4830600	80	70000256	21	70000714	103	70003462	47
4831600	14	70000257	21	70000715	103	70003463	45, 140
4831700 ...	25, 53, 79, 80	70000258	21	70000744	99	70003464	47
4831900 ...	13, 45, 58, 62	70000259	22	70000745	99	70003465	47
4832000 ...	25, 41, 45, 53, 67, 79, 80	70000260	22	70000746	99	70003466	47
4832100	11, 13	70000264	46	70000747	99	70003467	47
4832300	63	70000267	35	70000748	99	70003468	47
5201616	59	70000269	35	70000749	91	70003469	47
5202018	59	70000270	35	70000750	91	70003470	47
5241600	17	70000271	35	70000751	91	70003471	47
5242000	13	70000332	35	70000752	91	70003472	47
5271811	25	70000333	35	70000753	91	70003473	47
5272411	17	70000346	22	70000754	91	70003616	39
70000023	41, 42, 138	70000385	35	70000755	91	70003737	51
70000043	46	70000513	37	70000912	47	70003738	51
70000044	46	70000514	37	70000913	47	70003739	51
70000046	46	70000515	37	70000914	47	70003740	51
70000047	46	70000516	37	70000915	47	70003741	51
70000048	46	70000517	37	70000916	46	70003742	51
70000049	46	70000518	37	70000917	46	70003743	51
70000050	45	70000519	37	70000918	46	70003744	51
70000051	42	70000520	37	70000919	46	70003745	51
70000052	46, 47	70000521	37	70000922	46	70003746	51
70000053	45	70000522	37	70000952	39	70003747	51
70000054	45, 138	70000523	37	70000953	39	70003748	51
70000055	45	70000524	37	70000954	39	70003749	51
70000056	45	70000525	37	70000955	39	70003750	51
70000057	47	70000526	37	70000956	39	70003751	51
70000058	47	70000527	37	70001114	29	70003752	51
70000059	45	70000528	37	70001122	30	70003753	51
70000061	46	70000529	37	70001125	47	70003754	51
70000062	46	70000530	37	70001126	47	70003755	51
70000063	46	70000531	37	70001127	47	7000695	47
70000064	46	70000532	37	70001134	45	70021667	51
70000065	46	70000533	37	70001136	46	7002821	142
70000066	46	70000534	37	70001137	46	7002822	142
70000067	46	70000535	37	70001138	46	7002823	142
70000068	46	70000536	37	70001352	30	7002826	142
70000069	46	70000537	37	70001353	30	7002828	142
70000070	46	70000538	37	70001355	30	7004275	142
70000071	46	70000539	37	70001435	46	7004276	142
70000072	46	70000540	37	70001835	47	7010543	29, 30
70000073	46	70000541	37	70001836	47	7012706	51
70000074	46	70000542	37	70001837	48	7012709	51
70000075	46	70000543	37	70001838	47	7012941	29, 30
70000150	87	70000634	30	70001840	47	7012972	97, 99
70000153	17	70000635	30	70001841	46	7012986 ...	29, 30, 97, 99, 138
70000154	17	70000692	95	70001842	47	7016330	46
70000184	87	70000693	95	70001844	47	7016331	46, 140
70000195	105	70000694	95	70001846	47	7016654	142
70000198	89	70000695	95	70001850	46	7017414	41, 42
70000200	93	70000696	95	70001852	46	7017444. 41, 42, 87, 112, 138	
70000219	87	70000697	95	70001854	47	7020023	45, 140
70000220	87	70000698	95	70001871	47	7020127	19
70000239	21	70000699	95	70003173	51	7020128	19
70000240	21	70000700	95	70003175	51	7020129	19
70000241	21	70000702	95	70003177	51	7020168	46
70000242	21	70000703	95	70003340	51		
70000243	21	70000704	95				
70000244	21						
70000245	21						
70000246	21						
70000247	21						

PART NUMBER INDEX

7020411.....46	E000412..... 39, 83	H000536..... 29, 30	H900033 ... 30, 42, 87, 97,
7020414.....46	E000419..... 39, 83	H000540..... 41, 42	99, 112
7020443.....46	E000420..... 83	H000542..... 33	H900035 ... 30, 42, 87, 97,
7020449.....47	E000432..... 83	H000558..... 25	112
7020459.....46	E000435..... 83, 138	H000559..... 25	H900070 97, 99
7020465.....46	E000436..... 39, 83, 138	H000580..... 33	S000004 11
7020468.....46	E000457..... 39, 138	H000602..... 33	S000009 83
7020471.....47	E000481..... 29	H000609..... 33	S000010 59, 63
7020480.....46	E000482..... 29, 83	H000663..... 11, 89	S000014 78
7020492.....46	E000511..... 83, 138	H000713..... 87	S000030 72, 78
7021632.....87	E001190..... 83	H000723..... 112	S000031 72
7023919.....87	E001206..... 39	H001013..... 112	S000055 72
7024038.....51	E001328..... 83	H001014..... 113	S000056 53
7024579.....46	E001375..... 39	H001015..... 115	S000059 97
7024818.....51	E001376..... 39	H001016..... 114	S000069 72, 78
7024895.....112	E007404..... 39	H003010..... 42	S000091 45
7024896.....112	E700100..... 39, 138	H003063..... 101, 105	S000116 58, 62
7024897.....97, 99	E900057..... 39	H003064..... 89	S000117 58, 62
7024952.....51	E900059..... 39	H003065..... 101, 105	S000118 58, 62
7024954.....51	E900060..... 39	H003066..... 89	S000123 58, 62
7026608.....45	H000013 41, 42	H003069..... 101, 105	S000124 58, 63
7027238.....46	H000018 112	H003070..... 101, 105	S000136 97
7027239.....46	H000019 29, 30, 138	H003074..... 101, 105	S000141 ... 11, 13, 14, 59,
7027249.....46	H000031 33	H003075..... 89	63, 64, 72, 73, 78, 80
7027861.....19	H000032 33	H003078..... 101, 105	S000142 ... 11, 14, 59, 64,
7027912.....33	H000038 29	H003080..... 89	73, 80
7027939.....19	H000039 29	H003081..... 97	S000145 ... 72, 73, 78, 79,
7027940.....19	H000040 29	H003083..... 93	80
7027941.....19	H000048 29	H003085..... 87	S000188 58, 62
7027962.....29	H000049 29	H003087..... 97	S000191 58, 63
7028846.....33	H000051 29	H003089..... 93	S000233 59, 63
7028847.....33	H000077 41, 42	H003091..... 87	S000234 59, 63
7028848.....33	H000116 33	H003094..... 97	S000237 ... 72, 73, 78, 80
7028849.....33	H000121 29, 30, 33	H003102..... 97	S000510 72, 78
7028893.....33	H000122 41, 42	H003105..... 97	S001238 59, 63
8007915.....33	H000123 112	H003108..... 87, 97	S001240 58, 63
8007939.....33	H000148 112	H003110..... 93	S001241 58, 63
8007944.....33	H000191 33	H003115..... 87	S001443 ... 30, 72, 73, 78,
8007953.....33	H000206 33	H004083..... 45	79, 80
8008750.....29	H000207 33	H004084..... 45	S001445 ... 72, 73, 78, 80
E00004429	H000219 17, 21	H005232..... 45	S001491 58, 63
E00004558, 62	H000220 45, 51	H005234..... 45	S001492 58, 63
E00005183, 138	H000241 41, 42, 138	H005238..... 45	S001496 58, 62, 87
E00005729	H000273 112	H005241..... 45	S001497 58, 62
E00005829	H000280 97, 99	H005247..... 33	S001498 58, 62
E00005929, 138	H000285 29, 30, 37	H005248..... 33	S001499 59, 63
E00006329	H000291 13, 97	H005250..... 33	S001511 67
E000083 ... 29, 58, 62, 83	H000300 93	H005279..... 33	S001513 53
E00010229	H000306 112	H005351..... 72, 101	S001520 67
E00010329	H000331 112	H005412..... 115	S001551 11
E00010883	H000351 112	H005529..... 112	S001556 89
E00018939	H000352 33	H005559..... 30	S001557 13
E00021439	H000389 33	H005765..... 115	S001592 ... 58, 59, 62, 63
E00021839	H000390 33	H005774..... 93	S001595 58, 62
E00023025	H000397 33	H005775..... 93	S001596 67
E00023125	H000412 29	H705721..... 87	S001613 11
E00026958, 62	H000436 29, 30, 35	H705722..... 87	S001614 11
E00027529	H000442 42	H705723..... 87	S001640 13, 25, 78
E00030483	H000443 17, 19	H705724..... 87	S001676 53
E00035925, 140	H000444 58, 62, 87	H900003... 30, 41, 42, 45	S001677 30, 74, 80
E00037539	H000446 105	H900006..... 72, 103	S003950 72, 78
E000376 ... 13, 14, 58, 62,	H000447 25, 93	H900008..... 25, 95	S003991 17, 22
140	H000448 25, 93	H900009..... 13, 99	S004000 17
E00037729, 83, 138	H000514 33	H900010..... 25, 95	S004014 25
E00037839	H000516 33	H900014..... 11, 91	S005042 67
E00039029, 138	H000524 112	H900020..... 107	S005049 72, 78
E00039129, 138	H000532 87		S005171 45

PART NUMBER INDEX

S005172.....	45	S200515.....	80	S201645.....	93	S900155.....	72
S007040.....	59	S200516.....	80	S201646.....	93	S900171.....	79
S007041.....	59	S200522.....	79	S201647.....	93	S900172.....	79
S007042.....	59	S200523.....	79	S201653.....	101	S900173.....	79
S007043.....	59	S200524.....	79, 140	S201654.....	101	S900187.....	25
S007044.....	59	S200525.....	79	S201656.....	101	S900188.....	13
S007045.....	59	S200526.....	79	S201657.....	101	S900189.....	13
S007120.....	58, 62	S200530.....	80	S201661.....	41	S900190.....	13
S007121.....	58, 62	S200534.....	80	S201673.....	67	S900191.....	13
S007122.....	58, 62	S200535.....	80	S201674.....	67	S900192.....	30
S007123.....	59, 62	S200537.....	79	S201676.....	67	S900193.....	79
S007124.....	59, 63	S200538.....	80	S201677.....	67	S900194.....	79
S200012.....	78	S200539.....	79	S900002.....	25	S900200.....	80
S200015.....	78	S200563.....	29	S900003.....	25	S900209.....	13
S200017.....	78	S200910.....	87	S900015.....	72	S900211.....	13
S200027.....	79	S200911.....	11	S900016.....	72	S900212.....	73, 78
S200028.....	79	S201017.....	58	S900017.....	72	S900219.....	59
S200031.....	79	S201585.....	11	S900035.....	72	S900220.....	25
S200032.....	73, 140	S201586.....	11	S900036.....	72	S900223.....	58, 62
S200033.....	79	S201587.....	11	S900037.....	72	S900236.....	13, 58, 62
S200034.....	79	S201588.....	11	S900038.....	72	S900242.....	62
S200035.....	79	S201589.....	11	S900039.....	72	S900243.....	62
S200036.....	79	S201591.....	13	S900040.....	72	S900244.....	62
S200044.....	89	S201592.....	13	S900041.....	78	S900245.....	62
S200045.....	89	S201593.....	13	S900042.....	78	S900246.....	62
S200046.....	89	S201594.....	13	S900043.....	78	S900247.....	62
S200047.....	89	S201595.....	13	S900044.....	78	S900248.....	62
S200061.....	97	S201596.....	13	S900045.....	78	S900249.....	62
S200062.....	97	S201597.....	13	S900046.....	78	S900250.....	62
S200063.....	97	S201599.....	25	S900085.....	11	S900251.....	62
S200064.....	97	S201601.....	25	S900086.....	11	S900252.....	62
S200066.....	105	S201602.....	45	S900087.....	11	S900253.....	62
S200067.....	105	S201604.....	53	S900088.....	11	S900254.....	62
S200069.....	105	S201605.....	53	S900089.....	30	S900255.....	62
S200070.....	105	S201606.....	53	S900090.....	41	S900256.....	62
S200075.....	62	S201608.....	53	S900091.....	41	S900270.....	79
S200076.....	58	S201609.....	53	S900092.....	41	S900279.....	78
S200077.....	58	S201610.....	41, 45	S900093.....	41	S900280.....	78
S200078.....	58, 62	S201613.....	29	S900094.....	29	S900327.....	17
S200079.....	58	S201614.....	45	S900095.....	41	S900328.....	17
S200080.....	58	S201615.....	58	S900096.....	14	SL153-00.321.12.0.....	73
S200081.....	58, 62	S201616.....	72	S900097.....	53	SL153-00-600.07.0.....	30
S200082.....	58	S201617.....	73	S900098.....	53	SL153-22-L-311.28.0..	73
S200083.....	58	S201618.....	73	S900099.....	53	SL153-22-L-321.13.0..	73
S200084.....	58	S201619.....	73	S900100.....	67	SL210-25.110.00.0.....	11
S200085.....	58	S201620.....	73	S900101.....	67	SL210-25.110.03.0.....	25
S200086.....	58	S201621.....	73	S900102.....	25	SL210-25.120.00.1 11, 17	
S200087.....	58	S201622.....	73	S900103.....	25	SL210-25.130.00.0 13, 17	
S200088.....	58	S201623.....	73	S900104.....	25	SL210-25.130.08.0.....	13
S200089.....	58	S201624.....	73	S900109.....	72	SL210-25.130.10.0.....	13
S200090.....	59, 63	S201625.....	73	S900110.....	73	SL210-25.150.00.1.....	53
S200091.....	59, 63	S201626.....	73	S900111.....	59, 63	SL210-25.160.00.0.....	29
S200092.....	59, 63	S201627.....	73	S900114.....	79	SL210-25.160.02.0.....	30
S200093.....	59, 63	S201628.....	73	S900116.....	80	SL210-25.160.06.0.....	41
S200094.....	58, 62	S201629.....	73	S900117.....	80	SL210-25.160.07.0.....	41
S200095.....	63	S201632.....	73	S900118.....	80	SL210-25.160.09.0.....	14
S200096.....	59	S201633.....	73	S900120.....	63	SL210-25.161.00.0 41, 45	
S200097.....	59	S201635.....	73	S900121.....	63	SL210-25.161.01.0 41, 45	
S200098.....	59, 63	S201636.....	73	S900122.....	63	SL210-25.161.02.....	41
S200099.....	59, 63	S201637.....	73	S900123.....	63	SL210-25.161.05.0.....	42
S200100.....	63	S201638.....	87	S900124.....	63	SL210-25.180.00.0.....	25
S200132.....	59, 63	S201639.....	87	S900125.....	63	SL210-25.190.00.0.....	25
S200223.....	72, 73	S201640.....	87	S900126.....	63	SL210-25.210.00.0.....	58
S200230.....	73	S201641.....	87	S900127.....	63	SL210-25.220.00.0.....	58
S200231.....	73	S201642.....	93	S900128.....	64	SL210-25.230.00.0.....	58
S200237.....	73	S201643.....	93	S900129.....	135	SL210-25.240.00.0.....	59
S200263.....	30	S201644.....	93	S900130.....	78	SL210-25.260.00.0 59, 63	

PART NUMBER INDEX

SL210-25.300.00.072	SL245-12.10-311.35 ... 80	SL245-25.300.00.0..... 78	SL260-25.411.05.1 80
SL210-25.310.00.172	SL245-25.180.00.0..... 25	SL245-25.310.00.1..... 78	SL320-30.411.01.379
SL210-25.311.00.073	SL245-25.210.00.0..... 62	SL245-25.311.00.0..... 78	X21025L ... 11, 14, 17, 30, 59, 73
SL210-25.320.00.073	SL245-25.220.00.0..... 62	SL245-25.320.00.1..... 78	X24525L ... 11, 14, 17, 30, 63, 80
SL210-25.321.00.073	SL245-25.230.00.0..... 62	SL245-25.321.00.0..... 79	
SL210-25-L-170.00.0...67	SL245-25.240.00.0..... 63	SL260-25.411.04.1 79	



3121305



An Oshkosh Corporation Company

JLG Industries, Inc.
1 JLG Drive
McConnellsburg PA. 17233-9533
USA
Phone: +1-717-485-5161
Customer Support Toll Free: 1-877-554-5438
Fax: +1-717-485-6417

JLG Worldwide Locations

JLG Industries (Australia)
P.O. Box 5119
11 Bolwarra Road
Port Macquarie
N.S.W. 2444
Australia
Phone: +61 2 65811111
Fax: +61 2 65813058

JLG Latino Americana Ltd.
Rua Antonia Martins Luiz, 580
Distrito Industrial João Narezzi
13347-404 Indaiatuba - SP
Brazil
Phone: +55 19 3936 8870
Fax: +55 19 3935 2312

JLG Industries (UK) Ltd
Bentley House
Bentley Avenue
Middleton
Greater Manchester
M24 2GP
England
Phone: +44 (0)161 654 1000
Fax: +44 (0)161 654 1001

JLG France SAS
Z.I. de Baulieu
47400 Fauillet
France
Phone: +33 (0)5 53 88 31 70
Fax: +33 (0)5 53 88 31 79

JLG Deutschland GmbH
Max-Planck-Str. 21
D - 27721 Ritterhude-Ihlpohl
Germany
Phone: +49 (0)421 69 350 20
Fax: +49 (0)421 69 350 45

JLG Equipment Services Ltd.
Rm 1107 Landmark North
39 Lung Sum Avenue
Sheung Shui N.T.
Hong Kong
Phone: +852 2639 5783
Fax: +852 2639 5797

JLG Industries (Italia) s.r.l.
Via Po, 22
20010 Pregnana Milanese - MI
Italy
Phone: +39 029 359 5210
Fax: +39 029 359 5845

JLG Europe B.V.
Polaris Avenue 63
2132 JH Hoofddorp
The Netherlands
Phone: +31 (0)23 565 5665
Fax: +31 (0)23 557 2493

JLG Polska
Ul. Krolewska
00-060 Warszawa
Poland
Phone: +48 (0)914 320 245
Fax: +48 (0)914 358 200

Plataformas Elevadoras
JLG Iberica, S.L.
Trapadella, 2
P.I. Castellbisbal Sur
08755Castellbisbal, Barcelona
Spain
Phone: +34 93 772 4 700
Fax: +34 93 771 1762

JLG Sverige AB
Enkopingsvagen 150
Box 704
SE - 176 27 Jarfalla
Sweden
Phone: +46 (0)850 659 500
Fax: +46 (0)850 659 534

www.jlg.com