



Illustrated Parts Manual

Models LIFTLUX 210-25 & 245-25

*SN 1200020465 to Present
including SN's: 1200016563,
1200018190, 1200019542,
1200019543, 1200019933,
1200020020, 1200020242
& 1200020317*

3121332
January 1, 2015



An Oshkosh Corporation Company

REVISION LOG

July 15, 2008 - Original Issue of Manual

May 15, 2009 - Revised Manual (Manual Edited to B/M 0010695 Revision 10)

November 15, 2010 - Revised Manual (Manual Edited to B/M 0010695 Revision 10)

April 8, 2011 - Revised Manual (Manual Edited to 210-25 B/M 0010707 Revision 8 &
245-25 B/M 0010695 Revision 13)

July 11, 2011 - Revised Manual (Manual Edited to 210-25 B/M 0010707 Revision 8 &
245-25 B/M 0010695 Revision 13)

October 3, 2011 - Revised Manual (Manual Edited to 210-25 B/M 0010707 Revision 8 &
245-25 B/M 0010695 Revision 13)

February 24, 2012 - Revised Manual (Manual Edited to 210-25 B/M 0010707 Revision 8 &
245-25 B/M 0010695 Revision 13)

June 29, 2012 - Revised Manual (Manual Edited to 210-25 B/M 0010707 Revision 8 &
245-25 B/M 0010695 Revision 13)

September 21, 2012 - Revised Manual (Manual Edited to 210-25 B/M 0010707 Revision 8 &
245-25 B/M 0010695 Revision 13)

January 31, 2013 - Revised Manual (Manual Edited to 210-25 B/M 0010707 Revision 8 &
245-25 B/M 0010695 Revision 13)

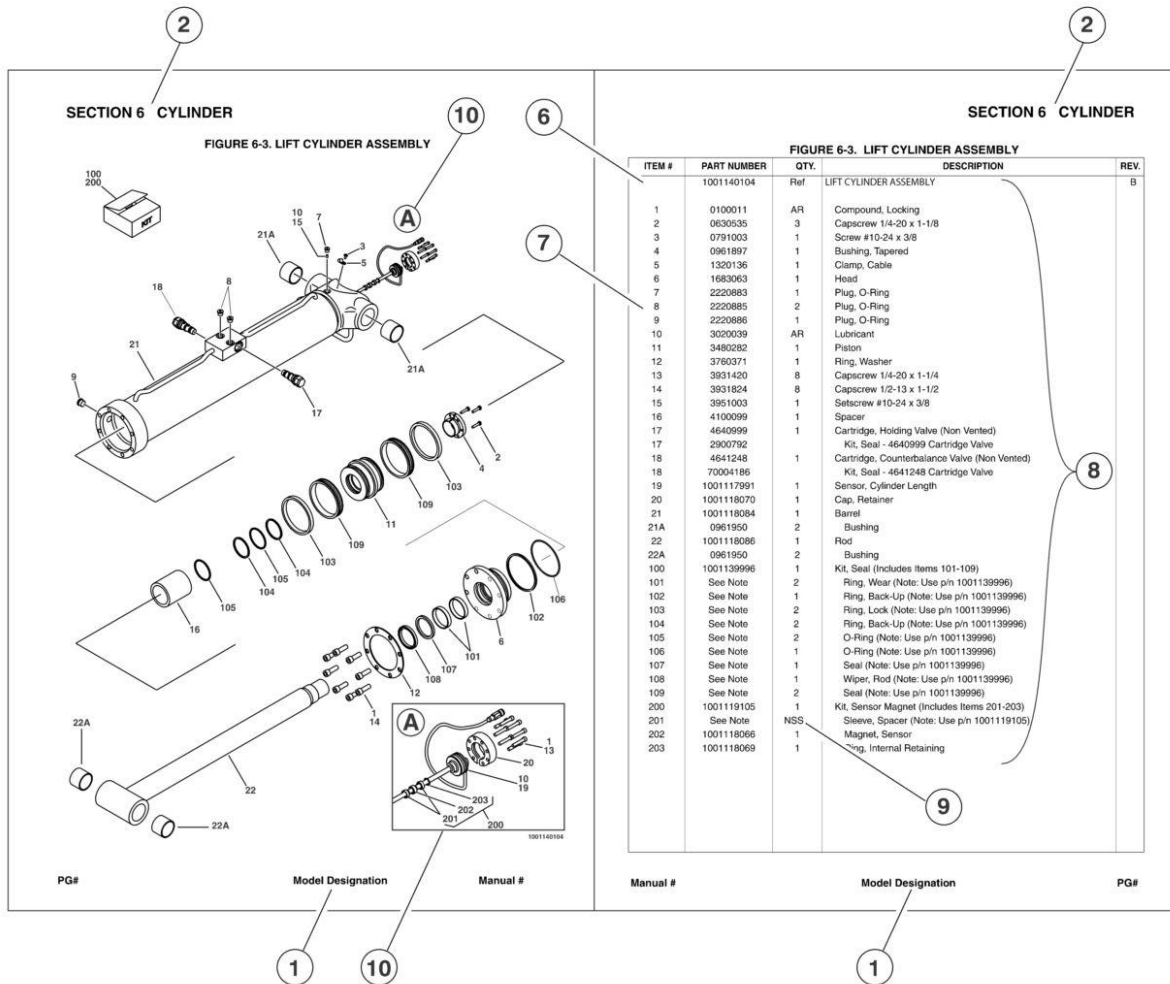
April 18, 2013 - Revised Manual (Manual Edited to 210-25 B/M 0010707 Revision 8 &
245-25 B/M 0010695 Revision 13)

July 16, 2013 - Revised Manual (Manual Edited to 210-25 B/M 0010707 Revision 8 &
245-25 B/M 0010695 Revision 13)

October 15, 2013 - Revised Manual (Manual Edited to 210-25 B/M 0010707 Revision 8 &
245-25 B/M 0010695 Revision 13)

January 1, 2015 - Revised Manual (Manual Edited to 210-25 B/M 0010707 Revision 8 &
245-25 B/M 0010695 Revision 13)

GENERAL INFORMATION



1) MACHINE IDENTIFICATION

Machines are identified by model and in some cases a combination of models, serial number (SN) or regional standard (i.e. ANSI, CE, CSA). Components may also be identified by SN or manufacturer. Common components that may be identified by these characteristics are engines and hydraulic components.

2) PARTS MANUAL ORGANIZATION

Product information in this manual is organized under section titles. Frame, Cylinder, Hydraulic and Electrical are a few examples. Each section is organized by figure and page number. The information within the Figure is then organized by item number, part number, description and corresponding illustration(s).

3) TABLE OF CONTENTS

A table of contents is found toward the beginning of the manual. Figure number, description and page number are provided for quick reference to the page containing the related information.

4) RECOMMENDED SPARE PARTS

The Recommended Spare Parts, located near the end of the manual, reference most frequently used maintenance parts.

5) PART NUMBER INDEX

A numerical index listing all part numbers and the corresponding page number(s) appears at the back of the manual.

GENERAL INFORMATION

6) NON-SERVICED PARTS

In some instances, it is necessary to display non-serviced parts, assemblies or installations. In the case of assemblies and installations there will be a Ref in the Qty column. In case of parts that are not available for service within assemblies or components, there will be a NSS (Not Sold Separately) or NLA (No Longer Available) listed in the Qty. column of the manual.

7) PARTS LIST ITEM NUMBERS

Numbers shown in the item# column correspond to numbers used in the associated illustration (s). Item numbers which are missing from the sequence in the parts list are not used on that page

8) INDENTED PARTS DESCRIPTION

An indented part description is included in the item under which it is indented.

9) ABBREVIATION AND SYMBOLS

AC.....	.. Alternating Current	LCD.....	.. Liquid Crystal Display
ADE.....	.. Advanced Design Electronics	LED.....	.. Light Emitting Diodes
ANSI.....	.. American National Standards Institute	LH.....	.. Left Hand
AR.....	.. As Required	LSS.....	.. Load Sensing System
ASSY.....	.. Assembly	M(m).....	.. Metric/Meter
AUX.....	.. Auxiliary	MM (mm).....	.. Milimeter
AWG.....	.. American Wire Gauge	mA.....	.. Milliamps
B/M.....	.. Bill of Material	NLA.....	.. No Longer Available
CE.....	.. European Conformity	NPT.....	.. National Pipe Threads
CCW.....	.. Counter Clockwise	NSS.....	.. Not Sold Separately
cm.....	.. Centimeter	OD.....	.. Outside Diameter
CW.....	.. Clockwise	ORB.....	.. O-Ring Boss
CSA.....	.. Canadian Standards Association	ORFS.....	.. O-Ring Face Seal
CYL.....	.. Cylinder	OZ (oz).....	.. Ounces
DIA.....	.. Diameter	PG.....	.. Page
DC.....	.. Direct Current	P/N.....	.. Part Number
EMS.....	.. Emergency Stop	qt.....	.. Quarts
ENG.....	.. Engine	QTY.....	.. Quantity
FT (ft).....	.. Feet	REF.....	.. Reference
GA (Ga).....	.. Gauge	REV.....	.. Revision Level
HYD.....	.. Hydraulic	RH.....	.. Right Hand
Hz.....	.. Hertz	SAE.....	.. Society of Automotive Engineers
ID.....	.. Inside Diameter	SN.....	.. Serial Number
in.....	.. inches	SPEC(S).....	.. Specifications
ISO.....	.. International Organization for Standards	T/T.....	.. Turntable
JIC.....	.. Joint Industry Council	UGM.....	.. Universal Ground Module
KG.....	.. Kilogram	V.....	.. Volts
L.....	.. Liter	W.....	.. Watts
LB.....	.. Pounds	#.....	.. Number

10) ILLUSTRATION REFERENCE LETTERS

When necessary, illustrations may contain reference letters that are intended to track information (i. e. hoses, harnesses) from one point to another or to track visual enlargement of components to show details that may be located in another area on the illustration.

Note: Due to continuous product improvements, JLG Industries, Inc. reserves the right to make specification changes without prior notification. Contact JLG Industries, Inc. for updated information.

TABLE OF CONTENTS

SECTION 1 - FRAME.....	9
FIGURE 1-1. STEERING INSTALLATION	10
FIGURE 1-2. REAR AXLE INSTALLATION	12
FIGURE 1-3. WHEEL DRIVE INSTALLATION.....	14
FIGURE 1-4. DRIVE MOTOR ASSEMBLY	16
FIGURE 1-5. DRIVE HUB ASSEMBLY	18
FIGURE 1-6. LEVELING CYLINDERS INSTALLATION.....	22
FIGURE 1-7. LADDER INSTALLATION	24
SECTION 2 - GROUND CONTROLS	27
FIGURE 2-1. VALVE SIDE COMPONENTS INSTALLATION	28
FIGURE 2-2. MAIN VALVE ASSEMBLY	32
FIGURE 2-3. HAND PUMP ASSEMBLY	34
FIGURE 2-4. DRIVE VALVE ASSEMBLY	36
FIGURE 2-5. MAIN TERMINAL BOX ASSEMBLY	38
FIGURE 2-6. ENGINE SIDE COMPONENTS INSTALLATION.....	40
FIGURE 2-7. ENGINE INSTALLATION.....	42
FIGURE 2-8. PISTON PUMP ASSEMBLY	46
FIGURE 2-9. HOODS INSTALLATION	48
SECTION 3 - SCISSORS ARMS	51
FIGURE 3-1. SCISSORS ARMS INSTALLATION (210-25)	52
FIGURE 3-2. SCISSORS ARMS INSTALLATION (245-25)	58
FIGURE 3-3. ARM GUARDS INSTALLATION (SN 1200020465 through 1200024691)	64
FIGURE 3-4. ARM GUARDS INSTALLATION (SN 1200024692 to Present).....	66
SECTION 4 - PLATFORM.....	69
FIGURE 4-1. PLATFORM AND ACCESSORIES INSTALLATION (210-25)	70
FIGURE 4-2. PLATFORM AND ACCESSORIES INSTALLATION (245-25)	74
FIGURE 4-3. PLATFORM CONSOLE ASSEMBLY AND INSTALLATION.....	78
FIGURE 4-4. DRIVE/STEER CONTROLLER ASSEMBLY	80
SECTION 5 - CYLINDER.....	83
FIGURE 5-1. AXLE LOCKOUT CYLINDER ASSEMBLY	84
FIGURE 5-2. LIFT CYLINDER ASSEMBLY	86
FIGURE 5-3. LEVELING CYLINDER ASSEMBLY	88
FIGURE 5-4. PLATFORM EXTENSION CYLINDER ASSEMBLY (210-25).....	90
FIGURE 5-5. PLATFORM EXTENSION CYLINDER ASSEMBLY (245-25).....	92
FIGURE 5-6. STEERING CYLINDER ASSEMBLY	94
SECTION 6 - HYDRAULIC	97
FIGURE 6-1. HYDRAULIC DIAGRAM (SN 1200020465 through 1200021262)	98
FIGURE 6-2. HYDRAULIC DIAGRAM (SN 1200021263 to Present)	104
SECTION 7 - ELECTRICAL	109
FIGURE 7-1. ELECTRICAL SCHEMATIC	110
FIGURE 7-2. HARNESS COMPONENTS INSTALLATION.....	128
SECTION 8 - DECALS.....	135
FIGURE 8-1. DECAL INSTALLATION.....	136
SECTION 9 - RECOMMENDED SERVICE PARTS STOCK	139
FIGURE 9-1. MODELS 210-25 & 245-25 STANDARD PARTS.....	140
FIGURE 9-2. MODELS 210-25 & 245-25 VARIABLE PARTS.....	142
SECTION 10 - SPECIAL OPTIONS.....	143
FIGURE 10-1. SPECIAL OPTIONS.....	144

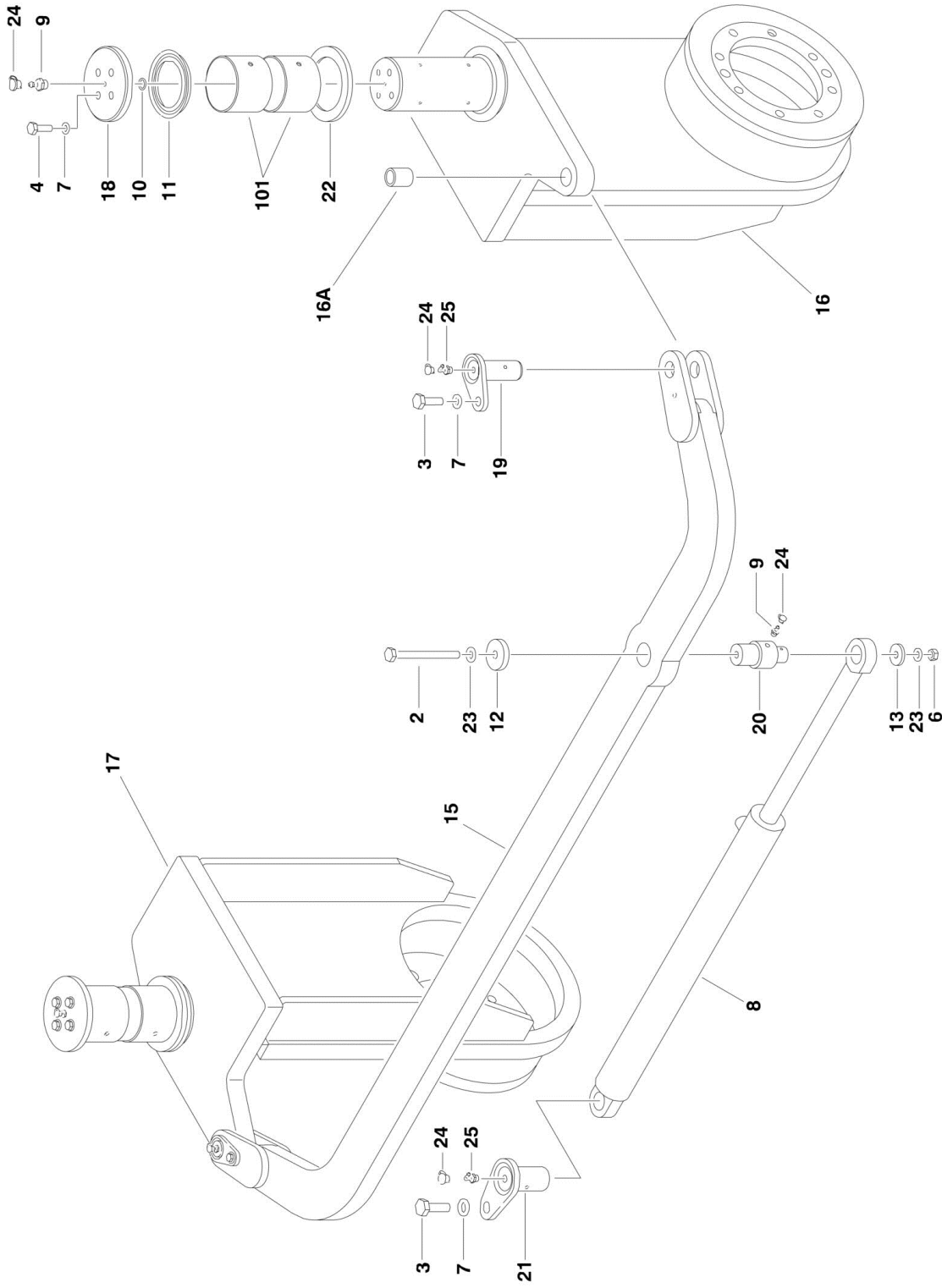
TABLE OF CONTENTS

PART NUMBER INDEX.....	145
------------------------	-----

SECTION 1 - FRAME

SECTION 1 - FRAME

FIGURE 1-1. STEERING INSTALLATION



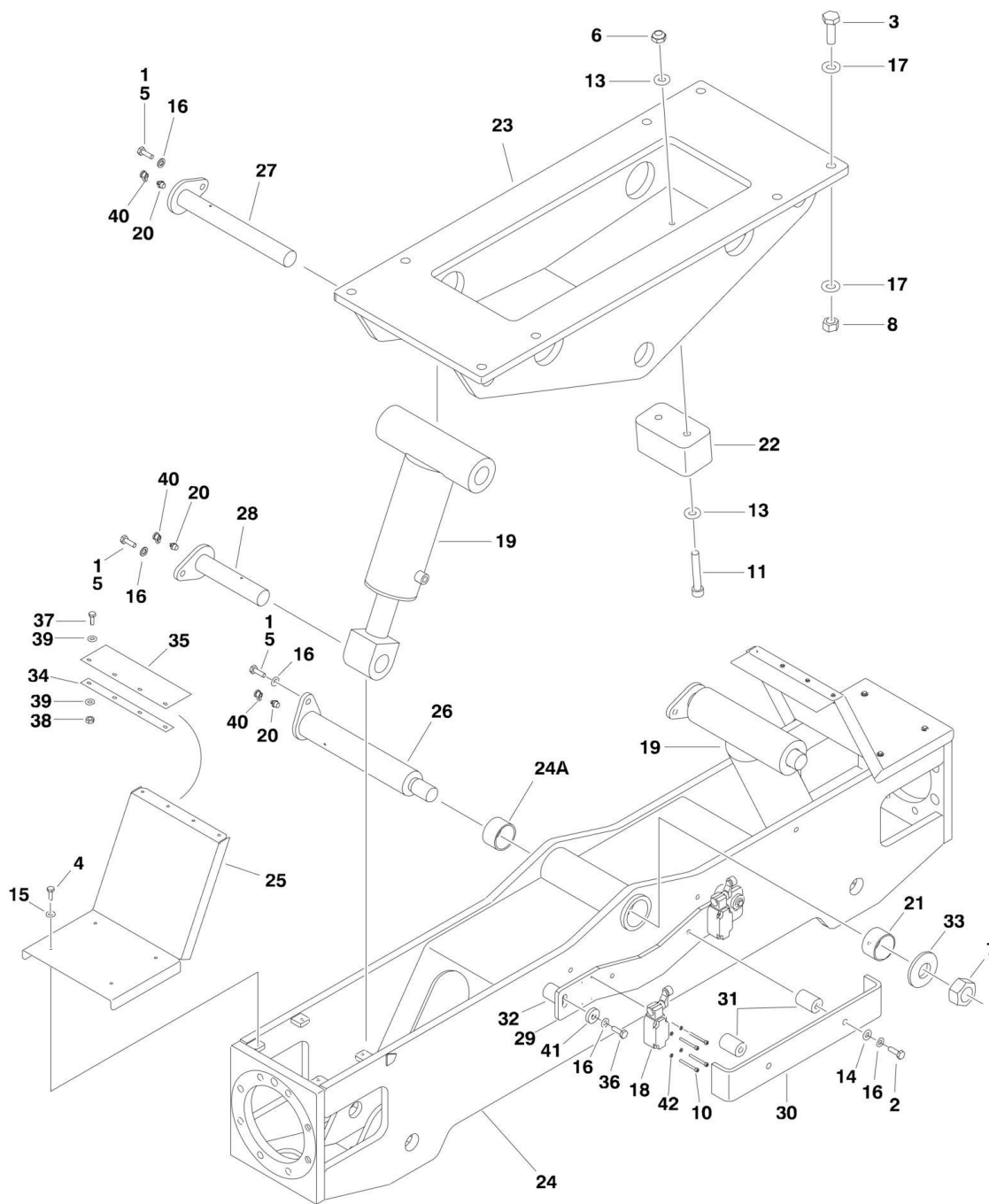
SECTION 1 - FRAME

FIGURE 1-1. STEERING INSTALLATION

ITEM	PART NUMBER	QTY	DESCRIPTION	REV
	0275565	Ref	STEERING INSTALLATION	F
2	0711232	1	Bolt M12 x 150mm	
3	0761210	3	Bolt M12 x 20mm	
4	0761214	8	Bolt M12 x 30mm	
6	3331215	1	Nut M12	
7	4832100	11	Lockwasher M12	
8	H900014	1	Steer Cylinder Assembly (See CYLINDER SECTION for Breakdown)	
9	S000141	3	Fitting, Grease (Use p/n 2160016)	
10	S001613	2	O-Ring	
11	S001614	2	Ring	
12	S200252	1	Washer	
13	S200253	1	Washer	
15	S201585	1	Tie-Bar	
16	S201586	1	Spindle (Left)	
16A	S900322	1	Bushing	
17	S201587	1	Spindle (Right)	
17A	S900322	1	Bushing (Not Shown)	
18	S201588	2	Cap	
19	S201589	2	Pin	
20	S900085	1	Pin	
21	S900088	1	Pin	
22	S900214	2	Ring	
23	4812100	2	Flatwasher M12	
24	S000142	6	Cap, Grease Fitting	
25	2160018	3	Fitting, 90, Grease	
	S201598	Ref	FRAME WELDMENT	M
101	S200911	4	Bushing	

SECTION 1 - FRAME

FIGURE 1-2. REAR AXLE INSTALLATION



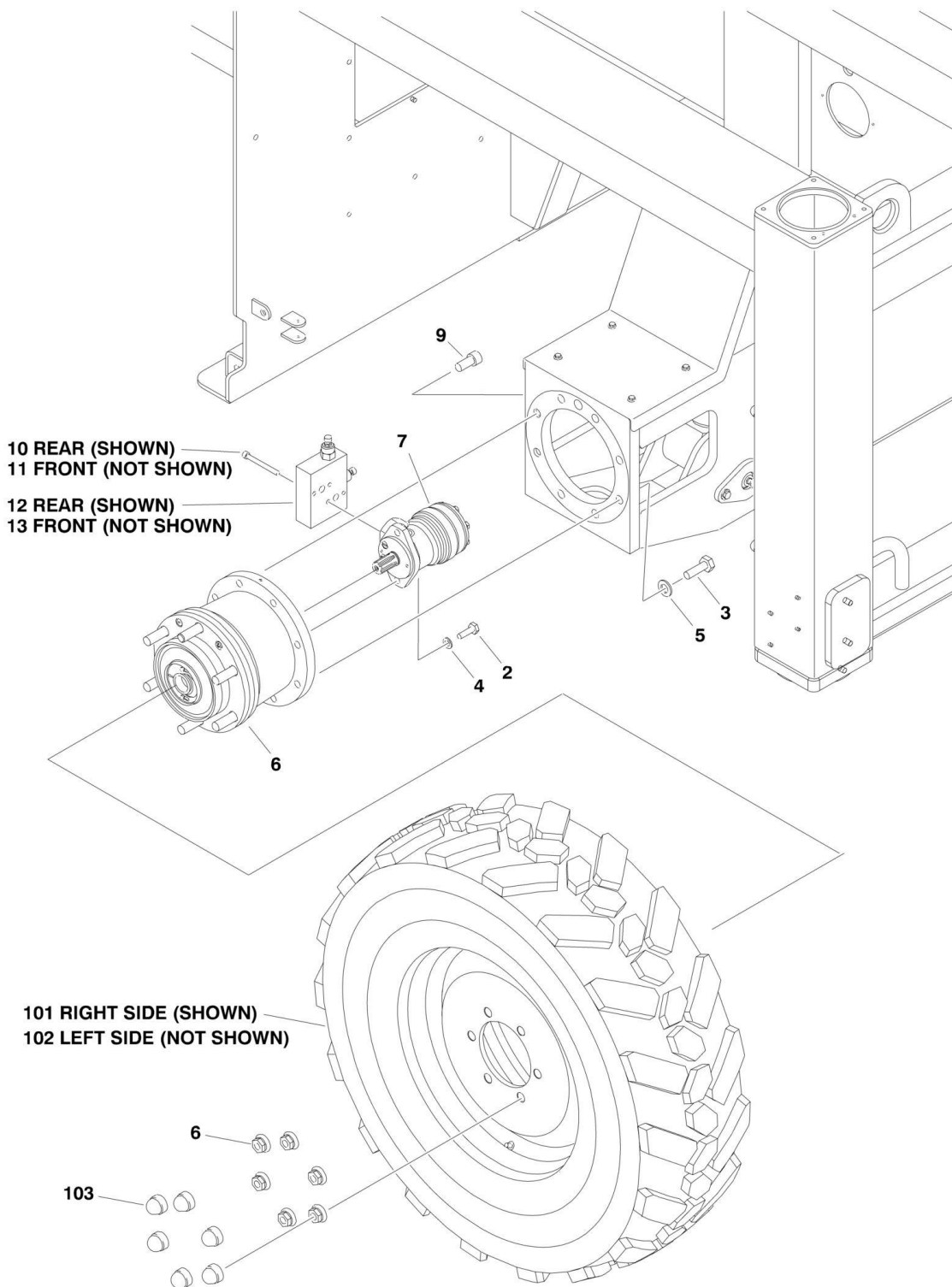
SECTION 1 - FRAME

FIGURE 1-2. REAR AXLE INSTALLATION

ITEM	PART NUMBER	QTY	DESCRIPTION	REV
	0275564	Ref	REAR AXLE INSTALLATION	J
1	0100019	AR	Compound, Locking	
2	0701222	2	Bolt M12 x 70mm	
3	0712026	8	Bolt M20 x 90mm	
4	0760819	8	Bolt M8 x 20mm	
5	0761214	5	Bolt M12 x 30mm	
6	3291005	4	Locknut M10	
7	3293605	1	Locknut M36	
8	3332011	8	Nut M20	
10	4031614	8	Capscrew M5 x 50mm	
11	4032018	4	Capscrew M10 x 70mm	
13	4812000	8	Flatwasher M10	
14	4812100	2	Flatwasher M12	
15	4831900	8	Lockwasher M8	
16	4832100	9	Lockwasher M12	
17	5242000	16	Flatwasher M20 Hardened	
18	E000376	2	Switch, Limit	
19	H900009	2	Axle Lockout Cylinder Assembly (See CYLINDER SECTION for Breakdown)	
20	2160016	5	Fitting, Grease	
22	S001640	2	Bumper	
23	S201591	1	Pivot, Axle	
24	S201592	1	Oscillating Axle Weldment	
24A	S001557	2	Bushing	
25	S201593	2	Cover	
26	S201594	1	Pin	
27	S201595	2	Pin	
28	S201596	2	Pin	
29	S201597	1	Plate	
30	S900186	1	Cover, Switch	
31	S900189	2	Bushing	
32	S900190	2	Bushing	
33		Ref	Plate, End Options:	
33	S900191	1	Plate, End (SN 20465 through 22193)	
33	S900231	1	Plate, End (SN 22194 to Present)	
34	S900209	2	Plate	
35	S900210	2	Seal	
36	0701224	2	Bolt M12 x 80mm	
37	0700510	8	Bolt M5 x 20mm	
38	3290505	8	Locknut M5	
39	4811600	16	Flatwasher M5	
40	S000142	5	Cap, Grease Fitting	
41	S900211	2	Bushing	
42	4831600	8	Lockwasher M5	

SECTION 1 - FRAME

FIGURE 1-3. WHEEL DRIVE INSTALLATION



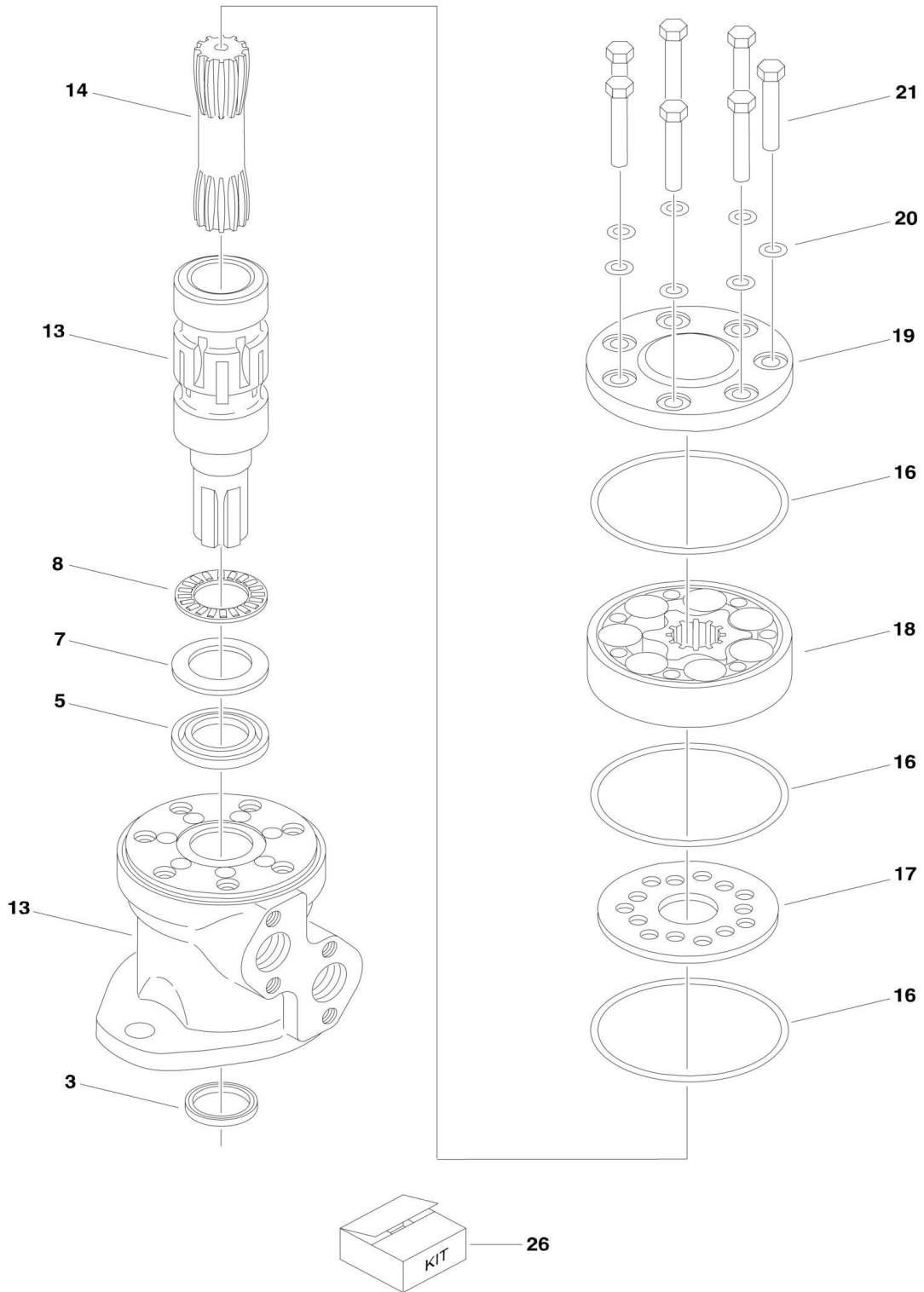
SECTION 1 - FRAME

FIGURE 1-3. WHEEL DRIVE INSTALLATION

ITEM	PART NUMBER	QTY	DESCRIPTION	REV
	0275566	Ref	WHEEL DRIVE INSTALLATION	G
2	0761215	8	Bolt M12 x 35mm	
3	0771619	24	Bolt M16 x 55mm	
4	4832100	8	Lockwasher M12	
5	5241600	24	Flatwasher M16 Hardened	
6	H000219	4	Drive Hub Assembly (See DRIVE HUB ASSEMBLY for Breakdown)	
7	H000443	4	Drive Motor Assembly (See DRIVE MOTOR ASSEMBLY for Breakdown)	
9	5272611	8	Capscrew M16 x 35mm	
10	4032013	8	Capscrew M10 x 45mm	
11	4032015	8	Capscrew M10 x 55mm	
12	H000331	2	Shock Valve Assembly (Rear Axles) (No Replacement Parts Available - Replace Complete Valve)	
13	H000723	2	Travel Valve Assembly (Front Axles) (No Replacement Parts Available - Replace Complete Valve)	
	0275708	Ref	TIRE AND WHEEL INSTALLATION	C
101	S900327	2	Wheel and Tire Assembly - Foam Filled (Right Side) (Note: Assemblies may require ballast/foam filling to manufacturer's specifications prior to installing on a machine. Refer to Operation and Safety or Service and Maintenance Manuals. Purchase individual tire and/or rim only if able to foam fill tire and wheel assembly, otherwise, purchase complete assembly.)	
102	S900328	2	Wheel and Tire Assembly - Foam Filled (Left Side) (Note: Assemblies may require ballast/foam filling to manufacturer's specifications prior to installing on a machine. Refer to Operation and Safety or Service and Maintenance Manuals. Purchase individual tire and/or rim only if able to foam fill tire and wheel assembly, otherwise, purchase complete assembly.)	
102	70000154	4	Rim	
102	70000153	4	Tire	
103	S004000	24	Cap, Wheel Nut	

SECTION 1 - FRAME

FIGURE 1-4. DRIVE MOTOR ASSEMBLY



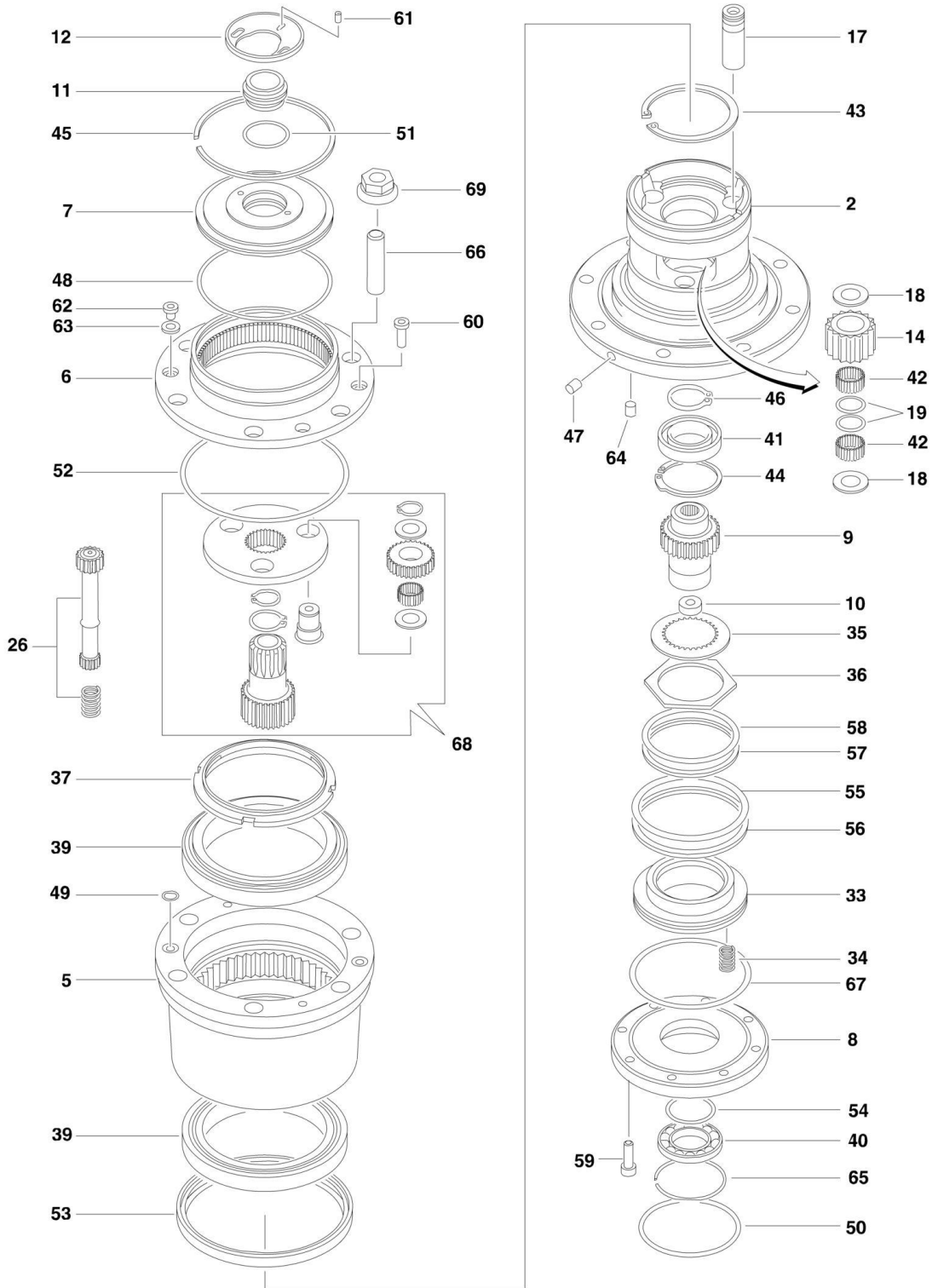
SECTION 1 - FRAME

FIGURE 1-4. DRIVE MOTOR ASSEMBLY

ITEM	PART NUMBER	QTY	DESCRIPTION	REV
	H000443	Ref	DRIVE MOTOR ASSEMBLY	D
3	7027861	1	Seal, Dust	
5	See Note	NSS	Seal, Shaft (Note: Use Item 26)	
7	7020128	1	Race, Bearing	
8	7020129	1	Bearing, Needle	
13	See Note	1	Shaft and Housing (Note: Not Available - Purchase Complete Assembly)	
14	7027941	1	Shaft, Cardan	
16	See Note	NSS	O-Ring (Note: Use Item 26)	
17	7027939	1	Plate, Distributor	
18	See Note	1	Gear Set (Note: Not Available - Purchase Complete Assembly)	
19	7027940	1	Cover, End	
20	See Note	NSS	Washer (Note: Use Item 26)	
21	See Note	7	Screw M8 x 45mm (Note: Not Available - Purchase Locally)	
26	7020127	1	Seal Kit - H000443 Motor (Includes Items 3, 5, 16 & 20)	

SECTION 1 - FRAME

FIGURE 1-5. DRIVE HUB ASSEMBLY



SECTION 1 - FRAME

FIGURE 1-5. DRIVE HUB ASSEMBLY

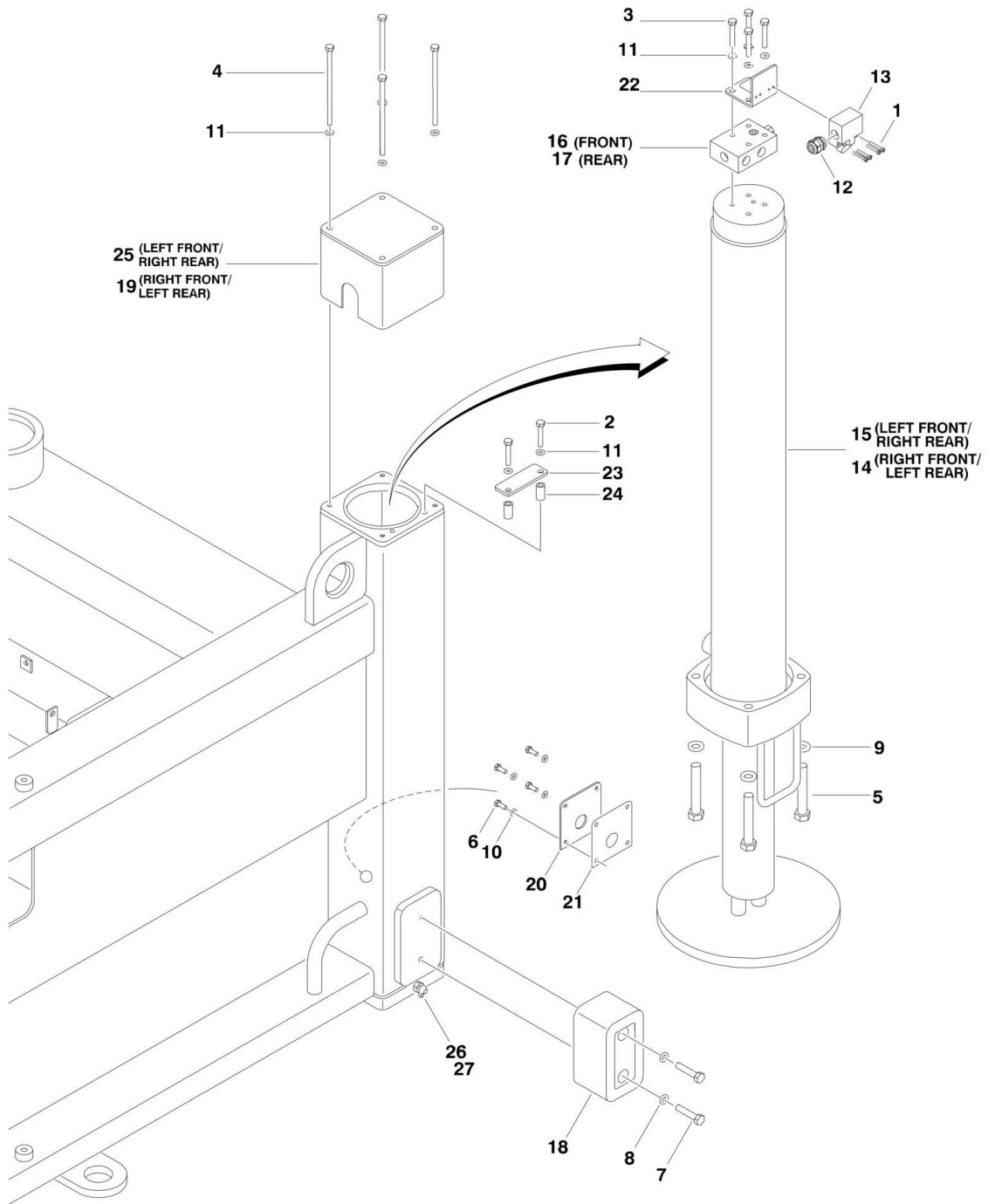
ITEM	PART NUMBER	QTY	DESCRIPTION	REV
	H000219	Ref	DRIVE HUB ASSEMBLY - COMPLETE	E
2	See Note	1	Spindle (Note: Not Available - Purchase Complete Assembly)	
5	See Note	1	Hub (Note: Not Available - Purchase Complete Assembly)	
6	70000239	1	Gear Ring	
7	See Note	1	Cover (Note: Not Available - Purchase Complete Assembly)	
8	See Note	1	Flange (Note: Not Available - Purchase Complete Assembly)	
9	See Note	1	Coupling (Note: Not Available - Purchase Complete Assembly)	
10	See Note	1	Thrustwasher (Note: Not Available - Purchase Complete Assembly)	
11	See Note	1	Thrustwasher (Note: Not Available - Purchase Complete Assembly)	
12	See Note	1	Circlip (Note: Not Available - Purchase Locally)	
14	See Note	3	Planetary Gear (Note: Not Available - Purchase Complete Assembly)	
17	See Note	3	Pin (Note: Not Available - Purchase Complete Assembly)	
18	See Note	6	Thrustwasher (Note: Not Available - Purchase Complete Assembly)	
19	See Note	6	Spacer (Note: Not Available - Purchase Complete Assembly)	
26	70000240	1	Sun Pinion	
33	See Note	1	Piston (Note: Not Available - Purchase Complete Assembly)	
34	70000241	16	Spring	
35	70000242	5	Disc	
36	70000243	6	Disc	
37	70000244	1	Lock Nut	
39	70000245	2	Bearing	
40	70000246	1	Bearing	
41	70000247	1	Bearing	
42	See Note	6	Bearing (Note: Not Available - Purchase Complete Assembly)	
43	See Note	1	Circlip (Note: Not Available - Purchase Locally)	
44	See Note	1	Circlip (Note: Not Available - Purchase Locally)	
45	See Note	1	Disc (Note: Not Available - Purchase Complete Assembly)	
46	See Note	1	Circlip (Note: Not Available - Purchase Locally)	
47	See Note	1	Plug (Note: Not Available - Purchase Locally)	
48	70000248	1	O-Ring	
49	70000249	2	O-Ring	
50	70000250	1	O-Ring	
51	70000251	1	O-Ring	
52	70000252	1	O-Ring	
53	70000253	1	Oil Seal	
54	70000254	1	Gasket	
55	70000255	1	O-Ring	
56	70000256	1	Blocking Ring	
57	70000257	1	O-Ring	
58	70000258	1	Blocking Ring	
59	See Note	8	Screw (Note: Not Available - Purchase Locally)	
60	See Note	2	Screw (Note: Not Available - Purchase Locally)	
61	See Note	2	Screw (Note: Not Available - Purchase Locally)	
62	See Note	2	Plug (Note: Not Available - Purchase Locally)	
63	See Note	2	Washer (Note: Not Available - Purchase Locally)	
64	See Note	1	Plug (Note: Not Available - Purchase Locally)	

SECTION 1 - FRAME

ITEM	PART NUMBER	QTY	DESCRIPTION	REV
65	See Note	1	Disc (Note: Not Available - Purchase Complete Assembly)	
66	70000259	6	Threaded Stud	
67	70000260	1	O-Ring	
68	70000346	1	Reduction Gear Kit	
69	S003991	6	Nut, Wheel	
	See Note	1	Seal Kit - H000219 Hub (Note: Not Available - Purchase Individual Components)	

SECTION 1 - FRAME

FIGURE 1-6. LEVELING CYLINDERS INSTALLATION



SECTION 1 - FRAME

FIGURE 1-6. LEVELING CYLINDERS INSTALLATION

ITEM	PART NUMBER	QTY	DESCRIPTION	REV
	0275571	Ref	LEVELING CYLINDERS INSTALLATION	E
1	4031510	16	Capscrew M4 x 30mm	
2	0700817	8	Bolt M8 x 45mm	
3	0700818	16	Bolt M8 x 50mm	
4	0700833	16	Bolt M8 x 160mm	
5	0701627	16	Bolt M16 x 100mm	
6	0700608	16	Bolt M6 x 16mm	
7	0701018	8	Bolt M10 x 50mm	
8	4832000	8	Lockwasher 10mm	
9	4832300	16	Lockwasher 16mm	
10	4831700	16	Lockwasher 6mm	
11	4831900	40	Lockwasher 8mm	
12	E000269	4	Connector, Strain Relief	
13	E000359	4	Switch, Limit	
14	H900008	2	Leveling Cylinder Assembly (Right Front and Left Rear) (See CYLINDER SECTION for Breakdown)	
15	H900010	2	Leveling Cylinder Assembly (Left Front and Right Rear) (See CYLINDER SECTION for Breakdown)	
16	H000558	2	Valve Assembly (8 Bar - Front) (No Replacement Parts Available - Replace Complete Valve)	
17	H000559	2	Valve Assembly (1 Bar - Rear) (No Replacement Parts Available - Replace Complete Valve)	
18	S001640	4	Bumper	
19	S201599	2	Cover, Switch (Right Front and Left Rear)	
20	S900002	4	Plate, Cover	
21	S900003	4	Gasket	
22	S900021	4	Bracket, Switch Mounting	
23	S900102	4	Plate	
24	S900103	8	Spacer	
25	S900187	2	Cover, Switch (Left Front and Right Rear)	
26	2160016	4	Fitting, Grease	
27	S000142	4	Cap, Grease Fitting	

SECTION 1 - FRAME

FIGURE 1-7. LADDER INSTALLATION

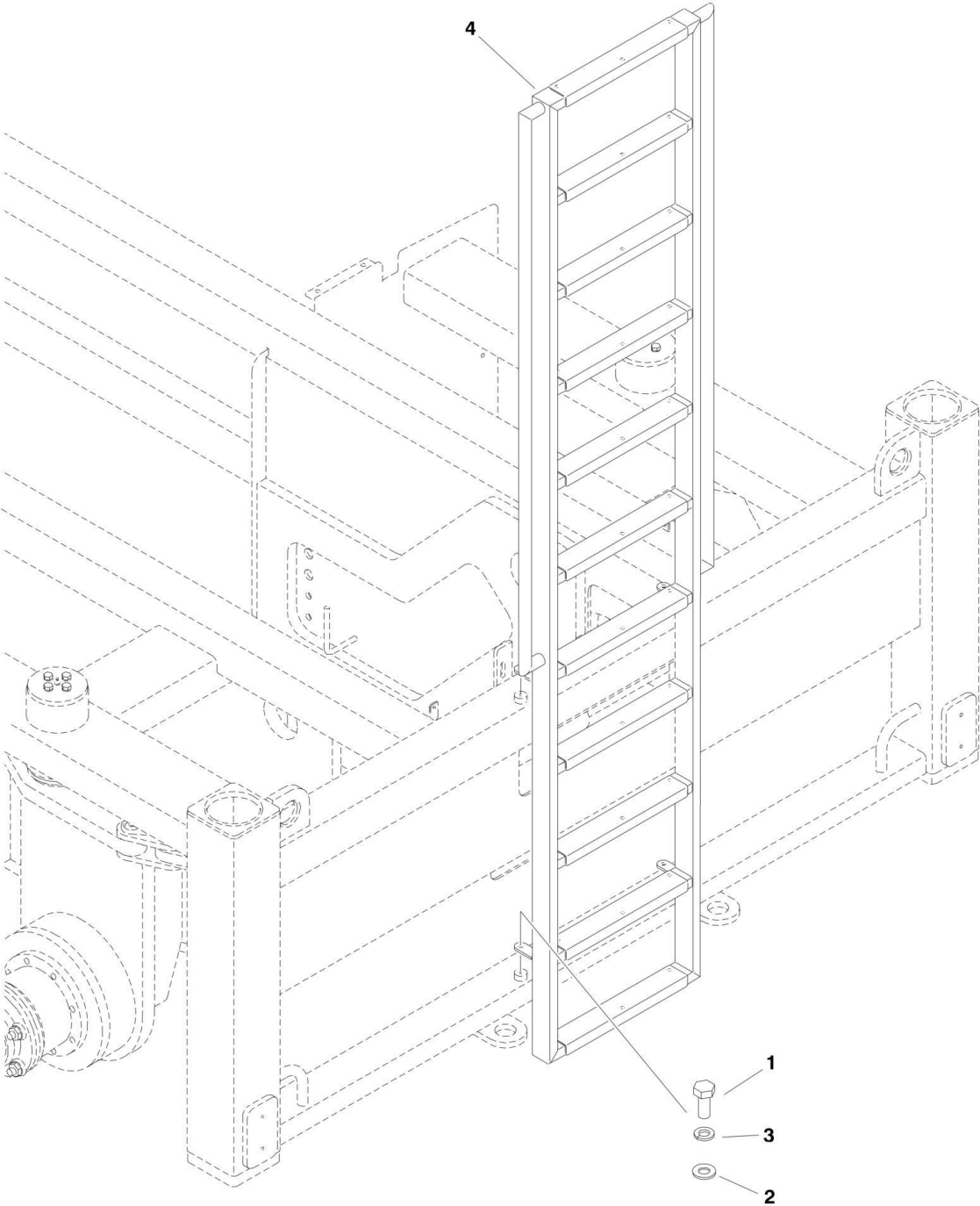


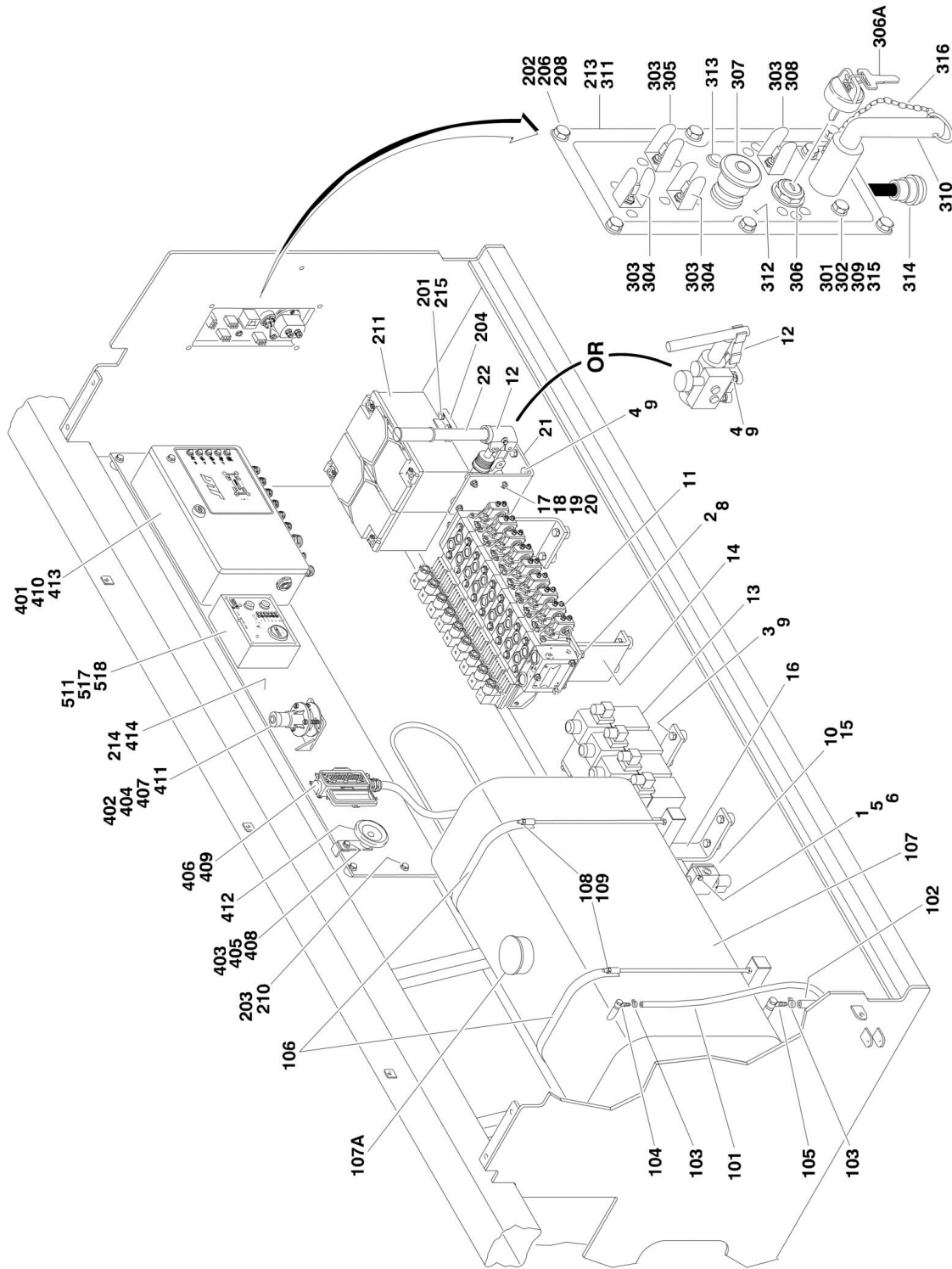
FIGURE 1-7. LADDER INSTALLATION

ITEM	PART NUMBER	QTY	DESCRIPTION	REV
		Ref	LADDER INSTALLATION	
	0275842	Ref	Ladder Installation 210-25	C
	0275570	Ref	Ladder Installation 245-25	C
1		Ref	Bolt M10 Options:	
1	0761012	4	25mm Length (SN 1200020465 through 1200020818)	
1	0761010	4	20mm Length (SN 1200020819 to Present)	
2	4812000	4	Flatwasher M10 (SN 1200020465 through 1200020819)	
3	4832000	4	Lockwasher M10	
4		Ref	Ladder Assembly Options:	
4	S900220	1	Ladder Assembly 210-25	
4	3820510	30	Rivet	
4	S004014	10	Tread Plate	
4	S201601	1	Ladder Assembly 245-25	
4	3820510	33	Rivet	
4	S004014	11	Tread Plate	

SECTION 2 - GROUND CONTROLS

SECTION 2 - GROUND CONTROLS

FIGURE 2-1. VALVE SIDE COMPONENTS INSTALLATION



SECTION 2 - GROUND CONTROLS

FIGURE 2-1. VALVE SIDE COMPONENTS INSTALLATION

ITEM	PART NUMBER	QTY	DESCRIPTION	REV
	0275593	Ref	VALVE INSTALLATIONS	E
1	0700617	2	Bolt M6 x 45mm	
2	0760813	4	Bolt M8 x 25mm	
3	0761014	12	Bolt M10 x 30mm	
4	0761015	4	Bolt M10 x 35mm	
5	3290605	2	Locknut M6	
6	4811700	4	Flatwasher M6	
8	4831900	4	Lockwasher M8	
9	4832000	16	Lockwasher M10	
10	H000019	1	Solenoid Valve	
10	7012986	1	Coil	
10	7012941	1	Cartridge	
10	7010543	1	Seal Kit - 7012941 Cartridge	
11	H000121	1	Main Valve Assembly (See MAIN VALVE ASSEMBLY for Breakdown)	
12		Ref	Hand Pump Assembly Options:	
12	H000285	1	Hand Pump Assembly (See HAND PUMP ASSEMBLY for Breakdown) (SN 1200020465 through 1200021262)	
12	320066	1	Hand Pump Assembly (No Breakdown Available at Time of Printing) (SN 1200021263 to Present)	
13	H000436	1	Drive Valve Assembly (See DRIVE VALVE ASSEMBLY for Breakdown)	
14	S201613	1	Bracket, Main Valve	
15	S900089	1	Bracket, RH Valve	
16	S900192	1	Bracket, LH Valve	
17	0700817	2	Bolt M8 x 45mm	
18	0700820	1	Bolt M8 x 60mm	
19	3290805	3	Locknut M8	
20	4811900	3	Flatwasher M8	
21	1001103611	1	Bracket, Hand Pump (SN 1200021263 to Present)	
22	DL0113	1	Lever, Hand Pump (SN 1200021263 to Present)	
	0275636	Ref	FUEL TANK INSTALLATION	D
101	H000038	16.5 ft/5m	Hose, Fuel Line (Return)	
102	H000039	16.5 ft/5m	Hose, Fuel Line (Supply)	
103	H000040	4	Clamp, Hose	
104	H000048	1	Fitting, Fuel Hose (Return)	
105	H000049	1	Fitting, Fuel Hose (Supply)	
106	H000051	2	Strap, Fuel Tank Mounting	
107	H000412	1	Tank, Fuel	
107A	70000902	1	Cap, Fuel	
108	3290805	2	Locknut M8	
109	4831900	4	Lockwasher M8	
110	471678	AR	Tie Strap (Not Shown)	
111	8007986	6	Mount, Tie Strap (Not Shown)	
	0275803	Ref	GROUND CONTROL INSTALLATION	E
201	0700815	4	Bolt M8 x 35mm	
202	0760610	6	Bolt M6 x 20mm	
203	0761010	4	Bolt M10 x 20mm	
204	1787217	2	Clamp, Battery Hold-Down	
206	3290605	6	Locknut M6	

SECTION 2 - GROUND CONTROLS

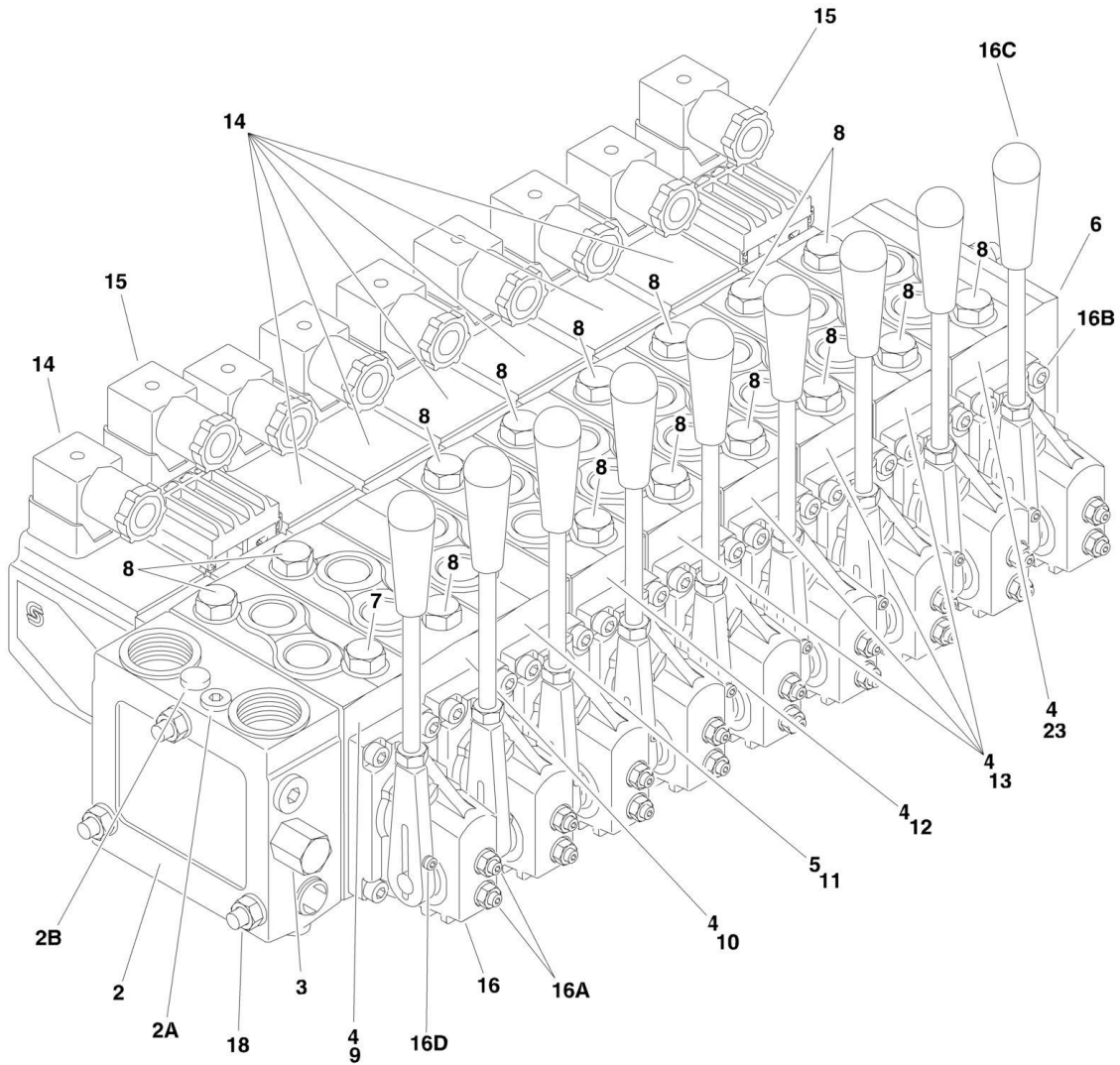
ITEM	PART NUMBER	QTY	DESCRIPTION	REV
208	4811700	12	Flatwasher M6	
210	4832000	4	Lockwasher M10	
211	8008750	2	Battery	
212		Ref	Loom / Shield, Cable Options (Not Shown):	
212	E000072	6 m/20ft	Loom / Shield, Cable (SN 1200020465 through 1200024998)	
212	E000009	6.3 m/21ft	Loom / Shield, Cable (SN 1200024999 to Present)	
213	E900032	1	Ground Control Panel Assembly (See Items 301-316 for Breakdown)	
214	E900073	1	Electrical Tray Assembly (See Items 401-414 for Breakdown)	
215	4831900	4	Lockwasher M8	
216	E000005	8.2 m/27ft	Loom / Shield, Cable (Not Shown) (SN 1200024999 to Present)	
217	E000084	3.3 m/11ft	Loom / Shield, Cable (Not Shown) (SN 1200024999 to Present)	
	E900032	Ref	GROUND CONTROL PANEL ASSEMBLY	F
301	0760608	2	Bolt M6 x 16mm	
302	3290605	2	Locknut M6	
303	4060802	4	Guard, Switch	
304	4360314	2	Switch, Toggle	
305	4360671	1	Switch, Toggle	
306	4360469	1	Switch, Key	
306A	2860030	1	Key, Replacement	
307	4360475	1	Switch, Emergency Stop	
307	7020176	1	Block, Contact	
308	4360698	1	Switch, Toggle	
309	4811700	3	Flatwasher M6	
310	E000059	1	Switch, Battery Isolator	
310	70001114	1	Handle	
311	E900033	1	Plate, Switch Mounting	
312	E900034	1	Decal, Ground Control	
313	E900048	1	Light, Indicator	
314	E900055	1	Harness, Ground Control (See ELECTRICAL SECTION for Breakdown)	
315	4811702	1	Flatwasher M6 (Wide)	
316	S001443	1	Chain Assembly (Includes Mounting Plate and Attaching Ring)	
	E900073	Ref	ELECTRICAL TRAY ASSEMBLY	D
401	0760605	4	Bolt M6 x 10mm	
402	0760610	4	Bolt M6 x 20mm	
403	0760810	1	Bolt M8 x 20mm	
404	3290605	4	Locknut M6	
405	3290805	1	Locknut M8	
406	4031605	4	Capscrew M5 x 10mm	
407	4811700	8	Flatwasher M6	
408	4811900	2	Flatwasher M8	
409	4831600	4	Lockwasher M5	
410	4831700	4	Lockwasher M6	
411	E000044	1	Switch, Tilt	
412	E000063	1	Horn	
413	E900064	1	Terminal Box Assembly (See MAIN TERMINAL BOX ASSEMBLY for Breakdown)	
414	S200265	1	Panel, Electrical Carrier	
	0275567	Ref	ENGINE INSTALLATION	G
511	1001094781	1	Control Box, Deutz Engine	
511	70001352	1	PC Board with LEDs	

SECTION 2 - GROUND CONTROLS

ITEM	PART NUMBER	QTY	DESCRIPTION	REV
511	70001353	1	E-Prom w/Software	
511	70001355	1	Diode	
511	70000634	1	Hourmeter	
511	70000635	2	Switch, Pushbutton	
511	70001122	4	Mount, Vibration	
517	3290405	4	Locknut M4	
518	4811400	4	Flatwasher M4	

SECTION 2 - GROUND CONTROLS

FIGURE 2-2. MAIN VALVE ASSEMBLY



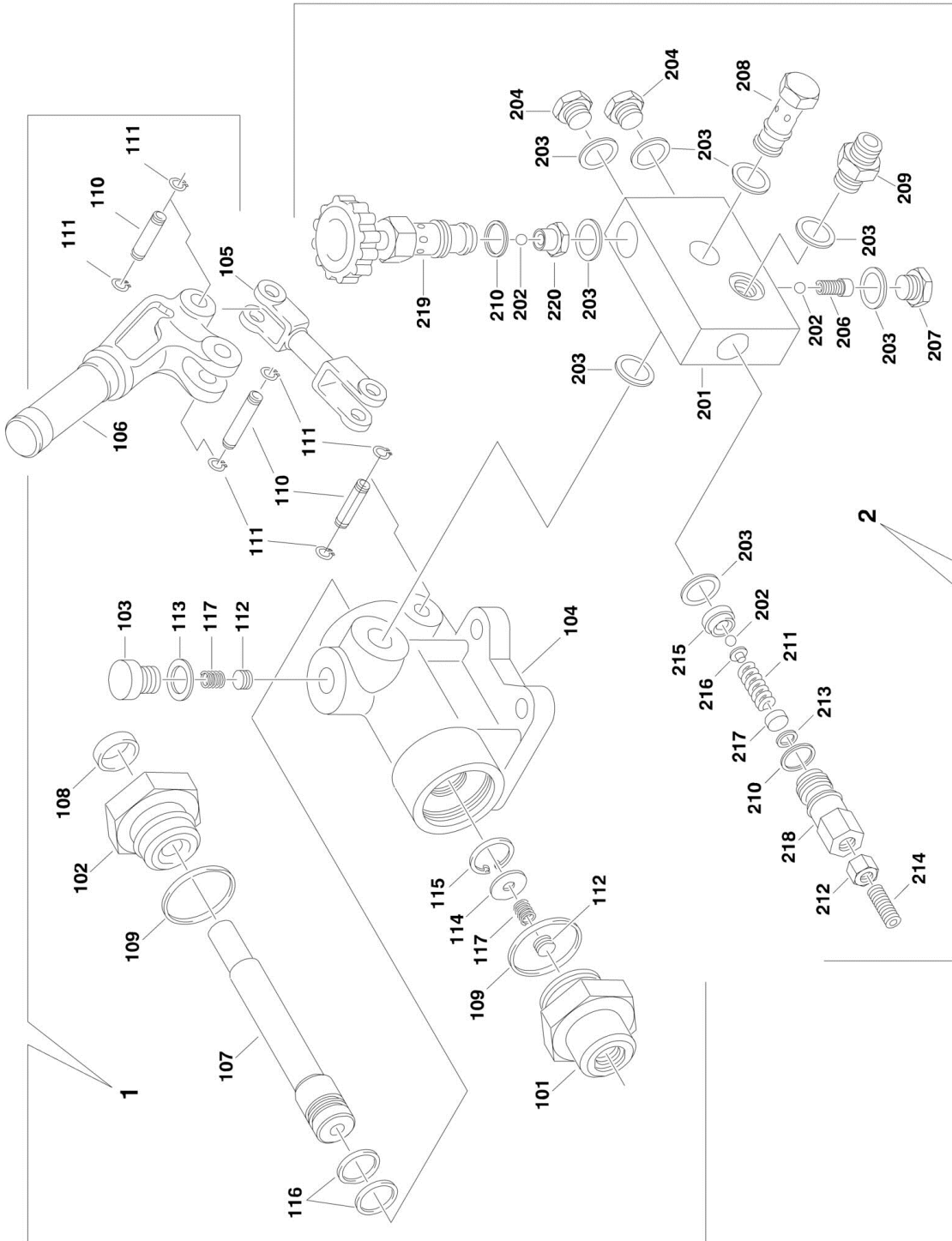
SECTION 2 - GROUND CONTROLS

FIGURE 2-2. MAIN VALVE ASSEMBLY

ITEM	PART NUMBER	QTY	DESCRIPTION	REV
	H000121	Ref	MAIN CONTROL VALVE ASSEMBLY	E
2	H000116	1	Section, Pump (Left Side)	
2	8007939	1	Seal Kit - H000116 Section	
2A	8007944	1	Pilot Supply Assembly	
2B	7027912	1	Relief Assembly	
3	H000352	1	External Pilot Supply	
4	7028847	8	Valve Section (With Relief Valve) (All Functions Except Lift) (Was p/n H000188)	
4	H000031	8	Seal Kit - 7028847 Section (Use p/n 8007935)	
5	H000542	1	Valve Section (Without Relief Valve) (Lift Functions Only)	
5	H000031	1	Seal Kit - H000542 Section (Use p/n 8007935)	
6	H000580	1	End Plate	
6	See Note	NSS	Seal Kit - H000580 Section (Note: Use Item 18)	
7	H000609	1	Valve, Relief (Platform Function Only)	
8	H005250	15	Valve, Relief (All Functions Except Lift Function)	
9	H000514	1	Spool (Platform)	
10	H005279	1	Spool (Drive 2)	
11	H000516	1	Spool (Lift)	
12	H000207	1	Spool (Steer)	
13	H000389	4	Spool (Outrigger)	
14	H000191	7	Electrical Activator (on-off) (All Functions Except Drive and Drive 2)	
14	H000032	7	Seal Kit - H000191 Electrical Activator (Use p/n 8007954)	
14	7028846	28	Screw, Mounting	
14	7028849	7	DIN Connector (Black)	
15	H000206	2	Electrical Activator (Proportional High) (Drive and Drive 2 Functions)	
15	H000032	2	Seal Kit - H000206 Electrical Activator (Use p/n 8007954)	
15	7028846	8	Screw, Mounting	
15	8007953	2	DIN Connector (White)	
16	7028893	8	Mechanical Activation Assembly (Was p/n H000187)	
16	H005248	8	Seal Kit - 7028893 Mechanical Activator (Use p/n 8007894)	
16A	1003107	16	Nut, Seal (2 per Assembly)	
16A	8007915	16	Pin, Threaded (2 per Assembly)	
16B	0318854	32	Screw (4 per Assembly)	
16C	H005247	8	Base and Lever Assembly (1 per Assembly)	
16D	0307544	8	Screw (1 per Assembly)	
16D	0893076	8	Washer (1 Per Assembly)	
18	H000397	1	Assembly Kit (Includes Hardware and Seals for Between Valve Sections)	
18	7028848	9	Seal Kit for Between Valve Sections (Was p/n H005249) (Note: One Seal Kit does both sides of section.)	
23	H000514	1	Spool (Drive 1)	

SECTION 2 - GROUND CONTROLS

FIGURE 2-3. HAND PUMP ASSEMBLY



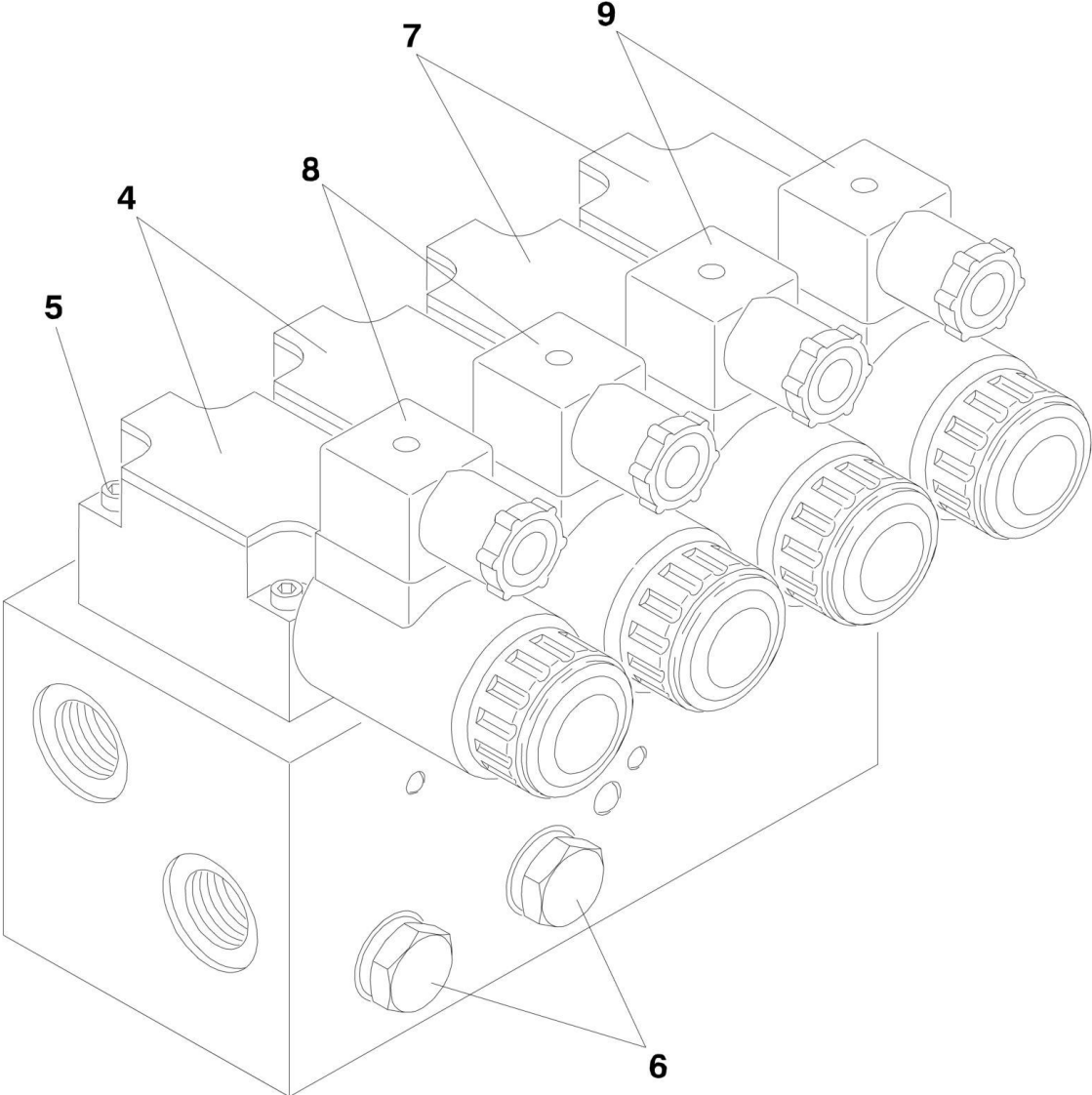
SECTION 2 - GROUND CONTROLS

FIGURE 2-3. HAND PUMP ASSEMBLY

ITEM	PART NUMBER	QTY	DESCRIPTION	REV
	H000285	Ref	HAND PUMP ASSEMBLY	E
1	70000513	1	Pump Assembly (See Items 101-117 for Breakdown)	
2	70000528	1	Valve Assembly (See Items 201-220 for Breakdown)	
	70000513	Ref	PUMP ASSEMBLY	
101	70000514	1	Valve, Suction	
102	See Note	1	Plug (Note: Not Available - Purchase Locally)	
103	See Note	1	Plug (Note: Not Available - Purchase Locally)	
104	See Note	1	Body (Note: Not Available - Purchase Pump Assembly)	
105	70000515	1	Rod, Connecting	
106	70000516	1	Lever	
107	70000517	1	Piston	
108	70000518	1	Seal	
109	70000519	2	Seal	
110	70000520	2	Pin	
111	70000521	6	Ring, Retaining	
112	70000522	2	Ball	
113	70000523	1	Ring	
114	70000524	1	Washer	
115	70000525	1	Ring, Internal Retaining	
116	70000526	2	Seal	
117	70000527	2	Spring	
	70000528	Ref	VALVE ASSEMBLY	
201	See Note	1	Body (Note: Not Available - Purchase Valve Assembly)	
202	70000529	3	Ball	
203	70000530	8	Ring	
204	See Note	2	Bolt M8 x 8m (Note: Not Available - Purchase Locally)	
205	70000531	1	Spinner (Not Shown)	
206	70000532	1	Spring	
207	See Note	1	Plug (Note: Not Available - Purchase Locally)	
208	70000533	1	Screw	
209	70000534	1	Fitting, Straight	
210	70000535	2	Seal	
211	70000536	1	Spring	
212	See Note	1	Nut M10 (Note: Not Available - Purchase Locally)	
213	70000537	1	Seal	
214	See Note	1	Setscrew (Note: Not Available - Purchase Locally)	
215	70000538	1	Relief, Valve	
216	70000539	1	Pin, Ball Driving	
217	70000540	1	Plate, Seal	
218	70000541	1	Valve Body	
219	70000542	1	Knob Assembly	
220	70000543	1	Valve Body	

SECTION 2 - GROUND CONTROLS

FIGURE 2-4. DRIVE VALVE ASSEMBLY



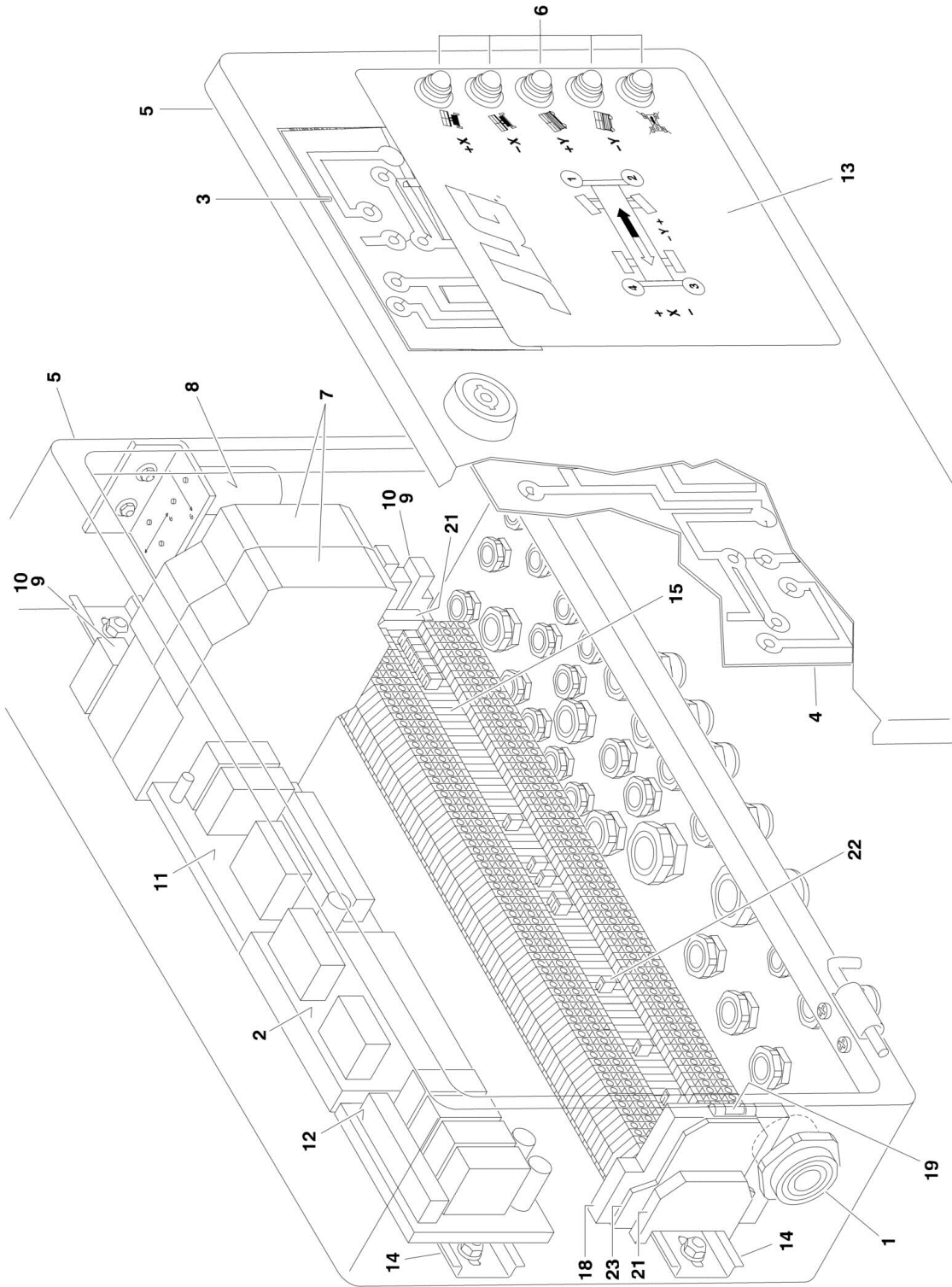
SECTION 2 - GROUND CONTROLS

FIGURE 2-4. DRIVE VALVE ASSEMBLY

ITEM	PART NUMBER	QTY	DESCRIPTION	REV
	H000436	Ref	DRIVE VALVE ASSEMBLY	D
4	70000269	2	Spool Valve	
4	70000385	AR	Coil (Note: Coil Nut, and Seal Kit Not Currently Available)	
5	70000270	16	DIN Screw	
6	70000267	2	Flow Divider	
7	70000271	2	Spool Valve	
7	70000385	AR	Coil (Note: Coil Nut, and Seal Kit Not Currently Available)	
8	70000333	2	DIN Connector (Gray)	
9	70000332	2	DIN Connector (Black)	

SECTION 2 - GROUND CONTROLS

FIGURE 2-5. MAIN TERMINAL BOX ASSEMBLY



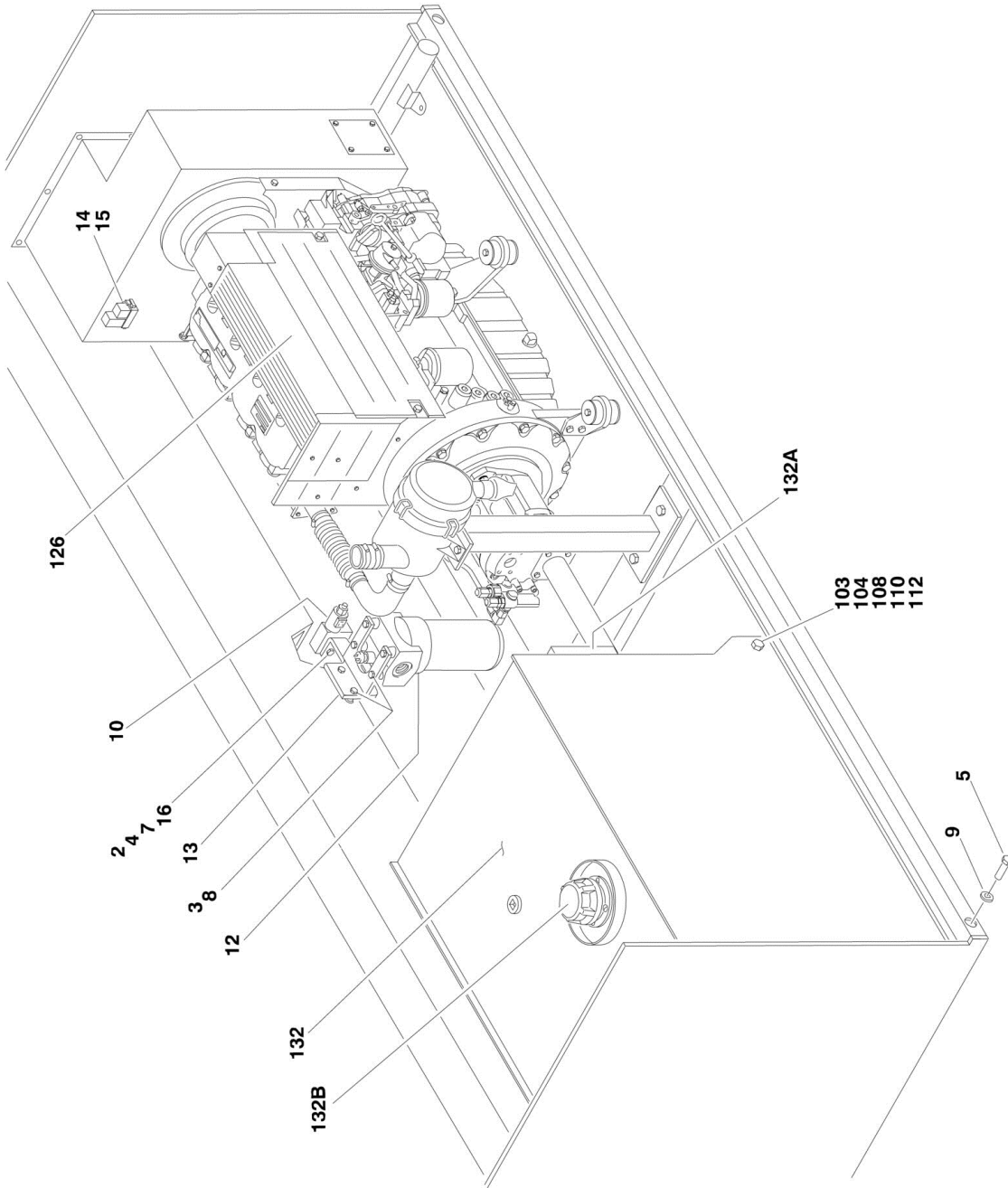
SECTION 2 - GROUND CONTROLS

FIGURE 2-5. MAIN TERMINAL BOX ASSEMBLY

ITEM	PART NUMBER	QTY	DESCRIPTION	REV
	E900064	Ref	MAIN TERMINAL BOX ASSEMBLY	H
1	0140011	1	Alarm	
2	E000189	1	Card, Pump	
3	E000214	1	Card, Nivelux Control	
4	1001112938	1	Card, Complex Control	
5	E000375	1	Housing, Control Box	
6	E000419	5	LED, Red	
7	E000457	2	Relay	
8	E001206	1	Sensor, Level	
9	E001375	2	Relay	
10	E001376	2	Base, Relay	
11	1001094642	1	Card, Trigger Control	
12	1001094641	1	Card, LSS and Time Override	
13	E900057	1	Decal, Cover	
14	E900059	2	Rail, DIN	
15	1001093353	75	Block, Terminal	
18	1001092405	1	Holder, Fuse	
19	1001092406	1	Fuse, 10A	
20	1001093354	1	Plate, Terminal Intermediate (Not Shown)	
21	1001093355	2	Stop, Terminal End	
22	1001093361	17	Terminal, Jumper	
23	1001093379	1	Plate, Terminal End	
24	70000952	1	Connector (2 Pin for Nivelux Board - Not Shown)	
25	70000953	2	Connector (3 Pin for Nivelux Board - Not Shown)	
26	70000954	1	Connector (4 Pin for Nivelux Board - Not Shown)	
27	70000955	1	Connector (8 Pin for Complex Board - Not Shown)	
28	70000956	4	Connector (12 Pin for Nivelux and Complex Board - Not Shown)	
29	70003616	1	Connector (6 Pin for Nivelux and Complex Board - Not Shown)	
	1001097469	Ref	TERMINAL BRIDGE INSTALLATION (210-25 ONLY)	A
101	1001093361	1	Terminal, Jumper (Not Shown)	

SECTION 2 - GROUND CONTROLS

FIGURE 2-6. ENGINE SIDE COMPONENTS INSTALLATION



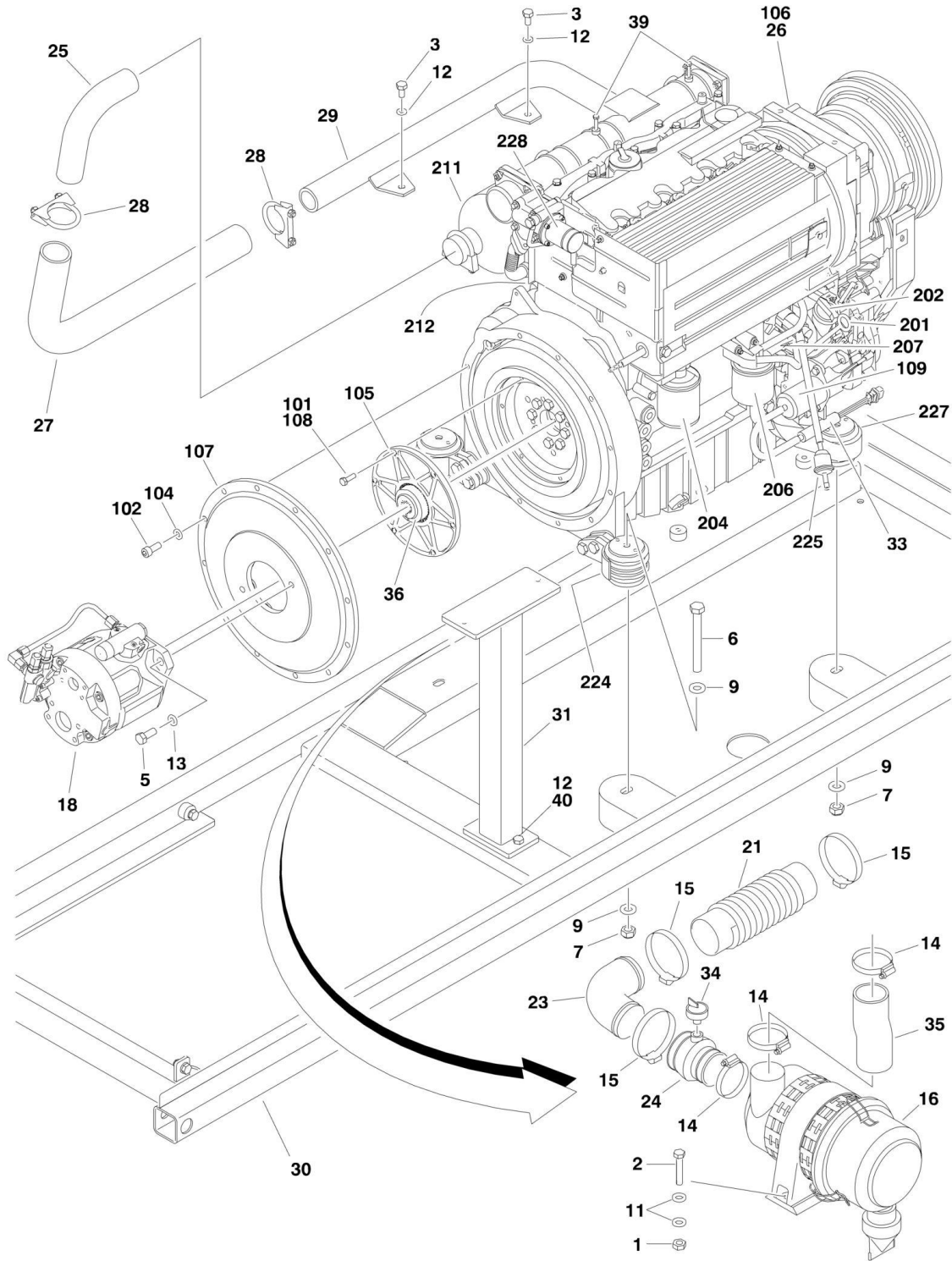
SECTION 2 - GROUND CONTROLS

FIGURE 2-6. ENGINE SIDE COMPONENTS INSTALLATION

ITEM	PART NUMBER	QTY	DESCRIPTION	REV
	0275567	Ref	ENGINE SIDE COMPONENTS INSTALLATION	G
2	0700620	2	Bolt M6 x 60mm	
3	0761010	6	Bolt M10 x 20mm	
4	3290605	2	Locknut M6	
5	4032310	2	Capscrew M16 x 30mm	
6	4032316	2	Capscrew M16 x 60mm (Not Shown - Supports Tray Rails in Frame)	
7	4811700	4	Flatwasher M6	
8	4832000	6	Lockwasher M10	
9	4832300	2	Lockwasher M16	
10	H000077	1	Valve, Directional Control	
10	7017444	1	Coil	
10	7017414	1	Cartridge	
10	2900708	1	Seal Kit - 7017414 Cartridge	
12	H900073	1	Filter, Hydraulic	
12	70000900	1	Element	
13	1001091921	1	Bracket, Oil Filter	
14	0760505	2	Bolt M5 x 10mm	
15	4831600	2	Lockwasher M5	
16	3290801	2	Nut M8	
	0275662	Ref	ENGINE AND TANK INSTALLATION	K
103	0761010	1	Bolt M10 x 20mm	
104	0761012	2	Bolt M10 x 25mm	
108	3291005	2	Locknut M10	
110	4812000	4	Flatwasher M10	
112	4832000	1	Lockwasher M10	
126	1001098950	1	Deutz Engine Assembly (See ENGINE INSTALLATION For Breakdown)	
132	1001091145	1	Hydraulic Tank Assembly	
132A	H000013	1	Gauge, Hydraulic Oil Level	
132B	H000241	1	Breather	
137	4031708	8	Bolt M6 x 20mm (Not Shown - Located on Front of Hydraulic Tank)	
138	H000122	1	Valve, Lock-up (Not Shown - Located on Front of Hydraulic Tank)	

SECTION 2 - GROUND CONTROLS

FIGURE 2-7. ENGINE INSTALLATION



SECTION 2 - GROUND CONTROLS

FIGURE 2-7. ENGINE INSTALLATION

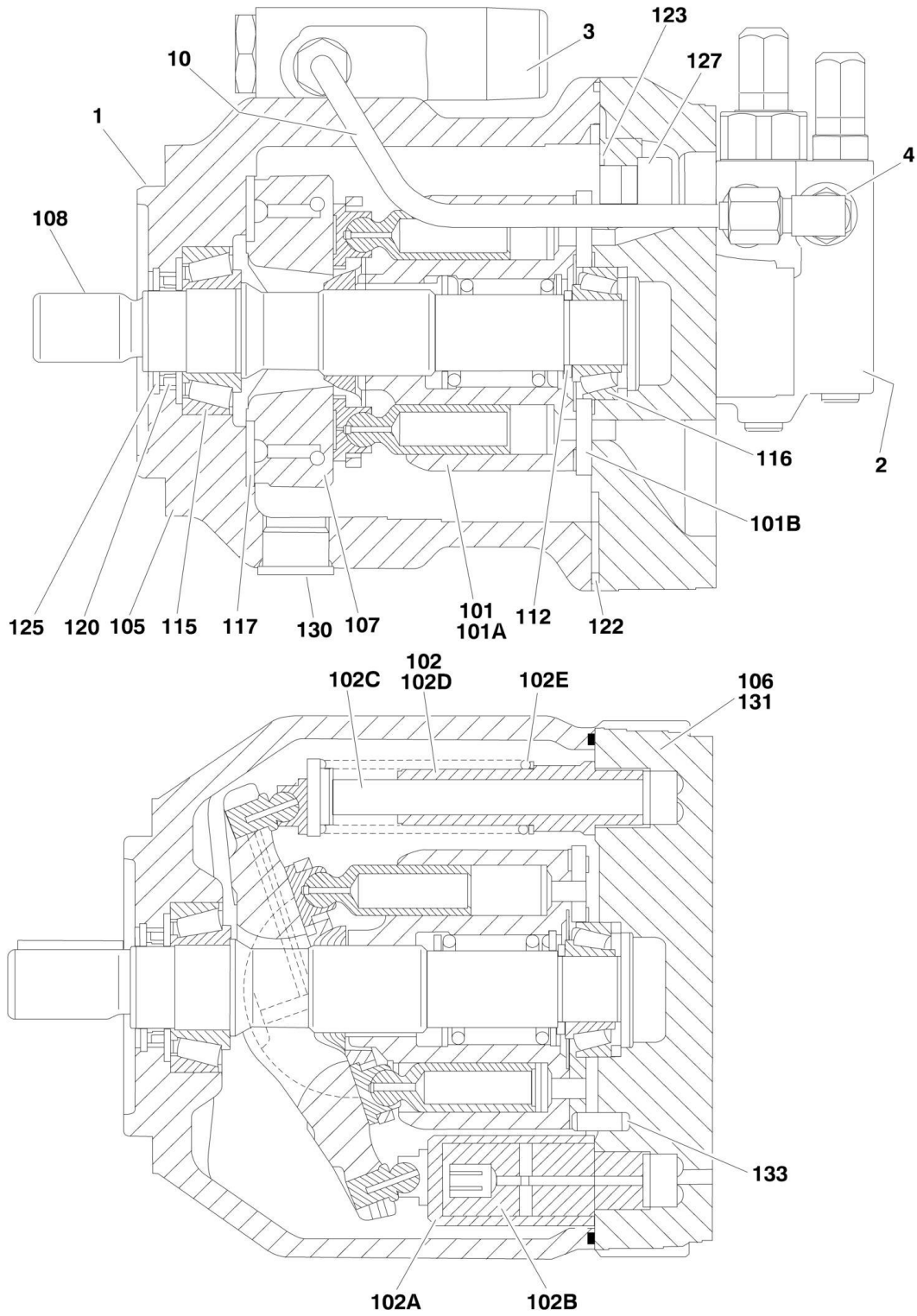
ITEM	PART NUMBER	QTY	DESCRIPTION	REV
	0275662	Ref	ENGINE INSTALLATION	K
1	3290805	2	Locknut M8	
2	0760817	2	Bolt M8 x 45mm	
3	0761010	3	Bolt M10 x 20mm	
5	0761214	2	Bolt M12 x 30mm	
6	0761228	4	Bolt M12 x 110mm	
7	3291205	4	Locknut M12	
9	4812100	8	Flatwasher M12	
11	4811900	4	Flatwasher M8	
12	4832000	5	Lockwasher M10	
13	4832100	2	Lockwasher M12	
14	8005376	3	Clamp, Hose	
15	8405204	3	Clamp, Hose	
16	1001091198	1	Air Cleaner Assembly	
16	70000054	1	Filter, Safety (Inner)	
16	H005232	1	Filter, Primary (Outer)	
18	H000220	1	Pump Assembly (See PISTON PUMP ASSEMBLY for Breakdown)	
21	H005234	1	Hose, Air Intake	
23	H005238	1	Elbow, Air Intake	
24	H005242	1	Sleeve, Reducing	
25	H900066	1	Pipe, Exhaust	
26	1001098950	1	Deutz Engine Assembly (See Items 101- 109 for Breakdown)	
27	S005171	1	Pipe, Exhaust Flex	
28	S005172	2	Clamp, Exhaust	
29	S201602	1	Tailpipe	
30	S201610	1	Tray, Engine	
31	S201614	1	Bracket, Air Cleaner	
33	1001091513	1	Bracket, Solenoid Wiring Loom	
34	1001091514	1	Indicator, Air Cleaner Clog	
35	1001092803	1	Hose, Air Intake	
36	1001093796	1	Hub, Coupling	
39	0760614	2	Bolt M6 x 30mm	
40	0761014	2	Bolt M10 x 30mm	
41	8007986	16	Mount, Tie Strap (Not Shown)	
42	471678	AR	Strap, Tie (Not Shown)	
	1001098950	Ref	ENGINE ASSEMBLY	B
101	0760812	6	Bolt M8 x 25mm	
102	4032009	11	Capscrew M10 x 25mm	
104	4832000	11	Lockwasher M10	
105	1001093793	1	Flange, Coupling	
106	1001098951	1	Engine, Deutz F4L2011F (See Items 201- 235 for Breakdown)	
107	H004083	1	Flange, Pump Mounting	
108	0100011	AR	Compound, Locking	
109	H005224	1	Throttle Control Assembly	B
109	70000055	1	Solenoid	
109	70000056	1	Cable, Electrical	
109	70003217	1	Bracket	
109	70004458	1	Lever/Arm	
	1001098951	Ref	ENGINE COMPONENTS	C
201	70000043	1	Dipstick	

SECTION 2 - GROUND CONTROLS

ITEM	PART NUMBER	QTY	DESCRIPTION	REV
202	7020465	1	Cap, Filler	
203	70001850	1	Pump, Oil Lube (Not Shown)	
203	7020468	1	Seal Between Oil Pump and Engine Block (Not Shown)	
204	7016331	1	Filter, Oil	
205	70000912	AR	Pump, Injector - A (Not Shown)	
205	70000913	AR	Pump, Injector - B (Not Shown)	
205	70000914	AR	Pump, Injector - C (Not Shown)	
205	70000915	AR	Pump, Injector - D (Not Shown)	
205	See Note	4	Gasket (1 per Injector) (Not Shown) (Note: Not Available for Purchase)	
206	7020023	1	Filter, Fuel	
207	70000916	1	Pump Fuel Supply	
207	70000917	1	O-Seal Between Fuel Pump and Engine Block (Not Shown)	
208	7020449	4	Gasket, Intake Manifold (Not Shown)	
209	70000075	1	V-Belt (Not Shown)	
210	70001845	4	Gasket, Muffler to Cylinder Head (Not Shown)	
211	70001843	1	Muffler	
212	70000059	1	Starter	
212	70001852	1	Solenoid, Starter	
214	70001851	1	Sender, Temperature (Not Shown)	
214	7020480	1	Ring, Sealing	
215	7016330	1	Switch, Oil Pressure (Not Shown)	
216	70000062	1	Solenoid, Shutdown (Bolts to Front of Engine - Not Shown)	
216	70000061	1	Spring	
216	7027249	1	Seal, O-Ring	
218	70000073	1	Solenoid, Start (Threads into Side of Front Cover - Not Shown)	
218	70000074	1	O-Ring	
220	70000922	2	Plug, Glow (Not Shown)	
220	7020492	2	Sealing Ring	
221	7020459	1	Thermostat (Not Shown)	
223	70000264	1	Flywheel (Not Shown)	
223	7024579	1	Gear, Ring (Not Shown)	
224	70001138	2	Mount Assembly, Rear Engine	
225	See Note	1	Filter, Fuel In-line (Note: Not Available for Purchase)	
226	70001136	1	Mount Assembly, Left Front (Not Shown)	
227	70001137	1	Mount Assembly, Right Front	
228	70001841	1	Valve, EGR	
229	70001835	1	Gasket, EGR Valve Housing to EGR Manifold (Not Shown)	
230	70001836	1	Gasket, EGR Manifold to Cylinder Head (Not Shown)	
231	70001837	1	Gasket, EGR Valve Housing to EGR Pipe (Not Shown)	
232	70001838	2	Gasket, EGR Pipe Adapter to Cylinder Head (Not Shown)	
233	70001840	1	Restrictor, EGR (Not Shown)	
234	70000057	1	Generator (Not Shown)	
234	70000058	1	Regulator, Voltage	
235	See Note	1	Valve, Oil Drain (Not Shown) (Note: Not Available for Purchase)	
235	70002740	1	Hose, Oil Drain (Not Shown)	

SECTION 2 - GROUND CONTROLS

FIGURE 2-8. PISTON PUMP ASSEMBLY



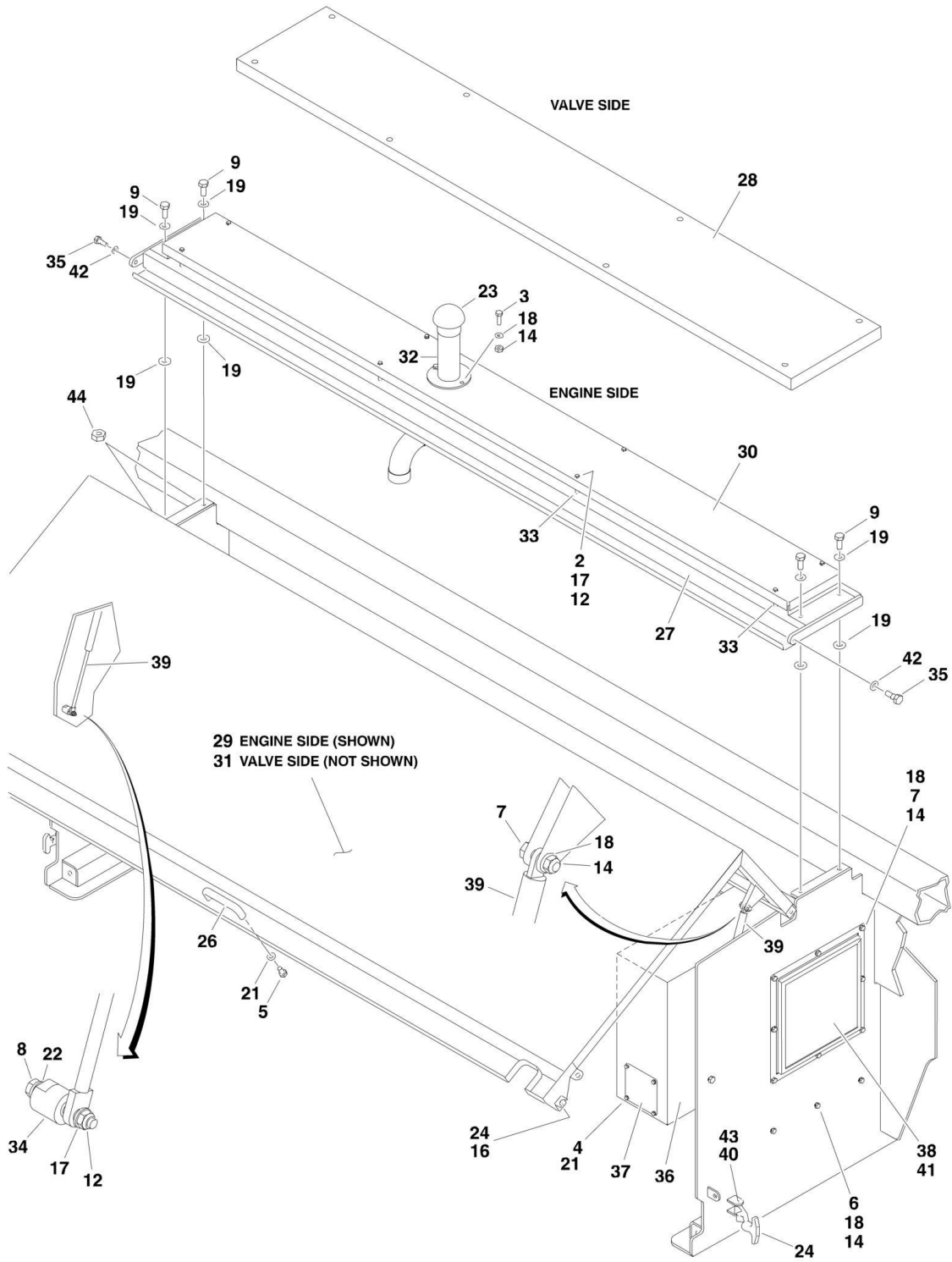
SECTION 2 - GROUND CONTROLS

FIGURE 2-8. PISTON PUMP ASSEMBLY

ITEM	PART NUMBER	QTY	DESCRIPTION	REV
	H000220	Ref	PISTON PUMP ASSEMBLY	C
1	70003737	1	Pump (See Items 101-133 for Breakdown)	
2	70003738	1	Valve, Control	
2	70021667	1	Gasket (Between Pump and Valve)	
2	7024954	4	Bolt, M6 x 30mm	
3	70003739	1	Valve, Control	
3	70003751	1	Gasket (Between Pump and Valve)	
3	70003752	1	Bolt, M6 x 16mm	
3	70003753	2	Bolt, M6 x 25mm	
3	70003754	1	Cap, Tamper Proof	
4	70003740	1	Fitting, Adapter	
4	70003755	1	O-Ring	
10	70003741	1	Tube	
	70003737	Ref	PUMP ASSEMBLY	
101	70003173	1	Rotary Group	
101A	See Note	NSS	Hydraulic Section, Rotary Group (Note: Not Available - Purchase p/n 70003173)	
101B	70003750	1	Plate, Control	
102	70003742	1	Control Mechanism	
102A	See Note	NSS	Piston, Control (Note: Not Available - Use p/n 70003742)	
102B	See Note	NSS	Guide, Piston (Note: Not Available - Use p/n 70003742)	
102C	See Note	NSS	Piston (Note: Not Available - Use p/n 70003742)	
102D	See Note	NSS	Guide, Piston (Note: Not Available - Use p/n 70003742)	
102E	See Note	NSS	Spring (Note: Not Available - Use p/n 70003742)	
105	See Note	NSS	Housing, Pump (Note: Not Available - Use p/n 70003737)	
106	70003743	1	Control Mechanism	
107	70003744	1	Plate, Swash	
108	70003175	1	Shaft, Drive	
112	7012709	1	Shim	
115	7024038	1	Bearing, Roller	
116	7012706	1	Bearing, Roller	
117	70003745	2	Liner, Bearing	
120	7024818	1	Seal Ring, Shaft	
122	70003746	1	Seal Ring, Shaft	
123	70003747	4	O-Ring	
125	70003177	1	Ring, Retainer	
127	70003748	4	Bolt	
130	70003749	1	Plug	
131	70003340	1	Plug	
133	7024952	1	Plug	

SECTION 2 - GROUND CONTROLS

FIGURE 2-9. HOODS INSTALLATION



SECTION 2 - GROUND CONTROLS

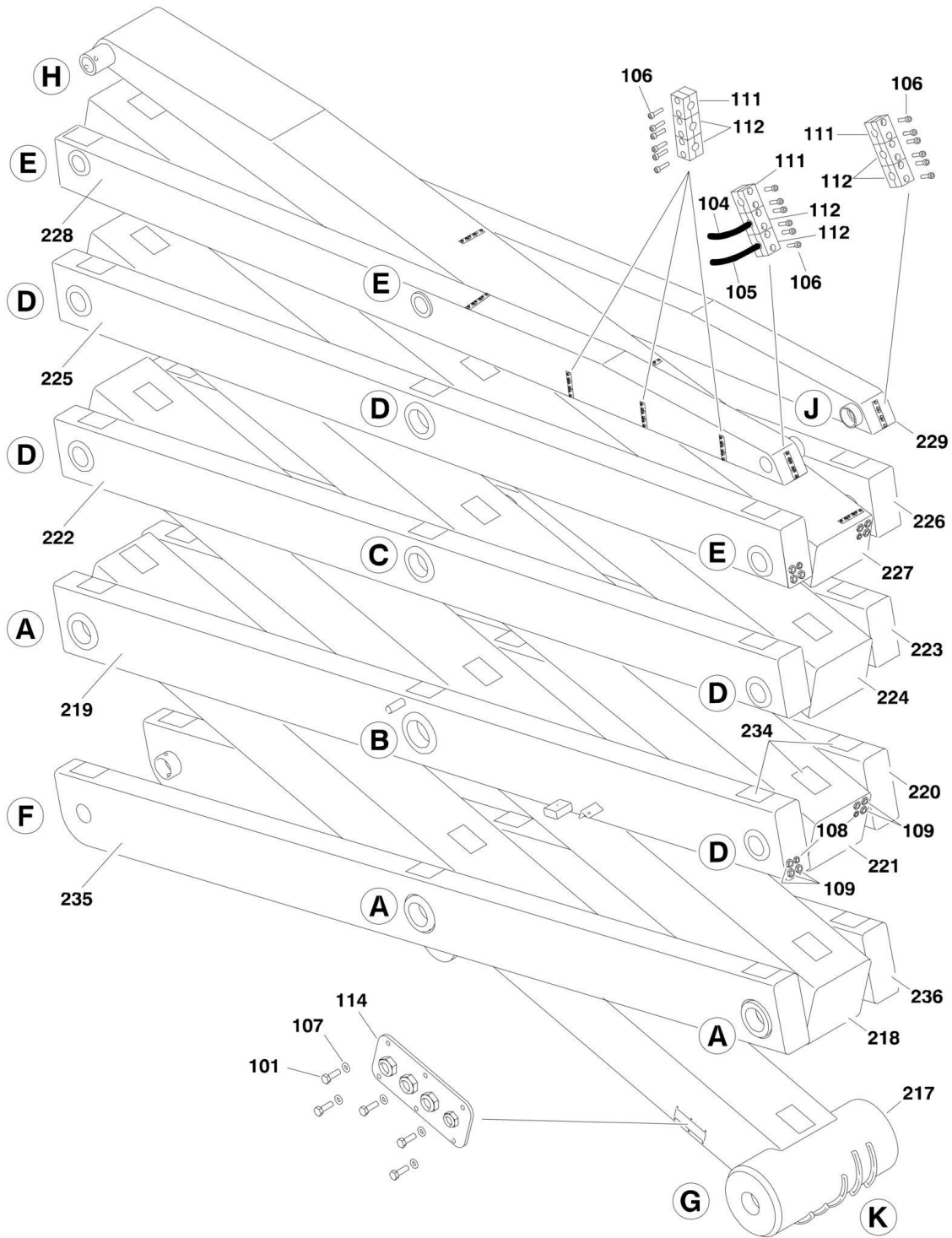
FIGURE 2-9. HOODS INSTALLATION

ITEM	PART NUMBER	QTY	DESCRIPTION	REV
	0275568	Ref	HOODS INSTALLATION	F
		Ref	Note: Replacement decals must be ordered separately - See DECALS SECTION.	
1	0700518	4	Bolt M5 x 55mm	
2	0700621	16	Bolt M6 x 65mm	
3	0700812	2	Bolt, M8 x 25mm	
4	0760605	4	Bolt M6 x 10mm	
5	0760606	4	Bolt M6 x 12mm	
6	0760812	AR	Bolt M8 x 25mm	
7	0760814	AR	Bolt M8 x 30mm	
8	0761010	4	Bolt M10 x 20mm	
9	0761014	8	Bolt M10 x 30mm	
12	3290605	20	Locknut M6	
14	3290805	16	Locknut M8	
16	3820408	8	Rivet	
17	4811700	36	Flatwasher M6	
18	4811900	32	Flatwasher M8	
19	4812000	16	Flatwasher M10	
21	4831700	8	Lockwasher M6	
22	4832000	4	LockwasherM10	
23	H005235	1	Cover, Protection	
24	S000056	4	Strap, Hood	
26	S001676	2	Handle	
27	S201604	2	Panel, Cabinet Top Filler	
28	S201605	1	Cover, Top (Engine Side)	
29	S201606	1	Hood (Engine Side)	
30	S201608	1	Cover, Top (Valve Side)	
31	S201609	1	Hood (Valve Side)	
32	S201661	1	Tube, Air Intake	
33	S900060	16	Spacer	
34	S900078	4	Pin	
35	S900079	4	Bolt, Special	
36	S900091	1	Air duct	
37	S900092	1	Cover, Cleaning	
38	S900093	1	Grid, Safety	
39	1001093028	4	Spring, Gas	
40	4811600	8	Flatwasher M5	
41	4831900	1	Lockwasher M8	
42	4832100	4	Lockwasher M12	
43	3290505	4	Locknut M5	
44	3291005	8	Locknut M10	

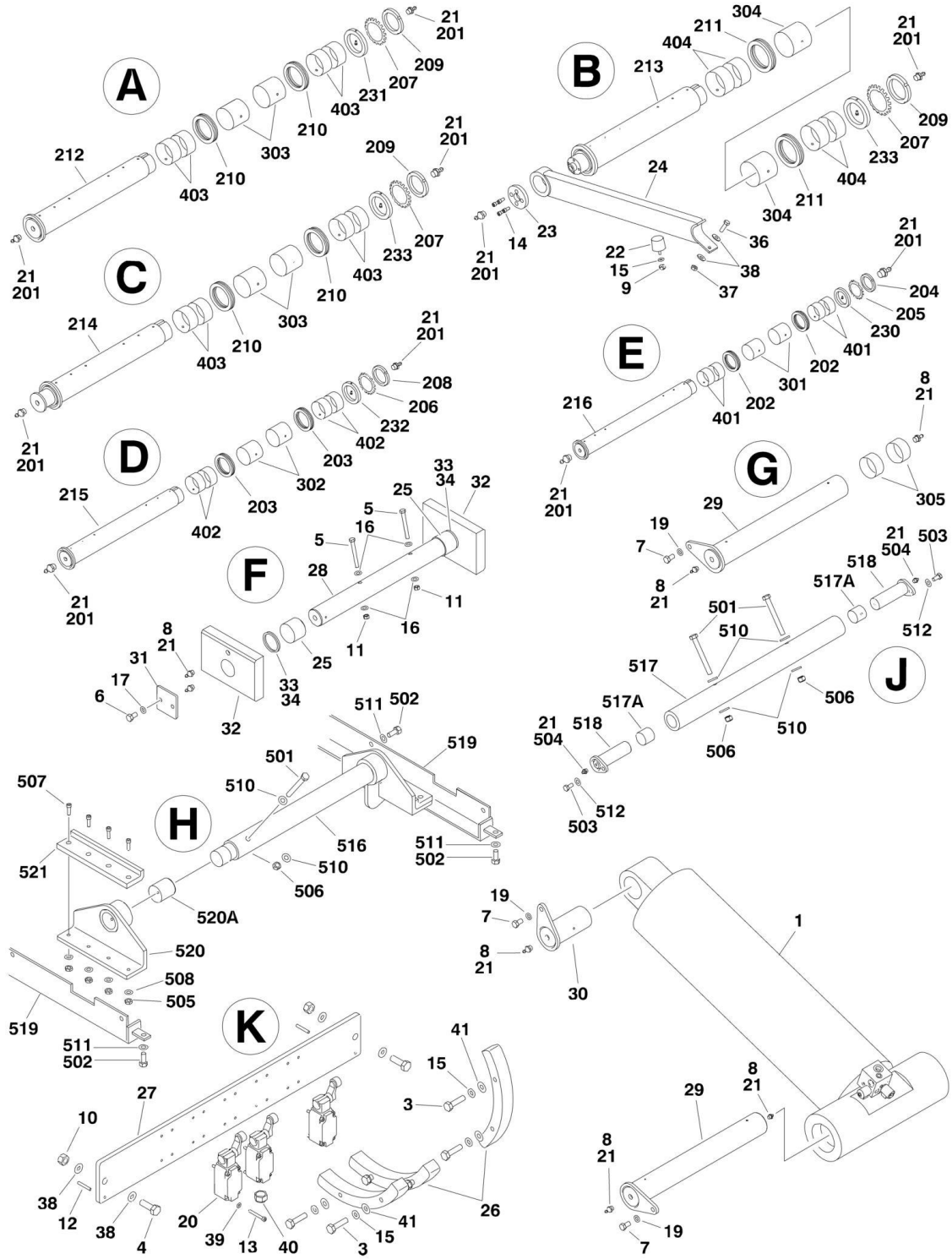
SECTION 3 - SCISSORS ARMS

SECTION 3 - SCISSORS ARMS

FIGURE 3-1. SCISSORS ARMS INSTALLATION (210-25)



SECTION 3 - SCISSORS ARMS



SECTION 3 - SCISSORS ARMS

FIGURE 3-1. SCISSORS ARMS INSTALLATION (210-25)

ITEM	PART NUMBER	QTY	DESCRIPTION	REV
	0275847	Ref	SCISSOR ARMS INSTALLATION	E
1	0275610	1	Lift Cylinder with Valve Assembly (See CYLINDER SECTION for Breakdown)	
3	0701015	6	Bolt M10 x 35mm	
4	0701217	2	Bolt M12 x 45mm	
5	0701631	2	Bolt M16 x 140mm	
6	0760605	4	Bolt M6 x 10mm	
7	0762015	3	Bolt M20 x 35mm	
8	2160016	9	Fitting, Grease	
9	3291005	1	Locknut M10	
10	3291207	2	Locknut M12	
11	3291605	2	Locknut M16	
12	3440816	2	Rollpin	
13	4031612	12	Bolt M5 x 40mm	
14	4032111	4	Bolt M12 x 35mm	
15	4812000	7	Flatwasher M10	
16	4812300	4	Flatwasher M16	
17	4831700	4	Lockwasher M6	
19	4832500	3	Lockwasher M20	
20	E000376	3	Switch, Limit	
21	S000142	35	Cap, Grease Fitting	
22	S001592	1	Bumper	
23	S200094	1	Lockwasher	
24	S200095	1	Prop, Safety	
25	S200100	2	Spacer	
26	S200132	3	Cam	
27	S900111	1	Plate, Switch Mounting	
28	S900125	1	Pin	
29	S900126	2	Pin	
30	S900127	1	Pin	
31	S900288	2	Plate, Cover	
32	S900312	2	Block, Slide	
33	S900329	AR	Shim, 2mm	
34	S900330	AR	Shim, 3mm	
36	0761217	1	Bolt M12 x 45mm	
37	3291205	1	Locknut M12	
38	4812100	6	Flatwasher M12	
39	4831600	12	Lockwasher M5	
40	E000269	3	Relief, Strain	
41	4832000	6	Lockwasher M10	
	0275846	Ref	SCISSOR ARMS AND CABLE SUB-ASSEMBLY	C
101	0700812	6	Bolt M8 x 25mm	
103	1062255	AR	Tie-Strap (Not Shown)	
104	2754513	1	Hose	
105	2754514	1	Hose	
106	4031709	54	Bolt M6 x 25mm	
107	4831900	6	Lockwasher M8	
108	E000016	8	Connector, Strain Relief	
109	E000045	24	Connector, Strain Relief	
111	H000371	9	Clamp, Cable	

SECTION 3 - SCISSORS ARMS

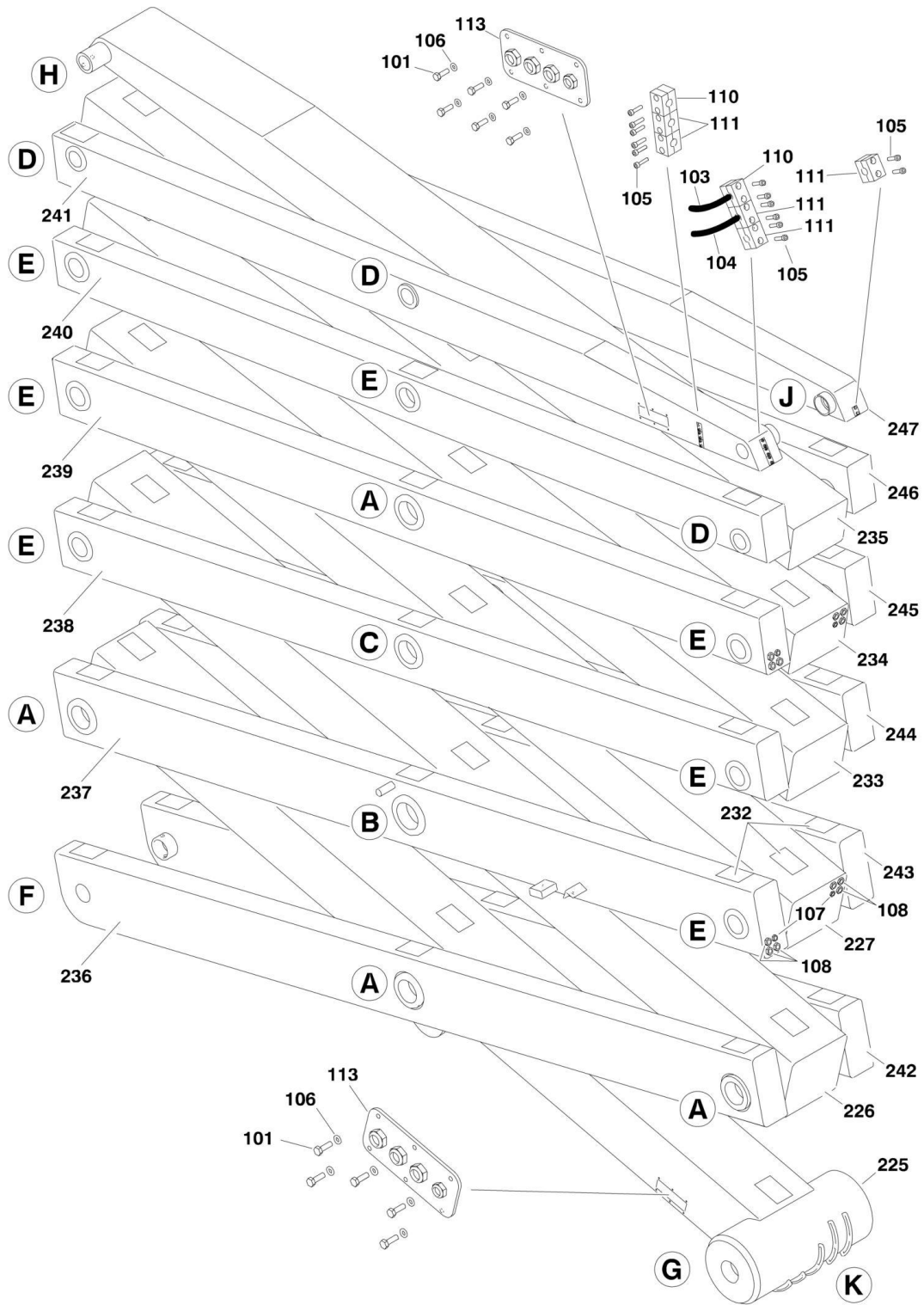
ITEM	PART NUMBER	QTY	DESCRIPTION	REV
112	H000430	18	Clamp, Cable	
114	S900223	1	Cover	
	S900112	Ref	SCISSOR ARMS ASSEMBLY	B
201	2160016	26	Fitting, Grease	
202	S000123	6	Bearing, Ball Thrust	
203	S000124	10	Bearing, Ball Thrust	
204	S000191	3	Nut, 60mm	
205	S000233	3	Retaining Washer, 60mm	
206	S000234	5	Retaining Washer, 80mm	
207	S001238	5	Retaining Washer, 100mm	
208	S001240	5	Nut, 80mm	
209	S001241	5	Nut, 100mm	
210	S001491	8	Bearing, Ball Thrust	
211	S001492	2	Bearing, Ball Thrust	
212	S007120	3	Pin, 110mm	
213	S007121	1	Pin, 130mm	
214	S007122	1	Pin, 110mm	
215	S007123	5	Pin, 90mm	
216	S007124	3	Pin, 75mm	
217	S200075	1	Arm #1 Inner (See Items 301 to 305 for Breakdown)	
218	S200078	1	Arm #2 Inner (See Items 301 to 305 for Breakdown)	
219	S200079	1	Arm RH #2 Outer (See Items 401 to 404 for Breakdown)	
220	S200080	1	Arm LH #2 Outer (See Items 401 to 404 for Breakdown)	
221	S200081	1	Arm #3 Inner (See Items 301 to 305 for Breakdown)	
222	S200082	1	Arm RH #3 Outer (See Items 401 to 404 for Breakdown)	
223	S200083	1	Arm LH #3 Outer (See Items 401 to 404 for Breakdown)	
224	S200084	1	Arm #4 Inner (See Items 301 to 305 for Breakdown)	
225	S200085	1	Arm RH #4 Outer (See Items 401 to 404 for Breakdown)	
226	S200086	1	Arm LH #4 Outer (See Items 401 to 404 for Breakdown)	
227	S200087	1	Arm #5 Inner (See Items 301 to 305 for Breakdown)	
228	S200088	1	Arm RH #5 Outer (See Items 401 to 404 for Breakdown)	
229	S200089	1	Arm LH #5 Outer (See Items 401 to 404 for Breakdown)	
230	S200090	3	Washer and Pin	
231	S200091	3	Washer and Pin	
232	S200092	5	Washer and Pin	
233	S200093	2	Washer and Pin	
234	S900240	75	Pad	
235	S900245	1	Arm RH #1 Outer (See Items 401 to 404 for Breakdown)	
236	S900251	1	Arm LH #1 Outer (See Items 401 to 404 for Breakdown)	
		Ref	INNER SCISSOR ARM WELDMENTS	
	S200075	Ref	Arm #1 Inner	E
	S200078	Ref	Arm #2 Inner	C
	S200081	Ref	Arm #3 Inner	D
	S200084	Ref	Arm #4 Inner	A
	S200087	Ref	Arm #5 Inner	B
301	S000188	6	Bushing, 75 x 80mm (S200084 qty 2 & S200087 qty 4)	
302	S000117	10	Bushing, 90 x 100mm (S200078 qty 2, S200081 qty 4 & S200084 qty 4)	
303	S001595	8	Bushing, 110 x 110mm (S200075 qty 4, S200078 qty 2 & S200081 qty 2)	
304	S001498	2	Bushing, 130 x 100mm (S200078 qty 2)	
305	S001496	2	Bushing, 110 x 60mm (S200075 qty 2)	

SECTION 3 - SCISSORS ARMS

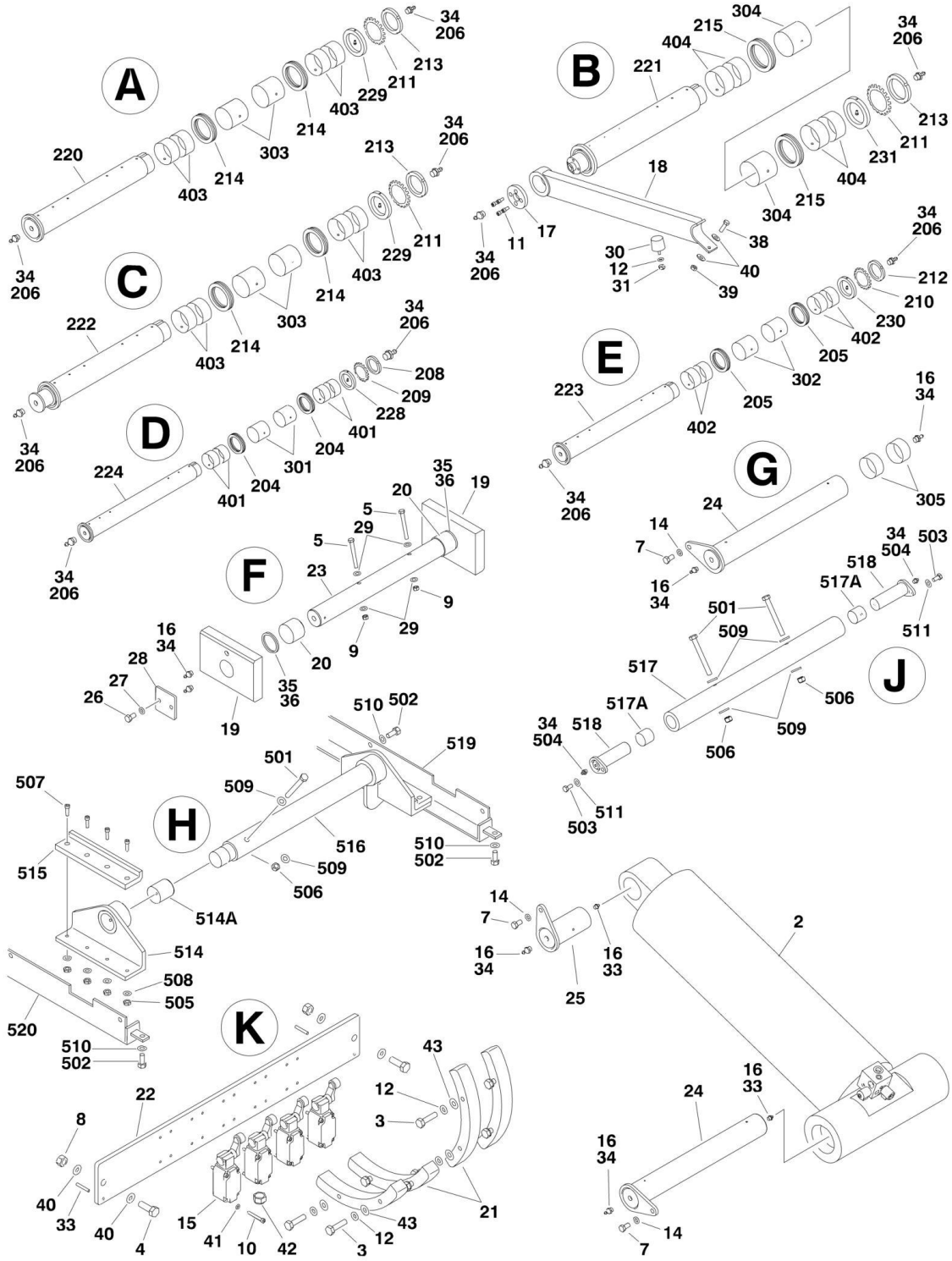
ITEM	PART NUMBER	QTY	DESCRIPTION	REV
		Ref	OUTER SCISSOR ARM WELDMENTS	
	S900245	Ref	Arm RH #1 Outer	C
	S200079	Ref	Arm RH #2 Outer	B
	S200082	Ref	Arm RH #3 Outer	A
	S200085	Ref	Arm RH #4 Outer	B
	S200088	Ref	Arm RH #5 Outer	B
	S900251	Ref	Arm LH #1 Outer	C
	S200080	Ref	Arm LH #2 Outer	A
	S200083	Ref	Arm LH #3 Outer	A
	S200086	Ref	Arm LH #4 Outer	A
	S200089	Ref	Arm LH #5 Outer	B
401	S000116	12	Bushing, 75 x 60mm (S200085 qty 2, S200086 qty 2, S200088 qty 4 & S200089 qty 4)	
402	S000118	20	Bushing, 90 x 60mm (S200079 qty 2, S200080 qty 2, S200082 qty 4, S200083 qty 4, S200085 qty 4 & S200086 qty 4)	
403	S001496	16	Bushing, 110 x 60mm (S200079 qty 2, S200080 qty 2, S200082 qty 2, S200083 qty 2, S900245 qty 4 & S900251 qty 4)	
404	S001497	4	Bushing, 130 x 60mm (S200079 qty 2 & S200080 qty 2)	
	0275849	Ref	SCISSOR ARMS TO PLATFORM ATTACHMENT INSTALLATION	C
501	0701631	3	Bolt M16 x 120mm	
502	0761010	14	Bolt M10 x 20mm	
503	0761212	2	Bolt M12 x 25mm	
504	2160016	4	Fitting, Grease	
505	3291005	8	Locknut M10	
506	3291605	3	Locknut M16	
507	4032011	8	Capscrew M10 x 35mm	
508	4812000	8	Flatwasher M10	
510	4812300	6	Flatwasher M16	
511	4832000	14	Lockwasher M10	
512	4832100	2	Lockwasher M12	
514	S000241	4	Cap, Grease Fitting (Not Shown)	
516	S007043	1	Pin, 75mm	
517	S007044	1	Pin, 75mm	
517A	S001499	2	Bushing	
518	S007045	2	Pin, Outer Scissor Arm to Platform	
519	S201624	2	Bracket, Slide Constraint	
520	S900325	2	Slide Support	
520A	S000010	2	Bushing	
521	S900326	2	Wear Pad	

SECTION 3 - SCISSORS ARMS

FIGURE 3-2. SCISSORS ARMS INSTALLATION (245-25)



SECTION 3 - SCISSORS ARMS



SECTION 3 - SCISSORS ARMS

FIGURE 3-2. SCISSORS ARMS INSTALLATION (245-25)

ITEM	PART NUMBER	QTY	DESCRIPTION	REV
	0275608	Ref	SCISSOR ARMS INSTALLATION	G
2	0275610	1	Lift Cylinder with Valve Assembly (See CYLINDER SECTION for Breakdown)	
3	0701015	8	Bolt M10 x 35mm	
4	0701217	2	Bolt M12 x 45mm	
5	0701631	2	Bolt M16 x 140mm	
7	0762015	3	Bolt M20 x 35mm	
8	3291207	2	Locknut M12	
9	3291605	2	Locknut M16	
10	4031612	16	Bolt M16 x 40mm	
11	4032111	4	Bolt M12 x 35mm	
12	4812000	9	Flatwasher M10	
14	4832500	3	Lockwasher M20	
15	E000376	4	Switch, Limit	
16	2160016	9	Fitting, Grease	
17	S200094	1	Lockwasher	
18	S200095	1	Prop, Safety	
19	S900312	2	Block, Slide	
20	S200100	2	Spacer	
21	S200132	4	Cam	
22	S900111	1	Plate, Switch Mounting	
23	S900125	1	Pin	
24	S900126	2	Pin	
25	S900127	1	Pin	
26	0760605	4	Bolt M6 x10mm	
27	4831700	4	Lockwasher M6	
28	S900288	2	Plate, Cover	
29	4812300	4	Flatwasher M16	
30	S001592	1	Bumper	
31	3291005	1	Locknut M10	
33	3440816	2	Rollpin	
34	S000142	41	Cap, Grease Fitting	
35	S900329	AR	Shim 2mm	
36	S900330	AR	Shim 3mm	
38	0761217	1	Bolt M12 x 45mm	
39	3291205	1	Locknut M12	
40	4812100	6	Flatwasher M12	
41	4831600	16	Lockwasher M5	
42	E000269	4	Relief, Strain	
43	4832000	8	Lockwasher M10	
	0275609	Ref	SCISSOR ARMS AND CABLE SUB-ASSEMBLY	E
101	0700812	12	Bolt M8 x 25mm	
103	2754478	1	Hose	
104	2754526	1	Hose	
105	4031709	14	Bolt M6 x 25mm	
106	4831900	12	Lockwasher M8	
107	E000016	12	Connector, Strain Relief	
108	E000045	36	Connector, Strain Relief	
110	H000371	3	Clamp, Cable	
111	H000430	4	Clamp, Cable	

SECTION 3 - SCISSORS ARMS

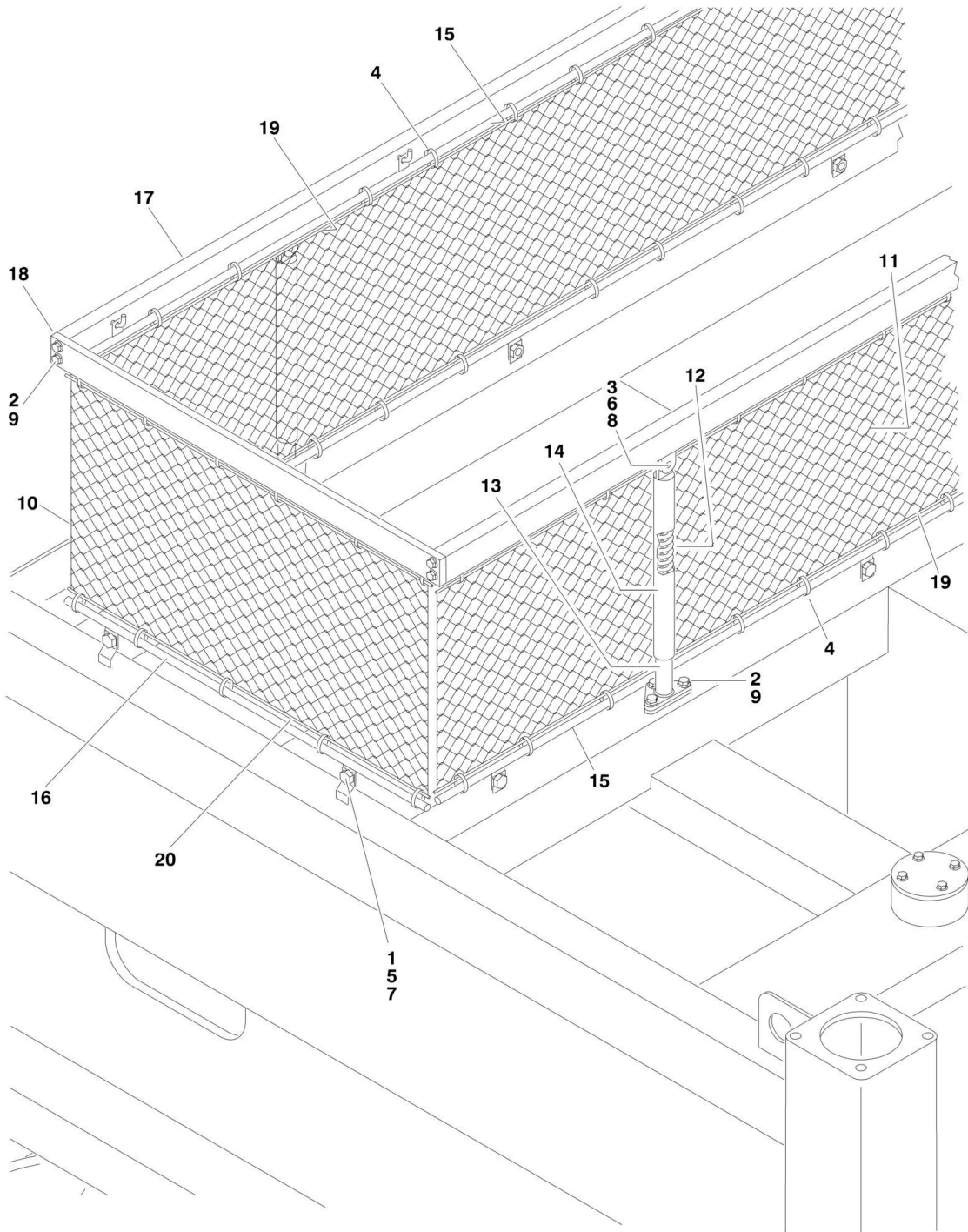
ITEM	PART NUMBER	QTY	DESCRIPTION	REV
113	S900223	2	Cover	
114	1062255	AR	Tie-Strap (Not Shown)	
	S900128	Ref	SCISSOR ARMS ASSEMBLY	F
204	S000123	6	Bearing, Ball Thrust	
205	S000124	14	Bearing, Ball Thrust	
206	2160016	32	Fitting, Grease	
208	S000191	3	Nut, 60mm	
209	S000233	3	Retaining Washer, 60mm	
210	S000234	7	Retaining Washer, 80mm	
211	S001238	6	Retaining Washer, 100mm	
212	S001240	7	Nut, 80mm	
213	S001241	6	Nut, 100mm	
214	S001491	10	Bearing, Ball Thrust	
215	S001492	2	Bearing, Ball Thrust	
220	S007120	4	Pin, 110mm	
221	S007121	1	Pin, 130mm	
222	S007122	1	Pin, 110mm	
223	S007123	7	Pin, 90mm	
224	S007124	3	Pin, 75mm	
225	S200075	1	Arm #1 Inner (See Items 301 to 305 for Breakdown)	
226	S200078	1	Arm #2 Inner (See Items 301 to 305 for Breakdown)	
227	S200081	1	Arm #3 Inner (See Items 301 to 305 for Breakdown)	
228	S200090	3	Washer and Pin	
229	S200091	5	Washer and Pin	
230	S200092	7	Washer and Pin	
231	S200093	1	Washer and Pin	
232	S900240	95	Pad	
233	S900242	1	Arm #4 Inner (See Items 301 to 305 for Breakdown)	
234	S900243	1	Arm #5 Inner (See Items 301 to 305 for Breakdown)	
235	S900244	1	Arm #6 Inner (See Items 301 to 305 for Breakdown)	
236	S900245	1	Arm RH #1 Outer (See Items 401 to 404 for Breakdown)	
237	S900246	1	Arm RH #2 Outer (See Items 401 to 404 for Breakdown)	
238	S900247	1	Arm RH #3 Outer (See Items 401 to 404 for Breakdown)	
239	S900248	1	Arm RH #4 Outer (See Items 401 to 404 for Breakdown)	
240	S900249	1	Arm RH #5 Outer (See Items 401 to 404 for Breakdown)	
241	S900250	1	Arm RH #6 Outer (See Items 401 to 404 for Breakdown)	
242	S900251	1	Arm LH #1 Outer (See Items 401 to 404 for Breakdown)	
243	S900252	1	Arm LH #2 Outer (See Items 401 to 404 for Breakdown)	
244	S900253	1	Arm LH #3 Outer (See Items 401 to 404 for Breakdown)	
245	S900254	1	Arm LH #4 Outer (See Items 401 to 404 for Breakdown)	
246	S900255	1	Arm LH #5 Outer (See Items 401 to 404 for Breakdown)	
247	S900256	1	Arm LH #6 Outer (See Items 401 to 404 for Breakdown)	
		Ref	INNER SCISSOR ARM WELDMENTS	
	S200075	Ref	Arm #1 Inner	D
	S200078	Ref	Arm #2 Inner	C
	S200081	Ref	Arm #3 Inner	C
	S900242	Ref	Arm #4 Inner	B
	S900243	Ref	Arm #5 Inner	C
	S900244	Ref	Arm #6 Inner	D
301	S000188	6	Bushing, 75 x 80mm (S900243 qty 2 & S900244 qty 4)	
302	S000117	14	Bushing, 90 x 100mm (S200078 qty 2, S200081 qty 4, S900242 qty 4 & S900243 qty 4)	

SECTION 3 - SCISSORS ARMS

ITEM	PART NUMBER	QTY	DESCRIPTION	REV
303	S001595	10	Bushing, 110 x 110mm (S200075 qty 4, S200078 qty 2, S200081 qty 2 & S900242 qty 2)	
304	S001498	2	Bushing, 130 x 100mm (S200078 qty 2)	
305	S001496	2	Bushing, 110 x 60mm (S200075 qty 2)	
		Ref	OUTER SCISSOR ARM WELDMENTS	
	S900245	Ref	Arm RH #1 Outer	D
	S900246	Ref	Arm RH #2 Outer	D
	S900247	Ref	Arm RH #3 Outer	B
	S900248	Ref	Arm RH #4 Outer	D
	S900249	Ref	Arm RH #5 Outer	B
	S900250	Ref	Arm RH #6 Outer	D
	S900251	Ref	Arm LH #1 Outer	D
	S900252	Ref	Arm LH #2 Outer	B
	S900253	Ref	Arm LH #3 Outer	B
	S900254	Ref	Arm LH #4 Outer	C
	S900255	Ref	Arm LH #5 Outer	B
	S900256	Ref	Arm LH #6 Outer	E
401	S000116	12	Bushing, 75 x 60mm (S900249 qty2, S900250 qty4, S900255 qty2 & S900256 qty4)	
402	S000118	28	Bushing, 90 x 60mm (S900246 qty2, S900247 qty4, S900248 qty4, S900249 qty4, S900252 qty2, S900253 qty4, S900254 qty4 & S900255 qty4)	
403	S001496	20	Bushing, 110 x 60mm (S900245 qty4, S900246 qty2, S900247 qty2, S900248 qty2, S900251 qty4, S900252 qty2, S900253 qty2 & S900254 qty2)	
404	S001497	4	Bushing, 130 x 60mm (S900246 qty2 & S900252 qty2)	
	0275749	Ref	SCISSOR ARMS TO PLATFORM ATTACHMENT INSTALLATION	E
501	0701631	3	Bolt M16 x 120mm	
502	0761010	14	Bolt M10 x 20mm	
503	0761212	2	Bolt M12 x 25mm	
504	2160016	4	Fitting, Grease	
505	3291005	8	Locknut M10	
506	3291605	3	Locknut M16	
507	4032011	8	Capscrew M10 x 35mm	
508	4812000	8	Flatwasher M10	
509	4812300	6	Flatwasher M16	
510	4832000	14	Lockwasher M10	
511	4832100	2	Lockwasher M12	
514	S900120	2	Slide Support (Use p/n 1001102404)	
514A	S000010	2	Bushing, 60 x 70mm	
515	S900121	2	Wear Pad	
516	S900122	1	Pin, 75mm (Use p/n S007043)	
517	S900123	1	Pin, 75mm	
517A	S001499	2	Bushing, 45 x 50mm	
518	S900124	2	Pin, Outer Scissor Arm to Platform	
519	S900279	1	Bracket, Slide Constraint (Right)	
520	S900280	1	Bracket, Slide Constraint (Left)	
521	S000242	AR	Cap, Grease Fitting (Not Shown)	

SECTION 3 - SCISSORS ARMS

FIGURE 3-3. ARM GUARDS INSTALLATION (SN 1200020465 through 1200024691)



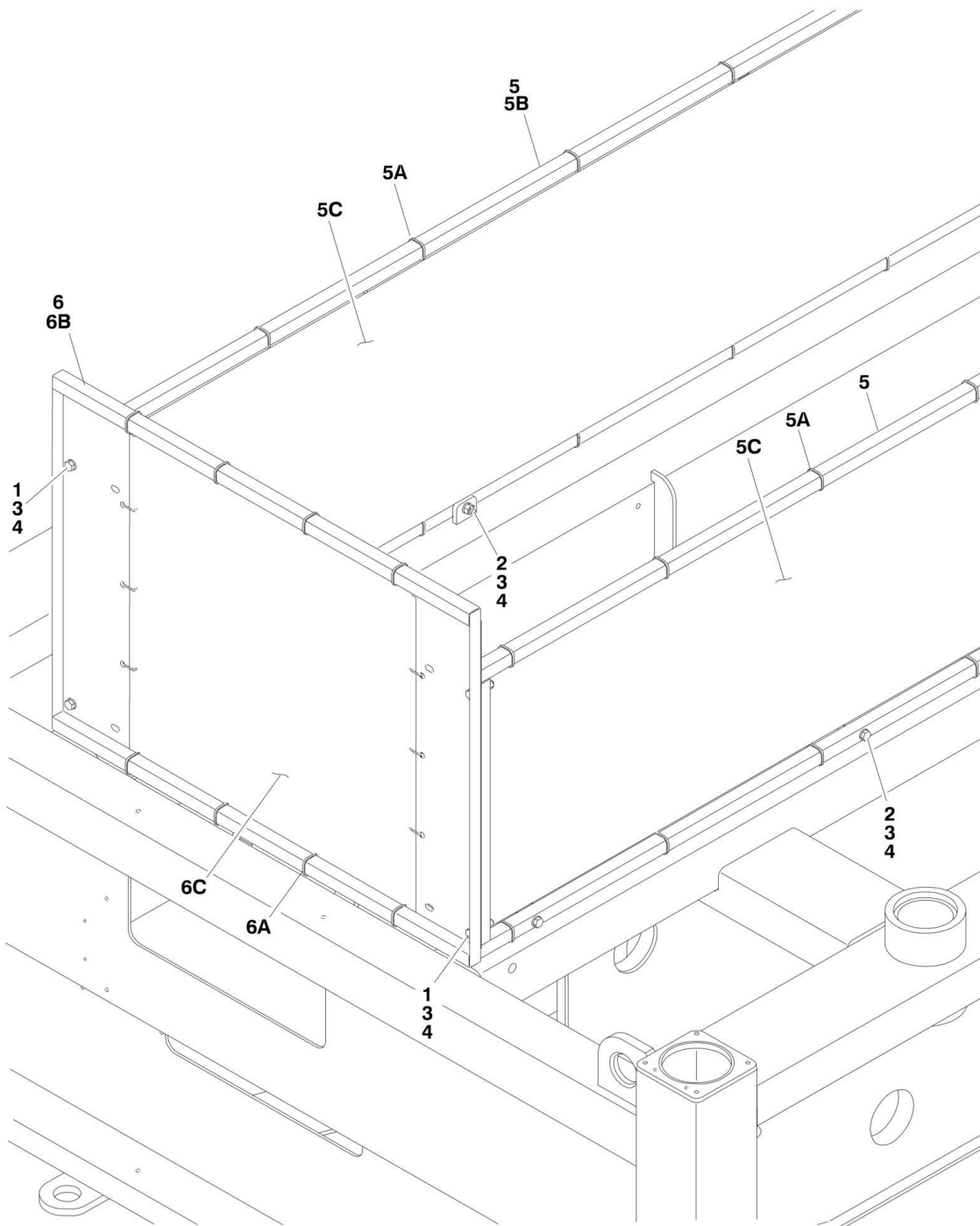
SECTION 3 - SCISSORS ARMS

FIGURE 3-3. ARM GUARDS INSTALLATION (SN 1200020465 through 1200024691)

ITEM	PART NUMBER	QTY	DESCRIPTION	REV
	0275569	Ref	ARM GUARDS INSTALLATION	B
1	0760810	18	Bolt M8 x 20mm	
2	0761012	20	Bolt M10 x 25mm	
3	0761015	4	Bolt M10 x 35mm	
4	1062255	76	Tie, Cable	
5	3290801	18	Nut M8	
6	3291001	4	Nut M10	
7	4811900	36	Flatwasher M8	
8	4812000	8	Flatwasher M10	
9	4832000	20	Lockwasher M10	
10	S001511	2	Safety Screen, Short	
11	S001520	2	Safety Screen, Long	
12	S001596	12	Spring	
13	S201673	4	Column, Lower	
14	S201674	4	Column, Upper	
15	S201676	4	Rod, Long Hanger	
16	S201677	4	Rod, Short Hanger	
17	S900100	2	Tube, Long Upper	
18	S900101	2	Tube, Short Upper	
19	S005042-03	4	Spring Rod, Long	
20	S005042-04	4	Spring Rod, Short	

SECTION 3 - SCISSORS ARMS

FIGURE 3-4. ARM GUARDS INSTALLATION (SN 1200024692 to Present)



SECTION 3 - SCISSORS ARMS

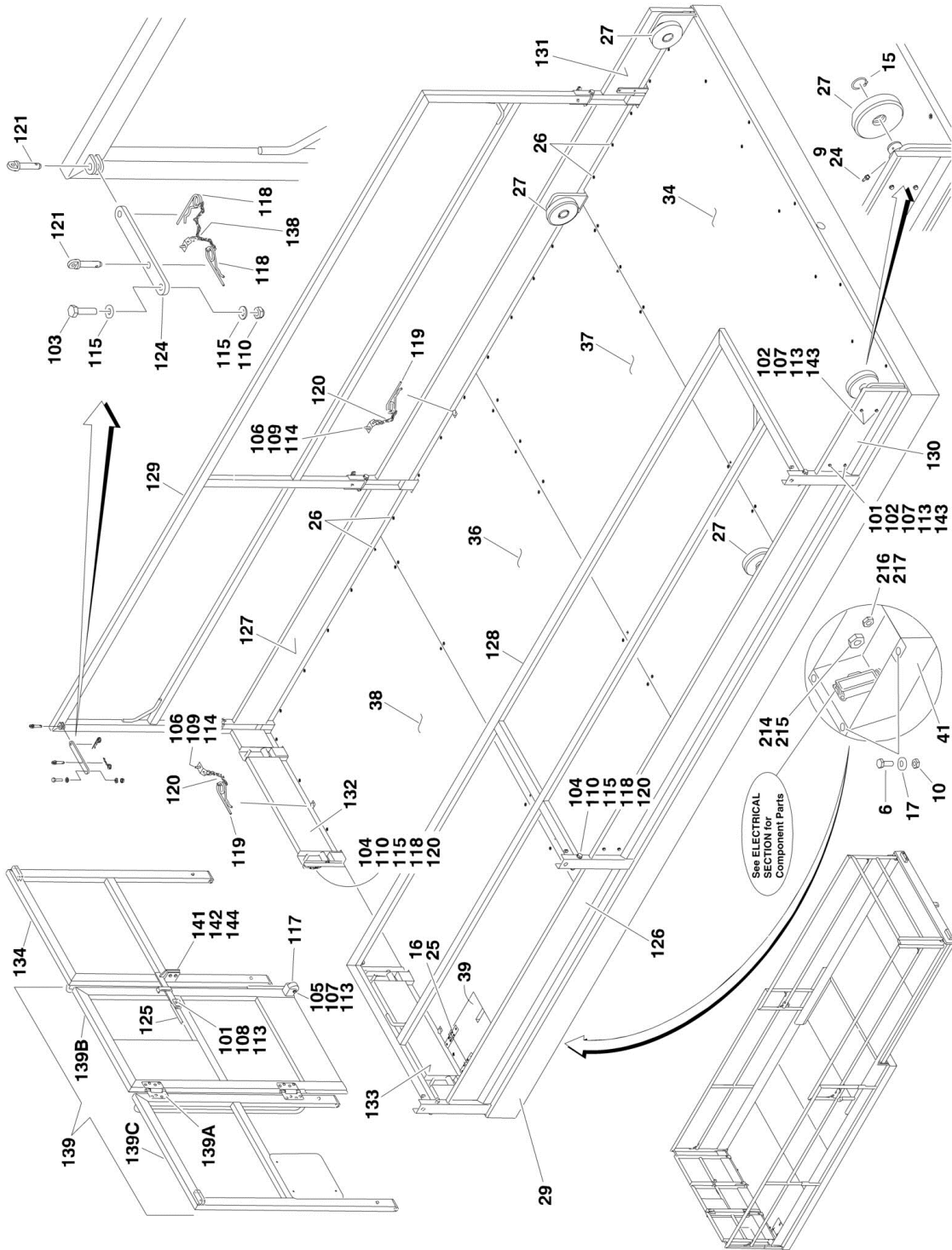
FIGURE 3-4. ARM GUARDS INSTALLATION (SN 1200024692 to Present)

ITEM	PART NUMBER	QTY	DESCRIPTION	REV
	1001110437	Ref	ARM GUARDS INSTALLATION	B
1	0701018	8	Bolt M10 x 50mm	
2	0701020	8	Bolt M10 x 60mm	
3	3291005	16	Nut M10	
4	4812000	32	Flatwasher M10	
5	1001107291	2	Accessory, Arm Guard (Left and Right Sides)	B
5A	1062255	28	Tie, Strap	
5B	1001106724	1	Arm Guard	
5C	1001107215	1	Panel, Screen	
6	1001107292	2	Accessory, Arm Guard (Front and Back)	B
6A	1062255	14	Tie, Strap	
6B	1001106725	1	Arm Guard	
6C	1001107214	1	Panel, Screen	

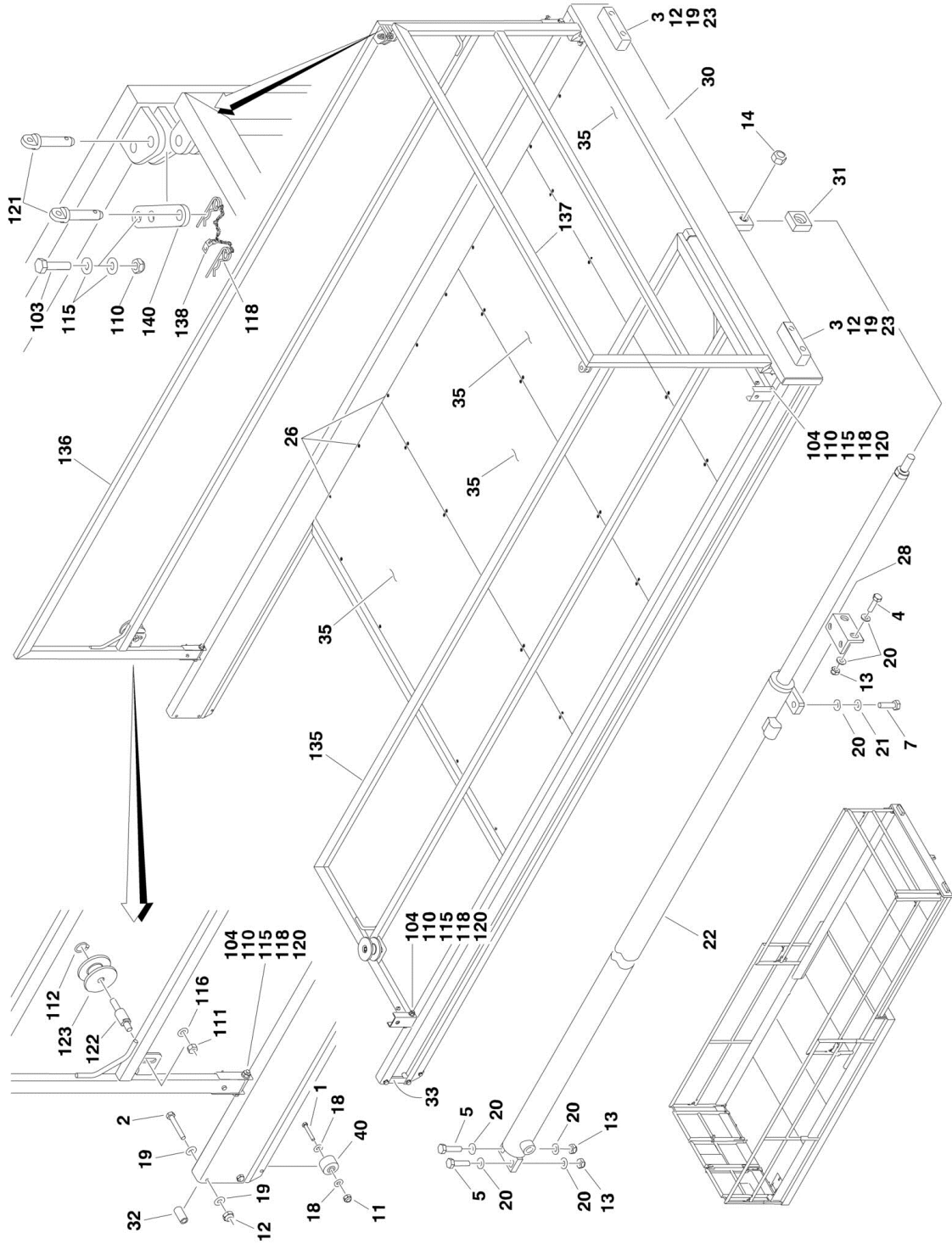
SECTION 4 - PLATFORM

SECTION 4 - PLATFORM

FIGURE 4-1. PLATFORM AND ACCESSORIES INSTALLATION (210-25)



SECTION 4 - PLATFORM



SECTION 4 - PLATFORM

FIGURE 4-1. PLATFORM AND ACCESSORIES INSTALLATION (210-25)

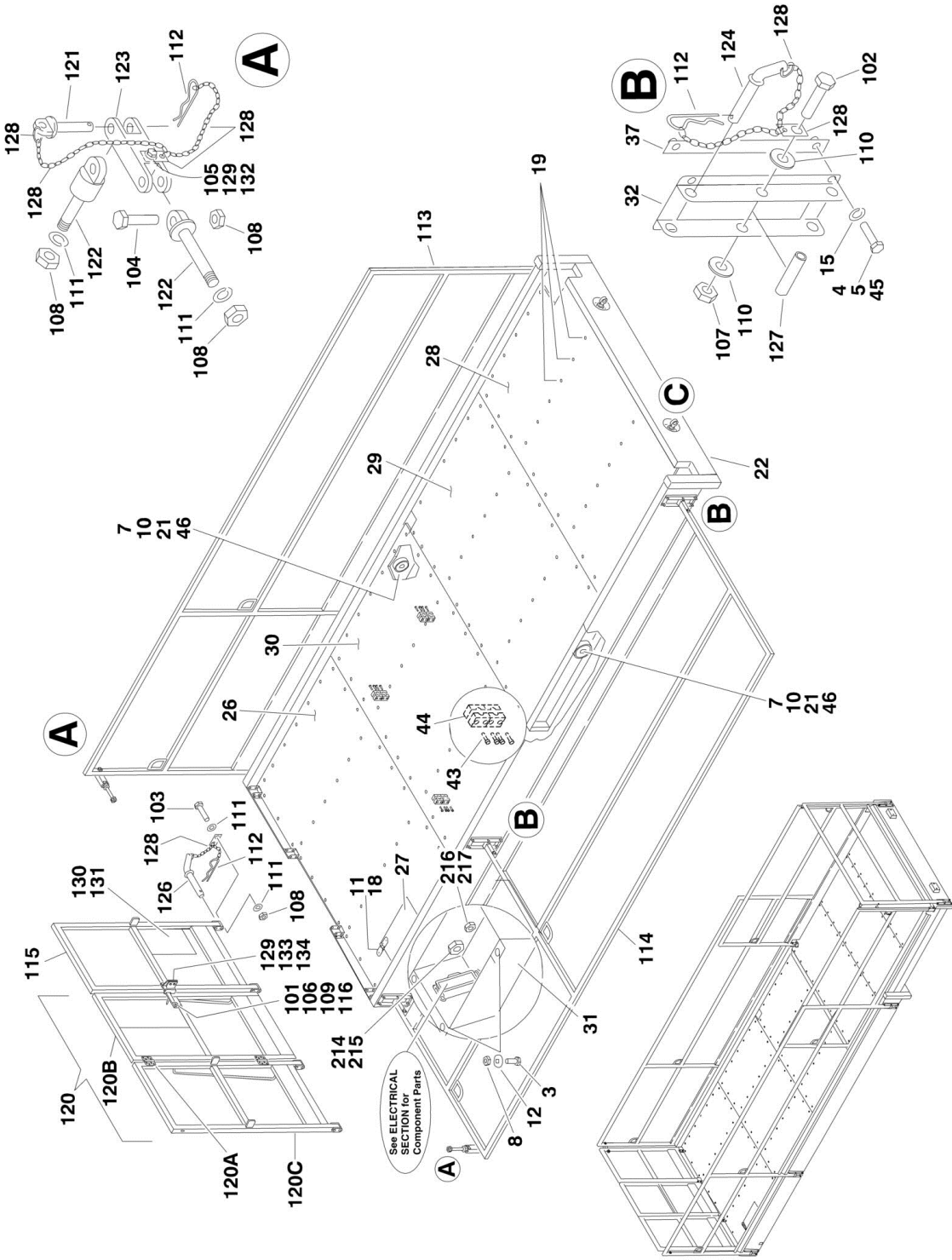
ITEM	PART NUMBER	QTY	DESCRIPTION	REV
	0275835	Ref	PLATFORM AND EXTENSION INSTALLATION	D
		Ref		
1	0700820	2	Bolt M8 x 60mm	
2	0701022	4	Bolt M10 x 70mm	
3	0701024	4	Bolt M10 x 80mm	
4	0761215	2	Bolt M12 x 35mm	
5	0761216	2	Bolt M12 x 40mm	
6	0760610	4	Bolt M6 x 20mm	
7	0761212	2	Bolt M12 x 25mm	
9	2160016	4	Fitting, Grease	
10	3290605	4	Locknut M6	
11	3290805	2	Locknut M8	
12	3291005	8	Locknut M10	
13	3291205	4	Locknut M12	
14	3291605	1	Locknut M16	
15	3760491	4	Snap Ring	
16	3900376	12	Screw, Countersunk M4 x 13mm	
17	4811700	8	Flatwasher M6	
18	4811900	4	Flatwasher M8	
19	4812000	16	Flatwasher M10	
20	4812100	10	Flatwasher M12	
21	4832100	2	Lockwasher M12	
22	H900006	1	Extension Cylinder Assembly (See CYLINDER SECTION for Breakdown)	
23	S000055	2	Bumper	
24	S000142	4	Cap, Grease Fitting	
25	S000237	2	Hinge	
26	S001445	AR	Screw, Self-Tapping	
27	S005049	4	Roller	
28	S200226	1	Bracket, Extension Cylinder Attaching	
29	S201616	1	Platform Weldment	
30	S201617	1	Extension Weldment	
31	S900015	1	Block, Cylinder Rod Attaching	
32	S900016	4	Spacer	
33	S900018	2	Plate, Stop	
34	S900035	1	Plate, Main Deck Rear Floor	
35	S900036	4	Plate, Extension Deck Floor	
36	S900037	1	Plate, Main Deck Front Middle Floor	
37	S900038	1	Plate, Main Deck Rear Middle Floor	
38	S900039	1	Plate, Main Deck Front Floor	
39	S900044	1	Door, Receptacle Compartment	
40	S900155	2	Roller, Support	
41	S900229	1	Compartment, Receptacle	
	0275845	Ref	RAILS INSTALLATION	D
101	0700614	AR	Bolt M6 x 30mm	
102	0700615	AR	Bolt M6 x 35mm	
102	0760805	AR	Bolt M8 x 10mm	
103	0701016	4	Bolt M10 x 40mm	
104	0701024	16	Bolt M10 x 80mm	

SECTION 4 - PLATFORM

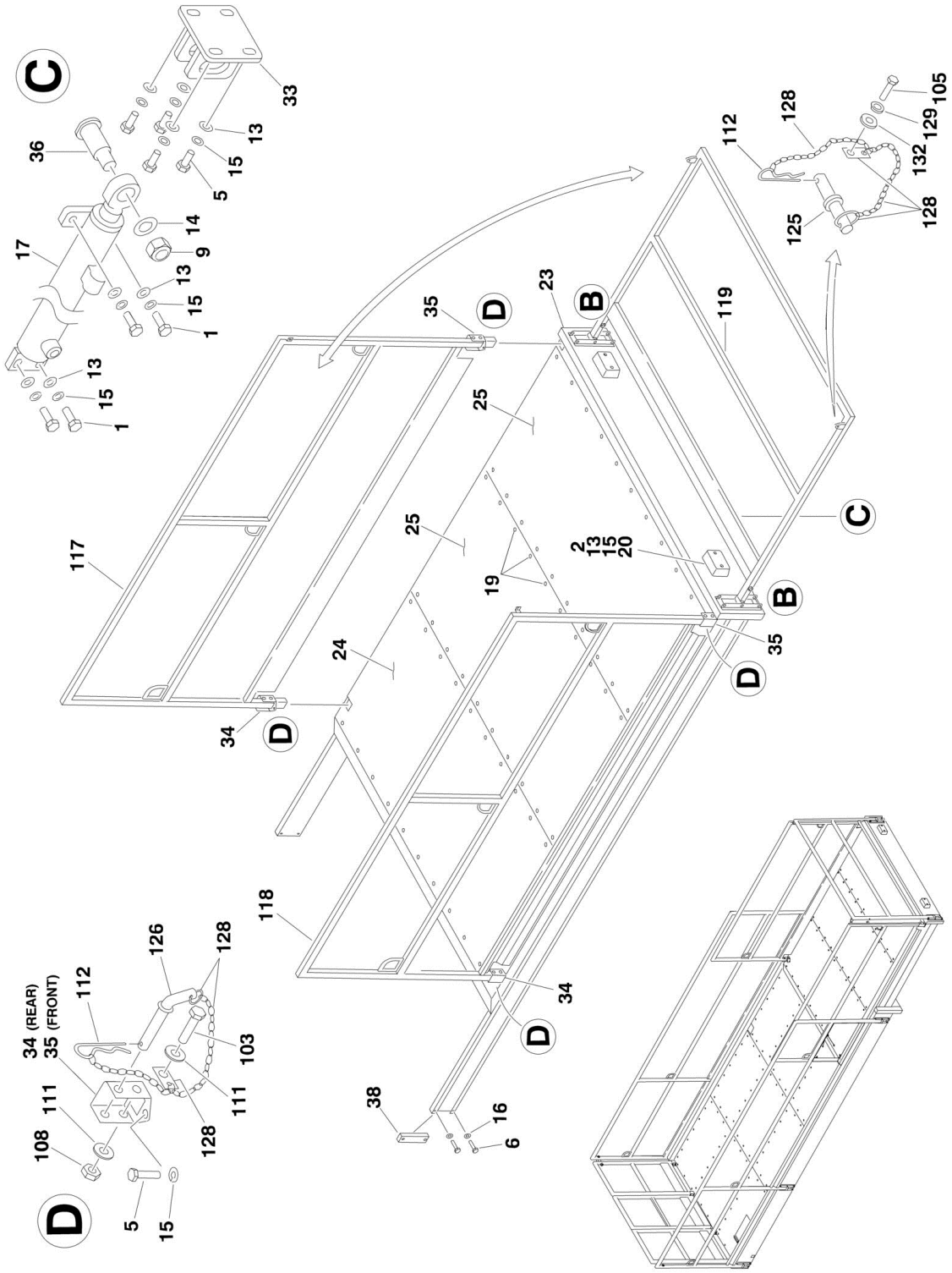
ITEM	PART NUMBER	QTY	DESCRIPTION	REV
105	0760619	1	Bolt M6 x 55mm	
106	0760810	4	Bolt M8 x 20mm	
107	3290605	AR	Locknut M6	
108	3290606	1	Capnut M6	
109	3290805	4	Locknut M8	
110	3291005	20	Locknut M10	
111	3291605	2	Locknut M16	
112	3760518	2	Snap Ring	
113	4811700	AR	Flatwasher M6	
114	4811900	8	Flatwasher M8	
115	4812000	40	Flatwasher M10	
116	4812300	2	Flatwasher M16	
117	S000031	1	Roller, Door	
118	S000145	24	Pin, M3 Cotter	
119	S000510	2	Pin, M4 Cotter	
120	S001443	20	Chain Assembly (Includes Mounting Plate and Attaching Ring)	
121	S200223	8	Pin	
122	S200230	2	Pin, Roller	
123	S200231	2	Roller	
124	S200233	2	Link, Corner	
125	S200238	1	Latch, Gate	
126	S201618	1	Kick Plate, Main Platform	
127	S201619	1	Kick Plate, Main Platform	
128	S201620	1	Rail, Main Platform	
129	S201621	1	Rail, Main Platform	
130	S201622	1	Kick Plate, Main Platform Bolted	
131	S201623	1	Kick Plate, Main Platform Bolted	
132	S201626	1	Kick Plate, Main Platform	
133	S201627	1	Kick Plate, Main Platform	
134	1001101883	1	Rail, Main Platform	
		Ref	Note: For machines prior to SN 1200020020, customer must also purchase qty. 2 item 141, qty. 2 item 142 & qty 1 item 114.	
135	S201635	1	Rail, Platform Extension	
136	S201636	1	Rail, Platform Extension	
137	S201637	1	Rail, Platform Extension End	
138	S900275	8	Chain Assembly (Includes Mounting Plate and Attaching Ring)	
139	S900323	1	Rail, Platform End and Gate Assembly	
139A	2600281	2	Hinge	
139A	2080040	16	Fastener, Huck	
139B	1001101882	1	Gate	
139C	1001101881	1	Rail, Platform End	
140	S900324	2	Link, Corner	
141	0760612	2	Bolt M6 x 25mm	
142	4831700	2	Lockwasher M6	
143	4831900	8	Lockwasher M8	
144	1001103161	1	Plate, Adjustable Lock	
	0275784	Ref	RECEPTACLES INSTALLATION	D
214	E000016	1	Connector, Strain Relief	
215	1001097369	1	Nut, Strain Relief	
216	1001097370	1	Nut, Strain Relief	
217	E000045	1	Connector, Strain Relief	

SECTION 4 - PLATFORM

FIGURE 4-2. PLATFORM AND ACCESSORIES INSTALLATION (245-25)



SECTION 4 - PLATFORM



SECTION 4 - PLATFORM

FIGURE 4-2. PLATFORM AND ACCESSORIES INSTALLATION (245-25)

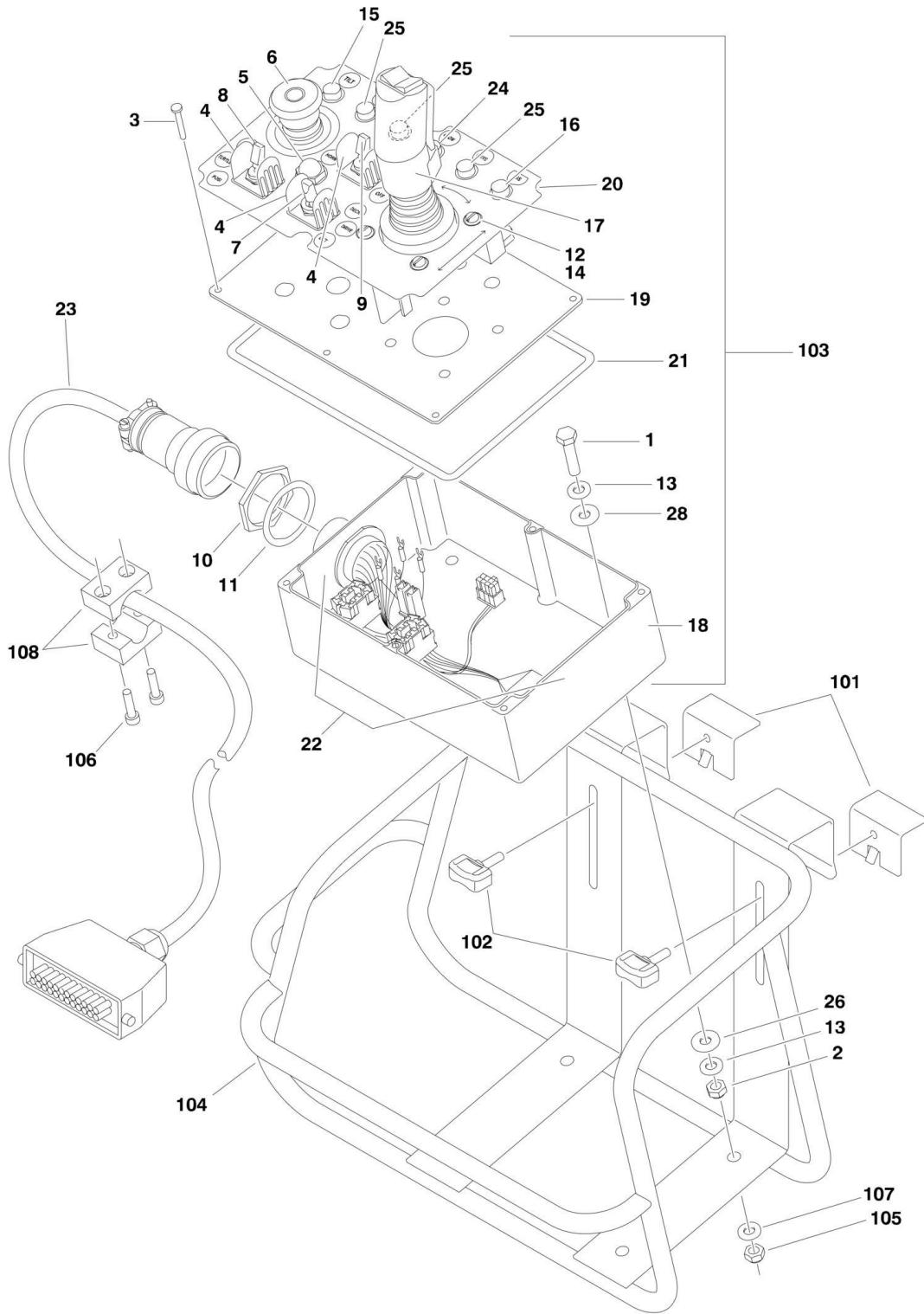
ITEM	PART NUMBER	QTY	DESCRIPTION	REV
	0275640	Ref	PLATFORM AND EXTENSION INSTALLATION	I
		Ref	Note: Replacement decals must be purchased separately - See DECALS SECTION.	
1	0701014	8	Bolt M10 x 30mm	
2	0701020	4	Bolt M10 x 60mm	
3	0760610	4	Bolt M6 x 20mm	
4	0761010	4	Bolt M10 x 20mm	
5	0761012	36	Bolt M10 x 25mm	
6	0761214	4	Bolt M12 x 30mm	
7	2160016	4	Fitting, Grease	
8	3290605	4	Locknut M6	
9	3292005	2	Locknut M20	
10	3760491	4	Snap Ring	
11	3900376	12	Screw, Countersunk M4 x 13mm	
12	4811700	8	Flatwasher M6	
13	4812000	20	Flatwasher M10	
14	4812500	2	Flatwasher M20	
15	4832000	56	Lockwasher M10	
16	4832100	4	Lockwasher M12	
17	H900020	2	Extension Cylinder Assembly (See CYLINDER SECTION for Breakdown)	
18	S000237	2	Hinge	
19	S001445	AR	Screw, Self-Tapping	
20	S001640	2	Bumper	
21	S005049	4	Roller	
22	S200012	1	Platform Weldment	
23	S200033	1	Extension Weldment	
24	S900041	1	Plate, Extension Deck Front Floor	
25	S900042	2	Plate, Extension Deck Floor	
26	S900043	1	Plate, Main Deck Front Floor	
27	S900044	1	Door, Receptacle Compartment	
28	S900045	1	Plate, Main Deck Rear Floor	
29	S900046	1	Plate, Main Deck Rear Middle Floor	
30	S900130	1	Plate, Main Deck Front Middle Floor	
31	S900229	1	Compartment, Receptacle	
32	S900269	8	Bracket, Hinge	
33	S900276	2	Bracket, Extension Cylinder Attaching	
34	S900277	2	Bracket, Extension Rail (Rear)	
35	S900278	2	Bracket, Extension Rail (Front)	
36	S900289	2	Pin, Extension Cylinder	
37	S900291	12	Anchor Plate	
38	S900293	2	Stop, Extension	
43	4031709	24	Capscrew M6 x 25mm	
44	H000430	12	Clamp, Cable/Hose	
45	0761008	4	Bolt M10 x 16mm	
46	S000142	4	Cap, Grease Fitting (SN 1200020465 through 1200022285)	
	0275638	Ref	RAILS INSTALLATION	I
101	0700615	1	Bolt M6 x 35mm	
102	0701029	8	Bolt M10 x 120mm	
103	0761228	8	Bolt M10 x 110mm	

SECTION 4 - PLATFORM

ITEM	PART NUMBER	QTY	DESCRIPTION	REV
104	0701217	2	Bolt M12 x 45mm	
105	0760608	4	Bolt M6 x 16mm	
106	3290605	1	Nut M6	
107	3291005	8	Locknut M10	
108	3291205	14	Locknut M12	
109	4811700	AR	Flatwasher M6	
110	4812000	16	Flatwasher M10	
111	4812100	24	Flatwasher M12	
112	S000145	20	Pin, Cotter	
113	S200017	1	Rail, Main Platform	
114	S200015	1	Rail, Main Platform	
115	1001101886	1	Rail, Platform	
		Ref	Note: For machines prior to SN 1200020020, customer must also purchase qty. 2 item 129, qty 1 item 133 & qty 2 item 134.	
116	S200238	1	Latch, Gate	
117	S900233	1	Rail, Platform Extension	
118	S900234	1	Rail, Platform Extension	
119	S900235	1	Rail, Platform Extension End	
120	S900264	1	Rail, Platform and Gate Assembly	
120A	2080040	AR	Fastener, Huck	
120A	2600281	2	Hinge	
120B	1001101885	1	Gate	
120C	1001101884	1	Rail, Platform	
121	S900117	2	Pin	
122	S900118	4	Pin	
123	S900267	2	Bar	
124	S900268	8	Pin	
125	S900113	2	Pin	
126	S900271	8	Pin	
127	S900274	8	Tube	
128	S900275	20	Chain Assembly (Includes Mounting Plate and Attaching Ring)	
129	4831700	6	Lockwasher M6	
130	2080040	3	Fastener, Huck	
131	S200027-11	1	Plate, Manual Box Attaching	
132	4811702	4	Flatwasher M6 (Wide)	
133	1001103161	1	Plate, Adjustable Lock	
134	0760612	2	Bolt M6 x 25mm	
	0275784	Ref	RECEPTACLES INSTALLATION	D
214	E000016	1	Connector, Strain Relief	
215	1001097369	1	Nut, Strain Relief	
216	1001097370	1	Nut, Strain Relief	
217	E000045	1	Connector, Strain Relief	

SECTION 4 - PLATFORM

FIGURE 4-3. PLATFORM CONSOLE ASSEMBLY AND INSTALLATION



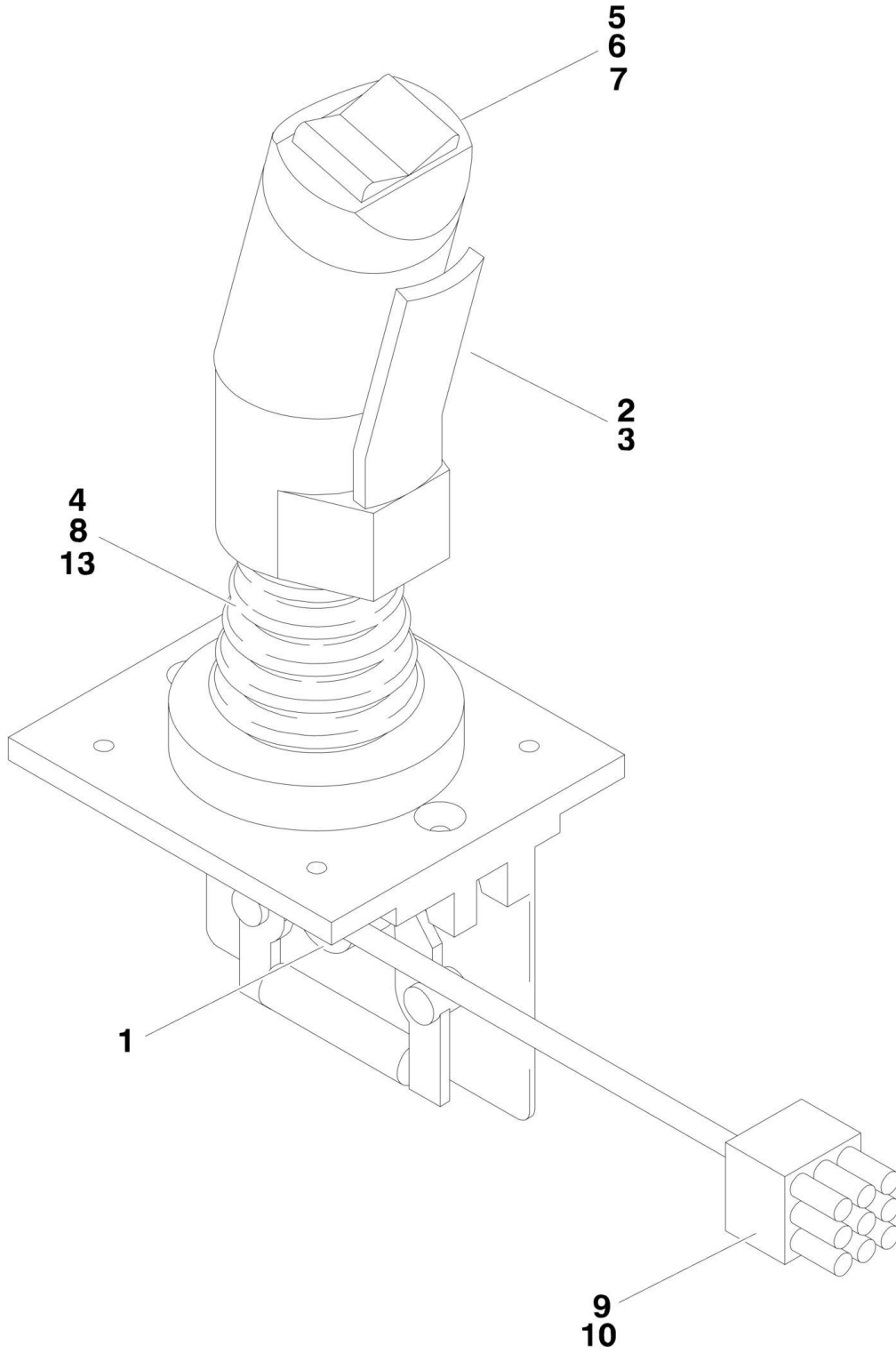
SECTION 4 - PLATFORM

FIGURE 4-3. PLATFORM CONSOLE ASSEMBLY AND INSTALLATION

ITEM	PART NUMBER	QTY	DESCRIPTION	REV
	E900027	Ref	PLATFORM CONSOLE ASSEMBLY	F
1	0760815	4	Bolt M8 x 35mm	
2	3290805	4	Locknut M8	
3	4010414	6	Screw M4 x 30mm	
4	4060802	3	Guard, Switch	
5	4360387	1	Switch, Push Button	
6	4360475	1	Switch, Emergency Stop	
6	7020175	1	Cap, Red	
6	7020176	1	Block, Contact	
7	4360525	1	Switch, Toggle	
8	4360693	1	Switch, Toggle	
9	4360698	1	Switch, Toggle	
10	4460470	1	Nut, Terminal	
11	4460471	1	Lockwasher, Terminal	
12	4740120	4	Washer, Nylon	
13	4811900	8	Flatwasher M8	
14	8303891	4	Screw #10-32NF x 3/4in	
15	E000419	1	Light, LED (Red)	
16	E000420	1	Light, Flashing LED (Red)	
17	E900025	1	Drive/Steer Controller Assembly (See DRIVE/STEER CONTROLLER ASSEMBLY for Breakdown)	
18	1001096367	1	Box, Control	
19	E900029	1	Lid, Control Box	
20	E900030	1	Decal, Console	
21	E900031	1	Seal	
22	E900041	1	Harness, Platform Console Box (See ELECTRICAL SECTION for Breakdown)	
23	E900042	1	Harness, Jumper (See ELECTRICAL SECTION for Breakdown)	
24	E900048	1	Light, LED (Yellow)	
25	E900049	3	Light, LED (Green)	
26	4811902	8	Flatwasher M8	
	0275611	Ref	PLATFORM CONSOLE INSTALLATION	B
101	0181847	2	Clamp, Console Bracket	
102	2560141	2	Screw, Thumb	
103	E900027	1	Console Assembly, Platform (see Items 1 - 26 for Breakdown)	
104	1001096366	1	Bracket, Console Panel	
105	3290805	4	Locknut M8	
106	4031709	2	Screw M6 x 25mm	
107	4811900	4	Flatwasher M8	
108	H000371	1	Clamp	

SECTION 4 - PLATFORM

FIGURE 4-4. DRIVE/STEER CONTROLLER ASSEMBLY



SECTION 4 - PLATFORM

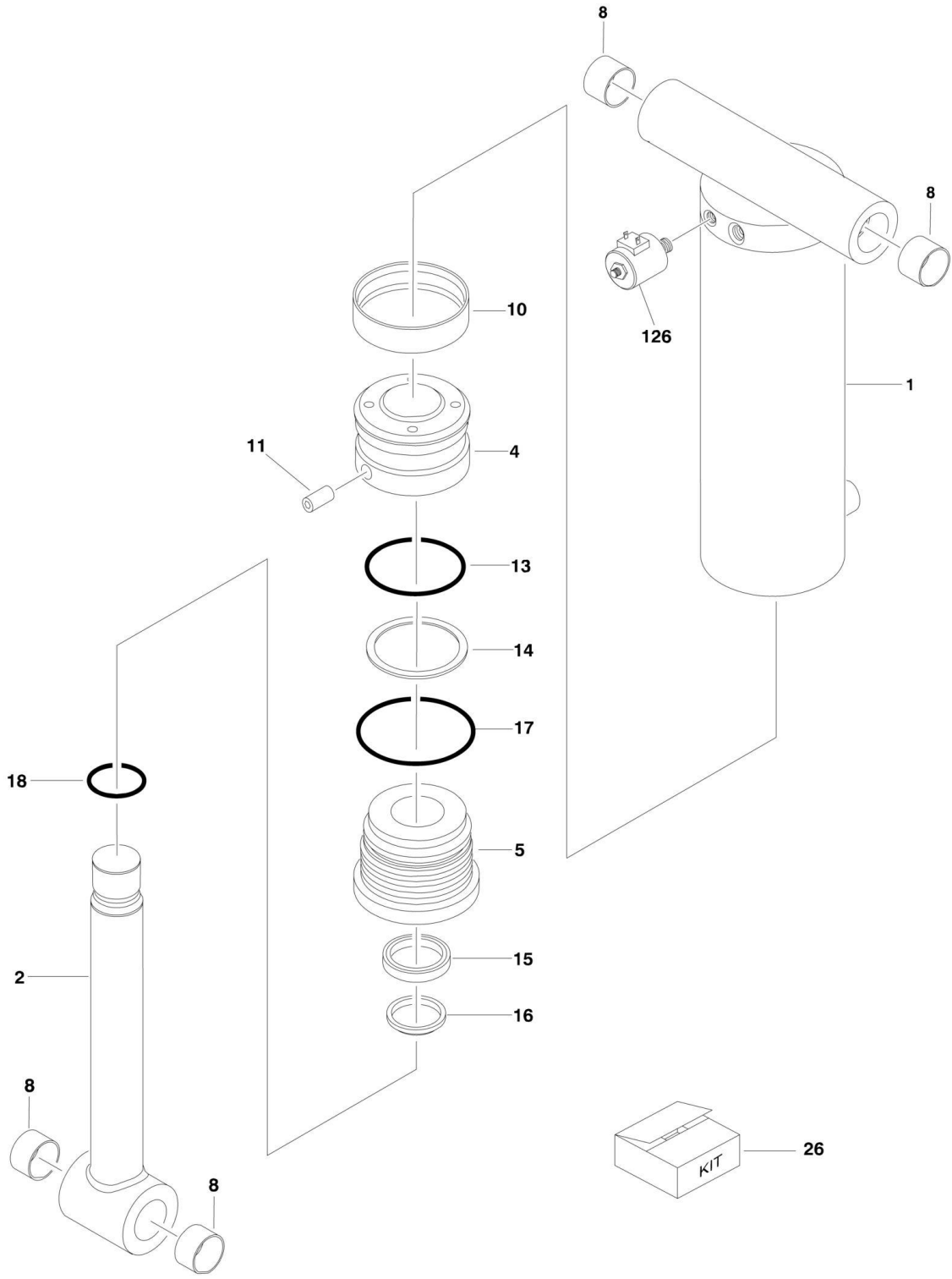
FIGURE 4-4. DRIVE/STEER CONTROLLER ASSEMBLY

ITEM	PART NUMBER	QTY	DESCRIPTION	REV
	E900025	Ref	DRIVE/STEER CONTROLLER ASSEMBLY	B
1	70000081	1	Potentiometer	
2	7027367	1	Switch, Push Button (Not Shown - Located Behind Item #3)	
3	7027765	1	Lever, Enabler	
4	7027766	1	Ring, Retaining	
5	70000082	1	Microswitch	
6	70000083	1	Coupler, Microswitch	
7	70000084	1	Cap, Rubber	
8	70000085	1	Boot, Rubber	
9	4460265	1	Plug, Male - 9 Pin	
10	4460226	6	Socket, Female	
11	4460266	1	Connector, Receptacle - 9 Pin (Not Shown - Part of Console Harness)	
12	4460267	6	Pin, Male (Not Shown - Part of Console Harness)	
13	70000685	1	Washer, Plastic Bushing	
14	70000684	AR	Screw, Handle (Not Shown)	
15	See Note	AR	Nut, Handle (Not Shown) (Note: Not Available for Purchase)	
16	70000683	AR	Washer, Neoprene (Not Shown)	
17	70000686	AR	Screw, Handle (Not Shown)	

SECTION 5 - CYLINDER

SECTION 5 - CYLINDER

FIGURE 5-1. AXLE LOCKOUT CYLINDER ASSEMBLY



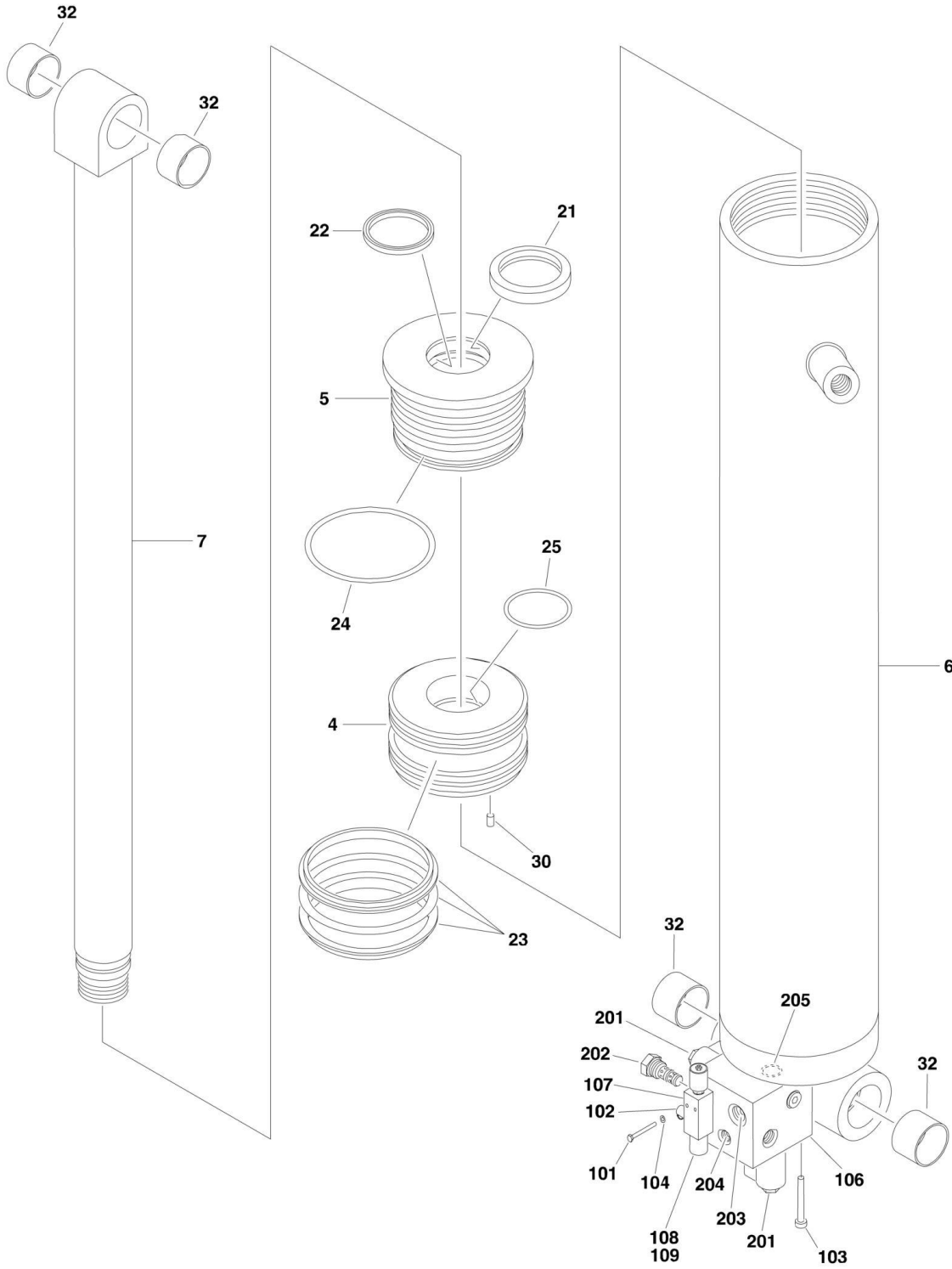
SECTION 5 - CYLINDER

FIGURE 5-1. AXLE LOCKOUT CYLINDER ASSEMBLY

ITEM	PART NUMBER	QTY	DESCRIPTION	REV
	H900009	Ref	AXLE LOCKOUT CYLINDER ASSEMBLY	D
1	70000748	1	Barrel	
2	70000747	1	Rod	
4	70000744	1	Piston	
5	70000745	1	Head	
8	70000746	4	Bushing	
10	See Note	NSS	Piston Seal (Note: Use Item 26)	
11	See Note	1	Setscrew (Note: Not Available - Purchase Locally)	
13	See Note	NSS	Head Seal (Note: Use Item 26)	
14	See Note	NSS	Backup Ring (Note: Use Item 26)	
15	See Note	NSS	Rod Seal (Note: Use Item 26)	
16	See Note	NSS	Wiper (Note: Use Item 26)	
17	See Note	NSS	O-Ring (Note: Use Item 26)	
18	See Note	NSS	O-Ring (Note: Use Item 26)	
26	7026103	1	Seal Kit (Includes Items 10, 13, 14, 15, 16, 17 & 18)	
	H900070	Ref	INLINE VALVE KIT	5
126	H000280	1	Valve, Load Check	
126	7012986	1	Coil	
126	7024897	1	Cartridge	
126	7012972	1	Seal Kit - 7024897 Valve	

SECTION 5 - CYLINDER

FIGURE 5-2. LIFT CYLINDER ASSEMBLY



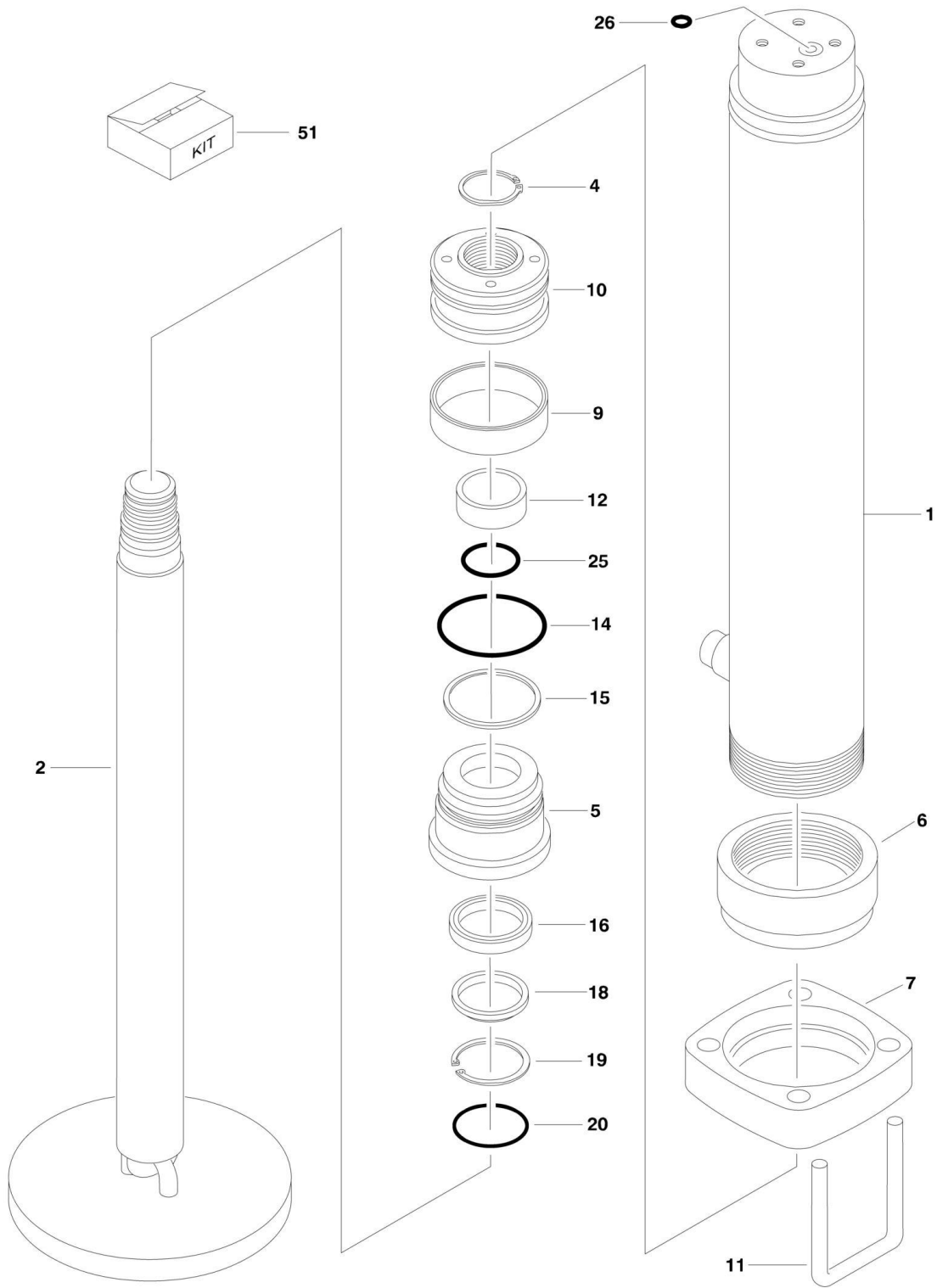
SECTION 5 - CYLINDER

FIGURE 5-2. LIFT CYLINDER ASSEMBLY

ITEM	PART NUMBER	QTY	DESCRIPTION	REV
	H000444	Ref	LIFT CYLINDER ASSEMBLY ONLY	
4	S201640	1	Piston	
5	S201641	1	Cylinder Head	
6	S201639	1	Cylinder Barrel	
7	S201638	1	Piston Rod	
21	H003085	1	Wiper	
22	H003091	1	Rod Seal	
23	H000532	1	Piston Seal	
24	H003115	1	O-Ring	
25	H003108	1	O-Ring	
27	70000184	1	O-Ring (Not Shown)	
30	S200910	1	Setscrew	
32	S001496	4	Bushing	
		Ref	Note: No seal kit available. Purchase individual seals.	
	0275610	Ref	LIFT CYLINDER AND VALVE COMPLETE	E
101	0760516	2	Bolt M5 x 40mm	
102	2221222	1	Fitting, Diagnostic Test	
103	4032025	4	Capscrew M10 x 120mm	
104	4831600	2	Lockwasher M5	
106	H000713	1	Lift/Lower Valve Block Assembly (see Items 201 - 205 for Breakdown)	
107	H705721	1	Manifold, Pressure Sensor	
108	H705722	2	Sensor, Pressure	
109	H705724	2	Cover, Pressure Sensor	
	H000713	Ref	LIFT/LOWER VALVE BLOCK ASSEMBLY ONLY	E
201	70000219	2	Cartridge, Solenoid Valve (Less Coil)	
201	7023919	2	Seal Kit - 70000219 Cartridge	
201	7017444	2	Coil	
202	70000220	1	Check Valve Cartridge	
202	7021632	1	Seal Kit - 70000220 Cartridge	
203	See Note	1	Orifice (Note: Not Available for Purchase)	
204	See Note	1	Orifice (Note: Not Available for Purchase)	
205	70000150	1	O-Ring	

SECTION 5 - CYLINDER

FIGURE 5-3. LEVELING CYLINDER ASSEMBLY



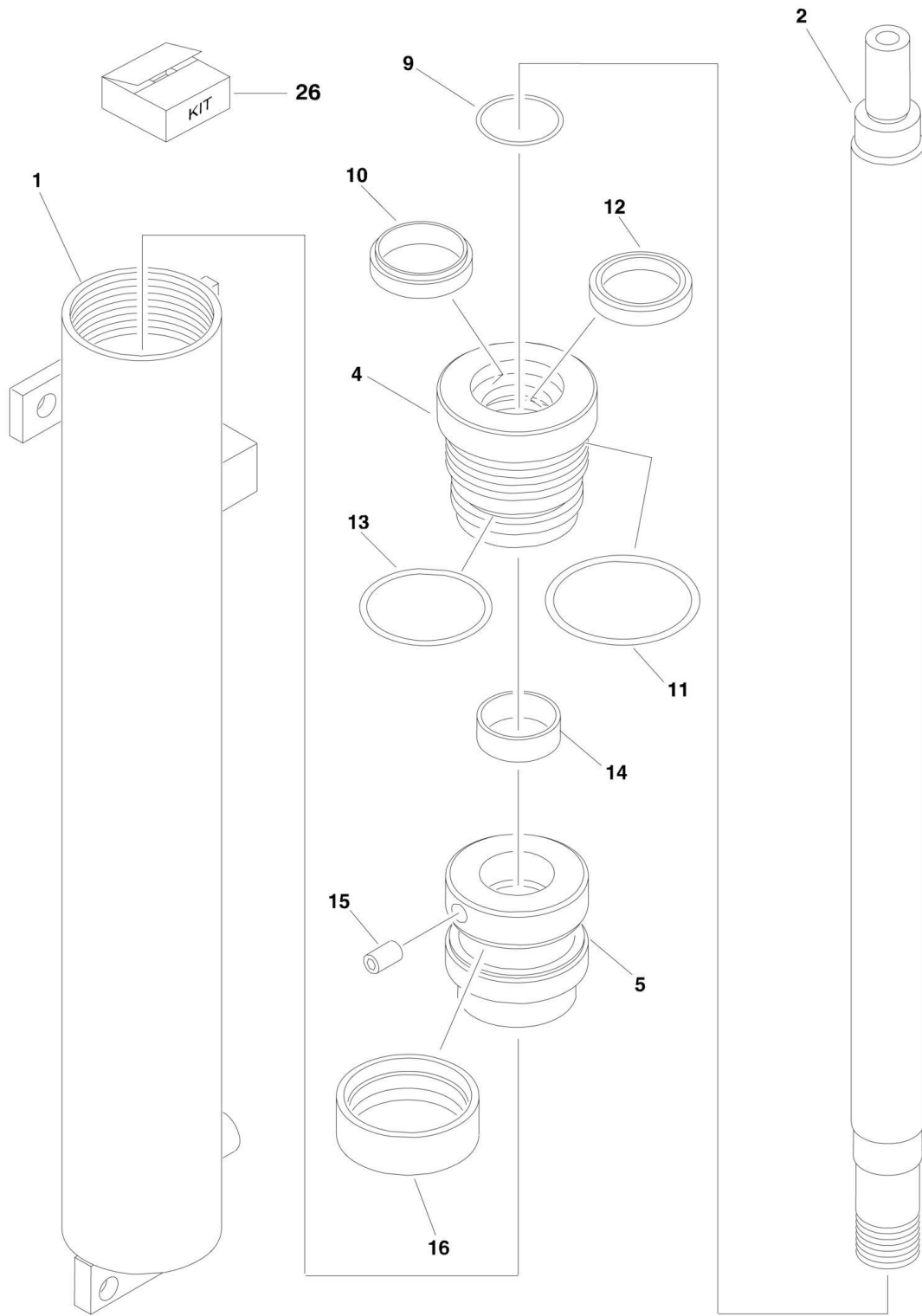
SECTION 5 - CYLINDER

FIGURE 5-3. LEVELING CYLINDER ASSEMBLY

ITEM	PART NUMBER	QTY	DESCRIPTION	REV
		Ref	LEVELING CYLINDER ASSEMBLY	
	H900008	Ref	Right Front and Left Rear Cylinder	H
	H900010	Ref	Left Front and Right Rear Cylinder	H
1		Ref	Barrel Options:	
1	70000703	1	Right Front and Left Rear Cylinder	
1	70000706	1	Left Front and Right Rear Cylinder	
2	70000702	1	Rod Assembly	
4	70000692	1	Snap Ring	
5	70000693	1	Head	
6	70000694	1	Cap	
7	70000695	1	Mounting Flange (Includes Item #11)	
9	See Note	NSS	Piston Seal (Note: Use Item 51)	
10	70000696	1	Piston	
11	70000697	1	Stop	
12	70000698	1	Spacer	
14	See Note	NSS	O-Ring (Note: Use Item 51)	
15	See Note	NSS	Ring, Back-Up (Note: Use Item 51)	
16	See Note	NSS	Seal, Rod (Note: Use Item 51)	
18	See Note	NSS	Wiper (Note: Use Item 51)	
19	70000699	1	Snap Ring	
20	See Note	NSS	O-Ring (Note: Use Item 51)	
25	See Note	NSS	O-Ring (Note: Use Item 51)	
26	70000700	1	O-Ring	
51	70000704	1	Seal Kit (Includes Items 9, 14, 15, 16, 18, 20 & 25)	

SECTION 5 - CYLINDER

FIGURE 5-4. PLATFORM EXTENSION CYLINDER ASSEMBLY (210-25)



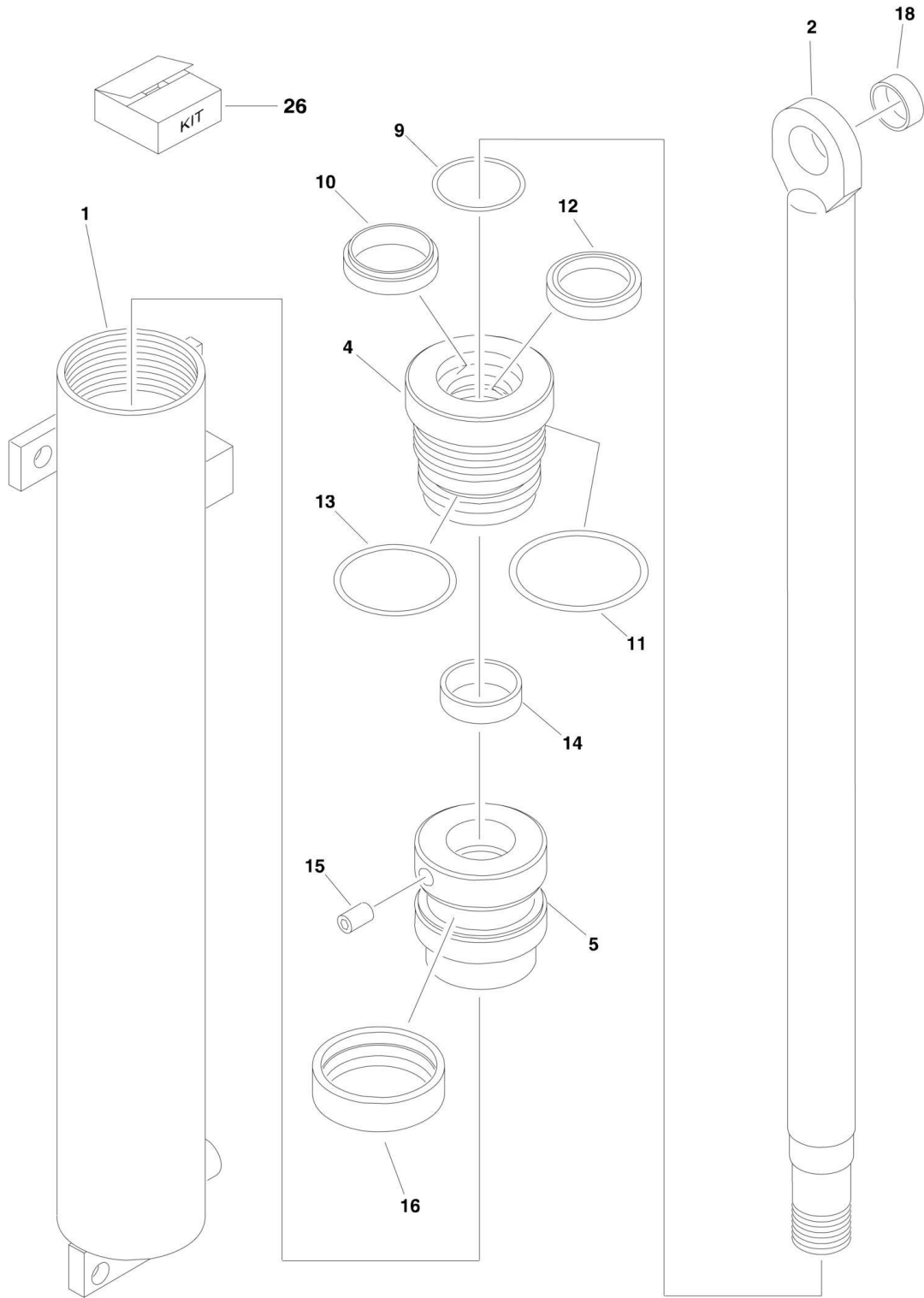
SECTION 5 - CYLINDER

FIGURE 5-4. PLATFORM EXTENSION CYLINDER ASSEMBLY (210-25)

ITEM	PART NUMBER	QTY	DESCRIPTION	REV
	H900006	Ref	EXTENSION CYLINDER ASSEMBLY	D
1	70000715	1	Barrel	
2	70000714	1	Rod	
4	70000707	1	Head	
5	70000708	1	Piston	
9	See Note	NSS	O-Ring (Note: Use Item 26)	
10	See Note	NSS	Wiper (Note: Use Item 26)	
11	See Note	NSS	O-Ring (Note: Use Item 26)	
12	See Note	NSS	Rod Seal (Note: Use Item 26)	
13	See Note	NSS	Seal, Head (Note: Use Item 26)	
14	70000709	1	Spacer	
15	See Note	1	Setscrew (Note: Not Available - Purchase Locally)	
16	See Note	NSS	Piston Seal (Note: Use Item 26)	
26	70000713	1	Seal Kit (Includes Items 9, 10, 11, 12, 13 & 16)	

SECTION 5 - CYLINDER

FIGURE 5-5. PLATFORM EXTENSION CYLINDER ASSEMBLY (245-25)



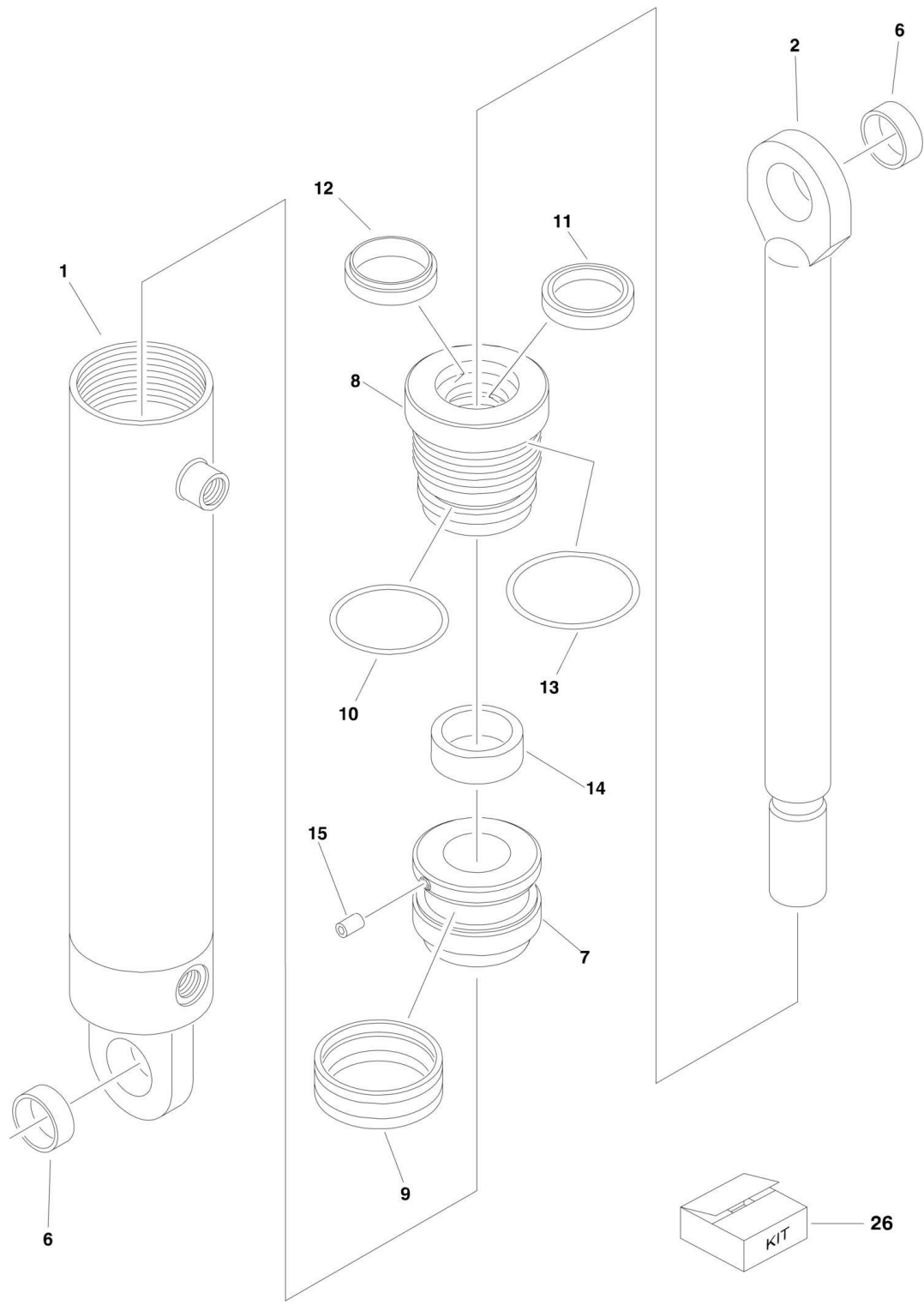
SECTION 5 - CYLINDER

FIGURE 5-5. PLATFORM EXTENSION CYLINDER ASSEMBLY (245-25)

ITEM	PART NUMBER	QTY	DESCRIPTION	REV
	H900020	Ref	PLATFORM EXTENSION CYLINDER ASSEMBLY	D
1	70000712	1	Barrel	
2	70000711	1	Rod	
4	70000707	1	Head	
5	70000708	1	Piston	
9	See Note	NSS	O-Ring (Note: Use Item 26)	
10	See Note	NSS	Wiper (Note: Use Item 26)	
11	See Note	NSS	O-Ring (Note: Use Item 26)	
12	See Note	NSS	Rod Seal (Note: Use Item 26)	
13	See Note	NSS	Head Seal (Note: Use Item 26)	
14	70000709	1	Spacer	
15	See Note	1	Setscrew (Note: Not Available - Purchase Locally)	
16	See Note	NSS	Piston Seal (Note: Use Item 26)	
18	70000710	1	Rod Bushing	
26	70000713	1	Seal Kit (Includes Items 9, 10, 11, 12, 13 & 16)	

SECTION 5 - CYLINDER

FIGURE 5-6. STEERING CYLINDER ASSEMBLY



SECTION 5 - CYLINDER

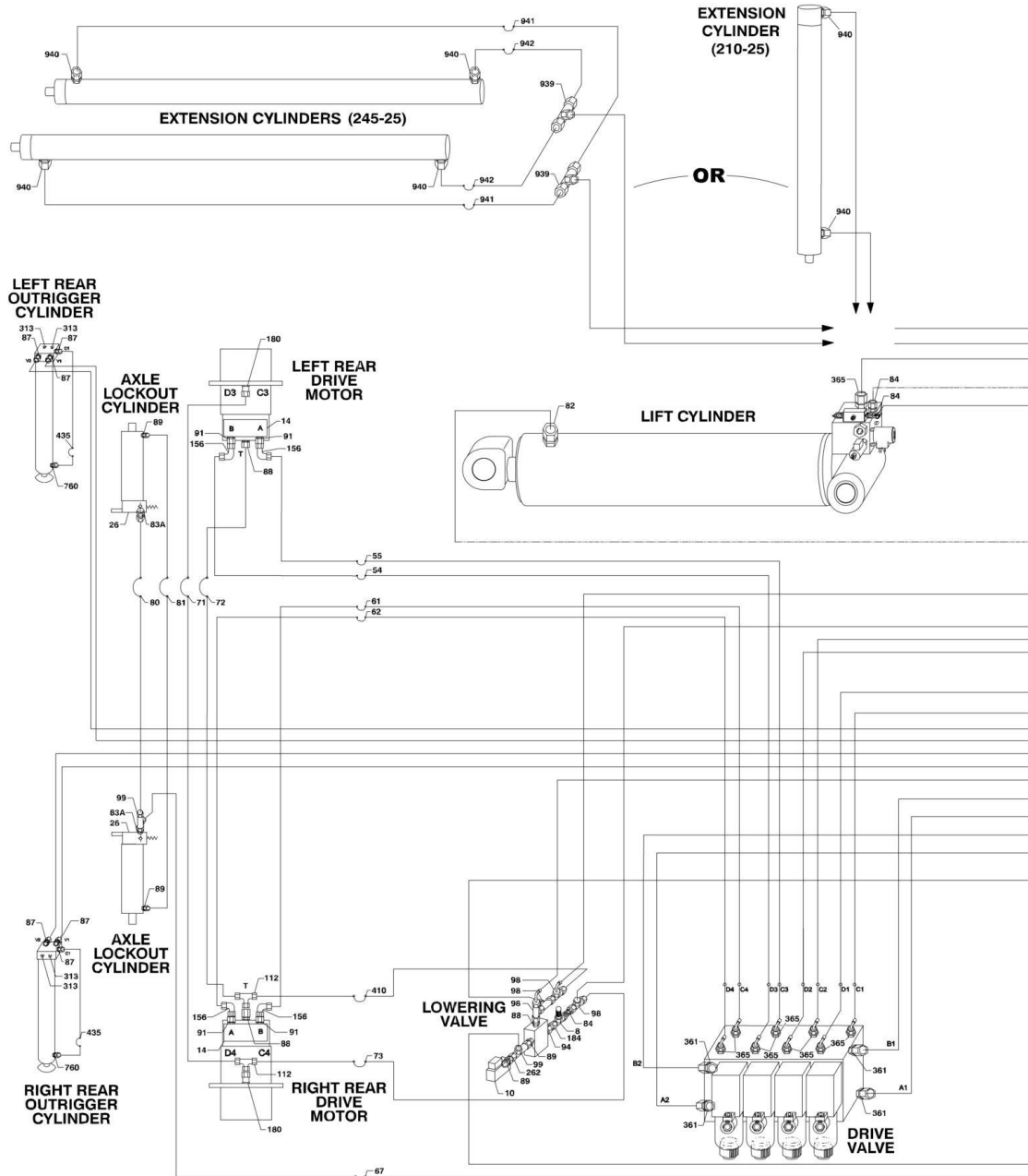
FIGURE 5-6. STEERING CYLINDER ASSEMBLY

ITEM	PART NUMBER	QTY	DESCRIPTION	REV
	H900014	Ref	STEERING CYLINDER ASSEMBLY	D
1	70000754	1	Barrel	
2	70000753	1	Rod	
6	70000749	2	Bushing	
7	70000750	1	Piston	
8	70000751	1	Head	
9	See Note	NSS	Piston Seal (Note: Use Item 26)	
10	See Note	NSS	Head Seal (Note: Use Item 26)	
11	See Note	NSS	Rod Seal (Note: Use Item 26)	
12	See Note	NSS	Wiper (Note: Use Item 26)	
13	See Note	NSS	O-Ring (Note: Use Item 26)	
14	70000752	1	Spacer	
15	See Note	1	Setscrew (Note: Not Available - Purchase Locally)	
26	70000755	1	Seal Kit (Includes Items 9, 10, 11, 12 & 13)	

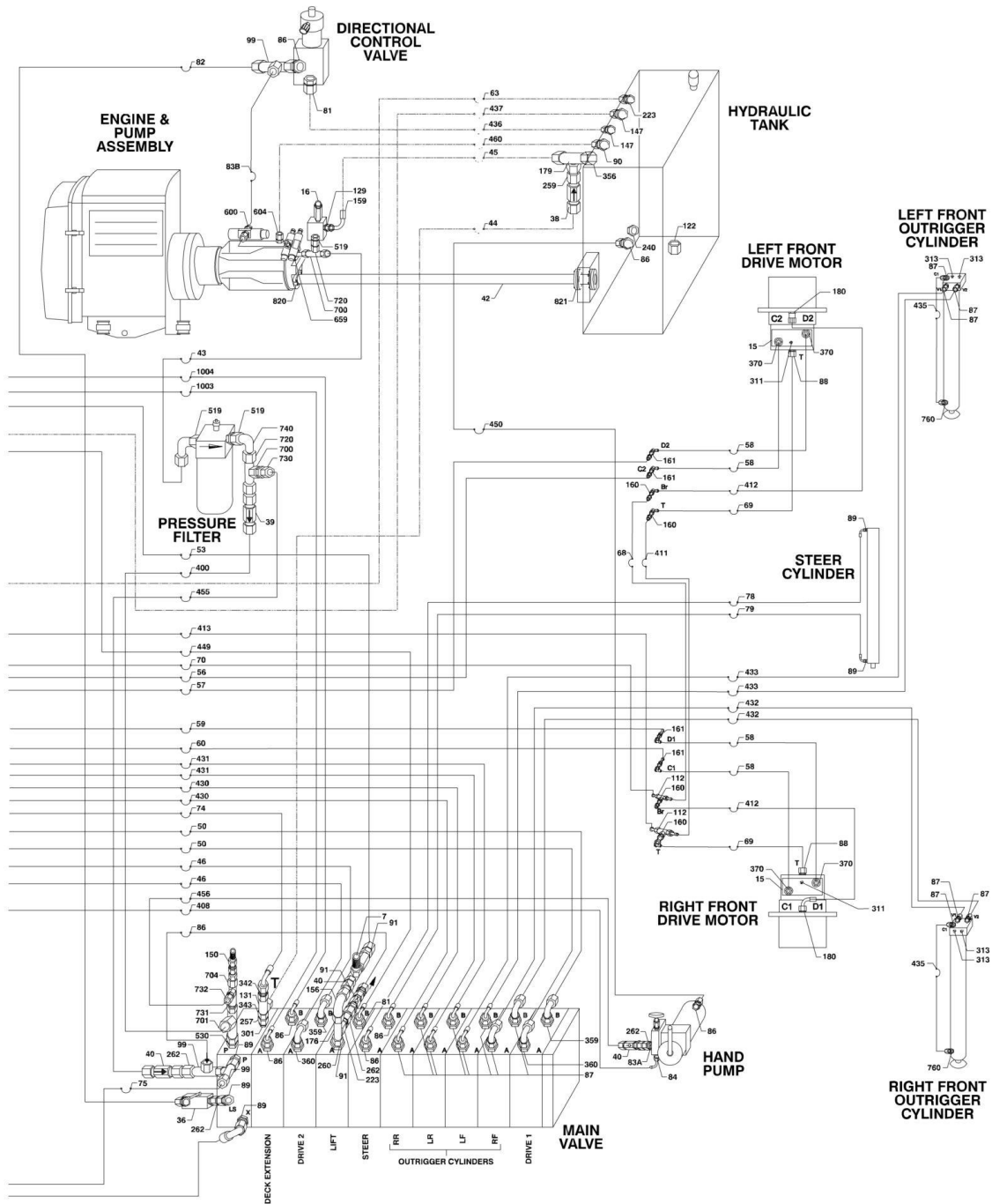
SECTION 6 - HYDRAULIC

SECTION 6 - HYDRAULIC

FIGURE 6-1. HYDRAULIC DIAGRAM (SN 1200020465 through 1200021262)



SECTION 6 - HYDRAULIC



SECTION 6 - HYDRAULIC

FIGURE 6-1. HYDRAULIC DIAGRAM (SN 1200020465 through 1200021262)

ITEM	PART NUMBER	QTY	DESCRIPTION	REV
	H900067	Ref	HYDRAULIC DIAGRAM	E
	H900070	Ref	INLINE VALVE KIT	4
7	H000524	1	Valve, Throttle Check (Not Serviceable - Replace Complete Valve)	
8	H000018	1	Valve, Lowering Speed Adjustment Throttle (Not Serviceable - Replace Complete Valve)	
10	H000536	1	Switch, Pressure (Not Serviceable - Replace Complete Valve)	
16	H005529	1	Valve, Pressure Control	
16	7024895	1	Cartridge, Valve Less Coil	
16	7024896	1	Seal Kit - 7024895 Cartridge	
16	7017444	1	Coil	
26	H000280	2	Valve, Load Holding	
26	7024897	2	Cartridge, Valve Less Coil (1 Per Valve)	
26	7012972	2	Seal Kit - 7024897 Cartridge (1 Per Valve)	
26	7012986	2	Coil (1 Per Valve)	
36	H000306	1	Valve, Flow Control (Not Serviceable - Replace Complete Valve)	
37	H000122	1	Valve, Lock-up (Not Serviceable - Replace Complete Valve)	
38	H000273	1	Check Valve (Not Serviceable - Replace Complete Valve)	
39	H000123	1	Check Valve (Not Serviceable - Replace Complete Valve)	
40	H000351	3	Check Valve (Not Serviceable - Replace Complete Valve)	
	H900068	Ref	HYDRAULIC FITTING KIT	5
	H900069	Ref	HYDRAULIC HOSE KIT	5
41	1321564	2	Clamp (Not Shown)	
42	2754464	1	Hose	
43	2754463	1	Hose	
44	2754426	1	Hose	
45	2754422	1	Hose	
46	2754459	2	Hose	
50	2754458	2	Hose	
53	2754455	1	Hose	
54	2754453	1	Hose	
55	2754453	1	Hose	
56	2754457	1	Hose	
57	2754457	1	Hose	
58	2754454	4	Hose	
59	2754456	1	Hose	
60	2754455	1	Hose	
61	2754452	1	Hose	
62	2754451	1	Hose	
63	2754445	1	Hose	
67	2754429	1	Hose	
68	2754441	1	Hose	
69	2754435	2	Hose	
70	2754437	1	Hose	
71	2754351	1	Hose	
72	2754417	1	Hose	
73	2754440	1	Hose	
74	2754420	1	Hose	
75	2754433	1	Hose	
78	2754432	1	Hose	

SECTION 6 - HYDRAULIC

ITEM	PART NUMBER	QTY	DESCRIPTION	REV
79	2754432	1	Hose	
80	2754434	1	Hose	
81A	2142710	1	Fitting, Straight	
81B	2754427	1	Hose	
82A	2142712	1	Fitting, Straight	
82B	2754430	1	Hose	
83A	2142707	3	Fitting, Straight	
83B	2754415	1	Hose	
84	2142709	AR	Fitting, Straight	
86A	2142743	7	Fitting, Straight	
86B	2754428	1	Hose	
87	2142715	20	Fitting, Straight	
88	2142708	5	Fitting, Straight	
89	2142706	9	Fitting, Straight	
90	2142746	1	Fitting, Straight	
91	2142716	7	Fitting, Straight	
94	2142711	1	Fitting, Straight	
98	2142203	4	Fitting, Tee	
99	2142202	5	Fitting, Tee	
112	2142103	4	Fitting, Tee	
113	2142713	1	Fitting, Straight	
122	2143809	AR	Blanking Plug	
129	2142741	1	Fitting, Straight	
131	2141914	1	Fitting, Tee	
147	2142754	2	Fitting, Straight	
150		Ref	Fitting Options:	
150	2142503	1	Fitting, Cap	
150	2144105	1	Fitting, Diagnostic Tip	
156	2143406	5	Fitting, 90	
159	2143409	1	Fitting, 90	
160	2141503	4	Fitting, Bulkhead Union	
161	2141506	4	Fitting, Bulkhead Union	
176	2142206	1	Fitting, Tee	
179	2142209	1	Fitting, Tee	
180	H000148	4	Fitting	
184	2142804	1	Fitting, Straight	
223	2143513	1	Fitting, Reducer	
240	2221214	1	Plug (Includes Copper Sealing Ring)	
257	2143608	1	Fitting, Straight	
259	2143609	1	Fitting, Straight	
260	2143606	1	Fitting, Straight	
262	2143602	5	Fitting, Straight	
301	2142744	1	Fitting, Straight	
311	2143803	2	Blanking Plug	
313	2143807	8	Blanking Plug	
342	2143579	1	Fitting, Reducer	
343	2143534	1	Fitting, Reducer	
356	2142742	1	Fitting, Straight	
359	2142747	2	Fitting, Straight	
360	2142753	2	Fitting, Straight	
361	2142748	4	Fitting, Straight	

SECTION 6 - HYDRAULIC

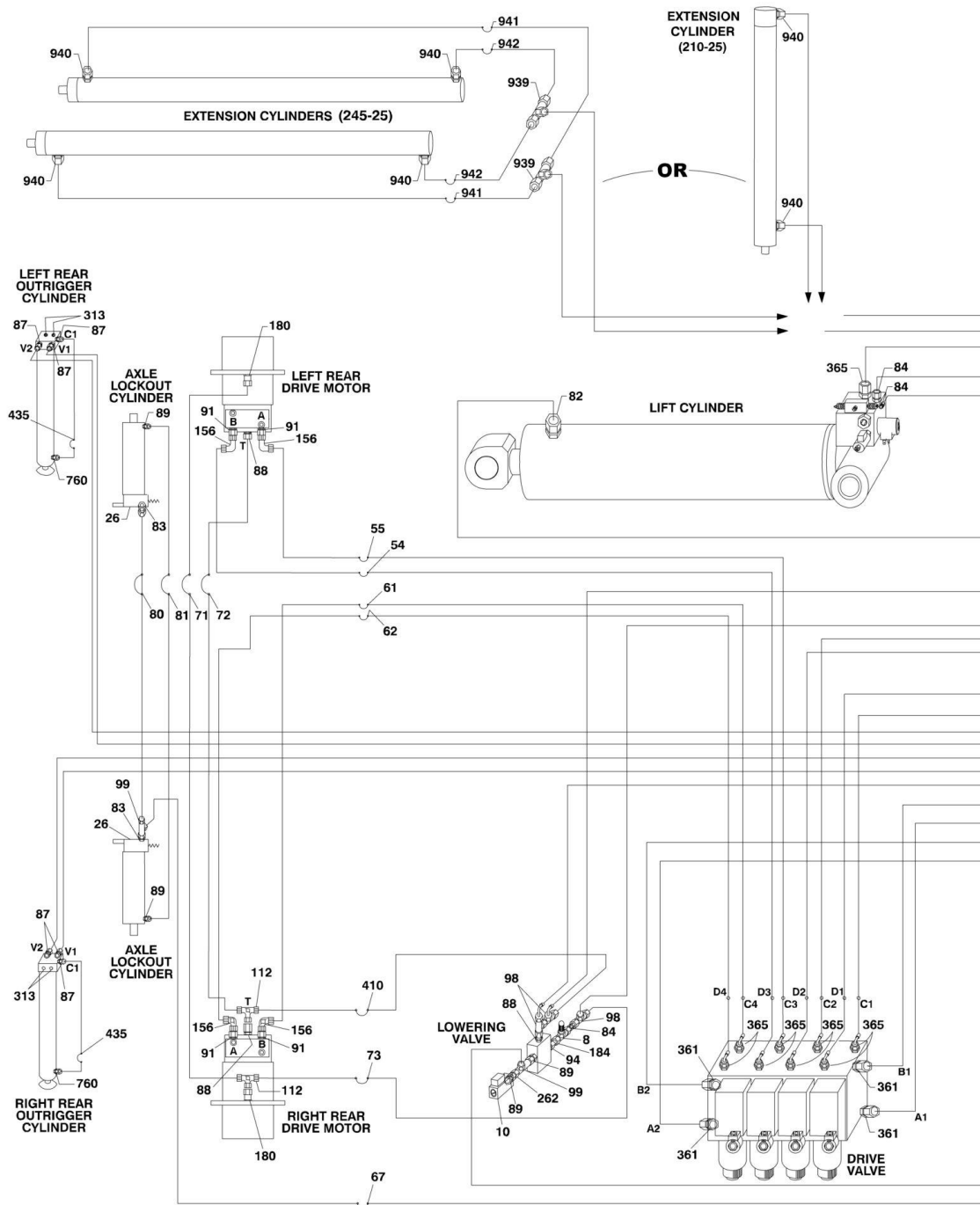
ITEM	PART NUMBER	QTY	DESCRIPTION	REV
365	2142717	AR	Fitting, Straight	
370	2144007	4	Fitting, Straight	
400	2754462	1	Hose	
408	2754436	1	Hose	
410	2754416	1	Hose	
411	2754421	1	Hose	
412	2754435	2	Hose	
413	2754442	1	Hose	
430	2754447	2	Hose	
431	2754449	2	Hose	
432	2754446	2	Hose	
433	2754448	2	Hose	
435	2754450	4	Hose	
436	2754419	1	Hose	
437	2754443	1	Hose	
449	2754438	1	Hose	
450	2754431	1	Hose	
455	2754461	1	Hose	
456	2754460	1	Hose	
460	2754392	1	Hose	
519	2142749	3	Fitting, Straight	
530	2142750	1	Fitting, Straight	
600	2142755	1	Fitting, Straight	
604	2142756	1	Fitting, Straight	
659	2221228	1	Fitting, Straight	
700	2142219	2	Fitting, Tee	
701	2142218	1	Fitting, Tee	
704	2142215	1	Fitting, Tee	
720	2143619	2	Fitting, Straight	
730	2143568	1	Fitting, Reducer	
731	2143564	1	Fitting, Reducer	
732	2143547	1	Fitting, Reducer	
740	2143419	1	Fitting, 90	
760	2144005	4	Fitting, Straight	
820	2171824	1	Flange Kit (Includes Qty1 O-Ring and Qty 4 each Screws and Flatwashers)	
821	2171832	1	Flange Kit (Includes Qty1 O-Ring and Qty 4 each Screws and Flatwashers)	
		Ref	PLATFORM HYDRAULIC COMPONENTS	
	0275835	Ref	Platform Hydraulic Components 210-25	B
	0275640	Ref	Platform Hydraulic Components 245-25	E
939	2141907	2	Fitting, Tee (245-25 Only)	
940	2142707	AR	Fitting, Straight Options:	
940		Ref	Fitting, Straight 210-25	
940		Ref	Fitting, Straight 245-25	
941	2754525	2	Hose (245-25 Only)	
942	2754529	2	Hose (245-25 Only)	
		Ref	ARMS HYDRAULIC COMPONENTS	
	0275846	Ref	Arms Hydraulic Components 210-25	B
	0275609	Ref	ARMS HYDRAULIC COMPONENTS 245-25	D
1003		Ref	Hose Options:	
1003	2754513	1	Hose 210-25	

SECTION 6 - HYDRAULIC

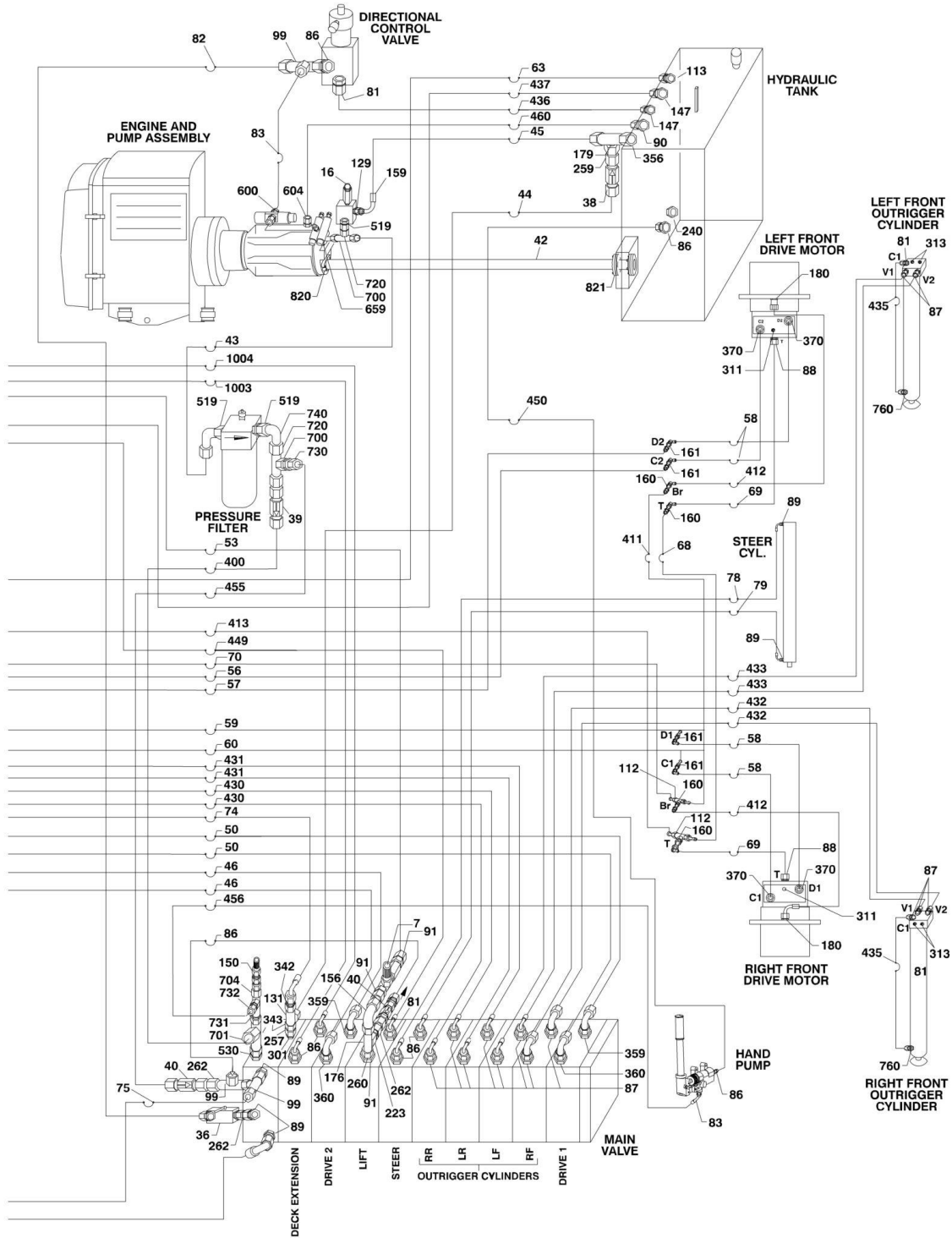
ITEM	PART NUMBER	QTY	DESCRIPTION	REV
1003	2754478	1	Hose 245-25	
1004		Ref	Hose Options:	
1004	2754514	1	Hose 210-25	
1004	2754526	1	Hose 245-25	

SECTION 6 - HYDRAULIC

FIGURE 6-2. HYDRAULIC DIAGRAM (SN 1200021263 to Present)



SECTION 6 - HYDRAULIC



SECTION 6 - HYDRAULIC

FIGURE 6-2. HYDRAULIC DIAGRAM (SN 1200021263 to Present)

ITEM	PART NUMBER	QTY	DESCRIPTION	REV
	H900067	Ref	HYDRAULIC DIAGRAM	G
	H900070	Ref	INLINE VALVE KIT	5
7	H000524	1	Valve, Throttle Check (Not Serviceable - Replace Complete Valve)	
8	H000018	1	Valve, Lowering Speed Adjustment Throttle (Not Serviceable - Replace Complete Valve)	
10	H000536	1	Switch, Pressure (Not Serviceable - Replace Complete Valve)	
16	H005529	1	Valve, Pressure Control	
16	7024895	1	Cartridge, Valve Less Coil	
16	7024896	1	Seal Kit - 7024895 Cartridge	
16	7017444	1	Coil	
26	H000280	2	Valve, Load Holding	
26	7024897	2	Cartridge, Valve Less Coil (1 Per Valve)	
26	7012972	2	Seal Kit - 7024897 Cartridge (1 Per Valve)	
26	7012986	2	Coil (1 Per Valve)	
36	H000306	1	Valve, Flow Control (Not Serviceable - Replace Complete Valve)	
38	H000273	1	Check Valve (Not Serviceable - Replace Complete Valve)	
39	H000123	1	Check Valve (Not Serviceable - Replace Complete Valve)	
40	H000351	2	Check Valve (Not Serviceable - Replace Complete Valve)	
	H900068	Ref	HYDRAULIC FITTING KIT	6
	H900069	Ref	HYDRAULIC HOSE KIT	7
41	1321564	2	Clamp (Not Shown)	
42	2754464	1	Hose	
43	2754463	1	Hose	
44	2754426	1	Hose	
45	2754422	1	Hose	
46	2754459	2	Hose	
50	2754458	2	Hose	
53	2754455	1	Hose	
54	2754453	1	Hose	
55	2754453	1	Hose	
56	2754457	1	Hose	
57	2754457	1	Hose	
58	2754454	4	Hose	
59	2754456	1	Hose	
60	2754455	1	Hose	
61	2754452	1	Hose	
62	2754451	1	Hose	
63	2754445	1	Hose	
67	2754429	1	Hose	
68	2754441	1	Hose	
69	2754435	2	Hose	
70	2754437	1	Hose	
71	2754351	1	Hose	
72	2754417	1	Hose	
73	2754440	1	Hose	
74	2754420	1	Hose	
75	2754433	1	Hose	
78	2754432	1	Hose	
79	2754432	1	Hose	

SECTION 6 - HYDRAULIC

ITEM	PART NUMBER	QTY	DESCRIPTION	REV
80	2754434	1	Hose	
81A	2142710	1	Fitting, Straight	
81B	2754427	1	Hose	
82A	2142712	1	Fitting, Straight	
82B	2754430	1	Hose	
83A	2142707	2	Fitting, Straight	
83B	2754415	1	Hose	
84	2142709	4	Fitting, Straight	
86A	2142743	7	Fitting, Straight	
86B	2754428	1	Hose	
87	2142715	20	Fitting, Straight	
88	2142708	5	Fitting, Straight	
89	2142706	9	Fitting, Straight	
90	2142746	1	Fitting, Straight	
91	2142716	7	Fitting, Straight	
94	2142711	1	Fitting, Straight	
98	2142203	3	Fitting, Tee	
99	2142202	5	Fitting, Tee	
112	2142103	4	Fitting, Tee	
113	2142713	1	Fitting, Straight	
129	2142741	1	Fitting, Straight	
131	2141914	1	Fitting, Tee	
147	2142754	2	Fitting, Straight	
150	2144105	1	Fitting, Diagnostic Tip	
156	2143406	5	Fitting, 90	
159	2143409	1	Fitting, 90	
160	2141503	4	Fitting, Bulkhead Union	
161	2141506	4	Fitting, Bulkhead Union	
176	2142206	1	Fitting, Tee	
179	2142209	1	Fitting, Tee	
180	H000148	4	Fitting	
184	2142804	1	Fitting, Straight	
223	2143513	1	Fitting, Reducer	
240	2221214	1	Plug (Includes Copper Sealing Ring)	
257	2143608	1	Fitting, Straight	
259	2143609	1	Fitting, Straight	
260	2143606	1	Fitting, Straight	
262	2143602	4	Fitting, Straight	
301	2142744	1	Fitting, Straight	
311	2143803	2	Blanking Plug	
313	2143807	8	Blanking Plug	
342	2143579	1	Fitting, Reducer	
343	2143534	1	Fitting, Reducer	
356	2142742	1	Fitting, Straight	
359	2142747	2	Fitting, Straight	
360	2142753	2	Fitting, Straight	
361	2142748	4	Fitting, Straight	
365	2142717	10	Fitting, Straight	
370	2144007	4	Fitting, Straight	
400	2754462	1	Hose	
410	2754416	1	Hose	

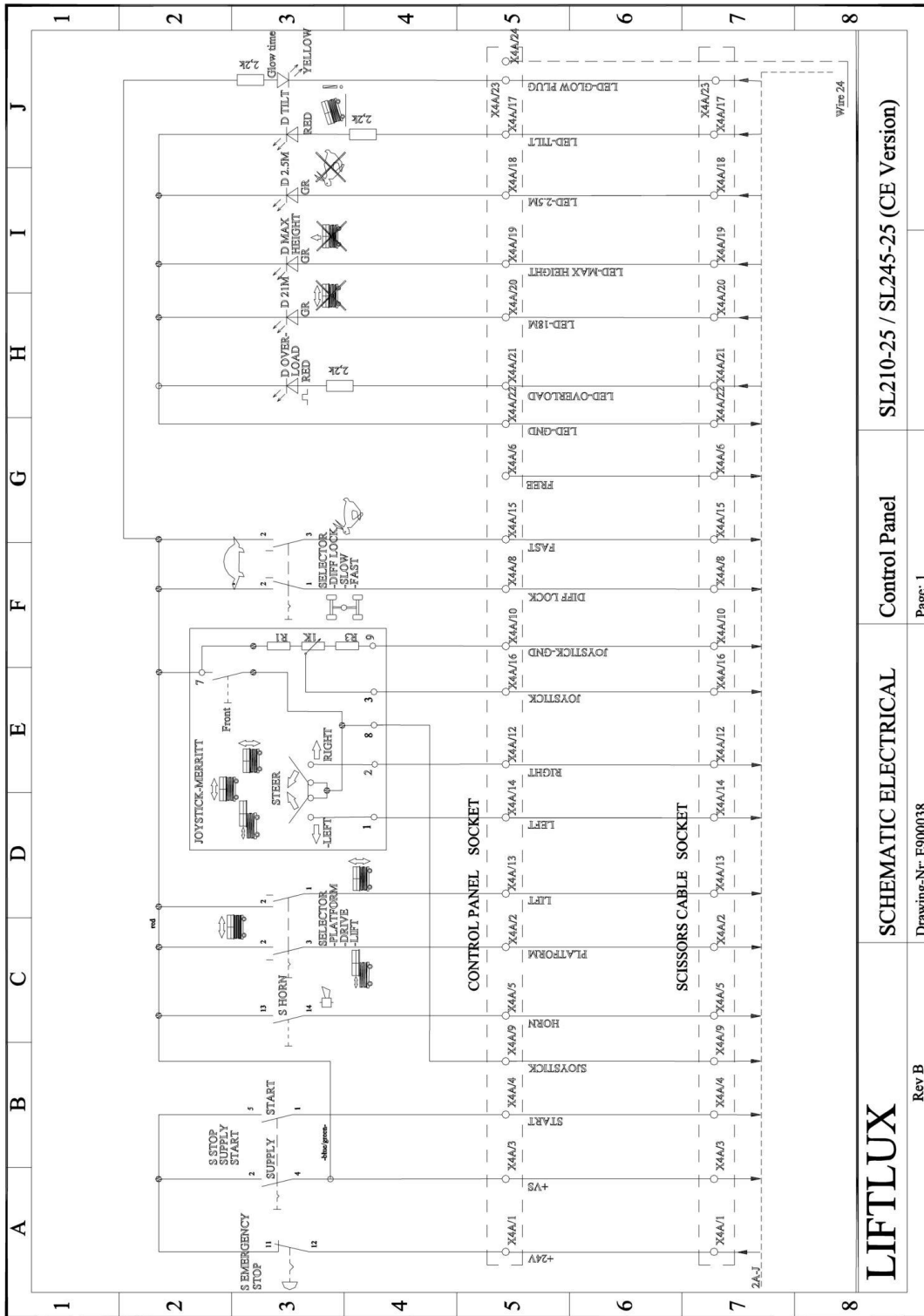
SECTION 6 - HYDRAULIC

ITEM	PART NUMBER	QTY	DESCRIPTION	REV
411	2754421	1	Hose	
412	2754435	2	Hose	
413	2754442	1	Hose	
430	2754447	2	Hose	
431	2754449	2	Hose	
432	2754446	2	Hose	
433	2754448	2	Hose	
435	2754450	4	Hose	
436	2754419	1	Hose	
437	2754443	1	Hose	
449	2754438	1	Hose	
450	2754431	1	Hose	
455	2754461	1	Hose	
456	2754460	1	Hose	
460	2754392	1	Hose	
519	2142749	3	Fitting, Straight	
530	2142750	1	Fitting, Straight	
600	2144801	1	Fitting, Straight	
604	2144805	1	Fitting, Straight	
659	2221228	1	Fitting, Straight	
700	2142219	2	Fitting, Tee	
701	2142218	1	Fitting, Tee	
704	2142215	1	Fitting, Tee	
720	2143619	2	Fitting, Straight	
730	2143568	1	Fitting, Reducer	
731	2143564	1	Fitting, Reducer	
732	2143547	1	Fitting, Reducer	
740	2143419	1	Fitting, 90	
760	2144005	4	Fitting, Straight	
820	2171824	1	Flange Kit (Includes Qty1 O-Ring and Qty 4 each Screws and Flatwashers)	
821	2171832	1	Flange Kit (Includes Qty1 O-Ring and Qty 4 each Screws and Flatwashers)	
		Ref	PLATFORM HYDRAULIC COMPONENTS	
	0275835	Ref	Platform Hydraulic Components 210-25	B
	0275640	Ref	Platform Hydraulic Components 245-25	F
939	2141907	2	Fitting, Tee (245-25 Only)	
940	2142707	Ref	Fitting, Straight Options:	
940	2142707	2	Fitting, Straight 210-25	
940	2142707	4	Fitting, Straight 245-25	
941	2754525	2	Hose (245-25 Only)	
942	2754529	2	Hose (245-25 Only)	
		Ref	ARMS HYDRAULIC COMPONENTS	
	0275846	Ref	Arms Hydraulic Components 210-25	C
	0275609	Ref	Arms Hydraulic Components 245-25	E
1003		Ref	Hose Options:	
1003	2754514	1	Hose 210-25	
1003	2754478	1	Hose 245-25	
1004		Ref	Hose Options:	
1004	2754513	1	Hose 210-25	
1004	2754526	1	Hose 245-25	

SECTION 7 - ELECTRICAL

SECTION 7 - ELECTRICAL

FIGURE 7-1. ELECTRICAL SCHEMATIC



LIFTLUX

SL210-25 / SL245-25 (CE Version)

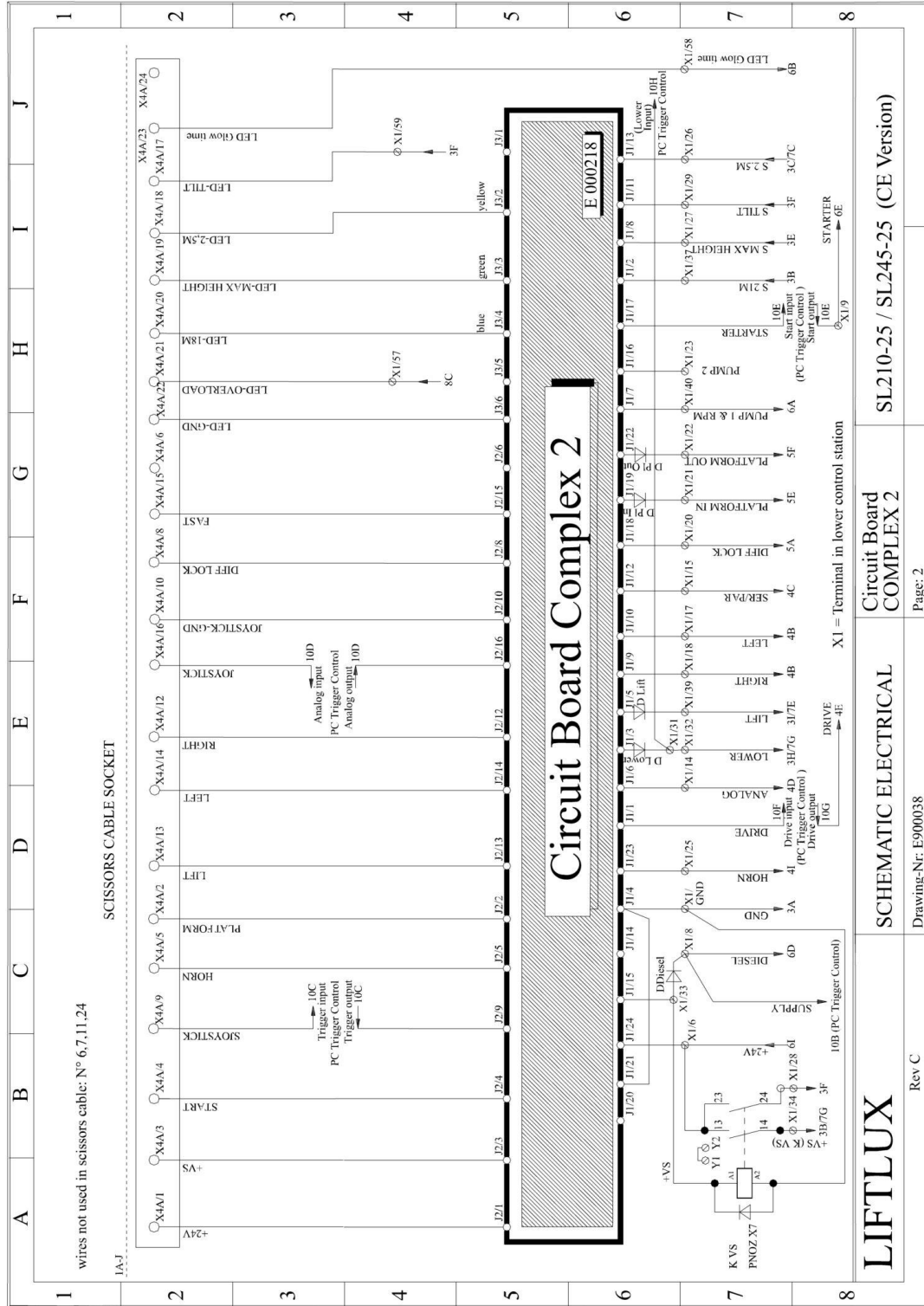
SCHEMATIC ELECTRICAL

Control Panel

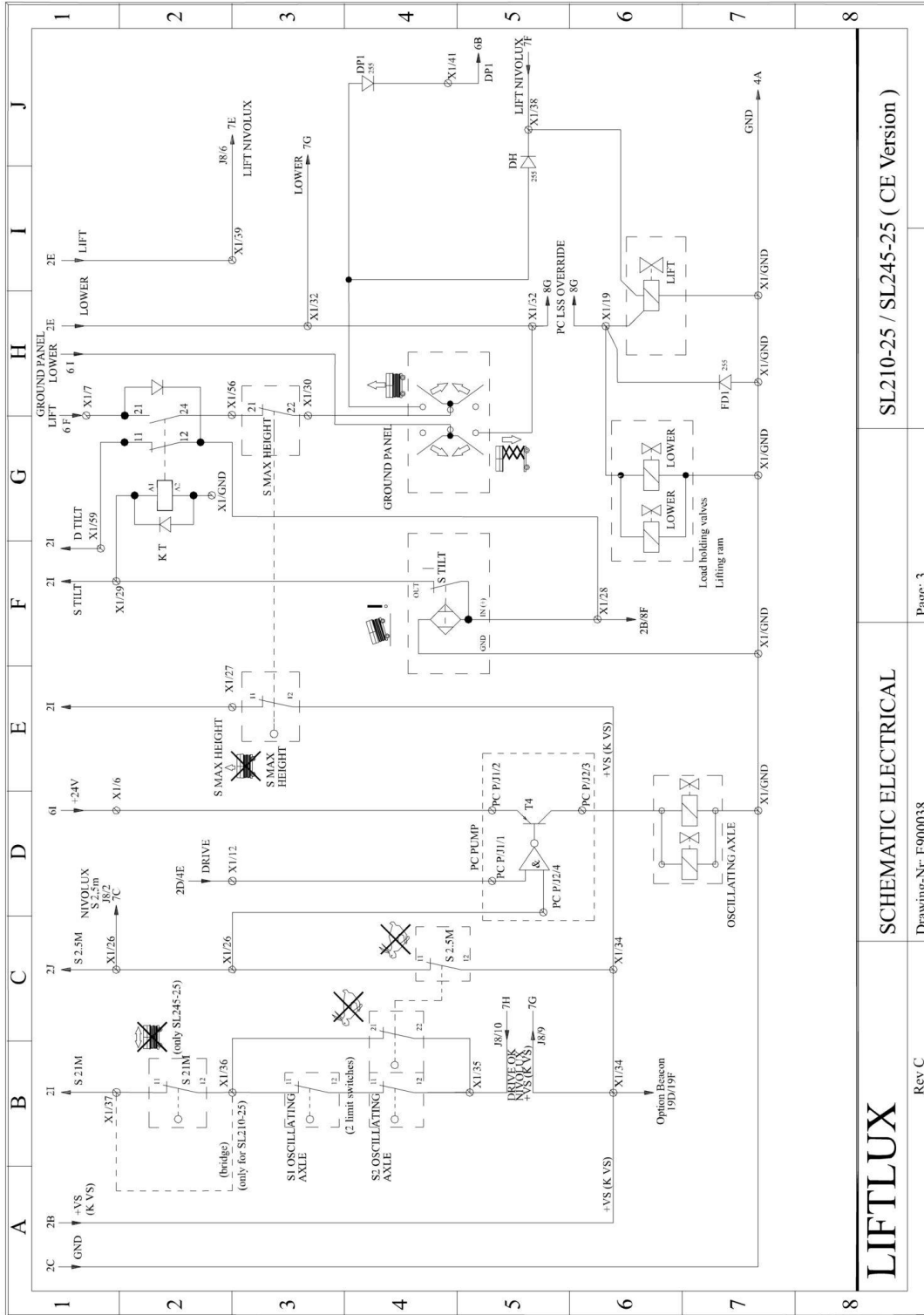
Drawing-Nr: E900038

Page: 1

Rev B



SECTION 7 - ELECTRICAL



LIFTLUX

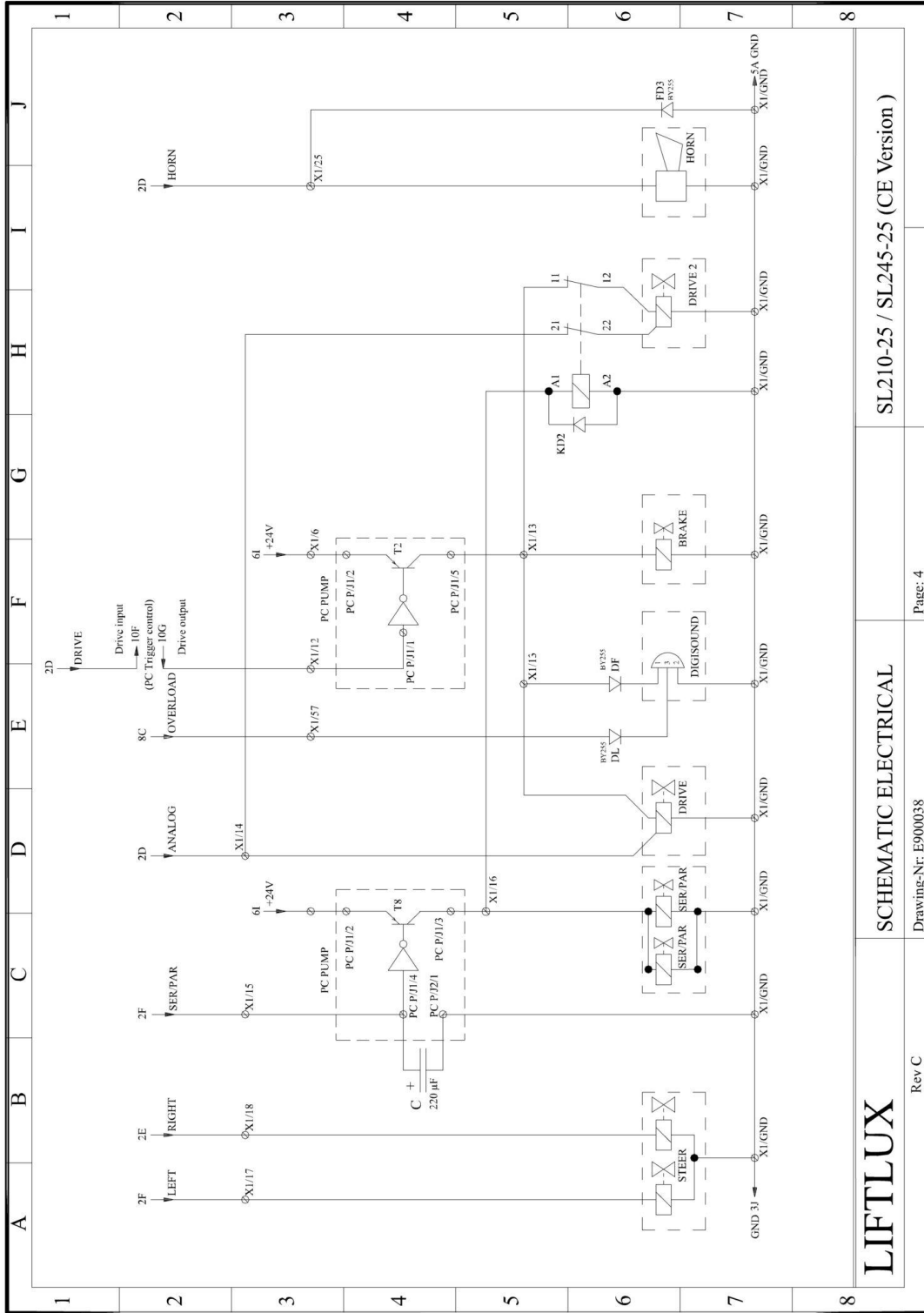
SCHEMATIC ELECTRICAL

SL210-25 / SL245-25 (CE Version)

Rev C

Drawing-Nr: E900038

Page: 3



LIFTLUX

Rev C

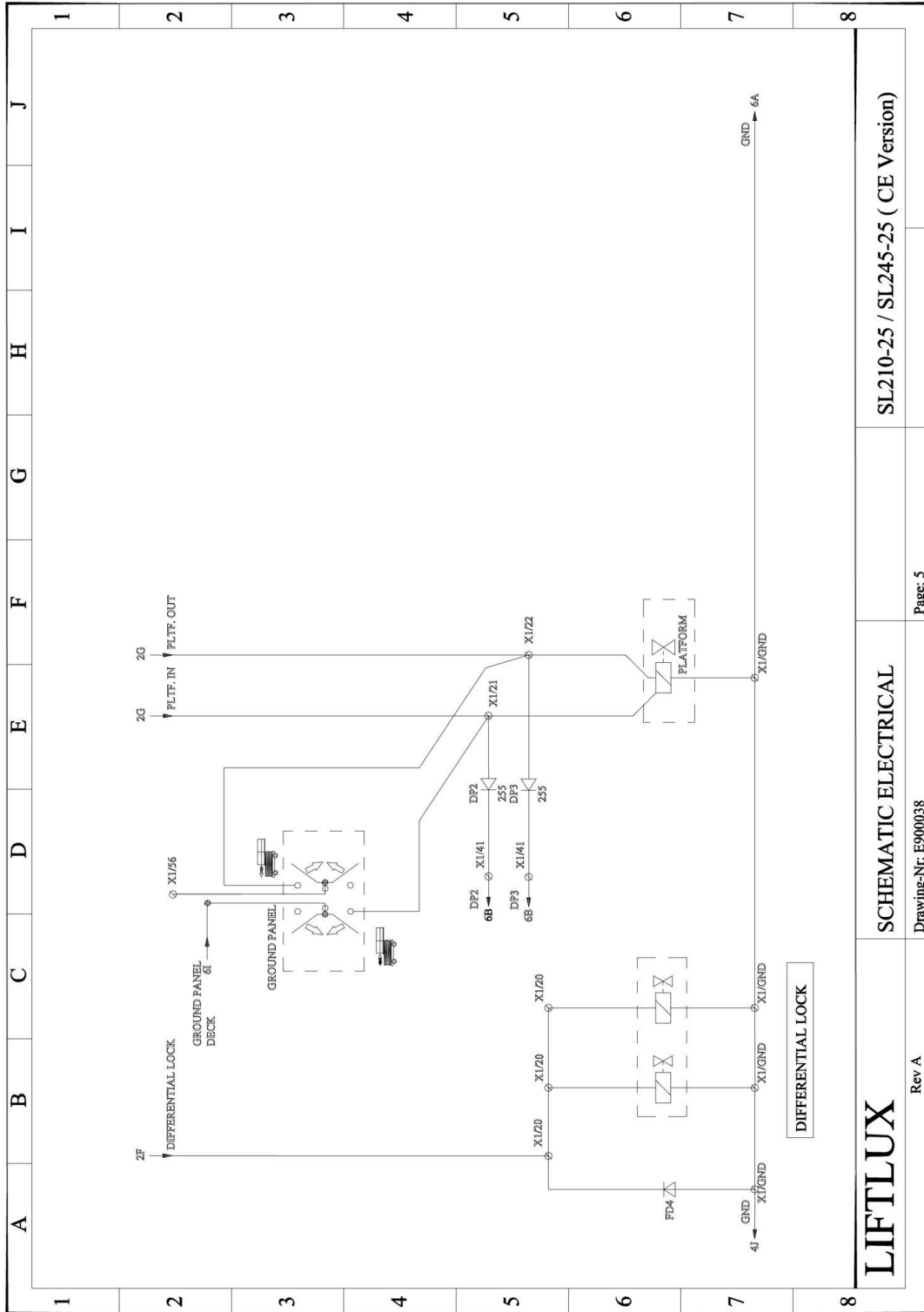
SCHEMATIC ELECTRICAL

SL210-25 / SL245-25 (CE Version)

Drawing-Nr: E900038

Page: 4

SECTION 7 - ELECTRICAL



LIFTLUX

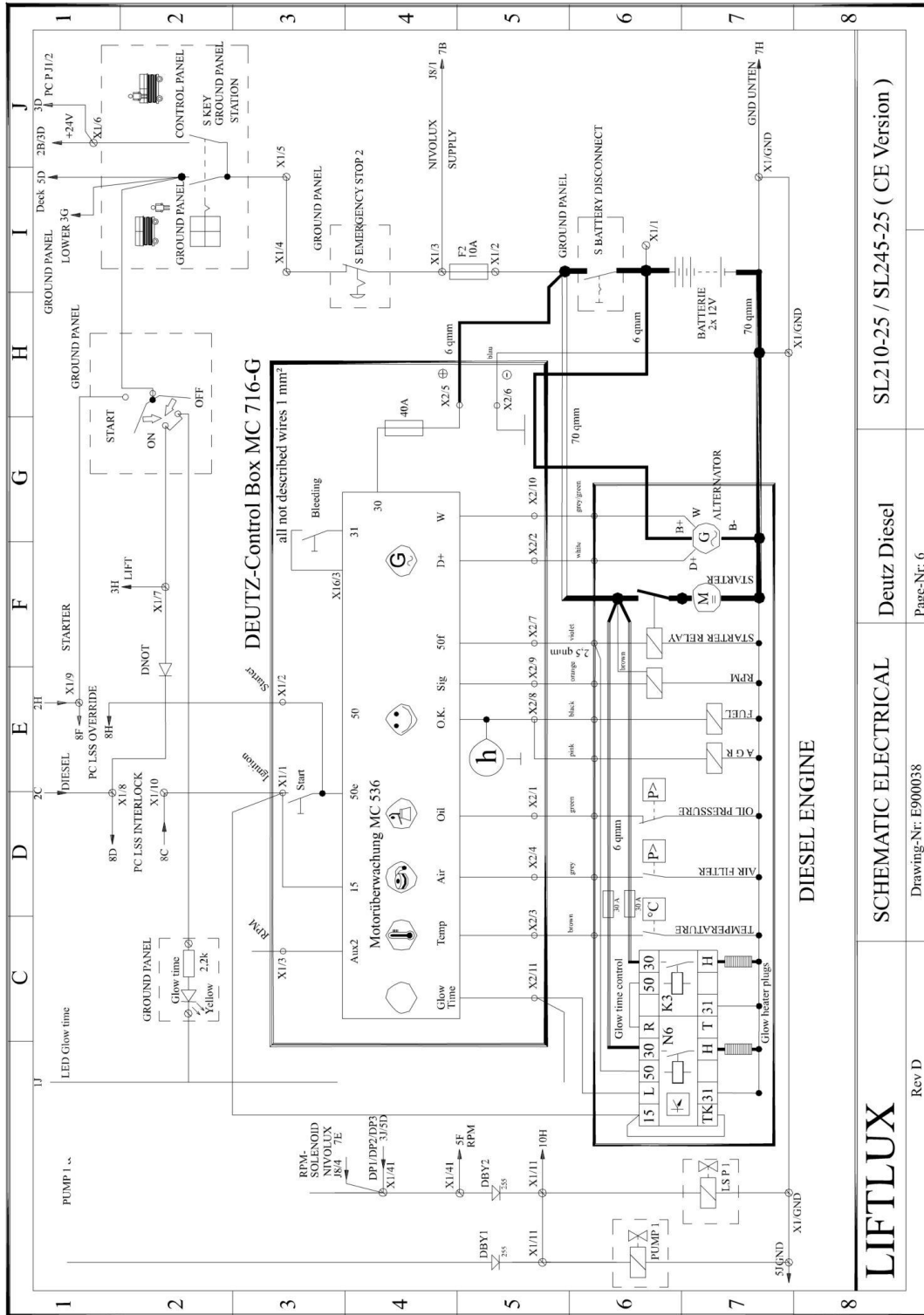
SCHEMATIC ELECTRICAL

Rev A

Drawing-Nr: E900038

Page: 5

SL210-25 / SL245-25 (CE Version)

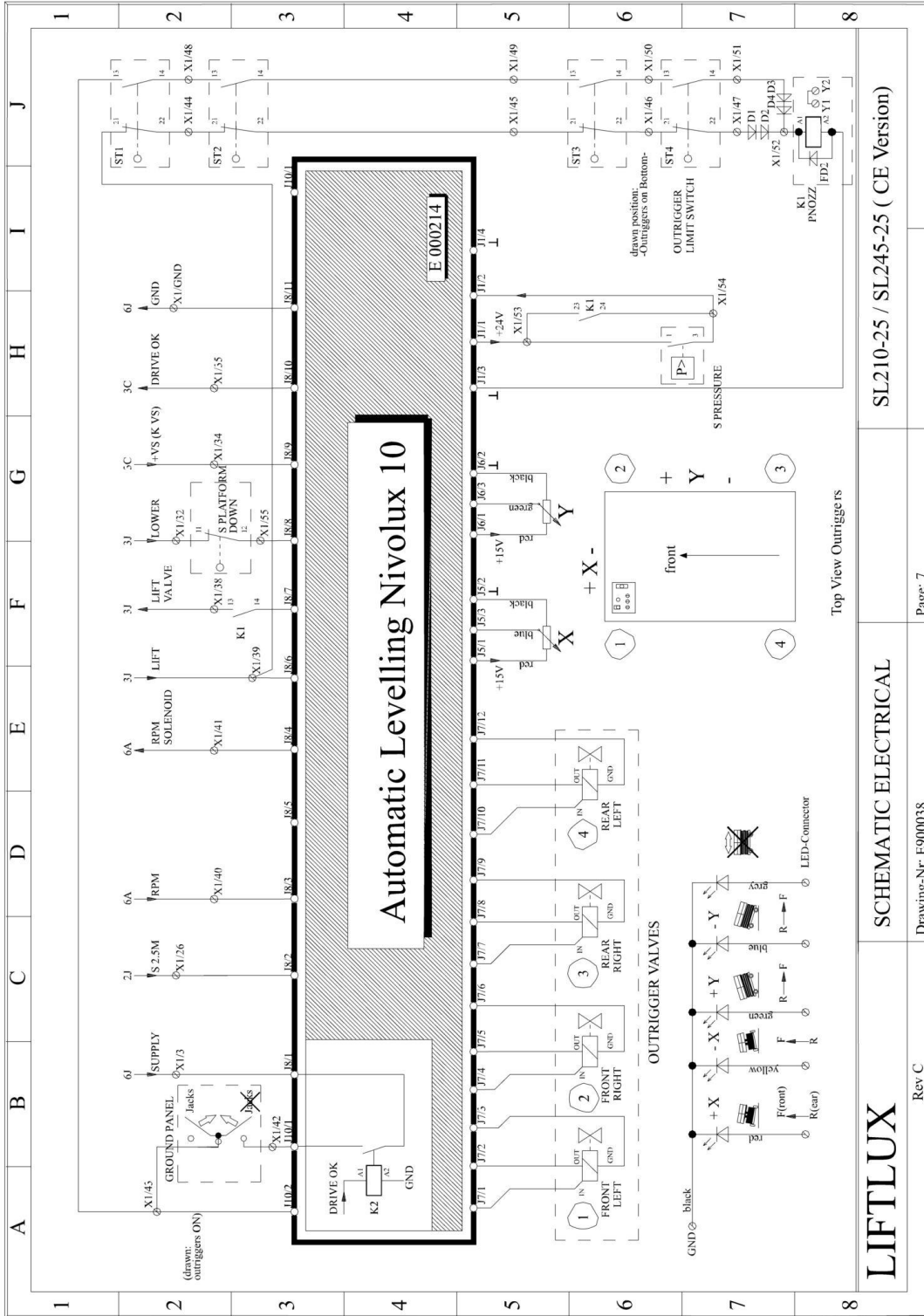


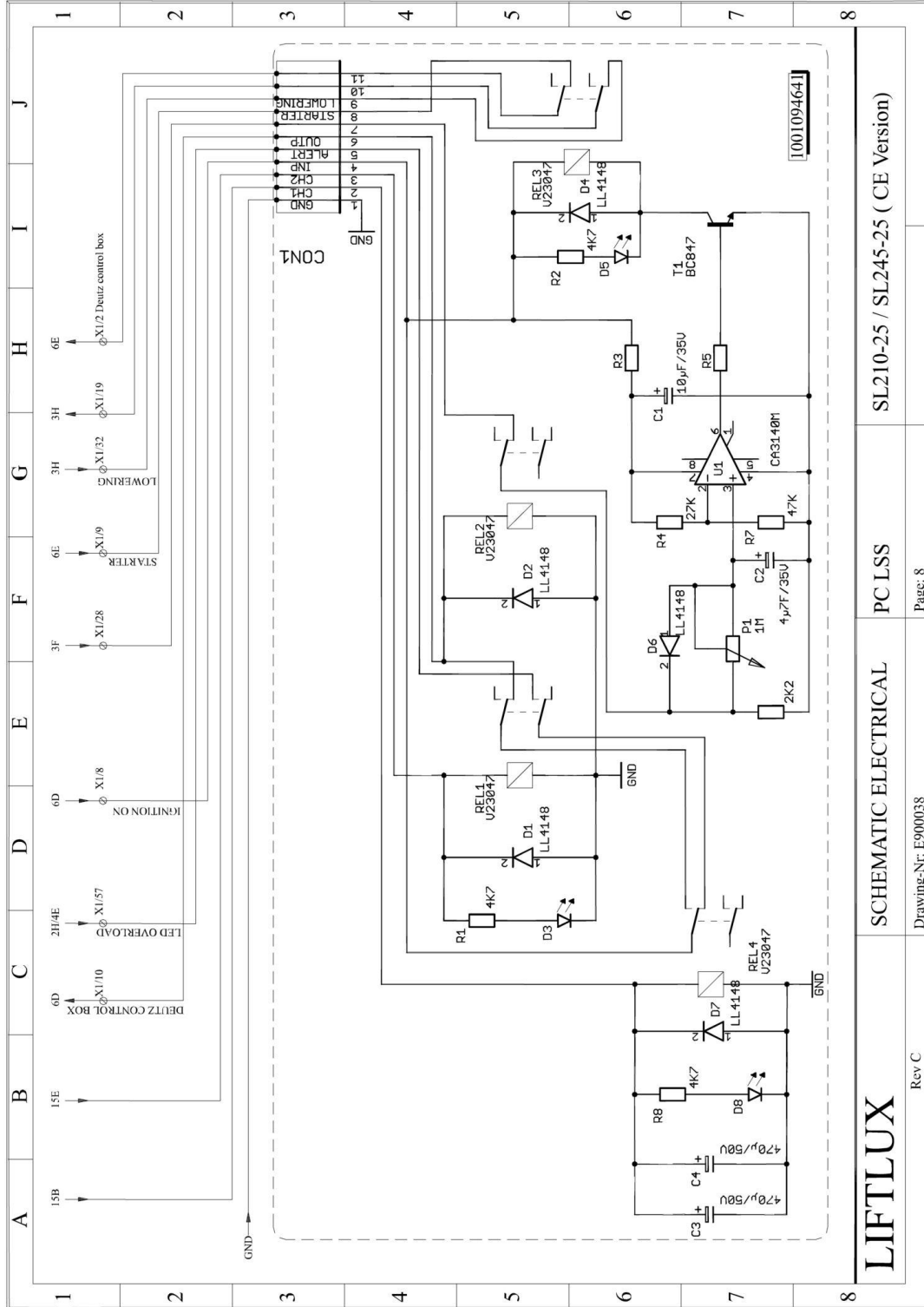
LIFTLUX SCHEMATIC ELECTRICAL Deutz Diesel SL210-25 / SL245-25 (CE Version)

Rev D Drawing-Nr: E900038 Page-Nr: 6

DIESEL ENGINE

SECTION 7 - ELECTRICAL

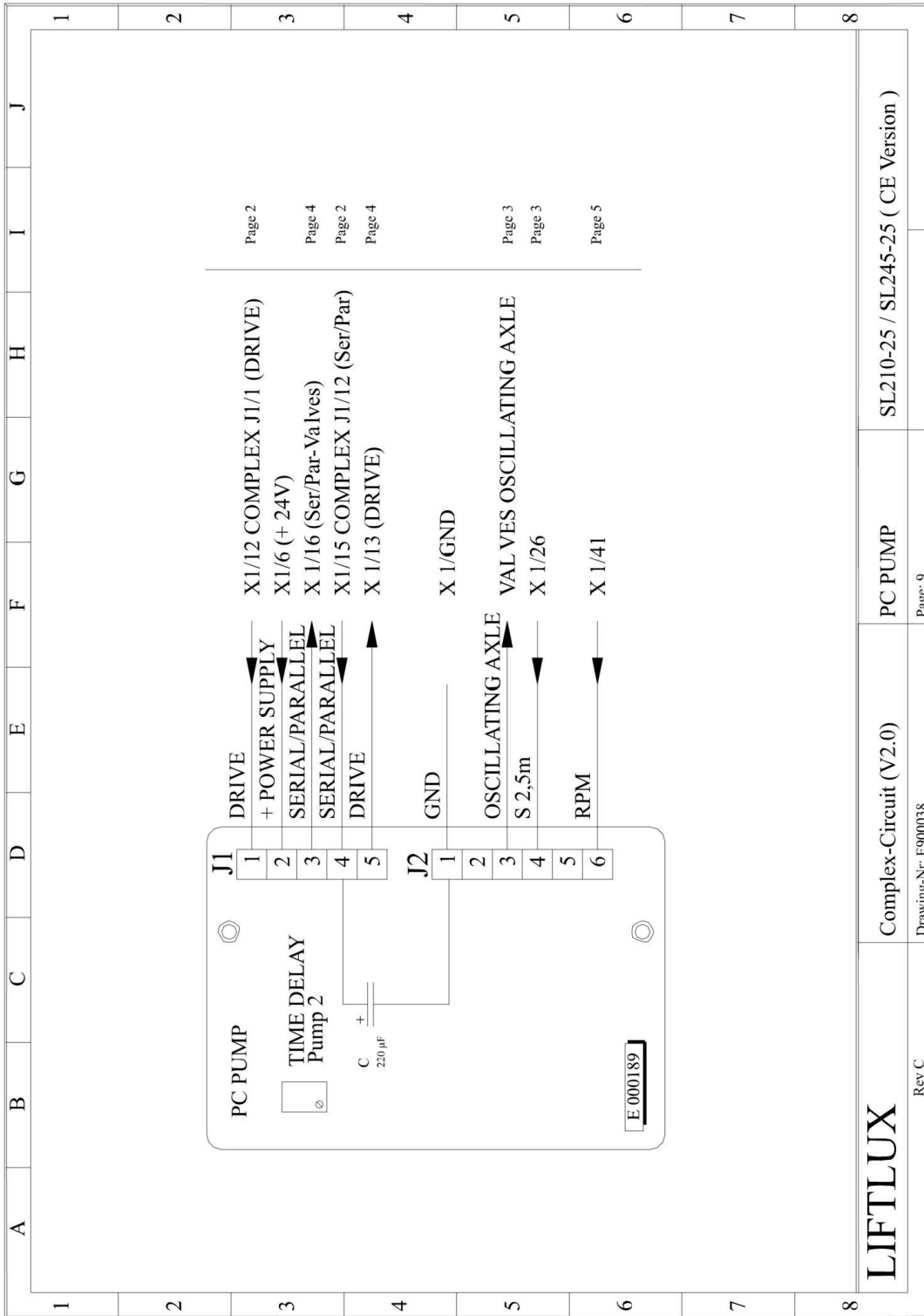


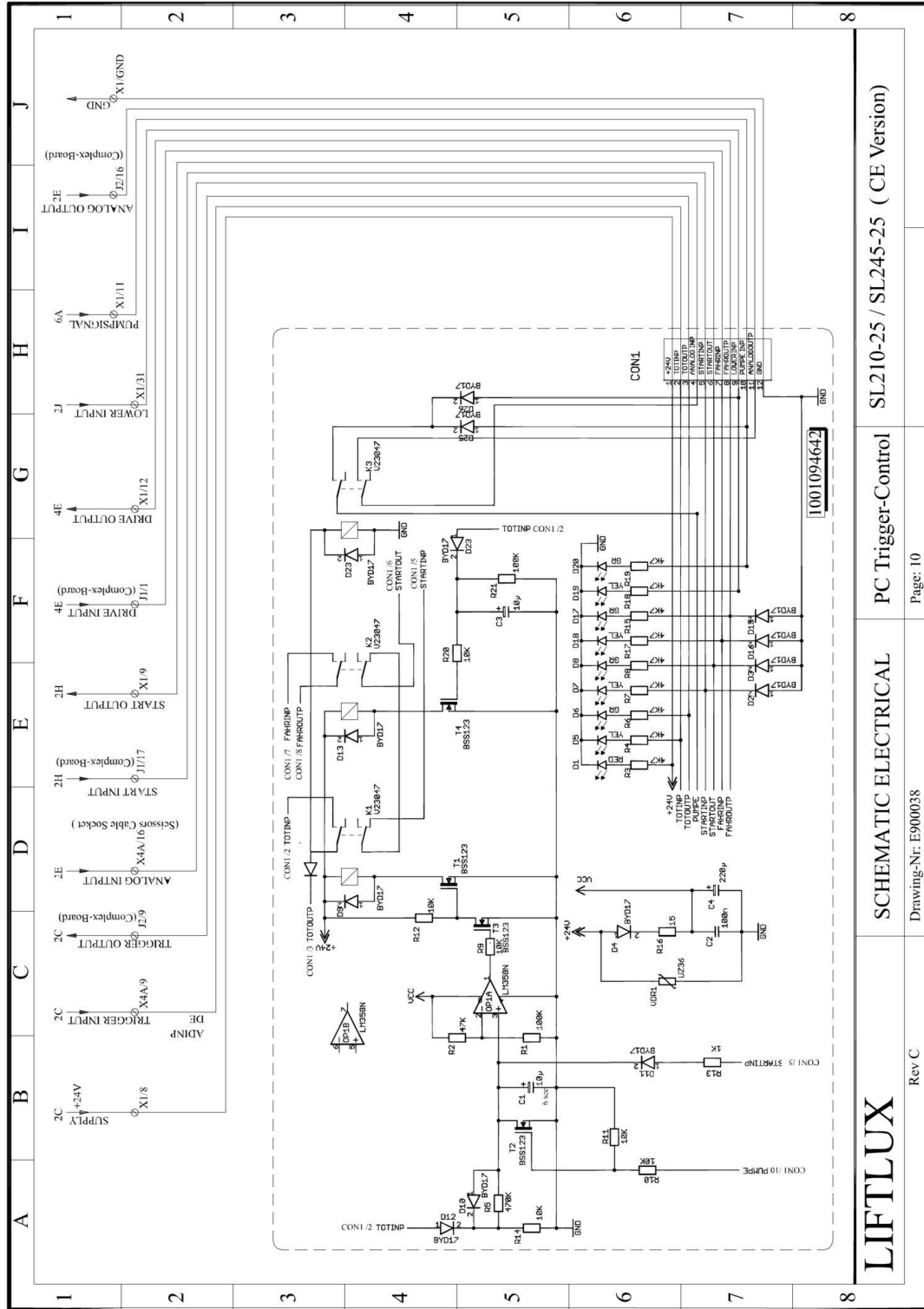


LIFTLUX SCHEMATIC ELECTRICAL PC LSS SL210-25 / SL245-25 (CE Version) Page: 8

Rev C Drawing-Nr: E900038

SECTION 7 - ELECTRICAL





LIFTLUX

SCHEMATIC ELECTRICAL

PC Trigger-Control

SL210-25 / SL245-25 (CE Version)

Rev C

Drawing-Nr: E900038

Page: 10

SECTION 7 - ELECTRICAL

1	2	3	4	5	6	7	8
1	Ground panel Battery + 6I						
2	Ground panel Battery out 6I						
3	Ground panel S Emergency 6I	15C Nivolux J8.1					
4	Ground panel S Emergency 6I						
5	Ground panel S Key 6I						
6	KD2 /A1 4H	PC P J1/2					
7	K VS /13,23 2B	Complex J1/24					
8	KT /21 3G	DN0T					
9	PC LSS Imp 8D	10B DN0T (Cathode)					
10	PC LSS COM 8 3F	Ground panel S Key start 6H					
11	Motor Control Box Ignition 6D	PC LSS Output 8C					
12	Pump 1 6A	PC Trigger C COM 10					
13	Brake Valve 4F	KD2 /11 4I					
14	Drive Valve Analog 4E	KD2 /21 4H					
15	SteerPar Valve 4D	KD2 /A1 4H					
16	Steer Left Valve 4B						
17	Steer Right Valve 4B						
18	Lower Load Holding Valves 3G	Lit Valve					
19	Diff Lock Valve 1 5C	Diff Lock Valve 1 5B					
20	Diff Lock Valve 1 5C	Diff Lock Valve 1 5B					
21	Platform IN Valve 5E	DP2					
22	Platform OUT Valve 5F	Ground panel Deck					
23							
24							
25	Horn 4I	FD 3 (Cathode)					
26	S 2.5m /11 3C	PC P 5 J2/4					
27	S Max Height /11 3E						
28	S Tilt IN 3F	KT /12 3F					
29	S Tilt OUT 3F	KT /A1 3F					
30	S Max Height /22 3H						
31	PC Trigger C COM 9 10H						
32							
33							
34	S Max Height /12 3E	S 2.5m /12 3C					
35	Option Beacn Front Side 19F	Option Beacn Rear Side 19D					

LIFTLUX

SL210-25 / SL245-25 (CE Version)

SCHEMATIC ELECTRICAL

Terminals

Page: 11

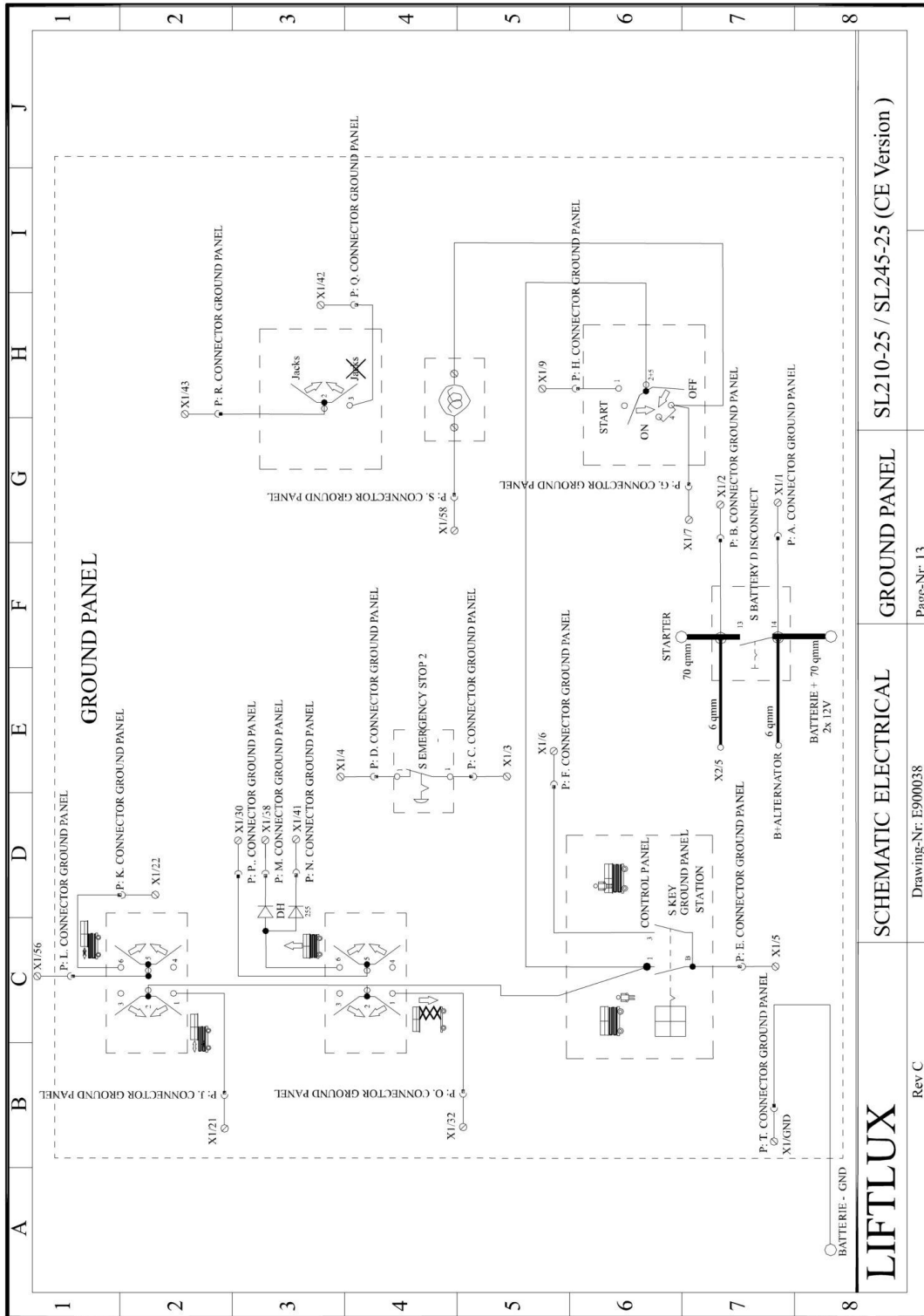
Rev C

Drawing-Nr: E900038

SECTION 7 - ELECTRICAL

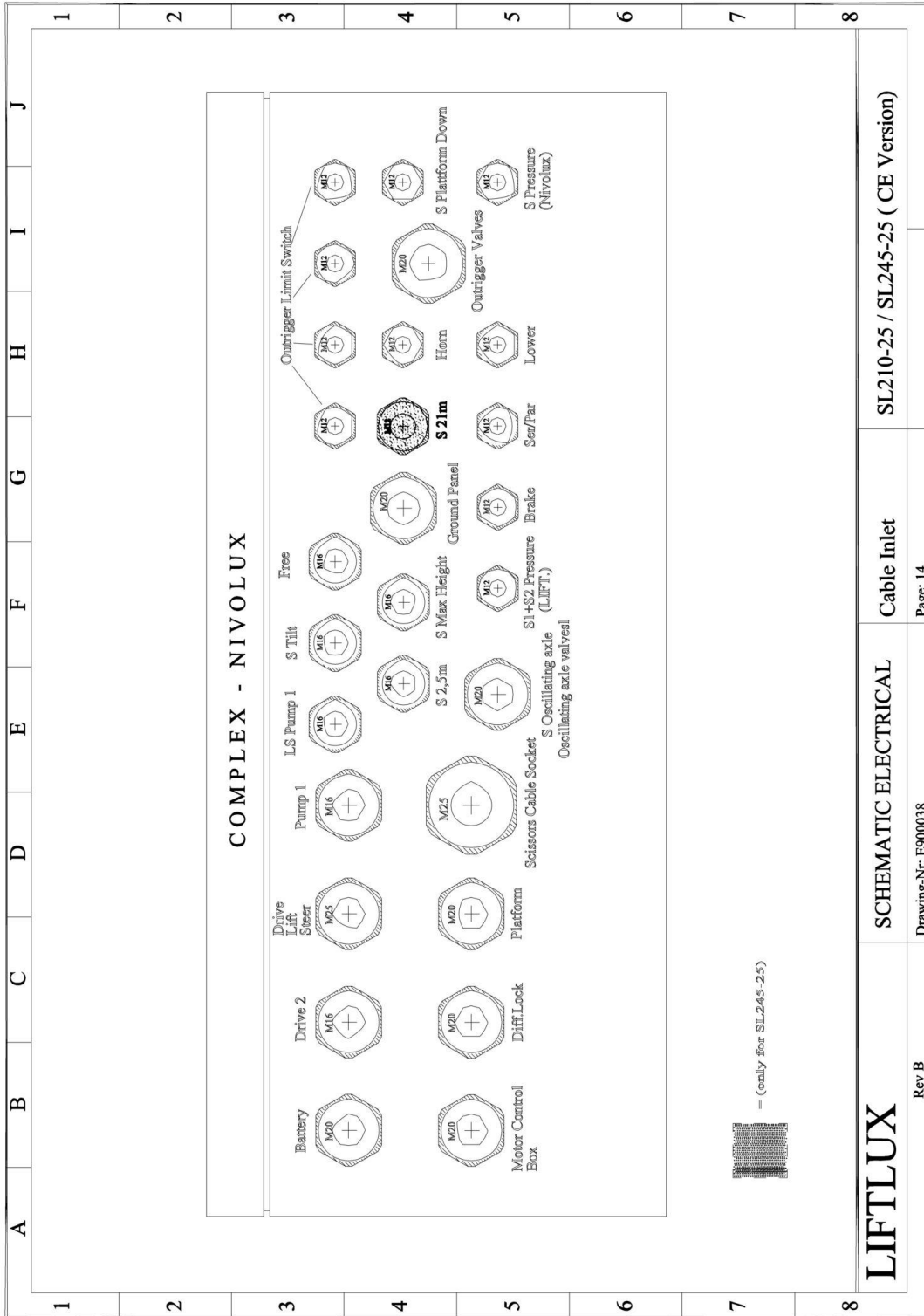
1	2	3	4	5	6	7	8																																																																																																																																																																																																																																																																																								
A	B	C	D	E	F	G	H																																																																																																																																																																																																																																																																																								
<div style="display: flex; justify-content: space-between; width: 100%; font-weight: bold; font-size: 1.2em;"> A B C D E F G H I J </div>																																																																																																																																																																																																																																																																																															
1	2	3	4	5	6	7	8																																																																																																																																																																																																																																																																																								
<table border="1" style="width: 100%; border-collapse: collapse;"> <tr> <td style="width: 15%;">35 S Oscillating Axle /12</td> <td style="width: 15%;">3B S 2.5m /22</td> <td style="width: 15%;">3C</td> <td style="width: 15%;">3D S Oscillating Axle /11</td> <td style="width: 15%;">3E S 2.5m /21</td> <td style="width: 15%;">3F Nivolux J8 /10</td> <td style="width: 15%;">4</td> <td style="width: 15%;">7H</td> </tr> <tr> <td>36 S 21m /12</td> <td>3B S Oscillating Axle /11</td> <td>3B S 2.5m /21</td> <td>K1 /13 PNOZZ</td> <td>7F DH (Cathode)</td> <td>Complex J1/2 S 18m</td> <td></td> <td>2I</td> </tr> <tr> <td>37 S 21m /11</td> <td>3F</td> <td></td> <td>Nivolux J8/6</td> <td>7E D Lift (Cathode)</td> <td></td> <td></td> <td>3I</td> </tr> <tr> <td>38 Lift Valve</td> <td>7I</td> <td></td> <td>Nivolux J8/3</td> <td>7D DBY1</td> <td>6A Complex J1/7 P1&RPM</td> <td></td> <td>2E</td> </tr> <tr> <td>39 ST1 /21</td> <td></td> <td></td> <td>Nivolux J8/4</td> <td>7E DBY2</td> <td>6A DP1 (Cathode)</td> <td></td> <td>3J</td> </tr> <tr> <td>40</td> <td></td> <td></td> <td>DP3 (Cathode)</td> <td>5D PNP's J2/6</td> <td>5D DP2 (Cathode)</td> <td></td> <td>5D</td> </tr> <tr> <td>41 Motor Control Box RPM</td> <td>6D</td> <td></td> <td>7B ST1 /13</td> <td>7I</td> <td>Nivolux J10/1</td> <td></td> <td>7B</td> </tr> <tr> <td>42 Ground panel/S Jacks</td> <td>7B</td> <td></td> <td>7I ST1 /22</td> <td>7I</td> <td>Nivolux J10/2</td> <td></td> <td>7A</td> </tr> <tr> <td>43 Ground panel/S Jacks</td> <td>7I</td> <td></td> <td>7I ST2 /22</td> <td>7I</td> <td></td> <td></td> <td></td> </tr> <tr> <td>44 ST2 /21</td> <td>7I</td> <td></td> <td>7I ST3 /22</td> <td>7I</td> <td></td> <td></td> <td></td> </tr> <tr> <td>45 ST3 /21</td> <td>7I</td> <td></td> <td>7I ST1 /14</td> <td>7I</td> <td></td> <td></td> <td>7I</td> </tr> <tr> <td>46 ST4 /21</td> <td>7I</td> <td></td> <td>7I ST2 /14</td> <td>7I</td> <td></td> <td></td> <td></td> </tr> <tr> <td>47 ST4 /22</td> <td>7I</td> <td></td> <td>7I ST3 /14</td> <td>7I</td> <td></td> <td></td> <td></td> </tr> <tr> <td>48 ST2 /13</td> <td>7I</td> <td></td> <td></td> <td></td> <td></td> <td></td> <td></td> </tr> <tr> <td>49 ST3 /13</td> <td>7I</td> <td></td> <td></td> <td></td> <td></td> <td></td> <td></td> </tr> <tr> <td>50 ST4 /13</td> <td>7I</td> <td></td> <td></td> <td></td> <td></td> <td></td> <td></td> </tr> <tr> <td>51 ST4 /14</td> <td>7I</td> <td></td> <td></td> <td></td> <td></td> <td></td> <td></td> </tr> <tr> <td>52</td> <td></td> <td></td> <td>K1 /A1 PNOZZ</td> <td>7I D4 (Cathode)</td> <td>7I D2 (Cathode)</td> <td></td> <td>7I</td> </tr> <tr> <td>53 S Pressure /1 Nivolux</td> <td>7H</td> <td></td> <td></td> <td>K1 /23 PNOZZ</td> <td>7H Nivolux J1/1</td> <td></td> <td>7H</td> </tr> <tr> <td>54 S Pressure /5 Nivolux</td> <td>7H</td> <td></td> <td></td> <td>K1 /24 PNOZZ</td> <td>7H Nivolux J1/2</td> <td></td> <td>7H</td> </tr> <tr> <td>55 S Platform Down /12</td> <td>7G</td> <td></td> <td></td> <td></td> <td>Nivolux J8/8</td> <td></td> <td>7G</td> </tr> <tr> <td>56 KT /24</td> <td>3G S Max Height /21</td> <td>3H Ground Panel Deck out</td> <td></td> <td></td> <td></td> <td></td> <td></td> </tr> <tr> <td>57</td> <td>PC LSS COM 5</td> <td>8C X4A/21 LED Overload</td> <td>2H DL (Anode)</td> <td></td> <td></td> <td></td> <td>4E</td> </tr> <tr> <td>58 LED Glow time</td> <td>2I Ground panel LED Glow</td> <td>6B</td> <td></td> <td></td> <td></td> <td></td> <td></td> </tr> <tr> <td>59 LED TILT</td> <td>2I KT /11</td> <td>3F Motor Control Box X2/11</td> <td>6C</td> <td></td> <td></td> <td></td> <td></td> </tr> <tr> <td>60</td> <td></td> <td></td> <td></td> <td></td> <td></td> <td></td> <td></td> </tr> <tr> <td>61 Battery</td> <td>6I Load Holding Valves</td> <td>3G KD2 /A2</td> <td>4H Complex</td> <td></td> <td></td> <td></td> <td>2C</td> </tr> <tr> <td>62 Lift</td> <td>3H S Tilt</td> <td>3F FD3</td> <td>4I FD1</td> <td></td> <td></td> <td></td> <td>3H</td> </tr> <tr> <td>63 Steer</td> <td>4B Diff Lock Valve 1</td> <td>5B FD4</td> <td>5A PC P L2/1</td> <td></td> <td></td> <td></td> <td>5F</td> </tr> <tr> <td>64 Drive</td> <td>4E Diff Lock Valve 2</td> <td>5C</td> <td></td> <td></td> <td></td> <td></td> <td>4E</td> </tr> <tr> <td>65 Brake</td> <td>4F Oscillating Axle Valves</td> <td>3D</td> <td></td> <td></td> <td></td> <td></td> <td>7H</td> </tr> <tr> <td>66 Serial Parallel</td> <td>4D PC Trigger C COM 12</td> <td>10I Drive 2</td> <td>4H K1 PNOZZ</td> <td></td> <td></td> <td></td> <td>7I</td> </tr> <tr> <td>67 Pump 1</td> <td>6A Horn</td> <td>4I</td> <td>K VS PNOZZ</td> <td></td> <td></td> <td></td> <td>2A</td> </tr> <tr> <td>68</td> <td>Platform</td> <td>5E LS Pump 1</td> <td>6B KT /A3</td> <td></td> <td></td> <td></td> <td>3G</td> </tr> <tr> <td>69 Motor Control Box</td> <td>6H PC LSS GND</td> <td>8A Option Beacn Front Side</td> <td>19F Option Beacn Rear Side</td> <td></td> <td></td> <td></td> <td>19D</td> </tr> </table>								35 S Oscillating Axle /12	3B S 2.5m /22	3C	3D S Oscillating Axle /11	3E S 2.5m /21	3F Nivolux J8 /10	4	7H	36 S 21m /12	3B S Oscillating Axle /11	3B S 2.5m /21	K1 /13 PNOZZ	7F DH (Cathode)	Complex J1/2 S 18m		2I	37 S 21m /11	3F		Nivolux J8/6	7E D Lift (Cathode)			3I	38 Lift Valve	7I		Nivolux J8/3	7D DBY1	6A Complex J1/7 P1&RPM		2E	39 ST1 /21			Nivolux J8/4	7E DBY2	6A DP1 (Cathode)		3J	40			DP3 (Cathode)	5D PNP's J2/6	5D DP2 (Cathode)		5D	41 Motor Control Box RPM	6D		7B ST1 /13	7I	Nivolux J10/1		7B	42 Ground panel/S Jacks	7B		7I ST1 /22	7I	Nivolux J10/2		7A	43 Ground panel/S Jacks	7I		7I ST2 /22	7I				44 ST2 /21	7I		7I ST3 /22	7I				45 ST3 /21	7I		7I ST1 /14	7I			7I	46 ST4 /21	7I		7I ST2 /14	7I				47 ST4 /22	7I		7I ST3 /14	7I				48 ST2 /13	7I							49 ST3 /13	7I							50 ST4 /13	7I							51 ST4 /14	7I							52			K1 /A1 PNOZZ	7I D4 (Cathode)	7I D2 (Cathode)		7I	53 S Pressure /1 Nivolux	7H			K1 /23 PNOZZ	7H Nivolux J1/1		7H	54 S Pressure /5 Nivolux	7H			K1 /24 PNOZZ	7H Nivolux J1/2		7H	55 S Platform Down /12	7G				Nivolux J8/8		7G	56 KT /24	3G S Max Height /21	3H Ground Panel Deck out						57	PC LSS COM 5	8C X4A/21 LED Overload	2H DL (Anode)				4E	58 LED Glow time	2I Ground panel LED Glow	6B						59 LED TILT	2I KT /11	3F Motor Control Box X2/11	6C					60								61 Battery	6I Load Holding Valves	3G KD2 /A2	4H Complex				2C	62 Lift	3H S Tilt	3F FD3	4I FD1				3H	63 Steer	4B Diff Lock Valve 1	5B FD4	5A PC P L2/1				5F	64 Drive	4E Diff Lock Valve 2	5C					4E	65 Brake	4F Oscillating Axle Valves	3D					7H	66 Serial Parallel	4D PC Trigger C COM 12	10I Drive 2	4H K1 PNOZZ				7I	67 Pump 1	6A Horn	4I	K VS PNOZZ				2A	68	Platform	5E LS Pump 1	6B KT /A3				3G	69 Motor Control Box	6H PC LSS GND	8A Option Beacn Front Side	19F Option Beacn Rear Side				19D
35 S Oscillating Axle /12	3B S 2.5m /22	3C	3D S Oscillating Axle /11	3E S 2.5m /21	3F Nivolux J8 /10	4	7H																																																																																																																																																																																																																																																																																								
36 S 21m /12	3B S Oscillating Axle /11	3B S 2.5m /21	K1 /13 PNOZZ	7F DH (Cathode)	Complex J1/2 S 18m		2I																																																																																																																																																																																																																																																																																								
37 S 21m /11	3F		Nivolux J8/6	7E D Lift (Cathode)			3I																																																																																																																																																																																																																																																																																								
38 Lift Valve	7I		Nivolux J8/3	7D DBY1	6A Complex J1/7 P1&RPM		2E																																																																																																																																																																																																																																																																																								
39 ST1 /21			Nivolux J8/4	7E DBY2	6A DP1 (Cathode)		3J																																																																																																																																																																																																																																																																																								
40			DP3 (Cathode)	5D PNP's J2/6	5D DP2 (Cathode)		5D																																																																																																																																																																																																																																																																																								
41 Motor Control Box RPM	6D		7B ST1 /13	7I	Nivolux J10/1		7B																																																																																																																																																																																																																																																																																								
42 Ground panel/S Jacks	7B		7I ST1 /22	7I	Nivolux J10/2		7A																																																																																																																																																																																																																																																																																								
43 Ground panel/S Jacks	7I		7I ST2 /22	7I																																																																																																																																																																																																																																																																																											
44 ST2 /21	7I		7I ST3 /22	7I																																																																																																																																																																																																																																																																																											
45 ST3 /21	7I		7I ST1 /14	7I			7I																																																																																																																																																																																																																																																																																								
46 ST4 /21	7I		7I ST2 /14	7I																																																																																																																																																																																																																																																																																											
47 ST4 /22	7I		7I ST3 /14	7I																																																																																																																																																																																																																																																																																											
48 ST2 /13	7I																																																																																																																																																																																																																																																																																														
49 ST3 /13	7I																																																																																																																																																																																																																																																																																														
50 ST4 /13	7I																																																																																																																																																																																																																																																																																														
51 ST4 /14	7I																																																																																																																																																																																																																																																																																														
52			K1 /A1 PNOZZ	7I D4 (Cathode)	7I D2 (Cathode)		7I																																																																																																																																																																																																																																																																																								
53 S Pressure /1 Nivolux	7H			K1 /23 PNOZZ	7H Nivolux J1/1		7H																																																																																																																																																																																																																																																																																								
54 S Pressure /5 Nivolux	7H			K1 /24 PNOZZ	7H Nivolux J1/2		7H																																																																																																																																																																																																																																																																																								
55 S Platform Down /12	7G				Nivolux J8/8		7G																																																																																																																																																																																																																																																																																								
56 KT /24	3G S Max Height /21	3H Ground Panel Deck out																																																																																																																																																																																																																																																																																													
57	PC LSS COM 5	8C X4A/21 LED Overload	2H DL (Anode)				4E																																																																																																																																																																																																																																																																																								
58 LED Glow time	2I Ground panel LED Glow	6B																																																																																																																																																																																																																																																																																													
59 LED TILT	2I KT /11	3F Motor Control Box X2/11	6C																																																																																																																																																																																																																																																																																												
60																																																																																																																																																																																																																																																																																															
61 Battery	6I Load Holding Valves	3G KD2 /A2	4H Complex				2C																																																																																																																																																																																																																																																																																								
62 Lift	3H S Tilt	3F FD3	4I FD1				3H																																																																																																																																																																																																																																																																																								
63 Steer	4B Diff Lock Valve 1	5B FD4	5A PC P L2/1				5F																																																																																																																																																																																																																																																																																								
64 Drive	4E Diff Lock Valve 2	5C					4E																																																																																																																																																																																																																																																																																								
65 Brake	4F Oscillating Axle Valves	3D					7H																																																																																																																																																																																																																																																																																								
66 Serial Parallel	4D PC Trigger C COM 12	10I Drive 2	4H K1 PNOZZ				7I																																																																																																																																																																																																																																																																																								
67 Pump 1	6A Horn	4I	K VS PNOZZ				2A																																																																																																																																																																																																																																																																																								
68	Platform	5E LS Pump 1	6B KT /A3				3G																																																																																																																																																																																																																																																																																								
69 Motor Control Box	6H PC LSS GND	8A Option Beacn Front Side	19F Option Beacn Rear Side				19D																																																																																																																																																																																																																																																																																								
<div style="display: flex; justify-content: space-between; width: 100%; font-weight: bold;"> 36-37 Connection: bridge only for SL210-25 </div>																																																																																																																																																																																																																																																																																															
<h1 style="margin: 0;">LIFTLUX</h1>				<p style="margin: 0;">SCHEMATIC ELECTRICAL</p> <p style="margin: 0; font-size: 0.8em;">Drawing-Nr: E900038</p>				<p style="margin: 0;">Terminals</p> <p style="margin: 0; font-size: 0.8em;">Page: 12</p>																																																																																																																																																																																																																																																																																							
<p style="margin: 0; font-size: 0.8em;">Rev C</p>				<p style="margin: 0; font-size: 0.8em;">SL210-25 / SL245-25 (CE Version)</p>																																																																																																																																																																																																																																																																																											

SECTION 7 - ELECTRICAL

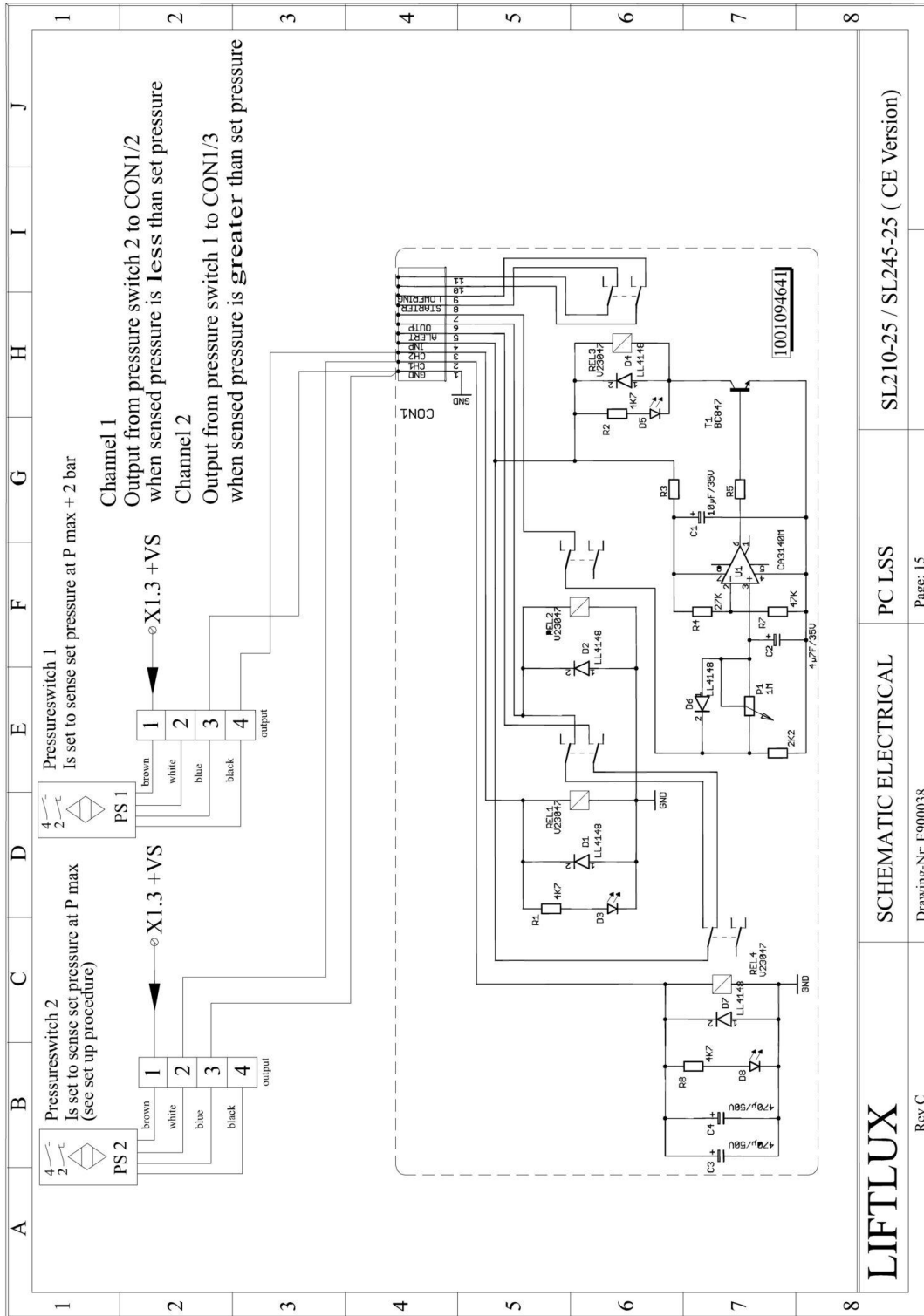


LIFTLUX SCHEMATIC ELECTRICAL GROUND PANEL SL210-25 / SL245-25 (CE Version)

Rev C Drawing-Nr: E900038 Page-Nr: 13



SECTION 7 - ELECTRICAL



LIFTLUX

SCHEMATIC ELECTRICAL

PC LSS

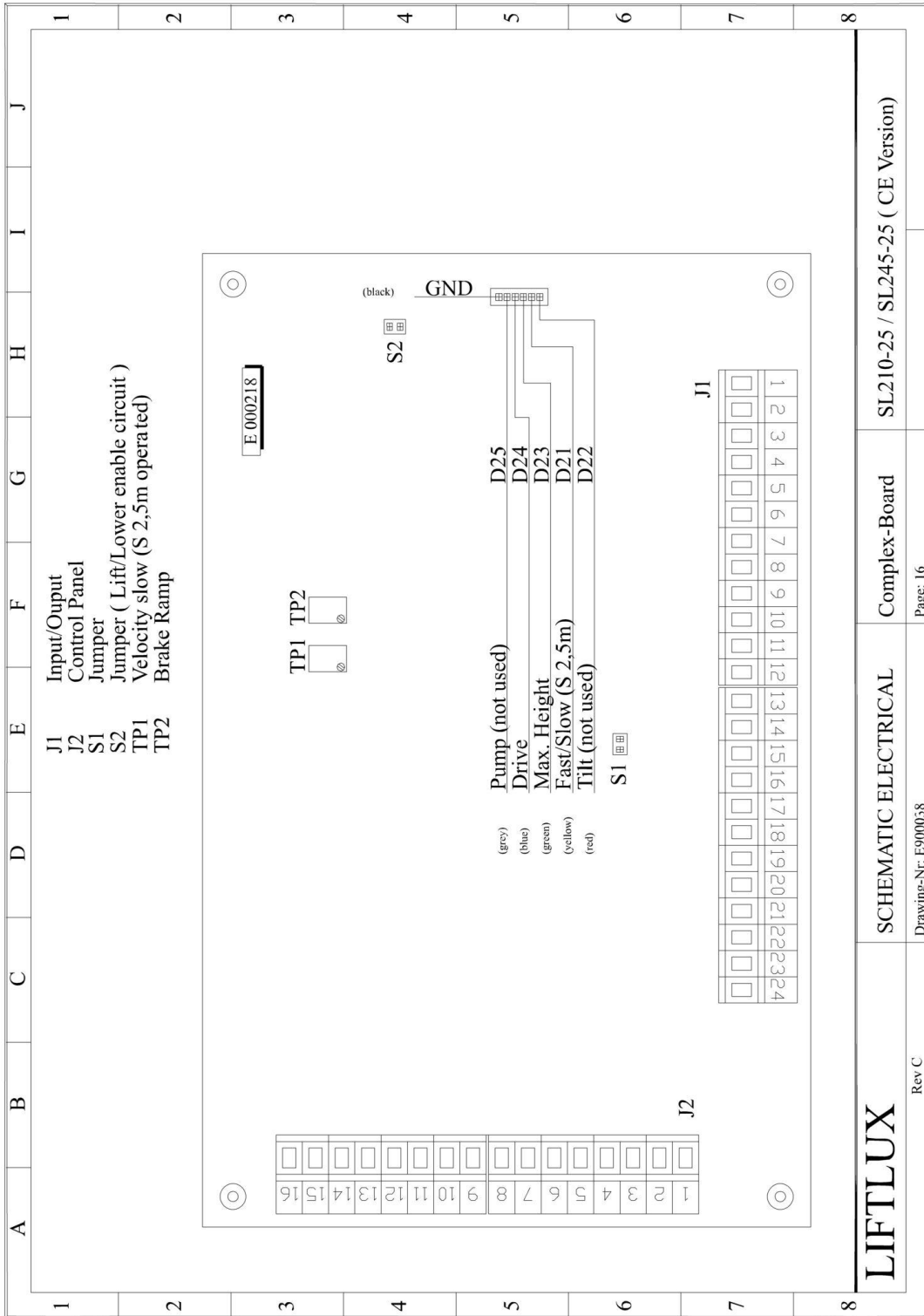
SL210-25 / SL245-25 (CE Version)

Rev C

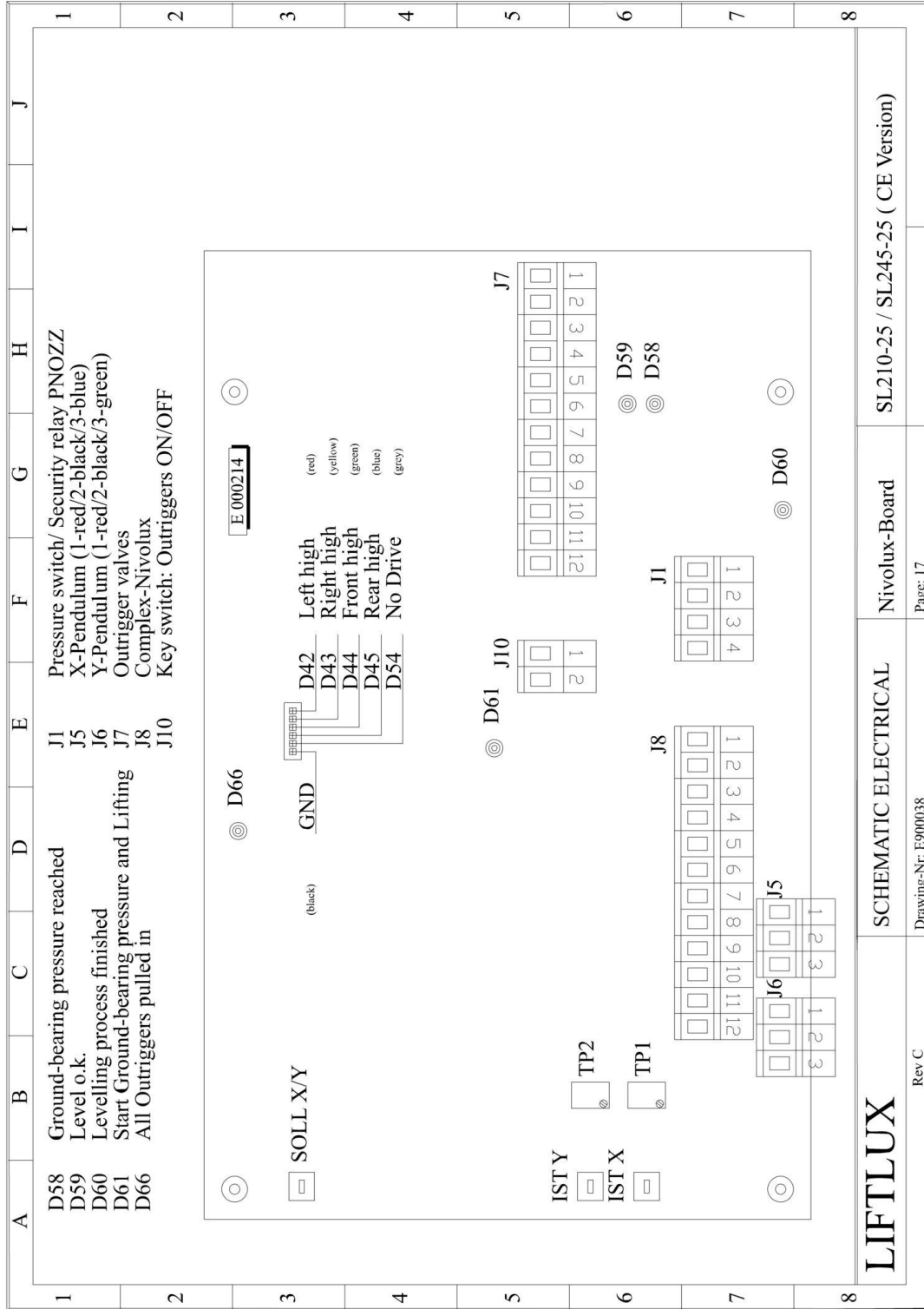
Drawing-Nr: E900038

Page: 15

SECTION 7 - ELECTRICAL



SECTION 7 - ELECTRICAL



LIFTLUX

SCHEMATIC ELECTRICAL

Nivolux-Board

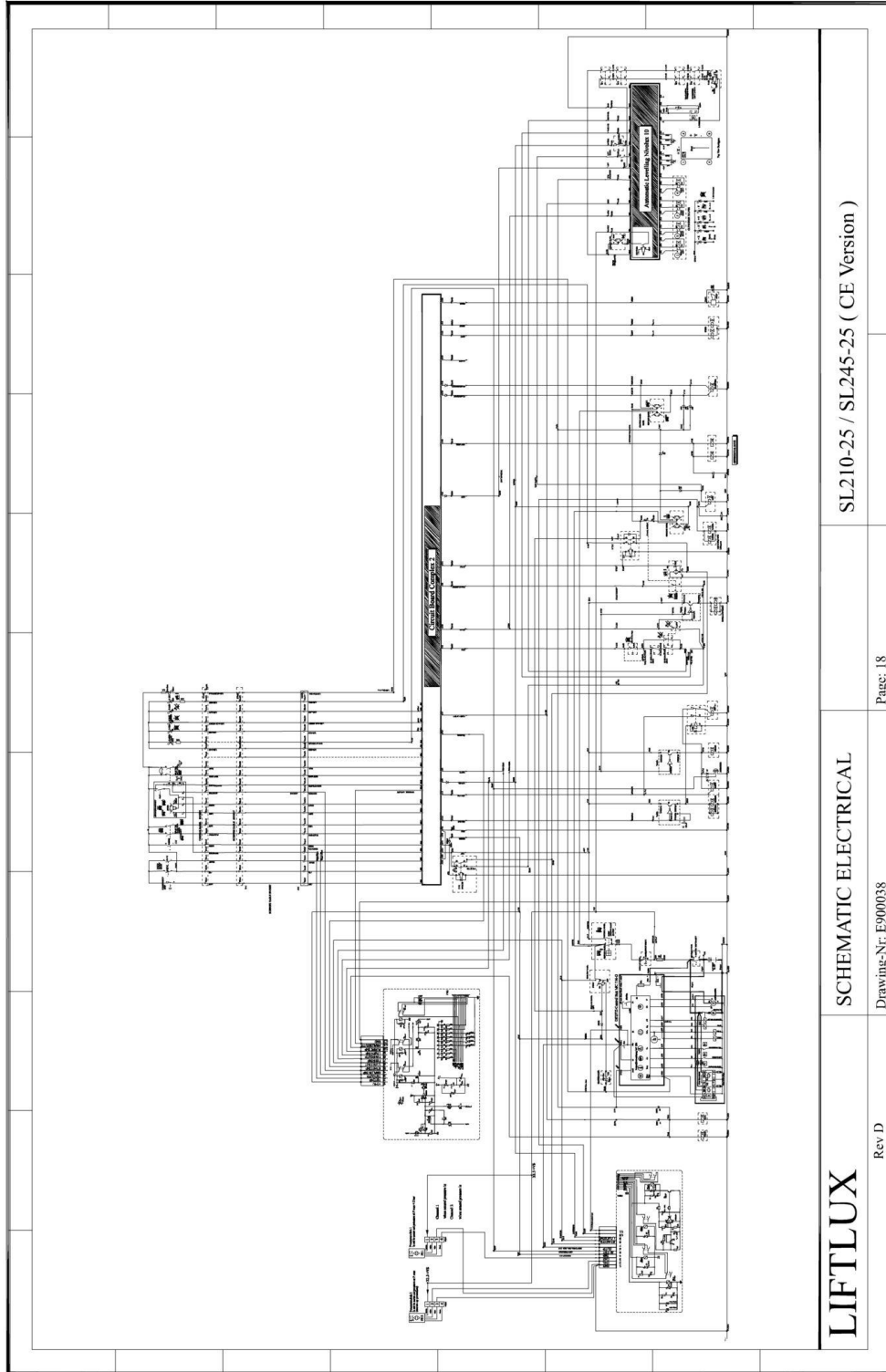
SL210-25 / SL245-25 (CE Version)

Rev C

Drawing-Nr: E900038

Page: 17

SECTION 7 - ELECTRICAL



LIFTLUX

Rev D

SCHEMATIC ELECTRICAL

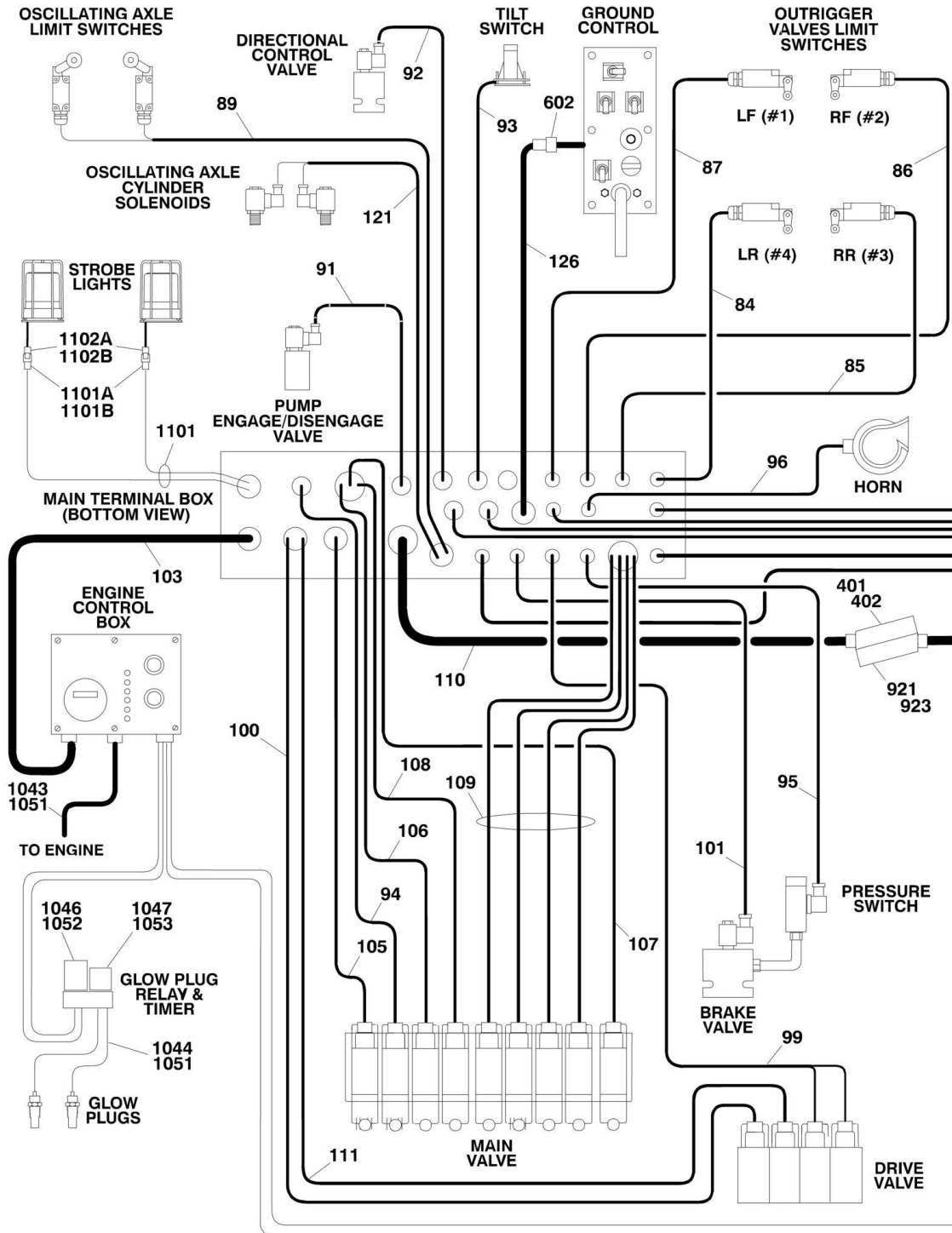
Drawing-Nr: E900038

SL210-25 / SL245-25 (CE Version)

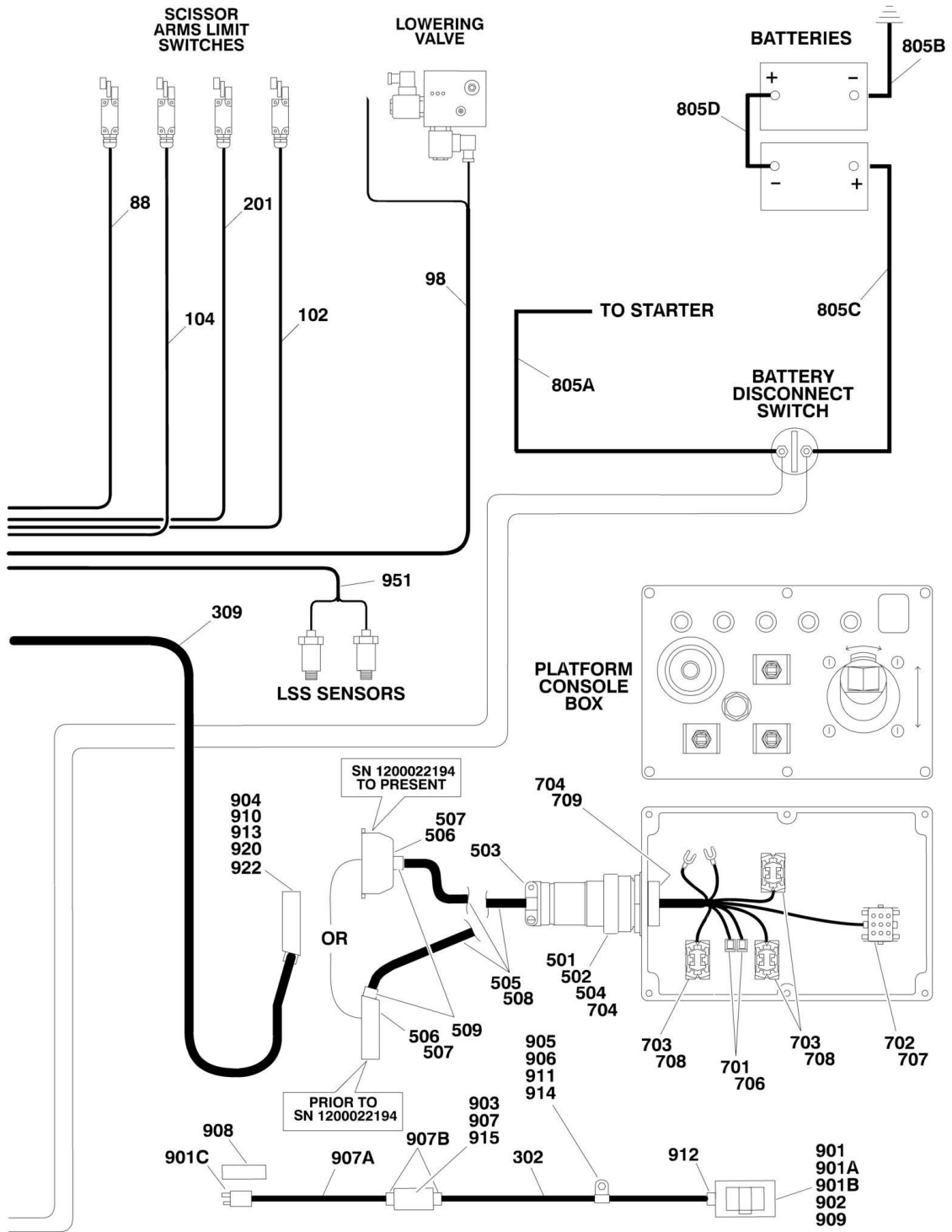
Page: 18

SECTION 7 - ELECTRICAL

FIGURE 7-2. HARNESS COMPONENTS INSTALLATION



SECTION 7 - ELECTRICAL



SECTION 7 - ELECTRICAL

FIGURE 7-2. HARNESS COMPONENTS INSTALLATION

ITEM	PART NUMBER	QTY	DESCRIPTION	REV
	1001097443	Ref	MAIN TERMINAL BOX HARNESS KIT INSTALLATION	E
84	70001711	1	Harness, #4 Outrigger Limit Switch	
85	70001712	1	Harness, #3 Outrigger Limit Switch	
86	70001713	1	Harness, #2 Outrigger Limit Switch	
87	70001714	1	Harness, #1 Outrigger Limit Switch	
88	70001715	1	Harness, Platform Down Limit Switch	
89	70001716	1	Harness, Oscillating Axle Limit Solenoid	
91	70001717	1	Harness, Pump Engage/Disengage Valve	
92	70001718	1	Harness, Directional Control Valve	
93	70001719	1	Harness, Tilt Switch	
94	70001720	1	Harness, Drive 2 Valve	
95	70001721	1	Harness, Pressure Switch	
96	70001722	1	Harness, Horn	
98	70001723	1	Harness, Lowering Valve	
99	70001724	1	Harness, Drive Speed Valve	
100	70001725	1	Harness, Differential Lock Valve #2	
101	70001726	1	Harness, Brake Valve	
102	70001727	1	Harness, Max Height Limit Switch	
103	70001728	1	Harness, Engine Control Box	
104	70001729	1	Harness, 2.5M Limit Switch	
105	70001730	1	Harness, Platform Extend Valve	
106	70001731	1	Harness, Lift Valve	
107	70001732	1	Harness, Drive Valve	
108	70001733	1	Harness, Steer Valve	
109	70001734	1	Harness Assembly, Outrigger Valves	
110	70001735	1	Harness, Remote Control Box Connector	
111	70001736	1	Harness, Differential Lock Valve #1	
121	70001737	1	Harness, Oscillating Axle Switch	
126	70001738	1	Harness, Ground Control Panel	
131	70000952	1	Connector (2 Pin for Nivolux Board - Not Shown)	
132	70000953	2	Connector (3 Pin for Nivolux Board - Not Shown)	
133	70000954	1	Connector (4 Pin for Nivolux Board - Not Shown)	
134	70000955	1	Connector (8 Pin for Complex Board - Not Shown)	
135	70000956	4	Connector (12 Pin for Nivolux and Complex Board - Not Shown)	
	1001093404	Ref	DRIVE CUT OUT HARNESS INSTALLATION (245-25 ONLY)	B
201	1001093403	1	Harness, Drive Cut Out Limit Switch	
		Ref	SCISSORS ARMS AND CABLES INSTALLATION	
	0275846	Ref	Scissors Arms and Cables Installation 210-25	C
	0275609	Ref	Scissors Arms and Cables Installation 245-25	E
302	1060663	AR	Cable, Electrical 12/3	
302	1060663	35 m/115ft	Cable, Electrical 12/3, 210-25	
302	1060663	45 m/148ft	Cable, Electrical 12/3, 245-25	
309	E000083	AR	Cable, Electrical (25 Wire)	
309	E000083	35 m/115ft	Cable, Electrical (25 Wire) 210-25	
309	E000083	45 m/148ft	Cable, Electrical (25 Wire) 245-25	
	E900064	Ref	MAIN TERMINAL BOX ASSEMBLY	H

SECTION 7 - ELECTRICAL

ITEM	PART NUMBER	QTY	DESCRIPTION	REV
401	E000102	1	Housing, Connector - Female 24 Pin	
402	E000481	1	Insert, Connector - Female 24 Pin	
	E900042	Ref	PLATFORM CONSOLE JUMPER HARNESS	E
501	4460465	24	Socket, Female	
502	4460468	1	Cap, Dust	
503	4460492	1	Clamp, Cable	
504	4460502	1	Connector - 31 Position	
505	E000083	6 m/20ft	Cable, Electrical (25 Wire)	
506		Ref	Housing, Connector - Male 24 Pin Options:	
506	E000103	1	Housing, Connector - Male 24 Pin (SN 1200020465 through 1200022193)	
506	E000108	1	Housing, Connector - Male 24 Pin (SN 1200022194 to Present)	
507	E000482	1	Insert, Connector - Male 24 Pin	
508	E900043	6 m/20ft	Loom, Wire	
509	E900045	1	Relief, Strain	
	E900055	Ref	GROUND CONTROL PANEL HARNESS	E
601	4460418	4	Connector, Female - 6 Position (Attaches to Toggle Switch - Not Shown)	
601	4460419	AR	Terminal, Female	
602	4460462	1	Connector - 23 Position	
602	4460465	AR	Terminal, Female	
603	E900056	2	Diode BY255 (Not Shown)	
	E900041	Ref	PLATFORM CONSOLE BOX HARNESS	D
701	4460260	2	Terminal, Locking Female	
702	4460266	1	Connector, female - 9 Position	
703	4460418	3	Connector - 6 Position	
704	4460503	1	Connector - 31 Position	
706	4460259	AR	Connector, Female - 1 Position Locking	
707	4460267	6	Pin, Male	
708	4460419	15	Socket, Female	
709	4460464	20	Pin, Male	
	0275803	Ref	BATTERY CABLES INSTALLATION	D
805	2902554	1	Battery Cable Kit	
805A	70001776	1	Cable, Battery (A) (Starter to Battery Disconnect)	
805B	70001777	1	Cable, Battery (B) (Battery - to Engine)	
805C	70001778	1	Cable, Battery (C) (Battery + to Battery Disconnect)	
805D	70001765	1	Cable, Battery (D) (Battery - to Battery +)	
		Ref	RECEPTACLES INSTALLATION	
	0275784	Ref	220V Locally Supplied Components	D
	1001110545	Ref	220V CEE7 Post Ground with 2x4 Box	A
	1001110546	Ref	220V CEE7 Side Ground with 2x4 Box	A
	1001110547	Ref	220V AFSINT 107 Keyed Ground with 2x4 Box	A
	1001110548	Ref	120V IEC 60309 Yellow	A
	1001110549	Ref	220V IEC 60309 Blue	A
	1001110550	Ref	220V CEE7 Post Ground with 70mm x 70mm Box	A
	1001110551	Ref	220V CEE7 Side Ground with 70mm x 70mm Box	A
901		Ref	Receptacle Kit (Includes Box, Receptacle and Plug)	
901	See Note	1	0275784 Installation (Note: Not Available - Purchase Individual Components)	
901	0275452	1	1001110545 Installation	
901	0275453	1	1001110546 Installation	
901	0275454	1	1001110547 Installation	

SECTION 7 - ELECTRICAL

ITEM	PART NUMBER	QTY	DESCRIPTION	REV
901	0275216	1	1001110548 Installation	
901	0275217	1	1001110549 Installation	
901	0275218	NLA	1001110550 Installation (Use p/n 1001100343)	
901	0275219	NLA	1001110551 Installation (Use p/n 1001100344)	
901A		Ref	Box Options:	
901A	See Note	1	0275784 Installation (Note: Not Available - Purchase Individual Components)	
901A	0861731	1	1001110545, 1001110546 & 1001110547 Installations	
901A	0861781	1	1001110548 & 1001110549 Installations	
901A	See Note	1	1001110550 & 1001110551 Installations (Note: Was p/n 0861782 which is no longer available. Use p/n 1001100344 CEE 7 Side Ground Service Kit or p/n 100110343 CEE 7 Post Ground Service Kit. Kits includes Box p/n 1001141967 & items 901B & 901C.)	
901A	1001141967	1	1001100343, 1001100344, 1001141970 & 1001141971 Service Kits	
901B		Ref	Receptacle Options (Includes Box Cover):	
901B	See Note	1	0275784 Installation (Note: Not Available - Purchase Locally)	
901B	4461244	1	1001110545 Installation	
901B	4461245	1	1001110546 Installation	
901B	4461246	1	1001110547 Installation	
901B	4461198	1	1001110548 Installation	
901B	4461201	1	1001110549 Installation	
901B	4461204	NLA	1001110550 Installation (Use p/n 1001100343)	
901B	4461207	NLA	1001110551 Installation (Use p/n 1001100344)	
901B	1001141968	1	1001100343 & 1001141971 Service Kits	
901B	1001141969	1	1001100344 & 1001141970 Service Kits	
901C		Ref	Plug, Male Options:	
901C	See Note	1	0275784 Installation (Note: Not Available - Purchase Locally)	
901C	4461202	1	1001110545 Installation & 1001100343/1001141971 Service Kits	
901C	4461205	1	1001110546 Installation & 1001100344/1001141970 Service Kits	
901C	4461249	1	1001110547 Installation	
901C	4461196	1	1001110548 Installation	
901C	4461199	1	1001110549 Installation	
901C	4461202	1	1001110550 Installation	
901C	4461205	1	1001110551 Installation	
902	0760408	4	Bolt M4 x 16mm	
903	0760410	2	Bolt M4 x 20mm	
904	0760508	4	Bolt M5 x 16mm	
905	0760610	4	Bolt M6 x 20mm	
906	1320224	4	Clamp, Cable	
907	2902541	1	Circuit Breaker Kit (All Installations except 0275784 Installation)	E
907	1001109475	1	Breaker, Circuit 16Amp	
907	1001109482	1	Breaker, Circuit 30mAmp	
907	0861880	1	Box, Breaker	
907	4460956	1	Barrier, Terminal End	
907	4460957	1	Block, Terminal	
907A	1060908	1.4 m	Cable, Electrical - 12/3	
907B	1001097150	2	Connector, Strain Relief	
908		Ref	Decal - AC Power to Platform Options:	E
908	3252507	1	220V - 50/60HZ	

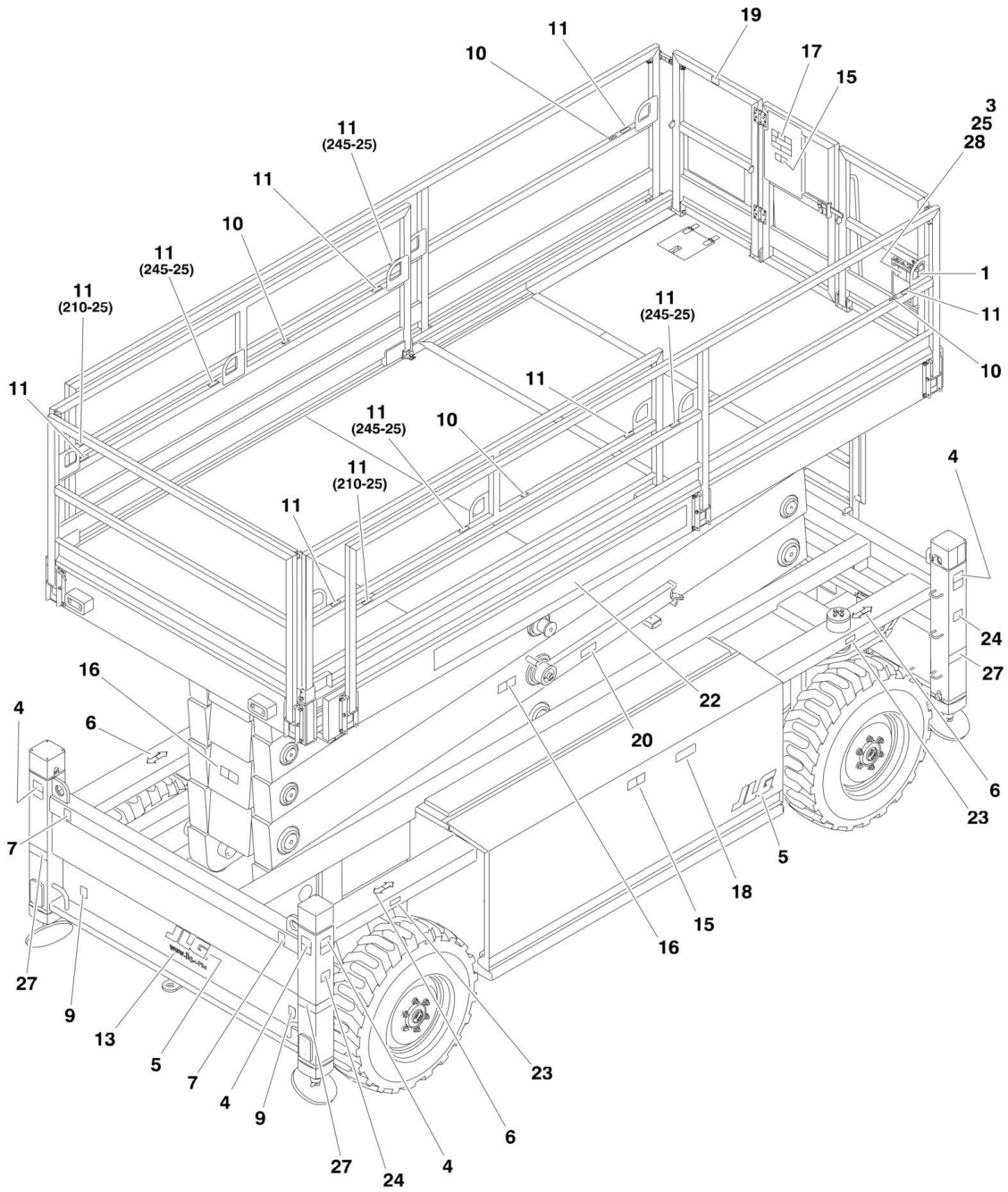
SECTION 7 - ELECTRICAL

ITEM	PART NUMBER	QTY	DESCRIPTION	REV
908	1703464	1	120V - 60Hz	
909	3290405	6	Locknut M4	
910	3290505	4	Locknut M5	
911	3290605	4	Locknut M6	
912		Ref	Connector, Strain Relief Options:	
912	See Note	1	(0275784 Installation) (Note: Not Available - Purchase Locally)	
912	4460662	1	Straight Connector (1001110545, 1001110546 & 1001110547 Installations)	
912	E000269	1	Straight Connector (1001110548, 1001110549, 1001110550 & 1001110551 Installations)	
913	4811600	8	Flatwasher M5	
914	4811700	AR	Flatwasher M6	
915	1001091102	2	Flatwasher M4	
916	1001097369	1	Nut, PG16 Strain Relief (Not Shown)	
917	1001097370	1	Nut, PG21 Strain Relief (Not Shown)	
918	E000016	1	Relief, PG16 Strain (Not Shown)	
919	E000045	1	Relief, PG21 Strain (Not Shown)	
920	E000102	1	Connector Housing, Female 24-Pin	
921	E000103	1	Connector Housing, Male 24-Pin	
922	E000481	1	Connector Insert, Female 24-Pin	
923	E000482	1	Connector Insert, Male 24-Pin	
	0275610	Ref	LIFT CYLINDER INSTALLATION	E
951	H705723	1	Harness, LSS Sensor	
	0275662	Ref	ENGINE HARNESES INSTALLATION	L
		Ref	Engine Harnesses Installation (SN 1200020465 through 1200021338)	
1043	1001105078	1	Harness, Engine (was p/n 70001780)	
1044	1001105079	1	Harness, Glow Plug (was p/n 70001781)	
1045	1001105080	1	Harness, Air Cleaner Indicator (was p/n 70001779 - Not Shown)	
1046	See Note	1	Relay, Glow Plug Timer (Note: Relay was p/n 70000924. P/N 70000924 is no longer available. Purchase qty 1 each of relay p/n 70003647 & base p/n 70003648.)	
1047	70000925	1	Relay	
1047	70000926	1	Base, Relay	
1048	8229236	2	Fuse, 30A (Not Shown)	
		Ref	Engine Harnesses Installation (SN 1200021339 to Present)	
1051	1001105682	1	Harness, Engine (Complete)	
1052	See Note	1	Relay, Glow Plug Timer (Note: Relay was p/n 70000924. P/N 70000924 is no longer available. Purchase qty 1 each of relay p/n 70003647 & base p/n 70003648.)	
1053	70000925	1	Relay	
	70000926	1	Base, Relay	
1054	8229236	2	Fuse, 30A (Not Shown)	
		Ref	OPTIONAL HARNESS COMPONENTS	
1101	1001099183	1	Harness Assembly, Beacon	
1101A	4460897	2	Connector, Female - 2 Position	
1101B	4460464	4	Pin, Male	
1102		Ref	Lamp Components, Beacon	
1102A	4460891	1	Connector, Male - 2 Position	
1102B	4460465	2	Socket, Female	

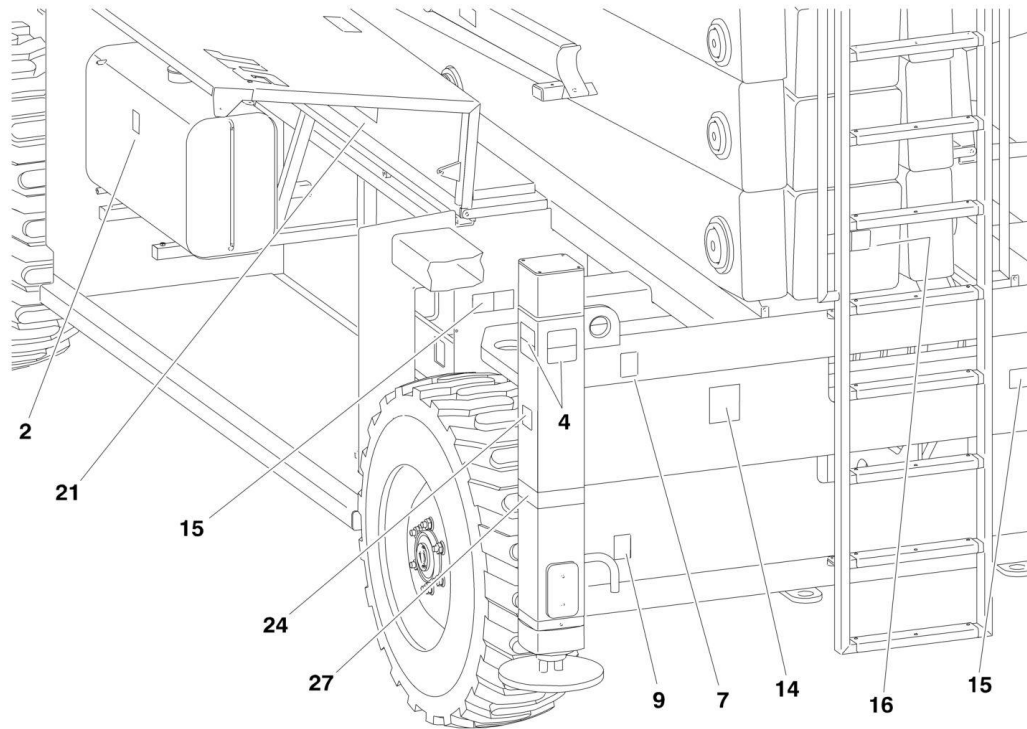
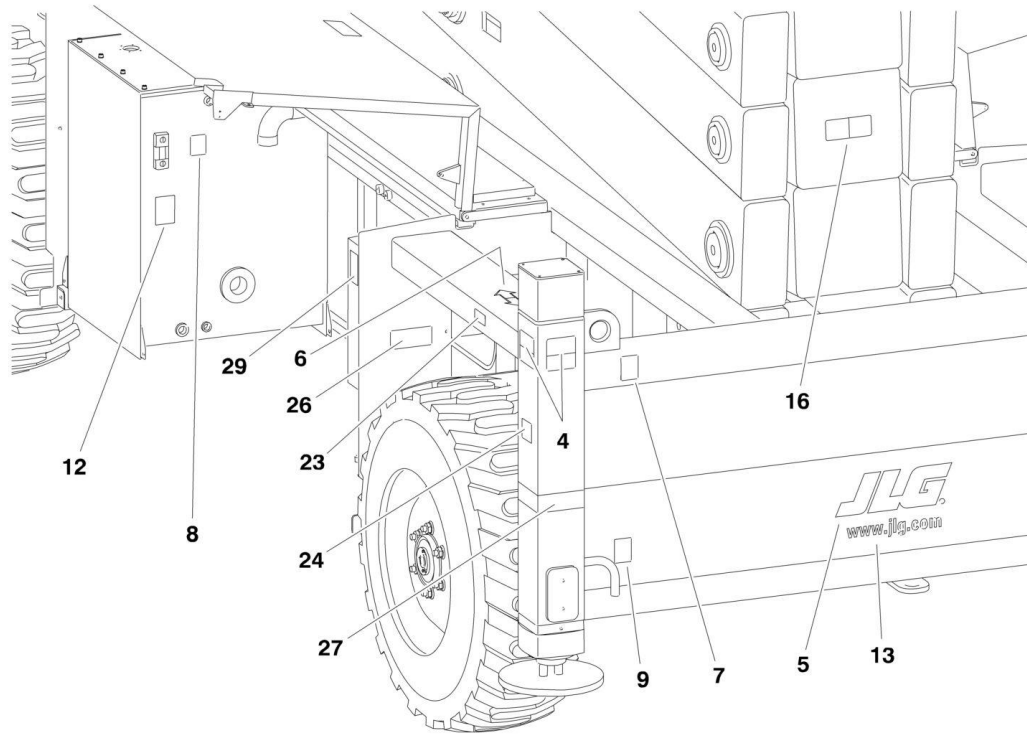
SECTION 8 - DECALS

SECTION 8 - DECALS

FIGURE 8-1. DECAL INSTALLATION



SECTION 8 - DECALS



SECTION 8 - DECALS

FIGURE 8-1. DECAL INSTALLATION

ITEM	PART NUMBER	QTY	DESCRIPTION	REV
		Ref	DECAL INSTALLATION	
	1001099293	Ref	Decal Installation 210-25	C
	1001099184	Ref	Decal Installation 245-25	D
1	1060279	1	Cable, Lanyard	
2	1701505	1	Decal, Diesel Fuel	
3	1701640	1	Decal, Manual	
4	1701785	8	Decal, Crushing	
5	1702773	3	Decal, JLG	
6	1703687	4	Decal, Direction Arrow	
7	1703811	4	Decal, Lifting Lug	
8	1703812	1	Decal, Hydraulic Oil	
9	1703814	4	Decal, Tie Down	
10	1703819	4	Decal, Direction Arrow	
11	1704277	AR	Decal, Lanyard Attach	
12	1704412	1	Decal, Hydraulic Oil	
13	1704885	1	Decal, Website	
14	1705515	1	Decal, Noise Level	
15	1705671	5	Decal, Electrocution	
16	1705673	4	Decal, Crushing	
17		Ref	Decal, Capacity Options:	
17	1706473	1	210-25	
17	1706474	1	245-25	
18	1706482	1	Decal, Manual Descent Inside	
19	1706485	1	Decal, Control Box Location	
20	1706487	1	Decal, Safety Prop	
21		Ref	Decal - Manual Descent Options:	
21	1706490	1	Decal Installation (SN 1200020465 through 1200021262)	
21	1001103747	1	Decal Installation (SN 1200021263 to Present)	
22		Ref	Decal, Model Designation Options:	
22	1706564	2	Decal, Model Designation 210-25	
22	1706498	2	Decal, Model Designation 245-25	
23		Ref	Decal, Wheel Load Options:	
23	1706563	4	Decal, Wheel Load 210-25	
23	1706507	4	Decal, Wheel Load 245-25	
24		Ref	Decal, Pad Load Options:	
24	1706562	4	Decal, Pad Load 210-25	
24	1706508	4	Decal, Pad Load 245-25	
25	2080040	4	Fastener, Huck	
26	See Note	1	Nameplate - Serial Number (Note: Not Available for Purchase)	
27	4420051	1.6 m/5.5ft	Tape, Safety	
28	8990147	1	Box, Manual Storage	
28	70003486	2	Clip, Manual Holder	
29	1706098	1	Decal, Ether Warning	

SECTION 9 - RECOMMENDED SERVICE PARTS STOCK

SECTION 9 - RECOMMENDED SERVICE PARTS STOCK

SECTION 9 - RECOMMENDED SERVICE PARTS STOCK

FIGURE 9-1. MODELS 210-25 & 245-25 STANDARD PARTS

ITEM	PART NUMBER	QTY	DESCRIPTION	REV
	Note	Ref	Note: The following list will service one machine (built to current production per date on the front cover) with emergency repair parts which can be installed in the field. Parts from the list should be replaced when inventory is depleted to keep service parts stock supplied. For further information, contact your JLG dealer or the JLG Industries Parts Department.	
		Ref	STANDARD PARTS	
	7012986	1	Coil	
	4360314	1	Switch, Toggle	
	4360671	1	Switch, Toggle	
	4360698	1	Switch, Toggle	
	4360469	1	Switch, Key	
	2860030	1	Key, Replacement	
	4360475	1	Switch, Emergency Stop	
	E000059	1	Battery Disconnect Switch	
	E000044	1	Switch, Tilt	
	70000635	1	Switch, Push Button	
	70000385	1	Coil	
	E000457	1	Relay	
	7017444	1	Coil	
	70000900	4	Element, Hydraulic Filter	
	H000241	12	Air Breather Filter	
	H005232	12	Element, Air Cleaner Outer	
	70000054	12	Element, Air Cleaner Inner	
	7016331	12	Filter, Oil (Deutz Engine)	
	7020023	12	Filter, Fuel	
	S200238	1	Latch, Gate	
	4360387	1	Switch, Push Button	
	4360525	1	Switch, Toggle	
	4360693	1	Switch, Toggle	
	E900025	1	Control, Joystick	
	E900056	2	Diode	

SECTION 9 - RECOMMENDED SERVICE PARTS STOCK

FIGURE 9-2. MODELS 210-25 & 245-25 VARIABLE PARTS

ITEM	PART NUMBER	QTY	DESCRIPTION	REV
	Note	Ref	Note: The following list will service one machine (built to current production per date on the front cover) with emergency repair parts which can be installed in the field. Parts from the list should be replaced when inventory is depleted to keep service parts stock supplied. For further information, contact your JLG dealer or the JLG Industries Parts Department.	
		Ref	VARIABLE PARTS	
	E000376	1	Limit Switch	
	E000359	1	Limit Switch	
	70001352	1	PC Board (Engine Control)	
	E000189	1	PC Board (Pump)	
	E000214	1	PC Board (Nivolux)	
	1001112938	1	PC Board (Complex Control)	
	1001094642	1	Card, Trigger Control	
	1001094641	1	Card, LSS and Time Override	

SECTION 10 - SPECIAL OPTIONS

SECTION 10 - SPECIAL OPTIONS

FIGURE 10-1. SPECIAL OPTIONS

ITEM	PART NUMBER	QTY	DESCRIPTION	REV
	Note	Ref	Note: This list is to accommodate machines ordered with special equipment. Options may not be applicable to all models. For more specific parts information contact JLG Parts Department.	
		Ref	MISCELLANEOUS SPECIAL OPTIONS	
	1001098929	Ref	Beacon Lamp Installation	
	2920161	2	Lamp, Beacon	
	4060865	2	Guard, Stone	
	1001099040	2	Bracket, Beacon Lamp	
		Ref	Tools For Service:	
	7002828	1	Wire Stripper	
	7002821	1	Wire Crimper (To Install Wire Ends to Wires)	
	7002823	1	Pin/Socket Extractor - Universal (To Remove Pins/Sockets from Connectors)	
	4460467	1	Extractor - 16-18 Gauge (For Removal of Pins/Sockets for Deutsch Connectors)	
	4460510	1	Extractor - 12-14 Gauge (For Removal of Pins/Sockets for Deutsch Connectors)	
	7002822	1	Screwdriver, Potentiometer (To Adjust Drive Controller)	
	7016654	1	Screwdriver, Magnetic	
	7004275	1	Seal Installation Tool - 1in	
	7004276	1	Seal Installation Tool - 1-1/2in	
	7002826	1	Seal Installation Tool - 2in	
	1001094298	1	Hand Rail Tool (245-25 Only)	
		Ref	Fluids	
	2300014	290 k	Oil, MobilFluid 424	
	2300029	290 k	Oil, Mobil EAL EnviroSyn H 46	
	3020008	2 ltr	Oil, Mobilube HD 80W-90	
	3020016	6 ltr	Oil, Motor Delvac MX 15W-40	

PART NUMBER INDEX

PART NUMBER INDEX

0100011.....43	0701224.....13	1001094642.....39, 142	1704277.....138
0100019.....13	0701627.....23	1001094781.....30	1704412.....138
0140011.....39	0701631... 54, 56, 60, 62	1001096366.....79	1704885.....138
0181847.....79	0711232.....11	1001096367.....79	1705515.....138
0275216.....132	0712026.....13	1001097150.....132	1705671.....138
0275217.....132	0760408.....132	1001097369.. 73, 77, 133	1705673.....138
0275218.....132	0760410.....132	1001097370.. 73, 77, 133	1706098.....138
0275219.....132	0760505.....41	1001097443.....130	1706473.....138
0275452.....131	0760508.....132	1001097469.....39	1706474.....138
0275453.....131	0760516.....87	1001098929.....144	1706482.....138
0275454.....131	0760605... 30, 49, 54, 60	1001098950.....41, 43	1706485.....138
0275564.....13	0760606.....49	1001098951.....43	1706487.....138
0275565.....11	0760608.....30, 77	1001099040.....144	1706490.....138
0275566.....15	0760610... 29, 30, 72, 76, 132	1001099183.....133	1706498.....138
0275567.....30, 41	0760612.....73, 77	1001099184.....138	1706507.....138
0275568.....49	0760614.....43	1001099293.....138	1706508.....138
0275569.....65	0760619.....73	1001101881.....73	1706562.....138
0275570.....25	0760619.....73	1001101882.....73	1706563.....138
0275571.....23	0760805.....72	1001101883.....73	1706564.....138
0275593.....29	0760810.....30, 65, 73	1001101884.....77	1787217.....29
0275608.....60	0760812.....43, 49	1001101885.....77	2080040.....73, 77, 138
0275609.....60, 102, 108, 130	0760813.....29	1001101886.....77	2141503.....101, 107
0275610...54, 60, 87, 133	0760814.....49	1001103161.....73, 77	2141506.....101, 107
0275611.....79	0760815.....79	1001103611.....29	2141907.....102, 108
0275636.....29	0760817.....43	1001103747.....138	2141914.....101, 107
0275638.....76	0760819.....13	1001105078.....133	2142103.....101, 107
0275640.....76, 102, 108	0761008.....76	1001105079.....133	2142202.....101, 107
0275662.....41, 43, 133	0761010... 25, 29, 41, 43, 49, 56, 62, 76	1001105080.....133	2142203.....101, 107
0275708.....15	0761012... 25, 41, 65, 76	1001105682.....133	2142206.....101, 107
0275749.....62	0761014.....29, 43, 49	1001106724.....67	2142209.....101, 107
0275784.....73, 77, 131	0761015.....29, 65	1001106725.....67	2142215.....102, 108
0275803.....29, 131	0761210.....11	1001107214.....67	2142218.....102, 108
0275835.....72, 102, 108	0761212.....56, 62, 72	1001107215.....67	2142219.....102, 108
0275842.....25	0761214... 11, 13, 43, 76	1001107291.....67	2142503.....101
0275845.....72	0761215.....15, 72	1001107292.....67	2142706.....101, 107
0275846.....54, 102, 108, 130	0761216.....72	1001109475.....132	2142707.... 101, 102, 107, 108
0275847.....54	0761217.....54, 60	1001109482.....132	2142708.....101, 107
0275849.....56	0761228.....43, 76	1001110437.....67	2142709.....101, 107
0307544.....33	0762015.....54, 60	1001110545.....131	2142710.....101, 107
0318854.....33	0771619.....15	1001110546.....131	2142711.....101, 107
0700510.....13	0861731.....132	1001110547.....131	2142712.....101, 107
0700518.....49	0861781.....132	1001110548.....131	2142713.....101, 107
0700608.....23	0861880.....132	1001110549.....131	2142715.....101, 107
0700614.....72	0893076.....33	1001110550.....131	2142716.....101, 107
0700615.....72, 76	1001091102.....133	1001110551.....131	2142717.....102, 107
0700617.....29	1001091145.....41	1001112938.....39, 142	2142741.....101, 107
0700620.....41	1001091198.....43	1001141967.....132	2142742.....101, 107
0700621.....49	1001091513.....43	1001141968.....132	2142743.....101, 107
0700812.....49, 54, 60	1001091514.....43	1001141969.....132	2142744.....101, 107
0700815.....29	1001091921.....41	1003107.....33	2142746.....101, 107
0700817.....23, 29	1001092405.....39	1060279.....138	2142747.....101, 107
0700818.....23	1001092406.....39	1060663.....130	2142748.....101, 107
0700820.....29, 72	1001092803.....43	1060908.....132	2142749.....102, 108
0700833.....23	1001092803.....43	1062255... 54, 61, 65, 67	2142750.....102, 108
0701014.....76	1001093028.....49	1320224.....132	2142753.....101, 107
0701015.....54, 60	1001093353.....39	1321564.....100, 106	2142754.....101, 107
0701016.....72	1001093354.....39	1701505.....138	2142755.....102
0701018.....23, 67	1001093355.....39	1701640.....138	2142756.....102
0701020.....67, 76	1001093361.....39	1701785.....138	2142804.....101, 107
0701022.....72	1001093379.....39	1702773.....138	2143406.....101, 107
0701024.....72	1001093403.....130	1703464.....133	2143409.....101, 107
0701029.....76	1001093404.....130	1703687.....138	2143419.....102, 108
0701217.....54, 60, 77	1001093793.....43	1703811.....138	2143513.....101, 107
0701222.....13	1001093796.....43	1703812.....138	2143534.....101, 107
	1001094298.....144	1703814.....138	2143547.....102, 108
	1001094641.....39, 142	1703819.....138	

PART NUMBER INDEX

2143564	102, 108	2754457	100, 106	4060865.....	144	4831700 ...	23, 30, 49, 54,
2143568	102, 108	2754458	100, 106	4360314.....	30, 140	60, 73, 77	
2143579	101, 107	2754459	100, 106	4360387.....	79, 140	4831900 ...	13, 23, 29, 30,
2143602	101, 107	2754460	102, 108	4360469.....	30, 140	49, 54, 60, 73	
2143606	101, 107	2754461	102, 108	4360475.....	30, 79, 140	4832000 ...	23, 25, 29, 30,
2143608	101, 107	2754462	102, 107	4360525.....	79, 140	41, 43, 49, 54, 56, 60,	
2143609	101, 107	2754463	100, 106	4360671.....	30, 140	62, 65, 76	
2143619	102, 108	2754464	100, 106	4360693.....	79, 140	4832100 ...	11, 13, 15, 43,
2143803	101, 107	2754478	60, 103, 108	4360698.....	30, 79, 140	49, 56, 62, 72, 76	
2143807	101, 107	2754513	54, 102, 108	4420051.....	138	4832300	23, 41
2143809	101	2754514	54, 103, 108	4460226.....	81	4832500	54, 60
2144005	102, 108	2754525	102, 108	4460259.....	131	5241600	15
2144007	102, 107	2754526	60, 103, 108	4460260.....	131	5242000	13
2144105	101, 107	2754529	102, 108	4460265.....	81	5272611	15
2144801	108	2860030	30, 140	4460266.....	81, 131	70000043.....	43
2144805	108	2900708	41	4460267.....	81, 131	70000054.....	43, 140
2160016 ...	13, 23, 54, 55,	2902541	132	4460418.....	131	70000055.....	43
56, 60, 61, 62, 72, 76		2902554	131	4460419.....	131	70000056.....	43
2160018	11	2920161	144	4460462.....	131	70000057.....	44
2171824	102, 108	3020008	144	4460464.....	131, 133	70000058.....	44
2171832	102, 108	3020016	144	4460465.....	131, 133	70000059.....	44
2221214	101, 107	320066	29	4460467.....	144	70000061.....	44
2221222	87	3252507	132	4460468.....	131	70000062.....	44
2221228	102, 108	3290405	31, 133	4460470.....	79	70000073.....	44
2300014	144	3290505	13, 49, 133	4460471.....	79	70000074.....	44
2300029	144	3290605 ...	29, 30, 41, 49,	4460492.....	131	70000075.....	44
2560141	79	72, 73, 76, 77, 133		4460502.....	131	70000081.....	81
2600281	73, 77	3290606	73	4460503.....	131	70000082.....	81
2754351	100, 106	3290801	41, 65	4460510.....	144	70000083.....	81
2754392	102, 108	3290805 ...	29, 30, 43, 49,	4460662.....	133	70000084.....	81
2754415	101, 107	72, 73, 79		4460891.....	133	70000085.....	81
2754416	102, 107	3291001	65	4460897.....	133	70000150.....	87
2754417	100, 106	3291005 ...	13, 41, 49, 54,	4460956.....	132	70000153.....	15
2754419	102, 108	56, 60, 62, 67, 72, 73,		4460957.....	132	70000154.....	15
2754420	100, 106	77		4461196.....	132	70000184.....	87
2754421	102, 108	3291205 ...	43, 54, 60, 72,	4461198.....	132	70000219.....	87
2754422	100, 106	77		4461199.....	132	70000220.....	87
2754426	100, 106	3291207	54, 60	4461201.....	132	70000239.....	19
2754427	101, 107	3291605 ...	54, 56, 60, 62,	4461202.....	132	70000240.....	19
2754428	101, 107	72, 73		4461204.....	132	70000241.....	19
2754429	100, 106	3292005	76	4461205.....	132	70000242.....	19
2754430	101, 107	3293605	13	4461207.....	132	70000243.....	19
2754431	102, 108	3331215	11	4461244.....	132	70000244.....	19
2754432 ...	100, 101, 106	3332011	13	4461245.....	132	70000245.....	19
2754433	100, 106	3440816	54, 60	4461246.....	132	70000246.....	19
2754434	101, 107	3760491	72, 76	4461249.....	132	70000247.....	19
2754435 ...	100, 102, 106,	3760518	73	471678.....	29, 43	70000248.....	19
108		3820408	49	4740120.....	79	70000249.....	19
2754436	102	3820510	25	4811400.....	31	70000250.....	19
2754437	100, 106	3900376	72, 76	4811600.....	13, 49, 133	70000251.....	19
2754438	102, 108	4010414	79	4811700....	29, 30, 41, 49,	70000252.....	19
2754440	100, 106	4031510	23	72, 73, 76, 77, 133		70000253.....	19
2754441	100, 106	4031605	30	4811702.....	30, 77	70000254.....	19
2754442	102, 108	4031612	54, 60	4811900....	29, 30, 43, 49,	70000255.....	19
2754443	102, 108	4031614	13	65, 72, 73, 79		70000256.....	19
2754445	100, 106	4031708	41	4811902.....	79	70000257.....	19
2754446	102, 108	4031709 ...	54, 60, 76, 79	4812000....	13, 25, 41, 49,	70000258.....	19
2754447	102, 108	4032009	43	54, 56, 60, 62, 65, 67,		70000259.....	20
2754448	102, 108	4032011	56, 62	72, 73, 76, 77		70000260.....	20
2754449	102, 108	4032013	15	4812100....	11, 13, 43, 54,	70000264.....	44
2754450	102, 108	4032015	15	60, 72, 77		70000267.....	37
2754451	100, 106	4032018	13	4812300....	54, 56, 60, 62,	70000269.....	37
2754452	100, 106	4032025	87	73		70000270.....	37
2754453	100, 106	4032111	54, 60	4812500.....	76	70000271.....	37
2754454	100, 106	4032310	41	4831600....	13, 30, 41, 54,	70000332.....	37
2754455	100, 106	4032316	41	60, 87		70000333.....	37
2754456	100, 106	4060802	30, 79			70000346.....	20

PART NUMBER INDEX

70000385.....	37, 140	70000751.....	95	70001843.....	44	7023919.....	87
70000513.....	35	70000752.....	95	70001845.....	44	7024038.....	47
70000514.....	35	70000753.....	95	70001850.....	44	7024579.....	44
70000515.....	35	70000754.....	95	70001851.....	44	7024818.....	47
70000516.....	35	70000755.....	95	70001852.....	44	7024895.....	100, 106
70000517.....	35	70000900.....	41, 140	70002740.....	44	7024896.....	100, 106
70000518.....	35	70000902.....	29	70003173.....	47	7024897.....	85, 100, 106
70000519.....	35	70000912.....	44	70003175.....	47	7024952.....	47
70000520.....	35	70000913.....	44	70003177.....	47	7024954.....	47
70000521.....	35	70000914.....	44	70003217.....	43	7026103.....	85
70000522.....	35	70000915.....	44	70003340.....	47	7027249.....	44
70000523.....	35	70000916.....	44	70003486.....	138	7027367.....	81
70000524.....	35	70000917.....	44	70003616.....	39	7027765.....	81
70000525.....	35	70000922.....	44	70003737.....	47	7027766.....	81
70000526.....	35	70000925.....	133	70003738.....	47	7027861.....	17
70000527.....	35	70000926.....	133	70003739.....	47	7027912.....	33
70000528.....	35	70000952.....	39, 130	70003740.....	47	7027939.....	17
70000529.....	35	70000953.....	39, 130	70003741.....	47	7027940.....	17
70000530.....	35	70000954.....	39, 130	70003742.....	47	7027941.....	17
70000531.....	35	70000955.....	39, 130	70003743.....	47	7028846.....	33
70000532.....	35	70000956.....	39, 130	70003744.....	47	7028847.....	33
70000533.....	35	70001114.....	30	70003745.....	47	7028848.....	33
70000534.....	35	70001122.....	31	70003746.....	47	7028849.....	33
70000535.....	35	70001136.....	44	70003747.....	47	7028893.....	33
70000536.....	35	70001137.....	44	70003748.....	47	8005376.....	43
70000537.....	35	70001138.....	44	70003749.....	47	8007915.....	33
70000538.....	35	70001352.....	30, 142	70003750.....	47	8007939.....	33
70000539.....	35	70001353.....	31	70003751.....	47	8007944.....	33
70000540.....	35	70001355.....	31	70003752.....	47	8007953.....	33
70000541.....	35	70001711.....	130	70003753.....	47	8007986.....	29, 43
70000542.....	35	70001712.....	130	70003754.....	47	8008750.....	30
70000543.....	35	70001713.....	130	70003755.....	47	8229236.....	133
70000634.....	31	70001714.....	130	70004458.....	43	8303891.....	79
70000635.....	31, 140	70001715.....	130	70021667.....	47	8405204.....	43
70000683.....	81	70001716.....	130	7002821.....	144	8990147.....	138
70000684.....	81	70001717.....	130	7002822.....	144	DL0113.....	29
70000685.....	81	70001718.....	130	7002823.....	144	E000005.....	30
70000686.....	81	70001719.....	130	7002826.....	144	E000009.....	30
70000692.....	89	70001720.....	130	7002828.....	144	E000016 ..	54, 60, 73, 77, 133
70000693.....	89	70001721.....	130	7004275.....	144	E000044.....	30, 140
70000694.....	89	70001722.....	130	7004276.....	144	E000045 ..	54, 60, 73, 77, 133
70000695.....	89	70001723.....	130	7010543.....	29	E000059.....	30, 140
70000696.....	89	70001724.....	130	7012706.....	47	E000063.....	30
70000697.....	89	70001725.....	130	7012709.....	47	E000072.....	30
70000698.....	89	70001726.....	130	7012941.....	29	E000083.....	130, 131
70000699.....	89	70001727.....	130	7012972.....	85, 100, 106	E000084.....	30
70000700.....	89	70001728.....	130	7012986.....	29, 85, 100, 106, 140	E000102.....	131, 133
70000702.....	89	70001729.....	130	7016330.....	44	E000103.....	131, 133
70000703.....	89	70001730.....	130	7016331.....	44, 140	E000108.....	131
70000704.....	89	70001731.....	130	7016654.....	144	E000189.....	39, 142
70000706.....	89	70001732.....	130	7017414.....	41	E000214.....	39, 142
70000707.....	91, 93	70001733.....	130	7017444.....	41, 87, 100, 106, 140	E000269 ..	23, 54, 60, 133
70000708.....	91, 93	70001734.....	130	7020023.....	44, 140	E000359.....	23, 142
70000709.....	91, 93	70001735.....	130	7020127.....	17	E000375.....	39
70000710.....	93	70001736.....	130	7020128.....	17	E000376 ..	13, 54, 60, 142
70000711.....	93	70001737.....	130	7020129.....	17	E000419.....	39, 79
70000712.....	93	70001738.....	130	7020175.....	79	E000420.....	79
70000713.....	91, 93	70001765.....	131	7020176.....	30, 79	E000457.....	39, 140
70000714.....	91	70001776.....	131	7020449.....	44	E000481.....	131, 133
70000715.....	91	70001777.....	131	7020459.....	44	E000482.....	131, 133
70000744.....	85	70001778.....	131	7020465.....	44	E001206.....	39
70000745.....	85	70001835.....	44	7020468.....	44	E001375.....	39
70000746.....	85	70001836.....	44	7020480.....	44	E001376.....	39
70000747.....	85	70001837.....	44	7020492.....	44	E900025.....	79, 81, 140
70000748.....	85	70001838.....	44	7021632.....	87	E900027.....	79
70000749.....	95	70001840.....	44				
70000750.....	95	70001841.....	44				

PART NUMBER INDEX

E900029.....	79	H000723.....	15	S001557.....	13	S201592.....	13
E900030.....	79	H003085.....	87	S001592.....	54, 60	S201593.....	13
E900031.....	79	H003091.....	87	S001595.....	55, 62	S201594.....	13
E900032.....	30	H003108.....	87	S001596.....	65	S201595.....	13
E900033.....	30	H003115.....	87	S001613.....	11	S201596.....	13
E900034.....	30	H004083.....	43	S001614.....	11	S201597.....	13
E900041.....	79, 131	H005224.....	43	S001640.....	13, 23, 76	S201598.....	11
E900042.....	79, 131	H005232.....	43, 140	S001676.....	49	S201599.....	23
E900043.....	131	H005234.....	43	S003991.....	20	S201601.....	25
E900045.....	131	H005235.....	49	S004000.....	15	S201602.....	43
E900048.....	30, 79	H005238.....	43	S004014.....	25	S201604.....	49
E900049.....	79	H005242.....	43	S005042-03.....	65	S201605.....	49
E900055.....	30, 131	H005247.....	33	S005042-04.....	65	S201606.....	49
E900056.....	131, 140	H005248.....	33	S005049.....	72, 76	S201608.....	49
E900057.....	39	H005250.....	33	S005171.....	43	S201609.....	49
E900059.....	39	H005279.....	33	S005172.....	43	S201610.....	43
E900064.....	30, 39, 130	H005529.....	100, 106	S007043.....	56	S201613.....	29
E900073.....	30	H705721.....	87	S007044.....	56	S201614.....	43
H000013.....	41	H705722.....	87	S007045.....	56	S201616.....	72
H000018.....	100, 106	H705723.....	133	S007120.....	55, 61	S201617.....	72
H000019.....	29	H705724.....	87	S007121.....	55, 61	S201618.....	73
H000031.....	33	H900006.....	72, 91	S007122.....	55, 61	S201619.....	73
H000032.....	33	H900008.....	23, 89	S007123.....	55, 61	S201620.....	73
H000038.....	29	H900009.....	13, 85	S007124.....	55, 61	S201621.....	73
H000039.....	29	H900010.....	23, 89	S200012.....	76	S201622.....	73
H000040.....	29	H900014.....	11, 95	S200015.....	77	S201623.....	73
H000048.....	29	H900020.....	76, 93	S200017.....	77	S201624.....	56
H000049.....	29	H900066.....	43	S200027-11.....	77	S201626.....	73
H000051.....	29	H900067.....	100, 106	S200033.....	76	S201627.....	73
H000077.....	41	H900068.....	100, 106	S200075.....	55, 61	S201635.....	73
H000116.....	33	H900069.....	100, 106	S200078.....	55, 61	S201636.....	73
H000121.....	29, 33	H900070.....	85, 100, 106	S200079.....	55, 56	S201637.....	73
H000122.....	41, 100	H900073.....	41	S200080.....	55, 56	S201638.....	87
H000123.....	100, 106	S000010.....	56, 62	S200081.....	55, 61	S201639.....	87
H000148.....	101, 107	S000031.....	73	S200082.....	55, 56	S201640.....	87
H000191.....	33	S000055.....	72	S200083.....	55, 56	S201641.....	87
H000206.....	33	S000056.....	49	S200084.....	55	S201661.....	49
H000207.....	33	S000116.....	56, 62	S200085.....	55, 56	S201673.....	65
H000219.....	15, 19	S000117.....	55, 61	S200086.....	55, 56	S201674.....	65
H000220.....	43, 47	S000118.....	56, 62	S200087.....	55	S201676.....	65
H000241.....	41, 140	S000123.....	55, 61	S200088.....	55, 56	S201677.....	65
H000273.....	100, 106	S000124.....	55, 61	S200089.....	55, 56	S900002.....	23
H000280.....	85, 100, 106	S000141.....	11	S200090.....	55, 61	S900003.....	23
H000285.....	29, 35	S000142.....	11, 13, 23, 54, 60, 72, 76	S200091.....	55, 61	S900015.....	72
H000306.....	100, 106	S000145.....	73, 77	S200092.....	55, 61	S900016.....	72
H000331.....	15	S000188.....	55, 61	S200093.....	55, 61	S900018.....	72
H000351.....	100, 106	S000191.....	55, 61	S200094.....	54, 60	S900021.....	23
H000352.....	33	S000233.....	55, 61	S200095.....	54, 60	S900035.....	72
H000371.....	54, 60, 79	S000234.....	55, 61	S200100.....	54, 60	S900036.....	72
H000389.....	33	S000237.....	72, 76	S200132.....	54, 60	S900037.....	72
H000397.....	33	S000241.....	56	S200223.....	73	S900038.....	72
H000412.....	29	S000242.....	62	S200226.....	72	S900039.....	72
H000430.....	55, 60, 76	S000510.....	73	S200230.....	73	S900041.....	76
H000436.....	29, 37	S001238.....	55, 61	S200231.....	73	S900042.....	76
H000443.....	15, 17	S001240.....	55, 61	S200233.....	73	S900043.....	76
H000444.....	87	S001241.....	55, 61	S200238.....	73, 77, 140	S900044.....	72, 76
H000514.....	33	S001443.....	30, 73	S200252.....	11	S900045.....	76
H000516.....	33	S001445.....	72, 76	S200253.....	11	S900046.....	76
H000524.....	100, 106	S001491.....	55, 61	S200265.....	30	S900060.....	49
H000532.....	87	S001492.....	55, 61	S200910.....	87	S900078.....	49
H000536.....	100, 106	S001496.....	55, 56, 62, 87	S200911.....	11	S900079.....	49
H000542.....	33	S001497.....	56, 62	S201585.....	11	S900085.....	11
H000558.....	23	S001498.....	55, 62	S201586.....	11	S900088.....	11
H000559.....	23	S001499.....	56, 62	S201587.....	11	S900089.....	29
H000580.....	33	S001511.....	65	S201588.....	11	S900091.....	49
H000609.....	33	S001520.....	65	S201589.....	11	S900092.....	49
H000713.....	87			S201591.....	13	S900093.....	49

PART NUMBER INDEX

S90010065	S900186..... 13	S900244.....61	S90027676
S90010165	S900187..... 23	S900245 55, 56, 61, 62	S90027776
S90010223	S900189..... 13	S900246..... 61, 62	S90027876
S90010323	S900190..... 13	S900247..... 61, 62	S90027962
S90011154, 60	S900191..... 13	S900248..... 61, 62	S90028062
S90011255	S900192..... 29	S900249..... 61, 62	S90028854, 60
S90011377	S900209..... 13	S900250..... 61, 62	S90028976
S90011777	S900210..... 13	S900251 55, 56, 61, 62	S90029176
S90011877	S900211..... 13	S900252..... 61, 62	S90029376
S90012062	S900214..... 11	S900253..... 61, 62	S90031254, 60
S90012162	S900220..... 25	S900254..... 61, 62	S90032211
S90012262	S900223..... 55, 61	S900255..... 61, 62	S90032373
S90012362	S900229..... 72, 76	S900256..... 61, 62	S90032473
S90012462	S900231..... 13	S900264..... 77	S90032556
S90012554, 60	S900233..... 77	S900267..... 77	S90032656
S90012654, 60	S900234..... 77	S900268..... 77	S90032715
S90012754, 60	S900235..... 77	S900269..... 76	S90032815
S90012861	S900240..... 55, 61	S900271..... 77	S90032954, 60
S90013076	S900242..... 61	S900274..... 77	S90033054, 60
S90015572	S900243..... 61	S900275..... 73, 77	



3121332



An Oshkosh Corporation Company

JLG Industries, Inc.
1 JLG Drive
McConnellsburg PA. 17233-9533
USA
Phone: +1-717-485-5161
Customer Support Toll Free: 1-877-554-5438
Fax: +1-717-485-6417

JLG Worldwide Locations

JLG Industries (Australia)
P.O. Box 5119
11 Bolwarra Road
Port Macquarie
N.S.W. 2444
Australia
Phone: +61 2 65811111
Fax: +61 2 65813058

JLG Latino Americana Ltd.
Rua Antonia Martins Luiz, 580
Distrito Industrial João Narezzi
13347-404 Indaiatuba - SP
Brazil
Phone: +55 19 3936 8870
Fax: +55 19 3935 2312

JLG Industries (UK) Ltd
Bentley House
Bentley Avenue
Middleton
Greater Manchester
M24 2GP
England
Phone: +44 (0)161 654 1000
Fax: +44 (0)161 654 1001

JLG France SAS
Z.I. de Baulieu
47400 Fauillet
France
Phone: +33 (0)5 53 88 31 70
Fax: +33 (0)5 53 88 31 79

JLG Deutschland GmbH
Max-Planck-Str. 21
D - 27721 Ritterhude-Ihlpohl
Germany
Phone: +49 (0)421 69 350 20
Fax: +49 (0)421 69 350 45

JLG Equipment Services Ltd.
Rm 1107 Landmark North
39 Lung Sum Avenue
Sheung Shui N.T.
Hong Kong
Phone: +852 2639 5783
Fax: +852 2639 5797

JLG Industries (Italia) s.r.l.
Via Po, 22
20010 Pregnana Milanese - MI
Italy
Phone: +39 029 359 5210
Fax: +39 029 359 5845

JLG Europe B.V.
Polaris Avenue 63
2132 JH Hoofddorp
The Netherlands
Phone: +31 (0)23 565 5665
Fax: +31 (0)23 557 2493

JLG Polska
Ul. Krolewska
00-060 Warszawa
Poland
Phone: +48 (0)914 320 245
Fax: +48 (0)914 358 200

Plataformas Elevadoras
JLG Iberica, S.L.
Trapadella, 2
P.I. Castellbisbal Sur
08755Castellbisbal, Barcelona
Spain
Phone: +34 93 772 4 700
Fax: +34 93 771 1762

JLG Sverige AB
Enkopingsvagen 150
Box 704
SE - 176 27 Jarfalla
Sweden
Phone: +46 (0)850 659 500
Fax: +46 (0)850 659 534

www.jlg.com