



Illustrated Parts Manual

Models
1532E/1932E
2033E/2046E
2646E/2658E

P/N
3120726

January 27, 2012

ANSI



An Oshkosh Corporation Company

REVISION LOG

Power Down Machines include machines built through SNs 34920 except those SNs listed below.

Gravity Down Machines include machines with SNs 33685, 33686, 33687, 33691, 33692, 33693, 33697, 33698, 33699, 33701 through 33707, 34044, 34049, 34141, 34142, 34143, 34172, 34173, 34174 and 34921 to Present.

April 1997 Original Issue (Separated 3123000 Complete Manual into 3 Individual Manuals. Added Gravity Down Machine components.)

June 1997 Change 1

Affected Pages:

Cover and Pages A and i

Section 1 Pages: 1-5/1-5A Blank, 1-5B,1-14,1-15,1-20,1-21/1-22

Blank, 1-23,1-32

Section 2 Pages: 2-11/2-12 Blank, 2-13,2-17/2-18 Blank

Section 3 Pages: 2-23/3-24 Blank, 3-31

Section 4 Pages: 4-1, 4-24 to 4-31/4-32 Blank

Section 5 Pages: 5-3

Section 6 Pages: 6-6, 6-7

Section 7 Pages: 7-6, 7-7, 7-8, 7-10, 7-11, 7-12

Section 9 Pages: 9-10

Section 10 Pages: 10-1, 10-2

May 1998 Revised

July 1, 1999 Revised

August 1, 2000 Revised

May 30, 2002 Revised

June 14, 2004 Revised

January 31, 2009 Revised

January 27, 2012 Revised

TABLE OF CONTENTS

SECTION 1 - FRAME.....	7
FIGURE 1-1. DRIVE AND STEERING INSTALLATION.....	8
FIGURE 1-2. DRIVE MOTOR ASSEMBLIES - WHITE	14
FIGURE 1-3. DRIVE MOTOR ASSEMBLIES - EATON.....	18
FIGURE 1-4. AXLE/BRAKE INSTALLATIONS (POWER DOWN MACHINES).....	20
FIGURE 1-5. AXLE/BRAKE INSTALLATIONS (GRAVITY DOWN MACHINES).....	24
FIGURE 1-6. JLG POTHOLE PROTECTION SYSTEM INSTALLATION (POWER DOWN MACHINES).....	26
FIGURE 1-7. JLG POTHOLE PROTECTION SYSTEM INSTALLATION (GRAVITY DOWN MACHINES).....	30
FIGURE 1-8. FRAME MOUNTED COMPONENTS INSTALLATION (POWER DOWN MACHINES)	34
FIGURE 1-9. FRAME MOUNTED COMPONENTS INSTALLATION (GRAVITY DOWN MACHINES)	38
FIGURE 1-10. BATTERY CHARGER ASSEMBLIES - STANDARD	42
FIGURE 1-11. BATTERY CHARGER ASSEMBLIES - REPLACEMENT KIT	46
SECTION 2 - GROUND COMPONENTS.....	49
FIGURE 2-1. HYDRAULIC COMPONENTS AND COVER INSTALLATION - 1532E/1932E (POWER DOWN MACHINES)	50
FIGURE 2-2. HYDRAULIC COMPONENTS AND COVERS INSTALLATION - 1532E/1932E (GRAVITY DOWN MACHINES)....	54
FIGURE 2-3. HYDRAULIC COMPONENTS AND COVERS INSTALLATION - 2033E/2046E/2646E/2658E (POWER DOWN MACHINES)	58
FIGURE 2-4. HYDRAULIC COMPONENTS AND COVERS INSTALLATION - 2033E/2046E/2646E/2658E (GRAVITY DOWN MACHINES)	62
FIGURE 2-5. VALVE ASSEMBLY	66
FIGURE 2-6. ELECTRICAL COMPONENTS INSTALLATIONS (AT GROUND CONTROLS).....	70
FIGURE 2-7. BATTERY INSTALLATIONS.....	74
SECTION 3 - SCISSOR ARMS.....	77
FIGURE 3-1. SCISSOR ARMS INSTALLATION - 1532E (POWER DOWN MACHINES).....	78
FIGURE 3-2. SCISSOR ARMS INSTALLATION - 1532E (GRAVITY DOWN MACHINES)	80
FIGURE 3-3. SCISSOR ARMS INSTALLATION - 1932E (POWER DOWN MACHINES).....	84
FIGURE 3-4. SCISSOR ARMS INSTALLATION - 1932E (GRAVITY DOWN MACHINES)	88
FIGURE 3-5. SCISSOR ARMS INSTALLATION - 2033E/2046E (POWER DOWN MACHINES)	92
FIGURE 3-6. SCISSOR ARMS INSTALLATION - 2033E/2046E (GRAVITY DOWN MACHINES)	96
FIGURE 3-7. SCISSOR ARMS INSTALLATION - 2646E/2658E (POWER DOWN MACHINES)	100
FIGURE 3-8. SCISSOR ARMS INSTALLATION - 2646E/2658E (GRAVITY DOWN MACHINES)	104
SECTION 4 - PLATFORM.....	107
FIGURE 4-1. PLATFORM INSTALLATION - MANUALLY OPERATED EXTENSION	108
FIGURE 4-2. HANDRAILS AND EXTENSION INSTALLATION - STANDARD RAILS (MANUALLY OPERATED) (1532E/1932E)	114
FIGURE 4-3. HANDRAILS AND EXTENSION INSTALLATION -STANDARD RAILS (MANUALLY OPERATED) (2033E/2046E/2646E/2658E).....	118
FIGURE 4-4. HANDRAILS AND EXTENSION INSTALLATION - FOLDDOWN RAILS (MANUALLY OPERATED) (1532E/1932E)	124
FIGURE 4-5. HANDRAILS AND EXTENSION INSTALLATION - FOLDDOWN RAILS (MANUALLY OPERATED) (2033E/2046E/2646E/2658E).....	128
FIGURE 4-6. PLATFORM ASSEMBLY - POWER OPERATED (2033E/2046E/2646E/ 2658E)	134
FIGURE 4-7. EXTENSION INSTALLATION - POWER OPERATED (2033E/2046E/ 2646E/2658E).....	138
FIGURE 4-8. HANDRAILS INSTALLATION - POWER OPERATED PLATFORMS (2033E/2046E/2646E/2658E)	142

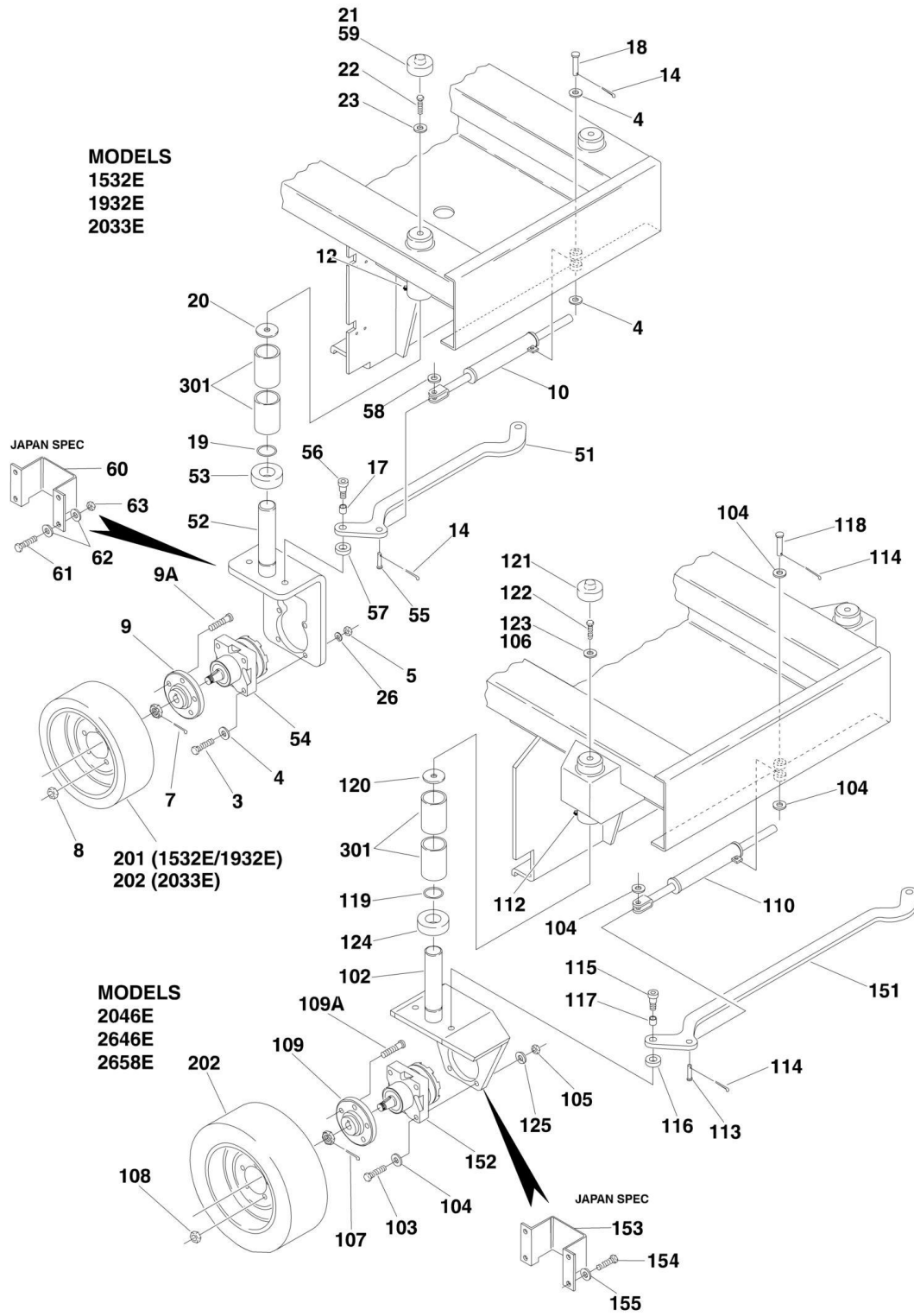
TABLE OF CONTENTS

FIGURE 4-9. HANDRAILS INSTALLATION - OPTIONAL FOLDDOWN RAILS POWER OPERATED PLATFORM (2046E/2646E)	146
FIGURE 4-10. PLATFORM CONSOLE BOX ASSEMBLY	150
FIGURE 4-11. CONTROLLER ASSEMBLY - OEM	154
FIGURE 4-12. CONTROLLER ASSEMBLY - PQ	156
SECTION 5 - CYLINDERS	159
FIGURE 5-1. BRAKE CYLINDER ASSEMBLY	160
FIGURE 5-2. LIFT CYLINDER COMPONENTS ASSEMBLY (1532/1932 POWER DOWN MACHINES BUILT) (Prior to SN 27181)	162
FIGURE 5-3. LIFT CYLINDER COMPONENTS ASSEMBLY (1532/1932 POWER DOWN MACHINES BUILT) (SN 27181 to Present)	164
FIGURE 5-4. LIFT CYLINDER COMPONENTS ASSEMBLY (1532E/1932E GRAVITY DOWN MACHINES)	166
FIGURE 5-5. LIFT CYLINDER COMPONENTS ASSEMBLY (2033E/2046E POWER DOWN MACHINES BUILT PRIOR TO SN 27085 AND 2646E/2658E POWER DOWN MACHINES BUILT PRIOR TO SN 26916)	168
FIGURE 5-6. LIFT CYLINDER COMPONENTS ASSEMBLY (2033E/2046E POWER DOWN MACHINES BUILT SN 27085 TO PRESENT AND 2646E/2658E POWER DOWN MACHINES BUILT SN 26916 TO PRESENT)	172
FIGURE 5-7. LIFT CYLINDER COMPONENTS ASSEMBLY (2033E/2046E/2646E/ 2658E GRAVITY DOWN MACHINES)	176
FIGURE 5-8. PLATFORM EXTENSION CYLINDER ASSEMBLIES	180
FIGURE 5-9. STEER CYLINDER ASSEMBLY	182
SECTION 6 - HYDRAULIC	185
FIGURE 6-1. HYDRAULIC DIAGRAM (POWER DOWN MACHINES)	186
FIGURE 6-2. HYDRAULIC DIAGRAM (GRAVITY DOWN MACHINES)	190
FIGURE 6-3. HYDRAULIC DIAGRAM LIST	194
SECTION 7 - ELECTRICAL	195
FIGURE 7-1. ELECTRICAL DIAGRAM LIST	196
FIGURE 7-2. STANDARD ELECTRICAL DIAGRAM (POWER DOWN MACHINES)	198
FIGURE 7-3. STANDARD ELECTRICAL DIAGRAM (GRAVITY DOWN MACHINES)	200
FIGURE 7-4. HARNESS AND CABLE ASSEMBLIES	202
SECTION 8 - DECALS	209
FIGURE 8-1. DECALS INSTALLATION - 1532E/1932E POWER DOWN MACHINES (STANDARD)	210
FIGURE 8-2. DECALS INSTALLATION - 1532E/1932E POWER DOWN MACHINES (COUNTRY SPEC)	212
FIGURE 8-3. DECALS INSTALLATION - 2033E/2046E/2646E/2658E POWER DOWN MACHINES (STANDARD)	216
FIGURE 8-4. DECALS INSTALLATION - 2033E/2046E/2646E/2658E POWER DOWN MACHINES (COUNTRY SPEC)	220
FIGURE 8-5. DECAL INSTALLATION - GRAVITY DOWN MACHINES	224
SECTION 9 - RECOMMENDED SERVICE PARTS STOCK	231
FIGURE 9-1. MODELS 1532E/1932E/2033E/2046E/2646E/2658E STANDARD PARTS	232
FIGURE 9-2. MODELS 1532E/1932E/2033E/2046E/2646E/2658E VARIABLE PARTS	234
SECTION 10 - SPECIAL OPTIONS	235
FIGURE 10-1. SPECIAL OPTIONS	236
PART NUMBER INDEX	239

SECTION 1 - FRAME

SECTION 1 - FRAME

FIGURE 1-1. DRIVE AND STEERING INSTALLATION



SECTION 1 - FRAME

FIGURE 1-1. DRIVE AND STEERING INSTALLATION

ITEM	PART NUMBER	QTY	DESCRIPTION	REV
		Ref	DRIVE AND STEERING INSTALLATION - 1532E/1932E/2033E	
3	0641826	8	Bolt 1/2in-13NC x 3 1/4in	
4	4740453	AR	Flatwasher 1/2in Special	
5	3311801	8	Nut 1/2in-13NC	
6	0100011	AR	Loctite #242 (Not Shown)	
7	3450406	2	Pin, Cotter 1/8in x 1 1/2in	
8	3300255	10	Nut, Wheel	
9	2780216	2	Hub	
9A	7012613	10	Bolt, Wheel (5 Per Hub)	
10		Ref	Steer Cylinder Assembly Options (See CYLINDERS SECTION for Breakdown):	
10	1683351	1	Steer Cylinder Assembly (Prior to SN 24267)	
10	1683428	1	Steer Cylinder Assembly (SN 24267 to Present)	
12	2160002	2	Fitting, Grease (Prior to SN 30800)	
12	2160006	2	Fitting, Grease (SN 30800 through 42314)	
12	2160008	2	Fitting, Grease (SN 42315 to Present)	
12	1120064	AR	Cap, Grease Fitting	
14	3450403	2	Pin, Cotter 1/8in x 3/4in	
17	0962013	2	Bushing, Fiberglide	
18	3430824	1	Pin, Clevis	
19	3780166	2	O-Ring	
20	4740419	2	Washer, Thrust	
21	1120417	2	Cap	
22	0641611	2	Bolt 3/8in-16NC x 1 3/8in	
23	4711600	2	Flatwasher 3/8in Narrow	
26	4761800	8	Lockwasher 1/2 (SN 28527 to Present)	
		Ref	DRIVE AND STEERING INSTALLATIONS - 1532E/1932E/2033E (VARIABLE PARTS)	
	0255933	Ref	Drive and Steering Installations 1532E/1932E (Prior to SN 24267)	B
	0256636	Ref	Drive and Steering Installations 1532E/1932E (SN 24267 through 36747)	10
	0257567	Ref	Drive and Steering Installations 1532E/1932E (SN 36748 to Present)	7
	0255597	Ref	Drive and Steering Installations 2033E With Manually Operated Extension (Standard Machines) (Prior to SN 24267, Excluding 23603, 23604 and 23605)	B
	0256635	Ref	Drive and Steering Installations 2033E With Manually Operated Extension (Standard Machines) (SN 24267 through 36748, Including 23603, 23604 and 23605)	9
	0257568	Ref	Drive and Steering Installations 2033E With Manually Operated Extension (Standard Machines) (SN 36748 to Present)	6
	0258882	Ref	Drive and Steering Installations 2033E With Power Operated Extension (Standard Machines)	1
	0257723	Ref	Drive and Steering Installations 2033E With Manually Operated Extension (Japanese Machines)	6
	0257723	Ref	Drive and Steering Installations 2033E With Power Operated Extension (Japanese Machines)	1
51		Ref	Tie-Rod Options:	
51	3841296	1	Tie-Rod 1532E/1932E (Prior to SN 24267)	
51	3841322	1	Tie-Rod 1532E/1932E (SN 24267 through 45298)	
51	3841387	1	Tie-Rod 1532E/1932E (SN 45299 to Present)	

SECTION 1 - FRAME

ITEM	PART NUMBER	QTY	DESCRIPTION	REV
51	3841273	1	Tie-Rod 2033E (Prior to SN 24267, Excluding 23603, 23604 and 23605)	
51	3841321	1	Tie-Rod 2033E (SN 24267 through 40773, Including 23603, 23604 and 23605)	
51	3841379	1	Tie-Rod 2033E (SN 40773 to Present)	
52		Ref	Spindle Options:	
52	4130336	2	Spindle 1532E/1932E	
52	4130329	2	Spindle 2033E (Standard)	
52	4130348	2	Spindle 2033E (Japanese)	
53		Ref	Spacer Options:	
53	Not Required	0	Spacer 1532E/1932E	
53	4566833	2	Spacer 2033E	
54		Ref	Drive Motor Assembly Options:	
54	3160207	2	Drive Motor Assembly 1532E/1932E (See DRIVE AND STEERING INSTALLATION for Breakdown) (Prior to SN 36748)	
54	3160219	2	Drive Motor Assembly 1532E/1932E (See DRIVE MOTOR ASSEMBLIES - EATON for Breakdown) (SN 36748 to Present)	
54	3160214	2	Drive Motor Assembly 2033E with Manually Operated Extension Built (See DRIVE MOTOR ASSEMBLIES - WHITE for Breakdown) (Prior to SN 36748)	
54	3160220	2	Drive Motor Assembly 2033E with Manually Operated Extension Built (See DRIVE MOTOR ASSEMBLIES - EATON for Breakdown) (SN 36748 to Present)	
54	3160208	2	Drive Motor Assembly 2033E with Powered Operated Extension (See DRIVE MOTOR ASSEMBLIES - WHITE for Breakdown)	
55		Ref	Pin, Clevis Options:	
55	3430811	1	Pin, Clevis 1532E/1932E	
55	3430812	1	Pin, Clevis 2033E	
56		Ref	Bolt, Shoulder Options:	
56	0630495	2	Bolt, Shoulder 1532E/1932E (Prior to SN 28527)	
56	0630516	2	Bolt, Shoulder 1532E/1932E (SN 28527 to Present)	
56	0630495	2	Bolt, Shoulder 2033E	
57		Ref	Spacer, Bushing Options:	
57	0962014	2	Spacer, Bushing 1532E/1932E (Prior to SN 28527)	
57	0962085	2	Spacer, Bushing 1532E/1932E (SN 28527 to Present)	
57	0962014	2	Spacer, Bushing 2033E	
58		Ref	Flatwasher	
58	4711800	1	Flatwasher 1532E/1932E	
58	4740453	1	Flatwasher 2033E	
59	0100001	AR	Adhesive (SN 41485 to Present)	
60		Ref	Spacer Options:	
60	Not Required	0	Standard Machines	
60	1670838	2	Japanese Machines	
61		Ref	Bolt Options:	
61	Not Required	0	Standard Machines	
61	0641412	8	Japanese Machines	
62		Ref	Flatwasher Options:	
62	Not Required	0	Standard Machines	
62	4711400	16	Japanese Machines	
63		Ref	Locknut Options:	
63	Not Required	0	Standard Machines	
63	3311405	2	Japanese Machines	

SECTION 1 - FRAME

ITEM	PART NUMBER	QTY	DESCRIPTION	REV
64	0100081	AR	Adhesive #454	
		Ref	DRIVE AND STEERING INSTALLATION - 2046E/2646E/2658E (STANDARD PARTS)	
102		Ref	Spindle Options:	
102	4130332	2	Standard Spec	
102	4130349	2	Japanese Spec	
103	0641826	8	Bolt 1/2in-13NC x 3 1/4in	
104	4740453	10	Flatwasher 1/2in Special	
105	3311801	8	Nut 1/2in-13NC	
106	0100011	AR	LOCTITE #242	
107	3450406	2	Pin, Cotter 1/8in x 1 1/2in	
108	3300255	10	Nut, Wheel	
109	2780216	2	Hub	
109A	7012613	10	Bolt, Wheel (5 Per Hub)	
110		Ref	Steer Cylinder Assembly Options (See CYLINDERS SECTION for Breakdown):	
110	1683351	1	Steer Cylinder Assembly (Prior to SN 24267)	
110	1683429	1	Steer Cylinder Assembly (SN 24267 to Present)	
112	2160002	2	Fitting, Grease (Prior to SN 30800)	
112	2160006	2	Fitting, Grease (SN 30800 through 42314)	
112	2160008	2	Fitting, Grease (SN 42315 to Present)	
112	1120064	AR	Cap, Grease Fitting	
113	3430812	1	Pin, Clevis	
114	3450403	2	Pin, Cotter 1/8in x 3/4in	
115	0630495	2	Bolt, Shoulder	
116	0962014	2	Spacer	
117	0962013	2	Bushing, Fiberglass	
118	3430824	1	Pin	
119	3780166	2	O-Ring	
120	4740419	2	Thrustwasher	
121	1120417	2	Cap	
122	0641612	2	Bolt 3/8in-16NC x 1 1/2in	
123	4711600	2	Flatwasher 3/8in Narrow	
124	4566833	2	Spacer	
125	4761800	8	Lockwasher 1/2in	
126	0100081	AR	Adhesive #454 (Not Shown)	
		Ref	DRIVE AND STEERING INSTALLATIONS - 2046E/2646E/2658E (VARIABLE PARTS)	
	0255634	Ref	Drive and Steering Installations 2046E/2646E Standard Machine (Prior to SN 24267)	B
	0256653	Ref	Drive and Steering Installations 2046E/2646E Standard Machines (SN 24267 through 36747)	9
	0257570	Ref	Drive and Steering Installations 2046E Standard Machines (SN 36748 through 37751)	2
	0257571	Ref	Drive and Steering Installations 2646E Standard Machines (SN 36748 through 37750)	2
	0256653	Ref	Drive and Steering Installations 2046E/2646E Standard Machines (SN 37751 to Present)	9
	0257722	Ref	Drive and Steering Installations 2646E Japanese Machines	5
	0255635	Ref	Drive and Steering Installations 2658E Standard Machines (Prior to SN 24267)	B
	0256654	Ref	Drive and Steering Installations 2658E Standard Machines (SN 24267 through 36747)	9

SECTION 1 - FRAME

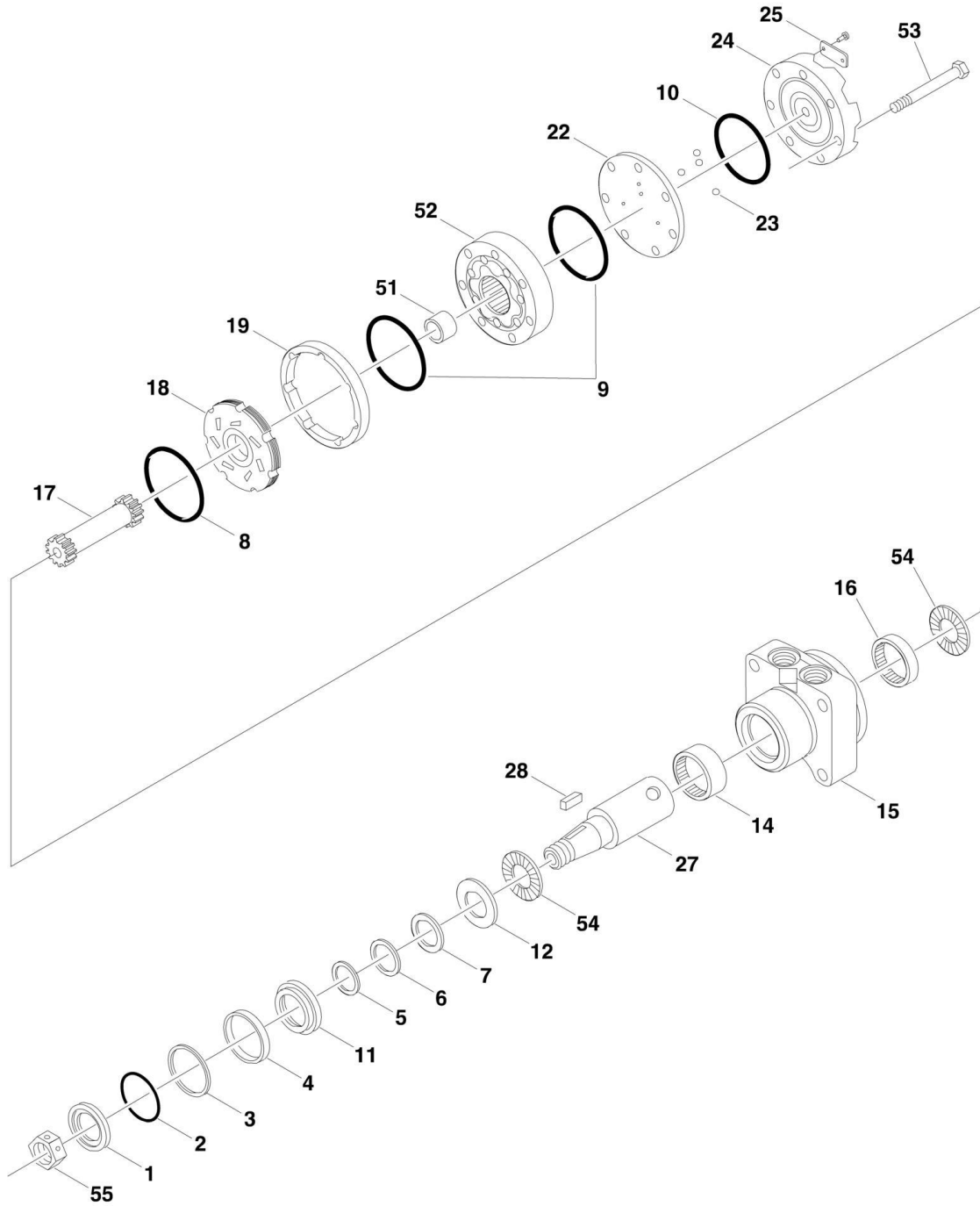
ITEM	PART NUMBER	QTY	DESCRIPTION	REV
	0257572	Ref	Drive and Steering Installations 2658E Standard Machines (SN 36748 through 37750)	2
	0256654	Ref	Drive and Steering Installations 2658E Standard Machines (SN 37751 to Present)	9
	0258631	Ref	Drive and Steering Installations 2658E (Japanese Machines)	2
151		Ref	Tie-Rod Options:	
151	3841277	1	Tie-Rod 2046E/2646E (Prior to SN 24267)	
151	3841320	1	Tie-Rod 2046E/2646E (SN 24267 to Present)	
151	3841278	1	Tie-Rod 2658E (Prior to SN 24267)	
151	3841324	1	Tie-Rod 2658E (SN 24267 through 36747)	
151	3841320	1	Tie-Rod 2658E (SN 36748 through 37750)	
151	3841324	1	Tie-Rod 2658E (SN 37751 to Present)	
152		Ref	Drive Motor Assembly Options:	
152	3160208	2	Drive Motor Assembly 2046E/2646E (See DRIVE MOTOR ASSEMBLIES - WHITE for Breakdown) (Prior to SN 36748)	
152	3160220	2	Drive Motor Assembly 2046E (See DRIVE MOTOR ASSEMBLIES - EATON for Breakdown) (SN 36748 through 37751)	
152	3160221	2	Drive Motor Assembly 2646E (See DRIVE MOTOR ASSEMBLIES - EATON for Breakdown) (SN 36748 through 37750)	
152	3160208	2	Drive Motor Assembly 2046E/2646E (See DRIVE MOTOR ASSEMBLIES - WHITE for Breakdown) (SN 37751 to Present)	
152	3160208	2	2658E (See DRIVE MOTOR ASSEMBLIES - WHITE for Breakdown) (Prior to SN 36748)	
152	3160221	2	Drive Motor Assembly 2658E (See DRIVE MOTOR ASSEMBLIES - EATON for Breakdown) (SN 36748 through 37750)	
152	3160208	2	Drive Motor Assembly 2658E (See DRIVE MOTOR ASSEMBLIES - WHITE for Breakdown) (SN 37751 to Present)	
153		Ref	Cover (Japan Spec)	
153	Not Required	0	Standard Machines	
153	1670839	2	Japanese Machines	
154		Ref	Bolt 1/4in-20NC x 3/4in (Japan Spec)	
154	Not Required	0	Standard Machines	
154	0641406	8	Japanese Machines	
155		Ref	Flatwasher 1/4in-20NC (Japan Spec)	
155	Not Required	0	Standard Machines	
155	4711400	8	Japanese Machines	
		Ref	TIRE AND WHEEL INSTALLATIONS - 1532E/1932E	
	0255680	Ref	Black Tire and Wheel Installation	
	0255683	Ref	Standard Non-Marking Tire and Wheel Installation	
201		Ref	Tire Options:	
201	4520175	AR	Black - 4.50 x 14	
201	4520177	AR	Non-Marking Standard	
		Ref	TIRE AND WHEEL INSTALLATIONS - 2033E/2046E/2646E/2658E	
	0255679	Ref	Black Tire and Wheel Installation	
	0255682	Ref	Standard Non-Marking Tire and Wheel Installation	
	0256334	Ref	Flotation Tire and Wheel Installation - 7.5 x 16	
	0257156	Ref	Flotation Tire and Wheel Installation - 7 x 16	
202		Ref	Tire Options:	
202	4520174	AR	Black - 5.0 x 16	
202	4520176	AR	Non-Marking Standard	
202	4520183	AR	Flotation - 7.5 x 16	

SECTION 1 - FRAME

ITEM	PART NUMBER	QTY	DESCRIPTION	REV	
202	4520191	AR	Flotation - 7 x 16		
		Ref	FRAME WELDMENTS OPTIONS:		
		Ref	Note: To determine Power or Gravity Down refer to page A.		
		2360399	1	Frame Weldments 1532E (Power Down)	
		2360428	1	Frame Weldments 1532E (Gravity Down)	
		2360399	1	Frame Weldments 1932E (Power Down) (Common)	
		2360428	1	Frame Weldments 1932E (Gravity Down) (Common)	
		2360418	1	Frame Weldments 1932E (Power Down) (Canada Only)	
		2360429	1	Frame Weldments 1932E (Gravity Down) (Canada Only)	
		2360395	1	Frame Weldments 2033E (Power Down)	
		2360430	1	Frame Weldments 2033E (Gravity Down) (Standard Machines)	
		2360447	1	Frame Weldments 2033E (Gravity Down) (Japanese Machines)	
		2360396	1	Frame Weldments 2046E/2646E (Power Down)	
		2360432	1	Frame Weldments 2046E/2646E (Gravity Down) (Standard Machines)	
		2360446	1	Frame Weldments 2046E/2646E (Gravity Down) (Japanese Machines)	
		2360443	1	Frame Weldments 2646E (Gravity Down) (Power Deck Machines)	
		2360397	1	Frame Weldments 2658E (Power Down)	
	2360434	1	Frame Weldments 2658E (Gravity Down)		
	2360442	1	Frame Weldments 2658E (Gravity Down) (Power Deck Machines)		
301	0962017	4	Bushing		

SECTION 1 - FRAME

FIGURE 1-2. DRIVE MOTOR ASSEMBLIES - WHITE



SECTION 1 - FRAME

FIGURE 1-2. DRIVE MOTOR ASSEMBLIES - WHITE

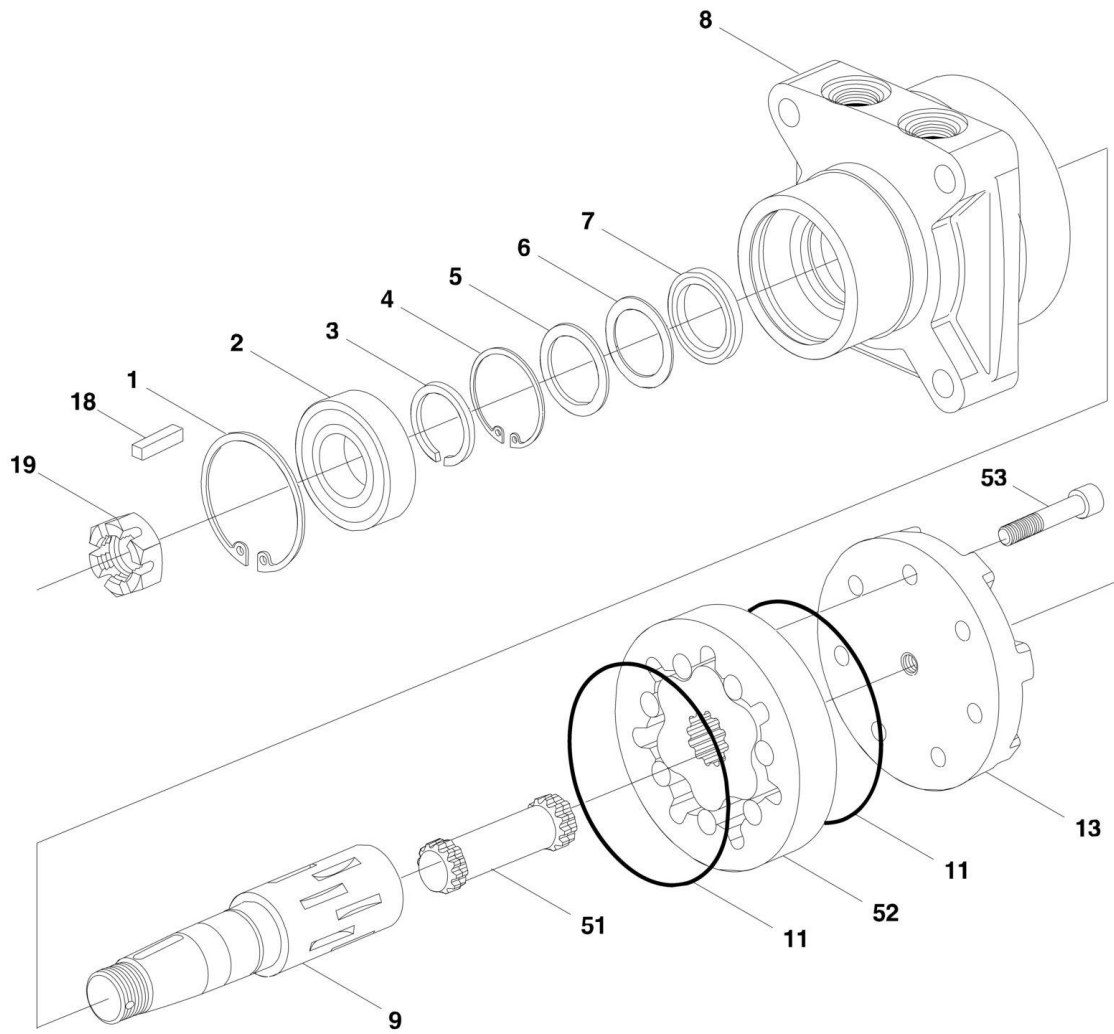
ITEM	PART NUMBER	QTY	DESCRIPTION	REV
		Ref	DRIVE MOTOR ASSEMBLY (STANDARD PARTS)	
1	Kit	1	Seal, Dust	
2	Kit	1	Ring, Wire	
3	Kit	1	Shim, Back-Up	
4	Kit	1	Seal, High Pressure	
5	Kit	1	Shim, Back-Up	
6	Kit	1	Seal, Back-Up	
7	Kit	1	Seal, Shaft	
8	Kit	1	Seal, Housing	
9	Kit	2	Seal, Body	
10	Kit	1	Seal, End Cover	
11	Kit	1	Carrier, Seal	
12	Kit	1	Thrust Washer	
14	7016400	1	Bearing, Front Housing	
15	7016401	1	Housing	
16	7016402	1	Bearing, Rear Housing	
17	7016403	1	Link, Drive	
18	7016404	1	Manifold	
19	7016405	1	Boot, Manifold	
22	Kit	1	Plate, Balance	
23	Kit	4	Ball, Steel	
24	7016413	1	Cover, End	
25	Not Serviced	1	Tag, Identification	
27	7016410	1	Shaft	
28	7016411	1	Key	
	7005898	1	Seal and Carrier Kit (Includes Kit P/N's 7005896 & 7005897)	
	7005896	1	Seal Kit (Includes Items 1-10)	
	7005897	1	Carrier Kit (Includes Items 11 & 12)	
	7016408	1	Balance Plate Kit (Includes Items 22 & 23)	
		Ref	DRIVE MOTOR ASSEMBLY (VARIABLE PARTS)	
	3160207	Ref	Drive Motor Assembly (Variable Parts) 1532E/1932E	B
	3160214	Ref	Drive Motor Assembly (Variable Parts) 2033E	B
	3160208	Ref	Drive Motor Assembly (Variable Parts) 2046E/2646E/2658E	B
51		Ref	Spacer, Drive Link Options:	
51	7016414	1	Spacer, Drive Link 1532E/1932E	
51	7016419	1	Spacer, Drive Link 2033E	
51	7016406	1	Spacer, Drive Link 2046E/2646E/2658E	
52		Ref	Rotor Assembly Options:	
52	7016415	1	Rotor Assembly 1532E/1932E	
52	7016420	1	Rotor Assembly 2033E	
52	7016407	1	Rotor Assembly 2046E/2646E/2658E	
53		Ref	Bolt, Assembly Options:	
53	7016416	6	Bolt, Assembly 1532E/1932E	
53	7016409	6	Bolt, Assembly 2033E	
53	7016409	6	Bolt, Assembly 2046E/2646E/2658E	
54		Ref	Bearing, Thrust Options:	
54	7005899	2	Bearing, Thrust 1532E/1932E	
54	7016418	2	Bearing, Thrust 2033E	
54	7005899	2	Bearing, Thrust 2046E/2646E/2658E	
55		Ref	Nut Options:	

SECTION 1 - FRAME

ITEM	PART NUMBER	QTY	DESCRIPTION	REV
55	7016412	1	Nut 1532E/1932E	
55	7016421	1	Nut 2033E	
55	7016412	1	Nut 2046E/2646E/2658E	

SECTION 1 - FRAME

FIGURE 1-3. DRIVE MOTOR ASSEMBLIES - EATON



SECTION 1 - FRAME

FIGURE 1-3. DRIVE MOTOR ASSEMBLIES - EATON

ITEM	PART NUMBER	QTY	DESCRIPTION	REV
		Ref	DRIVE MOTOR ASSEMBLY (STANDARD PARTS)	
1	7007892	1	Ring, Retaining	
2	7007893	1	Bearing, Ball	
3	7007894	1	Ring, Retaining	
4	7007895	1	Ring, Retaining	
5	7007896	1	Washer	
6	7009919	1	Washer, Back-Up	
7	7009920	1	Seal, Pressure	
8	7007897	1	Housing	
9	7007898	1	Shaft, Output	
11	7020300	2	Seal	
13	7020302	1	Cover, End	
18	7020312	1	Key	
19	7009934	1	Nut	
20	7020304	2	Poppet (Not Shown)	
	7020305	1	Seal Kit	
		Ref	DRIVE MOTOR ASSEMBLY (VARIABLE PARTS)	
	3160219	Ref	Drive Motor Assembly (Variable Parts) 1532E/1932E	A
	3160220	Ref	Drive Motor Assembly (Variable Parts) 2033E	A
	3160221	Ref	Drive Motor Assembly (Variable Parts) 2046E/2646E/2658E	A
51		Ref	Link, Drive Options:	
51	7007899	1	Link, Drive 1532E/1932E	
51	7020306	1	Link, Drive 2033E	
51	7020308	1	Link, Drive 2046E/2646E/2658E	
52		Ref	Rotor Assembly	
52	7020301	1	Rotor Assembly 1532E/1932E	
52	7020307	1	Rotor Assembly 2033E	
52	7020309	1	Rotor Assembly 2046E/2646E/2658E	
53		Ref	Bolt	
53	7020303	6	Bolt 1532E/1932E	
53	7020310	6	Bolt 2033E	
53	7020310	6	Bolt 2046E/2646E/2658E	

SECTION 1 - FRAME

FIGURE 1-4. AXLE/BRAKE INSTALLATIONS (POWER DOWN MACHINES)

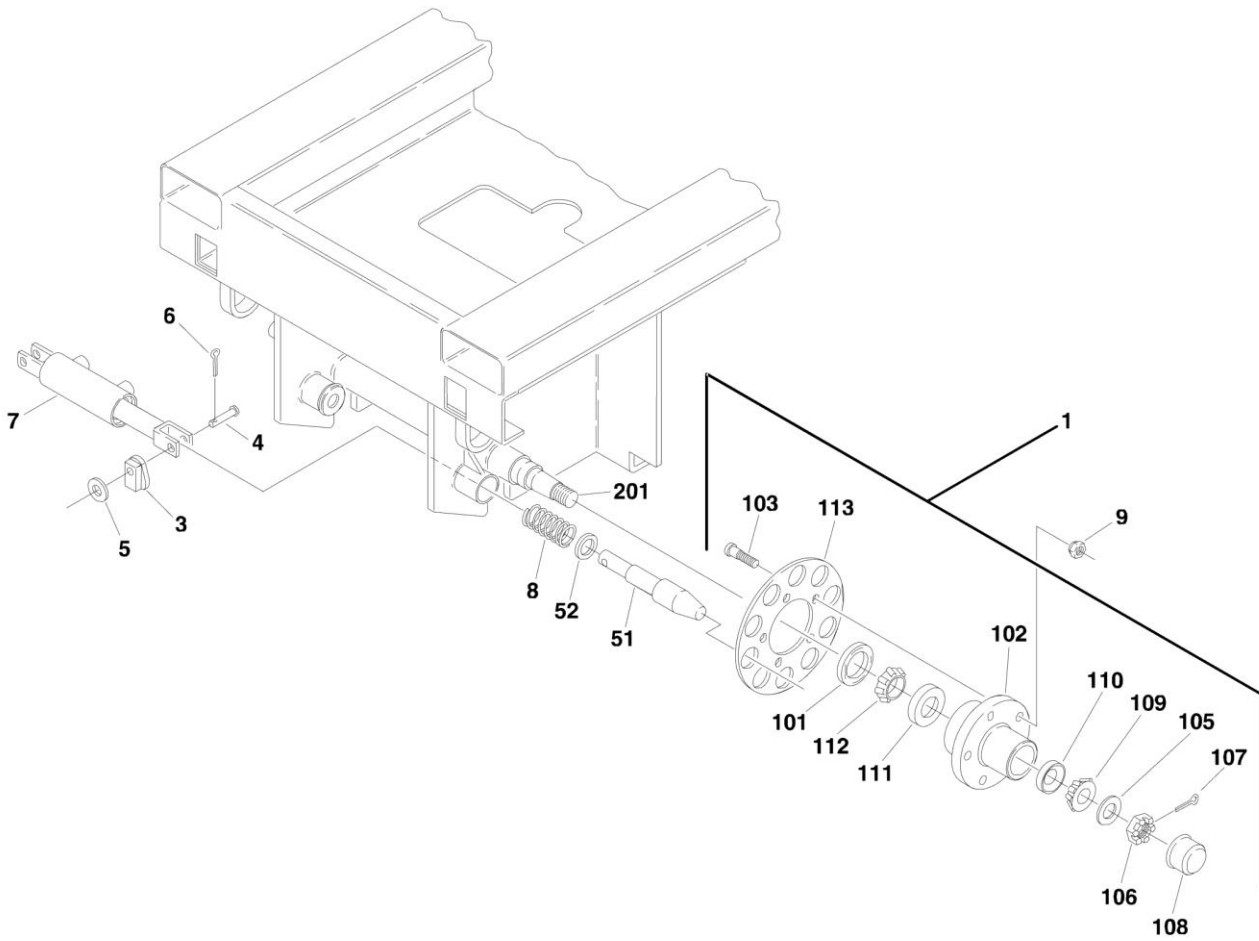
ITEM	PART NUMBER	QTY	DESCRIPTION	REV
		Ref	Note: To determine Power or Gravity Down refer to page A.	
		Ref	BRAKE INSTALLATION (STANDARD PARTS)	
1	2780215	2	Hub Assembly (See Items 101-113 for Breakdown)	
3	4845037	2	Cam, Brake	
4	3430620	2	Pin, Clevis	
5	4751600	2	Flatwasher 3/8IN	
6	3450504	2	Pin, Cotter (Prior to SN 33691)	
6	3450403	2	Pin, Cotter (SN 33691 to Present)	
7	3300255	5	Lugnut	
8	4160137	2	Spring	
		Ref	BRAKE INSTALLATION (VARIABLE PARTS)	
	0256596	Ref	Brake Installation (Variable Parts) 1532E/1932E	B
	0255614	Ref	Brake Installation (Variable Parts) 2033E	D
	0255636	Ref	Brake Installation (Variable Parts) 2046E/2646E	D
	0255637	Ref	Brake Installation (Variable Parts) 2658E	D
9		Ref	Link Options:	
9	Not Required	0	Link 1532E/1932E/2046E/2646E/2658E	
9	3010112	2	Link 2033E	
10		Ref	Bar Options:	
10	Not Required	0	Bar 1532E/1932E/2046E/2646E/2658E	
10	0362510	1	Bar 2033E	
11		Ref	Bolt 7/8in-9NC x 1 1/2in (Grade 8) Options:	
11	Not Required	0	Bolt 7/8in-9NC x 1 1/2in (Grade 8) 1532E/1932E/2046E/2646E/2658E	
11	0682412	2	Bolt 7/8in-9NC x 1 1/2in (Grade 8) 2033E	
12	0100019	AR	Loctite #271	
13		Ref	Latch, Forklift Bar Options:	
13	Not Required	0	Latch, Forklift Bar 1532E/1932E/2046E/2646E/2658E	
13	2940097	1	Latch, Forklift Bar 2033E	
14		Ref	Bolt 1/4in-20NC x 7/8in Options:	
14	Not Required	0	Bolt 1/4in-20NC x 7/8in 1532E/1932E/2046E/2646E/2658E	
14	0641407	1	Bolt 1/4in-20NC x 7/8in 2033E	
15		Ref	Bolt 1in-8NC x 2 1/2in (Grade 8) Options:	
15	Not Required	0	Bolt 1in-8NC x 2 1/2in (Grade 8) 1532E/1932E/2046E/2646E/2658E	
15	0682620	2	Bolt 1in-8NC x 2 1/2in (Grade 8) 2033E	
16		Ref	Locknut 1in-8NC (Grade 8) Options:	
16	Not Required	0	Locknut 1in-8NC (Grade 8) 1532E/1932E/2046E/2646E/2658E	
16	3272605	2	Locknut 1in-8NC (Grade 8) 2033E	
17	3020017	AR	Grease (SN 33691 to Present)	
18		Ref	Decal - Forklift Area Options:	
18	Not Required	0	Decal - Forklift Area 1532E/1932E/2046E/2646E/2658E	
18	1701508	2	Decal - Forklift Area 2033E	
19	3311405	AR	Locknut 1/4in-20NC Options:	
19	Not Required	0	Locknut 1/4in-20NC 1532E/1932E/2046E/2646E/2658E	
19	3311405	2	Locknut 1/4in-20NC 2033E	
20		Ref	Flatwasher 1/4in Options:	
20	Not Required	0	Flatwasher 1/4in 1532E/1932E/2046E/2646E/2658E	
20	4751400	2	Flatwasher 1/4in 2033E	
21		Ref	Rod, Brake Options:	

SECTION 1 - FRAME

ITEM	PART NUMBER	QTY	DESCRIPTION	REV
21	3841274	2	Rod, Brake 1532E/1932E/2033E	
21	3841280	2	Rod, Brake 2046E/2646E	
22		Ref	Brake Cylinder Assembly Options (See CYLINDERS SECTION for Breakdown):	
22	1683362	1	Brake Cylinder Assembly 1532E/1932E/2046E/2646E/2658E (Prior to SN 33691)	
22	1683499	1	Brake Cylinder Assembly 1532E/1932E/2046E/2646E/2658E (SN 33691 to Present)	
22	1683362	1	Brake Cylinder Assembly 2033E	
	2780215	Ref	HUB ASSEMBLY	B
101	7010649	1	Seal	
102	7019695	1	Housing	
103	7019696	5	Stud, Wheel	
105	7019697	1	Washer	
106	7010641	1	Nut, Slotted	
107	7010642	1	Pin, Cotter	
108	7010648	1	Cap, Dust	
109	7010646	1	Cone, Outer	
110	7003903	1	Cup, Outer	
111	7010651	1	Cup, Inner	
112	7010647	1	Cone, Inner	
113	1760165	1	Disc, Brake	
		Ref	ASSOCIATED FRAME COMPONENTS	
201		Ref	Axle Weldment Options:	
201	0280145	1	Axle Weldment 1532E/1932E/2033E	
201	0280146	1	Axle Weldment 2046E/2646E	
201	0280147	1	Axle Weldment 2658E	

SECTION 1 - FRAME

FIGURE 1-5. AXLE/BRAKE INSTALLATIONS (GRAVITY DOWN MACHINES)



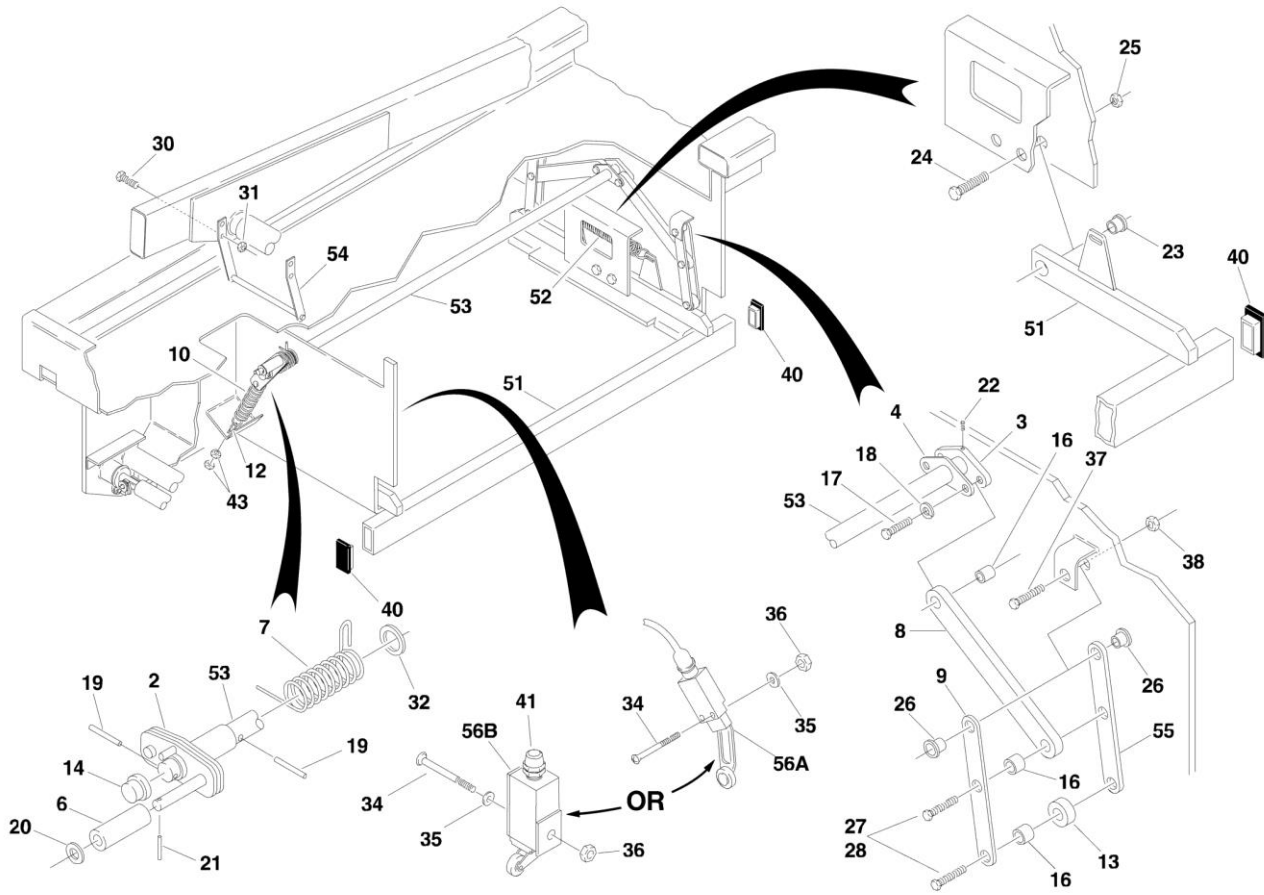
SECTION 1 - FRAME

FIGURE 1-5. AXLE/BRAKE INSTALLATIONS (GRAVITY DOWN MACHINES)

ITEM	PART NUMBER	QTY	DESCRIPTION	REV
		Ref	Note: To determine Power or Gravity Down refer to page A.	
		Ref	BRAKE INSTALLATION (STANDARD PARTS)	
1	2780215	2	Hub Assembly (See Items 101-113 for Breakdown)	
3	4845037	2	Cam, Brake	
4	3430620	2	Pin, Clevis	
5	4711600	2	Flatwasher 3/8in Narrow	
6	3450403	2	Pin, Cotter	
7	1683557	1	Brake Cylinder Assembly (See CYLINDERS SECTION for Breakdown)	
8	4160137	2	Spring	
9	3300255	5	Lugnut	
		Ref	BRAKE INSTALLATIONS (VARIABLE PARTS)	
	0257183	Ref	Brake Installation (Variable Parts) 1532E/1932E	3
	0257184	Ref	Brake Installation (Variable Parts) 2033E	3
	0257185	Ref	Brake Installation (Variable Parts) 2046E/2646E	2
	0257186	Ref	Brake Installation (Variable Parts) 2658E	2
51		Ref	Rod, Brake Options:	
51	3841332	2	Rod, Brake 1532E/1932E/2033E	
51	3841333	2	Rod, Brake 2046E/2646E	
51	3841334	2	Rod, Brake 2658E	
52		Ref	Spacer Options:	
52	Not Required	0	Spacer 1532E/1932E/2033E	
52	Not Required	0	Spacer 2046E/2646E/2658E (Prior to SN 35949)	
52	4567265	AR	Spacer 2046E/2646E/2658E (SN 35949 to Present)	
	2780215	Ref	HUB ASSEMBLY	B
101	7010649	1	Seal	
102	7019695	1	Housing	
103	7019696	5	Stud, Wheel	
105	7019697	1	Washer	
106	7010641	1	Nut, Slotted	
107	7010642	1	Pin, Cotter	
108	7010648	1	Cap, Dust	
109	7010646	1	Cone, Outer	
110	7010650	1	Cup, Outer	
111	7010651	1	Cup, Inner	
112	7010647	1	Cone, Inner	
113	1760165	1	Disc, Brake	
		Ref	ASSOCIATED FRAME COMPONENTS	
201		Ref	Axle Weldment Options:	
201	0280145	1	Axle Weldment 1532E/1932E/2033E	
201	0280146	1	Axle Weldment 2046E/2646E	
201	0280147	1	Axle Weldment 2658E	

SECTION 1 - FRAME

FIGURE 1-6. JLG POTHOLE PROTECTION SYSTEM INSTALLATION (POWER DOWN MACHINES)



SECTION 1 - FRAME

FIGURE 1-6. JLG POTHOLE PROTECTION SYSTEM INSTALLATION (POWER DOWN MACHINES)

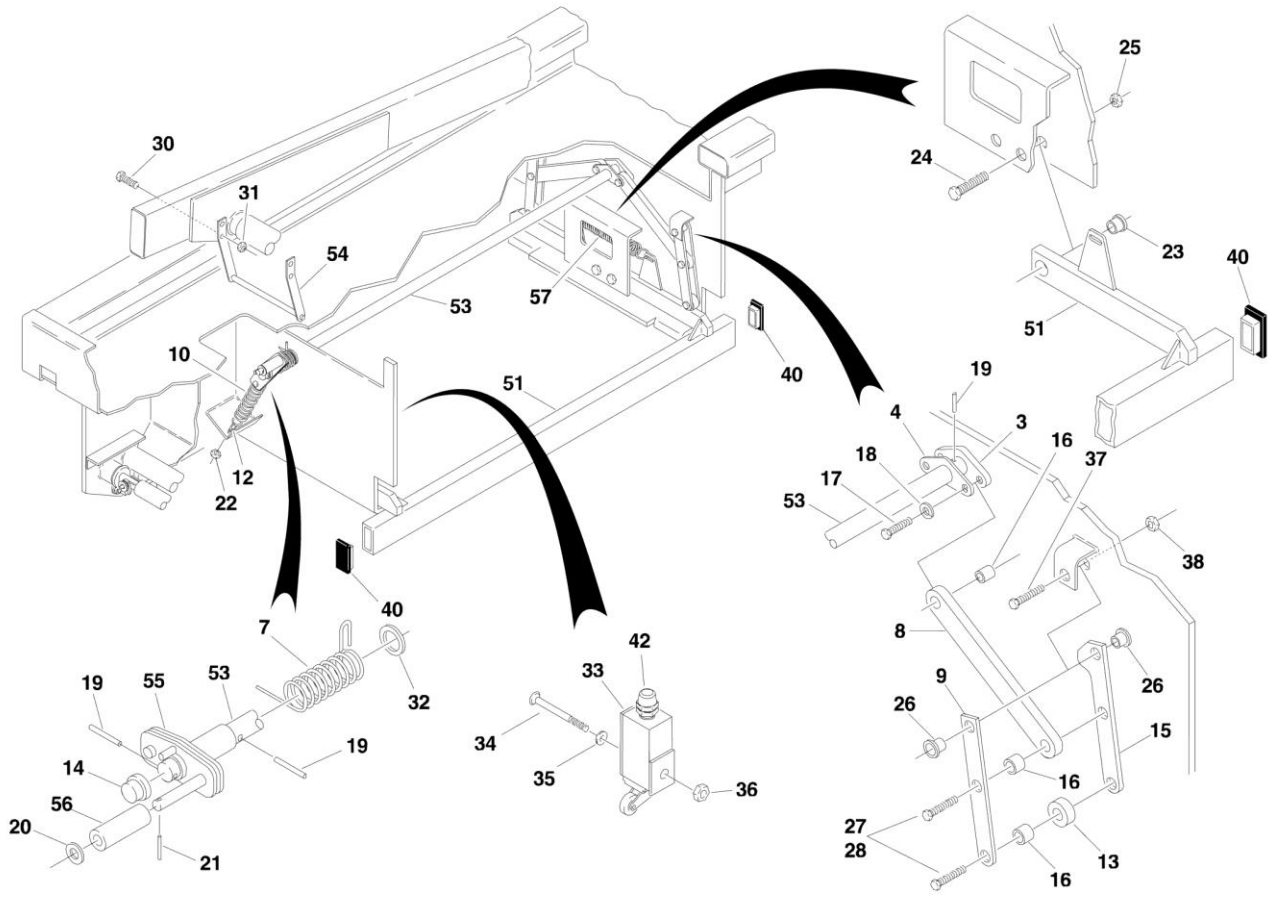
ITEM	PART NUMBER	QTY	DESCRIPTION	REV
		Ref	Note: To determine Power or Gravity Down refer to page A.	
		Ref	POTHOLE PROTECTION SYSTEM INSTALLATION (STANDARD PARTS)	
2	4844987	1	Pivot Weldment	
3	3538809	2	Plate, Cam	
4	3538808	2	Plate, Cam	
6	3860065	1	Roller	
7	4160133	1	Spring, Torsion	
8	0362484	4	Bar, Link	
9	0362485	4	Bar, Actuator	
10	4160141	1	Spring, Extension	
12	0630398	1	Eye-Bolt	
13	0362483	4	Bar, Roller	
14	0961997	4	Bearing, Flange	
16	0961994	12	Bearing, Spacer	
17	0641612	4	Bolt - 3/8in-16NC x 1 1/2in	
18	4761600	4	Lockwasher - 3/8in	
19	3440828	2	Roll Pin - 1/4in x 1 3/4in	
20	4711800	1	Flatwasher - 1/2in Narrow	
21	3440418	1	Roll Pin - 1/8in x 1 1/8in	
22	3951005	2	Setscrew - #10-24NC x 5/8in	
23	0961995	4	Bearing, Flange	
24	0642224	4	Bolt - 3/4in - 10NC x 3in	
25	3312205	4	Locknut - 3/4in-10NC	
26	0961996	8	Bearing, Flange	
27	0641611	8	Bolt - 3/8in-16NC x 1 3/8in	
28	0100011	AR	Loctite - #242	
30	0641508	2	Bolt - 5/16in-18NC x 1in	
31	3311505	2	Locknut - 5/16in-18NC	
32	4712400	1	Flatwasher 7/8in Narrow	
34	3911028	4	Screw Machine - #10-24NC x 1 3/4in	
35	4751000	4	Flatwasher - #10	
36	3311005	4	Locknut - #10-24NC	
37	0641622	4	Bolt 3/8in-16NC x 2 3/4in	
38	3311605	4	Locknut - 3/8in-16NC	
40	1120481	4	Cap, End Only (SN 24267 to Present)	
41	4460662	2	Connector, Strain Relief	
43	3311501	2	Nut 5/16in-18NC	
		Ref	POTHOLE PROTECTION SYSTEM INSTALLATIONS (VARIABLE PARTS)	
	0255724	Ref	Pothole Protection System Installations (Variable Parts) 1532E/1932E	7
	0255516	Ref	Pothole Protection System Installations (Variable Parts) 2033E	11
	0255638	Ref	Pothole Protection System Installations (Variable Parts) 2046E/2646E	11
	0255639	Ref	Pothole Protection System Installations (Variable Parts) 2658E	11
51		Ref	Bar, Support Options:	
51	4845104	2	Bar, Support 1532E/1932E (Prior to SN 24267)	
51	4845360	1	Bar, Support 1532E/1932E Right Side (SN 24267 to Present)	

SECTION 1 - FRAME

ITEM	PART NUMBER	QTY	DESCRIPTION	REV
51	4845383	1	Bar, Support 1532E/1932E Left Side (SN 24267 to Present)	
51	4845268	2	Bar, Support 2033E (Prior to SN 24267)	
51	4845357	2	Bar, Support 2033E (SN 24267 to Present)	
51	4845269	2	Bar, Support 2046E/2646E (Prior to SN 24267)	
51	4845358	2	Bar, Support 2046E/2646E (SN 24267 to Present)	
51	4845270	2	Bar, Support 2658E (Prior to SN 24267)	
51	4845359	2	Bar, Support 2658E (SN 24267 to Present)	
52		Ref	Spring, Extension Options:	
52	4160134	2	Spring, Extension 1532E/1932E/2033E	
52	4160146	2	Spring, Extension 2046E/2646E/2658E	
53		Ref	Rod, Pivot Options:	
53	3841308	1	Rod, Pivot 1532E/1932E	
53	3841266	1	Rod, Pivot 2033E/2046E/2646E/2658E	
54		Ref	Actuator Options:	
54	4845319	1	Actuator 1532E/1932E	
54	4845077	1	Actuator 2033E/2046E/2646E/2658E	
55		Ref	Bar, Actuator Options:	
55	0362511	4	Bar, Actuator (Prior to SN 31231)	
55	0362654	4	Bar, Actuator (SN 31231 to Present)	
56		Ref	Switch, Limit Options:	
56A	4360397	2	Switch, Limit (Prior to SN 31231)	
56B	4360401	2	Switch, Limit (SN 31231 to Present)	

SECTION 1 - FRAME

FIGURE 1-7. JLG POTHOLE PROTECTION SYSTEM INSTALLATION (GRAVITY DOWN MACHINES)



SECTION 1 - FRAME

FIGURE 1-7. JLG POTHOLE PROTECTION SYSTEM INSTALLATION (GRAVITY DOWN MACHINES)

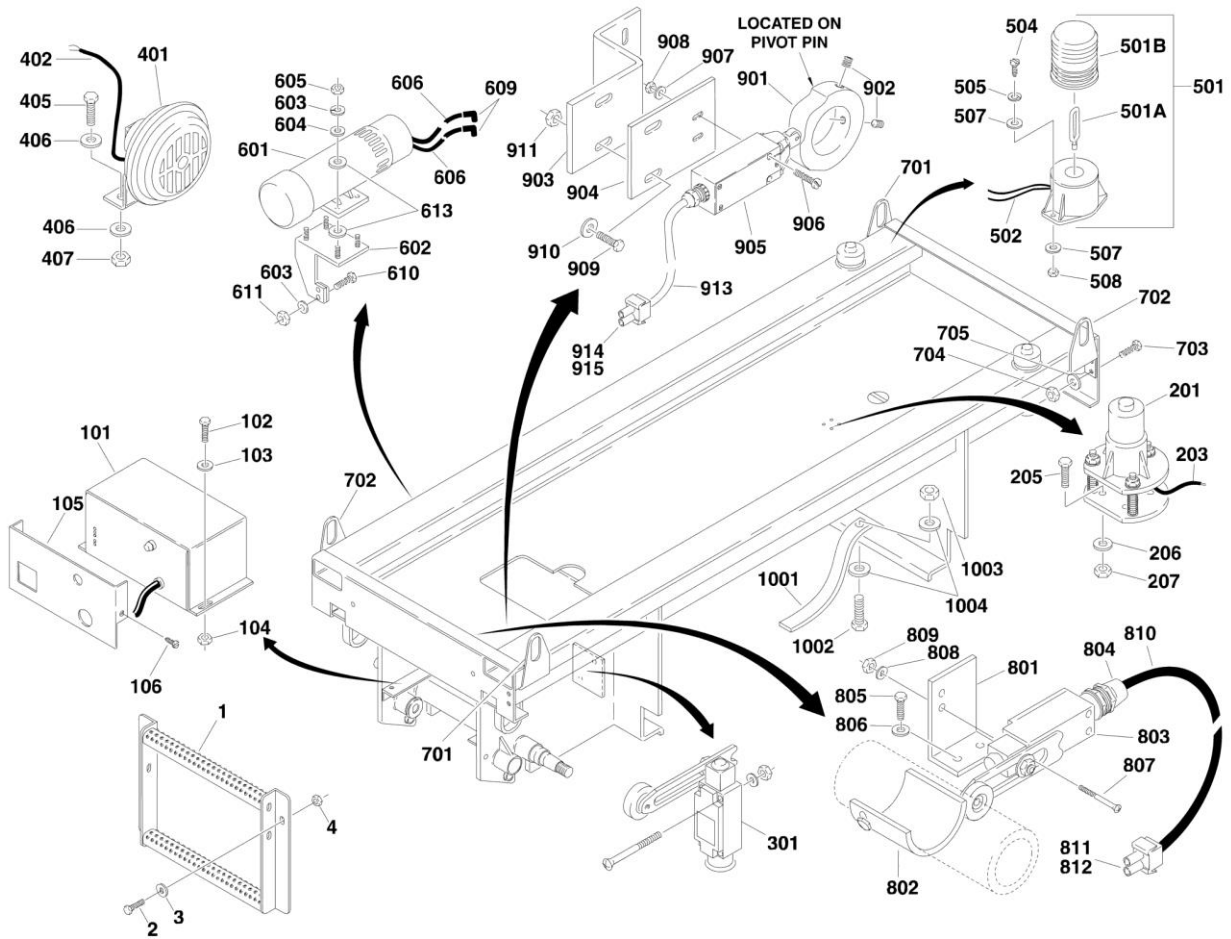
ITEM	PART NUMBER	QTY	DESCRIPTION	REV
		Ref	Note: To determine Power or Gravity Down refer to page A.	
		Ref	POTHOLE PROTECTION SYSTEM INSTALLATION (STANDARD PARTS)	
3	3570198	2	Plate, Cam	
4	4845385	2	Bushing Weldment	
7	4160133	1	Spring, Torsion	
8	0362484	4	Bar, Link	
9	0362485	4	Bar, Actuator	
10	4160141	1	Spring, Extension	
12	0630398	1	Eye-Bolt	
13	0362483	4	Bar, Roller	
14	0961997	4	Bearing, Flange	
15	0362654	4	Bar, Actuator	
16	0961994	12	Bearing, Spacer	
17	0641612	4	Bolt - 3/8in-16NC x 1 1/2in	
18	4761600	4	Lockwasher - 3/8in	
19	3440828	5	Roll Pin - 1/4in x 1 3/4in	
20	4711800	1	Flatwasher - 1/2in Narrow	
21	3440418	1	Roll Pin - 1/8in x 1 1/8in	
22	3311501	2	Nut 5/16-18NC (SN 39132 to Present)	
23	0961995	4	Bearing, Flange	
24	0642224	4	Bolt - 3/4in - 10NC x 3in	
25	3312205	4	Locknut - 3/4in-10NC	
26	0961996	8	Bearing, Flange	
27	0641611	8	Bolt - 3/8in-16NC x 1 3/8in	
28	0100011	AR	Loctite - #242	
30	0641508	4	Bolt - 5/16in-18NC x 1in	
31	3311505	4	Locknut - 5/16in-18NC	
32	4712400	1	Flatwasher 7/8in Narrow (Prior to SN 37119)	
33	4360401	2	Switch, Limit	
34	3911024	4	Screw Machine - #10-24NC x 1 1/2in	
35	4751000	4	Flatwasher - #10	
36	3311005	4	Locknut - #10-24NC	
37	0641622	4	Bolt 3/8in-16NC x 2 3/4in	
38	3311605	4	Locknut - 3/8in-16NC	
40	1120481	4	Cap, End	
42	4460662	2	Connector, Strain Relief	
		Ref	POTHOLE PROTECTION SYSTEM INSTALLATION (VARIABLE PARTS)	
	0257330	Ref	Pothole Protection System Installations (Variable Parts) 1532E/1932E	5
	0257331	Ref	Pothole Protection System Installations (Variable Parts) 2033E	5
	0257332	Ref	Pothole Protection System Installations (Variable Parts) 2046E/2646E	6
	0257333	Ref	Pothole Protection System Installations (Variable Parts) 2658E	6
51		Ref	Bar, Support Options:	
51	4845360	1	Bar, Support 1532E/1932E Right Side	
51	4845383	1	Bar, Support 1532E/1932E Left Side	
51	4845490	2	Bar, Support 2033E	

SECTION 1 - FRAME

ITEM	PART NUMBER	QTY	DESCRIPTION	REV
51	4845358	2	Bar, Support 2046E/2646E	
51	4845359	2	Bar, Support 2658E	
53		Ref	Rod, Pivot Options:	
53	3841337	1	Rod, Pivot 1532E/1932E	
53	3841338	1	Rod, Pivot 2033E/2046E/2646E/2658E	
54		Ref	Actuator Options:	
54	4845319	1	Actuator 1532E/1932E	
54	4845077	1	Actuator 2033E/2046E/2646E/2658E	
55		Ref	Pivot Weldment Options:	
55	4845529	1	Pivot Weldment 1532E/1932E	
55	4844987	1	Pivot Weldment 2033E	
55	4844987	1	Pivot Weldment 2046E/2646E/2658E (Prior to SN 39109)	
55	4845529	1	Pivot Weldment 2046E/2646E/2658E (SN 39109 to Present)	
56		Ref	Roller Options:	
56	3860079	1	Roller 1532E/1932E	
56	3860065	1	Roller 2033E	
56	3860065	1	Roller 2046E/2646E/2658E (Prior to SN 39109)	
56	3860079	1	Roller 2046E/2646E/2658E (SN 39109 to Present)	
57		Ref	Spring, Extension Options:	
57	4160134	2	Spring, Extension 1532E/1932E/2033E	
57	4160146	2	Spring, Extension 2046E/2646E/2658E	

SECTION 1 - FRAME

FIGURE 1-8. FRAME MOUNTED COMPONENTS INSTALLATION (POWER DOWN MACHINES)



SECTION 1 - FRAME

FIGURE 1-8. FRAME MOUNTED COMPONENTS INSTALLATION (POWER DOWN MACHINES)

ITEM	PART NUMBER	QTY	DESCRIPTION	REV
		Ref	Note: To determine Power or Gravity Down refer to page A.	
		Ref	LADDER INSTALLATION	
	0256564	Ref	Ladder Installation 1532E/1932E	A
	0255641	Ref	Ladder Installation 2033E/2046E/2646E/2658E	B
1	4845312	1	Ladder Weldment	
2	0641812	2	Bolt 1/2in-13NC x 1 1/2in	
3	4751800	4	Flatwasher 1/2in	
4	3311805	2	Locknut 1/2in-13NC	
		Ref	BATTERY CHARGER INSTALLATIONS	
		Ref	Battery Charger Installations 1532E/1932E/2033E/2046E/2646E:	
	0255640	Ref	120V/60HZ ANSI Spec	6
	0257480	Ref	220V/60HZ ANSI Spec	1
	0256369	Ref	240V/50HZ ANSI Export Spec	5
	0256371	Ref	120V/50-60HZ Japanese Spec	5
		Ref	Battery Charger Installations 2658E:	
	0256437	Ref	120V/60HZ ANSI Spec	B
	0257481	Ref	220V/60HZ ANSI Spec	1
	0256438	Ref	240V/50HZ ANSI Export Spec	4
	0256440	Ref	120V/50-60HZ Japanese Spec	B
101		Ref	Battery Charger Assembly Options (See BATTERY CHARGER ASSEMBLIES - STANDARD and BATTERY CHARGER ASSEMBLIES - REPLACEMENT KITfor Breakdown):	
101	2901846	1	60Hz/120V (Was p/n 0400138)	
101	2901844	1	60Hz/220V (Was p/n 0400163)	
101	2901844	1	50Hz/240V (Was p/n 0400145)	
101	2901845	1	50-60Hz/120V (Was p/n 0400147)	
102	0641506	2	Bolt 5/16in-18NC x 3/4in	
103	4711500	4	Flatwasher 5/16in Narrow	
104	3311505	2	Locknut 5/16in-18NC	
105		Ref	Shield Options:	
105	4060927	1	Shield 1532E/1932E/2033E/2046E/2646E	
105	4060928	1	Shield 2658E	
106	3941406	2	Screw, Self-Tapping 1/4in-20NC x 3/4in	
107	0100011	AR	Loctite #242 (Not Shown)	
		Ref	TILT INDICATOR INSTALLATION	
	0255948	Ref	Non-UL Machines (Optional)	F
	0256861	Ref	U/L Machines	A
201	4360434	1	Switch, Level Indication	
202	0140011	1	Alarm (Not Shown - Located on Platform Console)	
203	4921819	1	Harness	
204	0861070	1	Cover (Not Shown - U/L Machines Only)	
205	0641407	2	Bolt 1/4in-20NC x 7/8in	
206	4751400	2	Flatwasher 1/4in	
207	3311405	2	Locknut 1/4in-20NC	
	0255784	Ref	HI-DRIVE LIMIT SWITCH INSTALLATION (OPTIONAL)	3-C
301	4360397	1	Switch, Limit	
301	3911024	2	Screw, Machine #10-24NC x 1 1/2in	
301	4751000	2	Flatwasher #10	
301	3311001	2	Nut #10-24NC	

SECTION 1 - FRAME

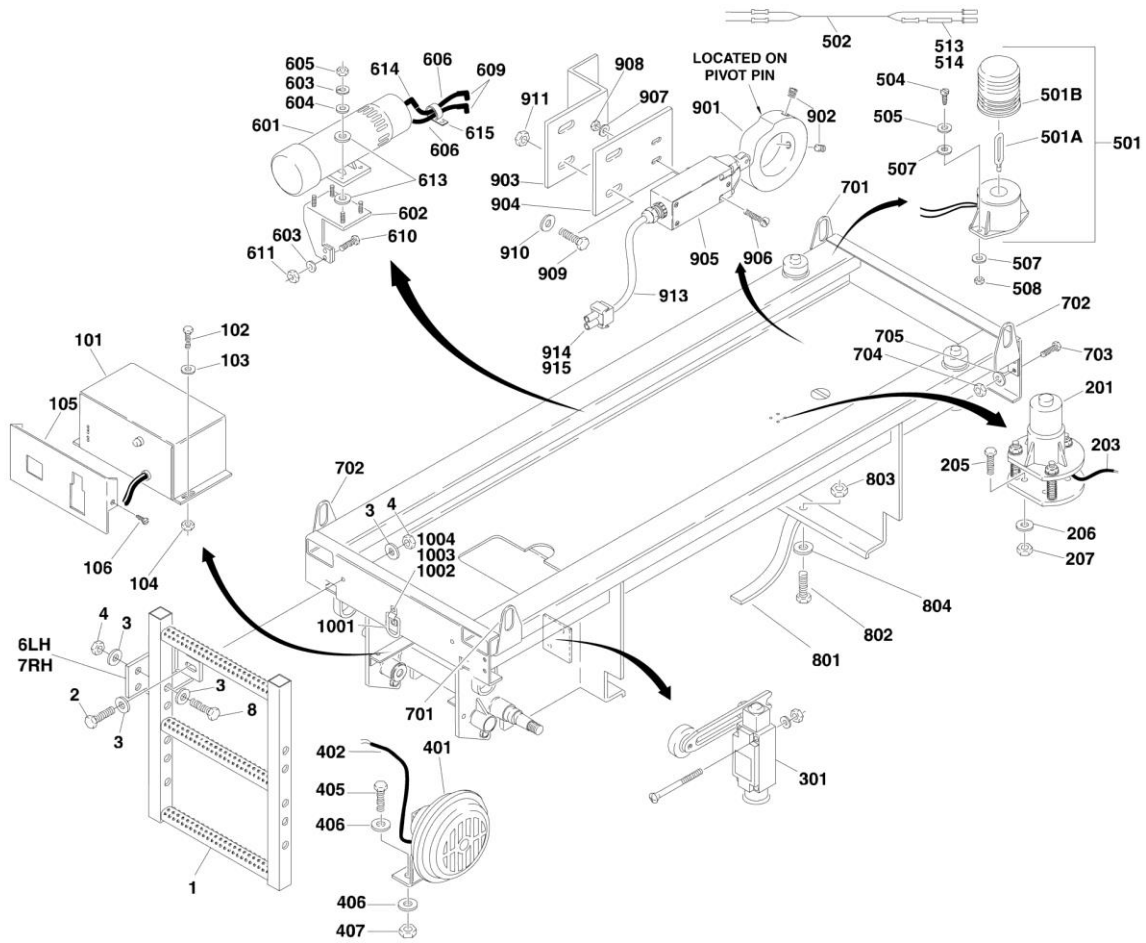
ITEM	PART NUMBER	QTY	DESCRIPTION	REV
301	0100011	AR	Loctite (Not Shown)	
301	4761000	2	Lockwasher #10	
	0255950	Ref	HORN INSTALLATION (OPTIONAL)	C
401	0140022	1	Horn	
402	4921821	1	Harness (See ELECTRICAL SECTION for Breakdown)	
403	4360387	1	Switch, Push Button (Not Shown - Located on Platform Console)	
405	0641408	1	Bolt 1/4in-20NC x 1in	
406	4751400	2	Flatwasher 1/4in	
407	3311405	1	Locknut 1/4in-20NC	
		Ref	BEACON LIGHT INSTALLATION (OPTIONAL)	
	0255949	Ref	Non-UL Machines (Optional)	4-F
407	0256859	Ref	U/L Machines	1-A
501		Ref	Beacon Light Assembly Options:	
501	2920119	1	Beacon Light Assembly (Prior to SN 23604)	
501	2920146	1	Beacon Light Assembly (SN 23604 to Present)	
501A	7016319	1	Bulb, Light	
501B		Ref	Amber Lens Options:	
501B	7016320	1	Lens - 3 1/8in Height	
501B	7016372	1	Lens - 4 1/8in Height	
502	4921822	1	Harness (See SPECIAL OPTIONS SECTION for Breakdown)	
503	4060865	1	Cage (Not Shown - U/L Machines Only)	
504	0721006	2	Screw, Machine #10-24NC x 3/4in	
505	4761000	2	Lockwasher #10	
507	4751000	4	Flatwasher #10	
508	3311001	2	Nut #10-24	
		Ref	110V GENERATOR INSTALLATION	
	0256790	Ref	110v Generator Installation 1532E/1932E	A
	0256785	Ref	110v Generator Installation 2033E	A
	0255962	Ref	110v Generator Installation 2046E/2646E/2658E	E
601	2460022	1	Generator	
601	7023336	1	Repair Kit	
602		Ref	Mounting Bracket Options:	
602	0902344	1	Mounting Bracket 1532E/1932E	
602	0902341	1	Mounting Bracket 2033E	
602	0902340	1	Mounting Bracket 2046E/2646E/2658E	
603	4751500	8	Flatwasher 5/16in	
604	4751700	4	Flatwasher 7/16in	
605	3311505	4	Locknut 5/16in-18NC	
606	1060627	2	Cable	
609	0840027	2	Boot, Cable	
610	0641510	2	Bolt 5/16in-18NC x 1 1/4in	
611	3311505	2	Locknut 5/16in-18NC	
612	3820023	2	Rivet (Not Shown)	
613	4740455	8	Washer, Nylon	
	0256374	Ref	LIFTING LUGS INSTALLATION - MODELS 1532E/1932E/2046E/2646E/2658E	-
	0256373	Ref	LIFTING LUGS INSTALLATION - MODEL 2033E ONLY	-
701		Ref	Lug, Lift (Right Rear/Left Front)	
701	3539735	2	Lug, Lift (Right Rear/Left Front) Models 1532E/1932E/2046E/2646E/2658E	
701	4845314	2	Lug, Lift (Right Rear/Left Front) Model 2033E Only	
702		Ref	Lug, Lift (Left Rear/Right Front)	

SECTION 1 - FRAME

ITEM	PART NUMBER	QTY	DESCRIPTION	REV
702	3539736	2	Lug, Lift (Left Rear/Right Front) Models 1532E/1932E/2046E/2646E/2658E	
702	4845315	2	Lug, Lift (Left Rear/Right Front) Model 2033E Only	
703	0641610	8	Bolt 3/8in-16NC x 1 1/4in	
704	3311605	8	Locknut 3/8in-16NC	
705	4751600	8	Flatwasher 3/8in	
	0256766	Ref	1000LBS DRIVE CUTOUT SWITCH INSTALLATION (OPTIONAL) (Including 26893, 26895, 28787, 29373, 30159 and 30359)	-
801	3539952	1	Bracket	
802	4567109	1	Cam	
803	4360401	1	Switch, Limit	
804	4460662	1	Connector, Strain Relief	
805	3941506	2	Screw, Self-Tapping 5/16in x 3/4in	
806	4751500	2	Flatwasher 5/16in	
807	3911024	2	Screw, Machine #10-24NC x 1 1/2in	
808	4751000	4	Flatwasher #10	
809	3311005	2	Locknut #10-24NC	
810	1060341	6 ft/1.8m	Cable, Electrical - 16/2	
811	4460320	1	Housing, Terminal	
812	4460268	2	Socket, Terminal	
	0256844	Ref	1000LBS DRIVE CUT-OUT SWITCH INSTALLATION (OPTIONAL) (Excluding 26893, 26895, 28787, 29373, 30159 and 30359)	3-C
901	1440325	1	Collar	
902	3951603	2	Setscrew 3/8in-16NC x 3/8in	
903	3570030	1	Bracket	
904	3570029	1	Plate	
905	4360321	1	Switch, Limit	
906	3911020	2	Screw, Machine #10-24NC x 1 1/4in	
907	4751000	2	Flatwasher #10	
908	3311005	2	Locknut #10-24NC	
909	0641405	2	Bolt 1/4in-20NC x 5/8in	
910	4751400	4	Flatwasher 1/4in	
911	3311405	2	Locknut 1/4in-20NC	
912	4460428	1	Connector, Strain Relief	
913	1060341	9 ft/2.74m	Cable, Electrical - 16/2	
914	4460320	1	Housing, Terminal	
915	4460268	2	Socket, Terminal	
916	0100011	AR	Loctite #242 (Not Shown)	
	0257372	Ref	STATIC STRAP INSTALLATION	A-1
1001	4240084	1	Strap, Static	
1002	0641408	1	Bolt 1/4in-20NC x 1in	
1003	3311405	1	Locknut 1/4in-20NC	
1004	4751400	2	Flatwasher 1/4in	

SECTION 1 - FRAME

FIGURE 1-9. FRAME MOUNTED COMPONENTS INSTALLATION (GRAVITY DOWN MACHINES)



SECTION 1 - FRAME

FIGURE 1-9. FRAME MOUNTED COMPONENTS INSTALLATION (GRAVITY DOWN MACHINES)

ITEM	PART NUMBER	QTY	DESCRIPTION	REV
		Ref	Note: To determine Power or Gravity Down refer to page A.	
	0257261	Ref	LADDER INSTALLATION	1-A
1	4845480	1	Ladder Weldment	
2	0641812	2	Bolt 1/2in-13NC x 1 1/2in	
3	4751800	4	Flatwasher 1/2in	
4	3311805	2	Locknut 1/2in-13NC	
		Ref	BATTERY CHARGER INSTALLATIONS	
		Ref	Battery Charger Installations 1532E/1932E:	
	0257270	Ref	120V/60HZ ANSI Spec	2
	0257480	Ref	220V/60HZ ANSI Spec	1
	0257271	Ref	240V/50HZ ANSI Export Spec	2
	0257273	Ref	120V/50-60HZ Japanese Spec	2
		Ref	Battery Charger Installations 2033E/2046E/2646E/2658E:	
	0257275	Ref	120V/60HZ ANSI Spec	1
	0257481	Ref	220V/60HZ ANSI Spec	1
	0257276	Ref	240V/50HZ ANSI Export Spec	1
	0257273	Ref	Battery Charger Installations 120V/50-60HZ Japanese Spec (2033E/2046E/2646E)	2
	0257278	Ref	Battery Charger Installations 120V/50-60HZ Japanese Spec (2658E)	1
101		Ref	Battery Charger Assembly Options (See BATTERY CHARGER ASSEMBLIES - STANDARD for Breakdown):	
101	2901846	1	60Hz/120V (Was p/n 0400138)	
101	2901844	1	60Hz/220V (Was p/n 0400163)	
101	2901844	1	50Hz/240V (Was p/n 0400145)	
101	2901845	1	50-60Hz/120V (Was p/n 0400147)	
102	0641506	2	Bolt 5/16in-18NC x 3/4in	
103	4711500	4	Flatwasher 5/16in Narrow	
104	3311505	2	Locknut 5/16in-18NC	
105		Ref	Shield Options:	
105	4060927	1	Shield 1532E/1932E	
105	Not Required	0	Shield 2033E/2046E/2646E/2658E	
106	3941406	2	Screw, Self-Tapping 1/4in-20NC x 3/4in	
107	0100011	AR	Loctite #242 (Not Shown)	
		Ref	TILT INDICATOR INSTALLATION (OPTIONAL)	
	0255948	Ref	Non-UL Machines (Optional)	7
	0256861	Ref	U/L Machines	A2
201	4360434	1	Switch, Level Indication	
202	0140011	1	Alarm (Not Shown - Located on Platform Console) (Prior to SN 43888)	
203	4921819	1	Harness	
204	0861070	1	Cover (Not Shown - U/L Machines Only)	
205	0641407	2	Bolt 1/4in-20NC x 7/8in	
206	4751400	2	Flatwasher 1/4in	
207	3311405	2	Locknut 1/4in-20NC	
	0255784	Ref	HI-DRIVE LIMIT SWITCH INSTALLATION (OPTIONAL)	5-D
301	4360397	1	Switch, Limit	
301	3911024	2	Screw, Machine #10-24NC x 1 1/2in	
301	4751000	2	Flatwasher #10	
301	3311001	2	Nut #10-24NC	

SECTION 1 - FRAME

ITEM	PART NUMBER	QTY	DESCRIPTION	REV
301	0100011	AR	Loctite (Not Shown)	
301	4761000	2	Lockwasher #10	
301	4460662	1	Connector, Strain Relief (SN 46829 to Present)	
301	1060680	78 in/2m	Cable, Electrical - 18/2 (SN 46829 to Present)	
	0255950	Ref	HORN INSTALLATION (OPTIONAL)	4
401	0140022	1	Horn	
402	4921988	1	Harness (See ELECTRICAL SECTION for Breakdown)	
403	4360387	1	Switch, Push Button (Not Shown - Located on Platform Console)	
405	0641408	1	Bolt 1/4in-20NC x 1in	
406	4751400	2	Flatwasher 1/4in	
407	3311405	1	Locknut 1/4in-20NC	
	0255949	Ref	BEACON LIGHT INSTALLATION (OPTIONAL)	
	0255949	Ref	Non-UL Machines (Optional)	6-D
	0256859	Ref	U/L Machines	2-A
501	2920146	1	Beacon Light Assembly Options:	
501A	7016319	1	Bulb, Light	
501B		Ref	Amber Lens Options:	
501B	7016320	1	Lens - 3 1/8in Height	
501B	7016372	1	Lens - 4 1/8in Height	
502	4921822	1	Harness (See SPECIAL OPTIONS SECTION for Breakdown) (Prior to SN 44696)	
502	1060341	10 ft/3.0m	Harness (See SPECIAL OPTIONS SECTION for Breakdown) (SN 44696 to Present)	
503	4060865	1	Cage (Not Shown - U/L Machines Only)	
504	0721006	2	Screw, Machine #10-24NC x 3/4in	
505	4761000	2	Lockwasher #10	
507	4751000	4	Flatwasher #10	
508	3311001	2	Nut #10-24	
513	4460044	1	Holder, Fuse (SN 44696 to Present)	
514	2400056	1	Fuse, AGC-1/2 0.5A, 250V (SN 44696 to Present)	
		Ref	GENERATOR INSTALLATION	
	0256790	Ref	Generator Installation 110V - 1532E/1932E	4
	0257174	Ref	Generator Installation 220V - 1532E/1932E	1
	0256785	Ref	Generator Installation 110V - 2033E	4
	0257173	Ref	Generator Installation 220V - 2033E	1
	0255962	Ref	Generator Installation 110V - 2046E/2646E/2658E	8
	0257172	Ref	Generator Installation 220V - 2046E/2646E/2658E	1
601		Ref	Generator Options:	
601	2460022	1	110 Volt	
601	7023336	1	Repair Kit	
601	2460031	1	220 Volt	
602		Ref	Mounting Bracket Options:	
602	0902344	1	Mounting Bracket 1532E/1932E Only (Prior to SN 51987)	
602	0902340	1	Mounting Bracket 2033E/2046E/2646E/2658E (Prior to SN 43889)	
		Ref	Mounting Bracket Note: For 2033E/2046E/2646E/2658E moved to frame - bracket not required. (SN 43889 to Present)	
603	4751500	AR	Flatwasher 5/16in	
604	4751700	AR	Flatwasher 7/16in	
605	3311505	AR	Locknut 5/16in-18NC	
605	2080048	AR	Rivnut	
606	1060627	2	Cable	

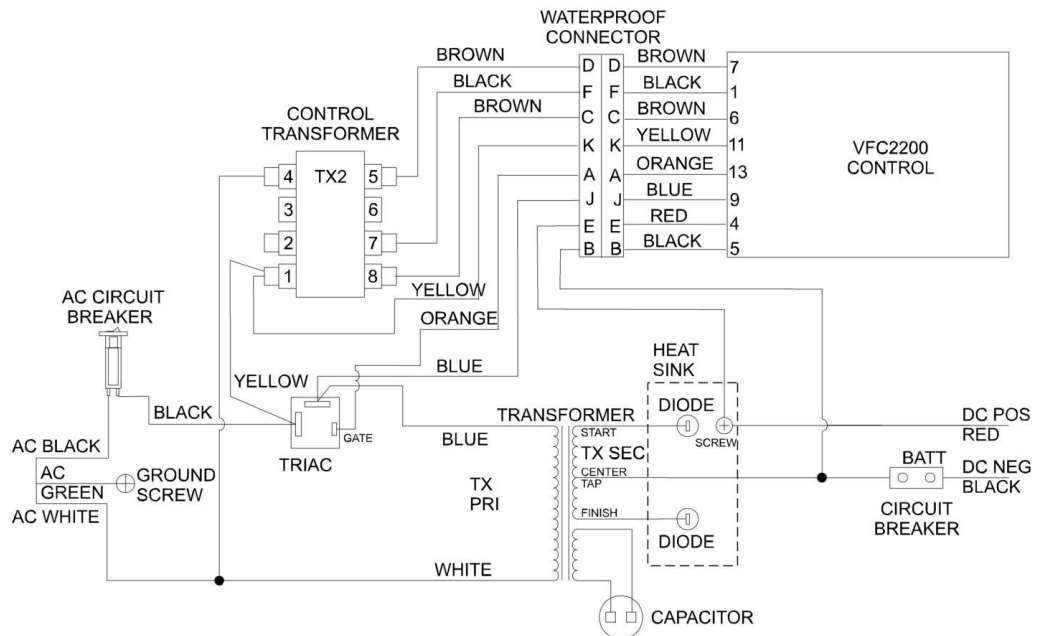
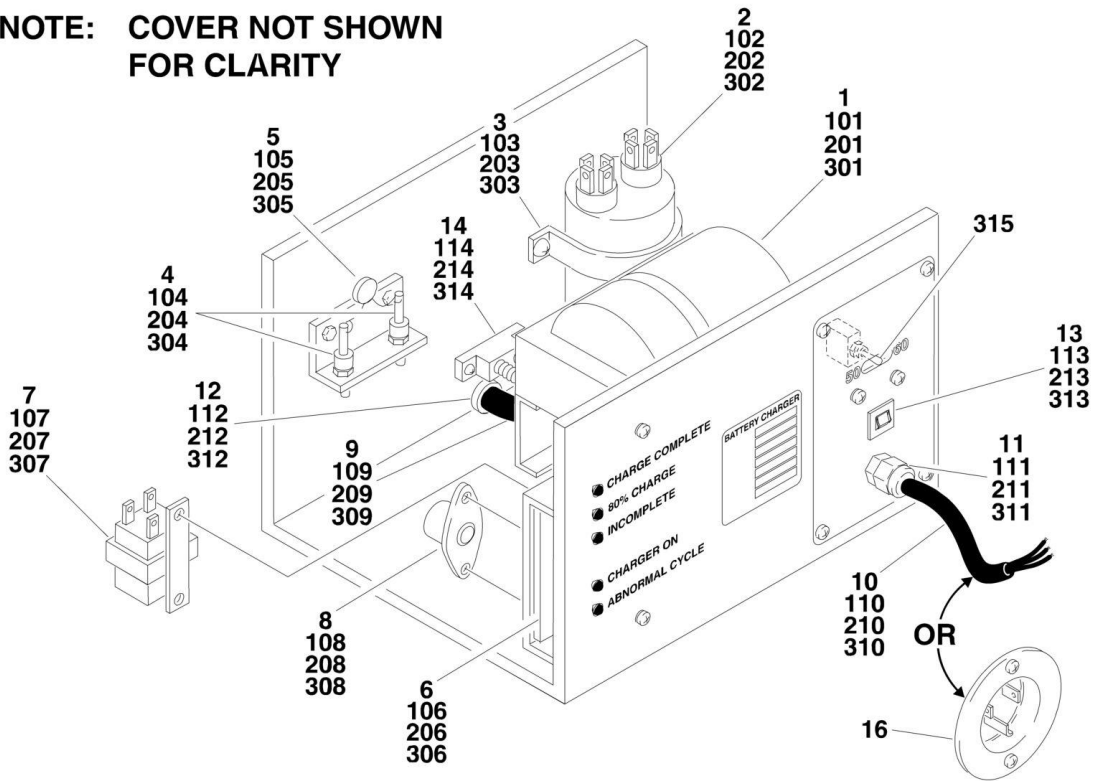
SECTION 1 - FRAME

ITEM	PART NUMBER	QTY	DESCRIPTION	REV
609	0840027	2	Boot, Cable	
610	0641510	AR	Bolt 5/16in-18NC x 1 1/4in	
611	3311505	AR	Locknut 5/16in-18NC	
612	3820023	AR	Rivet (Not Shown)	
613	4740455	8	Washer, Nylon	
614	0840025	2	Boot, Cable	
615	1320095	1	Clamp	
	0256374	Ref	LIFTING LUGS INSTALLATION - MODELS 1532E/1932E/2046E/2646E/2658E	-
	0256373	Ref	LIFTING LUGS INSTALLATION - MODEL 2033E ONLY	2
701		Ref	Lug, Lift (Right Rear/Left Front)	
701	3539735	2	Lug, Lift (Right Rear/Left Front) Models 1532E/1932E/2046E/2646E/2658E	
701	4845314	2	Lug, Lift (Right Rear/Left Front) Model 2033E Only	
702		Ref	Lug, Lift (Left Rear/Right Front)	
702	3539736	2	Lug, Lift (Left Rear/Right Front) Models 1532E/1932E/2046E/2646E/2658E	
702	4845315	2	Lug, Lift (Left Rear/Right Front) Model 2033E Only	
703	0641610	8	Bolt 3/8in-16NC x 1 1/4in	
704	3311605	8	Locknut 3/8in-16NC	
705	4751600	8	Flatwasher 3/8in	
	0257372	Ref	STATIC STRAP INSTALLATION	3/D
801	4240084	1	Strap, Static	
802	0641408	1	Bolt 1/4in-20NC x 1 (Prior to SN 33411)	
802	3941406	1	Self Tapping 1/4in-UNC-2A x 3/4 (SN 33411 to Present)	
803	3311405	1	Locknut 1/4in-20NC (Prior to SN 33411)	
804	4751400	2	Flatwasher 1/4in	
		Ref	DRIVE CUT-OUT SWITCH INSTALLATION (OPTIONAL)	
	0256844	Ref	1000Lbs Drive Cut-out Switch I	3-C
	0259108	Ref	Elevated Drive Cut-out Switch	1-A
901	1440325	1	Collar	
902	3951603	2	Setscrew 3/8in-16NC x 3/8in	
903	3570030	1	Bracket	
904	3570029	1	Plate	
905	4360321	1	Switch, Limit	
906	3911020	2	Screw, Machine #10-24NC x 1 1/4in	
907	4751000	2	Flatwasher #10	
908	3311005	2	Locknut #10-24NC	
909	0641405	2	Bolt 1/4in-20NC x 5/8in	
910	4751400	4	Flatwasher 1/4in	
911	3311405	2	Locknut 1/4in-20NC	
912	4460428	1	Connector, Strain Relief	
913	1060341	9 ft/2.74m	Cable, Electrical - 16/2	
914	4460320	1	Housing, Terminal	
915	4460268	2	Socket, Terminal	
916	0100011	AR	Loctite #242 (Not Shown)	
	0257266	Ref	TIE-DOWNS INSTALLATION	2-A
1001	3760365	2	D-Ring	
1002	0630485	4	Bolt, Carriage 3/8in-16NC x 1in (2 per Tie-Down)	
1003	4751600	4	Flatwasher 3/8in (2 per Tie-Down)	
1004	3311605	4	Locknut 3/8in-16NC (2 per Tie-Down)	

SECTION 1 - FRAME

FIGURE 1-10. BATTERY CHARGER ASSEMBLIES - STANDARD

NOTE: COVER NOT SHOWN FOR CLARITY



SECTION 1 - FRAME

FIGURE 1-10. BATTERY CHARGER ASSEMBLIES - STANDARD

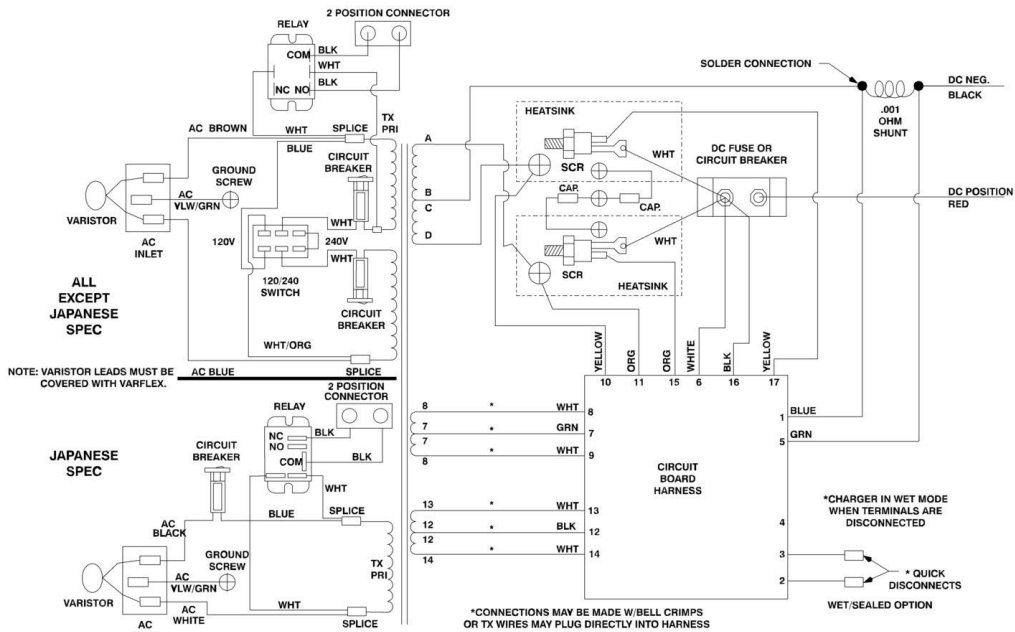
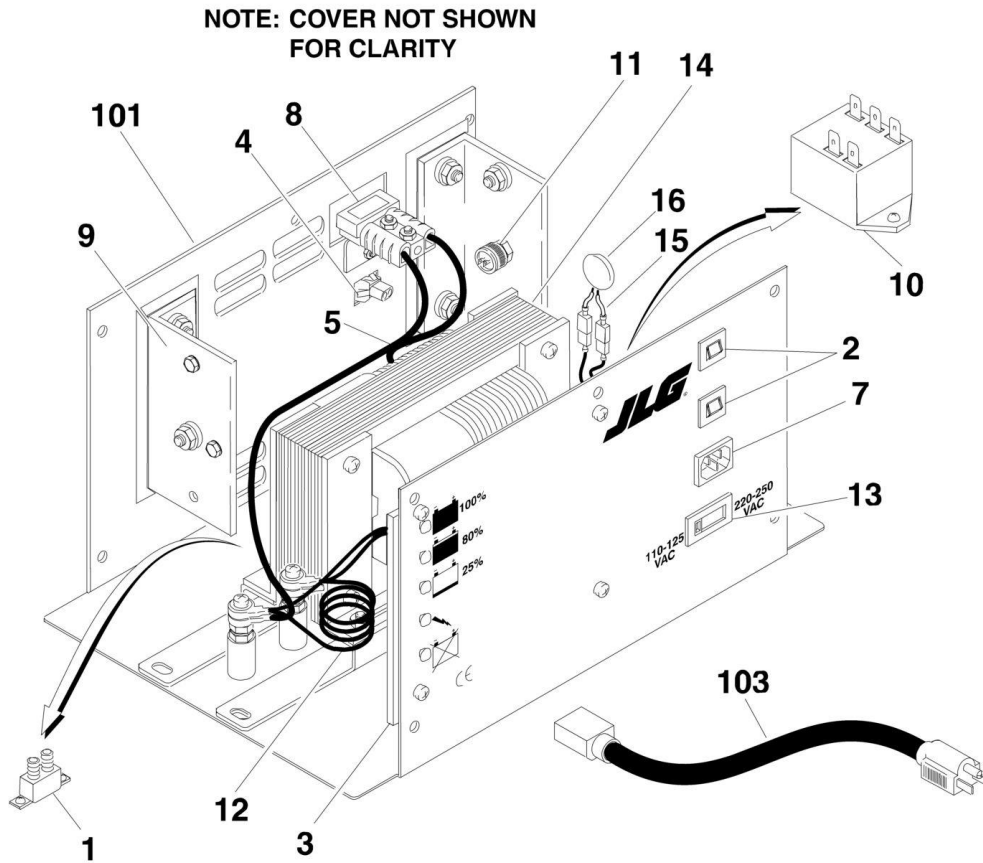
ITEM	PART NUMBER	QTY	DESCRIPTION	REV
		Ref	BATTERY CHARGER ASSEMBLIES	
		Ref	Note: Charger Serial Number Nameplate located on front of charger. First line is the charger spec and date code. Prior to Mid-February 1996 Example: BA515 (spec) AP (date code). First letter in the date code indicates month (A-January/B-February/C-March/etc. with exception of let- "I" which is not used).	
		Ref	Second letter indicates year (ST- 1996). After Mid-February 1996 Example: BA515 (spec) 9631 (date code). First and second digits in the date code indicate year. Third and fourth digits indicate week of manufacture.	
	0400138	Ref	BATTERY CHARGER ASSEMBLY - 60HZ/120V (ANSI SPEC)	E
1	7011502	1	Transformer	
2	7011512	1	Capacitor	
3	7011560	1	Strap, Capacitor	
4	7011576	2	Diode	
5	7011596	1	Varistor	
6	7011678	1	Board, Circuit (Prior to April 1996)	
6	7018540	1	Board, Circuit (April 1996 to Present)	
6	7011680	1	Harness - 8 Wire from PC Board	
7	7011518	1	Controller, Transformer	
8	7011517	1	Triac	
9	7011687	1	Cord, DC	
10	7011688	1	Cord, AC (Prior to Date Code 9616)	
11	7011528	1	Relief, Strain	
12	7018516	1	Relief, Strain	
13	7018525	1	Breaker, Circuit - AC	
14	7011509	1	Breaker, Circuit - DC	
15	Not Required	0	Not Required	
16	7011513	1	Socket, AC (Date Code 9616 to Present)	
17	7018509	1	Cover, Case (Not Shown)	
	0400163	Ref	BATTERY CHARGER ASSEMBLY - 60HZ/220V (ANSI SPEC)	A
101	7018543	1	Transformer	
102	7011512	1	Capacitor	
103	7011511	1	Strap, Capacitor	
104	7011576	2	Diode	
105	7011596	1	Varistor	
106	7018542	1	Board, Circuit	
106	7018513	1	Harness - 8 Wire from PC Board	
107	7011551	1	Controller, Transformer	
108	7011517	1	Triac	
109	7011687	1	Cord, DC	
110	7018515	1	Cord, AC	
111	7011528	1	Relief, Strain	
112	7018516	1	Relief, Strain	
113	7018514	1	Breaker, Circuit - AC	
114	7011509	1	Breaker, Circuit - DC	
115 to 116	Not Required	0	Not Required	
117	Not Available	1	Cover, Case (Not Shown)	
	0400145	Ref	BATTERY CHARGER ASSEMBLY - 50HZ/240V (ANSI EXPORT SPEC)	B
201	7018524	1	Transformer	

SECTION 1 - FRAME

ITEM	PART NUMBER	QTY	DESCRIPTION	REV
202	7011523	1	Capacitor	
203	7011560	1	Strap, Capacitor	
204	7011576	2	Diode	
205	7011596	1	Varistor	
206	7018512	1	Board, Circuit	
206	7018513	1	Harness - 8 Wire from PC Board	
207	7011551	1	Controller, Transformer	
208	7011517	1	Triac	
209	7011687	1	Cord, DC	
210	7018515	1	Cord, AC	
211	7011528	1	Relief, Strain	
212	7018516	1	Relief, Strain	
213	7018514	1	Breaker, Circuit - AC	
214	7011509	1	Breaker, Circuit - DC	
215 to 216	Not Required	0	Not Required	
217	7018509	1	Cover, Case (Not Shown)	
	0400147	Ref	BATTERY CHARGER ASSEMBLY - 50-60HZ/120V (JAPANESE SPEC)	B
301	7011666	1	Transformer	
302	7011624	1	Capacitor	
303	7011560	1	Strap, Capacitor	
304	7011576	2	Diode	
305	Not Available	1	Varistor	
306	7018523	1	Board, Circuit	
306	7018513	1	Harness - 8 Wire from PC Board	
307	7011626	1	Controller, Transformer	
308	7011517	1	Triac	
309	7011687	1	Cord, DC	
310	7018526	1	Cord, AC	
311	7011528	1	Relief, Strain	
312	7018516	1	Relief, Strain	
313	7018525	1	Breaker, Circuit - AC	
314	7011509	1	Breaker, Circuit - DC	
315	7011552	1	Switch, 50-60Hz	
316	Not Required	0	Not Required	
317	7018509	1	Cover, Case (Not Shown)	
		Ref	First letter in the date code indicates month (A-January/B-February/C-March/etc. with exception of let-"I" which is not used).	

SECTION 1 - FRAME

FIGURE 1-11. BATTERY CHARGER ASSEMBLIES - REPLACEMENT KIT



SECTION 1 - FRAME

FIGURE 1-11. BATTERY CHARGER ASSEMBLIES - REPLACEMENT KIT

ITEM	PART NUMBER	QTY	DESCRIPTION	REV
		Ref	BATTERY CHARGER ASSEMBLIES	
	0400178	Ref	All except Japanese Spec	B
	0400179	Ref	Japanese Spec	B
1	7011509	1	Breaker, Circuit - DC	
2		Ref	Breaker, Circuit - AC	
2	7018514	2	All except Japanese Spec	
2	7018525	1	Japanese Spec	
3		Ref	Board, Circuit	
3	7018578	1	All except Japanese Spec	
3	7018598	1	Japanese Spec	
4	7011621	1	Connector	
5	7020638	1	Cord -DC	
6		Ref	Harness	
6	7018582	1	All except Japanese Spec	
6	7020671	1	Japanese Spec	
7	7018583	1	Plug, AC Inlet	
8	7011590	1	Plug, DC	
9		Ref	Rectifier Assembly	
9	7018585	2	All except Japanese Spec	
9	7020672	2	Japanese Spec	
10		Ref	Relay	
10	7018564	1	All except Japanese Spec	
10	7018506	1	Japanese Spec	
11		Ref	SCR	
11	7018555	1	All except Japanese Spec	
11	7020673	1	Japanese Spec	
12		Ref	Shunt Assembly	
12	7020605	1	All except Japanese Spec	
12	7020674	1	Japanese Spec	
13		Ref	Switch	
13	7018586	1	All except Japanese Spec	
13	Not Required	0	Japanese Spec	
14		Ref	Transformer	
14	7020639	1	All except Japanese Spec	
14	7020675	1	Japanese Spec	
15		Ref	Varistor Assembly	
15	7018589	1	All except Japanese Spec	
15	7020603	1	Japanese Spec	
16	7018537	1	Varistor	
17	7020637	1	Cover, Case (Not Shown)	
		Ref	AC CHARGER CORD INSTALLATIONS	1
	2901846	Ref	ANSI Spec (60Hz/120V)	
	2901844	Ref	ANSI Spec (60Hz/220V)	
	2901844	Ref	ANSI Export Spec (50Hz/240V)	
	2901845	1	Japanese Spec (50-60Hz/120V)	
101		Ref	Battery Charger Assembly Options:	
101	0400178	1	All Spec except Japanese Spec	
101	0400179	1	Japanese Spec	
102	4922233	1	Harness (Not Shown)	
103		Ref	AC Cord Assembly Options:	

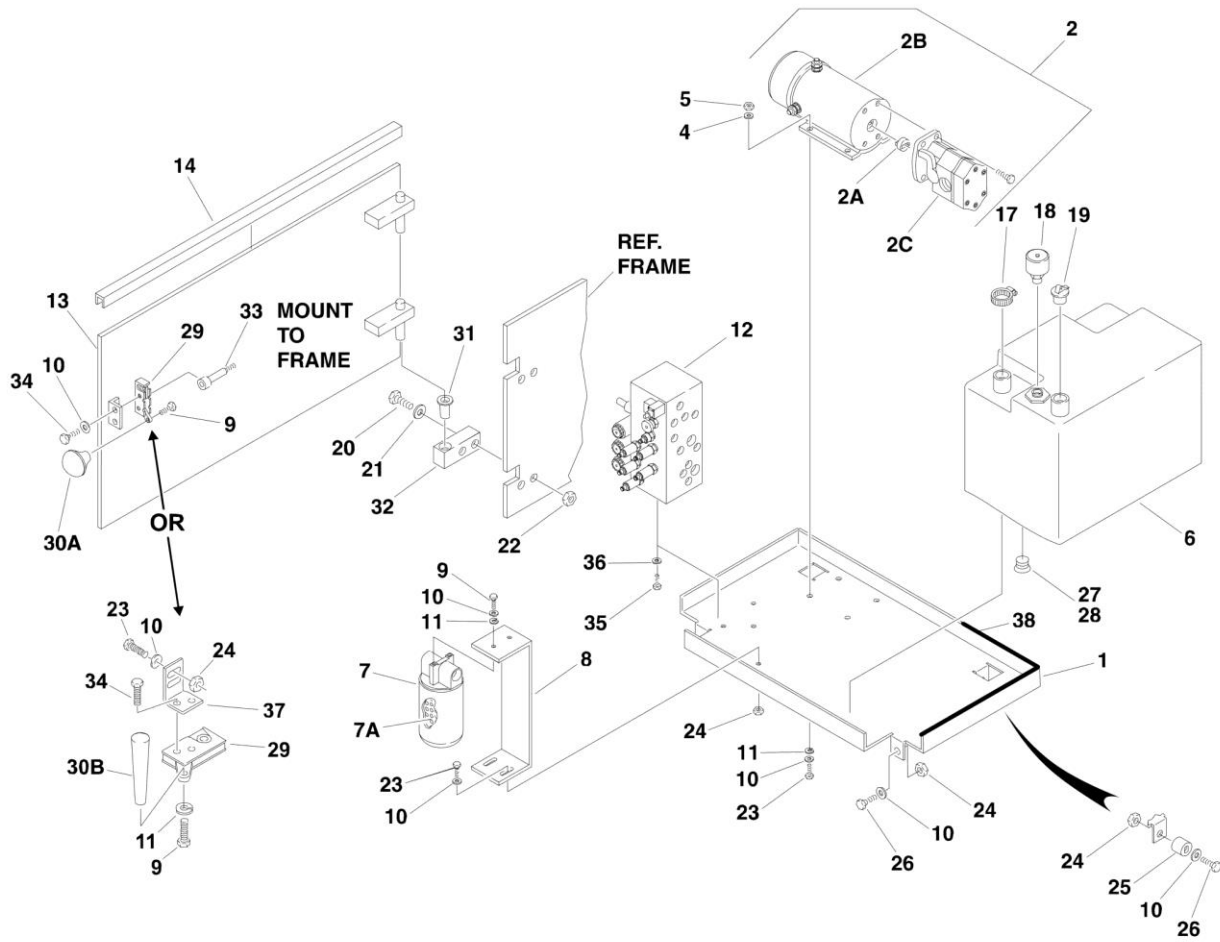
SECTION 1 - FRAME

ITEM	PART NUMBER	QTY	DESCRIPTION	REV
103	1060688	1	ANSI Spec (60Hz/120V)	
103	1060689	1	ANSI Spec (60Hz/220V)	
103	1060689	1	ANSI Export Spec (50Hz/240V)	
103	1060688	1	Japanese Spec (50-60Hz/120V)	

SECTION 2 - GROUND COMPONENTS

SECTION 2 - GROUND COMPONENTS

FIGURE 2-1. HYDRAULIC COMPONENTS AND COVER INSTALLATION - 1532E/1932E (POWER DOWN MACHINES)



SECTION 2 - GROUND COMPONENTS

FIGURE 2-1. HYDRAULIC COMPONENTS AND COVER INSTALLATION - 1532E/1932E (POWER DOWN MACHINES)

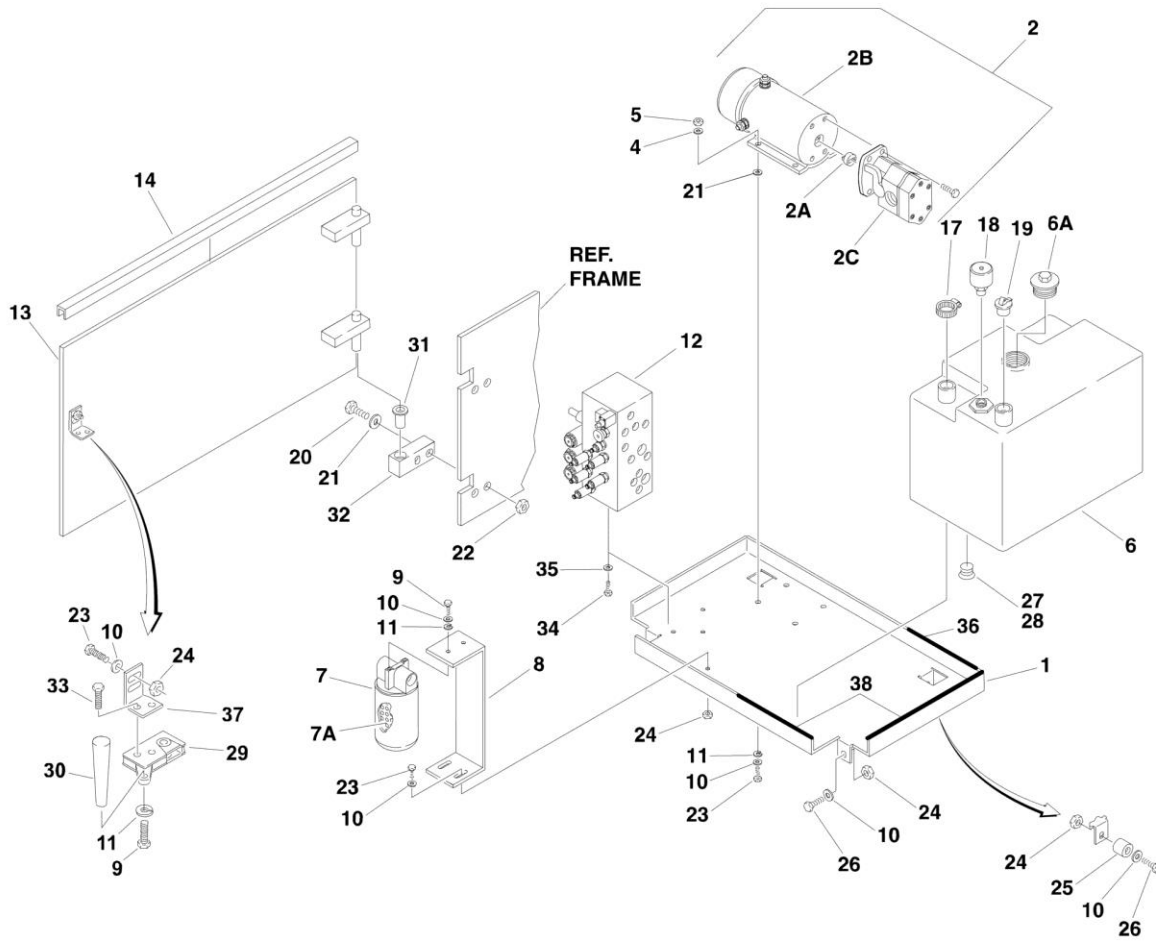
ITEM	PART NUMBER	QTY	DESCRIPTION	REV
		Ref	Note: To determine Power or Gravity Down refer to page A.	
	0255893	Ref	HYDRAULIC COMPONENTS INSTALLATION (STD)	H
	0256922	Ref	HYDRAULIC COMPONENTS INSTALLATION (U/L)	A
1		Ref	Tray Weldment Options:	
1	4845271	1	Tray Weldment (Prior to SN 24267)	
1	4845365	1	Tray Weldment (SN 24267 to Present)	
2	3600219	1	Pump/Motor Assembly	C
2A	7013711	1	Coupling	
2B	7016742	1	Motor	
2B	7016781	1	Brush Kit (W/Prestolite Motor) (was p/n 7016748)	
2B	7016706	1	Brush Kit (W/Ohio Motor)	
2C	7016703	1	Pump	
2C	7016700	1	Seal, Shaft	
3	2901207	1	Motor Band Kit (Not Shown - U/L Machines Only)	
4	4711600	4	Flatwasher 3/8in	
5	3311605	4	Locknut 3/8in-16NC	
6	4400388	1	Tank, Hydraulic	
7	2120105	1	Filter Assembly	
7A	2120072	1	Element, Filter	
8	0902221	1	Bracket	
9	0641405	4	Bolt 1/4in-20NC x 5/8in	
10	4711400	16	Flatwasher 1/4in	
11	4761400	3	Lockwasher 1/4in	
12	4640951	1	Valve Assembly (See VALVE ASSEMBLY for Breakdown)	
13	1780291	1	Door Weldment	
14	3960389	34 in/86cm	Seal	
17	1320033	2	Clamp, Hose	
18	1340052	1	Breather	
19	3520077	1	Plug, Quick Snap	
20	0641816	4	Bolt 1/2in-13NC x 2in	
21	4751800	8	Flatwasher 1/2in	
22	3311805	4	Locknut 1/2in-13NC	
23	0641408	AR	Bolt 1/4in-20NC x 1in	
24	3311405	8	Locknut 1/4in	
25	4566849	2	Spacer	
26	0641412	4	Bolt 1/4in-20NC x 1-1/2in	
27	2200233	1	Plug, Drain	
28	0100020	AR	Sealant	
29	2940098	1	Latch	
30A	2560140	1	Knob (Prior to SN 27620)	
30B	2560137	1	Knob (SN 27620 to Present)	
31	0962004	2	Bushing, Flanged Bronze	
32	0362566	2	Bar, Hinge	
33	2940099	1	Striker Only (Prior to SN 27620)	
34	0641406	2	Bolt 1/4in-20NC x 3/4in	
35	0641506	3	Bolt 5/16in-18NC x 3/4in	
36	4711500	3	Flatwasher 5/16in Narrow	
37	0902365	1	Bracket, Latch Mounting Only (SN 27620 to Present)	

SECTION 2 - GROUND COMPONENTS

ITEM	PART NUMBER	QTY	DESCRIPTION	REV
38	4420038	1 ft/30.5cm	Weatherstrip	

SECTION 2 - GROUND COMPONENTS

FIGURE 2-2. HYDRAULIC COMPONENTS AND COVERS INSTALLATION - 1532E/1932E (GRAVITY DOWN MACHINES)



SECTION 2 - GROUND COMPONENTS

FIGURE 2-2. HYDRAULIC COMPONENTS AND COVERS INSTALLATION - 1532E/1932E (GRAVITY DOWN MACHINES)

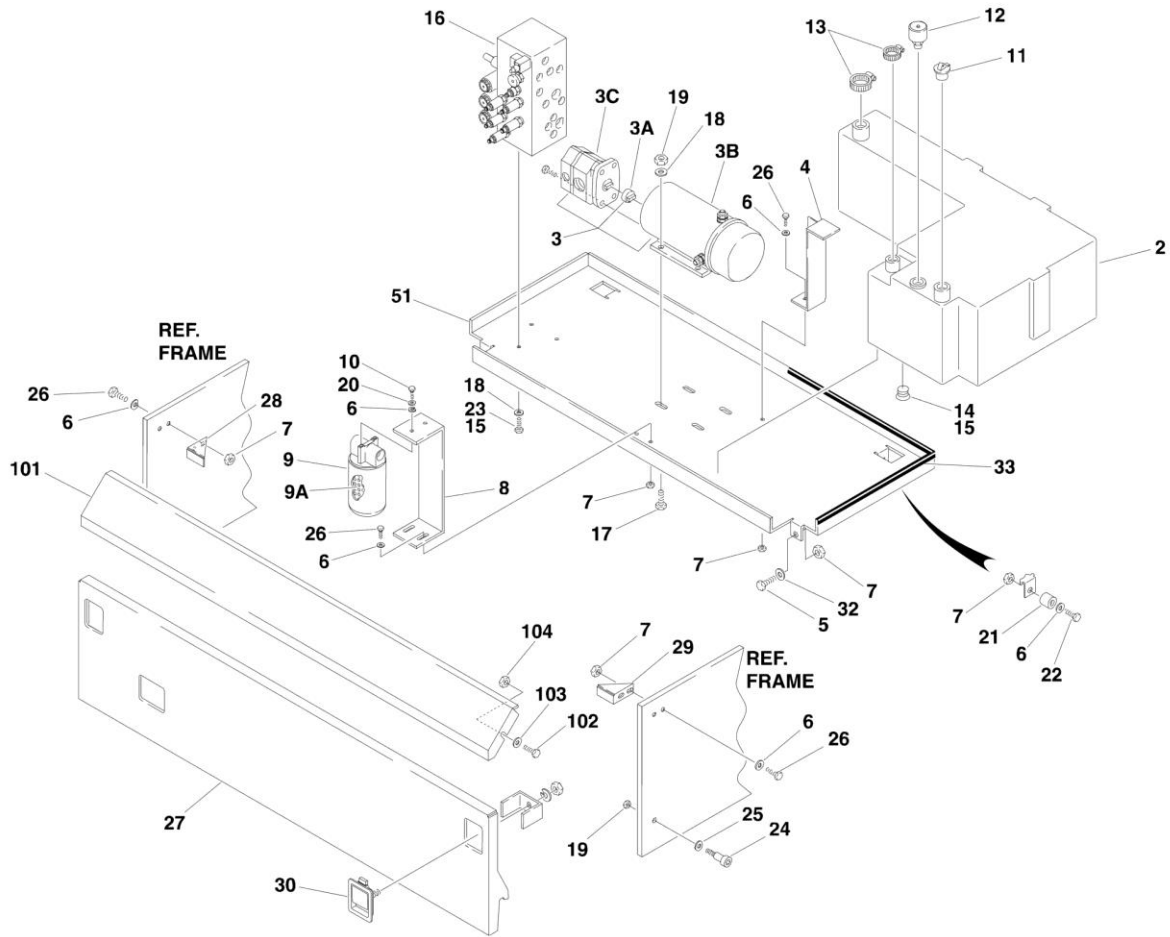
ITEM	PART NUMBER	QTY	DESCRIPTION	REV
		Ref	Note: To determine Power or Gravity Down refer to page A.	
	0257208	Ref	HYDRAULIC COMPONENTS INSTALLATION (STD)	4-B
	0257209	Ref	HYDRAULIC COMPONENTS INSTALLATION (U/L)	6-C
1	4845365	1	Tray Weldment	
2	3600266	1	Pump/Motor Assembly	B
2A	7013711	1	Coupling	
2B	7016742	1	Motor	
2B	7016781	1	Brush Kit (was p/n 7016748)	
2C	7016743	1	Pump	
2C	Not Available	1	Seal, Shaft	
2C	7016746	1	Plate, Adapter	
2C	7016747	1	Gasket (Between Pump and Adapter)	
3	2901207	1	Motor Band Kit (Not Shown - U/L Machines Only)	
4	4711500	4	Flatwasher 5/16in Narrow	
5	3311505	4	Locknut 5/16in-18NC	
6	4400388	1	Tank, Hydraulic	
6A	1120491	1	Cap with O-Ring (was p/n 7020063 without O-Ring) (SN 38283 to Present)	
7	2120105	1	Filter Assembly	
7A	2120072	1	Element, Filter	
8	0902221	1	Bracket	
9	0641405	4	Bolt 1/4in-20NC x 5/8in	
10	4711400	16	Flatwasher 1/4in Narrow	
11	4761400	3	Lockwasher 1/4in	
12		Ref	Valve Assembly Options (See VALVE ASSEMBLY for Breakdown):	
12	4641004	1	Valve Assembly (Prior to SN 41086)	
12	4641021	1	Valve Assembly (SN 41086 to Present)	
13	1780291	1	Door Weldment	
14	3960389	34	Seal	
		in/86cm		
17	1320033	2	Clamp, Hose	
18	1340052	1	Breather	
19	3520077	1	Plug, Quick Snap	
20	0641816	4	Bolt 1/2in-13NC x 2in	
21	4751800	12	Flatwasher 1/2in	
22	3311805	4	Locknut 1/2in-13NC	
23	0641408	AR	Bolt 1/4in-20NC x 1in	
24	3311405	8	Locknut 1/4in	
25	4566849	2	Spacer	
26	0641412	4	Bolt 1/4in-20NC x 1-1/2in	
27	2200233	1	Plug, Drain	
28	0100020	AR	Sealant	
29	2940098	1	Latch	
30	2560137	1	Knob	
31	0962004	2	Bushing, Flanged Bronze	
32	0362566	2	Bar, Hinge	
33	0641406	2	Bolt 1/4in-20NC x 3/4in	
34	0641506	3	Bolt 5/16in-18NC x 3/4in	

SECTION 2 - GROUND COMPONENTS

ITEM	PART NUMBER	QTY	DESCRIPTION	REV
35	4711500	3	Flatwasher 5/16in Narrow	
36	4420038	1 ft/30.5cm	Weatherstrip	
37	0902365	1	Bracket, Latch Mounting	
38	4420037	2.25 ft/68.5c	Weatherstrip (U/L Machines Only)	

SECTION 2 - GROUND COMPONENTS

FIGURE 2-3. HYDRAULIC COMPONENTS AND COVERS INSTALLATION - 2033E/2046E/2646E/2658E
(POWER DOWN MACHINES)



SECTION 2 - GROUND COMPONENTS

**FIGURE 2-3. HYDRAULIC COMPONENTS AND COVERS INSTALLATION - 2033E/2046E/2646E/2658E
(POWER DOWN MACHINES)**

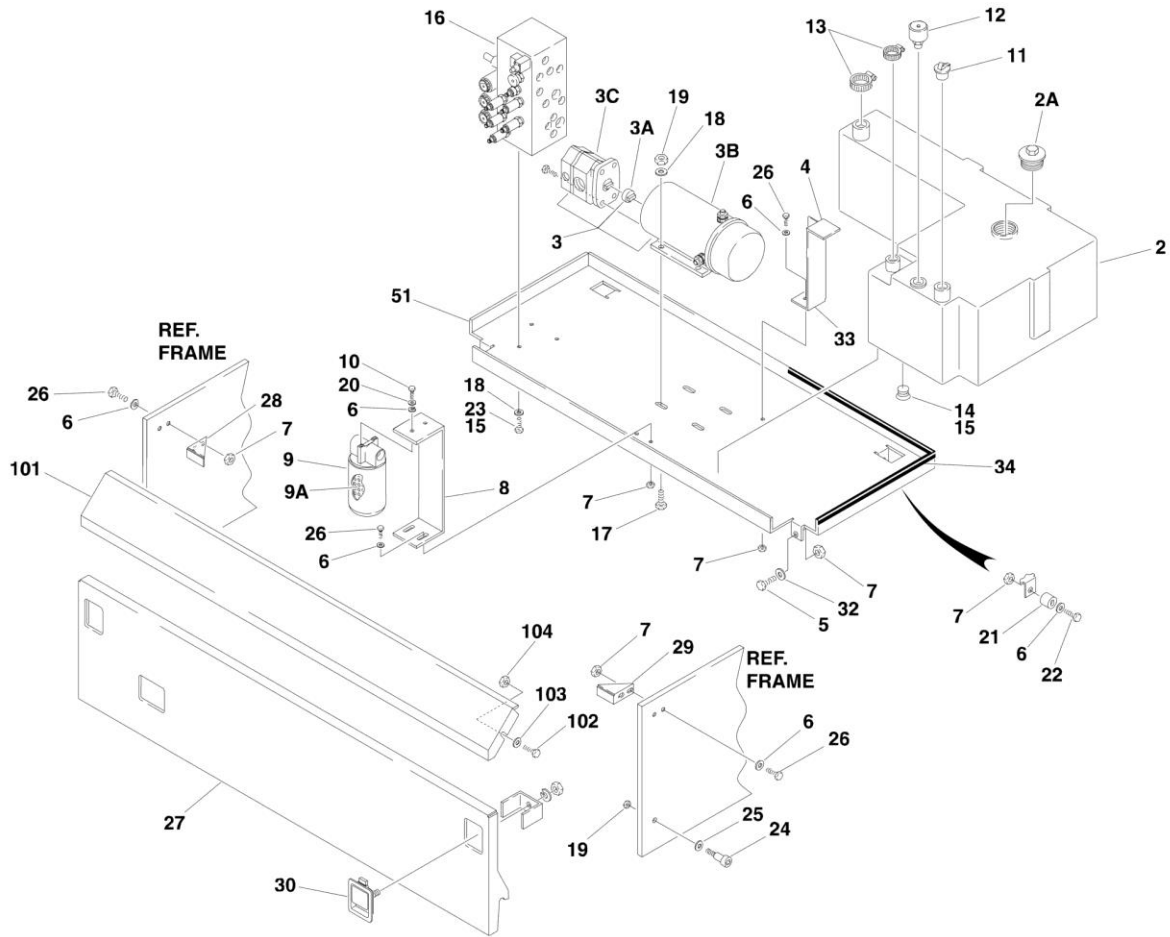
ITEM	PART NUMBER	QTY	DESCRIPTION	REV
		Ref	Note: To determine Power or Gravity Down refer to page A.	
		Ref	HYDRAULIC COMPONENTS INSTALLATION (STANDARD PARTS)	
2		Ref	Hydraulic Tank Options:	
2	4400378	1	Hydraulic Tank (Prior to SN 21507)	
2	4400394	1	Hydraulic Tank (SN 21507 to Present)	
3	3600219	1	Pump/Motor Assembly	
3A	7013711	1	Coupling	
3B	7016742	1	Motor	
3B	7016781	1	Brush Kit (W/Prestolite Motor) (was p/n 7016748)	
3B	7016706	1	Brush Kit (W/Ohio Motor)	
3C	7016703	1	Pump	
3C	7016700	1	Seal, Shaft	
4	0902198	1	Bracket	
5	0641408	2	Bolt 1/4in-20NC x 1in	
6	4711400	20	Flatwasher 1/4in	
7	3311405	11	Locknut 1/4in-2NC	
8	0902137	1	Bracket, Filter	
9	2120105	1	Filter	
9A	2120072	1	Element, Filter	
10	0641405	2	Bolt - 1/4in-20NC x 5/8in	
11	3520077	1	Plug, Quick Snap	
12	1340052	1	Breather	
13	1320033	2	Clamp, Hose	
14	2200233	1	Plug, Drain	
15	0100020	AR	Sealant	
16	4640951	1	Valve Assembly (See VALVE ASSEMBLY for Breakdown)	
17	0641506	4	Bolt 5/16in-18NC x 1in	
18	4711500	11	Flatwasher - 5/16in Narrow	
19	3311505	6	Locknut 5/16in-18NC	
20	4761400	2	Lockwasher 1/4in	
21	4566849	2	Spacer	
22	0641412	2	Bolt 1/4in-20NC x 1 1/2in	
23	0641506	3	Bolt 5/16in-18NC x 3/4in	
24	2940099	2	Striker, Latch	
25	4751400	4	Flatwasher 1/4in	
26	0641406	7	Bolt 1/4in-20NC x 3/4in	
27	3539766	1	Plate, Valve Cover	
28	0181874	1	Angle, Latch Stop (Right Side)	
29	0181875	1	Angle, Latch Stop (Left Side)	
30	2940045	2	Latch, Paddle	
31	2901207	1	Motor Band Kit (Not Shown - U/L Machines Only)	
32	4751400	4	Flatwasher 1/4in	
33	4420038	2 ft/61cm	Weatherstrip	
		Ref	Note: To determine Power or Gravity Down refer to page A.	
		Ref	HYDRAULIC COMPONENTS INSTALLATIONS (VARIABLE PARTS)	
	0256420	Ref	Hydraulic Components Installations (Variable Parts) Standard 2033E	E

SECTION 2 - GROUND COMPONENTS

ITEM	PART NUMBER	QTY	DESCRIPTION	REV
	0256862	Ref	Hydraulic Components Installations (Variable Parts) U/L 2033E	B
	0256422	Ref	Hydraulic Components Installations (Variable Parts) Standard 2046E/2546E/2658E	E
	0256888	Ref	Hydraulic Components Installations (Variable Parts) U/L 2046E/2546E/2658E	B
51		Ref	Tray Options:	
51	4845311	1	Tray 2033E (Prior to SN 24267)	
51	4845366	1	Tray 2033E (SN 24267 to Present)	
51	3539239	1	Tray 2046E/2546E/2658E (Prior to SN 24267)	
51	3539875	1	Tray 2046E/2546E/2658E (SN 24267 to Present)	
	0255938	Ref	SIDE COVERS INSTALLATION - 2033E	4-D
	0255939	Ref	SIDE COVERS INSTALLATION - 2046E/2646E	A
	0255940	Ref	SIDE COVERS INSTALLATION - 2658E	A
101		Ref	Cover Options:	
101	3539445	1	Cover 2033E (Prior to SN 33224)	
101	4060937	1	Cover 2033E (SN 33224 to Present)	
101	3539446	1	Cover 2046E/2646E	
101	3539447	1	Cover 2658E	
102	0641408	2	Bolt, 1/4in-20NC x 1in	
103	4751400	4	Flatwasher - 1/4in	
104	3311405	2	Locknut - 1/4in-20NC	

SECTION 2 - GROUND COMPONENTS

FIGURE 2-4. HYDRAULIC COMPONENTS AND COVERS INSTALLATION - 2033E/2046E/2646E/2658E
(GRAVITY DOWN MACHINES)



SECTION 2 - GROUND COMPONENTS

**FIGURE 2-4. HYDRAULIC COMPONENTS AND COVERS INSTALLATION - 2033E/2046E/2646E/2658E
(GRAVITY DOWN MACHINES)**

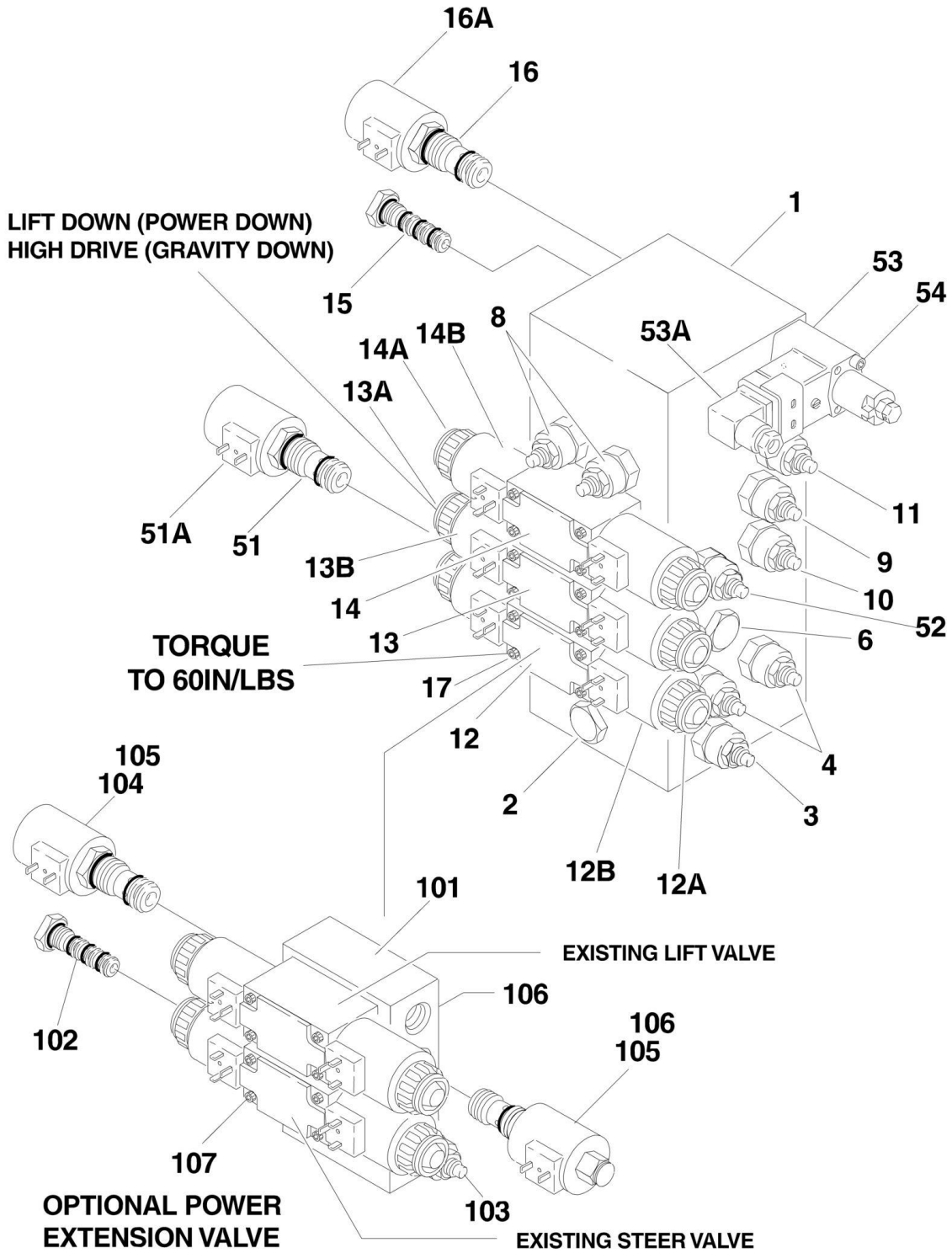
ITEM	PART NUMBER	QTY	DESCRIPTION	REV
		Ref	Note: To determine Power or Gravity Down refer to page A. HYDRAULIC COMPONENTS INSTALLATION (STANDARD PARTS)	
		Ref		
2	4400394	1	Hydraulic Tank Assembly	
2A	1120491	1	Cap with O-Ring (was p/n 7020063 without O-Ring) (SN 38283 to Present)	
3	3600266	1	Pump/Motor Assembly (Standard Machines)	B
3	3600269	1	Pump/Motor Assembly (Japanese Machines)	A
3A	7013711	1	Coupling	
3B	7016742	1	Motor	
3B	7016781	1	Brush Kit (was p/n 7016748)	
3C	7016743	1	Pump	
3C	Not Available	1	Seal, Shaft	
3C	7016747	1	Gasket (Between Pump and Adapter)	
4	0902198	1	Bracket	
5	0641408	2	Bolt 1/4in-20NC x 1in	
6	4711400	20	Flatwasher 1/4in	
7	3311405	11	Locknut 1/4in-2NC	
8	0902137	1	Bracket, Filter	
9	2120105	1	Filter	
9A	2120072	1	Element, Filter	
10	0641405	2	Bolt - 1/4in-20NC x 5/8in	
11	3520077	1	Plug, Quick Snap	
12	1340052	1	Breather	
13	1320033	2	Clamp, Hose	
14	2200233	1	Plug, Drain	
15	0100020	AR	Sealant	
16		Ref	Valve Assembly Options (See VALVE ASSEMBLY for Breakdown):	
16	4641004	1	Valve Assembly (Prior to SN 41086)	
16	4641021	1	Valve Assembly (SN 41086 to Present)	
17	0641506	4	Bolt 5/16in-18NC x 1in	
18	4711500	11	Flatwasher - 5/16in Narrow	
19	3311505	6	Locknut 5/16in-18NC	
20	4761400	2	Lockwasher 1/4in	
21	4566849	2	Spacer	
22	0641412	2	Bolt 1/4in-20NC x 1 1/2in	
23	0641506	3	Bolt 5/16in-18NC x 3/4in	
24	2940099	2	Striker, Latch	
25	4751400	4	Flatwasher 1/4in	
26	0641406	7	Bolt 1/4in-20NC x 3/4in	
27	3539766	1	Plate, Valve Cover	
28	0181874	1	Angle, Latch Stop (Right Side)	
29	0181875	1	Angle, Latch Stop (Left Side)	
30	2940045	2	Latch, Paddle	
31	2901207	1	Motor Band Kit (Not Shown - U/L Machines Only)	
32	4751400	4	Flatwasher 1/4in	
33	4420038	1 ft/31cm	Weatherstrip	
34	4420037	38 in/96cm	Weatherstrip (SN 38184 to Present)	

SECTION 2 - GROUND COMPONENTS

ITEM	PART NUMBER	QTY	DESCRIPTION	REV
		Ref	Note: To determine Power or Gravity Down refer to page A.	
		Ref	HYDRAULIC COMPONENTS INSTALLATION (VARIABLE PARTS)	
	0257210	Ref	Hydraulic Components Installations (Variable Parts) 2033E Standard	4-B
	0257211	Ref	Hydraulic Components Installations (Variable Parts) 2033E U/L	4-B
	0257642	Ref	Hydraulic Components Installations (Variable Parts) 2033E Japanese Spec	3-B
	0257212	Ref	Hydraulic Components Installations (Variable Parts) 2046E/2546E/2658E Standard	4-B
	0257213	Ref	Hydraulic Components Installations (Variable Parts) 2046E/2546E/2658E U/L	4-B
	0257643	Ref	Hydraulic Components Installations (Variable Parts) 2046E/2546E/2658E Japanese Spec	3-B
51		Ref	Tray Weldment Options:	
51	4845366	1	Tray Weldment 2033E	
51	3539875	1	Tray Weldment 2046E/2646E/2658E	
		Ref	SIDE COVERS INSTALLATION - 2033E	
	0258182	Ref	Side Covers Installation 2033E	1-A
	0255939	Ref	Side Covers Installation 2046E/2646E	A
	0255940	Ref	Side Covers Installation 2658E	A
101		Ref	Cover Options:	
101	4060937	1	Cover 2033E	
101	3539446	1	Cover 2046E/2646E	
101	3539447	1	Cover 2658E	
102		Ref	Hardware Options:	
102	3941406	4	Hardware 2033E (Screw, Self Tapping 1/4in-20 x 3/4in)	
102	0641408	4	Hardware 2046E/2646E/2658E (Bolt 1/4in-20NC x 1in)	
103	4751400	AR	Flatwasher - 1/4in	
104	3311405	AR	Locknut - 1/4in-20NC	

SECTION 2 - GROUND COMPONENTS

FIGURE 2-5. VALVE ASSEMBLY



SECTION 2 - GROUND COMPONENTS

FIGURE 2-5. VALVE ASSEMBLY

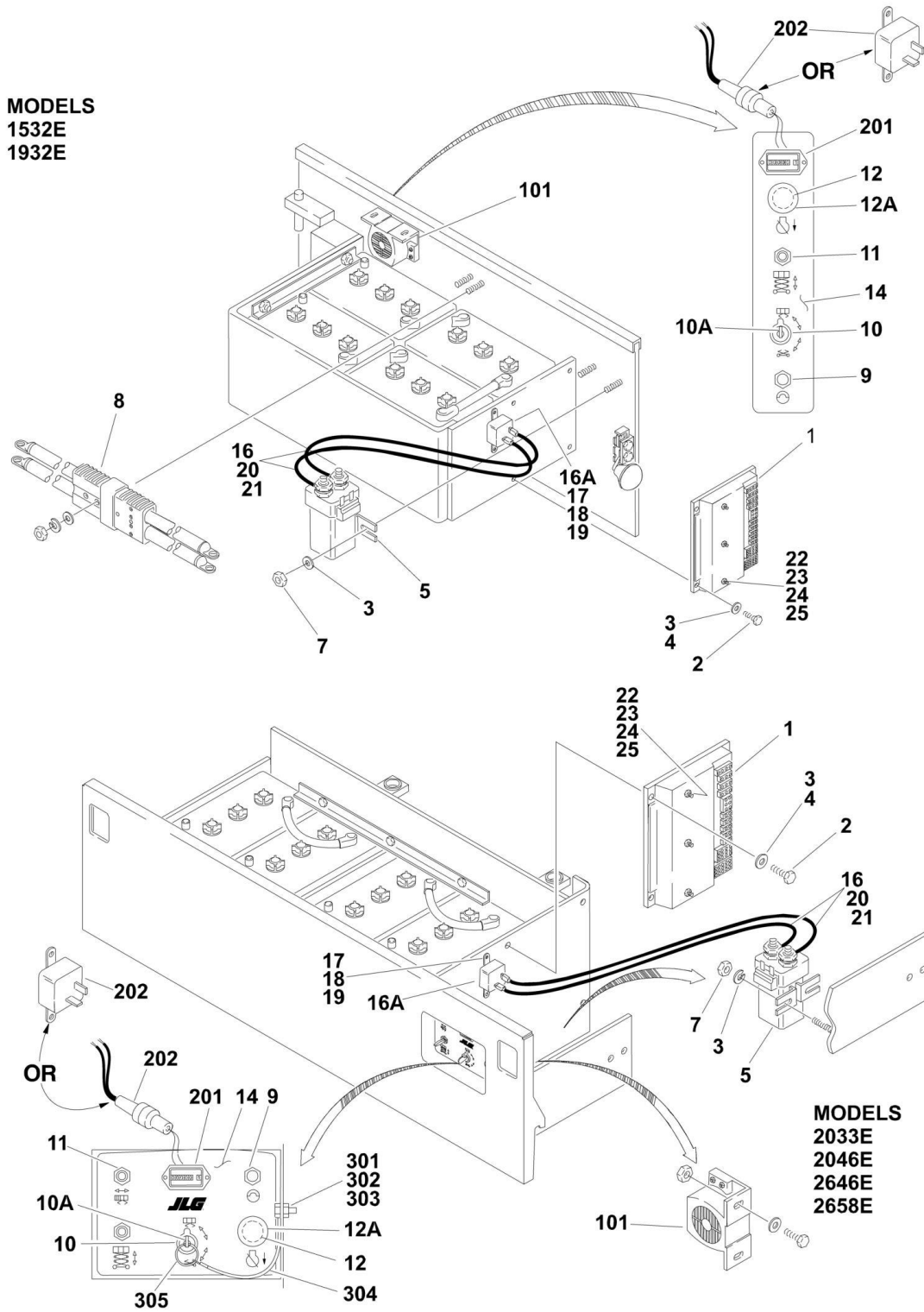
ITEM	PART NUMBER	QTY	DESCRIPTION	REV
		Ref	Note: To determine Power or Gravity Down refer to page A.	
		Ref	VALVE ASSEMBLY (STANDARD PARTS)	
1	Not Serviced	1	Block, Valve	
2	7018300	1	Cartridge, Valve (Shuttle)	
2	7018301	1	Seal Kit - 7018300 Cartridge	
3	7018302	1	Cartridge, Valve (Main Relief)	
3	7016351	1	Seal Kit - 7018302 Cartridge	
4	7018919	2	Cartridge, Valve (Steer Relief)	
4	7016351	2	Seal Kit	
6	7018304	1	Cartridge, Valve (High Drive Check)	
6	7016351	1	Seal Kit - 7018304 Cartridge	
8	7018305	2	Cartridge, Valve (Counterbalance)	
8	7016337	2	Seal Kit - 7016338 Cartridge	
9	7018307	1	Cartridge, Valve (Brake)	
9	7018308	1	Seal Kit - 7018307 Cartridge	
10	7018303	1	Cartridge, Valve (Lift Relief Up)	
10	7016351	1	Seal Kit - 7018303 Cartridge	
11	7018312	1	Cartridge, Valve (Tow)	
11	7018313	1	Seal Kit - 7018312 Cartridge	
12	7012793	1	Rexroth Valve Section (Steer)	
12	7012773	1	Seal Kit	
12A	7018912	2	Nut	
12B	7018917	2	Coil	
13	7012794	2	Rexroth Valve Section - Lift Up/Lift Down (Power Down)	
13		Ref	Rexroth Valve Section - Lift Up/High Drive (Gravity Down)	
13	7012773	1	Seal Kit	
13A	7018912	2	Nut	
13B	7018917	2	Coil	
14	7012794	2	Rexroth Valve Section (Drive)	
14	7012773	1	Seal Kit	
14A	7018912	2	Nut	
14B	7018917	2	Coil	
15	7018314	1	Cartridge, Valve (Flow Divider)	
15	7018315	1	Seal Kit - 7018314 Cartridge	
16	7018309	1	Cartridge Without Coil (Posi-Trac)	
16	7018310	1	Seal Kit - 7018309 Cartridge	
16A	7018311	1	Coil	
17	3931032	12	Capscrew, Socket Head #10-24NC x2in	
		Ref	VALVE ASSEMBLY (VARIABLE PARTS)	
	4640951	Ref	Power Down Machines	B
	4641004	Ref	Gravity Down Machines (Prior to SN 41086)	A
	4641021	Ref	Gravity Down Machines (SN 41086 to Present)	A
51		Ref	Cartridge, Without Coil (High Drive) Options:	
51	7016348	1	Power Down Machines	
51	7016349	1	Seal Kit - 7016348 Cartridge	
51	Not Required	0	Gravity Down Machines	
51A		Ref	Coil Options:	
51A	7016352	1	Power Down Machines	
51A	Not Required	0	Gravity Down Machines	
52		Ref	Cartridge, Valve (Lift Relief Down) Options:	

SECTION 2 - GROUND COMPONENTS

ITEM	PART NUMBER	QTY	DESCRIPTION	REV
52	7018920	1	Power Down Machines	
52	7016351	1	Seal Kit - 7018920 Cartridge	
52	Not Required	0	Gravity Down Machines	
53		Ref	Cartridge (Pressure Switch) Options:	
53	7012792	1	Power Down Machines	
53	7018918	1	O-Ring	
53	7012792	1	Gravity Down Machines (Prior to SN 41086)	
53	7018918	1	O-Ring	
53	Not Required	0	Gravity Down Machines (SN 41086 to Present)	
53A		Ref	Connector, DIN Options:	
53A	4460449	1	Power Down Machines	
53A	4460449	1	Gravity Down Machines (Prior to SN 41086)	
53A	Not Required	0	Gravity Down Machines (SN 41086 to Present)	
54		Ref	Capscrew, Socket Head #8-32NC x 1 3/4in	
54	3930828	4	Power Down Machines	
54	3930828	4	Gravity Down Machines (Prior to SN 41086)	
54	Not Required	0	Gravity Down Machines (SN 41086 to Present)	
	4641035	Ref	VALVE ASSEMBLY - PLATFORM EXTENSION	A
101	Not Serviced		Block, Manifold	
102	7018300	1	Cartridge, Valve (Shuttle)	
102	7018301	1	Kit, Seal	
103	7018919	1	Cartridge, Valve (Pressure Relief)	
103	7016351	1	Kit, Seal	
104	7018967	1	Cartridge, Without Coil	
104	7016352	1	Coil	
105	7016352	1	Coil	
106	7018968	8	O-Ring	
107	7018969	8	Bolt #10-24 x 4in	

SECTION 2 - GROUND COMPONENTS

FIGURE 2-6. ELECTRICAL COMPONENTS INSTALLATIONS (AT GROUND CONTROLS)



SECTION 2 - GROUND COMPONENTS

FIGURE 2-6. ELECTRICAL COMPONENTS INSTALLATIONS (AT GROUND CONTROLS)

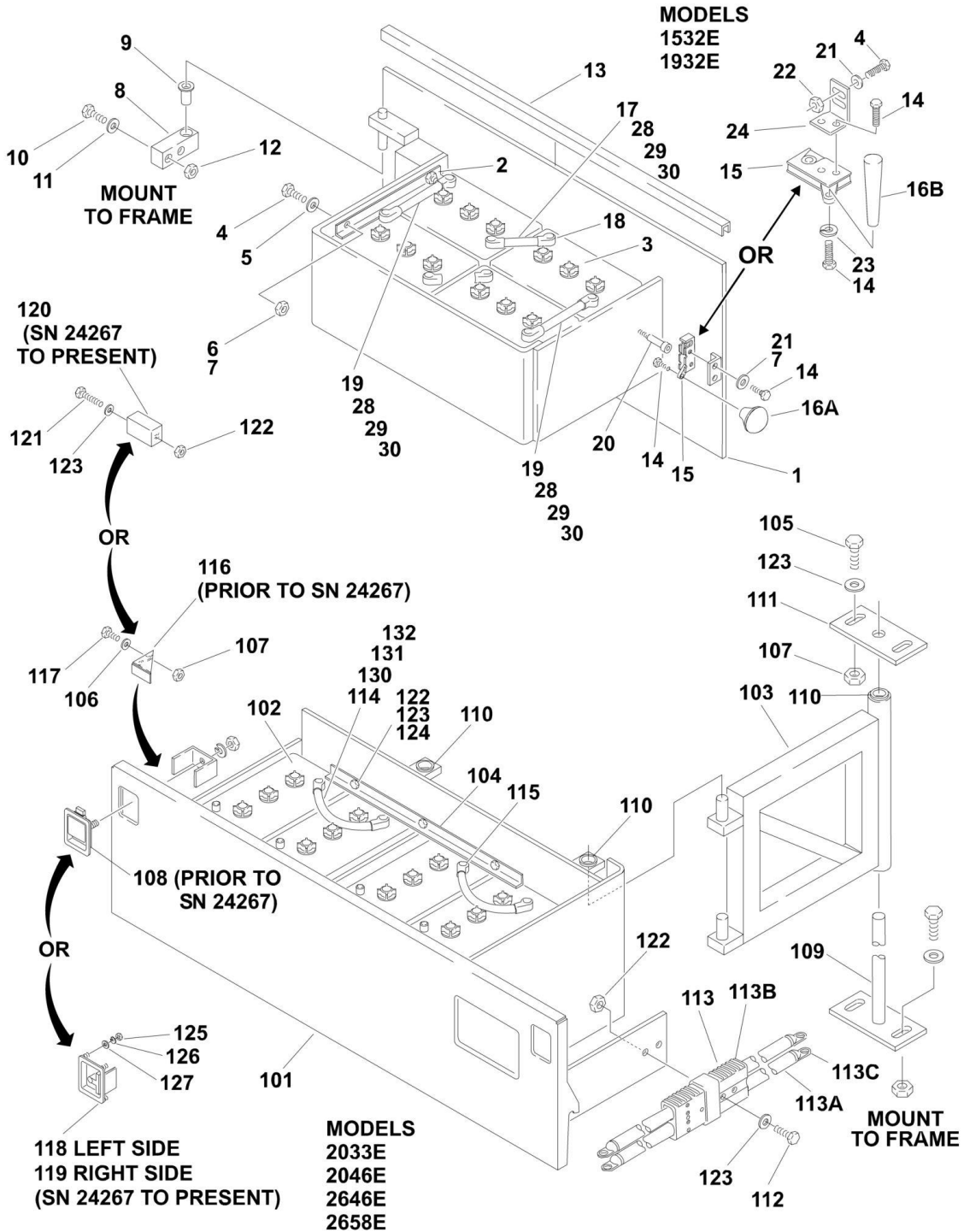
ITEM	PART NUMBER	QTY	DESCRIPTION	REV
		Ref	GROUND CONTROLS INSTALLATION	
	0255971	Ref	Ground Controls Installation 1532E/1932E Standard Machines (Prior to SN 49391)	12
	0258782	Ref	Ground Controls Installation 1532E/1932E Standard Machines (SN 49391 to Present)	1
	0256918	Ref	Ground Controls Installation 1532E/1932E U/L Machines (Prior to SN 49391)	4
	0258784	Ref	Ground Controls Installation 1532E/1932E U/L Machines (SN 49391 to Present)	1
	0255960	Ref	Ground Controls Installation 2033E/2046E/2646E/2658E Standard Machines without Power Deck (Prior to SN 49391)	7
	0258785	Ref	Ground Controls Installation 2033E/2046E/2646E/2658E Standard Machines without Power Deck (SN 49391 to Present)	1
	0257599	Ref	Ground Controls Installation 2033E/2046E/2646E/2658E Standard Machines with Power Deck (Prior to SN 49391)	6
	0258788	Ref	Ground Controls Installation 2033E/2046E/2646E/2658E Standard Machines with Power Deck (SN 49391 to Present)	1
	0256858	Ref	Ground Controls Installation 2033E/2046E/2646E/2658E U/L Machines without Power Deck (Prior to SN 49391)	4
	0258787	Ref	Ground Controls Installation 2033E/2046E/2646E/2658E U/L Machines without Power Deck (SN 49391 to Present)	1
	0257600	Ref	Ground Controls Installation 2033E/2046E/2646E/2658E U/L Machines with Power Deck (Prior to SN 49391)	3
	0258789	Ref	Ground Controls Installation 2033E/2046E/2646E/2658E U/L Machines with Power Deck (SN 49391 to Present)	1
1		Ref	Controller, SMART System Options:	
1	1600233	1	Controller, SMART System (Prior to SN 29221)	
1	1600258	1	Controller, SMART System (SN 29221 through 49390)	
1	1600286	1	Controller, SMART System (SN 49391 to Present)	
		Ref	Note: When replaced, controller must be configured to appropriate model and options using analyzer kit p/n 2901443 or computer software kit p/n 2900874.	
2	0641406	4	Bolt 1/4in-20NC x 3/4in	
3	4751400	AR	Flatwasher 1/4in	
4	0100020	AR	Sealant	
5		Ref	Relay Options:	
5	3740130	1	Standard Machine (was p/n 3740117) (Prior to SN 30199)	
5	3740130	1	Standard Machine (was p/n 3740120) (SN 30199 through 44432)	
5	3740130	1	Standard Machine (SN 44433 to Present)	
5	3740117	1	Standard Machines without 1600286 Controller Operated in Cold Weather Regions	
5	3740121	1	U/L Machine	
7	3311405	AR	Locknut 1/4in-20NC	
8		Ref	Cable Assembly Options:	
8	1060606	1	Cable Assembly 1532E/1932E	
8	4460618	2	Connector, Anderson	
8	Not Required	0	Connector, Anderson 2033E/2046E/2646E/2658E	
9	4360070	1	Breaker, Circuit	
10	4360432	1	Switch, Keyed Select	
10	7019604	1	Switch Kit (Includes o-rings, boot and locking ring)	
10A	2860030	1	Key, Replacement	
11	4360328	AR	Switch, Toggle	

SECTION 2 - GROUND COMPONENTS

ITEM	PART NUMBER	QTY	DESCRIPTION	REV
12	4360395	1	Switch, Emergency Stop (Prior to SN 44433)	
12A	7016315	1	Cap	
12	4360289	1	Switch, Emergency Stop (SN 44433 to Present)	
12A	7012612	1	Boot	
14		Ref	Nameplate - Ground Controls Options:	
14	3252479	1	Nameplate - Ground Controls 1532E/1932E	
14	3252478	1	Nameplate - Ground Controls 2033E/2046E/2646E/2658E	
15	0100076	AR	Silicone - 8lbs Pail (Not Shown-Spread on back of Item 1)	
15	7016397	AR	Silicone - 5oz Tube (Not Shown-Spread on back of Item 1)	
16	4921986	1	Harness, Relay (Power Down Machines) (SN 31685 to Present)	
16	4921990	1	Harness, Relay (Gravity Down Machines)	
16A	3740069	1	Relay (SN 31685 to Present)	
17	3911008	1	Screw #10-24NC x 1 (SN 31685 to Present)	
18	4751000	2	Flatwasher #10 (SN 31685 to Present)	
19	3311005	1	Locknut #10-24NC (SN 31685 to Present)	
20	4460259	2	Terminal (SN 31685 to Present)	
21	4460260	2	Housing, Terminal (SN 31685 to Present)	
22	4740479	6	Washer, Brass 1/4in	
23	4300133	3	Stud, Brass 1/4in	
24	4761400	3	Lockwasher 1/4in	
25	3311401	3	Nut 1/4in-20NC	
		Ref	ALARM INSTALLATIONS	
		Ref	PRIOR TO AUGUST 1996:	
	0256682	Ref	STANDARD ALARM - 1532E/1932E	-
	0255951	Ref	STANDARD ALARM - 2033E/2046E/2646E/2658E	C
		Ref	AUGUST 1996 TO PRESENT:	
	0256959	Ref	DESCENT ALARM - 1532E/1932E	-
	0256960	Ref	MOTION ALARM - 1532E/1932E	-
	0256964	Ref	TRAVEL ALARM - 1532E/1932E	-
	0256961	Ref	DESCENT ALARM - 2033E/2046E/2646E/2658E	-
	0256962	Ref	MOTION ALARM - 2033E/2046E/2646E/2658E	-
	0256965	Ref	TRAVEL ALARM - 2033E/2046E/2646E/2658E	-
101	0140033	1	Alarm (Remove Ground Strap Before Installation)	
101	0641408	2	Bolt 1/4in-20NC x 1in	
101	4711400	4	Flatwasher 1/4in Narrow	
101	3311405	2	Locknut 1/4in-20NC	
	0256056	Ref	HOURLY GAUGE INSTALLATION - 1532E/1932E	4
	0256058	Ref	HOURLY GAUGE INSTALLATION - 2033E/2046E/2646E/2658E	5
201	2420165	1	Gauge, Hourmeter	
202	2420179	1	Filter, Hourmeter (Use in-line version in place of bolt-on version when equipped)	
	0256423	Ref	KEY ATTACH INSTALLATION (OPTIONAL)	A
301	0641406	1	Bolt 1/4in-20NC x 3/4in	
302	4751400	2	Flatwasher 1/4in	
303	3311405	1	Locknut 1/4in-20NC	
304	1060379	1	Cable, Lanyard	
305	3760170	1	Ring	

SECTION 2 - GROUND COMPONENTS

FIGURE 2-7. BATTERY INSTALLATIONS



SECTION 2 - GROUND COMPONENTS

FIGURE 2-7. BATTERY INSTALLATIONS

ITEM	PART NUMBER	QTY	DESCRIPTION	REV
	0255891	Ref	BATTERY INSTALLATION - STD 1532E/1932E	11
	0256921	Ref	BATTERY INSTALLATION - U/L 1532E/1932E	5
1	1780290	1	Battery Door Weldment	
2	0181880	2	Angle, Mounting	
3	0400067	4	Battery (Wet) (Standard)	
3	0400113	4	Battery (Dry) (Shipping Option)	
4	0641408	6	Bolt, 1/4in-20NC x 1in	
5	4751400	8	Flatwasher 1/4in	
6	3311401	4	Nut, 1/4in-20NC	
7	0100011	AR	Loctite #242	
8	0362566	2	Bar, Hinge	
9	0962004	2	Bushing, Flanged Bronze	
10	0641816	4	Bolt, 1/2in-13NC x 2in	
11	4751800	8	Flatwasher 1/2in	
12	3311801	4	Nut, 1/2in-13NC	
13	3960389	34 in/6cm	Seal	
14	0641406	3	Bolt, 1/4in-20NC x 3/4in	
15	2940098	1	Latch	
16A	2560140	1	Knob (Prior to SN 27620)	
16B	2560137	1	Knob (SN 27620 to Present)	
17	1060561	1	Cable - 12in/30.5cm	
18	0840031	8	Terminal Boot	
19	1060635	2	Cable - 9in/23cm	
20	2940099	1	Striker, Latch (Prior to SN 27620)	
21	4711400	2	Flatwasher 1/4in Narrow	
22	3311405	4	Locknut 1/4in-20NC	
23	4761400	2	Lockwasher 1/4in	
24	0902365	1	Bracket, Latch Mounting	
25	2820088	4	Shield, Phenolic 10x20 (Not Shown - U/L Machines Only)	
26	2820084	2	Shield, Phenolic 10x8 (Not Shown - U/L Machines Only)	
27	4240084	1	Strap, Static (Not Shown - U/L Machines Only)	
28	3300429	8	Nut 5/16 (SN 41458 to Present)	
29	4740474	8	Washer 5/16 (SN 41458 to Present)	
30	0630526	8	Bolt 5/16in-18NC x 1 1/4 (SN 41458 to Present)	
	0256421	Ref	BATTERY INSTALLATION - STD 2033E/2046E/2646E/2658E	10
	0256850	Ref	BATTERY INSTALLATION - U/L 2033E/2658E	5
	0257437	Ref	BATTERY INSTALLATION - U/L 2046E/2646E	3
101	4845326	1	Battery Door Weldment	
102	0400151	4	Battery (Wet) (Standard)	
102	Not Available	4	Battery (Dry) (Shipping Option)	
102	0400067	4	Battery (Wet) (Standard) (UL Machines Only)	
102	0400113	4	Battery (Dry) (Shipping Option - UL Machines Only)	
103	4845129	2	Hinge	
104	0181622	1	Angle, Battery Holddown	
105	0791608	8	Bolt 3/8in-16NC x 1in	
106	4240084	1	Strap, Static (Not Shown - U/L Machines Only)	
107	3311608	8	Locknut, Flanged 3/8in-16NC	
108	2940045	2	Latch, Paddle (Prior to SN 24267)	
109	4845130	2	Hinge	
110	0962004	8	Bushing, Flanged Bronze	

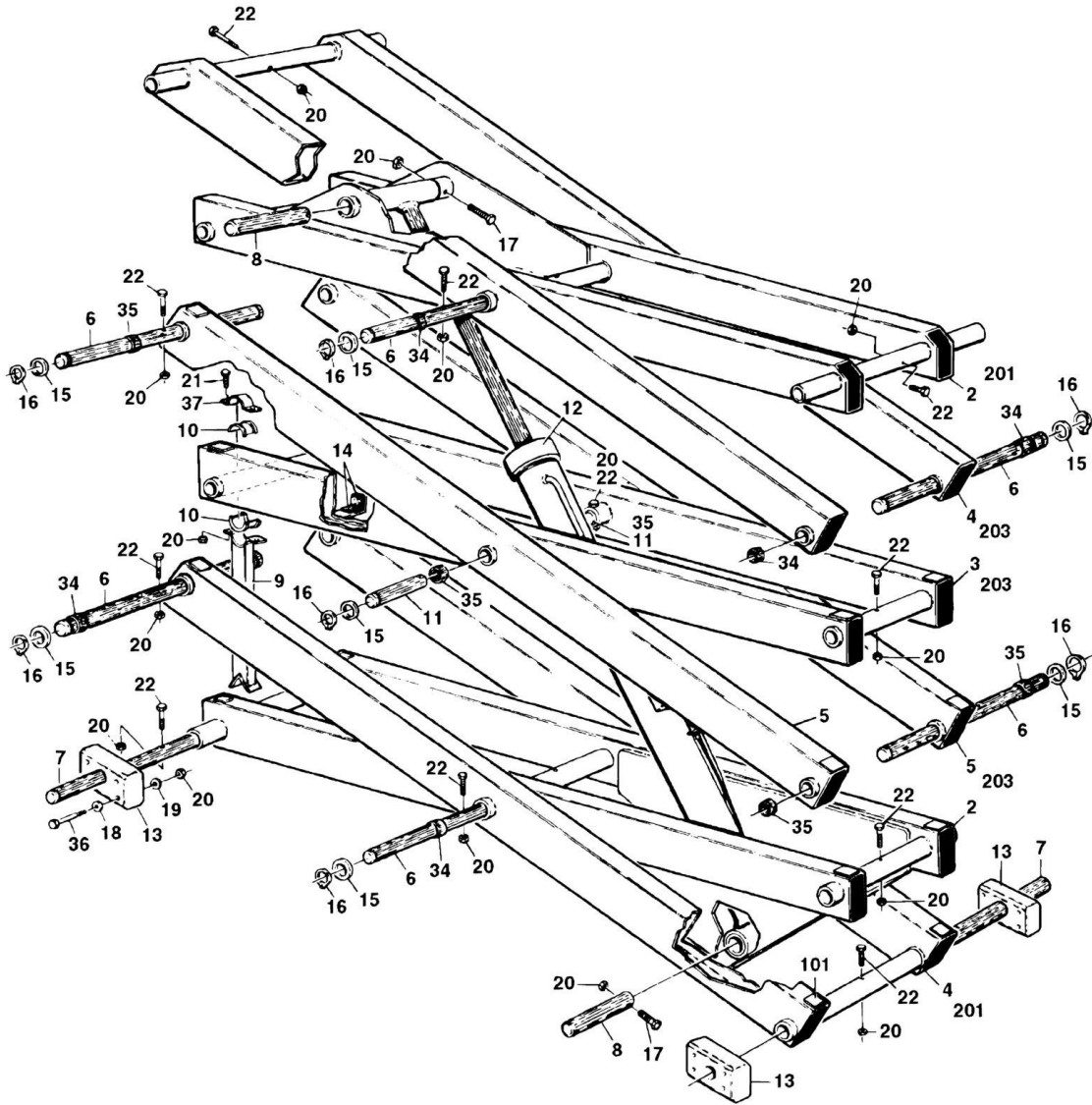
SECTION 2 - GROUND COMPONENTS

ITEM	PART NUMBER	QTY	DESCRIPTION	REV
111	3538844	2	Plate	
112	0641414	2	Bolt 1/4in-20NC x 1 3/4in	
113	1060605	1	Cable, Battery	
113A	1060048	9 ft/2.74m	Cable	
113B	4460618	2	Connector, Anderson	
113C	4460022	4	Terminal Eyelet	
114	1060635	3	Cable, Battery	
115	0840031	8	Boot, Terminal	
116	0181874	1	Angle, Latch Stop (Left Side) (Prior to SN 24267)	
116	0181875	1	Angle, Latch Stop (Right Side) (Prior to SN 24267)	
117	0641406	4	Bolt 1/4in-20NC x 3/4 (Prior to SN 24267)	
118	2940100	1	Latch, "T"-Handle (Left Side) (SN 24267 to Present)	
119	2940101	1	Latch, "T"-Handle (Right Side) (SN 24267 to Present)	
120	4220166	1	Stop, Door (SN 24267 to Present)	
121	0641424	1	Bolt 1/4in-20NC x 3in	
122	3271405	6	Locknut 1/4in-20NC (Grade 8)	
123	4711400	14	Flatwasher 1/4in Narrow	
124	0641408	3	Bolt 1/4in-20NC x 1in	
125	3311001	8	Nut #10-24NC	
126	4751000	8	Flatwasher #10	
127	4761000	8	Lockwasher #10	
128	2820084	10	Shield, Phenolic 10inx8in (Not Shown - U/L Machines Only)	
129	2820087	1	Shield, Phenolic 10inx30in (Not Shown - U/L 2033E/2658E Machines Only)	
129	2820094	1	Shield, Phenolic 3 1/2inx30in (Not Shown - U/L 2046E/2646E Machines Only)	
129	2820095	1	Shield, Phenolic 4 1/2inx30in (Not Shown - U/L 2046E/2646E Machines Only)	
130	3300429	8	Nut 5/16 (SN 41458 to Present)	
131	4740474	8	Washer 5/16 (SN 41458 to Present)	
132	0630526	8	Bolt 5/16in-18NC x 1 1/4 (SN 41458 to Present)	

SECTION 3 - SCISSOR ARMS

SECTION 3 - SCISSOR ARMS

FIGURE 3-1. SCISSOR ARMS INSTALLATION - 1532E (POWER DOWN MACHINES)



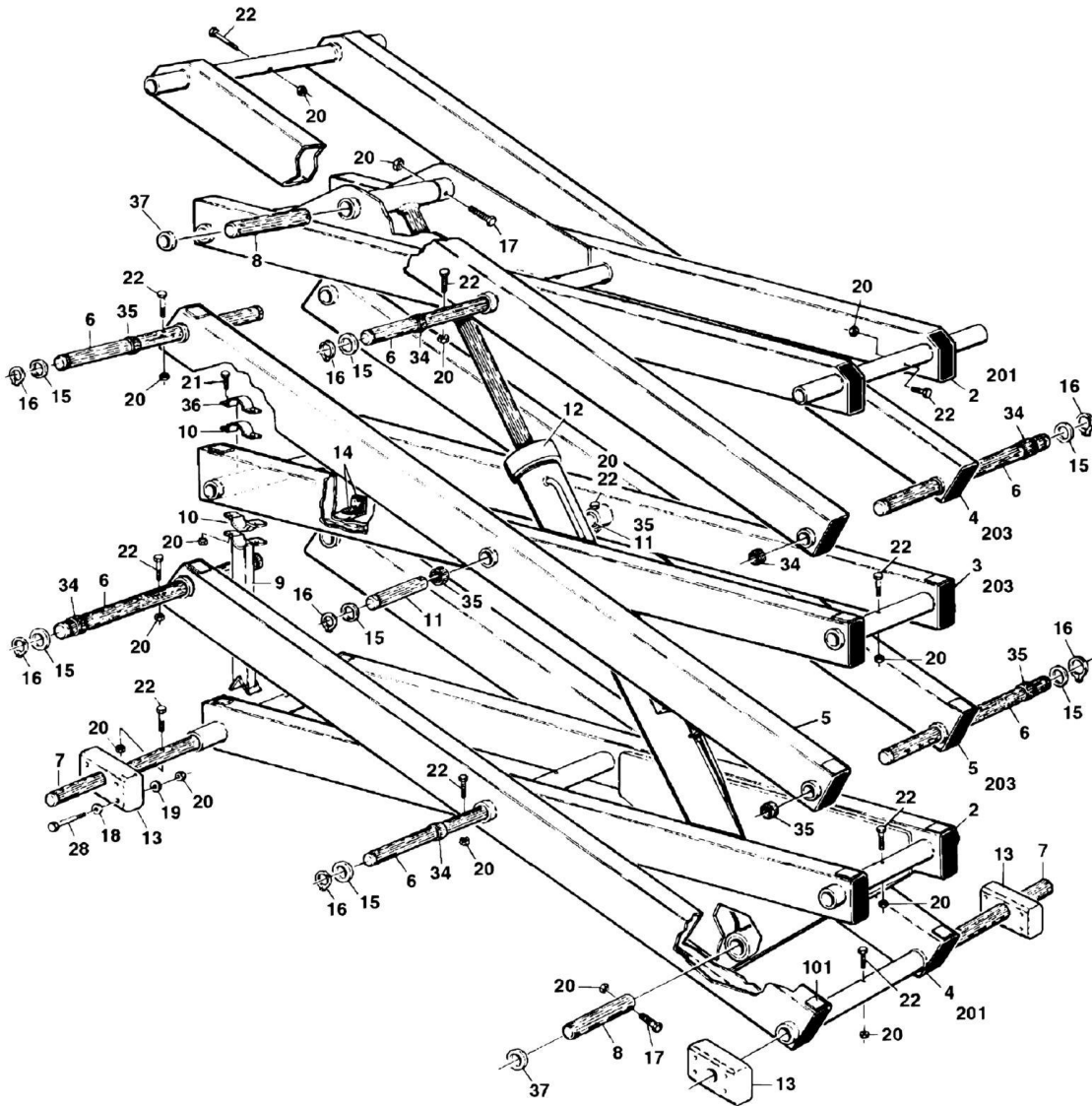
SECTION 3 - SCISSOR ARMS

FIGURE 3-1. SCISSOR ARMS INSTALLATION - 1532E (POWER DOWN MACHINES)

ITEM	PART NUMBER	QTY	DESCRIPTION	REV
	0255697	Ref	SCISSOR ARMS INSTALLATION - 1532E (POWER DOWN MACHINES)	9-J
		Ref	Note: To determine Power or Gravity Down refer to page A.	
2	0200538	2	Arm Weldment (Top and Bottom Inboard)	
3	0200539	1	Arm Weldment (Mid Inboard)	
4	0200540	2	Arm Weldment (Top and Bottom Outboard)	
5	0200541	2	Arm Weldment (Mid Outboard)	
6	3422494	6	Pin	
7	3422495	2	Pin	
8	3422496	2	Pin	
9	4845040	1	Prop, Safety (Prior to SN 28355)	
9	4845431	1	Prop, Safety (SN 28355 to Present)	
10	0962015	1	Bushing, Split (Prior to SN 28355)	
10	4240125	1	Bushing, Split (SN 28355 to Present)	
11	3422488	2	Pin	
12		Ref	Lift Cylinder Assembly (See CYLINDER SECTION for Breakdown)	
12	1683377	1	Lift Cylinder Assembly (Prior to SN 27181)	
12	1683475	1	Lift Cylinder Assembly (SN 27181 to Present)	
13	3340784	4	Pad, Slide Block (Prior to SN 29539)	
13	3340629	4	Pad, Slide Block (SN 29539 to Present)	
14	3340645	3	Pad, Polyurethane	
15	4740438	14	Washer, Special	
16	3760387	14	Ring, Retaining	
17	0641522	2	Bolt 5/16in-18NC x 2 3/4in	
18	4711500	8	Flatwasher 5/16in Narrow	
19	4751500	8	Flatwasher 5/16in Regular	
20	3311505	24	Locknut 5/16in-18NC	
21	0641508	2	Bolt 5/16in-18NC x 1in	
22	0641520	12	Bolt 5/16in-18NC x 2 1/2in	
34	0962010	8	Bushing, Garmax (4 Per Weldment)	
35	0962010	6	Bushing, Garmax (3 Per Weldment)	
36	0641524	8	Bolt 5/16in-18NC x 3in	
37	4240114	1	Strap (Prior to SN 28355)	
37	4240128	1	Strap (SN 28355 to Present)	
	2901366	1	Arm Kit - 1532E (Includes Items 2-5 & 9)	A
	0252586	Ref	ARM PADS INSTALLATION	-
101	3340645	16	Pad	
	0256386	Ref	ARM CAPS INSTALLATION	-
201	1120480	8	Cap	
203	1120479	16	Cap	
		Ref	Note: To determine Power or Gravity Down refer to page A.	
	0256527	Ref	CABLE/HOSE CLAMPS INSTALLATION (NOT SHOWN)	5-E
	1320224	10	Clamp, Loop 5/8in	
	3941406	5	Screw, Self-Tapping 1/4in x 3/4in	
	4240018	10	Tie-Strap 15in/38cm	
	4751400	5	Flatwasher 1/4in	
	4240033	15	Tie-Strap 7.5in/19cm	
	4460328	1	Connector, Strain Relief (Located On Platform)	
	4240127	4	Tie-Strap 21in/53cm	

SECTION 3 - SCISSOR ARMS

FIGURE 3-2. SCISSOR ARMS INSTALLATION - 1532E (GRAVITY DOWN MACHINES)



SECTION 3 - SCISSOR ARMS

FIGURE 3-2. SCISSOR ARMS INSTALLATION - 1532E (GRAVITY DOWN MACHINES)

ITEM	PART NUMBER	QTY	DESCRIPTION	REV
		Ref	Note: To determine Power or Gravity Down refer to page A.	
	0257115	Ref	SCISSOR ARMS INSTALLATION - 1532E (GRAVITY DOWN MACHINES)	4/C
2	0200538	2	Arm Weldment (Top and Bottom Inboard)	
3	0200539	1	Arm Weldment (Mid Inboard)	
4	0200540	2	Arm Weldment (Top and Bottom Outboard)	
5	0200541	2	Arm Weldment (Mid Outboard)	
6	3422494	6	Pin	
7	3422495	2	Pin	
8	3422496	2	Pin	
9	4845475	1	Prop, Safety	
10	4240125	1	Bushing, Split	
11	3422488	2	Pin	
12	1683500	1	Lift Cylinder Assembly (See CYLINDER SECTION for Breakdown)	
13	3340629	4	Pad, Slide Block	
14		Ref	Pad Options:	
14	3340645	3	Pad (Polyurethane) (Prior to SN 47288)	
14	3340841	3	Pad (PVC) (SN 47288 to Present)	
15	4740438	14	Washer, Special	
16	3760387	14	Ring, Retaining	
17	0641522	2	Bolt 5/16in-18NC x 2 3/4in	
18	4711500	8	Flatwasher 5/16in Narrow	
19	4751500	8	Flatwasher 5/16in Regular	
20	3311505	24	Locknut 5/16in-18NC	
21	0641508	2	Bolt 5/16in-18NC x 1in	
22	0641520	12	Bolt 5/16in-18NC x 2 1/2in	
28	0641524	8	Bolt 5/16in-18NC x 3in	
34	0962010	8	Bushing, Garmax	
35	0962010	6	Bushing, Garmax	
36	4240128	1	Strap	
37	4740307	2	Shim	
	2901501	1	Arm Kit - 1532E (Includes Items 2-5 & 9)	A
	0252586	Ref	ARM PADS INSTALLATION	3
101		Ref	Pad Options:	
101	3340645	16	Pad (Polyurethane) (Prior to SN 47288)	
101	3340841	16	Pad (PVC) (SN 47288 to Present)	
	0256386	Ref	ARM CAPS INSTALLATION	2
201	1120480	8	Cap	
203	1120479	16	Cap	
204	0100080	AR	Adhesive (Not Shown)	
		Ref	Note: To determine Power or Gravity Down refer to page A.	
	0256527	Ref	CABLE/HOSE CLAMPS INSTALLATION (NOT SHOWN)	8/G
	1320224	10	Clamp, Loop 5/8in	
	3941406	5	Screw, Self-Tapping 1/4in x 3/4in	
	4240018	10	Tie-Strap 15in/38cm (Prior to SN 38168)	
	4751400	5	Flatwasher 1/4 (Prior to SN 38168)	
	4240033	15	Tie-Strap 7.5in/19cm	
	4460328	1	Connector, Strain Relief (Located On Platform) (Prior to SN 45030)	

SECTION 3 - SCISSOR ARMS

ITEM	PART NUMBER	QTY	DESCRIPTION	REV
	4460071	1	Connector, Strain Relief (Located On Platform) (SN 45030 to Present)	
	4240127	4	Tie-Strap 21in/53cm	
	4060807	1 ft/30.5	Shield, Edge Trim	
	1320095	1	Clamp	
	0641408	2	Bolt 1/4ft-20NC x 1in	
	3311405	2	Nut 1/4in-20NC	

SECTION 3 - SCISSOR ARMS

FIGURE 3-3. SCISSOR ARMS INSTALLATION - 1932E (POWER DOWN MACHINES)

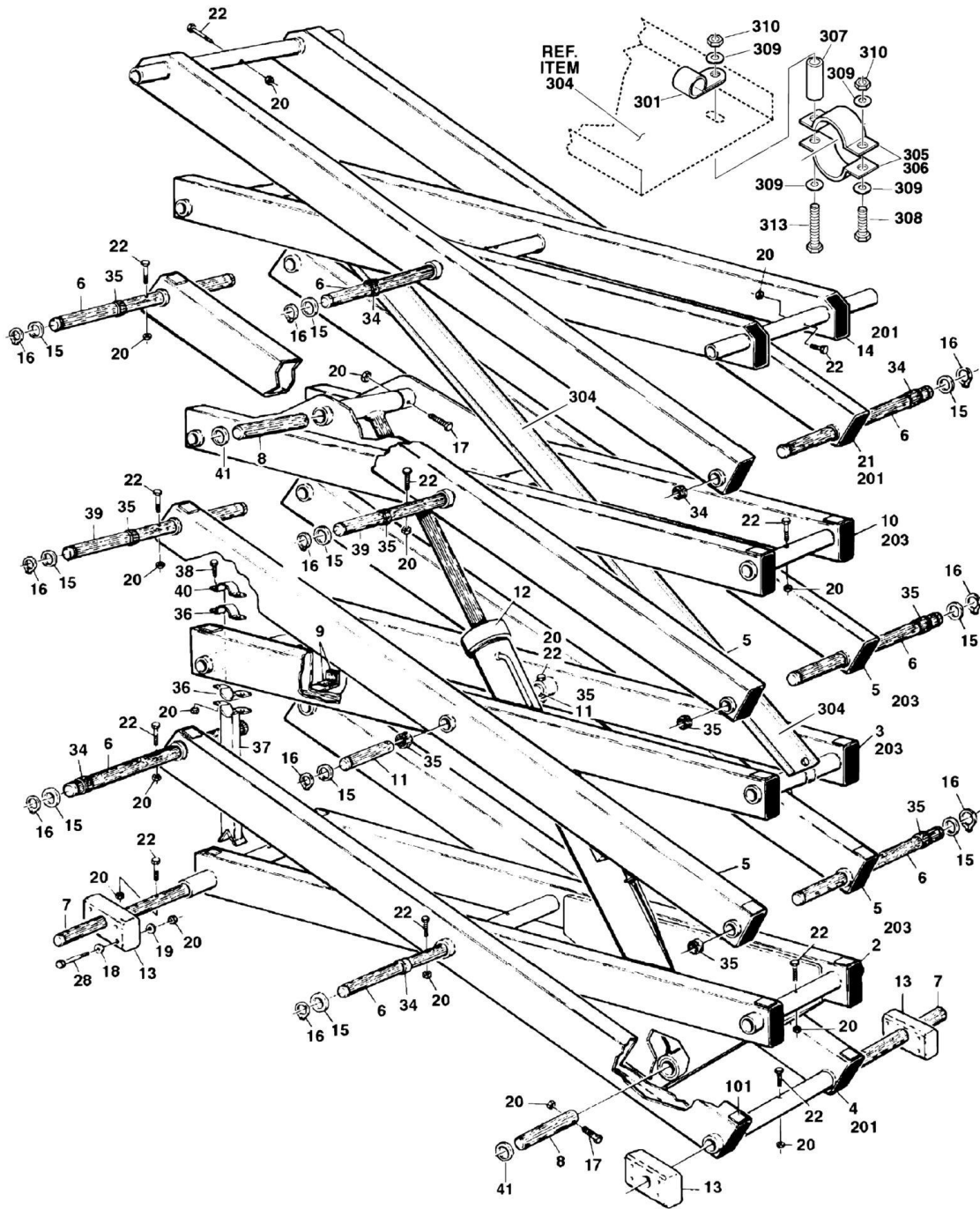
ITEM	PART NUMBER	QTY	DESCRIPTION	REV
	0255751	Ref	COMMON MACHINES	11-L
	0256537	Ref	CANADIAN MACHINES	9-J
		Ref	Note: To determine Power or Gravity Down refer to page A.	
2	0200538	1	Arm Weldment (Bottom Inboard)	
3	0200539	1	Arm Weldment (Lower Mid Inboard)	
4	0200540	1	Arm Weldment (Bottom Outboard)	
5	0200541	4	Arm Weldment (Lower and Upper Mid Outboard)	
6	3422494	7	Pin	
7	3422495	2	Pin	
8	3422496	2	Pin	
9	3340645	3	Pad, Polyurethane	
10	0200542	1	Arm Weldment (Upper Mid Inboard)	
11	3422488	2	Pin	
12		Ref	Lift Cylinder Assembly (See CYLINDER SECTION for Breakdown)	
12	1683377	1	Lift Cylinder Assembly (Prior to SN 27181)	
12	1683475	1	Lift Cylinder Assembly (SN 27181 to Present)	
13	3340784	4	Pad, Slide (Prior to SN 29098)	
13	3340629	4	Pad, Slide (SN 29098 to Present)	
14	0200543	1	Arm Weldment (Top Inboard)	
15	4740438	14	Washer, Special	
16	3760387	14	Ring, Retaining	
17	0641522	12	Bolt 5/16in-18NC x 2 3/4in	
18	4711500	8	Flatwasher 5/16in Narrow	
19	4751500	8	Flatwasher 5/16in Regular	
20	3311505	24	Locknut 5/16in-18NC	
21	0200544	1	Arm Weldment (Top Outboard)	
22	0641520	12	Bolt 5/16in-18NC x 2 1/2in	
34	0962010	4	Bushing, Garmax (4 Per Weldment)	
35	0962010	12	Bushing, Garmax (3 Per Weldment)	
36	0962015	1	Bushing, Split (Prior to SN 28355)	
36	4240125	1	Bushing, Split (SN 28355 to Present)	
37	4845040	1	Prop, Safety (Prior to SN 28355)	
37	4845431	1	Prop, Safety (SN 28355 to Present)	
38	0641508	2	Bolt 5/16in-18NC x 1in	
39	0641524	8	Bolt 5/16in-18NC x 3in	
40	4240114	1	Strap (Prior to SN 28355)	
40	4240128	1	Strap (SN 28355 to Present)	
41		Ref	Pin Options:	
41	3422494	2	Common	
41	3422596	2	Canada Only	
	2901367	1	Arm Kit - 1932E (Includes #s 2-5, 10, 14, 21 & 37)	A
	0252587	Ref	ARM PADS INSTALLATION	-
101	3340645	24	Pad	
		Ref	Note: To determine Power or Gravity Down refer to page A.	
	0256387	Ref	ARM CAPS INSTALLATION	-
201	1120480	8	Cap	
203	1120479	24	Cap	
	0256528	Ref	CABLE/HOSE TRAY INSTALLATION	6-F
301	1320224	12	Clamp, Loop 5/8in	
302	3941406	9	Screw, Self-Tapping (Not Shown - Used with Item 2)	

SECTION 3 - SCISSOR ARMS

ITEM	PART NUMBER	QTY	DESCRIPTION	REV
303	4240018	12	Tie-Strap 15in/38cm (Not Shown)	
304	3539796	1	Tray	
305	4240114	4	Strap (Requires Bushing #306) (Prior to SN 28355)	
305	4240125	4	Strap (Does NOT Require Bushing) (SN 28355 to Present)	
306	0962015	2	Bushing, Split Only (Prior to SN 28355)	
307	4565665	2	Spacer, Tube (Prior to SN 31100)	
307	4567167	2	Spacer, Tube (SN 31100 to Present)	
308	0641406	2	Bolt 1/4in-20NC x 3/4in	
309	4711400	9	Flatwasher 1/4in Narrow	
310	3311405	4	Locknut 1/4in-20NC	
311	4240033	20	Tie-Strap 7.5in/19cm (Not Shown)	
312	4460328	1	Connector, Strain Relief (Not Shown - Located on Platform)	
313	0641420	2	Bolt 1/4in-20NC x 2 1/2in	
314	4240127	4	Tie-Strap 21in/53cm (Not Shown)	

SECTION 3 - SCISSOR ARMS

FIGURE 3-4. SCISSOR ARMS INSTALLATION - 1932E (GRAVITY DOWN MACHINES)



SECTION 3 - SCISSOR ARMS

FIGURE 3-4. SCISSOR ARMS INSTALLATION - 1932E (GRAVITY DOWN MACHINES)

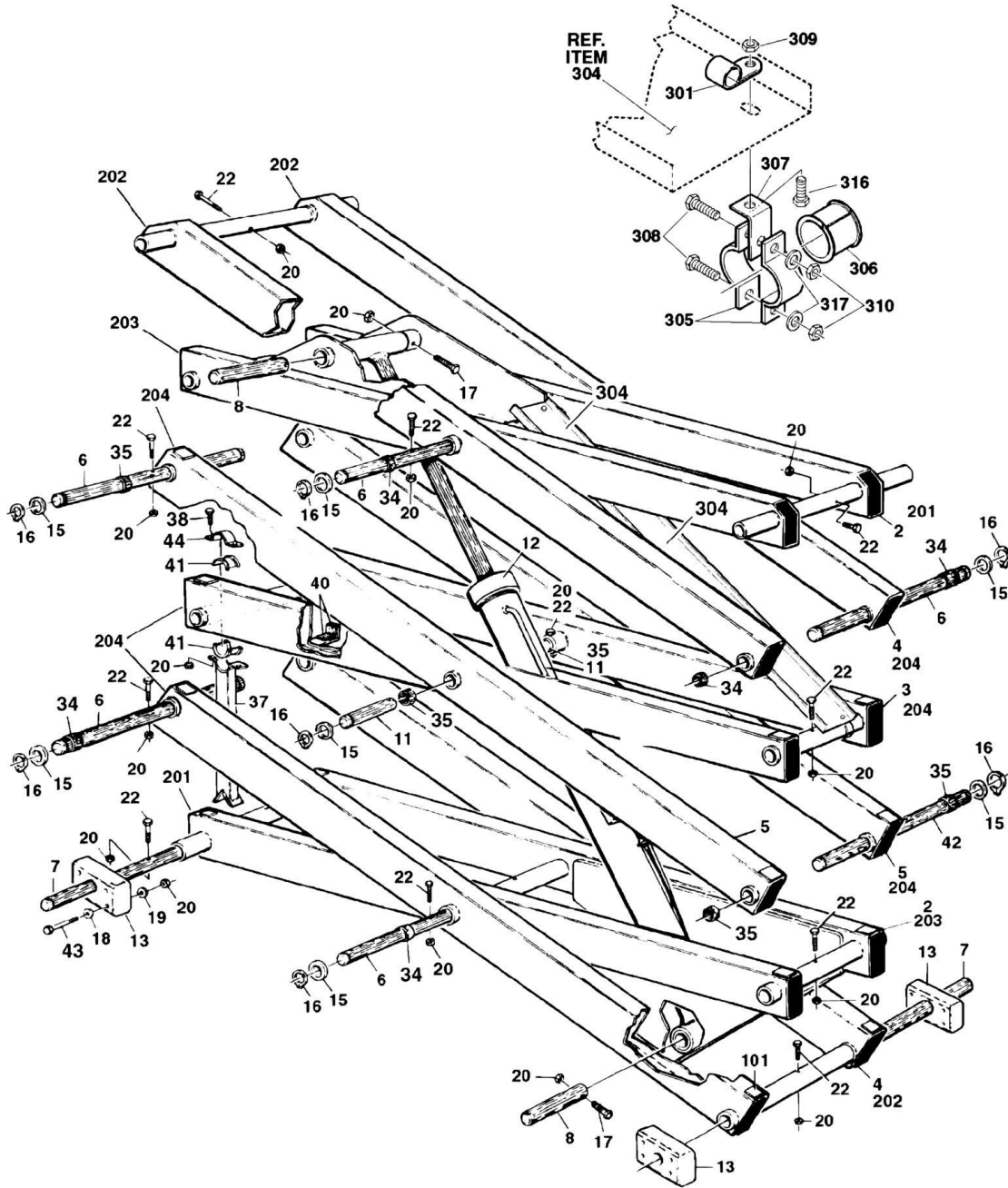
ITEM	PART NUMBER	QTY	DESCRIPTION	REV
	0257116	Ref	COMMON MACHINES	6-C
	0257117	Ref	CANADIAN MACHINES	6-C
		Ref	Note: To determine Power or Gravity Down refer to page A.	
2	0200538	1	Arm Weldment (Bottom Inboard)	
3	0200539	1	Arm Weldment (Lower Mid Inboard)	
4	0200540	1	Arm Weldment (Bottom Outboard)	
5	0200541	4	Arm Weldment (Lower and Upper Mid Outboard)	
6	3422494	7	Pin	
7	3422495	2	Pin	
8	3422496	2	Pin	
9		Ref	Pad Options:	
9	3340645	3	Pad (Polyurethane) (Prior to SN 47288)	
9	3340841	3	Pad (PVC) (SN 47288 to Present)	
10	0200542	1	Arm Weldment (Upper Mid Inboard)	
11	3422488	2	Pin	
12	1683500	1	Lift Cylinder Assembly (See CYLINDER SECTION for Breakdown)	
13	3340629	4	Pad, Slide	
14	0200543	1	Arm Weldment (Top Inboard)	
15	4740438	20	Washer, Special	
16	3760387	20	Ring, Retaining	
17	0641522	2	Bolt 5/16in-18NC x 2 3/4in	
18	4711500	8	Flatwasher 5/16in Narrow	
19	4751500	8	Flatwasher 5/16in Regular	
20	3311505	24	Locknut 5/16in-18NC	
21	0200544	1	Arm Weldment (Top Outboard)	
22	0641520	12	Bolt 5/16in-18NC x 2 1/2in	
28	0641524	8	Bolt 5/16in-18NC x 3in	
34	0962010	8	Bushing, Garmax	
35	0962010	12	Bushing, Garmax	
36	4240125	1	Bushing, Split	
37	4845475	1	Prop, Safety	
38	0641508	2	Bolt 5/16in-18NC x 1in	
39		Ref	Pin Options:	
39	3422494	2	Common	
39	3422596	2	Canada Only	
40	4240128	1	Strap	
41	4740307	2	Shim	
	2901502	1	Arm Kit - 1932E (Includes items 2-5, 10, 14, 21 & 37)	1-A
	0252587	Ref	ARM PADS INSTALLATION	3
101		Ref	Pad Options:	
101	3340645	24	Pad (Polyurethane) (Prior to SN 47288)	
101	3340841	24	Pad (PVC) (SN 47288 to Present)	
		Ref	Note: To determine Power or Gravity Down refer to page A.	
	0256387	Ref	ARM CAPS INSTALLATION	2
201	1120480	8	Cap	
203	1120479	24	Cap	
204	0100080	AR	Adhesive (Not Shown)	
	0256528	Ref	CABLE/HOSE TRAY INSTALLATION	10-I
301	1320224	11	Clamp, Loop 5/8in	
302	3941406	8	Screw, Self-Tapping (Not Shown - Used with Item 2)	

SECTION 3 - SCISSOR ARMS

ITEM	PART NUMBER	QTY	DESCRIPTION	REV
303	4240018	12	Tie-Strap 15in/38cm (Not Shown) (Prior to SN 38168)	
304	3539796	1	Tray	
305	4240125	4	Strap	
306	4240128	4	Strap Only (SN 57976 to Present)	
307	4567167	2	Spacer, Tube	
308	0641408	2	Bolt 1/4in-20NC x 1in	
309	4711400	6	Flatwasher 1/4in Narrow	
310	3311405	4	Locknut 1/4in-20NC	
311	4240033	20	Tie-Strap 7.5in/19cm (Not Shown)	
312	4460328	1	Connector, Strain Relief (Not Shown - Located On Platform) (Prior to SN 45030)	
312	4460071	1	Connector, Strain Relief (Not Shown - Located On Platform) (SN 45030 to Present)	
313	0641422	2	Bolt 1/4in-20NC x 2 3/4in	
314	4240127	4	Tie-Strap 21in/53cm (Not Shown)	
315	4060807	1 ft/30.5m	Shield, Trim Edge (Not Shown - Located on Frame)	
316	1320095	1	Clamp (Not Shown)	
317	1320061	3	Clamp (Not Shown) (Prior to SN 38168)	

SECTION 3 - SCISSOR ARMS

FIGURE 3-5. SCISSOR ARMS INSTALLATION - 2033E/2046E (POWER DOWN MACHINES)



SECTION 3 - SCISSOR ARMS

FIGURE 3-5. SCISSOR ARMS INSTALLATION - 2033E/2046E (POWER DOWN MACHINES)

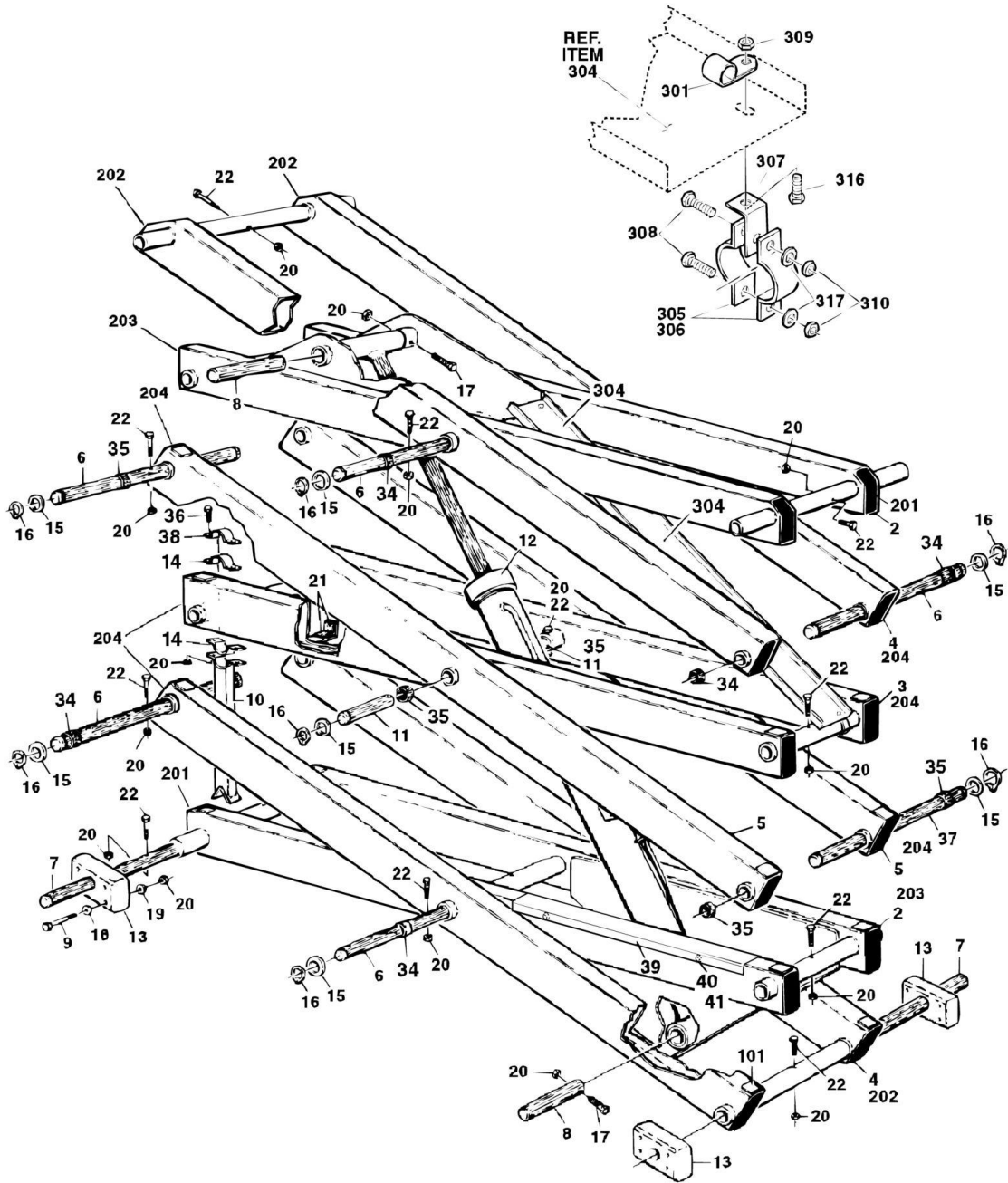
ITEM	PART NUMBER	QTY	DESCRIPTION	REV
	0255571	Ref	COMMON MACHINES	11
	0256381	Ref	CANADIAN MACHINES	8
		Ref	Note: To determine Power or Gravity Down refer to page A.	
2	0200531	2	Arm Weldment (Top and Bottom Inboard)	
3	0200532	1	Arm Weldment (Mid Inboard)	
4	0200533	2	Arm Weldment (Top and Bottom Outboard)	
5	0200534	2	Arm Weldment (Mid Outboard)	
6	3422483	5	Pin	
7	3422484	2	Pin	
8	3422485	2	Pin	
11	3422488	2	Pin	
12		Ref	Lift Cylinder Assembly (See CYLINDER SECTION for Breakdown)	
12	1683352	1	Lift Cylinder Assembly (Prior to SN 27085)	
12	1683473	1	Lift Cylinder Assembly (SN 27085 to Present)	
13	3340784	4	Pad, Slide Block (Prior to SN 29022)	
13	3340629	4	Pad, Slide Block (SN 29022 to Present)	
15	4740438	14	Washer, Special	
16	3760387	14	Ring, Retaining	
17	0641522	2	Bolt 5/16in-18NC x 2 3/4in	
18	4711500	8	Flatwasher 5/16in Narrow	
19	4751500	8	Flatwasher 5/16in Regular	
20	3311505	24	Locknut 5/16in-18NC	
22	0681520	12	Bolt 5/16in-18NC x 2 1/2in Grade 8	
34	0962010	8	Bushing, Garmax (4 Per Weldment)	
35	0962010	6	Bushing, Garmax (3 Per Weldment)	
37	4845040	1	Prop, Safety (Prior to SN 28355)	
37	4845431	1	Prop, Safety (SN 28355 to Present)	
38	0641508	2	Bolt 5/16in-18NC x 1in	
40	3340645	3	Pad	
41	0962015	1	Bushing, Split (Prior to SN 28355)	
41	4240125	1	Bushing, Split (SN 28355 to Present)	
42	3422483	1	Pin (Common)	
42	3422587	1	Pin (Canada Only)	
43	0641524	8	Bolt 5/16in-18NC x 3in	
44	4240114	1	Strap (Prior to SN 28355)	
44	4240128	1	Strap (SN 28355 to Present)	
	2901340	1	Arm Kit - 2033E/2046E (Includes Items 2-5 & 37)	A
	0252586	Ref	ARM PADS INSTALLATION	-
101	3340645	16	Pad	
		Ref	Note: To determine Power or Gravity Down refer to page A.	
		Ref	ARM CAPS INSTALLATION	
201	1120474	4	Cap	
202	1120475	4	Cap	
203	1120472	4	Cap	
204	1120473	12	Cap	
	0256509	Ref	CABLE/HOSE TRAY INSTALLATION	5-E
301	1320224	13	Clamp, Loop 5/8in	
302	3941406	8	Screw, Self-Tapping (Not Shown - Used with Item 2)	
303	4240018	12	Tie-Strap 15in/38cm (Not Shown)	
304	3539264	1	Tray	

SECTION 3 - SCISSOR ARMS

ITEM	PART NUMBER	QTY	DESCRIPTION	REV
305	4240114	4	Strap (Requires Bushing #306) (Prior to SN 28355)	
305	4240125	4	Strap (Does NOT Require Bushing) (SN 28355 to Present)	
306	0962015	2	Bushing, Split Only (Prior to SN 28355)	
307	4240116	3	Strap, Mounting Angle	
308	0641508	4	Bolt 5/16in-18NC x 1in	
309	3311405	2	Locknut 1/4in-20NC	
310	3311505	4	Locknut 5/16in-18NC	
311	4240033	24	Tie-Strap 7.5in/19cm (Not Shown)	
312	4460328	1	Connector, Strain Relief (Not Shown - Located on Platform)	
313	4240127	4	Tie-Strap 21in/53cm (Not Shown)	
316	0641406	2	Bolt 1/4in-20 x 3/4in	
317	4711500	8	Flatwasher 5/16in	

SECTION 3 - SCISSOR ARMS

FIGURE 3-6. SCISSOR ARMS INSTALLATION - 2033E/2046E (GRAVITY DOWN MACHINES)



SECTION 3 - SCISSOR ARMS

FIGURE 3-6. SCISSOR ARMS INSTALLATION - 2033E/2046E (GRAVITY DOWN MACHINES)

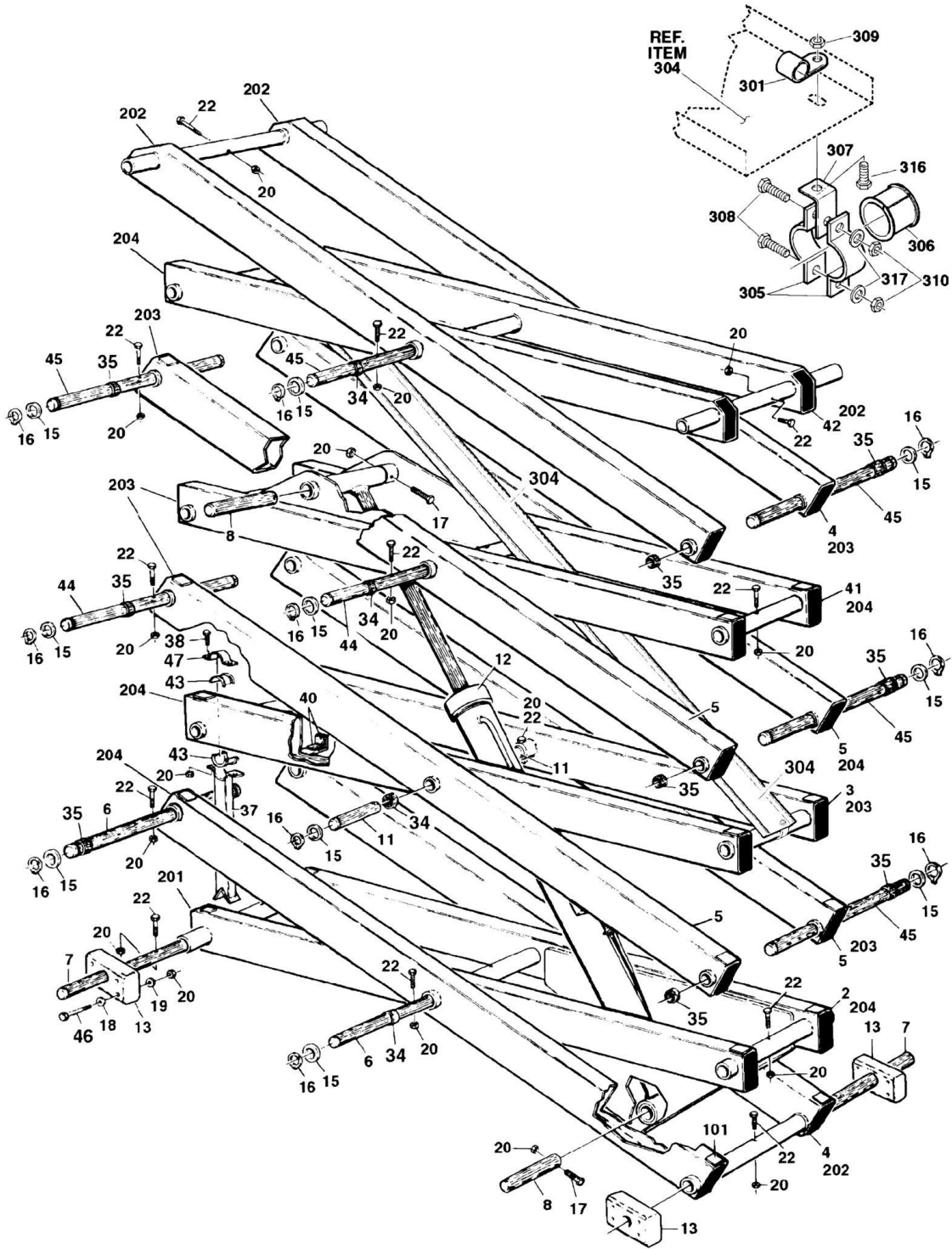
ITEM	PART NUMBER	QTY	DESCRIPTION	REV
	0257118	Ref	COMMON MACHINES	4
	0257119	Ref	CANADIAN MACHINES	4
	0257640	Ref	JAPANESE MACHINES	4
		Ref	Note: To determine Power or Gravity Down refer to page A.	
2	0200531	2	Arm Weldment (Top and Bottom Inboard) (Standard)	
2	0200531	1	Arm Weldment (Top Inboard) (Japanese Spec)	
2	0200564	1	Arm Weldment (Bottom Inboard) (Japanese Spec)	
3	0200532	1	Arm Weldment (Mid Inboard)	
4	0200533	2	Arm Weldment (Top and Bottom Outboard)	
5	0200534	2	Arm Weldment (Mid Outboard)	
6	3422483	5	Pin	
7	3422484	2	Pin	
8	3422485	2	Pin	
9	0641524	8	Bolt 5/16in-18NC x 3in	
10	4845475	1	Prop, Safety	
11	3422488	2	Pin	
12	1683501	1	Lift Cylinder Assembly (See CYLINDER SECTION for Breakdown)	
13	3340629	4	Pad, Slide Block	
14	4240125	1	Bushing, Split	
15	4740438	14	Washer, Special	
16	3760387	14	Ring, Retaining	
17	0641522	2	Bolt 5/16in-18NC x 2 3/4in	
18	4711500	8	Flatwasher 5/16in Narrow	
19	4751500	8	Flatwasher 5/16in Regular	
20	3311505	24	Locknut 5/16in-18NC	
21		Ref	Pad Options:	
21	3340645	3	Pad (Polyurethane) (Prior to SN 47288)	
21	3340841	3	Pad (PVC) (SN 47288 to Present)	
22	0681520	12	Bolt 5/16in-18NC x 2 1/2in Grade 8	
34	0962010	8	Bushing, Garmax	
35	0962010	6	Bushing, Garmax	
36	0641508	2	Bolt 5/16in-18NC x 1in	
37	3422483	1	Pin (Common)	
37	3422587	1	Pin (Canada Only)	
38	4240128	1	Strap	
39	1670837	1	Cover, Arm (Japanese Spec)	
40	4711400	4	Flatwasher (Japanese Spec)	
41	3941406	4	Self Tapping 1/4in (Japanese Spec)	
	2901503	1	Arm Kit - 2033E/2046E (Includes Items 2-5 & 10)	A
	2901524	1	Arm Kit - 2033E/2046E (Includes Items 2-5 & 10) (Japanese Spec)	A
	0252586	Ref	ARM PADS INSTALLATION	3
101		Ref	Pad Options:	
101	3340645	16	Pad (Polyurethane) (Prior to SN 47288)	
101	3340841	16	Pad (PVC) (SN 47288 to Present)	
		Ref	Note: To determine Power or Gravity Down refer to page A.	
	0256063	Ref	ARM CAPS INSTALLATION	
201	1120474	4	Cap	
202	1120475	4	Cap	
203	1120472	4	Cap	
204	1120473	12	Cap	

SECTION 3 - SCISSOR ARMS

ITEM	PART NUMBER	QTY	DESCRIPTION	REV
205	0100080	AR	Adhesive (Not Shown)	9-G
	0256509	Ref	CABLE/HOSE TRAY INSTALLATION	
301	1320224	13	Clamp, Loop 5/8in	
302	3941406	8	Screw, Self-Tapping (Not Shown - Used with Item 2)	
303	4240018	12	Tie-Strap 15in/38cm (Not Shown)	
304	3539264	1	Tray	
305	4240125	4	Strap	
306	4240128	4	Strap Only (SN 57976 to Present)	
307	4240116	2	Strap, Mounting Angle	
308	0641510	4	Bolt 5/16in-18NC x 1 1/4in	
309	3311405	2	Locknut 1/4in-20NC	
310	3311505	4	Locknut 5/16in-18NC	
311	4240033	24	Tie-Strap 7.5in/19cm (Not Shown)	
312	4460328	1	Connector, Strain Relief (Not Shown - Located On Platform) (Prior to SN 45030)	
312	4460071	1	Connector, Strain Relief (Not Shown - Located On Platform) (SN 45030 to Present)	
313	4240127	4	Tie-Strap 21in/53cm (Not Shown)	
314	4060807	1 ft/30.5m	Shield, Trim Edge (Not Shown - Located on Frame)	
315	1320095	2	Clamp (Not Shown)	
316	0641406	2	Bolt 1/4in-20NC x 3/4in	
317	4711500	8	Flatwasher 5/16in Narrow	

SECTION 3 - SCISSOR ARMS

FIGURE 3-7. SCISSOR ARMS INSTALLATION - 2646E/2658E (POWER DOWN MACHINES)



SECTION 3 - SCISSOR ARMS

FIGURE 3-7. SCISSOR ARMS INSTALLATION - 2646E/2658E (POWER DOWN MACHINES)

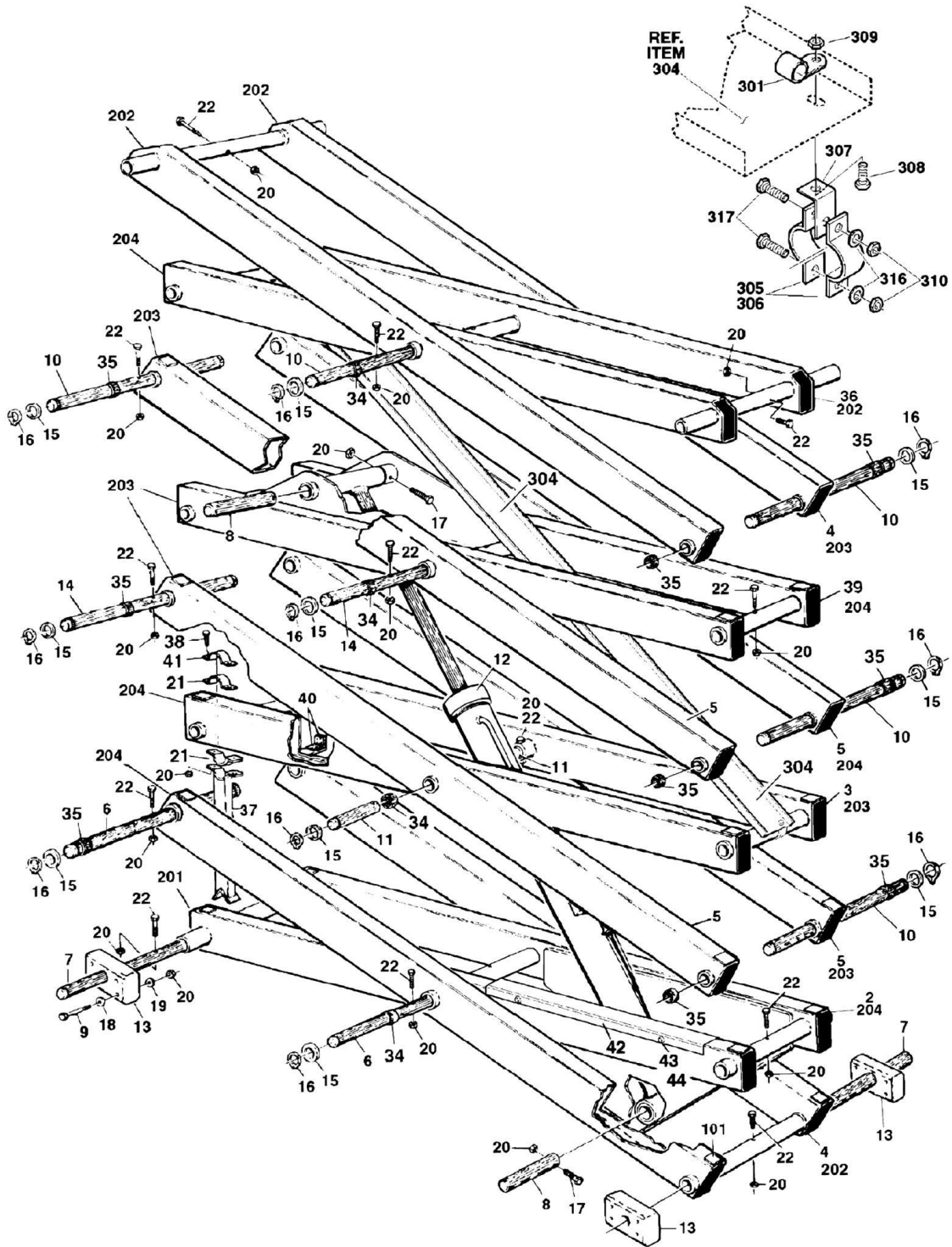
ITEM	PART NUMBER	QTY	DESCRIPTION	REV
		Ref	Note: To determine Power or Gravity Down refer to page A.	
	0255618	Ref	COMMON MACHINES	1
	0256380	Ref	CANADIAN MACHINES	1
	Not Available	Ref	JAPANESE MACHINES	
2	0200531	1	Arm Weldment (Bottom Inboard)	
3	0200532	1	Arm Weldment (Lower Mid Inboard)	
4	0200533	2	Arm Weldment (Bottom and Top Outboard)	
5	0200537	4	Arm Weldment (Lower and Upper Mid Outboard)	
6	3422483	2	Pin	
7	3422484	2	Pin	
8	3422485	2	Pin	
11	3422488	2	Pin	
12		Ref	Lift Cylinder Assembly (See CYLINDER SECTION for Breakdown)	
12	1683363	1	Lift Cylinder Assembly (Prior to SN 26916)	
12	1683474	1	Lift Cylinder Assembly (SN 26916 to Present)	
13	3340784	4	Pad, Slide Block (Prior to SN 28909)	
13	3340629	4	Pad, Slide Block (SN 28909 to Present)	
15	4740438	14	Washer, Special	
16	3760387	14	Ring, Retaining	
17	0641522	2	Bolt 5/16in-18NC x 2 3/4in	
18	4711500	8	Flatwasher 5/16in Narrow	
19	4751500	8	Flatwasher 5/16in Regular	
20	3311505	24	Locknut 5/16in-18NC	
22	0681520	12	Bolt 5/16in-18NC x 2 1/2in Grade 8	
34	0962010	8	Bushing, Garmax	
35	0962010	12	Bushing, Garmax	
37	4845040	1	Prop, Safety (Prior to SN 28355)	
37	4845431	1	Prop, Safety (SN 28355 to Present)	
38	0641508	2	Bolt 5/16in-18NC x 1in	
40	3340645	24	Pad	
41	0200535	1	Arm Weldment (Upper Mid Inboard)	
42	0200536	1	Arm Weldment (Top Inboard)	
43	0962015	1	Bushing, Split (Prior to SN 28355)	
43	4240125	1	Bushing, Split (SN 28355 to Present)	
44	3422597	2	Pin (Common)	
44	3422589	2	Pin (Canada Only)	
45	3422483	5	Pin (Common)	
45	3422587	5	Pin (Canada Only)	
46	0641524	8	Bolt 5/16in-18NC x 3in	
47	4240114	1	Strap (Prior to SN 28355)	
47	4240128	1	Strap (SN 28355 to Present)	
	2901352	1	Arm Kit - 2646E/2658E (Includes Items 2-5, 10, 14, 21 & 37)	A
		Ref	Note: To determine Power or Gravity Down refer to page A.	
	0252587	Ref	ARM PADS INSTALLATION	-
101	3340645	24	Pad	
	0256064	Ref	ARM CAPS INSTALLATION	-
201	1120474	2	Cap	
202	1120475	6	Cap	
203	1120472	14	Cap	
204	1120473	10	Cap	

SECTION 3 - SCISSOR ARMS

ITEM	PART NUMBER	QTY	DESCRIPTION	REV
	0256510	Ref	CABLE/HOSE TRAY INSTALLATION	5-E
301	1320224	17	Clamp, Loop 5/8in	
302	3941406	8	Screw, Self-Tapping (Not Shown - Used with Item 2)	
303	4240018	16	Tie-Strap 15in/38cm (Not Shown)	
304	3539265	1	Tray	
305	4240114	4	Strap (Requires Bushing #306) (Prior to SN 28355)	
305	4240125	4	Strap (Does NOT Require Bushing) (SN 28355 to Present)	
306	0962015	2	Bushing, Split Only (Prior to SN 28355)	
307	4240116	3	Strap, Mounting Angle	
308	0641510	4	Bolt 5/16in-18NC x 1 1/4in	
309	3311405	2	Locknut 1/4in-20NC	
310	3311505	4	Locknut 5/16in-18NC	
311	4240033	30	Tie-Strap 7.5in/19cm (Not Shown)	
312	4460328	1	Connector, Strain Relief (Not Shown - Located on Platform)	
313	4240127	4	Tie-Strap 21in/53cm (Not Shown)	
316	0641406	2	Bolt 1/4in-20 x 3/4in	
317	4711500	8	Flatwasher 5/16in	

SECTION 3 - SCISSOR ARMS

FIGURE 3-8. SCISSOR ARMS INSTALLATION - 2646E/2658E (GRAVITY DOWN MACHINES)



SECTION 3 - SCISSOR ARMS

FIGURE 3-8. SCISSOR ARMS INSTALLATION - 2646E/2658E (GRAVITY DOWN MACHINES)

ITEM	PART NUMBER	QTY	DESCRIPTION	REV
	0257120	Ref	COMMON MACHINES	5
	0257121	Ref	CANADIAN MACHINES	5
	0257641	Ref	JAPANESE MACHINES	4
		Ref	Note: To determine Power or Gravity Down refer to page A.	
2	0200531	1	Arm Weldment (Bottom Inboard) (Standard)	
2	0200564	1	Arm Weldment (Bottom Inboard) (Japanese Spec)	
3	0200532	1	Arm Weldment (Lower Mid Inboard)	
4	0200533	2	Arm Weldment (Bottom and Top Outboard)	
5	0200537	4	Arm Weldment (Lower and Upper Mid Outboard)	
6	3422483	2	Pin	
7	3422484	2	Pin	
8	3422485	2	Pin	
9	0641524	8	Bolt 5/16in-18NC x 3in	
10	3422483	5	Pin (Common)	
10	3422587	5	Pin (Canada Only)	
11	3422488	2	Pin	
12	1683502	1	Lift Cylinder Assembly (See CYLINDER SECTION for Breakdown)	
13	3340629	4	Pad, Slide Block	
14	3422597	2	Pin (Common)	
14	3422589	2	Pin (Canada Only)	
15	4740438	20	Washer, Special	
16	3760387	20	Ring, Retaining	
17	0641522	2	Bolt 5/16in-18NC x 2 3/4in	
18	4711500	8	Flatwasher 5/16in Narrow	
19	4751500	8	Flatwasher 5/16in Regular	
20	3311505	24	Locknut 5/16in-18NC	
21	4240125	1	Bushing, Split	
22	0681520	12	Bolt 5/16in-18NC x 2 1/2in Grade 8	
34	0962010	8	Bushing, Garmax	
35	0962010	12	Bushing, Garmax	
36	0200536	1	Arm Weldment (Top Inboard)	
37	4845475	1	Prop, Safety	
38	0641508	2	Bolt 5/16in-18NC x 1in	
39	0200535	1	Arm Weldment (Upper Mid Inboard)	
40		Ref	Pad Options:	
40	3340645	3	Pad (Polyurethane) (Prior to SN 47288)	
40	3340841	3	Pad (PVC) (SN 47288 to Present)	
41	4240128	1	Strap	
42	1670837	1	Cover, Arm (Japanese Spec)	
43	4711400	4	Flatwasher (Japanese Spec)	
44	3941406	4	Self Tapping 1/4in (Japanese Spec)	
	2901504	1	Arm Kit - 2646E/2658E (Includes Items 2-5, 36, 37 & 39)	1
	2901525	1	Arm Kit - 2033E/2046E (Includes Items 2-5, 36, 37 & 39) (Japanese Spec)	A
	0252587	Ref	ARM PADS INSTALLATION	3
101		Ref	Pad Options:	
101	3340645	24	Pad (Polyurethane) (Prior to SN 47288)	
101	3340841	24	Pad (PVC) (SN 47288 to Present)	
		Ref	Note: To determine Power or Gravity Down refer to page A.	
	0256064	Ref	ARM CAPS INSTALLATION	-

SECTION 3 - SCISSOR ARMS

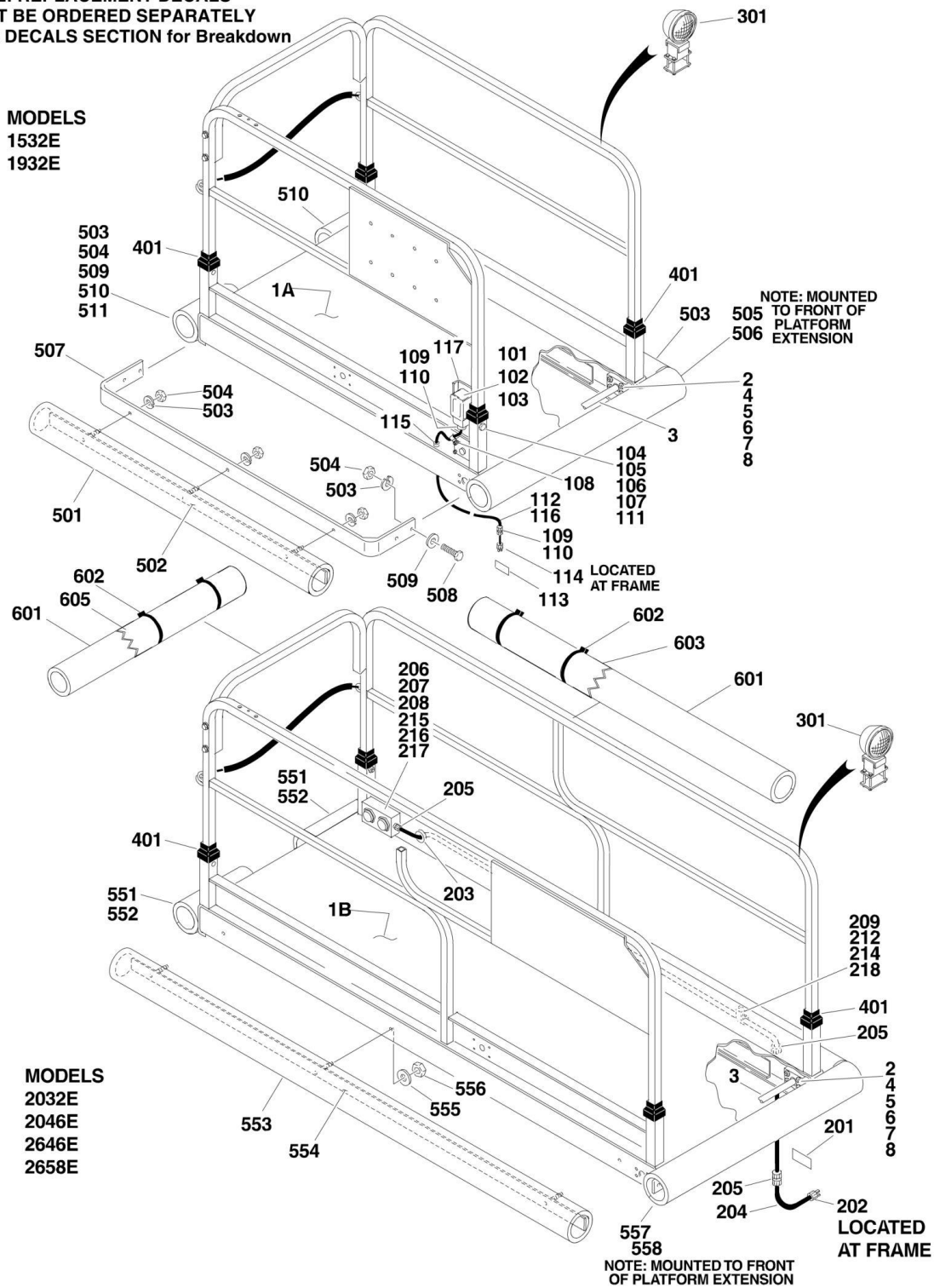
ITEM	PART NUMBER	QTY	DESCRIPTION	REV
201	1120474	2	Cap	9-G
202	1120475	6	Cap	
203	1120472	14	Cap	
204	1120473	10	Cap	
205	0100080	AR	Adhesive (Not Shown)	
	0256510	Ref	CABLE/HOSE TRAY INSTALLATION	
301	1320224	17	Clamp, Loop 5/8in	
302	3941406	8	Screw, Self-Tapping (Not Shown - Used with Item 2)	
303	4240018	16	Tie-Strap 15in/38cm (Not Shown)	
304	3539265	1	Tray	
305	4240125	4	Strap	
306	4240128	4	Strap Only (SN 57976 to Present)	
307	4240116	2	Strap, Mounting Angle	
308	0641406	6	Bolt 1/4in-20NC x 3/4in	
309	3311405	2	Locknut 1/4in-20NC	
310	3311505	4	Locknut 5/16in-18NC	
311	4240033	30	Tie-Strap 7.5in/19cm (Not Shown)	
312	4460328	1	Connector, Strain Relief (Not Shown - Located On Platform) (Prior to SN 45030)	
312	4460071	1	Connector, Strain Relief (Not Shown - Located On Platform) (SN 45030 to Present)	
313	4240127	4	Tie-Strap 21in/53cm (Not Shown)	
314	4060807	1 ft/30.5m	Shield, Trim Edge (Not Shown - Located on Frame)	
315	1320095	2	Clamp (Not Shown)	
316	4711500	8	Flatwasher 5/16in Narrow	
317	0641510	2	Bolt 5/16in-18NC x 1 1/4in	

SECTION 4 - PLATFORM

SECTION 4 - PLATFORM

FIGURE 4-1. PLATFORM INSTALLATION - MANUALLY OPERATED EXTENSION

NOTE: REPLACEMENT DECALS
MUST BE ORDERED SEPARATELY
- See DECALS SECTION for Breakdown



SECTION 4 - PLATFORM

FIGURE 4-1. PLATFORM INSTALLATION - MANUALLY OPERATED EXTENSION

ITEM	PART NUMBER	QTY	DESCRIPTION	REV
		Ref	PLATFORM INSTALLATIONS	
	0256410	Ref	Platform Installations 1532E Standard Platform	B
	0256842	Ref	Platform Installations 1532E Platform with Anchor Rings	A
	0256614	Ref	Platform Installations 1932E Standard Platform	2
	0256845	Ref	Platform Installations 1932E Platform with Anchor Rings	2
	0256411	Ref	Platform Installations 2033E Standard Platform	3
	0256841	Ref	Platform Installations 2033E Platform with Anchor Rings	2
	0256812	Ref	Platform Installations 2046E/2646E Standard Platform	2
	0256840	Ref	Platform Installations 2046E/2646E Platform with Anchor Rings	2
	0256413	Ref	Platform Installations 2658E Standard Platform	2
	0256839	Ref	Platform Installations 2658E Platform with Anchor Rings	2
1		Ref	Platform Weldment Options:	
1A	3510536	1	Platform Weldment 1532E/1932E Standard Platform	
1A	3510553	1	Platform Weldment 1532E/1932E Platform with Anchor Rings	
1A	3510532	1	Platform Weldment 2033E Standard Platform	
1A	3510551	1	Platform Weldment 2033E Platform with Anchor Rings	
1B	3510531	1	Platform Weldment 2046E/2646E Standard Platform	
1B	3510549	1	Platform Weldment 2046E/2646E Platform with Anchor Rings	
1B	3510530	1	Platform Weldment 2658E Standard Platform	
1B	3510547	1	Platform Weldment 2658E Platform with Anchor Rings	
2	3340629	4	Block, Slide Pad	
3	3421895	2	Pin, Attach	
4		Ref	Bushing, Spacer Options:	
4	0962070	4	Bushing, Spacer 1532E	
4	0962073	4	Bushing, Spacer 1932E/2033E (Prior to SN 42492)	
4	0962154	4	Bushing, Spacer 1932E/2033E (SN 42492 to Present)	
4	0962069	4	Bushing, Spacer 2046E/2646E/2658E (Prior to SN 42492)	
4	0962154	4	Bushing, Spacer 2046E/2646E/2658E (SN 42492 to Present)	
5	0641522	8	Bolt 5/16in-18NC x 2 3/4in	
6	4751500	8	Flatwasher 5/16in Regular	
7	4711500	8	Flatwasher 5/16in Narrow	
8	3311505	8	Nut 5/16in-18NC	
		Ref	OPTIONAL RECEPTACLE INSTALLATIONS	
	0256052	Ref	Optional Receptacle Installations 110V (1532E)	7
	0256053	Ref	Optional Receptacle Installations 110V (1932E)	7
	0259134	Ref	Optional Receptacle Installations 110V (1932E) (UL)	1
	0256711	Ref	Optional Receptacle Installations 220V (1532E)	4
	0256712	Ref	Optional Receptacle Installations 220V (1932E)	4
101	0860038	1	Box, Receptacle	
102		Ref	Receptacle Options:	
102	4460346	1	110V with GFI	
102	4460347	1	110V (UL)	
102	Supply Locally	1	220V	
103		Ref	Cover, Weatherproof Options:	
103	4060700	1	110V	
103	4060092	1	110V (UL)	
103	Supply Locally	1	220V	
104	0641420	1	Bolt 1/4in-20NC x 2 1/2in	
105	4751400	3	Flatwasher 1/4in	

SECTION 4 - PLATFORM

ITEM	PART NUMBER	QTY	DESCRIPTION	REV
106	4761400	4	Lockwasher 1/4 (Prior to SN 37715)	
107	3311401	3	Nut 1/4in-20NC (Prior to SN 37715)	
107	3311405	3	Locknut 1/4in-20NC (SN 37715 to Present)	
108	1320061	1	Clamp	
109		Ref	Connector, Terminal Options:	
109	4460051	3	Connector, Terminal (was P/N 4460049) (Prior to SN 46829)	
109	4460051	3	Connector, Terminal (SN 46829 to Present)	
110	0960407	3	Bushing, Reducer Used with P/N 4460049 (Prior to SN 46829)	
111	0641406	2	Bolt 1/4in-20NC x 3/4in	
112	1060308	Ref	Cable, Electrical - 12/3	
112		Ref	Cable, Electrical - 12/3 1532E	
112		Ref	Cable, Electrical - 12/3 1932E	
113		Ref	Nameplate Options:	
113	1703464	1	Nameplate 120V/60Hz (was P/N 3251243) (Prior to SN 37466)	
113	1703464	1	Nameplate 120V/60Hz (SN 37466 to Present)	
113	3252507	1	220V-50/60Hz	
114		Ref	Plug, Connector Options:	
114	4460138	1	110V	
114	Supply Locally	1	220V	
115	2540002	3	Grommet (Prior to SN 37715)	
116	4240033	AR	Tie-Strap	
117	3535681	1	Plate, Mounting - Receptacle Box	
118	4460315	3	Terminal (Not Shown)	
		Ref	OPTIONAL RECEPTACLE INSTALLATIONS	
	0256505	Ref	110V without GFI (2033E)	6
	0256506	Ref	110V without GFI (2046E)	6
	0256507	Ref	110V without GFI (2646E/2658E)	4
	0256517	Ref	110V with GFI (2033E)	7
	0256518	Ref	110V with GFI (2046E)	5
	0256519	Ref	110V with GFI (2646E/2658E)	5
	0256514	Ref	110V with U/L Approved (2033E)	6
	0256515	Ref	110V with U/L Approved (2046E)	4
	0256516	Ref	110V with U/L Approved (2646E/2658E)	4
	0256704	Ref	220V (2033E)	5
	0256705	Ref	220V (2046E)	5
	0256706	Ref	220V (2646E/2658E)	2
201		Ref	Nameplate Options:	
201	1703464	1	Nameplate 120V/60Hz (was P/N 3251243) (Prior to SN 37466)	
201	1703464	1	Nameplate 120V/60Hz (SN 37466 to Present)	
201	3252507	1	220V-50/60Hz	
202		Ref	Plug, Connector Options:	
202	4460138	1	110V	
202	Supply Locally	1	220V	
203	2540002	AR	Grommet	
204	1060308	Ref	Cable, Electrical - 12/3	
204	1060308	42 ft/13m	Cable, Electrical - 12/3, 2033E/2046E	
204	1060308	45 ft/14m	Cable, Electrical - 12/3, 2646E/2658E	
205	4460051	AR	Connector, Strain Relief	
206		Ref	Box, Receptacle Options:	
206	0860038	1	110V	
206	Supply Locally	1	220V	

SECTION 4 - PLATFORM

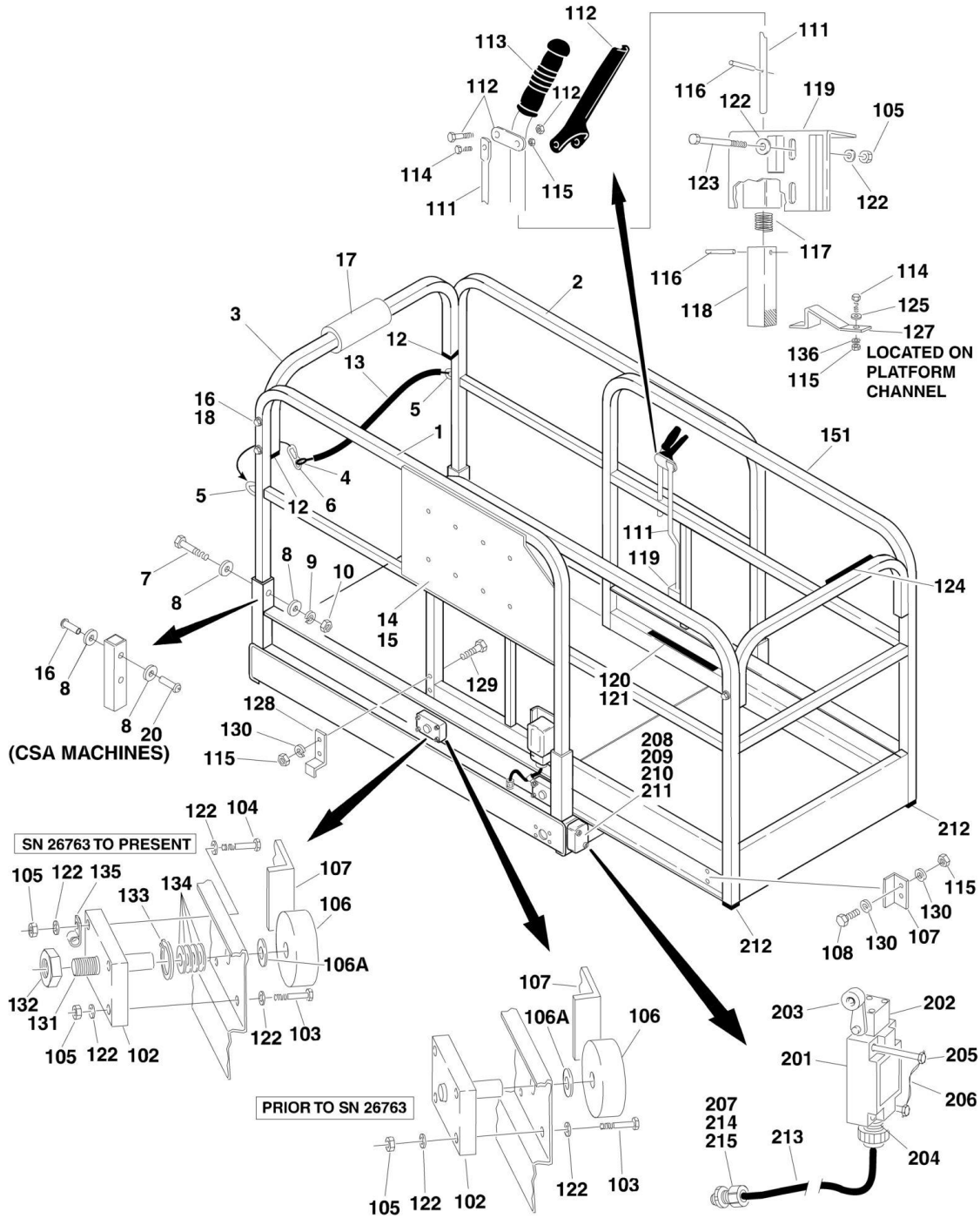
ITEM	PART NUMBER	QTY	DESCRIPTION	REV
207		Ref	Receptacle Options:	
207	4460190	1	110V without GFI	
207	4460346	1	110V with GFI	
207	4460347	1	110V with UL Approved	
207	Supply Locally	1	220V	
208		Ref	Cover, Weatherproof Options:	
208	4060092	1	110V without GFI	
208	4060700	1	110V with GFI	
208	4060092	1	110V with UL Approved	
208	Supply Locally	1	220V	
209	1320061	4	Clamp	
212	4751500	AR	Flatwasher5/16in	
214	3311505	AR	Locknut 5/16in-18NC	
215	0721004	AR	Bolt #10-16 x 1/2 (Prior to SN 42560)	
215	3900256	AR	Bolt #10-24NC x 1 1/4 (SN 42560 to Present)	
216	4751000	AR	Flatwasher #10	
217	4761000	AR	Lockwasher #10	
218	0641505	3	Bolt 5/16in-18NC x 3/4in	
219	4240033	16	Tie-Strap (Not Shown - Located On Arms)	
220	2820025	1 ft/.3m	Guard, Plastic Spring (Not Shown)	
221	4460315	3	Terminal (Not Shown)	
		Ref	OPTIONAL WORKLIGHTS INSTALLATIONS	
	0255963	Ref	Optional Worklights Installations 1532E	5
	0258213	Ref	Optional Worklights Installations 1532E with Fold Down Rails	1
	0256200	Ref	Optional Worklights Installations 1932E	4
	0258214	Ref	Optional Worklights Installations 1932E with Fold Down Rails	1
	0256198	Ref	Optional Worklights Installations 2033E/2046E	C
	0258215	Ref	Optional Worklights Installations 2033E/2046E with Fold Down Rails	1
	0256199	Ref	Optional Worklights Installations 2646E/2658E	C
	0258216	Ref	Optional Worklights Installations 2646E/2658E with Fold Down Rails	1
301	2920093	2	Worklight Assembly	
301	7016630	2	Bulb, Replacement (1 Per Light)	
301	0901930	2	Bracket, Mounting	
301	1060341	Ref	Cable, Electrical - 16/2 (Not Shown)	
301	1060341	40 ft/12.2m	Cable, Electrical - 16/2, 1532E	
301	1060341	48 ft/14.6m	Cable, Electrical - 16/2, 1932E	
301	1060341	54 ft/16.5m	Cable, Electrical - 16/2, 2033E/2046E	
301	1060341	61 ft/18.6m	Cable, Electrical - 16/2, 2646E/2658E	
301	4360164	1	Breaker, Circuit - 5 Amp (Not Shown)	
	0256609	Ref	HANDRAIL BOOTS INSTALLATION	-
401	0840035	4	Boot, Handrail	
		Ref	BUMPER PADS INSTALLATIONS	
	0254171	Ref	Bumper Pads Installations 1532E/1932E	A-A
	0257398	Ref	Bumper Pads Installations 2033E	1-A
501	0940060	2	Pad, Bumper (Side) (1532E/1932E)	
501	0940057	2	Pad, Bumper (Side) (2033E)	
502	4844586	2	Bar, Bumper (Side Outer) (1532E/1932E)	

SECTION 4 - PLATFORM

ITEM	PART NUMBER	QTY	DESCRIPTION	REV
502	4844414	2	Bar, Bumper (Side Outer) (2033E)	
503	4761400	16	Lockwasher 1/4in	
504	3311401	20	Nut 1/4in-20NC	
505	0940061	1	Pad, Bumper (Front)	
506	4844585	1	Rail, Bumper (Front Outer)	
507	0362273	2	Rail, Bumper (Inner) (1532E/1932E)	
507	0362666	2	Rail, Bumper (Inner) (2033E)	
508	0641407	4	Bolt 1/4in-20NC x 7/8in (1532E/1932E)	
508	0641412	4	Bolt 1/4in-20NC x 1 1/2in (2033E)	
509	4751400	13	Flatwasher 1/4in	
510	0940065	2	Pad, Bumper (Rear)	
511	0641416	4	Bolt 1/4in-20NC x 2in	
		Ref	BUMPER PADS INSTALLATIONS	
	0257367	Ref	Bumper Pads Installations 2046E/2646E	2-B
	0257397	Ref	Bumper Pads Installations 2658E	2-A
551	0940080	2	Pad, Bumper (Rear) (2046E/2646E)	
551	0940081	2	Pad, Bumper (Rear) (2658E)	
552	4845496	2	Bar, Bumper (Rear) (2046E/2646E)	
552	4845497	2	Bar, Bumper (Rear) (2658E)	
553	0940057	2	Pad, Bumper (Side)	
554	4844414	2	Rail, Bumper (Side)	
555	4751400	13	Flatwasher 1/4in	
556	3311405	13	Locknut 1/4in-20NC	
557	0940079	1	Pad, Bumper (Front) (2046E/2646E)	
557	0940082	1	Pad, Bumper (Front) (2658E)	
558	4845495	1	Rail, Bumper (Front) (2046E/2646E)	
558	4845498	1	Rail, Bumper (Front) (2658E)	
		Ref	TOP RAIL PADDING INSTALLATIONS - 2033E/2046E/2646E/2658E	
	0257664	Ref	Top Rail Padding Installations 2033E/2046E/2646E/2658E Without Vinyl Covers (SN 42423 to Present)	2-A
	0258058	Ref	Top Rail Padding Installations 2033E With Vinyl Covers (SN 42423 to Present)	2-A
	0258018	Ref	Top Rail Padding Installations 2046E/2646E With Vinyl Covers (SN 42423 to Present)	1-A
	0258019	Ref	Top Rail Padding Installations 2658E With Vinyl Covers (SN 42423 to Present)	1-A
601	3340612	24 ft/7.3m	Pad	
602	4240018	AR	Tie Straps	
603	1670849	Ref	Cover, Sides Options:	
603	1670849	2	Without Vinyl Covers	
603	1670849	2	With Vinyl Covers	
604		Ref	Cover, Front Options: (Not Shown)	
604	Not Required	0	Without Vinyl Covers	
604	1670856	2	Cover, Front 2033E/2046E/2646E with Vinyl Covers	
604	1670847	2	Cover, Front 2658E with Vinyl Covers	
605		Ref	Cover, Rear Options:	
605	Not Required	0	Without Vinyl Covers	
605	1670857	1	Cover, Rear 2033E/2046E/2646E with Vinyl Covers	
605	1670848	1	Cover, Rear 2658E with Vinyl Covers	

SECTION 4 - PLATFORM

FIGURE 4-2. HANDRAILS AND EXTENSION INSTALLATION - STANDARD RAILS (MANUALLY OPERATED) (1532E/1932E)



SECTION 4 - PLATFORM

FIGURE 4-2. HANDRAILS AND EXTENSION INSTALLATION - STANDARD RAILS (MANUALLY OPERATED) (1532E/1932E)

ITEM	PART NUMBER	QTY	DESCRIPTION	REV
		Ref	STANDARD HANDRAILS INSTALLATION	
	0251879	Ref	Standard Handrails Installation 1532E/1932E with Standard Handrails (Prior to SN 38569)	E
	0257681	Ref	Standard Handrails Installation 1532E/1932E with Standard Handrails (SN 38569 to Present)	4
	0257979	Ref	Standard Handrails Installation 1532E/1932E CSA Spec with Standard Handrails	3
	0256702	Ref	Standard Handrails Installation 1532E/1932E with Safety Attach Handrails (Prior to SN 38569)	-
	0257680	Ref	Standard Handrails Installation 1532E/1932E with Safety Attach Handrails (SN 38569 to Present)	4
	0257980	Ref	Standard Handrails Installation 1532E/1932E CSA Spec with Safety Attach Handrails	4
	0257987	Ref	Standard Handrails Installation 1532E/1932E Japanese Spec with Safety Attach Handrails	3
1		Ref	Handrail - Right Side Options:	
1	3640750	1	Standard Handrails (Prior to SN 38569)	
1	3641209	1	Standard Handrails (SN 38569 to Present)	
1	3641143	1	Safety Attach Handrails (Prior to SN 38569)	
1	3641214	1	Safety Attach Handrails (SN 38569 to Present)	
2		Ref	Handrail - Left Side Options:	
2	3640751	1	Standard Handrails	
2	3641144	1	Safety Attach Handrail	
3	4565201	1	Tube - Rear	
4	1260136	2 ft/.6m	Chain	
5	3010088	2	Link	
6	1001101076	1	Snap Latch Repair Kit (Includes Item 5) (was p/n 2940064)	
7	0641424	AR	Bolt 1/4in-20NC x 3 (Prior to SN 38569)	
7	0641420	AR	Bolt 1/4in-20NC x 2 1/2 (SN 38569 to Present)	
8	4751400	AR	Flatwasher 1/4in Wide	
9	4761400	AR	Lockwasher 1/4 (Prior to SN 38569)	
10	3311401	AR	Nut 1/4in-20NC (Prior to SN 38569)	
10	3311405	AR	Locknut 1/4in-20NC (SN 38569 to Present)	
12	3520072	2	Plug, Cap	
13	2820024	2 ft/.6m	Tubing, Vinyl (Prior to SN 38569)	
13	2820097	2 ft/.6m	Tubing, Mesh (SN 38569 to Present)	
14	3570381	1	Plate, Placard	
15	3820019	6	Pop Rivet	
16	3900184	4	Screw, Button Head #10-24NC x 5/8in	
17	3340612	1.5 ft/.5m	Pad (SN 38569 to Present)	
18	3300375	4	Nut, Joint Connector	
19	1702612	2	Decal - Safety Attachment (With Safety Attach Points Not Shown)	
20	3300374	4	Nut, Joint Connector (CSA Machines)	
		Ref	PLATFORM EXTENSION INSTALLATION	E
102	4843706	4	Mount, Roller (Prior to SN 26763)	
102	3537619	4	Mount, Roller (SN 26763 to Present)	
103	0641510	15	Bolt 5/16in-18NC x 1 1/4in	
104	0641512	1	Bolt 5/16in-18NC x 1 1/2in	
105	3311505	18	Locknut 5/16in-18NC	

SECTION 4 - PLATFORM

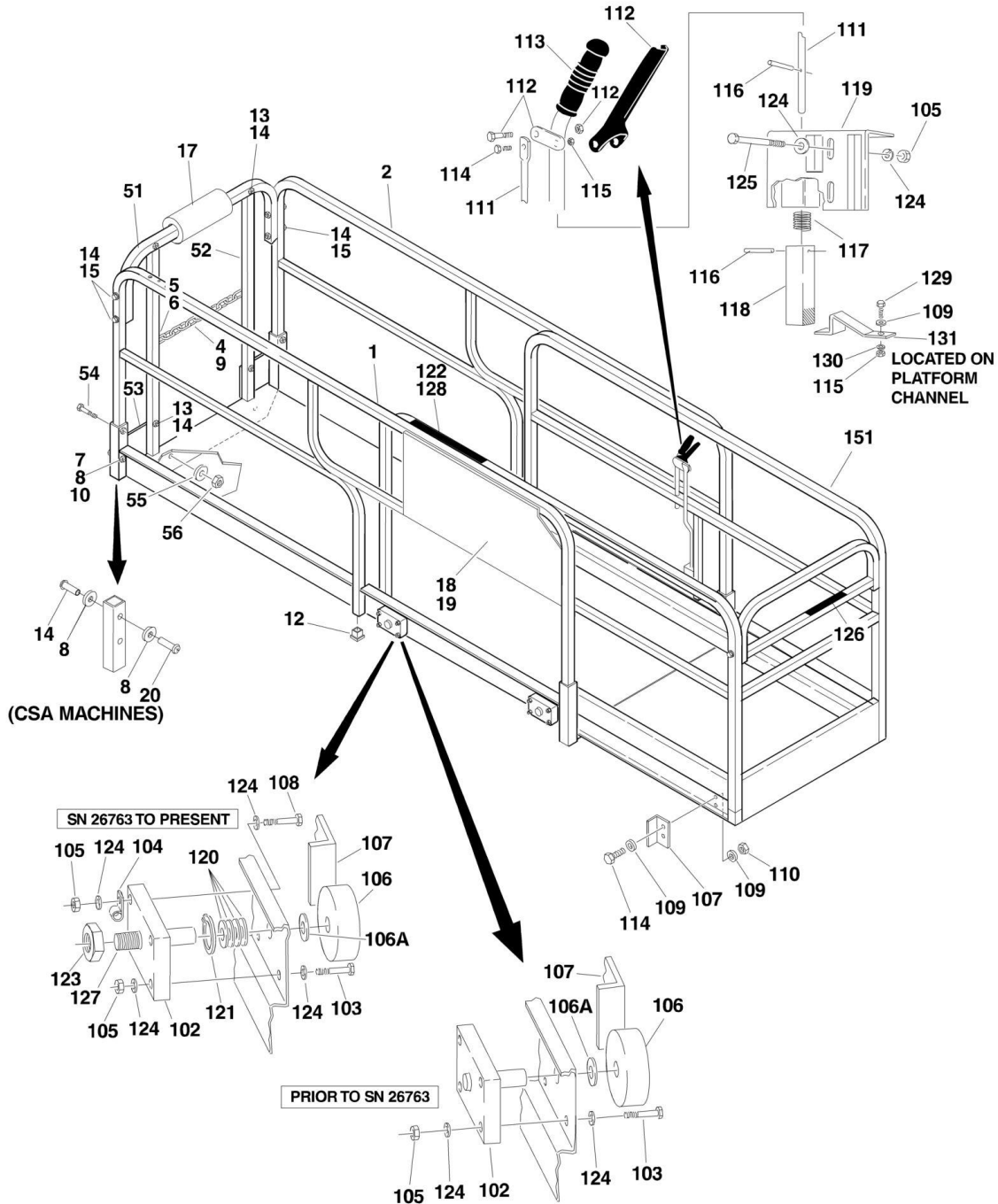
ITEM	PART NUMBER	QTY	DESCRIPTION	REV
106	3860052	4	Roller (Prior to SN 26763)	
106	3860059	4	Roller (SN 26763 to Present)	
106A	4712200	AR	Shim, Flatwasher (Steel)	
106A	4740066	AR	Shim, Flatwasher (Thin Bronze)	
107	0181684	4	Stop, Angle	
108	0641406	1 ft	Bolt 1/4in-20NC x 3/4in	
111	3841074	1	Rod, Release	
112	2980113	1	Lever, Release	
113	2560088	1	Grip, Handle	
114	0641405	12	Bolt 1/4in-20NC x 5/8in	
115	3311405	13	Locknut 1/4in-20NC	
116	3422723	2	Rollpin 1/8in x 7/8in	
117	4160078	1	Spring	
118	0361912	1	Block, Latch	
119	2940061	1	Latch, Weldment	
120	3251852	1	Nameplate - Capacity (Prior to SN 38573)	
121	3820001	2	Rivet (Prior to SN 38573)	
122	4751500	20	Flatwasher 5/16in	
123	0641516	2	Bolt 5/16in-18NC x 2in	
124	3252136	AR	Nameplate-Control Box Location (Prior to SN 38573)	
125	4711400	4	Flatwasher 1/4in Narrow	
127	0901830	2	Bracket, Latch	
128	0901906	2	Bracket, Retaining (Prior to SN 38573)	
129	0641414	4	Bolt 1/4in-20NC x 1 3/4 (Prior to SN 38573)	
130	4751400	8	Flatwasher 1/4 (Prior to SN 38573)	
131	3841233	4	Rod, Roller Support	
132	3312202	4	Nut, Jam 3/4in-10NC (Prior to SN 43782)	
132	3322202	4	Nut, Jam 3/4in-10NC (SN 43782 to Present)	
133	3760348	4	Ring, Retaining	
134	4752200	4	Flatwasher 3/4in	
135	1320224	1	Clamp (SN 33685 to Present)	
136	4791400	4	Starwasher (SN 33685 to Present)	
	2901573	1	Kit, Extension Latch (Includes Items 111, 116, 117, 118, 119 & 127)	
		Ref	PLATFORM EXTENSION INSTALLATIONS (VARIABLE PARTS)	
	0252737	Ref	Power Down Machines	E
	0257281	Ref	All Gravity Down Machines Except Japanese and CSA Spec	3
	0257283	Ref	Japanese Spec Gravity Down Machines	3
	0257466	Ref	CSA Spec Gravity Down Machines	3
151		Ref	Extension Weldment Options:	
151	3510492	1	Power Down Machines	
151	3510567	1	Gravity Down Machines (Standard Machines)	
151	3510587	1	Gravity Down Machines (CSA Machines)	
		Ref	OPTIONAL PLATFORM EXTENSION LIMIT SWITCHES INSTALLATION	
	0256667	Ref	Optional Platform Extension Limit Switches Installation 1532E	-
	0256664	Ref	Optional Platform Extension Limit Switches Installation 1932E/2033E/2646E	-
	0256668	Ref	Optional Platform Extension Limit Switches Installation 2646E/2658E	-
201	4360277	1	Switch, Limit	
202	4360236	1	Actuator, Switch	

SECTION 4 - PLATFORM

ITEM	PART NUMBER	QTY	DESCRIPTION	REV
203	4360278	1	Roller and Arm	
204	4460052	1	Connector, Strain Relief	
205	3900168	2	Screw, Special	
206	4920140	2	Lockwire	
207	4460052	1	Connector, Strain Relief	
208	3534995	1	Plate, Mounting	
209	3931416	2	Bolt, Socket Head 1/4in-20NC x 1in	
210	3311401	2	Nut 1/4in-20NC	
211	4761400	2	Lockwasher 1/4in	
212	3520072	1	Plug, Cap	
213	1060341	AR	Cable, Electrical - 16/2	
214	3300047	1	Locknut, Conduit	
215	0960239	1	Bushing	
	0256784	Ref	RAIL HEIGHT EXTENSIONS INSTALLATION (CALIFORNIA SPEC) (NOT SHOWN)	A
	3641145	2	Extender Weldment (Side)	
	3641146	1	Extender Weldment (End)	
	0630511	6	Screw, Self-Tapping	
	3520072	6	Plug, Tube	

SECTION 4 - PLATFORM

FIGURE 4-3. HANDRAILS AND EXTENSION INSTALLATION -STANDARD RAILS (MANUALLY OPERATED) (2033E/2046E/2646E/2658E)



SECTION 4 - PLATFORM

FIGURE 4-3. HANDRAILS AND EXTENSION INSTALLATION -STANDARD RAILS (MANUALLY OPERATED) (2033E/2046E/2646E/2658E)

ITEM	PART NUMBER	QTY	DESCRIPTION	REV
		Ref	HANDRAILS INSTALLATION (STANDARD PARTS)	
1		Ref	Handrail - Right Side Options:	
1	3640727	1	Standard Handrail (Prior to SN 38569)	
1	3641210	1	Standard Handrail (SN 38569 to Present)	
1	3641130	1	Handrail with Safety Attach Points (Prior to SN 38569)	
1	3641213	1	Handrail with Safety Attach Points (SN 38569 to Present)	
2		Ref	Handrail - Left Side Options:	
2	3640728	1	Standard Handrail	
2	3641131	1	Handrail with Safety Attach Points	
4	1260136	2 ft/.6m	Chain	
5	3010088	2	Link	
6	1001101076	1	Snap Latch Repair Kit (Includes Item 5) (was p/n 2940064)	
7	0641424	AR	Bolt 1/4in-20NC x 3 (Prior to SN 38569)	
7	0641420	AR	Bolt 1/4in-20NC x 2 1/2 (SN 38569 to Present)	
8	4751400	AR	Flatwasher 1/4in Wide	
9	2820097	2 ft/.6m	Tubing, Mesh	
10	3311405	AR	Locknut 1/4in-20NC	
12	3520072	4	Plug, Cap	
13	3300373	8	Nut, Joint Connector 1 1/4in	
14	3900184	AR	Screw, Button Head #10-24NC x 5/8in	
15	3300375	4	Connector, Joint 2 3/8in	
16	1702612	2	Decal - Safety Attachment (With Safety Attach Points Not Shown)	
17	3340612	1.5 ft/.5m	Pad	
18	3570381	1	Plate, Placard	
19	3820019	6	Pop Rivet	
20	3300374	4	Nut, Joint Connector (CSA Machines)	
		Ref	HANDRAILS INSTALLATIONS (VARIABLEPARTS)	
	0251304	Ref	Handrails Installations 2033E Built with Standard Handrails (Not Shown) (Prior to SN 38569)	F
	0257685	Ref	Handrails Installations 2033E Built with Standard Handrails (Not Shown) (SN 38569 to Present)	4
	0257981	Ref	Handrails Installations 2033E CSA Spec with Standard Handrails (Not Shown)	3
	0256699	Ref	Handrails Installations 2033E with Safety Attach Handrails (Not Shown) (Prior to SN 38569)	-
	0257686	Ref	Handrails Installations 2033E with Safety Attach Handrails (Not Shown) (SN 38569 to Present)	4
	0257687	Ref	Handrails Installations 2033E Japanese Spec with Safety Handrails (Not Shown)	4
	0257982	Ref	Handrails Installations 2033E CSA Spec with Safety Handrails (Not Shown)	3
	0251393	Ref	Handrails Installations 2046E/2646E with Standard Handrails (Prior to SN 38569)	H
	0257695	Ref	Handrails Installations 2046E/2646E with Standard Handrails (SN 38569 to Present)	4
	0257983	Ref	Handrails Installations 2046E/2646E CSA Spec with Standard Handrails	4
	0256700	Ref	Handrails Installations 2046E/2646E with Safety Attach Handrails (Not Shown)	-
	0257697	Ref	Handrails Installations 2046E/2646E with Safety Attach Handrails (Not Shown) (SN 38569 to Present)	4

SECTION 4 - PLATFORM

ITEM	PART NUMBER	QTY	DESCRIPTION	REV
	0257701	Ref	Handrails Installations 2046E/2646E Japanese Spec with Safety Attach Handrails (Not Shown)	4
	0257984	Ref	Handrails Installations 2046E/2646E CSA Spec with Safety Attach Handrails (Not Shown)	4
	0251395	Ref	Handrails Installations 2658E with Standard Handrails (Prior to SN 38569)	H
	0257696	Ref	Handrails Installations 2658E with Standard Handrails (SN 38569 to Present)	4
	0257985	Ref	Handrails Installations 2658E CSA Spec with Standard Handrails	4
	0256364	Ref	Handrails Installations 2658E with Safety Attach Handrails (Prior to SN 38569)	B
	0256701	Ref	Handrails Installations 2658E with Safety Attach Handrails (Prior to SN 38569)	-
	0257698	Ref	Handrails Installations 2658E with Safety Attach Handrails (SN 38569 to Present)	4
	0257986	Ref	Handrails Installations 2658E CSA Spec with Safety Attach Handrails	4
	0257990	Ref	Handrails Installations 2658E Japanese Spec with Safety Attach Handrails	3
51		Ref	Tube, Handrail - Rear Options:	
51	4565201	1	Tube, Handrail - Rear 2033E	
51	4565202	1	Tube, Handrail - Rear 2046E/2646E	
51	4565203	1	Tube, Handrail - Rear 2658E	
52		Ref	Tube, Handrail - Rear Vertical Options:	
52	Not Required	0	Tube, Handrail - Rear Vertical 2033E	
52	3640713	2	Tube, Handrail - Rear Vertical 2046E/2646E/2658E Except CSA Machines	
52	3640713	2	Tube, Handrail - Rear Vertical 2046E/2646E/2658E CSA Machines (Prior to SN 46994)	
52	3641268	2	Tube, Handrail - Rear Vertical 2046E/2646E/2658E CSA Machines (SN 46994 to Present)	
53		Ref	Kickplate - Rear Options:	
53	Not Required	0	Kickplate - Rear 2033E	
53	3534742	2	Kickplate - Rear 2046E/2646E	
53	3534743	2	Kickplate - Rear 2658E	
54	0641608	4	Bolt 3/8in-16NC x 1in	
55	4751600	4	Flatwasher 3/8in	
56	3311605	2	Locknut 3/8in-16NC	
		Ref	PLATFORM EXTENSION INSTALLATION (STANDARD PARTS)	
102	4843706	4	Mounting Weldment - Roller (Prior to SN 26763)	
102	3537619	4	Mounting Weldment - Roller (SN 26763 to Present)	
103	0641510	15	Bolt 5/16in-18NC x 1 1/4in	
104	1320224	1	Clamp (SN 26763 to Present)	
105	3311505	18	Locknut 5/16in-18NC	
106	3860052	4	Roller (Prior to SN 26763)	
106	3860059	4	Roller (SN 26763 to Present)	
106A	4712200	AR	Shim, Flatwasher (Steel)	
106A	4740066	AR	Shim, Flatwasher (Thin Bronze)	
107	0181684	4	Angle, Stop	
108	0641512	1	Bolt 5/16in-18NC x 1 1/2 (SN 26763 to Present)	
109	4711400	4	Flatwasher 1/4in Narrow	
110	3311405	8	Locknut 1/4in-20NC (Prior to SN 38530)	
111	3841074	1	Rod, Release	

SECTION 4 - PLATFORM

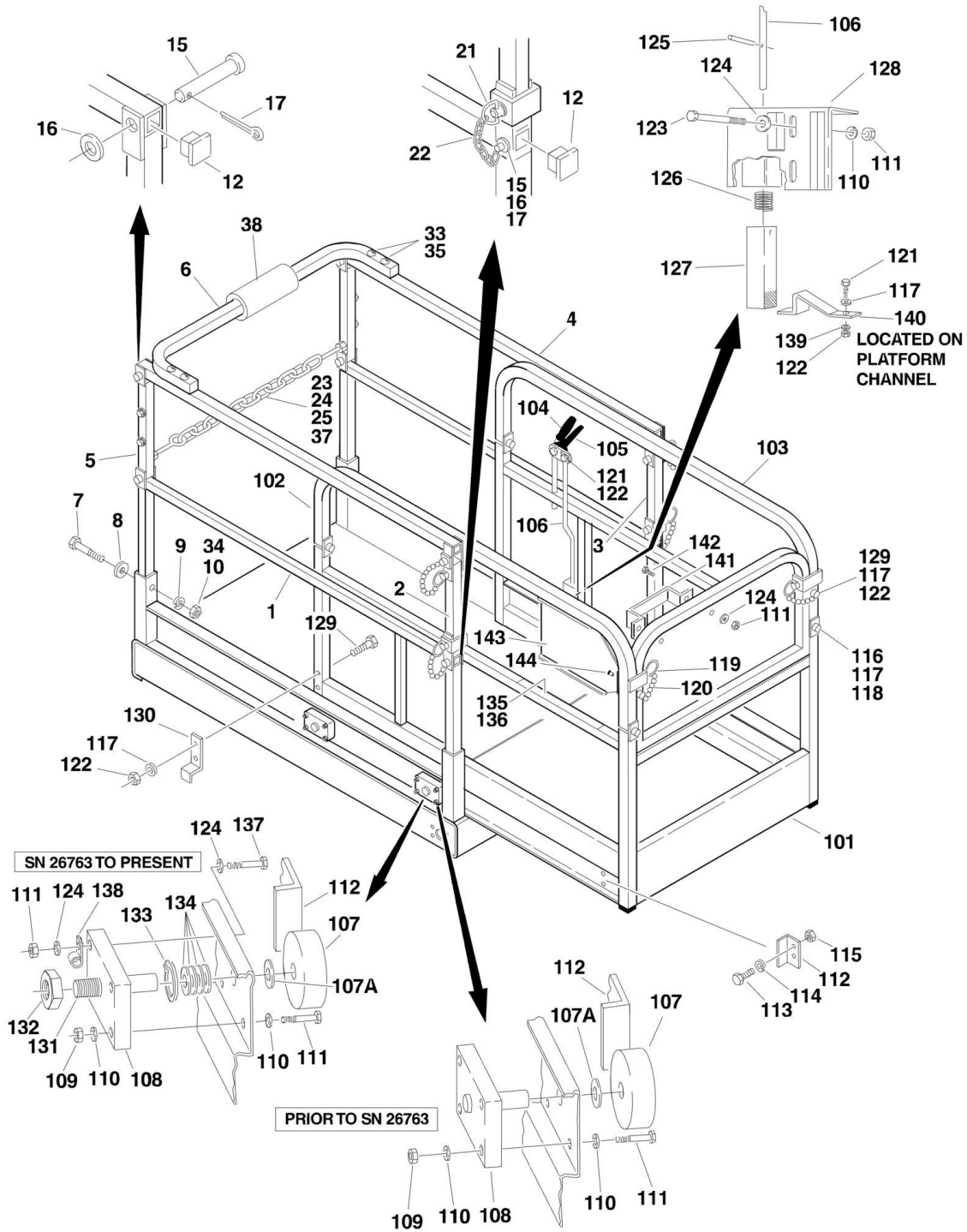
ITEM	PART NUMBER	QTY	DESCRIPTION	REV
112	2980113	1	Release Lever Assembly	
113	2560088	1	Grip, Handle	
114	0641406	1	Bolt 1/4in-20NC x 3/4in	
115	3311405	3	Locknut 1/4in-20NC	
116	3422723	2	Rollpin 1/8in x 7/8in	
117	4160078	1	Spring	
118	0361912	1	Bar, Latch	
119	2940061	1	Latch Weldment	
120	4752200	4	Flatwasher 3/4 (SN 26763 to Present)	
121	3760348	4	Ring, Retaining (SN 26763 to Present)	
122	3251852	1	Nameplate - Capacity (Prior to SN 38530)	
123	3312202	4	Nut, Jam 3/4in-10NC (SN 26763 through 43781)	
123	3322202	4	Nut, Jam 3/4in-10NC (SN 43782 to Present)	
124	4751500	20	Flatwasher 5/16in	
125	0641516	2	Bolt 5/16in-18NC x 2in	
126	3252136	AR	Nameplate -Control Box Location (Prior to SN 38530)	
127	3841233	4	Rod, Roller Support (SN 26763 to Present)	
128	3820001	4	Rivet (Prior to SN 38530)	
129	0641405	12	Bolt 1/4in-20NC x 5/8in	
130	4791400	4	Starwasher	
131	0901830	2	Bracket, Latch	
	2901573		Kit, Extension Latch (Includes Items 111, 116, thru 119 & 131)	
		Ref	STANDARD PLATFORM EXTENSION INSTALLATIONS (VARIABLE PARTS)	
	0251202	Ref	Standard Platform Extension Installations 2033E Power Down Machines	G
	0257292	Ref	Standard Platform Extension Installations 2033E Gravity Down Machines	4
	0257474	Ref	Standard Platform Extension Installations 2033E CSA Spec Gravity Down Machines	3
	0257298	Ref	Standard Platform Extension Installations 2033E Japanese Spec Gravity Down Machines	4
	0251249	Ref	Standard Platform Extension Installations 2046E/2646E Power Down Machines	F
	0257293	Ref	Standard Platform Extension Installations 2046E/2646E Gravity Down Machines	4
	0257476	Ref	Standard Platform Extension Installations 2046E/2646E CSA Spec Gravity Down Machines	3
	0257299	Ref	Standard Platform Extension Installations 2046E/2646E Japanese Spec Gravity Down Machine	4
	0251250	Ref	Standard Platform Extension Installations 2658E Power Down Machines	F
	0257294	Ref	Standard Platform Extension Installations 2658E Gravity Down Machines	4
	0257477	Ref	Standard Platform Extension Installations 2658E CSA Spec Gravity Down Machines	4
	0257300	Ref	Standard Platform Extension Installations 2658E Japanese Spec Gravity Down Machines	4
151		Ref	Platform Extension Weldment Options:	
151	3510489	1	Platform Extension Weldment 2033E Power Down Machines	
151	3510571	1	Platform Extension Weldment 2033E Gravity Down Machines	
151	3510588	1	Platform Extension Weldment 2033E Gravity Down Machines (CSA)	
151	3510316	1	Platform Extension Weldment 2046E & 2646E Power Down Machines	

SECTION 4 - PLATFORM

ITEM	PART NUMBER	QTY	DESCRIPTION	REV
151	3510572	1	Platform Extension Weldment 2046E & 2646E Gravity Down Machines	
151	3510590	1	Platform Extension Weldment 2046E & 2646E Gravity Down Machines (CSA)	
151	3510317	1	Platform Extension Weldment 2658E Power Down Machines	
151	3510573	1	Platform Extension Weldment 2658E Gravity Down Machines	
151	3510591	1	Platform Extension Weldment 2658E Gravity Down Machines (CSA)	
		Ref	RAIL HEIGHT EXTENSIONS INSTALLATION (CALIFORNIA SPEC) (NOT SHOWN)	-
	0256784	Ref	Rail Height Extensions Installation (California Spec) (Not Shown) 2033E	A
	0256786	Ref	Rail Height Extensions Installation (California Spec) (Not Shown) 2046E/2646E	A
	0256787	Ref	Rail Height Extensions Installation (California Spec) (Not Shown) 2658E	A
	3641145	2	Extender Weldment (Side)	
		Ref	Extender Weldment Options (End):	
	3641146	1	Extender Weldment (End) (2033E)	
	3641147	1	Extender Weldment (End) (2046E/2646E)	
	3641148	1	Extender Weldment (End) (2658E)	
	0630511	6	Screw, Self-Tapping	
	3520072	6	Plug, Tube	

SECTION 4 - PLATFORM

FIGURE 4-4. HANDRAILS AND EXTENSION INSTALLATION - FOLDDOWN RAILS (MANUALLY OPERATED) (1532E/1932E)



SECTION 4 - PLATFORM

FIGURE 4-4. HANDRAILS AND EXTENSION INSTALLATION - FOLDDOWN RAILS (MANUALLY OPERATED) (1532E/1932E)

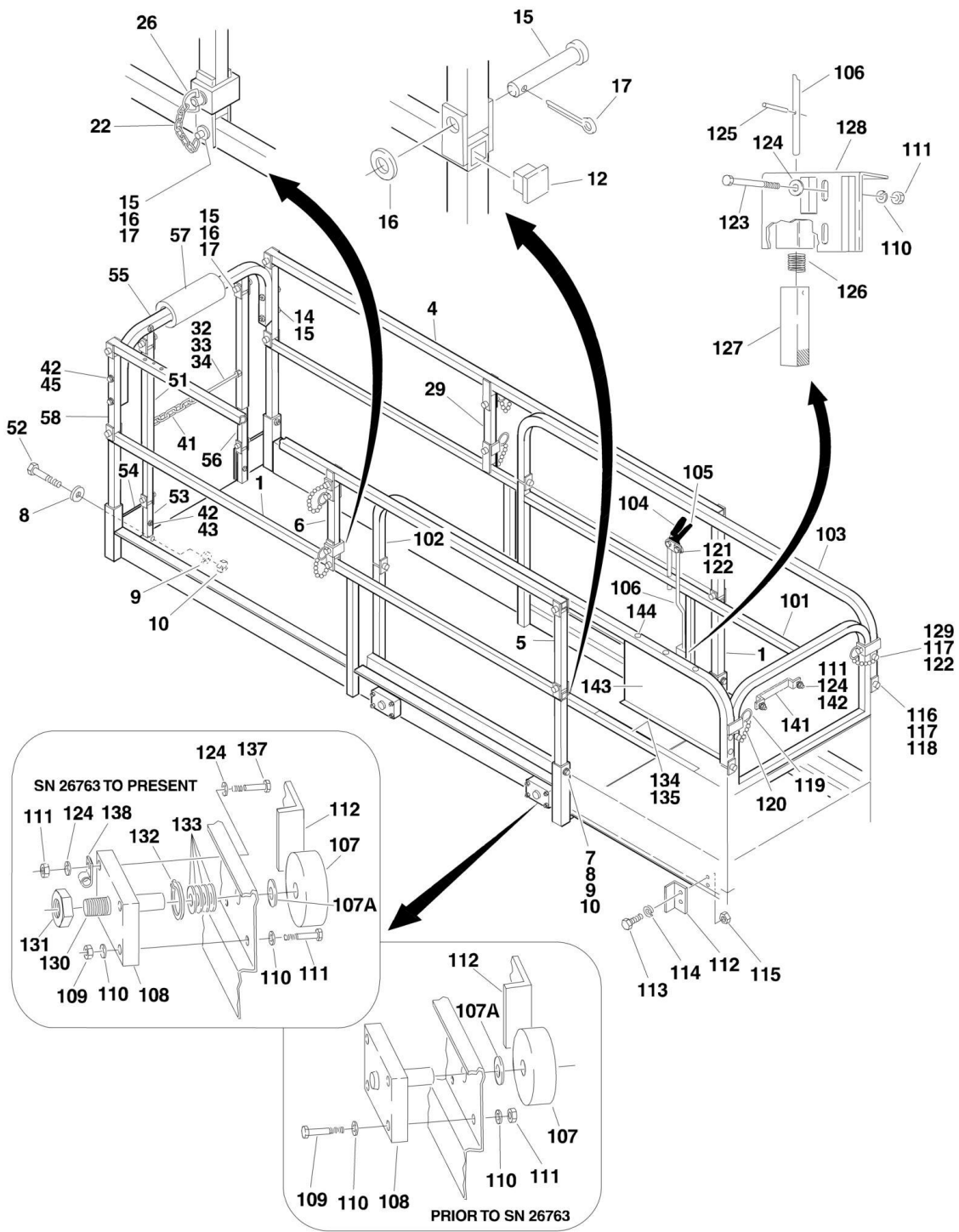
ITEM	PART NUMBER	QTY	DESCRIPTION	REV
	0254236	Ref	FOLDDOWN HANDRAILS INSTALLATION	5
	0257460	Ref	FOLDDOWN HANDRAILS INSTALLATION	4
1	3640886	2	Rail Weldment - Lower Side	
2	3640742	1	Rail Weldment - Upper Front Right Side	
3	3640753	1	Rail Weldment - Upper Front Left Side	
4	3640885	2	Rail Weldment - Upper Side	
5	4565191	2	Tube, Rail - Upper Rear Side (Prior to SN 38589)	
5	3641235	2	Tube, Rail - Upper Rear Side (SN 38589 to Present)	
6	4565285	1	Tube, Rail - Upper Rear Top	
7	0641424	4	Bolt 1/4in-20NC x 3 (Prior to SN 38589)	
7	0641420	4	Bolt 1/4in-20NC x 2 1/2 (SN 38589 to Present)	
8	4751400	8	Flatwasher 1/4in	
9	4761400	4	Lockwasher 1/4 (Prior to SN 38589)	
10	3311401	4	Nut 1/4in-20NC	
12	3520072	10	Plug, Cap	
15	3430416	8	Pin, Clevis	
16	4711400	16	Flatwasher 1/4in Narrow	
17	3450203	8	Pin, Cotter	
21	3421913	4	Pin, Quick Release	
22	1260017	28	Chain	
		in/71cm		
23	1260136	18	Chain	
		in/46cm		
24	3010088	2	Link	
25	2940056	1	Latch, Snap (Prior to SN 38589)	
25	1001101076		Snap Latch Repair Kit (Includes Item 24) (was p/n 2940064) (SN 38589 to Present)	
33	3900184	4	Screw, Button Head	
34	3300374	4	Nut, Connector (CSA Machines)	
35	3300375	4	Nut, Connector	
37	2820097	2 ft/.6m	Tubing, Mesh	
38	3340612	1.5 ft/.5m	Pad	
		Ref	PLATFORM EXTENSION INSTALLATIONS	
	0254237	Ref	Power Down Machines	D
	0257284	Ref	Gravity Down Machines	4
	0257465	Ref	Gravity Down Machines (CSA)	4
		Ref	Note: To determine Power or Gravity Down refer to page A.	
101		Ref	Extension Weldment Options:	
101	3510495	1	Power Down Machines	
101	3510569	1	Gravity Down Machines	
101	3510586	1	Gravity Down Machines (CSA)	
102	3640888	1	Handrail - Right Side	
102	3641185	1	Handrail - Right Side (CSA Machines)	
103	3640887	1	Handrail - Left Side	
103	3641184	1	Handrail - Left Side (CSA Machines)	
104	2560088	1	Grip, Handle	
105	2980113	1	Release Lever Assembly	
106	3841201	1	Rod, Release	
107	3860052	4	Roller (Prior to SN 26763)	

SECTION 4 - PLATFORM

ITEM	PART NUMBER	QTY	DESCRIPTION	REV
107	3860059	4	Roller (SN 26763 to Present)	
107A	4712200	AR	Shim, Flatwasher (Steel)	
107A	4740066	AR	Shim, Flatwasher (Thin Bronze)	
108	4843706	4	Mounting Weldment - Roller (Prior to SN 26763)	
108	3537619	4	Mounting Weldment - Roller (SN 26763 to Present)	
109	0641510	15	Bolt 5/16in-18NC x 1 1/4in	
110	4761500	18	Lockwasher 5/16 (Prior to SN 38573)	
111	3311501	18	Nut 5/16in-18NC (Prior to SN 38573)	
111	3311505	20	Locknut 5/16in-18NC (SN 38573 to Present)	
112	0181684	4	Angle	
113	0641406	1	Bolt 1/4in-20NC x 3/4in	
114	4761400	12	Lockwasher 1/4 (Prior to SN 38573)	
115	3311401	8	Nut 1/4in-20NC (Prior to SN 38573)	
116	3430416	4	Pin, Clevis 1/4in x 2in	
117	4711400	10	Flatwasher 1/4in Narrow	
118	3450203	4	Pin, Cotter 1/16in x 3/4in	
119	3421913	2	Pin, Quick Release	
120	1260017	14	Chain (2 Lengths 7 in/17.8 Each)	
		in/35.6cm		
121	0641406	1	Bolt 1/4in-20NC x 3/4 (Prior to SN 38573)	
121	0641405	12	Bolt 1/4in-20NC x 5/8 (SN 38573 to Present)	
122	3311405	15	Locknut 1/4in-20NC	
123	0641516	2	Bolt 5/16in-18NC x 2in	
124	4751500	22	Flatwasher 5/16in	
125	3422723	2	Rollpin 1/8in x 7/8in	
126	4160078	1	Spring	
127	0361912	1	Bar, Latch	
128	2940061	1	Latch Weldment	
129	0641416	2	Bolt 1/4in-20NC x 2in	
130	0901906	2	Bracket, Retaining (Prior to SN 38573)	
131	3841233	4	Rod, Roller Support (SN 26763 to Present)	
132	3312202	4	Nut, Jam 3/4in-10NC (SN 26763 through 43781)	
132	3322202	4	Nut, Jam 3/4in-10NC (SN 43782 to Present)	
133	3760348	4	Ring, Retaining (SN 26763 to Present)	
134	4752200	4	Flatwasher 3/4 (SN 26763 to Present)	
135	3251852	1	Nameplate - Extension Capacity (Prior to SN 38573)	
136	3820001	2	Rivet (Prior to SN 38573)	
137	0641512	1	Bolt 5/16in-18NC x 1 1/2 (SN 38573 to Present)	
138	1320224	1	Clamp (SN 38573 to Present)	
139	4791400	4	Starwasher (SN 38573 to Present)	
140	0901830	2	Bracket, Latch	
141	4845814	1	Support Weldment Only (SN 47925 to Present)	
142	0641505	2	Bolt 5/16in-18NC x 5/8 Only (SN 47925 to Present)	
143	3571010	1	Plate Only (SN 47925 to Present)	
144	3820019	5	Rivet Only (SN 47925 to Present)	
	2901571		Kit, Extension Latch (Includes Items 106, 125 thru 128 & 140)	

SECTION 4 - PLATFORM

FIGURE 4-5. HANDRAILS AND EXTENSION INSTALLATION - FOLDDOWN RAILS (MANUALLY OPERATED) (2033E/2046E/2646E/2658E)



SECTION 4 - PLATFORM

FIGURE 4-5. HANDRAILS AND EXTENSION INSTALLATION - FOLDDOWN RAILS (MANUALLY OPERATED) (2033E/2046E/2646E/2658E)

ITEM	PART NUMBER	QTY	DESCRIPTION	REV
		Ref	FOLD-DOWN HANDRAIL INSTALLATION (STANDARD PARTS WHEN EQUIPPED)	
1	3640738	2	Handrail - Lower Side	
4	3640740	2	Handrail - Top Side	
5	4565191	4	Tube - Ends	
6	3640742	1	Tube - Center (Right Side)	
7	0641420	AR	Bolt 1/4in-20NC x 2 1/2in (2033E)	
7	0641424	AR	Bolt 1/4in-20NC x 3in (2046E/2646E)	
8	4751400	AR	Flatwasher 1/4in	
9	4761400	AR	Lockwasher 1/4 (2033E) (Prior to SN 38589)	
9	4761400	AR	Lockwasher 1/4in (2046E/2646E)	
10	3311405	AR	Locknut 1/4in-20NC (2033E)	
10	3311401	AR	Nut 1/4in-20NC (2046E/2646E)	
12	3520072	AR	Plug, Cap	
15	3430416	AR	Pin, Clevis 1/4in x 2in	
16	4711400	AR	Flatwasher 1/4in	
17	3450203	AR	Pin, Cotter 1/16in x 3/4in	
22	1260017	28 in/.7m	Chain (4 Lengths 7 in/17.8 cm each)	
26	3421913	4	Pin, Quick Release	
29	3640753	1	Tube - Center (Left Side)	
32	1260136	2.5 ft/.8m	Chain	
33	3010088	2	Link	
34	2700056	1	Snap-Hook (Prior to SN 38589)	
34	1001101076	1	Snap Latch Repair Kit (Includes Item 33) (was p/n 2940064) (SN 38589 to Present)	
41	2820097	2.5 ft/.6m	Tubing, Mesh	
42	3900184	AR	Screw, Button Head #10-24NC x 5/8in	
43	3300373	6	Nut, Joint Connector 1 1/4in	
45	3300375	4	Nut, Joint Connector 2 3/8in	
48	0100011	AR	Loctite #242 (Not Shown)	
		Ref	FOLD-DOWN HANDRAIL INSTALLATION (VARIABLE PARTS)	
	0252681	Ref	Fold-Down Handrail Installation (Variable Parts) 2033E	7
	0257461	Ref	Fold-Down Handrail Installation (Variable Parts) 2033E CSA Spec	5
	0252677	Ref	Fold-Down Handrail Installation (Variable Parts) 2046E/2646E	6
	0257462	Ref	Fold-Down Handrail Installation (Variable Parts) 2046E/2646E CSA Spec	4
	0252679	Ref	Fold-Down Handrail Installation (Variable Parts) 2658E	5
	0257463	Ref	Fold-Down Handrail Installation (Variable Parts) 2658E CSA Spec	4
51		Ref	Handrail - Top Rear Vertical Options:	
51	Not Required	0	Handrail - Top Rear Vertical 2033E	
51	3640743	2	Handrail - Top Rear Vertical 2046E/2646E/2658E	
52	0641408	AR	Bolt 1/4in-20NC x 1in	
53		Ref	Handrail - Bottom Rear Vertical Options:	
53	Not Required	0	Handrail - Bottom Rear Vertical 2033E	
53	3640761	2	Handrail - Bottom Rear Vertical 2046E/2646E/2658E	
54		Ref	Kickplate - Rear Options:	
54	Not Required	0	Kickplate - Rear 2033E	
54	3535337	2	Kickplate - Rear 2046E/2646E (Prior to SN 26738)	

SECTION 4 - PLATFORM

ITEM	PART NUMBER	QTY	DESCRIPTION	REV
54	3534742	2	Kickplate - Rear 2046E/2646E (SN 26738 to Present)	
54	3535492	2	Kickplate - Rear 2658E	
55		Ref	Handrail - Rear Options:	
55	4565285	1	Handrail - Rear 2033E	
55	3640744	1	Handrail - Rear 2046E/2646E	
55	3640745	1	Handrail - Rear 2658E	
56		Ref	Handrail - Center Rear Vertical Options:	
56	Not Required	0	Handrail - Center Rear Vertical 2033E	
56	4565261	2	Handrail - Center Rear Vertical 2046E/2646E/2658E	
57		Ref	Pad Options:	
57	3340612	1.5 ft/.5m	Pad 2033E	
57	3340564	1	Pad 2046E/2646E/2658E	
58		Ref	Tube -Ends Options:	
58	3641235	2	Tube -Ends 2033E	
58	4565191	2	Tube -Ends 2046E/2646E/2658E	
		Ref	PLATFORM EXTENSION INSTALLATION	
	0253383	Ref	Platform Extension Installation 2033E Power Down Machines	C
	0257286	Ref	Platform Extension Installation 2033E Gravity Down Machines	5
	0257475	Ref	Platform Extension Installation 2033E Gravity Down Machines (CSA Spec)	5
	0253391	Ref	Platform Extension Installation 2046E/2646E Power Down Machines	B
	0257287	Ref	Platform Extension Installation 2046E/2646E Gravity Down Machines	3
	0257484	Ref	Platform Extension Installation 2046E/2646E Gravity Down Machines (CSA Spec)	3
	0253392	Ref	Platform Extension Installation 2658E Power Down Machines	B
	0257288	Ref	Platform Extension Installation 2658E Gravity Down Machines	3
	0257485	Ref	Platform Extension Installation 2658E Gravity Down Machines (CSA Spec)	4
		Ref	Note: To determine Power or Gravity Down refer to page A.	
101		Ref	Platform Extension Weldment Options:	
101	3510494	1	Platform Extension Weldment 2033E Power Down Machines	
101	3510574	1	Platform Extension Weldment 2033E Gravity Down Machines	
101	3510589	1	Platform Extension Weldment 2033E Gravity Down Machines (CSA)	
101	3510391	1	Platform Extension Weldment 2046E/2646E Power Down Machines	
101	3510575	1	Platform Extension Weldment 2046E/2646E Gravity Down Machines	
101	3510592	1	Platform Extension Weldment 2046E/2646E Gravity Down Machines (CSA)	
101	3510392	1	Platform Extension Weldment 2658E Power Down Machines	
101	3510576	1	Platform Extension Weldment 2658E Gravity Down Machines	
101	3510570	1	Platform Extension Weldment 2658E Gravity Down Machines (CSA)	
102		Ref	Handrail - Right Side	
102	3641315	1	Handrail - Right Side 2033E (Was P/N 3640749) (Prior to SN 56927)	
102	3641315	1	Handrail - Right Side 2033E (SN 56927 to Present)	
102	3640749	1	Handrail - Right Side 2046E/2646E/2658E	
103	3640748	1	Handrail - Left Side	
104	2560088	1	Grip, Handle	
105	2980113	1	Release Lever Assembly	

SECTION 4 - PLATFORM

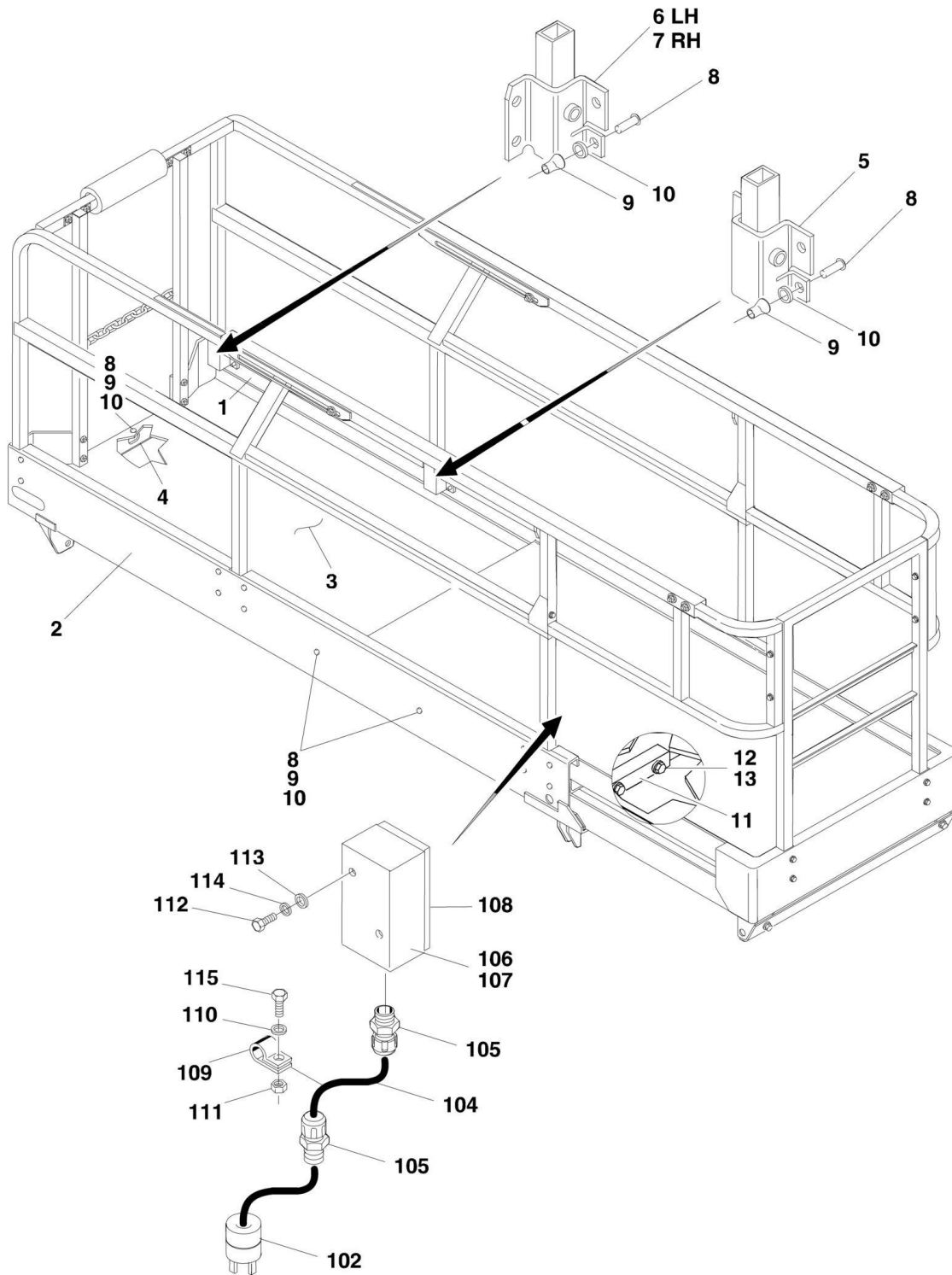
ITEM	PART NUMBER	QTY	DESCRIPTION	REV
106	3841201	1	Rod, Release	
107	3860052	4	Roller (Prior to SN 26763)	
107	3860059	4	Roller (SN 26763 to Present)	
107A	4712200	AR	Shim, Flatwasher (Steel)	
107A	4740066	AR	Shim, Flatwasher (Thin Bronze)	
108	4843706	4	Mounting Weldment - Roller (Prior to SN 26763)	
108	3537619	4	Mounting Weldment - Roller (SN 26763 to Present)	
109	0641510	16	Bolt 5/16in-18NC x 1 1/4in	
110	4761500	18	Lockwasher 5/16 (Prior to SN 38529)	
111	3311501	18	Nut 5/16in-18NC (Prior to SN 38529)	
111	3311505	20	Locknut 5/16in-18NC (SN 38529 to Present)	
112	0181684	4	Angle	
113	0641406	1	Bolt 1/4in-20NC x 3/4in	
114	4761400	12	Lockwasher 1/4 (Prior to SN 38529)	
115	3311401	8	Nut 1/4in-20NC (Prior to SN 38529)	
116	3430416	4	Pin, Clevis 1/4in x 2in	
117	4711400	10	Flatwasher 1/4in Narrow	
118	3450203	4	Pin, Cotter 1/16in x 3/4in	
119	3421913	2	Pin, Quick Release	
120	1260017	14	Chain (2 Lengths 7 in/17.8 Each)	
		in/35.6cm		
121	0641406	1	Bolt 1/4in-20NC x 3/4 (Prior to SN 38529)	
121	0641405	12	Bolt 1/4in-20NC x 5/8 (SN 38529 to Present)	
122	3311405	15	Locknut 1/4in-20NC	
123	0641516	2	Bolt 5/16in-18NC x 2in	
124	4751500	22	Flatwasher 5/16in	
125	3422723	2	Rollpin 1/8in x 7/8in	
126	4160078	1	Spring	
127	0361912	1	Bar, Latch	
128	2940061	1	Latch Weldment	
129	0641416	2	Bolt 1/4in-20NC x 2in	
130	3841233	4	Rod, Roller Support (SN 26763 to Present)	
131	3312202	4	Nut, Jam 3/4in-10NC (SN 26763 through 43781)	
131	3322202	4	Nut, Jam 3/4in-10NC (SN 43782 to Present)	
132	3760348	4	Ring, Retaining (SN 26763 to Present)	
133	4752200	4	Flatwasher 3/4 (SN 26763 to Present)	
134	3251852	1	Nameplate - Extension Capacity (Prior to SN 38529)	
135	3820001	2	Rivet (Prior to SN 38529)	
137	0641512	1	Bolt 5/16in-18NC x 1 1/2 (SN 38529 to Present)	
138	1320224	1	Clamp (SN 38529 to Present)	
139	4791400	4	Starwasher (SN 38529 to Present)	
140	0901830	2	Bracket, Latch	
141		Ref	Support Weldment Options:	
141	Not Required	0	Support Weldment 2033E (Prior to SN 47925)	
141	4845814	1	Support Weldment 2033E (SN 47925 to Present)	
141	Not Required	0	Support Weldment 2046E/2646E/2658E	
142	0641505	AR	Bolt 5/16in-18NC x 5/8in	
143		Ref	Plate Only (SN 47925 to Present)	
143	Not Required	0	Plate Only 2033E (Prior to SN 47925)	
143	3571010	1	Plate Only 2033E (SN 47925 to Present)	
143	Not Required	0	Plate Only 2046E/2646E/2658E	
144	3820019	AR	Rivet	

SECTION 4 - PLATFORM

ITEM	PART NUMBER	QTY	DESCRIPTION	REV
	2901571		Kit, Extension Latch (Includes Items 106, 125 thru 128 & 140)	

SECTION 4 - PLATFORM

FIGURE 4-6. PLATFORM ASSEMBLY - POWER OPERATED (2033E/2046E/2646E/ 2658E)



SECTION 4 - PLATFORM

FIGURE 4-6. PLATFORM ASSEMBLY - POWER OPERATED (2033E/2046E/2646E/ 2658E)

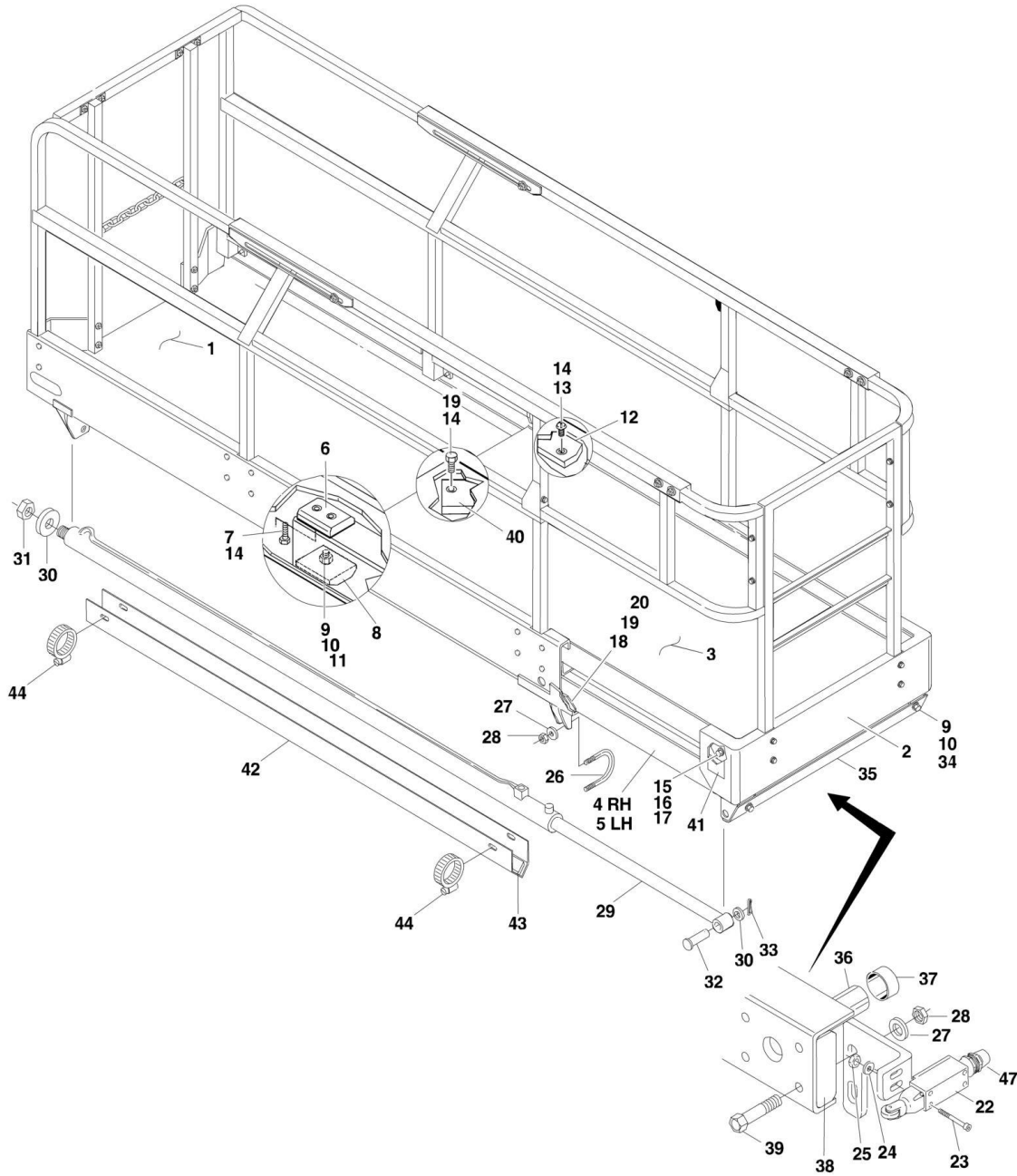
ITEM	PART NUMBER	QTY	DESCRIPTION	REV
		Ref	PLATFROM ASSEMBLY OPTIONS:	
	3510555	Ref	Platfrom Assembly 2033E MACHINES	1
	3510556	Ref	Platfrom Assembly 2046E/2646E MACHINES	1
	3510557	Ref	Platfrom Assembly 2658E MACHINES	1
1	4845405	1	Kickplate - LH	
2	4845406	1	Kickplate - RH	
3		Ref	Plate, Deck Options:	
3	3570000	1	Plate, Deck 2033E Machines	
3	3570001	1	Plate, Deck 2046E/2646E Machines	
3	3570002	1	Plate, Deck 2658E Machines	
4		Ref	Plate, Platform End Options:	
4	3570009	1	Plate, Platform End 2033E Machines	
4	3570010	1	Plate, Platform End 2046E/2646E Machines	
4	3570011	1	Plate, Platform End 2658E Machines	
5	0902345	4	Bracket, Rail Pocket	
6	0902346	1	Bracket, Rear Rail Pocket - LH	
7	0902347	1	Bracket, Rear Rail Pocket - RH	
8	2080041	AR	Fastener	
9	1440322	AR	Collar	
10	4711400	AR	Flatwasher 1/4in Narrow	
11	3340826	2	Pad, Front Spacer (2046E/2646E/2658E Machines Only)	
12	0641408	4	Bolt 1/4in-20NC x 1in (2046E/2646E/2658E Machines Only)	
13	3311405	4	Nut 1/4in-20NC (2046E/2646E/2658E Machines Only)	
		Ref	OPTIONAL RECEPTACLE INSTALLATIONS	
	0257523	Ref	110 Volt Receptacle - 2033E	5
	0257524	Ref	110 Volt Receptacle (GFI) - 2033E	6
	0257525	Ref	110 Volt Receptacle (UL) - 2033E	5
	0257526	Ref	220 Volt Receptacle - 2033E	3
	0257529	Ref	110 Volt Receptacle - 2046E	4
	0257530	Ref	110 Volt Receptacle (GFI) - 2046E	5
	0257531	Ref	110 Volt Receptacle (UL) - 2046E	4
	0257532	Ref	220 Volt Receptacle - 2046E	3
	0257534	Ref	110 Volt Receptacle - 2646E/2658E	4
	0257535	Ref	110 Volt Receptacle (GFI) - 2646E/2658E	5
	0257536	Ref	110 Volt Receptacle (UL) - 2646E/2658E	4
	0257537	Ref	220 Volt Receptacle - 2646E/2658E	3
101	1703464	1	Decal, 110 Volt Ac Power (Not Shown)	
101	3252507	1	Nameplate, 220V-50/60HZ (Not Shown)	
102	4460138	1	Connector, Plug (110 Volt Only)	
103	2540002	3 in/7.6cm	Grommet (2033E Machines Only) (Not Shown)	
104		Ref	Cable - 12/3 Options:	
104	1060308	42 ft/12.8m	Cable - 2033E	
104	1060308	43 ft/13.1m	Cable - 2046E	
104	1060308	46 ft/14m	Cable - 2646E/2658E	
105	4460051	AR	Connector	
106	0860038	1	Box, Receptacle	
107		Ref	Terminal, Receptacle Options:	
107	4460190	1	110 Volt	

SECTION 4 - PLATFORM

ITEM	PART NUMBER	QTY	DESCRIPTION	REV
107	4460346	1	110 Volt (GFI)	
107	4460347	1	110 Volt (Isolated Ground)	
107	Supply Locally	1	220V	
108		Ref	Shield, Weather Proof Cover Options:	
108	4060092	1	110 & 220 Volt	
108	4060700	1	110 Volt (GFI)	
109	1320061	1	Clamp (2033E Machines Only)	
110	4751500	1	Flatwasher 5/16in (2033E Machines Only)	
111	3311505	1	Locknut 5/16in-18NC (2033E Machines Only)	
112		Ref	Bolt Options:	
112	3900256	2	Self Drilling #10-16 x 1 1/4in (110 Volt Receptacle)	
112	0721006	2	Bolt #10-24 x 3/4in (220 Volt Receptacle)	
113	4711000	2	Flatwasher #10	
114	4761000	2	Lockwasher #10	
115	0641505	1	Bolt 5/16in-18NC x 5/8in (2033E Machines Only)	
116	4240033	AR	Tie Strap (Not Shown)	
117	4460315	3	Terminal (Not Shown)	

SECTION 4 - PLATFORM

FIGURE 4-7. EXTENSION INSTALLATION - POWER OPERATED (2033E/2046E/ 2646E/2658E)



SECTION 4 - PLATFORM

FIGURE 4-7. EXTENSION INSTALLATION - POWER OPERATED (2033E/2046E/ 2646E/2658E)

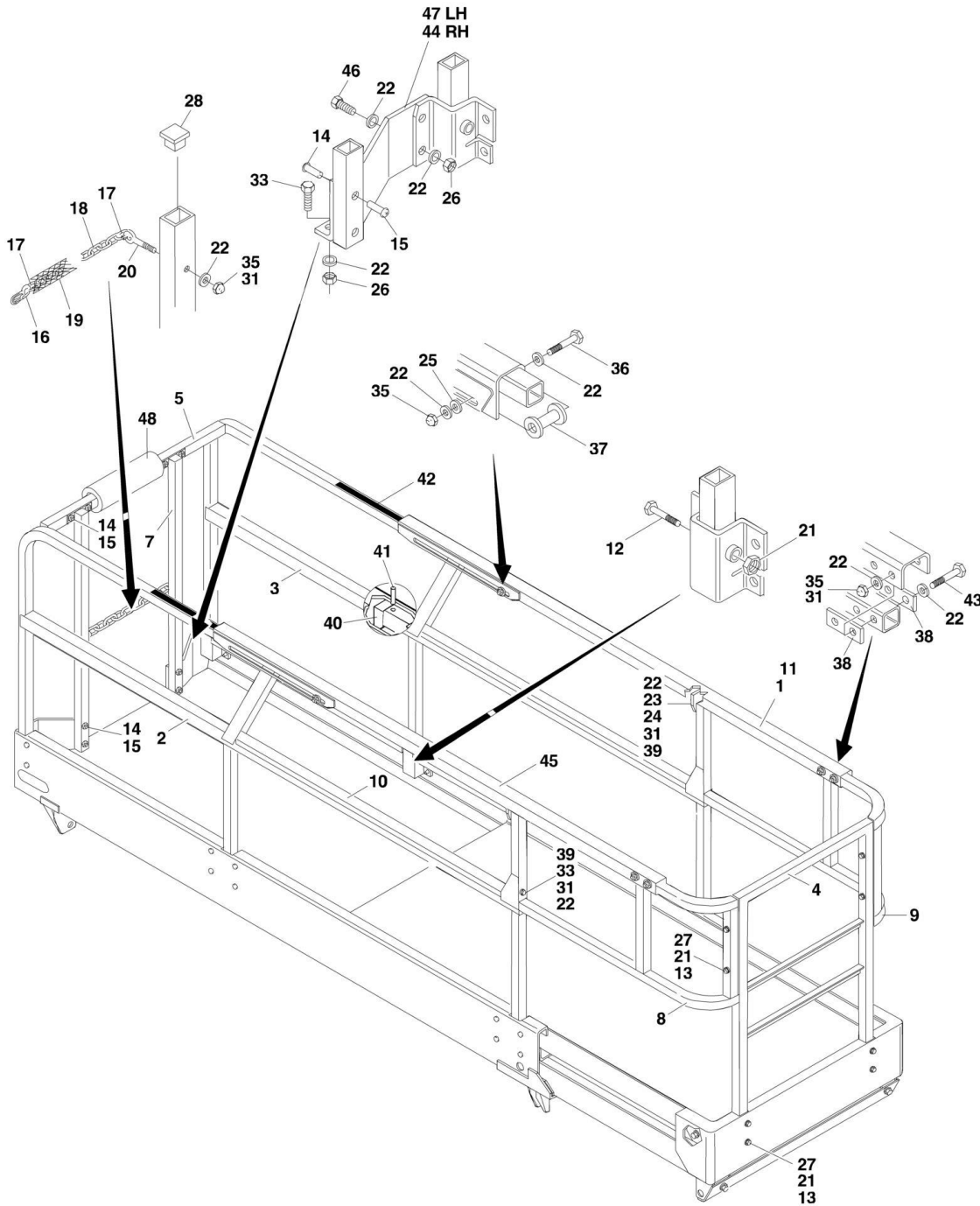
ITEM	PART NUMBER	QTY	DESCRIPTION	REV
		Ref	PLATFORM INSTALLATIONS:	
	3510561	Ref	PLATFORM (4FT) 2033E MACHINES	3
	3510558	Ref	PLATFORM (6FT) 2033E MACHINES	3
	3510562	Ref	PLATFORM (4FT) 2046E/2646E MACHINES	3
	3510559	Ref	PLATFORM (6FT) 2046E/2646E MACHINES	3
	3510563	Ref	PLATFORM (4FT) 2658E MACHINES	3
	3510560	Ref	PLATFORM (6FT) 2658E MACHINES	3
1		Ref	PLATFORM OPTIONS:	
1	3510555	1	30 x 88 - 2033E Machines	
1	3510556	1	42 x 88 - 2046E/2646E Machines	
1	3510557	1	50 x 88 - 2658E Machines	
2		Ref	Shield Options:	
2	4060929	1	Shield 2033E Machines	
2	4060930	1	Shield 2046E/2646E Machines	
2	4060931	1	Shield 2658E Machines	
3		Ref	Plate, Extension Deck Options:	
3	3570003	1	Plate, Extension Deck 2033E Machines	
3	3570004	1	Plate, Extension Deck 2046E/2646E Machines	
3	3570005	1	Plate, Extension Deck 2658E Machines	
4	4845416	1	Tube, Extension - RH	
5	4845416	1	Tube, Extension - LH	
6	3340812	2	Pad	
7	0641404	4	Bolt 1/4in-20NC x 1/2in	
8	3340813	2	Pad	
9	3311405	6	Locknut 1/4in-20	
10	4751400	8	Flatwasher 1/4in Wide	
11	0741407	2	Screw 1/4in-20NC x 7/8in	
12	3340814	2	Pad	
13	3911408	4	Screw 1/4in-20NC x 1/2in	
14	0100011	AR	Loctite #242	
15	0641608	8	Bolt 3/8in-16NC x 1in	
16	4751600	16	Flatwasher 3/8in Wide	
17	3311605	8	Locknut 3/8in-16	
18	3340825	2	Pad	
19	0641604	4	Bolt 3/8in-16NC x 1/2in	
20	4761600	2	Lockwasher 3/8in	
21	0902355	1	Bracket, Switch Mount	
22	4360401	1	Switch, Limit	
23	3931024	2	Screw #10-24 x 1.5in	
24	4751000	2	Flatwasher #10 Wide	
25	3311005	2	Locknut #10-24	
26	1320026	2	Clamp	
27	4751500	AR	Flatwasher 5/16in Wide	
28	3311505	AR	Locknut 5/16in-18	
29		Ref	Cylinder, Extension Options:	
29	1683376	1	4ft Platform	
29	1683375	1	6ft Platform	
30	4712200	4	Flatwasher 3/4in Narrow	
31	3322201	2	Nut 3/4in-16NC	
32	3431220	2	Pin, Clevis 3/4in x 2.5in	

SECTION 4 - PLATFORM

ITEM	PART NUMBER	QTY	DESCRIPTION	REV
33	3450406	2	Pin, Cotter 1/8in x 1.5in	
34	0641407	2	Bolt 1/4in-20NC x 7/8in	
35		Ref	Front Plate Weldment Options:	
35	4845483	1	Front Plate Weldment 2033E Machines	
35	4845484	1	Front Plate Weldment 42 x 88 - 2046E/2646E Machines	
35	4845485	1	Front Plate Weldment 50 x 88 - 2658E Machines	
36		Ref	Pin Options:	
36	3422487	2	Pin 2033E Machines	
36	3422515	2	Pin 2046E/2646E Machines	
36	3422517	2	Pin 2658E Machines	
37		Ref	Bushing, Spacer Options:	
37	Not Required	0	Bushing, Spacer 2033E Machines	
37	0962044	4	Bushing, Spacer 2046E/2646E Machines	
37	0962045	4	Bushing, Spacer 2658E Machines	
38	3340783	4	Pad, Slide Block	
39	0641516	8	Bolt 5/16in-18NC x 2in	
40	3340815	1	Pad	
41	1703491	2	Decal	
42	4340702	2	Tray, Support	
43	0181922	2	UHMW Angle	
44	1320012	4	Clamp 2in	
45	0641406	2	Bolt 1/4in-20NC x 3/4in	
46	0641506	4	Bolt 5/16in-18NC x 3/4in	
47	4460052	1	Connector, Strain Relief (SN 50260 to Present)	

SECTION 4 - PLATFORM

FIGURE 4-8. HANDRAILS INSTALLATION - POWER OPERATED PLATFORMS (2033E/2046E/2646E/2658E)



SECTION 4 - PLATFORM

**FIGURE 4-8. HANDRAILS INSTALLATION - POWER OPERATED PLATFORMS
(2033E/2046E/2646E/2658E)**

ITEM	PART NUMBER	QTY	DESCRIPTION	REV
		Ref	HANDRAILS INSTALLATION OPTIONS:	
	0256103	Ref	Handrails Installation Standard - 2033E Machines	5
	0257653	Ref	Handrails Installation CSA - 2033E Machines	1
	0256104	Ref	Handrails Installation Standard - 2046E/2646E Machines	5
	0257654	Ref	Handrails Installation CSA - 2046E/2646E Machines	4
	0256105	Ref	Handrails Installation Standard - 2658E Machines	5
	0257655	Ref	Handrails Installation CSA - 2658E Machines	4
1		Ref	Handrail Kit Options:	
1	2901403	1	Handrail Kit 2033E Standard Machines (Includes Items 2-5, 8-11 & 45)	
1	2901527	1	Handrail Kit 2033E CSA Machines (Includes Items 2-5, 8-11 & 45)	
1	2901404	1	Handrail Kit 2046E/2646E Standard Machines (Includes Items 2-5, 7-11 & 45)	
1	2901528	1	Handrail Kit 2046E/2646E CSA Machines (Includes Items 2-5, 7-11 & 45)	
1	2901405	1	Handrail Kit 2658E Standard Machines (Includes Items 2-5, 7-11 & 45)	
1	2901529	1	Handrail Kit 2658E CSA Machines (Includes Items 2-5, 7-11 & 45)	
2		Ref	Rail Weldment - Right Side Options:	
2	3641082	1	Standard - Rail Weldment	
2	3641203	1	CSA - Rail Weldment	
3		Ref	Rail Weldment - Left Side Options:	
3	3641083	1	Standard - Rail Weldment	
3	3641204	1	CSA - Rail Weldment	
4		Ref	Rail Weldment - Extension - Front Options:	
4	3641149	1	Standard - Rail Weldment	
4	3641207	1	CSA - Rail Weldment	
5		Ref	Tube, Crossbar Options:	
5	4567135	1	Tube, Crossbar 2033E Machines	
5	4567136	1	Tube, Crossbar 2046E/2646E Machines	
5	4567137	1	Tube, Crossbar 2658E Machines	
7		Ref	Rail Weldment - End Options:	
7	Not Required	0	Rail Weldment - End 2033E Machines	
7	3641152	1	Rail Weldment - End Standard - 2046E/2646E/2658E Machines	
7	3641208	1	Rail Weldment - End CSA - 2046E/2646E/2658E Machines	
8		Ref	Rail Weldment - Extension Right Side Options:	
8	3641084	1	Rail Weldment - Extension Right Side 2033E Machines	
8	3641088	1	Rail Weldment - Extension Right Side 2046E/2646E Machines	
8	3641090	1	Rail Weldment - Extension Right Side 2658E Machines	
9		Ref	Rail Weldment - Extension Left Side Options:	
9	3641085	1	Rail Weldment - Extension Left Side 2033E Machines	
9	3641089	1	Rail Weldment - Extension Left Side 2046E/2646E Machines	
9	3641091	1	Rail Weldment - Extension Left Side 2658E Machines	
10	4060915	1	Shield, Midrail Cover	
11	1271305	1	Channel, Top Rail	
12	0630501	6	Bolt 5/16in-18NC x 2 1/4in	
13	4711500	AR	Flatwasher 5/16in Narrow	
14	3300373	AR	Nut, Binding Post	

SECTION 4 - PLATFORM

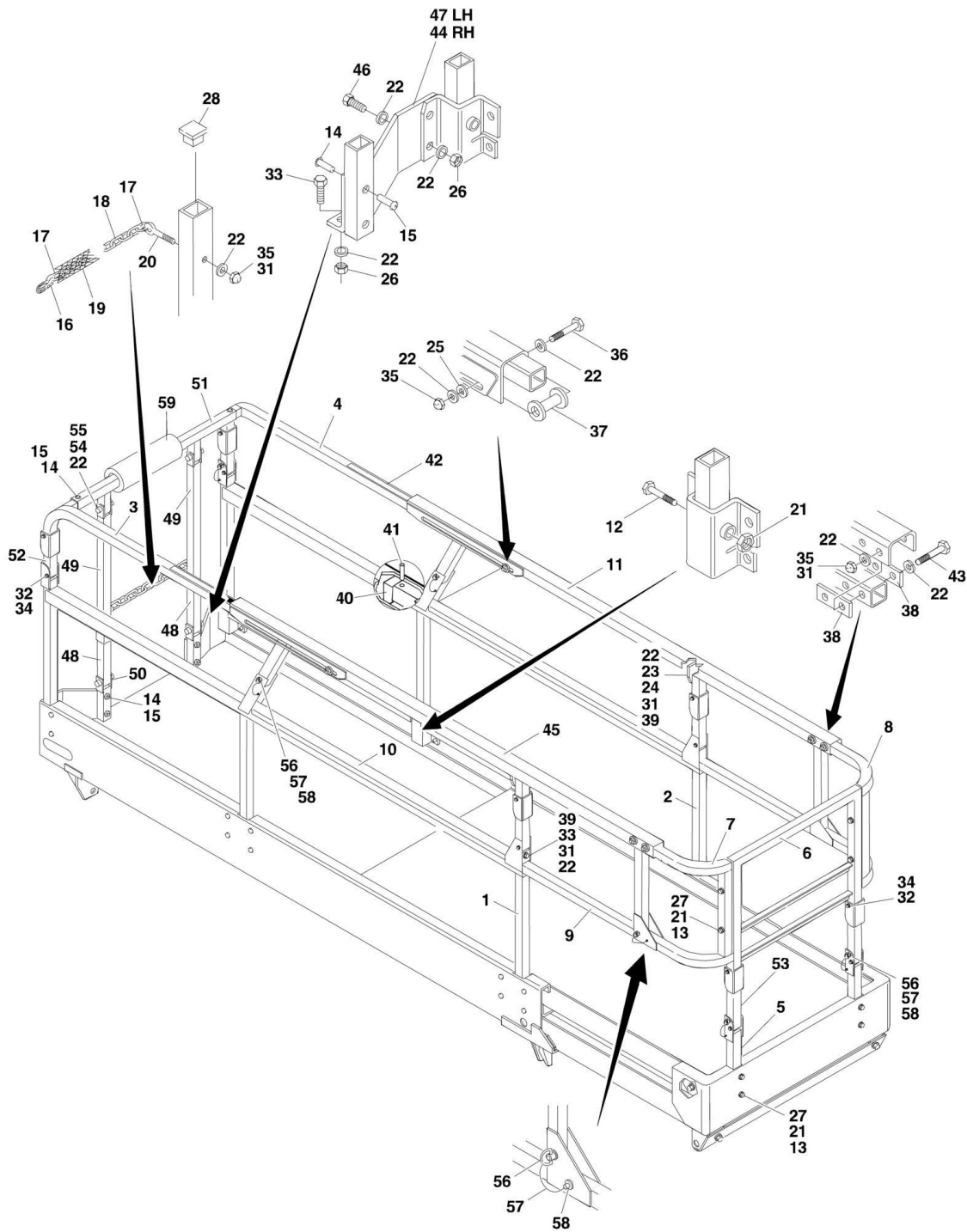
ITEM	PART NUMBER	QTY	DESCRIPTION	REV
15	3900184	AR	Screw #10-24	
16	1001101076	1	Snap Latch Repair Kit (Includes Item 17) (was p/n 2940064)	
17	3010088	2	Link	
18	1260136	24 in/61cm	Chain	
19		Ref	Tubing Options:	
19	2820097	24 in/61cm	Tubing, Mesh	
19	2820024	24 in/61cm	Tubing, Vinyl (CSA 2033E Only)	
20	0630494	2	Bolt, Eye	
21	3311505	6	Locknut 5/16in-18NC	
22	4751400	AR	Flatwasher 1/4in Wide	
23	0641410	4	Bolt 1/4in-20NC x 1 1/4in	
24	0561262	2	Block, Slide	
25	4740411	4	Washer, Nylon	
26		Ref	Locknut 1/4in-20NC Options:	
26	Not Required	0	Locknut 1/4in-20NC 2033E Machines	
26	3311405	6	Locknut 1/4in-20NC 2046E/2646E/2658E Machines	
27	0641516	8	Bolt 5/16in-18NC x 2in	
28	3520072	AR	Plug, Cap	
29		Ref	Bolt #10-24 x 1/2in Options:	
29	Not Required	0	Bolt #10-24 x 1/2in 2033E Machines	
29	3921008	2	Bolt #10-24 x 1/2in 2046E/2646E/2658E Machines	
30		Ref	Flatwasher #10 Wide Options:	
30	Not Required	0	Flatwasher #10 Wide 2033E Machines	
30	4751000	2	Flatwasher #10 Wide 2046E/2646E/2658E Machines	
31	0100011	AR	Loctite #242	
33	0641408	4	Bolt 1/4in-20NC x 1in	
35	3300151	8	Nut, Acorn 1/4in-20NC	
36	0641424	2	Bolt 1/4in-20NC x 3in	
37	3860075	2	Roller	
38	0561234	4	Block, Spacer	
39	2080043	12	Rivnut 1/4in-20NC	
40	3340801	2	Pad, Midrail	
41	3440420	2	Pin, Roll 1/8in x 1 1/4in	
42	4420055	24 in/61cm	Tape, UHWM	
43	0641420	4	Bolt 1/4in-20NC x 2 1/2in	
44		Ref	End Kick Panel Right Side Options:	
44	Not Required	0	End Kick Panel Right Side 2033E Machines	
44	3380437	1	End Kick Panel Right Side 2046E/2646E Machines	
44	3380438	1	End Kick Panel Right Side 2658E Machines	
45	1271337	1	Channel Weldment	
46		Ref	Bolt 1/4in-20NC x 3/4in Options:	
46	Not Required	0	Bolt 1/4in-20NC x 3/4in 2033E Machines	
46	0641406	4	Bolt 1/4in-20NC x 3/4in 2046E/2646E/2658E Machines	
47		Ref	End Kick Panel Left Side Options:	
47	Not Required	0	End Kick Panel Left Side 2033E Machines	
47	3380439	1	End Kick Panel Left Side 2046E/2646E Machines	
47	3380440	1	End Kick Panel Left Side 2658E Machines	

SECTION 4 - PLATFORM

ITEM	PART NUMBER	QTY	DESCRIPTION	REV
48	3340612	17 in/43cm	Pad	

SECTION 4 - PLATFORM

FIGURE 4-9. HANDRAILS INSTALLATION - OPTIONAL FOLDDOWN RAILS POWER OPERATED PLATFORM (2046E/2646E)



SECTION 4 - PLATFORM

FIGURE 4-9. HANDRAILS INSTALLATION - OPTIONAL FOLDDOWN RAILS POWER OPERATED PLATFORM (2046E/2646E)

ITEM	PART NUMBER	QTY	DESCRIPTION	REV
	0258005	Ref	HANDRAILS INSTALLATION	2
1	3641239	1	Rail Weldment - Right Side	
2	3641240	1	Rail Weldment - Left Side	
3	3641241	1	Rail Weldment - Extension - Right Side Upper	
4	3641242	1	Rail Weldment - Extension - Left Side Upper	
5	3641243	2	Rail Weldment - Extension - Front Lower	
6	3641244	1	Rail Weldment - Extension - Front	
7	3641245	1	Rail Weldment - Extension Right Side	
8	3641246	1	Rail Weldment - Extension Left Side	
9	4567453	2	Tube, Extension	
10	4060915	2	Shield, Midrail Cover	
11	1271305	1	Channel, Top Rail	
12	0630501	6	Bolt 5/16in-18NC x 2 1/4in	
13	4711500	16	Flatwasher 5/16in Narrow	
14	3300373	6	Nut, Binding Post	
15	3900184	6	Screw #10-24	
16	1001101076	1	Snap Latch Repair Kit (Includes Item 17) (was p/n 2940064)	
17	3010088	2	Link	
18	1260136	24	Chain	
		in/61cm		
19	2820097	24	Tubing, Mesh	
		in/61cm		
20	0630494	2	Bolt, Eye	
21	3311505	8	Locknut 5/16in-18NC	
22	4751400	40	Flatwasher 1/4in Wide	
23	0641410	4	Bolt 1/4in-20NC x 1 1/4in	
24	0561262	2	Block, Slide	
25	4740411	4	Washer, Nylon	
26	3311405	6	Locknut 1/4in-20NC	
27	0641516	8	Bolt 5/16in-18NC x 2in	
28	3520072	20	Plug, Cap	
29	3921008	2	Bolt #10-24 x 1/2in	
30	4751000	2	Flatwasher #10 Wide	
31	0100011	AR	Loctite #242	
32	3911432	12	Screw, 1/4in-20NC x 2in	
33	0641408	2	Bolt 1/4in-20NC x 1in	
35	3300151	18	Nut, Acorn 1/4in-20NC	
36	0641424	2	Bolt 1/4in-20NC x 3in	
37	3860075	2	Roller	
38	0561234	4	Block, Spacer	
39	2080043	8	Rivnut 1/4in-20NC	
40	3340801	2	Pad, Midrail	
41	3440420	2	Pin, Roll 1/8in x 1 1/4in	
42	4420055	24	Tape, UHWM	
		in/61cm		
43	0641420	4	Bolt 1/4in-20NC x 2 1/2in	
44	3380437	1	End Kick Panel Right Side	
45	1271337	1	Channel Weldment	
46	0641406	4	Bolt 1/4in-20NC x 3/4in	

SECTION 4 - PLATFORM

ITEM	PART NUMBER	QTY	DESCRIPTION	REV
47	3380439	1	End Kick Panel Left Side	
48	4565261	2	Tube	
49	3640743	2	Rail, Weldment	
50	3641248	2	Rail, Weldment	
51	3641249	1	Crossbar, Weldment	
52	4567451	4	Tube, Link	
53	4567512	2	Tube, Front Link	
54	3430416	4	Pin, Clevis	
55	3450203	4	Pin, Cotter	
56	3422219	6	Pin, Snapper	
57	1060379	6	Cable, Lanyard	
58	3941004	6	Screw, Self Tapping	
59	3340612	24 in/61cm	Pad	
60	3311501	6	Nut 5/16in-18NC	
61	3760170	6	Key Ring	

SECTION 4 - PLATFORM

FIGURE 4-10. PLATFORM CONSOLE BOX ASSEMBLY

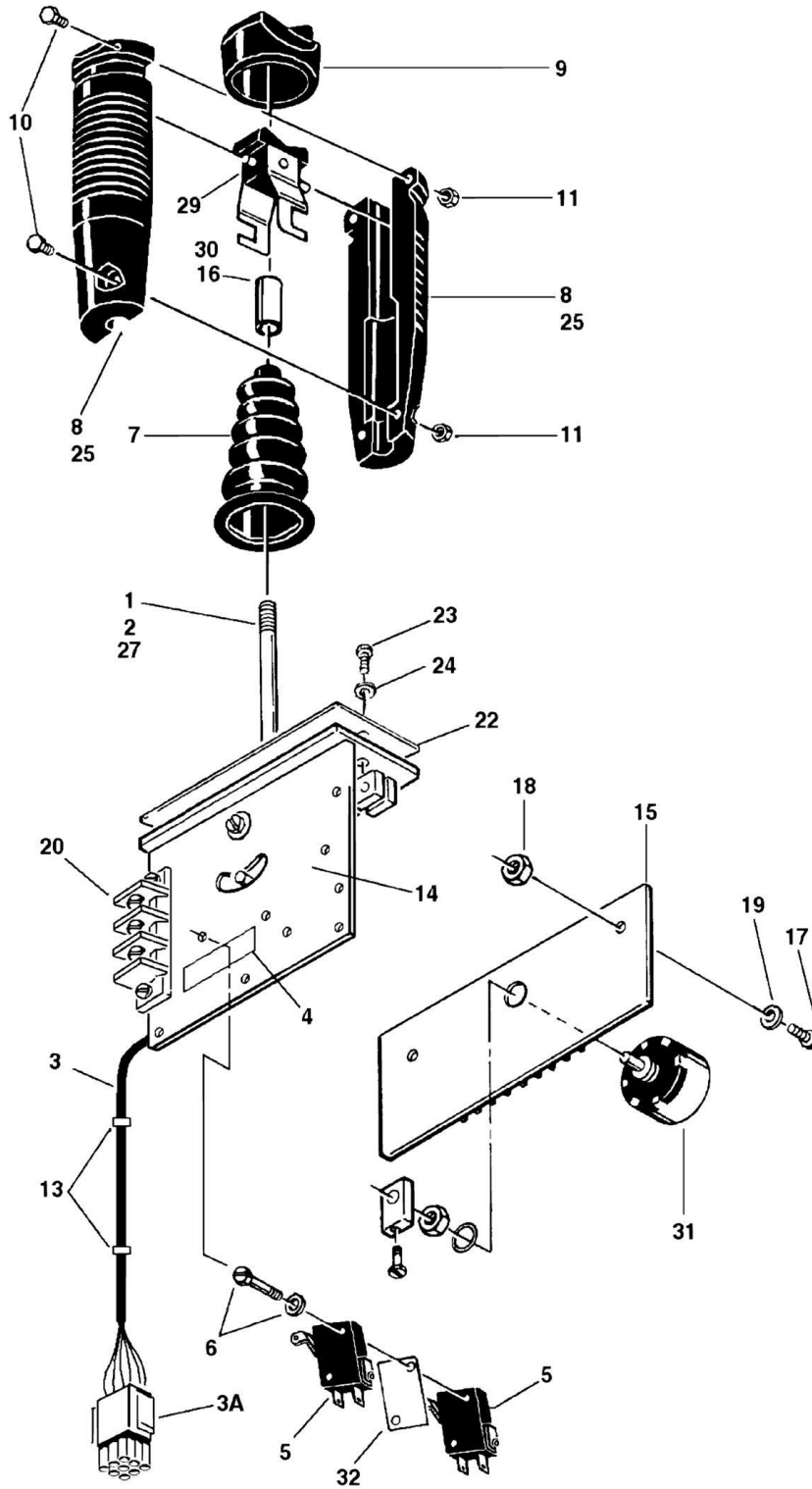
ITEM	PART NUMBER	QTY	DESCRIPTION	REV
		Ref	CONSOLE BOX ASSEMBLY (STANDARD PARTS)	
		Ref	Note: To determine Power or Gravity Down refer to Page A	
1	4360289	1	Switch, Emergency Stop	
1A	7012611	1	Head, Mushroom	
1B	7012612	1	Boot	
3	3900177	11	Screw	
4	4060914	1	Cover, Rear	
5		Ref	Controller Assembly Options (See CONTROLLER ASSEMBLY - OEM or CONTROLLER ASSEMBLY - PQ for Breakdown):	
5	See Note	1	Controller Assembly (OEM) (Note: Use P/N 2890047 in place of original P/N 1600235) (Prior to SN 29608)	
5	See Note	1	Controller Assembly (OEM) (Note: Use P/N 2890047 in place of original P/N 1600257) (SN 29608 through 35956)	
5	See Note	1	Controller Assembly (PQ) (Note: Use P/N 1600276 in place of original P/N 1600266) (SN 35957 through 35964)	
5	See Note	1	Controller Assembly (OEM) (Note: Use P/N 2890047 in place of original P/N 1600257) (SN 35965 through 36011)	
5	See Note	1	Controller Assembly (PQ) (Note: Use P/N 1600276 in place of original P/N 1600266) (SN 36012 through 43887)	
5	1600276	1	Controller Assembly (PQ) (SN 43888 to Present)	
6	4740120	2	Washer, Nylon	
7	3900178	2	Screw, Machine #10-32NF x 3/4in	
8	0861013	1	Box, Platform	
9		Ref	Hanger Bracket Option:	
9	0902234	1	Hanger Bracket (Prior to SN 24273, Excluding 23804)	
9	0902298	1	Hanger Bracket (SN 24273 through 43888, Including 23804)	
9	7020075	1	Cap, Rubber (Right Side)	
9	7020076	1	Cap, Rubber (Left Side)	
10	3900227	4	Bolt 1/4in-20NC x 1/2in (Black)	
11	4791400	4	Starwasher 1/4in	
12	2560141	1	Thumbscrew	
13	0181847	1	Angle	
14	3900226	2	Screw #6-32NC x 1in (Black)	
15	3310601	2	Nut #6-32NC	
16	4770600	2	Starwasher #6	
17	0610123	1	Card, Circuit	
18	4460463	1	Receptacle, Male (23 Pin)	
19	4460470	1	Nut, Receptacle	
20	4460471	1	Lockwasher, Receptacle	
23		Ref	Lid, Nameplate Options:	
23	3252481	1	Lid, Nameplate (Use with OEM Controller) (Prior to SN 36042)	
23	3252542	1	Lid, Nameplate (Use with PQ Controller) (SN 36042 to Present)	
29	4740066	1	Washer, Bronze (SN 50260 to Present)	
30	4460466	9	Plug, Terminal (SN 50260 to Present)	
		Ref	CONSOLE BOX ASSEMBLY (VARIABLE PARTS)	
	0256963	Ref	Power Down Machines without Tilt Light	3
	0256041	Ref	Power Down Machines with Tilt Light	4
	0257378	Ref	Gravity Down Machines without Tilt Light	6
	0257540	Ref	Gravity Down Machines without Tilt Light and with Battery Gauge	5

SECTION 4 - PLATFORM

ITEM	PART NUMBER	QTY	DESCRIPTION	REV
	0257377	Ref	Gravity Down Machines with Tilt Light	6
	0257539	Ref	Gravity Down Machines with Tilt Light and Battery Gauge	5
50		Ref	Switch, Keypad Options:	
50	4360450	1	Power Down Machines without Tilt Light	
50	4360403	1	Power Down Machines with Tilt Light	
50	4360450	1	Gravity Down Machines without Tilt Light	
50	4360450	1	Gravity Down Machines without Tilt Light and with Battery Gauge	
50	4360403	1	Gravity Down Machines with Tilt Light	
50	4360403	1	Gravity Down Machines with Tilt Light and Battery Gauge	
51		Ref	Harness - Membrane Switch Options: (See ELECTRICAL SECTION for Breakdown)	
51	4921782	1	Power Down Machines	
51	4921895	1	Gravity Down Machines	
52		Ref	Harness - Platform Console Box Options (See ELECTRICAL SECTION for Breakdown)	
52	4921783	1	Power Down Machines	
52	4921896	1	Gravity Down Machines	
53		Ref	Gauge, Battery Discharge Indicator Options:	
53	Not Required	0	Without Battery Gauge	
53	2420176	1	With Battery Gauge	
54		Ref	Alarm Options:	
54	Not Required	0	Power Down Machines	
54	Not Required	0	Gravity Down Machines without Tilt Light	
54	0140011	1	Gravity Down Machines with Tilt Light	
54	0140011	1	Gravity Down Machines with Tilt Light and Battery Gauge	
55	Not Required	0	Not Required	
56		Ref	Bracket Options:	
56	Not Required	0	Power Down Machines	
56	0902439	1	Gravity Down Machines	
57		Ref	Bracket Options:	
57	Not Required	0	Power Down Machines	
57	0902438	1	Gravity Down Machines	
58	0641405	4	Bolt 1/4in-20NC x 5/8in	
59	3311401	4	Nut 1/4in-20NC	
	0256057	Ref	BATTERY DISCHARGE INDICATOR INSTALLATION (POWER DOWN MACHINES - OPTIONAL)	-
101	2420176	1	Gauge, Battery Discharge Indicator	
	0255950	Ref	HORN COMPONENTS INSTALLATION	4
201	4360387	1	Button, Horn	
	0255948	Ref	TILT ALARM INSTALLATION	A
301	0140011	1	Alarm	

SECTION 4 - PLATFORM

FIGURE 4-11. CONTROLLER ASSEMBLY - OEM



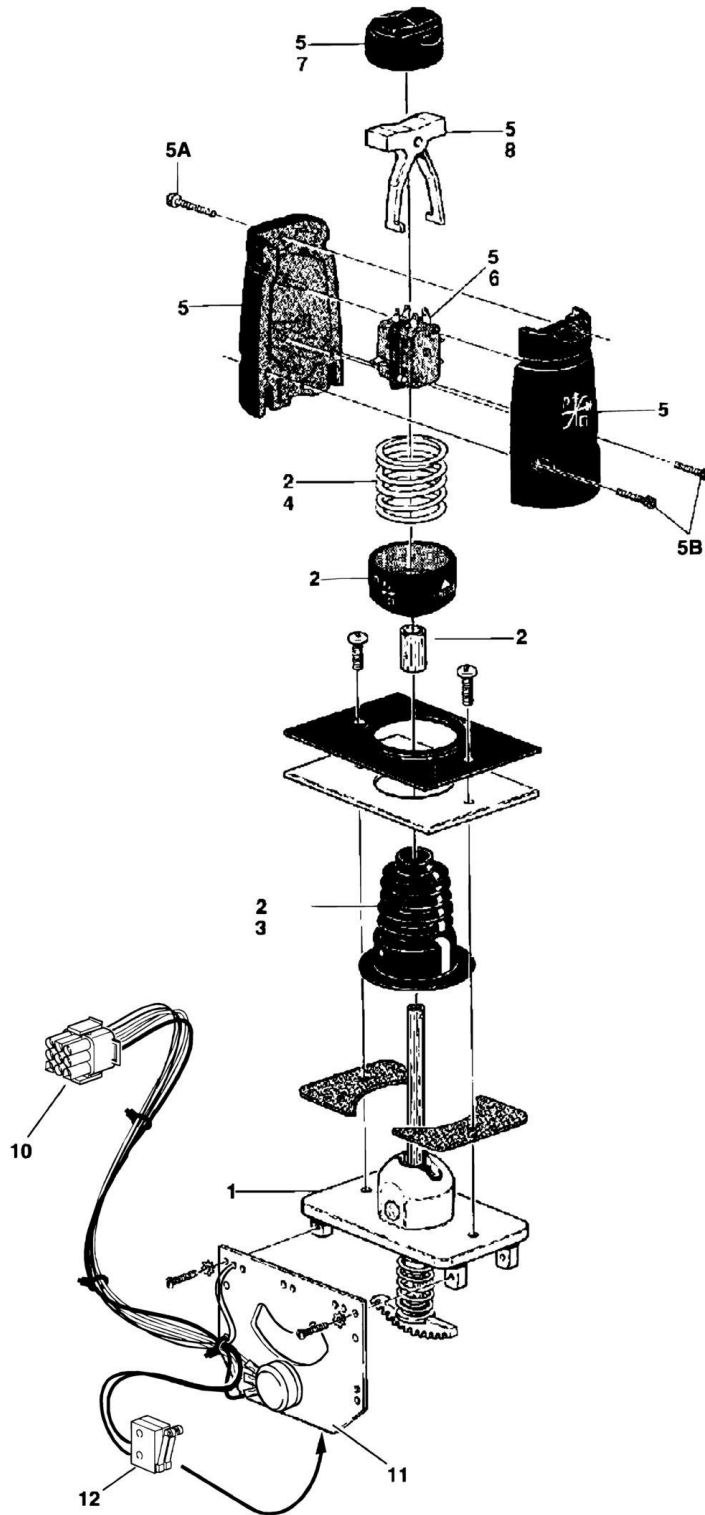
SECTION 4 - PLATFORM

FIGURE 4-11. CONTROLLER ASSEMBLY - OEM

ITEM	PART NUMBER	QTY	DESCRIPTION	REV
		Ref	CONTROLLER ASSEMBLY - OEM	
	1600235	Ref	Controller Assembly - OEM	-
	1600257	Ref	Controller Assembly - OEM	C
1	7003946	1	Spring, Handle Return	
2		Ref	Shaft Assembly Options:	
2	7019100	1	Shaft Assembly (Prior to SN 29608)	
2	7019102	1	Shaft Assembly (SN 29608 to Present)	
3		Ref	Harness, Electrical (Lower)	
3	7003999	1	Harness, Electrical (Lower) (Prior to SN 29608)	
3	7019101	1	Harness, Electrical (Lower) (SN 29608 to Present)	
3A	4460265	1	Connector, Receptacle - 9 Pin	
4	Not Serviced	1	Label	
5	7003961	2	Microswitch	
6	7003998	2	Screw	
7	7003966	1	Boot	
8	7003973	2	Handle Halves	
9	7003972	1	Cap, Rubber	
10	7003980	4	Screw	
11	7003979	4	Nut	
12	7003995	1	Harness, Electrical (Upper) (Not Shown)	
13	Not Serviced	10	Tie-strap	
14	Not Serviced	1	Housing	
15	7003995	1	Plate, Pot Mounting	
16	7003983	2	Setscrew	
17	7003994	2	Screw	
18	7003993	2	Nut	
19	7003992	2	Washer	
20	7003991	1	Strip, Terminal	
21	0100011	AR	Loctite (Not Shown)	
22	7003933	1	Gasket	
23	7003990	2	Screw	
24	7003969	2	Washer	
25	7003989	2	Gasket, Handle	
26	Not Serviced	AR	Grease	
27	0100015	AR	Loctite (Not Shown)	
28	7003988	1	Setscrew	
29	7003981	1	Rocker	
30	7003984	1	Coupling	
31	7003997	1	Potentiometer	
32	Not Serviced	1	Insulator	
	7003978	1	Handle Assembly (Includes Items 7-11, 25, 29 & 30)	

SECTION 4 - PLATFORM

FIGURE 4-12. CONTROLLER ASSEMBLY - PQ



SECTION 4 - PLATFORM

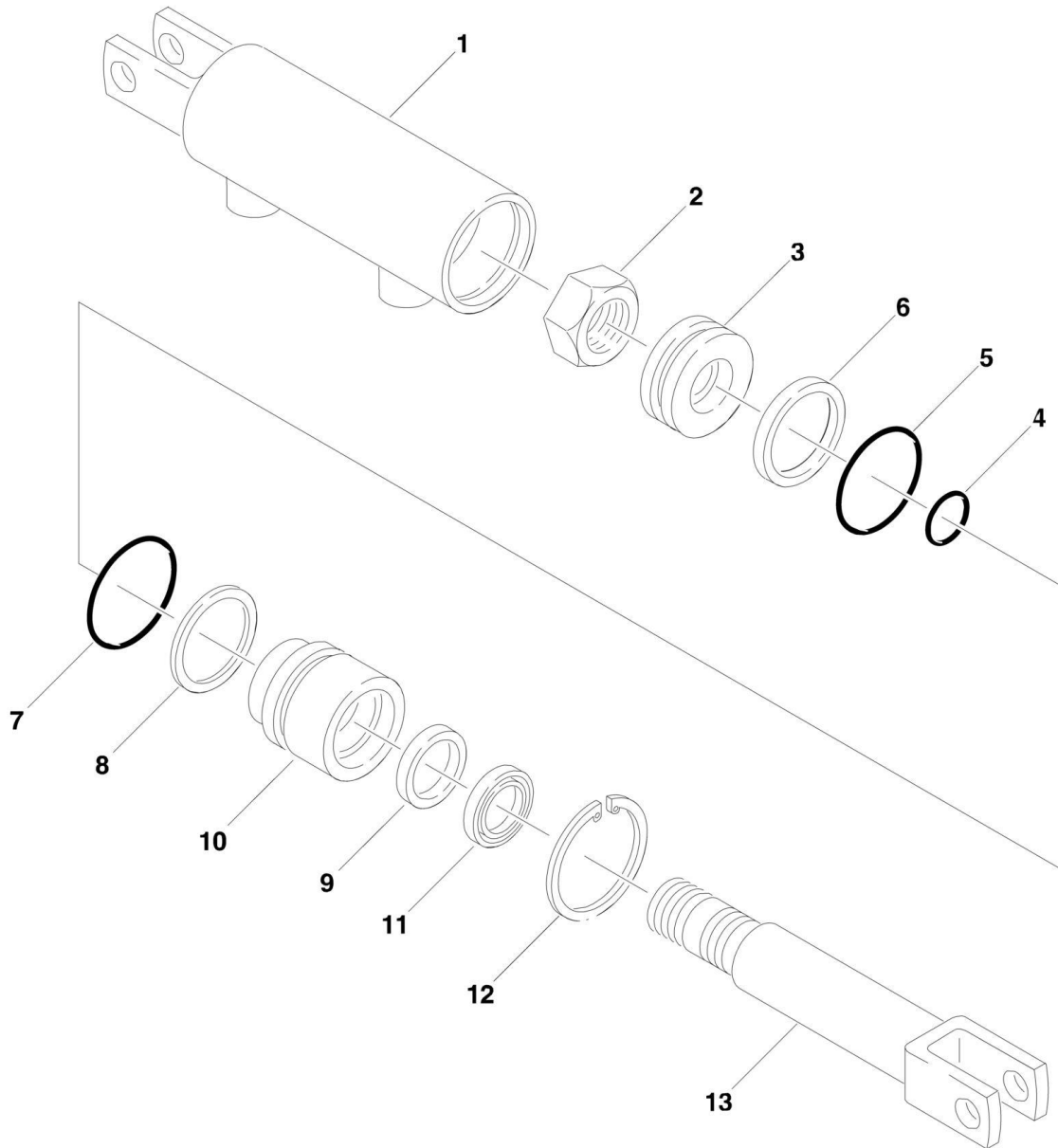
FIGURE 4-12. CONTROLLER ASSEMBLY - PQ

ITEM	PART NUMBER	QTY	DESCRIPTION	REV
		Ref	CONTROLLER ASSEMBLY - PQ	
	1600266	Ref	Controller Assembly - PQ (Prior to SN 43888)	-
	1600276	Ref	Controller Assembly - PQ (SN 43888 to Present)	B
	7011978	1	Handle Assembly	
1	7011979	1	Mechanism, Handle	
2	7020516	1	Slidelock Assembly (Was p/n 7011933)	
3	7020519	1	Boot (Was p/n 7003772)	
4	7011934	1	Spring, Compression	
5	7011935	1	Handle Grip Assembly	
5	7011976	2	Handle Halves	
5A	7020536	1	Screw #6-32NC x 1	
5A	7011972	1	Lockwasher	
5A	7011970	1	Nut	
5B	7011971	2	Screw	
5B	7011972	2	Lockwasher	
5B	7011970	2	Nut	
6	7003789	1	Microswitch Assembly (Includes (2) switches, (1) separator and the wiring.)	
6	7020500	2	Microswitch	
7	7003790	1	Cap, Rubber	
8	7003791	1	Actuator, Switch	
10	4460265	1	Connector	
10	4460267	AR	Pin, Male	
11	7011980	1	Electrical Assembly	
11	7011925	1	Potentiometer	
12	7003771	2	Switch	
		Ref	Notes:	
		Ref	- 1600266 Controller has microswitch located on right side of cam.	
		Ref	- 1600276 Controller has microswitch located on left side of cam.	
		Ref	- 7011980 Electrical Assembly has microswitch located on left side of cam. When replacing Electrical Assembly, use part number 7011980 for both 1600266 and both 1600266 & 1600276 controllers.	

SECTION 5 - CYLINDERS

SECTION 5 - CYLINDERS

FIGURE 5-1. BRAKE CYLINDER ASSEMBLY



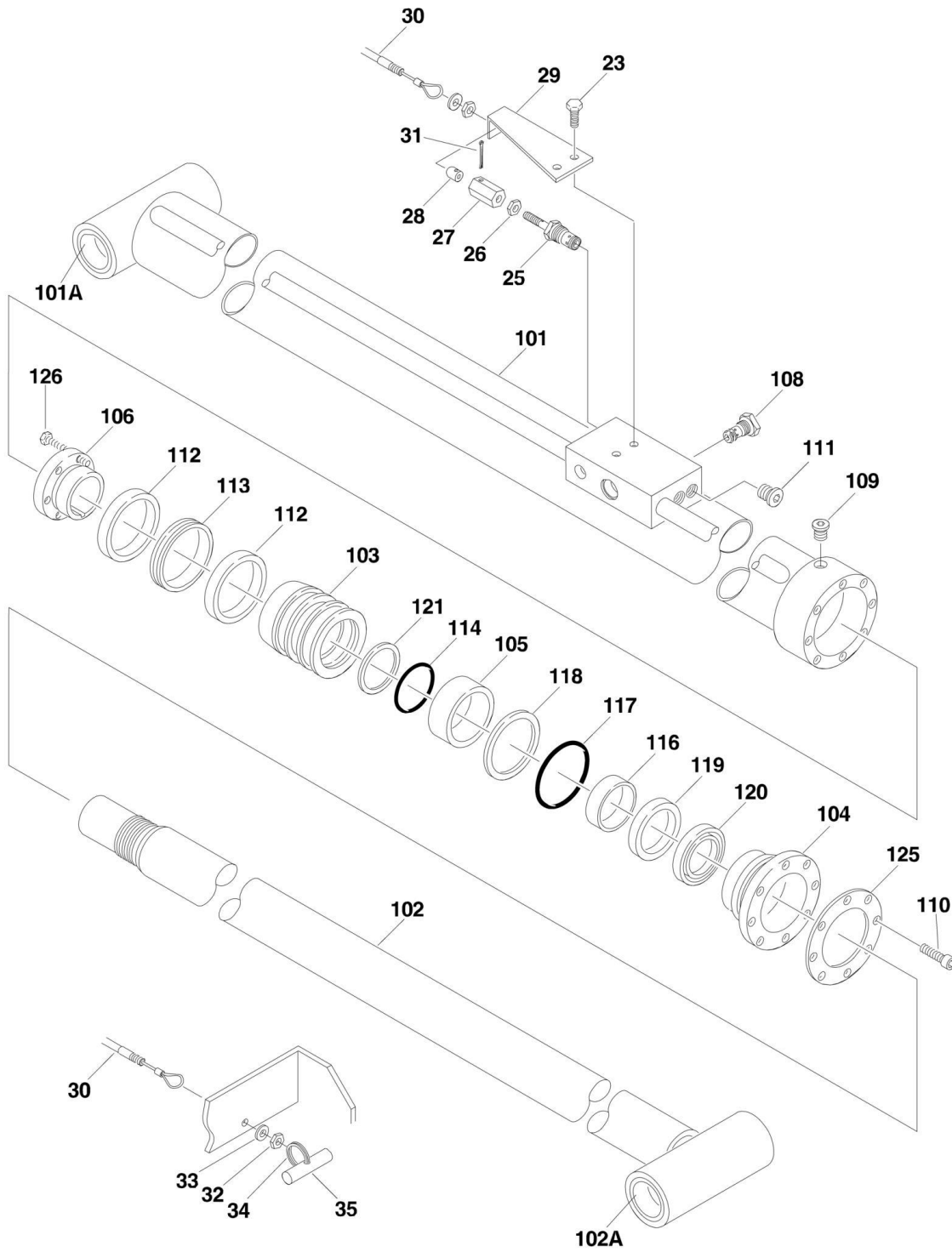
SECTION 5 - CYLINDERS

FIGURE 5-1. BRAKE CYLINDER ASSEMBLY

ITEM	PART NUMBER	QTY	DESCRIPTION	REV
		Ref	Note: To determine Power or Gravity Down refer to page A.	
		Ref	BRAKE CYLINDER ASSEMBLY	
	1683362	Ref	Power Down Machines	C
	1683557	Ref	Gravity Down Machines	A
1	Not Serviced	1	Barrel	
2	7001609	1	Locknut	
3		Ref	Piston Options:	
3	7017201	1	Power Down Machines	
3	7017220	1	Gravity Down Machines	
4	Kit	1	O-Ring	
5	Kit	1	O-Ring	
6	Kit	1	Seal, Piston	
7	Kit	1	O-Ring	
8	Kit	1	Ring, Back-up	
9	Kit	1	Seal	
10		Ref	Guide Options:	
10	7001097	1	Power Down Machines	
10	7017221	1	Gravity Down Machines	
11	Kit	1	Ring, Wiper	
12	Kit	1	Ring, Retainer	
13		Ref	Rod	
13	7017202	1	Power Down Machines	
13	7017222	1	Gravity Down Machines	
		Ref	Seal Kit Options (Includes Items 4-9, 11 & 12)	
	7017200	1	Power Down Machines - 1683362 Cylinder	
	7017223	1	Gravity Down Machines - 1683557 Cylinder	

SECTION 5 - CYLINDERS

FIGURE 5-2. LIFT CYLINDER COMPONENTS ASSEMBLY (1532/1932 POWER DOWN MACHINES BUILT) (Prior to SN 27181)



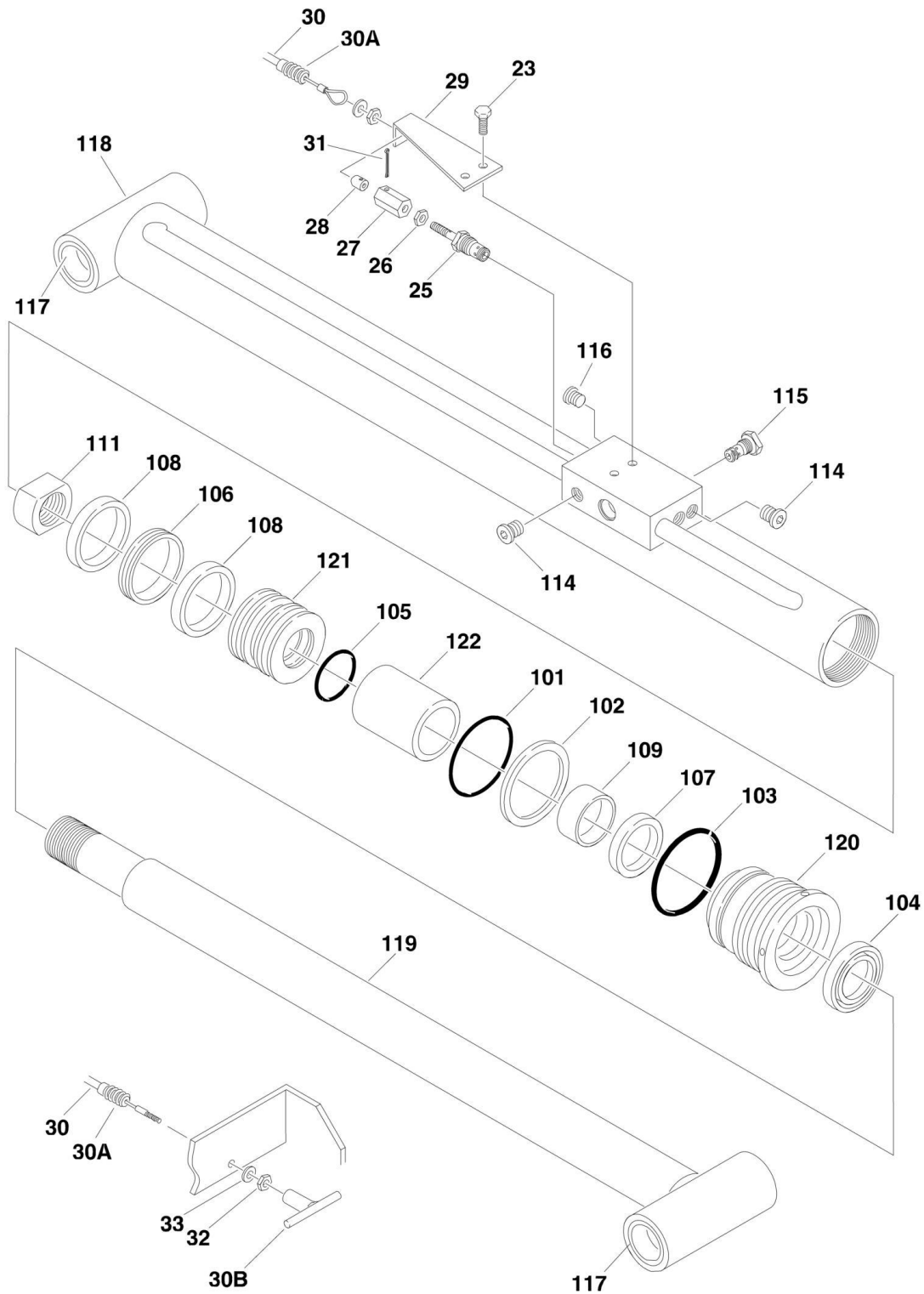
SECTION 5 - CYLINDERS

FIGURE 5-2. LIFT CYLINDER COMPONENTS ASSEMBLY (1532/1932 POWER DOWN MACHINES BUILT) (Prior to SN 27181)

ITEM	PART NUMBER	QTY	DESCRIPTION	REV
		Ref	Note: To determine Power or Gravity Down refer to page A.	
		Ref	LIFT CYLINDER SUB-ASSEMBLY	
23	0641506	2	Bolt 5/16in-18NC x 3/4in	
24	0100011	AR	Loctite#242	
25	4640717	1	Cartridge, Valve (Manual Descent)	
26	3311402	1	Nut, Jam 1/4in-20NC	
27	0080190	1	Adapter	
28	4220044	1	Stop, Throttle Only (Prior to SN 28355)	
29	0902151	1	Bracket	
30		Ref	Cable Assembly Options:	
30	1060644	1	Cable Assembly (Was P/N 1060597) (Prior to SN 28175)	
30	1060644	1	Cable Assembly (SN 28175 to Present)	
30	7019602	1	Bellows Kit (Use with 1060644 Cable Only)	
30	7019600	1	T-Handle (Use with 1060644 Cable Only)	
31	3450405	1	Pin, Cotter	
32	3321402	4	Nut, Jam 1/4in-28NF	
33	4711400	4	Flatwasher 1/4in	
34	3760170	1	Ring Only (Prior to SN 28175)	
35	3841127	1	Rod, Manual Descent Only (Prior to SN 28175)	
	1683377	Ref	LIFT CYLINDER ASSEMBLY - 1532E/1932E	A
101	1683379	1	Barrel Weldment	
101A	0962012	2	Bushing, Garmax	
102	1683380	1	Rod Weldment	
102A	0962012	2	Bushing, Garmax	
103	3480212	1	Piston	
104	1683054	1	Head	
105	4566819	1	Spacer	
106	0961896	1	Bushing, Tapered	
108	4640509	1	Cartridge, Valve	
108	2900792	1	Seal Kit - 4640509 Valve	
109	2220885	2	Plug, O-Ring	
110	3931516	8	Capscrew, Socket Head 5/16in-18NC x 1in	
111	2220883	3	Plug, O-Ring	
112	Kit	2	Ring, Wear	
113	Kit	1	T-Seal	
114	Kit	1	O-Ring	
116	Kit	1	Ring, Wear	
117	Kit	1	O-Ring	
118	Kit	1	Ring, Back-up	
119	Kit	1	Seal, Rod	
120	Kit	1	Wiper	
121	Kit	1	Ring, Back-up	
122	0100038	AR	Primer, Locking	
123	0100011	AR	Loctite#242	
125	3760368	1	Ring, Washer	
126	0641408	3	Bolt 1/4in-20NC x 1in	
	2901278	1	Seal Kit - 1683377 Cylinder (Includes Items 112-121)	

SECTION 5 - CYLINDERS

FIGURE 5-3. LIFT CYLINDER COMPONENTS ASSEMBLY (1532/1932 POWER DOWN MACHINES BUILT) (SN 27181 to Present)



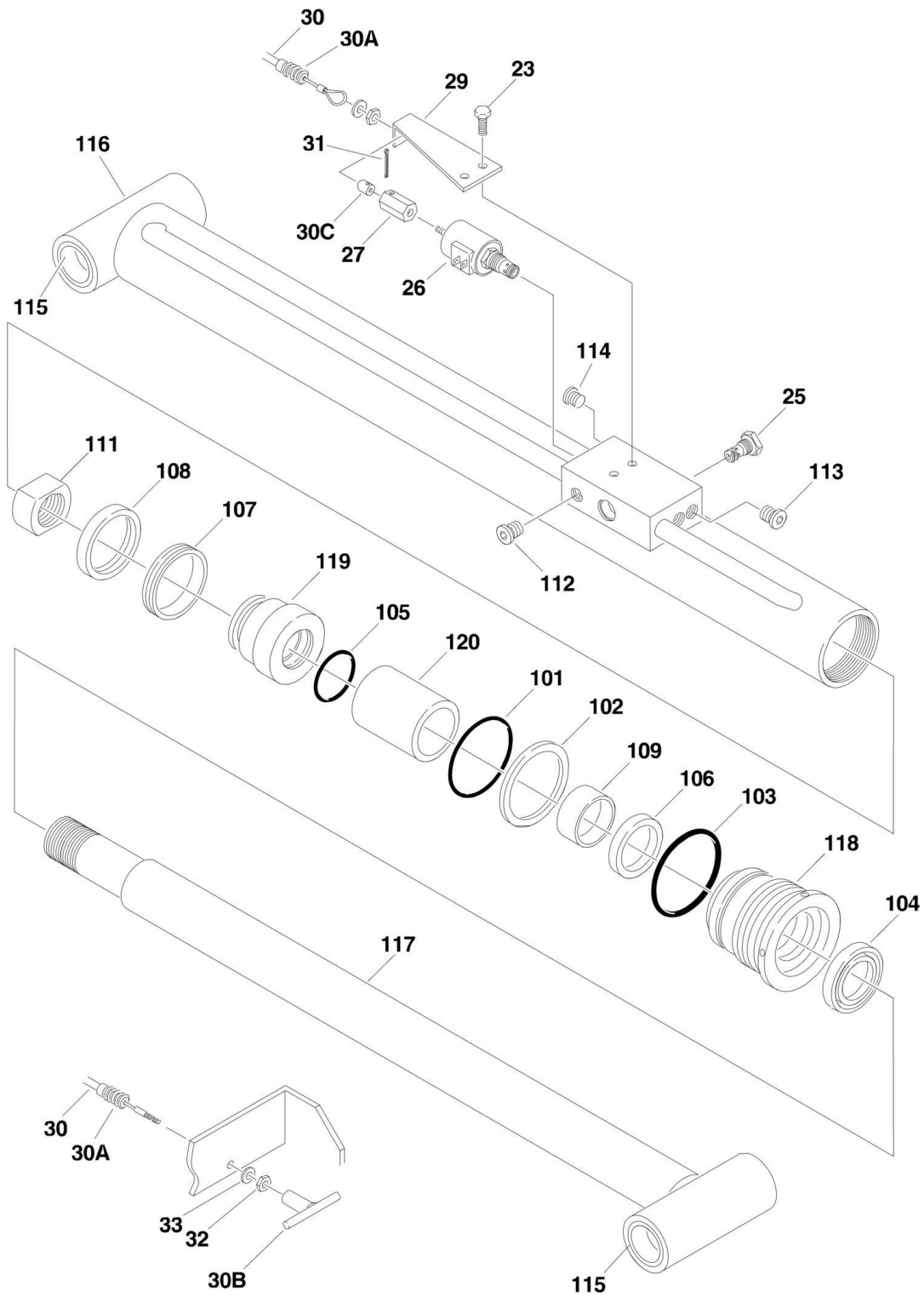
SECTION 5 - CYLINDERS

FIGURE 5-3. LIFT CYLINDER COMPONENTS ASSEMBLY (1532/1932 POWER DOWN MACHINES BUILT) (SN 27181 to Present)

ITEM	PART NUMBER	QTY	DESCRIPTION	REV
		Ref	Note: To determine Power or Gravity Down refer to page A.	
		Ref	LIFT CYLINDER SUB-ASSEMBLY	
23	0641506	4	Bolt 5/16in-18NC x 3/4in	
24	0100011	AR	Loctite #242	
25	4640717	1	Cartridge, Valve (Manual Descent)	
26	3311402	1	Nut, Jam 1/4in-20NC	
27	0080190	1	Adapter	
28	4220044	1	Stop, Throttle Only (Prior to SN 28355)	
29	0902151	1	Bracket	
30		Ref	Cable Assembly Options:	
30	1060644	1	Cable Assembly (Was P/N 1060597) (Prior to SN 28175)	
30	1060644	1	Cable Assembly (SN 28175 to Present)	
30A	7019602	1	Bellows Kit (Use with 1060644 Cable Only)	
30B	7019600	1	T-Handle (Use with 1060644 Cable Only)	
31	3450405	1	Pin, Cotter	
32	3321402	4	Nut, Jam 1/4in-28NF	
33	4711400	4	Flatwasher 1/4in	
	1683475	Ref	LIFT CYLINDER ASSEMBLY - 1532E/1932E	-
101	Kit	1	O-Ring	
102	Kit	1	Ring, Back-up	
103	Kit	1	O-Ring	
104	Kit	1	Wiper	
105	Kit	1	O-Ring	
106	Kit	1	Seal	
107	Kit	1	Seal	
108	Kit	2	Ring, Wear	
109	Kit	1	Ring, Wear	
111	7017367	1	Locknut	
112	7005312	1	Plug (Not Shown)	
113	7005315	2	Plug (Not Shown)	
114	7005365	3	Plug	
115	7017372	1	Cartridge, Valve	
115	Not Available	1	Seal Kit - 7017372 Valve	
116	Not Serviced	1	Plug	
117	7017378	4	Bushing, Garmax	
118	Not Serviced	1	Barrel Weldment	
119	7017383	1	Rod Weldment	
120	7017382	1	Head	
121	7017381	1	Piston	
122	7017380	1	Spacer	
	7017379	1	Seal Kit - 1683475 Cylinder (Includes Items 101-109)	

SECTION 5 - CYLINDERS

FIGURE 5-4. LIFT CYLINDER COMPONENTS ASSEMBLY (1532E/1932E GRAVITY DOWN MACHINES)



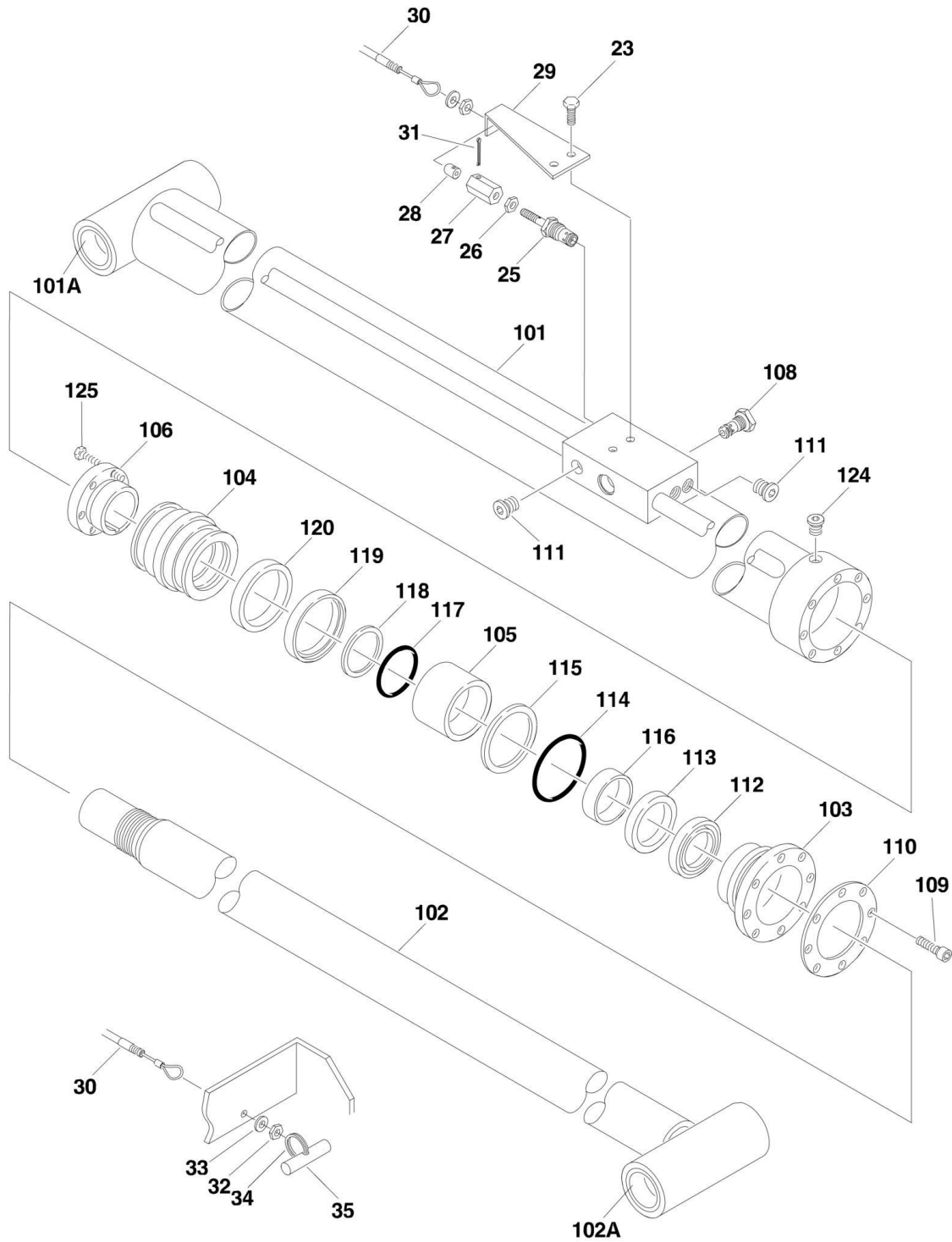
SECTION 5 - CYLINDERS

FIGURE 5-4. LIFT CYLINDER COMPONENTS ASSEMBLY (1532E/1932E GRAVITY DOWN MACHINES)

ITEM	PART NUMBER	QTY	DESCRIPTION	REV
		Ref	Note: To determine Power or Gravity Down refer to page A.	
		Ref	LIFT CYLINDER SUB-ASSEMBLY	
23	0641506	4	Bolt 5/16in-18NC x 3/4in	
24	0100011	AR	Loctite #242 (Not Shown)	
25		Ref	Cartridge, Valve (Restrictor/Check) Options:	
25	4641012	1	Cartridge, Valve (Restrictor/Check) 1532E	
25	4641014	1	Cartridge, Valve (Restrictor/Check) 1932E	
25	7012953	1	Seal Kit - 4641012 and 4641014 Cartridges	
26	4641001	1	Cartridge, Valve (Solenoid with Manual Descent)	
26	7012967	1	Seal Kit - 4641001 Valve	
26	7017444	1	Solenoid	
27	0080228	1	Adapter	
29	0902371	1	Bracket 1532E (Prior to SN 43167)	
29	0902421	1	Bracket 1532E (SN 43167 to Present)	
29	0902151	1	Bracket 1932E (Prior to SN 37703)	
29	0902371	1	Bracket 1932E (SN 37703 through 43166)	
29	0902421	1	Bracket 1932E (SN 43167 to Present)	
30	1060644	1	Cable Assembly	
30A	7019602	1	Bellows Kit	
30B	7019600	1	T-Handle	
30C	4220044	1	Stop, Throttle	
31	3450405	1	Pin, Cotter	
32	3321402	4	Nut, Jam 1/4in-28NF	
33	4711400	4	Flatwasher 1/4in Narrow	
	1683500	Ref	LIFT CYLINDER ASSEMBLY - 1532E/1932E	A
101	Kit	1	O-Ring	
102	Kit	1	Ring, Back-up	
103	Kit	1	O-Ring	
104	Kit	1	Wiper	
105	Kit	1	O-Ring	
106	Kit	1	Seal	
107	Kit	1	Seal	
108	Kit	2	Ring, Lock	
109	Kit	1	Ring, Wear	
111	7017367	1	Locknut	
112	7005358	2	Plug	
113	7019803	1	Plug	
114	7019302	2	Plug	
115	7017378	4	Bushing, Garmax	
116	7019801	1	Barrel Weldment	
117	7019800	1	Rod Weldment	
118	7017382	1	Head	
119	7017399	1	Piston	
120	7017398	1	Spacer	
	7017389	1	Seal Kit - 1683500 Cylinder (Includes Items 101-109)	

SECTION 5 - CYLINDERS

FIGURE 5-5. LIFT CYLINDER COMPONENTS ASSEMBLY (2033E/2046E POWER DOWN MACHINES BUILT PRIOR TO SN 27085 AND 2646E/2658E POWER DOWN MACHINES BUILT PRIOR TO SN 26916)



SECTION 5 - CYLINDERS

FIGURE 5-5. LIFT CYLINDER COMPONENTS ASSEMBLY (2033E/2046E POWER DOWN MACHINES BUILT PRIOR TO SN 27085 AND 2646E/2658E POWER DOWN MACHINES BUILT PRIOR TO SN 26916)

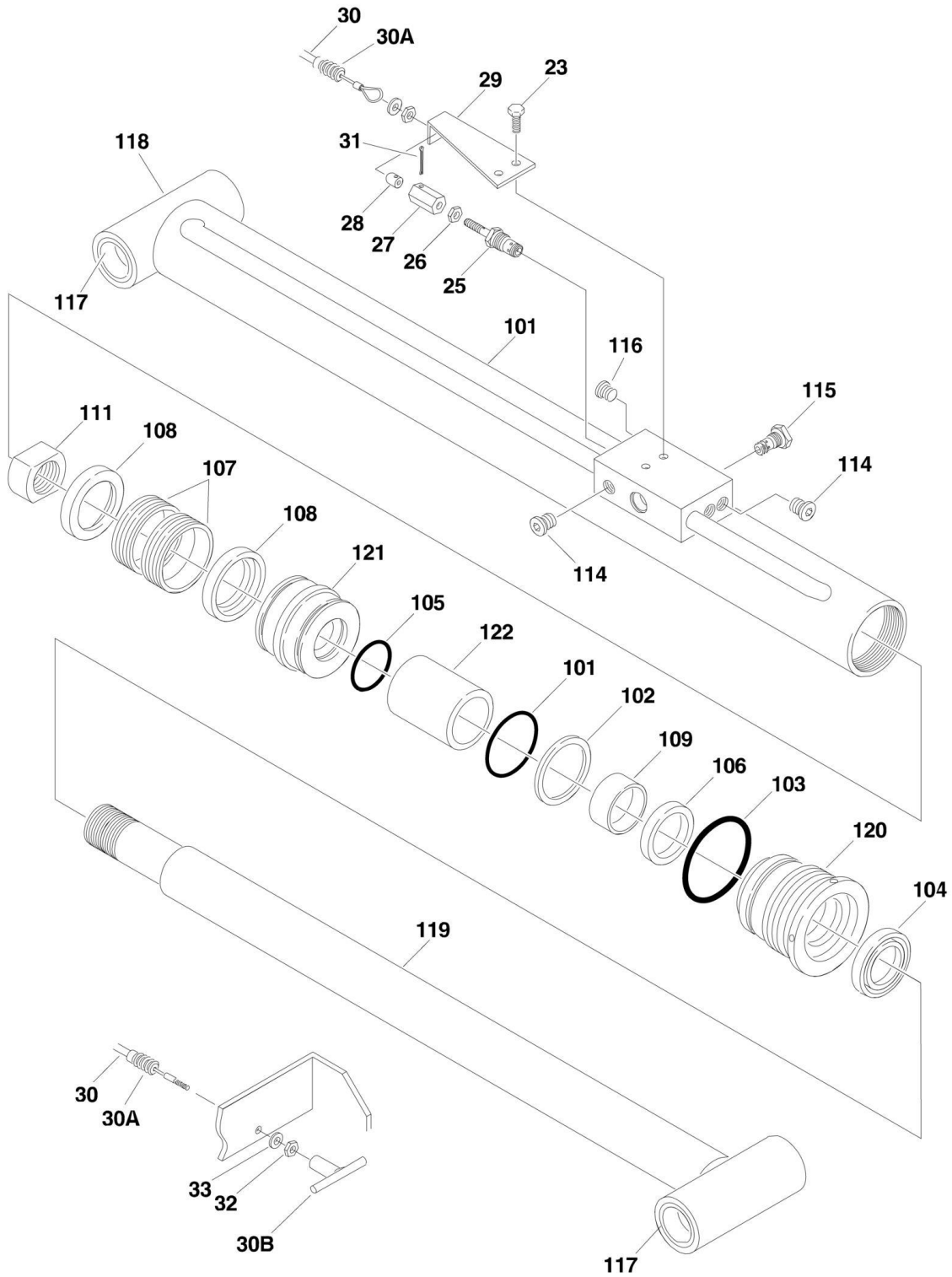
ITEM	PART NUMBER	QTY	DESCRIPTION	REV
		Ref	Note: To determine Power or Gravity Down refer to page A.	
		Ref	LIFT CYLINDER SUB-ASSEMBLY	
23	0641506	4	Bolt 5/16in-18NC x 3/4in	
24	0100011	AR	Loctite #242	
25	4640717	1	Cartridge, Valve (Manual Descent)	
26	3311402	1	Nut, Jam 1/4in-20NC	
27	0080190	1	Adapter	
28	4220044	1	Stop, Throttle	
29	0902151	1	Bracket	
30		Ref	Cable Assembly Options (Verify Length Before Ordering):	
30	1060377	1	112in Length	
30	1060643	1	136in Length	
30	7019602	1	Bellows Kit (Use with 1060643 Cable Only)	
30	7019600	1	T-Handle (Use with 1060643 Cable Only)	
31	3450405	1	Pin, Cotter	
32	3321402	4	Nut, Jam 1/4in-28NF	
33	4711400	4	Flatwasher 1/4in	
34	3760170	1	Ring	
35	3841127	1	Rod, Manual Descent	
		Ref	LIFT CYLINDER ASSEMBLY	
	1683352	Ref	Lift Cylinder Assembly 2033E/2046E	E
	1683363	Ref	Lift Cylinder Assembly 2646E/2658E	D
101		Ref	Barrel Weldment Options:	
101	1683367	1	Barrel Weldment 2033E/2046E	
101	1683353	1	Barrel Weldment 2646E/2658E	
101A	0962012	2	Bushing, Garmax	
102		Ref	Rod Weldment Options:	
102	1683369	1	Rod Weldment 2033E/2046E	
102	1683355	1	Rod Weldment 2646E/2658E	
102A	0962012	2	Bushing, Garmax	
103		Ref	Head Options:	
103	1683056	1	Head 2033E/2046E	
103	1683061	1	Head 2646E/2658E	
104		Ref	Piston Options:	
104	3480218	1	Piston 2033E/2046E	
104	3480211	1	Piston 2646E/2658E	
105		Ref	Spacer Options:	
105	4566787	1	Spacer 2033E/2046E	
105	4565008	1	Spacer 2646E/2658E	
106		Ref	Bushing, Tapered Options:	
106	0961896	1	Bushing, Tapered 2033E/2046E	
106	0961897	1	Bushing, Tapered 2646E/2658E	
108	4640509	1	Cartridge, Valve	
108	2900792	1	Seal Kit - 4640509 Valve	
109		Ref	Capscrew, Socket Head Options:	
109	3931620	8	Capscrew, Socket Head 2033E/2046E Capscrew 3/8in-16NC x 1 1/4in	

SECTION 5 - CYLINDERS

ITEM	PART NUMBER	QTY	DESCRIPTION	REV
109	3931720	8	Capscrew, Socket Head 2646E/2658E Capscrew 7/16in-14NC x 1 1/4in	
110		Ref	Ring, Washer Options:	
110	3760369	1	Ring, Washer 2033E/2046E	
110	3760370	1	Ring, Washer 2646E/2658E	
111	2220883	3	Plug, O-Ring	
112	Kit	1	Wiper	
113	Kit	1	Seal, Rod	
114	Kit	1	O-Ring	
115	Kit	1	Ring, Back-up	
116	Kit	1	Ring, Wear	
117	Kit	1	O-Ring	
118	Kit	2	Ring, Back-up	
119	Kit	2	Ring, Lock	
120	Kit	2	Seal	
121	0100011	AR	Loctite #242	
122	0100038	AR	Primer, Locking	
124	2220885	1	Plug, O-Ring	
125		Ref	Bolt Options:	
125	0630535	3	Bolt 2033E/2046E Bolt 1/4in-20NC x 1 1/8in	
125	0641409	3	Bolt 2646E/2658E Bolt 1/4in-20NC x 1 1/8in	
		Ref	Seal Kit (Includes Items 112-120)	
	2901353	1	Seal Kit 2033E/2046E 1683352 Cylinder	
	2901273	1	Seal Kit 2646E/2658E 1683363 Cylinder	

SECTION 5 - CYLINDERS

FIGURE 5-6. LIFT CYLINDER COMPONENTS ASSEMBLY (2033E/2046E POWER DOWN MACHINES BUILT SN 27085 TO PRESENT AND 2646E/2658E POWER DOWN MACHINES BUILT SN 26916 TO PRESENT)



SECTION 5 - CYLINDERS

FIGURE 5-6. LIFT CYLINDER COMPONENTS ASSEMBLY (2033E/2046E POWER DOWN MACHINES BUILT SN 27085 TO PRESENT AND 2646E/2658E POWER DOWN MACHINES BUILT SN 26916 TO PRESENT)

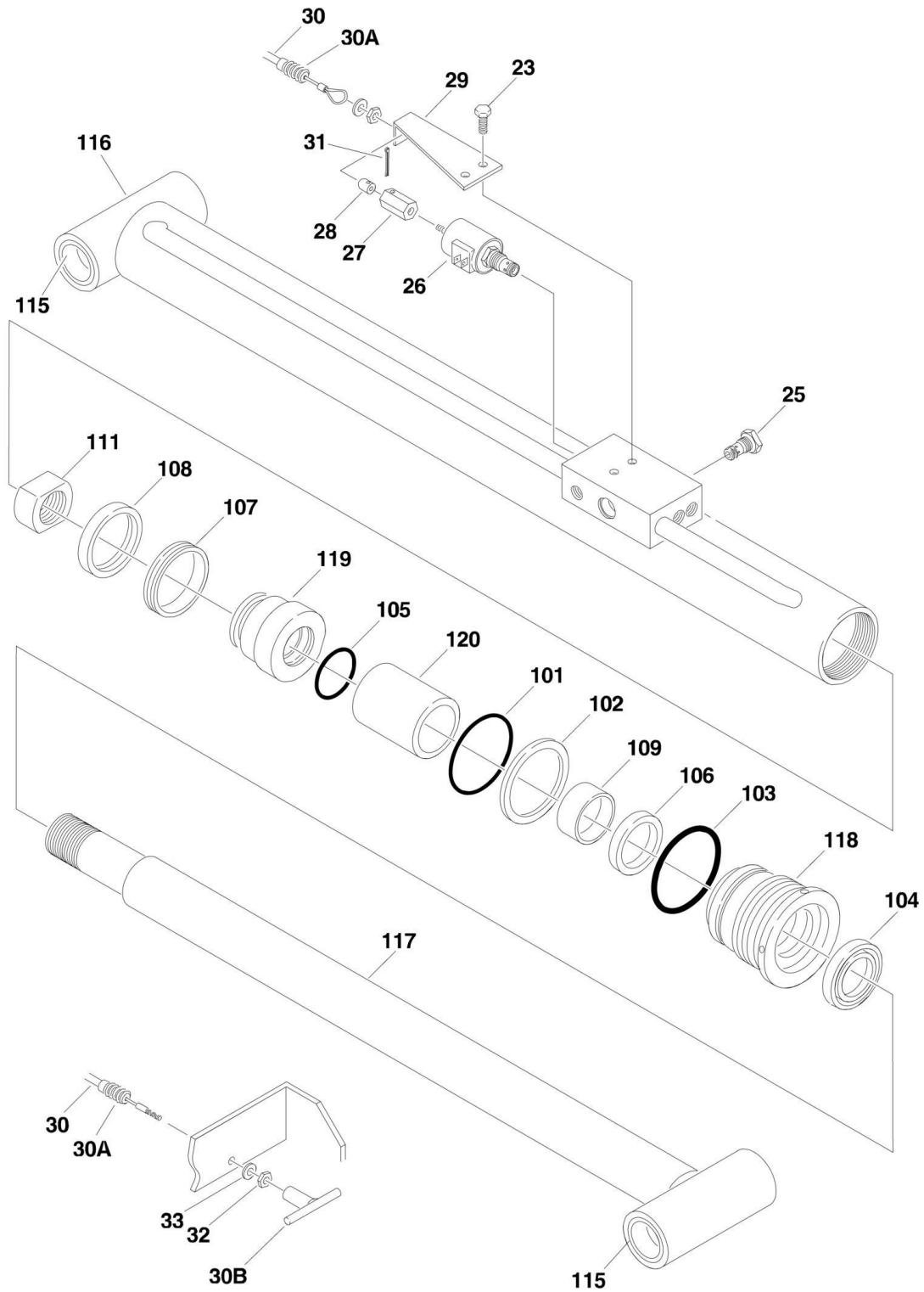
ITEM	PART NUMBER	QTY	DESCRIPTION	REV
		Ref	Note: To determine Power or Gravity Down refer to page A.	
		Ref	LIFT CYLINDER SUB-ASSEMBLY	
23	0641506	4	Bolt 5/16in-18NC x 3/4in	
24	0100011	AR	Loctite #242	
25	4640717	1	Cartridge, Valve (Manual Descent)	
26	3311402	1	Nut, Jam 1/4in-20NC	
27	0080190	1	Adapter	
28	4220044	1	Stop, Throttle Only (Prior to SN 28175)	
29	0902151	1	Bracket	
30		Ref	Cable Assembly Options (Verify Length Before Ordering):	
30	1060377	1	112in Length	
30	1060643	1	136in Length	
30A	7019602	1	Bellows Kit (Use with 1060643 Cable Only)	
30B	7019600	1	T-Handle (Use with 1060643 Cable Only)	
31	3450405	1	Pin, Cotter	
32	3321402	4	Nut, Jam 1/4in-28NF	
33	4711400	4	Flatwasher 1/4in	
34	3760170	1	Ring Only - Not Shown (Prior to SN 28133)	
35	3841127	1	Rod, Manual Descent Only - Not Shown (Prior to SN 28133)	
		Ref	LIFT CYLINDER ASSEMBLY	
	1683473	Ref	Lift Cylinder Assembly 2033E/2046E	-
	1683474	Ref	Lift Cylinder Assembly 2646E/2658E	-
101	Kit	1	O-Ring	
102	Kit	1	Ring, Back-up	
103	Kit	1	O-Ring	
104	Kit	1	Wiper	
105	Kit	1	O-Ring	
106	Kit	1	Seal	
107	Kit	2	Seal	
108	Kit	2	Ring, Guidelock	
109	Kit	Ref	Ring, Wear Options:	
109	Kit	1	Ring, Wear 2033E/2046E	
109	Kit	2	Ring, Wear 2646E/2658E	
111		Ref	Locknut Options:	
111	7003212	1	Locknut 2033E/2046E	
111	7003226	1	Locknut 2646E/2658E	
112	7005312	1	Plug (Not Shown)	
113	7005315	2	Plug (Not Shown)	
114	7005356	3	Plug	
115	7017372	1	Cartridge, Valve	
115	Not Available	1	Seal Kit - 7017372 Valve	
116	Not Serviced	1	Plug	
117	7017378	4	Bushing, Garmax	
118	Not Serviced	1	Barrel Weldment	
119		Ref	Rod Weldment Options:	
119	7017377	1	Rod Weldment 2033E/2046E	
119	7017388	1	Rod Weldment 2646E/2658E	
120		Ref	Head Options:	

SECTION 5 - CYLINDERS

ITEM	PART NUMBER	QTY	DESCRIPTION	REV
120	7017376	1	Head 2033E/2046E	
120	7017386	1	Head 2646E/2658E	
121		Ref	Piston Options:	
121	7017375	1	Piston 2033E/2046E	
121	7017385	1	Piston 2646E/2658E	
122		Ref	Spacer Options:	
122	7017374	1	Spacer 2033E/2046E	
122	7017385	1	Spacer 2646E/2658E	
		Ref	Seal Kit Options (Includes Items 101-109)	
	7017373	1	Seal Kit 2033E/2046E 1683473 Cylinder	
	7017384	1	Seal Kit 2646E/2658E 1683474 Cylinder	

SECTION 5 - CYLINDERS

FIGURE 5-7. LIFT CYLINDER COMPONENTS ASSEMBLY (2033E/2046E/2646E/ 2658E GRAVITY DOWN MACHINES)



SECTION 5 - CYLINDERS

FIGURE 5-7. LIFT CYLINDER COMPONENTS ASSEMBLY (2033E/2046E/2646E/ 2658E GRAVITY DOWN MACHINES)

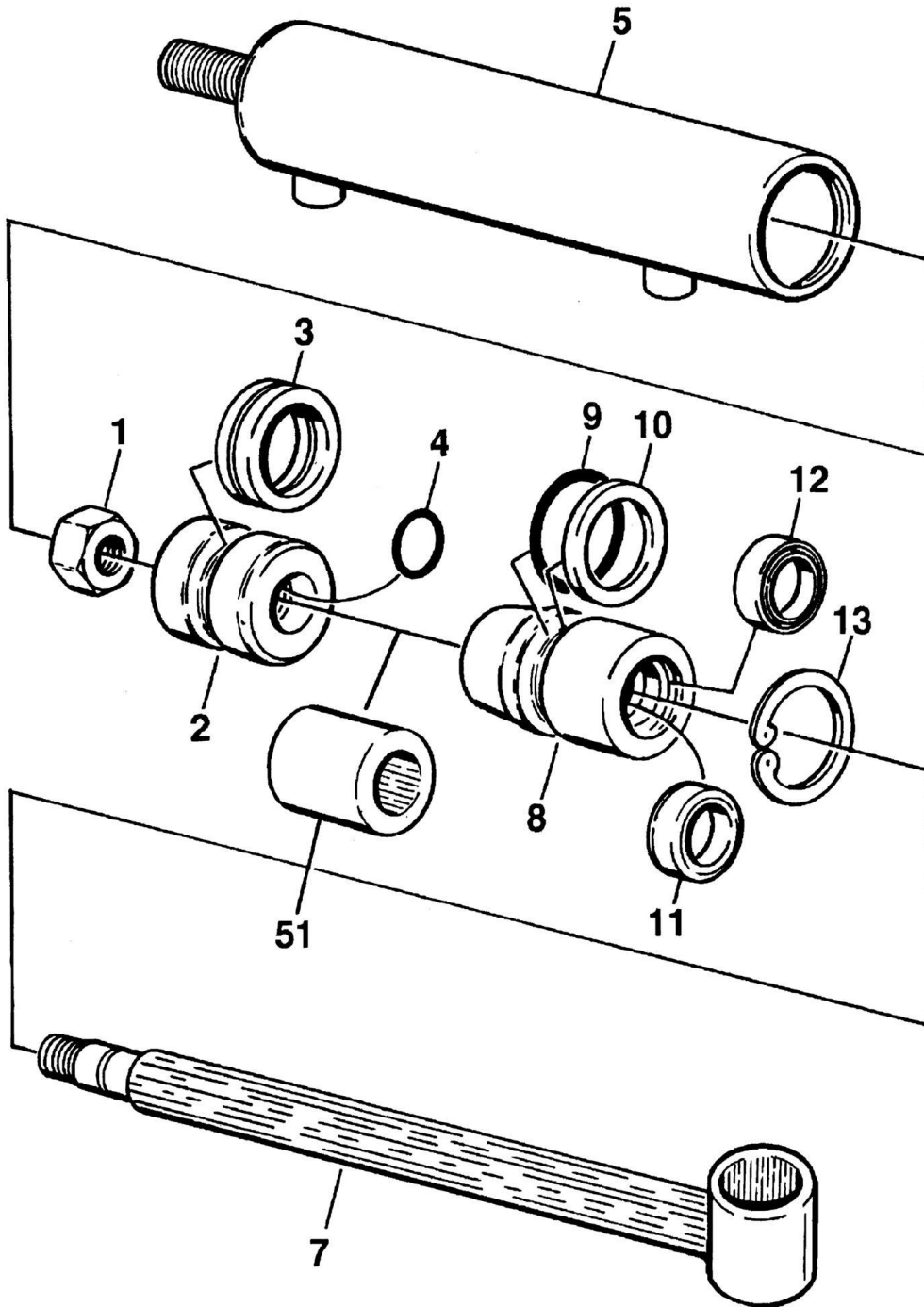
ITEM	PART NUMBER	QTY	DESCRIPTION	REV
		Ref	Note: To determine Power or Gravity Down refer to page A.	
		Ref	LIFT CYLINDER SUB-ASSEMBLY	
23	0641506	4	Bolt 5/16in-18NC x 3/4in	
24	0100011	AR	Loctite #242 (Not Shown)	
25		Ref	Cartridge, Valve (Restrictor/Check) Options:	
25	4641002	1	Cartridge, Valve (Restrictor/Check) 2033E/2046E	
25	4641015	1	Cartridge, Valve (Restrictor/Check) 2646E/2658E	
25	7012953	1	Seal Kit - 4641002 & 4641015 Cartridges	
26	4641001	1	Cartridge, Valve (Solenoid with Manual Descent)	
26	7017445	1	Cartridge - 4641001 Valve	
26	7017444	1	Solenoid - 4641001 Valve	
26	7012967	1	Seal Kit - 4641001 Valve	
27	0080228	1	Adapter	
28	4220044	1	Stop, Throttle (Prior to SN 37703)	
29	0902371	1	Bracket (Prior to SN 43167)	
29	0902421	1	Bracket (SN 43167 to Present)	
30	1060643	1	Cable Assembly (Prior to SN 37703)	
30	1060650	1	Cable Assembly (SN 37703 to Present)	
30A	7019602	1	Bellows Kit	
30B	7019600	1	T-Handle	
31	3450405	1	Pin, Cotter	
32	3321402	4	Nut, Jam 1/4in-28NF	
33	4711400	4	Flatwasher 1/4in	
		Ref	LIFT CYLINDER ASSEMBLY	
	1683501	Ref	Lift Cylinder Assembly 2033E/2046E	A
	1683502	Ref	Lift Cylinder Assembly 2646E/2658E	A
101	Kit	1	O-Ring	
102	Kit	1	Ring, Back-up	
103	Kit	1	O-Ring	
104	Kit	1	Wiper	
105	Kit	1	O-Ring	
106	Kit	1	Seal	
107	Kit	1	Seal	
108	Kit	1	Ring, Guidelock	
109	Kit	Ref	Ring, Wear Options:	
109	Kit	1	Ring, Wear 2033E/2046E	
109	Kit	2	Ring, Wear 2646E/2658E	
111		Ref	Locknut Options:	
111	7003212	1	Locknut 2033E/2046E	
111	7003226	1	Locknut 2646E/2658E	
115	0962012	4	Bushing, Garmax	
116	Not Serviced	1	Barrel Weldment	
117		Ref	Rod Weldment	
117	7019812	1	Rod Weldment 2033E/2046E	
117	7019807	1	Rod Weldment 2646E/2658E	
118		Ref	Head Options:	
118	7019811	1	Head 2033E/2046E	
118	7017387	1	Head 2646E/2658E	
119		Ref	Piston Options:	

SECTION 5 - CYLINDERS

ITEM	PART NUMBER	QTY	DESCRIPTION	REV
119	7019810	1	Piston 2033E/2046E	
119	7019806	1	Piston 2646E/2658E	
120		Ref	Spacer Options:	
120	7019809	1	Spacer 2033E/2046E	
120	7019805	1	Spacer 2646E/2658E	
		Ref	Seal Kit Options (Includes Items 101-109):	
	7019808	1	Seal Kit 2033E/2046E - 1683501 Cylinder	
	7019804	1	Seal Kit 2646E/2658E - 1683502 Cylinder	

SECTION 5 - CYLINDERS

FIGURE 5-8. PLATFORM EXTENSION CYLINDER ASSEMBLIES



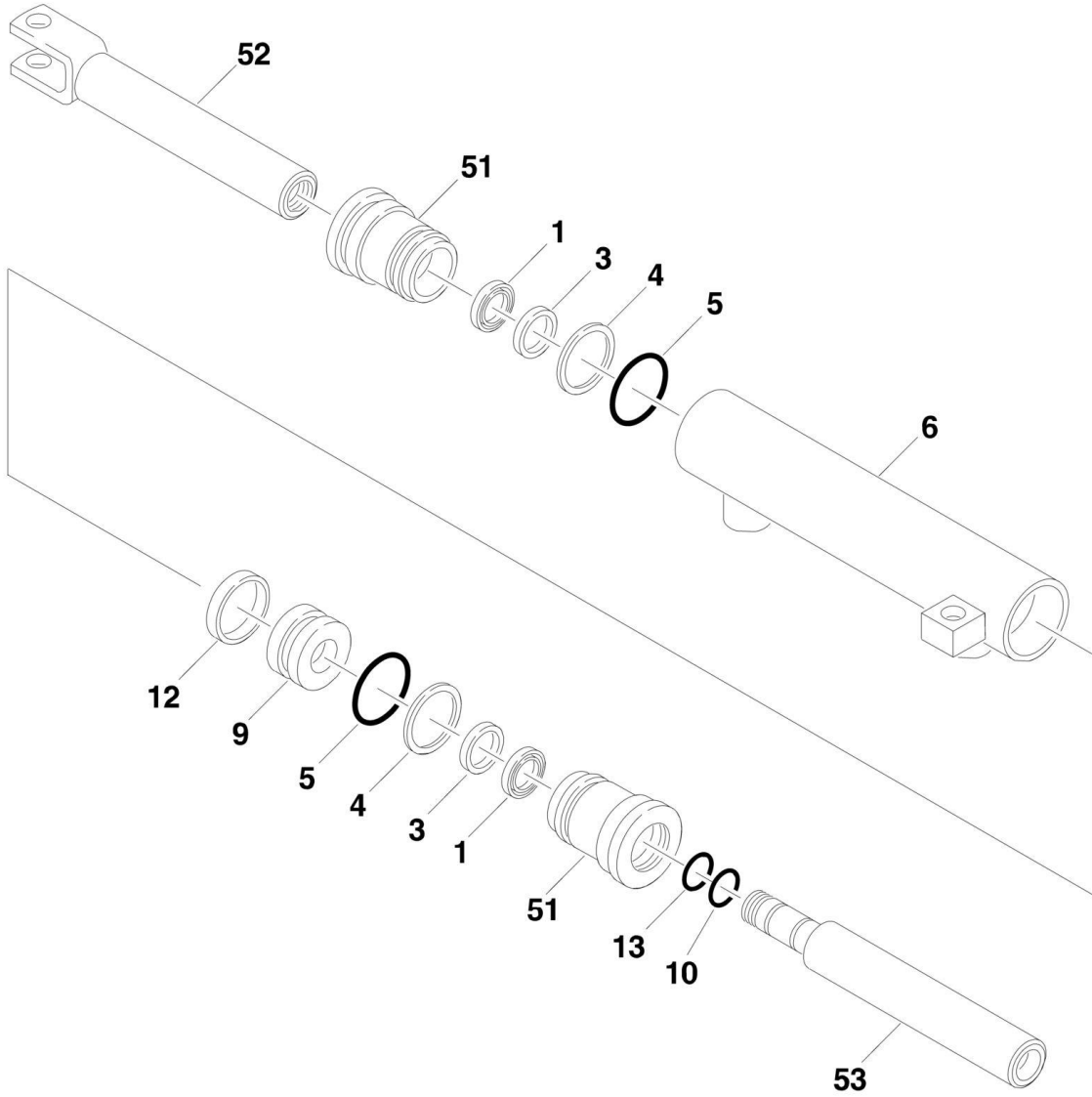
SECTION 5 - CYLINDERS

FIGURE 5-8. PLATFORM EXTENSION CYLINDER ASSEMBLIES

ITEM	PART NUMBER	QTY	DESCRIPTION	REV
		Ref	CYLINDER ASSEMBLY (STANDARD PARTS)	
1	7001609	1	Nut	
2	7001610	1	Piston	
3	Kit	1	Seal, Piston	
4	Kit	1	O-Ring	
5	Not Serviced	1	Barrel	
7	7017204	1	Rod	
8	7001613	1	Guide	
9	Kit	1	O-Ring	
10	Kit	1	Ring, Back-up	
11	Kit	1	Seal	
12	Kit	1	Seal, Wiper	
13	Kit	1	Ring, Retainer	
	7001608	1	Seal Kit - 1683376 & 1683375 Cylinders (Includes items 3, 4, & 9 - 13)	
		Ref	CYLINDER ASSEMBLY (VARIABLE PARTS)	
	1683376	Ref	4ft Platform Extension	B
	1683375	Ref	6ft Platform Extension	B
51		Ref	Tube, Spacer Options:	
51	7017205	1	4ft Platform Extension	
51	7017203	1	6ft Platform Extension	

SECTION 5 - CYLINDERS

FIGURE 5-9. STEER CYLINDER ASSEMBLY



SECTION 5 - CYLINDERS

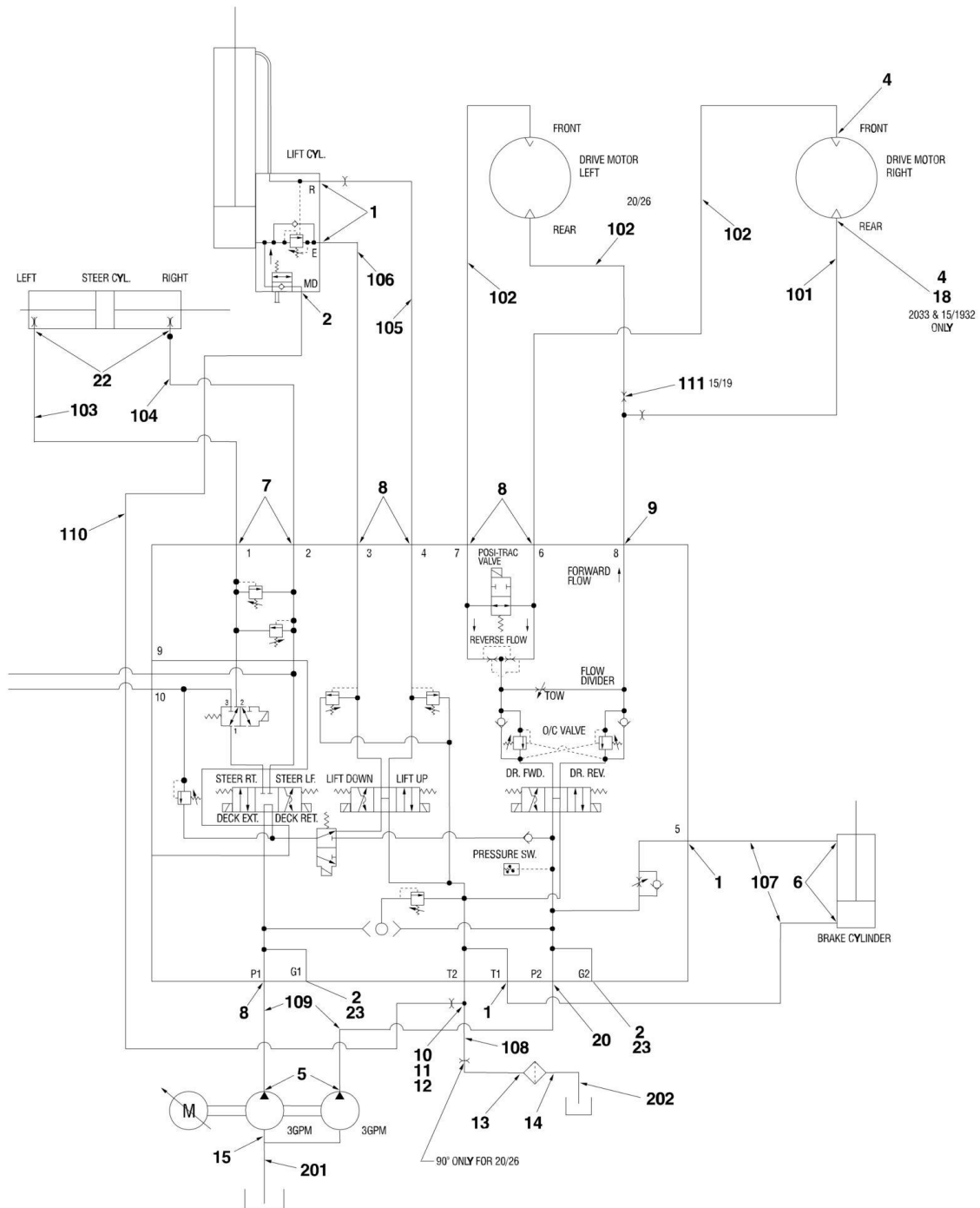
FIGURE 5-9. STEER CYLINDER ASSEMBLY

ITEM	PART NUMBER	QTY	DESCRIPTION	REV
		Ref	STEER CYLINDER ASSEMBLY (STANDARD PARTS)	
1	Kit	2	Wiper	
3	Kit	2	U-Cup	
4	Kit	2	Ring, Back-up	
5	Kit	2	O-Ring	
6	Not Serviced	1	Barrel	
9	7016708	1	Piston	
10	Kit	1	O-Ring	
12	Kit	1	Seal, Piston	
13	Kit	1	O-Ring	
	7016707	1	Seal Kit- Cylinder (Includes Items 1-5, 10, 12 & 13)	
		Ref	STEER CYLINDER ASSEMBLY (VARIABLE PARTS)	
	1683351	Ref	Steer Cylinder Assembly (Variable Parts) 1532E/1932E/2033E (Prior to SN 24267)	A
	1683428	Ref	Steer Cylinder Assembly (Variable Parts) 1532E/1932E/2033E (SN 24267 to Present)	B
	1683351	Ref	Steer Cylinder Assembly (Variable Parts) 2046E/2646E/2658E (Prior to SN 24267)	A
	1683429	Ref	Steer Cylinder Assembly (Variable Parts) 2046E/2646E/2658E (SN 24267 to Present)	B
51		Ref	Guide Options:	
51	Not Serviced		Guide (Prior to SN 24267)	
51	7017207	2	Guide (SN 24267 to Present)	
52		Ref	Rod with Clevis Options:	
52	7001632	1	Rod with Clevis (Prior to SN 24267)	
52	7017208	1	Rod with Clevis (SN 24267 to Present)	
53		Ref	Rod Options:	
53	7016709	1	Rod (Prior to SN 24267)	
53	7017209	1	Rod (SN 24267 to Present)	

SECTION 6 - HYDRAULIC

SECTION 6 - HYDRAULIC

FIGURE 6-1. HYDRAULIC DIAGRAM (POWER DOWN MACHINES)



SECTION 6 - HYDRAULIC

FIGURE 6-1. HYDRAULIC DIAGRAM (POWER DOWN MACHINES)

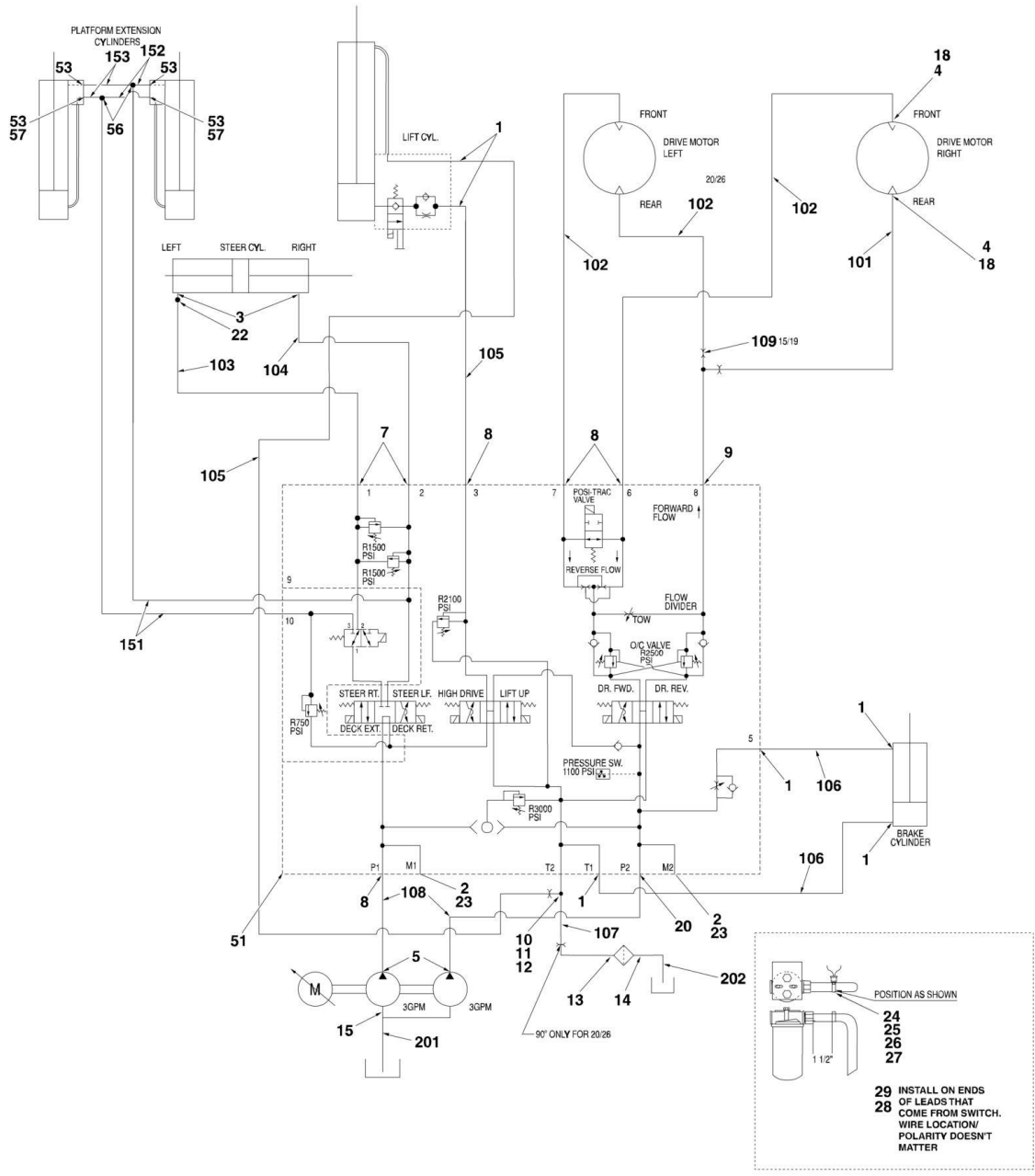
ITEM	PART NUMBER	QTY	DESCRIPTION	REV
		Ref	Note: To determine Power or Gravity Down refer to page A.	
	2792219	Ref	HYDRAULIC DIAGRAM - 1532E/1932E	E
	2792220	Ref	HYDRAULIC DIAGRAM - 2033E	F
	2792221	Ref	HYDRAULIC DIAGRAM - 2046E/2646E	F
	2792222	Ref	HYDRAULIC DIAGRAM - 2658E	F
1	2220473	4	Fitting, 90	
2	2220466	3	Fitting, 90	
3	2220585	2	Fitting, 90	
4	2220218	4	Fitting, Reducer (1532E/1932E/2033E)	
4	2220828	4	Fitting, 90, (2046E/2646E/2658E)	
5	2220628	2	Fitting, 90, (1532E/1932E)	
5	2220372	2	Fitting, Straight (2033E/2046E/2646E/2658E)	
6	2220773	2	Fitting, 90	
7	2220415	2	Fitting, Straight	
8	2220371	5	Fitting, Straight	
9	2220606	1	Fitting, Tee	
10	2220373	1	Fitting, Straight	
11	2220618	1	Fitting, Reducer	
12	2220602	1	Fitting, Tee (1532E/1932E)	
12	2220385	1	Fitting, Tee (2033E/2046E/2646E/2658E)	
13	2220470	1	Fitting, Straight (1532E/1932E)	
13	2220346	1	Fitting, Straight (2033E/2046E/2646E/2658E)	
14	2220347	1	Fitting, Straight	
15	2220664	1	Fitting, 90	
18	2221000	4	Fitting, 90, (1532E/1932E/2033E Only)	
18	7019673	AR	Seal Kit (Hex Top Style Fitting - 1 Kit per Fitting)	
18	7020072	AR	Seal Kit (Round Top Style Fitting - 1 Kit per Fitting)	
19	0100020	AR	Sealant, Pipe	
20	2220501	1	Fitting, 45	
21	1320225	1	Clamp, Hose	
22	2221014	2	Fitting, Orifice	
23	2220515	2	Fitting, Cap	
		Ref	HOSE KIT	
	2901409	Ref	Hose Kit 1532E/1932E	D
	2901382	Ref	Hose Kit 2033E	C
	2901383	Ref	Hose Kit 2046E/2646E	C
	2901384	Ref	Hose Kit 2658E	C
101	2752969	1	Hose (1532E/1932E)	
101	2752956	1	Hose (2033E)	
101	2752958	1	Hose (2046E/2646E)	
101	2752960	1	Hose (2658E)	
102	2752968	2	Hose (1532E/1932E)	
102	2752957	3	Hose (2033E)	
102	2752959	3	Hose (2046E/2646E)	
102	2752961	3	Hose (2658E)	
103	2752593	2	Hose (1532E/1932E)	
103	2752606	1	Hose (2033E/2046E/2646E)	
103	2752608	1	Hose (2658E)	
104	Not Required	0	Hose (1532E/1932E)	
104	2752607	1	Hose (2033E/2046E/2646E)	

SECTION 6 - HYDRAULIC

ITEM	PART NUMBER	QTY	DESCRIPTION	REV
104	2752609	1	Hose (2658E)	
105	2752175	2	Hose (1532E/1932E)	
105	2752639	1	Hose (2033E/2046E/2646E/2658E)	
106	Not Required	0	Hose (1532E/1932E)	
106	2752638	1	Hose (2033E/2046E/2646E/2658E)	
107	2752478	2	Hose (1532E/1932E)	
107	2750999	2	Hose (2033E/2046E/2646E/2658E)	
108	2752496	1	Hose (1532E/1932E)	
108	2752931	1	Hose (2033E/2046E/2646E/2658E)	
109	2752963	2	Hose (1532E/1932E)	
109	2752463	2	Hose (2033E/2046E/2646E/2658E)	
110	2752647	1	Hose (1532E/1932E)	
110	2752646	1	Hose (2033E/2046E/2646E/2658E)	
111	2752964	1	Hose (1532E/1932E)	
111	Not Required	0	Hose (2033E/2046E/2646E/2658E)	
		Ref	TUBE KIT	
	2901410	Ref	Tube Kit 1532E/1932E	A
	2901385	Ref	Tube Kit 2033E/2046E/2646E/2658E	A
201	4566968	1	Tube, Suction (1532E/1932E)	
201	4566897	1	Tube, Suction (2033E/2046E/2646E/2658E) (Prior to SN 21507)	
201	4567026	1	Tube, Suction (2033E/2046E/2646E/2658E) (SN 21507 to Present)	
202	4566969	1	Tube, Return (1532E/1932E)	
202	4566898	1	Tube, Return (2033E/2046E/2646E/2658E)	

SECTION 6 - HYDRAULIC

FIGURE 6-2. HYDRAULIC DIAGRAM (GRAVITY DOWN MACHINES)



SECTION 6 - HYDRAULIC

FIGURE 6-2. HYDRAULIC DIAGRAM (GRAVITY DOWN MACHINES)

ITEM	PART NUMBER	QTY	DESCRIPTION	REV
		Ref	Note: To determine Power or Gravity Down refer to page A.	
	2792316	Ref	HYDRAULIC DIAGRAM - 1532E/1932E	6
	2792317	Ref	HYDRAULIC DIAGRAM - 2033E	7
	2792318	Ref	HYDRAULIC DIAGRAM - 2046E/2646E	8
	2792319	Ref	HYDRAULIC DIAGRAM - 2658E	8
1	2220473	5	Fitting, 90	
2	2220466	4	Fitting, 90	
3	2220585	2	Fitting, 90	
4	2220218	4	Fitting, Reducer	
5	2220628	2	Fitting, 90, (1532E/1932E)	
5	2220372	2	Fitting, Straight (2033E/2046E/2646E/2658E)	
6	2220775	1	Fitting, 90	
7	2220415	2	Fitting, Straight	
8	2220371	4	Fitting, Straight	
9	2220606	1	Fitting, Tee	
10	2220373	1	Fitting, Straight	
11	2220619	1	Fitting, Reducer (1532E/1932E)	
11	2220618	1	Fitting, Reducer (2033E/2046E/2646E/2658E)	
12	2220385	1	Fitting, Tee	
13	2220470	1	Fitting, Straight (1532E/1932E)	
13	2220346	1	Fitting, Straight (2033E/2046E/2646E/2658E)	
14	2220347	1	Fitting, Straight	
15	2220664	1	Fitting, 90	
18	2221000	4	Fitting, 90	
18	7019673	AR	Seal Kit (Hex Top Style Fitting - 1 Kit per Fitting)	
18	7020072	AR	Seal Kit (Round Top Style Fitting - 1 Kit per Fitting)	
19	0100020	AR	Sealant, Pipe (Not Shown)	
20	2220501	1	Fitting, 45	
21	1320225	1	Clamp, Hose	
22	2221014	1	Fitting, Orifice	
23	2220515	4	Fitting, Cap	
24	1320242	1	Clamp	
25	4360461	1	Switch, Temperature	
26	3310601	1	Nut #6-32	
27	0100011	AR	Loctite #242	
28	4460320	1	Plug, Terminal	
29	4460267	2	Pins	
	2792268	Ref	HYDRAULIC DIAGRAM POWER EXTENSION - 2033E	4
	2792269	Ref	HYDRAULIC DIAGRAM POWER EXTENSION - 2046E	4
	2792270	Ref	HYDRAULIC DIAGRAM POWER EXTENSION - 2646E	4
	2792271	Ref	HYDRAULIC DIAGRAM POWER EXTENSION - 2658E	4
51	4641035	1	Valve (See GROUND COMPONENTS SECTION for Breakdown)	
52	2220371	2	Fitting, Straight	
53	2220501	AR	Fitting, 45	
56	2220490	2	Fitting, Tee	
57	2220473	2	Fitting, 90, (2033E Only)	
	2901489	Ref	HOSE KIT - 1532E/1932E	2
	2901490	Ref	HOSE KIT - 2033E	2
	2901491	Ref	HOSE KIT - 2046E/2646E	2
	2901492	Ref	HOSE KIT - 2658E	2

SECTION 6 - HYDRAULIC

ITEM	PART NUMBER	QTY	DESCRIPTION	REV
101	2752969	1	Hose (1532E/1932E)	
101	2752956	1	Hose (2033E)	
101	2752958	1	Hose (2046E/2646E)	
101	2752960	1	Hose (2658E)	
102	2752968	2	Hose (1532E/1932E)	
102	2752957	3	Hose (2033E)	
102	2752959	3	Hose (2046E/2646E)	
102	2752961	3	Hose (2658E)	
103	2752593	2	Hose (1532E/1932E)	
103	2752606	1	Hose (2033E/2046E/2646E)	
103	2752608	1	Hose (2658E)	
104	Not Required	0	Hose (1532E/1932E)	
104	2752607	1	Hose (2033E/2046E/2646E)	
104	2752609	1	Hose (2658E)	
105	2752175	2	Hose (1532E/1932E)	
105	2752638	1	Hose (2033E/2046E/2646E/2658E)	
106	2752478	2	Hose (1532E/1932E)	
106	2750999	2	Hose (2033E/2046E/2646E/2658E)	
107	2752496	1	Hose (1532E/1932E)	
107	2752931	2	Hose (2033E/2046E/2646E/2658E)	
108	2752963	2	Hose (1532E/1932E)	
108	2752463	1	Hose (2033E/2046E/2646E/2658E)	
109	2752964	1	Hose (1532E/1932E)	
109	Not Required	0	Hose (2033E/2046E/2646E/2658E)	
	2901424	Ref	HOSE KIT POWER EXTENSION - 2033E	3
	2901506	Ref	HOSE KIT POWER EXTENSION - 2046E	2
	2901425	Ref	HOSE KIT POWER EXTENSION - 2646E	2
	2901507	Ref	HOSE KIT POWER EXTENSION - 2658E	2
151	2752644	2	Hose (2033E/2046E)	
151	2752645	2	Hose (2646E/2658E)	
152	2752479	2	Hose (2033E)	
152	2752648	2	Hose (2046E/2646E)	
152	2752467	2	Hose (2658E)	
153	2752648	2	Hose (2033E)	
153	2752467	2	Hose (2046E/2646E)	
153	2750779	2	Hose (2658E)	
		Ref	TUBE KIT	
	2901410	Ref	Tube Kit 1532E/1932E	A
	2901385	Ref	Tube Kit 2033E/2046E/2646E/2658E	A
201	4566968	1	Tube, Suction (1532E/1932E)	
201	4566897	1	Tube, Suction (2033E/2046E/2646E/2658E) (Prior to SN 21507)	
201	4567026	1	Tube, Suction (2033E/2046E/2646E/2658E) (SN 21507 to Present)	
202	4566969	1	Tube, Return (1532E/1932E)	
202	4566898	1	Tube, Return (2033E/2046E/2646E/2658E)	

SECTION 6 - HYDRAULIC

FIGURE 6-3. HYDRAULIC DIAGRAM LIST

ITEM	PART NUMBER	QTY	DESCRIPTION	REV
		Ref	Note: Information on diagrams not shown is available from JLG Service/Parts Departments.	
	1282480	Ref	Hydraulic Diagrams - Hydraulically Operated Platform	
	2792268	Ref	Hydraulic Diagrams - Hydraulically Operated Platform 2033E	
	2792269	Ref	Hydraulic Diagrams - Hydraulically Operated Platform 2046E	
	2792270	Ref	Hydraulic Diagrams - Hydraulically Operated Platform 2646E	
	2792271	Ref	Hydraulic Diagrams - Hydraulically Operated Platform 2658E	
	1282480	Ref	Hydraulic Diagrams - Standard (Power Down Machines)	
	2792219	Ref	Hydraulic Diagrams - Standard (Power Down Machines) 1532E/1932E	
	2792220	Ref	Hydraulic Diagrams - Standard (Power Down Machines) 2033E	
	2792221	Ref	Hydraulic Diagrams - Standard (Power Down Machines) 2046E/2646E	
	2792222	Ref	Hydraulic Diagrams - Standard (Power Down Machines) 2658E	
	1282726	Ref	Hydraulic Diagrams - Standard (Gravity Down Machines)	
	2792316	Ref	Hydraulic Diagrams - Standard (Gravity Down Machines) 1532E/1932E	
	2792317	Ref	Hydraulic Diagrams - Standard (Gravity Down Machines) 2033E	
	2792318	Ref	Hydraulic Diagrams - Standard (Gravity Down Machines) 2046E/2646E	
	2792319	Ref	Hydraulic Diagrams - Standard (Gravity Down Machines) 2658E	

SECTION 7 - ELECTRICAL

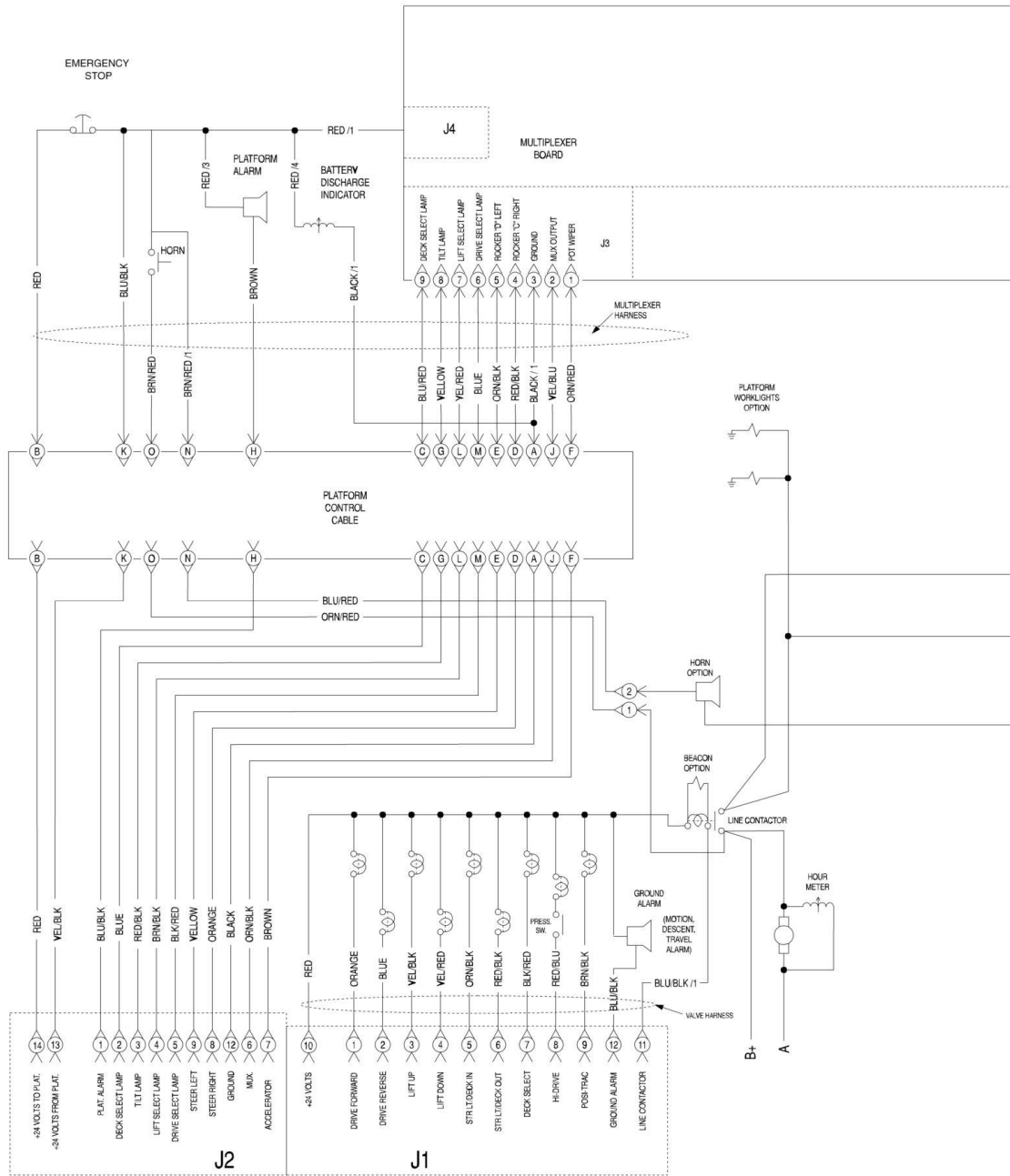
SECTION 7 - ELECTRICAL

FIGURE 7-1. ELECTRICAL DIAGRAM LIST

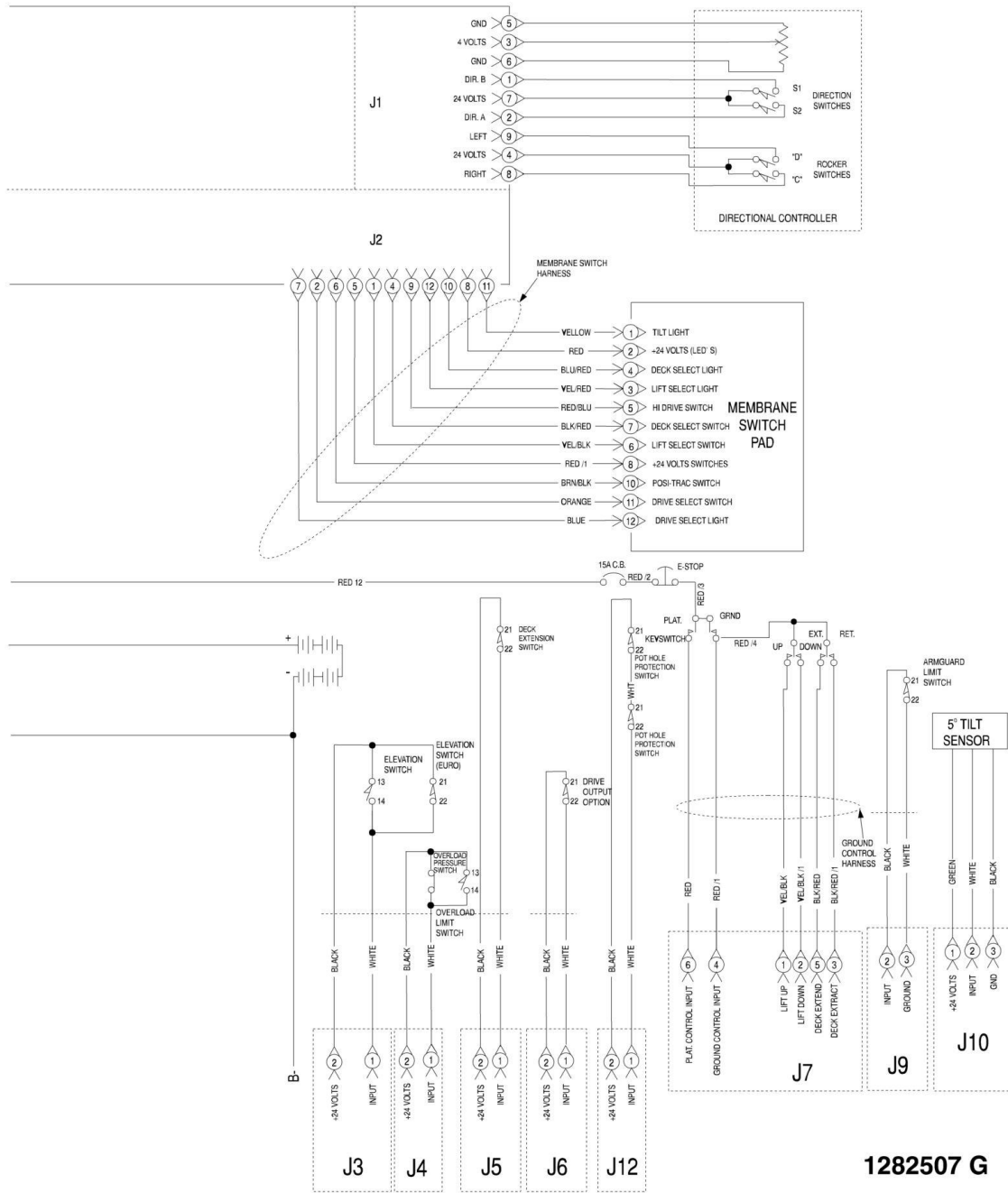
ITEM	PART NUMBER	QTY	DESCRIPTION	REV
		Ref	Note: Diagrams not shown are available from the JLG Service Department.	
	1282507	Ref	ALARMS ELECTRICAL DIAGRAM	G
	1282773	Ref	ALARMS ELECTRICAL DIAGRAM	F
	1282507	Ref	BEACON LIGHT ELECTRICAL DIAGRAM	G
	1282773	Ref	BEACON LIGHT ELECTRICAL DIAGRAM	F
	1282507	Ref	GENERATOR ELECTRICAL DIAGRAM	G
	1282773	Ref	GENERATOR ELECTRICAL DIAGRAM	F
	1282430	Ref	GROUND TO PLATFORM CABLE ASSEMBLIES	-
	4921753	Ref	Cable Assembly - 1532E	A
	4921754	Ref	Cable Assembly - 1932E	A
	4921755	Ref	Cable Assembly - 2033E/2046E	A
	4921756	Ref	Cable Assembly - 2646E/2658E	A
	0257665	Ref	PERIMETER SWITCHES ELECTRICAL	2-B
	0253616	Ref	PLATFORM EXTENSION SWITCH ELECTRICAL DIAGRAM	B
	0254367	Ref	PLATFORM EXTENSION SWITCH ELECTRICAL DIAGRAM	-
	1282507	Ref	PLATFORM WORKLIGHTS ELECTRICAL DIAGRAM	E
	1282773	Ref	PLATFORM WORKLIGHTS ELECTRICAL DIAGRAM	E
	1282507	Ref	STANDARD ELECTRICAL DIAGRAM (POWER DOWN MACHINES)	G
	4932832	Ref	Standard Electrical Diagram (Power Down Machines) 1532E/1932E	6
	4932831	Ref	Standard Electrical Diagram (Power Down Machines) 2033E/2046E/2646E/2658E	7
	1282657	Ref	STANDARD ELECTRICAL DIAGRAM (POWER DOWN MACHINES WITH SN 31325 TO 31329)	A
	4932965	Ref	Standard Electrical Diagram (Power Down Machines) 2646E	1
	1282773	Ref	STANDARD ELECTRICAL DIAGRAM (GRAVITY DOWN MACHINES)	F
	4932973	Ref	Standard Electrical Diagram (Gravity Down Machines) 1532E/1932E	4
	4932972	Ref	Standard Electrical Diagram (Gravity Down Machines) 2033E/2046E/2646E/2658E	3
	1282507	Ref	TILT SWITCH ELECTRICAL DIAGRAM	G
	1282773	Ref	TILT SWITCH ELECTRICAL DIAGRAM	F

SECTION 7 - ELECTRICAL

FIGURE 7-2. STANDARD ELECTRICAL DIAGRAM (POWER DOWN MACHINES)

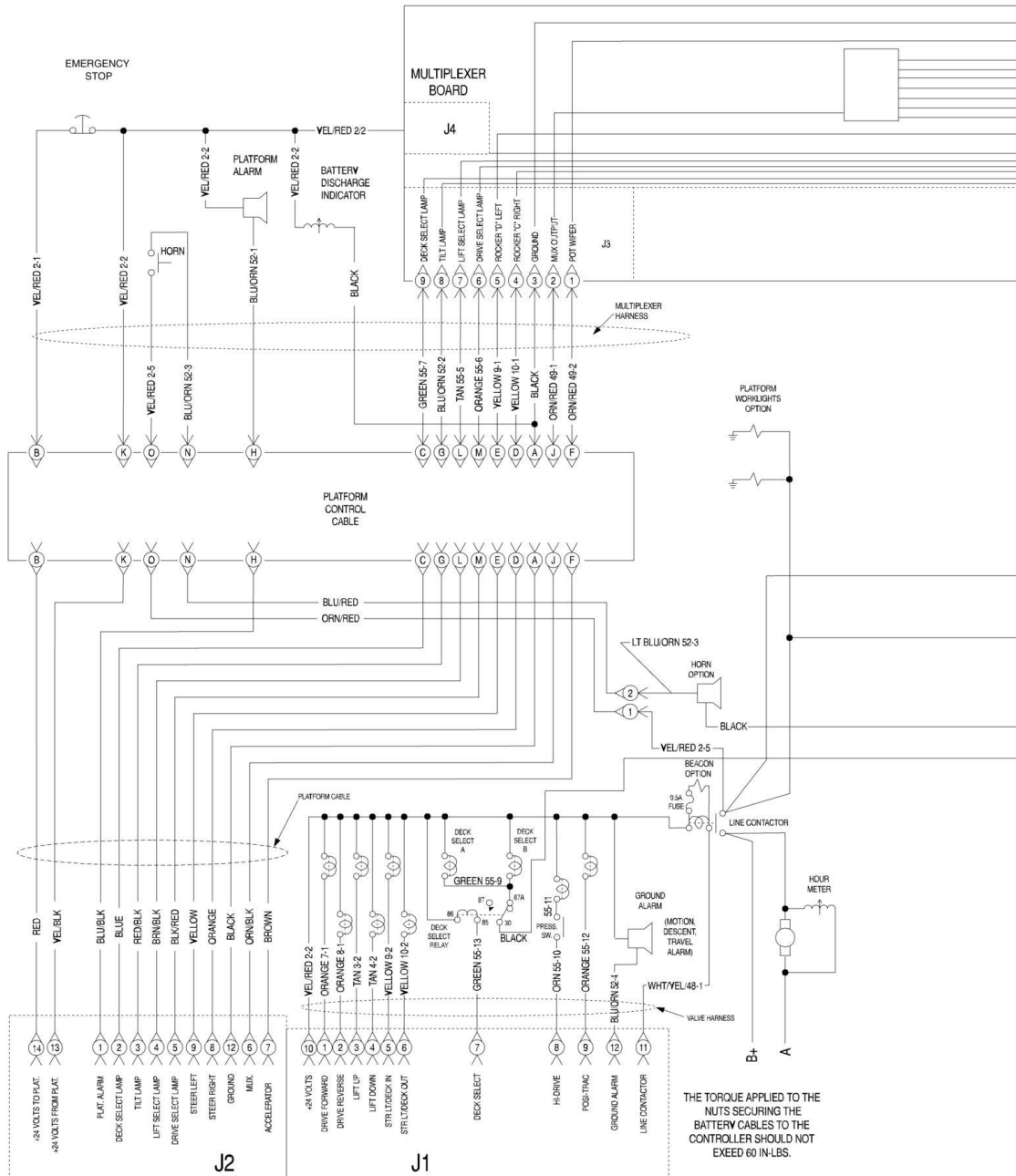


SECTION 7 - ELECTRICAL

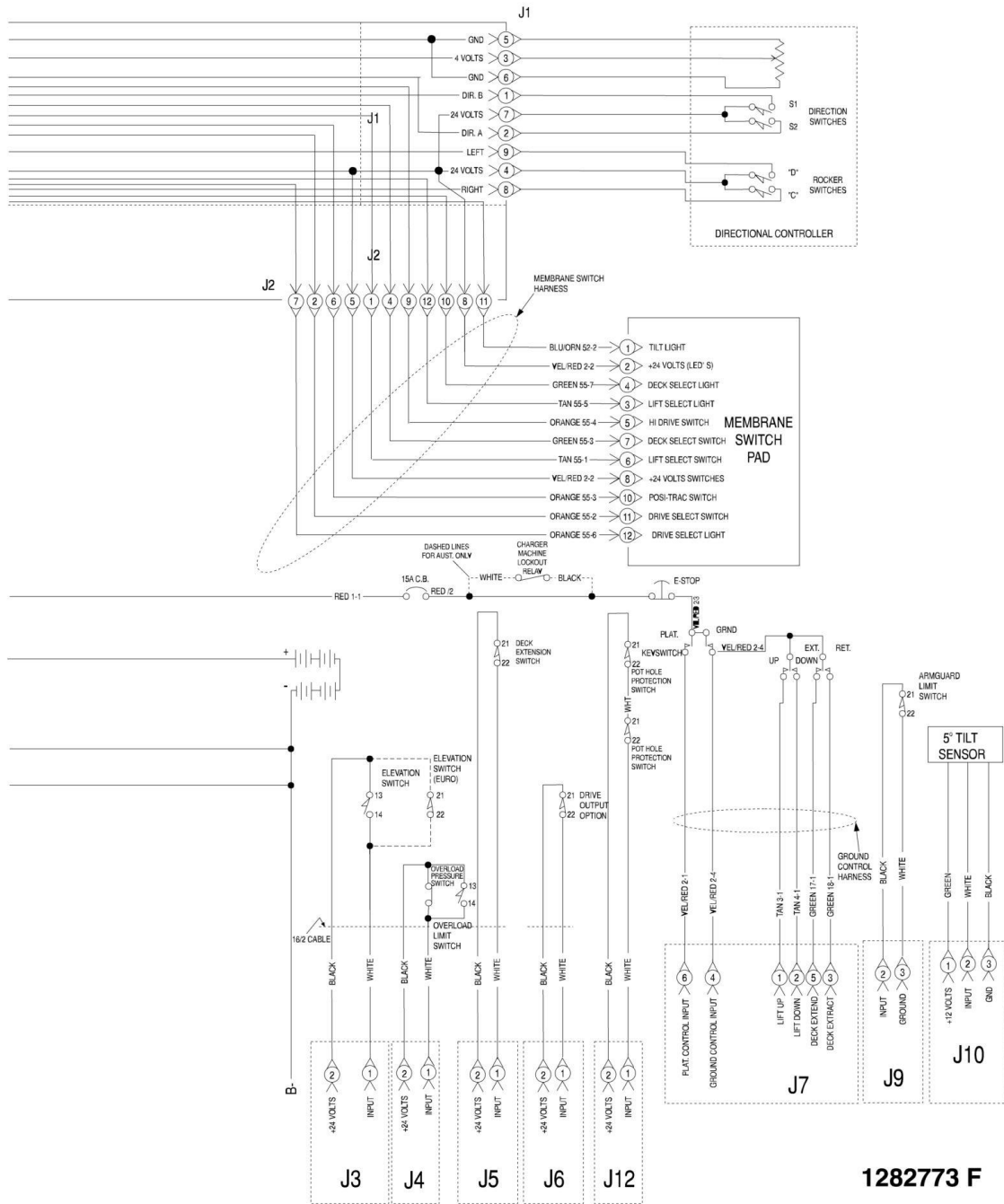


SECTION 7 - ELECTRICAL

FIGURE 7-3. STANDARD ELECTRICAL DIAGRAM (GRAVITY DOWN MACHINES)

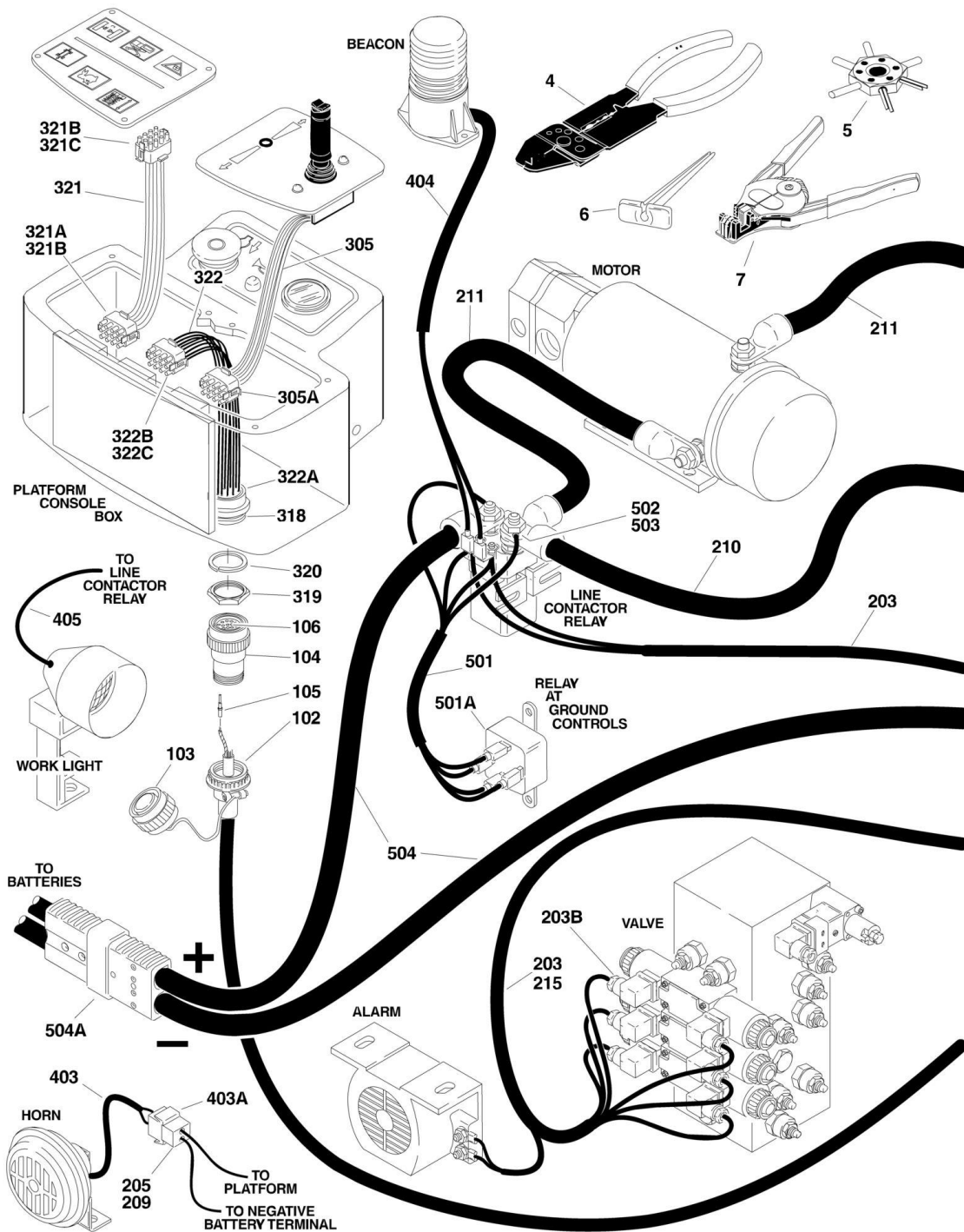


SECTION 7 - ELECTRICAL

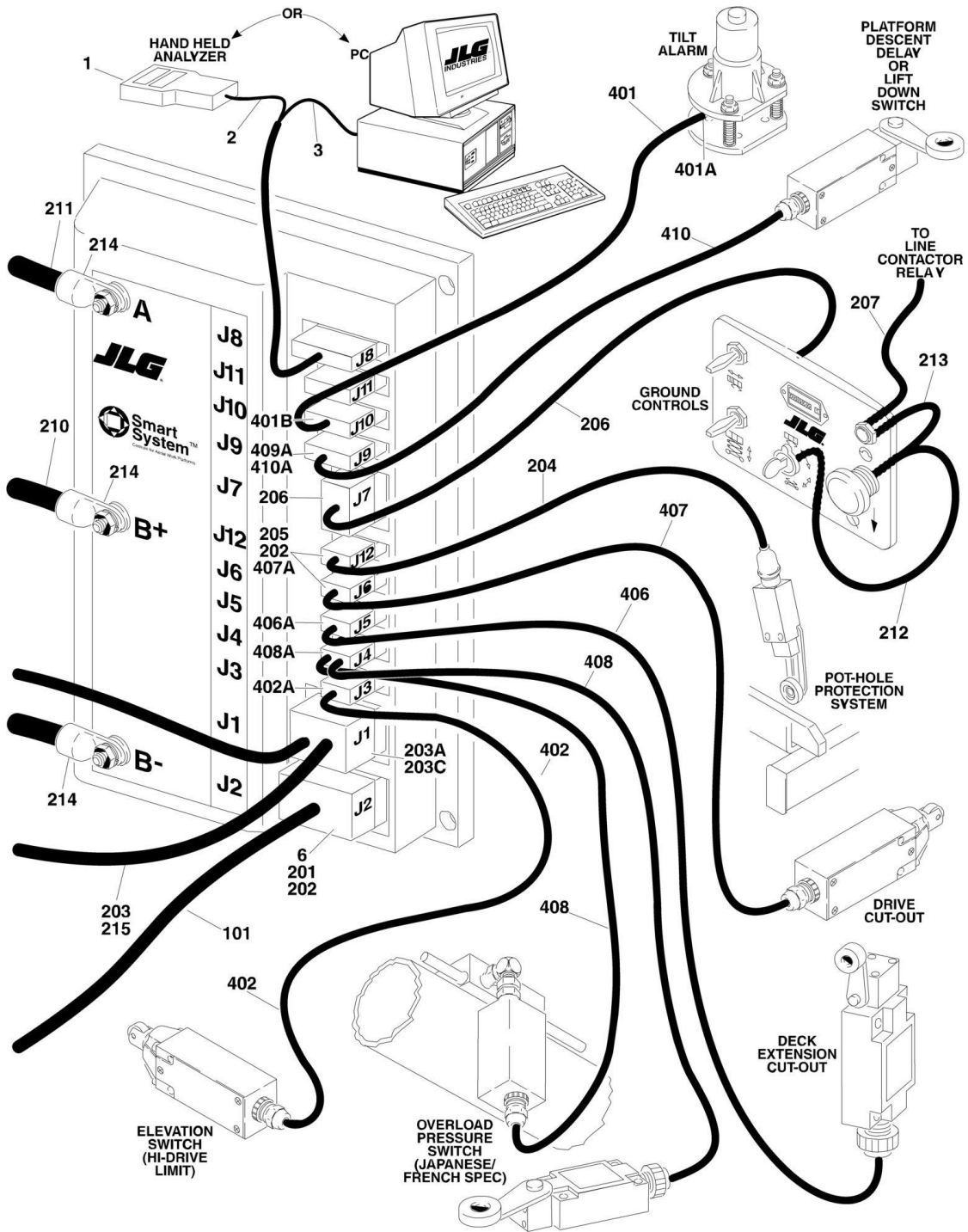


SECTION 7 - ELECTRICAL

FIGURE 7-4. HARNESS AND CABLE ASSEMBLIES



SECTION 7 - ELECTRICAL



SECTION 7 - ELECTRICAL

FIGURE 7-4. HARNESS AND CABLE ASSEMBLIES

ITEM	PART NUMBER	QTY	DESCRIPTION	REV
		Ref	Note: To determine Power or Gravity Down refer to page A.	
		Ref	TOOLS	
	2900874	1	Configurator Kit (Computer Software Kit)	
	2901443	1	Analyzer and Cable Kit (Includes 1600244 & 1060633)	
1	1600244	1	Analyzer, SMART System Controller	
2	1060633	1	Cable, Communication (Analyzer to Controller)	
3	1060629	1	Cable, Communication (PC to Controller)	
4	7002821	1	Crimper (For Wire to Pin/Socket Connections)	
5	7002823	1	Extractor (For Removal of Pins/Sockets from Connectors)	
6	4460467	1	Extractor - 16-18 Gauge (For Removal of Pins/Sockets from Deutsch Connectors)	
6	4460510	1	Extractor - 12-14 Gauge (For Removal of Pins/Sockets from Deutsch Connectors)	
7	7002828	1	Stripper, Wire	
7	0100048	AR	Compound, Silicone (Use on connectors/receptacles)	
	1282430	Ref	CABLE ASSEMBLIES - GROUND TO PLATFORM (Note: Assemblies do not include connectors at controller.)	-
	4921753	Ref	Cable Assembly - 1532E	B
	4921754	Ref	Cable Assembly - 1932E	B
	4921755	Ref	Cable Assembly - 2033E/2046E	A
	4921756	Ref	Cable Assembly - 2646E/2658E	A
101	1060608	Ref	Cable, Electrical - 18/14	
101	1060608	36 ft/11M	Cable, Electrical 1532E	
101	1060608	42 ft/12.8M	Cable, Electrical 1932E	
101	1060608	46 ft/14M	Cable, Electrical 2033E/2046E	
101	1060608	54 ft/16.5M	Cable, Electrical 2646E/2658E	
102	4460473	1	Clamp, Cable	
103	4460468	1	Cap, Dust	
104	4460462	1	Connector - 23 Pin	
105	4460465	AR	Socket, Female	
106	4460466	AR	Plug, Sealing	
		Ref	WIRING DIAGRAMS	
	4932832	Ref	Wiring Diagrams 1532E/1932E Power Down Units	6
	4932973	Ref	Wiring Diagrams 1532E/1932E Gravity Down Units	4
	4932831	Ref	Wiring Diagrams 2033E/2046E/2646E/2658E Power Down Units	7
	4932972	Ref	Wiring Diagrams 2033E/2046E/2646E/2658E Gravity Down Units	3
		Ref	Note: To determine Power or Gravity Down refer to page A.	
201	4460434	1	Connector - 15 Pin	
202	4460268	18	Socket, Female	
203		Ref	Harness, Valve	
203	4921784	1	Power Down Machines (Except SN 31325 through 31329)	E
203	4921889	1	Power Down Machines Only (SN 31325 through 31329)	1-A
203	4921958	1	Gravity Down Machines (Prior to SN 36817)	1-A
203	4922013	1	Gravity Down Machines (SN 36817 through 37823)	2
203	4922025	1	Gravity Down Machines (SN 37824 to Present)	1-A
203A	4460268	12	Socket	
203B	4460449	10	Connector, DIN	

SECTION 7 - ELECTRICAL

ITEM	PART NUMBER	QTY	DESCRIPTION	REV
203C	4460343	1	Connector - 12 Pin	
204	1060341	27 ft/8.23m	Cable, Electrical - 16/2	
205	4460320	4	Connector - 2 Pin	
206		Ref	Harness - Ground Control	
206	4921786	1	Harness - Ground Control 1532E/1932E Power Down Machines	B
206	4921894	1	Harness - Ground Control 1532E/1932E Gravity Down Machines	B
206	4921785	1	Harness - Ground Control 2033E/2046E/2646E/2658E Power Down Machines	B
206	4921890	1	Harness - Ground Control 2033E/2046E/2646E/2658E Gravity Down Machines	B
206A	4460268	AR	Socket	
206A	4460225	1	Connector - 6 Pin	
207		Ref	Harness - Ground Power	
207	4921831	1	Power Down Machines	
207	4922014	1	Harness - Ground Power 1532E/1932E Gravity Down Machines	
207	4921891	1	Harness - Ground Power 2033E/2046E/2646E/2658E Gravity Down Machines	
209	4460267	2	Pin	
210		Ref	Cable, Battery	
210	1060636	1	Cable, Battery 1532E/1932E	
210	1060561	1	Cable, Battery 2033E/2046E/2646E/2658E	
211	1060622	2	Cable, Battery	
212		Ref	Harness - Keyswitch	
212	4921832	1	Power Down Machines	B
212	4921892	1	Gravity Down Machines	2-B
213		Ref	Harness - Emergency Stop	
213	4921833	1	Power Down Machines	B
213	4921893	1	Gravity Down Machines	2-B
214	0840025	6	Boot, Terminal	
215	4922011	1	Harness - Lift Down (SN 36817 to Present)	
		Ref	PLATFORM CONSOLE BOX ASSEMBLIES	
		Ref	Note: To determine Power or Gravity Down refer to page A.	
305	7003999	1	Harness-Controller (OEM) (Prior to SN 29608)	
305	7019101	1	Harness-Controller (OEM) (SN 29608 to Present)	
305	Not Available	1	Harness-Controller (PQ) (Part of 7011980 Electrical Assy)	
305A	4460265	1	Connector	
305A	4460267	AR	Pin, Male	
318	4460463	1	Receptacle, Male - 23 Pin	
319	4460470	1	Nut, Receptacle	
320	4460471	1	Lockwasher, Receptacle	
321		Ref	Harness - Membrane Switch	
321	4921782	1	Power Down Machines	B
321	4921895	1	Gravity Down Machines	1-A
321A	4460268	AR	Socket, Female	
321B	4460343	2	Receptacle	
321C	4460267	AR	Pin, Male	
322		Ref	Harness - Platform Console Box	
322	4921783	1	Power Down Machines	6
322	4921896	1	Gravity Down Machines	3-C
322	0100048	AR	Compound, Silicone	

SECTION 7 - ELECTRICAL

ITEM	PART NUMBER	QTY	DESCRIPTION	REV
322A	4460464	AR	Pin, Male	
322B	4460267	AR	Pin, Male	
322B	4460265	1	Receptacle	
		Ref	ACCESSORIES HARNESS ASSEMBLIES	
		Ref	Note: To determine Power or Gravity Down refer to page A.	
401	4921819	1	Harness - Tilt Alarm	A
401	1060330	8 ft/2.4m	Cable, Electrical - 16/3	
401A	4460445	1	Connector - 3 Pin	
401A	4460227	3	Pin, Male	
401B	4460326	1	Plug, Connector	
401B	4460268	3	Socket, Female	
402	Not Available	1	Harness - Hi-Drive Limit	
402	1060341	6 ft/1.8m	Cable, Electrical - 16/2 (Prior to SN 46829)	
402	1060680	78 in/2m	Cable, Electrical - 18/2 (SN 46829 to Present)	
402A	4460320	1	Housing, Terminal	
402A	4460268	2	Socket, Female	
403		Ref	Harness - Horn	
403	4921821	1	Power Down Machines	2
403	4921988	1	Gravity Down Machines	1-A
403A	4460424	1	Receptacle - 2 Position	
403A	4460268	2	Socket, Female	
404	4921822	1	Harness - Beacon (Prior to SN 44696)	
404	1060341	10 ft/3.0m	Cable, Electrical - 16/2 (SN 44696 to Present)	
405	Not Available	1	Harness - Worklight	
405	1060341	AR	Cable, Electrical - 16/2	
405	1060341	40 ft/12.2m	Cable, Electrical 1532E	
405	1060341	48 ft/14.6m	Cable, Electrical 1932E	
405	1060341	54 ft/16.5m	Cable, Electrical 2033E/2046E	
405	1060341	61 ft/18.6m	Cable, Electrical 2646E/2658E	
405	4360164	1	Breaker, Circuit - 5 Amp (Not Shown)	
406	Not Available	1	Harness - Deck Extend Cutout	
406	1060341	Ref	Cable, Electrical - 16/2	
406	1060341	22 ft/6.7M	Cable, Electrical 1532E	
406	1060341	38 ft/11.6M	Cable, Electrical 1932E	
406	1060341	46 ft/14M	Cable, Electrical 2033E/2046E	
406	1060341	54 ft/16.5M	Cable, Electrical 2646E/2658E	
406A	4460320	1	Connector	
406A	4460268	2	Socket, Female	
407	Not Available	1	Harness - Drive Cutout	
407	1060341	9 ft/2.74m	Cable, Electrical - 16/2	
407A	4460320	1	Housing, Terminal	
407A	4460268	2	Socket, Female	
408	Not Available	1	Harness - Overload (Japanese/French Spec)	
408	1060341	35 ft/11m	Cable, Electrical - 16/2	
408A	4460320	1	Housing, Terminal	
408A	4460268	2	Socket, Female	
409	Not Available	1	Harness - Lift Down Switch (When Equipped)	

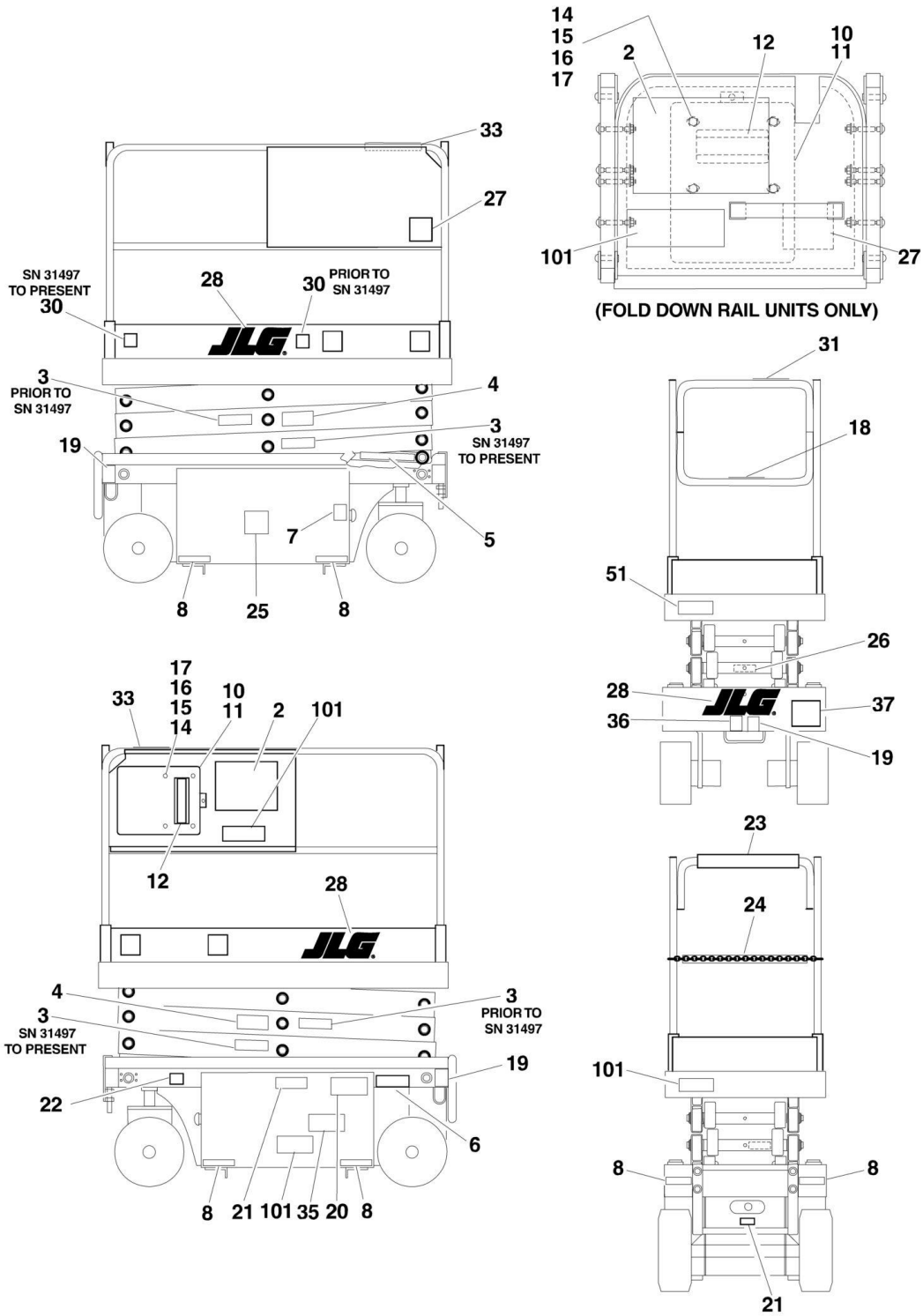
SECTION 7 - ELECTRICAL

ITEM	PART NUMBER	QTY	DESCRIPTION	REV
409	1060341	AR	Cable, Electrical - 16/2	
409A	4460320	1	Connector	
409A	4460268	2	Socket, Female	
410	Not Available	1	Harness - Platform Descent Delay Switch (1532E-2646E Euro Machines Only with SN 30542 or Newer)	
410	1060341	6 ft/1.8m	Cable, Electrical - 16/2	
410A	4460320	1	Housing, Terminal	
410A	4460268	2	Socket, Female	
		Ref	GROUND CONTROL BOX ASSEMBLIES	
		Ref	Note: To determine Power or Gravity Down refer to page A.	
501		Ref	Harness, Relay	
501	4921986	1	Power Down Machines (SN 31685 to Present)	1-A
501	4921990	1	Gravity Down Machines	1-A
501A	3740069	1	Relay	
502	4460259	2	Terminal (SN 31685 to Present)	
503	4460260	2	Housing, Terminal (SN 31685 to Present)	
504		Ref	Battery Cable Harness Assembly	
504	1060606	1	Battery Cable Harness Assembly 1532E/1932E	3-C
504	1060605	1	Battery Cable Harness Assembly 2033E/2046E/2646E/2658E	2-B
504A	4460618	2	Connector, Anderson	

SECTION 8 - DECALS

SECTION 8 - DECALS

FIGURE 8-1. DECALS INSTALLATION - 1532E/1932E POWER DOWN MACHINES (STANDARD)



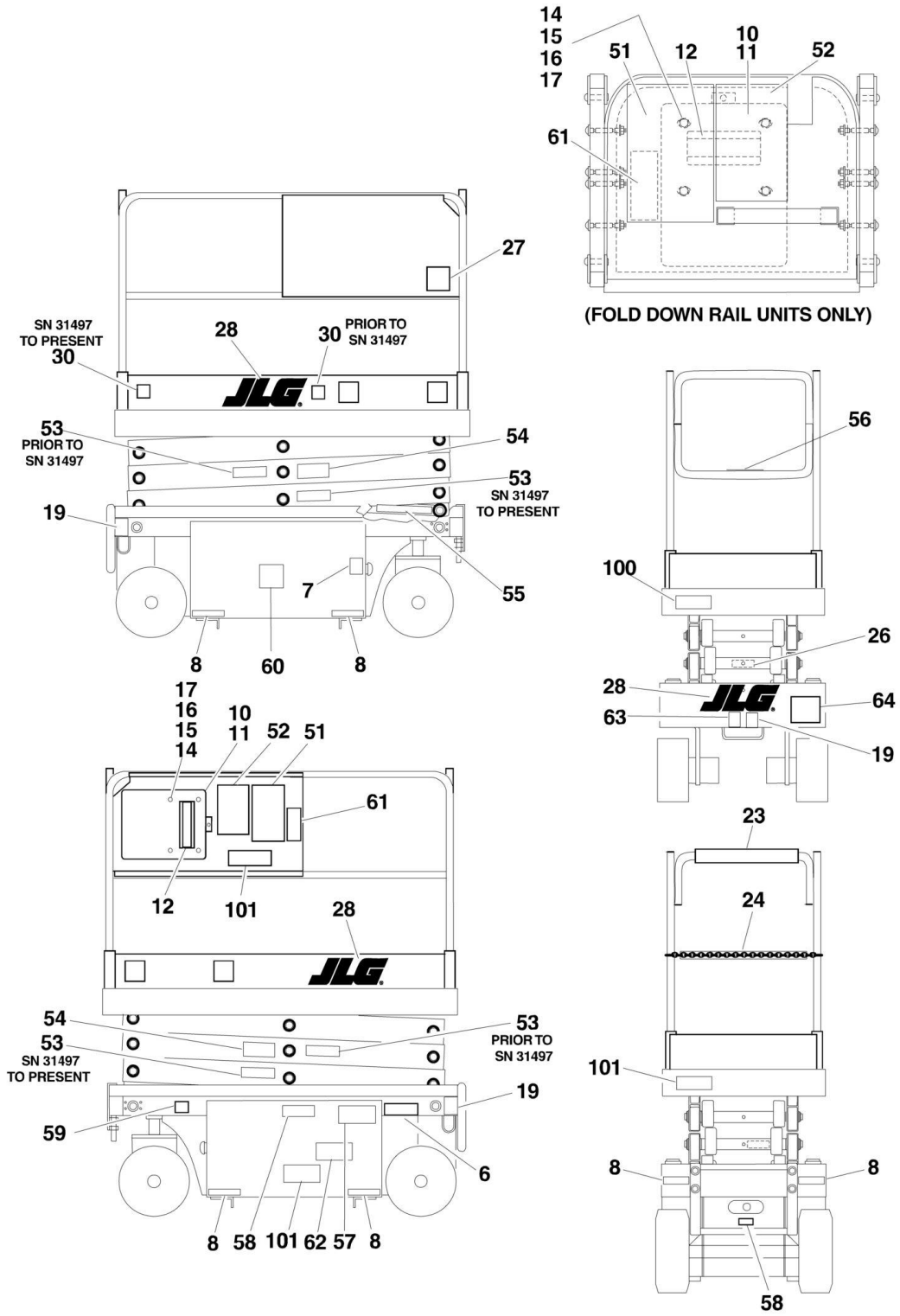
SECTION 8 - DECALS

FIGURE 8-1. DECALS INSTALLATION - 1532E/1932E POWER DOWN MACHINES (STANDARD)

ITEM	PART NUMBER	QTY	DESCRIPTION	REV
		Ref	Note: To determine Power or Gravity Down refer to page A.	
	0256975	Ref	DECAL INSTALLATION (COMMON PARTS)	-
	0256414	Ref	DECAL INSTALLATION - 1532E	8
	0256415	Ref	DECAL INSTALLATION - 1932E	8
2	1702954	1	Decal - Danger	
3	1702250	2	Decal - Electrocutation	
4	1702246	2	Decal - Crushing	
5	1701839	2	Decal - Safety Prop	
6	Not Available	1	Nameplate - Serial Number	
7	1701504	1	Decal - Hydraulic Oil	
8	1701508	6	Decal - Fork Lift Area (Prior to SN 31497)	
10	0860520	1	Box, Manual Storage	
11	1060279	1	Cable, Lanyard	
12	1701509	1	Decal - Manual	
14	0641405	4	Bolt 1/4in-20NC x 5/8in	
15	4751400	4	Flatwasher 1/4in	
16	4761400	4	Lockwasher 1/4in	
17	3311401	4	Nut 1/4in-20NC	
18	3251852	1	Nameplate - Capacity	
19	1702300	3	Decal - Tie Down	
20	1702248	1	Decal - Ground Control	
21	1702279	2	Decal - Charging	
22	1701510	1	Decal - Manual Descent	
23	3340612	2 ft/61cm	Pad	
24	2820024	2 ft/61cm	Tubing, Vinyl	
25	1702153	1	Decal - Inspection	
26	1702939	1	Decal - Prop Location	
27	3251813	1	Decal - Made in USA	
28	1702773	3	Decal - JLG	
30	1702631	1	Decal - Bar Code	
31	3252136	1	Decal - Control Box Location	
33	1703078	1	Decal - Legend	
35	1703240	1	Decal - Platform/Ground Control Switch Operation Only (SN 31497 to Present)	
36	1703191	1	Decal - Towing/Winching Only (SN 31497 to Present)	
37	1703398	1	Decal - Towing/Winching (Graphic Only) (SN 31497 to Present)	
51		Ref	Decal, Model Designation Options:	
51	3252467	1	Decal, Model Designation 1532E	
51	3252468	1	Decal, Model Designation 1932E	
		Ref	DECAL INSTALLATION (OPTIONAL PARTS)	
101		Ref	Decal - Capacity Options:	
101	3252466	3	Decal - Capacity 1532E	
101	3252465	3	Decal - Capacity 1932E	

SECTION 8 - DECALS

FIGURE 8-2. DECALS INSTALLATION - 1532E/1932E POWER DOWN MACHINES (COUNTRY SPEC)



SECTION 8 - DECALS

FIGURE 8-2. DECALS INSTALLATION - 1532E/1932E POWER DOWN MACHINES (COUNTRY SPEC)

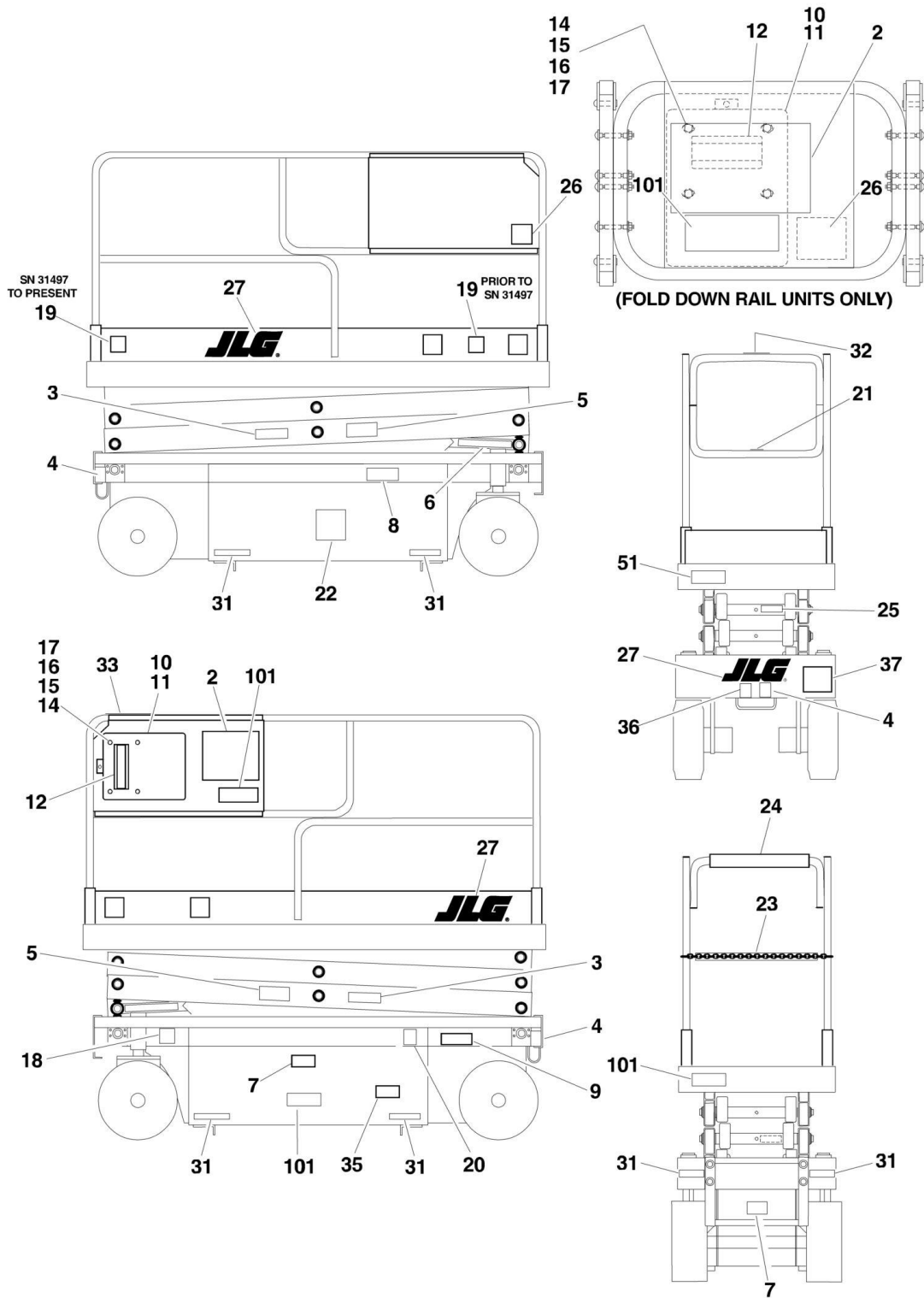
ITEM	PART NUMBER	QTY	DESCRIPTION	REV
		Ref	Note: To determine Power or Gravity Down refer to page A.	
	0256975	Ref	DECAL INSTALLATION (COMMON PARTS)	-
		Ref	DECAL INSTALLATION (STANDARD PARTS)	I
6	Not Available	1	Nameplate - Serial Number	
7	1701504	1	Decal - Hydraulic Oil	
8	1701508	6	Decal - Fork Lift Area	
10	0860520	1	Box, Manual Storage	
11	1060279	1	Cable, Lanyard	
12	1701509	1	Decal - Manual	
14	0641405	4	Bolt 1/4in-20NC x 5/8in	
15	4751400	4	Flatwasher 1/4in	
16	4761400	4	Lockwasher 1/4in	
17	3311401	4	Nut 1/4in-20NC	
19	1702300	3	Decal - Tie Down	
23	3340564	2 ft/61cm	Pad	
24	2820024	2 ft/61cm	Tubing, Vinyl	
26	1702939	1	Decal - Prop Location	
27	3251813	1	Decal - Made in USA	
28	1702773	3	Decal - JLG	
30	1702631	1	Decal - Bar Code	
		Ref	DECAL INSTALLATIONS (VARIABLE PARTS)	
	0256445	Ref	Decal Installations (Variable Parts) 1532E CSA Spec (Canadian French)	6
	0256479	Ref	Decal Installations (Variable Parts) 1532E Japanese Spec	5
	0256480	Ref	Decal Installations (Variable Parts) 1532E Latin America Spanish Spec	5
	0256603	Ref	Decal Installations (Variable Parts) 1932E CSA Spec (Canadian French)	7
	0256471	Ref	Decal Installations (Variable Parts) 1932E Japanese Spec	6
	0256470	Ref	Decal Installations (Variable Parts) 1932E LATIN AMERICA SPANISH	6
51		Ref	Decal - Caution Options:	
51	1701629	1	Canadian French	
51	3252151	1	Japanese Spec	
51	1701861	1	Latin America Spanish Spec	
52		Ref	Decal - Danger Options:	
52	3252115	1	Canadian French	
52	3252149	1	Japanese Spec	
52	1702556	1	Latin America Spanish Spec	
53		Ref	Decal - Electrocution Options:	
53	1703076	2	Canadian French	
53	1701620	2	Japanese Spec	
53	1702554	2	Latin America Spanish Spec	
54		Ref	Decal - Crushing Options:	
54	1703075	2	Canadian French	
54	1701626	2	Japanese Spec	
54	1702559	2	Latin America Spanish Spec	
55		Ref	Decal - Safety Prop Options:	
55	1701512	2	Canadian French	
55	1701622	2	Japanese Spec	

SECTION 8 - DECALS

ITEM	PART NUMBER	QTY	DESCRIPTION	REV
55	1701856	2	Latin America Spanish Spec	
56		Ref	Nameplate - Capacity Options:	
56	3252499	1	Canadian French	
56	Not Required	0	Japanese Spec	
56	3252454	1	Latin America Spanish Spec	
57		Ref	Decal - Ground Control Options:	
57	1701515	1	Canadian French	
57	1701624	1	Japanese Spec	
57	1701858	1	Latin America Spanish Spec	
58		Ref	Decal - Charging Options:	
58	1703077	2	Canadian French	
58	1701625	2	Japanese Spec	
58	1702553	2	Latin America Spanish Spec	
59		Ref	Decal - Manual Descent Options:	
59	1701510	1	Canadian French	
59	1701628	1	Japanese Spec	
59	1701510	1	Latin America Spanish Spec	
60		Ref	Decal - Inspection Options:	
60	1703074	1	Canadian French	
60	1701621	1	Japanese Spec	
60	1702552	1	Latin America Spanish Spec	
61		Ref	Decal - Caution Options:	
61	Not Required	0	Canadian French	
61	3252158	1	Japanese Spec	
61	Not Required	0	Latin America Spanish Spec	
62		Ref	Decal - Platform/Ground Control Switch Operation Options Only: (SN 31497 to Present)	
62	1703405	1	Canadian French	
62	1703408	1	Japanese Spec	
62	1703411	1	Latin America Spanish Spec	
63		Ref	Decal -Towing/Winching Options Only: (SN 31497 to Present)	
63	1703193	1	Canadian French	
63	1703197	1	Japanese Spec	
63	1703198	1	Latin America Spanish Spec	
64		Ref	Decal -Towing/Winching Options (Graphic Only): (SN 31497 to Present)	
64	1703415	1	Canadian French	
64	1703419	1	Japanese Spec	
64	1703420	1	Latin America Spanish Spec	
		Ref	DECAL INSTALLATION (OPTIONAL PARTS)	
100		Ref	Decal - Model Options:	
100	3252467	1	Decal - Model 1532E	
100	3252468	1	Decal - Model 1932E	
101		Ref	Decal - Capacity Options:	
101	3252524	1	Canadian French - 1532E	
101	3252300	1	Japanese - 1532E	
101	3252493	1	Latin America Spanish - 1532E	
101	3252525	1	Canadian French - 1932E	
101	3252300	1	Japanese - 1932E	
101	3252452	1	Latin America Spanish - 1932E	

SECTION 8 - DECALS

FIGURE 8-3. DECALS INSTALLATION - 2033E/2046E/2646E/2658E POWER DOWN MACHINES (STANDARD)



SECTION 8 - DECALS

FIGURE 8-3. DECALS INSTALLATION - 2033E/2046E/2646E/2658E POWER DOWN MACHINES (STANDARD)

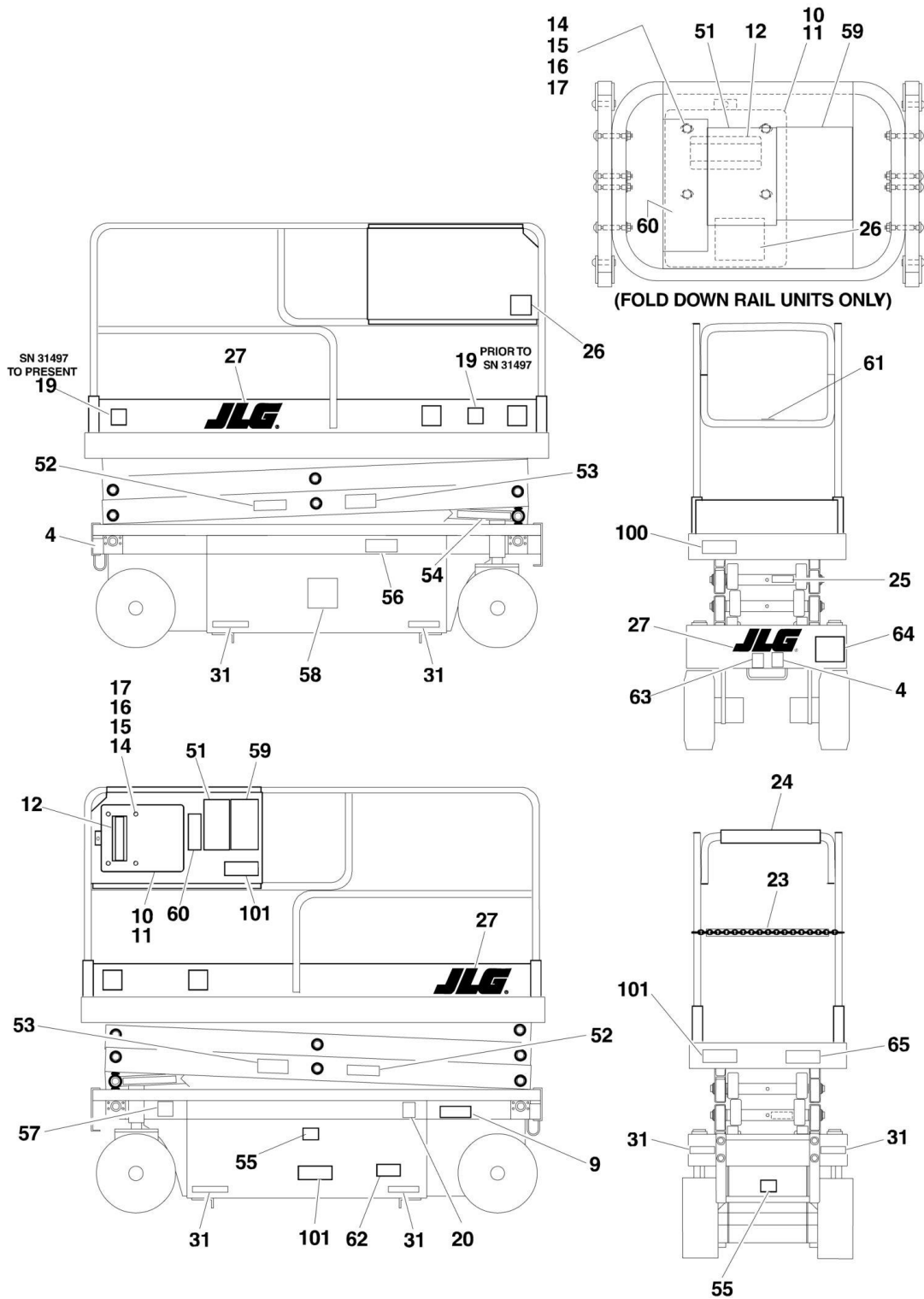
ITEM	PART NUMBER	QTY	DESCRIPTION	REV
		Ref	Note: To determine Power or Gravity Down refer to page A.	
	0256976	Ref	DECAL INSTALLATION (COMMON PARTS)	-
		Ref	DECAL INSTALLATION (STANDARD PARTS)	I
2	1702954	1	Decal - Danger	
3	1702250	2	Decal - Electrocutation	
4	1702300	3	Decal - Tie-Down	
5	1702246	2	Decal - Crushing	
6	1701839	1	Decal - Safety Prop	
7	1702279	2	Decal - Charging	
8	1702248	1	Decal - Ground Control	
9	Not Available	1	Nameplate - Serial Number	
10	0860520	1	Box, Manual Storage	
11	1060279	1	Cable, Lanyard	
12	1701509	1	Decal - Manual	
14	0641405	4	Bolt 1/4in-20NC x 5/8in	
15	4751400	4	Flatwasher 1/4in	
16	4761400	4	Lockwasher 1/4in	
17	3311401	4	Nut 1/4in-20NC	
18	1701510	1	Decal - Manual Descent	
19	1702631	1	Decal - Bar Code	
20	1701504	1	Decal - Hydraulic Oil	
21	3251852	1	Nameplate - Capacity	
22	1702153	1	Decal - Inspection	
23	2820024	2 ft/61cm	Tubing, Vinyl	
24	3340612	2 ft/61cm	Pad	
25	1702939	1	Decal - Prop Location	
26	3251813	1	Decal - Made in USA	
27	1702773	3	Decal - JLG	
31	1701508	AR	Decal - Fork Lift Area	
32	3252136	1	Decal - Control Box Location	
33	1703078	1	Decal - Legend	
35	1703240	1	Decal - Platform/Ground Control Switch Operation Only (SN 31497 to Present)	
36	1703191	1	Decal - Towing/Winching Only (SN 31497 to Present)	
37	1703398	1	Decal - Towing/Winching (Graphic Only) (SN 31497 to Present)	
		Ref	DECAL INSTALLATION (VARIABLE PARTS)	
	0256416	Ref	Decal Installations (Variable Parts) 2033E	E
	0256417	Ref	Decal Installations (Variable Parts) 2046E	7
	0256418	Ref	Decal Installations (Variable Parts) 2646E	7
	0256419	Ref	Decal Installations (Variable Parts) 2658E	7
51		Ref	Decal - Designation Options:	
51	3252469	1	Decal - Designation 2033E	
51	3252470	1	Decal - Designation 2046E	
51	3252471	1	Decal - Designation 2646E	
51	3252472	1	Decal - Designation 2658E	
		Ref	DECAL INSTALLATION (OPTIONAL PARTS)	
101		Ref	Decal - Capacity Options:	
101	3252460	AR	Decal - Capacity 2033E/2646E	
101	3252463	AR	Decal - Capacity 2046E/2658E	

SECTION 8 - DECALS

ITEM	PART NUMBER	QTY	DESCRIPTION	REV
101	3252463	AR	Decal - Capacity 2033E/2646E with 1000lbs Capacity	

SECTION 8 - DECALS

FIGURE 8-4. DECALS INSTALLATION - 2033E/2046E/2646E/2658E POWER DOWN MACHINES (COUNTRY SPEC)



SECTION 8 - DECALS

**FIGURE 8-4. DECALS INSTALLATION - 2033E/2046E/2646E/2658E POWER DOWN MACHINES
(COUNTRY SPEC)**

ITEM	PART NUMBER	QTY	DESCRIPTION	REV
		Ref	Note: To determine Power or Gravity Down refer to page A.	
	0256976	Ref	DECAL INSTALLATION (STANDARD PARTS)	-
		Ref	DECAL INSTALLATION (STANDARD PARTS)	1
4	1702300	3	Decal - Tie-Down	
9	Not Available	1	Nameplate - Serial Number	
10	0860520	1	Box, Manual Storage	
11	1060279	1	Cable, Lanyard	
12	1701509	1	Decal - Manual	
14	0641405	4	Bolt 1/4in-20NC x 5/8in	
15	4751400	4	Flatwasher 1/4in	
16	4761400	4	Lockwasher 1/4in	
17	3311401	4	Nut 1/4in-20NC	
19	1702631	1	Decal - Bar Code	
20	1701504	1	Decal - Hydraulic Oil	
23	2820024	2 ft/61cm	Tubing, Vinyl	
24	3340564	2 ft/61cm	Pad	
25	1702939	1	Decal - Prop Location	
26	3251813	1	Decal - Made in USA	
27	1702773	3	Decal - JLG	
31	1701508	AR	Decal - Forklift Area	
		Ref	DECAL INSTALLATION (VARIABLE PARTS)	
	0256604	Ref	Decal Installations (Variable Parts) 2033E CSA Spec Canadian French	6
	0256429	Ref	Decal Installations (Variable Parts) 2033E Japanese Spec	4
	0256428	Ref	Decal Installations (Variable Parts) 2033E Latin America Spanish Spec	-
	0256605	Ref	Decal Installations (Variable Parts) 2046E CSA Spec Canadian French	5
	0256448	Ref	Decal Installations (Variable Parts) 2046E Japanese Spec	4
	0256446	Ref	Decal Installations (Variable Parts) 2046E Latin America Spanish Spec	-
	0256606	Ref	Decal Installations (Variable Parts) 2646E CSA Spec Canadian French	6
	0256455	Ref	Decal Installations (Variable Parts) 2646E Japanese Spec	4
	0256447	Ref	Decal Installations (Variable Parts) 2646E Latin America Spanish Spec	-
	0256607	Ref	Decal Installations (Variable Parts) 2658E CSA Spec Canadian French	6
	0256463	Ref	Decal Installations (Variable Parts) 2658E Japanese Spec	4
	0256462	Ref	Decal Installations (Variable Parts) 2658E Latin America Spanish Spec	-
51		Ref	Decal - Caution Options:	
51	1701629	1	Canadian French	
51	3252151	1	Japanese Spec	
51	1702555	1	Latin America Spanish Spec	
52		Ref	Decal - Electrocution Options:	
52	1703076	2	Canadian French	
52	1701620	2	Japanese Spec	
52	1702554	2	Latin America Spanish Spec	
53		Ref	Decal - Crushing Options:	

SECTION 8 - DECALS

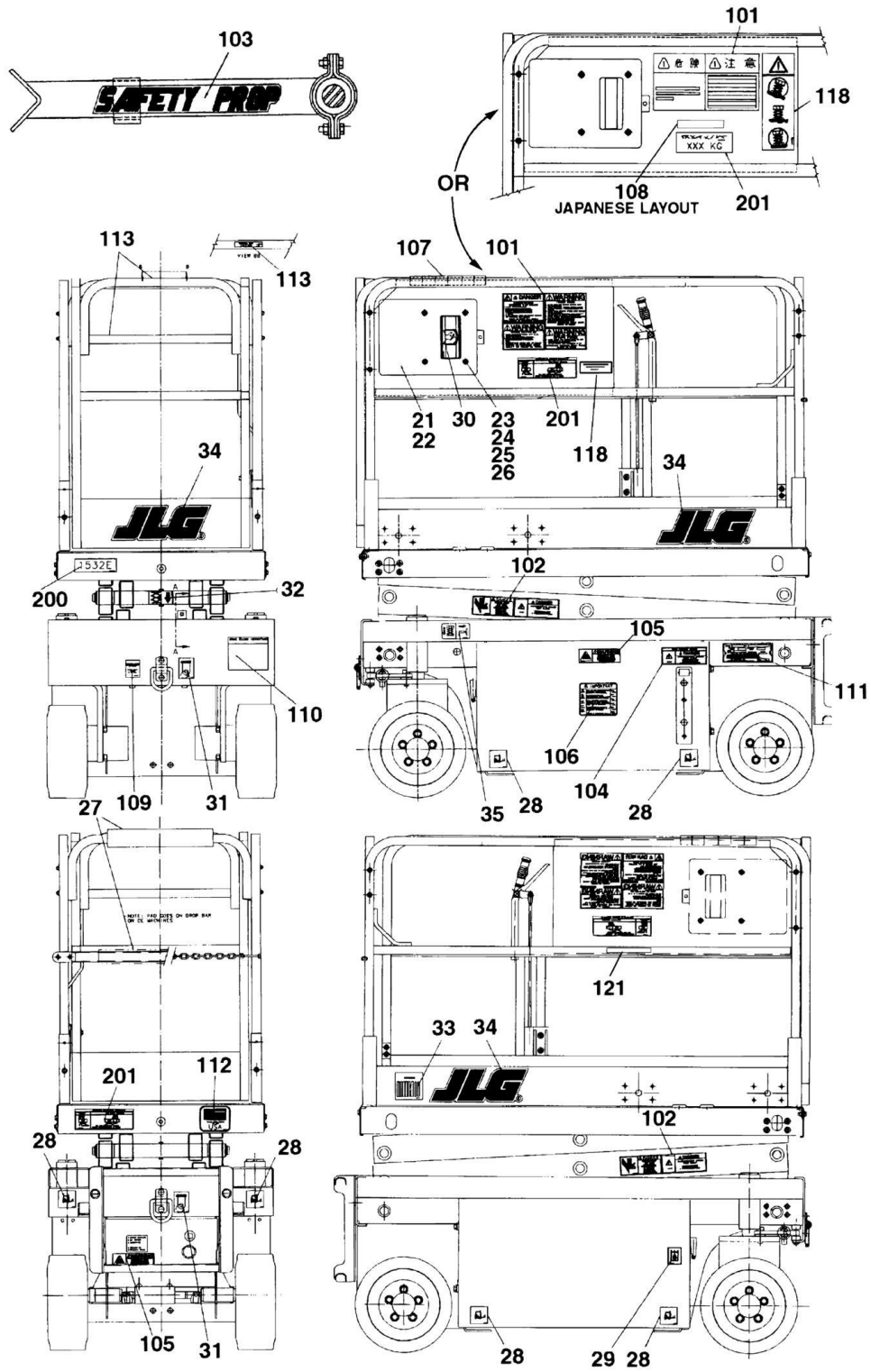
ITEM	PART NUMBER	QTY	DESCRIPTION	REV
53	1703075	2	Canadian French	
53	1701626	2	Japanese Spec	
53	1702559	2	Latin America Spanish Spec	
54		Ref	Decal - Safety Prop Options:	
54	1701512	1	Canadian French	
54	1701622	1	Japanese Spec	
54	1701856	1	Latin America Spanish Spec	
55		Ref	Decal - Charging Options:	
55	1703077	2	Canadian French	
55	1701625	2	Japanese Spec	
55	1702553	2	Latin America Spanish Spec	
56		Ref	Decal - Ground Control Options:	
56	1701515	1	Canadian French	
56	1701624	1	Japanese Spec	
56	1701858	1	Latin America Spanish Spec	
57		Ref	Decal - Manual Descent Options:	
57	1701510	1	Canadian French	
57	1701628	1	Japanese Spec	
57	1701510	1	Latin America Spanish Spec	
58		Ref	Decal - Inspection Options:	
58	1703074	1	Canadian French	
58	1701621	1	Japanese Spec	
58	1702552	1	Latin America Spanish Spec	
59		Ref	Decal - Danger Options:	
59	1701511	1	Canadian French	
59	3252149	1	Japanese Spec	
59	1702556	1	Latin America Spanish Spec	
60		Ref	Options:	
60	Not Required	0	Canadian French	
60	3252158		Japanese Spec	
60	Not Required	0	Latin America Spanish Spec	
61		Ref	Nameplate - Extension Capacity Options:	
61	3252499	1	Canadian French	
61	Not Required	0	Japanese Spec	
61	3252454	1	Latin America Spanish Spec	
62		Ref	Decal - Platform/Ground Control Switch Operation Options Only: (SN 31497 to Present)	
62	1703405	1	Canadian French	
62	1703408	1	Japanese Spec	
62	1703411	1	Latin America Spanish Spec	
63		Ref	Decal - Towing/Winching Options Only: (SN 31497 to Present)	
63	1703193	1	Canadian French	
63	1703197	1	Japanese Spec	
63	1703198	1	Latin America Spanish Spec	
64		Ref	Decal - Towing/Winching (Graphic) Options Only): (SN 31497 to Present)	
64	1703415	1	Canadian French	
64	1703419	1	Japanese Spec	
64	1703420	1	Latin America Spanish Spec	
65		Ref	Decal - Forklift Procedure Options (2033E Built Only): (SN 32667 to Present)	
65	1703458	1	Canadian French	

SECTION 8 - DECALS

ITEM	PART NUMBER	QTY	DESCRIPTION	REV
65	1703461	1	Japanese Spec	
65	1703462	1	Latin America Spanish Spec	
		Ref	DECAL INSTALLATION (OPTIONAL PARTS)	
100		Ref	Decal - Model Designation Options:	
100	3252469	1	Decal - Model Designation 2033E	
100	3252470	1	Decal - Model Designation 2046E	
100	3252471	1	Decal - Model Designation 2646E	
100	3252472	1	Decal - Model Designation 2658E	
101		Ref	Decal - Capacity Options:	
101	3252526	2	Canadian French - 2033E/2646E	
101	3252152	2	Japanese - 2033E/2646E	
101	3252450	2	Latin America Spanish - 2033E/2646E	
101	3252527	2	Canadian French - 2046E/2658E	
101	3252178	2	Japanese - 2046E/2658E	
101	3252451	2	Latin America Spanish - 2046E/2658E	

SECTION 8 - DECALS

FIGURE 8-5. DECAL INSTALLATION - GRAVITY DOWN MACHINES



SECTION 8 - DECALS

FIGURE 8-5. DECAL INSTALLATION - GRAVITY DOWN MACHINES

ITEM	PART NUMBER	QTY	DESCRIPTION	REV
		Ref	Note: To determine Power or Gravity Down refer to page A.	
	0257342	Ref	DECAL INSTALLATION (STANDARD PARTS)	5
21	0860520	1	Box, Manual Storage	
22	1060279	1	Cable, Lanyard	
23	0641405	4	Bolt 1/4in-20NC x 5/8in	
24	4751400	4	Flatwasher 1/4in	
25	4761400	4	Lockwasher 1/4 (Prior to SN 38529)	
26	3311401	4	Nut 1/4in-20NC (Prior to SN 38529)	
26	3311405	4	Locknut 1/4in-20NC (SN 38529 to Present)	
27	3340564	2 ft/61cm	Pad (Prior to SN 46777)	
28		Ref	Decal - Fork Lift Area Options:	
28	1703073	AR	Decal - Fork Lift Area (Prior to SN 50425)	
28	1704016	AR	Decal - Fork Lift Area (SN 50425 to Present)	
29	1701504	1	Decal - Hydraulic Oil	
30	1701509	1	Decal - Manual	
31	1702300	3	Decal - Tie-Down	
32	1702939	1	Decal - Prop Location	
33	Not Available	1	Decal - Bar Code	
34	1702773	3	Decal - JLG	
35	1701510	1	Decal - Manual Descent	
		Ref	DECAL INSTALLATION (VARIABLE PARTS)	
	0257343	Ref	ANSI Spec without Power Deck Extension	4
	0257364	Ref	ANSI Spec with Power Deck Extension	4
	0257559	Ref	Brazil Spec 1532E/1932E	4
	0257555	Ref	Brazil Spec 2033E/2046E/2646E/2658E	4
	0257346	Ref	CSA Spec Canadian French	4
	0257344	Ref	Japanese Spec without Power Deck Extension	4
	0257592	Ref	Japanese Spec with Power Deck Extension	2
	0257345	Ref	Latin American Spanish Spec	2
101		Ref	Decal Options:	
101	1702954	1	ANSI Spec without Power Deck Extension	
101	1702459	1	ANSI Spec with Power Deck Extension	
101	1703552	1	Brazil Spec	
101	1703392	1	Canadian French Spec	
101	1702954	1	Japanese Spec without Power Deck Extension	
101	1702459	1	Japanese Spec with Power Deck Extension	
101	1703393	1	Latin American Spanish Spec	
102		Ref	Decal - Crushing/Electrocution Options:	
102	1703496	2	ANSI Spec	
102	1703583	2	Brazil Spec	
102	1703499	2	Canadian French Spec	
102	1703497	2	Japanese Spec	
102	1703498	2	Latin American Spanish Spec	
103		Ref	Decal - Safety Prop Options:	
103	1701839	1	ANSI Spec	
103	1703550	1	Brazil Spec	
103	1701512	1	Canadian French Spec	
103	1701622	1	Japanese Spec	
103	1701856	1	Latin American Spanish Spec	
104		Ref	Decal - Ground Control Options:	

SECTION 8 - DECALS

ITEM	PART NUMBER	QTY	DESCRIPTION	REV
104	1702249	1	ANSI Spec	
104	1703554	1	Brazil Spec	
104	1701515	1	Canadian French Spec	
104	1701624	1	Japanese Spec	
104	1701858	1	Latin American Spanish Spec	
105		Ref	Decal - Charging Options:	
105	1702279	2	ANSI Spec	
105	Not Required	0	Brazil Spec	
105	1703077	2	Canadian French Spec	
105	1701625	2	Japanese Spec	
105	1702553	2	Latin American Spanish Spec	
106		Ref	Decal - Inspection Options:	
106	1702153	1	ANSI Spec	
106	Not Required	0	Brazil Spec	
106	1703074	1	Canadian French Spec	
106	1701621	1	Japanese Spec	
106	1702552	1	Latin American Spanish Spec	
107		Ref	Decal - Legend Options:	
107	1703078	1	ANSI Spec	
107	Not Required	0	Brazil Spec	
107	Not Required	0	Canadian French Spec	
107	Not Required	0	Japanese Spec	
107	Not Required	0	Latin American Spanish Spec	
108		Ref	Decal - Lift Down Options:	
108	Not Required	0	ANSI Spec	
108	Not Required	0	Brazil Spec	
108	Not Required	0	Canadian French Spec	
108	1703562		Japanese Spec	
108	Not Required	0	Latin American Spanish Spec	
109		Ref	Decal - Towing/Winching Options:	
109	1703191	1	ANSI Spec	
109	1703556	1	Brazil Spec	
109	1703193	1	Canadian French Spec	
109	1703197	1	Japanese Spec	
109	1703198	1	Latin American Spanish Spec	
110		Ref	Decal - Towing/Winching (Graphic) Options:	
110	1703398	1	ANSI Spec	
110	1703557	1	Brazil Spec	
110	1703415	1	Canadian French Spec	
110	1703419	1	Japanese Spec	
110	1703420	1	Latin American Spanish Spec	
111	Not Available	1	Nameplate - Serial Number	
112		Ref	Decal Options:	
112	3251813	1	ANSI Spec without Power Deck Extension	
112	Not Required	0	ANSI Spec with Power Deck Extension	
112	3251813	1	Brazil Spec	
112	3251813	1	Canadian French Spec	
112	3251813	1	Japanese Spec without Power Deck Extension	
112	Not Required	0	Japanese Spec with Power Deck Extension	
112	3251813	1	Latin American Spanish Spec	
113		Ref	Decal - Control Box Location Options:	

SECTION 8 - DECALS

ITEM	PART NUMBER	QTY	DESCRIPTION	REV
113	3252136	1	ANSI Spec	
113	Not Required	0	Brazil Spec	
113	3252136	1	Canadian French Spec	
113	Not Required	0	Japanese Spec	
113	Not Required	0	Latin American Spanish Spec	
114		Ref	Decal - Maximum Tire Load Options:	
114	Not Required	0	ANSI Spec	
114	1703766	4	Brazil Spec 1532E	
114	1703767	4	Brazil Spec 1932E	
114	1703768	4	Brazil Spec 2033E	
114	1703769	4	Brazil Spec 2046E	
114	1703770	4	Brazil Spec 2646E	
114	1703771	4	Brazil Spec 2658E	
114	Not Required	0	Canadian French Spec	
114	Not Required	0	Japanese Spec	
114	Not Required	0	Latin American Spanish Spec	
118		Ref	Decal - Platform Operation Options:	
118	1703528	1	ANSI Spec	
118	1703605	1	Brazil Spec	
118	1703528	1	Canadian French Spec	
118	3252158	1	Japanese Spec	
118	1703563	1	Latin American Spanish Spec	
120	3820014	AR	Pop Rivet	
121		Ref	Nameplate - Extension Capacity Options: (SN 38529 to Present)	
121	3251852	1	ANSI Spec without Power Deck Extension	
121	Not Required	0	ANSI Spec with Power Deck Extension	
121	3252454	1	Brazil Spec	
121	3252080	1	Canadian French Spec	
121	3252296	1	Japanese Spec	
121	3252454	1	Latin American Spanish Spec	
		Ref	Decal Kit Options:	
	2900973	1	ANSI Spec without Power Deck Extension 2046E (Includes Items 35,101,103-107, 109,110 & 112)	
	2900957	1	ANSI Spec without Power Deck Extension 1532E/1932E/2033E/2046E/2646E/2658E (Includes Items 35,101-107, 109,110,112,113,118 & 121)	
	2900962	1	ANSI Spec with Power Deck Extension 2033E/2046E/2646E/2658E (Includes Items 28-32,34,35,101-107, 109,110,112,113 & 118)	
	2900945	1	Brazil Spec 1532E (Includes Items 28-32,34,35,101, 102,104,109,110,112,118 & 121)	
	2900947	1	Brazil Spec 1932E (Includes Items 28-32,34,35,101, 102,104,109,110,112,118 & 121)	
	2900926	1	Brazil Spec 2033E/2046E/2646E/2658E (Includes Items 28-32,34,35,101, 102,104,109,110,112,118 & 121)	
	2900960	1	Canadian French Spec (Includes Items 28-32,34,35, 101-106, 109,110,112,113,118 & 121)	
	2900959	1	Japanese Spec without Power Deck Extension (Includes Items 28-32,34,35,101-106,108-110, 112, 118 & 121)	
	2900963	1	Japanese Spec with Power Deck Extension (Includes Items 28-32,34,35,101-106,108-110 & 118)	
	2900958	1	Latin American Spanish Spec (Includes Items 28-32, 34,35, 101-106, 109,110,112,118 & 121)	
		Ref	DECAL INSTALLATION (OPTIONAL PARTS)	

SECTION 8 - DECALS

ITEM	PART NUMBER	QTY	DESCRIPTION	REV
200		Ref	Decal - Model Designation Options:	
200	3252467	1	Decal - Model Designation 1532E	
200	3252468	1	Decal - Model Designation 1932E	
200	3252469	1	Decal - Model Designation 2033E	
200	3252470	1	Decal - Model Designation 2046E	
200	3252471	1	Decal - Model Designation 2646E	
200	3252472	1	Decal - Model Designation 2658E	
201		Ref	Decal - Capacity Options:	
201		Ref	Decal - Capacity 1532E:	
201	3252466	2	600LBS (ANSI Spec)	
201	3252524	2	270KGS (CSA Canadian French Spec)	
201	3252300	2	270KGS (Japanese Spec)	
201	3252493	2	270KGS (Latin America Spanish)	
201		Ref	Decal - Capacity 1932E:	
201	3252465	2	500LBS (ANSI Spec)	
201	3252525	2	230KGS (CSA Canadian French Spec)	
201	3252539	2	230KGS (Japanese Spec)	
201	3252452	2	230KGS (Latin American Spanish Spec)	
201		Ref	Decal - Capacity 2033E/2646E:	
201	3252460	2	750LBS (ANSI Spec)	
201	3252461	2	750LBS (ANSI Spec with 4ft Hydraulic Extension)	
201	3252462	2	750LBS (ANSI Spec with 6ft Hydraulic Extension)	
201	3252463	2	1000LBS (ANSI Spec)	
201	3252526	2	340KGS (CSA Canadian French Spec)	
201	3252152	2	340KGS (Japanese Spec)	
201	1703618	2	340KGS (Japanese Spec with 4ft Hydraulic Extension)	
201	1703619	2	340KGS (Japanese Spec with 6ft Hydraulic Extension)	
201	3252450	2	340KGS (Latin American Spanish Spec)	
201		Ref	Decal - Capacity 2046E/2658E:	
201	3252461	2	750LBS (ANSI Spec with 4ft Hydraulic Extension)	
201	3252462	2	750LBS (ANSI Spec with 6ft Hydraulic Extension)	
201	3252463	2	1000LBS (ANSI Spec)	
201	3252527	2	455KGS (CSA Canadian French Spec)	
201	3252178	2	455KGS (Japanese Spec)	
201	1703618	2	750LBS (Japanese Spec with 4ft Hydraulic Extension)	
201	1703619	2	750LBS (Japanese Spec with 6ft Hydraulic Extension)	
201	3252451	2	455KGS (Latin American Spanish Spec)	

SECTION 9 - RECOMMENDED SERVICE PARTS STOCK

SECTION 9 - RECOMMENDED SERVICE PARTS STOCK

SECTION 9 - RECOMMENDED SERVICE PARTS STOCK

FIGURE 9-1. MODELS 1532E/1932E/2033E/2046E/2646E/2658E STANDARD PARTS

ITEM	PART NUMBER	QTY	DESCRIPTION	REV
	Note	Ref	Note: The following list will service fleets of machines (built to current production per date on the front cover) with emergency repair parts which can be installed in the field. Parts from the list should be replaced when inventory is depleted to keep service parts stock supplied. For further information, contact your JLG dealer or the JLG Industries Parts Department.	
		Ref	STANDARD PARTS	
	7018525	1	Breaker, Circuit - AC, (for fleets of 1 to 10)	
	7018525	1	Breaker, Circuit - AC, (for fleets of 10 to 20)	
	7018525	1	Breaker, Circuit - AC, (for fleets of 20 or more)	
	7011509	1	Breaker, Circuit - DC, (for fleets of 1 to 10)	
	7011509	1	Breaker, Circuit - DC, (for fleets of 10 to 20)	
	7011509	1	Breaker, Circuit - DC, (for fleets of 20 or more)	
	7013711	1	Coupling, (for fleets of 1 to 10)	
	7013711	1	Coupling, (for fleets of 10 to 20)	
	7013711	1	Coupling, (for fleets of 20 or more)	
	2120072	4	Element, Filter, (for fleets of 1 to 10)	
	2120072	8	Element, Filter, (for fleets of 10 to 20)	
	2120072	12	Element, Filter, (for fleets of 20 or more)	
	1340052	1	Breather, (for fleets of 1 to 10)	
	1340052	2	Breather, (for fleets of 10 to 20)	
	1340052	3	Breather, (for fleets of 20 or more)	
	7018311	1	Coil, Valve Cartridge, (for fleets of 1 to 10)	
	7018311	1	Coil, Valve Cartridge, (for fleets of 10 to 20)	
	7018311	1	Coil, Valve Cartridge, (for fleets of 20 or more)	
	7018917	1	Coil, Valve Cartridge, (for fleets of 1 to 10)	
	7018917	1	Coil, Valve Cartridge, (for fleets of 10 to 20)	
	7018917	1	Coil, Valve Cartridge, (for fleets of 20 or more)	
	7016352	1	Coil, Valve Cartridge, (for fleets of 1 to 10)	
	7016352	1	Coil, Valve Cartridge, (for fleets of 10 to 20)	
	7016352	1	Coil, Valve Cartridge, (for fleets of 20 or more)	
	1600286	1	Controller, JLG SMART System, (for fleets of 1 to 10)	
	1600286	1	Controller, JLG SMART System, (for fleets of 10 to 20)	
	1600286	1	Controller, JLG SMART System, (for fleets of 20 or more)	
	4360070	1	Breaker, Circuit, (for fleets of 1 to 10)	
	4360070	1	Breaker, Circuit, (for fleets of 10 to 20)	
	4360070	1	Breaker, Circuit, (for fleets of 20 or more)	
	4360432	1	Switch, Key, (for fleets of 1 to 10)	
	4360432	1	Switch, Key, (for fleets of 10 to 20)	
	4360432	1	Switch, Key, (for fleets of 20 or more)	
	2860030	1	Key, Replacement, (for fleets of 1 to 10)	
	2860030	1	Key, Replacement, (for fleets of 10 to 20)	
	2860030	1	Key, Replacement, (for fleets of 20 or more)	
	4360328	1	Switch, Toggle, (for fleets of 1 to 10)	
	4360328	1	Switch, Toggle, (for fleets of 10 to 20)	
	4360328	1	Switch, Toggle, (for fleets of 20 or more)	
	4360289	1	Switch, Emergency Stop, (for fleets of 1 to 10)	
	4360289	1	Switch, Emergency Stop, (for fleets of 10 to 20)	
	4360289	1	Switch, Emergency Stop, (for fleets of 20 or more)	

SECTION 9 - RECOMMENDED SERVICE PARTS STOCK

ITEM	PART NUMBER	QTY	DESCRIPTION	REV
	3740069	1	Relay, (for fleets of 1 to 10)	
	3740069	1	Relay, (for fleets of 10 to 20)	
	3740069	1	Relay, (for fleets of 20 or more)	
	1600276	1	Controller, Directional, (for fleets of 1 to 10)	
	1600276	1	Controller, Directional, (for fleets of 10 to 20)	
	1600276	1	Controller, Directional, (for fleets of 20 or more)	
	0610123	1	PC Board, (for fleets of 1 to 10)	
	0610123	1	PC Board, (for fleets of 10 to 20)	
	0610123	1	PC Board, (for fleets of 20 or more)	
	7017444	1	Coil, Valve Cartridge, (for fleets of 1 to 10)	
	7017444	1	Coil, Valve Cartridge, (for fleets of 10 to 20)	
	7017444	1	Coil, Valve Cartridge, (for fleets of 20 or more)	

SECTION 9 - RECOMMENDED SERVICE PARTS STOCK

FIGURE 9-2. MODELS 1532E/1932E/2033E/2046E/2646E/2658E VARIABLE PARTS

ITEM	PART NUMBER	QTY	DESCRIPTION	REV
	Note	Ref	Note: The following list will service fleets of machines (built to current production per date on the front cover) with emergency repair parts which can be installed in the field. Parts from the list should be replaced when inventory is depleted to keep service parts stock supplied. For further information, contact your JLG dealer or the JLG Industries Parts Department.	
		Ref	VARIABLE PARTS	
	4360401	1	Limit Switch, (for fleets of 1 to 10)	
	4360401	1	Limit Switch, (for fleets of 10 to 20)	
	4360401	1	Limit Switch, (for fleets of 20 or more)	
	4360397	1	Limit Switch, (for fleets of 1 to 10)	
	4360397	1	Limit Switch, (for fleets of 10 to 20)	
	4360397	1	Limit Switch, (for fleets of 20 or more)	
	4360434	1	Switch, Tilt Indicator (Optional), (for fleets of 1 to 10)	
	4360434	1	Switch, Tilt Indicator (Optional), (for fleets of 10 to 20)	
	4360434	1	Switch, Tilt Indicator (Optional), (for fleets of 20 or more)	
	4360321	1	Limit Switch (1000 Lbs Machines), (for fleets of 1 to 10)	
	4360321	1	Limit Switch (1000 Lbs Machines), (for fleets of 10 to 20)	
	4360321	1	Limit Switch (1000 Lbs Machines), (for fleets of 20 or more)	
	7011552	1	Switch, 50-60HZ (Japanese Spec), (for fleets of 1 to 10)	
	7011552	1	Switch, 50-60HZ (Japanese Spec), (for fleets of 10 to 20)	
	7011552	1	Switch, 50-60HZ (Japanese Spec), (for fleets of 20 or more)	
	3740130	1	Relay (Common), (for fleets of 1 to 10)	
	3740130	1	Relay (Common), (for fleets of 10 to 20)	
	3740130	1	Relay (Common), (for fleets of 20 or more)	
	3740121	1	Relay (U/L Listed), (for fleets of 1 to 10)	
	3740121	1	Relay (U/L Listed), (for fleets of 10 to 20)	
	3740121	1	Relay (U/L Listed), (for fleets of 20 or more)	
	4360403	1	Switch Membrane With Tilt Light, (for fleets of 1 to 10)	
	4360403	1	Switch Membrane With Tilt Light, (for fleets of 10 to 20)	
	4360403	1	Switch Membrane With Tilt Light, (for fleets of 20 or more)	
	4360450	1	Switch Membrane Without Tilt Light, (for fleets of 1 to 10)	
	4360450	1	Switch Membrane Without Tilt Light, (for fleets of 10 to 20)	
	4360450	1	Switch Membrane Without Tilt Light, (for fleets of 20 or more)	

SECTION 10 - SPECIAL OPTIONS

SECTION 10 - SPECIAL OPTIONS

FIGURE 10-1. SPECIAL OPTIONS

ITEM	PART NUMBER	QTY	DESCRIPTION	REV
		Ref	Note: This list is to accomodate machines ordered with special equipment. Options may not be applicable to all models. For more specific parts information contact JLG Parts Department.	
		Ref	MISCELLANEOUS SPECIAL OPTIONS	
		Ref	Note: To determine Power or Gravity Down refer to page A.	
	0259107	Ref	AIR LINE ASSEMBLY (OPTIONAL)	
	0257491	Ref	ARMS ASSEMBLY/INSTALLATION - 11FT (UNITED)	
	0257638	Ref	ASSEMBLY STEER AND DRIVE INSTALLATION - 2646E (JAPAN OPTION) (TAIYO KENKI SPEC)	
	0258631	Ref	ASSEMBLY STEER AND DRIVE INSTALLATION - 2658E (TAIYO KENKI SPEC)	
	0256789	Ref	Camera Mount Assembly	
	2900887	Ref	COLD WEATHER KIT	
		Ref	COVERS (JAPANESE SPEC)	
		Ref	Cover, Drive Motor	
	1670838	2	Cover, Drive Motor 2033E	
	1670839	2	Cover, Drive Motor 2646E	
	1670837	1	Cover, Lower Arm	
	4060941	1	Cover, Platform Console Box	
	1282681	Ref	DECAL INSTALLATION - LANYARD ATTACH	
	1702612	2	Decal (Common)	
	1703175	2	Decal (Hertz and GM Units)	
	0252972	Ref	DECAL INSTALLATION - CSA	
	3252191	1	Decal - CSA	
	0259106	Ref	DECAL INSTALLATION - UNITED (INDOOR USE)	
	0257647	Ref	DECAL INSTALLATION - UNITED (OUTDOOR USE)	
	3252314	2	Decal - UNITED AIR LINES	
	2900949	1	Decal Kit - UNITED AIR LINES	
	0253760	Ref	DECAL INSTALLATION - U/L	
	3251503	1	Decal - U/L Battery Information	
	3251899	1	Decal - EE	
	3251960	1	Decal - U/L Fuse	
	3252474	1	Decal - U/L	
	2360445	Ref	FRAME - (UNITED)	
	0256583	Ref	OVERLOAD PROTECTION INSTALLATION - 1532E/ 1932E POWER DOWN UNITS (JAPANESE SPEC)	
	1282609	Ref	OVERLOAD PROTECTION INSTALLATION - 1532E/1932E POWER DOWN UNITS (JAPANESE SPEC)	
	0256582	Ref	OVERLOAD PROTECTION INSTALLATION - 2033E/ 2046E/ 2646E/ 2658E POWER DOWN UNITS (JAPANESE SPEC)	
	1282609	Ref	OVERLOAD PROTECTION INSTALLATION - 2033E/2046E/2646E/2658E POWER DOWN UNITS (JAPANESE SPEC)	
	0257264	Ref	OVERLOAD PROTECTION INSTALLATION - 1532E/ 1932E GRAVITY DOWN UNITS (JAPANESE SPEC)	
	1282744	Ref	OVERLOAD PROTECTION INSTALLATION - 1532E/1932E GRAVITY DOWN UNITS (JAPANESE SPEC)	
	02572632	Ref	OVERLOAD PROTECTION INSTALLATION - 2033E/ 2046E/ 2646E/ 2658E GRAVITY DOWN UNITS (JAPANESE SPEC)	

SECTION 10 - SPECIAL OPTIONS

ITEM	PART NUMBER	QTY	DESCRIPTION	REV
	128244	Ref	OVERLOAD PROTECTION INSTALLATION - 2033E/2046E/2646E/2658E GRAVITY DOWN UNITS(JAPANESE SPEC)	
	0257665	Ref	PERIMETER SWITCHES INSTALLATION	
	4360215	4	Switch	
	4360387	1	Switch	
	3251596	1	Decal - Tag Proximity	
	0259061	Ref	PLATFORM BUMPERS INSTALLATION WITH POWER DECK (2033E)	
	0259062	Ref	PLATFORM BUMPERS INSTALLATION WITH POWER DECK (2046E/ 2646E)	
	0259063	Ref	PLATFORM BUMPERS INSTALLATION WITH POWER DECK (2658E)	
	0257379	Ref	PLATFORM CONTROL BOX WITH FOOTSWITCH INSTALLATION (JAPANESE OPTION ONLY)	
	0257541	Ref	PLATFORM CONTROL BOX WITH FOOTSWITCH AND BATTERY GAUGE INSTALLATION (JAPANESE OPTIONS ONLY)	
	0258065	Ref	PLATFORM CONTROL BOX WITH FOOTSWITCH/ W/TILT AND BATTERY GAUGE INSTALLATION (PRATT WHITNEY)	
	0257593	Ref	PLATFORM EXTENSION INSTALLATION -1532E (TREAD GRIP) (UNITED)	
	0257684	Ref	PLATFORM EXTENSION INSTALLATION -1532E (FOLDDOWN RAILS) (UNITED)	
	0259209	Ref	PLATFORM HANDRAILS INSTALLATION WITH DRYWALL GATE (POWER DECK MACHINES)	
	0259213	Ref	PLATFORM GATE INSTALLATION WITH 1/2 SWING DRYWALL GATE (POWER DECK MACHINES)	
	0257594	Ref	PLATFORM INSTALLATION (UNITED)	
	9983983	Ref	PLATFORM INSTALLATION WITH SIDE ENTRY (2658E)	
	0257049	Ref	PIPE RACKS INSTALLATION	
	0253647	Ref	PRESSURE CHECKS INSTALLATION (Prior to SN 24267)	
	0256659	Ref	PRESSURE CHECKS INSTALLATION (SN 24267 to Present)	
	0256508	Ref	RECEPTACLE INSTALLATION - 110V RUSSELL STOLL	
	4460013	1	Plug, Connector	
	4460124	1	Receptacle	
	0252973	Ref	SELF-CLOSING GATE INSTALLATION	
	2901533	Ref	TEMPERATURE SWITCH SERVICE KIT	
	0257728	Ref	Tube Rack Installation	
		Ref	Tools for Service	
	2900874	1	Configurator Kit (Computer Software Kit)	
	2901443	1	Analyzer and Cable Kit (Includes 1600244 & 1060633)	
	1600244	1	Analyzer, SMART System Controller	
	1060633	1	Cable, Communication (Analyzer to Controller)	
	1060629	1	Cable, Communication (PC to Controller)	
	7002820	1	Arbor Set (Set of 2 for Installation of Garmax and Excelite Bushings)	
	8896941	1	Wire Stripper	
	7002821	1	Wire Crimper (To install wire ends to wires)	
	7002823	1	Pin/Socket Extractor - Universal (To Remove Pins/ Sockets from Connectors)	
	4460467	1	Extractor - 16-18 Gauge (For Removal of Pins/ Sockets from Deutsch Connectors)	
	4460510	1	Extractor - 12-14 Gauge (For Removal of Pins/ Sockets from Deutsch Connectors)	

SECTION 10 - SPECIAL OPTIONS

ITEM	PART NUMBER	QTY	DESCRIPTION	REV
	7002822	1	Screwdriver, Potentiometer (To Adjust Drive Controllers)	
	7016654	1	Screwdriver, Magnetic	
	7004275	1	Seal Installation Tool - 1in	
	7004276	1	Seal Installation Tool - 1 1/2in	
	7002826	1	Seal Installation Tool - 2in	
	2901443	1	Analyzer Kit	

PART NUMBER INDEX

SECTION 10 - SPECIAL OPTIONS

0080190.....163, 165, 169, 173	0254237.....125	0256417.....217	0256766.....37
0080228.....167, 177	0254367.....196	0256418.....217	0256784.....117, 122
0100001.....10	0255516.....27	0256419.....217	0256785.....36, 40
0100011 9, 11, 27, 31, 35, 36, 37, 39, 40, 41, 75, 129, 139, 144, 147, 155, 163, 165, 167, 169, 170, 173, 177, 191	0255571.....93	0256420.....59	0256786.....122
0100015.....155	0255597.....9	0256421.....75	0256787.....122
0100019.....21	0255614.....21	0256422.....60	0256789.....236
0100020.....51, 55, 59, 63, 71, 187, 191	0255618.....101	0256423.....72	0256790.....36, 40
0100038.....163, 170	0255634.....11	0256428.....221	0256812.....109
0100048.....204, 205	0255635.....11	0256429.....221	0256839.....109
0100076.....72	0255636.....21	0256437.....35	0256840.....109
0100080...81, 89, 98, 106	0255637.....21	0256438.....35	0256841.....109
0100081.....11	0255638.....27	0256440.....35	0256842.....109
0140011.....35, 39, 152	0255639.....27	0256445.....213	0256844.....37, 41
0140022.....36, 40	0255640.....35	0256446.....221	0256845.....109
0140033.....72	0255641.....35	0256447.....221	0256850.....75
0181622.....75	0255679.....12	0256448.....221	0256858.....71
0181684...116, 120, 126, 131	0255680.....12	0256455.....221	0256859.....36, 40
0181847.....151	0255682.....12	0256462.....221	0256861.....35, 39
0181874.....59, 63, 76	0255683.....12	0256463.....221	0256862.....60
0181875.....59, 63, 76	0255697.....79	0256470.....213	0256888.....60
0181880.....75	0255724.....27	0256471.....213	0256918.....71
0181922.....140	0255751.....85	0256479.....213	0256921.....75
0200531.93, 97, 101, 105	0255784.....35, 39	0256480.....213	0256922.....51
0200532.93, 97, 101, 105	0255891.....75	0256505.....110	0256959.....72
0200533.93, 97, 101, 105	0255893.....51	0256506.....110	0256960.....72
0200534.....93, 97	0255933.....9	0256507.....110	0256961.....72
0200535.....101, 105	0255938.....60	0256508.....237	0256962.....72
0200536.....101, 105	0255939.....60, 64	0256509.....93, 98	0256963.....151
0200537.....101, 105	0255940.....60, 64	0256510.....102, 106	0256964.....72
0200538.....79, 81, 85, 89	0255948.....35, 39, 152	0256514.....110	0256965.....72
0200539.....79, 81, 85, 89	0255949.....36, 40	0256515.....110	0256975.....211, 213
0200540.....79, 81, 85, 89	0255950.....36, 40, 152	0256516.....110	0256976.....217, 221
0200541.....79, 81, 85, 89	0255951.....72	0256517.....110	0257049.....237
0200542.....85, 89	0255960.....71	0256518.....110	0257115.....81
0200543.....85, 89	0255962.....36, 40	0256519.....110	0257116.....89
0200544.....85, 89	0255963.....111	0256527.....79, 81	0257117.....89
0200564.....97, 105	0255971.....71	0256528.....85, 89	0257118.....97
0251202.....121	0256041.....151	0256537.....85	0257119.....97
0251249.....121	0256052.....109	0256564.....35	0257120.....105
0251250.....121	0256053.....109	0256582.....236	0257121.....105
0251304.....119	0256056.....72	0256583.....236	0257156.....12
0251393.....119	0256057.....152	0256596.....21	0257172.....40
0251395.....120	0256058.....72	0256603.....213	0257173.....40
0251879.....115	0256063.....93, 97	0256604.....221	0257174.....40
0252586.....79, 81, 93, 97	0256064.....101, 105	0256605.....221	0257183.....25
0252587.85, 89, 101, 105	0256103.....143	0256606.....221	0257184.....25
0252677.....129	0256104.....143	0256607.....221	0257185.....25
0252679.....129	0256105.....143	0256609.....111	0257186.....25
0252681.....129	0256198.....111	0256614.....109	0257208.....55
0252737.....116	0256199.....111	0256635.....9	0257209.....55
0252972.....236	0256200.....111	0256636.....9	0257210.....64
0252973.....237	0256334.....12	0256653.....11	0257211.....64
0253383.....130	0256364.....120	0256654.....11, 12	0257212.....64
0253391.....130	0256369.....35	0256659.....237	0257213.....64
0253392.....130	0256371.....35	0256664.....116	0257261.....39
0253616.....196	0256373.....36, 41	0256667.....116	02572632.....236
0253647.....237	0256374.....36, 41	0256668.....116	0257264.....236
0253760.....236	0256380.....101	0256682.....72	0257266.....41
0254171.....111	0256381.....93	0256699.....119	0257270.....39
0254236.....125	0256386.....79, 81	0256700.....119	0257271.....39
	0256387.....85, 89	0256701.....120	0257273.....39
	0256410.....109	0256702.....115	0257275.....39
	0256411.....109	0256704.....110	0257276.....39
	0256413.....109	0256705.....110	0257278.....39
	0256414.....211	0256706.....110	0257281.....116
	0256415.....211	0256711.....109	0257283.....116
	0256416.....217	0256712.....109	0257284.....125

SECTION 10 - SPECIAL OPTIONS

0257286.....	130	0257599.....	71	0361912....	116, 121, 126,	0641510..	36, 41, 98, 102,
0257287.....	130	0257600.....	71	131		106, 115, 120, 126, 131	
0257288.....	130	0257638.....	236	0362273.....	112	0641512... 115, 120, 126,	
0257292.....	121	0257640.....	97	0362483.....	27, 31	131	
0257293.....	121	0257641.....	105	0362484.....	27, 31	0641516... 116, 121, 126,	
0257294.....	121	0257642.....	64	0362485.....	27, 31	131, 140, 144, 147	
0257298.....	121	0257643.....	64	0362510.....	21	0641520.... 79, 81, 85, 89	
0257299.....	121	0257647.....	236	0362511.....	28	0641522... 79, 81, 85, 89,	
0257300.....	121	0257653.....	143	0362566.....	51, 55, 75	93, 97, 101, 105, 109	
0257330.....	31	0257654.....	143	0362654.....	28, 31	0641524... 79, 81, 85, 89,	
0257331.....	31	0257655.....	143	0362666.....	112	93, 97, 101, 105	
0257332.....	31	0257664.....	112	0400067.....	75	0641604.....	139
0257333.....	31	0257665.....	196, 237	0400113.....	75	0641608.....	120, 139
0257342.....	226	0257680.....	115	0400138.....	43	0641610.....	37, 41
0257343.....	226	0257681.....	115	0400145.....	43	0641611.....	9, 27, 31
0257344.....	226	0257684.....	237	0400147.....	44	0641612.....	11, 27, 31
0257345.....	226	0257685.....	119	0400151.....	75	0641622.....	27, 31
0257346.....	226	0257686.....	119	0400163.....	43	0641812.....	35, 39
0257364.....	226	0257687.....	119	0400178.....	47	0641816.....	51, 55, 75
0257367.....	112	0257695.....	119	0400179.....	47	0641826.....	9, 11
0257372.....	37, 41	0257696.....	120	0561234.....	144, 147	0642224.....	27, 31
0257377.....	152	0257697.....	119	0561262.....	144, 147	0681520..	93, 97, 101, 105
0257378.....	151	0257698.....	120	0610123.....	151, 233	0682412.....	21
0257379.....	237	0257701.....	120	0630398.....	27, 31	0682620.....	21
0257397.....	112	0257722.....	11	0630485.....	41	0721004.....	111
0257398.....	111	0257723.....	9	0630494.....	144, 147	0721006.....	36, 40, 136
0257437.....	75	0257728.....	237	0630495.....	10, 11	0741407.....	139
0257460.....	125	0257979.....	115	0630501.....	143, 147	0791608.....	75
0257461.....	129	0257980.....	115	0630511.....	117, 122	0840025.....	41, 205
0257462.....	129	0257981.....	119	0630516.....	10	0840027.....	36, 41
0257463.....	129	0257982.....	119	0630526.....	75, 76	0840031.....	75, 76
0257465.....	125	0257983.....	119	0630535.....	170	0840035.....	111
0257466.....	116	0257984.....	120	0641404.....	139	0860038....	109, 110, 135
0257474.....	121	0257985.....	120	0641405....	37, 41, 51, 55,	0860520... 211, 213, 217,	
0257475.....	130	0257986.....	120	59, 63, 116, 121, 126,		221, 226	
0257476.....	121	0257987.....	115	131, 152, 211, 213,		0861013.....	151
0257477.....	121	0257990.....	120	217, 221, 226		0861070.....	35, 39
0257480.....	35, 39	0258005.....	147	0641406....	12, 51, 55, 59,	0901830... 116, 121, 126,	
0257481.....	35, 39	0258018.....	112	63, 71, 72, 75, 76, 86,		131	
0257484.....	130	0258019.....	112	94, 98, 102, 106, 110,		0901906.....	116, 126
0257485.....	130	0258058.....	112	116, 121, 126, 131,		0901930.....	111
0257491.....	236	0258065.....	237	140, 144, 147		0902137.....	59, 63
0257523.....	135	0258182.....	64	0641407... 21, 35, 39, 112,		0902151... 163, 165, 167,	
0257524.....	135	0258213.....	111	140		169, 173	
0257525.....	135	0258214.....	111	0641408....	36, 37, 40, 41,	0902198.....	59, 63
0257526.....	135	0258215.....	111	51, 55, 59, 60, 63, 64,		0902221.....	51, 55
0257529.....	135	0258216.....	111	72, 75, 76, 82, 90, 129,		0902234.....	151
0257530.....	135	0258631.....	12, 236	135, 144, 147, 163		0902298.....	151
0257531.....	135	0258782.....	71	0641409.....	170	0902340.....	36, 40
0257532.....	135	0258784.....	71	0641410.....	144, 147	0902341.....	36
0257534.....	135	0258785.....	71	0641412....	10, 51, 55, 59,	0902344.....	36, 40
0257535.....	135	0258787.....	71	63, 112		0902345.....	135
0257536.....	135	0258788.....	71	0641414.....	76, 116	0902346.....	135
0257537.....	135	0258789.....	71	0641416....	112, 126, 131	0902347.....	135
0257539.....	152	0258882.....	9	0641420....	86, 109, 115,	0902355.....	139
0257540.....	151	0259061.....	237	119, 125, 129, 144, 147		0902365.....	51, 56, 75
0257541.....	237	0259062.....	237	0641422.....	90	0902371.....	167, 177
0257555.....	226	0259063.....	237	0641424....	76, 115, 119,	0902421.....	167, 177
0257559.....	226	0259106.....	236	125, 129, 144, 147		0902438.....	152
0257567.....	9	0259107.....	236	0641505....	111, 126, 131,	0902439.....	152
0257568.....	9	0259108.....	41	136		0940057.....	111, 112
0257570.....	11	0259134.....	109	0641506....	35, 39, 51, 55,	0940060.....	111
0257571.....	11	0259209.....	237	59, 63, 140, 163, 165,		0940061.....	112
0257572.....	12	0259213.....	237	167, 169, 173, 177		0940065.....	112
0257592.....	226	0280145.....	22, 25	0641508....	27, 31, 79, 81,	0940079.....	112
0257593.....	237	0280146.....	22, 25	85, 89, 93, 94, 97, 101,		0940080.....	112
0257594.....	237	0280147.....	22, 25	105		0940081.....	112

SECTION 10 - SPECIAL OPTIONS

0940082.....	112	1271337.....	144, 147	1683502.....	105, 177	1703419.....	214, 222, 227
0960239.....	117	1282430.....	196, 204	1683557.....	25, 161	1703420.....	214, 222, 227
0960407.....	110	128244.....	237	1701504 ...	211, 213, 217, 221, 226	1703458.....	222
0961896.....	163, 169	1282480.....	194	1701508.....	21, 211, 213, 217, 221	1703461.....	223
0961897.....	169	1282507.....	196	1701509 ...	211, 213, 217, 221, 226	1703462.....	223
0961994.....	27, 31	1282609.....	236	1701510 ...	211, 214, 217, 222, 226	1703464.....	110, 135
0961995.....	27, 31	1282657.....	196	1701511.....	222	1703491.....	140
0961996.....	27, 31	1282681.....	236	1701512 ...	213, 222, 226	1703496.....	226
0961997.....	27, 31	1282726.....	194	1701515 ...	214, 222, 227	1703497.....	226
0962004.....	51, 55, 75	1282744.....	236	1701620.....	213, 221	1703498.....	226
0962010....	79, 81, 85, 89, 93, 97, 101, 105	1282773.....	196	1701621	214, 222, 227	1703499.....	226
0962012.....	163, 169, 177	1320012.....	140	1701622	213, 222, 226	1703528.....	228
0962013.....	9, 11	1320026.....	139	1701624	214, 222, 227	1703550.....	226
0962014.....	10, 11	1320033....	51, 55, 59, 63	1701625	214, 222, 227	1703552.....	226
0962015....	79, 85, 86, 93, 94, 101, 102	1320061	90, 110, 111, 136	1701626.....	213, 222, 226	1703554.....	227
0962017.....	13	1320095 ...	41, 82, 90, 98, 106	1701628.....	214, 222	1703556.....	227
0962044.....	140	1320224 ...	79, 81, 85, 89, 93, 98, 102, 106, 116, 120, 126, 131	1701629.....	213, 221	1703557.....	227
0962045.....	140	1320225.....	187, 191	1701839	211, 217, 226	1703562.....	227
0962069.....	109	1320242.....	191	1701856	214, 222, 226	1703563.....	228
0962070.....	109	1340052 ...	51, 55, 59, 63, 232	1701858	214, 222, 227	1703583.....	226
0962073.....	109	1440322.....	135	1701861.....	213	1703605.....	228
0962085.....	10	1440325.....	37, 41	1702153	211, 217, 227	1703618.....	229
0962154.....	109	1600233.....	71	1702246.....	211, 217	1703619.....	229
1001101076.....	115, 119, 125, 129, 144, 147	1600235.....	155	1702248.....	211, 217	1703766.....	228
1060048.....	76	1600244.....	204, 237	1702249.....	227	1703767.....	228
1060279....	211, 213, 217, 221, 226	1600257.....	155	1702250.....	211, 217	1703768.....	228
1060308.....	110, 135	1600258.....	71	1702279	211, 217, 227	1703769.....	228
1060330.....	206	1600266.....	157	1702300 ...	211, 213, 217, 221, 226	1703770.....	228
1060341..	37, 40, 41, 111, 117, 205, 206, 207	1600276	151, 157, 233	1702459.....	226	1703771.....	228
1060377.....	169, 173	1600286.....	71, 232	1702552	214, 222, 227	1704016.....	226
1060379.....	72, 148	1670837.....	97, 105, 236	1702553	214, 222, 227	1760165.....	22, 25
1060561.....	75, 205	1670838.....	10, 236	1702554.....	213, 221	1780290.....	75
1060605.....	76, 207	1670839.....	12, 236	1702555.....	221	1780291.....	51, 55
1060606.....	71, 207	1670847.....	112	1702556.....	213, 222	2080041.....	135
1060608.....	204	1670848.....	112	1702559.....	213, 222	2080043.....	144, 147
1060622.....	205	1670849.....	112	1702612	115, 119, 236	2080048.....	40
1060627.....	36, 40	1670856.....	112	1702631 ...	211, 213, 217, 221	2120072....	51, 55, 59, 63, 232
1060629.....	204, 237	1670857.....	112	1702773 ...	211, 213, 217, 221, 226	2120105....	51, 55, 59, 63
1060633.....	204, 237	1683054.....	163	1702939 ...	211, 213, 217, 221, 226	2160002.....	9, 11
1060635.....	75, 76	1683056.....	169	1702954	211, 217, 226	2160006.....	9, 11
1060636.....	205	1683061.....	169	1703073.....	226	2160008.....	9, 11
1060643....	169, 173, 177	1683351.....	9, 11, 183	1703074	214, 222, 227	2200233....	51, 55, 59, 63
1060644....	163, 165, 167	1683352.....	93, 169	1703075.....	213, 222	2220218.....	187, 191
1060650.....	177	1683353.....	169	1703076.....	213, 221	2220346.....	187, 191
1060680.....	40, 206	1683355.....	169	1703077	214, 222, 227	2220347.....	187, 191
1060688.....	48	1683362.....	22, 161	1703078	211, 217, 227	2220371.....	187, 191
1060689.....	48	1683363.....	101, 169	1703175.....	236	2220372.....	187, 191
1120064.....	9, 11	1683367.....	169	1703191	211, 217, 227	2220373.....	187, 191
1120417.....	9, 11	1683369.....	169	1703193	214, 222, 227	2220385.....	187, 191
1120472.93,	97, 101, 106	1683375.....	139, 181	1703197	214, 222, 227	2220415.....	187, 191
1120473.93,	97, 101, 106	1683376.....	139, 181	1703198	214, 222, 227	2220466.....	187, 191
1120474.93,	97, 101, 106	1683377.....	79, 85, 163	1703240.....	211, 217	2220470.....	187, 191
1120475.93,	97, 101, 106	1683379.....	163	1703392.....	226	2220473.....	187, 191
1120479....	79, 81, 85, 89	1683380.....	163	1703393.....	226	2220490.....	191
1120480....	79, 81, 85, 89	1683428.....	9, 183	1703398	211, 217, 227	2220501.....	187, 191
1120481.....	27, 31	1683429.....	11, 183	1703405.....	214, 222	2220515.....	187, 191
1120491.....	55, 63	1683473.....	93, 173	1703408.....	214, 222	2220585.....	187, 191
1260017....	125, 126, 129, 131	1683474.....	101, 173	1703411.....	214, 222	2220602.....	187
1260136....	115, 119, 125, 129, 144, 147	1683475.....	79, 85, 165	1703415	214, 222, 227	2220606.....	187, 191
1271305.....	143, 147	1683499.....	22			2220618.....	187, 191
		1683500.....	81, 89, 167			2220619.....	191
		1683501.....	97, 177			2220628.....	187, 191
						2220664.....	187, 191
						2220773.....	187
						2220775.....	191
						2220828.....	187

SECTION 10 - SPECIAL OPTIONS

2220883	163, 170	2792221	187, 194	2901527	143	3252470	217, 223, 229
2220885	163, 170	2792222	187, 194	2901528	143	3252471	217, 223, 229
2221000	187, 191	2792268	191, 194	2901529	143	3252472	217, 223, 229
2221014	187, 191	2792269	191, 194	2901533	237	3252474	236
2360395	13	2792270	191, 194	2901571	126, 132	3252478	72
2360396	13	2792271	191, 194	2901573	116, 121	3252479	72
2360397	13	2792316	191, 194	2901844	35, 39, 47	3252481	151
2360399	13	2792317	191, 194	2901845	35, 39, 47	3252493	214, 229
2360418	13	2792318	191, 194	2901846	35, 39, 47	3252499	214, 222
2360428	13	2792319	191, 194	2920093	111	3252507	110, 135
2360429	13	2820024 ...	115, 144, 211, 213, 217, 221	2920119	36	3252524	214, 229
2360430	13	2820025	111	2920146	36, 40	3252525	214, 229
2360432	13	2820084	75, 76	2940045	59, 63, 75	3252526	223, 229
2360434	13	2820087	76	2940056	125	3252527	223, 229
2360442	13	2820088	75	2940061	116, 121, 126, 131	3252539	229
2360443	13	2820094	76	2940097	21	3252542	151
2360445	236	2820095	76	2940098	51, 55, 75	3271405	76
2360446	13	2820097 ...	115, 119, 125, 129, 144, 147	2940099	51, 59, 63, 75	3272605	21
2360447	13	2820097 ...	115, 119, 125, 129, 144, 147	2940100	76	3300047	117
2400056	40	2860030	71, 232	2940101	76	3300151	144, 147
2420165	72	2900792	163, 169	2980113	116, 121, 125, 130	3300255	9, 11, 21, 25
2420176	152	2900874	204, 237	3010088	115, 119, 125, 129, 144, 147	3300373 ...	119, 129, 143, 147
2420179	72	2900887	236	3010112	21	3300374	115, 119, 125
2460022	36, 40	2900926	228	3020017	21	3300375 ...	115, 119, 125, 129
2460031	40	2900945	228	3160207	10, 15	3300429	75, 76
2540002	110, 135	2900947	228	3160208	10, 12, 15	3310601	151, 191
2560088 ...	116, 121, 125, 130	2900949	236	3160214	10, 15	3311001 ...	35, 36, 39, 40, 76
2560137	51, 55, 75	2900957	228	3160219	10, 19	3311005 ...	27, 31, 37, 41, 72, 139
2560140	51, 75	2900958	228	3160220	10, 12, 19	3311401 72,	75, 110, 112, 115, 117, 125, 126, 129, 131, 152, 211, 213, 217, 221, 226
2560141	151	2900959	228	3160221	12, 19	3311402 ...	163, 165, 169, 173
2700056	129	2900962	228	3251503	236	3311405 ...	10, 21, 35, 36, 37, 39, 40, 41, 51, 55, 59, 60, 63, 64, 71, 72, 75, 82, 86, 90, 94, 98, 102, 106, 110, 112, 115, 116, 119, 120, 121, 126, 129, 131, 135, 139, 144, 147, 226
2750779	192	2900963	228	3251596	237	3311501 27,	31, 126, 131, 148
2750999	188, 192	2900973	228	3251813	211, 213, 217, 221, 227	3311505 ...	27, 31, 35, 36, 39, 40, 41, 55, 59, 63, 79, 81, 85, 89, 93, 94, 97, 98, 101, 102, 105, 106, 109, 111, 115, 120, 126, 131, 136, 139, 144, 147
2752175	188, 192	2901207 ...	51, 55, 59, 63	3251852	116, 121, 126, 131, 211, 217, 228	3311605 ...	27, 31, 37, 41, 51, 120, 139
2752463	188, 192	2901273	170	3251899	236	3311608	75
2752467	192	2901278	163	3251960	236	3311801	9, 11, 75
2752478	188, 192	2901340	93	3252080	228	3311805	35, 39, 51, 55
2752479	192	2901352	101	3252115	213	3312202 ...	116, 121, 126, 131
2752496	188, 192	2901353	170	3252136	116, 121, 211, 217, 228	3312205	27, 31
2752593	187, 192	2901366	79	3252149	213, 222	3321402 ...	163, 165, 167, 169, 173, 177
2752606	187, 192	2901367	85	3252151	213, 221	3322201	139
2752607	187, 192	2901382	187	3252152	223, 229		
2752608	187, 192	2901383	187	3252158	214, 222, 228		
2752609	188, 192	2901384	187	3252178	223, 229		
2752638	188, 192	2901385	188, 192	3252191	236		
2752639	188	2901403	143	3252296	228		
2752644	192	2901404	143	3252300	214, 229		
2752645	192	2901405	143	3252314	236		
2752646	188	2901409	187	3252450	223, 229		
2752647	188	2901410	188, 192	3252451	223, 229		
2752648	192	2901424	192	3252452	214, 229		
2752931	188, 192	2901425	192	3252454	214, 222, 228		
2752956	187, 192	2901443 ...	204, 237, 238	3252460	217, 229		
2752957	187, 192	2901489	191	3252461	229		
2752958	187, 192	2901490	191	3252462	229		
2752959	187, 192	2901491	191	3252463	217, 218, 229		
2752960	187, 192	2901492	191	3252465	211, 229		
2752961	187, 192	2901501	81	3252466	211, 229		
2752963	188, 192	2901502	89	3252467	211, 214, 229		
2752964	188, 192	2901503	97	3252468	211, 214, 229		
2752968	187, 192	2901504	105	3252469	217, 223, 229		
2752969	187, 192	2901506	192				
2780215	21, 22, 25	2901507	192				
2780216	9, 11	2901524	97				
2792219	187, 194	2901525	105				
2792220	187, 194						

SECTION 10 - SPECIAL OPTIONS

3322202.... 116, 121, 126, 131	3510317 122	3570001 135	3641242..... 147
3340564.... 130, 213, 221, 226	3510391 130	3570002 135	3641243..... 147
3340612.... 112, 115, 119, 125, 130, 145, 148, 211, 217	3510392 130	3570003 139	3641244..... 147
3340629.... 79, 81, 85, 89, 93, 97, 101, 105, 109	3510489 121	3570004 139	3641245..... 147
3340645.... 79, 81, 85, 89, 93, 97, 101, 105	3510492 116	3570005 139	3641246..... 147
3340783..... 140	3510494 130	3570009 135	3641248..... 148
3340784.... 79, 85, 93, 101	3510495 125	3570010 135	3641249..... 148
3340801..... 144, 147	3510530 109	3570011 135	3641268..... 120
3340812..... 139	3510531 109	3570029 37, 41	3641315..... 130
3340813..... 139	3510532 109	3570030 37, 41	3740069..... 72, 207, 233
3340814..... 139	3510536 109	3570198 31	3740117..... 71
3340815..... 140	3510547 109	3570381 115, 119	3740121..... 71, 234
3340825..... 139	3510549 109	3571010 126, 131	3740130..... 71, 234
3340826..... 135	3510551 109	3600219 51, 59	3760170..... 72, 148, 163, 169, 173
3340841... 81, 89, 97, 105	3510553 109	3600266 55, 63	3760348.... 116, 121, 126, 131
3380437 144, 147	3510555 135, 139	3600269 63	3760365..... 41
3380438..... 144	3510556 135, 139	3640713 120	3760368..... 163
3380439..... 144, 148	3510557 135, 139	3640727 119	3760369..... 170
3380440..... 144	3510558 139	3640728 119	3760370..... 170
3421895..... 109	3510559 139	3640738 129	3760387.... 79, 81, 85, 89, 93, 97, 101, 105
3421913.... 125, 126, 129, 131	3510560 139	3640740 129	3780166..... 9, 11
3422219..... 148	3510561 139	3640742 125, 129	3820001.... 116, 121, 126, 131
3422483.93, 97, 101, 105	3510562 139	3640743 129, 148	3820014..... 228
3422484.93, 97, 101, 105	3510563 139	3640744 130	3820019.... 115, 119, 126, 131
3422485.93, 97, 101, 105	3510567 116	3640745 130	3820023..... 36, 41
3422487 140	3510569 125	3640748 130	3841074..... 116, 120
3422488.... 79, 81, 85, 89, 93, 97, 101, 105	3510570 130	3640749 130	3841127.... 163, 169, 173
3422494.... 79, 81, 85, 89	3510571 121	3640750 115	3841201..... 125, 131
3422495.... 79, 81, 85, 89	3510572 122	3640751 115	3841233.... 116, 121, 126, 131
3422496.... 79, 81, 85, 89	3510573 122	3640753 125, 129	3841266..... 28
3422515..... 140	3510574 130	3640761 129	3841273..... 10
3422517 140	3510575 130	3640885 125	3841274..... 22
3422587.93, 97, 101, 105	3510576 130	3640886 125	3841277..... 12
3422589..... 101, 105	3510586 125	3640887 125	3841278..... 12
3422596..... 85, 89	3510587 116	3640888 125	3841280..... 22
3422597..... 101, 105	3510588 121	3641082 143	3841296..... 9
3422723.... 116, 121, 126, 131	3510589 130	3641083 143	3841308..... 28
3430416.... 125, 126, 129, 131, 148	3510590 122	3641084 143	3841320..... 12
3430620..... 21, 25	3510591 122	3641085 143	3841321..... 10
3430811..... 10	3510592 130	3641088 143	3841322..... 9
3430812..... 10, 11	3520072 ... 115, 117, 119, 122, 125, 129, 144, 147	3641089 143	3841324..... 12
3430824..... 9, 11	3520077 ... 51, 55, 59, 63	3641090 143	3841332..... 25
3431220..... 139	3534742 120, 130	3641091 143	3841333..... 25
3440418..... 27, 31	3534743 120	3641130 119	3841334..... 25
3440420..... 144, 147	3534995 117	3641131 119	3841337..... 32
3440828..... 27, 31	3535337 129	3641143 115	3841379..... 10
3450203.... 125, 126, 129, 131, 148	3535492 130	3641144 115	3841387..... 9
3450403..... 9, 11, 21, 25	3535492 130	3641145 117, 122	3860052.... 116, 120, 125, 131
3450405.... 163, 165, 167, 169, 173, 177	3535681 110	3641146 117, 122	3860059.... 116, 120, 126, 131
3450406..... 9, 11, 140	3537619 ... 115, 120, 126, 131	3641147 122	3860065..... 27, 32
3450504..... 21	3538808 27	3641148 122	3860075..... 144, 147
3480211..... 169	3538809 27	3641149 143	3860079..... 32
3480212..... 163	3538844 76	3641152 143	3900168..... 117
3480218..... 169	3539239 60	3641184 125	3900177..... 151
3510316..... 121	3539264 93, 98	3641185 125	3900178..... 151
	3539265 102, 106	3641203 143	3900184.... 115, 119, 125, 129, 144, 147
	3539445 60	3641204 143	3900226..... 151
	3539446 60, 64	3641207 143	
	3539447 60, 64	3641208 143	
	3539735 36, 41	3641209 115	
	3539736 37, 41	3641210 119	
	3539766 59, 63	3641213 119	
	3539796 86, 90	3641214 115	
	3539875 60, 64	3641235 125, 130	
	3539952 37	3641239 147	
	3570000 135	3641240 147	
		3641241 147	

SECTION 10 - SPECIAL OPTIONS

3900227	151	4240128 ...	79, 81, 85, 89, 90, 93, 97, 98, 101, 105, 106	4460466.....	151, 204	4712200 ...	116, 120, 126, 131, 139
3900256	111, 136	4300133	72	4460467.....	204, 237	4712400	27, 31
3911008	72	4340702	140	4460468.....	204	4740066 ...	116, 120, 126, 131, 151
3911020	37, 41	4360070	71, 232	4460470.....	151, 205	4740120	151
3911024 ...	31, 35, 37, 39	4360164	111, 206	4460471.....	151, 205	4740307	81, 89
3911028	27	4360215	237	4460473.....	204	4740411	144, 147
3911408	139	4360236	116	4460510.....	204, 237	4740419	9, 11
3911432	147	4360277	116	4460618.....	71, 76, 207	4740438 ...	79, 81, 85, 89, 93, 97, 101, 105
3921008	144, 147	4360278	117	4460662.....	27, 31, 37, 40	4740453	9, 10, 11
3930828	68	4360289	72, 151, 232	4520174.....	12	4740455	36, 41
3931024	139	4360321	37, 41, 234	4520175.....	12	4740474	75, 76
3931032	67	4360328	71, 232	4520176.....	12	4740479	72
3931416	117	4360387	36, 40, 152, 237	4520177.....	12	4751000 ...	27, 31, 35, 36, 37, 39, 40, 41, 72, 76, 111, 139, 144, 147
3931516	163	4360395	72	4520183.....	12	4751400 ...	21, 35, 36, 37, 39, 40, 41, 59, 60, 63, 64, 71, 72, 75, 79, 81, 109, 112, 115, 116, 119, 125, 129, 139, 144, 147, 211, 213, 217, 221, 226
3931620	169	4360397	28, 35, 39, 234	4520191.....	13	4751500 ...	36, 37, 40, 79, 81, 85, 89, 93, 97, 101, 105, 109, 111, 116, 121, 126, 131, 136, 139
3931720	170	4360401	28, 31, 37, 139, 234	4565008.....	169	4751600 .	21, 37, 41, 120, 139
3941004	148	4360403	152, 234	4565191.....	125, 129, 130	4751700	36, 40
3941406 ...	35, 39, 41, 64, 79, 81, 85, 89, 93, 97, 98, 102, 105, 106	4360432	71, 232	4565201.....	115, 120	4751800 ...	35, 39, 51, 55, 75
3941506	37	4360434	35, 39, 234	4565202.....	120	4752200 ...	116, 121, 126, 131
3951005	27	4360450	152, 234	4565203.....	120	4761000 .	36, 40, 76, 111, 136
3951603	37, 41	4360461	191	4565261.....	130, 148	4761400 ...	51, 55, 59, 63, 72, 75, 110, 112, 115, 117, 125, 126, 129, 131, 211, 213, 217, 221, 226
3960389	51, 55, 75	4400378	59	4565285.....	125, 130	4761500	126, 131
4060092 ...	109, 111, 136	4400388	51, 55	4565665.....	86	4761600	27, 31, 139
4060700 ...	109, 111, 136	4400394	59, 63	4566787.....	169	4761800	9, 11
4060807 ..	82, 90, 98, 106	4420037	56, 63	4566819.....	163	4770600	151
4060865	36, 40	4420038 ...	52, 56, 59, 63	4566833.....	10, 11	4791400 ...	116, 121, 126, 131, 151
4060914	151	4420055	144, 147	4566849.....	51, 55, 59, 63	4843706 ...	115, 120, 126, 131
4060915	143, 147	4460013	237	4566897.....	188, 192	4844414	112
4060927	35, 39	4460022	76	4566898.....	188, 192	4844585	112
4060928	35	4460044	40	4566968.....	188, 192	4844586	111
4060929	139	4460051	110, 135	4567026.....	188, 192	4844987	27, 32
4060930	139	4460052	117, 140	4567109.....	37	4845037	21, 25
4060931	139	4460071	82, 90, 98, 106	4567135.....	143	4845040 ...	79, 85, 93, 101
4060937	60, 64	4460124	237	4567136.....	143	4845077	28, 32
4060941	236	4460138	110, 135	4567137.....	143	4845104	27
4130329	10	4460190	111, 135	4567167.....	86, 90	4845129	75
4130332	11	4460225	205	4567265.....	25	4845130	75
4130336	10	4460227	206	4567451.....	148	4845268	28
4130348	10	4460259	72, 207	4567453.....	147	4845269	28
4130349	11	4460260	72, 207	4567512.....	148	4845270	28
4160078 ...	116, 121, 126, 131	4460265 ...	155, 157, 205, 206	4640509.....	163, 169	4845271	51
4160133	27, 31	4460267 ...	157, 191, 205, 206	4640717 ...	163, 165, 169, 173	4845311	60
4160134	28, 32	4460315 ...	110, 111, 136	4640951.....	51, 59, 67	4845312	35
4160137	21, 25	4460320	37, 41, 191, 205, 206, 207	4641001.....	167, 177		
4160141	27, 31	4460326	206	4641002.....	177		
4160146	28, 32	4460328 ...	79, 81, 86, 90, 94, 98, 102, 106	4641004.....	55, 63, 67		
4220044 ...	163, 165, 167, 169, 173, 177	4460343	205	4641012.....	167		
4220166	76	4460346 ...	109, 111, 136	4641014.....	167		
4240018 ...	79, 81, 86, 90, 93, 98, 102, 106, 112	4460347 ...	109, 111, 136	4641015.....	177		
4240033 ...	79, 81, 86, 90, 94, 98, 102, 106, 110, 111, 136	4460428	37, 41	4641021.....	55, 63, 67		
4240084	37, 41, 75	4460434	204	4641035.....	68, 191		
4240114 ...	79, 85, 86, 93, 94, 101, 102	4460445	206	4711000.....	136		
4240116	94, 98, 102, 106	4460449	68, 204	4711400.....	10, 12, 51, 55, 59, 63, 72, 75, 76, 86, 90, 97, 105, 116, 120, 125, 126, 129, 131, 135, 163, 165, 167, 169, 173, 177		
4240125 ...	79, 81, 85, 86, 89, 90, 93, 94, 97, 98, 101, 102, 105, 106	4460462	204	4711500 ...	35, 39, 51, 55, 56, 59, 63, 79, 81, 85, 89, 93, 94, 97, 98, 101, 102, 105, 106, 109, 143, 147		
4240127 ...	79, 82, 86, 90, 94, 98, 102, 106	4460463	151, 205	4711600.....	9, 11, 25, 51		
		4460464	206	4711800.....	10, 27, 31		
		4460465	204				

SECTION 10 - SPECIAL OPTIONS

4845314.....	36, 41	7001608.....	181	7010647.....	22, 25	7016408.....	15
4845315.....	37, 41	7001609.....	161, 181	7010648.....	22, 25	7016409.....	15
4845319.....	28, 32	7001610.....	181	7010649.....	22, 25	7016410.....	15
4845326.....	75	7001613.....	181	7010650.....	25	7016411.....	15
4845357.....	28	7001632.....	183	7010651.....	22, 25	7016412.....	16
4845358.....	28, 32	7002820.....	237	7011502.....	43	7016413.....	15
4845359.....	28, 32	7002821.....	204, 237	7011509 ..	43, 44, 47, 232	7016414.....	15
4845360.....	27, 31	7002822.....	238	7011511.....	43	7016415.....	15
4845365.....	51, 55	7002823.....	204, 237	7011512.....	43	7016416.....	15
4845366.....	60, 64	7002826.....	238	7011513.....	43	7016418.....	15
4845383.....	28, 31	7002828.....	204	7011517.....	43, 44	7016419.....	15
4845385.....	31	7003212.....	173, 177	7011518.....	43	7016420.....	15
4845405.....	135	7003226.....	173, 177	7011523.....	44	7016421.....	16
4845406.....	135	7003771.....	157	7011528.....	43, 44	7016630.....	111
4845416.....	139	7003789.....	157	7011551.....	43, 44	7016654.....	238
4845431...79, 85, 93, 101		7003790.....	157	7011552.....	44, 234	7016700.....	51, 59
4845475...81, 89, 97, 105		7003791.....	157	7011560.....	43, 44	7016703.....	51, 59
4845480.....	39	7003903.....	22	7011576.....	43, 44	7016706.....	51, 59
4845483.....	140	7003933.....	155	7011590.....	47	7016707.....	183
4845484.....	140	7003946.....	155	7011596.....	43, 44	7016708.....	183
4845485.....	140	7003961.....	155	7011621.....	47	7016709.....	183
4845490.....	31	7003966.....	155	7011624.....	44	7016742.....	51, 55, 59, 63
4845495.....	112	7003969.....	155	7011626.....	44	7016743.....	55, 63
4845496.....	112	7003972.....	155	7011666.....	44	7016746.....	55
4845497.....	112	7003973.....	155	7011678.....	43	7016747.....	55, 63
4845498.....	112	7003978.....	155	7011680.....	43	7016781.....	51, 55, 59, 63
4845529.....	32	7003979.....	155	7011687.....	43, 44	7017200.....	161
4845814.....	126, 131	7003980.....	155	7011688.....	43	7017201.....	161
4920140.....	117	7003981.....	155	7011925.....	157	7017202.....	161
4921753.....	196, 204	7003983.....	155	7011934.....	157	7017203.....	181
4921754.....	196, 204	7003984.....	155	7011935.....	157	7017204.....	181
4921755.....	196, 204	7003988.....	155	7011970.....	157	7017205.....	181
4921756.....	196, 204	7003989.....	155	7011971.....	157	7017207.....	183
4921782.....	152, 205	7003990.....	155	7011972.....	157	7017208.....	183
4921783.....	152, 205	7003991.....	155	7011976.....	157	7017209.....	183
4921784.....	204	7003992.....	155	7011978.....	157	7017220.....	161
4921785.....	205	7003993.....	155	7011979.....	157	7017221.....	161
4921786.....	205	7003994.....	155	7011980.....	157	7017222.....	161
4921819.....	35, 39, 206	7003995.....	155	7012611.....	151	7017223.....	161
4921821.....	36, 206	7003997.....	155	7012612.....	72, 151	7017367.....	165, 167
4921822.....	36, 40, 206	7003998.....	155	7012613.....	9, 11	7017372.....	165, 173
4921831.....	205	7003999.....	155, 205	7012773.....	67	7017373.....	174
4921832.....	205	7004275.....	238	7012792.....	68	7017374.....	174
4921833.....	205	7004276.....	238	7012793.....	67	7017375.....	174
4921889.....	204	7005312.....	165, 173	7012794.....	67	7017376.....	174
4921890.....	205	7005315.....	165, 173	7012953.....	167, 177	7017377.....	173
4921891.....	205	7005356.....	173	7012967.....	167, 177	7017378.....	165, 167, 173
4921892.....	205	7005358.....	167	7013711 ...	51, 55, 59, 63, 232	7017379.....	165
4921893.....	205	7005365.....	165	7016315.....	72	7017380.....	165
4921894.....	205	7005896.....	15	7016319.....	36, 40	7017381.....	165
4921895.....	152, 205	7005897.....	15	7016320.....	36, 40	7017382.....	165, 167
4921896.....	152, 205	7005898.....	15	7016337.....	67	7017383.....	165
4921958.....	204	7005899.....	15	7016348.....	67	7017384.....	174
4921986.....	72, 207	7007892.....	19	7016349.....	67	7017385.....	174
4921988.....	40, 206	7007893.....	19	7016351.....	67, 68	7017386.....	174
4921990.....	72, 207	7007894.....	19	7016352.....	67, 68, 232	7017387.....	177
4922011.....	205	7007895.....	19	7016372.....	36, 40	7017388.....	173
4922013.....	204	7007896.....	19	7016397.....	72	7017389.....	167
4922014.....	205	7007897.....	19	7016400.....	15	7017398.....	167
4922025.....	204	7007898.....	19	7016401.....	15	7017444.....	167, 177, 233
4922233.....	47	7007899.....	19	7016402.....	15	7017445.....	177
4932831.....	196, 204	7009919.....	19	7016403.....	15	7018300.....	67, 68
4932832.....	196, 204	7009920.....	19	7016404.....	15	7018301.....	67, 68
4932965.....	196	7009934.....	19	7016405.....	15	7018302.....	67
4932972.....	196, 204	7010641.....	22, 25	7016406.....	15	7018303.....	67
4932973.....	196, 204	7010642.....	22, 25	7016407.....	15	7018304.....	67
7001097.....	161	7010646.....	22, 25				

SECTION 10 - SPECIAL OPTIONS

7018305	67	7018555	47	7019604	71	7020305	19
7018307	67	7018564	47	7019673	187, 191	7020306	19
7018308	67	7018578	47	7019695	22, 25	7020307	19
7018309	67	7018582	47	7019696	22, 25	7020308	19
7018310	67	7018583	47	7019697	22, 25	7020309	19
7018311	67, 232	7018585	47	7019800	167	7020310	19
7018312	67	7018586	47	7019801	167	7020312	19
7018313	67	7018589	47	7019803	167	7020500	157
7018314	67	7018598	47	7019804	178	7020516	157
7018315	67	7018912	67	7019805	178	7020519	157
7018506	47	7018917	67, 232	7019806	178	7020536	157
7018509	43, 44	7018918	68	7019807	177	7020603	47
7018512	44	7018919	67, 68	7019808	178	7020605	47
7018513	43, 44	7018920	68	7019809	178	7020637	47
7018514	43, 44, 47	7018967	68	7019810	178	7020638	47
7018515	43, 44	7018968	68	7019811	177	7020639	47
7018516	43, 44	7018969	68	7019812	177	7020671	47
7018523	44	7019100	155	7020072	187, 191	7020672	47
7018524	43	7019101	155, 205	7020075	151	7020673	47
7018525	43, 44, 47, 232	7019102	155	7020076	151	7020674	47
7018526	44	7019302	167	7020300	19	7020675	47
7018537	47	7019600 ...	163, 165, 167, 169, 173, 177	7020301	19	7023336	36, 40
7018540	43	7019602 ...	163, 165, 167, 169, 173, 177	7020302	19	8896941	237
7018542	43			7020303	19	9983983	237
7018543	43			7020304	19		



**Corporate Office
JLG Industries, Inc.
1 JLG Drive
McConnellsburg, PA 17233-9533 USA
☎ (717) 485-5161 (Corporate)
☎ (877) 554-5438 (Customer Support)
📠 (717) 485-6417**

**Visit our website for JLG Worldwide Locations.
www.jlg.com**



OSHKOSH™