



# Illustrated Parts Manual

**Models**  
**1532E/1932E**  
**2033E/2046E**  
**2646E/2658E**

P/N  
3120847

*January 27, 2012*



An Oshkosh Corporation Company



# REVISION LOG

**Power Down Machines** include machines built through SNs 34920 except those SNs listed below.

**Gravity Down Machines** include machines with SNs 33685, 33686, 33687, 33691, 33692, 33693, 33697, 33698, 33699, 33701 to 33707, 34044, 34049, 34141, 34142, 34143, 34172, 34173, 34174 and 34921 to present.

April 1997 Original Issue (Separated 3120838 Complete Manual into 3 Individual Manuals. Added Gravity Down Machine components.)

June 1997 Change 1

Affected Pages:

Cover and Pages A and i

Section 1 Pages: 1-14, 1-15, 1-20, 1-21, 1-22 Blank, 1-23, 1-30

Section 2 Pages: 2-17/2-18 Blank

Section 4 Pages: 4-1, 4-28 to 4-35/4-36 Blank

Section 5 Pages: 5-3

Section 6 Pages: 6-6, 6-7

Section 7 Pages: 7-6, 7-7, 7-8, 7-10, 7-11, 7-12

Section 9 Pages: 9-1/9-2 Blank

Section 10 Pages: 10-1/10-2 Blank

May 1998 Revised

July 1, 1999 Revised

May 30, 2002 Revised

June 14, 2004 Revised

January 31, 2009 Revised

January 27, 2012 Revised



# TABLE OF CONTENTS

SECTION 1 - FRAME.....	7
FIGURE 1-1. DRIVE AND STEERING INSTALLATION.....	8
FIGURE 1-2. DRIVE MOTOR ASSEMBLIES - WHITE .....	14
FIGURE 1-3. DRIVE MOTOR ASSEMBLIES - EATON.....	18
FIGURE 1-4. AXLE/BRAKE INSTALLATIONS (POWER DOWN MACHINES).....	20
FIGURE 1-5. AXLE/BRAKE INSTALLATIONS (GRAVITY DOWN MACHINES).....	24
FIGURE 1-6. JLG POTHOLE PROTECTION SYSTEM INSTALLATION (POWER DOWN MACHINES).....	26
FIGURE 1-7. JLG POTHOLE PROTECTION SYSTEM INSTALLATION (GRAVITY DOWN MACHINES).....	30
FIGURE 1-8. FRAME MOUNTED COMPONENTS INSTALLATION (POWER DOWN MACHINES) .....	34
FIGURE 1-9. FRAME MOUNTED COMPONENTS INSTALLATION (GRAVITY DOWN MACHINES) .....	38
FIGURE 1-10. BATTERY CHARGER ASSEMBLIES - SINGLE VOLTAGE.....	42
FIGURE 1-11. BATTERY CHARGER ASSEMBLIES - DUAL VOLTAGE .....	44
FIGURE 1-12. BATTERY CHARGER ASSEMBLIES - REPLACEMENT KIT .....	46
SECTION 2 - GROUND COMPONENTS.....	49
FIGURE 2-1. HYDRAULIC COMPONENTS AND COVER INSTALLATION - 1532E/1932E (POWER DOWN MACHINES) .....	50
FIGURE 2-2. HYDRAULIC COMPONENTS AND COVERS INSTALLATION - 1532E/1932E (GRAVITY DOWN MACHINES)....	52
FIGURE 2-3. HYDRAULIC COMPONENTS AND COVERS INSTALLATION - 2033E/2046E/2646E/2658E (POWER DOWN MACHINES) .....	56
FIGURE 2-4. HYDRAULIC COMPONENTS AND COVERS INSTALLATION - 2033E/2046E/2646E/2658E (GRAVITY DOWN MACHINES) .....	60
FIGURE 2-5. VALVE ASSEMBLY .....	64
FIGURE 2-6. ELECTRICAL COMPONENTS INSTALLATIONS (AT GROUND CONTROLS).....	68
FIGURE 2-7. BATTERY INSTALLATIONS.....	72
SECTION 3 - SCISSOR ARMS.....	75
FIGURE 3-1. SCISSOR ARMS INSTALLATION - 1532E (POWER DOWN MACHINES).....	76
FIGURE 3-2. SCISSOR ARMS INSTALLATION - 1532E (GRAVITY DOWN MACHINES) .....	78
FIGURE 3-3. SCISSOR ARMS INSTALLATION - 1932E (POWER DOWN MACHINES).....	82
FIGURE 3-4. SCISSOR ARMS INSTALLATION - 1932E (GRAVITY DOWN MACHINES) .....	86
FIGURE 3-5. SCISSOR ARMS INSTALLATION - 2033E/2046E (POWER DOWN MACHINES) .....	90
FIGURE 3-6. SCISSOR ARMS INSTALLATION - 2033E/2046E (GRAVITY DOWN MACHINES) .....	94
FIGURE 3-7. SCISSOR ARMS INSTALLATION - 2646E/2658E (POWER DOWN MACHINES) .....	98
FIGURE 3-8. SCISSOR ARMS INSTALLATION - 2646E/2658E (GRAVITY DOWN MACHINES) .....	102
FIGURE 3-9. ARM GUARDS INSTALLATION - 1532E/1932E (Prior to SN 30542).....	106
FIGURE 3-10. ARM GUARDS INSTALLATION - 2033E/2046E/2646E BUILT AND ALL 2658E BUILT (Prior to SN 30542, Prior to SN 51216) .....	108
FIGURE 3-11. ARM GUARDS INSTALLATION - ALL 2658E BUILT (SN 51216 to Present).....	110
FIGURE 3-12. PLATFORM DESCENT DELAY SYSTEM INSTALLATION - 1532E/ 1932E/2033E/2046E/2646E BUILT (SN 30542 to Present).....	114
SECTION 4 - PLATFORM.....	117
FIGURE 4-1. PLATFORM INSTALLATION - MANUALLY OPERATED EXTENSION .....	118
FIGURE 4-2. HANDRAILS AND EXTENSION INSTALLATION - STANDARD RAILS (MANUALLY OPERATED) (1532E/1932E) .....	124
FIGURE 4-3. HANDRAILS AND EXTENSION INSTALLATION - STANDARD RAILS (MANUALLY OPERATED) (2033E/2046E/2646E/2658E).....	128

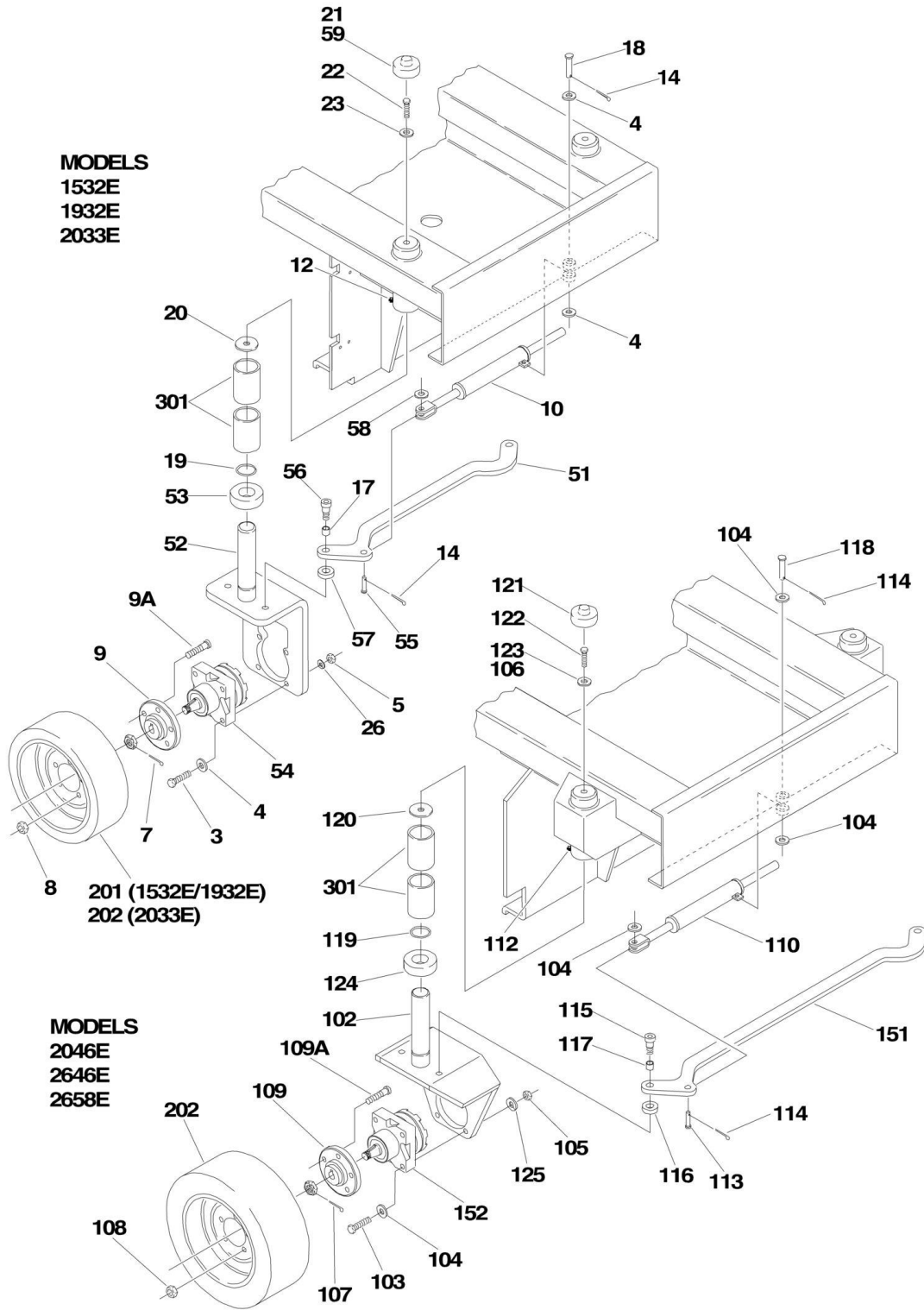
# TABLE OF CONTENTS

FIGURE 4-4. HANDRAILS AND EXTENSION INSTALLATION - FOLDDOWN RAILS (MANUALLY OPERATED) (1532E/1932E)	134
FIGURE 4-5. HANDRAILS AND EXTENSION INSTALLATION - FOLDDOWN RAILS (MANUALLY OPERATED) (2033E/2046E/2646E/2658E)	140
FIGURE 4-6. PLATFORM CONSOLE BOX ASSEMBLY	146
FIGURE 4-7. CONTROLLER ASSEMBLY - OEM	150
FIGURE 4-8. CONTROLLER ASSEMBLY - PQ	152
SECTION 5 - CYLINDER	155
FIGURE 5-1. BRAKE CYLINDER ASSEMBLY	156
FIGURE 5-2. LIFT CYLINDER COMPONENTS ASSEMBLY (1532/1932 POWER DOWN MACHINES BUILT) (Prior to SN 27181)	158
FIGURE 5-3. LIFT CYLINDER COMPONENTS ASSEMBLY (1532/1932 POWER DOWN MACHINES BUILT) (SN 27181 to Present)	160
FIGURE 5-4. LIFT CYLINDER COMPONENTS ASSEMBLY (1532E/1932E GRAVITY DOWN MACHINES)	162
FIGURE 5-5. LIFT CYLINDER COMPONENTS ASSEMBLY (2033E/2046E POWER DOWN MACHINES BUILT AND 2646E/2658E POWER DOWN MACHINES BUILT) (Prior to SN 27085, Prior to SN 26916)	164
FIGURE 5-6. LIFT CYLINDER COMPONENTS ASSEMBLY (2033E/2046E POWER DOWN MACHINES BUILT AND 2646E/2658E POWER DOWN MACHINES BUILT) (SN 27085 to Present, SN 26916 to Present)	168
FIGURE 5-7. LIFT CYLINDER COMPONENTS ASSEMBLY (2033E/2046E/2646E/ 2658E GRAVITY DOWN MACHINES)	172
FIGURE 5-8. STEER CYLINDER ASSEMBLY	176
SECTION 6 - HYDRAULIC	179
FIGURE 6-1. HYDRAULIC DIAGRAM (POWER DOWN MACHINES)	180
FIGURE 6-2. HYDRAULIC DIAGRAM (GRAVITY DOWN MACHINES)	184
FIGURE 6-3. HYDRAULIC DIAGRAM LIST	188
SECTION 7 - ELECTRICAL	189
FIGURE 7-1. ELECTRICAL DIAGRAM LIST	190
FIGURE 7-2. STANDARD ELECTRICAL DIAGRAM (POWER DOWN MACHINES)	192
FIGURE 7-3. STANDARD ELECTRICAL DIAGRAM (GRAVITY DOWN MACHINES)	194
FIGURE 7-4. HARNESS AND CABLE ASSEMBLIES	196
SECTION 8 - DECALS	203
FIGURE 8-1. DECALS INSTALLATION - 1532E/1932E POWER DOWN MACHINES	204
FIGURE 8-2. DECALS INSTALLATION - 1532E/1932E GRAVITY DOWN MACHINES	208
FIGURE 8-3. DECALS INSTALLATION - 2033E/2046E/2646E/2658E POWER DOWN MACHINES	212
FIGURE 8-4. DECALS INSTALLATION - 2033E/2046E/2646E/2658E GRAVITY DOWN MACHINES	216
SECTION 9 - RECOMMENDED SERVICE PARTS STOCK	221
FIGURE 9-1. MODELS 1532E/1932E/2033E/2046E/2646E/2658E STANDARD PARTS	222
FIGURE 9-2. MODELS 1532E/1932E/2033E/2046E/2646E/2658E VARIABLE PARTS	224
SECTION 10 - SPECIAL OPTIONS	225
FIGURE 10-1. SPECIAL OPTIONS	226
PART NUMBER INDEX	229

**SECTION 1 - FRAME**

# SECTION 1 - FRAME

## FIGURE 1-1. DRIVE AND STEERING INSTALLATION





# SECTION 1 - FRAME

## FIGURE 1-1. DRIVE AND STEERING INSTALLATION

ITEM	PART NUMBER	QTY	DESCRIPTION	REV
		Ref	<b>DRIVE AND STEERING INSTALLATION - 1532E/ 1932E/ 2033E (STANDARD PARTS)</b>	
3	0641826	8	Bolt 1/2in-13NC x 3 1/4in	
4	4740453	AR	Flatwasher 1/2in Special	
5	3311801	8	Nut 1/2in-13NC	
6	0100011	AR	Loctite #242 (Not Shown)	
7	3450406	2	Pin, Cotter 1/8in x 1 1/2in	
8	3300255	10	Nut, Wheel	
9	2780216	2	Hub	
9A	7012613	10	Bolt, Wheel (5 Per Hub)	
10		Ref	Steer Cylinder Assembly Options (See CYLINDER SECTION for Breakdown):	
10	1683351	1	Steer Cylinder Assembly <b>(Prior to SN 24267)</b>	
10	1683428	1	Steer Cylinder Assembly <b>(SN 24267 to Present)</b>	
12	2160002	2	Fitting, Grease <b>(Prior to SN 30800)</b>	
12	2160006	2	Fitting, Grease <b>(SN 30800 through 42314)</b>	
12	2160008	2	Fitting, Grease <b>(SN 42315 to Present)</b>	
12	1120064	AR	Cap, Grease Fitting	
14	3450403	2	Pin, Cotter 1/8in x 3/4in	
17	0962013	2	Bushing, Fiberglide	
18	3430824	1	Pin, Clevis	
19	3780166	2	O-Ring	
20	4740419	2	Washer, Thrust	
21	1120417	2	Cap	
22	0641611	2	Bolt 3/8in-16NC x 1 3/8in	
23	4711600	2	Flatwasher 3/8in Narrow	
26	4761800	8	Lockwasher 1/2 <b>(SN 28527 to Present)</b>	
		Ref	<b>DRIVE AND STEERING INSTALLATIONS - 1532E/ 1932E/ 2033E (VARIABLE PARTS)</b>	
	0256636	Ref	<b>Drive and Steering Installations 1532E/1932E (Prior to SN 36748)</b>	10
	0257567	Ref	<b>Drive and Steering Installations 1532E/1932E (SN 36748 to Present)</b>	7
	0256635	Ref	<b>Drive and Steering Installations 2033E With Manually Operated Extension (Standard Machines) (Prior to SN 36748)</b>	9
	0257568	Ref	<b>Drive and Steering Installations 2033E With Manually Operated Extension (Standard Machines) (SN 36748 to Present)</b>	6
	0258882	Ref	<b>Drive and Steering Installations 2033E With Power Operated Extension (Standard Machines)</b>	1
51		Ref	Tie-Rod Options:	
51	3841322	1	Tie-Rod 1532E/1932E <b>(Prior to SN 45299)</b>	
51	3841387	1	Tie-Rod 1532E/1932E <b>(SN 45299 to Present)</b>	
51	3841321	1	Tie-Rod 2033E <b>(Prior to SN 40773)</b>	
51	3841379	1	Tie-Rod 2033E <b>(SN 40773 to Present)</b>	
52		Ref	Spindle Options:	
52	4130336	2	Spindle 1532E/1932E	
52	4130329	2	Spindle 2033E	
53		Ref	Spacer Options:	
53	Not Required	0	Spacer 1532E/1932E	
53	4566833	2	Spacer 2033E	
54		Ref	Drive Motor Assembly Options:	

# SECTION 1 - FRAME

ITEM	PART NUMBER	QTY	DESCRIPTION	REV
54	3160207	2	Drive Motor Assembly 1532E/1932E (See DRIVE MOTOR ASSEMBLIES - WHITE for Breakdown) <b>(Prior to SN 36748)</b>	
54	3160219	2	Drive Motor Assembly 1532E/1932E (See DRIVE MOTOR ASSEMBLIES - EATON for Breakdown) <b>(SN 36748 to Present)</b>	
54	3160214	2	Drive Motor Assembly 2033E with Manually Operated Extension Built (See DRIVE MOTOR ASSEMBLIES - WHITE For Breakdown) <b>(Prior to SN 36748)</b>	
54	3160220	2	Drive Motor Assembly 2033E with Manually Operated Extension Built (See DRIVE MOTOR ASSEMBLIES - EATON For Breakdown) <b>(SN 36748 to Present)</b>	
54	3160208	2	Drive Motor Assembly 2033E with Powered Operated Extension (See DRIVE MOTOR ASSEMBLIES - WHITE For Breakdown)	
55		Ref	Pin, Clevis Options:	
55	3430811	1	Pin, Clevis 1532E/1932E	
55	3430812	1	Pin, Clevis 2033E	
56		Ref	Bolt, Shoulder Options:	
56	0630495	2	Bolt, Shoulder 1532E/1932E <b>(Prior to SN 28527)</b>	
56	0630516	2	Bolt, Shoulder 1532E/1932E <b>(SN 28527 to Present)</b>	
56	0630495	2	Bolt, Shoulder 2033E	
57		Ref	Spacer, Bushing Options:	
57	0962014	2	Spacer, Bushing 1532E/1932E <b>(Prior to SN 28527)</b>	
57	0962085	2	Spacer, Bushing 1532E/1932E <b>(SN 28527 to Present)</b>	
57	0962014	2	Spacer, Bushing 2033E	
58		Ref	Flatwasher	
58	4711800	1	Flatwasher 1532E/1932E	
58	4740453	1	Flatwasher 2033E	
59	0100001	AR	Adhesive <b>(SN 41485 to Present)</b>	
		Ref	<b>DRIVE AND STEERING INSTALLATION - 2046E/ 2646E/ 2658E (STANDARD PARTS)</b>	
102	4130332	2	Spindle	
103	0641826	8	Bolt 1/2in-13NC x 3 1/4in	
104	4740453	10	Flatwasher 1/2in Special	
105	3311801	8	Nut 1/2in-13NC	
106	0100011	AR	Loctite #242	
107	3450406	2	Pin, Cotter 1/8in x 1 1/2in	
108	3300255	10	Nut, Wheel	
109	2780216	2	Hub	
109A	7012613	10	Bolt, Wheel (5 Per Hub)	
110		Ref	Steer Cylinder Assembly Options (See SPECIAL OPTIONS SECTION for Breakdown):	
110	1683351	1	Steer Cylinder Assembly <b>(Prior to SN 24267)</b>	
110	1683429	1	Steer Cylinder Assembly <b>(SN 24267 to Present)</b>	
112	2160002	2	Fitting, Grease <b>(Prior to SN 30800)</b>	
112	2160006	2	Fitting, Grease <b>(SN 30800 through 42314)</b>	
112	2160008	2	Fitting, Grease <b>(SN 42315 to Present)</b>	
112	1120064	AR	Cap, Grease Fitting	
113	3430812	1	Pin, Clevis	
114	3450403	2	Pin, Cotter 1/8in x 3/4in	
115	0630495	2	Bolt, Shoulder	
116	0962014	2	Spacer	
117	0962013	2	Bushing, Fiberglide	
118	3430824	1	Pin	
119	3780166	2	O-Ring	

## SECTION 1 - FRAME

ITEM	PART NUMBER	QTY	DESCRIPTION	REV
120	4740419	2	Thrustwasher	
121	1120417	2	Cap	
122	0641612	2	Bolt 3/8in-16NC x 1 1/2in	
123	4711600	2	Flatwasher 3/8in Narrow	
124	4566833	2	Spacer	
125	4761800	8	Lockwasher 1/2in	
126	0100081	AR	Adhesive #454 (Not Shown)	
		Ref	<b>DRIVE AND STEERING INSTALLATIONS - 2046E/ 2646E/ 2658E (VARIABLE PARTS)</b>	
	0256653	Ref	<b>Drive and Steering Installations 2046E/2646E Standard Machines (Prior to SN 36748)</b>	9
	0257570	Ref	<b>Drive and Steering Installations 2046E Standard Machines (SN 36748 through 37750)</b>	2
	0257571	Ref	<b>Drive and Steering Installations 2646E Standard Machines (SN 36748 through 37750)</b>	2
	0256653	Ref	<b>Drive and Steering Installations 2046E/2646E Standard Machines (SN 37751 to Present)</b>	9
	0256654	Ref	<b>Drive and Steering Installations 2658E Standard Machines (Prior to SN 36748)</b>	9
	0257572	Ref	<b>Drive and Steering Installations 2658E Standard Machines (SN 36748 through 37750)</b>	2
	0256654	Ref	<b>Drive and Steering Installations 2658E Standard Machines (SN 37751 to Present)</b>	9
151		Ref	Tie-Rod Options:	
151	3841320	1	Tie-Rod 2046E/2646E	
151	3841324	1	Tie-Rod 2658E (Prior to SN 36748)	
151	3841320	1	Tie-Rod 2658E (SN 36748 through 37750)	
151	3841324	1	Tie-Rod 2658E (SN 37751 to Present)	
152		Ref	Drive Motor Assembly Options:	
152	3160208	2	Drive Motor Assembly 2046E/2646E (See DRIVE MOTOR ASSEMBLIES - WHITE for Breakdown) (Prior to SN 36748)	
152	3160220	2	Drive Motor Assembly 2046E (See DRIVE MOTOR ASSEMBLIES - EATON for Breakdown) (SN 36748 through 37750)	
152	3160221	2	Drive Motor Assembly 2646E (See DRIVE MOTOR ASSEMBLIES - EATON for Breakdown) (SN 36748 through 37750)	
152	3160208	2	Drive Motor Assembly 2046E/2646E (See DRIVE MOTOR ASSEMBLIES - WHITE for Breakdown) (SN 37751 to Present)	
152	3160208	2	Drive Motor Assembly 2658E (Prior to 36748) (See DRIVE MOTOR ASSEMBLIES - WHITE for Breakdown)	
152	3160221	2	Drive Motor Assembly 2658E (See DRIVE MOTOR ASSEMBLIES - EATON for Breakdown) (SN 36748 through 37750)	
152	3160208	2	Drive Motor Assembly 2658E (See DRIVE MOTOR ASSEMBLIES - WHITE for Breakdown) (SN 37751 to Present)	
		Ref	<b>TIRE AND WHEEL INSTALLATIONS - 1532E/1932E</b>	
	0255680	Ref	<b>Black Tire and Wheel Installation</b>	
	0255683	Ref	<b>Standard Non-Marking Tire and Wheel Installation</b>	
201		Ref	Tire Options:	
201	4520175	AR	Black - 4.50 x 14	
201	4520177	AR	Non-Marking Standard	
		Ref	<b>TIRE AND WHEEL INSTALLATIONS - 2033E/ 2046E/ 2646E/ 2658E</b>	
	0255679	Ref	<b>Black Tire and Wheel Installation</b>	

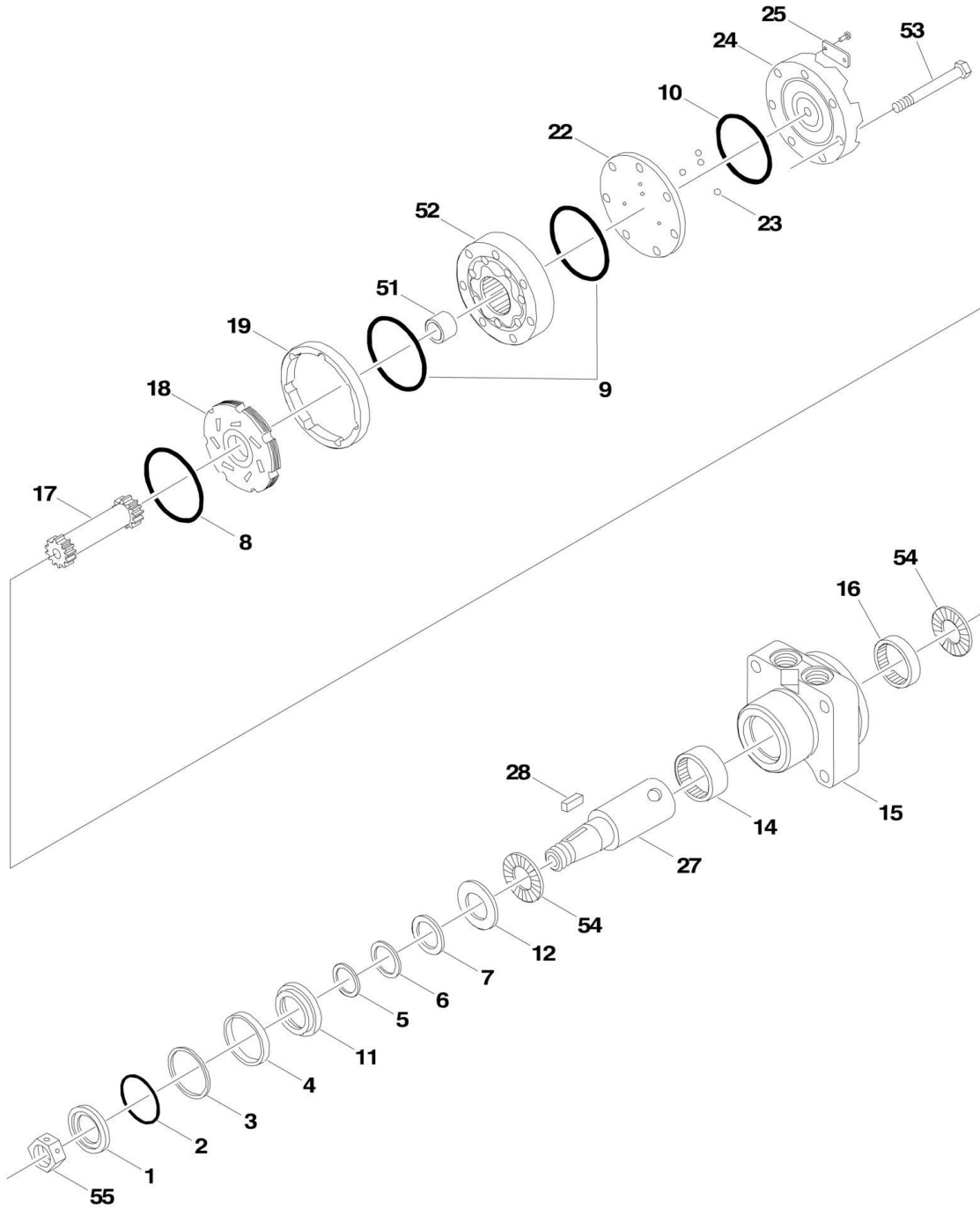
## SECTION 1 - FRAME

ITEM	PART NUMBER	QTY	DESCRIPTION	REV
	0255682	Ref	<b>Standard Non-Marking Tire and Wheel Installation</b>	
	0256334	Ref	<b>Flotation Tire and Wheel Installation - 7.5 x 16</b>	
	0257156	Ref	<b>Flotation Tire and Wheel Installation - 7 x 16</b>	
202		Ref	Tire Options:	
202	4520174	AR	Black - 5.0 x 16	
202	4520176	AR	Non-Marking Standard	
202	4520183	AR	Flotation - 7.5 x 16	
202	4520191	AR	Flotation - 7 x 16	
		Ref	<b>FRAME WELDMENTS OPTIONS:</b>	
		Ref	<b>Note: To determine Power or Gravity Down refer to page A.</b>	
	2360399	1	Frame Weldments 1532E (Power Down) (All Machines)	
	2360428	1	Frame Weldments 1532E (Gravity Down) (CE Spec)	
	2360468	1	Frame Weldments 1532E (Gravity Down) (Australian Spec)	
	2360399	1	Frame Weldments 1932E (Power Down) (All Machines)	
	2360428	1	Frame Weldments 1532E (Gravity Down) (CE Spec)	
	2360429	1	Frame Weldments 1932E (Gravity Down) (Australian Spec)	
	2360419	1	Frame Weldments 2033E (Power Down) (Australian Spec)	
	2360431	1	Frame Weldments 2033E (Gravity Down) (Australian Spec)	
	2360395	1	Frame Weldments 2033E (Power Down) (CE Spec)	
	2360431	1	Frame Weldments 2033E (Gravity Down) (CE Spec)	
	2360396	1	Frame Weldments 2046E (Power Down) (All Machines)	
	2360432	1	Frame Weldments 2046E (Gravity Down) (All Machines)	
	2360412	1	Frame Weldments 2646E (Power Down) (All Machines)	
	2360433	1	Frame Weldments 2646E (Gravity Down) (All Machines except Outdoor Spec)	
	2360437	1	Frame Weldments 2646E (Gravity Down) (Outdoor Spec)	
	2360397	1	Frame Weldments 2658E (Power Down) (All Machines)	
	2360434	1	Frame Weldments 2658E (Gravity Down) (All Machines)	
301	0962017	4	Bushing	



# SECTION 1 - FRAME

## FIGURE 1-2. DRIVE MOTOR ASSEMBLIES - WHITE



# SECTION 1 - FRAME

## FIGURE 1-2. DRIVE MOTOR ASSEMBLIES - WHITE

ITEM	PART NUMBER	QTY	DESCRIPTION	REV
		Ref	<b>DRIVE MOTOR ASSEMBLY (STANDARD PARTS)</b>	
1	Kit	1	Seal, Dust	
2	Kit	1	Ring, Wire	
3	Kit	1	Shim, Back-Up	
4	Kit	1	Seal, High Pressure	
5	Kit	1	Shim, Back-Up	
6	Kit	1	Seal, Back-Up	
7	Kit	1	Seal, Shaft	
8	Kit	1	Seal, Housing	
9	Kit	2	Seal, Body	
10	Kit	1	Seal, End Cover	
11	Kit	1	Carrier, Seal	
12	Kit	1	Thrust Washer	
14	7016400	1	Bearing, Front Housing	
15	7016401	1	Housing	
16	7016402	1	Bearing, Rear Housing	
17	7016403	1	Link, Drive	
18	7016404	1	Manifold	
19	7016405	1	Boot, Manifold	
22	Kit	1	Plate, Balance	
23	Kit	4	Ball, Steel	
24	7016413	1	Cover, End	
25	Not Serviced	1	Tag, Identification	
27	7016410	1	Shaft	
28	7016411	1	Key	
	2900665	1	Seal and Carrier Kit (Includes Kit P/N's 7005896 & 7005897)	
	7005896	1	Seal Kit (Includes Items 1-10)	
	7005897	1	Carrier Kit (Includes Items 11 & 12)	
	7016408	1	Balance Plate Kit (Includes Items 22 & 23)	
		Ref	<b>DRIVE MOTOR ASSEMBLY (VARIABLE PARTS)</b>	
	3160207	Ref	<b>Drive Motor Assembly (Variable Parts) 1532E/1932E</b>	B
	3160214	Ref	<b>Drive Motor Assembly (Variable Parts) 2033E</b>	B
	3160208	Ref	<b>Drive Motor Assembly (Variable Parts) 2046E/ 2646E/ 2658E</b>	B
51		Ref	Spacer, Drive Link Options:	
51	7016414	1	Spacer, Drive Link 1532E/ 1932E	
51	7016419	1	Spacer, Drive Link 2033E	
51	7016406	1	Spacer, Drive Link 2046E/ 2646E/ 2658E	
52		Ref	Rotor Assembly Options:	
52	7016415	1	Rotor Assembly 1532E/1932E	
52	7016420	1	Rotor Assembly 2033E	
52	7016407	1	Rotor Assembly 2046E/ 2646E/ 2658E	
53		Ref	Bolt, Assembly Options:	
53	7016416	6	Bolt, Assembly 1532E/1932E	
53	7016409	6	Bolt, Assembly 2033E	
53	7016409	6	Bolt, Assembly 2046E/ 2646E/ 2658E	
54		Ref	Bearing, Thrust Options:	
54	7005899	2	Bearing, Thrust 1532E/1932E	
54	7016418	2	Bearing, Thrust 2033E	
54	7005899	2	Bearing, Thrust 2046E/ 2646E/ 2658E	
55		Ref	Nut Options:	

## SECTION 1 - FRAME

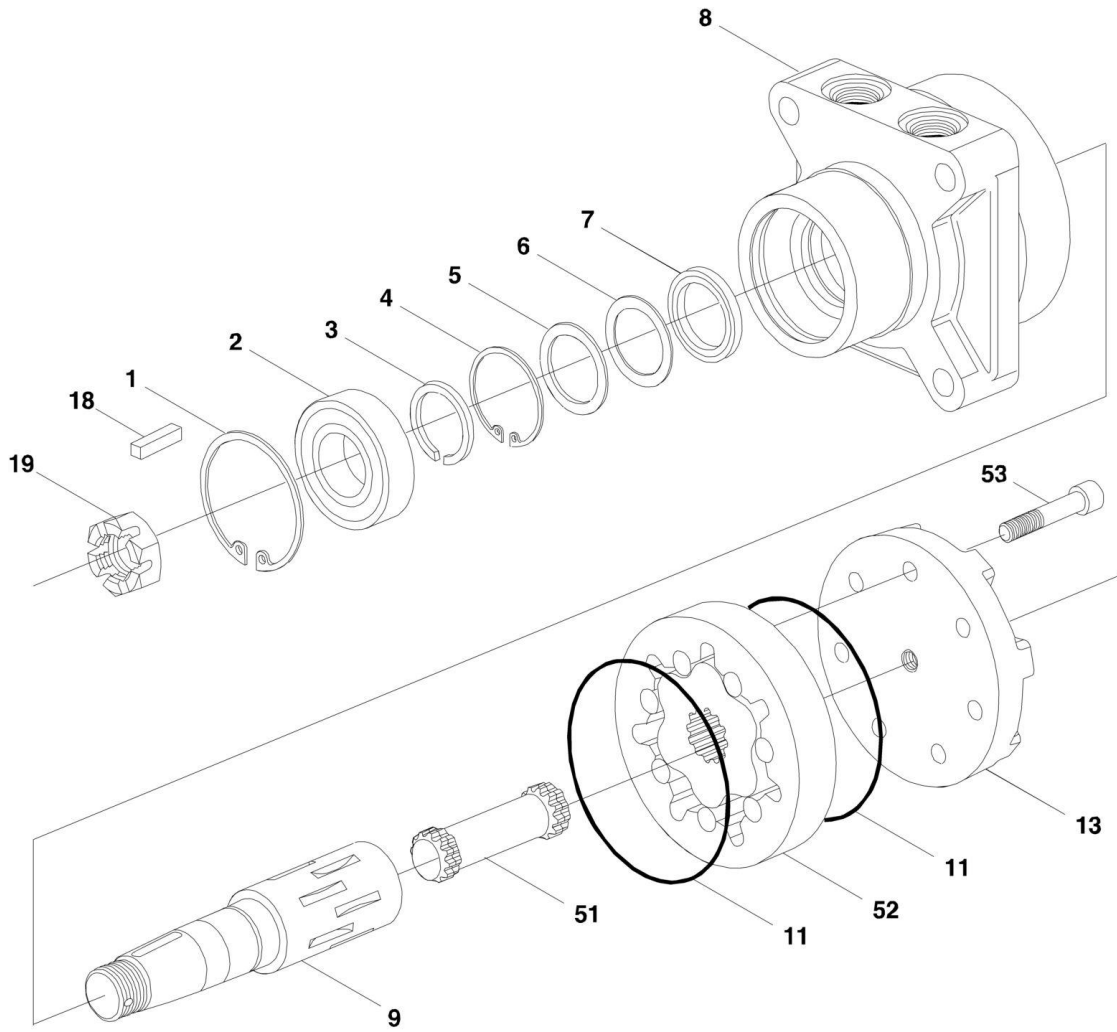
ITEM	PART NUMBER	QTY	DESCRIPTION	REV
55	7016412	1	Nut 1532E/1932E	
55	7016421	1	Nut 2033E	
55	7016412	1	Nut 2046E/ 2646E/ 2658E	





# SECTION 1 - FRAME

## FIGURE 1-3. DRIVE MOTOR ASSEMBLIES - EATON



# SECTION 1 - FRAME

## FIGURE 1-3. DRIVE MOTOR ASSEMBLIES - EATON

ITEM	PART NUMBER	QTY	DESCRIPTION	REV
		Ref	<b>DRIVE MOTOR ASSEMBLY (STANDARD PARTS)</b>	
1	7007892	1	Ring, Retaining	
2	7007893	1	Bearing, Ball	
3	7007894	1	Ring, Retaining	
4	7007895	1	Ring, Retaining	
5	7007896	1	Washer	
6	7009919	1	Washer, Back-Up	
7	7009920	1	Seal, Pressure	
8	7007897	1	Housing	
9	7007898	1	Shaft, Output	
11	7020300	2	Seal	
13	7020302	1	Cover, End	
18	7020312	1	Key	
19	7009934	1	Nut	
20	7020304	2	Poppet (Not Shown)	
	7020305	1	Seal Kit	
		Ref	<b>DRIVE MOTOR ASSEMBLY (VARIABLE PARTS)</b>	
	3160219	Ref	<b>Drive Motor Assembly (Variable Parts) 1532E/1932E</b>	A
	3160220	Ref	<b>Drive Motor Assembly (Variable Parts) 2033E</b>	A
	3160221	Ref	<b>Drive Motor Assembly (Variable Parts) 2046E/ 2646E/ 2658E</b>	A
51		Ref	Link, Drive Options:	
51	7007899	1	Link, Drive 1532E/1932E	
51	7020306	1	Link, Drive 2033E	
51	7020308	1	Link, Drive 2046E/ 2646E/ 2658E	
52		Ref	Rotor Assembly	
52	7020301	1	Rotor 1532E/1932E	
52	7020307	1	Rotor 2033E	
52	7020309	1	Rotor 2046E/ 2646E/ 2658E	
53		Ref	Bolt	
53	7020303	6	Bolt 1532E/1932E	
53	7020310	6	Bolt 2033E	
53	7020310	6	Bolt 2046E/ 2646E/ 2658E	



# SECTION 1 - FRAME

## FIGURE 1-4. AXLE/BRAKE INSTALLATIONS (POWER DOWN MACHINES)

ITEM	PART NUMBER	QTY	DESCRIPTION	REV
		Ref	<b>Note: To determine Power or Gravity Down refer to page A.</b>	
		Ref	<b>BRAKE INSTALLATION (STANDARD PARTS)</b>	
1	2780215	2	Hub Assembly (See Items 101-113 for Breakdown)	
3	4845037	2	Cam, Brake	
4	3430620	2	Pin, Clevis	
5	4751600	2	Flatwasher 3/8in	
6	3450504	2	Pin, Cotter (Prior to SN 33691)	
6	3450403	2	Pin, Cotter (SN 33691 to Present)	
7	3300255	5	Lugnut	
8	4160137	2	Spring	
		Ref	<b>BRAKE INSTALLATION (VARIABLE PARTS)</b>	
	0256596	Ref	<b>Brake Installation (Variable Parts) 1532E/1932E</b>	B
	0255614	Ref	<b>Brake Installation (Variable Parts) 2033E</b>	D
	0255636	Ref	<b>Brake Installation (Variable Parts) 2046E/2646E</b>	D
	0255637	Ref	<b>Brake Installation (Variable Parts) 2658E</b>	D
9		Ref	Link Options:	
9	Not Required	0	Link 1532E/ 1932E/ 2046E/ 2646E/ 2658E	
9	3010112	2	Link 2033E	
10		Ref	Bar Options:	
10	Not Required	0	Bar 1532E/ 1932E/ 2046E/ 2646E/ 2658E	
10	0362510	1	Bar 2033E	
11		Ref	Bolt 7/8in-9NC x 1 1/2in (Grade 8) Options:	
11	Not Required	0	Bolt 7/8in-9NC x 1 1/2in (Grade 8) 1532E/ 1932E/ 2046E/ 2646E/ 2658E	
11	0682412	2	Bolt 7/8in-9NC x 1 1/2in (Grade 8) 2033E	
12	0100019	AR	Loctite #271	
13		Ref	Latch, Forklift Bar Options:	
13	Not Required	0	Latch, Forklift Bar 1532E/ 1932E/ 2046E/ 2646E/ 2658E	
13	2940097	1	Latch, Forklift Bar 2033E	
14		Ref	Bolt 1/4in-20NC x 7/8in Options:	
14	Not Required	0	Bolt 1/4in-20NC x 7/8in 1532E/ 1932E/ 2046E/ 2646E/ 2658E	
14	0641407	1	Bolt 1/4in-20NC x 7/8in 2033E	
15		Ref	Bolt 1in-8NC x 2 1/2in (Grade 8) Options:	
15	Not Required	0	Bolt 1in-8NC x 2 1/2in (Grade 8) 1532E/ 1932E/ 2046E/ 2646E/ 2658E	
15	0682620	2	Bolt 1in-8NC x 2 1/2in (Grade 8) 2033E	
16		Ref	Locknut 1in-8NC (Grade 8) Options:	
16	Not Required	0	Locknut 1in-8NC (Grade 8) 1532E/ 1932E/ 2046E/ 2646E/ 2658E	
16	3272605	2	Locknut 1in-8NC (Grade 8) 2033E	
17	3020017	AR	<b>Grease (SN 33691 to Present)</b>	
18		Ref	Decal - Forklift Area Options:	
18	Not Required	0	Decal - Forklift Area 1532E/ 1932E/ 2046E/ 2646E/ 2658E	
18	1701508	2	Decal - Forklift Area 2033E	
19	3311405	AR	Locknut 1/4in-20NC Options:	
19	Not Required	0	Locknut 1/4in-20NC 1532E/ 1932E/ 2046E/ 2646E/ 2658E	
19	3311405	2	Locknut 1/4in-20NC 2033E	
20		Ref	Flatwasher 1/4in Options:	
20	Not Required	0	Flatwasher 1/4in 1532E/ 1932E/ 2046E/ 2646E/ 2658E	
20	4751400	2	Flatwasher 1/4in 2033E	

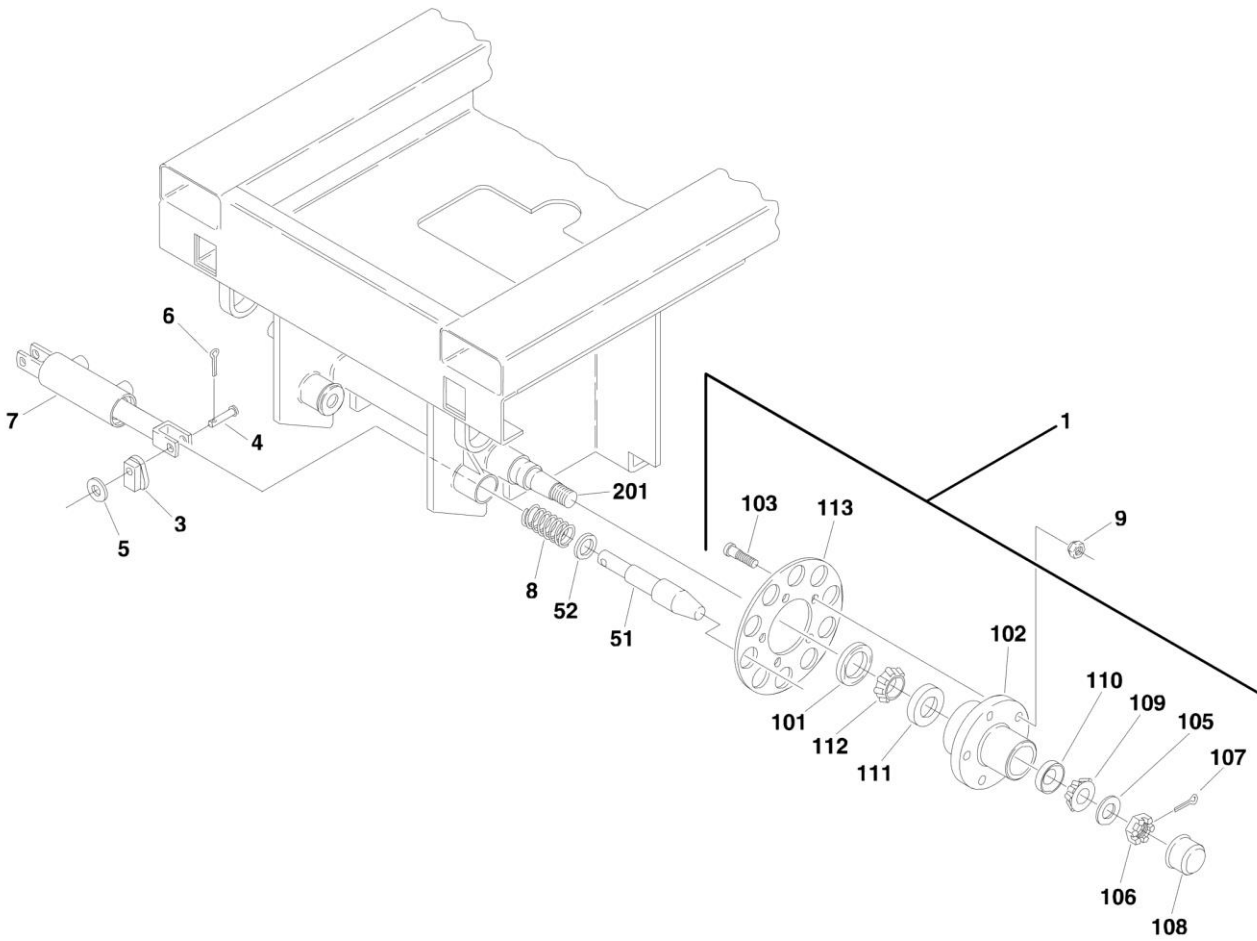
## SECTION 1 - FRAME

ITEM	PART NUMBER	QTY	DESCRIPTION	REV
21		Ref	Rod, Brake Options:	
21	3841274	2	Rod, Brake 1532E/ 1932E/ 2033E	
21	3841280	2	Rod, Brake 2046E/2646E	
22		Ref	Brake Cylinder Assembly Options (See CYLINDER SECTION for Breakdown):	
22	1683362	1	Brake Cylinder Assembly 1532E/ 1932E/ 2046E/ 2646E/2658E <b>(Prior to SN 33691)</b>	
22	1683499	1	Brake Cylinder Assembly 1532E/ 1932E/ 2046E/ 2646E/2658E <b>(SN 33691 to Present)</b>	
22	1683362	1	Brake Cylinder Assembly 2033E	
	2780215	Ref	<b>HUB ASSEMBLY</b>	B
101	7010649	1	Seal	
102	7019695	1	Housing	
103	7019696	5	Stud, Wheel	
105	7019697	1	Washer	
106	7010641	1	Nut, Slotted	
107	7010642	1	Pin, Cotter	
108	7010648	1	Cap, Dust	
109	7010650	1	Cone, Outer	
110	7003903	1	Cup, Outer	
111	7010651	1	Cup, Inner	
112	7010647	1	Cone, Inner	
113	1760165	1	Disc, Brake	
		Ref	<b>ASSOCIATED FRAME COMPONENTS</b>	
201		Ref	Axle Weldment Options:	
201	0280145	1	Axle Weldment 1532E/ 1932E/ 2033E	
201	0280146	1	Axle Weldment 2046E/2646E	
201	0280147	1	Axle Weldment 2658E	



# SECTION 1 - FRAME

## FIGURE 1-5. AXLE/BRAKE INSTALLATIONS (GRAVITY DOWN MACHINES)





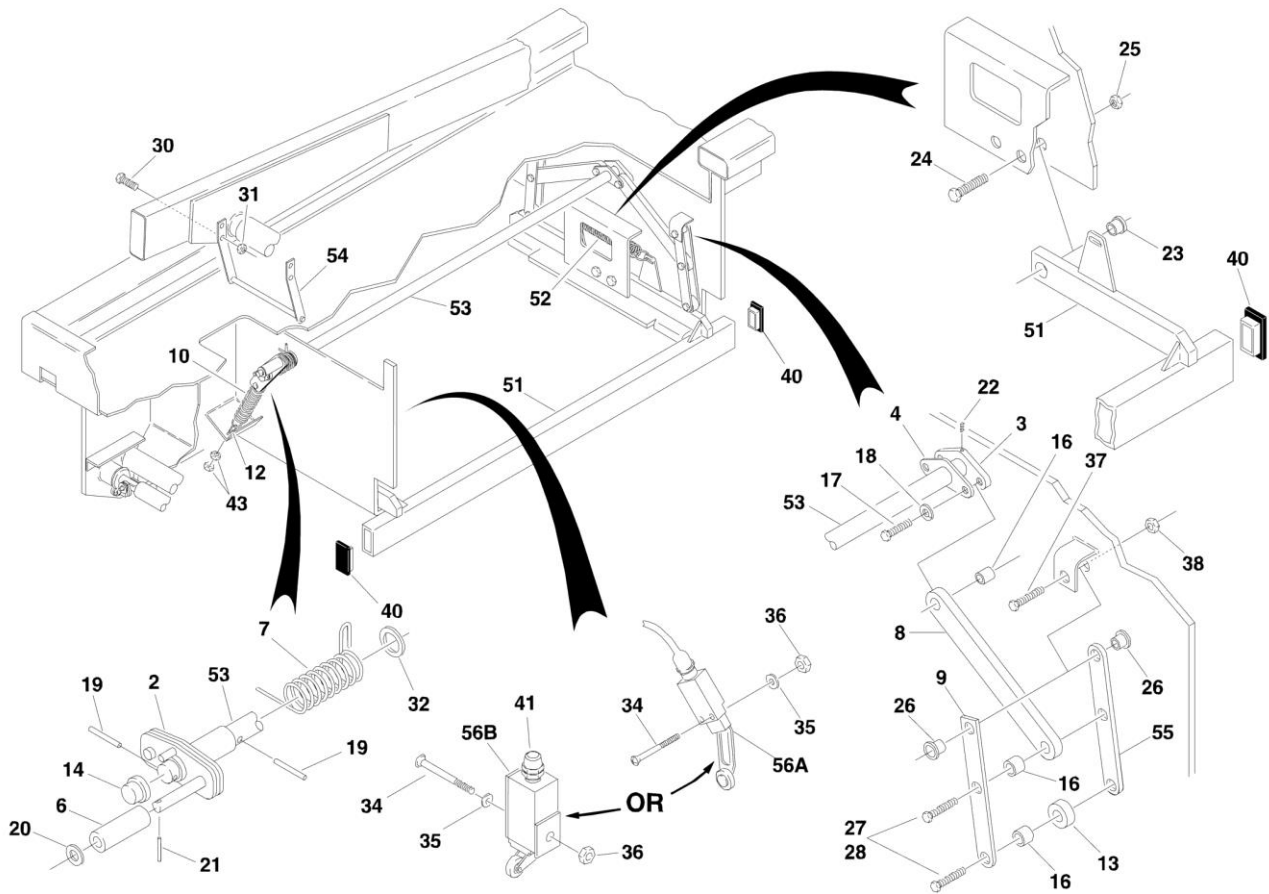
# SECTION 1 - FRAME

**FIGURE 1-5. AXLE/BRAKE INSTALLATIONS (GRAVITY DOWN MACHINES)**

ITEM	PART NUMBER	QTY	DESCRIPTION	REV
		Ref	<b>Note: To determine Power or Gravity Down refer to page A.</b>	
		Ref	<b>BRAKE INSTALLATION (STANDARD PARTS)</b>	
1	2780215	2	Hub Assembly (See Items 101-113 for Breakdown)	
3	4845037	2	Cam, Brake	
4	3430620	2	Pin, Clevis	
5	4711600	2	Flatwasher 3/8in Narrow	
6	3450403	2	Pin, Cotter	
7	1683557	1	Brake Cylinder Assembly (See CYLINDER SECTION for Breakdown)	
8	4160137	2	Spring	
9	3300255	5	Lugnut	
		Ref	<b>BRAKE INSTALLATIONS (VARIABLE PARTS)</b>	
	0257183	Ref	<b>Brake Installations (Variable Parts) 1532E/1932E</b>	3
	0257184	Ref	<b>Brake Installations (Variable Parts) 2033E</b>	3
	0257185	Ref	<b>Brake Installations (Variable Parts) 2046E/2646E</b>	2
	0257186	Ref	<b>Brake Installations (Variable Parts) 2658E</b>	2
51		Ref	Rod, Brake Options:	
51	3841332	2	Rod, Brake 1532E/ 1932E/ 2033E	
51	3841333	2	Rod, Brake 2046E/2646E	
51	3841334	2	Rod, Brake 2658E	
52		Ref	Spacer Options:	
52	Not Required	0	Spacer 1532E/ 1932E/ 2033E	
52	Not Required	0	Spacer 2046E/ 2646E/2658E <b>(Prior to SN 35949)</b>	
52	4567265	AR	Spacer 2046E/ 2646E/2658E <b>(SN 35949 to Present)</b>	
	2780215	Ref	<b>HUB ASSEMBLY</b>	B
101	7010649	1	Seal	
102	7019695	1	Housing	
103	7019696	5	Stud, Wheel	
105	7019697	1	Washer	
106	7010641	1	Nut, Slotted	
107	7010642	1	Pin, Cotter	
108	7010648	1	Cap, Dust	
109	7010646	1	Cone, Outer	
110	7010650	1	Cup, Outer	
111	7010651	1	Cup, Inner	
112	7010647	1	Cone, Inner	
113	1760165	1	Disc, Brake	
		Ref	<b>ASSOCIATED FRAME COMPONENTS</b>	
201		Ref	Axle Weldment Options:	
201	0280145	1	Axle Weldment 1532E/ 1932E/ 2033E	
201	0280146	1	Axle Weldment 2046E/2646E	
201	0280147	1	Axle Weldment 2658E	

# SECTION 1 - FRAME

## FIGURE 1-6. JLG POTHOLE PROTECTION SYSTEM INSTALLATION (POWER DOWN MACHINES)



# SECTION 1 - FRAME

**FIGURE 1-6. JLG POTHOLE PROTECTION SYSTEM INSTALLATION (POWER DOWN MACHINES)**

ITEM	PART NUMBER	QTY	DESCRIPTION	REV
		Ref	<b>Note: To determine Power or Gravity Down refer to page A.</b>	
		Ref	<b>POTHOLE PROTECTION SYSTEM INSTALLATION (STANDARD PARTS)</b>	
2	4844987	1	Pivot Weldment	
3	3538809	2	Plate, Cam	
4	3538808	2	Plate, Cam	
6	3860065	1	Roller	
7	4160133	1	Spring, Torsion	
8	0362484	4	Bar, Link	
9	0362485	4	Bar, Actuator	
10	4160141	1	Spring, Extension	
12	0630398	1	Eye-Bolt	
13	0362483	4	Bar, Roller	
14	0961997	4	Bearing, Flange	
16	0961994	12	Bearing, Spacer	
17	0641612	4	Bolt - 3/8in-16NC x 1 1/2in	
18	4761600	4	Lockwasher - 3/8in	
19	3440828	2	Roll Pin - 1/4in x 1 3/4in	
20	4711800	1	Flatwasher - 1/2in Narrow	
21	3440418	1	Roll Pin - 1/8in x 1 1/8in	
22	3951005	2	Setscrew - #10-24NC x 5/8in	
23	0961995	4	Bearing, Flange	
24	0642224	4	Bolt - 3/4in - 10NC x 3in	
25	3312205	4	Locknut - 3/4in-10NC	
26	0961996	8	Bearing, Flange	
27	0641611	8	Bolt - 3/8in-16NC x 1 3/8in	
28	0100011	AR	Loctite - #242	
30	0641508	2	Bolt - 5/16in-18NC x 1in	
31	3311505	2	Locknut - 5/16in-18NC	
32	4712400	1	Flatwasher 7/8in Narrow	
34	3911028	4	Screw Machine - #10-24NC x 1 3/4in	
35	4751000	4	Flatwasher - #10	
36	3311005	4	Locknut - #10-24NC	
37	0641622	4	Bolt 3/8in-16NC x 2 3/4in	
38	3311605	4	Locknut - 3/8in-16NC	
40	1120481	4	Cap, End Only <b>(SN 24267 to Present)</b>	
41	4460662	2	Connector, Strain Relief	
43	3311501	2	Nut 5/16in-18NC	
		Ref	<b>POTHOLE PROTECTION SYSTEM INSTALLATIONS (VARIABLE PARTS)</b>	
	0255724	Ref	<b>Pothole Protection System Installations (Variable Parts) 1532E/1932E</b>	7
	0255516	Ref	<b>Pothole Protection System Installations (Variable Parts) 2033E</b>	11
	0255638	Ref	<b>Pothole Protection System Installations (Variable Parts) 2046E/2646E</b>	11
	0255639	Ref	<b>Pothole Protection System Installations (Variable Parts) 2658E</b>	11
51		Ref	Bar, Support Options:	
51	4845104	2	Bar, Support 1532E/1932E <b>(Prior to SN 24267)</b>	
51	4845360	1	Bar, Support 1532E/1932E Right Side <b>(SN 24267 to Present)</b>	

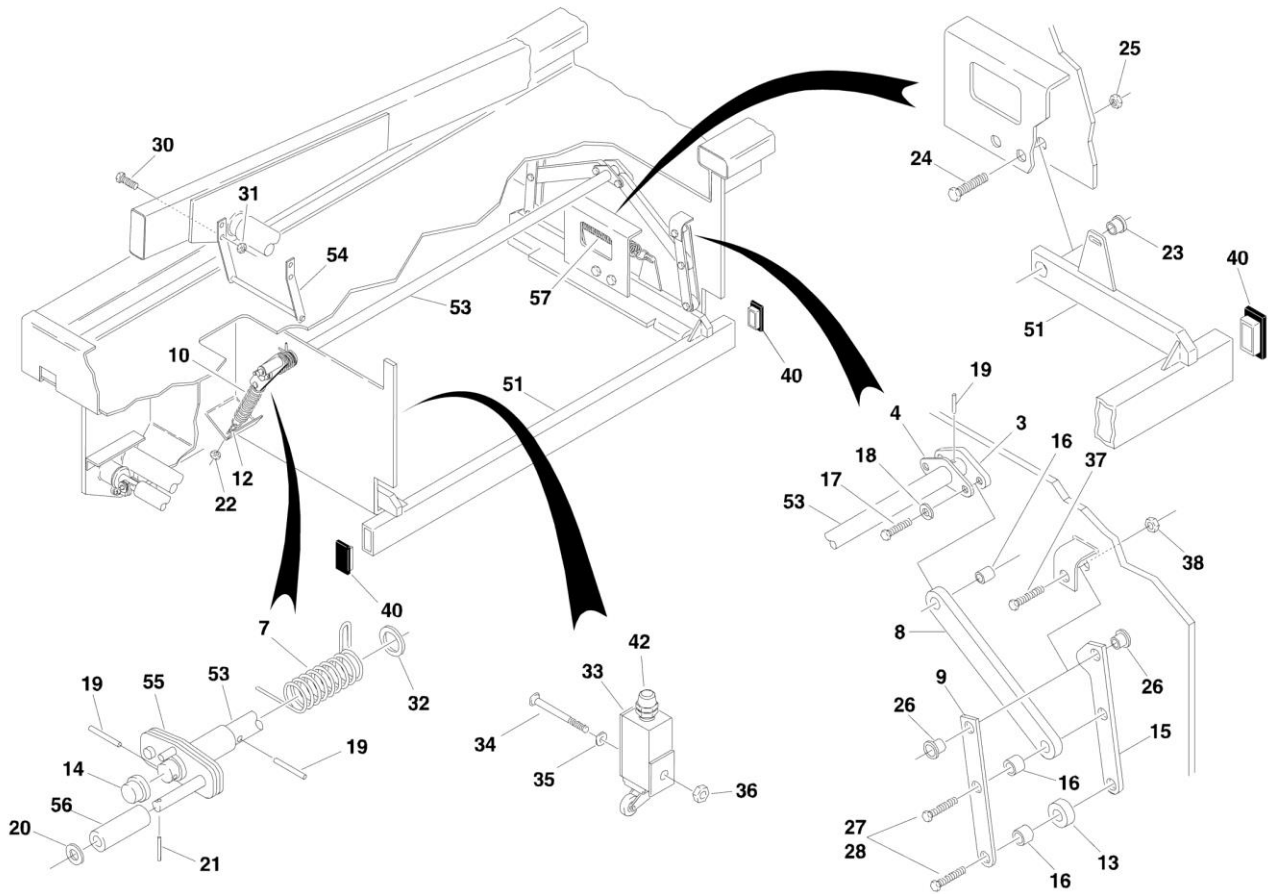
## SECTION 1 - FRAME

ITEM	PART NUMBER	QTY	DESCRIPTION	REV
51	4845383	1	Bar, Support 1532E/1932E Left Side <b>(SN 24267 to Present)</b>	
51	4845268	2	Bar, Support 2033E <b>(Prior to SN 24267)</b>	
51	4845357	2	Bar, Support 2033E <b>(SN 24267 to Present)</b>	
51	4845269	2	Bar, Support 2046E/2646E <b>(Prior to SN 24267)</b>	
51	4845358	2	Bar, Support 2046E/2646E <b>(SN 24267 to Present)</b>	
51	4845270	2	Bar, Support 2658E <b>(Prior to SN 24267)</b>	
51	4845359	2	Bar, Support 2658E <b>(SN 24267 to Present)</b>	
52		Ref	Spring, Extension Options:	
52	4160134	2	Spring, Extension 1532E/ 1932E/ 2033E	
52	4160146	2	Spring, Extension 2046E/ 2646E/ 2658E	
53		Ref	Rod, Pivot Options:	
53	3841308	1	Rod, Pivot 1532E/1932E	
53	3841266	1	Rod, Pivot 2033E/ 2046E/ 2646E/ 2658E	
54		Ref	Actuator Options:	
54	4845319	1	Actuator 1532E/1932E	
54	4845077	1	Actuator 2033E/ 2046E/ 2646E/ 2658E	
55		Ref	Bar, Actuator Options:	
55	0362511	4	Bar, Actuator <b>(Prior to SN 31231)</b>	
55	0362654	4	Bar, Actuator <b>(SN 31231 to Present)</b>	
56		Ref	Switch, Limit Options:	
56A	4360397	2	Switch, Limit <b>(Prior to SN 31231)</b>	
56B	4360401	2	Switch, Limit <b>(SN 31231 to Present)</b>	



# SECTION 1 - FRAME

## FIGURE 1-7. JLG POTHOLE PROTECTION SYSTEM INSTALLATION (GRAVITY DOWN MACHINES)



# SECTION 1 - FRAME

**FIGURE 1-7. JLG POTHOLE PROTECTION SYSTEM INSTALLATION (GRAVITY DOWN MACHINES)**

ITEM	PART NUMBER	QTY	DESCRIPTION	REV
		Ref	<b>Note: To determine Power or Gravity Down refer to page A.</b>	
		Ref	<b>POTHOLE PROTECTION SYSTEM INSTALLATION (STANDARD PARTS)</b>	
3	3570198	2	Plate, Cam	
4	4845385	2	Bushing Weldment	
7	4160133	1	Spring, Torsion	
8	0362484	4	Bar, Link	
9	0362485	4	Bar, Actuator	
10	4160141	1	Spring, Extension	
12	0630398	1	Eye-Bolt	
13	0362483	4	Bar, Roller	
14	0961997	4	Bearing, Flange	
15	0362654	4	Bar, Actuator	
16	0961994	12	Bearing, Spacer	
17	0641612	4	Bolt - 3/8in-16NC x 1 1/2in	
18	4761600	4	Lockwasher - 3/8in	
19	3440828	5	Roll Pin - 1/4in x 1 3/4in	
20	4711800	1	Flatwasher - 1/2in Narrow	
21	3440418	1	Roll Pin - 1/8in x 1 1/8in	
22	3311501	2	Nut 5/16-18NC <b>(SN 39132 to Present)</b>	
23	0961995	4	Bearing, Flange	
24	0642224	4	Bolt - 3/4in - 10NC x 3in	
25	3312205	4	Locknut - 3/4in-10NC	
26	0961996	8	Bearing, Flange	
27	0641611	8	Bolt - 3/8in-16NC x 1 3/8in	
28	0100011	AR	Loctite - #242	
30	0641508	4	Bolt - 5/16in-18NC x 1in	
31	3311505	4	Locknut - 5/16in-18NC	
32	4712400	1	Flatwasher 7/8in Narrow <b>(Prior to SN 37119)</b>	
33	4360401	2	Switch, Limit	
34	3911024	4	Screw Machine - #10-24NC x 1 1/2in	
35	4751000	4	Flatwasher - #10	
36	3311005	4	Locknut - #10-24NC	
37	0641622	4	Bolt 3/8in-16NC x 2 3/4in	
38	3311605	4	Locknut - 3/8in-16NC	
40	1120481	4	Cap, End	
42	4460662	2	Connector, Strain Relief	
		Ref	<b>POTHOLE PROTECTION SYSTEM INSTALLATION (VARIABLE PARTS)</b>	
	0257330	Ref	<b>Pothole Protection System Installation (Variable Parts) 1532E/1932E</b>	5
	0257331	Ref	<b>Pothole Protection System Installation (Variable Parts) 2033E</b>	5
	0257332	Ref	<b>Pothole Protection System Installation (Variable Parts) 2046E/2646E</b>	6
	0257333	Ref	<b>Pothole Protection System Installation (Variable Parts) 2658E</b>	6
51		Ref	Bar, Support Options:	
51	4845360	1	Bar, Support 1532E/1932E Right Side	
51	4845383	1	Bar, Support 1532E/1932E Left Side	
51	4845490	2	Bar, Support 2033E	

## SECTION 1 - FRAME

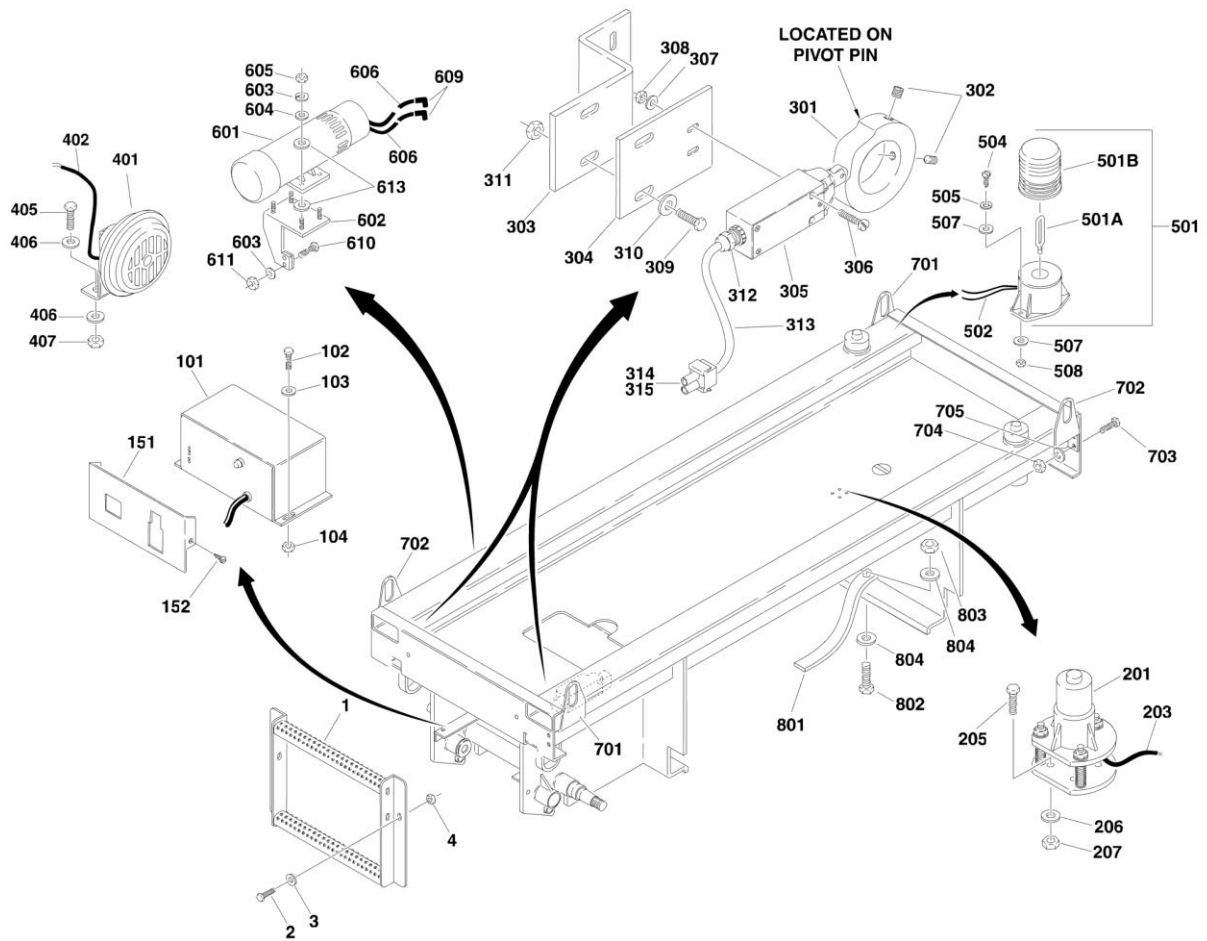
ITEM	PART NUMBER	QTY	DESCRIPTION	REV
51	4845358	2	Bar, Support 2046E/2646E	
51	4845359	2	Bar, Support 2658E	
53		Ref	Rod, Pivot Options:	
53	3841337	1	Rod, Pivot 1532E/1932E	
53	3841338	1	Rod, Pivot 2033E/ 2046E/ 2646E/ 2658E	
54		Ref	Actuator Options:	
54	4845319	1	Actuator 1532E/1932E	
54	4845077	1	Actuator 2033E/ 2046E/ 2646E/ 2658E	
55		Ref	Pivot Weldment Options:	
55	4845529	1	Pivot Weldment 1532E/1932E	
55	4844987	1	Pivot Weldment 2033E	
55	4844987	1	Pivot Weldment 2046E/ 2646E/2658E <b>(Prior to SN 39109)</b>	
55	4845529	1	Pivot Weldment 2046E/ 2646E/2658E <b>(SN 39109 to Present)</b>	
56		Ref	Roller Options:	
56	3860079	1	Roller 1532E/1932E	
56	3860065	1	Roller 2033E	
56	3860065	1	Roller 2046E/ 2646E/2658E <b>(Prior to SN 39109)</b>	
56	3860079	1	Roller 2046E/ 2646E/2658E <b>(SN 39109 to Present)</b>	
57		Ref	Spring, Extension Options:	
57	4160134	2	Spring, Extension 1532E/ 1932E/ 2033E	
57	4160146	2	Spring, Extension 2046E/ 2646E/ 2658E	





# SECTION 1 - FRAME

## FIGURE 1-8. FRAME MOUNTED COMPONENTS INSTALLATION (POWER DOWN MACHINES)



## SECTION 1 - FRAME

**FIGURE 1-8. FRAME MOUNTED COMPONENTS INSTALLATION (POWER DOWN MACHINES)**

ITEM	PART NUMBER	QTY	DESCRIPTION	REV
		Ref	<b>Note: To determine Power or Gravity Down refer to page A.</b>	
		Ref	<b>LADDER INSTALLATIONS</b>	
	0256788	Ref	<b>Ladder Installations 1532E/1932E (Euro Spec)</b>	A
	0256564	Ref	<b>Ladder Installations 1532E/1932E (Australian Spec)</b>	A
	0256783	Ref	<b>Ladder Installations 2033E/ 2046E/ 2646E/ 2658E (Euro Spec)</b>	A
	0255641	Ref	<b>Ladder Installations 2033E/ 2046E/ 2646E/ 2658E (Australian Spec)</b>	B
1		Ref	Ladder Weldment Options:	
1	4845379	1	Ladder Weldment 1532E/1932E (Euro Spec)	
1	4845375	1	Ladder Weldment 2033E/ 2046E/ 2646E/ 2658E (Euro Spec)	
1	4845312	1	All models (Australian Spec)	
2	0641812	2	Bolt 1/2in-13NC x 1 1/2in	
3	4751800	4	Flatwasher 1/2in	
4	3311805	2	Locknut 1/2in-13NC	
5	3520071	4	Plug, Cap (1532E/1932E Euro Spec) (Not Shown)	
		Ref	<b>BATTERY CHARGER INSTALLATION (STANDARD PARTS)</b>	
101		Ref	Battery Charger Assembly Options: (See BATTERY CHARGER ASSEMBLIES - SINGLE VOLTAGE, BATTERY CHARGER ASSEMBLIES - DUAL VOLTAGE AND BATTERY CHARGER ASSEMBLIES - REPLACEMENT KIT for Breakdown)	
101	2901847	1	50HZ-250V (Australian Spec) (Was p/n 0400148)	
101	2901844	1	50HZ-220V (Australian, Dutch, French, German, Italian and Spanish Spec) (Was p/n 0400145)	
101	2901844	1	50HZ-120V/240V (UK Spec) (Was p/n 0400146)	
102	0641506	2	Bolt 5/16in-18NC x 3/4in	
103	4711500	4	Flatwasher 5/16in Narrow	
104	3311505	2	Locknut 5/16in-18NC	
		Ref	<b>BATTERY CHARGER INSTALLATION (Variable parts)</b>	
		Ref	<b>Battery Charger Installation (Variable Parts) 1532E/ 1932E/ 2033E/ 2046E/ 2646E:</b>	
	0256372	Ref	<b>50HZ-250V Single Voltage (Australian Spec)</b>	5
	0256369	Ref	<b>50HZ-220V Single Voltage (Austrian, Dutch, French, German, Italian and Spanish Spec)</b>	5
	0256370	Ref	<b>50HZ-240V/120V Dual Voltage (UK Spec)</b>	6
		Ref	<b>Battery Charger Installation (Variable Parts) 2658E</b>	
	0256441	Ref	<b>50HZ-250V Single Voltage (Australian Spec)</b>	4
	0256438	Ref	<b>50HZ-220V Single Voltage (Austrian, Dutch, French, German, Italian and Spanish Spec)</b>	4
	0256439	Ref	<b>50HZ-240V/120V Dual Voltage (UK Spec)</b>	4
151		Ref	Shield Options:	
151	4060927	1	Shield 1532E/ 1932E/ 2033E/ 2046E/ 2646E (All except UK Spec)	
151	4060928	1	Shield 2658E (All except UK Spec)	
151	Not Required	0	UK Spec	
152	3941406	AR	Screw, Self-Tapping 1/4in-20NC x 3/4in	
153	0100011	AR	Loctite #242 (Not Shown)	
	0256424	Ref	<b>TILT INDICATOR INSTALLATION</b>	F
201	4360435	1	Switch, Level Indication	
202	0140011	1	Alarm (Not Shown - Located on Platform Console)	
203	4921819	1	Harness	
205	0641407	2	Bolt 1/4in-20NC x 7/8in	
206	4751400	2	Flatwasher 1/4in	

# SECTION 1 - FRAME

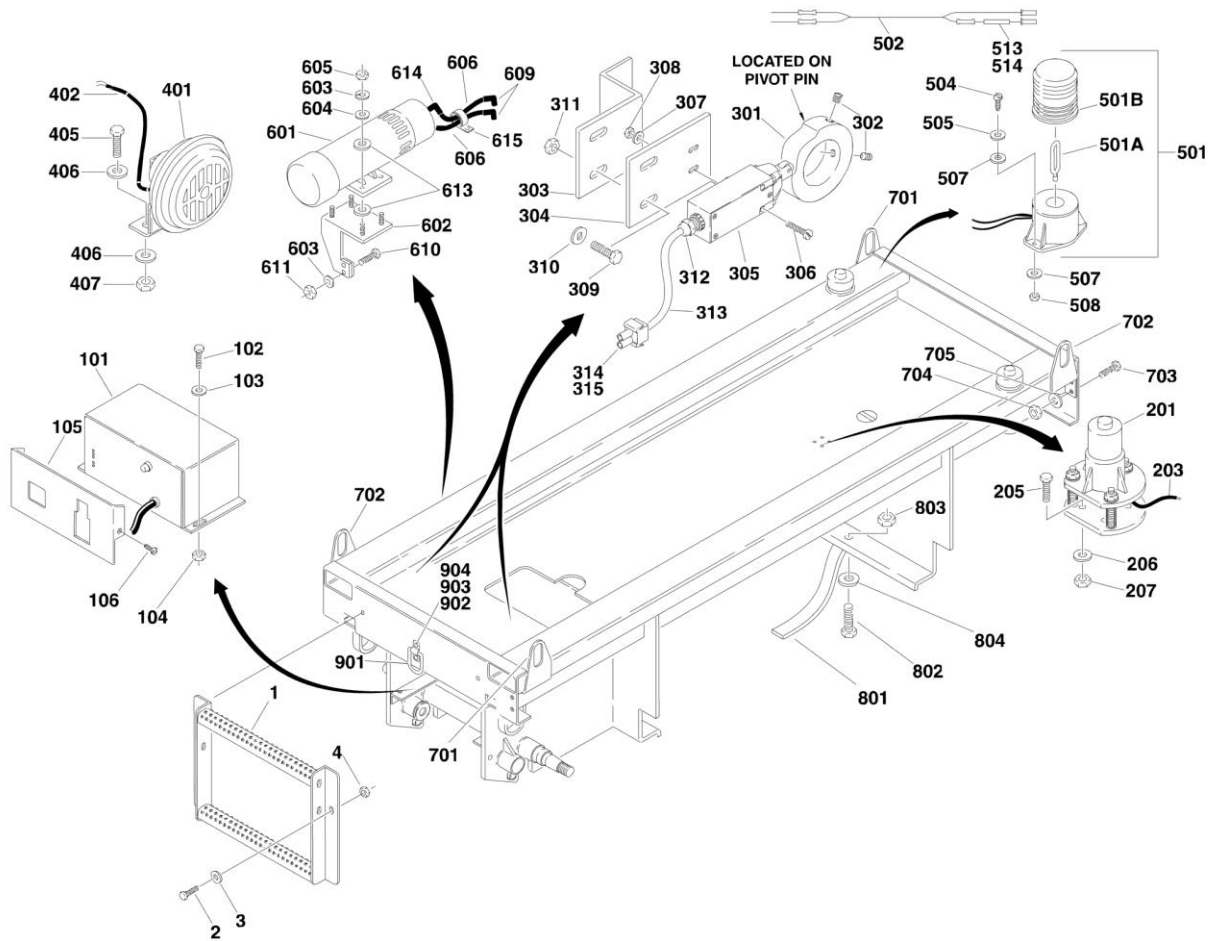
ITEM	PART NUMBER	QTY	DESCRIPTION	REV
207	3311405	2	Locknut 1/4in-20NC	
		Ref	<b>LIMIT SWITCH INSTALLATIONS</b>	
	0256833	Ref	<b>HI-DRIVE LIMIT SWITCH (LEFT SIDE)</b>	B
	0255784	Ref	<b>DRIVE CUT OUT SWITCH (RIGHT SIDE)</b>	3-C
301	1440325	1	Collar	
302	3951603	2	Setscrew x 3/8in	
303	3570030	1	Bracket	
304	3570029	1	Plate	
305	4360321	1	Switch, Limit	
306	3911020	2	Screw, Machine #10-24NC x 1 1/4in	
307	4751000	2	Flatwasher #10	
308	3311005	2	Locknut #10-24NC	
309	0641405	2	Bolt 1/4in-20NC x 5/8in	
310	4751400	4	Flatwasher 1/4in	
311	3311405	2	Locknut 1/4in-20NC	
312	4460428	1	Connector, Strain Relief	
313	1060341	9 ft/2.74m	Cable, Electrical - 16/2	
314	4460320	1	Housing, Terminal	
315	4460268	2	Socket, Terminal	
316	0100011	AR	Loctite #242 (Not Shown)	
	0255950	Ref	<b>HORN INSTALLATION (OPTIONAL)</b>	C
401	0140022	1	Horn	
402	4921821	1	Harness (See ELECTRICAL SECTION for Breakdown)	
403	4360387	1	Switch, Push Button (Not Shown - Located on Platform Console)	
405	0641408	1	Bolt 1/4in-20NC x 1in	
406	4751400	2	Flatwasher 1/4in	
407	3311405	1	Locknut 1/4in-20NC	
	0255949	Ref	<b>BEACON LIGHT INSTALLATION (OPTIONAL)</b>	4-D
501	2920146	1	Beacon Light Assembly	
501A	7016319	1	Bulb, Light	
501B	7016372	1	Lens, Amber	
502	4921822	1	Harness (See ELECTRICAL SECTION For Breakdown)	
504	0721006	2	Screw, Machine #10-24NC x 3/4in	
505	4761000	2	Lockwasher #10	
507	4751000	4	Flatwasher #10	
508	3311001	2	Nut #10-24	
		Ref	<b>110V GENERATOR INSTALLATIONS</b>	
	0256790	Ref	<b>110V Generator Installations 1532E/1932E</b>	A
	0256785	Ref	<b>110V Generator Installations 2033E</b>	A
	0255962	Ref	<b>110V Generator Installations 2046E/ 2646E/ 2658E</b>	E
601	2460022	1	Generator	
601	7023336	1	Repair Kit	
602		Ref	Mounting Bracket Options:	
602	0902344	1	Mounting Bracket 1532E/1932E	
602	0902341	1	Mounting Bracket 2033E	
602	0902340	1	Mounting Bracket 2046E/2646E/2658E	
603	4751500	8	Flatwasher 5/16in	
604	4751700	4	Flatwasher 7/16in	
605	3311505	4	Locknut 5/16in-18NC	
606	1060627	2	Cable	
609	0840027	2	Boot, Cable	

## SECTION 1 - FRAME

ITEM	PART NUMBER	QTY	DESCRIPTION	REV
610	0641510	2	Bolt 5/16in-18NC x 1 1/4in	
611	3311505	2	Locknut 5/16in-18NC	
612	3820023	2	Rivet (Not Shown)	
613	4740455	8	Washer, Nylon	
	0256374	Ref	<b>LIFTING LUGS INSTALLATION - MODELS 1532E/ 1932E/ 2046E/ 2646E/ 2658E</b>	-
	0256373	Ref	<b>LIFTING LUGS INSTALLATION - MODEL 2033E ONLY (STANDARD ON AUSTRALIAN SPEC MACHINES/ OPTIONAL ON OTHER SPEC MACHINES)</b>	-
701		Ref	Lug, Lift (Right Rear/Left Front)	
701	3539735	2	Lug, Lift (Right Rear/Left Front) 1532E/ 1932E/ 2046E/ 2646E/ 2658E	
701	4845314	2	Lug, Lift (Right Rear/Left Front) 2033E Only	
702		Ref	Lug, Lift (Left Rear/Right Front)	
702	3539736	2	Lug, Lift (Left Rear/Right Front) 1532E/ 1932E/ 2046E/ 2646E/ 2658E	
702	4845315	2	Lug, Lift (Left Rear/Right Front) 2033E Only	
703	0641610	8	Bolt 3/8in-16NC x 1 1/4in	
704	3311605	8	Locknut 3/8in-16NC	
705	4751600	8	Flatwasher 3/8in	
	0257372	Ref	<b>STATIC STRAP INSTALLATION</b>	A-1
801	4240084	1	Strap, Static	
802	0641408	1	Bolt 1/4in-20NC x 1in	
803	3311405	1	Locknut 1/4in-20NC	
804	4751400	2	Flatwasher 1/4in	

# SECTION 1 - FRAME

## FIGURE 1-9. FRAME MOUNTED COMPONENTS INSTALLATION (GRAVITY DOWN MACHINES)



## SECTION 1 - FRAME

**FIGURE 1-9. FRAME MOUNTED COMPONENTS INSTALLATION (GRAVITY DOWN MACHINES)**

ITEM	PART NUMBER	QTY	DESCRIPTION	REV
		Ref	<b>Note: To determine Power or Gravity Down refer to page A.</b>	
		Ref	<b>LADDER INSTALLATIONS</b>	
	0256788	Ref	<b>Ladder Installations 1532E/1932E</b>	-
	0256783	Ref	<b>Ladder Installations 2033E/ 2046E/ 2646E/ 2658E</b>	A
1		Ref	Ladder Weldment Options:	
1	4845379	1	Ladder Weldment 1532E/1932E	
1	4845375	1	Ladder Weldment 2033E/ 2046E/ 2646E/ 2658E	
2	0641812	2	Bolt 1/2in-13NC x 1 1/2in	
3	4751800	4	Flatwasher 1/2in	
4	3311805	2	Locknut 1/2in-13NC	
5	3520071	4	Cap-Plug (Not Shown)	
		Ref	<b>BATTERY CHARGER INSTALLATION</b>	
		Ref	<b>Battery Charger Installation 1532E/1932E</b>	
	0257274	Ref	<b>50HZ-250V Single Voltage (Australian Spec)</b>	2
	0257271	Ref	<b>50HZ-220V Single Voltage (Austrian, Dutch, French, German, Italian and Spanish Spec)</b>	2
	0257272	Ref	<b>50HZ-240V/120V Dual Voltage (UK Spec)</b>	2
		Ref	<b>50HZ-240V/120V Dual Voltage (UK Spec) 2033E/ 2046E/ 2646E/ 2658E</b>	
	0257279	Ref	<b>50HZ-250V Single Voltage (Australian Spec)</b>	1
	0257276	Ref	<b>50HZ-220V Single Voltage (Austrian, Dutch, French, German, Italian and Spanish Spec)</b>	1
	0257277	Ref	<b>50HZ-240V/120V Dual Voltage (UK Spec)</b>	1
101		Ref	Battery Charger Assembly Options: (See Figures BATTERY CHARGER ASSEMBLIES - SINGLE VOLTAGE, BATTERY CHARGER ASSEMBLIES - DUAL VOLTAGE AND BATTERY CHARGER ASSEMBLIES - REPLACEMENT KIT for Breakdown)	
101	2901847	1	50HZ-250V (Australian Spec) (Was p/n 0400148)	
101	2901844	1	50HZ-220V (Australian, Dutch, French, German, Italian and Spanish Spec) (Was p/n 0400145)	
101	2901844	1	50HZ-120V/240V (UK Spec) (Was p/n 0400146)	
102	0641506	2	Bolt 5/16in-18NC x 3/4in	
103	4711500	4	Flatwasher 5/16in Narrow	
104	3311505	2	Locknut 5/16in-18NC	
105		Ref	Shield Options:	
105	4060936	1	Shield 1532E/1932E	
105	Not Required	0	Shield 2033E/ 2046E/ 2646E/ 2658E	
106	3941406	2	Screw, Self-Tapping 1/4in-20NC x 3/4in	
107	0100011	AR	Loctite #242 (Not Shown)	
	0256424	Ref	<b>TILT INDICATOR INSTALLATION</b>	5
201	4360435	1	Switch, Level Indication	
202	0140011	1	Alarm (Not Shown - Located on Platform Console)	
203	4921819	1	Harness	
204	0861070	1	Cover (Not Shown - 5, Machines Only)	
205	0641407	2	Bolt 1/4in-20NC x 7/8in	
206	4751400	2	Flatwasher 1/4in	
207	3311405	2	Locknut 1/4in-20NC	
		Ref	<b>HI-DRIVE CUT-OUT SWITCH INSTALLATION</b>	
	0256833	Ref	<b>Hi-drive Cut-out Switch (Left Side)</b>	B
	0256861	Ref	<b>Drive Cut-out Switch (Right Side)</b>	3-C
301	1440325	1	Collar	

# SECTION 1 - FRAME

ITEM	PART NUMBER	QTY	DESCRIPTION	REV
302	3951603	2	Setscrew 3/8in-16NC x 3/8in	
303	3570030	1	Bracket	
304	3570029	1	Plate	
305	4360321	1	Switch, Limit	
306	3911020	2	Screw, Machine #10-24NC x 1 1/4in	
307	4751000	2	Flatwasher #10	
308	3311005	2	Locknut #10-24NC	
309	0641405	2	Bolt 1/4in-20NC x 5/8in	
310	4751400	4	Flatwasher 1/4in	
311	3311405	2	Locknut 1/4in-20NC	
312	4460428	1	Connector, Strain Relief	
313	1060341	9 ft/2.74m	Cable, Electrical - 16/2	
314	4460320	1	Housing, Terminal	
315	4460268	2	Socket, Terminal	
316	0100011	AR	Loctite #242 (Not Shown)	
	0255950	Ref	<b>HORN INSTALLATION (OPTIONAL)</b>	4
401	0140022	1	Horn	
402	4921988	1	Harness (See ELECTRICAL SECTION for Breakdown)	
403	4360387	1	Switch, Push Button (Not Shown - Located on Platform Console)	
405	0641408	1	Bolt 1/4in-20NC x 1in	
406	4751400	2	Flatwasher 1/4in	
407	3311405	1	Locknut 1/4in-20NC	
	0255949	Ref	<b>BEACON LIGHT INSTALLATION (OPTIONAL)</b>	6-G
501	2920146	1	Beacon Light Assembly	
501A	7016319	1	Bulb, Light	
501B		Ref	Amber Lens Options:	
501B	7016320	1	Lens - 3 1/8in Height	
501B	7016372	1	Lens - 4 1/8in Height	
502	4921822	1	Harness (See SPECIAL OPTIONS SECTION for Breakdown) <b>(Prior to SN 44696)</b>	
502	1060341	10 ft/3.0m	Harness (See SPECIAL OPTIONS SECTION for Breakdown) <b>(SN 44696 to Present)</b>	
504	0721006	2	Screw, Machine #10-24NC x 3/4in	
505	4761000	2	Lockwasher #10	
507	4751000	4	Flatwasher #10	
508	3311001	2	Nut #10-24	
513	4460044	1	Holder, Fuse <b>(SN 44696 to Present)</b>	
514	2400056	1	Fuse, AGC-1/2 0.5A, 250V <b>(SN 44696 to Present)</b>	
		Ref	<b>GENERATOR INSTALLATION</b>	
	0256790	Ref	<b>110V - 1532E/1932E</b>	4
	0257174	Ref	<b>220V - 1532E/1932E</b>	1
	0256785	Ref	<b>110V - 2033E</b>	4
	0257173	Ref	<b>220V - 2033E</b>	1
	0255962	Ref	<b>110V - 2046E/ 2646E/ 2658E</b>	8
	0257172	Ref	<b>220V - 2046E/ 2646E/ 2658E</b>	1
601		Ref	Generator Options:	
601	2460022	1	110 Volt	
601	7023336	1	Repair Kit	
601	2460031	1	220 Volt	
602		Ref	Mounting Bracket Options:	
602	0902344	1	Mounting Bracket 1532E/1932E Only <b>(Prior to SN 51987)</b>	



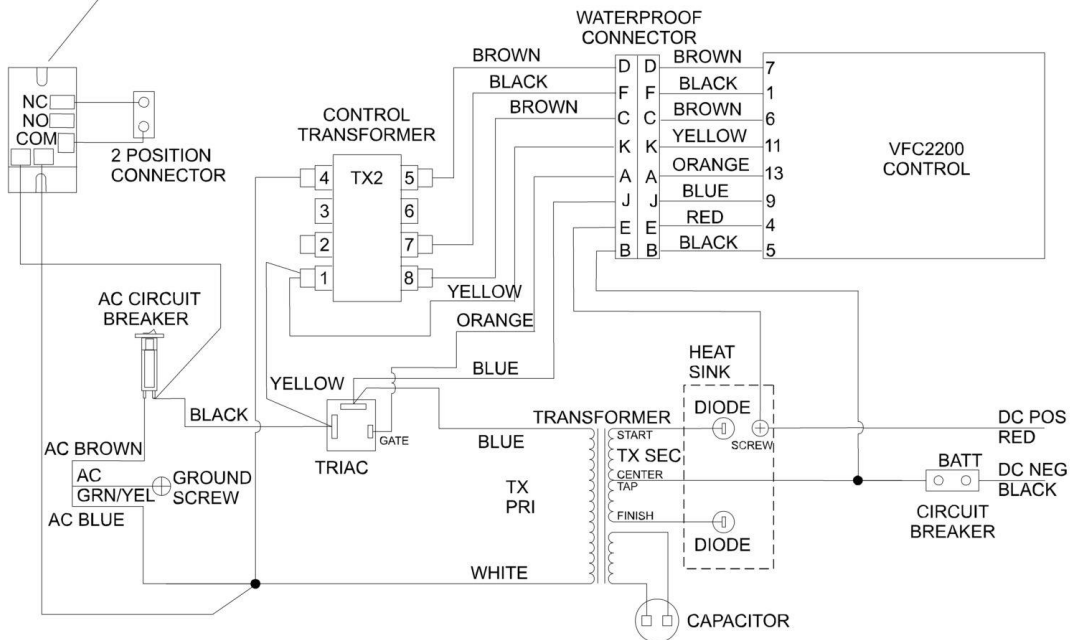
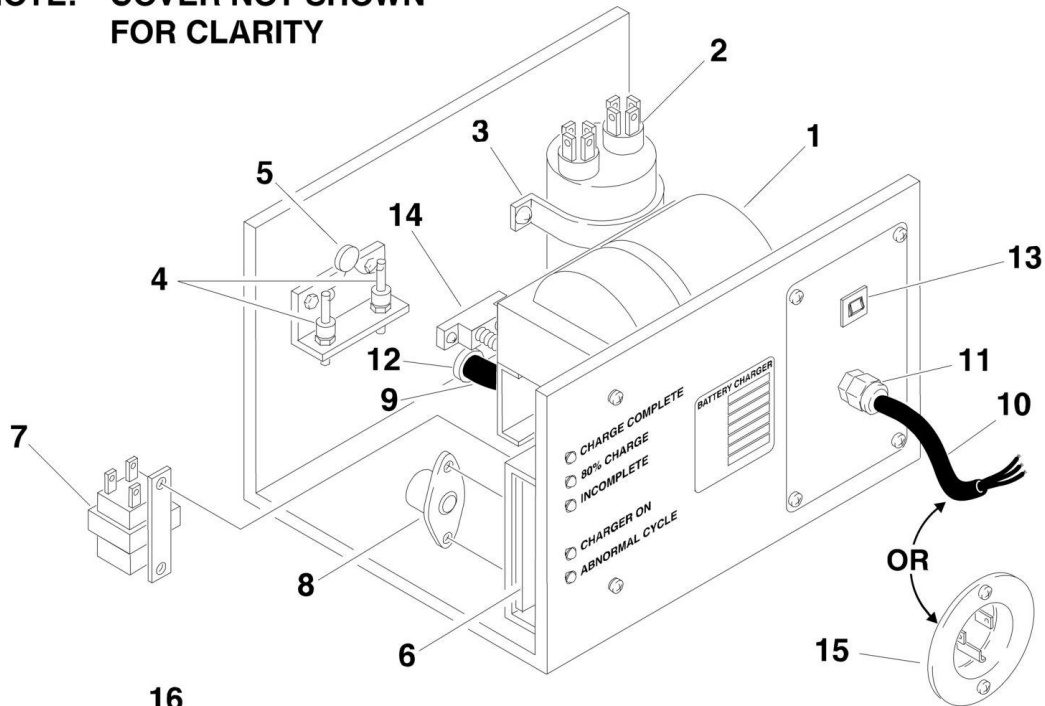
## SECTION 1 - FRAME

ITEM	PART NUMBER	QTY	DESCRIPTION	REV
602	0902340	1	Mounting Bracket 2033E/ 2046E/ 2646E/2658E Note: For 2033E/ 2046E/ 2646E/2658E moved to frame - bracket not required. <b>(Prior to SN 43889)</b>	
603	4751500	AR	Flatwasher 5/16in	
604	4751700	AR	Flatwasher 7/16in	
605	3311505	AR	Locknut 5/16in-18NC	
605	2080048	AR	Rivnut	
606	1060627	2	Cable	
609	0840027	2	Boot, Cable	
610	0641510	AR	Bolt 5/16in-18NC x 1 1/4in	
611	3311505	AR	Locknut 5/16in-18NC	
612	3820023	AR	Rivet (Not Shown)	
613	4740455	8	Washer, Nylon	
614	0840025	2	Boot, Cable	
615	1320095	1	Clamp	
	0256374	Ref	<b>LIFTING LUGS INSTALLATION 1532E/ 1932E/ 2046E/ 2646E/ 2658E</b>	-
	0256373	Ref	<b>LIFTING LUGS INSTALLATION 2033E ONLY</b>	2
701		Ref	Lug, Lift (Right Rear/Left Front)	
701	3539735	2	Lug, Lift (Right Rear/Left Front) 1532E/ 1932E/ 2046E/ 2646E/ 2658E	
701	4845314	2	Lug, Lift (Right Rear/Left Front) 2033E Only	
702		Ref	Lug, Lift (Left Rear/Right Front)	
702	3539736	2	Lug, Lift (Left Rear/Right Front) 1532E/ 1932E/ 2046E/ 2646E/ 2658E	
702	4845315	2	Lug, Lift (Left Rear/Right Front) 2033E Only	
703	0641610	8	Bolt 3/8in-16NC x 1 1/4in	
704	3311605	8	Locknut 3/8in-16NC	
705	4751600	8	Flatwasher 3/8in	
	0257372	Ref	<b>STATIC STRAP INSTALLATION</b>	3-D
801	4240084	1	Strap, Static	
802	0641408	1	Bolt 1/4in-20NC x 1 <b>(Prior to SN 33411)</b>	
802	3941406	1	Self Tapping 1/4in-UNC-2A x 3/4 <b>(SN 33411 to Present)</b>	
803	3311405	1	Locknut 1/4in-20NC <b>(Prior to SN 33411)</b>	
804	4751400	2	Flatwasher 1/4in	
		Ref	<b>TIE-DOWNS INSTALLATIONS</b>	
	0257266	Ref	<b>Tie-Downs Installations 1532E/ 1932E/ 2033E/ 2046E/ 2646E</b>	2-A
	0257266	Ref	<b>Tie-Downs Installations 2658E without Arm Guards</b>	2-A
	0257265	Ref	<b>Tie-Downs Installations 2658E with Arm Guards</b>	3-A
901	3760365	AR	D-Ring	
902	0630485	AR	Bolt, Carriage 3/8in-16NC x 1in (2 per Tie-Down)	
903	4751600	AR	Flatwasher 3/8in (2 per Tie-Down)	
904	3311605	AR	Locknut 3/8in-16NC (2 per Tie-Down)	
905	1702300	AR	Decal - Tie Down (Not Shown - See DECALS SECTION for Location)	

# SECTION 1 - FRAME

FIGURE 1-10. BATTERY CHARGER ASSEMBLIES - SINGLE VOLTAGE

NOTE: COVER NOT SHOWN FOR CLARITY



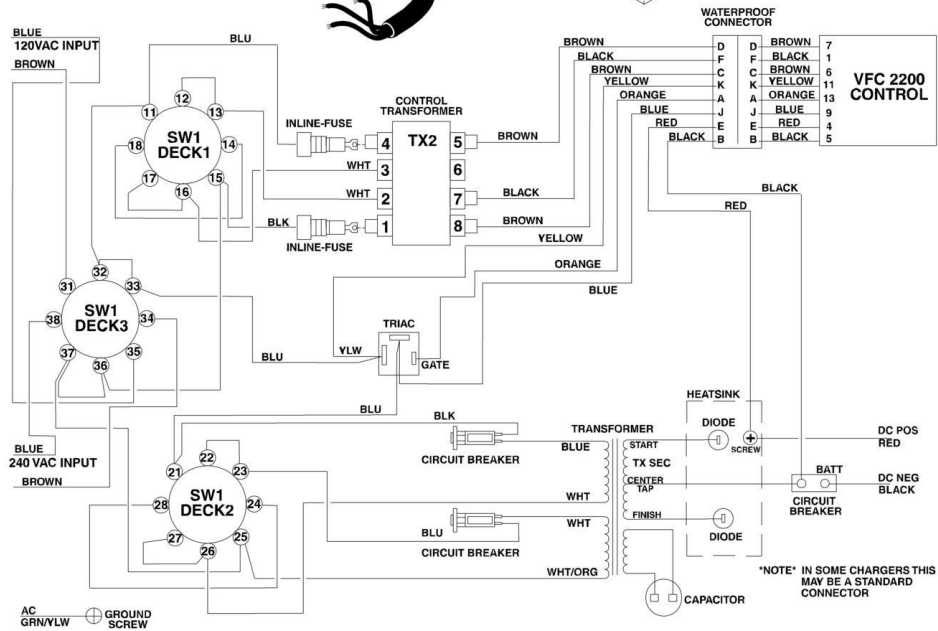
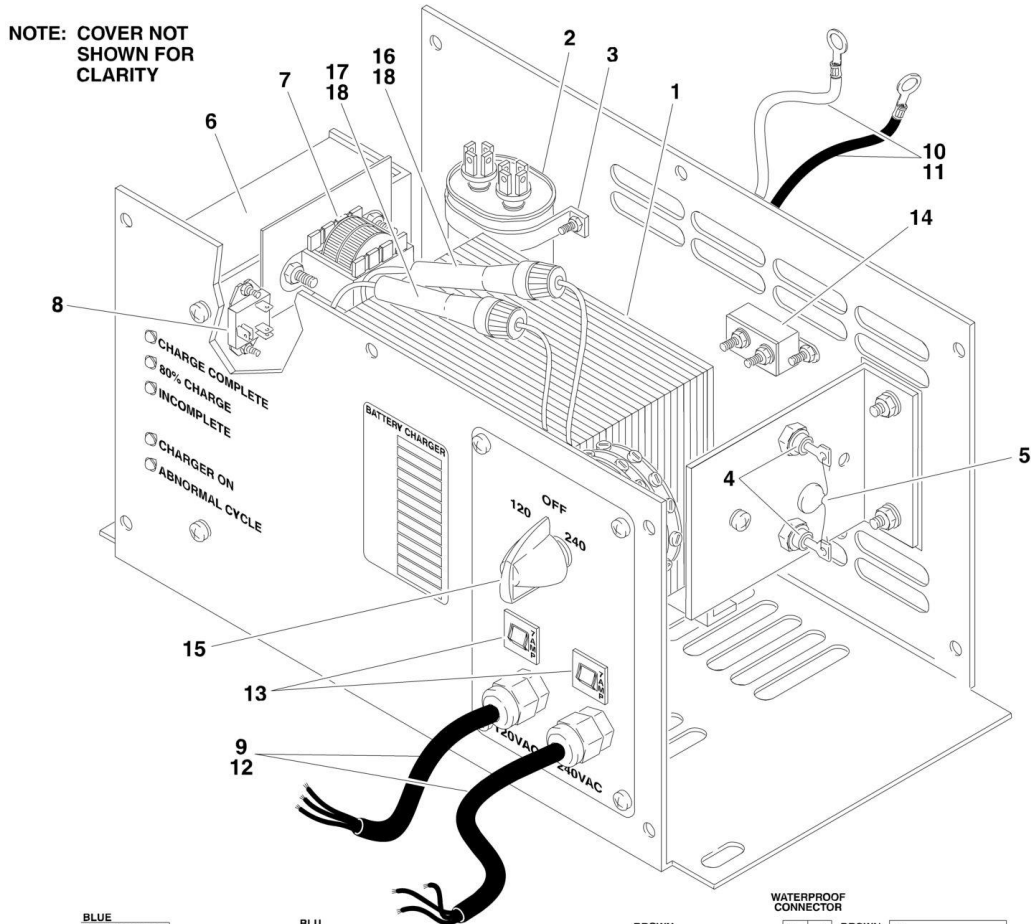
## SECTION 1 - FRAME

**FIGURE 1-10. BATTERY CHARGER ASSEMBLIES - SINGLE VOLTAGE**

ITEM	PART NUMBER	QTY	DESCRIPTION	REV
		Ref	<b>BATTERY CHARGER ASSEMBLIES - SINGLE VOLTAGE</b>	
		Ref	<b>Note: Charger Serial Number Nameplate located on front of charger. First line is the charger spec and date code. Prior to Mid-February 1996 Example: BA515 (spec) AP (date code).</b>	
		Ref	<b>First letter in the date code indicates month (A-January/B-February/C-March/etc. with exception of letter "I" which is not used). Second letter indicates year (S-1995/ T-1996). After Mid-February 1996 Example: BA515 (spec) 9631 (date code).</b>	
		Ref	<b>First and second digits in the date code indicate year. Third and fourth digits indicate week of manufacture.</b>	
	0400148	Ref	<b>BATTERY CHARGER ASSEMBLY - 60HZ/120V (AUSTRALIAN SPEC MACHINES)</b>	B
	0400145	Ref	<b>BATTERY CHARGER ASSEMBLY - 50HZ/240V (EUROPEAN SINGLE VOLTAGE)</b>	B
1		Ref	Transformer Options:	
1	7011658	1	60Hz/120V Charger	
1	7018524	1	50Hz/240V Charger	
2		Ref	Capacitor Options:	
2	7011543	1	60Hz/120V Charger	
2	7011523	1	50Hz/240V Charger	
3	7011560	1	Strap, Capacitor	
4	7011576	2	Diode	
5		Ref	Varistor Options:	
5	Not Available		60Hz/120V Charger	
5	7011596	1	50Hz/240V Charger	
6	7018512	1	Board, Circuit	
6	7018513	1	Harness - 8 Wire from PC Board	
7	7011551	1	Controller, Transformer	
8	7011517	1	Triac	
9	7011687	1	Cord, DC	
10	7018515	1	Cord, AC (50Hz/240V Charger Only)	
11	7018516	1	Relief, Strain (50Hz/240V Charger Only)	
12	7011528	1	Relief, Strain	
13	7018514	1	Breaker, Circuit - AC	
14	7011509	1	Breaker, Circuit - DC	
15	7011667	1	Socket, AC (60Hz/120V Charger Only)	
16	7011684	1	Relay, Interlock (60Hz/120V Charger Only)	
17	7018509	1	Cover, Case (Not Shown)	

# SECTION 1 - FRAME

## FIGURE 1-11. BATTERY CHARGER ASSEMBLIES - DUAL VOLTAGE



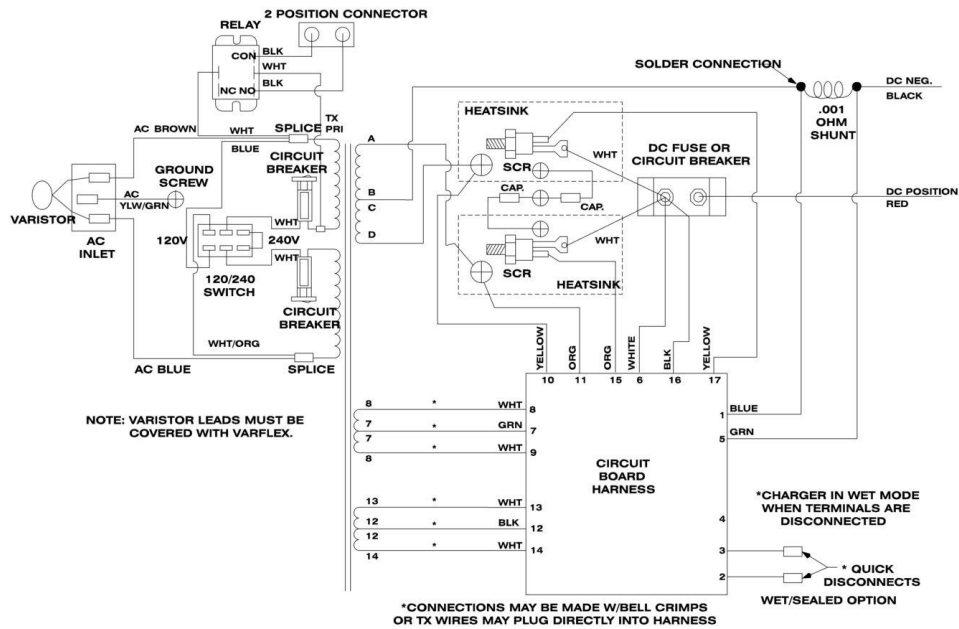
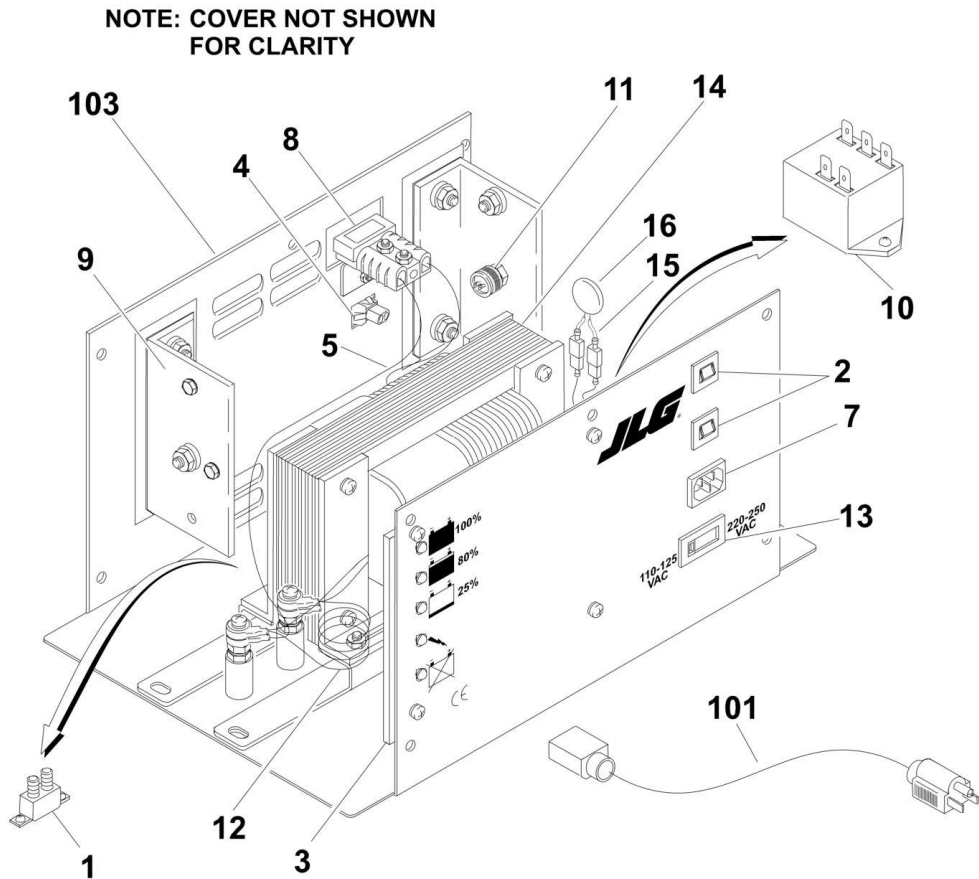
## SECTION 1 - FRAME

**FIGURE 1-11. BATTERY CHARGER ASSEMBLIES - DUAL VOLTAGE**

ITEM	PART NUMBER	QTY	DESCRIPTION	REV
		Ref	<b>BATTERY CHARGER ASSEMBLIES- DUAL VOLTAGE</b>	
		Ref	<b>Note: Charger Serial Number Nameplate located on front of charger. First line is the charger spec and date code. Prior to Mid-February 1996 Example: BA515 (spec) AP (date code).</b>	
		Ref	<b>First letter in the date code indicates month (A-January/B-February/C-March/etc. with exception of letter "I" which is not used). Second letter indicates year (S-1995/ T-1996). After Mid-February 1996 Example: BA515 (spec) 9631 (date code).</b>	
		Ref	<b>First and second digits in the date code indicate year. Third and fourth digits indicate week of manufacture.</b>	
	0400146	Ref	<b>BATTERY CHARGER ASSEMBLY - 50HZ/120V-240V (EUROPEAN DUAL VOLTAGE)</b>	B
1	7011681	1	Transformer	
2	7011523	1	Capacitor	
3	7011542	1	Strap, Capacitor	
4	7011576	2	Diode	
5	7018531	1	Varistor	
6	7018512	1	Board, Circuit	
6	7018517	1	Harness - 8 Wire from PC Board	
7	7011551	1	Controller, Transformer	
8	7011517	1	Triac	
9	7018522	2	Cord, AC	
10	7011687	1	Cord, DC	
11	7011528	1	Relief, Strain - DC	
12	7018516	2	Relief, Strain - AC	
13	7018514	1	Breaker, Circuit - AC	
14	7011509	1	Breaker, Circuit - DC	
15	7018518	1	Switch, Rotary	
15	7018592	1	Knob, Pointer	
16	7011513	1	Holder, Fuse (Black Wire Line)	
17	7018520	1	Holder, Fuse (Blue Wire Line)	
18	7018533	2	Fuse	
19	7018509	1	Cover, Case (Not Shown)	

# SECTION 1 - FRAME

## FIGURE 1-12. BATTERY CHARGER ASSEMBLIES - REPLACEMENT KIT



# SECTION 1 - FRAME

**FIGURE 1-12. BATTERY CHARGER ASSEMBLIES - REPLACEMENT KIT**

ITEM	PART NUMBER	QTY	DESCRIPTION	REV
	0400178	Ref	<b>BATTERY CHARGER ASSEMBLIES</b>	B
1	7011509	1	Breaker, Circuit - DC	
2	7018514	2	Breaker, Circuit - AC	
3	7018578	1	Board, Circuit	
4	7011621	1	Connector	
5	7020638	1	Cord - DC	
6	7018582	1	Harness (Not Shown)	
7	7018583	1	Plug, AC Inlet	
8	7011590	1	Plug, DC	
9	7018585	2	Rectifier Assembly	
10	7018564	1	Relay	
11	7018555	1	SCR	
12	7020605	1	Shunt Assembly	
13	7018586	1	Switch	
14	7020639	1	Transformer	
15	7018589	1	Varistor Assembly	
16	7018537	1	Varistor	
17	7020637	1	Cover, Case (Not Shown)	
		Ref	<b>BATTERY CHARGER KITS</b>	
	2901844	Ref	<b>Euro Spec</b>	1
	2901847	Ref	<b>Australian Spec</b>	1
101		Ref	Cable, AC Cord Options:	
101	1060689	1	Euro Spec	
101	1060691	1	Australian Spec	
102	4922233	1	Harness (Not Shown)	
103	0400178	1	Battery Charger Assembly (See Items 1-16 for Breakdown)	

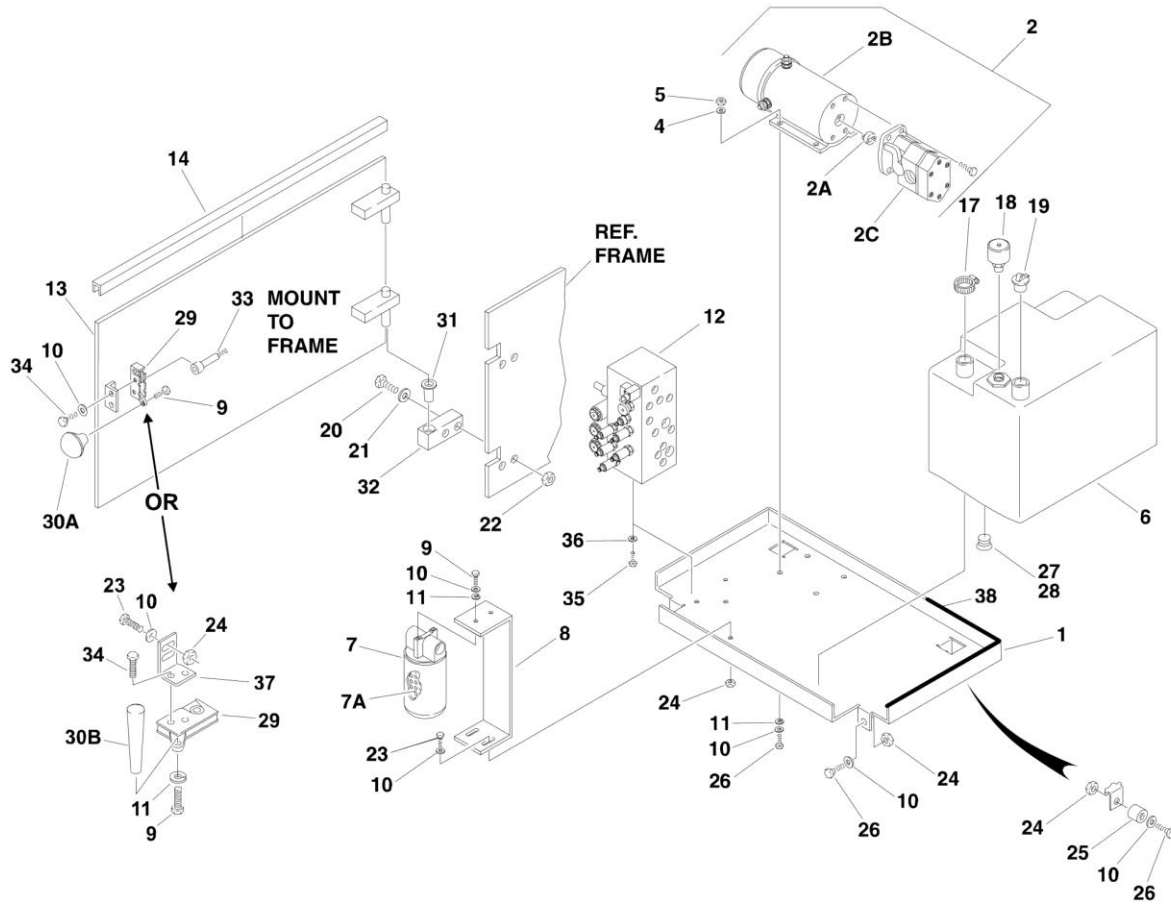




**SECTION 2 - GROUND COMPONENTS**

# SECTION 2 - GROUND COMPONENTS

## FIGURE 2-1. HYDRAULIC COMPONENTS AND COVER INSTALLATION - 1532E/1932E (POWER DOWN MACHINES)



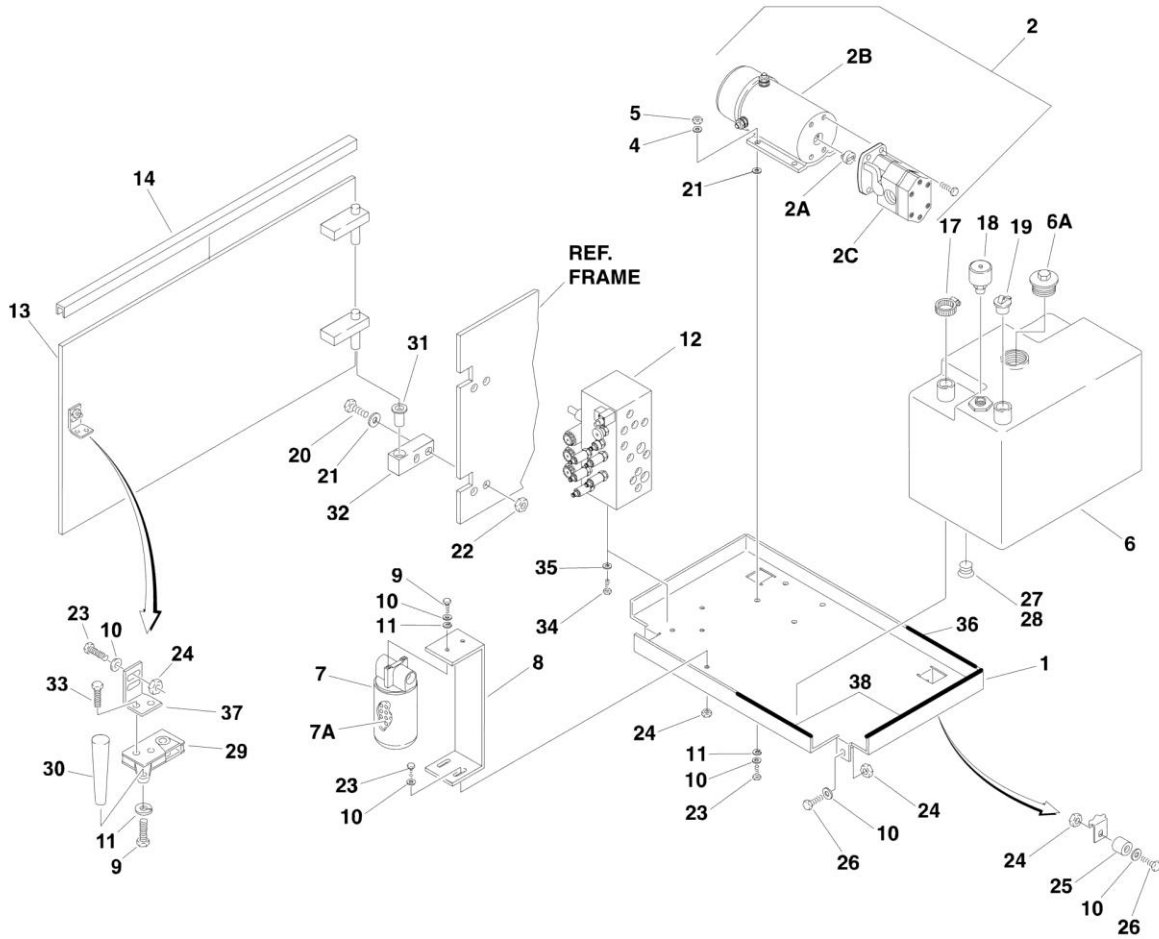
## SECTION 2 - GROUND COMPONENTS

**FIGURE 2-1. HYDRAULIC COMPONENTS AND COVER INSTALLATION - 1532E/1932E (POWER DOWN MACHINES)**

ITEM	PART NUMBER	QTY	DESCRIPTION	REV
		Ref	<b>Note: To determine Power or Gravity Down refer to page A.</b>	
	0255893	Ref	<b>HYDRAULIC COMPONENTS INSTALLATION (STD)</b>	H
1		Ref	Tray Weldment Options:	
1	4845271	1	Tray Weldment <b>(Prior to SN 24267)</b>	
1	4845365	1	Tray Weldment <b>(SN 24267 to Present)</b>	
2	3600219	1	Pump/Motor Assembly	C
2A	7013711	1	Coupling	
2B	7016742	1	Motor	
2B	7016781	1	Brush Kit (W/Prestolite Motor) (was p/n 7016748)	
2B	7016706	1	Brush Kit (W/Ohio Motor)	
2C	7016703	1	Pump	
2C	7016700	1	Seal, Shaft	
4	4711600	4	Flatwasher 3/8in	
5	3311605	4	Locknut 3/8in-16NC	
6	4400388	1	Tank, Hydraulic	
7	2120105	1	Filter Assembly	
7A	2120072	1	Element, Filter	
8	0902221	1	Bracket	
9	0641405	4	Bolt 1/4in-20NC x 5/8in	
10	4711400	16	Flatwasher 1/4in	
11	4761400	3	Lockwasher 1/4in	
12	4640951	1	Valve Assembly (See VALVE ASSEMBLY for Breakdown)	
13	1780291	1	Door Weldment	
14	3960389	34 in/86cm	Seal	
17	1320033	2	Clamp, Hose	
18	1340052	1	Breather	
19	3520077	1	Plug, Quick Snap	
20	0641816	4	Bolt 1/2in-13NC x 2in	
21	4751800	8	Flatwasher 1/2in	
22	3311805	4	Locknut 1/2in-13NC	
23	0641408	AR	Bolt 1/4in-20NC x 1in	
24	3311405	8	Locknut 1/4in	
25	4566849	2	Spacer	
26	0641412	4	Bolt 1/4in-20NC x 1-1/2in	
27	2200233	1	Plug, Drain	
28	0100020	AR	Sealant	
29	2940098	1	Latch	
30A	2560140	1	Knob <b>(Prior to SN 27620)</b>	
30B	2560137	1	Knob <b>(SN 27620 to Present)</b>	
31	0962004	2	Bushing, Flanged Bronze	
32	0362566	2	Bar, Hinge	
33	2940099	1	Striker <b>(Prior to SN 27620)</b>	
34	0641406	2	Bolt 1/4in-20NC x 3/4in	
35	0641506	3	Bolt 5/16in-18NC x 3/4in	
36	4711500	3	Flatwasher 5/16in Narrow	
37	0902365	1	Bracket, Latch Mounting <b>(SN 27620 to Present)</b>	
38	4420038	1 ft/31cm	Weatherstrip	

## SECTION 2 - GROUND COMPONENTS

FIGURE 2-2. HYDRAULIC COMPONENTS AND COVERS INSTALLATION - 1532E/1932E (GRAVITY DOWN MACHINES)



## SECTION 2 - GROUND COMPONENTS

**FIGURE 2-2. HYDRAULIC COMPONENTS AND COVERS INSTALLATION - 1532E/1932E (GRAVITY DOWN MACHINES)**

ITEM	PART NUMBER	QTY	DESCRIPTION	REV
		Ref	<b>Note: To determine Power or Gravity Down refer to page A.</b>	
	0257208	Ref	<b>HYDRAULIC COMPONENTS INSTALLATION (STD)</b>	4-B
1	4845365	1	Tray Weldment	
2	3600266	1	Pump/Motor Assembly	B
2A	7013711	1	Coupling	
2B	7016742	1	Motor	
2B	7016781	1	Brush Kit (was p/n 7016748)	
2C	7016743	1	Pump	
2C	Not Available	1	Seal, Shaft	
2C	7016746	1	Plate, Adapter	
2C	7016747	1	Gasket (Between Pump and Adapter)	
4	4711500	4	Flatwasher 5/16in Narrow	
5	3311505	4	Locknut 5/16in-18NC	
6	4400388	1	Tank, Hydraulic	
6A	1120491	1	Cap with O-Ring (was p/n 7020063 without O-Ring) <b>(SN 38283 to Present)</b>	
7	2120105	1	Filter Assembly	
7A	2120072	1	Element, Filter	
8	0902221	1	Bracket	
9	0641405	4	Bolt 1/4in-20NC x 5/8in	
10	4711400	16	Flatwasher 1/4in Narrow	
11	4761400	3	Lockwasher 1/4in	
12		Ref	Valve Assembly Options (See VALVE ASSEMBLY for Breakdown):	
12	4641004	1	Valve Assembly <b>(Prior to SN 41086)</b>	
12	4641021	1	Valve Assembly <b>(SN 41086 to Present)</b>	
13	1780291	1	Door Weldment	
14	3960389	34	Seal	
		in/86cm		
17	1320033	2	Clamp, Hose	
18	1340052	1	Breather	
19	3520077	1	Plug, Quick Snap	
20	0641816	4	Bolt 1/2in-13NC x 2in	
21	4751800	12	Flatwasher 1/2in	
22	3311805	4	Locknut 1/2in-13NC	
23	0641408	AR	Bolt 1/4in-20NC x 1in	
24	3311405	8	Locknut 1/4in	
25	4566849	2	Spacer	
26	0641412	4	Bolt 1/4in-20NC x 1-1/2in	
27	2200233	1	Plug, Drain	
28	0100020	AR	Sealant	
29	2940098	1	Latch	
30	2560137	1	Knob	
31	0962004	2	Bushing, Flanged Bronze	
32	0362566	2	Bar, Hinge	
33	0641406	2	Bolt 1/4in-20NC x 3/4in	
34	0641506	3	Bolt 5/16in-18NC x 3/4in	
35	4711500	3	Flatwasher 5/16in Narrow	
36	4420038	1	Weatherstrip	
		ft/30.5cm		

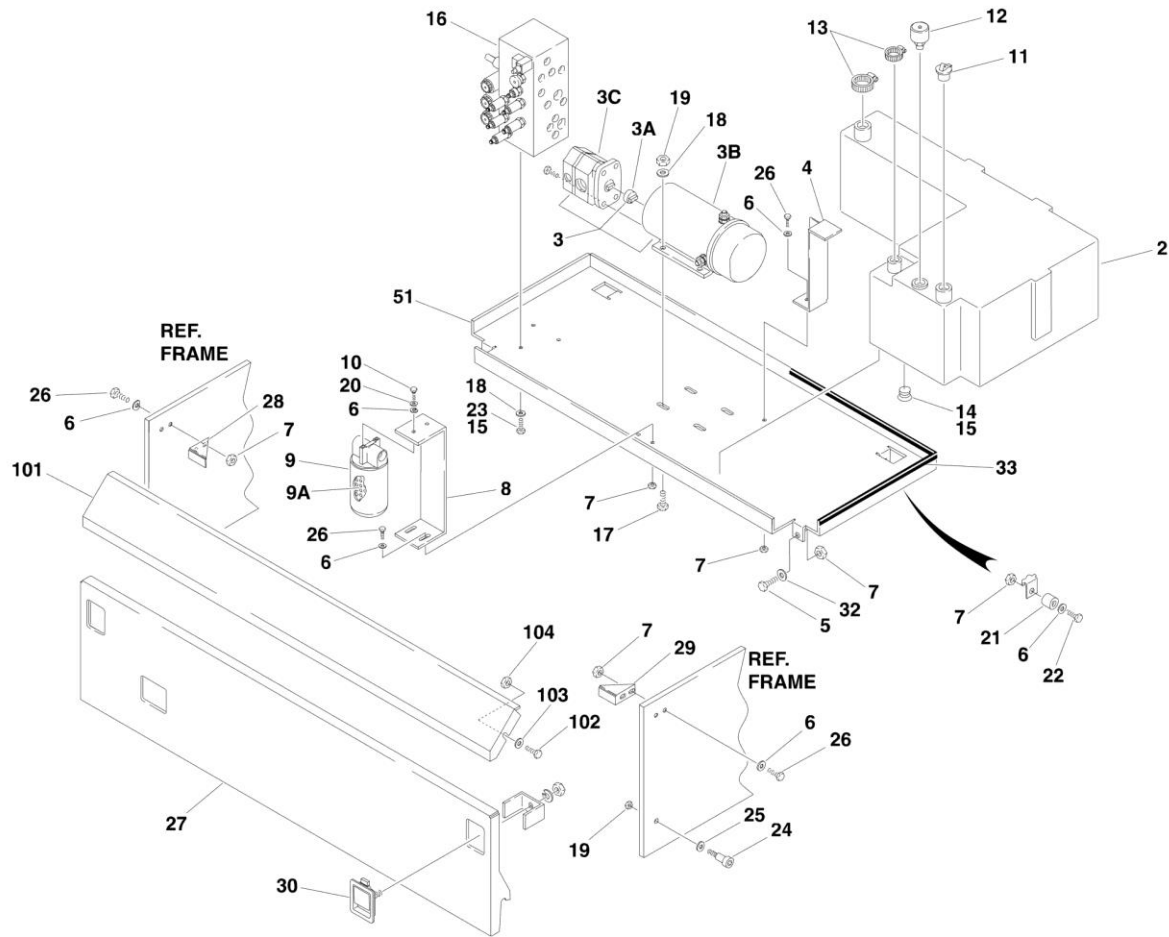
## SECTION 2 - GROUND COMPONENTS

ITEM	PART NUMBER	QTY	DESCRIPTION	REV
37	0902365	1	Bracket, Latch Mounting	
38	4420037	2.25 ft/68.5cm	Weatherstrip (U/L Machines Only)	



## SECTION 2 - GROUND COMPONENTS

FIGURE 2-3. HYDRAULIC COMPONENTS AND COVERS INSTALLATION - 2033E/2046E/2646E/2658E  
(POWER DOWN MACHINES)





## SECTION 2 - GROUND COMPONENTS

**FIGURE 2-3. HYDRAULIC COMPONENTS AND COVERS INSTALLATION - 2033E/2046E/2646E/2658E  
(POWER DOWN MACHINES)**

ITEM	PART NUMBER	QTY	DESCRIPTION	REV
		Ref	<b>Note: To determine Power or Gravity Down refer to page A.</b>	
		Ref	<b>HYDRAULIC COMPONENTS INSTALLATION (STANDARD PARTS)</b>	
2		Ref	Hydraulic Tank Options:	
2	4400378	1	Hydraulic Tank <b>(Prior to SN 21507)</b>	
2	4400394	1	Hydraulic Tank <b>(SN 21507 to Present)</b>	
3	3600219	1	Pump/Motor Assembly	
3A	7013711	1	Coupling	
3B	7016742	1	Motor	
3B	7016781	1	Brush Kit (W/Prestolite Motor) (was p/n 7016748)	
3B	7016706	1	Brush Kit (W/Ohio Motor)	
3C	7016703	1	Pump	
3C	7016700	1	Seal, Shaft	
4	0902198	1	Bracket	
5	0641408	2	Bolt 1/4in-20NC x 1in	
6	4711400	20	Flatwasher 1/4in	
7	3311405	11	Locknut 1/4in-2NC	
8	0902137	1	Bracket, Filter	
9	2120105	1	Filter	
9A	2120072	1	Element, Filter	
10	0641405	2	Bolt - 1/4in-20NC x 5/8in	
11	3520077	1	Plug, Quick Snap	
12	1340052	1	Breather	
13	1320033	2	Clamp, Hose	
14	2200233	1	Plug, Drain	
15	0100020	AR	Sealant	
16	4640951	1	Valve Assembly (See VALVE ASSEMBLY for Breakdown)	
17	0641506	4	Bolt 5/16in-18NC x 1in	
18	4711500	11	Flatwasher - 5/16in Narrow	
19	3311505	6	Locknut 5/16in-18NC	
20	4761400	2	Lockwasher 1/4in	
21	4566849	2	Spacer	
22	0641412	2	Bolt 1/4in-20NC x 1 1/2in	
23	0641506	3	Bolt 5/16in-18NC x 3/4in	
24	2940099	2	Striker, Latch	
25	4751400	4	Flatwasher 1/4in	
26	0641406	7	Bolt 1/4in-20NC x 3/4in	
27	3539766	1	Plate, Valve Cover	
28	0181874	1	Angle, Latch Stop (Right Side)	
29	0181875	1	Angle, Latch Stop (Left Side)	
30	2940045	2	Latch, Paddle	
32	4751400	4	Flatwasher 1/4in	
33	4420038	2 ft/61cm	Weatherstrip	
		Ref	<b>Note: To determine Power or Gravity Down refer to page A.</b>	
		Ref	<b>HYDRAULIC COMPONENTS INSTALLATION (VARIABLE PARTS)</b>	
	0256420	Ref	<b>Hydraulic Components Installation 2033E</b>	E
	0256422	Ref	<b>Hydraulic Components Installation 2046E/2646E/2658E</b>	E
51		Ref	Tray Options:	

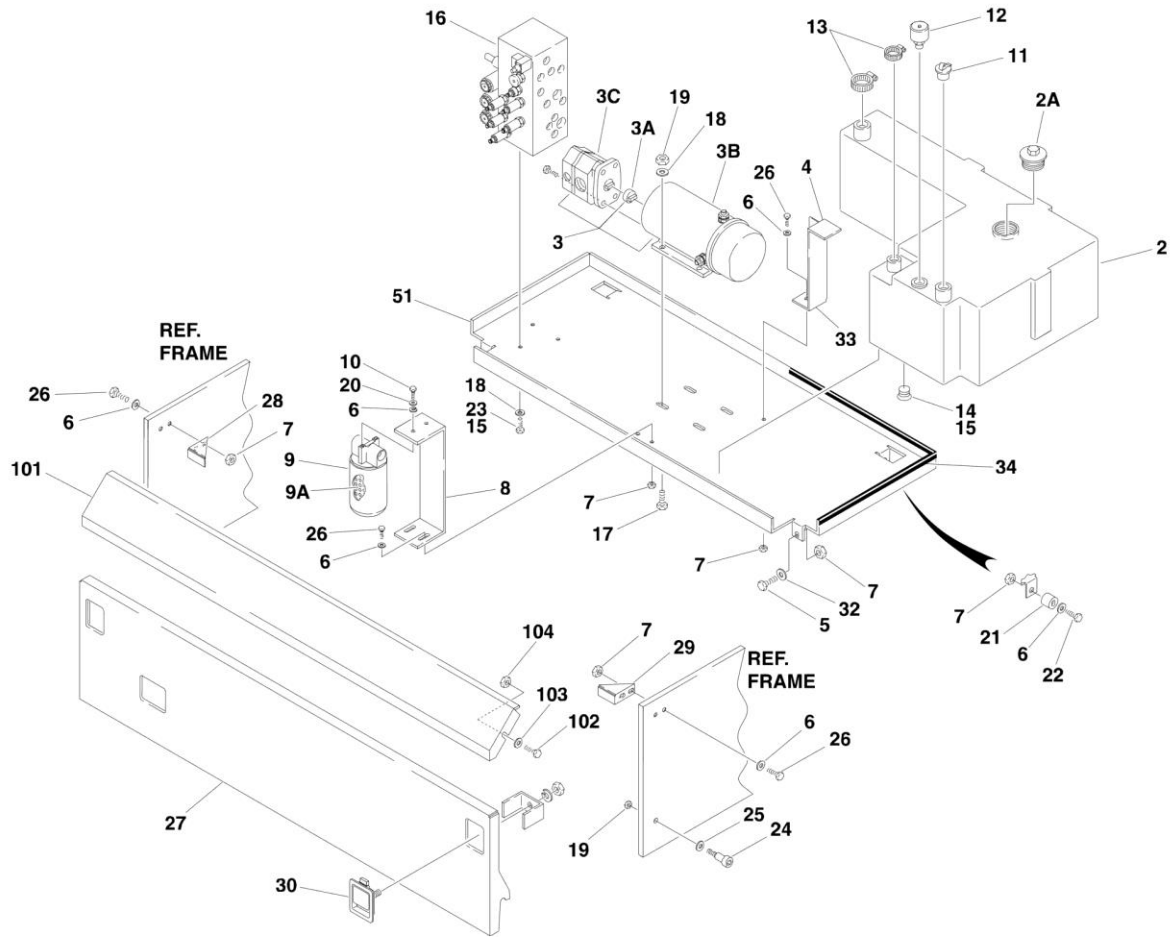
## SECTION 2 - GROUND COMPONENTS

ITEM	PART NUMBER	QTY	DESCRIPTION	REV
51	4845311	1	Tray 2033E (Prior to SN 24267)	
51	4845366	1	Tray 2033E (SN 24267 to Present)	
51	3539239	1	Tray 2046E/2646E/2658E (Prior to SN 24267)	
51	3539875	1	Tray 2046E/2646E/2658E (SN 24267 to Present)	
	0255938	Ref	<b>SIDE COVERS INSTALLATION - 2033E</b>	4-D
	0255939	Ref	<b>SIDE COVERS INSTALLATION - 2046E/2646E</b>	A
	0255940	Ref	<b>SIDE COVERS INSTALLATION - 2658E</b>	A
101		Ref	Cover Options:	
101	3539445	1	Cover 2033E (Prior to SN 33224)	
101	4060937	1	Cover 2033E (SN 33224 to Present)	
101	3539446	1	Cover 2046E/2646E	
101	3539447	1	Cover 2658E	
102	0641408	2	Bolt, 1/4in-20NC x 1in	
103	4751400	4	Flatwasher - 1/4in	
104	3311405	2	Locknut - 1/4in-20NC	



## SECTION 2 - GROUND COMPONENTS

FIGURE 2-4. HYDRAULIC COMPONENTS AND COVERS INSTALLATION - 2033E/2046E/2646E/2658E  
(GRAVITY DOWN MACHINES)



## SECTION 2 - GROUND COMPONENTS

**FIGURE 2-4. HYDRAULIC COMPONENTS AND COVERS INSTALLATION - 2033E/2046E/2646E/2658E  
(GRAVITY DOWN MACHINES)**

ITEM	PART NUMBER	QTY	DESCRIPTION	REV
		Ref	<b>Note: To determine Power or Gravity Down refer to page A.</b>	
		Ref	<b>HYDRAULIC COMPONENTS INSTALLATION (STANDARD PARTS)</b>	
2	4400394	1	Hydraulic Tank Assembly	
2A	1120491	1	Cap with O-Ring (was p/n 7020063 without O-Ring) <b>(SN 38283 to Present)</b>	
3	3600266	1	Pump/Motor Assembly (Standard Machines)	B
3	3600269	1	Pump/Motor Assembly (Japanese Machines)	A
3A	7013711	1	Coupling	
3B	7016742	1	Motor	
3B	7016781	1	Brush Kit (was p/n 7016748)	
3C	7016743	1	Pump	
3C	Not Available	1	Seal, Shaft	
3C	7016747	1	Gasket (Between Pump and Adapter)	
4	0902198	1	Bracket	
5	0641408	2	Bolt 1/4in-20NC x 1in	
6	4711400	20	Flatwasher 1/4in	
7	3311405	11	Locknut 1/4in-2NC	
8	0902137	1	Bracket, Filter	
9	2120105	1	Filter	
9A	2120072	1	Element, Filter	
10	0641405	2	Bolt - 1/4in-20NC x 5/8in	
11	3520077	1	Plug, Quick Snap	
12	1340052	1	Breather	
13	1320033	2	Clamp, Hose	
14	2200233	1	Plug, Drain	
15	0100020	AR	Sealant	
16		Ref	Valve Assembly Options (See VALVE ASSEMBLY for Breakdown):	
16	4641004	1	Valve Assembly <b>(Prior to SN 41086)</b>	
16	4641021	1	Valve Assembly <b>(SN 41086 to Present)</b>	
17	0641506	4	Bolt 5/16in-18NC x 1in	
18	4711500	11	Flatwasher - 5/16in Narrow	
19	3311505	6	Locknut 5/16in-18NC	
20	4761400	2	Lockwasher 1/4in	
21	4566849	2	Spacer	
22	0641412	2	Bolt 1/4in-20NC x 1 1/2in	
23	0641506	3	Bolt 5/16in-18NC x 3/4in	
24	2940099	2	Striker, Latch	
25	4751400	4	Flatwasher 1/4in	
26	0641406	7	Bolt 1/4in-20NC x 3/4in	
27	3539766	1	Plate, Valve Cover	
28	0181874	1	Angle, Latch Stop (Right Side)	
29	0181875	1	Angle, Latch Stop (Left Side)	
30	2940045	2	Latch, Paddle	
32	4751400	4	Flatwasher 1/4in	
33	4420038	1 ft/31cm	Weatherstrip	
34	4420037	38 in/96cm	Weatherstrip <b>(SN 38184 to Present)</b>	
		Ref	<b>Note: To determine Power or Gravity Down refer to page A.</b>	

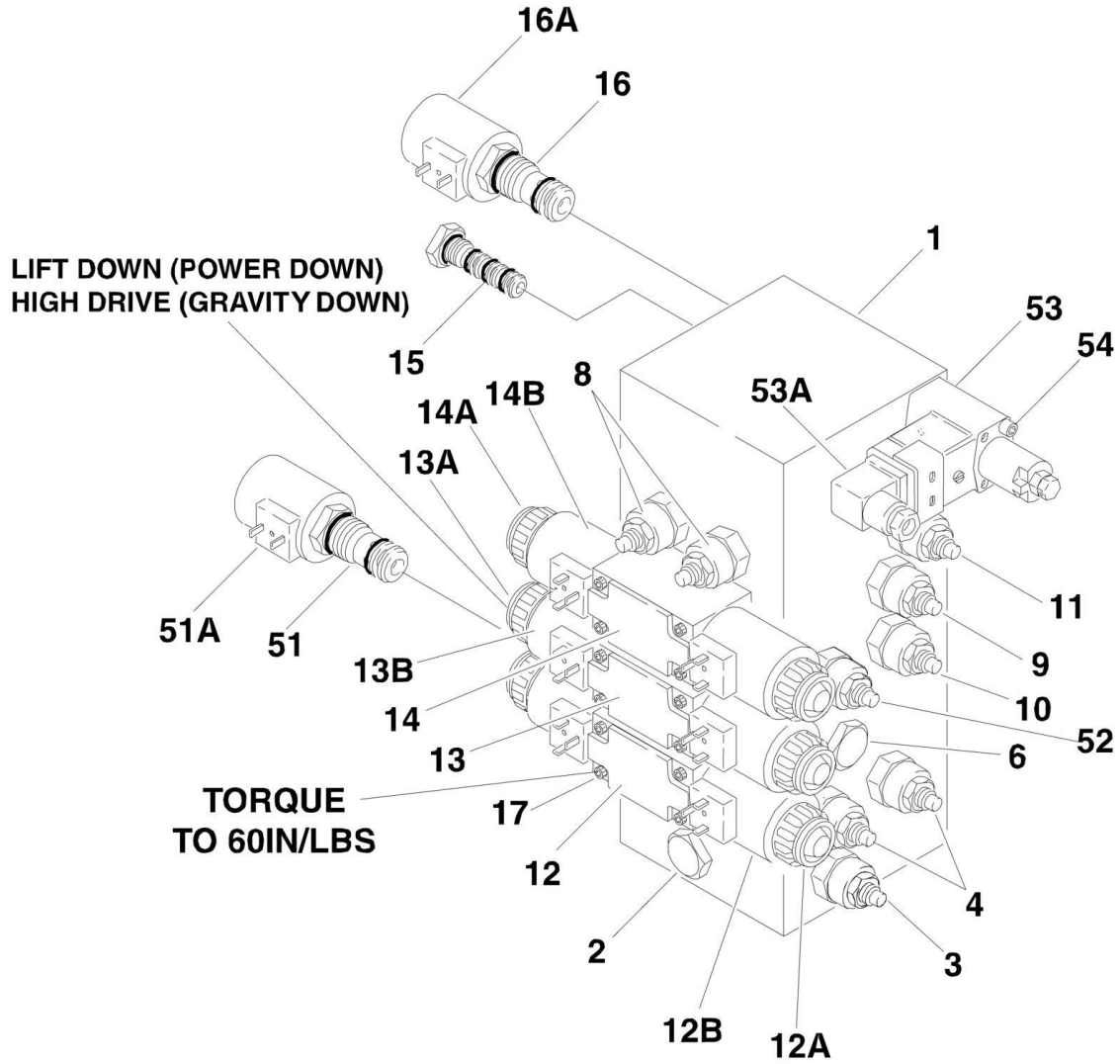
## SECTION 2 - GROUND COMPONENTS

ITEM	PART NUMBER	QTY	DESCRIPTION	REV
		Ref	<b>HYDRAULIC COMPONENTS INSTALLATION (VARIABLE PARTS)</b>	
	0257210	Ref	<b>Hydraulic Components Installation 2033E (VARIABLE PARTS)</b>	4-B
	0257212	Ref	<b>Hydraulic Components Installation 2046E/2646E/2658E</b>	4-B
51	4845366	1	Tray Weldment	
51	4845366	1	Tray 2033E	
51	4849875	1	Tray 2046E/2646E/2658E	
		Ref	<b>SIDE COVERS INSTALLATION - 2033E</b>	
	0258182	Ref	<b>Side Covers Installation 2033E</b>	1-A
	0255939	Ref	<b>Side Covers Installation 2046E/2646E</b>	A
	0255940	Ref	<b>Side Covers Installation 2658E</b>	A
101		Ref	Cover Options:	
101	4060937	1	Cover 2033E	
101	3539446	1	Cover 2046E/2646E	
101	3539447	1	Cover 2658E	
102		Ref	Hardware Options:	
102	3941406	4	Hardware 2033E (Screw, Self Tapping 1/4in-20 x 3/4in)	
102	0641408	4	Hardware 2046E/2646E/2658E (Bolt 1/4in-20NC x 1in)	
103	4751400	AR	Flatwasher - 1/4in	
104	3311405	AR	Locknut - 1/4in-20NC	



# SECTION 2 - GROUND COMPONENTS

## FIGURE 2-5. VALVE ASSEMBLY





## SECTION 2 - GROUND COMPONENTS

### FIGURE 2-5. VALVE ASSEMBLY

ITEM	PART NUMBER	QTY	DESCRIPTION	REV
		Ref	<b>Note: To determine Power or Gravity Down refer to page A.</b>	
		Ref	<b>VALVE ASSEMBLY (STANDARD PARTS)</b>	
1	Not Serviced	1	Block, Valve	
2	7018300	1	Cartridge, Valve (Shuttle)	
2	7018301	1	Seal Kit - 7018300 Cartridge	
3	7018302	1	Cartridge, Valve (Main Relief)	
3	7016351	1	Seal Kit - 7018302 Cartridge	
4	7018919	2	Cartridge, Valve (Steer Relief)	
4	7016351	2	Seal Kit	
6	7018304	1	Cartridge, Valve (High Drive Check)	
6	7016351	1	Seal Kit - 7018304 Cartridge	
8	7018305	2	Cartridge, Valve (Counterbalance)	
8	7016337	2	Seal Kit - 7016338 Cartridge	
9	7018307	1	Cartridge, Valve (Brake)	
9	7018308	1	Seal Kit - 7018307 Cartridge	
10	7018303	1	Cartridge, Valve (Lift Relief Up)	
10	7016351	1	Seal Kit - 7018303 Cartridge	
11	7018312	1	Cartridge, Valve (Tow)	
11	7018313	1	Seal Kit - 7018312 Cartridge	
12	7012793	1	Rexroth Valve Section (Steer)	
12	7012773	1	Seal Kit	
12A	7018912	2	Nut	
12B	7018917	2	Coil	
13	7012794	2	Rexroth Valve Section - Lift Up/Lift Down (Power Down)	
13		Ref	Rexroth Valve Section - Lift Up/High Drive (Gravity Down)	
13	7012773	1	Seal Kit	
13A	7018912	2	Nut	
13B	7018917	2	Coil	
14	7012794	2	Rexroth Valve Section (Drive)	
14	7012773	1	Seal Kit	
14A	7018912	2	Nut	
14B	7018917	2	Coil	
15	7018314	1	Cartridge, Valve (Flow Divider)	
15	7018315	1	Seal Kit - 7018314 Cartridge	
16	7018309	1	Cartridge Without Coil (Posi-Trac)	
16	7018310	1	Seal Kit - 7018309 Cartridge	
16A	7018311	1	Coil	
17	3931032	12	Capscrew, Socket Head #10-24NC x2in	
		Ref	<b>VALVE ASSEMBLY (VARIABLE PARTS)</b>	
	4640951	Ref	<b>Power Down Machines</b>	B
	4641004	Ref	<b>Gravity Down Machines (Prior to SN 41086)</b>	A
	4641021	Ref	<b>Gravity Down Machines (SN 41086 to Present)</b>	A
51		Ref	Cartridge, Without Coil (High Drive) Options:	
51	7016348	1	Power Down Machines	
51	7016349	1	Seal Kit - 7016348 Cartridge	
51	Not Required	0	Gravity Down Machines	
51A		Ref	Coil Options:	
51A	7016352	1	Power Down Machines	
51A	Not Required	0	Gravity Down Machines	
52		Ref	Cartridge, Valve (Lift Relief Down) Options:	

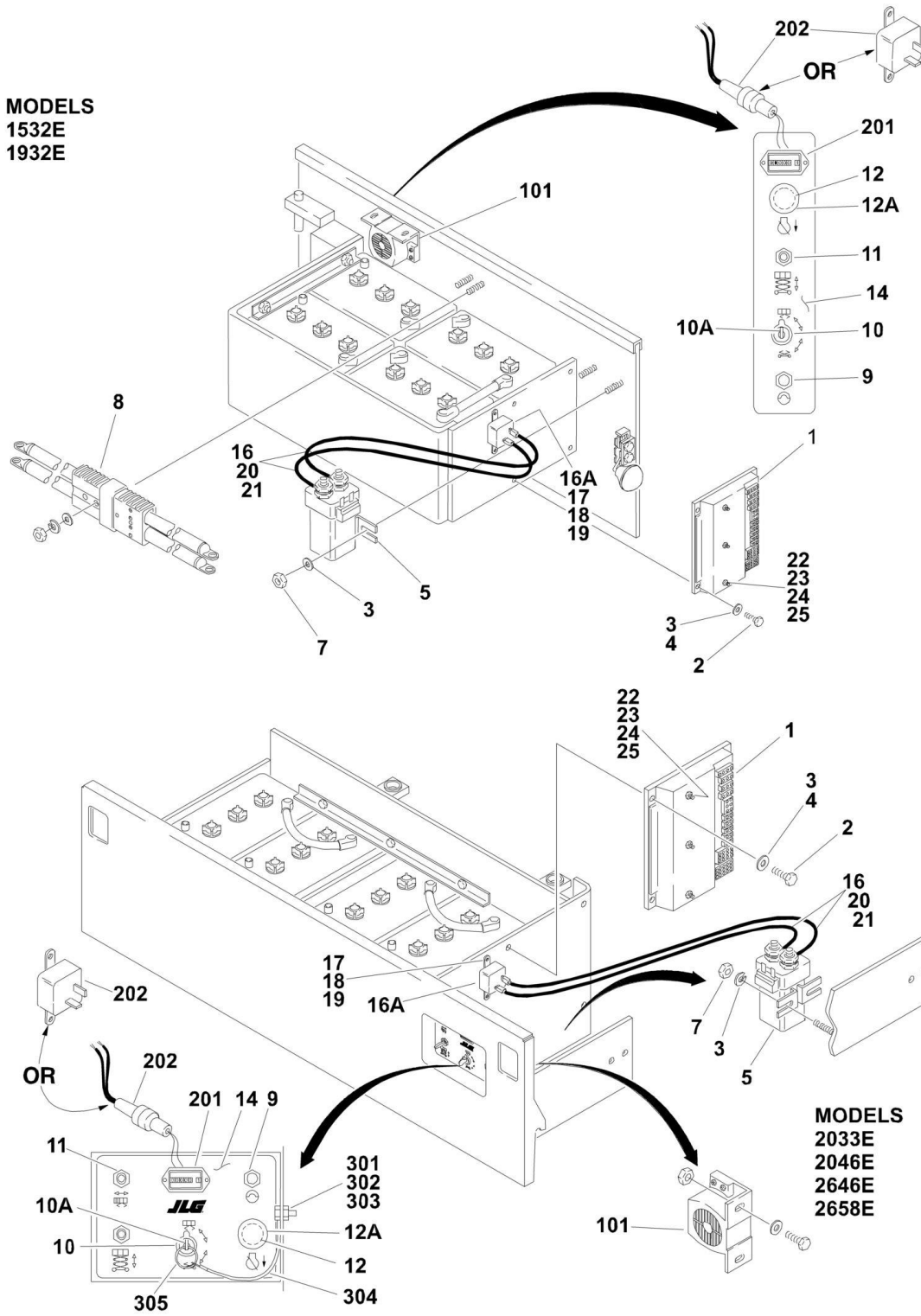
## SECTION 2 - GROUND COMPONENTS

ITEM	PART NUMBER	QTY	DESCRIPTION	REV
52	7018920	1	Power Down Machines	
52	7016351	1	Seal Kit - 7018920 Cartridge	
52	Not Required	1	Gravity Down Machines	
53		Ref	Cartridge (Pressure Switch) Options:	
53	7012792	1	Power Down Machines	
53	7018918	1	O-Ring	
53	7012792	1	Gravity Down Machines <b>(Prior to SN 41086)</b>	
53	7018918	1	O-Ring	
53	Not Required	0	Gravity Down Machines <b>(SN 41086 to Present)</b>	
53A		Ref	Connector, DIN Options:	
53A	4460449	1	Power Down Machines	
53A	4460449	1	Gravity Down Machines <b>(Prior to SN 41086)</b>	
53A	Not Required	0	Gravity Down Machines <b>(SN 41086 to Present)</b>	
54		Ref	Capscrew, Socket Head #8-32NC x 1 3/4in	
54	3930828	4	Power Down Machines	
54	3930828	4	Gravity Down Machines <b>(Prior to SN 41086)</b>	
54	Not Required	0	Gravity Down Machines <b>(SN 41086 to Present)</b>	



# SECTION 2 - GROUND COMPONENTS

FIGURE 2-6. ELECTRICAL COMPONENTS INSTALLATIONS (AT GROUND CONTROLS)



## SECTION 2 - GROUND COMPONENTS

**FIGURE 2-6. ELECTRICAL COMPONENTS INSTALLATIONS (AT GROUND CONTROLS)**

ITEM	PART NUMBER	QTY	DESCRIPTION	REV
		Ref	<b>GROUND CONTROLS INSTALLATION</b>	
	0256408	Ref	<b>Ground Controls Installation 1532E/1932E (Prior to SN 49391)</b>	10
	0258783	Ref	<b>Ground Controls Installation 1532E/1932E (SN 49391 to Present)</b>	1
	0256409	Ref	<b>Ground Controls Installation 2033E/2046E/2646E/2658E (Prior to SN 49391)</b>	9
	0258786	Ref	<b>Ground Controls Installation 2033E/2046E/2646E/2658E (SN 49391 to Present)</b>	1
1		Ref	Controller, SMART System TM Options:	
1	1600233	1	Controller, SMART System TM <b>(Prior to SN 29221)</b>	
1	1600258	1	Controller, SMART System TM <b>(SN 29221 through 49390)</b>	
1	1600286	1	Controller, SMART System TM <b>(SN 49391 to Present)</b>	
		Ref	<b>Note: When replaced, controller must be configured to appropriate model and options using analyzer kit p/n 2901443 or computer software kit p/n 2900874.</b>	
2	0641406	4	Bolt 1/4in-20NC x 3/4in	
3	4751400	AR	Flatwasher 1/4in	
4	0100020	AR	Sealant	
5		Ref	Relay Options:	
5	3740130	1	Standard Machine (was p/n 3740117) <b>(Prior to SN 30199)</b>	
5	3740130	1	Standard Machine (was p/n 3740120) <b>(SN 30199 through 44432)</b>	
5	3740130	1	Standard Machine <b>(SN 44433 to Present)</b>	
5	3740117	1	Standard Machines without 1600286 Controller Operated in Cold Weather Regions	
7	3311405	AR	Locknut 1/4in-20NC	
8		Ref	Cable Assembly Options:	
8	1060606	1	Cable Assembly 1532E/1932E	
8	4460618	2	Connector, Anderson	
8	Not Required	0	Cable Assembly 2033E/2046E/2646E/2658E	
9	4360070	1	Breaker, Circuit	
10	4360433	1	Switch, Keyed Select	
10	7019604	1	Switch Kit (Includes o-rings, boot and locking ring)	
10A	2860030	1	Key, Replacement	
11	4360328	AR	Switch, Toggle	
12	4360395	1	Switch, Emergency Stop <b>(Prior to SN 44433)</b>	
12A	7016315	1	Cap	
12	4360289	1	Switch, Emergency Stop <b>(SN 44433 to Present)</b>	
12A	7012612	1	Boot	
14		Ref	Nameplate - Ground Controls Options:	
14	3252479	1	Nameplate - Ground Controls 1532E/1932E	
14	3252478	1	Nameplate - Ground Controls 2033E/2046E/2646E/2658E	
15	0100076	AR	Silicone - 8lbs Pail (Not Shown-Spread on back of Item 1)	
15	7016397	AR	Silicone - 5oz Tube (Not Shown-Spread on back of Item 1)	
16	4921986	1	Harness, Relay (Power Down Machines) <b>(SN 31685 to Present)</b>	
16	4921990	1	Harness, Relay (Gravity Down Machines)	
16A	3740069	1	Relay <b>(SN 31685 to Present)</b>	
17	3911008	1	Screw #10-24NC x 1 <b>(SN 31685 to Present)</b>	
18	4751000	2	Flatwasher #10 <b>(SN 31685 to Present)</b>	
19	3311005	1	Locknut #10-24NC <b>(SN 31685 to Present)</b>	
20	4460259	2	Terminal <b>(SN 31685 to Present)</b>	

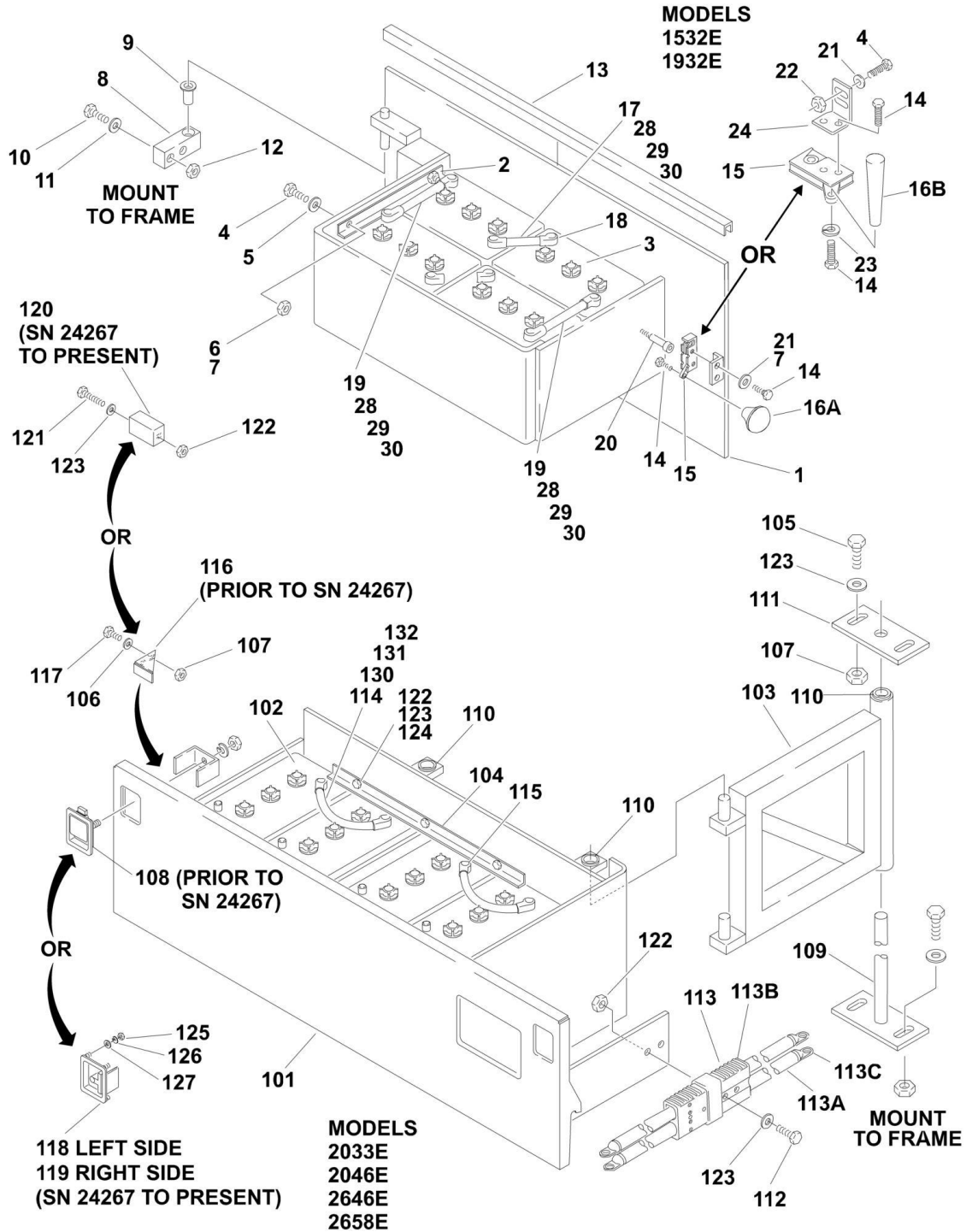
## SECTION 2 - GROUND COMPONENTS

ITEM	PART NUMBER	QTY	DESCRIPTION	REV
21	4460260	2	Housing, Terminal (SN 31685 to Present)	
22	4740479	6	Washer, Brass 1/4in	
23	4300133	3	Stud, Brass 1/4in	
24	4761400	3	Lockwasher 1/4in	
25	3311401	3	Nut 1/4in-20NC	
		Ref	<b>ALARM INSTALLATIONS</b>	
		Ref	<b>PRIOR TO AUGUST 1996:</b>	
	0256682	Ref	<b>STANDARD ALARM - 1532E/1932E</b>	-
	0255951	Ref	<b>STANDARD ALARM - 2033E/2046E/2646E/2658E</b>	C
		Ref	<b>AUGUST 1996 TO PRESENT:</b>	
	0256959	Ref	<b>DESCENT ALARM - 1532E/1932E</b>	-
	0256960	Ref	<b>MOTION ALARM - 1532E/1932E</b>	-
	0256964	Ref	<b>TRAVEL ALARM - 1532E/1932E</b>	-
	0256961	Ref	<b>DESCENT ALARM - 2033E/2046E/2646E/2658E</b>	-
	0256962	Ref	<b>MOTION ALARM - 2033E/2046E/2646E/2658E</b>	-
	0256965	Ref	<b>TRAVEL ALARM - 2033E/2046E/2646E/2658E</b>	-
101	0140033	1	Alarm (Remove Ground Strap Before Installation)	
101	0641408	2	Bolt 1/4in-20NC x 1in	
101	4711400	4	Flatwasher 1/4in Narrow	
101	3311405	2	Locknut 1/4in-20NC	
	0256056	Ref	<b>HOURLY METER GAUGE INSTALLATION - 1532E/1932E</b>	4
	0256058	Ref	<b>HOURLY METER GAUGE INSTALLATION - 2033E/2046E/2646E/2658E</b>	5
201	2420165	1	Gauge, Hourmeter	
202	2420179	1	Filter, Hourmeter (Use in-line version in place of bolt-on version when equipped)	
	0256423	Ref	<b>KEY ATTACH INSTALLATION (OPTIONAL)</b>	A
301	0641406	1	Bolt 1/4in-20NC x 3/4in	
302	4751400	2	Flatwasher 1/4in	
303	3311405	1	Locknut 1/4in-20NC	
304	1060379	1	Cable, Lanyard	
305	3760170	1	Ring	



# SECTION 2 - GROUND COMPONENTS

## FIGURE 2-7. BATTERY INSTALLATIONS





## SECTION 2 - GROUND COMPONENTS

### FIGURE 2-7. BATTERY INSTALLATIONS

ITEM	PART NUMBER	QTY	DESCRIPTION	REV
	0255891	Ref	<b>BATTERY INSTALLATION - STD 1532E/1932E</b>	11
	0256921	Ref	<b>BATTERY INSTALLATION - U/L 1532E/1932E</b>	5
1	1780290	1	Battery Door Weldment	
2	0181880	2	Angle, Mounting	
3	0400067	4	Battery (Wet) (Standard)	
3	0400113	4	Battery (Dry) (Shipping Option)	
4	0641408	6	Bolt, 1/4in-20NC x 1in	
5	4751400	8	Flatwasher 1/4in	
6	3311401	4	Nut, 1/4in-20NC	
7	0100011	AR	LOCTITE #242	
8	0362566	2	Bar, Hinge	
9	0962004	2	Bushing, Flanged Bronze	
10	0641816	4	Bolt, 1/2in-13NC x 2in	
11	4751800	8	Flatwasher 1/2in	
12	3311801	4	Nut, 1/2in-13NC	
13	3960389	34 in/6cm	Seal	
14	0641406	3	Bolt, 1/4in-20NC x 3/4in	
15	2940098	1	Latch	
16A	2560140	1	Knob <b>(Prior to SN 27620)</b>	
16B	2560137	1	Knob <b>(SN 27620 to Present)</b>	
17	1060561	1	Cable - 12in/30.5cm	
18	0840031	8	Terminal Boot	
19	1060635	2	Cable - 9in/23cm	
20	2940099	1	Striker, Latch <b>(Prior to SN 27620)</b>	
21	4711400	2	Flatwasher 1/4in Narrow	
22	3311405	4	Locknut 1/4in-20NC	
23	4761400	2	Lockwasher 1/4in	
24	0902365	1	Bracket, Latch Mounting	
25	2820088	4	Shield, Phenolic 10x20 (Not Shown - U/L Machines Only)	
26	2820084	2	Shield, Phenolic 10x8 (Not Shown - U/L Machines Only)	
27	4240084	1	Strap, Static (Not Shown - U/L Machines Only)	
28	3300429	8	Nut 5/16 <b>(SN 41458 to Present)</b>	
29	4740474	8	Washer 5/16 <b>(SN 41458 to Present)</b>	
30	0630526	8	Bolt 5/16in-18NC x 1 1/4 <b>(SN 41458 to Present)</b>	
	0256421	Ref	<b>BATTERY INSTALLATION - STD 2033E/2046E/2646E/2658E</b>	10
	0256850	Ref	<b>BATTERY INSTALLATION - U/L 2033E/2658E</b>	5
	0257437	Ref	<b>BATTERY INSTALLATION - U/L 2046E/2646E</b>	3
101	4845326	1	Battery Door Weldment	
102	0400151	4	Battery (Wet) (Standard)	
102	Not Available	4	Battery (Dry) (Shipping Option)	
102	0400067	4	Battery (Wet) (Standard) (UL Machines Only)	
102	0400113	4	Battery (Dry) (Shipping Option - UL Machines Only)	
103	4845129	2	Hinge	
104	0181622	1	Angle, Battery Holddown	
105	0791608	8	Bolt 3/8in-16NC x 1in	
106	4240084	1	Strap, Static (Not Shown - U/L Machines Only)	
107	3311608	8	Locknut, Flanged 3/8in-16NC	
108	2940045	2	Latch, Paddle <b>(Prior to SN 24267)</b>	
109	4845130	2	Hinge	
110	0962004	8	Bushing, Flanged Bronze	

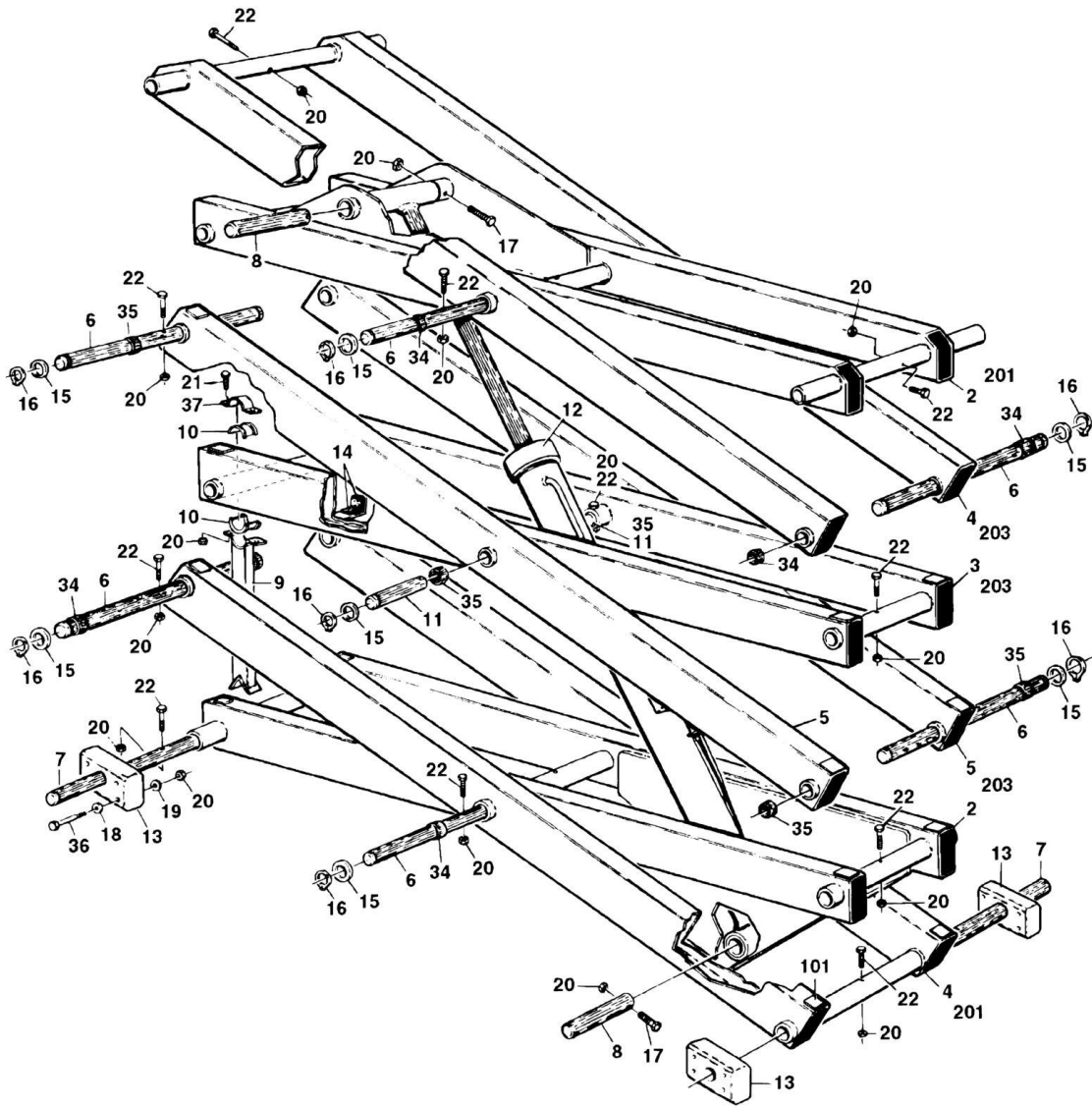
## SECTION 2 - GROUND COMPONENTS

ITEM	PART NUMBER	QTY	DESCRIPTION	REV
111	3538844	2	Plate	
112	0641414	2	Bolt 1/4in-20NC x 1 3/4in	
113	1060605	1	Cable, Battery	
113A	1060048	9 ft/2.74m	Cable	
113B	4460618	2	Connector, Anderson	
113C	4460022	4	Terminal Eyelet	
114	1060635	3	Cable, Battery	
115	0840031	8	Boot, Terminal	
116	0181874	1	Angle, Latch Stop (Left Side) <b>(Prior to SN 24267)</b>	
116	0181875	1	Angle, Latch Stop (Right Side) <b>(Prior to SN 24267)</b>	
117	0641406	4	Bolt 1/4in-20NC x 3/4 <b>(Prior to SN 24267)</b>	
118	2940100	1	Latch, "T"-Handle (Left Side) <b>(SN 24267 to Present)</b>	
119	2940101	1	Latch, "T"-Handle (Right Side) <b>(SN 24267 to Present)</b>	
120	4220166	1	Stop, Door <b>(SN 24267 to Present)</b>	
121	0641424	1	Bolt 1/4in-20NC x 3in	
122	3271405	6	Locknut 1/4in-20NC (Grade 8)	
123	4711400	14	Flatwasher 1/4in Narrow	
124	0641408	3	Bolt 1/4in-20NC x 1in	
125	3311001	8	Nut #10-24NC	
126	4751000	8	Flatwasher #10	
127	4761000	8	Lockwasher #10	
128	2820084	10	Shield, Phenolic 10in x 8in (Not Shown - U/L Machines Only)	
129	2820087	1	Shield, Phenolic 10in x 30in (Not Shown - U/L 2033E/2658E Machines Only)	
129	2820094	1	Shield, Phenolic 3 1/2in x 30in (Not Shown - U/L 2046E/2646E Machines Only)	
129	2820095	1	Shield, Phenolic 4 1/2in x 30in (Not Shown - U/L 2046E/2646E Machines Only)	
130	3300429	8	Nut 5/16 <b>(SN 41458 to Present)</b>	
131	4740474	8	Washer 5/16 <b>(SN 41458 to Present)</b>	
132	0630526	8	Bolt 5/16in-18NC x 1 1/4 <b>(SN 41458 to Present)</b>	

**SECTION 3 - SCISSOR ARMS**

# SECTION 3 - SCISSOR ARMS

## FIGURE 3-1. SCISSOR ARMS INSTALLATION - 1532E (POWER DOWN MACHINES)



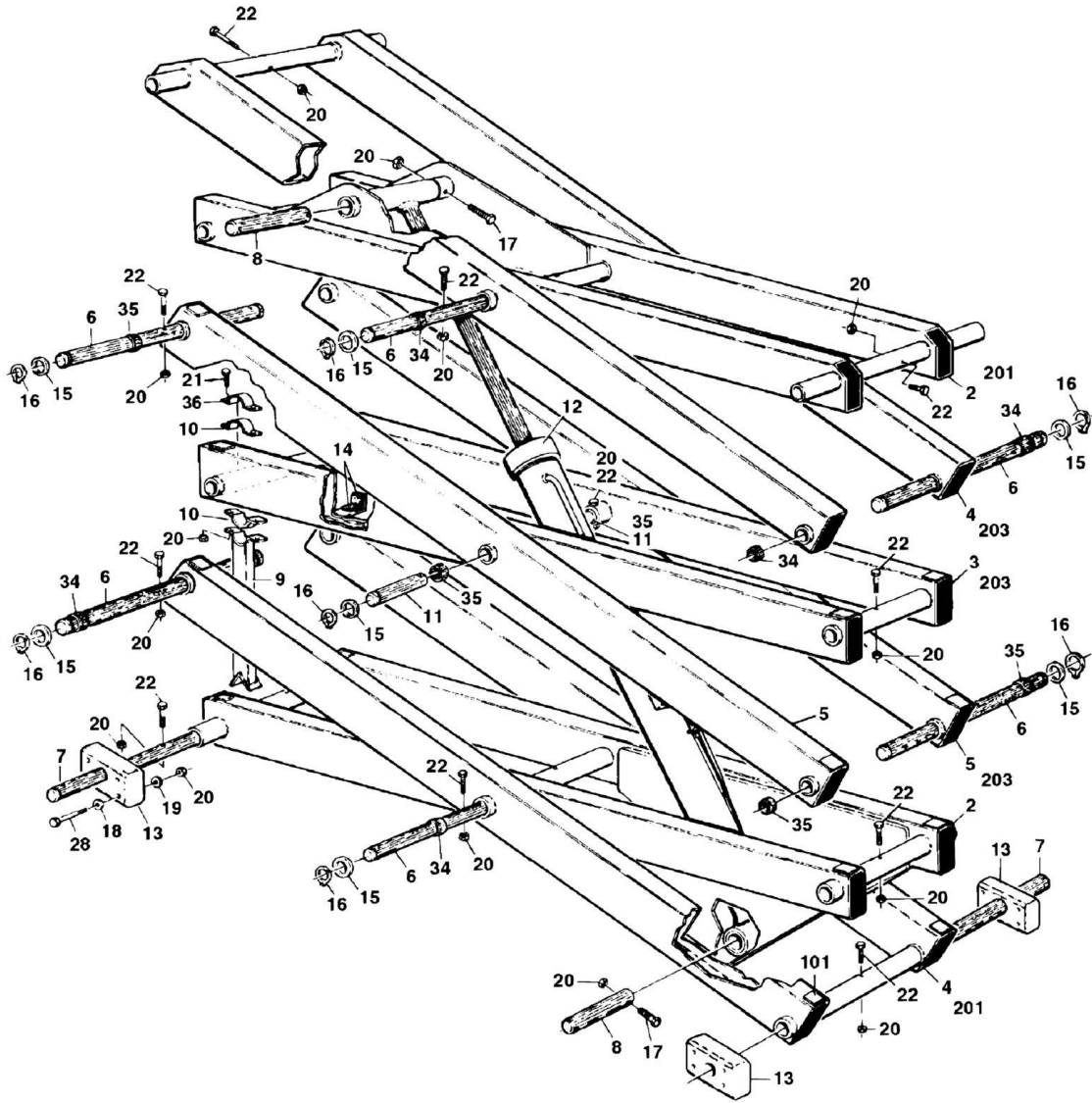
## SECTION 3 - SCISSOR ARMS

**FIGURE 3-1. SCISSOR ARMS INSTALLATION - 1532E (POWER DOWN MACHINES)**

ITEM	PART NUMBER	QTY	DESCRIPTION	REV
		Ref	<b>Note: To determine Power or Gravity Down refer to page A.</b>	
	0255697	Ref	<b>SCISSOR ARMS INSTALLATION - 1532E (POWER DOWN MACHINES)</b>	9-J
2	0200538	2	Arm Weldment (Top and Bottom Inboard)	
3	0200539	1	Arm Weldment (Mid Inboard)	
4	0200540	2	Arm Weldment (Top and Bottom Outboard)	
5	0200541	2	Arm Weldment (Mid Outboard)	
6	3422494	6	Pin	
7	3422495	2	Pin	
8	3422496	2	Pin	
9	4845040	1	Prop, Safety <b>(Prior to SN 28355)</b>	
9	4845431	1	Prop, Safety <b>(SN 28355 to Present)</b>	
10	0962015	1	Bushing, Split <b>(Prior to SN 28355)</b>	
10	4240125	1	Bushing, Split <b>(SN 28355 to Present)</b>	
11	3422488	2	Pin	
12		Ref	Lift Cylinder Assembly (See CYLINDER SECTION for Breakdown)	
12	1683377	1	Lift Cylinder Assembly <b>(Prior to SN 27181)</b>	
12	1683475	1	Lift Cylinder Assembly <b>(SN 27181 to Present)</b>	
13	3340784	4	Pad, Slide Block <b>(Prior to SN 29539)</b>	
13	3340629	4	Pad, Slide Block <b>(SN 29539 to Present)</b>	
14	3340645	3	Pad, Polyurethane	
15	4740438	14	Washer, Special	
16	3760387	14	Ring, Retaining	
17	0641522	2	Bolt 5/16in-18NC x 2 3/4in	
18	4711500	8	Flatwasher 5/16in Narrow	
19	4751500	8	Flatwasher 5/16in Regular	
20	3311505	24	Locknut 5/16in-18NC	
21	0641508	2	Bolt 5/16in-18NC x 1in	
22	0641520	12	Bolt 5/16in-18NC x 2 1/2in	
34	0962010	8	Bushing, Garmax (4 Per Weldment)	
35	0962010	6	Bushing, Garmax (3 Per Weldment)	
36	0641524	8	Bolt 5/16in-18NC x 3in	
37	4240114	1	Strap <b>(Prior to SN 28355)</b>	
37	4240128	1	Strap <b>(SN 28355 to Present)</b>	
	2901366	1	Arm Kit - 1532E (Includes Items 2-5 & 9)	A
	0252586	Ref	<b>ARM PADS INSTALLATION</b>	-
101	3340645	16	Pad	
	0256386	Ref	<b>ARM CAPS INSTALLATION</b>	-
201	1120480	8	Cap	
203	1120479	16	Cap	
	0256527	Ref	<b>Note: To determine Power or Gravity Down refer to page A.</b>	
	1320224	Ref	<b>CABLE/HOSE CLAMPS INSTALLATION (NOT SHOWN)</b>	5-E
	1320224	10	Clamp, Loop 5/8in	
	3941406	5	Screw, Self-Tapping 1/4in x 3/4in	
	4240018	10	Tie-Strap 15in/38cm	
	4751400	5	Flatwasher 1/4in	
	4240033	15	Tie-Strap 7.5in/19cm	
	4460328	1	Connector, Strain Relief (Located On Platform)	
	4240127	4	Tie-Strap 21in/53cm	

# SECTION 3 - SCISSOR ARMS

FIGURE 3-2. SCISSOR ARMS INSTALLATION - 1532E (GRAVITY DOWN MACHINES)



## SECTION 3 - SCISSOR ARMS

**FIGURE 3-2. SCISSOR ARMS INSTALLATION - 1532E (GRAVITY DOWN MACHINES)**

ITEM	PART NUMBER	QTY	DESCRIPTION	REV
		Ref	<b>Note: To determine Power or Gravity Down refer to page A.</b>	
	0257115	Ref	<b>SCISSOR ARMS INSTALLATION - 1532E (GRAVITY DOWN MACHINES)</b>	4-C
2	0200538	2	Arm Weldment (Top and Bottom Inboard)	
3	0200539	1	Arm Weldment (Mid Inboard)	
4	0200540	2	Arm Weldment (Top and Bottom Outboard)	
5	0200541	2	Arm Weldment (Mid Outboard)	
6	3422494	6	Pin	
7	3422495	2	Pin	
8	3422496	2	Pin	
9	4845475	1	Prop, Safety	
10	4240125	1	Bushing, Split	
11	3422488	2	Pin	
12	1683500	1	Lift Cylinder Assembly (See CYLINDER SECTION for Breakdown)	
13	3340629	4	Pad, Slide Block	
14		Ref	Pad Options:	
14	3340645	3	Pad (Polyurethane) <b>(Prior to SN 47288)</b>	
14	3340841	3	Pad (PVC) <b>(SN 47288 to Present)</b>	
15	4740438	14	Washer, Special	
16	3760387	14	Ring, Retaining	
17	0641522	2	Bolt 5/16in-18NC x 2 3/4in	
18	4711500	8	Flatwasher 5/16in Narrow	
19	4751500	8	Flatwasher 5/16in Regular	
20	3311505	24	Locknut 5/16in-18NC	
21	0641508	2	Bolt 5/16in-18NC x 1in	
22	0641520	12	Bolt 5/16in-18NC x 2 1/2in	
28	0641524	8	Bolt 5/16in-18NC x 3in	
34	0962010	8	Bushing, Garmax	
35	0962010	6	Bushing, Garmax	
36	4240128	1	Strap	
37	4740307	2	Shim	
	2901501	1	Arm Kit - 1532E (Includes Items 2-5 & 9)	A
	0252586	Ref	<b>ARM PADS INSTALLATION</b>	3
101		Ref	Pad Options:	
101	3340645	16	Pad (Polyurethane) <b>(Prior to SN 47288)</b>	
101	3340841	16	Pad (PVC) <b>(SN 47288 to Present)</b>	
	0256386	Ref	<b>ARM CAPS INSTALLATION</b>	2
201	1120480	8	Cap	
203	1120479	16	Cap	
204	0100080	AR	Adhesive (Not Shown)	
		Ref	<b>Note: To determine Power or Gravity Down refer to page A.</b>	
	0256527	Ref	<b>CABLE/HOSE CLAMPS INSTALLATION (NOT SHOWN)</b>	8-G
	1320224	10	Clamp, Loop 5/8in	
	3941406	5	Screw, Self-Tapping 1/4in x 3/4in	
	4240018	10	Tie-Strap 15in/38cm <b>(Prior to SN 38168)</b>	
	4751400	5	Flatwasher 1/4 <b>(Prior to SN 38168)</b>	
	4240033	15	Tie-Strap 7.5in/19cm	
	4460328	1	Connector, Strain Relief (Located On Platform) <b>(Prior to SN 45030)</b>	

## SECTION 3 - SCISSOR ARMS

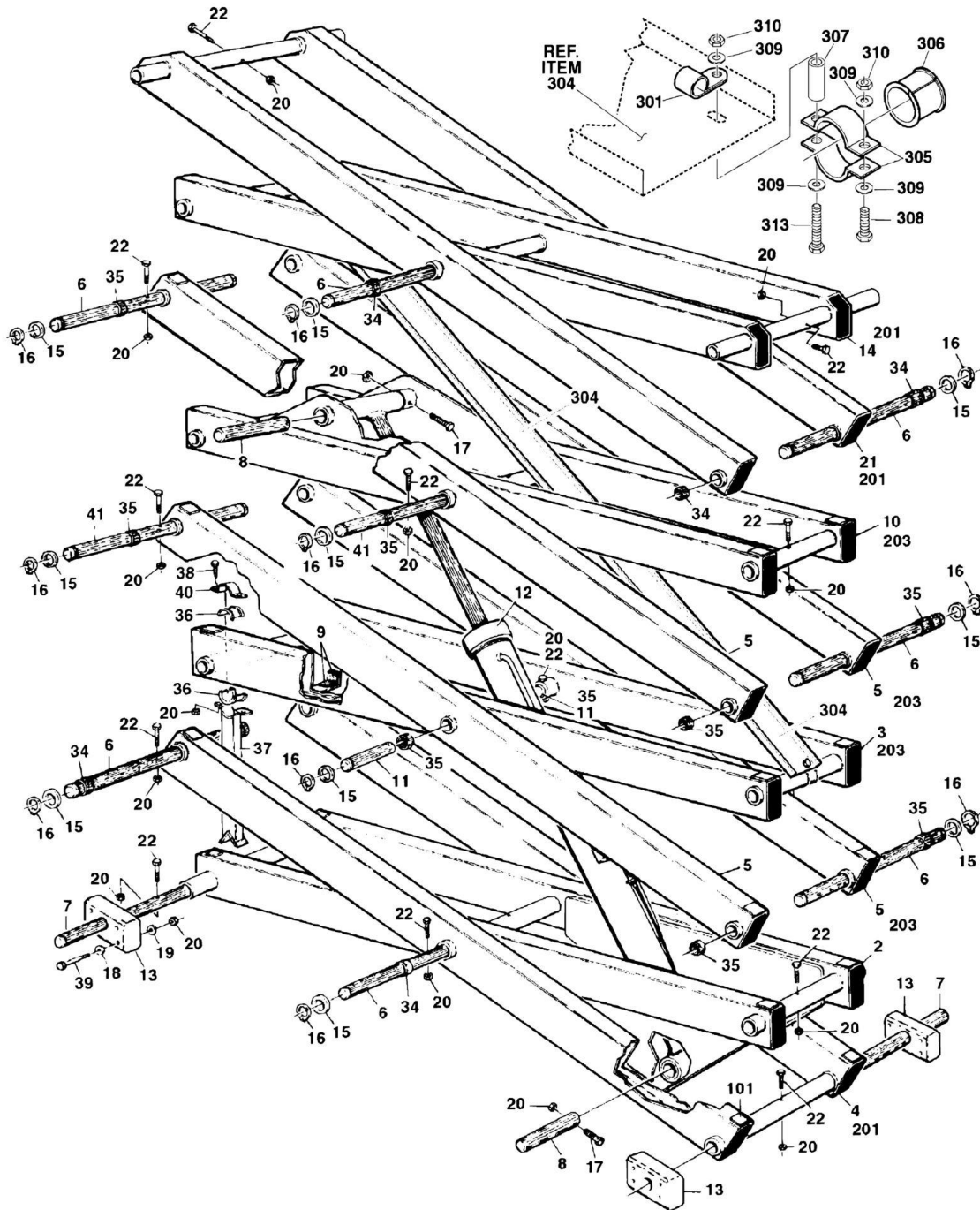
ITEM	PART NUMBER	QTY	DESCRIPTION	REV
	4460071	1	Connector, Strain Relief (Located On Platform) <b>(SN 45030 to Present)</b>	
	4240127	4	Tie-Strap 21in/53cm	
	4060807	1 ft./30.5	Shield, Edge Trim	
	1320095	1	Clamp	
	0641408	2	Bolt 1/4ft-20NC x 1in	
	3311405	2	Nut 1/4in-20NC	





# SECTION 3 - SCISSOR ARMS

## FIGURE 3-3. SCISSOR ARMS INSTALLATION - 1932E (POWER DOWN MACHINES)



## SECTION 3 - SCISSOR ARMS

**FIGURE 3-3. SCISSOR ARMS INSTALLATION - 1932E (POWER DOWN MACHINES)**

ITEM	PART NUMBER	QTY	DESCRIPTION	REV
		Ref	<b>Note: To determine Power or Gravity Down refer to page A.</b>	
	0255751	Ref	<b>COMMON MACHINES</b>	11-L
2	0200538	1	Arm Weldment (Bottom Inboard)	
3	0200539	1	Arm Weldment (Lower Mid Inboard)	
4	0200540	1	Arm Weldment (Bottom Outboard)	
5	0200541	4	Arm Weldment (Lower and Upper Mid Outboard)	
6	3422494	7	Pin	
7	3422495	2	Pin	
8	3422496	2	Pin	
9	3340645	3	Pad, Polyurethane	
10	0200542	1	Arm Weldment (Upper Mid Inboard)	
11	3422488	2	Pin	
12		Ref	Lift Cylinder Assembly (See CYLINDER SECTION for Breakdown)	
12	1683377	1	Lift Cylinder Assembly ( <b>Prior to SN 27181</b> )	
12	1683475	1	Lift Cylinder Assembly ( <b>SN 27181 to Present</b> )	
13	3340784	4	Pad, Slide ( <b>Prior to SN 29098</b> )	
13	3340629	4	Pad, Slide ( <b>SN 29098 to Present</b> )	
14	0200543	1	Arm Weldment (Top Inboard)	
15	4740438	14	Washer, Special	
16	3760387	14	Ring, Retaining	
17	0641522	12	Bolt 5/16in-18NC x 2 3/4in	
18	4711500	8	Flatwasher 5/16in Narrow	
19	4751500	8	Flatwasher 5/16in Regular	
20	3311505	24	Locknut 5/16in-18NC	
21	0200544	1	Arm Weldment (Top Outboard)	
22	0641520	12	Bolt 5/16in-18NC x 2 1/2in	
34	0962010	4	Bushing, Garmax (4 Per Weldment)	
35	0962010	12	Bushing, Garmax (3 Per Weldment)	
36	0962015	1	Bushing, Split ( <b>Prior to SN 28355</b> )	
36	4240125	1	Bushing, Split ( <b>SN 28355 to Present</b> )	
37	4845040	1	Prop, Safety ( <b>Prior to SN 28355</b> )	
37	4845431	1	Prop, Safety ( <b>SN 28355 to Present</b> )	
38	0641508	2	Bolt 5/16in-18NC x 1in	
39	0641524	8	Bolt 5/16in-18NC x 3in	
40	4240114	1	Strap ( <b>Prior to SN 28355</b> )	
40	4240128	1	Strap ( <b>SN 28355 to Present</b> )	
41	3422494	2	Pin	
	2901367	1	Arm Kit - 1932E (Includes #s 2-5, 10, 14, 21 & 37)	A
	0252587	Ref	<b>ARM PADS INSTALLATION</b>	-
101	3340645	24	Pad	
	0256387	Ref	<b>ARM CAPS INSTALLATION</b>	-
201	1120480	8	Cap	
203	1120479	24	Cap	
		Ref	<b>Note: To determine Power or Gravity Down refer to page A.</b>	
	0256528	Ref	<b>CABLE/HOSE TRAY INSTALLATION</b>	6-F
301	1320224	12	Clamp, Loop 5/8in	
302	3941406	9	Screw, Self-Tapping (Not Shown - Used with Item 2)	
303	4240018	12	Tie-Strap 15in/38cm (Not Shown)	
304	3539796	1	Tray	
305	4240114	4	Strap (Requires Bushing #306) ( <b>Prior to SN 28355</b> )	

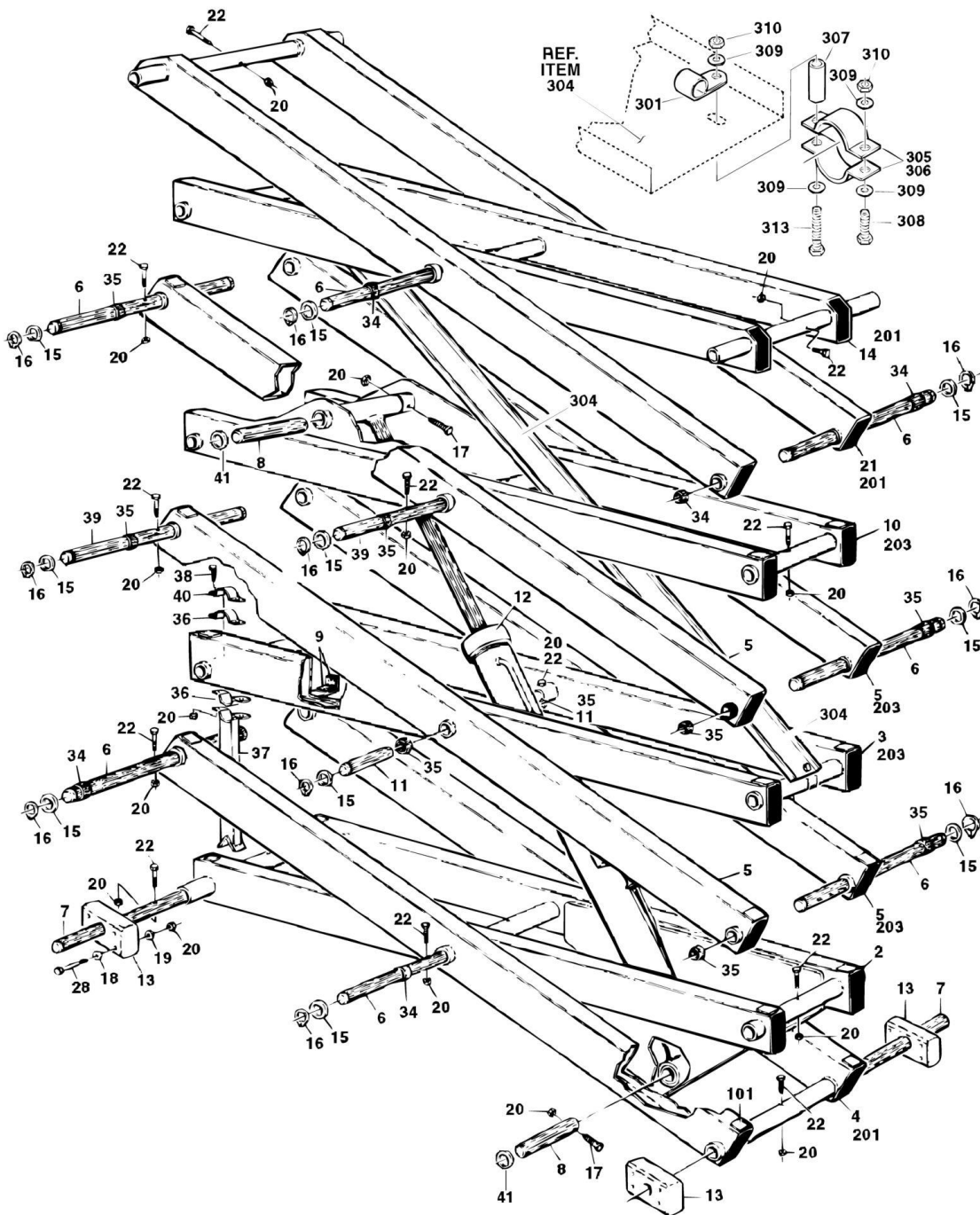
## SECTION 3 - SCISSOR ARMS

ITEM	PART NUMBER	QTY	DESCRIPTION	REV
305	4240125	4	Strap (Does NOT Require Bushing) (SN 28355 to Present)	
306	0962015	2	Bushing, Split Only (Prior to SN 28355)	
307	4565665	2	Spacer, Tube (Prior to SN 31100)	
307	4567167	2	Spacer, Tube (SN 31100 to Present)	
308	0641406	2	Bolt 1/4in-20NC x 3/4in	
309	4711400	9	Flatwasher 1/4in Narrow	
310	3311405	4	Locknut 1/4in-20NC	
311	4240033	20	Tie-Strap 7.5in/19cm (Not Shown)	
312	4460328	1	Connector, Strain Relief (Not Shown - Located on Platform)	
313	0641420	2	Bolt 1/4in-20NC x 2 1/2in	
314	4240127	4	Tie-Strap 21in/53cm (Not Shown)	



# SECTION 3 - SCISSOR ARMS

## FIGURE 3-4. SCISSOR ARMS INSTALLATION - 1932E (GRAVITY DOWN MACHINES)



## SECTION 3 - SCISSOR ARMS

**FIGURE 3-4. SCISSOR ARMS INSTALLATION - 1932E (GRAVITY DOWN MACHINES)**

ITEM	PART NUMBER	QTY	DESCRIPTION	REV
		Ref	<b>Note: To determine Power or Gravity Down refer to page A.</b>	
	0257116	Ref	<b>COMMON MACHINES</b>	6-C
2	0200538	1	Arm Weldment (Bottom Inboard)	
3	0200539	1	Arm Weldment (Lower Mid Inboard)	
4	0200540	1	Arm Weldment (Bottom Outboard)	
5	0200541	4	Arm Weldment (Lower and Upper Mid Outboard)	
6	3422494	7	Pin	
7	3422495	2	Pin	
8	3422496	2	Pin	
9		Ref	Pad Options:	
9	3340645	3	Pad (Polyurethane) <b>(Prior to SN 47288)</b>	
9	3340841	3	Pad (PVC) <b>(SN 47288 to Present)</b>	
10	0200542	1	Arm Weldment (Upper Mid Inboard)	
11	3422488	2	Pin	
12	1683500	1	Lift Cylinder Assembly (See CYLINDER SECTION for Breakdown)	
13	3340629	4	Pad, Slide	
14	0200543	1	Arm Weldment (Top Inboard)	
15	4740438	20	Washer, Special	
16	3760387	20	Ring, Retaining	
17	0641522	2	Bolt 5/16in-18NC x 2 3/4in	
18	4711500	8	Flatwasher 5/16in Narrow	
19	4751500	8	Flatwasher 5/16in Regular	
20	3311505	24	Locknut 5/16in-18NC	
21	0200544	1	Arm Weldment (Top Outboard)	
22	0641520	12	Bolt 5/16in-18NC x 2 1/2in	
28	0641524	8	Bolt 5/16in-18NC x 3in	
34	0962010	8	Bushing, Garmax	
35	0962010	12	Bushing, Garmax	
36	4240125	1	Bushing, Split	
37	4845475	1	Prop, Safety	
38	0641508	2	Bolt 5/16in-18NC x 1in	
39	3422494	2	Pin	
40	4240128	1	Strap	
41	4740307	2	Shim	
	2901502	1	Arm Kit - 1932E (Includes items 2-5, 10, 14, 21 & 37)	1-A
	0252587	Ref	<b>ARM PADS INSTALLATION</b>	3
101		Ref	Pad Options:	
101	3340645	24	Pad (Polyurethane) <b>(Prior to SN 47288)</b>	
101	3340841	24	Pad (PVC) <b>(SN 47288 to Present)</b>	
	0256387	Ref	<b>ARM CAPS INSTALLATION</b>	2
201	1120480	8	Cap	
203	1120479	24	Cap	
204	0100080	AR	Adhesive (Not Shown)	
		Ref	<b>Note: To determine Power or Gravity Down refer to page A.</b>	
	0256528	Ref	<b>CABLE/HOSE TRAY INSTALLATION</b>	10-I
301	1320224	11	Clamp, Loop 5/8in	
302	3941406	8	Screw, Self-Tapping (Not Shown - Used with Item 2)	
303	4240018	12	Tie-Strap 15in/38cm (Not Shown) <b>(Prior to SN 38168)</b>	
304	3539796	1	Tray	
305	4240125	4	Strap	

## SECTION 3 - SCISSOR ARMS

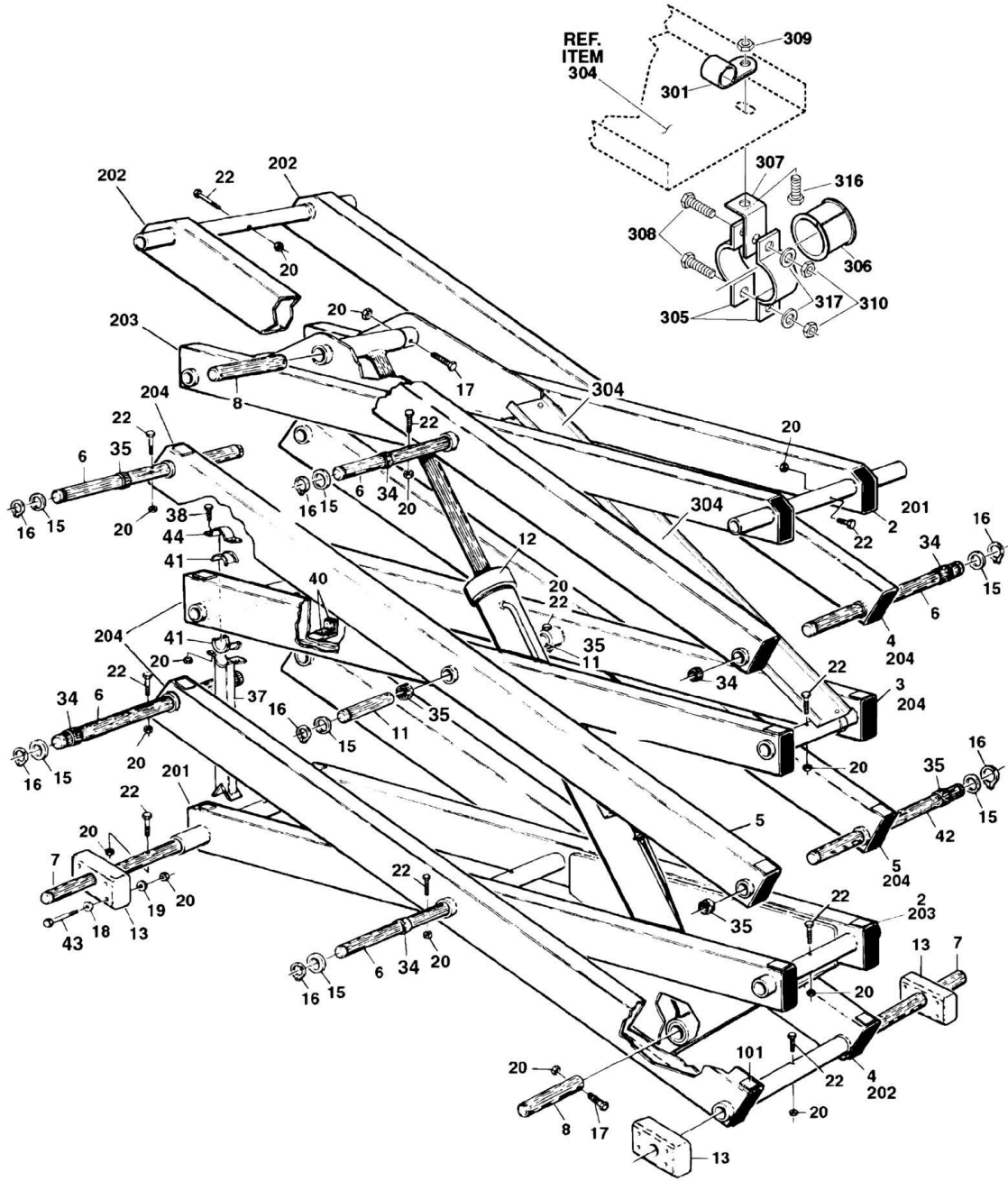
ITEM	PART NUMBER	QTY	DESCRIPTION	REV
306	4240128	4	Strap Only <b>(SN 57976 to Present)</b>	
307	4567167	2	Spacer, Tube	
308	0641408	2	Bolt 1/4in-20NC x 1in	
309	4711400	6	Flatwasher 1/4in Narrow	
310	3311405	4	Locknut 1/4in-20NC	
311	4240033	20	Tie-Strap 7.5in/19cm (Not Shown)	
312	4460328	1	Connector, Strain Relief (Not Shown - Located On Platform) <b>(Prior to SN 45030)</b>	
312	4460071	1	Connector, Strain Relief (Not Shown - Located On Platform) <b>(SN 45030 to Present)</b>	
313	0641422	2	Bolt 1/4in-20NC x 2 3/4in	
314	4240127	4	Tie-Strap 21in/53cm (Not Shown)	
315	4060807	1 ft/30.5m	Shield, Trim Edge (Not Shown - Located on Frame)	
316	1320095	1	Clamp (Not Shown)	
317	1320061	3	Clamp (Not Shown) <b>(Prior to SN 38168)</b>	





# SECTION 3 - SCISSOR ARMS

## FIGURE 3-5. SCISSOR ARMS INSTALLATION - 2033E/2046E (POWER DOWN MACHINES)



## SECTION 3 - SCISSOR ARMS

**FIGURE 3-5. SCISSOR ARMS INSTALLATION - 2033E/2046E (POWER DOWN MACHINES)**

ITEM	PART NUMBER	QTY	DESCRIPTION	REV
		Ref	<b>Note: To determine Power or Gravity Down refer to page A.</b>	
	0255571	Ref	<b>COMMON MACHINES</b>	11
2	0200531	2	Arm Weldment (Top and Bottom Inboard)	
3	0200532	1	Arm Weldment (Mid Inboard)	
4	0200533	2	Arm Weldment (Top and Bottom Outboard)	
5	0200534	2	Arm Weldment (Mid Outboard)	
6	3422483	5	Pin	
7	3422484	2	Pin	
8	3422485	2	Pin	
11	3422488	2	Pin	
12		Ref	Lift Cylinder Assembly (See CYLINDER SECTION for Breakdown)	
12	1683352	1	Lift Cylinder Assembly ( <b>Prior to SN 27085</b> )	
12	1683473	1	Lift Cylinder Assembly ( <b>SN 27085 to Present</b> )	
13	3340784	4	Pad, Slide Block ( <b>Prior to SN 29022</b> )	
13	3340629	4	Pad, Slide Block ( <b>SN 29022 to Present</b> )	
15	4740438	14	Washer, Special	
16	3760387	14	Ring, Retaining	
17	0641522	2	Bolt 5/16in-18NC x 2 3/4in	
18	4711500	8	Flatwasher 5/16in Narrow	
19	4751500	8	Flatwasher 5/16in Regular	
20	3311505	24	Locknut 5/16in-18NC	
22	0681520	12	Bolt 5/16in-18NC x 2 1/2in Grade 8	
34	0962010	8	Bushing, Garmax (4 Per Weldment)	
35	0962010	6	Bushing, Garmax (3 Per Weldment)	
37	4845040	1	Prop, Safety ( <b>Prior to SN 28355</b> )	
37	4845431	1	Prop, Safety ( <b>SN 28355 to Present</b> )	
38	0641508	2	Bolt 5/16in-18NC x 1in	
40	3340645	3	Pad	
41	0962015	1	Bushing, Split ( <b>Prior to SN 28355</b> )	
41	4240125	1	Bushing, Split ( <b>SN 28355 to Present</b> )	
42	3422483	1	Pin	
43	0641524	8	Bolt 5/16in-18NC x 3in	
44	4240114	1	Strap ( <b>Prior to SN 28355</b> )	
44	4240128	1	Strap ( <b>SN 28355 to Present</b> )	
	2901340	1	Arm Kit - 2033E/2046E (Includes Items 2-5 & 37)	A
	0252586	Ref	<b>ARM PADS INSTALLATION</b>	-
101	3340645	16	Pad	
	0256063	Ref	<b>ARM CAPS INSTALLATION</b>	
201	1120474	4	Cap	
202	1120475	4	Cap	
203	1120472	4	Cap	
204	1120473	12	Cap	
		Ref	<b>Note: To determine Power or Gravity Down refer to page A.</b>	
	0256509	Ref	<b>CABLE/HOSE TRAY INSTALLATION</b>	5-E
301	1320224	13	Clamp, Loop 5/8in	
302	3941406	8	Screw, Self-Tapping (Not Shown - Used with Item 2)	
303	4240018	12	Tie-Strap 15in/38cm (Not Shown)	
304	3539264	1	Tray	
305	4240114	4	Strap (Requires Bushing #306) ( <b>Prior to SN 28355</b> )	
305	4240125	4	Strap (Does NOT Require Bushing) ( <b>SN 28355 to Present</b> )	

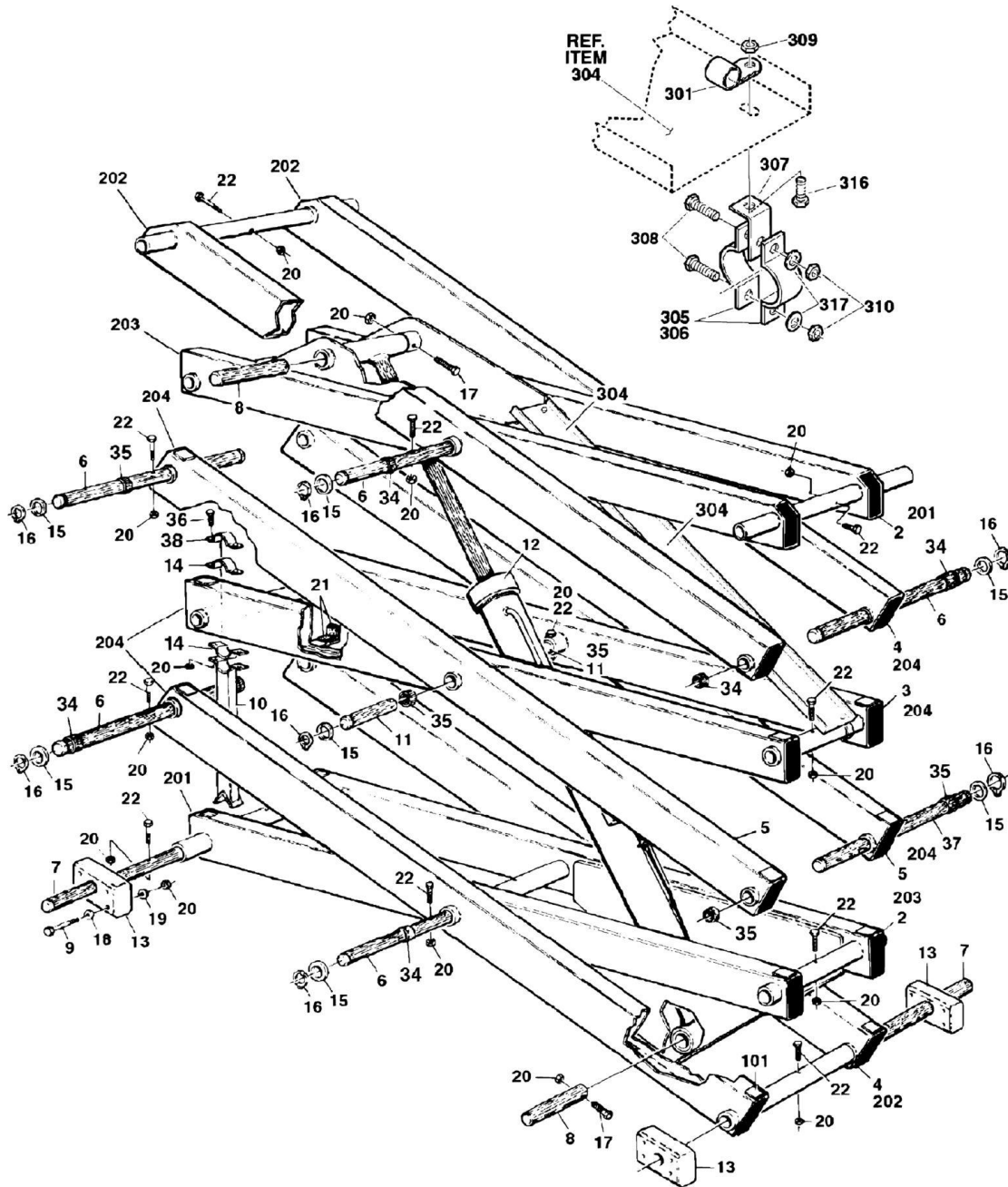
## SECTION 3 - SCISSOR ARMS

ITEM	PART NUMBER	QTY	DESCRIPTION	REV
306	0962015	2	Bushing, Split Only (Prior to SN 28355)	
307	4240116	3	Strap, Mounting Angle	
308	0641508	4	Bolt 5/16in-18NC x 1in	
309	3311405	2	Locknut 1/4in-20NC	
310	3311505	4	Locknut 5/16in-18NC	
311	4240033	24	Tie-Strap 7.5in/19cm (Not Shown)	
312	4460328	1	Connector, Strain Relief (Not Shown - Located on Platform)	
313	4240127	4	Tie-Strap 21in/53cm (Not Shown)	
316	0641406	2	Bolt 1/4in-20 x 3/4in	
317	4711500	8	Flatwasher 5/16in	



# SECTION 3 - SCISSOR ARMS

FIGURE 3-6. SCISSOR ARMS INSTALLATION - 2033E/2046E (GRAVITY DOWN MACHINES)



## SECTION 3 - SCISSOR ARMS

**FIGURE 3-6. SCISSOR ARMS INSTALLATION - 2033E/2046E (GRAVITY DOWN MACHINES)**

ITEM	PART NUMBER	QTY	DESCRIPTION	REV
		Ref	<b>Note: To determine Power or Gravity Down refer to page A.</b>	
	0257118	Ref	<b>COMMON MACHINES</b>	4
2	0200531	2	Arm Weldment (Top and Bottom Inboard)	
3	0200532	1	Arm Weldment (Mid Inboard)	
4	0200533	2	Arm Weldment (Top and Bottom Outboard)	
5	0200534	2	Arm Weldment (Mid Outboard)	
6	3422483	5	Pin	
7	3422484	2	Pin	
8	3422485	2	Pin	
9	0641524	8	Bolt 5/16in-18NC x 3in	
10	4845475	1	Prop, Safety	
11	3422488	2	Pin	
12	1683501	1	Lift Cylinder Assembly (See CYLINDER SECTION for Breakdown)	
13	3340629	4	Pad, Slide Block	
14	4240125	1	Bushing, Split	
15	4740438	14	Washer, Special	
16	3760387	14	Ring, Retaining	
17	0641522	2	Bolt 5/16in-18NC x 2 3/4in	
18	4711500	8	Flatwasher 5/16in Narrow	
19	4751500	8	Flatwasher 5/16in Regular	
20	3311505	24	Locknut 5/16in-18NC	
21		Ref	Pad Options:	
21	3340645	3	Pad (Polyurethane) <b>(Prior to SN 47288)</b>	
21	3340841	3	Pad (PVC) <b>(SN 47288 to Present)</b>	
22	0681520	12	Bolt 5/16in-18NC x 2 1/2in Grade 8	
34	0962010	8	Bushing, Garmax	
35	0962010	6	Bushing, Garmax	
36	0641508	2	Bolt 5/16in-18NC x 1in	
37	3422483	1	Pin	
38	4240128	1	Strap	
	2901503	1	Arm Kit - 2033E/2046E (Includes Items 2-5 & 10)	A
	0252586	Ref	<b>ARM PADS INSTALLATION</b>	3
101		Ref	Pad Options:	
101	3340645	16	Pad (Polyurethane) <b>(Prior to SN 47288)</b>	
101	3340841	16	Pad (PVC) <b>(SN 47288 to Present)</b>	
	0256063	Ref	<b>ARM CAPS INSTALLATION</b>	
201	1120474	4	Cap	
202	1120475	4	Cap	
203	1120472	4	Cap	
204	1120473	12	Cap	
205	0100080	AR	Adhesive (Not Shown)	
		Ref	<b>Note: To determine Power or Gravity Down refer to page A.</b>	
	0256509	Ref	<b>CABLE/HOSE TRAY INSTALLATION</b>	9-G
301	1320224	13	Clamp, Loop 5/8in	
302	3941406	8	Screw, Self-Tapping (Not Shown - Used with Item 2)	
303	4240018	12	Tie-Strap 15in/38cm (Not Shown)	
304	3539264	1	Tray	
305	4240125	4	Strap	
306	4240128	4	Strap Only <b>(SN 57976 to Present)</b>	
307	4240116	2	Strap, Mounting Angle	

### SECTION 3 - SCISSOR ARMS

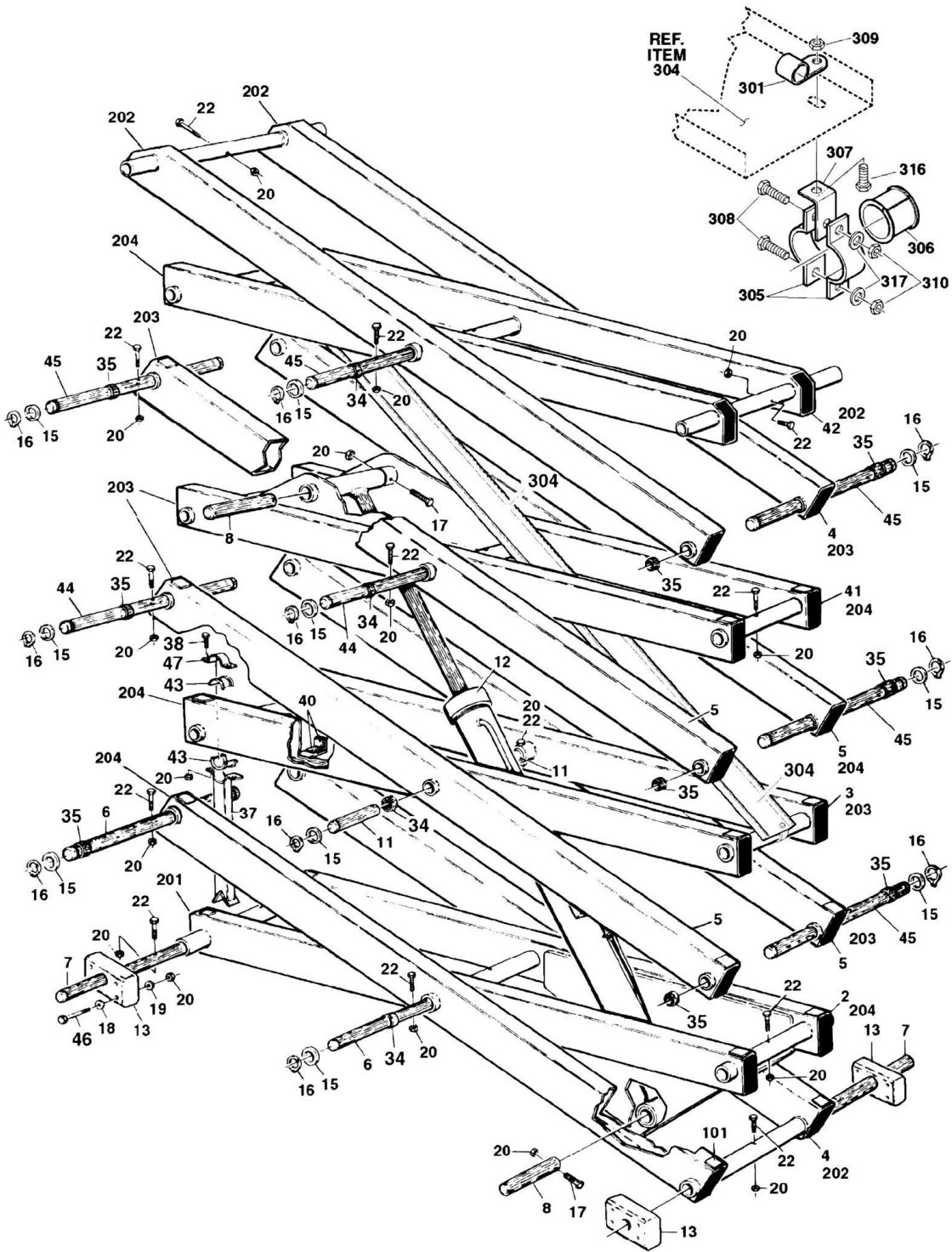
ITEM	PART NUMBER	QTY	DESCRIPTION	REV
308	0641510	4	Bolt 5/16in-18NC x 1 1/4in	
309	3311405	2	Locknut 1/4in-20NC	
310	3311505	4	Locknut 5/16in-18NC	
311	4240033	24	Tie-Strap 7.5in/19cm (Not Shown)	
312	4460328	1	Connector, Strain Relief (Not Shown - Located On Platform) <b>(Prior to SN 45030)</b>	
312	4460071	1	Connector, Strain Relief (Not Shown - Located On Platform) <b>(SN 45030 to Present)</b>	
313	4240127	4	Tie-Strap 21in/53cm (Not Shown)	
314	4060807	1 ft/30.5m	Shield, Trim Edge (Not Shown - Located on Frame)	
315	1320095	2	Clamp (Not Shown)	
316	0641406	2	Bolt 1/4in-20NC x 3/4in	
317	4711500	8	Flatwasher 5/16in Narrow	





# SECTION 3 - SCISSOR ARMS

## FIGURE 3-7. SCISSOR ARMS INSTALLATION - 2646E/2658E (POWER DOWN MACHINES)



## SECTION 3 - SCISSOR ARMS

**FIGURE 3-7. SCISSOR ARMS INSTALLATION - 2646E/2658E (POWER DOWN MACHINES)**

ITEM	PART NUMBER	QTY	DESCRIPTION	REV
		Ref	<b>Note: To determine Power or Gravity Down refer to page A.</b>	
	0255618	Ref	<b>COMMON MACHINES</b>	1
2	0200531	1	Arm Weldment (Bottom Inboard)	
3	0200532	1	Arm Weldment (Lower Mid Inboard)	
4	0200533	2	Arm Weldment (Bottom and Top Outboard)	
5	0200537	4	Arm Weldment (Lower and Upper Mid Outboard)	
6	3422483	2	Pin	
7	3422484	2	Pin	
8	3422485	2	Pin	
11	3422488	2	Pin	
12		Ref	Lift Cylinder Assembly (See CYLINDER SECTION for Breakdown)	
12	1683363	1	Lift Cylinder Assembly ( <b>Prior to SN 26916</b> )	
12	1683474	1	Lift Cylinder Assembly ( <b>SN 26916 to Present</b> )	
13	3340784	4	Pad, Slide Block ( <b>Prior to SN 28909</b> )	
13	3340629	4	Pad, Slide Block ( <b>SN 28909 to Present</b> )	
15	4740438	14	Washer, Special	
16	3760387	14	Ring, Retaining	
17	0641522	2	Bolt 5/16in-18NC x 2 3/4in	
18	4711500	8	Flatwasher 5/16in Narrow	
19	4751500	8	Flatwasher 5/16in Regular	
20	3311505	24	Locknut 5/16in-18NC	
22	0681520	12	Bolt 5/16in-18NC x 2 1/2in Grade 8	
34	0962010	8	Bushing, Garmax	
35	0962010	12	Bushing, Garmax	
37	4845040	1	Prop, Safety ( <b>Prior to SN 28355</b> )	
37	4845431	1	Prop, Safety ( <b>SN 28355 to Present</b> )	
38	0641508	2	Bolt 5/16in-18NC x 1in	
40	3340645	24	Pad	
41	0200535	1	Arm Weldment (Upper Mid Inboard)	
42	0200536	1	Arm Weldment (Top Inboard)	
43	0962015	1	Bushing, Split ( <b>Prior to SN 28355</b> )	
43	4240125	1	Bushing, Split ( <b>SN 28355 to Present</b> )	
44	3422597	2	Pin	
45	3422483	5	Pin	
46	0641524	8	Bolt 5/16in-18NC x 3in	
47	4240114	1	Strap ( <b>Prior to SN 28355</b> )	
47	4240128	1	Strap ( <b>SN 28355 to Present</b> )	
	2901352	1	Arm Kit - 2646E/2658E (Includes Items 2-5, 10, 14, 21 & 37)	A
	0252587	Ref	<b>ARM PADS INSTALLATION</b>	-
101	3340645	24	Pad	
	0256064	Ref	<b>Note: To determine Power or Gravity Down refer to page A.</b>	
		Ref	<b>ARM CAPS INSTALLATION</b>	-
201	1120474	2	Cap	
202	1120475	6	Cap	
203	1120472	14	Cap	
204	1120473	10	Cap	
	0256510	Ref	<b>CABLE/HOSE TRAY INSTALLATION</b>	5-E
301	1320224	17	Clamp, Loop 5/8in	
302	3941406	8	Screw, Self-Tapping (Not Shown - Used with Item 2)	
303	4240018	16	Tie-Strap 15in/38cm (Not Shown)	

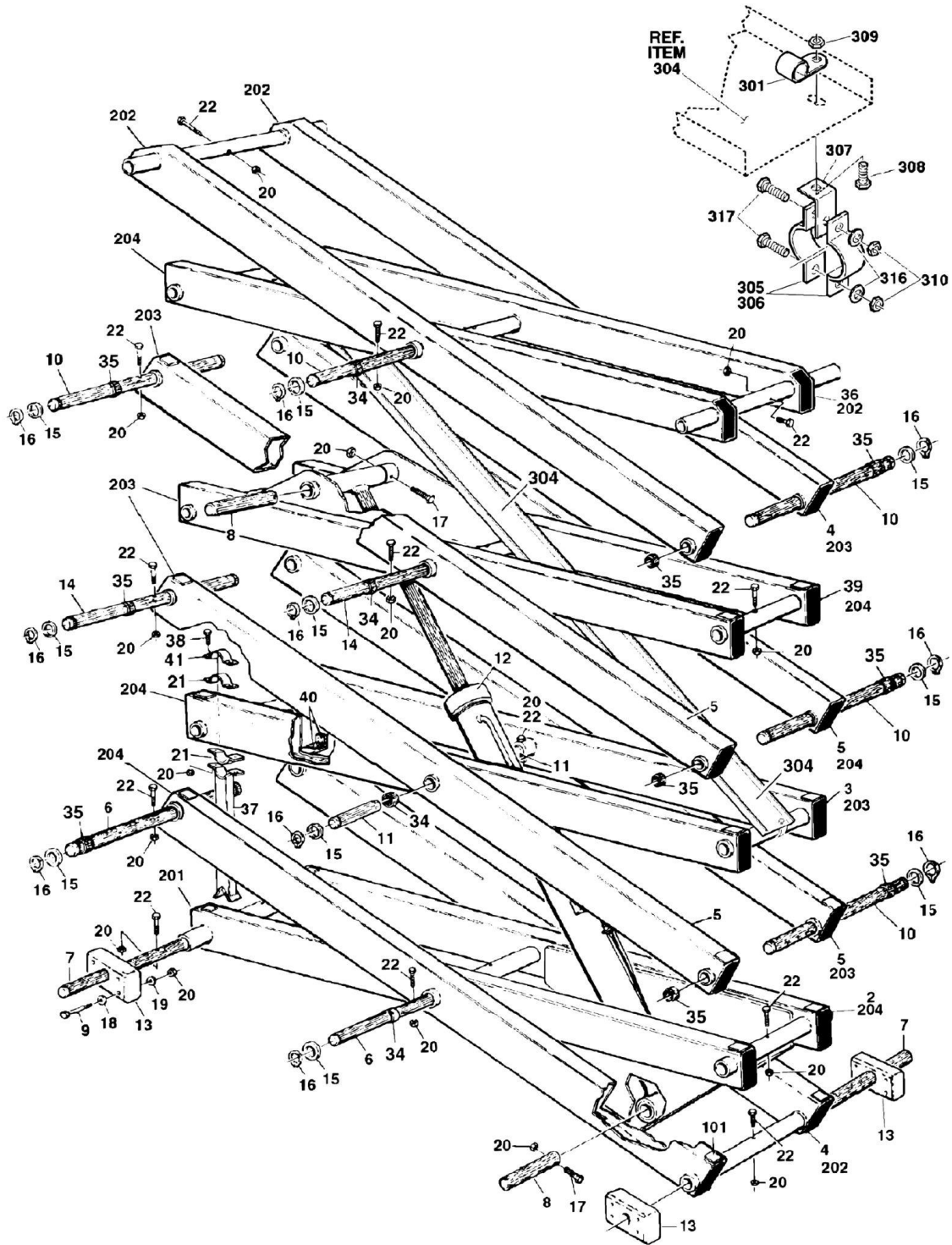
## SECTION 3 - SCISSOR ARMS

ITEM	PART NUMBER	QTY	DESCRIPTION	REV
304	3539265	1	Tray	
305	4240114	4	Strap (Requires Bushing #306) <b>(Prior to SN 28355)</b>	
305	4240125	4	Strap (Does NOT Require Bushing) <b>(SN 28355 to Present)</b>	
306	0962015	2	Bushing, Split Only <b>(Prior to SN 28355)</b>	
307	4240116	3	Strap, Mounting Angle	
308	0641510	4	Bolt 5/16in-18NC x 1 1/4in	
309	3311405	2	Locknut 1/4in-20NC	
310	3311505	4	Locknut 5/16in-18NC	
311	4240033	30	Tie-Strap 7.5in/19cm (Not Shown)	
312	4460328	1	Connector, Strain Relief (Not Shown - Located on Platform)	
313	4240127	4	Tie-Strap 21in/53cm (Not Shown)	
316	0641406	2	Bolt 1/4in-20 x 3/4in	
317	4711500	8	Flatwasher 5/16in	



# SECTION 3 - SCISSOR ARMS

## FIGURE 3-8. SCISSOR ARMS INSTALLATION - 2646E/2658E (GRAVITY DOWN MACHINES)



## SECTION 3 - SCISSOR ARMS

**FIGURE 3-8. SCISSOR ARMS INSTALLATION - 2646E/2658E (GRAVITY DOWN MACHINES)**

ITEM	PART NUMBER	QTY	DESCRIPTION	REV
		Ref	<b>Note: To determine Power or Gravity Down refer to page A.</b>	
	0257120	Ref	<b>COMMON MACHINES</b>	5
2	0200531	1	Arm Weldment (Bottom Inboard)	
3	0200532	1	Arm Weldment (Lower Mid Inboard)	
4	0200533	2	Arm Weldment (Bottom and Top Outboard)	
5	0200537	4	Arm Weldment (Lower and Upper Mid Outboard)	
6	3422483	2	Pin	
7	3422484	2	Pin	
8	3422485	2	Pin	
9	0641524	8	Bolt 5/16in-18NC x 3in	
10	3422483	5	Pin	
11	3422488	2	Pin	
12	1683502	1	Lift Cylinder Assembly (See CYLINDER SECTION for Breakdown)	
13	3340629	4	Pad, Slide Block	
14	3422597	2	Pin	
15	4740438	20	Washer, Special	
16	3760387	20	Ring, Retaining	
17	0641522	2	Bolt 5/16in-18NC x 2 3/4in	
18	4711500	8	Flatwasher 5/16in Narrow	
19	4751500	8	Flatwasher 5/16in Regular	
20	3311505	24	Locknut 5/16in-18NC	
21	4240125	1	Bushing, Split	
22	0681520	12	Bolt 5/16in-18NC x 2 1/2in Grade 8	
34	0962010	8	Bushing, Garmax	
35	0962010	12	Bushing, Garmax	
36	0200536	1	Arm Weldment (Top Inboard)	
37	4845475	1	Prop, Safety	
38	0641508	2	Bolt 5/16in-18NC x 1in	
39	0200535	1	Arm Weldment (Upper Mid Inboard)	
40		Ref	Pad Options:	
40	3340645	3	Pad (Polyurethane) <b>(Prior to SN 47288)</b>	
40	3340841	3	Pad (PVC) <b>(SN 47288 to Present)</b>	
41	4240128	1	Strap	
	2901504	1	Arm Kit - 2646E/2658E (Includes Items 2-5, 36, 37 & 39)	1
	0252587	Ref	<b>ARM PADS INSTALLATION</b>	3
101		Ref	Pad Options:	
101	3340645	24	Pad (Polyurethane) <b>(Prior to SN 47288)</b>	
101	3340841	24	Pad (PVC) <b>(SN 47288 to Present)</b>	
	0256064	Ref	<b>ARM CAPS INSTALLATION</b>	-
201	1120474	2	Cap	
202	1120475	6	Cap	
203	1120472	14	Cap	
204	1120473	10	Cap	
205	0100080	AR	Adhesive (Not Shown)	
		Ref	<b>Note: To determine Power or Gravity Down refer to page A.</b>	
	0256510	Ref	<b>CABLE/HOSE TRAY INSTALLATION</b>	9-G
301	1320224	17	Clamp, Loop 5/8in	
302	3941406	8	Screw, Self-Tapping (Not Shown - Used with Item 2)	
303	4240018	16	Tie-Strap 15ft/38cm (Not Shown)	
304	3539265	1	Tray	

### SECTION 3 - SCISSOR ARMS

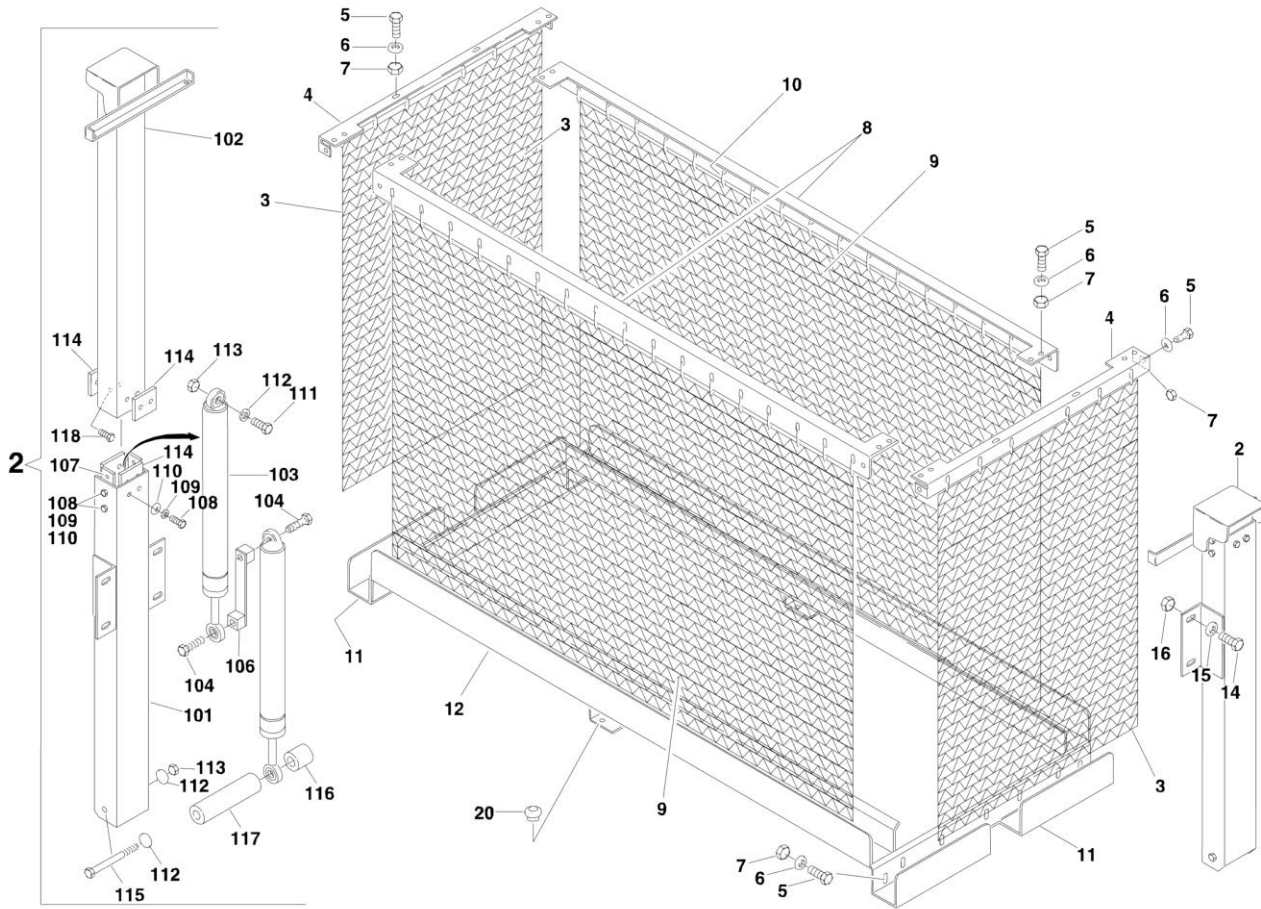
ITEM	PART NUMBER	QTY	DESCRIPTION	REV
305	4240125	4	Strap	
306	4240128	4	Strap Only <b>(SN 57976 to Present)</b>	
307	4240116	2	Strap, Mounting Angle	
308	0641406	6	Bolt 1/4in-20NC x 3/4in	
309	3311405	2	Locknut 1/4in-20NC	
310	3311505	4	Locknut 5/16in-18NC	
311	4240033	30	Tie-Strap 7.5in/19cm (Not Shown)	
312	4460328	1	Connector, Strain Relief (Not Shown - Located On Platform) <b>(Prior to SN 45030)</b>	
312	4460071	1	Connector, Strain Relief (Not Shown - Located On Platform) <b>(SN 45030 to Present)</b>	
313	4240127	4	Tie-Strap 21in/53cm (Not Shown)	
314	4060807	1 ft/30.5m	Shield, Trim Edge (Not Shown - Located on Frame)	
315	1320095	2	Clamp (Not Shown)	
316	4711500	8	Flatwasher 5/16in Narrow	
317	0641510	2	Bolt 5/16in-18NC x 1 1/4in	





# SECTION 3 - SCISSOR ARMS

## FIGURE 3-9. ARM GUARDS INSTALLATION - 1532E/1932E (Prior to SN 30542)



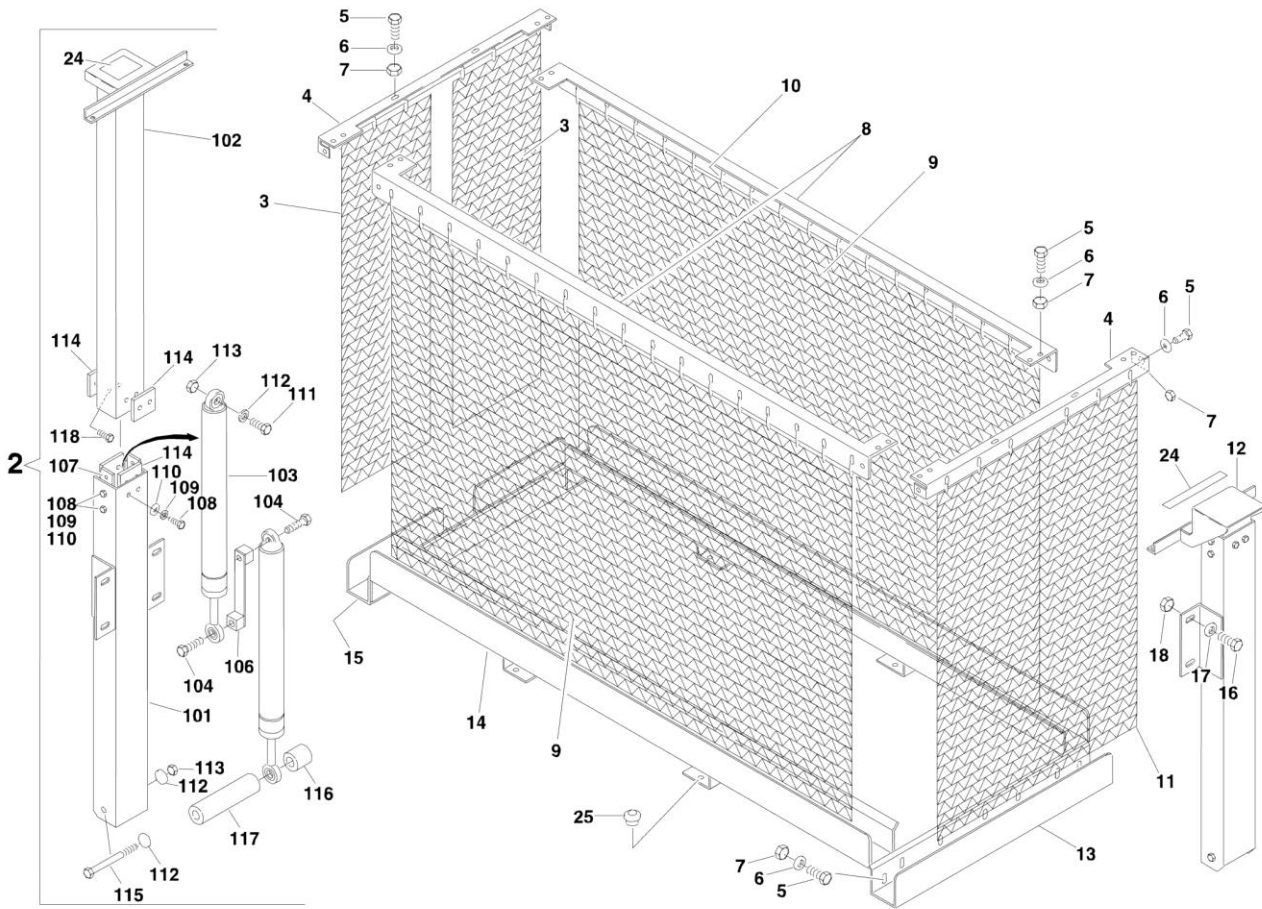
## SECTION 3 - SCISSOR ARMS

**FIGURE 3-9. ARM GUARDS INSTALLATION - 1532E/1932E (Prior to SN 30542)**

ITEM	PART NUMBER	QTY	DESCRIPTION	REV
	0256649	Ref	<b>ARM GUARDS INSTALLATION - 1532E/1932E (Prior to SN 30542)</b>	A
2	0256644	2	Actuator Assembly (See Items 101-118 For Breakdown)	
3	0480096	2	Belt, Mesh - End	
4	0181888	2	Angle, End	
5	0641406	24	Bolt 1/4in-20NC x 3/4in	
6	4711400	48	Flatwasher 1/4in Narrow	
7	3311405	24	Locknut 1/4in-20NC	
8	0181892	2	Angle, Side	
9	0480095	2	Belt, Mesh - Side	
10	4240033	60	Tie-Strap	
11	3539907	2	Tray - End	
12	4845376	2	Tray - Side	
14	0641608	8	Bolt 3/8in-16NC x 1in	
15	4711600	16	Flatwasher 3/8in Narrow	
16	3311605	8	Locknut 3/8in-16NC	
20	3520072	2	Plug, Tube	
	0256644	Ref	<b>ACTUATOR ASSEMBLY</b>	A
101	4567077	1	Tube	
102	4567076	1	Tube	
103	4160136	2	Spring, Gas	
104	0641509	2	Bolt 5/16in-18NC x1in	
105	0100011	AR	Loctite #24231 (Not Shown)	
106	4845370	1	Link	
107	3340781	2	Pad	
108	0641604	8	Bolt 3/8in-16NC x 1/2in	
109	4751600	8	Flatwasher 3/8in	
110	4761600	8	Lockwasher 3/8in	
111	0641516	1	Bolt 5/16in-18NC x 2in	
112	4751500	4	Flatwasher 5/16in	
113	3311505	2	Locknut 5/16in-18NC	
114	3340780	4	Pad	
115	0641536	1	Bolt 5/16in-18NC x 4 1/2in	
116	0962074	1	Bushing	
117	0962075	1	Bushing	
118	3900213	4	Screw, Button Head 3/8in-16NC x 3/8in	

# SECTION 3 - SCISSOR ARMS

FIGURE 3-10. ARM GUARDS INSTALLATION - 2033E/2046E/2646E BUILT AND ALL 2658E BUILT  
(Prior to SN 30542, Prior to SN 51216)



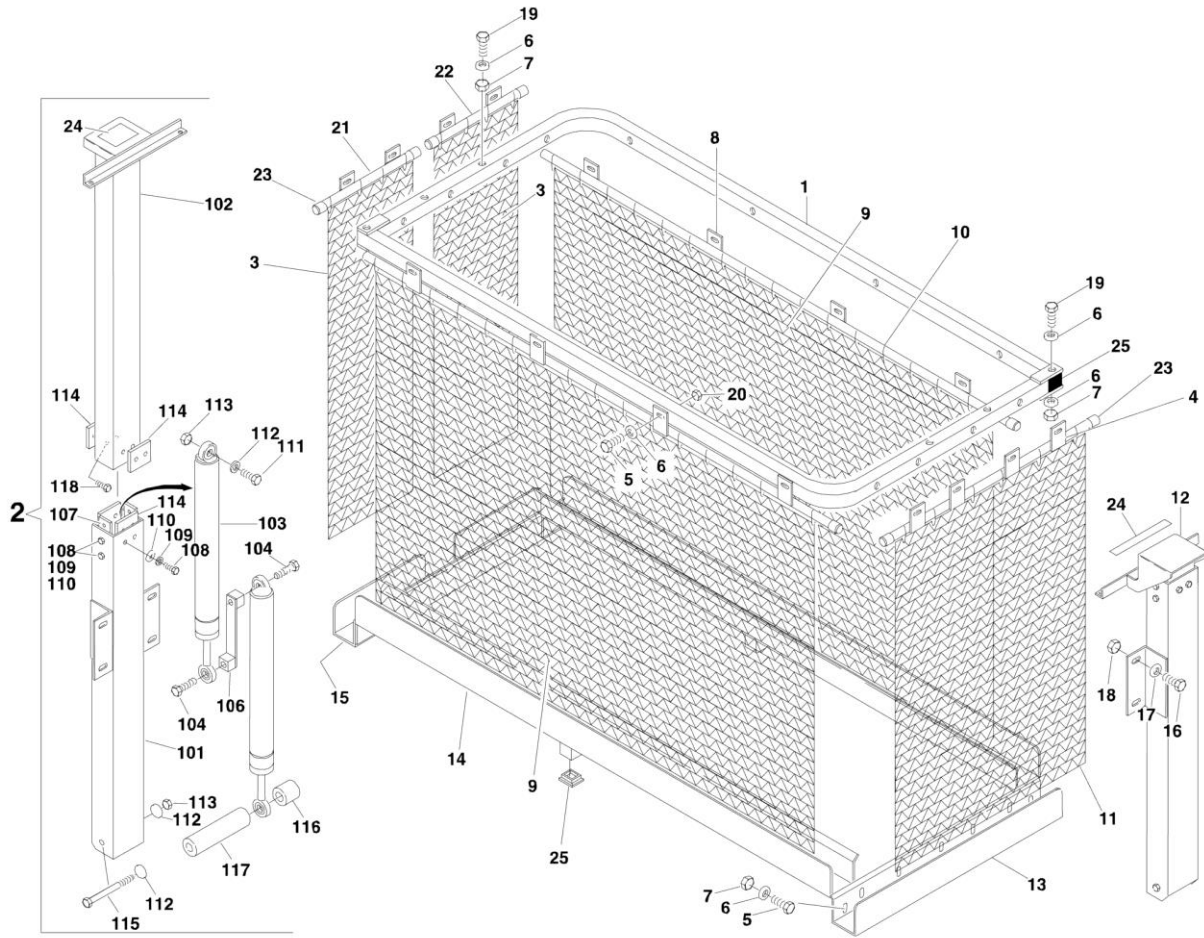
## SECTION 3 - SCISSOR ARMS

**FIGURE 3-10. ARM GUARDS INSTALLATION - 2033E/2046E/2646E BUILT AND ALL 2658E BUILT  
(Prior to SN 30542, Prior to SN 51216)**

ITEM	PART NUMBER	QTY	DESCRIPTION	REV
	0256629	Ref	<b>ARM GUARDS INSTALLATION - 2033E/2046E/2646E BUILT AND ALL 2658E BUILT (Prior to SN 30542, Prior to SN 51216)</b>	3-C
2	0256616	1	Actuator Assembly (Rear) (See Items 101-118 For Breakdown)	
3	0480094	2	Belt, Mesh - End	
4	0181888	2	Angle, End	
5	0641406	26	Bolt 1/4in-20NC x 3/4in	
6	4711400	52	Flatwasher 1/4in Narrow	
7	3311405	26	Locknut 1/4in-20NC	
8	0181889	2	Angle, Side	
9	0480092	2	Belt, Mesh - Side	
10	4240033	82	Tie-Strap	
11	0480093	1	Belt, Mesh - End	
12	0256615	1	Actuator Assembly (Front) (See Items 101-118 For Breakdown)	
13	3539897	1	Plate, End Tray	
14	4845372	2	Tray - Side	
15	3539907	1	Tray - End	
16	0641608	6	Bolt 3/8in-16NC x 1in	
17	4711600	12	Flatwasher 3/8in Narrow	
18	3311605	6	Locknut 3/8in-16NC	
24	4420055	6 in/15cm	Tape, UHMW	
25	3520072	2	Plug, Tube	
		Ref	<b>ACTUATOR ASSEMBLIES</b>	
	0256615	Ref	<b>Front Actuator</b>	2
	0256616	Ref	<b>Rear Actuator</b>	3
101		Ref	Tube - Outer Options:	
101	4567062	1	Front Actuator	
101	4567067	1	Rear Actuator	
102		Ref	Tube - Inner Options:	
102	4567060	1	Front Actuator	
102	4567075	1	Rear Actuator	
103	4160136	2	Spring, Gas	
104	0641509	2	Bolt 5/16in-18NC x1in	
105	0100011	AR	Loctite #24231 (Not Shown)	
106	4845370	1	Link	
107	3340781	2	Pad	
108	0641604	8	Bolt 3/8in-16NC x 1/2in	
109	4751600	8	Flatwasher 3/8in	
110	4761600	8	Lockwasher 3/8in	
111	0641516	1	Bolt 5/16in-18NC x 2in	
112	4751500	4	Flatwasher 5/16in	
113	3311505	2	Locknut 5/16in-18NC	
114	3340780	4	Pad	
115	0641536	1	Bolt 5/16in-18NC x 4 1/2in	
116	0962074	1	Bushing	
117	0962075	1	Bushing	
118	3900213	4	Screw, Button Head 3/8in-16NC x 3/8in	

# SECTION 3 - SCISSOR ARMS

FIGURE 3-11. ARM GUARDS INSTALLATION - ALL 2658E BUILT (SN 51216 to Present)



## SECTION 3 - SCISSOR ARMS

**FIGURE 3-11. ARM GUARDS INSTALLATION - ALL 2658E BUILT (SN 51216 to Present)**

ITEM	PART NUMBER	QTY	DESCRIPTION	REV
	0258676	Ref	<b>ARM GUARDS INSTALLATION - ALL 2658E BUILT (SN 51216 to Present)</b>	1-A
1	4845515	2	Weldment, Top Rail	
2	0256616	1	Actuator Assembly (Rear) (See 101-118 for Breakdown)	
3	0480094	2	Belt, Mesh - End	
4	4845514	1	Weldment, Hanger - Front	
5	0641406	26	Bolt 1/4in-20NC x3/4in	
6	4711400	40	Flatwasher 1/4in	
7	3311405	16	Locknut 1/4in-20NC	
8	4845510	2	Weldment, Hanger - Side	
9	0480092	2	Belt, Mesh - Side	
10	4240033	82	Tie-Strap	
11	0480093	1	Belt, Mesh - End	
12	0256615	1	Actuator Assembly (Front) (See 101-118 for Breakdown)	
13	3539897	1	Plate, End Tray	
14	4845371	2	Tray, Side	
15	4845372	1	Tray, End	
16	0641608	8	Bolt 3/8in-16NC x 1in	
17	4711600	16	Flatwasher 3/8in	
18	3311605	8	Locknut 3/8in-16in	
19	0641418	4	Bolt 1/4in-20NC x 1 3/4in	
20	2080043	16	Fastener, Rivnut 1/4in-20NC	
21	4845512	1	Weldment, Hanger - Rear Left Side	
22	4845513	1	Weldment, Hanger - Rear Right Side	
23	1120514	10	Cap	
24	4420055	6 in/15cm	Tape, UHMW	
25	3520072	6	Plug, Tube	
	0256616	Ref	<b>ACTUATOR ASSEMBLY - REAR</b>	3
	0256615	Ref	<b>ACTUATOR ASSEMBLY - FRONT</b>	2
101		Ref	Tube Outer Options:	
101	4567060	1	Rear	
101	4567062	1	Front	
102		Ref	Tube, Inner Options:	
102	4567075	1	Rear	
102	4567067	1	Front	
103	4160136	2	Spring, Gas	
104	0641509	2	Bolt 5/16in-18NC x 1 1/8in	
105	0100011	AR	Loctite (Not Shown)	
106	4845370	1	Link	
107	3340781	2	Pad	
108	0641604	8	Bolt 3/8in-16NC x 1/2in	
109	4751600	8	Flatwasher 3/8in	
110	4761600	8	Lockwasher 3/8in	
111	0641516	1	Bolt 5/16in-18NC x2in	
112	4751500	4	Flatwasher 5/16in	
113	3311505	2	Locknut 5/16in-18NC	
114	3340780	4	Pad	
115	0641536	1	Bolt 5/16in-18NC x 4 1/2in	
116	0962074	1	Bushing	
117	0962075	1	Bushing	

### SECTION 3 - SCISSOR ARMS

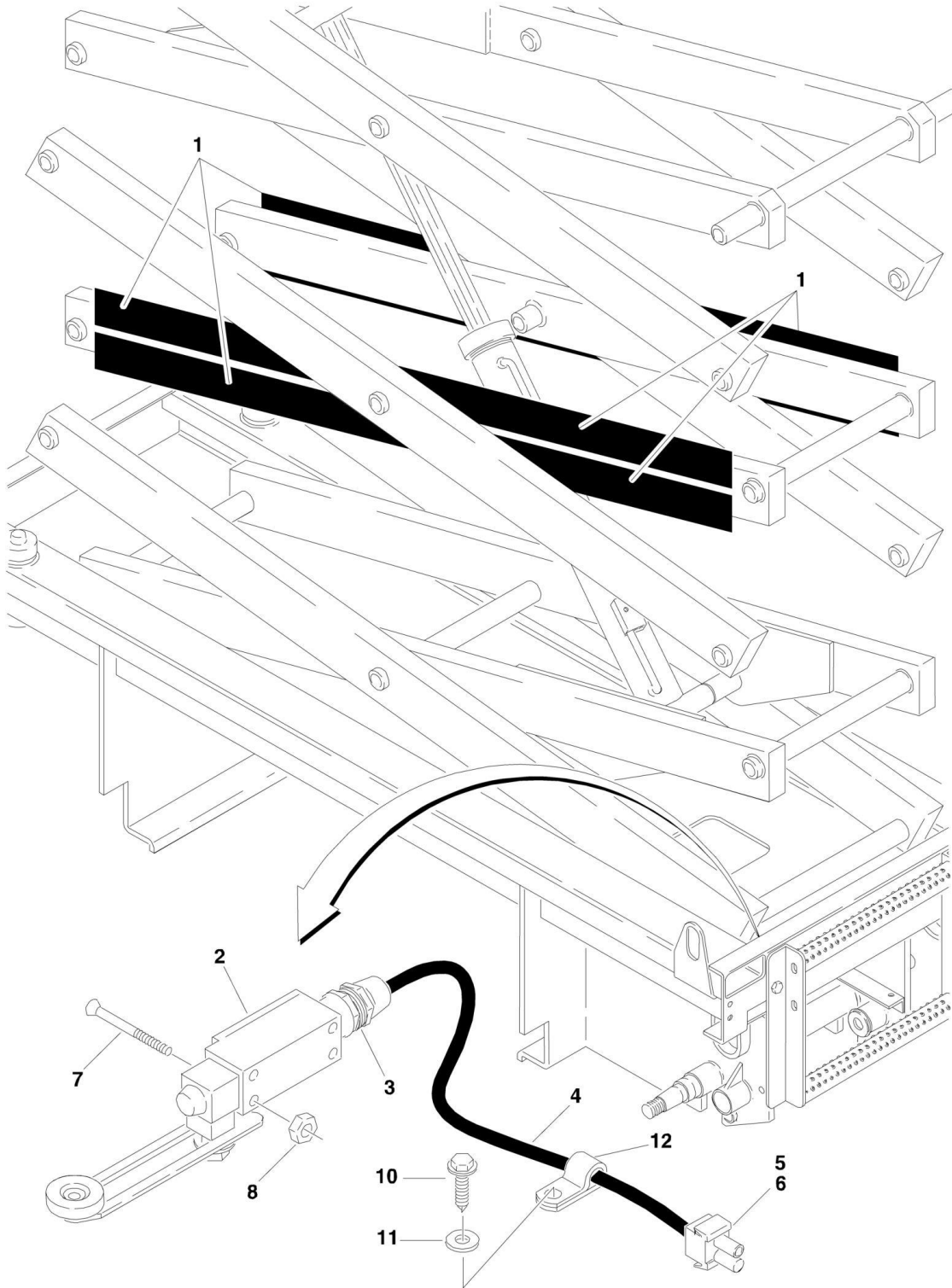
ITEM	PART NUMBER	QTY	DESCRIPTION	REV
118	3900213	4	Screw, Button Head 3/8in-16NC x3/8in	





# SECTION 3 - SCISSOR ARMS

FIGURE 3-12. PLATFORM DESCENT DELAY SYSTEM INSTALLATION - 1532E/  
1932E/2033E/2046E/2646E BUILT (SN 30542 to Present)



## SECTION 3 - SCISSOR ARMS

**FIGURE 3-12. PLATFORM DESCENT DELAY SYSTEM INSTALLATION - 1532E/  
1932E/2033E/2046E/2646E BUILT (SN 30542 to Present)**

ITEM	PART NUMBER	QTY	DESCRIPTION	REV
		Ref	<b>PLATFORM DESCENT DELAY SYSTEM INSTALLATIONS</b>	
	0257179	Ref	<b>Platform Descent Delay System Installations 1532E</b>	4
	0257180	Ref	<b>Platform Descent Delay System Installations 1932E</b>	4
	0257181	Ref	<b>Platform Descent Delay System Installations 2033E/2046E</b>	3
	0257182	Ref	<b>Platform Descent Delay System Installations 2646E</b>	3
1	4280301	AR	Blade, Rubber	
1	4280301	15 ft/4.5m	Blade, Rubber 1532E	
1	4280301	25.7 ft/7.8m	Blade, Rubber 1932E	
1	4280301	23 ft/7m	Blade, Rubber 2033E/2046E	
1	4280301	40.25 ft/12.3m	Blade, Rubber 2646E	
2	4360397	1	Switch, Limit	
3	4460428	1	Connector, Strain Relief	
4	1060341	8 ft/2.4m	Cable, Electrical - 16/2	
5		Ref	Connector, Electrical Options:	
5	4460326	1	Metric Thread ( <b>Prior to SN 49516</b> )	
5	4460052	1	SAE Thread ( <b>SN 49516 to Present</b> )	
6	4460226	2	Connector, Electrical	
7	3911024	2	Screw, Round Head #10-24NC x 1 1/2in	
8	3311001	2	Nut #10-24NC	
9	0100035	AR	Loctite #222 (Not Shown)	
10	4751000	2	Flatwasher #10	
11	3941406	1	Screw, Self-Tapping 1/4in x 3/4in (2033E/2046E/2646E Only)	
12	1320224	1	Clamp, Cable (2033E/2046E/2646E Only)	
		Ref	Replacement Blade Options - Service Only:	
	0257192	AR	Replacement Blade 1532E	
	0257193	AR	Replacement Blade 1932E	
	0257190	AR	Replacement Blade 2033E/2046E	
	0257191	AR	Replacement Blade 2646E	

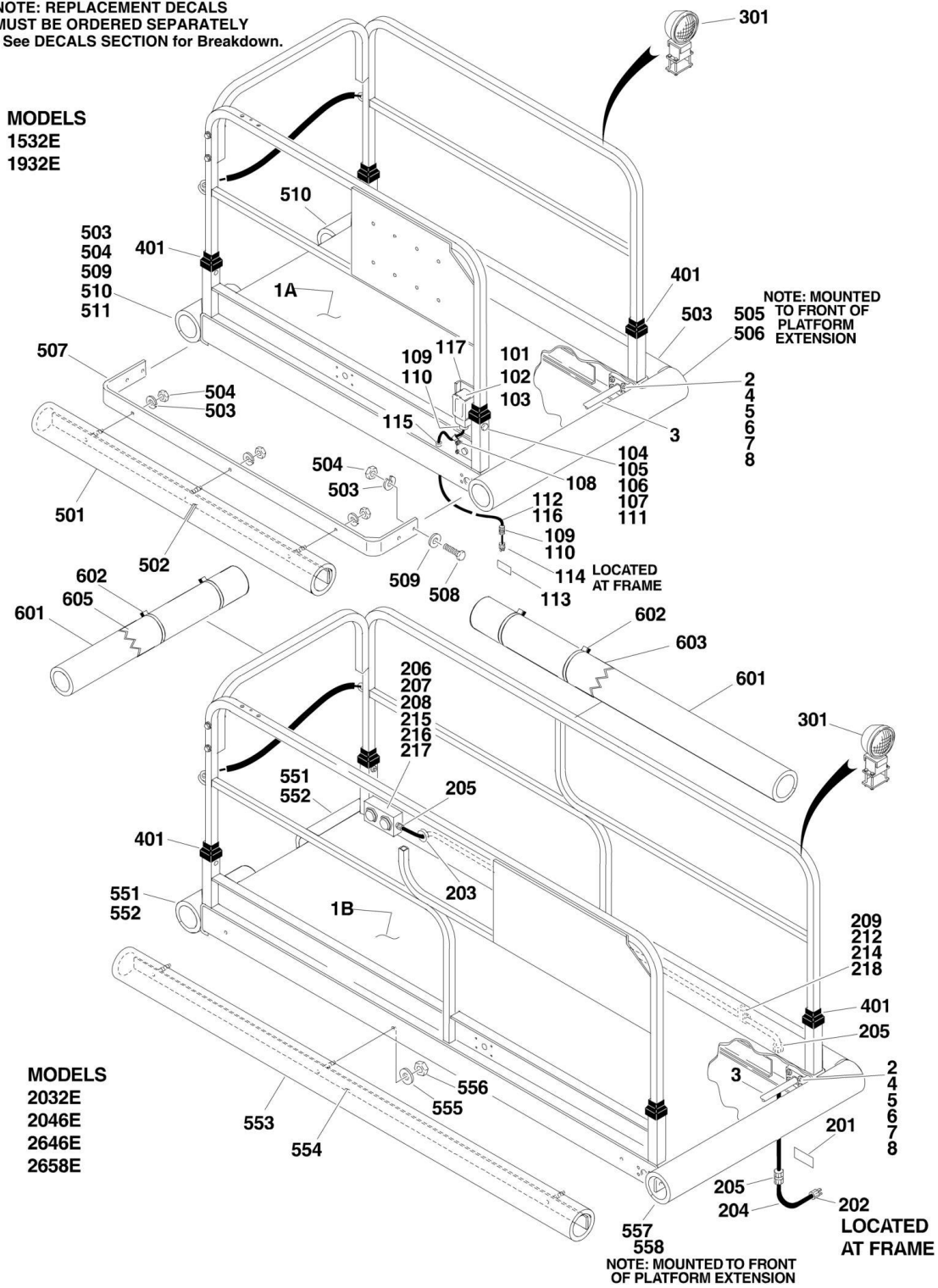


**SECTION 4 - PLATFORM**

# SECTION 4 - PLATFORM

## FIGURE 4-1. PLATFORM INSTALLATION - MANUALLY OPERATED EXTENSION

NOTE: REPLACEMENT DECALS  
MUST BE ORDERED SEPARATELY  
- See DECALS SECTION for Breakdown.



## SECTION 4 - PLATFORM

**FIGURE 4-1. PLATFORM INSTALLATION - MANUALLY OPERATED EXTENSION**

ITEM	PART NUMBER	QTY	DESCRIPTION	REV
		Ref	<b>PLATFORM INSTALLATIONS</b>	
	0256410	Ref	<b>Platform Installations 1532E Standard Platform</b>	B
	0256842	Ref	<b>Platform Installations 1532E Platform with Anchor Rings</b>	A
	0256614	Ref	<b>Platform Installations 1932E Standard Platform</b>	2
	0256845	Ref	<b>Platform Installations 1932E Platform with Anchor Rings</b>	2
	0256411	Ref	<b>Platform Installations 2033E Standard Platform</b>	3
	0256841	Ref	<b>Platform Installations 2033E Platform with Anchor Rings</b>	2
	0256812	Ref	<b>Platform Installations 2046E/2646E Standard Platform</b>	2
	0256840	Ref	<b>Platform Installations 2046E/2646E Platform with Anchor Rings</b>	2
	0256413	Ref	<b>Platform Installations 2658E Standard Platform</b>	2
	0256839	Ref	<b>Platform Installations 2658E Platform with Anchor Rings</b>	2
1		Ref	Platform Weldment Options:	
1A	3510536	1	Platform Weldment 1532E/1932E Standard Platform	
1A	3510553	1	Platform Weldment 1532E/1932E Platform with Anchor Rings	
1A	3510532	1	Platform Weldment 2033E Standard Platform	
1A	3510551	1	Platform Weldment 2033E Platform with Anchor Rings	
1B	3510531	1	Platform Weldment 2046E/2646E Standard Platform	
1B	3510549	1	Platform Weldment 2046E/2646E Platform with Anchor Rings	
1B	3510530	1	Platform Weldment 2658E Standard Platform	
1B	3510547	1	Platform Weldment 2658E Platform with Anchor Rings	
2	3340629	4	Block, Slide Pad	
3	3421895	2	Pin, Attach	
4		Ref	Bushing, Spacer Options:	
4	0962070	4	Bushing, Spacer 1532E	
4	0962073	4	Bushing, Spacer 1932E/2033E <b>(Prior to SN 42492)</b>	
4	0962154	4	Bushing, Spacer 1932E/2033E <b>(SN 42492 to Present)</b>	
4	0962069	4	Bushing, Spacer 2046E/2646E/2658E <b>(Prior to SN 42492)</b>	
4	0962154	4	Bushing, Spacer 2046E/2646E/2658E <b>(SN 42492 to Present)</b>	
5	0641522	8	Bolt 5/16in-18NC x 2 3/4in	
6	4751500	8	Flatwasher 5/16in Regular	
7	4711500	8	Flatwasher 5/16in Narrow	
8	3311505	8	Nut 5/16in-18NC	
		Ref	<b>OPTIONAL RECEPTACLE INSTALLATIONS</b>	
	0256052	Ref	<b>110V Optional Receptacle Installations (1532E)</b>	7
	0256053	Ref	<b>110V Optional Receptacle Installations (1932E)</b>	7
	0256711	Ref	<b>220V Optional Receptacle Installations (1532E Built) (Prior to SN 39302)</b>	4
	0258169	Ref	<b>220V Optional Receptacle Installations (1532E Built) (SN 39302 to Present)</b>	2
	0256712	Ref	<b>220V Optional Receptacle Installations (1932E Built) (Prior to SN 39302)</b>	4
	0258170	Ref	<b>220V Optional Receptacle Installations (1932E Built) (SN 39302 to Present)</b>	2
101	Supply Locally	1	Box, Receptacle	
102	Supply Locally	1	Receptacle	
103	Supply Locally	1	Cover, Weatherproof	
104	0641420	1	Bolt 1/4in-20NC x 2 1/2in	
105	4751400	3	Flatwasher 1/4in	
106	4761400	4	Lockwasher 1/4 <b>(Prior to SN 37715)</b>	
107	3311401	3	Nut 1/4in-20NC <b>(Prior to SN 37715)</b>	

## SECTION 4 - PLATFORM

ITEM	PART NUMBER	QTY	DESCRIPTION	REV
107	3311405	3	Locknut 1/4in-20NC <b>(SN 37715 to Present)</b>	
108	1320061	1	Clamp	
109		Ref	Connector, Terminal Options:	
109	4460051	3	Connector, Terminal (was P/N 4460049) <b>(Prior to SN 46829)</b>	
109	4460051	3	Connector, Terminal <b>(SN 46829 to Present)</b>	
110	0960407	3	Bushing, Reducer Used with P/N 4460049 <b>(Prior to SN 46829)</b>	
111	0641406	2	Bolt 1/4in-20NC x 3/4in	
112	1060308	Ref	Cable, Electrical - 12/3	
112	1060308	28 ft/8.5m	Cable, Electrical 1532E	
112	1060308	35 ft/10.7m	Cable, Electrical 1932E	
113		Ref	Nameplate Options:	
113	Not Available		120V/50Hz	
113	3252507	1	220V-50/60Hz	
114	Supply Locally	1	Plug, Connector	
115	2540002	3	Grommet <b>(Prior to SN 37715)</b>	
116	4240033	AR	Tie-Strap	
117	3535681	1	Plate, Mounting - Receptacle Box	
118	4460315	3	Terminal (Not Shown)	
		Ref	<b>OPTIONAL RECEPTACLE INSTALLATIONS</b>	
	0256505	Ref	<b>110V Optional Receptacle Installations (2033E)</b>	6
	0256506	Ref	<b>110V Optional Receptacle Installations (2046E)</b>	6
	0256507	Ref	<b>110V Optional Receptacle Installations (2646E/2658E)</b>	4
	0256520	Ref	<b>220V Optional Receptacle Installations (2033E)</b>	7
	0256521	Ref	<b>220V Optional Receptacle Installations (2046E)</b>	5
	0256522	Ref	<b>220V Optional Receptacle Installations (2646E/2658E)</b>	5
201		Ref	Nameplate Options:	
201	Not Available		120V/50Hz	
201	3251242	1	220V-50/60Hz	
202	Supply Locally	1	Plug, Connector	
203	2540002	AR	Grommet	
204	1060308	Ref	Cable, Electrical - 12/3	
204	1060308	42 ft/13m	Cable, Electrical 2033E/2046E	
204	1060308	45 ft/14m	Cable, Electrical 2646E/2658E	
205	4460051	2	Connector, Strain Relief	
206	Supply Locally	1	Box, Receptacle	
207	Supply Locally	1	Receptacle	
208	Supply Locally	1	Cover, Weatherproof	
209	1320061	4	Clamp	
212	4751500	AR	Flatwasher5/16in	
214	3311505	AR	Locknut 5/16in-18NC	
215	0721004	AR	Bolt #10-16 x 1/2 <b>(Prior to SN 42560)</b>	
215	3900256	AR	Bolt #10-24NC x 1 1/4 <b>(SN 42560 to Present)</b>	
216	4751000	AR	Flatwasher #10	
217	4761000	AR	Lockwasher #10	
218	0641505	3	Bolt 5/16in-18NC x 3/4in	
219	4240033	16	Tie-Strap (Not Shown - Located On Arms)	
220	2820025	1 ft/.3m	Guard, Plastic Spring (Not Shown)	
221	4460315	3	Terminal (Not Shown)	
		Ref	<b>OPTIONAL WORKLIGHTS INSTALLATIONS</b>	
	0255963	Ref	<b>Optional Worklights Installations 1532E</b>	5
	0258213	Ref	<b>Optional Worklights Installations 1532E with Fold Down Rails</b>	1



## SECTION 4 - PLATFORM

ITEM	PART NUMBER	QTY	DESCRIPTION	REV
	0256200	Ref	<b>Optional Worklights Installations 1932E</b>	4
	0258214	Ref	<b>Optional Worklights Installations 1932E with Fold Down Rails</b>	1
	0256198	Ref	<b>Optional Worklights Installations 2033E/2046E</b>	C
	0258215	Ref	<b>Optional Worklights Installations 2033E/2046E with Fold Down Rails</b>	1
	0256199	Ref	<b>Optional Worklights Installations 2646E/2658E</b>	C
	0258216	Ref	<b>Optional Worklights Installations 2646E/2658E with Fold Down Rails</b>	1
301	2920093	2	Worklight Assembly	
301	7016630	2	Bulb, Replacement (1 Per Light)	
301	0901930	2	Bracket, Mounting	
301	1060341	Ref	Cable, Electrical - 16/2 (Not Shown)	
301	1060341	40	Cable, Electrical 1532E	
		ft/12.2m		
301	1060341	48	Cable, Electrical 1932E	
		ft/14.6m		
301	1060341	54	Cable, Electrical 2033E/2046E	
		ft/16.5m		
301	1060341	61	Cable, Electrical 2646E/2658E	
		ft/18.6m		
301	4360164	1	Breaker, Circuit - 5 Amp (Not Shown)	
	0256609	Ref	<b>HANDRAIL BOOTS INSTALLATION</b>	-
401	0840035	4	Boot, Handrail	
		Ref	<b>BUMPER PADS INSTALLATIONS</b>	
	0254171	Ref	<b>Bumper Pads Installations 1532E/1932E</b>	A-A
	0257398	Ref	<b>Bumper Pads Installations 2033E</b>	1-A
501	0940060	2	Pad, Bumper (Side) (1532E/1932E)	
501	0940057	2	Pad, Bumper (Side) (2033E)	
502	4844586	2	Bar, Bumper (Side Outer) (1532E/1932E)	
502	4844414	2	Bar, Bumper (Side Outer) (2033E)	
503	4761400	16	Lockwasher 1/4in	
504	3311401	20	Nut 1/4in-20NC	
505	0940061	1	Pad, Bumper (Front)	
506	4844585	1	Rail, Bumper (Front Outer)	
507	0362273	2	Rail, Bumper (Inner) (1532E/1932E)	
507	0362666	2	Rail, Bumper (Inner) (2033E)	
508	0641407	4	Bolt 1/4in-20NC x 7/8in (1532E/1932E)	
508	0641412	4	Bolt 1/4in-20NC x 1 1/2in (2033E)	
509	4751400	13	Flatwasher 1/4in	
510	0940065	2	Pad, Bumper (Rear)	
511	0641416	4	Bolt 1/4in-20NC x 2in	
		Ref	<b>BUMPER PADS INSTALLATIONS</b>	
	0257367	Ref	<b>Bumper Pads Installations 2046E/2646E</b>	2-B
	0257397	Ref	<b>Bumper Pads Installations 2658E</b>	2-A
551	0940080	2	Pad, Bumper (Rear) (2046E/2646E)	
551	0940081	2	Pad, Bumper (Rear) (2658E)	
552	4845496	2	Bar, Bumper (Rear) (2046E/2646E)	
552	4845497	2	Bar, Bumper (Rear) (2658E)	
553	0940057	2	Pad, Bumper (Side)	
554	4844414	2	Rail, Bumper (Side)	
555	4751400	13	Flatwasher 1/4in	
556	3311405	13	Locknut 1/4in-20NC	
557	0940079	1	Pad, Bumper (Front) (2046E/2646E)	

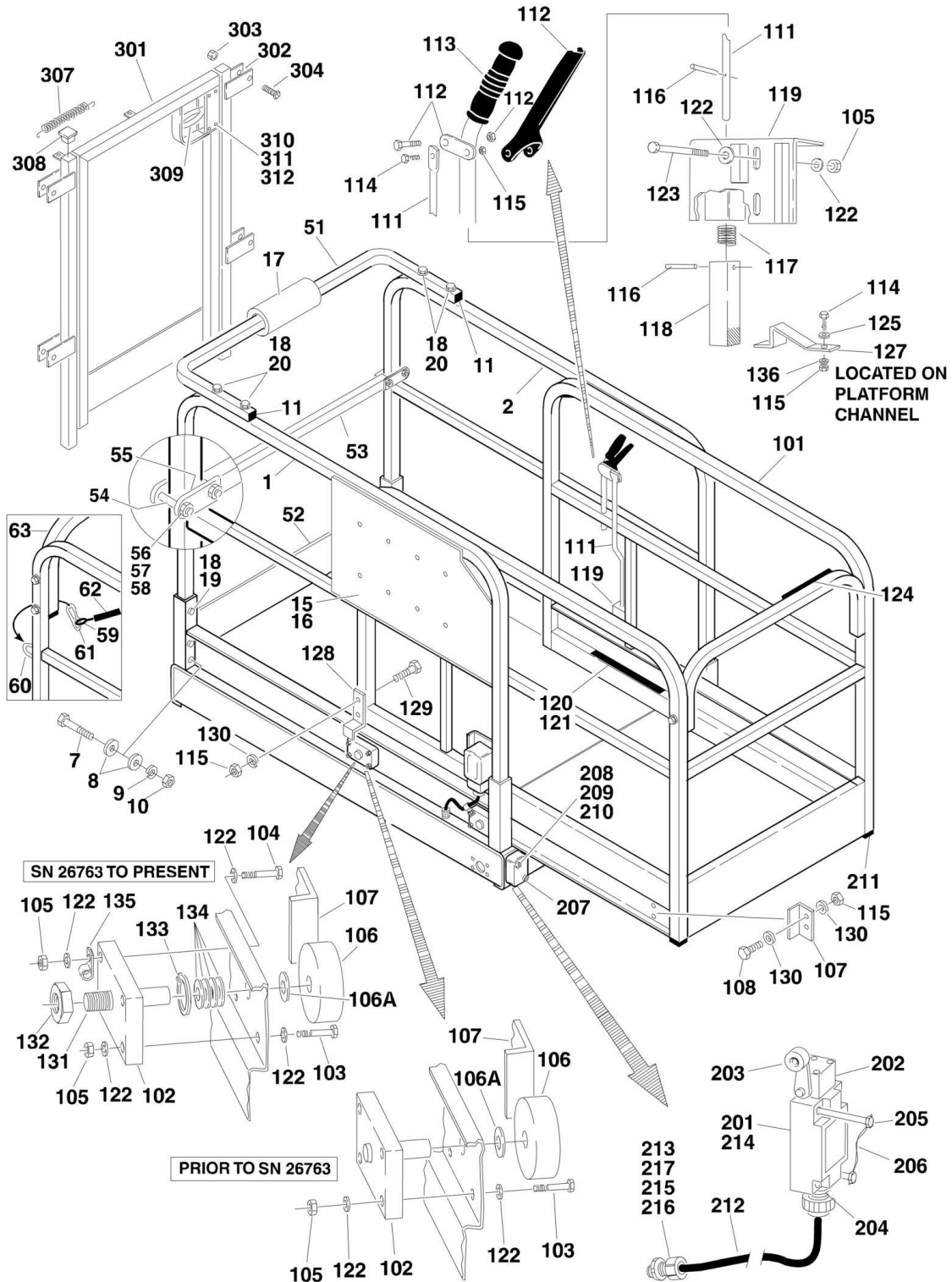
## SECTION 4 - PLATFORM

ITEM	PART NUMBER	QTY	DESCRIPTION	REV
557	0940082	1	Pad, Bumper (Front) (2658E)	
558	4845495	1	Rail, Bumper (Front) (2046E/2646E)	
558	4845498	1	Rail, Bumper (Front) (2658E)	
		Ref	<b>TOP RAIL PADDING INSTALLATIONS (OPTIONAL) (SN 42423 to Present)</b>	
	0257664	Ref	<b>Top Rail Padding Installations 2033E/2046E/2646E/2658E without Vinyl Covers</b>	2A
	0258058	Ref	<b>Top Rail Padding Installations 2033E with Vinyl Covers</b>	1A
	0258018	Ref	<b>Top Rail Padding Installations 2046E/2646E with Vinyl Covers</b>	1-A
	0258019	Ref	<b>Top Rail Padding Installations 2658E with Vinyl Covers</b>	1-A
601	3340612	24 ft/7.3m	Pad	
602	4240018	AR	Tie Straps	
603	1670849	2	Cover, Sides Options:	
603	1670849	2	Without Vinyl Covers	
603	1670849	2	With Vinyl Covers	
604		Ref	Cover, Front Options: (Not Shown)	
604	Not Required	0	Without Vinyl Covers	
604	1670856	2	Cover, Front 2033E/2046E/2646E with Vinyl Covers	
604	1670847	2	Cover, Front 2658E with Vinyl Covers	
605		Ref	Cover, Rear Options:	
605	Not Required	0	Without Vinyl Covers	
605	1670857	1	Cover, Rear 2033E/2046E/2646E with Vinyl Covers	
605	1670848	1	Cover, Rear 2658E with Vinyl Covers	



# SECTION 4 - PLATFORM

FIGURE 4-2. HANDRAILS AND EXTENSION INSTALLATION - STANDARD RAILS (MANUALLY OPERATED) (1532E/1932E)



## SECTION 4 - PLATFORM

**FIGURE 4-2. HANDRAILS AND EXTENSION INSTALLATION - STANDARD RAILS (MANUALLY OPERATED) (1532E/1932E)**

ITEM	PART NUMBER	QTY	DESCRIPTION	REV
		Ref	<b>STANDARD HANDRAILS INSTALLATIONS (STANDARD PARTS)</b>	
1	3640750	1	Handrail - Right Side (Standard) <b>(Prior to SN 38569)</b>	
1	3641209	1	Handrail - Right Side (Standard) <b>(SN 38569 to Present)</b>	
2	3640751	1	Handrail - Left Side (Standard)	
7	0641424	AR	Bolt 1/4in-20NC x 3 <b>(Prior to SN 38569)</b>	
7	0641420	AR	Bolt 1/4in-20NC x 2 1/2 <b>(SN 38569 to Present)</b>	
8	4751400	AR	Flatwasher 1/4in Wide	
9	4761400	AR	Lockwasher 1/4 <b>(Prior to SN 38569)</b>	
10	3311401	AR	Nut 1/4in-20NC <b>(Prior to SN 38569)</b>	
10	3311405	AR	Locknut 1/4in-20NC <b>(SN 38569 to Present)</b>	
11	3520072	2	Plug, Cap	
15	3570381	1	Plate, Placard	
16	3820019	6	Pop Rivet	
17	3340612	1.5 ft/.5m	Pad <b>(SN 38569 to Present)</b>	
18	3900184	4	Screw, Button Head #10-24NC x 5/8in	
19	3300375	4	Nut, Joint Connector	
20	3300374	4	Nut, Joint Connector	
		Ref	<b>STANDARD HANDRAILS INSTALLATIONS - CE SPEC (VARIABLE PARTS)</b>	
	0251973	Ref	<b>CE Spec (Prior to SN 38569)</b>	C
	0257683	Ref	<b>CE Spec (SN 38569 to Present)</b>	4
51	4565285	1	Tube - Rear	
52	3533370	1	Kickplate - Rear	
53	2640614	1	Gate, Lift	
54	0961833	4	Bushing	
55	4420055	6 in/15cm	Tape	
56	3911034	4	Screw, Machine #10-24NC x 2 1/4in	
57	4751000	4	Flatwasher #10	
58	3311005	4	Locknut #10-24NC	
		Ref	<b>STANDARD HANDRAILS INSTALLATIONS - AUSTRALIAN SPEC (VARIABLE PARTS)</b>	
	0251879	Ref	<b>Australian Spec (Prior to SN 38569)</b>	E
	0257681	Ref	<b>Australian Spec (SN 38569 to Present)</b>	4
59	1260136	2 ft./.6m	Chain	
60	3010088	2	Link	
61	1001101076	1	Snap Latch Repair Kit (Includes Item 60) (was p/n 2940064)	
62	2820097	2 ft./.6m	Tubing, Vinyl	
63	4565201	1	Tube - Rear	
		Ref	<b>PLATFORM EXTENSION INSTALLATIONS</b>	
	0252738	Ref	<b>CE Spec with Power Down</b>	E
	0257282	Ref	<b>CE Spec with Gravity Down</b>	3
	0252737	Ref	<b>Australian Spec with Power Down</b>	E
	0257281	Ref	<b>Australian Spec with Gravity Down</b>	3
101		Ref	Extension Weldment	
101	3510493	1	CE Spec with Power Down	
101	3510568	1	CE Spec with Gravity Down	
101	3510492	1	Australian Spec with Power Down	
101	3510567	1	Australian Spec with Gravity Down	
102	4843706	4	Mount, Roller <b>(Prior to SN 26763)</b>	

## SECTION 4 - PLATFORM

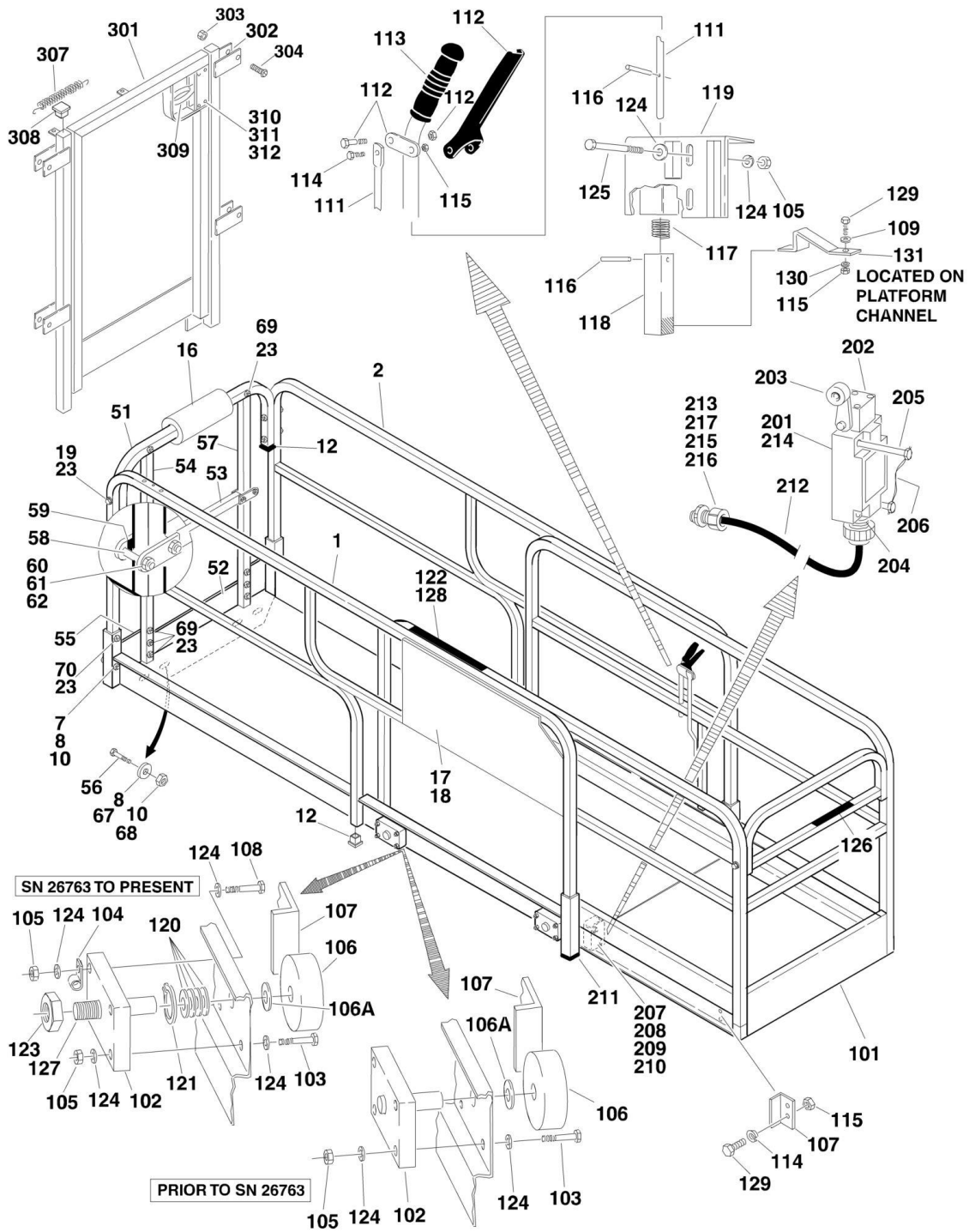
ITEM	PART NUMBER	QTY	DESCRIPTION	REV
102	3537619	4	Mount, Roller <b>(SN 26763 to Present)</b>	
103	0641510	15	Bolt 5/16in-18NC x 1 1/4in	
104	0641512	1	Bolt 5/16in-18NC x 1 1/2in	
105	3311505	18	Locknut 5/16in-18NC	
106	3860052	4	Roller <b>(Prior to SN 26763)</b>	
106	3860059	4	Roller <b>(SN 26763 to Present)</b>	
106A	4712200	AR	Shim, Flatwasher (Steel)	
106A	4740066	AR	Shim, Flatwasher (Thin Bronze)	
107	0181684	4	Stop, Angle	
108	0641406	1 in in	Bolt 1/4in-20NC x 3/4in	
111	3841074	1	Rod, Release	
112	2980113	1	Lever, Release	
113	2560088	1	Grip, Handle	
114	0641405	12	Bolt 1/4in-20NC x 5/8in	
115	3311405	13	Locknut 1/4in-20NC	
116	3422723	2	Rollpin 1/8in x 7/8in	
117	4160078	1	Spring	
118	0361912	1	Block, Latch	
119	2940061	1	Latch, Weldment	
120	3251852	1	Nameplate - Capacity <b>(Prior to SN 38573)</b>	
121	3820001	2	Rivet <b>(Prior to SN 38573)</b>	
122	4751500	20	Flatwasher 5/16in	
123	0641516	2	Bolt 5/16in-18NC x 2in	
124	3252136	AR	Nameplate-Control Box Location <b>(Prior to SN 38573)</b>	
125	4711400	4	Flatwasher 1/4in Narrow	
127	0901830	2	Bracket, Latch	
128	0901906	2	Bracket, Retaining <b>(Prior to SN 38573)</b>	
129	0641414	4	Bolt 1/4in-20NC x 1 3/4 <b>(Prior to SN 38573)</b>	
130	4751400	8	Flatwasher 1/4 <b>(Prior to SN 38573)</b>	
131	3841233	4	Rod, Roller Support	
132	3312202	4	Nut, Jam 3/4in-10NC <b>(Prior to SN 43782)</b>	
132	3322202	4	Nut, Jam 3/4in-10NC <b>(SN 43782 to Present)</b>	
133	3760348	4	Ring, Retaining	
134	4752200	4	Flatwasher 3/4in	
135	1320224	1	Clamp <b>(SN 33685 to Present)</b>	
136	4791400	4	Starwasher <b>(SN 33685 to Present)</b>	
	2901573	1	Kit, Extension Latch (Includes Items 111, 116, 117, 118, 119 & 127)	
		Ref	<b>OPTIONAL PLATFORM EXTENSION LIMIT SWITCHES INSTALLATION</b>	
	0256667	Ref	<b>Optional Platform Extension Limit Switches Installation 1532E</b>	-
	0256664	Ref	<b>Optional Platform Extension Limit Switches Installation 1932E</b>	-
201	4360277	1	Switch, Limit	
202	4360236	1	Actuator, Switch	
203	4360278	1	Roller and Arm	
204	4460052	1	Connector, Strain Relief	
205	3900168	2	Screw, Special	
206	4920140	2	Lockwire	
207	3534995	1	Plate, Mounting	
208	3931416	2	Bolt, Socket Head 1/4in-20NC x 1in	
209	3311401	2	Nut 1/4in-20NC	
210	4761400	2	Lockwasher 1/4in	

## SECTION 4 - PLATFORM

ITEM	PART NUMBER	QTY	DESCRIPTION	REV
211	3520072	1	Plug, Cap	5-E
212	1060341	Ref	Cable, Electrical - 16/2	
212	1060341	40 ft/12m	Cable, Electrical 1532E	
212	1060341	46 ft/14m	Cable, Electrical 1932E	
213	4460320	1	Plug	
214	4460069	2	Fork	
215	0960239	1	Bushing	
216	3300047	1	Locknut, Conduit	
217	4460267	2	Pin	
	0252973	Ref	<b>SELF-CLOSING ACCESS GATE INSTALLATION (CE SPEC - OPTIONAL / AUSTRALIAN SPEC - STANDARD)</b>	
301	4844100	1	Gate Weldment	
302	4844104	1	Rail	
303	3300373	4	Nut, Joint Connector	
304	3900184	4	Screw, Button Head	
307	4160028	1	Spring	
308	3520072	4	Plug, Cap	
309	2940074	1	Latch	
310	3911014	4	Screw #10-24NC x 7/8in	
311	3311005	4	Locknut #10-24NC	
312	4751000	4	Flatwasher #10	

# SECTION 4 - PLATFORM

FIGURE 4-3. HANDRAILS AND EXTENSION INSTALLATION - STANDARD RAILS (MANUALLY OPERATED) (2033E/2046E/2646E/2658E)





## SECTION 4 - PLATFORM

**FIGURE 4-3. HANDRAILS AND EXTENSION INSTALLATION - STANDARD RAILS (MANUALLY OPERATED) (2033E/2046E/2646E/2658E)**

ITEM	PART NUMBER	QTY	DESCRIPTION	REV
		Ref	<b>STANDARD HANDRAILS INSTALLATION (STANDARD PARTS)</b>	
1	3640727	1	Handrail - Right Side <b>(Prior to SN 38569)</b>	
1	3641210	1	Handrail - Right Side <b>(SN 38569 to Present)</b>	
2	3640728	1	Handrail - Left Side (Standard)	
7	0641424	AR	Bolt 1/4in-20NC x 3 <b>(Prior to SN 38569)</b>	
7	0641420	AR	Bolt 1/4in-20NC x 2 1/2 <b>(SN 38569 to Present)</b>	
8	4751400	AR	Flatwasher 1/4in Wide	
10	3311405	AR	Locknut 1/4in-20NC	
12	3520072	4	Plug, Cap	
16	3340612	1.5 ft./5m	Pad <b>(SN 38569 to Present)</b>	
17	3570381	1	Plate, Placard	
18	3820019	6	Pop Rivet	
19	3300375	4	Connector, Joint 2 3/8in	
23	3900184	16	Screw, Button Head #10-24NC x 5/8in	
		Ref	<b>STANDARD HANDRAILS INSTALLATION - AUSTRALIAN SPEC (VARIABLE PARTS)</b>	
	0251304	Ref	<b>Standard Handrails Installation -Australian Spec (Variable Parts) 2033E Built (Not Shown) (Prior to SN 38569)</b>	F
	0257685	Ref	<b>Standard Handrails Installation -Australian Spec (Variable Parts) 2033E Built (Not Shown) (SN 38569 to Present)</b>	4
	0251393	Ref	<b>Standard Handrails Installation -Australian Spec (Variable Parts) 2046E/2646E Built (Prior to SN 38569)</b>	H
	0257695	Ref	<b>Standard Handrails Installation -Australian Spec (Variable Parts) 2046E/2646E Built (SN 38569 to Present)</b>	4
	0251395	Ref	<b>Standard Handrails Installation -Australian Spec (Variable Parts) 2646E/2658E Built (Prior to SN 38569)</b>	H
	0257696	Ref	<b>Standard Handrails Installation -Australian Spec (Variable Parts) 2646E/2658E Built (SN 38569 to Present)</b>	4
51		Ref	Tube, Handrail - Rear Options:	
51	4565201	1	Tube, Handrail - Rear 2033E	
51	4565202	1	Tube, Handrail - Rear 2046E/2646E	
51	4565202	1	Tube, Handrail - Rear 2646E/2658E	
52 to 53	Not Required	0	Not Required	
54		Ref	Tube, Handrail - Rear Vertical Right Side Options:	
54	Not Required	0	Tube, Handrail - Rear Vertical Right Side 2033E	
54	3640713	1	Tube, Handrail - Rear Vertical Right Side 2046E/2646E/2646E/2658E	
55	Not Required	0	Not Required	
56	0641608	AR	Bolt 3/8in-16NC x 1in	
57		Ref	Tube, Handrail - Rear Vertical Right Side Options:	
57	Not Required	0	Tube, Handrail - Rear Vertical Right Side 2033E	
57	3640713	1	Tube, Handrail - Rear Vertical Right Side 2046E/2646E/2646E/2658E	
58 to 62	Not Required	0	Not Required	
63	1260136	2 ft./6m	Chain (Not Shown)	
64	2820297	2 ft./6m	Tubing, Mesh (Not Shown)	
65	3010088	2	Link (Not Shown)	
66	1001101076	1	Snap Latch Repair Kit (Includes Item 65) (was p/n 2940064)	
67	4751600	AR	Flatwasher 3/8in	
68	3311605	AR	Locknut 3/8in-16NC	
69	3300373	AR	Nut, Joint Connector 1 1/4in	

## SECTION 4 - PLATFORM

ITEM	PART NUMBER	QTY	DESCRIPTION	REV
70	Not Required	0	Not Required	
		Ref	<b>STANDARD HANDRAILS INSTALLATION - CE SPEC (VARIABLE PARTS)</b>	
	0251601	Ref	<b>Standard Handrails Installation -Ce Spec (Variable Parts) 2033E Built (Not Shown) (Prior to SN 38569)</b>	D
	0257688	Ref	<b>Standard Handrails Installation -Ce Spec (Variable Parts) 2033E Built (Not Shown) (SN 38569 to Present)</b>	2
	0251603	Ref	<b>Standard Handrails Installation -Ce Spec (Variable Parts) 2046E/2646E Built (Prior to SN 38569)</b>	E
	0257717	Ref	<b>Standard Handrails Installation -Ce Spec (Variable Parts) 2046E/2646E Built (SN 38569 to Present)</b>	3
	0251605	Ref	<b>Standard Handrails Installation -Ce Spec (Variable Parts) 2646E/2658E Built (Prior to SN 38569)</b>	E
	0257718	Ref	<b>Standard Handrails Installation -Ce Spec (Variable Parts) 2646E/2658E Built (SN 38569 to Present)</b>	2
51		Ref	Tube, Handrail - Rear Options:	
51	4565201	1	Tube, Handrail - Rear 2033E	
51	4565202	1	Tube, Handrail - Rear 2046E/2646E	
51	4565203	1	Tube, Handrail - Rear 2646E/2658E	
52	3533370	1	Kickplate	
53	3640614	1	Gate, Lift	
54		Ref	Tube, Handrail - Rear Vertical Right Side Options:	
54	Not Required	0	Tube, Handrail - Rear Vertical Right Side 2033E	
54	3640731	1	Tube, Handrail - Rear Vertical Right Side 2046E/2646E/2646E/2658E	
55		Ref	Kickplate - Rear Options:	
55	Not Required	0	Kickplate - Rear 2033E	
55	3534742	1	Kickplate - Rear 2046E/2646E	
55	3534743	1	Kickplate - Rear 2646E/2658E	
56	0641408	AR	Bolt 1/4in-20NC x 1 <b>(Prior to SN 38569)</b>	
56	0641608	AR	Bolt 3/8in-16NC x 1 <b>(SN 38569 to Present)</b>	
57		Ref	Tube, Handrail - Rear Vertical Right Side Options:	
57	Not Required	0	Tube, Handrail - Rear Vertical Right Side 2033E	
57	3640730	1	Tube, Handrail - Rear Vertical Right Side 2046E/2646E/2646E/2658E	
58	0961833	4	Bushing	
59	4420055	6 in/15cm	Tape	
60	3911034	4	Screw, Machine #10-24NC x 2 1/4in	
61	4751000	4	Flatwasher #10	
62	3311005	4	Locknut #10-24NC	
63 to 66	Not Required	0	Not Required	
67	4751600	AR	Flatwasher 3/8in	
68	3311605	AR	Locknut 3/8in-16NC	
69	3300373	AR	Nut, Joint Connector 1 1/4in	
70	3300374	AR	Nut, Joint Connector 1 7/8in	
	2901573	1	Kit, Extension Latch (Includes Items 111, 116-119 & 131)	
		Ref	<b>PLATFORM EXTENSION INSTALLATIONS</b>	
	0251202	Ref	<b>Platform Extension Installations 2033E Australian Spec Power Down Machines</b>	G
	0257292	Ref	<b>Platform Extension Installations 2033E Australian Spec Gravity Down Machines</b>	4
	0251249	Ref	<b>Platform Extension Installations 2046E/2646E Australian Spec Power Down Machine</b>	F

## SECTION 4 - PLATFORM

ITEM	PART NUMBER	QTY	DESCRIPTION	REV
	0257293	Ref	Platform Extension Installations 2046E/2646E Australian Spec Gravity Down Machine	4
	0251250	Ref	Platform Extension Installations 2658E Australian Spec Power Down Machines	F
	0257294	Ref	Platform Extension Installations 2658E Australian Spec Gravity Down Machines	4
	0251634	Ref	Platform Extension Installations 2033E CE Spec Power Down Machines	F
	0257295	Ref	Platform Extension Installations 2033E CE Spec Gravity Down Machines	1
	0251635	Ref	Platform Extension Installations 2046E/2646E CE Spec Power Down Machine	E
	0257296	Ref	Platform Extension Installations 2046E/2646E CE Spec Gravity Down Machine	4
	0251636	Ref	Platform Extension Installations 2658E CE Spec Power Down Machines	F
	0257297	Ref	Platform Extension Installations 2658E CE Spec Gravity Down Machines	4
		Ref	<b>Note: To determine Power or Gravity Down refer to page A.</b>	
101		Ref	Platform Extension Weldment Options:	
101		Ref	Australian Spec:	
101	3510489	1	Platform Extension Weldment 2033E Power Down Machines	
101	3510571	1	Platform Extension Weldment 2033E Gravity Down Machines	
101	3510316	1	Platform Extension Weldment 2046E & 2646E Power Down Machines	
101	3510572	1	Platform Extension Weldment 2046E & 2646E Gravity Down Machines	
101	3510317	1	Platform Extension Weldment 2658E Power Down Machines	
101	3510573	1	Platform Extension Weldment 2658E Gravity Down Machines	
101		Ref	CE Spec:	
101	3510490	1	Platform Extension Weldment 2033E Power Down Machines	
101	3510577	1	Platform Extension Weldment 2033E Gravity Down Machines	
101	3510325	1	Platform Extension Weldment 2046E & 2646E Power Down Machines	
101	3510578	1	Platform Extension Weldment 2046E & 2646E Gravity Down Machines	
101	3510326	1	Platform Extension Weldment 2658E Power Down Machines	
101	3510579	1	Platform Extension Weldment 2658E Gravity Down Machines	
102	4843706	4	Mounting Weldment - Roller <b>(Prior to SN 26763)</b>	
102	3537619	4	Mounting Weldment - Roller <b>(SN 26763 to Present)</b>	
103	0641510	15	Bolt 5/16in-18NC x 1 1/4in	
104	1320224	1	Clamp <b>(SN 26763 to Present)</b>	
105	3311505	18	Locknut 5/16in-18NC	
106	3860052	4	Roller <b>(Prior to SN 26763)</b>	
106	3860059	4	Roller <b>(SN 26763 to Present)</b>	
106A	4712200	AR	Shim, Flatwasher (Steel)	
106A	4740066	AR	Shim, Flatwasher (Thin Bronze)	
107	0181684	4	Angle, Stop	
108	0641512	1	Bolt 5/16in-18NC x 1 1/2 <b>(SN 26763 to Present)</b>	
109	4711400	4	Flatwasher 1/4in Narrow	
111	3841074	1	Rod, Release	
112	2980113	1	Release Lever Assembly	
113	2560088	1	Grip, Handle	
114	0641406	1	Bolt 1/4in-20NC x 3/4in	

## SECTION 4 - PLATFORM

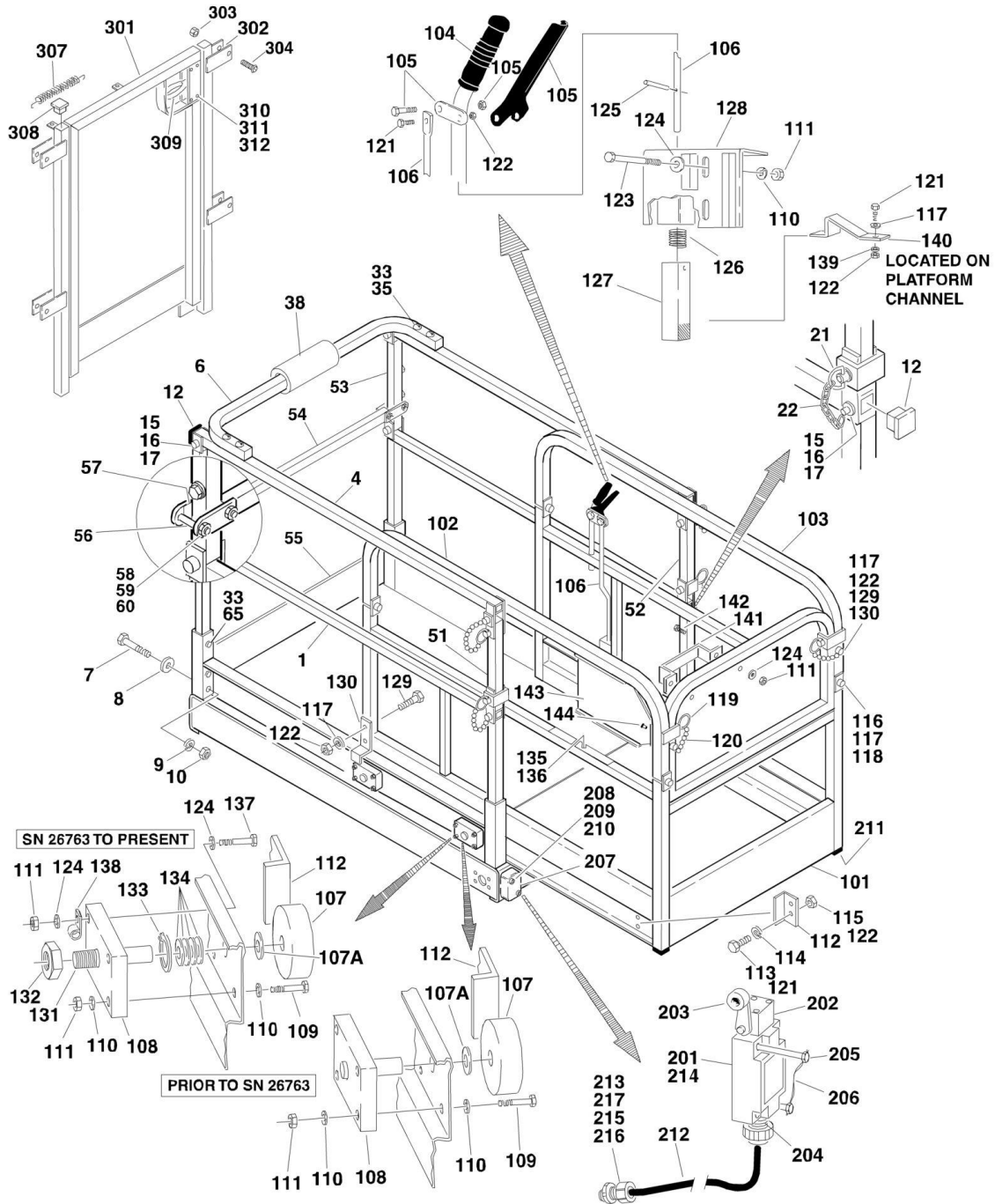
ITEM	PART NUMBER	QTY	DESCRIPTION	REV
115	3311405	13	Locknut 1/4in-20NC	
116	3422723	2	Rollpin 1/8in x 7/8in	
117	4160078	1	Spring	
118	0361912	1	Bar, Latch	
119	2940061	1	Latch Weldment	
120	4752200	4	Flatwasher 3/4 (SN 26763 to Present)	
121	3760348	4	Ring, Retaining (SN 26763 to Present)	
122		Ref	Nameplate - Capacity Options:	
122	3252080	1	CE Spec	
122	3251852	1	Australian Spec	
123	3312202	4	Nut, Jam 3/4in-10NC (SN 26763 through 43781)	
123	3322202	4	Nut, Jam 3/4in-10NC (SN 43782 to Present)	
124	4751500	20	Flatwasher 5/16in	
125	0641516	2	Bolt 5/16in-18NC x 2in	
126	3252136	AR	Nameplate - Control Box Location (Prior to SN 38530)	
127	3841233	4	Rod, Roller Support (SN 26763 to Present)	
128	3820001	4	Rivet (Prior to SN 38530)	
129	0641405	12	Bolt 1/4in-20NC x 5/8in	
130	4791400	4	Starwasher	
131	0901830	2	Bracket, Latch	
		Ref	<b>OPTIONAL PLATFORM EXTENSION LIMIT SWITCHES INSTALLATION</b>	
	0256664	Ref	<b>Optional Platform Extension Limit Switches Installation 2033E/2646E</b>	-
	0256668	Ref	<b>Optional Platform Extension Limit Switches Installation 2646E/2658E</b>	-
201	4360277	1	Switch, Limit	
202	4360236	1	Actuator, Switch	
203	4360278	1	Roller and Arm	
204	4460052	1	Connector, Strain Relief	
205	3900168	2	Screw, Special	
206	4920140	2	Lockwire	
207	3534995	1	Plate, Mounting	
208	3931416	2	Bolt, Socket Head 1/4in-20NC x 1in	
209	3311401	2	Nut 1/4in-20NC	
210	4761400	2	Lockwasher 1/4in	
211	3520072	1	Plug, Cap	
212	1060341	Ref	Cable, Electrical - 16/2	
212	1060341	46 ft/14m	Cable, Electrical 2033E/2646E	
212	1060341	54 ft/16.5m	Cable, Electrical 2646E/2658E	
213	4460320	1	Plug	
214	4460069	2	Fork	
215	0960239	1	Bushing	
216	3300047	1	Locknut, Conduit	
217	4460267	2	Pin	
	0252973	Ref	<b>SELF-CLOSING ACCESS GATE INSTALLATION (CE SPEC - OPTIONAL / AUSTRALIAN SPEC - STANDARD)</b>	5-E
301	4844100	1	Gate Weldment	
302	4844104	1	Rail	
303	3300373	4	Nut, Joint Connector	
304	3900184	4	Screw, Button Head	

## SECTION 4 - PLATFORM

ITEM	PART NUMBER	QTY	DESCRIPTION	REV
307	4160028	1	Spring	
308	3520072	4	Plug, Cap	
309	2940074	1	Latch	
310	3911014	4	Screw #10-24NC x 7/8in	
311	3311005	4	Locknut #10-24NC	
312	4751000	4	Flatwasher #10	

# SECTION 4 - PLATFORM

FIGURE 4-4. HANDRAILS AND EXTENSION INSTALLATION - FOLDDOWN RAILS (MANUALLY OPERATED) (1532E/1932E)



## SECTION 4 - PLATFORM

**FIGURE 4-4. HANDRAILS AND EXTENSION INSTALLATION - FOLDDOWN RAILS (MANUALLY OPERATED) (1532E/1932E)**

ITEM	PART NUMBER	QTY	DESCRIPTION	REV
		Ref	<b>FOLDDOWN HANDRAILS INSTALLATION (STANDARD PARTS)</b>	
1	3640886	2	Rail Weldment - Lower Side	
4	3640885	2	Rail Weldment - Upper Side	
6	4565285	1	Tube, Rail - Upper Rear Top	
7	0641424	4	Bolt 1/4in-20NC x 3 <b>(Prior to SN 38589)</b>	
7	0641420	4	Bolt 1/4in-20NC x 2 1/2 <b>(SN 38589 to Present)</b>	
8	4751400	AR	Flatwasher 1/4in	
9	4761400	4	Lockwasher 1/4 <b>(Prior to SN 38589)</b>	
10	3311405	4	Locknut 1/4in-20NC	
12	3520072	AR	Plug, Cap	
15	3430416	8	Pin, Clevis	
16	4711400	16	Flatwasher 1/4in Narrow	
17	3450203	8	Pin, Cotter	
21	3421913	4	Pin, Quick Release	
22	1260017	28	Chain	
		in/71cm		
33	3900184	4	Screw, Button Head	
35	3300375	8	Nut, Connector	
38	3340612	1.5 ft/.5m	Pad <b>(SN 46777 to Present)</b>	
		Ref	<b>FOLDDOWN HANDRAILS INSTALLATION (VARIABLE PARTS)</b>	
	0254234	Ref	<b>CE Spec</b>	5
	0254236	Ref	<b>Australian Spec</b>	5
51		Ref	Rail Weldment Options - Upper Front Right Side:	
51	3640957	1	CE Spec	
51	3640742	1	Australian Spec	
52		Ref	Rail Weldment Options - Upper Front Left Side:	
52	3640958	1	CE Spec	
52	3640753	1	Australian Spec	
53		Ref	Tube, Rail Options - Upper Rear Side:	
53	4566514	2	CE Spec	
53	4565191	2	Australian Spec <b>(Prior to SN 38589)</b>	
53	3641235	2	Australian Spec <b>(SN 38589 to Present)</b>	
54		Ref	Gate, Drop Options:	
54	3640614	1	CE Spec	
54	Not Required	0	Australian Spec	
55		Ref	Kickplate - Rear Options:	
55	3533370	1	CE Spec	
55	Not Required	0	Australian Spec	
56		Ref	Bushing Options:	
56	0961833	4	CE Spec	
56	Not Required	0	Australian Spec	
57		Ref	Tape Options:	
57	4420055	6 in/15cm	CE Spec	
57	Not Required	0	Australian Spec	
58	3911034	AR	Screw, Machine #10-24NC x 2 1/4in	
59	4751000	AR	Flatwasher #10	
60	3311005	AR	Locknut #10-24NC	
61		Ref	Chain Options (Not Shown):	
61	Not Required	0	CE Spec	

## SECTION 4 - PLATFORM

ITEM	PART NUMBER	QTY	DESCRIPTION	REV
61	1260136	18 in/46cm	Australian Spec	
62		Ref	Tubing, Mesh Options (Not Shown):	
62	Not Required	0	CE Spec	
62	2820097	2 ft./6m	Australian Spec	
63		Ref	Link (Not Shown)	
63	Not Required	0	CE Spec	
63	3010088	2	Australian Spec	
64		Ref	Snap Latch Repair Kit Options (Not Shown):	
64	Not Required	0	CE Spec	
64		Ref	Australian Spec	
64	2940056	1	Snap Latch Repair Kit ( <b>Prior to SN 38589</b> )	
64	1001101076	1	Snap Latch Repair Kit (Includes Item 63) (was p/n 2940064) ( <b>SN 38589 to Present</b> )	
65	3300374	AR	Nut, Connector	
		Ref	<b>PLATFORM EXTENSION INSTALLATIONS</b>	
	0254238	Ref	<b>CE Spec Power Down Machines</b>	E
	0257285	Ref	<b>CE Spec Gravity Down Machines</b>	5
	0254237	Ref	<b>Australian Spec Power Down Machines</b>	E
	0257284	Ref	<b>Australian Spec Gravity Down Machines</b>	4
		Ref	<b>Note: To determine Power or Gravity Down refer to page A.</b>	
101		Ref	Extension Weldment Options:	
101	3510496	1	CE Spec Power Down Machines	
101	3510570	1	CE Spec Gravity Down Machines	
101	3510495	1	Australian Spec Power Down Machines	
101	3510569	1	Australian Spec Gravity Down Machines	
102	3640888	1	Handrail - Right Side	
103	3640887	1	Handrail - Left Side	
104	2560088	1	Grip, Handle	
105	2980113	1	Release Lever Assembly	
106	3841201	1	Rod, Release	
107	3860052	4	Roller ( <b>Prior to SN 26763</b> )	
107	3860059	4	Roller ( <b>SN 26763 to Present</b> )	
107A	4712200	AR	Shim, Flatwasher (Steel)	
107A	4740066	AR	Shim, Flatwasher (Thin Bronze)	
108	4843706	4	Mounting Weldment - Roller ( <b>Prior to SN 26763</b> )	
108	3537619	4	Mounting Weldment - Roller ( <b>SN 26763 to Present</b> )	
109	0641510	15	Bolt 5/16in-18NC x 1 1/4in	
110	4761500	18	Lockwasher 5/16 ( <b>Prior to SN 38573</b> )	
111	3311501	18	Nut 5/16in-18NC ( <b>Prior to SN 38573</b> )	
111	3311505	20	Locknut 5/16in-18NC ( <b>SN 38573 to Present</b> )	
112	0181684	4	Angle	
113	0641406	1	Bolt 1/4in-20NC x 3/4in	
114	4761400	12	Lockwasher 1/4in	
115	3311401	8	Nut 1/4in-20NC	
116	3430416	4	Pin, Clevis 1/4in x 2in	
117	4711400	10	Flatwasher 1/4in Narrow	
118	3450203	4	Pin, Cotter 1/16in x 3/4in	
119	3421913	2	Pin, Quick Release	
120	1260017	14 in./35.6cm	Chain (2 Lengths 7 in./17.8 Each)	
121	0641406	1	Bolt 1/4in-20NC x 3/4 ( <b>Prior to SN 38573</b> )	



## SECTION 4 - PLATFORM

ITEM	PART NUMBER	QTY	DESCRIPTION	REV
121	0641405	12	Bolt 1/4in-20NC x 5/8 (SN 38573 to Present)	
122	3311405	15	Locknut 1/4in-20NC	
123	0641516	2	Bolt 5/16in-18NC x 2in	
124	4751500	22	Flatwasher 5/16in	
125	3422723	2	Rollpin 1/8in x 7/8in	
126	4160078	1	Spring	
127	0361912	1	Bar, Latch	
128	2940061	1	Latch Weldment	
129	0641416	2	Bolt 1/4in-20NC x 2in	
130	0901906	2	Bracket, Retaining (Prior to SN 38573)	
131	3841233	4	Rod, Roller Support (SN 26763 to Present)	
132	3312202	4	Nut, Jam 3/4in-10NC (SN 26763 through 43781)	
132	3322202	4	Nut, Jam 3/4in-10NC (SN 43782 to Present)	
133	3760348	4	Ring, Retaining (SN 26763 to Present)	
134	4752200	4	Flatwasher 3/4 (SN 26763 to Present)	
135		Ref	Nameplate - Extension Capacity Options:	
135	3252080	1	CE Spec	
135	3251852	1	Australian Spec	
136	3820001	2	Rivet (Prior to SN 38573)	
137	0641512	1	Bolt 5/16in-18NC x 1 1/2 (SN 38573 to Present)	
138	1320224	1	Clamp (SN 38573 to Present)	
139	4791400	4	Starwasher (SN 38573 to Present)	
140	0901830	2	Bracket, Latch	
141	4845814	1	Support Weldment Only (SN 47925 to Present)	
142	0641505	2	Bolt 5/16in-18NC x 5/8 Only (SN 47925 to Present)	
143	3571010	1	Plate Only (SN 47925 to Present)	
144	3820019	5	Rivet Only (SN 47925 to Present)	
	2901571		Kit, Extension Latch (Includes Items 106, 125-128 & 140)	
		Ref	<b>OPTIONAL PLATFORM EXTENSION LIMIT SWITCHES INSTALLATION</b>	
	0256667	Ref	<b>Optional Platform Extension Limit Switches Installation 1532E</b>	-
	0256664	Ref	<b>Optional Platform Extension Limit Switches Installation 1932E</b>	-
201	4360277	1	Switch, Limit	
202	4360236	1	Actuator, Switch	
203	4360278	1	Roller and Arm	
204	4460052	1	Connector, Strain Relief	
205	3900168	2	Screw, Special	
206	4920140	2	Lockwire	
207	3534995	1	Plate, Mounting	
208	3931416	2	Bolt, Socket Head 1/4in-20NC x 1in	
209	3311401	2	Nut 1/4in-20NC	
210	4761400	2	Lockwasher 1/4in	
211	3520072	1	Plug, Cap	
212	1060341	Ref	Cable, Electrical - 16/2	
212	1060341	40 ft/12m	Cable, Electrical 1532E	
212	1060341	46 ft/14m	Cable, Electrical 1932E	
213	4460320	1	Plug	
214	4460069	2	Fork	
215	0960239	1	Bushing	
216	3300047	1	Locknut, Conduit	
217	4460267	2	Pin	

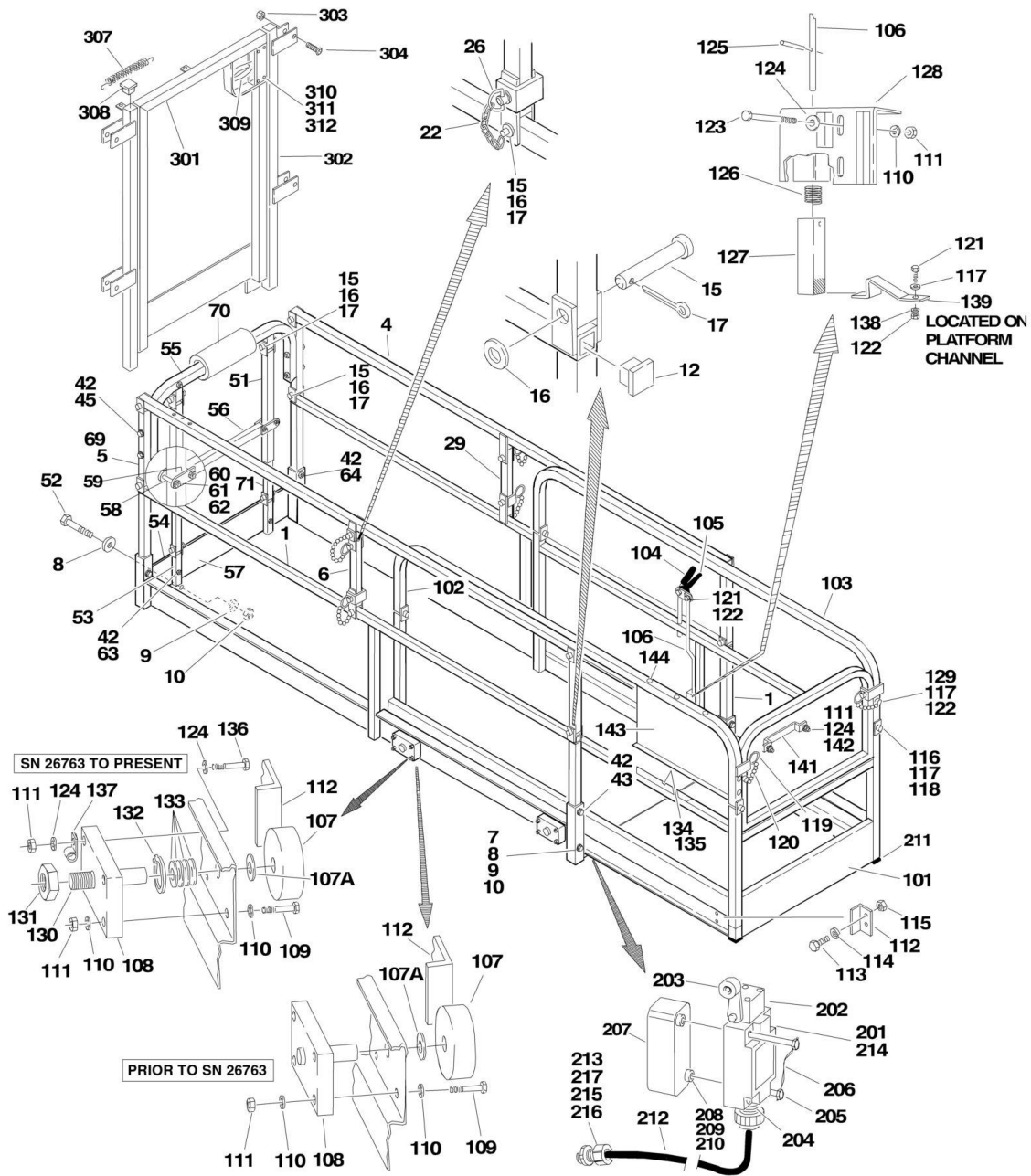
## SECTION 4 - PLATFORM

ITEM	PART NUMBER	QTY	DESCRIPTION	REV
	0252973	Ref	<b>SELF-CLOSING ACCESS GATE INSTALLATION (CE SPEC - OPTIONAL / AUSTRALIAN SPEC - STANDARD)</b>	5-E
301	4844100	1	Gate Weldment	
302	4844104	1	Rail	
303	3300373	4	Nut, Joint Connector	
304	3900184	4	Screw, Button Head	
307	4160028	1	Spring	
308	3520072	4	Plug, Cap	
309	2940074	1	Latch	
310	3911014	4	Screw #10-24NC x 7/8in	
311	3311005	4	Locknut #10-24NC	
312	4751000	4	Flatwasher #10	



# SECTION 4 - PLATFORM

FIGURE 4-5. HANDRAILS AND EXTENSION INSTALLATION - FOLDDOWN RAILS (MANUALLY OPERATED) (2033E/2046E/2646E/2658E)



## SECTION 4 - PLATFORM

**FIGURE 4-5. HANDRAILS AND EXTENSION INSTALLATION - FOLDDOWN RAILS (MANUALLY OPERATED) (2033E/2046E/2646E/2658E)**

ITEM	PART NUMBER	QTY	DESCRIPTION	REV
		Ref	<b>FOLD-DOWN HANDRAIL INSTALLATION (STANDARD PARTS WHEN EQUIPPED)</b>	
1	3640738	2	Handrail - Lower Side	
4	3640740	2	Handrail - Top Side	
5	4565191	4	Tube - Ends	
6	3640742	1	Tube - Center (Right Side)	
7	0641424	AR	Bolt 1/4in-20NC x 3 <b>(Prior to SN 38589)</b>	
	0641420	AR	Bolt 1/4in-20NC x 2 1/2 <b>(SN 38589 to Present)</b>	
8	4751400	AR	Flatwasher 1/4in	
9	4761400	AR	Lockwasher 1/4 <b>(Prior to SN 38589)</b>	
10	3311401	AR	Nut 1/4in-20NC <b>(Prior to SN 38589)</b>	
10	3311405	AR	Locknut 1/4in-20NC (2046E/2646E)	
12	3520072	AR	Plug, Cap	
15	3430416	AR	Pin, Clevis 1/4in x 2in	
16	4711400	AR	Flatwasher 1/4in	
17	3450203	AR	Pin, Cotter 1/16in x 3/4in	
22	1260017	28 in/.7m	Chain (4 Lengths 7 in./17.8 cm each)	
26	3421913	4	Pin, Quick Release	
29	3640753	1	Tube - Center (Left Side)	
42	3900184	AR	Screw, Button Head #10-24NC x 5/8in	
45	3300375	4	Nut, Joint Connector 2 3/8in	
		Ref	<b>FOLD-DOWN HANDRAIL INSTALLATIONS (VARIABLE PARTS)</b>	
	0251841	Ref	<b>Fold-Down Handrail Installations (Variable Parts) 2033E CE Spec</b>	10
	0252681	Ref	<b>Fold-Down Handrail Installations (Variable Parts) 2033E Australian Spec</b>	7
	0251843	Ref	<b>Fold-Down Handrail Installations (Variable Parts) 2046E/2646E CE Spec</b>	9
	0252677	Ref	<b>Fold-Down Handrail Installations (Variable Parts) 2046E/2646E Australian Spec</b>	6
	0251845	Ref	<b>Fold-Down Handrail Installations (Variable Parts) 2658E CE Spec</b>	8
	0252679	Ref	<b>Fold-Down Handrail Installations (Variable Parts) 2658E Australian Spec</b>	5
51		Ref	Handrail - Top Rear Vertical Options:	
51	Not Required	0	Handrail - Top Rear Vertical 2033E	
51	3640743	2	Handrail - Top Rear Vertical 2046E/2646E/2658E	
52	0641408	AR	Bolt 1/4in-20NC x 1in	
53		Ref	Handrail - Top Rear Vertical Options:	
53	Not Required	0	Handrail - Top Rear Vertical 2033E	
53	3640761	2	Handrail - Top Rear Vertical 2046E/2646E/2658E	
54		Ref	Kickplate - Rear Options:	
54	Not Required	0	Kickplate - Rear 2033E	
54	3535337	2	Kickplate - Rear 2046E/2646E <b>(Prior to SN 32515)</b>	
54	3534742	2	Kickplate - Rear 2046E/2646E <b>(SN 32515 to Present)</b>	
54	3535492	2	Kickplate - Rear 2658E	
55		Ref	Handrail - Rear Options:	
55	4565285	1	Handrail - Rear 2033E	
55	3640744	1	Handrail - Rear 2046E/2646E	
55	3640745	1	Handrail - Rear 2658E	

## SECTION 4 - PLATFORM

ITEM	PART NUMBER	QTY	DESCRIPTION	REV
56		Ref	Gate, Drop Options:	
56	3640614	1	CE Spec	
56	Not Required	0	Australian Spec	
57		Ref	Kickplate - Rear Options:	
57	3533370	1	CE Spec	
57	Not Required	0	Australian Spec	
58		Ref	Bushing Options:	
58	0961833	4	CE Spec	
58	Not Required	0	Australian Spec	
59		Ref	Tape Options:	
59	4420055	6 in/15cm	CE Spec	
59	Not Required	0	Australian Spec	
60	3911034	AR	Screw, Machine #10-24NC x 2 1/4in	
61	4751000	AR	Flatwasher #10	
62	3311005	AR	Locknut #10-24NC	
63	3300373	AR	Nut, Joint Connector 1 1/4in	
64	3300374	AR	Nut, Joint Connector 1 7/8in	
65		Ref	Chain Options (Not Shown):	
65	Not Required	0	CE Spec	
65	1260136	2.5 ft/.8m	Australian Spec	
66		Ref	Tubing, Mesh Options (Not Shown):	
66	Not Required	0	CE Spec	
66	2820297	2.5 ft/.6m	Australian Spec	
67		Ref	Link Options (Not Shown):	
67	Not Required	0	CE Spec	
67	3010088	2	Australian Spec	
68		Ref	Snap Latch Repair Kit (Includes Item 67) Options (Not Shown):	
68	Not Required	0	CE Spec	
68	1001101076	1	Australian Spec (was p/n 2940064)	
69		Ref	Tube - End Options:	
69	3641235	2	Tube -End 2033E	
69	4565191	2	Tube -End 2046E/2646E/2658E	
70	3340612	1.5 ft/.5m	Pad ( <b>SN 46777 to Present</b> )	
71		Ref	Handrail - Center Rear Vertical Options:	
71	Not Required	0	Handrail - Center Rear Vertical 2033E	
71	4565261	2	Handrail - Center Rear Vertical 2046E/2646E/2658E	
		Ref	<b>PLATFORM EXTENSION INSTALLATIONS</b>	
	0251942	Ref	<b>Platform Extension Installations 2033E Euro Spec Power Down Machines</b>	F
	0257289	Ref	<b>Platform Extension Installations 2033E Euro Spec Gravity Down Machines</b>	5
	0251943	Ref	<b>Platform Extension Installations 2046E/2646E Euro Spec Power Down Machines</b>	E
	0257290	Ref	<b>Platform Extension Installations 2046E/2646E Euro Spec Gravity Down Mach.</b>	3
	0251944	Ref	<b>Platform Extension Installations 2658E Euro Spec Power Down Machines</b>	E
	0257291	Ref	<b>Platform Extension Installations 2658E Euro Spec Gravity Down Machines</b>	3
	0253383	Ref	<b>Platform Extension Installations 2033E Australian Spec Power Down Machines</b>	C
	0257286	Ref	<b>Platform Extension Installations 2033E Australian Spec Gravity Down Machines</b>	5

## SECTION 4 - PLATFORM

ITEM	PART NUMBER	QTY	DESCRIPTION	REV
	0253391	Ref	<b>Platform Extension Installations 2046E/2646E Australian Spec Power Down Machine</b>	B
	0257287	Ref	<b>Platform Extension Installations 2046E/2646E Australian Spec Gravity Down Mach.</b>	3
	0253392	Ref	<b>Platform Extension Installations 2658E Australian Spec Power Down Machines</b>	B
	0257288	Ref	<b>Platform Extension Installations 2658E Australian Spec Gravity Down Machines</b>	3
		Ref	<b>Note: To determine Power or Gravity Down refer to page A.</b>	
101		Ref	Platform Extension Weldment Options:	
101	3510491	1	Platform Extension Weldment 2033E Euro Spec Power Down Machines	
101	3510580	1	Platform Extension Weldment 2033E Euro Spec Gravity Down Machines	
101	3510346	1	Platform Extension Weldment 2046E/2646E Euro Spec Power Down Machines	
101	3510581	1	Platform Extension Weldment 2046E/2646E Euro Spec Gravity Down Machines	
101	3510347	1	Platform Extension Weldment 2658E Euro Spec Power Down Machines	
101	3510582	1	Platform Extension Weldment 2658E Euro Spec Gravity Down Machines	
101	3510494	1	Platform Extension Weldment 2033E Australian Spec Power Down Machines	
101	3510574	1	Platform Extension Weldment 2033E Australian Spec Gravity Down Machines	
101	3510391	1	Platform Extension Weldment 2046E/2646E Australian Power Down Machines	
101	3510575	1	Platform Extension Weldment 2046E/2646E Australian Gravity Down Machines	
101	3510392	1	Platform Extension Weldment 2658E Australian Spec Power Down Machines	
101	3510576	1	Platform Extension Weldment 2658E Australian Spec Gravity Down Machines	
102	3640749	1	Handrail - Right Side Options:	
102	3641315	1	Handrail - Right Side (Was P/N 3640749) 2033E <b>(Prior to SN 56927)</b>	
102	3641315	1	Handrail - Right Side 2033E <b>(SN 56927 to Present)</b>	
102	3640749	1	Handrail - Right Side 2046E/2646E/2658E	
103	3640748	1	Handrail - Left Side	
104	2560088	1	Grip, Handle	
105	2980113	1	Release Lever Assembly	
106		Ref	Rod, Release Options:	
106	3841130	1	Euro Spec	
106	3841201	1	Australian Spec	
107	3860052	4	Roller <b>(Prior to SN 26763)</b>	
107	3860059	4	Roller <b>(SN 26763 to Present)</b>	
107A	4712200	AR	Shim, Flatwasher (Steel)	
107A	4740066	AR	Shim, Flatwasher (Thin Bronze)	
108	4843706	4	Mounting Weldment - Roller <b>(Prior to SN 26763)</b>	
108	3537619	4	Mounting Weldment - Roller <b>(SN 26763 to Present)</b>	
109	0641510	16	Bolt 5/16in-18NC x 1 1/4in	
110	4761500	18	Lockwasher 5/16 <b>(Prior to SN 38529)</b>	
111	3311501	18	Nut 5/16in-18NC <b>(Prior to SN 38529)</b>	
111	3311505	20	Locknut 5/16in-18NC <b>(SN 38529 to Present)</b>	

## SECTION 4 - PLATFORM

ITEM	PART NUMBER	QTY	DESCRIPTION	REV
112	0181684	4	Angle	
113	0641406	1	Bolt 1/4in-20NC x 3/4in	
114	4761400	12	Lockwasher 1/4 ( <b>Prior to SN 38529</b> )	
115	3311401	8	Nut 1/4in-20NC ( <b>Prior to SN 38529</b> )	
116	3430416	4	Pin, Clevis 1/4in x 2in	
117	4711400	10	Flatwasher 1/4in Narrow	
118	3450203	4	Pin, Cotter 1/16in x 3/4in	
119	3421913	2	Pin, Quick Release	
120	1260017	14	Chain (2 Lengths 7 in./17.8 Each)	
		in/35.6cm		
121	0641406	1	Bolt 1/4in-20NC x 3/4 ( <b>Prior to SN 38529</b> )	
121	0641405	12	Bolt 1/4in-20NC x 5/8 ( <b>SN 38529 to Present</b> )	
122	3311405	15	Locknut 1/4in-20NC	
123	0641516	2	Bolt 5/16in-18NC x 2in	
124	4751500	22	Flatwasher 5/16in	
125	3422723	2	Rollpin 1/8in x 7/8in	
126	4160078	1	Spring	
127	0361912	1	Bar, Latch	
128	2940061	1	Latch Weldment	
129	0641416	2	Bolt 1/4in-20NC x 2in	
130	3841233	4	Rod, Roller Support ( <b>SN 26763 to Present</b> )	
131	3312202	4	Nut, Jam 3/4in-10NC ( <b>SN 26763 through 43781</b> )	
131	3322202	4	Nut, Jam 3/4in-10NC ( <b>SN 43782 to Present</b> )	
132	3760348	4	Ring, Retaining ( <b>SN 26763 to Present</b> )	
133	4752200	4	Flatwasher 3/4 ( <b>SN 26763 to Present</b> )	
134		Ref	Nameplate - Extension Capacity Options:	
134	3251201		Euro Spec	
134	3251852		Australian Spec	
135	3820001	2	Rivet ( <b>Prior to SN 38529</b> )	
136	0641512	1	Bolt 5/16in-18NC x 1 1/2 ( <b>SN 38529 to Present</b> )	
137	1320224	1	Clamp ( <b>SN 38529 to Present</b> )	
138	4791400	4	Starwasher ( <b>SN 38529 to Present</b> )	
139	0901830	2	Bracket, Latch	
141		Ref	Support Weldment Options:	
141	Not Required	0	Support Weldment 2033E ( <b>Prior to SN 47925</b> )	
141	4845814	1	Support Weldment 2033E ( <b>SN 47925 to Present</b> )	
141	Not Required	0	Support Weldment 2046E/2646E/2658E	
142	0641505	AR	Bolt 5/16in-18NC x 5/8in	
143		Ref	Plate Only ( <b>SN 47925 to Present</b> )	
143	Not Required	0	Plate 2033E ( <b>Prior to SN 47925</b> )	
143	3571010	1	Plate 2033E ( <b>SN 47925 to Present</b> )	
143	Not Required	0	Plate 2046E/2646E/2658E	
144	3820019	AR	Rivet	
		Ref	Kit, Extension Latch Options (Includes Items 106, 125 - 128 & 140):	
	2901571		Australian Spec	
	2901572		Euro Spec	
		Ref	<b>OPTIONAL PLATFORM EXTENSION LIMIT SWITCHES INSTALLATION</b>	
	0256664	Ref	<b>Optional Platform Extension Limit Switches Installation 2033E/2646E</b>	-

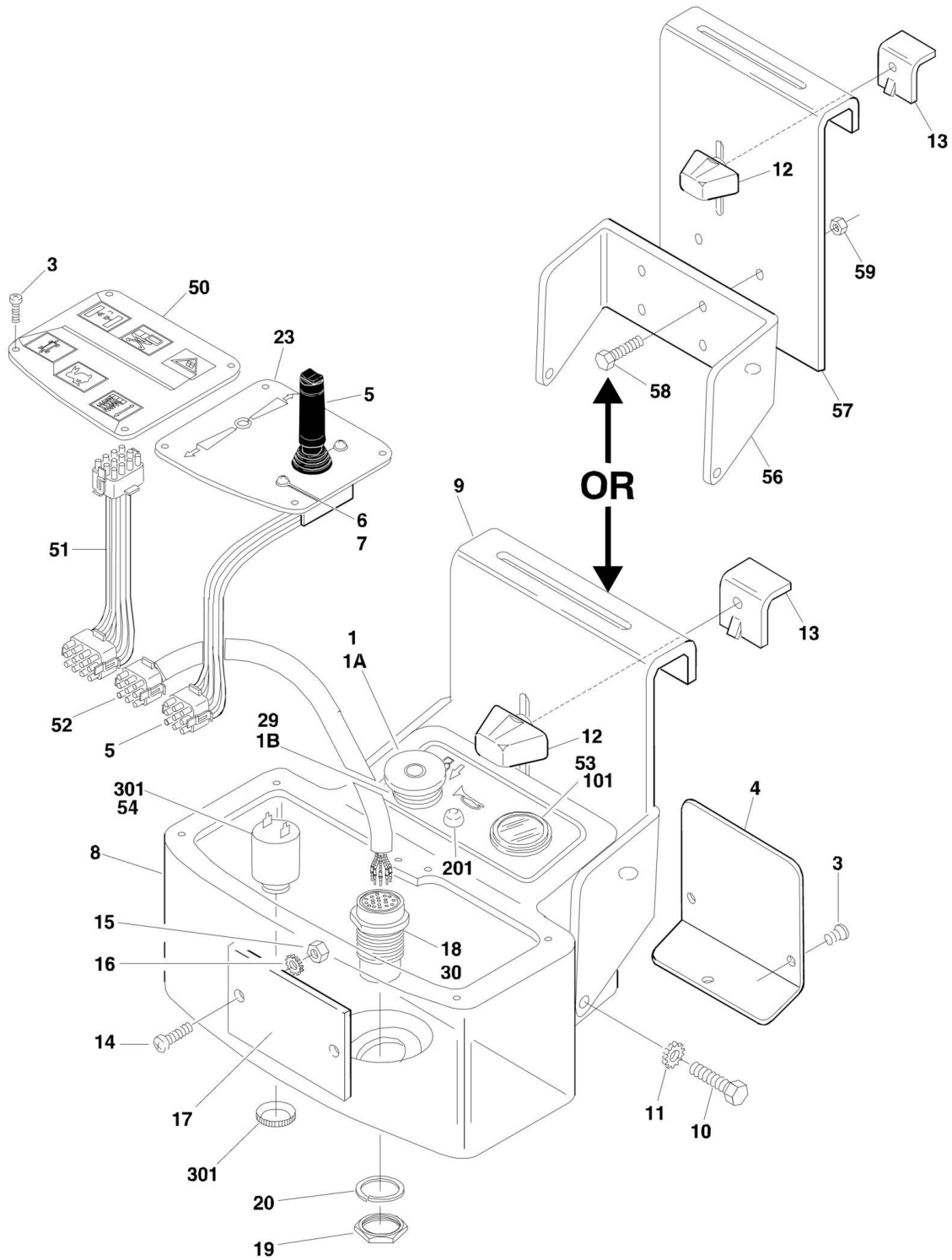


## SECTION 4 - PLATFORM

ITEM	PART NUMBER	QTY	DESCRIPTION	REV
	0256668	Ref	<b>Optional Platform Extension Limit Switches Installation 2646E/2658E</b>	-
201	4360277	1	Switch, Limit	
202	4360236	1	Actuator, Switch	
203	4360278	1	Roller and Arm	
204	4460052	1	Connector, Strain Relief	
205	3900168	2	Screw, Special	
206	4920140	2	Lockwire	
207	3534995	1	Plate, Mounting	
208	3931416	2	Bolt, Socket Head 1/4in-20NC x 1in	
209	3311401	2	Nut 1/4in-20NC	
210	4761400	2	Lockwasher 1/4in	
211	3520072	1	Plug, Cap	
212	1060341	AR	Cable, Electrical - 16/2	
212	1060341	46 ft/14m	Cable, Electrical 2033E/2646E	
212	1060341	54 ft/16.5m	Cable, Electrical 2646E/2658E	
213	4460320	1	Plug	
214	4460069	2	Fork	
215	0960239	1	Bushing	
216	3300047	1	Locknut, Conduit	
217	4460267	2	Pin	
	0252973	Ref	<b>SELF-CLOSING ACCESS GATE INSTALLATION (CE SPEC - OPTIONAL / AUSTRALIAN SPEC - STANDARD)</b>	5-E
301	4844100	1	Gate Weldment	
302	4844104	1	Rail	
303	3300373	4	Nut, Joint Connector	
304	3900184	4	Screw, Button Head	
307	4160028	1	Spring	
308	3520072	4	Plug, Cap	
309	2940074	1	Latch	
310	3911014	4	Screw #10-24NC x 7/8in	
311	3311005	4	Locknut #10-24NC	
312	4751000	4	Flatwasher #10	

# SECTION 4 - PLATFORM

## FIGURE 4-6. PLATFORM CONSOLE BOX ASSEMBLY



## SECTION 4 - PLATFORM

### FIGURE 4-6. PLATFORM CONSOLE BOX ASSEMBLY

ITEM	PART NUMBER	QTY	DESCRIPTION	REV
		Ref	<b>CONSOLE BOX ASSEMBLY (STANDARD PARTS)</b>	
		Ref	<b>Note: To determine Power or Gravity Down refer to Page A</b>	
1	4360289	1	Switch, Emergency Stop	
1A	7012611	1	Head, Mushroom	
1B	7012612	1	Boot	
3	3900177	11	Screw	
4	4060914	1	Cover, Rear	
5		Ref	Controller Assembly Options (See CONTROLLER ASSEMBLY - OEM or CONTROLLER ASSEMBLY - PQ for Breakdown):	
5	See Note	1	<b>Prior to SN 29608</b> (OEM) (Note: Use P/N 2890047 in place of original P/N 1600235)	
5	See Note	1	<b>SN 29608 through 35956</b> (OEM) (Note: Use P/N 2890047 in place of original P/N 1600257)	
5	See Note	1	<b>SN 35957 through 35964</b> (PQ) (Note: Use P/N 1600276 in place of original P/N 1600266)	
5	See Note	1	<b>SN 35965 through 36011</b> (OEM) (Note: Use P/N 2890047 in place of original P/N 1600257)	
5	See Note	1	<b>SN 36012 through 43887</b> (PQ) (Note: Use P/N 1600276 in place of original P/N 1600266)	
5	1600276	1	<b>SN 43888 to Present</b> (PQ)	
6	4740120	2	Washer, Nylon	
7	3900178	2	Screw, Machine #10-32NF x 3/4in	
8	0861013	1	Box, Platform	
9		Ref	Hanger Bracket Option:	
9	0902234	1	Hanger Bracket ( <b>Prior to SN 24273, Excluding 23804</b> )	
9	0902298	1	Hanger Bracket ( <b>SN 24273 through 43888, Including 23804</b> )	
9	7020075	1	Cap, Rubber (Right Side)	
9	7020076	1	Cap, Rubber (Left Side)	
10	3900227	4	Bolt 1/4in-20NC x 1/2in (Black)	
11	4791400	4	Starwasher 1/4in	
12	2560141	1	Thumbscrew	
13	0181847	1	Angle	
14	3900226	2	Screw #6-32NC x 1in (Black)	
15	3310601	2	Nut #6-32NC	
16	4770600	2	Starwasher #6	
17	0610123	1	Card, Circuit	
18	4460463	1	Receptacle, Male (23 Pin)	
19	4460470	1	Nut, Receptacle	
20	4460471	1	Lockwasher, Receptacle	
23		Ref	Lid, Nameplate Options:	
23	3252481	1	<b>Prior to SN 36042</b> (Use with OEM Controller)	
23	3252542	1	<b>SN 36042 to Present</b> (Use with PQ Controller)	
29	4740066	1	Washer, Bronze ( <b>SN 50260 to Present</b> )	
30	4460466	9	Plug, Terminal ( <b>SN 50260 to Present</b> )	
		Ref	<b>CONSOLE BOX ASSEMBLY (VARIABLE PARTS)</b>	
	0256963	Ref	<b>Power Down Machines without Tilt Light</b>	3
	0256041	Ref	<b>Power Down Machines with Tilt Light</b>	4
	0257378	Ref	<b>Gravity Down Machines without Tilt Light</b>	6
	0257540	Ref	<b>Gravity Down Machines without Tilt Light and with Battery Gauge</b>	5
	0257377	Ref	<b>Gravity Down Machines with Tilt Light</b>	6

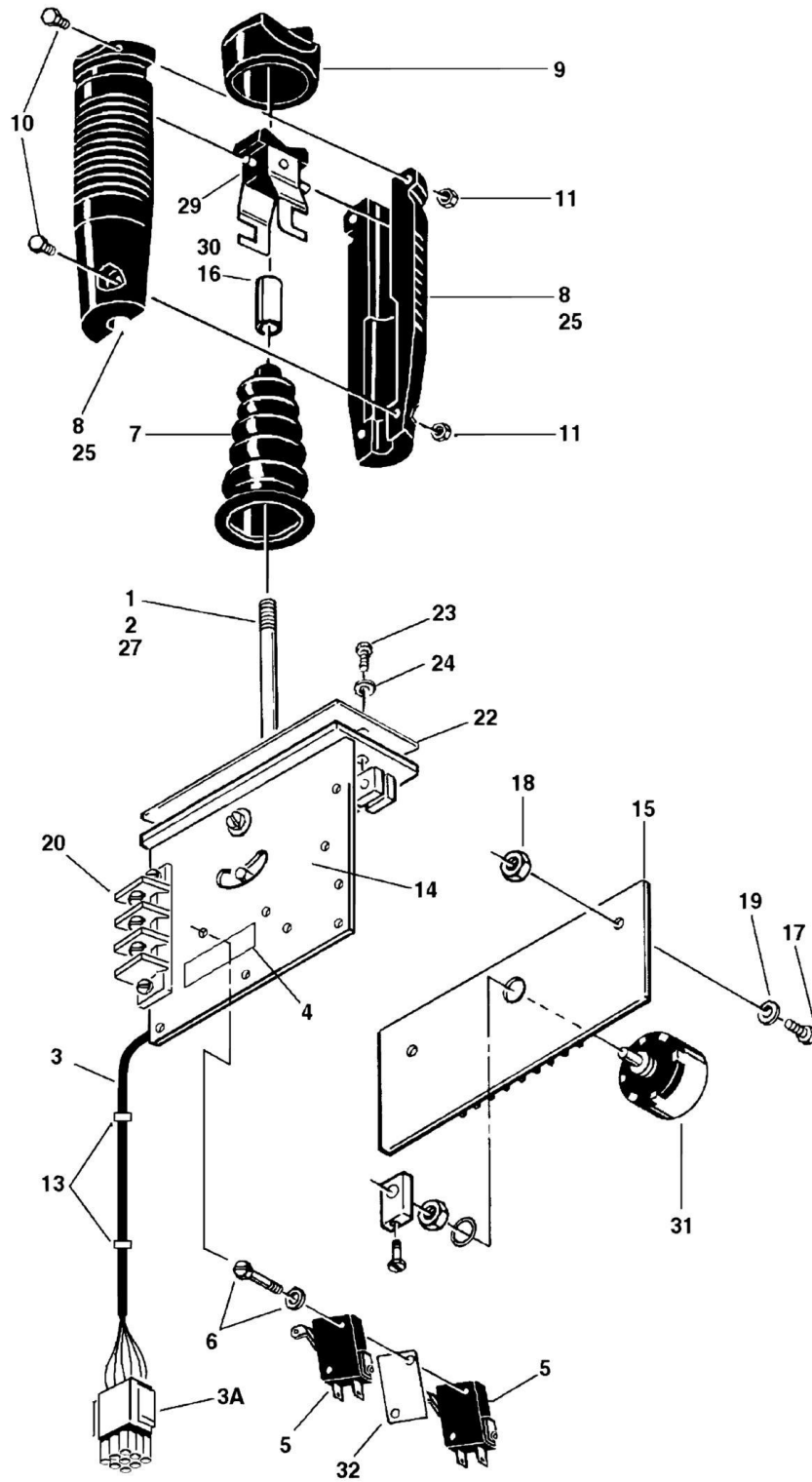
## SECTION 4 - PLATFORM

ITEM	PART NUMBER	QTY	DESCRIPTION	REV
	0257539	Ref	<b>Gravity Down Machines with Tilt Light and Battery Gauge</b>	5
50		Ref	Switch, Keypad Options:	
50	4360450	1	Power Down Machines without Tilt Light	
50	4360403	1	Power Down Machines with Tilt Light	
50	4360450	1	Gravity Down Machines without Tilt Light	
50	4360450	1	Gravity Down Machines without Tilt Light and with Battery Gauge	
50	4360403	1	Gravity Down Machines with Tilt Light	
50	4360403	1	Gravity Down Machines with Tilt Light and Battery Gauge	
51		Ref	Harness - Membrane Switch Options (See ELECTRICAL SECTION for Breakdown):	
51	4921782	1	Power Down Machines with Tilt Light	
51	4921895	1	Gravity Down Machines with Tilt Light	
52		Ref	Harness - Platform Console Box (See ELECTRICAL SECTION for Breakdown)	
52	4921783	1	Power Down Machines with Tilt Light	
52	4921896	1	Gravity Down Machines with Tilt Light	
53		Ref	Gauge, Battery Discharge Indicator Options:	
53	Not Required	0	Without Battery Gauge	
53	2420176	1	With Battery Gauge	
54		Ref	Alarm Options:	
54	Not Required	0	Power Down Machines	
54	0140011	1	Gravity Down Machines with Tilt Light	
54	0140011	1	Gravity Down Machines with Tilt Light and Battery Gauge	
55	Not Required	0	Not Required	
56		Ref	Bracket Options:	
56	Not Required	0	Power Down Machines	
56	0902439	1	Gravity Down Machines	
57		Ref	Bracket Options:	
57	Not Required	0	Power Down Machines	
57	0902438	1	Gravity Down Machines	
58	0641405	AR	Bolt 1/4in-20NC x 5/8in	
59	3311401	AR	Nut 1/4in-20NC	
	0256057	Ref	<b>BATTERY DISCHARGE INDICATOR INSTALLATION (POWER DOWN MACHINES - OPTIONAL)</b>	-
101	2420176	1	Gauge, Battery Discharge Indicator	
	0255950	Ref	<b>HORN COMPONENTS INSTALLATION</b>	4
201	4360387	1	Button, Horn	
	0255948	Ref	<b>TILT ALARM INSTALLATION</b>	A
301	0140011	1	Alarm	



# SECTION 4 - PLATFORM

## FIGURE 4-7. CONTROLLER ASSEMBLY - OEM



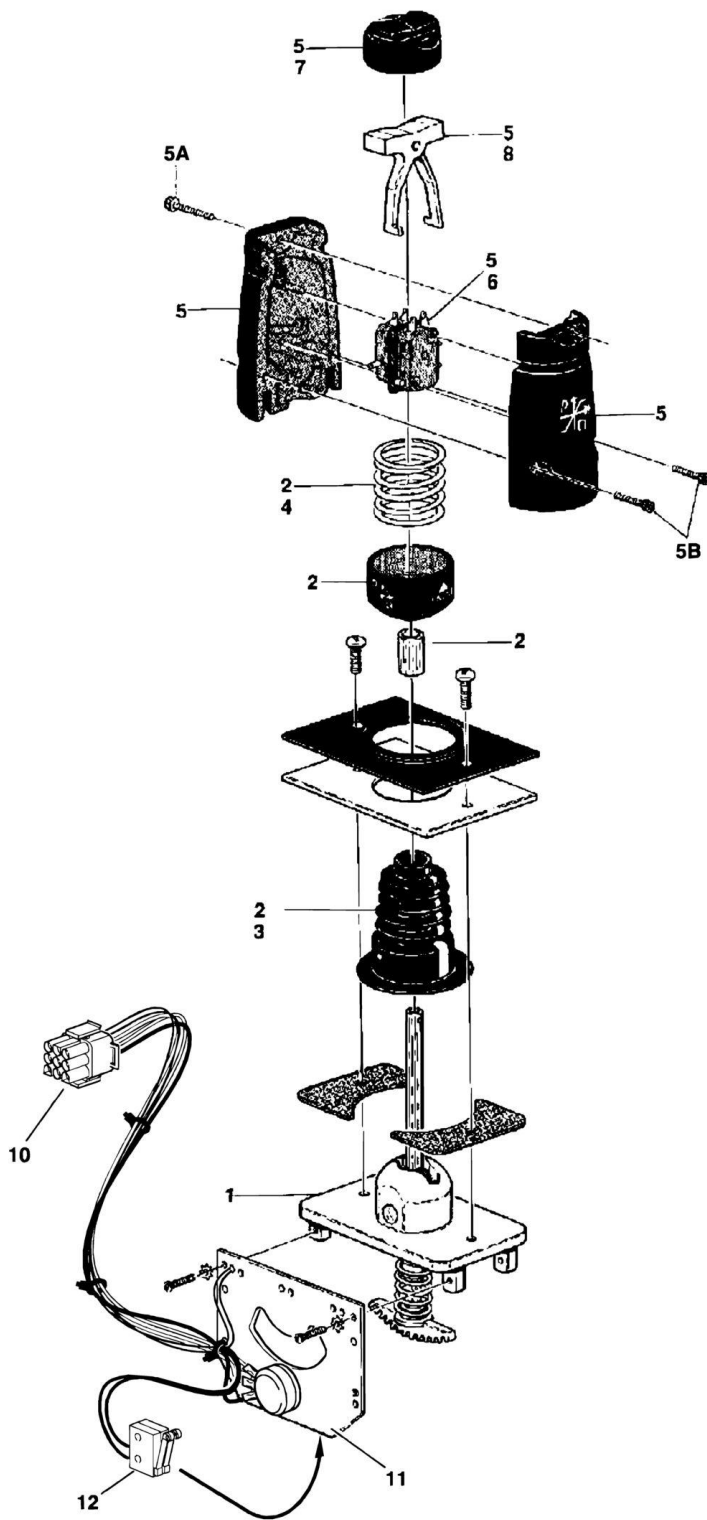
## SECTION 4 - PLATFORM

### FIGURE 4-7. CONTROLLER ASSEMBLY - OEM

ITEM	PART NUMBER	QTY	DESCRIPTION	REV
		Ref	<b>CONTROLLER ASSEMBLY - OEM</b>	
	1600235	Ref	<b>Controller Assembly - OEM (Prior to SN 29608)</b>	-
	1600257	Ref	<b>Controller Assembly - OEM (SN 29608 through 35956)</b>	C
	1600257	Ref	<b>Controller Assembly - OEM (SN 35965 through 36011)</b>	C
1	7003946	1	Spring, Handle Return	
2		Ref	Shaft Assembly Options:	
2	7019100	1	Shaft Assembly <b>(Prior to SN 29608)</b>	
2	7019102	1	Shaft Assembly <b>(SN 29608 to Present)</b>	
3		Ref	Harness, Electrical (Lower)	
3	7003999	1	Harness, Electrical (Lower) <b>(Prior to SN 29608)</b>	
3	7019101	1	Harness, Electrical (Lower) <b>(SN 29608 to Present)</b>	
3A	4460265	1	Connector, Receptacle - 9 Pin	
4	Not Serviced	1	Label	
5	7003961	2	Microswitch	
6	7003998	2	Screw	
7	7003966	1	Boot	
8	7003973	2	Handle Halves	
9	7003972	1	Cap, Rubber	
10	7003980	4	Screw	
11	7003979	4	Nut	
12	7003995	1	Harness, Electrical (Upper) (Not Shown)	
13	Not Serviced	10	Tie-strap	
14	Not Serviced	1	Housing	
15	7003995	1	Plate, Pot Mounting	
16	7003983	2	Setscrew	
17	7003994	2	Screw	
18	7003993	2	Nut	
19	7003992	2	Washer	
20	7003991	1	Strip, Terminal	
21	0100011	AR	Loctite (Not Shown)	
22	7003933	1	Gasket	
23	7003990	2	Screw	
24	7003969	2	Washer	
25	7003989	2	Gasket, Handle	
26	Not Serviced	AR	Grease	
27	0100015	AR	Loctite (Not Shown)	
28	7003988	1	Setscrew	
29	7003981	1	Rocker	
30	7003984	1	Coupling	
31	7003997	1	Potentiometer	
32	Not Serviced	1	Insulator	
	7003978	1	Handle Assembly (Includes Items 7-11, 25, 29 & 30)	

# SECTION 4 - PLATFORM

## FIGURE 4-8. CONTROLLER ASSEMBLY - PQ





## SECTION 4 - PLATFORM

**FIGURE 4-8. CONTROLLER ASSEMBLY - PQ**

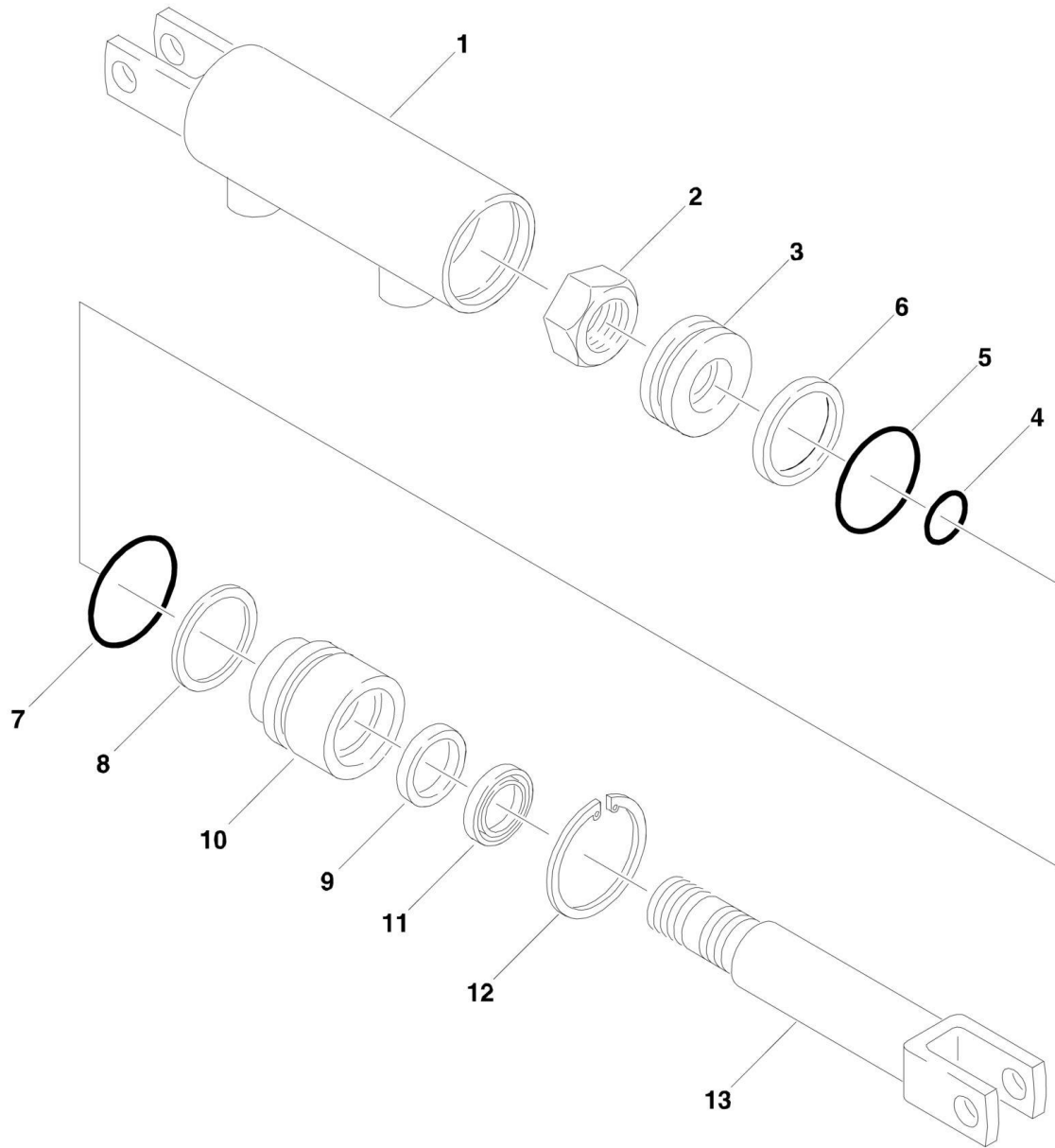
ITEM	PART NUMBER	QTY	DESCRIPTION	REV
		Ref	<b>CONTROLLER ASSEMBLY - PQ</b>	
	1600266	Ref	<b>Controller Assembly - PQ (Prior to SN 43888)</b>	-
	1600276	Ref	<b>Controller Assembly - PQ (SN 43888 to Present)</b>	B
	7011978	1	Handle Assembly	
1	7011979	1	Mechanism, Handle	
2	7020516	1	Slidelock Assembly (Was p/n 7011933)	
3	7020519	1	Boot (Was p/n 7003772)	
4	7011934	1	Spring, Compression	
5	7011935	1	Handle Grip Assembly	
5	7011976	2	Handle Halves	
5A	7020536	1	Screw #6-32NC x 1	
5A	7011972	1	Lockwasher	
5A	7011970	1	Nut	
5B	7011971	2	Screw	
5B	7011972	2	Lockwasher	
5B	7011970	2	Nut	
6	7003789	1	Microswitch Assembly (Includes (2) switches, (1) separator and the wiring.)	
6	7020500	2	Microswitch	
7	7003790	1	Cap, Rubber	
8	7003791	1	Actuator, Switch	
10	4460265	1	Connector	
10	4460267	AR	Pin, Male	
11	7011980	1	Electrical Assembly	
11	7011925	1	Potentiometer	
12	7003771	2	Switch	
		Ref	<b>Note:</b>	
		Ref	<b>- 1600266 Controller has microswitch located on right side of cam.</b>	
		Ref	<b>- 1600276 Controller has microswitch located on left side of cam.</b>	
		Ref	<b>- 7011980 Electrical Assembly has microswitch located on left side of cam. When replacing Electrical Assembly, use part number 7011980 for both 1600266 and both 1600266 and 1600276 controllers.</b>	



**SECTION 5 - CYLINDER**

# SECTION 5 - CYLINDER

## FIGURE 5-1. BRAKE CYLINDER ASSEMBLY



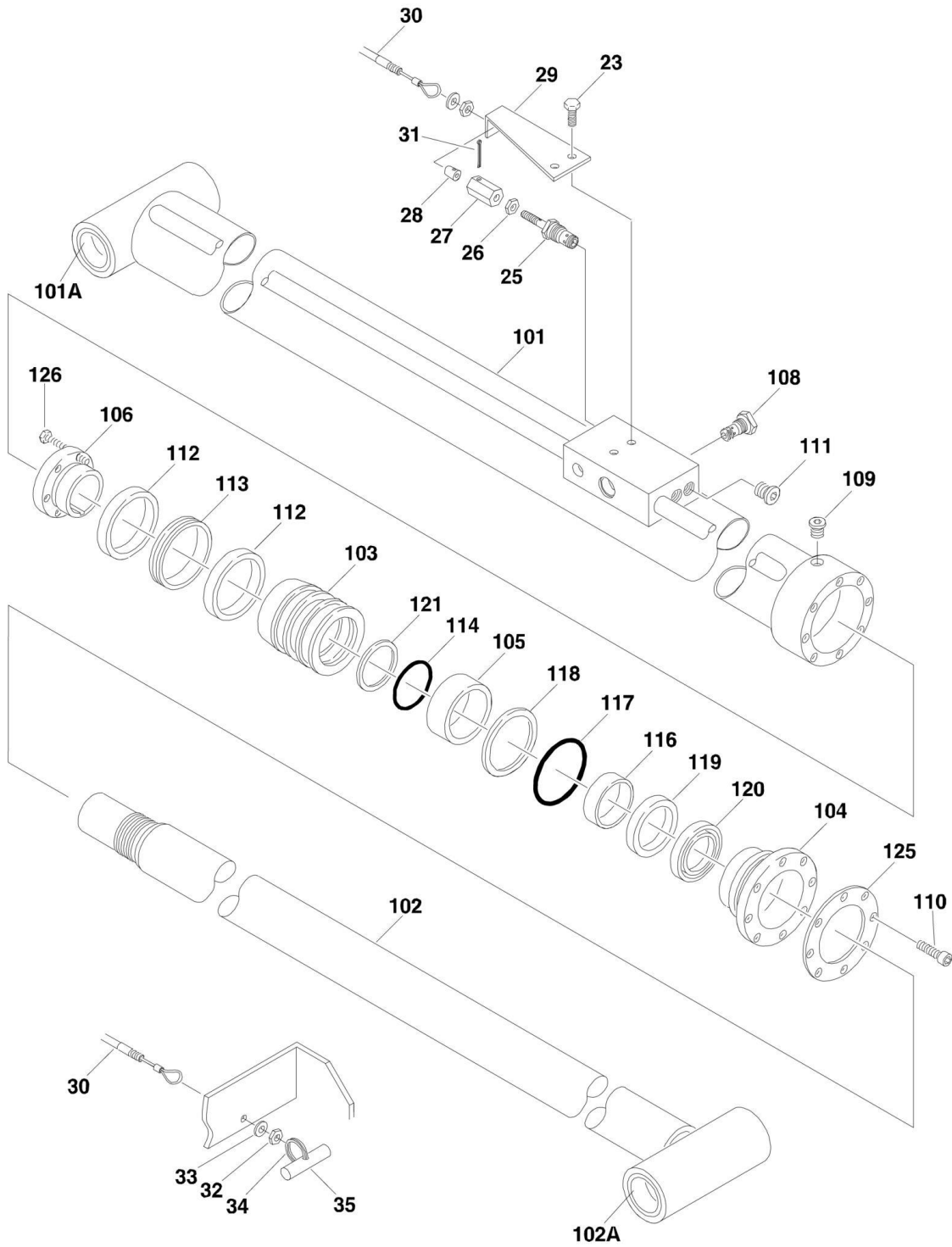
## SECTION 5 - CYLINDER

### FIGURE 5-1. BRAKE CYLINDER ASSEMBLY

ITEM	PART NUMBER	QTY	DESCRIPTION	REV
		Ref	<b>Note: To determine Power or Gravity Down refer to page A.</b>	
		Ref	<b>BRAKE CYLINDER ASSEMBLY</b>	
	1683362	Ref	<b>Power Down Machines</b>	C
	1683557	Ref	<b>Gravity Down Machines</b>	A
1	Not Serviced	1	Barrel	
2	7001609	1	Locknut	
3		Ref	Piston Options:	
3	7017201	1	Power Down Machines	
3	7017220	1	Gravity Down Machines	
4	Kit	1	O-Ring	
5	Kit	1	O-Ring	
6	Kit	1	Seal, Piston	
7	Kit	1	O-Ring	
8	Kit	1	Ring, Back-up	
9	Kit	1	Seal	
10		Ref	Guide Options:	
10	7001097	1	Power Down Machines	
10	7017221	1	Gravity Down Machines	
11	Kit	1	Ring, Wiper	
12	Kit	1	Ring, Retainer	
13		Ref	Rod	
13	7017202	1	Power Down Machines	
13	7017222	1	Gravity Down Machines	
	7017200	1	Seal Kit Options (Includes Items 4-9, 11 & 12)	
	7017200	1	Power Down Machines - 1683362 Cylinder	
	7017223	1	Gravity Down Machines - 1683557 Cylinder	

# SECTION 5 - CYLINDER

FIGURE 5-2. LIFT CYLINDER COMPONENTS ASSEMBLY (1532/1932 POWER DOWN MACHINES BUILT) (Prior to SN 27181)



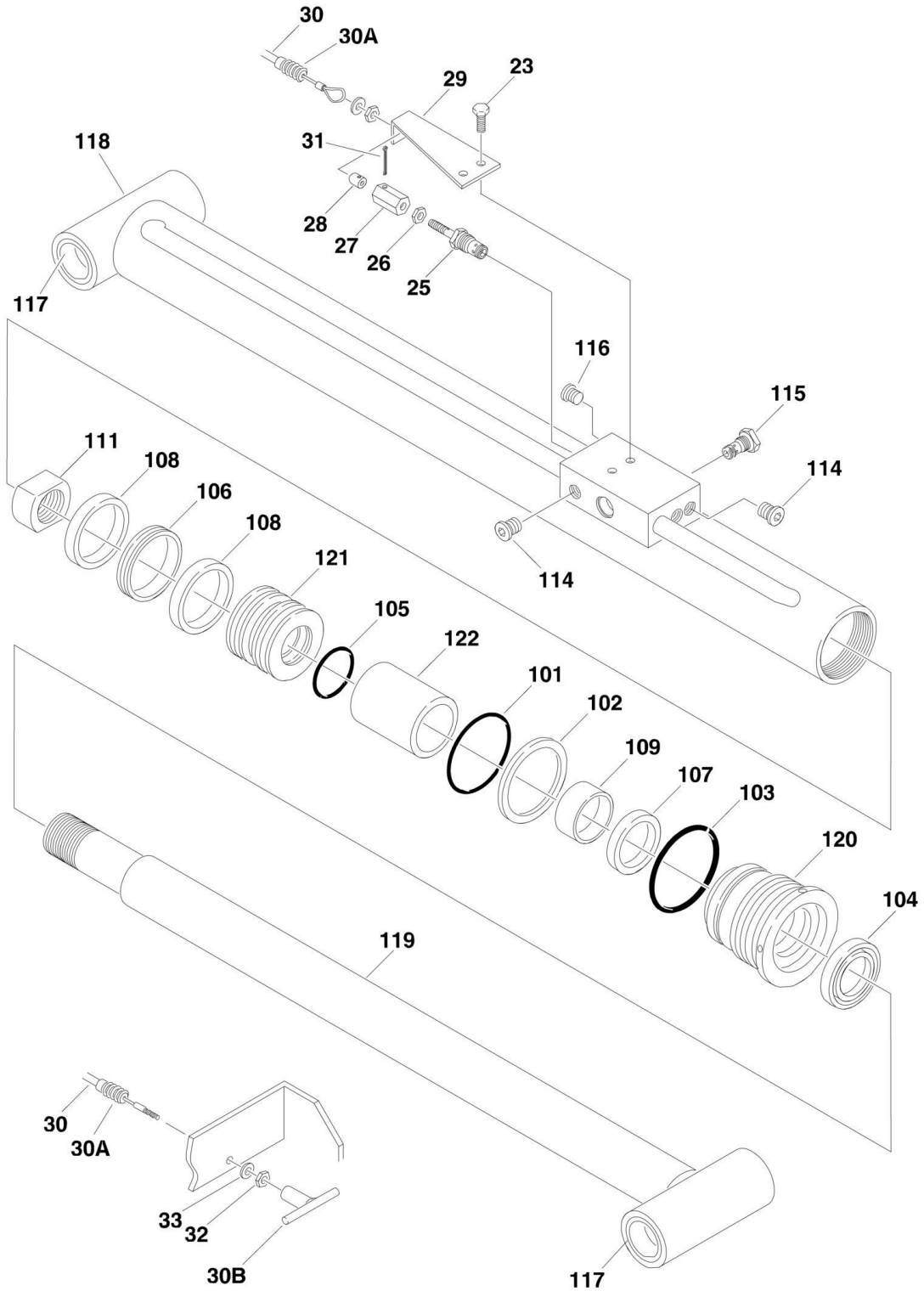
## SECTION 5 - CYLINDER

**FIGURE 5-2. LIFT CYLINDER COMPONENTS ASSEMBLY (1532/1932 POWER DOWN MACHINES BUILT) (Prior to SN 27181)**

ITEM	PART NUMBER	QTY	DESCRIPTION	REV
		Ref	<b>Note: To determine Power or Gravity Down refer to page A.</b>	
		Ref	<b>LIFT CYLINDER SUB-ASSEMBLY</b>	
23	0641506	2	Bolt 5/16in-18NC x 3/4in	
24	0100011	AR	LOCTITE #242	
25	4640717	1	Cartridge, Valve (Manual Descent)	
26	3311402	1	Nut, Jam 1/4in-20NC	
27	0080190	1	Adapter	
28	4220044	1	Stop, Throttle Only ( <b>Prior to SN 28355</b> )	
29	0902151	1	Bracket	
30		Ref	Cable Assembly Options:	
30	1060644	1	Cable Assembly (Was P/N 1060597) ( <b>Prior to SN 28175</b> )	
30	1060644	1	Cable Assembly ( <b>SN 28175 to Present</b> )	
30	7019602	1	Bellows Kit (Use with 1060644 Cable Only)	
30	7019600	1	T-Handle (Use with 1060644 Cable Only)	
31	3450405	1	Pin, Cotter	
32	3321402	4	Nut, Jam 1/4in-28NF	
33	4711400	4	Flatwasher 1/4in	
34	3760170	1	Ring (Prior to 28175 Only)	
35	3841127	1	Rod, Manual Descent (Prior to 28175 Only)	
	1683377	Ref	<b>LIFT CYLINDER ASSEMBLY - 1532E/1932E</b>	A
101	1683379	1	Barrel Weldment	
101A	0962012	2	Bushing, Garmax	
102	1683380	1	Rod Weldment	
102A	0962012	2	Bushing, Garmax	
103	3480212	1	Piston	
104	1683054	1	Head	
105	4566819	1	Spacer	
106	0961896	1	Bushing, Tapered	
108	4640509	1	Cartridge, Valve	
108	2900792	1	Seal Kit - 4640509 Valve	
109	2220885	2	Plug, O-Ring	
110	3931516	8	Capscrew, Socket Head 5/16in-18NC x 1in	
111	2220883	3	Plug, O-Ring	
112	Kit	2	Ring, Wear	
113	Kit	1	T-Seal	
114	Kit	1	O-Ring	
116	Kit	1	Ring, Wear	
117	Kit	1	O-Ring	
118	Kit	1	Ring, Back-up	
119	Kit	1	Seal, Rod	
120	Kit	1	Wiper	
121	Kit	1	Ring, Back-up	
122	0100038	AR	Primer, Locking	
123	0100011	AR	LOCTITE #242	
125	3760368	1	Ring, Washer	
126	0641408	3	Bolt 1/4in-20NC x 1in	
	2901278	1	Seal Kit - 1683377 Cylinder (Includes Items 112-121)	

# SECTION 5 - CYLINDER

FIGURE 5-3. LIFT CYLINDER COMPONENTS ASSEMBLY (1532/1932 POWER DOWN MACHINES BUILT) (SN 27181 to Present)





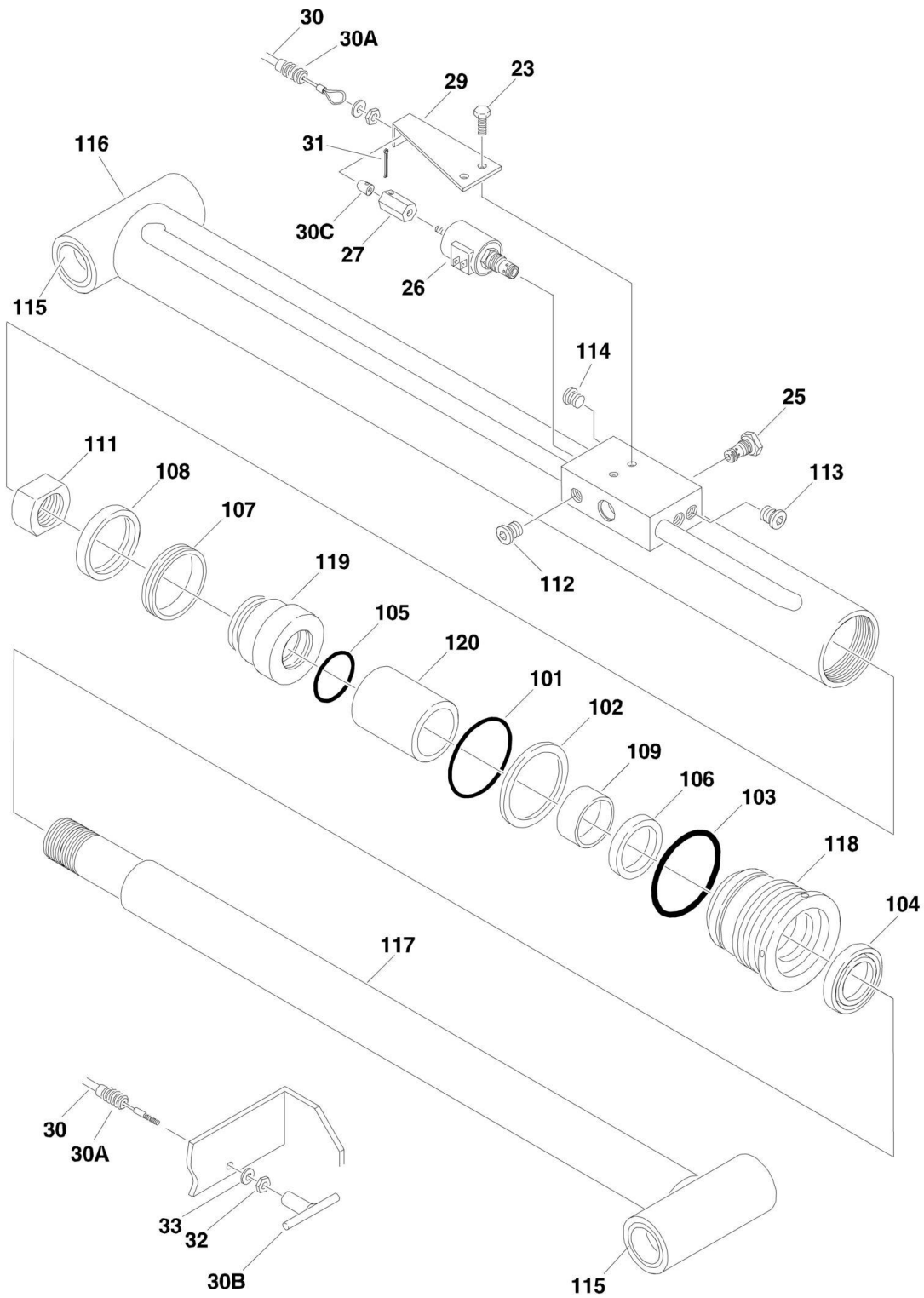
## SECTION 5 - CYLINDER

**FIGURE 5-3. LIFT CYLINDER COMPONENTS ASSEMBLY (1532/1932 POWER DOWN MACHINES BUILT) (SN 27181 to Present)**

ITEM	PART NUMBER	QTY	DESCRIPTION	REV
		Ref	<b>Note: To determine Power or Gravity Down refer to page A.</b>	
		Ref	<b>LIFT CYLINDER SUB-ASSEMBLY</b>	
23	0641506	4	Bolt 5/16in-18NC x 3/4in	
24	0100011	AR	LOCTITE #242	
25	4640717	1	Cartridge, Valve (Manual Descent)	
26	3311402	1	Nut, Jam 1/4in-20NC	
27	0080190	1	Adapter	
28	4220044	1	Stop, Throttle Only <b>(Prior to SN 28355)</b>	
29	0902151	1	Bracket	
30		Ref	Cable Assembly Options:	
30	1060644	1	Cable Assembly (Was P/N 1060597) <b>(Prior to SN 28175)</b>	
30	1060644	1	Cable Assembly <b>(SN 28175 to Present)</b>	
30A	7019602	1	Bellows Kit (Use with 1060644 Cable Only)	
30B	7019600	1	T-Handle (Use with 1060644 Cable Only)	
31	3450405	1	Pin, Cotter	
32	3321402	4	Nut, Jam 1/4in-28NF	
33	4711400	4	Flatwasher 1/4in	
	1683475	Ref	<b>LIFT CYLINDER ASSEMBLY - 1532E/1932E</b>	-
101	Kit	1	O-Ring	
102	Kit	1	Ring, Back-up	
103	Kit	1	O-Ring	
104	Kit	1	Wiper	
105	Kit	1	O-Ring	
106	Kit	1	Seal	
107	Kit	1	Seal	
108	Kit	2	Ring, Wear	
109	Kit	1	Ring, Wear	
111	7017367	1	Locknut	
112	7005312	1	Plug (Not Shown)	
113	7005315	2	Plug (Not Shown)	
114	7005365	3	Plug	
115	7017372	1	Cartridge, Valve	
115	Not Available	1	Seal Kit - 7017372 Valve	
116	Not Serviced	1	Plug	
117	7017378	4	Bushing, Garmax	
118	Not Serviced	1	Barrel Weldment	
119	7017383	1	Rod Weldment	
120	7017382	1	Head	
121	7017381	1	Piston	
122	7017380	1	Spacer	
	7017379	1	Seal Kit - 1683475 Cylinder (Includes Items 101-109)	

# SECTION 5 - CYLINDER

FIGURE 5-4. LIFT CYLINDER COMPONENTS ASSEMBLY (1532E/1932E GRAVITY DOWN MACHINES)



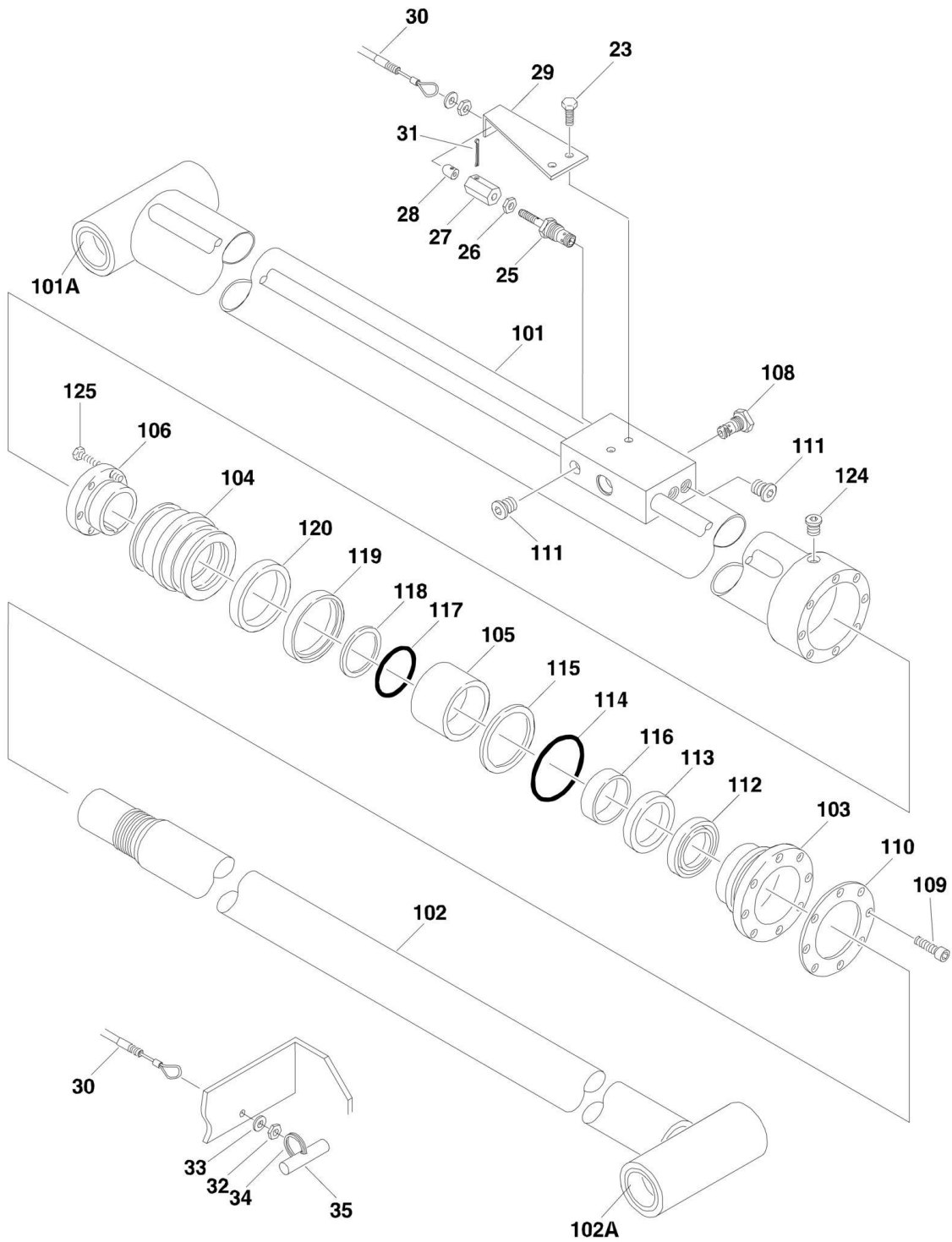
## SECTION 5 - CYLINDER

**FIGURE 5-4. LIFT CYLINDER COMPONENTS ASSEMBLY (1532E/1932E GRAVITY DOWN MACHINES)**

ITEM	PART NUMBER	QTY	DESCRIPTION	REV
		Ref	<b>Note: To determine Power or Gravity Down refer to page A.</b>	
		Ref	<b>LIFT CYLINDER SUB-ASSEMBLY</b>	
23	0641506	4	Bolt 5/16in-18NC x 3/4in	
24	0100011	AR	Loctite #242 (Not Shown)	
25		Ref	Cartridge, Valve (Restrictor/Check) Options:	
25	4641012	1	1532E	
25	4641014	1	1932E	
25	7012953	1	Seal Kit - 4641012 and 4641014 Cartridges	
26	4641001	1	Cartridge, Valve (Solenoid with Manual Descent)	
26	7012967	1	Seal Kit - 4641001 Valve	
26	7017444	1	Solenoid	
27	0080228	1	Adapter	
29	0902371	1	Bracket 1532E <b>(Prior to SN 43167)</b>	
29	0902421	1	Bracket 1532E <b>(SN 43167 to Present)</b>	
29	0902151	1	Bracket 1932E <b>(Prior to SN 37703)</b>	
29	0902371	1	Bracket 1932E <b>(SN 37703 through 43166)</b>	
29	0902421	1	Bracket 1932E <b>(SN 43167 to Present)</b>	
30	1060644	1	Cable Assembly	
30A	7019602	1	Bellows Kit	
30B	7019600	1	T-Handle	
30C	4220044	1	Stop, Throttle	
31	3450405	1	Pin, Cotter	
32	3321402	4	Nut, Jam 1/4in-28NF	
33	4711400	4	Flatwasher 1/4in Narrow	
	1683500	Ref	<b>LIFT CYLINDER ASSEMBLY - 1532E/1932E</b>	A
101	Kit	1	O-Ring	
102	Kit	1	Ring, Back-up	
103	Kit	1	O-Ring	
104	Kit	1	Wiper	
105	Kit	1	O-Ring	
106	Kit	1	Seal	
107	Kit	1	Seal	
108	Kit	2	Ring, Lock	
109	Kit	1	Ring, Wear	
111	7017367	1	Locknut	
112	7005358	2	Plug	
113	7019803	1	Plug	
114	7019302	2	Plug	
115	7017378	4	Bushing, Garmax	
116	7019801	1	Barrel Weldment	
117	7019800	1	Rod Weldment	
118	7017382	1	Head	
119	7017399	1	Piston	
120	7017398	1	Spacer	
	7017389	1	Seal Kit - 1683500 Cylinder (Includes Items 101-109)	

# SECTION 5 - CYLINDER

FIGURE 5-5. LIFT CYLINDER COMPONENTS ASSEMBLY (2033E/2046E POWER DOWN MACHINES BUILT AND 2646E/2658E POWER DOWN MACHINES BUILT) (Prior to SN 27085, Prior to SN 26916)



## SECTION 5 - CYLINDER

**FIGURE 5-5. LIFT CYLINDER COMPONENTS ASSEMBLY (2033E/2046E POWER DOWN MACHINES BUILT AND 2646E/2658E POWER DOWN MACHINES BUILT) (Prior to SN 27085, Prior to SN 26916)**

ITEM	PART NUMBER	QTY	DESCRIPTION	REV
		Ref	<b>Note: To determine Power or Gravity Down refer to page A.</b>	
		Ref	<b>LIFT CYLINDER SUB-ASSEMBLY</b>	
23	0641506	4	Bolt 5/16in-18NC x 3/4in	
24	0100011	AR	LOCTITE #242	
25	4640717	1	Cartridge, Valve (Manual Descent)	
26	3311402	1	Nut, Jam 1/4in-20NC	
27	0080190	1	Adapter	
28	4220044	1	Stop, Throttle	
29	0902151	1	Bracket	
30		Ref	Cable Assembly Options (Verify Length Before Ordering):	
30	1060377	1	112in Length	
30	1060643	1	136in Length	
30	7019602	1	Bellows Kit (Use with 1060643 Cable Only)	
30	7019600	1	T-Handle (Use with 1060643 Cable Only)	
31	3450405	1	Pin, Cotter	
32	3321402	4	Nut, Jam 1/4in-28NF	
33	4711400	4	Flatwasher 1/4in	
34	3760170	1	Ring	
35	3841127	1	Rod, Manual Descent	
		Ref	<b>LIFT CYLINDER ASSEMBLY</b>	
	1683352	Ref	<b>Lift Cylinder Assembly 2033E/2046E</b>	E
	1683363	Ref	<b>Lift Cylinder Assembly 2646E/2658E</b>	D
101		Ref	Barrel Weldment Options:	
101	1683367	1	Barrel Weldment 2033E/2046E	
101	1683353	1	Barrel Weldment 2646E/2658E	
101A	0962012	2	Bushing, Garmax	
102		Ref	Rod Weldment Options:	
102	1683369	1	Rod Weldment 2033E/2046E	
102	1683355	1	Rod Weldment 2646E/2658E	
102A	0962012	2	Bushing, Garmax	
103		Ref	Head Options:	
103	1683056	1	Head 2033E/2046E	
103	1683061	1	Head 2646E/2658E	
104		Ref	Piston Options:	
104	3480218	1	Piston 2033E/2046E	
104	3480211	1	Piston 2646E/2658E	
105		Ref	Spacer Options:	
105	4566787	1	Spacer 2033E/2046E	
105	4565008	1	Spacer 2646E/2658E	
106		Ref	Bushing, Tapered Options:	
106	0961896	1	Bushing, Tapered 2033E/2046E	
106	0961897	1	Bushing, Tapered 2646E/2658E	
108	4640509	1	Cartridge, Valve	
108	2900792	1	Seal Kit - 4640509 Valve	
109		Ref	Capscrew, Socket Head Options:	
109	3931620	8	2033E/2046E Capscrew 3/8in-16NC x 1 1/4in	
109	3931720	8	2646E/2658E Capscrew 7/16in-14NC x 1 1/4in	
110		Ref	Ring, Washer Options:	
110	3760369	1	Ring, Washer 2033E/2046E	

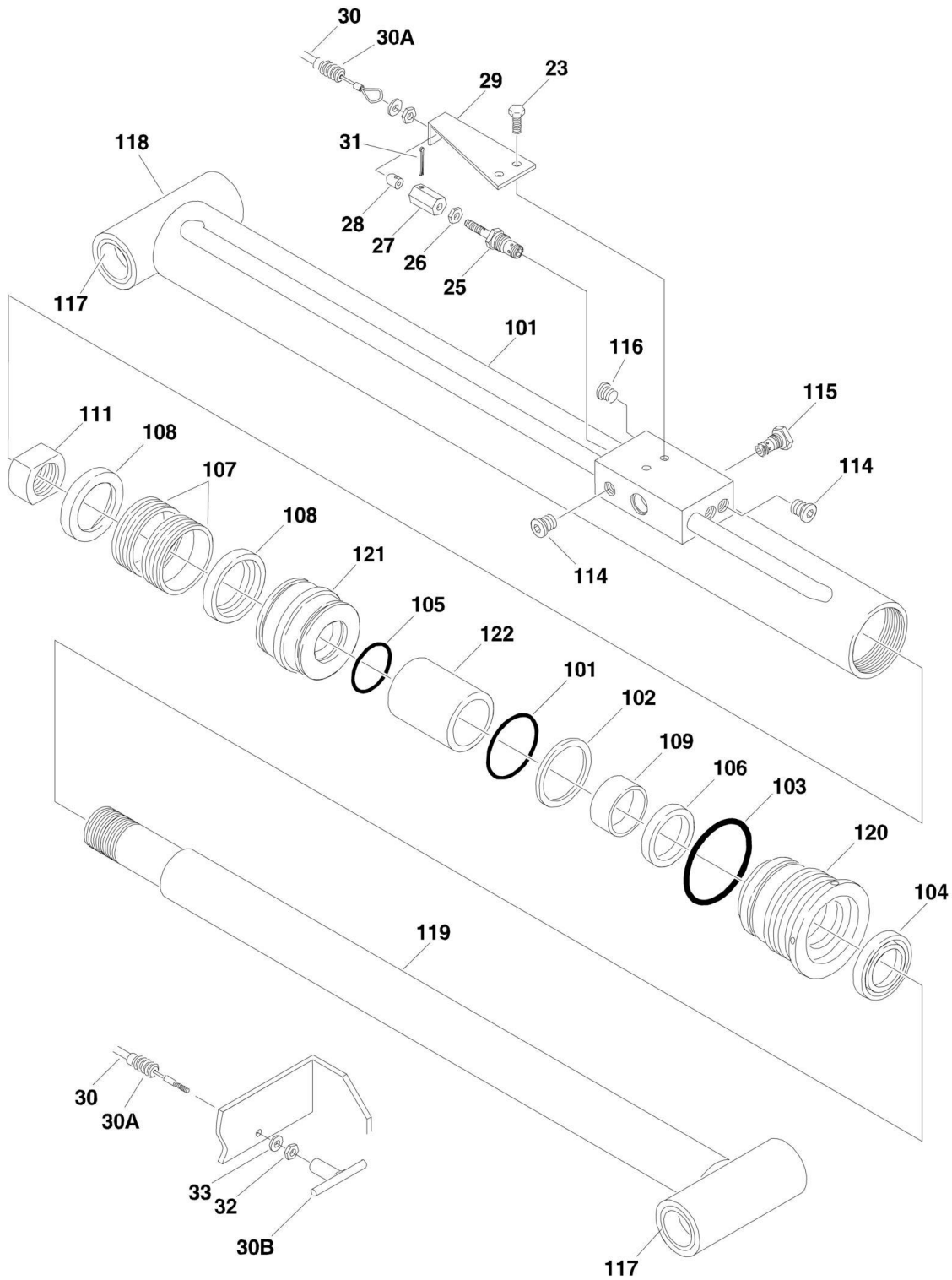
## SECTION 5 - CYLINDER

ITEM	PART NUMBER	QTY	DESCRIPTION	REV
110	3760370	1	Ring, Washer 2646E/2658E	
111	2220883	3	Plug, O-Ring	
112	Kit	1	Wiper	
113	Kit	1	Seal, Rod	
114	Kit	1	O-Ring	
115	Kit	1	Ring, Back-up	
116	Kit	1	Ring, Wear	
117	Kit	1	O-Ring	
118	Kit	2	Ring, Back-up	
119	Kit	2	Ring, Lock	
120	Kit	2	Seal	
121	0100011	AR	LOCTITE #242	
122	0100038	AR	Primer, Locking	
124	2220885	1	Plug, O-Ring	
125		Ref	Bolt Options:	
125	0630535	3	Bolt 2033E/2046E Bolt 1/4in-20NC x 1 1/8in	
125	0641409	3	Bolt 2646E/2658E Bolt 1/4in-20NC x 1 1/8in	
		Ref	Seal Kit (Includes Items 112-120)	
	2901353	1	Seal Kit 2033E/2046E 1683352 Cylinder	
	2901273	1	Seal Kit 2646E/2658E 1683363 Cylinder	



# SECTION 5 - CYLINDER

**FIGURE 5-6. LIFT CYLINDER COMPONENTS ASSEMBLY (2033E/2046E POWER DOWN MACHINES BUILT AND 2646E/2658E POWER DOWN MACHINES BUILT) (SN 27085 to Present, SN 26916 to Present)**





## SECTION 5 - CYLINDER

**FIGURE 5-6. LIFT CYLINDER COMPONENTS ASSEMBLY (2033E/2046E POWER DOWN MACHINES BUILT AND 2646E/2658E POWER DOWN MACHINES BUILT) (SN 27085 to Present, SN 26916 to Present)**

ITEM	PART NUMBER	QTY	DESCRIPTION	REV
		Ref	<b>Note: To determine Power or Gravity Down refer to page A.</b>	
		Ref	<b>LIFT CYLINDER SUB-ASSEMBLY</b>	
23	0641506	4	Bolt 5/16in-18NC x 3/4in	
24	0100011	AR	LOCTITE #242	
25	4640717	1	Cartridge, Valve (Manual Descent)	
26	3311402	1	Nut, Jam 1/4in-20NC	
27	0080190	1	Adapter	
28	4220044	1	Stop, Throttle Only <b>(Prior to SN 28175)</b>	
29	0902151	1	Bracket	
30		Ref	Cable Assembly Options (Verify Length Before Ordering):	
30	1060377	1	112in Length	
30	1060643	1	136in Length	
30A	7019602	1	Bellows Kit (Use with 1060643 Cable Only)	
30B	7019600	1	T-Handle (Use with 1060643 Cable Only)	
31	3450405	1	Pin, Cotter	
32	3321402	4	Nut, Jam 1/4in-28NF	
33	4711400	4	Flatwasher 1/4in	
34	3760170	1	Ring Only - Not Shown <b>(Prior to SN 28133)</b>	
35	3841127	1	Rod, Manual Descent Only - Not Shown <b>(Prior to SN 28133)</b>	
		Ref	<b>LIFT CYLINDER ASSEMBLY</b>	
	1683473	Ref	<b>Lift Cylinder Assembly 2033E/2046E</b>	-
	1683474	Ref	<b>Lift Cylinder Assembly 2646E/2658E</b>	-
101	Kit	1	O-Ring	
102	Kit	1	Ring, Back-up	
103	Kit	1	O-Ring	
104	Kit	1	Wiper	
105	Kit	1	O-Ring	
106	Kit	1	Seal	
107	Kit	2	Seal	
108	Kit	2	Ring, Guidelock	
109	Kit	AR	Ring, Wear Options:	
109	Kit	1	Ring, Wear 2033E/2046E	
109	Kit	2	Ring, Wear 2646E/2658E	
111		Ref	Locknut Options:	
111	7003212	1	Locknut 2033E/2046E	
111	7003226	1	Locknut 2646E/2658E	
112	7005312	1	Plug (Not Shown)	
113	7005315	2	Plug (Not Shown)	
114	7005356	3	Plug	
115	7017372	1	Cartridge, Valve	
115	Not Available	1	Seal Kit - 7017372 Valve	
116	Not Serviced	1	Plug	
117	7017378	4	Bushing, Garmax	
118	Not Serviced	1	Barrel Weldment	
119		Ref	Rod Weldment Options:	
119	7017377	1	Rod Weldment 2033E/2046E	
119	7017388	1	Rod Weldment 2646E/2658E	
120		Ref	Head Options:	

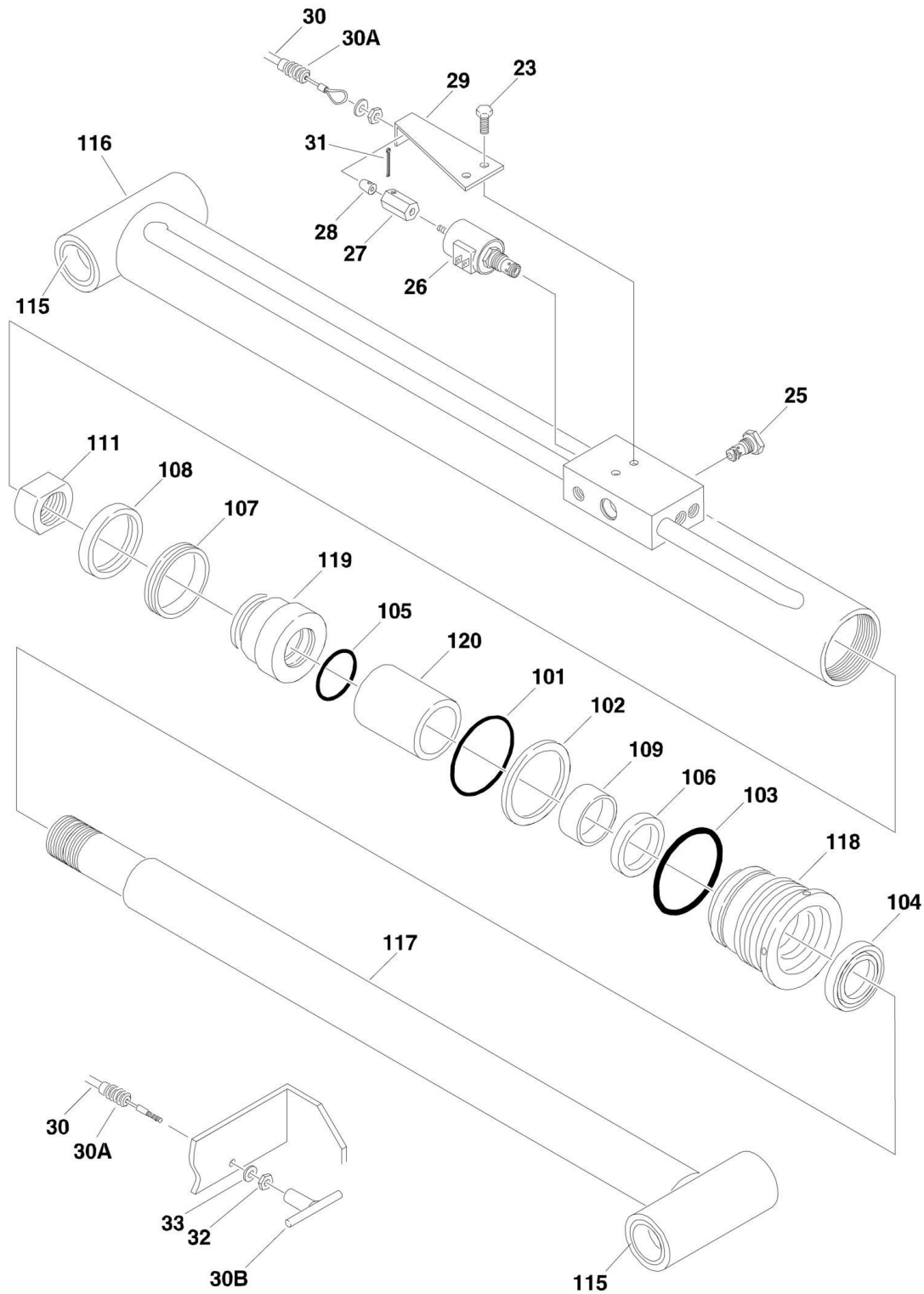
## SECTION 5 - CYLINDER

ITEM	PART NUMBER	QTY	DESCRIPTION	REV
120	7017376	1	Head 2033E/2046E	
120	7017386	1	Head 2646E/2658E	
121		Ref	Piston Options:	
121	7017375	1	Piston 2033E/2046E	
121	7017385	1	Piston 2646E/2658E	
122		Ref	Spacer Options:	
122	7017374	1	Spacer 2033E/2046E	
122	7017385	1	Spacer 2646E/2658E	
		Ref	Seal Kit Options (Includes Items 101-109)	
	7017373	1	Seal Kit 2033E/2046E 1683473 Cylinder	
	7017384	1	Seal Kit 2646E/2658E 1683474 Cylinder	



# SECTION 5 - CYLINDER

FIGURE 5-7. LIFT CYLINDER COMPONENTS ASSEMBLY (2033E/2046E/2646E/ 2658E GRAVITY DOWN MACHINES)



## SECTION 5 - CYLINDER

**FIGURE 5-7. LIFT CYLINDER COMPONENTS ASSEMBLY (2033E/2046E/2646E/ 2658E GRAVITY DOWN MACHINES)**

ITEM	PART NUMBER	QTY	DESCRIPTION	REV
		Ref	<b>Note: To determine Power or Gravity Down refer to page A.</b>	
		Ref	<b>LIFT CYLINDER SUB-ASSEMBLY</b>	
23	0641506	4	Bolt 5/16in-18NC x 3/4in	
24	0100011	AR	Loctite #242 (Not Shown)	
25		Ref	Cartridge, Valve (Restrictor/Check) Options:	
25	4641002	1	Cartridge, Valve (Restrictor/Check) 2033E/2046E	
25	4641015	1	Cartridge, Valve (Restrictor/Check) 2646E/2658E	
25	7012953	1	Seal Kit - 4641002 & 4641015 Cartridges	
26	4641001	1	Cartridge, Valve (Solenoid with Manual Descent)	
26	7017445	1	Cartridge - 4641001 Valve	
26	7017444	1	Solenoid - 4641001 Valve	
26	7012967	1	Seal Kit - 4641001 Valve	
27	0080228	1	Adapter	
28	4220044	1	Stop, Throttle <b>(Prior to SN 37703)</b>	
29	0902371	1	Bracket <b>(Prior to SN 43167)</b>	
29	0902421	1	Bracket <b>(SN 43167 to Present)</b>	
30	1060643	1	Cable Assembly <b>(Prior to SN 37703)</b>	
30	1060650	1	Cable Assembly <b>(SN 37703 to Present)</b>	
30A	7019602	1	Bellows Kit	
30B	7019600	1	T-Handle	
31	3450405	1	Pin, Cotter	
32	3321402	4	Nut, Jam 1/4in-28NF	
33	4711400	4	Flatwasher 1/4in	
		Ref	<b>LIFT CYLINDER ASSEMBLY</b>	
	1683501	Ref	Lift Cylinder Assembly 2033E/2046E	A
	1683502	Ref	Lift Cylinder Assembly 2646E/2658E	A
101	Kit	1	O-Ring	
102	Kit	1	Ring, Back-up	
103	Kit	1	O-Ring	
104	Kit	1	Wiper	
105	Kit	1	O-Ring	
106	Kit	1	Seal	
107	Kit	1	Seal	
108	Kit	1	Ring, Guidelock	
109	Kit	AR	Ring, Wear Options:	
109	Kit	1	Ring, Wear 2033E/2046E	
109	Kit	2	Ring, Wear 2646E/2658E	
111		Ref	Locknut Options:	
111	7003212	1	Locknut 2033E/2046E	
111	7003226	1	Locknut 2646E/2658E	
115	0962012	4	Bushing, Garmax	
116	Not Serviced	1	Barrel Weldment	
117		Ref	Rod Weldment	
117	7019812	1	Rod Weldment 2033E/2046E	
117	7019807	1	Rod Weldment 2646E/2658E	
118		Ref	Head Options:	
118	7019811	1	Head 2033E/2046E	
118	7017387	1	Head 2646E/2658E	
119		Ref	Piston Options:	

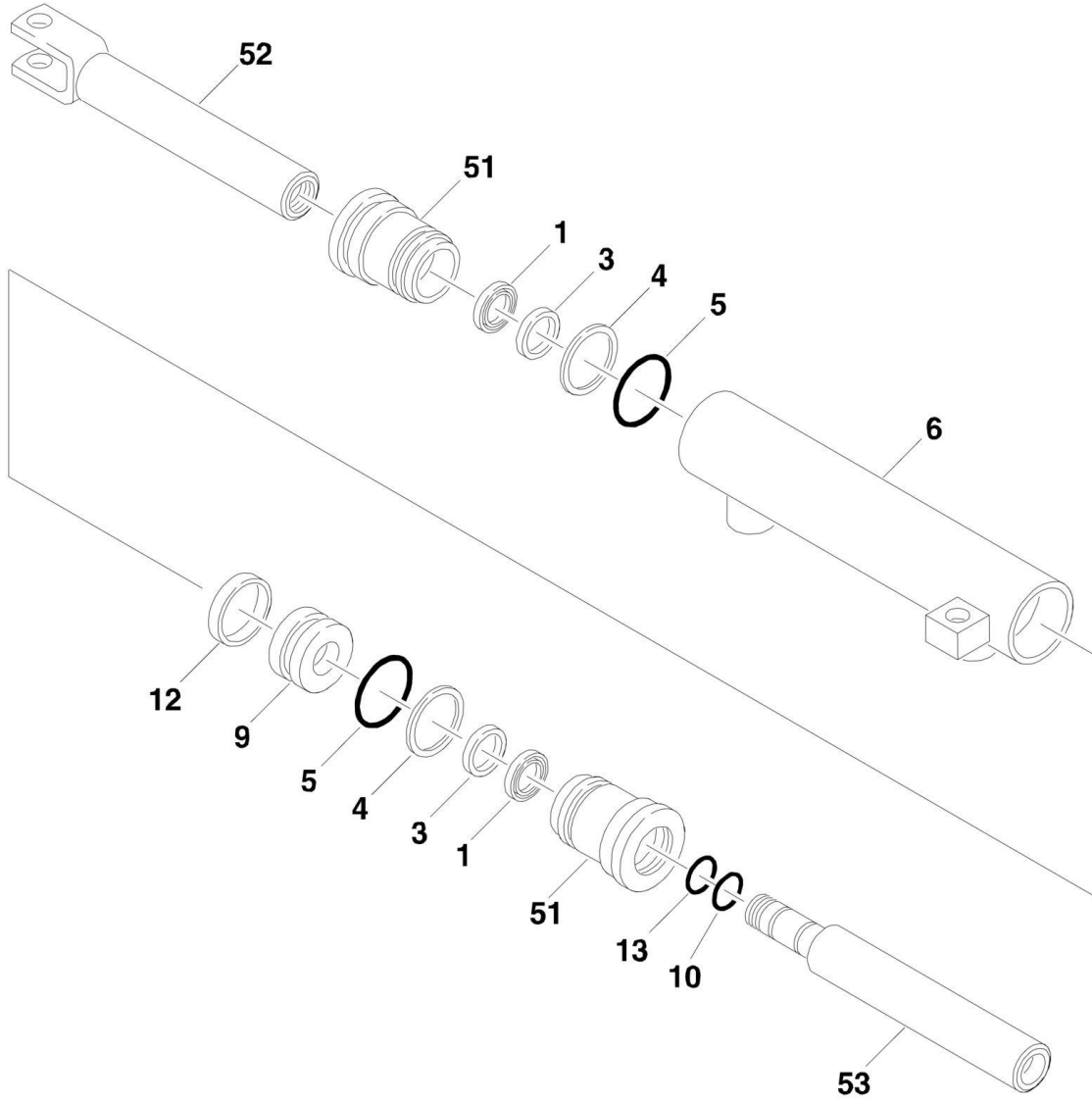
## SECTION 5 - CYLINDER

ITEM	PART NUMBER	QTY	DESCRIPTION	REV
119	7019810	1	Piston 2033E/2046E	
119	7019806	1	Piston 2646E/2658E	
120		Ref	Spacer Options:	
120	7019809	1	Spacer 2033E/2046E	
120	7019805	1	Spacer 2646E/2658E	
		Ref	Seal Kit Options (Includes Items 101-109):	
	7019808	1	Seal Kit 2033E/2046E - 1683501 Cylinder	
	7019804	1	Seal Kit 2646E/2658E - 1683502 Cylinder	



# SECTION 5 - CYLINDER

## FIGURE 5-8. STEER CYLINDER ASSEMBLY





## SECTION 5 - CYLINDER

**FIGURE 5-8. STEER CYLINDER ASSEMBLY**

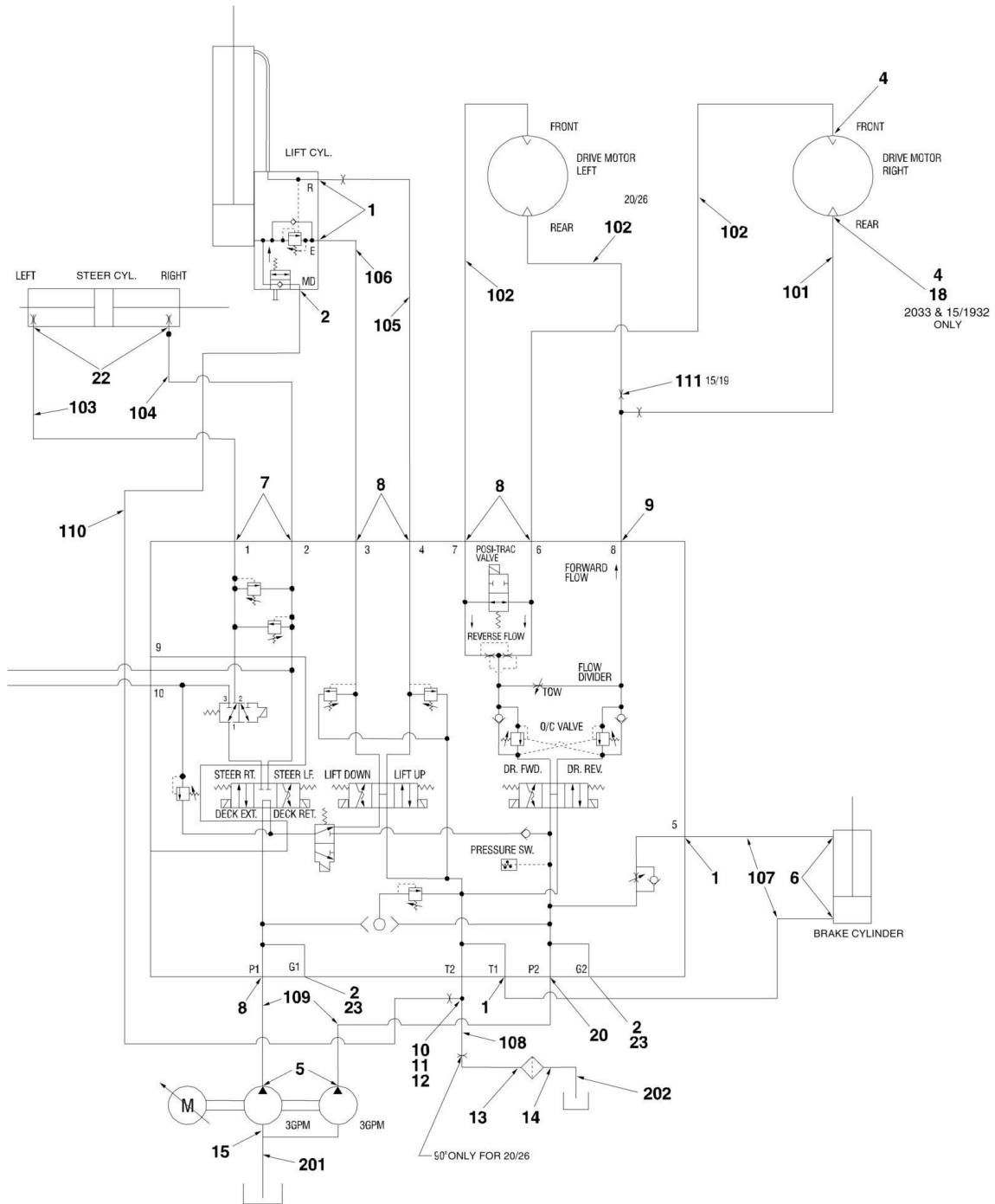
ITEM	PART NUMBER	QTY	DESCRIPTION	REV
		Ref	<b>STEER CYLINDER ASSEMBLY (STANDARD PARTS)</b>	
1	Kit	2	Wiper	
3	Kit	2	U-Cup	
4	Kit	2	Ring, Back-up	
5	Kit	2	O-Ring	
6	Not Serviced	1	Barrel	
9	7016708	1	Piston	
10	Kit	1	O-Ring	
12	Kit	1	Seal, Piston	
13	Kit	1	O-Ring	
	7016707	1	Seal Kit- Cylinder (Includes Items 1-5, 10, 12 & 13)	
		Ref	<b>STEER CYLINDER ASSEMBLY (VARIABLE PARTS)</b>	
	1683351	Ref	<b>Steer Cylinder Assembly (Variable Parts) 1532E/1932E/2033E (Prior to SN 24267)</b>	A
	1683428	Ref	<b>Steer Cylinder Assembly (Variable Parts) 1532E/1932E/2033E (SN 24267 to Present)</b>	B
	1683351	Ref	<b>Steer Cylinder Assembly (Variable Parts) 2046E/2646E/2658E (Prior to SN 24267)</b>	A
	1683429	Ref	<b>Steer Cylinder Assembly (Variable Parts) 2046E/2646E/2658E (SN 24267 to Present)</b>	B
51		Ref	Guide Options:	
51	Not Serviced		Guide <b>(Prior to SN 24267)</b>	
51	7017207	2	Guide <b>(SN 24267 to Present)</b>	
52		Ref	Rod with Clevis Options:	
52	7001632	1	Rod with Clevis <b>(Prior to SN 24267)</b>	
52	7017208	1	Rod with Clevis <b>(SN 24267 to Present)</b>	
53		Ref	Rod Options:	
53	7016709	1	Rod <b>(Prior to SN 24267)</b>	
53	7017209	1	Rod <b>(SN 24267 to Present)</b>	



**SECTION 6 - HYDRAULIC**

# SECTION 6 - HYDRAULIC

## FIGURE 6-1. HYDRAULIC DIAGRAM (POWER DOWN MACHINES)



## SECTION 6 - HYDRAULIC

**FIGURE 6-1. HYDRAULIC DIAGRAM (POWER DOWN MACHINES)**

ITEM	PART NUMBER	QTY	DESCRIPTION	REV
		Ref	<b>Note: To determine Power or Gravity Down refer to page A.</b>	
	2792219	Ref	<b>HYDRAULIC DIAGRAM - 1532E/1932E</b>	E
	2792220	Ref	<b>HYDRAULIC DIAGRAM - 2033E</b>	F
	2792221	Ref	<b>HYDRAULIC DIAGRAM - 2046E/2646E</b>	F
	2792222	Ref	<b>HYDRAULIC DIAGRAM - 2658E</b>	F
1	2220473	4	Fitting, 90	
2	2220466	3	Fitting, 90	
3	2220585	2	Fitting, 90	
4	2220218	4	Fitting, Reducer (1532E/ 1932E/ 2033E)	
4	2220828	4	Fitting, 90, (2046E/ 2646E/ 2658E)	
5	2220628	2	Fitting, 90, (1532E/1932E)	
5	2220372	2	Fitting, Straight (2033E/ 2046E/ 2646E/ 2658E)	
6	2220773	2	Fitting, 90	
7	2220415	2	Fitting, Straight	
8	2220371	5	Fitting, Straight	
9	2220606	1	Fitting, Tee	
10	2220373	1	Fitting, Straight	
11	2220618	1	Fitting, Reducer	
12	2220602	1	Fitting, Tee (1532E/1932E)	
12	2220385	1	Fitting, Tee (2033E/ 2046E/ 2646E/ 2658E)	
13	2220470	1	Fitting, Straight (1532E/1932E)	
13	2220346	1	Fitting, Straight (2033E/ 2046E/ 2646E/ 2658E)	
14	2220347	1	Fitting, Straight	
15	2220664	1	Fitting, 90	
18	2221000	4	Fitting, 90, (1532E/ 1932E/ 2033E Only)	
18	7019673	AR	Seal Kit (Hex Top Style Fitting - 1 Kit per Fitting)	
18	7020072	AR	Seal Kit (Round Top Style Fitting - 1 Kit per Fitting)	
19	0100020	AR	Sealant, Pipe	
20	2220501	1	Fitting, 45	
21	1320225	1	Clamp, Hose	
22	2221014	2	Fitting, Orifice	
23	2220515	2	Fitting, Cap	
		Ref	<b>HOSE KIT</b>	
	2901409	Ref	<b>Hose 1532E/1932E</b>	D
	2901382	Ref	<b>Hose 2033E</b>	C
	2901383	Ref	<b>Hose 2046E/2646E</b>	C
	2901384	Ref	<b>Hose 2658E</b>	C
101	2752969	1	Hose (1532E/1932E)	
101	2752956	1	Hose (2033E)	
101	2752958	1	Hose (2046E/2646E)	
101	2752960	1	Hose (2658E)	
102	2752968	2	Hose (1532E/1932E)	
102	2752957	3	Hose (2033E)	
102	2752959	3	Hose (2046E/2646E)	
102	2752961	3	Hose (2658E)	
103	2752593	2	Hose (1532E/1932E)	
103	2752606	1	Hose (2033E/ 2046E/ 2646E)	
103	2752608	1	Hose (2658E)	
104	Not Required	0	Hose (1532E/1932E)	
104	2752607	1	Hose (2033E/ 2046E/ 2646E)	

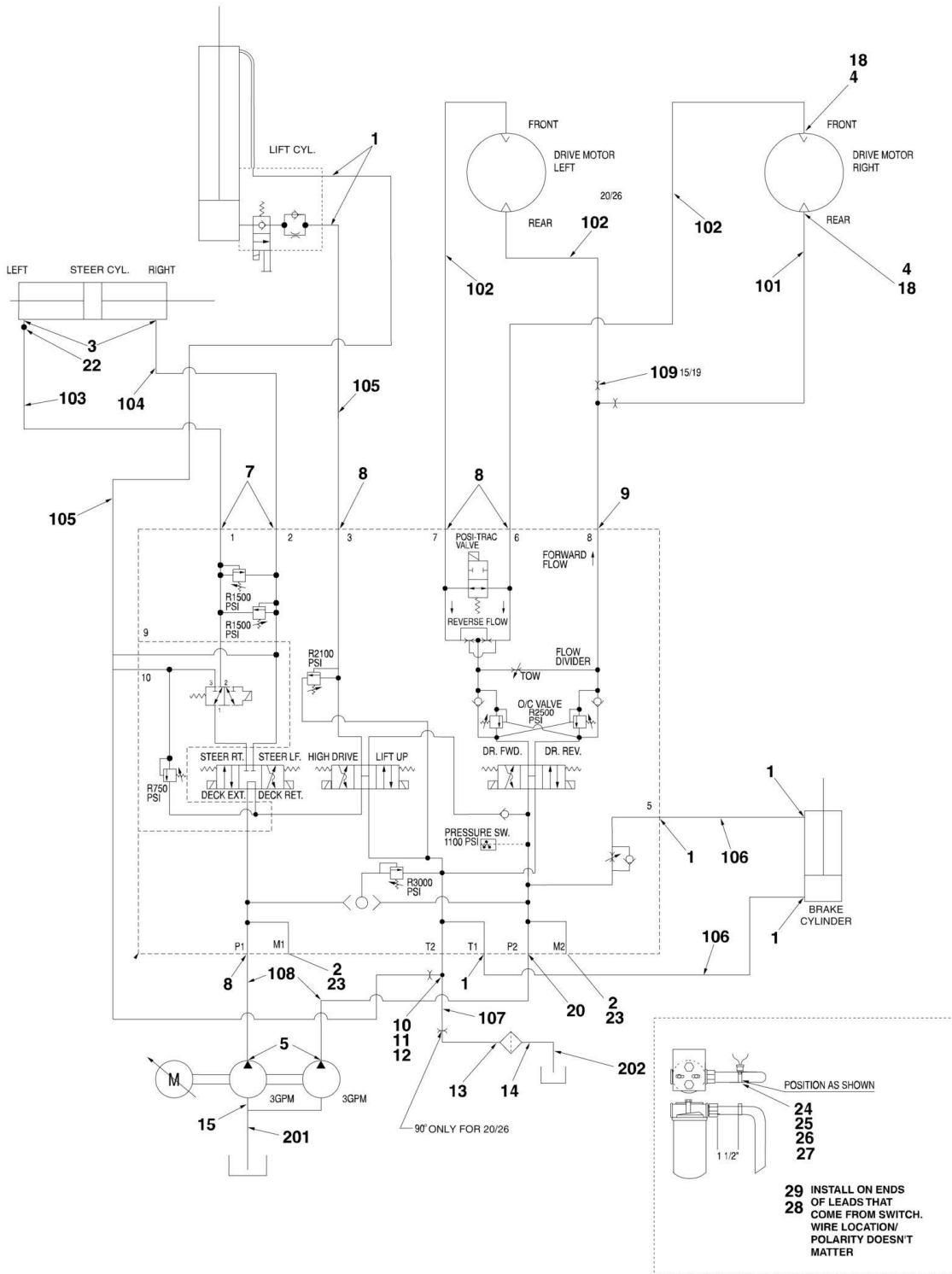
## SECTION 6 - HYDRAULIC

ITEM	PART NUMBER	QTY	DESCRIPTION	REV
104	2752609	1	Hose (2658E)	
105	2752175	2	Hose (1532E/1932E)	
105	2752639	1	Hose (2033E/ 2046E/ 2646E/ 2658E)	
106	Not Required	0	Hose (1532E/1932E)	
106	2752638	1	Hose (2033E/ 2046E/ 2646E/ 2658E)	
107	2752478	2	Hose (1532E/1932E)	
107	2750999	2	Hose (2033E/ 2046E/ 2646E/ 2658E)	
108	2752496	1	Hose (1532E/1932E)	
108	2752931	1	Hose (2033E/ 2046E/ 2646E/ 2658E)	
109	2752963	2	Hose (1532E/1932E)	
109	2752463	2	Hose (2033E/ 2046E/ 2646E/ 2658E)	
110	2752647	1	Hose (1532E/1932E)	
110	2752646	1	Hose (2033E/ 2046E/ 2646E/ 2658E)	
111	2752964	1	Hose (1532E/1932E)	
111	Not Required	0	Hose (2033E/ 2046E/ 2646E/ 2658E)	
		Ref	<b>TUBE KIT</b>	
	2901410	Ref	<b>Tube Kit 1532E/1932E</b>	A
	2901385	Ref	<b>Tube Kit 2033E/ 2046E/ 2646E/ 2658E</b>	A
201	4566968	1	Tube, Suction (1532E/1932E)	
201	4566897	1	Tube, Suction (2033E/ 2046E/ 2646E/2658E) <b>(Prior to SN 21507)</b>	
201	4567026	1	Tube, Suction (2033E/ 2046E/ 2646E/2658E) <b>(SN 21507 to Present)</b>	
202	4566969	1	Tube, Return (1532E/1932E)	
202	4566898	1	Tube, Return (2033E/ 2046E/ 2646E/ 2658E)	



# SECTION 6 - HYDRAULIC

## FIGURE 6-2. HYDRAULIC DIAGRAM (GRAVITY DOWN MACHINES)





## SECTION 6 - HYDRAULIC

**FIGURE 6-2. HYDRAULIC DIAGRAM (GRAVITY DOWN MACHINES)**

ITEM	PART NUMBER	QTY	DESCRIPTION	REV
		Ref	<b>Note: To determine Power or Gravity Down refer to page A.</b>	
	2792316	Ref	<b>HYDRAULIC DIAGRAM - 1532E/1932E</b>	6
	2792317	Ref	<b>HYDRAULIC DIAGRAM - 2033E</b>	7
	2792318	Ref	<b>HYDRAULIC DIAGRAM - 2046E/2646E</b>	8
	2792319	Ref	<b>HYDRAULIC DIAGRAM - 2658E</b>	8
1	2220473	5	Fitting, 90	
2	2220466	4	Fitting, 90	
3	2220585	2	Fitting, 90	
4	2220218	4	Fitting, Reducer	
5	2220628	2	Fitting, 90, (1532E/1932E)	
5	2220372	2	Fitting, Straight (2033E/ 2046E/ 2646E/ 2658E)	
6	2220775	1	Fitting, 90	
7	2220415	2	Fitting, Straight	
8	2220371	4	Fitting, Straight	
9	2220606	1	Fitting, Tee	
10	2220373	1	Fitting, Straight	
11	2220619	1	Fitting, Reducer (1532E/1932E)	
11	2220618	1	Fitting, Reducer (2033E/ 2046E/ 2646E/ 2658E)	
12	2220385	1	Fitting, Tee	
13	2220470	1	Fitting, Straight (1532E/1932E)	
13	2220346	1	Fitting, Straight (2033E/ 2046E/ 2646E/ 2658E)	
14	2220347	1	Fitting, Straight	
15	2220664	1	Fitting, 90	
18	2221000	4	Fitting, 90	
18	7019673	AR	Seal Kit (Hex Top Style Fitting - 1 Kit per Fitting)	
18	7020072	AR	Seal Kit (Round Top Style Fitting - 1 Kit per Fitting)	
19	0100020	AR	Sealant, Pipe (Not Shown)	
20	2220501	1	Fitting, 45	
21	1320225	1	Clamp, Hose	
22	2221014	1	Fitting, Orifice	
23	2220515	4	Fitting, Cap	
24	1320242	1	Clamp	
25	4360461	1	Switch, Temperature	
26	3310601	1	Nut #6-32	
27	0100011	AR	LOCTITE #242	
28	4460320	1	Plug, Terminal	
29	4460267	2	Pins	
	2901489	Ref	<b>HOSE KIT - 1532E/1932E</b>	2
	2901490	Ref	<b>HOSE KIT - 2033E</b>	2
	2901491	Ref	<b>HOSE KIT - 2046E/2646E</b>	2
	2901492	Ref	<b>HOSE KIT - 2658E</b>	2
101	2752969	1	Hose (1532E/1932E)	
101	2752956	1	Hose (2033E)	
101	2752958	1	Hose (2046E/2646E)	
101	2752960	1	Hose (2658E)	
102	2752968	2	Hose (1532E/1932E)	
102	2752957	3	Hose (2033E)	
102	2752959	3	Hose (2046E/2646E)	
102	2752961	3	Hose (2658E)	
103	2752593	2	Hose (1532E/1932E)	

## SECTION 6 - HYDRAULIC

ITEM	PART NUMBER	QTY	DESCRIPTION	REV
103	2752606	1	Hose (2033E/ 2046E/ 2646E)	
103	2752608	1	Hose (2658E)	
104	Not Required	0	Hose (1532E/1932E)	
104	2752607	1	Hose (2033E/ 2046E/ 2646E)	
104	2752609	1	Hose (2658E)	
105	2752175	2	Hose (1532E/1932E)	
105	2752638	1	Hose (2033E/ 2046E/ 2646E/ 2658E)	
106	2752478	2	Hose (1532E/1932E)	
106	2750999	2	Hose (2033E/ 2046E/ 2646E/ 2658E)	
107	2752496	1	Hose (1532E/1932E)	
107	2752931	2	Hose (2033E/ 2046E/ 2646E/ 2658E)	
108	2752963	2	Hose (1532E/1932E)	
108	2752463	1	Hose (2033E/ 2046E/ 2646E/ 2658E)	
109	2752964	1	Hose (1532E/1932E)	
109	Not Required	0	Hose (2033E/ 2046E/ 2646E/2658E)	
		Ref	<b>TUBE KIT</b>	
	2901410	Ref	<b>Tube Kit 1532E/1932E</b>	A
	2901385	Ref	<b>Tube Kit 2033E/ 2046E/ 2646E/ 2658E</b>	A
201	4566968	1	Tube, Suction (1532E/1932E)	
201	4566897	1	Tube, Suction (2033E/ 2046E/ 2646E/2658E) <b>(Prior to SN 21507)</b>	
201	4567026	1	Tube, Suction (2033E/ 2046E/ 2646E/2658E) <b>(SN 21507 to Present)</b>	
202	4566969	1	Tube, Return (1532E/1932E)	
202	4566898	1	Tube, Return (2033E/ 2046E/ 2646E/ 2658E)	



## SECTION 6 - HYDRAULIC

FIGURE 6-3. HYDRAULIC DIAGRAM LIST

ITEM	PART NUMBER	QTY	DESCRIPTION	REV
		Ref	<b>Note: Diagrams not shown is available from JLG Service/Parts Departments.</b>	
	1282480	Ref	Hydraulic Diagrams - Standard (Power Down Machines)	
	2792219	Ref	Hydraulic Diagrams 1532E/1932E	
	2792220	Ref	Hydraulic Diagrams 2033E	
	2792221	Ref	Hydraulic Diagrams 2046E/2646E	
	2792222	Ref	Hydraulic Diagrams 2658E	
	1282726	Ref	Hydraulic Diagrams - Standard (Gravity Down Machines)	
	2792316	Ref	Hydraulic Diagrams 1532E/1932E	
	2792317	Ref	Hydraulic Diagrams 2033E	
	2792318	Ref	Hydraulic Diagrams 2046E/2646E	
	2792319	Ref	Hydraulic Diagrams 2658E	

**SECTION 7 - ELECTRICAL**

## SECTION 7 - ELECTRICAL

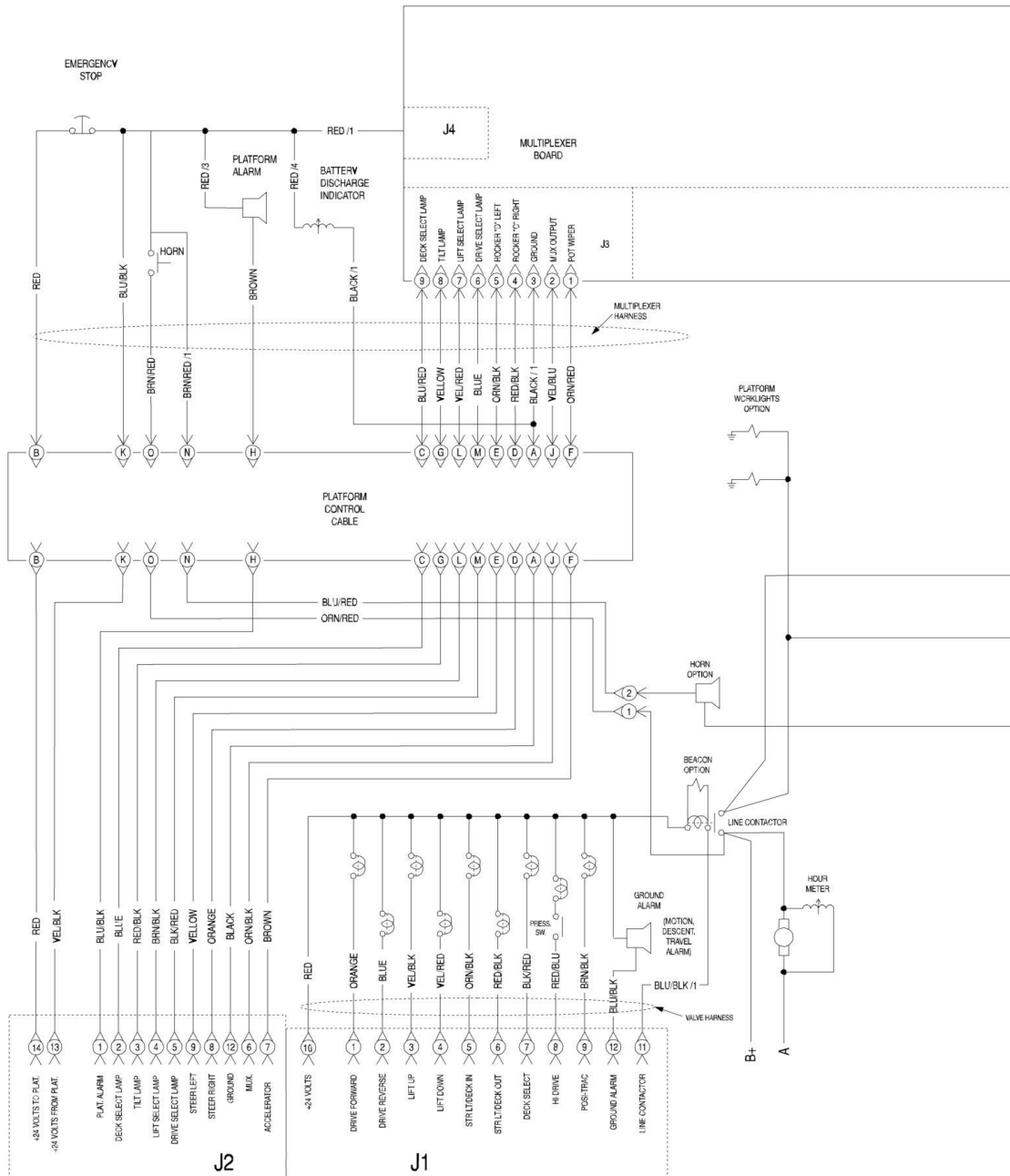
FIGURE 7-1. ELECTRICAL DIAGRAM LIST

ITEM	PART NUMBER	QTY	DESCRIPTION	REV
		Ref	<b>Note: Diagrams not shown in manual are available from the JLG Service/parts Department.</b>	
	1282507	Ref	<b>ALARMS ELECTRICAL DIAGRAM</b>	G
	1282773	Ref	<b>ALARMS ELECTRICAL DIAGRAM</b>	F
	1282507	Ref	<b>BEACON LIGHT ELECTRICAL DIAGRAM</b>	G
	1282773	Ref	<b>BEACON LIGHT ELECTRICAL DIAGRAM</b>	F
	1282507	Ref	<b>GENERATOR ELECTRICAL DIAGRAM</b>	G
	1282773	Ref	<b>GENERATOR ELECTRICAL DIAGRAM</b>	F
	1282430	Ref	<b>GROUND TO PLATFORM CABLE ASSEMBLIES</b>	-
	4921753	Ref	<b>Cable Assembly - 1532E</b>	A
	4921754	Ref	<b>Cable Assembly - 1932E</b>	A
	4921755	Ref	<b>Cable Assembly - 2033E/2046E</b>	A
	4921756	Ref	<b>Cable Assembly - 2646E/2658E</b>	A
	0257665	Ref	<b>PERIMETER SWITCHES ELECTRICAL</b>	2-B
	0253616	Ref	<b>PLATFORM EXTENSION SWITCH ELECTRICAL DIAGRAM</b>	B
	0254367	Ref	<b>PLATFORM EXTENSION SWITCH ELECTRICAL DIAGRAM</b>	-
	1282507	Ref	<b>PLATFORM WORKLIGHTS ELECTRICAL DIAGRAM</b>	E
	1282773	Ref	<b>PLATFORM WORKLIGHTS ELECTRICAL DIAGRAM</b>	E
	1282507	Ref	<b>STANDARD ELECTRICAL DIAGRAM (POWER DOWN MACHINES)</b>	G
	4932832	Ref	<b>Standard Electrical Diagram (Power Down Machines) 1532E/1932E</b>	6
	4932831	Ref	<b>Standard Electrical Diagram (Power Down Machines) 2033E/2046E/2646E/2658E</b>	7
	1282773	Ref	<b>STANDARD ELECTRICAL DIAGRAM (GRAVITY DOWN MACHINES)</b>	F
	4932973	Ref	<b>Standard Electrical Diagram (Gravity Down Machines) 1532E/1932E</b>	4
	4932972	Ref	<b>Standard Electrical Diagram (Gravity Down Machines) 2033E/2046E/2646E/2658E (CE Spec)</b>	3
	4933005	Ref	<b>Standard Electrical Diagram (Gravity Down Machines) 2033E/2046E/2646E/2658E (Australian Spec)</b>	3
	1282507	Ref	<b>TILT SWITCH ELECTRICAL DIAGRAM</b>	G
	1282773	Ref	<b>TILT SWITCH ELECTRICAL DIAGRAM</b>	F



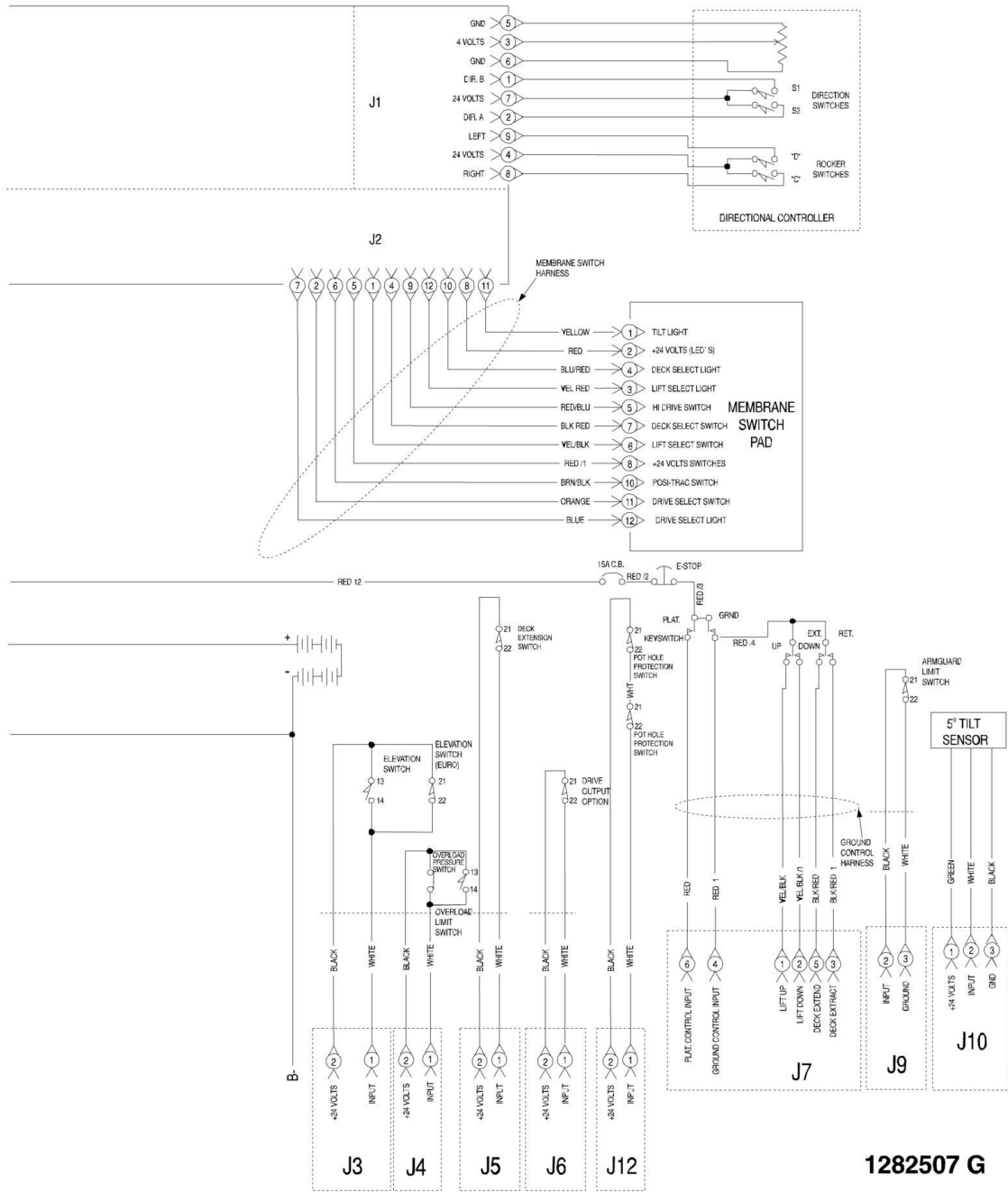
# SECTION 7 - ELECTRICAL

## FIGURE 7-2. STANDARD ELECTRICAL DIAGRAM (POWER DOWN MACHINES)



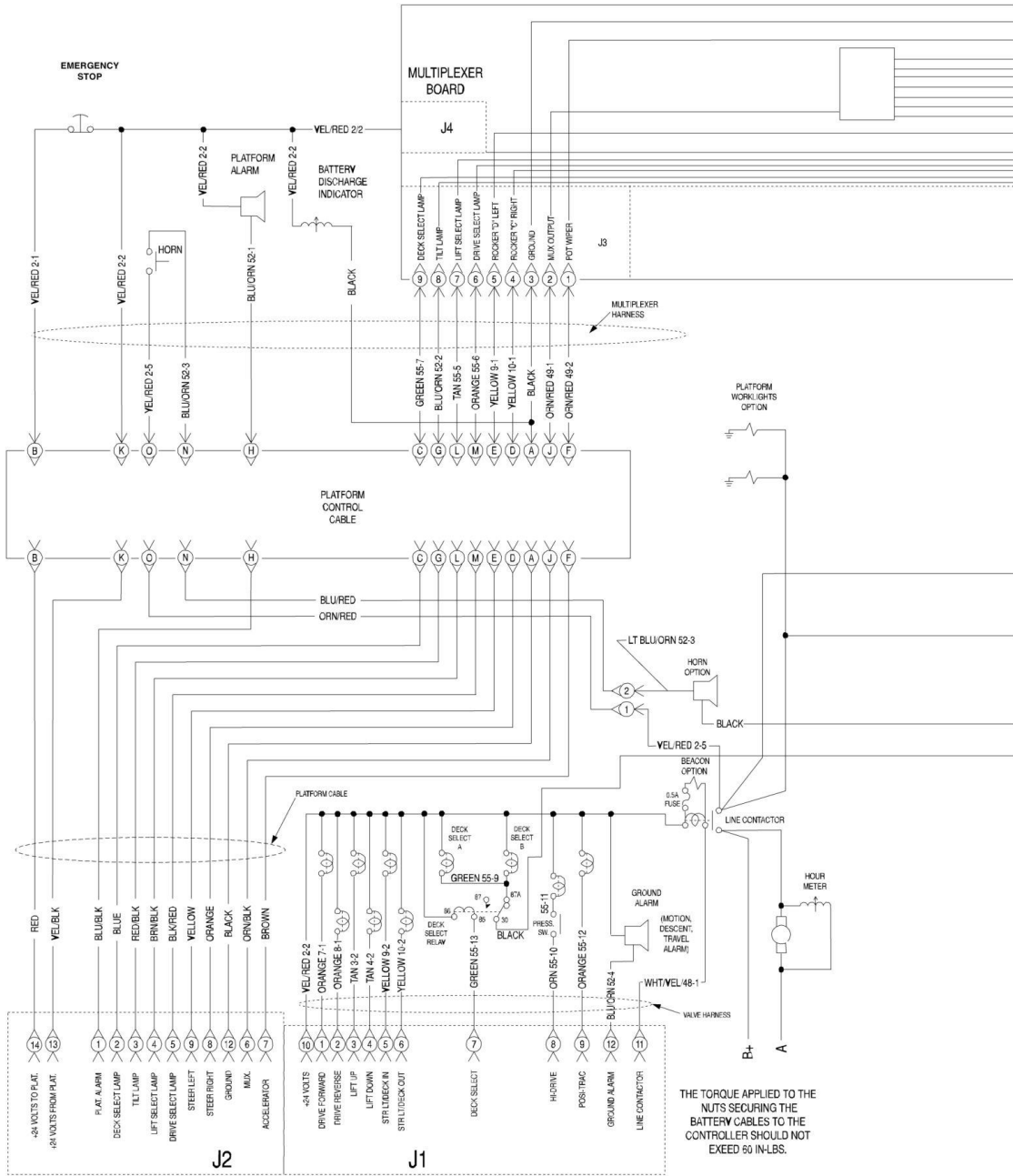


# SECTION 7 - ELECTRICAL

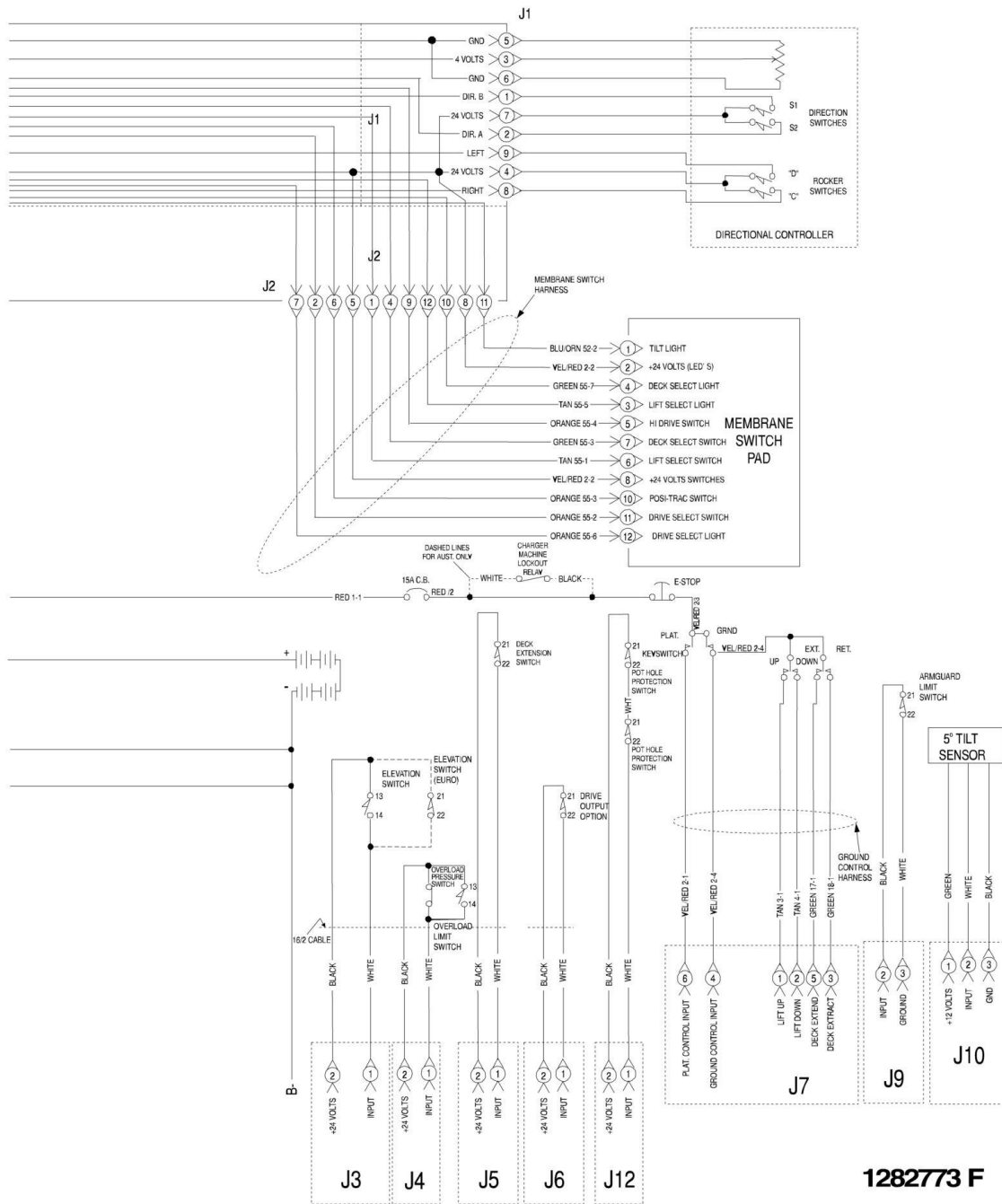


# SECTION 7 - ELECTRICAL

## FIGURE 7-3. STANDARD ELECTRICAL DIAGRAM (GRAVITY DOWN MACHINES)

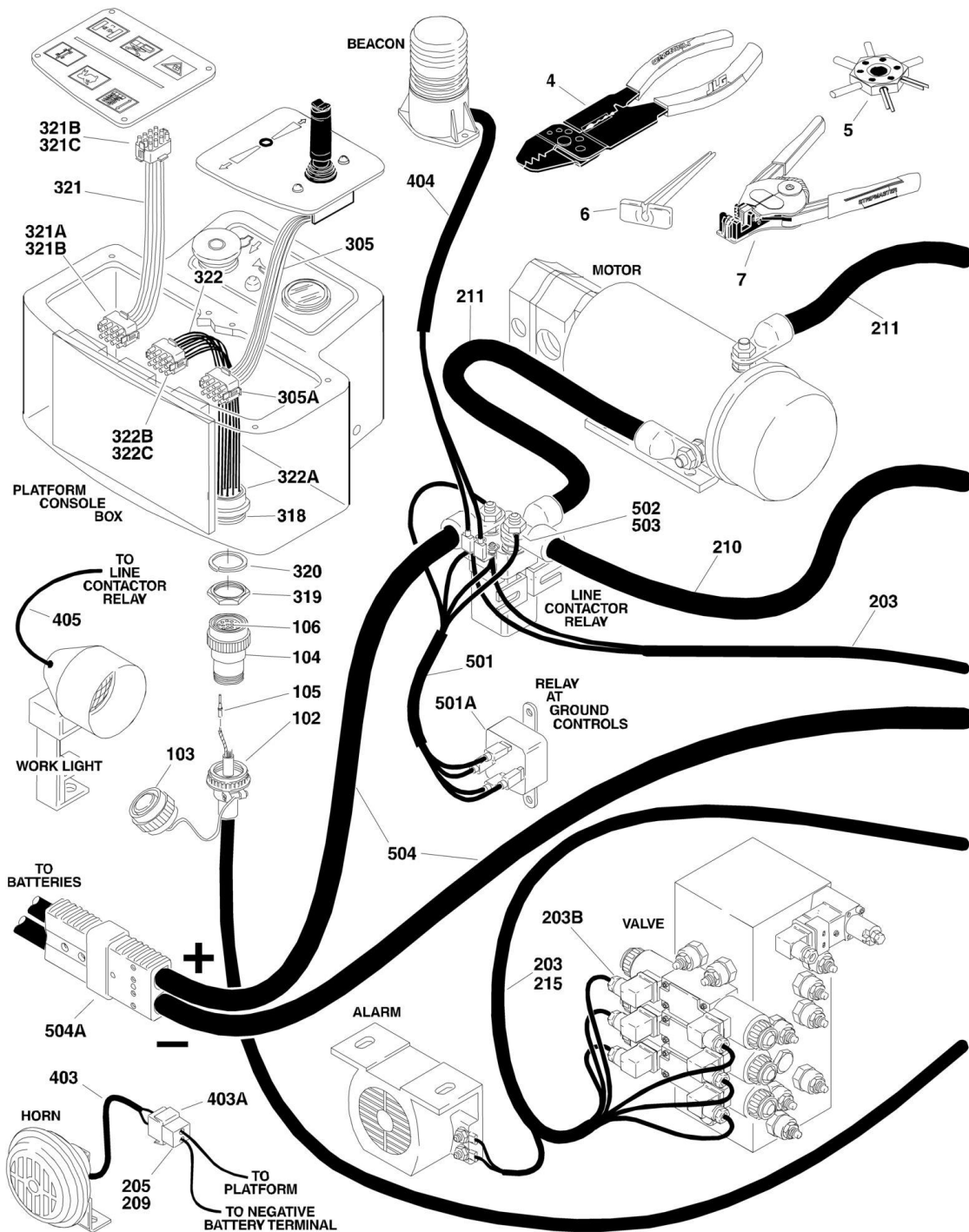


# SECTION 7 - ELECTRICAL

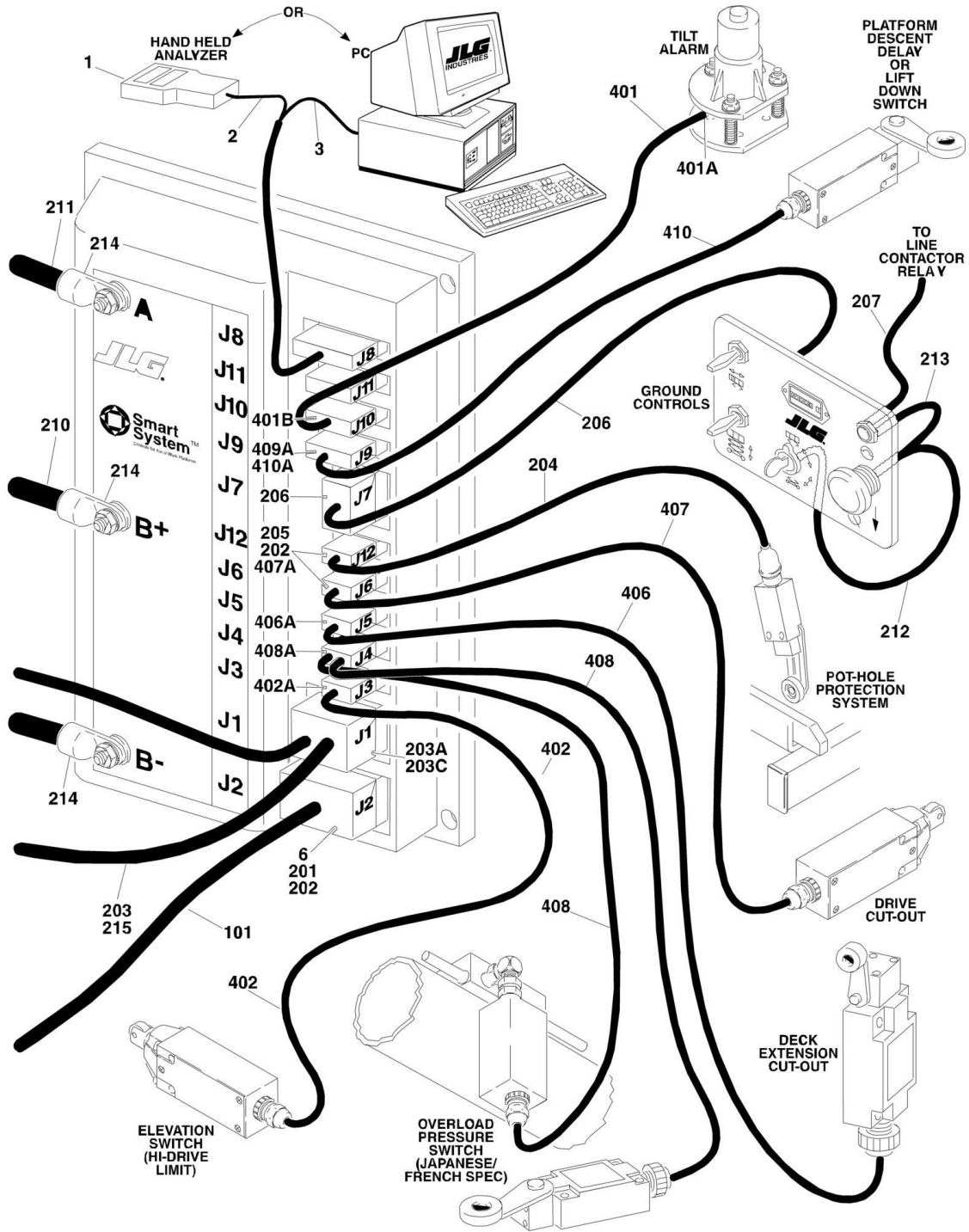


# SECTION 7 - ELECTRICAL

## FIGURE 7-4. HARNESS AND CABLE ASSEMBLIES



# SECTION 7 - ELECTRICAL



# SECTION 7 - ELECTRICAL

## FIGURE 7-4. HARNESS AND CABLE ASSEMBLIES

ITEM	PART NUMBER	QTY	DESCRIPTION	REV
		Ref	<b>Note: To determine Power or Gravity Down refer to page A.</b>	
		Ref	<b>TOOLS</b>	
	2900874	1	Configurator Kit (Computer Software Kit)	
	2901443	1	Analyzer and Cable Kit (Includes 1600244 & 1060633)	
1	1600244	1	Analyzer, SMART System Controller	
2	1060633	1	Cable, Communication (Analyzer to Controller)	
3	1060629	1	Cable, Communication (PC to Controller)	
4	7002821	1	Crimper (For Wire to Pin/Socket Connections)	
5	7002823	1	Extractor (For Removal of Pins/Sockets from Connectors)	
6	4460467	1	Extractor - 16-18 Gauge (For Removal of Pins/Sockets from Deutsch Connectors)	
6	4460510	1	Extractor - 12-14 Gauge (For Removal of Pins/Sockets from Deutsch Connectors)	
7	7002828	1	Stripper, Wire	
7	0100048	AR	Compound, Silicone (Use on connectors/receptacles)	
	1282430	Ref	<b>CABLE ASSEMBLIES - GROUND TO PLATFORM</b>	-
		Ref	<b>Note: Assemblies do not include connectors at controller.</b>	
	4921753	Ref	<b>Cable Assembly - 1532E</b>	B
	4921754	Ref	<b>Cable Assembly - 1932E</b>	B
	4921755	Ref	<b>Cable Assembly - 2033E/2046E</b>	A
	4921756	Ref	<b>Cable Assembly - 2646E/2658E</b>	A
101	1060608	AR	Cable, Electrical - 18/14	
101	1060608	36 ft/11M	Cable, Electrical 1532E	
101	1060608	42 ft/12.8M	Cable, Electrical 1932E	
101	1060608	46 ft/14M	Cable, Electrical 2033E/2046E	
101	1060608	54 ft/16.5M	Cable, Electrical 2646E/2658E	
102	4460473	1	Clamp, Cable	
103	4460468	1	Cap, Dust	
104	4460462	1	Connector - 23 Pin	
105	4460465	AR	Socket, Female	
106	4460466	AR	Plug, Sealing	
		Ref	<b>WIRING DIAGRAMS</b>	
	4932832	Ref	<b>Wiring Diagrams 1532E/1932E Power Down Units</b>	6
	4932973	Ref	<b>Wiring Diagrams 1532E/1932E Gravity Down Units</b>	4
	4932831	Ref	<b>Wiring Diagrams 2033E/2046E/2646E/2658E Power Down Units</b>	7
	4932972	Ref	<b>Wiring Diagrams 2033E/2046E/2646E/2658E Gravity Down Units (CE Spec)</b>	3
	4933005	Ref	<b>Wiring Diagrams 2033E/2046E/2646E/2658E Gravity Down Units (Australia Spec)</b>	3
		Ref	<b>Note: To determine Power or Gravity Down refer to page A.</b>	
201	4460434	1	Connector - 15 Pin	
202	4460268	18	Socket, Female	
203		Ref	Harness, Valve	
203	4921784	1	Power Down Machines ( <b>Except SN 31325 through 31329</b> )	E
203	4921889	1	Power Down Machines ( <b>SN 31325 through 31329</b> )	1-A
203	4921958	1	Gravity Down Machines ( <b>Prior to SN 36817</b> )	1-A
203	4922013	1	Gravity Down Machines ( <b>SN 36817 through 37823</b> )	2
203	4922025	1	Gravity Down Machines ( <b>SN 37824 to Present</b> )	1-A

## SECTION 7 - ELECTRICAL

ITEM	PART NUMBER	QTY	DESCRIPTION	REV
203A	4460268	12	Socket	
203B	4460449	10	Connector, DIN	
203C	4460343	1	Connector - 12 Pin	
204	1060341	27 ft/8.23m	Cable, Electrical - 16/2	
205	4460320	4	Connector - 2 Pin	
206		Ref	Harness - Ground Control	
206	4921786	1	Harness - Ground Control 1532E/1932E Power Down Machines	B
206	4921894	1	Harness - Ground Control 1532E/1932E Gravity Down Machines	B
206	4921785	1	Harness - Ground Control 2033E/2046E/2646E/2658E Power Down Machines	B
206	4921890	1	Harness - Ground Control 2033E/2046E/2646E/2658E Gravity Down Machines	B
206A	4460268	AR	Socket	
206A	4460225	1	Connector - 6 Pin	
207		Ref	Harness - Ground Power	
207	4921831	1	Power Down Machines	
207	4922014	1	Power Down Machines 1532E/1932E Gravity Down Machines	
207	4921891	1	Power Down Machines 2033E/2046E/2646E/2658E Gravity Down Machines	
209	4460267	2	Pin	
210		Ref	Cable, Battery	
210	1060636	1	Cable, Battery 1532E/1932E	
210	1060561	1	Cable, Battery 2033E/2046E/2646E/2658E	
211	1060622	2	Cable, Battery	
212		Ref	Harness - Keyswitch	
212	4921832	1	Power Down Machines	B
212	4921892	1	Gravity Down Machines	2-B
213		Ref	Harness - Emergency Stop	
213	4921833	1	Power Down Machines	B
213	4921893	1	Gravity Down Machines	2-B
214	0840025	6	Boot, Terminal	
215	4922011	1	Harness - Lift Down (SN 36817 to Present)	
		Ref	<b>PLATFORM CONSOLE BOX ASSEMBLIES</b>	
		Ref	<b>Note: To determine Power or Gravity Down refer to page A.</b>	
305	7003999	1	Harness-Controller (OEM) (Prior to SN 29608)	
305	7019101	1	Harness-Controller (OEM) (SN 29608 to Present)	
305	Not Available	1	Harness-Controller (PQ) (Part of 7011980 Electrical Assembly)	
305A	4460265	1	Connector	
305A	4460267	AR	Pin, Male	
318	4460463	1	Receptacle, Male - 23 Pin	
319	4460470	1	Nut, Receptacle	
320	4460471	1	Lockwasher, Receptacle	
321		Ref	Harness - Membrane Switch	
321	4921782	1	Power Down Machines	B
321	4921895	1	Gravity Down Machines	1-A
321A	4460268	AR	Socket, Female	
321B	4460343	2	Receptacle	
321C	4460267	AR	Pin, Male	
322		Ref	Harness - Platform Console Box	
322	4921783	1	Power Down Machines	6

## SECTION 7 - ELECTRICAL

ITEM	PART NUMBER	QTY	DESCRIPTION	REV	
322	4921896	1	Gravity Down Machines	3-C	
322	0100048	AR	Compound, Silicone		
322A	4460464	AR	Pin, Male		
322B	4460267	AR	Pin, Male		
322B	4460265	1	Receptacle		
		Ref	<b>ACCESSORIES HARNESS ASSEMBLIES</b>		
		Ref	<b>Note: To determine Power or Gravity Down refer to page A.</b>		
401	4921819	1	Harness - Tilt Alarm	A	
401	1060330	8 ft/2.4m	Cable, Electrical - 16/3		
401A	4460445	1	Connector - 3 Pin		
401A	4460227	3	Pin, Male		
401B	4460326	1	Plug, Connector		
401B	4460268	3	Socket, Female		
402	Not Available	1	Harness - Hi-Drive Limit		
402	1060341	6 ft/1.8m	Cable, Electrical - 16/2 <b>(Prior to SN 46829)</b>		
402	1060680	78 in/2m	Cable, Electrical - 18/2 <b>(SN 46829 to Present)</b>		
402A	4460320	1	Housing, Terminal		
402A	4460268	2	Socket, Female		
403		Ref	Harness - Horn		
403	4921821	1	Power Down Machines		2 1-A
403	4921988	1	Gravity Down Machines		
403A	4460424	1	Receptacle - 2 Position		
403A	4460268	2	Socket, Female		
404	4921822	1	Harness - Beacon <b>(Prior to SN 44696)</b>		
404	1060341	10 ft/3.0m	Cable, Electrical - 16/2 <b>(SN 44696 to Present)</b>		
405	Not Available	1	Harness - Worklight		
405	1060341	AR	Cable, Electrical - 16/2		
405	1060341	40 ft/12.2m	Cable, Electrical 1532E		
405	1060341	48 ft/14.6m	Cable, Electrical 1932E		
405	1060341	54 ft/16.5m	Cable, Electrical 2033E/2046E		
405	1060341	61 ft/18.6m	Cable, Electrical 2646E/2658E		
405	4360164	1	Breaker, Circuit - 5 Amp (Not Shown)		
406	Not Available	1	Harness - Deck Extend Cutout		
406	1060341	AR	Cable, Electrical - 16/2		
406	1060341	22 ft/6.7M	Cable, Electrical 1532E		
406	1060341	38 ft/11.6M	Cable, Electrical 1932E		
406	1060341	46 ft/14M	Cable, Electrical 2033E/2046E		
406	1060341	54 ft/16.5M	Cable, Electrical 2646E/2658E		
406A	4460320	1	Connector		
406A	4460268	2	Socket, Female		
407	Not Available	1	Harness - Drive Cutout		
407	1060341	9 ft/2.74m	Cable, Electrical - 16/2		
407A	4460320	1	Housing, Terminal		
407A	4460268	2	Socket, Female		
408	Not Available	1	Harness - Overload (Japanese/French Spec)		
408	1060341	35 ft/11m	Cable, Electrical - 16/2		
408A	4460320	1	Housing, Terminal		



## SECTION 7 - ELECTRICAL

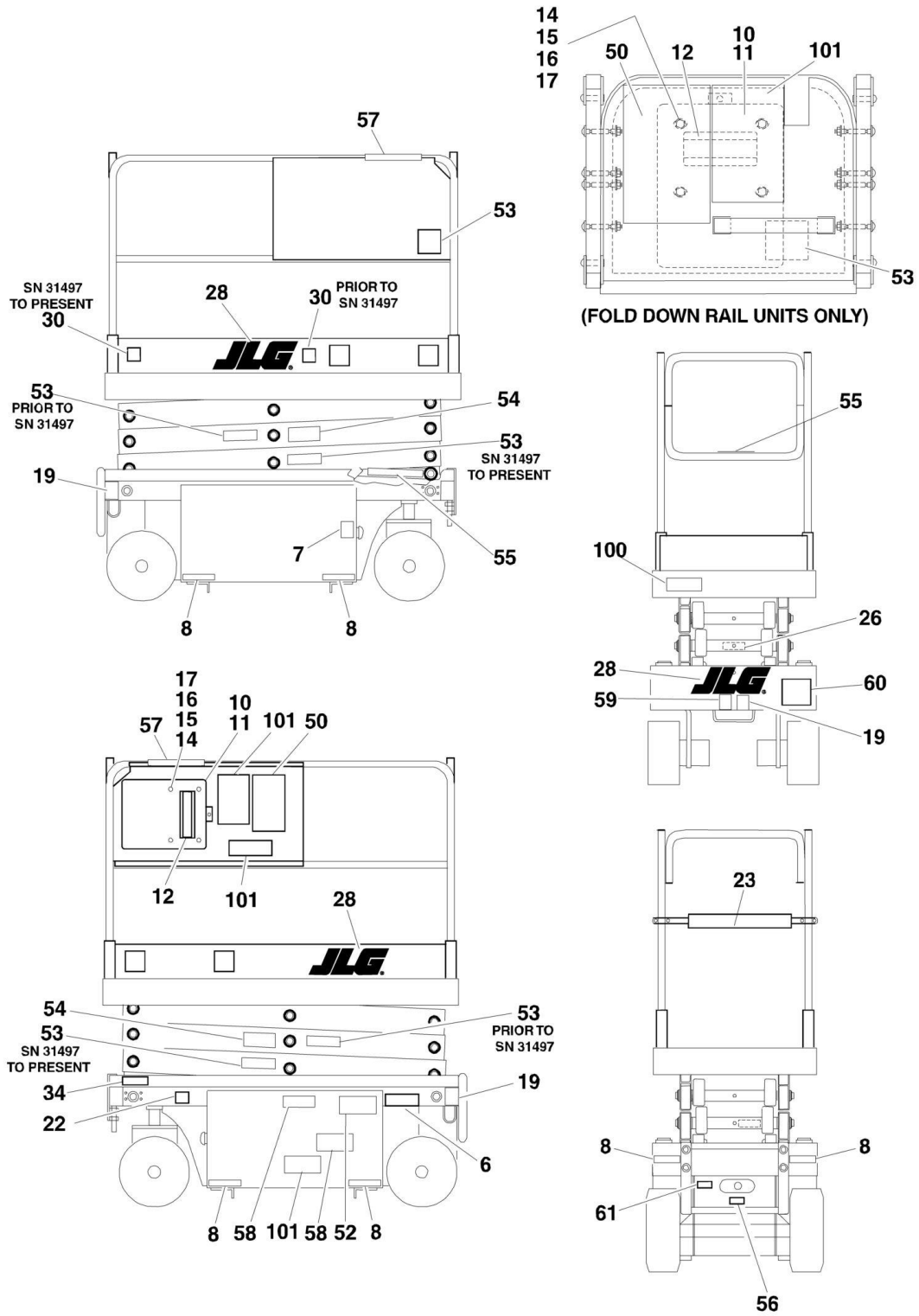
ITEM	PART NUMBER	QTY	DESCRIPTION	REV
408A	4460268	2	Socket, Female	
409	Not Available	1	Harness - Lift Down Switch (When Equipped)	
409	1060341	AR	Cable, Electrical - 16/2	
409A	4460320	1	Connector	
409A	4460268	2	Socket, Female	
410	Not Available	1	Harness - Platform Descent Delay Switch (1532E-2646E Euro Machines Only with SN 30542 or Newer)	
410	1060341	6 ft/1.8m	Cable, Electrical - 16/2	
410A	4460320	1	Housing, Terminal	
410A	4460268	2	Socket, Female	
		Ref	<b>GROUND CONTROL BOX ASSEMBLIES</b>	
		Ref	<b>Note: To determine Power or Gravity Down refer to page A.</b>	
501		Ref	Harness, Relay	
501	4921986	1	Power Down Machines	1-A
501	4921990	1	Gravity Down Machines	1-A
501A	3740069	1	Relay	
502	4460259	2	Terminal <b>(SN 31685 to Present)</b>	
503	4460260	2	Housing, Terminal <b>(SN 31685 to Present)</b>	
504		Ref	Battery Cable Harness Assembly	
504	1060606	1	Battery Cable Harness Assembly 1532E/1932E	3-C
504	1060605	1	Battery Cable Harness Assembly 2033E/2046E/2646E/2658E	2-B
504A	4460618	2	Connector, Anderson	



**SECTION 8 - DECALS**

# SECTION 8 - DECALS

## FIGURE 8-1. DECALS INSTALLATION - 1532E/1932E POWER DOWN MACHINES



## SECTION 8 - DECALS

**FIGURE 8-1. DECALS INSTALLATION - 1532E/1932E POWER DOWN MACHINES**

ITEM	PART NUMBER	QTY	DESCRIPTION	REV
		Ref	<b>Note: To determine Power or Gravity Down refer to Page A</b>	
	0256975	Ref	<b>DECAL INSTALLATION (COMMON PARTS)</b>	-
		Ref	<b>DECAL INSTALLATION (STANDARD PARTS)</b>	
6	Not Available	1	Nameplate - Serial Number	
7	1701504	1	Decal - Hydraulic Oil	
8	1701508	6	Decal - Fork Lift Area ( <b>Prior to SN 31497</b> )	
10	0860520	1	Box, Manual Storage	
11	1060279	1	Cable, Lanyard	
12	1701509	1	Decal - Manual	
14	0641405	4	Bolt 1/4in-20NC x 5/8in	
15	4751400	4	Flatwasher 1/4in	
16	4761400	4	Lockwasher 1/4in	
17	3311401	4	Nut 1/4in-20NC	
19	1702300	3	Decal - Tie Down	
22	1701510	1	Decal - Manual Descent	
23	3340564	2 ft/61cm	Pad	
26	1702939	1	Decal - Prop Location	
27	3251813	1	Decal - Made in USA	
28	1702773	3	Decal - JLG	
30	1702631	1	Decal - Bar Code	
34	1703101	2	Decal - Maximum Tire Load	
		Ref	<b>DECAL INSTALLATION (VARIABLE PARTS)</b>	
	0256812	Ref	<b>Australian Spec (1532E)</b>	3
	0256813	Ref	<b>Australian Spec (1932E)</b>	4
	0256483	Ref	<b>Dutch Spec (1532E)</b>	5
	0256476	Ref	<b>Dutch Spec (1932E)</b>	6
	0256482	Ref	<b>UK English Spec (1532E)</b>	5
	0256477	Ref	<b>UK English Spec (1932E)</b>	6
	0256485	Ref	<b>French Spec (1532E)</b>	5
	0256474	Ref	<b>French Spec (1932E)</b>	6
	0256486	Ref	<b>German/Austrian Spec (1532E)</b>	5
	0256473	Ref	<b>German/Austrian Spec (1932E)</b>	6
	0256481	Ref	<b>Italian Spec(1532E)</b>	5
	0256472	Ref	<b>Italian Spec(1932E)</b>	6
	0256484	Ref	<b>Spanish Spec (1532E)</b>	5
	0256475	Ref	<b>Spanish Spec (1932E)</b>	6
50		Ref	Decal - Caution	
50	1701523	1	Australian Spec	
50	1701648	1	Dutch Spec	
50	1701629	1	French Spec	
50	1701630	1	German/Austrian Spec	
50	1701632	1	Italian Spec	
50	1701861	1	Spanish Spec	
50	1701523	1	UK English Spec	
51		Ref	Decal - Safety Prop	
51	1701839	2	Australian Spec	
51	1701615	2	Dutch Spec	
51	1701512	2	French Spec	
51	1701519	2	German/Austrian Spec	
51	1701524	2	Italian Spec	

## SECTION 8 - DECALS

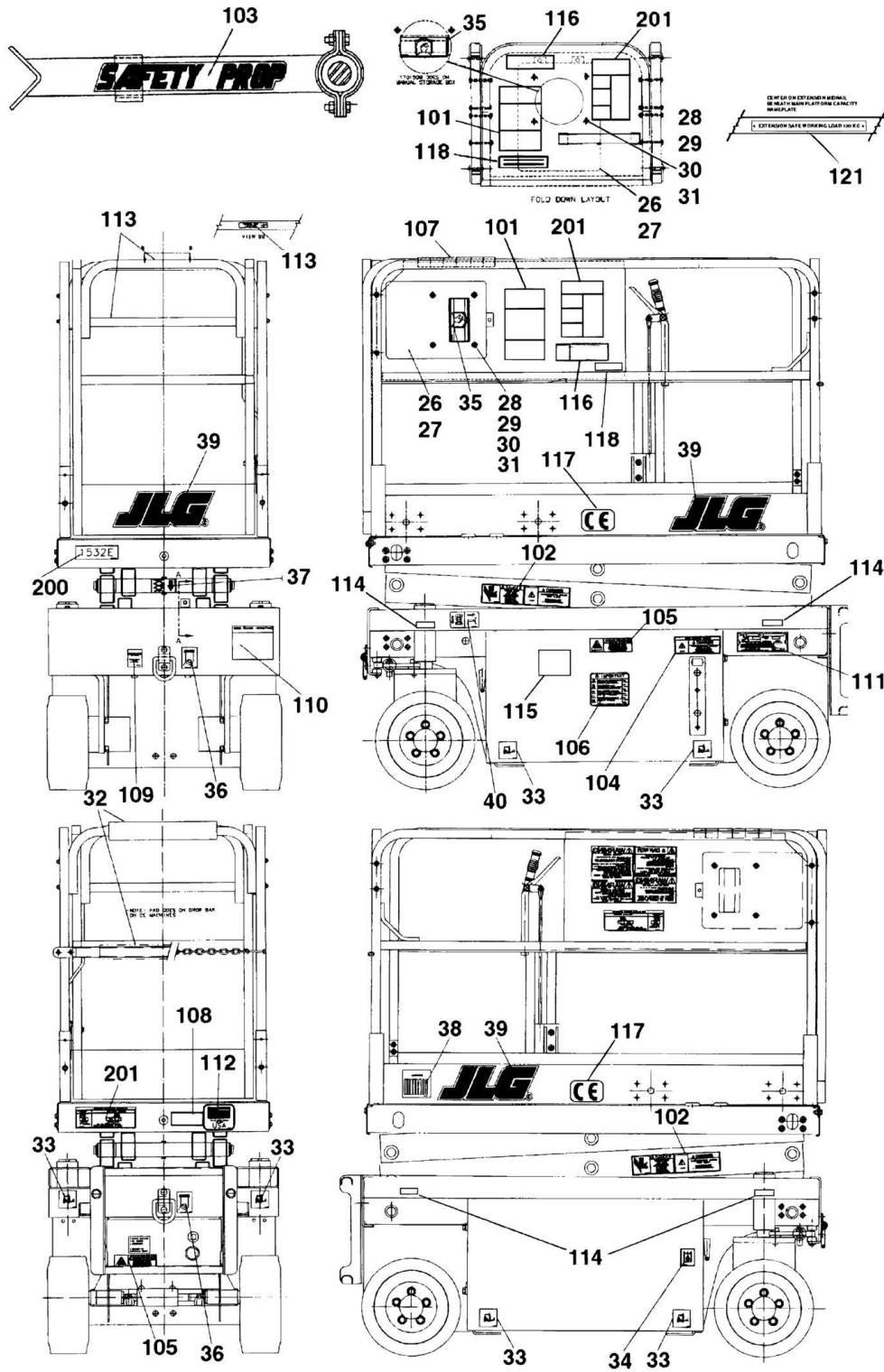
ITEM	PART NUMBER	QTY	DESCRIPTION	REV
51	1701856	2	Spanish Spec	
51	1701839	2	UK English Spec	
52		Ref	Decal - Ground Control	
52	1702248	1	Australian Spec	
52	1701616	1	Dutch Spec	
52	1701515	1	French Spec	
52	1701525	1	German/Austrian Spec	
52	1701535	1	Italian Spec	
52	1701858	1	Spanish Spec	
52	1702248	1	UK English Spec	
53		Ref	Decal - Electrocutation	
53	1703156	3	Australian Spec	
53	Not Required	0	Dutch/ French/ German/ Austrian/ Italian/ Spanish/ UK English Spec	
54		Ref	Decal - Crushing	
54	1703158	2	Australian Spec	
54	Not Required	0	Dutch/ French/ German/ Austrian/ Italian/ Spanish/ UK English Spec	
55		Ref	Decal - Caution (Flat Surface)	
55	1703154	1	Australian Spec	
55	Not Required	0	Dutch/ French/ German/ Austrian/ Italian/ Spanish/ UK English Spec	
56		Ref	Decal - Battery Fluid	
56	1703155	1	Australian Spec	
56	Not Required	0	Dutch/ French/ German/ Austrian/ Italian/ Spanish/ UK English Spec	
57		Ref	Decal - Rail Warning	
57	1703157	1	Australian Spec	
57	Not Required	0	Dutch/ French/ German/ Austrian/ Italian/ Spanish/ UK English Spec	
58		Ref	Decal - Platform/Ground Control Switch Operation Only <b>(SN 31497 to Present)</b>	
58	1703210	1	Australian Spec	
58	1703240	1	Dutch Spec	
58	1703405	1	French Spec	
58	1703406	1	German/Austrian Spec	
58	1703407	1	Italian Spec	
58	1703409	1	Spanish Spec	
58	1703410	1	UK English Spec	
59		Ref	Decal - Towing/Winching Only <b>(SN 31497 to Present)</b>	
59	1703191	1	Australian Spec	
59	1703196	1	Dutch Spec	
59	1703193	1	French Spec	
59	1703192	1	German/Austrian Spec	
59	1703195	1	Italian Spec	
59	1703194	1	Spanish Spec	
59	1703191	1	UK English Spec	
60		Ref	Decal - Towing/Winching (Graphic Only) <b>(SN 31497 to Present)</b>	
60	1703398	1	Australian Spec	
60	1703418	1	Dutch Spec	
60	1703415	1	French Spec	
60	1703414	1	German/Austrian Spec	
60	1703417	1	Italian Spec	

## SECTION 8 - DECALS

ITEM	PART NUMBER	QTY	DESCRIPTION	REV
60	1703416	1	Spanish Spec	
60	1703398	1	UK English Spec	
61		Ref	Decal - Warning (1532E with Only) <b>(SN 32667 to Present)</b>	
61	1702279	1	Australian Spec	
61	Not Required	0	Dutch/ French/ German/ Austrian/ Italian/ Spanish/ UK English Spec	
		Ref	<b>DECAL INSTALLATION (OPTIONAL PARTS)</b>	
100		Ref	Decal - Model Options:	
100	3252467	1	Decal - Model 1532E	
100	3252468	1	Decal - Model 1932E	
101		Ref	Nameplate - Capacity Options:	
101	3252511	2	Nameplate - Capacity 1532E Australian Spec	
101	3252517	2	Nameplate - Capacity 1532E Euro Spec	
101	3252512	2	Nameplate - Capacity 1932E Australian Spec	
101	3252518	2	Nameplate - Capacity 1932E Euro Spec	
102	0251642	AR	Warning Stripes Installation (Not Shown)	
102	4420052	4 ft/1.2m	Tape, Safety	
103	0255981	AR	"CE" Decals Installation (Not Shown)	A
103	1702928	AR	Decal - CE	

# SECTION 8 - DECALS

## FIGURE 8-2. DECALS INSTALLATION - 1532E/1932E GRAVITY DOWN MACHINES





## SECTION 8 - DECALS

**FIGURE 8-2. DECALS INSTALLATION - 1532E/1932E GRAVITY DOWN MACHINES**

ITEM	PART NUMBER	QTY	DESCRIPTION	REV
		Ref	<b>Note: To determine Power or Gravity Down refer to Page A</b>	
	0257342	Ref	<b>DECAL INSTALLATION (STANDARD PARTS)</b>	5
26	0860520	1	Box, Manual Storage	
27	1060279	1	Cable, Lanyard	
28	0641405	4	Bolt 1/4in-20NC x 5/8in	
29	4751400	4	Flatwasher 1/4in	
30	4761400	4	Lockwasher 1/4 <b>(Prior to SN 38530)</b>	
31	3311401	4	Nut 1/4in-20NC <b>(Prior to SN 38530)</b>	
31	3311405	4	Locknut 1/4in-20NC <b>(SN 38530 to Present)</b>	
32	3340564	2 ft/61cm	Pad <b>(Prior to SN 46777)</b>	
32	3340612	2 ft/61cm	Pad <b>(SN 46777 to Present)</b>	
33	1703073	AR	Decal - Fork Lift Area	
34	1701504	1	Decal - Hydraulic Oil	
35	1701509	1	Decal - Manual	
36	1702300	2	Decal - Tie-Down	
37	1702939	1	Decal - Prop Location	
38	Not Available	1	Decal - Bar Code	
39	1702773	3	Decal - JLG	
40	1701510	1	Decal - Manual Descent	
		Ref	<b>DECAL INSTALLATION (VARIABLE PARTS)</b>	
	0257347	Ref	<b>Australian Spec (Prior to SN 43136)</b>	5
	0258078	Ref	<b>Australian Spec (SN 43136 to Present)</b>	1
	0257357	Ref	<b>Dutch Spec</b>	6
	0257349	Ref	<b>UK English Spec</b>	6
	0257353	Ref	<b>French Spec</b>	6
	0257351	Ref	<b>German/Austrian Spec</b>	6
	0257355	Ref	<b>Italian Spec</b>	6
	0257359	Ref	<b>Spanish Spec</b>	6
101		Ref	Decal - Caution	
101	1701631	1	Australian Spec	
101	1701648	1	Dutch Spec	
101	1701629	1	French Spec	
101	1701630	1	German/Austrian Spec	
101	1701632	1	Italian Spec	
101	1701861	1	Spanish Spec	
101	1701631	1	UK English Spec	
102		Ref	<b>Decal - Crushing (SN 43623 to Present)</b>	
102	1703158	2	Australian Spec	
102	1703583	2	Dutch/ French/ German/ Austrian/ Italian/ Spanish/ UK English Spec	
103		Ref	<b>Decal - Safety Prop</b>	
103	1701839	1	Australian Spec	
103	1701615	1	Dutch Spec	
103	1701512	1	French Spec	
103	1701519	1	German/Austrian Spec	
103	1701524	1	Italian Spec	
103	1701856	1	Spanish Spec	
103	1701839	1	UK English Spec	
104		Ref	<b>Decal - Ground Control</b>	
104	1702248	1	Australian Spec	

## SECTION 8 - DECALS

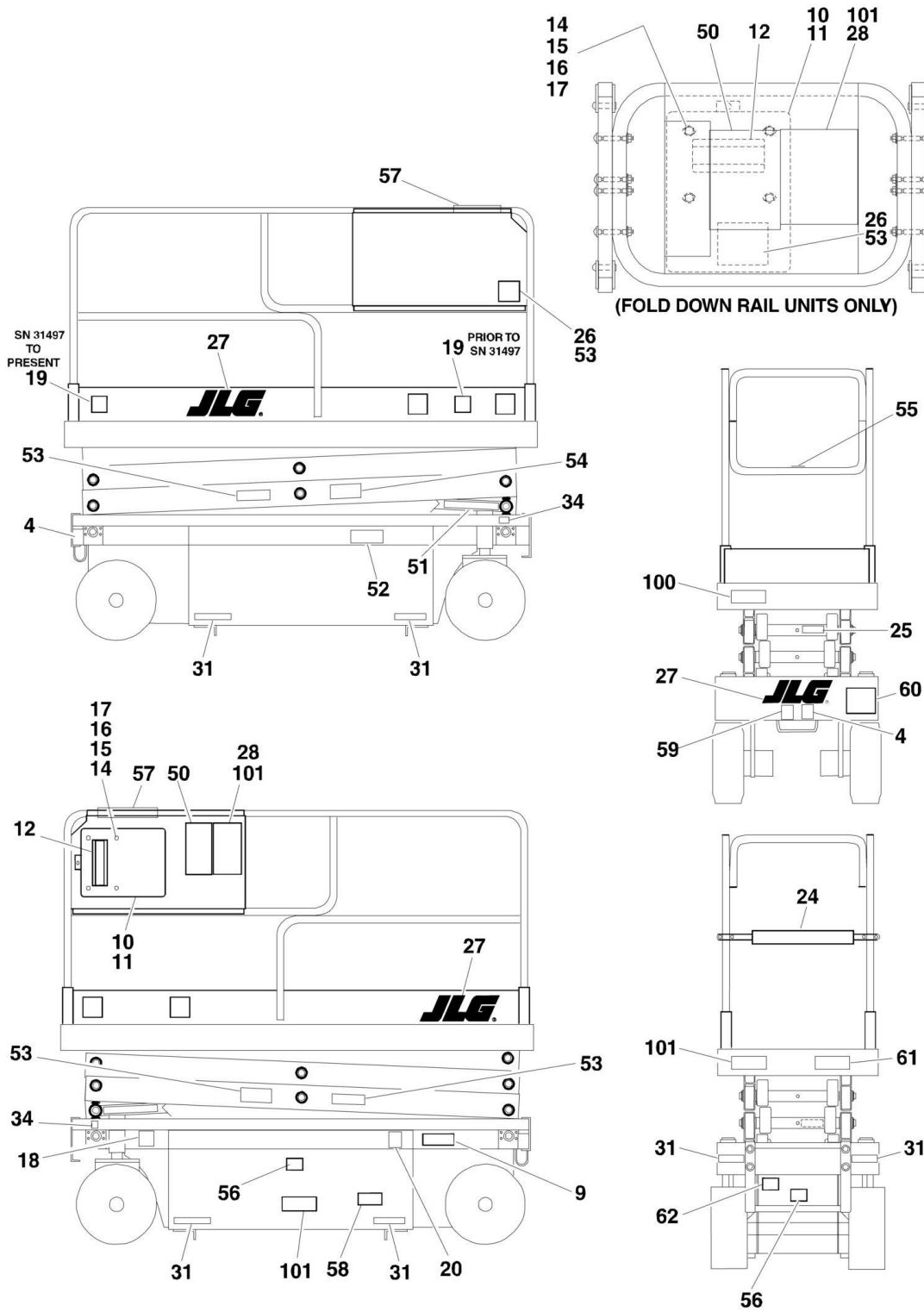
ITEM	PART NUMBER	QTY	DESCRIPTION	REV
104	1701616	1	Dutch Spec	
104	1701515	1	French Spec	
104	1701525	1	German/Austrian Spec	
104	1701535	1	Italian Spec	
104	1701858	1	Spanish Spec	
104	1702248	1	UK English Spec	
105		Ref	Decal - Charging	
105	1702279	2	Australian Spec	
105	Not Required	0	Dutch/ French/ German/ Austrian/ Italian/ Spanish/ UK English Spec	
106		Ref	Decal - Maintenance	
106	Not Required	0	Australian Spec <b>(Prior to SN 43136)</b>	
106	1703663	1	Australian Spec <b>(SN 43136 to Present)</b>	
106	Not Required	0	Dutch/ French/ German/ Austrian/ Italian/ Spanish/ UK English Spec	
107		Ref	Decal - Rail Warnings	
107	1703157	1	Australian Spec	
107	Not Required	0	Dutch/ French/ German/ Austrian/ Italian/ Spanish/ UK English Spec	
108		Ref	Decal - Caution	
108	Not Required	0	Australian Spec <b>(Prior to SN 43136)</b>	
108	1703662	1	Australian Spec <b>(SN 43136 to Present)</b>	
108	Not Required	0	Dutch/ French/ German/ Austrian/ Italian/ Spanish/ UK English Spec	
109		Ref	Decal - Towing/Winching	
109	1703191	1	Australian Spec <b>(Prior to SN 43136)</b>	
109	Not Required	0	Australian Spec <b>(SN 43136 to Present)</b>	
109	1703196	1	Dutch Spec	
109	1703193	1	French Spec	
109	1703192	1	German/Austrian Spec	
109	1703195	1	Italian Spec	
109	1703194	1	Spanish Spec	
109	1703191	1	UK English Spec	
110		Ref	Decal - Towing/Winching (Graphic)	
110	1703398	1	Australian Spec	
110	1703418	1	Dutch Spec	
110	1703415	1	French Spec	
110	1703414	1	German/Austrian Spec	
110	1703417	1	Italian Spec	
110	1703416	1	Spanish Spec	
110	1703398	1	UK English Spec	
111	Not Available	1	Nameplate - Serial Number	
112		Ref	Decal - Made In USA	
112	Not Required	0	Australian Spec	
112	3251813	1	Dutch/ French/ German/ Austrian/ Italian/ Spanish/ UK English Spec	
113		Ref	Decal - Warning	
113	1703154	1	Australian Spec	
113	Not Required	0	Dutch/ French/ German/ Austrian/ Italian/ Spanish Spec	
113	3252136	1	UK English Spec	
114		Ref	Decal - Maximum Tire Load Options:	
114	1703101	4	Decal - Maximum Tire Load 1532E/1932E <b>(Prior to SN 41323)</b>	

## SECTION 8 - DECALS

ITEM	PART NUMBER	QTY	DESCRIPTION	REV
114	1703766	4	Decal - Maximum Tire Load 1532E <b>(SN 41323 to Present)</b>	
114	1703767	4	Decal - Maximum Tire Load 1932E <b>(SN 41323 to Present)</b>	
115		Ref	Decal - Battery Fluid	
115	1703155	1	Australian Spec	
115	Not Required	0	Dutch/ French/ German/ Austrian/ Italian/ Spanish/ UK English Spec	
116		Ref	Decal - Electrocutation	
116	1703156	3	Australian Spec <b>(Prior to SN 43136)</b>	
116	1703665	3	Australian Spec <b>(SN 43136 to Present)</b>	
116	Not Required	0	Dutch/ French/ German/ Austrian/ Italian/ Spanish/ UK English Spec	
117		Ref	Decal - CE	
117	Not Required	0	Australian Spec	
117	1702928	1	Dutch/ French/ German/ Austrian/ Italian/ Spanish/ UK English Spec	
118		Ref	Decal - Platform Operation	
118	1703528	1	Australian Spec	
118	1703568	1	Dutch Spec	
118	1703564	1	French Spec	
118	1703566	1	German/Austrian Spec	
118	1703567	1	Italian Spec	
118	1703565	1	Spanish Spec	
118	1703528	1	UK English Spec	
121		Ref	Nameplate - Platform Extension Capacity <b>(SN 43623 to Present)</b>	
121		Ref	Australian Spec	
121	3252080	1	Australian/ Dutch/ French/ German/ Austrian/ Italian/ UK English Spec	
121	3252454	1	Spanish Spec	
		Ref	Decal Kit	
	2900956	1	Australian Spec (Includes Items 33-37, 39, 40, 101-105, 107, 109, 110, 113, 115, 116, 118 & 121)	
	2900950	1	Dutch Spec (Includes Items 33-37, 39, 40, 101, 103, 104, 109, 110, 112, 117, 118 & 121)	
	2900953	1	French Spec (Includes Items 33-37, 39, 40, 101, 103, 104, 109, 110, 112, 117, 118 & 121)	
	2900954	1	German/Austrian Spec (Includes Items 33-37, 39, 40, 101, 103, 104, 109, 110, 112, 117, 118 & 121)	
	2900955	1	Italian Spec (Includes Items 33-37, 39, 40, 101, 103, 104, 109, 110, 112, 117, 118 & 121)	
	2900951	1	Spanish Spec (Includes Items 33-37, 39, 40, 101, 103, 104, 109, 110, 112, 117, 118 & 121)	
	2900952	1	UK English Spec (Includes Items 33-37, 39, 40, 101, 103, 104, 109, 110, 112, 113, 117, 118 & 121)	
		Ref	<b>DECAL INSTALLATION (OPTIONAL PARTS)</b>	
200		Ref	Decal - Model Designation Options:	
200	3252467	1	Decal - Model Designation 1532E	
200	3252468	1	Decal - Model Designation 1932E	
201		Ref	Decal - Capacity Options:	
201	3252511	2	Decal - Capacity 1532E Australian Spec	
201	3252517	2	Decal - Capacity 1532E CE Spec	
201	3252512	2	Decal - Capacity 1932E Australian Spec	
201	3252518	2	Decal - Capacity 1932E CE Spec	
202	0251642	AR	Warning Stripes Installation (Not Shown)	
202	4420052	4 ft/1.2m	Tape, Safety	

# SECTION 8 - DECALS

FIGURE 8-3. DECALS INSTALLATION - 2033E/2046E/2646E/2658E POWER DOWN MACHINES



## SECTION 8 - DECALS

**FIGURE 8-3. DECALS INSTALLATION - 2033E/2046E/2646E/2658E POWER DOWN MACHINES**

ITEM	PART NUMBER	QTY	DESCRIPTION	REV
		Ref	<b>Note: To determine Power or Gravity Down refer to page A.</b>	
	0256976	Ref	<b>DECAL INSTALLATION (STANDARD PARTS)</b>	-
		Ref	<b>DECAL INSTALLATION (STANDARD PARTS)</b>	
4	1702300	3	Decal - Tie-Down	
9	Not Available	1	Nameplate - Serial Number	
10	0860520	1	Box, Manual Storage	
11	1060279	1	Cable, Lanyard	
12	1701509	1	Decal - Manual	
14	0641405	4	Bolt 1/4in-20NC x 5/8in	
15	4751400	4	Flatwasher 1/4in	
16	4761400	4	Lockwasher 1/4in	
17	3311401	4	Nut 1/4in-20NC	
18	1701510	1	Decal - Manual Descent	
19	Not Available	1	Decal - Bar Code	
20	1701504	1	Decal - Hydraulic Oil	
24	3340564	2 ft/61cm	Pad	
25	1702939	1	Decal - Prop Location	
26	3251813	1	Decal - Made in USA	
27	1702773	3	Decal - JLG	
28	1702773	1	Decal - Nameplate	
31	1701508	AR	Decal - Forklift Area	
34	1703105	2	Decal - Maximum Tire Load	
		Ref	<b>DECAL INSTALLATION (VARIABLE PARTS)</b>	
	0256814	Ref	<b>Australian Spec 2033E</b>	3
	0256815	Ref	<b>Australian Spec 2046E</b>	3
	0256816	Ref	<b>Australian Spec 2646E</b>	3
	0256817	Ref	<b>Australian Spec 2658E</b>	3
	0256430	Ref	<b>Dutch Spec 2033E</b>	4
	0256449	Ref	<b>Dutch Spec 2046E</b>	4
	0256456	Ref	<b>Dutch Spec 2646E</b>	4
	0256464	Ref	<b>Dutch Spec 2658E</b>	4
	0256433	Ref	<b>French Spec 2033E</b>	4
	0256452	Ref	<b>French Spec 2046E</b>	4
	0256459	Ref	<b>French Spec 2646E</b>	4
	0256467	Ref	<b>French Spec 2658E</b>	4
	0256434	Ref	<b>German/Austrian Spec 2033E</b>	4
	0256453	Ref	<b>German/Austrian Spec 2046E</b>	4
	0256460	Ref	<b>German/Austrian Spec 2646E</b>	4
	0256468	Ref	<b>German/Austrian Spec 2658E</b>	4
	0256435	Ref	<b>Italian Spec 2033E</b>	4
	0256454	Ref	<b>Italian Spec 2046E</b>	4
	0256451	Ref	<b>Italian Spec 2646E</b>	4
	0256469	Ref	<b>Italian Spec 2658E</b>	4
	0256431	Ref	<b>Spanish Spec 2033E</b>	4
	0256450	Ref	<b>Spanish Spec 2046E</b>	4
	0256457	Ref	<b>Spanish Spec 2646E</b>	4
	0256465	Ref	<b>Spanish Spec 2658E</b>	4
	0256432	Ref	<b>UK English Spec 2033E</b>	4
	0256451	Ref	<b>UK English Spec 2046E</b>	4
	0256458	Ref	<b>UK English Spec 2646E</b>	4

## SECTION 8 - DECALS

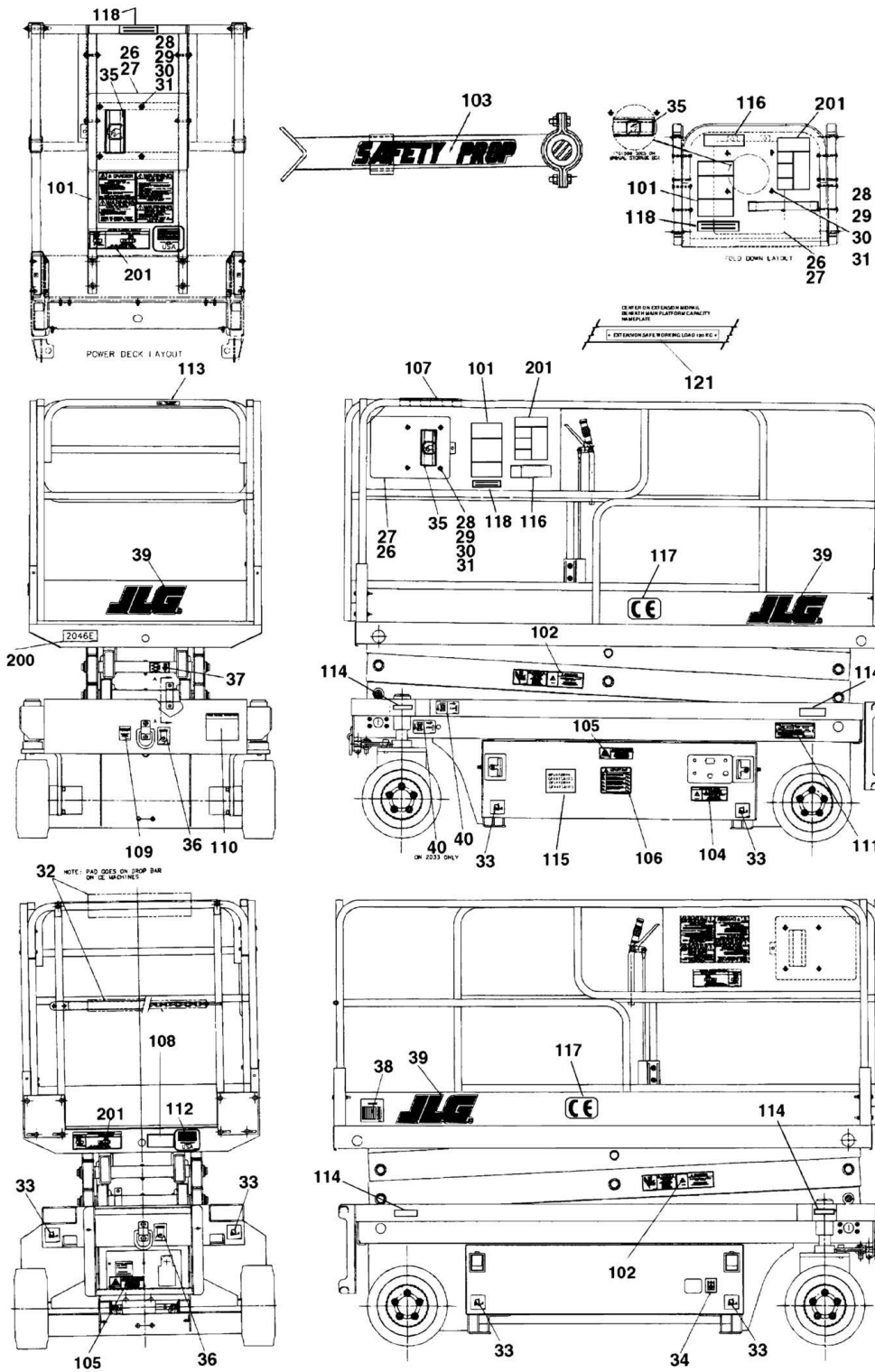
ITEM	PART NUMBER	QTY	DESCRIPTION	REV
	0256466	Ref	<b>UK English Spec 2658E</b>	4
50		Ref	Decal - Caution	
50	1701623	1	Australian Spec	
50	1701648	1	Dutch Spec	
50	1701629	1	French Spec	
50	1701630	1	German/Austrian Spec	
50	1701632	1	Italian Spec	
50	1701861	1	Spanish Spec	
50	1701631	1	UK English Spec	
51		Ref	Decal - Safety Prop	
51	1701839	1	Australian Spec	
51	1701615	1	Dutch Spec	
51	1701512	1	French Spec	
51	1701519	1	German/Austrian Spec	
51	1701524	1	Italian Spec	
51	1701856	1	Spanish Spec	
51	1701839	1	UK English Spec	
52		Ref	Decal - Ground Control	
52	1702248	1	Australian Spec	
52	1701616	1	Dutch Spec	
52	1701515	1	French Spec	
52	1701525	1	German/Austrian Spec	
52	1701535	1	Italian Spec	
52	1701858	1	Spanish Spec	
52	1702248	1	UK English Spec	
53		Ref	Decal - Electrocutation	
53	1703156	3	Australian Spec	
53	Not Required	0	Dutch/ French/ German/ Austrian/ Italian/ Spanish/ UK English Spec	
54		Ref	Decal - Crushing	
54	1703158	2	Australian Spec	
54	Not Required	0	Dutch/ French/ German/ Austrian/ Italian/ Spanish/ UK English Spec	
55		Ref	Decal - Caution (Flat Surface)	
55	1703154	1	Australian Spec	
55	Not Required	0	Dutch/ French/ German/ Austrian/ Italian/ Spanish/ UK English Spec	
56		Ref	Decal - Battery Charger	
56	1703155	1	Australian Spec	
56	Not Required	0	Dutch/ French/ German/ Austrian/ Italian/ Spanish/ UK English Spec	
57		Ref	Decal - Rail Warning	
57	1703157	1	Australian Spec	
57	Not Required	0	Dutch/ French/ German/ Austrian/ Italian/ Spanish/ UK English Spec	
58		Ref	Decal - Platform/Ground Control Switch Operation Only ( <b>SN 31497 to Present</b> )	
58	1703240	1	Australian Spec	
58	1703410	1	Dutch Spec	
58	1703405	1	French Spec	
58	1703406	1	German/Austrian Spec	
58	1703407	1	Italian Spec	
58	1703409	1	Spanish Spec	

## SECTION 8 - DECALS

ITEM	PART NUMBER	QTY	DESCRIPTION	REV
58	1703240	1	UK English Spec	
59		Ref	Decal - Towing/Winching Only <b>(SN 31497 to Present)</b>	
59	1703191	1	Australian Spec	
59	1703196	1	Dutch Spec	
59	1703193	1	French Spec	
59	1703192	1	German/Austrian Spec	
59	1703195	1	Italian Spec	
59	1703194	1	Spanish Spec	
59	1703191	1	UK English Spec	
60		Ref	Decal - Towing/Winching (Graphics Only) <b>(SN 31497 to Present)</b>	
60	1703398	1	Australian Spec	
60	1703418	1	Dutch Spec	
60	1703415	1	French Spec	
60	1703414	1	German/Austrian Spec	
60	1703417	1	Italian Spec	
60	1703416	1	Spanish Spec	
60	1703398	1	UK English Spec	
61		Ref	Decal - Forklift Procedure (2033E Built Only) <b>(SN 32667 to Present)</b>	
61	1703457		Australian Spec	
61	1703463		Dutch Spec	
61	1703462		French Spec	
61	1703459		German/Austrian Spec	
61	1703460		Italian Spec	
61	1703462		Spanish Spec	
61	1703457		UK English Spec	
62		Ref	Decal - Battery Charger Only <b>(SN 32667 to Present)</b>	
62	1702279	1	Australian Spec	
62	Not Required	0	Dutch/ French/ German/ Austrian/ Italian/ Spanish/ UK English Spec	
		Ref	<b>DECAL INSTALLATION (OPTIONAL PARTS)</b>	
100		Ref	Decal - Model Designation Options:	
100	3252469	1	Decal - Model Designation 2033E	
100	3252470	1	Decal - Model Designation 2046E	
100	3252471	1	Decal - Model Designation 2646E	
100	3252472	1	Decal - Model Designation 2658E	
101		Ref	Decal - Capacity Options:	
101	3252509	3	Decal - Capacity 2033E/2646E Australian Spec	
101	3252519	2	Decal - Capacity 2033E/2646E Euro Spec	
101	3252510	3	Decal - Capacity 2046E/2658E Australian Spec	
101	3252520	2	Decal - Capacity 2046E/2658E Euro Spec	
101	3252531	2	Decal - Capacity 2046E/2658E Euro Spec with Outdoor Package	
102	0251642	AR	Warning Stripes Installation (Not Shown)	
102	4420052	4 ft/1.2m	Tape, Safety	
103	0255981	AR	"CE" Decal Installation (Not Shown)	A
103	1702928	2	Decal - CE	

# SECTION 8 - DECALS

## FIGURE 8-4. DECALS INSTALLATION - 2033E/2046E/2646E/2658E GRAVITY DOWN MACHINES





## SECTION 8 - DECALS

**FIGURE 8-4. DECALS INSTALLATION - 2033E/2046E/2646E/2658E GRAVITY DOWN MACHINES**

ITEM	PART NUMBER	QTY	DESCRIPTION	REV
		Ref	<b>Note: To determine Power or Gravity Down refer to page A.</b>	
	0257342	Ref	<b>DECAL INSTALLATION (STANDARD PARTS)</b>	5
26	0860520	1	Box, Manual Storage	
27	1060279	1	Cable, Lanyard	
28	0641405	4	Bolt 1/4in-20NC x 5/8in	
29	4751400	4	Flatwasher 1/4in	
30	4761400	4	Lockwasher 1/4 <b>(Prior to SN 38530)</b>	
31	3311401	4	Nut 1/4in-20NC <b>(Prior to SN 38530)</b>	
31	3311405	4	Locknut 1/4in-20NC <b>(SN 38530 to Present)</b>	
32	3340564	2 ft/61cm	Pad <b>(Prior to SN 46777)</b>	
32	3340612	2 ft/61cm	Pad <b>(SN 46777 to Present)</b>	
33	1703073	AR	Decal - Fork Lift Area	
34	1701504	1	Decal - Hydraulic Oil	
35	1701509	1	Decal - Manual	
36	1702300	2	Decal - Tie-Down	
37	1702939	1	Decal - Prop Location	
38	1702631	1	Decal - Bar Code	
39	1702773	3	Decal - JLG	
40	1701510	1	Decal - Manual Descent	
		Ref	<b>DECAL INSTALLATION (VARIABLE PARTS)</b>	
	0257348	Ref	<b>Australian Spec (Prior to SN 43136)</b>	5
	0258078	Ref	<b>Australian Spec (SN 43136 to Present)</b>	1
	0257358	Ref	<b>Dutch Spec (Prior to SN 37682)</b>	3
	0257827	Ref	<b>Dutch Spec (SN 37682 to Present)</b>	4
	0257354	Ref	<b>French Spec (Prior to SN 37682)</b>	3
	0257830	Ref	<b>French Spec (SN 37682 to Present)</b>	4
	0257352	Ref	<b>German/Austrian Spec (Prior to SN 37682)</b>	3
	0257831	Ref	<b>German/Austrian Spec (SN 37682 to Present)</b>	4
	0257356	Ref	<b>Italian Spec (Prior to SN 37682)</b>	3
	0257832	Ref	<b>Italian Spec (SN 37682 to Present)</b>	4
	0257360	Ref	<b>Spanish Spec (Prior to SN 37682)</b>	3
	0257828	Ref	<b>Spanish Spec (SN 37682 to Present)</b>	4
	0257350	Ref	<b>UK English Spec (Prior to SN 37682)</b>	3
	0257829	Ref	<b>UK English Spec (SN 37682 to Present)</b>	4
101		Ref	Decal - Caution	
101	1701631	1	Australian Spec	
101	1701648	1	Dutch Spec	
101	1701629	1	French Spec	
101	1701630	1	German/Austrian Spec	
101	1701632	1	Italian Spec	
101	1701861	1	Spanish Spec	
101	1701631	1	UK English Spec	
102		Ref	Decal - Crushing	
102	1703158	2	Australian Spec	
102	1703583	2	Dutch/ French/ German/ Austrian/ Italian/ Spanish/ UK English Spec	
103		Ref	Decal - Safety Prop	
103	1701839	1	Australian Spec	
103	1701615	1	Dutch Spec	
103	1701512	1	French Spec	

## SECTION 8 - DECALS

ITEM	PART NUMBER	QTY	DESCRIPTION	REV
103	1701519	1	German/Austrian Spec	
103	1701524	1	Italian Spec	
103	1701856	1	Spanish Spec	
103	1701839	1	UK English Spec	
104		Ref	Decal - Ground Control	
104	1702248	1	Australian Spec	
104	1701616	1	Dutch Spec	
104	1701515	1	French Spec	
104	1701525	1	German/Austrian Spec	
104	1701535	1	Italian Spec	
104	1701858	1	Spanish Spec	
104	1702248	1	UK English Spec	
105		Ref	Decal - Charging	
105	1702279	2	Australian Spec	
105	Not Required	0	Dutch/ French/ German/ Austrian/ Italian/ Spanish/ UK English Spec	
106		Ref	Decal - Maintenance Only <b>(SN 43136 to Present)</b>	
106	1703663	1	Australian Spec	
106	Not Required	0	Dutch/ French/ German/ Austrian/ Italian/ Spanish/ UK English Spec	
107		Ref	Decal - Rail Warnings	
107	1703157	1	Australian Spec	
107	Not Required	0	Dutch/ French/ German/ Austrian/ Italian/ Spanish/ UK English Spec	
108		Ref	Decal - Caution Only <b>(SN 43136 to Present)</b>	
108	1703662	1	Australian Spec	
108	Not Required	0	Dutch/ French/ German/ Austrian/ Italian/ Spanish/ UK English Spec	
109		Ref	Decal - Towing/Winching	
109	1703191	1	Australian Spec	
109	1703196	1	Dutch Spec	
109	1703193	1	French Spec	
109	1703192	1	German/Austrian Spec	
109	1703195	1	Italian Spec	
109	1703194	1	Spanish Spec	
109	1703191	1	UK English Spec	
110		Ref	Decal - Towing/Winching (Graphic)	
110	1703398	1	Australian Spec	
110	1703418	1	Dutch Spec	
110	1703415	1	French Spec	
110	1703414	1	German/Austrian Spec	
110	1703417	1	Italian Spec	
110	1703416	1	Spanish Spec	
110	1703418	1	UK English Spec	
111	Not Available	1	Nameplate - Serial Number	
112		Ref	Decal - Made In USA	
112	Not Required	0	Australian Spec	
112	3251813	1	Dutch/ French/ German/ Austrian/ Italian/ Spanish/ UK English Spec	
113		Ref	Decal - Warning	
113	1703154	1	Australian Spec	
113	Not Required	0	Dutch/ French/ German/ Austrian/ Italian/ Spanish/ UK English Spec	

## SECTION 8 - DECALS

ITEM	PART NUMBER	QTY	DESCRIPTION	REV
114		Ref	Decal - Maximum Tire Load Options:	
114	1703105	4	Decal - Maximum Tire Load 2033E/ 2046E/ 2646E/2658E <b>(Prior to SN 41323)</b>	
114	1703768	4	Decal - Maximum Tire Load 2033E <b>(SN 41323 to Present)</b>	
114	1703769	4	Decal - Maximum Tire Load 2046E <b>(SN 41323 to Present)</b>	
114	1703770	4	Decal - Maximum Tire Load 2646E <b>(SN 41323 to Present)</b>	
114	1703771	4	Decal - Maximum Tire Load 2658E <b>(SN 41323 to Present)</b>	
115		Ref	Decal - Battery Fluid	
115	1703155	1	Australian Spec	
115	Not Required	0	Dutch/ French/ German/ Austrian/ Italian/ Spanish/ UK English Spec	
116		Ref	Decal - Electrocutation	
116	1703156	3	Australian Spec <b>(Prior to SN 43136)</b>	
116	1703665	3	Australian Spec <b>(SN 43136 to Present)</b>	
116	Not Required	0	Dutch/ French/ German/ Austrian/ Italian/ Spanish/ UK English Spec	
117		Ref	Decal - CE	
117	Not Required	0	Australian Spec	
117	1702928	1	Dutch/ French/ German/ Austrian/ Italian/ Spanish/ UK English Spec	
118		Ref	Decal - Platform Operation	
118	1703528	1	Australian Spec	
118	1703568	1	Dutch Spec	
118	1703564	1	French Spec	
118	1703566	1	German/Austrian Spec	
118	1703567	1	Italian Spec	
118	1703565	1	Spanish Spec	
118	1703528	1	UK English Spec	
119 to 120	Not Required	0	Not Required	
121		Ref	Nameplate - Platform Extension Capacity <b>(SN 43623 to Present)</b>	
121	3252080	1	Australian/ Dutch/ French/ German/ Austrian/ Italian/ UK English Spec	
121	3252454	1	Spanish Spec	
		Ref	Decal Kits	
	2900961	1	Australian Spec (Includes Items 33-37, 39, 40, 101-105, 107, 109, 110, 115, 116 & 118)	
	2900915	1	Dutch Spec (Includes Items 33-37, 39, 40, 101, 103, 104, 109, 110, 117, 118 & 121)	
	2900917	1	French Spec (Includes Items 33-37, 39, 40, 101, 103, 104, 109, 110, 117, 118 & 121)	
	2900918	1	German/Austrian Spec (Includes Items 33-37, 39, 40, 101, 103, 104, 109, 110, 117, 118 & 121)	
	2900919	1	Italian Spec (Includes Items 33-37, 39, 40, 101, 103, 104, 109, 110, 117, 118 & 121)	
	2900920	1	Spanish Spec (Includes Items 33-37, 39, 40, 101, 103, 104, 109, 110, 117, 118 & 121)	
	2900916	1	UK English Spec (Includes Items 33-37, 39, 40, 101, 103, 104, 109, 110, 117, 118 & 121)	
		Ref	<b>DECAL INSTALLATION (OPTIONAL PARTS)</b>	
200		Ref	Decal - Model Designation Options:	
200	3252469	1	Decal - Model Designation 2033E	
200	3252470	1	Decal - Model Designation 2046E	
200	3252471	1	Decal - Model Designation 2646E	
200	3252472	1	Decal - Model Designation 2658E	

## SECTION 8 - DECALS

ITEM	PART NUMBER	QTY	DESCRIPTION	REV
201		Ref	Decal - Capacity Options:	
201	3252509	2	Decal - Capacity 2033E Australian Spec	
201	3252562	2	Decal - Capacity 2033E CE Spec	
201	3252510	2	Decal - Capacity 2046E/2658E Australian Spec	
201	3252520	2	Decal - Capacity 2046E/2658E CE Spec	
201	3252509	2	Decal - Capacity 2646E Australian Spec	
201	3252521	2	Decal - Capacity 2646E CE Spec	
202	0251642	AR	Warning Stripes Installations (Not Shown)	
202	4420052	4 ft/1.2m	Tape, Safety	

## **SECTION 9 - RECOMMENDED SERVICE PARTS STOCK**

## **SECTION 9 - RECOMMENDED SERVICE PARTS STOCK**

## SECTION 9 - RECOMMENDED SERVICE PARTS STOCK

FIGURE 9-1. MODELS 1532E/1932E/2033E/2046E/2646E/2658E STANDARD PARTS

ITEM	PART NUMBER	QTY	DESCRIPTION	REV
	Note	Ref	<b>Note: The following list will service fleets of machines (built to current production per date on the front cover) with emergency repair parts which can be installed in the field. Parts from the list should be replaced when inventory is depleted to keep service parts stock supplied. For further information, contact your JLG dealer or the JLG Industries Parts Department.</b>	
		Ref	<b>STANDARD PARTS</b>	
	4360435	1	Switch, Tilt Indicator (for fleets of 1 to 4)	
	4360435	1	Switch, Tilt Indicator (for fleets of 5 to 9)	
	4360435	1	Switch, Tilt Indicator (for fleets of 10 or more)	
	7018514	1	Breaker, Circuit - AC (for fleets of 1 to 4)	
	7018514	1	Breaker, Circuit - AC (for fleets of 5 to 9)	
	7018514	1	Breaker, Circuit - AC (for fleets of 10 or more)	
	7011509	1	Breaker, Circuit - DC (for fleets of 1 to 4)	
	7011509	1	Breaker, Circuit - DC (for fleets of 5 to 9)	
	7011509	1	Breaker, Circuit - DC (for fleets of 10 or more)	
	7013711	1	Coupling (for fleets of 1 to 4)	
	7013711	1	Coupling (for fleets of 5 to 9)	
	7013711	1	Coupling (for fleets of 10 or more)	
	2120072	4	Element, Filter (for fleets of 1 to 4)	
	2120072	8	Element, Filter (for fleets of 5 to 9)	
	2120072	4	Element, Filter (for fleets of 10 or more)	
	1340052	1	Breather (for fleets of 1 to 4)	
	1340052	2	Breather (for fleets of 5 to 9)	
	1340052	1	Breather (for fleets of 10 or more)	
	7018311	1	Coil, Valve Cartridge (for fleets of 1 to 4)	
	7018311	1	Coil, Valve Cartridge (for fleets of 5 to 9)	
	7018311	1	Coil, Valve Cartridge (for fleets of 10 or more)	
	7018917	1	Coil, Valve Cartridge (for fleets of 1 to 4)	
	7018917	1	Coil, Valve Cartridge (for fleets of 5 to 9)	
	7018917	1	Coil, Valve Cartridge (for fleets of 10 or more)	
	1600286	1	Controller, JLG SMART System TM (for fleets of 1 to 4)	
	1600286	1	Controller, JLG SMART System TM (for fleets of 5 to 9)	
	1600286	1	Controller, JLG SMART System TM (for fleets of 10 or more)	
	3740130	1	Relay (for fleets of 1 to 4)	
	3740130	1	Relay (for fleets of 5 to 9)	
	3740130	1	Relay (for fleets of 10 or more)	
	4360070	1	Breaker, Circuit (for fleets of 1 to 4)	
	4360070	1	Breaker, Circuit (for fleets of 5 to 9)	
	4360070	1	Breaker, Circuit (for fleets of 10 or more)	
	4360433	1	Switch, Key (for fleets of 1 to 4)	
	4360433	1	Switch, Key (for fleets of 5 to 9)	
	4360433	1	Switch, Key (for fleets of 10 or more)	
	2860030	1	Key, Replacement (for fleets of 1 to 4)	
	2860030	1	Key, Replacement (for fleets of 5 to 9)	
	2860030	1	Key, Replacement (for fleets of 10 or more)	
	4360328	1	Switch, Toggle (for fleets of 1 to 4)	
	4360328	1	Switch, Toggle (for fleets of 5 to 9)	
	4360328	1	Switch, Toggle (for fleets of 10 or more)	

## SECTION 9 - RECOMMENDED SERVICE PARTS STOCK

ITEM	PART NUMBER	QTY	DESCRIPTION	REV
	4360289	1	Switch, Emergency Stop (for fleets of 1 to 4)	
	4360289	1	Switch, Emergency Stop (for fleets of 5 to 9)	
	4360289	1	Switch, Emergency Stop (for fleets of 10 or more)	
	3740069	1	Relay (for fleets of 1 to 4)	
	3740069	1	Relay (for fleets of 5 to 9)	
	3740069	1	Relay (for fleets of 10 or more)	
	1600276	1	Controller, Directional (for fleets of 1 to 4)	
	1600276	1	Controller, Directional (for fleets of 5 to 9)	
	1600276	1	Controller, Directional (for fleets of 10 or more)	
	0610123	1	PC Board (for fleets of 1 to 4)	
	0610123	1	PC Board (for fleets of 5 to 9)	
	0610123	1	PC Board (for fleets of 10 or more)	
	7017444	1	Coil, Valve Cartridge (for fleets of 1 to 4)	
	7017444	1	Coil, Valve Cartridge (for fleets of 5 to 9)	
	7017444	1	Coil, Valve Cartridge (for fleets of 10 or more)	

## SECTION 9 - RECOMMENDED SERVICE PARTS STOCK

FIGURE 9-2. MODELS 1532E/1932E/2033E/2046E/2646E/2658E VARIABLE PARTS

ITEM	PART NUMBER	QTY	DESCRIPTION	REV
	Note	Ref	<b>Note: The following list will service fleets of machines (built to current production per date on the front cover) with emergency repair parts which can be installed in the field. Parts from the list should be replaced when inventory is depleted to keep service parts stock supplied. For further information, contact your JLG dealer or the JLG Industries Parts Department.</b>	
		Ref	<b>VARIABLE PARTS</b>	
	4360401	1	Limit Switch (for fleets of 1 to 4)	
	4360401	1	Limit Switch (for fleets of 5 to 9)	
	4360401	1	Limit Switch (for fleets of 10 or more)	
	4360321	1	Limit Switch (for fleets of 1 to 4)	
	4360321	1	Limit Switch (for fleets of 5 to 9)	
	4360321	1	Limit Switch (for fleets of 10 or more)	
	7011684	1	Relay, Interlock (Australian Spec) (for fleets of 1 to 4)	
	7011684	1	Relay, Interlock (Australian Spec) (for fleets of 5 to 9)	
	7011684	1	Relay, Interlock (Australian Spec) (for fleets of 10 or more)	
	7018514	1	Breaker, Circuit - AC (UK Spec) (for fleets of 1 to 4)	
	7018514	1	Breaker, Circuit - AC (UK Spec) (for fleets of 5 to 9)	
	7018514	1	Breaker, Circuit - AC (UK Spec) (for fleets of 10 or more)	
	7011509	1	Breaker, Circuit - DC (UK Spec) (for fleets of 1 to 4)	
	7011509	1	Breaker, Circuit - DC (UK Spec) (for fleets of 5 to 9)	
	7011509	1	Breaker, Circuit - DC (UK Spec) (for fleets of 10 or more)	
	7018533	1	Fuse (UK Spec) (for fleets of 1 to 4)	
	7018533	1	Fuse (UK Spec) (for fleets of 5 to 9)	
	7018533	1	Fuse (UK Spec) (for fleets of 10 or more)	
	4360397	1	Limit Switch (All Except 2658E) (for fleets of 1 to 4)	
	4360397	1	Limit Switch (All Except 2658E) (for fleets of 5 to 9)	
	4360397	1	Limit Switch (All Except 2658E) (for fleets of 10 or more)	
	4360277	1	Limit Switch (French Spec) (for fleets of 1 to 4)	
	4360277	1	Limit Switch (French Spec) (for fleets of 5 to 9)	
	4360277	1	Limit Switch (French Spec) (for fleets of 10 or more)	
	4360403	1	Switch Membrane With Tilt Light (for fleets of 1 to 4)	
	4360403	1	Switch Membrane With Tilt Light (for fleets of 5 to 9)	
	4360403	1	Switch Membrane With Tilt Light (for fleets of 10 or more)	
	4360450	1	Switch Membrane Without Tilt Light (for fleets of 1 to 4)	
	4360450	1	Switch Membrane Without Tilt Light (for fleets of 5 to 9)	
	4360450	1	Switch Membrane Without Tilt Light (for fleets of 10 or more)	
	2900838	1	U.S. Standards Fastener Kit (for fleets of 1 to 4)	
	2900838	1	U.S. Standards Fastener Kit (for fleets of 5 to 9)	
	2900838	1	U.S. Standards Fastener Kit (for fleets of 10 or more)	
	7014676	1	U.S. Standards Tool Kit (for fleets of 1 to 4)	
	7014676	1	U.S. Standards Tool Kit (for fleets of 5 to 9)	
	7014676	1	U.S. Standards Tool Kit (for fleets of 10 or more)	



**SECTION 10 - SPECIAL OPTIONS**

# SECTION 10 - SPECIAL OPTIONS

## FIGURE 10-1. SPECIAL OPTIONS

ITEM	PART NUMBER	QTY	DESCRIPTION	REV
	Note	Ref	Note: This list is to accommodate machines ordered with special equipment. Options may not be applicable to all models. For more specific parts information contact JLG Parts Department.	
		Ref	<b>MISCELLANEOUS SPECIAL OPTIONS</b>	
		Ref	<b>Note: To determine Power or Gravity Down refer to page A.</b>	
	0256568	Ref	<b>BRAKE RELEASE INSTALLATION (AUSTRALIAN SPEC)</b>	
	4640128	1	Valve, Flow Control (Located beside Main Valve)	
	1702728	1	Decal, (Located beside Main Valve)	
	0256789	Ref	<b>Camera Mount Assembly</b>	
	2900887	Ref	<b>COLD WEATHER KIT</b>	
	0256583	Ref	<b>OVERLOAD PROTECTION INSTALLATION - 1532E/1932E POWER DOWN MACHINES (FRENCH SPEC)</b>	
	1282609	Ref	<b>OVERLOAD PROTECTION INSTALLATION - 1532E/1932E POWER DOWN MACHINES (FRENCH SPEC)</b>	
	0256582	Ref	<b>OVERLOAD PROTECTION INSTALLATION - 2033E/2046E/2646E/2658E POWER DOWN MACHINES (FRENCH SPEC)</b>	
	1282609	Ref	<b>OVERLOAD PROTECTION INSTALLATION - 2033E/2046E/2646E/2658E POWER DOWN MACHINES (FRENCH SPEC)</b>	
	1692617	1	Switch, Pressure (Located at Lift Cylinder)	
	4360397	1	Switch, Limit (Located at Top Center of Frame)	
	1060341	35 ft/11m	Cable, Electrical - 16/2	
	4460267	2	Pin	
	4460320	2	Plug	
	0257665	Ref	<b>PERIMETER SWITCHES INSTALLATION</b>	
	4360215	4	Switch	
	4360387	1	Switch	
	3251596	1	Decal - Tag Proximity	
	0257049	Ref	<b>PIPE RACKS INSTALLATION</b>	
	0256659	Ref	<b>PRESSURE CHECKS INSTALLATION (AUSTRALIAN SPEC)</b>	
		Ref	<b>Tools for Service</b>	
	2900874	1	Configurator Kit (Computer Software Kit)	
	2901443	1	Analyzer and Cable Kit (Includes 1600244 & 1060633)	
	1600244	1	Analyzer, SMART System Controller	
	1060633	1	Cable, Communication (Analyzer to Controller)	
	1060629	1	Cable, Communication (PC to Controller)	
	7002820	1	Arbor Set (Set of 2 for Installation of Garmax and Excelite Bushings)	
	8896941	1	Wire Stripper	
	7002821	1	Wire Crimper (To install wire ends to wires)	
	7002823	1	Pin/Socket Extractor - Universal (To Remove Pins/Sockets from Connectors)	
	4460467	1	Extractor - 16-18 Gauge (For Removal of Pins/Sockets from Deutsch Connectors)	
	4460510	1	Extractor - 12-14 Gauge (For Removal of Pins/Sockets from Deutsch Connectors)	
	7002822	1	Screwdriver, Potentiometer (To Adjust Drive Controllers)	
	7016654	1	Screwdriver, Magnetic	
	7004275	1	Seal Installation Tool - 1in	
	7004276	1	Seal Installation Tool - 1 1/2in	

**SECTION 10 - SPECIAL OPTIONS**

ITEM	PART NUMBER	QTY	DESCRIPTION	REV
	7002826	1	Seal Installation Tool - 2in	
	2901443	1	Analyzer Kit	



**PART NUMBER INDEX**

## SECTION 10 - SPECIAL OPTIONS

0080190.....159, 161, 165, 169	0251973.....125	0256387.....83, 87	0256616.....109, 111
0080228.....163, 173	0252586....77, 79, 91, 95	0256408.....69	0256629.....109
0100001.....10	0252587...83, 87, 99, 103	0256409.....69	0256635.....9
01000119, 10, 27, 31, 35, 36, 39, 40, 73, 107, 109, 111, 151, 159, 161, 163, 165, 166, 169, 173, 185	0252677.....141	0256410.....119	0256636.....9
0100015.....151	0252679.....141	0256411.....119	0256644.....107
0100019.....21	0252681.....141	0256413.....119	0256649.....107
0100020....51, 53, 57, 61, 69, 181, 185	0252737.....125	0256420.....57	0256653.....11
0100035.....115	0252738.....125	0256421.....73	0256654.....11
0100038.....159, 166	0252973...127, 132, 138, 145	0256422.....57	0256659.....226
0100048.....198, 200	0253383.....142	0256423.....70	0256664....126, 132, 137, 144
0100076.....69	0253391.....143	0256424.....35, 39	0256667.....126, 137
0100080...79, 87, 95, 103	0253392.....143	0256430.....213	0256668.....132, 145
0100081.....11	0253616.....190	0256431.....213	0256682.....70
0140011.....35, 39, 148	0254171.....121	0256432.....213	0256711.....119
0140022.....36, 40	0254234.....135	0256433.....213	0256712.....119
0140033.....70	0254236.....135	0256434.....213	0256783.....35, 39
0181622.....73	0254237.....136	0256435.....213	0256785.....36, 40
0181684....126, 131, 136, 144	0254238.....136	0256438.....35	0256788.....35, 39
0181847.....147	0254367.....190	0256439.....35	0256789.....226
0181874.....57, 61, 74	0255516.....27	0256441.....35	0256790.....36, 40
0181875.....57, 61, 74	0255571.....91	0256449.....213	0256812.....119, 205
0181880.....73	0255614.....21	0256450.....213	0256813.....205
0181888.....107, 109	0255618.....99	0256451.....213	0256814.....213
0181889.....109	0255636.....21	0256452.....213	0256815.....213
0181892.....107	0255637.....21	0256453.....213	0256816.....213
0200531...91, 95, 99, 103	0255638.....27	0256454.....213	0256817.....213
0200532...91, 95, 99, 103	0255639.....27	0256456.....213	0256833.....36, 39
0200533...91, 95, 99, 103	0255641.....35	0256457.....213	0256839.....119
0200534.....91, 95	0255649.....11	0256458.....213	0256840.....119
0200535.....99, 103	0255679.....11	0256459.....213	0256841.....119
0200536.....99, 103	0255680.....11	0256460.....213	0256842.....119
0200537.....99, 103	0255682.....12	0256464.....213	0256845.....119
0200538....77, 79, 83, 87	0255683.....11	0256465.....213	0256850.....73
0200539....77, 79, 83, 87	0255697.....77	0256466.....214	0256861.....39
0200540....77, 79, 83, 87	0255724.....27	0256467.....213	0256921.....73
0200541....77, 79, 83, 87	0255751.....83	0256468.....213	0256959.....70
0200542.....83, 87	0255784.....36	0256469.....213	0256960.....70
0200543.....83, 87	0255891.....73	0256472.....205	0256961.....70
0200544.....83, 87	0255893.....51	0256473.....205	0256962.....70
0251202.....130	0255938.....58	0256474.....205	0256963.....147
0251249.....130	0255939.....58, 62	0256475.....205	0256964.....70
0251250.....131	0255940.....58, 62	0256476.....205	0256965.....70
0251304.....129	0255948.....148	0256477.....205	0256975.....205
0251393.....129	0255949.....36, 40	0256481.....205	0256976.....213
0251395.....129	0255950.....36, 40, 148	0256482.....205	0257049.....226
0251601.....130	0255951.....70	0256483.....205	0257115.....79
0251603.....130	0255962.....36, 40	0256484.....205	0257116.....87
0251605.....130	0255963.....120	0256485.....205	0257118.....95
0251634.....131	0255981.....207, 215	0256486.....205	0257120.....103
0251635.....131	0256041.....147	0256505.....120	0257156.....12
0251636.....131	0256052.....119	0256506.....120	0257172.....40
0251642....207, 211, 215, 220	0256053.....119	0256507.....120	0257173.....40
0251841.....141	0256056.....70	0256509.....91, 95	0257174.....40
0251843.....141	0256057.....148	0256510.....99, 103	0257179.....115
0251845.....141	0256058.....70	0256520.....120	0257180.....115
0251879.....125	0256058.....70	0256521.....120	0257181.....115
0251942.....142	0256063.....91, 95	0256522.....120	0257182.....115
0251943.....142	0256064.....99, 103	0256527.....77, 79	0257183.....25
0251944.....142	0256198.....121	0256528.....83, 87	0257184.....25
	0256199.....121	0256564.....35	0257185.....25
	0256200.....121	0256568.....226	0257186.....25
	0256334.....12	0256582.....226	0257190.....115
	0256369.....35	0256583.....226	0257191.....115
	0256370.....35	0256596.....21	0257192.....115
	0256372.....35	0256609.....121	0257193.....115
	0256373.....37, 41	0256614.....119	0257208.....53
	0256374.....37, 41	0256615.....109, 111	
	0256386.....77, 79		

## SECTION 10 - SPECIAL OPTIONS

0257210.....	62	0257717.....	130	0641408.....	36, 37, 40, 41,	0902198.....	57, 61
0257212.....	62	0257718.....	130	51, 53, 57, 58, 61, 62,	0902221.....	51, 53	
0257265.....	41	0257827.....	217	70, 73, 74, 80, 88, 130,	0902234.....	147	
0257266.....	41	0257828.....	217	141, 159	0902298.....	147	
0257271.....	39	0257829.....	217	0641409.....	166	0902340.....	36, 41
0257272.....	39	0257830.....	217	0641412.....	51, 53, 57, 61,	0902341.....	36
0257274.....	39	0257831.....	217	121	0902344.....	36, 40	
0257276.....	39	0257832.....	217	0641414.....	74, 126	0902365.....	51, 54, 73
0257277.....	39	0258018.....	122	0641416.....	121, 137, 144	0902371.....	163, 173
0257279.....	39	0258019.....	122	0641418.....	111	0902421.....	163, 173
0257281.....	125	0258058.....	122	0641420.....	84, 119, 125,	0902438.....	148
0257282.....	125	0258078.....	209, 217	129, 135, 141	0902439.....	148	
0257284.....	136	0258169.....	119	0641422.....	88	0940057.....	121
0257285.....	136	0258170.....	119	0641424.....	74, 125, 129,	0940060.....	121
0257286.....	142	0258182.....	62	135, 141	0940061.....	121	
0257287.....	143	0258213.....	120	0641505.....	120, 137, 144	0940065.....	121
0257288.....	143	0258214.....	121	0641506.....	35, 39, 51, 53,	0940079.....	121
0257289.....	142	0258215.....	121	57, 61, 159, 161, 163,	0940080.....	121	
0257290.....	142	0258216.....	121	165, 169, 173	0940081.....	121	
0257291.....	142	0258676.....	111	0641508.....	27, 31, 77, 79,	0940082.....	122
0257292.....	130	0258783.....	69	83, 87, 91, 92, 95, 99,	0960239... ..	127, 132, 137,	
0257293.....	131	0258786.....	69	103	145		
0257294.....	131	0258882.....	9	0641509.....	107, 109, 111	0960407.....	120
0257295.....	131	0280145.....	22, 25	0641510.....	37, 41, 96, 100,	0961833... ..	125, 130, 135,
0257296.....	131	0280146.....	22, 25	104, 126, 131, 136, 143	144	142	
0257297.....	131	0280147.....	22, 25	0641512.....	126, 131, 137,	0961896.....	159, 165
0257330.....	31	0361912... ..	126, 132, 137,	144	0961897.....	165	
0257331.....	31	144	0362273.....	121	0961994.....	27, 31	
0257332.....	31	0362483.....	27, 31	0362484.....	27, 31	0961995.....	27, 31
0257333.....	31	0362484.....	27, 31	0362485.....	27, 31	0961996.....	27, 31
0257342.....	209, 217	0362510.....	21	0362511.....	28	0961997.....	27, 31
0257347.....	209	0362566.....	51, 53, 73	0362654.....	28, 31	0962004.....	51, 53, 73
0257348.....	217	0362666.....	121	0400067.....	73	0962010... ..	77, 79, 83, 87,
0257349.....	209	0400113.....	73	0400113.....	73	91, 95, 99, 103	
0257350.....	217	0400145.....	43	0400145.....	43	0962012....	159, 165, 173
0257351.....	209	0400146.....	45	0400146.....	45	0962013.....	9, 10
0257352.....	217	0400148.....	43	0400148.....	43	0962014.....	10
0257353.....	209	0400151.....	73	0400151.....	73	0962015... ..	77, 83, 84, 91,
0257354.....	217	0400178.....	47	0400178.....	47	92, 99, 100	
0257355.....	209	0480092.....	109, 111	0480092.....	109, 111	0962017.....	12
0257356.....	217	0480093.....	109, 111	0480093.....	109, 111	0962069.....	119
0257357.....	209	0480094.....	109, 111	0480094.....	109, 111	0962070.....	119
0257358.....	217	0480095.....	107	0480095.....	107	0962073.....	119
0257359.....	209	0480096.....	107	0480096.....	107	0962074....	107, 109, 111
0257360.....	217	0610123.....	147, 223	0610123.....	147, 223	0962075....	107, 109, 111
0257367.....	121	0630398.....	27, 31	0630398.....	27, 31	0962085.....	10
0257372.....	37, 41	0630485.....	41	0630485.....	41	0962154.....	119
0257377.....	147	0630495.....	10	0630495.....	10	1001101076....	125, 129,
0257378.....	147	0630516.....	10	0630516.....	10	136, 142	
0257397.....	121	0630526.....	73, 74	0630526.....	73, 74	1060048.....	74
0257398.....	121	0630535.....	166	0630535.....	166	1060279... ..	205, 209, 213,
0257437.....	73	0641405... ..	36, 40, 51, 53,	0641405... ..	36, 40, 51, 53,	217	
0257539.....	148	57, 61, 126, 132, 137,	0641406... ..	51, 53, 57, 61,	0641406... ..	51, 53, 57, 61,	
0257540.....	147	144, 148, 205, 209,	69, 70, 73, 74, 84, 92,	96, 100, 104, 107, 109,	69, 70, 73, 74, 84, 92,		
0257567.....	9	213, 217	111, 120, 126, 131,	136, 144	111, 120, 126, 131,		
0257568.....	9	0641407... ..	21, 35, 39, 121	0641407... ..	21, 35, 39, 121		
0257570.....	11	0840025.....	41, 199	0840025.....	41, 199	0901906.....	126, 137
0257571.....	11	0840027.....	36, 41	0840027.....	36, 41	0901930.....	121
0257572.....	11	0840031.....	73, 74	0840031.....	73, 74	0902137.....	57, 61
0257664.....	122	0840035.....	121	0840035.....	121	0902151....	159, 161, 163,
0257665.....	190, 226	0860520.....	205, 209, 213,	0860520.....	205, 209, 213,	165, 169	
0257681.....	125	217	0861013.....	147	0861013.....	147	
0257683.....	125	0861070.....	39	0861070.....	39	0901830....	126, 132, 137,
0257685.....	129	0901830.....	126, 132, 137,	0901830.....	126, 132, 137,	144	
0257688.....	130	144	0901906.....	126, 137	0901906.....	126, 137	
0257695.....	129	0901906.....	126, 137	0901930.....	121	0902137.....	57, 61
0257696.....	129	0902137.....	57, 61	0902151....	159, 161, 163,	165, 169	

## SECTION 10 - SPECIAL OPTIONS

1060635.....73, 74	1683380 ..... 159	1702939 ... 205, 209, 213, 217	1760165.....22, 25
1060636.....199	1683428 ..... 9, 177	1703073 ..... 209, 217	1780290.....73
1060643..... 165, 169, 173	1683429 ..... 10, 177	1703101 ..... 205, 210	1780291.....51, 53
1060644..... 159, 161, 163	1683473 ..... 91, 169	1703105 ..... 213, 219	2080043.....111
1060650.....173	1683474 ..... 99, 169	1703154 ... 206, 210, 214, 218	2080048.....41
1060680.....200	1683475 ..... 77, 83, 161	1703155 ... 206, 211, 214, 219	2120072....51, 53, 57, 61, 222
1060689.....47	1683499 ..... 22	1703156 ... 206, 211, 214, 219	2120105....51, 53, 57, 61
1060691.....47	1683500 ..... 79, 87, 163	1703157 ... 206, 210, 214, 218	2160002.....9, 10
1120064.....9, 10	1683501 ..... 95, 173	1703158 ... 206, 209, 214, 217	2160006.....9, 10
1120417.....9, 11	1683502 ..... 103, 173	1703191 ... 206, 210, 215, 218	2160008.....9, 10
1120472...91, 95, 99, 103	1683557 ..... 25, 157	1703192 ... 206, 210, 215, 218	2200233....51, 53, 57, 61
1120473...91, 95, 99, 103	1692617 ..... 226	1703193 ... 206, 210, 215, 218	2220218..... 181, 185
1120474...91, 95, 99, 103	1701504 ... 205, 209, 213, 217	1703194 ... 206, 210, 215, 218	2220346..... 181, 185
1120475...91, 95, 99, 103	1701508 ..... 21, 205, 213	1703195 ... 206, 210, 215, 218	2220347..... 181, 185
1120479.....77, 79, 83, 87	1701509... 205, 209, 213, 217	1703196 ... 206, 210, 215, 218	2220371..... 181, 185
1120480.....77, 79, 83, 87	1701510 ... 205, 209, 213, 217	1703197 ... 206, 210, 215, 218	2220372..... 181, 185
1120481.....27, 31	1701512 ... 205, 209, 214, 217	1703198 ... 206, 210, 215, 218	2220373..... 181, 185
1120491.....53, 61	1701515 ... 206, 210, 214, 218	1703199 ... 206, 210, 215, 218	2220385..... 181, 185
1120514.....111	1701519 ... 205, 209, 214, 218	1703210 ..... 206	2220415..... 181, 185
1260017.... 135, 136, 141, 144	1701523 ..... 205	1703240 .... 206, 214, 215	2220466..... 181, 185
1260136.... 125, 129, 136, 142	1701524 ... 205, 209, 214, 218	1703398 ... 206, 207, 210, 215, 218	2220470..... 181, 185
1282430..... 190, 198	1701525 ... 206, 210, 214, 218	1703405 ..... 206, 214	2220473..... 181, 185
1282480..... 188	1701535 ... 206, 210, 214, 218	1703406 ..... 206, 214	2220501..... 181, 185
1282507..... 190	1701615 ... 205, 209, 214, 217	1703407 ..... 206, 214	2220515..... 181, 185
1282609.....226	1701616 ... 206, 210, 214, 218	1703409 ..... 206, 214	2220585..... 181, 185
1282726..... 188	1701623 ..... 214	1703410 ..... 206, 214	2220602..... 181
1282773..... 190	1701629 ... 205, 209, 214, 217	1703414 ... 206, 210, 215, 218	2220606..... 181, 185
1320033....51, 53, 57, 61	1701630 ... 205, 209, 214, 217	1703415 ... 206, 210, 215, 218	2220618..... 181, 185
1320061.....88, 120	1701631 .... 209, 214, 217	1703416 ... 207, 210, 215, 218	2220619..... 181, 185
1320095....41, 80, 88, 96, 104	1701632 ... 205, 209, 214, 217	1703417 ... 206, 210, 215, 218	2220628..... 181, 185
1320224....77, 79, 83, 87, 91, 95, 99, 103, 115, 126, 131, 137, 144	1701648 ... 205, 209, 214, 217	1703418 ... 206, 210, 215, 218	2220664..... 181, 185
1320225..... 181, 185	1701839 ... 205, 206, 209, 214, 217, 218	1703457 ..... 215	2220773..... 181
1320242..... 185	1701856 ... 206, 209, 214, 218	1703459 ..... 215	2220775..... 185
1340052....51, 53, 57, 61, 222	1701858 ... 206, 210, 214, 218	1703460 ..... 215	2220828..... 181
1440325.....36, 39	1701861 ... 205, 209, 214, 217	1703462 ..... 215	2220883..... 159, 166
1600233.....69	1702248 ... 206, 209, 210, 214, 218	1703463 ..... 215	2220885..... 159, 166
1600235..... 151	1702279 ... 207, 210, 215, 218	1703528 ..... 211, 219	2221000..... 181, 185
1600244..... 198, 226	1702300 .... 41, 205, 209, 213, 217	1703565 ..... 211, 219	2221014..... 181, 185
1600257..... 151	1702631 ..... 205, 217	1703566 ..... 211, 219	2360395..... 12
1600258.....69	1702728 ..... 226	1703567 ..... 211, 219	2360396..... 12
1600266..... 153	1702773 ... 205, 209, 213, 217	1703568 ..... 211, 219	2360397..... 12
1600276.... 147, 153, 223	1702928 ... 207, 211, 215, 219	1703583 ..... 209, 217	2360399..... 12
1600286.....69, 222		1703662 ..... 210, 218	2360412..... 12
1670847..... 122		1703663 ..... 210, 218	2360419..... 12
1670848..... 122		1703665 ..... 211, 219	2360428..... 12
1670849..... 122		1703766 ..... 211	2360429..... 12
1670856..... 122		1703767 ..... 211	2360431..... 12
1670857..... 122		1703768 ..... 219	2360432..... 12
1683054..... 159		1703769 ..... 219	2360433..... 12
1683056..... 165		1703770 ..... 219	2360434..... 12
1683061..... 165		1703771 ..... 219	2360437..... 12
1683351.....9, 10, 177			2360468..... 12
1683352.....91, 165			2400056.....40
1683353..... 165			2420165.....70
1683355..... 165			2420176.....148
1683362.....22, 157			2420179.....70
1683363.....99, 165			2460022.....36, 40
1683367..... 165			2460031.....40
1683369..... 165			2540002.....120
1683377.....77, 83, 159			2560088.... 126, 131, 136, 143
1683379..... 159			2560137..... 51, 53, 73
			2560140..... 51, 73
			2560141..... 147
			2640614..... 125
			2750999..... 182, 186



## SECTION 10 - SPECIAL OPTIONS

2752175 .....	182, 186	2901366 .....	77	3252507 .....	120	3340612 ...	122, 125, 129, 135, 142, 209, 217	
2752463 .....	182, 186	2901367 .....	83	3252509 .....	215, 220	3340629 ...	77, 79, 83, 87, 91, 95, 99, 103, 119	
2752478 .....	182, 186	2901382 .....	181	3252510 .....	215, 220	3340645 ...	77, 79, 83, 87, 91, 95, 99, 103	
2752496 .....	182, 186	2901383 .....	181	3252511 .....	207, 211	3340780 ....	107, 109, 111	
2752593 .....	181, 185	2901384 .....	181	3252512 .....	207, 211	3340781 ....	107, 109, 111	
2752606 .....	181, 186	2901385 .....	182, 186	3252517 .....	207, 211	3340784 ....	77, 83, 91, 99	
2752607 .....	181, 186	2901409 .....	181	3252518 .....	207, 211	3340841 ...	79, 87, 95, 103	
2752608 .....	181, 186	2901410 .....	182, 186	3252519 .....	215	3421895 .....	119	
2752609 .....	182, 186	2901443 ...	198, 226, 227	3252520 .....	215, 220	3421913 ...	135, 136, 141, 144	
2752638 .....	182, 186	2901489 .....	185	3252521 .....	220	3422483 ...	91, 95, 99, 103	
2752639 .....	182	2901490 .....	185	3252531 .....	215	3422484 ...	91, 95, 99, 103	
2752646 .....	182	2901491 .....	185	3252542 .....	147	3422485 ...	91, 95, 99, 103	
2752647 .....	182	2901492 .....	185	3252562 .....	220	3422488 ...	77, 79, 83, 87, 91, 95, 99, 103	
2752931 .....	182, 186	2901501 .....	79	3271405 .....	74	3422494 ....	77, 79, 83, 87	
2752956 .....	181, 185	2901502 .....	87	3272605 .....	21	3422495 ....	77, 79, 83, 87	
2752957 .....	181, 185	2901503 .....	95	3300047 ....	127, 132, 137, 145	3422496 ....	77, 79, 83, 87	
2752958 .....	181, 185	2901504 .....	103	3300255 .....	9, 10, 21, 25	3422597 .....	99, 103	
2752959 .....	181, 185	2901571 .....	137, 144	3300373 ....	127, 129, 130, 132, 138, 142, 145	3422723 ...	126, 132, 137, 144	
2752960 .....	181, 185	2901572 .....	144	3300374 ....	125, 130, 136, 142	3430416 ...	135, 136, 141, 144	
2752961 .....	181, 185	2901573 .....	126, 130	3300375 ....	125, 129, 135, 141	3430620 .....	21, 25	
2752963 .....	182, 186	2901844 .....	35, 39, 47	3310601 .....	147, 185	3430811 .....	10	
2752964 .....	182, 186	2901847 .....	35, 39, 47	3311005 ....	27, 31, 36, 40, 69, 125, 127, 130, 133, 135, 138, 142, 145	3430812 .....	10	
2752968 .....	181, 185	2920093 .....	121	3311401 70, 73, 119, 121, 125, 126, 132, 136, 137, 141, 144, 145, 148, 205, 209, 213, 217	3300429 .....	73, 74	3430824 .....	9, 10
2752969 .....	181, 185	2920146 .....	36, 40	3311001 ...	36, 40, 74, 115	3440418 .....	27, 31	
2780215 .....	21, 22, 25	2940045 .....	57, 61, 73	3311005 ....	27, 31, 36, 40, 69, 125, 127, 130, 133, 135, 138, 142, 145	3440828 .....	27, 31	
2780216 .....	9, 10	2940056 .....	136	3311402 ....	159, 161, 165, 169	3450203 ...	135, 136, 141, 144	
2792219 .....	181, 188	2940061 ...	126, 132, 137, 144	3311405 ....	21, 36, 37, 39, 40, 41, 51, 53, 57, 58, 61, 62, 69, 70, 73, 80, 84, 88, 92, 96, 100, 104, 107, 109, 111, 120, 121, 125, 126, 129, 132, 135, 137, 141, 144, 209, 217	3450403 .....	9, 10, 21, 25	
2792220 .....	181, 188	2940074 ...	127, 133, 138, 145	3311405 ....	21, 36, 37, 39, 40, 41, 51, 53, 57, 58, 61, 62, 69, 70, 73, 80, 84, 88, 92, 96, 100, 104, 107, 109, 111, 120, 121, 125, 126, 129, 132, 135, 137, 141, 144, 209, 217	3450405 ...	159, 161, 163, 165, 169, 173	
2792221 .....	181, 188	2940097 .....	21	3311501 .27, 31, 136, 143	3311405 ....	21, 36, 37, 39, 40, 41, 51, 53, 57, 58, 61, 62, 69, 70, 73, 80, 84, 88, 92, 96, 100, 104, 107, 109, 111, 120, 121, 125, 126, 129, 132, 135, 137, 141, 144, 209, 217	3450406 .....	9, 10
2792222 .....	181, 188	2940098 .....	51, 53, 73	3311505 ....	27, 31, 35, 36, 37, 39, 41, 53, 57, 61, 77, 79, 83, 87, 91, 92, 95, 96, 99, 100, 103, 104, 107, 109, 111, 119, 120, 126, 131, 136, 143	3450504 .....	21	
2792316 .....	185, 188	2940099 ...	51, 57, 61, 73	3311605 ....	27, 31, 37, 41, 51, 107, 109, 111, 129, 130	3480211 .....	165	
2792317 .....	185, 188	2940100 .....	74	3311608 .....	73	3480212 .....	159	
2792318 .....	185, 188	2940101 .....	74	3311801 .....	9, 10, 73	3480218 .....	165	
2792319 .....	185, 188	2980113 ...	126, 131, 136, 143	3311805 ....	35, 39, 51, 53	3510316 .....	131	
2820025 .....	120	3010088 ...	125, 129, 136, 142	3312202 ....	126, 132, 137, 144	3510317 .....	131	
2820084 .....	73, 74	3010112 .....	21	3312205 .....	27, 31	3510325 .....	131	
2820087 .....	74	3020017 .....	21	3321402 ....	159, 161, 163, 165, 169, 173	3510326 .....	131	
2820088 .....	73	3160207 .....	10, 15	3322202 ....	126, 132, 137, 144	3510346 .....	143	
2820094 .....	74	3160208 .....	10, 11, 15	3322202 ....	126, 132, 137, 144	3510347 .....	143	
2820095 .....	74	3160214 .....	10, 15	3340564 ....	205, 209, 213, 217	3510391 .....	143	
2820097 .....	125, 136	3160219 .....	10, 19			3510392 .....	143	
2820297 .....	129, 142	3160220 .....	10, 11, 19			3510399 .....	143	
2860030 .....	69, 222	3160221 .....	11, 19			3510489 .....	131	
2900665 .....	15	3251201 .....	144			3510490 .....	131	
2900792 .....	159, 165	3251242 .....	120			3510491 .....	143	
2900838 .....	224	3251596 .....	226			3510492 .....	125	
2900874 .....	198, 226	3251813 ...	205, 210, 213, 218			3510493 .....	125	
2900887 .....	226	3251852 ...	126, 132, 137, 144			3510494 .....	143	
2900915 .....	219	3252080 ...	132, 137, 211, 219			3510495 .....	136	
2900916 .....	219	3252136 ...	126, 132, 210			3510496 .....	136	
2900917 .....	219	3252454 .....	211, 219			3510530 .....	119	
2900918 .....	219	3252467 .....	207, 211			3510531 .....	119	
2900919 .....	219	3252468 .....	207, 211			3510532 .....	119	
2900920 .....	219	3252469 .....	215, 219			3510536 .....	119	
2900950 .....	211	3252470 .....	215, 219			3510547 .....	119	
2900951 .....	211	3252471 .....	215, 219			3510549 .....	119	
2900952 .....	211	3252472 .....	215, 219			3510551 .....	119	
2900953 .....	211	3252478 .....	69			3510553 .....	119	
2900954 .....	211	3252479 .....	69			3510567 .....	125	
2900955 .....	211	3252481 .....	147					
2900956 .....	211							
2900961 .....	219							
2901273 .....	166							
2901278 .....	159							
2901340 .....	91							
2901352 .....	99							
2901353 .....	166							

## SECTION 10 - SPECIAL OPTIONS

3510568.....125	3640745 ..... 141	3900184 ... 125, 127, 129,	4360070.....69, 222
3510569.....136	3640748 ..... 143	132, 135, 138, 141, 145	4360164..... 121, 200
3510570.....136	3640749 ..... 143	3900213 .... 107, 109, 112	4360215.....226
3510571.....131	3640750 ..... 125	3900226 ..... 147	4360236.... 126, 132, 137,
3510572.....131	3640751 ..... 125	3900227 ..... 147	145
3510573.....131	3640753 ..... 135, 141	3900256 ..... 120	4360277.... 126, 132, 137,
3510574.....143	3640761 ..... 141	3911008 ..... 69	145, 224
3510575.....143	3640885 ..... 135	3911014 ... 127, 133, 138,	4360278.... 126, 132, 137,
3510576.....143	3640886 ..... 135	145	145
3510577.....131	3640887 ..... 136	3911020 ..... 36, 40	4360289..... 69, 147, 223
3510578.....131	3640888 ..... 136	3911024 ..... 31, 115	4360321..... 36, 40, 224
3510579.....131	3640957 ..... 135	3911028 ..... 27	4360328..... 69, 222
3510580.....143	3640958 ..... 135	3911034 ... 125, 130, 135,	4360387. 36, 40, 148, 226
3510581.....143	3641209 ..... 125	142	4360395..... 69
3510582.....143	3641210 ..... 129	3930828 ..... 66	4360397..... 28, 115, 224,
3520071..... 35, 39	3641235 ..... 135, 142	3931032 ..... 65	226
3520072.... 107, 109, 111,	3641315 ..... 143	3931416 ... 126, 132, 137,	4360401..... 28, 31, 224
125, 127, 129, 132,	3740069 ..... 69, 201, 223	145	4360403..... 148, 224
133, 135, 137, 138,	3740117 ..... 69	3931516 ..... 159	4360433..... 69, 222
141, 145	3740130 ..... 69, 222	3931620 ..... 165	4360435..... 35, 39, 222
3520077.... 51, 53, 57, 61	3760170 .... 70, 159, 165,	3931720 ..... 165	4360450..... 148, 224
3533370.... 125, 130, 135,	169	3941406 ... 35, 39, 41, 62,	4360461..... 185
142	3760348 ... 126, 132, 137,	77, 79, 83, 87, 91, 95,	4400378..... 57
3534742..... 130, 141	144	99, 103, 115	4400388..... 51, 53
3534743..... 130	3760365 ..... 41	3951005 ..... 27	4400394..... 57, 61
3534995.... 126, 132, 137,	3760368 ..... 159	3951603 ..... 36, 40	4420037..... 54, 61
145	3760369 ..... 165	3960389 ..... 51, 53, 73	4420038.... 51, 53, 57, 61
3535337 ..... 141	3760370 ..... 166	4060807 .. 80, 88, 96, 104	4420052.... 207, 211, 215,
3535492 ..... 141	3760387 ... 77, 79, 83, 87,	4060914 ..... 147	220
3535681 ..... 120	91, 95, 99, 103	4060927 ..... 35	4420055.... 109, 111, 125,
3537619.... 126, 131, 136,	3780166 ..... 9, 10	4060928 ..... 35	130, 135, 142
143	3820001 ... 126, 132, 137,	4060936 ..... 39	4460022..... 74
3538808..... 27	144	4060937 ..... 58, 62	4460044..... 40
3538809..... 27	3820019 ... 125, 129, 137,	4130329 ..... 9	4460051..... 120
3538844 ..... 74	144	4130332 ..... 10	4460052.... 115, 126, 132,
3539239..... 58	3820023 ..... 37, 41	4130336 ..... 9	137, 145
3539264..... 91, 95	3841074 ..... 126, 131	4160028 ... 127, 133, 138,	4460069.... 127, 132, 137,
3539265 ..... 100, 103	3841127 .... 159, 165, 169	145	145
3539445..... 58	3841130 ..... 143	4160078 ... 126, 132, 137,	4460071... 80, 88, 96, 104
3539446..... 58, 62	3841201 ..... 136, 143	144	4460225..... 199
3539447 ..... 58, 62	3841233 ... 126, 132, 137,	4160133 ..... 27, 31	4460226..... 115
3539735 ..... 37, 41	144	4160134 ..... 28, 32	4460227 ..... 200
3539736..... 37, 41	3841266 ..... 28	4160136 .... 107, 109, 111	4460259..... 69, 201
3539766 ..... 57, 61	3841274 ..... 22	4160137 ..... 21, 25	4460260..... 70, 201
3539796 ..... 83, 87	3841280 ..... 22	4160141 ..... 27, 31	4460265.... 151, 153, 199,
3539875..... 58	3841308 ..... 28	4160146 ..... 28, 32	200
3539897..... 109, 111	3841320 ..... 11	4220044 ... 159, 161, 163,	4460267.... 127, 132, 137,
3539907..... 107, 109	3841321 ..... 9	165, 169, 173	145, 153, 185, 199,
3570029..... 36, 40	3841322 ..... 9	4220166 ..... 74	200, 226
3570030..... 36, 40	3841324 ..... 11	4240018 ... 77, 79, 83, 87,	4460268. 36, 40, 198, 199,
3570198..... 31	3841332 ..... 25	91, 95, 99, 103, 122	200, 201
3570381 ..... 125, 129	3841333 ..... 25	4240033 ... 77, 79, 84, 88,	4460315..... 120
3571010 ..... 137, 144	3841334 ..... 25	92, 96, 100, 104, 107,	4460320. 36, 40, 127, 132,
3600219..... 51, 57	3841337 ..... 32	109, 111, 120	137, 145, 185, 199,
3600266..... 53, 61	3841338 ..... 32	4240084 ..... 37, 41, 73	200, 201, 226
3600269..... 61	3841379 ..... 9	4240114 ... 77, 83, 91, 99,	4460326..... 115, 200
3640614.... 130, 135, 142	3841387 ..... 9	100	4460328.... 77, 79, 84, 88,
3640713..... 129	3860052 ... 126, 131, 136,	4240116 92, 95, 100, 104	92, 96, 100, 104
3640727 ..... 129	143	4240125 ... 77, 79, 83, 84,	4460343..... 199
3640728 ..... 129	3860059 ... 126, 131, 136,	87, 91, 95, 99, 100,	4460424..... 200
3640730..... 130	143	103, 104	4460428..... 36, 40, 115
3640731..... 130	3860065 ..... 27, 32	4240127 ... 77, 80, 84, 88,	4460434..... 198
3640738..... 141	3860079 ..... 32	92, 96, 100, 104	4460445..... 200
3640740..... 141	3900168 ... 126, 132, 137,	4240128 ... 77, 79, 83, 87,	4460449..... 66, 199
3640742..... 135, 141	145	88, 91, 95, 99, 103, 104	4460462..... 198
3640743..... 141	3900177 ..... 147	4280301 ..... 115	4460463..... 147, 199
3640744..... 141	3900178 ..... 147	4300133 ..... 70	4460464..... 200

## SECTION 10 - SPECIAL OPTIONS

4460465 .....	198	4712200 ...	126, 131, 136, 143	4845271 .....	51	4922014 .....	199
4460466 .....	147, 198	4712400 .....	27, 31	4845311 .....	58	4922025 .....	198
4460467 .....	198, 226	4740066 ...	126, 131, 136, 143, 147	4845312 .....	35	4922233 .....	47
4460468 .....	198	4740120 .....	147	4845314 .....	37, 41	4932831 .....	190, 198
4460470 .....	147, 199	4740307 .....	79, 87	4845315 .....	37, 41	4932832 .....	190, 198
4460471 .....	147, 199	4740419 .....	9, 11	4845319 .....	28, 32	4932972 .....	190, 198
4460473 .....	198	4740438 ...	77, 79, 83, 87, 91, 95, 99, 103	4845326 .....	73	4932973 .....	190, 198
4460510 .....	198, 226	4740453 .....	9, 10	4845357 .....	28	4933005 .....	190, 198
4460618 .....	69, 74, 201	4740455 .....	37, 41	4845358 .....	28, 32	7001097 .....	157
4460662 .....	27, 31	4740474 .....	73, 74	4845359 .....	28, 32	7001609 .....	157
4520174 .....	12	4740479 .....	70	4845360 .....	27, 31	7001632 .....	177
4520175 .....	11	4751000 ...	27, 31, 36, 40, 69, 74, 115, 120, 125, 127, 130, 133, 135, 138, 142, 145	4845365 .....	51, 53	7002820 .....	226
4520176 .....	12	4751400 ...	21, 35, 36, 37, 39, 40, 41, 57, 58, 61, 62, 69, 70, 73, 77, 79, 119, 121, 125, 126, 129, 135, 141, 205, 209, 213, 217	4845366 .....	58, 62	7002821 .....	198, 226
4520177 .....	11	4751500 ...	36, 41, 77, 79, 83, 87, 91, 95, 99, 103, 107, 109, 111, 119, 120, 126, 132, 137, 144	4845370 .....	107, 109, 111	7002822 .....	226
4520183 .....	12	4751600 .	21, 37, 41, 107, 109, 111, 129, 130	4845371 .....	111	7002823 .....	198, 226
4520191 .....	12	4751700 .....	36, 41	4845372 .....	109, 111	7002826 .....	227
4565008 .....	165	4751800 ...	35, 39, 51, 53, 73	4845375 .....	35, 39	7002828 .....	198
4565191 ...	135, 141, 142	4752200 ...	126, 132, 137, 144	4845376 .....	107	7003212 .....	169, 173
4565201 ...	125, 129, 130	4761000 ..	36, 40, 74, 120	4845379 .....	35, 39	7003226 .....	169, 173
4565202 .....	129, 130	4761400 ...	51, 53, 57, 61, 70, 73, 119, 121, 125, 126, 132, 135, 136, 137, 141, 144, 145, 205, 209, 213, 217	4845383 .....	28, 31	7003771 .....	153
4565203 .....	130	4761500 .....	136, 143	4845385 .....	31	7003789 .....	153
4565261 .....	142	4761600 27, 31, 107, 109, 111		4845431 .....	77, 83, 91, 99	7003790 .....	153
4565285 ...	125, 135, 141	4761800 .....	9, 11	4845475 ...	79, 87, 95, 103	7003791 .....	153
4565665 .....	84	4770600 .....	147	4845490 .....	31	7003903 .....	22
4566514 .....	135	4791400 ...	126, 132, 137, 144, 147	4845495 .....	122	7003933 .....	151
4566787 .....	165	4843706 ...	125, 131, 136, 143	4845496 .....	121	7003946 .....	151
4566819 .....	159	4844100 ...	127, 132, 138, 145	4845497 .....	121	7003961 .....	151
4566833 .....	9, 11	4844104 ...	127, 132, 138, 145	4845498 .....	122	7003966 .....	151
4566849 ...	51, 53, 57, 61	4844414 .....	121	4845510 .....	111	7003969 .....	151
4566897 .....	182, 186	4844585 .....	121	4845512 .....	111	7003972 .....	151
4566898 .....	182, 186	4844586 .....	121	4845513 .....	111	7003973 .....	151
4566968 .....	182, 186	4844987 .....	27, 32	4845514 .....	111	7003978 .....	151
4566969 .....	182, 186	4845037 .....	21, 25	4845515 .....	111	7003979 .....	151
4567026 .....	182, 186	4845040 ...	77, 83, 91, 99	4845529 .....	32	7003980 .....	151
4567060 .....	109, 111	4845077 .....	28, 32	4845814 .....	137, 144	7003981 .....	151
4567062 .....	109, 111	4845104 .....	27	4849875 .....	62	7003983 .....	151
4567067 .....	109, 111	4845129 .....	73	4920140 ...	126, 132, 137, 145	7003984 .....	151
4567075 .....	109, 111	4845130 .....	73	4921753 .....	190, 198	7003988 .....	151
4567076 .....	107	4845268 .....	28	4921754 .....	190, 198	7003989 .....	151
4567077 .....	107	4845269 .....	28	4921755 .....	190, 198	7003990 .....	151
4567167 .....	84, 88	4845270 .....	28	4921756 .....	190, 198	7003991 .....	151
4567265 .....	25			4921782 .....	148, 199	7003992 .....	151
4640128 .....	226			4921783 .....	148, 199	7003993 .....	151
4640509 .....	159, 165			4921784 .....	198	7003994 .....	151
4640717 ...	159, 161, 165, 169			4921785 .....	199	7003995 .....	151
4640951 .....	51, 57, 65			4921786 .....	199	7003997 .....	151
4641001 .....	163, 173			4921819 .....	35, 39, 200	7003998 .....	151
4641002 .....	173			4921821 .....	36, 200	7003999 .....	151, 199
4641004 .....	53, 61, 65			4921822 .....	36, 40, 200	7004275 .....	226
4641012 .....	163			4921831 .....	199	7004276 .....	226
4641014 .....	163			4921832 .....	199	7005312 .....	161, 169
4641015 .....	173			4921833 .....	199	7005315 .....	161, 169
4641021 .....	53, 61, 65			4921889 .....	198	7005356 .....	169
4711400 ...	51, 53, 57, 61, 70, 73, 74, 84, 88, 107, 109, 111, 126, 131, 135, 136, 141, 144, 159, 161, 163, 165, 169, 173			4921890 .....	199	7005358 .....	163
4711500 ...	35, 39, 51, 53, 57, 61, 77, 79, 83, 87, 91, 92, 95, 96, 99, 100, 103, 104, 119			4921891 .....	199	7005365 .....	161
4711600 .....	9, 11, 25, 51, 107, 109, 111			4921892 .....	199	7005896 .....	15
4711800 .....	10, 27, 31			4921893 .....	199	7005897 .....	15
				4921894 .....	199	7005899 .....	15
				4921895 .....	148, 199	7007892 .....	19
				4921896 .....	148, 200	7007893 .....	19
				4921958 .....	198	7007894 .....	19
				4921986 .....	69, 201	7007895 .....	19
				4921988 .....	40, 200	7007896 .....	19
				4921990 .....	69, 201	7007897 .....	19
				4922011 .....	199	7007898 .....	19
				4922013 .....	198	7007899 .....	19

## SECTION 10 - SPECIAL OPTIONS

7009920.....19	7016349.....65	7017378 .... 161, 163, 169	7018917.....65, 222
7009934.....19	7016351.....65, 66	7017379.....161	7018918.....66
7010641.....22, 25	7016352.....65	7017380.....161	7018919.....65
7010642.....22, 25	7016372.....36, 40	7017381.....161	7018920.....66
7010646.....25	7016397.....69	7017382.....161, 163	7019100.....151
7010647.....22, 25	7016400.....15	7017383.....161	7019101.....151, 199
7010648.....22, 25	7016401.....15	7017384.....170	7019102.....151
7010649.....22, 25	7016402.....15	7017385.....170	7019302.....163
7010650.....22, 25	7016403.....15	7017386.....170	7019600.... 159, 161, 163,
7010651.....22, 25	7016404.....15	7017387.....173	165, 169, 173
7011509..43, 45, 47, 222, 224	7016405.....15	7017388.....169	7019602.... 159, 161, 163,
7011513.....45	7016406.....15	7017389.....163	165, 169, 173
7011517.....43, 45	7016407.....15	7017398.....163	7019604.....69
7011523.....43, 45	7016408.....15	7017399.....163	7019673.....181, 185
7011528.....43, 45	7016409.....15	7017444 .... 163, 173, 223	7019695.....22, 25
7011542.....45	7016410.....15	7017445.....173	7019696.....22, 25
7011543.....43	7016411.....15	7018300.....65	7019697.....22, 25
7011551.....43, 45	7016412.....16	7018301.....65	7019800.....163
7011560.....43	7016413.....15	7018302.....65	7019801.....163
7011576.....43, 45	7016414.....15	7018303.....65	7019803.....163
7011590.....47	7016415.....15	7018304.....65	7019804.....174
7011596.....43	7016416.....15	7018305.....65	7019805.....174
7011621.....47	7016418.....15	7018307.....65	7019806.....174
7011658.....43	7016419.....15	7018308.....65	7019807.....173
7011667.....43	7016420.....15	7018309.....65	7019808.....174
7011681.....45	7016421.....16	7018310.....65	7019809.....174
7011684.....43, 224	7016630.....121	7018311.....65, 222	7019810.....174
7011687.....43, 45	7016654.....226	7018312.....65	7019811.....173
7011925.....153	7016700.....51, 57	7018313.....65	7019812.....173
7011934.....153	7016703.....51, 57	7018314.....65	7020072.....181, 185
7011935.....153	7016706.....51, 57	7018315.....65	7020075.....147
7011970.....153	7016707.....177	7018509.....43, 45	7020076.....147
7011971.....153	7016708.....177	7018512.....43, 45	7020300.....19
7011972.....153	7016709.....177	7018513.....43	7020301.....19
7011976.....153	7016742.... 51, 53, 57, 61	7018514 .43, 45, 47, 222, 224	7020302.....19
7011978.....153	7016743.....53, 61	7018515.....43	7020303.....19
7011979.....153	7016746.....53	7018516.....43, 45	7020304.....19
7011980.....153	7016747.....53, 61	7018517.....45	7020305.....19
7012611.....147	7016781 .... 51, 53, 57, 61	7018518.....45	7020306.....19
7012612.....69, 147	7017200.....157	7018518.....45	7020307.....19
7012613.....9, 10	7017201.....157	7018520.....45	7020308.....19
7012773.....65	7017202.....157	7018522.....45	7020309.....19
7012792.....66	7017207.....177	7018524.....43	7020310.....19
7012793.....65	7017208.....177	7018531.....45	7020312.....19
7012794.....65	7017209.....177	7018533.....45, 224	7020500.....153
7012953.....163, 173	7017220.....157	7018537.....47	7020516.....153
7012967.....163, 173	7017221.....157	7018555.....47	7020519.....153
7013711.... 51, 53, 57, 61, 222	7017222.....157	7018564.....47	7020536.....153
7014676.....224	7017223.....157	7018578.....47	7020605.....47
7016315.....69	7017367.....161, 163	7018582.....47	7020637.....47
7016319.....36, 40	7017372.....161, 169	7018583.....47	7020638.....47
7016320.....40	7017373.....170	7018585.....47	7020639.....47
7016337.....65	7017374.....170	7018586.....47	7023336.....36, 40
7016348.....65	7017375.....170	7018589.....47	8896941.....226
	7017376.....170	7018592.....45	
	7017377.....169	7018912.....65	





**Corporate Office  
JLG Industries, Inc.  
1 JLG Drive  
McConnellsburg, PA 17233-9533 USA  
☎ (717) 485-5161 (Corporate)  
☎ (877) 554-5438 (Customer Support)  
📠 (717) 485-6417**

**Visit our website for JLG Worldwide Locations.  
[www.jlg.com](http://www.jlg.com)**



**OSHKOSH™**