



# Illustrated Parts Manual

**Models**  
**15DVL**  
**15DVSP**  
**20DVL**  
**20DVSP**

**P/N**  
**3121137**

*January 9, 2017*

**ANSI**



An Oshkosh Corporation Company



## REVISION LOG

September 1, 2001 - Original Issue Of Manual (Manual edited to B/M 0010581)  
October 15, 2001 - Revised Manual (Manual edited to B/M 0010581)  
March 15, 2002 - Revised Manual (Manual edited to B/M 0010581 - Rev 7)  
May 30, 2002 - Revised Manual (Manual edited to B/M 0010581 - Rev 10)  
January 8, 2003 - Added 20DVSP  
February 13, 2003 - Revised Manual (Manual edited to B/M 0010581 - Rev 21)  
May 8, 2003 - Revised Manual (Manual edited to B/M 0010581 - Rev 25)  
September 19, 2003 - Revised Manual (Manual edited to B/M 0010581 - Rev 29)  
February 26, 2004 - Revised Manual (Manual edited to B/M 0010581 - Rev 32)  
August 11, 2004 - Revised Manual (Manual edited to B/M 0010581 - Rev 36)  
May 5, 2005 - Revised Manual (Manual edited to B/M 0010581 - Rev 45)  
February 15, 2006 - Revised Manual (Manual edited to B/M 0010581 - Rev 48)  
June 30, 2006 - Revised Manual (Manual edited to B/M 0010581 - Rev 48)  
June 29, 2007 - Revised Manual (Manual edited to B/M 0010581 - Rev 48)  
June 24, 2011 - Revised Manual  
January 9, 2017 - Revised Manual



# TABLE OF CONTENTS

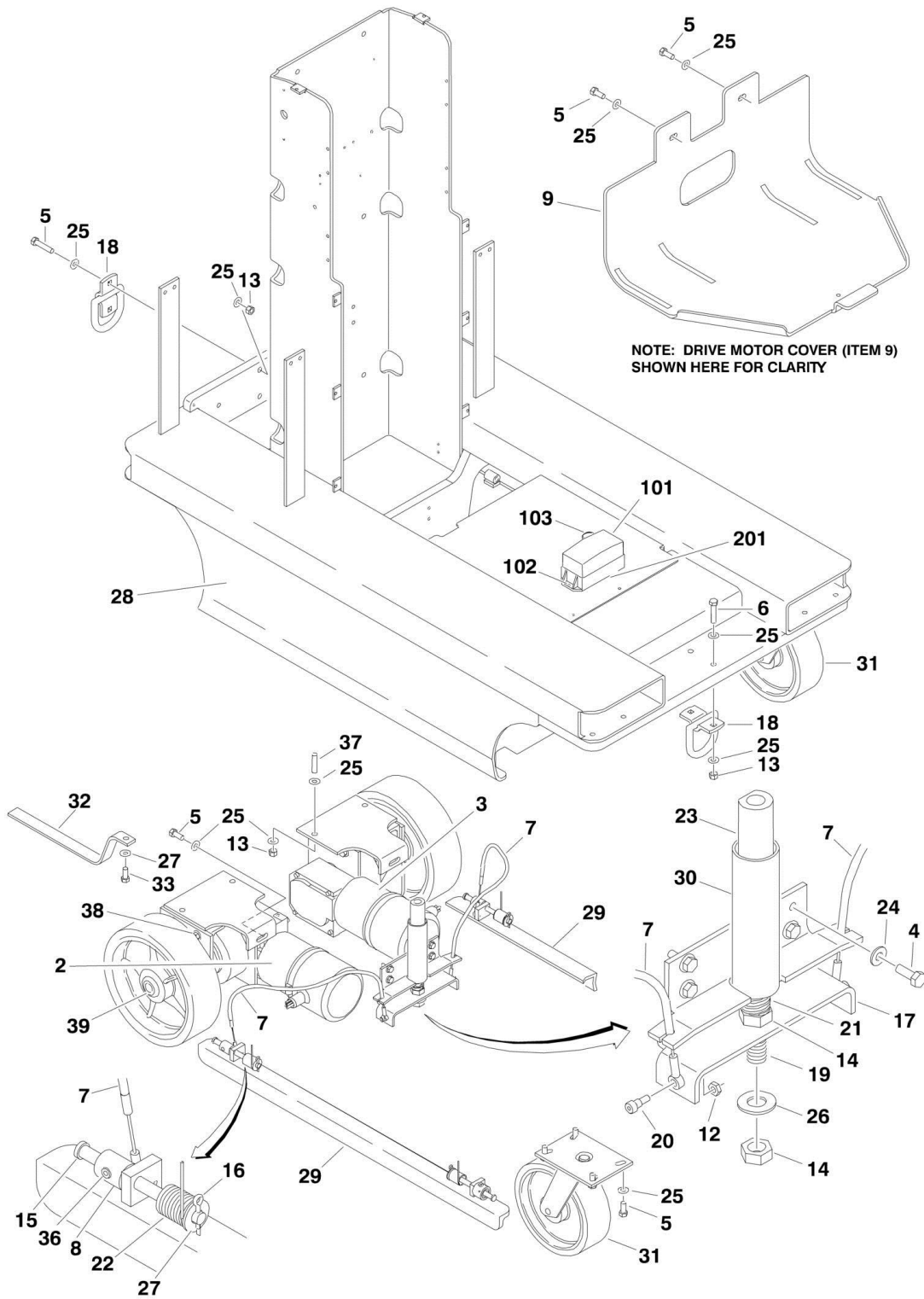
SECTION 1 - BASE.....	7
FIGURE 1-1. BASE MOUNTED COMPONENTS INSTALLATION (Prior to SN 0130005271).....	8
FIGURE 1-2. BASE MOUNTED COMPONENTS INSTALLATION (SN 0130005271 to Present).....	12
FIGURE 1-3. DRIVE ASSEMBLY (Prior to SN 0130005271).....	16
FIGURE 1-4. DRIVE ASSEMBLY (SN 0130005271 to Present).....	20
FIGURE 1-5. DRIVE MOTOR ASSEMBLY.....	24
FIGURE 1-6. COVER INSTALLATION.....	26
FIGURE 1-7. MAST AND BATTERY BOX INSTALLATION.....	30
SECTION 2 - CONTROLS.....	33
FIGURE 2-1. PUMP/MOTOR/GROUND CONTROL/HORN INSTALLATIONS.....	34
FIGURE 2-2. PUMP/MOTOR ASSEMBLY - FENNER.....	38
FIGURE 2-3. PUMP/MOTOR ASSEMBLY - MONARCH (SERVICE REPLACEMENT).....	40
FIGURE 2-4. BATTERIES/CHARGER/SWITCHES INSTALLATION.....	42
FIGURE 2-5. BATTERY CHARGER ASSEMBLY.....	46
FIGURE 2-6. PLATFORM CABLE AND CONTROLS INSTALLATION.....	48
FIGURE 2-7. CONTROLLER ASSEMBLY (Prior to SN 0130007616).....	52
FIGURE 2-8. CONTROLLER ASSEMBLY (SN 0130007616 to Present).....	54
SECTION 3 - MAST.....	57
FIGURE 3-1. MAST ASSEMBLY.....	58
SECTION 4 - PLATFORM.....	63
FIGURE 4-1. PLATFORM WITH FRONT SLIDE BAR ENTRY (15DVL/20DVL).....	64
FIGURE 4-2. PLATFORM WITH GULLWING GATE (15DVL/20DVL).....	66
FIGURE 4-3. PLATFORM WITH MOLDED SIDES (DVL AND DVSP).....	70
FIGURE 4-4. PLATFORM WITH ROLLING EXTENSION (DVL AND DVSP).....	74
FIGURE 4-5. PLATFORM WITH FIXED SIDE RAILS (15DVSP/20DVSP).....	78
FIGURE 4-6. PLATFORM WITH FOLDING SIDE RAILS (15DVSP/20DVSP).....	82
FIGURE 4-7. PLATFORM WITH SIDE ENTRY (15DVSP).....	86
FIGURE 4-8. PLATFORM/SIDE ENTRY WITH MATERIAL TRAY (20DVL).....	90
FIGURE 4-9. PLATFORM/SIDE ENTRY WITH FOLDING TRAY (15DVSP/20DVSP).....	92
FIGURE 4-10. OBSTRUCTION SENSOR INSTALLATION (15DVSP/20DVSP) (OPTIONAL).....	94
FIGURE 4-11. QUICK-CHANGE PLATFORM INSTALLATION WITH SLIDE BAR.....	96
SECTION 5 - CYLINDER.....	99
FIGURE 5-1. LIFT CYLINDER ASSEMBLY.....	100
SECTION 6 - HYDRAULIC.....	103
FIGURE 6-1. HYDRAULIC DIAGRAM.....	104
SECTION 7 - ELECTRICAL.....	107
FIGURE 7-1. ELECTRICAL SCHEMATIC.....	108
FIGURE 7-2. ELECTRICAL COMPONENTS INSTALLATION.....	110
SECTION 8 - DECALS.....	117
FIGURE 8-1. DECAL INSTALLATION (ANSI SPEC).....	118
FIGURE 8-2. DECAL INSTALLATION (ANSI EXPORT SPEC).....	122
SECTION 9 - RECOMMENDED SERVICE PARTS STOCK.....	127
FIGURE 9-1. DVL/DVSP SERIES STANDARD PARTS.....	128
SECTION 10 - SPECIAL OPTIONS.....	129
FIGURE 10-1. SPECIAL OPTIONS.....	130
PART NUMBER INDEX.....	133



**SECTION 1 - BASE**

# SECTION 1 - BASE

## FIGURE 1-1. BASE MOUNTED COMPONENTS INSTALLATION (Prior to SN 0130005271)





## SECTION 1 - BASE

**FIGURE 1-1. BASE MOUNTED COMPONENTS INSTALLATION (Prior to SN 0130005271)**

ITEM	PART NUMBER	QTY	DESCRIPTION	REV
		Ref	<b>BASE ASSEMBLY OPTIONS:</b>	
	0271258	Ref	<b>Base Assembly - (Standard)</b>	J
	0272776	Ref	<b>Base Assembly - (Rubber Tires)</b>	A
	0272981	Ref	<b>Base Assembly - (Rubber Tires - Rear Only)</b>	B
1	0100011	AR	Loctite #242 (Not Shown)	
2		Ref	Drive Assembly (Right Side) Options: (See DRIVE ASSEMBLY for Breakdown)	
2	0271460	1	Drive Assembly (Right Side) (Standard)	
2	0272775	1	Drive Assembly (Right Side) (Rubber Tires / Rubber Tires - Rear Only)	
3		Ref	Drive Assembly (Left Side) Options: (See DRIVE ASSEMBLY for Breakdown)	
3	0271461	1	Drive Assembly (Left Side) (Standard)	
3	0272774	1	Drive Assembly (Left Side) (Rubber Tires / Rubber Tires - Rear Only)	
4	0641406	4	Bolt 1/4in-20NC x 3/4in	
5	0641607	14	Bolt 3/8in-16NC x 7/8in	
6	0641614	2	Bolt 3/8in-16NC x 1 3/4in	
7	1060649	2	Cable, Pothole Protection	
8	1100103	2	Cam	
9	1671020	1	Cover, Drive Motor	
10	3020017	AR	Lubricant (Not Shown)	
11	3020022	AR	Grease, White Lithium (Not Shown)	
12	3311005	2	Locknut #10-24NC	
13	3311605	4	Locknut 3/8in-16NC	
14	3312002	2	Locknut 5/8in-11NC	
15	3430638	4	Pin, Clevis	
16	3450403	4	Pin, Cotter 1/8in x 3/4in	
17	3573093	1	Plate, Cable Mounting	
18	3760365	2	Ring, Tie Down	
19	3841343	1	Rod, Actuator	
20	3900202	4	Screw, Socket Head Shoulder	
21	4160160	1	Spring, Compression	
22	4160162	4	Spring, Compression	
23	4567203	1	Tube, Plunger	
24	4711400	4	Flatwasher 1/4in Narrow	
25	4711600	20	Flatwasher 3/8in Narrow	
26	4712000	1	Flatwasher 5/8in Narrow	
27	4751600	5	Flatwasher 3/8in Wide	
28	4846436	1	Base Weldment	
29	4846437	2	Bar, Pothole Protection	
30	4846446	1	Actuator	
31		Ref	Wheel, Caster Assembly Options:	
31	4860235	2	Standard / Rubber Tires - Rear Only	
31	4860239	2	Rubber Tires	
32		Ref	Strap, Static Options:	
32	4240084	1	Strap, Static <b>(Prior to SN 0130004184)</b>	
32	4240147	1	Strap, Static <b>(SN 0130004184 through 0130005271)</b>	
33	0641606	1	Bolt 3/8in-16NC x 3/4in	
34	4240127	2	Tie-Strap (Not Shown - Located at Motors)	

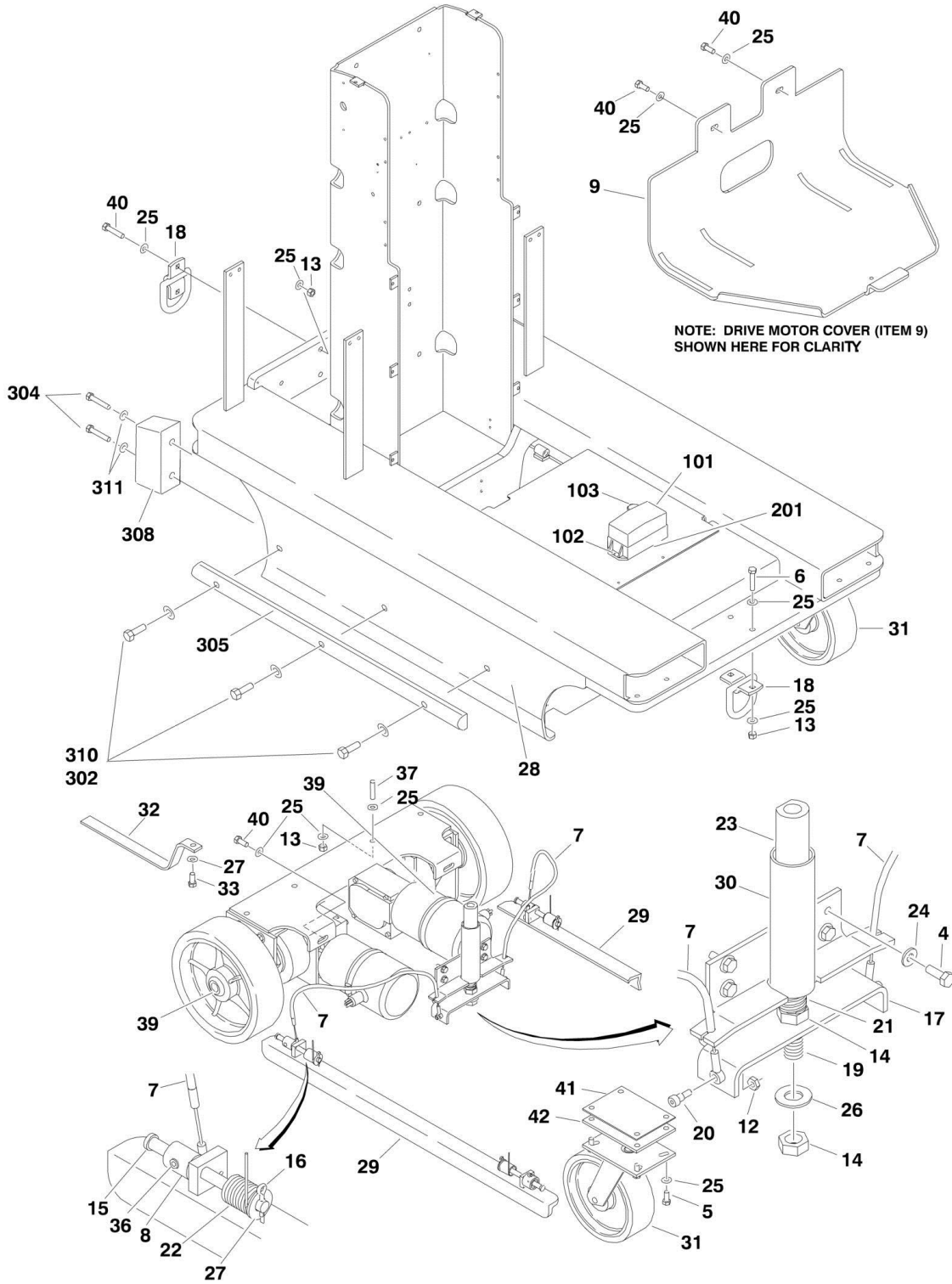
## SECTION 1 - BASE

ITEM	PART NUMBER	QTY	DESCRIPTION	REV
35	0100035	AR	Loctite #222 (Not Shown)	
36	3900249	4	Setscrew	
37	4300154	2	Stud 3/8in-16NC x 2in	
38		Ref	Plate, Shim Options:	
38	4070547	4	Standard / Rubber Tires	
38	Not Required	0	Rubber Tires - Rear Only	
39		Ref	Shim, Caster Options:	
39	Not Required	0	Standard / Rubber Tires - Rear Only	
39	4071064		Rubber Tires	
40		Ref	Bolt Options: (Not Shown)	
40	Not Required	0	Standard	
40	0641610	2	Rubber Tires (3/8 - 16NC x 1/1/4in)	
40	0641609	6	Rubber Tires - Rear Only (3/8 - 16NC x 1/1/8in)	
	0271946	Ref	<b>BEACON LIGHT INSTALLATION</b>	B
101	2920155	Ref	Light, Beacon - Amber Options:	
101	2920155	1	Light, Beacon - Amber Preco Model 3970	
101	2920155	1	Light, Beacon - Amber Preco Model 3971	
101	7026196	1	Bulb, Replacement	
101	7026195	1	Lens, Replacement	
102	3820032	2	Rivet	
103	3520033	1	Plug, Hole 1in (SN 0130005521 through 0130005271)	
	0272061	Ref	<b>BEACON HOLE PLUG INSTALLATION</b>	B
201	3520033	2	Plug, Hole 1in	



# SECTION 1 - BASE

## FIGURE 1-2. BASE MOUNTED COMPONENTS INSTALLATION (SN 0130005271 to Present)



## SECTION 1 - BASE

**FIGURE 1-2. BASE MOUNTED COMPONENTS INSTALLATION (SN 0130005271 to Present)**

ITEM	PART NUMBER	QTY	DESCRIPTION	REV
		Ref	<b>BASE ASSEMBLY OPTIONS:</b>	
	0271258	Ref	<b>Base Assembly - (Standard)</b>	P
	0272776	Ref	<b>Base Assembly - (Rubber Tires)</b>	I
	0272981	Ref	<b>Base Assembly - (Rubber Tires - Rear Only)</b>	H
	0273083	Ref	<b>Base Assembly - (30:1 Gear Ratio)</b>	E
1	0100011	AR	Loctite #242 (Not Shown)	
4	0641406	4	Bolt 1/4in-20NC x 3/4in	
5		Ref	Bolt Options: 3/8in-16NC x 7/8in	
5	0641607	8	Bolt (Standard / Rubber Tires - Rear Only) <b>(Prior to SN 0130005271)</b>	
5	Not Required	8	Bolt (Rubber Tires)	
6	0641614	2	Bolt 3/8in-16NC x 1 3/4in	
7	1060649	2	Cable, Pothole Protection	
8	1100103	2	Cam	
9	1671020	1	Cover, Drive Motor	
10	3020017	AR	Lubricant (Not Shown)	
11	3020022	AR	Grease, White Lithium (Not Shown)	
12		Ref	Hardware Options:	
12	3311005	2	Locknut #10-24NC <b>(Prior to SN 0130006320)</b>	
12	3311402	2	Jam Nut 1/4in-20NC <b>(SN 0130006320 to Present)</b>	
13	3311605	4	Locknut 3/8in-16NC	
14	3312002	2	Locknut 5/8in-11NC	
15	3430638	4	Pin, Clevis	
16	3450403	4	Pin, Cotter 1/8in x 3/4in	
17		Ref	Plate, Cable Mounting Options:	
17	3573093	1	Plate, Cable Mounting <b>(Prior to SN 0130006320)</b>	
17	3575698	1	Plate, Cable Mounting <b>(SN 0130006320 to Present)</b>	
18	3760365	2	Ring, Tie Down	
19	3841343	1	Rod, Actuator	
20		Ref	Hardware Options:	
20	3900202	4	Screw, Socket Head Shoulder <b>(Prior to SN 6320)</b>	
20	0630590	4	Bolt 1/4in-20NC x 3/4 <b>(SN 6320 to Present)</b>	
21	4160160	1	Spring, Compression	
22	4160162	4	Spring, Compression	
23	4567203	1	Tube, Plunger	
24	4711400	4	Flatwasher 1/4in Narrow	
25	4711600	6	Flatwasher 3/8in Narrow	
26	4712000	1	Flatwasher 5/8in Narrow	
27	4751600	19	Flatwasher 3/8in Wide	
28	4846436	1	Base Weldment	
29		Ref	Bar, Pothole Protection Options:	
29	4846437	2	Bar, Pothole Protection <b>(Prior to SN 5470)</b>	
29	4846869	1	Bar, Pothole Protection Right Side <b>(SN 5470 to Present)</b>	
29	4846870	1	Bar, Pothole Protection Left Side <b>(SN 5470 to Present)</b>	
30	4846446	1	Actuator	
31		Ref	Wheel, Caster Assembly Options:	
31	4860235	2	Standard / Rubber Tires - Rear Only	
31	4860239	2	Rubber Tires	
32	4240147	1	Strap, Static	
33	0641606	1	Bolt 3/8in-16NC x 3/4in	

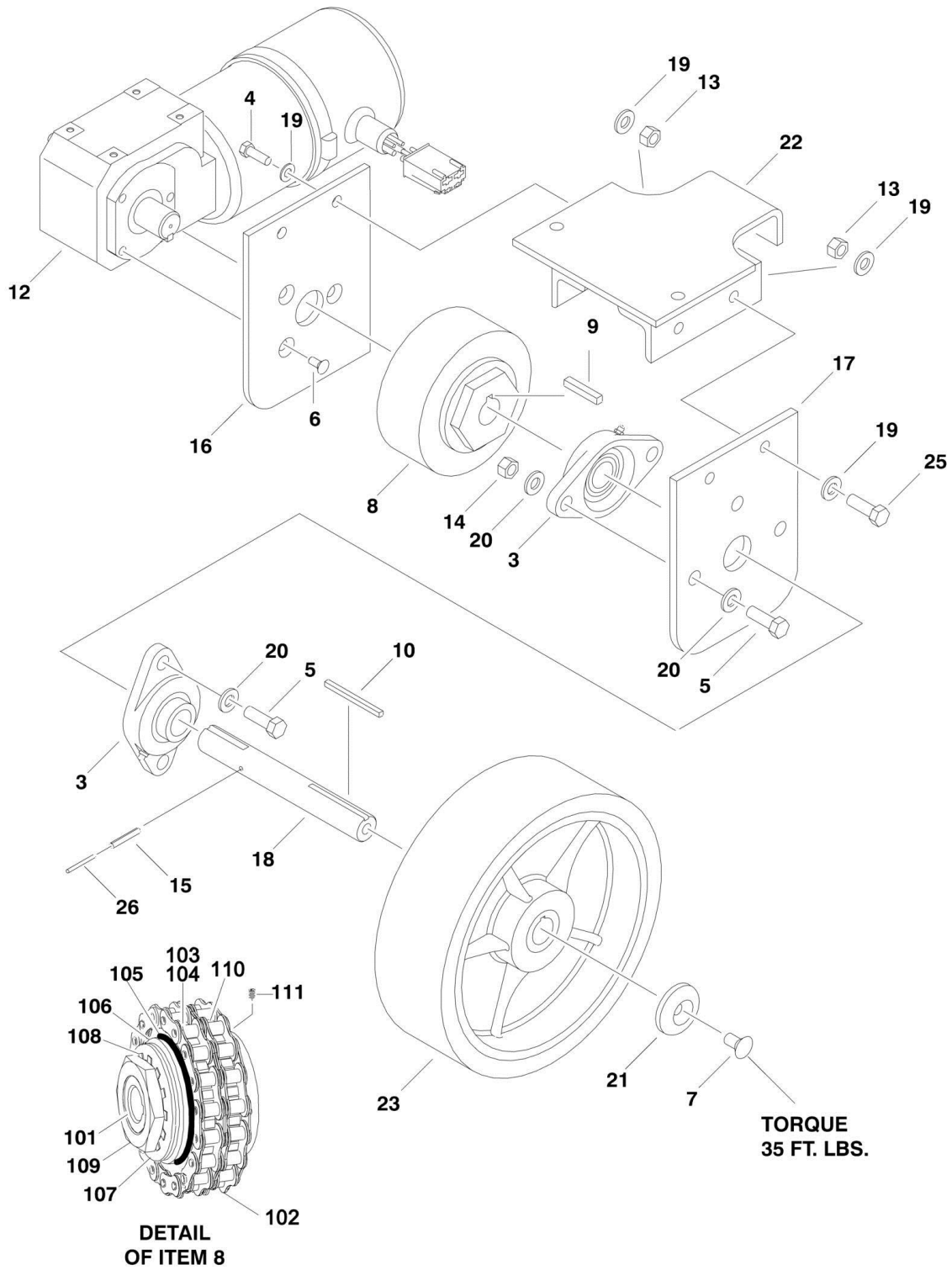
## SECTION 1 - BASE

ITEM	PART NUMBER	QTY	DESCRIPTION	REV
34	4240127	2	Tie-Strap (Not Shown - Located at Motors)	
35	0100035	AR	Loctite #222 (Not Shown)	
36	3900249	4	Setscrew	
37	4300154	2	Stud 3/8in-16NC x 2in	
39		Ref	Drive Motor Frame Assembly Options: (See DRIVE ASSEMBLY for Breakdown)	
39	0272584	1	Standard	
39	0272830	1	Rubber Tires / Rubber Tires - Rear Only	
39	0273084	1	30:1 Gear Ratio	
40	0641609	14	Bolt 3/8in-16NC x 1 1/8in	
41	4071077	AR	Shims - .015 <b>(SN 5470 to Present)</b>	
42	4071078	AR	Shims - .036 <b>(SN 5470 to Present)</b>	
	0271946	Ref	<b>BEACON LIGHT INSTALLATION</b>	B
101	2920178	Ref	Light, Beacon - Amber Options: (was p/n 2920155)	
101	2920178	1	Light, Beacon - Amber Preco Model 3970	
101	2920178	1	Light, Beacon - Amber Preco Model 3971	
101	7026196	1	Bulb, Replacement	
101	7026195	1	Lens, Replacement	
102	3820032	2	Rivet	
103	3520033	1	Plug, Hole 1in <b>(SN 5521 to Present)</b>	
	0272061	Ref	<b>BEACON HOLE PLUG INSTALLATION</b>	B
201	3520033	2	Plug, Hole 1in	
	0272825	Ref	<b>BUMPER INSTALLATION (15 DVSP OPTION ONLY)</b>	A
301	0100011	AR	Loctite #242 (Not Shown)	
302	0641407	6	Bolt, 1/4-20 x 7/8in	
304	0641814	4	Bolt, 1/2-13NC x 1 3/4in	
305	0940105	2	Bumper, Side Base	
308	0940108	2	Bumper, Base	
310	4711400	26	Flatwasher 1/4in	
311	4751800	4	Flatwasher 1/2in Wide	



# SECTION 1 - BASE

## FIGURE 1-3. DRIVE ASSEMBLY (Prior to SN 0130005271)





# SECTION 1 - BASE

## FIGURE 1-3. DRIVE ASSEMBLY (Prior to SN 0130005271)

ITEM	PART NUMBER	QTY	DESCRIPTION	REV
		Ref	<b>DRIVE ASSEMBLY OPTIONS:</b>	
		Ref	<b>Note: Quantities shown are for one side.</b>	
		Ref	<b>Drive Assembly (Standard)</b>	F
	0271460	Ref	<b>Right Side</b>	
	0271461	Ref	<b>Left Side</b>	
		Ref	<b>Drive Assembly (Rubber Tires / Rubber Tires - Rear Only)</b>	A
	0272775	Ref	<b>Right Side</b>	
	0272774	Ref	<b>Left Side</b>	
1	0100011	AR	Loctite #242 (Not Shown)	
2	0100019	AR	Loctite #271 (Not Shown)	
3	0440221	2	Bearing, Axle	
4	0641609	AR	Bolt 3/8in-16NC x 1 1/8in	
5	0641816	AR	Bolt 1/2in-13NC x 2in	
6	0741506	3	Screw, Countersunk 5/16in-18NC x 3/4in	
7	0741609	1	Screw, Countersunk 3/8in-16NC x 1 1/4in	
8	1400126	1	Clutch, Torque Limiting (See Items 101-111 for Breakdown)	
9	2860027	1	Key, Clutch	
10	2860029	1	Key, Wheel	
11	3020017	AR	Lubricant (Not Shown)	
12	3160282	1	Drive Motor Assembly (See DRIVE MOTOR ASSEMBLY for Breakdown)	
13	3311605	4	Locknut 3/8in-16NC	
14	3311801	AR	Nut 1/2in-13NC	
15	3440520	1	Rollpin	
16		Ref	Plate, Motor Mounting Options:	
16	3573070	1	Right Side	
16	3573077	1	Left Side	
17	3573071	1	Plate, Bearing Mounting	
18	4040268	1	Shaft, Drive	
19	4711600	8	Flatwasher 3/8in Narrow	
20	4711800	AR	Flatwasher 1/2in	
21	4740478	1	Washer, Wheel Retainer	
22		Ref	Frame Options:	
22	4846440	1	Right Side	
22	4846441	1	Left Side	
23		Ref	Wheel Options:	
23	4860232	1	Standard	
23	4860240	1	Rubber Tires / Rubber Tires - Rear Only	
23	1705981	1	Decal - This Side In (Not Shown)	
24	0100038	AR	Primer #7471 (Not Shown)	
25	0641611	2	Bolt 3/8-16NC x 1 3/8	
26		Ref	Rollpin Options:	
26	Not Required	0	Standard	
26	3440320	1	Rubber Tires / Rubber Tires - Rear Only	
	1400126	Ref	<b>TORQUE LIMITER CLUTCH ASSEMBLY</b>	C
101	7023351	1	Hub	
102	7023352	1	Chain	
103	7023353	1	Sprocket	
104	7023354	1	Bushing	
105	7023355	2	Facing, Friction	

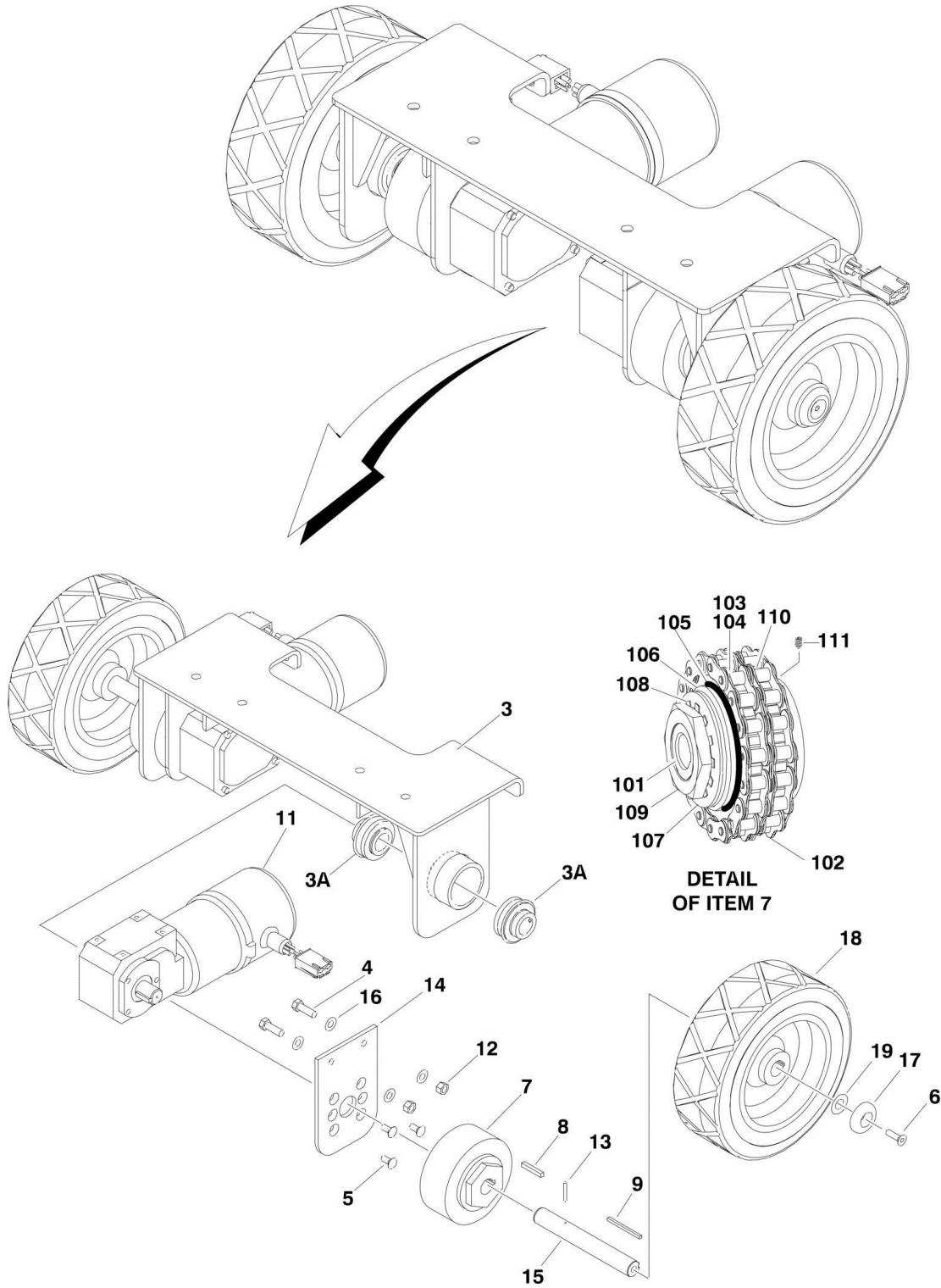
## SECTION 1 - BASE

ITEM	PART NUMBER	QTY	DESCRIPTION	REV
106	7023356	1	Plate, Pressure	
107	7023357	3	Disc, Spring	
108	7023358	1	Lockwasher, Tabbed	
109	7023359	1	Nut, Adjusting	
110	7023360	1	Sprocket	
111	7023361	1	Setscrew	



# SECTION 1 - BASE

## FIGURE 1-4. DRIVE ASSEMBLY (SN 0130005271 to Present)



# SECTION 1 - BASE

## FIGURE 1-4. DRIVE ASSEMBLY (SN 0130005271 to Present)

ITEM	PART NUMBER	QTY	DESCRIPTION	REV
		Ref	<b>DRIVE ASSEMBLY OPTIONS:</b>	
		Ref	<b>Note: Quantities shown are for one side.</b>	
	0272584	Ref	<b>Drive Assembly (Standard)</b>	F
	0272830	Ref	<b>Drive Assembly (Rubber Tires / Rubber Tires - Rear Only)</b>	F
	0273084	Ref	<b>Drive Assembly (30:1 Gear Ratio)</b>	E
1	0100011	AR	Loctite #242 (Not Shown)	
2	0100038	AR	Loctite #7471 (Not Shown)	
3	0272595	1	Drive Motor Frame Assembly	
3A	0440258	4	Bearing	
4	0641609	4	Bolt, 3/8 - 16NC x 1 1/8in	
5	0741506	6	Screw, 5/16 - 18NC x 3/4in	
6	0741609	2	Screw, 3/8 - 16NC x 1 1/8in	
7		Ref	Clutch, Torque Limiting Options:	
7	1400126	2	Clutch, Torque Limiting (See Items 101-111 for Breakdown) <b>(Prior to SN 0130006340)</b>	
7	1400128	NLA	Clutch, Torque Limiting (Use P/N 1400126).(No Serviceable Parts Available) <b>(SN 0130006340 through 0130006397)</b>	
7	1400126	2	Clutch, Torque Limiting (See Items 101-111 for Breakdown) <b>(SN 0130006398 to Present)</b>	
8	2860027	2	Key, Clutch	
9	2860031	2	Key, Wheel	
10	3020039	AR	Lubricant, Loctite Moly Paste #51049 (Not Shown)	
11		Ref	Drive Motor Assembly Options:	
11	3160282	2	Drive Motor Assembly (Standard and Rubber Tires / Rubber Tires - Rear Only) (See DRIVE MOTOR ASSEMBLY for Breakdown) <b>(Prior to SN 0130006340)</b>	
11	3160312	2	Drive Motor Assembly (Standard and Rubber Tires / Rubber Tires - Rear Only) (No Serviceable Parts) <b>(SN 0130006340 to Present)</b>	
11	3160283	2	Drive Motor Assembly (30:1 Gear Ratio) (See DRIVE MOTOR ASSEMBLY for Breakdown) <b>(Prior to SN 0130006340)</b>	
11	3160311	2	Drive Motor Assembly (30:1 Gear Ratio) (No Serviceable Parts) <b>(SN 0130006340 to Present)</b>	
12	3311605	4	Nut, 3/8-16NC	
13	3423050	2	Pin, Spiral Spring	
14	3573986	2	Plate, Drive Motor Mount	
15	4040268	2	Shaft, Drive	
16	4711600	8	Flatwasher 3/8in Narrow	
17	4740478	2	Washer, Wheel Retainer	
18		Ref	Wheel, Rear Options:	
18	4860232	2	Standard	
18	4860240	2	Rubber Tires / Rubber Tires - Rear Only	
18	1705981	2	Decal - This Side In (Not Shown)	
19	4812000	2	Flatwasher 10mm <b>(Prior to SN 0130006183)</b>	
		Ref	<b>TORQUE LIMITER CLUTCH ASSEMBLY</b>	
	1400126	Ref	<b>Torque Limiter Clutch Assembly (Prior to SN 0130006340)</b>	C
	1400128	Ref	<b>Torque Limiter Clutch Assembly (No Serviceable Parts Available - Replaced with P/N 1400126) (SN 0130006340 through 0130006397)</b>	C
	1400126	Ref	<b>Torque Limiter Clutch Assembly (SN 0130006398 to Present)</b>	C
101	7023351	1	Hub	
102	7023352	1	Chain	

## SECTION 1 - BASE

ITEM	PART NUMBER	QTY	DESCRIPTION	REV
103	7023353	1	Sprocket	
104	7023354	1	Bushing	
105	7023355	2	Facing, Friction	
106	7023356	1	Plate, Pressure	
107	7023357	3	Disc, Spring	
108	7023358	1	Lockwasher, Tabbed	
109	7023359	1	Nut, Adjusting	
110	7023360	1	Sprocket	
111	7023361	1	Setscrew	



# SECTION 1 - BASE

## FIGURE 1-5. DRIVE MOTOR ASSEMBLY

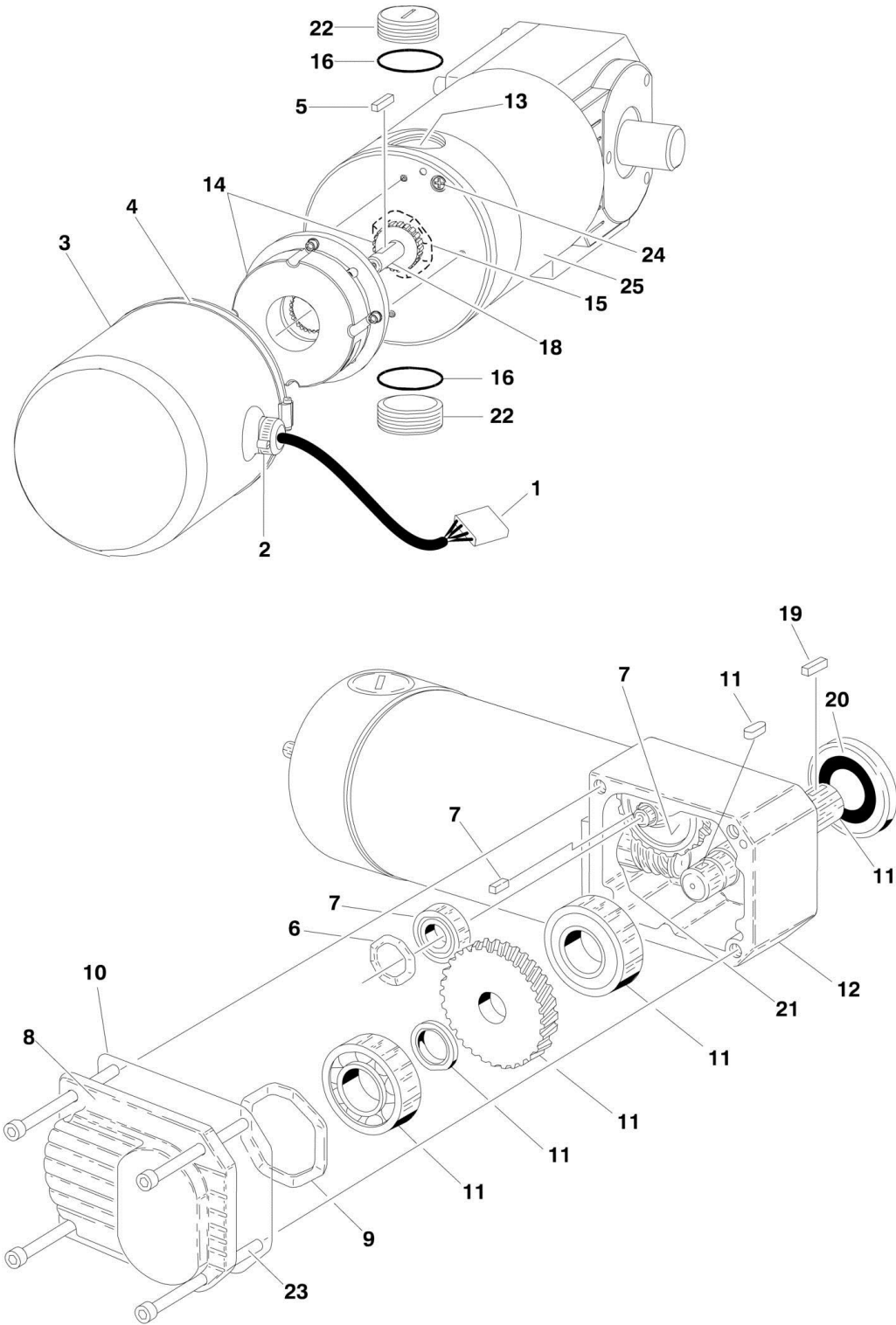


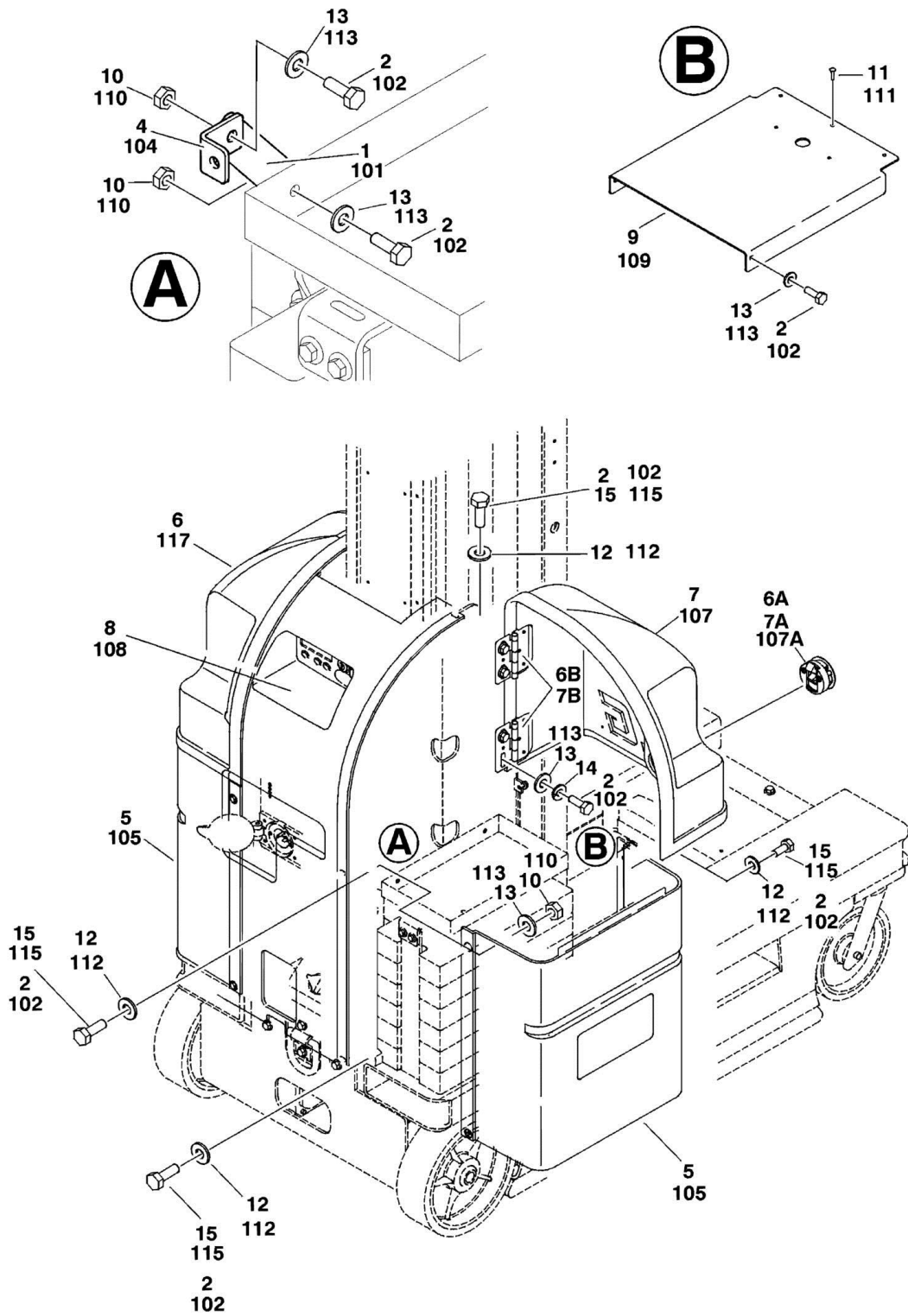


FIGURE 1-5. DRIVE MOTOR ASSEMBLY

ITEM	PART NUMBER	QTY	DESCRIPTION	REV
		Ref	<b>DRIVE MOTOR ASSEMBLY OPTIONS:</b>	
	3160282	Ref	<b>24 Volt (Standard) (Prior to SN 0130006340)</b>	G
	3160312	Ref	<b>24 Volt (Standard) (SN 0130006340 to Present)</b>	A
	3160283	Ref	<b>24 Volt (UPS Spec) (Prior to SN 0130006340)</b>	G
	3160311	Ref	<b>24 Volt (UPS Spec) (SN 0130006340 to Present)</b>	A
1	7018030	1	Boot, Terminal	
1	7018031	1	Housing, Terminal	
1	7018032	2	Terminal, Motor Lead	
1	Not Available	2	Terminal, Brake Lead	
2	7018033	1	Clamp	
3		Ref	Boot Options:	
3	7018034	1	Boot (Prior to SN 0130006340)	
3	7028062	1	Boot (SN 0130006340 to Present)	
4	7018035	1	Clamp	
5	7018001	1	Key	
6	7018009	2	Washer, Wave (Motor p/n 3160282 Only)	
7		Ref	Bearing, Gear and Pinion Assembly Options:	
7	7018040	1	Motor p/n 3160282	
7	7018046	1	Motor p/n 3160283	
8		Ref	Shield Options:	
8	7018041	1	Motor p/n 3160282	
8	7018047	1	Motor p/n 3160283	
9	7018010	1	Washer, Wave	
10		Ref	O-Ring Options:	
10	7018028	1	Motor p/n 3160282	
10	Not Available		Motor p/n 3160283	
11		Ref	Bearing, Gear and Driveshaft Assembly Options:	
11	7018042	1	Motor p/n 3160282	
11	7018048	1	Motor p/n 3160283	
12	7018043	1	Housing, Gear (Motor p/n 3160282 Only)	
13	7018000	1	Spring and Brush Kit (Includes (Qty 2 Each) of Brushes, Caps, Springs and Screws)	
13	70003676	1	Ring Assembly with Magnets (Not Shown)	
14	7018036	1	Brake Assembly	
15	7018011	1	Washer, Wave	
15	Not Available	1	Bearing	
16	7018037	2	O-Ring	
17	7018038	1	Ring Assembly	
18	7018039	1	Armature	
19	7018021	1	Key	
20	7018026	1	Seal	
21	70000933	1	Seal	
21	Not Available	1	Bearing	
22	7018045	2	Cap, Brush	
23	0641408	4	Bolt	
24	7018049	1	Bolt (Motor p/n 3160283 Only)	
25	7018050	1	Shield (Motor p/n 3160283 Only)	

# SECTION 1 - BASE

## FIGURE 1-6. COVER INSTALLATION



# SECTION 1 - BASE

## FIGURE 1-6. COVER INSTALLATION

ITEM	PART NUMBER	QTY	DESCRIPTION	REV
		Ref	<b>COVER INSTALLATIONS</b>	
	0271264	Ref	<b>HINGED</b>	E
	0272161	Ref	<b>HINGED LOCKABLE</b>	C
	0272276	Ref	<b>FIXED STANDARD (SN 0130004365 to Present)</b>	C
	0272330	Ref	<b>FIXED/SECURITY LOCK (SN 0130004365 to Present)</b>	A
1	0120006	2	Adjuster, Hood	
2	0641405	AR	Bolt 1/4in-20NC x 5/8in	
3	0641408	2	Bolt 1/4in-20NC x 1in (Not Required On Fixed Cover)	
4		Ref	Bracket, Hood Support Options:	
4	0902737	2	Hinged Cover ( <b>Prior to SN 0130005597</b> )	
4	0902836	2	Hinged Cover ( <b>SN 0130005597 to Present</b> )	
4	0902836	4	Fixed Cover	
5	1671014	2	Cover, Counterweight	
6		Ref	Cover, Left Options:	
6	1671073	1	Fixed	
6	1671015	1	Hinged	
6	1671065	1	Hinged Lockable	
6A	7023493	1	Latch	
6B	2600258	2	Hinge	
7		Ref	Cover, Right Options:	
7	1671074	1	Fixed	
7	1671077	1	Fixed/Security Lock	
7	1671016	1	Hinged	
7	1671066	1	Hinged Lockable	
7A	7023493	1	Latch	
7B	2600258	2	Hinge	
8		Ref	Cover, Ground Station Options:	
8	1671017	1	Hinged	
8	1671072	1	Fixed	
9	1671026	1	Cover, Charger	
10	3311405	AR	Locknut 1/4in-20NC	
11	3820032	3	Rivet	
12	4711400	AR	Flatwasher 1/4in Narrow ( <b>Prior to SN 0130005597</b> )	
13	4751400	AR	Flatwasher 1/4in	
14	4761400	8	Lockwasher 1/4in (Not Required On Fixed Cover)	
15	3900258	18	Button Head Screw 1/4-20NC x 3/4 (Fixed Cover Only)	
		Ref	Kit, Covers Options:	
	2902387	1	Hinged, Covers (Included Items 5 - 8) ( <b>SN 0130006279 to Present</b> )	2
	2902388	1	Hinged Lockable, Covers (Included Items 5 - 8) ( <b>SN 0130006279 to Present</b> )	2
	2902390	1	Fixed Standard Covers (Included Items 5 - 8) ( <b>SN 0130006279 to Present</b> )	2
		Ref	<b>COVER INSTALLATIONS (UL SPEC)</b>	
	0272768	Ref	<b>FIXED STANDARD (SN 0130004987 to Present)</b>	C
	0272785	Ref	<b>FIXED/SECURITY LOCK (SN 0130004987 through 0130005597)</b>	A
101	0120006	2	Adjuster, Hood	
102	0641405	AR	Bolt 1/4in-20NC x 5/8in	
104	0902836	4	Bracket, Hood Support	
105	1671014	2	Cover, Counterweight	

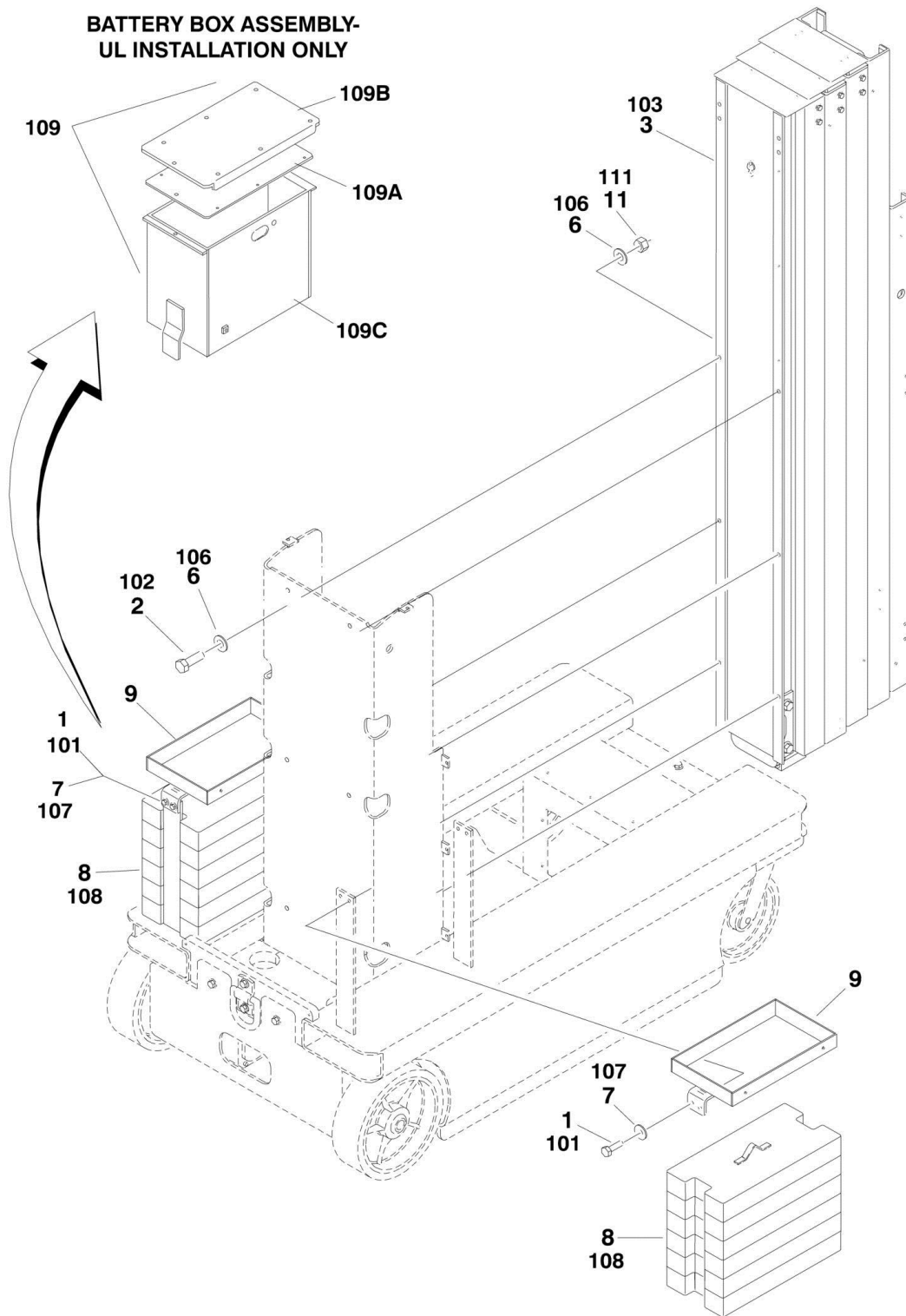
## SECTION 1 - BASE

ITEM	PART NUMBER	QTY	DESCRIPTION	REV
107		Ref	Cover, Right Options:	
107	1671074	1	Fixed	
107	1671077	1	Fixed/Security Lock	
107A	7023493	1	Latch	
108	1671072	1	Cover, Ground Station	
109	1671026	1	Cover, Charger	
110	3311405	AR	Locknut 1/4in-20NC	
111	3820032	3	Rivet	
112	4711400	AR	Flatwasher 1/4in Narrow <b>(Prior to SN 0130005597)</b>	
113	4751400	AR	Flatwasher 1/4in	
115	3900258	18	Button Head Screw 1/4-20NC x 3/4	
116	0641403	AR	Bolt 1/4in-20NC x 3/8in	
117	1671095	1	Cover, Left	
	2902389	1	Kit, Covers - Fixed Standard (Included Items 105, 107, 108 & 117) <b>(SN 0130006279 to Present)</b>	2



# SECTION 1 - BASE

## FIGURE 1-7. MAST AND BATTERY BOX INSTALLATION



# SECTION 1 - BASE

## FIGURE 1-7. MAST AND BATTERY BOX INSTALLATION

ITEM	PART NUMBER	QTY	DESCRIPTION	REV
		Ref	<b>MAST SUPPORT INSTALLATION</b>	
	0271259	Ref	<b>Mast Support Installation 15DVL/15DVSP</b>	D
	0271260	Ref	<b>Mast Support Installation 20DVL/20DVSP</b>	D
	0273323	Ref	<b>Mast Support Installation 15DVSP (No Lanyard Attach Point)</b>	A
	0273322	Ref	<b>Mast Support Installation 20DVSP (No Lanyard Attach Point)</b>	A
1	0641407	AR	Bolt 1/4in-20NC x 7/8in	
2	0641609	6	Bolt 3/8in-16NC x 1 1/8in	
3		Ref	Mast Assembly (Not Shown - MAST SECTION for Breakdown)	
3	0801308	1	Mast Assembly 15DVL/15DVSP	
3	0801309	1	Mast Assembly 20DVL/20DVSP	
3	0801377	1	Mast Assembly 15DVSP (No Lanyard Attach Point)	
3	0801376	1	Mast Assembly 20DVSP (No Lanyard Attach Point)	
6	4711600	12	Flatwasher 3/8in Narrow	
7	4751400	8	Flatwasher 1/4in Wide	
8	4846445	2	Weldment, Counterweight	
9	4846447	2	Box, Battery	
10	0100019	AR	Loctite #421 (Not Shown)	
11	3311601	6	Nut 3/8in-16NC	
12	0100011	AR	Loctite #242 (Not Shown)	
		Ref	<b>MAST SUPPORT INSTALLATION (UL SPEC) (SN 0130004987 to Present)</b>	
	0272765	Ref	<b>Mast Support Installation 20DVL</b>	A
	0272766	Ref	<b>Mast Support Installation 15DVL/15DVSP</b>	A
	0273325	Ref	<b>Mast Support Installation 15DVSP (No Lanyard Attach Point)</b>	A
101	0641407	AR	Bolt 1/4in-20NC x 7/8in	
102	0641609	6	Bolt 3/8in-16NC x 1 1/8in	
103		Ref	Mast Assembly (Not Shown - MAST SECTION for Breakdown)	
103	0801308	1	Mast Assembly 15DVL/15DVSP	
103	0801309	1	Mast Assembly 20DVL	
103	0801377	1	Mast Assembly 15DVSP (No Lanyard Attach Point)	
104	3311405	2	Lock Nut 1/4-20NC	
106	4711600	12	Flatwasher 3/8in Narrow	
107	4751400	8	Flatwasher 1/4in Wide	
108	4846445	2	Weldment, Counterweight	
109	0272782	2	Battery Box Assembly	
109A	4061055	2	Shield, Battery Lid	
109B	4846782	2	Box Lid	
109C	4846783	2	Battery Box	
110	0100019	AR	Loctite #421 (Not Shown)	
111	3311601	6	Nut 3/8in-16NC	
112	0100011	AR	Loctite #242 (Not Shown)	

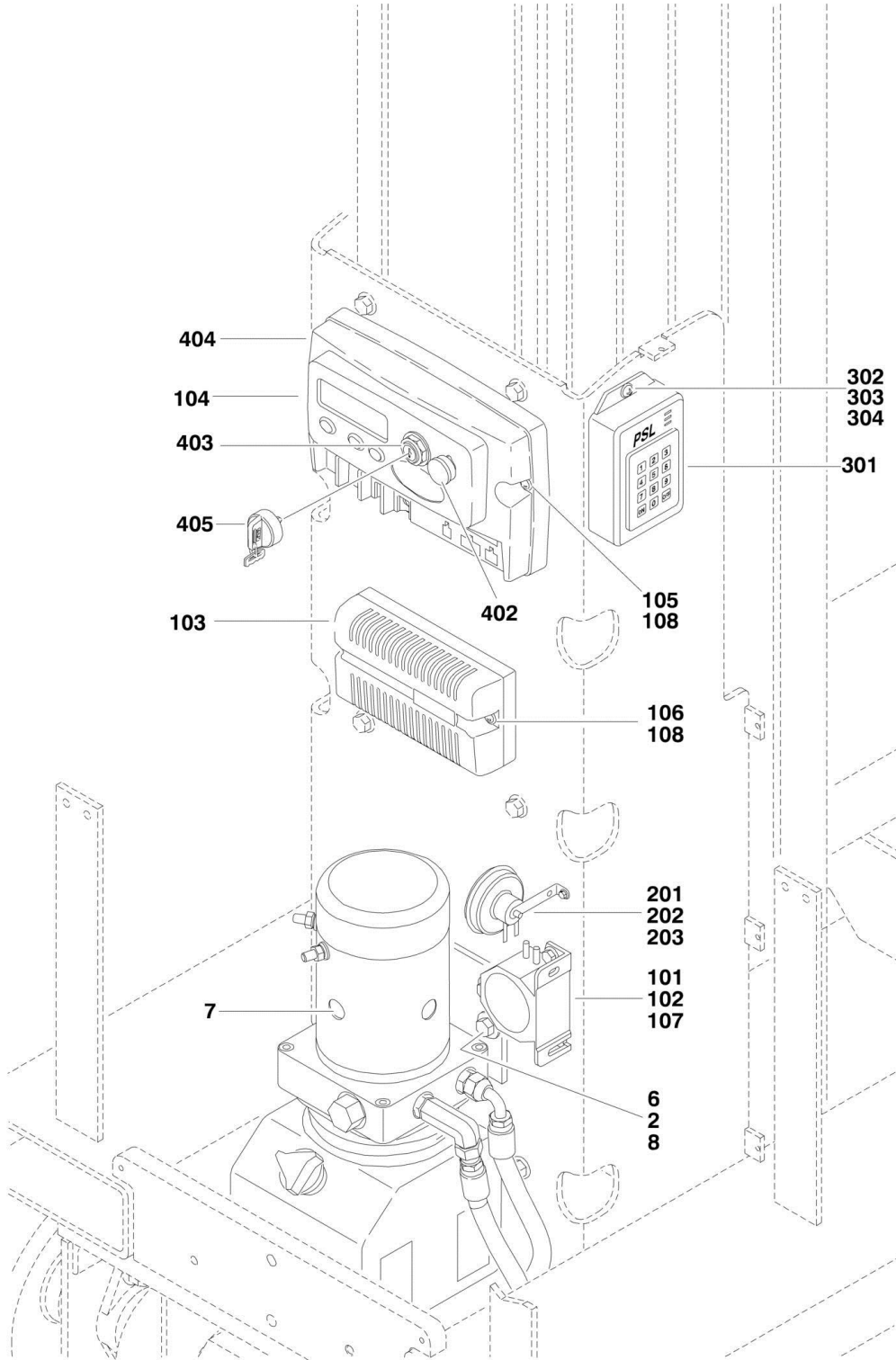




**SECTION 2 - CONTROLS**

# SECTION 2 - CONTROLS

## FIGURE 2-1. PUMP/MOTOR/GROUND CONTROL/HORN INSTALLATIONS



## SECTION 2 - CONTROLS

**FIGURE 2-1. PUMP/MOTOR/GROUND CONTROL/HORN INSTALLATIONS**

ITEM	PART NUMBER	QTY	DESCRIPTION	REV
	0271261	Ref	<b>PUMP/MOTOR INSTALLATION</b>	B
1	0100011	AR	Loctite #242 (Not Shown)	
2	0641606	4	Bolt 3/8in-16NC x 3/4in	
3	0741605	2	Screw, Flathead 3/8in-16NC x 5/8in	
6	3571734	1	Plate, Mounting	
7	3600326	NLA	Pump/Motor Assembly (See PUMP/MOTOR ASSEMBLY - FENNER for Breakdown) (use p/n 3600463)	
7	3600463	1	Pump/Motor Assembly (Service Replacement) (See PUMP/MOTOR ASSEMBLY - MONARCH (SERVICE REPLACEMENT) for Breakdown)	
8	4751600	4	Flatwasher 3/8in	
		Ref	<b>GROUND CONTROL/POWER PACK INSTALLATIONS:</b>	
	0271262	Ref	<b>Ground Control (Standard)</b>	B
	0272273	Ref	<b>Ground Control (Chinese)</b>	C
	0272271	Ref	<b>Ground Control (Japanese)</b>	C
	0271664	Ref	<b>Ground Control (Keyless)</b>	B
	0272272	Ref	<b>Ground Control (Keyless) (Chinese/Japanese)</b>	B
101	0140033	1	Alarm	
102	0641404	2	Bolt 1/4in-20NC x 1/2in	
103		Ref	Module, Traction Options:	
103	1600321	NLA	Module, Traction (use p/n 1600397) <b>(Prior to SN 0130007870)</b>	
103	1600397	1	Module, Traction <b>(SN 0130007870 to Present)</b>	
104		Ref	Module, Ground Control Options: (See Items 401 to 405 for breakdown)	
104	1600322	1	Module with Key (Standard)	
104	1600339	1	Module with Key (Chinese Spec)	
104	1600341	1	Module with Key (Japanese Spec)	
104	1600329	1	Module, Keyless	
104	1600340	1	Module, Keyless (Chinese/Japanese Spec)	
105	3911016	2	Screw #10-24NC	
106	3911020	2	Screw #10-24NC	
107	4711400	4	Flatwasher 1/4in Narrow	
108	4751000	AR	Flatwasher #10	
	0271982	Ref	<b>HORN INSTALLATION</b>	C
201	0140022	1	Horn	
202	0641404	1	Bolt 1/4in-20NC x 1/2in	
203	4711400	1	Flatwasher 1/4in Narrow	
		Ref	<b>PROGRAMMABLE SECURITY LOCK INSTALLATION (OPTIONAL)</b>	
	0271981	Ref	<b>Hinged Cover</b>	B
	0272329	Ref	<b>Fixed Cover</b>	B
301	See Note	1	Lock, Electronic (Note: Purchase p/n 0272181 as pre-wired service replacement)	
302		Ref	Screw Options:	
302	3911008	2	Hinged Cover	
302	3911010	2	Fixed Cover	
303	4751000	AR	Flatwasher #10	
304	3311005	2	Locknut #10-24NC (Fixed Cover Only)	
		Ref	<b>GROUND CONTROL MODULE COMPONENTS OPTIONS:</b>	
	1600322	Ref	Module with Key (Standard)	
	1600339	Ref	Module with Key (Chinese Spec)	

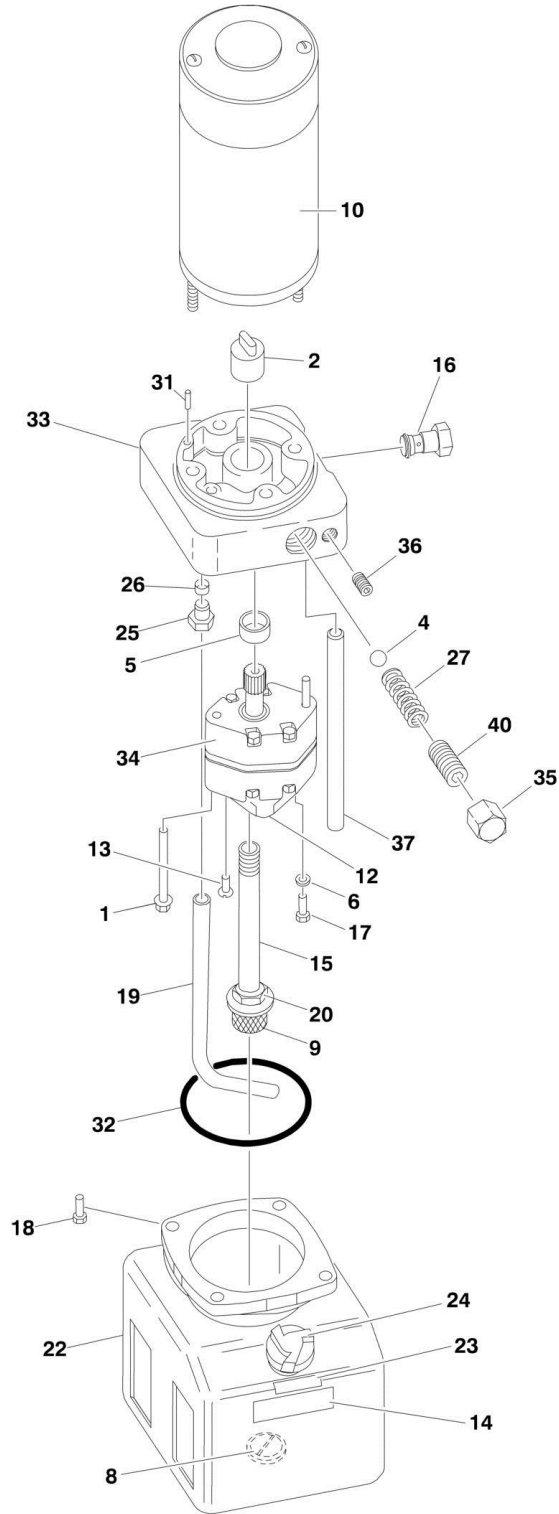
## SECTION 2 - CONTROLS

ITEM	PART NUMBER	QTY	DESCRIPTION	REV
	1600341	Ref	Module with Key (Japanese Spec)	
	1600329	Ref	Module, Keyless	
	1600340	Ref	Module, Keyless (Chinese/Japanese Spec)	
401	70000087	1	Cable, P & G Software Upgrade (Not Shown)	
402	7024428	1	Switch, Emergency Stop	
403		Ref	Switch Options:	
403	7024429	1	Sealed Keyswitch Assembly (Used with Module 1600322 & 1600339)	
403	7024430	1	Selector Switch Assembly (Used with Module 1600329 & 1600340)	
403	7024591	1	Sealed Keyswitch Assembly (Used with Module 1600340)	
404		Ref	Cover Assembly Options:	
404	7024431	1	Cover Assembly w/Keyswitch (Used with Module 1600322 & 1600339)	
404	7024460	1	Cover Assembly (Used with Module 1600329 & 1600340)	
404	7024592	1	Cover Assembly w/Keyswitch (Used with Module 1600341)	
405		Ref	Key Replacement (Set of 2) Options:	
405	2860030	2	Modules - 1600322, 1600339 & 1600341	
405	Not Required	2	Modules - 1600329 & 1600340	



# SECTION 2 - CONTROLS

## FIGURE 2-2. PUMP/MOTOR ASSEMBLY - FENNER



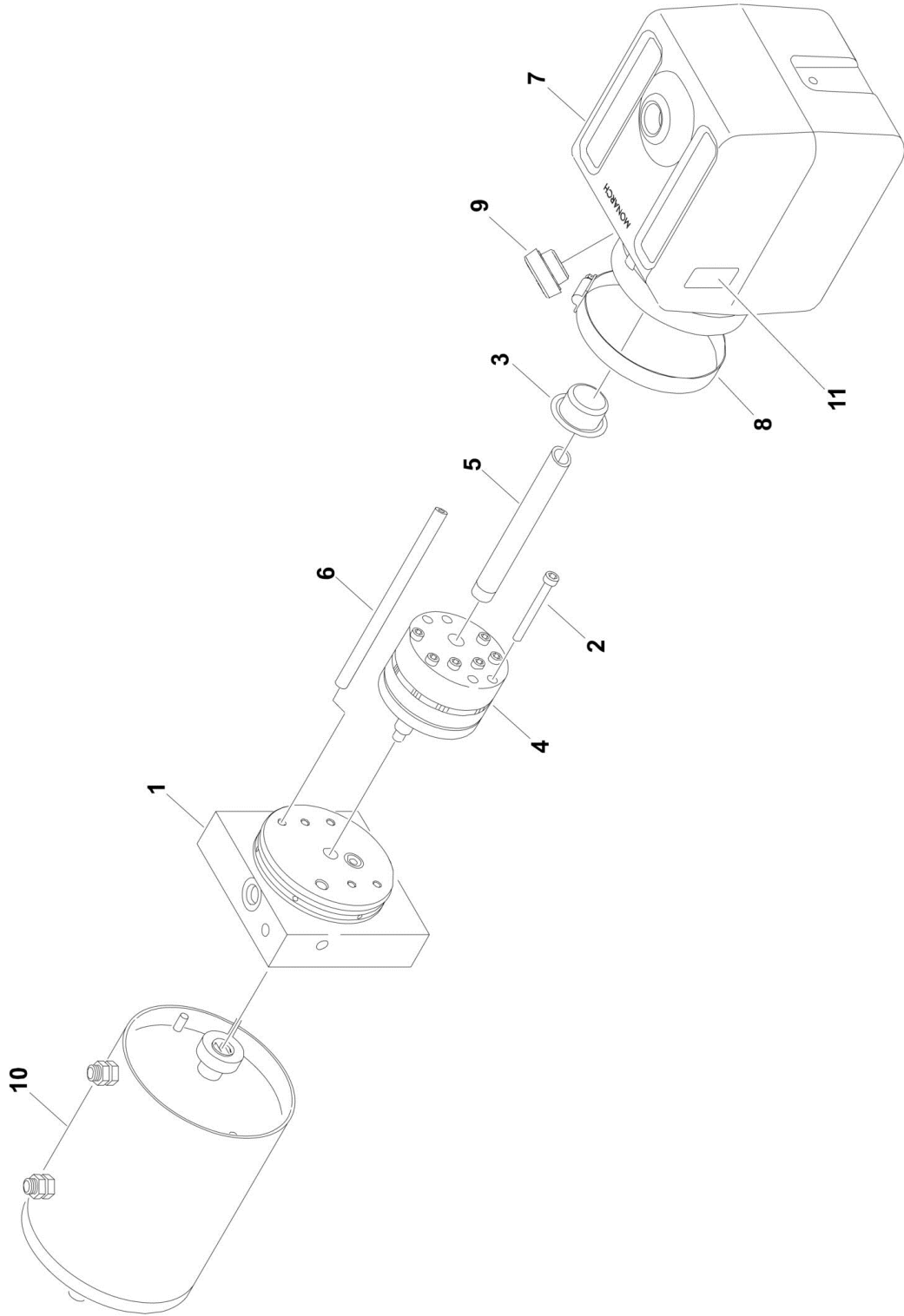
## SECTION 2 - CONTROLS

**FIGURE 2-2. PUMP/MOTOR ASSEMBLY - FENNER**

ITEM	PART NUMBER	QTY	DESCRIPTION	REV
	3600326	Ref	<b>PUMP/MOTOR/TANK ASSEMBLY</b>	F
1	7013713	2	Bolt 5/16in-24NF x 2 3/4in	
2	7016735	1	Coupling	
4	7013715	1	Ball	
5	7013716	1	Seal, Shaft	
6	7013717	1	Washer	
8	7013722	1	Magnet	
9	7013723	1	Filter - 149 Micron	
10	7016710	1	Motor	
10	7016718	1	Brush Kit	
12	7013727	1	Cover	
13	7013728	2	Screw M6 x 1	
14	Not Serviced	1	Nameplate - Serial Number	
15	7016719	1	Pipe, PCV	
16	7013708	1	Valve, Check Cartridge	
17	3931516	1	Bolt, Socket Head 5/16in-18NC x 1in	
18	7016721	4	Bolt #12-24NC x 1/2in	
19	7022210	1	Tube, Return	
20	7016722	1	Nut 3/8in	
22	7016712	1	Tank, Plastic	
23	7016713	1	Decal - Tank Fill Line	
24	7016714	1	Breather	
25	7013792	1	Nut, Compression	
26	7013793	1	Sleeve, Compression	
27	7022211	1	Spring	
31	7013766	1	Pin	
32	7013743	1	O-Ring	
33	7022212	1	Endhead	
34	7016717	1	Pump Assembly	
34	7013701	1	Seal Kit - Pump	
35	7013779	1	Cap	
36	7013720	2	Plug 1/16in	
37	7016724	1	Tube	
40	7013770	1	Valve, Screw Adjustment	

## SECTION 2 - CONTROLS

FIGURE 2-3. PUMP/MOTOR ASSEMBLY - MONARCH (SERVICE REPLACEMENT)





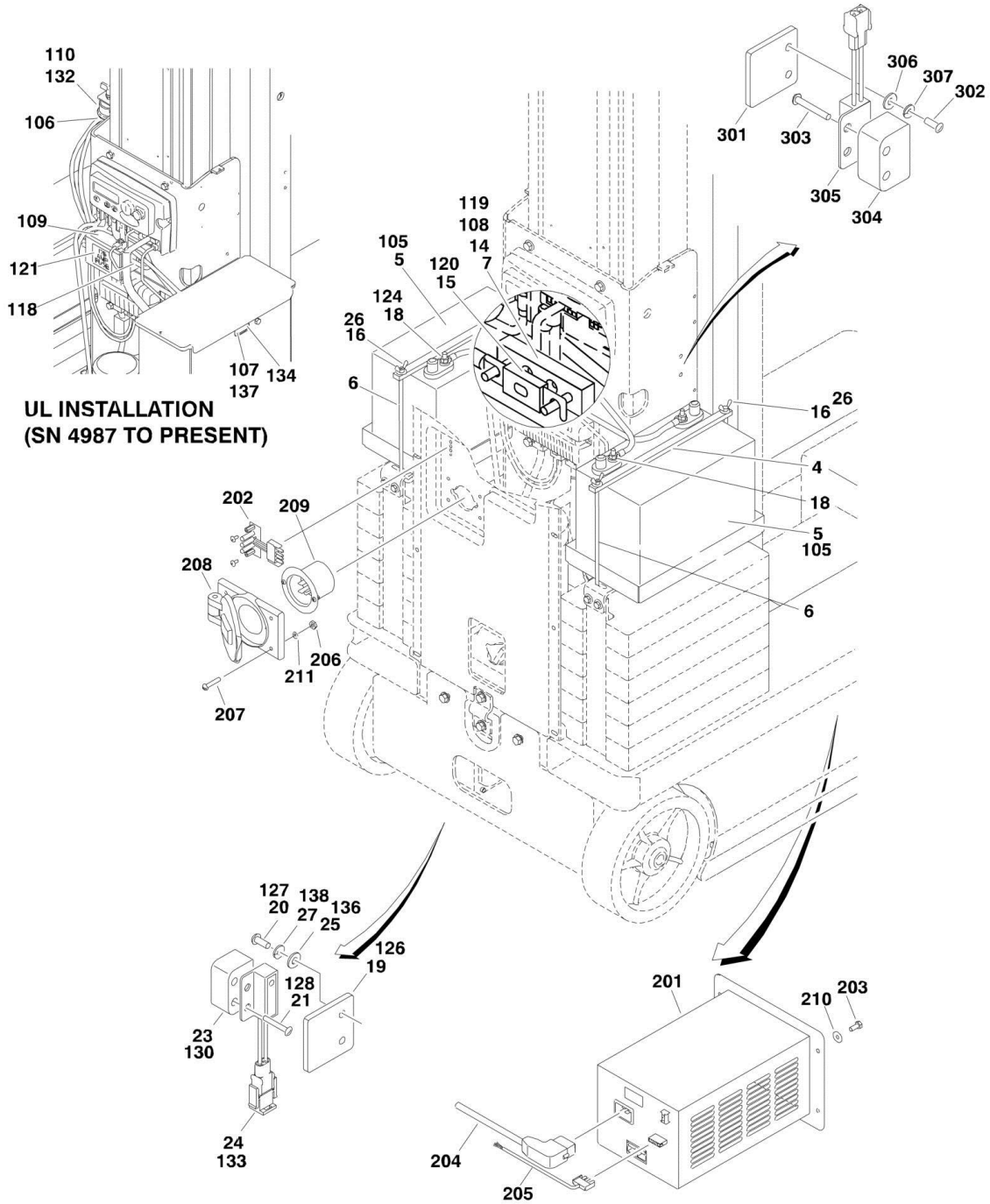
## SECTION 2 - CONTROLS

**FIGURE 2-3. PUMP/MOTOR ASSEMBLY - MONARCH (SERVICE REPLACEMENT)**

ITEM	PART NUMBER	QTY	DESCRIPTION	REV
	3600463	Ref	<b>PUMP/MOTOR ASSEMBLY</b>	A
1	70001019	1	Base Assembly	
2	70001020	4	Capscrew 1/4in-20NC x 2 3/4in	
3	7026165	1	Filter	
4	70001021	1	Pump	
5	70001022	1	Tube, Suction	
6	70001023	1	Tube, Return	
7	70001024	1	Reservoir	
8	7026335	1	Clamp	
9	70001025	1	Plug	
10	70001026	1	Motor	
10	70001028	4	Brushes	
11	70001027	1	Decal - Fill Line	

# SECTION 2 - CONTROLS

## FIGURE 2-4. BATTERIES/CHARGER/SWITCHES INSTALLATION



## SECTION 2 - CONTROLS

### FIGURE 2-4. BATTERIES/CHARGER/SWITCHES INSTALLATION

ITEM	PART NUMBER	QTY	DESCRIPTION	REV
	0271263	Ref	<b>ELECTRICAL COMPONENTS INSTALLATION</b>	E
1	0100035	AR	Loctite #222 (Not Shown)	
4	0362658	2	Bar, Battery Hold-down	
5	0400209	2	Battery	
6	0630552	4	Bolt	
7	0741006	2	Screw, Countersunk #10-24NC x 3/4in	
14	2400044	1	Block, Fuse Mounting	
15	2400069	1	Fuse	
16	3300202	4	Wingnut	
18	3311501	4	Nut 5/16in-18NC	
19	3572511	1	Plate, Proximity Switch Mounting	
20	3900205	2	Screw #10-24NC x 5/8in	
21	3911020	2	Screw #10-24NC x 1 1/4in	
23		Ref	Shim Options:	
23	4071043	1	Shim <b>(Prior to SN 0130004660)</b>	
23	4071058	1	Shim <b>(SN 0130004660 to Present)</b>	
24	4360514	1	Switch, Proximity	
25	4750800	2	Flatwasher #8	
26	4751400	4	Flatwasher 1/4in	
27	4761000	2	Lockwasher #10	
31	4240032	2	Tie, Wire (Not Shown)	
32	3020038	AR	Grease, Contact (Not Shown)	
33	4761500	4	Flatwasher 5/16in (Not Shown)	
	0272767	Ref	<b>ELECTRICAL COMPONENTS INSTALLATION (U/L SPEC) (SN 0130004987 to Present)</b>	D
101	0100035	AR	Loctite #222 (Not Shown)	
103	0100051	AR	Grease, Battery Terminal	
105	0400209	2	Battery	
106	0641406	4	Bolt, 1/4-20NC x 3/4in	
107	0641512	2	Bolt, 5/16-18NC x 1 1/2in	
108	0741006	2	Screw, Countersunk #10-24NC x 3/4in	
109	0861519	1	Box, Fuse (EE)	
110	0902889	1	Bracket, Master Switch (DVL)	
118	1705531	1	Decal, Fuse	
119	2400044	1	Block, Fuse Mounting	
120	2400069	1	Fuse	
121	2540040	2	Grommet, Rubber	
122	3020038	AR	Grease, Contact (Not Shown)	
124	3311501	4	Nut 5/16-18NC	
125	3311505	4	Locknut 5/16-18NC	
126	3572511	1	Plate, Proximity Switch Mounting	
127	3900205	2	Screw #10-24NC x 5/8in	
128	3911020	2	Screw #10-24NC x 1 1/4in	
130	4071058	1	Shim	
131	4240032	2	Tie, Wire (Not Shown)	
132	4360256	1	Switch, Master Disc.	
133	4360514	1	Switch, Proximity	
134	4568013	2	Tube, Battery Hold Down	
135	4711400	4	Flatwasher 1/4in (Not Shown)	
136	4750800	2	Flatwasher #8	

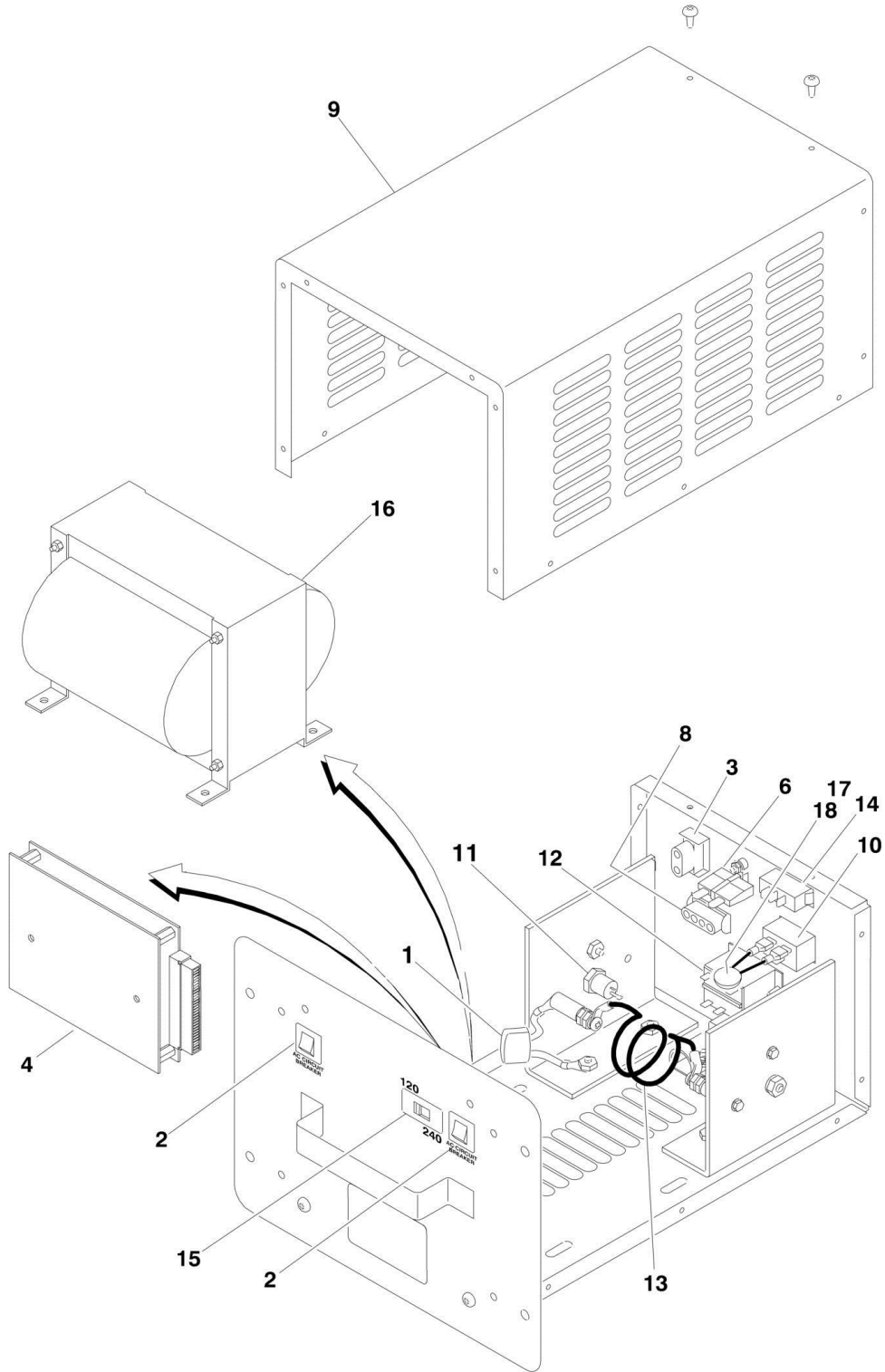
## SECTION 2 - CONTROLS

ITEM	PART NUMBER	QTY	DESCRIPTION	REV
137	4751500	2	Flatwasher 5/16in	
138	4761000	2	Lockwasher #10	
142	4761500	4	Flatwasher 5/16in (Not Shown)	
		Ref	<b>BATTERY CHARGER INSTALLATION</b>	
	0271293	Ref	<b>Charger with USA ANSI Spec Receptacle</b>	C
	0271810	Ref	<b>Charger with Locally Supplied Country Spec Receptacle</b>	C
201	0400208	1	Battery Charger Assembly (See BATTERY CHARGER ASSEMBLY for Breakdown)	
202	0610131	1	LED Board	
203	0641405	4	Bolt 1/4in-20NC x 5/8in	
204	1060949	1	Harness	
205	1060753	1	Harness, LED Board	
206	3311001	4	Nut #10-24NC	
207	3911016	4	Screw #10-24NC x 1in	
208	4460802	1	Cover, Terminal	
209		Ref	Receptacle and Boot	
209	4460803	1	USA ANSI Spec Receptacle	
209	Not Available	0	Locally Supplied Country Spec Receptacle	
210	4751400	4	Flatwasher 1/4in	
211	4761000	4	Lockwasher #10	
	0271962	Ref	<b>12FT LIMITER SWITCH INSTALLATION (15DVSP OPTION)</b>	B
301	3572511	1	Plate, Proximity Switch Mounting	
302	3900205	2	Screw #10-24NC x 5/8in	
303	3911020	2	Screw #10-24NC x 1 1/4in	
304		Ref	Shim Options:	
304	4071043	1	Shim <b>(Prior to SN 0130004670)</b>	
304	4071058	1	Shim <b>(SN 0130004670 to Present)</b>	
305	4360515	1	Switch, Proximity	
306	4750800	2	Flatwasher #8	
307	4761000	2	Lockwasher #10	



# SECTION 2 - CONTROLS

## FIGURE 2-5. BATTERY CHARGER ASSEMBLY



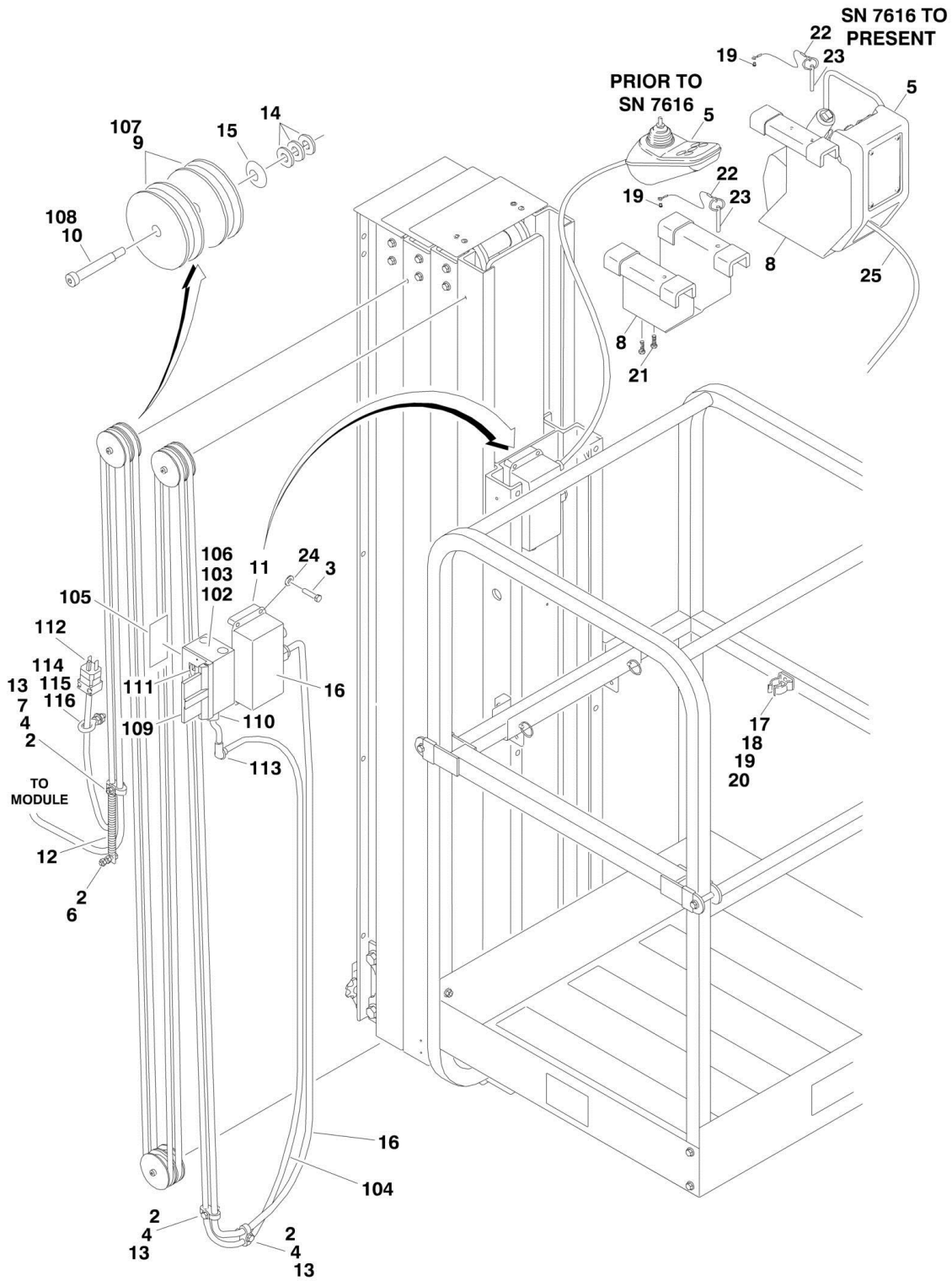
## SECTION 2 - CONTROLS

### FIGURE 2-5. BATTERY CHARGER ASSEMBLY

ITEM	PART NUMBER	QTY	DESCRIPTION	REV
	0400208	Ref	<b>BATTERY CHARGER ASSEMBLY</b>	D
1	7018577	2	Capacitor	
2	7018514	2	Breaker, Circuit - AC	
3	7011621	1	Connector - 2 Position	
4	7022926	1	Circuit, Control	
4	7022918	1	DC Harness Assembly	
5	7022942	1	Fuse Assembly (Not Shown) <b>(SN 0130004468 to Present)</b>	
6	7018570	1	Fuse 80 Amp	
7	7022919	1	Harness, SCR (Not Shown)	
8	7022920	1	Harness with 4 Position Connector	
9	7022921	1	Cover, Case	
10		Ref	Plug, AC Options:	
10	7020648	1	Plug, AC <b>(Prior to SN 0130004468)</b>	
10	7022943	1	Plug, AC <b>(SN 0130004468 to Present)</b>	
11	7020673	1	Rectifier, SCR	
12	7018564	1	Relay (Black)	
13		Ref	Shunt Assembly Options:	
13	7020651	1	Shunt Assembly <b>(Prior to SN 0130004468)</b>	
13	7020674	1	Shunt Assembly <b>(SN 0130004468 to Present)</b>	
14	7022922	1	Switch, 10 Amp Slide	
15	7018586	1	Switch, 12 Amp Slide	
16	7022923	1	Transformer	
17		Ref	Varistor Assembly Options:	
17	7018537	1	Varistor Assembly <b>(Prior to SN 0130004468)</b>	
17	7018589	1	Varistor Assembly <b>(SN 0130004468 to Present)</b>	
18	7020663	2	Varistor	

# SECTION 2 - CONTROLS

## FIGURE 2-6. PLATFORM CABLE AND CONTROLS INSTALLATION





## SECTION 2 - CONTROLS

**FIGURE 2-6. PLATFORM CABLE AND CONTROLS INSTALLATION**

ITEM	PART NUMBER	QTY	DESCRIPTION	REV
		Ref	<b>PLATFORM CONTROLS AND CABLES INSTALLATIONS</b>	
	0271663	Ref	<b>Platform Controls and Cables Installations 15DVSP/20DVSP</b>	K
	0271273	Ref	<b>Platform Controls and Cables Installations 15DVL/20DVL</b>	L
1	0100011	AR	Loctite #242 (Not Shown)	
2	0641412	4	Bolt 1/4in-20NC x 1 1/2in	
3		Ref	Screw Options:	
3	0741008	4	Screw, Countersunk #10-24NC x 1in ( <b>Prior to SN 0130004257</b> )	
3	3930816	4	Screw #8-32NC x 1in ( <b>SN 0130004257 through 0130004364</b> )	
3	3931016	4	Screw #10-24NC x 1in ( <b>SN 0130004365 to Present</b> )	
4	1320149	3	Clamp, Hose	
5		Ref	Controller Assembly Options:	
5	1600323	1	Controller Assembly (See CONTROLLER ASSEMBLY for Breakdown) ( <b>Prior to SN 0130007616</b> )	
5	0861693	1	Controller Assembly (See CONTROLLER ASSEMBLY for Breakdown) ( <b>SN 0130007616 to Present</b> )	
6	3311401	1	Nut 1/4in-20NC	
7	3311405	2	Locknut 1/4in-20NC	
8		Ref	Bracket, Joystick Options:	
8	3570680	1	Bracket, Joystick ( <b>Prior to SN 0130004173</b> )	
8	3573546	1	Bracket, Joystick ( <b>SN 0130004173 through 0130007616</b> )	
9		Ref	Pulley, Sheave Options:	
9	3580305	AR	Pulley, Sheave ( <b>Prior to SN 0130007127</b> )	
9	3580344	AR	Pulley, Sheave ( <b>SN 0130007127 to Present</b> )	
9		Ref	Pulley, Sheave 15DVSP/20DVSP	
9		Ref	Pulley, Sheave 15DVL/20DVL	
10		Ref	Screw, Shoulder Options:	
10		Ref	Screw, Shoulder 15DVSP without Accessory Receptacle Options: (See Item 108 for 15DVSP with Accessory Receptacle)	
10	3900315	3	Screw, Shoulder ( <b>Prior to SN 0130007127</b> )	
10	3900264	3	Screw, Shoulder ( <b>SN 0130007127 through 0130007615</b> )	
10	3900373	3	Screw, Shoulder ( <b>SN 0130007616 to Present</b> )	
10	3900264	3	Screw, Shoulder 15DVL/20DVL	
11	4071032	2	Shim	
12	4160130	1	Spring, Extension	
13	4711400	4	Flatwasher 1/4in Narrow	
14	4751000	16	Flatwasher #10	
15	4751500	3	Flatwasher 5/16in	
16		Ref	Harness, Platform Control Options (See ELECTRICAL SECTION for Breakdown):	
16	4922559	1	Harness, Platform Control 15DVSP/20DVSP	
16	4922563	1	Harness, Platform Control 15DVL/20DVL ( <b>Prior to SN 0130005561</b> )	
16	4922559	1	Harness, Platform Control 15DVL/20DVL ( <b>SN 0130005561 to Present</b> )	
17	1320043	2	Clamp, Cable	
18	1380132	2	Clip, Gripper	
19	3820024	AR	Rivet, Pop	
20	4740120	2	Washer, Nylon	
21	0700507	2	Screw, Metric ( <b>Prior to SN 0130007616</b> )	
22	1060380	1	Cable, Lanyard ( <b>SN 0130004173 to Present</b> )	

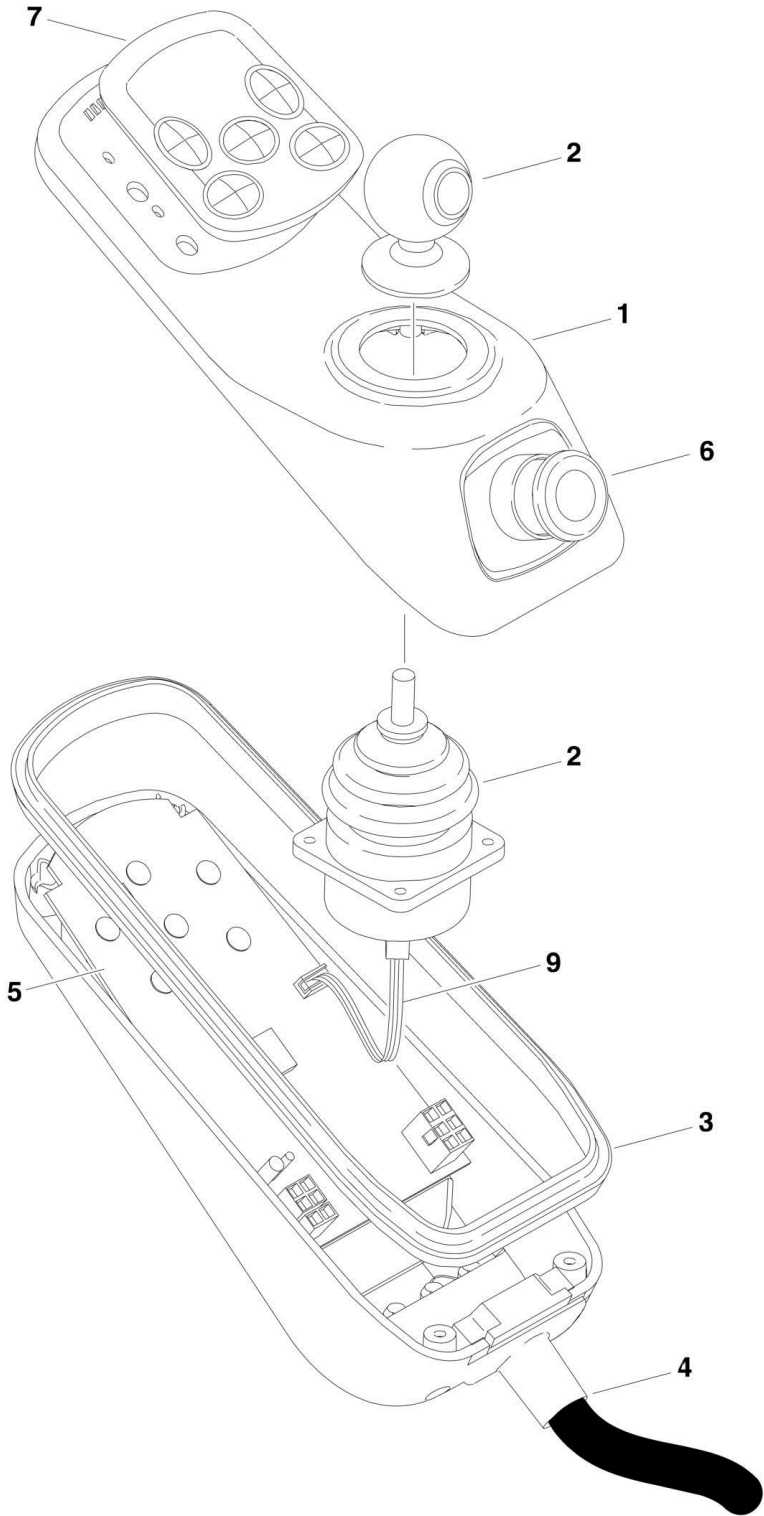
## SECTION 2 - CONTROLS

ITEM	PART NUMBER	QTY	DESCRIPTION	REV
23	3422657	1	Pin, Quick Release (SN 0130004173 to Present)	
24	4750800	4	Flatwasher #8 (Wide) (SN 0130004257 through 0130004365)	
25	4923316	1	Harness, Platform Control (SN 0130007616 to Present)	
		Ref	<b>ACCESSORY OUTLET INSTALLATION</b>	
	0271295	Ref	<b>110V/120V (DVL)</b>	B
	0271792	Ref	<b>110V/120V (DVSP)</b>	C
	0271296	Ref	<b>220V/240V (DVL)</b>	B
	0271793	Ref	<b>220V/240V (DVSP)</b>	C
	0272769	Ref	<b>110V/120V (DVL) (UL INSTALLATION) (SN 0130004987 to Present)</b>	A
	0272770	Ref	<b>110V/120V (DVSP) (UL INSTALLATION) (SN 0130004987 to Present)</b>	C
101	0100035	AR	Loctite #222 (Not Shown)	
102	0721006	2	Screw, Countersunk Hex #10-24NC x 3/4in	
103	0860946	1	Box, Receptacle	
104	1060948	AR	Cable, Electrical - 12/3	
105		Ref	Decal Options:	
105	3252761	2	120V	
105	3252760	2	220V - 240V	
106	3311001	2	Nut #10-24	
107		Ref	Pulley, Sheave Options:	
107	3580305	3	Pulley, Sheave 15DVSP (Prior to SN 0130007127)	
107	Not Required	0	Pulley, Sheave 20DVL	
108		Ref	Screw, Shoulder Options:	
108	3900264	3	Screw, Shoulder 15DVSP with Accessory Receptacle (Prior to SN 0130007127)	
108	Not Required	0	Screw, Shoulder 20DVL	
109		Ref	Cover, Receptacle Options:	
109	4060700	1	Cover, Receptacle 120V	
109	4060092	1	Cover, Receptacle 240V	
110	4460023	1	Connector, Strain Relief	
111		Ref	Receptacle, Female Options:	
111	4460346	1	Receptacle, Female 120V	
111	4460347	1	Receptacle, Female 120V / 15DVSP (UL Installation) (SN 0130004987 to Present)	
111	4460125	1	Receptacle, Female 240V	
112		Ref	Plug, Male Options:	
112	4460549	1	Plug, Male 120V	
112	4460205	1	Plug, Male 240V	
113	4460566	1	Connector, 90	
114	0630440	1	Bolt, Eye 1/4-20NC (SN 0130004094 to Present)	
115	3311405	1	Locknut 1/4-20NC (SN 0130004094 to Present)	
116	4711400	1	Flatwasher 1/4 (Narrow) (SN 0130004094 to Present)	



**SECTION 2 - CONTROLS**

**FIGURE 2-7. CONTROLLER ASSEMBLY (Prior to SN 0130007616)**



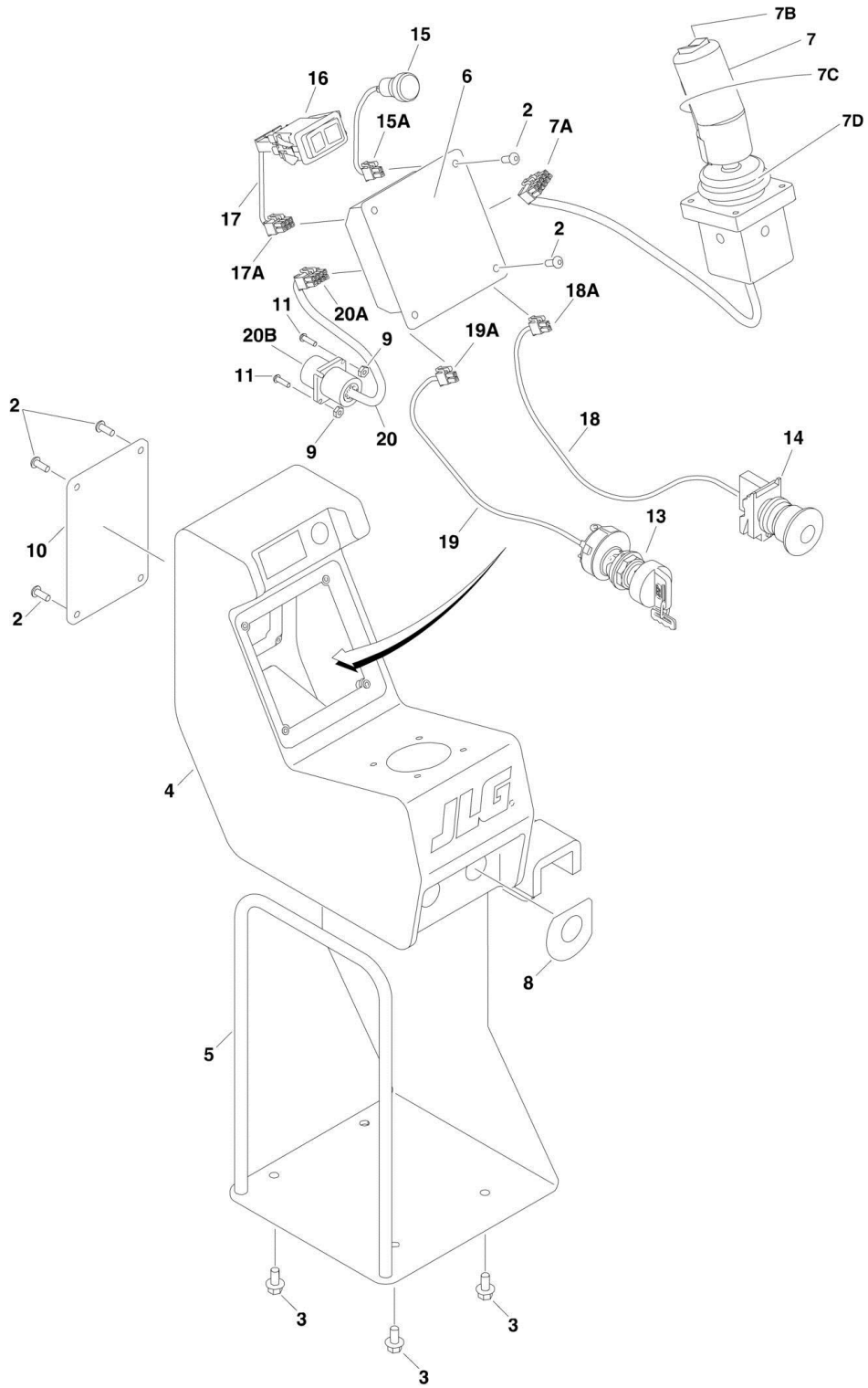
## SECTION 2 - CONTROLS

**FIGURE 2-7. CONTROLLER ASSEMBLY (Prior to SN 0130007616)**

ITEM	PART NUMBER	QTY	DESCRIPTION	REV
	1600323	Ref	<b>CONTROLLER ASSEMBLY</b>	A
1	7024575	1	Case, Top (Includes Items 3 & 7)	
2	7024424	1	"Eyeball" Joystick Assembly	
3	7024425	1	Gasket	
4	7024427	1	Joystick Pigtail Cable	
5	7024426	1	Joystick PCB Assembly	
6	7024422	1	Emergency Stop Switch Assembly	
7	7024423	1	Silicone Button Keypad	
8	7024361	1	Joystick Calibration Key (Not Shown)	
9	7027302	1	Harness	
10	70000928	4	Screw (Not Shown - Holds case together)	

# SECTION 2 - CONTROLS

## FIGURE 2-8. CONTROLLER ASSEMBLY (SN 0130007616 to Present)



## SECTION 2 - CONTROLS

**FIGURE 2-8. CONTROLLER ASSEMBLY (SN 0130007616 to Present)**

ITEM	PART NUMBER	QTY	DESCRIPTION	REV
	0861693	Ref	<b>CONTROLLER ASSEMBLY</b>	C
1	0100011	AR	Loctite #242 (Not Shown)	
2	0630464	8	Screw #10-24NC x 1/2in	
3	0791404	4	Bolt 1/4in-20NC x 1/2in	
4	0861767	1	Box, Control	
5	0903205	1	Bracket, Control Box	
6	1600378	1	Controller	
6	70003805	1	Decal - Directional Overlay	
7		Ref	Controller, Joystick Options:	
7	1600379	NLA	Controller, Joystick (Use p/n 1600454)	
7	1600454	1	Controller, Joystick <b>(SN 0130008068 to Present)</b>	
7A	250201	1	Connector - 10 Position	
7A	4461023	9	Socket, Female	
7B	7027764	1	Boot, Rubber (Steer Switch)	
7B	7027365	1	Actuator, Handle	
7B	70000082	2	Microswitch	
7B	7027366	1	Microswitch Harness (1600379 Controller Only)	
7B	70000684	2	Screw	
7B	70000686	2	Screw	
7B	70000683	4	Washer, Neoprene	
7B	70000685	2	Spacer	
7C	7027367	1	Switch, Push button	
7C	7027765	1	Lever, Enable	
7D		Ref	Boot, Rubber (Base of Controller) Options:	
7D	70000012	1	1600379 Controller	
7D	70000682	1	1600454 Controller	
7D	7027766	1	Ring, Retaining	
8	1706007	1	Decal - E-Stop	
9	3310601	4	Nut #6-32NC	
10	3380540	1	Panel, Control Box	
11	3910608	4	Screw #6-32NC x 1/2in	
12	3910804	2	Screw #8-32NC x 1/4in	
13	4360467	1	Switch, Key	
13	2860030	1	Key, Replacement (Set of 2)	
14	4360562	1	Switch, Emergency Stop	
15	4360567	1	Switch, Horn (Includes Harness)	
15A	Not Available	1	Connector - 2 Position (Molex MiniFit Jr. P/N 39-01-3022)	
15A	4461023	2	Socket, Female	
16	4360581	1	Switch, Rocker	
17	4923106	1	Harness, Drive and Lift Select	
17A	250200	1	Connector - 6 Position	
17A	4461023	3	Socket, Female	
18	4923107	1	Harness, Emergency Stop	
18A	Not Available	1	Connector - 2 Position (Molex MiniFit Jr. P/N 39-01-3022)	
18A	4461023	2	Socket, Female	
19	4923108	1	Harness, Key Switch	
19A	Not Available	1	Connector - 2 Position (Molex MiniFit Jr. P/N 39-01-3022)	
19A	4461023	2	Socket, Female	
19A	4923315	1	Harness, Power	
20	4461041	1	Connector - 8 Position	

## SECTION 2 - CONTROLS

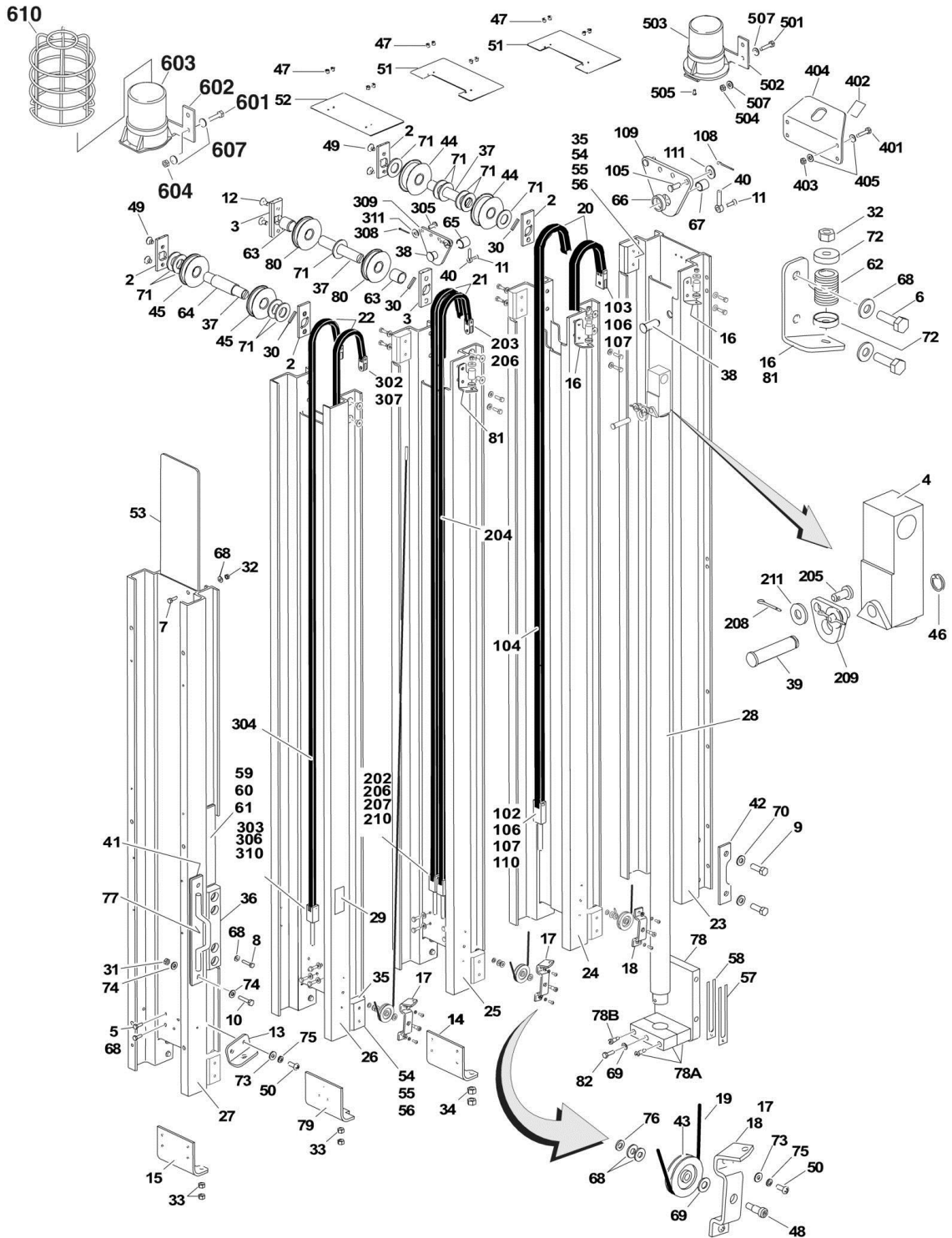
ITEM	PART NUMBER	QTY	DESCRIPTION	REV
20A	4461023	6	Socket, Female	
20A	70001798	1	Connector, Female - 9 Position (Clipper CL1M2102)	
20B	70001799	6	Pin, Male (Clipper CM16PC10MQ)	



**SECTION 3 - MAST**

# SECTION 3 - MAST

## FIGURE 3-1. MAST ASSEMBLY



# SECTION 3 - MAST

## FIGURE 3-1. MAST ASSEMBLY

ITEM	PART NUMBER	QTY	DESCRIPTION	REV
		Ref	<b>MAST ASSEMBLY</b>	
	0801308	Ref	<b>Mast Assembly 15DVL/15DVSP</b>	H
	0801309	Ref	<b>Mast Assembly 20DVL/20DVSP</b>	H
	0801377	Ref	<b>Mast Assembly 15DVSP (No Lanyard Attach Point)</b>	A
	0801376	Ref	<b>Mast Assembly 20DVSP (No Lanyard Attach Point)</b>	A
1	0100011	AR	Loctite #242 (Not Shown)	
2	0362735	4	Bar, Sheave Pin Support	
3	0362736	2	Bar, Sheave Pin Support	
4	0561341	1	Block, Chain Anchor	
5	0641406	33	Bolt 1/4in-20NC x 3/4in	
6	0641407	6	Bolt 1/4in-20NC x 7/8in	
7	0641408	3	Bolt 1/4in-20NC x 1in	
8	0641410	8	Bolt 1/4in-20NC x 1 1/4in	
9	0641812	4	Bolt 1/2in-13NC x 1 1/2in	
10		Ref	Bolt 1/2in-13NC x 1 1/2in (Grade 8) Options:	
10	0681812	2	Standard Mast	
10	Not Required	0	Mast with No Lanyard Attach Point	
11	0741006	2	Screw #10-24NC x 3/4in	
12	0741606	4	Screw 3/8in-16NC x 3/4in	
13	0902047	1	Bracket, Sequence Cable	
14	0902422	1	Bracket, Bottom Chain Attach	
15	0902424	1	Bracket, Bottom Chain Attach	
16	0902431	2	Bracket, Sequence Cable	
17	0902445	2	Bracket, Sequence Cable	
18	0902698	1	Bracket, Sequence Cable	
19	1060920	3	Cable, Sequence	
20	1260368	1	Chain Assy - #544 (See Items 101-111 for Breakdown)	
21	1260371	1	Chain Assy - #534 (See Items 201-211 for Breakdown)	
22	1260370	1	Chain Assy - #444 (See Items 301-311 for Breakdown)	
23	1271486	1	Channel, Mast #1	
24	1271487	1	Channel, Mast #2	
25	1271488	1	Channel, Mast #3	
26	1271489	1	Channel, Mast #4	
27		Ref	Channel, Mast Header Options:	
27	1271490	1	Channel, Mast Header 15DVSP/15DVL	
27	1271493	1	Channel, Mast Header 20DVSP/20DVL	
28		Ref	Lift Cylinder Assy Options (See CYLINDER SECTION for Breakdown)	
28		Ref	Lift Cylinder Assy 15DVSP/15DVL	
28	1684143	1	Lift Cylinder Assy ( <b>Prior to SN 0130004516</b> )	
28	1684234	1	Lift Cylinder Assy ( <b>SN 0130004516 to Present</b> )	
28		Ref	Lift Cylinder Assy 20DVSP/20DVL	
28	1684144	1	Lift Cylinder Assy ( <b>Prior to SN 0130004516</b> )	
28	1684233	1	Lift Cylinder Assy ( <b>SN 0130004516 to Present</b> )	
29	1704277	1	Decal - Lanyard Attach	
30	2880310	3	Key	
31		Ref	Nut 1/2in-13NC (Grade 8) Options:	
31	3271805	2	Standard Mast	
31	Not Required	0	Mast with No Lanyard Attach Point	
32	3311401	6	Nut 1/4in-20NC	

## SECTION 3 - MAST

ITEM	PART NUMBER	QTY	DESCRIPTION	REV
33	3311601	8	Nut 3/8in-16 NC	
34	3311801	4	Nut 1/2in-13NC	
35	3340845	14	Pad, Slide Guide	
36	3340858	2	Pad, Slide Guide	
37	3422717	3	Pin, Sheave	
38	3422750	2	Pin, Chain Equalizer	
39	3422752	1	Pin, Chain Equalizer	
40	3422757	2	Pin, Keeper	
41		Ref	Plate, Safety Attach Backing Options:	
41	3539814	1	Standard Mast	
41	Not Required	0	Mast with No Lanyard Attach Point	
42	3570893	1	Plate, Cylinder Mounting	
43	3580269	3	Sheave, Sequence Cable	
44	3580286	2	Sheave Assembly	
44	0440246	2	Bearing (1 Per Assembly)	
45	3580293	2	Sheave Assembly	
45	0440249	2	Bearing (1 Per Assembly)	
46	3760383	1	Ring, Retaining	
47	3820034	12	Rivet	
48	3900187	3	Screw, Shoulder	
49	3900192	8	Screw 3/8in-16NC x 1/2in	
50	3900205	8	Bolt #10-24NC x 5/8in	
51	4060960	2	Shield, Mast Cover	
52	4060961	1	Shield, Mast Cover	
53	4061034	1	Shield	
54	4070860	AR	Shim, Slide Pad	
55	4070861	AR	Shim, Slide Pad	
56	4070862	AR	Shim, Slide Pad	
57	4070970	2	Shim, Cylinder Mount	
58	4070971	4	Shim, Cylinder Mount	
59	4070988	2	Shim, Slide Pad	
60	4070989	2	Shim, Slide Pad	
61	4070990	2	Shim, Slide Pad	
62	4160124	3	Spring	
63	4567489	2	Tube, Spacer	
64	4567492	1	Tube, Spacer	
65	4567749	1	Tube, Spacer	
66	4567750	1	Tube, Spacer	
67	4567751	1	Tube, Spacer	
68	4711400	59	Flatwasher 1/4in Narrow	
69	4711500	4	Flatwasher 5/16in Narrow	
70	4711800	4	Flatwasher 1/2in Narrow	
71	4740007	11	Washer, Thrust	
72	4740414	6	Washer, Cup	
73	4750800	8	Flatwasher #8 Wide	
74		Ref	Flatwasher 1/2in Wide Options:	
74	4751800	4	Standard Mast	
74	Not Required	0	Mast with No Lanyard Attach Point	
75	4761000	8	Lockwasher #10	
76	4761400	3	Lockwasher 1/4in	
77		Ref	Attachment, Safety Options:	

## SECTION 3 - MAST

ITEM	PART NUMBER	QTY	DESCRIPTION	REV
77	4845345	1	Standard Mast	
77	Not Required	0	Mast with No Lanyard Attach Point	
78	4846514	1	Mount, Cylinder	
78A	3572847	1	Mount Assembly	
78B	3900163	2	Screw, Socket Head 3/8in-16NC x 2in	
79	4846481	1	Bracket, Bottom Chain Attach	
80	3580291	2	Sheave Assembly	
80	0440248	2	Bearing (1 Per Assembly)	
81	0902775	1	Bracket, Sequence Cable	
82	0641508	1	Bolt 5/16in-18NC x 1in	
83	3020041	AR	Lube, Dry (Not Shown)	
		Ref	Mast Kit Options (Includes Items 23-27):	
	0271822	1	Mast Kit 15DVL/15DVSP	
	0271821	1	Mast Kit 20DVL/20DVSP	
	1260368	Rev.	<b>CHAIN ASSEMBLY - #544 CHAIN</b>	B
101	0100062	AR	Loctite #RC/640 (Not Shown)	
102	0561308	2	Block, Chain Anchor	
103	0561336	2	Block, Chain Anchor	
104	Purchased Assy	AR	Chain	
105	3422338	2	Pin, Equalizer	
106	3422720	4	Pin, Chain Anchor	
107	3450202	8	Pin, Cotter	
108	3450304	2	Pin, Cotter	
109	3571101	1	Plate, Chain Adjustment	
110	4300129	2	Stud	
111	4751500	2	Flatwasher 5/16in	
	1260371	Rev.	<b>CHAIN ASSEMBLY - #534 CHAIN</b>	A
201	0100062	AR	Loctite #RC/640 (Not Shown)	
202	0561309	2	Block, Chain Anchor	
203	0561337	2	Block, Chain Anchor	
204	Purchased Assy	AR	Chain	
205	3422338	2	Pin, Equalizer	
206	3422722	4	Pin, Chain Anchor	
207	3450202	4	Pin, Cotter	
208	3450304	2	Pin, Cotter	
209	3571103	1	Plate, Chain Adjustment	
210	4300111	2	Stud	
211	4751500	2	Flatwasher 5/16in	
	1260370	Rev.	<b>CHAIN ASSEMBLY - #444 CHAIN</b>	B
301	0100062	AR	Loctite #RC/640 (Not Shown)	
302	0561149	2	Block, Chain Anchor	
303	0561408	2	Block, Chain Anchor	
304	Purchased Assy	AR	Chain	
305	3422338	2	Pin, Equalizer	
306	3422346	2	Pin, Grooved	
307	3422355	2	Pin	
308	3450304	2	Pin, Cotter	
309	3571101	1	Plate, Chain Adjustment	
310	4300111	2	Stud	
311	4751500	2	Flatwasher 5/16in	
	0271297	Ref	<b>CRANE HOOK INSTALLATION (OPTIONAL)</b>	A

## SECTION 3 - MAST

ITEM	PART NUMBER	QTY	DESCRIPTION	REV
401	0641612	4	Bolt 3/8in-16NC x 1 1/2in	
402	1703455	1	Decal - Crane Hook	
403	3311605	4	Locknut 3/8in-16NC	
404	3570976	1	Plate, Crane Hook	
405	4711600	8	Flatwasher 3/8inNarrow	
	0271947	Ref	<b>BEACON LIGHT INSTALLATION (OPTIONAL)</b>	B
501	0641607	2	Bolt 3/8in-16NC x 7/8in	
502	0902297	1	Bracket	
503	2920156	1	Light, Beacon	
503	Not Available	1	Bulb, Replacement	
504	3311605	2	Locknut 3/8in-16NC	
505	3820032	2	Rivet	
506	4240032	3	Tie-Strap	
507	4711600	4	Flatwasher 3/8inNarrow	
	0272771	Ref	<b>UL BEACON LIGHT INSTALLATION (OPTIONAL) (SN 0130004987 to Present)</b>	A
601	0641607	2	Bolt 3/8in-16NC x 7/8in	
602	0902297	1	Bracket	
603	2920160	1	Light, Beacon	
603	Not Available	1	Bulb, Replacement	
604	3311605	2	Locknut 3/8in-16NC	
606	4240032	3	Tie-Strap	
607	4711600	4	Flatwasher 3/8inNarrow	
608	0721006	2	Screw #10-24NC x 3/4in (Not Shown)	
609	3311005	2	Locknut #10-24NC (Not Shown)	
610	4060865	1	Guard, Strobe	
611	4751000	2	Flatwasher (Not Shown)	

**SECTION 4 - PLATFORM**





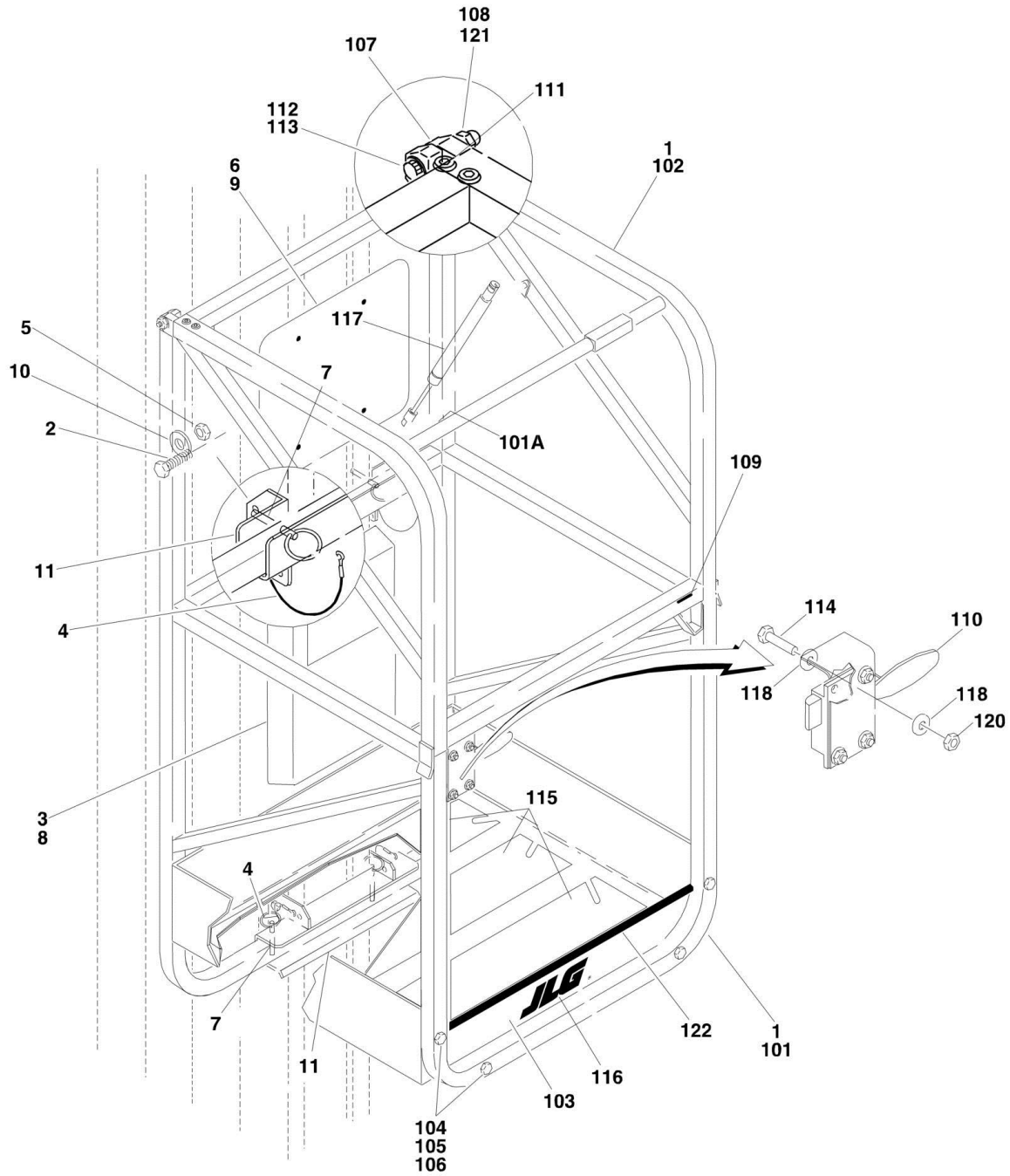
## SECTION 4 - PLATFORM

**FIGURE 4-1. PLATFORM WITH FRONT SLIDE BAR ENTRY (15DVL/20DVL)**

ITEM	PART NUMBER	QTY	DESCRIPTION	REV
		Ref	<b>PLATFORM INSTALLATION OPTIONS:</b>	
	0271266	Ref	<b>Platform Installation 20DVL with 26in x 26in (66cm x 66cm)</b>	B
1	0257711	1	Platform Assembly (See Items 101-113 for Breakdown)	
2	0641408	8	Bolt 1/4in-20NC x 1in	
3	0860520	1	Box, Manual Storage	
4	1060380	4	Cable, Lanyard	
5	3311405	8	Locknut 1/4in-20NC	
6	3380466	1	Panel, Control	
7	3422657	4	Pin, Quick Release	
8	3820024	4	Rivet	
9	3820032	4	Rivet	
10	4711400	16	Flatwasher 1/4in Narrow	
11	4846021	2	Weldment, Platform Mount	
	0257711	Ref	<b>PLATFORM ASSEMBLY</b>	6-D
		Ref	<b>(Note: Mast Mounted Lower Anchor Point (4845345) installation is required should a Quick Change Platform be installed in place of the standard Platform)</b>	
		Ref	<b>Note: Replacement Decals Must be Ordered Separately - See DECALS SECTION.</b>	
101	4845577	1	Rail	
102	4845797	1	Weldment, Gate	
103	3570435	1	Plate, Platform Pan	
104	0641414	8	Bolt 1/4in-20NC x 1 3/4in	
105	4711400	20	Flatwasher 1/4in (Narrow)	
106	3311405	10	Locknut 1/4in-20NC	
107	0641418	2	Bolt 1/4in-20NC x 2 1/4in	
108	0961845	2	Bushing	
109	4280296	1.5 ft/0.5m	Tape	
110	3520169	2	Cap-Plug	
111	4420039	6 ft/1.8m	Tape, Non Skid	
112		Ref	Decal - JLG Options:	
112	1701612	3	Decal - JLG <b>(Prior to SN 0130005035)</b>	
112	1703681	3	Decal - JLG <b>(SN 0130005035 to Present)</b>	
113	4060803	2 ft/0.60m	Shield, Flex-Trim	

# SECTION 4 - PLATFORM

## FIGURE 4-2. PLATFORM WITH GULLWING GATE (15DVL/20DVL)



## SECTION 4 - PLATFORM

**FIGURE 4-2. PLATFORM WITH GULLWING GATE (15DVL/20DVL)**

ITEM	PART NUMBER	QTY	DESCRIPTION	REV
		Ref	<b>PLATFORM INSTALLATION OPTIONS:</b>	
	0271268	Ref	<b>Platform Installation 20DVL with 25in x 22in (63.5cm x 56cm)</b>	B
	0271267	Ref	<b>Platform Installation 20DVL with 26in x 28in (66cm x 71cm)</b>	B
1		Ref	Platform Assembly (See Items 101-122 for Breakdown)	
1	0258587	1	Platform Assembly 25in X 22in (63.5cm x 56cm)	
1	0258588	1	Platform Assembly 26in X 28in (66cm x 71cm)	
2	0641408	8	Bolt 1/4in-20NC x 1in	
3	0860520	1	Box, Manual Storage	
4	1060380	4	Cable, Lanyard	
5	3311405	8	Locknut 1/4in-20NC	
6	3380466	1	Panel, Control	
7	3422657	4	Pin, Quick Release	
8	3820024	4	Rivet	
9	3820032	4	Rivet	
10	4711400	16	Flatwasher 1/4in Narrow	
11	4846021	2	Weldment, Platform Mount	
		Ref	<b>PLATFORM ASSEMBLY</b>	
	0258587	Ref	<b>25in X 22in (63.5cm x 56cm)</b>	4-D
	0258588	Ref	<b>26in X 28in (66cm x 71cm)</b>	5-D
		Ref	<b>(Note: Mast Mounted Lower Anchor Point (4845345) installation is required should a Quick Change Platform be installed in place of the standard Platform)</b>	
		Ref	<b>Note: Replacement Decals Must be Ordered Separately - See DECALS SECTION.</b>	
101		Ref	Weldment, Platform Rail Options:	
101	4845809	1	25in X 22in (63.5cm x 56cm)	
101	4845808	1	26in X 28in (66cm x 71cm)	
101A	0902877	1	Bracket, Gas Shock Mount	
102		Ref	Weldment, Gullwing Gate Options:	
102	4845805	1	25in X 22in (63.5cm x 56cm)	
102	4845813	1	26in X 28in (66cm x 71cm)	
103		Ref	Plate, Platform Pan Options:	
103	3570464	1	25in X 22in (63.5cm x 56cm)	
103	3570462	1	26in X 28in (66cm x 71cm)	
104	0641414	8	Bolt 1/4in-20NC x 1 3/4in	
105	4711400	16	Flatwasher 1/4in (Narrow)	
106	3311405	8	Locknut 1/4in-20NC	
107	2600225	4	Hinge, Gate	
108	3311505	2	Locknut 5/16in-18NC	
109	3520072	4	Cap-Plug	
110	2940074	1	Latch	
111	3900258	8	Screw, Button Head 1/4in-20NC x 3/4in	
112	3900032	2	Bolt, Shoulder	
113	4711600	AR	Flatwasher 3/8in (Narrow)	
114	0721006	4	Bolt 1/4in-20NC x 3/4in	
115	4420039	AR	Tape, Non Skid	
116		Ref	Decal - JLG Options:	
116	1701612	3	Decal - JLG (Prior to SN 0130005035)	
116	1703681	3	Decal - JLG (SN 0130005035 to Present)	
117	4160165	1	Spring, Gas Shock	

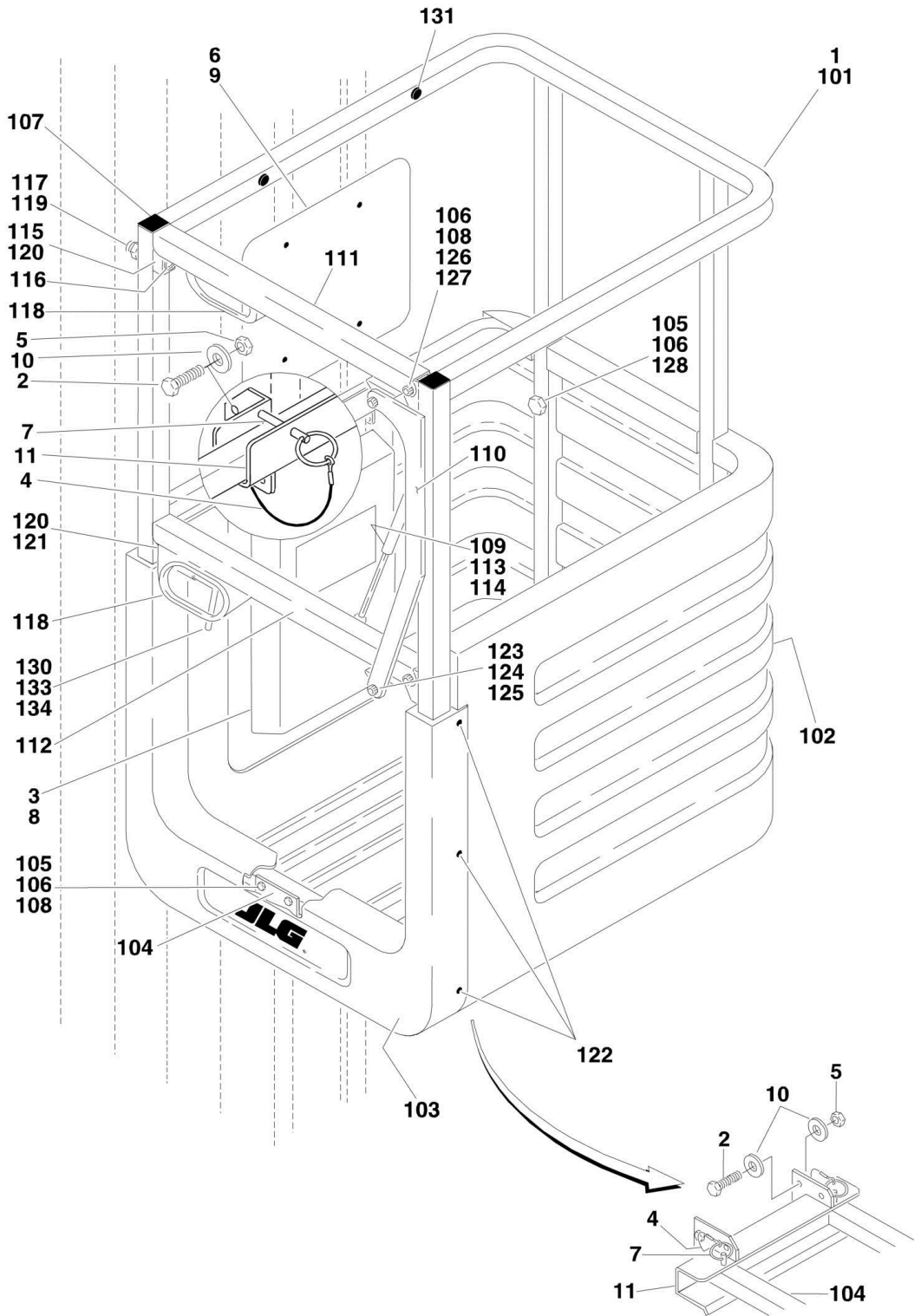
## SECTION 4 - PLATFORM

ITEM	PART NUMBER	QTY	DESCRIPTION	REV
118	4751000	8	Flatwasher #10	
120	3311005	4	Locknut #10-24NC	
121	3300356	2	Nut, Acorn 5/16in-18NC	
122	4060803	AR	Shield, Flex-Trim	



# SECTION 4 - PLATFORM

## FIGURE 4-3. PLATFORM WITH MOLDED SIDES (DVL AND DVSP)



## SECTION 4 - PLATFORM

**FIGURE 4-3. PLATFORM WITH MOLDED SIDES (DVL AND DVSP)**

ITEM	PART NUMBER	QTY	DESCRIPTION	REV
		Ref	<b>PLATFORM INSTALLATION OPTIONS:</b>	
	0271269	Ref	<b>25in x 26in (63.5cm x 66cm)</b>	B
1	0258672	1	Platform Assembly (See Items 101-134 for Breakdown)	
2	0641408	8	Bolt 1/4in-20NC x 1in	
3	0860520	1	Box, Manual Storage	
4	1060380	4	Cable, Lanyard	
5	3311405	8	Locknut 1/4in-20NC	
6	3380466	1	Panel, Control	
7	3422657	4	Pin, Quick Release	
8	3820024	4	Rivet	
9	3820032	4	Rivet	
10	4711400	16	Flatwasher 1/4in Narrow	
11	4845821	2	Weldment, Platform Mount	
	0258672	Ref	<b>PLATFORM ASSEMBLY</b>	3-B
		Ref	<b>(Note: Mast Mounted Lower Anchor Point (4845345) installation is required should a Quick Change Platform be installed in place of the standard Platform)</b>	
		Ref	<b>Note: Replacement Decals Must be Ordered Separately - See DECALS SECTION.</b>	
101	4845822	1	Rail	
102	3510676	1	Basket	
103	4060882	1	Cover	
104	4845831	1	Weldment, Bottom Mount	
105	0641416	10	Bolt 1/4in-20NC x 2in	
106	4751400	22	Flatwasher 1/4in	
107	3520072	4	Cap	
108	3311405	12	Locknut 1/4in-20NC	
109	4160125	1	Spring, Gas	
110	0362347	1	Link, Gate	
111	3640924	1	Rail, Gate (Top)	
112	3640990	1	Rail, Gate (Bottom)	
113	4711500	1	Flatwasher 5/16in	
114	3311505	1	Locknut 5/16in-18NC	
115	3340746	1	Pad, Gate Rest	
116	3911032	4	Screw, Machine #10-24NC x 2in	
117	4751000	8	Flatwasher #10	
118	4060804	2 ft/0.6m	Flex-Trim	
119	3311001	4	Nut #10-24NC	
120	4070890	2	Shim, Gate Stop	
121	3340754	1	Pad, Gate Latch	
122	3900177	6	Screw, Plastite	
123	3900202	2	Bolt, Shoulder	
124	4740429	4	Washer, Nylon	
125	3311005	2	Locknut #10-24NC	
126	3900203	2	Bolt, Shoulder	
127	4740428	4	Washer, Nylon	
128	3300151	2	Nut, Acorn 1/4in-20NC	
129	0100011	AR	Loctite #242 (Not Shown)	
130	2940082	1	Latch, Gate	
131	3520028	5	Plug	

## SECTION 4 - PLATFORM

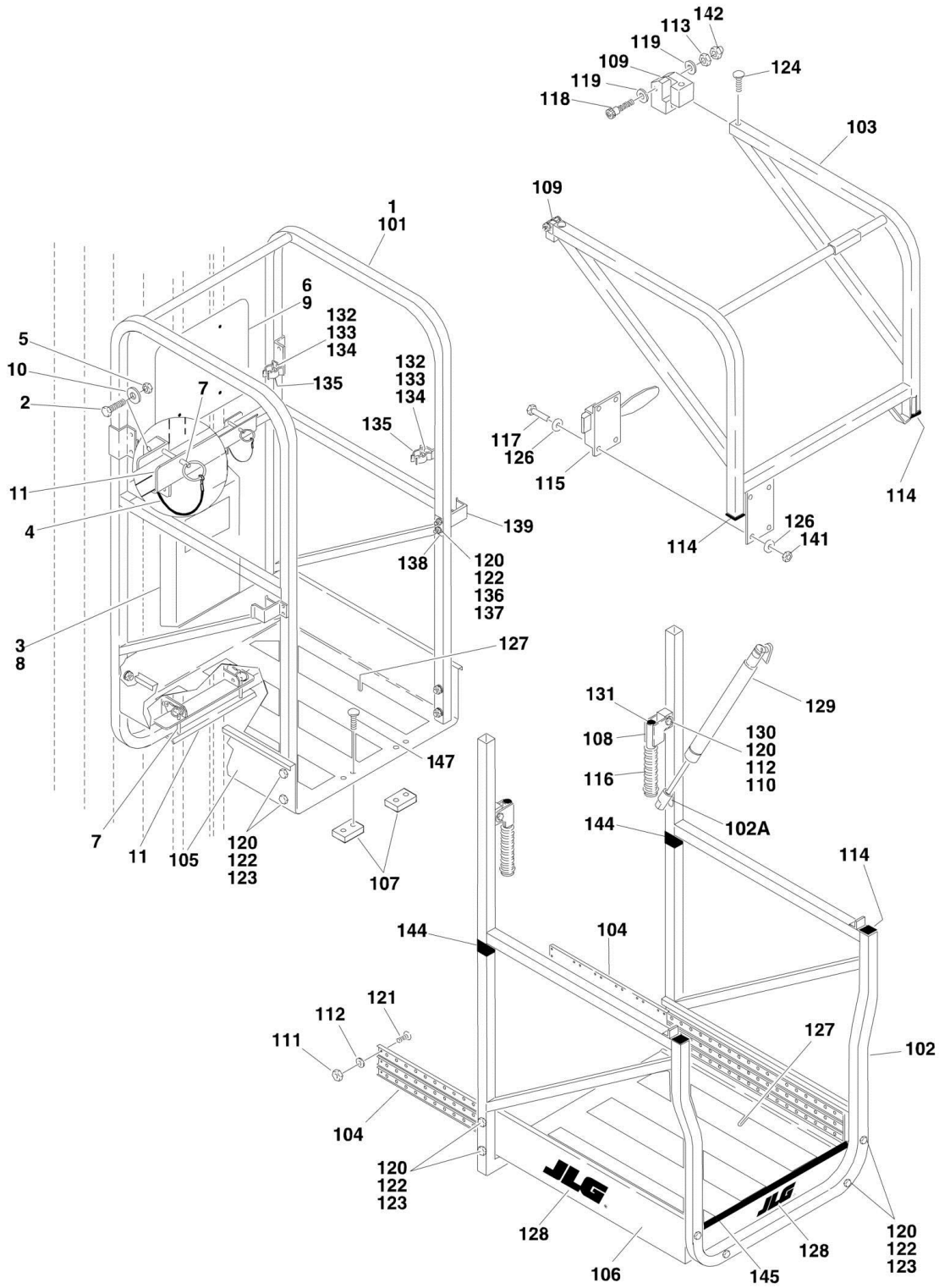
ITEM	PART NUMBER	QTY	DESCRIPTION	REV
133	3820024	2	Rivet	
134	4070894	1	Shim, Gate Latch	





# SECTION 4 - PLATFORM

## FIGURE 4-4. PLATFORM WITH ROLLING EXTENSION (DVL AND DVSP)



## SECTION 4 - PLATFORM

**FIGURE 4-4. PLATFORM WITH ROLLING EXTENSION (DVL AND DVSP)**

ITEM	PART NUMBER	QTY	DESCRIPTION	REV
		Ref	<b>PLATFORM INSTALLATION OPTIONS:</b>	
	0271270	Ref	<b>26in x 50in (66cm x 127cm)</b>	B
1	0258586	1	Platform Assembly (See Items 101-147 for Breakdown)	
2	0641408	8	Bolt 1/4in-20NC x 1in	
3	0860520	1	Box, Manual Storage	
4	1060380	4	Cable, Lanyard	
5	3311405	8	Locknut 1/4in-20NC	
6	3380466	1	Panel, Control	
7	3422657	4	Pin, Quick Release	
8	3820024	4	Rivet	
9	3820032	4	Rivet	
10	4711400	16	Flatwasher 1/4in Narrow	
11	4846021	2	Weldment, Platform Mount	
	0258586	Ref	<b>PLATFORM ASSEMBLY</b>	7-G
		Ref	<b>(Note: Mast Mounted Lower Anchor Point (4845345) installation is required should a Quick Change Platform be installed in place of the standard Platform)</b>	
		Ref	<b>Note: Replacement Decals Must be Ordered Separately - See DECALS SECTION.</b>	
101	4845810	1	Weldment, Platform Rail (Stationary)	
102	4845811	1	Weldment, Platform Rail (Extension)	
102A	0902877	1	Bracket, Gas Shock Mount	
103	4845812	1	Weldment, Gate	
104	2020005	1 Pair	Glides, Extension	
105	3570362	1	Pan, Floor (Stationary)	
106	3570274	1	Pan, Floor (Extension)	
107	3340829	2	Pad, Slide	
108	4845614	2	Handle	
109	2600225	4	Hinge, Gate	
110	3900200	2	Bolt, Shoulder	
111	3311005	64	Locknut #10-24NC	
112	4751000	66	Flatwasher #10	
113	3311505	2	Locknut 5/16in-18NC	
114	3520072	4	Cap-Plug	
115	2940074	1	Latch	
116	2560154	2	Grip, Handle	
117	0721006	4	Bolt #10-24NC x 3/4in	
118	3900032	2	Bolt, Shoulder	
119	4711600	AR	Flatwasher 3/8in (Narrow)	
120	3311405	22	Locknut 1/4in-20NC	
121	3900252	64	Screw, Button Head 1/4in-20NC	
122	4711400	40	Flatwasher 1/4in (Narrow)	
123	0641414	16	Bolt 1/4in-20NC x 1 3/4in	
124	3900258	8	Screw, Button Head 1/4in-20NC x 3/4in	
125	0100011	AR	Loctite #242 (Not Shown)	
126	4751000	8	Flatwasher #10	
127	4420039	11 ft/3.4m	Tape, Non Skid	
128	1703681	3	Decal - JLG	
129	4160165	1	Spring, Gas Shock	
130	4711500	4	Flatwasher 5/16in (Narrow)	

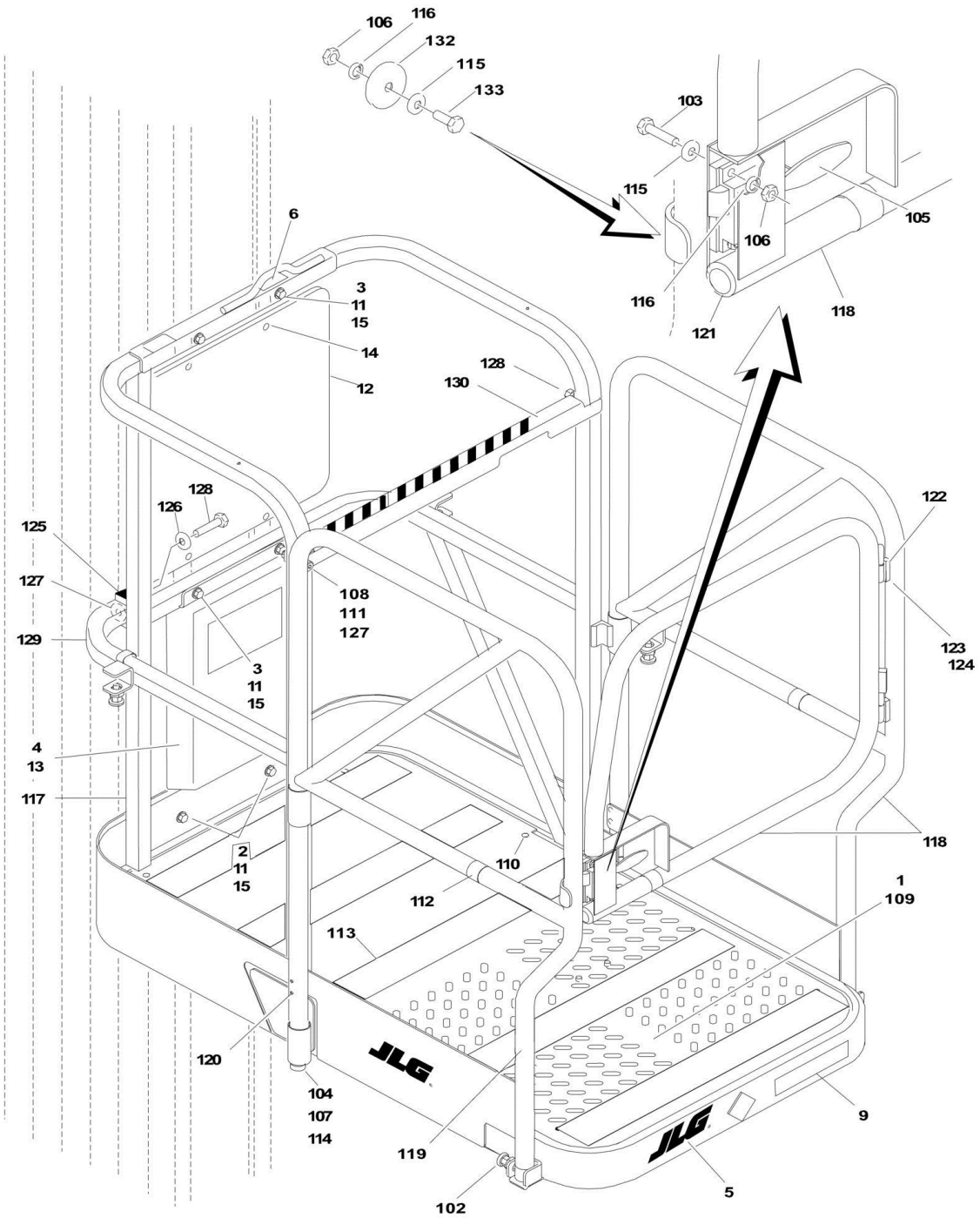
## SECTION 4 - PLATFORM

ITEM	PART NUMBER	QTY	DESCRIPTION	REV
131	3520030	2	Plug, Hole	
132	0720805	4	Screw #8-32NC x 5/8in	
133	4750800	8	Flatwasher #8	
134	3310805	4	Locknut #8-32NC	
135	1380132	4	Clip, Gripper	
136	0641416	4	Bolt 1/4in-20NC x 2in	
137	3570653	2	Plate, Shim	
138	3570654	2	Plate, Backing	
139	4845657	2	Weldment, Stop	
141	3311005	4	Locknut #10-24NC	
142	3300356	2	Nut, Acorn 5/16in-18NC	
144	4280296	10	Strip, Wear	
		in/25cm		
145	4060803	4.3	Shield, Flex-Trim	
		ft/1.31m		
147	3900251	4	Screw, Button Head 1/4in-20NC x 3/8in <b>(SN 0130006093 to Present)</b>	



# SECTION 4 - PLATFORM

## FIGURE 4-5. PLATFORM WITH FIXED SIDE RAILS (15DVSP/20DVSP)



## SECTION 4 - PLATFORM

**FIGURE 4-5. PLATFORM WITH FIXED SIDE RAILS (15DVSP/20DVSP)**

ITEM	PART NUMBER	QTY	DESCRIPTION	REV
		Ref	<b>PLATFORM INSTALLATION OPTIONS:</b>	
	0271272	Ref	<b>Platform Installation 15DVSP with 28in x 48in (71cm x 122cm)</b>	D
	0273397	Ref	<b>Platform Installation 20DVSP with 28in x 48in (71cm x 122cm)</b>	A
1	0271936	1	Platform Assembly (See Items 101-133 for Breakdown)	
2	0641616	2	Bolt 3/8-16NC x 2in	
3	0641620	4	Bolt 3/8-16NC x 2 1/2in	
4	0860520	1	Box, Manual Storage	
5	1703681	AR	Decal - JLG	
6	1704277	1	Decal - Lanyard Graphic	
9		Ref	Decal, Model Options:	
9	1705018	1	Decal, Model 15DVSP	
9	1705703	1	Decal, Model 20DVSP	
10	1705060	2	Decal - Axxessor (Not Shown)	
11	3311605	6	Locknut 3/8in-16NC	
12	3380466	1	Panel, Control	
13	3820024	4	Rivet	
14	3820032	4	Rivet	
15	4711600	12	Flatwasher 3/8in Narrow	
	0271936	Ref	<b>PLATFORM ASSEMBLY</b>	H
		Ref	<b>Note: Replacement Decals Must be Ordered Separately - See DECALS SECTION.</b>	
101	0100011	AR	Loctite #242 (Not Shown)	
102	0630572	2	Bolt 5/8in-18NC	
103	0721008	4	Screw	
104	0940049	2	Stopper, Hood	
105	2940074	1	Latch	
106	3311001	5	Nut #10-24NC	
107		Ref	Nut Options:	
107	3311501	4	Nut 5/16in-18NC (Prior to SN 0130006232)	
107	3311502	2	Jam Nut 5/16in-18NC (SN 0130006232 to Present)	
108	3311605	1	Locknut 3/8in-16NC	
109	3571552	1	Pan, Platform Floor	
110	3820032	12	Rivet	
111	3422744	1	Pin, Plunger	
112	4280296	AR	Strip, Wear Options:	
112	4280296	6	Strip, Wear (Prior to SN 0130007616)	
		in/15.3cm		
112	4280296	2 ft/0.7m	Strip, Wear (SN 0130007616 to Present)	
113	4420039	AR	Tape, Non Skid Options:	
113	4420039	8.5	Tape, Non Skid (Prior to SN 0130007616)	
		ft/2.6m		
113	4420039	9.3	Tape, Non Skid (SN 0130007616 to Present)	
		ft/2.86m		
114	4751500	4	Flatwasher 5/16in Wide (Prior to SN 0130006232)	
115	4751000	5	Flatwasher #10 Wide	
116	4761000	5	Lockwasher #10	
117	4846521	1	Platform	
118	4846324	1	Rail	
119	4846325	1	Rail	
120	2080040	4	Fastener, Huck	

## SECTION 4 - PLATFORM

ITEM	PART NUMBER	QTY	DESCRIPTION	REV
121	3520176	1	Plug	
122	0962337	2	Bushing, Hinge	
123	3422866	2	Pin, Hinge	
124	3760448	2	Ring, Snap	
125	3520072	2	Plug, Cap	
126	4711800	2	Flatwasher 1/2in Narrow	
127	4711600	2	Flatwasher 3/8in Narrow	
128	3900270	2	Bolt, Shoulder 1/2in-16NC x 1/2in	
129	4846522	1	Gate	
130	4846536	1	Rail, Top	
131	0100019	AR	Loctite #271 (Not Shown)	
132	3080005	1	Magnet, Gate Hold <b>(SN 0130004332 to Present)</b>	
133	0721004	1	Bolt #10-24NC x 1/2in <b>(SN 0130004332 to Present)</b>	







## SECTION 4 - PLATFORM

**FIGURE 4-6. PLATFORM WITH FOLDING SIDE RAILS (15DVSP/20DVSP)**

ITEM	PART NUMBER	QTY	DESCRIPTION	REV
		Ref	<b>PLATFORM INSTALLATION OPTIONS:</b>	
	0271271	Ref	<b>Platform Installation 15DVSP with 28in x 48in (71cm x 122cm)</b>	D
	0273396	Ref	<b>Platform Installation 20DVSP with 28in x 48in (71cm x 122cm)</b>	A
1	0271823	1	Platform Assembly (See Items 101-132 for Breakdown)	
2	0641616	2	Bolt 3/8in-16NC x 2in	
3	0641620	4	Bolt 3/8in-16NC x 2 1/2in	
4	0860520	1	Box, Manual Storage	
5	1703681	AR	Decal - JLG	
6	1704277	1	Decal - Lanyard Graphic	
9		Ref	Decal, Model Options:	
9	1705018	1	Decal, Model 15DVSP	
9	1705703	1	Decal, Model 20DVSP	
10	1705060	2	Decal - Axxessor (Not Shown)	
11	3311605	6	Locknut 3/8in-16NC	
12	3380466	1	Panel, Control	
13	3820024	4	Rivet	
14	3820032	4	Rivet	
15	4711600	12	Flatwasher 3/8in Narrow	
	0271823	Ref	<b>PLATFORM ASSEMBLY</b>	G
		Ref	<b>Note: Replacement Decals Must be Ordered Separately - See DECALS SECTION.</b>	
101	0100011	AR	Loctite #242 (Not Shown)	
102	0721008	4	Screw	
103	0940049	2	Stopper, Hood	
104	2940074	1	Latch	
105	3311001	5	Nut #10-24NC	
106		Ref	Nut Options:	
106	3311501	4	Nut 5/16in-18NC (Prior to SN 0130006232)	
106	3311502	2	Jam Nut 5/16in-18NC (SN 0130006232 to Present)	
107	3311605	1	Locknut 3/8in-16NC	
108	3422744	6	Pin, Plunger	
109	3571552	1	Plate, Platform Pan	
110	3820032	12	Rivet	
112	4280296	AR	Strip, Wear Options:	
112	4280296	1.75 ft/.53m	Strip, Wear (Prior to SN 0130007616)	
112	4280296	3.7 ft/1.13m	Strip, Wear (SN 0130007616 to Present)	
113	4420039	AR	Tape, Non Skid Options:	
113	4420039	8.5 ft/2.6m	Tape, Non Skid (Prior to SN 0130007616)	
113	4420039	9.3 ft/2.83m	Tape, Non Skid (SN 0130007616 to Present)	
114	4751500	4	Flatwasher 5/16in Wide (Prior to SN 0130006232)	
115	4751000	5	Flatwasher #10 Wide	
116	4761000	5	Lockwasher #10	
117	4846521	1	Platform	
118	4846324	1	Rail	
119	4846325	1	Rail	
120	2080040	4	Fastener, Huck	
121	3520176	1	Plug	

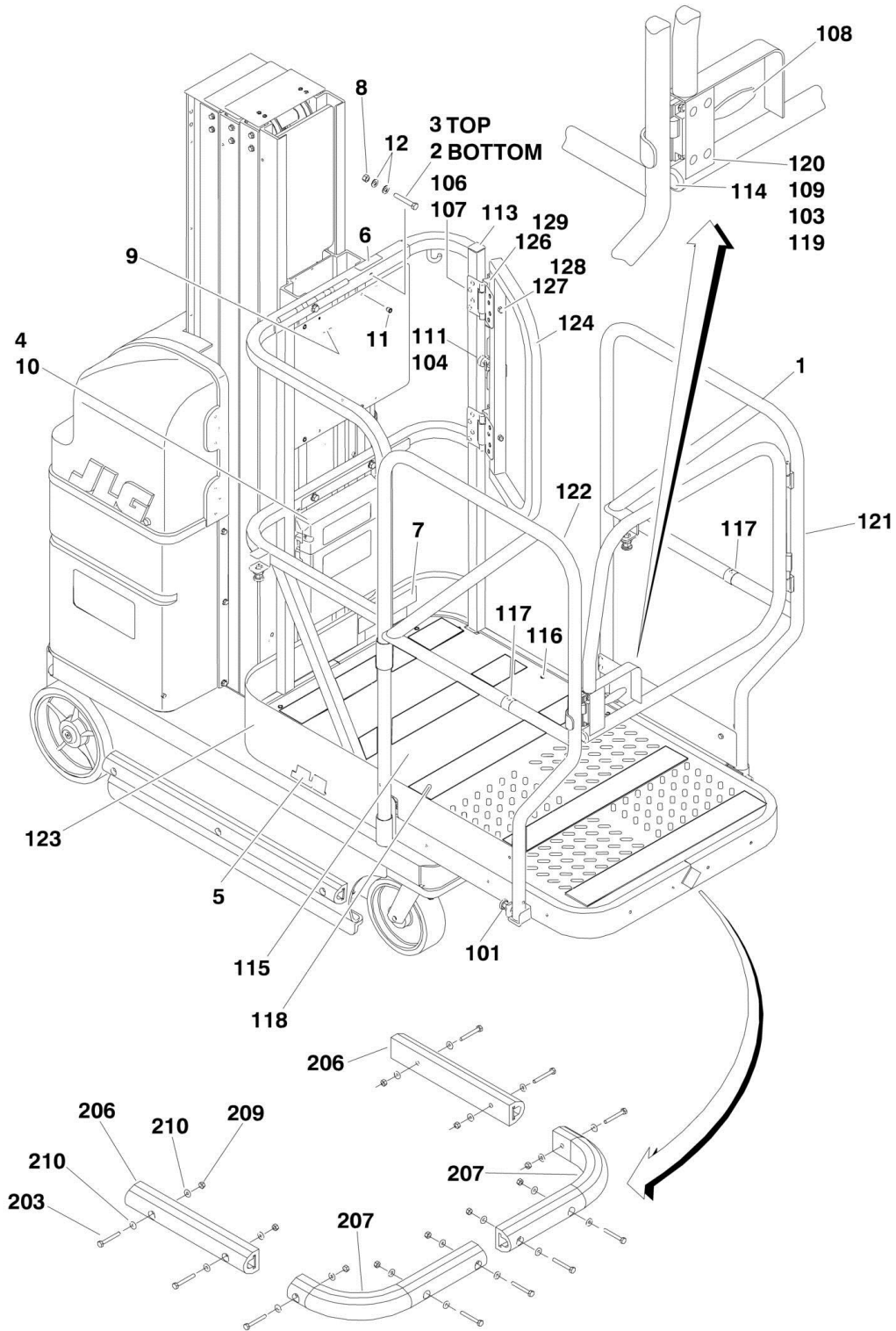
## SECTION 4 - PLATFORM

ITEM	PART NUMBER	QTY	DESCRIPTION	REV
122	0962337	2	Bushing, Hinge	
123	3422866	2	Pin, Hinge	
124	3760448	2	Ring, Snap	
125	3520072	2	Plug, Cap	
126	4711800	2	Flatwasher 1/2in Narrow	
127	4711600	2	Flatwasher 3/8in Narrow	
128	3900270	2	Bolt, Shoulder 1/2in-16NC x 1/2in	
129	4846522	1	Gate	
130	4846536	1	Rail, Top	
131	3080005	1	Magnet, Gate Hold (SN 0130004332 to Present)	
132	0721004	1	Bolt #10-24NC x 1/2in (SN 0130004332 to Present)	
	0272524	Ref	<b>ENTRY GATE LOCK INSTALLATION</b>	B
201	0641418	1	Bolt 1/4in-20NC x 2 1/4in	
202	3311405	1	Locknut 1/4in-20NC	
203	4751400	2	Flatwasher 1/4in	



# SECTION 4 - PLATFORM

## FIGURE 4-7. PLATFORM WITH SIDE ENTRY (15DVSP)



## SECTION 4 - PLATFORM

### FIGURE 4-7. PLATFORM WITH SIDE ENTRY (15DVSP)

ITEM	PART NUMBER	QTY	DESCRIPTION	REV
		Ref	<b>PLATFORM INSTALLATION</b>	
	0272820	Ref	<b>Platform Installation 15DVSP with 28in x 48in (71cm x 122cm)</b>	A
1	0272812	1	Platform Assembly (See Items 101-129 for Breakdown)	
2	0641616	2	Bolt 3/8in-16NC x 2in	
3	0641620	4	Bolt 3/8in-16NC x 2 1/2in	
4	0860520	1	Box, Manual Storage	
5	1703681	2	Decal - JLG	
6	1704277	1	Decal - Lanyard Graphic	
7	1705018	1	Decal - 15DVSP/20DVSP	
8	3311605	6	Locknut 3/8in-16NC	
9	3380468	1	Panel, Control	
10	3820024	4	Rivet	
11	3820032	4	Rivet	
12	4711600	12	Flatwasher 3/8in Narrow	
	0272812	Ref	<b>PLATFORM ASSEMBLY</b>	C
		Ref	<b>(Note: Mast Mounted Lower Anchor Point (4845345) installation is required should a Quick Change Platform be installed in place of the standard Platform)</b>	
		Ref	<b>Note: Replacement Decals Must be Ordered Separately - See DECALS SECTION.</b>	
101	3422744	3	Pin, Plunger	
102	0641404	1	Bolt, 1/4-20NC x 1/2in	
103	0721008	4	Screw	
104	0940104	1	Bumper <b>(Prior to SN 0130006232)</b>	
105	1060808	4	Cable, Lanyard	
106	2080040	21	Fastener	
107	2600281	2	Hinge	
108	2940074	1	Latch	
109	3311001	4	Nut, #10-24NC	
110	3311405	1	Nut, 1/4-20NC	
111	3311501	2	Nut, 5/16-18NC <b>(Prior to SN 0130006232)</b>	
112	3422657	4	Pin, Quick Release	
113	3520072	3	Plug	
114	3520176	1	Plug	
115	3574226	1	Plate, Platform Pan	
116	3820032	12	Rivet	
117	4280296	2	Strip, Wear	
118	4420039	5	Tape, Non Skid	
119	4751000	4	Flatwasher #10 Wide	
120	4761000	4	Lockwasher #10	
121	4846324	1	Gate	
122	4846325	1	Rail	
123	4846803	1	Platform	
124	4846804	1	Door	
125	0100011	AR	Loctite #242 (Not Shown)	
126	4071092	AR	Shim <b>(SN 0130006232 to Present)</b>	
127	3300151	2	Acorn Nut 1/4in-20NC <b>(SN 0130006232 to Present)</b>	
128	0641422	2	Bolt 1/4in-20NC x 2 3/4in <b>(SN 0130006232 to Present)</b>	
129	4220225	2	Stop <b>(SN 0130006232 to Present)</b>	
	0272825	Ref	<b>BUMPERS INSTALLATION</b>	A

## SECTION 4 - PLATFORM

ITEM	PART NUMBER	QTY	DESCRIPTION	REV
201	0100011	AR	Loctite #242	
203	0641416	10	Bolt, 1/4-20 x 2in	
206	0940106	2	Bumper, Platform Side	
207	0940107	2	Bumper, Platform Front	
209	3311401	10	Nut, 1/4-20NC	
210	4711400	26	Flatwasher 1/4in	







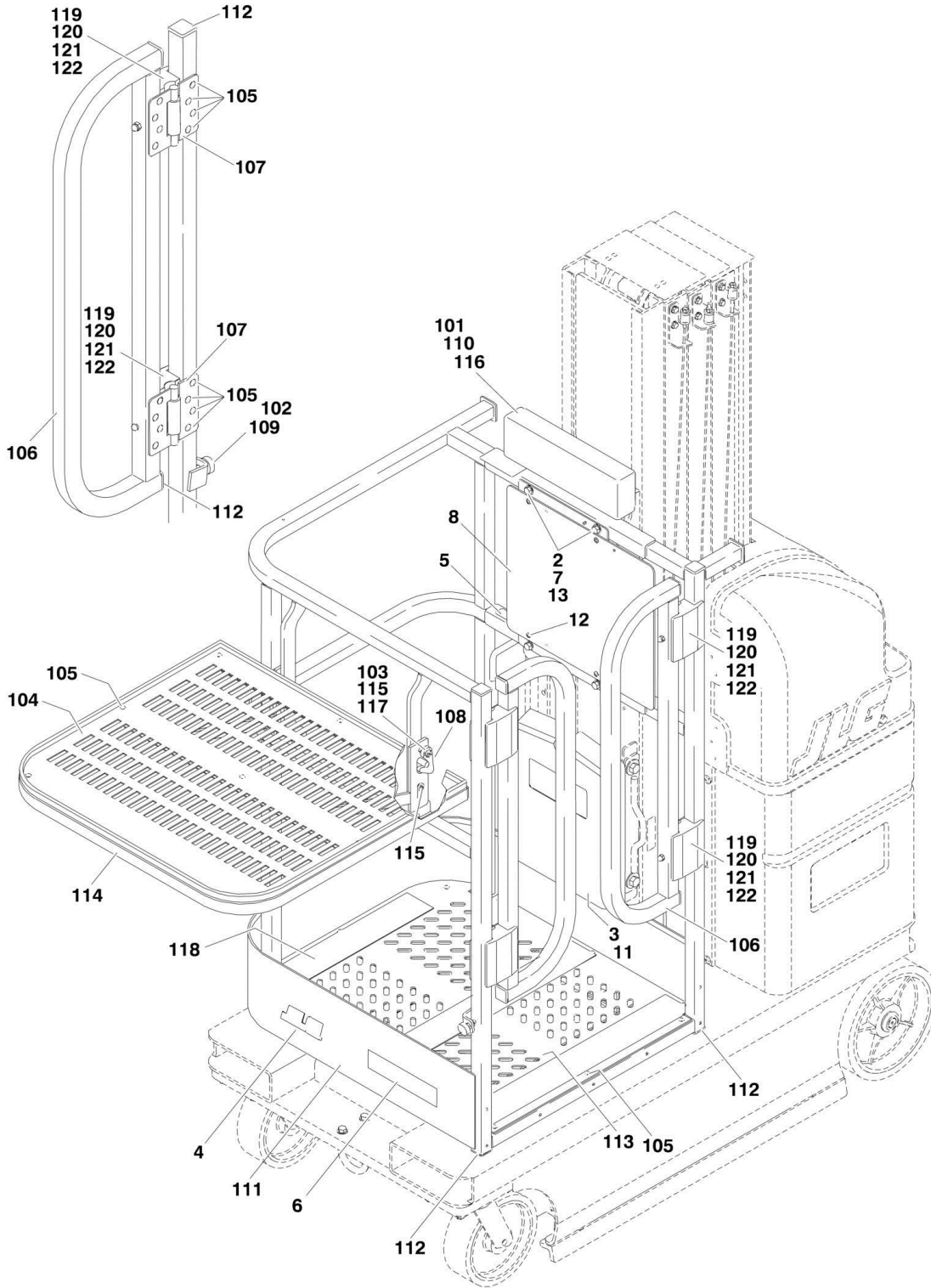
## SECTION 4 - PLATFORM

**FIGURE 4-8. PLATFORM/SIDE ENTRY WITH MATERIAL TRAY (20DVL)**

ITEM	PART NUMBER	QTY	DESCRIPTION	REV
		Ref	<b>PLATFORM INSTALLATION OPTIONS:</b>	
	0273053	Ref	<b>Platform Installation 20DVL with 27in x 23in (69cm x 59cm) (UPS Option)</b>	B
1	0272716	1	Platform Assembly (UPS) (See Items 101-116 for Breakdown)	
2	0791620	6	Bolt, 3/8in-16NC x 2 1/2in	
3	3311608	6	Nut, 3/8in - 16NC	
4	0860520	1	Box, Manual Storage	
5	3380466	1	Panel, Control	
6	3574442	2	Plate	
7	3820024	4	Rivet	
8	3820032	4	Rivet	
	0272716	Ref	<b>PLATFORM ASSEMBLY</b>	D
		Ref	<b>Note: Replacement Decals Must be Ordered Separately - See DECALS SECTION.</b>	
101	0100011	AR	Loctite #242 (Not Shown)	
102	0641508	2	Bolt, 5/16in-18NC x 1in	
103	0940104	2	Bumper, 1in x 3/8in with 5/16in x 1in stud <b>(Prior to SN 0130006483)</b>	
104	1580019	1	Container, Material Tray	
105	2080040	39	Blind Fastener	
106	2600281	4	Hinge, Self Closing	
107	3311501	4	Nut, 5/16in-18NC	
108	3340977	1	Pad, Upholstered	
109	3520072	8	Plug-Spec, Cap	
110	4420051	14 in	Tape, Safety	
111	4751500	2	Flatwasher 5/16in Wide	
112	4846722	2	Weldment, Door	
113	4846864	1	Weldment, Platform	
114	0641422	4	Bolt, 1/4in-20NC x 2 3/4in	
115	4071092	AR	Shim (Not Shown)	
116	4220225	4	Stop	

# SECTION 4 - PLATFORM

## FIGURE 4-9. PLATFORM/SIDE ENTRY WITH FOLDING TRAY (15DVSP/20DVSP)



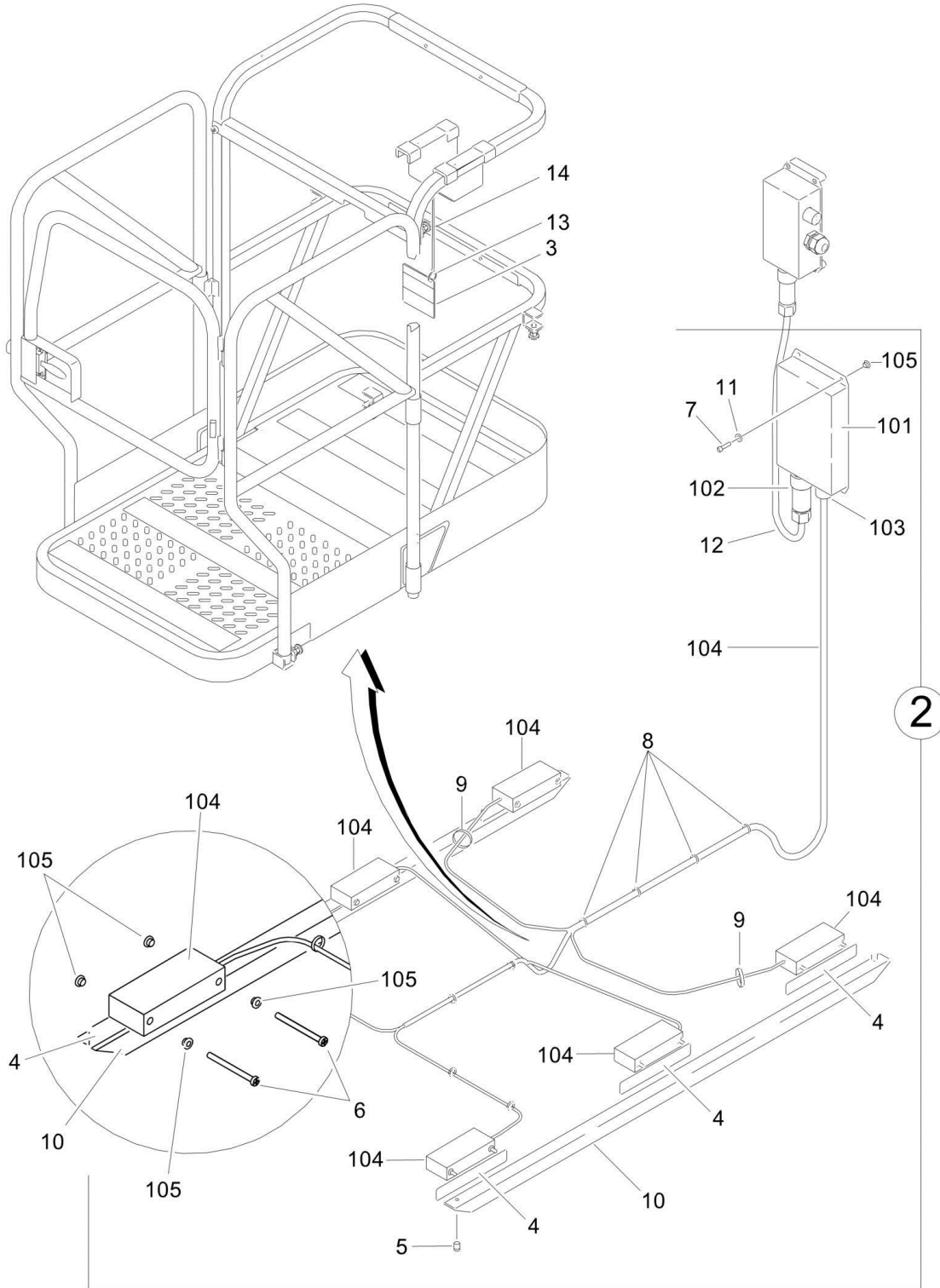
## SECTION 4 - PLATFORM

**FIGURE 4-9. PLATFORM/SIDE ENTRY WITH FOLDING TRAY (15DVSP/20DVSP)**

ITEM	PART NUMBER	QTY	DESCRIPTION	REV
		Ref	<b>PLATFORM INSTALLATION OPTIONS: (SN 0130006354 to Present)</b>	
	0274324	Ref	<b>Platform Installation 15DVSP with 26in x 30in (66cm x 76cm)</b>	A
	0274241	Ref	<b>Platform Installation 20DVSP with 26in x 30in (66cm x 76cm)</b>	A
1	0641616	2	Bolt, 3/8in-16NC x 2in	
2	0641620	6	Bolt, 3/8in-16NC x 2 1/2in	
3	0860520	1	Box, Manual Storage	
4	1703681	2	Decal - JLG	
5	1704277	1	Decal - Lanyard Attach	
6		Ref	Decal - Model Options:	
6	1705018	1	Decal - Model 15DVSP	
6	1705703	1	Decal - Model 20DVSP	
7	3311605	6	Locknut 3/8in-16NC	
8	3380466	1	Panel, Control	
9	3510846	1	Platform Assembly (See Items 101-123 for Breakdown)	
10	3574442	2	Plate	
11	3820024	4	Rivet	
12	3820032	4	Rivet	
13	4711600	12	Flatwasher 3/8in (Narrow)	
	3510846	Ref	<b>PLATFORM ASSEMBLY</b>	C
		Ref	<b>Note: Replacement Decals Must be Ordered Separately - See DECALS SECTION.</b>	
101	0641508	2	Bolt, 5/16in-18NC x 1in	
102	0940104	1	Bumper, 1in x 3/8in with 5/16in x 1in stud	
103	0961892	2	Bushing, Flanged	
104	1580020	1	Container, Material Tray	
105	2080040	53	Blind Fastener	
106	2410008	2	Gate	
107	2600281	4	Hinge, Self Closing	
108	2700098	1	Hook, Load	
109	3311501	2	Nut, 5/16in-18NC	
110	3340977	1	Pad, Upholstered	
111	3510845	1	Weldment, Platform	
112	3520072	10	Plug-Spec, Cap	
113	3574683	1	Plate, Floor	
114	3641542	1	Weldment, Tray Support	
115	3900190	3	Screw, Shoulder	
116	4751500	2	Flatwasher 5/16in (Wide)	
117	4711600	3	Flatwasher 3/8in (Narrow)	
118	4420039	5 ft/1.6m	Tape, Non Skid	
119	0641422	4	Bolt 1/4in-20NC x 2 3/4in	
120	3300151	4	Acorn Nut 1/4in-20NC	
121	4071092	AR	Shim, Platform Gate	
122	4220225	4	Stop, Platform Gate	
123	0100011	AR	Loctite #242 (Not Shown)	

# SECTION 4 - PLATFORM

## FIGURE 4-10. OBSTRUCTION SENSOR INSTALLATION (15DVSP/20DVSP) (OPTIONAL)



## SECTION 4 - PLATFORM

**FIGURE 4-10. OBSTRUCTION SENSOR INSTALLATION (15DVSP/20DVSP) (OPTIONAL)**

ITEM	PART NUMBER	QTY	DESCRIPTION	REV
	0271294	Ref	<b>OBSTRUCTION SENSOR INSTALLATION</b>	C
1	0100035	AR	Loctite #242 (Not Shown)	
2	1600309	1	Obstruction Sensor System (See Items 101 to 105 for Breakdown)	
3	1704483	1	Decal - Operation ( <b>Prior to SN 0130005067</b> )	
4	1704905	6	Decal - No Pressure Wash	
5	3820032	4	Rivet	
6	3900309	12	Screw	
7	3930808	4	Capscrew #8-32NC x1/2in	
8	4240032	13	Tie-Strap 4in	
9	4240033	2	Tie-Strap 7in	
10	4568261	2	Tube, Shield	
11	4740120	4	Washer, Nylon	
12	4922670	1	Harness (See ELECTRICAL SECTION for Breakdown)	
13	1060380	1	Cable, Lanyard ( <b>SN 0130005482 to Present</b> )	
14	3760170	1	Ring, Split ( <b>SN 0130005482 to Present</b> )	
	1600309	Ref	<b>OBSTRUCTION SENSOR SYSTEM</b>	F
101	Not Available	1	Electronics Box	
102	Not Available	1	Connector, Female - 9 Position (Clipper CL1M2102)	
102	Not Available	9	Pin (Clipper CF16PC10RF)	
103	Not Available	1	Connector, Strain Relief	
104	2910760	6	Sensor and Cable (Was p/n 7024306)	
105	0962288	28	Bushing, Isolation	
		Ref	<b>OSS INSTRUCTION CARD OPTIONS:</b>	
	1704483	1	English Spec	
	1705579	1	French Spec	
	1705578	1	Spanish Spec	
	1705580	1	German Spec	
	1705581	1	Italian Spec	
	1705582	1	Dutch Spec	
	1705587	1	Finnish Spec	
	1705588	1	Swedish Spec	
	1705583		Brazilian Spec	
	1705585	1	Japanese Spec	
	1705586	1	Chinese Spec	





## SECTION 4 - PLATFORM

**FIGURE 4-11. QUICK-CHANGE PLATFORM INSTALLATION WITH SLIDE BAR**

ITEM	PART NUMBER	QTY	DESCRIPTION	REV
	0274343	Ref	<b>PLATFORM INSTALLATION - 26in x 49in (66cm x 126.5cm)</b>	A
1	0641408	8	Bolt, 1/4in-20NC x 1in	
2	0860520	1	Box, Manual Storage	
3	1060380	4	Cable, Lanyard	
4	3311405	8	Locknut, 1/4in-20NC	
5	3422657	4	Pin, Quick Release	
6	3510874	1	Assembly, Platform -26in x 49in (66cm x 126.5cm) (See Item 101 - 141 for Breakdown)	
7	3820024	4	Rivet	
8	4711400	16	Flatwasher 1/4in Narrow	
9	4845821	4	Platform Mount Weldment	
10	4846021	2	Platform Mount Weldment	
11	3380466	1	Panel, Control	
12	3820032	4	Rivet	
	3510874	Ref	<b>PLATFORM ASSEMBLIES</b>	A
		Ref	<b>Note: Replacement Decals Must be Ordered Separately - See DECALS SECTION.</b>	
101	0100011	AR	Loctite #242 (Not Shown)	
102	0641414	16	Bolt 1/4in-20NC x 1 3/4in	
103	0641416	4	Bolt 1/4in-20NC x 2in	
104	0720805	4	Bolt #8-32NC x 5/8in	
105	1380132	4	Clip, Gripper	
106	1703681	3	Decal - JLG	
107	2020005	1	Glides, Extension	
108	2410017	1	Gate, Slide Bar -26in x 49in (66cm x 126.5cm)	
109	2410019	1	Gate, Slide Bar -26in x 49in (66cm x 126.5cm)	
110	2560154	2	Grip, Handle	
111	2600225	4	Hinge, Gate	
112	3300356	2	Acorn, Nut 5/16in-18NC	
113	3310805	4	Locknut #8-32NC	
114	3311005	64	Locknut #10-24NC	
115	3311405	22	Locknut 1/4in-20NC	
116	3311505	2	Locknut 5/16in-18NC	
117	3340829	2	Pad, Slide	
118	3520030	2	Plug, Hole	
119	3520169	2	Cap, Plug	
120	3570274	1	Plate, Platform Pan (Extension)	
121	3570362	1	Plate, Platform Pan (Stationary)	
122	3570653	AR	Plate, Shim	
123	3570654	2	Plate, Backing	
124	3900032	2	Bolt, Shoulder	
125	3900200	2	Bolt, Shoulder 5/16in-18NC x 1 1/4in	
126	3900251	4	Screw 1/4in-20NC x 3/8in	
127	3900252	64	Screw, Button Head #10-24	
128	3900258	8	Screw, Button Head 1/4in-20NC x 3/4in	
129	4060803	AR	Shield, Flex Trim	
130	4280296	10	Strip, Wear	
		in/25cm		
131	4420039	AR	Tape, Non-Skid	
132	4711400	40	Flatwasher 1/4in	

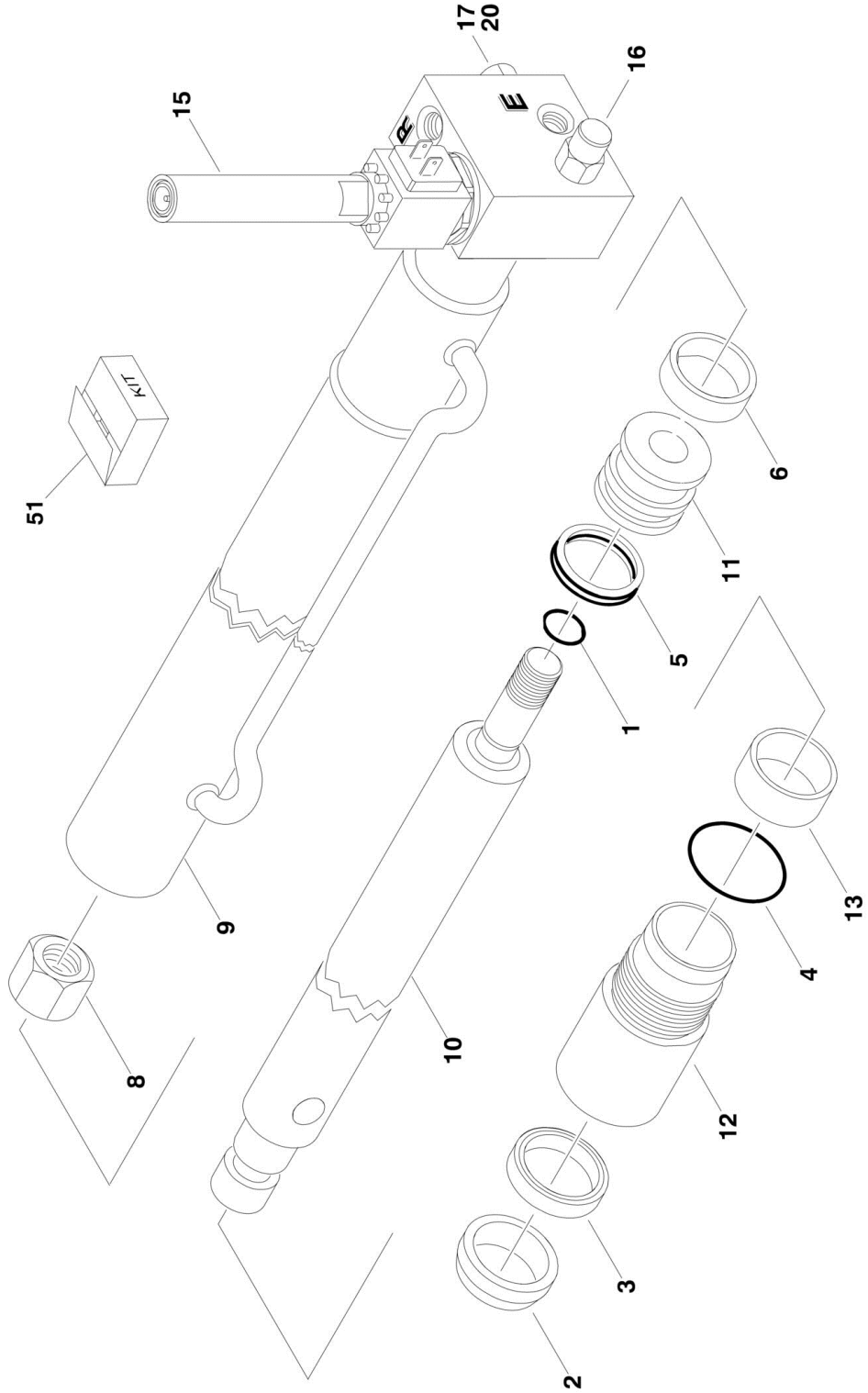
## SECTION 4 - PLATFORM

ITEM	PART NUMBER	QTY	DESCRIPTION	REV
133	4711500	4	Flatwasher 5/16in Narrow	
134	4711600	2	Flatwasher 3/8in	
135	4750800	8	Flatwasher #8	
136	4751000	64	Flatwasher #10	
137	4845614	2	Handle	
138	4845657	2	Stop, Weldment	
139	4845810	1	Platform Rail Weldment	
140	4845811	1	Platform Extension Weldment	
141	1560019	1 ft/0.3m	Conduit, Spiral Loom	
		Ref	<b>DECAL - DROPBAR INSTALLATION OPTIONS:</b>	
		Ref	<b>Decal - Dropbar Installation 15/20DVL</b>	
	0274606	Ref	<b>ANSI Specs</b>	A
	0274629	Ref	<b>Latin American Spanish Specs</b>	A
	0274630	Ref	<b>Brazilian Spec</b>	A
	0274631	Ref	<b>Japanese Specs</b>	A
	0274632	Ref	<b>Chinese Specs</b>	A
	0274628	Ref	<b>CSA Specs</b>	A
201		Ref	Decal - Dropbar Options:	
201		Ref	Decal - Dropbar 15/20DVL	
201	1706385	1	ANSI Spec	
201	1706494	1	Latin American Spanish Specs	
201	1706496	1	Brazilian Spec	
201	1706504	1	Japanese Specs	
201	1706505	1	Chinese Specs	
201	1706495	1	CSA Specs	

**SECTION 5 - CYLINDER**

# SECTION 5 - CYLINDER

## FIGURE 5-1. LIFT CYLINDER ASSEMBLY



## SECTION 5 - CYLINDER

### FIGURE 5-1. LIFT CYLINDER ASSEMBLY

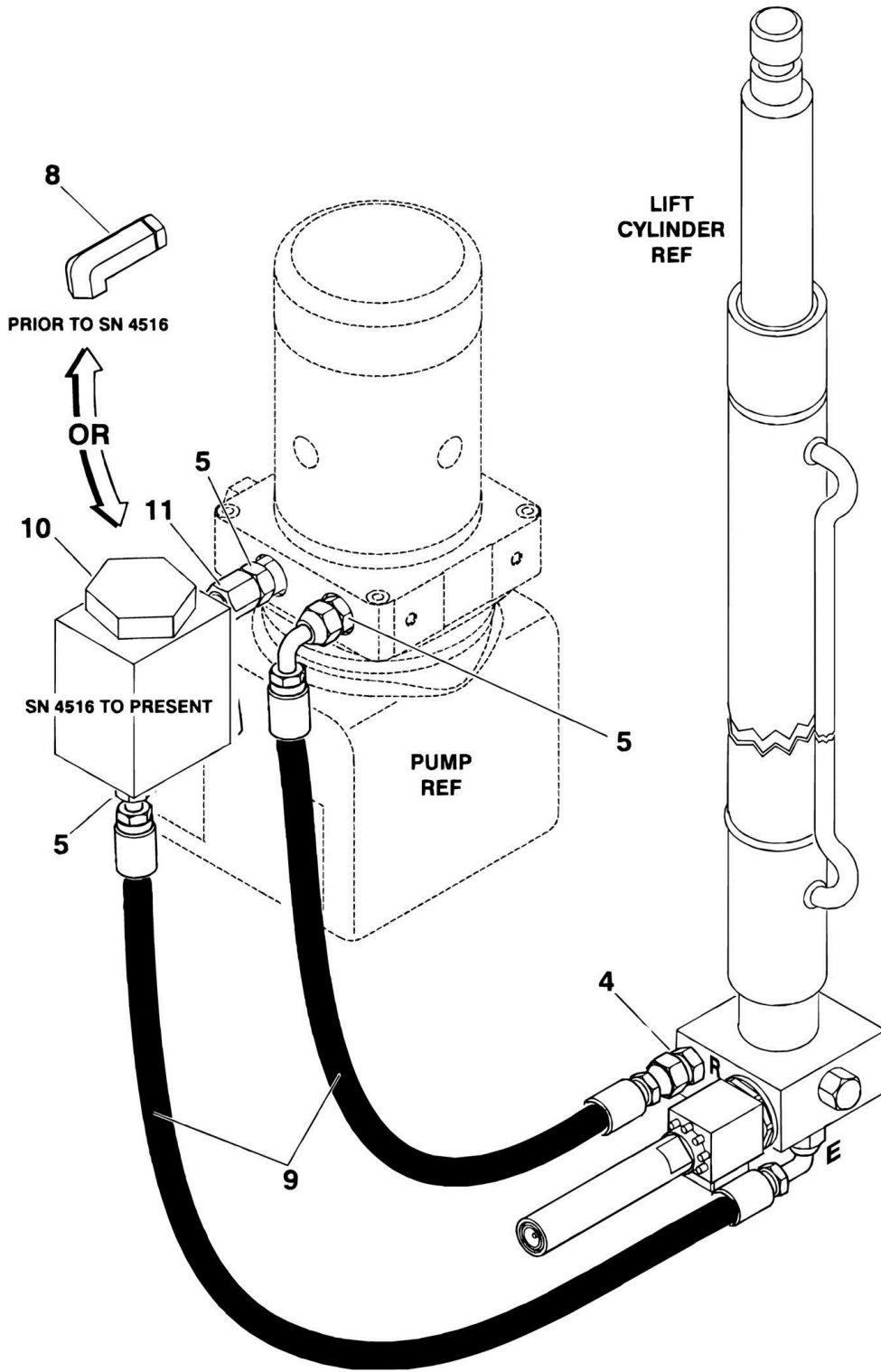
ITEM	PART NUMBER	QTY	DESCRIPTION	REV
		Ref	<b>LIFT CYLINDER ASSEMBLIES OPTIONS:</b>	
		Ref	<b>Lift Cylinder Assemblies 15DVL/15DVSP</b>	
	1684143	Ref	<b>Lift Cylinder Assemblies (Prior to SN 0130004516)</b>	D
	1684234	Ref	<b>Lift Cylinder Assemblies (SN 0130004516 to Present)</b>	D
		Ref	<b>Lift Cylinder Assemblies 20DVL/20DVSP</b>	
	1684144	Ref	<b>Lift Cylinder Assemblies (Prior to SN 0130004516)</b>	D
	1684233	Ref	<b>Lift Cylinder Assemblies (SN 0130004516 to Present)</b>	D
1	See Note	NSS	O-Ring (Note: Use Item 51)	
2	See Note	NSS	Wiper (Note: Use Item 51)	
3	See Note	NSS	Seal, Rod (Note: Use Item 51)	
4	See Note	NSS	O-Ring (Note: Use Item 51)	
5	See Note	NSS	Seal, Piston (Note: Use Item 51)	
6	See Note	NSS	Ring, Wear (Note: Use Item 51)	
8	7023391	1	Locknut	
9	7023490	NLA	Barrel Assembly (Purchase Complete Cylinder Assembly)	
10	7023491	1	Rod	
11	7023392	1	Piston	
12	7023394	1	Head	
13		Ref	Spacer	
13	7023492	1	Spacer 15DVL/15DVSP	
13	Not Required	0	Spacer 20DVL/20DVSP	
15		Ref	Valve, Options:	
15	7024405		Poppet Valve <b>(Prior to SN 0130004516)</b>	
15	7024818	1	Coil	
15	7024819	1	Seal Kit	
15	7024820	1	Over Ride	
15	7024833	1	Manual Override Cartridge	
15	7024480	1	Proportional Valve <b>(SN 0130004516 to Present)</b>	
15	7026622	1	Coil	
15	7026623	1	Seal Kit	
15	7026624	1	Over Ride	
15	7026625	1	Manual Override Cartridge	
16	7024406	1	Valve, Check	
17	7024407	1	Valve, Control	
18	2220883	1	Plug, Male (Not Shown)	
19	Not Serviced	2	Plug, Valve (Not Shown)	
20	Not Serviced	1	Plug, Valve	
51	7023395	1	Seal Kit (Includes Items 1-6)	



**SECTION 6 - HYDRAULIC**

# SECTION 6 - HYDRAULIC

## FIGURE 6-1. HYDRAULIC DIAGRAM





## SECTION 6 - HYDRAULIC

### FIGURE 6-1. HYDRAULIC DIAGRAM

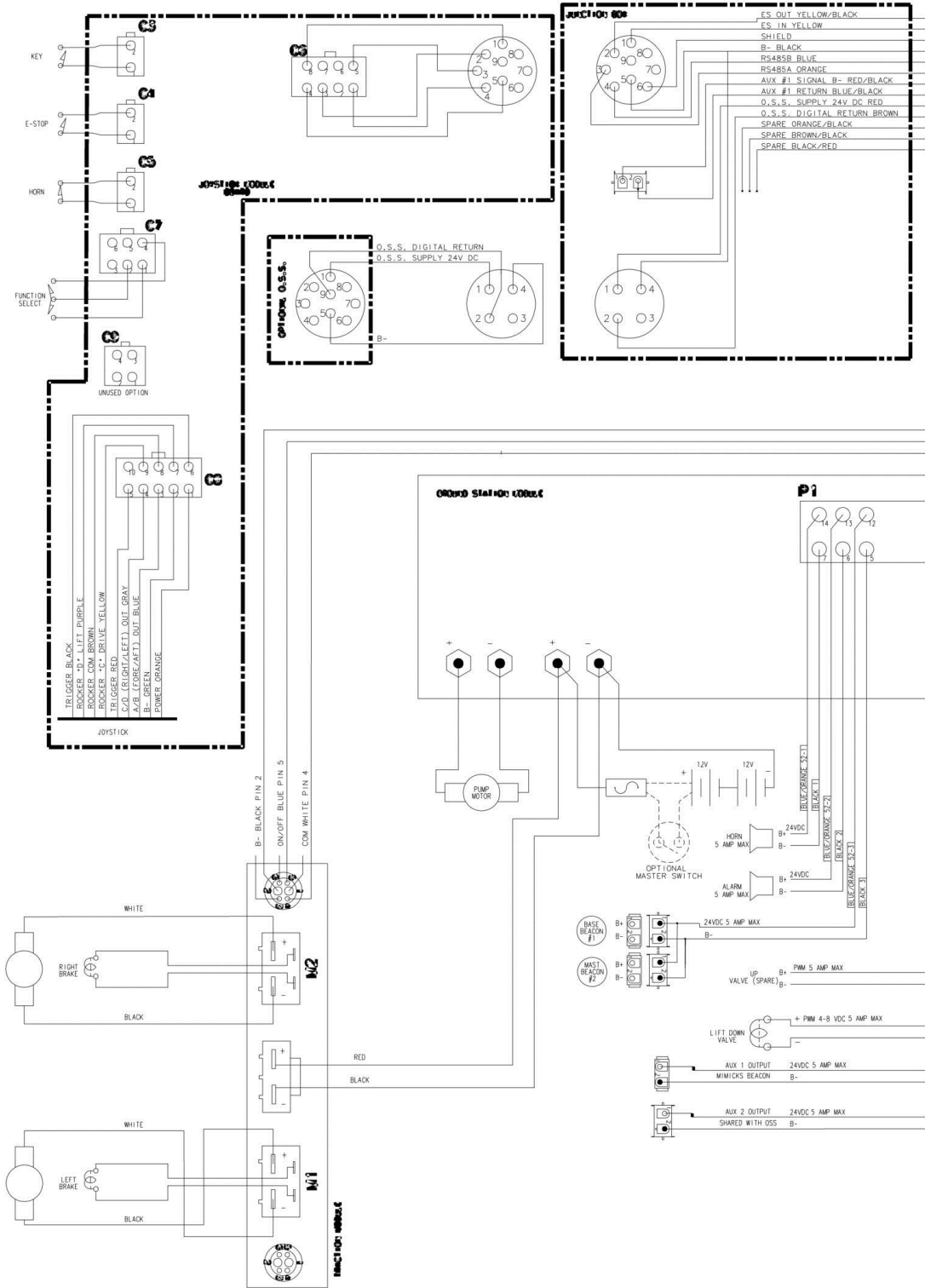
ITEM	PART NUMBER	QTY	DESCRIPTION	REV
	0271261	Ref	<b>HYDRAULIC COMPONENTS</b>	B
4	2110604	1	Fitting, Adapter	
5	2110606	3	Fitting, Adapter	
8	2170206		Fitting, Adapter <b>(Prior to SN 0130004516)</b>	
9	2753673	2	Hose	
10	2120183	1	Filter, In-Line <b>(SN 0130004516 to Present)</b>	
11	2221123	1	Fitting, 90 <b>(SN 0130004516 to Present)</b>	



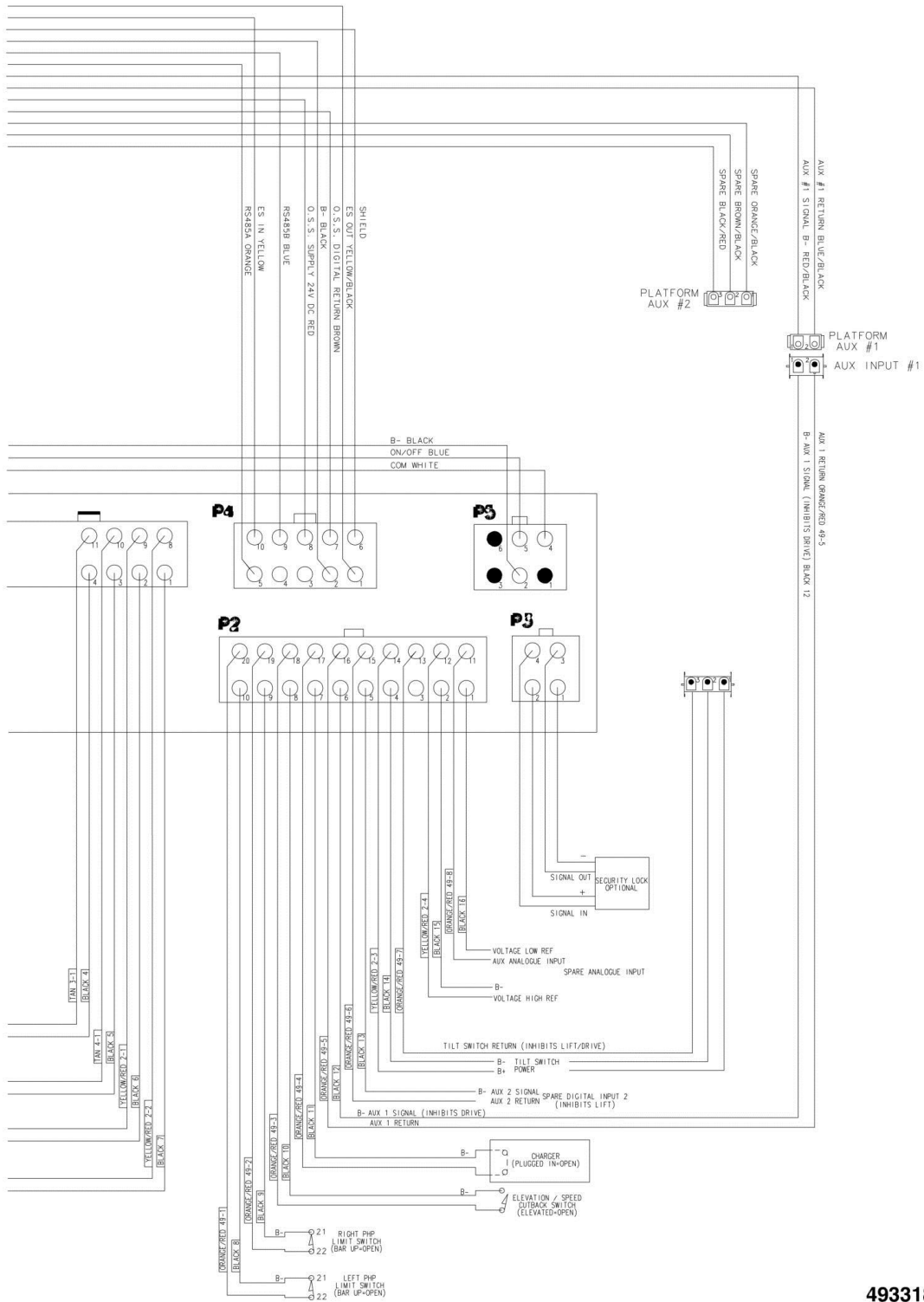
**SECTION 7 - ELECTRICAL**

# SECTION 7 - ELECTRICAL

## FIGURE 7-1. ELECTRICAL SCHEMATIC



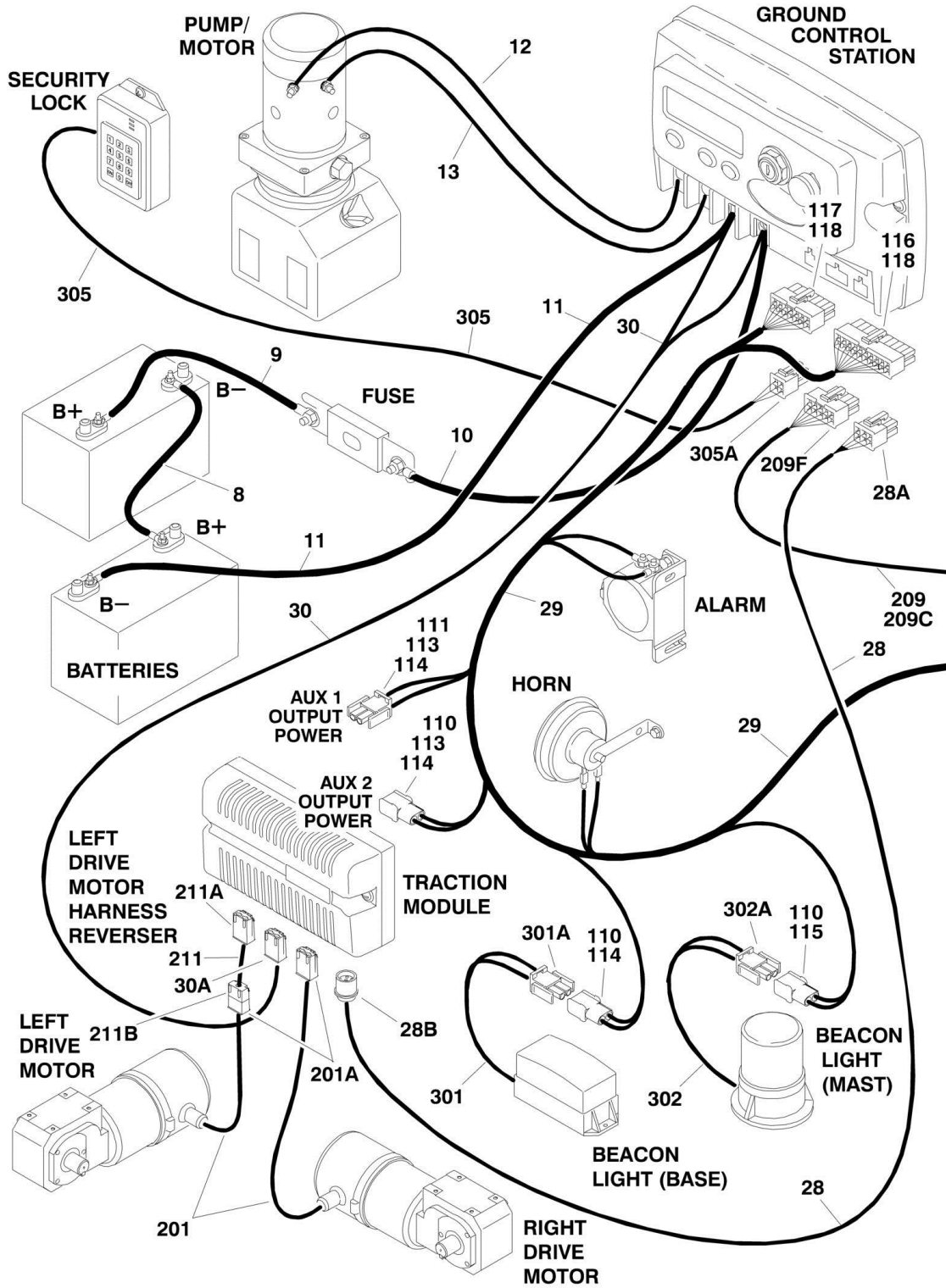
# SECTION 7 - ELECTRICAL



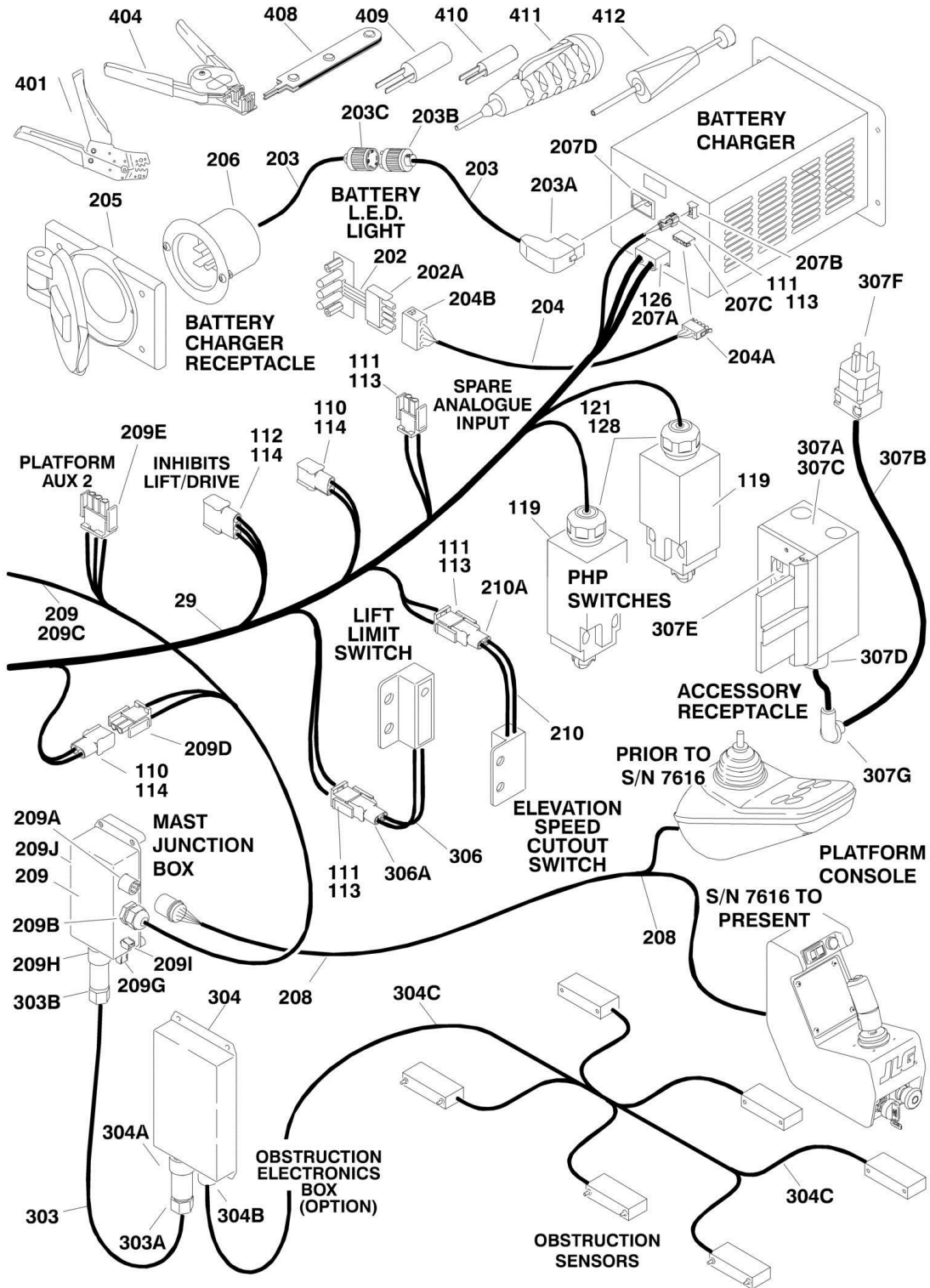
4933184 -E

# SECTION 7 - ELECTRICAL

## FIGURE 7-2. ELECTRICAL COMPONENTS INSTALLATION



# SECTION 7 - ELECTRICAL



# SECTION 7 - ELECTRICAL

## FIGURE 7-2. ELECTRICAL COMPONENTS INSTALLATION

ITEM	PART NUMBER	QTY	DESCRIPTION	REV
	0271263	Ref	<b>ELECTRICAL SYSTEM INSTALLATION</b>	E
2	0100048	AR	Grease, Dielectric (Not Shown) <b>(Prior to SN 0130004660)</b>	
3	0100051	AR	Grease, Battery Terminal (Not Shown)	
8	1060939	1	Cable, Electrical (Battery+ to Battery-)	
9	1060940	1	Cable, Electrical (Battery+ to Fuse)	
10	1060941	1	Cable, Electrical (Fuse to Ground Station Module+)	
11	1060942	1	Cable, Electrical (Battery- to Ground Station Module-)	
12	1060943	1	Cable, Electrical (Ground Station Module P+ to Pump+)	
13	1060944	1	Cable, Electrical (Ground Station Module P- to Pump-)	
28	4922560	1	Ground Station to Traction Module Harness	
28A	Not Available	1	Connector - 6 Position	
28A	Not Available	6	Pin	
28B	Not Available	1	Receptacle, 6 Piece Female - 6 Position	A
29	4922562	1	Main Harness (See Items 101 to 128 for Breakdown)	
30	4922671	1	Power Harness (Ground Station Module to Traction Module)	
30A	Not Available	1	Connector - 2 Position	
32	0100038	AR	Grease, Contact (Not Shown) <b>(SN 0130004660 to Present)</b>	
	4922562	Ref	<b>MAIN HARNESS ASSEMBLY</b>	3-D
110	4460424	5	Connector - 2 Position	
111	4460320	5	Connector - 2 Position	
112	4460445	1	Connector - 3 Position	
113	4460226	12	Socket, Female	
114	4460227	11	Pin, Male	
115	4460267	2	Pin, Male	
116	4460919	1	Connector - 20 Position	
117	4460920	1	Connector - 14 Position	
118	4460672	33	Pin, Male	
119	4360456	2	Switch, Roller	
121	4460662	2	Connector, Strain Relief	
126	4460444	1	Connector, Anderson	
128	0962449	2	Bushing, Silicon DIX	
		Ref	<b>STANDARD HARNESS ASSEMBLIES</b>	
201	Not Available	2	Drive Motor Harness	
201A	7018030	1	Boot, Terminal	
201A	7018031	2	Housing, Terminal	
201A	7018032	2	Terminal	
202	0610131	1	LED PC Board and Harness	
202A	4460321	1	Connector - 4 Position	
202A	4460227	4	Pin, Male	
203	1060949	1	Battery Cable (Note: Does not include Plug, Terminal or Cover):	A
203A	Not Available	1	Connector, Female	
203B	4460710	1	Connector, Female	
203C	4460709	1	Connector, Male	
204	1060753	1	LED to Battery Charger Harness	
204A	4460321	1	Connector - 4 Position	
204A	4460226	4	Socket, Female	
204B	4460761	1	Connector, Female - 4 Position	
204B	4460226	4	Socket, Female	
205	4460802	1	Cover, Terminal	
206		Ref	Receptacle and Boot	



## SECTION 7 - ELECTRICAL

ITEM	PART NUMBER	QTY	DESCRIPTION	REV
206	4460803	1	USA ANSI Spec Receptacle	
206	Not Available	0	Locally Supplied Country Spec Receptacle	
207		Ref	Battery Charger Components:	
207A	7022918	1	DC Receptacle and Internal Harness	
207B	7011621	1	Connector - 2 Position (Enable Switch)	
207C	4460761	1	Connector - 4 Position (To LED Light)	
207C	4460227	4	Pin, Male	
207D	7020648	1	AC Inlet Plug	
208		Ref	Controller Cable Assembly Options:	
208	7024427	1	Controller Cable Assembly (Connectors Not Available - Must Purchase Complete Assembly) <b>(Prior to SN 0130007616)</b>	
208	4923316	1	Controller Cable Assembly <b>(SN 0130007616 to Present)</b>	
208		Ref	Components at Junction Box:	
208	70001703	1	Connector - 9 Position (Clipper CLIF1201)	
208	70001704	1	Backshell (Clipper CL101021)	
208	70001705	6	Socket, Female (Clipper CM10SC10MQ)	
208		Ref	Components at Platform Box:	
208	70001706	1	Connector - 9 Position (Clipper CLIF2101)	
208	70001707	1	Backshell (Clipper CL102021)	
208	70001708	6	Socket, Female (Clipper CM16SC10MQ)	
209		Ref	Platform Controls Harness Options:	
209	4922559	1	Platform Controls Harness 15DVSP	
209	4922563	1	Platform Controls Harness 15DVL/20DVL <b>(Prior to SN 0130005561)</b>	
209	4922559	1	Platform Controls Harness 15DVL/20DVL <b>(SN 0130005561 to Present)</b>	
209A	7023498	1	Connector, Female - 9 Position	
209A	7023499	9	Pin, Male	
209B	4460633	1	Connector, Strain Relief	
209C	1060927	25 ft/7.6m	Cable, Electrical - 18/12	
209D	4460320	1	Connector - 2 Position	
209D	4460226	2	Socket, Female	
209E	4460326	1	Connector - 3 Position	
209E	4460226	3	Socket, Female	
209F	7024300	1	Connector - 10 Position	
209F	4461023	10	Socket, Female	
209G	4460424	1	Connector - 2 Position	
209G	4460226	2	Socket, Female	
209H	7024302	1	Connector - 4 Position (15DVSP) (Clipper CL1M1102)	
209H	70001799	3	Pin, Male (Clipper CM16PC10MQ)	
209I	4460424	1	Connector - 2 Position	
209I	4460227	2	Pin, Male	
209J	7027739	1	Junction Box	
209J	7020093	4	Screw, Countersunk M3 x 25	
210	Not Available	1	Proximity Switch Harness	
210A	4460424	1	Connector - 2 Position	
210A	4460227	2	Pin, Contact	
211	7024432	1	Reverser Harness	
211A	7018031	1	Housing, Terminal	
211A	7018032	2	Terminal	
211B	Not Available	1	Housing, Terminal	
211B	Not Available	2	Terminal	

## SECTION 7 - ELECTRICAL

ITEM	PART NUMBER	QTY	DESCRIPTION	REV
		Ref	<b>OPTIONAL HARNESS ASSEMBLIES</b>	
301	Not Available	1	Base Mounted Beacon Light Harness	
301A	4460320	1	Connector - 2 Position	
301A	4460226	2	Socket, Female	
302	Not Available	1	Mast Mounted Beacon Light Harness	
302A	4460320	1	Connector - 2 Position	
302A	4460226	2	Socket, Female	
303	4922670	1	Obstruction Sensor Harness	
303	1060687	2 ft/61cm	Cable, Electrical - 16/5	
303A	4460773	1	Connector, Backshell	
303A	4460772	1	Connector - 9 Position	
303A	4460776	3	Socket, Female	
303B	4460923	1	Connector, Backshell	
303B	4460922	1	Connector - 4 Position	
303B	4460776	3	Socket, Female	
304	1600309	1	Obstruction Sensor System (15DVSP Only)	
304A	Not Available	1	Connector - 9 Position (Clipper CL1M2102)	
304A	Not Available	9	Pin (Clipper CF16PC10RF)	
304B	Not Available	1	Connector, Strain Relief	
304C	Not Available	1	Sensor Harness (Part of Sensor Assembly)	
305	Not Available	1	Security Lock Harness	
305A	250199	1	Connector - 4 Position	
305A	250220	4	Pin	
306	Not Available	1	Lift Limiter Harness	
306A	4460424	1	Connector - 2 Position	
306A	4460226	2	Socket, Female	
307		Ref	Accessory Receptacle Components	
307	0271295	AR	110V/120V (DVL)	
307	0271792	AR	110V/120V (DVSP)	
307	0271296	AR	220V/240V (DVL)	
307	0271793	AR	220V/240V (DVSP)	
307A	0860946	1	Box, Receptacle	
307B	1060948	AR	Cable, Electrical - 12/3	
307C		Ref	Cover, Receptacle Options:	
307C	4060700	1	Cover, Receptacle 120V	
307C	4060092	1	Cover, Receptacle 240V	
307D	4460023	1	Connector, Strain Relief	
307E		Ref	Receptacle, Female Options:	
307E	4460346	1	Receptacle, Female 120V	
307E	4460125	1	Receptacle, Female 240V	
307F		Ref	Plug, Male Options:	
307F	4460549	1	Plug, Male 120V	
307F	4460205	1	Plug, Male 240V	
307G	4460566	1	Connector, 90	
		Ref	<b>TOOLS</b>	
401	7002821	1	Crimper (For Wire to Pin/Socket Connections)	
404	7002828	1	Stripper, Wire	
405	7024361	1	Calibration Tool (Not Shown)	
406	7002842	1	Brake Crimp Removal Tool (Not Shown)	
407	7002841	1	Motor Crimp Removal Tool (Not Shown)	
408	7016618	1	Molex Tool (For Ground Control Station Electrical Connectors)	

## SECTION 7 - ELECTRICAL

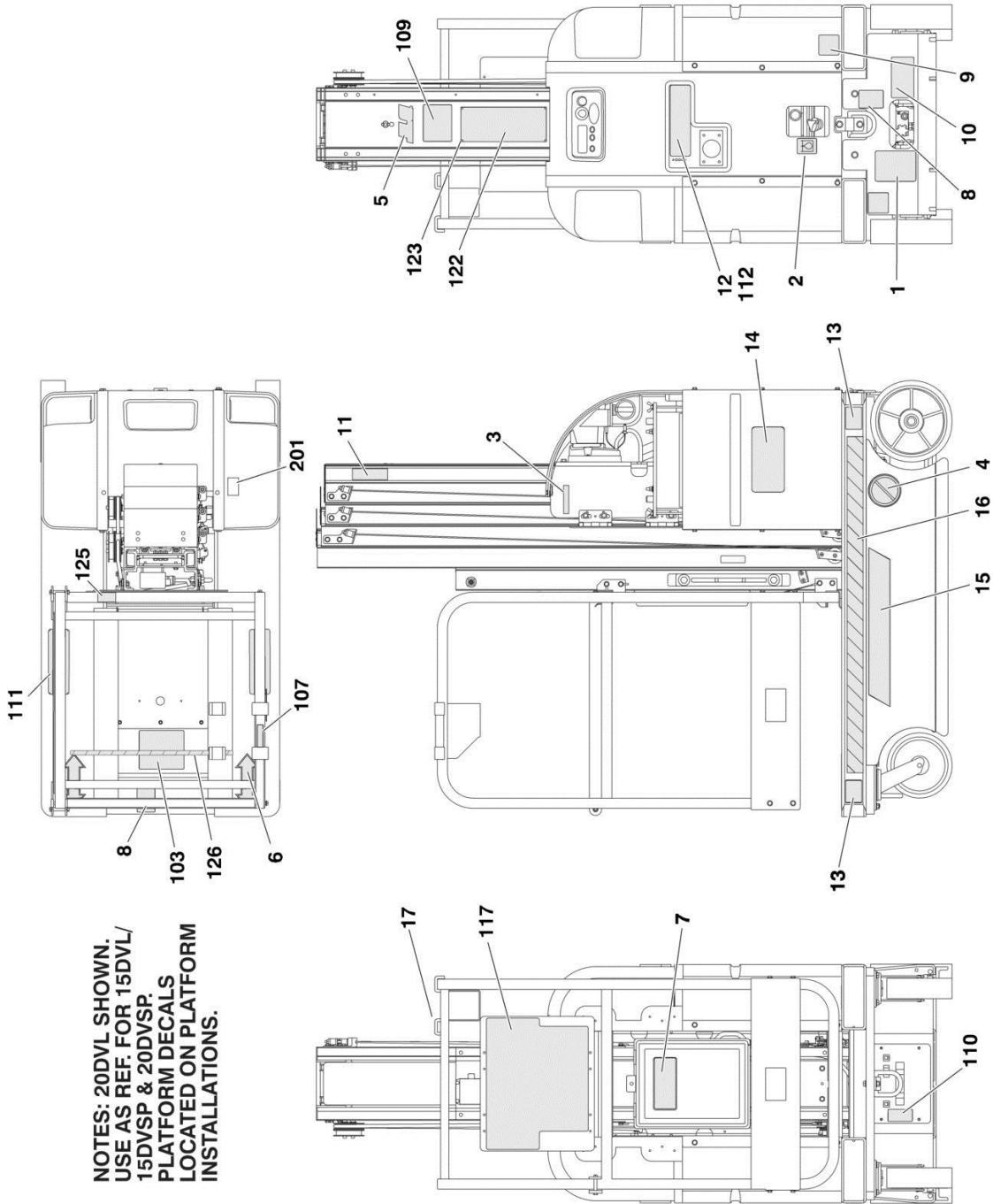
ITEM	PART NUMBER	QTY	DESCRIPTION	REV
409	7002841	1	Intech Tool (For Drive Motor Electrical Connectors)	
410	7002842	1	Intech Tool (For Drive Motor Brake Electrical Connectors)	
411	7002847	1	Tyco / AMP Electronics Tool (For other General Electrical Connectors)	
412	7002848	1	Tyco / AMP Electronics Tool (For other General Electrical Connectors)	



**SECTION 8 - DECALS**

# SECTION 8 - DECALS

## FIGURE 8-1. DECAL INSTALLATION (ANSI SPEC)



**NOTES: 20DVL SHOWN.  
 USE AS REF FOR 15DVL/  
 15DVSP & 20DVSP.  
 PLATFORM DECALS  
 LOCATED ON PLATFORM  
 INSTALLATIONS.**

## SECTION 8 - DECALS

### FIGURE 8-1. DECAL INSTALLATION (ANSI SPEC)

ITEM	PART NUMBER	QTY	DESCRIPTION	REV
		Ref	<b>DECAL INSTALLATION (COMMON)</b>	
	0272102	Ref	<b>Decal Installation (Common) 15DVL</b>	D
	0272015	Ref	<b>Decal Installation (Common) 15DVSP</b>	E
	0272016	Ref	<b>Decal Installation (Common) 20DVL</b>	E
	0272982	Ref	<b>Decal Installation (Common) 20DVSP</b>	B
1	1700584	1	Decal - Patent	
2	1701504	1	Decal - Hydraulic Oil	
3	Not Available	1	Decal - Bar Code	
4	1703072	2	Decal - No Forklift	
5	1703681	1	Decal - JLG	
6	1703687	2	Decal - Arrow	
7		Ref	Decal - Manual Options:	
7	1703788	1	Decal - Manual ( <b>Prior to SN 0130004365</b> )	
7	1701509	1	Decal - Manual ( <b>SN 0130004365 to Present</b> )	
8	1703814	2	Decal - Tie Down	
9	1703817	2	Decal - Fork Lift	
10	1705016	1	Decal - Manual Descent	
11		Ref	Decal - Model Designation Options:	
11	1705191	2	Decal - Model Designation 15DVL	
11	1705018	2	Decal - Model Designation 15DVSP	
11	1705017	2	Decal - Model Designation 20DVL	
11	1705703	2	Decal - Model Designation 20DVSP	
12	1705048	1	Decal - Axxessor and Address ( <b>Prior to SN 0130005806</b> )	
13	1705059	4	Decal - Wheel Load	
14	1705060	2	Decal - Axxessor	
15	1705064	2	Decal - Axxessor	
16		Ref	Tape, Safety Option:	
16	Not Required	0	Tape, Safety 15DVL	
16	4420051	84 in/2.2m	Tape, Safety 15DVSP/20DVSP	
16	Not Required	0	Tape, Safety 20DVL	
17	1703688	2	Decal - Direction Arrow ( <b>SN 0130004184 to Present</b> )	
		Ref	<b>DECAL INSTALLATION (ANSI SPEC)</b>	
	0272112	Ref	<b>Decal Installation (ANSI Spec) 15DVL - STANDARD</b>	D
	0271963	Ref	<b>Decal Installation (ANSI Spec) 15DVSP - STANDARD</b>	F
	0271274	Ref	<b>Decal Installation (ANSI Spec) 20DVL - STANDARD</b>	D
	0272983	Ref	<b>Decal Installation (ANSI Spec) 20DVSP - STANDARD</b>	C
	0272113	Ref	<b>Decal Installation (ANSI Spec) 15DVL - CSA SPEC</b>	C
	0271965	Ref	<b>Decal Installation (ANSI Spec) 15DVSP - CSA SPEC</b>	C
	0271276	Ref	<b>Decal Installation (ANSI Spec) 20DVL - CSA SPEC</b>	C
103		Ref	Decal - Inspection Options:	
103	1702153	1	Standard	
103	Not Required	0	CSA Spec	
107		Ref	Decal - Control Box Location Options:	
107	1703684	1	Standard	
107	1703719	1	CSA Spec	
109		Ref	Decal - USA Options:	
109	1703779	1	Standard	
109	Not Required	0	CSA Spec	
110		Ref	Decal - Warning Fire Hazard	
110	1703785	1	Standard	

## SECTION 8 - DECALS

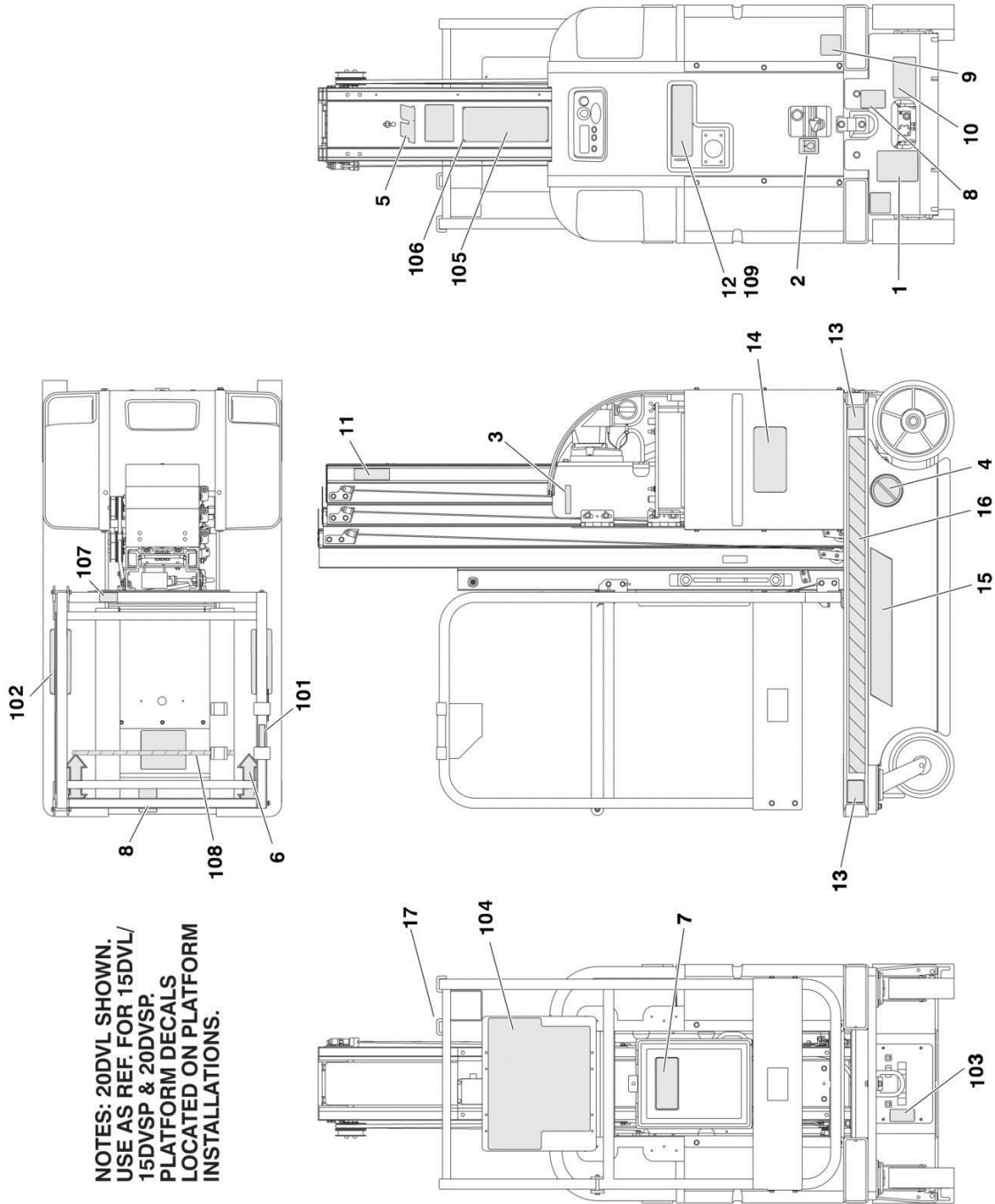
ITEM	PART NUMBER	QTY	DESCRIPTION	REV
110	1704797	1	CSA Spec	
111		Ref	Decal - Crushing Hazard Options:	
111	1703786	2	Standard	
111	1704039	2	CSA Spec	
112		Ref	Decal - Battery Charging Instruction Options:	
112	1705834	1	Standard	
112	1705853	1	CSA Spec	
117		Ref	Decal - Warning/Instruction Options:	
117	1705353	1	Decal - Warning/Instruction 15DVL <b>(Prior to SN 0130007616)</b>	
117	1706357	1	Decal - Warning/Instruction 15DVL <b>(SN 0130007616 to Present)</b>	
117	1705047	1	Decal - Warning/Instruction 15DVSP <b>(Prior to SN 0130004255)</b>	
117	1705352	1	Decal - Warning/Instruction 15DVSP <b>(SN 0130004255 through 0130007615)</b>	
117	1706356	1	Decal - Warning/Instruction 15DVSP <b>(SN 0130007616 to Present)</b>	
117	1705046	1	Decal - Warning/Instruction 20DVL <b>(Prior to SN 0130007616)</b>	
117	1706358	1	Decal - Warning/Instruction 20DVL <b>(SN 0130007616 to Present)</b>	
117	1705702	1	Decal - Warning/Instruction 20DVSP <b>(Prior to SN 0130007616)</b>	
117	1706370	1	Decal - Warning/Instruction 20DVSP <b>(SN 0130007616 to Present)</b>	
122	Not Serviced	1	Nameplate, Serial Number	
123	3820031	4	Rivet	
125		Ref	Decal - Fall Hazard Options (15DVSP Only): <b>(SN 0130003910 to Present)</b>	
125	1704366	AR	Standard	
125	1704804	AR	CSA Spec	
126		Ref	Decal - Close Gate Options (15DVSP Only): <b>(SN 0130003910 to Present)</b>	
126	1704469	AR	Standard	
126	1705156	AR	CSA Spec	
	0272763	Ref	<b>DECAL INSTALLATION (UL SPEC)</b>	
201	1702155	1	Decal - Battery Disconnect	
202 to 204	Not Serviced		Not Serviced	





# SECTION 8 - DECALS

## FIGURE 8-2. DECAL INSTALLATION (ANSI EXPORT SPEC)



**NOTES: 20DVL SHOWN.  
USE AS REF FOR 15DVL/  
15DVSP & 20DVSP.  
PLATFORM DECALS  
LOCATED ON PLATFORM  
INSTALLATIONS.**

## SECTION 8 - DECALS

**FIGURE 8-2. DECAL INSTALLATION (ANSI EXPORT SPEC)**

ITEM	PART NUMBER	QTY	DESCRIPTION	REV
		Ref	<b>DECAL INSTALLATION (COMMON)</b>	
	0272102	Ref	<b>Decal Installation (Common) 15DVL</b>	D
	0272015	Ref	<b>Decal Installation (Common) 15DVSP</b>	E
	0272016	Ref	<b>Decal Installation (Common) 20DVL</b>	E
	0272982	Ref	<b>Decal Installation (Common) 20DVSP</b>	B
1	1700584	1	Decal - Patent	
2	1701504	1	Decal - Hydraulic Oil	
3	Not Available	1	Decal - Bar Code	
4	1703072	2	Decal - No Forklift	
5	1703681	1	Decal - JLG	
6	1703687	2	Decal - Arrow	
7		Ref	Decal - Manual Options:	
7	1703788	1	Decal - Manual ( <b>Prior to SN 0130004365</b> )	
7	1701509	1	Decal - Manual ( <b>SN 0130004365 to Present</b> )	
8	1703814	2	Decal - Tie Down	
9	1703817	2	Decal - Fork Lift	
10	1705016	1	Decal - Manual Descent	
11		Ref	Decal - Model Designation Options:	
11	1705191	2	Decal - Model Designation 15DVL	
11	1705018	2	Decal - Model Designation 15DVSP	
11	1705017	2	Decal - Model Designation 20DVL	
11	1705703	2	Decal - Model Designation 20DVSP	
12	1705048	1	Decal - Axxessor and Address ( <b>Prior to SN 0130005806</b> )	
13	1705059	4	Decal - Wheel Load	
14	1705060	2	Decal - Axxessor	
15	1705064	2	Decal - Axxessor	
16		Ref	Tape, Safety Options:	
16	Not Required	0	Tape, Safety 15DVL	
16	4420051	84 in/2.2m	Tape, Safety 15DVSP/20DVSP	
16	Not Required	0	Tape, Safety 20DVL	
17	1703688	2	Decal - Direction Arrow	
		Ref	<b>DECAL INSTALLATION (ANSI EXPORT SPEC)</b>	
		Ref	<b>Decal Installation (ANSI Export Spec) 15DVL:</b>	
	0272123	Ref	<b>Brazilian Language</b>	C
	0272125	Ref	<b>Chinese Language</b>	C
	0272113	Ref	<b>CSA Language</b>	C
	0272124	Ref	<b>Japanese Language (Prior to SN 0130006121)</b>	B
	0273860	Ref	<b>Japanese Language (SN 0130006121 to Present)</b>	A
	0272122	Ref	<b>Latin American Language</b>	C
		Ref	<b>Decal Installation (ANSI Export Spec) 15DVSP:</b>	
	0271973	Ref	<b>Brazilian Language</b>	C
	0271975	Ref	<b>Chinese Language</b>	C
	0271965	Ref	<b>CSA Language</b>	C
	0271974	Ref	<b>Japanese Language (Prior to SN 0130006121)</b>	B
	0273861	Ref	<b>Japanese Language (SN 0130006121 to Present)</b>	A
	0271972	Ref	<b>Latin American Language</b>	C
		Ref	<b>Decal Installation (ANSI Export Spec) 20DVL:</b>	
	0271285	Ref	<b>Brazilian Language</b>	C
	0271287	Ref	<b>Chinese Language</b>	C
	0271276	Ref	<b>CSA Language</b>	C

## SECTION 8 - DECALS

ITEM	PART NUMBER	QTY	DESCRIPTION	REV
	0271286	Ref	<b>Japanese Language (Prior to SN 0130006121)</b>	C
	0273850	Ref	<b>Japanese Language (SN 0130006121 to Present)</b>	A
	0271284	Ref	<b>Latin American Language</b>	C
101		Ref	Decal - Control Box Location Options:	
101	1703686	1	Brazilian	
101	1703751	1	Chinese	
101	1703719	1	CSA	
101	1703723	1	Japanese ( <b>Prior to SN 0130006121</b> )	
101	1705959	1	Japanese ( <b>SN 0130006121 to Present</b> )	
101	1703685	1	Latin American	
102		Ref	Decal - Crushing Hazard Options:	
102	1704024	2	Brazilian	
102	1704081	2	Chinese	
102	1704039	2	CSA	
102	1705099	2	Japanese	
102	1704032	2	Latin American	
103		Ref	Decal - Warning Fire Hazard Options:	
103	1704023	1	Brazilian	
103	1704079	1	Chinese	
103	1704797	1	CSA	
103	1704089	1	Japanese ( <b>Prior to SN 0130006121</b> )	
103	1705803	1	Japanese ( <b>SN 0130006121 to Present</b> )	
103	1704031	1	Latin American	
104		Ref	Decal - Warning/Instruction Options:	
104		Ref	Decal - Warning/Instruction 15DVL	
104	1705207	1	Brazilian ( <b>Prior to SN 0130007616</b> )	
104	1706368	1	Brazilian ( <b>SN 0130007616 to Present</b> )	
104	1705209	1	Chinese ( <b>Prior to SN 0130007616</b> )	
104	1706369	1	Chinese ( <b>SN 0130007616 to Present</b> )	
104	1705197	1	CSA ( <b>Prior to SN 0130007616</b> )	
104	1706366	1	CSA ( <b>SN 0130007616 to Present</b> )	
104	1705208	1	Japanese ( <b>Prior to SN 0130006121</b> )	
104	1705963	1	Japanese ( <b>SN 0130006121 to Present</b> )	
104	1705206	1	Latin American ( <b>Prior to SN 0130007616</b> )	
104	1706367	1	Latin American ( <b>SN 0130007616 to Present</b> )	
104		Ref	Decal - Warning/Instruction 15DVSP	
104	1705109	1	Brazilian ( <b>Prior to SN 0130007616</b> )	
104	1706364	1	Brazilian ( <b>SN 0130007616 to Present</b> )	
104	1705110	1	Chinese ( <b>Prior to SN 0130007616</b> )	
104	1706365	1	Chinese ( <b>SN 0130007616 to Present</b> )	
104	1705111	1	CSA ( <b>Prior to SN 0130007616</b> )	
104	1706362	1	CSA ( <b>SN 0130007616 to Present</b> )	
104	1705127	1	Japanese ( <b>Prior to SN 0130006121</b> )	
104	1705962	1	Japanese ( <b>SN 0130006121 to Present</b> )	
104	1705108	1	Latin American ( <b>Prior to SN 0130007616</b> )	
104	1706363	1	Latin American ( <b>SN 0130007616 to Present</b> )	
104		Ref	Decal - Warning/Instruction 20DVL	
104	1705105	1	Brazilian ( <b>Prior to SN 0130007616</b> )	
104	1706361	1	Brazilian ( <b>SN 0130007616 to Present</b> )	
104	1705106	1	Chinese ( <b>Prior to SN 0130007616</b> )	
104	1706355	1	Chinese ( <b>SN 0130007616 to Present</b> )	

## SECTION 8 - DECALS

ITEM	PART NUMBER	QTY	DESCRIPTION	REV
104	1705107	1	CSA (Prior to SN 0130007616)	
104	1706359	1	CSA (SN 0130007616 to Present)	
104	1705118	1	Japanese (Prior to SN 0130006121)	
104	1705960	1	Japanese (SN 0130006121 to Present)	
104	1705104	1	Latin American (Prior to SN 0130007616)	
104	1706360	1	Latin American (SN 0130007616 to Present)	
105	Not Serviced	1	Nameplate, Serial Number	
106	3820031	4	Rivet	
107		Ref	Decal - Fall Hazard Options: (15DVSP Only)	
107	1705142	1	Brazilian	
107	1704970	1	Chinese	
107	1704804	1	CSA	
107	1704777	1	Japanese (Prior to SN 0130006121)	
107	1705965	1	Japanese (SN 0130006121 to Present)	
107	1705141	1	Latin American	
108		Ref	Decal - Close Gate Options: (15DVSP Only)	
108	1705154	1	Brazilian	
108	1705155	1	Chinese	
108	1705156	1	CSA	
108	1705164	1	Japanese (Prior to SN 0130006121)	
108	1705964	1	Japanese (SN 0130006121 to Present)	
108	1705153	1	Latin American	
109		Ref	Decal - Battery Charging Instruction Options:	
109	1705860	1	Brazilian	
109	1705862	1	Chinese	
109	1705853	1	CSA	
109	1705861	1	Japanese (Prior to SN 0130006121)	
109	1705958	1	Japanese (SN 0130006121 to Present)	
109	1705855	1	Latin American	



## **SECTION 9 - RECOMMENDED SERVICE PARTS STOCK**

## **SECTION 9 - RECOMMENDED SERVICE PARTS STOCK**

## SECTION 9 - RECOMMENDED SERVICE PARTS STOCK

FIGURE 9-1. DVL/DVSP SERIES STANDARD PARTS

ITEM	PART NUMBER	QTY	DESCRIPTION	REV
	Note	Ref	<b>Note: The following list will service one machine (built to current production per date on the front cover) with emergency repair parts which can be installed in the field. Parts from the list should be replaced when inventory is depleted to keep service parts stock supplied. For further information, contact your JLG dealer or the JLG Industries Parts Department.</b>	
		Ref	<b>STANDARD PARTS</b>	
	2860030	1	Key, Replacement	
	7013723	1	Filter - 149 Micron	
	7016714	1	Breather	
	2400069	2	Fuse	
	4360515	1	Switch, Proximity	
	7018564	1	Relay, Interlock	
	7018514	1	Breaker, Circuit - AC	
	1600454	1	Controller	
		Ref	<b>VARIABLE PARTS</b>	
	2940074	1	Latch, Platform Gate (Without Drop Bar Gate or Molded Sides)	
	2940082	1	Latch, Platform Gate (DVL/DVSP with Molded Sides)	



**SECTION 10 - SPECIAL OPTIONS**

# SECTION 10 - SPECIAL OPTIONS

## FIGURE 10-1. SPECIAL OPTIONS

ITEM	PART NUMBER	QTY	DESCRIPTION	REV
	Note	Ref	<b>Note: This list is to accomodate machines ordered with special equipment. Options may not be applicable to all models. For more specific parts information contact JLG Parts Department.</b>	
		Ref	<b>SPECIAL OPTION INSTALLATIONS</b>	
	0273006	Ref	<b>Beacon, Base (Circuit City)</b>	
	0272718	Ref	<b>Beacon, Mast (UPS)</b>	
	0271198	Ref	<b>Carrier, Rug</b>	
	0272316	Ref	<b>Cord Reel (120VAC)</b>	
		Ref	<b>Decal Options:</b>	
	0272824	Ref	<b>Circuit City Spec</b>	
	0272380	Ref	<b>Grainger (Electric Ladder)</b>	
	0271256	Ref	<b>House 2 Home Spec</b>	
	0270873	Ref	<b>Home Depot Spec</b>	
	0271290	Ref	<b>Home Depot Spec (Platform with Fixed or Folding Side Rails)</b>	
	0271291	Ref	<b>Home Depot Spec (Platform with Molded Sides and Material Tray)</b>	
	0272000	Ref	<b>Home Depot Spec Warning Decals (ANSI/CSA)</b>	
	0272001	Ref	<b>Home Depot Spec Warning Decals (Canadian French)</b>	
	0272002	Ref	<b>Home Depot Spec Warning Decals (Spanish)</b>	
	0273591	Ref	<b>Office Max Spec</b>	
	0272777	Ref	<b>PetSmart Spec</b>	
	0272934	Ref	<b>Sears (Service)</b>	
	0273942	Ref	<b>Target Spec</b>	
	0272791	Ref	<b>Toys R Us Spec</b>	
	0270641	Ref	<b>Wal-Mart Spec</b>	
	0273101	Ref	<b>UPS Spec</b>	
	0255040	Ref	<b>Flourescent Tube Caddy</b>	
	0272022	Ref	<b>Gate, Interlock Assembly</b>	
	0273000	Ref	<b>Hydraulic Oil Installation (Fire Resistant)</b>	
	1704412	1	Decal - Hydraulic Oil	
	2300014	Ref	Hydraulic Oil - Mobil 424	
	2300021	Ref	Hydraulic Oil - Union Carbide Ucon HP5046 Fire Resistant	
	3128199	Ref	<b>Inspection Packet</b>	
	0273590	Ref	<b>Light Box Attachment</b>	
	0258799	Ref	<b>Material Tray (Platform with Molded Sides)</b>	
		Ref	<b>Shipping Skid, Container</b>	
	1580035	1	Shipping Skid, Container 15DVL & 20DVL	
	1580037	1	Shipping Skid, Container 20DVSP & 15DVSP	
	0255036	Ref	<b>Tool Tray</b>	
		Ref	<b>Tools</b>	
	0100048	AR	Compound, Silicone (Use on connectors/receptacles)	
	7002821	1	Crimper (For Wire to Pin/Socket Connections)	
	7002828	1	Stripper, Wire	
	7024361	1	Calibration Tool	
	7002842	1	Brake Crimp Removal Tool (Not Shown)	
	7002841	1	Motor Crimp Removal Tool (Not Shown)	
	7016618	1	Molex Tool (For Ground Control Station Electrical Connectors)	
	7002841	1	Intech Tool (For Drive Motor Electrical Connectors)	
	7002842	1	Intech Tool (For Drive Motor Brake Electrical Connectors)	

## SECTION 10 - SPECIAL OPTIONS

ITEM	PART NUMBER	QTY	DESCRIPTION	REV
	7002847	1	Tyco / AMP Electronics Tool (For other General Electrical Connectors)	
	7002848	1	Tyco / AMP Electronics Tool (For other General Electrical Connectors)	
		Ref	<b>Utility Rack Installation Options:</b>	
	0272914	Ref	<b>Utility Rack Installation 1 Piece</b>	
	0272984	Ref	<b>Utility Rack Installation 2 Piece</b>	



**PART NUMBER INDEX**

# PART NUMBER INDEX

01000119..... 13, 14, 17, 21, 31, 35, 49, 55, 59, 71, 75, 79, 83, 87, 88, 91, 93, 97	0271947 ..... 62	0273053 ..... 91	0641609.... 10, 14, 17, 21, 31
0100019..... 17, 31, 80	0271962 ..... 44	0273083 ..... 13	0641610..... 10
0100035.... 10, 14, 43, 50, 95	0271963 ..... 119	0273084 ..... 14, 21	0641611..... 17
0100038..... 17, 21, 112	0271965 ..... 119, 123	0273101 ..... 130	0641612..... 62
0100048..... 112, 130	0271972 ..... 123	0273322 ..... 31	0641614..... 9, 13
0100051..... 43, 112	0271973 ..... 123	0273323 ..... 31	0641616.... 79, 83, 87, 93
0100062..... 61	0271974 ..... 123	0273325 ..... 31	0641620.... 79, 83, 87, 93
0120006..... 27	0271975 ..... 123	0273396 ..... 83	0641812..... 59
0140022..... 35	0271981 ..... 35	0273397 ..... 79	0641814..... 14
0140033..... 35	0271982 ..... 35	0273590 ..... 130	0641816..... 17
0255036..... 130	0272000 ..... 130	0273591 ..... 130	0681812..... 59
0255040..... 130	0272001 ..... 130	0273850 ..... 124	0700507..... 49
0257711..... 65	0272002 ..... 130	0273860 ..... 123	0720805..... 76, 97
0258586..... 75	0272015 ..... 119, 123	0273861 ..... 123	0721004..... 80, 84
0258587..... 67	0272016 ..... 119, 123	0273942 ..... 130	0721006.... 50, 62, 67, 75
0258588..... 67	0272022 ..... 130	0274241 ..... 93	0721008..... 79, 83, 87
0258672..... 71	0272061 ..... 10, 14	0274324 ..... 93	0741006..... 43, 59
0258799..... 130	0272102 ..... 119, 123	0274343 ..... 97	0741008..... 49
0270641 ..... 130	0272112 ..... 119	0274606 ..... 98	0741506..... 17, 21
0270873..... 130	0272113 ..... 119, 123	0274628 ..... 98	0741605..... 35
0271198..... 130	0272122 ..... 123	0274629 ..... 98	0741606..... 59
0271256..... 130	0272123 ..... 123	0274630 ..... 98	0741609..... 17, 21
0271258..... 9, 13	0272124 ..... 123	0274631 ..... 98	0791404..... 55
0271259..... 31	0272125 ..... 123	0274632 ..... 98	0791620..... 91
0271260..... 31	0272161 ..... 27	0362347 ..... 71	0801308..... 31, 59
0271261..... 35, 105	0272271 ..... 35	0362658 ..... 43	0801309..... 31, 59
0271262..... 35	0272272 ..... 35	0362735 ..... 59	0801376..... 31, 59
0271263..... 43, 112	0272273 ..... 35	0362736 ..... 59	0801377..... 31, 59
0271264..... 27	0272276 ..... 27	0400208 ..... 44, 47	0860520... 65, 67, 71, 75, 79, 83, 87, 91, 93, 97
0271266..... 65	0272316 ..... 130	0400209 ..... 43	0860946..... 50, 114
0271267..... 67	0272329 ..... 35	0440221 ..... 17	0861519..... 43
0271268..... 67	0272330 ..... 27	0440246 ..... 60	0861693..... 49, 55
0271269..... 71	0272380 ..... 130	0440248 ..... 61	0861767..... 55
0271270..... 75	0272524 ..... 84	0440249 ..... 60	0902047..... 59
0271271..... 83	0272584 ..... 14, 21	0440258 ..... 21	0902297..... 62
0271272..... 79	0272595 ..... 21	0561149 ..... 61	0902422..... 59
0271273..... 49	0272716 ..... 91	0561308 ..... 61	0902424..... 59
0271274..... 119	0272718 ..... 130	0561309 ..... 61	0902431..... 59
0271276..... 119, 123	0272763 ..... 120	0561336 ..... 61	0902445..... 59
0271284..... 124	0272765 ..... 31	0561337 ..... 61	0902698..... 59
0271285..... 123	0272766 ..... 31	0561341 ..... 59	0902737..... 27
0271286..... 124	0272767 ..... 43	0561408 ..... 61	0902775..... 61
0271287..... 123	0272768 ..... 27	0610131 ..... 44, 112	0902836..... 27
0271290..... 130	0272769 ..... 50	0630440 ..... 50	0902877..... 67, 75
0271291..... 130	0272770 ..... 50	0630464 ..... 55	0902889..... 43
0271293..... 44	0272771 ..... 62	0630552 ..... 43	0903205..... 55
0271294..... 95	0272774 ..... 9, 17	0630572 ..... 79	0940049..... 79, 83
0271295..... 50, 114	0272775 ..... 9, 17	0630590 ..... 13	0940104..... 87, 91, 93
0271296..... 50, 114	0272776 ..... 9, 13	0641403 ..... 28	0940105..... 14
0271297..... 61	0272777 ..... 130	0641404 ..... 35, 87	0940106..... 88
0271460..... 9, 17	0272782 ..... 31	0641405 ..... 27, 44	0940107..... 88
0271461..... 9, 17	0272785 ..... 27	0641406 .... 9, 13, 43, 59	0940108..... 14
0271663..... 49	0272791 ..... 130	0641407 ..... 14, 31, 59	0961845..... 65
0271664..... 35	0272812 ..... 87	0641408 ... 25, 27, 59, 65, 67, 71, 75, 97	0961892..... 93
0271792..... 50, 114	0272820 ..... 87	0641410 ..... 59	0962288..... 95
0271793..... 50, 114	0272824 ..... 130	0641412 ..... 49	0962337..... 80, 84
0271810..... 44	0272825 ..... 14, 87	0641414 .... 65, 67, 75, 97	0962449..... 112
0271821..... 61	0272830 ..... 14, 21	0641416 ... 71, 76, 88, 97	1060380... 49, 65, 67, 71, 75, 95, 97
0271822..... 61	0272914 ..... 131	0641418 ..... 65, 84	1060649..... 9, 13
0271823..... 83	0272934 ..... 130	0641422 ..... 87, 91, 93	1060687..... 114
0271936..... 79	0272981 ..... 9, 13	0641508 ..... 61, 91, 93	1060753..... 44, 112
0271946..... 10, 14	0272982 ..... 119, 123	0641512 ..... 43	1060808..... 87
	0272983 ..... 119	0641606 ..... 9, 13, 35	1060920..... 59
	0272984 ..... 131	0641607 ..... 9, 13, 62	
	0273000 ..... 130		
	0273006 ..... 130		

## PART NUMBER INDEX

1060927 .....	113	1703681 ...	65, 67, 75, 79, 83, 87, 93, 97, 119, 123	1705208.....	124	2400044 .....	43
1060939 .....	112	1703684 .....	119	1705209.....	124	2400069 .....	43, 128
1060940 .....	112	1703685 .....	124	1705352.....	120	2410008 .....	93
1060941 .....	112	1703686 .....	124	1705353.....	120	2410017 .....	97
1060942 .....	112	1703687 .....	119, 123	1705531.....	43	2410019 .....	97
1060943 .....	112	1703688 .....	119, 123	1705578.....	95	250199 .....	114
1060944 .....	112	1703719 .....	119, 124	1705579.....	95	250200 .....	55
1060948 .....	50, 114	1703723 .....	124	1705580.....	95	250201 .....	55
1060949 .....	44, 112	1703751 .....	124	1705581.....	95	250220 .....	114
1100103 .....	9, 13	1703779 .....	119	1705582.....	95	2540040 .....	43
1260368 .....	59, 61	1703785 .....	119	1705583.....	95	2560154 .....	75, 97
1260370 .....	59, 61	1703786 .....	120	1705585.....	95	2600225 .....	67, 75, 97
1260371 .....	59, 61	1703788 .....	119, 123	1705586.....	95	2600258 .....	27
1271486 .....	59	1703814 .....	119, 123	1705587.....	95	2600281 .....	87, 91, 93
1271487 .....	59	1703817 .....	119, 123	1705588.....	95	2700098 .....	93
1271488 .....	59	1704023 .....	124	1705702.....	120	2753673 .....	105
1271489 .....	59	1704024 .....	124	1705703..	79, 83, 93, 119, 123	2860027 .....	17, 21
1271490 .....	59	1704031 .....	124	1705803.....	124	2860029 .....	17
1271493 .....	59	1704032 .....	124	1705834.....	120	2860030 .....	36, 55, 128
1320043 .....	49	1704039 .....	120, 124	1705853.....	120, 125	2860031 .....	21
1320149 .....	49	1704079 .....	124	1705855.....	125	2880310 .....	59
1380132 .....	49, 76, 97	1704081 .....	124	1705860.....	125	2902387 .....	27
1400126 .....	17, 21	1704089 .....	124	1705861.....	125	2902388 .....	27
1400128 .....	21	1704277 ...	59, 79, 83, 87, 93	1705862.....	125	2902389 .....	28
1560019 .....	98	1704366 .....	120	1705862.....	125	2902390 .....	27
1580019 .....	91	1704412 .....	130	1705958.....	125	2910760 .....	95
1580020 .....	93	1704469 .....	120	1705959.....	124	2920155 .....	10
1580035 .....	130	1704483 .....	95	1705960.....	125	2920156 .....	62
1580037 .....	130	1704777 .....	125	1705962.....	124	2920160 .....	62
1600309 .....	95, 114	1704797 .....	120, 124	1705963.....	124	2920178 .....	14
1600321 .....	35	1704804 .....	120, 125	1705964.....	125	2940074 ...	67, 75, 79, 83, 87, 128
1600322 .....	35	1704905 .....	95	1705965.....	125	2940082 .....	71, 128
1600323 .....	49, 53	1704970 .....	125	1705981.....	17, 21	3020017 .....	9, 13, 17
1600329 .....	35, 36	1705016 .....	119, 123	1706007.....	55	3020022 .....	9, 13
1600339 .....	35	1705017 .....	119, 123	1706355.....	124	3020038 .....	43
1600340 .....	35, 36	1705018 ...	79, 83, 87, 93, 119, 123	1706356.....	120	3020039 .....	21
1600341 .....	35, 36	1705046 .....	120	1706357.....	120	3020041 .....	61
1600378 .....	55	1705047 .....	120	1706358.....	120	3020041 .....	61
1600379 .....	55	1705048 .....	119, 123	1706359.....	125	3080005 .....	80, 84
1600397 .....	35	1705059 .....	119, 123	1706360.....	125	3128199 .....	130
1600454 .....	55, 128	1705060 .....	79, 83, 119, 123	1706361.....	124	3160282 .....	17, 21, 25
1671014 .....	27	1705064 .....	119, 123	1706362.....	124	3160283 .....	21, 25
1671015 .....	27	1705099 .....	124	1706363.....	124	3160311 .....	21, 25
1671016 .....	27	1705104 .....	125	1706364.....	124	3160312 .....	21, 25
1671017 .....	27	1705105 .....	124	1706365.....	124	3252760 .....	50
1671020 .....	9, 13	1705106 .....	124	1706366.....	124	3252761 .....	50
1671026 .....	27, 28	1705107 .....	125	1706367.....	124	3271805 .....	59
1671065 .....	27	1705108 .....	124	1706368.....	124	3300151 .....	71, 87, 93
1671066 .....	27	1705109 .....	124	1706369.....	124	3300202 .....	43
1671072 .....	27, 28	1705110 .....	124	1706370.....	120	3300356 .....	68, 76, 97
1671073 .....	27	1705111 .....	124	1706385.....	98	3310601 .....	55
1671074 .....	27, 28	1705118 .....	125	1706494.....	98	3310805 .....	76, 97
1671077 .....	27, 28	1705127 .....	124	1706495.....	98	3311001 ...	44, 50, 71, 79, 83, 87
1671095 .....	28	1705141 .....	125	1706496.....	98	33110059, 13, 35, 62, 68, 71, 75, 76, 97	
1684143 .....	59, 101	1705142 .....	125	1706504.....	98	3311401 .....	49, 59, 88
1684144 .....	59, 101	1705153 .....	125	1706505.....	98	3311402 .....	13
1684233 .....	59, 101	1705154 .....	125	2020005.....	75, 97	3311405 ...	27, 28, 31, 49, 50, 65, 67, 71, 75, 84, 87, 97
1684234 .....	59, 101	1705155 .....	125	2080040....	79, 83, 87, 91, 93	3311501 ...	43, 79, 83, 87, 91, 93
1700584 .....	119, 123	1705156 .....	120, 125	2110604.....	105	3311502 .....	79, 83
1701504 .....	119, 123	1705164 .....	125	2110606.....	105	3311505 ...	43, 67, 71, 75, 97
1701509 .....	119, 123	1705191 .....	119, 123	2120183.....	105	3311601 .....	31, 60
1701612 .....	65, 67	1705197 .....	124	2170206.....	105		
1702153 .....	119	1705206 .....	124	2220883.....	101		
1702155 .....	120	1705207 .....	124	2221123.....	105		
1703072 .....	119, 123			2300014.....	130		
1703455 .....	62			2300021.....	130		

# PART NUMBER INDEX

33116059, 13, 17, 21, 62, 79, 83, 87, 93	3573546 ..... 49	4060882 ..... 71	4460633.....113
3311608.....91	3573986 ..... 21	4060960 ..... 60	4460662.....112
3311801.....17, 60	3574226 ..... 87	4060961 ..... 60	4460672.....112
3312002.....9, 13	3574442 ..... 91, 93	4061034 ..... 60	4460709.....112
3340746.....71	3574683 ..... 93	4061055 ..... 31	4460710.....112
3340754.....71	3575698 ..... 13	4070547 ..... 10	4460761..... 112, 113
3340829.....75, 97	3580269 ..... 60	4070860 ..... 60	4460772.....114
3340845.....60	3580286 ..... 60	4070861 ..... 60	4460773.....114
3340858.....60	3580291 ..... 61	4070862 ..... 60	4460776.....114
3340977.....91, 93	3580293 ..... 60	4070890 ..... 71	4460802..... 44, 112
3380466....65, 67, 71, 75, 79, 83, 91, 93, 97	3580305 ..... 49, 50	4070894 ..... 72	4460803..... 44, 113
3380468.....87	3580344 ..... 49	4070970 ..... 60	4460919.....112
3380540.....55	3600326 ..... 35, 39	4070971 ..... 60	4460920.....112
3422338.....61	3600463 ..... 35, 41	4070988 ..... 60	4460922.....114
3422346.....61	3640924 ..... 71	4070989 ..... 60	4460923.....114
3422355.....61	3640990 ..... 71	4070990 ..... 60	4461023..... 55, 56, 113
3422657....50, 65, 67, 71, 75, 87, 97	3641542 ..... 93	4071032 ..... 49	4461041.....55
3422717.....60	3760170 ..... 95	4071043 ..... 43, 44	4567203.....9, 13
3422720.....61	3760365 ..... 9, 13	4071058 ..... 43, 44	4567489.....60
3422722.....61	3760383 ..... 60	4071064 ..... 10	4567492.....60
3422744.....79, 83, 87	3760448 ..... 80, 84	4071077 ..... 14	4567749.....60
3422750.....60	3820024 ... 49, 65, 67, 71, 72, 75, 79, 83, 87, 91, 93, 97	4071078 ..... 14	4567750.....60
3422752.....60	3820031 ..... 120, 125	4071092 ..... 87, 91, 93	4567751.....60
3422757.....60	3820032 ... 10, 14, 27, 28, 62, 65, 67, 71, 75, 79, 83, 87, 91, 93, 95, 97	4160124 ..... 60	4568013.....43
3422866.....80, 84	3820034 ..... 60	4160125 ..... 71	4568261.....95
3423050.....21	3841343 ..... 9, 13	4160130 ..... 49	47114009, 13, 14, 27, 28, 35, 43, 49, 50, 60, 65, 67, 71, 75, 88, 97
3430638.....9, 13	3900032 ..... 67, 75, 97	4160160 ..... 9, 13	4711500....60, 71, 75, 98
3440320.....17	3900163 ..... 61	4160162 ..... 9, 13	47116009, 13, 17, 21, 31, 62, 67, 75, 79, 80, 83, 84, 87, 93, 98
3440520.....17	3900177 ..... 71	4160165 ..... 67, 75	4711800.... 17, 60, 80, 84
3450202.....61	3900187 ..... 60	4220225 ..... 87, 91, 93	4712000.....9, 13
3450304.....61	3900190 ..... 93	4240032 ..... 43, 62, 95	4740007.....60
3450403.....9, 13	3900192 ..... 60	4240033 ..... 95	4740120.....49, 95
3510676.....71	3900200 ..... 75, 97	4240084 ..... 9	4740414.....60
3510845.....93	3900202 ..... 9, 13, 71	4240127 ..... 9, 14	4740428.....71
3510846.....93	3900203 ..... 71	4240147 ..... 9, 13	4740429.....71
3510874.....97	3900205 ..... 43, 44, 60	4280296 ... 65, 76, 79, 83, 87, 97	4740478..... 17, 21
3520028.....71	3900249 ..... 10, 14	4300111 ..... 61	4750800.... 43, 44, 50, 60, 76, 98
3520030.....76, 97	3900251 ..... 76, 97	4300129 ..... 61	4751000....35, 49, 62, 68, 71, 75, 79, 83, 87, 98
3520033.....10, 14	3900252 ..... 75, 97	4300154 ..... 10, 14	4751400....27, 28, 31, 43, 44, 71, 84
3520072....67, 71, 75, 80, 84, 87, 91, 93	3900258 ... 27, 28, 67, 75, 97	4360256 ..... 43	4751500....44, 49, 61, 79, 83, 91, 93
3520169.....65, 97	3900264 ..... 49, 50	4360456 ..... 112	4751600.....9, 13, 35
3520176.....80, 83, 87	3900270 ..... 80, 84	4360467 ..... 55	4751800..... 14, 60
3539814.....60	3900309 ..... 95	4360514 ..... 43	4761000....43, 44, 60, 79, 83, 87
3570274.....75, 97	3900315 ..... 49	4360515 ..... 44, 128	4761400.....27, 60
3570362.....75, 97	3900373 ..... 49	4360562 ..... 55	4761500.....43, 44
3570435.....65	3910608 ..... 55	4360567 ..... 55	4812000.....21
3570462.....67	3910804 ..... 55	4360581 ..... 55	4845345.....61
3570464.....67	3911008 ..... 35	4420039 ... 65, 67, 75, 79, 83, 87, 93, 97	4845577.....65
3570653.....76, 97	3911010 ..... 35	4420051 ..... 91, 119, 123	4845614.....75, 98
3570654.....76, 97	3911016 ..... 35, 44	4460023 ..... 50, 114	4845657.....76, 98
3570680.....49	3911020 ..... 35, 43, 44	4460125 ..... 50, 114	4845797.....65
3570893.....60	3911032 ..... 71	4460205 ..... 50, 114	4845805.....67
3570976.....62	3930808 ..... 95	4460226 .... 112, 113, 114	4845808.....67
3571101.....61	3930816 ..... 49	4460227 ..... 112, 113	4845809.....67
3571103.....61	3931016 ..... 49	4460267 ..... 112	4845810.....75, 98
3571552.....79, 83	3931516 ..... 39	4460320 .... 112, 113, 114	4845811.....75, 98
3571734.....35	4040268 ..... 17, 21	4460321 ..... 112	4845812.....75
3572511.....43, 44	4060092 ..... 50, 114	4460326 ..... 113	4845813.....67
3572847.....61	4060700 ..... 50, 114	4460346 ..... 50, 114	
3573070.....17	4060803 .... 65, 68, 76, 97	4460347 ..... 50	
3573071.....17	4060804 ..... 71	4460424 .... 112, 113, 114	
3573077.....17	4060865 ..... 62	4460444 ..... 112	
3573093.....9, 13		4460445 ..... 112	
		4460549 ..... 50, 114	
		4460566 ..... 50, 114	



## PART NUMBER INDEX

4845821 .....	71, 97	70001024 .....	41	7018021 .....	25	7023359 .....	18, 22
4845822 .....	71	70001025 .....	41	7018026 .....	25	7023360 .....	18, 22
4845831 .....	71	70001026 .....	41	7018028 .....	25	7023361 .....	18, 22
4846021 ....	65, 67, 75, 97	70001027 .....	41	7018030 .....	25, 112	7023391 .....	101
4846324 .....	79, 83, 87	70001028 .....	41	7018031 .....	25, 112, 113	7023392 .....	101
4846325 .....	79, 83, 87	70001703 .....	113	7018032 .....	25, 112, 113	7023394 .....	101
4846436 .....	9, 13	70001704 .....	113	7018033 .....	25	7023395 .....	101
4846437 .....	9, 13	70001705 .....	113	7018034 .....	25	7023490 .....	101
4846440 .....	17	70001706 .....	113	7018035 .....	25	7023491 .....	101
4846441 .....	17	70001707 .....	113	7018036 .....	25	7023492 .....	101
4846445 .....	31	70001708 .....	113	7018037 .....	25	7023493 .....	27, 28
4846446 .....	9, 13	70001798 .....	56	7018038 .....	25	7023498 .....	113
4846447 .....	31	70001799 .....	56, 113	7018039 .....	25	7023499 .....	113
4846481 .....	61	70003676 .....	25	7018040 .....	25	7024300 .....	113
4846514 .....	61	70003805 .....	55	7018041 .....	25	7024302 .....	113
4846521 .....	79, 83	7002821 .....	114, 130	7018042 .....	25	7024361 ....	53, 114, 130
4846522 .....	80, 84	7002828 .....	114, 130	7018043 .....	25	7024405 .....	101
4846536 .....	80, 84	7002841 ....	114, 115, 130	7018045 .....	25	7024406 .....	101
4846722 .....	91	7002842 ....	114, 115, 130	7018046 .....	25	7024407 .....	101
4846782 .....	31	7002847 .....	115, 131	7018047 .....	25	7024422 .....	53
4846783 .....	31	7002848 .....	115, 131	7018048 .....	25	7024423 .....	53
4846803 .....	87	7011621 .....	47, 113	7018049 .....	25	7024424 .....	53
4846804 .....	87	7013701 .....	39	7018050 .....	25	7024425 .....	53
4846864 .....	91	7013708 .....	39	7018514 .....	47, 128	7024426 .....	53
4846869 .....	13	7013713 .....	39	7018537 .....	47	7024427 .....	53, 113
4846870 .....	13	7013715 .....	39	7018564 .....	47, 128	7024428 .....	36
4860232 .....	17, 21	7013716 .....	39	7018570 .....	47	7024429 .....	36
4860235 .....	9, 13	7013717 .....	39	7018577 .....	47	7024430 .....	36
4860239 .....	9, 13	7013720 .....	39	7018586 .....	47	7024431 .....	36
4860240 .....	17, 21	7013722 .....	39	7018589 .....	47	7024432 .....	113
4922559 .....	49, 113	7013723 .....	39, 128	7020093 .....	113	7024460 .....	36
4922560 .....	112	7013727 .....	39	7020648 .....	47, 113	7024480 .....	101
4922562 .....	112	7013728 .....	39	7020651 .....	47	7024575 .....	53
4922563 .....	49, 113	7013743 .....	39	7020663 .....	47	7024591 .....	36
4922670 .....	95, 114	7013766 .....	39	7020673 .....	47	7024592 .....	36
4922671 .....	112	7013770 .....	39	7020674 .....	47	7024818 .....	101
4923106 .....	55	7013779 .....	39	7022210 .....	39	7024819 .....	101
4923107 .....	55	7013792 .....	39	7022211 .....	39	7024820 .....	101
4923108 .....	55	7013793 .....	39	7022212 .....	39	7024833 .....	101
4923315 .....	55	7016618 .....	114, 130	7022918 .....	47, 113	7026165 .....	41
4923316 .....	50, 113	7016710 .....	39	7022919 .....	47	7026195 .....	10, 14
70000012 .....	55	7016712 .....	39	7022920 .....	47	7026196 .....	10, 14
70000082 .....	55	7016713 .....	39	7022921 .....	47	7026335 .....	41
70000087 .....	36	7016714 .....	39, 128	7022922 .....	47	7026622 .....	101
70000682 .....	55	7016717 .....	39	7022923 .....	47	7026623 .....	101
70000683 .....	55	7016718 .....	39	7022926 .....	47	7026624 .....	101
70000684 .....	55	7016719 .....	39	7022942 .....	47	7026625 .....	101
70000685 .....	55	7016721 .....	39	7022943 .....	47	7027302 .....	53
70000686 .....	55	7016722 .....	39	7023351 .....	17, 21	7027365 .....	55
70000928 .....	53	7016724 .....	39	7023352 .....	17, 21	7027366 .....	55
70000933 .....	25	7016735 .....	39	7023353 .....	17, 22	7027367 .....	55
70001019 .....	41	7018000 .....	25	7023354 .....	17, 22	7027739 .....	113
70001020 .....	41	7018001 .....	25	7023355 .....	17, 22	7027764 .....	55
70001021 .....	41	7018009 .....	25	7023356 .....	18, 22	7027765 .....	55
70001022 .....	41	7018010 .....	25	7023357 .....	18, 22	7027766 .....	55
70001023 .....	41	7018011 .....	25	7023358 .....	18, 22	7028062 .....	25



3121137



An Oshkosh Corporation Company

Corporate Office  
JLG Industries, Inc.  
1 JLG Drive  
McConnellsburg, PA 17233-9533  
USA

+1-717-485-5161 (Corporate)  
+1-877-554-5438 (Customer Support Toll Free)  
+1-717-485-6417

### JLG Worldwide Locations

JLG Industries  
358 Park Road  
Regents Park  
NSW 2143  
Sydney 2143  
Australia  
+6 (12) 87186300  
+6 (12) 65813058  
Email: techservicesaus@jlg.com

JLG Ground Support Oude  
Bunders 1034  
Breitwaterstraat 12A  
3630 Maasmechelen  
Belgium  
+32 (0)89 84 82 26  
Email: emeaservice@jlg.com

JLG Latino Americana LTDA  
Rua Antonia Martins Luiz, 580  
Distrito Industrial Joao Narezzi  
Indaiatuba-SP 13347-404  
Brasil  
+55 (19) 3936 7664 (Parts)  
+55 (19) 3936 9049 (Service)  
Email: comercialpecas@jlg.com  
Email: servicos@jlg.com

Oshkosh-JLG (Tianjin)  
Equipment Technology LTD  
Shanghai Branch  
No 465 Xiao Nan Road  
Feng Xian District  
Shanghai 201204  
China  
+86 (21) 800 819 0050

JLG Industries Dubai  
Jafza View  
PO Box 262728, LB 19  
20th Floor, Office 05  
Jebel Ali, Dubai  
+971 (0) 4 884 1131  
+971 (0) 4 884 7683  
Email: emeaservice@jlg.com

JLG France SAS  
Z.I. Guillaume Mon Amy  
30204 Fauillet  
47400 Tonniens  
France  
+33 (0) 553 84 85 86  
+33 (0) 553 84 85 74  
Email: pieces@jlg.com

JLG Deutschland GmbH  
Max Planck Str. 21  
27721 Ritterhude-Ihlpohl  
Germany  
+49 (0) 421 69350-0  
+49 (0) 421 69350-45  
Email: german-parts@jlg.com

JLG Equipment Services Ltd.  
Rm 1107 Landmark North  
39 Lung Sum Avenue  
Sheung Shui N. T.  
Hong Kong  
+(852) 2639 5783  
+(852) 2639 5797

JLG Industries (Italia) S. R. L.  
Via Po, 22  
IT-20010 Pregnana Milanese (MI)  
Italy  
+39 (0) 2 9359 5210  
+39 (0) 2 9359 5211  
Email: ricambi@jlg.com

JLG EMEA B.V.  
Polaris Avenue 63  
2132 JH Hoofddorp  
The Netherlands  
+31 (0) 23 565 5665  
Email: emeaservice@jlg.com

JLG NZ Access Equipment & Services  
2B Fisher Crescent  
Mt Wellington 1060  
Auckland, New Zealand  
+6 (12) 87186300  
+6 (12) 65813058  
Email: techservicesaus@jlg.com

JLG Industries  
Vahutinskoe shosse 24b  
Khimki,  
Moscow Region 141400  
Russia Federation  
+7 (499) 922 06 99  
+7 (499) 922 06 99

Oshkosh-JLG Singapore  
Technology Equipment P te Ltd.  
35 Tuas Avenue 2  
Jurong Industrial Estate  
Singapore 639454  
+65 6591 9030  
+65 6591 9045  
Email: SEA@jlg.com

JLG Iberica S. L.  
Trapadella, 2  
Pol. Ind. Castellbisbal Sur  
08755 Castellbisbal  
Barcelona  
Spain  
+34 (0) 93 772 47 00  
+34 (0) 93 77 117 62  
Email: parts\_iberica@jlg.com

JLG Sverige AB  
Enkopingsvagen 150  
17627 Jarfalla  
Sweden  
+46 (0) 8 506 595 00  
+46 (0) 8 506 595 27  
Email: nordicsupport@jlg.com

JLG Industries (UK) Ltd.  
Bentley House  
Bentley Avenue  
Middleton, Greater Manchester  
M24 2GP  
United Kingdom  
+44 (0) 161 654 1000  
+44 (0) 161 654 1003  
Email: ukparts@jlg.com

www.jlg.com