

SKYTRAK[®]

Illustrated Parts Manual

Models ***4266***

8990367
July 2000

ANSI



JLG[®]

TABLE OF CONTENTS

SECTION 1 - MAIN FRAME AND GUARDS	7
FIGURE 1-1. MAIN FRAME	8
FIGURE 1-2. COVERS AND GUARDS	10
SECTION 2 - OPERATOR'S CAB AND CONTROLS	13
FIGURE 2-1. OPEN CAB - OUTER PANELS.....	14
FIGURE 2-2. OPEN CAB - INNER CONSOLE AND DASH PANEL.....	16
FIGURE 2-3. OPERATOR'S SEAT AND SEAT BELT.....	18
FIGURE 2-4. OPERATOR'S SEAT AND SEAT BELT (OPTIONAL)	20
FIGURE 2-5. MIRRORS	22
FIGURE 2-6. THROTTLE PEDAL CONTROL.....	24
FIGURE 2-7. SERVICE BRAKE PEDAL MOUNTING	26
FIGURE 2-8. JOYSTICK MOUNTING	28
FIGURE 2-9. STEERING COLUMN, STEERING WHEEL AND SHIFTER	30
SECTION 3 - DRIVE TRAIN	33
FIGURE 3-1. DRIVE SHAFT - TRANSFER BOX TO FRONT AXLE	34
FIGURE 3-2. DRIVE SHAFT - TRANSFER BOX TO REAR AXLE	36
FIGURE 3-3. DRIVE SHAFT - TRANSMISSION TO TRANSFER BOX	38
FIGURE 3-4. TRANSFER BOX	40
FIGURE 3-5. FRONT AXLE - INPUT.....	42
FIGURE 3-6. FRONT AXLE - LIMITED SLIP DIFFERENTIAL	46
FIGURE 3-7. FRONT AXLE - AXLE CASING	48
FIGURE 3-8. FRONT AXLE - M-DISC BRAKE	50
FIGURE 3-9. FRONT AXLE - BRAKE	54
FIGURE 3-10. FRONT AXLE - JOINT HOUSING	56
FIGURE 3-11. FRONT AXLE - PLANETARY DRIVE	58
FIGURE 3-12. REAR AXLE - INPUT	60
FIGURE 3-13. REAR AXLE - DIFFERENTIAL	64
FIGURE 3-14. REAR AXLE - AXLE CASING	66
FIGURE 3-15. REAR AXLE - M-DISC BRAKE.....	68
FIGURE 3-16. REAR AXLE - BRAKE.....	72
FIGURE 3-17. REAR AXLE - JOINT HOUSING.....	74
FIGURE 3-18. REAR AXLE - PLANETARY DRIVE.....	76
FIGURE 3-19. STEERING CYLINDER.....	78
FIGURE 3-20. ENGINE CONNECTION AND CONVERTER	80
FIGURE 3-21. INPUT SHAFTS	82
FIGURE 3-22. GEARBOX HOUSING.....	84
FIGURE 3-23. COUPLING GROUP 1	86
FIGURE 3-24. COUPLING GROUP 2	88
FIGURE 3-25. COUPLING GROUP 3	90
FIGURE 3-26. COUPLING GROUP 4	92
FIGURE 3-27. REVERSING GEAR GROUP 1.....	94
FIGURE 3-28. REVERSING GEAR GROUP 2	96
FIGURE 3-29. OUTPUT	98

TABLE OF CONTENTS

FIGURE 3-30. CONTROL UNIT.....	100
FIGURE 3-31. VALVE HOUSING ASSEMBLY.....	102
FIGURE 3-32. VALVE BLOCK ASSEMBLY.....	106
FIGURE 3-33. OIL PUMP AND FILTER.....	108
FIGURE 3-34. WHEELS AND TIRES.....	110
FIGURE 3-35. TRANSMISSION AND TRANSFER BOX MOUNTING.....	112
SECTION 4 - POWER PLANT.....	115
FIGURE 4-1. ENGINE MOUNTING.....	116
FIGURE 4-2. RADIATOR AND OIL COOLER.....	118
FIGURE 4-3. EXHAUST SYSTEM.....	120
FIGURE 4-4. AIR CLEANER.....	122
FIGURE 4-5. FUEL SYSTEM.....	124
SECTION 5 - HYDRAULIC CIRCUITS.....	127
FIGURE 5-1. POWER STEERING CIRCUIT.....	128
FIGURE 5-2. UNLOADER VALVE CIRCUIT.....	130
FIGURE 5-3. BOOM LIFT/LOWER AND EXTEND/RETRACT CIRCUIT.....	132
FIGURE 5-4. ATTACHMENT TILT AND SLAVE CIRCUIT.....	134
FIGURE 5-5. FRAME TILT AND STABILIZER CIRCUIT.....	136
FIGURE 5-6. SERVICE BRAKE AND DE-CLUTCH CIRCUIT.....	138
FIGURE 5-7. VALVE PLATE ASSY W/O AUX HYDRAULICS.....	140
FIGURE 5-8. VALVE PLATE ASSY W/AUX HYDRAULICS.....	144
FIGURE 5-9. VALVE PLATE ASSY W/AUX DETENT HYDRAULICS.....	146
FIGURE 5-10. TRANSMISSION COOLING CIRCUIT.....	148
FIGURE 5-11. AUXILIARY HYDRAULIC CIRCUIT (OPTIONAL).....	150
FIGURE 5-12. JOYSTICK CIRCUIT.....	152
SECTION 6 - HYDRAULIC COMPONENTS.....	155
FIGURE 6-1. MAIN PUMP.....	156
FIGURE 6-2. DIRECTIONAL CONTROL VALVES 1 OF 2.....	158
FIGURE 6-3. DIRECTIONAL CONTROL VALVES 2 OF 2.....	160
FIGURE 6-4. STABIL-TRAK CYLINDER.....	162
FIGURE 6-5. UNLOADER VALVE.....	164
FIGURE 6-6. SLAVE CYLINDER.....	166
FIGURE 6-7. FRAME TILT CYLINDER.....	168
FIGURE 6-8. ATTACHMENT TILT CYLINDER.....	170
FIGURE 6-9. HOIST CYLINDER.....	172
FIGURE 6-10. EXTEND CYLINDER (Prior to SN 13714).....	174
FIGURE 6-11. EXTEND CYLINDER (SN 13714 to Present).....	176
FIGURE 6-12. SWING CARRIAGE CYLINDER (EARLY PRODUCTION) (OPTIONAL).....	178
FIGURE 6-13. SWING CARRIAGE CYLINDER (CURRENT PRODUCTION) (OPTIONAL).....	180
FIGURE 6-14. SIDE TILT CARRIAGE CYLINDER (EARLY PRODUCTION) (OPTIONAL).....	182
FIGURE 6-15. SIDE TILT CARRIAGE CYLINDER (CURRENT PRODUCTION) (OPTIONAL).....	184
FIGURE 6-16. HYDRAULIC RESERVOIR.....	186
FIGURE 6-17. MAIN CONTROL VALVE (BOOM EXTEND AND HOIST SECTIONS).....	188

TABLE OF CONTENTS

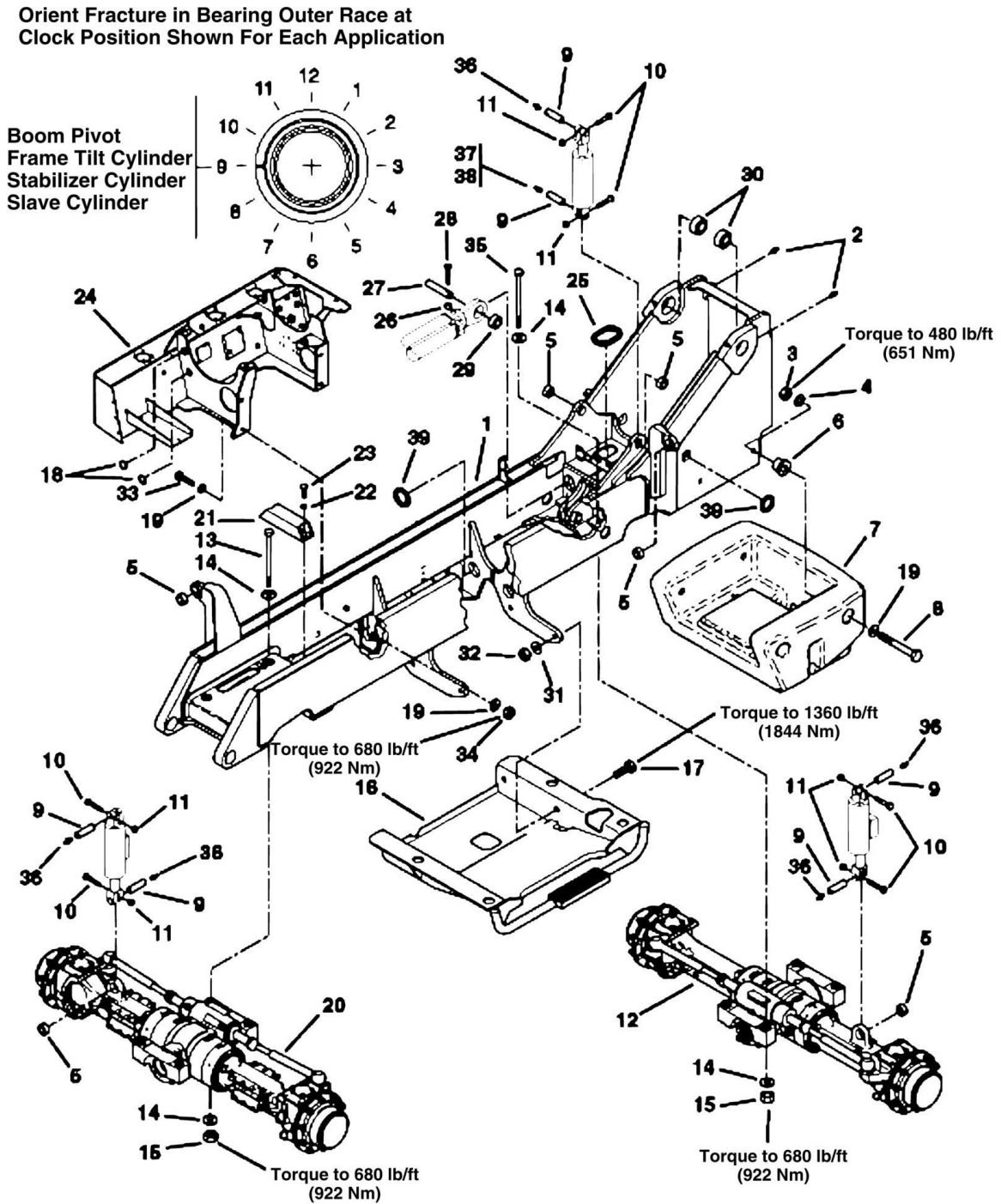
FIGURE 6-18. MAIN CONTROL VALVE (FRAME TILT, ATTACHMENT TILT AND AUXILIARY HYDRAULIC SECTIONS) ...	192
SECTION 7 - ELECTRICAL	195
FIGURE 7-1. ELECTRICAL SYSTEM - CAB HARNESS	196
FIGURE 7-2. ELECTRICAL SYSTEM - ENGINE HARNESS	198
SECTION 8 - DECALS AND PAINT	201
FIGURE 8-1. DECALS AND PAINT	202
SECTION 9 - BOOM AND ATTACHMENTS	205
FIGURE 9-1. INNER BOOM	206
FIGURE 9-2. INTERMEDIATE BOOM	208
FIGURE 9-3. OUTER BOOM	210
FIGURE 9-4. BOOM EXTEND CHAIN	212
FIGURE 9-5. BOOM RETRACT CHAIN	214
FIGURE 9-6. QUICK ATTACH	216
FIGURE 9-7. 48IN CARRIAGE	218
FIGURE 9-8. 60IN CARRIAGE (OPTIONAL)	220
FIGURE 9-9. 72IN CARRIAGE (OPTIONAL)	222
FIGURE 9-10. SWING CARRIAGE (OPTIONAL)	224
FIGURE 9-11. SIDE TILT CARRIAGE (OPTIONAL)	226
FIGURE 9-12. 12 FT TRUSS BOOM (OPTIONAL)	228
FIGURE 9-13. UTILITY BUCKET (OPTIONAL)	230
FIGURE 9-14. SHEET MATERIAL HANDLER (OPTIONAL)	232
PART NUMBER INDEX	235

SECTION 1 - MAIN FRAME AND GUARDS

SECTION 1 - MAIN FRAME AND GUARDS

SECTION 1 - MAIN FRAME AND GUARDS

FIGURE 1-1. MAIN FRAME



PT0700

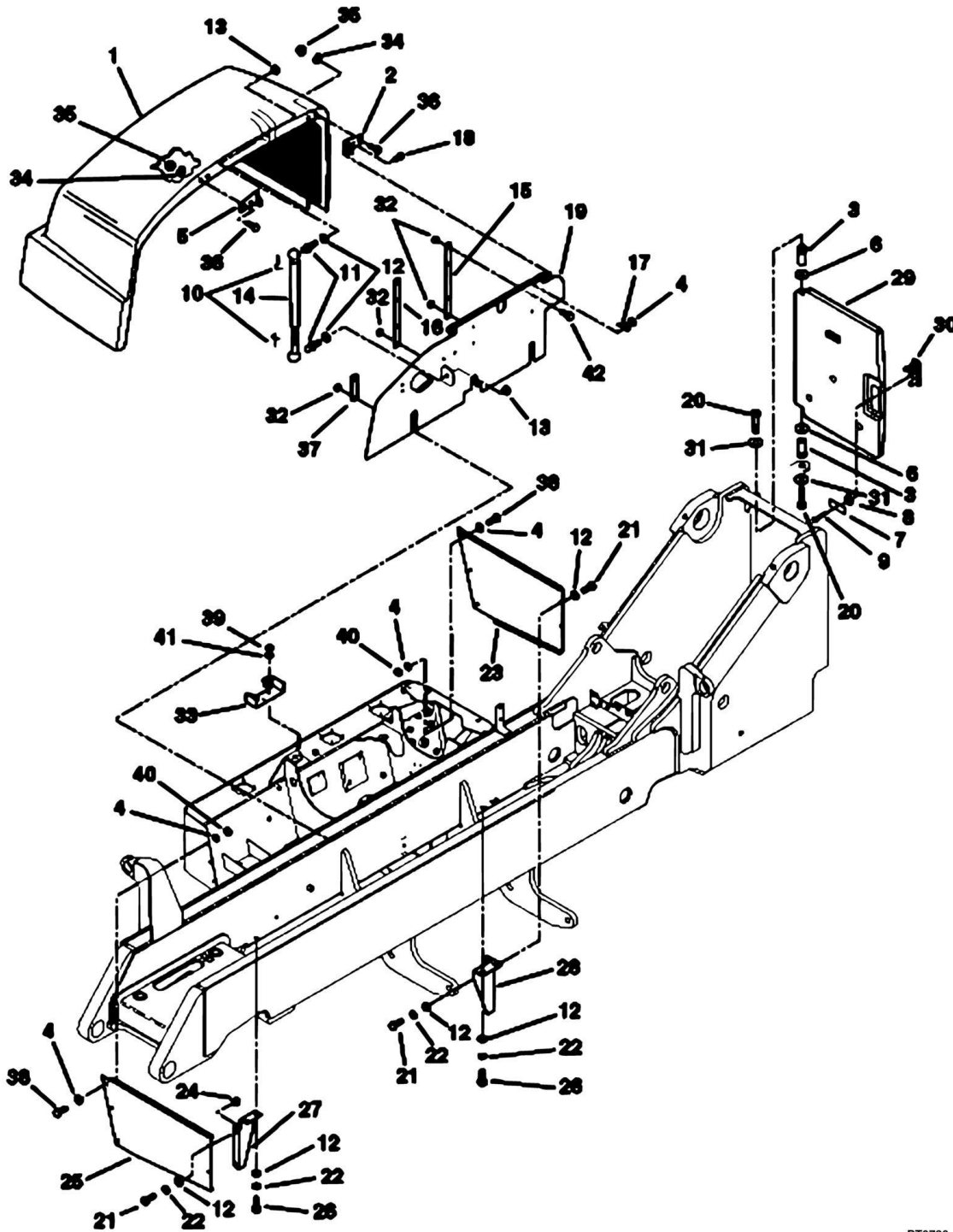
SECTION 1 - MAIN FRAME AND GUARDS

FIGURE 1-1. MAIN FRAME

ITEM	PART NUMBER	QTY	DESCRIPTION	REV
1	7138741	1	Frame, Main	
2	8520013	2	Fitting, Lube, 1/8 Self Tapping	
3	8310116	4	Nut, Hex Lock 1-8	
4	8310512	4	Shim	
5	8050001	6	Bearing, Self Align 1-1/2in I.D.	
6	7139095	4	Bushing	
7	7138837	1	Counterweight	
8	8310080	4	HHCS, 1-8 x 7in Gr. 8	
9	7137142	8	Pin, Slave Cylinder	
10	8303752	8	HHCS, 5/16-18 x 3-1/2in	
11	8305626	8	Nut, Hex Lock 5/16-18	
12	8040270	1	Axle, Rear	
13	8310480	4	HHCS, 1-8 x 14in Gr. 8	
14	8310061	16	Washer, Flat 1in	
15	8310481	8	Nut, Hex Lock Elastic 1-8	
16	7136794	1	Mount, Cab	
17	8310285	4	HHCS, 1-8 x 3in Gr. 8	
18	7124331	2	Conduit 1/2in Dia (60in Cut to Fit)	
19	8310061	12	Washer, 1in Hardened	
20	8040269	1	Axle, Front	
21	5752022	1	Bumper	
22	8307112	2	Washer, Flat 1/2in	
23	8303693	2	HHCS, 1/2-13 x 2-1/2in	
24	7137164	1	Hydraulic Reservoir/Engine Mount	
25	7139248	4	Conduit 3/4in Dia (60in Cut to Fit)	
26	8305644	1	Nut, Hex Lock 1/2-13	
27	7137092	1	Pin, Hoist Cylinder	
28	8303782	1	HHCS, 1/2-13 x 4in	
29	8065640	1	Bearing, Self Align 2in I.D.	
30	8050007	2	Bearing, Self Align 2-1/2in I.D.	
31	8307211	4	Washer, Flat 1-1/4in	
32	8310417	4	Nut, Hex Lock 1-1/4in	
33	8303538	4	HHCS, 1-8 x 3in Gr. 8	
34	8310481	4	Nut, Hex Lock 1in	
35	8310479	4	HHCS, 1-8 x 11in Gr. 8	
36	8520001	6	Fitting, Lube 1/8	
37	8520003	1	Fitting, Grease - Right Side Cylinder	
38	8520001	1	Fitting, Lube 1/8 - Left Side Cylinder	
39	7139249	9	Conduit 1in Dia (60in Cut to Fit)	

SECTION 1 - MAIN FRAME AND GUARDS

FIGURE 1-2. COVERS AND GUARDS



PT0730

SECTION 1 - MAIN FRAME AND GUARDS

FIGURE 1-2. COVERS AND GUARDS

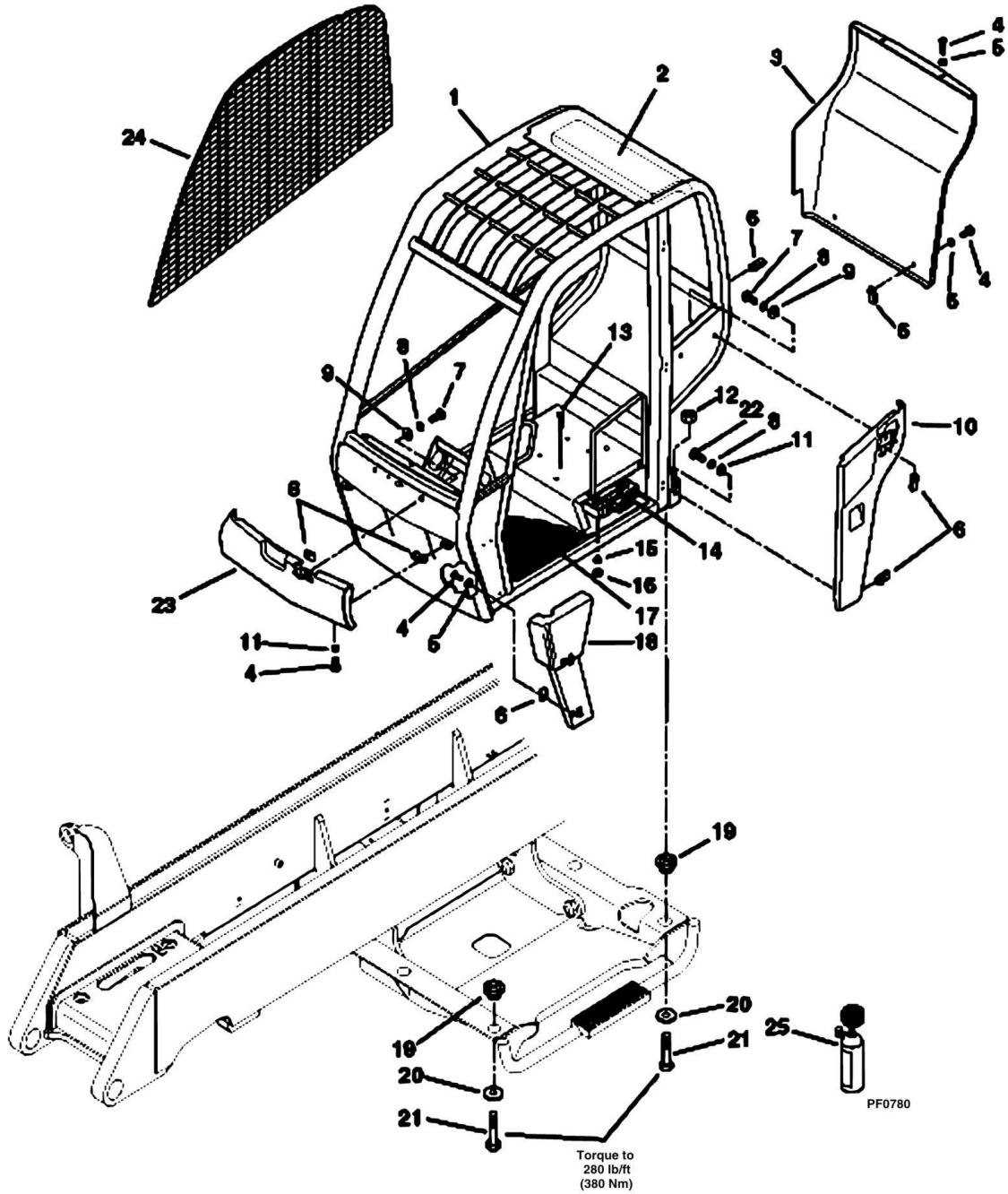
ITEM	PART NUMBER	QTY	DESCRIPTION	REV
1	7138260	1	Hood, Engine	
2	7138265	1	Hinge, Hood - Rear	
3	7138280	2	Bushing	
4	8307110	14	Washer, Flat 3/8in Narrow	
5	7138264	1	Hinge, Hood - Front	
6	8307204	AR	Washer, Flat 3/8in	
7	7138321	1	Plate, Latch	
8	8310441	1	Spacer, Round	
9	8310439	1	Screw, Pan Hd	
10	8702157	4	Spring, Clip	
11	8340035	4	Ball Stud - 13mm	
12	8307106	12	Washer, Flat 5/16in	
13	8305626	10	Nut, Hex Lock Elastic 5/16-18	
14	8702160	2	Spring, Gas	
15	7138342	1	Stiffener, Flat	
16	7138682	1	Stiffener, Flat	
17	8302406	2	Pin, Cotter	
18	8310334	2	Pin, Clevis 3/8in Dia	
19	7138262	1	Panel, Engine	
20	8303621	2	HHCS, 3/8-16 x 1-1/2in	
21	8303670	8	HHCS, 5/16-18 x 1in	
22	8307004	8	Washer, Lock 5/16in	
23	7137343	1	Cover, Engine - Rear	
24	8305906	4	Nut, Retainer 5/16-18	
25	7137333	1	Cover, Engine - Front	
26	8303744	4	HHCS, 5/16-18 x 1/2in	
27	7138828	1	Bracket, Cover - Front	
28	7138829	1	Bracket, Cover - Rear	
29	7138279	1	Cover, Rear	
30	8342416	2	Latch, Adjustable Trigger	
31	8307112	2	Washer, Flat 1/2in Heavy	
32	8305644	10	Nut, Hex Lock Elastic 1/2-13	
33	7138271	1	Bracket, Striker	
34	8307109	4	Washer, Flat SAE Light 1/4in	
35	8305624	4	Nut, Hex Lock Elastic 1/4-20	
36	8303615	4	HHCS, 1/4-20 x 1-1/4in Gr. 5	
37	7138843	1	Stiffener, Flat	
38	8303738	6	HHCS, 3/8-16 x 7/8in Gr. 5	
39	8305006	2	Nut, Hex 5/16-18	
40	8305008	6	Nut, Hex 3/8-16	
41	8307203	2	Washer, Flat 5/16in	
42	8303626	4	HHCS, 1/2-13 x 1-1/2in Gr. 5	

SECTION 2 - OPERATOR'S CAB AND CONTROLS

SECTION 2 - OPERATOR'S CAB AND CONTROLS

SECTION 2 - OPERATOR'S CAB AND CONTROLS

FIGURE 2-1. OPEN CAB - OUTER PANELS



PT0460

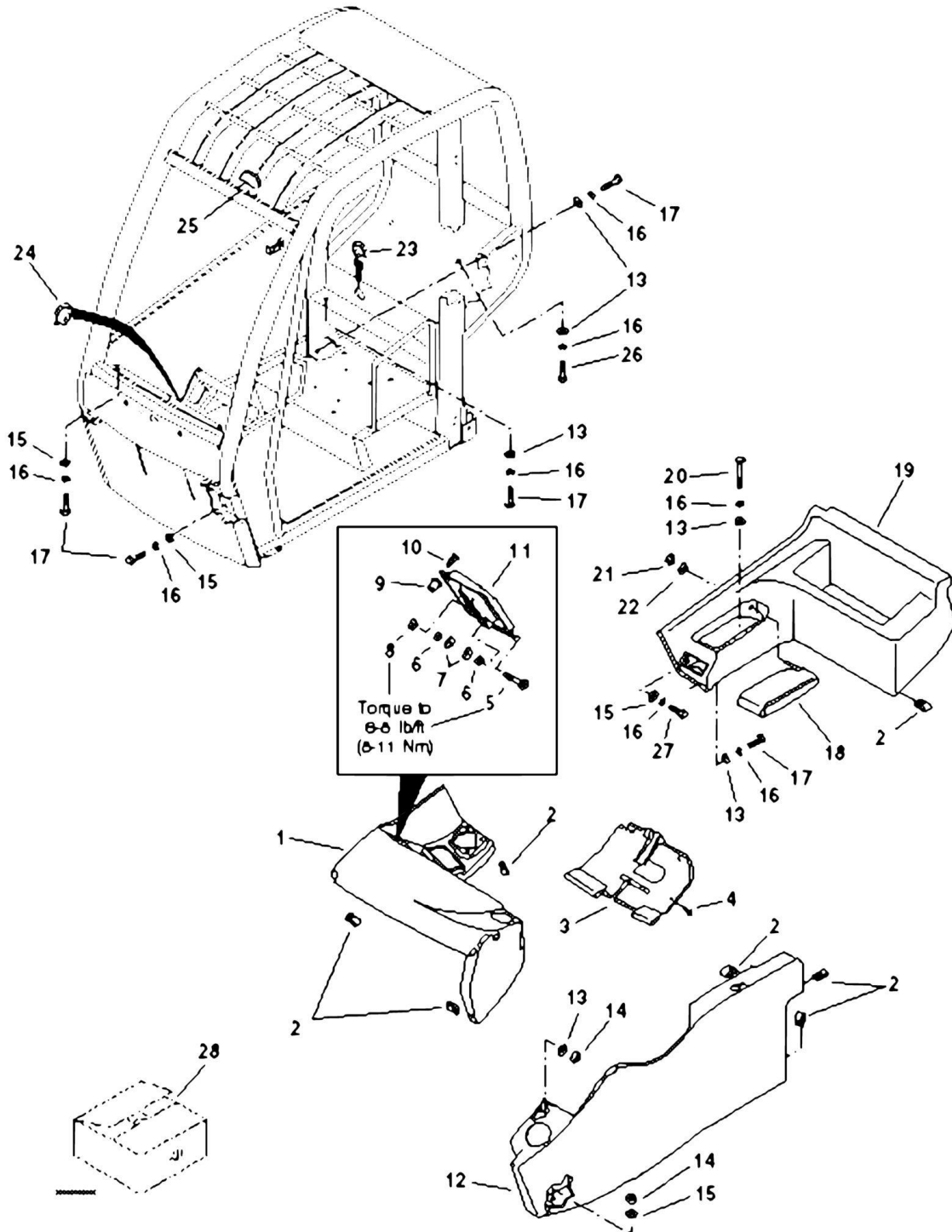
SECTION 2 - OPERATOR'S CAB AND CONTROLS

FIGURE 2-1. OPEN CAB - OUTER PANELS

ITEM	PART NUMBER	QTY	DESCRIPTION	REV
1	7137634	1	Operator's Protective Structure - ROPS/FOPS	
2	7131412	1	Headliner	
3	7130663	1	Panel, Cab Rear	
4	8310301	10	BHCS, 5/16-18 x 1in	
5	8310124	8	Washer, Flat Plastic 5/16in	
6	8305906	13	Nut, Retaining 5/16-18	
7	8303670	4	HHCS, 5/16-18 x 1in	
8	8307004	5	Washer, Lock 5/16in	
9	7057141	4	Washer, Rebound	
10	7130653	1	Panel, Cab Rear - Left Side	
11	8307203	3	Washer, Flat 5/16in	
12	8310067	2	Nut, Hex Lock Elastic 3/4-10	
13	8303034	4	BHCS, 1/4-20 x 3/4in	
14	8990122	1	Holder, Owner/Operator Manual	
15	8307202	4	Washer, Flat 1/4in	
16	8305624	4	Nut, Hex Lock Elastic 1/4-20	
17	7138963	1	Mat, Floor	
18	7134453	1	Panel, Cab Front - Left Side	
19	8278026	4	Isolator, Cab	
20	7129441	4	Washer, Rebound	
21	8310375	4	HHCS, 3/4-10 x 3-3/4in Gr. 8	
22	8303739	1	HHCS, 5/16-18 NC x 1.25in	
23	7138864	1	Panel, Cab Front	
24	7137152	1	Kit, Mesh Plate - Right Side (Includes Urethane and Installation Instructions)	
25	8526042	AR	Adhesive, 10 oz Spray Can (For Item 17)	

SECTION 2 - OPERATOR'S CAB AND CONTROLS

FIGURE 2-2. OPEN CAB - INNER CONSOLE AND DASH PANEL



PT0710

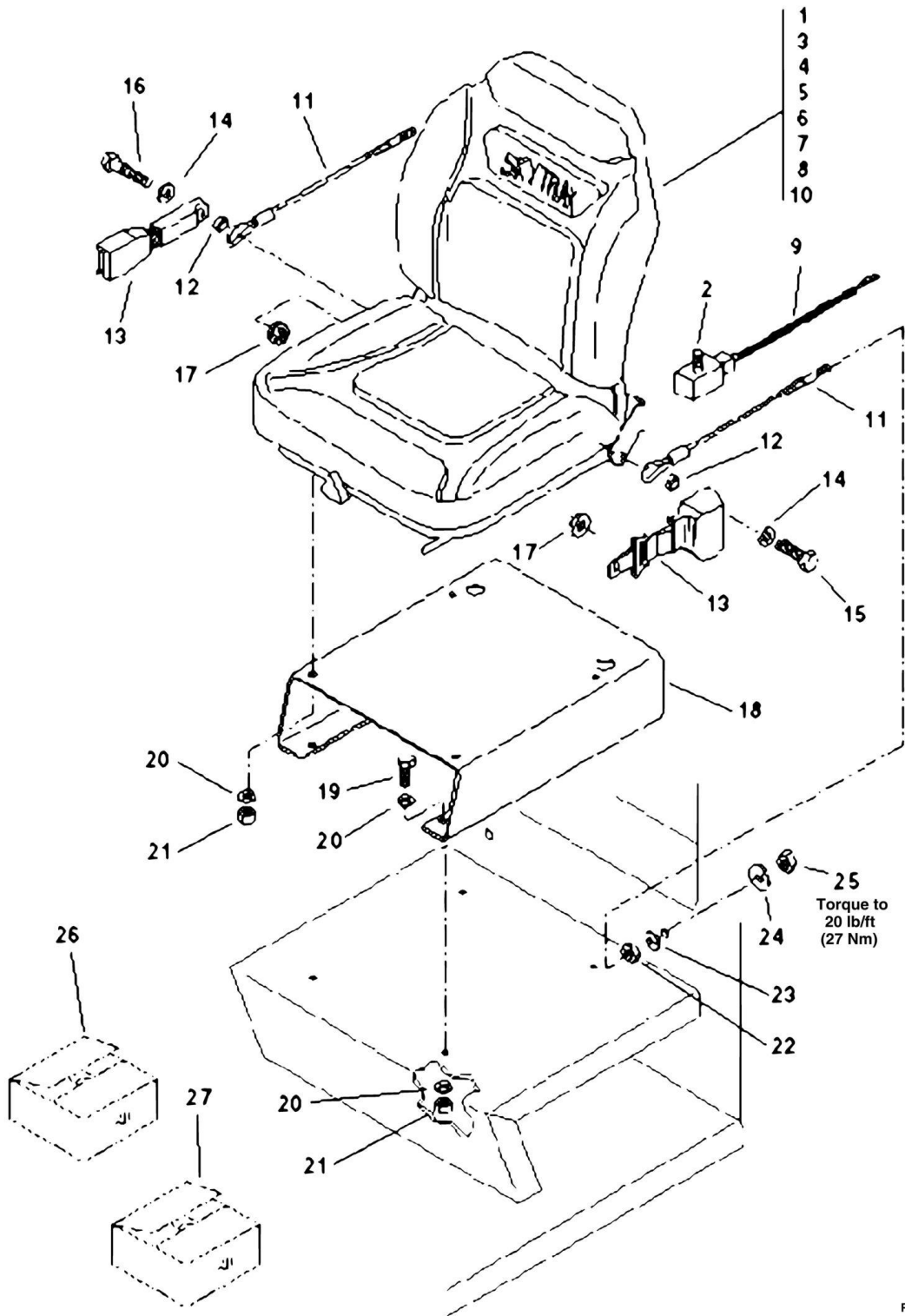
SECTION 2 - OPERATOR'S CAB AND CONTROLS

FIGURE 2-2. OPEN CAB - INNER CONSOLE AND DASH PANEL

ITEM	PART NUMBER	QTY	DESCRIPTION	REV
1	7138839	1	Dash, Front (See Kits)	
2	8310374	10	Nut, Retaining 5/16-18	
3	7130773	1	Cover, Lower Dash (See Kits)	
4	8310353	3	Screw, Self Drilling #12-14 x 1in	
5	8310016	2	HHCS, Slotted #10-24 x 1in	
6	8310402	4	Spacer	
7	8310360	4	Washer, Fender	
8	8310085	2	Nut, Hex Lock Elastic #10-24	
9	8580421	4	Nut, Well #10-32 x 1/2in Long	
10	8310358	4	BHCS, #10-32 x 3/4in	
11	7131003	1	Holder, Load Chart	
12	7130744	1	Support, Console (See Kits)	
13	7057141	7	Washer, Rebound	
14	8305626	2	Nut, Hex Lock Elastic 5/16-18	
15	8307203	5	Washer, Flat 5/16in	
16	8307004	10	Washer, Lock 5/16in	
17	8303739	6	HHCS, 5/16-18 x 1-1/4in	
18	7130862	1	Armrest	
19	7130734	1	Tool Bin, Rear (See Kits)	
20	8310009	1	HHCS, 5/16-18 x 2in	
21	8630010	1	Ring, Retaining	
22	8307206	1	Washer, Flat 1/2in	
23	7124531	1	Conduit, 1/4 x 5in Long	
24	7132751	1	Conduit, 1/4 x 9-1/2in Long	
25	8466306	1	Gauge, Tilt Angle	
26	8303746	1	HHCS, 5/16-18 x 1-3/4in	
27	8303697	1	HHCS, 5/16-18 x 3/4in	
		Ref	KITS	
28	7138844	1	Kit, Cab Panels (Includes Items 1, 3, 12, 19 and additional panels on STEERING COLUMN, STEERING WHEEL AND SHIFTER)	

SECTION 2 - OPERATOR'S CAB AND CONTROLS

FIGURE 2-3. OPERATOR'S SEAT AND SEAT BELT



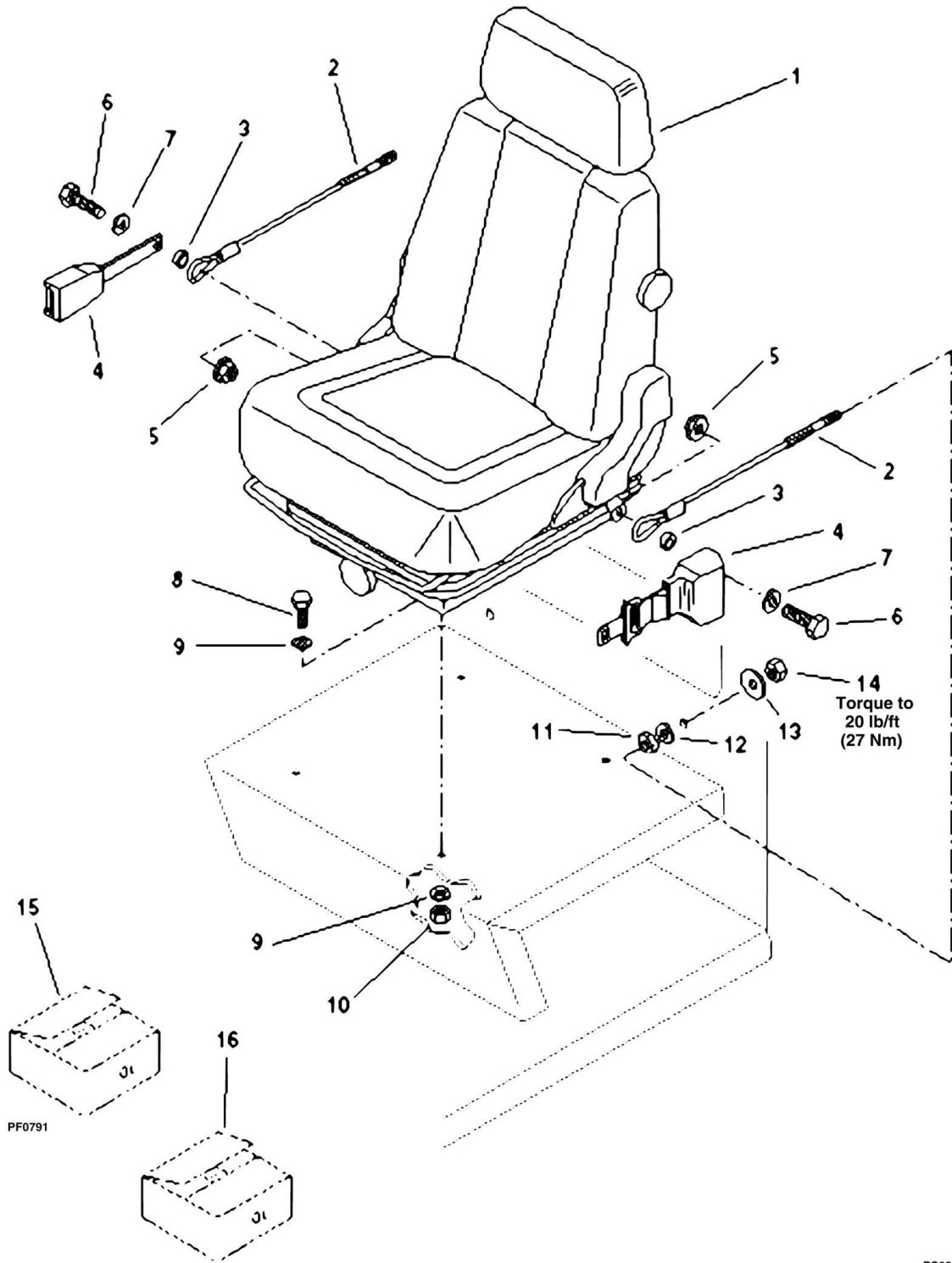
SECTION 2 - OPERATOR'S CAB AND CONTROLS

FIGURE 2-3. OPERATOR'S SEAT AND SEAT BELT

ITEM	PART NUMBER	QTY	DESCRIPTION	REV
1	8864053	1	Seat Assembly (Includes Items 2 thru 10)	
2	8036008	1	Seat Switch Assembly	
3	8036009	1	Boot, 60/76mm (Not Shown)	
4	8036010	1	Adjuster, 6in (Not Shown)	
5	8036011	1	Damper (Not Shown)	
6	8036013	4	Rollers, Up Stop Bumper/Down Stop Bumper - 7/16in Dia (Not Shown)	
7	8036014	1	Springs and Cable (Not Shown)	
8	8036015	1	Hanger/Knob/Tension Shaft (Not Shown)	
9	8036016	1	Wire Harness Kit	
10	8036017	1	Cushion/Pan Assembly Kit (Not Shown)	
11	7130412	2	Tether	
12	7096491	2	Spacer	
13	8864057	1	Seat Belt Assembly - 2in Retractable (Includes Items 14 thru 17)	
14	N.S.S.	2	Washer	
15	N.S.S.	1	HHCS	
16	N.S.S.	1	HHCS	
17	N.S.S.	2	Nut, Hex	
18	7121543	1	Support, Seat	
19	8303670	4	HHCS, 5/16-18 x 1in Gr. 5	
20	8307106	12	Washer, Flat 5/16in Narrow	
21	8305626	8	Nut, Hex Lock Elastic 5/16-18	
22	8305404	2	Nut, Hex Jam 3/8-16	
23	8307204	2	Washer, Flat 3/8in	
24	7057141	2	Washer, Rebound	
25	8305645	2	Nut, Hex Lock Elastic 3/8-16	
26	8864058	1	Seat Belt Assembly - 3in Retractable (Includes Mounting Hardware)	
27	8864019	1	Seat Belt Assembly - 3in Non-Retractable	

SECTION 2 - OPERATOR'S CAB AND CONTROLS

FIGURE 2-4. OPERATOR'S SEAT AND SEAT BELT (OPTIONAL)



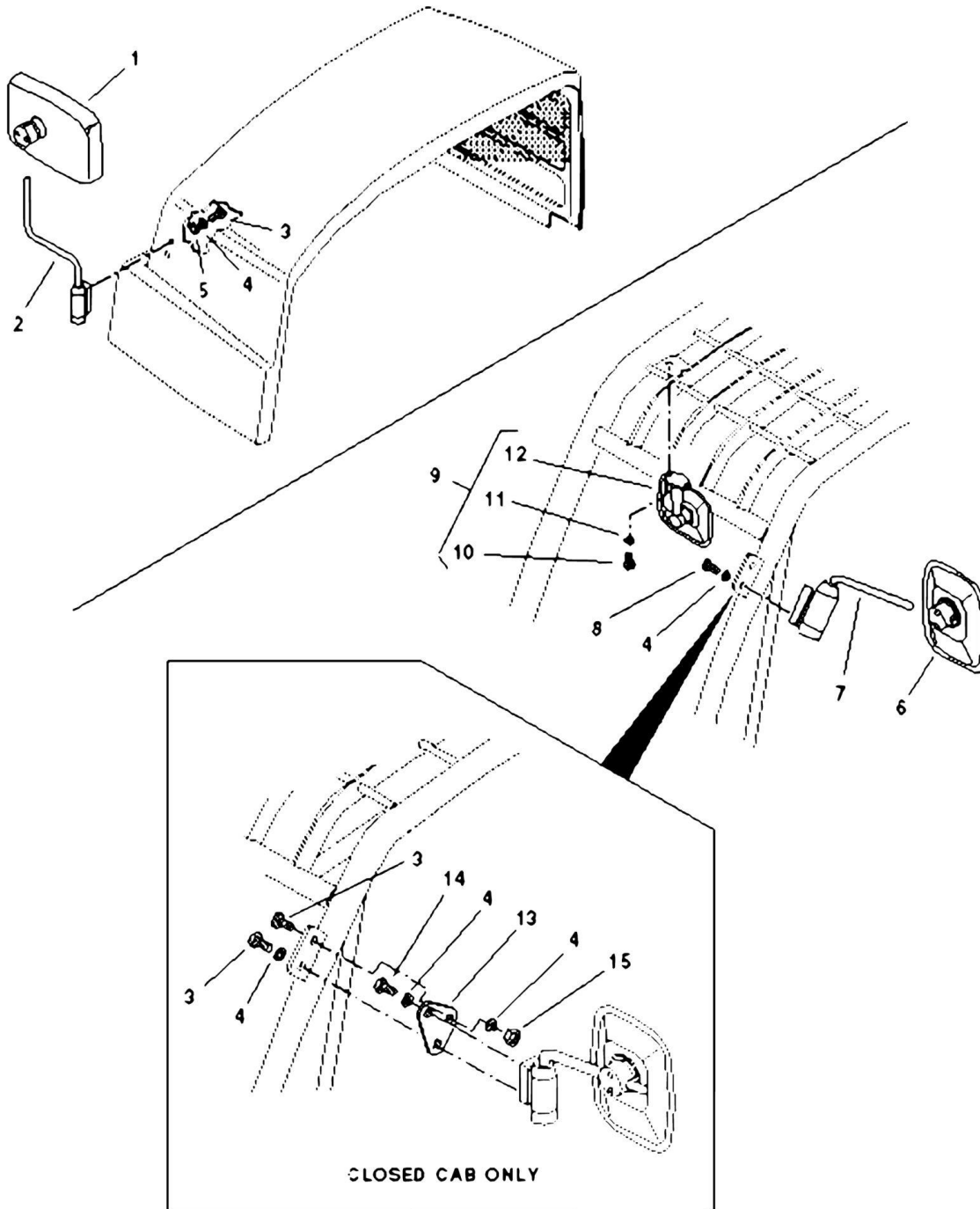
SECTION 2 - OPERATOR'S CAB AND CONTROLS

FIGURE 2-4. OPERATOR'S SEAT AND SEAT BELT (OPTIONAL)

ITEM	PART NUMBER	QTY	DESCRIPTION	REV
1	8864055	1	Seat, Deluxe Cloth with Suspension	
1	8864056	1	Seat, Deluxe Vinyl with Suspension	
2	7130412	2	Tether	
3	7096491	2	Spacer	
4	8864060	1	Seat Belt Assembly - 2in Retractable (Includes Items 5 thru 7)	
5	N.S.S.	2	Nut, Hex	
6	N.S.S.	2	HHCS	
7	N.S.S.	2	Washer, Flat	
8	8303670	4	HHCS, 5/16-18 x 1in Gr. 5	
9	8307106	8	Washer, Flat 5/16in Narrow	
10	8305626	4	Nut, Hex Lock Elastic 5/16-18	
11	8305404	2	Nut, Hex Jam 3/8-16	
12	8307204	2	Washer, Flat 3/8in	
13	7057141	2	Washer, Rebound	
14	8305645	2	Nut, Hex Lock Elastic 3/8-16	
15	8864058	1	Seat Belt Assembly - 3in Retractable (Includes Mounting Hardware)	
16	8864019	1	Seat Belt Assembly - 3in Non-Retractable	

SECTION 2 - OPERATOR'S CAB AND CONTROLS

FIGURE 2-5. MIRRORS



PS0321

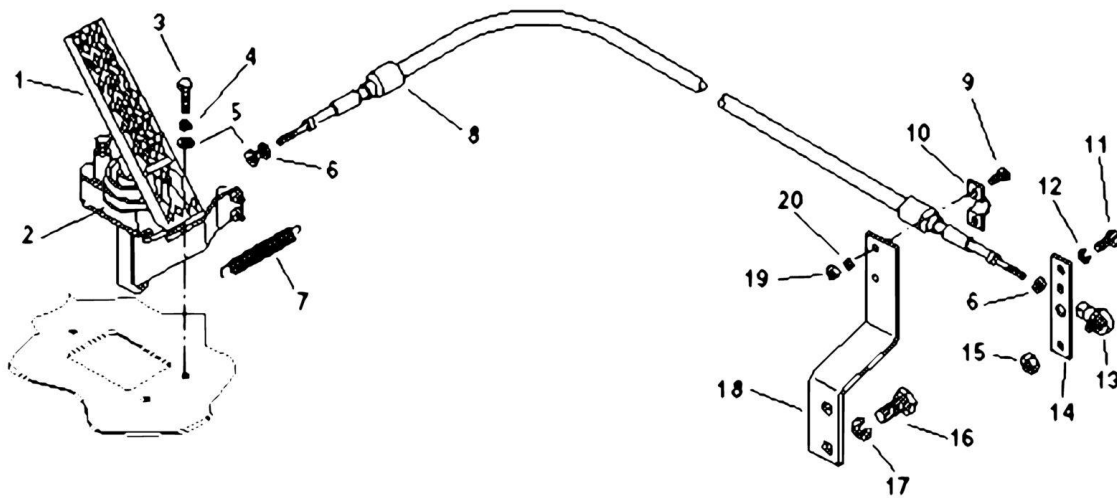
SECTION 2 - OPERATOR'S CAB AND CONTROLS

FIGURE 2-5. MIRRORS

ITEM	PART NUMBER	QTY	DESCRIPTION	REV
1	8866514	1	Mirror Head, Convex	
2	8866515	1	Arm Assembly, Mirror	
3	8303548	2	HHCS, M6-1 x 19mm	
4	8307024	AR	Washer, Lock M6 (Qty 2 for Open Cab, Qty 3 for Closed Cab)	
5	8307109	2	Washer, Flat SAE 1/4in Light	
6	8866529	1	Mirror, Rear View	
7	8866530	1	Arm Assembly, Mirror	
8	8303799	2	HHCS, M6-1 x 14mm	
9	7136742	1	Kit, Right Side Mirror - Optional (Includes Items 10 thru 12)	
10	8303836	2	Screw, Slotted Round Hd #10-24 x 5/8in	
11	8307003	2	Washer, Lock #10	
12	8866516	1	Mirror Assembly, Rear View	
13	7138366	1	Bracket, Mirror (Closed Cab Only)	
14	8303799	1	HHCS, M6-1 x 14mm (Closed Cab Only)	
15	8305047	1	Nut, Hex M6-1 (Closed Cab Only)	

SECTION 2 - OPERATOR'S CAB AND CONTROLS

FIGURE 2-6. THROTTLE PEDAL CONTROL



PS0430

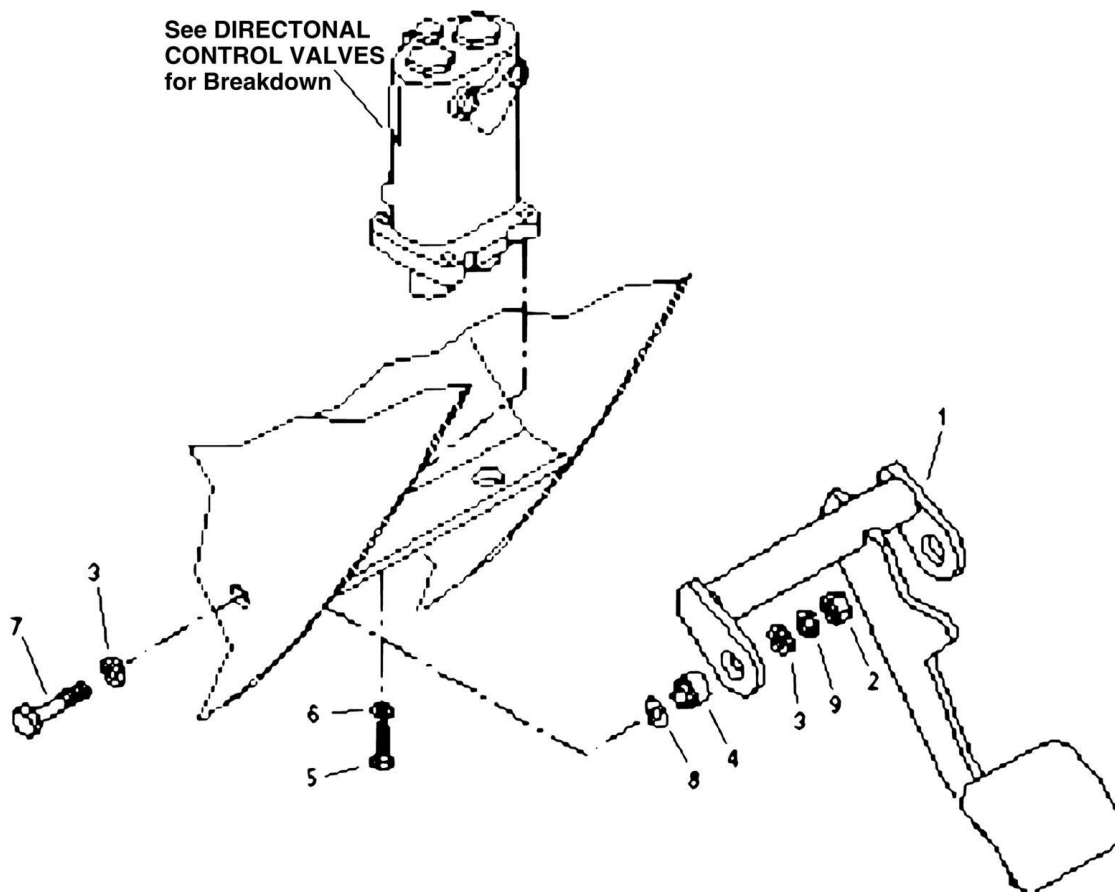
SECTION 2 - OPERATOR'S CAB AND CONTROLS

FIGURE 2-6. THROTTLE PEDAL CONTROL

ITEM	PART NUMBER	QTY	DESCRIPTION	REV
1	8162003	1	Pedal, Throttle (Includes Item 2)	
2	8033178	1	Bellows, Throttle Pedal	
3	8303615	3	HHCS, 1/4-20 x 1-1/4in	
4	8307002	3	Washer, Lock 1/4in	
5	8307109	4	Washer, Flat SAE 1/4in	
6	8305402	2	Nut, Hex Jam 1/4-28 NF	
7	8700116	1	Spring, Extension	
8	8160073	1	Cable, Throttle	
9	8303837	2	Screw, Slotted Pan Hd #10-24 x 3/4in	
10	8160610	1	Clamp, Cable	
11	8303799	2	HHCS, M6-1 x 14mm	
12	8307024	2	Washer, Lock M6	
13	8340034	1	Rod End 1/4-28 Thd	
14	7127091	1	Extension, Throttle Lever	
15	8305650	1	Nut, Hex Lock Elastic 1/4-28 NF	
16	8303790	2	HHCS, M12-1,75 x 30mm PC 8,8	
17	8307025	2	Washer, Lock M12	
18	7127102	1	Bracket, Throttle Cable	
19	8305002	2	Nut, Hex #10-24	
20	8307003	2	Washer, Lock #10	

SECTION 2 - OPERATOR'S CAB AND CONTROLS

FIGURE 2-7. SERVICE BRAKE PEDAL MOUNTING



PS0531

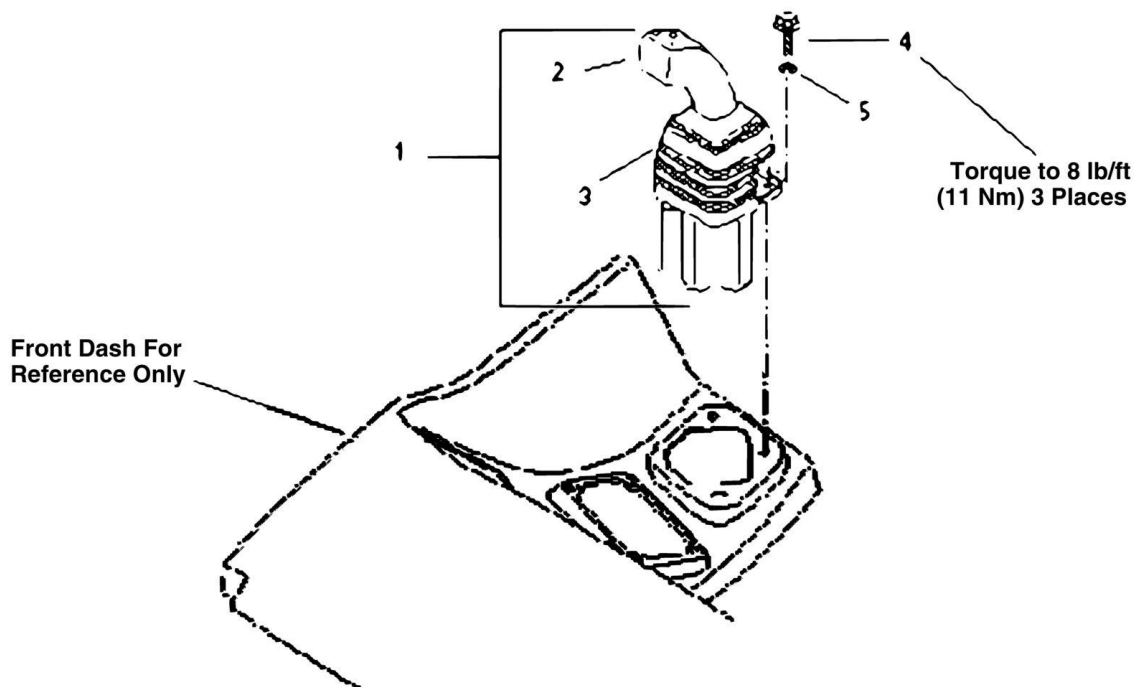
SECTION 2 - OPERATOR'S CAB AND CONTROLS

FIGURE 2-7. SERVICE BRAKE PEDAL MOUNTING

ITEM	PART NUMBER	QTY	DESCRIPTION	REV
1	7136713	1	Pedal, Service Brake	
2	8305012	2	Nut, Hex 1/2-13	
3	8307206	4	Washer, Flat 1/2in	
4	7129521	2	Pivot, Brake Pedal	
5	8303755	4	HHCS, M10-1,5 x 30mm	
6	8307023	4	Washer, Lock M10	
7	8303658	2	HHCS, 1/2-13 x 2in	
8	5724302	AR	Shim	
9	8307007	2	Washer, Lock 1/2in	

SECTION 2 - OPERATOR'S CAB AND CONTROLS

FIGURE 2-8. JOYSTICK MOUNTING



PS0730

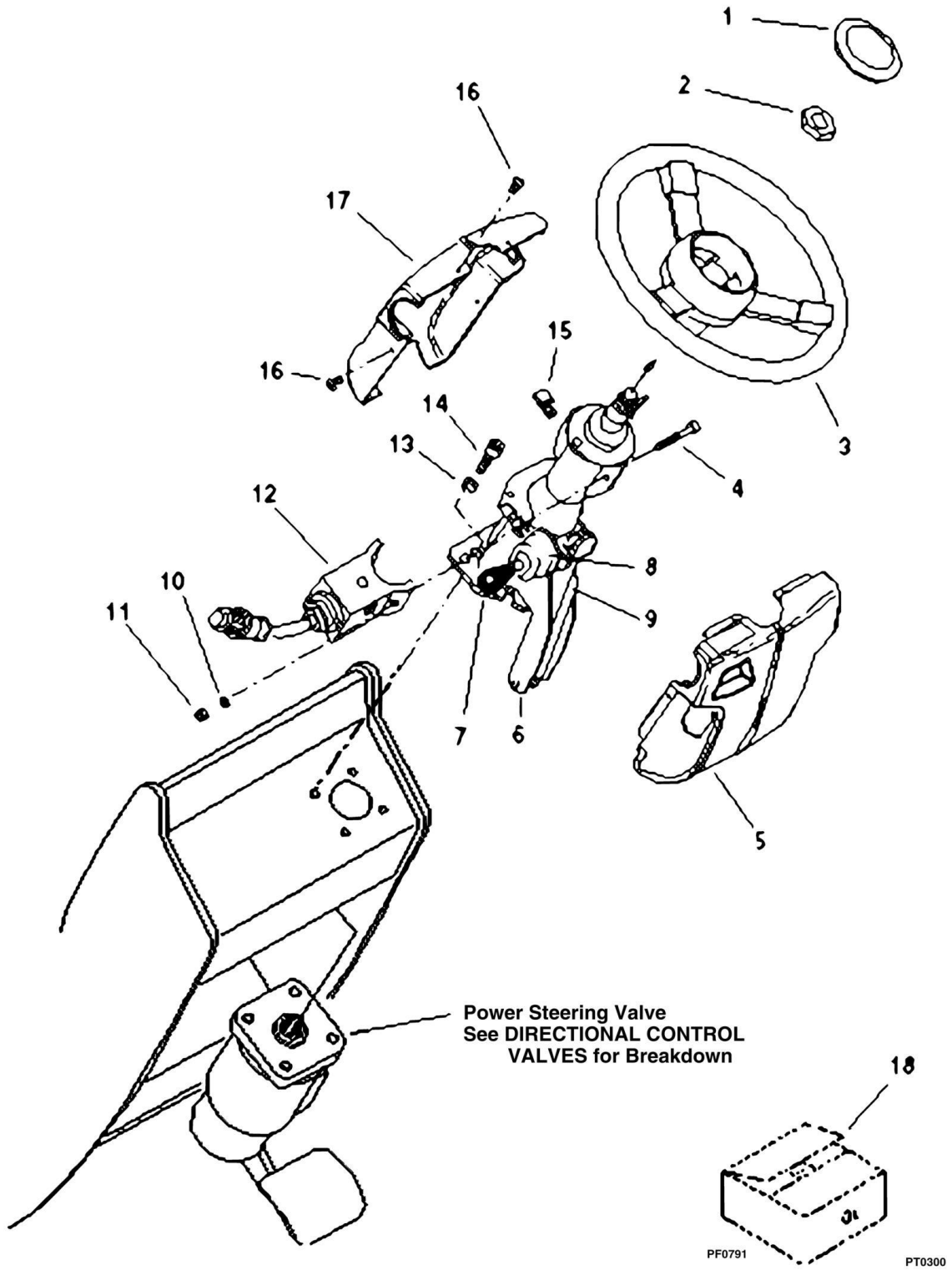
SECTION 2 - OPERATOR'S CAB AND CONTROLS

FIGURE 2-8. JOYSTICK MOUNTING

ITEM	PART NUMBER	QTY	DESCRIPTION	REV
1	7133942	1	Joystick Assembly (Includes Items 2 & 3)	
2	7133932	1	Handle Assembly	
3	8035777	1	Boot, Rubber	
4	8303705	3	Screw, Cap Flange Hd 1/4-20 x 3/4in	
5	8307002	3	Washer, Lock 1/4in	

SECTION 2 - OPERATOR'S CAB AND CONTROLS

FIGURE 2-9. STEERING COLUMN, STEERING WHEEL AND SHIFTER



SECTION 2 - OPERATOR'S CAB AND CONTROLS

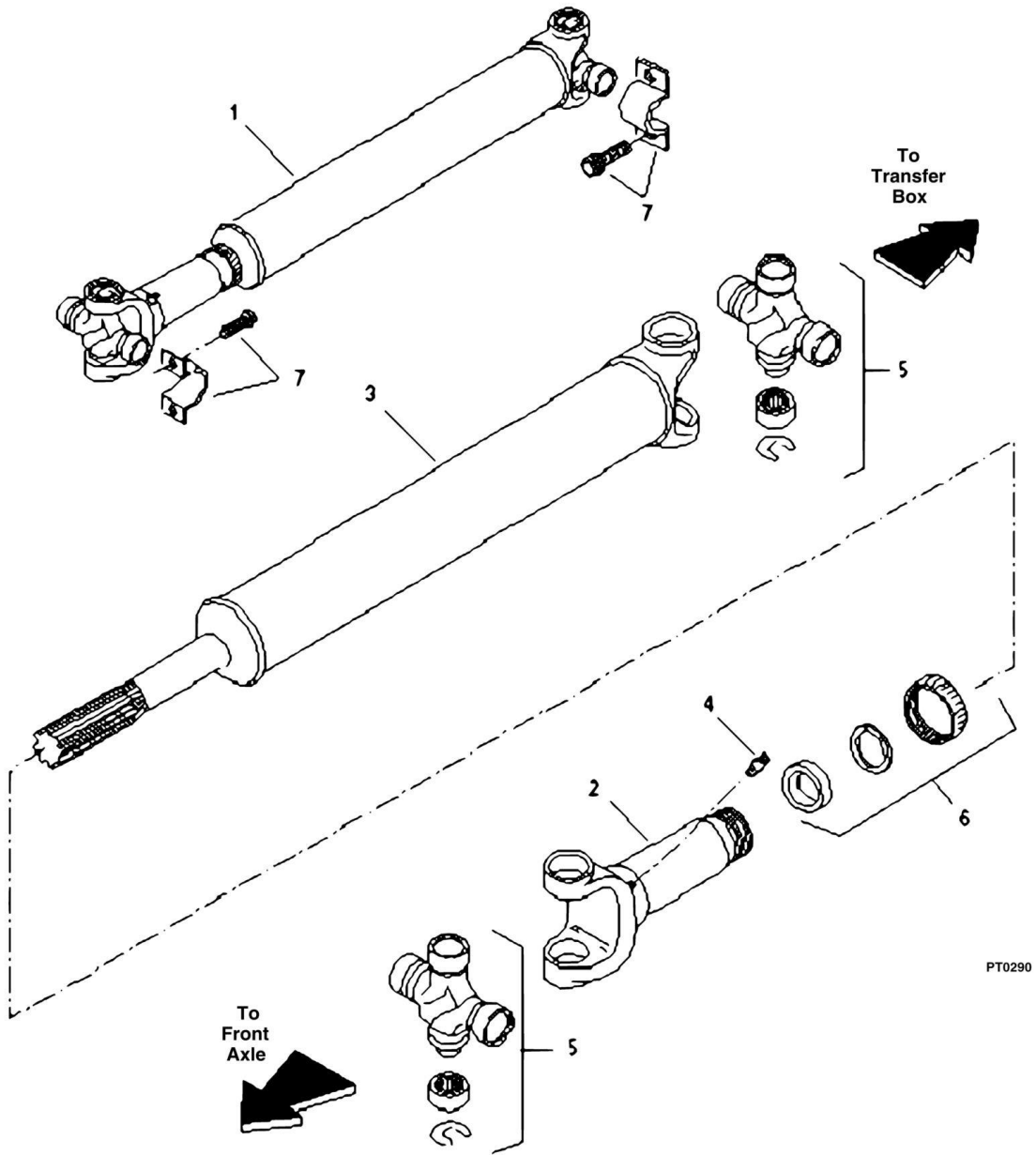
FIGURE 2-9. STEERING COLUMN, STEERING WHEEL AND SHIFTER

ITEM	PART NUMBER	QTY	DESCRIPTION	REV
1	8720017	1	Cover, Horn Button	
2	8310315	1	Nut, Thin M18-1,5	
3	8720016	1	Wheel, Steering	
4	8310490	2	Screw, Hex Socket Hd M4-0,7 x 20mm	
5	7138757	1	Cover, Steering Column, Bottom (See Kits)	
6	7137623	1	Steering Column (Includes Items 7 thru 9)	
7	8580118	1	Knob, Tilt Steering	
8	8035804	1	Boot, Tilt Lever	
9	8035803	1	Gas Spring - Steering Column	
10	8310491	2	Washer, Plain M4	
11	8310492	2	Nut, Hex M4-0,7	
12	8223049	1	Transmission Range Selector	
13	8307005	4	Washer, Lock 3/8in	
14	8304672	4	Screw, Hex Socket Hd 3/8-16 x 1in	
15	8310359	4	Nut, "J" #10-24	
16	8310372	4	Screw, Button Hd. #10-24 x 5/8in	
17	7138756	1	Cover, Steering Column, Top (See Kits)	
		Ref	KITS	
18	7138844	1	Kit, Cab Panels (Includes Items 5, 17 and additional panels on OPEN CAB - INNER CONSOLE AND DASH PANEL)	

SECTION 3 - DRIVE TRAIN

SECTION 3 - DRIVE TRAIN

FIGURE 3-1. DRIVE SHAFT - TRANSFER BOX TO FRONT AXLE



PT0290

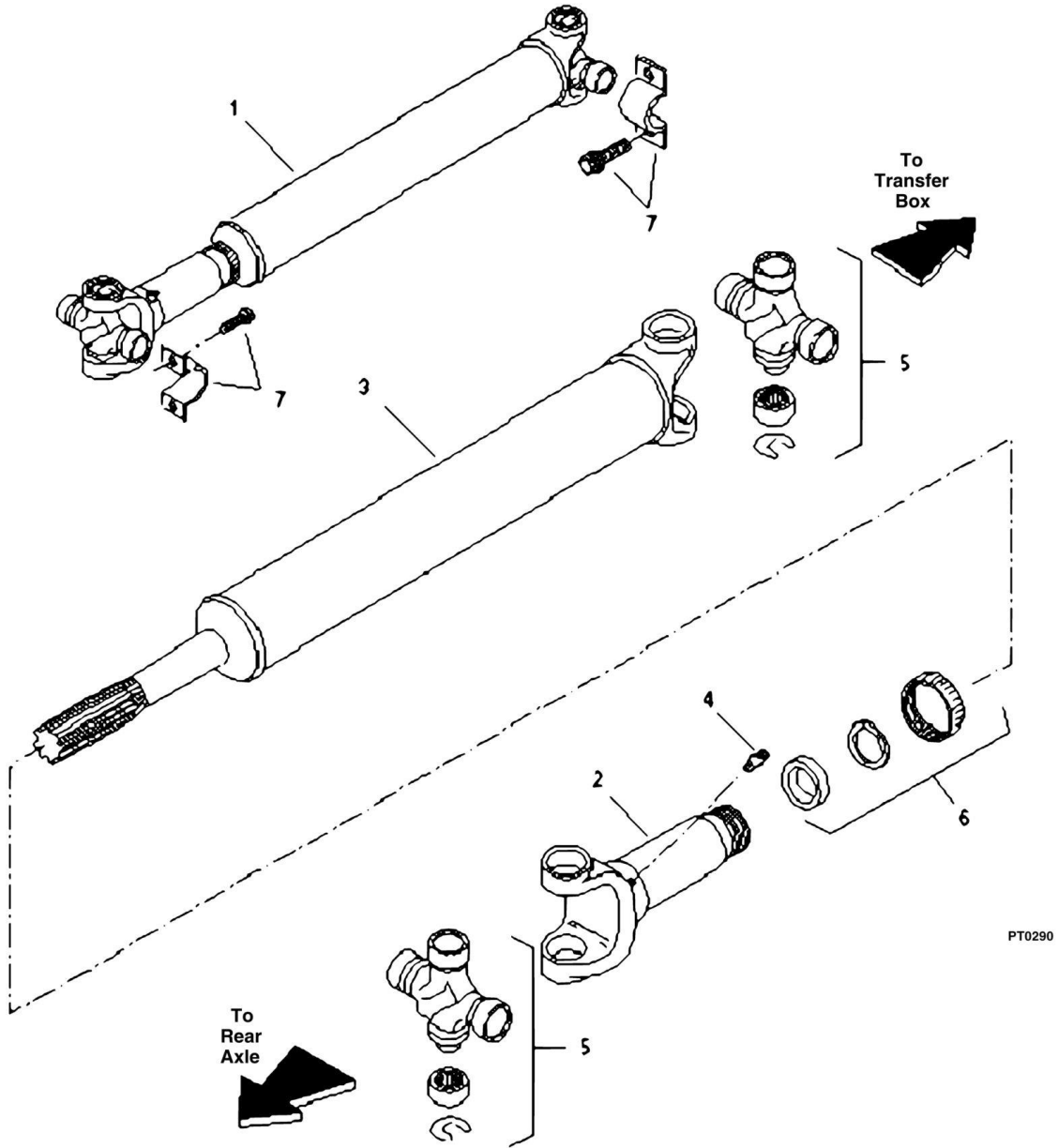
SECTION 3 - DRIVE TRAIN

FIGURE 3-1. DRIVE SHAFT - TRANSFER BOX TO FRONT AXLE

ITEM	PART NUMBER	QTY	DESCRIPTION	REV
1	7135912	1	Drive Shaft Assembly - Front (Includes Items 2 thru 6)	
2	N.S.S.	1	Yoke, Slip (See Note)	
3	N.S.S.	1	Shaft, Yoke (See Note)	
4	8033004	1	Fitting, Grease	
		Ref	KITS	
5	8035778	2	Kit, Cross and Bearing	
6	8035109	1	Kit, Dust Cap	
7	8880218	2	Kit, Strap	
	Note	1	NOTE: This is a Balanced Assembly. When Servicing Slip yoke or yoke Shaft, order P/N 7135912.	

SECTION 3 - DRIVE TRAIN

FIGURE 3-2. DRIVE SHAFT - TRANSFER BOX TO REAR AXLE



PT0290

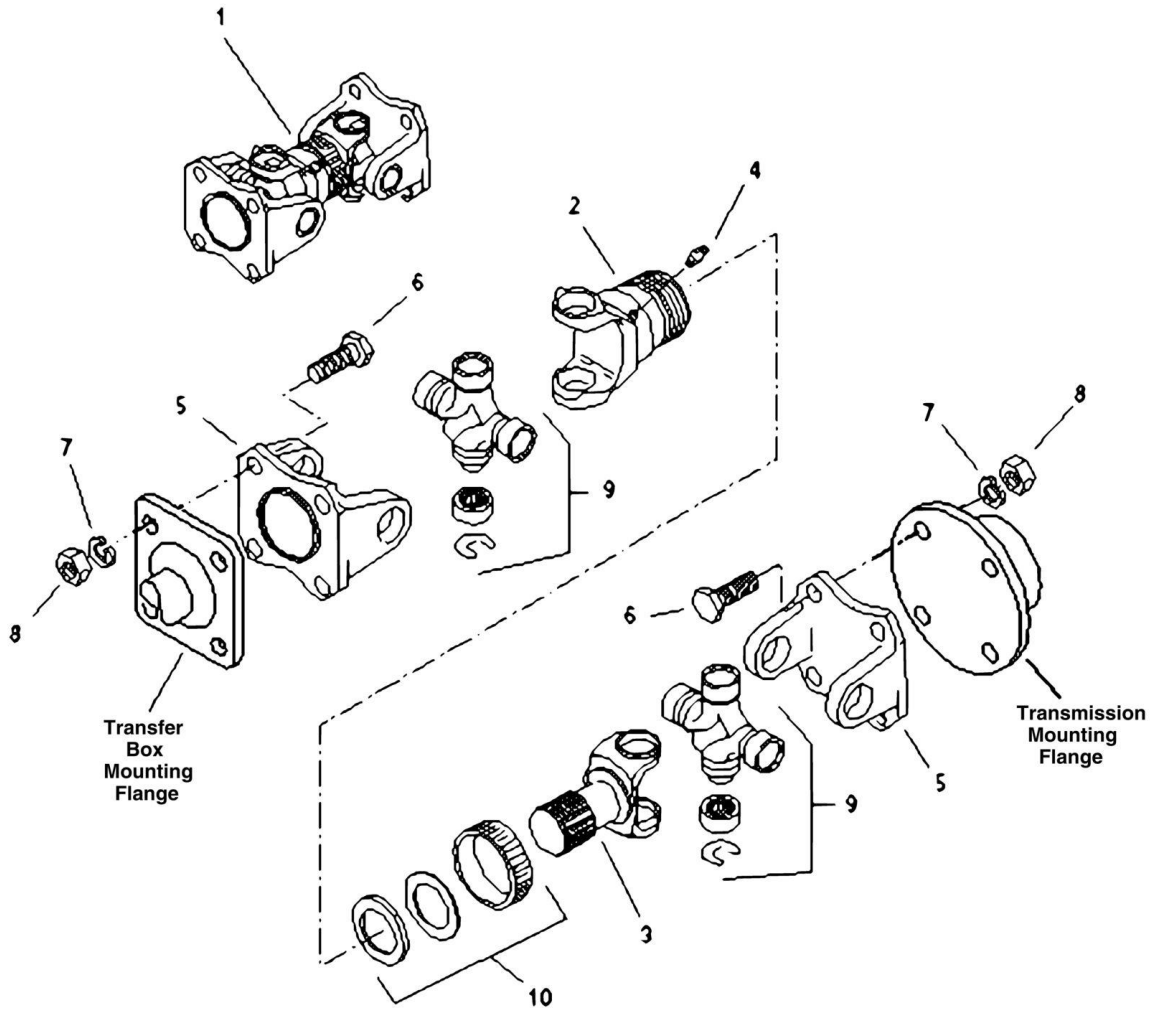
SECTION 3 - DRIVE TRAIN

FIGURE 3-2. DRIVE SHAFT - TRANSFER BOX TO REAR AXLE

ITEM	PART NUMBER	QTY	DESCRIPTION	REV
1	7135922	1	Drive Shaft Assembly - Front (Includes Items 2 thru 6)	
2	N.S.S.	1	Yoke, Slip (See Note)	
3	N.S.S.	1	Shaft, Yoke (See Note)	
4	8033004	1	Fitting, Grease	
		Ref	KITS	
5	8035778	2	Kit, Cross and Bearing	
6	8035109	1	Kit, Dust Cap	
7	8880218	2	Kit, Strap	
	Note	1	NOTE: This is a Balanced Assembly. When Servicing Slip yoke or yoke Shaft, order P/N 7135922.	

SECTION 3 - DRIVE TRAIN

FIGURE 3-3. DRIVE SHAFT - TRANSMISSION TO TRANSFER BOX



PT0330

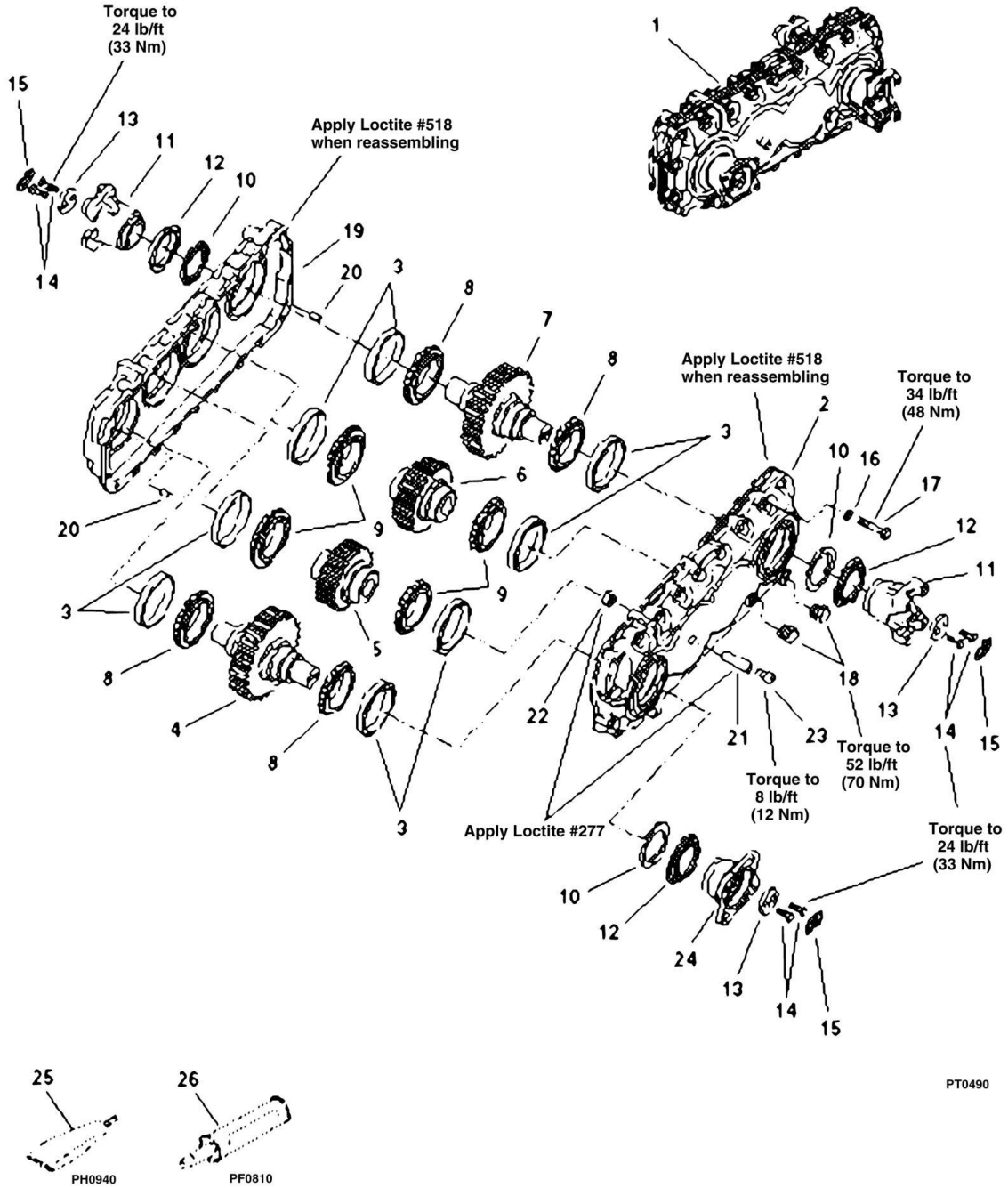
SECTION 3 - DRIVE TRAIN

FIGURE 3-3. DRIVE SHAFT - TRANSMISSION TO TRANSFER BOX

ITEM	PART NUMBER	QTY	DESCRIPTION	REV
1	7138760	1	Drive Shaft Assembly - Front (Includes Items 2 thru 5 and Items 9 & 10)	
2	N.S.S.	1	Yoke, Slip (See Note)	
3	N.S.S.	1	Shaft, Yoke (See Note)	
4	8033004	1	Fitting, Grease	
5	N.S.S.	2	Flange, Yoke (See Note)	
6	8310084	8	HHCS, 1/2-20 NF x 2.00in	
7	8307007	8	Washer, Lock 1/2in	
8	8310464	8	Nut, Hex 1/2-20 NF	
		Ref	KITS	
9	8035778	2	Kit, Cross and Bearing	
10	8035779	1	Kit, Dust Cap	
	Note	1	NOTE: This is a Balanced Assembly. When Servicing Slip yoke or yoke Shaft, order P/N 7138760	

SECTION 3 - DRIVE TRAIN

FIGURE 3-4. TRANSFER BOX



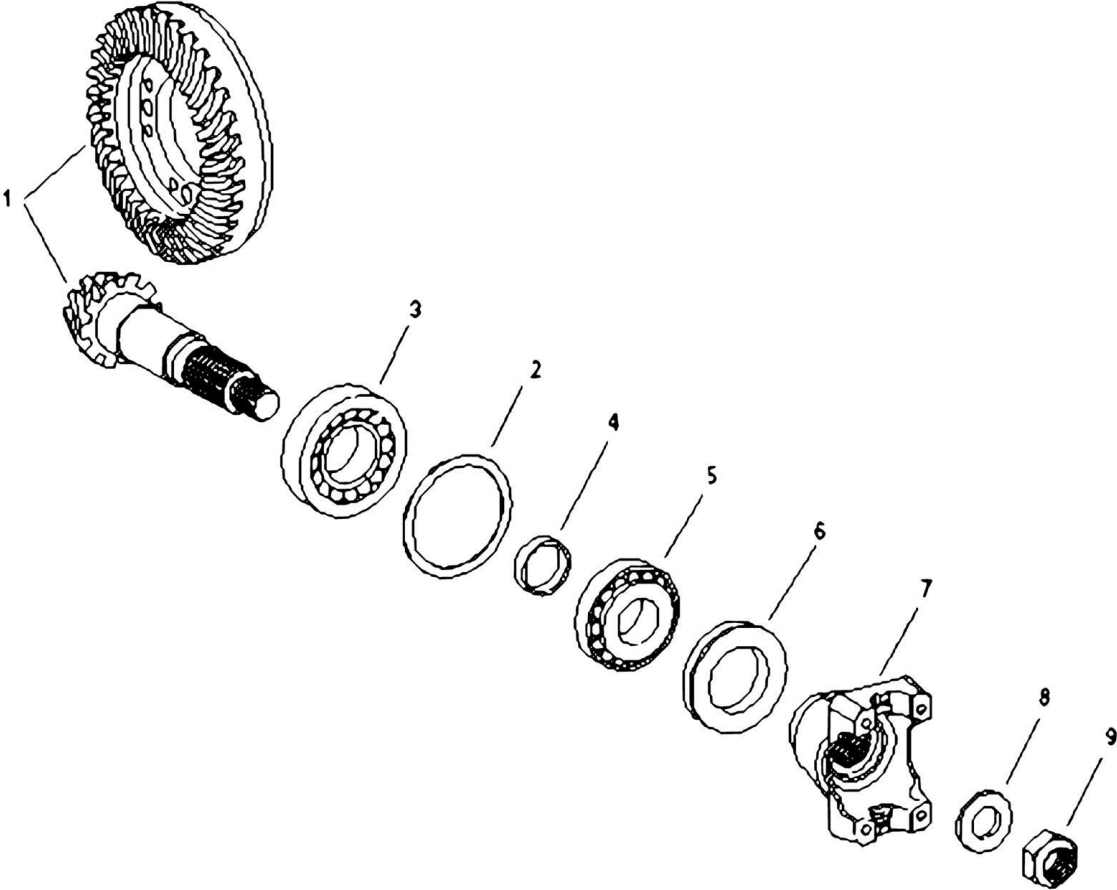
SECTION 3 - DRIVE TRAIN

FIGURE 3-4. TRANSFER BOX

ITEM	PART NUMBER	QTY	DESCRIPTION	REV
1	8841041	1	Transfer Box - Complete (Includes Items 2 thru 24)	
2	1320989	1	Housing, Rear Half	
3	1320748	8	Cup, Tapered Roller Bearing	
4	1320749	1	Gear, Input 36T	
5	1320750	1	Gear, Idle 28T	
6	1320751	1	Gear, Idle 31T	
7	1320752	1	Gear, Output 39T	
8	1320753	4	Cone, Tapered Roller Bearing	
9	1320754	4	Cone, Tapered Roller Bearing	
10	1320755	3	Seal, Shaft	
11	1320756	2	Yoke	
12	1319647	3	Shield, Dust	
13	1319648	3	Washer, Flange	
14	10731959	6	HHCS, M8 x 25mm	
15	1319649	3	Washer, Tab	
16	1320757	22	Washer, Elastic	
17	1320758	22	HHCS, M10 x 60mm	
18	1320759	2	Plug, Oil 7/8-14	
19	1320760	1	Housing, Front Half	
20	1320761	2	Dowel, M10 x 24mm	
21	1320762	1	Carrier, Breather	
22	1320763	1	Nut, Hex M16	
23	1320764	1	Breather, M10 x 1mm	
24	1320765	1	Flange, Companion	
25	8526052	1	Threadlocker, Loctite #277 (10ml bottle) .34 fl oz	
26	8526056	1	Gasket Eliminator, Loctite #518	

SECTION 3 - DRIVE TRAIN

FIGURE 3-5. FRONT AXLE - INPUT



PT0830

SECTION 3 - DRIVE TRAIN

FIGURE 3-5. FRONT AXLE - INPUT

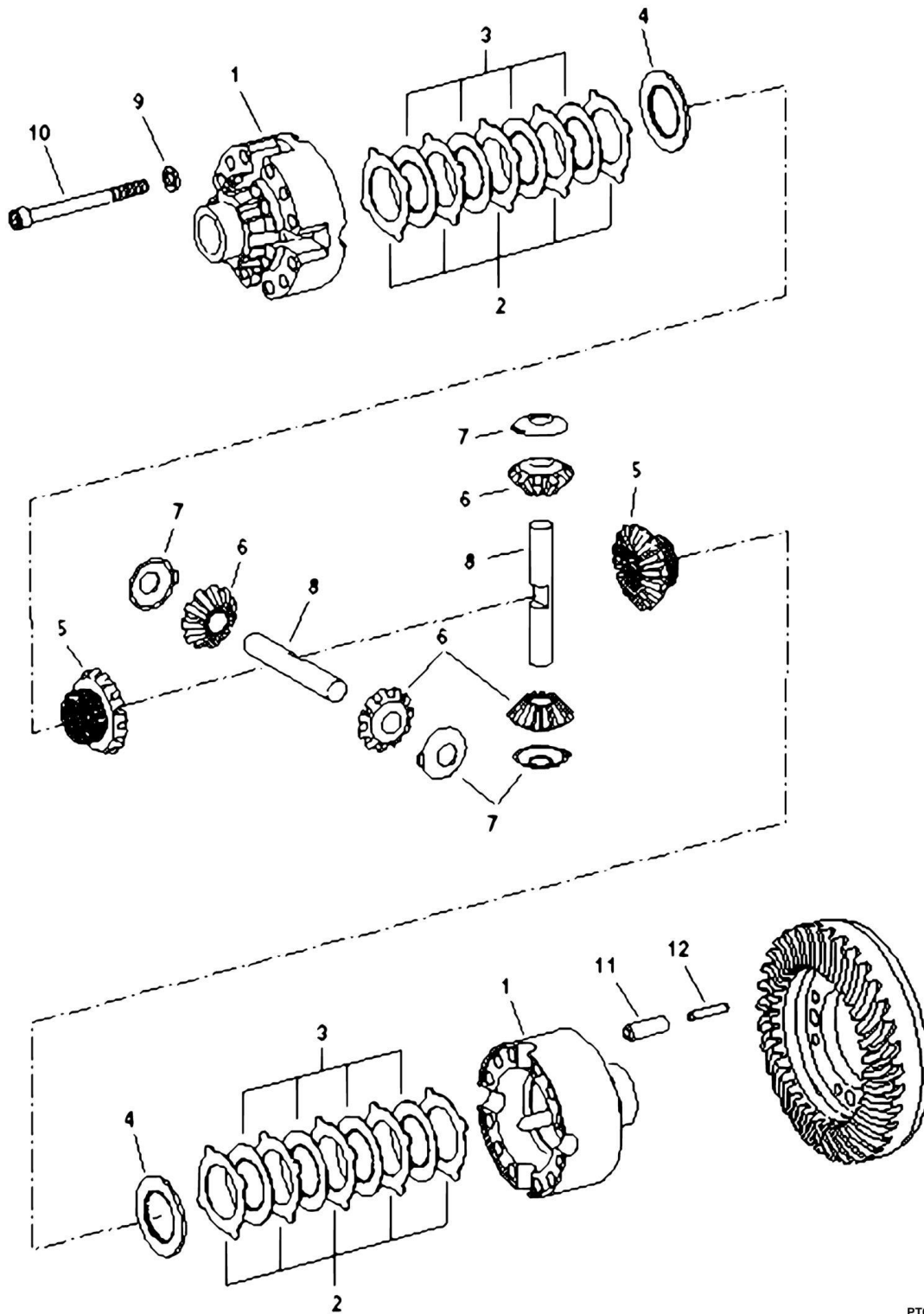
ITEM	PART NUMBER	QTY	DESCRIPTION	REV
1	8035870	1	Gear Set, Bevel	
2	1321187	1	Shim, Optional S=1,5	
2	8035871	1	Shim, Optional S=0,9	
2	8035872	1	Shim, Optional S=0,95	
2	8035873	1	Shim, Optional S=1,0	
2	1321186	1	Shim, Optional S=1,05	
2	8035874	1	Shim, Optional S=1,1	
2	8035875	1	Shim, Optional S=1,15	
2	1321185	1	Shim, Optional S=1,2	
2	8035876	1	Shim, Optional S=1,25	
2	8035877	1	Shim, Optional S=1,3	
2	1321189	1	Shim, Optional S=0,7	
2	8035878	1	Shim, Optional S=0,75	
2	8035879	1	Shim, Optional S=0,8	
2	1321190	1	Shim, Optional S=0,85	
3	8035880	1	Bearing, Roller	
4	8035881	1	Ring, Optional S=11,30	
4	8035882	1	Ring, Optional S=11,33	
4	8035883	1	Ring, Optional S=11,36	
4	8035884	1	Ring, Optional S=11,39	
4	8035885	1	Ring, Optional S=11,42	
4	8035886	1	Ring, Optional S=11,45	
4	1321196	1	Ring, Optional S=11,48	
4	8035887	1	Ring, Optional S=11,51	
4	8035888	1	Ring, Optional S=11,54	
4	8035889	1	Ring, Optional S=11,57	
4	8035890	1	Ring, Optional S=11,60	
4	8035891	1	Ring, Optional S=11,63	
4	1321197	1	Ring, Optional S=11,66	
4	8035892	1	Ring, Optional S=11,69	
4	8035893	1	Ring, Optional S=11,72	
4	8035894	1	Ring, Optional S=11,75	
4	8035895	1	Ring, Optional S=11,78	
4	8035896	1	Ring, Optional S=11,81	
4	1321198	1	Ring, Optional S=11,84	
4	8035897	1	Ring, Optional S=11,87	
4	8035898	1	Ring, Optional S=11,90	
4	8035899	1	Ring, Optional S=11,93	
4	8035900	1	Ring, Optional S=11,96	
4	8035901	1	Ring, Optional S=11,99	
4	8035902	1	Ring, Optional S=12,02	
4	1321199	1	Ring, Optional S=12,05	
4	8035903	1	Ring, Optional S=12,08	
4	8035904	1	Ring, Optional S=12,11	
4	8035905	1	Ring, Optional S=12,14	
4	8035906	1	Ring, Optional S=12,17	
4	1321200	1	Ring, Optional S=12,20	
4	8035907	1	Ring, Optional S=12,23	
4	8035908	1	Ring, Optional S=12,26	
4	8035909	1	Ring, Optional S=12,29	

SECTION 3 - DRIVE TRAIN

ITEM	PART NUMBER	QTY	DESCRIPTION	REV
4	8035910	1	Ring, Optional S=12,32	
4	8035911	1	Ring, Optional S=12,35	
4	1321201	1	Ring, Optional S=12,38	
4	8035912	1	Ring, Optional S=11,27	
4	1321204	1	Ring, Optional S=11,24	
4	8035913	1	Ring, Optional S=11,21	
4	8035914	1	Ring, Optional S=11,18	
4	8035915	1	Ring, Optional S=11,15	
4	8035916	1	Ring, Optional S=11,12	
4	1321203	1	Ring, Optional S=11,09	
4	8035917	1	Ring, Optional S=11,06	
4	8035918	1	Ring, Optional S=11,03	
4	8035919	1	Ring, Optional S=11,00	
4	8035920	1	Ring, Optional S=10,97	
4	1321202	1	Ring, Optional S=10,94	
5	1321212	1	Bearing, Roller	
6	1321210	1	Ring, Combination	
7	1321248	1	Yoke, End	
8	1321194	1	Washer	
9	8035921	1	Nut, Hex	

SECTION 3 - DRIVE TRAIN

FIGURE 3-6. FRONT AXLE - LIMITED SLIP DIFFERENTIAL



PT0840

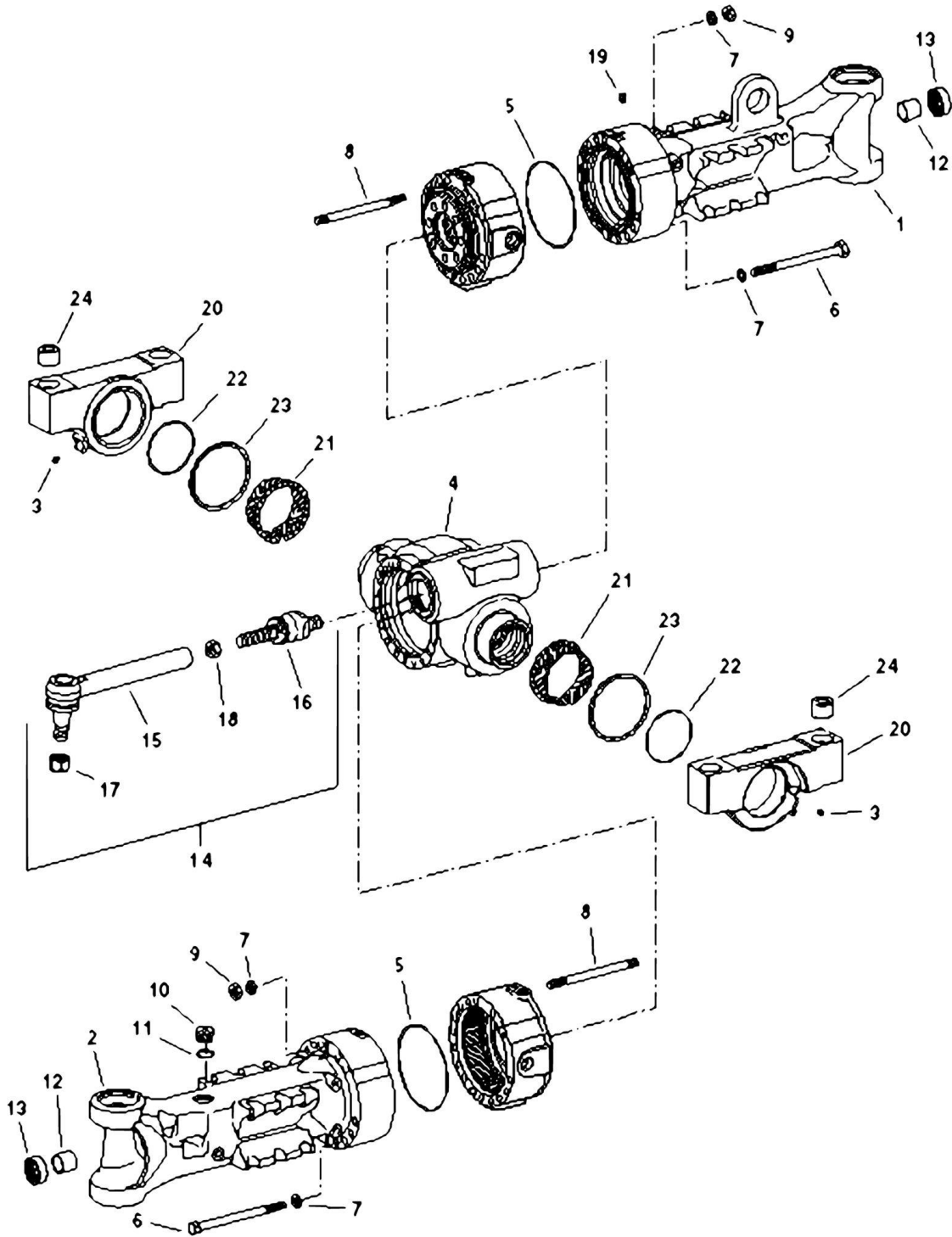
SECTION 3 - DRIVE TRAIN

FIGURE 3-6. FRONT AXLE - LIMITED SLIP DIFFERENTIAL

ITEM	PART NUMBER	QTY	DESCRIPTION	REV
1	1321215	1	Case, Differential	
2	1321219	10	Disc, O. Clutch - Optional A=1,2	
2	1321220	10	Disc, O. Clutch - Optional A=1,3	
2	1321221	10	Disc, O. Clutch - Optional A=1,4	
3	1321218	8	Disc, I. Clutch	
4	1321217	2	Disc, Pressure	
5	1321222	2	Gear, Axle Bevel	
6	8035922	4	Gear, Differential Bevel	
7	1319415	4	Washer, Thrust	
8	1321225	2	Axle, Differential	
9	1321184	12	Washer	
10	8035923	12	Screw, Cap	
11	1321153	4	Pin, Slotted	
12	1321154	4	Pin, Slotted	

SECTION 3 - DRIVE TRAIN

FIGURE 3-7. FRONT AXLE - AXLE CASING



PT0850

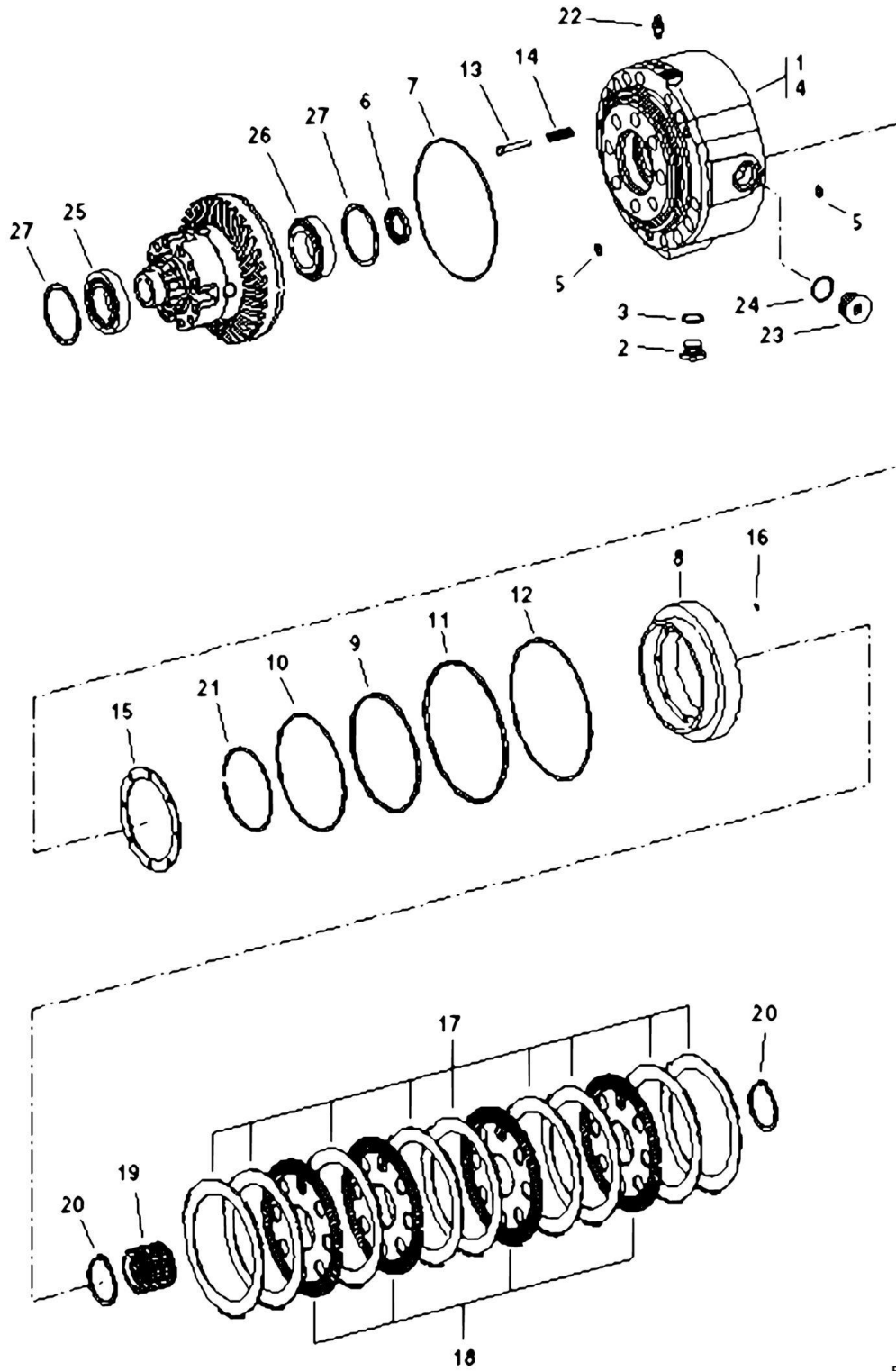
SECTION 3 - DRIVE TRAIN

FIGURE 3-7. FRONT AXLE - AXLE CASING

ITEM	PART NUMBER	QTY	DESCRIPTION	REV
1	8035924	1	Axle Casing	
2	8035925	1	Axle Casing	
3	1319423	2	Nipple, Lubrication	
4	8035926	1	Housing, Axle Drive (Terminating Date)	
4	1321252	1	Housing, Axle Drive (Introduction Date)	
5	1319425	2	O-Ring	
6	8035927	22	Screw, Hex	
7	1319427	30	Washer	
8	8035928	8	Stud	
9	1319429	8	Nut, Hex	
10	1319431	1	Plug, Screw (Terminating Date)	
10	1319506	1	Plug, Screw (Introduction Date)	
11	1319432	1	O-Ring	
12	1319433	2	Bushing	
13	1319434	2	Seal, Shaft	
14	1321148	2	Rod, Track (Includes Items 15 thru 18)	
15	8035929	2	Ball Joint	
16	8035930	2	Axle Joint	
17	8035931	2	Nut, Locking	
18	8035932	2	Nut, Hex	
19	1319436	1	Valve, Vent	
20	1319437	2	Bracket (Terminating Date)	
20	8035933	2	Bracket (Introduction Date)	
21	1319438	2	Bushing, Flange	
22	1319439	2	O-Ring	
23	1319440	2	V-Ring	
24	1319441	4	Bushing, Centering	

SECTION 3 - DRIVE TRAIN

FIGURE 3-8. FRONT AXLE - M-DISC BRAKE



PT0860

SECTION 3 - DRIVE TRAIN

FIGURE 3-8. FRONT AXLE - M-DISC BRAKE

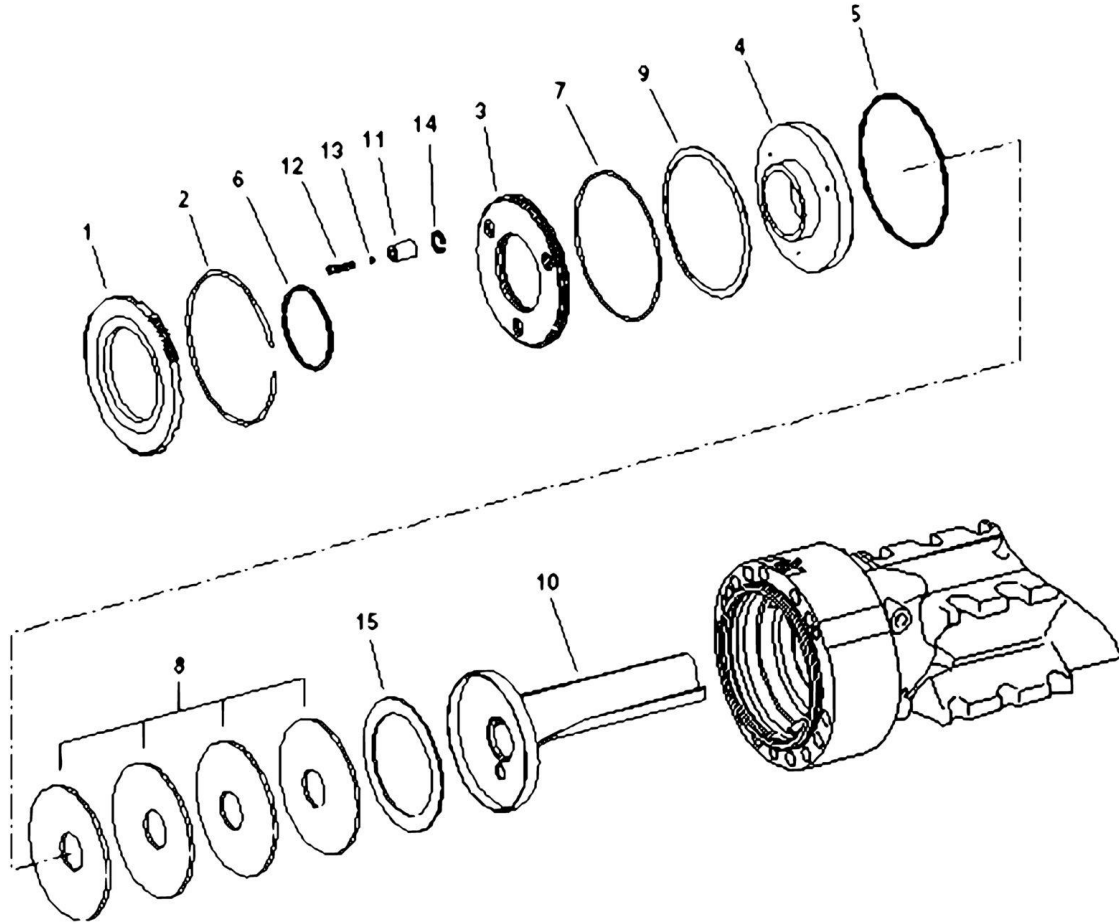
ITEM	PART NUMBER	QTY	DESCRIPTION	REV
1	8035935	1	Housing, Brake - Right Side (Terminating Date)	
1	8035936	1	Housing, Brake - Right Side (Introduction Date)	
2	8035937	2	Plug, Screw (Terminating Date)	
2	1319431	2	Plug, Screw (Introduction Date)	
3	1319432	2	O-Ring (Terminating Date)	
3	1321156	2	O-Ring (Introduction Date)	
4	8035938	1	Housing, Brake - Left Side (Terminating Date)	
4	8035939	1	Housing, Brake - Left Side (Introduction Date)	
5	1319491	12	O-Ring	
6	1321161	2	Seal, Shaft	
7	1319425	2	O-Ring	
8	8035940	2	Piston (Terminating Date)	
8	1321173	2	Piston (Introduction Date)	
9	8035941	2	U-Ring (Terminating Date)	
9	1321162	2	U-Ring (Introduction Date)	
10	8035942	2	Ring, Support (Terminating Date)	
10	1321151	2	Ring, Support (Introduction Date)	
11	8035949	2	U-Ring (Terminating Date)	
11	1321163	2	U-Ring (Introduction Date)	
12	8035943	2	Ring, Support (Terminating Date)	
12	1321152	2	Ring, Support (Introduction Date)	
13	1319496	16	Pin	
14	1319497	16	Spring, Compression	
15	8036305	2	Washer	
16	1319499	16	Ring, Crescent	
17	1319500	18	Disc, O. Clutch - Optional S=2,0	
17	1319501	18	Disc, O. Clutch - Optional S=2,5	
17	1319502	18	Disc, O. Clutch - Optional S=3,0	
18	1321150	8	Disc, I. Clutch	
19	1321174	2	Carrier, Disc	
20	10731949	4	Ring, Retaining	
21	1319504	2	Ring, Snap	
22	1319505	2	Valve, Vent	
23	1319506	2	Plug, Screw	
24	1319432	2	O-Ring	
25	8035944	1	Bearing, Roller	
26	1321165	1	Bearing, Roller	
27	1319531	2	Shim, Optional A=0,1	
27	1319530	2	Shim, Optional A=0,2	
27	1319529	2	Shim, Optional A=0,3	
27	8035951	2	Shim, Optional A=0,4	
27	1319543	2	Shim, Optional A=0,45	
27	1319527	2	Shim, Optional A=0,5	
27	1321158	2	Shim, Optional A=0,55	
27	1319526	2	Shim, Optional A=0,6	
27	1319532	2	Shim, Optional A=0,65	
27	1319533	2	Shim, Optional A=0,70	
27	1319534	2	Shim, Optional A=0,75	
27	1319525	2	Shim, Optional A=0,8	
27	1319535	2	Shim, Optional A=0,85	

SECTION 3 - DRIVE TRAIN

ITEM	PART NUMBER	QTY	DESCRIPTION	REV
27	1319536	2	Shim, Optional A=0,90	
27	1319537	2	Shim, Optional A=0,95	
27	1319524	2	Shim, Optional A=1,0	
27	1319525	2	Shim, Optional A=1,05	
27	1319538	2	Shim, Optional A=1,10	
27	1319539	2	Shim, Optional A=1,15	
27	1319523	2	Shim, Optional A=1,20	
27	1319540	2	Shim, Optional A=1,25	
27	1319541	2	Shim, Optional A=1,30	
27	1319542	2	Shim, Optional A=1,35	
27	1319522	2	Shim, Optional A=1,40	
27	1319521	2	Shim, Optional A=1,45	
27	1319520	2	Shim, Optional A=1,50	
27	1319519	2	Shim, Optional A=1,55	
27	1319518	2	Shim, Optional A=1,60	
27	1319517	2	Shim, Optional A=1,65	
27	1319510	2	Shim, Optional A=2,0	
27	1321159	2	Shim, Optional A=1,47	
27	1319516	2	Shim, Optional A=1,70	
27	1319515	2	Shim, Optional A=1,75	
27	1319514	2	Shim, Optional A=1,80	
27	1319513	2	Shim, Optional A=1,85	
27	1319512	2	Shim, Optional A=1,90	
27	1319511	2	Shim, Optional A=1,95	

SECTION 3 - DRIVE TRAIN

FIGURE 3-9. FRONT AXLE - BRAKE



PT0870

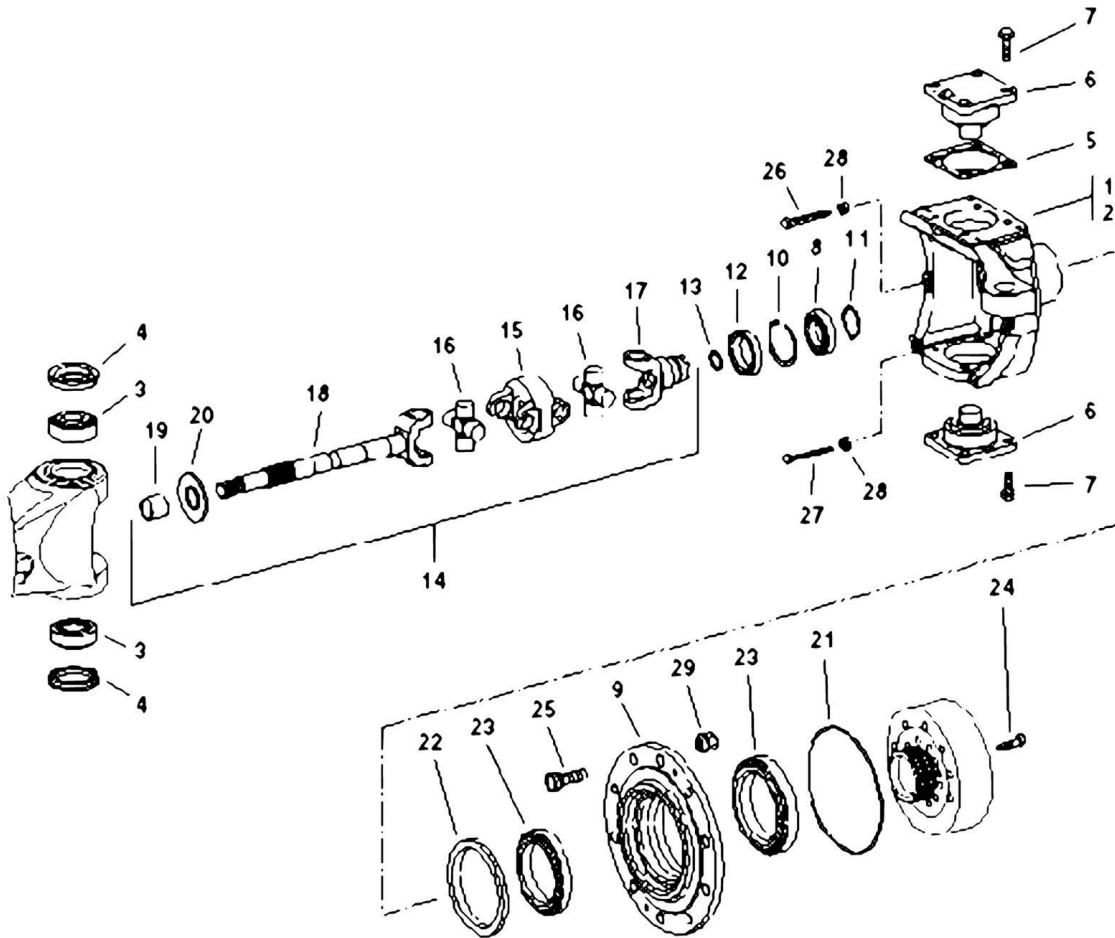
SECTION 3 - DRIVE TRAIN

FIGURE 3-9. FRONT AXLE - BRAKE

ITEM	PART NUMBER	QTY	DESCRIPTION	REV
1	8035952	2	Shim, End	
2	1321206	2	Ring, Snap	
3	8036018	2	Washer, Sealing	
4	1321240	2	Piston	
5	1321180	2	Ring, Four-Lip	
6	1321179	2	Ring, Four-Lip	
7	1321182	2	O-Ring	
8	1321207	8	Spring, Cup	
9	1321208	2	Spring, Cup	
10	1321172	2	Carrier, Pin	
11	1321244	6	Pin, Pressure	
12	8035954	6	Screw, Cap	
13	8035955	6	O-Ring	
14	1321181	6	Ring, Four-Lip	
15	8035958	2	Washer, Spacing	

SECTION 3 - DRIVE TRAIN

FIGURE 3-10. FRONT AXLE - JOINT HOUSING



PT0880

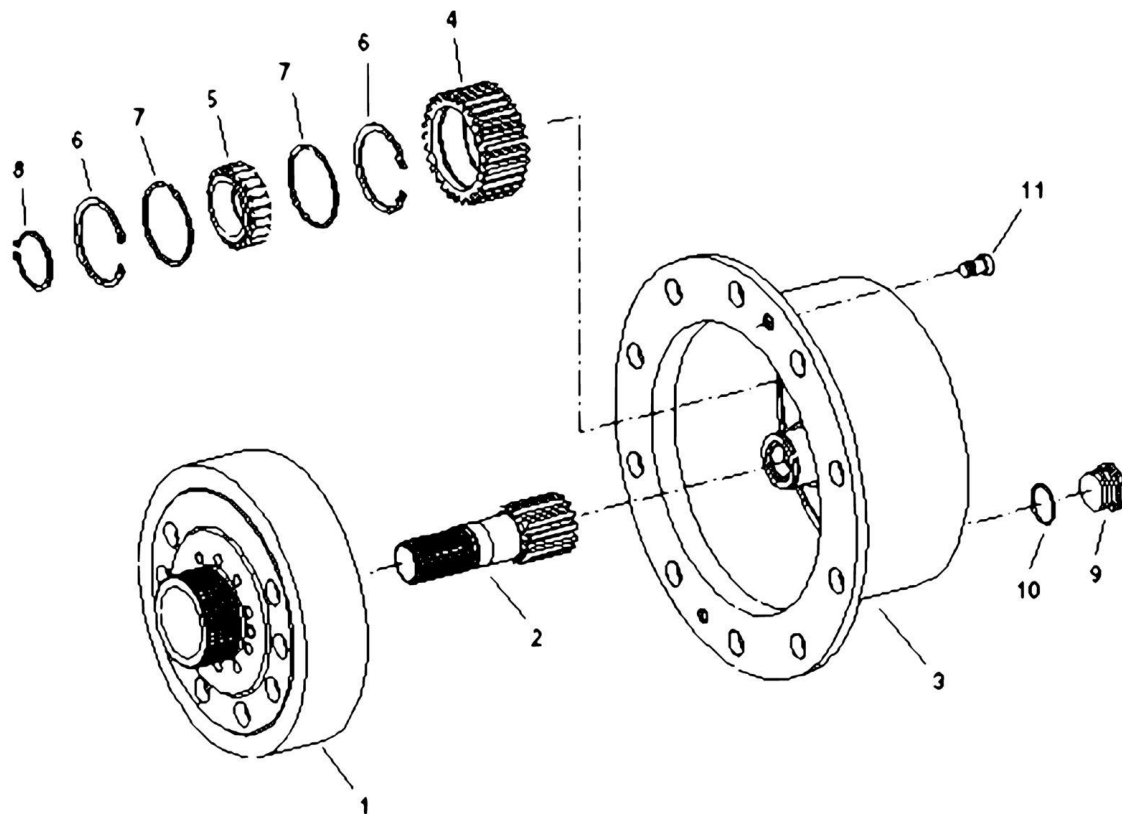
SECTION 3 - DRIVE TRAIN

FIGURE 3-10. FRONT AXLE - JOINT HOUSING

ITEM	PART NUMBER	QTY	DESCRIPTION	REV
1	1321256	1	Housing, Joint - Right Side	
2	1321257	1	Housing, Joint - Left Side	
3	1319445	4	Bearing, Roller	
4	1319447	4	Seal, Shaft	
5	1321249	2	Shim, Optional A=0,2	
5	8035959	2	Shim, Optional A=0,3	
5	8035960	2	Shim, Optional A=0,4	
5	8035961	2	Shim, Optional A=0,5	
5	8035962	2	Shim, Optional A=0,6	
5	1321250	2	Shim, Optional A=0,7	
5	8035963	2	Shim, Optional A=0,8	
5	8035964	2	Shim, Optional A=1,0	
5	8035965	2	Shim, Optional A=1,2	
5	8035966	2	Shim, Optional A=1,4	
5	1321251	2	Shim, Optional A=1,6	
5	8035967	2	Shim, Optional A=1,8	
5	8035968	2	Shim, Optional A=2,0	
6	1319462	4	Pin, Bearing	
7	1319464	16	Screw, Hex	
8	1321157	2	Bearing, Ball	
9	1321254	2	Hub	
10	1319210	2	Ring, Retaining	
11	80304405	2	Ring, Retaining	
12	1321164	2	Seal, Shaft	
13	1321228	2	Ring, Retaining	
14	1321175	2	Shaft, D. Universal Coupling (Includes Items 15 thru 20)	
15	8035969	2	Central Piece	
16	8035970	4	Cross, Joint	
17	8035971	2	Fork, Joint	
18	8035972	2	Fork, Joint Coupling	
19	8035973	2	Bushing	
20	8035974	2	Sheet, Screen	
21	1321155	2	O-Ring	
22	1319471	2	Seal, Shaft	
23	1319472	4	Bearing, Roller	
24	8035975	20	Screw, Hex	
25	1101056	20	Bolt, Wheel	
26	1319475	2	Screw, Stop	
27	1319476	2	Screw, Stop	
28	1319477	4	Nut, Hex	
29	1319478	20	Nut, Sph. Collar	

SECTION 3 - DRIVE TRAIN

FIGURE 3-11. FRONT AXLE - PLANETARY DRIVE



PT0890

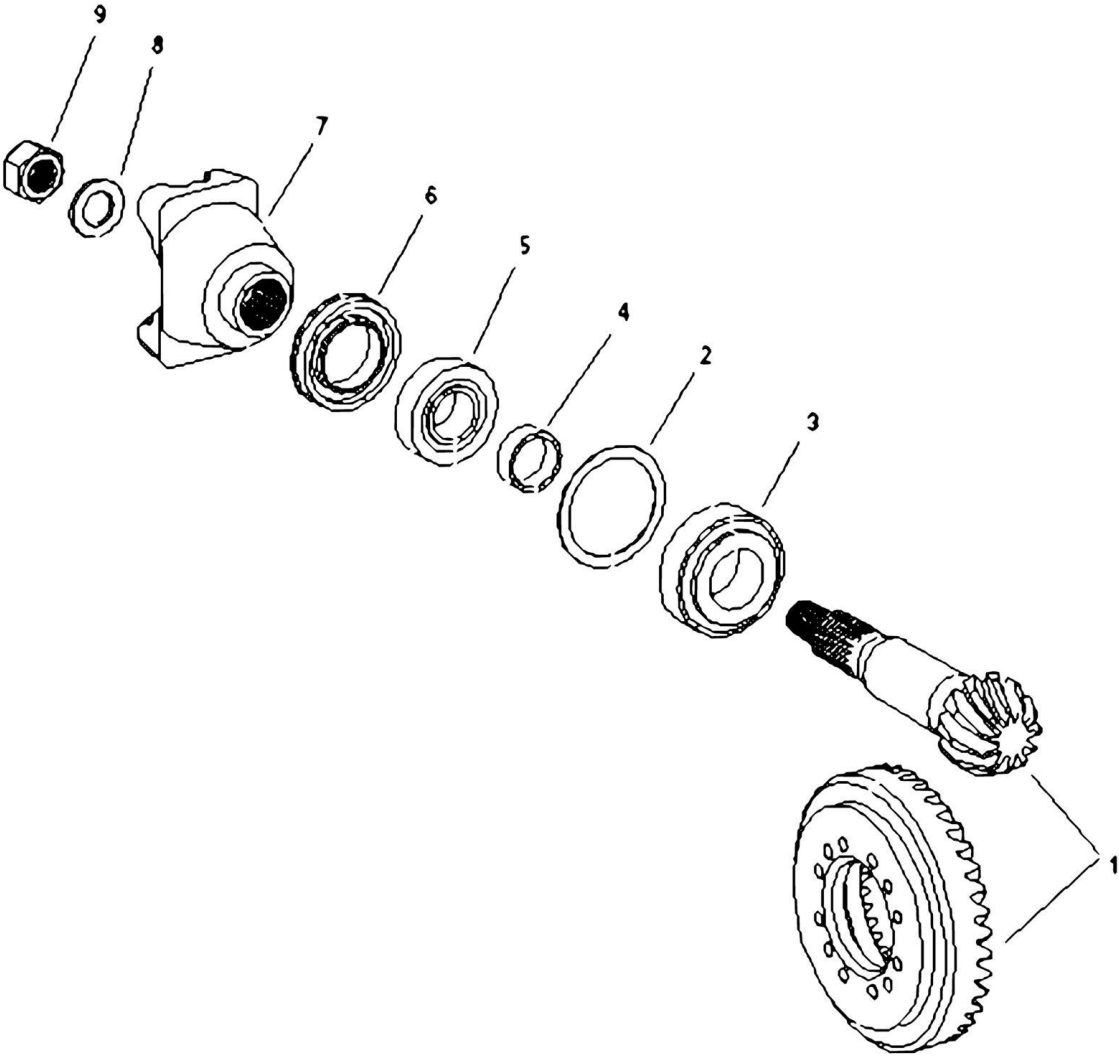
SECTION 3 - DRIVE TRAIN

FIGURE 3-11. FRONT AXLE - PLANETARY DRIVE

ITEM	PART NUMBER	QTY	DESCRIPTION	REV
1	8035976	2	Gear, Ring (Terminating Date)	
1	1321258	2	Gear, Ring (Introduction Date)	
2	1321255	2	Shaft, Sun Gear	
3	1321232	2	Carrier, Planet	
4	1321233	6	Gear, Planet	
5	1321214	6	Bearing, Roller	
6	1321205	12	Ring, Snap	
7	1321191	12	Washer	
8	1321177	6	Ring, Retaining	
9	1319506	2	Plug, Screw	
10	1319432	2	O-Ring	
11	8035977	4	Screw, Cap	

SECTION 3 - DRIVE TRAIN

FIGURE 3-12. REAR AXLE - INPUT



PT0760

SECTION 3 - DRIVE TRAIN

FIGURE 3-12. REAR AXLE - INPUT

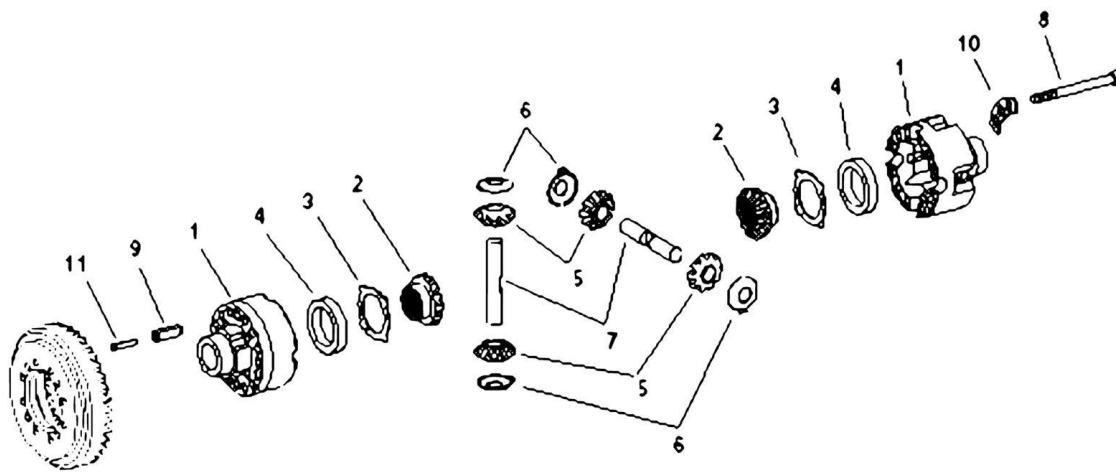
ITEM	PART NUMBER	QTY	DESCRIPTION	REV
1	1321229	1	Set, Bevel Gear	
2	1319333	1	Washer, Optional S=1,0	
2	1319334	1	Washer, Optional S=1,05	
2	1319335	1	Washer, Optional S=1,1	
2	1319336	1	Washer, Optional S=1,15	
2	1319337	1	Washer, Optional S=1,2	
2	1319338	1	Washer, Optional S=1,25	
2	1319339	1	Washer, Optional S=1,3	
2	1319340	1	Washer, Optional S=1,35	
2	1319341	1	Washer, Optional S=1,4	
2	1319342	1	Washer, Optional S=1,45	
2	1319343	1	Washer, Optional S=1,5	
2	1319344	1	Washer, Optional S=1,55	
2	1319345	1	Washer, Optional S=1,6	
2	1319346	1	Washer, Optional S=0,9	
2	1319347	1	Washer, Optional S=0,95	
2	1319348	1	Washer, Optional S=0,65	
2	1319349	1	Washer, Optional S=0,70	
2	1319350	1	Washer, Optional S=0,75	
2	1319351	1	Washer, Optional S=0,85	
2	1319352	1	Washer, Optional S=0,80	
3	1319353	1	Bearing, Roller	
4	1319354	1	Ring, Optional S=15,1	
4	1319355	1	Ring, Optional S=15,2	
4	1319356	1	Ring, Optional S=15,3	
4	1319357	1	Ring, Optional S=15,4	
4	1319358	1	Ring, Optional S=15,5	
4	1319359	1	Ring, Optional S=15,6	
4	1319360	1	Ring, Optional S=15,7	
4	1319361	1	Ring, Optional S=15,8	
4	1319362	1	Ring, Optional S=15,9	
4	1319363	1	Ring, Optional S=16,0	
4	1319364	1	Ring, Optional S=16,1	
4	1319365	1	Ring, Optional S=16,2	
4	1319366	1	Ring, Optional S=16,3	
4	1319367	1	Ring, Optional S=16,4	
4	8035982	1	Ring, Optional S=16,26	
4	1319369	1	Ring, Optional S=16,23	
4	1319370	1	Ring, Optional S=16,16	
4	1319371	1	Ring, Optional S=16,13	
4	1319372	1	Ring, Optional S=16,06	
4	1319373	1	Ring, Optional S=16,03	
4	1319374	1	Ring, Optional S=15,96	
4	1319375	1	Ring, Optional S=15,93	
4	1319376	1	Ring, Optional S=15,86	
4	1319377	1	Ring, Optional S=15,83	
4	1319378	1	Ring, Optional S=15,76	
4	1319379	1	Ring, Optional S=15,73	
4	1319380	1	Ring, Optional S=15,66	
4	1319381	1	Ring, Optional S=15,63	

SECTION 3 - DRIVE TRAIN

ITEM	PART NUMBER	QTY	DESCRIPTION	REV
4	1319382	1	Ring, Optional S=15,56	
4	1319383	1	Ring, Optional S=15,53	
4	1319384	1	Ring, Optional S=15,46	
4	1319385	1	Ring, Optional S=15,43	
4	1319386	1	Ring, Optional S=15,36	
4	1319387	1	Ring, Optional S=15,33	
4	1319388	1	Ring, Optional S=15,26	
4	1319389	1	Ring, Optional S=15,38	
4	1319390	1	Ring, Optional S=15,48	
4	1319391	1	Ring, Optional S=15,58	
4	1313932	1	Ring, Optional S=15,68	
4	1319393	1	Ring, Optional S=15,69	
4	1319394	1	Ring, Optional S=15,72	
4	1319395	1	Ring, Optional S=15,78	
4	1319396	1	Ring, Optional S=15,81	
4	1319397	1	Ring, Optional S=15,84	
4	1319398	1	Ring, Optional S=15,88	
4	1319399	1	Ring, Optional S=15,89	
4	1319400	1	Ring, Optional S=15,91	
4	1319401	1	Ring, Optional S=15,94	
4	1319402	1	Ring, Optional S=15,97	
5	1319444	1	Bearing, Roller	
6	1321211	1	Ring, Multi Seal	
7	1321237	1	Yoke, End	
8	1319406		Washer	
9	8035983	1	Nut, Hex	

SECTION 3 - DRIVE TRAIN

FIGURE 3-13. REAR AXLE - DIFFERENTIAL



PT0770

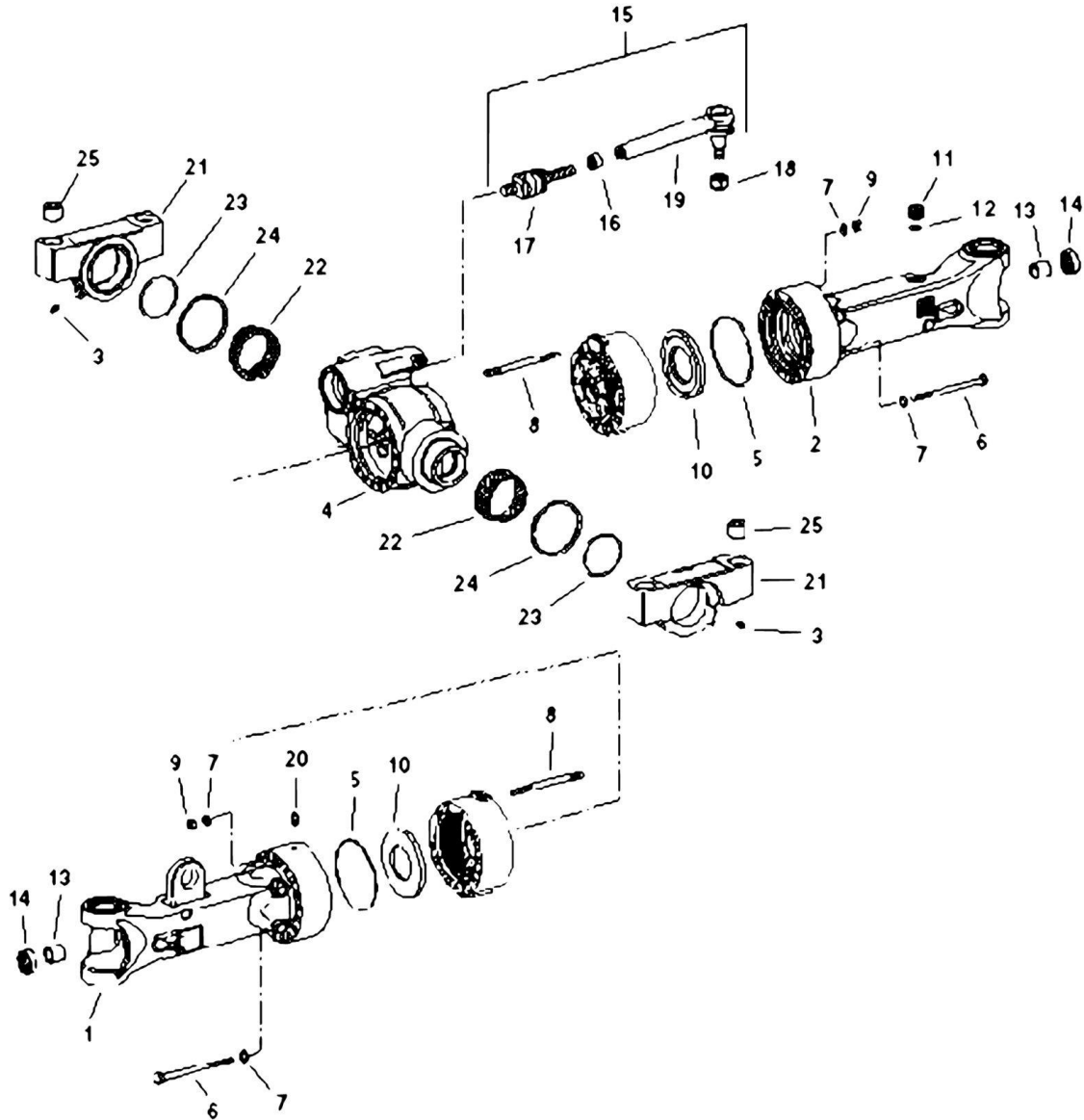
SECTION 3 - DRIVE TRAIN

FIGURE 3-13. REAR AXLE - DIFFERENTIAL

ITEM	PART NUMBER	QTY	DESCRIPTION	REV
1	1321216	1	Case, Differential	
2	1321223	2	Gear, Axle Bevel	
3	1319412	2	Washer, Thrust	
4	1321260	2	Ring, Differential A=13,7	
4	8035984	2	Ring, Differential A=13,6	
4	1321259	2	Ring, Differential A=13,5	
5	1321262	4	Gear, Differential Bevel	
6	1321188	4	Washer, Thrust	
7	1321224	2	Axle, Differential	
8	8035985	12	Screw, Cap	
9	1321153	4	Pin, Slot	
10	1321227	4	Segment	
11	1321154	4	Pin, Slot	

SECTION 3 - DRIVE TRAIN

FIGURE 3-14. REAR AXLE - AXLE CASING



PT0780

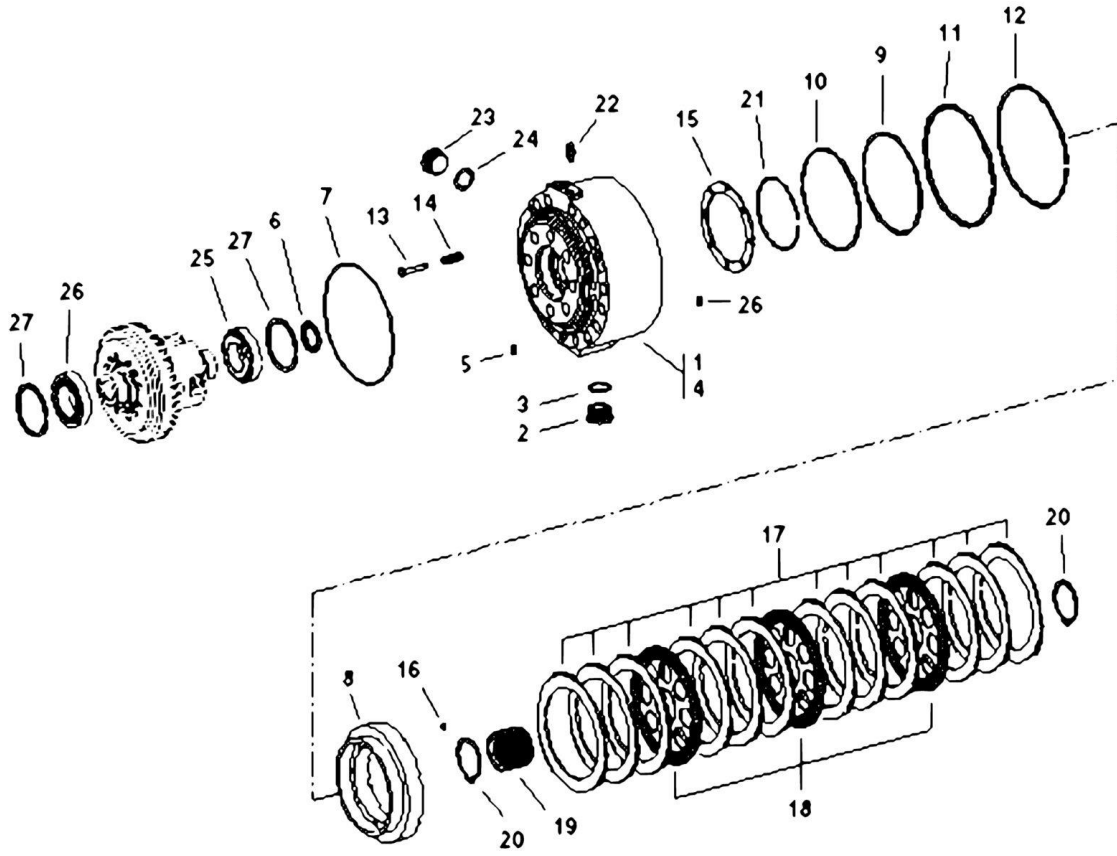
SECTION 3 - DRIVE TRAIN

FIGURE 3-14. REAR AXLE - AXLE CASING

ITEM	PART NUMBER	QTY	DESCRIPTION	REV
1	8035986	1	Casing, Axle	
2	8035987	1	Casing, Axle	
3	1319423	2	Nipple, Lubrication	
4	8035991	1	Housing, Axle Drive (Terminating Date)	
4	1321236	1	Housing, Axle Drive (Introduction Date)	
5	1319425	2	O-Ring	
6	8035927	22	Screw, Hex	
7	1319427	30	Washer	
8	8035989	8	Stud	
9	1319429	8	Nut, Hex	
10	1319430	2	Shim, End (Terminating Date)	
10	8035990	2	Shim, End (Introduction Date)	
11	1319506	1	Plug, Screw	
12	1319432	1	O-Ring	
13	1319433	2	Bushing	
14	1319434	2	Seal, Shaft	
15	1321148	2	Coupling, Axial Joint (Includes Items 16 thru 19)	
16	8035929	2	Coupling, Ball Joint w/Pipe	
17	8035930	2	Coupling, Axial Joint	
18	8035931	2	Nut, Locking	
19	8035932	2	Nut, Hex	
20	1319436	1	Valve, Vent	
21	1319437	2	Bracket (Terminating Date)	
21	8035933	2	Bracket (Introduction Date)	
22	1319438	2	Bushing, Flange	
23	1319439	2	O-Ring	
24	1319440	2	V-Ring	
25	1319441	2	Bushing, Centering	

SECTION 3 - DRIVE TRAIN

FIGURE 3-15. REAR AXLE - M-DISC BRAKE



PT0790

SECTION 3 - DRIVE TRAIN

FIGURE 3-15. REAR AXLE - M-DISC BRAKE

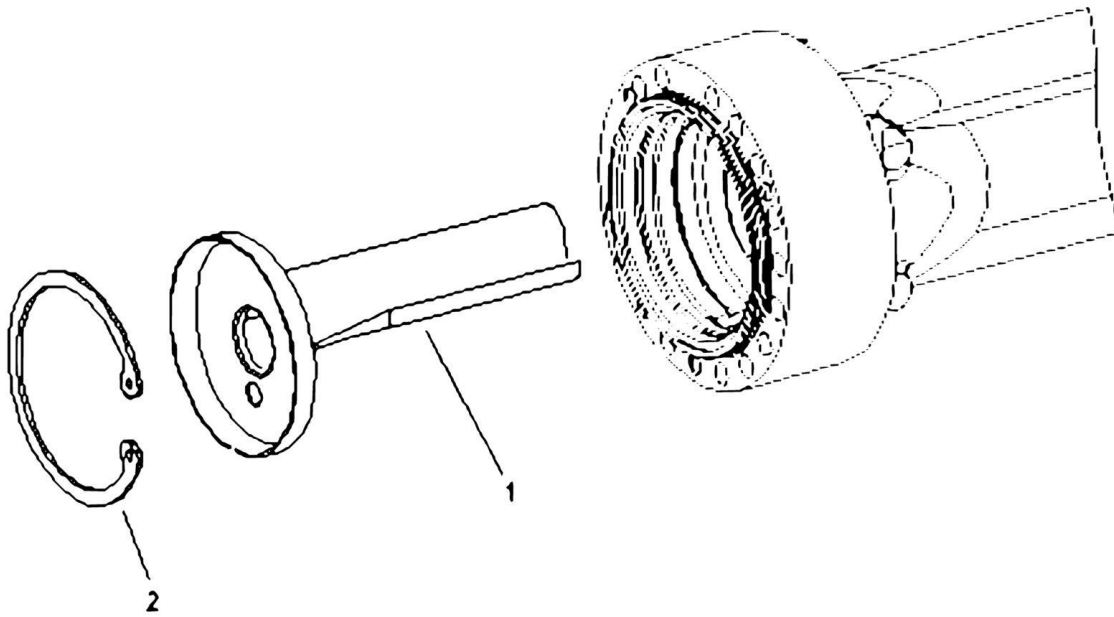
ITEM	PART NUMBER	QTY	DESCRIPTION	REV
1	8035935	1	Housing, Brake - Left Side (Terminating Date)	
1	8035936	1	Housing, Brake - Left Side (Introduction Date)	
2	8035937	2	Plug, Screw (Terminating Date)	
2	1319431	2	Plug, Screw (Introduction Date)	
3	1321156	2	O-Ring (Terminating Date)	
3	1319432	2	O-Ring (Introduction Date)	
4	8035938	1	Housing, Brake - Right Side (Terminating Date)	
4	8035939	1	Housing, Brake - Right Side (Introduction Date)	
5	1319491	12	O-Ring	
6	1321161	2	Seal, Shaft	
7	1319425	2	O-Ring	
8	8035940	2	Piston (Terminating Date)	
8	1321173	2	Piston (Introduction Date)	
9	8035941	2	U-Ring (Terminating Date)	
9	1321162	2	U-Ring (Introduction Date)	
10	8035942	2	Ring, Support (Terminating Date)	
10	1321151	2	Ring, Support (Introduction Date)	
11	8035949	2	U-Ring (Terminating Date)	
11	1321163	2	U-Ring (Introduction Date)	
12	8035943	2	Ring, Support (Terminating Date)	
12	1321152	2	Ring, Support (Introduction Date)	
13	1319496	16	Pin	
14	1319497	16	Spring, Compression	
15	8036305	2	Washer	
16	1319499	16	Ring, Crescent	
17	1319500	24	Disc, O. Clutch - Optional S=2,0	
17	1319501	24	Disc, O. Clutch - Optional S=2,5	
17	1319502	24	Disc, O. Clutch - Optional S=3,0	
18	1321150	6	Disc, I. Clutch	
19	1321174	2	Carrier, Disc	
20	10731949	4	Ring, Retaining	
21	1319504	2	Ring, Snap	
22	1319505	2	Valve, Vent	
23	1319506	2	Plug, Screw	
24	1319432	2	O-Ring	
25	8035944	1	Bearing, Roller	
26	1321165	1	Bearing, Roller	
27	1319531	2	Shim, Optional A=0,1	
27	8035945	2	Shim, Optional A=0,15	
27	1319530	2	Shim, Optional A=0,2	
27	8035946	2	Shim, Optional A=0,25	
27	1319529	2	Shim, Optional A=0,3	
27	8035947	2	Shim, Optional A=0,35	
27	8035951	2	Shim, Optional A=0,4	
27	1319543	2	Shim, Optional A=0,45	
27	1319527	2	Shim, Optional A=0,5	
27	1321158	2	Shim, Optional A=0,55	
27	1319526	2	Shim, Optional A=0,6	
27	1319532	2	Shim, Optional A=0,65	
27	1319533	2	Shim, Optional A=0,70	

SECTION 3 - DRIVE TRAIN

ITEM	PART NUMBER	QTY	DESCRIPTION	REV
27	1319534	2	Shim, Optional A=0,75	
27	1319525	2	Shim, Optional A=0,8	
27	1319535	2	Shim, Optional A=0,85	
27	1319536	2	Shim, Optional A=0,90	
27	1319537	2	Shim, Optional A=0,95	
27	1319524	2	Shim, Optional A=1,0	
27	1319525	2	Shim, Optional A=1,05	
27	1319538	2	Shim, Optional A=1,10	
27	1319539	2	Shim, Optional A=1,15	
27	1319523	2	Shim, Optional A=1,2	
27	1319540	2	Shim, Optional A=1,25	
27	1319541	2	Shim, Optional A=1,30	
27	1319542	2	Shim, Optional A=1,35	
27	1319522	2	Shim, Optional A=1,4	
27	1319521	2	Shim, Optional A=1,45	
27	1319520	2	Shim, Optional A=1,50	
27	1319519	2	Shim, Optional A=1,55	
27	1319518	2	Shim, Optional A=1,60	
27	1319517	2	Shim, Optional A=1,65	
27	1319510	2	Shim, Optional A=2,0	
27	1321159	2	Shim, Optional A=1,47	
27	8035948	2	Shim, Optional A=1,63	
27	1319515	2	Shim, Optional A=1,75	
27	1319516	2	Shim, Optional A=1,70	
27	1319514	2	Shim, Optional A=1,80	
27	1319513	2	Shim, Optional A=1,85	
27	1319512	2	Shim, Optional A=1,90	
27	1319511	2	Shim, Optional A=1,95	

SECTION 3 - DRIVE TRAIN

FIGURE 3-16. REAR AXLE - BRAKE



PT0800

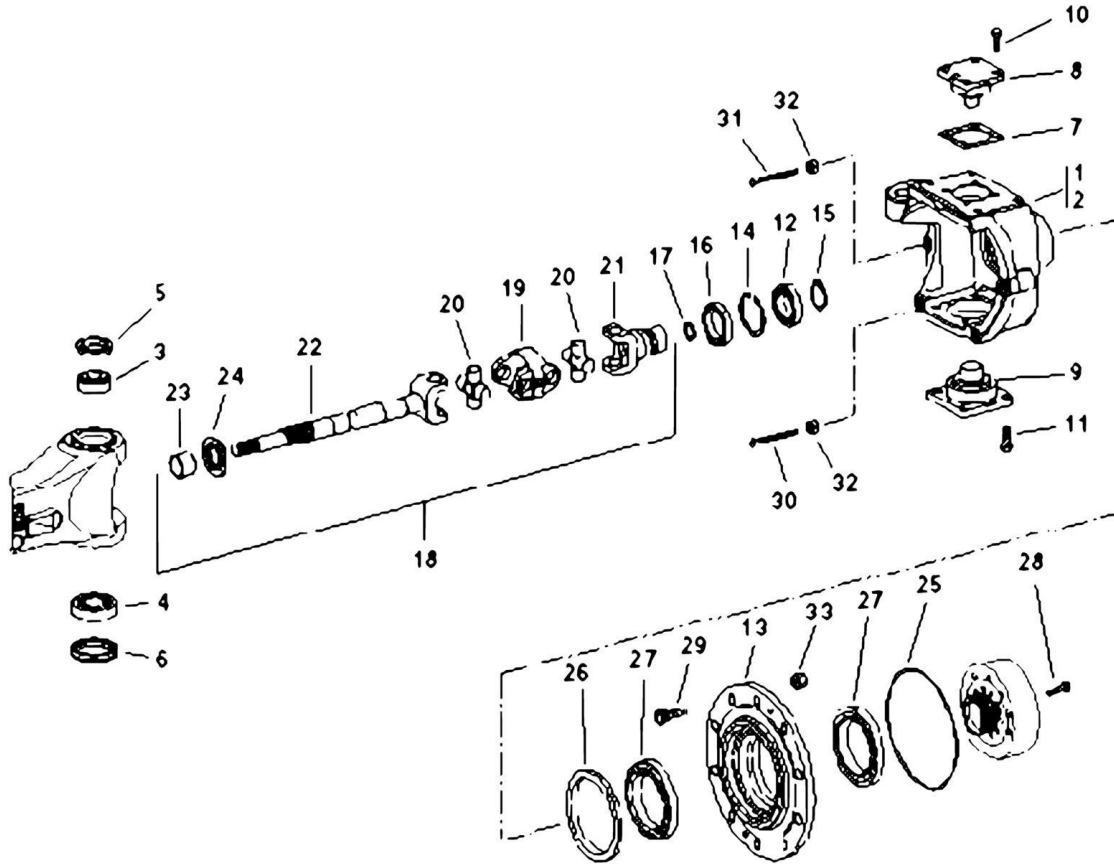
SECTION 3 - DRIVE TRAIN

FIGURE 3-16. REAR AXLE - BRAKE

ITEM	PART NUMBER	QTY	DESCRIPTION	REV
1	1321172	2	Carrier, Pin	
2	1321178	2	Ring, Retaining	

SECTION 3 - DRIVE TRAIN

FIGURE 3-17. REAR AXLE - JOINT HOUSING



PT0810

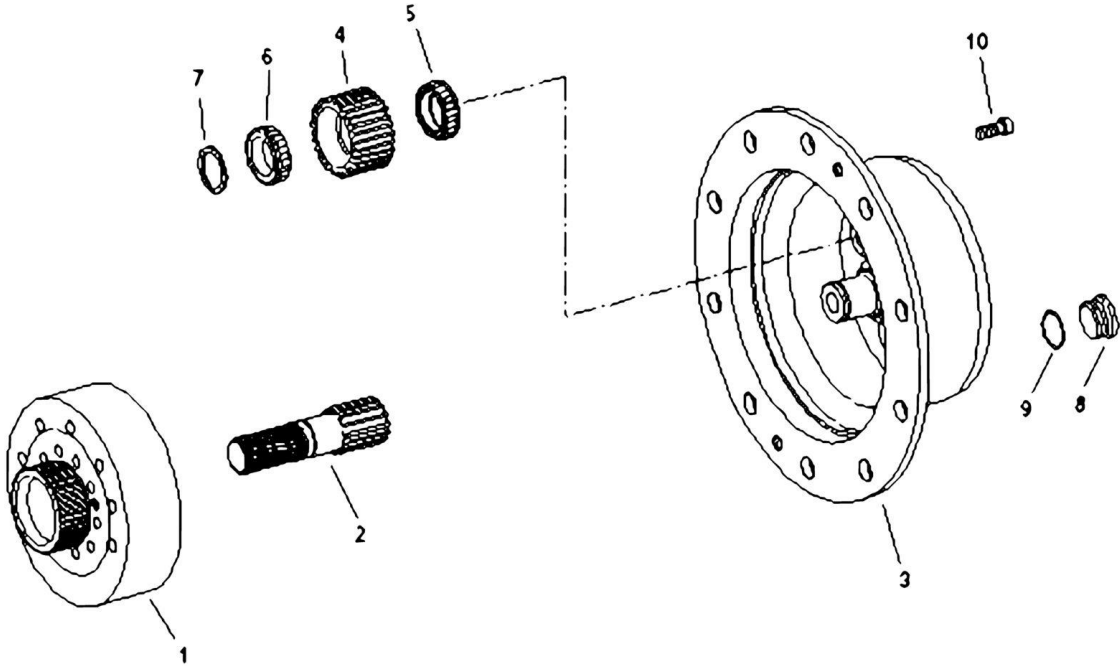
SECTION 3 - DRIVE TRAIN

FIGURE 3-17. REAR AXLE - JOINT HOUSING

ITEM	PART NUMBER	QTY	DESCRIPTION	REV
1	1321245	1	Housing, Joint - Left Side	
2	1321246	1	Housing, Joint - Right Side	
3	1319444	2	Bearing, Roller	
4	1319445	2	Bearing, Roller	
5	1319446	2	Seal, Shaft	
6	1319447	2	Seal, Shaft	
7	1319448	2	Shim, Optional S=0,2	
7	1319449	2	Shim, Optional S=0,3	
7	1319450	2	Shim, Optional S=0,4	
7	1319451	2	Shim, Optional S=0,6	
7	1319452	2	Shim, Optional S=0,8	
7	1319453	2	Shim, Optional S=1,0	
7	1319454	2	Shim, Optional S=1,2	
7	1319453	2	Shim, Optional S=1,4	
7	1319456	2	Shim, Optional S=1,6	
7	1319457	2	Shim, Optional S=1,8	
7	1319458	2	Shim, Optional S=2,0	
7	1319459	2	Shim, Optional S=0,7	
7	1319460	2	Shim, Optional S=0,5	
8	1319461	2	Pin, Bearing	
9	1319462	2	Pin, Bearing	
10	1319463	8	Screw, Hex	
11	1319464	8	Screw, Hex	
12	1321157	2	Bearing, Ball	
13	1321239	2	Hub	
14	1319210	2	Ring, Retaining	
15	80304405	2	Ring, Retaining	
16	1321164	2	Seal, Shaft	
17	1321226	2	Ring, Retaining	
18	1321176	2	Shaft, D. Universal Coupling (Includes Items 19 thru 24)	
19	8035992	2	Central Piece	
20	8035993	4	Cross, Joint	
21	8035994	2	Fork, Joint	
22	8035995	2	Fork, Joint Coupling	
23	8035973	2	Bushing	
24	8035996	2	Sheet, Screen	
25	1321155	2	O-Ring	
26	1319471	2	Seal, Shaft	
27	1319472	4	Bearing, Roller	
28	8035997	16	Screw, Hex	
29	1101056	20	Bolt, Wheel	
30	1319475	2	Screw, Stop	
31	1319476	2	Screw, Stop	
32	1319477	4	Nut, Hex	
33	1319478	20	Nut, Sph. Collar	

SECTION 3 - DRIVE TRAIN

FIGURE 3-18. REAR AXLE - PLANETARY DRIVE



PT0820

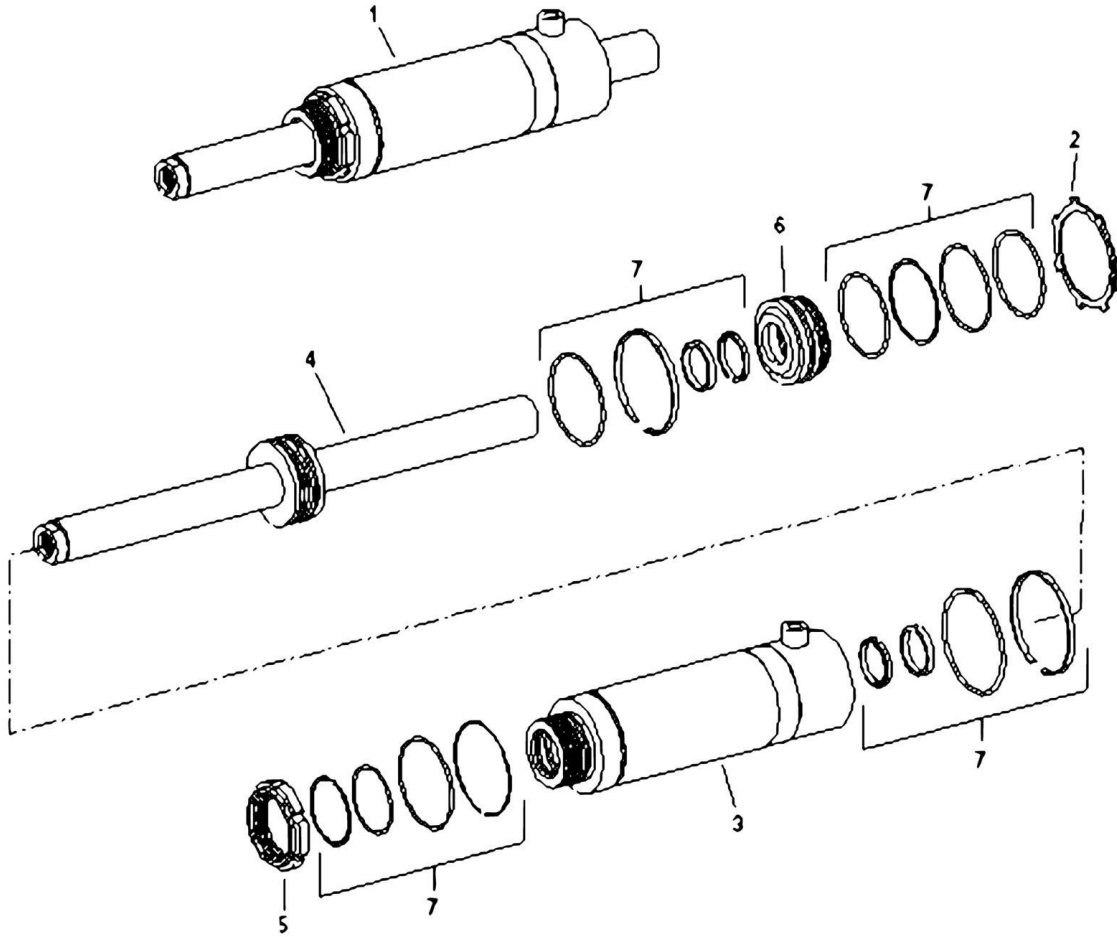
SECTION 3 - DRIVE TRAIN

FIGURE 3-18. REAR AXLE - PLANETARY DRIVE

ITEM	PART NUMBER	QTY	DESCRIPTION	REV
1	1321247	2	Gear, Ring	
2	1321242	2	Shaft, Sun Gear	
3	1321238	2	Carrier, Planet	
4	1321231	6	Gear, Planet	
5	1319483	6	Ring, Bearing Inner	
6	1319484	6	Ring, Bearing Inner	
7	1319485	6	Ring, Snap	
8	1319506	2	Plug, Screw	
9	1319432	2	O-Ring	
10	8035977	4	Screw, Cap	

SECTION 3 - DRIVE TRAIN

FIGURE 3-19. STEERING CYLINDER



PT0120

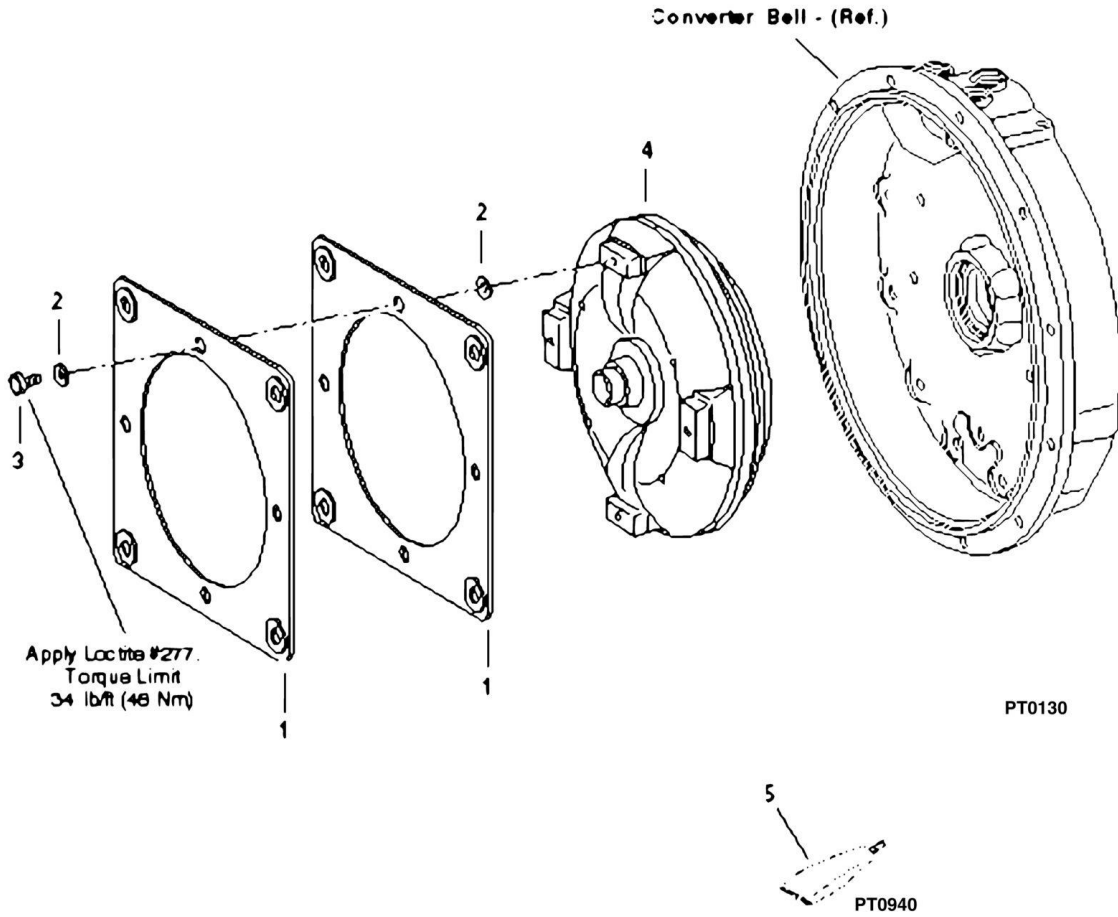
SECTION 3 - DRIVE TRAIN

FIGURE 3-19. STEERING CYLINDER

ITEM	PART NUMBER	QTY	DESCRIPTION	REV
1	1321149	1	Steering Cylinder Assembly (Includes Items 2 thru 7)	
2	8035978	1	L-Ring	
3	8035979	1	Tube, Cylinder	
4	1321061	1	Rod, Piston	
5	1321062	1	Nut, Slotted	
6	8035980	1	Guide Piece	
7	8035981	1	Kit, Seal	

SECTION 3 - DRIVE TRAIN

FIGURE 3-20. ENGINE CONNECTION AND CONVERTER



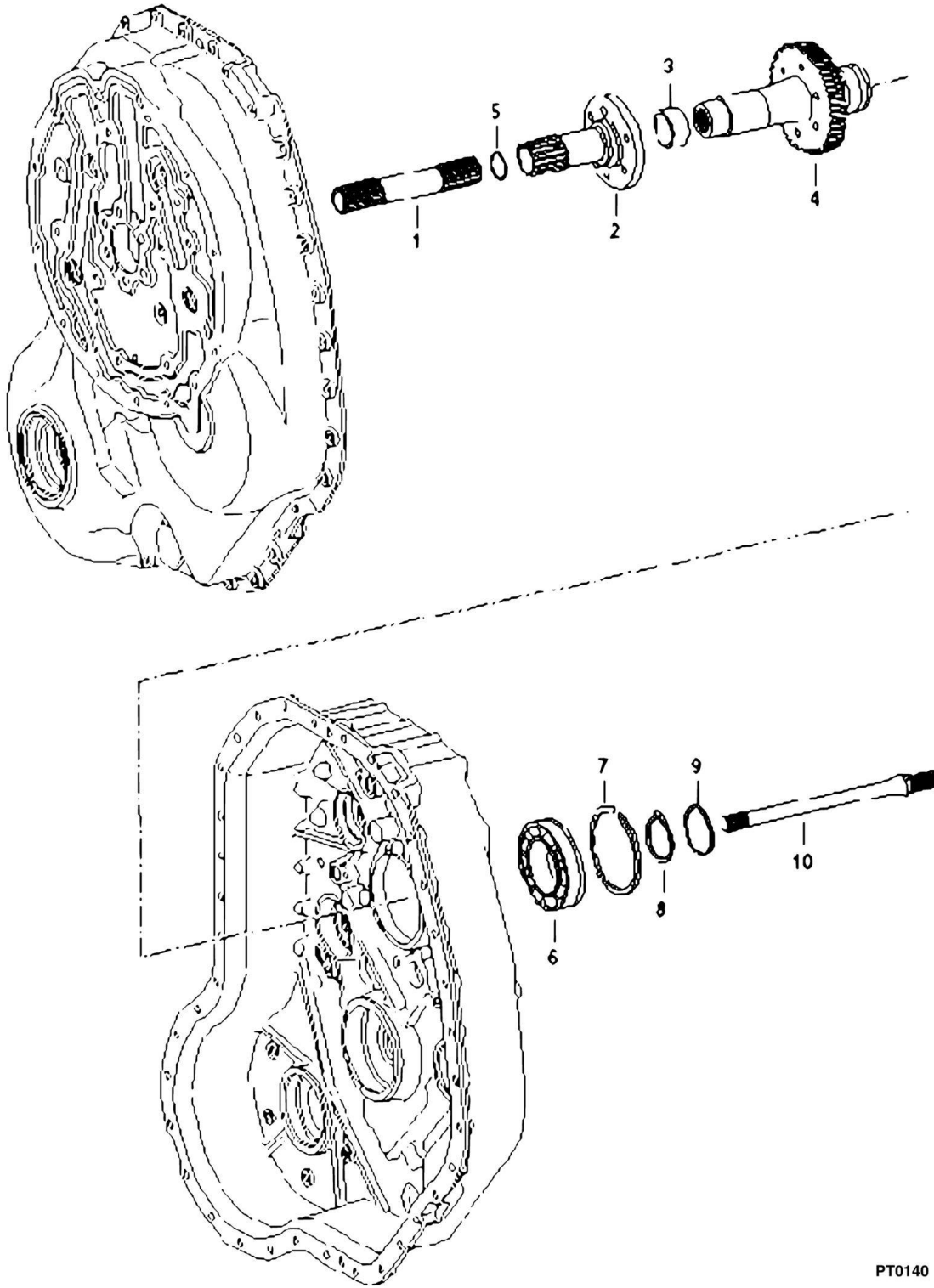
SECTION 3 - DRIVE TRAIN

FIGURE 3-20. ENGINE CONNECTION AND CONVERTER

ITEM	PART NUMBER	QTY	DESCRIPTION	REV
1	1319229	2	Diaphragm	
2	10731703	8	Washer, Thrust 1,00	
3	7026744	4	HHCS, M10 x 16mm	
4	1319258	1	Converter	
5	8526052	1	Threadlocker, Loctite #277 (10ml bottle) .34 fl oz	

SECTION 3 - DRIVE TRAIN

FIGURE 3-21. INPUT SHAFTS



PT0140

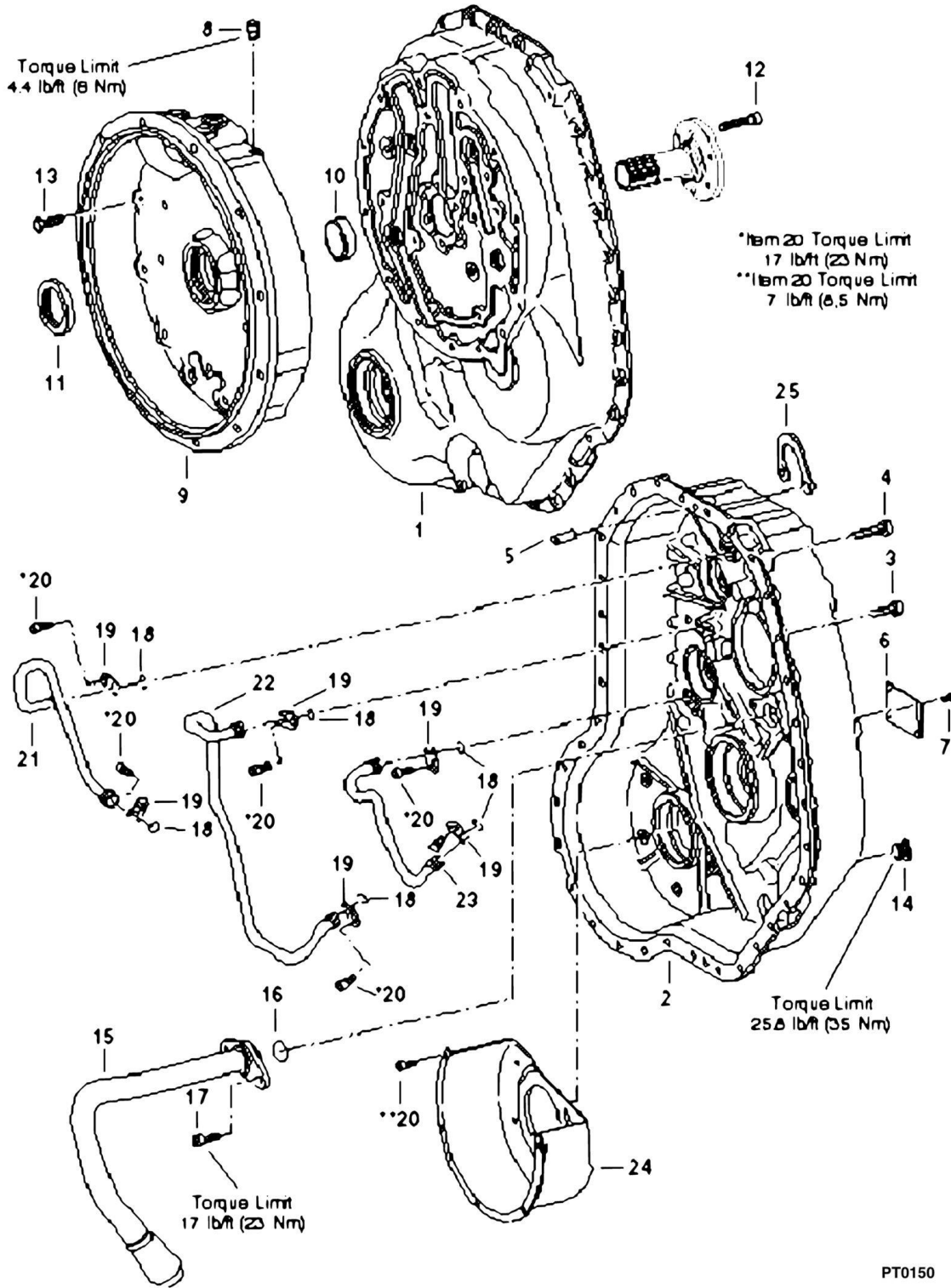
SECTION 3 - DRIVE TRAIN

FIGURE 3-21. INPUT SHAFTS

ITEM	PART NUMBER	QTY	DESCRIPTION	REV
1	1319236	1	Shaft, Turbine	
2	1319557	1	Shaft, Stator	
3	1319558	1	Bushing, Bearing	
4	1319559	1	Shaft, Input	
5	10731732	1	Ring, Snap 30	
6	1319563	1	Bearing, Ball	
7	10731913	1	Ring, Snap 100	
8	80304405	1	Ring, Retaining 55 x 2,00	
9	1319565	1	Ring, Piston 55 x 3,00	
10	1319566	1	Shaft, Central	

SECTION 3 - DRIVE TRAIN

FIGURE 3-22. GEARBOX HOUSING



PT0150

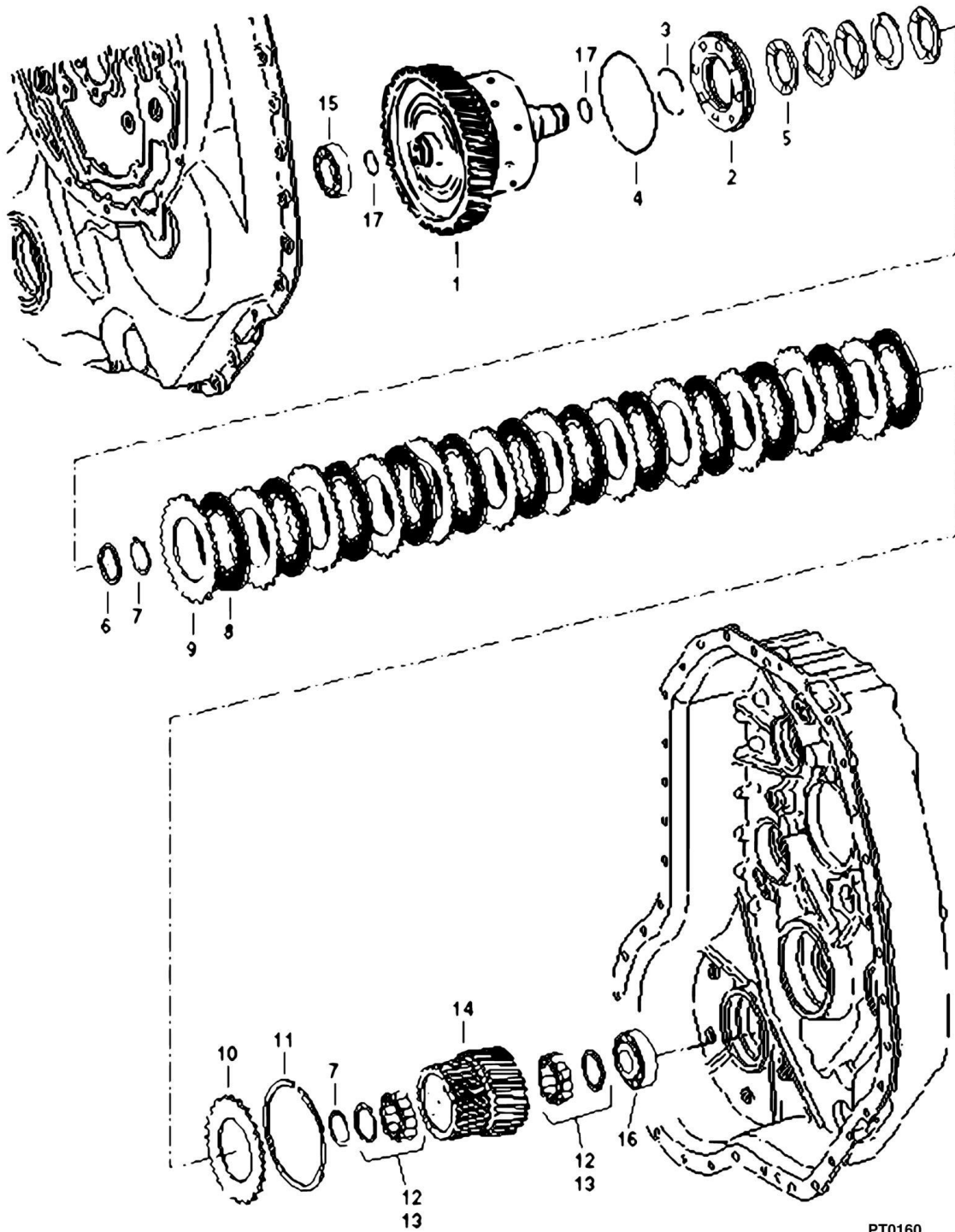
SECTION 3 - DRIVE TRAIN

FIGURE 3-22. GEARBOX HOUSING

ITEM	PART NUMBER	QTY	DESCRIPTION	REV
1	1319567	1	Housing I	
2	1319568	1	Housing II	
3	1319569	30	HHCS, M10 x 30mm	
4	1319570	6	HHCS, M10 x 50mm	
5	1319571	2	Pin, Cylindrical M6 x 24	
6	1319572	1	Plate, Type	
7	1319573	4	Stud, Grooved 3 x 5,00	
8	10731744	1	Breather	
9	1319574	1	Bell, Converter	
10	1319575	1	Bushing, Bearing	
11	1319576	1	Seal, Shaft	
12	1319577	6	SHCS, M10 x 50mm	
13	1319569	23	HHCS, M10 x 30mm	
14	1319578	1	Plug, Drain 7/8-14	
15	1319580	1	Pipe, Oil Suction	
16	1319581	1	O-Ring, 30 x 3,00	
17	1319582	2	SHCS, M8 x 20mm	
18	1319583	6	O-Ring, 14 x 2,00	
19	1319584	6	Plate, Fixing	
20	1319585	11	SHCS, M8 x 16mm	
21	1319586	1	Pipe	
22	1319587	1	Pipe	
23	1319588	1	Pipe	
24	1319587	1	Sheet, Screen	
25	1319590	1	Bracket	

SECTION 3 - DRIVE TRAIN

FIGURE 3-23. COUPLING GROUP 1



PT0160

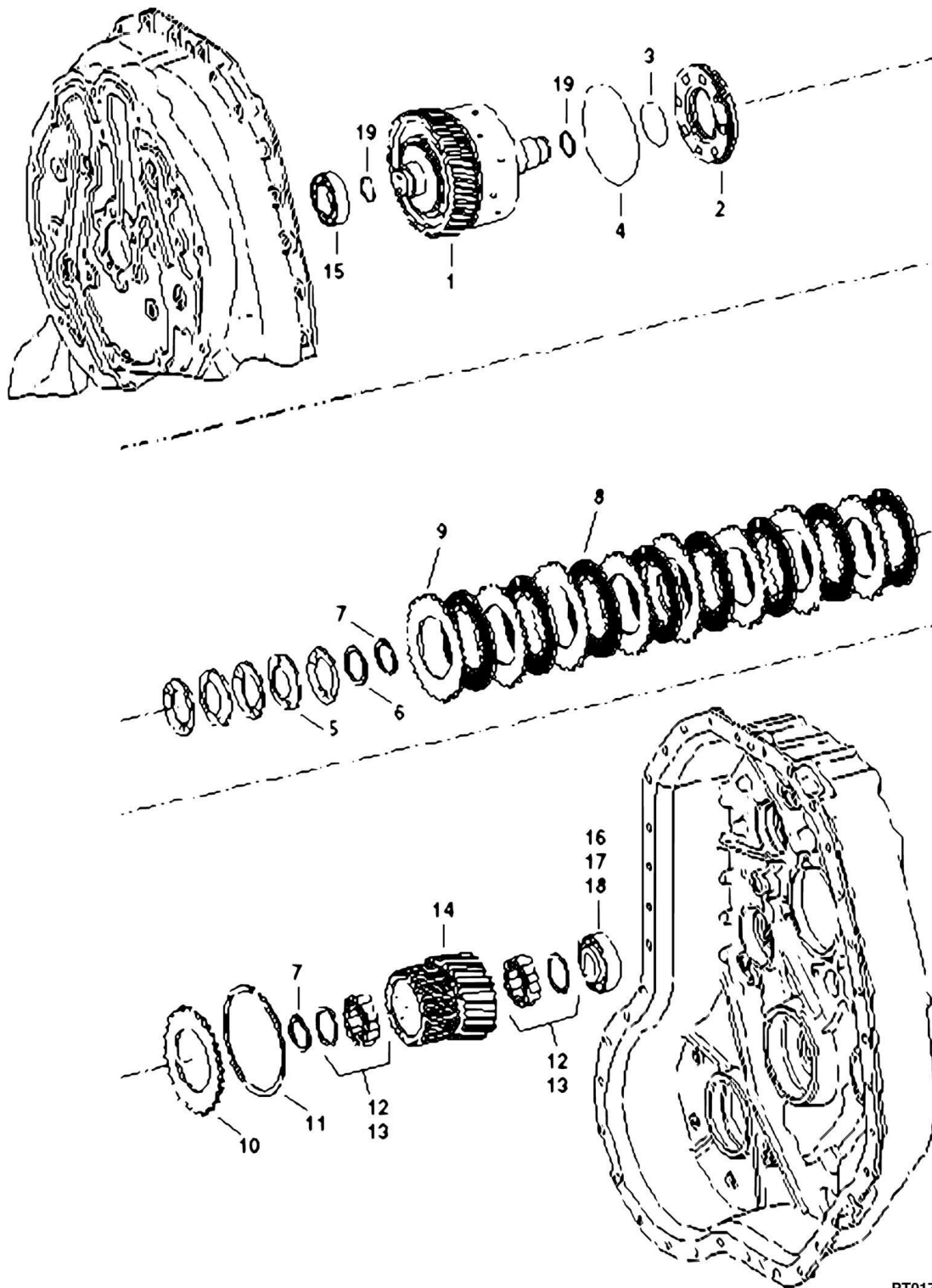
SECTION 3 - DRIVE TRAIN

FIGURE 3-23. COUPLING GROUP 1

ITEM	PART NUMBER	QTY	DESCRIPTION	REV
1	1319591	1	Coupling	
2	1319592	1	Piston	
3	1319593	1	O-Ring, 52 x 3,00	
4	1319594	1	O-Ring, 115 x 3,00	
5	1319595	5	Spring, Cup	
6	1319596	1	Shim, 2,00	
7	10731845	2	Ring, Retaining 40 x 1,75	
8	1319597	12	Disc, Lin. Clutch	
9	1319598	12	Disc, O. Clutch	
10	1319599	1	Shim, End	
11	1319600	1	Ring, Snap 4,00	
11	1319601	1	Ring, Snap 3,50	
11	1319602	1	Ring, Snap 3,00	
11	1319603	1	Ring, Snap 2,50	
11	1319604	1	Ring, Snap 2,00	
12	1319605	2	Cage, Roller	
13	1319606	2	Cage, Roller	
14	1319607	1	Carrier, Disc	
15	1319608	1	Bearing, Roller	
16	1319609	1	Bearing, Roller	
16	1319610	1	Bearing, Roller	
16	1319611	1	Bearing, Roller	
17	1319612	2	Ring, Piston 30 x 2,00	

SECTION 3 - DRIVE TRAIN

FIGURE 3-24. COUPLING GROUP 2



PT0170

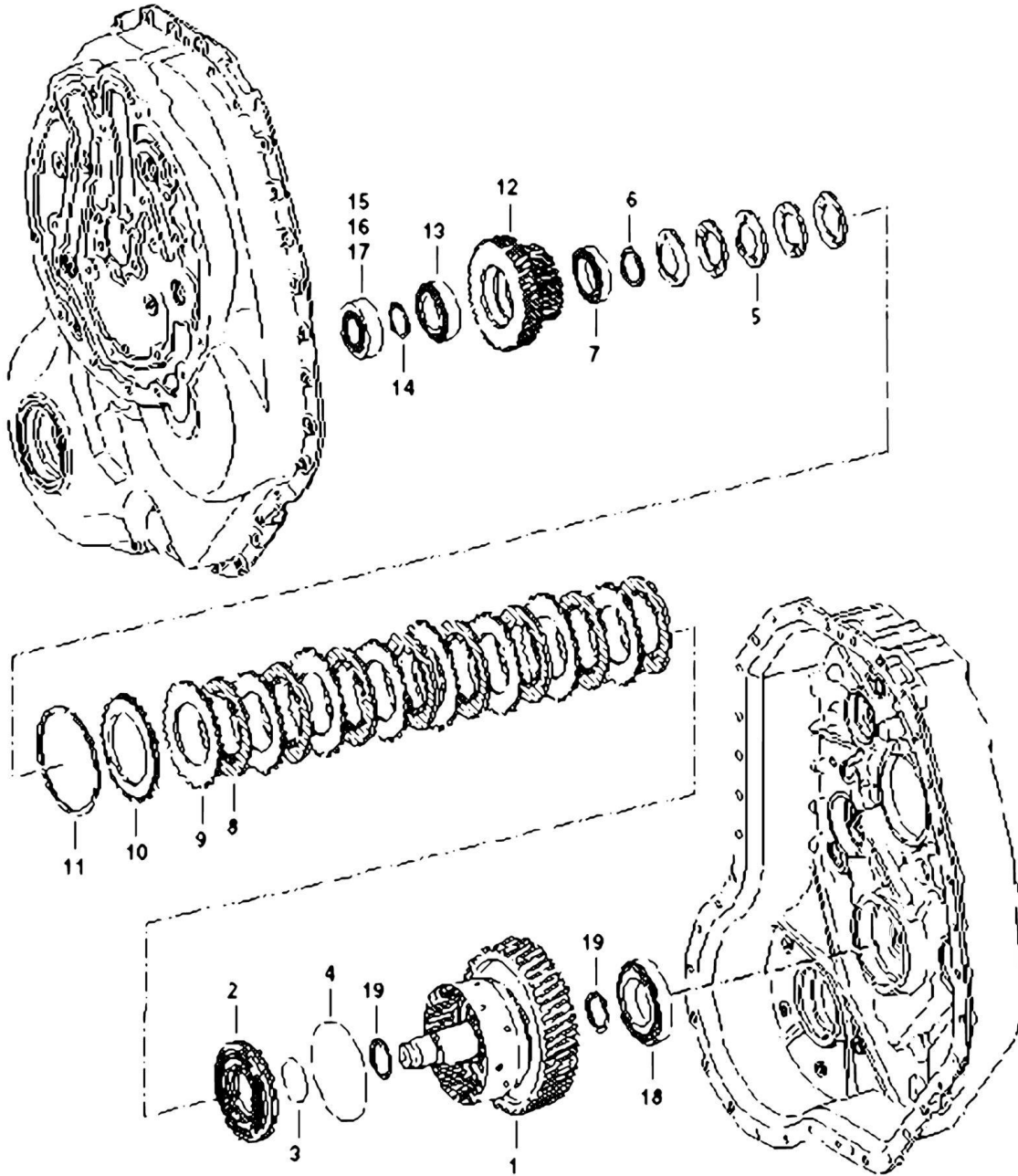
SECTION 3 - DRIVE TRAIN

FIGURE 3-24. COUPLING GROUP 2

ITEM	PART NUMBER	QTY	DESCRIPTION	REV
1	1319613	1	Coupling	
2	1319592	1	Piston	
3	1319593	1	O-Ring 52 x 3,00	
4	1319594	1	O-Ring 115 x 3,00	
5	1319595	5	Spring, Cup	
6	1319596	1	Shim, 2,00	
7	10731845	2	Ring, Retaining 40 x 1,75	
8	1319597	8	Disc, Lin. Clutch	
9	1319598	8	Disc, O. Clutch	
10	1319599	1	Shim, End	
11	1319600	1	Ring, Snap 4,00	
11	1319601	1	Ring, Snap 3,50	
11	1314602	1	Ring, Snap 3,00	
11	1319603	1	Ring, Snap 2,50	
11	1319604	1	Ring, Snap 2,00	
12	1319605	2	Cage, Roller	
13	1319606	2	Cage, Roller	
14	1319614	1	Carrier, Disc	
15	1319615	1	Bearing, Roller	
16	1319609	1	Bearing, Roller	
17	1319610	1	Bearing, Roller	
18	1319611	1	Bearing, Roller	
19	1319612	2	Ring, Piston 30 x 2,00	

SECTION 3 - DRIVE TRAIN

FIGURE 3-25. COUPLING GROUP 3



PT0180

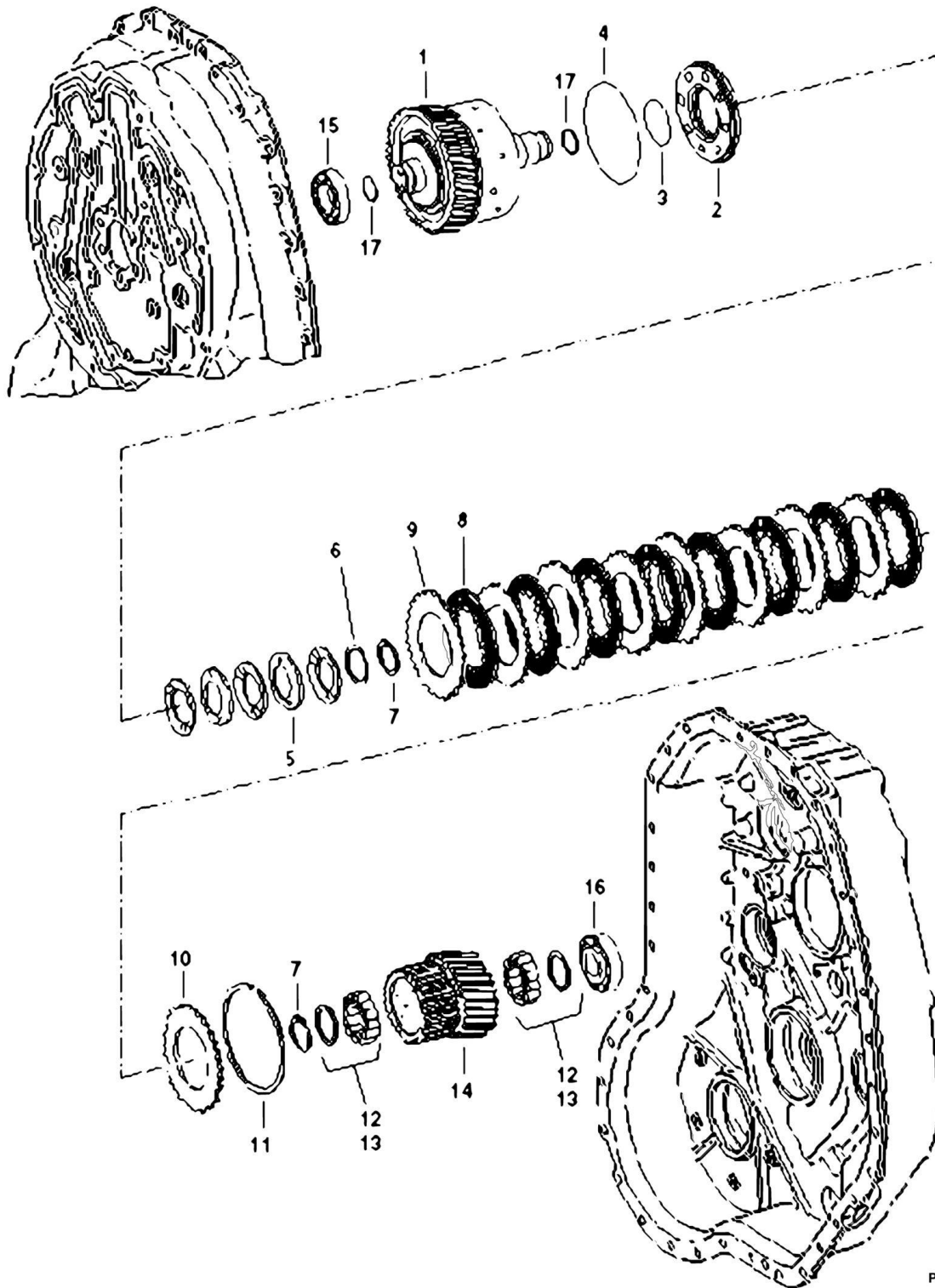
SECTION 3 - DRIVE TRAIN

FIGURE 3-25. COUPLING GROUP 3

ITEM	PART NUMBER	QTY	DESCRIPTION	REV
1	1319616	1	Coupling	
2	1319592	1	Piston	
3	1319593	1	O-Ring, 52 x 3,00	
4	1319594	1	O-Ring, 115 x 3,00	
5	1319595	5	Spring, Cup	
6	1319617	1	Shim, Support	
7	1319618	1	Bearing, Roller	
8	1319597	8	Disc, Lin. Clutch	
9	1319598	8	Disc, O. Clutch	
10	1319599	1	Shim, End	
11	1319600	1	Ring, Snap 4,00	
11	1319601	1	Ring, Snap 3,50	
11	1319602	1	Ring, Snap 3,00	
11	1319603	1	Ring, Snap 2,50	
11	1319604	1	Ring, Snap 2,00	
12	1319619	1	Carrier, Disc	
13	1319620	1	Bearing, Roller	
14	1319621	1	Ring, Retaining 3,20	
14	1319622	1	Ring, Retaining 3,10	
14	1319623	1	Ring, Retaining 3,00	
14	1319624	1	Ring, Retaining 2,90	
14	1319625	1	Ring, Retaining 2,80	
14	1319626	1	Ring, Retaining 2,70	
14	1319627	1	Ring, Retaining 2,60	
14	1319628	1	Ring, Retaining 38 x 2,50	
14	1319629	1	Ring, Retaining 38 x 2,40	
14	1319630	1	Ring, Retaining 38 x 2,30	
14	1319631	1	Ring, Retaining 38 x 2,20	
14	1319632	1	Ring, Retaining 38 x 2,10	
15	1319609	1	Bearing, Roller	
16	1319610	1	Bearing, Roller	
17	1319611	1	Bearing, Roller	
18	1319633	1	Bearing, Roller	
19	1319612	2	Ring, Piston 30 x 2,00	

SECTION 3 - DRIVE TRAIN

FIGURE 3-26. COUPLING GROUP 4



PT0170

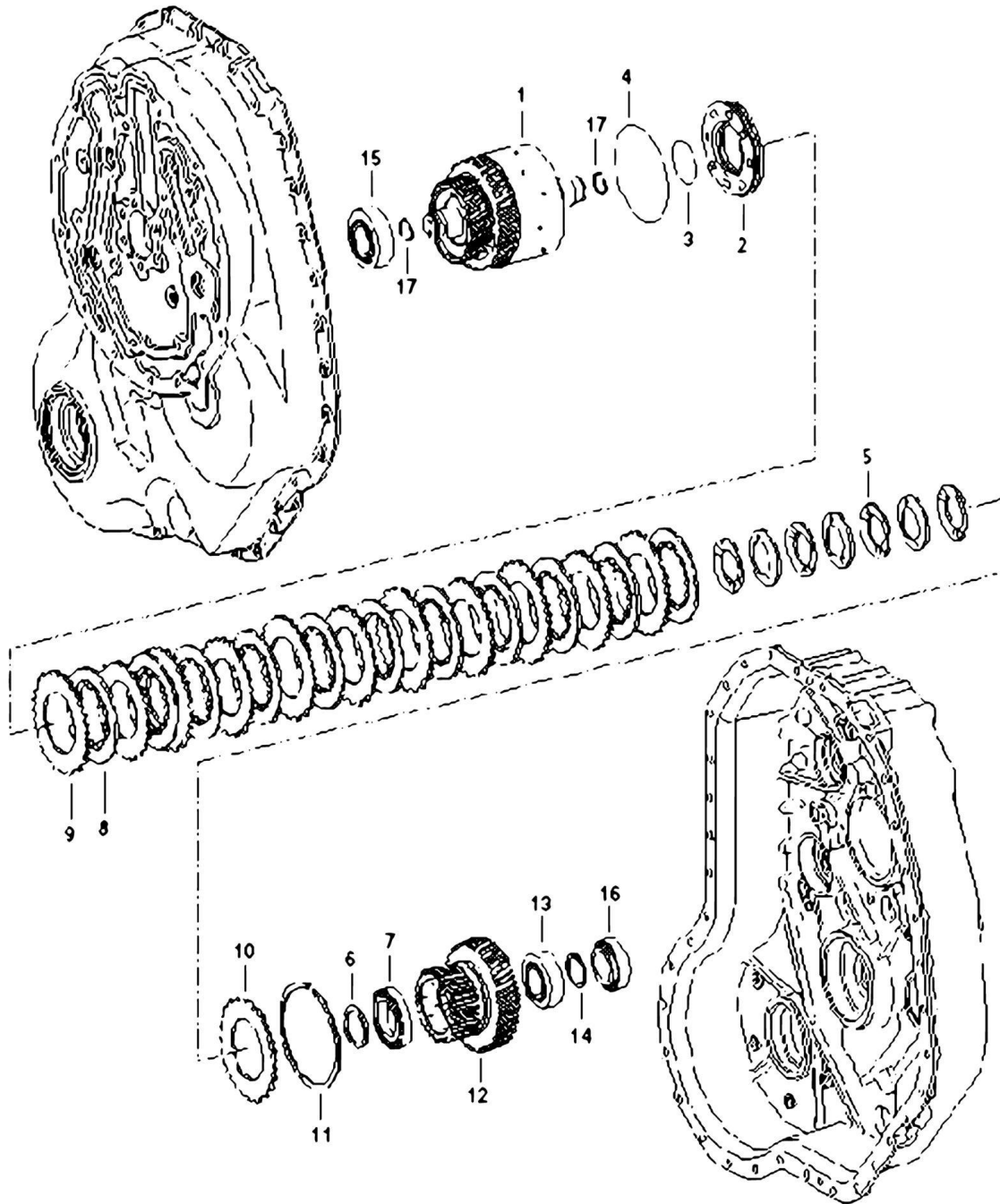
SECTION 3 - DRIVE TRAIN

FIGURE 3-26. COUPLING GROUP 4

ITEM	PART NUMBER	QTY	DESCRIPTION	REV
1	1319634	1	Coupling	
2	1319592	1	Piston	
3	1319593	1	O-Ring, 52 x 3,00	
4	1319594	1	O-Ring, 115 x 3,00	
5	1319595	5	Spring, Cup	
6	1319596	1	Shim, 2,00	
7	10731845	2	Ring, Retaining 40 x 1,75	
8	1319597	8	Disc, Lin. Clutch	
9	1319598	8	Disc, O. Clutch	
10	1319599	1	Shim, End	
11	1319600	1	Ring, Snap 4,00	
11	1319601	1	Ring, Snap 3,50	
11	1319602	1	Ring, Snap 3,00	
11	1319603	1	Ring, Snap 2,50	
11	1319604	1	Ring, Snap 2,00	
12	1319605	2	Cage, Roller	
13	1319606	2	Cage, Roller	
14	1319635	1	Carrier, Disc	
15	1319615	1	Bearing, Roller	
16	1319636	1	Bearing, Roller	
17	1319612	2	Ring, Piston 30 x 2,00	

SECTION 3 - DRIVE TRAIN

FIGURE 3-27. REVERSING GEAR GROUP 1



PT0190

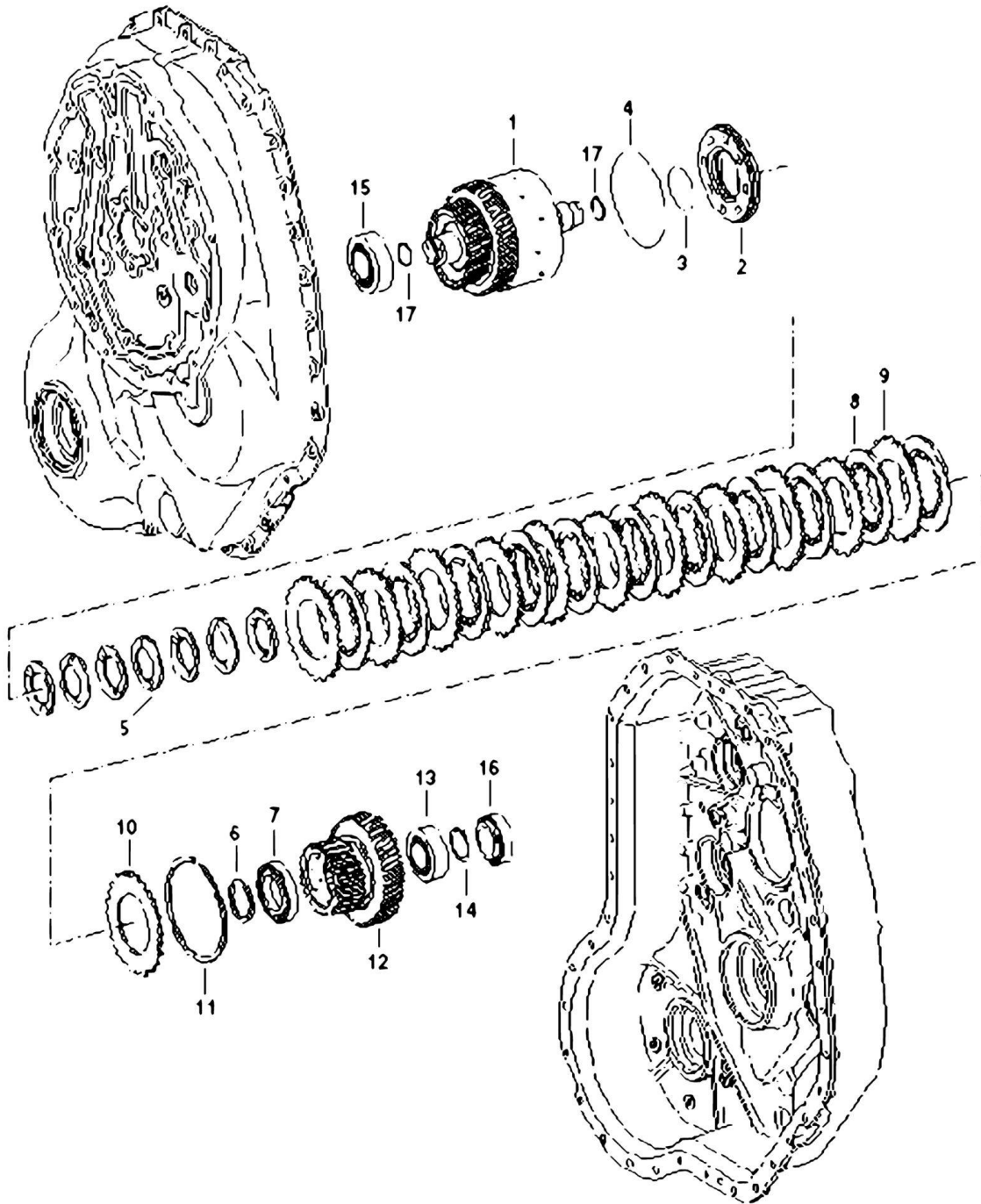
SECTION 3 - DRIVE TRAIN

FIGURE 3-27. REVERSING GEAR GROUP 1

ITEM	PART NUMBER	QTY	DESCRIPTION	REV
1	1319637	1	Coupling	
2	1319592	1	Piston	
3	1319593	1	O-Ring, 52 x 3,00	
4	1319594	1	O-Ring, 115 x 3,00	
5	1319595	7	Spring, Cup	
6	1319617	1	Shim, Support	
7	1319618	1	Bearing, Roller	
8	1319597	11	Disc, Lin. Clutch	
9	1319598	11	Disc, O. Clutch	
10	1319599	1	Shim, End	
11	1319600	1	Ring, Snap 4,00	
11	1319601	1	Ring, Snap 3,50	
11	1319602	1	Ring, Snap 3,00	
11	1319603	1	Ring, Snap 2,50	
11	1319604	1	Ring, Snap 2,00	
12	1319638	1	Carrier, Disc	
13	1319620	1	Bearing, Roller	
14	1319621	1	Ring, Retaining 3,20	
14	1319622	1	Ring, Retaining 3,10	
14	1319623	1	Ring, Retaining 3,00	
14	1319624	1	Ring, Retaining 2,90	
14	1319625	1	Ring, Retaining 2,80	
14	1319626	1	Ring, Retaining 2,70	
14	1319627	1	Ring, Retaining 2,60	
14	1319628	1	Ring, Retaining 2,50	
14	1319629	1	Ring, Retaining 2,40	
14	1319630	1	Ring, Retaining 2,30	
14	1319631	1	Ring, Retaining 2,20	
14	1319632	1	Ring, Retaining 2,10	
15	1319615	1	Bearing, Roller	
16	1319636	1	Bearing, Roller	
17	1319612	2	Ring, Piston 30 x 2,00	

SECTION 3 - DRIVE TRAIN

FIGURE 3-28. REVERSING GEAR GROUP 2



PT0200

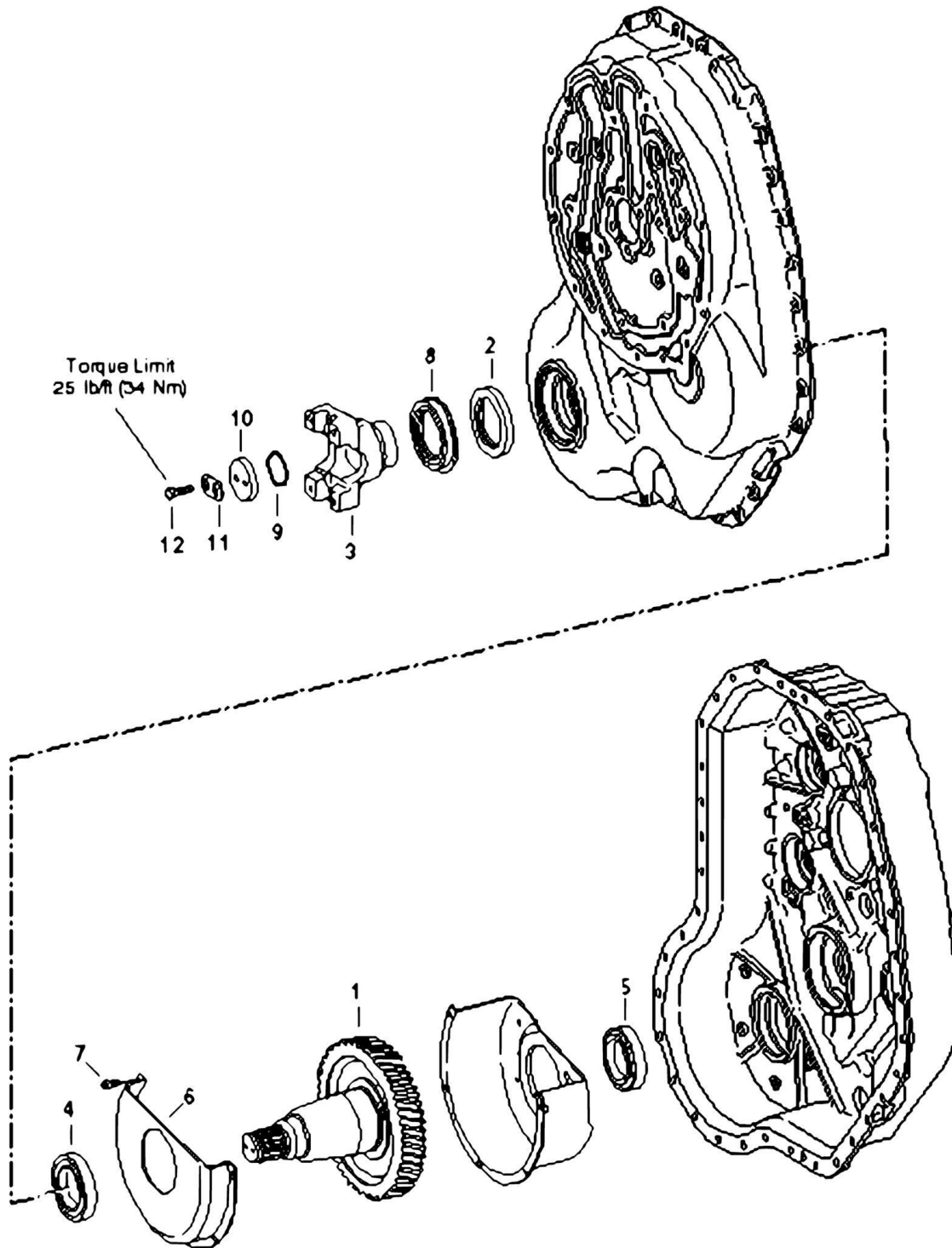
SECTION 3 - DRIVE TRAIN

FIGURE 3-28. REVERSING GEAR GROUP 2

ITEM	PART NUMBER	QTY	DESCRIPTION	REV
1	1319639	1	Coupling	
2	1319592	1	Piston	
3	1319593	1	O-Ring, 52 x 3,00	
4	1319594	1	O-Ring, 115 x 3,00	
5	1319595	7	Spring, Cup	
6	1319617	1	Shim, Support	
7	1319618	1	Bearing, Roller	
8	1319597	11	Disc, Lin. Clutch	
9	1319598	11	Disc, O. Clutch	
10	1319599	1	Shim, End	
11	1319600	1	Ring, Snap 4,00	
11	1319601	1	Ring, Snap 3,50	
11	1319602	1	Ring, Snap 3,00	
11	1319603	1	Ring, Snap 2,50	
11	1319604	1	Ring, Snap 2,00	
12	1319638	1	Carrier, Disc	
13	1319620	1	Bearing, Roller	
14	1319621	1	Ring, Retaining 3,20	
14	1319622	1	Ring, Retaining 3,10	
14	1319623	1	Ring, Retaining 3,00	
14	1319624	1	Ring, Retaining 2,90	
14	1319625	1	Ring, Retaining 2,80	
14	1319626	1	Ring, Retaining 2,70	
14	1319627	1	Ring, Retaining 2,60	
14	1319628	1	Ring, Retaining 2,50	
14	1319629	1	Ring, Retaining 2,40	
14	1319630	1	Ring, Retaining 2,30	
14	1319631	1	Ring, Retaining 2,20	
14	1319632	1	Ring, Retaining 2,10	
15	1319608	1	Bearing, Roller	
16	1319636	1	Bearing, Roller	
17	1319612	2	Ring, Piston 30 x 2,00	

SECTION 3 - DRIVE TRAIN

FIGURE 3-29. OUTPUT



PT0210

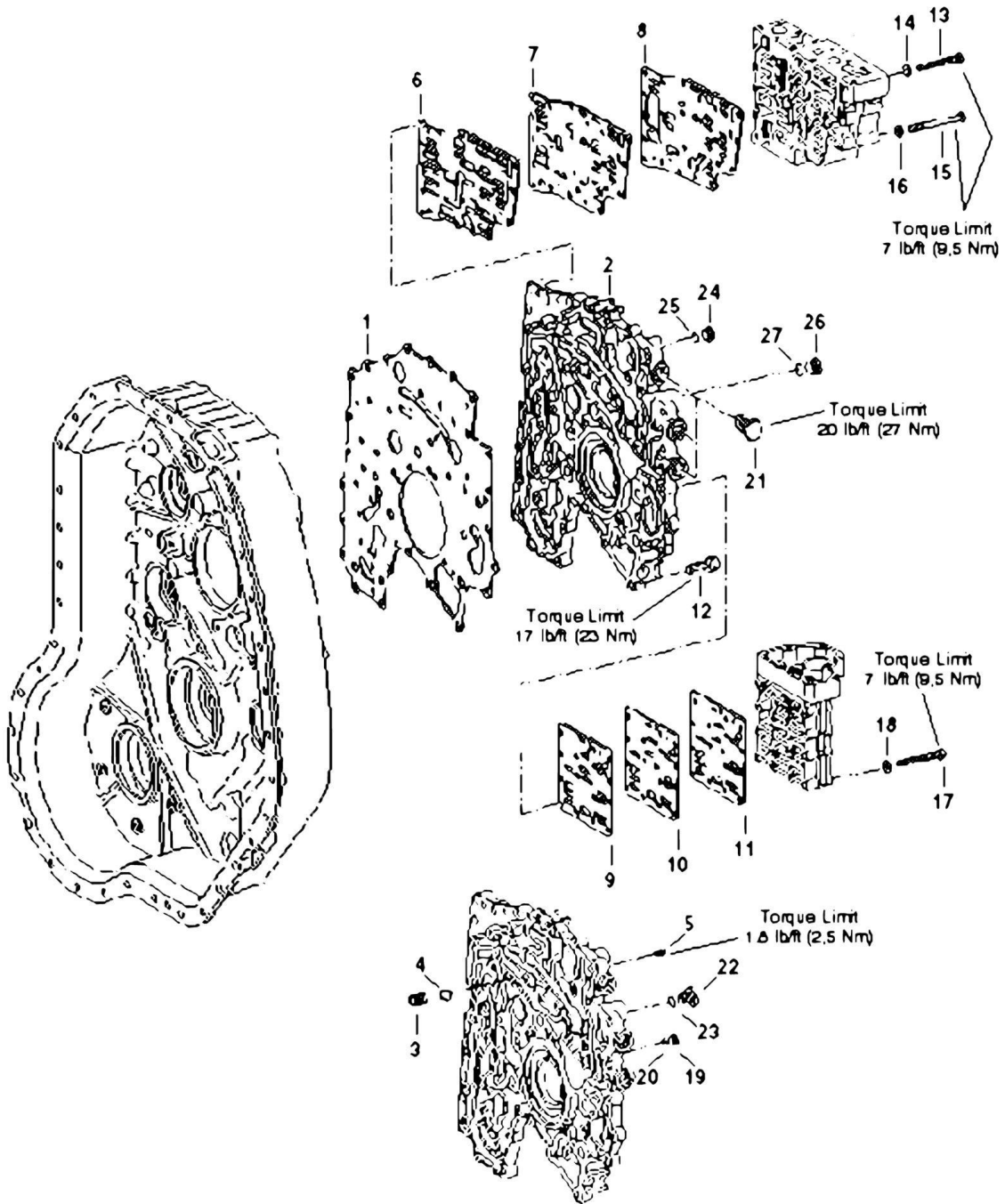
SECTION 3 - DRIVE TRAIN

FIGURE 3-29. OUTPUT

ITEM	PART NUMBER	QTY	DESCRIPTION	REV
1	1319640	1	Shaft	
2	1319641	1	Seal, Shaft	
3	1319642	1	Flange, Output	
4	1319643	1	Bearing, Roller	
5	1319644	1	Bearing, Roller	
6	1319645	1	Screen Sheet	
7	1319646	5	HHCS, M6 x 10mm	
8	1319647	1	Screen Sheet	
9	10839156	1	O-Ring, 38 x 4,00	
10	1319648	1	Washer, 10,00	
11	1319649	1	Washer, Tab	
12	10731959	2	HHCS, M8 x 25mm	

SECTION 3 - DRIVE TRAIN

FIGURE 3-30. CONTROL UNIT



PT0220

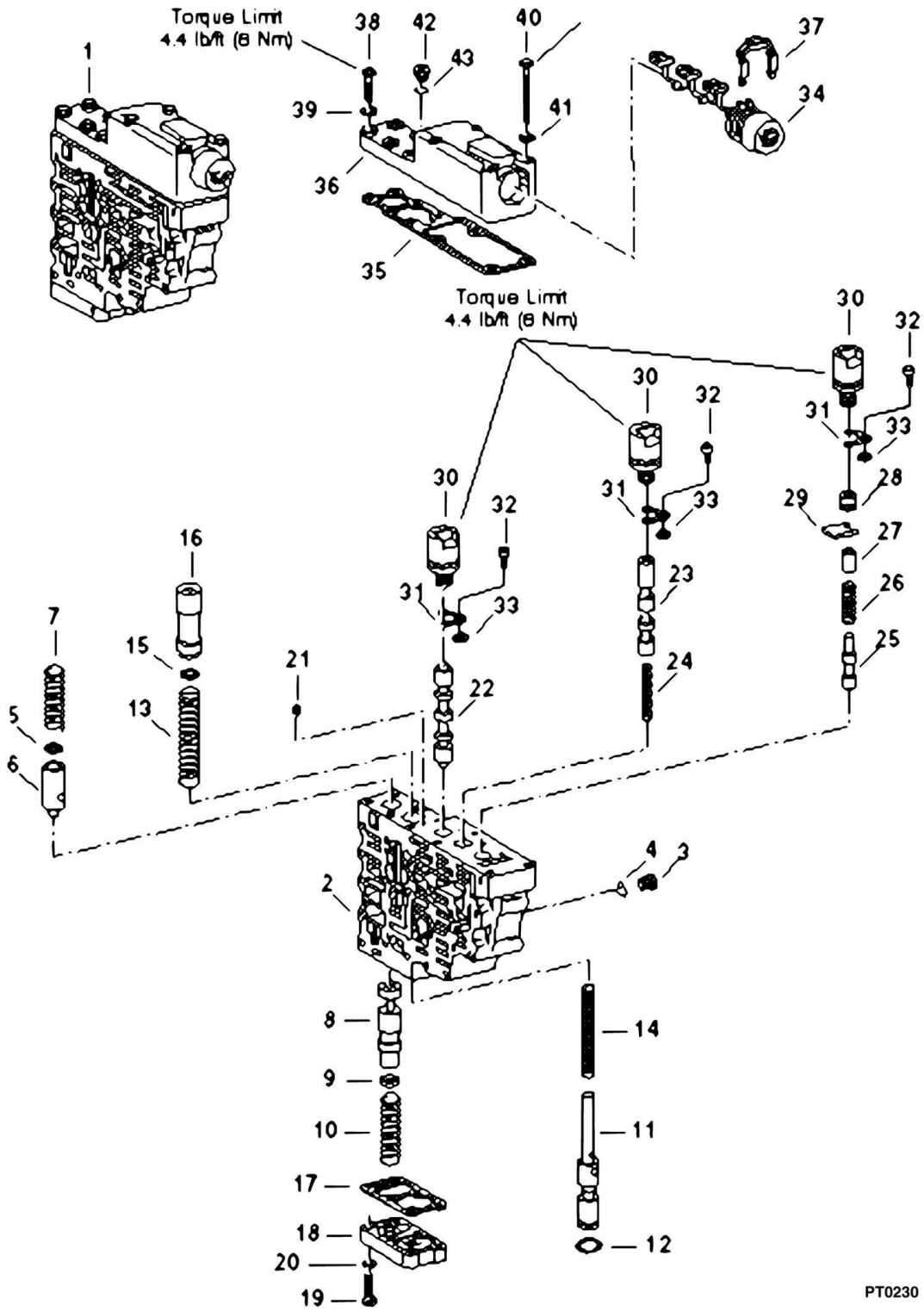
SECTION 3 - DRIVE TRAIN

FIGURE 3-30. CONTROL UNIT

ITEM	PART NUMBER	QTY	DESCRIPTION	REV
1	1319650	1	Gasket	
2	1319651	1	Plate, Duct	
3	10732072	1	Spring, Compression	
4	10732071	1	Ball	
5	1319652	1	Orifice	
6	1319653	1	Gasket	
7	1319654	1	Interm. Sheet	
8	1319655	1	Gasket	
9	1319656	1	Gasket	
10	1319657	1	Interm. Sheet	
11	7029720	1	Gasket	
12	1319659	43	Screw, Torx M8 x 30	
13	1319660	4	HHCS, M6 x 75mm	
14	1319661	4	Washer, 6,4	
15	1319662	19	HHCS, M6 x 65mm	
16	1319661	19	Washer, 6,4	
17	1319494	15	HHCS, M6 x 55mm	
18	1319661	15	Washer, 6,4	
19	1319670	1	Plug, Screw M10 x 1mm	
20	10731709	1	O-Ring, 8 x 1,5	
21	1319663	3	Plug	
22	1319664	1	Plug, Screw 1/2-20 UNF	
23	1319665	1	O-Ring, 10,52 x 1,83	
24	1319666	1	Plug, Screw 9/16-18 UNF	
25	1319667	1	O-Ring, 11,89 x 1,98	
26	1319668	1	Plug, Screw 3/4-16 UNF	
27	1319669	1	O-Ring, 16,36 x 2,21	

SECTION 3 - DRIVE TRAIN

FIGURE 3-31. VALVE HOUSING ASSEMBLY



PT0230

SECTION 3 - DRIVE TRAIN

FIGURE 3-31. VALVE HOUSING ASSEMBLY

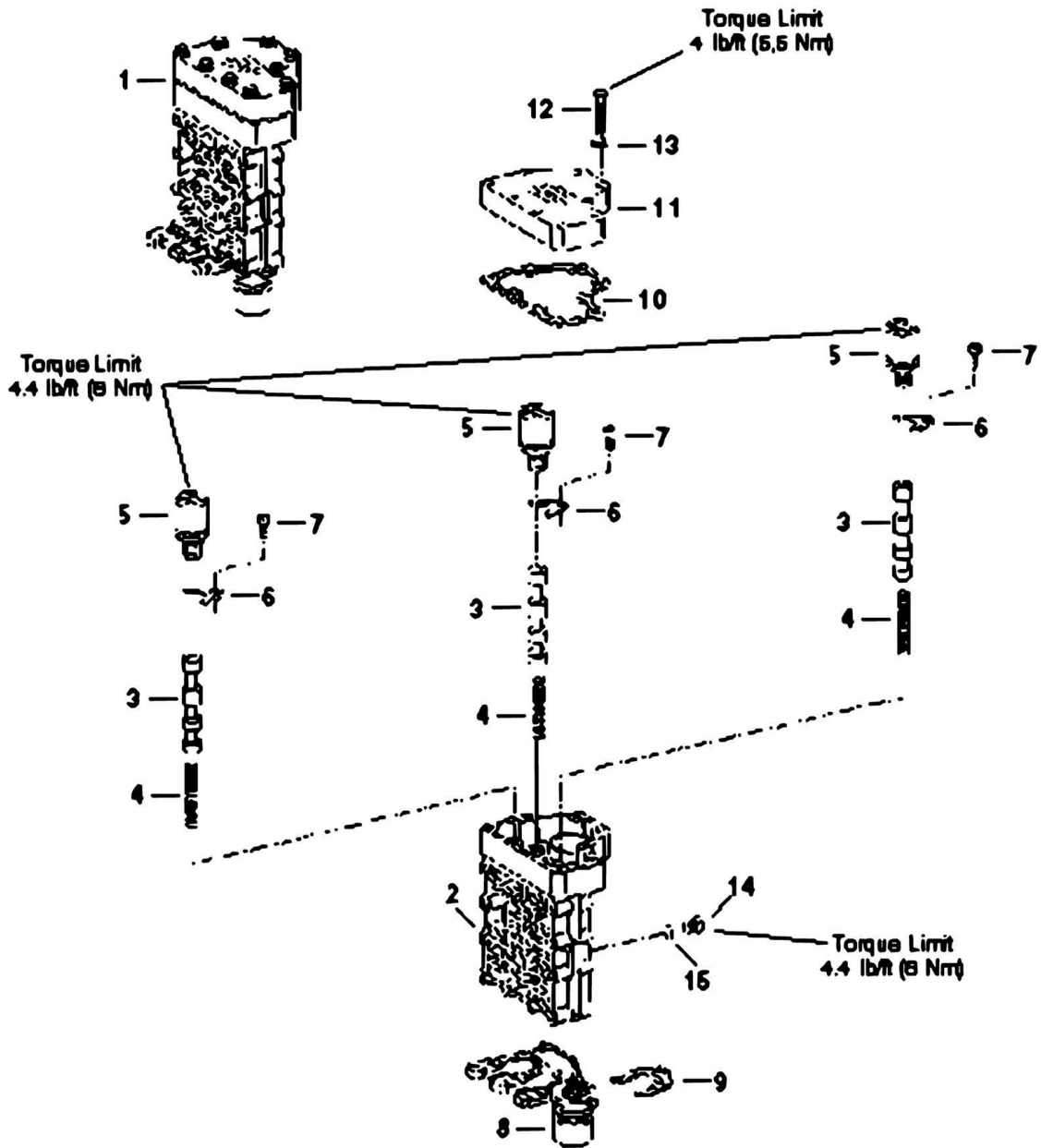
ITEM	PART NUMBER	QTY	DESCRIPTION	REV
1	1319716	1	Valve Housing Assembly - Complete (Includes Items 2 thru 43)	
2	1319671	1	Housing, Valve	
3	1319670	7	Plug, Screw M10 x 1	
4	10731709	7	O-Ring, 8 x 1,5	
5	10732029	1	Ring, Shim 10 x 16 x 1	
6	1319672	1	Piston	
7	1319673	1	Spring, Compression	
8	1319674	1	Piston	
9	1319675	1	Ring, Spacer 3,60	
9	1319676	1	Ring, Spacer 3,20	
9	1319677	1	Ring, Spacer 2,80	
9	1319678	1	Ring, Spacer 2,40	
9	1319679	1	Ring, Spacer 2,00	
10	1319680	1	Spring, Compression	
11	1319681	1	Piston, Control	
12	1319682	1	Washer, Lock 12,0	
13	1314683	1	Spring, Compression	
14	1319684	1	Spring, Compression	
15	1319685	1	Washer, 2,00	
15	1319686	1	Washer, 1,00	
15	1319687	1	Washer, 0,50	
15	1319688	1	Washer, 0,30	
15	1319689	1	Washer, 0,20	
16	1319690	1	Piston	
17	1319691	1	Gasket	
18	1319692	1	Cover	
19	1319693	6	HHCS, M6 x 25mm	
20	1319661	6	Washer, 6,4	
21	1319652	1	Orifice	
22	1319694	1	Valve	
23	1319695	1	Piston	
24	1319696	1	Spring, Compression	
25	1319697	1	Piston	
26	1319698	1	Spring, Compression	
27	1319699	1	Sleeve, Spacer	
28	1319700	1	Plug	
29	1319701	1	Plate, Fixing	
30	1319702	3	Valve, Solenoid	
31	10732063	3	Plate, Fixing	
32	1319703	3	HHCS, M5 x 12mm	
33	10732064	3	Washer, 2,00	
34	1319704	1	Harness, Wiring	
35	1319705	1	Gasket	
36	1319706	1	Cover	
37	1319707	1	Clamp, Retaining	
38	1319693	6	HHCS, M6 x 25mm	
39	1319661	6	Washer, 6,4	
40	1319708	4	HHCS, M6 x 60mm	
41	1319661	4	Washer, 6,4	
42	1319670	1	Plug, Screw M10 x 1	

SECTION 3 - DRIVE TRAIN

ITEM	PART NUMBER	QTY	DESCRIPTION	REV
43	10731709	1	O-Ring, 8 x 1,5	

SECTION 3 - DRIVE TRAIN

FIGURE 3-32. VALVE BLOCK ASSEMBLY



PT0240

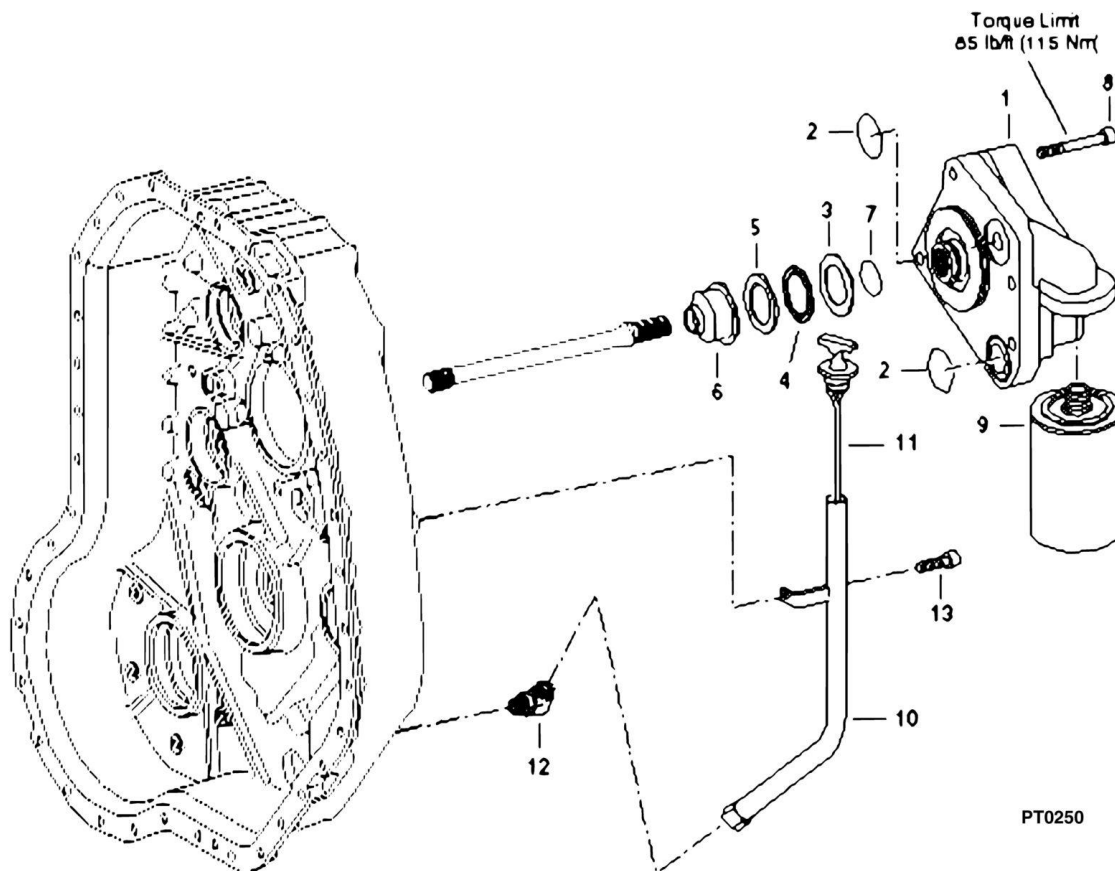
SECTION 3 - DRIVE TRAIN

FIGURE 3-32. VALVE BLOCK ASSEMBLY

ITEM	PART NUMBER	QTY	DESCRIPTION	REV
1	1319717	1	Valve Block Assembly - Complete (Includes Items 2 thru 15)	
2	1319709	1	Block, Valve	
3	1319710	3	Piston	
4	1319696	3	Spring, Compression	
5	1319702	3	Valve, Solenoid	
6	10732063	3	Plate, Fixing	
7	1319703	3	SHCS, M5 x 12mm	
8	1319711	1	Harness, Wiring	
9	1319707	1	Clamp, Retaining	
10	1319712	1	Gasket	
11	1319713	1	Cover	
12	1319714	9	HHCS, M5 x 32mm	
13	1319715	9	Washer, 5,3	
14	1319670	3	Plug, Screw M10 x 1	
15	10731709	3	O-Ring, 8 x 1,5	

SECTION 3 - DRIVE TRAIN

FIGURE 3-33. OIL PUMP AND FILTER



SECTION 3 - DRIVE TRAIN

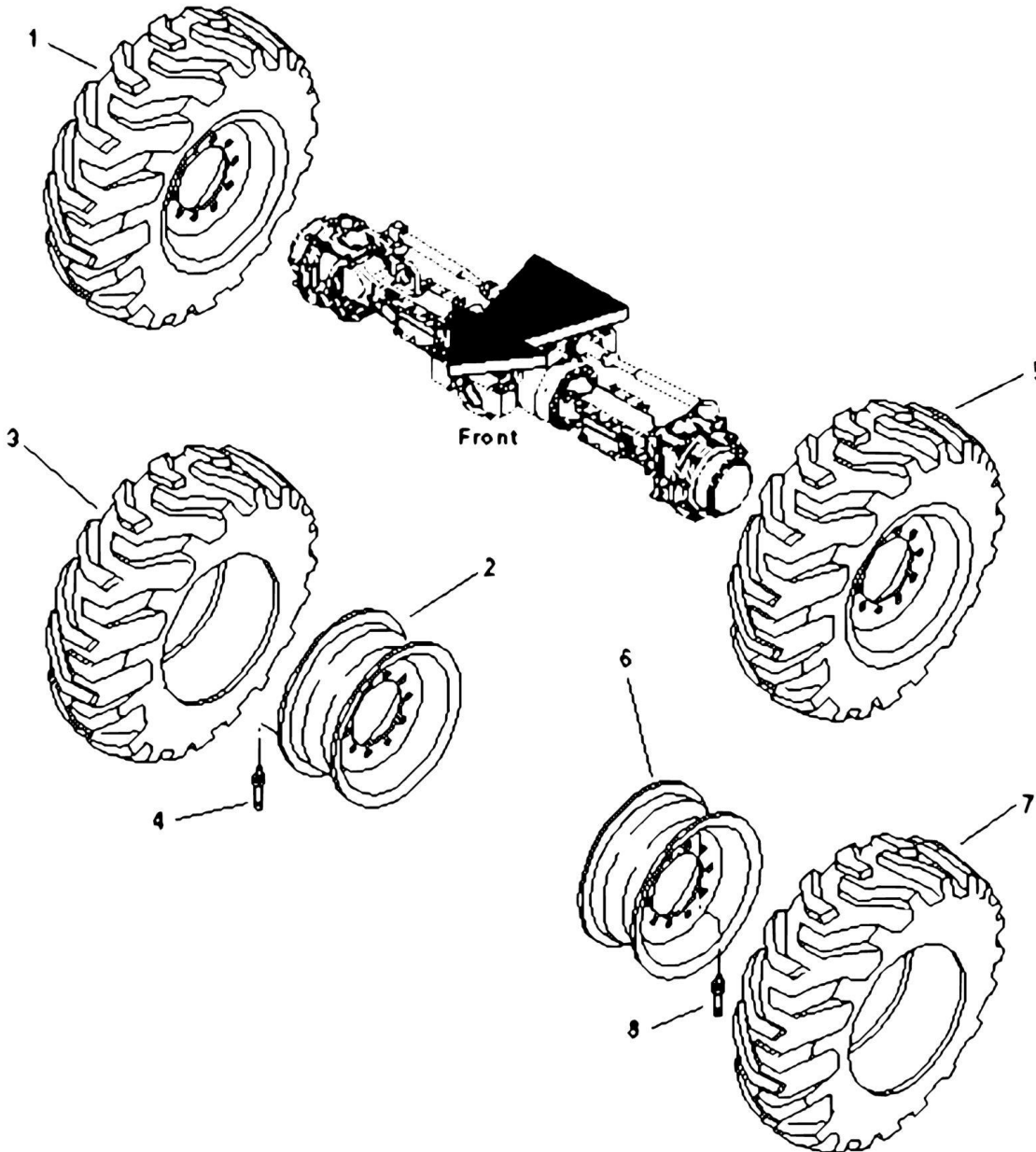
FIGURE 3-33. OIL PUMP AND FILTER

ITEM	PART NUMBER	QTY	DESCRIPTION	REV
1	1319718	1	Pump	
2	1319719	2	O-Ring, 40,95 x 2,62	
3	1319720	1	Washer, Axial 40 x 60 x 1	
4	1319721	1	Cage, Axial Needle	
5	1319722	1	Disc, Angle	
6	1319723	1	Bushing, Spacer	
7	1319724	1	O-Ring, 36 x 2,5	
8	1319725	4	HHCS, M12 x 115mm	
9	1319726	1	Filter, Transmission	
10	8036002	1	Tube, Dipstick	
11	8036003	1	Dipstick	
12	8036004	1	Fitting	
13	8036005	1	Screw, Cylindrical	

SECTION 3 - DRIVE TRAIN

FIGURE 3-34. WHEELS AND TIRES

Warning
Mismatched tire sizes, ply ratings or mixing of tire types (Radial and Bias ply) may compromise vehicle stability and may result in vehicle tipover.



PT0720

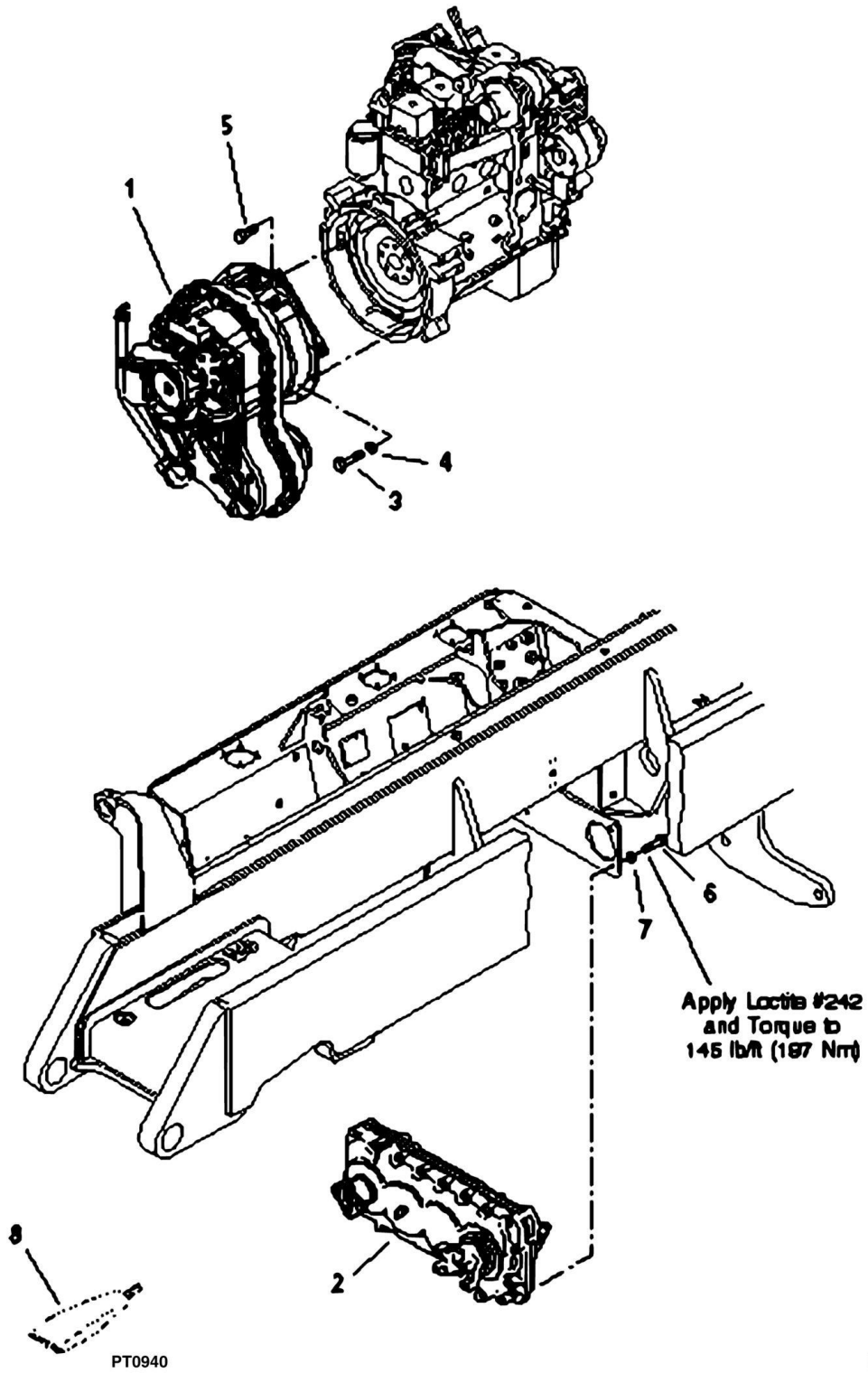
SECTION 3 - DRIVE TRAIN

FIGURE 3-34. WHEELS AND TIRES

ITEM	PART NUMBER	QTY	DESCRIPTION	REV
1	7138831	2	Tire and Wheel Assembly, Right Side, 13.00-24, 16 Ply (Includes Items 2 thru 4)	
2	7138656	1	Wheel, 9024GR	
3	8780046	1	Tire, 13.00-24, 16 Ply	
4	8786514	1	Stem, Valve	
5	7138832	2	Tire and Wheel Assembly, Left Side, 13.00-24, 16 Ply (Includes Items 6 thru 8)	
6	7138656	1	Wheel, 9024GR	
7	8780046	1	Tire, 13.00-24, 16 Ply	
8	8786514	1	Stem, Valve	

SECTION 3 - DRIVE TRAIN

FIGURE 3-35. TRANSMISSION AND TRANSFER BOX MOUNTING



SECTION 3 - DRIVE TRAIN

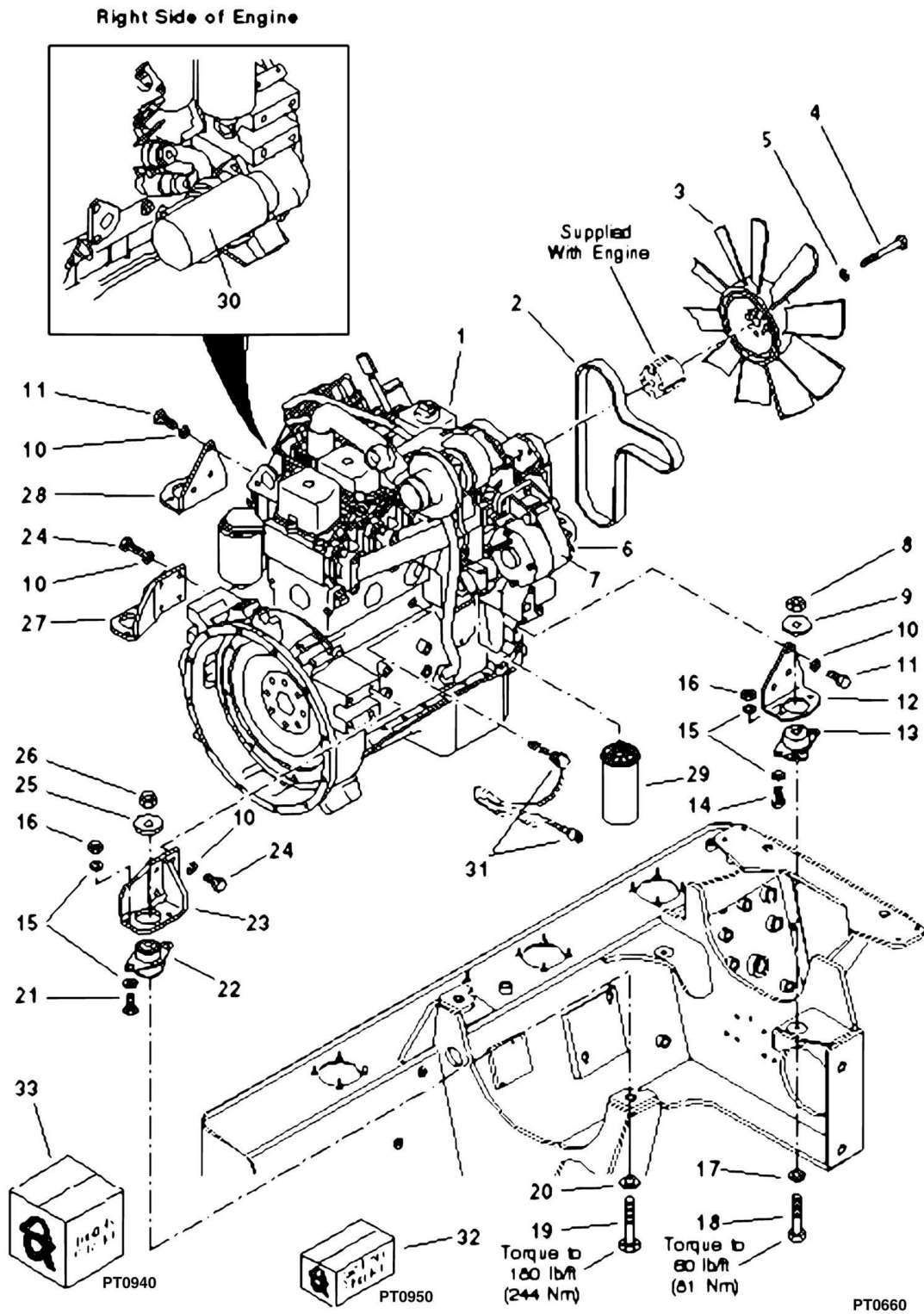
FIGURE 3-35. TRANSMISSION AND TRANSFER BOX MOUNTING

ITEM	PART NUMBER	QTY	DESCRIPTION	REV
1	8841042	1	Transmission - 4 Speed	
2	8841041	1	Transfer Box	
3	8303769	12	HHCS, M10-1,5 x 45mm	
4	8307023	12	Washer, Lock M10	
5	8303798	4	HHCS, M10-1,5 x 25mm	
6	8310496	4	HHCS, M16-2 x 35mm	
7	8307049	4	Washer, Lock M16	
8	8526007	AR	Loctite #242	

SECTION 4 - POWER PLANT

SECTION 4 - POWER PLANT

FIGURE 4-1. ENGINE MOUNTING



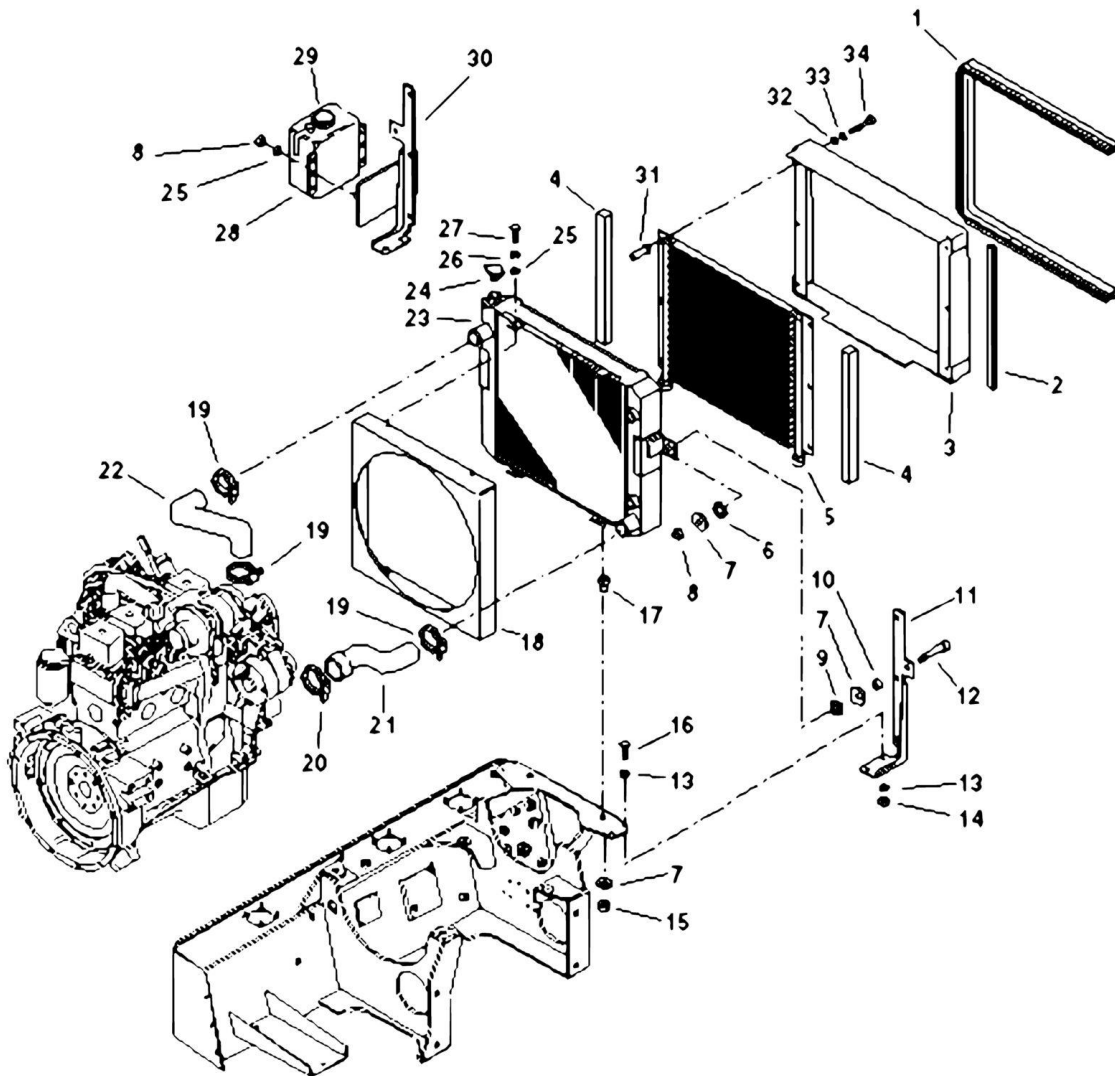
SECTION 4 - POWER PLANT

FIGURE 4-1. ENGINE MOUNTING

ITEM	PART NUMBER	QTY	DESCRIPTION	REV
1	8262150	1	Engine, Cummins 4BT 3.9 Turbo	
2	8035100	1	Belt, Fan	
3	8272017	1	Fan, 18in Suction	
4	8310424	4	HHCS, M8-1,5 x 90mm	
5	8307023	4	Washer, Lock M10	
6	8270220	1	Fan, Alternator	
7	8270221	1	Alternator, 65 Amp	
8	8310109	2	Nut, Hex Lock Elastic 7/16-14	
9	7121951	2	Washer, Rebound 7/16in	
10	8307025	14	Washer, Lock M12	
11	8303790	6	HHCS, M12-1,75 x 30mm PC 8,8	
12	7127562	1	Mount, Engine, Rear Left Side	
13	8278021	2	Isolator, Engine	
14	8303675	4	HHCS, 3/8-16 x 1-1/4in Gr. 5	
15	8307110	16	Washer, Flat 3/8in Narrow	
16	8305645	8	Nut, Hex Lock Elastic 3/8-16	
17	8307113	2	Washer, Flat 7/16in Narrow	
18	8310289	2	HHCS, 7/16-14 x 3-1/4in Gr. 8	
19	8310333	2	HHCS, 5/8-11 x 4in Gr. 8	
20	8307107	2	Washer, Flat 5/8in Narrow	
21	8303621	4	HHCS, 3/8-16 x 1-1/2in Gr. 5	
22	8278028	2	Isolator, Engine	
23	7127492	1	Mount, Engine, Front Left Side	
24	8310164	8	HHCS, M12-1,75 x 40mm PC 8,8	
25	7132141	2	Washer, Rebound 5/8in	
26	8305643	2	Nut, Hex Lock Elastic 5/8-11	
27	7127462	1	Mount, Engine, Front Right Side	
28	7127552	1	Mount, Engine, Rear Right Side	
29	8320262	1	Filter, Engine Oil (Also Included In Kits, Items 32 & 33)	
30	8035278	1	Starter	
31	8277161	1	Heater, Coolant	
		Ref	KITS	
32	7138288	1	250 Hour Filter Kit (Includes 2 Filters: Engine Oil Filter and Fuel Filter)	
33	7139238	1	1000 Hour Filter Kit (Includes 6 Filters: Engine Oil Filter, Fuel Filter, Both Air Filters, Transmission Oil Filter and Hydraulic Oil Filter)	

SECTION 4 - POWER PLANT

FIGURE 4-2. RADIATOR AND OIL COOLER



PT0650

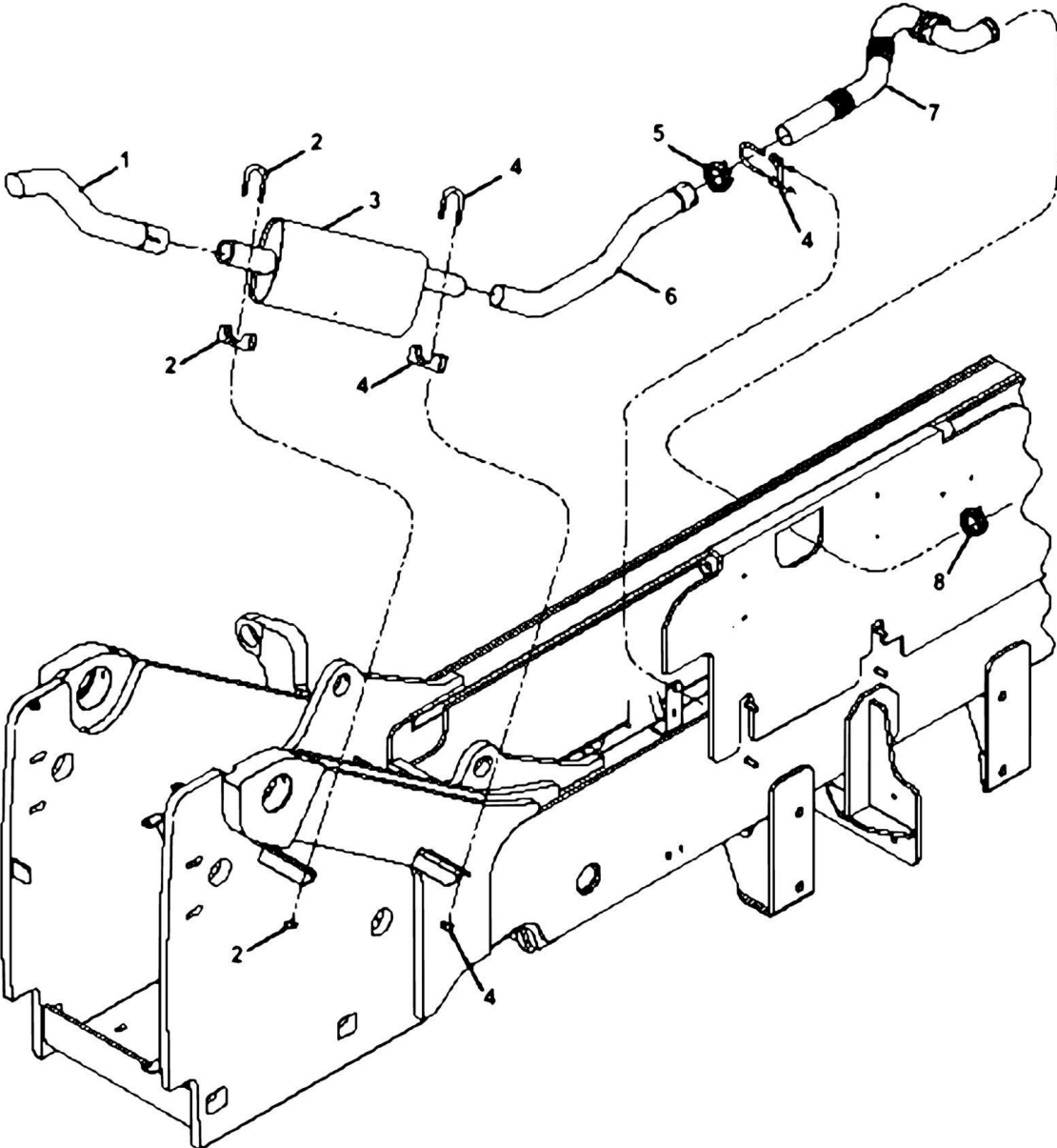
SECTION 4 - POWER PLANT

FIGURE 4-2. RADIATOR AND OIL COOLER

ITEM	PART NUMBER	QTY	DESCRIPTION	REV
1	7131952	1	Seal Bulb	
2	7132002	1	Moulding, Seal Bulb	
3	7138242	1	Baffle Assembly, Radiator	
4	7132012	2	Baffle, Foam	
5	7129973	1	Cooler, Oil	
6	8278024	2	Ring, Radiator Mount	
7	7057141	6	Washer, Rebound 3/8in	
8	8305626	4	Nut, Hex Lock Elastic 5/16-18	
9	8278023	2	Bushing, Radiator Mount	
10	7130131	2	Spacer	
11	7138230	1	Bracket, Radiator Left Side	
12	8310104	2	Bolt, Shoulder, Hex Socket Hd. 3/8 x 1-1/2 x 5/16-18	
13	8307204	8	Washer, Flat 3/8in Wide	
14	8305645	4	Nut, Hex Lock Elastic 3/8-16	
15	8305603	2	Nut, Hex Lock 3/8-16	
16	8303621	4	HHCS, 3/8-16 x 1-1/2in Gr. 5	
17	8278008	2	Mount, Rubber	
18	7131253	1	Shroud, Radiator	
19	8405104	3	Clamp, Radiator Hose	
20	8405203	1	Clamp, Radiator Hose	
21	7138515	1	Hose, Radiator, Return	
22	7126703	1	Hose, Radiator, Input	
23	7138224	1	Radiator Assembly (Includes Item 24)	
24	8180311	1	Cap, Radiator - 13 psi (89,6 kpa)	
25	8307106	6	Washer, Flat 5/16in Narrow	
26	8307004	4	Washer, Lock 5/16in	
27	8303697	4	HHCS, 5/16-18 x 3/4in Gr. 5	
28	7085422	1	Tank, Overflow 3 Qt. (Includes Item 29)	
29	8866341	1	Cap w/Tether	
30	7138231	1	Bracket Assembly, Radiator Right Side	
31	8580420	6	Nut, Well	
32	8307202	6	Washer, Flat 1/4in Wide	
33	8307002	6	Washer, Lock 1/4in	
34	8303743	6	HHCS, 1/4-20 x 1-1/2in	

SECTION 4 - POWER PLANT

FIGURE 4-3. EXHAUST SYSTEM



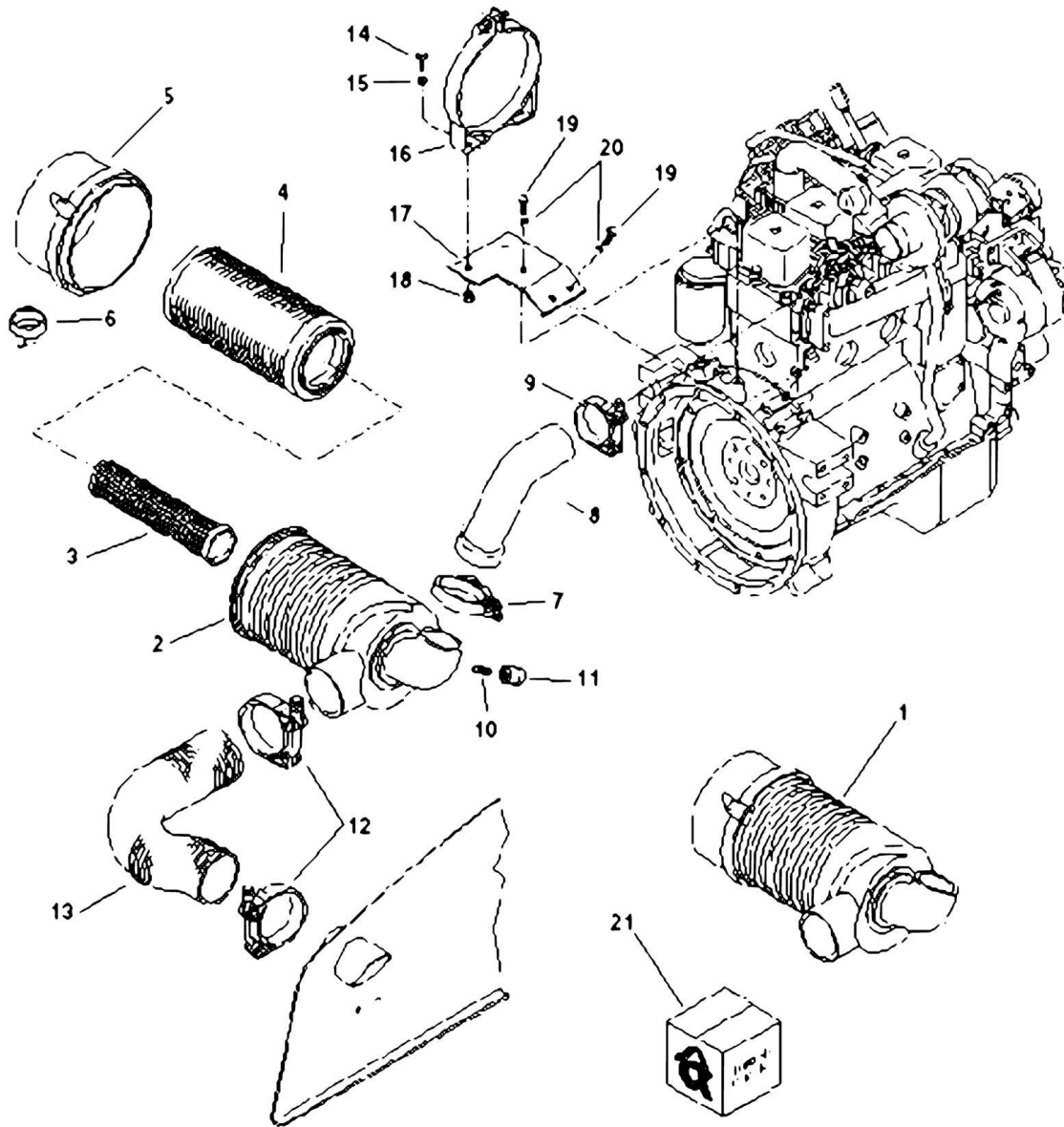
SECTION 4 - POWER PLANT

FIGURE 4-3. EXHAUST SYSTEM

ITEM	PART NUMBER	QTY	DESCRIPTION	REV
1	7138686	1	Tail Pipe	
2	8275247	1	Clamp, Muffler 3in, Heavy Duty	
3	8275040	1	Muffler	
4	8275212	2	Clamp, Muffler 2-1/2in, U-Type	
5	8275249	1	Clamp, Accuseal, 2-1/2in	
6	7139461	1	Pipe, Exhaust	
7	7139460	1	Pipe, Exhaust, Turbo Outlet	
8	8275240	1	Clamp, V-Band	

SECTION 4 - POWER PLANT

FIGURE 4-4. AIR CLEANER



PT0640

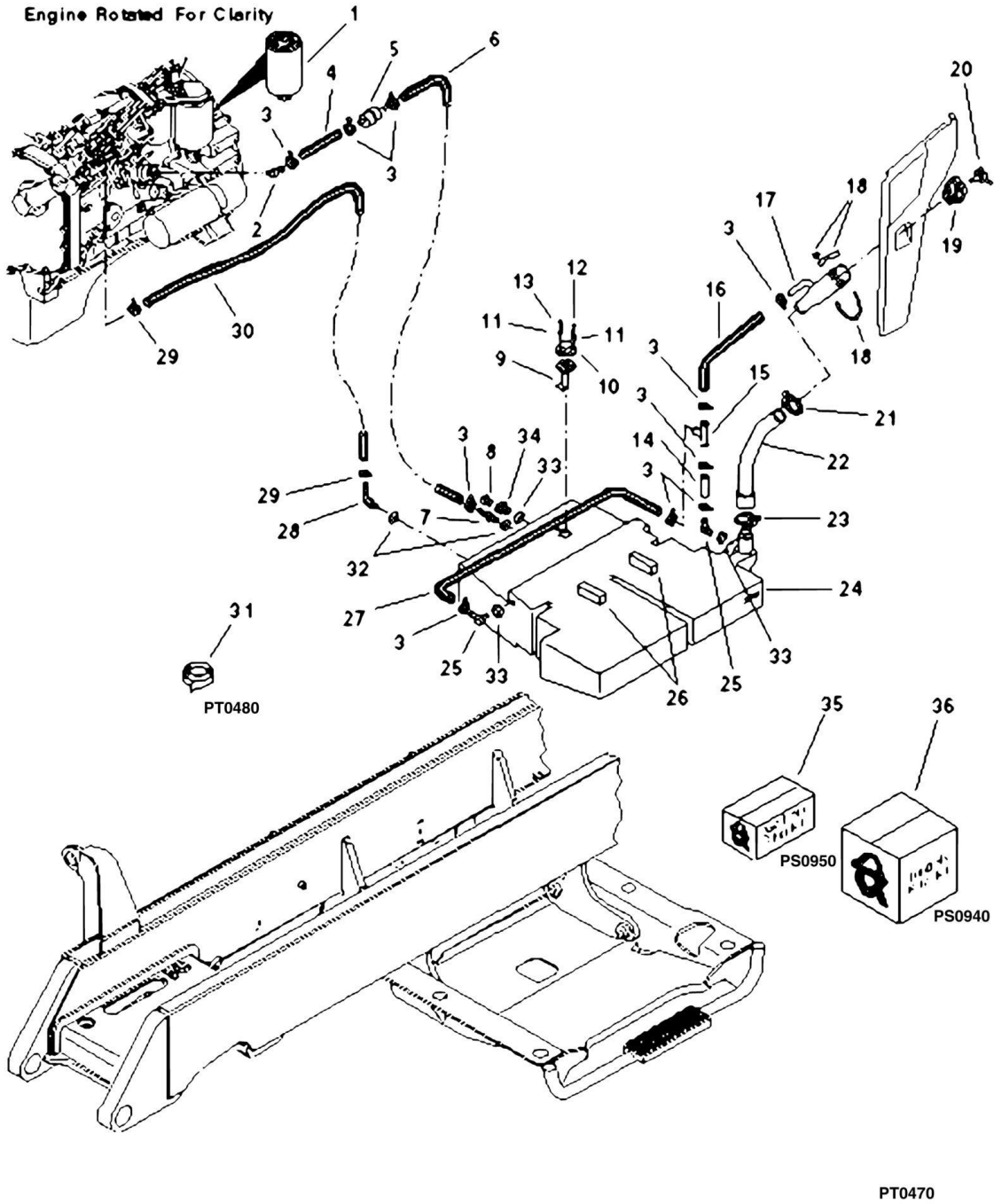
SECTION 4 - POWER PLANT

FIGURE 4-4. AIR CLEANER

ITEM	PART NUMBER	QTY	DESCRIPTION	REV
1	8273022	1	Air Cleaner Assembly (Includes Items 2 thru 6)	
2	N.S.S.	1	Body Assembly	
3	8035099	1	Filter, Safety (Also Included In Kit, Item 21)	
4	8035098	1	Filter, Primary (Also Included In Kit, Item 21)	
5	8035279	1	Cover Assembly	
6	8032398	1	Valve, Vacuator	
7	8405307	1	Clamp, T-Bolt, Heavy Duty	
8	7126833	1	Hose, Air Cleaner	
9	8405306	1	Clamp, T-Bolt	
10	8551001	1	Nipple, Close, 1/8in NPT	
11	8223527	1	Switch, Vacuum	
12	8405404	2	Clamp, T-Bolt	
13	7138695	1	Hose, Air Intake	
14	8303670	2	HHCS, 5/16-18 x 1in	
15	8307106	2	Washer, Flat 5/16in Narrow	
16	8273297	1	Band Assembly, Air Cleaner Mount	
17	7138249	1	Plate, Air Cleaner Mount	
18	8305626	2	Nut, Hex Lock Elastic 5/16-18	
19	8303675	3	HHCS, 3/8-16 x 1-1/4in Gr. 5	
20	8307005	3	Washer, Lock 3/8in	
		Ref	KITS	
21	7139238	1	1000 Hour Filter Kit (Includes 6 Filters: Engine Oil Filter, Fuel Filter, Both Air Filters, Transmission Oil Filter and Hydraulic Oil Filter)	

SECTION 4 - POWER PLANT

FIGURE 4-5. FUEL SYSTEM



SECTION 4 - POWER PLANT

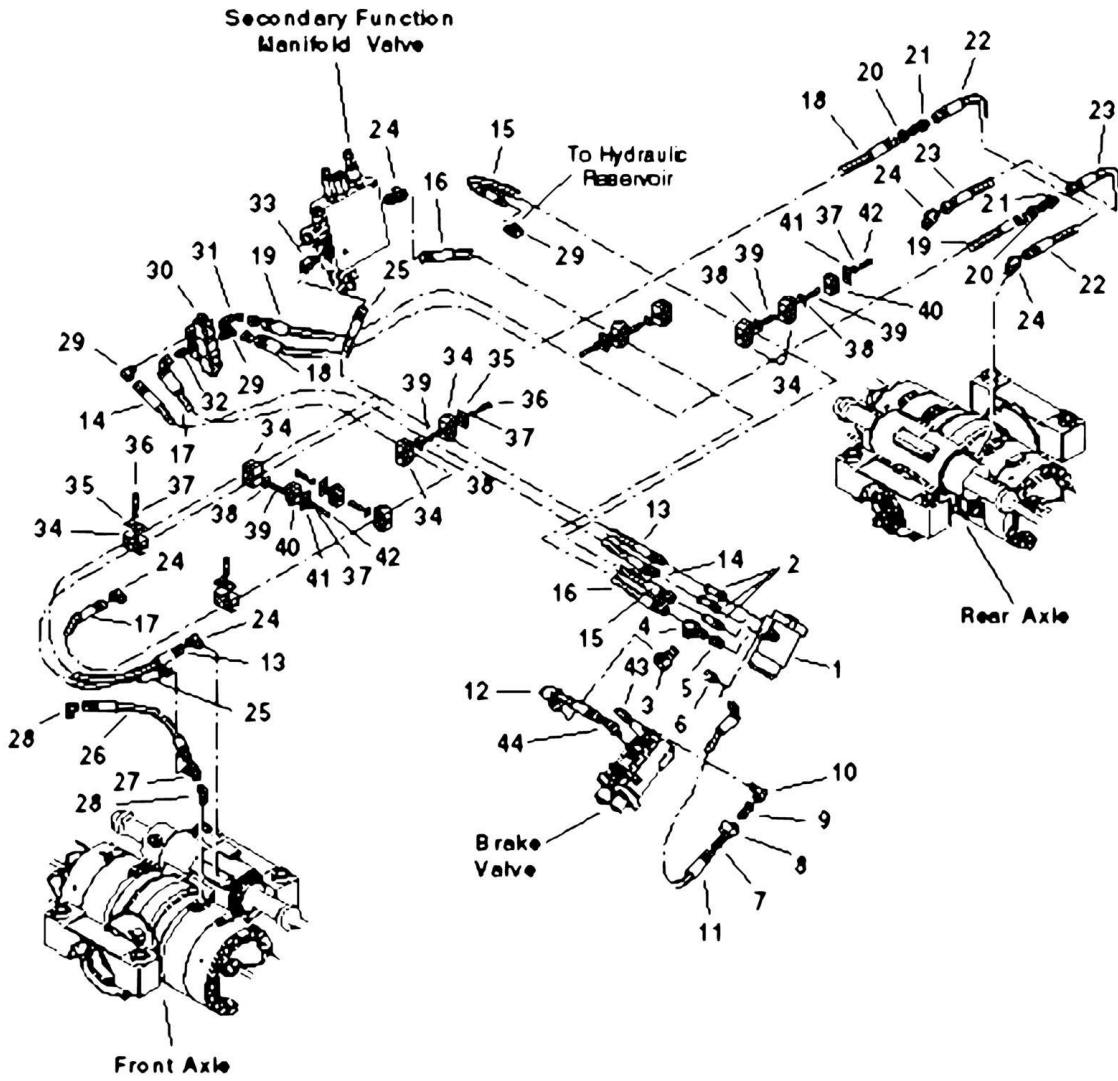
FIGURE 4-5. FUEL SYSTEM

ITEM	PART NUMBER	QTY	DESCRIPTION	REV
1	8320270	1	Filter, Fuel (Also Included In Filter Kits, Items 11 & 12)	
2	8420229	1	Hose Fitting, Elbow, 90, Barbed, SAE 6-4P - hose I.D. x male NPT (See Item 31 Note)	
3	8410013	10	Clamp, Hose	
4	7132131	1	Hose, Fuel 3/8 x 10in	
5	8274022	1	Strainer, Fuel	
6	7138850	1	Hose, Fuel 3/8in I.D. (Fuel Supply From Tank)	
7	8430093	1	Connector, 3/8in Hose (See Item 31 Note)	
8	8541404	1	Plug, Pipe, Sq Hd - 3/8in NPT (See Item 31 Note)	
9	7120613	1	Sender, Fuel w/Gasket	
10	7131992	1	Cover, Fuel Sender	
11	8307003	5	Washer, Lock #10	
12	8303837	4	Screw, Pan Hd #10-24 x 3/4in	
13	8303836	1	Screw, Pan Hd #10-24 x 5/8in	
14	7129111	1	Hose, Fuel Breather	
15	8430072	1	Hose Fitting, Tee, Beaded, SAE 10	
16	7129101	1	Hose, Fuel Breather	
17	7128602	1	Filler, Fuel	
18	8275209	1	Clamp, Muffler, U Type 2in	
19	8322036	1	Cap, Fuel w/Keys (Includes Item 20)	
20	8035292	1	Keys (Set of Two)	
21	8405104	1	Clamp, Hose, Upper SAE Type F	
22	7129133	1	Hose, Fuel Filler	
23	8405202	1	Clamp, Hose, Lower SAE Type F	
24	7138788	1	Tank, Fuel	
25	8430095	2	Elbow, 5/8in Hose (See Item 31 Note)	
26	5724742	2	Gasket	
27	7129121	1	Hose, Fuel Breather	
28	8430094	1	Elbow, 5/16in Hose (See Item 31 Note)	
29	8405009	2	Clamp, Hose, Miniature 7/32 Dia	
30	7132111	1	Hose, Fuel Return	
31	8526053	AR	Sealant, Thread, Teflon Tape 1/2 (Note: To Be Used with All Threaded Pipe Fittings)	
32	8660010	2	Grommet, 3/8 Fitting	
33	8660011	3	Grommet, 5/8 Fitting	
34	8430092	1	Drain, Hex 3/8-18 NPT	
		Ref	KITS	
35	7138288	1	250 Hour Filter Kit (Includes 2 Filters: Engine Oil Filter and Fuel Filter)	
36	7139238	1	1000 Hour Filter Kit (Includes 6 Filters: Engine Oil Filter, Fuel Filter, Both Air Filters, Transmission Oil Filter and Hydraulic Oil Filter)	

SECTION 5 - HYDRAULIC CIRCUITS

SECTION 5 - HYDRAULIC CIRCUITS

FIGURE 5-1. POWER STEERING CIRCUIT



PT0500

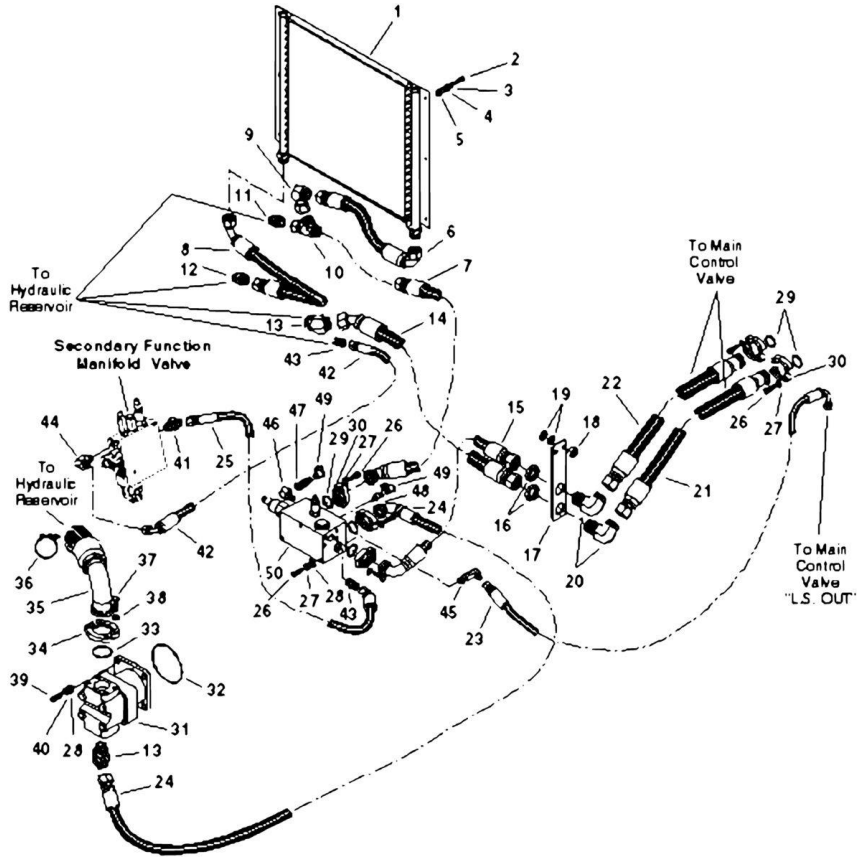
SECTION 5 - HYDRAULIC CIRCUITS

FIGURE 5-1. POWER STEERING CIRCUIT

ITEM	PART NUMBER	QTY	DESCRIPTION	REV
1	8721029	1	Steering Unit	
2	8770117	3	Connector, Long, SAE 8 - str. thd. ORB x o-ring face seal	
3	8770115	1	Elbow, 90, Swivel, SAE 8 - o-ring face seal	
4	8770125	1	Tee, Swivel Run, SAE 8 - o-ring face seal	
5	8770131	1	Connector, Male Flat Face Tube, w/Inlet Check 8ORB-8FF	
6	8770102	1	Elbow, 90, SAE 6-4 - str. thd. ORB x o-ring face seal	
7	8770106	1	Connector, SAE 6 - str. thd. ORB x o-ring face seal	
8	8902175	1	Valve, Shuttle	
9	8770176	1	Connector, Swivel SAE 6 - str. thd. ORB x o-ring face seal	
10	8770105	1	Elbow, 90, Swivel, SAE 6 - o-ring face seal	
11	2716648	1	Hose, 0.38 x 16.50in	
12	2716649	1	Hose, 0.50 x 9.50in	
13	2716570	1	Hose, 0.50 x 139.00in	
14	2716569	1	Hose, 0.50 x 88.38in	
15	2716624	1	Hose, 0.50 x 113.00in	
16	2716578	1	Hose, 0.50 x 108.63in	
17	2716568	1	Hose, 0.50 x 131.63in	
18	2716573	1	Hose, 0.50 x 87.75in	
19	2716574	1	Hose, 0.50 x 102.75in	
20	8770129	2	Nut, Bulkhead, SAE 8 - o-ring face seal	
21	8770130	2	Connector, Bulkhead, SAE 8 - o-ring face seal	
22	2716538	1	Hose, 0.50 x 38.63in	
23	2716539	1	Hose, 0.50 x 35.25in	
24	8770127	3	Elbow, 45, SAE 8 - str. thd. ORB x o-ring face seal	
25	2716575	1	Hose, 0.38 x 117.50in	
26	2716540	1	Hose, 0.38 x 16.50in	
27	8770111	1	Tee, Swivel Run, SAE 6 - o-ring face seal	
28	8770068	2	Elbow, 90, SAE 6 - str. thd. ORB x o-ring face seal	
29	8770114	1	Elbow, 90, SAE 8 - str. thd. ORB x o-ring face seal	
30	8902197	1	Valve, Directional Control - Steering	
31	8770168	1	Elbow, Long, 90, SAE 8 - str. thd. ORB x o-ring face seal	
32	8770116	1	Connector, SAE 8 - str. thd. ORB x o-ring face seal	
33	8770140	1	Elbow, 45, SAE 6 - str. thd. ORB x o-ring face seal	
34	8750016	10	Clamp Set, 0.84 Dia Twin	
35	8769128	4	Plate, Cover	
36	8310009	4	HHCS, 0.312-18 NC x 2.000in	
37	8307004	7	Washer, Lock 0.312	
38	8750017	6	Plate, Locking	
39	8750012	6	Bolt, Stacking	
40	8750015	3	Clamp Set, 0.67 Dia	
41	8769123	3	Plate, Cover	
42	8303715	3	HHCS, 0.312-18 NC x 1.500in	
43	8770183	1	Tee, Branch, 6-M14 - metric str. thd. ORB x o-ring face seal	
44	8770120	1	Elbow, 90, M18-8 - metric str. thd. ORB x o-ring face seal	

SECTION 5 - HYDRAULIC CIRCUITS

FIGURE 5-2. UNLOADER VALVE CIRCUIT



PT0510

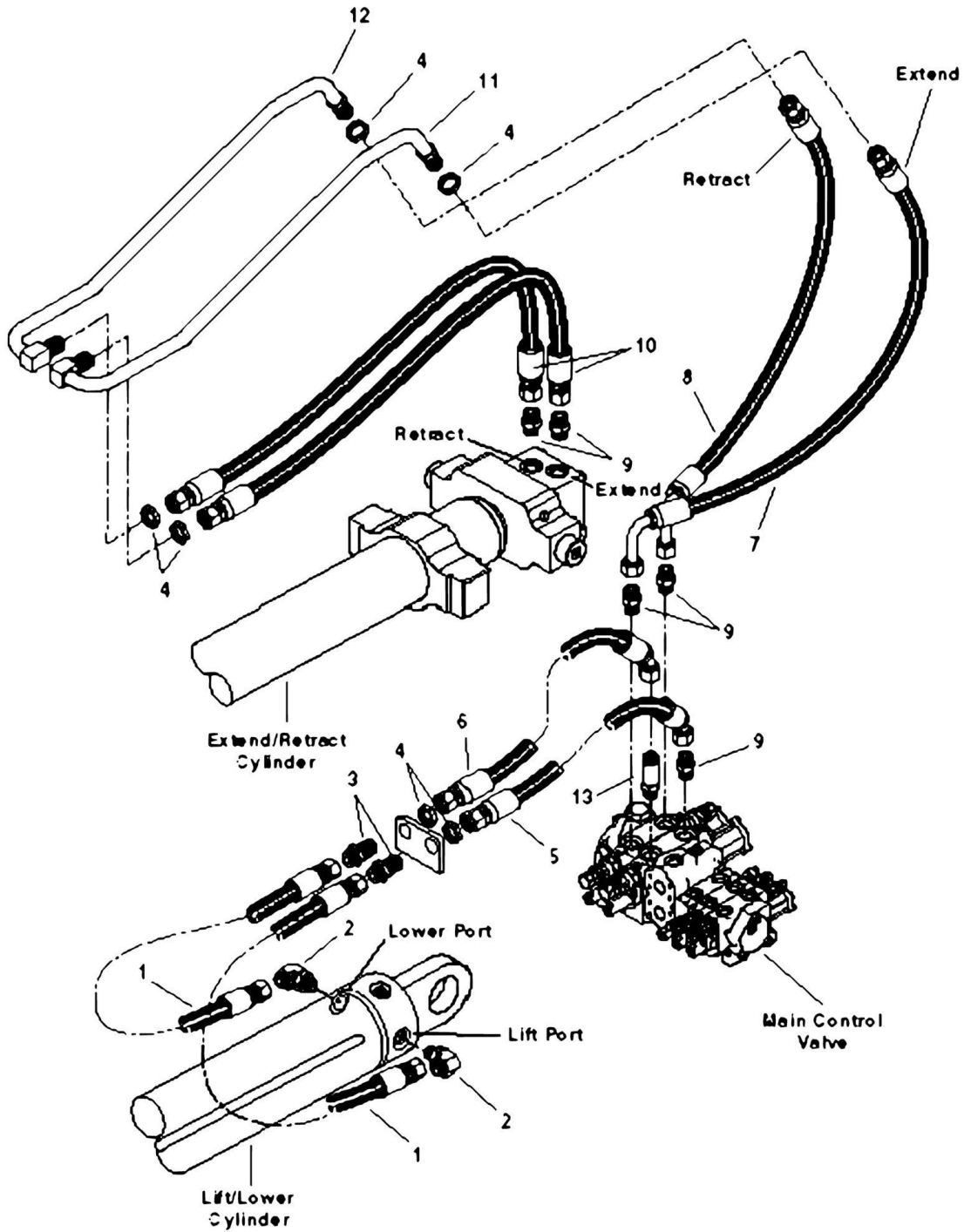
SECTION 5 - HYDRAULIC CIRCUITS

FIGURE 5-2. UNLOADER VALVE CIRCUIT

ITEM	PART NUMBER	QTY	DESCRIPTION	REV
1	7129973	1	Cooler, Oil	
2	8303615	6	HHCS, 0.25-20 NC x 1.25in Gr. 5	
3	8307002	6	Washer, Lock 0.25in	
4	8307202	6	Washer, Plain 0.25in	
5	8580420	6	Nut, Well	
6	2716524	1	Hose, 0.75 x 20.00in	
7	2716523	1	Hose, 0.75 x 22.75in	
8	2716525	1	Hose, 0.75 x 30.50in	
9	8770080	1	Elbow, 90, Swivel, SAE 12 - o-ring face seal	
10	8770083	1	Tee, Swivel Run, SAE 12 - o-ring face seal	
11	8770132	1	Connector, Male Flat Face Tube, w/Inlet Check 8ORB-8FF	
12	8770070	1	Connector, SAE 12 - str. thd. ORB x o-ring face seal	
13	8770166	2	Elbow, 45, SAE 16 - str. thd. ORB x o-ring face seal	
14	2716529	1	Hose, 1.00 x 23.81in	
15	2716631	1	Hose, 0.75 x 18.25in	
16	8770096	2	Nut, Bulkhead, SAE 16 - o-ring face seal	
17	7138284	1	Bracket, High Pressure Lines	
18	8305603	2	Nut, Hex Lock, 0.375-16 NC	
19	8307112	4	Washer, Plain, 0.50in SAE	
20	8770095	2	Elbow, 90, Bulkhead, SAE 16 - o-ring face seal	
21	2716530	1	Hose, 1.00 x 51.75in	
22	2716531	1	Hose, 1.00 x 49.38in	
23	2716641	1	Hose, 0.38 x 99.50in	
24	2716633	1	Hose, 0.75 x 91.00in	
25	2716566	1	Hose, 0.50 x 33.00in	
26	8303675	23	HHCS, 3/8-16 NC x 1.25in	
27	8307005	23	Washer, Lock 3/8in	
28	8307220	7	Washer, Plain, M12	
29	8640123	5	O-Ring, 1.296 I.D.	
30	8530030	10	Flange, Half #16	
31	8440156	1	Pump, Gear	
32	8630016	1	O-Ring, 130 x 3mm	
33	8640208	1	O-Ring, 2.234 I.D.	
34	8546407	2	Flange, Half #32	
35	2716520	1	Hose, 2.00 x 21.00in	
36	8405209	1	Clamp, T-bolt	
37	8303626	4	HHCS, 0.50-13 NC x 1.50in	
38	8307007	4	Washer, Lock 0.50in	
39	8310164	4	HHCS, M12-1,75 x 40mm	
40	8307025	4	Washer, Lock M12	
41	8770127	1	Elbow, 45, SAE 8 - str. thd. ORB x o-ring face seal	
42	2716567	1	Hose, 0.50 x 59.38in	
43	8770116	2	Connector, SAE 8 - str. thd. ORB x o-ring face seal	
44	8770114	1	Elbow, 90, SAE 8 - str. thd. ORB x o-ring face seal	
45	8770068	1	Elbow, 90, SAE 6 - str. thd. ORB x o-ring face seal	
46	8770102	1	Elbow, 90, SAE 6-4 - str. thd. ORB x o-ring face seal	
47	8430081	1	Nipple, Diagnostic	
48	8430033	1	Nipple, Diagnostic - 1/8 Body	
49	8430032	2	Plug, Dust	
50	8902200	1	Valve, Unloader	

SECTION 5 - HYDRAULIC CIRCUITS

FIGURE 5-3. BOOM LIFT/LOWER AND EXTEND/RETRACT CIRCUIT



PT0520

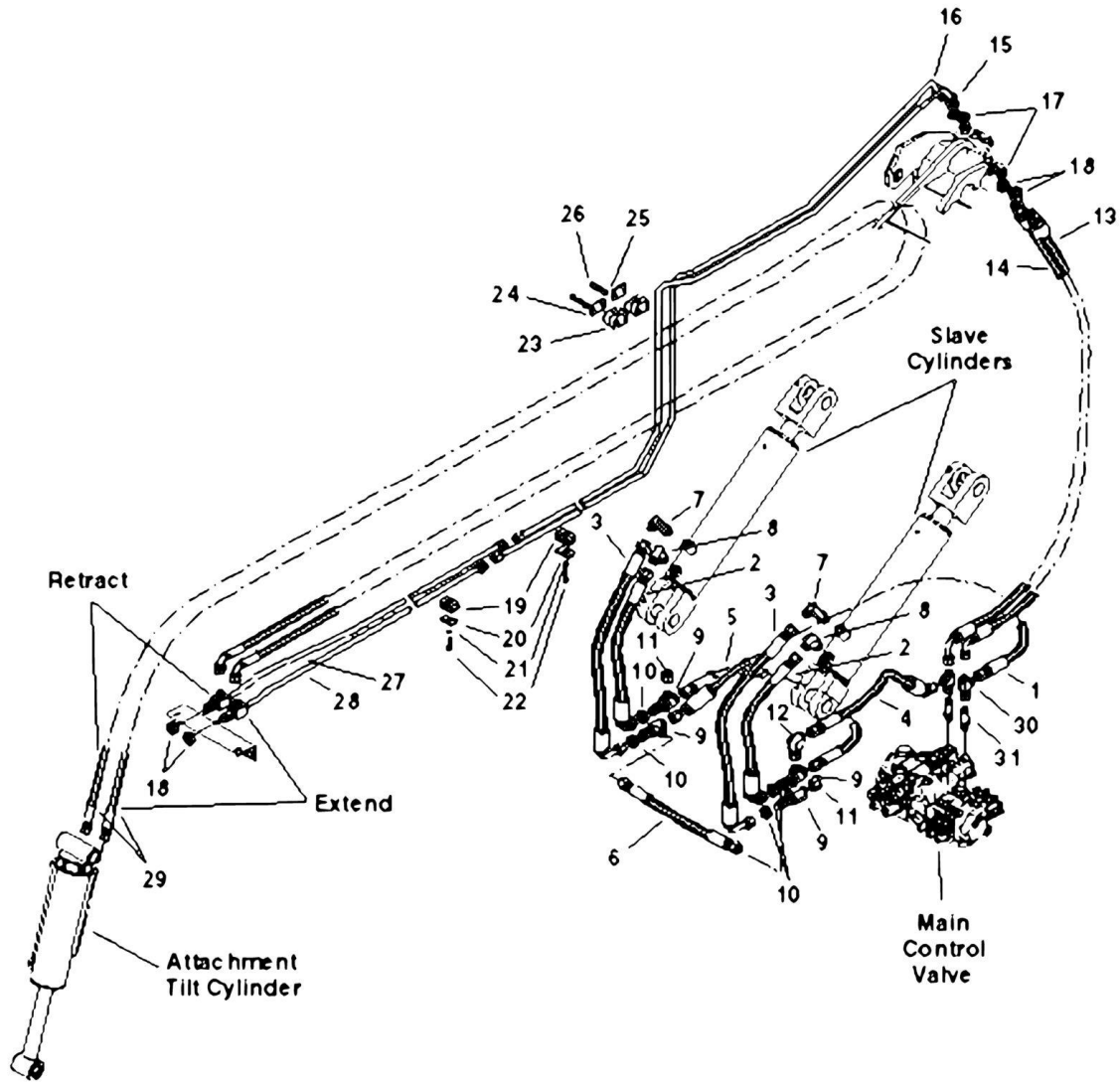
SECTION 5 - HYDRAULIC CIRCUITS

FIGURE 5-3. BOOM LIFT/LOWER AND EXTEND/RETRACT CIRCUIT

ITEM	PART NUMBER	QTY	DESCRIPTION	REV
1	2715052	2	Hose, 0.75 x 45.00in	
2	8770079	2	Elbow, 90, SAE 12 - str. thd. ORB x o-ring face seal	
3	8770086	2	Connector, Bulkhead, SAE 12 - o-ring face seal	
4	8770085	6	Nut, Bulkhead, SAE 12 - o-ring face seal	
5	2716532	1	Hose, 0.75 x 29.50in	
6	2716533	1	Hose, 0.75 x 25.50in	
7	2716642	1	Hose, 0.75 x 47.50in	
8	2716643	1	Hose, 0.75 x 43.00in	
9	8770070	5	Connector, SAE 12 - str. thd. ORB x o-ring face seal	
10	2716492	2	Hose, 0.75 x 46.50in	
11	7137593	1	Tube Assembly	
12	7137603	1	Tube Assembly	
13	8770163	1	Connector, Long, SAE 12 - str. thd. ORB x o-ring face seal	

SECTION 5 - HYDRAULIC CIRCUITS

FIGURE 5-4. ATTACHMENT TILT AND SLAVE CIRCUIT



PT0530

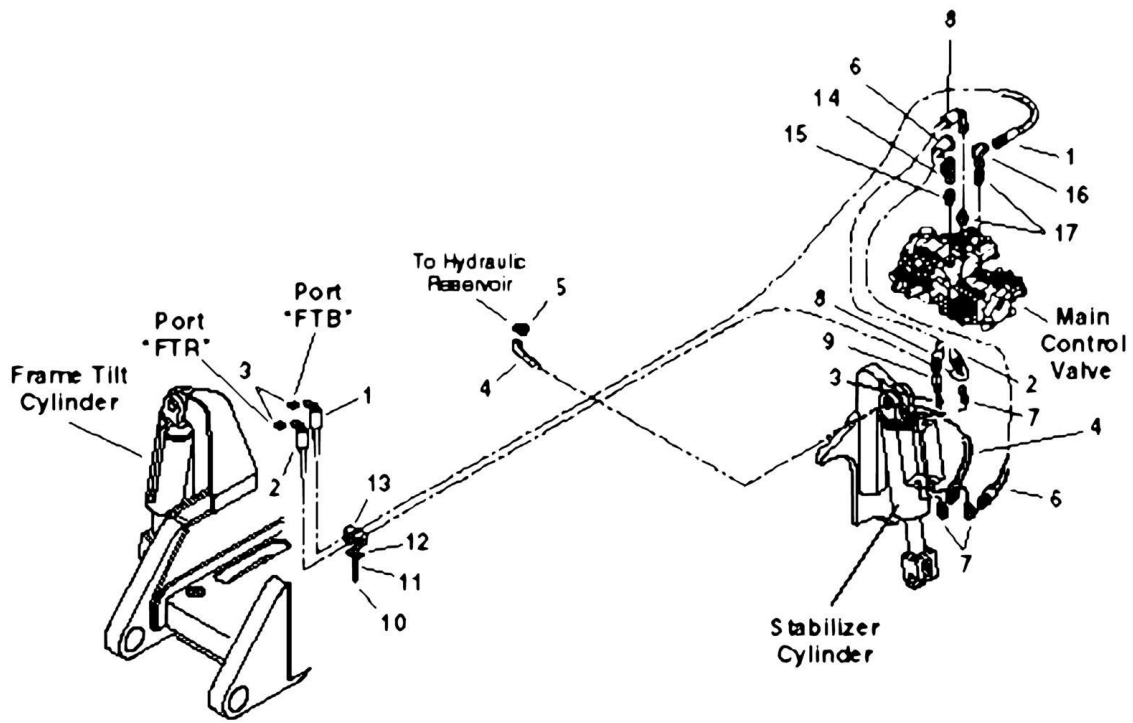
SECTION 5 - HYDRAULIC CIRCUITS

FIGURE 5-4. ATTACHMENT TILT AND SLAVE CIRCUIT

ITEM	PART NUMBER	QTY	DESCRIPTION	REV
1	2716634	1	Hose, 0.50 x 55.00in	
2	2716534	2	Hose, 0.50 x 17.88in	
3	2716535	2	Hose, 0.50 x 24.88in	
4	2716635	1	Hose, 0.50 x 24.38in	
5	2716629	1	Hose, 0.50 x 31.00in	
6	2716628	1	Hose, 0.50 x 15.25in	
7	8770168	2	Elbow, Long, 90, SAE 8 - str. thd. ORB x o-ring face seal	
8	8770114	2	Elbow, 90, SAE 8 - str. thd. ORB x o-ring face seal	
9	8770167	4	Tee, Run, Bulkhead, SAE 8 - o-ring face seal	
10	8770129	4	Nut, Bulkhead, SAE 8 - o-ring face seal	
11	8770118	2	Cap, SAE 8 - o-ring face seal	
12	8770115	1	Elbow, 90, Swivel, SAE 8 - o-ring face seal	
13	2716644	1	Hose, 0.50 x 49.00in	
14	2716645	1	Hose, 0.50 x 52.13in	
15	7136123	1	Tube Assembly	
16	7136133	1	Tube Assembly	
17	5724302	4	Shim	
18	8770075	2	Nut, Bulkhead, SAE 10 - o-ring face seal	
19	8769122	2	Clamp Set, 0.625 Dia	
20	8769128	2	Plate, Cover	
21	8307004	2	Washer, Lock 0.312	
22	8303715	2	HHCS, 0.312-18 x 1.500in	
23	8769154	2	Clamp Set, 0.625 Dia	
24	8769153	2	Plate, Cover	
25	8307002	4	Washer, Lock 0.250	
26	8303743	4	HHCS, 0.250-20 x 1.500in	
27	7136093	1	Tube Assembly	
28	7136073	1	Tube Assembly	
29	2716620	2	Hose, 0.50 x 407in	
30	8770125	2	Tee, Swivel Run, SAE 8 - o-ring face seal	
31	8770117	2	Connector, Long, SAE 8 - str. thd. ORB x o-ring face seal	

SECTION 5 - HYDRAULIC CIRCUITS

FIGURE 5-5. FRAME TILT AND STABILIZER CIRCUIT



PT0540

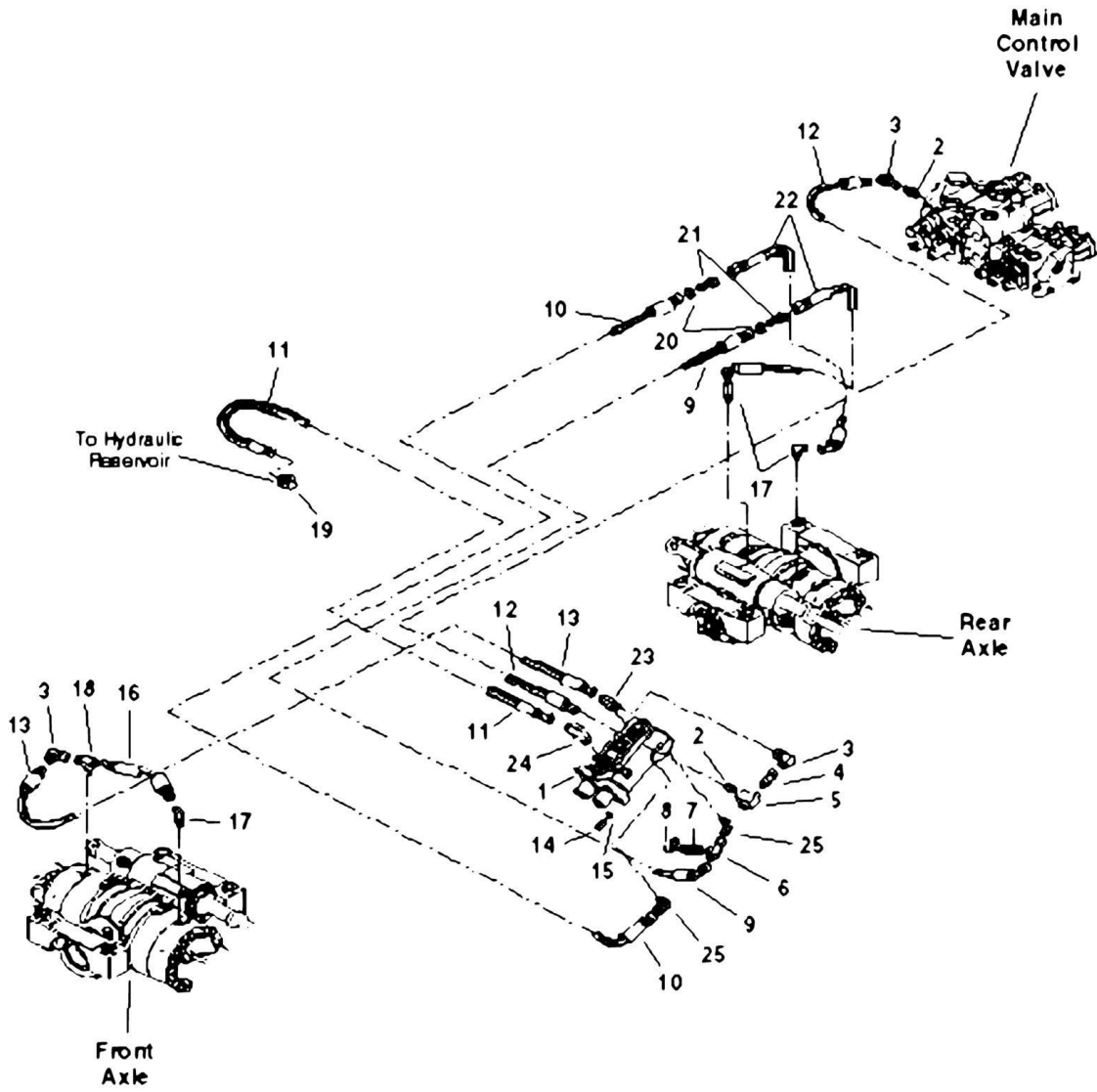
SECTION 5 - HYDRAULIC CIRCUITS

FIGURE 5-5. FRAME TILT AND STABILIZER CIRCUIT

ITEM	PART NUMBER	QTY	DESCRIPTION	REV
1	2716637	1	Hose, 0.38 x 208.00in	
2	2716636	1	Hose, 0.38 x 207.00in	
3	8770106	3	Connector, SAE 6 - str. thd. ORB x o-ring face seal	
4	2716640	1	Hose, 0.38 x 121.25in	
5	8770127	1	Elbow, 45, SAE 8 - str. thd. ORB x o-ring face seal	
6	2716639	1	Hose, 0.38 x 29.88in	
7	8770068	3	Elbow, 90, SAE 6 - str. thd. ORB x o-ring face seal	
8	2716638	1	Hose, 0.38 x 34.00in	
9	8770105	1	Elbow, 90, Swivel, SAE 6 - o-ring face seal	
10	8303759	1	HHCS, 0.312-18 NC x 1.25in	
11	8307004	1	Washer, Lock 0.312in	
12	8769123	1	Plate, Cover	
13	8750015	1	Clamp Set, 0.67in Dia	
14	8770124	1	Tee, Male Run, SAE 8 - ORFS tube end x str. thd. o-ring	
15	8770186	1	Reducer, SAE 10-8 - male str. thd. o-ring x female internal o-ring boss	
16	8770115	1	Elbow, 90, Swivel, SAE 8 - o-ring face seal	
17	8770116	2	Connector, SAE 8 - str. thd. ORB x o-ring face seal	

SECTION 5 - HYDRAULIC CIRCUITS

FIGURE 5-6. SERVICE BRAKE AND DE-CLUTCH CIRCUIT



PT0550

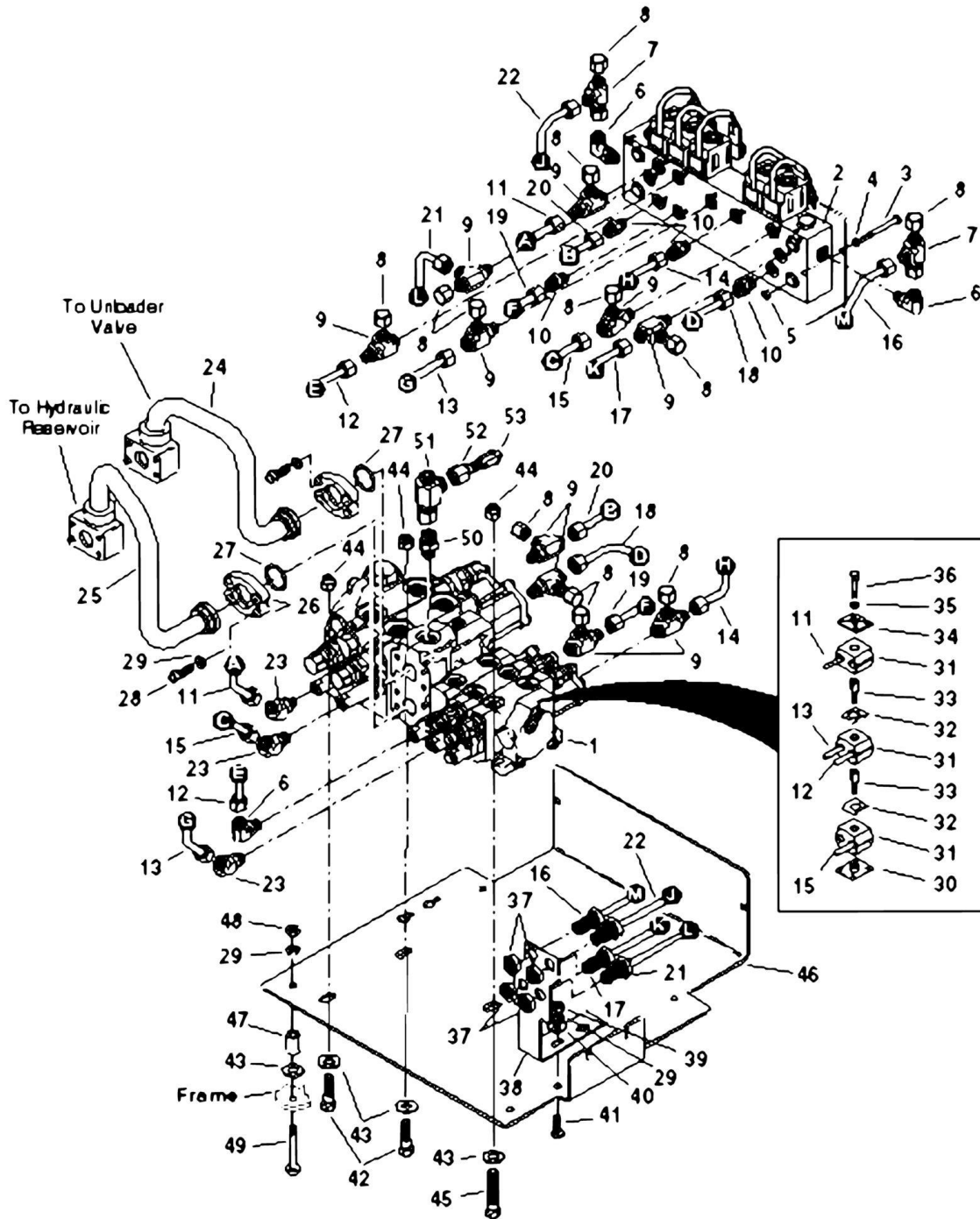
SECTION 5 - HYDRAULIC CIRCUITS

FIGURE 5-6. SERVICE BRAKE AND DE-CLUTCH CIRCUIT

ITEM	PART NUMBER	QTY	DESCRIPTION	REV
1	8902274	1	Valve, Brake	
2	8770106	2	Connector, SAE 6 - str. thd. ORB x o-ring face seal	
3	8770105	3	Elbow, 90, Swivel, SAE 6 - o-ring face seal	
4	8770176	1	Connector, Swivel SAE 6 - str. thd. ORB x o-ring face seal	
5	8902175	1	Valve, Shuttle	
6	8770111	1	Tee, Swivel Run, SAE 6 - o-ring face seal	
7	8430081	1	Nipple, Diagnostic	
8	8430032	1	Plug, Dust	
9	2716577	1	Hose, 0.38 x 120.00in	
10	2716689	1	Hose, 0.38 x 121.00in	
11	2716623	1	Hose, 0.50 x 124.00in	
12	2716650	1	Hose, 0.38 x 155.00in	
13	2716576	1	Hose, 0.38 x 134.00in	
14	8303755	4	HHCS, M10-1,5 x 30mm	
15	8307023	4	Washer, Lock M10	
16	2716536	1	Hose, 0.38 x 8.50in	
17	8770068	3	Elbow, 90, SAE 6 - str. thd. ORB x o-ring face seal	
18	8770112	1	Tee, Branch, SAE 6 - str. thd. ORB x o-ring face seal	
19	8770114	1	Elbow, 90, SAE 8 - str. thd. ORB x o-ring face seal	
20	8770155	2	Nut, Bulkhead, SAE 6 - o-ring face seal	
21	8770169	2	Connector, Bulkhead, SAE 6 - o-ring face seal	
22	2716537	2	Hose, 0.38 x 31.75in	
23	8770183	1	Tee, Branch, 6-M14 - metric str. thd. ORB x o-ring face seal	
24	8770175	1	Elbow, 90, M22-8 - metric str. thd. ORB x o-ring face seal	
25	8770109	2	Elbow, 90, M14-6 - metric str. thd. ORB x o-ring face seal	

SECTION 5 - HYDRAULIC CIRCUITS

FIGURE 5-7. VALVE PLATE ASSY W/O AUX HYDRAULICS



SECTION 5 - HYDRAULIC CIRCUITS

FIGURE 5-7. VALVE PLATE ASSY W/O AUX HYDRAULICS

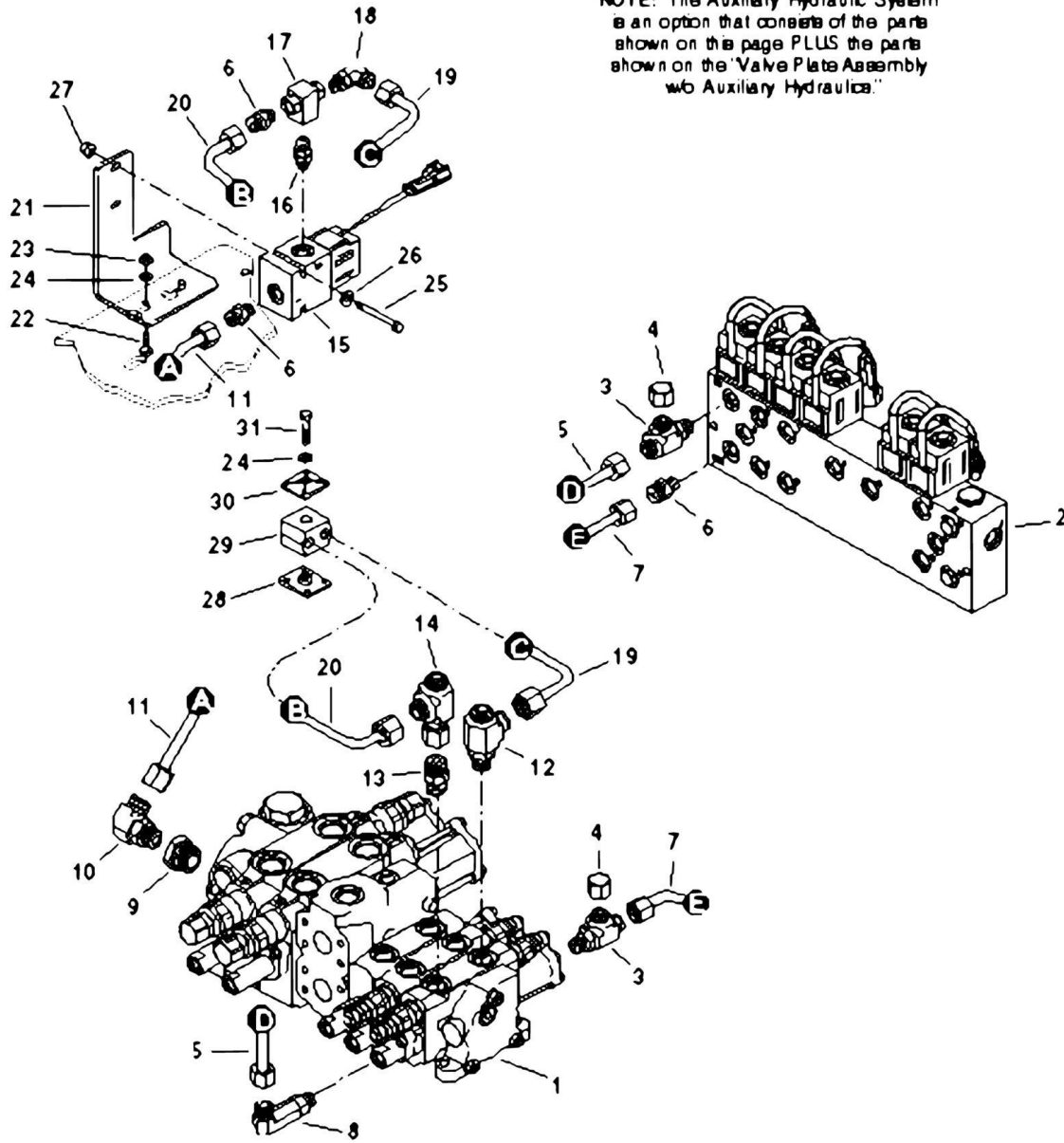
ITEM	PART NUMBER	QTY	DESCRIPTION	REV
1	8902201	1	Valve, Main Control	
2	8902195	1	Manifold, Pilot Select	
3	8303766	2	HHCS, 0.312-18 NC x 2.75in	
4	8307004	2	Washer, Lock 0.312in	
5	8305006	2	Nut, Hex 5/16-18	
6	8770068	3	Elbow, 90, SAE 6 - str. thd. ORB x o-ring face seal	
7	8770111	2	Tee, Swivel Run, SAE 6 - o-ring face seal	
8	8770108	12	Cap, SAE 6 - o-ring face seal	
9	8770066	10	Tee, Male Run, SAE 6 - ORFS tube end x str. thd. o-ring	
10	8770106	4	Connector, SAE 6 - str. thd. ORB x o-ring face seal	
11	7138769	1	Tube	
12	7138772	1	Tube	
13	7138771	1	Tube	
14	7138767	1	Tube	
15	7138768	1	Tube	
16	7138774	1	Tube	
17	7138773	1	Tube	
18	7138763	1	Tube	
19	7138765	1	Tube	
20	7138764	1	Tube	
21	7138775	1	Tube	
22	7138776	1	Tube	
23	8770140	3	Elbow, 45, SAE 6 - str. thd. ORB x o-ring face seal	
24	7138784	1	Tube	
25	7138785	1	Tube	
26	8530030	4	Flange, Half #16	
27	8640123	2	O-Ring, 1.296in I.D.	
28	8303675	8	HHCS, 3/8-16 NC x 1.25in	
29	8307005	14	Washer, Lock 3/8in	
30	8750019	1	Plate, Welding	
31	8750018	3	Clamp Set	
32	8750017	2	Plate, Locking	
33	8750021	2	Bolt, Stacking	
34	8750020	1	Plate, Cover	
35	8307002	1	Washer, Lock 0.25in	
36	8303743	1	HHCS, 0.250-20 NC x 1.50in	
37	8770155	4	Nut, Bulkhead	
38	7137022	1	Bracket, Bulkhead, Pilot Valve	
39	8305008	2	Nut, Hex, 0.375-16 NC	
40	8307204	2	Washer, Plain 3/8in	
41	8303620	2	HHCS, 3/8-16 NC x 1.00in	
42	8303627	2	HHCS, 0.5-13 NC x 1.75in	
43	8307206	7	Washer, Plain 0.50in	
44	8305644	3	Nut, Hex Lock ELAS, 0.50-13 NC	
45	8303693	1	HHCS, 0.50-13 NC x 2.50in	
46	7135773	1	Bracket, Main Valve	
47	7116691	4	Spacer	
48	8305603	4	Nut, Hex Lock 0.375-16 NC	
49	8310281	4	Bolt, Carriage 3/8-16 NC x 2.25in	

SECTION 5 - HYDRAULIC CIRCUITS

ITEM	PART NUMBER	QTY	DESCRIPTION	REV
50	8770186	1	Reducer, SAE 10-8 - male str. thd. o-ring x female internal o-ring boss	
51	8770124	1	Tee, Male Run, SAE 8 - ORFS tube end x str. thd. o-ring	
52	8430082	1	Nipple, Diagnostic	
53	8430032	1	Plug, Dust	

SECTION 5 - HYDRAULIC CIRCUITS

FIGURE 5-8. VALVE PLATE ASSY W/AUX HYDRAULICS



NOTE: The Auxiliary Hydraulic System is an option that consists of the parts shown on this page PLUS the parts shown on the 'Valve Plate Assembly w/o Auxiliary Hydraulics'.

PT0570

SECTION 5 - HYDRAULIC CIRCUITS

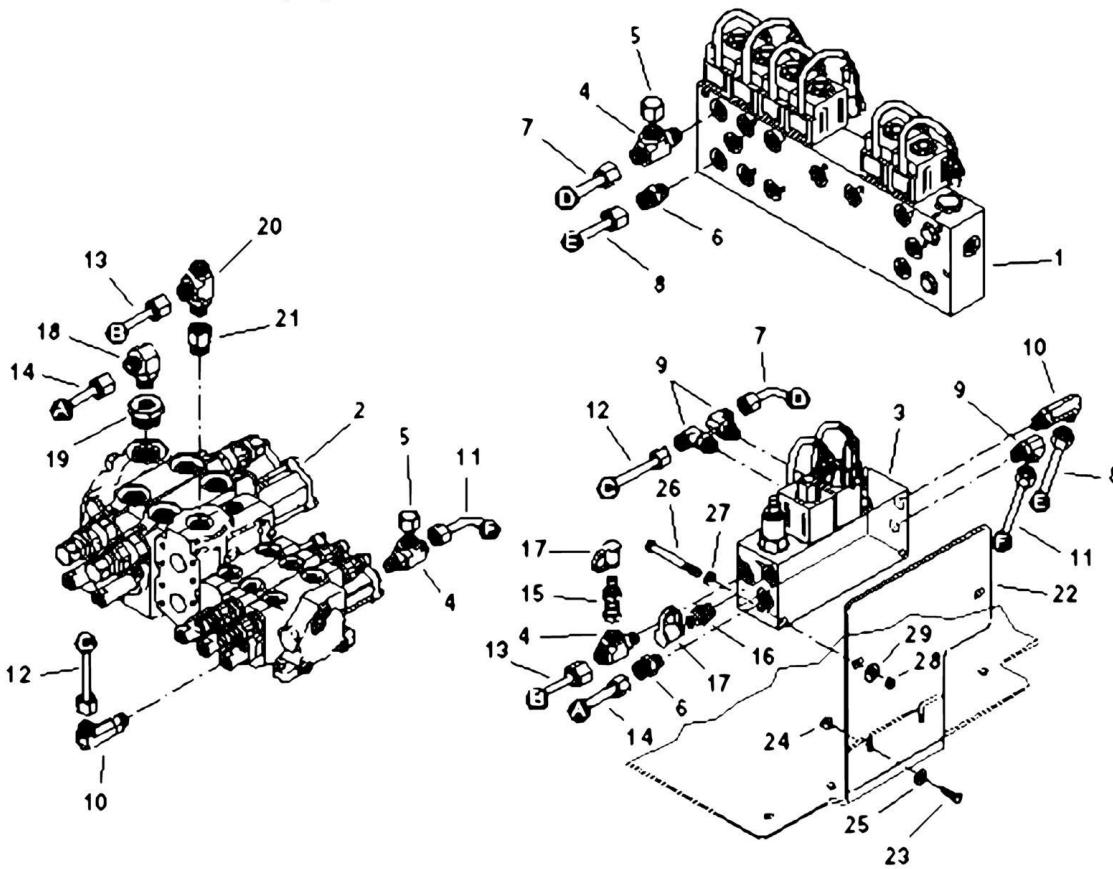
FIGURE 5-8. VALVE PLATE ASSY W/AUX HYDRAULICS

ITEM	PART NUMBER	QTY	DESCRIPTION	REV
1	8902183	1	Valve, Main Control	
2	8902182	1	Manifold, Pilot Select	
3	8770066	2	Tee, Male Run, SAE 6 - ORFS tube end x str. thd. o-ring	
4	8770108	1	Cap, SAE 6 - o-ring face seal	
5	7138770	1	Tube	
6	8770106	3	Connector, SAE 6 - str. thd. ORB x o-ring face seal	
7	7138766	1	Tube	
8	8770154	1	Elbow, Long, 90, SAE 4 - str. thd. ORB x o-ring face seal	
9	8760535	1	Reducer, SAE 12-8 - male str. thd. o-ring x female internal o-ring boss	
10	8770114	1	Elbow, 90, SAE 8 - str. thd. ORB x o-ring face seal	
11	7138779	1	Tube	
12	8770124	1	Tee, Male Run, SAE 8 - ORFS tube end x str. thd. o-ring	
13	8770116	1	Connector, SAE 8 - str. thd. ORB x o-ring face seal	
14	8770125	1	Tee, Swivel Run, SAE 8 - o-ring face seal	
15	8902191	1	Valve, Solenoid Dump	
16	8770152	1	Union, SAE 6 - male str. thd. o-ring	
17	8902175	1	Valve, Shuttle	
18	8770068	1	Elbow, 90, SAE 6 - str. thd. ORB x o-ring face seal	
19	7138778	1	Tube	
20	7138038	1	Tube	
21	7136892	1	Bracket, Dump Valve	
22	8310484	2	Bolt, Carriage, 1/4-20 NC x 1.00in	
23	8305004	2	Nut, Hex 0.25-20 NC	
24	8307002	2	Washer, Lock 0.25in	
25	8303703	2	HHCS, 0.25-20 NC x 2.50in	
26	8307202	2	Washer, Plain 0.25in	
27	8310382	2	Nut, Flange	
28	8750019	1	Plate, Welding	
29	8750018	1	Clamp, Set	
30	8750020	1	Plate, Cover	
31	8303743	1	HHCS, 0.25-20 NC x 1.50in	

SECTION 5 - HYDRAULIC CIRCUITS

FIGURE 5-9. VALVE PLATE ASSY W/AUX DETENT HYDRAULICS

NOTE: The Auxiliary Hydraulic System with Detent is an option that consists of the parts shown on this page PLUS the parts shown on the "Valve Plate Assembly w/o Auxiliary Hydraulics" and "Valve Plate Assembly w/Auxiliary Hydraulics."



PT0670

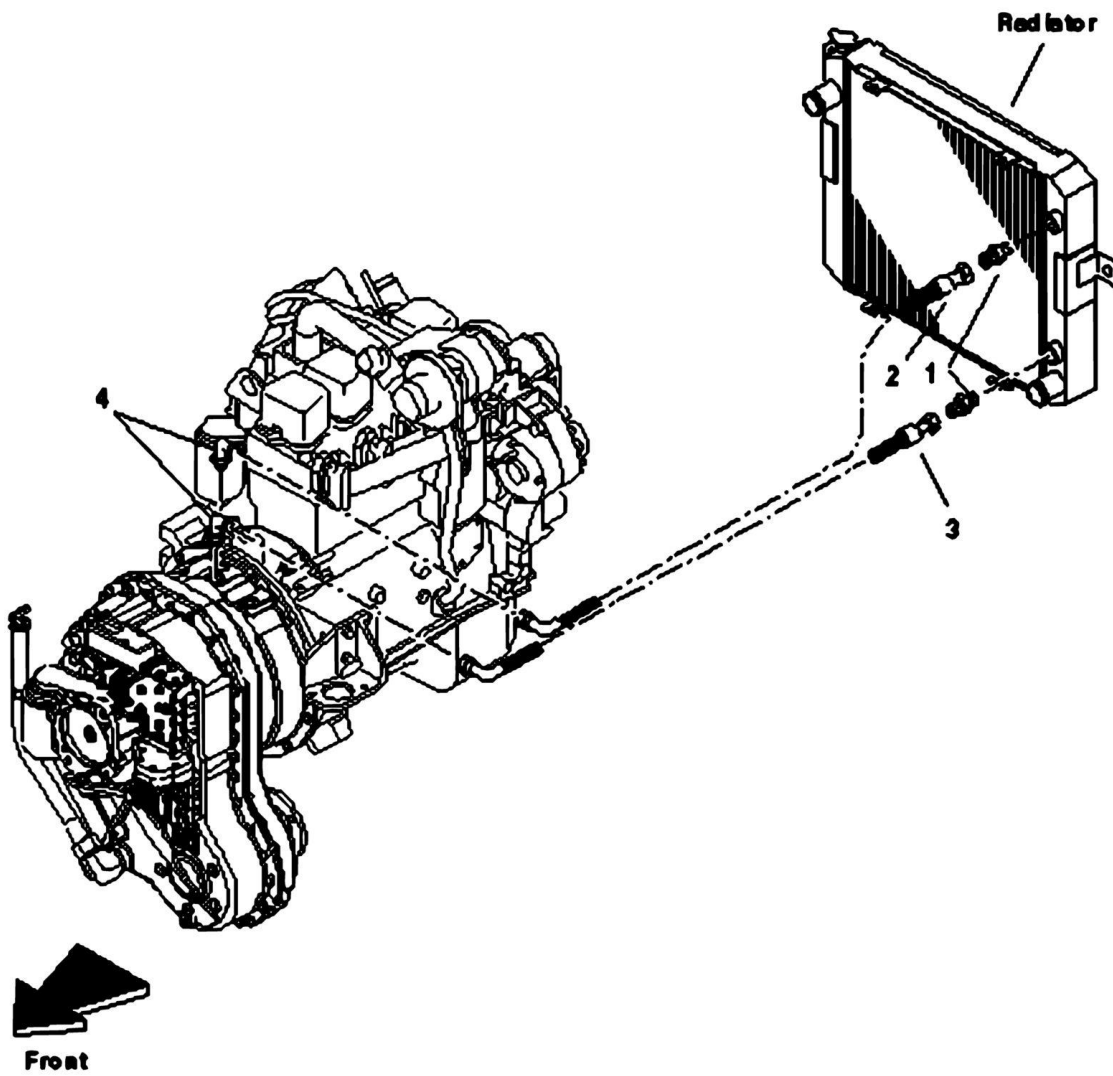
SECTION 5 - HYDRAULIC CIRCUITS

FIGURE 5-9. VALVE PLATE ASSY W/AUX DETENT HYDRAULICS

ITEM	PART NUMBER	QTY	DESCRIPTION	REV
1	8902182	1	Manifold, Pilot Select	
2	8902183	1	Valve, Main Control	
3	8902180	1	Valve, Selector Aux. Hydraulics	
4	8770066	3	Tee, Male Run, SAE 6 - ORFS tube end x str. thd. o-ring	
5	8770108	2	Cap, SAE 6 - o-ring face seal	
6	8770106	2	Connector, SAE 6 - str. thd. ORB x o-ring face seal	
7	7138781	1	Tube	
8	7138783	1	Tube	
9	8770068	3	Elbow, 90, SAE 6 - str. thd. ORB x o-ring face seal	
10	8770154	2	Elbow, Long, 90, SAE 4 - str. thd. ORB x o-ring face seal	
11	7138782	1	Tube	
12	7138780	1	Tube	
13	7139039	1	Tube	
14	7139040	1	Tube	
15	8430081	1	Nipple, Diagnostic	
16	8430043	1	Nipple, Diagnostic	
17	8430032	2	Plug, Dust	
18	8770114	1	Elbow, 90, SAE 8 - str. thd. ORB x o-ring face seal	
19	8760545	1	Reducer, SAE 16-8 - male str. thd. o-ring x female internal o-ring boss	
20	8770124	1	Tee, Male Run, SAE 8 - ORFS tube end x str. thd. o-ring	
21	8770186	1	Reducer, SAE 10-8 - male str. thd. o-ring x female internal o-ring boss	
22	7138790	1	Bracket, Detent Valve	
23	8310484	2	Bolt, Carriage 1/4-20 NC x 1.00in	
24	8305004	2	Nut, Hex 0.25-20 NC	
25	8307002	2	Washer, Lock 0.25in	
26	8310380	2	HHCS, 0.312-18 NC x 3.25in	
27	8307004	2	Washer, Lock 0.312in	
28	8305006	2	Nut, Hex 5/16-18 NC	
29	8307203	2	Washer, Plain 0.312in	

SECTION 5 - HYDRAULIC CIRCUITS

FIGURE 5-10. TRANSMISSION COOLING CIRCUIT



PT0580

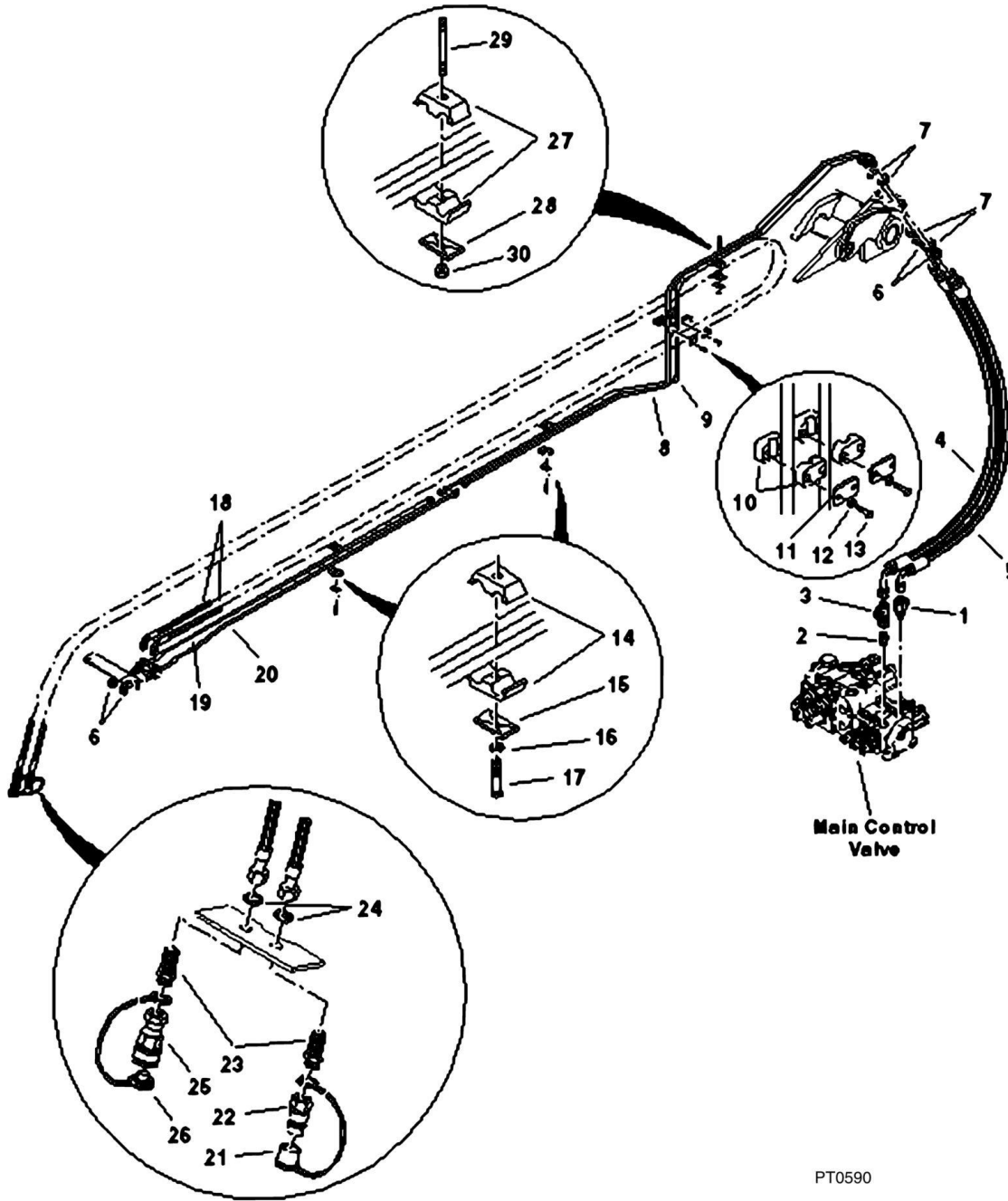
SECTION 5 - HYDRAULIC CIRCUITS

FIGURE 5-10. TRANSMISSION COOLING CIRCUIT

ITEM	PART NUMBER	QTY	DESCRIPTION	REV
1	8770070	2	Connector, SAE 12 - str. thd. ORB x o-ring face seal	
2	2716519	1	Hose, 3/4 I.D. x 48in Long	
3	2716518	1	Hose, 3/4 I.D. x 42in Long	
4	8770160	2	Elbow, 90, SAE 12-10 - str. thd. ORB x o-ring face seal	

SECTION 5 - HYDRAULIC CIRCUITS

FIGURE 5-11. AUXILIARY HYDRAULIC CIRCUIT (OPTIONAL)



PT0590

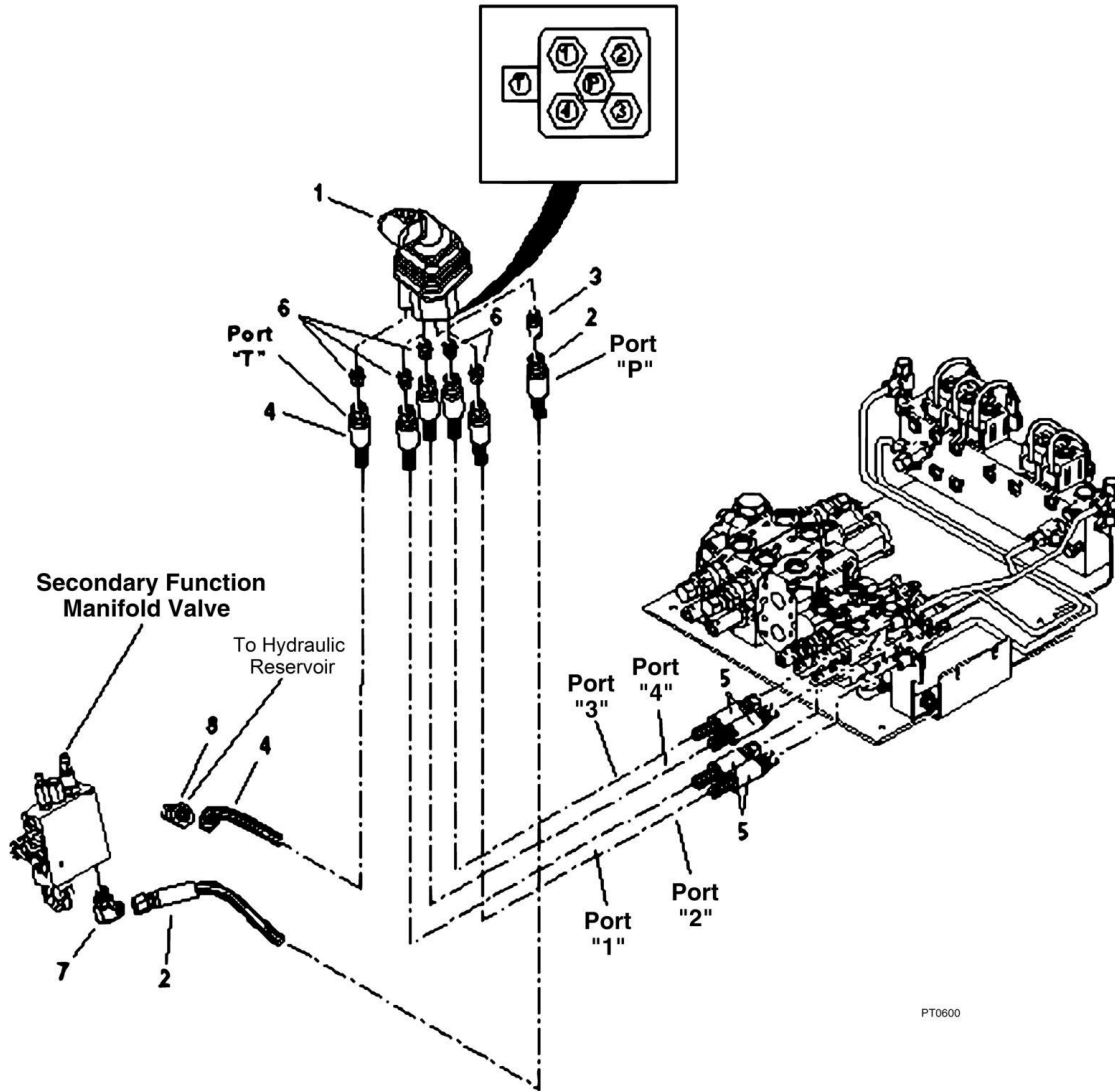
SECTION 5 - HYDRAULIC CIRCUITS

FIGURE 5-11. AUXILIARY HYDRAULIC CIRCUIT (OPTIONAL)

ITEM	PART NUMBER	QTY	DESCRIPTION	REV
1	8770124	1	Tee, Male Run, SAE 8 - ORFS tube end x str. thd. o-ring	
2	8770116	1	Connector, SAE 8 - str. thd. ORB x o-ring face seal	
3	8770125	1	Tee, Swivel Run, SAE 8 - o-ring face seal	
4	2716652	1	Hose, 0.50 x 46.25in	
5	2716653	1	Hose, 0.50 x 47.25in	
6	8770075	4	Nut, Bulkhead	
7	5724302	4	Shim	
8	7136103	1	Tube Assembly	
9	7136113	1	Tube Assembly	
10	8769154	2	Clamp Set	
11	8769153	2	Plate, Cover	
12	8307002	4	Washer, Lock	
13	8303743	4	HHCS, 0.25-20 NC x 1.5in	
14	8769122	2	Clamp Set	
15	8769123	2	Plate, Cover	
16	8307004	2	Washer, Lock	
17	8303715	2	HHCS, 0.312-18 NC x 1.5in	
18	2716619	2	Hose, 0.50 x 42.2in	
19	7136073	1	Tube Assembly	
20	7136083	1	Tube Assembly	
21	8420053	1	Cap, Dust #8	
22	8430006	1	Quick Disconnect, Male, SAE 8-8ORB - female internal	
23	8770136	2	Connector, Bulkhead, SAE 8 - str. thd. ORB x o-ring face seal	
24	8770129	2	Nut, Bulkhead, SAE 8 - o-ring face seal	
25	8430005	1	Quick Disconnect, Female, SAE 8-8ORB - female internal	
26	8420055	1	Plug, Dust #8	
27	8750027	1	Clamp Set	
28	8769128	1	Plate, Cover	
29	8306407	1	Stud, 5/16-18 x 2.75in	
30	8310453	1	Nut, Hex 5/16-18 NC	

SECTION 5 - HYDRAULIC CIRCUITS

FIGURE 5-12. JOYSTICK CIRCUIT



PT0600

SECTION 5 - HYDRAULIC CIRCUITS

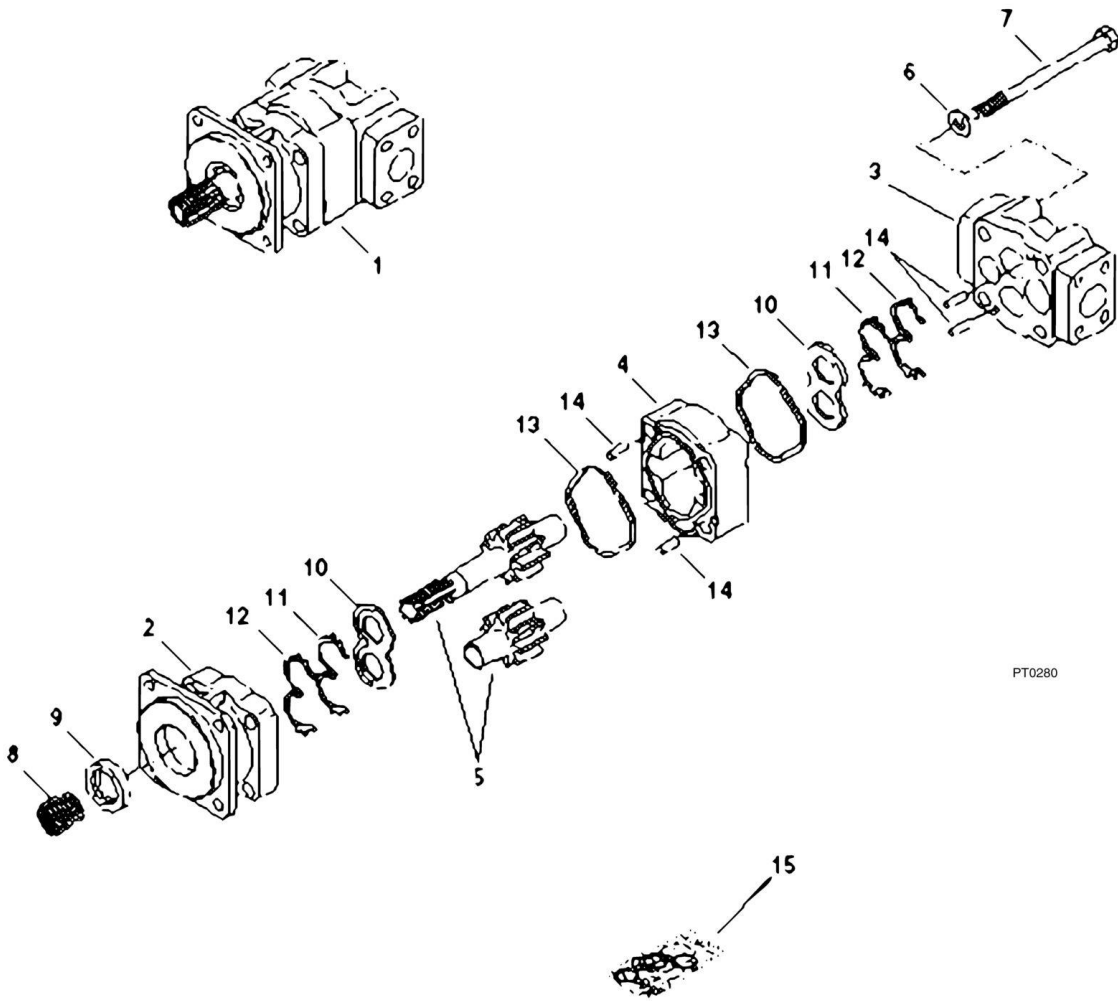
FIGURE 5-12. JOYSTICK CIRCUIT

ITEM	PART NUMBER	QTY	DESCRIPTION	REV
1	7133942	1	Valve, Joystick	
2	2716572	1	Hose, 0.38 x 98.13in	
3	8770107	1	Connector, Long, SAE 6 - str. thd. ORB x o-ring face seal	
4	2716630	1	Hose, 0.38 x 98.00in	
5	2715312	4	Hose, 0.38 x 120.50in	
6	8770106	5	Connector, SAE 6 - str. thd. ORB x o-ring face seal	
7	8770114	1	Elbow, 90, SAE 8 - str. thd. ORB x o-ring face seal	
8	8770127	1	Elbow, 45, SAE 8 - str. thd. ORB x o-ring face seal	

SECTION 6 - HYDRAULIC COMPONENTS

SECTION 6 - HYDRAULIC COMPONENTS

FIGURE 6-1. MAIN PUMP



PT0280

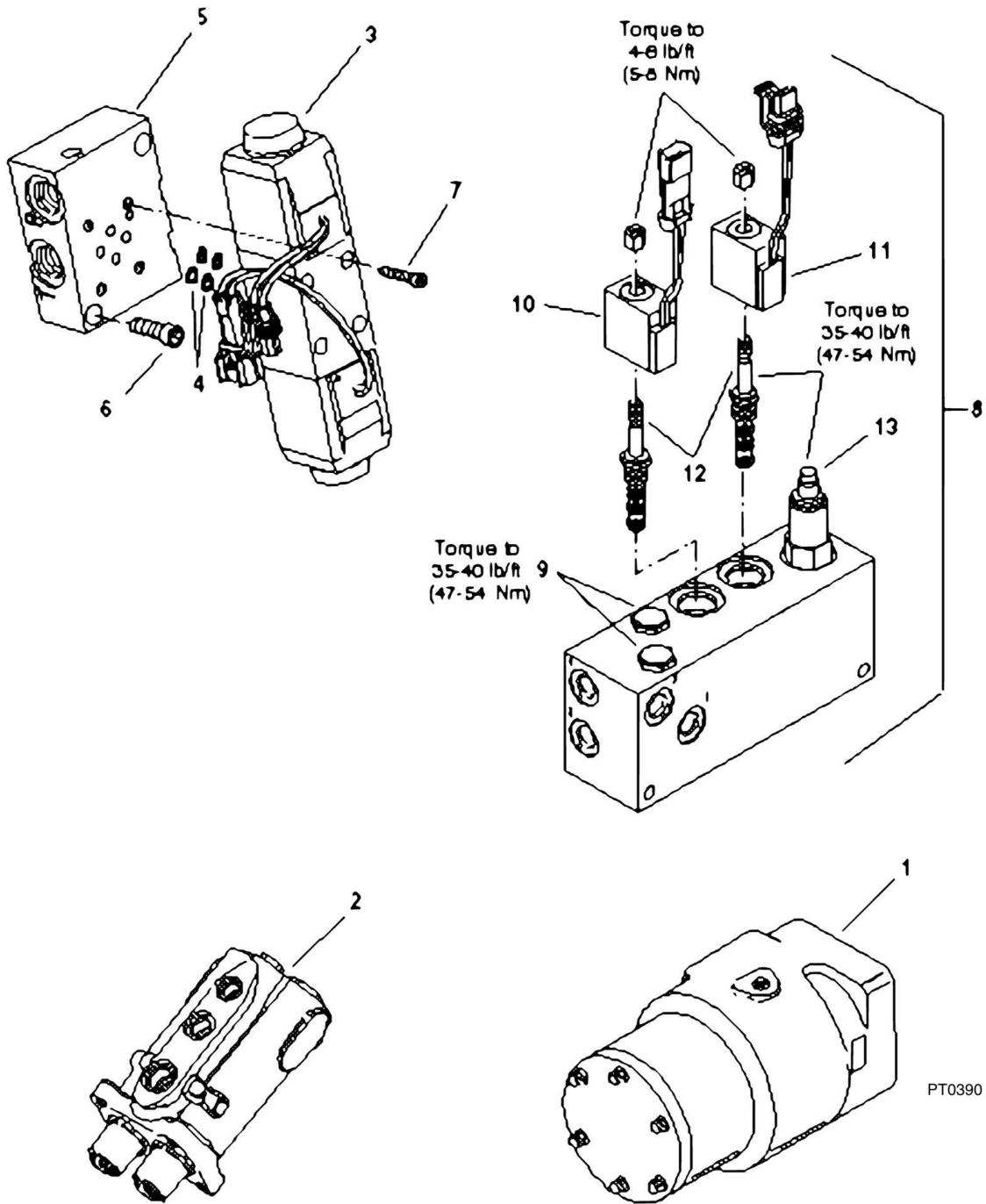
SECTION 6 - HYDRAULIC COMPONENTS

FIGURE 6-1. MAIN PUMP

ITEM	PART NUMBER	QTY	DESCRIPTION	REV
1	8440156	1	Pump, Gear (Includes Items 2 thru 14)	
2	8035747	1	Housing, SEC	
3	8035746	1	Housing, PEC	
4	8035263	1	Housing, Gear	
5	8035262	1	Set, Gear Shaft	
6	8035261	4	Washer	
7	8035745	4	HHCS	
8	8035744	1	Adapter, Spline	
9	See Kits	1	Seal, Lip	
10	See Kits	2	Plate, Thrust	
11	See Kits	2	Seal, Channel	
12	See Kits	2	Seal, Back-Up	
13	See Kits	2	Seal, Square R	
14	8035259	4	Pin, Dowel	
		Ref	KITS	
15	8035093	1	Seal Kit	

SECTION 6 - HYDRAULIC COMPONENTS

FIGURE 6-2. DIRECTIONAL CONTROL VALVES 1 OF 2



PT0390

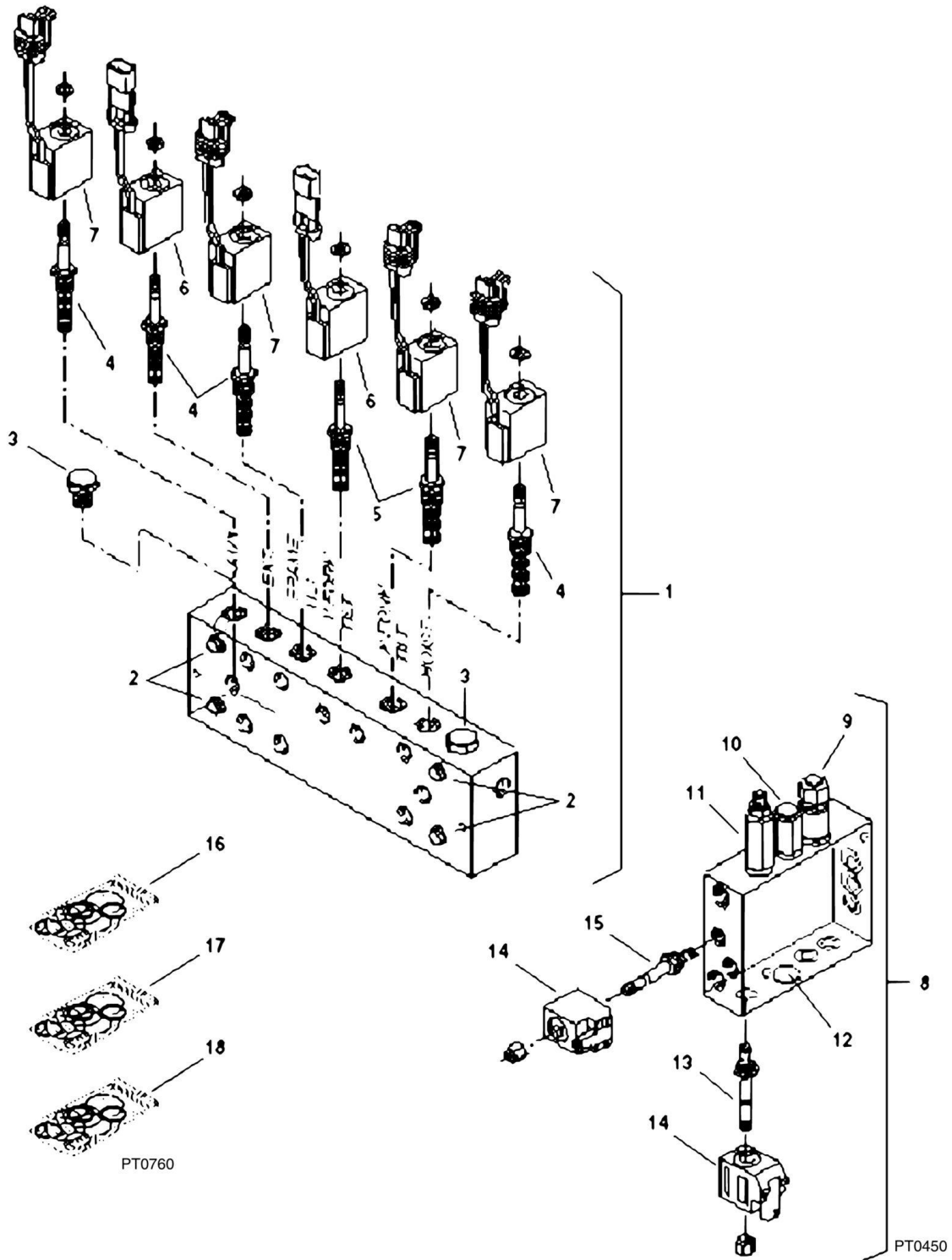
SECTION 6 - HYDRAULIC COMPONENTS

FIGURE 6-2. DIRECTIONAL CONTROL VALVES 1 OF 2

ITEM	PART NUMBER	QTY	DESCRIPTION	REV
1	8721029	1	Valve, Power Steering	
2	8902274	1	Valve, Brake	
3	8902197	1	Valve, Steer Select (Includes Item 4)	
4	8640017	AR	O-Ring	
5	8902111	1	Subplate, Steer Select Valve	
6	8310326	2	SCHS, 0.312-18 NC x 1.125in	
7	8310327	4	SCHS, #10-24 NC x 1.125in	
8	8902180	1	Valve, Selector (Auxiliary Detent Hydraulics Only) (Includes Items 9 thru 13)	
9	8035858	2	Valve, Shuttle (Auxiliary Detent Hydraulics Only)	
10	8902694	1	Coil, Solenoid Valve, Female Connector (Auxiliary Detent Hydraulics Only)	
11	8902693	1	Coil, Solenoid Valve, Male Connector (Auxiliary Detent Hydraulics Only)	
12	8035860	2	Cartridge, Solenoid Valve (Auxiliary Detent Hydraulics Only)	
13	8035859	1	Cartridge, Pressure Reducing [550 ± 100 psi (38 ± 7 bar) at 0 G.P.M. (0 liter/sec)] (Auxiliary Detent Hydraulics Only)	

SECTION 6 - HYDRAULIC COMPONENTS

FIGURE 6-3. DIRECTIONAL CONTROL VALVES 2 OF 2



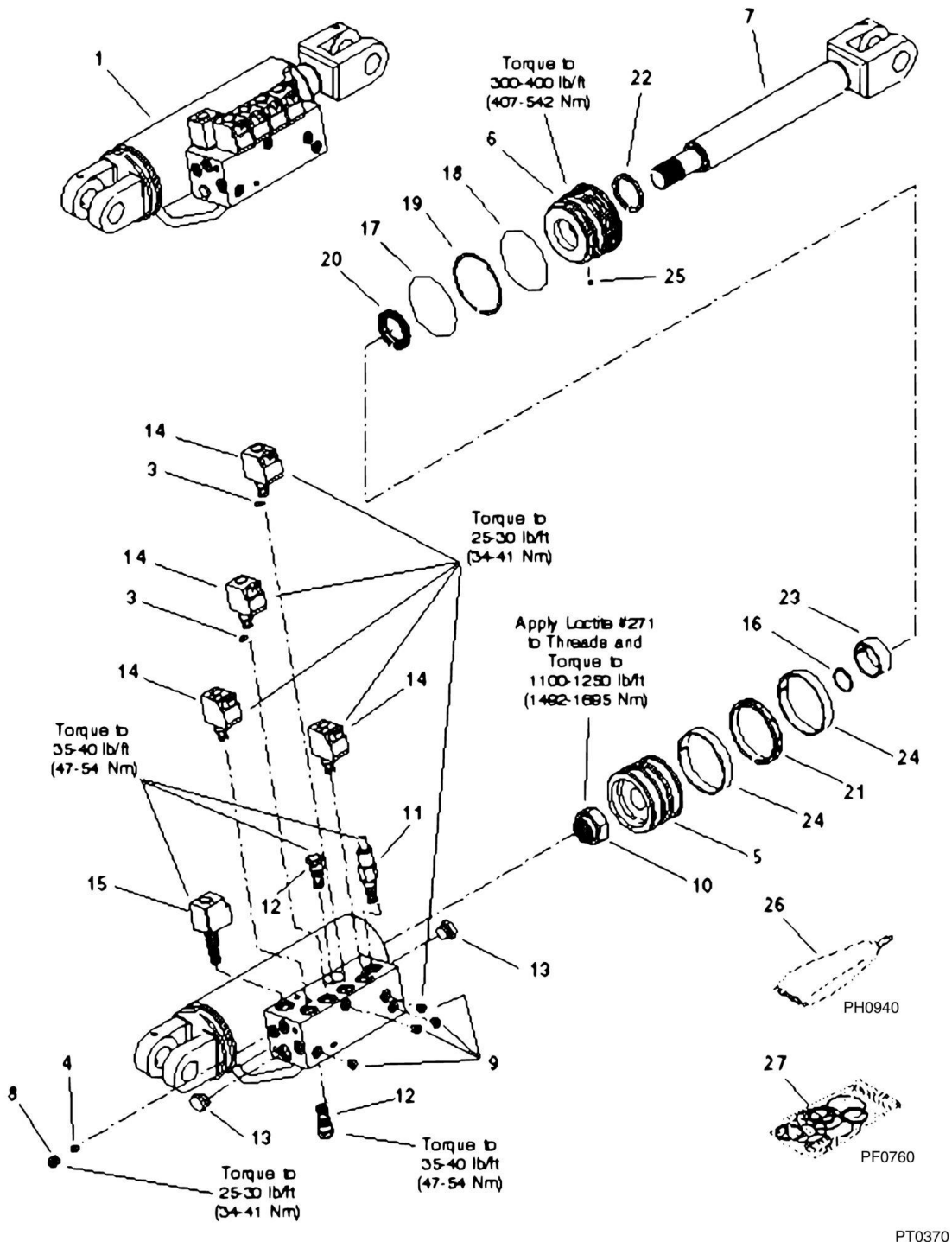
SECTION 6 - HYDRAULIC COMPONENTS

FIGURE 6-3. DIRECTIONAL CONTROL VALVES 2 OF 2

ITEM	PART NUMBER	QTY	DESCRIPTION	REV
1	8902195	1	Manifold, Pilot Select (Includes Items 2 thru 7)	
1	8902183	1	Manifold, Pilot Select w/Auxiliary Hydraulics (Includes Items 2 thru 7)	
1	8902182	1	Manifold, Pilot Select w/Auxiliary Detent Hydraulics (Includes Items 2 thru 7)	
4	8760451	2	Plug, Hex Hd., SAE 6 - male str. thd. o-ring (w/o Auxiliary Hydraulics)	
2	8760451	2	Plug, Hex Hd., SAE 6 - male str. thd. o-ring (w/Auxiliary Hydraulics)	
3	8035799	2	Plug, Cavity (w/o Auxiliary Hydraulics)	
3	8035799	1	Plug, Cavity (w/Auxiliary Hydraulics)	
4	8902695	3	Cartridge, Solenoid Valve (w/o Auxiliary Hydraulics)	
4	8902695	4	Cartridge, Solenoid Valve (w/Auxiliary Hydraulics)	
5	8902700	2	Cartridge, Solenoid Valve	
6	8902694	2	Coil, Solenoid w/Male Connector	
7	8902693	3	Coil, Solenoid w/Female Connector (w/o Auxiliary Hydraulics)	
7	8902693	4	Coil, Solenoid w/Female Connector (w/Auxiliary Hydraulics)	
8	8902196	1	Manifold, Secondary Function (Includes Items 9 thru 15)	
9	8032989	1	Valve, Pressure Reducing - Preset at 2500 psi (172 bar)	
10	8032993	1	Valve, Pressure Reducing - Preset at 900 psi (62 bar)	
11	8032991	1	Valve, Pressure Reducing - Preset at 1400 psi (96 bar)	
12	8032995	1	Valve, Check	
13	8902696	1	Cartridge, Solenoid Valve	
14	8902698	2	Coil, Solenoid w/Integrated Diode	
15	8902697	1	Cartridge, Solenoid Valve	
		Ref	KITS	
16	8032990	1	Seal Kit (For Servicing Item 9)	
17	8032994	1	Seal Kit (For Servicing Items 10 & 11)	
18	8032992	1	Seal Kit (For Servicing Items 12, 13 & 15)	

SECTION 6 - HYDRAULIC COMPONENTS

FIGURE 6-4. STABIL-TRAK CYLINDER



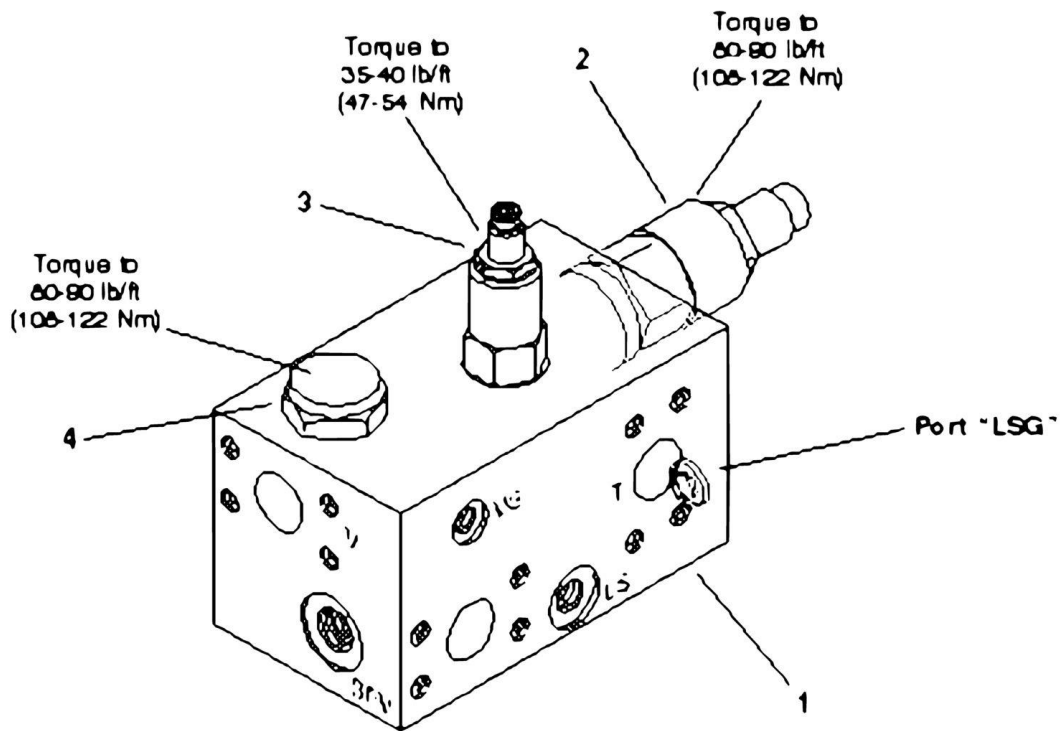
SECTION 6 - HYDRAULIC COMPONENTS

FIGURE 6-4. STABIL-TRAK CYLINDER

ITEM	PART NUMBER	QTY	DESCRIPTION	REV
1	2716564	1	Cylinder, Stabil-Trak (Includes Items 2 thru 25)	
	N.S.S.	1	Tube, Weldment	
3	8035781	2	Disk, Conical Orifice .060in Dia	
4	8035782	1	Plug, Orifice .030in Dia	
5	8035323	1	Piston	
6	8035324	1	Gland, Head	
7	8035783	1	Rod, Weldment	
8	8035784	1	Plug, Hex - SAE #6 Steel Hol.	
9	8035785	4	Plug, Hex - SAE #4 Steel Hol.	
10	8035322	1	Nut, Lock 1.50-12 UNF	
11	8035282	1	Valve, Pressure Reducing (100)	
12	8035281	2	Valve, PO Check - Series 10	
13	8760420	2	Plug, Hex Hd., SAE 10-male str. thd. o-ring	
14	8036019	4	Valve, Solenoid - 2 Way, NC, 12V	
15	8036020	1	Valve, Solenoid - 4 Way, 12V	
16	See Kits	1	O-Ring	
17	See Kits	1	O-Ring	
18	See Kits	1	O-Ring	
19	See Kits	1	Ring, Back-Up	
20	See Kits	1	Z-Seal, Deep - w/Rod Back-Up	
21	See Kits	1	T-Seal, Type 730 Capped	
22	See Kits	1	Wiper, Hd. Rod - Sealed O.D.	
23	See Kits	1	Wearband, Precision	
24	See Kits	2	Wearband, Precision	
25	See Kits	1	Locking Insert	
26	8526011	1	Threadlocker, Loctite #271 (250cc)	
		Ref	KITS	
27	8035326	1	Seal Kit (Includes Items 16 thru 25)	

SECTION 6 - HYDRAULIC COMPONENTS

FIGURE 6-5. UNLOADER VALVE



PT0360

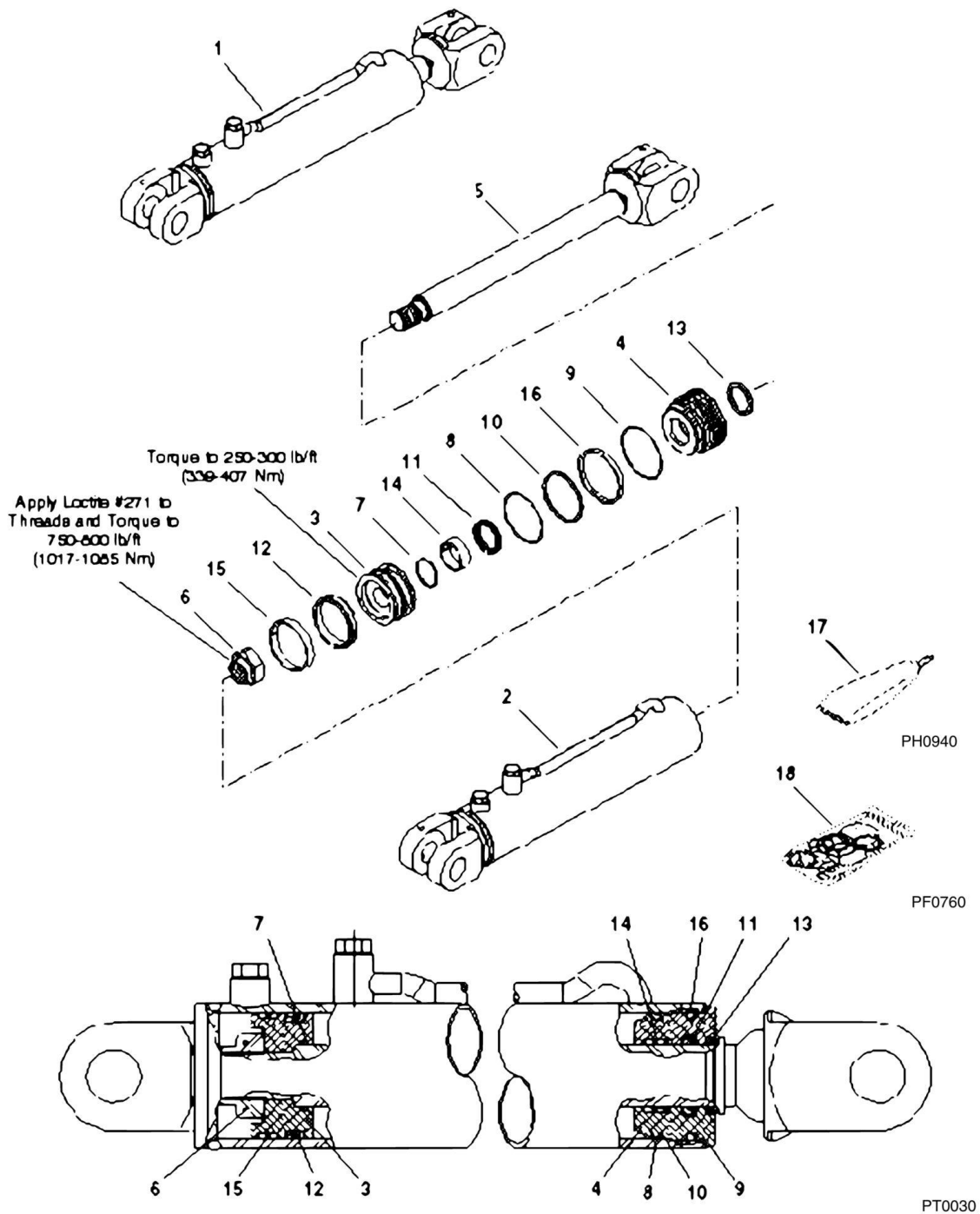
SECTION 6 - HYDRAULIC COMPONENTS

FIGURE 6-5. UNLOADER VALVE

ITEM	PART NUMBER	QTY	DESCRIPTION	REV
1	8902200	1	Valve, Unloader (Includes Items 2 thru 4)	
2	8035775	1	Valve, Differential Pressure Sense	
3	8036356	1	Valve, Relief	
4	8035774	1	Valve, Check - Preset at 125 psi (8,6 bar)	

SECTION 6 - HYDRAULIC COMPONENTS

FIGURE 6-6. SLAVE CYLINDER



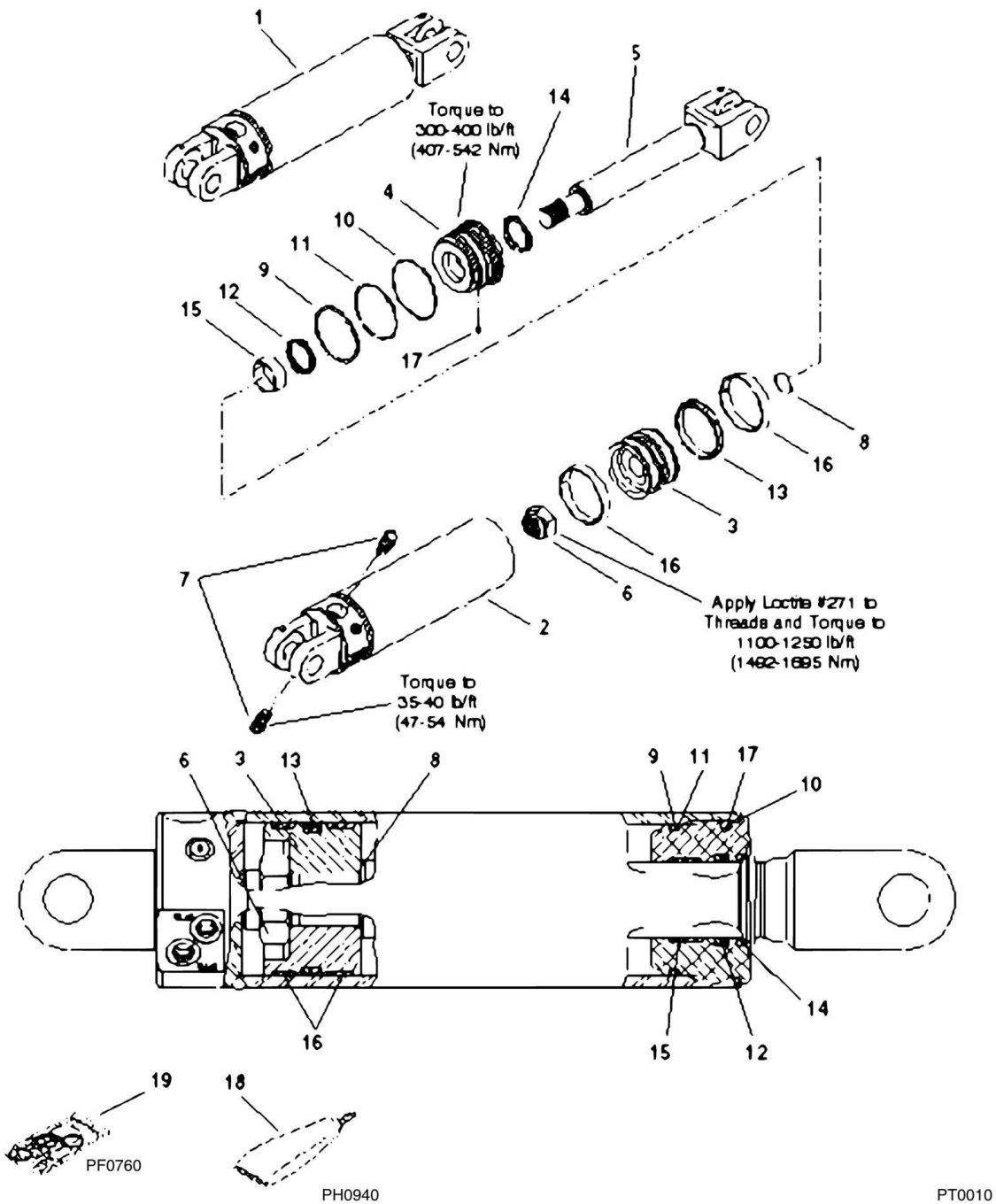
SECTION 6 - HYDRAULIC COMPONENTS

FIGURE 6-6. SLAVE CYLINDER

ITEM	PART NUMBER	QTY	DESCRIPTION	REV
1	2716373	1	Cylinder, Slave (Includes Items 2 thru 16)	
2	N.S.S.	1	Tube	
3	8035550	1	Piston	
4	8035549	1	Gland, Head	
5	8035548	1	Rod, Weldment	
6	8035547	1	Nut, Hex Lock 1.375-12 UNF	
7	See Kits	1	O-Ring	
8	See Kits	1	O-Ring	
9	See Kits	1	O-Ring	
10	See Kits	1	Ring, Back-Up	
11	See Kits	1	Z-Seal, Deep - w/Rod Back-Up	
12	See Kits	1	T-Seal, Capped	
13	See Kits	1	Wiper, Hd. Rod - Sealed O.D.	
14	See Kits	1	Wearband, Precision	
15	See Kits	1	Wearband, Precision	
16	See Kits	1	Locking Insert	
17	8526011	AR	Threadlocker, Loctite #271 (250cc)	
		Ref	KITS	
18	8035546	1	Seal Kit, Slave Cylinder (Includes Items 7 thru 16)	

SECTION 6 - HYDRAULIC COMPONENTS

FIGURE 6-7. FRAME TILT CYLINDER



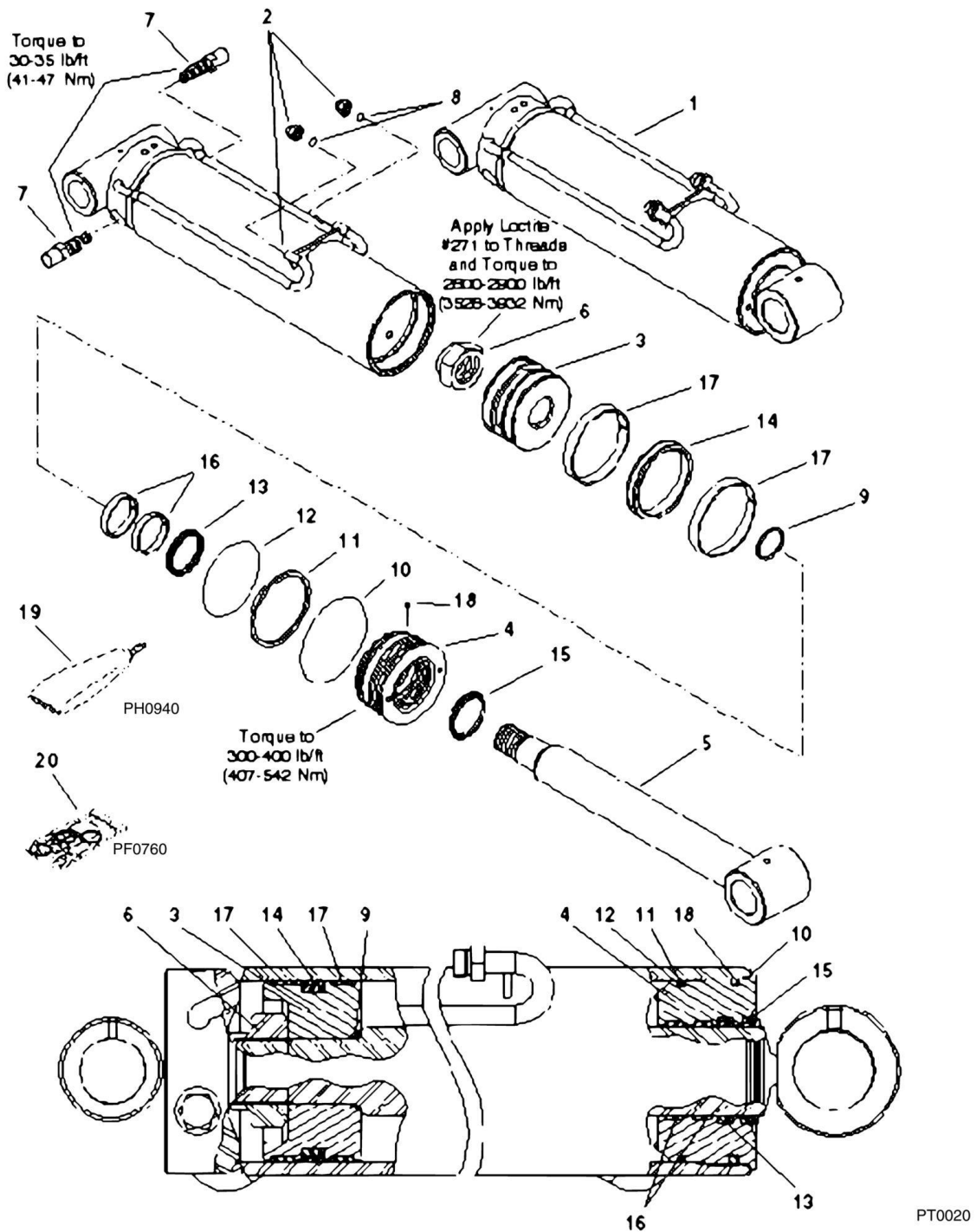
SECTION 6 - HYDRAULIC COMPONENTS

FIGURE 6-7. FRAME TILT CYLINDER

ITEM	PART NUMBER	QTY	DESCRIPTION	REV
1	2716563	1	Cylinder, Frame Tilt (Includes Items 2 thru 17)	
2	N.S.S.	1	Tube, Weldment	
3	8035323	1	Piston	
4	8035324	1	Gland, Head	
5	8035758	1	Rod, Weldment	
6	8035322	1	Nut, Hex Lock 1.50-12 UNF	
7	8035757	2	Valve, PO Check Valve - Series 10	
8	See Kits	1	O-Ring	
9	See Kits	1	O-Ring	
10	See Kits	1	O-Ring	
11	See Kits	1	Ring, Back-Up	
12	See Kits	1	Z-Seal, Deep - w/Rod Back-Up	
13	See Kits	1	T-Seal, Type 730 Capped	
14	See Kits	1	Wiper, Hd. Rod - Sealed O.D.	
15	See Kits	1	Wearband, Precision	
16	See Kits	2	Wearband, Precision	
17	See Kits	1	Locking Insert	
18	8526011	AR Ref	Threadlocker, Loctite #271 (250cc) KITS	
19	8035326	1	Seal Kit (Includes Items 8 thru 17)	

SECTION 6 - HYDRAULIC COMPONENTS

FIGURE 6-8. ATTACHMENT TILT CYLINDER



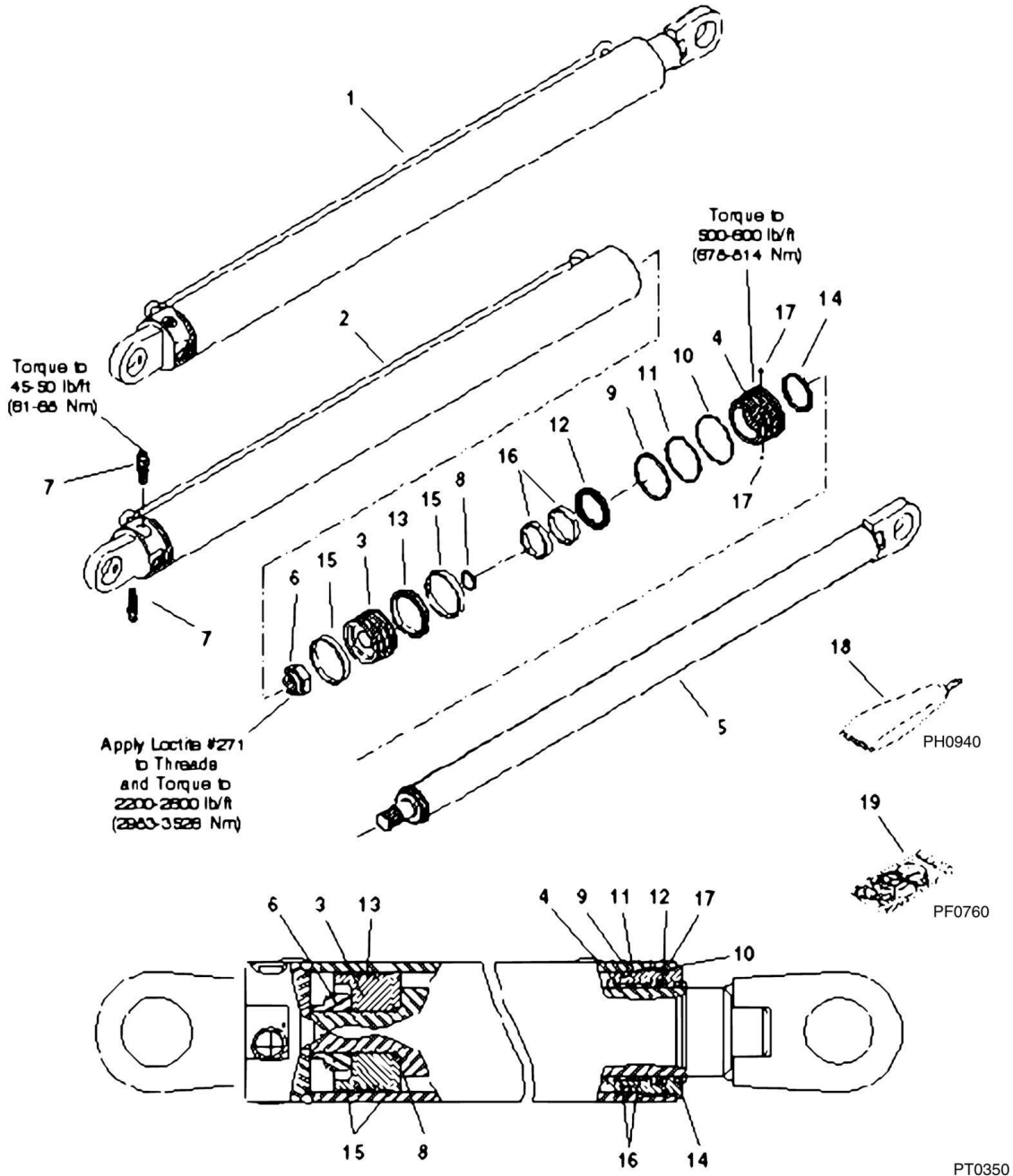
SECTION 6 - HYDRAULIC COMPONENTS

FIGURE 6-8. ATTACHMENT TILT CYLINDER

ITEM	PART NUMBER	QTY	DESCRIPTION	REV
1	2716333	1	Cylinder, Attachment Tilt (Includes Items 2 thru 18)	
2	N.S.S.	1	Tube	
3	8035309	1	Piston	
4	8035553	1	Gland, Head	
5	8035552	1	Rod, Weldment	
6	8035308	1	Nut, Hex Lock 2.00-12 UN	
7	8035321	2	Valve, CB - CCC Preset at 4000 psi (275,8 bar)	
8	See Kits	2	O-Ring	
9	See Kits	1	O-Ring	
10	See Kits	1	O-Ring	
11	See Kits	1	O-Ring	
12	See Kits	1	Ring, Back-Up	
13	See Kits	1	Z-Seal, Deep - w/Rod Back-Up	
14	See Kits	1	T-Seal, Capped	
15	See Kits	1	Wiper, Hd. Rod - Sealed O.D.	
16	See Kits	2	Wearband, Precision	
17	See Kits	2	Wearband, Precision	
18	See Kits	2	Locking Insert	
19	8526011	AR	Threadlocker, Loctite #271 (250cc)	
		Ref	KITS	
20	8035551	1	Seal Kit (Includes Items 8 thru 18)	

SECTION 6 - HYDRAULIC COMPONENTS

FIGURE 6-9. HOIST CYLINDER



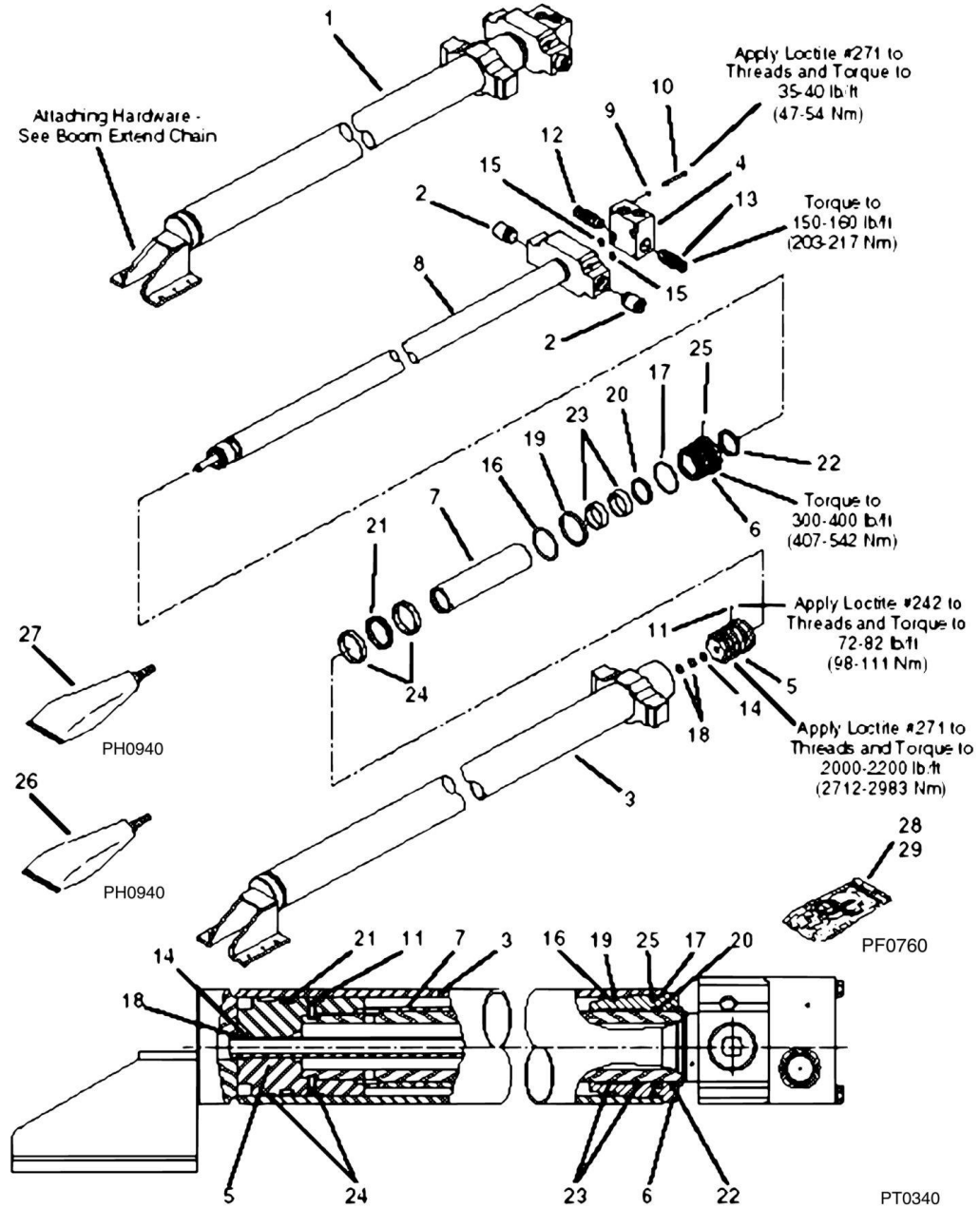
SECTION 6 - HYDRAULIC COMPONENTS

FIGURE 6-9. HOIST CYLINDER

ITEM	PART NUMBER	QTY	DESCRIPTION	REV
1	2716423	1	Cylinder, Hoist (Includes Items 2 thru 17)	
2	N.S.S.	1	Tube, Weldment	
3	8035309	1	Piston	
4	8035759	1	Gland, Head	
5	8035543	1	Rod, Weldment	
6	8035308	1	Nut, Hex Lock 2.00-12 UN	
7	8035542	2	Valve, CB - CBEA-LHN 4000 psi (275,8 bar)	
8	See Kits	1	O-Ring	
9	See Kits	1	O-Ring	
10	See Kits	1	O-Ring	
11	See Kits	1	Ring, Back-Up	
12	See Kits	1	Z-Seal, Deep - w/Rod Back-Up	
13	See Kits	1	T-Seal, Capped	
14	See Kits	1	Wiper, Hd. Rod - Sealed O.D.	
15	See Kits	2	Wearband, Precision	
16	See Kits	2	Wearband, Precision	
17	See Kits	2	Locking Insert	
18	8526011	AR	Threadlocker, Loctite #271 (250cc)	
		Ref	KITS	
19	8035760	1	Seal Kit (Includes Items 8 thru 17)	

SECTION 6 - HYDRAULIC COMPONENTS

FIGURE 6-10. EXTEND CYLINDER (Prior to SN 13714)



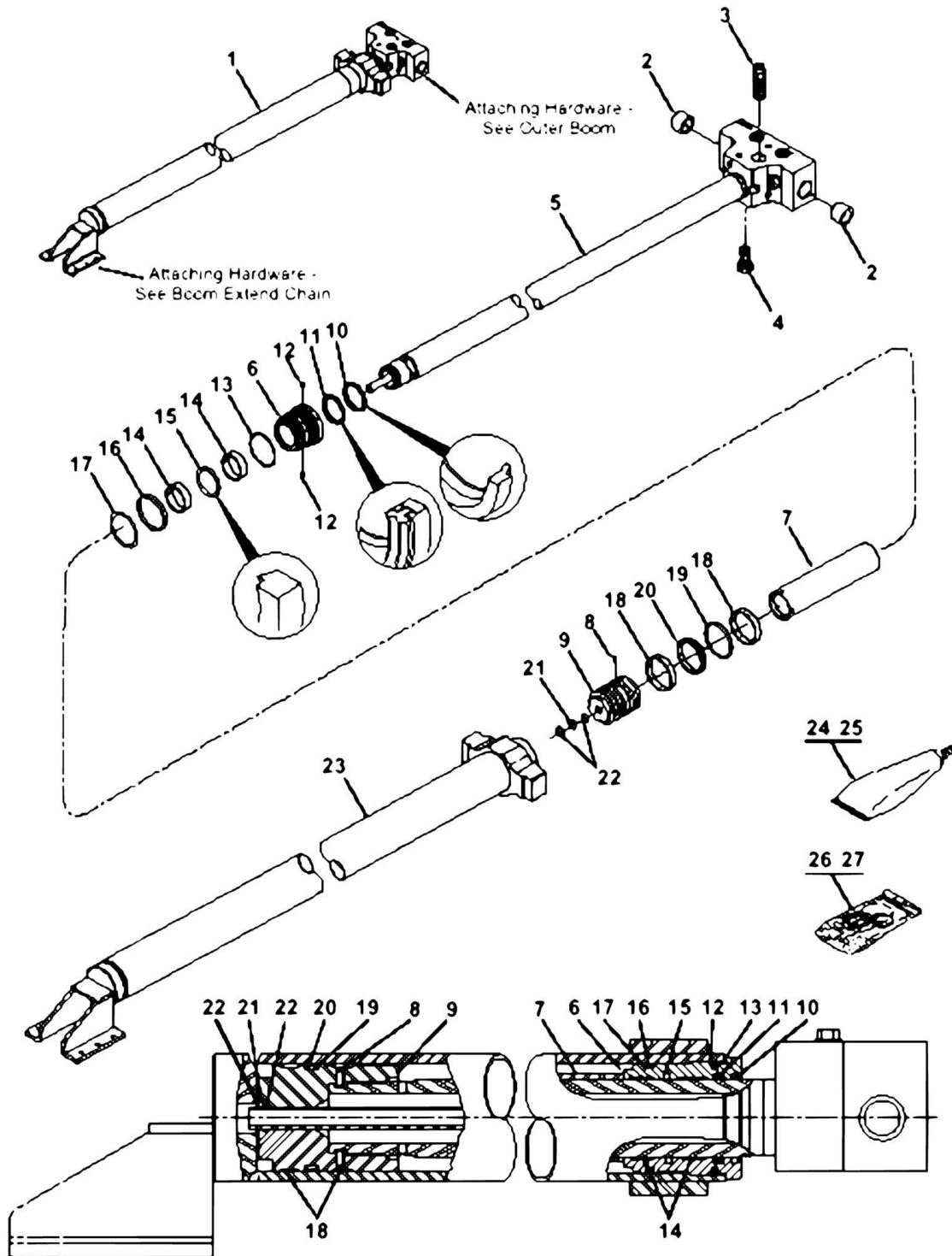
SECTION 6 - HYDRAULIC COMPONENTS

FIGURE 6-10. EXTEND CYLINDER (Prior to SN 13714)

ITEM	PART NUMBER	QTY	DESCRIPTION	REV
1	N.L.A.	1	OBSOLETE Cylinder, Extend (Includes Items 2 thru 25) r/b - See Extend Cylinder) (SN 13714 to Present)	
2	8035761	2	Trunnion Pin Assembly	
3	N.S.S.	1	Tube, Weldment (Order Item 1)	
4	8035762	1	Block, Aluminum Manifold	
5	8035763	1	Piston	
6	8035764	1	Gland, Head	
7	8035765	1	Spacer, Rod	
8	8035766	1	Rod, Weldment	
9	8035767	4	Washer, Lock Spring 3/8" ZP	
10	8035768	4	HHCS, 3/8-16 UNC x 1.75" Gr. 8 Z	
11	8035769	1	Screw, Set 5/16-18 UNC x .75" Long	
12	8902271	1	Valve, CB - 4000 psi (275,8 bar) (See Kits)	
13	8036229	1	Valve, PO Check (See Kits)	
14	See Kits	1	O-Ring	
15	See Kits	2	O-Ring	
16	See Kits	1	O-Ring	
17	See Kits	1	O-Ring	
18	See Kits	2	Ring, Back-Up - Dynamic	
19	See Kits	1	Ring, Back-Up	
20	See Kits	1	Z-Seal, Deep - w/Rod Back-Up	
21	See Kits	1	T-Seal, Capped	
22	See Kits	1	Wiper, Hd. Rod - Sealed O.D.	
23	See Kits	2	Wearband, Precision	
24	See Kits	2	Wearband, Precision	
25	See Kits	2	Locking Insert	
26	8526011	AR	Threadlocker, Loctite #271 (250cc)	
27	8526036	AR	Threadlocker, Loctite #242 (.02 fl. oz.)	
28	8036328	1	Seal Kit, Complete Cylinder (Includes Items 14 thru 25)	
29	8205656	1	Seal Kit (For Item 12 and 13)	

SECTION 6 - HYDRAULIC COMPONENTS

FIGURE 6-11. EXTEND CYLINDER (SN 13714 to Present)



SECTION 6 - HYDRAULIC COMPONENTS

FIGURE 6-11. EXTEND CYLINDER (SN 13714 to Present)

ITEM	PART NUMBER	QTY	DESCRIPTION	REV
1	2716736	1	Cylinder, Extend/Retract (Includes Items 2 thru 23)	
2	8036230	2	Bushing, DU	
3	8036459	1	Valve, CB 4000 psi (275, 8 bar) (See Kits)	
4	8032737	1	Valve, PO Check (See Kits)	
5	8035766	1	Rod, Weldment	
6	8035764	1	Gland, Head	
7	8035765	1	Spacer, Rod	
8	8035769	1	Screw, Set 5/16-18 UNC x .75" Long	
9	8035763	1	Piston	
10	See Kits	1	Wiper, Hd. Rod - Sealed O.D.	
11	See Kits	1	U-Cup, BT	
12	See Kits	2	Locking Insert	
13	See Kits	1	O-Ring	
14	See Kits	2	Wearband, Precision	
15	See Kits	1	Seal, TFE Buffer	
16	See Kits	1	Ring, Back-Up	
17	See Kits	1	O-Ring	
18	See Kits	2	Wearband, Precision	
19	See Kits	1	Square Ring	
20	See Kits	1	SEAL, PISTON	
21	See Kits	1	O-Ring	
22	See Kits	2	Ring, Back-Up - Dynamic	
23	N.S.S.	1	Tube, Weldment (Order Item 1)	
24	8526011	AR	Threadlocker, Loctite #271 (250cc)	
25	8526036	AR	Threadlocker, Loctite #242 (.02 fl. oz.)	
26	8036328	1	Seal Kit, Complete Cylinder (Includes Items 10 thru 22)	
27	8205656	1	Seal Kit (For Items 3 and 4)	

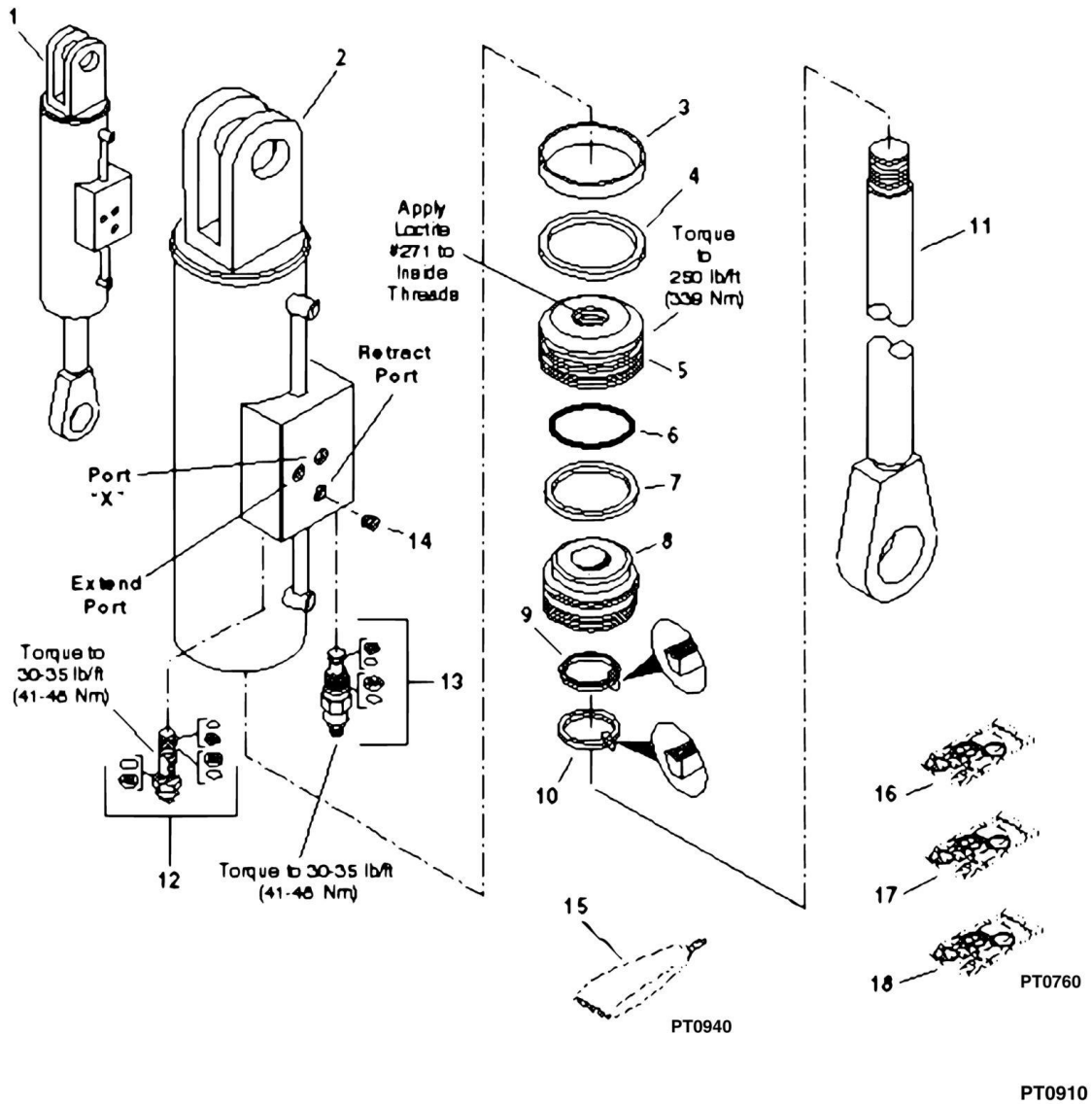
SECTION 6 - HYDRAULIC COMPONENTS

FIGURE 6-12. SWING CARRIAGE CYLINDER (EARLY PRODUCTION) (OPTIONAL)

IMPORTANT:

There are two similar but distinctly different Swing Carriage Cylinders. Make sure you know which version you have before ordering replacement parts. On "Early Production" cylinders, the gland is installed flush with the cylinder tube and has "TJB" stamped on the gland. On the "Current Production" cylinders, the gland has a lip that bottoms out against the cylinder tube.

EARLY PRODUCTION **CURRENT PRODUCTION**



SECTION 6 - HYDRAULIC COMPONENTS

FIGURE 6-12. SWING CARRIAGE CYLINDER (EARLY PRODUCTION) (OPTIONAL)

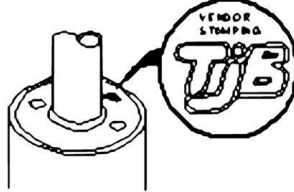
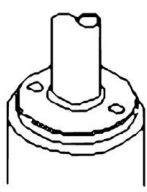
ITEM	PART NUMBER	QTY	DESCRIPTION	REV
1	2713363	1	Cylinder, Swing Carriage (Includes Items 2 thru 14)	
2	N.S.S.	1	Tube, Cylinder	
3	See Kits	1	Ring, Wear	
4	See Kits	1	Seal, Piston	
5	8033783	1	Piston	
6	See Kits	1	O-Ring	
7	See Kits	1	Ring, Back-Up	
8	8033784	1	Gland	
9	See Kits	1	Seal, Rod	
10	See Kits	1	Wiper	
11	8033785	1	Rod	
12	8033786	1	Valve, Counterbalance Cartridge - Preset to 3000 psi (207 bar)	
13	70020428	1	Valve, Direct Acting Relief - Preset to 2000 psi (138 bar)	
14	8033788	1	Orifice .038 Dia	
15	8526011	AR Ref	Threadlocker, Loctite #271 (250cc) KITS	
16	8033789	1	Seal Kit, Swing Carriage Cylinder (Includes Items 3, 4, 6, 7, 9 & 10)	
17	8205655	1	Seal Kit, Valve For Item 12 (Includes 3 O-Rings & 3 Back-Up Rings)	
18	7024574	1	Seal Kit, Valve For Item 13 (Includes 2 O-Rings, 1 Back-Up Ring & 1 Glyd Ring)	

SECTION 6 - HYDRAULIC COMPONENTS

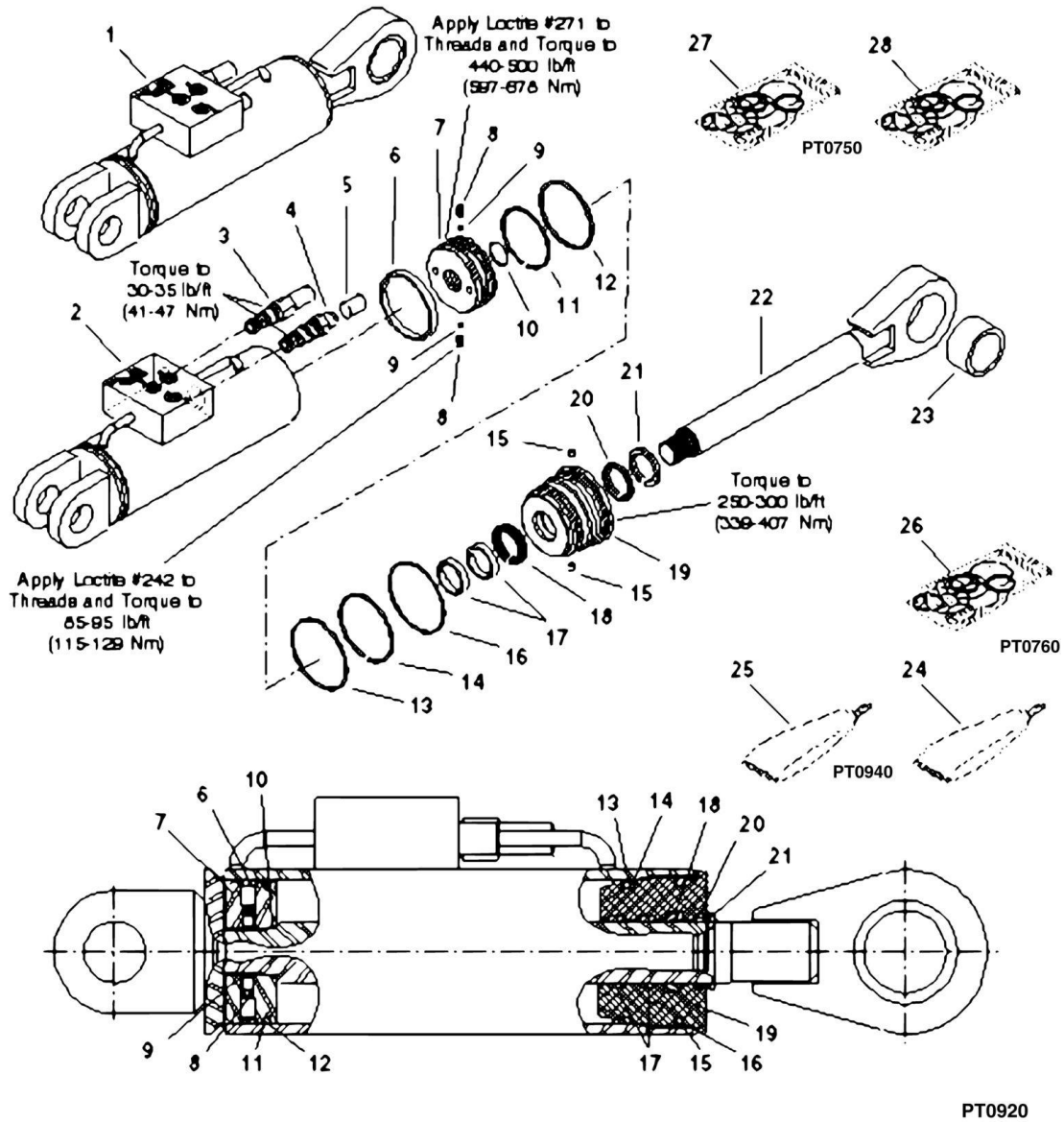
FIGURE 6-13. SWING CARRIAGE CYLINDER (CURRENT PRODUCTION) (OPTIONAL)

IMPORTANT:

There are two similar but distinctly different Swing Carriage Cylinders. Make sure you know which version you have before ordering replacement parts. On "Early Production" cylinders, the gland is installed flush with the cylinder tube and has "TJB" stamped on the gland. On the "Current Production" cylinders, the gland has a lip that bottoms out against the cylinder tube.

EARLY PRODUCTION
CURRENT PRODUCTION



SECTION 6 - HYDRAULIC COMPONENTS

FIGURE 6-13. SWING CARRIAGE CYLINDER (CURRENT PRODUCTION) (OPTIONAL)

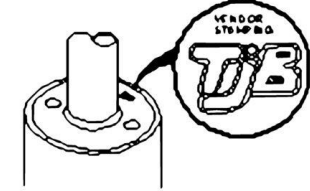
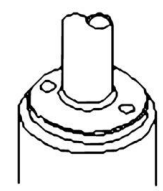
ITEM	PART NUMBER	QTY	DESCRIPTION	REV
1	2716153	1	Cylinder, Side Tilt Carriage	
2	8035864	1	Tube, Weldment	
3	70020428	1	Valve, Relief	
4	8033786	1	Valve, Counterbalance	
5	N.S.S.	1	Cap	
6	See Kits	1	Wearband, Precision	
7	8035863	1	Piston	
8	8035536	2	Screw, Set 5/16-18 UNC x .5in	
9	See Kits	2	Locking Insert	
10	See Kits	1	O-Ring	
11	See Kits	1	Ring, Square	
12	See Kits	1	Seal, Square Section TFE Piston	
13	See Kits	1	O-Ring	
14	See Kits	1	Ring, Back-Up	
15	See Kits	2	Locking Insert	
16	See Kits	1	O-Ring	
17	See Kits	2	Wearband, Precision	
18	See Kits	1	Z-Seal, Deep	
19	8035862	1	Gland, Head	
20	See Kits	1	Wiper, Hd Rod, Sealed	
21	N.S.S.	1	Ring, Square	
22	8035861	1	Rod, Weldment	
23	8065062	1	Bearing, Duralon Journal	
24	8526011	AR	Threadlocker, Loctite #271 (250cc)	
25	8526036	AR	Threadlocker, Loctite #242 (.02 fl. oz.)	
		Ref	KITS	
26	8035830	1	Seal Kit (Includes Items 6, 9 thru 18 & 20)	
27	8025655	1	Seal Kit, For Item 4 Counterbalance Valve	
28	7024574	1	Seal Kit, For Item 3 Relief Valve	

SECTION 6 - HYDRAULIC COMPONENTS

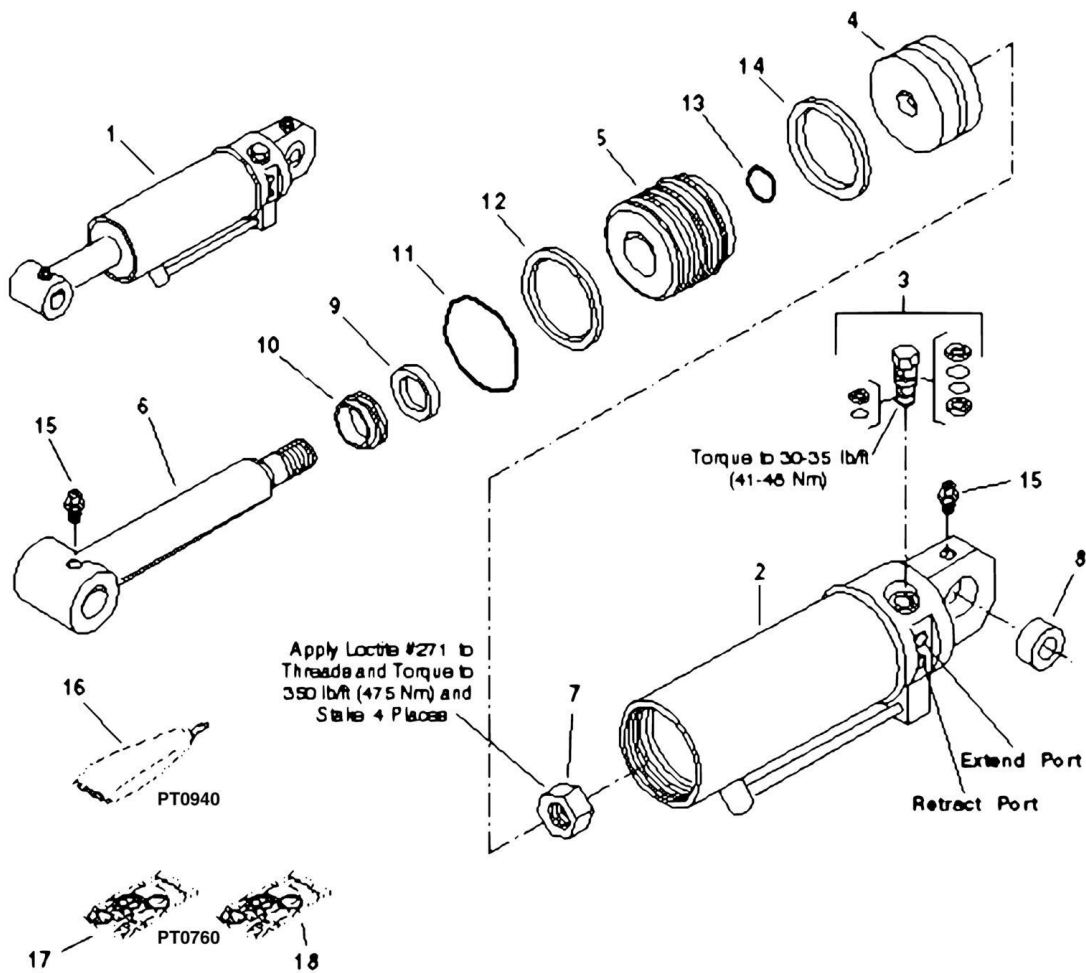
FIGURE 6-14. SIDE TILT CARRIAGE CYLINDER (EARLY PRODUCTION) (OPTIONAL)

IMPORTANT:

There are two similar but distinctly different Side Tilt Carriage Cylinders. Make sure you know which version you have before ordering replacement parts. On "Early Production" cylinders, the gland is installed flush with the cylinder tube and has "TJB" stamped on the gland. On the "Current Production" cylinders, the gland has a lip that bottoms out against the cylinder tube.

EARLY PRODUCTION
CURRENT PRODUCTION



PT0900

SECTION 6 - HYDRAULIC COMPONENTS

FIGURE 6-14. SIDE TILT CARRIAGE CYLINDER (EARLY PRODUCTION) (OPTIONAL)

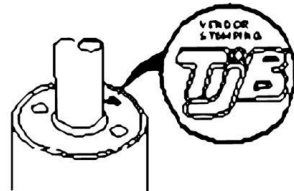
ITEM	PART NUMBER	QTY	DESCRIPTION	REV
1	2711613	1	Cylinder, Side Tilt Carriage (Includes Items 2 thru 14)	
2	N.S.S.	1	Tube, Cylinder	
3	8902511	2	Valve, Pilot Check	
4	8205545	1	Piston	
5	8205546	1	Gland	
6	8205547	1	Rod	
7	8205548	1	Nut, Piston	
8	8205514	1	Bearing, Self Aligning	
9	See Kits	1	Seal, Rod	
10	See Kits	1	Wiper	
11	See Kits	1	O-Ring	
12	See Kits	1	Ring, Back-Up	
13	See Kits	1	O-Ring	
14	See Kits	1	Seal, Piston	
15	8520013	2	Fitting, Grease	
16	8526011	AR	Threadlocker, Loctite #271 (250cc)	
16		Ref	KITS	
17	8205661	1	Seal Kit, Side Tilt Carriage Cylinder (Includes Items 9 thru 14)	
18	8205655	1	Seal Kit, For Item 3 Pilot Check Valve	

SECTION 6 - HYDRAULIC COMPONENTS

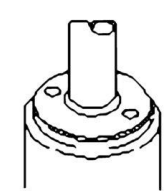
FIGURE 6-15. SIDE TILT CARRIAGE CYLINDER (CURRENT PRODUCTION) (OPTIONAL)

IMPORTANT:

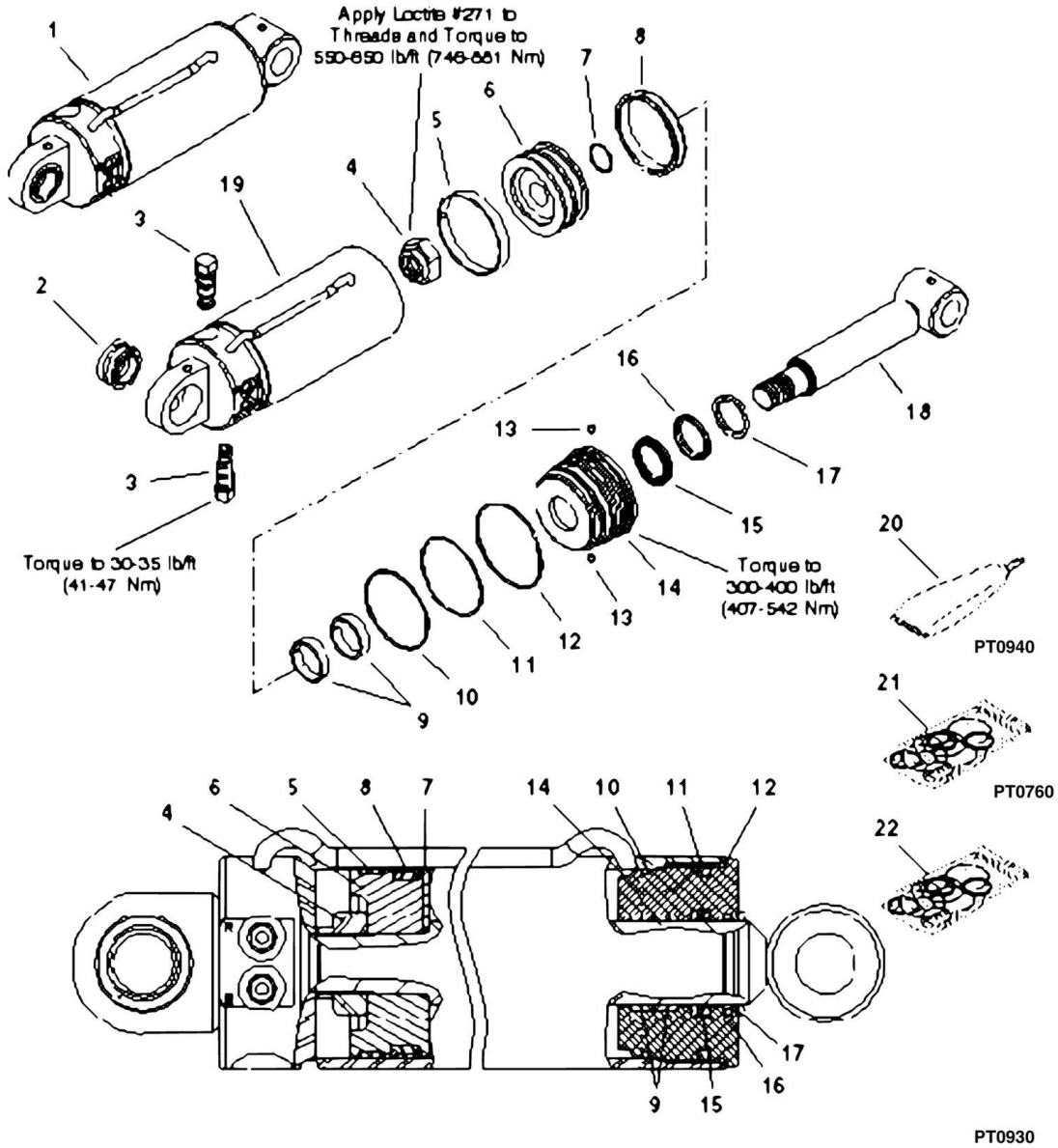
There are two similar but distinctly different Side Tilt Carriage Cylinders. Make sure you know which version you have before ordering replacement parts. On "Early Production" cylinders, the gland is installed flush with the cylinder tube and has "TJB" stamped on the gland. On the "Current Production" cylinders, the gland has a lip that bottoms out against the cylinder tube.



EARLY PRODUCTION



CURRENT PRODUCTION



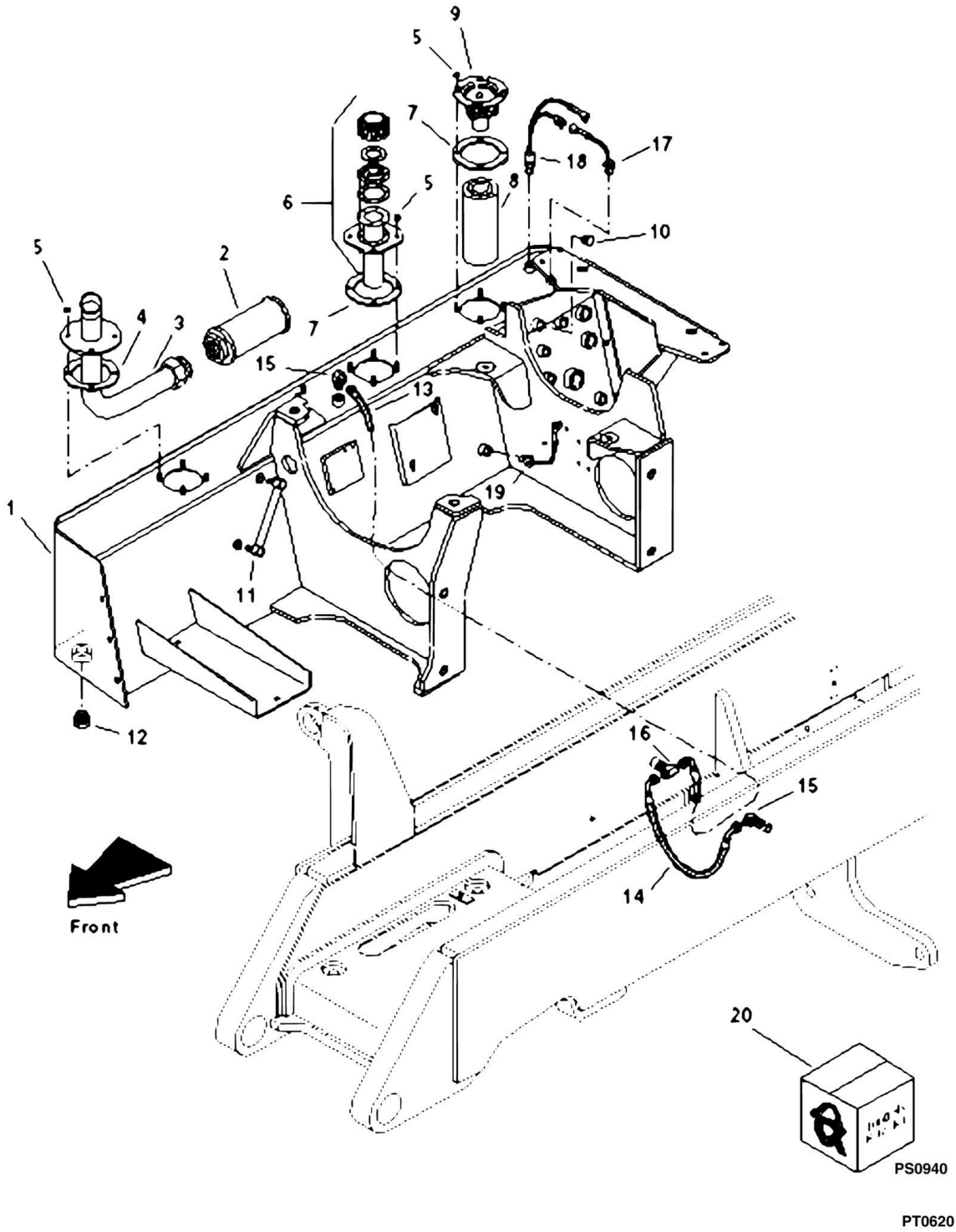
SECTION 6 - HYDRAULIC COMPONENTS

FIGURE 6-15. SIDE TILT CARRIAGE CYLINDER (CURRENT PRODUCTION) (OPTIONAL)

ITEM	PART NUMBER	QTY	DESCRIPTION	REV
1	2716143	1	Cylinder, Side Tilt Carriage (Includes Items 2 thru 19)	
2	8036451	1	Bearing, Spherical	
3	8902511	2	Valve, Check	
4	8035865	1	Locknut	
5	See Kits	1	Wearband, Precision	
6	8035868	1	Piston	
7	See Kits	1	O-Ring	
8	See Kits	1	T-Seal, Capped	
9	See Kits	2	Wearband, Precision	
10	See Kits	1	O-Ring	
11	See Kits	1	Ring, Back-Up	
12	See Kits	1	O-Ring	
13	See Kits	2	Locking Insert	
14	8035867	1	Gland, Head	
15	See Kits	1	Z-Seal, Deep	
16	See Kits	1	Wiper, Hd. Rod - Sealed O.D.	
17	N.S.S.	1	Ring, Square	
18	8035866	1	Rod, Weldment	
19	8035869	1	Tube, Weldment	
20	8526011	1	Threadlocker, Loctite #271 (250cc)	
		Ref	KITS	
21	8035831	1	Seal Kit (Includes Items 5, 7 thru 13, 15 & 16)	
22	8205655	1	Seal Kit, For Item 3 Check Valve	

SECTION 6 - HYDRAULIC COMPONENTS

FIGURE 6-16. HYDRAULIC RESERVOIR



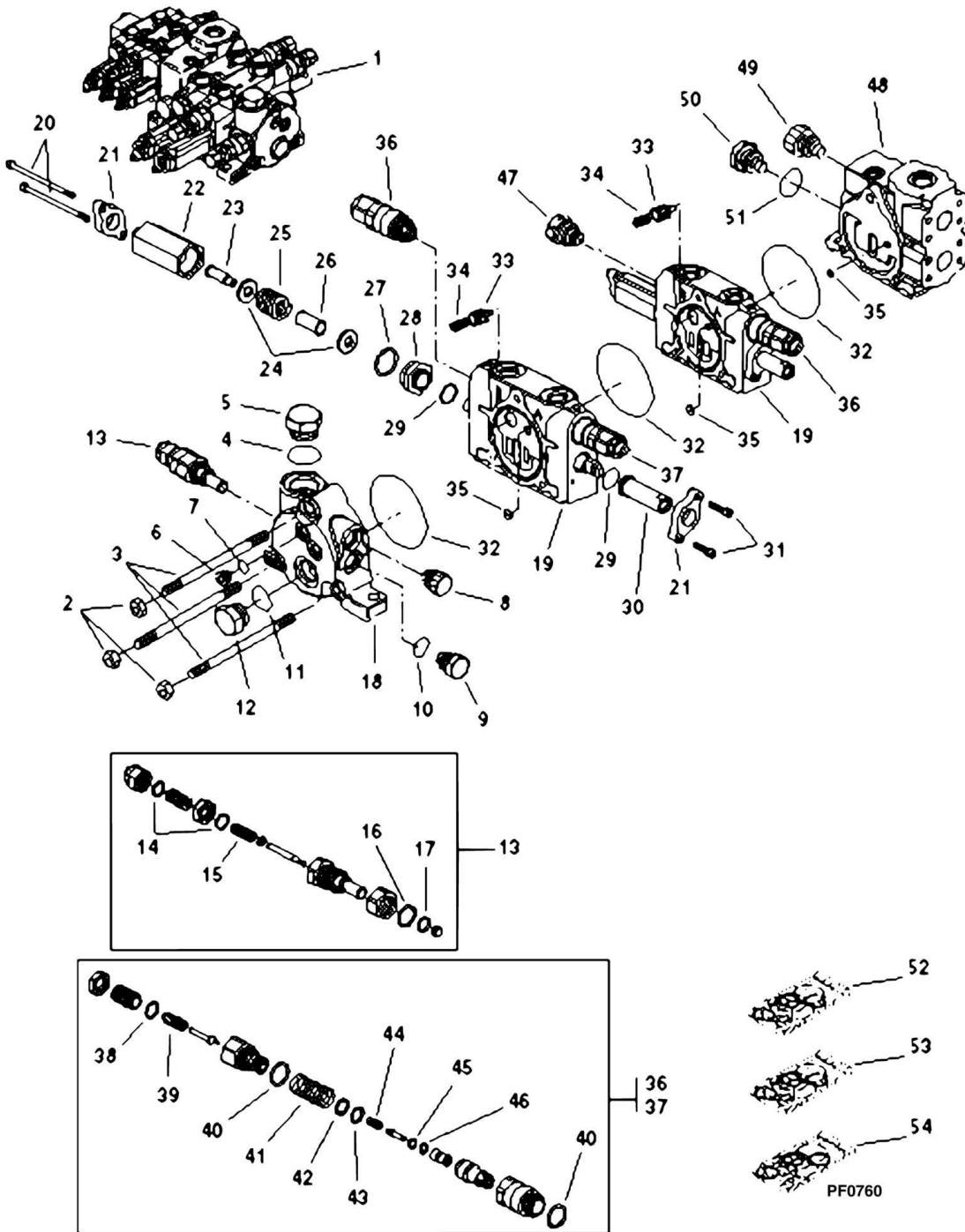
SECTION 6 - HYDRAULIC COMPONENTS

FIGURE 6-16. HYDRAULIC RESERVOIR

ITEM	PART NUMBER	QTY	DESCRIPTION	REV
1	7137164	1	Hydraulic Reservoir/Engine Mount	
2	8324029	1	Strainer	
3	7138210	1	Tube Assembly	
4	7094552	1	Gasket	
5	8305626	12	Nut, Hex Lock 0.312-18 NC	
6	7136422	1	Fill Neck Assembly	
7	7138209	2	Gasket	
8	8320265	1	Element, Filter (See Kits)	
9	7094562	1	Head, Filter	
10	8760419	1	Plug, SAE 8, 3/4-16 UNF-2A	
11	8464013	1	Sight Gauge	
12	8770001	1	Plug, 1.875-12 THD	
13	2716647	1	Hose, 0.50 x 64.88in	
14	2716646	1	Hose, 0.50 x 23.50in	
15	8770114	2	Elbow, 90	
16	8770126	1	Tee, Branch	
17	8223227	1	Switch, Temperature 100F (38C)	
18	8223526	1	Switch, Oil Pressure 20 psi (1,4 kPa)	
19	8223226	1	Switch, Temperature 95F (35C)	
		Ref	KITS	
20	7139238	1	1000 Hour Filter Kit (Includes 6 Filters: Engine Oil Filter, Fuel Filter, Both Air Filters, Transmission Oil Filter and Hydraulic Oil Filter)	

SECTION 6 - HYDRAULIC COMPONENTS

FIGURE 6-17. MAIN CONTROL VALVE (BOOM EXTEND AND HOIST SECTIONS)



PT0740

SECTION 6 - HYDRAULIC COMPONENTS

FIGURE 6-17. MAIN CONTROL VALVE (BOOM EXTEND AND HOIST SECTIONS)

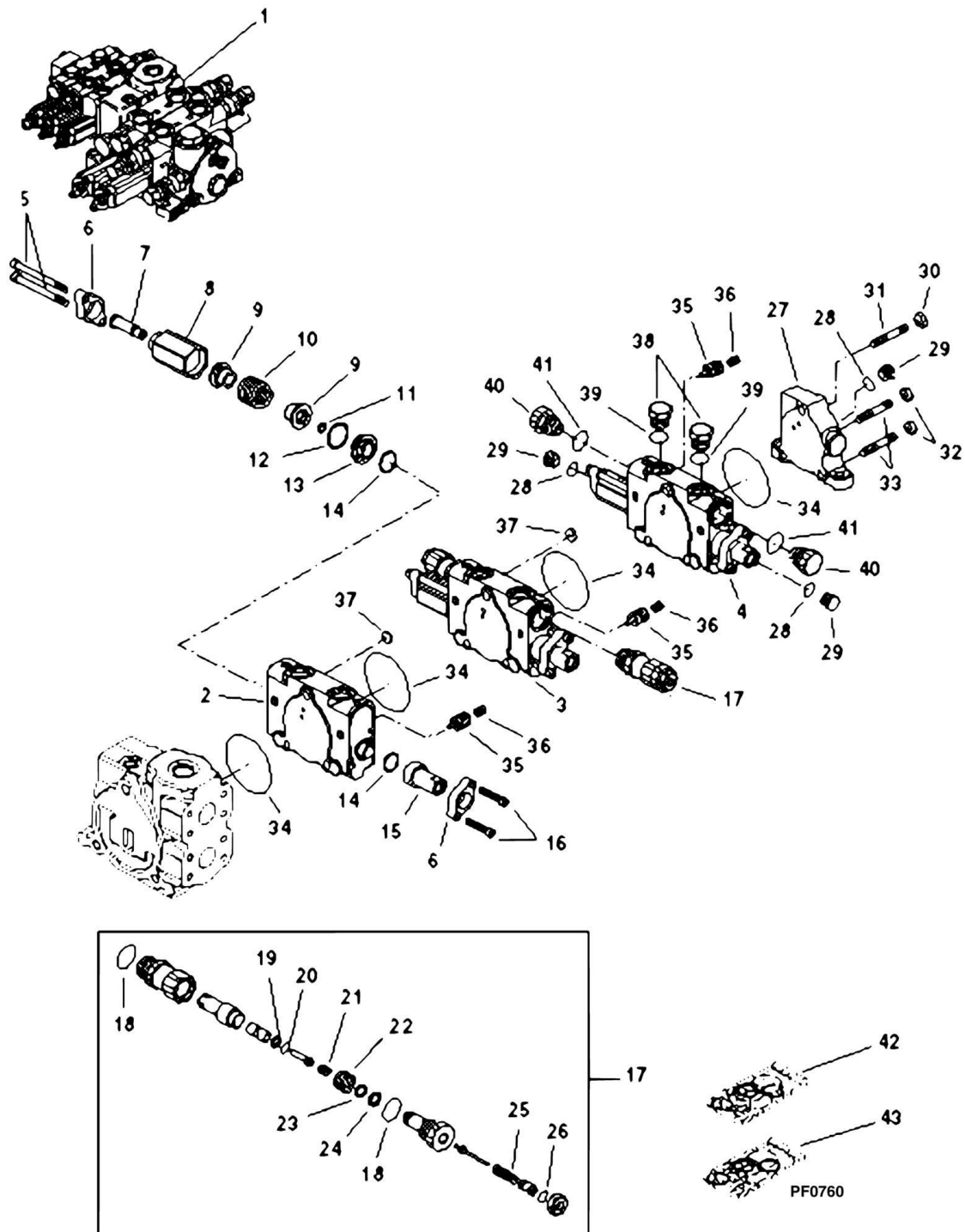
ITEM	PART NUMBER	QTY	DESCRIPTION	REV
1	8902189	1	Valve, Main Control (w/Auxiliary Hydraulics) (Includes Items 2, 3, 8, 13 thru 49 & Additional Items on Frame Tilt and Attachment Tilt Section)	
1	8902201	1	Valve, Main Control (w/o Auxiliary Hydraulics) (Includes Items 2 thru 51 & Additional Items on Frame Tilt and Attachment Tilt Section)	
2	8035347	3	Nut	
3	8035380	3	Tie Rod	
4	See Kits	1	O-Ring (w/o Auxiliary Hydraulics)	
5	8035835	1	Plug (w/o Auxiliary Hydraulics)	
6	8035843	1	Plug (w/o Auxiliary Hydraulics)	
7	See Kits	1	O-Ring (w/o Auxiliary Hydraulics)	
8	8035841	1	Shut-Off Plug Assembly	
9	8035834	1	Plug (w/o Auxiliary Hydraulics)	
10	See Kits	1	O-Ring (w/o Auxiliary Hydraulics)	
11	See Kits	1	O-Ring (w/o Auxiliary Hydraulics)	
12	8035836	1	Plug (w/o Auxiliary Hydraulics)	
13	8035844	1	Main Relief Valve Assembly	
14	See Kits	1	O-Ring	
15	See Kits	1	Spring	
16	See Kits	1	O-Ring	
17	See Kits	1	O-Ring	
18	8035851	1	Outlet Section Assembly	
19	8035850	1	Section Assembly - Boom Extend (Includes Items 20 thru 31)	
20	8035377	2	SHCS	
21	8035368	2	Retainer	
22	8035370	1	Cap, Spool	
23	8035362	1	Screw, Shoulder Socket Hd.	
24	8035361	2	Washer, Flat	
25	8035355	1	Spring	
26	8035360	2	Spacer	
27	See Kits	1	O-Ring	
28	8035378	1	Retainer, Spool Cap	
29	See Kits	2	O-Ring	
30	8035369	1	Cap, Spool	
31	8035350	2	SHCS	
32	8034697	3	O-Ring	
33	8035367	2	Poppet	
34	8035358	2	Spring	
35	8035845	3	Shuttle	
36	8036007	2	Relief Valve Assembly - Preset at 3750 50 psi (258 3,4 bar) (Includes Items 38 thru 46)	
37	8035839	1	Relief Valve Assembly - Preset at 3000 50 psi (207 3,4 bar) (Includes Items 38 thru 46)	
38	See Kits	1	O-Ring	
39	See Kits	1	Spring	
40	See Kits	1	O-Ring	
41	See Kits	1	Spring	
42	See Kits	1	Ring, Back-Up	
43	See Kits	1	O-Ring	
44	See Kits	1	Spring	
45	See Kits	1	O-Ring	

SECTION 6 - HYDRAULIC COMPONENTS

ITEM	PART NUMBER	QTY	DESCRIPTION	REV
46	See Kits	1	Ring, Back-Up	
47	8035363	1	Anti-Void Assembly	
48	8035849	1	Mid-Inlet Section Assembly	
49	8035841	1	Shut-Off Plug Assembly	
50	8035834	1	Plug (w/o Auxiliary Hydraulics)	
51	See Kits	1	O-Ring (w/o Auxiliary Hydraulics)	
		Ref	KITS	
52	8035852	1	Seal Kit (Includes Items 4, 7, 10, 11, 27, 32, 51 & Additional Items on Frame Tilt and Attachment Tilt Section)	
53	8035856	1	Seal and Spring Kit, Relief Valve (Includes Items 38 thru 46)	
54	8035857	1	Seal and Spring Kit, Relief Valve (Includes Items 14 thru 17)	

SECTION 6 - HYDRAULIC COMPONENTS

FIGURE 6-18. MAIN CONTROL VALVE (FRAME TILT, ATTACHMENT TILT AND AUXILIARY HYDRAULIC SECTIONS)



PT0750

SECTION 6 - HYDRAULIC COMPONENTS

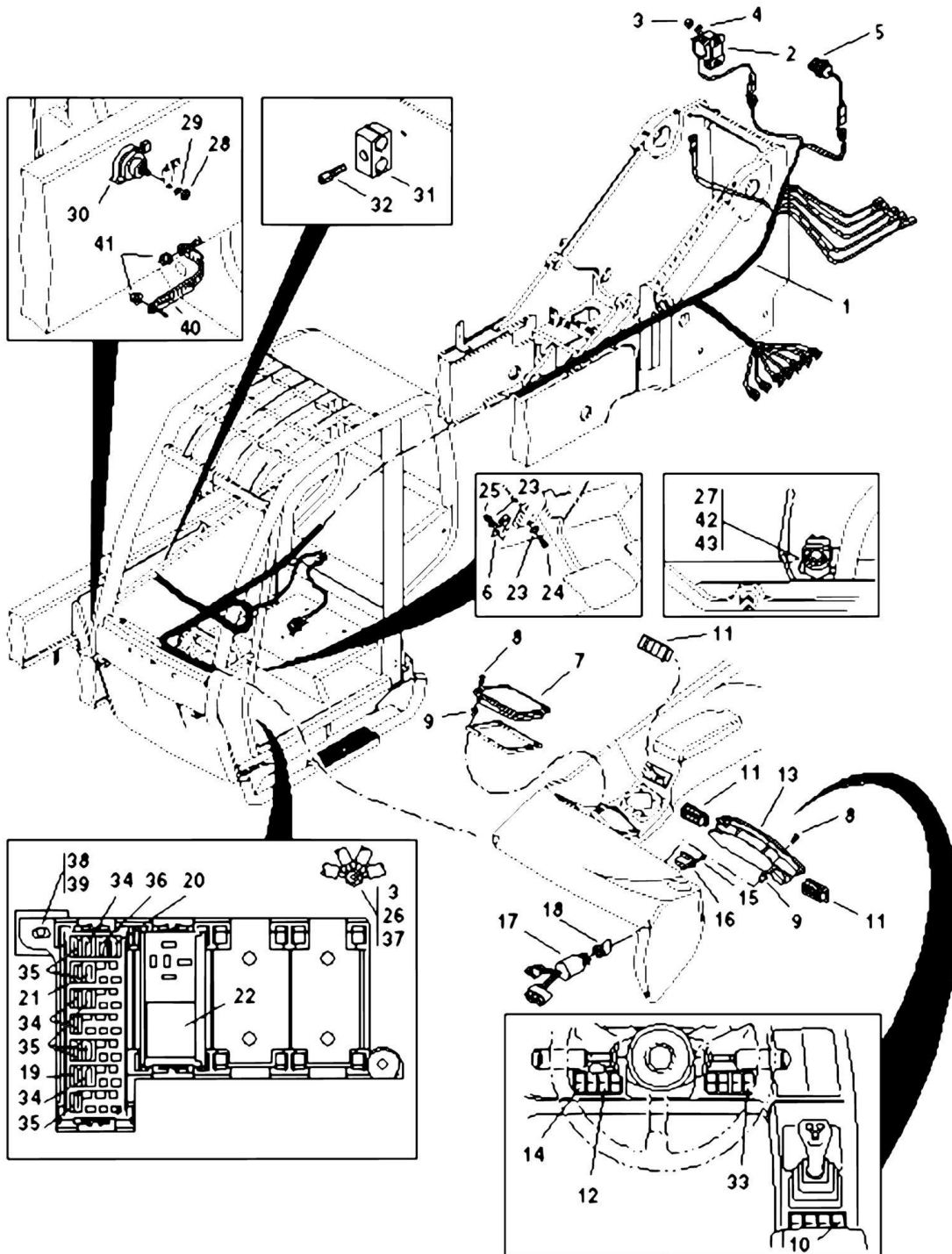
FIGURE 6-18. MAIN CONTROL VALVE (FRAME TILT, ATTACHMENT TILT AND AUXILIARY HYDRAULIC SECTIONS)

ITEM	PART NUMBER	QTY	DESCRIPTION	REV
1	8902189	1	Valve, Main Control (w/Auxiliary Hydraulics) (Includes Items 2 thru 27, 30 thru 37 & Additional Items on Boom Extend and Hoist Section)	
1	8902201	1	Valve, Main Control (w/o Auxiliary Hydraulics) (Includes Items 2 thru 41 & Additional Items on Boom Extend and Hoist Section)	
2	8035846	1	Frame Tilt Section Assembly (Includes Items 5 thru 16)	
3	8035847	1	Attachment Tilt Section Assembly (Includes Items 5 thru 26)	
4	8035847	1	Auxiliary Section Assembly (Includes Items 5 thru 16)	
5	8035359	2	SHCS	
6	8035373	2	Retainer	
7	8035375	1	End, Spool	
8	8035371	1	Cap, Spool	
9	8035376	1	Seat, Spring	
10	8035356	1	Spring	
11	See Kits	1	O-Ring	
12	See Kits	1	O-Ring	
13	8035374	1	Retainer, Spool Cap	
14	See Kits	2	O-Ring	
15	8035372	1	Cap, Spool	
16	8035357	1	SHCS	
17	8035840	2	Relief Valve Assembly (Includes Items 18 thru 26)	
18	See Kits	2	O-Ring	
19	See Kits	1	Ring, Back-Up	
20	See Kits	1	O-Ring	
21	See Kits	1	Spring	
22	See Kits	1	Spring	
23	See Kits	1	O-Ring	
24	See Kits	1	Ring, Back-Up	
25	See Kits	1	Spring	
26	See Kits	1	O-Ring	
27	8035848	1	Outlet Section Assembly	
28	See Kits	4	O-Ring (w/o Auxiliary Hydraulics)	
29	8035843	4	Plug (w/o Auxiliary Hydraulics)	
30	8035346	1	Nut	
31	8035838	1	Tie Rod	
32	8035348	2	Nut	
33	8035837	2	Tie Rod	
34	See Kits	4	O-Ring	
35	8035366	3	Poppet	
36	8035365	3	Spring	
37	8035045	2	Shuttle	
38	8035834	2	Plug (w/o Auxiliary Hydraulics Only)	
39	See Kits	2	O-Ring (w/o Auxiliary Hydraulics Only)	
40	8035842	2	Plug, Shut-Off (w/o Auxiliary Hydraulics Only)	
41	See Kits	2	O-Ring (w/o Auxiliary Hydraulics Only)	
		Ref	KITS	
42	8035852	1	Seal Kit, Entire Valve (Includes Items 11, 12, 14, 28, 34, 39 & Additional Items on Boom Extend and Hoist Sections)	
43	8035855	1	Seal and Spring Kit, Relief Valve (Includes Items 18 thru 26)	

SECTION 7 - ELECTRICAL

SECTION 7 - ELECTRICAL

FIGURE 7-1. ELECTRICAL SYSTEM - CAB HARNESS



PT0690

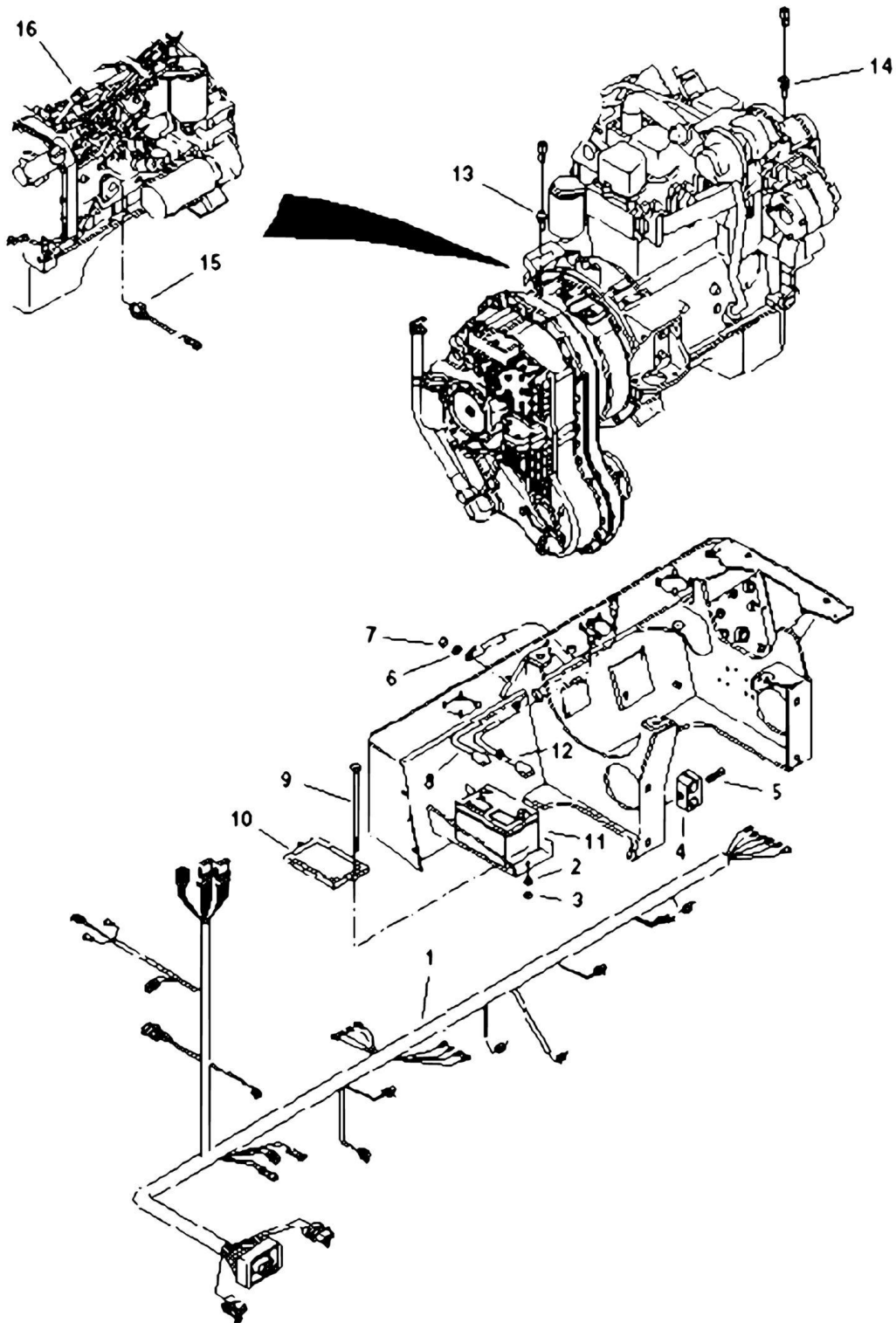
SECTION 7 - ELECTRICAL

FIGURE 7-1. ELECTRICAL SYSTEM - CAB HARNESS

ITEM	PART NUMBER	QTY	DESCRIPTION	REV
1	7135034	1	Harness, Cab	
2	8270621	1	Alarm, Back-up	
3	8305624	3	Nut, Hex Lock Elastic 1/4-20	
4	8307109	2	Washer, Flat 1/4in	
5	7130682	1	Sensor, Boom	
6	8223231	1	Switch, Magnetic Proximity	
7	8220346	1	Panel, Side Console (Logic Board)	
8	8310358	8	BHCS, #10-32 x 3/4in	
9	8580421	8	Nut, Well #10-32	
10	8223051	1	Switch, Steer Select	
11	8223046	3	Bezel, Switch	
12	8223050	1	Switch, Auxiliary Detent (Optional)	
13	8220344	1	Dash, Front Console	
14	8223054	1	Switch, Park Brake	
15	8310366	2	Screw, Wood, Round Hd. #6 x 1/2in	
16	8467017	1	Hourmeter	
17	8223453	1	Switch, Ignition (Includes Item 18)	
18	8035807	1	Key, Ignition - Set of 2	
19	8229243	1	Fuse, 7.5 Amp	
20	8229245	1	Fuse, 30 Amp	
21	8229244	1	Fuse, 15 Amp	
22	8225119	1	Relay, Sealed 12V - 40A	
23	8307111	4	Washer, Flat #10 Narrow	
24	8310016	2	Screw, Slotted Pan Hd. #10-24 x 1in	
25	8310085	2	Nut, Hex Lock Elastic #10-24	
26	8307002	2	Washer, Lock 1/4in	
27	8584001	1	Tie, Plastic	
28	8305439	1	Nut, Hex Jam M6-1	
29	8307024	1	Washer, Lock M6	
30	8270620	1	Horn, Signal	
31	8750022	1	Clamp Set	
32	8750026	1	Bolt, Stacking	
33	8223048	1	Switch, Attachment Tilt Mode	
34	8229252	4	Fuse, 1 Amp	
35	8229242	6	Fuse, 5 Amp (Qty of 5 for non-auxiliary hydraulics)	
36	8229247	1	Fuse, 25 Amp	
37	8303540	1	HHCS, 1/4-20 x 1.00in	
38	7134671	2	Tab, Dual Locking	
39	8582426	2	Stud, Dual Locking	
40	6611172	1	Ground Cable, Cab to Frame	
41	8305645	2	Nut, Hex Lock, 3/8-16 NC	
42	8223053	1	Switch, Maintenance Reset	
43	8584018	1	Mount, Cable Tie	

SECTION 7 - ELECTRICAL

FIGURE 7-2. ELECTRICAL SYSTEM - ENGINE HARNESS



PT0680

SECTION 7 - ELECTRICAL

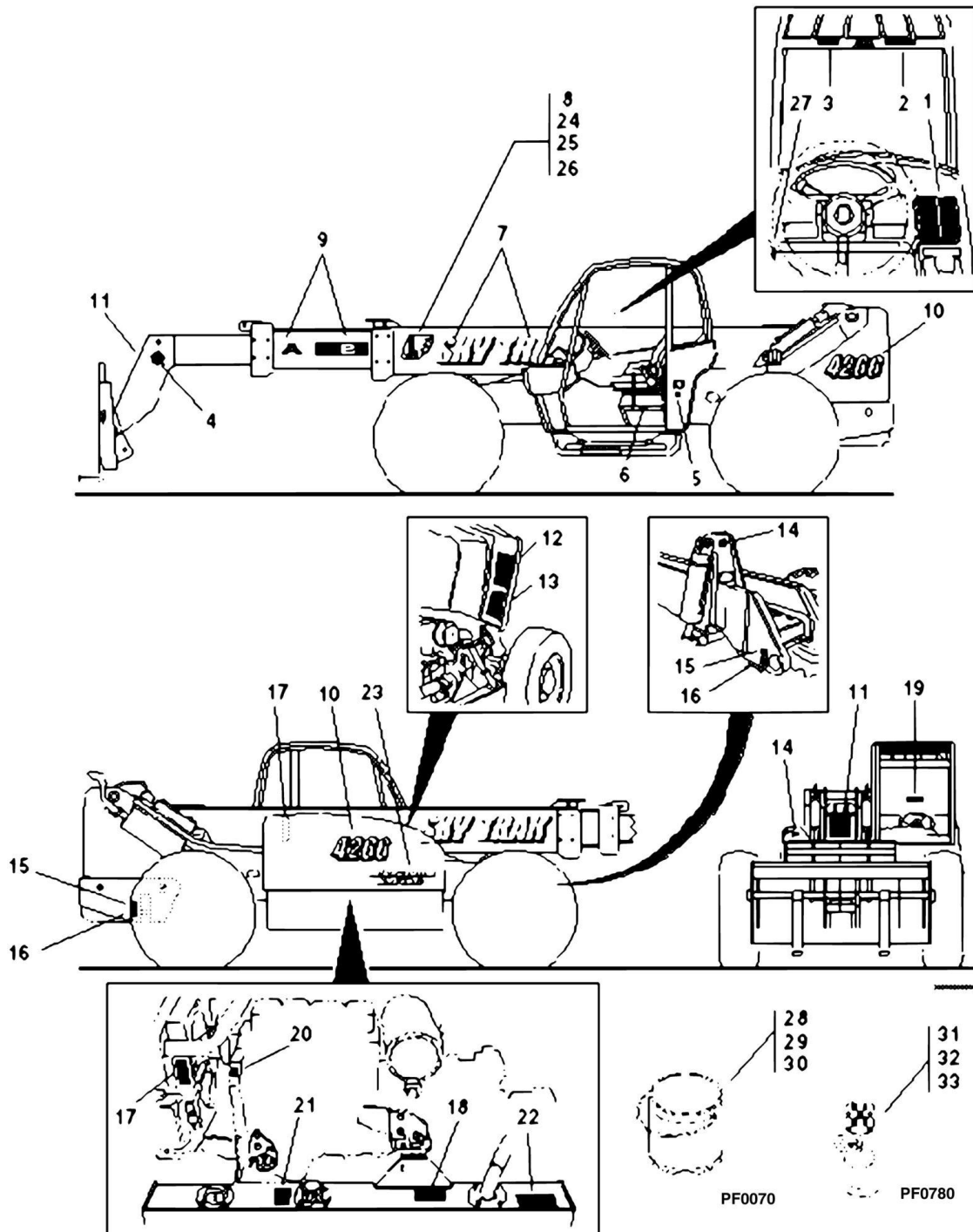
FIGURE 7-2. ELECTRICAL SYSTEM - ENGINE HARNESS

ITEM	PART NUMBER	QTY	DESCRIPTION	REV
1	7135044	1	Harness, Engine	
2	8307110	2	Washer, Plain, 3/4in	
3	8305645	2	Nut, Hex Lock Elastic 3/8-16	
4	8750022	1	Clamp Set	
5	8750026	1	Bolt, Stacking	
6	8307204	1	Washer, Flat 3/8in	
7	8305603	1	Nut, Hex Lock 3/8-16	
8	8270139	1	Cable, Battery - Positive w/Protective Cover	
9	8310344	2	HHCS, 3/8-16 x 10in	
10	7138830	1	Battery Hold Down	
11	8270134	1	Battery, 12 Volt	
12	8270138	1	Cable, Battery - Negative w/Protective Cover	
13	8223232	1	Switch, Transmission Temperature - 250 F (121 C)	
14	8223229	1	Switch, Engine Water Temperature - 210 F (99 C)	
15	8223530	1	Switch, Engine Oil Pressure	
16	8035276	1	Solenoid, Fuel Shut Off	

SECTION 8 - DECALS AND PAINT

SECTION 8 - DECALS AND PAINT

FIGURE 8-1. DECALS AND PAINT



SECTION 8 - DECALS AND PAINT

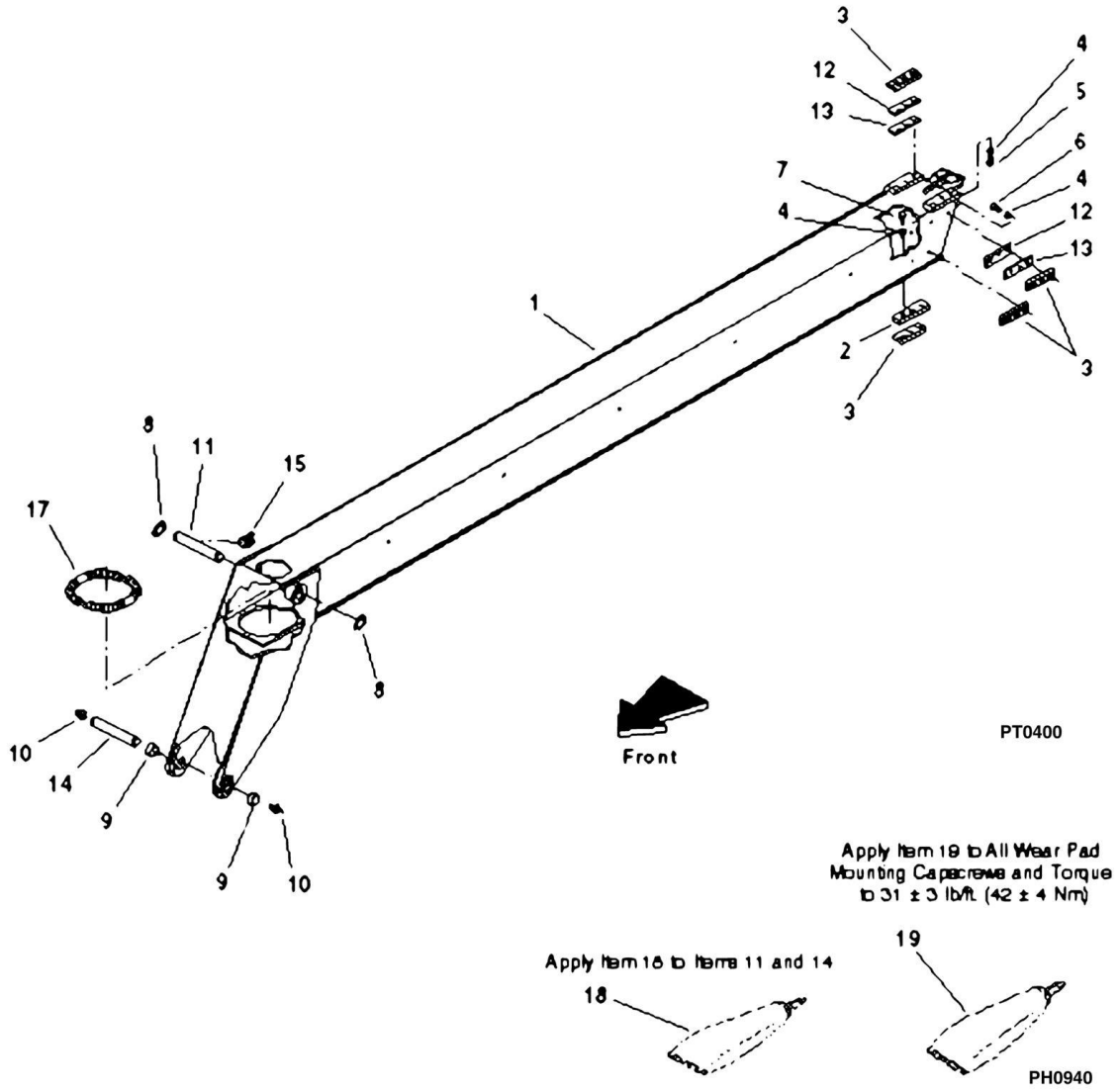
FIGURE 8-1. DECALS AND PAINT

ITEM	PART NUMBER	QTY	DESCRIPTION	REV
1	7138759	1	Booklet, Load Chart - Standard	
1	7139216	1	Booklet, Load Chart - Metric (Optional)	
2	4110137	1	Decal, Tip Hazard	
3	4108991	1	Decal, Electrocution Hazard	
4	4110133	2	Decal, OmniQuip w/ Textron 5in	
5	4105171	1	Decal, Diesel Fuel Fill	
6	4109091	1	Decal, Oper. Manual Location	
7	4110131	2	Decal, SKY TRAK 57in	
8	4105262	1	Decal, Boom Angle Indicator	
9	4110130	1	Decal, Boom Extend Stripes	
10	4110071	2	Decal, 4266	
11	4109041	1	Decal, Carrying Personnel	
12	4110116	1	Decal, Lubrication Chart	
13	4110117	1	Decal, Maintenance Chart	
14	4108181	1	Decal, Made in USA	
15	4109941	4	Decal, Lift Point	
16	4109801	4	Decal, Tie Down Point	
17	4108981	2	Decal, Fan Warning	
18	4108302	1	Decal, Hydraulic Oil Level	
19	4109791	1	Decal, Emergency Exit	
20	4107901	1	Decal, Engine Idle Setting	
21	4100181	1	Decal, Hydraulic Oil Fill	
22	4110172	1	Decal, Battery Hazard	
23	4110132	1	Decal, Millennia Series 27in	
24	7075611	1	Pointer, Boom Angle Indicator	
25	8305647	1	Nut, Hex Lock 7/16-14	
26	8307113	5	Washer, Plain 7/16in Narrow	
27	4108201	1	Ring, Key	
28	8528074	1 gal	Paint Orange, Acrylic Enamel (Service Repaint)	
29	8528080	1 gal	Paint Black, Acrylic Enamel (Service Repaint)	
30	8528105	1 gal	Paint Dark Grey, Acrylic Enamel (Service Repaint)	
31	8528071	1 can	Paint Orange, Acrylic Enamel (16 oz spray touch-up)	
32	8528101	1 can	Paint Black, Acrylic Enamel (16 oz spray touch-up)	
33	8528106	1 can	Paint Dark Grey, Acrylic Enamel (16 oz spray touch-up)	

SECTION 9 - BOOM AND ATTACHMENTS

SECTION 9 - BOOM AND ATTACHMENTS

FIGURE 9-1. INNER BOOM



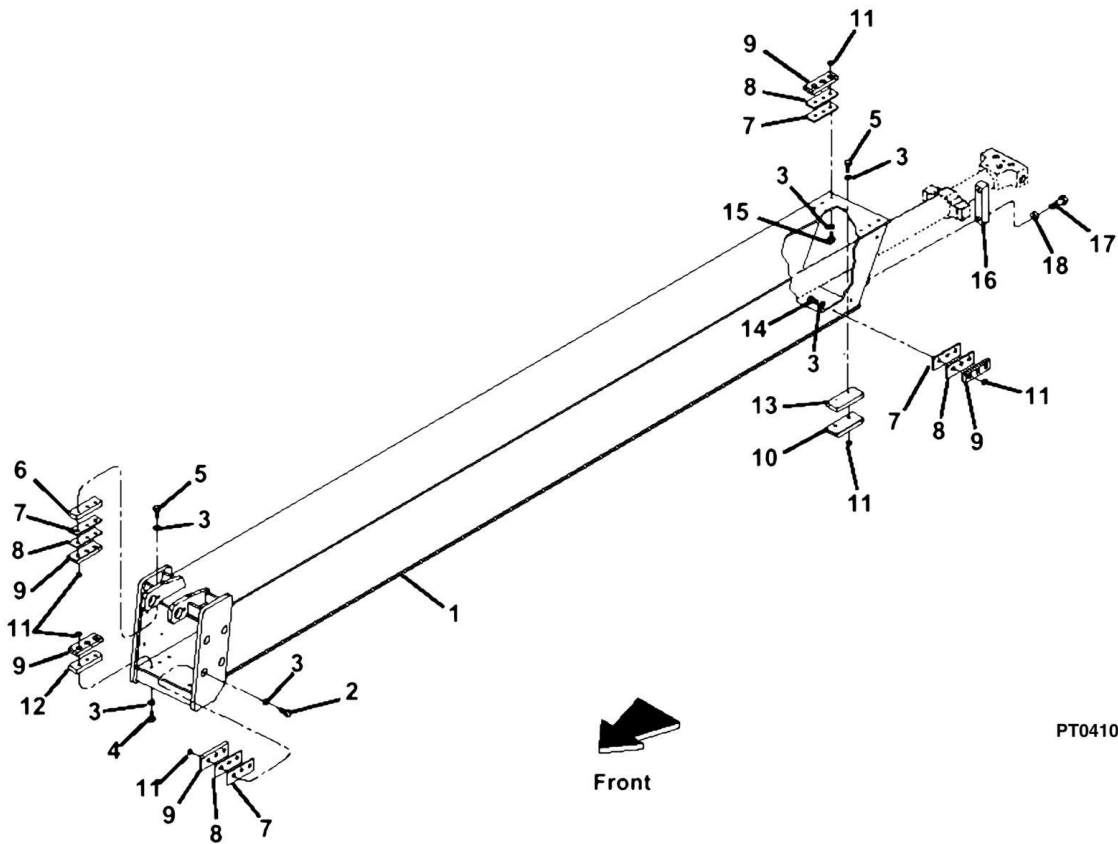
SECTION 9 - BOOM AND ATTACHMENTS

FIGURE 9-1. INNER BOOM

ITEM	PART NUMBER	QTY	DESCRIPTION	REV
1	7138623	1	Boom, Inner	
2	7135442	2	Spacer, Wear Pad	
3	7136592	8	Wear Pad, Molded	
4	8307005	18	Washer, Lock 3/8in	
5	8303679	6	HHCS, 3/8-16 X 1-3/4in Gr. 5	
6	8303681	8	HHCS, 3/8-16 X 3/4in Gr. 5	
7	8303621	4	HHCS, 3/8-16 x 1-1/2in Gr. 5	
8	8642224	2	Ring, Retaining, External 2in	
9	7085542	2	Bushing, Quick Attach Pivot	
10	8520001	2	Fitting, Lube 1/8 NPT	
11	7136322	1	Pin, Attachment Tilt Cylinder Base	
12	7126182	AR	Shim, Wear Pad	
13	7126172	AR	Shim, Wear Pad	
14	7083922	1	Pin, Carriage Pivot	
15	8520021	1	Fitting, Lube 90	
16	7135413	2	Wear Pad	
17	7124331	2	Conduit, 0.5 x 60in Lg (Cut to Fit)	
18	8522012	AR	Lube, Anti-Seize	
19	8526007	AR	Thread Locking Compound	

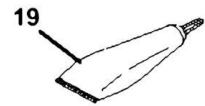
SECTION 9 - BOOM AND ATTACHMENTS

FIGURE 9-2. INTERMEDIATE BOOM



PT0410

Apply Item 19 to All Wear Pad
Mounting Capscrews and Torque
to 31 ± 3 lb/ft. (42 ± 4 Nm)



PH0940

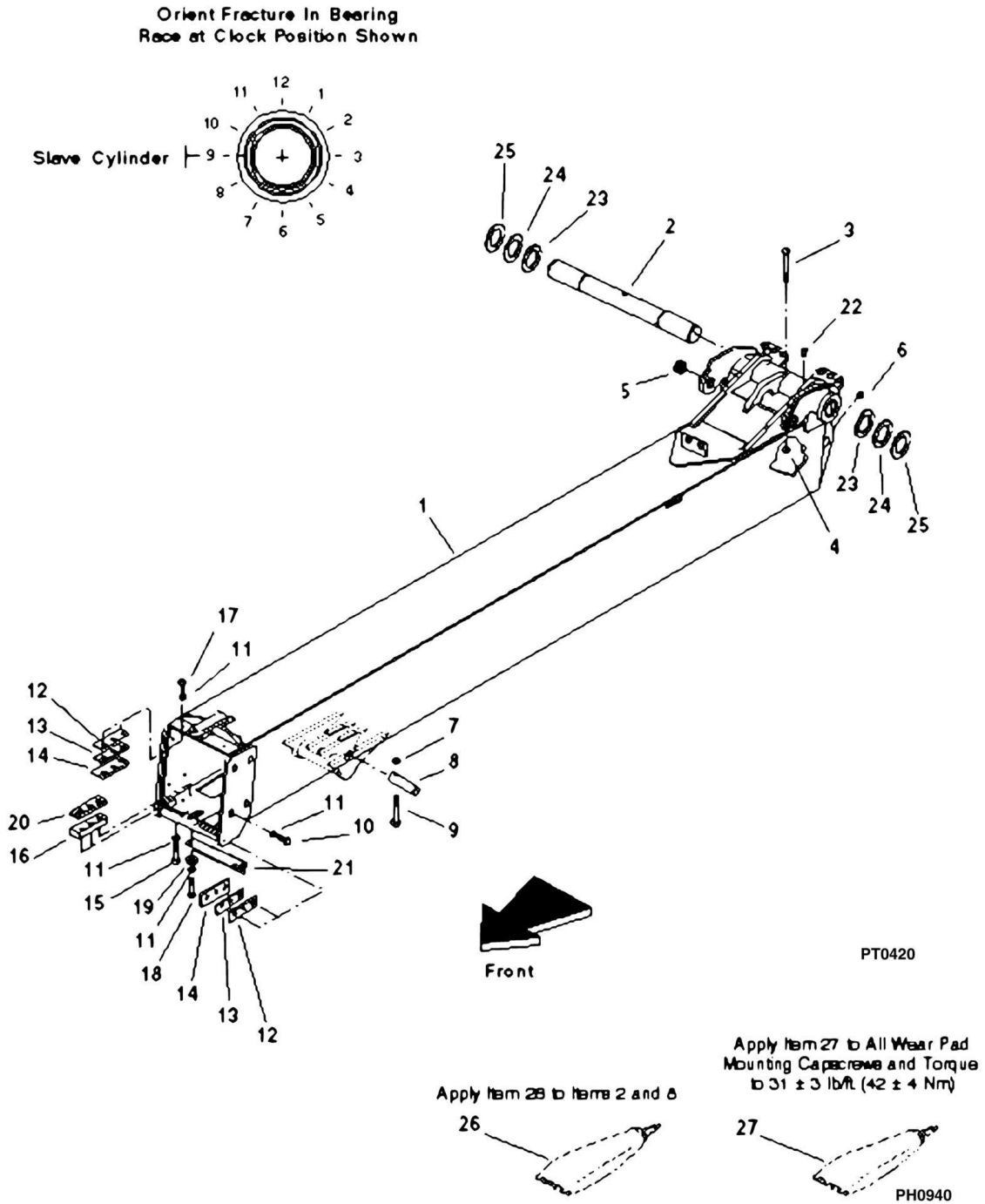
SECTION 9 - BOOM AND ATTACHMENTS

FIGURE 9-2. INTERMEDIATE BOOM

ITEM	PART NUMBER	QTY	DESCRIPTION	REV
1	7138194	1	Boom, Intermediate	
2	8303681	8	HHCS, 3/8-16 x 3/4" Gr.5	
3	8307005	36	Washer, Lock 3/8"	
4	8303621	6	HHCS, 3/8-16 x 1-1/2" Gr.5	
5	8303771	8	HHCS, 3/8-16 x 2-1/4" Gr.5	
6	7137822	2	Spacer, Wear Pad	
7	7126182	AR	Shim, Wear Pad, .07" Thk.	
8	7126172	AR	Shim, Wear Pad, .13" Thk.	
9	7111572	14	Pad, Wear	
10	7139020	2	Pad Assembly, Wear (Includes 4 of Item 11)	
11	7135432	36	Insert, Wear Pad	
12	7135442	2	Spacer, Wear Pad	
13	7139018	2	Spacer, Wear Pad	
14	8304660	8	HHCS, 3/8-16 x 3/4"	
15	8303620	6	Screw, SCHC, 3/8-16 x 1" Gr.5	
16	7139075	2	Clamp, Trunnion, Extend Cylinder	
17	8303641	4	HHCS, 3/4-10NC x 4-1/2" Gr.5	
18	8307010	4	Washer, Lock, Spring 3/4"	
19	8526007	AR	Thread Locker Loctite #242, 250 ml. (Bottle)	

SECTION 9 - BOOM AND ATTACHMENTS

FIGURE 9-3. OUTER BOOM



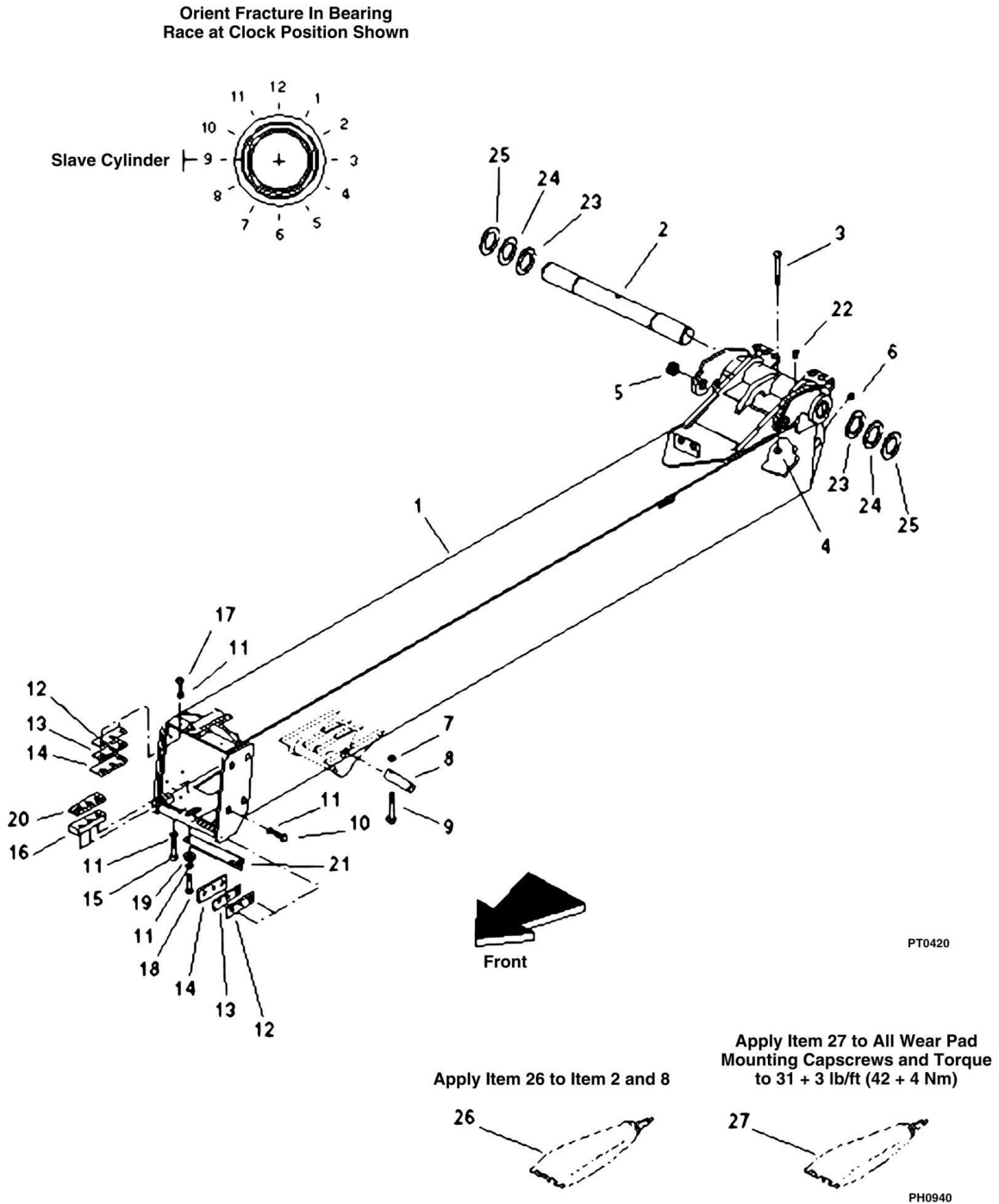
SECTION 9 - BOOM AND ATTACHMENTS

FIGURE 9-3. OUTER BOOM

ITEM	PART NUMBER	QTY	DESCRIPTION	REV
1	7138193	1	Boom, Outer	
2	7136852	1	Pin, Boom Pivot	
3	8310076	1	HHCS, 5/8-11X7in, GR5	
4	8305643	1	Nut, Hex Lock 5/8-11	
5	8050001	2	Bearing, Self Align	
6	8520013	1	Fitting, Lube, Self Tapping 1/8NPT	
7	8305644	1	Nut, Hex Lock 1/2-13	
8	7120662	1	Pin, 2in Dia	
9	8303782	1	HHCS, 1/2-13X4in	
10	8303681	8	HHCS, 3/8-16X3/4, GR5	
11	8307005	8	Washer, Lock 3/8	
12	7126172	6	Shim, Wear Pad, 0.13in Thk.	
13	7126182	6	Shim, Wear Pad, 0.07in Thk.	
14	7136592	8	Pad, Wear with Inserts	
15	8303621	2	HHCS, 3/8-16X1-1/2in, GR5	
16	7135442	2	Spacer, Wear Pad	
17	8303675	4	HHCS, 3/8-16X1-1/4in, GR5	
18	8303679	2	HHCS, 3/8-16X1-3/4in, GR5	
19	8307204	2	Washer, Plain 3/8in Wide	
20	7135413	2	Wear Pad	
21	7138642	1	Bracket, Bulkhead, Boom Tube	
22	8520021	2	Fitting, Lubrication 90	
23	8307912	2	Shim, 3.06X0.06X4.75in	
24	8307913	2	Shim, 3.06X0.12X4.75in	
25	8310259	2	Shim, 3.06X0.09X4.75in	
26	8522012	AR	Lube, Anti-Seize	
27	8526007	AR	Thread Locking Compound	

SECTION 9 - BOOM AND ATTACHMENTS

FIGURE 9-4. BOOM EXTEND CHAIN



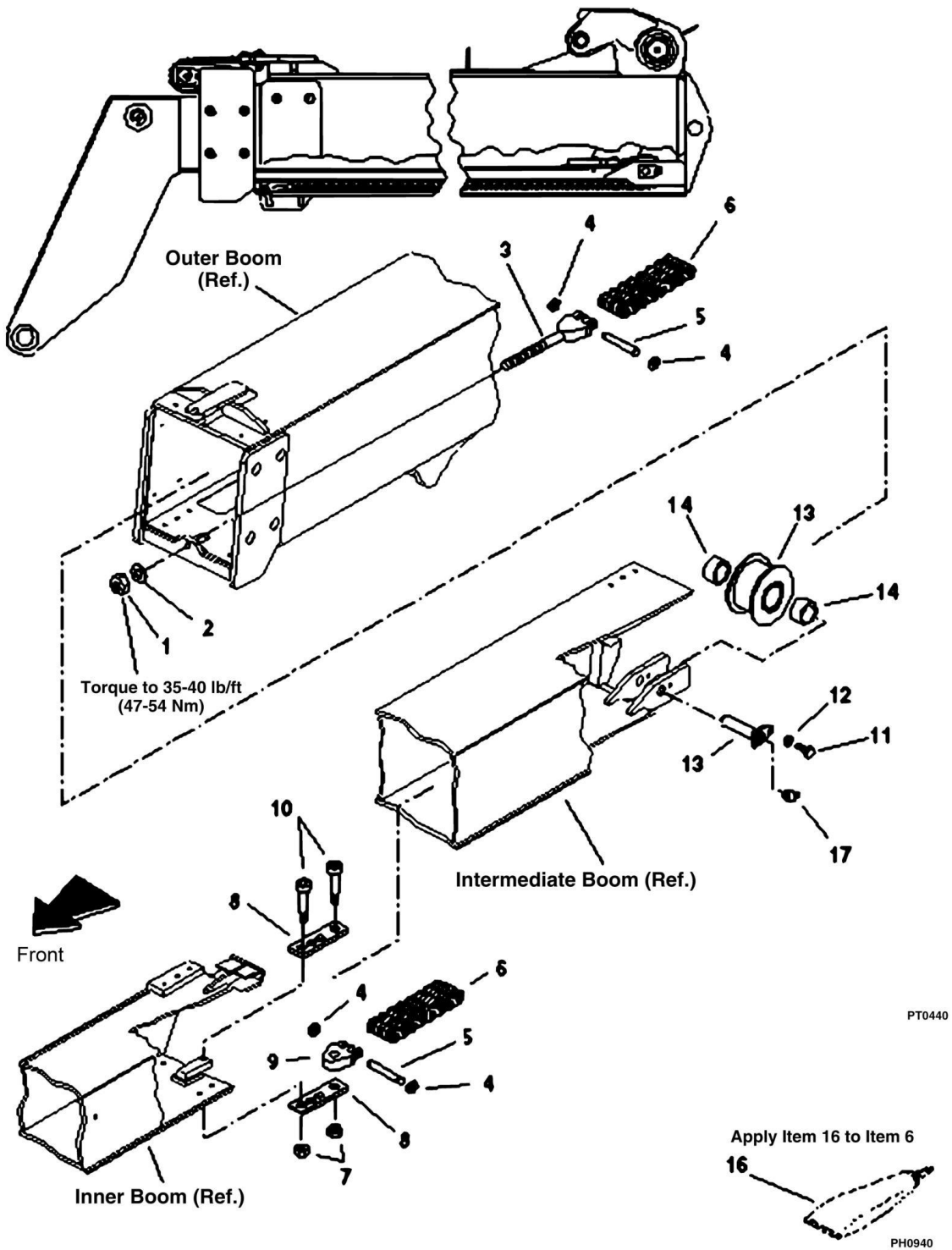
SECTION 9 - BOOM AND ATTACHMENTS

FIGURE 9-4. BOOM EXTEND CHAIN

ITEM	PART NUMBER	QTY	DESCRIPTION	REV
1	8307005	8	Washer, Lock 3/8in	
2	7119372	2	Clevis, Extend Chain Anchor	
3	8127018	2	Chain, Extend, Leaf 3/4in Pitch	
4	8124126	4	Pin, Extend Chain Clevis	
5	8642237	8	Ring, Retaining	
6	7126662	2	Bushing, Chain Sheave	
7	7114112	1	Sheave, Extend Chain	
8	7135413	2	Pad, Wear	
9	8307007	5	Washer, Lock 1/2in	
10	7137082	1	Pin, Extend Chain Sheave	
11	8303620	6	HHCS, 3/8-16 x 1in Gr.5	
12	8303624	4	HHCS, 1/2-13 x 1in	
13	7119362	2	Clevis, Extend Chain	
14	8520001	1	Lube, Fitting 1/8 NPT	
15	8310019	2	SHRS, 0.50 x 1.50 x 3/8-16	
16	8305645	2	Nut, Hex Lock 0.375-16 NC	
17	8310201	1	SHRS, 0.75 x 1.50 x 5/8-11	
18	8305643	1	Nut, Hex Lock 0.625-11 NC	
19	7134851	2	Yoke, Extend Chain	
20	8305646	2	Nut, Hex Lock 0.75-16 NF	
21	8307104	2	Washer, Flat, 0.75, SAE	
22	8522012	AR	Lube, Anti-Seize	
23	8526007	AR	Thread Locking Compound	

SECTION 9 - BOOM AND ATTACHMENTS

FIGURE 9-5. BOOM RETRACT CHAIN



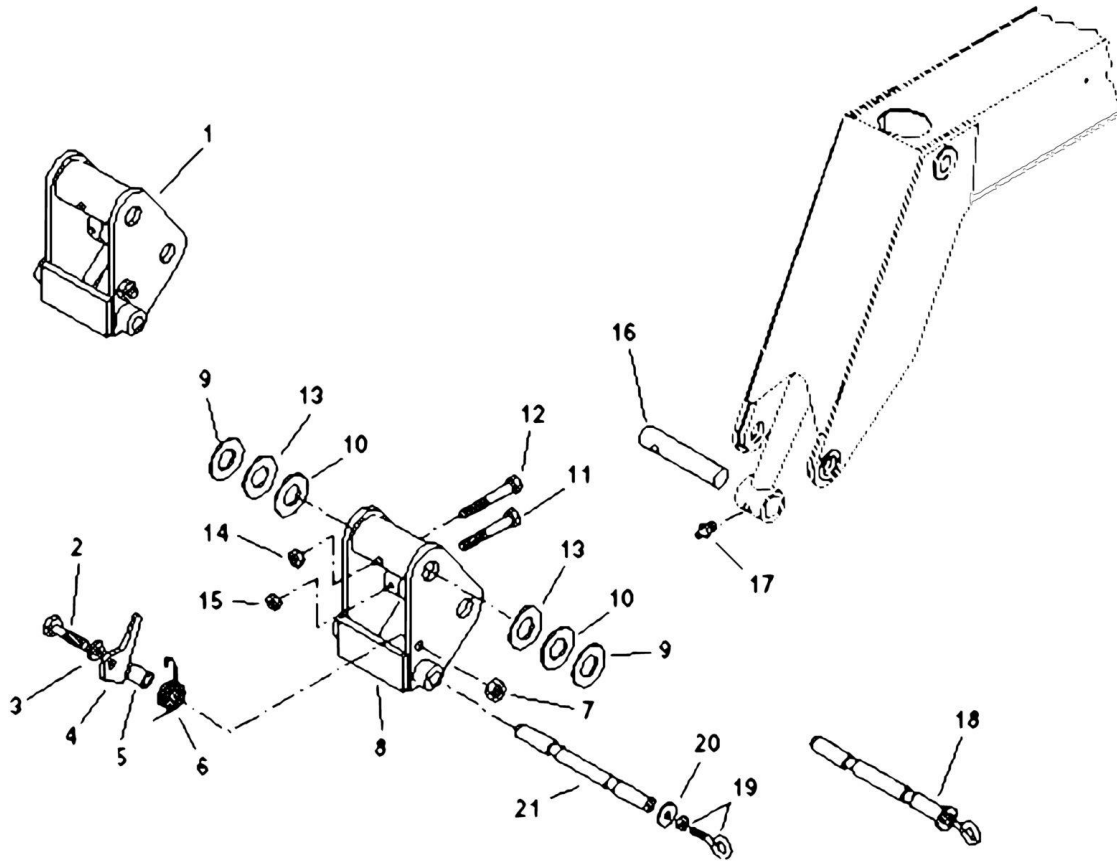
SECTION 9 - BOOM AND ATTACHMENTS

FIGURE 9-5. BOOM RETRACT CHAIN

ITEM	PART NUMBER	QTY	DESCRIPTION	REV
1	8305646	1	Nut, Hex Lock Elastic 3/4-16 NF	
2	8307104	1	Washer, Flat 3/4in Narrow	
3	7119362	1	Clevis, Retract Chain	
4	8642237	4	E-Ring, Retaining	
5	8124126	2	Pin, Retract Chain Clevis	
6	8127016	1	Chain, Retract, Leaf 3/4 Pitch	
7	8305645	2	Nut, Hex Lock Elastic 3/8-16	
8	7121531	2	Link, Retract Chain Anchor	
9	7119372	1	Clevis, Retract Chain	
10	8310019	2	Bolt, Shoulder, Hex Socket Hd. 1/2 x 1-1/2 x 3/8-16	
11	8303624	1	HHCS, 1/2-13 x 1in Gr. 5	
12	8307007	1	Washer, Lock 1/2in	
13	7138977	1	Pin, Retract Chain Sheave	
14	7138986	1	Sheave, Retract Chain (Includes Item 15)	
15	7138979	2	Bushing, Retract Chain Sheave	
16	8522012	AR	Lube, Anti-Seize	
17	8520003	1	Fitting, Lube 90	

SECTION 9 - BOOM AND ATTACHMENTS

FIGURE 9-6. QUICK ATTACH



PT0940

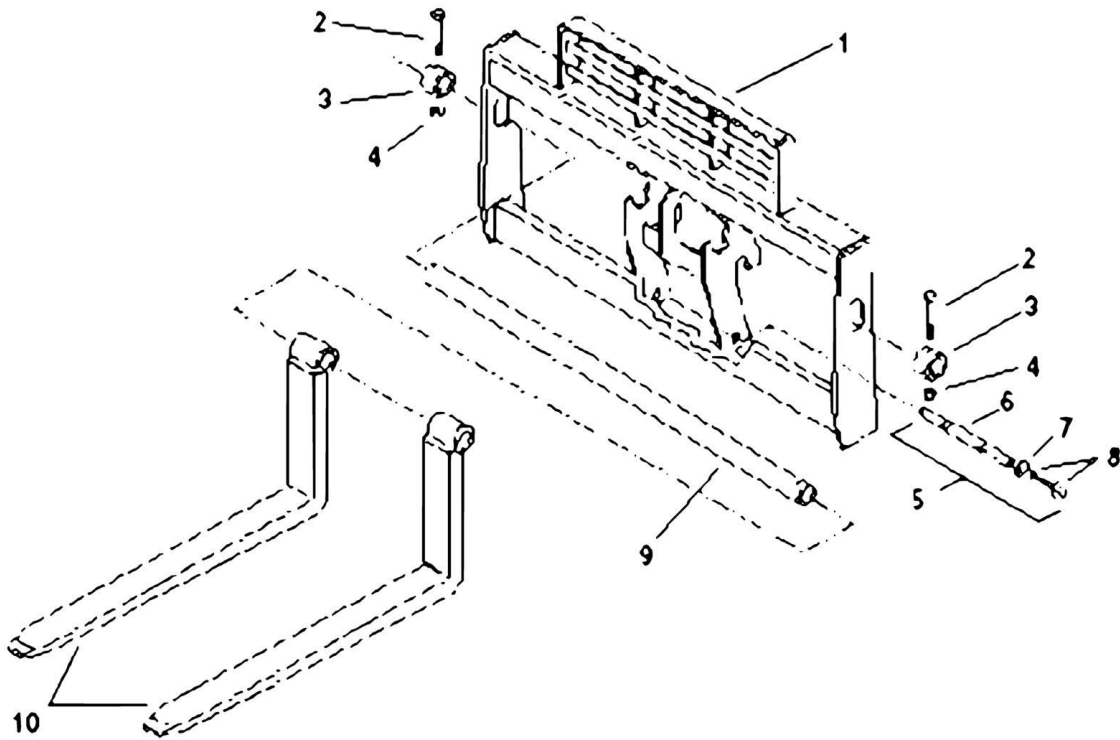
SECTION 9 - BOOM AND ATTACHMENTS

FIGURE 9-6. QUICK ATTACH

ITEM	PART NUMBER	QTY	DESCRIPTION	REV
1	7134863	1	Quick Attach Assembly (Includes Items 2 thru 8)	
2	8303638	1	HHCS, 3/4-10 x 2-3/4in Gr. 5	
3	8307104	1	Washer, Flat SAE 3/4in	
4	7121422	1	Latch, Quick Attach	
5	7085571	1	Spacer, Quick Attach	
6	7085552	1	Spring, Torsion	
7	8305619	1	Nut, Hex Lock Elastic 3/4-10	
8	7134873	1	Quick Attach	
9	8307918	AR	Washer, Shim 2.00in x .134in x 3.50in	
10	8310093	AR	Washer, Shim 2.00in x .075in x 3.50in	
11	8305644	1	HHCS, 1/2-13 x 5in Gr. 5	
12	8303666	1	HHCS, 5/8-11 x 5in Gr. 5	
13	8307904	AR	Washer, Shim 2.00in x .048in x 3.50in	
14	8305643	1	Nut, Hex Lock Elastic 5/8-11	
15	8303772	1	Nut, Hex Lock Elastic 1/2-13	
16	7138222	1	Pin, Rod End, Attachment Tilt Cylinder	
17	8520013	1	Fitting, Lube, Self Tapping 1/8 NPT	
18	7118892	1	Pin, Lock (Includes Items 19 thru 21)	
19	8310266	1	Bolt, Eye w/Nut	
20	8310276	1	Washer	
21	7118882	1	Pin	

SECTION 9 - BOOM AND ATTACHMENTS

FIGURE 9-7. 48IN CARRIAGE



PA0744

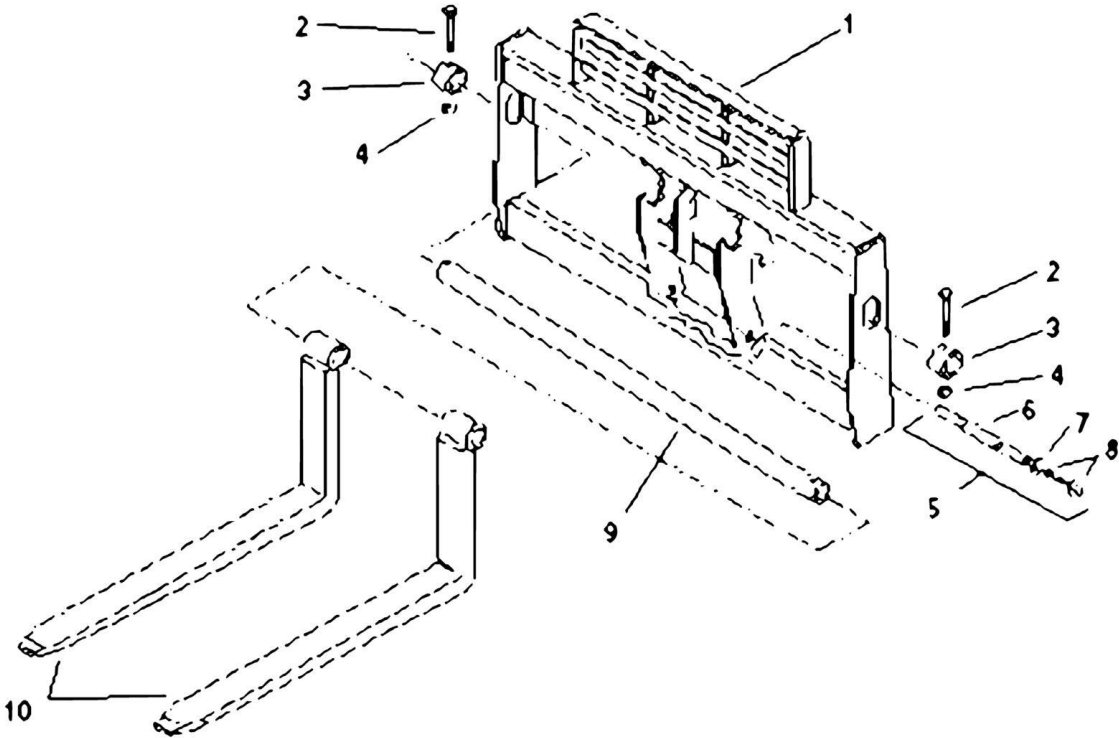
SECTION 9 - BOOM AND ATTACHMENTS

FIGURE 9-7. 48IN CARRIAGE

ITEM	PART NUMBER	QTY	DESCRIPTION	REV
1	7083054	1	Carriage, 48in	
2	8303634	2	HHCS, 5/8-11 x 4in	
3	7086471	2	Collar	
4	8305643	2	Nut, Hex Lock 5/8-11	
5	7118892	1	Pin, Lock (Includes Items 6 thru 8)	
6	7118882	1	Pin	
7	8310276	1	Washer	
8	8310266	1	Bolt, Eye w/Nut	
9	7128772	1	Shaft, 48in	
10	7097523	2	Fork, Pallet 48in x 4in x 2in (4,000 lb Rating)	
10	7097533	2	Fork, Lumber (Not Shown)	
10	7085073	6	Fork, Block (Not Shown)	

SECTION 9 - BOOM AND ATTACHMENTS

FIGURE 9-8. 60IN CARRIAGE (OPTIONAL)



PA0744

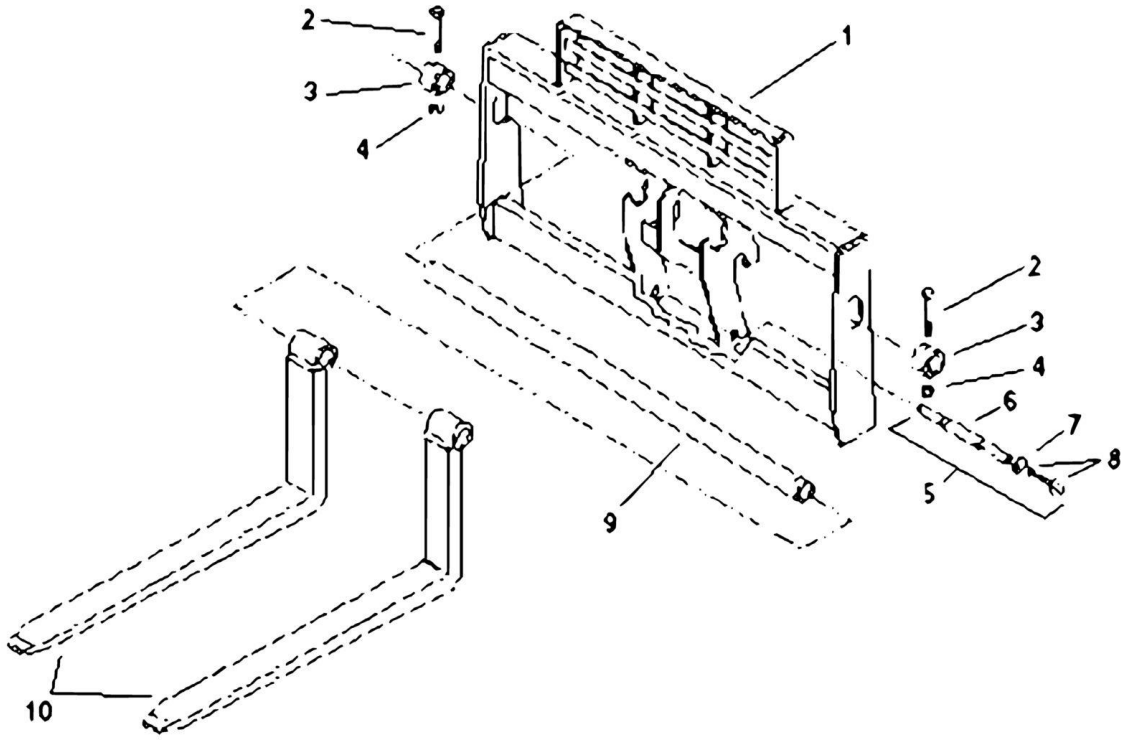
SECTION 9 - BOOM AND ATTACHMENTS

FIGURE 9-8. 60IN CARRIAGE (OPTIONAL)

ITEM	PART NUMBER	QTY	DESCRIPTION	REV
1	7086304	1	Carriage, 60in	
2	8303634	2	HHCS, 5/8-11 x 4in	
3	7086471	2	Collar	
4	8305643	2	Nut, Hex Lock 5/8-11	
5	7118892	1	Pin, Lock (Includes Items 6 thru 8)	
6	7118882	1	Pin	
7	8310276	1	Washer	
8	8310266	1	Bolt, Eye w/Nut	
9	7128792	1	Shaft, 60in	
10	7097523	2	Fork, Pallet 48in x 4in x 2in (4,000 lb Rating)	
10	7097533	2	Fork, Lumber (Not Shown)	
10	7085073	6	Fork, Block (Not Shown)	

SECTION 9 - BOOM AND ATTACHMENTS

FIGURE 9-9. 72IN CARRIAGE (OPTIONAL)



PA0774

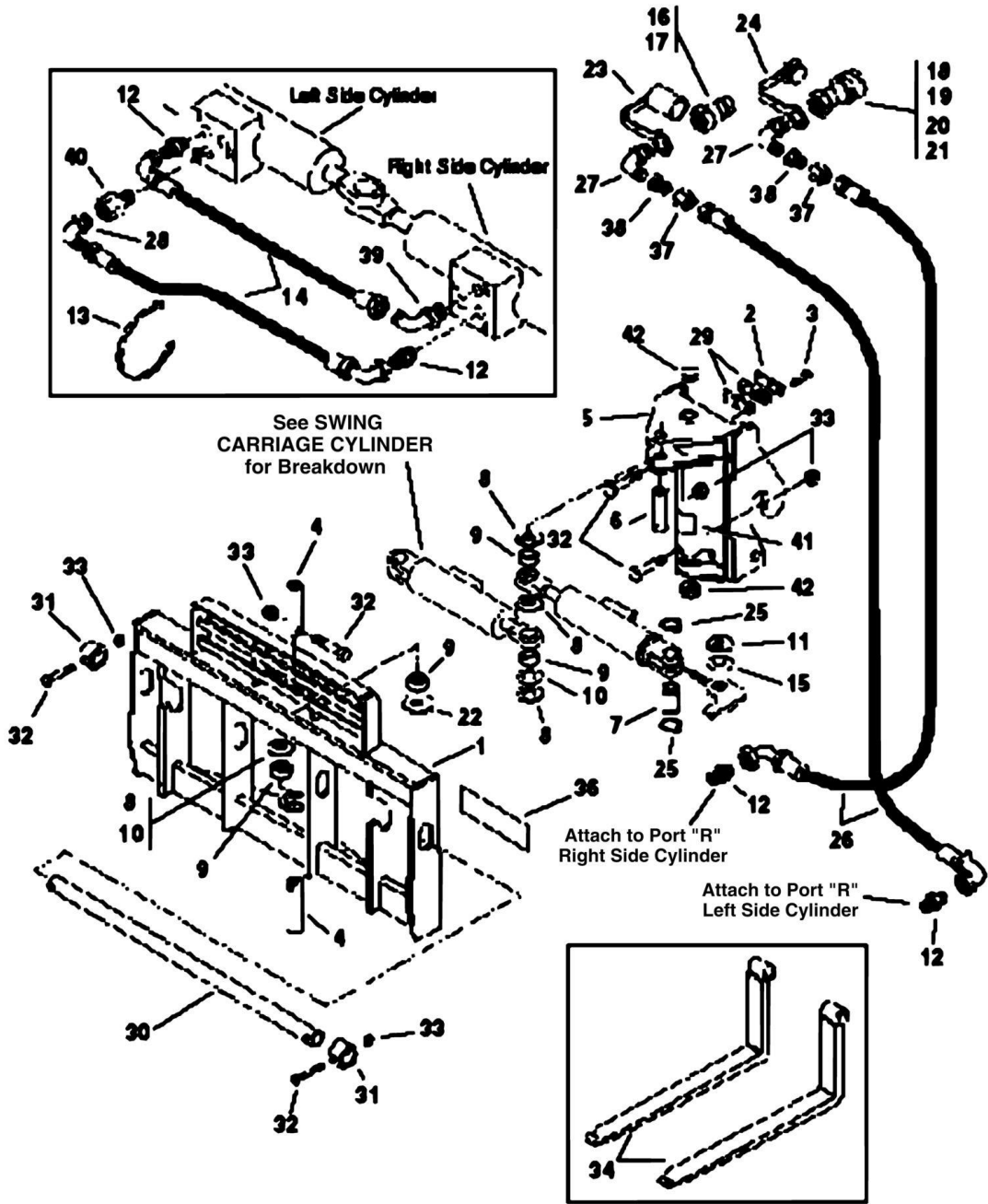
SECTION 9 - BOOM AND ATTACHMENTS

FIGURE 9-9. 72IN CARRIAGE (OPTIONAL)

ITEM	PART NUMBER	QTY	DESCRIPTION	REV
1	7090814	1	Carriage, 72in	
2	8303634	2	HHCS, 5/8-11 x 4in	
3	7086471	2	Collar	
4	8305643	2	Nut, Hex Lock 5/8-11	
5	7118892	1	Pin, Lock (Includes Items 6 thru 8)	
6	7118882	1	Pin	
7	8310276	1	Washer	
8	8310266	1	Bolt, Eye w/Nut	
9	7128802	1	Shaft, 72in	
10	7097523	2	Fork, Pallet 48in x 4in x 2in (4,000 lb Rating)	
10	7097533	2	Fork, Lumber (Not Shown)	
10	7085073	6	Fork, Block (Not Shown)	

SECTION 9 - BOOM AND ATTACHMENTS

FIGURE 9-10. SWING CARRIAGE (OPTIONAL)



PH0561

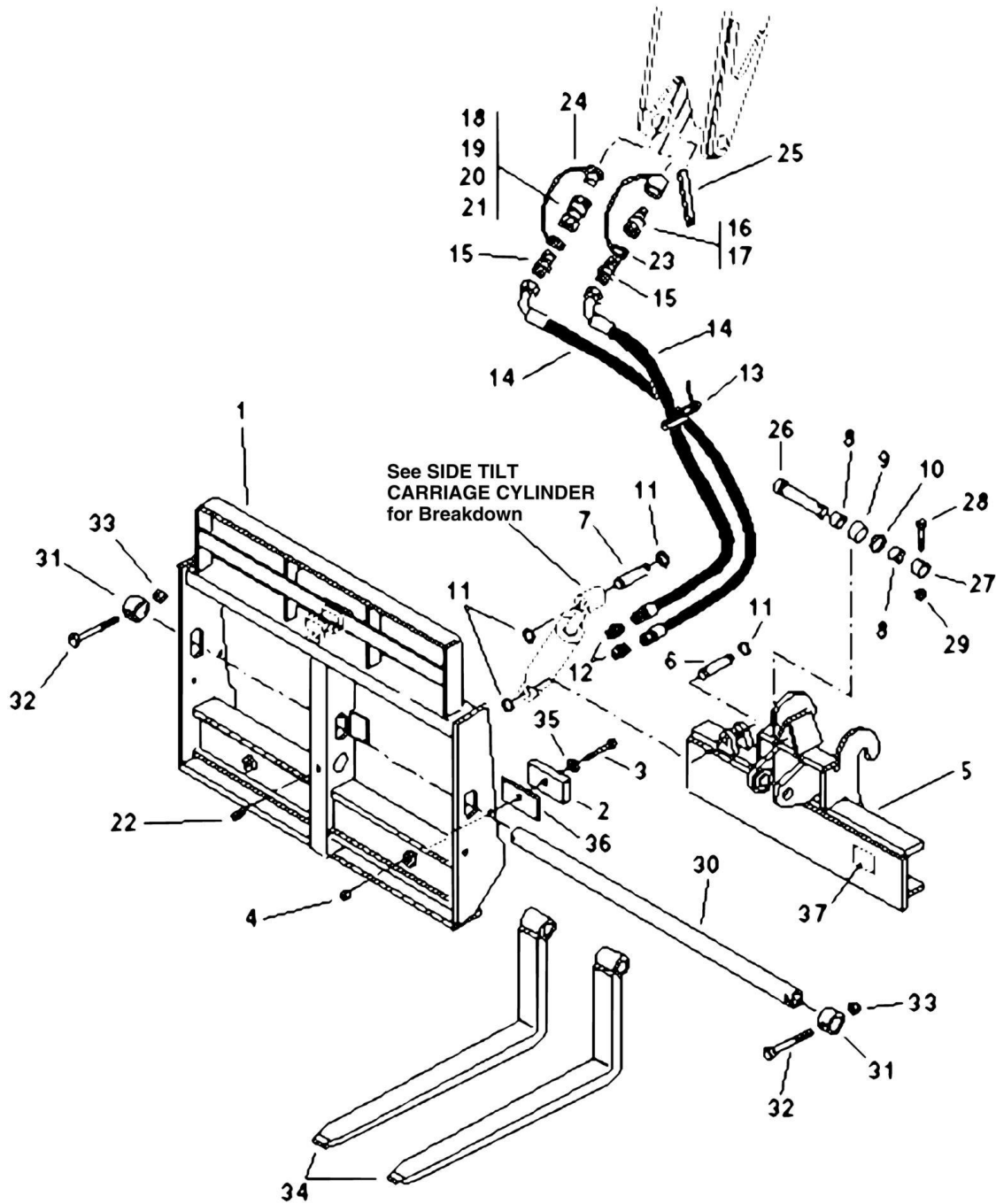
SECTION 9 - BOOM AND ATTACHMENTS

FIGURE 9-10. SWING CARRIAGE (OPTIONAL)

ITEM	PART NUMBER	QTY	DESCRIPTION	REV
1	7111994	1	Carriage, 52in	
1	7110694	1	Carriage, 72in	
2	6608621	1	Cover, Clamp	
3	8303715	3	HHCS, 5/16-18 x 1-1/2in	
4	7110702	2	Pin, Carriage Pivot	
5	7110494	1	Base, Pivot	
6	7110712	1	Pin, Cylinder Pivot (Rod End)	
7	7110722	2	Pin, Cylinder Pivot (Base End)	
8	8307918	AR	Shim, 2in I.D. x 10 Ga	
9	8065062	4	Bearing, Self Lube	
10	8307904	AR	Shim, 2in I.D. x 18 Ga	
11	8310161	AR	Shim, 1-1/2in I.D. x 10 Ga	
12	8760113	4	Connector, Straight, SAE 4 - male JIC 37 x male str. thd. o-ring	
13	8584001	4	Tie Wrap	
14	6604662	2	Hose Assembly	
15	8310160	AR	Shim, 1-1/2in I.D. x 18 Ga	
16	8430006	1	Quick Disconnect, Male, SAE 8-8ORB - female internal (Includes Item 17)	
17	8640029	1	Seal, Nose (Not Shown)	
18	8430005	1	Quick Disconnect, Female, SAE 8-8ORB - female internal (includes item 19, thru 21)	
19	8640029	1	Seal, Nose (Not Shown)	
20	8640028	1	Seal, Coupler Body (Not Shown)	
21	8640032	1	Back-Up Ring, Coupler Body Seal (Not Shown)	
22	7062922	1	Bearing, Thrust	
23	8420053	1	Cap, Dust #8	
24	8420055	1	Plug, Dust #8	
25	8642207	4	Ring, Retaining	
26	6611752	2	Hose Assembly	
27	8760313	2	Elbow, 90, SAE 6-8 - male JIC 37 x male str. thd. o-ring	
28	8760311	1	Elbow, 90, SAE 6 - male JIC 37 x male str. thd. o-ring	
29	8769132	2	Clamp, Half	
30	7128782	1	Shaft, Fork Pivot 52in	
30	7128802	1	Shaft, Fork Pivot 72in	
31	7086471	2	Hub, Lock	
32	8303634	5	HHCS, 5/8-11 x 4in	
33	8305643	5	Nut, Hex Lock 5/8-11	
34	7097523	2	Fork, Pallet 48in x 4in x 2in (4,000 lb Rating)	
34	7097533	2	Fork, Lumber (Not Shown)	
34	7085073	6	Fork, Blocking (Not Shown)	
35	4107692	2	Chart, Capacity	
36	4107702	1	Decal, Danger - Tip Over Hazard	
37	8760409	2	Nut, SAE 6 - JIC 37	
38	8760475	2	Reducer, Tube End, SAE 6-4 - JIC 37	
39	8770012	1	Elbow, 90, SAE 6-4 - male JIC 37 x male str. thd. o-ring	
40	8770016	1	Reducer, SAE 4-6 - male str. thd. o-ring x female internal o-ring boss	
41	4107712	1	Decal, Danger - No Truss Boom	
42	8580315	2	Plug, Trim 2-1/2in Dia	

SECTION 9 - BOOM AND ATTACHMENTS

FIGURE 9-11. SIDE TILT CARRIAGE (OPTIONAL)



PA1593

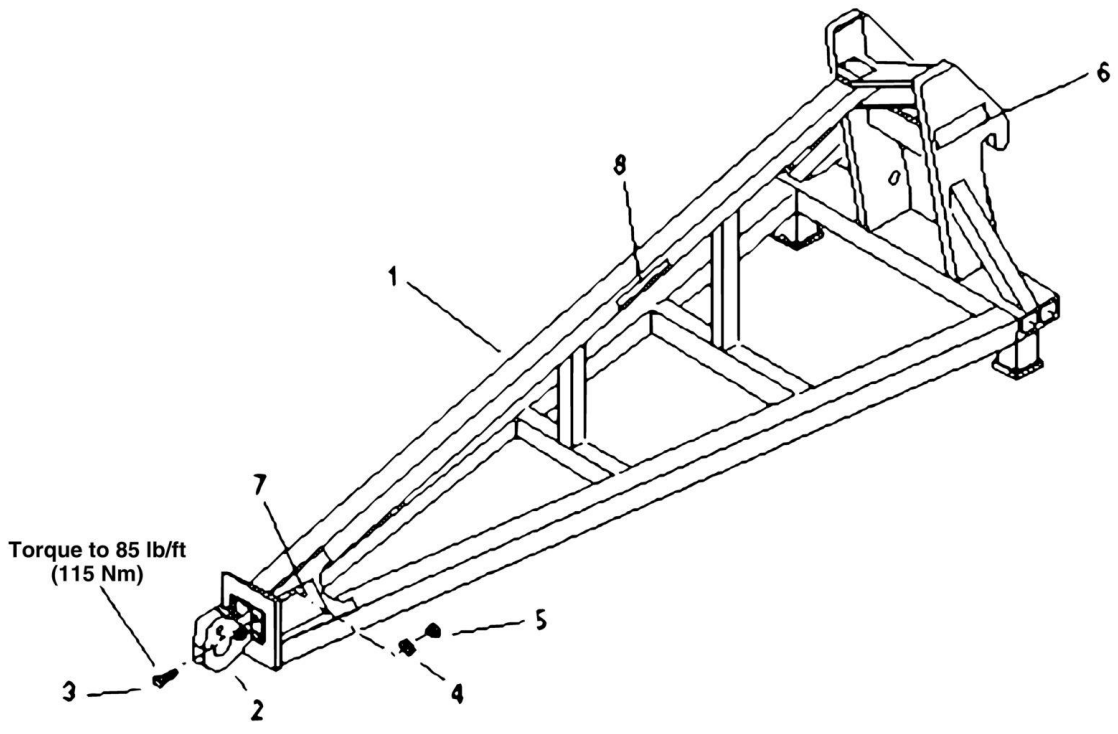
SECTION 9 - BOOM AND ATTACHMENTS

FIGURE 9-11. SIDE TILT CARRIAGE (OPTIONAL)

ITEM	PART NUMBER	QTY	DESCRIPTION	REV
1	7117244	1	Carriage, Side Tilt, 48in	
1	7117254	1	Carriage, Side Tilt, 60in	
1	7117264	1	Carriage, Side Tilt, 72in	
2	7065482	2	Pad, Wear	
3	8303739	2	HHCS, 5/16-18 x 1-1/4in	
4	8305626	2	Nut, Hex Lock 5/16-18	
5	7117204	1	Base, Pivot	
6	7077501	1	Pin, Cyl. Base	
7	7077511	1	Pin, Cyl. Rod	
8	7077481	2	Spacer	
9	8065634	1	Bushing, Self Align	
10	8642001	1	Ring, Snap	
11	8642235	4	Ring, Snap	
12	8760117	2	Connector, Straight, SAE 6 - male JIC 37 x male str. thd. o-ring	
13	8584001	1	Tie Wrap	
14	2711992	2	Hose Assembly	
15	8760110	2	Connector, Straight, SAE 6-8 - male JIC 37 x male str. thd. o-ring	
16	8430006	1	Quick Disconnect, Male, SAE 8-8ORB - female internal (Includes Item 17)	
17	8640029	1	Seal, Nose (Not Shown)	
18	8430005	1	Quick Disconnect, Female, SAE 8-8ORB - female internal (Includes Items 19 thru 21)	
19	8640029	1	Seal, Nose (Not Shown)	
20	8640028	1	Seal, Coupler Body (Not Shown)	
21	8640032	1	Back-Up Ring, Coupler Body Seal (Not Shown)	
22	8541433	1	Plug, Pipe, Skt. Hd. - 1/8in NPTF	
23	8420053	1	Cap, Dust #8	
24	8420055	1	Plug, Dust #8	
25	7125741	1	Molding	
26	7085411	1	Pin, Pivot	
27	7085501	1	Collar, Pin Locking	
28	8303770	1	HHCS, 3/8-16 x 2-3/4in	
29	8305645	1	Locknut, 3/8-16 ESNA	
30	7128772	1	Shaft, Fork Pivot 48in	
30	7128792	1	Shaft, Fork Pivot 60in	
30	7128802	1	Shaft, Fork Pivot 72in	
31	7086471	2	Hub, Lock	
32	8303634	2	HHCS, 5/8-11 x 4in	
33	8305643	2	Nut, Hex Lock 5/8-11	
34	7097523	2	Fork, Pallet 48in x 4in x 2in (4,000 lb Rating)	
34	7097533	2	Fork, Lumber (Not Shown)	
34	7085073	6	Fork, Blocking (Not Shown)	
35	8307203	2	Washer, Flat Heavy	
36	7070191	AR	Shim	
37	7119341	1	Plate, Capacity	

SECTION 9 - BOOM AND ATTACHMENTS

FIGURE 9-12. 12 FT TRUSS BOOM (OPTIONAL)



PG0981

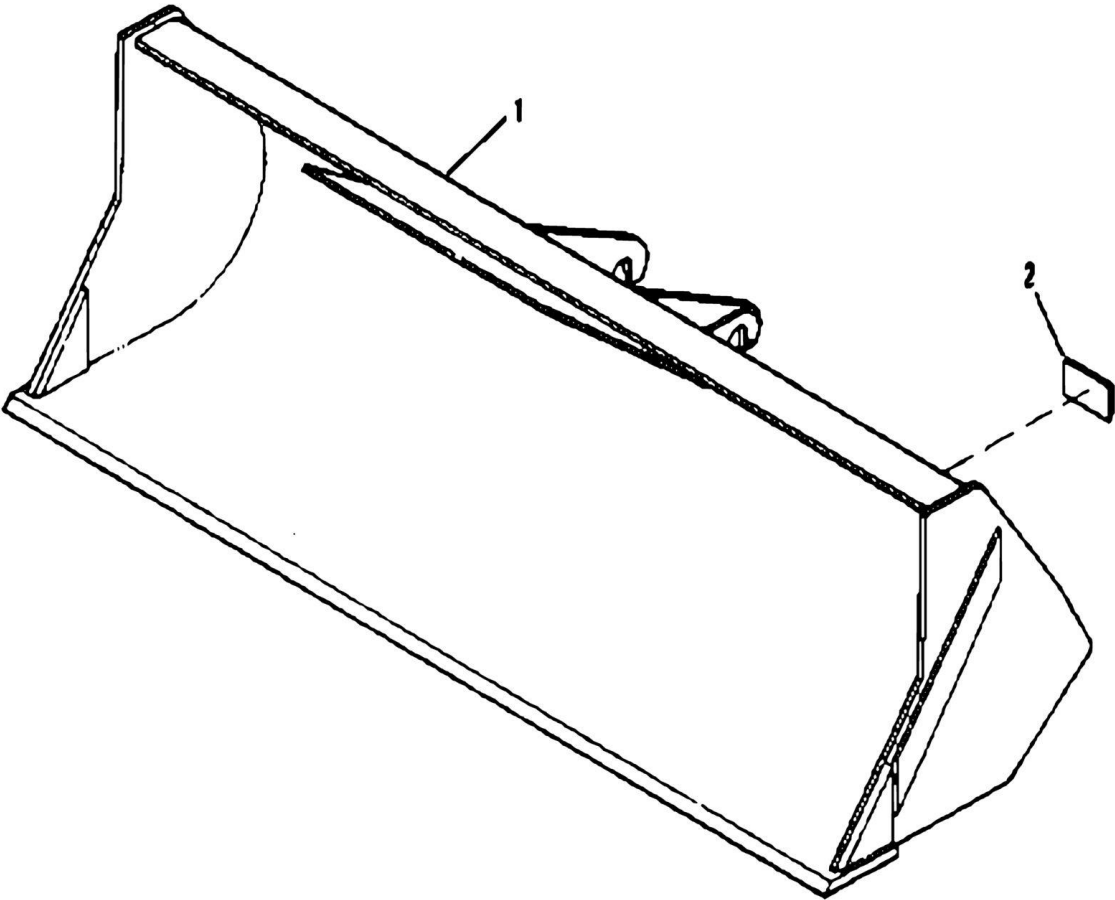
SECTION 9 - BOOM AND ATTACHMENTS

FIGURE 9-12. 12 FT TRUSS BOOM (OPTIONAL)

ITEM	PART NUMBER	QTY	DESCRIPTION	REV
1	7113024	1	12 ft Truss Boom (Includes Items 2 thru 8)	
2	8382017	1	Hook, Pintle	
3	8310195	4	HHCS, 1/2-13 x 1-3/4in	
4	8307112	4	Washer, Flat SAE 1/2in	
5	8305644	4	Nut, Hex Lock Elastic 1/2-13	
6	4107182	2	Decal, Name	
7	4107822	2	Decal, Swinging Load	
8	4107832	2	Decal, Length/Capacity	

SECTION 9 - BOOM AND ATTACHMENTS

FIGURE 9-13. UTILITY BUCKET (OPTIONAL)



PA0782

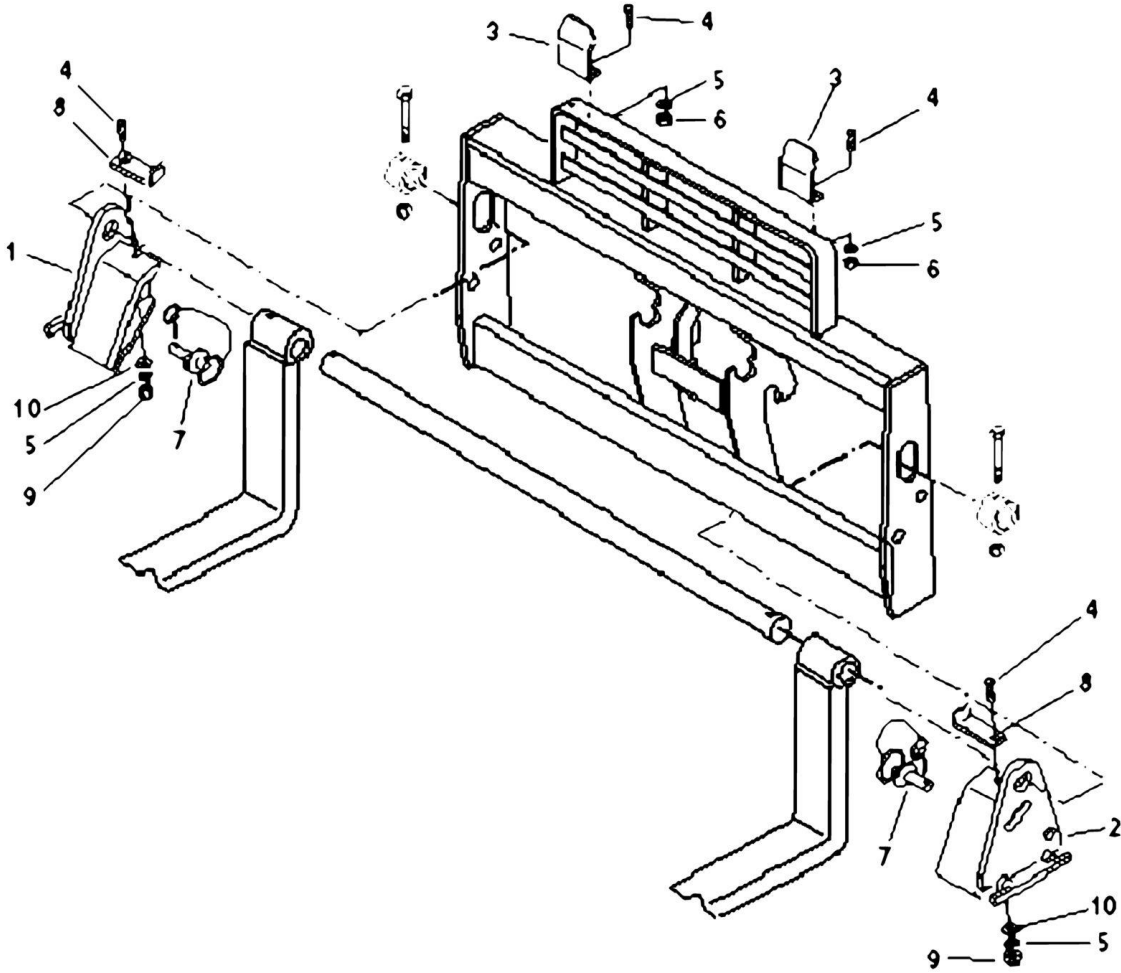
SECTION 9 - BOOM AND ATTACHMENTS

FIGURE 9-13. UTILITY BUCKET (OPTIONAL)

ITEM	PART NUMBER	QTY	DESCRIPTION	REV
1	7110744	1	Bucket, Utility, 1-1/4 cu yd (Includes Item 2)	
2	4106561	1	Plate, Capacity	

SECTION 9 - BOOM AND ATTACHMENTS

FIGURE 9-14. SHEET MATERIAL HANDLER (OPTIONAL)



PK0041

SECTION 9 - BOOM AND ATTACHMENTS

FIGURE 9-14. SHEET MATERIAL HANDLER (OPTIONAL)

ITEM	PART NUMBER	QTY	DESCRIPTION	REV
1	7112533	1	Support, Fork, Right Side	
2	7112523	1	Support, Fork, Left Side	
3	7112642	2	Extension, Backrest, Top	
4	8303626	6	HHCS, 1/2-13 x 1-1/2in	
5	8307007	6	Washer, Lock 1/2in	
6	8305012	4	Nut, Hex 1/2-13	
7	8301456	2	Pin, Hitch	
8	7114941	2	Bar, Lock	
9	8305644	2	Nut, Hex Lock Elastic 1/2-13	
10	8307112	2	Washer, Flat 1/2in LT	

PART NUMBER INDEX

SECTION 9 - BOOM AND ATTACHMENTS

10731703.....	81	1319378.....	61	1319477.....	57, 75	1319578.....	85
10731709..101, 103, 104, 107		1319379.....	61	1319478.....	57, 75	1319580.....	85
10731732.....	83	1319380.....	61	1319483.....	77	1319581.....	85
10731744.....	85	1319381.....	61	1319484.....	77	1319582.....	85
10731845.....	87, 89, 93	1319382.....	62	1319485.....	77	1319583.....	85
10731913.....	83	1319383.....	62	1319491.....	51, 69	1319584.....	85
10731949.....	51, 69	1319384.....	62	1319494.....	101	1319585.....	85
10731959.....	41, 99	1319385.....	62	1319496.....	51, 69	1319586.....	85
10732029.....	103	1319386.....	62	1319497.....	51, 69	1319587.....	85
10732063.....	103, 107	1319387.....	62	1319499.....	51, 69	1319588.....	85
10732064.....	103	1319388.....	62	1319500.....	51, 69	1319590.....	85
10732071.....	101	1319389.....	62	1319501.....	51, 69	1319591.....	87
10732072.....	101	1319390.....	62	1319502.....	51, 69	1319592....	87, 89, 91, 93, 95, 97
10839156.....	99	1319391.....	62	1319504.....	51, 69	1319593....	87, 89, 91, 93, 95, 97
1101056.....	57, 75	1319393.....	62	1319505.....	51, 69	1319594....	87, 89, 91, 93, 95, 97
1313932.....	62	1319394.....	62	1319506 ...	49, 51, 59, 67, 69, 77	1319595....	87, 89, 91, 93, 95, 97
1314602.....	89	1319395.....	62	1319510.....	52, 70	1319596....	87, 89, 91, 93, 95, 97
1314683.....	103	1319396.....	62	1319511.....	52, 70	1319597....	87, 89, 91, 93, 95, 97
1319210.....	57, 75	1319397.....	62	1319512.....	52, 70	1319598....	87, 89, 91, 93, 95, 97
1319229.....	81	1319398.....	62	1319513.....	52, 70	1319599....	87, 89, 91, 93, 95, 97
1319236.....	83	1319399.....	62	1319514.....	52, 70	1319600....	87, 89, 91, 93, 95, 97
1319258.....	81	1319400.....	62	1319515.....	52, 70	1319601....	87, 89, 91, 93, 95, 97
1319333.....	61	1319401.....	62	1319516.....	52, 70	1319602....	87, 91, 93, 95, 97
1319334.....	61	1319402.....	62	1319517.....	52, 70	1319603....	87, 89, 91, 93, 95, 97
1319335.....	61	1319406.....	62	1319518.....	52, 70	1319604....	87, 89, 91, 93, 95, 97
1319336.....	61	1319412.....	65	1319519.....	52, 70	1319605.....	87, 89, 93
1319337.....	61	1319415.....	47	1319520.....	52, 70	1319606.....	87, 89, 93
1319338.....	61	1319423.....	49, 67	1319521.....	52, 70	1319607.....	87
1319339.....	61	1319425 ...	49, 51, 67, 69	1319522.....	52, 70	1319608.....	87, 97
1319340.....	61	1319427.....	49, 67	1319523.....	52, 70	1319609.....	87, 89, 91
1319341.....	61	1319429.....	49, 67	1319524.....	52, 70	1319610.....	87, 89, 91
1319342.....	61	1319430.....	67	1319525.....	51, 52, 70	1319611.....	87, 89, 91
1319343.....	61	1319431.....	49, 51, 69	1319526.....	51, 69	1319612....	87, 89, 91, 93, 95, 97
1319344.....	61	1319432 ...	49, 51, 59, 67, 69, 77	1319527.....	51, 69	1319613.....	89
1319345.....	61	1319433.....	49, 67	1319529.....	51, 69	1319614.....	89
1319346.....	61	1319434.....	49, 67	1319530.....	51, 69	1319615.....	89, 93, 95
1319347.....	61	1319436.....	49, 67	1319531.....	51, 69	1319616.....	91
1319348.....	61	1319437.....	49, 67	1319532.....	51, 69	1319617.....	91, 95, 97
1319349.....	61	1319438.....	49, 67	1319533.....	51, 69	1319618.....	91, 95, 97
1319350.....	61	1319439.....	49, 67	1319534.....	51, 70	1319619.....	91
1319351.....	61	1319440.....	49, 67	1319535.....	51, 70	1319620.....	91, 95, 97
1319352.....	61	1319441.....	49, 67	1319536.....	52, 70	1319621.....	91, 95, 97
1319353.....	61	1319444.....	62, 75	1319537.....	52, 70	1319622.....	91, 95, 97
1319354.....	61	1319445.....	57, 75	1319538.....	52, 70	1319623.....	91, 95, 97
1319355.....	61	1319446.....	75	1319539.....	52, 70	1319624.....	91, 95, 97
1319356.....	61	1319447.....	57, 75	1319540.....	52, 70	1319625.....	91, 95, 97
1319357.....	61	1319448.....	75	1319541.....	52, 70	1319626.....	91, 95, 97
1319358.....	61	1319448.....	75	1319542.....	52, 70	1319627.....	91, 95, 97
1319359.....	61	1319449.....	75	1319543.....	51, 69	1319628.....	91, 95, 97
1319360.....	61	1319450.....	75	1319557.....	83	1319629.....	91, 95, 97
1319361.....	61	1319451.....	75	1319558.....	83	1319630.....	91, 95, 97
1319362.....	61	1319452.....	75	1319559.....	83	1319631.....	91, 95, 97
1319363.....	61	1319453.....	75	1319563.....	83	1319632.....	91, 95, 97
1319364.....	61	1319454.....	75	1319565.....	83	1319633.....	91
1319365.....	61	1319455.....	75	1319566.....	83		
1319366.....	61	1319456.....	75	1319567.....	85		
1319367.....	61	1319457.....	75	1319568.....	85		
1319369.....	61	1319458.....	75	1319569.....	85		
1319370.....	61	1319459.....	75	1319570.....	85		
1319371.....	61	1319460.....	75	1319571.....	85		
1319372.....	61	1319461.....	75	1319572.....	85		
1319373.....	61	1319462.....	57, 75	1319573.....	85		
1319374.....	61	1319463.....	75	1319574.....	85		
1319375.....	61	1319464.....	57, 75	1319575.....	85		
1319376.....	61	1319471.....	57, 75	1319576.....	85		
1319377.....	61	1319472.....	57, 75	1319577.....	85		
		1319475.....	57, 75				
		1319476.....	57, 75				

SECTION 9 - BOOM AND ATTACHMENTS

1319634.....	93	1319703.....	103, 107	1321177.....	59	1321256.....	57
1319635.....	93	1319704.....	103	1321178.....	73	1321257.....	57
1319636.....	93, 95, 97	1319705.....	103	1321179.....	55	1321258.....	59
1319637.....	95	1319706.....	103	1321180.....	55	1321259.....	65
1319638.....	95, 97	1319707.....	103, 107	1321181.....	55	1321260.....	65
1319639.....	97	1319708.....	103	1321182.....	55	1321262.....	65
1319640.....	99	1319709.....	107	1321184.....	47	2711613.....	183
1319641.....	99	1319710.....	107	1321185.....	43	2711992.....	227
1319642.....	99	1319711.....	107	1321186.....	43	2713363.....	179
1319643.....	99	1319712.....	107	1321187.....	43	2715052.....	133
1319644.....	99	1319713.....	107	1321188.....	65	2715312.....	153
1319645.....	99	1319714.....	107	1321189.....	43	2716143.....	185
1319646.....	99	1319715.....	107	1321190.....	43	2716153.....	181
1319647.....	41, 99	1319716.....	103	1321191.....	59	2716333.....	171
1319648.....	41, 99	1319717.....	107	1321194.....	44	2716373.....	167
1319649.....	41, 99	1319718.....	109	1321196.....	43	2716423.....	173
1319650.....	101	1319719.....	109	1321197.....	43	2716492.....	133
1319651.....	101	1319720.....	109	1321198.....	43	2716518.....	149
1319652.....	101, 103	1319721.....	109	1321199.....	43	2716519.....	149
1319653.....	101	1319722.....	109	1321200.....	43	2716520.....	131
1319654.....	101	1319723.....	109	1321201.....	44	2716523.....	131
1319655.....	101	1319724.....	109	1321202.....	44	2716524.....	131
1319656.....	101	1319725.....	109	1321203.....	44	2716525.....	131
1319657.....	101	1319726.....	109	1321204.....	44	2716529.....	131
1319659.....	101	1320748.....	41	1321205.....	59	2716530.....	131
1319660.....	101	1320749.....	41	1321206.....	55	2716531.....	131
1319661.....	101, 103	1320750.....	41	1321207.....	55	2716532.....	133
1319662.....	101	1320751.....	41	1321208.....	55	2716533.....	133
1319663.....	101	1320752.....	41	1321210.....	44	2716534.....	135
1319664.....	101	1320753.....	41	1321211.....	62	2716535.....	135
1319665.....	101	1320754.....	41	1321212.....	44	2716536.....	139
1319666.....	101	1320755.....	41	1321214.....	59	2716537.....	139
1319667.....	101	1320756.....	41	1321215.....	47	2716538.....	129
1319668.....	101	1320757.....	41	1321216.....	65	2716539.....	129
1319669.....	101	1320758.....	41	1321217.....	47	2716540.....	129
1319670.....	101, 103, 107	1320759.....	41	1321218.....	47	2716563.....	169
1319671.....	103	1320760.....	41	1321219.....	47	2716564.....	163
1319672.....	103	1320761.....	41	1321220.....	47	2716566.....	131
1319673.....	103	1320762.....	41	1321221.....	47	2716567.....	131
1319674.....	103	1320763.....	41	1321222.....	47	2716568.....	129
1319675.....	103	1320764.....	41	1321223.....	65	2716569.....	129
1319676.....	103	1320765.....	41	1321224.....	65	2716570.....	129
1319677.....	103	1320989.....	41	1321225.....	47	2716572.....	153
1319678.....	103	1321061.....	79	1321226.....	75	2716573.....	129
1319679.....	103	1321062.....	79	1321227.....	65	2716574.....	129
1319680.....	103	1321148.....	49, 67	1321228.....	57	2716575.....	129
1319681.....	103	1321149.....	79	1321229.....	61	2716576.....	139
1319682.....	103	1321150.....	51, 69	1321231.....	77	2716577.....	139
1319684.....	103	1321151.....	51, 69	1321232.....	59	2716578.....	129
1319685.....	103	1321152.....	51, 69	1321233.....	59	2716619.....	151
1319686.....	103	1321153.....	47, 65	1321236.....	67	2716620.....	135
1319687.....	103	1321154.....	47, 65	1321237.....	62	2716623.....	139
1319688.....	103	1321155.....	57, 75	1321238.....	77	2716624.....	129
1319689.....	103	1321156.....	51, 69	1321239.....	75	2716628.....	135
1319690.....	103	1321157.....	57, 75	1321240.....	55	2716629.....	135
1319691.....	103	1321158.....	51, 69	1321242.....	77	2716630.....	153
1319692.....	103	1321159.....	52, 70	1321244.....	55	2716631.....	131
1319693.....	103	1321161.....	51, 69	1321245.....	75	2716633.....	131
1319694.....	103	1321162.....	51, 69	1321246.....	75	2716634.....	135
1319695.....	103	1321163.....	51, 69	1321247.....	77	2716635.....	135
1319696.....	103, 107	1321164.....	57, 75	1321248.....	44	2716636.....	137
1319697.....	103	1321165.....	51, 69	1321249.....	57	2716637.....	137
1319698.....	103	1321172.....	55, 73	1321250.....	57	2716638.....	137
1319699.....	103	1321173.....	51, 69	1321251.....	57	2716639.....	137
1319700.....	103	1321174.....	51, 69	1321252.....	49	2716640.....	137
1319701.....	103	1321175.....	57	1321254.....	57	2716641.....	131
1319702.....	103, 107	1321176.....	75	1321255.....	59	2716642.....	133

SECTION 9 - BOOM AND ATTACHMENTS

2716643.....	133	7085422.....	119	7129101.....	125	7137623.....	31
2716644.....	135	7085501.....	227	7129111.....	125	7137634.....	15
2716645.....	135	7085542.....	207	7129121.....	125	7137822.....	209
2716646.....	187	7085552.....	217	7129133.....	125	7138038.....	145
2716647.....	187	7085571.....	217	7129441.....	15	7138193.....	211
2716648.....	129	7086304.....	221	7129521.....	27	7138194.....	209
2716649.....	129	7086471 ...	219, 221, 223, 225, 227	7129973.....	119, 131	7138209.....	187
2716650.....	139			7130131.....	119	7138210.....	187
2716652.....	151	7090814.....	223	7130412.....	19, 21	7138222.....	217
2716653.....	151	7094552.....	187	7130653.....	15	7138224.....	119
2716689.....	139	7094562.....	187	7130663.....	15	7138230.....	119
2716736.....	177	7096491.....	19, 21	7130682.....	197	7138231.....	119
4100181.....	203	7097523 ...	219, 221, 223, 225, 227	7130734.....	17	7138242.....	119
4105171.....	203			7130744.....	17	7138249.....	123
4105262.....	203	7097533 ...	219, 221, 223, 225, 227	7130773.....	17	7138260.....	11
4106561.....	231			7130862.....	17	7138262.....	11
4107182.....	229	7110494.....	225	7131003.....	17	7138264.....	11
4107692.....	225	7110694.....	225	7131253.....	119	7138265.....	11
4107702.....	225	7110702.....	225	7131412.....	15	7138271.....	11
4107712.....	225	7110712.....	225	7131952.....	119	7138279.....	11
4107822.....	229	7110722.....	225	7131992.....	125	7138280.....	11
4107832.....	229	7110744.....	231	7132002.....	119	7138284.....	131
4107901.....	203	7111572.....	209	7132012.....	119	7138288.....	117, 125
4108181.....	203	7111994.....	225	7132111.....	125	7138321.....	11
4108201.....	203	7112523.....	233	7132131.....	125	7138342.....	11
4108302.....	203	7112533.....	233	7132141.....	117	7138366.....	23
4108981.....	203	7112642.....	233	7132751.....	17	7138515.....	119
4108991.....	203	7113024.....	229	7133932.....	29	7138623.....	207
4109041.....	203	7114112.....	213	7133942.....	29, 153	7138642.....	211
4109091.....	203	7114941.....	233	7134453.....	15	7138656.....	111
4109791.....	203	7116691.....	141	7134671.....	197	7138682.....	11
4109801.....	203	7117204.....	227	7134851.....	213	7138686.....	121
4109941.....	203	7117244.....	227	7134863.....	217	7138695.....	123
4110071.....	203	7117254.....	227	7134873.....	217	7138741.....	9
4110116.....	203	7117264.....	227	7135034.....	197	7138756.....	31
4110117.....	203	7118882 ...	217, 219, 221, 223	7135044.....	199	7138757.....	31
4110130.....	203			7135413 ...	207, 211, 213	7138759.....	203
4110131.....	203	7118892 ...	217, 219, 221, 223	7135432.....	209	7138760.....	39
4110132.....	203			7135442 ...	207, 209, 211	7138763.....	141
4110133.....	203	7119341.....	227	7135773.....	141	7138764.....	141
4110137.....	203	7119362.....	213, 215	7135912.....	35	7138765.....	141
4110172.....	203	7119372.....	213, 215	7135922.....	37	7138766.....	145
5724302.....	27, 135, 151	7120613.....	125	7136073.....	135, 151	7138767.....	141
5724742.....	125	7120662.....	211	7136083.....	151	7138768.....	141
5752022.....	9	7121422.....	217	7136093.....	135	7138769.....	141
6604662.....	225	7121531.....	215	7136103.....	151	7138770.....	145
6608621.....	225	7121543.....	19	7136113.....	151	7138771.....	141
6611172.....	197	7121951.....	117	7136123.....	135	7138772.....	141
6611752.....	225	7124331.....	9, 207	7136133.....	135	7138773.....	141
70020428.....	179, 181	7124531.....	17	7136322.....	207	7138774.....	141
7024574.....	179, 181	7125741.....	227	7136422.....	187	7138775.....	141
7026744.....	81	7126172 ...	207, 209, 211	7136592.....	207, 211	7138776.....	141
7029720.....	101	7126182 ...	207, 209, 211	7136713.....	27	7138778.....	145
7057141 ...	15, 17, 19, 21, 119	7126662.....	213	7136742.....	23	7138779.....	145
7062922.....	225	7126703.....	119	7136794.....	9	7138780.....	147
7065482.....	227	7126833.....	123	7136852.....	211	7138781.....	147
7070191.....	227	7127091.....	25	7136892.....	145	7138782.....	147
7075611.....	203	7127102.....	25	7137022.....	141	7138783.....	147
7077481.....	227	7127462.....	117	7137082.....	213	7138784.....	141
7077501.....	227	7127492.....	117	7137092.....	9	7138785.....	141
7077511.....	227	7127552.....	117	7137142.....	9	7138788.....	125
7083054.....	219	7127562.....	117	7137152.....	15	7138790.....	147
7083922.....	207	7128602.....	125	7137164.....	9, 187	7138828.....	11
7085073 ...	219, 221, 223, 225, 227	7128772.....	219, 227	7137333.....	11	7138829.....	11
7085411.....	227	7128782.....	225	7137343.....	11	7138830.....	199
		7128792.....	221, 227	7137593.....	133	7138831.....	111
		7128802 ...	223, 225, 227	7137603.....	133	7138832.....	111

SECTION 9 - BOOM AND ATTACHMENTS

7138837	9	8035347	189	8035804	31	8035899	43
7138839	17	8035348	193	8035807	197	8035900	43
7138843	11	8035350	189	8035830	181	8035901	43
7138844	17, 31	8035355	189	8035831	185	8035902	43
7138850	125	8035356	193	8035834	189, 190, 193	8035903	43
7138864	15	8035357	193	8035835	189	8035904	43
7138963	15	8035358	189	8035836	189	8035905	43
7138977	215	8035359	193	8035837	193	8035906	43
7138979	215	8035360	189	8035838	193	8035907	43
7138986	215	8035361	189	8035839	189	8035908	43
7139018	209	8035362	189	8035840	193	8035909	43
7139020	209	8035363	190	8035841	189, 190	8035910	44
7139039	147	8035365	193	8035842	193	8035911	44
7139040	147	8035366	193	8035843	189, 193	8035912	44
7139075	209	8035367	189	8035844	189	8035913	44
7139095	9	8035368	189	8035845	189	8035914	44
7139216	203	8035369	189	8035846	193	8035915	44
7139238	117, 123, 125, 187	8035370	189	8035847	193	8035916	44
7139248	9	8035371	193	8035848	193	8035917	44
7139249	9	8035372	193	8035849	190	8035918	44
7139460	121	8035373	193	8035850	189	8035919	44
7139461	121	8035374	193	8035851	189	8035920	44
8025655	181	8035375	193	8035852	190, 193	8035921	44
80304405	57, 75, 83	8035376	193	8035855	193	8035922	47
8032398	123	8035377	189	8035856	190	8035923	47
8032737	177	8035378	189	8035857	190	8035924	49
8032989	161	8035380	189	8035858	159	8035925	49
8032990	161	8035536	181	8035859	159	8035926	49
8032991	161	8035542	173	8035860	159	8035927	49, 67
8032992	161	8035543	173	8035861	181	8035928	49
8032993	161	8035546	167	8035862	181	8035929	49, 67
8032994	161	8035547	167	8035863	181	8035930	49, 67
8032995	161	8035548	167	8035864	181	8035931	49, 67
8033004	35, 37, 39	8035549	167	8035865	185	8035932	49, 67
8033178	25	8035550	167	8035866	185	8035933	49, 67
8033783	179	8035551	171	8035867	185	8035935	51, 69
8033784	179	8035552	171	8035868	185	8035936	51, 69
8033785	179	8035553	171	8035869	185	8035937	51, 69
8033786	179, 181	8035744	157	8035870	43	8035938	51, 69
8033788	179	8035745	157	8035871	43	8035939	51, 69
8033789	179	8035746	157	8035872	43	8035940	51, 69
8034697	189	8035747	157	8035873	43	8035941	51, 69
8035045	193	8035757	169	8035874	43	8035942	51, 69
8035093	157	8035758	169	8035875	43	8035943	51, 69
8035098	123	8035759	173	8035876	43	8035944	51, 69
8035099	123	8035760	173	8035877	43	8035945	69
8035100	117	8035761	175	8035878	43	8035946	69
8035109	35, 37	8035762	175	8035879	43	8035947	69
8035259	157	8035763	175, 177	8035880	43	8035948	70
8035261	157	8035764	175, 177	8035881	43	8035949	51, 69
8035262	157	8035765	175, 177	8035882	43	8035951	51, 69
8035263	157	8035766	175, 177	8035883	43	8035952	55
8035276	199	8035767	175	8035884	43	8035954	55
8035278	117	8035768	175	8035885	43	8035955	55
8035279	123	8035769	175, 177	8035886	43	8035958	55
8035281	163	8035774	165	8035887	43	8035959	57
8035282	163	8035775	165	8035888	43	8035960	57
8035292	125	8035777	29	8035889	43	8035961	57
8035308	171, 173	8035778	35, 37, 39	8035890	43	8035962	57
8035309	171, 173	8035779	39	8035891	43	8035963	57
8035321	171	8035781	163	8035892	43	8035964	57
8035322	163, 169	8035782	163	8035893	43	8035965	57
8035323	163, 169	8035783	163	8035894	43	8035966	57
8035324	163, 169	8035784	163	8035895	43	8035967	57
8035326	163, 169	8035785	163	8035896	43	8035968	57
8035346	193	8035799	161	8035897	43	8035969	57
		8035803	31	8035898	43	8035970	57

SECTION 9 - BOOM AND ATTACHMENTS

8035971.....57	8205547 183	8303627 141	8306407.....151
8035972.....57	8205548 183	8303634 ... 219, 221, 223, 225, 227	8307002,25, 29, 119, 131, 135, 141, 145, 147, 151, 197
8035973.....57, 75	8205655 179, 183, 185	8303638 217	8307003.....23, 25, 125
8035974.....57	8205656 175, 177	8303641 209	8307004..11, 15, 17, 119, 129, 135, 137, 141, 147, 151
8035975.....57	8205661 183	8303658 27	8307005.....31, 123, 131, 141, 207, 209, 211, 213
8035976.....59	8220344 197	8303666 217	8307007,27, 39, 131, 213, 215, 233
8035977.....59, 77	8220346 197	8303670 ... 11, 15, 19, 21, 123	8307010.....209
8035978.....79	8223046 197	8303675 ... 117, 123, 131, 141, 211	8307023.....27, 113, 117, 139
8035979.....79	8223048 197	8303679 207, 211	8307024.....23, 25, 197
8035980.....79	8223049 31	8303681 207, 209, 211	8307025.....25, 117, 131
8035981.....79	8223050 197	8303693 9, 141	8307049.....113
8035982.....61	8223051 197	8303697 17, 119	8307104.....213, 215, 217
8035983.....62	8223053 197	8303703 145	8307106..11, 19, 21, 119, 123
8035984.....65	8223054 197	8303705 29	8307107.....117
8035985.....65	8223226 187	8303715 ... 129, 135, 151, 225	8307109... 11, 23, 25, 197
8035986.....67	8223227 187	8303738 11	8307110.....11, 117, 199
8035987.....67	8223229 199	8303739 15, 17, 227	8307111.....197
8035989.....67	8223231 197	8303743 ... 119, 135, 141, 145, 151	8307112..9, 11, 131, 229, 233
8035990.....67	8223232 199	8303744 11	8307113.....117, 203
8035991.....67	8223453 197	8303746 17	8307202.....15, 119, 131, 145
8035992.....75	8223526 187	8303752 9	8307203..11, 15, 17, 147, 227
8035993.....75	8223527 123	8303755 27, 139	8307204..11, 19, 21, 119, 141, 199, 211
8035994.....75	8223530 199	8303759 137	8307206.....17, 27, 141
8035995.....75	8225119 197	8303766 141	8307211.....9
8035996.....75	8229242 197	8303769 113	8307220.....131
8035997.....75	8229243 197	8303770 227	8307221.....217, 225
8036002.....109	8229244 197	8303771 209	8307912.....211
8036003.....109	8229245 197	8303772 217	8307913.....211
8036004.....109	8229247 197	8303782 9, 211	8307918.....217, 225
8036005.....109	8229252 197	8303790 25, 117	8310009.....17, 129
8036007.....189	8262150 117	8303798 113	8310016.....17, 197
8036008.....19	8270134 199	8303799 23, 25	8310019.....213, 215
8036009.....19	8270138 199	8303836 23, 125	8310061.....9
8036010.....19	8270139 199	8303837 25, 125	8310067.....15
8036011.....19	8270220 117	8304660 209	8310076.....211
8036013.....19	8270221 117	8304672 31	8310080.....9
8036014.....19	8270620 197	8305002 25	8310084.....39
8036015.....19	8270621 197	8305004 145, 147	8310085.....17, 197
8036016.....19	8272017 117	8305006 11, 141, 147	8310093.....217
8036017.....19	8273022 123	8305008 11, 141	8310104.....119
8036018.....55	8273297 123	8305012 27, 233	8310109.....117
8036019.....163	8274022 125	8305047 23	8310116.....9
8036020.....163	8275040 121	8305402 25	8310124.....15
8036229.....175	8275209 125	8305404 19, 21	8310160.....225
8036230.....177	8275212 121	8305439 197	8310161.....225
8036305.....51, 69	8275240 121	8305603 ... 119, 131, 141, 199	8310164.....117, 131
8036328.....175, 177	8275247 121	8305619 217	8310195.....229
8036356.....165	8275249 121	8305624 11, 15, 197	8310201.....213
8036451.....185	8277161 117	8305626,9, 11, 17, 19, 21, 119, 123, 187, 227	8310259.....211
8036459.....177	8278008 119	8305643 ... 117, 211, 213, 217, 219, 221, 223, 225, 227	8310266....217, 219, 221, 223
8040269.....9	8278021 117	8305644 .9, 11, 141, 211, 217, 229, 233	8310276....217, 219, 221, 223
8040270.....9	8278023 119	8305645 19, 21, 117, 119, 197, 199, 213, 215, 227	8310281.....141
8050001.....9, 211	8278024 119	8305646 213, 215	8310285.....9
8050007.....9	8278026 15	8305647 203	
8065062.....181, 225	8278028 117	8305650 25	
8065634.....227	8301456 233	8305906 11, 15	
8065640.....9	8302406 11		
8124126.....213, 215	8303034 15		
8127016.....215	8303538 9		
8127018.....213	8303540 197		
8160073.....25	8303548 23		
8160610.....25	8303615 11, 25, 131		
8162003.....25	8303620 ... 141, 209, 213		
8180311.....119	8303621 11, 117, 119, 207, 209, 211		
8205514.....183	8303624 213, 215		
8205545.....183	8303626 11, 131, 233		
8205546.....183			

SECTION 9 - BOOM AND ATTACHMENTS

8310289.....	117	8430093.....	125	8750017.....	129, 141	8770129....	129, 135, 151
8310301.....	15	8430094.....	125	8750018.....	141, 145	8770130.....	129
8310315.....	31	8430095.....	125	8750019.....	141, 145	8770131.....	129
8310326.....	159	8440156.....	131, 157	8750020.....	141, 145	8770132.....	131
8310327.....	159	8464013.....	187	8750021.....	141	8770136.....	151
8310333.....	117	8466306.....	17	8750022.....	197, 199	8770140.....	129, 141
8310334.....	11	8467017.....	197	8750026.....	197, 199	8770152.....	145
8310344.....	199	8520001.....	9, 207, 213	8750027.....	151	8770154.....	145, 147
8310353.....	17	8520003.....	9, 215	8760110.....	227	8770155.....	139, 141
8310358.....	17, 197	8520013.....	9, 183, 211, 217	8760113.....	225	8770160.....	149
8310359.....	31	8520021.....	207, 211	8760117.....	227	8770163.....	133
8310360.....	17	8522012.....	207, 211, 213, 215	8760311.....	225	8770166.....	131
8310366.....	197	8526007.....	113, 207, 209, 211, 213	8760313.....	225	8770167.....	135
8310372.....	31	8526011.....	163, 167, 169, 171, 173, 175, 177, 179, 181, 183, 185	8760409.....	225	8770168.....	129, 135
8310374.....	17	8526036.....	175, 177, 181	8760419.....	187	8770169.....	139
8310375.....	15	8526042.....	15	8760420.....	163	8770175.....	139
8310380.....	147	8526052.....	41, 81	8760451.....	161	8770176.....	129, 139
8310382.....	145	8526053.....	125	8760475.....	225	8770183.....	129, 139
8310402.....	17	8526056.....	41	8760535.....	145	8770186....	137, 142, 147
8310417.....	9	8528071.....	203	8760545.....	147	8780046.....	111
8310424.....	117	8528074.....	203	8769122.....	135, 151	8786514.....	111
8310439.....	11	8528080.....	203	8769123....	129, 137, 151	8841041.....	41, 113
8310441.....	11	8528101.....	203	8769128....	129, 135, 151	8841042.....	113
8310453.....	151	8528105.....	203	8769132.....	225	8864019.....	19, 21
8310464.....	39	8528106.....	203	8769153.....	135, 151	8864053.....	19
8310479.....	9	8530030.....	131, 141	8769154.....	135, 151	8864055.....	21
8310480.....	9	8541404.....	125	8770001.....	187	8864056.....	21
8310481.....	9	8541433.....	227	8770012.....	225	8864057.....	19
8310484.....	145, 147	8546407.....	131	8770016.....	225	8864058.....	19, 21
8310490.....	31	8551001.....	123	8770066....	141, 145, 147	8864060.....	21
8310491.....	31	8580118.....	31	8770068....	129, 131, 137, 139, 141, 145, 147	8866341.....	119
8310492.....	31	8580315.....	225	8770070....	131, 133, 149	8866514.....	23
8310496.....	113	8580420.....	119, 131	8770075.....	135, 151	8866515.....	23
8310512.....	9	8580421.....	17, 197	8770079.....	133	8866516.....	23
8320262.....	117	8582426.....	197	8770080.....	131	8866529.....	23
8320265.....	187	8584001....	197, 225, 227	8770083.....	131	8866530.....	23
8320270.....	125	8584018.....	197	8770085.....	133	8880218.....	35, 37
8322036.....	125	8630010.....	17	8770086.....	133	8902111.....	159
8324029.....	187	8630016.....	131	8770095.....	131	8902175....	129, 139, 145
8340034.....	25	8640017.....	159	8770096.....	131	8902180.....	147, 159
8340035.....	11	8640028.....	225, 227	8770099.....	131	8902182....	145, 147, 161
8342416.....	11	8640029.....	225, 227	8770102.....	129, 131	8902183....	145, 147, 161
8382017.....	229	8640032.....	225, 227	8770105....	129, 137, 139	8902189.....	189, 193
8405009.....	125	8640123.....	131, 141	8770106....	129, 137, 139, 141, 145, 147, 153	8902191.....	145
8405104.....	119, 125	8640208.....	131	8770107.....	153	8902195.....	141, 161
8405202.....	125	8642001.....	227	8770108....	141, 145, 147	8902196.....	161
8405203.....	119	8642207.....	225	8770109.....	139	8902197.....	129, 159
8405209.....	131	8642224.....	207	8770111....	129, 139, 141	8902200.....	131, 165
8405306.....	123	8642235.....	227	8770112.....	139	8902201....	141, 189, 193
8405307.....	123	8642237.....	213, 215	8770114....	129, 131, 135, 139, 145, 147, 153, 187	8902271.....	175
8405404.....	123	8660010.....	125	8770115....	129, 135, 137	8902274.....	139, 159
8410013.....	125	8660011.....	125	8770116....	129, 131, 137, 145, 151	8902511.....	183, 185
8420053....	151, 225, 227	8700116.....	25	8770117.....	129, 135	8902693.....	159, 161
8420055....	151, 225, 227	8702157.....	11	8770120.....	129	8902694.....	159, 161
8420229.....	125	8702160.....	11	8770124....	137, 142, 145, 147, 151	8902695.....	161
8430005....	151, 225, 227	8720016.....	31	8770125....	129, 135, 145, 151	8902696.....	161
8430006....	151, 225, 227	8720017.....	31	8770126.....	187	8902697.....	161
8430032... 131, 139, 142, 147		8721029.....	129, 159	8770127....	129, 131, 137, 153	8902698.....	161
8430033.....	131	8750012.....	129			8902700.....	161
8430043.....	147	8750015.....	129, 137			8990122.....	15
8430072.....	125	8750016.....	129			N.L.A.....	175
8430081.... 131, 139, 147						N.S.S.....	175, 177
8430082.....	142						
8430092.....	125						



An Oshkosh Corporation Company

Corporate Office
JLG Industries, Inc.
1 JLG Drive
McConnellsburg, PA 17233-9533
USA

+1-717-485-5161 (Corporate)
+1-877-554-5438 (Customer Support Toll Free)
+1-717-485-6417

JLG Worldwide Locations

JLG Industries
358 Park Road
Regents Park
NSW 2143
Sydney 2143
Australia
+6 (12) 87186300
+6 (12) 65813058
Email: techservicesaus@jlg.com

JLG Ground Support Oude
Bunders 1034
Breitwaterstraat 12A
3630 Maasmechelen
Belgium
+32 (0)89 84 82 26
Email: emeaservice@jlg.com

JLG Latino Americana LTDA
Rua Antonia Martins Luiz, 580
Distrito Industrial Joao Narezzi
Indaiatuba-SP 13347-404
Brasil
+55 (19) 3936 7664 (Parts)
+55 (19) 3936 9049 (Service)
Email: comercialpecas@jlg.com
Email: servicos@jlg.com

Oshkosh-JLG (Tianjin)
Equipment Technology LTD
Shanghai Branch
No 465 Xiao Nan Road
Feng Xian District
Shanghai 201204
China
+86 (21) 800 819 0050

JLG Industries Dubai
Jafza View
PO Box 262728, LB 19
20th Floor, Office 05
Jebel Ali, Dubai
+971 (0) 4 884 1131
+971 (0) 4 884 7683
Email: emeaservice@jlg.com

JLG France SAS
Z.I. Guillaume Mon Amy
30204 Fauillet
47400 Tonniens
France
+33 (0) 553 84 85 86
+33 (0) 553 84 85 74
Email: pieces@jlg.com

JLG Deutschland GmbH
Max Planck Str. 21
27721 Ritterhude-Ihlpohl
Germany
+49 (0) 421 69350-0
+49 (0) 421 69350-45
Email: german-parts@jlg.com

JLG Equipment Services Ltd.
Rm 1107 Landmark North
39 Lung Sum Avenue
Sheung Shui N. T.
Hong Kong
+(852) 2639 5783
+(852) 2639 5797

JLG Industries (Italia) S. R. L.
Via Po, 22
IT-20010 Pregnana Milanese (MI)
Italy
+39 (0) 2 9359 5210
+39 (0) 2 9359 5211
Email: ricambi@jlg.com

JLG EMEA B.V.
Polaris Avenue 63
2132 JH Hoofddorp
The Netherlands
+31 (0) 23 565 5665
Email: emeaservice@jlg.com

JLG NZ Access Equipment & Services
2B Fisher Crescent
Mt Wellington 1060
Auckland, New Zealand
+6 (12) 87186300
+6 (12) 65813058
Email: techservicesaus@jlg.com

JLG Industries
Vahutinskoe shosse 24b
Khimki,
Moscow Region 141400
Russia Federation
+7 (499) 922 06 99
+7 (499) 922 06 99

Oshkosh-JLG Singapore
Technology Equipment P te Ltd.
35 Tuas Avenue 2
Jurong Industrial Estate
Singapore 639454
+65 6591 9030
+65 6591 9045
Email: SEA@jlg.com

JLG Iberica S. L.
Trapadella, 2
Pol. Ind. Castellbisbal Sur
08755 Castellbisbal
Barcelona
Spain
+34 (0) 93 772 47 00
+34 (0) 93 77 117 62
Email: parts_iberica@jlg.com

JLG Sverige AB
Enkopingsvagen 150
17627 Jarfalla
Sweden
+46 (0) 8 506 595 00
+46 (0) 8 506 595 27
Email: nordicsupport@jlg.com

JLG Industries (UK) Ltd.
Bentley House
Bentley Avenue
Middleton, Greater Manchester
M24 2GP
United Kingdom
+44 (0) 161 654 1000
+44 (0) 161 654 1003
Email: ukparts@jlg.com

www.jlg.com