



Illustrated Parts Manual

Model G6-42P

SN 0189001 through 0189345
& 0160000230 to Present

91404001

*Revised
March 31, 2014*



EFFECTIVITY PAGE

December 17, 2004 - A - Revised Manual
June 3, 2005 - B - Revised Manual
September 30, 2005 - C - Revised Manual
April 24, 2006 - D - Revised Manual
August 25, 2006 - E - Revised Manual
February 23, 2007 - F - Revised Manual
July 6, 2007 - G - Revised Manual
November 26, 2008 - H - Revised Manual
February 25, 2010 - I - Revised Manual
September 24, 2012 - J - Revised Manual
January 3, 2013 - K - Revised Manual
March 31, 2014 - L - Revised Manual

TABLE OF CONTENTS

SECTION 1 - FRAME AND ATTACHING PARTS.....	11
FIGURE 1-1. FRAME SHROUDING AND TRIM	12
FIGURE 1-2. REAR AXLE AND ATTACHING PARTS.....	18
FIGURE 1-3. FRONT AXLE MOUNTING (SN 0189001 through 0189345).....	22
FIGURE 1-4. FRONT AXLE MOUNTING (SN 0160000230 to Present).....	24
SECTION 2 - BOOM.....	27
FIGURE 2-1. FIRST BOOM SECTION.....	28
FIGURE 2-2. BEARING PADS, SPACERS AND SHIMS, (FIRST BOOM SECTION).....	30
FIGURE 2-3. SECOND BOOM SECTION.....	32
FIGURE 2-4. BEARING PADS, SPACERS AND SHIMS, (SECOND BOOM SECTION).....	34
FIGURE 2-5. THIRD BOOM SECTION	38
FIGURE 2-6. BEARING PADS, SPACERS AND SHIMS, (THIRD BOOM SECTION)	40
FIGURE 2-7. PUSH/BEAM EXTEND CHAIN AND ROLLER ASSEMBLY	42
FIGURE 2-8. QUICK SWITCH ASSEMBLY (Prior to SN 0160037689).....	44
FIGURE 2-9. QUICK SWITCH ASSEMBLY (SN 0160037689 to Present).....	46
SECTION 3 - ATTACHMENTS	49
FIGURE 3-1. TILT CARRIAGE (Prior to SN 0160023812)	50
FIGURE 3-2. TILT CARRIAGE (SN 0160023812 to Present)	52
FIGURE 3-3. BUCKETS	54
FIGURE 3-4. 48 INCH AND 72 INCH SLOPE PILER CARRIAGE (Prior to SN 0160037689)	56
FIGURE 3-5. SIDE TILT CARRIAGE (SN 0160037689 to Present)	58
FIGURE 3-6. TRUSS BOOM (Prior to SN 0160037689)	60
FIGURE 3-7. TRUSS BOOM (SN 0160037689 to Present)	62
FIGURE 3-8. 10 FOOT AND 15 FOOT TRUSS BOOM WITH WINCH (Prior to SN 0160037689).....	64
FIGURE 3-9. 12 FOOT TRUSS BOOM WITH WINCH (SN 0160037689 to Present)	66
FIGURE 3-10. 100, SWING FORK ASSEMBLY (Prior to SN 0160037689)	68
FIGURE 3-11. 90, SWING CARRIAGE (SN 0160037689 to Present).....	72
FIGURE 3-12. SHEET MATERIAL HANDLER (Prior to SN 0160037689)	74
FIGURE 3-13. SHEET MATERIAL HANDLER (SN 0160037689 to Present).....	76
FIGURE 3-14. WINCH INSTALLATION	78
FIGURE 3-15. 100, DRYWALL SWING CARRIAGE ASSEMBLY (Prior to SN 0160037689).....	80
FIGURE 3-16. PERSONNEL PLATFORM (Prior to SN 0160037689).....	84
FIGURE 3-17. FORK MOUNTED PLATFORM.....	86
FIGURE 3-18. 100, SWING CARRIAGE WITH SIDE TILT (Prior to SN 0160037689).....	90
FIGURE 3-19. FORKS.....	94
FIGURE 3-20. FORK MOUNTED LIFTING HOOK PRIOR TO SN 2005134-01	96
FIGURE 3-21. FORK MOUNTED LIFTING HOOK SN 2005134-01 TO PRESENT	98
FIGURE 3-22. GRAPPLE BUCKET (SN 0160037689 to Present)	100
FIGURE 3-23. FORK PIN LOCK INSTALLATION	102
FIGURE 3-24. 6 FOOT MAST WITH 48 INCH AND 72 INCH CARRIAGE (Prior to SN 0160037689).....	104
FIGURE 3-25. 8 FOOT STANDARD MAST (SN 0160037689 to Present)	106
FIGURE 3-26. 8 FOOT SIDE TILT ELECTRIC MAST (SN 0160037689 to Present)	110
SECTION 4 - ENGINE AND ATTACHING PARTS	115

TABLE OF CONTENTS

FIGURE 4-1. ENGINE ASSEMBLY, LH VIEW (SN 0189001 through 0189345, SN 0160000230 through 0160001775)	116
FIGURE 4-2. ENGINE ASSEMBLY, LH VIEW (SN 0160001921 through 0160003058, Excluding 0160002657)	120
FIGURE 4-3. ENGINE ASSEMBLY, LH VIEW (SN 0160003213 to Present, Including 0160002657)	124
FIGURE 4-4. ENGINE ASSEMBLY, RH VIEW (SN 0189001 through 0189345, SN 0160000230 through 0160001775)	128
FIGURE 4-5. ENGINE ASSEMBLY, RH VIEW (SN 0160001921 through 0160003058, Excluding 0160002657)	132
FIGURE 4-6. ENGINE ASSEMBLY, RH VIEW (SN 0160003213 to Present, Including 0160002657)	136
FIGURE 4-7. JOHN DEERE ENGINE (SN 0189001 through 0189345, SN 0160000230 through 0160003058, Excluding 0160002657)	140
FIGURE 4-8. JOHN DEERE ENGINE (SN 0160003213 through 0160006643, Including 0160002657, Excluding 0160006494 and 0160006543)	144
FIGURE 4-9. JOHN DEERE ENGINE (SN 0160006706 to Present, Including 0160006494 and 0160006543)	148
FIGURE 4-10. FUEL TANK AND LINES (Prior to SN 0160020156)	152
FIGURE 4-11. FUEL TANK AND LINES (SN 0160020156 to Present)	154
FIGURE 4-12. RADIATOR ASSEMBLY (SN 0189001 through 0189345, SN 0160000230 through 0160003058, Excluding 0160002657)	156
FIGURE 4-13. RADIATOR ASSEMBLY (SN 0160003213 to Present, Including 0160002657)	158
FIGURE 4-14. AIR CLEANER AND INSTALLATION (SN 0189001 through 0189345, SN 0160000230 through 0160001775)	160
FIGURE 4-15. AIR CLEANER AND INSTALLATION (SN 0160001921 through 0160003058, Excluding 0160002657)	162
FIGURE 4-16. AIR CLEANER AND INSTALLATION (SN 0160003213 to Present, Including 0160002657)	164
FIGURE 4-17. EXHAUST INSTALLATION (SN 0189001 through 0189345, SN 0160000230 through 0160003058, Excluding 0160002657)	166
FIGURE 4-18. EXHAUST INSTALLATION (SN 0160003213 to Present, Including 0160002657)	168
SECTION 5 - DRIVE TRAIN	171
FIGURE 5-1. FRONT AXLE ASSEMBLY - ROCKWELL (SN 0189001 through 0189345)	172
FIGURE 5-2. FRONT AXLE - ROCKWELL (SN 0189001 through 0189345)	174
FIGURE 5-3. CARRIER ASSEMBLY - ROCKWELL (SN 0189001 through 0189345)	176
FIGURE 5-4. BRAKE ASSEMBLY - ROCKWELL (SN 0189001 through 0189345)	180
FIGURE 5-5. LEFT AND RIGHT HOUSING AND AXLE AND WHEEL FLANGE ASSEMBLIES - ROCKWELL (SN 0189001 through 0189345)	182
FIGURE 5-6. FRONT AXLE ASSEMBLY - CARRARO (SN 0160000230 to Present)	184
FIGURE 5-7. FRONT AXLE - CARRARO (SN 0160000230 to Present)	186
FIGURE 5-8. CARRIER ASSEMBLY - CARRARO (SN 0160000230 to Present)	188
FIGURE 5-9. BRAKE ASSEMBLY - CARRARO (SN 0160000230 to Present)	192
FIGURE 5-10. AXLE HOUSING ASSEMBLY - CARRARO (SN 0160000230 to Present)	194
FIGURE 5-11. REAR AXLE DRIVE HUB (SN 0189001 through 0189345)	196
FIGURE 5-12. REAR AXLE DRIVE HUB (SN 0160000230 to Present)	198
FIGURE 5-13. TIRES AND RIMS (SN 0189001 through 0189345)	200
FIGURE 5-14. TIRES AND RIMS (SN 0160000230 to Present)	202
SECTION 6 - CAB	205
FIGURE 6-1. OPEN CAB	206
FIGURE 6-2. CAB ENCLOSURE WITH HEATER OPTION (SN 0189001 through 0189345, SN 0160000230 through 0160015436)	208
FIGURE 6-3. CAB ENCLOSURE WITH HEATER OPTION (SN 0160015465 to Present)	210
FIGURE 6-4. CAB ENCLOSURE	214
FIGURE 6-5. CAB ENCLOSURE	216
FIGURE 6-6. SUSPENSION SEAT (SN 0160015465 to Present)	218

TABLE OF CONTENTS

FIGURE 6-7. DASH ASSEMBLY	220
FIGURE 6-8. INSTRUMENT PANEL (SN 0189001 through 0189345, SN 0160000230 through 0160001274)	224
FIGURE 6-9. INSTRUMENT PANEL (SN 0160001286 to Present)	226
SECTION 7 - CONTROLS	229
FIGURE 7-1. TILT AND SWAY	230
FIGURE 7-2. ACCELERATOR PEDAL ASSEMBLY (SN 0189001 through 0189345, SN 0160000230 through 0160001370) ...	232
FIGURE 7-3. ACCELERATOR PEDAL ASSEMBLY (SN 0160001379 through 0160038344)	234
FIGURE 7-4. ACCELERATOR PEDAL ASSEMBLY (SN 0160038555 to Present)	236
FIGURE 7-5. STEERING COLUMN AND ATTACHING PARTS	238
FIGURE 7-6. BRAKE PEDAL ASSEMBLY	240
FIGURE 7-7. FOOT SWITCH (SN 0189001 through 0189345)	242
FIGURE 7-8. FOOT SWITCH (SN 0160000230 to Present)	244
FIGURE 7-9. BOOM JOYSTICK ASSEMBLY	246
FIGURE 7-10. JOYSTICK ASSEMBLY	248
FIGURE 7-11. RH HORIZONTAL CONTROL ASSEMBLY	250
SECTION 8 - HYDRAULIC CIRCUITS	253
FIGURE 8-1. OIL SUPPLY LINES	254
FIGURE 8-2. DUMP CIRCUIT	256
FIGURE 8-3. FRONT DRIVE MOTOR	260
FIGURE 8-4. REAR DRIVE MOTORS	262
FIGURE 8-5. STEERING CYLINDERS	266
FIGURE 8-6. SERVICE/PARKING BRAKE	268
FIGURE 8-7. BOOM JOYSTICK	270
FIGURE 8-8. LIFT CYLINDER	272
FIGURE 8-9. CROWD CYLINDER	274
FIGURE 8-10. TILT AND COMPENSATING CYLINDER (Prior to SN 0160037689)	276
FIGURE 8-11. TILT AND COMPENSATING CYLINDER (SN 0160037689 to Present)	278
FIGURE 8-12. SWAY CYLINDER	280
SECTION 9 - HYDRAULIC COMPONENTS	283
FIGURE 9-1. LIFT CYLINDER (SN 0189001 through 0189345, SN 0160000230 through 0160005398)	284
FIGURE 9-2. LIFT CYLINDER (SN 0160005472 through 0160007625)	286
FIGURE 9-3. LIFT CYLINDER (SN 0160007751 through 0160010472)	288
FIGURE 9-4. LIFT CYLINDER (SN 0160010506 through 0160033603)	290
FIGURE 9-5. LIFT CYLINDER (SN 0160033805 to Present)	292
FIGURE 9-6. CROWD CYLINDER - IOWA (SN 0189001 through 0189345, SN 0160000230 through 0160033603)	294
FIGURE 9-7. CROWD CYLINDER - TEXAS HYDRAULICS (SN 0160033805 to Present)	296
FIGURE 9-8. TILT CYLINDER - IOWA (SN 0189001 through 0189345, SN 0160000230 through 0160033603)	298
FIGURE 9-9. TILT CYLINDER - TEXAS HYDRAULICS (SN 0160033805 to Present)	300
FIGURE 9-10. COMPENSATING CYLINDER (SN 0189001 through 0189345, SN 0160000230 through 0160007625)	302
FIGURE 9-11. COMPENSATING CYLINDER (SN 0160007751 through 0160017477)	304
FIGURE 9-12. COMPENSATING CYLINDER (SN 0160017516 to Present)	306
FIGURE 9-13. SWAY CYLINDER - IOWA (SN 0189001 through 0189345, SN 0160000230 through 0160033603)	308
FIGURE 9-14. SWAY CYLINDER - TEXAS HYDRAULICS (SN 0160033805 to Present)	310

TABLE OF CONTENTS

FIGURE 9-15. STEERING CYLINDER - IOWA (SN 0189001 through 0189345, SN 0160000230 through 0160033603)	312
FIGURE 9-16. STEERING CYLINDER - TEXAS HYDRAULICS (SN 0160033805 to Present)	314
FIGURE 9-17. MAIN CONTROL VALVE	316
FIGURE 9-18. HYDROSTATIC TRANSMISSION (SN 0189001 through 0189332)	320
FIGURE 9-19. HYDROSTATIC TRANSMISSION (SN 0189333 through 0189345, SN 0160000230 through 0160001775)	322
FIGURE 9-20. HYDROSTATIC TRANSMISSION (SN 0160001921 to Present)	324
FIGURE 9-21. IMPLEMENT PUMP	326
FIGURE 9-22. FRONT DRIVE MOTOR	328
FIGURE 9-23. REAR DRIVE MOTORS	330
FIGURE 9-24. HYDRAULIC TANK ASSEMBLY	332
FIGURE 9-25. OIL FILTER ASSEMBLY	334
FIGURE 9-26. TRACTION LOCK VALVE	336
FIGURE 9-27. INCHING VALVE	338
FIGURE 9-28. BRAKE VALVE (SN 0189001 through 0189345)	340
FIGURE 9-29. BRAKE VALVE (SN 0160000230 to Present)	342
FIGURE 9-30. PRIORITY FLOW DIVIDER VALVE AND ASSEMBLY	344
FIGURE 9-31. THERMAL BYPASS VALVE	346
FIGURE 9-32. SWAY CYLINDER VALVE (SN 0189001 through 0189343)	348
FIGURE 9-33. SWAY CYLINDER VALVE (SN 0160000230 to Present, SN 0189344 through 0189345)	350
FIGURE 9-34. SOLENOID VALVE	352
FIGURE 9-35. GRAPPLE BUCKET CYLINDER	354
FIGURE 9-36. SIDE TILT CARRIAGE CYLINDER	356
FIGURE 9-37. 72 INCH 90, SWING CARRIAGE CYLINDER	358
SECTION 10 - ELECTRICAL	361
FIGURE 10-1. BATTERY AND CABLES	362
FIGURE 10-2. ENGINE HARNESS (SN 0189001 through 0189345, SN 0160000230 through 0160001775)	364
FIGURE 10-3. ENGINE HARNESS (SN 0160001921 through 0160006643, Excluding 0160006494 and 0160006543)	366
FIGURE 10-4. ENGINE HARNESS (SN 0160006706 to Present, Including 0160006494 and 0160006543)	368
FIGURE 10-5. BOOM WORK LIGHTS HARNESS	370
FIGURE 10-6. CAB WORK LIGHT HARNESS	372
FIGURE 10-7. CAB WORK LIGHT AND BEACON LIGHT HARNESS (SN 0160031703 to Present)	374
FIGURE 10-8. FRAME ROAD LIGHTS HARNESS	376
FIGURE 10-9. CAB ROAD LIGHTS HARNESS	378
SECTION 11 - DECALS	381
FIGURE 11-1. CAB AND FRAME DECALS (SN 0189001 through 0189345, SN 0160000230 through 0160003960)	382
FIGURE 11-2. CAB AND FRAME DECALS (SN 0160004018 to Present)	386
FIGURE 11-3. BOOM DECALS (SN 0189001 through 0189345, SN 0160000230 through 0160006413)	390
FIGURE 11-4. BOOM DECALS (SN 0160006618 to Present)	392
SECTION 12 - OPTIONS	395
FIGURE 12-1. TURBO OPTION (SN 0189001 through 0189345, SN 0160000230 through 0160001775)	396
FIGURE 12-2. TURBO OPTION (SN 0160001921 through 0160003058, Excluding 0160002657)	398
FIGURE 12-3. TURBO ENGINE ASSEMBLY, LH VIEW (SN 0189001 through 0189345, SN 0160000230 through 0160001775)	400
FIGURE 12-4. TURBO ENGINE ASSEMBLY, LH VIEW (SN 0160001921 through 0160003058, Excluding 0160002657)	404

TABLE OF CONTENTS

FIGURE 12-5. TURBO ENGINE ASSEMBLY, RH VIEW (SN 0189001 through 0189345, SN 0160000230 through 0160001775)	408
FIGURE 12-6. TURBO ENGINE ASSEMBLY, RH VIEW (SN 0160001921 through 0160003058, Excluding 0160002657)	412
FIGURE 12-7. JOHN DEERE TURBO ENGINE (SN 0189001 through 0189345, SN 0160000230 through 0160003058, Excluding 0160002657)	416
FIGURE 12-8. TURBO RADIATOR ASSEMBLY (SN 0189001 through 0189345, SN 0160000230 through 0160003058, Excluding 0160002657)	420
FIGURE 12-9. TURBO AIR CLEANER AND INSTALLATION (SN 0189001 through 0189345, SN 0160000230 through 0160001775)	422
FIGURE 12-10. TURBO AIR CLEANER AND INSTALLATION (SN 0160001921 through 0160003058, Excluding 0160002657)	424
FIGURE 12-11. TURBO EXHAUST INSTALLATION (SN 0189001 through 0189345, SN 0160000230 through 0160003058, Excluding 0160002657)	426
FIGURE 12-12. HEATER OPTION ASSEMBLY (SN 0189001 through 0189345, SN 0160000230 through 0160015436)	428
FIGURE 12-13. HEATER OPTION ASSEMBLY (SN 0160015465 to Present)	432
FIGURE 12-14. SUSPENSION SEAT (SN 0189001 through 0189345, SN 0160000230 through 0160015436)	434
FIGURE 12-15. WORK LIGHT PACKAGE (Prior to SN 0160031703)	436
FIGURE 12-16. COLD START INSTALLATION	440
FIGURE 12-17. BLOCK HEATER INSTALLATION	442
FIGURE 12-18. STABILIZER OPTION	444
FIGURE 12-19. STABILIZER CYLINDER - IOWA	446
FIGURE 12-20. BEACON LIGHT PACKAGE (Prior to SN 0160031703)	448
FIGURE 12-21. TILT ON JOYSTICK WITH LH SWAY	450
FIGURE 12-22. TILT ON JOYSTICK WITH RH SWAY	452
FIGURE 12-23. LH SWAY OPTION ASSEMBLY	456
FIGURE 12-24. RH TILT AND SWAY ASSEMBLY	458
FIGURE 12-25. AUXILIARY BOOM ASSEMBLY (Prior to SN 0160037689)	460
FIGURE 12-26. AUXILIARY BOOM ASSEMBLY (SN 0160037689 to Present)	462
FIGURE 12-27. LH AUXILIARY HYDRAULICS ASSEMBLY	464
FIGURE 12-28. RH AUXILIARY HYDRAULICS ASSEMBLY	466
FIGURE 12-29. AUXILIARY ELECTRICS ASSEMBLY (Prior to SN 0160037689)	468
FIGURE 12-30. AUXILIARY ELECTRICS ASSEMBLY (SN 0160037689 to Present)	472
FIGURE 12-31. MAIN CONTROL VALVE WITH AUXILIARY HYDRAULICS (Prior to SN 0160037689)	476
FIGURE 12-32. MAIN CONTROL VALVE WITH AUXILIARY HYDRAULICS (SN 0160037689 to Present)	480
FIGURE 12-33. BOOM JOYSTICK WITH TILT	484
FIGURE 12-34. SWAY CYLINDER	486
FIGURE 12-35. SWING CYLINDER	488
FIGURE 12-36. 5 INCH AND 8 INCH WINCH	490
FIGURE 12-37. WINCH MOTOR	494
FIGURE 12-38. TRUSS BOOM PRESSURE REDUCER VALVE - 1200 PSI (SN 0160015465 to Present)	496
FIGURE 12-39. TRUSS BOOM PRESSURE REDUCER VALVE - 1360 PSI (SN 0160015465 to Present)	498
FIGURE 12-40. STARTER KIT (Prior to SN 0160006706, Excluding 0160006494 and 0160006543)	500
FIGURE 12-41. FUEL/WATER SEPARATOR INSTALLATION	502
FIGURE 12-42. STANDARD SEAT REPLACEMENT KIT	504
FIGURE 12-43. HEAVY SEAT REPLACEMENT KIT	506
FIGURE 12-44. WORK LIGHT INSTALLATION (SN 0160031703 through 0160038554)	508
FIGURE 12-45. WORK LIGHT INSTALLATION (SN 0160038555 to Present)	512

TABLE OF CONTENTS

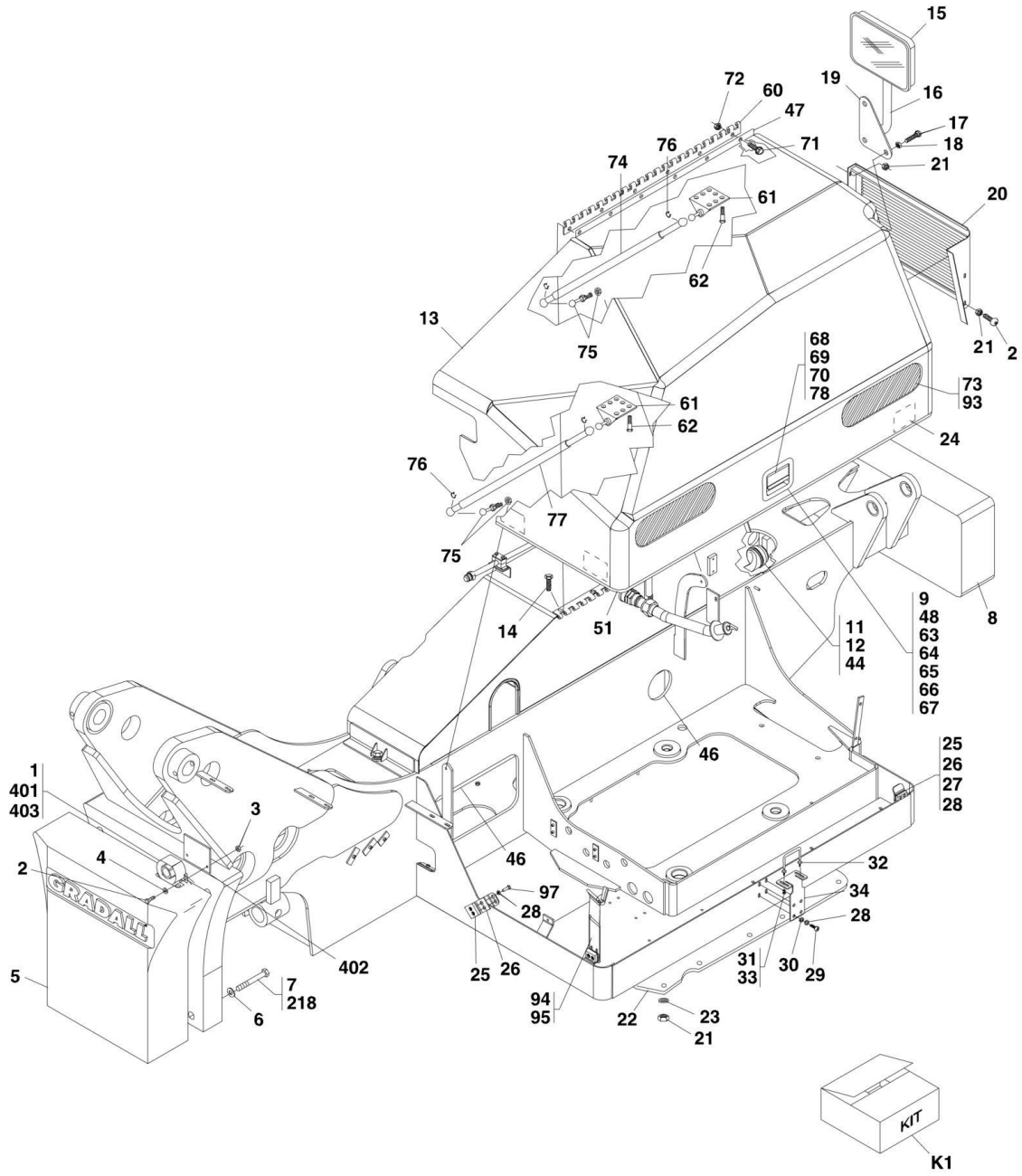
FIGURE 12-46. PINTLE HOOK INSTALLATION	516
FIGURE 12-47. WINCH	518
FIGURE 12-48. SWING CYLINDER	520
FIGURE 12-49. ROAD LIGHTS INSTALLATION (SN 0160038555 to Present)	522
FIGURE 12-50. BEACON LIGHT INSTALLATION (SN 0160031703 through 0160038554)	526
FIGURE 12-51. BEACON LIGHT INSTALLATION (SN 0160038555 to Present)	528
FIGURE 12-52. STABILIZER VALVE.....	530
SECTION 13 - RECOMMENDED SPARE PARTS.....	533
FIGURE 13-1. RECOMMENDED SPARE PARTS.....	534
PART NUMBER INDEX.....	537

SECTION 1 - FRAME AND ATTACHING PARTS

SECTION 1 - FRAME AND ATTACHING PARTS

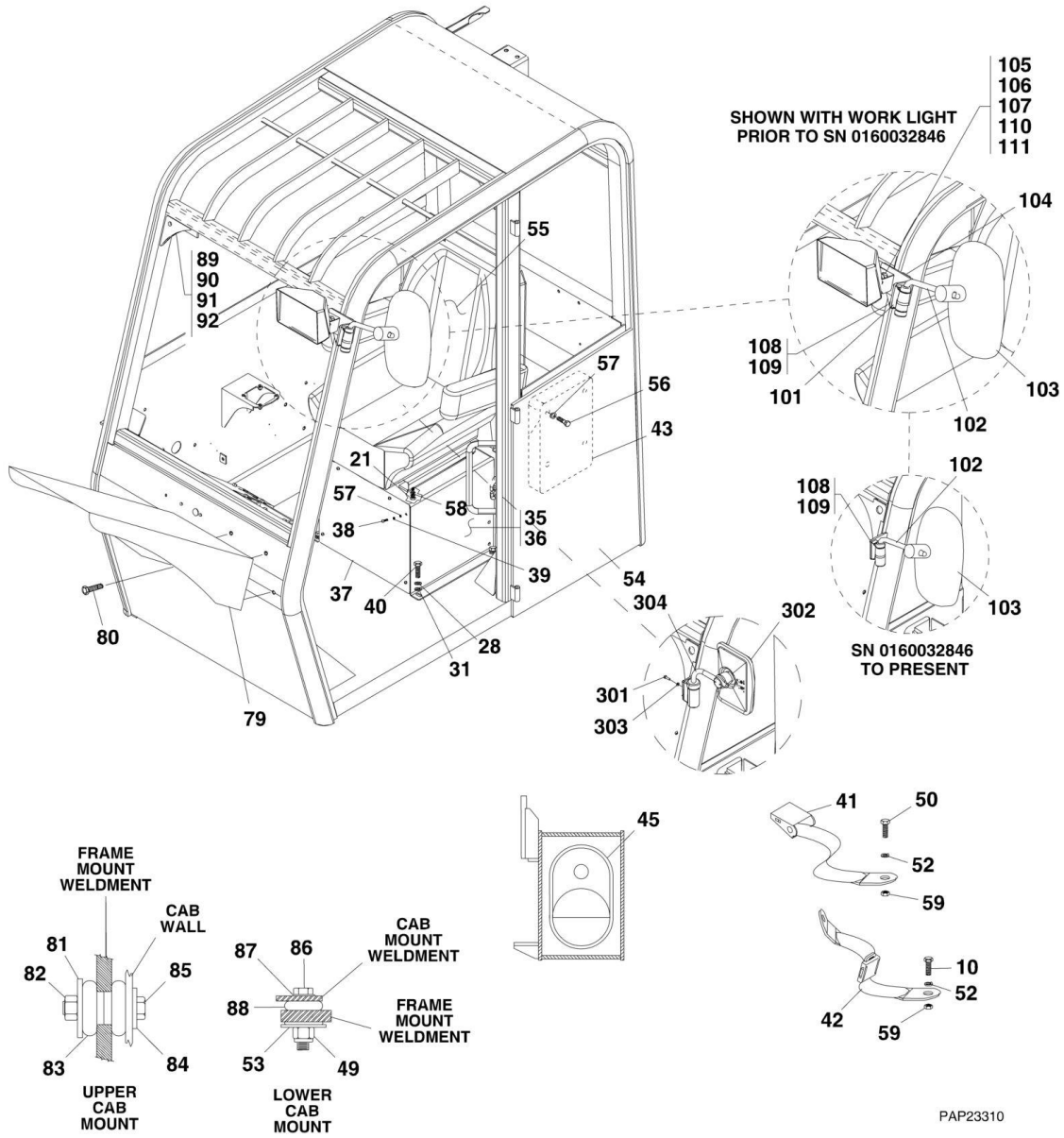
SECTION 1 - FRAME AND ATTACHING PARTS

FIGURE 1-1. FRAME SHROUDING AND TRIM



PAP23330

SECTION 1 - FRAME AND ATTACHING PARTS



SECTION 1 - FRAME AND ATTACHING PARTS

FIGURE 1-1. FRAME SHROUDING AND TRIM

ITEM	PART NUMBER	QTY	DESCRIPTION	REV
	14404646	AR	T-9 METAL PROTECTANT, (1 gal)	
	14404645	AR	T-9 METAL PROTECTANT, (12 oz)	
1	91403574	NLA	BACK-UP ALARM, (no longer available, use Kit K1 for replacement) (Prior to SN 0160016458)	
1	8270621	1	BACK-UP ALARM (SN 0160016458 to Present)	
2	0641406	2	HEX HD CAPSCREW, 1/4-20X3/4	
3	8305624	2	HEX NUT, 1/4-20	
4	4711400	2	FLAT WASHER, 1/4	
5	91140001	1	COUNTERWEIGHT, (no pintle hook)	
5	1001091458	1	COUNTERWEIGHT, (with pintle hook)	
6	88561011	4	FLAT WASHER, 1	
7	83201183	4	HEX HD CAPSCREW, 1-18X6, (torque to 545-595 lb-ft)	
8	N.S.S.	1	FRAME WELDMENT	
9	91404346	2	ROD CLIP	
10	88201551	2	HEX HD CAPSCREW, 7/16-20X1-1/2, GR5 (SN 0189001 through 0160015436)	
11	4761500	1	LOCKWASHER, 5/16	
12	91143357	1	HORN	
13	91403268	1	ENGINE COVER, (includes items 9, 24, 47, 48, 51, 60 thru 78 & 93)	E
13	91404275	1	ENGINE COVER KEY	
14	88261029	6	SOCKET BUTTON HD CAPSCREW, 3/8-16X1	
15	80263053	1	MIRROR	
16	91406094	1	MIRROR BRACKET	
17	88201036	3	HEX HD CAPSCREW, 3/8-16X1-1/4, GR5	
18	88501106	3	HEAVY HEX JAM NUT, 3/8-16	
19	91401347	1	MIRROR MOUNT BRACKET PLATE	
20	91406117	1	FRONT SHEET METAL COVER	
21	77143006	21	WHIZ-LOCKNUT, 5/16-18 (SN 0189001 through 0160015436)	
22	91403441	1	DUST SHIELD	
23	91083533	14	FENDER WASHER	
24	91404344	3	ALUMINUM WEAR PLATES	
25	91403582	3	BEARING PAD	
26	91401524	AR	SHIM	
27	88201534	4	HEX HD CAPSCREW, 3/8-24X1, GR5	
28	88551011	14	LOCKWASHER, 3/8	
29	88261030	4	SOCKET BUTTON HD CAPSCREW, 3/8-16X1-1/4	
30	90027470	4	HARDENED WASHER, 3/8	
31	88561004	6	FLAT WASHER, 3/8	
32	91403600	1	U-BOLT	
33	88501006	2	HEX NUT, 3/8-16	
34	91401570	1	LATCH PLATE	
35	91405051	1	SEAT RISER ASSY, (includes items 36 thru 39)	
36	91406115	1	RISER WELDMENT (SN 0189001 through 0160015436)	
36	91516044	1	RISER WELDMENT (SN 0160015465 to Present)	
37	91401415	1	ACCESS COVER (SN 0189001 through 0160015436)	
38	88261015	6	SOCKET BUTTON HD CAPSCREW, 1/4-20X5/8	
39	88551009	6	LOCKWASHER, 1/4	
40	88201035	4	HEX HD CAPSCREW, 3/8-16X1, GR5	
41	91033029	1	SEAT BELT, (not used with optional seat), (includes items 50 & two of items 52 & 59)	

SECTION 1 - FRAME AND ATTACHING PARTS

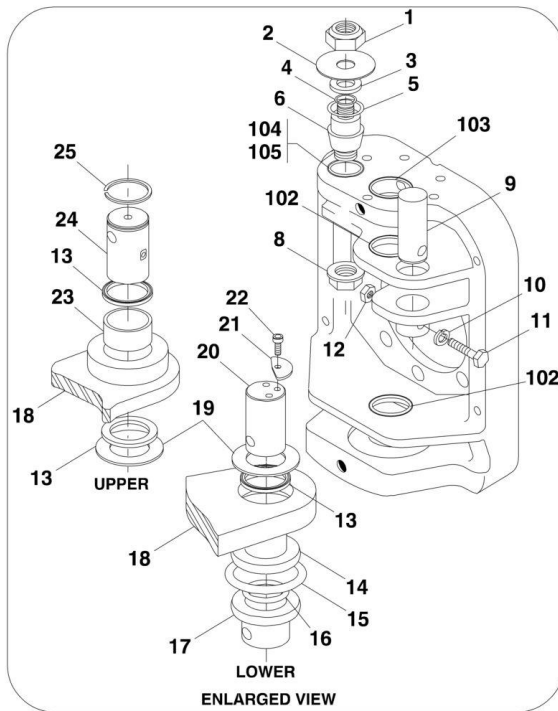
ITEM	PART NUMBER	QTY	DESCRIPTION	REV
42	91513099	1	TETHER, (includes items 10, 52 & 59) (SN 0189001 through 0160015436)	
43	91403230	1	MANUAL CASE	
44	88201016	1	HEX HD CAPSCREW, 5/16-18x1/2, GR5	
45	90206202	45 in	TRIM-LOCK	
46	91143220	118 in	TRIM-LOCK	
47	91404343	1	REINFORCING PLATE	
48	91404342	4	RIVET WASHERS	
49	88501012	4	HEX LOCKNUT, 3/4-10	
50	88201549	2	HEX HD CAPSCREW, 7/16-20X1, GR5	
51	91404437	13 ft	BULB SEAL	
52	88551012	4	LOCKWASHER, 7/16 (SN 0189001 through 0160015436)	
53	91403098	4	TAIL WASHER	
54		Ref	OPEN CAB ASSY, (See CAB SECTION for Breakdown)	
55		Ref	TRIM LINE SEAT, (no longer available, See OPTIONS SECTION for Breakdown) (SN 0189001 through 0160015436)	
55		Ref	SUSPENSION SEAT WITH 2 IN SEAT BELT, (See CAB SECTION for Breakdown) (SN 0160015465 to Present)	
56	88201005	4	HEX HD CAPSCREW, 1/4-20X1, GR5	
57	88561002	10	FLAT WASHER, 1/4	
58	88561003	4	FLAT WASHER, 5/16 (SN 0189001 through 0160015436)	
59	88501307	4	HEX NUT, 7/16-20 (SN 0189001 through 0160015436)	
60	91404450	1	HINGE, 36 IN	
61	91514246	2	PROP BRACKET, (13mm)	
62	91474411	23	HEX HD SCREW, 8X3/4	
63	91474412	2	LOCKWASHER, 5/16	
64	91474413	2	NUT, 5/16	
65	91474414	2	BOLT, 5/16X1-1/4	
66	91404345	1	LINKAGE ROD	
67	91474416	4	RIVETS, 3/16	
68	91474417	1	PADDLE HANDLE GASKET	
69	91404442	1	ROTARY LATCH	
70	91404441	1	PADDLE HANDLE	
71	80384162	6	BOLT, 3/8X1-1/2	
72	80384164	6	NUT, 3/8	
73	91404347	2	EXPANDED SCREEN	
74	91474423	1	GAS PROP, 225#	
75	8340035	2	BALL STUD, (13mm)	
76	7023483	4	PROP CLIP	
77	91404348	1	GAS PROP, 100#	
78	91474427	1	LATCH PACKING PLATE	
79	91401487	1	CAB FENDER	
80	80973025	4	WHIZ-LOCK BOLT, 3/8-16X1	
81	91403217	2	REBOUND WASHER	
82	88501014	2	HEX NUT, 7/8-9	
83	91403153	4	SHOCK MOUNT	
84	91403325	2	HARDENED WASHER	
85	77321274	2	HEX HD CAPSCREW, 7/8-9X5	
86	83201058	4	HEX HD CAPSCREW, 3/4-10X3-3/4	
87	86681572	4	HARD WASHER, 13/16	
88	91403097	4	CAB ISOLATOR MOUNT	

SECTION 1 - FRAME AND ATTACHING PARTS

ITEM	PART NUMBER	QTY	DESCRIPTION	REV
89	91033320	NLA	TILT GAUGE, (no longer available, use 8466306 for replacement) (Prior to SN 0160005745)	
89	8466306	1	TILT GAUGE, (with adhesive) (SN 0160005745 to Present)	
90	88204912	1	HEX HD CAPSCREW, 1/4-20X1, GR5 (Prior to SN 0160005745)	
91	88561107	1	FLAT WASHER, 1/4 (Prior to SN 0160005745)	
92	88521204	1	HEX LOCKNUT, 1/4-20 (Prior to SN 0160005745)	
93	7027772	1	ADHESIVE KIT, (includes 3 tubes and applicator)	
94	91411071	1	COVER SUPPORT	
95	91513197	AR	BULB SEAL	
97	88201532	2	HEX HD CAPSCREW, 3/8-24X3/4, GR5	
	1001096344	1	LH MIRROR INSTALLATION, (includes items 101 thru 111) (Prior to SN 0160032846)	B
	1001097149	NLA	LH MIRROR INSTALLATION, (no longer available, order 1001115153 or items 102, 103, 108 & 109 for service) (SN 0160032846 to Present)	B
101	1001096327	1	MIRROR BRACKET	
102	8866530	1	MIRROR MOUNT ARM ASSY	
103	8866514	1	MIRROR HEAD	
104	4420060	AR	DOUBLE SIDED TAPE	
105	1001096728	1	BOLT, 1/2-13	
106	4751800	1	WASHER, 1/2	
107	4761800	1	LOCKWASHER, 1/2	
108	8303799	2	HEX HD CAPSCREW, M6X1X14mm, GR8.8	
109	8307024	2	LOCKWASHER, M6	
110	88501008	1	HEX NUT, 1/2-13	
111	91403503	1	SPACER	
218	0100019	AR	LOCTITE 271	
	1001115153	1	LH MIRROR INSTALLATION, (includes items 301 thru 304)	A
301	0700610	2	HEX HD CAPSCREW, M6X20, GR8.8	
302	3140007	1	RECTANGULAR MIRROR	
303	8307024	2	LOCKWASHER, M6	
304	1001114675	1	MIRROR ARM	
401	1001116274	1	MOLDED RESISTOR	
402	N.S.S.	1	MOUNTING BAR	
403	86683480	2	BUTT CONNECTOR	
K1	2915184	1	BACK-UP ALARM SERVICE KIT, (includes items 1 thru 4, 402 & 403)	A

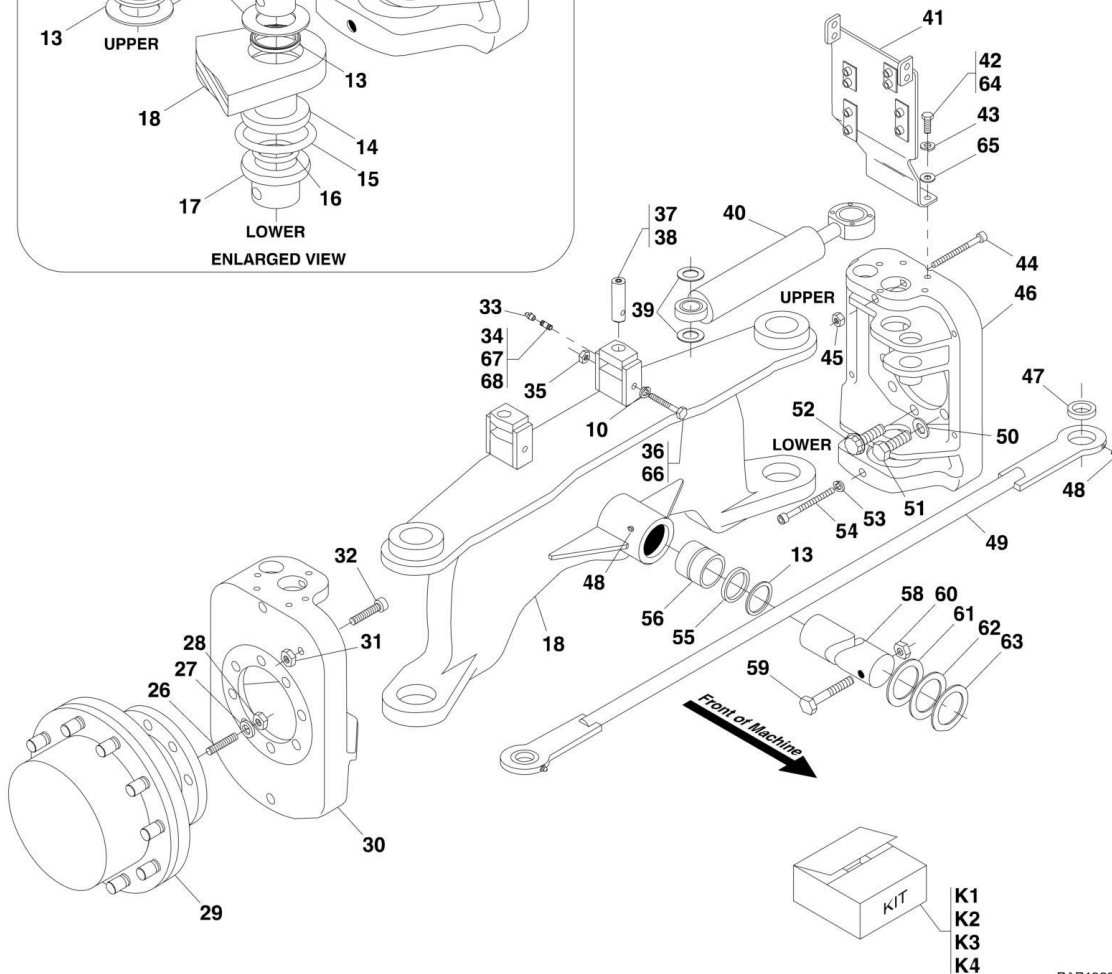
SECTION 1 - FRAME AND ATTACHING PARTS

FIGURE 1-2. REAR AXLE AND ATTACHING PARTS



NOTES:

1. CYLINDER BASE END MUST BE FREE TO ROTATE. SHIM STEERING CYLINDER BASE END AS REQUIRED TO MAINTAIN A TOTAL MAXIMUM GAP OF 1/16 IN
2. SHIM BOTTOM KNUCKLES AS REQUIRED TO MAINTAIN NO MORE THAN 1/32 IN MOVEMENT. SHIM TOP KNUCKLES TO MAINTAIN NO MORE THAN 1/16 IN GAP. MUST HAVE A MINIMUM OF ONE SHIM.
3. INSTALL 5/8 LONG THREAD ON STUD INTO DRIVE HUB, (SHORTEST LENGTH THREADS ON STUD)



PAP19290

SECTION 1 - FRAME AND ATTACHING PARTS

FIGURE 1-2. REAR AXLE AND ATTACHING PARTS

ITEM	PART NUMBER	QTY	DESCRIPTION	REV
1	88521312	2	LOCKNUT, 3/4-10, (torque to 160-175 lb-ft)	
2	91081415	2	DIRT SHIELD	
3	91041732	2	SPACER	
4	88591019	2	O-RING	
5	3790226	2	O-RING	
6	91343052	2	ROD END STEER CYLINDER PIN	
8	1001099173	2	FLANGE NUT	
9	91403082	2	TIE ROD PIN	
10	88551011	4	LOCKWASHER, 3/8	
11	83201021	2	HEX HD CAPSCREW, 3/8-16X3	
12	88521306	2	HEX LOCKNUT, 3/8-16, (nylok)	
13	91403145	8	WIPER SEAL	
14	91403034	2	LOWER BUSHING	
15	91403146	2	O-RING	
16	3790230	2	O-RING	
17	91401081	2	THRUST BUSHING	
18	91406017	1	REAR AXLE WELDMENT, (includes items 14, 23, 56 & 69)	
19	91403163	AR	KING PIN SHIM, (see note #2)	
19	91403164	AR	KING PIN SHIM, (see note #2)	
19	91403165	AR	KING PIN SHIM, (see note #2)	
19	91403166	AR	KING PIN SHIM, (see note #2)	
20	91403078	2	LOWER KING PIN	
21	91403067	2	RETAINING WASHER	
22	88211068	2	SOCKET HD CAPSCREW, 3/8-16X5/8, GR8	
23	91403031	2	UPPER BUSHING	
24	91403079	2	UPPER KING PIN	
25	88581325	2	SNAP RING	
26	91123092	8	STUD, (see note #3)	
27	85401340	8	HARD WASHER	
28	91083449	8	HEX NUT, 1/2-13	
29		Ref	DRIVE HUB, (See DRIVE TRAIN SECTION for Breakdown)	
30	Kit K3	1	RH KNUCKLE	
31	88501110	2	HEX NUT, 5/8-11	
32	88212321	2	SOCKET HD CAPSCREW, 5/8-11X3-3/4, GR8	
33	90028740	2	FEMALE GREASE FITTING	
34	88701021	2	NIPPLE, 1/8X2	
35	88501006	2	HEX NUT, 3/8-16	
36	83201144	2	HEX HD CAPSCREW, 3/8-16X5-3/4	
37	91403372	2	BASE END STEER CYLINDER PIN	
38	88711280	2	HEX SOCKET PIPE PLUG, 1/8	
39	91403065	AR	KING PIN SHIM, (see note #1)	
39	91403066	AR	KING PIN SHIM, (see note #1)	
40		Ref	STEERING CYLINDER, (See HYDRAULIC COMPONENTS SECTION for Breakdown)	
41	91406098	1	LH TUBE SUPPORT	
41	91406099	1	RH TUBE SUPPORT	
42	0641608	4	HEX HD CAPSCREW, 3/8-16X1, GR5	
43	4761600	4	LOCKWASHER, 3/8	
44	88212272	2	SOCKET HD CAPSCREW, 5/8-11X8, GR8	
45	88521210	2	HEX LOCKNUT, 5/8, (nylok)	

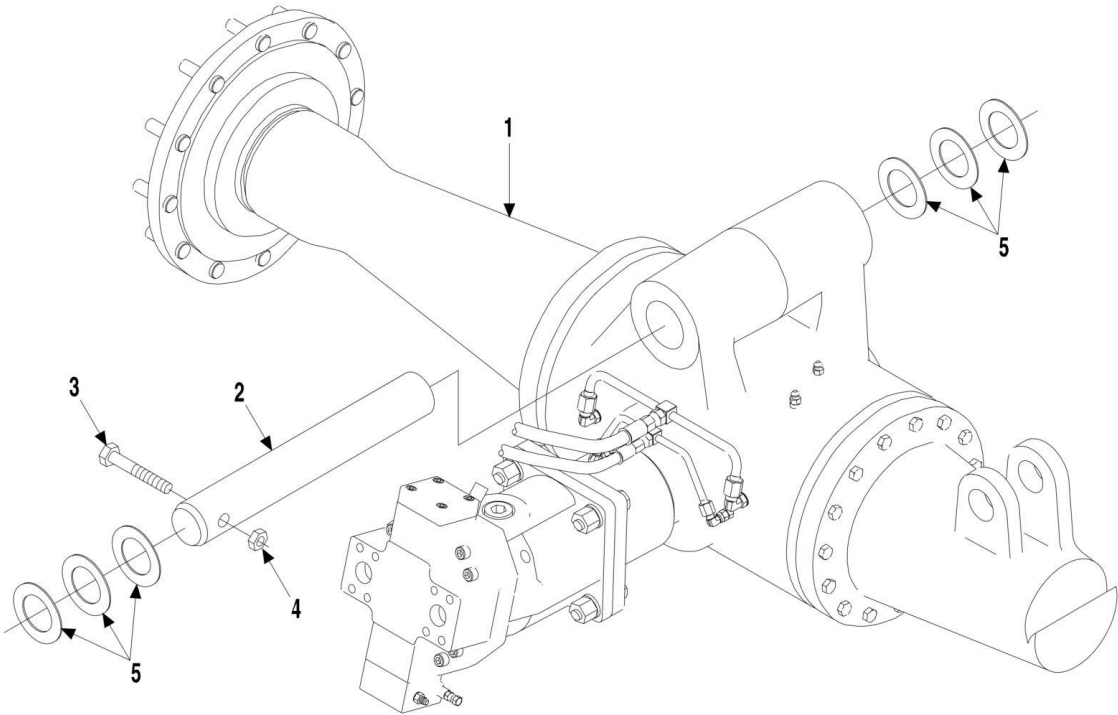
SECTION 1 - FRAME AND ATTACHING PARTS

ITEM	PART NUMBER	QTY	DESCRIPTION	REV
46	Kit K4	1	LH KNUCKLE	
47	8050001	2	SELF-ALIGNING BUSHING, (tie rod)	
48	88671001	4	STRAIGHT LUBE FITTING, 1/8	
49	91406021	1	TIE ROD WELDMENT, (includes item 47)	
50	86681572	12	HARDENED WASHER, 3/4	
51	83201006	12	HEX HD CAPSCREW, 3/4-10X2	
52	91043222	4	12 POINT SCREW, 3/4-10X2	
53	88551154	2	LOCKWASHER, 3/4, (hi-collar)	
54	88212285	2	SOCKET HD CAPSCREW, 3/4-10X5, GR8	
55	91403145	2	WIPER SEAL	
56	91403033	2	PIVOT TUBE BUSHING	
58	91081177	1	REAR AXLE PIN	
59	90020247	1	HEX HD CAPSCREW, 1-1/4-7X6	
60	88521020	1	LOCKNUT, 1-1/4-7	
61	91403174	AR	SHIM, (.125 thick)	
62	91403173	AR	SHIM, (.109 thick)	
63	91403172	AR	SHIM, (.062 thick)	
64	14404793	AR	UNION 76 MEGAPLEX GREASE	
65	4711600	4	FLAT WASHER, 3/8	
67	14403303	AR	LOCTITE PIPE SEALANT	
68	14404102	AR	LOCTITE 277	
69	91163019	2	BUSHING, (not shown)	
102	91403354	2	BUSHING	
103	91403355	1	BUSHING	
104	91551039	1	BUSHING	
105	14404978	AR	LOCTITE 641	
201	14404067	AR	SILICON SEALANT	
K1	91415039	1	STEERING KNUCKLE KIT, (includes items 2 thru 5, 13 thru 17, 19 thru 25, 44, 45, 53 & 54)	
K2	91415040	1	STEERING CYLINDER PIN KIT, (includes one each of items 1 thru 8, one kit needed for each side)	
K3	91555032	AR	RH KNUCKLE KIT, (includes items 8, 30 & 102 thru 105)	
K4	91555031	AR	LH KNUCKLE KIT, (includes items 8, 46 & 102 thru 105)	

SECTION 1 - FRAME AND ATTACHING PARTS

FIGURE 1-3. FRONT AXLE MOUNTING (SN 0189001 through 0189345)

ROCKWELL



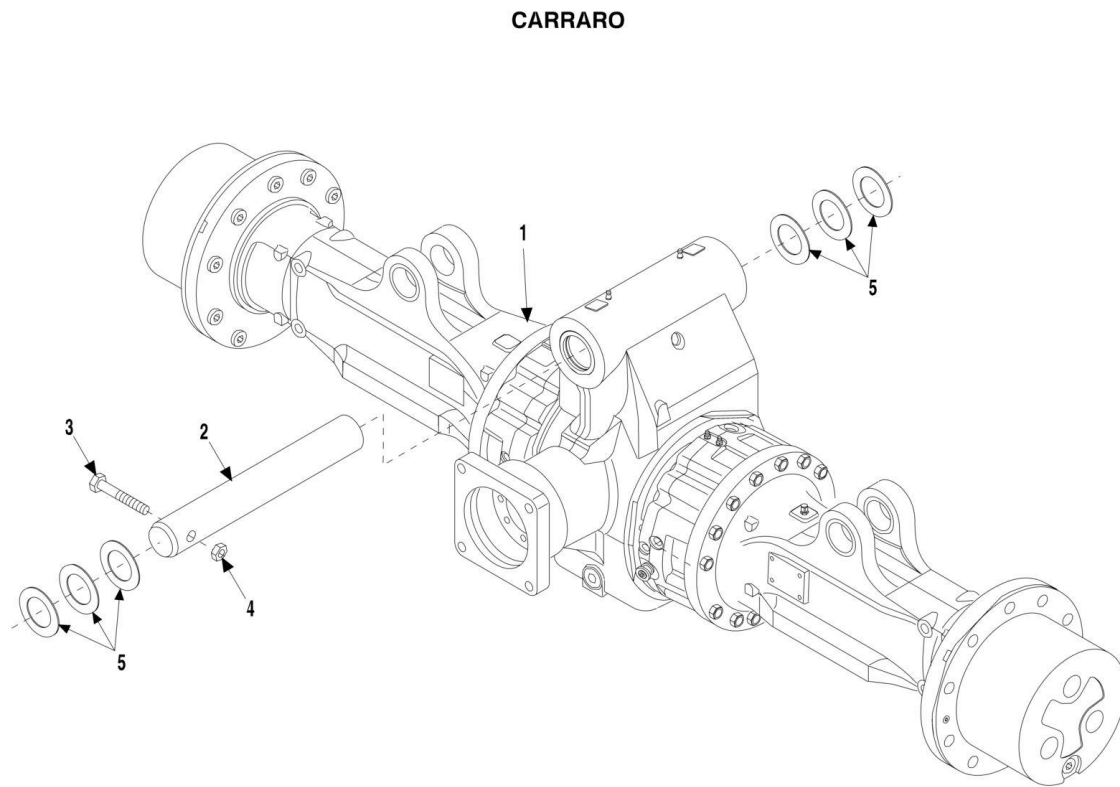
SECTION 1 - FRAME AND ATTACHING PARTS

FIGURE 1-3. FRONT AXLE MOUNTING (SN 0189001 through 0189345)

ITEM	PART NUMBER	QTY	DESCRIPTION	REV
1		Ref	FRONT AXLE ASSY, (See DRIVE TRAIN SECTION for Breakdown)	
2	91413004	1	FRONT AXLE PIVOT PIN	
3	83201172	1	HEX HD CAPSCREW, 1-8X6, GR8	
4	88521016	1	HEX LOCKNUT, 1-8	
5	91403241	AR	HARDENED WASHER	
5	91403242	AR	HARDENED WASHER	
5	91403243	AR	HARDENED WASHER	
6	14404793	AR	MYSTIK TETRIMOLY GREASE, (not shown)	

SECTION 1 - FRAME AND ATTACHING PARTS

FIGURE 1-4. FRONT AXLE MOUNTING (SN 0160000230 to Present)



SECTION 1 - FRAME AND ATTACHING PARTS

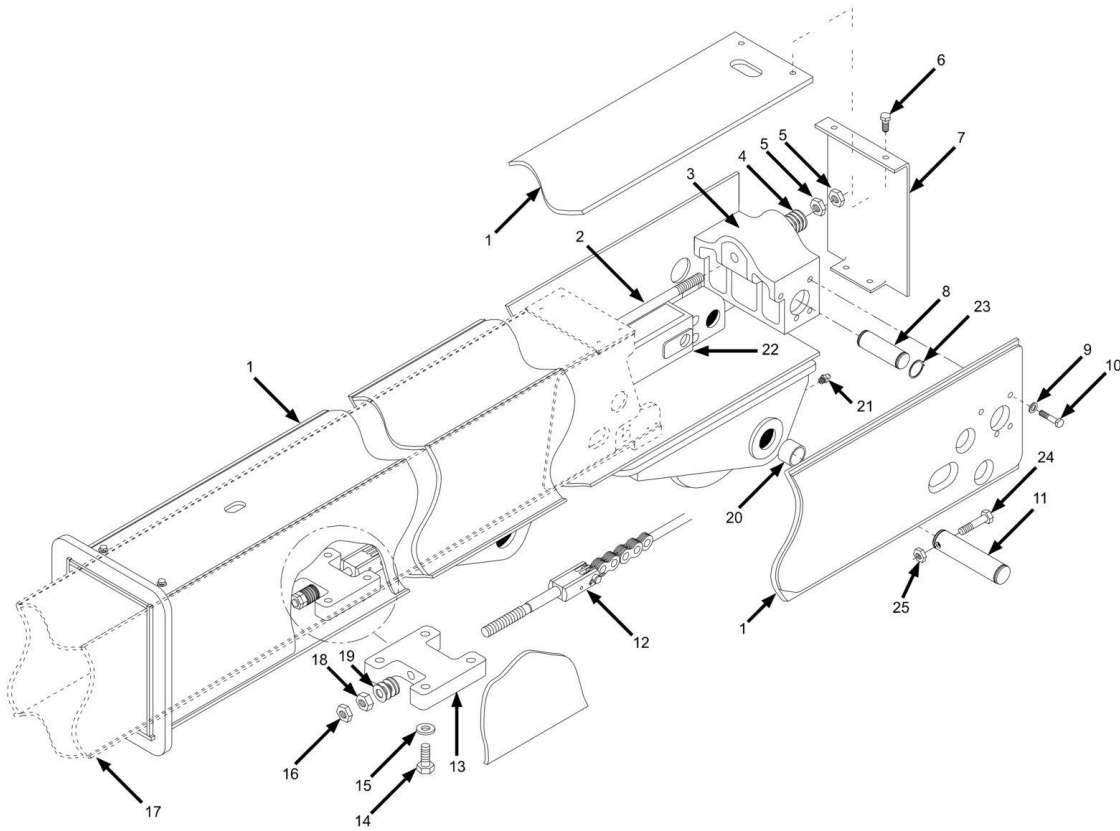
FIGURE 1-4. FRONT AXLE MOUNTING (SN 0160000230 to Present)

ITEM	PART NUMBER	QTY	DESCRIPTION	REV
1		Ref	FRONT AXLE ASSY, (See DRIVE TRAIN SECTION for Breakdown)	
2	91413004	1	FRONT AXLE PIVOT PIN	
3	83201036	1	HEX HD CAPSCREW, 1-8X6, GR8	
4	88521016	1	HEX LOCKNUT, 1-8	
5	91403241	AR	HARDENED WASHER	
5	91403242	AR	HARDENED WASHER	
5	91403243	AR	HARDENED WASHER	

SECTION 2 - BOOM

SECTION 2 - BOOM

FIGURE 2-1. FIRST BOOM SECTION



NOTE:

1. USE LOCTITE® 242™ (0100011) ON ALL BOLT THREADS & JAM NUTS.
2. COAT STATIC, NON ROTATING, PIN BORES WITH MOLY-PASTE (3020040). DO NOT COAT THE PIN OR ANY ROTATING PARTS.
3. COAT ALL BUSHINGS, SHEAVES & ROTATING PIN BORES WITH MYSTIK TETRIMOLY GREASE (14404793) PRIOR TO INSTALLATION OF THE PIN.

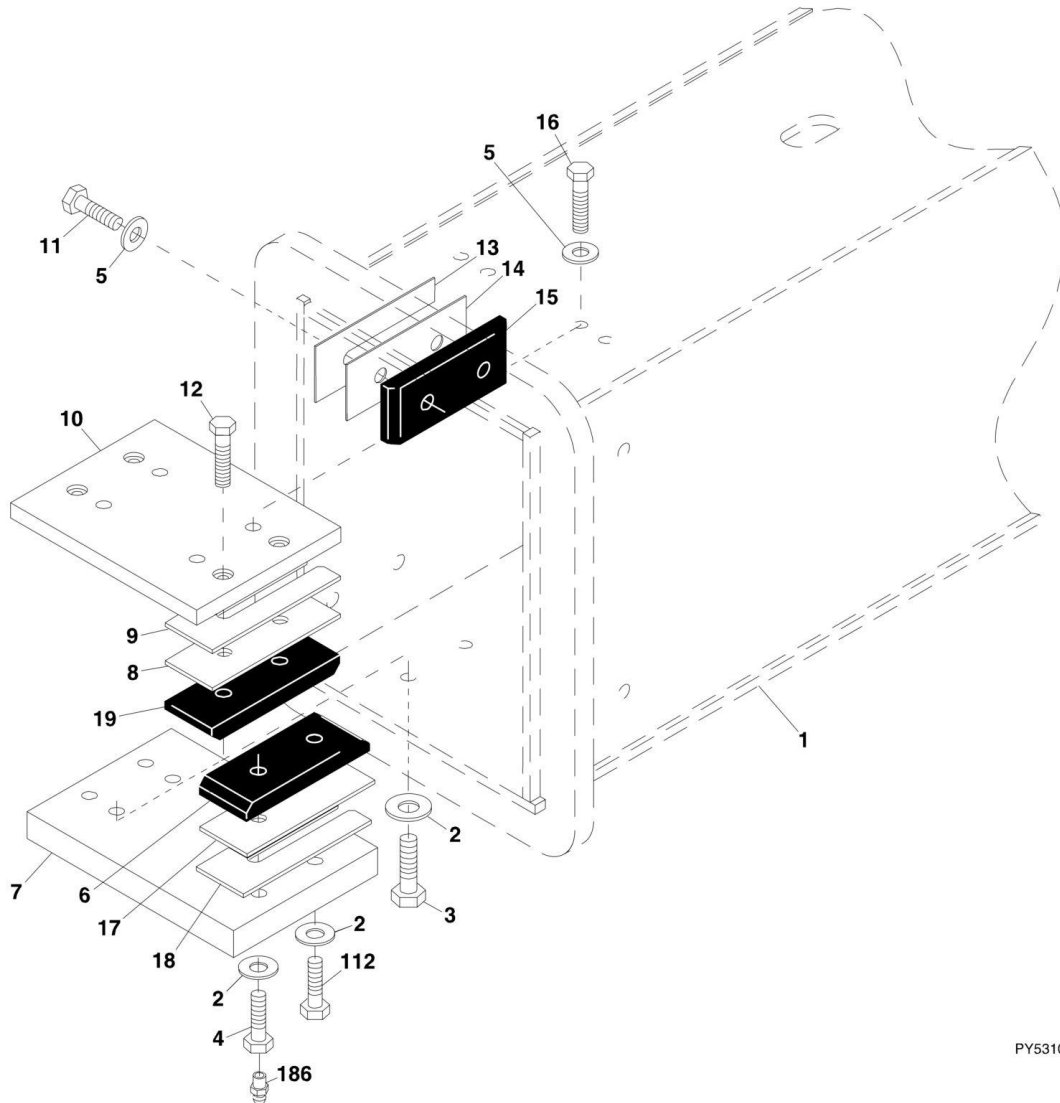
SECTION 2 - BOOM

FIGURE 2-1. FIRST BOOM SECTION

ITEM	PART NUMBER	QTY	DESCRIPTION	REV
1	91406012	1	FIRST BOOM SECTION	
2		Ref	CHAIN CLEVIS ROD, (See PUSH/BEAM EXTEND CHAIN AND ROLLER ASSEMBLY, item 4 for Breakdown)	
3	91403061	1	STRONG BACK	
4	91413139	8	SPRING WASHER, 7/8	
5	91403493	2	HEAVY HEX NUT, 7/8-14, (torque to 100-110 lb-ft)	
6	80973025	4	WHIZ-LOCK SCREW, 3/8-16X1	
7	1001128273	1	REAR COVER	
8		Ref	EXTEND/RETRACT CYLINDER PIN, (See HYDRAULIC COMPONENTS SECTION for Breakdown)	
9	4712000	8	FLAT WASHER, 5/8	
10	0642012	8	HEX HD CAPSCREW, 5/8-11X1-1/2, GR5, (torque to 125-155 lb-ft)	
11	91403025	1	BOOM PIVOT PIN	
12		Ref	CHAIN CLEVIS, (See SECOND BOOM SECTION, item 12 for Breakdown)	
13	91401193	1	ANCHOR PLATE	
14	0641810	4	HEX HD CAPSCREW, 1/2-13X1-1/4, GR5	
15	4711800	4	WASHER, 1/2	
16	88501410	1	HEX JAM NUT, 5/8-18, (torque to 100-110 lb-ft)	
17		Ref	SECOND BOOM SECTION, (See SECOND BOOM SECTION, for Breakdown)	
18	88501310	1	HEX NUT, 5/8-18	
19	91413138	8	SPRING WASHER, 5/8	
20	91403114	2	BOOM PIVOT BUSHING	
21	88671001	2	STRAIGHT LUBE FITTING, 1/8	
22		Ref	PUSH BEAM, (See PUSH/BEAM EXTEND CHAIN AND ROLLER ASSEMBLY for Breakdown)	
23	88581149	2	RETAINING RING	
24	0682048	1	HEX HD CAPSCREW, 5/8-11X6, GR8	
25	88521010	1	HEX NUT, 5/8-11	

SECTION 2 - BOOM

FIGURE 2-2. BEARING PADS, SPACERS AND SHIMS, (FIRST BOOM SECTION)



PY5310

NOTE:

1. WEAR PAD SHIMMING:

- A. WHENEVER A SHIM IS USED WITH A PAD, A SPACER WITH HOLES MUST BE INSERTED BETWEEN PAD & SHIM.
- B. THE WEAR PAD OR WEAR PAD INSERT MUST NOT SIT DIRECTLY ON THE SLOTTED SURFACE OF SHIMS.
- C. ADD WEAR PAD SHIMS & SPACERS AS REQUIRED TO SHIM BOOM TO MAINTAIN A TOTAL MINIMUM GAP OF 0.070 TO 0.130 IN (1.8MM TO 3.3MM) IN BOTH HORIZONTAL & VERTICAL DIRECTIONS.
- D. WEAR PAD BOLTS REQUIRE ONE HARDENED WASHER. HOWEVER, UPTO (2) HARDENED WASHERS MAY BE USED EXCEPT WHERE NOTED OTHERWISE. UNDER NO CIRCUMSTANCES SHOULD MORE THAN (2) HARDENED WASHERS EVER BE USED.
- E. THE LENGTH OF PAD BOLTS DEPENDS ON THE NUMBER OF THE SHIMS USED. THE BOLT CANNOT EXTEND PAST CHAMFER ON WEAR PAD.

- 2. ADD MYSTIK TETRIMOLY GREASE (14404793) TO ALL BEARING PADS & ALL BEARING PAD SLIDE PATHWAYS. IF APPLICABLE, THIS INCLUDES ALL PAD GREASE FITTINGS AT THE REAR OF BOOM.

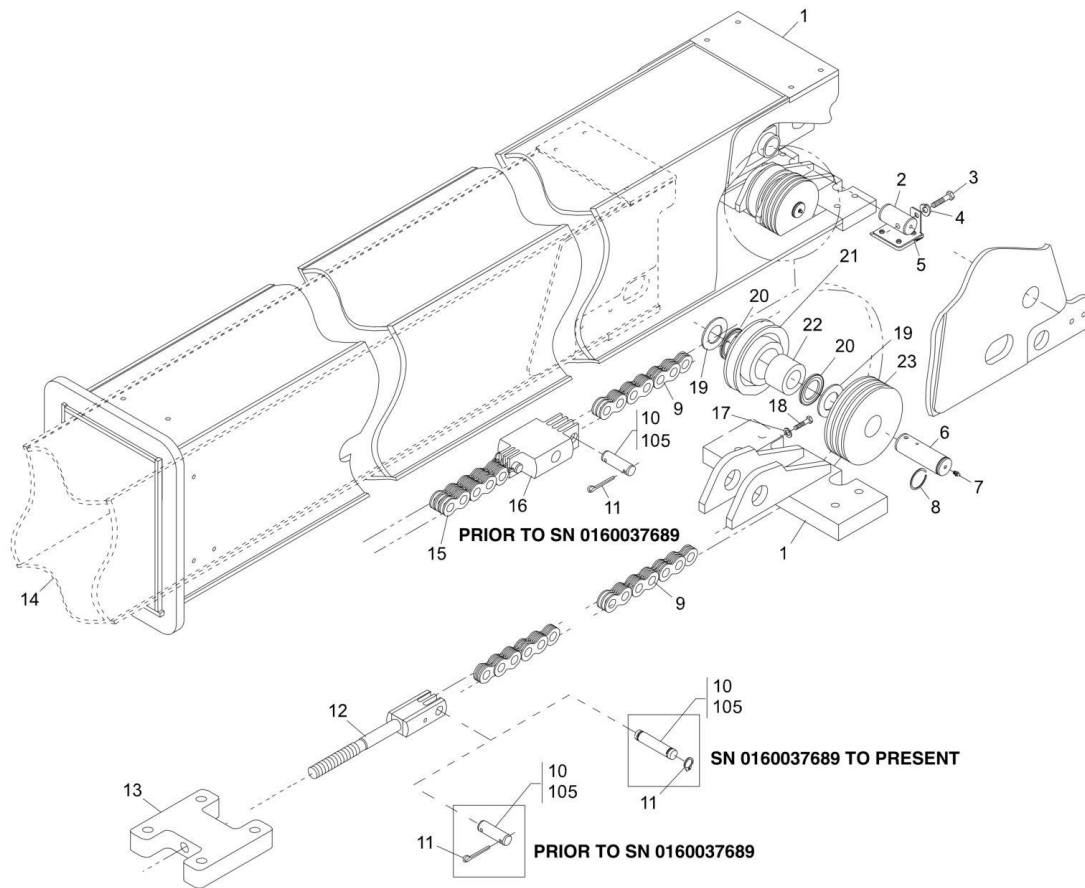
SECTION 2 - BOOM

FIGURE 2-2. BEARING PADS, SPACERS AND SHIMS, (FIRST BOOM SECTION)

ITEM	PART NUMBER	QTY	DESCRIPTION	REV
1		Ref	FIRST BOOM SECTION, (See FIRST BOOM SECTION for Breakdown)	
2	90027471	8	HARDENED WASHER, 1/2	
3	0641808	4	HEX HD CAPSCREW, 1/2-13X1, GR5, (torque to 76-86 lb-ft)	
4	88991005	AR	HEX HD CAPSCREW, 1/2-20X1, (torque to 45-50 lb-ft)	
4	91161222	4	MODIFIED BOLT, (torque to 45-50 lb-ft) (SN 0160037689 to Present)	
5	90027470	12	HARDENED WASHER, 3/8	
6	1001117654	2	WEAR PAD	
7	91401469	1	MOUNT PLATE	
8	91401224	2	SPACER	
9	91401215	AR	SHIM	
9	91401216	AR	SHIM	
10	91401472	1	MOUNT PLATE	
11	0651607	AR	HEX HD CAPSCREW, 3/8-24X7/8, GR5, (torque to 32-37 lb-ft)	
11	0651606	AR	HEX HD CAPSCREW, 3/8-24X3/4, GR5, (torque to 32-37 lb-ft) (SN 0160037689 to Present)	
11	0651608	AR	HEX HD CAPSCREW, 3/8-24X1, GR5, (torque to 32-37 lb-ft) (SN 0160037689 to Present)	
12	0651608	AR	HEX HD CAPSCREW, 3/8-24X1, GR5, (torque to 32-37 lb-ft)	
12	0651610	AR	HEX HD CAPSCREW, 3/8-24X1-1/4, GR5, (torque to 32-37 lb-ft) (SN 0160037689 to Present)	
13	91471227	AR	SHIM	
13	91471226	AR	SHIM	
14	91401223	4	SPACER	
15	91403530	4	WEAR PAD	
16	0641607	AR	HEX HD CAPSCREW, 3/8-16X7/8, GR5, (torque to 32-37 lb-ft)	
16	0651610	AR	HEX HD CAPSCREW, 3/8-24X1-1/4, GR5, (torque to 32-37 lb-ft)	
17	91401450	2	SPACER	
18	91401456	AR	SHIM	
18	91401457	AR	SHIM	
19	91403532	2	WEAR PAD	
112	0651810	AR	HEX HD CAPSCREW, 1/2-20X1-1/4, GR5 (SN 0160037689 to Present)	
112	0651812	AR	HEX HD CAPSCREW, 1/2-20X1-1/2, GR5 (SN 0160037689 to Present)	
186	88671008	2	STRAIGHT GREASE FITTING (SN 0160037689 to Present)	

SECTION 2 - BOOM

FIGURE 2-3. SECOND BOOM SECTION



NOTE:

PAP23920

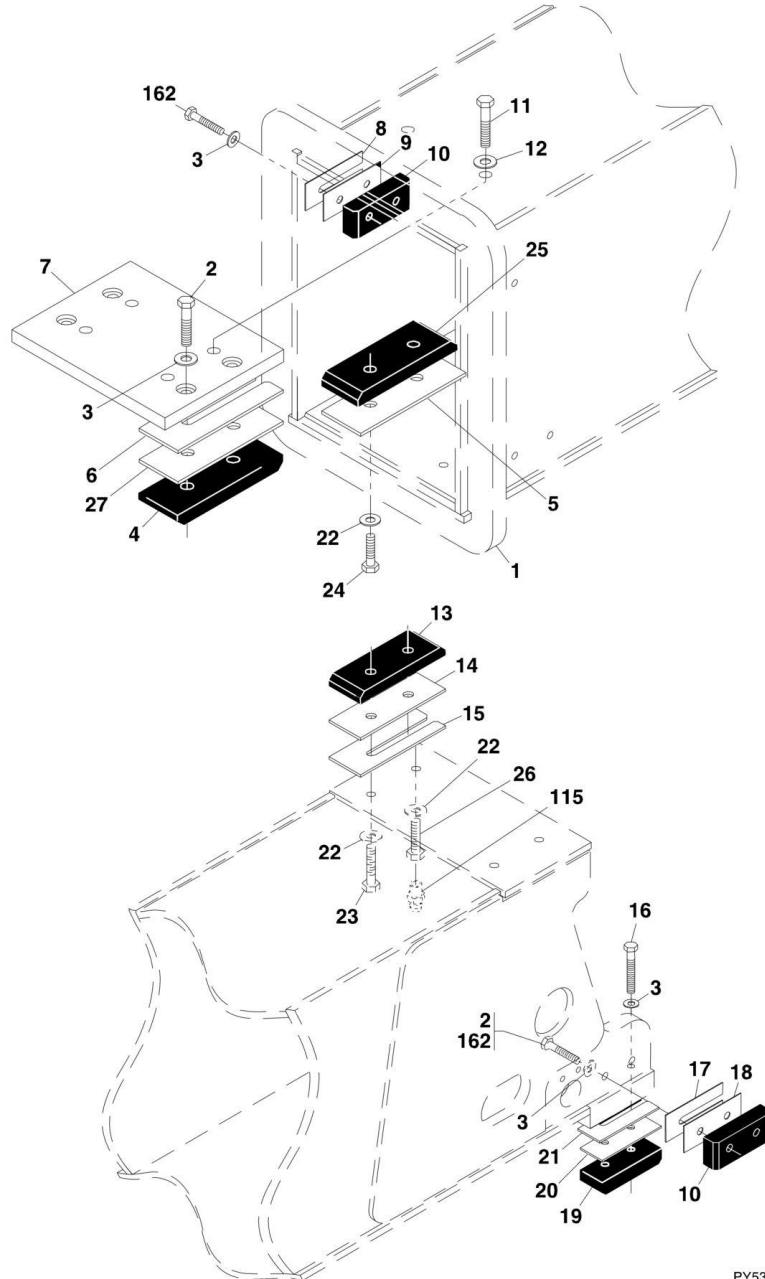
1. USE LOCTITE® 242™ (0100011) ON ALL BOLT THREADS & JAM NUTS.
2. COAT STATIC, NON ROTATING, PIN BORES WITH MOLY-PASTE (3020040). DO NOT COAT THE PIN OR ANY ROTATING PARTS.
3. COAT ALL BUSHINGS, SHEAVES & ROTATING PIN BORES WITH MYSTIK TETRAMOLY GREASE (14404793) PRIOR TO INSTALLATION OF THE PIN.

FIGURE 2-3. SECOND BOOM SECTION

ITEM	PART NUMBER	QTY	DESCRIPTION	REV
1	91406013	1	SECOND BOOM SECTION	
2	91141128	2	PUSH BEAM PIN	
3	0641829	2	HEX HD CAPSCREW, 1/2-13X3-5/8, GR5	
4	4761800	2	LOCKWASHER, 1/2	
4	4751800	2	PLAIN WASHER, 1/2	
5	91405085	1	HOSE RETAINER, (includes the following items)	
5	91401435	1	LH HOSE RETAINER	
5	91403499	1	PAD	
5	88241023	4	SOCKET FLAT HD CAPSCREW, #10-24X5/8	
5	88501612	4	HEX NUT, #10-24	
6	91403018	1	RETRACTION SHEAVE PIN (Prior to SN 0160037689)	
6	91403019	1	RETRACTION SHEAVE PIN (SN 0160037689 to Present)	
7	88671001	1	STRAIGHT LUBE FITTING, 1/8 (Prior to SN 0160037689)	
7	2160001	1	GREASE FITTING (SN 0160037689 to Present)	
8	90028932	1	RETAINING RING	
9	91403433	1	LEAF CHAIN, 643	
10	91403071	NLA	ANCHOR PIN, (no longer available, use 91413127 for replacement)	
10	91413127	2	ANCHOR PIN	
11	88631302	2	COTTER PIN, 1/16X3/4 (Prior to SN 0160037689)	
11	88681344	2	SNAP RING (SN 0160037689 to Present)	
12	1360291	1	CHAIN CLEVIS	
13		Ref	ANCHOR PLATE, (See FIRST BOOM SECTION , item 13 for Breakdown)	
14		Ref	THIRD BOOM SECTION, (See THIRD BOOM SECTION for Breakdown)	
15		Ref	LEAF CHAIN, 866, (See PUSH/BEAM EXTEND CHAIN AND ROLLER ASSEMBLY, item 101 for Breakdown)	
16		Ref	CLEVIS, 866-634, (See PUSH/BEAM EXTEND CHAIN AND ROLLER ASSEMBLY, item 102 for Breakdown)	
17	4761600	1	LOCKWASHER, 3/8	
18	0641632	1	HEX HD CAPSCREW, 3/8-16X4, GR5	
19	91403126	AR	THRUST WASHER	
19	91403127	AR	THRUST WASHER	
20	91403053	2	SEAL	
21	91403519	1	RETRACT ROLLER ASSY, (includes items 20 & 22)	
22	91403052	1	BUSHING	
23	3580347	1	HOSE SHEAVE	
105	8522012	AR	ANTI-SEIZE LUBE	

SECTION 2 - BOOM

FIGURE 2-4. BEARING PADS, SPACERS AND SHIMS, (SECOND BOOM SECTION)



NOTE:

1. WEAR PAD SHIMMING :

- A. WHENEVER A SHIM IS USED WITH A PAD, A SPACER WITH HOLES MUST BE INSERTED BETWEEN PAD & SHIM.
- B. THE WEAR PAD OR WEAR PAD INSERT MUST NOT SIT DIRECTLY ON THE SLOTTED SURFACE OF SHIMS.
- C. ADD WEAR PAD SHIMS & SPACERS AS REQUIRED TO SHIM BOOM TO MAINTAIN A TOTAL MINIMUM GAP OF 0.070 TO 0.130 IN (1.8MM TO 3.3MM) IN BOTH HORIZONTAL & VERTICAL DIRECTIONS.
- D. WEAR PAD BOLTS REQUIRE ONE HARDENED WASHER. HOWEVER, UP TO TWO HARDENED WASHERS MAY BE USED EXCEPT WHERE NOTED OTHERWISE. UNDER NO CIRCUMSTANCES SHOULD MORE THAN TWO HARDENED WASHERS EVER BE USED.
- E. THE LENGTH OF PAD BOLTS DEPENDS ON THE NUMBER OF THE SHIMS USED. THE BOLT CANNOT EXTEND PAST CHAMFER ON WEAR PAD.

- 2. ADD MYSTIK TETRIMOLY GREASE (14404793) TO ALL BEARING PADS & ALL BEARING PAD SLIDE PATHWAYS. IF APPLICABLE, THIS INCLUDES ALL PAD GREASE FITTINGS AT THE REAR OF BOOM.**

PY5340

SECTION 2 - BOOM

FIGURE 2-4. BEARING PADS, SPACERS AND SHIMS, (SECOND BOOM SECTION)

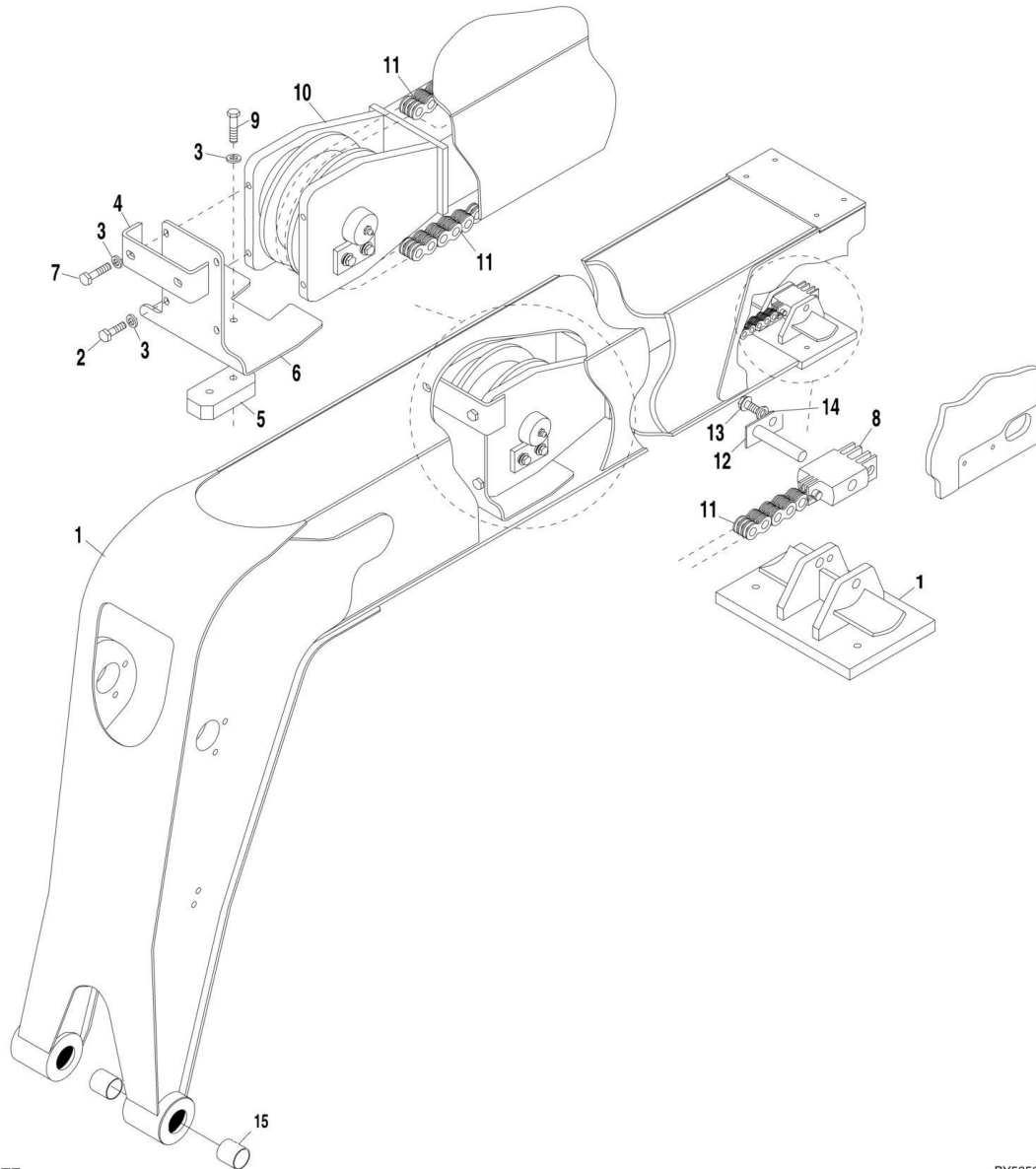
ITEM	PART NUMBER	QTY	DESCRIPTION	REV
1		Ref	SECOND BOOM SECTION, (See SECOND BOOM SECTION for Breakdown)	
2	0651606	AR	HEX HD CAPSCREW, 3/8-24X3/4, GR5, (torque to 32-37 lb-ft) (SN 0160037689 to Present)	
2	0651608	AR	HEX HD CAPSCREW, 3/8-24X1, GR5, (torque to 32-37 lb-ft) (SN 0160037689 to Present)	
2	0651607	AR	HEX HD CAPSCREW, 3/8-24X7/8, GR5, (torque to 32-37 lb-ft)	
3	90027470	20	HARDENED WASHER, 3/8	
4	91403532	2	WEAR PAD	
5	91401450	2	SPACER	
6	91401215	AR	SHIM	
6	91401216	AR	SHIM	
7	91401197	1	MOUNT PLATE	
8	91403126	AR	SHIM	
8	91403127	AR	SHIM	
9	91401223	4	SPACER	
10	91403530	6	WEAR PAD	
11	0641807	4	HEX HD CAPSCREW, 1/2-13X7/8, GR5	
12	4711800	4	FLAT WASHER, 1/2	
13	1001117655	2	WEAR PAD	
14	91401191	AR	SPACER	
14	91401451	AR	SPACER	
15	91401453	AR	SHIM	
15	91401454	AR	SHIM	
16	0651614	4	HEX HD CAPSCREW, 3/8-24X1-3/4, GR5, (torque to 32-37 lb-ft)	
17	91471227	AR	SHIM	
17	91471226	AR	SHIM	
18	91401223	2	SPACER	
19	91403531	2	WEAR PAD	
20	91401225	2	SPACER	
21	91471228	AR	SHIM	
21	91471229	AR	SHIM	
22	90027471	8	HARDENED WASHER, 1/2	
23	0651810	AR	HEX HD CAPSCREW, 1/2-20X1-1/4, GR5, (torque to 76-86 lb-ft) (SN 0160037689 to Present)	
23	0651812	AR	HEX HD CAPSCREW, 1/2-20X1-1/2, GR5, (torque to 76-86 lb-ft)	
23	0651807	AR	HEX HD CAPSCREW, 1/2-20X7/8, GR5, (torque to 76-86 lb-ft) (SN 0160037689 to Present)	
23	0651806	AR	HEX HD CAPSCREW, 1/2-20X3/4, GR5, (torque to 76-86 lb-ft) (SN 0160037689 to Present)	
23	0651808	AR	HEX HD CAPSCREW, 1/2-20X1, GR5, (torque to 76-86 lb-ft) (SN 0160037689 to Present)	
24	0651805	AR	HEX HD CAPSCREW, 1/2-20X5/8, (torque to 76-86 lb-ft)	
24	0651807	AR	HEX HD CAPSCREW, 1/2-20X7/8, (torque to 76-86 lb-ft) (SN 0160037689 to Present)	
24	0651806	AR	HEX HD CAPSCREW, 1/2-20X3/4, (torque to 76-86 lb-ft) (SN 0160037689 to Present)	
25	1001117654	2	WEAR PAD	
26	88201563	2	HEX HD CAPSCREW, 1/2-20X7/8, GR5 , (torque to 76-86 lb-ft) (Prior to SN 0160037689)	
26	88991005	AR	HEX HD CAPSCREW, 1/2-20X1, GR5, (torque to 45-50 lb-ft) (SN 0160037689 to Present)	

SECTION 2 - BOOM

ITEM	PART NUMBER	QTY	DESCRIPTION	REV
27	91401224	2	SPACER	
115	88671027	2	GREASE FITTING (SN 0160037689 to Present)	
162	88201533	8	HEX HD CAPSCREW, 3/8-24X7/8, GR5 , (torque to 32-37 lb-ft) (Prior to SN 0160037689)	
162	88201530	AR	HEX HD CAPSCREW, 3/8-24X1/2, GR5, (torque to 32-37 lb-ft) (SN 0160037689 to Present)	
162	0651606	AR	HEX HD CAPSCREW, 3/8-24X3/4, GR5, (torque to 32-37 lb-ft) (SN 0160037689 to Present)	
162	0651605	AR	HEX HD CAPSCREW, 3/8-24X5/8, GR5, (torque to 32-37 lb-ft) (SN 0160037689 to Present)	

SECTION 2 - BOOM

FIGURE 2-5. THIRD BOOM SECTION



NOTE:

1. USE LOCTITE® 242™ (0100011) ON ALL BOLT THREADS & JAM NUTS.

2. COAT STATIC, NON ROTATING, PIN BORES WITH MOLY-PASTE (3020040). DO NOT COAT THE PIN OR ANY ROTATING PARTS.

3. COAT ALL BUSHINGS, SHEAVES & ROTATING PIN BORES WITH MYSTIK TETRAMOLY GREASE (14404793) PRIOR TO INSTALLATION OF THE PIN

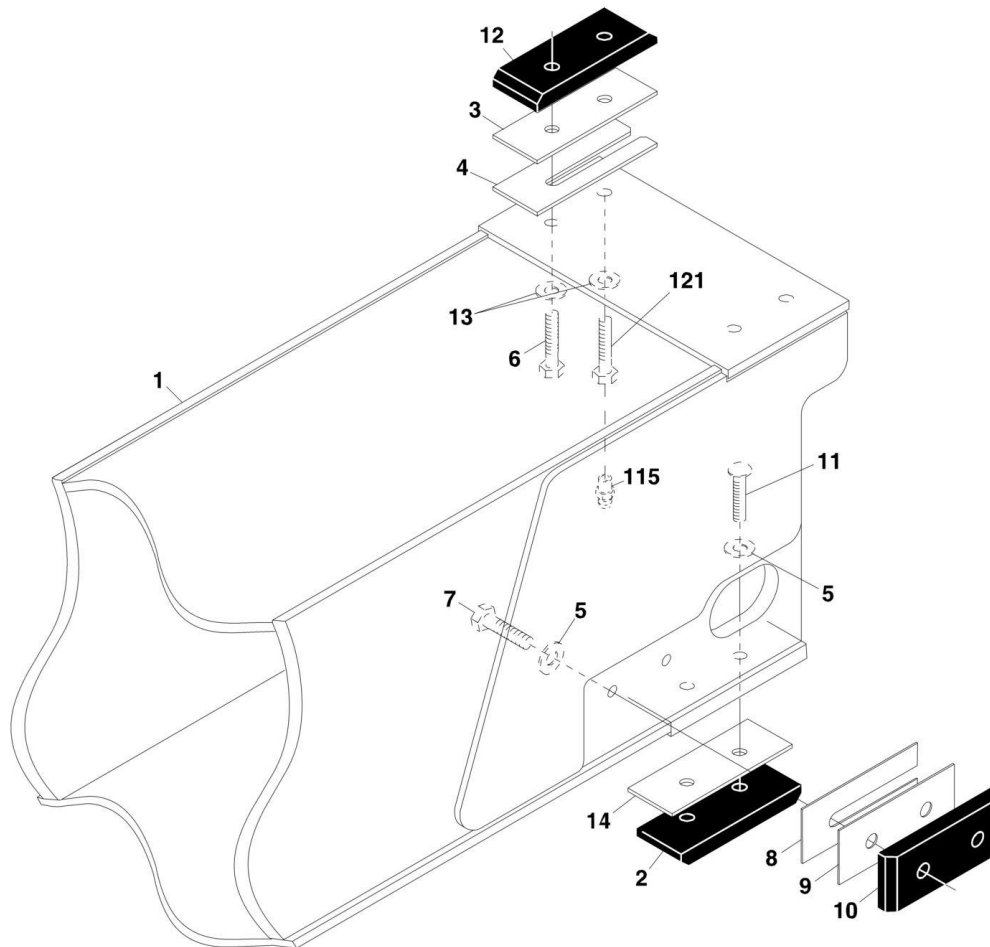
PY5350

FIGURE 2-5. THIRD BOOM SECTION

ITEM	PART NUMBER	QTY	DESCRIPTION	REV
1	91406014	1	THIRD BOOM SECTION (Prior to SN 0160037689)	
1	1001102577	1	THIRD BOOM SECTION (SN 0160037689 to Present)	
2	0641607	2	HEX HD CAPSCREW, 3/8-16X7/8, GR5	
3	4711600	6	FLAT WASHER, 3/8	
4	91401568	1	GUIDE BAR	
5	91403087	1	PUSH BEAM BEARING PAD	
6	91401204	1	CHAIN RETAINER	
7	0681610	2	HEX HD CAPSCREW, 3/8-16X1-1/4, (torque to 25-30 lb-ft)	
8		Ref	CLEVIS, 866-634, (See PUSH/BEAM EXTEND CHAIN AND ROLLER ASSEMBLY for Breakdown)	
9	0651614	2	HEX HD CAPSCREW, 3/8-24X1-3/4, GR5	
10		Ref	PUSH BEAM ASSY, (See PUSH/BEAM EXTEND CHAIN AND ROLLER ASSEMBLY for Breakdown)	
11		Ref	LEAF CHAIN ASSY, (See PUSH/BEAM EXTEND CHAIN AND ROLLER ASSEMBLY for Breakdown)	
12	91403425	1	ANCHOR PIN	
13	0641606	1	HEX HD CAPSCREW, 3/8-16X3/4, GR5, (torque to 25-30 lb-ft)	
14	4761600	1	LOCKWASHER, 3/8	
15	91403377	4	BUSHING	

SECTION 2 - BOOM

FIGURE 2-6. BEARING PADS, SPACERS AND SHIMS, (THIRD BOOM SECTION)



PY5360

NOTE:

1. WEAR PAD SHIMMING:

- A. WHENEVER A SHIM IS USED WITH A PAD, A SPACER WITH HOLES MUST BE INSERTED BETWEEN PAD & SHIM.
- B. THE WEAR PAD OR WEAR PAD INSERT MUST NOT SIT DIRECTLY ON THE SLOTTED SURFACE OF SHIMS.
- C. ADD WEAR PAD SHIMS & SPACERS AS REQUIRED TO SHIM BOOM TO MAINTAIN A TOTAL MINIMUM GAP OF 0.070 TO 0.130 IN (1.8MM TO 3.3MM) IN BOTH HORIZONTAL & VERTICAL DIRECTIONS. • N
- D. WEAR PAD BOLTS REQUIRE ONE HARDENED WASHER. HOWEVER, UP TO TWO HARDENED WASHERS MAY BE USED EXCEPT WHERE NOTED OTHERWISE. UNDER NO CIRCUMSTANCES SHOULD MORE THAN TWO HARDENED WASHERS EVER BE USED.
- E. THE LENGTH OF PAD BOLTS DEPENDS ON THE NUMBER OF THE SHIMS USED. THE BOLT CANNOT EXTEND PAST CHAMFER ON WEAR PAD.

- 2. ADD MYSTIK TETRIMOLY GREASE (14404793) TO ALL BEARING PADS & ALL BEARING PAD SLIDE PATHWAYS. IF APPLICABLE, THIS INCLUDES ALL PAD GREASE FITTINGS AT THE REAR OF BOOM.

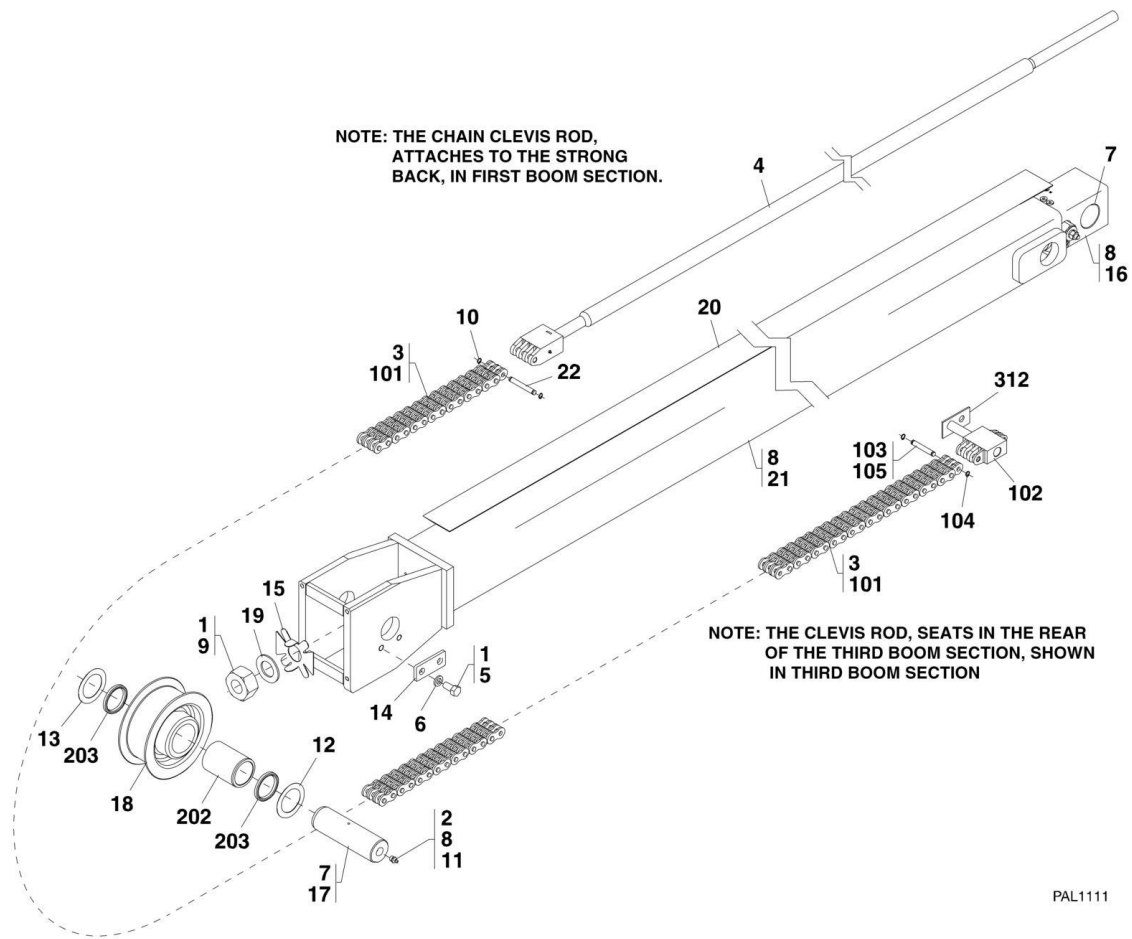
SECTION 2 - BOOM

FIGURE 2-6. BEARING PADS, SPACERS AND SHIMS, (THIRD BOOM SECTION)

ITEM	PART NUMBER	QTY	DESCRIPTION	REV
1		Ref	THIRD BOOM SECTION, (See THIRD BOOM SECTION for Breakdown)	
2	91403533	2	WEAR PAD	
3	91401451	2	SPACER	
4	91401453	AR	SHIM	
4	91401454	AR	SHIM	
5	90027470	AR	FLAT WASHER, 3/8	
6	0651812	AR	HEX HD CAPSCREW, 1/2-20X1-1/2, GR5, (torque to 76-86 lb-ft)	
6	0651810	AR	HEX HD CAPSCREW, 1/2-20X1-1/4, GR5, (torque to 76-86 lb-ft) (SN 0160037689 to Present)	
7	0651607	AR	HEX HD CAPSCREW, 3/8-24X7/8, GR5, (torque to 32-37 lb-ft)	
7	0651606	AR	HEX HD CAPSCREW, 3/8-24X3/4, GR5, (torque to 32-37 lb-ft) (SN 0160037689 to Present)	
7	0651605	AR	HEX HD CAPSCREW, 3/8-24X5/8, GR5, (torque to 32-37 lb-ft) (SN 0160037689 to Present)	
8	91471228	AR	SHIM	
9	91401225	2	SPACER	
10	91403531	2	WEAR PAD	
11	88261128	AR	SOCKET BUTTON HD CAPSCREW, 3/8-24X1, (torque to 32-37 lb-ft)	
11	88261129	AR	SOCKET BUTTON HD CAPSCREW, 3/8-24X1-1/4, (torque to 32-37 lb-ft) (SN 0160037689 to Present)	
12	1001117655	2	WEAR PAD	
13	90027471	4	HARDENED WASHER, 1/2	
14	91401226	2	SPACER	
115	88671027	2	GREASE FITTING (SN 0160037689 to Present)	
121	88991005	AR	HEX HD CAPSCREW, 1/2-20X1, GR5, (torque to 45-50 lb-ft) (SN 0160037689 to Present)	
121	91161222	AR	MODIFIED BOLT, GR5, (torque to 45-50 lb-ft) (SN 0160037689 to Present)	

SECTION 2 - BOOM

FIGURE 2-7. PUSH/BEAM EXTEND CHAIN AND ROLLER ASSEMBLY



PAL1111

NOTE: SEE THIRD BOOM SECTION FOR PUSH BEAM, CHAIN RETAINER & WEAR PADS.

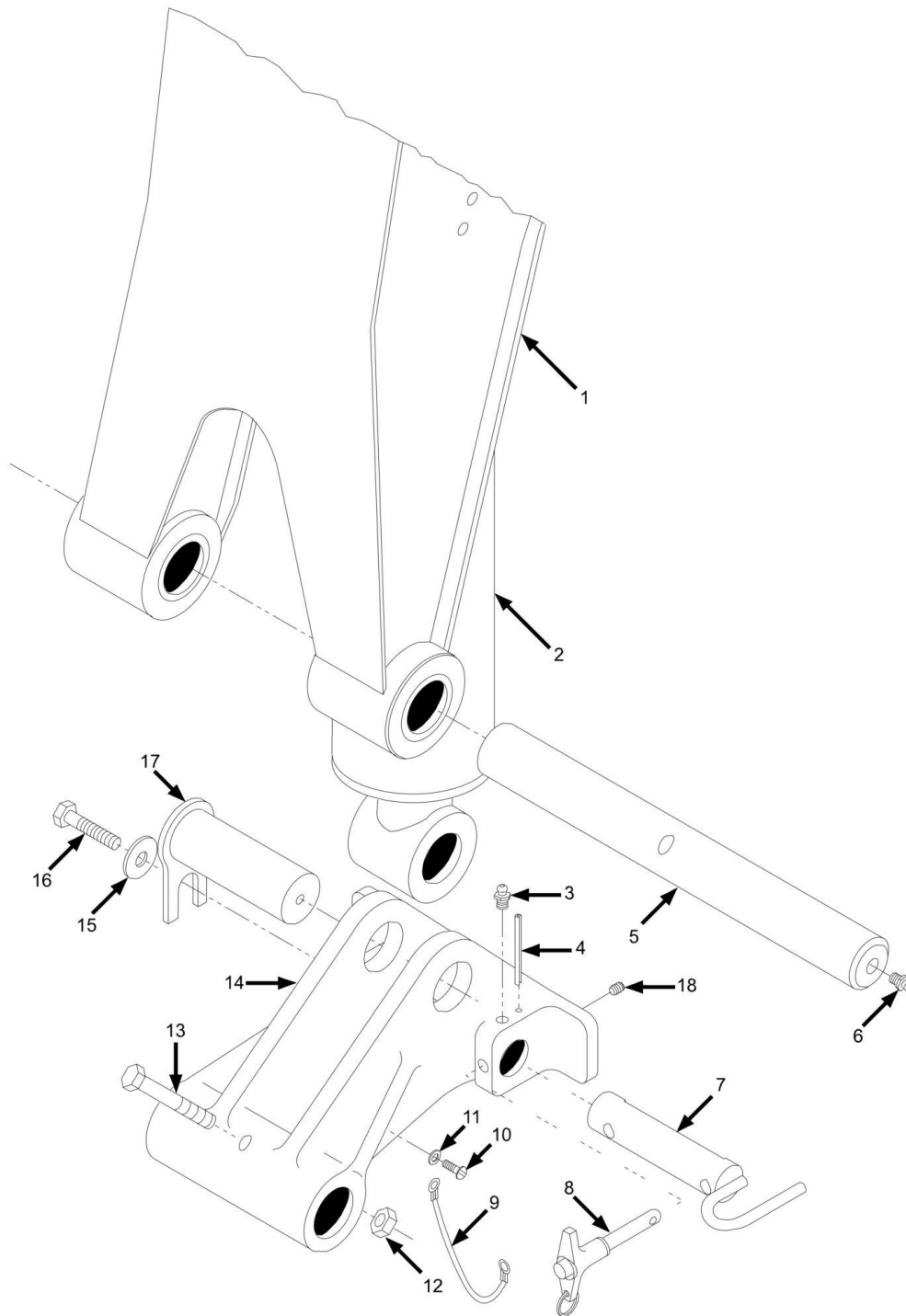
SECTION 2 - BOOM

FIGURE 2-7. PUSH/BEAM EXTEND CHAIN AND ROLLER ASSEMBLY

ITEM	PART NUMBER	QTY	DESCRIPTION	REV
	0275798	1	PUSH BEAM ASSY, (includes items 1 thru 22)	B
1	0100011S	AR	LOCTITE 242	
2	0100075	AR	LOCTITE 545	
3	0274674	1	LEAF CHAIN ASSY, (includes items 101 thru 105)	C
4	0274799	1	CHAIN CLEVIS ROD	
5	0641808	2	HEX HD CAPSCREW, 1/2-13X1, GR5	
6	4761800	2	LOCKWASHER, 1/2	
7	14403323S	AR	NEVER SEEZ LUBE	
8	14404793	AR	MYSTIK TETRIMOLY GREASE	
9	88501322	1	HEX NUT, 1-3/8-12, (torque to 155-195 lb-ft)	
10	88581112	2	SNAP RING, 3/8	
11	88671001	1	LUBE FITTING, STRAIGHT, 1/8	
12	91041451	1	SHIM	
13	91041596	1	SHIM	
14	91401189	1	KEEPER	
15	91401190	1	TAB WASHER	
16		Ref	CROWD CYLINDER, (See HYDRAULIC COMPONENTS SECTION for Breakdown)	
17	91403017	1	EXTEND SHEAVE PIN	
18	91403045	1	CHAIN ROLLER ASSY, (includes items 202 & 203)	B
19	91403065	1	HARD WASHER	
20	91513029	1	UHMW TAPE, (13 FT)	
21	91406015	1	PUSH BEAM WELDMENT	
22	91413122	1	ANCHOR PIN	
101	91403432	1	LEAF CHAIN, 866	
102	1360298	1	CLEVIS, 866-634	
103	91413123	1	ANCHOR PIN	
104	88581112	2	SNAP RING, 3/8	
105	8522012S	AR	ANTI SEEZE LUBE	
202	91403047	1	BUSHING	
203	91403119	2	SEAL	
312		Ref	ANCHOR PIN, (See THIRD BOOM SECTION for Breakdown)	

SECTION 2 - BOOM

FIGURE 2-8. QUICK SWITCH ASSEMBLY (Prior to SN 0160037689)



NOTE:

USE LOCTITE, 14403364, ON ALL BOLT THREADS.

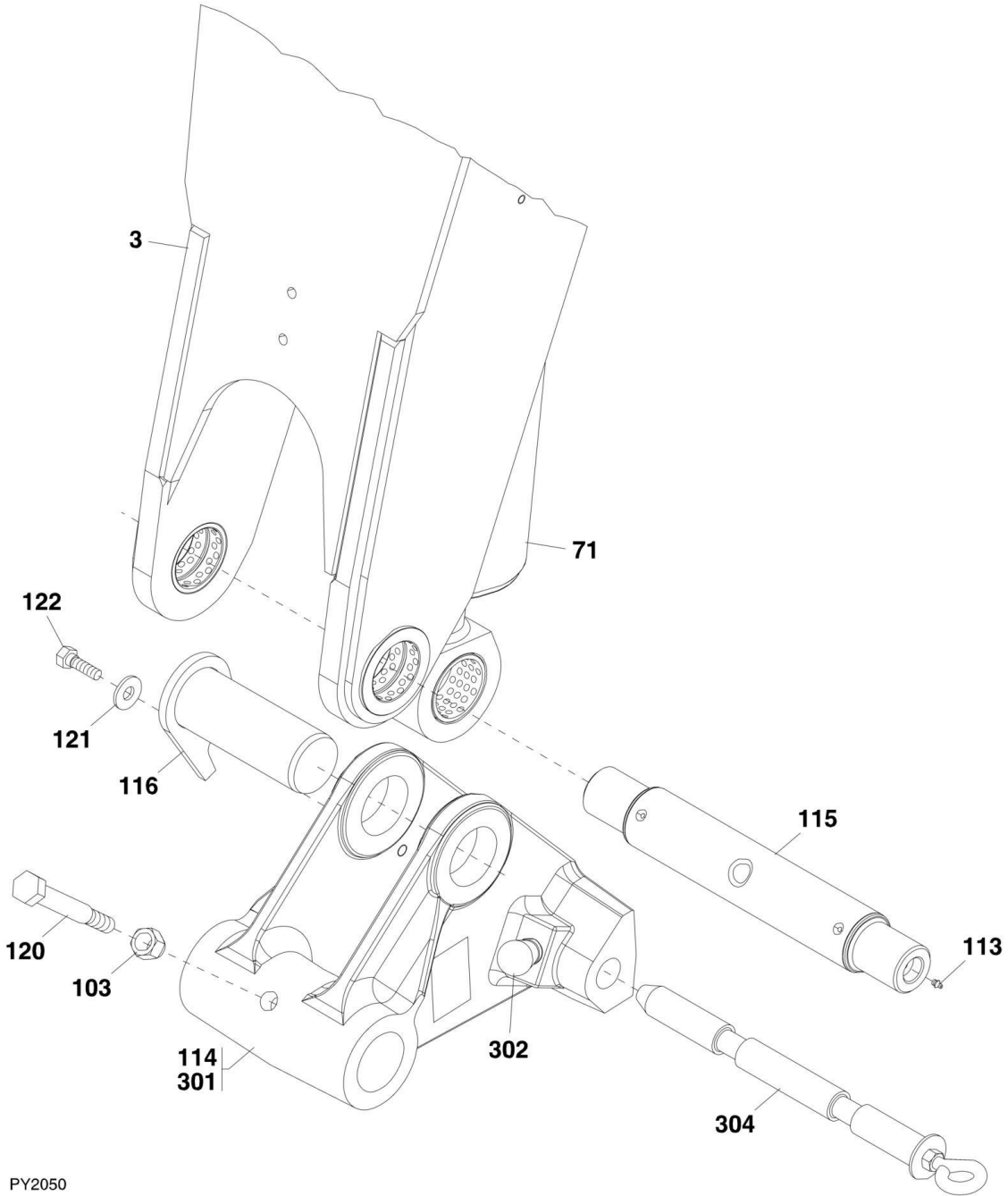
SECTION 2 - BOOM

FIGURE 2-8. QUICK SWITCH ASSEMBLY (Prior to SN 0160037689)

ITEM	PART NUMBER	QTY	DESCRIPTION	REV
1		1	QUICK SWITCH ASSY, (includes items 3, 4, 7 thru 11, 14 & 18)	F
		Ref	THIRD BOOM SECTION, (See THIRD BOOM SECTION for Breakdown)	
2		Ref	TILT CYLINDER, (See HYDRAULIC COMPONENTS SECTION for Breakdown)	
3	88671008	1	STRAIGHT LUBE FITTING, 1/4-28	
4	3440832	1	ROLL PIN, 1/4X2	
5	91403020	1	HEAD PIN	
6	88661001	2	STRAIGHT LUBE FITTING, 1/8	
7	91403404	1	QUICK SWITCH PIN	
8	91403407	1	QUICK RELEASE PIN	
9	91403411	1	TETHER CABLE	
10	88301193	1	ROUND HD MACHINE SCREW, #10-32X1/2	
11	88561105	1	FLAT WASHER, #10	
12	88521012	1	HEX LOCKNUT, 3/4-10	
13	91403412	1	HEX HD CAPSCREW, 1/2-13X6	
14	91403060	1	QUICK SWITCH CASTING	
15	8310308	1	HARDENED WASHER, 1/2	
16	88201067	1	HEX HD CAPSCREW, 1/2-13X1-1/2, GR5	
17	91403405	1	PIN WELDMENT	
18	88221276	1	SOCKET SET SCREW, (flat point), 1/2-13X1/2	

SECTION 2 - BOOM

FIGURE 2-9. QUICK SWITCH ASSEMBLY (SN 0160037689 to Present)



PY2050

SECTION 2 - BOOM

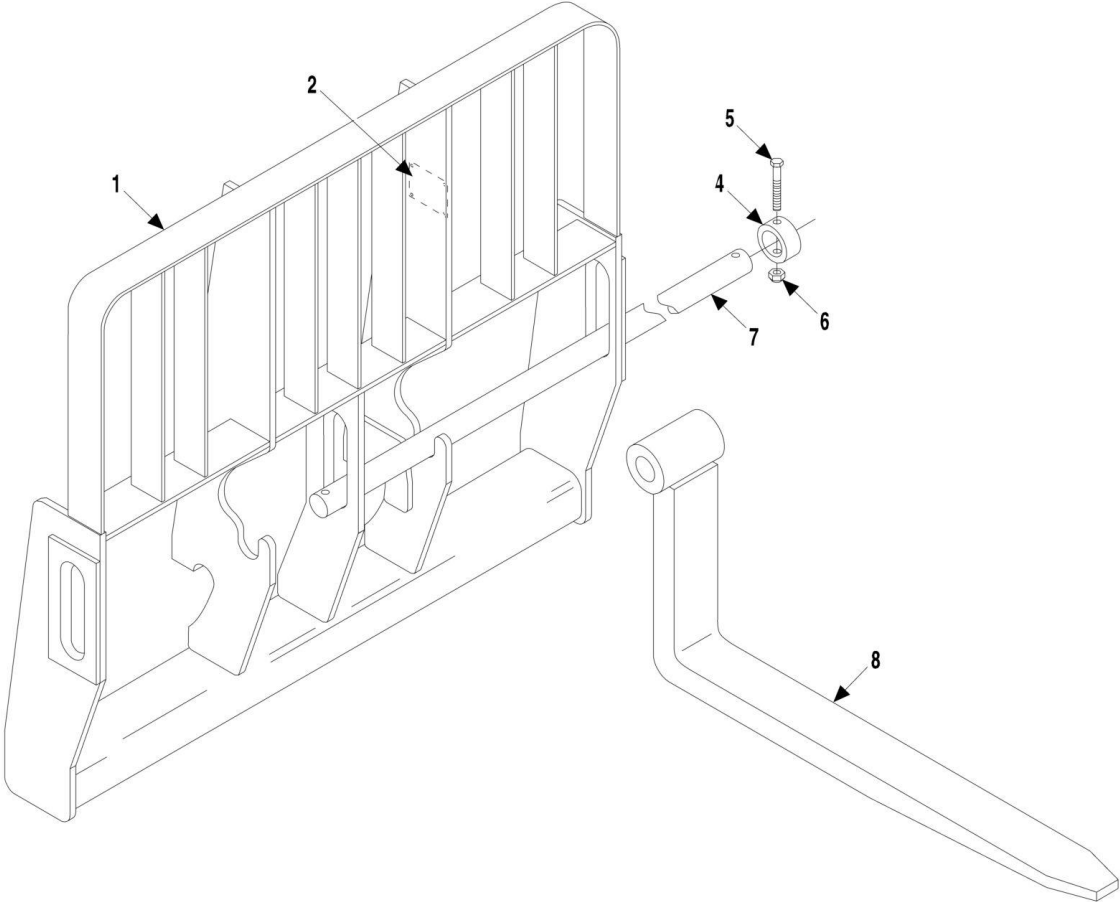
FIGURE 2-9. QUICK SWITCH ASSEMBLY (SN 0160037689 to Present)

ITEM	PART NUMBER	QTY	DESCRIPTION	REV
3		Ref	THIRD BOOM SECTION, (See THIRD BOOM SECTION for Breakdown)	
71		Ref	TILT CYLINDER, (See HYDRAULIC COMPONENTS SECTION for Breakdown)	
103	8310067	1	LOCKNUT, 3/4-10	
113	88671008	2	STRAIGHT GREASE FITTING	
114	1001098382	1	QUICK SWITCH COUPLING ASSY, (includes items 301 thru 304)	D
115	1001098233	1	PIVOT PIN	
116	1001098218	1	PIN WELDMENT	
120	0682244	1	HEX HD CAPSCREW, 3/4-10X5-1/2, GR8	
121	4740003	1	WASHER, 1/2	
122	0641808	1	HEX HD CAPSCREW, 1/2-13X1, GR5	
124	8307916	AR	WASHER, SHIM, (not shown)	
125	8307917	AR	WASHER, SHIM, (not shown)	
301	1001098174	1	QUICK SWITCH COUPLER	
302	1001098176	1	POPPIN PIN ASSY	
304	1001105441	1	QUICK SWITCH LOCK PIN	

SECTION 3 - ATTACHMENTS

SECTION 3 - ATTACHMENTS

FIGURE 3-1. TILT CARRIAGE (Prior to SN 0160023812)



PY1950

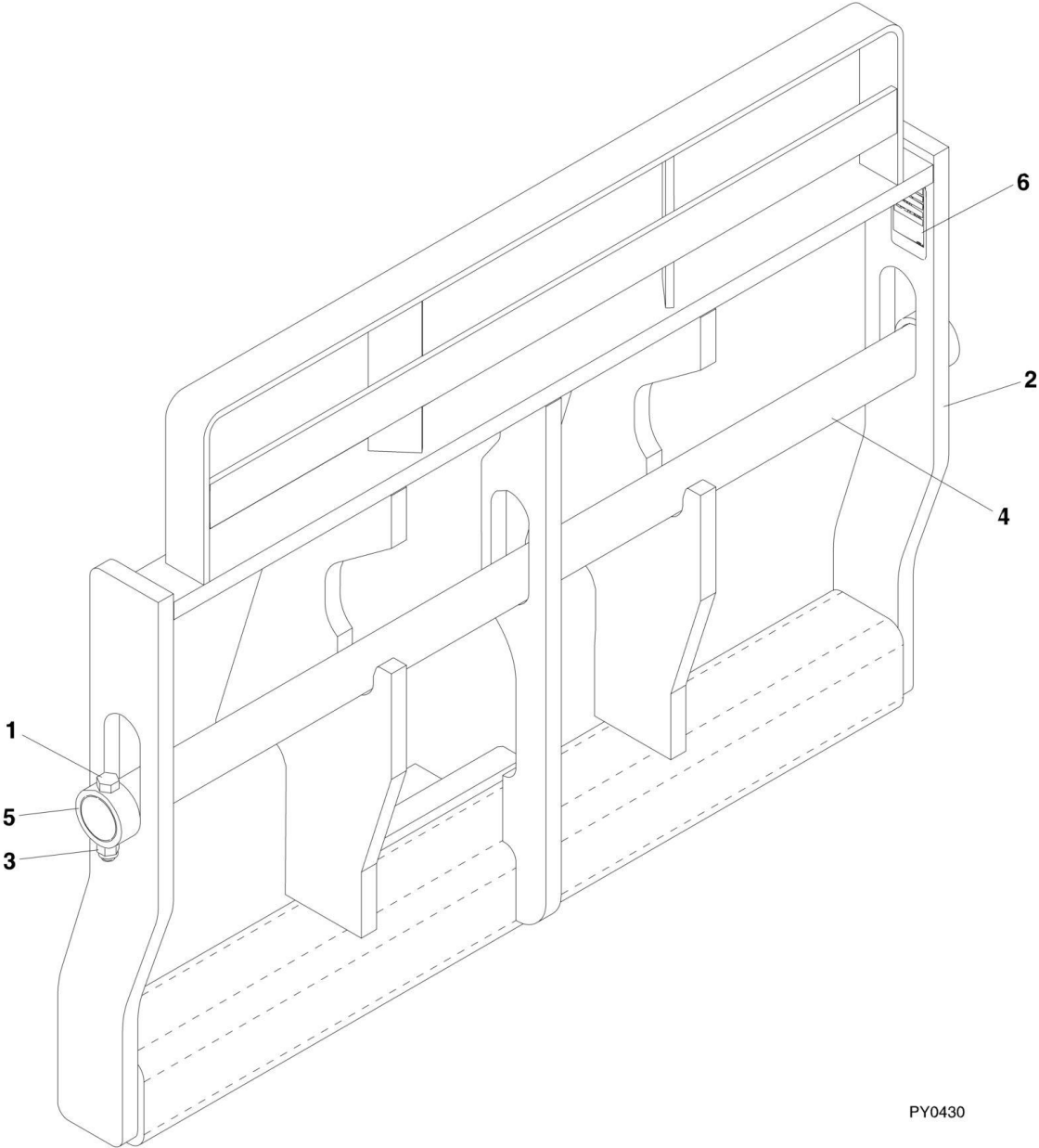
SECTION 3 - ATTACHMENTS

FIGURE 3-1. TILT CARRIAGE (Prior to SN 0160023812)

ITEM	PART NUMBER	QTY	DESCRIPTION	REV
	91405073	1	48 IN CARRIAGE ASSY, (includes items 1 thru 7)	D
	91405074	1	72 IN CARRIAGE ASSY, (includes items 1 thru 7)	D
1	N.S.S.	1	48 IN CARRIAGE WELDMENT	
1	N.S.S.	1	72 IN CARRIAGE WELDMENT	
2	N.S.S.	1	SN PLATE	
4	90200003	2	COLLAR	
5	88201105	2	HEX HD CAPSCREW, 5/8-11X4, GR5	
6	88521310	2	HEX LOCKNUT, 5/8-11, (nylok)	
7	91401303	1	FORK PIN, (48 IN carriage)	
7	91401324	1	FORK PIN, (72 IN carriage)	
8		Ref	FORK, (See FORKS for Breakdown)	

SECTION 3 - ATTACHMENTS

FIGURE 3-2. TILT CARRIAGE (SN 0160023812 to Present)



PY0430

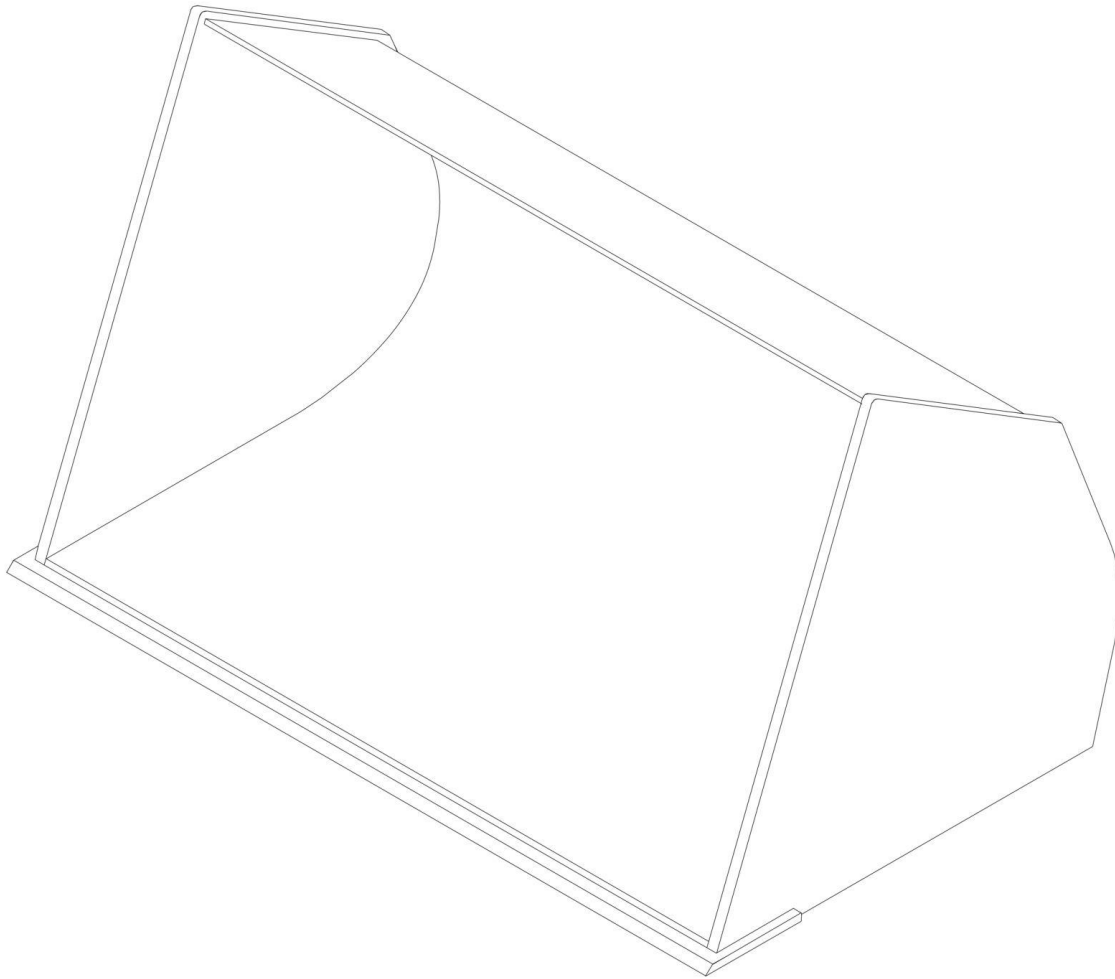
SECTION 3 - ATTACHMENTS

FIGURE 3-2. TILT CARRIAGE (SN 0160023812 to Present)

ITEM	PART NUMBER	QTY	DESCRIPTION	REV
	1170019	1	50 IN TILT CARRIAGE, includes all items (Prior to SN 0160037689)	C
	1170021	1	50 IN TILT CARRIAGE, (includes all items) (SN 0160037689 to Present)	D
	1170022	1	60 IN TILT CARRIAGE, (includes all items) (Prior to SN 0160037689)	C
	1170024	1	60 IN TILT CARRIAGE, (includes all items) (SN 0160037689 to Present)	D
	1170025	1	72 IN TILT CARRIAGE, (includes all items) (Prior to SN 0160037689)	C
	1001132514	1	72 IN TILT CARRIAGE, (includes all items) (SN 0160037689 to Present)	A
1	0642032	2	HEX HD CAPSCREW, 5/8-11X4, GR5	
2	N.S.S.	1	TILT CARRIAGE	
3	3300240	2	LOCKNUT, 5/8-11	
4	3423275	1	50 IN FORK PIN	
4	3423242	1	60 IN FORK PIN	
4	3423276	1	72 IN FORK PIN	
5	90200003	2	COLLAR	
6	N.S.S.	1	SN PLATE	

SECTION 3 - ATTACHMENTS

FIGURE 3-3. BUCKETS



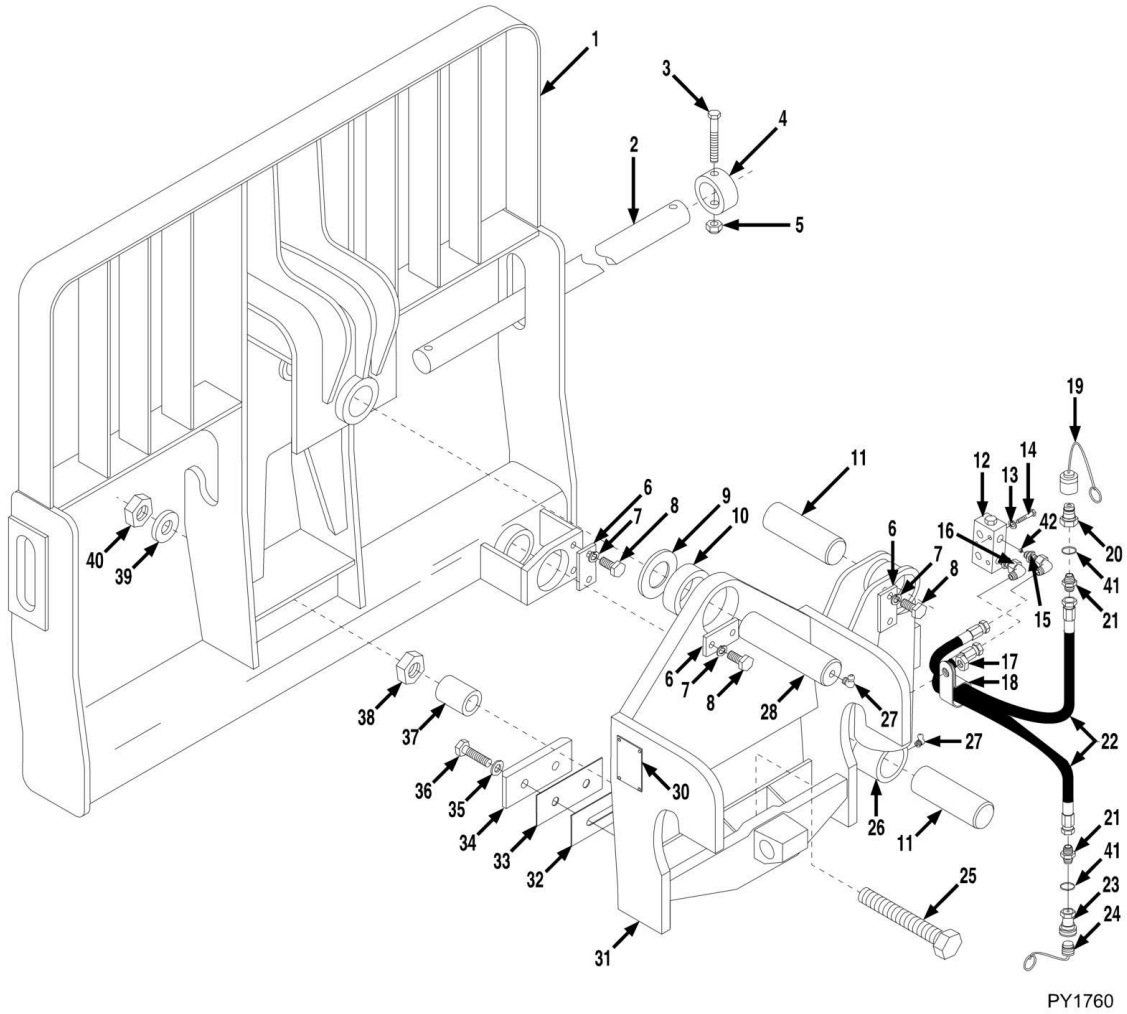
SECTION 3 - ATTACHMENTS

FIGURE 3-3. BUCKETS

ITEM	PART NUMBER	QTY	DESCRIPTION	REV
	91405054	1	60 IN BUCKET, 3/4 ³ YARD (Prior to SN 0160037689)	
	1001100822	1	72 IN BUCKET, 1.0 ³ YARD (SN 0160037689 to Present)	
	91405055	1	74 IN BUCKET, 1-1/4 ³ YARD (Prior to SN 0160037689)	
	1001100823	1	96 IN BUCKET, 1-1/2 ³ YARD (SN 0160037689 to Present)	
	91405071	1	102 IN BUCKET, 1-1/4 ³ YARD (Prior to SN 0160037689)	
	1001100824	1	102 IN BUCKET, 2.0 ³ YARD (SN 0160037689 to Present)	

SECTION 3 - ATTACHMENTS

FIGURE 3-4. 48 INCH AND 72 INCH SLOPE PILER CARRIAGE (Prior to SN 0160037689)



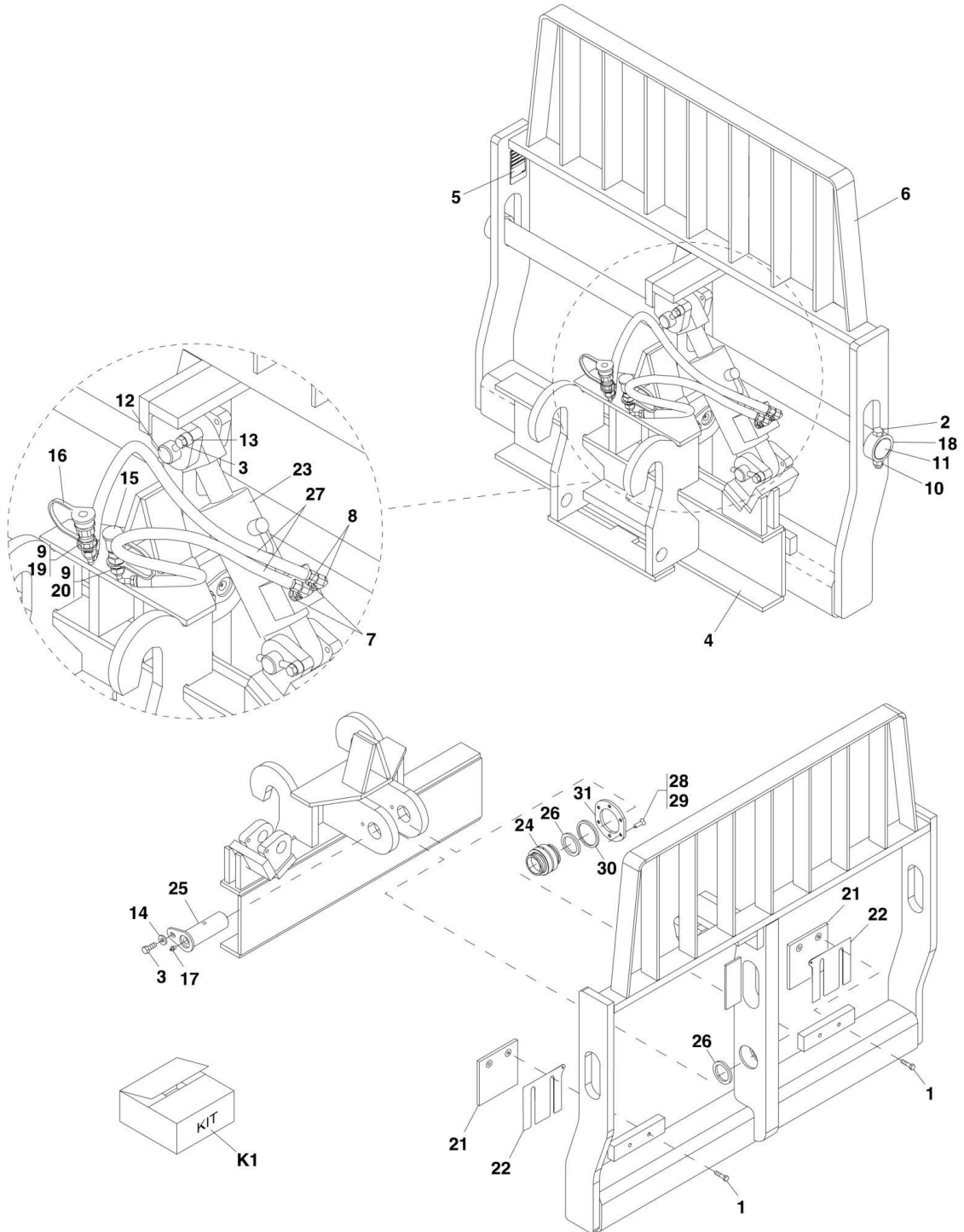
SECTION 3 - ATTACHMENTS

FIGURE 3-4. 48 INCH AND 72 INCH SLOPE PILER CARRIAGE (Prior to SN 0160037689)

ITEM	PART NUMBER	QTY	DESCRIPTION	REV
	91405101	1	48 IN SLOPE PILER CARRIAGE, (includes all items)	O
	91405079	1	72 IN SLOPE PILER CARRIAGE, (includes all items)	T
1	N.S.S.	1	48 IN CARRIAGE WELDMENT	
1	N.S.S.	1	72 IN CARRIAGE WELDMENT	
2	91401324	1	FORK PIN, (72 IN carriage)	
2	91401303	1	FORK PIN, (48 IN carriage)	
3	88201105	2	HEX HD CAPSCREW, 5/8-11X4, GR5	
4	90200003	2	COLLAR	
5	88521310	2	HEX LOCKNUT, 5/8-11, (nylok)	
6	91081313	3	KEEPER PLATE	
7	88551013	6	LOCKWASHER, 1/2	
8	88201065	6	HEX HD CAPSCREW, 1/2-13X1, GR5	
9	91081594	1	THRUST WASHER	
10	91083248	1	BUSHING	
11	3423263	2	SWAY CYLINDER PIN	
12		Ref	SWAY CYLINDER VALVE, (See HYDRAULIC COMPONENTS SECTION for Breakdown)	
13	88551009	3	LOCKWASHER, 1/4	
14	88201008	3	HEX HD CAPSCREW, 1/4-20X1-3/4, GR5	
15	91081630	2	MODIFIED CONNECTOR	
16	8760268	2	ELBOW, 90, (swivel nut)	
17	77143015	1	WHIZ-LOCKNUT, 3/8-16	
18	84521062	1	SUPPORT CLAMP	
19	91043126	1	DUST CAP	
20	91403414	1	MALE QUICK DISCONNECT	
21	2220372	2	CONNECTOR, (includes item 41)	
22	84719223	2	HOSE ASSY	
23	91403413	1	FEMALE QUICK DISCONNECT	
24	91043125	1	DUST PLUG	
25	91081577	1	TAP BOLT	
26		Ref	SWAY CYLINDER, (See OPTIONS SECTION for Breakdown)	
27	88671022	2	LUBE FITTING, 90, 1/8	
28	91081622	1	PIN, (adapter weldment)	
30	N.S.S.	1	SN PLATE	
31	N.S.S.	1	ADAPTER WELDMENT	
32	90205870	AR	SHIM	
33	91031236	2	SPACER	
34	91033186	2	BEARING PAD	
35	88561109	4	FLAT WASHER, 3/8	
36	88201534	4	HEX HD CAPSCREW, 3/8-24X1, GR5	
36	88201535	4	HEX HD CAPSCREW, 3/8-24X1-1/4, GR5	
37	90204007	1	TUBE	
38	88521016	1	HEX LOCKNUT, 1-8	
39	05101441	1	WASHER, 1-1/16	
40	88501016	1	HEX NUT, 1-8	
41	88591205	2	O-RING	
42	91041387	2	ORIFICE PLUG	

SECTION 3 - ATTACHMENTS

FIGURE 3-5. SIDE TILT CARRIAGE (SN 0160037689 to Present)



PAP2971

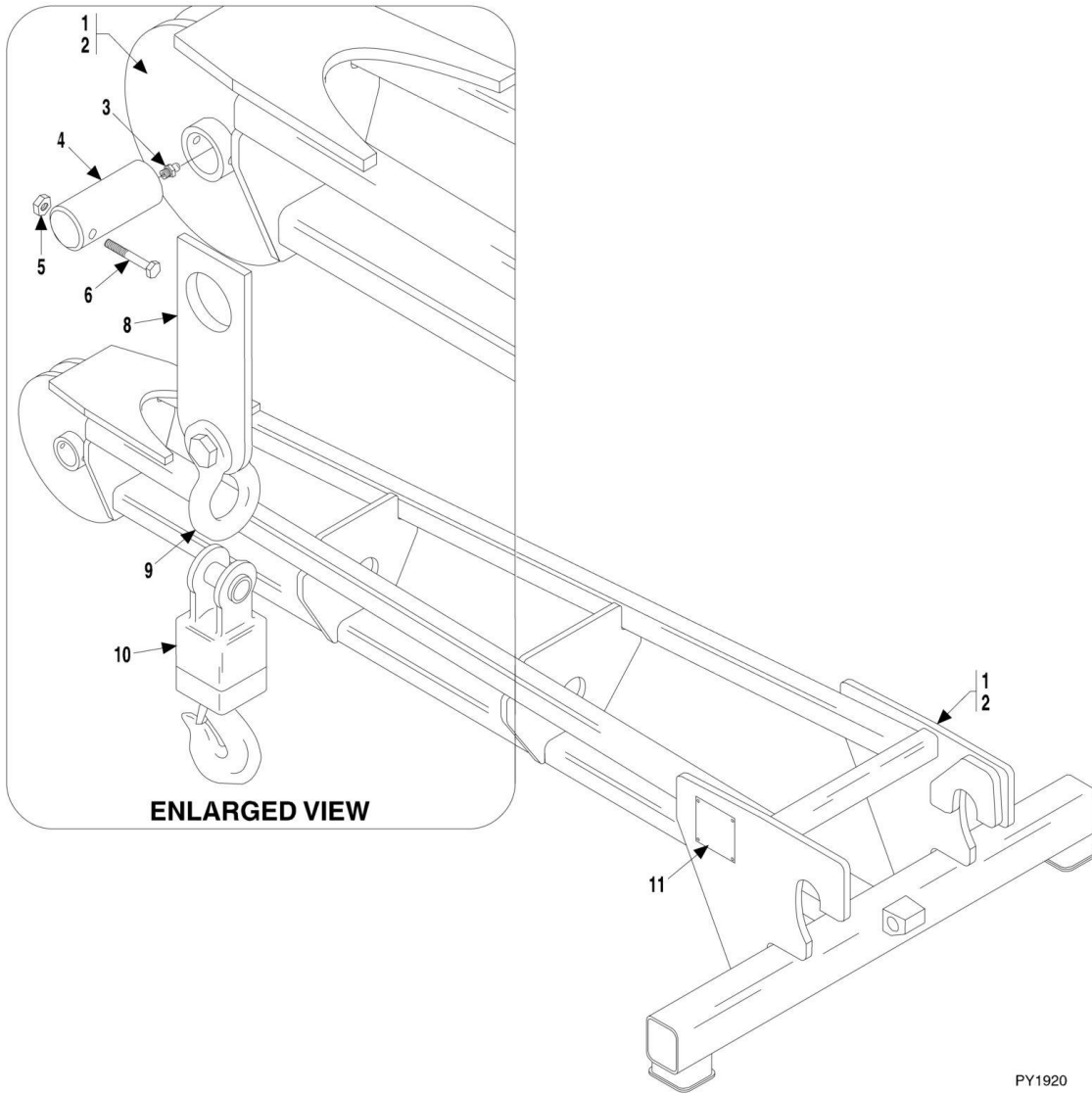
SECTION 3 - ATTACHMENTS

FIGURE 3-5. SIDE TILT CARRIAGE (SN 0160037689 to Present)

ITEM	PART NUMBER	QTY	DESCRIPTION	REV
	1170054	1	50 IN SIDE TILT CARRIAGE, (includes all items)	H
	1001101956	1	60 IN SIDE TILT CARRIAGE, (includes all items)	H
	1170057	1	72 IN SIDE TILT CARRIAGE, (includes all items)	H
1	0641612	4	HEX HD CAPSCREW, 3/8-16X1-1/2	
2	0642032	2	HEX HD CAPSCREW, 5/8-11X4	
3	0681810	3	HEX HD CAPSCREW, 1/2-13X1-1/4	
4	1001133072	1	CARRIAGE BASE	
5	N.S.S.	1	SN PLATE	
6	N.S.S.	1	SIDE TILT CARRIAGE	
7	2110606	2	ADAPTER	
8	2172106	2	ADAPTER, 90	
9	2110808	2	ADAPTER, (50 IN & 72 IN side tilt carriage)	
9	2110608	2	ADAPTER, (60 IN side tilt carriage)	
10	3300240	2	LOCKNUT, 5/8-11	
11	3423275	1	50 IN FORK PIN	
11	3423242	1	60 IN FORK PIN	
11	3423276	1	72 IN FORK PIN	
12	3423307	2	PIN	
13	3841203	2	KEEPER	
14	4891800	1	WASHER, 1/2	
15	8420053	1	DUST CAP	
16	8420055	1	DUST PLUG	
17	88671001	1	GREASE FITTING	
18	90200003	2	COLLAR	
19	91403413	1	FEMALE QUICK DISCONNECT	
20	91403414	1	MALE QUICK DISCONNECT	
21	1001090063	2	WEAR PAD	
22	1001090064	AR	SHIM	
23		Ref	HYDRAULIC CYLINDER, (See HYDRAULIC COMPONENTS SECTION for Breakdown)	
24	1001090140	1	BEARING	
25	1001099113	1	PIN	
26	1001099115	2	SLEEVE	
27	1001102378	2	HOSE ASSY, 3/8X39	
28	0100011	AR	LOCTITE 242	
29	0741610	6	FLAT HD SOCKET SCREW, 3/8-16X1-1/4	
30	1001120914	1	BEARING RETAINER SHIM	
31	1001120915	1	BEARING RETAINER PLATE	
K1	2890228	1	SIDE TILT CARRIAGE KIT, (includes items 30 & 31)	C

SECTION 3 - ATTACHMENTS

FIGURE 3-6. TRUSS BOOM (Prior to SN 0160037689)



PY1920

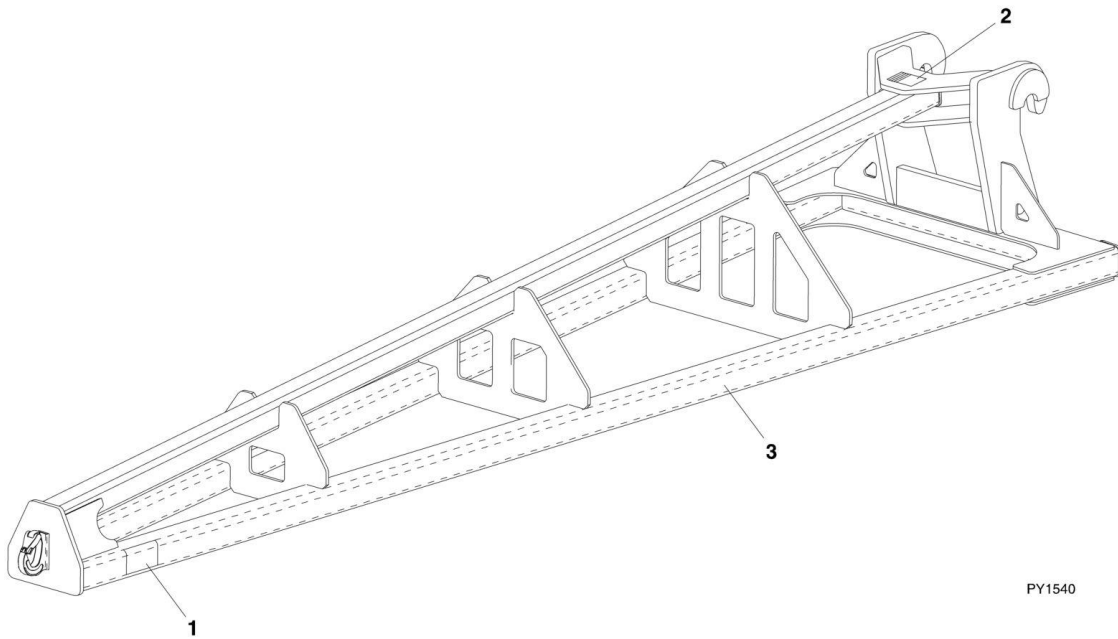
SECTION 3 - ATTACHMENTS

FIGURE 3-6. TRUSS BOOM (Prior to SN 0160037689)

ITEM	PART NUMBER	QTY	DESCRIPTION	REV
	91405083	1	10 FT TRUSS BOOM ASSY, (includes all items, except item 2)	D
	91405082	1	15 FT TRUSS BOOM ASSY, (includes all items, except item 1)	D
1	N.S.S.	1	10 FT TRUSS BOOM WELDMENT	
2	N.S.S.	1	15 FT TRUSS BOOM WELDMENT	
3	88671001	1	STRAIGHT LUBE FITTING, 1/8	
4	90402948	1	PIN	
5	88501008	1	HEX NUT, 1/2-13	
6	88201073	1	HEX HD CAPSCREW, 1/2-13X3, GR5	
8	90451053	1	HANGER	
9	90453041	1	SHACKLE	
10	90453040	1	SWIVEL HOOK	
10	91164440	1	SAFETY LATCH KIT	
11	N.S.S.	1	ATTACHMENT SN PLATE	

SECTION 3 - ATTACHMENTS

FIGURE 3-7. TRUSS BOOM (SN 0160037689 to Present)



PY1540

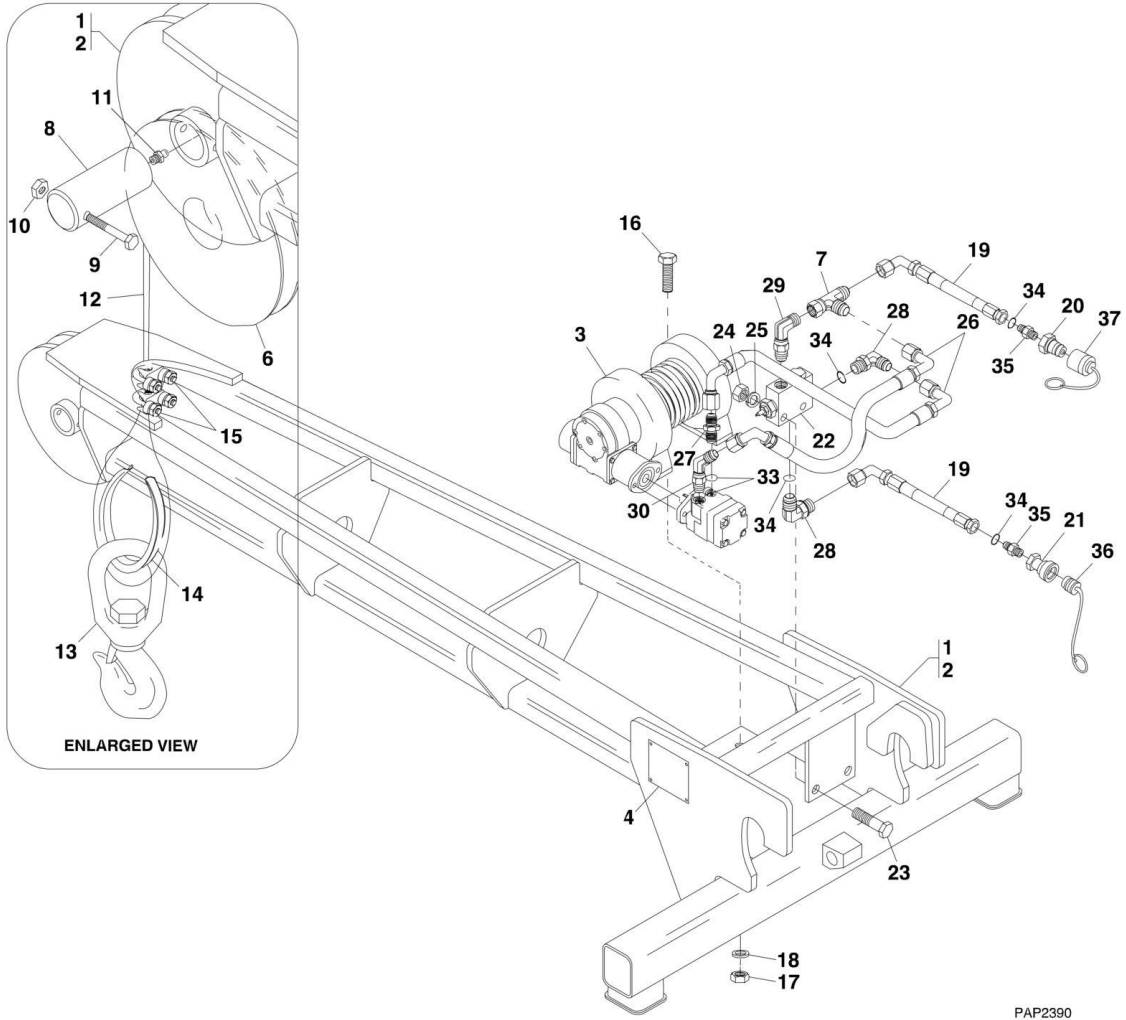
SECTION 3 - ATTACHMENTS

FIGURE 3-7. TRUSS BOOM (SN 0160037689 to Present)

ITEM	PART NUMBER	QTY	DESCRIPTION	REV
	1001099902	1	12 FT TRUSS BOOM, (includes all items)	A
	1001099901	1	15 FT TRUSS BOOM, (includes all items)	A
1	4110422	2	WARNING SWINGING LOADS DECAL	
2	N.S.S.	1	SN PLATE	
3	N.S.S.	1	TRUSS BOOM	

SECTION 3 - ATTACHMENTS

FIGURE 3-8. 10 FOOT AND 15 FOOT TRUSS BOOM WITH WINCH (Prior to SN 0160037689)



PAP2390

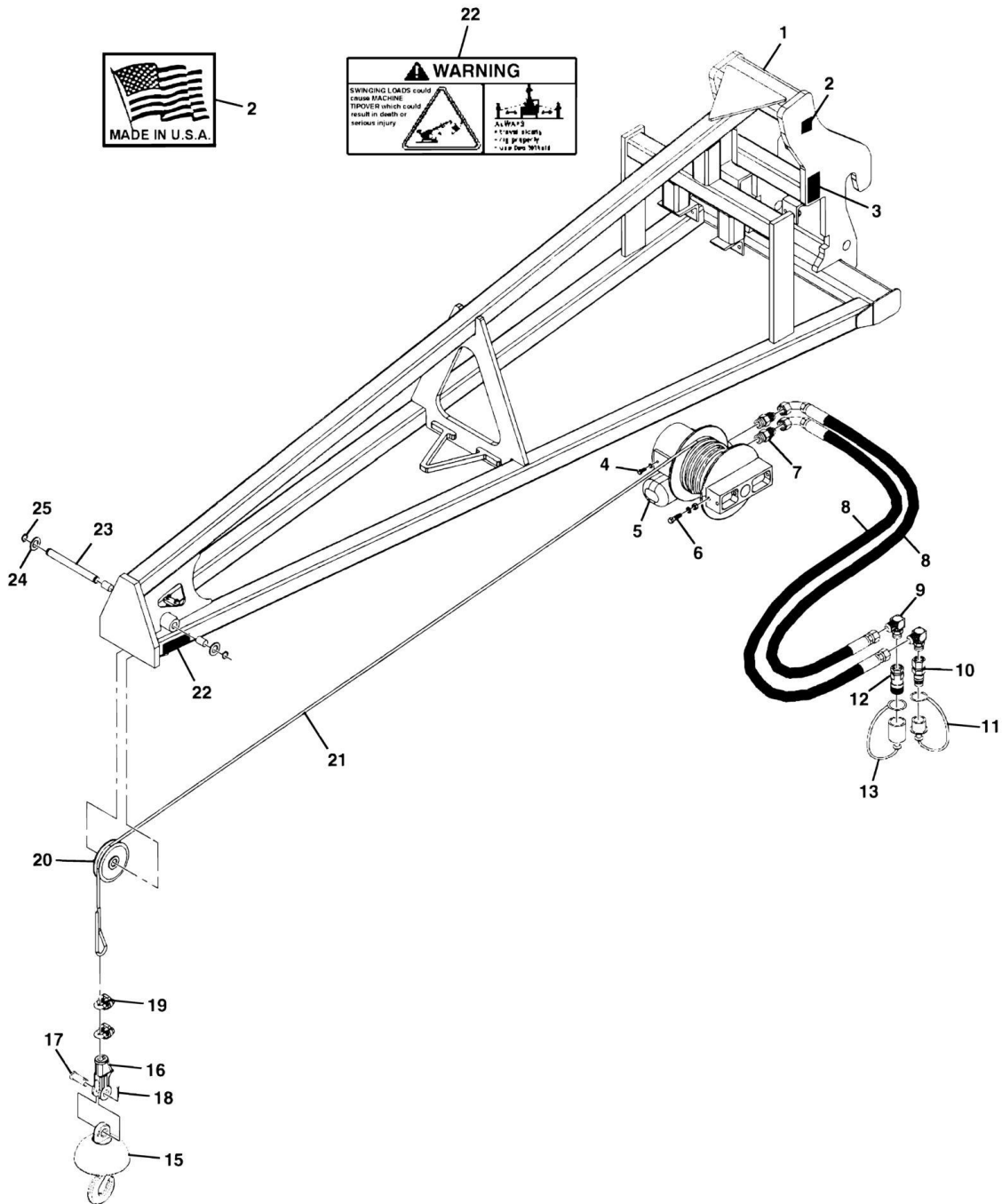
SECTION 3 - ATTACHMENTS

FIGURE 3-8. 10 FOOT AND 15 FOOT TRUSS BOOM WITH WINCH (Prior to SN 0160037689)

ITEM	PART NUMBER	QTY	DESCRIPTION	REV
	91405081	1	10 FT TRUSS BOOM WITH WINCH, (includes items 1 & 3 thru 35)	O
	91405080	1	15 FT TRUSS BOOM WITH WINCH, (includes items 2 thru 35)	O
1	N.S.S.	1	10 FT TRUSS BOOM WELDMENT	
2	N.S.S.	1	15 FT TRUSS BOOM WELDMENT	
3		Ref	WINCH WITH MOTOR, (See OPTIONS SECTION for Breakdown)	
4	N.S.S.	1	SN PLATE	
6	90403056	1	SHEAVE	
7	2220385	1	SWIVEL NUT RUN TEE, 1/2, TUBE	
8	90402948	1	PIN	
9	88201073	1	HEX HD CAPSCREW, 1/2-13X3, GR5	
10	88501008	1	HEX NUT, 1/2-13	
11	88671001	1	STRAIGHT LUBE FITTING, 1/8	
12	90207882	1	WIRE ROPE, 3/8	
13	91403448	1	SWIVEL HOOK	
14	90026965	1	THIMBLE	
15	90028990	2	WIRE ROPE CLIP	
16	83201062	4	HEX HD CAPSCREW, 5/8-11X2-1/4, GR8	
17	88501010	4	HEX NUT, 5/8-11	
18	90027472	4	HARDENED WASHER, 5/8	
19	84717593	2	HOSE ASSY	
20	91403414	1	MALE QUICK DISCONNECT	
21	91403413	1	FEMALE QUICK DISCONNECT	
22		Ref	TRUSS BOOM PRESSURE REDUCER VALVE, (See OPTIONS SECTION for Breakdown)	
23	88201024	2	HEX HD CAPSCREW, 5/16-18X2, GR5	
24	88501005	2	HEX NUT, 5/16-18	
25	88551010	2	LOCKWASHER, 5/16	
26	84719732	2	HOSE ASSY	
27	2220374	1	CONNECTOR, (includes item 33)	
28	2220596	2	ELBOW, 90, (includes two of item 34)	
29	2220726	2	ELBOW, 90	
30	2220499	1	ELBOW, 45, (includes item 33)	
33	88591206	2	O-RING	
34	88591205	4	O-RING	
35	2220373	2	CONNECTOR, (includes two of item 34)	
36	91043125	1	DUST PLUG	
37	91043126	1	DUST CAP	

SECTION 3 - ATTACHMENTS

FIGURE 3-9. 12 FOOT TRUSS BOOM WITH WINCH (SN 0160037689 to Present)



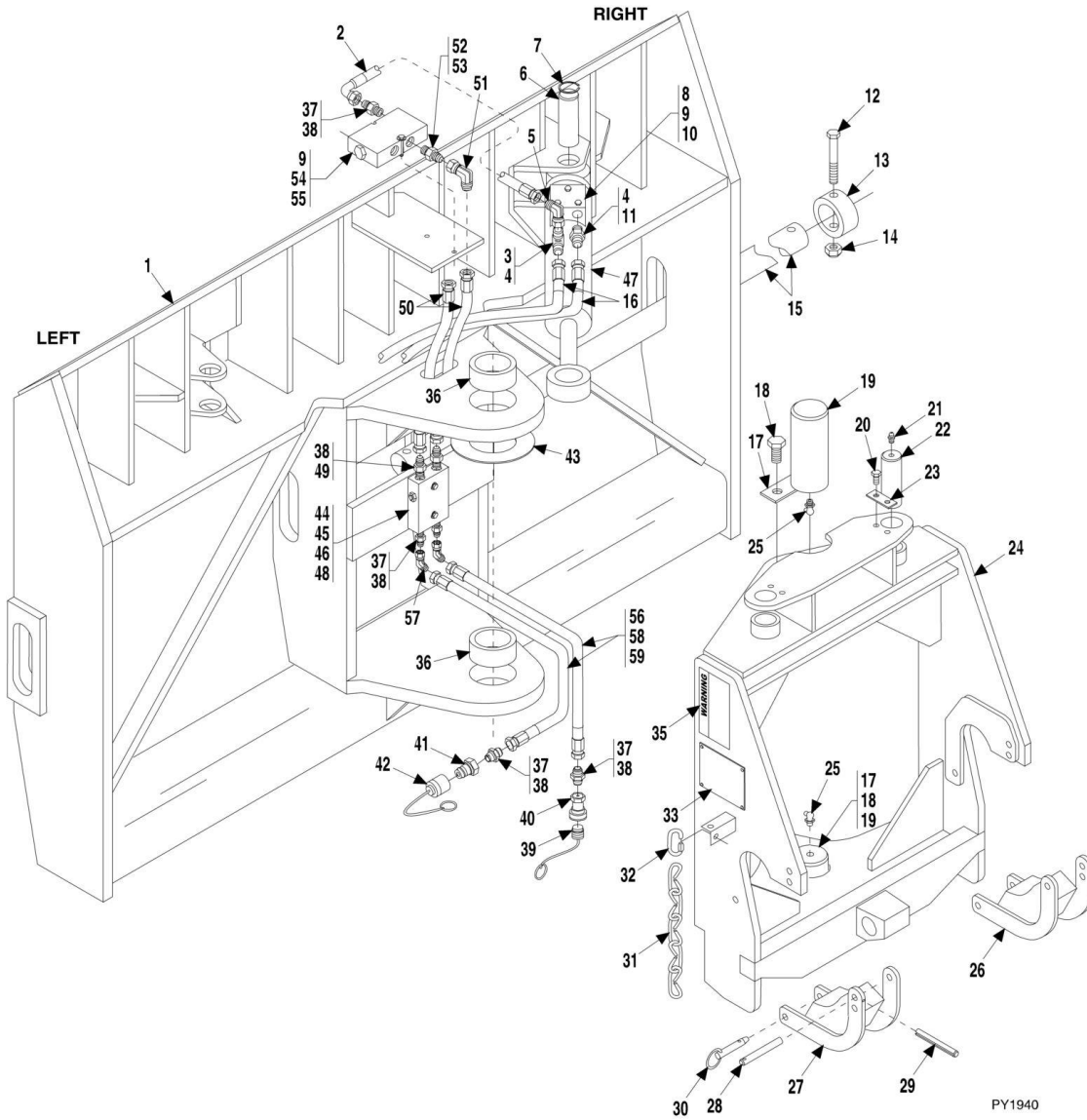
SECTION 3 - ATTACHMENTS

FIGURE 3-9. 12 FOOT TRUSS BOOM WITH WINCH (SN 0160037689 to Present)

ITEM	PART NUMBER	QTY	DESCRIPTION	REV
	1001099351	1	12 FT TRUSS BOOM WITH WINCH, (includes all items)	F
1	N.S.S.	1	TRUSS BOOM FRAME	
2	90554016	1	MADE IN USA DECAL	
3	N.S.S.	1	SN PLATE	
4	70021349	4	HEX HD CAPSCREW, 3/8X1	
4	90554042	4	LOCK WASHER, 3/8	
5	70021921	1	TRUSS BOOM WINCH MOTOR	
6	N.S.S.	2	HEX HD CAPSCREW, 1/2X1-3/4	
6	90554020	2	LOCK WASHER, 1/2	
6	90554054	2	HEX NUT, 1/2	
7	70021415	2	CONNECTOR	
8	70021977	2	Hose 32in (Boom Front Disconnect)	
8	70031445	2	Hose 48in (Boom Side Disconnect)	
9	N.S.S.	1	ELBOW, 90	
10	7029692	1	MALE QUICK COUPLER	
11	90554062	1	DUST CAP	
12	70021342	1	FEMALE QUICK COUPLER	
13	90554076	1	DUST COVER	
15	70021978	1	BALL SWIVEL WITH SAFETY HOOK	
16	70021979	1	SOCKET ASSY, (includes items 17 & 18)	
17	N.S.S.	1	PIN	
18	N.S.S.	1	COTTER PIN	
19	N.S.S.	2	CLAMP	
20	70021935	1	PULLEY	
21	70022028	1	CABLE	
22	4110422	2	WARNING SWINGING LOADS DECAL	
23	N.S.S.	1	PIN	
24	N.S.S.	2	FLAT WASHER	
25	N.S.S.	2	SNAP RING	

SECTION 3 - ATTACHMENTS

FIGURE 3-10. 100, SWING FORK ASSEMBLY (Prior to SN 0160037689)



SECTION 3 - ATTACHMENTS

FIGURE 3-10. 100, SWING FORK ASSEMBLY (Prior to SN 0160037689)

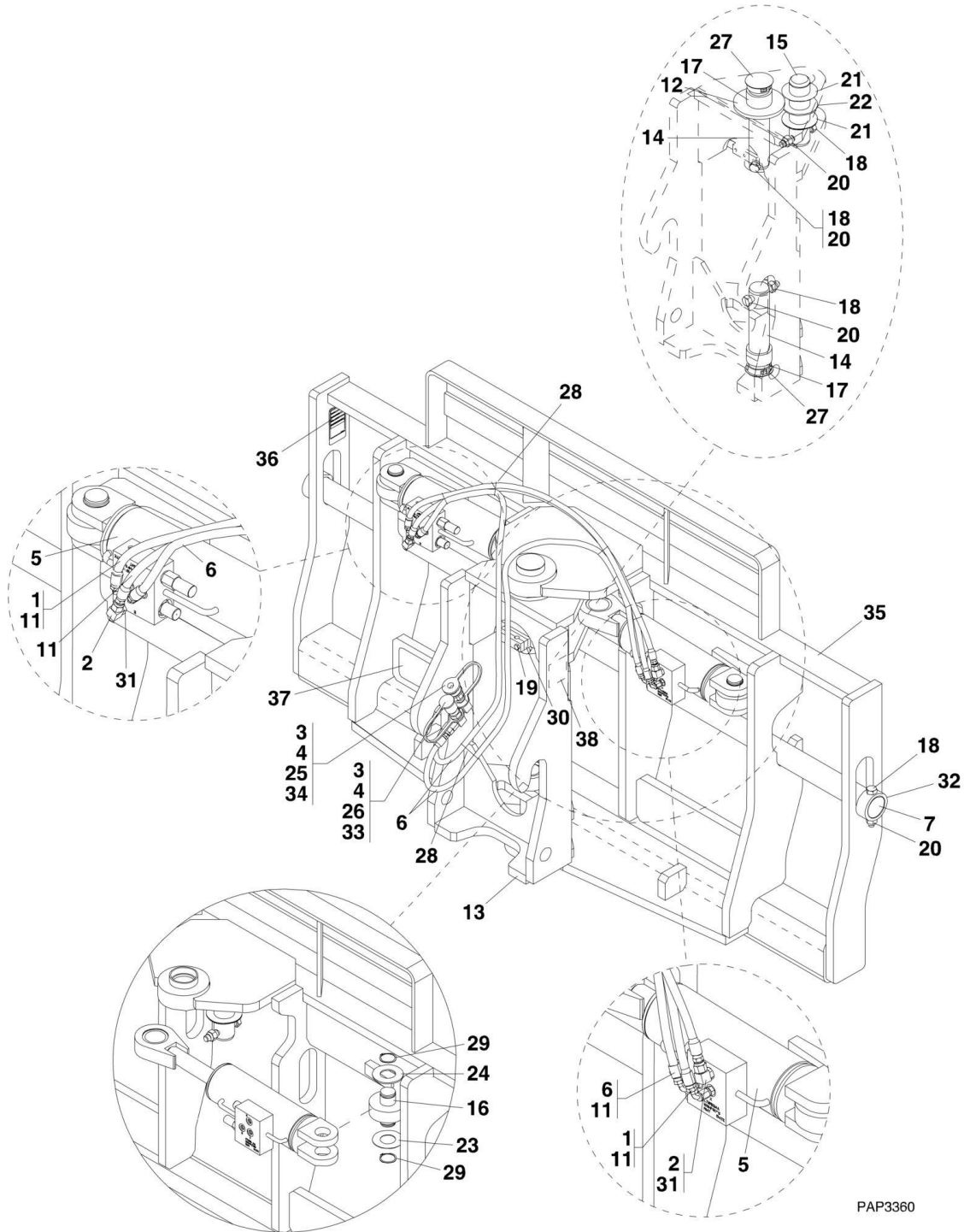
ITEM	PART NUMBER	QTY	DESCRIPTION	REV
	91405075	1	100, SWING FORK ASSY, (includes all items)	O
1	N.S.S.	1	CARRIAGE WELDMENT	
2	84719167	2	HOSE ASSY	
3	2220606	2	RUN TEE, (includes item 4)	
4	88591204	4	O-RING	
5	8760268	2	ELBOW, 90, (swivel nut)	
6	91041326	2	PIVOT PIN, (swing cylinder)	
7	88581136	4	SNAP RING	
8	91413100	2	MANIFOLD BLOCK	
9	88201008	8	HEX HD CAPSCREW, 1/4-20X1-3/4, GR5	
10	88551009	6	LOCKWASHER, 1/4	
11	2220371	2	CONNECTOR, (includes item 4)	
12	88201105	2	HEX HD CAPSCREW, 5/8-11X4, GR5	
13	90200003	2	COLLAR	
14	88521310	2	HEX LOCKNUT, 5/8-11	
15	91401324	1	FORK PIN	
16	84719197	2	HOSE ASSY	
17	91041322	2	LOCKING PLATE	
18	83201026	4	HEX HD CAPSCREW, 1/2-13X1-1/2, GR8	
19	91041325	2	PIVOT PIN	
20	83201024	4	HEX HD CAPSCREW, 3/8-16X1, GR8	
21	88671008	2	STRAIGHT LUBE FITTING, 1/4-28	
22	91041324	2	PIVOT PIN	
23	91411073	2	LOCKING PLATE	
24	N.S.S.	1	PIVOT WELDMENT	
25	88671018	2	LUBE FITTING, 45, 1/8	
26	91406070	1	RH SUPPORT BRACKET	
27	91406069	1	LH SUPPORT BRACKET	
28	91401266	2	PIN	
29	88631449	2	ROLL PIN, 1/8X1-1/2	
30	91043221	2	DETENT PIN	
31	91033038	24 in	CHAIN	
32	91033039	2	CHAIN CONNECTION	
33	N.S.S.	1	SN PLATE	
35	91143282	2	PINCH POINT DECAL	
36	91041327	2	BUSHING	
37	2220372	6	CONNECTOR, (includes item 38)	
38	88591205	8	O-RING	
39	91043125	1	DUST PLUG	
40	91403413	1	FEMALE QUICK DISCONNECT	
41	91403414	1	MALE QUICK DISCONNECT	
42	91043126	1	DUST CAP	
43	91041356	6	SPACER	
44	91413099	1	RELIEF VALVE	
45	88201029	2	HEX HD CAPSCREW, 5/16-18X3-1/4, GR5	
46	88551010	2	LOCKWASHER, 5/16	
47		Ref	SWING CYLINDER, (See OPTIONS SECTION for Breakdown)	
48	88501005	2	HEX NUT, 5/16-18	
49	2220373	2	CONNECTOR, (includes item 38)	
50	84719760	2	HOSE ASSY	

SECTION 3 - ATTACHMENTS

ITEM	PART NUMBER	QTY	DESCRIPTION	REV
51	8765204	2	ELBOW, 90, (swivel nut)	
52	91041361	2	MODIFIED FITTING	
53	91411050	2	ORIFICE	
54	88561002	2	FLAT WASHER, 1/4	
55	91043186	1	DBL PILOT CHECK VALVE	
56	84718208	2	HOSE ASSY	
57	2220657	2	ELBOW, 45, (swivel nut)	
58	71492142	24 in	FLEX LOOM	
59	86683122	4	TIE WRAP	

SECTION 3 - ATTACHMENTS

FIGURE 3-11. 90, SWING CARRIAGE (SN 0160037689 to Present)



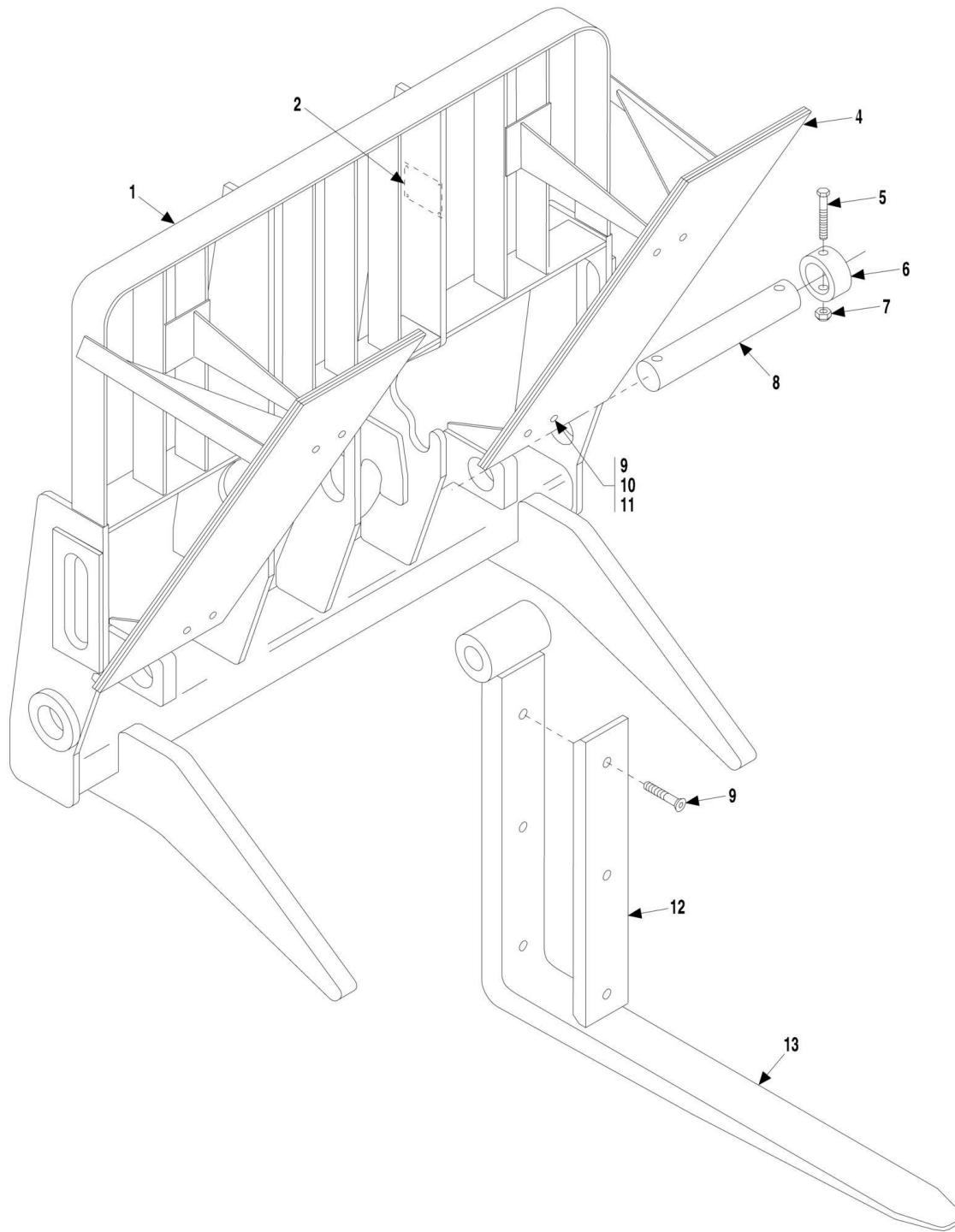
SECTION 3 - ATTACHMENTS

FIGURE 3-11. 90, SWING CARRIAGE (SN 0160037689 to Present)

ITEM	PART NUMBER	QTY	DESCRIPTION	REV
	1001095418	1	90, SWING CARRIAGE, 72 IN, (includes all items)	K
1	2220415	4	ADAPTER	
2	2220473	2	ADAPTER, 90	
3	2220609	2	ADAPTER	
4	2220628	2	ADAPTER, 90	
5		Ref	SWING CYLINDER, (See HYDRAULIC COMPONENTS SECTION for Breakdown)	
6	2717287	2	Hose 58in (Boom Front Disconnect)	
6	1001301599	1	Hose 66in (Boom Side Disconnect)	
6	1001301600	1	Hose 46in (Boom Side Disconnect)	
7	3423276	1	PIN	
11	6604662	2	HOSE ASSY, 1/4X40-1/2	
12	7062922	1	WASHER	
13	N.S.S.	1	PIVOT WELDMENT	
14	7110702	2	PIVOT PIN	
15	7110712	1	PIN	
16	7110722	2	PIN	
17	8065062	2	BUSHING	
18	8303634	5	HEX HD CAPSCREW, 5/8-11X4, GR5	
19	8303715	3	HEX HD CAPSCREW, 5/16-18X1-1/2, GR5	
20	8305643	5	HEX NUT, 5/8-11	
21	8307904	AR	SHIM	
22	8307918	AR	SHIM	
23	8310160	AR	SHIM	
24	8310161	AR	SHIM	
25	8420053	1	DUST CAP	
26	8420055	1	DUST PLUG	
27	8580315	2	PLUG	
28	8584001	5	TIE WRAP	
29	8642207	4	RETAINING RING	
30	8769132	2	CLAMP	
31	8770016	2	ADAPTER	
32	90200003	2	COLLAR	
33	91403413	1	FEMALE QUICK DISCONNECT	
34	91403414	1	MALE QUICK DISCONNECT	
35	N.S.S.	1	CARRIAGE FRAME	
36	N.S.S.	1	SN PLATE	
37	1001110704	1	WARNING CRUSH HAZARD DECAL	
38	1001111190	2	WARNING DECAL	

SECTION 3 - ATTACHMENTS

FIGURE 3-12. SHEET MATERIAL HANDLER (Prior to SN 0160037689)



PY1960

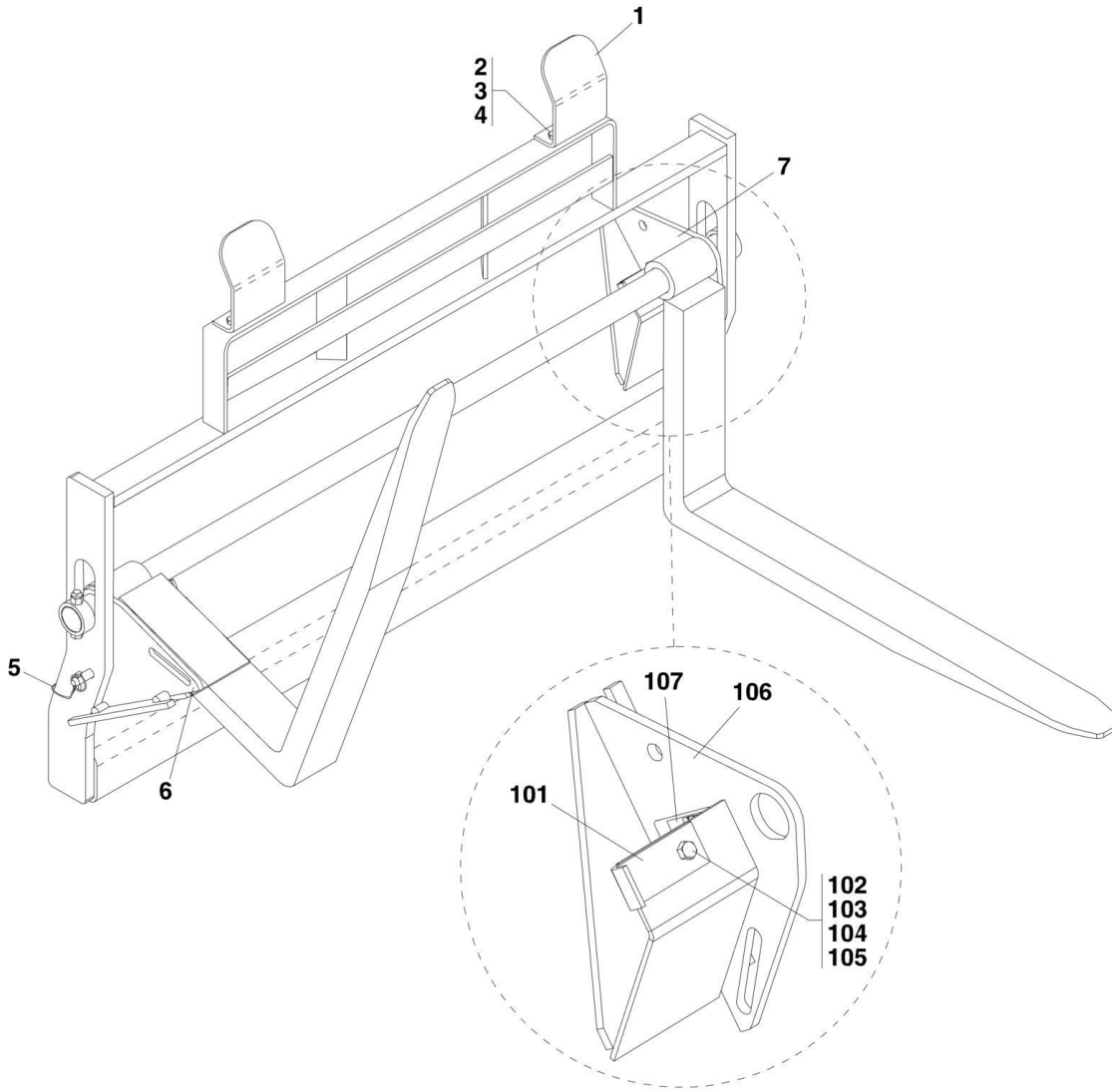
SECTION 3 - ATTACHMENTS

FIGURE 3-12. SHEET MATERIAL HANDLER (Prior to SN 0160037689)

ITEM	PART NUMBER	QTY	DESCRIPTION	REV
	91405077	1	SHEET MATERIAL HANDLER ASSY, (includes all items)	E
1	N.S.S.	1	CARRIAGE WELDMENT	
2	N.S.S.	1	ATTACHMENT SN PLATE	
4	90553012	2	SIDE DRYWALL GUARD	
5	88201105	4	HEX HD CAPSCREW, 5/8-11X4, GR5	
6	90200003	4	COLLAR	
7	88521310	4	HEX LOCKNUT, 5/8-11, (nylok)	
8	91401340	2	FORK PIN	
9	88241053	14	SOCKET FLAT HD CAPSCREW, 3/8-16X1-1/2	
10	88551011	8	LOCKWASHER, 3/8	
11	88501006	8	HEX NUT, 3/8-16	
12	90553013	2	BOTTOM DRYWALL GUARD	
13	91403366	2	DRYWALL FORK	

SECTION 3 - ATTACHMENTS

FIGURE 3-13. SHEET MATERIAL HANDLER (SN 0160037689 to Present)



LEFT SIDE SHOWN,
RIGHT SIDE OPPOSITE

PY1510

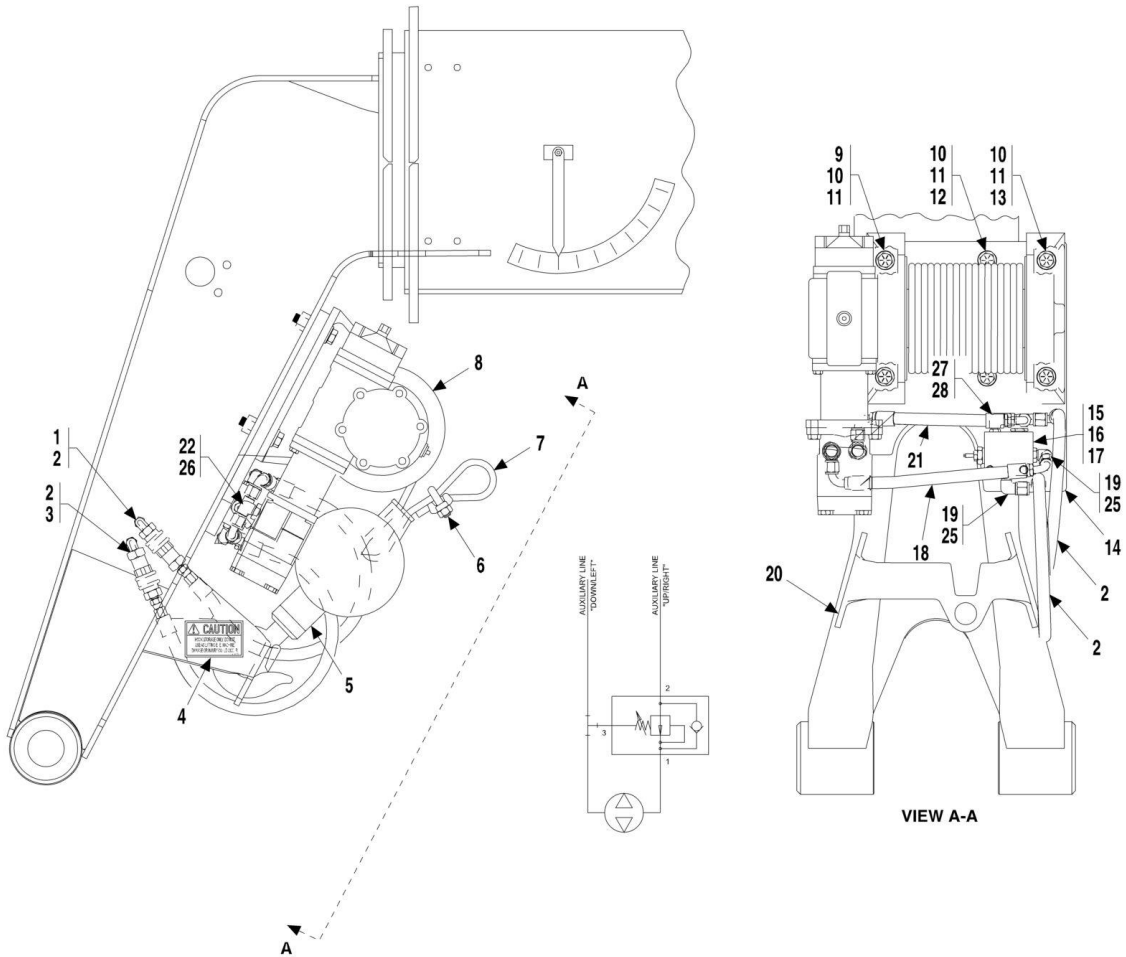
SECTION 3 - ATTACHMENTS

FIGURE 3-13. SHEET MATERIAL HANDLER (SN 0160037689 to Present)

ITEM	PART NUMBER	QTY	DESCRIPTION	REV
	1001100227	1	SHEET MATERIAL HANDLER ASSY, (includes all items)	A
1	7112642	2	BACKREST EXTENSION	
2	8303626	4	HEX HD CAPSCREW, 1/2-13X1-1/2, GR5	
3	8305012	4	HEX NUT, 1/2-13	
4	8307007	4	LOCKWASHER, 1/2	
5	1001093377	2	HITCH PIN	
6	1001101115	1	RH FORK SUPPORT ASSY, (includes items 101 thru 107)	A
7	1001101116	1	LH FORK SUPPORT ASSY, (includes items 101 thru 107)	B
101	7114941	1	LOCK BAR	
102	8303626	1	HEX HD CAPSCREW, 1/2-13X1-1/2, GR5	
103	8305644	1	HEX LOCKNUT, 1/2-13	
104	8307007	4	LOCK WASHER, 1/2	
105	8307112	1	WASHER, 1/2	
106	1001100228	1	RH FORK SUPPORT, (not shown)	
106	1001100229	1	LH FORK SUPPORT, (shown)	
107	N.S.S.	1	SN PLATE	

SECTION 3 - ATTACHMENTS

FIGURE 3-14. WINCH INSTALLATION



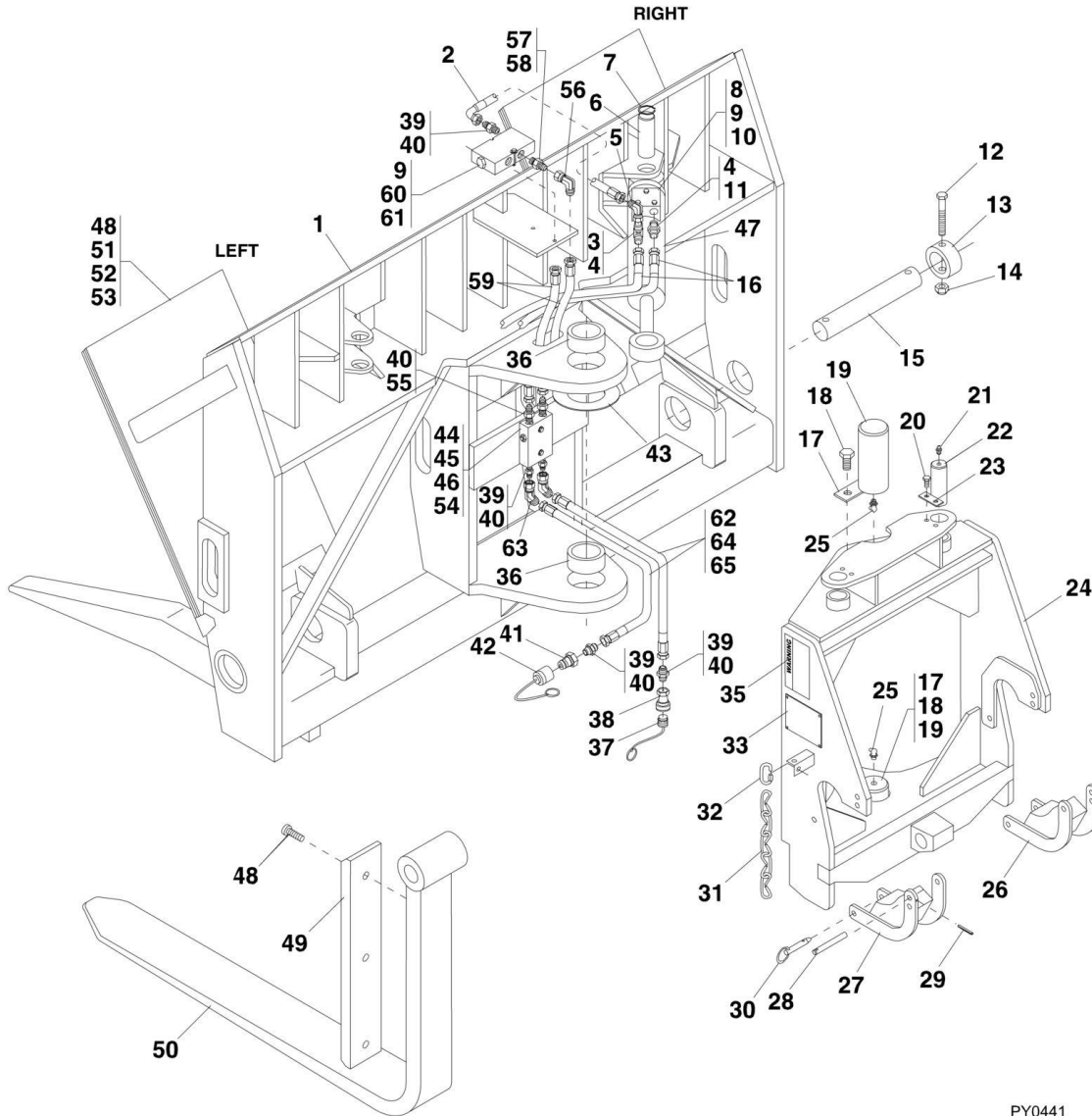
SECTION 3 - ATTACHMENTS

FIGURE 3-14. WINCH INSTALLATION

ITEM	PART NUMBER	QTY	DESCRIPTION	REV
	91405024	Ref	WINCH INSTALLATION, (not available to order, see items 1 thru 28 for service)	L
1	91403413	1	FEMALE QUICK DISCONNECT	
2	84719236	2	HOSE ASSY	
3	91403414	1	MALE QUICK DISCONNECT	
4	91083535	1	CAUTION DECAL	
5	90201443	1	HOOK AND BALL	
6	90029999	1	WIRE ROPE CLIP, 7/16	
7	91403384	1	CABLE	
8		Ref	WINCH WITH MOTOR, (See OPTIONS SECTION for Breakdown)	
9	83201095	2	HEX HD CAPSCREW, 5/8-11X2-3/4, GR8, (torque to 200-215 lb-ft)	
10	90027472	6	HARDENED WASHER	
11	88501010	6	HEX NUT, 5/8-11	
12	83201062	2	HEX HD CAPSCREW, 5/8-11X2-1/4, GR8, (torque to 200-215 lb-ft)	
13	83201102	2	HEX HD CAPSCREW, 5/8-11X2-1/2, GR8, (torque to 200-215 lb-ft)	
14	91401296	1	WINCH MOUNTING PLATE	
15		Ref	PRESSURE REDUCER VALVE, 1360 PSI, (See OPTIONS SECTION for Breakdown)	
16	88201023	2	HEX HD CAPSCREW, 5/16-18X1-3/4, GR5	
17	88551010	2	LOCKWASHER, 5/16	
18	1001115014	1	HOSE ASSY	
19	2220596	2	ELBOW, 90, (includes item 25)	
20	91411044	1	WINCH HOOK STOWAGE	
21	2753902	1	HOSE ASSY	
22	2220671	2	ELBOW, 90, (includes item 26)	
25	88591205	2	O-RING	
26	88591206	2	O-RING	
27	2220726	1	ELBOW, 90	
28	2220385	1	SWIVEL NUT RUN TEE, 1/2, TUBE	

SECTION 3 - ATTACHMENTS

FIGURE 3-15. 100, DRYWALL SWING CARRIAGE ASSEMBLY (Prior to SN 0160037689)



PY0441

SECTION 3 - ATTACHMENTS

FIGURE 3-15. 100, DRYWALL SWING CARRIAGE ASSEMBLY (Prior to SN 0160037689)

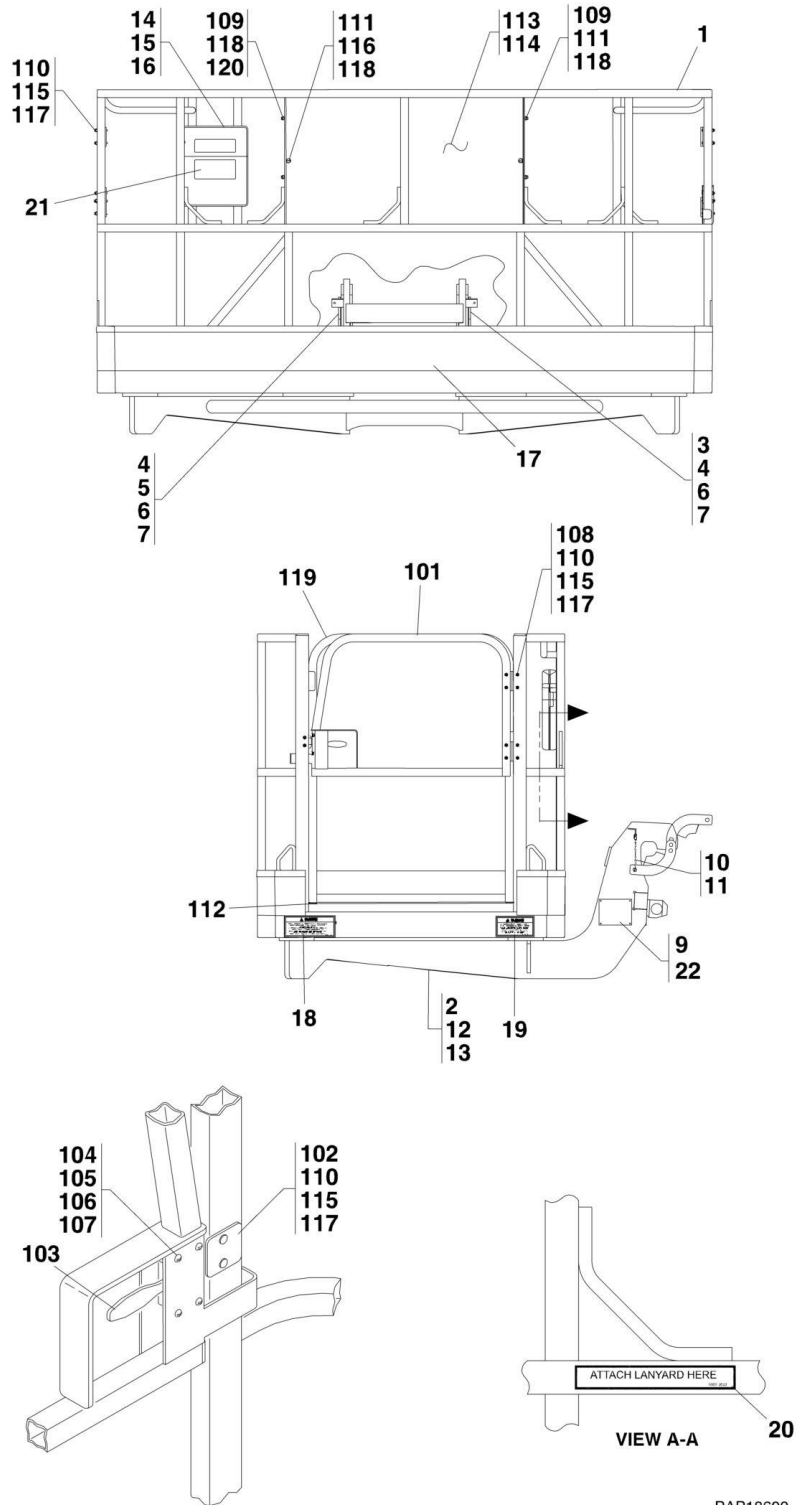
ITEM	PART NUMBER	QTY	DESCRIPTION	REV
	91405078	1	100, DRYWALL SWING CARRIAGE, (includes all items)	O
1	N.S.S.	1	DRYWALL CARRIAGE WELDMENT	
2	84719167	2	HOSE ASSY	
3	2220606	2	RUN TEE, (includes item 4)	
4	88591204	4	O-RING	
5	8760268	2	ELBOW, 90, (swivel nut)	
6	91041326	2	PIVOT PIN	
7	88581136	4	SNAP RING	
8	91413100	2	MANIFOLD BLOCK	
9	88201008	8	HEX HD CAPSCREW, 1/4-20X1-3/4, GR5	
10	88551009	6	LOCKWASHER, 1/4	
11	2220371	2	CONNECTOR, (includes item 4)	
12	88201105	4	HEX HD CAPSCREW, 5/8-11X4, GR5	
13	90200003	4	COLLAR	
14	88521310	4	HEX LOCKNUT, 5/8-11	
15	91401340	2	FORK PIN	
16	84719197	2	HOSE ASSY	
17	91041322	2	LOCKING PLATE	
18	83201026	4	HEX HD CAPSCREW, 1/2-13X1-1/2, GR8	
19	91041325	2	PIVOT PIN	
20	83201024	4	HEX HD CAPSCREW, 3/8-16X1, GR8	
21	88671008	2	STRAIGHT LUBE FITTING, 1/4-28	
22	91041324	2	PIVOT PIN	
23	91411073	2	LOCKING PLATE	
24	N.S.S.	1	PIVOT WELDMENT	
25	88671018	2	LUBE FITTING, 45, 1/8	
26	91406070	1	RH SUPPORT BRACKET	
27	91406069	1	LH SUPPORT BRACKET	
28	91401266	2	PIN	
29	88631449	2	ROLL PIN, 1/8X1-1/2	
30	91043221	2	DETENT PIN	
31	91033038	24 in	CHAIN	
32	91033039	2	CHAIN CONNECTION	
33	N.S.S.	1	SN PLATE	
35	91143282	2	PINCH POINT DECAL	
36	91041327	2	BUSHING	
37	91043125	1	DUST PLUG	
38	91403413	1	FEMALE QUICK DISCONNECT	
39	2220372	6	CONNECTOR, (includes item 40)	
40	88591205	8	O-RING	
41	91403414	1	MALE QUICK DISCONNECT	
42	91043126	1	DUST CAP	
43	91041356	6	SPACER	
44	91413099	1	RELIEF VALVE	
45	88201029	2	HEX HD CAPSCREW, 5/16-18X3-1/4, GR5	
46	88501005	2	HEX NUT, 5/16-18	
47		Ref	SWING CYLINDER, (See OPTIONS SECTION for Breakdown)	
48	88241053	14	SOCKET FLAT HD CAPSCREW, 3/8-16X1-1/2	
49	90553013	2	BOTTOM DRYWALL GUARD	
50	91403366	2	DRYWALL FORK	

SECTION 3 - ATTACHMENTS

ITEM	PART NUMBER	QTY	DESCRIPTION	REV
51	90553012	2	SIDE DRYWALL GUARD	
52	88551011	8	LOCKWASHER, 3/8	
53	88501006	8	HEX NUT, 3/8-16	
54	88551010	2	LOCKWASHER, 5/16	
55	2220373	2	CONNECTOR, (includes item 40)	
56	8765204	2	ELBOW, 90, (swivel nut)	
57	91041361	2	MODIFIED FITTING	
58	91411050	2	ORIFICE	
59	84719760	2	HOSE ASSY	
60	91043186	1	DBL PILOT CHECK VALVE	
61	88561002	2	FLAT WASHER, 1/4 IN	
62	84718208	2	HOSE ASSY	
63	2220657	2	ELBOW, 45, (swivel nut)	
64	71492142	24 in	FLEX LOOM	
65	86683122	4	TIE WRAP	

SECTION 3 - ATTACHMENTS

FIGURE 3-16. PERSONNEL PLATFORM (Prior to SN 0160037689)



PAP18600

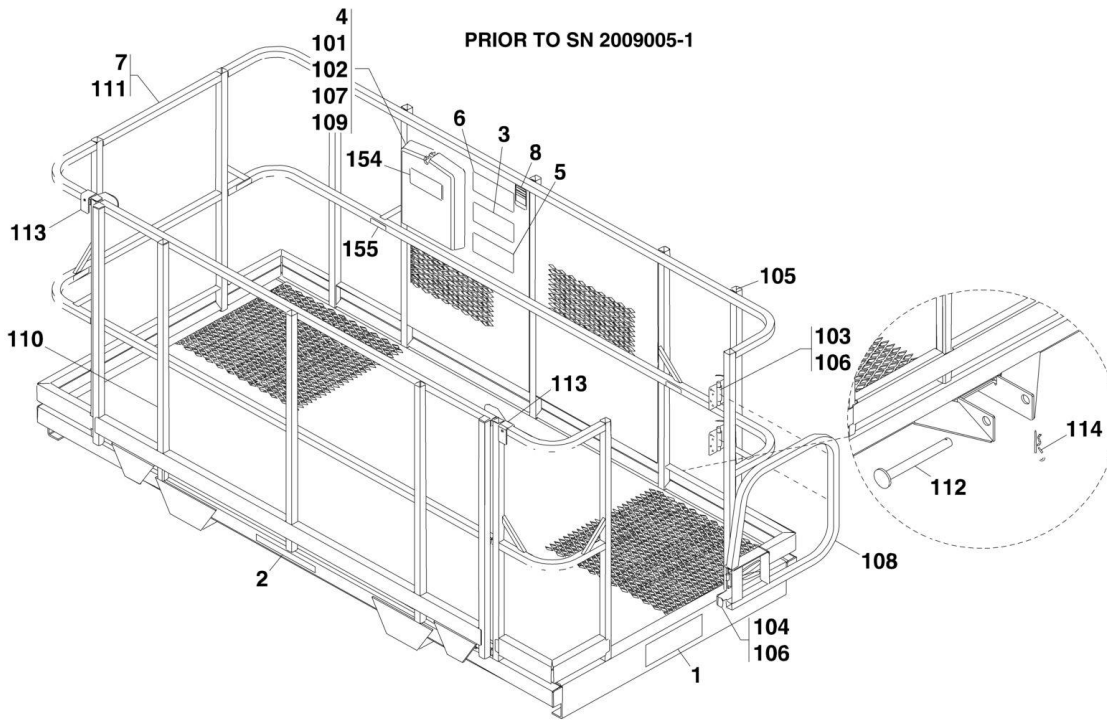
SECTION 3 - ATTACHMENTS

FIGURE 3-16. PERSONNEL PLATFORM (Prior to SN 0160037689)

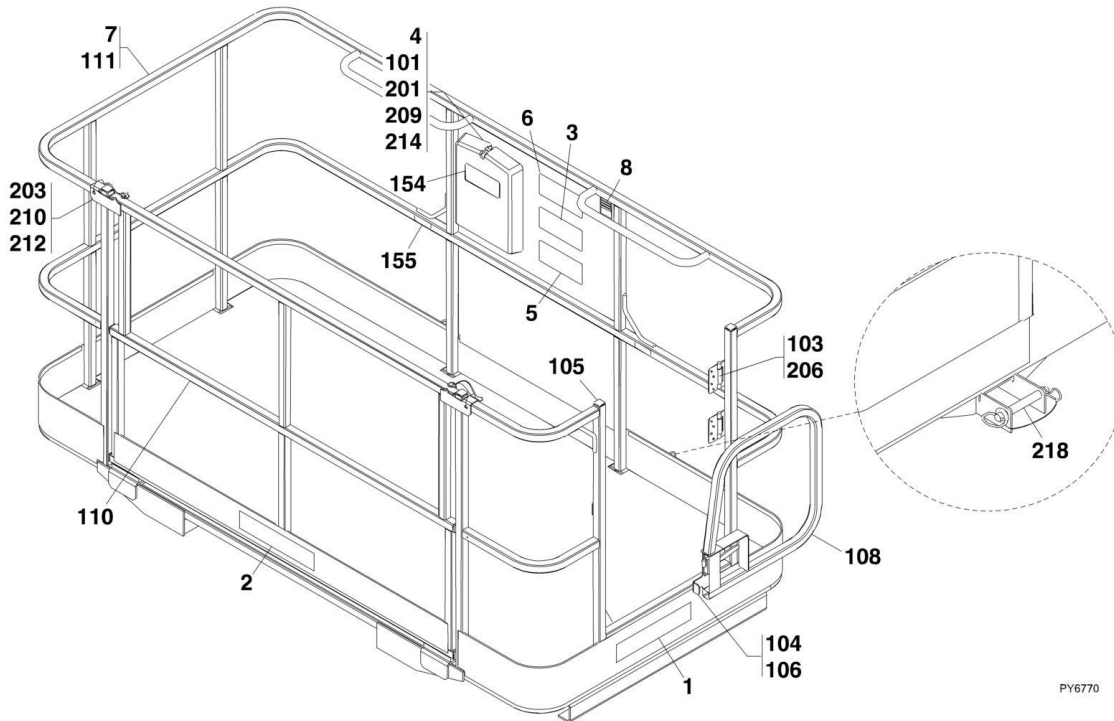
ITEM	PART NUMBER	QTY	DESCRIPTION	REV
	91415025	1	PERSONNEL PLATFORM ASSY, (includes items 1 thru 22)	H
1	N.S.S.	1	106 IN PERSONNEL PLATFORM, (includes items 101 thru 120)	
1	3510809	1	96 IN PERSONNEL PLATFORM, (includes items 101 thru 120)	
2	91406156	1	ADAPTER SUPPORT	
3	91406069	1	LH SUPPORT BRACKET	
4	91401266	2	PIN	
5	91406070	1	RH SUPPORT BRACKET	
6	88631449	2	ROLL PIN, 1/8X1-1/2	
7	91043221	2	DETENT PIN	
9	88341022	4	DRIVE SCREW	
10	91033039	2	CHAIN CONNECTION	
11	91033038	24 in	CHAIN	
12	0682012	8	HEX HD CAPSCREW, 5/8-11X1-1/2	
13	4762000	8	LOCKWASHER, 5/8	
14	91403230	1	MANUAL HOLDER	
15	8310382	4	WHIZ-LOCKNUT, 1/4-20	
16	31200160	1	PERSONNEL WORK PLATFORM MANUAL	
17	1702773	1	JLG DECAL	
18	1706893	1	WARNING DECAL	
19	1706892	1	WARNING DECAL	
20	1704277	6	LANYARD DECAL	
21	1701509	1	MANUAL DECAL	
22	N.S.S.	1	SN PLATE	
101	4846265	1	GATE	
102	3539685	1	LATCH PLATE	
103	2940074	1	LATCH	
104	3911008	4	ROUND HD SCREW	
105	3311001	4	HEX NUT, #10-24	
106	4751000	4	WASHER, #10	
107	4761000	4	WASHER	
108	2600216	2	HINGE	
109	0641524	4	HEX HD CAPSCREW, 5/16-18X3	
110	2080063	16	NYLON LOCKNUT, 1/4-20	
111	2080064	14	NYLON LOCKNUT, 5/16-18	
112	3520072	5	CAP PLUG	
113	3573363	1	GUARD PLATE	
114	3641438	1	BENT RAIL	
115	3911428	16	ROUND HD SCREW, 1/4-20X1-3/4	
116	3911528	12	ROUND HD SCREW, 5/16-18X1-3/4	
117	4711400	16	WASHER, 1/4	
118	4711500	32	WASHER, 5/16	
119	4846528	1	BASKET END WELDMENT	
120	3311501	2	HEX NUT, 5/16-18	

SECTION 3 - ATTACHMENTS

FIGURE 3-17. FORK MOUNTED PLATFORM



SN 2009005-1 TO PRESENT



PY6770

SECTION 3 - ATTACHMENTS

FIGURE 3-17. FORK MOUNTED PLATFORM

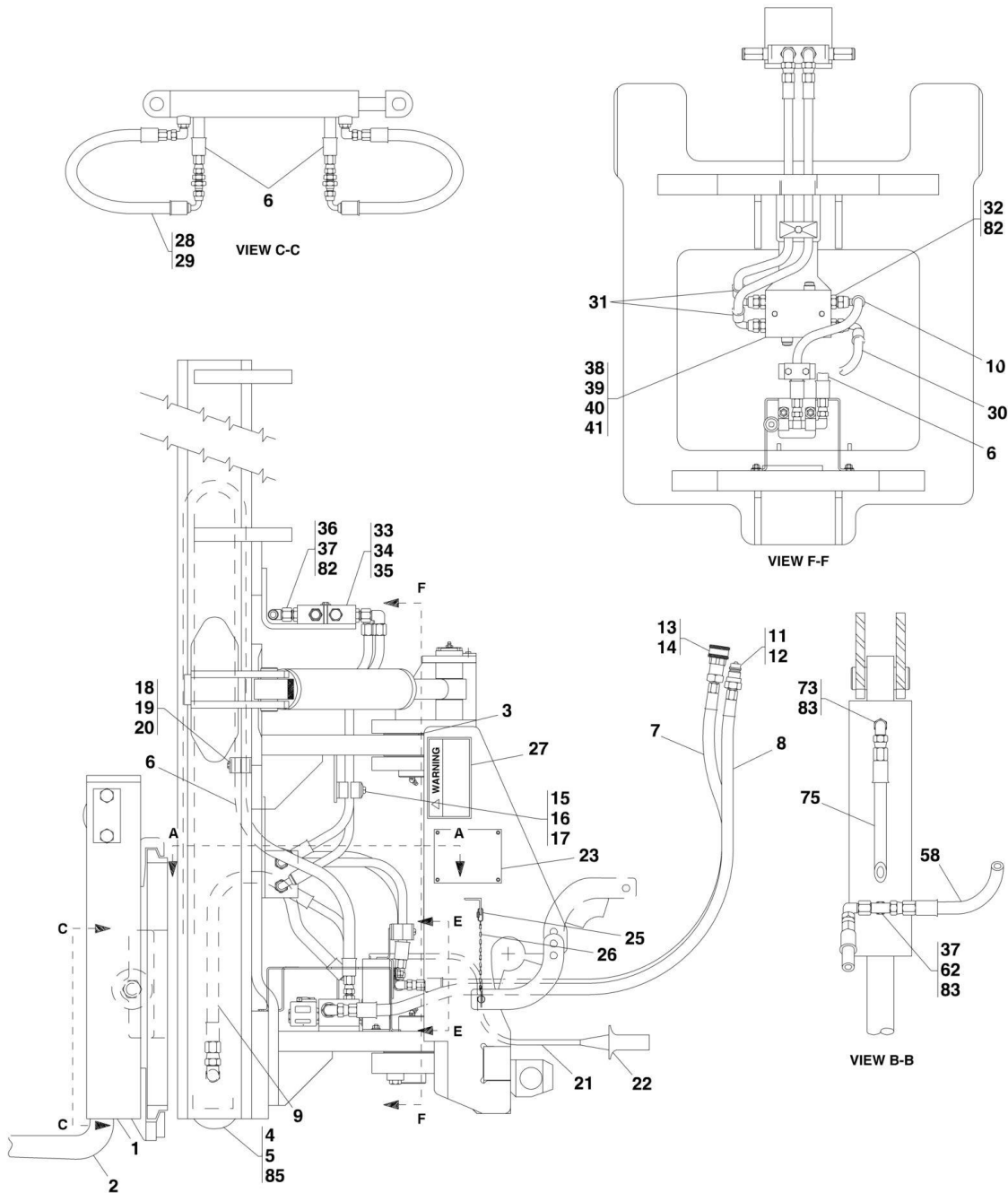
ITEM	PART NUMBER	QTY	DESCRIPTION	REV
	1001092280	NLA	FORK MOUNTED PLATFORM-1,(Prior to SN 2009005-1), (ASME), (no longer available, order 1001103637 for replacement or items 1 thru 8 for service)	E
	1001103637	1	FORK MOUNTED PLATFORM, (SN 2009005-1 to Present), (ASME), (includes items 1 thru 8)	D
	1001096306	NLA	FORK MOUNTED PLATFORM-1, (Prior to SN 2009005-1) (ISO), (no longer available, order 1001103730 for replacement or items 1 thru 8 for service)	C
	1001103730	1	FORK MOUNTED PLATFORM, (SN 2009005-1 to Present), (ISO), (includes items 1 thru 8)	D
	1001097072	NLA	FORK MOUNTED PLATFORM-1, (Prior to SN 2009005-1) (ASME - FRENCH), (no longer available, order 1001103736 for replacement or items 1 thru 8 for service)	C
	1001103736	1	FORK MOUNTED PLATFORM, (SN 2009005-1 to Present), (ASME - FRENCH), (includes items 1 thru 8)	D
1	1702773	2	JLG DECAL	
2	1704885	1	WEBSITE DECAL	
3	1706892	1	PLATFORM WARNING DECAL, (ASME)	
3	1001096025	1	PLATFORM WARNING DECAL, (ISO)	
3	1001096024	1	PLATFORM WARNING DECAL, (ASME - FRENCH)	
4	31200160	1	OPERATION AND SAFETY MANUAL, (ASME)	
4	31200387	1	OPERATION AND SAFETY MANUAL, (ISO - SPANISH)	
4	31200388	1	OPERATION AND SAFETY MANUAL, (ISO - PORTUGUESE)	
4	31200336	1	OPERATION AND SAFETY MANUAL, (ASME - FRENCH)	
5	1001092481	1	WARNING DECAL, (ASME)	
5	1001096021	1	WARNING DECAL, (ISO)	
5	1001096019	1	WARNING DECAL, (ASME - FRENCH)	
6	1001092482	1	CAPACITY DECAL, (ASME)	
6	1001096023	1	CAPACITY DECAL, (ISO)	
6	1001096020	1	CAPACITY DECAL, (ASME - FRENCH)	
7	N.S.S.	1	FORK MOUNTED PLATFORM-1, (includes items 101 thru 114, 154 & 155)	B
7	N.S.S.	1	FORK MOUNTED PLATFORM, (SN 2009005-1 to Present), (includes items 101, 103 thru 106, 108, 110, 111, 154, 155, 201, 203, 206, 210, 212, 214 & 218)	J
8	N.S.S.	1	SN PLATE	
101	0860520	1	MANUAL STORAGE BOX	
102	2080044	4	RIVNUT FASTENER 1/4-20	
103	2600281	2	HINGE	
104	2940074	1	LATCH	
105	3520198	21	PLUG-1 (Prior to SN 2009005-1)	
105	3520072	10	PLUG, (SN 2009005-1 to Present)	
106	3820020	20	POP RIVET-1 (Prior to SN 2009005-1)	
106	3820020	4	POP RIVET, (SN 2009005-1 to Present)	
107	4751400	4	WASHER, 1/4	
108	4846452	1	GATE WELDMENT	
109	80263012	4	SCREW WHIZ-LOCK, 1/4-20 X 1/2	
110	1001093140	1	GATE WELDMENT-1 (Prior to SN 2009005-1)	
110	1001095810	1	GATE WELDMENT, (SN 2009005-1 to Present)	
111	N.S.S.	1	PLATFORM WELDMENT	
112	1001093171	2	PIN	
113	1001097168	2	PIN, SAFETY SNAP, WITH LANYARD	

SECTION 3 - ATTACHMENTS

ITEM	PART NUMBER	QTY	DESCRIPTION	REV
114	1001098582	2	LYNCH PIN 3/16 WITH LANYARD	
154	1701509	1	MANUAL DECAL	
155	1704277	3	LANYARD ATTACH DECAL	
201	0641405	4	HEX HD CAPSCREW, 1/4-20X5/8	
203	1060379	2	6 IN LANYARD CABLE	
206	2080040	16	FASTENER	
209	3311405	4	HEX NUT, 1/4-20	
210	3421453	2	PIN	
212	3760170	4	RING	
214	4711400	8	WASHER, 1/4	
218	1001102813	2	HITCH PIN	

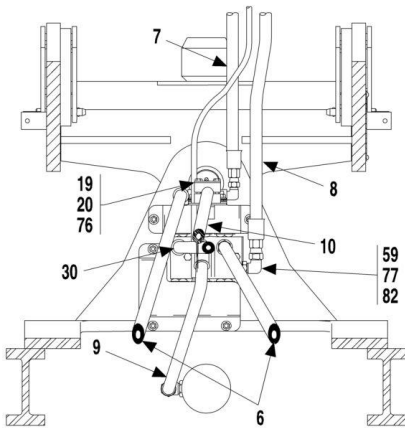
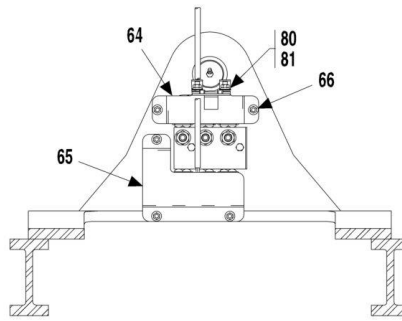
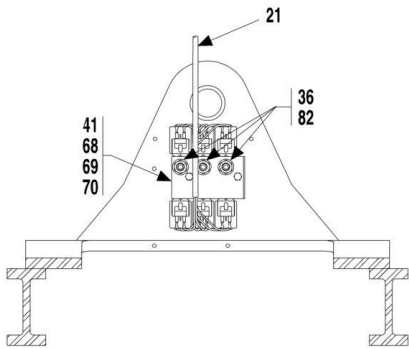
SECTION 3 - ATTACHMENTS

FIGURE 3-18. 100, SWING CARRIAGE WITH SIDE TILT (Prior to SN 0160037689)

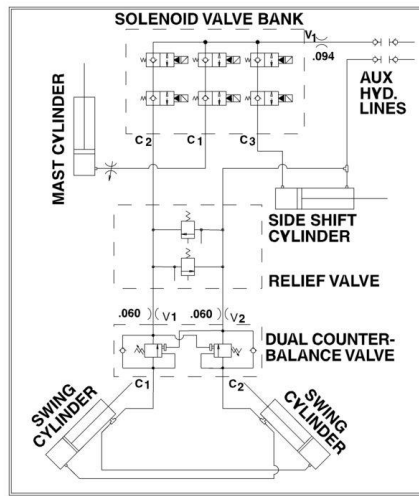


PAP18810

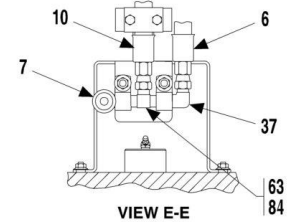
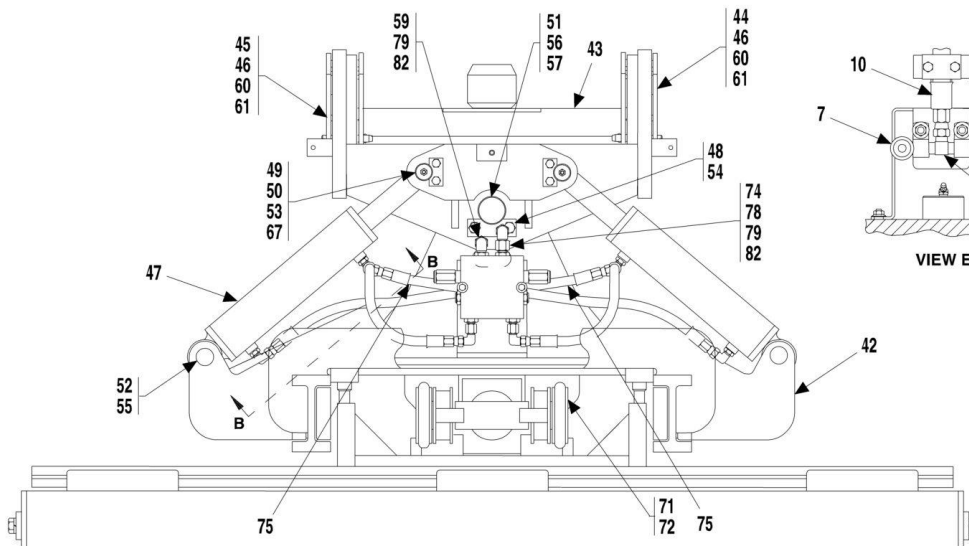
SECTION 3 - ATTACHMENTS



VIEW A-A



HYDRAULIC SCHEMATIC



VIEW E-E

SECTION 3 - ATTACHMENTS

FIGURE 3-18. 100, SWING CARRIAGE WITH SIDE TILT (Prior to SN 0160037689)

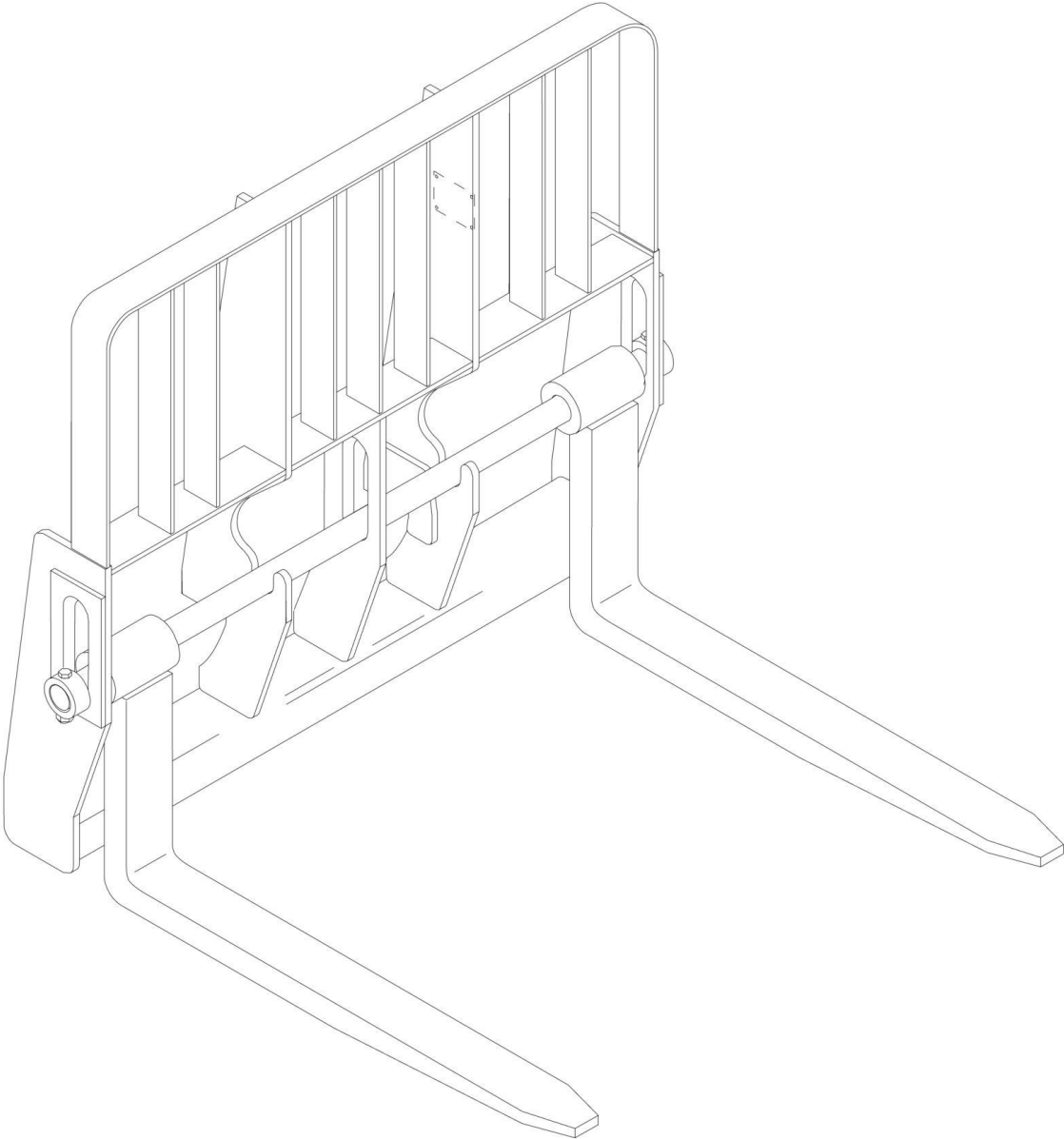
ITEM	PART NUMBER	QTY	DESCRIPTION	REV
	91405070	1	100, SWING CARRIAGE WITH SIDE SHIFT, 48 IN FORKS, (includes all items)	N
1	N.S.S.	1	72 IN SIDE SHIFT CARRIAGE	
2	91403364	2	FORK, 1-3/4X4X48	
3	91041356	6	SPACER	
4	91034374	6	LOAD ROLLER	
5	91034375	12	SHIM	
6	84719060	2	HOSE ASSY	
7	84719229	1	HOSE ASSY	
8	84719499	1	HOSE ASSY	
9	84718737	1	HOSE ASSY	
10	84719765	1	HOSE ASSY	
11	91403414	1	MALE QUICK DISCONNECT COUPLING	
12	91043126	1	DUST CAP	
13	91403413	1	FEMALE QUICK DISCONNECT COUPLING	
14	91043125	1	DUST CAP	
15	77133136	1	CLAMP SET	
16	77133137	1	COVER PLATE	
17	88201023	1	HEX HD CAPSCREW, 5/16-18X1-3/4, GR5	
18	77133810	2	STANDARD CLAMP KIT	
19	77133052	3	COVER PLATE	
20	77133209	6	HEX HD CAPSCREW, 1/4-20X1-3/8	
21	90453023	1	WIRING HARNESS	
22	90207662	1	6 CONTACT PLUG	
23	N.S.S.	1	SN PLATE	
25	91033039	2	CHAIN CONNECTION	
26	91033038	24 in	CHAIN	
27	91143282	2	PINCH POINT DECAL	
28	84719185	2	HOSE ASSY	
29	2230024	2	BULKHEAD UNION, 9/16-18X3/8, TUBE	
30	84719766	1	HOSE ASSY	
31	84719767	2	HOSE ASSY	
32	2220373	4	CONNECTOR, (includes item 82)	
33	90453018	1	DUAL COUNTERBALANCE VALVE	
34	88201008	2	HEX HD CAPSCREW, 1/4-20X1-3/4, GR5	
35	88561002	2	FLAT WASHER, 1/4	
36	2220372	5	CONNECTOR, (includes item 82)	
37	8760268	3	ELBOW, 90, SWIVEL NUT	
38	91413099	1	RELIEF VALVE	
39	88201029	2	HEX HD CAPSCREW, 5/16-18X3-1/4, GR5	
40	88501005	2	HEX NUT, 5/16-18	
41	88551010	4	LOCKWASHER, 5/16	
42	91406072	1	MAST WELDMENT	
43	91416018	1	SWING FORK PIVOT WELDMENT	
44	91406069	1	LH PIN SUPPORT WELDMENT	
45	91406070	1	RH PIN SUPPORT WELDMENT	
46	91401266	2	PIN	
47		Ref	SWING CYLINDER, (See OPTIONS SECTION for Breakdown)	
48	91041322	2	LOCKING PLATE	
49	91411073	2	LOCKING PLATE	

SECTION 3 - ATTACHMENTS

ITEM	PART NUMBER	QTY	DESCRIPTION	REV
50	91041324	2	PIVOT PIN	
51	91041325	2	PIVOT PIN	
52	91041326	2	PIVOT PIN	
53	83201024	4	HEX HD CAPSCREW, 3/8-16X1, GR8	
54	83201026	4	HEX HD CAPSCREW, 1/2-13X1-1/2, GR8	
55	88581136	4	SNAP RING	
56	88671018	2	LUBE FITTING, 45, 1/8	
57	91041327	2	BUSHING	
58	77133201	2	HOSE ASSY	
59	90203384	2	90, ELBOW, MODIFIED	
60	88631449	2	ROLL PIN, 1/8X1-1/2	
61	91043221	2	DETENT PIN	
62	2220899	2	BRANCH TEE, (includes item 83)	
63	2220490	1	UNION TEE, 3/8, TUBE	
64	91406155	1	FRONT COVER WELDMENT	
65	90451061	1	BACK COVER SOLENOID VALVE	
66	77143013	5	WHIZ-LOCKNUT, 1/4-20	
67	88671008	2	STRAIGHT LUBE FITTING, 1/4-28	
68	91403338	1	SOLENOID VALVE BANK	
69	88201025	2	HEX HD CAPSCREW, 5/16-18X2-1/4, GR5	
70	88561108	2	FLAT WASHER, 5/16	
71	91034399	2	HOSE SHEAVE	
72	91034400	2	SHOULDER BOLT	
73	2220473	2	ELBOW, 90, (includes item 83)	
74	91041361	1	MODIFIED FITTING	
75	90204097	2	HOSE ASSY	
76	77133053	1	CLAMP SET	
77	91041362	1	ORIFICE FITTING	
78	8765204	1	ELBOW, 90, SWIVEL NUT	
79	91411050	2	ORIFICE	
80	86521144	2	SUPPORT CLAMP	
81	77143006	2	WHIZ-LOCKNUT, 5/16-18	
82	3780140	9	O-RING	
83	3780177	4	O-RING	
84	91403415	1	ELBOW, 90, SWIVEL NUT	
85	91034377	2	SCREW	

SECTION 3 - ATTACHMENTS

FIGURE 3-19. FORKS



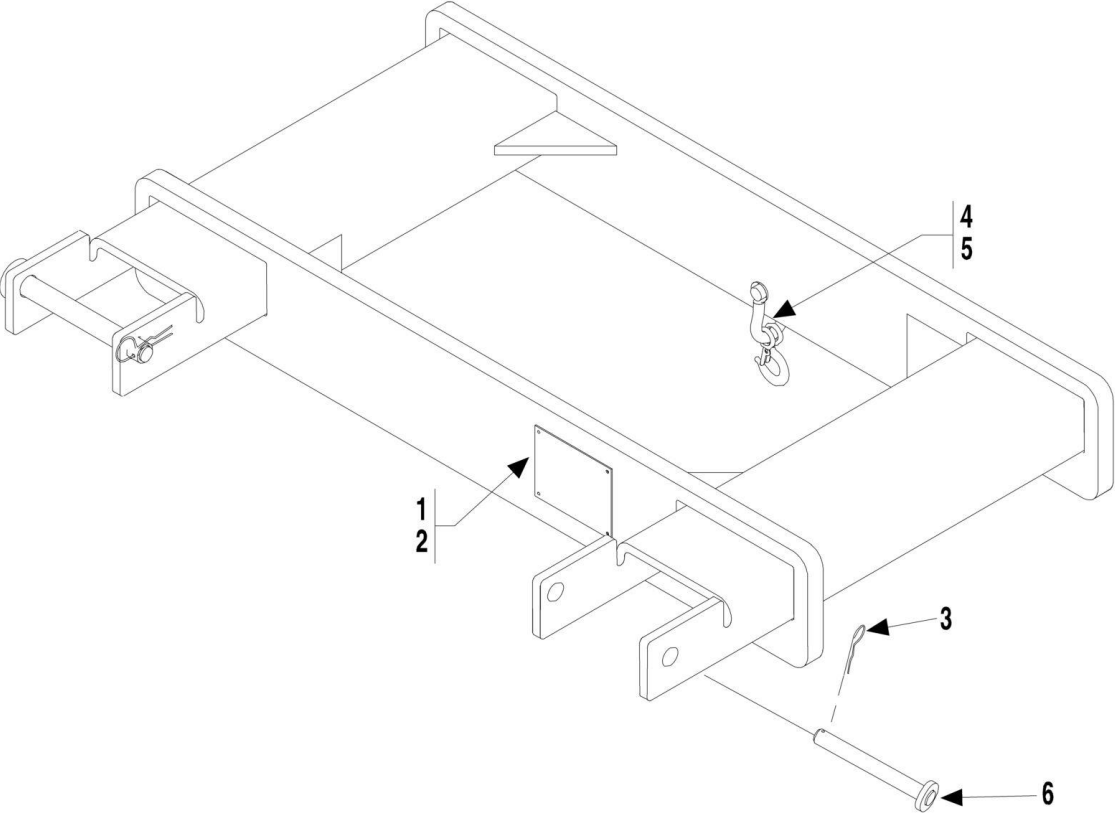
SECTION 3 - ATTACHMENTS

FIGURE 3-19. FORKS

ITEM	PART NUMBER	QTY	DESCRIPTION	REV
	91403359	6	48IN CUBING FORK, 2X2, 3,880 lbs	B
	2340037	6	48IN CUBING FORK, 2X2, 3,880 lbs	A
	91403364	2	48IN PALLET FORK, 1-3/4X4, 6,100 lbs, (only used with 100, Swing Carriage w/Side Shift, 91405070)	B
	2340045	2	48IN PALLET FORK, 2-23/64X4, 10,950 lbs	A
	2340038	2	48IN PALLET FORK, 2-23/64X5, 13,700 lbs	A
	91563141	2	48IN PALLET FORK, 2-1/4X5, 13,700 lbs	C
	91403366	2	48IN DRYWALL CARRIAGE FORK, 2X6, 5,000 lbs, (only used with Drywall Carriage, 91405077 or 100, Drywall Swing Carriage, 91405078)	B
	91513206	2	48IN PALLET FORK, 2-1/4X4, 10,950 lbs	D
	91563142	2	60IN PALLET FORK, 2-1/4X6, 16,300 lbs	B
	2340046	2	60IN DUAL TAPER FORK, 1-3/4X7, 10,800 lbs	A
	2340039	2	60IN DUAL TAPER FORK, 2-23/64X6, 16,300 lbs	A
	1001092391	2	72IN DUAL TAPER FORK, 2X6, 11,300 lbs	A
	91563143	2	72IN PALLET FORK, 2-1/4X6, 16,300 lbs	C
N1	Note	Ref	FORKS RATED LESS THAN THE ATTACHMENT OR MACHINE'S CAPACITY DECREASES CAPACITY OF THE ATTACHMENT OR MACHINE TO THAT OF THE FORKS. FORKS RATED MORE THAN THE ATTACHMENT OR MACHINE'S CAPACITY DO NOT INCREASE ATTACHMENT OR MACHINE'S CAPACITY.	
N2	Note	Ref	PLEASE CONSULT JLG PARTS DEPARTMENT TO DETERMINE THE CORRECT FORKS APPLICABLE TO YOUR SPECIFIC CARRIAGE ASSEMBLY AND APPLICATION.	

SECTION 3 - ATTACHMENTS

FIGURE 3-20. FORK MOUNTED LIFTING HOOK PRIOR TO SN 2005134-01



NOTE:
PALLET/LUMBER FORKS OF AN APPROPRIATE LOAD RATING MUST BE USED.

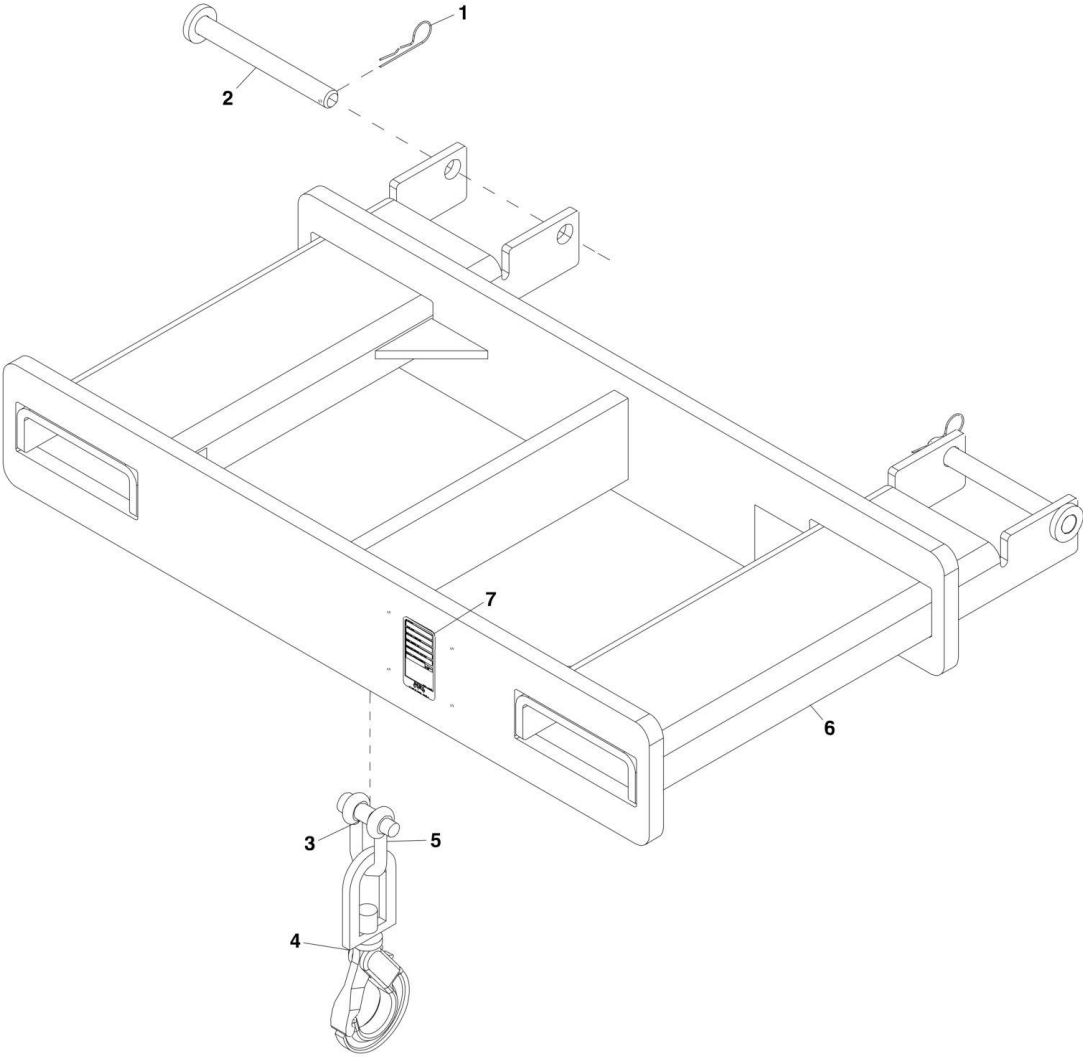
SECTION 3 - ATTACHMENTS

FIGURE 3-20. FORK MOUNTED LIFTING HOOK PRIOR TO SN 2005134-01

ITEM	PART NUMBER	QTY	DESCRIPTION	REV
	90553036	NLA	FORK MOUNTED LIFTING HOOK ASSY, (no longer available, use 91565094 for replacement or use items 1 thru 6 for service)	E
1	N.S.S.	1	SN ATTACHMENT PLATE	
2	88341022	4	DRIVE SCREW, 3/8	
3	90554078	2	HAIRPIN CLIP	
4	90554079	1	CLEVIS CONNECTOR	
5	90554080	1	HOOK	
6	90554081	2	PIN	

SECTION 3 - ATTACHMENTS

FIGURE 3-21. FORK MOUNTED LIFTING HOOK SN 2005134-01 TO PRESENT



NOTE:
PALLET/LUMBER FORKS OF AN APPROPRIATE LOAD RATING MUST BE USED.

PAP23210

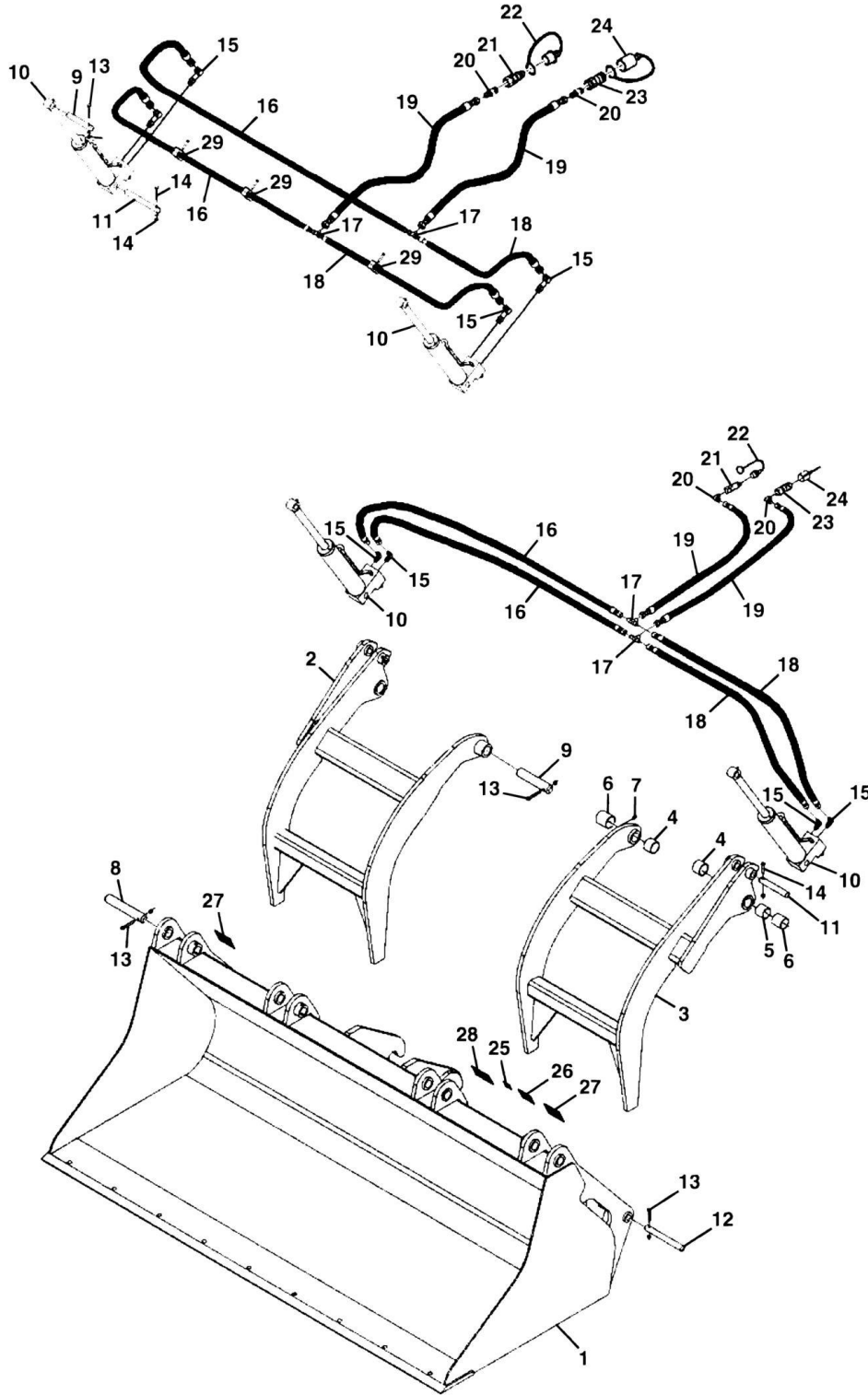
SECTION 3 - ATTACHMENTS

FIGURE 3-21. FORK MOUNTED LIFTING HOOK SN 2005134-01 TO PRESENT

ITEM	PART NUMBER	QTY	DESCRIPTION	REV
	91565094	1	FORK MOUNTED LIFTING HOOK, (includes all items)	F
1	7029520	2	HAIRPIN CLIP	
2	1001093171	2	PIN	
3	70020555	1	SPRING BUSHING	
4	90554080	1	SLING HOOK	
5	7029521	1	CHAIN SHACKLE, 12,000LB	
6	N.S.S.	1	LIFTING HOOK	
7	N.S.S.	1	SN PLATE	

SECTION 3 - ATTACHMENTS

FIGURE 3-22. GRAPPLE BUCKET (SN 0160037689 to Present)



PAP18660

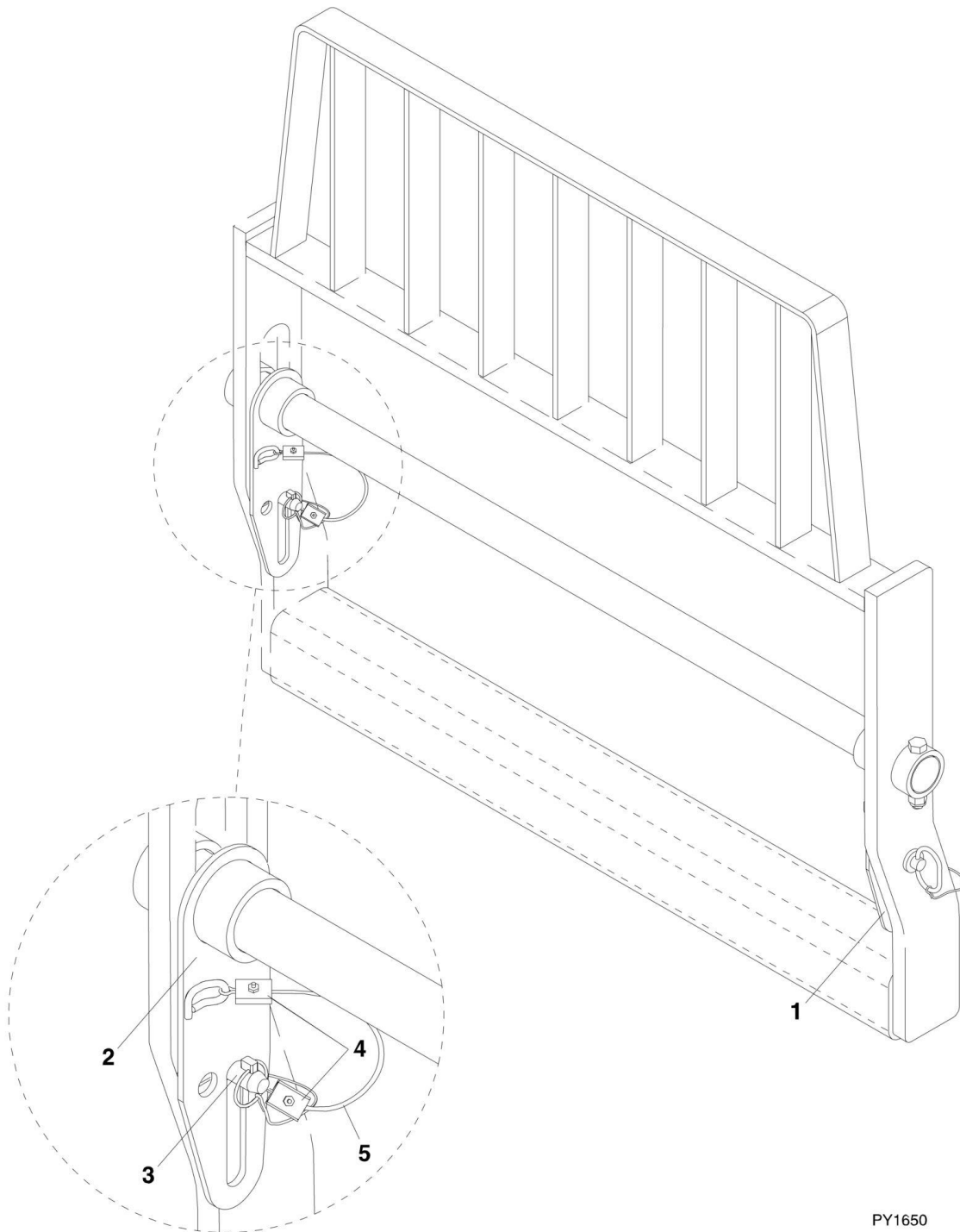
SECTION 3 - ATTACHMENTS

FIGURE 3-22. GRAPPLE BUCKET (SN 0160037689 to Present)

ITEM	PART NUMBER	QTY	DESCRIPTION	REV
	0930020	1	GRAPPLE BUCKET, (includes all items)	G
1	N.S.S.	1	BUCKET	
2	70021391	1	RIGHT GRAPPLE HOOK	
3	70021392	1	LEFT GRAPPLE HOOK	
4	70021358	4	BUSHING	
5	70021359	2	SPACER	
6	70021360	4	BUSHING	
7	7029714	4	GREASE FITTING	
8	70021361	2	OUTER PIVOT PIN	
9	70021362	2	INNER PIVOT PIN	
10		Ref	CYLINDER ASSY, (See HYDRAULIC COMPONENTS SECTION for Breakdown)	
11	70021364	2	PIN	
12	70021365	2	PIN	
13	70021366	4	HEX HD CAPSCREW, 3/8X2-3/4	
13	70021367	4	LOCKNUT, 3/8	
14	70021399	4	HEX HD CAPSCREW, 3/8X2-1/4	
14	70021367	4	LOCKNUT, 3/8	
15	90554065	4	ELBOW, 90	
16	70021395	2	HOSE ASSY, 3/8X64	
17	70020562	2	TEE FITTING	
18	70021981	2	HOSE ASSY, 3/8X46	
19	70021395	2	HOSE ASSY, 3/8X64	
20	70022527	2	ELBOW, 90	
21	7029692	1	MALE QUICK COUPLER	
22	90554062	1	DUST COVER	
23	70021342	1	FEMALE QUICK COUPLER	
24	90554076	1	DUST COVER	
25	90554016	1	MADE IN USA DECAL	
26	N.S.S.	1	SN PLATE	
27	90554017	2	DANGER PINCH POINT DECAL	
28	90554018	1	WARNING HIGH PRESSURE DECAL	
29	70021387	4	HOSE CLAMP	

SECTION 3 - ATTACHMENTS

FIGURE 3-23. FORK PIN LOCK INSTALLATION



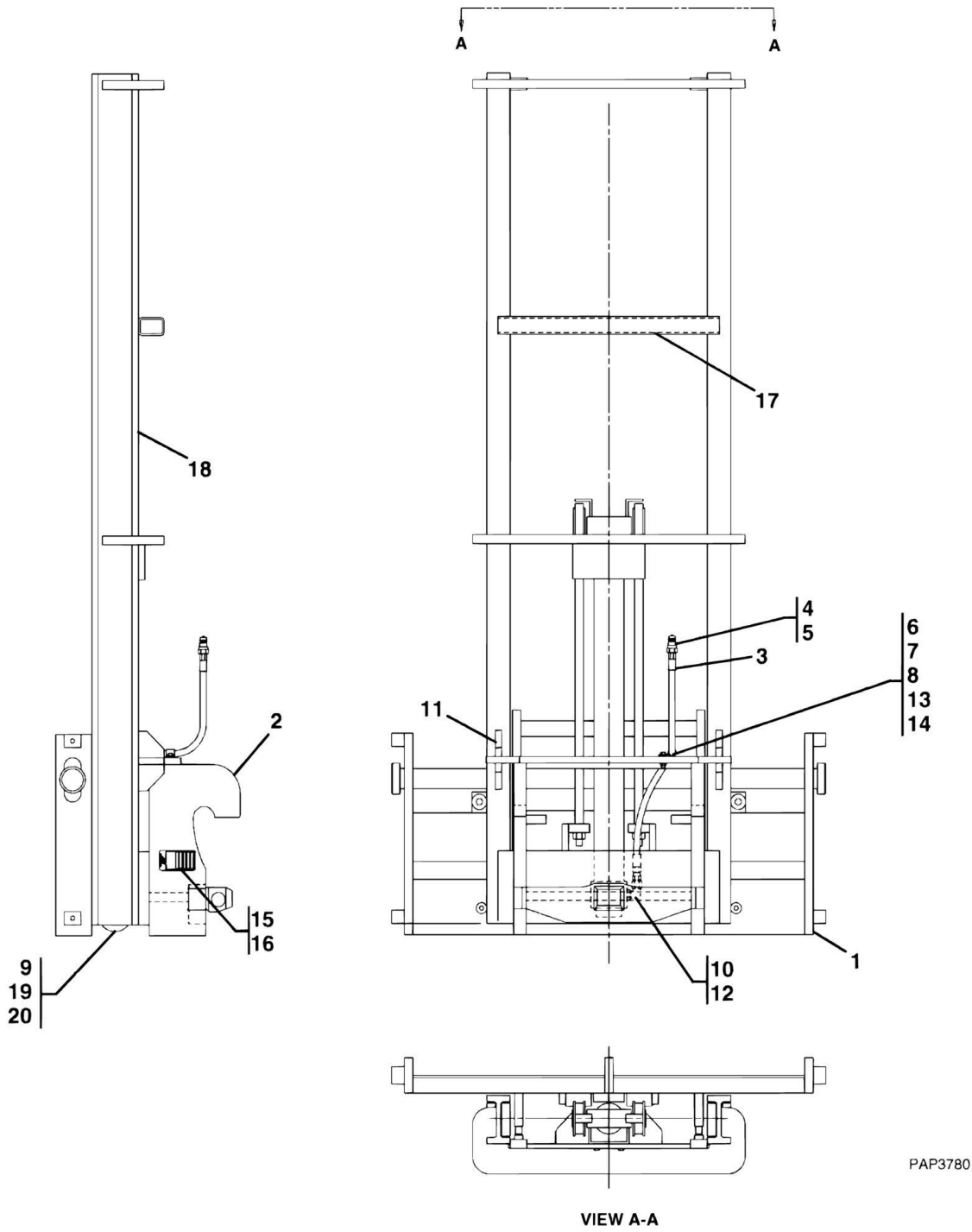
SECTION 3 - ATTACHMENTS

FIGURE 3-23. FORK PIN LOCK INSTALLATION

ITEM	PART NUMBER	QTY	DESCRIPTION	REV
	1001093465	1	FORK PIN LOCK INSTALLATION (includes all items)	B
1	0240156	1	LH FORK PIN LOCK	
2	1001093273	1	RH FORK PIN LOCK	
3	1001093377	2	HITCH PIN	
4	1001094830	4	CLAMP	
5	1001094330	2	LANYARD	

SECTION 3 - ATTACHMENTS

FIGURE 3-24. 6 FOOT MAST WITH 48 INCH AND 72 INCH CARRIAGE (Prior to SN 0160037689)



PAP3780

VIEW A-A

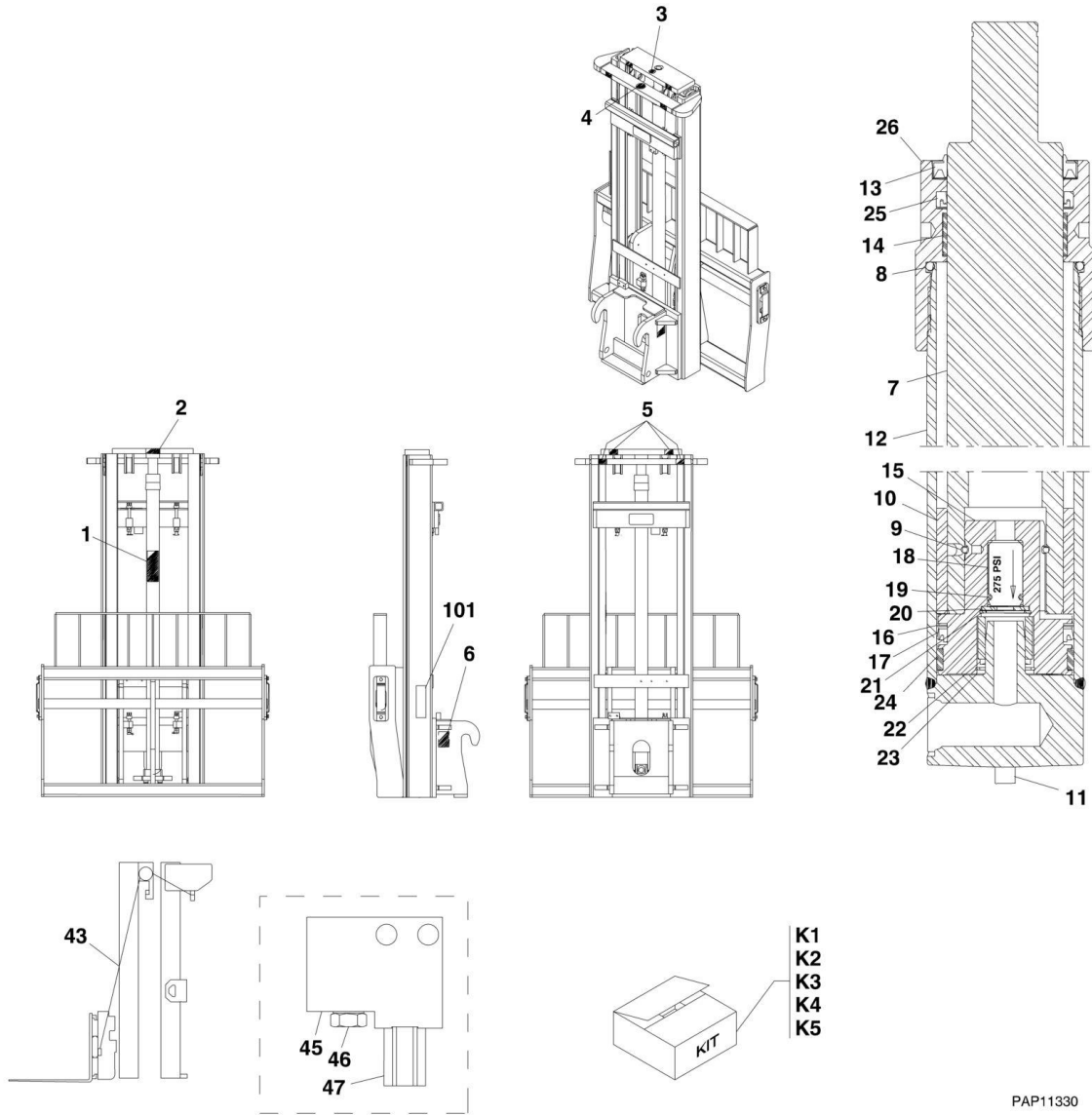
SECTION 3 - ATTACHMENTS

FIGURE 3-24. 6 FOOT MAST WITH 48 INCH AND 72 INCH CARRIAGE (Prior to SN 0160037689)

ITEM	PART NUMBER	QTY	DESCRIPTION	REV
	91405060	1	6 FT MAST WITH 48 IN CARRIAGE, (includes all items)	L
	91405061	1	6 FT MAST WITH 72 IN CARRIAGE, (includes all items)	H
1	N.S.S.	1	CARRIAGE WELDMENT	
2	N.S.S.	1	ADAPTER	
3	84719229	1	HOSE ASSY	
4	91403414	1	ADAPTER	
5	91043126	1	DUST CAP	
6	24431386	1	CLAMP	
7	88201037	1	HEX HD SCREW, 3/8-16	
8	88561004	1	FLAT WASHER	
9	91034377	2	SCREW	
10	1001094695	1	ADAPTER	
11	N.S.S.	4	GUSSET	
13	88501006	1	HEX NUT, 3/8-16	
14	88551011	1	LOCKWASHER, 3/8	
15	N.S.S.	1	SN PLATE	
17	N.S.S.	1	STOP TUBE	
18	91403339	1	6 FT MAST	
19	91034374	6	LOAD ROLLER	

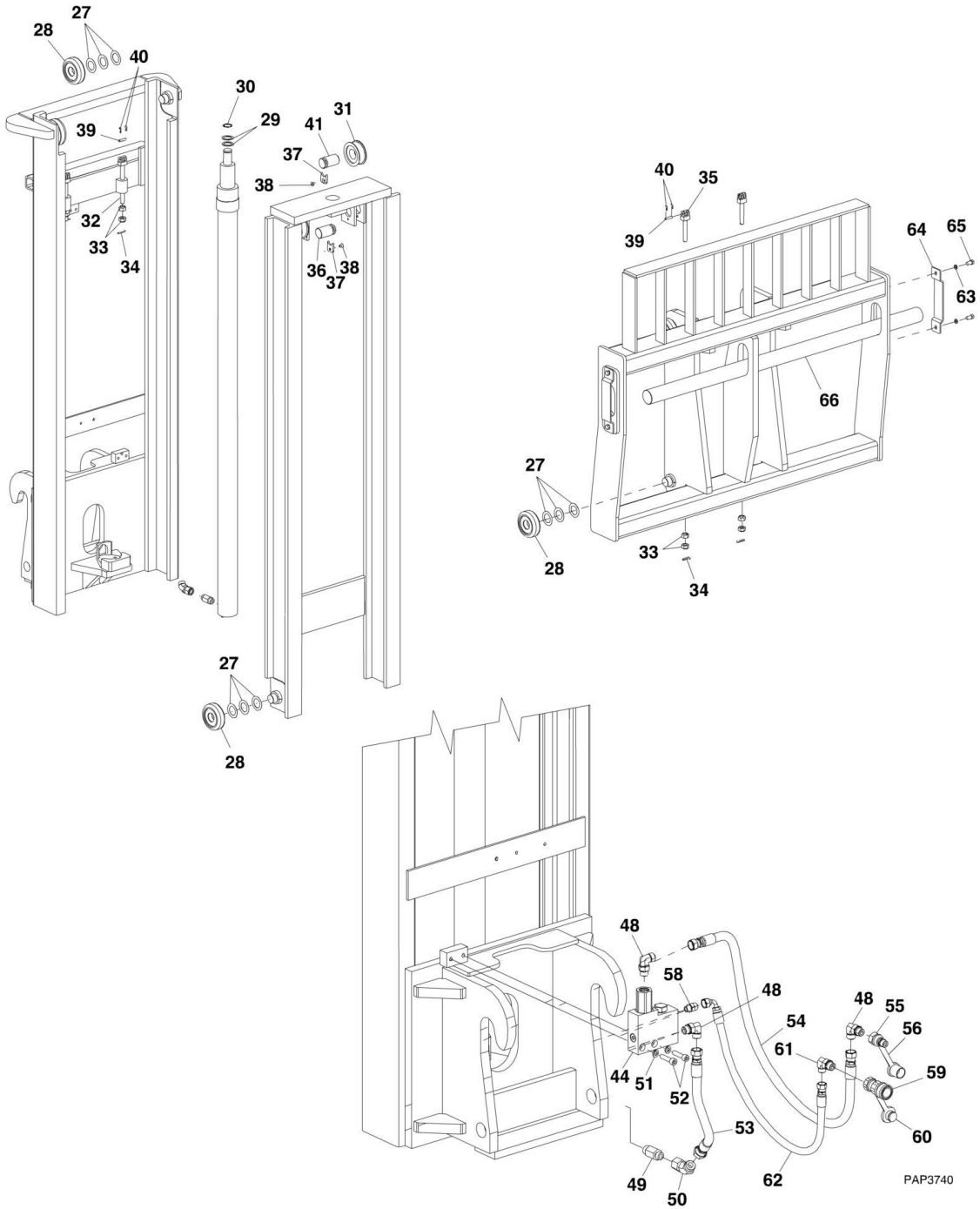
SECTION 3 - ATTACHMENTS

FIGURE 3-25. 8 FOOT STANDARD MAST (SN 0160037689 to Present)



PAP11330

SECTION 3 - ATTACHMENTS



SECTION 3 - ATTACHMENTS

FIGURE 3-25. 8 FOOT STANDARD MAST (SN 0160037689 to Present)

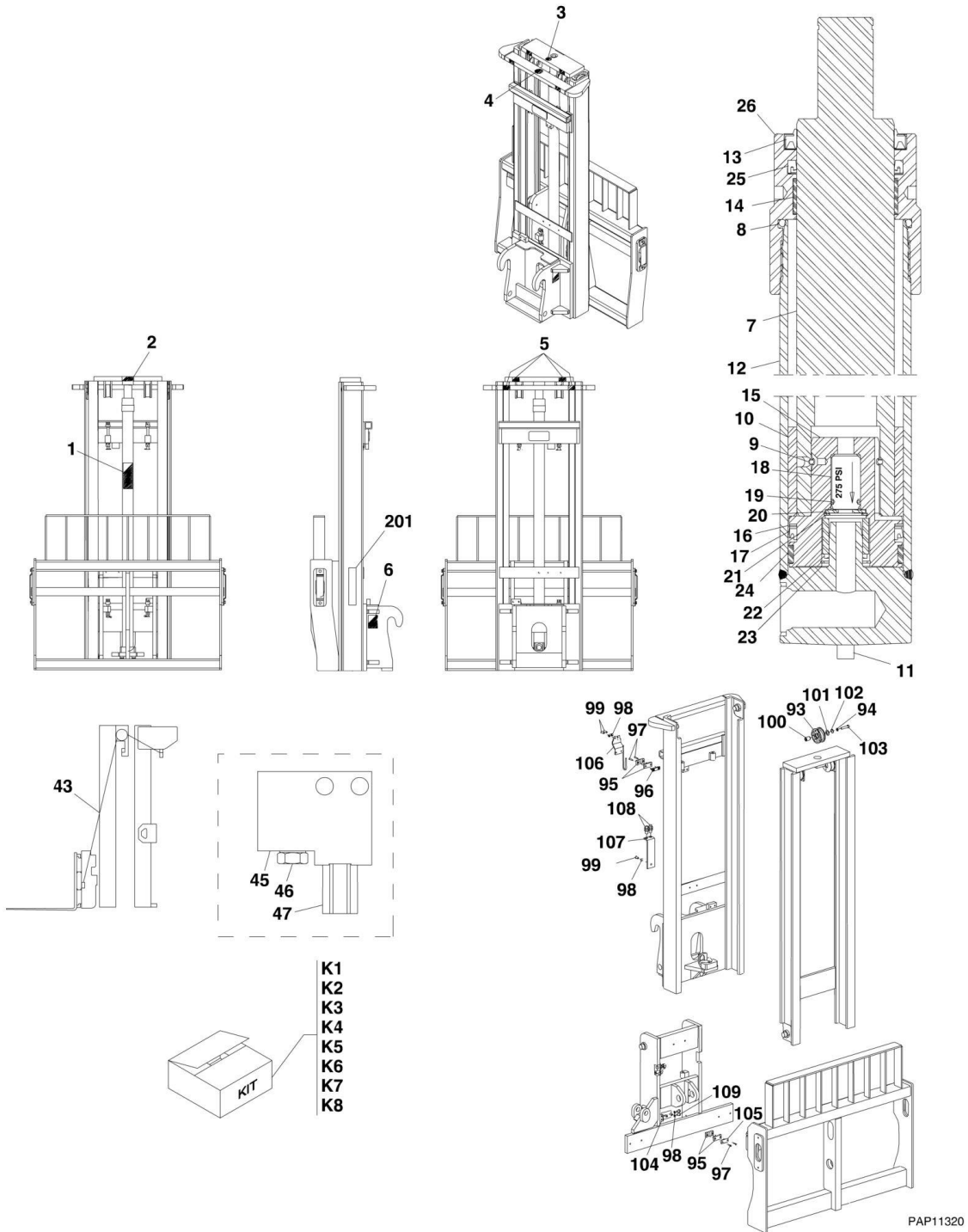
ITEM	PART NUMBER	QTY	DESCRIPTION	REV
	1001108668	1	8 FT STANDARD MAST, (includes all items)	B
1	Kit K1	1	WARNING DECAL	
2	Kit K1	1	WARNING DECAL	
3	Kit K1	1	NO STEP DECAL	
4	Kit K1	1	NO STEP DECAL	
5	Kit K1	4	HANDS OFF DECAL	
6	1001111190	2	HOSE ROUTING	
6	70023008	1	MAIN LIFT CYLINDER	
7	N.S.S.	1	ROD/PLUNGER	
8	Kit K2	1	O-RING	
9	Kit K2	1	PULL WIRE	
10	N.S.S.	1	SPACER	
11	N.S.S.	2	ROLL PIN	
12	N.S.S.	1	BARREL	
13	Kit K2	1	WIPER	
14	Kit K2	1	BUSHING	
15	N.S.S.	1	PISTON	
16	Kit K2	1	NYLON RING	
17	Kit K2	1	PISTON SEAL	
18	Kit K3	1	CHECK VALVE	
19	Kit K2 or K3	1	O-RING	
20	Kit K3	1	WASHER	
21	Kit K2 or K3	1	CIRCLIP	
22	N.S.S.	1	SLEEVE	
23	Kit K2 or K3	1	RETAINING RING	
24	Kit K2	1	WEAR RING	
25	Kit K2	1	ROD SEAL	
26	70023004	1	RETAINER/GLAND	
27	70023014	24	SHIM	
28	70022987	8	BALL BEARING	
29	Kit K5	2	WASHER SHIM	
30	70023016	1	SNAP RING	
31	70022969	2	SHEAVE ASSY	
32	70022960	2	CHAIN ANCHOR	
33	70022957	8	NUT, 5/8-18UNF	
34	70022993	4	COTTER PIN	
35	70022995	2	CHAIN ANCHOR	
36	70022984	1	SHEAVE SHAFT	
37	70022970	2	RETAINER BAR	
38	70023003	2	FLAT HD CAPSCREW	
39	70022994	4	CHAIN ANCHOR PIN	
40	70022992	8	COTTER PIN	
41	70022985	1	SHEAVE SHAFT	
43	70023009	2	LIFT CHAIN	
44	70022932	1	P.O. CHECK VALVE ASSY, (includes items 45 thru 47)	
45	N.S.S.	1	MANIFOLD	
46	70022931	1	P.O. CHECK VALVE CARTRIDGE	
47	70023010	1	P.O. CHECK	
48	70022934	3	FITTING, 90	
49	70022936	1	FLOW LIMITER	

SECTION 3 - ATTACHMENTS

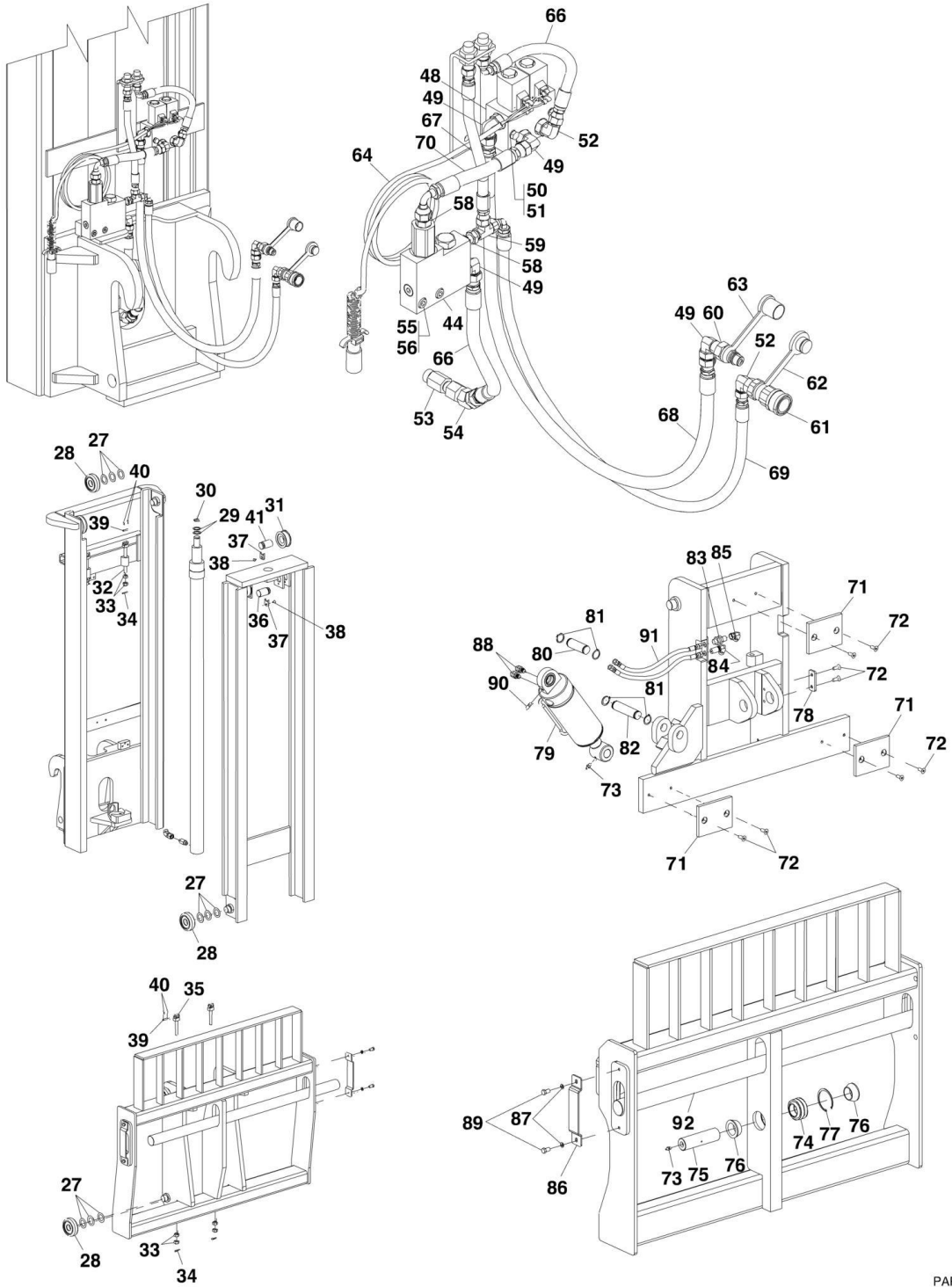
ITEM	PART NUMBER	QTY	DESCRIPTION	REV
50	70022937	1	FITTING, 45	
51	70022949	2	LOCKWASHER, M10	
52	70022950	2	HEX SOCKET CAPSCREW	
53	70022942	1	HOSE ASSY	
54	70022952	1	HOSE ASSY	
55	91403414	1	MALE QUICK DISCONNECT COUPLING	
56	91043126	1	DUST CAP	
58	70022939	1	STRAIGHT FITTING, #6	
59	91403413	1	FEMALE QUICK DISCONNECT COUPLING	
60	91043125	1	DUST PLUG	
61	70022935	1	STRAIGHT THREAD ELBOW	
62	70022946	1	HOSE ASSY	
63	70022949	4	LOCKWASHER, M10	
64	70022980	2	FORK PIN KEEPER	
65	70022998	4	CAPSCREW, M10X20	
66	70022990	1	FORK PIN	
101	N.S.S.	1	SN PLATE	
K1	70023925	1	DECAL KIT, (includes items 1 thru 6)	
K2	70023005	1	SEAL KIT, MAIN LIFT CYLINDER, (includes items 8, 9, 13, 14, 16, 17, 19, 21, 23, 24 & 25)	
K3	70023006	1	CHECK VALVE KIT, (includes items 18, 19, 20, 21 & 23)	
K4	70023007	1	SHIM KIT	
K5	70023015	1	MAST COMMON PARTS KIT, (includes items 27 thru 41)	

SECTION 3 - ATTACHMENTS

FIGURE 3-26. 8 FOOT SIDE TILT ELECTRIC MAST (SN 0160037689 to Present)



SECTION 3 - ATTACHMENTS



PAP3720

SECTION 3 - ATTACHMENTS

FIGURE 3-26. 8 FOOT SIDE TILT ELECTRIC MAST (SN 0160037689 to Present)

ITEM	PART NUMBER	QTY	DESCRIPTION	REV
	1001108669	1	8 FT SIDE TILT ELECTRIC MAST, (includes all items)	B
1	Kit K1	1	WARNING DECAL	
2	Kit K1	1	WARNING DECAL	
3	Kit K1	1	NO STEP DECAL	
4	Kit K1	1	NO STEP DECAL	
5	Kit K1	4	HANDS OFF DECAL	
6	1001111190	2	WARNING DECAL	
6	70023008	1	MAIN LIFT CYLINDER	
7	N.S.S.	1	ROD/PLUNGER	
8	Kit K2	1	O-RING	
9	Kit K2	1	PULL WIRE	
10	N.S.S.	1	SPACER	
11	N.S.S.	2	ROLL PIN	
12	N.S.S.	1	BARREL	
13	Kit K2	1	WIPER	
14	Kit K2	1	BUSHING	
15	N.S.S.	1	PISTON	
16	Kit K2	1	NYLON RING	
17	Kit K2	1	PISTON SEAL	
18	Kit K3	1	CHECK VALVE	
19	Kit K2 or K3	1	O-RING	
20	Kit K3	1	WASHER	
21	Kit K2 or K3	1	CIRCLIP	
22	N.S.S.	1	SLEEVE	
23	Kit K2 or K3	1	RETAINING RING	
24	Kit K2	1	WEAR RING	
25	Kit K2	1	ROD SEAL	
26	70023004	1	RETAINER/GLAND	
27	70023014	24	SHIM	
28	70022987	8	BALL BEARING	
29	Kit K5	2	WASHER SHIM	
30	70023016	1	SNAP RING	
31	70022969	2	SHEAVE ASSY	
32	70022960	2	CHAIN ANCHOR	
33	70022957	8	NUT, 5/8-18UNF	
34	70022993	4	COTTER PIN	
35	70022995	2	CHAIN ANCHOR	
36	70022984	1	SHEAVE SHAFT	
37	70022970	2	RETAINER BAR	
38	70023003	2	FLAT HD CAPSCREW	
39	70022994	4	CHAIN ANCHOR PIN	
40	70022992	8	COTTER PIN	
41	70022985	1	SHEAVE SHAFT	
43	70023009	2	LIFT CHAIN	
44	70022932	1	P.O. CHECK VALVE ASSY, (includes items 45, 46 & 47)	
45	N.S.S.	1	MANIFOLD	
46	70022931	1	P.O. CHECK VALVE CARTRIDGE	
47	70023010	1	P.O. CHECK	
48	70022933	1	SOLENOID VALVE BANK	
49	70022934	4	FITTING, 90	

SECTION 3 - ATTACHMENTS

ITEM	PART NUMBER	QTY	DESCRIPTION	REV
50	70022948	2	LOCKWASHER, M8	
51	70022951	2	CAPSCREW, M8X60	
52	70022935	2	STRAIGHT THREAD ELBOW	
53	70022936	1	FLOW LIMITER	
54	70022937	1	FITTING, 45	
55	70022949	2	LOCKWASHER, M10	
56	70022950	2	HEX SOCKET CAPSCREW	
57	70022938	1	STRAIGHT FITTING, (not shown)	
58	70022939	1	STRAIGHT FITTING	
59	70022940	1	TEE FITTING	
60	91403414	1	MALE QUICK DISCONNECT COUPLING	
61	91403413	1	FEMALE QUICK DISCONNECT COUPLING	
62	91043125	1	DUST PLUG	
63	91043126	1	DUST CAP	
64	70022941	1	HARNES	
65	70022942	1	HOSE ASSY, (not shown)	
66	70022943	1	HOSE ASSY	
67	70022944	1	HOSE ASSY	
68	70022945	1	HOSE ASSY	
69	70022946	1	HOSE ASSY	
70	70022947	1	HOSE ASSY	
71	70022972	3	WEAR PAD	
72	70022971	8	FLAT HD CAPSCREW	
73	70023001	2	GREASE FITTING	
74	70022975	1	BEARING	
75	70022973	1	PIVOT SHAFT	
76	70022974	2	BEVELED SPACER	
77	70022988	1	RETAINING RING	
78	70022976	1	RETAINER PLATE	
79	2716143	1	TILT CYLINDER	
80	70022977	1	PIN, 128.1mm	
81	70023016	4	SNAP RING, 1-1/4	
82	70022978	1	PIN, 128.1mm	
83	70023000	1	BULKHEAD UNION, (with locknut)	
84	70022999	1	BULKHEAD UNION ELBOW	
85	70022982	1	STRAIGHT THREAD ELBOW	
86	70022980	2	FORK PIN KEEPER	
87	70022949	4	LOCKWASHER, M10	
88	70022991	2	STRAIGHT THREAD ELBOW, 90	
89	70022998	4	CAPSCREW, M10X20	
90	70022966	1	GREASE FITTING	
91	70022979	2	HOSE ASSY	
92	70022990	1	FORK PIN	
93	70022965	1	SHEAVE	
94	70022997	1	LOCKWASHER, M12	
95	70022967	4	HOSE CLAMP	
96	70022962	1	BAR ASSY	
97	70023002	4	CAPSCREW, M6X25	
98	70022949	5	LOCKWASHER, M10	
99	70022958	3	CAPSCREW, M10X20	
100	70022961	1	SHAFT	

SECTION 3 - ATTACHMENTS

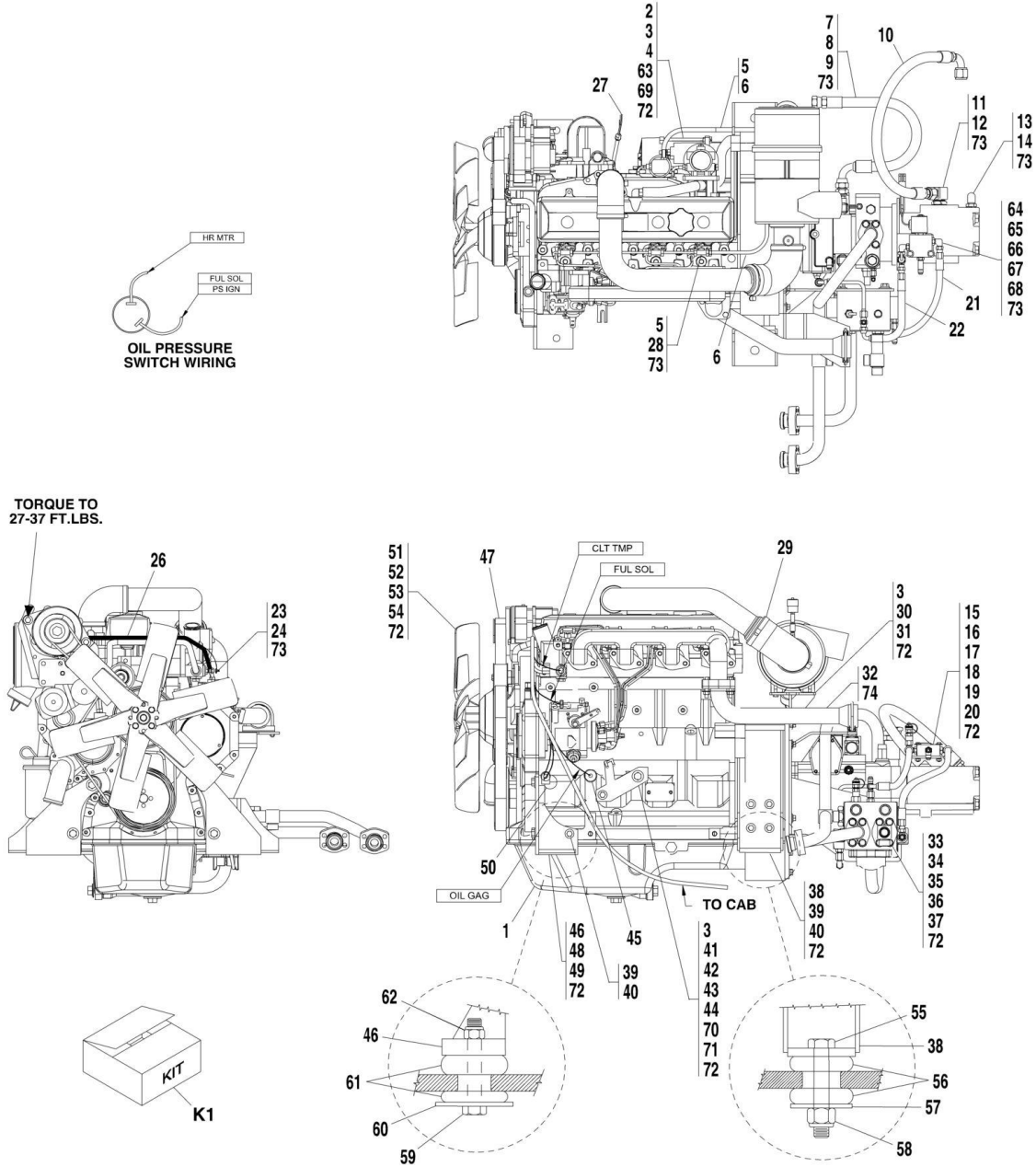
ITEM	PART NUMBER	QTY	DESCRIPTION	REV
101	70022959	1	WASHER	
102	70022989	1	RETAINING RING	
103	70022964	1	CAPSCREW, M12X55	
104	70022981	1	IHR BRACKET	
105	70022968	1	HOSE CLAMP BAR	
106	70023011	1	IHR BRACKET	
107	70022983	1	TERMINATION BRACKET	
108	70023000	2	BULKHEAD UNION AND LOCKNUT	
109	70022996	3	CAPSCREW, M10X16	
110	70022963	2	HOSE ASSY, (not shown)	
201	N.S.S.	1	SN PLATE	
K1	70023925	1	DECAL KIT, (includes items 1 thru 6)	
K2	70023005	1	SEAL KIT, MAIN LIFT CYLINDER, (includes items 8, 9, 13, 14, 16, 17, 19, 21, 23, 24 & 25)	
K3	70023006	1	CHECK VALVE KIT, (includes items 18, 19, 20, 21 & 23)	
K4	70023007	1	SHIM KIT	
K5	70023015	1	MAST COMMON PARTS KIT, (includes items 27 thru 41)	
K6	8035831	1	SEAL KIT, TILT CYLINDER	
K7	70023013	1	IHR COMMON PARTS KIT, (includes items 93 thru 109)	
K8	70022986	1	IHR KIT, (includes items 93 thru 110)	

SECTION 4 - ENGINE AND ATTACHING PARTS

SECTION 4 - ENGINE AND ATTACHING PARTS

SECTION 4 - ENGINE AND ATTACHING PARTS

FIGURE 4-1. ENGINE ASSEMBLY, LH VIEW (SN 0189001 through 0189345, SN 016000230 through 0160001775)



NOTES:

1. USE LOCTITE® 242™ (14403364) ON ALL BOLT THREADS
2. USE LOCTITE® 545™ (14404043) ON ALL FITTINGS.

PAP23380

SECTION 4 - ENGINE AND ATTACHING PARTS

FIGURE 4-1. ENGINE ASSEMBLY, LH VIEW (SN 0189001 through 0189345, SN 016000230 through 0160001775)

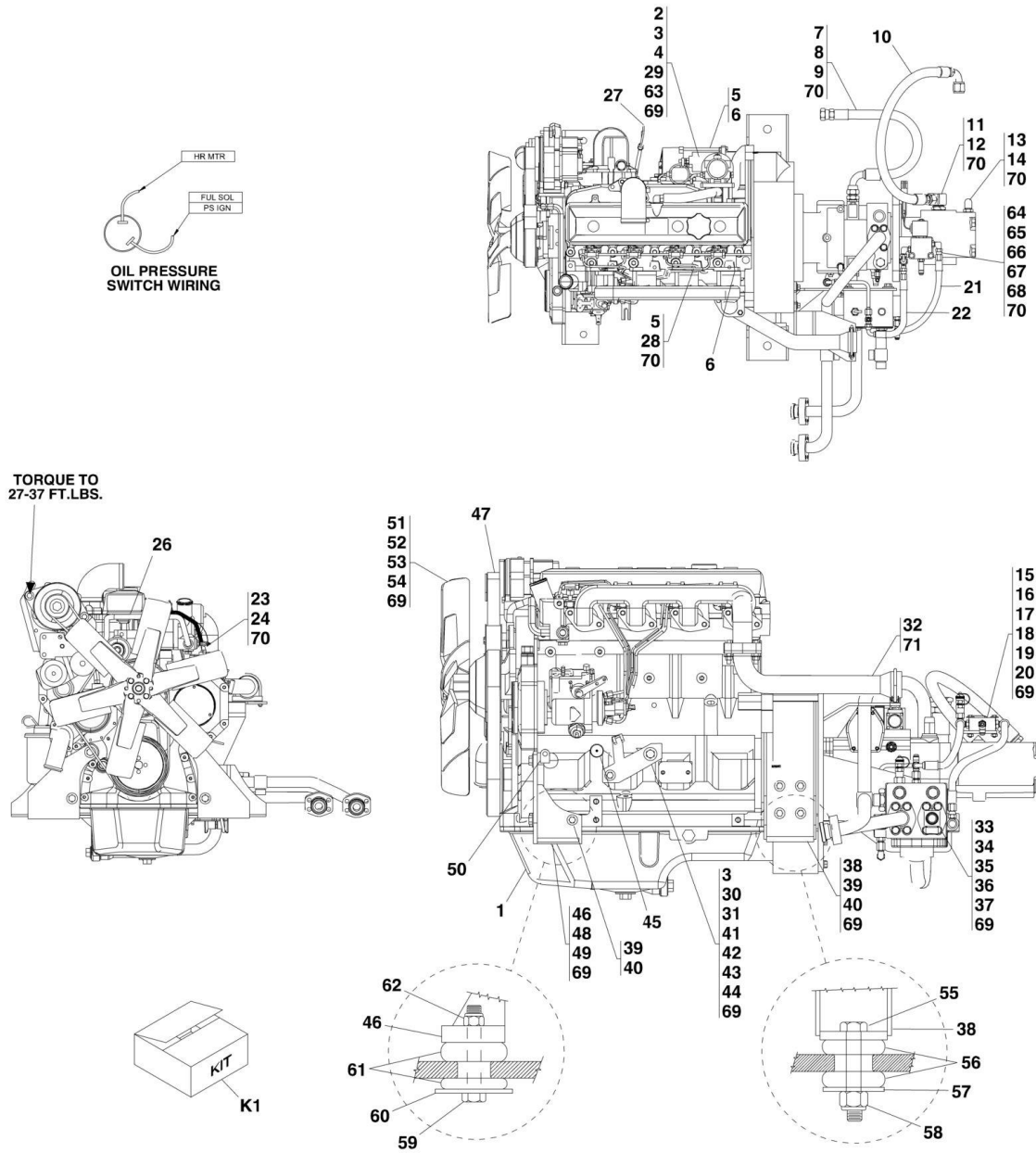
ITEM	PART NUMBER	QTY	DESCRIPTION	REV
	91415007	Ref	ENGINE ASSY, (includes items 1 thru 54 & 63 thru 73 on ENGINE ASSEMBLY, LH VIEW and all items on ENGINE ASSEMBLY, RH VIEW)	K
1		Ref	JOHN DEERE ENGINE, (See JOHN DEERE ENGINE for Breakdown)	
2	91403160	NLA	STARTER, (Leece-Neville), (includes item 63), (no longer available, See OPTIONS SECTION for Breakdown) (SN 0189001 through 0189345)	
2		Ref	STARTER, (Prestolite), (includes item 63), (no longer available, See OPTIONS SECTION for Breakdown) (SN 0189346 through 0160001775)	
3	83191013	6	LOCKWASHER, M10	
4	83191040	1	SOCKET HD CAPSCREW, M10X1-1/2X30, (torque to 38-48 lb-ft),(top inner mtg hole)	
5	86883106	2	HOSE CLAMP	
6	82092118	120 in	FUEL LINE, 5/16 ID	
7	2220451	1	CONNECTOR, (includes item 8)	
8	88591207	1	O-RING	
9	84719407	1	HOSE ASSY	
10	84719468	1	HOSE ASSY	
11	88662429	1	ELBOW, 90, (includes item 12)	
12	88591209	1	O-RING	
13	88662059	1	ELBOW, 90, (includes item 14)	
14	88591206	1	O-RING	
15		Ref	SOLENOID VALVE, (See HYDRAULIC COMPONENTS SECTION for Breakdown)	
16	91401535	1	VALVE BRACKET	
17	88201009	2	HEX HD CAPSCREW, 1/4-20X2, GR5	
18	88501304	2	HEX NUT, 1/4-28	
19	88561002	2	FLAT WASHER, 1/4	
20	88551009	2	LOCKWASHER, 1/4	
21	77133201	1	HOSE ASSY	
22	84719408	1	HOSE ASSY	
23	91143314	1	WATER TEMPERATURE SENDER	
24	91403265	1	ADAPTER FITTING, (includes o-ring)	
26	90027187	6	NYLON TIE	
27	91404085	1	DIPSTICK	
28	80373025	1	PUSH LOCK FITTING	
29		Ref	AIR CLEANER AND ATTACHING PARTS, (See AIR CLEANER AND INSTALLATION for Breakdown)	
30	91406118	1	AIR CLEANER BRACKET	
31	83191027	2	HEX HD CAPSCREW, M10X1-1/2X35	
32		Ref	EXHAUST AND ATTACHING PARTS, (See EXHAUST INSTALLATION for Breakdown)	
33	91403455	1	HYDRAULIC TUBE	
34	91083106	1	O-RING	
35	83201135	4	HEX HD CAPSCREW, 7/16-14X1-1/2	
36	88551012	4	LOCKWASHER, 7/16	
37	84712738	2	CLAMP HALF	
38	91406032	2	REAR ENGINE MOUNT	
39	83191032	10	HEX HD CAPSCREW, M12X1-3/4X35, (torque to 66-76 lb-ft)	

SECTION 4 - ENGINE AND ATTACHING PARTS

ITEM	PART NUMBER	QTY	DESCRIPTION	REV
40	83191010	10	LOCKWASHER, M12	
41	91401227	1	ACCELERATOR CABLE BRACKET (SN 0189001 through 0160001379)	
41	91411060	1	ACCELERATOR CABLE BRACKET (SN 0160001388 through 0160001775)	
42	83191038	1	HEX HD CAPSCREW, M10X1-1/2X20	
43	91403293	1	HEX HD CAPSCREW, M14X2X25	
44	83191014	1	LOCKWASHER, M14	
45	91143315	1	OIL PRESSURE SENDER	
46	91406026	1	LH FRONT ENGINE MOUNT	
46	91406027	1	RH FRONT ENGINE MOUNT	
47	91404086	1	FAN BELT	
48	83191043	4	HEX HD CAPSCREW, M16X2X30, (torque to 166-181 lb-ft)	
49	83783030	4	LOCKWASHER, M16	
50	24741047	1	OIL PRESSURE SWITCH	
51	91403105	1	FAN	
52	91403248	1	FAN SPACER	
53	83191041	4	HEX HD CAPSCREW, M8X1-1/4X70	
54	88561108	4	FLAT WASHER, 5/16	
55	77321274	2	HEX HD CAPSCREW, 7/8-9X5	
56	91333003	2	SHOCK MOUNT	
57	91403137	2	REBOUND WASHER	
58	88521214	2	HEX LOCKNUT, 7/8-9	
59	88201105	2	HEX HD CAPSCREW, 5/8-11X4, GR5	
60	91403138	2	REBOUND WASHER	
61	91333002	2	SHOCK MOUNT	
62	88521010	2	HEX LOCKNUT, 5/8-11	
63	91404274	1	STARTER SOLENOID (SN 0189001 through 0189345)	
63	91414040	1	STARTER SOLENOID (SN 0189346 through 0160001775)	
64	2220635	1	SWIVEL NUT RUN TEE, 3/8, TUBE	
65	88662064	2	ELBOW, 90, (includes item 66)	
66	88591204	3	O-RING	
67	2220606	1	RUN TEE, (includes item 66)	
68	91143172	1	TEST COUPLING	
69	83191062	2	SOCKET HD CAPSCREW, M10X1-1/2X40, (torque to 38-48 lb-ft)	
70	88561007	1	FLAT WASHER, 9/16	
71	80233220	1	FLAT WASHER, M10	
72	14403364	AR	LOCTITE 242	
73	14404043	AR	LOCTITE 545	
74	91473222	1	EXHAUST GASKET	
K1	91405102	1	ENGINE FILTER KIT, (includes all items)	
K1	91404005	1	OIL FILTER ELEMENT	
K1	91404004	1	FUEL FILTER	
K1	91403103	1	AIR FILTER SAFETY ELEMENT	
K1	91403102	1	AIR FILTER ELEMENT	
K1	91083218	1	FUEL STRAINER	

SECTION 4 - ENGINE AND ATTACHING PARTS

FIGURE 4-2. ENGINE ASSEMBLY, LH VIEW (SN 0160001921 through 0160003058, Excluding 0160002657)



NOTES:

1. USE LOCTITE® 242™, 14403364, ON ALL BOLT THREADS.
2. USE LOCTITE® 545™, 14404043, ON ALL FITTINGS.

PAP23370

SECTION 4 - ENGINE AND ATTACHING PARTS

FIGURE 4-2. ENGINE ASSEMBLY, LH VIEW (SN 0160001921 through 0160003058, Excluding 0160002657)

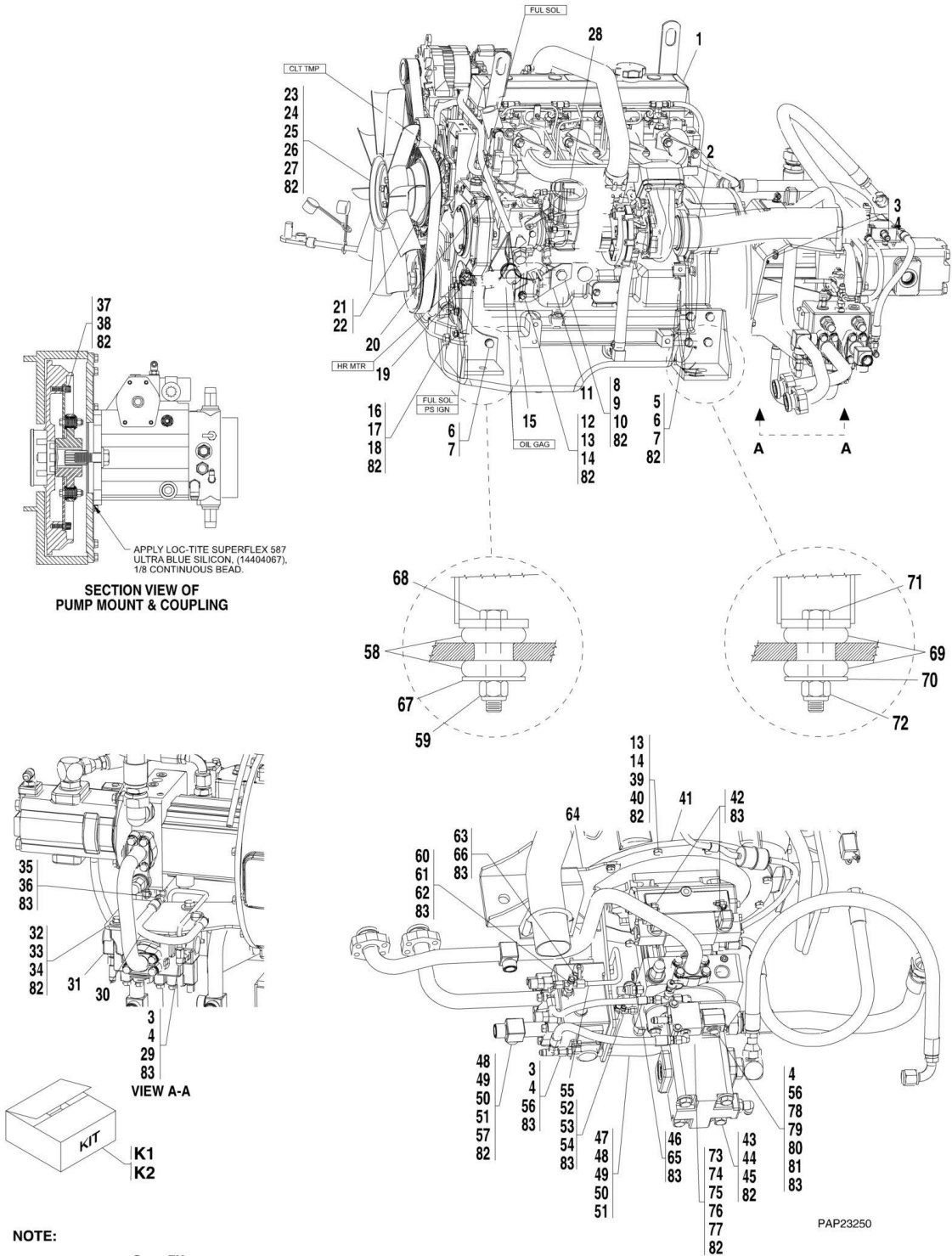
ITEM	PART NUMBER	QTY	DESCRIPTION	REV
	91415007	Ref	ENGINE ASSEMBLY, (includes items 1 thru 54 & 63 thru 70 on ENGINE ASSEMBLY, LH VIEW and all items on ENGINE ASSEMBLY, RH VIEW)	O
1		Ref	JOHN DEERE ENGINE, (See JOHN DEERE ENGINE for Breakdown)	
2		Ref	STARTER, (Prestolite), (includes item 63), (no longer available, See OPTIONS SECTION for Breakdown)	
3	83191013	6	LOCKWASHER, M10	
4	83191040	1	SOCKET HD CAPSCREW, M10X1-1/2X30, (torque to 38-48 lb-ft),(top inner mtg hole)	
5	86883106	2	HOSE CLAMP	
6	82092118	120 in	FUEL LINE, 5/16 ID	
7	2220451	1	CONNECTOR, (includes item 8)	
8	88591207	1	O-RING	
9	84719407	1	HOSE ASSY	
10	84719468	1	HOSE ASSY	
11	88662429	1	ELBOW, 90, (includes item 12)	
12	88591209	1	O-RING	
13	88662059	1	ELBOW, 90, (includes item 14)	
14	88591206	1	O-RING	
15		Ref	SOLENOID VALVE, (See HYDRAULIC COMPONENTS SECTION for Breakdown)	
16	91401535	1	VALVE BRACKET	
17	88201009	2	HEX HD CAPSCREW, 1/4-20X2, GR5	
18	88501304	2	HEX NUT, 1/4-28	
19	88561002	2	FLAT WASHER, 1/4	
20	88551009	2	LOCKWASHER, 1/4	
21	77133201	1	HOSE ASSY	
22	84719408	1	HOSE ASSY	
23	91143314	1	WATER TEMPERATURE SENDER	
24	91403265	1	ADAPTER FITTING, (includes o-ring)	
26	90027187	6	NYLON TIE	
27	91404085	1	DIPSTICK	
28	80373025	1	PUSH LOCK FITTING	
29	83191062	2	SOCKET HD CAPSCREW, M10X1-1/2X40, (torque to 38-48 lb-ft)	
30	88561007	1	FLAT WASHER, 9/16	
31	80233220	1	FLAT WASHER, M10	
32		Ref	EXHAUST AND ATTACHING PARTS, (See EXHAUST INSTALLATION for Breakdown)	
33	91403455	1	HYDRAULIC TUBE	
34	91083106	1	O-RING	
35	83201135	4	HEX HD CAPSCREW, 7/16-14X1-1/2	
36	88551012	4	LOCKWASHER, 7/16	
37	84712738	2	CLAMP HALF	
38	91406032	2	REAR ENGINE MOUNT	
39	83191032	10	HEX HD CAPSCREW, M12X1-3/4X35, (torque to 66-76 lb-ft)	
40	83191010	10	LOCKWASHER, M12	
41	91411060	1	ACCELERATOR CABLE BRACKET	
42	83191038	1	HEX HD CAPSCREW, M10X1-1/2X20	
43	91403293	1	HEX HD CAPSCREW, M14X2X25	

SECTION 4 - ENGINE AND ATTACHING PARTS

ITEM	PART NUMBER	QTY	DESCRIPTION	REV
44	83191014	1	LOCKWASHER, M14	
45	91143315	1	OIL PRESSURE SENDER	
46	91406026	1	LH FRONT ENGINE MOUNT	
46	91406027	1	RH FRONT ENGINE MOUNT	
47	91404086	1	FAN BELT	
48	83191043	4	HEX HD CAPSCREW, M16X2X30, (torque to 166-181 lb-ft)	
49	83783030	4	LOCKWASHER, M16	
50	24741047	1	OIL PRESSURE SWITCH	
51	91403105	1	FAN	
52	91403248	1	FAN SPACER	
53	83191041	4	HEX HD CAPSCREW, M8X1-1/4X70	
54	88561108	4	FLAT WASHER, 5/16	
55	77321274	2	HEX HD CAPSCREW, 7/8-9X5	
56	91333003	2	SHOCK MOUNT	
57	91403137	2	REBOUND WASHER	
58	88521214	2	HEX LOCKNUT, 7/8-9	
59	88201105	2	HEX HD CAPSCREW, 5/8-11X4, GR5	
60	91403138	2	REBOUND WASHER	
61	91333002	2	SHOCK MOUNT	
62	88521010	2	HEX LOCKNUT, 5/8-11	
63	91414040	1	STARTER SOLENOID	
64	2220635	1	SWIVEL NUT RUN TEE, 3/8, TUBE	
65	2220473	2	ELBOW, 90, (includes item 66)	
66	88591204	3	O-RING	
67	2220606	1	RUN TEE, (includes item 66)	
68	91143172	1	TEST COUPLING	
69	14403364	AR	LOCTITE 242	
70	14404043	AR	LOCTITE 545	
71	91473222	1	EXHAUST GASKET	
K1	91415035	1	ENGINE FILTER KIT, (includes all items)	C
K1	91404005	1	OIL FILTER ELEMENT	
K1	91404004	1	FUEL FILTER	
K1	80273042	1	AIR FILTER SAFETY ELEMENT	
K1	80273010	1	AIR FILTER ELEMENT	
K1	91083218	1	FUEL STRAINER	

SECTION 4 - ENGINE AND ATTACHING PARTS

FIGURE 4-3. ENGINE ASSEMBLY, LH VIEW (SN 0160003213 to Present, Including 0160002657)



SECTION 4 - ENGINE AND ATTACHING PARTS

FIGURE 4-3. ENGINE ASSEMBLY, LH VIEW (SN 0160003213 to Present, Including 0160002657)

ITEM	PART NUMBER	QTY	DESCRIPTION	REV
	91415078	Ref	ENGINE ASSEMBLY, (includes items 1 thru 57, 60 thru 66 & 73 thru 83 on ENGINE ASSEMBLY, LH VIEW and all items on ENGINE ASSEMBLY, RH VIEW)	N
1		Ref	JOHN DEERE ENGINE, (See JOHN DEERE ENGINE for Breakdown)	
2		Ref	EXHAUST AND ATTACHING PARTS, (See EXHAUST INSTALLATION for Breakdown)	
3	2220371	3	CONNECTOR, (includes item 4)	
4	88591204	6	O-RING	
5	91406032	1	REAR ENGINE MOUNT	
6	83191032	5	HEX HD CAPSCREW, M12X1-3/4X35, (torque to 66-76 lb-ft)	
7	83191010	5	LOCKWASHER, M12	
8	91403293	1	HEX HD CAPSCREW, M14X2X25	
9	83191014	1	LOCKWASHER, M14	
10	88561007	1	FLAT WASHER, 9/16	
11	91411060	1	ACCELERATOR CABLE BRACKET	
12	83191038	1	HEX HD CAPSCREW, M10X1-1/2X20	
13	83191013	13	LOCKWASHER, M10	
14	80233220	4	FLAT WASHER, M10	
15	91143315	1	OIL PRESSURE SENDER	
16	91406026	1	LH FRONT ENGINE MOUNT	
17	83191043	2	HEX HD CAPSCREW, M16X2X30, (torque to 166-181 lb-ft)	
18	83783030	2	LOCKWASHER, M16	
19	24741047	1	OIL PRESSURE SWITCH	
20	91473223	1	MALE SPADE TAB	
21	91143314	1	WATER TEMPERATURE SENDER	
22	88712306	1	REDUCER BUSHING, 1/2-1/8	
23	88561108	4	FLAT WASHER, 5/16	
24	88551010	4	LOCKWASHER, 5/16	
25	83191041	4	HEX HD CAPSCREW, M8X1-1/4X70	
26	91403248	1	FAN SPACER	
27	91513159	1	FAN	
28		Ref	AIR INTAKE ELBOW, (See AIR CLEANER AND INSTALLATION for Breakdown)	
29	8760268	1	ELBOW, 90, (swivel nut)	
30	84719163	1	HOSE ASSY	
31		Ref	TRACTION LOCK VALVE, (See HYDRAULIC COMPONENTS SECTION for Breakdown)	
32	88561006	2	FLAT WASHER, 1/2	
33	88551013	2	LOCKWASHER, 1/2	
34	88201065	2	HEX HD CAPSCREW, 1/2-13X1, GR5	
35	2220628	1	ELBOW, 90, (includes item 36)	
36	88591205	1	O-RING	
37	88551011	8	LOCKWASHER, 3/8	
38	88211068	8	SOCKET HD CAPSCREW, 3/8-16X5/8, GR8, (torque to 40-45 lb-ft)	
39	83191021	9	HEX HD CAPSCREW, M10X1-1/2X30	
40	83191006	3	HEX HD CAPSCREW, M10X1-1/2X40, (torque to 38-48 lb-ft)	
41	91163011	1	PUMP MOUNT AND COUPLING	
42	2220472	2	ELBOW, 90	

SECTION 4 - ENGINE AND ATTACHING PARTS

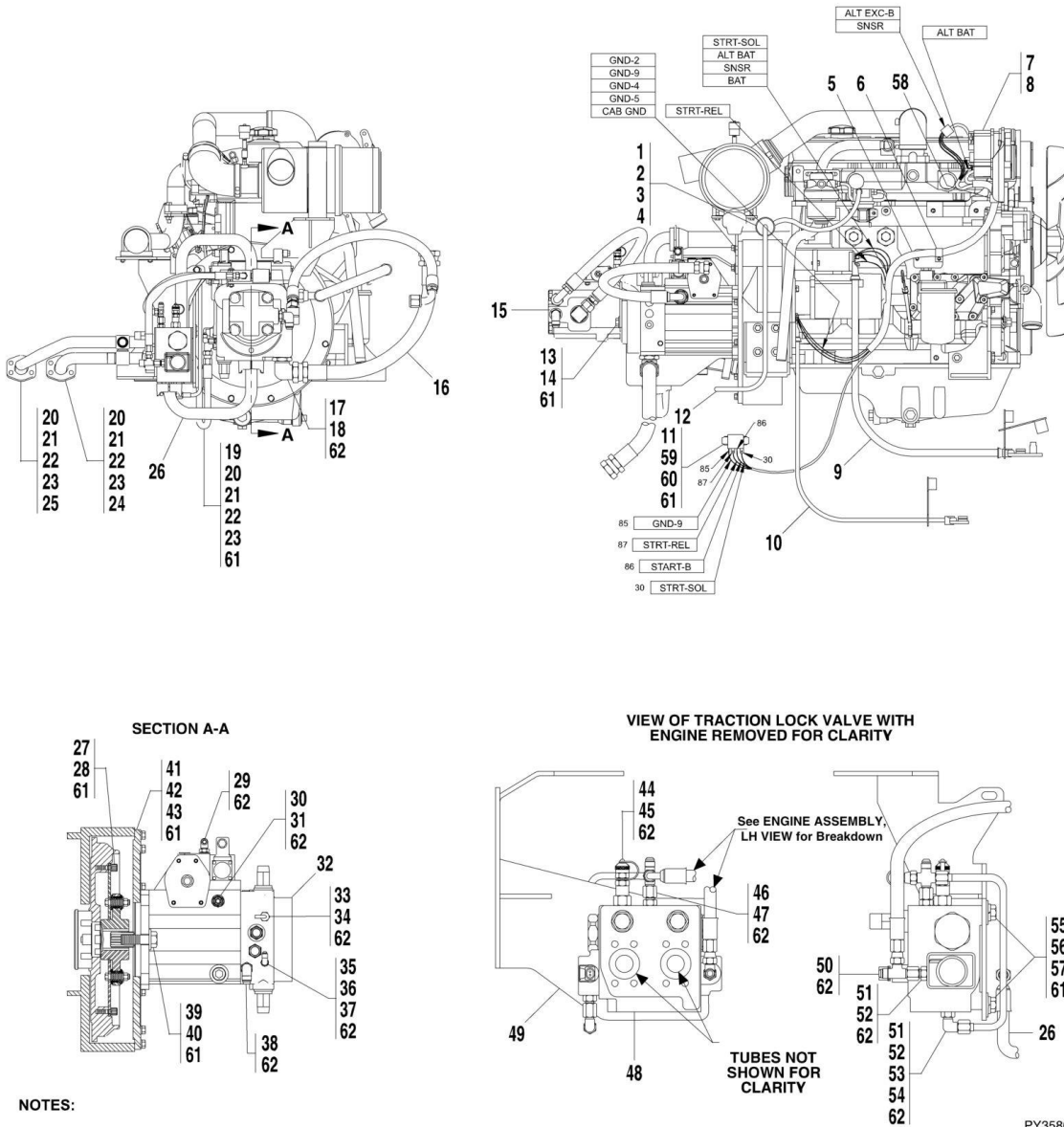
ITEM	PART NUMBER	QTY	DESCRIPTION	REV
43		Ref	HYDRAULIC PUMP, (See HYDRAULIC COMPONENTS SECTION for Breakdown)	
44	88201066	2	HEX HD CAPSCREW, 1/2-13X1-1/4, GR5, (torque to 68-78 lb-ft)	
45	90027471	2	HARDENED WASHER	
46	91053020	1	MINI-CHECK, (includes item 65)	
47	91403454	1	HYDRAULIC TUBE	
48	91083106	3	O-RING	
49	84712738	6	CLAMP HALF	
50	83201135	12	HEX HD CAPSCREW, 7/16-14X1-1/2	
51	88551012	12	LOCKWASHER, 7/16	
52	2220654	1	ELBOW, 90, (swivel nut)	
53	2220415	1	CONNECTOR, (includes item 54)	
54	88591202	1	O-RING	
55	91163098	1	TUBE ASSY	
56	2220635	2	SWIVEL NUT RUN TEE, 3/8, TUBE	
57	91403455	1	HYDRAULIC TUBE	
58	91333002	2	SHOCK MOUNT	
59	88521010	2	HEX LOCKNUT, 5/8-11	
60	91403523	1	ADAPTER	
61	2220497	1	CONNECTOR, (includes item 62)	
62	88591206	1	O-RING	
63	77133089	1	MINI-CHECK, (includes item 66)	
64	91406112	1	FLOW DIVIDER BRACKET	
65	91054002	1	VITON O-RING, (lubricate lightly)	
66	83763056	1	VITON O-RING, (lubricate lightly)	
67	91081158	2	REBOUND WASHER	
68	88201105	2	HEX HD CAPSCREW, 5/8-11X4, GR5	
69	91333003	2	SHOCK MOUNT	
70	91403137	2	REBOUND WASHER	
71	77321274	2	HEX HD CAPSCREW, 7/8-9X5	
72	88521214	2	LOCKNUT, 7/8-9	
73	88501304	2	HEX NUT, 1/4-20 UNC	
74	88551009	2	LOCKWASHER, 1/4	
75	88561002	2	FLAT WASHER, 1/4	
76	88201009	2	HEX HD CAPSCREW, 1/4-20X2, GR5	
77	91401535	1	VALVE BRACKET	
78	91405088	1	SOLENOID VALVE ASSY, (includes 3 of item 4, 1 of item 56 & items 79 thru 81)	G
79	91143172	1	TEST COUPLING	
80	2220606	1	RUN TEE, (includes item 4)	
81	2220473	2	ELBOW, 90, (includes item 4)	
82	14403364	AR	LOCTITE 242	
83	14404043	AR	LOCTITE 545	
K1	91415084	1	250 HOUR FILTER KIT, (includes all items)	6
K1	91534005	1	OIL FILTER ELEMENT	
K1	91404004	1	FUEL FILTER	
K1	1101313	1	air filter safety element	
K1	1101312	1	air filter element	
K1	91083218	1	FUEL STRAINER	
K1	91534006	1	OIL FILTER SEAL	
K2	2915179	1	1000 HOUR FILTER KIT, (includes 91415084 and the following)	5
K2	1001093626	2	HYDRAULIC RETURN	

SECTION 4 - ENGINE AND ATTACHING PARTS

ITEM	PART NUMBER	QTY	DESCRIPTION	REV
K2	1340021	1	HYDRAULIC BREATHER	

SECTION 4 - ENGINE AND ATTACHING PARTS

FIGURE 4-4. ENGINE ASSEMBLY, RH VIEW (SN 0189001 through 0189345, SN 016000230 through 0160001775)



NOTES:

1. USE LOCTITE® 242TM, 14403364, ON ALL BOLT THREADS
2. USE LOCTITE® 545TM, 14404043, ON ALL FITTINGS.

PY3580

SECTION 4 - ENGINE AND ATTACHING PARTS

FIGURE 4-4. ENGINE ASSEMBLY, RH VIEW (SN 0189001 through 0189345, SN 016000230 through 0160001775)

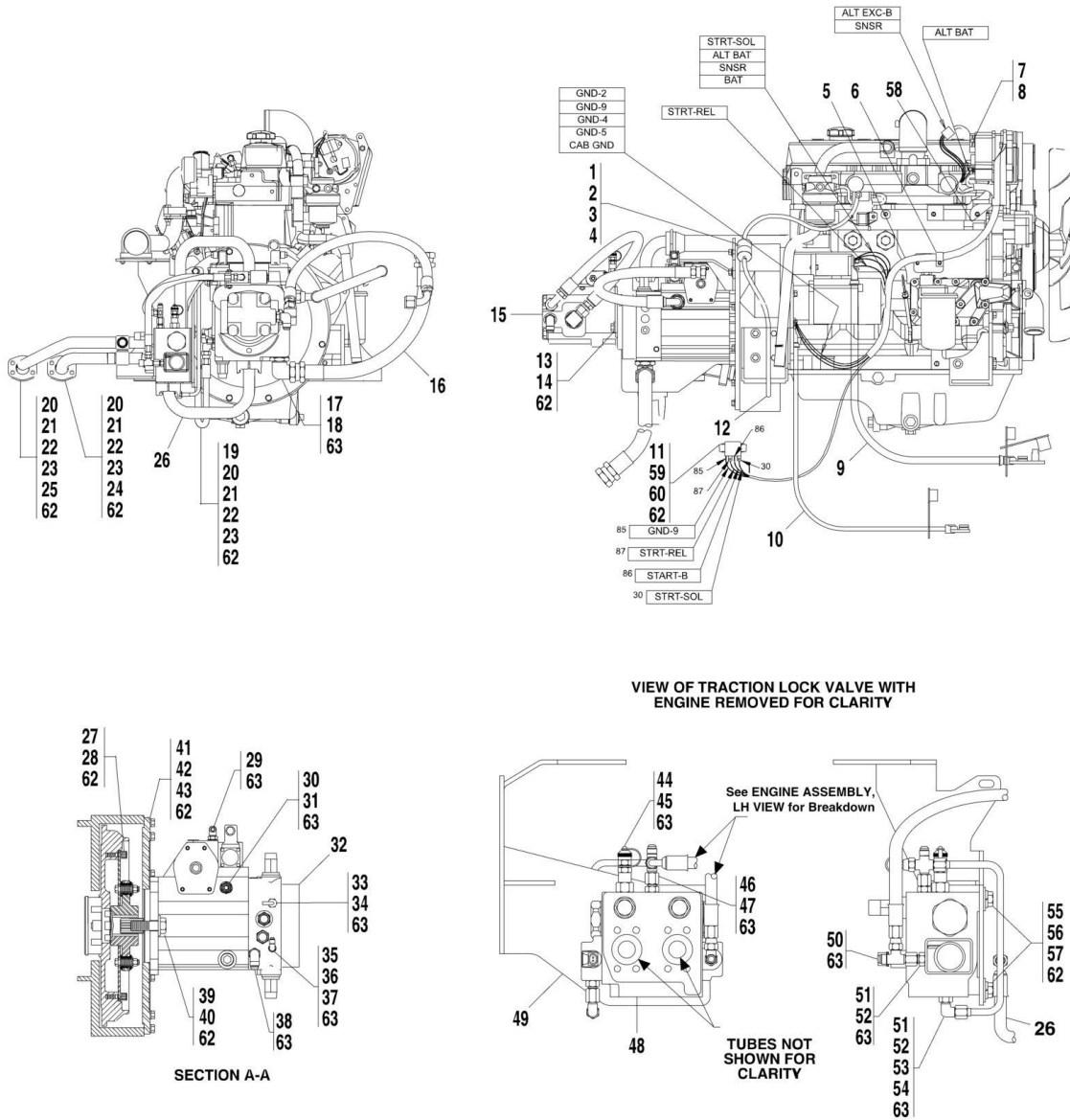
ITEM	PART NUMBER	QTY	DESCRIPTION	REV
	91415007	Ref	ENGINE ASSEMBLY, (includes items 1 thru 54 & 63 thru 73 on ENGINE ASSEMBLY, LH VIEW and all items on ENGINE ASSEMBLY, RH VIEW)	K
1	91083218	1	FUEL STRAINER	
2	90028660	1	SUPPORT CLAMP	
3	88561003	1	FLAT WASHER, 5/16	
4	86883106	2	HOSE CLAMP	
5		Ref	WIRING HARNESS, (See ELECTRICAL SECTION for Breakdown)	
6	85941017	1	SUPPORT CLAMP	
7	1001108293	1	ALTERNATOR, (includes item 8)	
8	1001108291	1	REGULATOR	
9		Ref	POSITIVE BATTERY CABLE, (See ELECTRICAL SECTION for Breakdown)	
10		Ref	NEGATIVE BATTERY CABLE, (See ELECTRICAL SECTION for Breakdown)	
11	77383377	1	STARTER RELAY	
12	82092118	89 in	FUEL LINE, 5/16 ID	
13	88201066	2	HEX HD CAPSCREW, 1/2-13X1-1/4, GR5, (torque to 68-78 lb-ft)	
14	90027471	2	HARDENED WASHER, 1/2	
15		Ref	HYDRAULIC PUMP, (See HYDRAULIC COMPONENTS SECTION for Breakdown)	
16	84719593	1	HOSE ASSY	
17	88662070	1	ELBOW, 90, (includes item 18)	
18	88591210	1	O-RING	
19	91403454	1	HYDRAULIC TUBE	
20	91083106	4	O-RING	
21	83201135	16	HEX HD CAPSCREW, 7/16-14X1-1/2	
22	88551012	16	LOCKWASHER, 7/16	
23	84712738	8	CLAMP HALF	
24	91403556	1	HYDRAULIC TUBE	
25	91413005	1	HYDRAULIC TUBE	
26	84719163	1	HOSE ASSY	
27	88211068	8	SOCKET HD CAPSCREW, 3/8-16X5/8, GR8, (torque to 40-45 lb-ft)	
28	88551011	8	LOCKWASHER, 3/8	
29	90027906	2	ELBOW, 90	
30	2220371	1	CONNECTOR, (includes item 31)	
31	88591204	1	O-RING	
32		Ref	HYDROSTATIC TRANSMISSION, (See HYDRAULIC COMPONENTS SECTION for Breakdown)	
33	91053020	1	MINI-CHECK, (includes item 34)	
34	91054002	1	VITON O-RING, (lubricate lightly)	
35	88662103	1	ELBOW, 90, (swivel nut)	
36	2220415	1	CONNECTOR, (includes item 37)	
37	88591202	1	O-RING	
38	91083222	1	ELBOW, 90, (swivel nut)	
39	88201112	2	HEX HD CAPSCREW, 3/4-10X2-1/4, GR5, (torque to 240-265 lb-ft)	
40	90027473	2	HARDENED WASHER, 3/4	
41	91163011	1	PUMP MOUNT AND COUPLING	

SECTION 4 - ENGINE AND ATTACHING PARTS

ITEM	PART NUMBER	QTY	DESCRIPTION	REV
42	83191006	7	HEX HD CAPSCREW, M10X1-1/2X40, (torque to 38-48 lb-ft)	
43	83191013	7	LOCKWASHER, M10	
44	77133089	1	MINI-CHECK, (includes item 45)	
45	83763056	1	VITON O-RING, (lubricate lightly)	
46	91403523	1	SPECIAL FITTING	
47	2220497	1	STRAIGHT THREAD CONNECTOR	
48		Ref	TRACTION LOCK VALVE, (See HYDRAULIC COMPONENTS SECTION for Breakdown)	
49	91406112	1	FLOW DIVIDER BRACKET	
50	2220635	1	SWIVEL NUT RUN TEE, 3/8, TUBE	
51	2220371	2	CONNECTOR, (includes item 52)	
52	88591204	2	O-RING	
53	88662105	1	ELBOW, 90, (swivel nut)	
54	91163098	1	TUBE ASSY	
55	88201065	2	HEX HD CAPSCREW, 1/2-13X1, GR5	
56	88551013	2	LOCKWASHER, 1/2	
57	88561006	2	FLAT WASHER, 1/2	
58	24431386	1	SUPPORT CLAMP	
59	88551009	2	LOCKWASHER, 1/4	
60	88201003	2	HEX HD CAPSCREW, 1/4-20X3/4, GR5	
61	14403364	AR	LOCTITE 242	
62	14404043	AR	LOCTITE 545	

SECTION 4 - ENGINE AND ATTACHING PARTS

FIGURE 4-5. ENGINE ASSEMBLY, RH VIEW (SN 0160001921 through 0160003058, Excluding 0160002657)



NOTES:

1. USE LOCTITE® 242™ (14403364) ON ALL BOLT THREADS
2. USE LOCTITE® 545™ (14404043) ON ALL FITTINGS.

PAP23480

SECTION 4 - ENGINE AND ATTACHING PARTS

FIGURE 4-5. ENGINE ASSEMBLY, RH VIEW (SN 0160001921 through 0160003058, Excluding 0160002657)

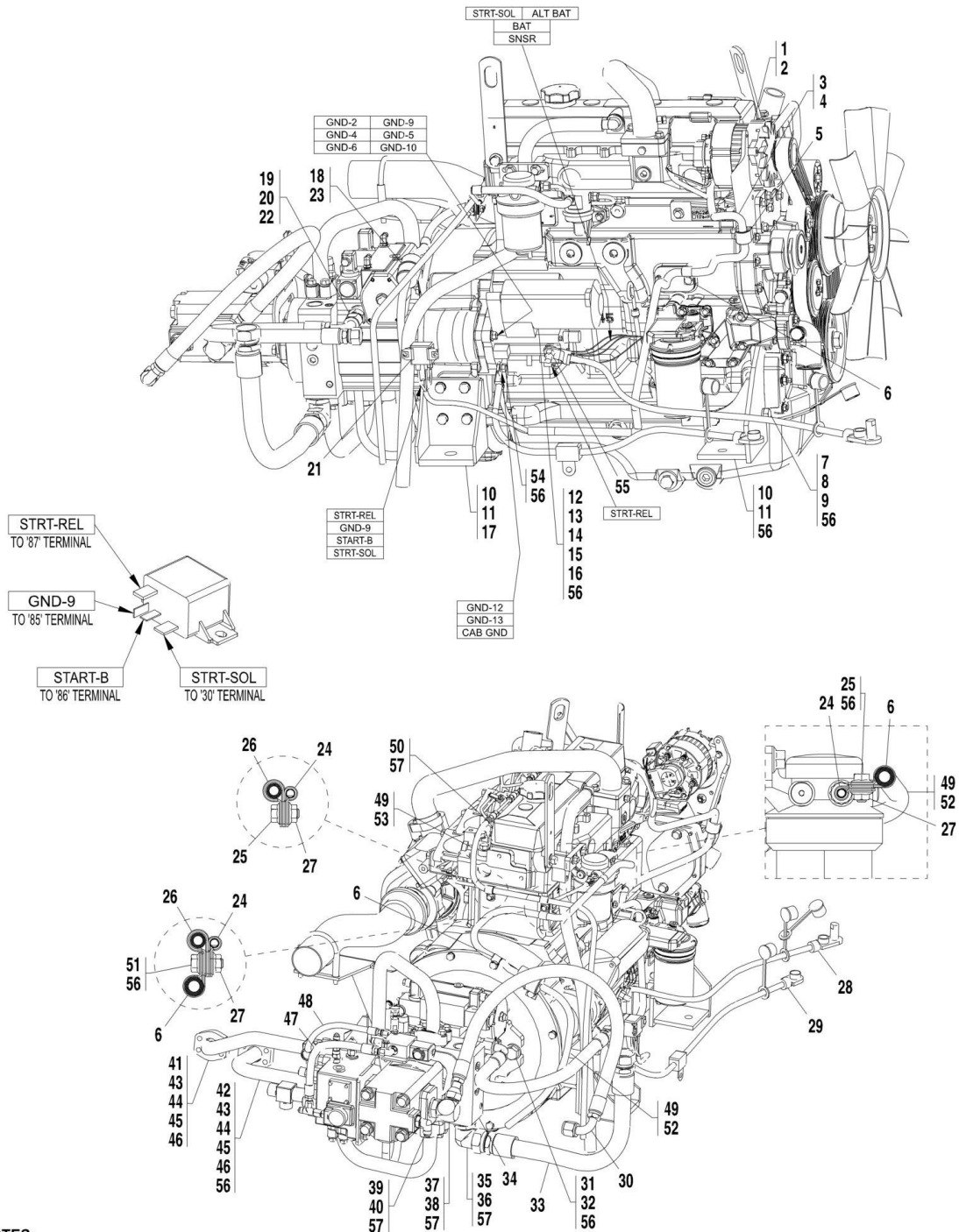
ITEM	PART NUMBER	QTY	DESCRIPTION	REV
	91415007	Ref	ENGINE ASSEMBLY, (includes items 1 thru 54 & 63 thru 70 on ENGINE ASSEMBLY, LH VIEW and all items on ENGINE ASSEMBLY, RH VIEW)	O
1	91083218	1	FUEL STRAINER	
2	90028660	1	SUPPORT CLAMP	
3	88561003	1	FLAT WASHER, 5/16	
4	86883106	2	HOSE CLAMP	
5		Ref	WIRING HARNESS, (See ELECTRICAL SECTION for Breakdown)	
6	85941017	1	SUPPORT CLAMP	
7	1001108293	1	ALTERNATOR, (includes item 8)	
8	1001108291	1	REGULATOR	
9		Ref	POSITIVE BATTERY CABLE, (See ELECTRICAL SECTION for Breakdown)	
10		Ref	NEGATIVE BATTERY CABLE, (See ELECTRICAL SECTION for Breakdown)	
11	77383377	1	STARTER RELAY	
12	82092118	89 in	FUEL LINE, 5/16 ID	
13	88201066	2	HEX HD CAPSCREW, 1/2-13X1-1/4, GR5, (torque to 68-78 lb-ft)	
14	90027471	2	HARDENED WASHER, 1/2	
15		Ref	HYDRAULIC PUMP, (See HYDRAULIC COMPONENTS SECTION for Breakdown)	
16	84719593	1	HOSE ASSY	
17	88662070	1	ELBOW, 90, (includes item 18)	
18	88591210	1	O-RING	
19	91403454	1	HYDRAULIC TUBE	
20	91083106	4	O-RING	
21	83201135	16	HEX HD CAPSCREW, 7/16-14X1-1/2	
22	88551012	16	LOCKWASHER, 7/16	
23	84712738	8	CLAMP HALF	
24	91403556	1	HYDRAULIC TUBE	
25	91413005	1	HYDRAULIC TUBE	
26	84719163	1	HOSE ASSY	
27	88211068	8	SOCKET HD CAPSCREW, 3/8-16X5/8, GR8, (torque to 40-45 lb-ft)	
28	88551011	8	LOCKWASHER, 3/8	
29	90027906	2	ELBOW, 90	
30	2220371	1	CONNECTOR, (includes item 31)	
31	88591204	1	O-RING	
32		Ref	HYDROSTATIC TRANSMISSION, (See HYDRAULIC COMPONENTS SECTION for Breakdown)	
33	91053020	1	MINI-CHECK, (includes item 34)	
34	91054002	1	VITON O-RING, (lubricate lightly)	
35	88662103	1	ELBOW, 90, (swivel nut)	
36	2220415	1	CONNECTOR, (includes item 37)	
37	88591202	1	O-RING	
38	91083222	1	ELBOW, 90, (swivel nut)	
39	88201112	2	HEX HD CAPSCREW, 3/4-10X2-1/4, GR5, (torque to 240-265 lb-ft)	
40	90027473	2	HARDENED WASHER, 3/4	
41	91163011	1	PUMP MOUNT AND COUPLING	

SECTION 4 - ENGINE AND ATTACHING PARTS

ITEM	PART NUMBER	QTY	DESCRIPTION	REV
42	83191006	7	HEX HD CAPSCREW, M10X1-1/2X40, (torque to 38-48 lb-ft)	
43	83191013	7	LOCKWASHER, M10	
44	77133089	1	MINI-CHECK, (includes item 45)	
45	83763056	1	VITON O-RING, (lubricate lightly)	
46	91403523	1	SPECIAL FITTING	
47	2220497	1	STRAIGHT THREAD CONNECTOR	
48		Ref	TRACTION LOCK VALVE, (See HYDRAULIC COMPONENTS SECTION for Breakdown)	
49	91406112	1	FLOW DIVIDER BRACKET	
50	2220635	1	SWIVEL NUT RUN TEE, 3/8, TUBE	
51	2220371	2	CONNECTOR, (includes item 52)	
52	88591204	2	O-RING	
53	88662105	1	ELBOW, 90, (swivel nut)	
54	91163098	1	TUBE ASSY	
55	88201065	2	HEX HD CAPSCREW, 1/2-13X1, GR5	
56	88551013	2	LOCKWASHER, 1/2	
57	88561006	2	FLAT WASHER, 1/2	
58	24431386	1	SUPPORT CLAMP	
59	88551009	2	LOCKWASHER, 1/4	
60	88201003	2	HEX HD CAPSCREW, 1/4-20X3/4, GR5	
62	14403364	AR	LOCTITE 242	
63	14404043	AR	LOCTITE 545	

SECTION 4 - ENGINE AND ATTACHING PARTS

FIGURE 4-6. ENGINE ASSEMBLY, RH VIEW (SN 0160003213 to Present, Including 0160002657)



NOTES:

1. USE LOCTITE® 242TM, 14403364, ON ALL BOLT THREADS
2. USE LOCTITE® 545TM, 14404043, ON ALL FITTINGS.

SECTION 4 - ENGINE AND ATTACHING PARTS

FIGURE 4-6. ENGINE ASSEMBLY, RH VIEW (SN 0160003213 to Present, Including 0160002657)

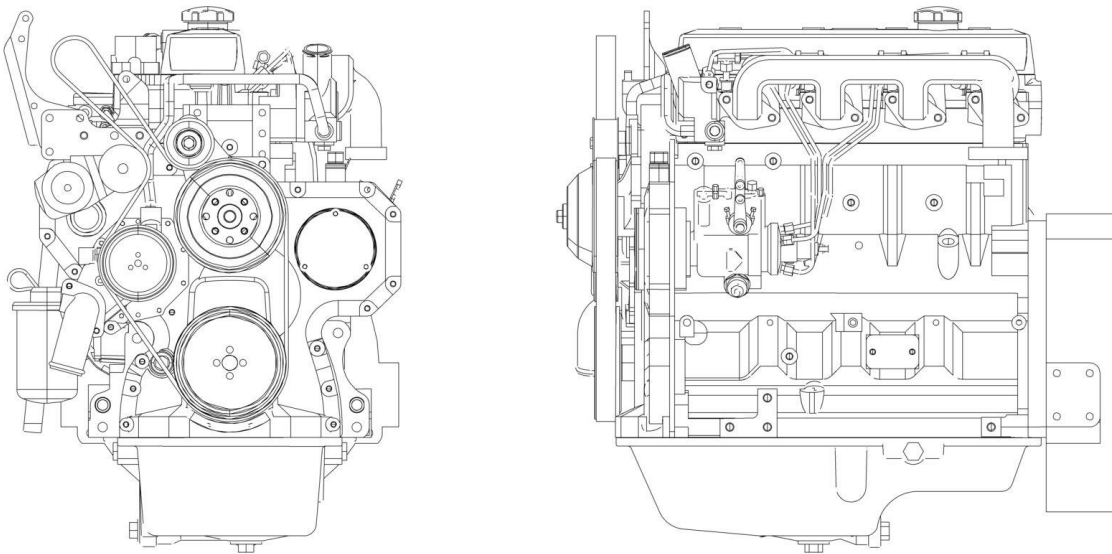
ITEM	PART NUMBER	QTY	DESCRIPTION	REV
	91415078	Ref	ENGINE ASSEMBLY, (includes items 1 thru 57, 60 thru 66 & 73 thru 83 on ENGINE ASSEMBLY, LH VIEW and all items on ENGINE ASSEMBLY, RH VIEW)	N
1	1001108293	1	ALTERNATOR, (includes item 2)	
2	1001108291	1	REGULATOR	
3	90027187	6	NYLON TIE	
4		Ref	WIRING HARNESS, (See ELECTRICAL SECTION for Breakdown)	
5	80633013	1	SUPPORT CLAMP	
6	91143122	4	SUPPORT CLAMP	
7	83191043	2	HEX HD CAPSCREW, M16X2X30, (torque to 166-181 lb-ft)	
8	83783030	2	LOCKWASHER, M16	
9	91406027	1	RH FRONT ENGINE MOUNT	
10	83191032	5	HEX HD CAPSCREW, M12X1-3/4X35, (torque to 66-76 lb-ft)	
11	83191010	5	LOCKWASHER, M12	
12	91413104	NLA	STARTER, (Prestolite), (no longer available, for service order kit 91415083), (See OPTIONS SECTION for Breakdown) (SN 0160003213 through 0160006643, Including 0160002657 and , Excluding 0160006494 and 0160006643)	
12	7026921	1	STARTER, (Denso) (SN 0160006786 to Present, Including 0160006494 and 0160006543)	
13	91414040	1	STARTER SOLENOID	
14	83191062	2	SOCKET HD CAPSCREW, M10X1-1/2X40, (torque to 38-48 lb-ft)	
15	83191040	1	SOCKET HD CAPSCREW, M10X1-1/2X30, (top inner mtg hole)	
16	83191013	3	LOCKWASHER, M10	
17	91406032	1	REAR ENGINE MOUNT	
18	91083218	1	FUEL STRAINER	
19	88591207	1	O-RING	
20	84719407	1	HOSE ASSY	
21	77383377	1	STARTER RELAY	
22	2220451	1	ADAPTER, (includes item 19)	
23	90028660	1	SUPPORT CLAMP	
24	91203039	3	SUPPORT CLAMP	
25	77143003	2	WHIZ-LOCK SCREW, 5/16-18X5/8	
26	24861170	2	SUPPORT CLAMP	
27	77143006	3	WHIZ-LOCKNUT, 5/16-18	
28		Ref	POSITIVE BATTERY CABLE, (See ELECTRICAL SECTION for Breakdown)	
29		Ref	NEGATIVE BATTERY CABLE, (See ELECTRICAL SECTION for Breakdown)	
30	84719468	1	HOSE ASSY	
31	88201112	2	HEX HD CAPSCREW, 3/4-10X2-1/4, GR5, (torque to 240-265 lb-ft)	
32	90027473	2	HARDENED WASHER, 3/4	
33	84719593	1	HOSE ASSY	
34		Ref	HYDROSTATIC TRANSMISSION, (See HYDRAULIC COMPONENTS SECTION for Breakdown)	
35	88662070	1	ELBOW, 90, (includes item 36)	
36	88591210	1	O-RING	
37	2131216	1	ELBOW, 90, (includes item 38)	
38	88591209	1	O-RING	
39	2220671	1	ELBOW, 90, (includes item 40)	

SECTION 4 - ENGINE AND ATTACHING PARTS

ITEM	PART NUMBER	QTY	DESCRIPTION	REV
40	88591206	1	O-RING	
41	91413005	1	HYDRAULIC TUBE	
42	91403556	1	HYDRAULIC TUBE	
43	88551012	8	LOCKWASHER, 7/16	
44	83201135	8	HEX HD CAPSCREW, 7/16-14X1-1/2	
45	84712738	4	CLAMP HALF	
46	91083106	2	O-RING	
47	77133201	1	HOSE ASSY	
48	84719408	1	HOSE ASSY	
49	86883106	4	HOSE CLAMP	
50	80373025	1	PUSH LOCK FITTING	
51	0791506	1	WHIZ-LOCK SCREW, 5/16-18X3/4	
52	2750532	114 in	FUEL LINE, 3/8 I.D.	
53	2720058	100 in	FUEL LINE, 5/16 I.D.	
54	5251016	1	HEX FLANGE SCREW, 10-15X40mm	
55	3291201	1	HEX NUT, 12mm-1-3/4	
56	14403364	AR	LOCTITE, 242	
57	14404043	AR	LOCTITE, 545	

SECTION 4 - ENGINE AND ATTACHING PARTS

FIGURE 4-7. JOHN DEERE ENGINE (SN 0189001 through 0189345, SN 016000230 through 0160003058, Excluding 0160002657)



SECTION 4 - ENGINE AND ATTACHING PARTS

FIGURE 4-7. JOHN DEERE ENGINE (SN 0189001 through 0189345, SN 0160000230 through 0160003058, Excluding 0160002657)

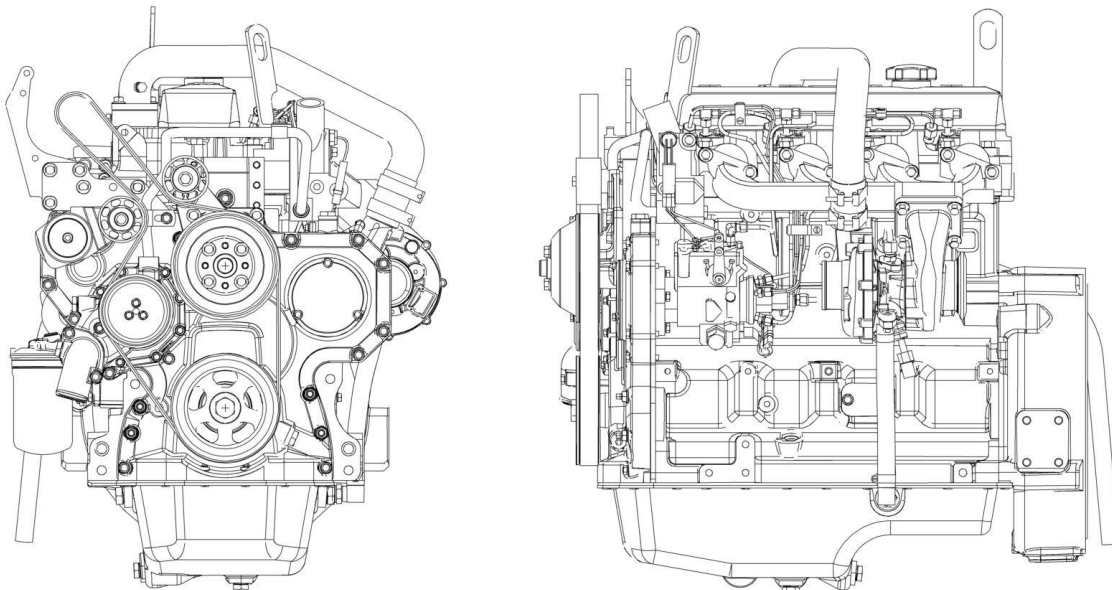
ITEM	PART NUMBER	QTY	DESCRIPTION	REV
	91403030	1	JOHN DEERE ENGINE, (includes all items)	E
	91404219	1	GASKET OVERHAUL KIT	
	91404220	1	ENGINE CYLINDER HEAD GASKET	
	91404221	1	BOLT, BELT TENSIONER	
	91404222	1	SCREW, BELT TENSIONER	
	91404223	1	SHEAVE, BELT TENSIONER	
	91404224	1	OIL COOLER	
	91404225	1	GASKET, OIL COOLER	
	91404226	1	GASKET, OIL COOLER	
	91404227	2	O-RING, OIL COOLER	
	91404228	2	O-RING, OIL COOLER	
	91404229	1	O-RING, WATER PUMP INLET	
	91404230	1	KIT, WATER PUMP INLET	
	70023425	1	SEAL, FRONT MAIN SEAL	
	91404232	1	GASKET, WATER PUMP	
	91404233	1	WATER PUMP	
	70024392	1	PULLEY, WATER PUMP	
	91404451	1	WATER TEMPERATURE SENDER	
	91404234	4	GASKET, EXHAUST MANIFOLD	
	91404235	1	PULLEY, FAN	
	91404236	1	SCREW, FAN PULLEY	
	91404237	1	SPACER, FAN PULLEY	
	91404238	1	SLEEVE, FAN PULLEY	
	91404239	1	BEARING HOUSING WITH BEARING	
	7026927	1	GASKET, THERMOSTAT	
	91404241	3	PLUG, OIL PAN	
	91404242	1	GASKET, OIL PAN	
	91404243	2	O-RING, OIL PAN	
	91404244	1	SEAL, INJECTOR	
	91404245	1	VALVE, INJECTOR	
	91404246	1	STEEL, INJECTOR	
	91404247	1	O-RING, INJECTOR	
	91404249	1	INJECTION NOZZLE	
	91404250	1	FLYWHEEL, WITH RING GEAR	
	91404251	1	SEAL, REAR MAIN	
	91404252	1	PULLEY, MAIN	
	91404253	2	GASKET, OIL FILLER	
	91404254	1	PACKING, VALVE COVER NUT	
	91404255	1	PACKING, FILLER CAP	
	91404256	4	PLUG, VALVE COVER	
	91404257	1	GASKET, VALVE COVER	
	91404258	1	FILLER CAP, VALVE COVER	
	91404259	4	O-RING, VALVE COVER	
	91404260	1	COOLANT, PRE-MIX, (2.5 gal)	
	91404261	1	COOLANT CONDITIONER	
	91404262	1	FUEL TRANSFER PUMP	
	91404263	1	THERMOSTAT	
	91404264	1	THERMOSTAT COVER SEAL	
	91474629	1	ALTERNATOR BRACKET	

SECTION 4 - ENGINE AND ATTACHING PARTS

ITEM	PART NUMBER	QTY	DESCRIPTION	REV
	91474630	1	ALTERNATOR SUPPORT	
	91474631	1	ALTERNATOR STRAP	

SECTION 4 - ENGINE AND ATTACHING PARTS

FIGURE 4-8. JOHN DEERE ENGINE (SN 0160003213 through 0160006643, Including 0160002657, Excluding 0160006494 and 0160006543)



SECTION 4 - ENGINE AND ATTACHING PARTS

FIGURE 4-8. JOHN DEERE ENGINE (SN 0160003213 through 0160006643, Including 0160002657, Excluding 0160006494 and 0160006543)

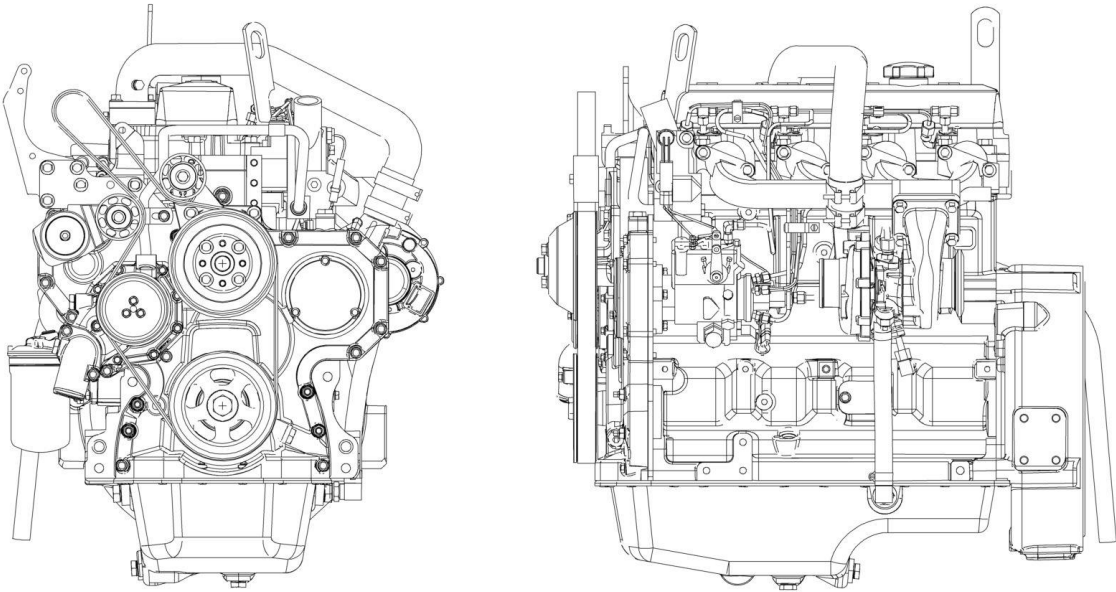
ITEM	PART NUMBER	QTY	DESCRIPTION	REV
	91413134	1	JOHN DEERE ENGINE, 99HP, (includes all items)	C
	91404257	1	GASKET, VALVE COVER	
	91404256	4	PLUG, VALVE COVER	
	91404259	4	O-RING, VALVE COVER PLUG	
	91404258	1	FILLER CAP, VALVE COVER, (includes packing)	
	91404255	1	PACKING, FILLER CAP	
	91404253	2	GASKET, OIL FILLER	
	91404251	1	SEAL, REAR MAIN	
	91404250	1	FLYWHEEL, (includes Ring Gear)	
	80374031	1	RING GEAR	
	91514256	1	FUEL PUMP	
	7026919	1	GASKET, AIR INLET	
	7026918	1	GASKET, AIR INLET	
	91404242	1	GASKET, OIL PAN	
	80374037	1	O-RING, OIL PUMP INTAKE	
	7026927	1	GASKET, THERMOSTAT COVER	
	7026920	1	THERMOSTAT	
	91404086	1	BELT	
	91404234	4	GASKET, EXHAUST MANIFOLD	
	91404004	1	FUEL FILTER ELEMENT	
	80374054	1	KIT, FUEL FILTER	
	80374050	1	SEAL KIT, FUEL FILTER	
	91404262	1	FUEL PUMP, (includes o-ring)	
	7026923	1	O-RING, FUEL PUMP	
	91404085	1	DIPSTICK	
	91554032	1	DIPSTICK TUBE	
	91404233	1	WATER PUMP	
	91404232	1	GASKET, WATER PUMP	
	91404264	1	GASKET, WATER PUMP	
	70023425	1	SEAL, FRONT MAIN	
	91514260	1	GASKET, FRONT MAIN	
	91514257	1	O-RING, FRONT MAIN COVER	
	91514258	1	OIL PUMP	
	91404220	1	GASKET, CYLINDER HEAD	
	91404229	1	O-RING, WATER PUMP INLET	
	91404224	1	OIL COOLER	
	91404225	1	GASKET, OIL COOLER	
	91404226	1	GASKET, OIL COOLER	
	91514259	1	TURBOCHARGER	
	91404267	1	GASKET, TURBOCHARGER	
	91404265	1	GASKET, TURBOCHARGER	
	91534005	1	OIL FILTER	
	80374036	1	GASKET, OIL FILTER	
	91474506	1	DRAIN PLUG, OIL FILTER HEAD, (includes o-ring)	
	80374020	1	O-RING, DRAIN PLUG	
	91404221	1	BOLT, BELT TENSIONER	
	91404222	1	SCREW, BELT TENSIONER	
	91404223	1	SHEAVE, BELT TENSIONER	
	91474629	1	ALTERNATOR BRACKET	

SECTION 4 - ENGINE AND ATTACHING PARTS

ITEM	PART NUMBER	QTY	DESCRIPTION	REV
	91474630	1	ALTERNATOR SUPPORT	
	91474631	1	ALTERNATOR STRAP	

SECTION 4 - ENGINE AND ATTACHING PARTS

FIGURE 4-9. JOHN DEERE ENGINE (SN 0160006706 to Present, Including 0160006494 and 0160006543)



SECTION 4 - ENGINE AND ATTACHING PARTS

FIGURE 4-9. JOHN DEERE ENGINE (SN 0160006706 to Present, Including 0160006494 and 0160006543)

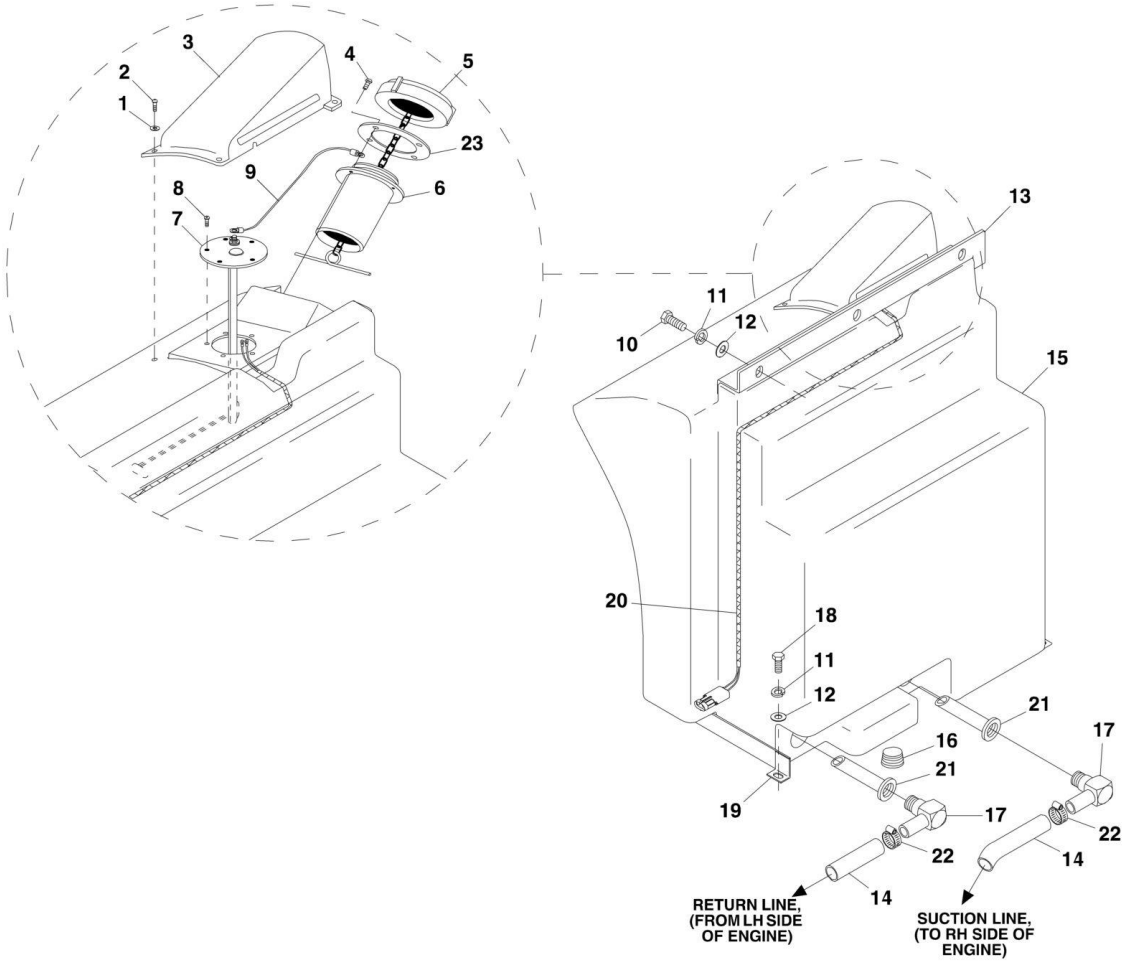
ITEM	PART NUMBER	QTY	DESCRIPTION	REV
	91413145	1	JOHN DEERE ENGINE, 99HP, (includes all items)	B
	91404257	1	GASKET, VALVE COVER	
	91404256	4	PLUG, VALVE COVER	
	91404259	4	O-RING, VALVE COVER PLUG	
	91404258	1	FILLER CAP, VALVE COVER, (includes packing)	
	91404255	1	PACKING, FILLER CAP	
	91404253	2	GASKET, OIL FILLER	
	91404251	1	SEAL, REAR MAIN	
	91404250	1	FLYWHEEL, (includes Ring Gear)	
	80374031	1	RING GEAR	
	91514256	1	FUEL PUMP	
	7026919	1	GASKET, AIR INLET	
	7026918	1	GASKET, AIR INLET	
	91404242	1	GASKET, OIL PAN	
	80374037	1	O-RING, OIL PUMP INTAKE	
	7026927	1	GASKET, THERMOSTAT COVER	
	7026920	1	THERMOSTAT	
	91404086	1	BELT	
	91404234	4	GASKET, EXHAUST MANIFOLD	
	91404004	1	FUEL FILTER ELEMENT	
	80374054	1	KIT, FUEL FILTER	
	80374050	1	SEAL KIT, FUEL FILTER	
	91404262	1	FUEL PUMP, (includes o-ring)	
	7026923	1	O-RING, FUEL PUMP	
	91404085	1	DIPSTICK	
	91554032	1	DIPSTICK TUBE	
	91404233	1	WATER PUMP	
	91404232	1	GASKET, WATER PUMP	
	91404264	1	GASKET, WATER PUMP	
	70023425	1	SEAL, FRONT MAIN	
	91514260	1	GASKET, FRONT MAIN	
	91514257	1	O-RING, FRONT MAIN COVER	
	91514258	1	OIL PUMP	
	91404220	1	GASKET, CYLINDER HEAD	
	91404229	1	O-RING, WATER PUMP INLET	
	91404224	1	OIL COOLER	
	91404225	1	GASKET, OIL COOLER	
	91404226	1	GASKET, OIL COOLER	
	91514259	1	TURBOCHARGER	
	91404267	1	GASKET, TURBOCHARGER	
	91404265	1	GASKET, TURBOCHARGER	
	91534005	1	OIL FILTER	
	80374036	1	GASKET, OIL FILTER	
	91474506	1	DRAIN PLUG, OIL FILTER HEAD, (includes o-ring)	
	80374020	1	O-RING, DRAIN PLUG	
	91404221	1	BOLT, BELT TENSIONER	
	91404222	1	SCREW, BELT TENSIONER	
	91404223	1	SHEAVE, BELT TENSIONER	
	7026921	1	STARTER	

SECTION 4 - ENGINE AND ATTACHING PARTS

ITEM	PART NUMBER	QTY	DESCRIPTION	REV
	91474629	1	ALTERNATOR BRACKET	
	91474630	1	ALTERNATOR SUPPORT	
	91474631	1	ALTERNATOR STRAP	

SECTION 4 - ENGINE AND ATTACHING PARTS

FIGURE 4-10. FUEL TANK AND LINES (Prior to SN 0160020156)



PAP23340

SECTION 4 - ENGINE AND ATTACHING PARTS

FIGURE 4-10. FUEL TANK AND LINES (Prior to SN 0160020156)

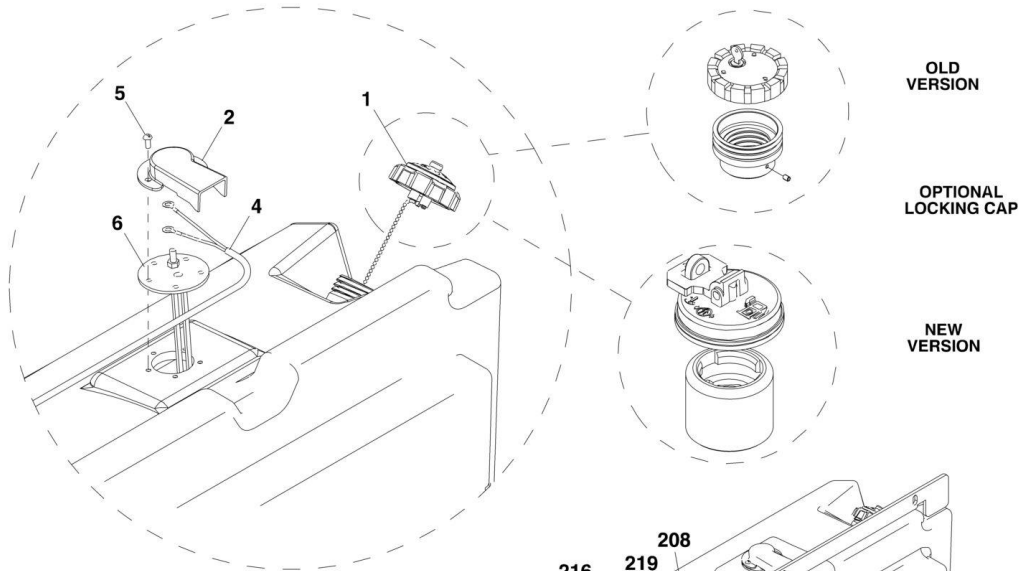
ITEM	PART NUMBER	QTY	DESCRIPTION	REV
	91405042	1	FUEL TANK ASSY, (not available to order, see items 4 thru 9, 15, 20 & 23)	K
1	88561003	4	FLAT WASHER, 5/16	
2	88261024	4	SOCKET BUTTON HD CAPSCREW, 5/16-18x1	
3	91403254	1	FUEL TANK HOOD	
4	88261014	4	SOCKET BUTTON HD CAPSCREW, 1/4-20X1/2	
5	91403513	1	FUEL TANK CAP, (with chain)	
5	91403514	1	LOCKING FUEL TANK CAP, (optional), (includes key)	
5	91404443	1	KEY	
6	91403524	1	FILLER NECK	
7	91403609	1	FUEL LEVEL SENDER	
8	88301191	5	ROUND HD MACHINE SCREW, #10-32X3/8	
9	91401581	1	JUMPER WIRE (Prior to SN 0160001777)	
10	88201036	3	HEX HD CAPSCREW, 3/8-16X1-1/4, GR5	
11	88561004	5	FLAT WASHER, 3/8	
12	88551011	5	LOCKWASHER, 3/8	
13	91401198	1	FUEL TANK HOLD DOWN	
14		Ref	FUEL LINE, 5/16 ID	
15	91403176	1	FUEL TANK, (includes item 21)	
16	88711283	1	HEX SOCKET PIPE PLUG, 1/2	
17	1001113251	2	ELBOW, 90	
18	88201035	2	HEX HD CAPSCREW, 3/8-16X1, GR5	
19	91416014	1	FUEL TANK STRAP WELDMENT	
20	91403437	1	FUEL GAUGE HARNESS	
21	91404068	2	PICK-UP TUBE, 6 IN	
22	86883106	2	HOSE CLAMP	
23	3960616	1	GASKET, FILLER NECK	

SECTION 4 - ENGINE AND ATTACHING PARTS

FIGURE 4-11. FUEL TANK AND LINES (SN 0160020156 to Present)

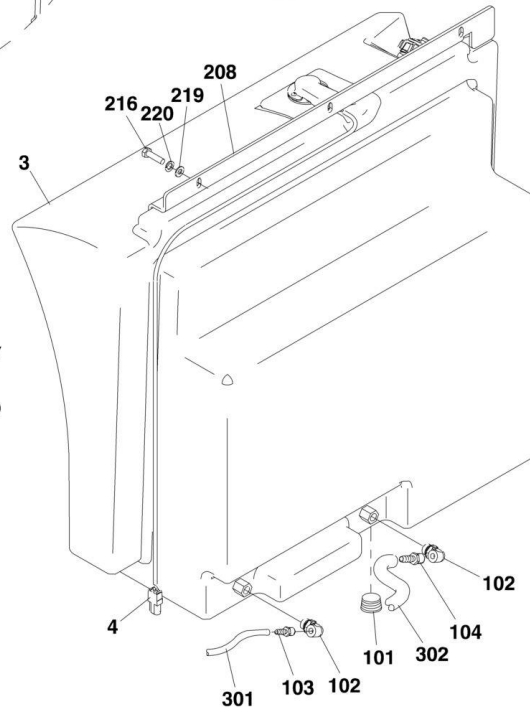
NOTE: WHEN USING FUEL CAP ADAPTER KIT, 2902446 OR OLD VERSION LOCKING CAP

1. COAT ALL THREADS OF ADAPTER (ITEM 301) & SET SCREWS (ITEM 303) WITH LOCTITE® 641™ (14404978) BEFORE INSTALLING FILLER NECK ADAPTER.
2. HAND TIGHTEN SET SCREWS JUST UNTIL RESISTANCE IS FELT. OVERTIGHTENED SCREWS WILL DISTORT PLASTIC THREADS.



NOTE: NEW VERSION

1. APPLY LOCTITE® 30512™ (0100093) ON ALL ADAPTER THREADS UP TO GASKET START AT BOTTOM OF THE THREADS, 360 DEGREE. AIR DRY FOR 3 TO 4 MINUTES ON BOTH MATING PARTS.
2. APPLY 1/2 IN. ALL THE WAY AROUND THE FILLER NECK THREADS. APPLY THE ADAPTER TO THE FILLER NECK ON THE TANK.
3. ONCE ASSEMBLED, NO FUEL SHOULD BE ADDED FOR 8 HOURS.



PAP23400

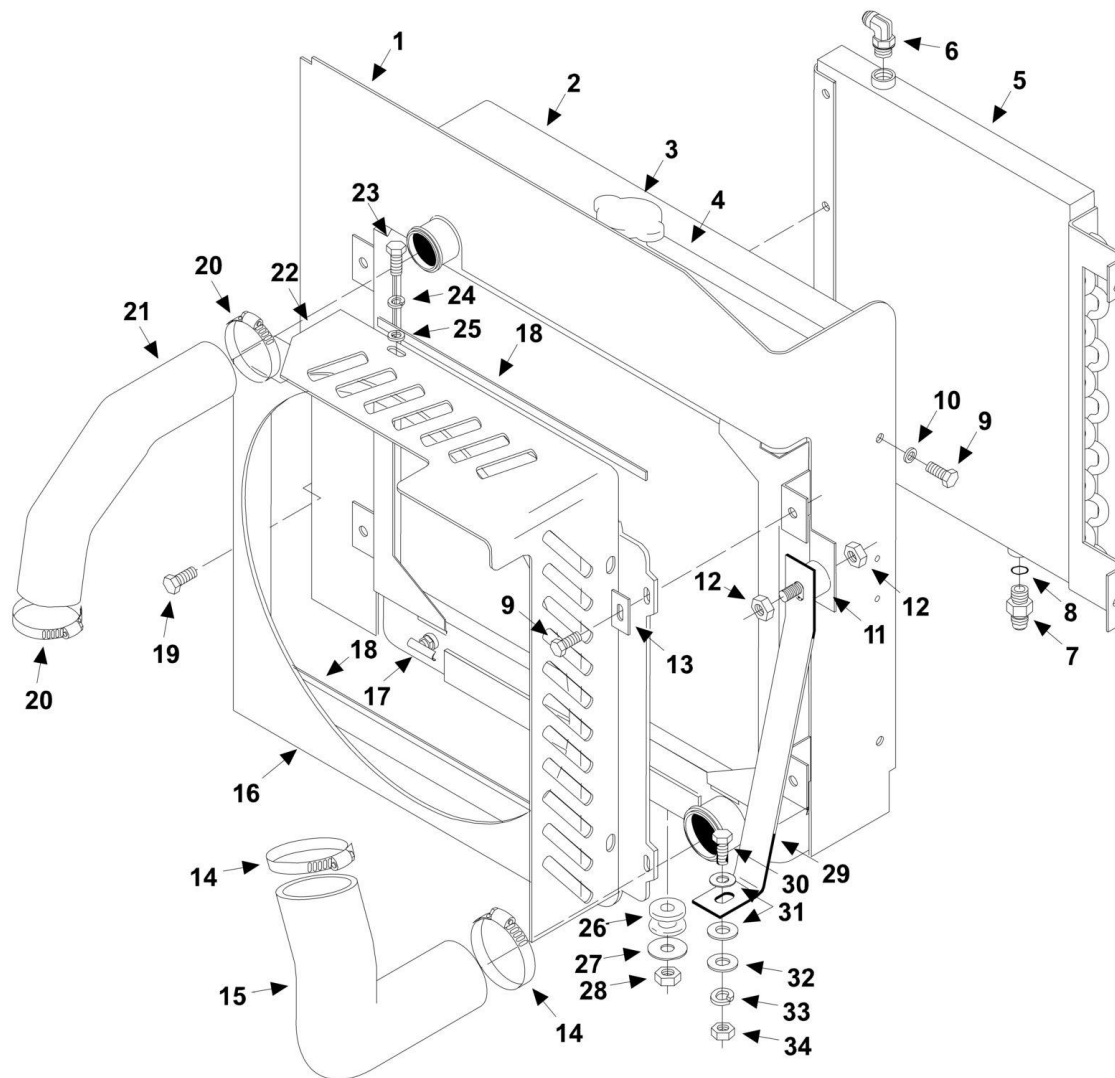
SECTION 4 - ENGINE AND ATTACHING PARTS

FIGURE 4-11. FUEL TANK AND LINES (SN 0160020156 to Present)

ITEM	PART NUMBER	QTY	DESCRIPTION	REV
	4400496	1	FUEL TANK ASSY, (includes items 2 thru 6)	E
1	1001093641	1	NON-LOCKING FUEL CAP, (if equipped)	
1	2902446	NLA	LOCKING FUEL TANK CAP, (no longer available, use 1001102657 for replacement or the following five items for service)	
1	0080272	1	FILLER NECK ADAPTER	
1	1120591	1	CAP	
1	3900140	2	SET SCREW, 1/4-20X3/8	
1	14404978	AR	LOCTITE 641	
1	8342813	1	KEY	
1	1001102657	1	LOCKING FUEL TANK CAP, (if equipped)	
1	1001001422	1	FILLER NECK ADAPTER	
1	1001080707	1	CAP	
1	0100093	AR	LOCTITE 30512	
2	1671313	1	FUEL SENDER COVER	
3	4400490	1	FUEL TANK ASSY, (includes items 101 thru 104)	D
4	4923452	1	FUEL SENDER HARNESS	
5	88302192	5	ROUND HD SLOTTED MACHINE SCREW, #10-32X7/16	
6	91403609	1	FUEL LEVEL SENDER (Prior to SN 0160029741)	
6	1001093388	1	FUEL LEVEL SENDER (SN 0160029741 to Present)	
101	88711283	1	HEX SOCKET PIPE PLUG, 1/2	
102	1001113251	2	ELBOW, 90	
103	8420231	1	HOSE BARB FITTING	
104	8430007	1	HOSE BARB FITTING	
208	91401198	1	FUEL TANK HOLD DOWN	
210	91416014	1	FUEL TANK STRAP, (not shown)	
216	88201036	3	HEX HD CAPSCREW, 3/8-16X1-1/4, GR5	
219	88561004	5	FLAT WASHER, 3/8	
220	88551011	5	LOCKWASHER, 3/8	
221	88201035	2	HEX HD CAPSCREW, 3/8-16X1, GR5, (not shown)	
301		Ref	FUEL LINE, (See ENGINE ASSEMBLY, LH VIEW for Breakdown)	
302		Ref	FUEL LINE, (See ENGINE ASSEMBLY, LH VIEW for Breakdown)	

SECTION 4 - ENGINE AND ATTACHING PARTS

FIGURE 4-12. RADIATOR ASSEMBLY (SN 0189001 through 0189345, SN 016000230 through 0160003058, Excluding 0160002657)



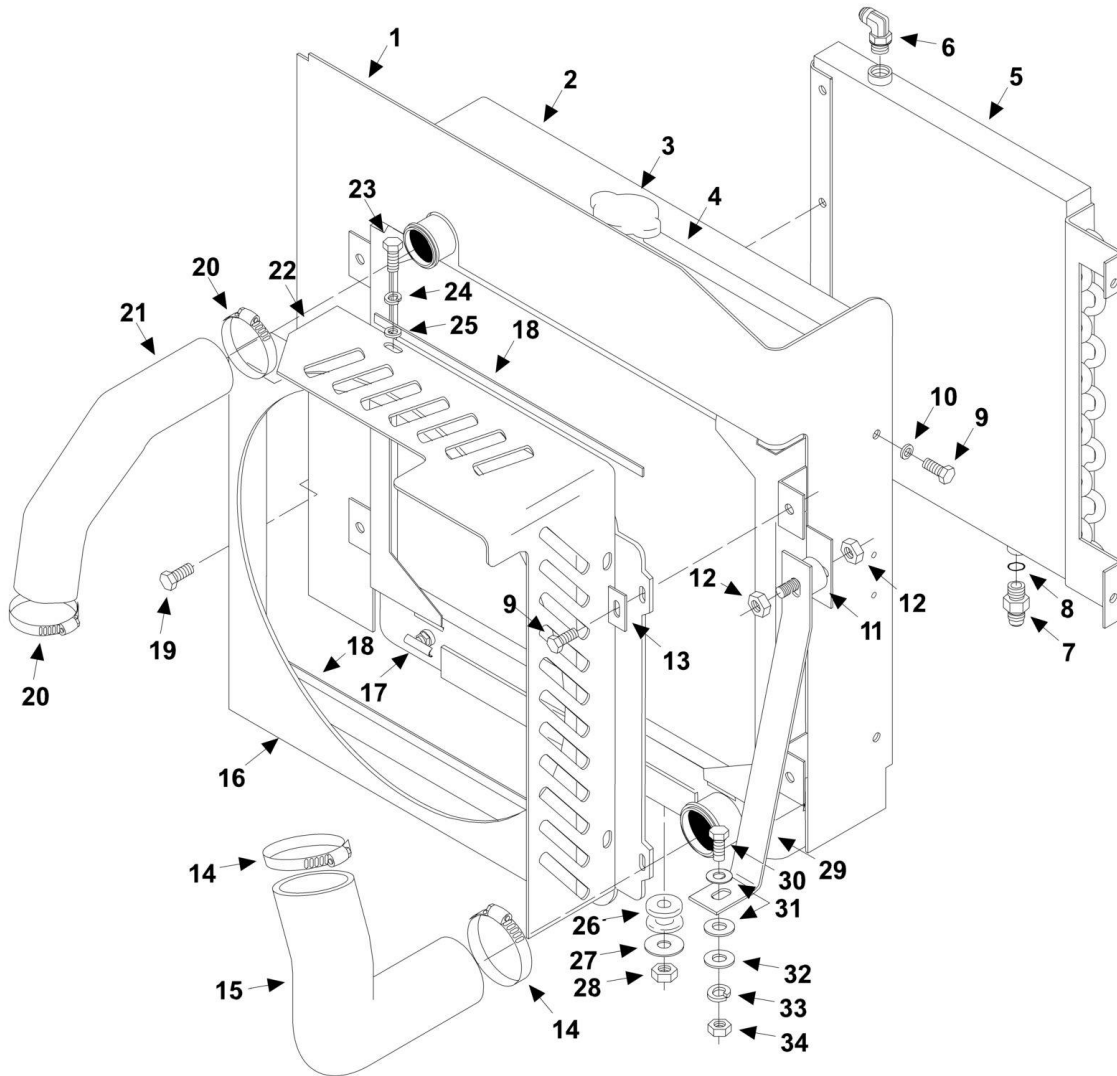
SECTION 4 - ENGINE AND ATTACHING PARTS

FIGURE 4-12. RADIATOR ASSEMBLY (SN 0189001 through 0189345, SN 016000230 through 0160003058, Excluding 0160002657)

ITEM	PART NUMBER	QTY	DESCRIPTION	REV
	91405003	1	RADIATOR ASSY, (includes items 1 thru 21)	L
1	91403403	1	AIR DAM	
2	91403141	1	RADIATOR, (includes items 3 & 4)	
3	91404008	1	RADIATOR CAP, 10 PSI	
4	N.S.S.	38 in	OVERFLOW HOSE	
5	91403086	1	OIL COOLER	
6	83251198	1	ELBOW, 90 DEGREES	
7	2220376	1	CONNECTOR, (includes item 8)	
8	88591207	1	O-RING	
9	77143003	6	WHIZ-LOCK SCREW, 5/16-18X5/8	
10	88561003	2	FLAT WASHER, 5/16	
11	91033137	2	SHOCK MOUNT	
12	77143006	4	WHIZ-LOCKNUT, 5/16-18	
13	91143348	4	CLAMP BAR	
14	86883327	2	HOSE CLAMP	
15	91403096	1	LOWER RADIATOR HOSE	
16	91406090	1	FAN SHROUD	
17	84521056	1	DRAIN COCK	
18	90200755	38 in	GASKA-TAPE	
19	91123124	4	WHIZ-LOCK SCREW, 5/16-18X1/2	
20	85071128	2	HOSE CLAMP	
21	91403095	1	UPPER RADIATOR HOSE	
22	91401233	1	FAN GUARD	
23	88201017	3	HEX HD CAPSCREW, 5/16-18X5/8, GR5	
24	88551010	3	LOCKWASHER, 5/16	
25	88561108	3	FLAT WASHER, 5/16	
26	83683308	2	SHOCK MOUNT	
27	90205918	2	SPECIAL WASHER	
28	88521206	2	HEX LOCKNUT, 3/8-16	
29	91401322	1	RADIATOR SUPPORT BRACKET (SN 0189001 through 0160001448)	
29	91471108	1	RADIATOR SUPPORT BRACKET (SN 0160001470 through 0160003058)	
30	88201036	1	HEX HD CAPSCREW, 3/8-16X1-1/4, GR5	
31	88561004	2	FLAT WASHER, 3/8	
32	90027470	1	HARDENED WASHER, 3/8	
33	88551011	1	LOCKWASHER, 3/8	
34	88501006	1	HEX NUT, 3/8-16	

SECTION 4 - ENGINE AND ATTACHING PARTS

FIGURE 4-13. RADIATOR ASSEMBLY (SN 0160003213 to Present, Including 0160002657)



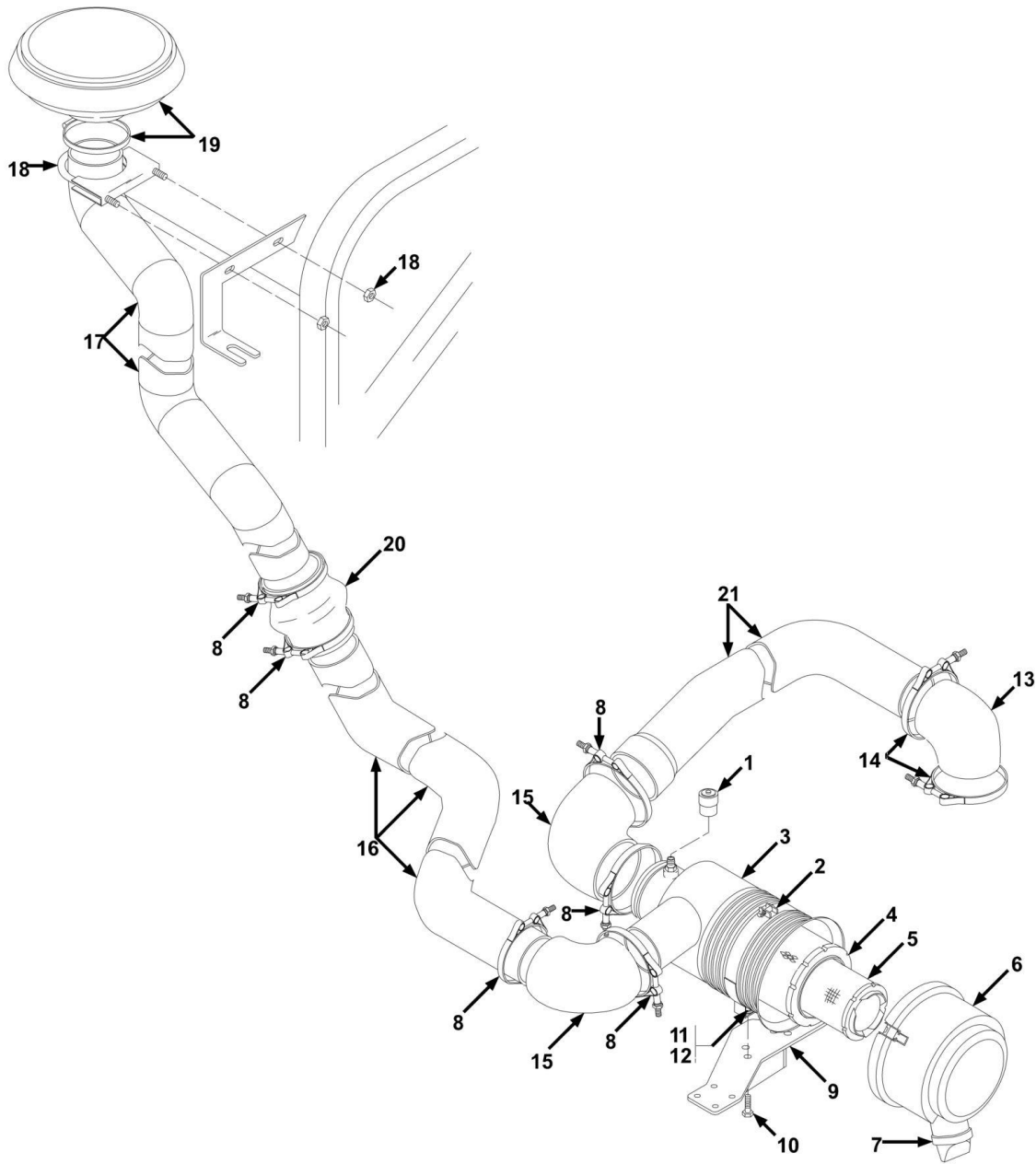
SECTION 4 - ENGINE AND ATTACHING PARTS

FIGURE 4-13. RADIATOR ASSEMBLY (SN 0160003213 to Present, Including 0160002657)

ITEM	PART NUMBER	QTY	DESCRIPTION	REV
	91405010	1	RADIATOR ASSY, (includes items 1 thru 21)	K
1	91403403	1	AIR DAM	
2	91403142	1	RADIATOR, (includes items 3 & 4)	
3	91404008	1	RADIATOR CAP, 10 PSI	
4	N.S.S.	38 in	OVERFLOW HOSE	
5	91403086	1	OIL COOLER	
6	2220664	1	ELBOW, 90	
7	2220376	1	ADAPTER, (includes item 8)	
8	88591207	1	O-RING	
9	77143003	6	WHIZ-LOCK SCREW, 5/16-18X5/8	
10	88561003	2	FLAT WASHER, 5/16	
11	91033137	2	SHOCK MOUNT	
12	77143006	4	WHIZ-LOCKNUT, 5/16-18	
13	91143348	4	CLAMP BAR	
14	86883327	2	HOSE CLAMP	
15	91403096	1	LOWER RADIATOR HOSE	
16	91406090	1	FAN SHROUD	
17	84521056	1	DRAIN COCK	
18	90200755	38 in	GASKA-TAPE	
19	91123124	4	WHIZ-LOCK SCREW, 5/16-18X1/2	
20	85071128	2	HOSE CLAMP	
21	91403095	1	UPPER RADIATOR HOSE	
22	91401233	1	FAN GUARD	
23	88201017	3	HEX HD CAPSCREW, 5/16-18X5/8, GR5	
24	88551010	3	LOCKWASHER, 5/16	
25	88561108	3	FLAT WASHER, 5/16	
26	83683308	2	SHOCK MOUNT	
27	90205918	2	SPECIAL WASHER	
28	88521206	2	HEX LOCKNUT, 3/8-16	
29	91471108	1	RADIATOR SUPPORT BRACKET	
30	88201036	1	HEX HD CAPSCREW, 3/8-16X1-1/4, GR5	
31	88561004	2	FLAT WASHER, 3/8	
32	90027470	1	HARDENED WASHER, 3/8	
33	88551011	1	LOCKWASHER, 3/8	
34	88501006	1	HEX NUT, 3/8-16	

SECTION 4 - ENGINE AND ATTACHING PARTS

FIGURE 4-14. AIR CLEANER AND INSTALLATION (SN 0189001 through 0189345, SN 016000230 through 0160001775)



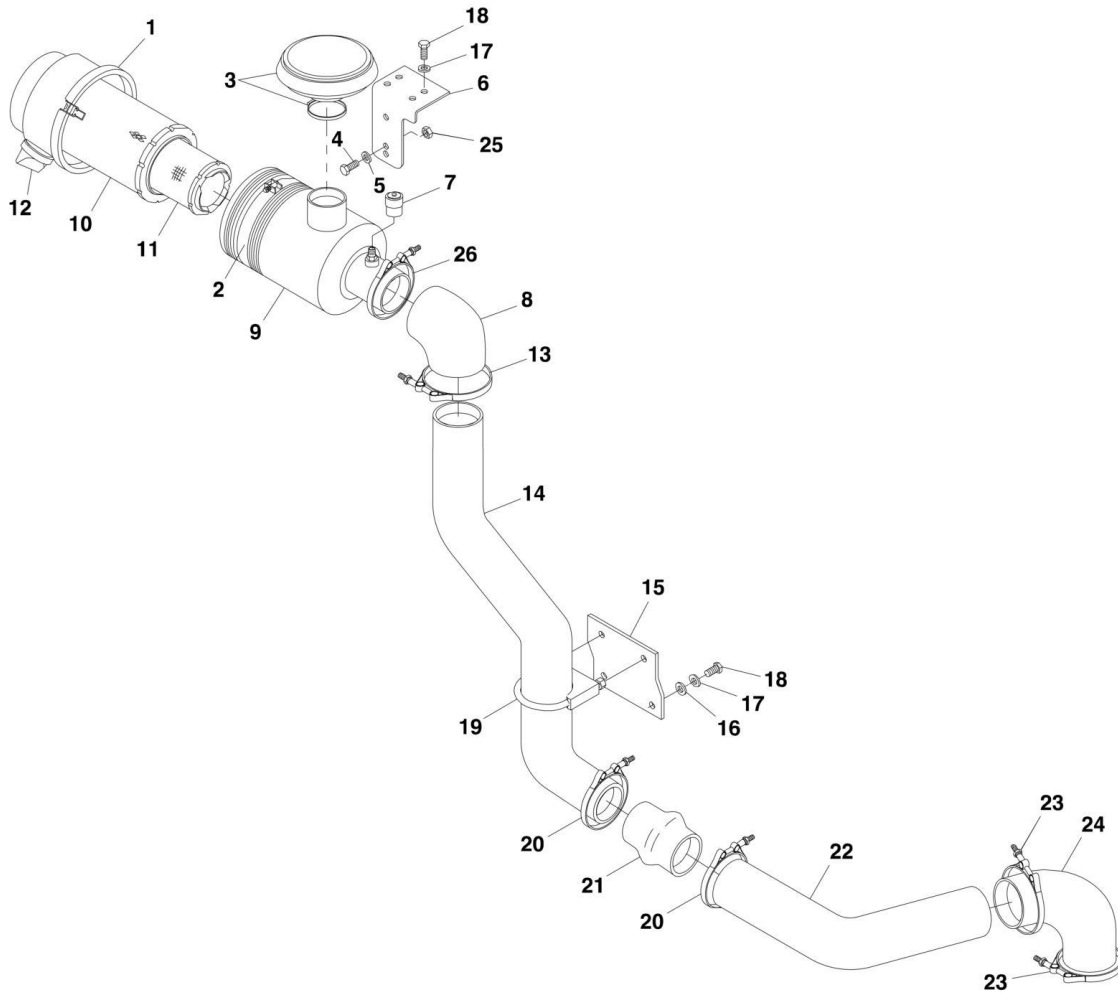
SECTION 4 - ENGINE AND ATTACHING PARTS

FIGURE 4-14. AIR CLEANER AND INSTALLATION (SN 0189001 through 0189345, SN 0160000230 through 0160001775)

ITEM	PART NUMBER	QTY	DESCRIPTION	REV
	91405027	Ref	AIR CLEANER ASSY, (includes items 1 thru 7)	C
1	83671475	1	INDICATOR	
2	91403104	1	BAND CLAMP	
3	91403100	1	AIR CLEANER, (includes items 4 thru 7)	
4	91403102	1	ELEMENT, (outer)	
5	91403103	1	ELEMENT, (inner)	
6	91404007	1	COVER ASSY	
7	10733183	1	VACUATOR	
8	91163129	6	BAND CLAMP	
9		Ref	BRACKET, (See ENGINE ASSEMBLY, LH VIEW for Breakdown)	
10	88201020	2	HEX HD CAPSCREW, 5/16-18X1, GR5	
11	88561108	1	FLAT WASHER, 5/16	
12	88521205	2	HEX LOCKNUT, 5/16-18	
13	91413096	1	AIR INTAKE ELBOW	
14	90028488	2	BAND CLAMP	
15	91083128	2	RUBBER ELBOW, 90	
16	91403471	1	AIR INTAKE TUBE	
17	91403515	1	AIR INTAKE TUBE	
18	24921332	1	MUFFLER CLAMP	
19	91403512	1	AIR INTAKE HOOD, (includes clamp)	
20	91403244	1	STRAIGHT HUMP	
21	91403125	1	AIR INTAKE TUBE	

SECTION 4 - ENGINE AND ATTACHING PARTS

FIGURE 4-15. AIR CLEANER AND INSTALLATION (SN 0160001921 through 0160003058, Excluding 0160002657)



PAP21950

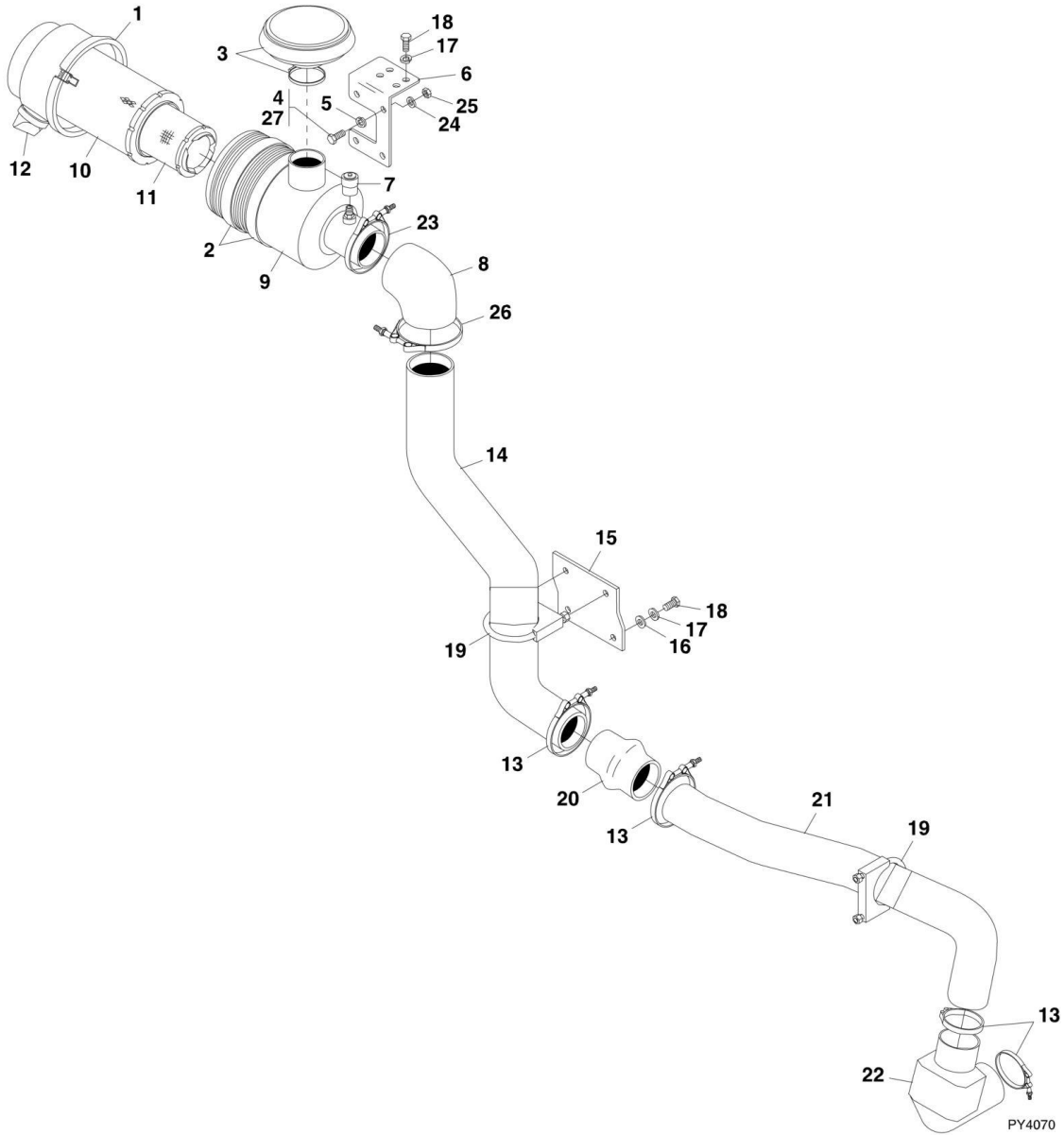
SECTION 4 - ENGINE AND ATTACHING PARTS

FIGURE 4-15. AIR CLEANER AND INSTALLATION (SN 0160001921 through 0160003058, Excluding 0160002657)

ITEM	PART NUMBER	QTY	DESCRIPTION	REV
	91475046	Ref	AIR CLEANER ASSY, (includes items 1 thru 12, 25 & 26)	C
1	80274004	1	COVER ASSY	
2	80273011	1	BAND CLAMP	
3	91473100	1	AIR INTAKE HOOD, (includes clamp)	
4	88201018	2	HEX HD CAPSCREW, 5/16-18X3/4, GR5	
5	88551010	2	LOCKWASHER, 5/16	
6	91471181	1	BRACKET	
7	83671475	1	INDICATOR	
8	91083129	1	ELBOW, 90	
9	91403101	1	AIR CLEANER, (includes items 1 & 10 thru 12)	
10	80273010	1	OUTER ELEMENT	
11	80273042	1	INNER ELEMENT	
12	10733183	1	VACUATOR	
13	91163129	1	BAND CLAMP	
14	91473104	1	AIR INTAKE TUBE	
15	91471133	1	BRACKET	
16	88561004	2	FLAT WASHER, 3/8	
17	88551011	4	LOCKWASHER, 3/8	
18	88201033	4	HEX HD CAPSCREW, 3/8-16X3/4, GR5	
19	24921332	1	MUFFLER CLAMP	
20	91163129	2	BAND CLAMP	
21	91403244	1	STRAIGHT HUMP	
22	91473102	1	AIR INTAKE TUBE	
23	90028488	2	HOSE CLAMP	
24	91403240	1	RUBBER ELBOW	
25	77143006	2	WHIZ-LOCKNUT, 5/16-18	
26	91163137	1	BAND CLAMP	

SECTION 4 - ENGINE AND ATTACHING PARTS

FIGURE 4-16. AIR CLEANER AND INSTALLATION (SN 0160003213 to Present, Including 0160002657)



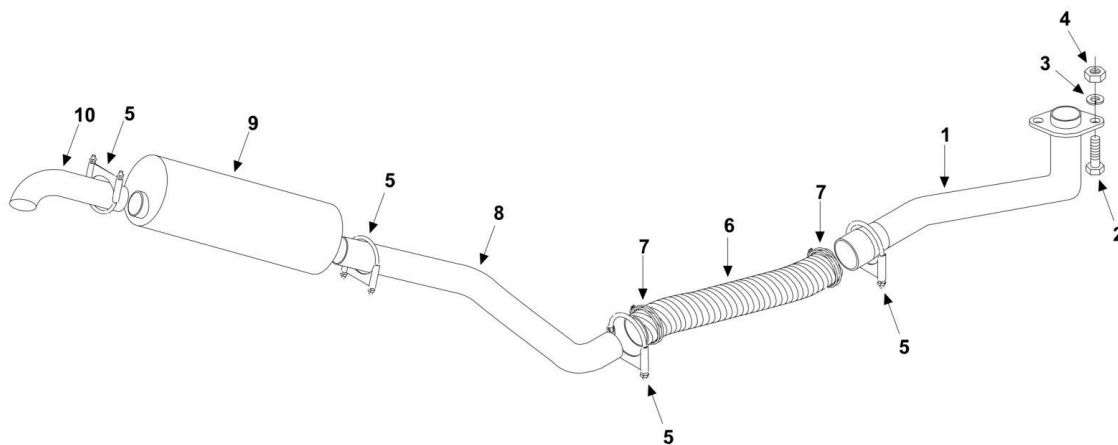
SECTION 4 - ENGINE AND ATTACHING PARTS

FIGURE 4-16. AIR CLEANER AND INSTALLATION (SN 0160003213 to Present, Including 0160002657)

ITEM	PART NUMBER	QTY	DESCRIPTION	REV
	91515041	Ref	AIR CLEANER ASSY, (not available to order, see items 2 thru 9, 23 thru 25 & 27 for service)	B
1	91364023	1	COVER ASSY	
2	10268516	2	MOUNTING BAND	
3	8273257	1	AIR INLET HOOD, (includes clamp)	
4	88201021	4	HEX HD CAPSCREW, 5/16-18X1-1/4, GR5	
5	88551010	4	LOCKWASHER, 5/16	
6	91511144	1	MOUNTING BRACKET	
7	77383154	1	SERVICE INDICATOR	
8	91153007	1	ELBOW, 90	
9	8273029	1	AIR CLEANER, (includes items 1 & 10 thru 12)	
10	1101312	1	OUTER ELEMENT	
11	1101313	1	INNER ELEMENT	
12	80373094	1	VACUATOR	
13	91163129	4	BAND CLAMP	
14	91473104	1	AIR INTAKE TUBE	
15	91471133	1	INTAKE SUPPORT BRACKET	
16	4751600	2	FLAT WASHER, 3/8	
17	4761600	4	LOCKWASHER, 3/8	
18	0641606	4	HEX HD CAPSCREW, 3/8-16X3/4, GR5	
19	24921332	2	CLAMP	
20	91403244	1	STRAIGHT HUMP	
21	91473103	1	AIR INTAKE TUBE	
22	91083126	1	AIR INTAKE ELBOW	
23	77383790	1	BAND CLAMP	
24	88561108	4	FLAT WASHER, 5/16	
25	77143006	4	WHIZ-LOCKNUT, 5/16-18	
26	91163137	1	BAND CLAMP	
27	0100011	AR	LOCTITE 242	

SECTION 4 - ENGINE AND ATTACHING PARTS

FIGURE 4-17. EXHAUST INSTALLATION (SN 0189001 through 0189345, SN 016000230 through 0160003058, Excluding 0160002657)



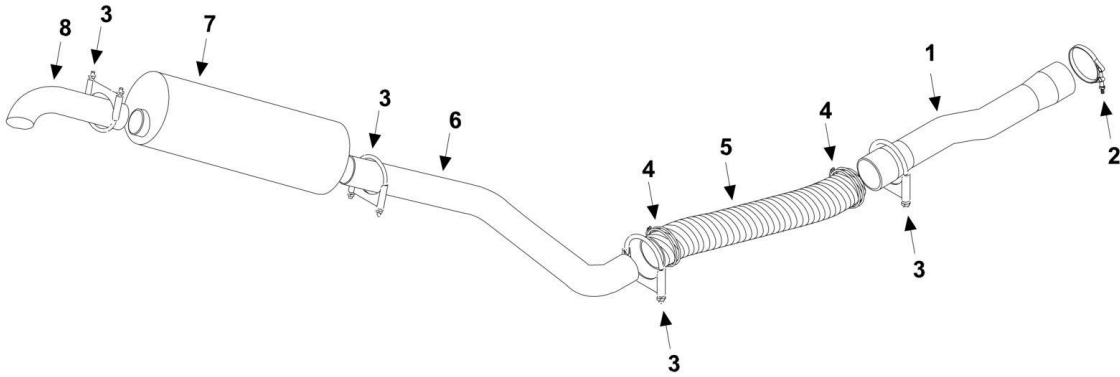
SECTION 4 - ENGINE AND ATTACHING PARTS

FIGURE 4-17. EXHAUST INSTALLATION (SN 0189001 through 0189345, SN 0160000230 through 0160003058, Excluding 0160002657)

ITEM	PART NUMBER	QTY	DESCRIPTION	REV
1	91403484	1	EXHAUST ELBOW	
2	88201038	2	HEX HD CAPSCREW, 3/8-16X1-3/4, GR5	
3	88551011	2	LOCKWASHER, 3/8	
4	88501006	2	HEX NUT, 3/8-16	
5	83683175	4	MUFFLER CLAMP	
6	91413031	1	FLEXIBLE TUBING	
7	91163268	2	FLEXIBLE TUBE CLAMPS	
8	91403510	1	EXHAUST TUBE	
9	91083250	1	MUFFLER	
10	91403488	1	TAIL PIPE	

SECTION 4 - ENGINE AND ATTACHING PARTS

FIGURE 4-18. EXHAUST INSTALLATION (SN 0160003213 to Present, Including 0160002657)



SECTION 4 - ENGINE AND ATTACHING PARTS

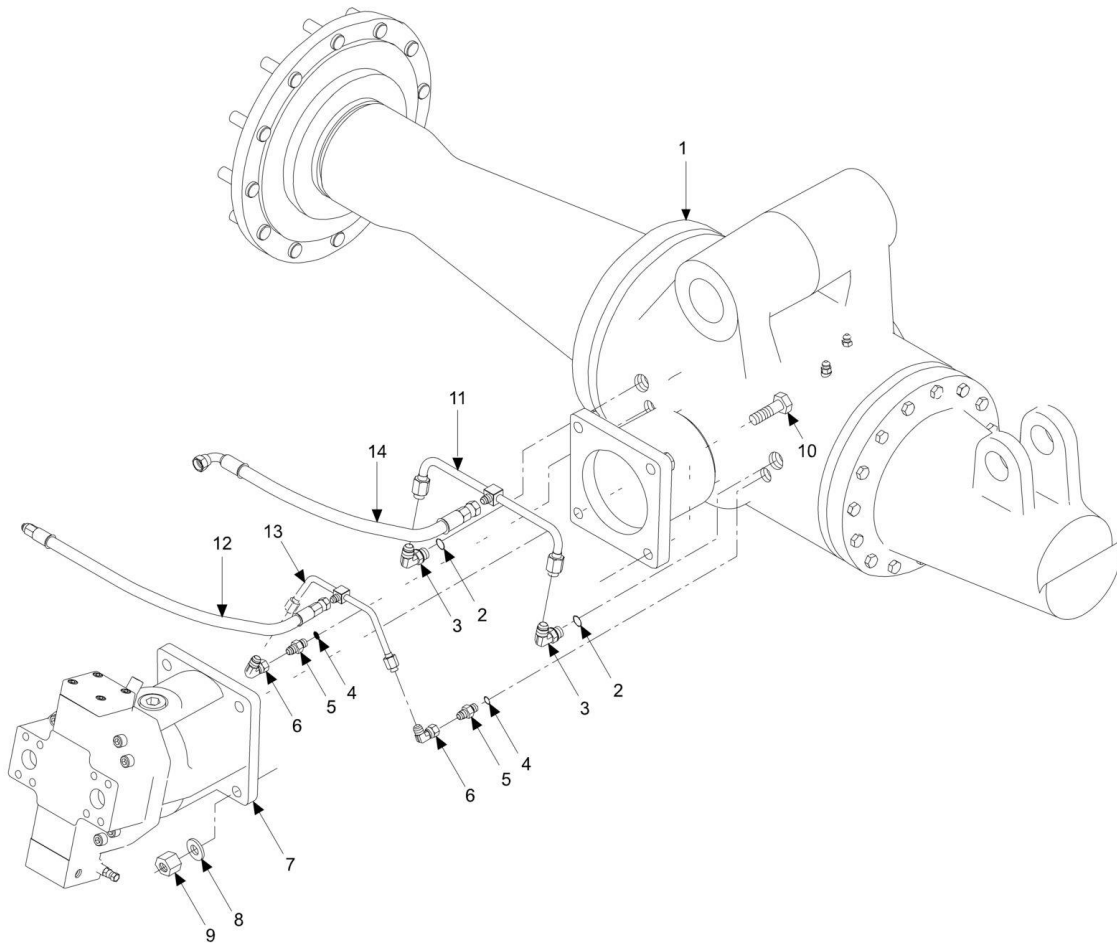
FIGURE 4-18. EXHAUST INSTALLATION (SN 0160003213 to Present, Including 0160002657)

ITEM	PART NUMBER	QTY	DESCRIPTION	REV
1	91403485	1	EXHAUST TUBE	
2	91403216	1	V-BAND CLAMP	
3	24921332	4	MUFFLER CLAMP	
4	91403601	2	FLEXIBLE TUBE CLAMP	
5	91413030	1	FLEXIBLE TUBING	
6	91403511	1	EXHAUST TUBE	
7	91163035	1	MUFFLER	
8	91403489	1	TAIL PIPE	

SECTION 5 - DRIVE TRAIN

SECTION 5 - DRIVE TRAIN

FIGURE 5-1. FRONT AXLE ASSEMBLY - ROCKWELL (SN 0189001 through 0189345)



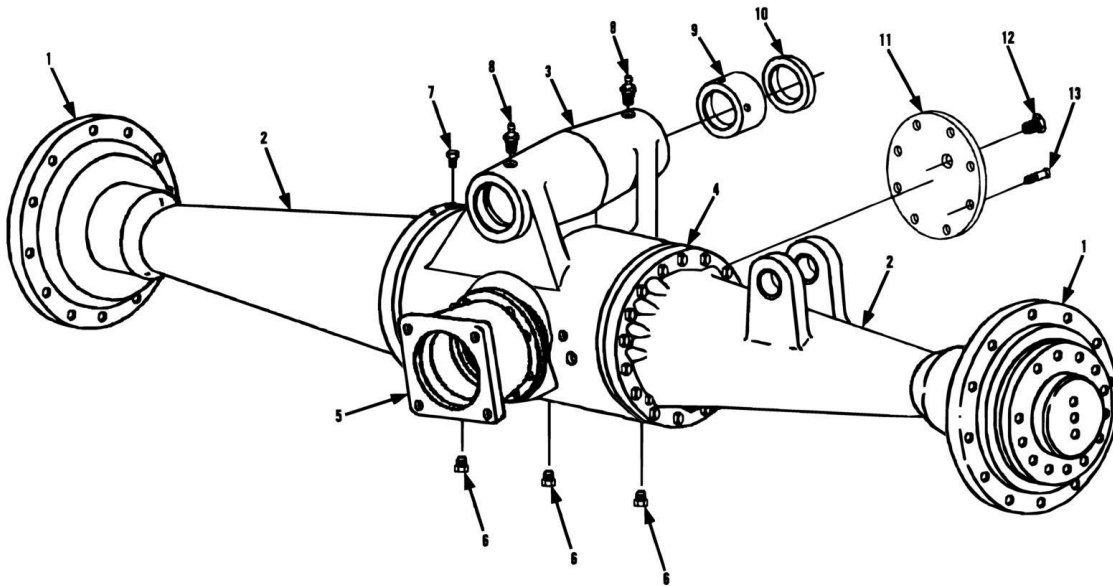
SECTION 5 - DRIVE TRAIN

FIGURE 5-1. FRONT AXLE ASSEMBLY - ROCKWELL (SN 0189001 through 0189345)

ITEM	PART NUMBER	QTY	DESCRIPTION	REV
	91415001	1	FRONT AXLE ASSY, (includes all items)	E
1		Ref	FRONT AXLE, (See FRONT AXLE - ROCKWELL for Breakdown)	
2	88591205	2	O-RING	
3	88662065	2	ELBOW, 90, (includes item 2)	
4	88591204	2	O-RING	
5	2220371	2	CONNECTOR, (includes item 4)	
6	88662105	2	ELBOW, 90, (swivel nut)	
7		Ref	HYDRAULIC MOTOR, (See HYDRAULIC COMPONENTS SECTION for Breakdown)	
8	90027473	4	HARDENED WASHER	
9	77383580	4	HIGH NUT	
10	88201616	4	HEX HD CAPSCREW, 3/4-16X3-1/2, GR5	
11	91413002	1	BRAKE TUBE, (park)	
12	84719217	1	HOSE ASSY	
13	91413003	1	BRAKE TUBE, (service)	
14	84719218	1	HOSE ASSY	

SECTION 5 - DRIVE TRAIN

FIGURE 5-2. FRONT AXLE - ROCKWELL (SN 0189001 through 0189345)



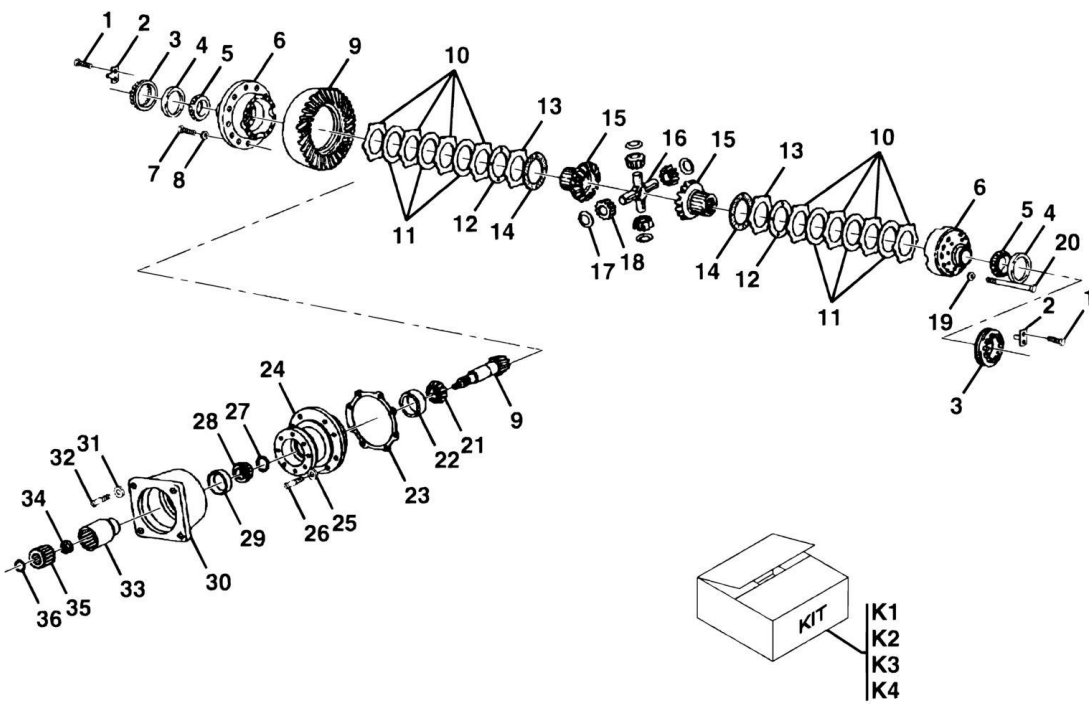
SECTION 5 - DRIVE TRAIN

FIGURE 5-2. FRONT AXLE - ROCKWELL (SN 0189001 through 0189345)

ITEM	PART NUMBER	QTY	DESCRIPTION	REV
1	91123119	1	FRONT AXLE, (includes all items)	D
		Ref	WHEEL FLANGE ASSY, (See LEFT AND RIGHT HOUSING AND AXLE AND WHEEL FLANGE ASSEMBLIES - ROCKWELL	
2		Ref	LEFT AND RIGHT HOUSING ASSY, (See LEFT AND RIGHT HOUSING AND AXLE AND WHEEL FLANGE ASSEMBLIES - ROCKWELL	
3	91144326	1	CENTER HOUSING ASSY, (includes item 9)	
4		Ref	BRAKE ASSY, (See BRAKE ASSEMBLY – ROCKWELL for Breakdown)	
5		Ref	CARRIER ASSY, (See CARRIER ASSEMBLY - ROCKWELL for Breakdown)	
6	91144327	3	DRAIN PLUG	
7	91144328	1	VENT PLUG	
8	91144329	2	LUBE FITTING	
9	91084046	2	BUSHING	
10	91084047	2	TRUNNION OIL SEAL	
11	91141511	1	COVER	
12	88711284	1	LEVEL PLUG	
13	91144332	8	CAPSCREW, M8X1.25X16.0	

SECTION 5 - DRIVE TRAIN

FIGURE 5-3. CARRIER ASSEMBLY - ROCKWELL (SN 0189001 through 0189345)



PAP23880

SECTION 5 - DRIVE TRAIN

FIGURE 5-3. CARRIER ASSEMBLY - ROCKWELL (SN 0189001 through 0189345)

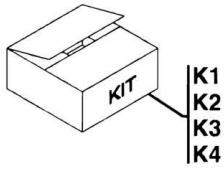
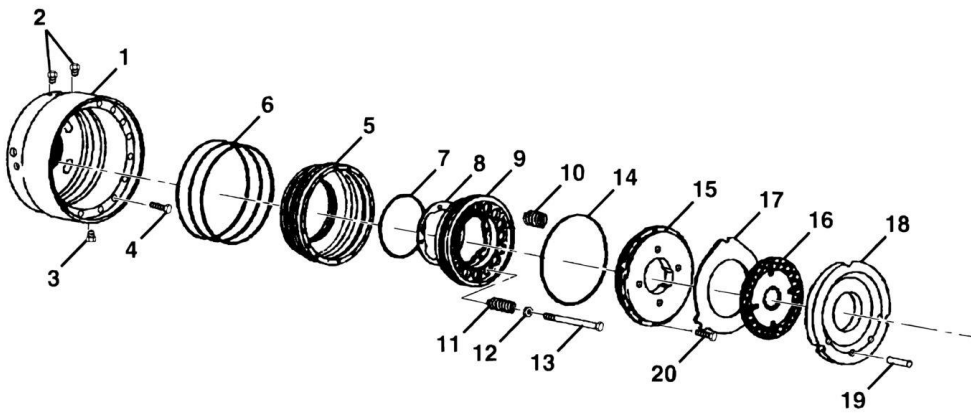
ITEM	PART NUMBER	QTY	DESCRIPTION	REV
1	91144386	4	CAPSCREW	
2	91144387	2	ADJUSTER RING LOCK	
3	91144388	2	ADJUSTER RING	
4	83073828	2	BEARING CUP	
5	91144389	2	BEARING CONE	
6	91144390	1	DIFFERENTIAL CASE	
7	91144391	12	CAPSCREW, M10X1X30	
8	83483584	12	WASHER	
9	91144392	1	SPIRAL GEAR AND PINION	
10	Kit K1	8	DRIVE FRICTION DISC, (included in 91144382 kit)	
11	Kit K1	6	DRIVEN FRICTION DISC, (included in 91144382 kit)	
12	Kit K1 or K4	2	SHIM, (0.33), (included in shim kit)	
12	Kit K1 or K4	2	SHIM, (0.38), (included in shim kit)	
12	Kit K1 or K4	2	SHIM, (0.25), (included in shim kit)	
12	Kit K1 or K4	2	SHIM, (0.13), (included in shim kit)	
13	Kit K1	2	COMPRESSION DISC, (included in 91144382 kit)	
14	Kit K1	2	THRUST WASHER, (included in 91144382 kit)	
15	91144393	2	SIDE GEAR	
16	91144394	1	SPIDER	
17	91144395	4	THRUST WASHER	
18	91144396	4	PINION GEAR	
19	83483584	12	WASHER	
20	91144397	12	CAPSCREW, M10X1-1/2X80	
21	90207204	1	BEARING CONE	
22	90200440	1	BEARING CUP	
23	Kit K2	4	SHIM, (0.05), (included in shim kit)	
23	Kit K2	2	SHIM, (0.125), (included in shim kit)	
23	Kit K2	3	SHIM, (0.20), (included in shim kit)	
23	Kit K2	1	SHIM, (0.50), (included in shim kit)	
24	91144398	1	PINION CAGE ASSY, (includes items 22 & 29)	
25	91144399	8	WASHER	
26	91144400	8	CAPSCREW, M12X1-3/4X40	
27	Kit K3	1	SHIM, (1.20), (included in shim kit)	
27	Kit K3	1	SHIM, (1.25), (included in shim kit)	
27	Kit K3	1	SHIM, (1.30), (included in shim kit)	
27	Kit K3	1	SHIM, (1.35), (included in shim kit)	
27	Kit K3	1	SHIM, (1.40), (included in shim kit)	
27	Kit K3	1	SHIM, (1.45), (included in shim kit)	
27	Kit K3	1	SHIM, (1.50), (included in shim kit)	
28	91144401	1	BEARING CONE	
29	91144402	1	BEARING CUP	
30	91144403	1	MOTOR ADAPTER FLANGE	
31	83483584	8	WASHER	
32	91144404	8	CAPSCREW, 3/8-16UNC-2AX1-1/4	
33	91144405	1	DRIVEN SLEEVE	
34	91144406	1	PINION NUT, M24X1-1/2	
35	91144407	1	DRIVE SLEEVE	
36	91144408	1	SNAP RING	
K1	91144382	1	LIMITED SLIP PLATE STACK KIT, (includes items 10, 11, 12, 13 & 14)	

SECTION 5 - DRIVE TRAIN

ITEM	PART NUMBER	QTY	DESCRIPTION	REV
K2	91144383	1	PINION CAGE SHIM KIT, (includes item 23)	
K3	91144384	1	DRIVE PINION SHIM KIT, (includes item 27)	
K4	91144385	1	LIMITED SLIP SHIM KIT, (includes item 12)	

SECTION 5 - DRIVE TRAIN

FIGURE 5-4. BRAKE ASSEMBLY - ROCKWELL (SN 0189001 through 0189345)



PAP23750

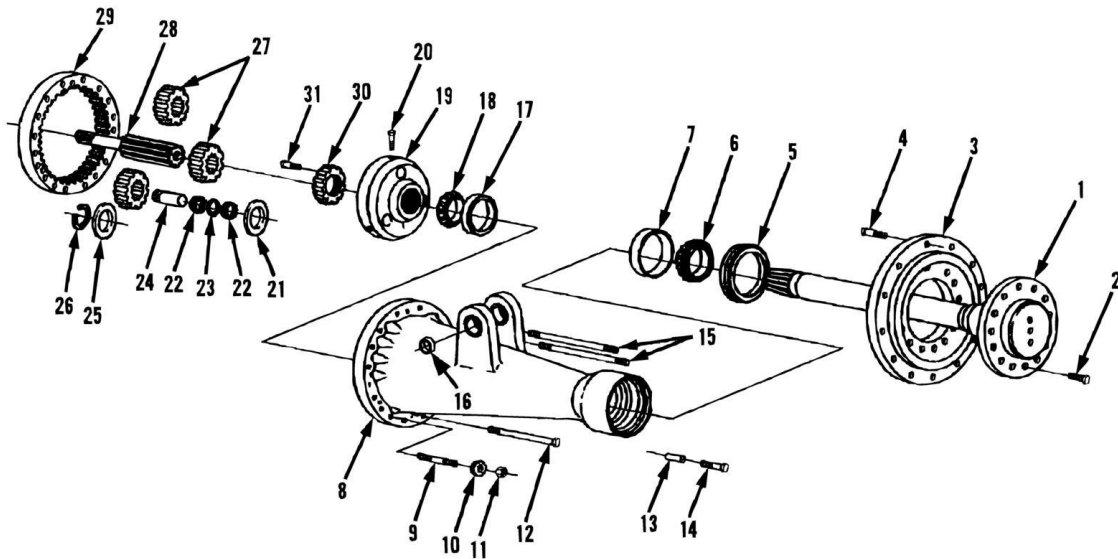
SECTION 5 - DRIVE TRAIN

FIGURE 5-4. BRAKE ASSEMBLY - ROCKWELL (SN 0189001 through 0189345)

ITEM	PART NUMBER	QTY	DESCRIPTION	REV
1	91144372	1	BRAKE HOUSING, (right side only - left side included in center housing)	
2	91144373	4	HYDRAULIC LINE BLEEDER	
3		Ref	DRAIN PLUG, (See FRONT AXLE – ROCKWELL for Breakdown)	
4	91144374	3	CAPSCREW, M8X1-1/4X40, (right side only)	
5	91124094	2	BRAKE PISTON AND PLATE ASSY, (includes items 6, 7, 9, 10, 14, 15 & 20)	
6	Kit K1 or K3	6	O-RING	
7	Kit K1 or K3	2	O-RING	
8	Kit K4	8	SHIM, (0.075), (included in shim kit)	
8	Kit K4	8	SHIM, (0.125), (included in shim kit)	
8	Kit K4	8	SHIM, (0.255), (included in shim kit)	
8	Kit K4	8	SHIM, (0.555), (included in shim kit)	
9	91144376	2	BRAKE PISTON	
10	91144377	24	SPRING	
11	91144378	16	SPRING	
12	86881421	16	WASHER	
13	91144379	16	RETURN SPRING BOLT	
14	Kit K1 or K3	2	O-RING	
15	Kit K2 or K3	2	BRAKE ACTUATING PLATE	
16	Kit K2 or K3	8	FRICITION DISC	
17	Kit K2 or K3	8	STATIONARY DISC	
18	Kit K2 or K3	2	BRAKE REACTION PLATE	
19	91144380	6	BRAKE DISC LOCK PIN	
20	91144381	42	CAPSCREW, M6X1X12, (allen)	
K1	91144442	1	BRAKE SEAL KIT, (includes items 6, 7 & 14)	
K2	91144369	1	BRAKE PISTON PLATE KIT, (includes items 15 thru 18)	
K3	91144370	1	BRAKE PLATE AND SEAL KIT, (includes items 6, 7 & 14 thru 18)	
K4	91144371	1	PISTON BRAKE SHIM KIT, (includes item 8)	

SECTION 5 - DRIVE TRAIN

FIGURE 5-5. LEFT AND RIGHT HOUSING AND AXLE AND WHEEL FLANGE ASSEMBLIES - ROCKWELL (SN 0189001 through 0189345)



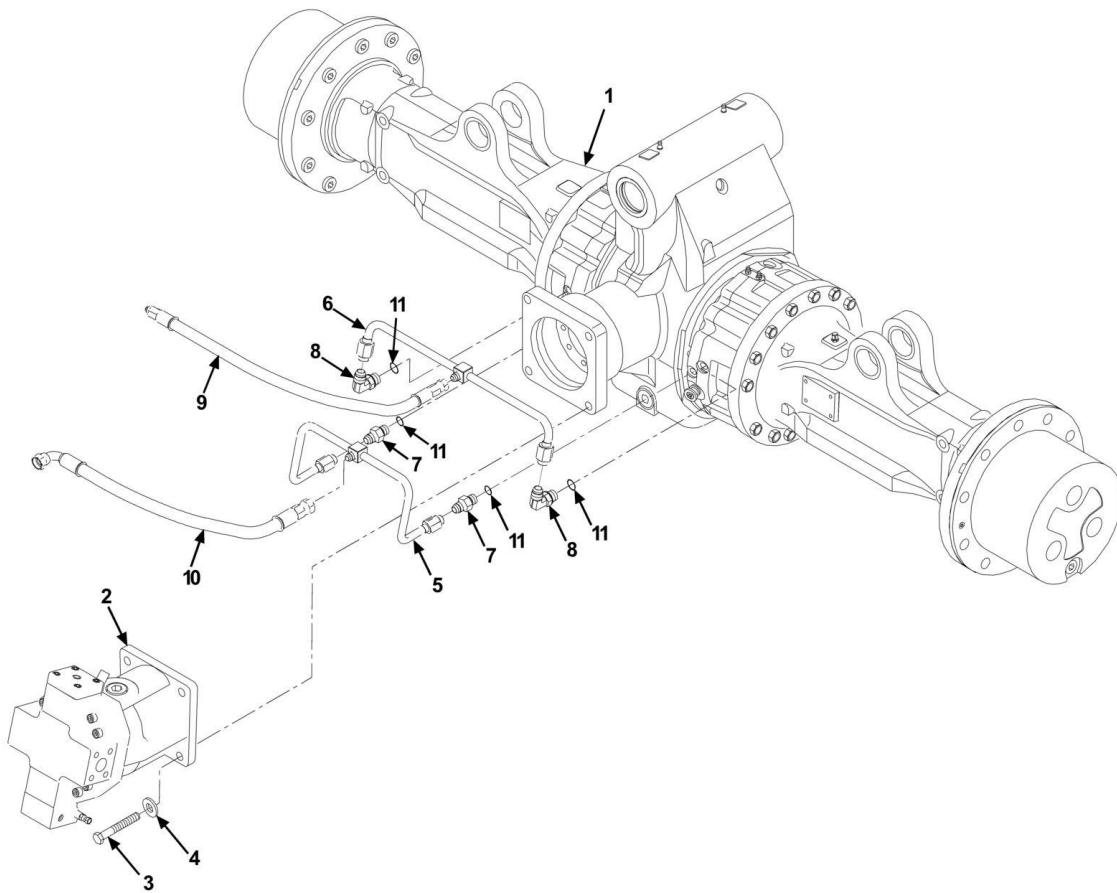
SECTION 5 - DRIVE TRAIN

FIGURE 5-5. LEFT AND RIGHT HOUSING AND AXLE AND WHEEL FLANGE ASSEMBLIES - ROCKWELL (SN 0189001 through 0189345)

ITEM	PART NUMBER	QTY	DESCRIPTION	REV
1	91144333	2	AXLE SHAFT ASSY, (includes items 2, 3, 4 & 5)	
2	91144334	28	CAPSCREW, M20X1.5X50.0	
3	91144335	2	WHEEL FLANGE ASSY, (includes item 4)	
4	90203543	24	WHEEL BOLT	
5	91144336	2	SHAFT OIL SEAL	
6	86984451	2	BEARING CONE	
7	86984452	2	BEARING CUP	
8	91144337	1	HOUSING ASSY - RIGHT SIDE, (shown), (includes items 7, 16 & 17)	
8	91144338	Ref	RING GEAR AND HOUSING ASSY - RIGHT SIDE, (shown), (includes items 7, 16, 17 & 29)	
8	91144339	1	HOUSING ASSY - LEFT SIDE, (not shown), (includes items 7 & 17)	
8	91144340	Ref	RING GEAR AND HOUSING ASSY - LEFT SIDE, (not shown), (includes items 7, 17 & 29)	
9	91144341	4	SET SCREW	
10	91144342	32	WASHER	
11	91144343	8	NUT, M14X1.5-6H	
12	91144344	14	CAPSCREW - RIGHT SIDE, M14X1.5X212.0	
12	91144345	14	CAPSCREW - LEFT SIDE, M14X1.5X120.0	
13	91144346	2	SPACER - 19mm	
13	91144347	4	SPACER - 26mm	
14	91144348	4	CAPSCREW - USE W/26mm SPACER, M14X1.5X85, (position at 7 & 5 o'clock)	
14	91144349	2	CAPSCREW - USE W/19mm SPACER, M14X1.5X78, (position at 12 o'clock)	
15	91144350	2	STUD - RIGHT SIDE, M14X1.5X232.0	
15	91144351	2	STUD - LEFT SIDE, M14X1.5X112.0	
16	91144352	2	BUSHING	
17	91144353	2	BEARING CUP	
18	91144354	2	BEARING CONE	
19	91144355	2	SPIDER ASSY, (includes items 20 & 24)	
20	91144356	6	CAPSCREW, M10X23.0	
21	91144357	6	THRUSTWASHER	
22	91144358	6	KIT ROLLER	
23	91144359	6	SPACER	
24	91144360	6	PLANETARY PINION SHAFT	
25	91144361	6	WASHER	
26	91144362	6	SNAP RING	
27	91144363	6	PLANETARY PINION	
28	91144364	1	SUN GEAR, (287.0mm) - RIGHT SIDE, (shown)	
28	91144365	1	SUN GEAR, (247.0mm) - LEFT SIDE, (not shown)	
29	91144366	2	RING GEAR	
30	91144367	2	ADJUSTING NUT	
31	91144368	2	CAPSCREW, (adjusting nut lock)	

SECTION 5 - DRIVE TRAIN

FIGURE 5-6. FRONT AXLE ASSEMBLY - CARRARO (SN 0160000230 to Present)



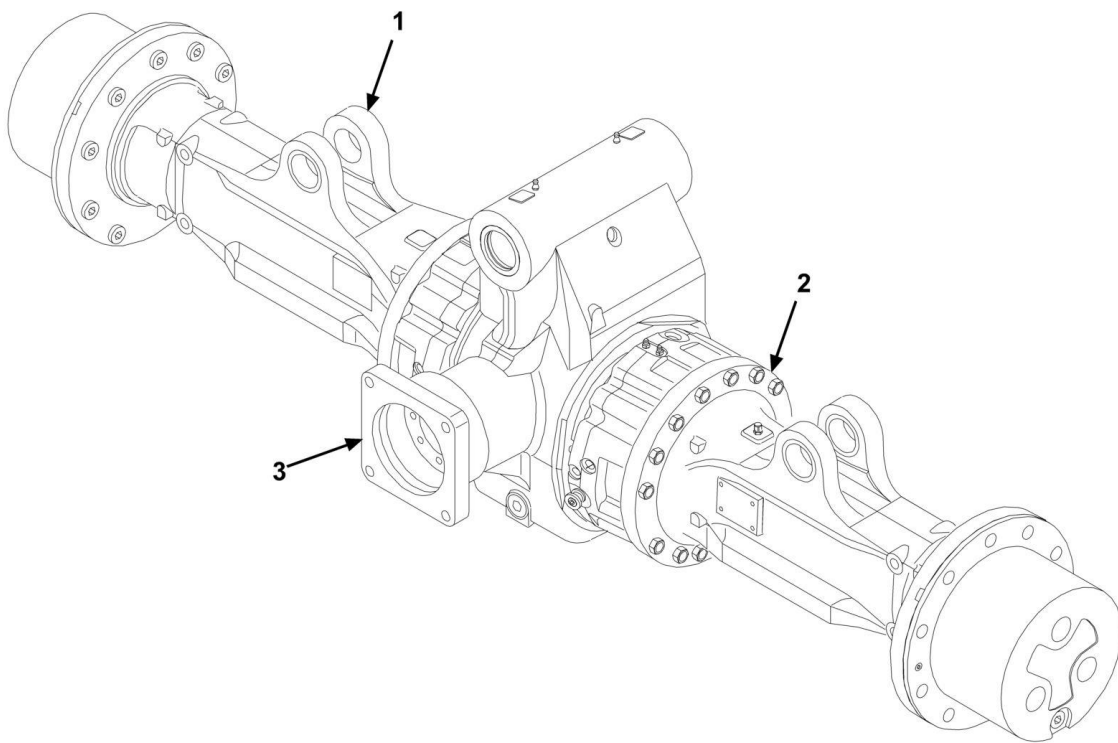
SECTION 5 - DRIVE TRAIN

FIGURE 5-6. FRONT AXLE ASSEMBLY - CARRARO (SN 0160000230 to Present)

ITEM	PART NUMBER	QTY	DESCRIPTION	REV
	91415053	1	FRONT AXLE ASSY, (includes items 1 thru 10)	
1		Ref	FRONT AXLE, (See FRONT AXLE - CARRARO for Breakdown)	
2		Ref	HYDRAULIC MOTOR, (See HYDRAULIC COMPONENTS SECTION for Breakdown)	
3	80333162	4	HEX HD CAPSCREW, M20-2-1/2X65	
4	90027473	4	HARDENED WASHER	
5	91413107	1	PARK BRAKE TUBE LINE	
6	91413106	1	SERVICE BRAKE TUBE LINE	
7	77363046	2	CONNECTOR, (includes item 11)	
8	91403258	2	ELBOW, 90, (includes item 11)	
9	84719217	1	HOSE ASSY	
10	84719218	1	HOSE ASSY	
11	88591202	4	O-RING	

SECTION 5 - DRIVE TRAIN

FIGURE 5-7. FRONT AXLE - CARRARO (SN 0160000230 to Present)



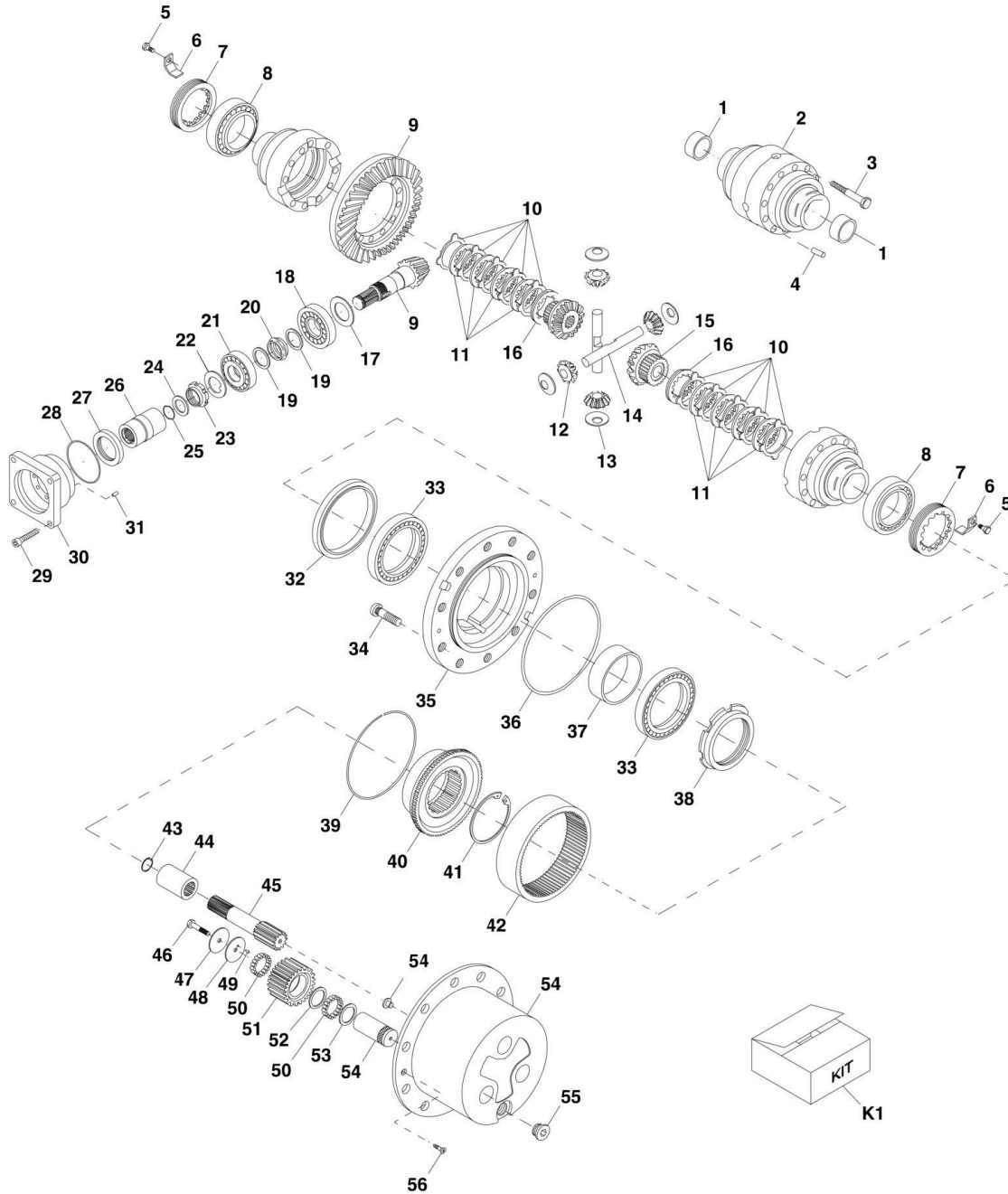
SECTION 5 - DRIVE TRAIN

FIGURE 5-7. FRONT AXLE - CARRARO (SN 0160000230 to Present)

ITEM	PART NUMBER	QTY	DESCRIPTION	REV
1	91363158	1	FRONT AXLE, (includes all items)	A
		Ref	HOUSING ASSY, (See CARRIER ASSEMBLY – CARRARO for Breakdown)	
2		Ref	BRAKE ASSY, (See BRAKE ASSEMBLY - CARRARO for Breakdown)	
3		Ref	CARRIER ASSY, (See AXLE HOUSING ASSEMBLY - CARRARO for Breakdown)	

SECTION 5 - DRIVE TRAIN

FIGURE 5-8. CARRIER ASSEMBLY - CARRARO (SN 0160000230 to Present)



PAP23540

SECTION 5 - DRIVE TRAIN

FIGURE 5-8. CARRIER ASSEMBLY - CARRARO (SN 0160000230 to Present)

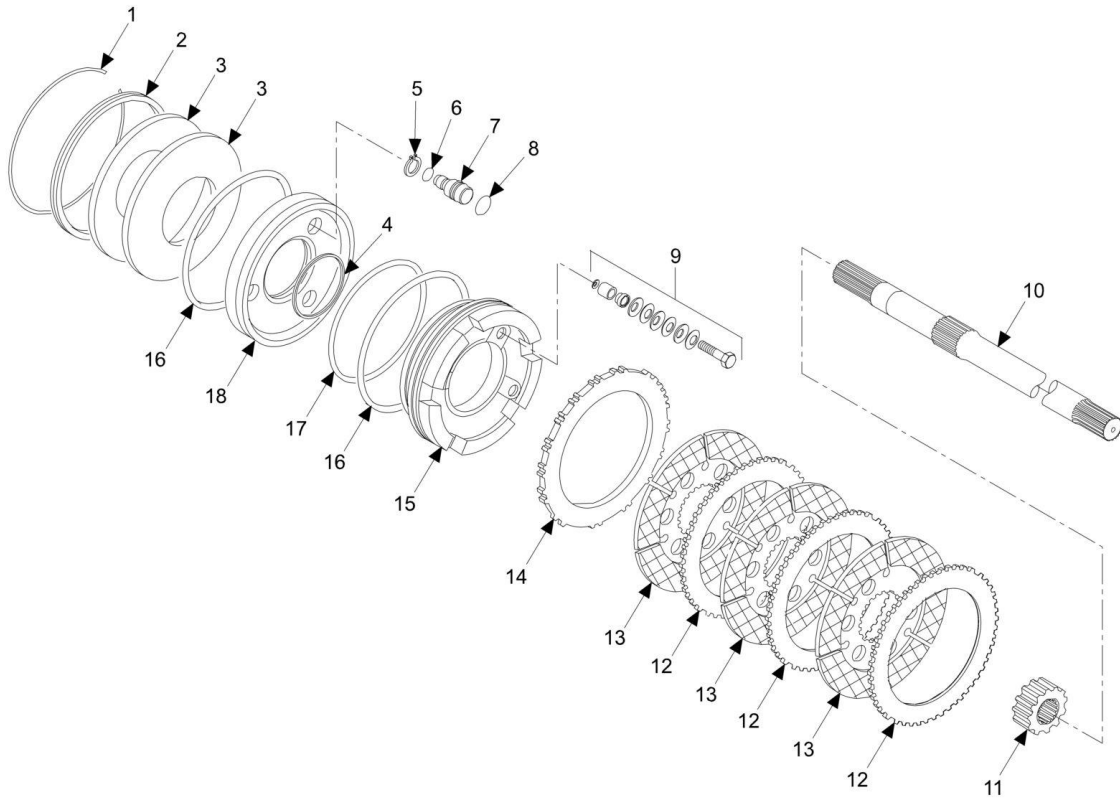
ITEM	PART NUMBER	QTY	DESCRIPTION	REV
1	91364046	2	BUSHING	
2	91364047	1	DIFFERENTIAL HOUSING	
3	91364048	10	BOLT, M12X90	
4	91364049	1	PIN	
5	8035180	2	BOLT, M6X10	
6	91474126	2	LOCKING PLATE	
7	91364050	2	BEARING	
8	91474128	2	RING NUT, M104X2	
9	91364051	1	SPIRAL GEAR AND PINION, (includes items 19, 20 & 22 thru 25)	
10	91364052	10	DIFFERENTIAL DRIVE DISC	
11	91364053	8	DIFFERENTIAL DISC	
12	N.S.S.	4	GEAR, Z12	
13	91364054	4	THRUST WASHER	
14	91364055	2	SHAFT	
15	N.S.S.	2	GEAR, Z18	
16	91364056	2	DIFFERENTIAL DISC	
17	91364057	AR	SHIM, 2.50mm	
17	91364058	AR	SHIM, 2.60mm	
17	91364059	AR	SHIM, 2.70mm	
17	91364060	AR	SHIM, 2.80mm	
17	91364061	AR	SHIM, 2.90mm	
17	91364062	AR	SHIM, 3.00mm	
17	91364063	AR	SHIM, 3.10mm	
17	91364064	AR	SHIM, 3.20mm	
17	91364065	AR	SHIM, 3.30mm	
17	91364066	AR	SHIM, 3.40mm	
18	91364067	1	BEARING	
19	91364068	2	WASHER	
20	91364069	1	SPACER	
21	91364070	1	BEARING	
22	91364071	1	LOCKWASHER	
23	91364072	1	RING NUT, M45X1-1/2	
24	91474115	1	WASHER	
25	91474116	1	O-RING	
26	91364073	1	COUPLER	
27	91364074	1	SEAL RING	
28	91364075	1	O-RING	
29	91364076	8	BOLT, M12X60	
30	91364077	1	FLANGE	
31	91364078	1	PIN, 12X25	
32	91364079	2	SEAL RING	
33	91364080	4	BEARING	
34	91364081	20	BOLT	
35	91364082	2	WHEEL HUB KIT, (includes wheel hub and item 34)	
36	91474155	2	O-RING	
37	91364083	2	SPACER	
38	91364084	2	RING NUT, M130X2	
39	91474157	2	RING	
40	91364085	2	RING GEAR CARRIER	
41	91364086	2	SNAP RING, 115X4	

SECTION 5 - DRIVE TRAIN

ITEM	PART NUMBER	QTY	DESCRIPTION	REV
42	91364087	2	RING GEAR	
43	91364088	2	SNAP RING	
44	91364089	2	COUPLING SLEEVE	
45	91364090	2	HALF-SHAFT	
46	91474162	6	BOLT	
47	91364091	6	INNER THRUST WASHER	
48	91364092	6	THRUST WASHER	
49	91474163	0.6	NEEDLE BEARINGS, (by tens)	
50	91364093	38.4	NEEDLE BEARINGS, (by tens)	
51	91364094	6	GEAR	
52	91364095	6	THRUST WASHER	
53	91364096	6	THRUST WASHER	
54	91364097	2	PLANETARY CARRIER KIT, (includes planetary carrier and locking pad)	
55	91474037	2	PLUG, M30X2	
56	7028492	4	SCREW	
K1	91364098	1	DIFFERENTIAL KIT, (includes items 12 thru 15)	

SECTION 5 - DRIVE TRAIN

FIGURE 5-9. BRAKE ASSEMBLY - CARRARO (SN 0160000230 to Present)



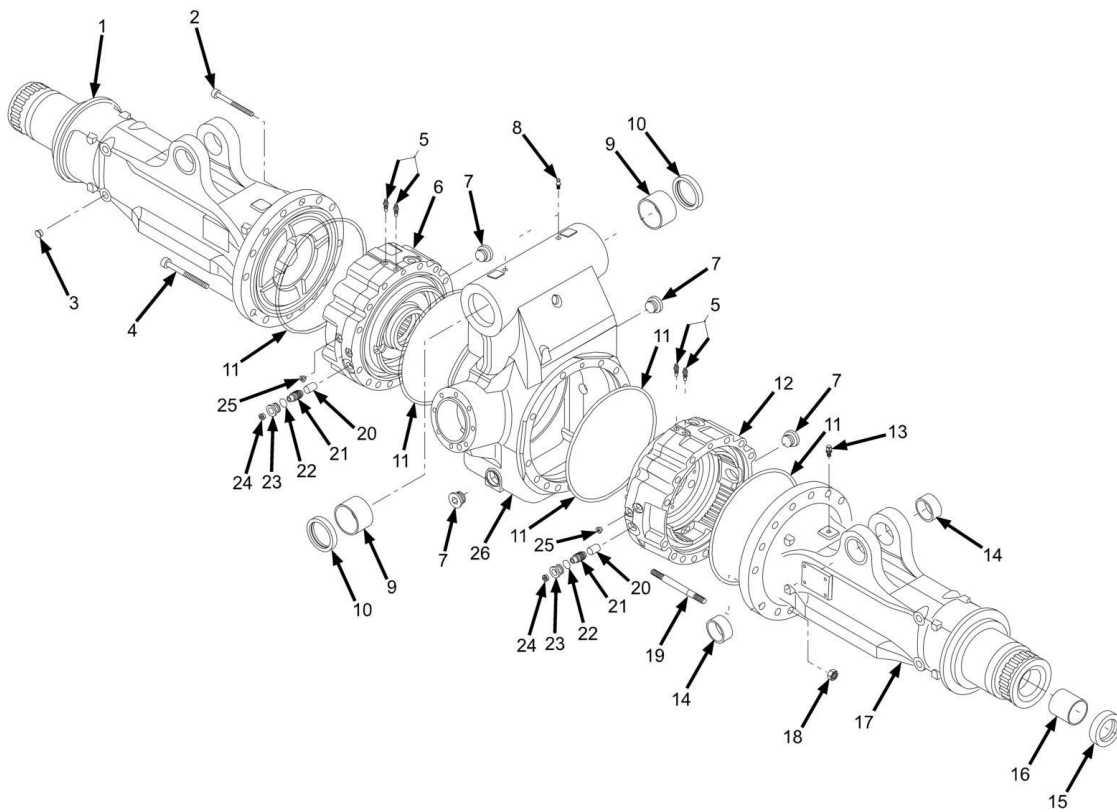
SECTION 5 - DRIVE TRAIN

FIGURE 5-9. BRAKE ASSEMBLY - CARRARO (SN 0160000230 to Present)

ITEM	PART NUMBER	QTY	DESCRIPTION	REV
1	91474143	2	RING	
2	91474144	2	SLEEVE	
3	91474145	4	WASHER	
4	91474147	2	O-RING	
5	91364041	6	SNAP RING	
6	91474149	6	O-RING	
7	91364042	6	PIN	
8	91474151	6	O-RING	
9	91364043	2	SELF-ADJUST KIT, (includes the following)	
9	N.S.S.	36	WASHER	
9	N.S.S.	6	WASHER	
9	N.S.S.	6	PIN	
9	N.S.S.	6	BOLT, M14X65	
9	N.S.S.	6	SPACER	
10	91364044	2	HALF SHAFT	
11	91474142	2	SLEEVE	
12	91474141	6	DRIVE PLATE	
13	91474140	6	BRAKE DISK	
14	91474139	2	DRIVE PLATE	
15	91364045	2	BRAKE PISTON	
16	91474137	4	O-RING	
17	91474136	2	O-RING	
18	91474146	2	BRAKE PISTON	

SECTION 5 - DRIVE TRAIN

FIGURE 5-10. AXLE HOUSING ASSEMBLY - CARRARO (SN 0160000230 to Present)



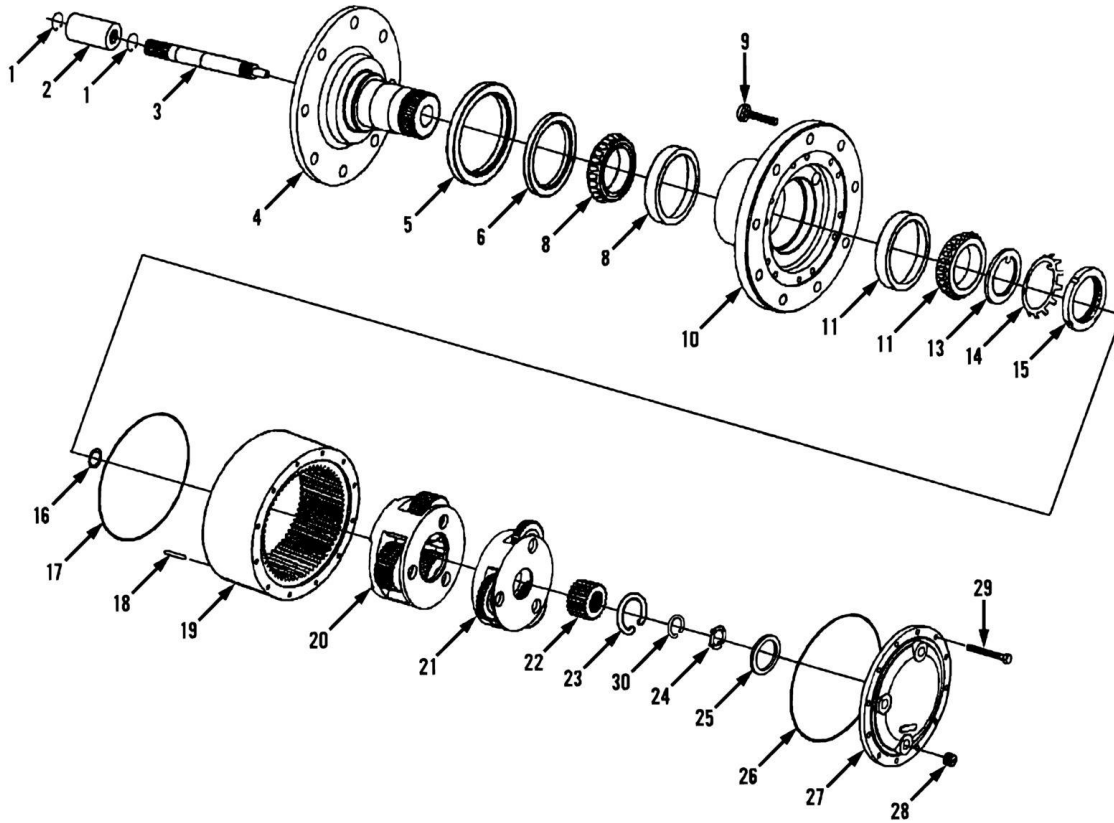
SECTION 5 - DRIVE TRAIN

FIGURE 5-10. AXLE HOUSING ASSEMBLY - CARRARO (SN 0160000230 to Present)

ITEM	PART NUMBER	QTY	DESCRIPTION	REV
1	91364026	1	LH AXLE HOUSING	
2	91364027	2	CAPSCREW, M12X130	
3	91474098	8	PLUG	
4	91364028	28	CAPSCREW, M16X160	
5	91474039	4	BREATHER, M10X1	
6	91364029	1	LH BRAKE HOUSING	
7	91474037	4	PLUG, M30X2	
8	91474095	2	GREASE FITTING	
9	91364030	2	BUSHING	
10	91364031	2	SEAL RING	
11	91364032	4	O-RING	
12	91364033	1	RH BRAKE HOUSING	
13	91474058	1	BREATHER, M10X1	
14	91364034	2	BUSHING	
15	91364035	2	SEAL RING	
16	91364036	2	BUSHING	
17	91364037	1	RH AXLE HOUSING	
18	91474061	2	NUT, M16X2	
19	91474060	2	STUD, M16X2	
20	91364038	6	RELEASE PIN	
21	91474066	6	BOLT, M16X1-1/2	
22	91474065	6	O-RING	
23	91474064	6	SCREW, M22X1-1/2	
24	91474075	6	PLUG, M16X1-1/2	
25	91364039	4	PLUG, M10X1	
26	91364040	1	CENTRAL BODY	

SECTION 5 - DRIVE TRAIN

FIGURE 5-11. REAR AXLE DRIVE HUB (SN 0189001 through 0189345)



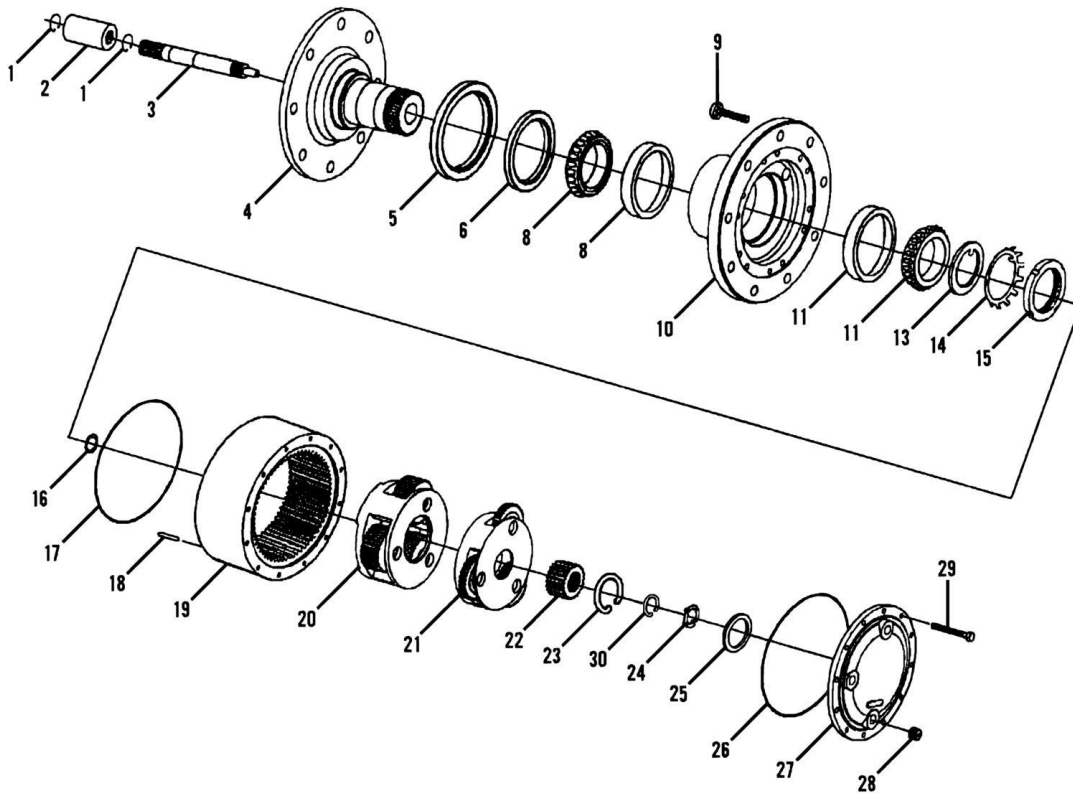
SECTION 5 - DRIVE TRAIN

FIGURE 5-11. REAR AXLE DRIVE HUB (SN 0189001 through 0189345)

ITEM	PART NUMBER	QTY	DESCRIPTION	REV
	91413001	1	REAR DRIVE HUB, (includes all items)	C
1	7000297	2	RETAINING RING	
2	91414001	1	COUPLING	
3	91414002	1	INPUT SHAFT	
4	91414003	1	SPINDLE	
5	91414004	1	BOOT SEAL	
6	91414005	1	OIL SEAL	
8	91414007	1	BEARING CUP AND CONE KIT	
9	91034028	12	WHEEL BOLT	
10	91414008	1	HUB	
11	91414009	1	BEARING CUP AND CONE KIT	
13	91414011	1	THRUSTWASHER	
14	91414012	1	LOCKWASHER	
15	91414013	1	BEARING NUT	
16	91414014	1	THRUSTWASHER	
17	91414015	1	O-RING	
18	7017047	2	DOWEL PIN	
19	7024167	1	RING GEAR	
20	70021141	1	SECONDARY CARRIER SUB-ASSY, (includes item 16)	
21	70021146	1	PRIMARY CARRIER SUB-ASSY, (includes items 22 & 23)	
22	91414019	1	PRIMARY SUN GEAR	
23	91414020	1	RETAINING RING	
24	91414021	1	THRUSTWASHER	
25	91414022	1	THRUSTWASHER	
26	7024177	1	O-RING	
27	91414024	1	COVER	
28	7017094	3	MAGNETIC PIPE PLUG	
29	91414026	20	HEX HD BOLT	
30	91414027	1	RETAINING RING	

SECTION 5 - DRIVE TRAIN

FIGURE 5-12. REAR AXLE DRIVE HUB (SN 0160000230 to Present)



NOTE:
TO SERVICE ITEM 15, BEARING NUT, A SPECIAL WRENCH IS REQUIRED. ORDER 91404449 WRENCH.

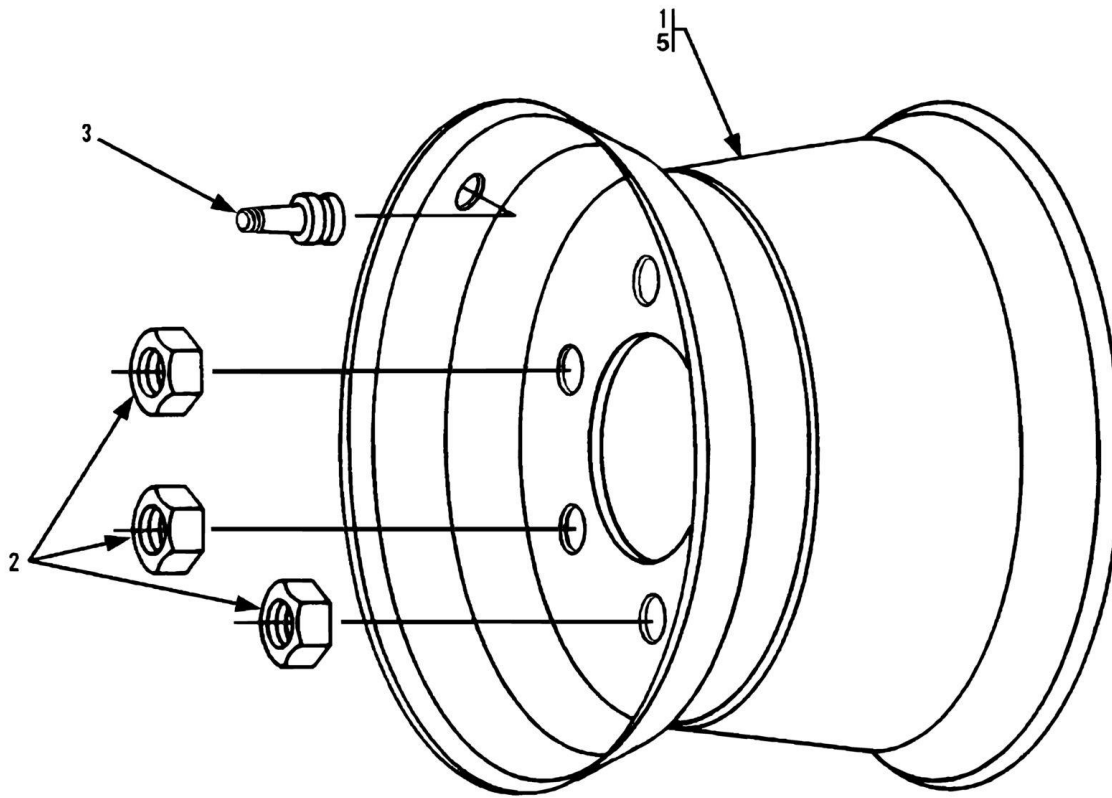
SECTION 5 - DRIVE TRAIN

FIGURE 5-12. REAR AXLE DRIVE HUB (SN 0160000230 to Present)

ITEM	PART NUMBER	QTY	DESCRIPTION	REV
	91403588	1	REAR DRIVE HUB, (includes all items)	
1	7000297	2	RETAINING RING	
2	91414001	1	COUPLING	
3	91414002	1	INPUT SHAFT	
4	91414003	1	SPINDLE	
5	91414004	1	BOOT SEAL	
6	91414005	1	OIL SEAL	
8	91414007	1	BEARING CUP AND CONE KIT	
9	91404435	10	WHEEL BOLT	
10	91404436	1	HUB	
11	91414009	1	BEARING CUP AND CONE KIT	
13	91414011	1	THRUSTWASHER	
14	91414012	1	LOCKWASHER	
15	91414013	1	BEARING NUT	
16	91414014	1	THRUSTWASHER	
17	91414015	1	O-RING	
18	7017047	2	DOWEL PIN	
19	7024167	1	RING GEAR	
20	70021141	1	SECONDARY CARRIER SUB-ASSY, (includes item 16)	
21	70021146	1	PRIMARY CARRIER SUB-ASSY, (includes items 22 & 23)	
22	91414019	1	PRIMARY SUN GEAR	
23	91414020	1	RETAINING RING	
24	91414021	1	THRUSTWASHER	
25	91414022	1	THRUSTWASHER	
26	7024177	1	O-RING	
27	91414024	1	COVER	
28	7017094	3	MAGNETIC PIPE PLUG	
29	91414026	20	HEX HD BOLT	
30	91414027	1	RETAINING RING	

SECTION 5 - DRIVE TRAIN

FIGURE 5-13. TIRES AND RIMS (SN 0189001 through 0189345)



SECTION 5 - DRIVE TRAIN

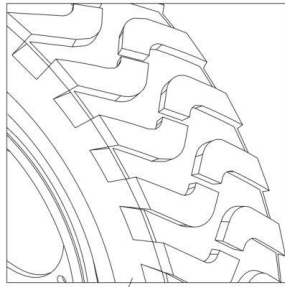
FIGURE 5-13. TIRES AND RIMS (SN 0189001 through 0189345)

ITEM	PART NUMBER	QTY	DESCRIPTION	REV
	91125002	2	RH TIRE AND WHEEL ASSY, 13.00X24, (includes items 1, 3 & 4)	Q
	91125003	2	LH TIRE AND WHEEL ASSY, 13.00X24, (includes items 1, 3 & 4)	Q
	91405039	1	TIRE SET, 14.00-24, (optional)	B
	91045106	2	RH TIRE AND WHEEL ASSY, 14.00X24, (includes items 2, 3, 5 & 6)	K
	91045107	2	LH TIRE AND WHEEL ASSY, 14.00X24, (includes items 2, 3, 5 & 6)	K
	91405021	1	TIRE SET, 13.00R24 RADIAL, (optional)	B
	91085040	4	TIRE AND WHEEL ASSY, 13.00-24 RADIAL, (includes items 2, 3, 5 & 7)	R
	91405018	1	TIRE SET, 14.00R24 RADIAL, (optional)	B
	91045089	4	TIRE AND WHEEL ASSY, 14.00-24 RADIAL, (includes items 2, 3, 5 & 8)	R
1	91363202	1	WHEEL, 24X9	
2	91043146	12	LUG NUT	
3	91083385	1	VALVE	
4	8780031	1	TIRE, (not shown), 13.00X24, 12 PLY, G-2 TRACTION	
5	91363202	1	WHEEL, 24X9	
6	91043084	1	TIRE, (not shown), 14.00X24 BIAS, DIRECTIONAL	
7	91033321	1	TIRE, (not shown), 13.00R24 RADIAL, NON-DIRECTIONAL	
8	91043295	1	TIRE, (not shown), 14.00R24 RADIAL, NON-DIRECTIONAL	

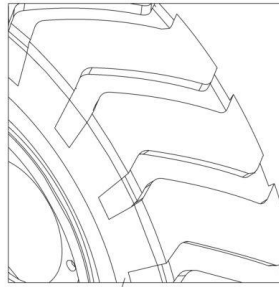
SECTION 5 - DRIVE TRAIN

FIGURE 5-14. TIRES AND RIMS (SN 0160000230 to Present)

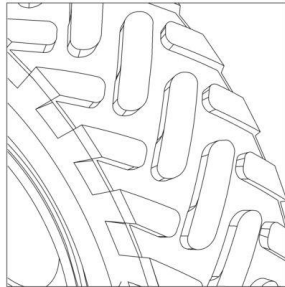
TREAD PATTERNS MAY VARY



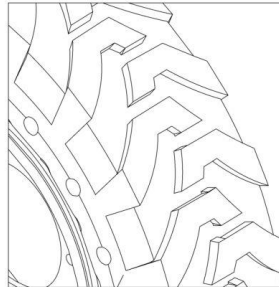
8



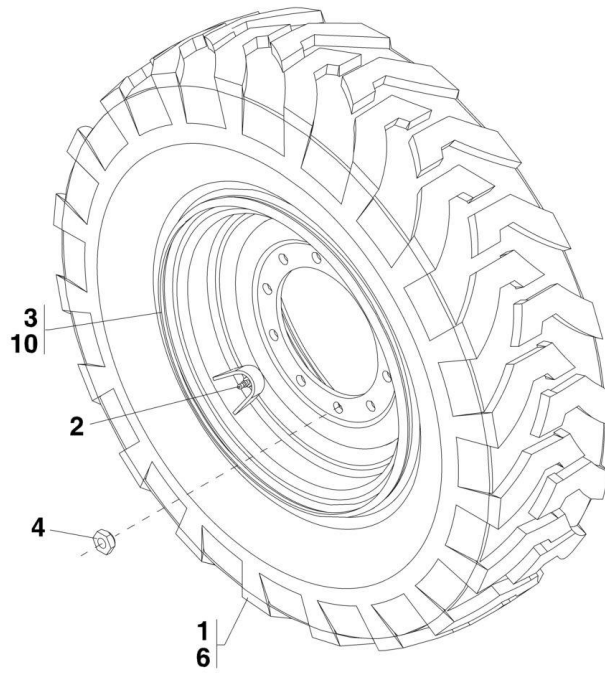
5
7



9



10
11



PW0030

SECTION 5 - DRIVE TRAIN

FIGURE 5-14. TIRES AND RIMS (SN 0160000230 to Present)

ITEM	PART NUMBER	QTY	DESCRIPTION	REV
	4520368	1	TIRE SET, 13.00-24 BIAS	A
	91405035	2	RH TIRE AND WHEEL ASSY, 13.00-24 BIAS, (includes items 1 thru 3)	H
	91405036	2	LH TIRE AND WHEEL ASSY, 13.00-24 BIAS, (includes items 1 thru 3)	H
	4520369	1	TIRE SET, 13.00-24 BIAS, ROCK TREAD	A
	91535017	4	TIRE AND WHEEL ASSY, 13.00-24 BIAS, ROCK TREAD, (includes items 2, 3 & 5)	B
	4520481	1	tire set, 14.00-24 BIAS	A
	91355034	2	RH TIRE AND WHEEL ASSY, 14.00-24 BIAS, (includes items 2, 3 & 6)	C
	91355035	2	LH TIRE AND WHEEL ASSY, 14.00-24 BIAS, (includes items 2, 3 & 6)	C
	4520485	1	TIRE SET, 14.00-24 ROCK TREAD, PNEUMATIC	A
	91545010	4	TIRE AND WHEEL ASSY, 14.00-24 BIAS, ROCK TREAD, (includes items 2, 3 & 7)	E
	4520374	1	TIRE SET, 13.00-24 RADIAL	A
	91515056	4	TIRE AND WHEEL ASSY, 13.00-24 RADIAL, (includes items 2, 3 & 8)	B
	4520489	1	TIRE SET, 14.00-24 RADIAL, PNEUMATIC	A
	91415072	4	TIRE AND WHEEL ASSY, 14.00-24 RADIAL, (includes items 2, 3 & 9)	C
	4520370	1	TIRE SET, 13.00-24 BIAS, FOAM FILLED	A
	91475054	2	RH TIRE AND WHEEL ASSY, 13.00-24 BIAS, FOAM FILLED, 542#, (includes items 1 thru 3 & 12)	D
	91475055	2	LH TIRE AND WHEEL ASSY, 13.00-24 BIAS, FOAM FILLED, 542#, (includes items 1 thru 3 & 12)	D
	4520375	1	TIRE SET, 13.00-24 RADIAL, FOAM FILLED	A
	91475093	4	TIRE AND WHEEL ASSY, 13.00-24 RADIAL, FOAM FILLED, 542#, (includes items 2, 3, 8 & 12)	E
	4520371	1	TIRE SET, 13.00-24 BIAS, ROCK TREAD, FOAM FILLED	A
	91535019	4	TIRE AND WHEEL ASSY, 13.00-24 BIAS, ROCK TREAD, FOAM FILLED, 542#, (includes items 2, 3, 5 & 12)	D
	4520482	1	TIRE SET, 14.00-24 BIAS, FOAM FILLED	B
	91355037	2	RH TIRE AND WHEEL ASSY, 14.00-24 BIAS, FOAM FILLED, 720#, (includes items 2, 3, 6 & 12)	E
	91355038	2	LH TIRE AND WHEEL ASSY, 14.00-24 BIAS, FOAM FILLED, 720#, (includes items 2, 3, 6 & 12)	E
	4520486	1	TIRE SET, 14.00-24 ROCK TREAD, FOAM FILLED	A
	91545008	4	TIRE AND WHEEL ASSY, 14.00-24, ROCK TREAD, FOAM FILLED, 720#, (includes items 2, 3, 7 & 12)	F
	4520490	1	TIRE SET, 14.00-24 RADIAL, FOAM FILLED	A
	91365076	4	TIRE AND WHEEL ASSY, 14.00-24, RADIAL, FOAM FILLED, (includes items 2, 3 , 9 & 12)	D
	4520645	1	SOLID TIRE SET, 13.00-24, (includes items 10 & 11)	A
1	8780031	1	TIRE, 13.00-24 BIAS, DIRECTIONAL	
2	8786514	1	VALVE STEM	
3	91473206	1	WHEEL, 24X9	
4	91403193	10	LUG NUT	
5	8780045	1	TIRE, 13.00-24 BIAS, ROCK TREAD, NON-DIRECTIONAL	
6	91043084	1	TIRE, 14.00-24 BIAS, DIRECTIONAL	
7	91543002	1	TIRE, 14.00-24 BIAS, ROCK TREAD, NON-DIRECTIONAL	
8	8780264	1	TIRE, 13.00-24 RADIAL, NON-DIRECTIONAL	

SECTION 5 - DRIVE TRAIN

ITEM	PART NUMBER	QTY	DESCRIPTION	REV
9	91363215	1	TIRE, 14.00-24 RADIAL, NON-DIRECTIONAL	
10	4520646	2	RH SOLID TIRE AND WHEEL ASSY	B
11	4520647	2	LH SOLID TIRE AND WHEEL ASSY	B

SECTION 6 - CAB

SECTION 6 - CAB

FIGURE 6-1. OPEN CAB

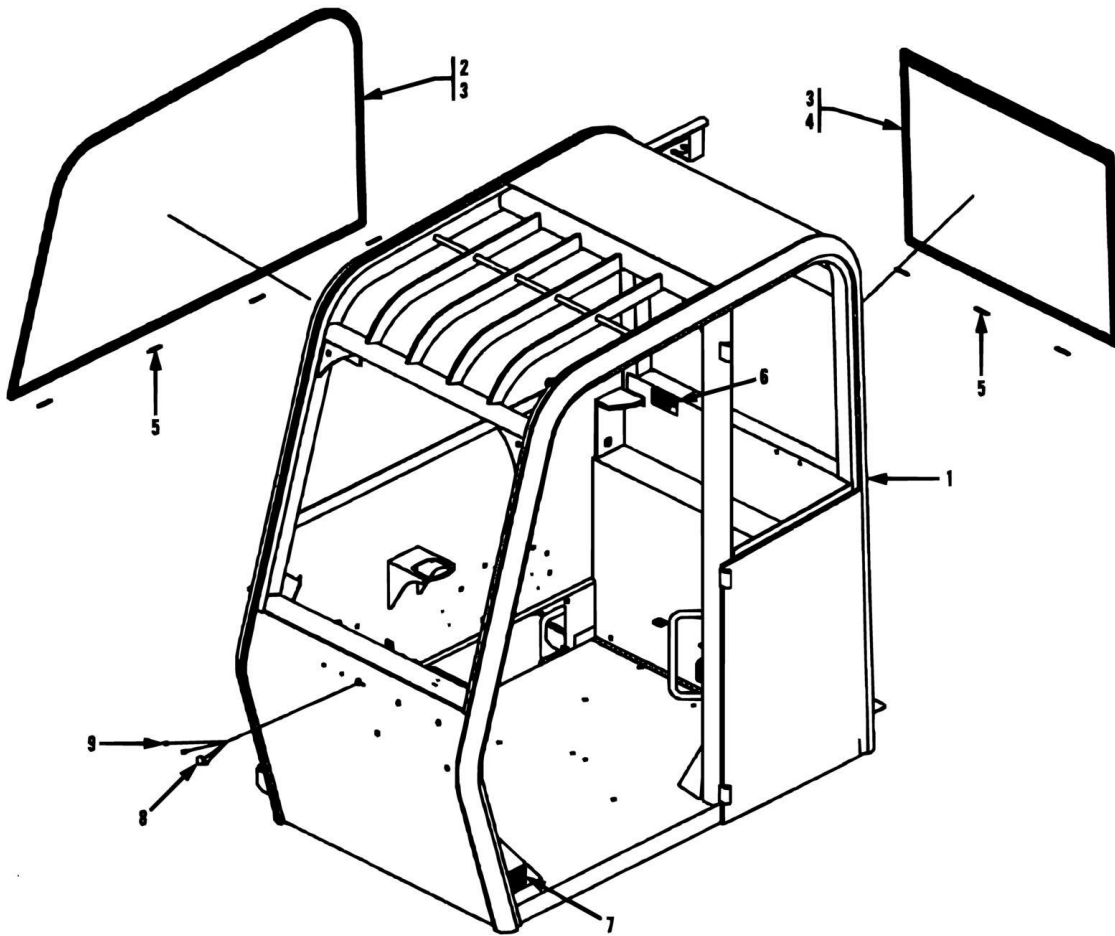
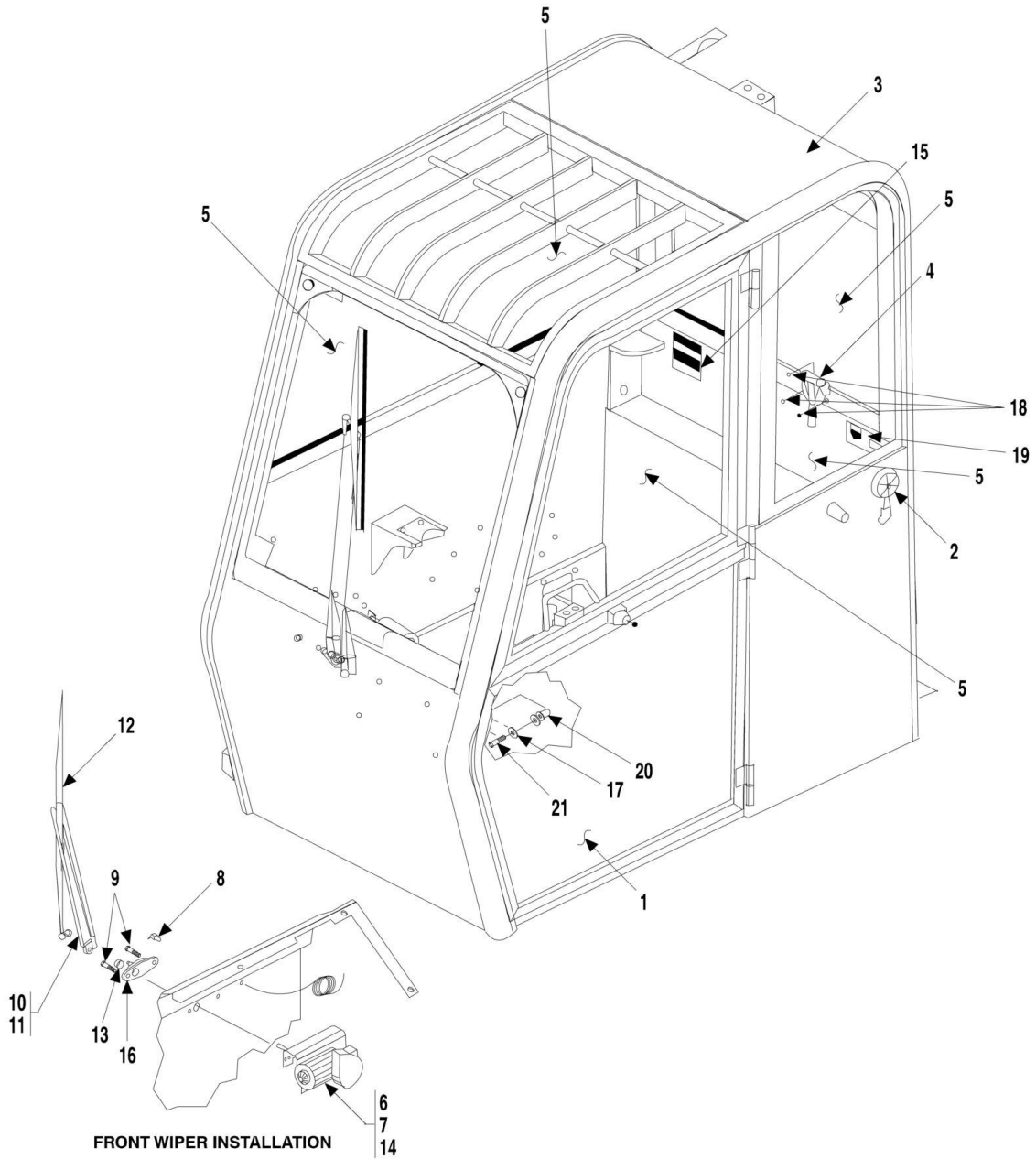


FIGURE 6-1. OPEN CAB

ITEM	PART NUMBER	QTY	DESCRIPTION	REV
	91403076	1	OPEN CAB ASSY, (includes all items)	W
1	91404108	1	CAB WELDMENT	
2	91404109	1	RH SIDE WINDOW WITH BORDER	
3	80364009	AR	URETHANE SEALANT	
4	91404110	1	REAR WINDOW WITH BORDER	
5	80264031	7	SETTING BLOCK, 1/8X1/4X2	
6	N.S.S.	1	SERIAL TAG	
7	91164094	1	ROPS WARNING DECAL	
8	91164087	1	HOLE PLUG, 3/4	
9	91164086	3	HOLE PLUG, 3/8	

SECTION 6 - CAB

FIGURE 6-2. CAB ENCLOSURE WITH HEATER OPTION (SN 0189001 through 0189345, SN 016000230 through 0160015436)



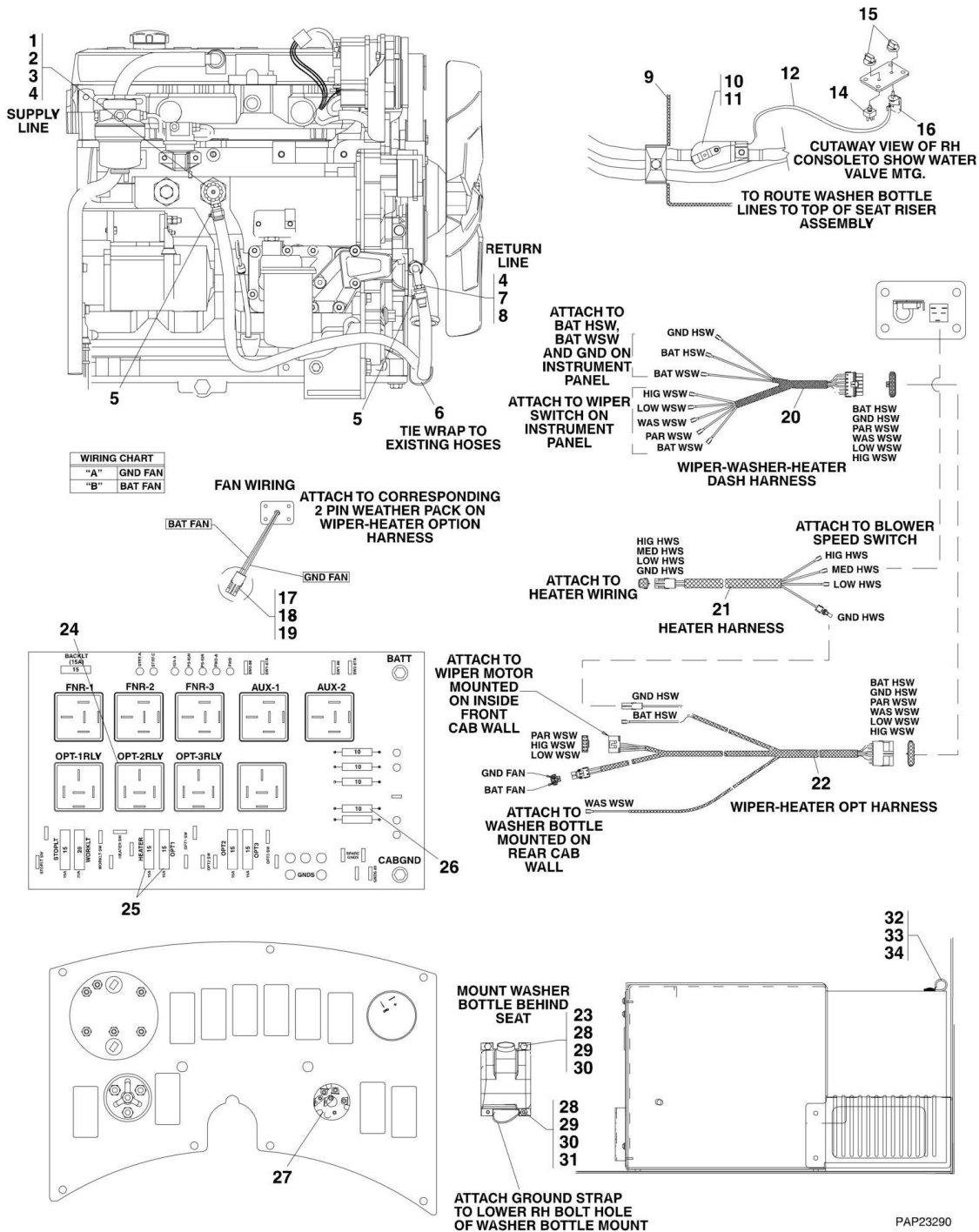
SECTION 6 - CAB

FIGURE 6-2. CAB ENCLOSURE WITH HEATER OPTION (SN 0189001 through 0189345, SN 0160000230 through 0160015436)

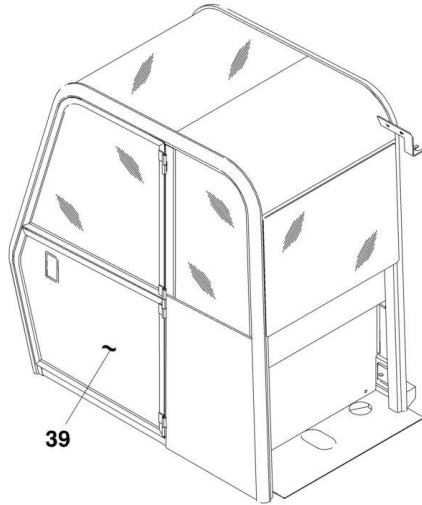
ITEM	PART NUMBER	QTY	DESCRIPTION	REV
	91415027	1	CAB ENCLOSURE WITH HEATER OPTION, (includes Cab Enclosure, 91403084, shown below and Heater Option Assy, 91405056, shown on OPTIONS SECTION)	D
	91403084	1	CAB ENCLOSURE, (includes all items CAB ENCLOSURE WITH HEATER OPTION thru CAB ENCLOSURE)	B
1		Ref	LH SIDE ASSY, (See CAB ENCLOSURE for Breakdown)	
2		Ref	DOOR HOLD OPEN ASSY, (See CAB ENCLOSURE for Breakdown)	
3	91404295	1	HEADLINER, 1 IN, (inside cab)	
4	91404301	1	EMERGENCY HAMMER WITH CABLE	
5		Ref	CAB GLASS, (See CAB ENCLOSURE for Breakdown)	
6	91404293	1	WIPER MOTOR ASSY, (includes items 7 & 14)	
6	7029860	1	WIPER MOTOR, 12V	
7	80384215	1	SHAFT AND PIVOT ASSY	
8	1001081310	1	WET ARM SPACER	
9	80384207	2	HEX SCREW, 1/4-28X3/4	
10	1001081311	1	WET ARM KIT	
11	1001081308	1	WIPER ARM	
12	80384213	1	WIPER BLADE	
13	91334135	1	SPACER	
14	80384203	1	WIPER DRIVE ARM	
15	N.S.S.	1	SERIAL TAG	
16	1001081307	1	WIPER ARM ADAPTOR	
17	91404297	2	WASHER	
18	91404298	3	RIVET	
19	91404299	1	EMERGENCY EXIT DECAL	
20	80364023	1	STRIKER BOLT	
21	91334024	1	HEX BOLT, 3/8-16X7/8	

SECTION 6 - CAB

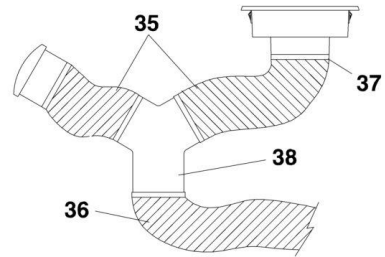
FIGURE 6-3. CAB ENCLOSURE WITH HEATER OPTION (SN 0160015465 to Present)



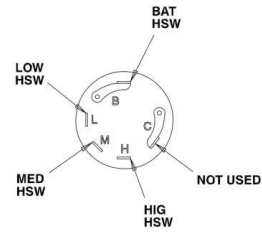
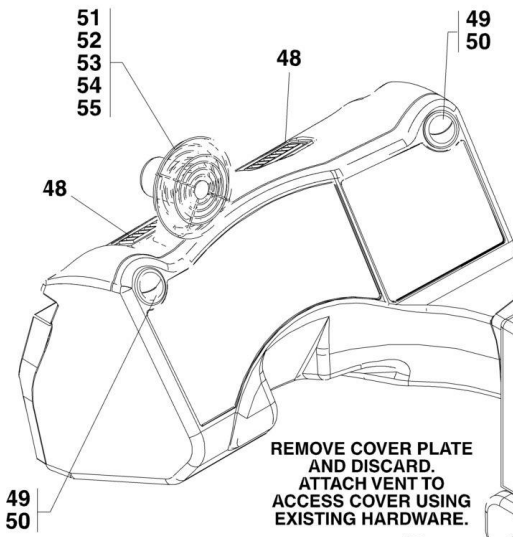
SECTION 6 - CAB



USE THIS CLAMP TO ATTACH VENT HOSE TO VENTS, PLENUM AND HEATER

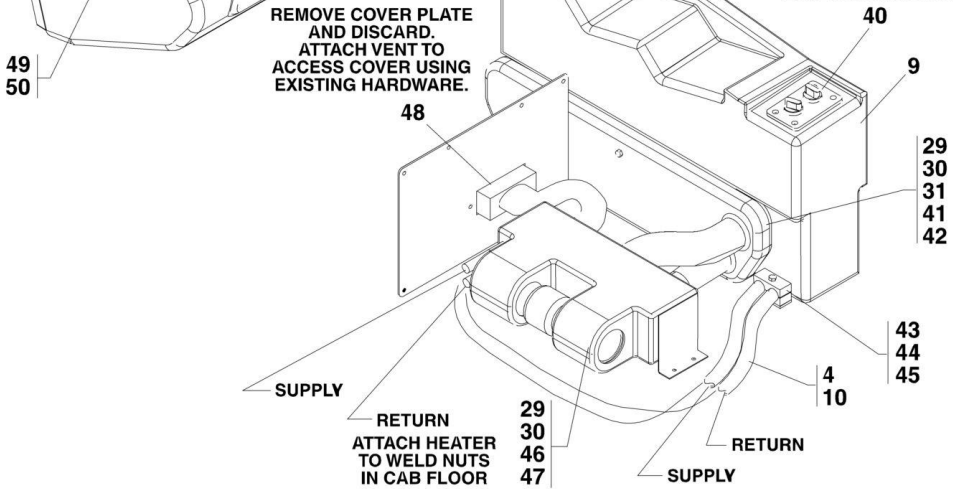


ATTACH HOSES FROM 3-WAY CONNECTORS TO FRONT OPENING ON THE PLENUM.



HEATER FAN SWITCH HARNESS CONNECTIONS

REMOVE COVER PLATE AND DISCARD. ATTACH VENT TO ACCESS COVER USING EXISTING HARDWARE.



SECTION 6 - CAB

FIGURE 6-3. CAB ENCLOSURE WITH HEATER OPTION (SN 0160015465 to Present)

ITEM	PART NUMBER	QTY	DESCRIPTION	REV
	91415088	1	CAB ENCLOSURE KIT INSTALLATION, (includes items 1 thru 55)	C
1	80373046	1	FITTING	
2	91083155	1	TRUCK VALVE	
3	77383540	1	COOLANT RESTRICTOR ORIFICE	
4	82033995	26 ft	HEATER HOSE, 5/8 IN	
5	86671187	2	HEATER HOSE CLAMP	
6	86683122	1	TIE WRAP	
7	80683073	1	ADAPTER FITTING	
8	91403443	1	BARBED FITTING, 90	
9		Ref	RH CONSOLE, (See DASH ASSEMBLY for Breakdown)	
10	86683193	4	HOSE CLAMP	
11	83683182	1	WATER VALVE	
12	91413038	1	HEATER CABLE	
14	80964001	1	BLOWER SWITCH	
15	80363069	2	KNOB, 3/16 SHAFT	
16	80363028	1	ROTARY CONTROL	
17	80963058	1	WEATHER PACK SHROUD	
18	80963069	2	WEATHER PACK PINS	
19	80963065	2	WEATHER PACK SEALS	
20	91403351	1	WIPER/WASHER HARNESS	
21	91403352	1	HEATER HARNESS	
22	91403350	1	WIPER/HEATER HARNESS	
23	1001111112	1	WINDOW WASHER FLUID TANK	
24	77363265	1	RELAY	
25	77363268	2	AUTO FUSE, 15 AMP	
26	77363267	1	AUTO FUSE, 10 AMP	
27	80963101	1	WIPER SWITCH	
28	88201005	3	HEX HD CAPSCREW, 1/4-20X1	
29	88561002	9	FLAT WASHER, 1/4	
30	88551009	8	LOCKWASHER, 1/4	
31	88501004	2	HEX NUT, 1/4-20	
32	91413036	2	SELF-TAPPING SCREW, #6X1/2	
33	24861170	2	CLAMP	
34	88561105	2	FLAT WASHER, #10	
35	71492150	10 ft	VENT HOSE, 2 IN	
36	71492152	10.5 ft	VENT HOSE, 2-1/2 IN	
37	84231107	18	HOSE CLAMP	
38	91403539	2	3 WAY CONNECTOR	
39	91403084	1	CAB ENCLOSURE, (includes all items on CAB ENCLOSURE WITH HEATER OPTION thru CAB ENCLOSURE)	
40	91403445	1	HEATER CONTROL PANEL	
41	91403329	1	HEAT/AC PLENUM	
42	88201011	1	HEX HD CAPSCREW, 1/4-20X2-1/2	
43	77133279	1	CLAMP SET	
44	77133137	1	COVER PLATE	
45	88201023	1	HEX HD CAPSCREW, 5/16-18X1-3/4	
46	91403280	NLA	HEATER UNIT, (no longer available, use 1001114282 for replacement) (Prior to SN 0160037689)	
46	1001114282	1	HEATER UNIT, 3 SPEED (SN 0160037689 to Present)	
47	88261015	4	BUTTON HD CAPSCREW, 1/4-20X5/8	

SECTION 6 - CAB

ITEM	PART NUMBER	QTY	DESCRIPTION	REV
48	91413053	3	RECTANGULAR VENT	
49	91403596	2	VENT REDUCER	
50	80363106	2	CIRCULAR VENT	
51	91403608	1	DEFROSTER FAN	
52	91401443	1	FAN BASE PLATE	
53	91033425	1	RUBBER GROMMET	
54	88211030	4	SOCKET HD CAPSCREW, #10-24X3/4	
55	77143017	4	WHIZ-LOCKNUT, #10-24	

SECTION 6 - CAB

FIGURE 6-4. CAB ENCLOSURE

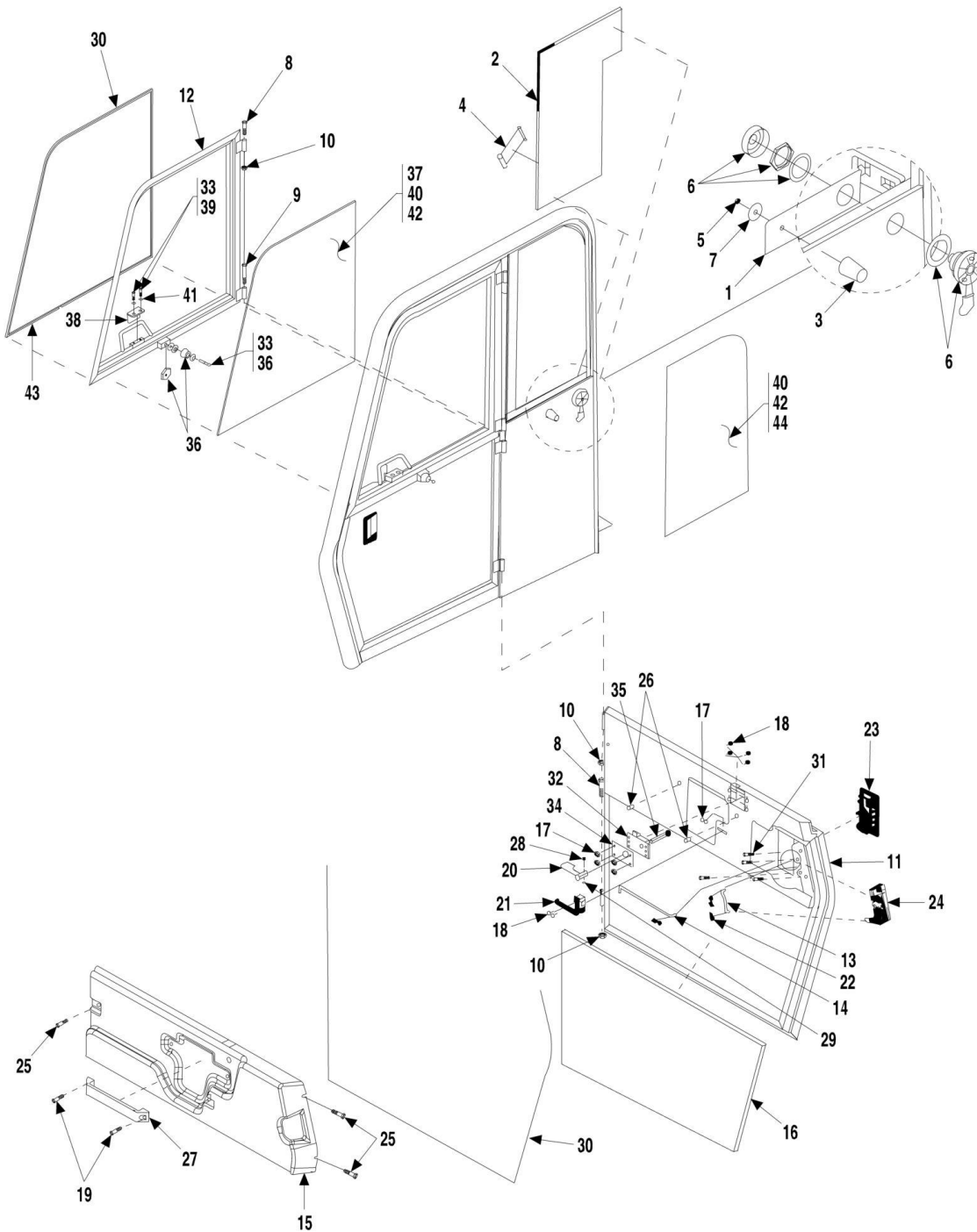


FIGURE 6-4. CAB ENCLOSURE

ITEM	PART NUMBER	QTY	DESCRIPTION	REV
	91403084	1	CAB ENCLOSURE, (includes all items on CAB ENCLOSURE WITH HEATER OPTION thru CAB ENCLOSURE)	
1	91404292	1	HOLD OPEN PLATE	
2	91404294	1	L.H. SIDE PANEL, FOAM	
3	91404300	1	RUBBER BUMPER	
4	80384218	1	DOOR STRAP	
5	91334031	1	HEX NUT, .312-18	
6	91404303	1	DOOR HOLD OPEN, FEMALE	
7	91404304	1	WASHER	
8	80384205	2	HEX BOLT, .375-16X4	
9	91404305	1	HEX BOLT, .375-16X5	
10	91404306	3	HEX NUT, .375-16	
11	91404307	1	LOWER DOOR ASSY, (includes items 13 thru 29, 8ft of item 30, items 31, 32, 34 & 35)	
12	91404308	1	UPPER DOOR ASSY, (includes 11ft of item 30, item 33 & 36 thru 43)	
13	91404309	1	DOOR ROD, EXT. RELEASE	
14	91404310	1	DOOR ROD, INT. RELEASE	
15	91404311	1	PLASTIC DOOR COVER	
16	91404312	1	FOAM, .50, LOWER DOOR	
17	91404313	6	CTR. LOCKNUT, #10-24	
18	80384191	6	WHIZ LOCK SCREW, #10-24X.50	
19	91404314	2	FLAT HD SCREW, .25-20X1.25	
20	91404315	1	R.H. WINDOW RELEASE/L.H. DOOR LEVER	
21	80384192	1	HANDLE	
22	80384187	3	CLIP	
23	80384184	1	PADDLE LATCH	
24	80384186	1	CAM LATCH	
25	80264066	3	SCREW, M5X1X12 THD CUTTING	
26	80364088	2	INSERT NUT, .25-20	
27	91404316	1	DIE CAST GRAB HANDLE	
28	91404317	1	SCREW, #8-32X1.12	
29	91404318	1	NYLOCK NUT, #8-32	
30	80364001	19 ft	BULB SEAL, P-STEM	
31	80384189	4	HEX SCREW, .25-20X.75	
32	91404319	1	L.H. SLAM LATCH	
33	91344018	AR	LOCTITE, BLUE	
34	91404320	1	SLAM LATCH STIFFENER	
35	91404321	1	LOWER DOOR DRIVE BAR WELDMENT	
36	91474492	1	DOOR, HOLD OPEN	
37		Ref	GLASS, UPPER DOOR, (See CAB ENCLOSURE for Breakdown)	
38	91404323	1	SLAM LATCH STRIKER	
39	91404324	2	HEX BOLT, .312-18X.625	
40	91404302	AR	ACTIVATOR, SIKA	
41	91334032	2	FLAT WASHER, .313IDX.75IDX.06	
42	80364009	AR	SEALANT	
43	91344046	AR	SEALANT/ADHESIVE	
44		Ref	GLASS, L.H. SIDE WINDOW, (See CAB ENCLOSURE for Breakdown)	

SECTION 6 - CAB

FIGURE 6-5. CAB ENCLOSURE

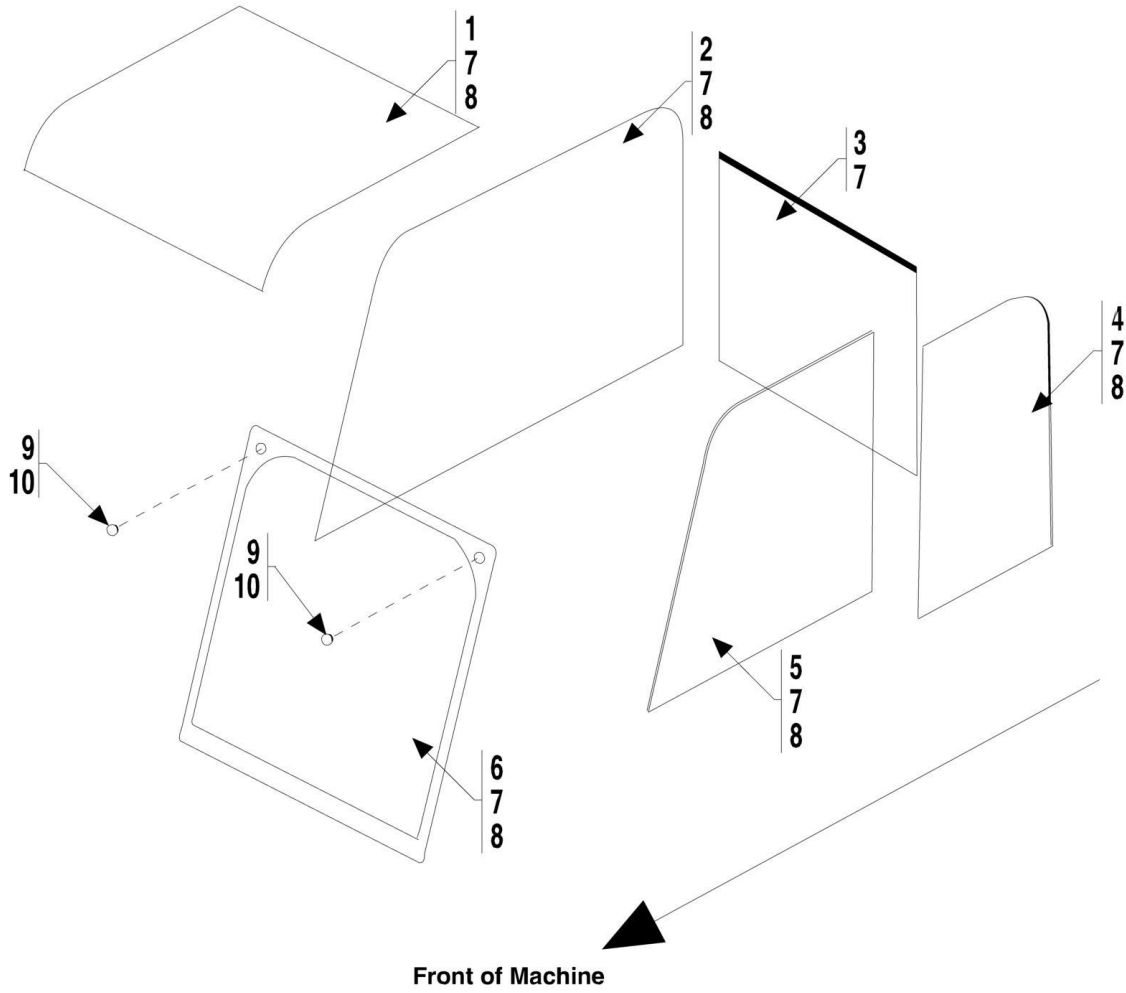
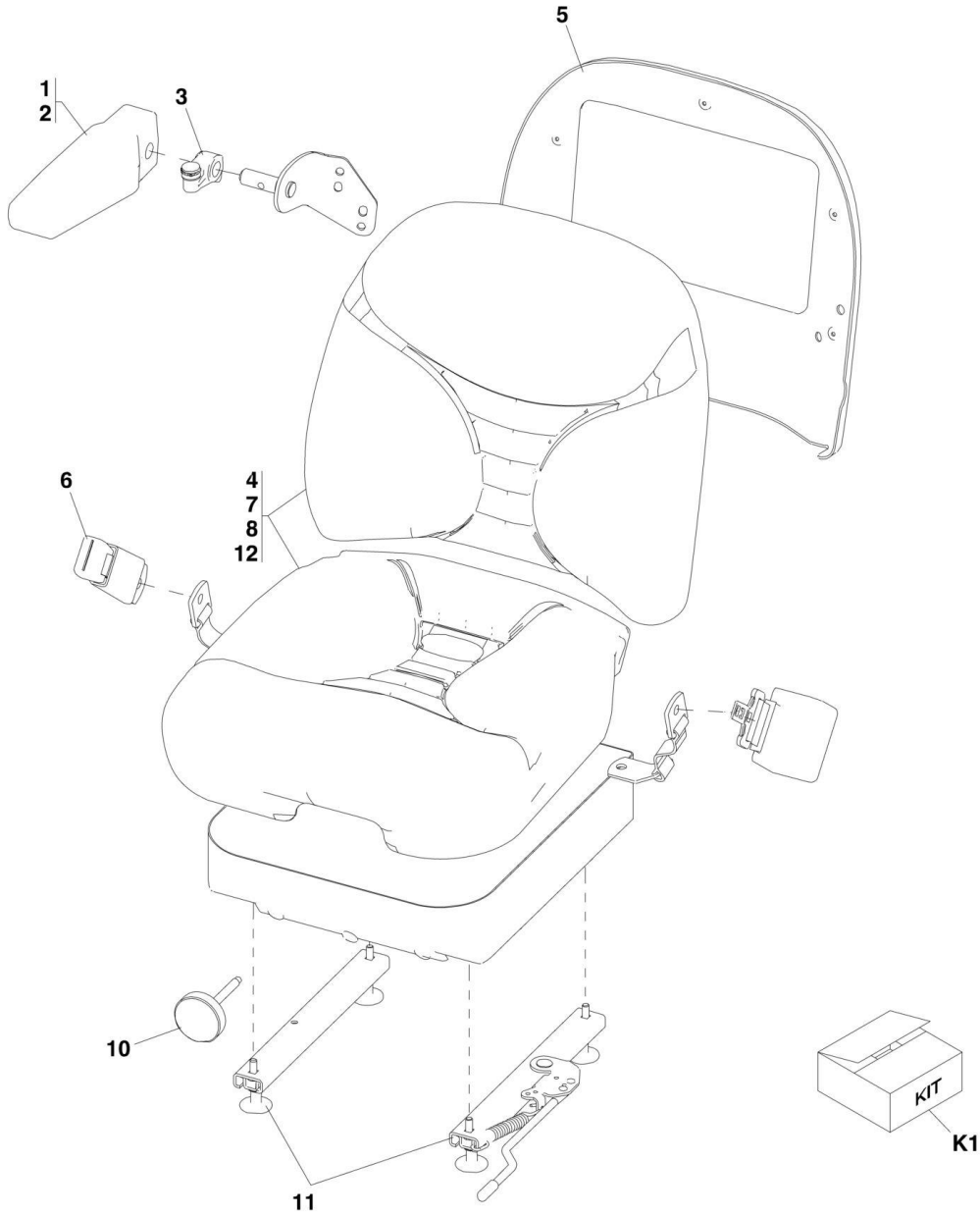


FIGURE 6-5. CAB ENCLOSURE

ITEM	PART NUMBER	QTY	DESCRIPTION	REV
	91403084	1	CAB ENCLOSURE, (includes all items on CAB ENCLOSURE WITH HEATER OPTION thru CAB ENCLOSURE)	
1	91413142	1	SKYLIGHT WINDOW	
2	91404109	1	RH SIDE WINDOW WITH BORDER	
3	91404110	1	REAR WINDOW WITH BORDER	
4	80364030	1	LH SIDE DOOR WINDOW	
5	91404322	1	UPPER DOOR GLASS	
6	91404291	1	FRONT WINDOW	
7	80364009	AR	SEALANT	
8	91404302	AR	ACTIVATOR	
9	91404296	2	HOLE PLUG, 1-1/4	
10	80364012	AR	CLEAR SEALANT	

SECTION 6 - CAB

FIGURE 6-6. SUSPENSION SEAT (SN 0160015465 to Present)



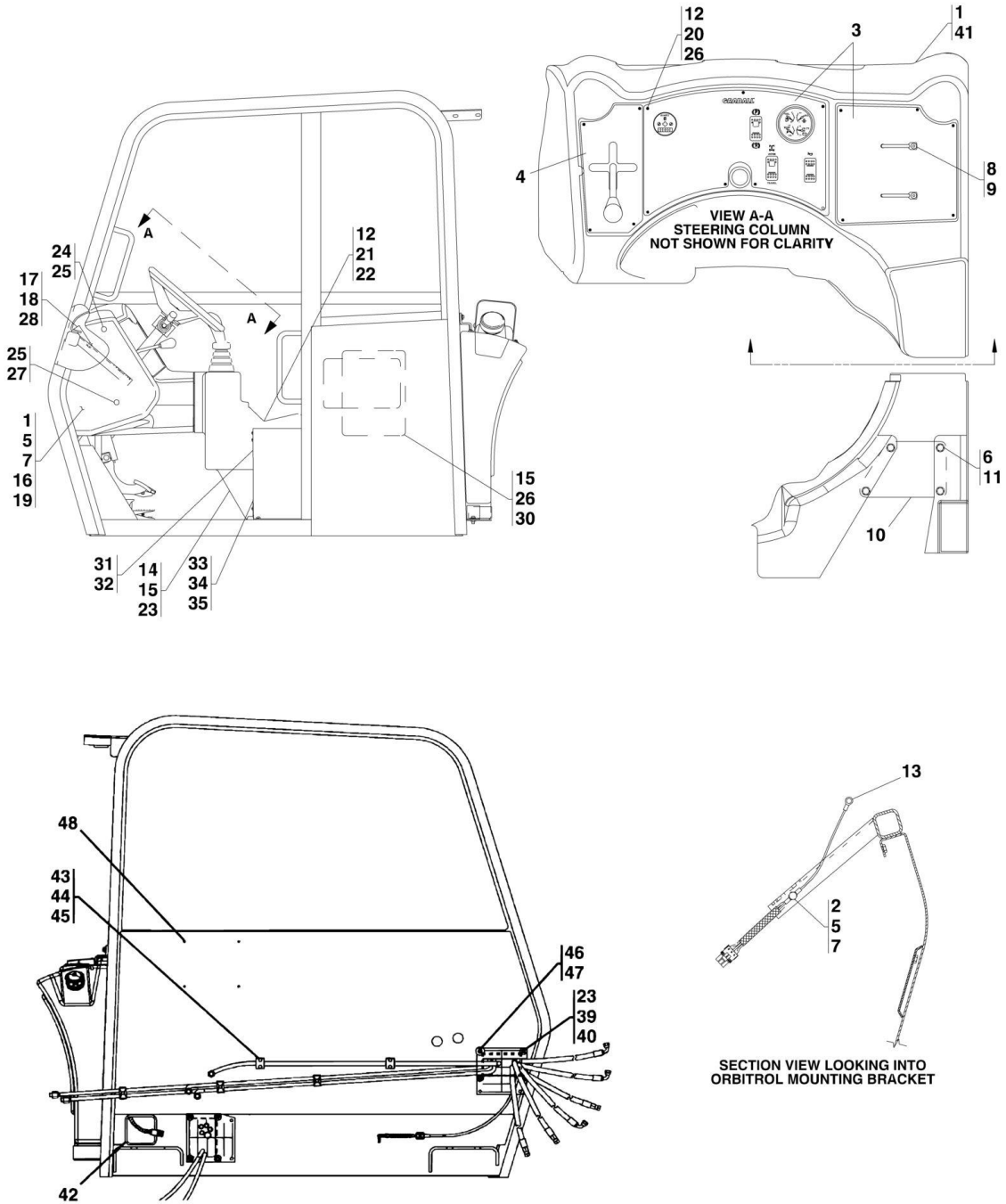
PAP23910

FIGURE 6-6. SUSPENSION SEAT (SN 0160015465 to Present)

ITEM	PART NUMBER	QTY	DESCRIPTION	REV
	91563158	1	SUSPENSION SEAT, (includes all items)	F
1	7026904	1	ARMREST ASSY RH KIT, (includes items 2 & 3)	
2	N.S.S.	1	ARMREST, MOLDED KIT	
3	N.S.S.	1	ARMREST STOP ASSY	
4	7026900	1	BACK CUSHION KIT	
5	7026902	1	BACK PANEL KIT	
6	7026905	1	SEAT BELT KIT	
	91563164	1	SEAT BELT, 3 IN, (California Only), (not included with 91563158)	
7	7026906	1	TETHER KIT	
8	7026901	1	SEAT CUSHION KIT	
10	7026799	1	KNOB KIT	
11	7026798	1	SLIDE KIT	
12	1001101085	1	SUSPENSION SEAT WITH 2 IN SEAT BELT	
K1	70023139	1	SEAT BELT KIT, 3 IN, (California only), (includes retractor and female ends)	

SECTION 6 - CAB

FIGURE 6-7. DASH ASSEMBLY



PAP23670

FIGURE 6-7. DASH ASSEMBLY

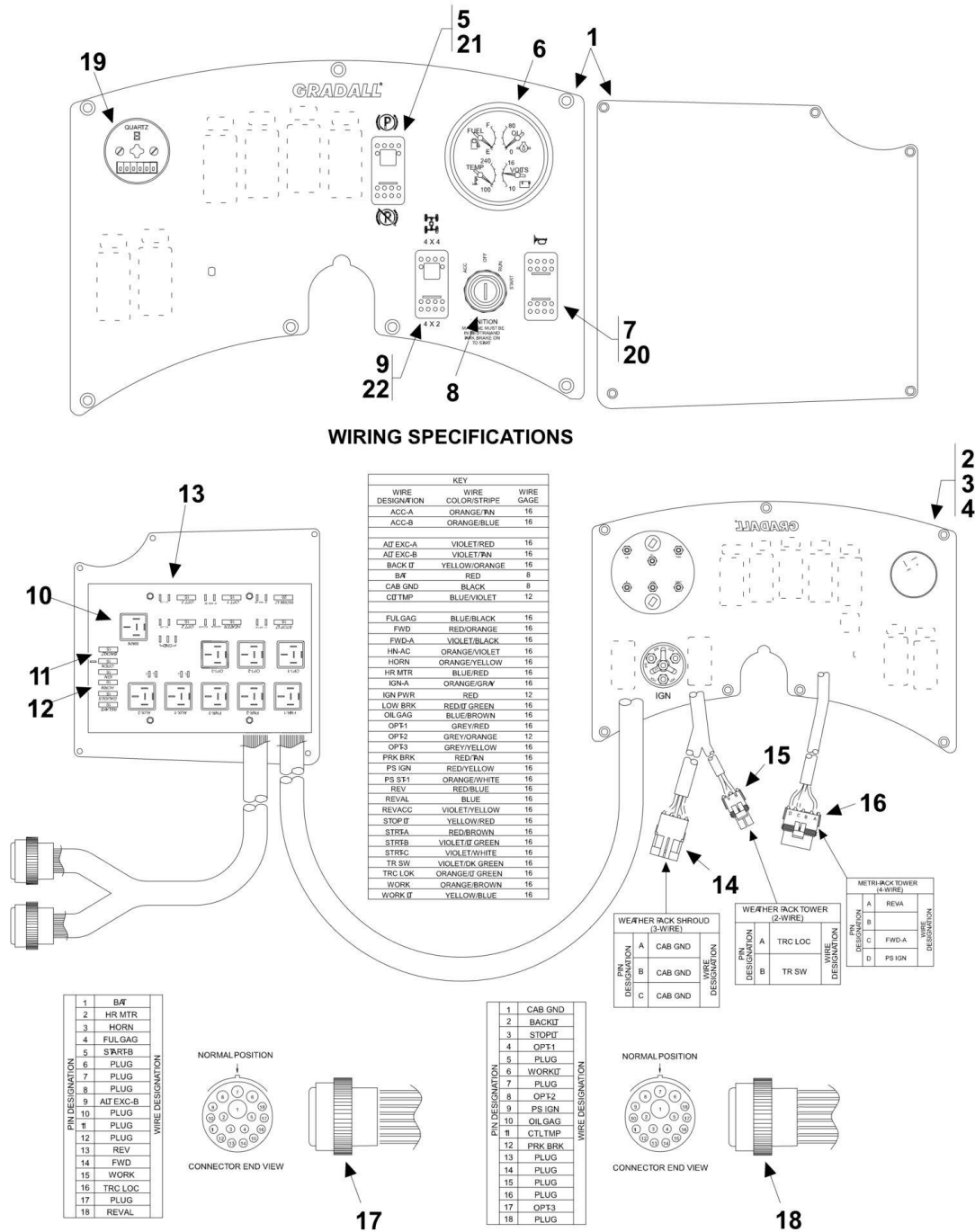
ITEM	PART NUMBER	QTY	DESCRIPTION	REV
1	91403298	1	DASH, (open cab) (SN 0189001 through 0160001274)	
1	91473211	1	DASH, (open cab) (SN 0160001286 to Present)	
2	91403481	1	GROUND HARNESS	
3		Ref	INSTRUMENT PANEL, (See INSTRUMENT PANEL for Breakdown)	
4	91403289	1	LH TILT/SWAY PANEL	
5	88561003	2	FLAT WASHER, 5/16	
6	88561002	15	FLAT WASHER, 1/4	
7	88201020	1	HEX HD CAPSCREW, 5/16-18X1, GR5	
8	91163087	2	LOAD CHART BRACKET	
9	88302125	2	BUTTON HD CAPSCREW, 1/4-20X5/8	
10	91401516	1	DASH BRACE	
11	88201002	4	HEX HD CAPSCREW, 1/4-20X5/8, GR5	
12	80363034	16	TINNERMAN NUT	
13	91361018	1	JUMPER WIRE	
14	91403620	1	RH CONSOLE (SN 0189001 through 0160015436)	
14	91403288	1	RH CONSOLE (SN 0160015465 to Present)	
15	88201005	6	HEX HD CAPSCREW, 1/4-20X1, GR5	
16	88201023	1	HEX HD CAPSCREW, 5/16-18X2-1/2, GR5	
17	91401590	1	DASH CLAMP	
18	80973025	2	BOLT WHIZ-LOCK, 3/8-16X1	
19	91083533	2	FENDER WASHER	
20	1001100322	16	PAN HD SCREW, #10	
21	91413110	1	CONTROL PANEL, (blank)	
22	91413051	4	SELF-TAPPING SCREW, #10X3/4	
23	91413050	2	FENDER WASHER	
24	88201018	1	HEX HD CAPSCREW, 5/16-18X3/4	
25	91023098	2	FENDER WASHER	
26	88561002	4	FLAT WASHER, 1/4	
27	88201021	1	HEX HD CAPSCREW, 5/16-18X1-1/4	
28	90200755	32 in	GASKA TAPE	
30	91403230	1	MANUAL CASE	
31	91561200	1	VENT COVER	
32	91413036	2	SELF-TAPPING SCREW, #6	
33	91561150	1	ACCESS COVER PLATE	
34	0630407	6	BUTTON HD CAPSCREW, 1/4-20X5/8	
35	0471140	6	WASHER, 1/4	
36		Ref	SUSPENSION SEAT, (not shown), (See SUSPENSION SEAT for Breakdown)	
37		Ref	WHIZ-LOCKNUT, 5/16-18, (not shown), (See SUSPENSION SEAT for Breakdown)	
38		Ref	FLAT WASHER, 5/16, (not shown), (See SUSPENSION SEAT for Breakdown)	
39	91473163	1	RUBBER GUARD	
40	88521004	7	LOCKNUT, 1/4-20	
41	91473212	1	DASH, (enclosed cab)	
42	90206194	54 in	TRIM-LOCK	
43	77133497	2	CLAMP SET	
44	77133498	2	COVER PLATE	
45	88201007	4	HEX HD CAPSCREW, 1/4-20X1-1/2	
46	88521005	1	STOVER LOCKNUT, 5/16-18	

SECTION 6 - CAB

ITEM	PART NUMBER	QTY	DESCRIPTION	REV
47	91023098	1	FENDER WASHER, 5/16	
48	91413130	4	NYLON HOLE PLUGS	

SECTION 6 - CAB

FIGURE 6-8. INSTRUMENT PANEL (SN 0189001 through 0189345, SN 016000230 through 0160001274)



NOTE:
BLACK PLASTIC PANEL NOT AVAILABLE FOR SERVICE. MUST ORDER COMPLETE INSTRUMENT PANEL, 91403461, FOR REPLACEMENT

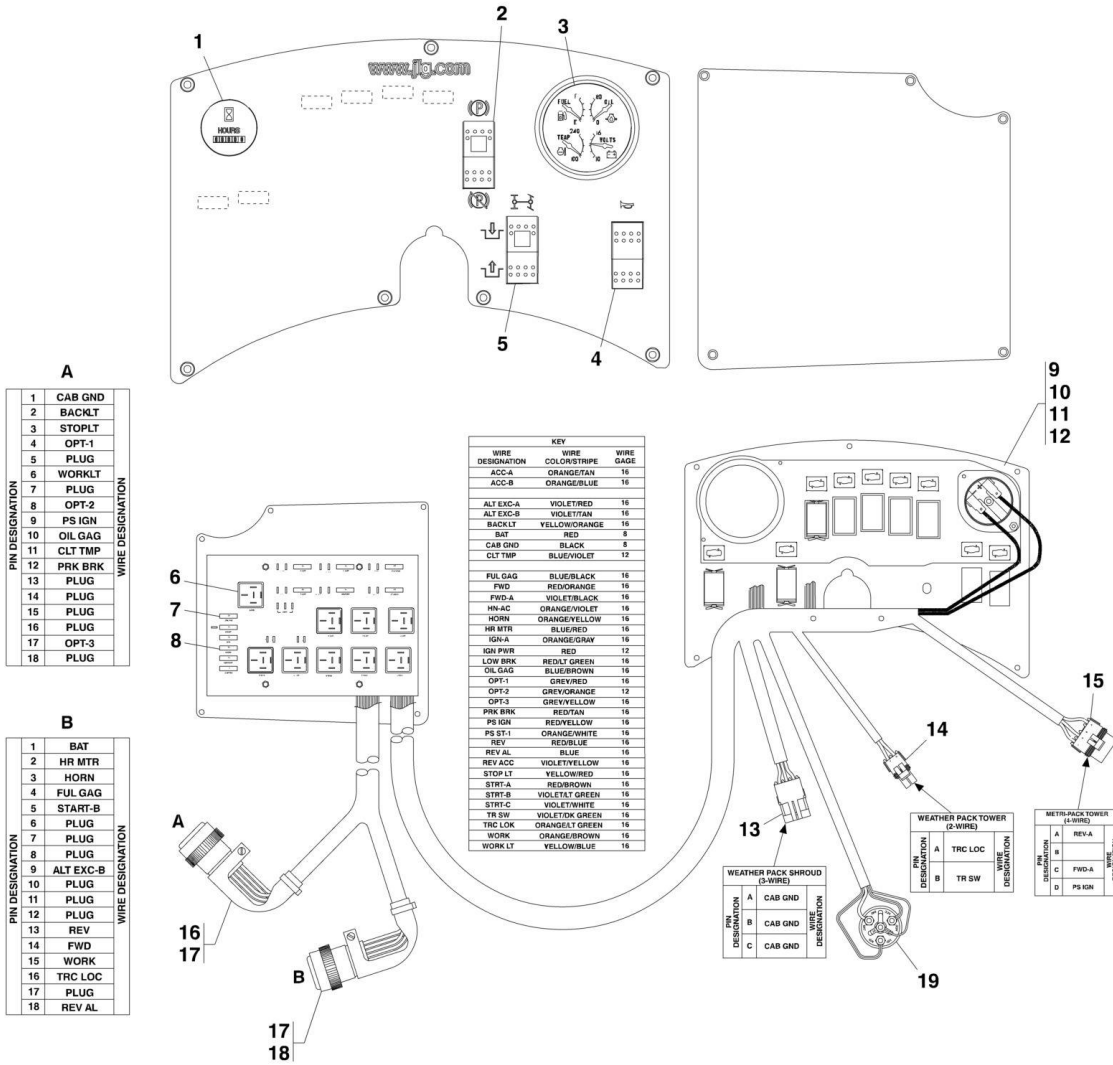
SECTION 6 - CAB

FIGURE 6-8. INSTRUMENT PANEL (SN 0189001 through 0189345, SN 016000230 through 0160001274)

ITEM	PART NUMBER	QTY	DESCRIPTION	REV
1	91403461	1	INSTRUMENT PANEL, (includes all items)	M
2	91404332	1	LARGE GAUGE BRACKET	
3	91404334	4	LAMP ASSY, (includes item 4)	
4	91404335	4	BULB	
5	91404329	1	PARK BRAKE SWITCH, (includes item 21)	
6	91404336	1	4-IN-1 GAUGE	
7	91404330	1	HORN SWITCH, (includes item 20)	
8	91033317	1	IGNITION SWITCH	
8	77384578	1	KEY	
9	91404328	1	4X4 SWITCH, (includes item 22)	
10	77363265	AR	RELAY	
11	77363268	AR	FUSE, 15 AMP	
12	77363267	AR	FUSE, 10 AMP	
13	91404333	1	SMALL GAUGE BRACKET	
14	80963060	1	CONNECTOR	
15	80963057	1	CONNECTOR	
16	91364013	1	CONNECTOR	
17	91404331	1	CONNECTOR	
18	91334038	1	CONNECTOR	
19	90205688	1	HOURMETER	
20	91404349	1	ACTUATOR	
21	91404350	1	ACTUATOR	
22	91404351	1	ACTUATOR	

SECTION 6 - CAB

FIGURE 6-9. INSTRUMENT PANEL (SN 0160001286 to Present)



PAP23230

SECTION 6 - CAB

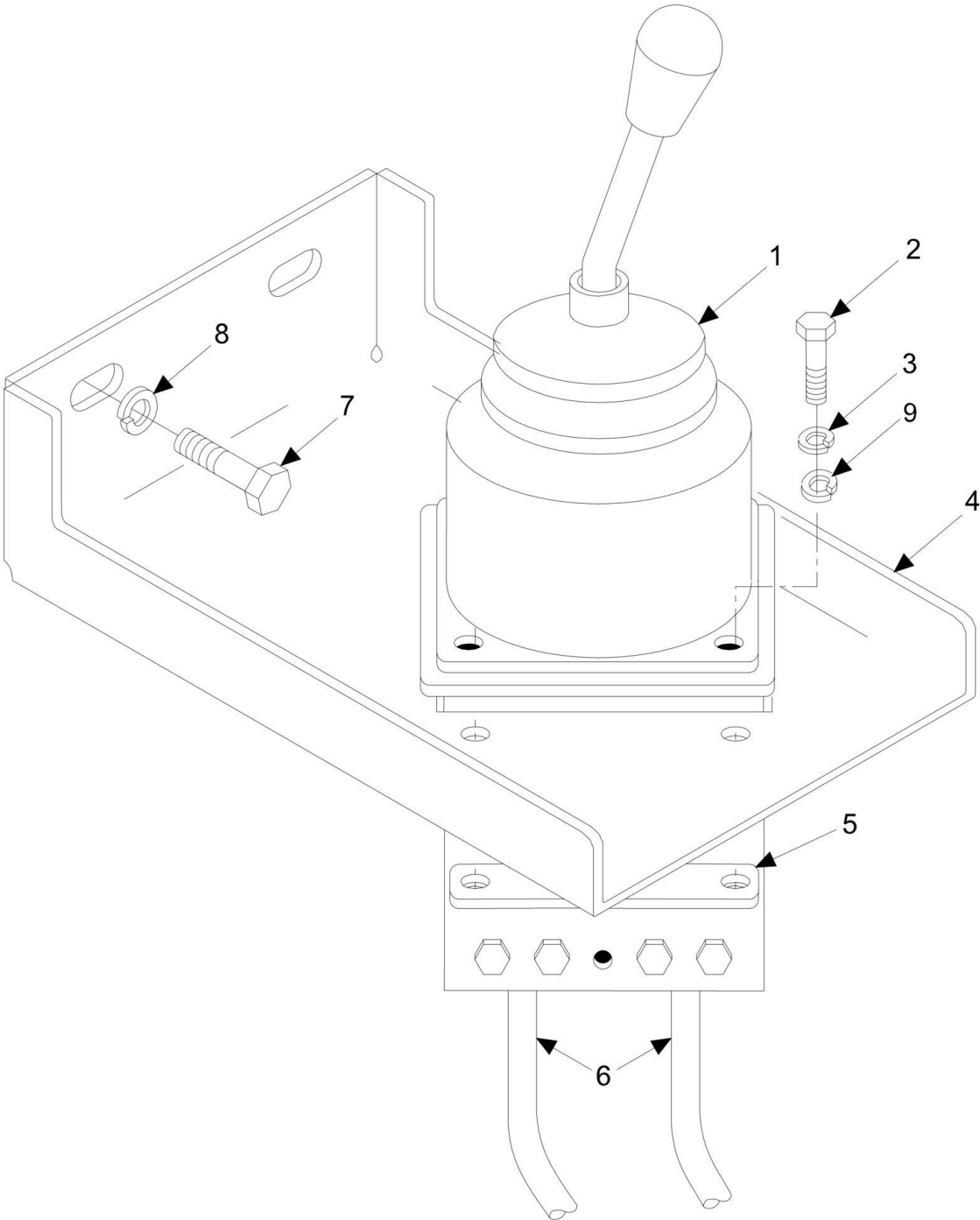
FIGURE 6-9. INSTRUMENT PANEL (SN 0160001286 to Present)

ITEM	PART NUMBER	QTY	DESCRIPTION	REV
	91413060	1	INSTRUMENT PANEL, (includes all items)	F
1	90205688	1	HOURMETER	
2	91404329	1	PARK BRAKE SWITCH, (includes actuator)	
3	91404336	1	4-IN-1 GAUGE	
4	91404330	1	HORN SWITCH, (includes actuator)	
5	91404328	1	4X4 SWITCH, (includes actuator)	
6	77363265	AR	RELAY	
7	77363268	AR	FUSE, 15 AMP	
8	77363267	AR	FUSE, 10 AMP	
9	91404332	1	LARGE GAUGE BRACKET	
10	91404333	1	SMALL GAUGE BRACKET	
11	91404334	4	LAMP ASSY, (includes item 12)	
12	91404335	4	BULB	
13	80963060	1	CONNECTOR	
14	80963057	1	CONNECTOR	
15	91364013	1	CONNECTOR	
16	91334038	1	CONNECTOR	
17	91474463	2	STRAIN RELIEF, 90	
18	91404331	1	CONNECTOR	
19	91033317	1	IGNITION SWITCH	
19	77384578	1	KEY	

SECTION 7 - CONTROLS

SECTION 7 - CONTROLS

FIGURE 7-1. TILT AND SWAY



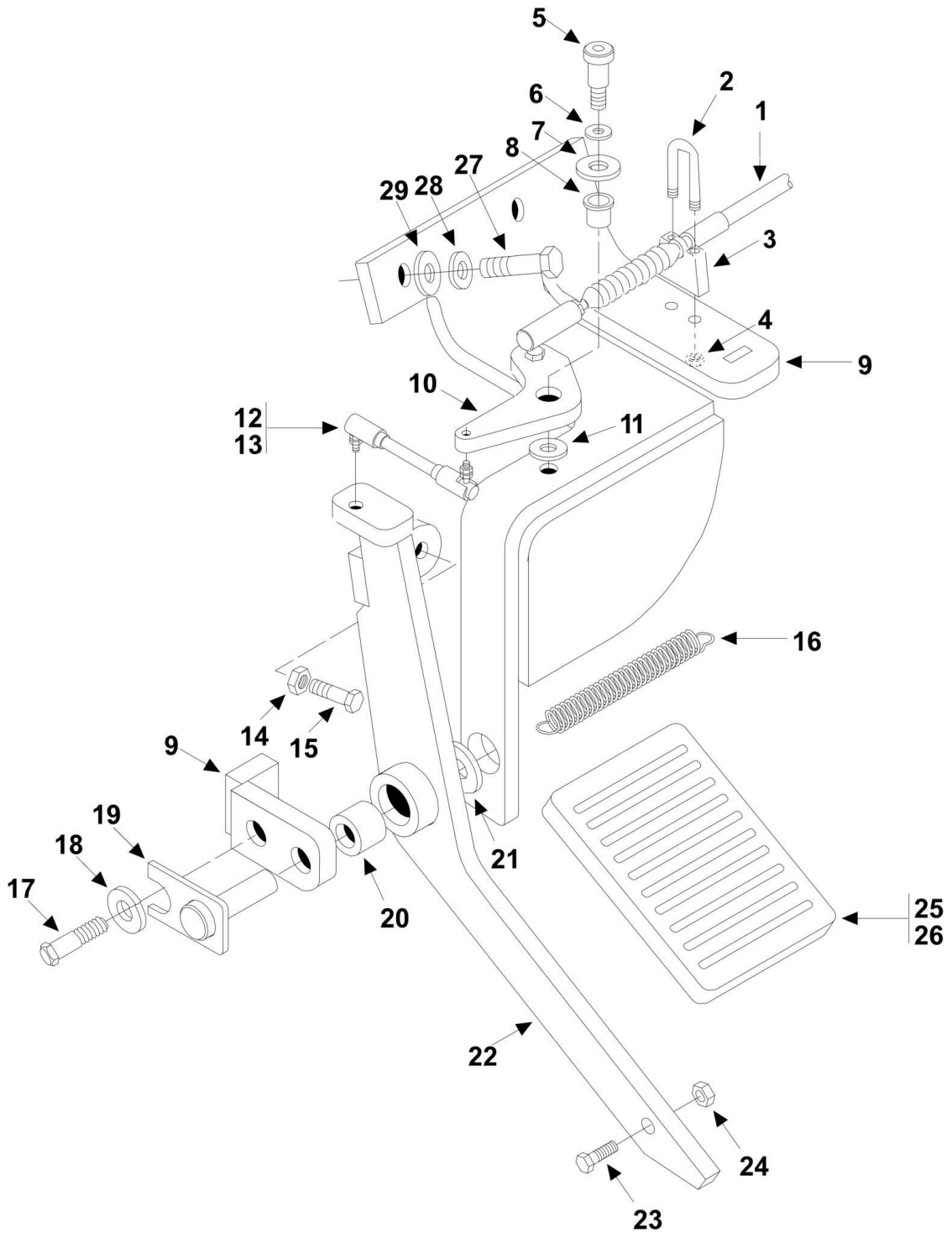
SECTION 7 - CONTROLS

FIGURE 7-1. TILT AND SWAY

ITEM	PART NUMBER	QTY	DESCRIPTION	REV
1	91405047	1	TILT AND SWAY CONTROL ASSY, (includes items 1 thru 6 & 9)	C
1		Ref	JOYSTICK, (See JOYSTICK ASSEMBLY for Breakdown)	
2	88201005	4	HEX HD CAPSCREW, 1/4-20X1, GR5	
3	88551009	4	LOCKWASHER, 1/4	
4	91401168	1	LH TILT/SWAY BRACKET	
5	91416006	2	WELD NUT PLATE	
6	91403309	2	CONTROL CABLES	
7	88201065	2	HEX HD CAPSCREW, 1/2-13X1, GR5	
8	88551013	2	LOCKWASHER, 1/2	
9	88561107	4	FLAT WASHER, 1/4	

SECTION 7 - CONTROLS

FIGURE 7-2. ACCELERATOR PEDAL ASSEMBLY (SN 0189001 through 0189345, SN 016000230 through 0160001370)



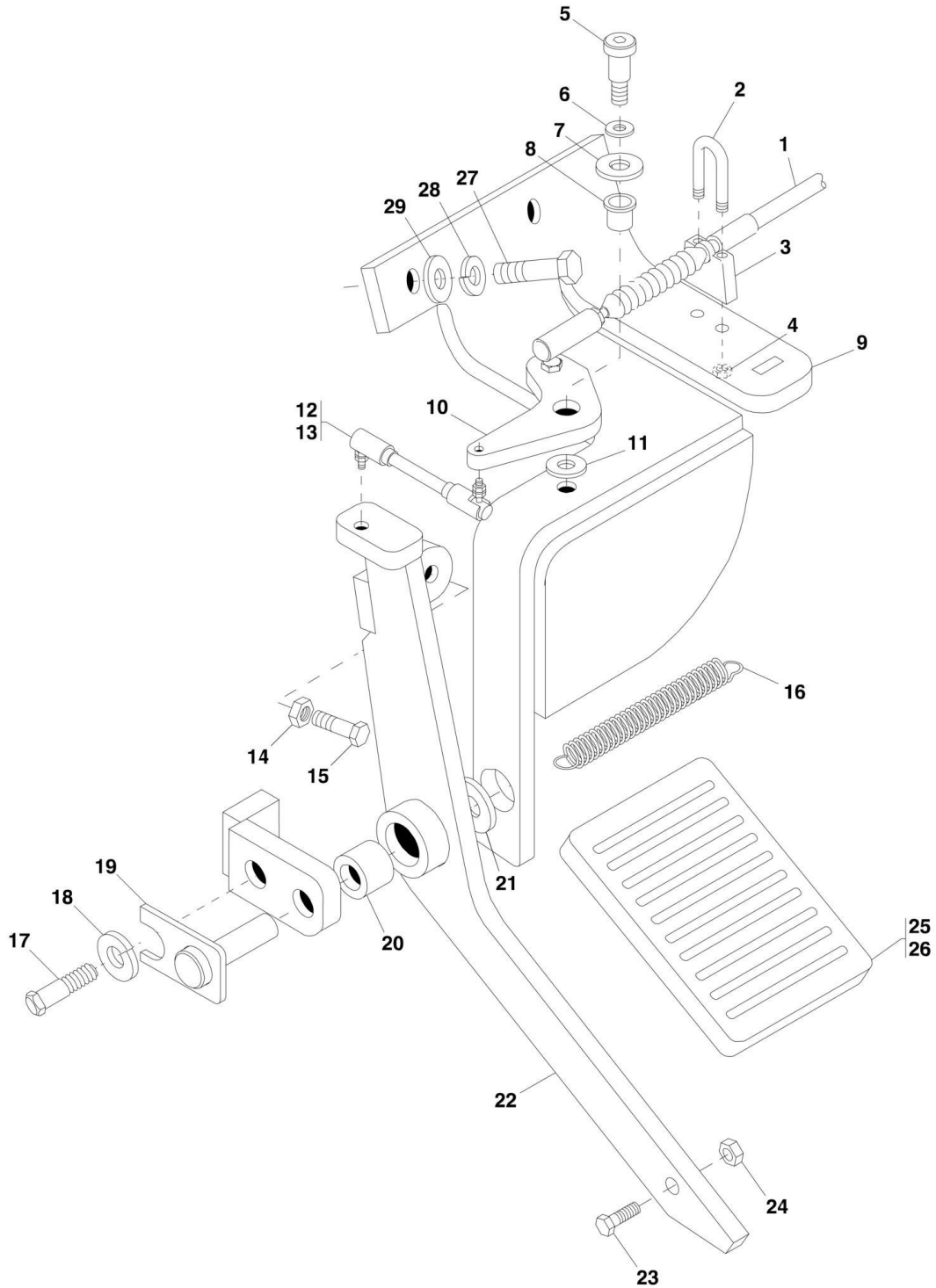
SECTION 7 - CONTROLS

FIGURE 7-2. ACCELERATOR PEDAL ASSEMBLY (SN 0189001 through 0189345, SN 016000230 through 0160001370)

ITEM	PART NUMBER	QTY	DESCRIPTION	REV
	91405084	1	ACCELERATOR PEDAL ASSY, (includes items 1 thru 26)	M
1	91403307	1	ACCELERATOR CABLE, (includes items 2 thru 4)	
2	91404211	1	U-BOLT	
3	91404212	1	SADDLE	
4	91404213	2	HEX NUT	
5	88251019	1	SOCKET HD SHOULDER SCREW, 3/8X5/8, (5/16-18 thread)	
6	90028946	1	WAVE WASHER, 3/8	
7	88561109	1	FLAT WASHER, 3/8	
8	91403473	1	FLANGE BUSHING	
9	91406027	1	ACCELERATOR PEDAL BRACKET	
10	91406139	1	ACCELERATOR BELL CRANK	
11	91403474	1	TEFLON WASHER	
12	91403476	1	STUD, #10-32X1-1/4	
13	91403521	2	BALL JOINT, 1/4-28	
14	88501006	1	HEX NUT, 3/8-16	
15	88211073	1	SOCKET HD CAPSCREW, 3/8-16X1-1/2, GR8	
16	91413014	1	EXTENSION SPRING	
17	88201018	1	HEX HD CAPSCREW, 5/16-18X3/4, GR5	
18	88551010	1	LOCKWASHER, 5/16	
19	91406148	1	PIVOT PIN	
20	91083136	2	BUSHING	
21	88561108	1	FLAT WASHER, 5/16	
22	91406147	1	ACCELERATOR PEDAL ARM	
23	88201005	1	HEX HD CAPSCREW, 1/4-20X1, GR5	
24	88521304	1	HEX LOCKNUT, 1/4-20	
25	91401423	1	PEDAL	
26	80263108	1	PEDAL PAD	
27	88201020	2	HEX HD CAPSCREW, 5/16-18X1, GR5	
28	88551010	2	LOCKWASHER, 5/16	
29	88561003	2	FLAT WASHER, 5/16	

SECTION 7 - CONTROLS

FIGURE 7-3. ACCELERATOR PEDAL ASSEMBLY (SN 0160001379 through 0160038344)



PAP23640

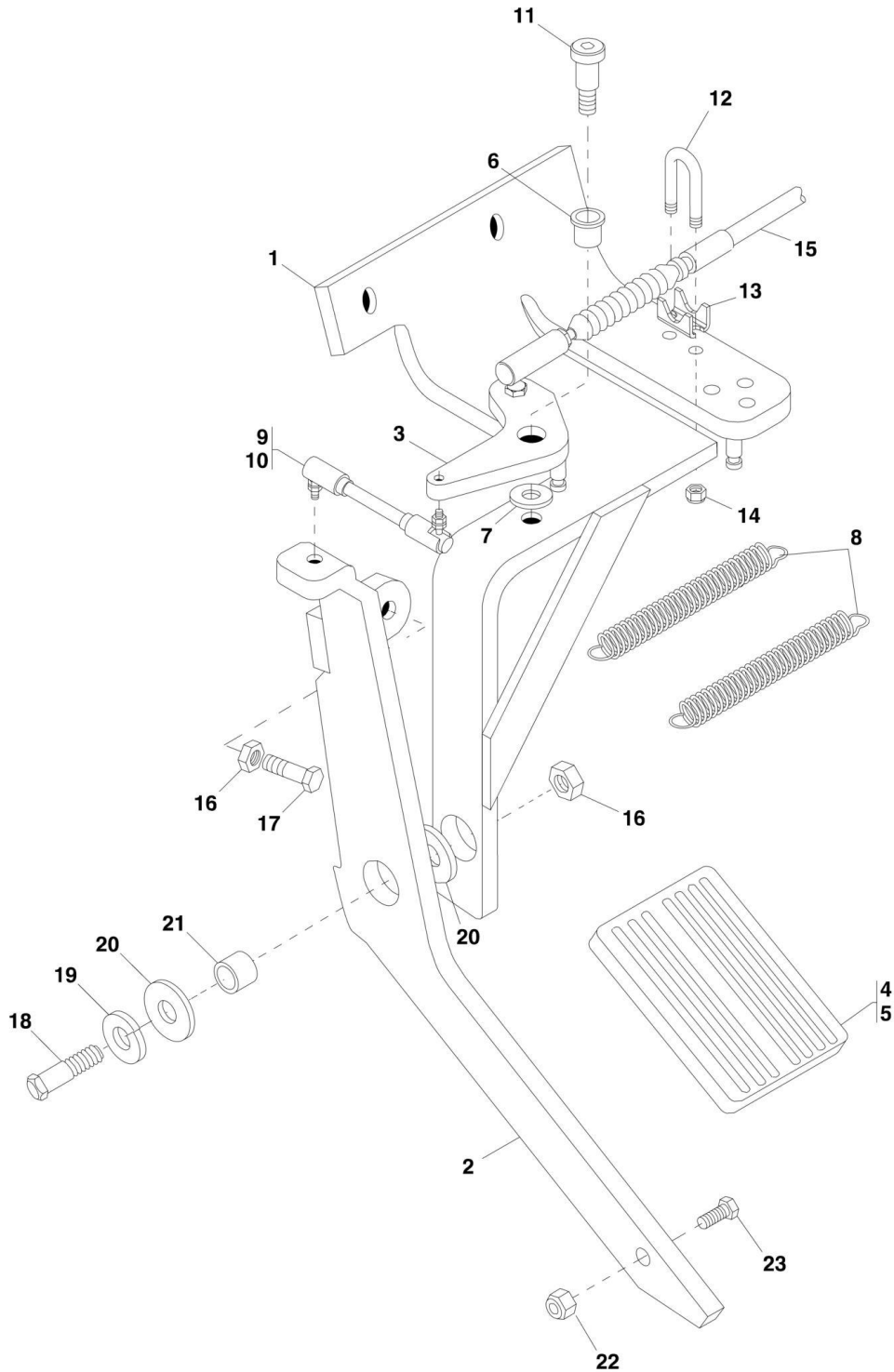
SECTION 7 - CONTROLS

FIGURE 7-3. ACCELERATOR PEDAL ASSEMBLY (SN 0160001379 through 0160038344)

ITEM	PART NUMBER	QTY	DESCRIPTION	REV
	91415067	NLA	ACCELERATOR PEDAL ASSY, (no longer available, use 1001102560 or see items 1 thru 26)	D
1	91413121	1	ACCELERATOR CABLE, (includes items 2 thru 4)	
2	91404211	1	U-BOLT	
3	91404212	1	SADDLE	
4	91404213	2	HEX NUT	
5	88251019	1	SOCKET HD SHOULDER BOLT, 3/8X5/8	
6	90028946	1	WAVE WASHER, 3/8	
7	88561109	1	FLAT WASHER, 3/8	
8	91403473	1	FLANGE BUSHING	
9	91476053	1	ACCELERATOR PEDAL BRACKET	
10	91406139	1	ACCELERATOR BELL CRANK	
11	91403474	1	TEFLON WASHER	
12	91403476	1	STUD, #10-32X1-1/4	
13	91403521	2	BALL JOINT, 1/4-28	
14	88501006	1	HEX NUT, 3/8-16	
15	88211073	1	SOCKET HD CAPSCREW, 3/8-16X1-1/2, GR8	
16	4160215	1	SPRING	
17	88201018	1	HEX HD CAPSCREW, 5/16-18X3/4, GR5	
18	88551010	1	LOCKWASHER, 5/16	
19	91406148	1	PIVOT PIN	
20	91083136	2	BUSHING	
21	88561108	1	FLAT WASHER, 5/16	
22	91406147	1	ACCELERATOR PEDAL ARM	
23	88201005	1	HEX HD CAPSCREW, 1/4-20X1, GR5	
24	88521304	1	LOCKNUT, 1/4-20	
25	91401423	1	PEDAL	
26	80263108	1	PEDAL PAD	
27	88201020	2	HEX HD CAPSCREW, 5/16-18X1, GR5	
28	88551010	2	LOCKWASHER, 5/16	
29	88561003	2	FLAT WASHER, 5/16	

SECTION 7 - CONTROLS

FIGURE 7-4. ACCELERATOR PEDAL ASSEMBLY (SN 0160038555 to Present)



PAP23900

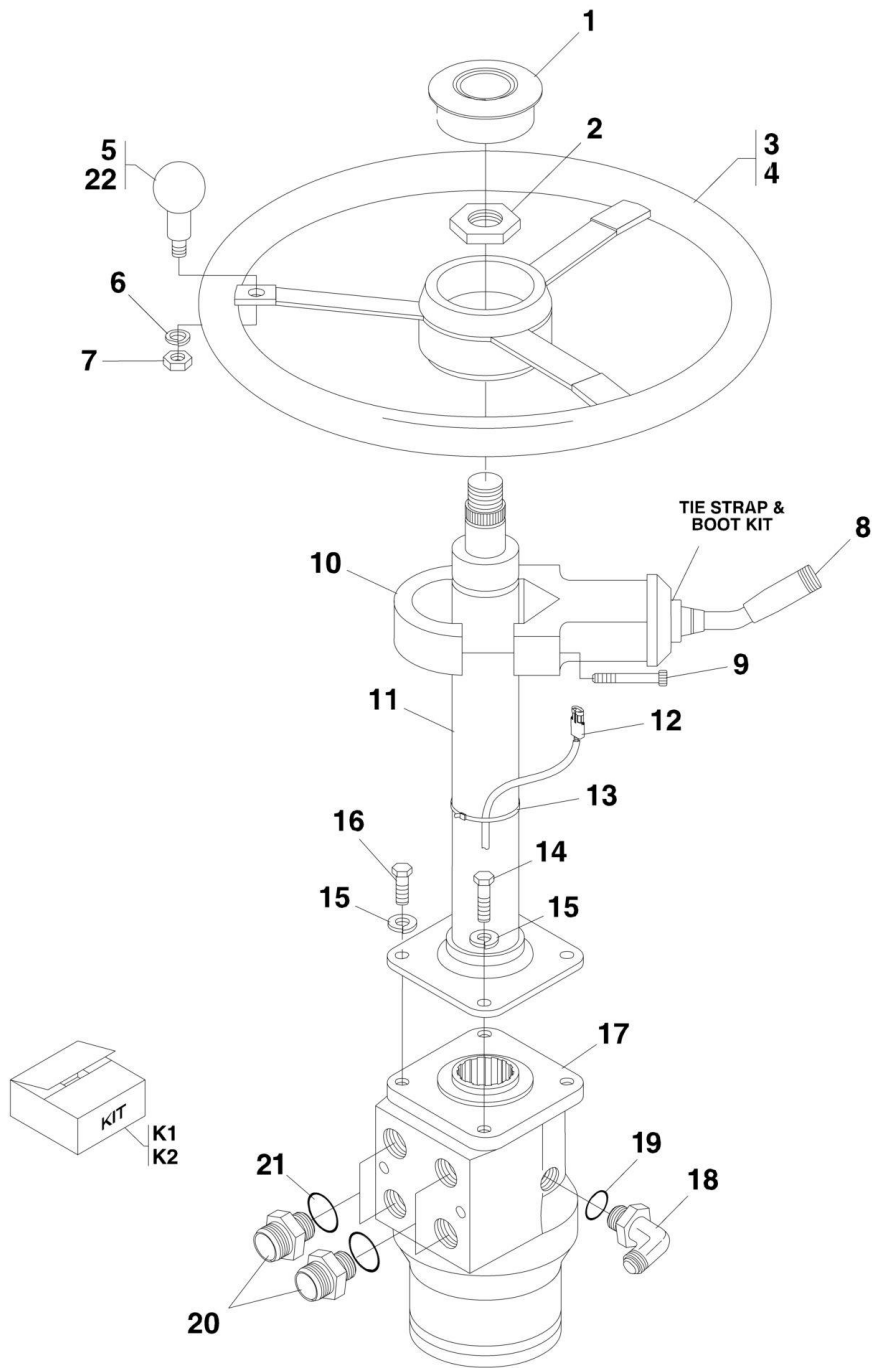
SECTION 7 - CONTROLS

FIGURE 7-4. ACCELERATOR PEDAL ASSEMBLY (SN 0160038555 to Present)

ITEM	PART NUMBER	QTY	DESCRIPTION	REV
	1001102560	1	ACCELERATOR PEDAL ASSY, (includes items 1 thru 23)	A
1	70023836	1	ACCELERATOR PEDAL BRACKET	
2	70023837	1	ACCELERATOR PEDAL ARM	
3	70023838	1	ACCELERATOR BELL CRANK	
4	91401423	1	PEDAL	
5	80263108	1	PEDAL PAD	
6	70023841	1	FLANGE BUSHING	
7	70023842	1	TEFLON Washer	
8	70023843	2	EXTENSION SPRING	
9	91403476	1	STUD, 10-32X1-1/4	
10	91403521	2	BALL JOINT, 1/4-28	
11	70023846	1	SOCKET HD SHOULDER SCREW	
12	91404211	1	U-BOLT	
13	91404212	1	SADDLE	
14	91404213	2	STOP HEX NUT	
15	91413121	1	ACCELERATOR CABLE, (includes items 12 thru 14)	
16	88501006	2	HEX NUT, 3/8-16	
17	88211073	1	SOCKET HD CAPSCREW, 3/8-16X1-1/2	
18	70023849	1	SOCKET HD SHOULDER SCREW	
19	70023850	1	MACHINE BUSHING	
20	70023851	2	NYLON WASHER	
21	70023852	1	BUSHING	
22	70023853	1	STOP HEX NUT, 5/16-18	
23	70023854	1	HEX HD CAPSCREW, 5/16-18X7/8	

SECTION 7 - CONTROLS

FIGURE 7-5. STEERING COLUMN AND ATTACHING PARTS



NOTE:

WHEN ITEM 8 IS ORDERED, REPLACE SCREWS PROVIDED FROM VENDOR WITH ITEM 9.

PAP23760

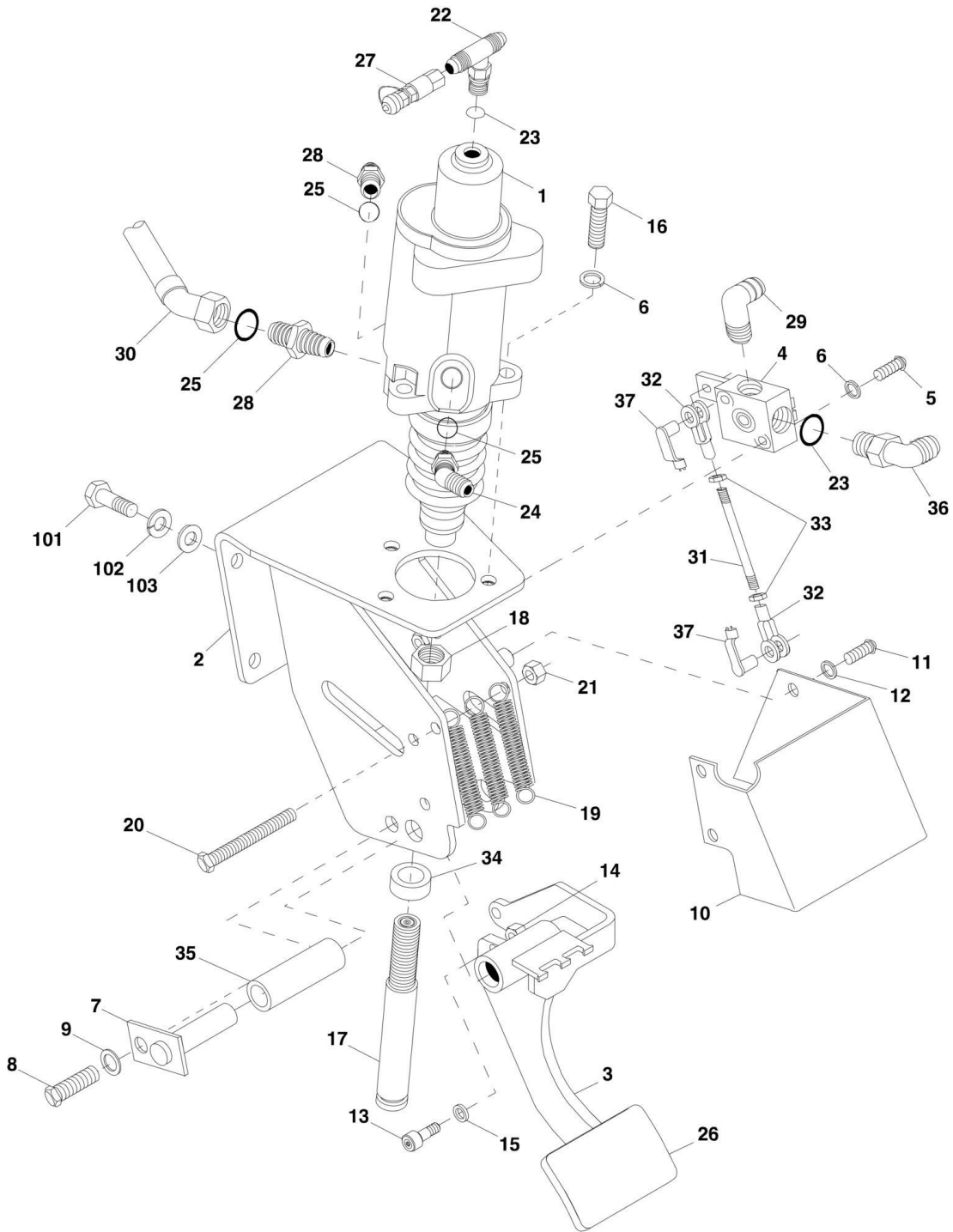
SECTION 7 - CONTROLS

FIGURE 7-5. STEERING COLUMN AND ATTACHING PARTS

ITEM	PART NUMBER	QTY	DESCRIPTION	REV
	91405013	1	STEERING CONTROL ASSY, (includes items 11, 16, 17, 18 & 20 and two of item 15)	E
1	7026477	1	HORN CAP	
2	70020923	1	STEERING WHEEL NUT, (torque to 29-34 lb-ft)	
3	91475048	Ref	STEERING WHEEL ASSY, (not available to order, see items 4 & 5 for service)	B
4	91563208	1	STEERING WHEEL, (includes items 1 & 22)	F
5	91413016	1	SPINNER KNOB, (includes items 6 & 7)	
6	91414028	1	LOCKWASHER, 1/2	
7	91414029	1	HEX NUT, 1/2-13	
8	91363025	1	F-N-R SHIFTER, (includes item 10)	
9	83191059	2	HEX HD CAPSCREW, M5X0.8, (torque to 30-35 lb-ft)	
10	91144458	1	CLAMP SET	
11	91403578	1	STEERING COLUMN	
12		Ref	INSTRUMENT PANEL HARNESS, (See CAB SECTION for Breakdown)	
13	86683122	2	TIE WRAP	
14	88201035	2	HEX HD CAPSCREW, 3/8-16X1, GR5	
15	88551011	4	LOCKWASHER, 3/8	
16	88201033	2	HEX HD CAPSCREW, 3/8-16X3/4, GR5	
17	91123126	1	STEERING CONTROL UNIT	
18	2220466	1	ELBOW, 90, (includes item 19)	
19	N.S.S.	1	O-RING	
20	2220373	4	ADAPTER, (includes item 21)	
21	N.S.S.	4	O-RING	
22	7026478	1	SPINNER KNOB	
K1	91144448	1	TIE STRAP AND BOOT KIT	
K2	91144190	1	STEERING CONTROL UNIT SEAL KIT	

SECTION 7 - CONTROLS

FIGURE 7-6. BRAKE PEDAL ASSEMBLY



PAP23650

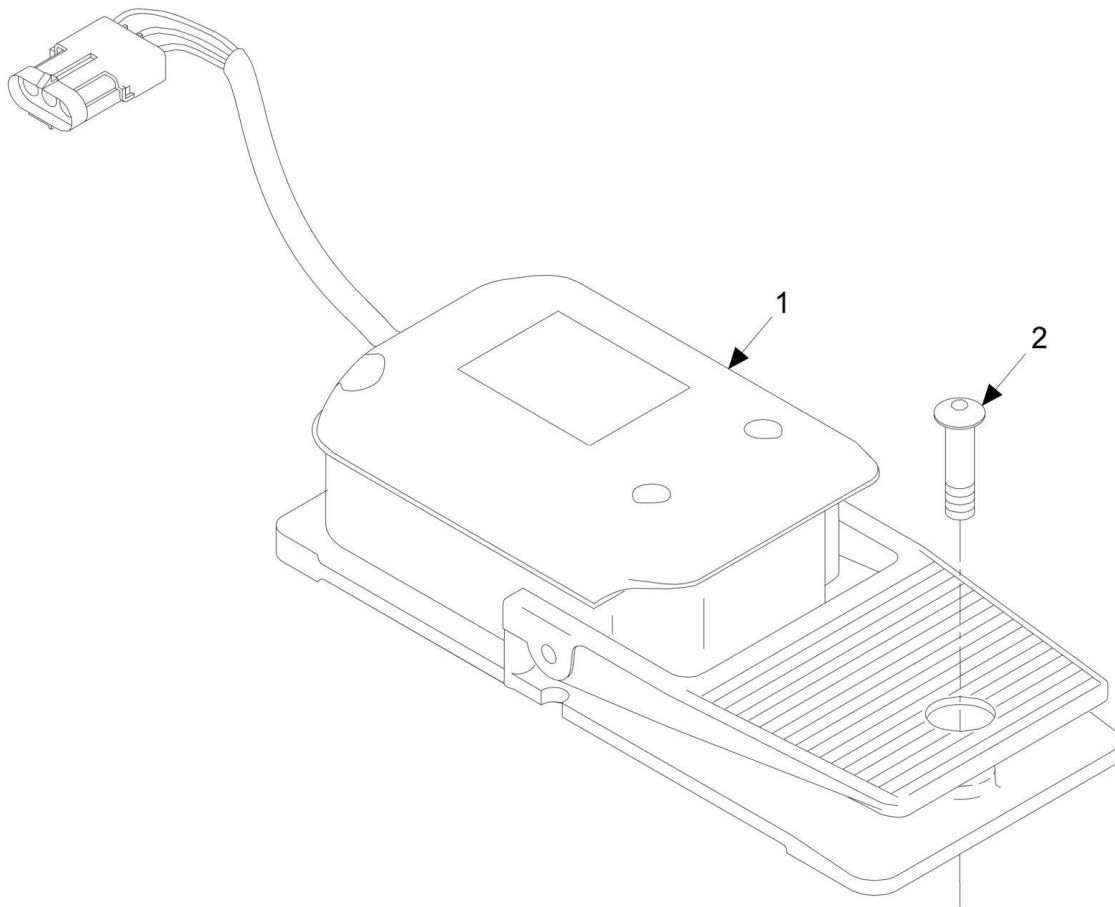
SECTION 7 - CONTROLS

FIGURE 7-6. BRAKE PEDAL ASSEMBLY

ITEM	PART NUMBER	QTY	DESCRIPTION	REV
1	91415004	Ref	POWER BRAKE ASSY, (includes item 1 thru 37)	H
		Ref	POWER BRAKE VALVE, (See HYDRAULIC COMPONENTS for Breakdown)	
2	91406141	1	BRAKE BRACKET	
3	91406143	1	BRAKE PEDAL	
4		Ref	INCHING VALVE ASSY, (See HYDRAULIC COMPONENTS for Breakdown)	
5	88212229	2	SOCKET HD CAPSCREW, 5/16-18X1-1/2, GR8	
6	88551010	5	LOCKWASHER, 5/16	
7	91403425	1	ANCHOR PIN	
8	88201034	1	HEX HD CAPSCREW, 3/8-16X7/8, GR5	
9	88551011	1	LOCKWASHER, 3/8	
10	91401567	1	COVER PLATE	
11	88261015	3	SOCKET BUTTON HD CAPSCREW, 1/4-20X5/8	
12	88551009	3	LOCKWASHER, 1/4	
13	91083312	1	CAM ROLLER	
14	88501305	1	HEX NUT, 5/16-24	
15	88551151	1	LOCKWASHER, (hi-collar), 5/16	
16	88201021	3	HEX HD CAPSCREW, 5/16-18X1-1/4, GR5	
17	91081445	1	PUSH ROD	
18	88501408	1	HEX JAM NUT, 1/2-20	
19	91403590	3	SPRING	
20	88201047	1	HEX HD CAPSCREW, 3/8-16X4, GR5	
21	88521306	1	HEX LOCKNUT, 3/8-16	
22	2220899	1	ADAPTER, (includes item 23)	
23	88591204	2	O-RING	
24	2220671	1	ELBOW, 90, (includes item 25)	
25	88591206	3	O-RING	
26	80263108	1	PEDAL PAD	
27	91143172	1	MINI-CHECK	
28	2220374	2	ADAPTER, (includes item 25)	
29	2220819	1	ELBOW, 90, (long)	
30	84719542	1	HOSE ASSY	
31	91401573	1	LINKAGE ROD	
32	88821004	2	YOKE END ADJUSTABLE - S.A.E. STANDARD	
33	88501406	2	HEX JAM NUT, 3/8-24	
34	91083136	1	BUSHING	
35	91403247	2	BUSHING	
36	2220473	1	ELBOW, 90, (includes item 23)	
37	90027987	2	SPRING CLEVIS, 3/8	
101	88201018	4	HEX HD CAPSCREW, 5/16X18X3/4	
102	88551009	4	LOCKWASHER, 5/16	
103	88561003	4	FLAT WASHER, 5/16	
104	90206198	20 in	TRIM-LOCK, (not shown)	

SECTION 7 - CONTROLS

FIGURE 7-7. FOOT SWITCH (SN 0189001 through 0189345)



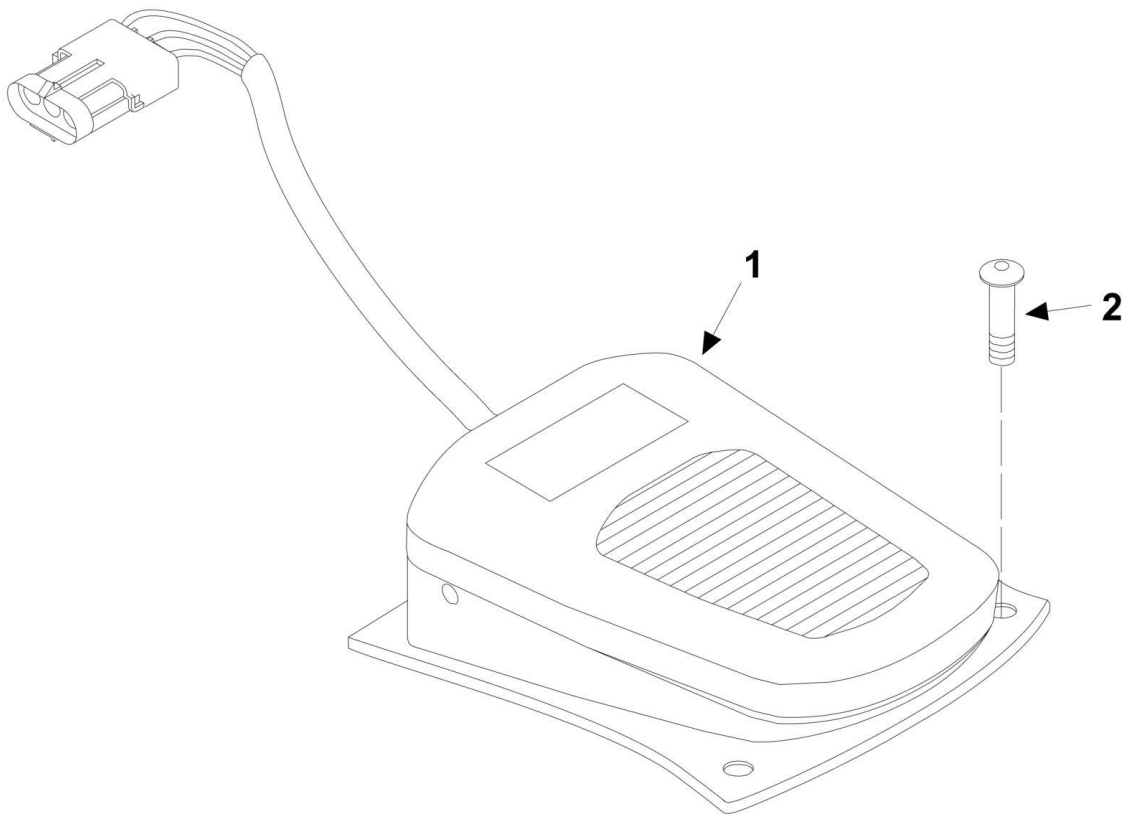
SECTION 7 - CONTROLS

FIGURE 7-7. FOOT SWITCH (SN 0189001 through 0189345)

ITEM	PART NUMBER	QTY	DESCRIPTION	REV
1	91403478	1	FOOT SWITCH	
2	88261017	3	SOCKET BUTTON HD CAPSCREW, 1/4-20X3/4	

SECTION 7 - CONTROLS

FIGURE 7-8. FOOT SWITCH (SN 0160000230 to Present)



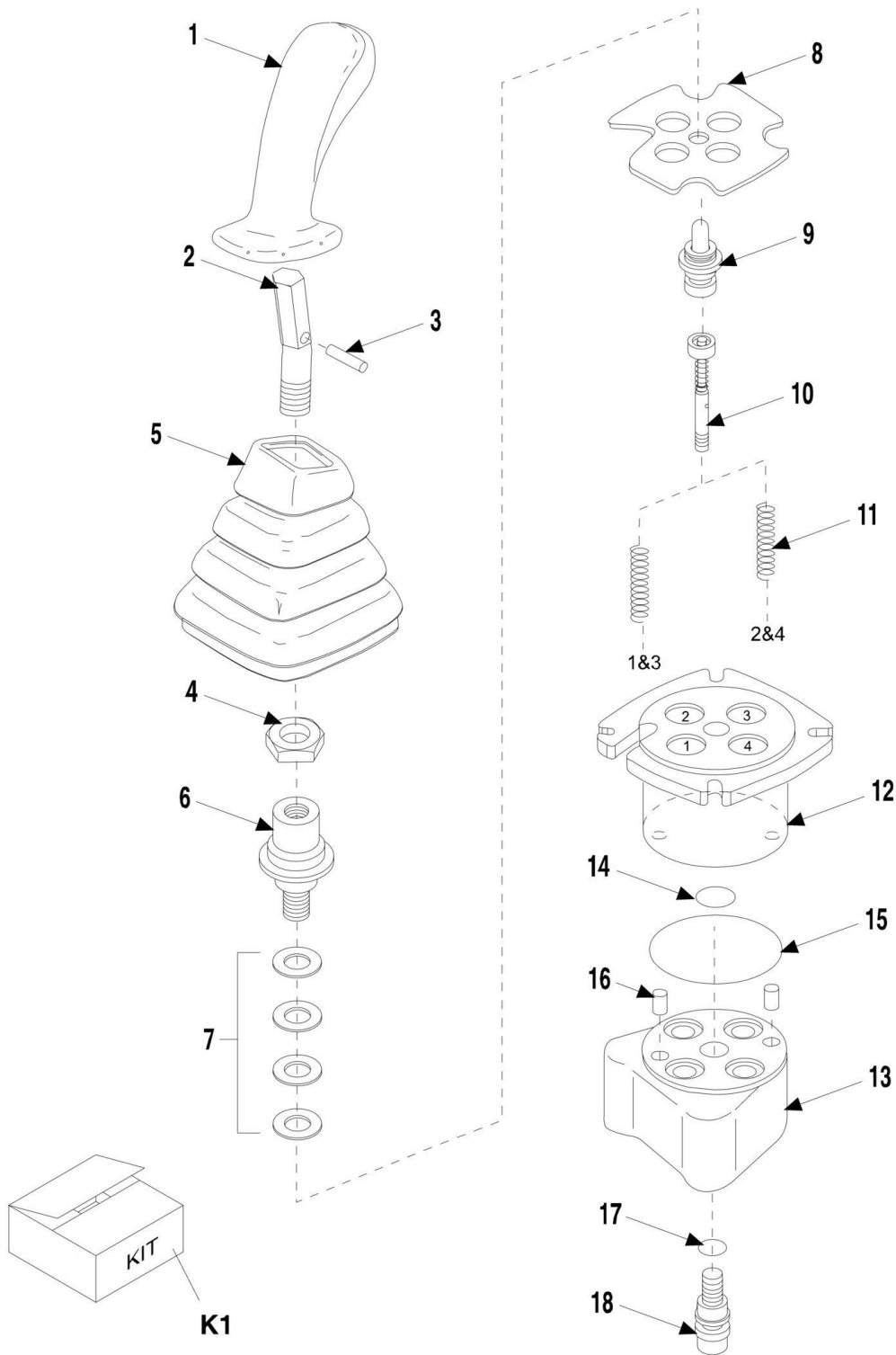
SECTION 7 - CONTROLS

FIGURE 7-8. FOOT SWITCH (SN 0160000230 to Present)

ITEM	PART NUMBER	QTY	DESCRIPTION	REV
1	91343218	1	FOOT SWITCH	
2	88261011	3	SOCKET BUTTON HD CAPSCREW, #10-24X7/8	

SECTION 7 - CONTROLS

FIGURE 7-9. BOOM JOYSTICK ASSEMBLY



PY4940

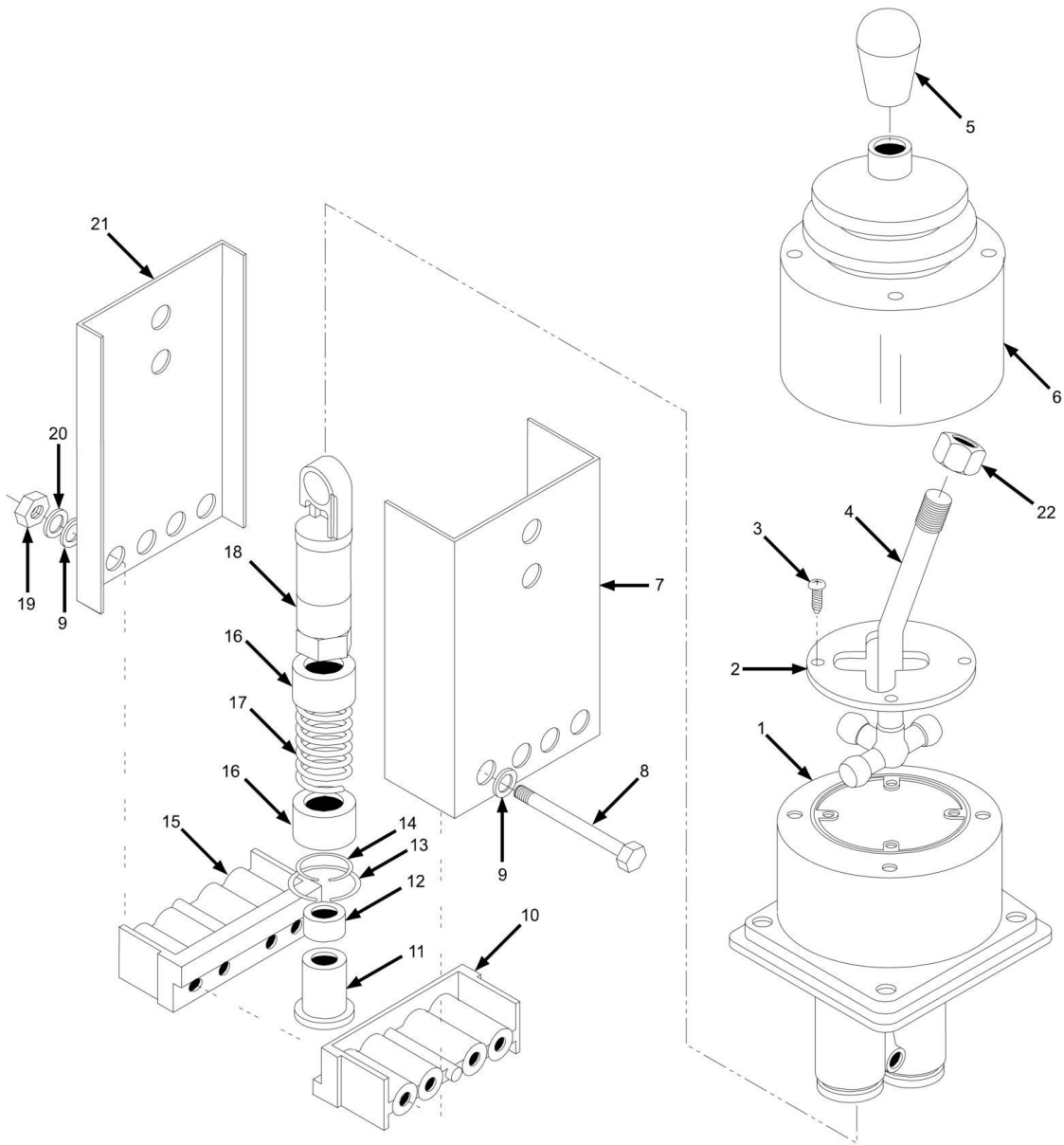
SECTION 7 - CONTROLS

FIGURE 7-9. BOOM JOYSTICK ASSEMBLY

ITEM	PART NUMBER	QTY	DESCRIPTION	REV
	91403490	Ref	JOYSTICK ASSY, (if equipped), (includes all items)	A
1	91404010	1	GRIP	
2	91404011	1	BENT LEVER KIT, (includes items 3 & 4)	
3	N.S.S.	1	SPRING PIN	
4	N.S.S.	1	HEX NUT	
5	80364095	1	BOOT	
6	80264138	1	CARDAN KIT, (includes item 7)	
7	N.S.S.	AR	SHIM	
8	91404013	1	RETAINING PLATE	
9	80934498	4	PLUNGER AND GUIDE KIT	
10	91404327	4	REGULATING UNIT	
11	91504028	1	SPRING, (ports 1 & 3), (pack of two)	
11	91504029	1	SPRING, (ports 2 & 4), (pack of two)	
12	91404016	1	UPPER BODY, (includes item 13)	
13	N.S.S.	1	LOWER BODY	
14	Kit K1	1	O-RING	
15	Kit K1	1	O-RING	
16	Kit K1	2	DOWEL PIN	
17	Kit K1	1	O-RING	
18	Kit K1	1	SCREW ASSY	
K1	91404326	AR	SEAL KIT, (includes items 14 thru 18)	

SECTION 7 - CONTROLS

FIGURE 7-10. JOYSTICK ASSEMBLY



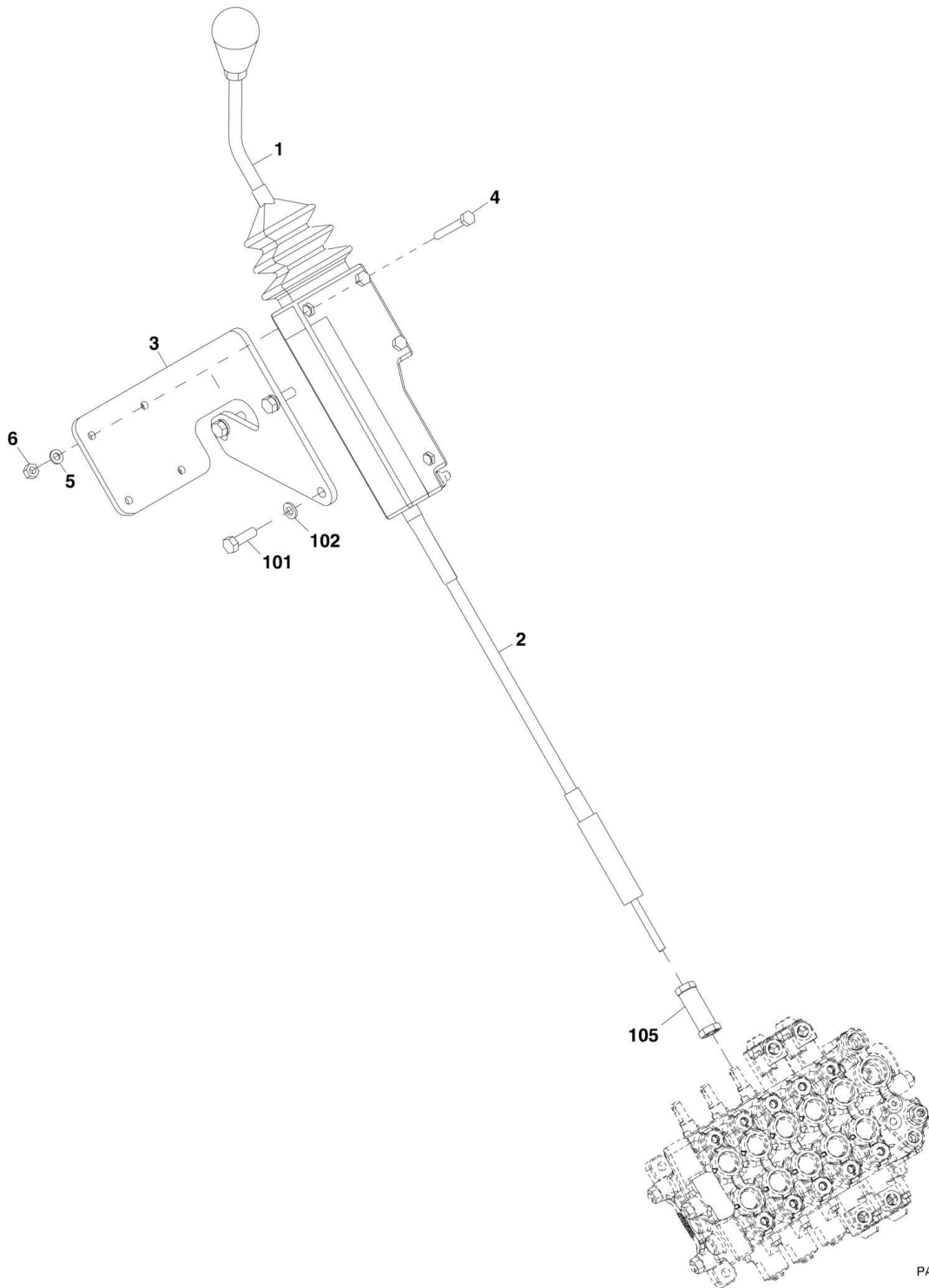
SECTION 7 - CONTROLS

FIGURE 7-10. JOYSTICK ASSEMBLY

ITEM	PART NUMBER	QTY	DESCRIPTION	REV
	91403178	1	JOYSTICK ASSY, (if equipped), (includes all items)	G
1	91404207	1	HOUSING	
2	91404088	1	RESTRICTOR PLATE	
3	91404089	4	SELF-TAPPING SCREW, #10X3/4	
4	91404208	1	INPUT LEVER ASSY	
5	91404091	1	KNOB	
6	8160419	1	BOOT	
7	91404093	1	HOUSING, (outer)	
8	91404094	6	HEX HD CAPSCREW	
9	91404095	12	FLAT WASHER	
10	91404096	1	CABLE ANCHOR, (inner)	
11	91404097	2	CABLE LOCK SCREW	
12	91404098	2	CABLE BUSHING	
13	91404099	2	RETAINING RING	
14	91404100	2	RETAINING RING	
15	91404101	1	CABLE ANCHOR, (outer)	
16	91404102	4	BUSHING	
17	91404103	2	SPRING	
18	91404209	2	SLIDER ASSY	
19	91404105	6	HEX NUT, 1/4-20	
20	91404106	6	LOCK WASHER	
21	91404107	1	HOUSING, (inner)	
22	91404210	1	JAM NUT	

SECTION 7 - CONTROLS

FIGURE 7-11. RH HORIZONTAL CONTROL ASSEMBLY



PAP21900

SECTION 7 - CONTROLS

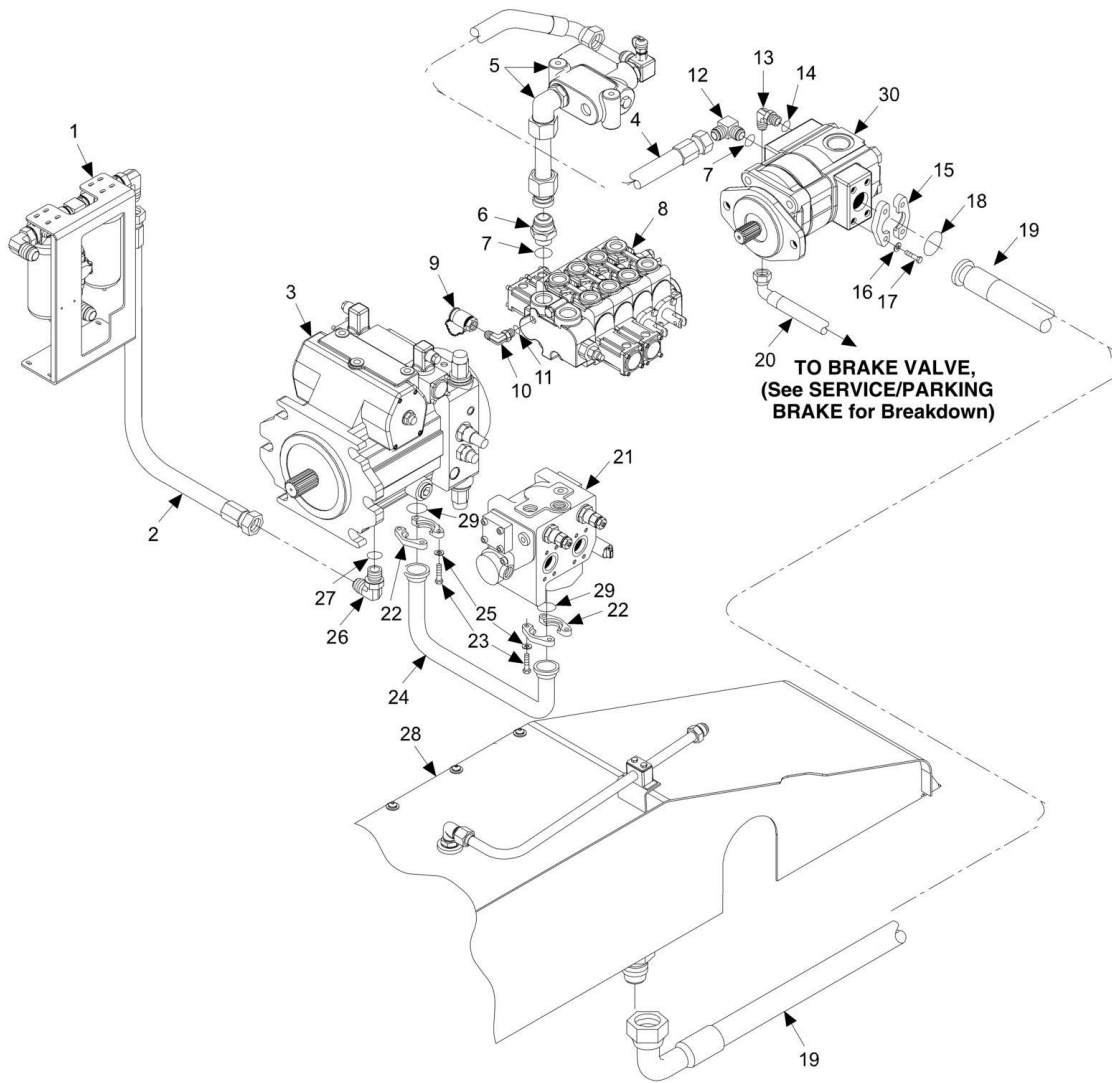
FIGURE 7-11. RH HORIZONTAL CONTROL ASSEMBLY

ITEM	PART NUMBER	QTY	DESCRIPTION	REV
	91415031	1	RH HORIZONTAL CONTROL ASSY, (includes items 1 thru 6)	E
1	91513204	1	SINGLE VALVE CONTROL	
2	91403308	1	CABLE	
3	1001092843	1	BRACKET	
4	88201009	3	HEX HD CAPSCREW, 1/4-20X2	
5	88501004	3	LOCKWASHER, 1/4	
6	88551009	3	HEX NUT, 1/4-20, GR2	
101	0641508	3	HEX HD CAPSCREW, 5/16-18X1, GR5	
102	4761500	3	WASHER, 5/16	
105	91123062	1	CABLE ADAPTER BONNET	

SECTION 8 - HYDRAULIC CIRCUITS

SECTION 8 - HYDRAULIC CIRCUITS

FIGURE 8-1. OIL SUPPLY LINES



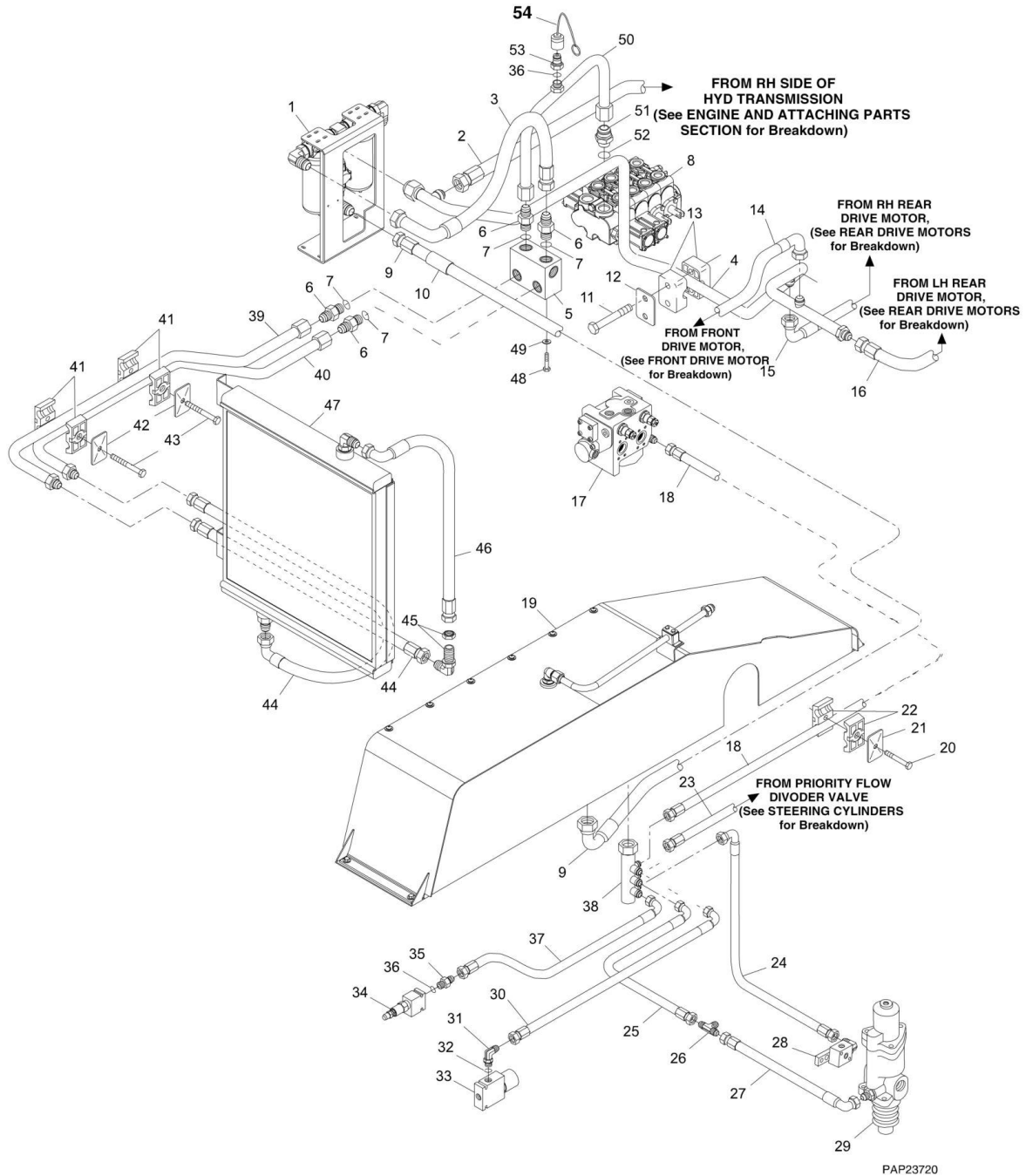
SECTION 8 - HYDRAULIC CIRCUITS

FIGURE 8-1. OIL SUPPLY LINES

ITEM	PART NUMBER	QTY	DESCRIPTION	REV
1		Ref	OIL FILTER ASSY, (See HYDRAULIC COMPONENTS SECTION for Breakdown)	
2	84719593	1	HOSE ASSY	
3		Ref	HYDROSTATIC TRANSMISSION, (See HYDRAULIC COMPONENTS SECTION for Breakdown)	
4	84719468	1	HOSE ASSY	
5		Ref	PRIORITY FLOW DIVIDER VALVE ASSY, (See HYDRAULIC COMPONENTS SECTION for Breakdown)	
6	2111612	1	ADAPTER, (includes item 7)	
7	N.S.S.	2	O-RING	
8		Ref	MAIN CONTROL VALVE, (See HYDRAULIC COMPONENTS SECTION for Breakdown)	
9	91143177	1	TEST COUPLING	
10	2220466	1	ELBOW, 90, (includes item 11)	
11	88591202	1	O-RING	
12	88662429	1	ELBOW, 90, (includes item 7)	
13	88662059	1	ELBOW, 90, (includes item 14)	
14	88591206	1	O-RING	
15	84711342	2	CLAMP HALF	
16	88551013	4	LOCKWASHER, 1/2	
17	88201067	4	HEX HD CAPSCREW, 1/2-13X1-1/2, GR5	
18	80634066	1	O-RING	
19	84719469	1	HOSE ASSY	
20		Ref	HOSE ASSY, (See SERVICE/PARKING BRAKE for Breakdown)	
21		Ref	TRACTION LOCK VALVE, (See HYDRAULIC COMPONENTS SECTION for Breakdown)	
22	84712738	4	CLAMP HALF	
23	83201135	8	HEX HD CAPSCREW, 7/16-14X1-1/2	
24	91403454	1	HYDRAULIC TUBE	
25	88551012	8	LOCKWASHER, 7/16	
26	88662070	1	ELBOW, 90, (includes item 27)	
27	88591210	1	O-RING	
28		Ref	HYDRAULIC TANK ASSY, (See HYDRAULIC COMPONENTS SECTION for Breakdown)	
29	91083106	2	O-RING	
30		Ref	HYDRAULIC PUMP, (See HYDRAULIC COMPONENTS SECTION for Breakdown)	

SECTION 8 - HYDRAULIC CIRCUITS

FIGURE 8-2. DUMP CIRCUIT



SECTION 8 - HYDRAULIC CIRCUITS

FIGURE 8-2. DUMP CIRCUIT

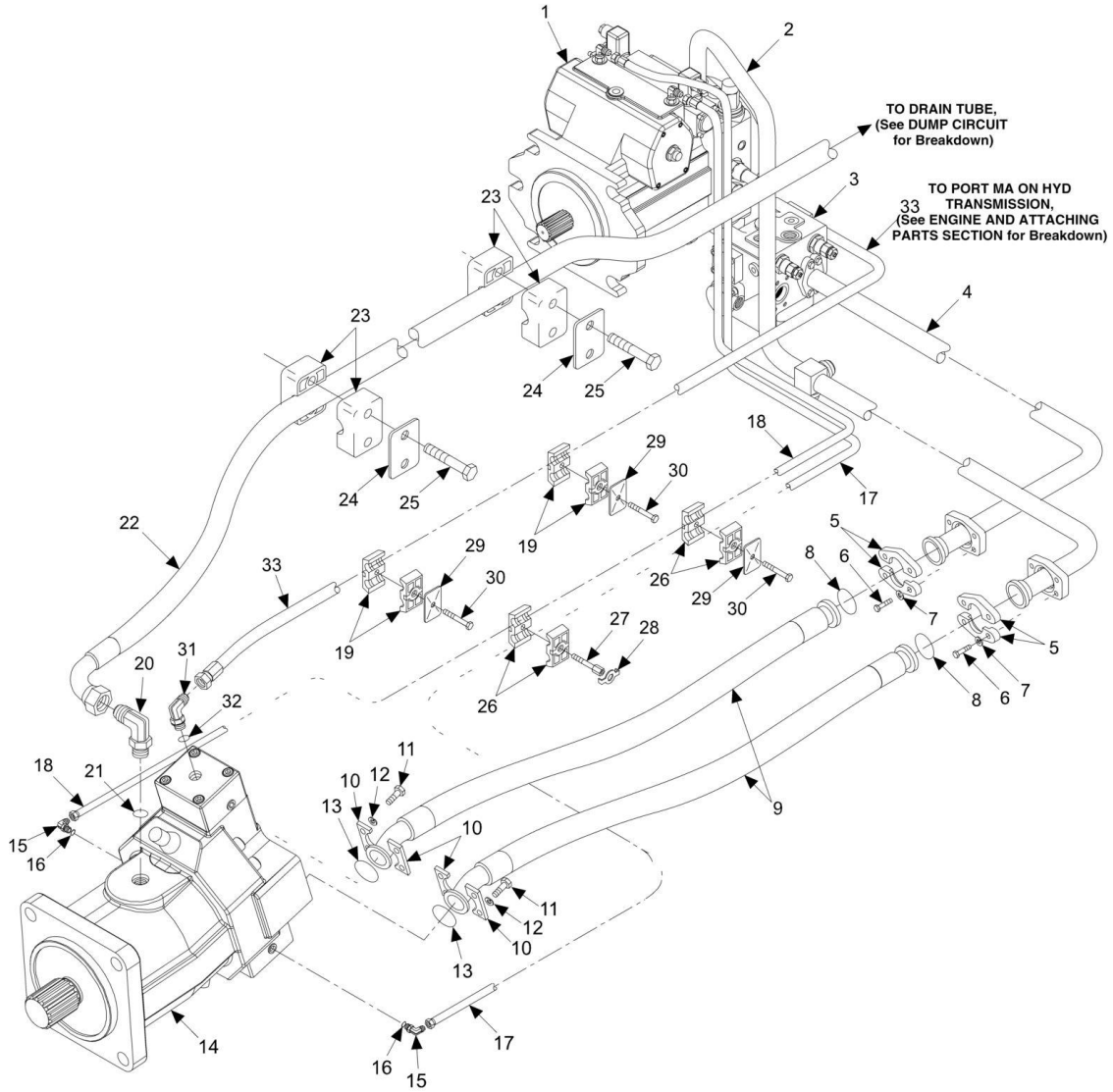
ITEM	PART NUMBER	QTY	DESCRIPTION	REV
1		Ref	OIL FILTER ASSY, (See HYDRAULIC COMPONENTS SECTION for Breakdown)	
2	84719407	1	HOSE ASSY	
3	84719357	1	HOSE ASSY	
4	91403619	1	DRAIN TUBE	
5		Ref	BYPASS VALVE, (See HYDRAULIC COMPONENTS SECTION for Breakdown)	
6	2220377	4	CONNECTOR, (includes item 7)	
7	88591209	4	O-RING	
8		Ref	MAIN CONTROL VALVE, (See HYDRAULIC COMPONENTS SECTION for Breakdown)	
9	84719471	1	HOSE ASSY	
10	91403528	2	HOSE GUARD	
11	88201008	2	HEX HD CAPSCREW, 1/4-20X1-1/2, GR5	
12	91413049	1	COVER PLATE	
13	91413047	1	TUBE CLAMP	
14		Ref	HOSE ASSY, (See REAR DRIVE MOTORS for Breakdown)	
15		Ref	HOSE ASSY, (See REAR DRIVE MOTORS for Breakdown)	
16		Ref	HOSE ASSY, (See FRONT DRIVE MOTOR for Breakdown)	
17		Ref	TRACTION LOCK VALVE, (See HYDRAULIC COMPONENTS SECTION for Breakdown)	
18	84719595	1	HOSE ASSY	
19		Ref	HYDRAULIC TANK ASSY, (See HYDRAULIC COMPONENTS SECTION for Breakdown)	
20	77133177	1	HEX HD CAPSCREW, 5/16-18X1-3/8	
21	77133140	1	COVER PLATE	
22	77133139	1	CLAMP SET	
23	84719594	1	HOSE ASSY	
24	84719545	1	HOSE ASSY	
25	84719543	1	HOSE ASSY	
26	2220362	1	UNION TEE, 1/2, TUBE	
27	84719542	1	HOSE ASSY	
28		Ref	INCHING VALVE, (See HYDRAULIC COMPONENTS SECTION for Breakdown)	
29		Ref	BRAKE VALVE, (See HYDRAULIC COMPONENTS SECTION for Breakdown)	
30	84719423	1	HOSE ASSY	
31	88662064	1	ELBOW, 90, (includes item 32)	
32	88591204	1	O-RING	
33		Ref	SOLENOID VALVE, (See HYDRAULIC COMPONENTS SECTION for Breakdown)	
34	91413132	1	RELIEF VALVE	
35	2220373	1	ADAPTER, (includes item 36)	
36	88591205	2	O-RING	
37	84718013	1	HOSE ASSY	
38		Ref	RETURN MANIFOLD, (See HYDRAULIC COMPONENTS SECTION for Breakdown)	
39	91403558	1	CHECK VALVE TUBE	
40	91403557	1	CHECK VALVE TUBE	
41	77133279	2	CLAMP SET	
42	77133137	2	COVER PLATE	
43	88201023	2	HEX HD CAPSCREW, 5/16-18X1-3/4, GR5	

SECTION 8 - HYDRAULIC CIRCUITS

ITEM	PART NUMBER	QTY	DESCRIPTION	REV
44	84719484	2	HOSE ASSY	
45	90027182	1	BULKHEAD ELBOW, 90	
46	84719483	1	HOSE ASSY	
47		Ref	OIL COOLER, (See ENGINE AND ATTACHING PARTS SECTION for Breakdown)	
48	88201020	4	HEX HD CAPSCREW, 5/16-18X1, GR5	
49	88561003	4	FLAT WASHER, 5/16	
50	91403559	1	CONTROL VALVE TUBE	
51	2220376	1	ADAPTER, (includes item 52)	
52	N.S.S.	1	O-RING	
53	91403414	1	MALE QUICK DISCONNECT	
54	91043126	1	DUST CAP	

SECTION 8 - HYDRAULIC CIRCUITS

FIGURE 8-3. FRONT DRIVE MOTOR



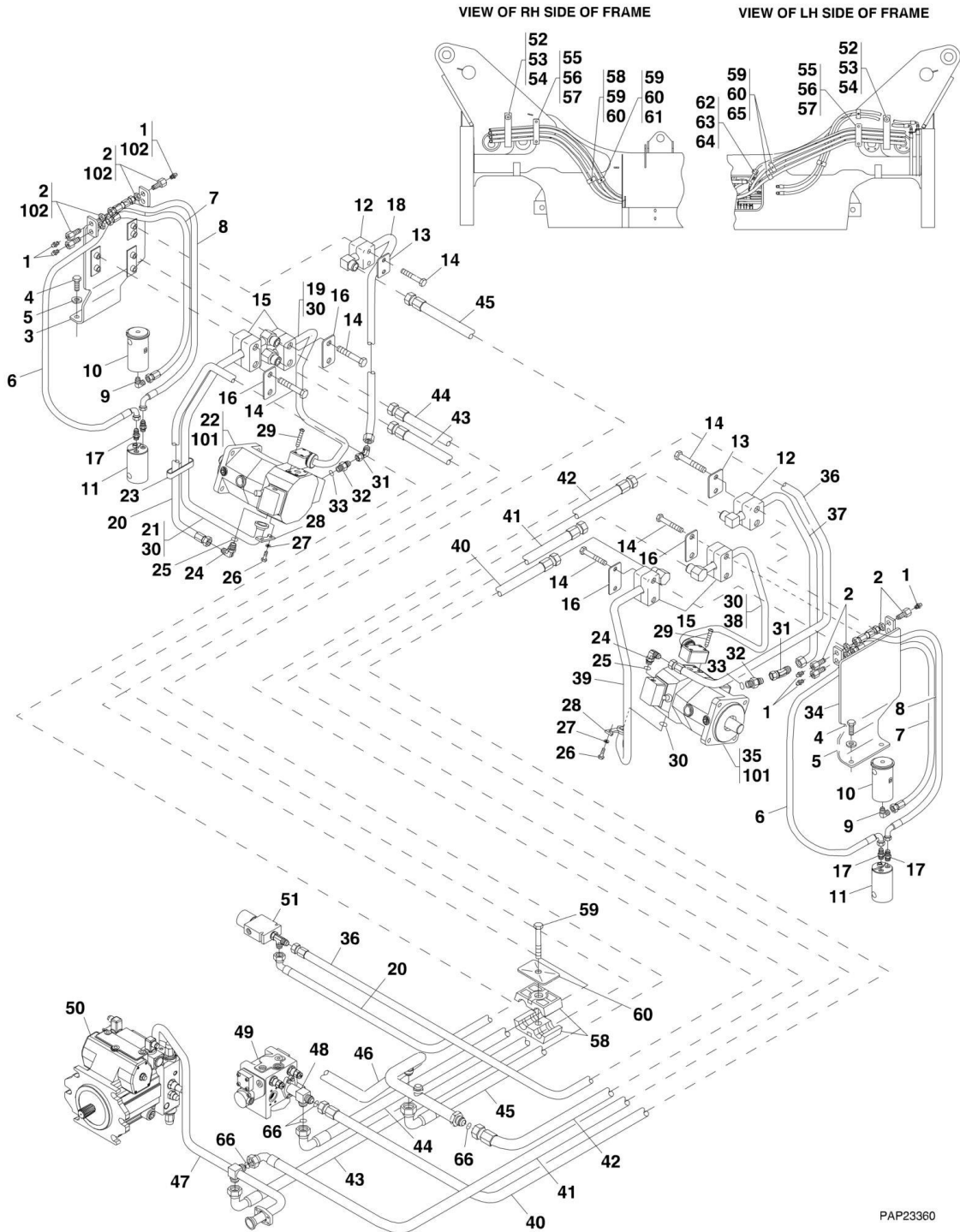
SECTION 8 - HYDRAULIC CIRCUITS

FIGURE 8-3. FRONT DRIVE MOTOR

ITEM	PART NUMBER	QTY	DESCRIPTION	REV
1		Ref	HYDROSTATIC TRANSMISSION, (See HYDRAULIC COMPONENTS SECTION for Breakdown)	
2		Ref	HYDRAULIC TUBE, (See ENGINE AND ATTACHING PARTS SECTION for Breakdown)	
3		Ref	TRACTION LOCK VALVE, (See HYDRAULIC COMPONENTS SECTION for Breakdown)	
4		Ref	HYDRAULIC TUBE, (See ENGINE AND ATTACHING PARTS SECTION for Breakdown)	
5	84712739	4	SPLIT FLANGE	
6	83201155	8	HEX HD CAPSCREW, 7/16-14X1-3/4, GR5	
7	88551013	8	LOCKWASHER, 7/16	
8	91083106	2	O-RING	
9	84719341	2	HOSE ASSY	
10	84712739	4	SPLIT FLANGE	
11	83201120	8	HEX HD CAPSCREW, 1/2-13X1-3/4	
12	4761800	8	LOCKWASHER, 1/2	
13	91083339	2	O-RING	
14		Ref	FRONT DRIVE MOTOR, (See HYDRAULIC COMPONENTS SECTION for Breakdown)	
15	2220466	2	ELBOW, 90, (includes item 16)	
16	88591202	2	O-RING	
17	84719734	1	HOSE ASSY	
18	84719735	1	HOSE ASSY	
19	77133139	2	CLAMP SET	
20	2220906	1	ELBOW, 90, (includes item 21)	
21	88591207	1	O-RING	
22	84721020	1	HOSE ASSY	
23	77133073	2	TUBE CLAMP	
24	77133052	2	COVER PLATE	
25	88201007	4	HEX HD CAPSCREW, 1/4-20X1-1/2, GR5	
26	77133168	2	HOSE CLAMP	
27	77133389	1	STACK BOLT	
28	77133390	1	SAFETY CLIP	
29	77133140	3	COVER PLATE	
30	77133177	3	HEX HD CAPSCREW, 5/16-18X1-3/8	
31	2220473	1	ELBOW, 90, (includes item 32)	
32	88591204	1	O-RING	
33	84721021	1	HOSE ASSY	

SECTION 8 - HYDRAULIC CIRCUITS

FIGURE 8-4. REAR DRIVE MOTORS



PAP23360

SECTION 8 - HYDRAULIC CIRCUITS

FIGURE 8-4. REAR DRIVE MOTORS

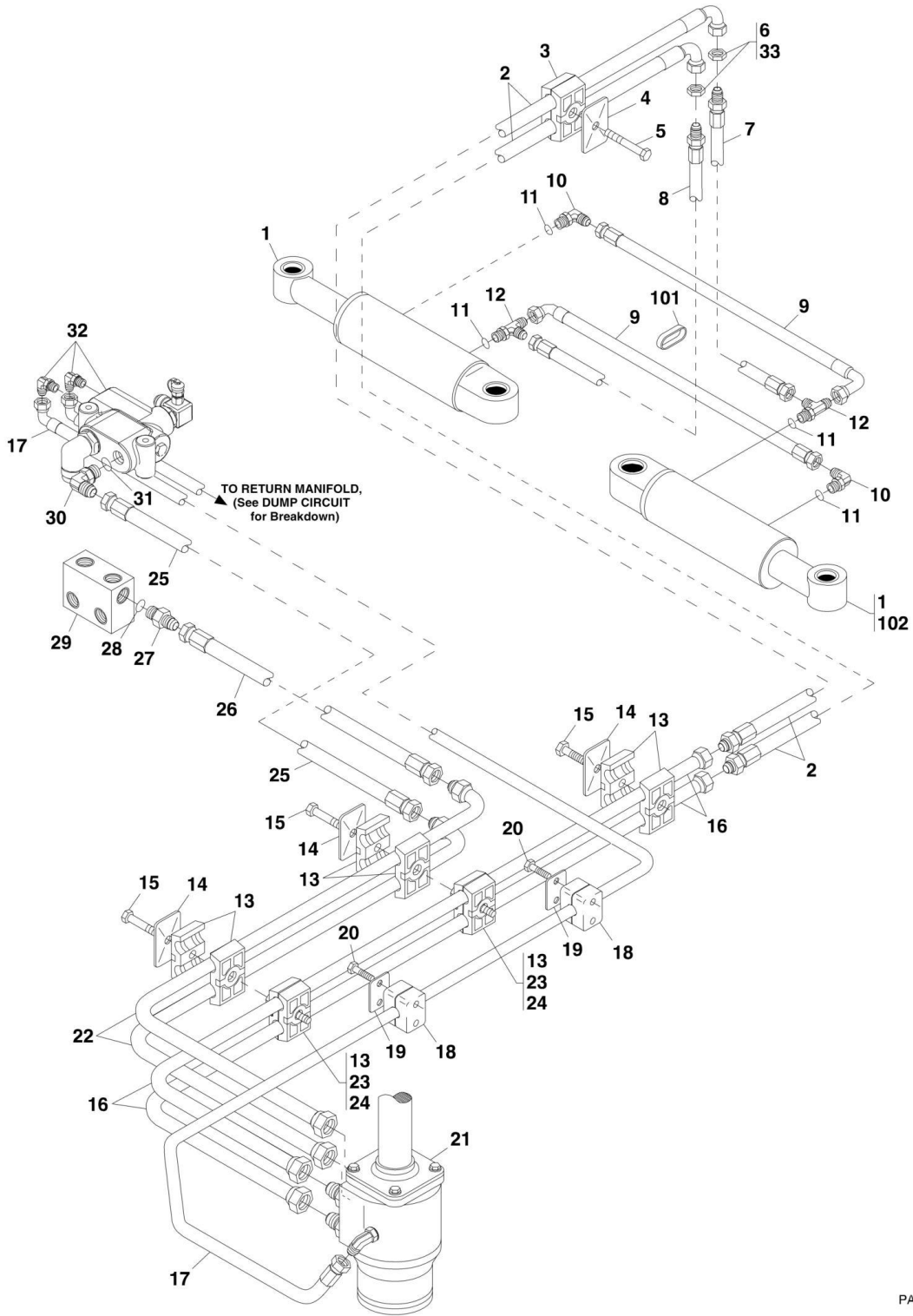
ITEM	PART NUMBER	QTY	DESCRIPTION	REV
1	88671001	6	STRAIGHT LUBE FITTING, 1/8	
2	80623016	6	BULKHEAD ADAPTER	
3	91406099	1	RIGHT TUBE SUPPORT BRACKET	
4	88201035	4	HEX HD CAPSCREW, 3/8-16X1, GR5	
5	88551011	4	LOCKWASHER, 3/8	
6	84721053	2	GREASING HOSE	
7	84719170	2	GREASING HOSE	
8	84721052	2	GREASING HOSE	
9	2220612	2	MALE ELBOW, 90, 1/4X1/8, TUBE	
10		Ref	UPPER KING PIN, (See FRAME AND ATTACHING PARTS SECTION for Breakdown)	
11		Ref	LOWER KING PIN, (See FRAME AND ATTACHING PARTS SECTION for Breakdown)	
12	77133497	2	CLAMP SET	
13	77133498	2	COVER PLATE	
14	88201007	12	HEX HD CAPSCREW, 1/4-20X1-1/2, GR5	
15	77133053	4	CLAMP SET	
16	77133052	4	COVER PLATE	
17	2220574	4	MALE CONNECTOR	
18	91553052	1	RIGHT CASE DRAIN TUBE	
19	91403462	1	RIGHT PRESSURE TUBE	
20	84719497	1	HOSE ASSY	
21	91403463	1	RIGHT PRESSURE TUBE	
22		Ref	RH REAR DRIVE MOTOR, (See HYDRAULIC COMPONENTS SECTION for Breakdown)	
23	90027187	20	NYLON TIE	
24	88662064	2	ELBOW, 90, (includes item 25)	
25	88591204	2	O-RING	
26	83201115	8	HEX HD CAPSCREW, 3/8-16X1-1/4	
27	88551011	8	LOCKWASHER, 3/8	
28	84712737	4	FLANGE HALF	
29	88261039	8	SOCKET BUTTON HD CAPSCREW, #4-40X1/4	
30	80933066	2	O-RING	
31	88662121	2	ELBOW, 45, (swivel nut)	
32	2220865	2	CONNECTOR, (includes item 33)	
33	88591207	2	O-RING	
34	91406098	1	LEFT TUBE SUPPORT BRACKET	
35		Ref	LH REAR DRIVE MOTOR, (See HYDRAULIC COMPONENTS SECTION for Breakdown)	
36	84719498	1	HOSE ASSY	
37	91553054	1	LEFT CASE DRAIN TUBE	
38	91403466	1	LEFT PRESSURE TUBE	
39	91403467	1	LEFT PRESSURE TUBE	
40	84719351	1	HOSE ASSY	
41	84719352	1	HOSE ASSY	
42	84719418	1	HOSE ASSY	
43	84719354	1	HOSE ASSY	
44	84719353	1	HOSE ASSY	
45	84719420	1	HOSE ASSY	
46		Ref	DRAIN TUBE, (See DUMP CIRCUIT for Breakdown)	

SECTION 8 - HYDRAULIC CIRCUITS

ITEM	PART NUMBER	QTY	DESCRIPTION	REV
47		Ref	HYDRAULIC TUBE, (See ENGINE AND ATTACHING PARTS SECTION for Breakdown)	
48		Ref	HYDRAULIC TUBE, (See ENGINE AND ATTACHING PARTS SECTION for Breakdown)	
49		Ref	TRACTION LOCK VALVE, (See HYDRAULIC COMPONENTS SECTION for Breakdown)	
50		Ref	HYDROSTATIC TRANSMISSION, (See HYDRAULIC COMPONENTS SECTION for Breakdown)	
51		Ref	SOLENOID VALVE ASSY, (See HYDRAULIC COMPONENTS SECTION for Breakdown)	
52	91303049	2	HOSE STRAP	
53	91083533	2	FENDER WASHER	
54	88201018	2	HEX HD CAPSCREW, 5/16-18X3/4, GR5	
55	91413037	2	HOSE CLAMP	
56	88201026	4	HEX HD CAPSCREW, 5/16-18X2-1/2, GR5	
57	91401370	2	CLAMP TOP	
58	77133279	2	CLAMP SET	
59	88201023	5	HEX HD CAPSCREW, 5/16-18X1-3/4, GR5	
60	77133137	5	COVER PLATE	
61	91053439	1	CLAMP SET	
62	77133497	1	CLAMP SET	
63	77133499	2	HEX HD CAPSCREW, 1/4-20X1-5/16	
64	77133498	1	COVER PLATE	
65	77133136	2	CLAMP SET	
66	88591508	4	O-RING	
101	14403323	AR	NEVER SEEZE LUBE	
102	14404595	AR	MYSTIK TETRIMOLY GREASE	

SECTION 8 - HYDRAULIC CIRCUITS

FIGURE 8-5. STEERING CYLINDERS



PAP23350

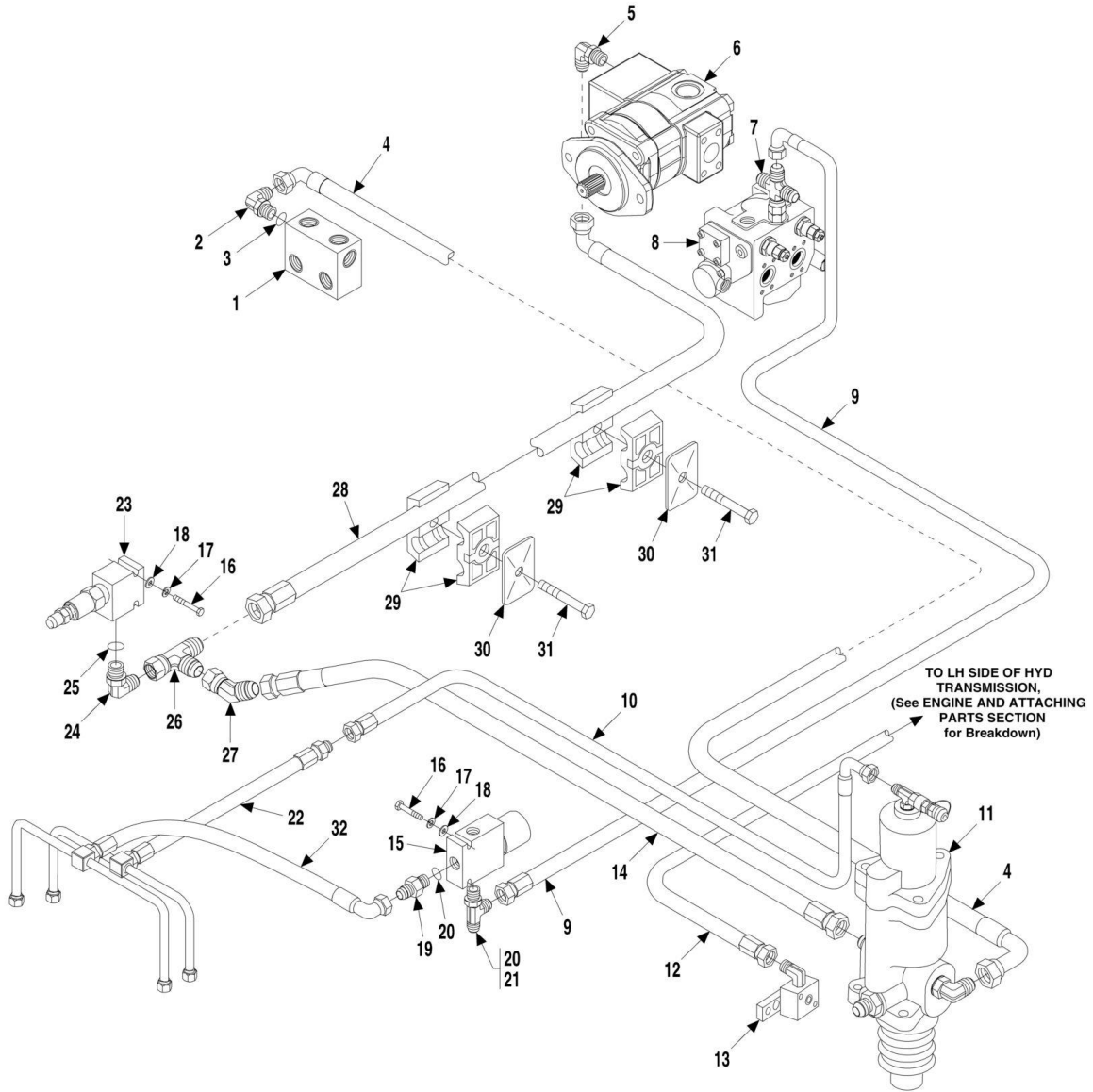
SECTION 8 - HYDRAULIC CIRCUITS

FIGURE 8-5. STEERING CYLINDERS

ITEM	PART NUMBER	QTY	DESCRIPTION	REV
1		Ref	STEERING CYLINDER, (See HYDRAULIC COMPONENTS SECTION for Breakdown)	
2	84719422	2	HOSE ASSY	
3	77133136	2	CLAMP SET	
4	77133137	2	COVER PLATE	
5	88201023	2	HEX HD CAPSCREW, 5/16-18X1-3/4, GR5	
6	8760454	2	BULKHEAD LOCKNUT	
7	84719436	1	HOSE ASSY	
8	84719437	1	HOSE ASSY	
9	84719198	2	HOSE ASSY	
10	2220473	2	ELBOW, 90, (includes item 11)	
11	88591204	4	O-RING	
12	2220606	2	RUN TEE, (includes item 11)	
13	77133168	5	CLAMP SET	
14	77133140	3	COVER PLATE	
15	77133177	3	HEX HD CAPSCREW, 5/16-18X1-3/8	
16	91403388	2	ORBITROL TUBE	
17	84719541	1	HOSE ASSY	
18	77133497	2	CLAMP SET	
19	77133498	2	COVER PLATE	
20	77133499	4	HEX HD CAPSCREW, 1/4-20X1-5/16	
21		Ref	STEERING CONTROL ASSY, (See CONTROLS SECTION for Breakdown)	
22	91403387	2	ORBITROL TUBE	
23	77133389	2	STACK BOLT	
24	77133390	2	SAFETY CLIP	
25	84719428	1	HOSE ASSY	
26	84719427	1	HOSE ASSY	
27	2220435	1	ADAPTER, (includes item 28)	
28	88591209	1	O-RING	
29		Ref	BYPASS VALVE, (See HYDRAULIC COMPONENTS SECTION for Breakdown)	
30	88662059	1	ELBOW, 90, (includes item 31)	
31	88591206	1	O-RING	
32		Ref	PRIORITY FLOW DIVIDER VALVE ASSY, (See HYDRAULIC COMPONENTS SECTION for Breakdown)	
101	90027187	4	NYLON TIE	
102	14404595	AR	MYSTIK TETRIMOLY GREASE	

SECTION 8 - HYDRAULIC CIRCUITS

FIGURE 8-6. SERVICE/PARKING BRAKE



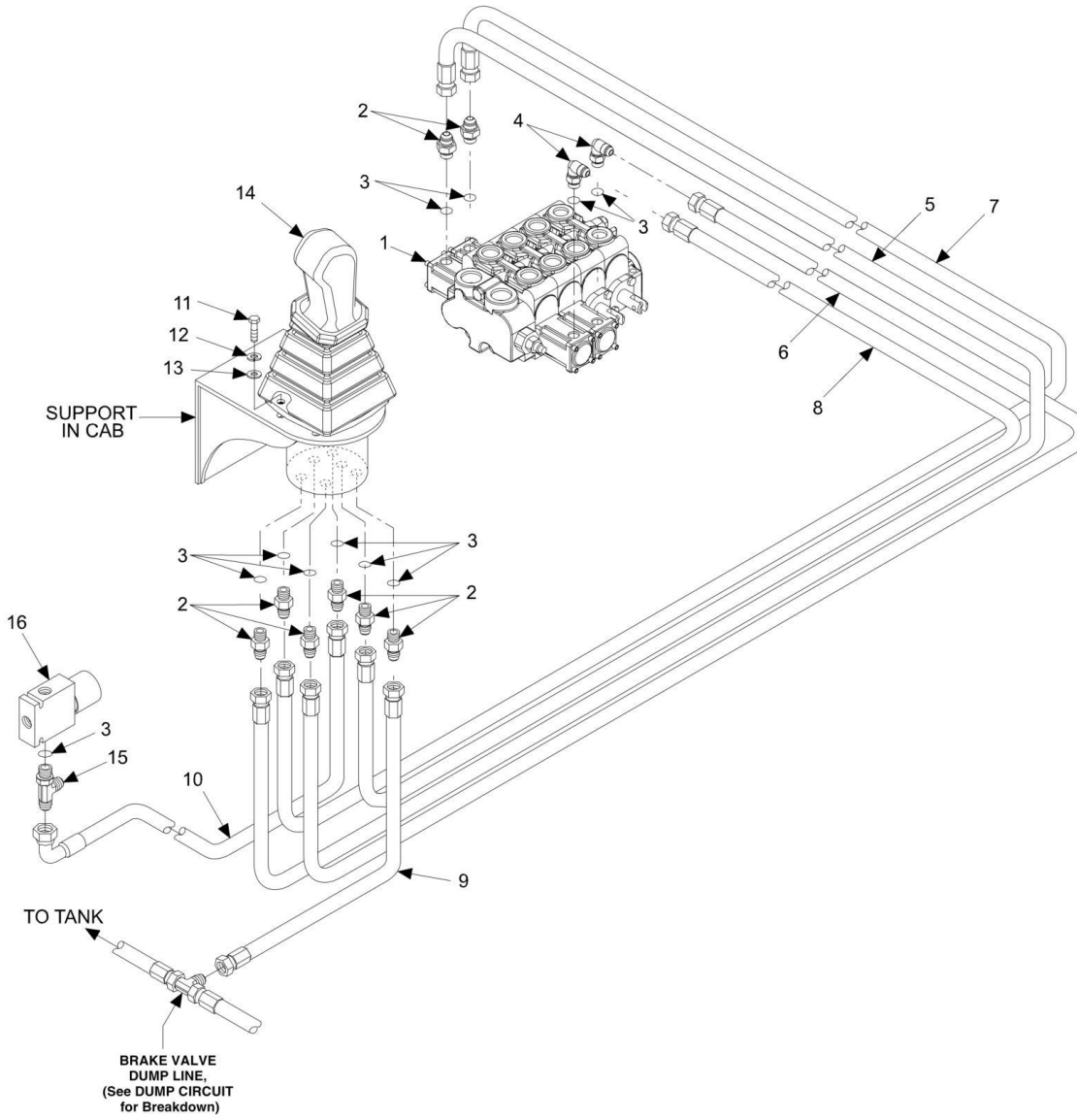
SECTION 8 - HYDRAULIC CIRCUITS

FIGURE 8-6. SERVICE/PARKING BRAKE

ITEM	PART NUMBER	QTY	DESCRIPTION	REV
1		Ref	BYPASS VALVE, (See HYDRAULIC COMPONENTS SECTION for Breakdown)	
2	2220465	1	ADAPTER, 90, (includes item 3)	
3	88591209	1	O-RING	
4	84719591	1	HOSE ASSY	
5		Ref	ELBOW, 90, (See ENGINE AND ATTACHING PARTS SECTION for Breakdown)	
6		Ref	HYDRAULIC PUMP, (See HYDRAULIC COMPONENTS SECTION for Breakdown)	
7		Ref	FITTING, (See ENGINE AND ATTACHING PARTS SECTION for Breakdown)	
8		Ref	TRACTION LOCK VALVE, (See HYDRAULIC COMPONENTS SECTION for Breakdown)	
9	84719424	1	HOSE ASSY	
10	84719546	1	HOSE ASSY	
11		Ref	BRAKE VALVE, (See HYDRAULIC COMPONENTS SECTION for Breakdown)	
12	84719544	1	HOSE ASSY	
13		Ref	INCHING VALVE, (See HYDRAULIC COMPONENTS SECTION for Breakdown)	
14	84717854	1	HOSE ASSY	
15		Ref	SOLENOID VALVE, (See HYDRAULIC COMPONENTS SECTION for Breakdown)	
16	88201008	4	HEX HD CAPSCREW, 1/4-20X1-3/4, GR5	
17	88551009	4	LOCKWASHER, 1/4	
18	88561107	4	FLAT WASHER, 1/4	
19	2220371	1	CONNECTOR, (includes item 20)	
20	88591204	2	O-RING	
21	2220606	1	RUN TEE, (includes item 20)	
22		Ref	HOSE ASSY, (service brake), (See DRIVE TRAIN SECTION for Breakdown)	
23	91413132	1	RELIEF VALVE	
24	2220596	1	ADAPTER, 90, (includes item 25)	
25	88591205	1	O-RING	
26	2220385	1	SWIVEL NUT RUN TEE, 1/2, TUBE	
27	2220683	1	ADAPTER, 45, (swivel nut)	
28	84719592	1	HOSE ASSY	
29	77323029	2	HOSE CLAMP	
30	77133137	2	COVER PLATE	
31	88201023	2	HEX HD CAPSCREW, 5/16-18X1-3/4, GR5	
32		Ref	HOSE ASSY, (park brake), (See DRIVE TRAIN SECTION for Breakdown)	

SECTION 8 - HYDRAULIC CIRCUITS

FIGURE 8-7. BOOM JOYSTICK



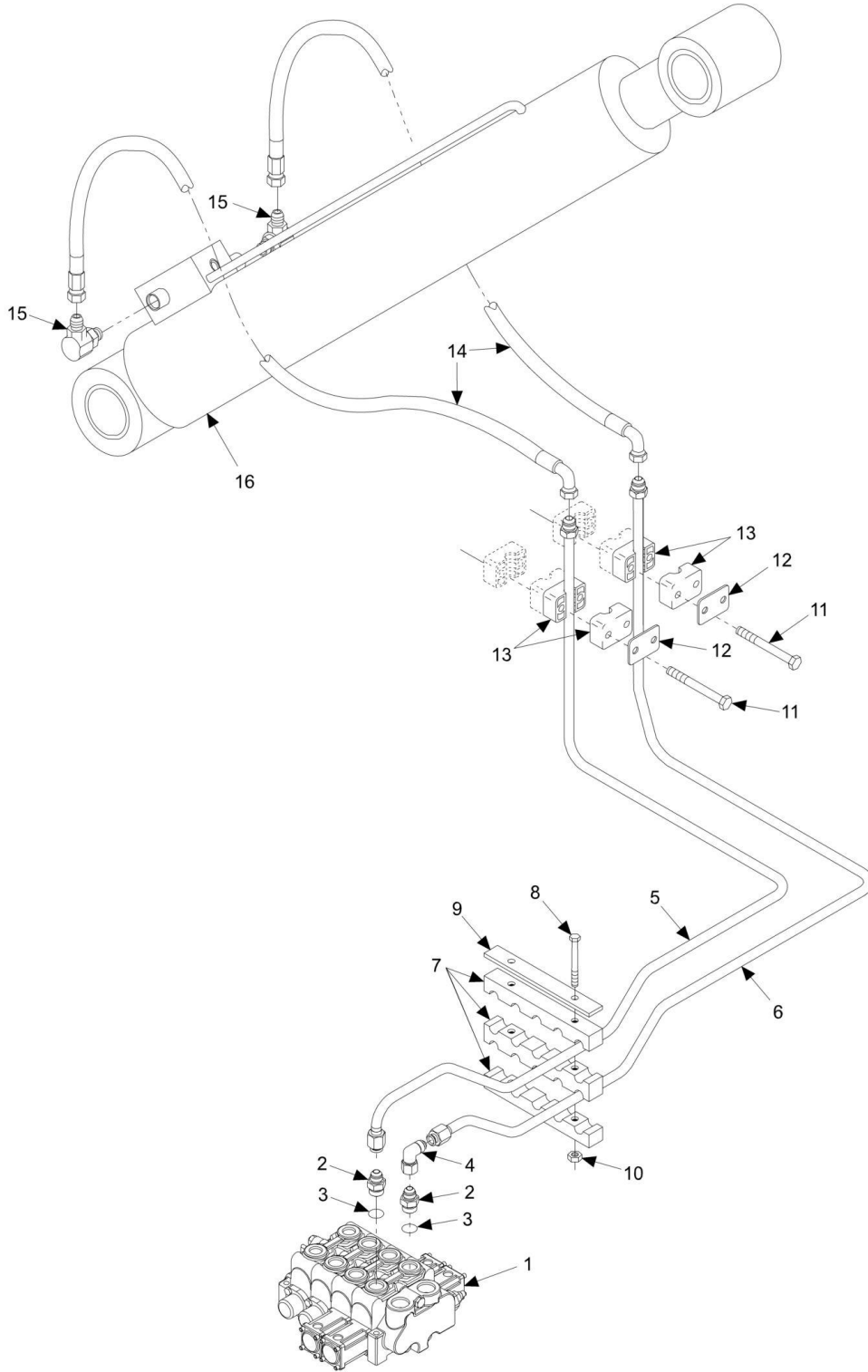
SECTION 8 - HYDRAULIC CIRCUITS

FIGURE 8-7. BOOM JOYSTICK

ITEM	PART NUMBER	QTY	DESCRIPTION	REV
1		Ref	MAIN CONTROL VALVE, (See HYDRAULIC COMPONENTS SECTION for Breakdown)	
2	2220371	8	ADAPTER, (includes item 3)	
3	88591204	11	O-RING	
4	2220473	2	ELBOW, 90, (includes item 3)	
5	84719371	1	HOSE ASSY, (yellow)	
6	84719376	1	HOSE ASSY, (green)	
7	84719372	1	HOSE ASSY, (blue)	
8	84719374	1	HOSE ASSY, (red)	
9	84719375	1	HOSE ASSY	
10	84719373	1	HOSE ASSY	
11	88201005	4	HEX HD CAPSCREW, 1/4-20X1, GR5	
12	88551009	4	LOCKWASHER, 1/4	
13	88561002	4	FLAT WASHER, 1/4	
14		Ref	BOOM JOYSTICK, (See CONTROLS SECTION for Breakdown)	
15	2220606	1	RUN TEE, (includes item 3)	
16		Ref	SOLENOID VALVE, (See HYDRAULIC COMPONENTS SECTION for Breakdown)	

SECTION 8 - HYDRAULIC CIRCUITS

FIGURE 8-8. LIFT CYLINDER



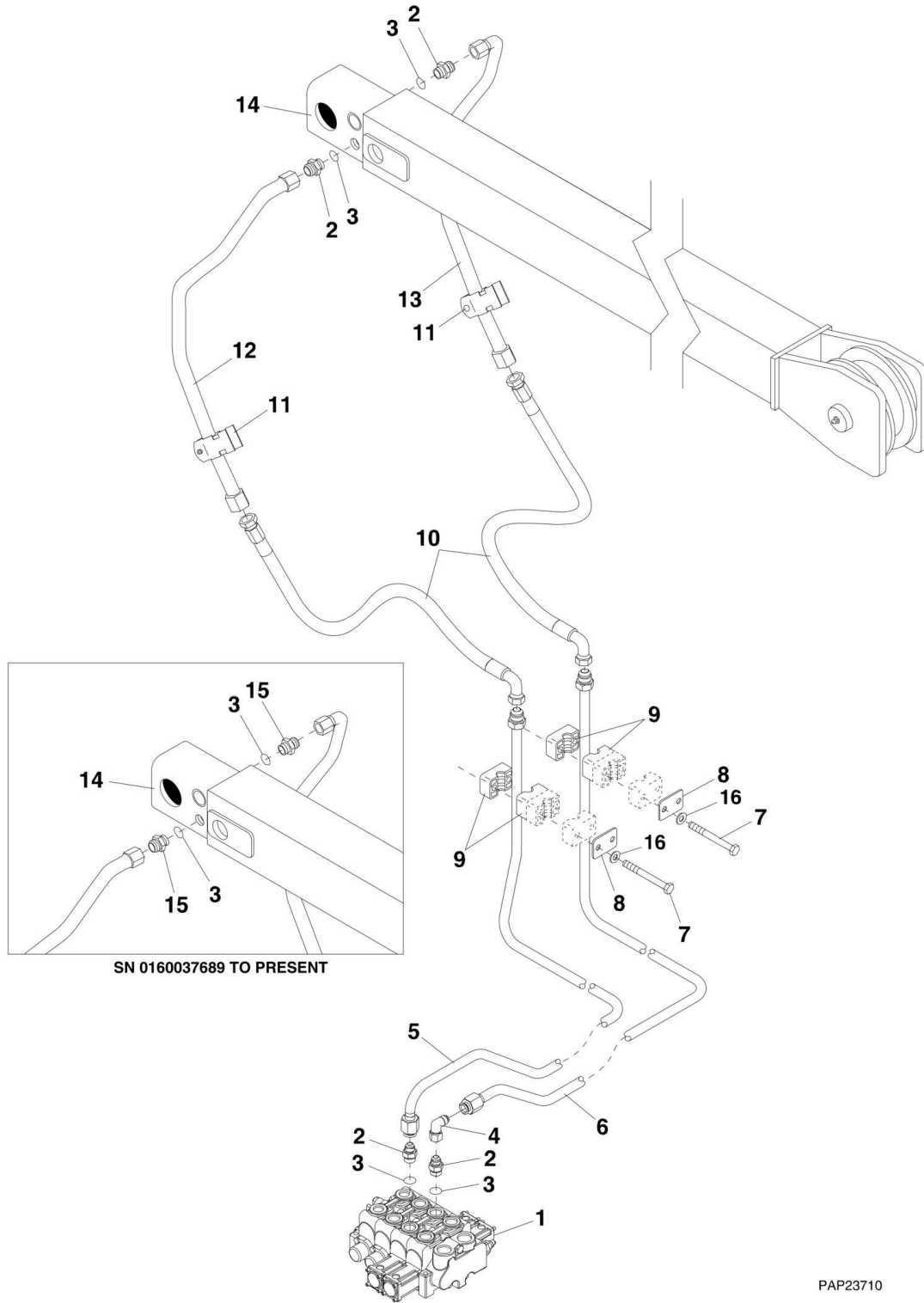
SECTION 8 - HYDRAULIC CIRCUITS

FIGURE 8-8. LIFT CYLINDER

ITEM	PART NUMBER	QTY	DESCRIPTION	REV
1		Ref	MAIN CONTROL VALVE, (See HYDRAULIC COMPONENTS SECTION for Breakdown)	
2	2220947	2	ADAPTER, (includes item 3)	
3	88591206	2	O-RING	
4	2220973	1	ELBOW, 90, (swivel nut)	
5	91403543	1	HYDRAULIC TUBE	
6	91403544	1	HYDRAULIC TUBE	
7	91403353	1	SPECIAL TUBE CLAMP	
8	88201028	2	HEX HD CAPSCREW, 5/16-18X3, GR5	
9	91411021	1	TUBE CLAMP COVER PLATE	
10	88521305	2	HEX LOCKNUT, 5/16-18	
11	88201012	4	HEX HD CAPSCREW, 1/4-20X2-3/4, GR5	
12	77133498	2	COVER PLATE	
13	77133497	2	CLAMP	
14	84719226	2	HOSE ASSY	
15	91413013	2	HYDRAULIC SWIVEL	
16		Ref	LIFT CYLINDER, (See HYDRAULIC COMPONENTS SECTION for Breakdown)	
101	90021705	1	TUBE CLAMP, (not shown)	

SECTION 8 - HYDRAULIC CIRCUITS

FIGURE 8-9. CROWD CYLINDER



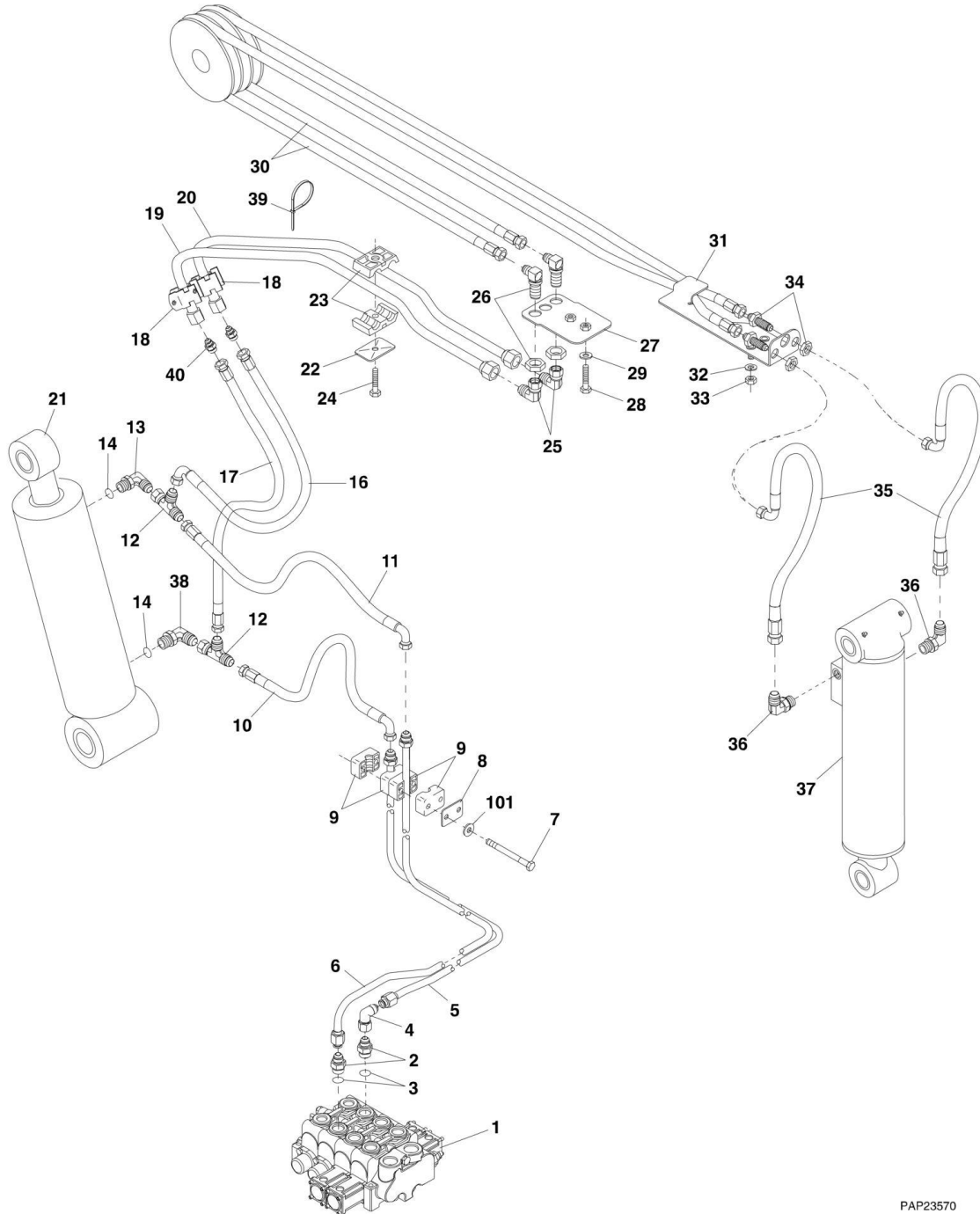
SECTION 8 - HYDRAULIC CIRCUITS

FIGURE 8-9. CROWD CYLINDER

ITEM	PART NUMBER	QTY	DESCRIPTION	REV
1		Ref	MAIN CONTROL VALVE, (See HYDRAULIC COMPONENTS SECTION for Breakdown)	
2	2220947	4	ADAPTER, (includes item 3) (Prior to SN 0160037689)	
2	2220947	2	ADAPTER, (includes item 3) (SN 0160037689 to Present)	
3	88591206	4	O-RING	
4	2220973	1	ELBOW, 90, (swivel nut)	
5	91403545	1	HYDRAULIC TUBE	
6	91403546	1	HYDRAULIC TUBE	
7	88201012	4	HEX HD CAPSCREW, 1/4-20X2-3/4, GR5	
8	77133498	2	COVER PLATE	
9	77133497	2	CLAMP	
10	84719227	2	HOSE ASSY (Prior to SN 0160037689)	
10	1001102664	2	HOSE ASSY (SN 0160037689 to Present)	
11	91083217	2	CLAMP	
12	91403507	1	TUBE ASSY (Prior to SN 0160037689)	
12	1001098363	1	TUBE ASSY (SN 0160037689 to Present)	
13	91403506	1	TUBE ASSY (Prior to SN 0160037689)	
13	1001098362	1	TUBE ASSY (SN 0160037689 to Present)	
14		Ref	CROWD CYLINDER, (See HYDRAULIC COMPONENTS SECTION for Breakdown)	
15	2111010	2	ADAPTER, (includes item 3) (SN 0160037689 to Present)	
16	88561007	4	FLAT WASHER, 1/2	

SECTION 8 - HYDRAULIC CIRCUITS

FIGURE 8-10. TILT AND COMPENSATING CYLINDER (Prior to SN 0160037689)



PAP23570

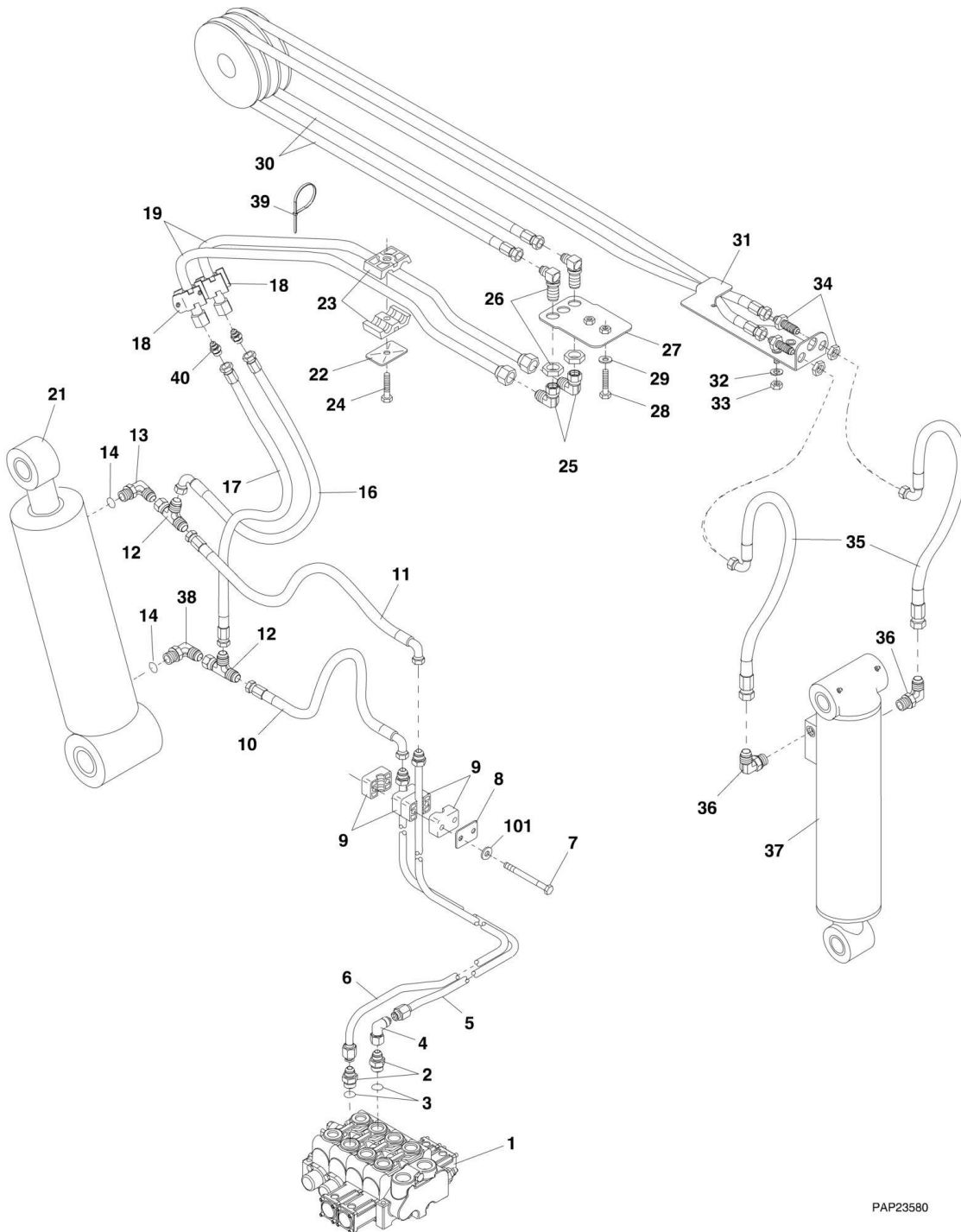
SECTION 8 - HYDRAULIC CIRCUITS

FIGURE 8-10. TILT AND COMPENSATING CYLINDER (Prior to SN 0160037689)

ITEM	PART NUMBER	QTY	DESCRIPTION	REV
1		Ref	MAIN CONTROL VALVE, (See HYDRAULIC COMPONENTS SECTION for Breakdown)	
2	2220374	2	ADAPTER, (includes item 3)	
3	88591206	2	O-RING	
4	88662106	1	ELBOW, 90, (swivel nut)	
5	91403548	1	HYDRAULIC TUBE	
6	91403547	1	HYDRAULIC TUBE	
7	88201012	2	HEX HD CAPSCREW, 1/4-20X2-3/4, GR5	
8	77133498	1	COVER PLATE	
9	91033138	2	CLAMP	
10	84719433	1	HOSE ASSY	
11	84719225	1	HOSE ASSY	
12	2220385	2	SWIVEL NUT RUN TEE, 1/2, TUBE	
13	2220596	1	ELBOW, 90, (includes item 14)	
14	88591205	2	O-RING	
16	84719438	1	HOSE ASSY	
17	84719228	1	HOSE ASSY	
18	91083216	2	CLAMP	
19	91403393	1	TUBE ASSY	
20	4569359	1	TUBE ASSY	
21		Ref	COMPENSATING CYLINDER, (See HYDRAULIC COMPONENTS SECTION for Breakdown)	
22	77133140	3	COVER PLATE	
23	77133168	3	CLAMP SET	
24	77133177	3	HEX HD CAPSCREW, 5/16X1-3/8	
25	91403415	2	FITTING, 90	
26	2230043	2	ADAPTER, 90	
27	91401344	1	HOSE BRACKET	
28	88201034	2	HEX HD CAPSCREW, 3/8-16X7/8, GR5	
29	88561109	2	FLAT WASHER, 3/8	
30	84719168	2	HOSE ASSY	
31	0903293	1	HOSE RETAINER	
32	4761600	2	LOCKWASHER, 3/8	
33	88501006	2	HEX NUT, 3/8-16	
34	88661084	2	BULKHEAD UNION, 9/16-18X3/8, TUBE	
35	84718545	2	HOSE ASSY	
36	2220828	2	ELBOW, 90	
37		Ref	TILT CYLINDER, (See HYDRAULIC COMPONENTS SECTION for Breakdown)	
38	2220474	1	ELBOW, 90, (includes item 14)	
39	86683122	6	TIE WRAP	
40	88661002	2	MALE CONNECTOR, 1/8X3/16, TUBE	
101	88561007	2	FLAT WASHER, 1/2	
102	84719280	1	HOSE ASSY, (not shown)	
103	84719282	1	HOSE ASSY, (not shown)	
104	84719281	1	HOSE ASSY, (not shown)	

SECTION 8 - HYDRAULIC CIRCUITS

FIGURE 8-11. TILT AND COMPENSATING CYLINDER (SN 0160037689 to Present)



PAP23580

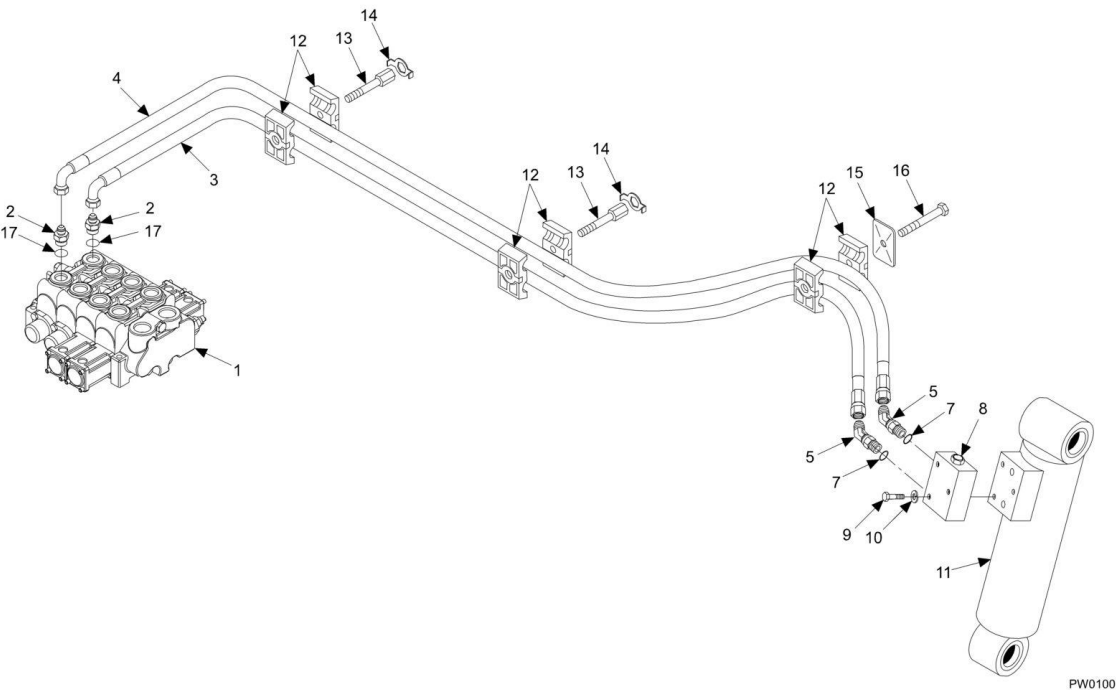
SECTION 8 - HYDRAULIC CIRCUITS

FIGURE 8-11. TILT AND COMPENSATING CYLINDER (SN 0160037689 to Present)

ITEM	PART NUMBER	QTY	DESCRIPTION	REV
1		Ref	MAIN CONTROL VALVE, (See HYDRAULIC COMPONENTS SECTION for Breakdown)	
2	2220374	2	ADAPTER, (includes item 3)	
3		Ref	O-RING	
4	8765204	1	ELBOW, 90, (swivel nut)	
5	91403548	1	HYDRAULIC TUBE	
6	91403547	1	HYDRAULIC TUBE	
7	88201012	2	HEX HD CAPSCREW, 1/4-20X2-3/4, GR5	
8	77133498	1	COVER PLATE	
9	91033138	2	CLAMP	
10	84719433	1	HOSE ASSY	
11	84719225	1	HOSE ASSY	
12	2220385	2	SWIVEL NUT RUN TEE, 1/2, TUBE	
13	2220596	1	ELBOW, 90, (includes item 14)	
14	88591205	2	O-RING	
16	1001102662	1	HOSE ASSY	
17	1001102663	1	HOSE ASSY	
18	91083216	2	CLAMP	
19	1001001332	2	TUBE ASSY	
21		Ref	COMPENSATING CYLINDER, (See HYDRAULIC COMPONENTS SECTION for Breakdown)	
22	77133140	3	COVER PLATE	
23	77133168	3	CLAMP SET	
24	0641511	3	HEX HD CAPSCREW, 5/16X1-3/8	
25	2221253	2	ELBOW, 90	
26	2171206	2	BULKHEAD FITTING, 90	
27	1001090364	1	HOSE BRACKET	
28	0641607	2	HEX HD CAPSCREW, 3/8-16X1-1/4, GR5	
29	4711600	2	FLAT WASHER, 3/8	
30	1001112207	2	HOSE ASSY	
31	0903293	1	HOSE RETAINER	
32	4761600	2	LOCKWASHER, 3/8	
33	88501006	2	HEX NUT, 3/8-16	
34	2171106	2	BULKHEAD UNION, 9/16-18X3/8, TUBE	
35	1001101617	2	HOSE ASSY	
36	2130610	2	ELBOW, 90	
37		Ref	TILT CYLINDER, (See HYDRAULIC COMPONENTS SECTION for Breakdown)	
38	2220474	1	ELBOW, 90	
39	86683122	6	TIE WRAP	
40	88661002	2	MALE CONNECTOR, 1/8X3/16, TUBE	
101	88561007	2	FLAT WASHER, 1/2	

SECTION 8 - HYDRAULIC CIRCUITS

FIGURE 8-12. SWAY CYLINDER



PW0100

SECTION 8 - HYDRAULIC CIRCUITS

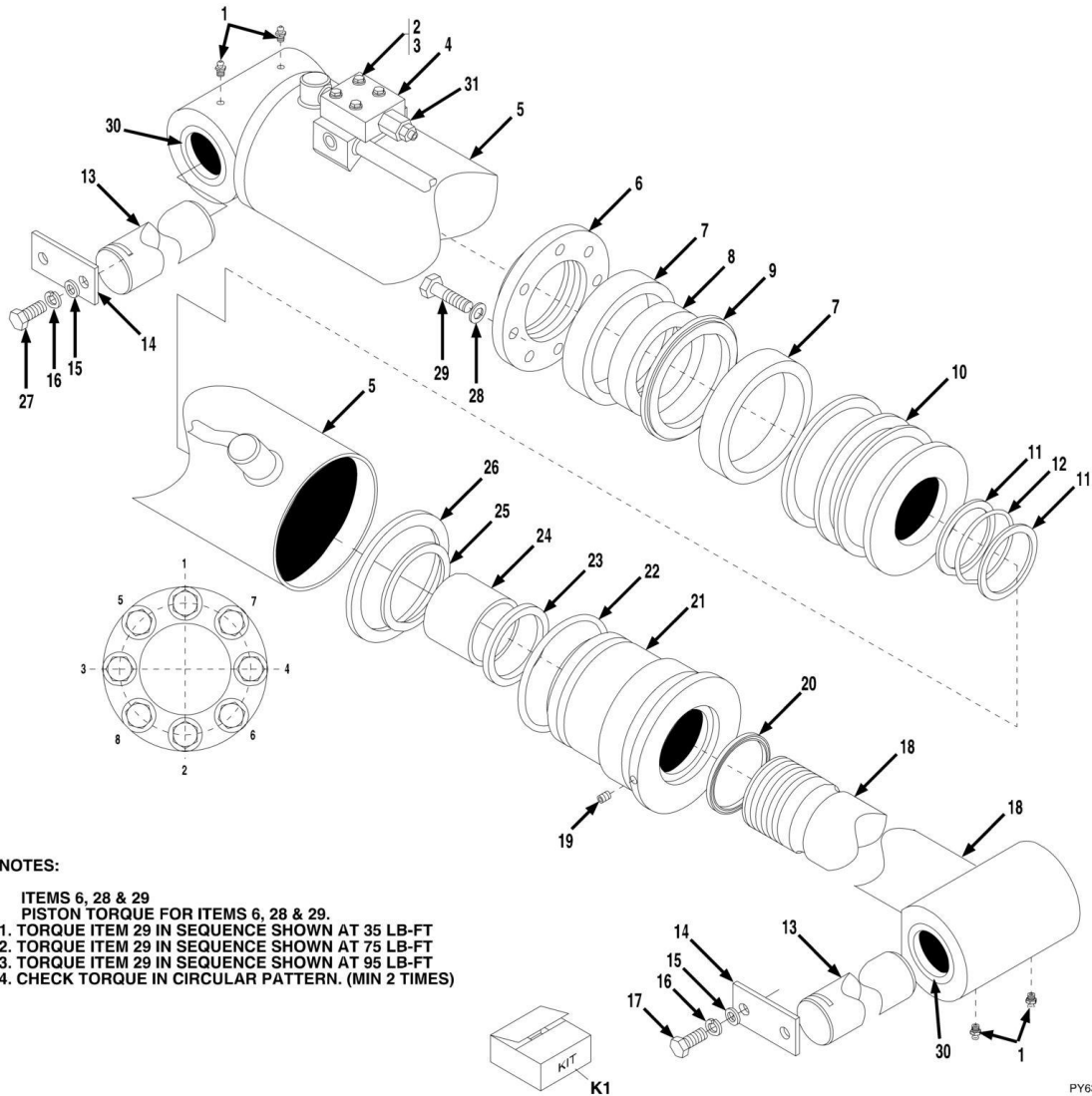
FIGURE 8-12. SWAY CYLINDER

ITEM	PART NUMBER	QTY	DESCRIPTION	REV
1		Ref	MAIN CONTROL VALVE, (See HYDRAULIC COMPONENTS SECTION for Breakdown)	
2	2220372	2	ADAPTER, (includes item 17)	
3	84719280	1	HOSE ASSY	
4	84719282	1	HOSE ASSY	
5	2221040	2	ELBOW, 45, (swivel nut)	
7	88591204	2	O-RING	
8		Ref	SWAY CYLINDER VALVE, (See HYDRAULIC COMPONENTS SECTION for Breakdown)	
9	88201008	3	HEX HD CAPSCREW, 1/4-20X1-3/4, GR5	
10	88551009	3	LOCKWASHER, 1/4	
11		Ref	SWAY CYLINDER, (See HYDRAULIC COMPONENTS SECTION for Breakdown)	
12	77133168	3	HOSE CLAMP	
13	77133389	2	STACK BOLT	
14	77133390	2	SAFETY CLIP	
15	77133140	1	COVER PLATE	
16	77133177	1	HEX HD CAPSCREW, 5/16-18X3/4	
17	88591205	2	O-RING	

SECTION 9 - HYDRAULIC COMPONENTS

SECTION 9 - HYDRAULIC COMPONENTS

FIGURE 9-1. LIFT CYLINDER (SN 0189001 through 0189345, SN 016000230 through 0160005398)



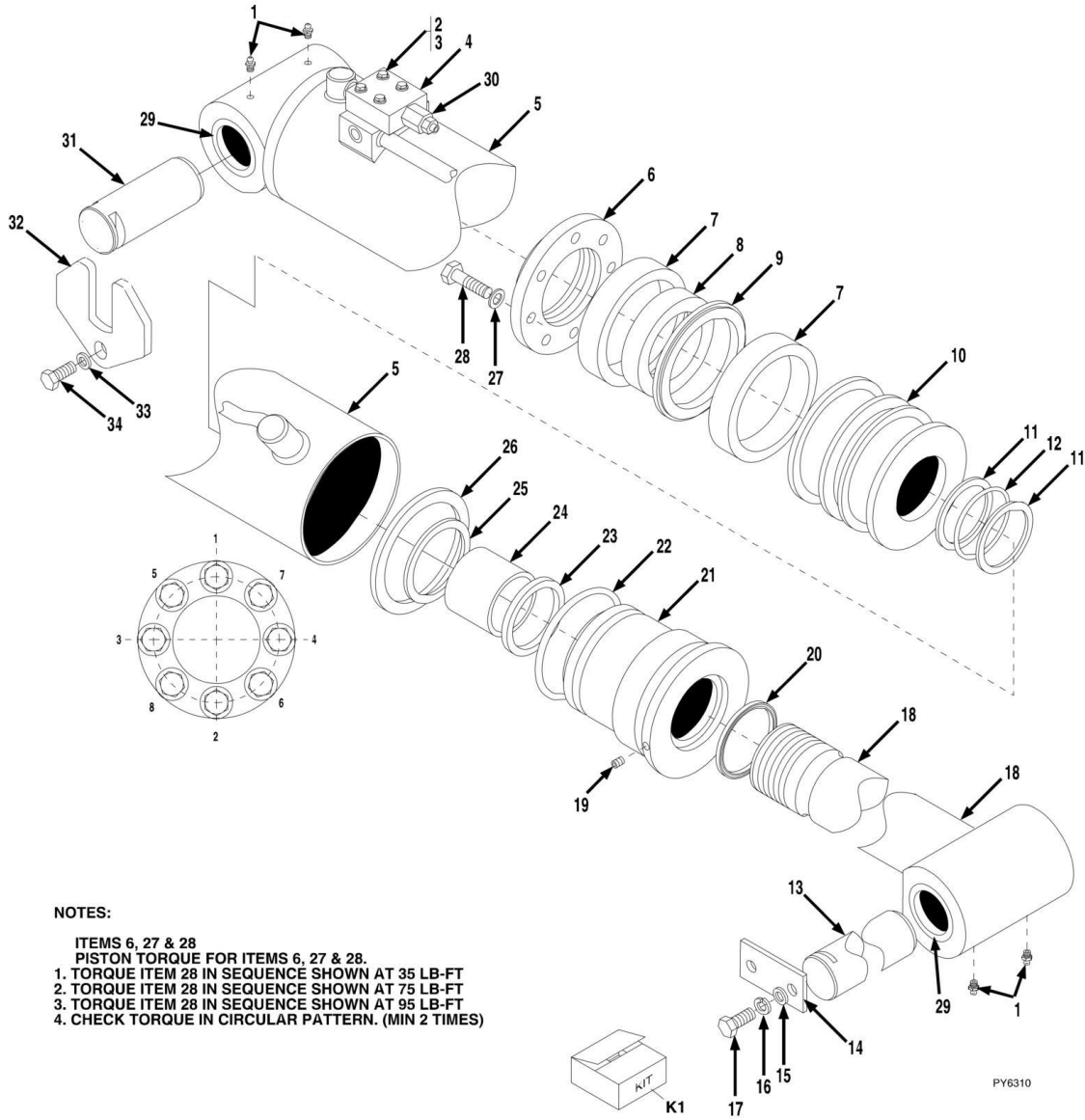
SECTION 9 - HYDRAULIC COMPONENTS

FIGURE 9-1. LIFT CYLINDER (SN 0189001 through 0189345, SN 016000230 through 0160005398)

ITEM	PART NUMBER	QTY	DESCRIPTION	REV
	91403009	1	LIFT CYLINDER, (includes all items except items 13 thru 17 & 27)	F
1	91144128	4	GREASE FITTING	
2	91404132	4	CAPSCREW, (torque to 10-12 lb-ft)	
3	91404152	4	LOCKWASHER	
4	91404138	1	VALVE BLOCK, (includes item 31)	
5	91404133	1	CASE ASSY	
6	91404137	1	BOLT PLATE	
7	Kit K1	2	WEAR RING	
8	91404136	1	SPLIT RING	
9	Kit K1	1	PISTON SEAL	
10	91404134	1	PISTON	
11	Kit K1	2	BACK-UP RING	
12	Kit K1	1	O-RING	
13	91403027	2	PIN	
14	91401189	2	KEEPER	
15	88561111	4	WASHER, 1/2	
16	88551013	4	LOCKWASHER, 1/2	
17	88211105	2	SOCKET HD CAPSCREW, 1/2-13X1, GR8	
18	91404139	1	SHAFT ASSY	
19	91124096	1	SET SCREW, (torque to 11 lb-ft)	
20	Kit K1	1	CANNED WIPER	
21	91404135	1	HEAD, (torque to 100 lb-ft)	
22	Kit K1	1	O-RING	
23	Kit K1	1	ROD SEAL	
24	Kit K1	1	WEAR RING	
25	Kit K1	1	STEP SEAL	
26	Kit K1	1	U-CUP	
27	88201065	2	HEX HD CAPSCREW, 1/2-13X1, GR5	
28	91404131	8	WASHER	
29	91404151	8	CAPSCREW, (see service note for torque specifications)	
30	91404288	4	BUSHING	
31	1001109225	1	VALVE, (torque to 44 lb-ft)	
31	91404382	1	SEAL KIT	
K1	91404140	1	SEAL KIT, (includes items 7, 9, 11, 12, 20 & 22 thru 26)	

SECTION 9 - HYDRAULIC COMPONENTS

FIGURE 9-2. LIFT CYLINDER (SN 0160005472 through 0160007625)



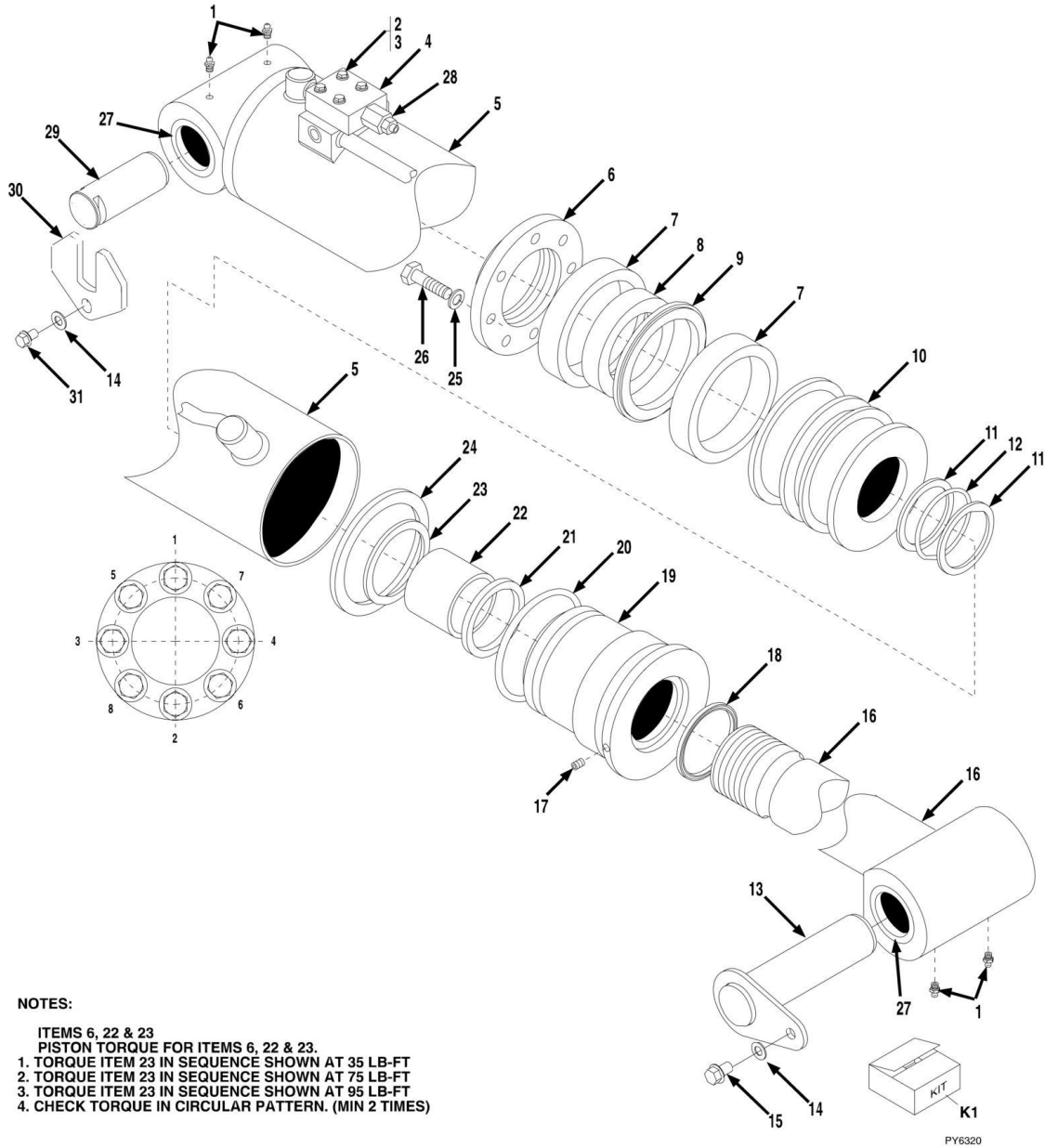
SECTION 9 - HYDRAULIC COMPONENTS

FIGURE 9-2. LIFT CYLINDER (SN 0160005472 through 0160007625)

ITEM	PART NUMBER	QTY	DESCRIPTION	REV
	91403009	1	LIFT CYLINDER, (includes all items except items 13 thru 17 & 31 thru 34)	G
1	91144128	4	GREASE FITTING	
2	91404132	4	CAPSCREW, (torque to 10-12 lb-ft)	
3	91404152	4	LOCKWASHER	
4	91404138	1	VALVE BLOCK, (includes item 30)	
5	91404133	1	CASE ASSY	
6	91404137	1	BOLT PLATE	
7	Kit K1	2	WEAR RING	
8	91404136	1	SPLIT RING	
9	Kit K1	1	PISTON SEAL	
10	91404134	1	PISTON	
11	Kit K1	2	BACK-UP RING	
12	Kit K1	1	O-RING	
13	91403027	1	PIN	
14	91401189	1	KEEPER	
15	88561111	2	WASHER, 1/2	
16	88551013	2	LOCKWASHER, 1/2	
17	88201065	2	HEX HD CAPSCREW, 1/2-13X1, GR5	
18	91404139	1	SHAFT ASSY	
19	91124096	1	SET SCREW, (torque to 11 lb-ft)	
20	Kit K1	1	CANNED WIPER	
21	91404135	1	HEAD, (torque to 100 lb-ft)	
22	Kit K1	1	O-RING	
23	Kit K1	1	ROD SEAL	
24	Kit K1	1	WEAR RING	
25	Kit K1	1	STEP SEAL	
26	Kit K1	1	U-CUP	
27	91404131	8	WASHER	
28	91404151	8	CAPSCREW, (see service note for torque specifications)	
29	91404288	4	BUSHING	
30	1001109225	1	VALVE, (torque to 44 lb-ft)	
30	91404382	1	SEAL KIT	
31	91473233	1	PIN	
32	91471240	1	KEEPER PLATE	
33	4891800	1	HARD WASHER, 1/2	
34	0681810	1	HEX HD CAPSCREW, 1/2-13X1-1/4, GR8, (torque to 100-110 lb-ft)	
K1	91404140	1	SEAL KIT, (includes items 7, 9, 11, 12, 20 & 22 thru 26)	

SECTION 9 - HYDRAULIC COMPONENTS

FIGURE 9-3. LIFT CYLINDER (SN 0160007751 through 0160010472)



NOTES:

- ITEMS 6, 22 & 23
- PISTON TORQUE FOR ITEMS 6, 22 & 23.
- 1. TORQUE ITEM 23 IN SEQUENCE SHOWN AT 35 LB-FT
- 2. TORQUE ITEM 23 IN SEQUENCE SHOWN AT 75 LB-FT
- 3. TORQUE ITEM 23 IN SEQUENCE SHOWN AT 95 LB-FT
- 4. CHECK TORQUE IN CIRCULAR PATTERN. (MIN 2 TIMES)

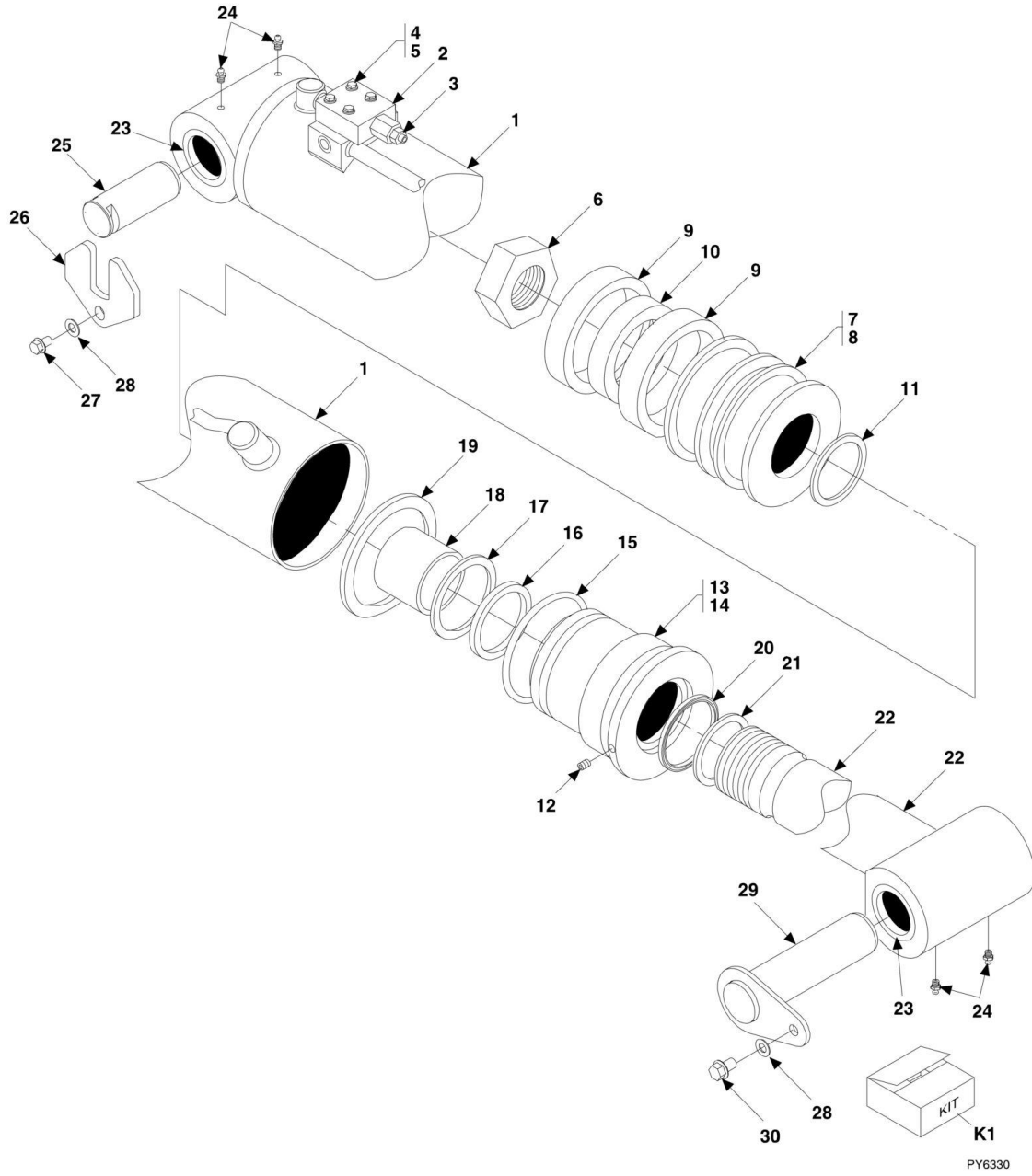
SECTION 9 - HYDRAULIC COMPONENTS

FIGURE 9-3. LIFT CYLINDER (SN 0160007751 through 0160010472)

ITEM	PART NUMBER	QTY	DESCRIPTION	REV
	91403009	1	LIFT CYLINDER, (includes all items except items 13 thru 15 & 29 thru 31)	H
1	91144128	4	GREASE FITTING	
2	91404132	4	CAPSCREW, (torque to 10-12 lb-ft)	
3	91404152	4	LOCKWASHER	
4	91404138	1	VALVE BLOCK, (includes item 28)	
5	91404133	1	CASE ASSY	
6	91404137	1	BOLT PLATE	
7	Kit K1	2	WEAR RING	
8	91404136	1	SPLIT RING	
9	Kit K1	1	PISTON SEAL	
10	91404134	1	PISTON	
11	Kit K1	2	BACK-UP RING	
12	Kit K1	1	O-RING	
13	1001101703	1	PIN	
14	4891800	2	HARD WASHER, 1/2	
15	88201066	1	HEX HD CAPSCREW, 1/2-13X1-1/4, GR5, (torque to 100 lb-ft)	
16	91404139	1	SHAFT ASSY	
17	91124096	1	SET SCREW, (torque to 11 lb-ft)	
18	Kit K1	1	CANNED WIPER	
19	91404135	1	HEAD, (torque to 100 lb-ft)	
20	Kit K1	1	O-RING	
21	Kit K1	1	ROD SEAL	
22	Kit K1	1	WEAR RING	
23	Kit K1	1	STEP SEAL	
24	Kit K1	1	U-CUP	
25	91404131	8	WASHER	
26	91404151	8	CAPSCREW, (see service note for torque specifications)	
27	91404288	4	BUSHING	
28	1001109225	1	VALVE, (torque to 44 lb-ft)	
28	91404382	1	SEAL KIT	
29	91473233	1	PIN	
30	91471240	1	KEEPER PLATE	
31	0681810	1	HEX HD CAPSCREW, 1/2-13X1-1/4, GR8, (torque to 100-110 lb-ft)	
K1	91404140	1	SEAL KIT, (includes items 7, 9, 11, 12, 18 & 20 thru 24)	

SECTION 9 - HYDRAULIC COMPONENTS

FIGURE 9-4. LIFT CYLINDER (SN 0160010506 through 0160033603)



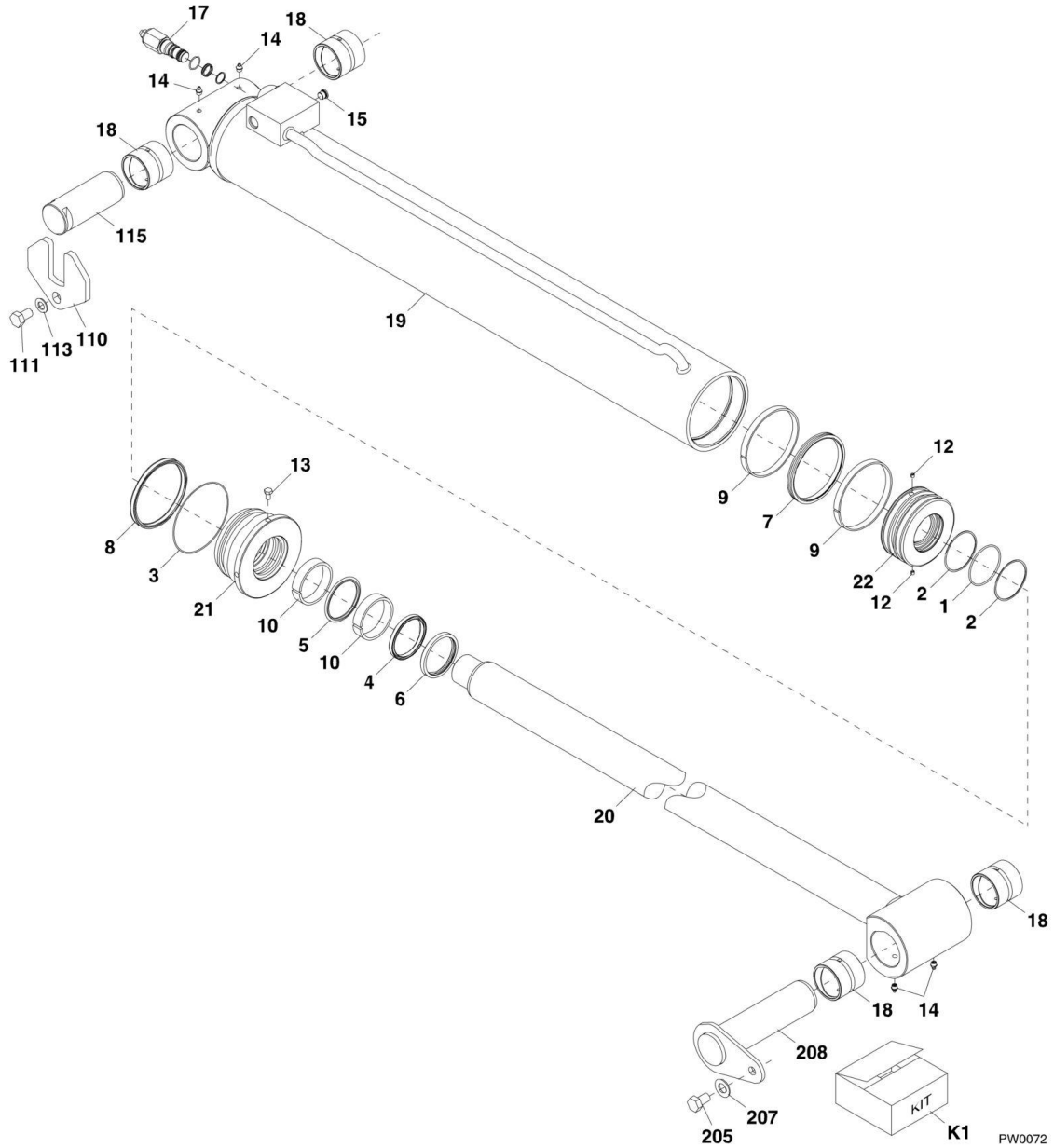
SECTION 9 - HYDRAULIC COMPONENTS

FIGURE 9-4. LIFT CYLINDER (SN 0160010506 through 0160033603)

ITEM	PART NUMBER	QTY	DESCRIPTION	REV
	91413158	1	LIFT CYLINDER, (includes items 1 thru 24)	B
1	91404133	1	CASE ASSY	
2	91404138	1	VALVE BLOCK ASSY, (includes item 3)	
3	1001109225	1	VALVE, (torque to 44 lb-ft)	
3	91404382	1	SEAL KIT	
4	91404132	4	CAPSCREW, (torque to 10-12 lb-ft)	
5	91404152	4	LOCKWASHER	
6	91034153	1	LOCKNUT	
7	91414065	1	PISTON ASSY, (includes items 8 thru 11)	
8	91414066	1	PISTON	
9	Kit K1	2	WEAR RING	
10	Kit K1	1	CAP SEAL	
11	Kit K1	1	O-RING	
12	91124096	1	SET SCREW	
13	91414067	1	HEAD ASSY, (includes items 14 thru 20)	
14	91404135	1	HEAD	
15	Kit K1	1	O-RING	
16	Kit K1	1	ROD SEAL	
17	Kit K1	1	STEP SEAL	
18	Kit K1	1	WEAR RING	
19	Kit K1	1	U-CUP	
20	Kit K1	1	CANNED WIPER	
21	7026458	1	O-RING	
22	91414068	1	SHAFT ASSY	
23	91404288	4	BUSHING	
24	91144128	4	GREASE FITTING	
25	91473233	1	LOWER LIFT CYLINDER PIN	
26	91471240	1	KEEPER PLATE	
27	0681810	1	HEX HD CAPSCREW, 1/2-13X1-1/4, GR8, (torque to 100-110 lb-ft)	
28	4891800	2	HARD WASHER, 1/2	
29	1001101703	1	UPPER LIFT CYLINDER PIN	
30	88201066	1	HEX HD CAPSCREW, 1/2-13X1-1/4, GR5, (torque to 100-110 lb-ft)	
K1	91414069	1	SEAL KIT, (includes items 9 thru 11 & 15 thru 20)	

SECTION 9 - HYDRAULIC COMPONENTS

FIGURE 9-5. LIFT CYLINDER (SN 0160033805 to Present)



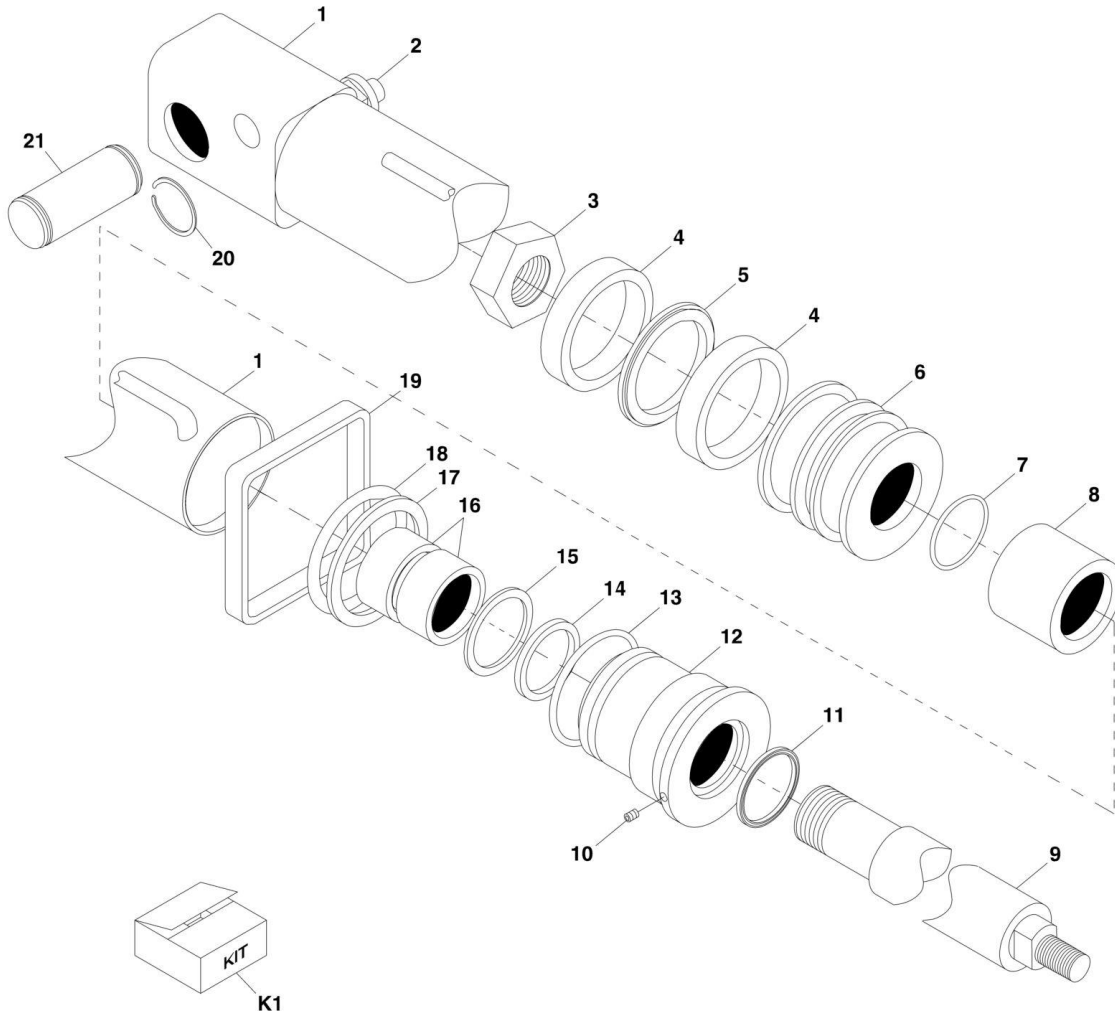
SECTION 9 - HYDRAULIC COMPONENTS

FIGURE 9-5. LIFT CYLINDER (SN 0160033805 to Present)

ITEM	PART NUMBER	QTY	DESCRIPTION	REV
	91413155	1	LIFT CYLINDER, (includes items 1 thru 22) (SN 0160033805 through 0160036159)	C
	1001101280	1	LIFT CYLINDER, (includes items 1 thru 22) (SN 0160036529 to Present)	D
1	Kit K1	1	O-RING	
2	Kit K1	2	BACK-UP RING	
3	Kit K1	1	O-RING	
4	Kit K1	1	SEAL	
5	Kit K1	1	SEAL	
6	Kit K1	1	WIPER	
7	Kit K1	1	SEAL	
8	Kit K1	1	SEAL	
9	Kit K1	2	WEAR RING	
10	Kit K1	2	WEAR RING	
12	70021757	2	SET SCREW	
13	70021630	1	SELF-TAPPING SCREW	
14	7003242	4	LUBE FITTING	
15	20021648	1	PORT PLUG	
17	1001109225	1	VALVE	
17	91404382	1	SEAL KIT	
18	70021756	4	BUSHING	
19	70021755	Ref	TUBE ASSY, (70021755 is no longer available, replace with both 70021957 head and 70021958 tube assy) (SN 0160033805 through 0160036159)	
19	70021958	1	TUBE ASSY (SN 0160036529 to Present)	
20	70021754	1	ROD ASSY	
21	70021753	Ref	HEAD, (70021753 is no longer available, replace with both 70021957 head and 70021958 tube assy) (SN 0160033805 through 0160036159)	
21	70021957	1	HEAD (SN 0160036529 to Present)	
22	70021752	1	PISTON	
110	91471240	1	KEEPER PLATE	
111	0681810	1	HEX HD CAPSCREW, 1/2-13X1-1/4, GR8	
113	4891800	1	HARD WASHER, 1/2	
115	91473233	1	LIFT CYLINDER PIN	
205	0681810	1	HEX HD CAPSCREW, 1/2-13X1-1/4, GR8	
207	4891800	1	HARD WASHER, 1/2	
208	1001101703	1	LIFT CYLINDER PIN	
K1	70021758	1	SEAL KIT, (includes items 1 thru 10)	

SECTION 9 - HYDRAULIC COMPONENTS

FIGURE 9-6. CROWD CYLINDER - IOWA (SN 0189001 through 0189345, SN 016000230 through 0160033603)



PAP23610

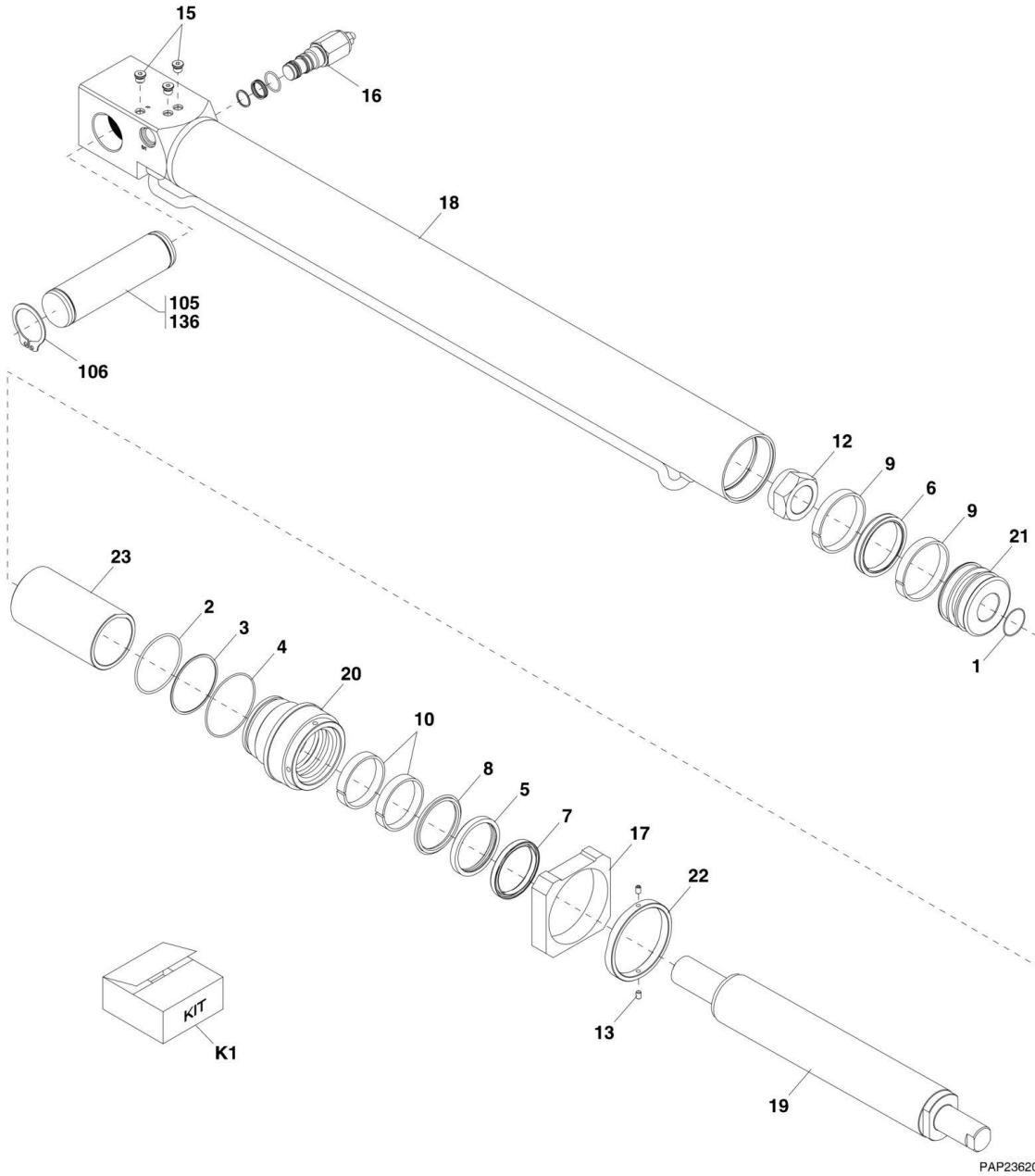
SECTION 9 - HYDRAULIC COMPONENTS

FIGURE 9-6. CROWD CYLINDER - IOWA (SN 0189001 through 0189345, SN 0160000230 through 0160033603)

ITEM	PART NUMBER	QTY	DESCRIPTION	REV
	91403006	1	CROWD CYLINDER, (includes all items 1 thru 19)	G
1	91404112	1	CASE ASSY	
2	1001109225	1	VALVE, (torque to 40-45 lb-ft)	
2	91404382	1	SEAL KIT	
3	91034267	1	LOCKNUT, (torque to 600-650 lb-ft)	
4	Kit K1	2	WEAR RING	
5	Kit K1	1	PISTON SEAL	
6	70020494	1	PISTON ASSY, (includes items 4, 5 & 7)	
7	Kit K1	1	O-RING	
8	91404113	1	SPACER	
9	91404114	1	SHAFT	
10	91404130	1	SET SCREW, (torque to 11 lb-ft)	
11	Kit K1	1	CANNED WIPER	
12	70020495	1	HEAD ASSY, (includes items 11 & 13 thru 18), (torque to 100 lb-ft)	
13	Kit K1	1	O-RING	
14	Kit K1	1	U-CUP	
15	Kit K1	1	STEP SEAL	
16	Kit K1	2	WEAR RING	
17	Kit K1	1	BACK-UP RING	
18	Kit K1	1	O-RING	
19	91409117	1	WEAR BAND	
20	88581149	2	RETAINING RING	
21	91403022	1	CROWD CYLINDER PIN	
K1	70020432	1	SEAL KIT, (includes items 4, 5, 7, 11 & 13 thru 18)	

SECTION 9 - HYDRAULIC COMPONENTS

FIGURE 9-7. CROWD CYLINDER - TEXAS HYDRAULICS (SN 0160033805 to Present)



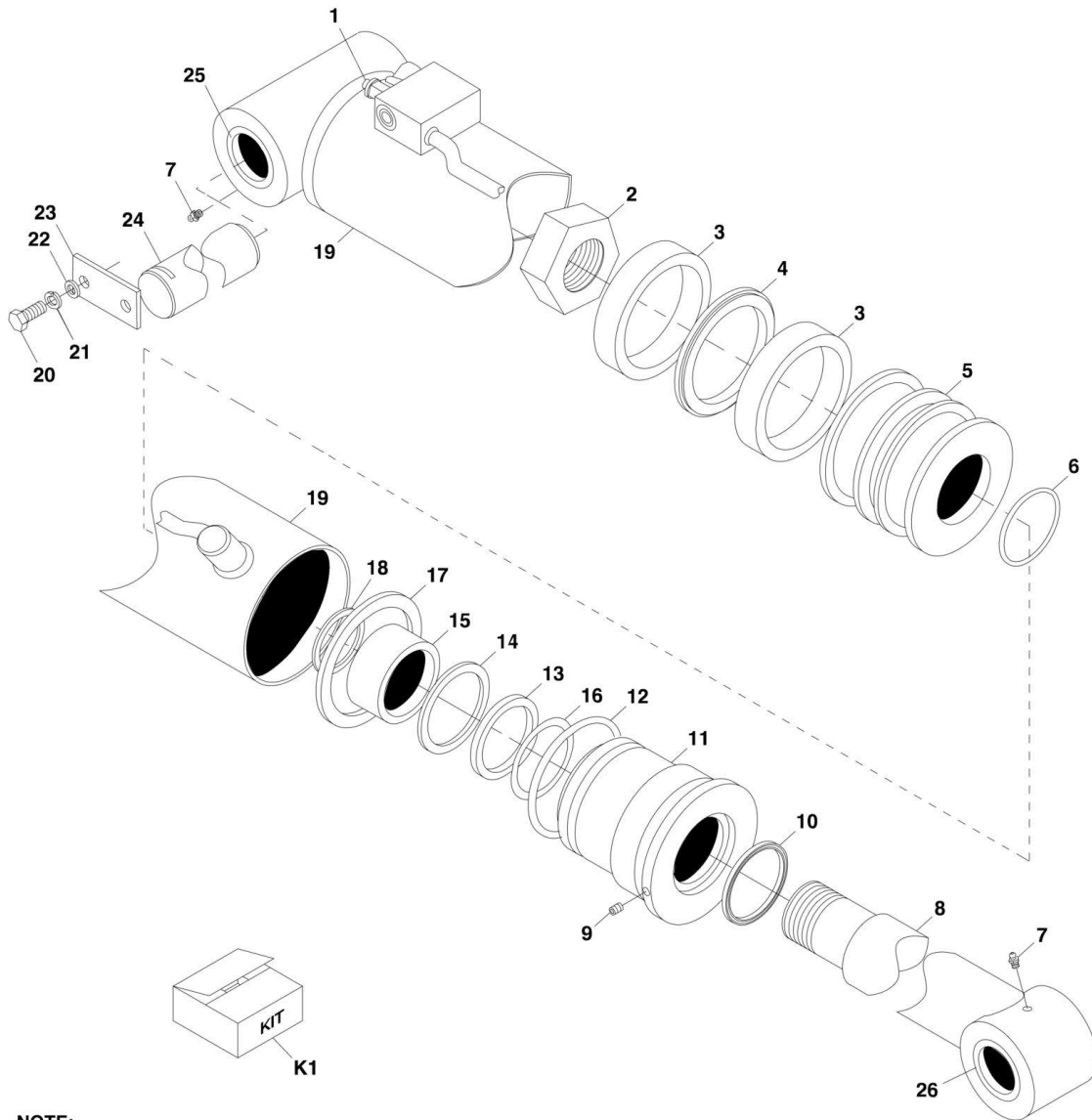
SECTION 9 - HYDRAULIC COMPONENTS

FIGURE 9-7. CROWD CYLINDER - TEXAS HYDRAULICS (SN 0160033805 to Present)

ITEM	PART NUMBER	QTY	DESCRIPTION	REV
	91473230	1	CROWD CYLINDER, (includes items 1 thru 23)	B
1	Kit K1	1	O-RING	
2	Kit K1	1	O-RING	
3	Kit K1	1	BACK-UP RING	
4	Kit K1	1	O-RING	
5	Kit K1	1	SEAL	
6	Kit K1	1	SEAL	
7	Kit K1	1	WIPER	
8	Kit K1	1	SEAL	
9	Kit K1	2	WEAR RING	
10	Kit K1	2	WEAR RING	
12	7003226	1	LOCKNUT	
13	70021774	2	SET SCREW	
15	7005365	3	PORT PLUG	
16	1001109225	1	COUNTERBALANCE VALVE	
16	91404382	1	SEAL KIT	
17	70021772	1	WEAR PAD	
18	70021771	1	TUBE ASSY	
19	70021770	1	ROD	
20	70021769	1	HEAD	
21	70021768	1	PISTON	
22	70021767	1	COLLAR	
23	70021766	1	SPACER	
105	91403022	1	CYLINDER PIN	
106	88581149	2	RETAINING RING	
136	14403323	AR	NEVER SEEZE LUBE	
K1	70021775	1	SEAL KIT, (includes items 1 thru 10)	

SECTION 9 - HYDRAULIC COMPONENTS

FIGURE 9-8. TILT CYLINDER - IOWA (SN 0189001 through 0189345, SN 016000230 through 0160033603)



NOTE:
FOR ROD END PIN, See BOOM SECTION for Breakdown

PAP23590

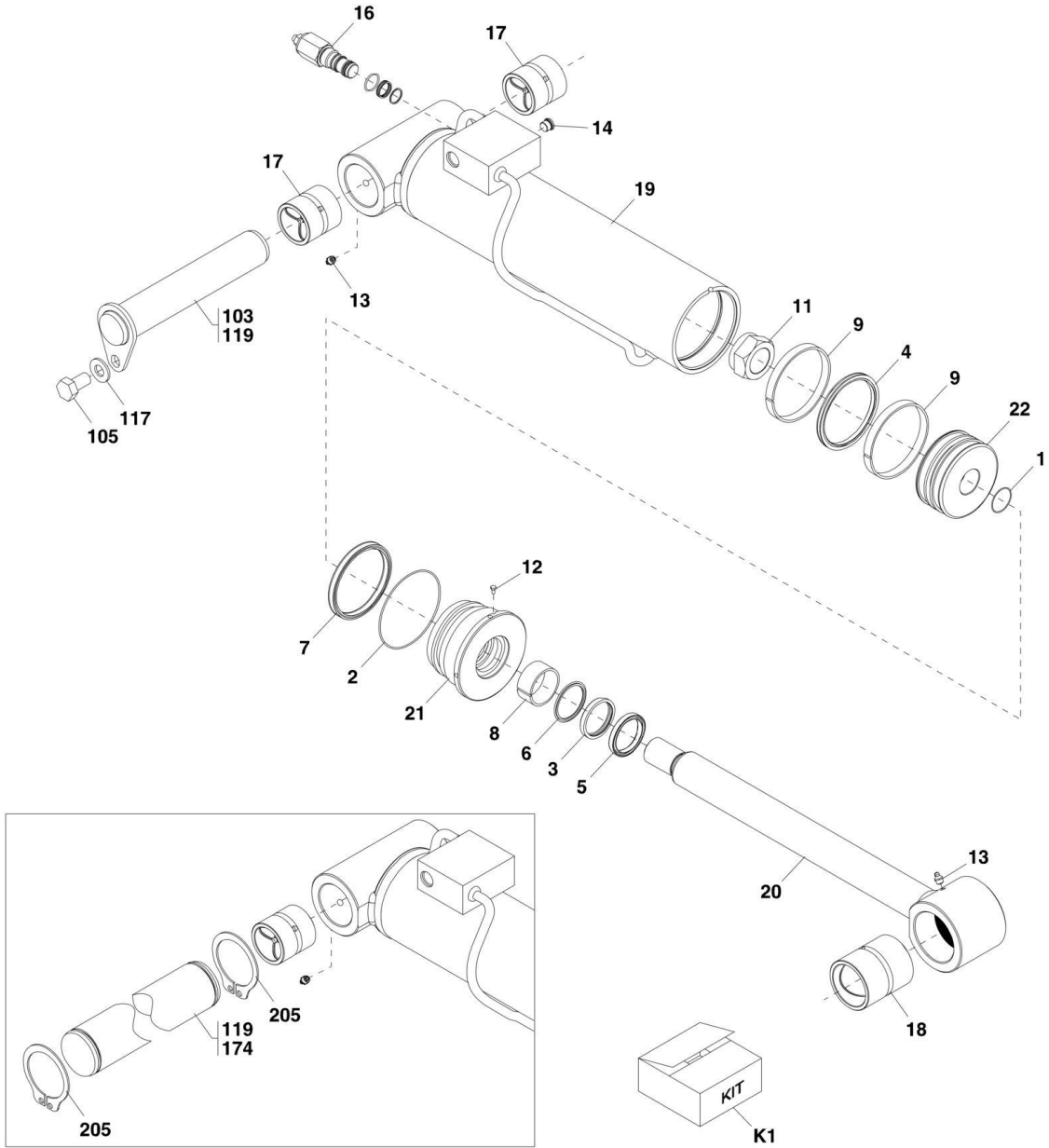
SECTION 9 - HYDRAULIC COMPONENTS

FIGURE 9-8. TILT CYLINDER - IOWA (SN 0189001 through 0189345, SN 016000230 through 0160033603)

ITEM	PART NUMBER	QTY	DESCRIPTION	REV
	91403008	1	TILT CYLINDER, (includes all items except items 20 thru 24)	J
1	1001109225	1	VALVE, (torque to 45-50 lb-ft)	
1	91404382	1	SEAL KIT	
2	91034267	1	LOCKNUT, (torque to 1250-1300 lb-ft)	
3	Kit K1	2	WEAR RING	
4	Kit K1	1	PISTON SEAL	
5	91404153	1	PISTON	
6	Kit K1	1	O-RING	
7	91144128	3	GREASE FITTING	
8	91404156	1	SHAFT ASSY	
9	91124096	1	SET SCREW, (torque to 11 lb-ft)	
10	Kit K1	1	CANNED WIPER	
11	91404154	1	HEAD, (torque to 200 lb-ft)	
12	Kit K1	1	O-RING	
13	Kit K1	1	U-CUP SEAL	
14	Kit K1	1	STEP SEAL	
15	Kit K1	1	WEAR RING	
16	Kit K1	1	BACK-UP RING	
17	Kit K1	1	U-CUP	
18	91084372	1	RETAINING RING	
19	91404155	1	CASE ASSY	
20	88201064	2	HEX HD CAPSCREW, 1/2-13X7/8, GR5	
21	88551013	2	LOCKWASHER, 1/2	
22	88561111	2	WASHER, 1/2	
23	91401189	1	KEEPER	
24	91403021	1	TILT CYLINDER PIN	
25	91404286	2	BUSHING, (manganese phosphate coating)	
26	91404287	1	BUSHING, (manganese phosphate coating)	
K1	91404157	1	SEAL KIT, (includes items 3, 4, 6, 10 & 12 thru 17)	

SECTION 9 - HYDRAULIC COMPONENTS

FIGURE 9-9. TILT CYLINDER - TEXAS HYDRAULICS (SN 0160033805 to Present)



SN 0160037689 TO PRESENT

PAP23600

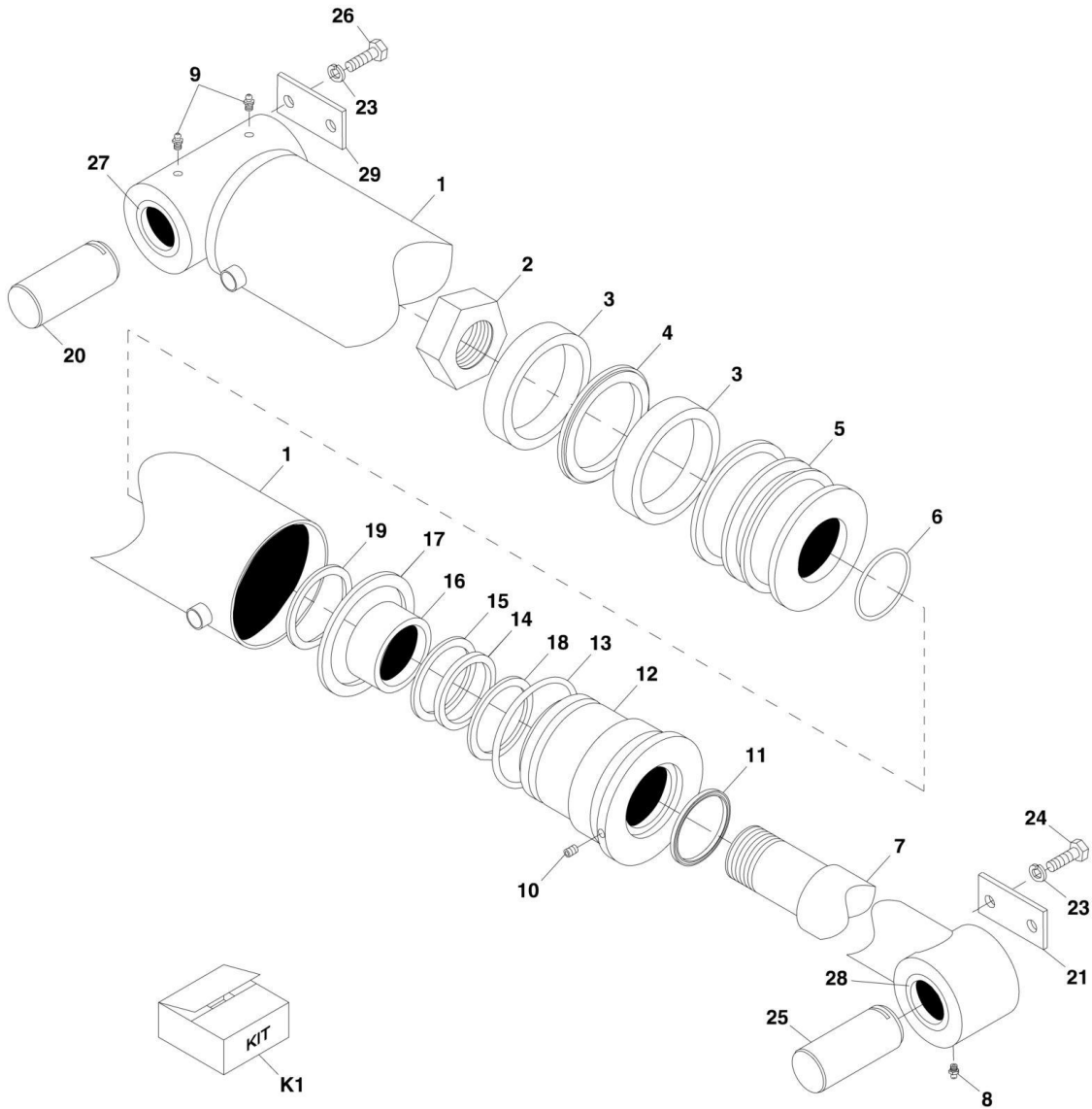
SECTION 9 - HYDRAULIC COMPONENTS

FIGURE 9-9. TILT CYLINDER - TEXAS HYDRAULICS (SN 0160033805 to Present)

ITEM	PART NUMBER	QTY	DESCRIPTION	REV
	91413156	1	TILT CYLINDER, (includes items 1 thru 22)	A
1	Kit K1	1	O-RING	
2	Kit K1	1	O-RING	
3	Kit K1	1	SEAL	
4	Kit K1	1	SEAL	
5	Kit K1	1	WIPER	
6	Kit K1	1	SEAL	
7	Kit K1	1	SEAL	
8	Kit K1	1	WEAR RING	
9	Kit K1	2	WEAR RING	
11	7003226	1	LOCKNUT	
12	70021630	1	SELF-TAPPING SCREW	
13	7003242	3	LUBE FITTING	
14	70021648	1	PORT PLUG	
16	1001109225	1	COUNTERBALANCE VALVE	
16	91404382	1	SEAL KIT	
17	70021763	2	BUSHING	
18	70021765	1	BUSHING	
19	70021762	1	TUBE ASSY	
20	70021761	1	ROD ASSY	
21	70021760	1	HEAD	
22	70021759	1	PISTON	
103	91473234	1	CYLINDER PIN (Prior to SN 0160037689)	
105	0681810	1	HEX HD CAPSCREW, 1/2-13X1-1/4, GR8	
117	4891800	1	WASHER, 1/2	
119	14403323	AR	NEVER SEEZE LUBE	
174	1001098223	1	CYLINDER PIN (SN 0160037689 to Present)	
205	88581149	2	RETAINING RING (SN 0160037689 to Present)	
217	8307904	AR	WASHER, SHIM, (not shown) (SN 0160037689 to Present)	
218	8310093	AR	WASHER, SHIM, (not shown) (SN 0160037689 to Present)	
219	8307918	AR	WASHER, SHIM, (not shown) (SN 0160037689 to Present)	
K1	70021764	1	SEAL KIT, (includes items 1 thru 9)	

SECTION 9 - HYDRAULIC COMPONENTS

FIGURE 9-10. COMPENSATING CYLINDER (SN 0189001 through 0189345, SN 016000230 through 0160007625)



PAP23680

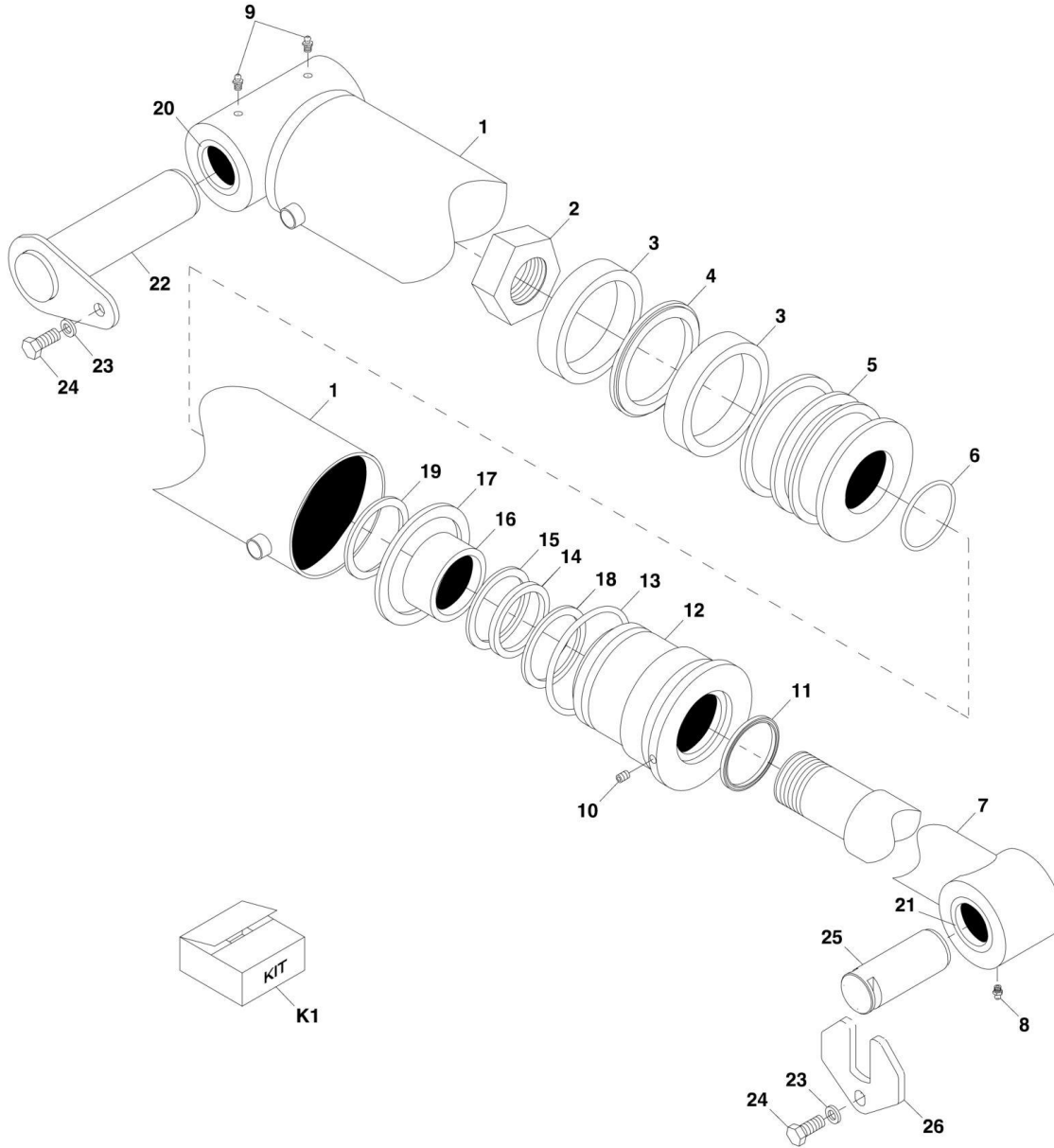
SECTION 9 - HYDRAULIC COMPONENTS

FIGURE 9-10. COMPENSATING CYLINDER (SN 0189001 through 0189345, SN 0160000230 through 0160007625)

ITEM	PART NUMBER	QTY	DESCRIPTION	REV
	91403585	1	COMPENSATING CYLINDER, (includes all items except items 20 thru 26 & 29)	
1	91404204	1	CASE ASSY	
2	91034267	1	LOCKNUT, (torque to 1250-1300 lb-ft)	
3	Kit K1	2	WEAR RING	
4	Kit K1	1	PISTON SEAL	
5	91404153	1	PISTON	
6	Kit K1	1	O-RING	
7	91404205	1	SHAFT ASSY	
8	91144128	1	GREASE FITTING	
9	91404203	2	GREASE FITTING	
10	91124096	1	SET SCREW	
11	Kit K1	1	CANNED WIPER	
12	91404154	1	HEAD, (torque to 200 lb-ft)	
13	Kit K1	1	O-RING	
14	Kit K1	1	U-CUP SEAL	
15	Kit K1	1	STEP SEAL	
16	Kit K1	1	WEAR RING	
17	Kit K1	1	U-CUP	
18	Kit K1	1	O-RING	
19	Kit K1	1	RETAINING RING	
20	91403108	1	PIN	
21	91401189	1	KEEPER	
23	88551013	4	LOCKWASHER, 1/2	
24	88211105	2	SOCKET HD CAPSCREW, 1/2-13X1, GR8	
25	91403026	1	PIN	
26	88201065	2	HEX HD CAPSCREW, 1/2-13X1, GR5	
27	91404286	2	BUSHING, (manganese phosphate coating)	
28	91404287	1	BUSHING, (manganese phosphate coating)	
29	91401529	1	KEEPER	
K1	91404206	1	SEAL KIT, (includes items 3, 4, 6, 11 & 13 thru 19)	

SECTION 9 - HYDRAULIC COMPONENTS

FIGURE 9-11. COMPENSATING CYLINDER (SN 0160007751 through 0160017477)



PAP23690

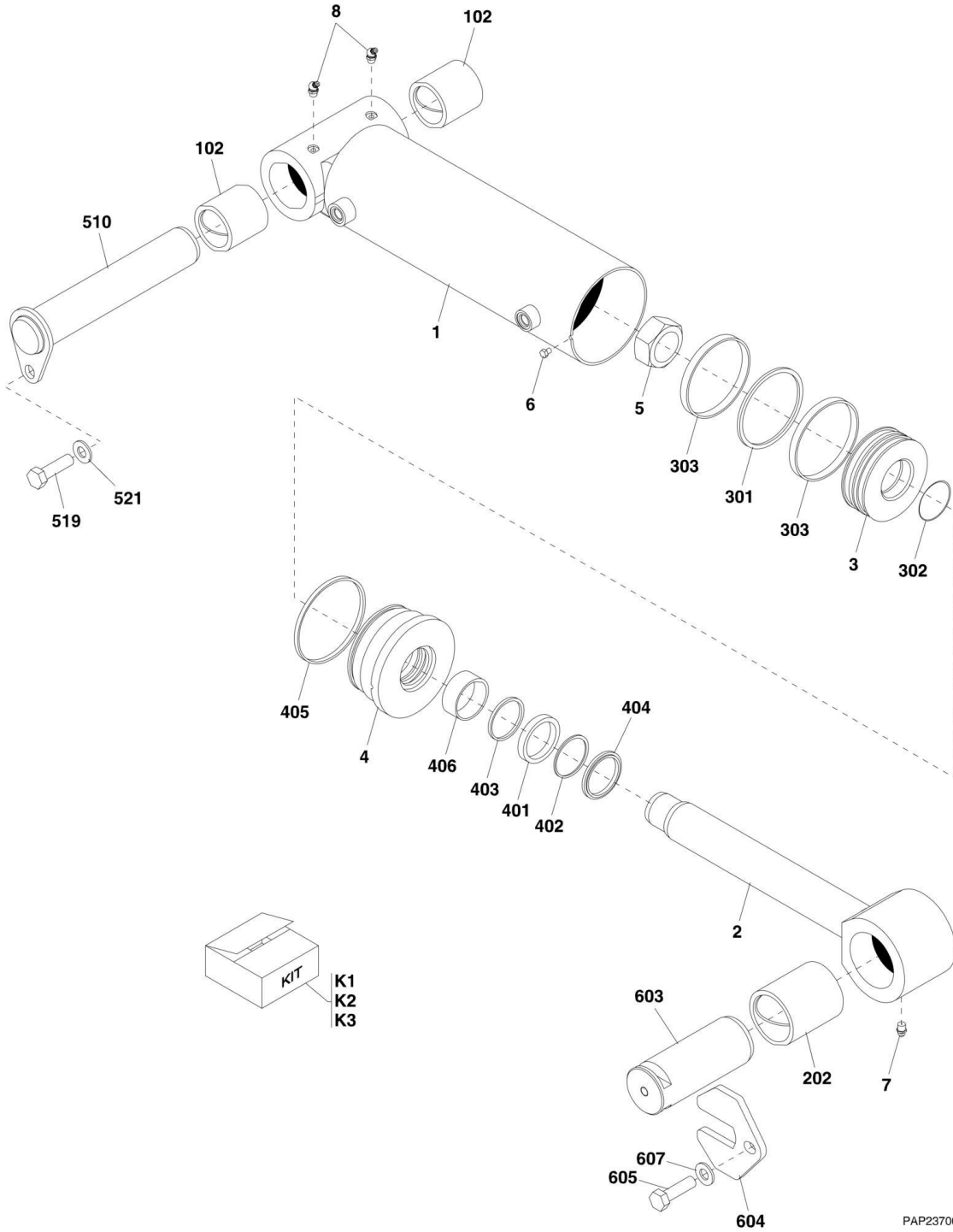
SECTION 9 - HYDRAULIC COMPONENTS

FIGURE 9-11. COMPENSATING CYLINDER (SN 0160007751 through 0160017477)

ITEM	PART NUMBER	QTY	DESCRIPTION	REV
	91403585	1	COMPENSATING CYLINDER, (includes items 1 thru 21)	C
1	91404204	1	CASE ASSY	
2	91034267	1	LOCKNUT, (torque to 1250-1300 lb-ft)	
3	Kit K1	2	WEAR RING	
4	Kit K1	1	PISTON SEAL	
5	91404153	1	PISTON	
6	Kit K1	1	O-RING	
7	91404205	1	SHAFT ASSY	
8	91144128	1	GREASE FITTING	
9	91404203	2	GREASE FITTING	
10	91124096	1	SET SCREW	
11	Kit K1	1	CANNED WIPER	
12	91404154	1	HEAD, (torque to 200 lb-ft)	
13	Kit K1	1	O-RING	
14	Kit K1	1	U-CUP SEAL	
15	Kit K1	1	STEP SEAL	
16	Kit K1	1	WEAR RING	
17	Kit K1	1	U-CUP	
18	Kit K1	1	O-RING	
19	Kit K1	1	RETAINING RING	
20	91404286	2	BUSHING, (manganese phosphate coating)	
21	91404287	1	BUSHING, (manganese phosphate coating)	
22	91473235	1	PIN	
23	4891800	2	HARD WASHER, 1/2	
24	0681810	2	HEX HD CAPSCREW, 1/2-13X1-1/4, GR8, (torque to 100-110 lb-ft)	
25	91513282	1	PIN	
26	91471240	1	KEEPER PLATE	
K1	91404206	1	SEAL KIT, (includes items 3, 4, 6, 11 & 13 thru 19)	

SECTION 9 - HYDRAULIC COMPONENTS

FIGURE 9-12. COMPENSATING CYLINDER (SN 0160017516 to Present)



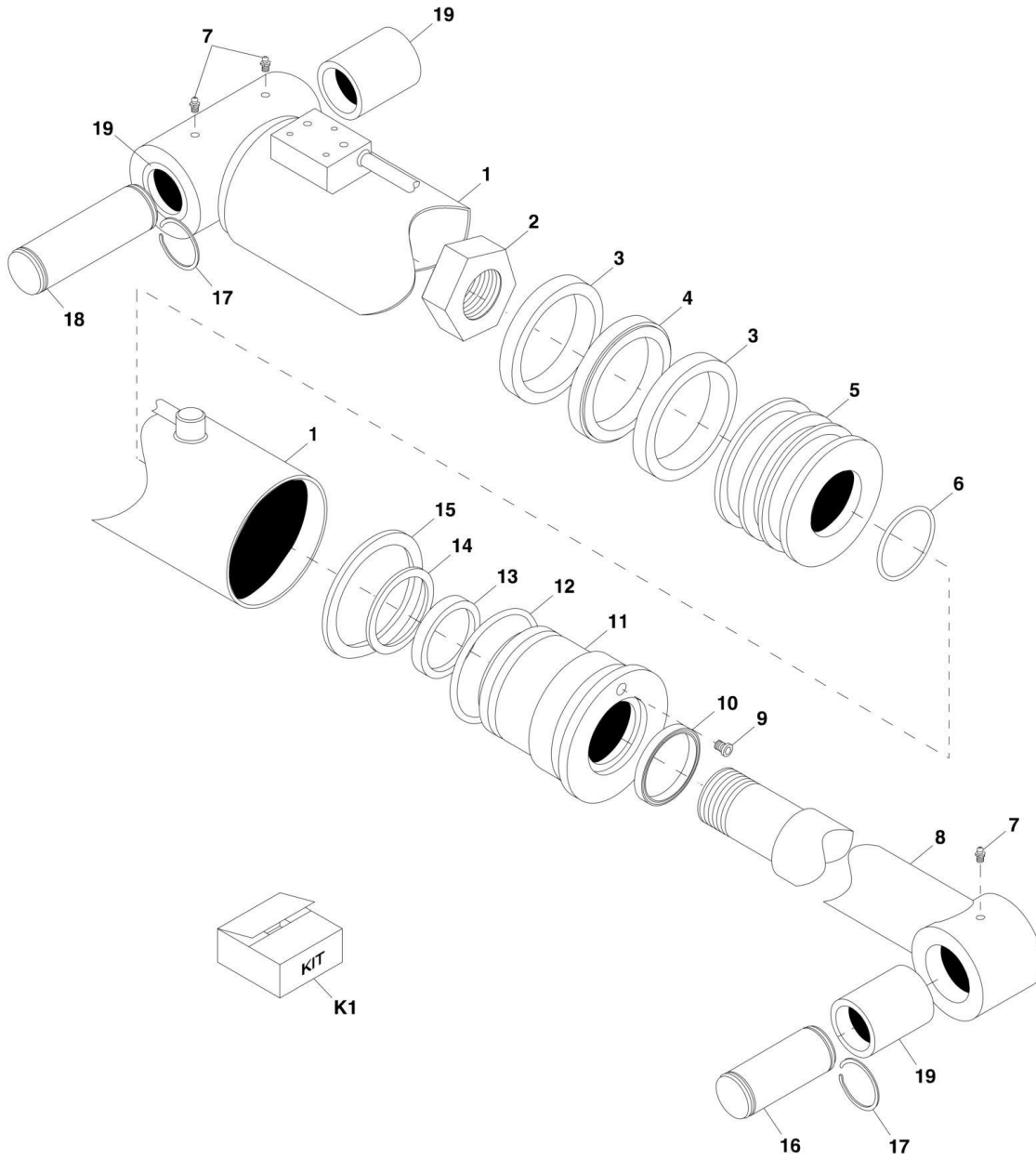
SECTION 9 - HYDRAULIC COMPONENTS

FIGURE 9-12. COMPENSATING CYLINDER (SN 0160017516 to Present)

ITEM	PART NUMBER	QTY	DESCRIPTION	REV
	91413154	1	COMPENSATING CYLINDER, (includes items 1 thru 406)	B
1	7029866	1	BARREL ASSY, (includes item 102)	
2	7029869	1	ROD ASSY, (includes item 202)	
3	7029868	1	PISTON ASSY, (includes items 301 thru 303)	
4	7029870	1	ROD BEARING ASSY, (includes items 401 thru 406)	
5	91014066	1	NUT	
6	7029760	1	CAPSCREW	
7	91044080	1	GREASE FITTING	
8	70021913	2	GREASE FITTING	
102	7029871	2	BUSHING	
202	7029872	1	BUSHING	
301	Kit K1 or K3	1	PISTON SEAL	
302	Kit K1 or K3	1	O-RING	
303	Kit K1 or K3	2	WEAR RING	
401	Kit K2 or K3	1	ROD SEAL	
402	Kit K2 or K3	1	BACK-UP	
403	Kit K2 or K3	1	BUFFER	
404	Kit K2 or K3	1	WIPER	
405	Kit K2 or K3	1	SEAL	
406	Kit K2 or K3	1	WEAR RING	
510	91473234	1	CYLINDER PIN	
519	0681810	1	HEX HD CAPSCREW, 1/2-13X1-1/4, GR8	
521	4891800	1	HARD WASHER, 1/2	
603	91513282	1	CYLINDER PIN	
604	91471240	1	KEEPER PLATE	
605	0681810	1	HEX HD CAPSCREW, 1/2-13X1-1/4, GR8	
607	4891800	1	HARD WASHER, 1/2	
K1	7029873	1	PISTON SEAL KIT, (includes items 301 thru 303)	
K2	7029874	1	ROD BEARING SEAL KIT, (includes items 401 thru 406)	
K3	7029821	1	CYLINDER SEAL KIT, (includes items 301 thru 406)	

SECTION 9 - HYDRAULIC COMPONENTS

FIGURE 9-13. SWAY CYLINDER - IOWA (SN 0189001 through 0189345, SN 0160000230 through 0160033603)



PAP23530

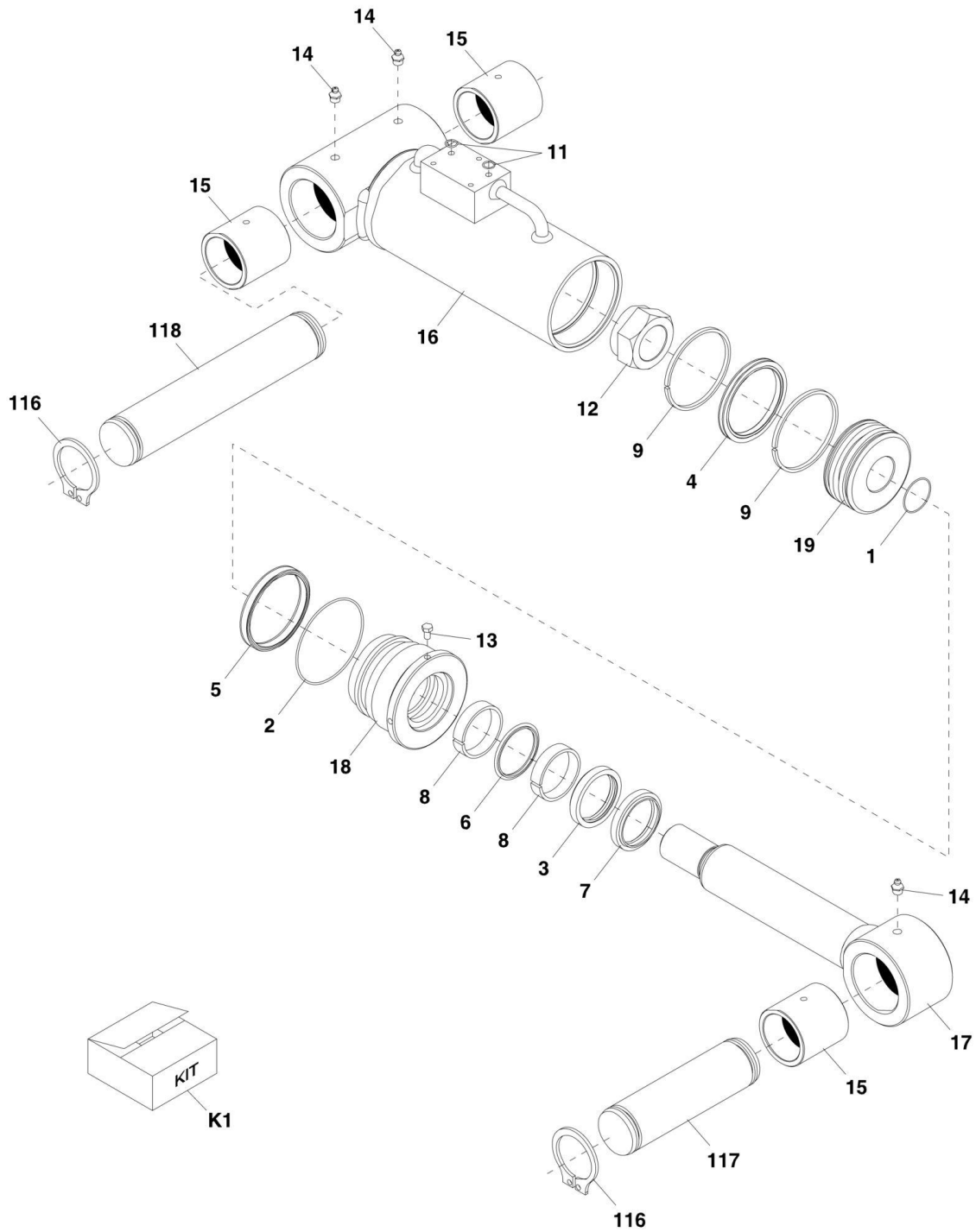
SECTION 9 - HYDRAULIC COMPONENTS

FIGURE 9-13. SWAY CYLINDER - IOWA (SN 0189001 through 0189345, SN 0160000230 through 0160033603)

ITEM	PART NUMBER	QTY	DESCRIPTION	REV
	91403054	1	SWAY CYLINDER, (includes all items except 16, 17 & 18)	F
1	91404168	1	CASE ASSY	
2	91144038	1	LOCKNUT, (torque to 550-600 lb-ft)	
3	Kit K1	2	WEAR RING	
4	Kit K1	1	PISTON SEAL	
5	91404171	1	PISTON	
6	Kit K1	1	O-RING	
7	91144128	3	GREASE FITTING	
8	91404170	1	SHAFT ASSY	
9	91124096	1	SET SCREW, (torque to 11 lb-ft)	
10	Kit K1	1	CANNED WIPER	
11	91404169	1	HEAD, (torque to 100 lb-ft)	
12	91404176	1	O-RING	
13	Kit K1	1	U-CUP SEAL	
14	Kit K1	1	STEP SEAL	
15	Kit K1	1	BACK-UP RING	
16	91403225	1	SWAY PIN	
17	90028935	4	RETAINING RING	
18	91403226	1	SWAY CYLINDER PIN	
19	91404352	3	BUSHING	
K1	91404172	1	SEAL KIT, (includes items 3, 4, 6, 10 & 13 thru 15)	

SECTION 9 - HYDRAULIC COMPONENTS

FIGURE 9-14. SWAY CYLINDER - TEXAS HYDRAULICS (SN 0160033805 to Present)



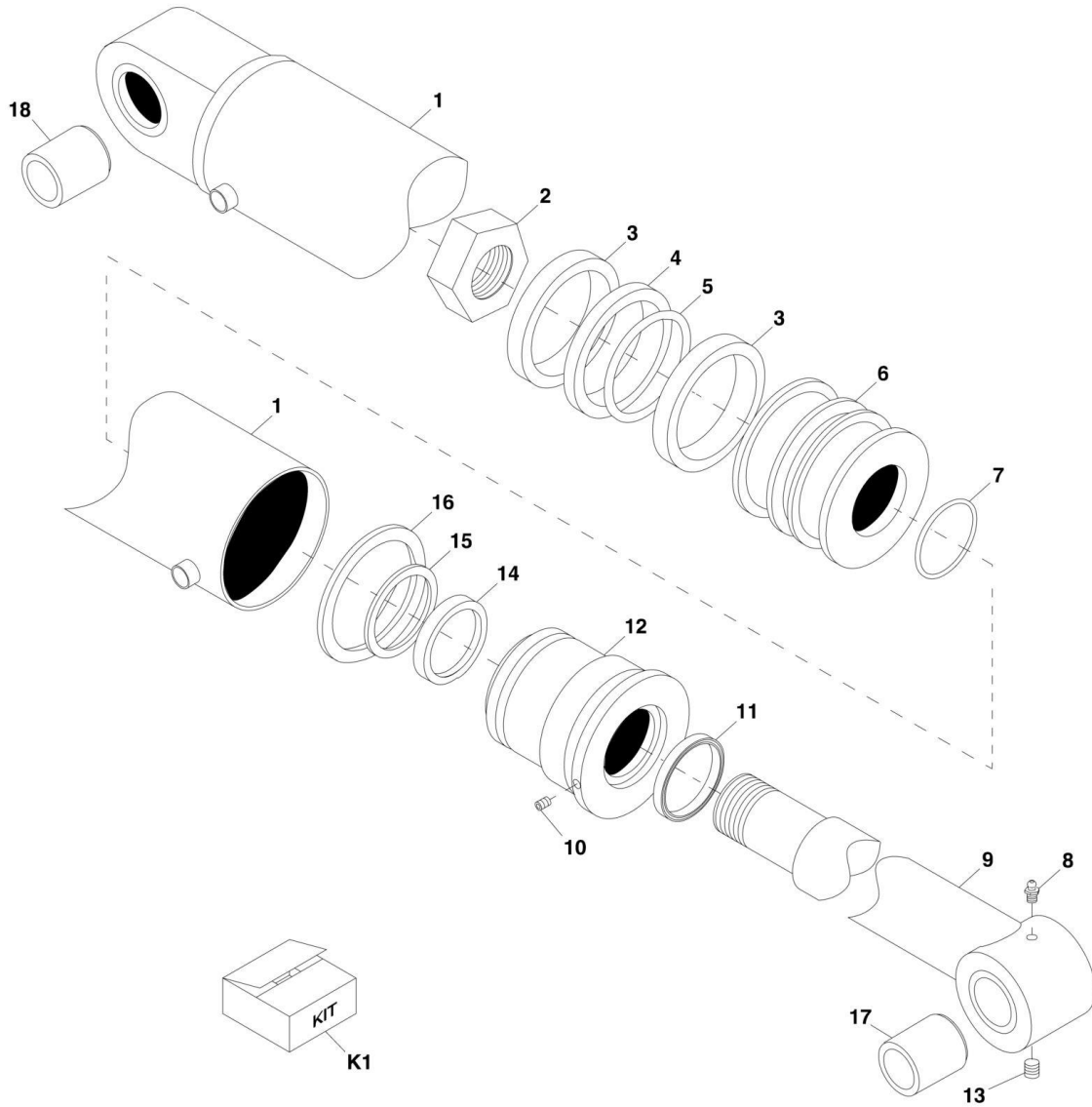
SECTION 9 - HYDRAULIC COMPONENTS

FIGURE 9-14. SWAY CYLINDER - TEXAS HYDRAULICS (SN 0160033805 to Present)

ITEM	PART NUMBER	QTY	DESCRIPTION	REV
	91413152	1	SWAY CYLINDER, (includes items 1 thru 19)	A
1	Kit K1	1	O-RING	
2	Kit K1	1	O-RING	
3	Kit K1	1	SEAL	
4	Kit K1	1	SEAL	
5	Kit K1	1	SEAL	
6	Kit K1	1	SEAL	
7	Kit K1	1	WIPER	
8	Kit K1	2	WEAR RING	
9	Kit K1	2	WEAR RING	
11	7023500	2	O-RING	
12	7003226	1	LOCKNUT	
13	70021630	1	SELF-TAPPING SCREW	
14	7003242	3	LUBE FITTING	
15	70021634	3	BUSHING	
16	70021744	1	TUBE ASSY	
17	70021743	1	ROD ASSY	
18	70021742	1	HEAD	
19	70021635	1	PISTON	
116	90028935	4	RETAINING RING	
117	91403225	1	SWAY PIN	
118	91403226	1	CYLINDER PIN	
K1	70021633	1	SEAL KIT, (includes items 1 thru 9)	

SECTION 9 - HYDRAULIC COMPONENTS

FIGURE 9-15. STEERING CYLINDER - IOWA (SN 0189001 through 0189345, SN 016000230 through 0160033603)



PAP23420

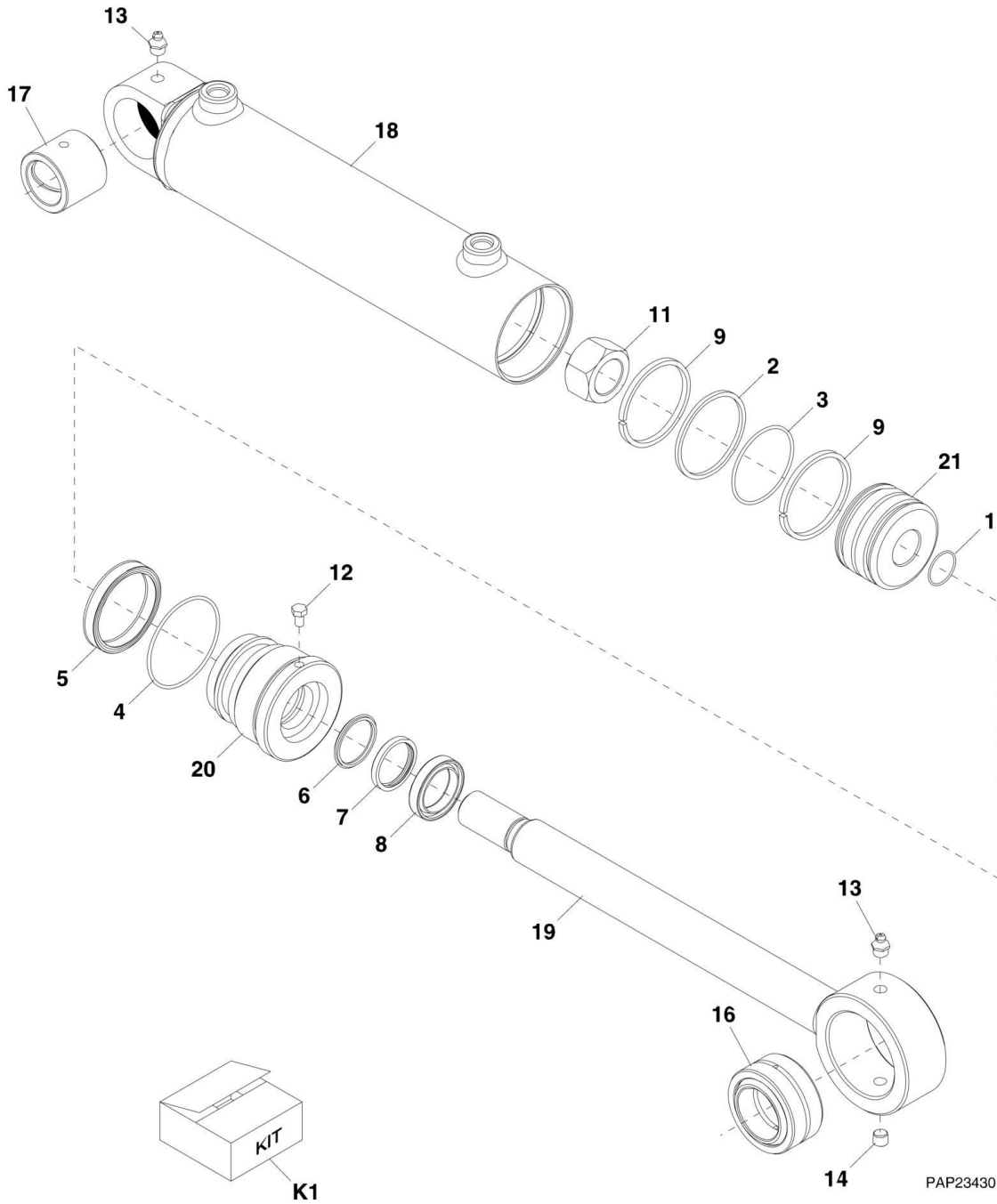
SECTION 9 - HYDRAULIC COMPONENTS

FIGURE 9-15. STEERING CYLINDER - IOWA (SN 0189001 through 0189345, SN 016000230 through 0160033603)

ITEM	PART NUMBER	QTY	DESCRIPTION	REV
	91403629	1	STEERING CYLINDER, (includes all items)	B
1	91404193	1	CASE ASSY	
2	91204460	1	LOCKNUT, (torque to 350-370 lb-ft)	
3	Kit K1	2	WEAR RING	
4	Kit K1	1	SEAL TEFLON	
5	Kit K1	1	O-RING	
6	91124089	1	PISTON	
7	Kit K1	1	O-RING	
8	91144128	1	GREASE FITTING	
9	91404194	1	SHAFT ASSY	
10	91124096	1	SETSCREW	
11	Kit K1	1	CANNED WIPER	
12	91404195	1	HEAD	
13	91404202	1	HEX PLUG	
14	Kit K1	1	U-CUP SEAL	
15	Kit K1	1	BUFFER SEAL	
16	Kit K1	1	BACK-UP RING	
17	91144042	1	BUSHING	
18	70020429	1	BRONZE BUSHING	
K1	91404196	1	SEAL KIT, (includes items 3, 4, 5, 7, 11 & 14 thru 16)	

SECTION 9 - HYDRAULIC COMPONENTS

FIGURE 9-16. STEERING CYLINDER - TEXAS HYDRAULICS (SN 0160033805 to Present)



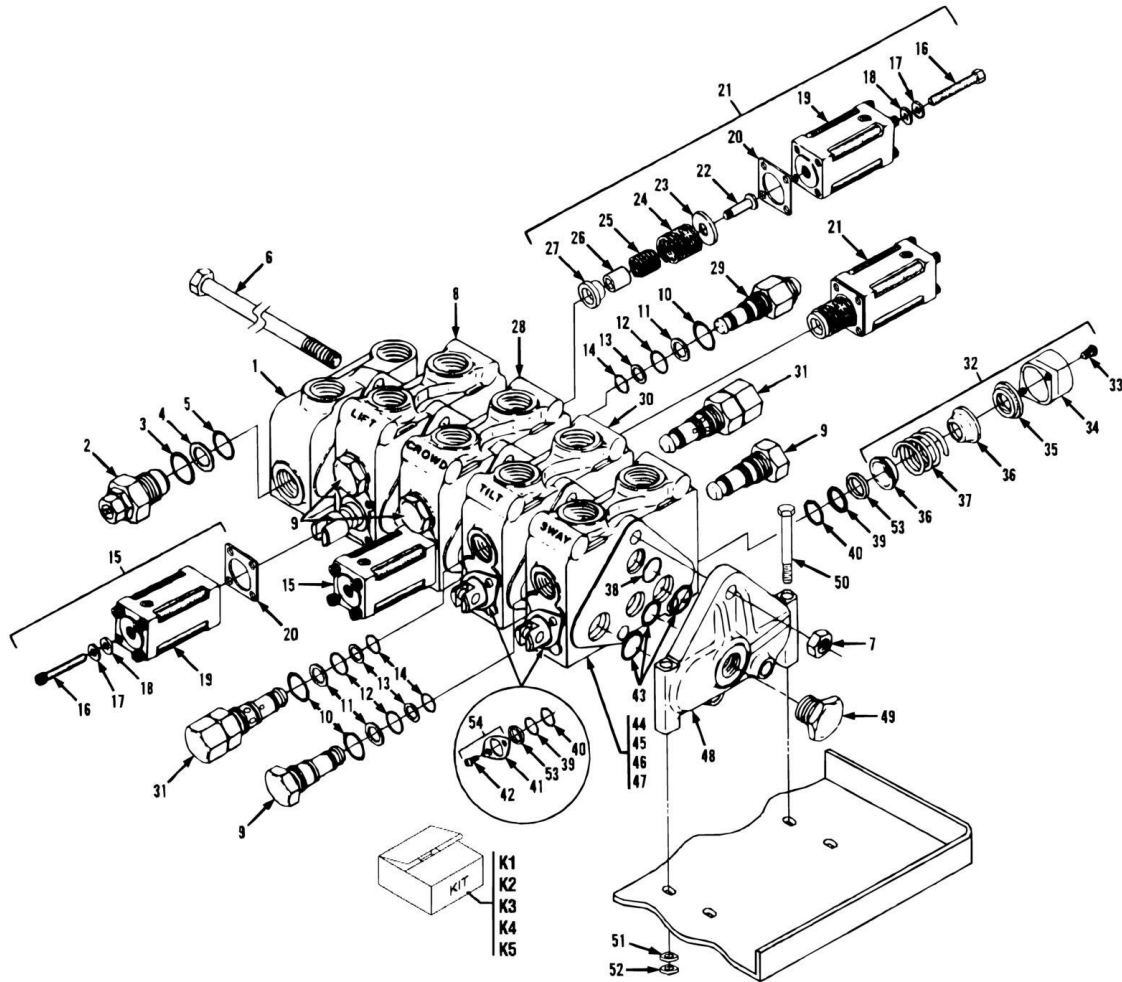
SECTION 9 - HYDRAULIC COMPONENTS

FIGURE 9-16. STEERING CYLINDER - TEXAS HYDRAULICS (SN 0160033805 to Present)

ITEM	PART NUMBER	QTY	DESCRIPTION	REV
	91413153	1	STEERING CYLINDER, (includes all items)	A
1	Kit K1	1	O-RING	
2	Kit K1	1	SEAL	
3	Kit K1	1	O-RING	
4	Kit K1	1	O-RING	
5	Kit K1	1	SEAL	
6	Kit K1	1	SEAL	
7	Kit K1	1	SEAL	
8	Kit K1	1	WIPER	
9	Kit K1	2	WEAR RING	
11	7017367	1	LOCKNUT	
12	70021630	1	SELF-TAPPING SCREW	
13	7003242	2	LUBE FITTING	
14	83304146	1	PIPE PLUG	
16	70021750	1	SPHERICAL BEARING	
17	70021749	1	BUSHING	
18	70021748	1	TUBE ASSY	
19	70021747	1	ROD ASSY	
20	70021746	1	HEAD	
21	70021745	1	PISTON	
K1	70021751	1	SEAL KIT, (includes items 1 thru 9)	

SECTION 9 - HYDRAULIC COMPONENTS

FIGURE 9-17. MAIN CONTROL VALVE



SECTION 9 - HYDRAULIC COMPONENTS

FIGURE 9-17. MAIN CONTROL VALVE

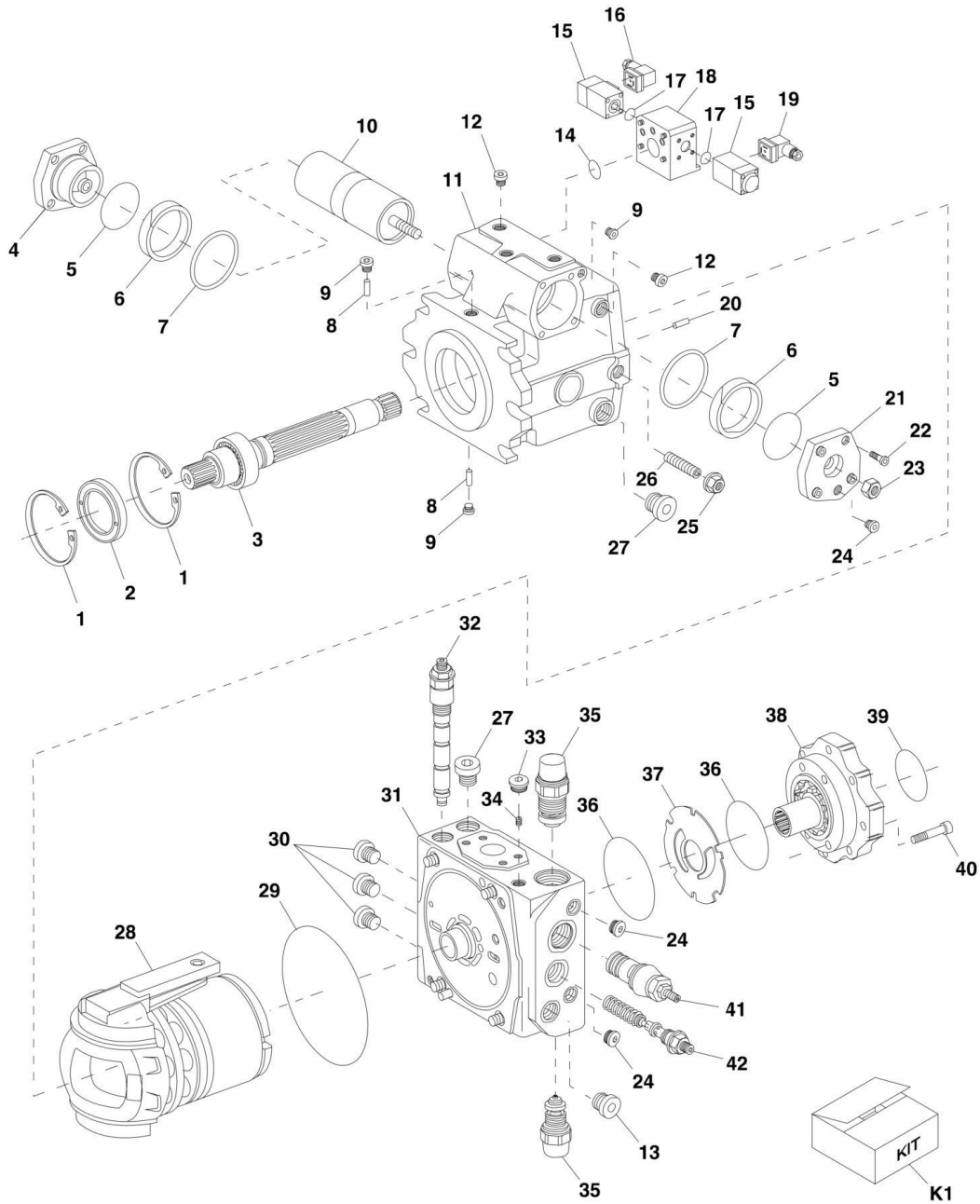
ITEM	PART NUMBER	QTY	DESCRIPTION	REV
	91403541	1	MAIN HYDRAULIC CONTROL VALVE, (includes all items except 50 thru 52)	1
1	91084008	1	INLET COVER ASSY, (includes item 2)	
2	91084009	1	MAIN RELIEF, (includes items 3, 4 & 5)	
3	Kit K3	1	O-RING	
4	Kit K3	1	BACK-UP RING	
5	Kit K3	1	O-RING	
6	Kit K1	3	HEX HD CAPSCREW	
7	Kit K1	3	HEX NUT	
8	91404182	1	VALVE SECTION ASSY, (Hoist), (includes one each of items 15, 21 & two of item 9)	
9	91404183	5	LOAD CHECK PLUG, (includes items 10 thru 14)	
10	Kit K4	2	O-RING	
11	Kit K4	1	BACK-UP RING	
12	Kit K4	1	O-RING	
13	Kit K4	1	O-RING	
14	Kit K4	2	BACK-UP RING	
15	91404184	2	HYDRAULIC REMOTE POSITIONER, (includes items 16 thru 20)	
16	N.S.S.	4	SCREW	
17	N.S.S.	4	LOCKWASHER	
18	N.S.S.	4	BEARING PLATE	
19	N.S.S.	1	BONNET	
20	N.S.S.	1	SEAL	
21	91404185	2	HYDRAULIC REMOTE POSITIONER, (includes items 16 thru 20 & 22 thru 27)	
22	N.S.S.	1	SPOOL POSITIONER	
23	N.S.S.	1	WASHER	
24	N.S.S.	1	SPRING, (large)	
25	N.S.S.	1	SPRING, (small)	
26	N.S.S.	1	STOP SLEEVE	
27	N.S.S.	1	STOP COLLAR	
28	91404186	1	VALVE SECTION ASSY, (Crowd), (includes one each of items 9, 15, 21 & 29)	
29	91404187	1	RELIEF CARTRIDGE, (includes items 10 thru 14)	
30	91404188	1	VALVE SECTION ASSY, (Tilt), (includes one each of items 32, 54 & two each of items 31, 39, 40 & 53)	
31	91404189	2	RELIEF CARTRIDGE, (includes items 10 thru 14)	
32	91404190	2	SPOOL POSITIONER ASSY, (includes items 33 thru 37)	
33	N.S.S.	2	SCREW	
34	N.S.S.	1	BONNET	
35	N.S.S.	1	SPOOL SPUD	
36	N.S.S.	2	SPRING COLLAR	
37	N.S.S.	1	SPRING	
38	Kit K2	1	O-RING	
39	Kit K5	4	BACK-UP WASHER	
40	Kit K5	4	O-RING	
41	N.S.S.	1	RETAINER PLATE	
42	N.S.S.	2	SCREW	
43	Kit K2	3	O-RING	
44	91404191	1	VALVE SECTION ASSY, (Sway), (includes one each of items 32, 54 & two each of items 9, 39, 40 & 53)	

SECTION 9 - HYDRAULIC COMPONENTS

ITEM	PART NUMBER	QTY	DESCRIPTION	REV
45	91404192	2	PORT RESTRICTER ASSY, (includes items 46 & 47)	
46	N.S.S.	1	ORIFICE PLATE	
47	N.S.S.	1	CONICAL SPRING	
48	91084278	1	OUTLET COVER ASSY, (includes item 49)	
49	91084279	1	PLUG	
50	88201028	3	HEX HD CAPSCREW, 5/16-18X3, GR5	
51	88561003	3	FLAT WASHER, 5/16	
52	88521305	3	HEX LOCKNUT, 5/16-18	
53	91404214	4	SEAL RETAINER	
54	91404180	2	SEAL RETAINER KIT, (includes items 41 & 42)	
K1	91404177	1	STUD KIT, (includes items 6 & 7)	
K2	91404178	5	VALVE SECTION SEAL KIT, (includes items 38 & 43)	
K3	91404179	1	MAIN RELIEF SEAL KIT, (includes items 3 thru 5)	
K4	70020717	8	PLUG SEAL KIT, (includes items 10 thru 14)	
K5	91404181	4	SPOOL SEAL KIT, (includes one each of items 39 & 40)	

SECTION 9 - HYDRAULIC COMPONENTS

FIGURE 9-18. HYDROSTATIC TRANSMISSION (SN 0189001 through 0189332)



NOTE:

IF HYDROSTATIC TRANSMISSION'S DA CONTROL ASSY. (ITEM 18), CONTAINS ROUND SOLENOIDS, (ITEM 15), SEE NEXT FIGURE FOR DETAILS.

PAP23830

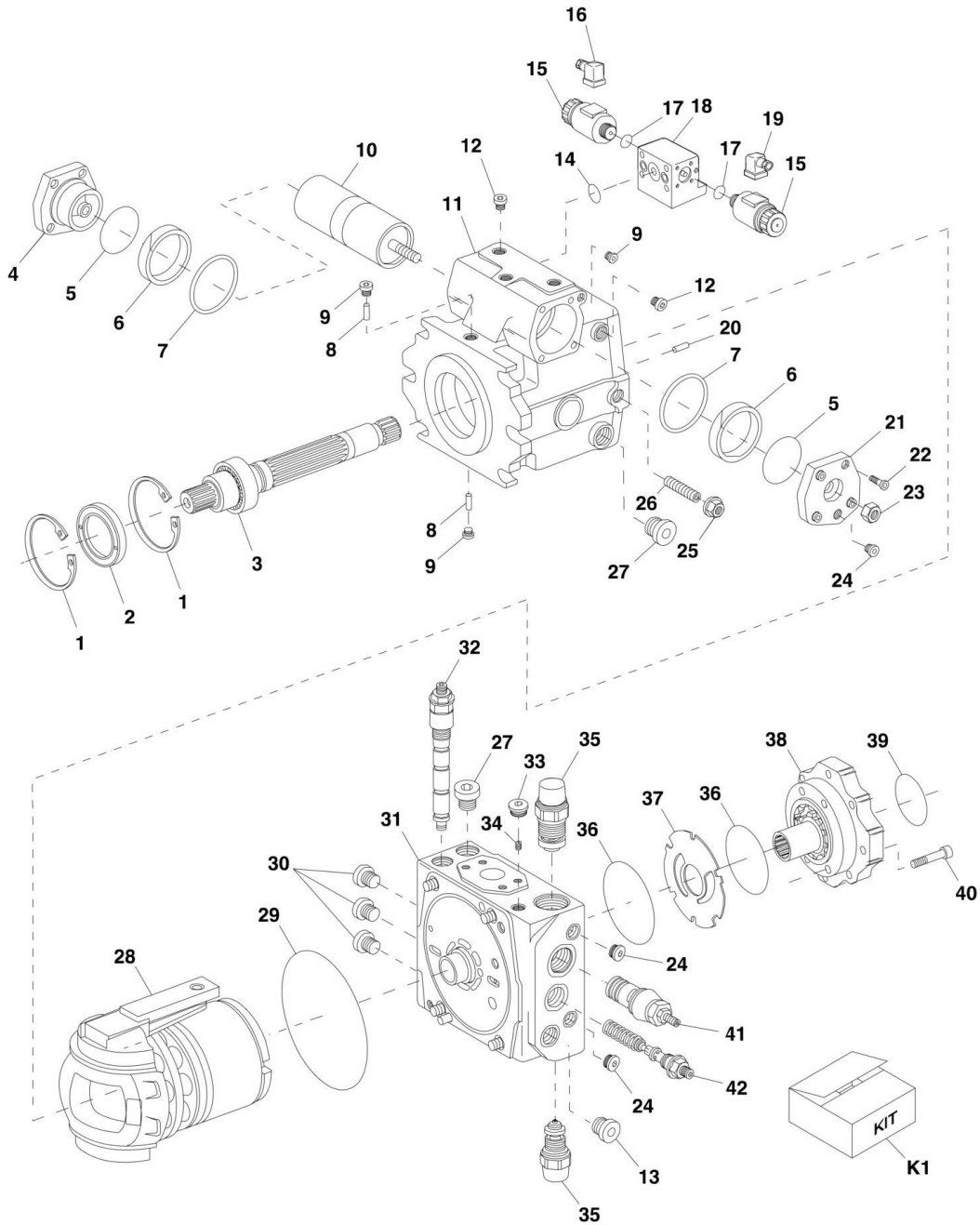
SECTION 9 - HYDRAULIC COMPONENTS

FIGURE 9-18. HYDROSTATIC TRANSMISSION (SN 0189001 through 0189332)

ITEM	PART NUMBER	QTY	DESCRIPTION	REV
	91403451	Ref	HYDROSTATIC TRANSMISSION, (includes all items)	C
1	Kit K1	2	RETAINING RING	
2	Kit K1	1	SHAFT SEAL	
3	91404018	1	DRIVE SHAFT	
4	91404019	1	COVER	
5	Kit K1	2	O-RING	
6	91404020	2	SPACER	
7	Kit K1	2	BACK-UP RING	
8	91404021	2	PIN	
9	Kit K1	4	PLUG, M10X1	
10	91404022	1	STROKING PISTON ASSY	
11	91404023	1	HOUSING	
12	Kit K1	2	PLUG, 9/16-18	
13	Kit K1	1	PLUG, 3/4-16	
14	Kit K1	1	O-RING	
15	91084316	2	CONTROL SOLENOID	
16	91404025	1	PLUG BOX	
17	Kit K1	2	O-RING	
18	91084324	1	DA CONTROL ASSY, (includes items 14, 15, 16, 17 & 19)	
19	91404026	1	PLUG BOX	
20	91404027	2	DOWEL	
21	91404028	1	COVER	
22	91404029	8	SOCKET HD SCREW, M8X20	
23	91404030	1	HEX NUT	
24	Kit K1	3	PLUG, 7/16-20	
25	Kit K1	1	SEAL NUT, M12X1-1/2	
26	91404031	1	ECCENTRIC SCREW	
27	Kit K1	2	PLUG, 1-1/16-12	
28	91404032	1	ROTARY GROUP ASSY	
29	Kit K1	1	O-RING	
30	Kit K1	3	PLUG, M22X1-1/2	
31	91404033	1	PORT BLOCK WITH VALVES, (includes items 29, 32, 33 & 35)	
32	91404034	1	P.O.R. ASSY	
33	Kit K1	1	PLUG, M12X1-1/2	
34	91404035	1	ORIFICE, M10	
35	70022729	2	HIGH PRESSURE RELIEF VALVE	
36	Kit K1	2	O-RING	
37	Kit K1	1	WEAR PLATE	
38	91404036	1	CHARGE PUMP, (includes items 36, 37, 39 & 40)	
39	Kit K1	1	O-RING	
40	91404037	4	CAPSCREW, M12X40	
41	91144099	1	CONTROL CARTRIDGE	
42	91144098	1	CHARGE PRESSURE RELIEF VALVE	
K1	91364143	AR	SEAL KIT, (includes items 1, 2, 5, 7, 9, 12, 13, 14, 17, 24, 25, 27, 29, 30, 33, 36, 37, 39, 41 & additional items not illustrated)	

SECTION 9 - HYDRAULIC COMPONENTS

FIGURE 9-19. HYDROSTATIC TRANSMISSION (SN 0189333 through 0189345, SN 016000230 through 0160001775)



NOTE:

IF HYDROSTATIC TRANSMISSION'S DA CONTROL ASSY, (ITEM18), CONTAINS SQUARE SOLENOIDS, (ITEM 15), SEE NEXT FIGURE FOR DETAILS.

PAP23840

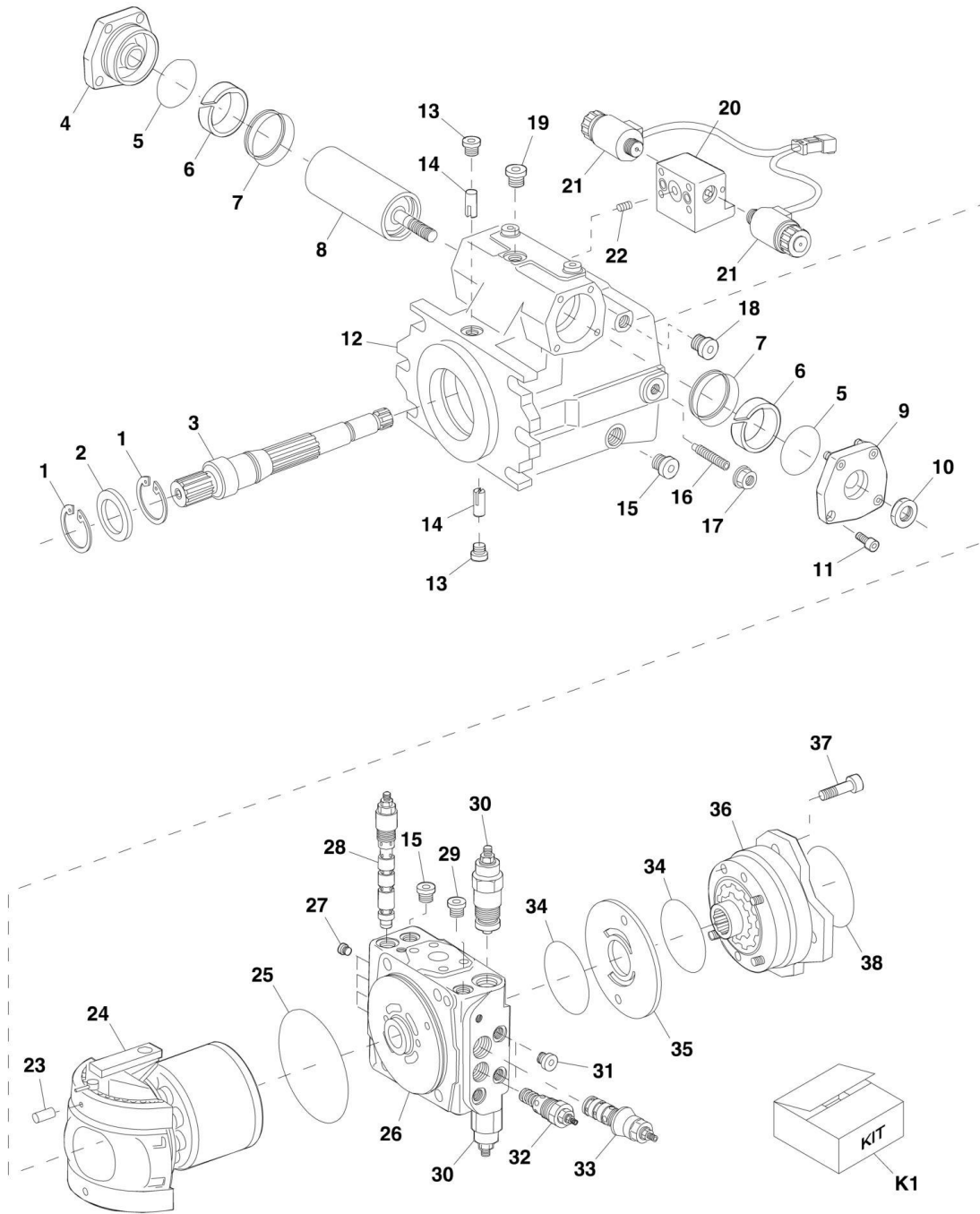
SECTION 9 - HYDRAULIC COMPONENTS

FIGURE 9-19. HYDROSTATIC TRANSMISSION (SN 0189333 through 0189345, SN 016000230 through 0160001775)

ITEM	PART NUMBER	QTY	DESCRIPTION	REV
	91413055	Ref	HYDROSTATIC TRANSMISSION, (includes all items)	A
1	Kit K1	2	RETAINING RING	
2	Kit K1	1	SHAFT SEAL	
3	91404018	1	DRIVE SHAFT	
4	91404019	1	COVER	
5	Kit K1	2	O-RING	
6	91404020	2	SPACER	
7	Kit K1	2	BACK-UP RING	
8	91404021	2	PIN	
9	Kit K1	4	PLUG, M10X1	
10	91404022	1	STROKING PISTON ASSY	
11	91404023	1	HOUSING	
12	Kit K1	2	PLUG, 9/16-18	
13	Kit K1	1	PLUG, 3/4-16	
14	Kit K1	1	O-RING	
15	91414042	2	CONTROL SOLENOID	
16	91414044	1	PLUG BOX	
17	Kit K1	2	O-RING	
18	91414041	1	DA CONTROL ASSY, (includes items 14, 15, 16, 17 & 19)	
19	91414043	1	PLUG BOX	
20	91404027	2	DOWEL	
21	91404028	1	COVER	
22	91404029	8	SOCKET HD SCREW, M8X20	
23	91404030	1	HEX NUT	
24	Kit K1	3	PLUG, 7/16-20	
25	Kit K1	1	SEAL NUT, M12X1-1/2	
26	91404031	1	ECCENTRIC SCREW	
27	Kit K1	2	PLUG, 1-1/16-12	
28	91404032	1	ROTARY GROUP ASSY	
29	Kit K1	1	O-RING	
30	Kit K1	3	PLUG, M22X1-1/2	
31	91404033	1	PORT BLOCK WITH VALVES, (includes items 29, 32, 33 & 35)	
32	91404034	1	P.O.R. ASSY	
33	Kit K1	1	PLUG, M12X1-1/2	
34	91404035	1	ORIFICE, M10	
35	70022729	2	HIGH PRESSURE RELIEF VALVE	
36	Kit K1	2	O-RING	
37	Kit K1	1	WEAR PLATE	
38	91404036	1	CHARGE PUMP, (includes items 36, 37, 39 & 40)	
39	Kit K1	1	O-RING	
40	91404037	4	CAPSCREW, M12X40	
41	91084033	1	CONTROL CARTRIDGE	
42	91144098	1	CHARGE PRESSURE RELIEF VALVE	
K1	91364143	AR	SEAL KIT, (includes items 1, 2, 5, 7, 9, 12, 13, 14, 17, 24, 25, 27, 29, 30, 33, 36, 37, 39, 41 & additional items not illustrated)	

SECTION 9 - HYDRAULIC COMPONENTS

FIGURE 9-20. HYDROSTATIC TRANSMISSION (SN 0160001921 to Present)



PAP23270

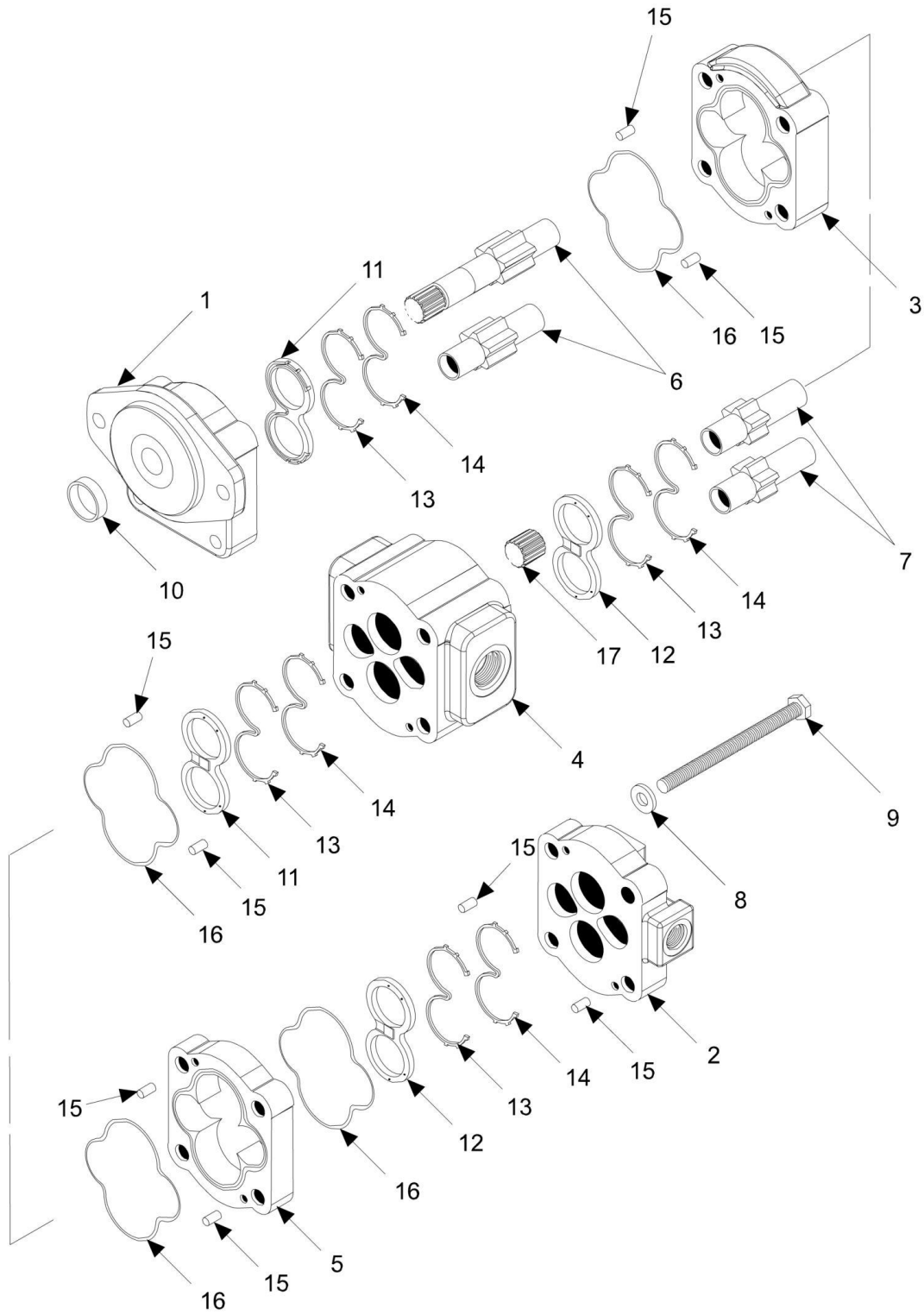
SECTION 9 - HYDRAULIC COMPONENTS

FIGURE 9-20. HYDROSTATIC TRANSMISSION (SN 0160001921 to Present)

ITEM	PART NUMBER	QTY	DESCRIPTION	REV
	91413118	1	HYDROSTATIC TRANSMISSION PUMP, (includes all items)	C
1	Kit K1	2	RETAINING RING	
2	Kit K1	1	SHAFT SEAL RING	
3	91404018	1	DRIVE SHAFT	
4	91404019	1	COVER	
5	Kit K1	2	O-RING	
6	91404020	2	GUIDE RING	
7	Kit K1	2	TURCON-GLYD RING AND O-RING	
8	91364144	1	STROKING PISTON ASSY	
9	91404028	1	COVER	
10	91404030	1	HEX NUT	
11	91404029	8	SOCKET HD SCREW, M8X20	
12	91404023	1	HOUSING	
13	Kit K1	2	PLUG	
14	91404021	2	JOINT PIN	
15	Kit K1	2	PLUG	
16	91404031	1	ECCENTRIC SCREW	
17	Kit K1	1	SEAL LOCKNUT, M12X1	
18	Kit K1	1	LOCKING SCREW	
19	Kit K1	4	LOCKING SCREW	
20	91364145	1	4/3-WAY DIRECTIONAL VALVE, (includes item 21)	
21	91364146	1	SOLENOID PAIR	
22	Kit K1	1	THROTTLE SCREW	
23	91404027	2	CLAMPING PIN	
24	91404032	1	ROTARY GROUP, (includes items 1, 2 & 3)	
25	Kit K1	1	O-RING	
26	91404033	1	PORT BLOCK WITH VALVES, (includes items 25 & 27 thru 32)	
27	Kit K1	4	LOCKING SCREW	
28	91404034	1	P.O.R. VALVE	
29	Kit K1	1	LOCKING SCREW	
30	70022729	2	RELIEF VALVE	
31	Kit K1	2	LOCKING SCREW	
32	91144098	1	PRESSURE RELIEF VALVE	
33	91144099	1	CONTROL CARTRIDGE	
34	Kit K1	2	O-RING	
35	Kit K1	1	WEAR PLATE	
36	91404036	1	CHARGE PUMP, (includes items 34, 35, 37 & 38)	
37	91403037	4	CAPSCREW, M12X40	
38	Kit K1	1	O-RING	
K1	91364143	AR	SEAL KIT, (includes items 1, 2, 5, 7, 13, 15, 17, 18, 19, 22, 23, 25, 27, 29, 31, 34, 35, 38 & additional items not illustrated)	

SECTION 9 - HYDRAULIC COMPONENTS

FIGURE 9-21. IMPLEMENT PUMP



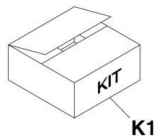
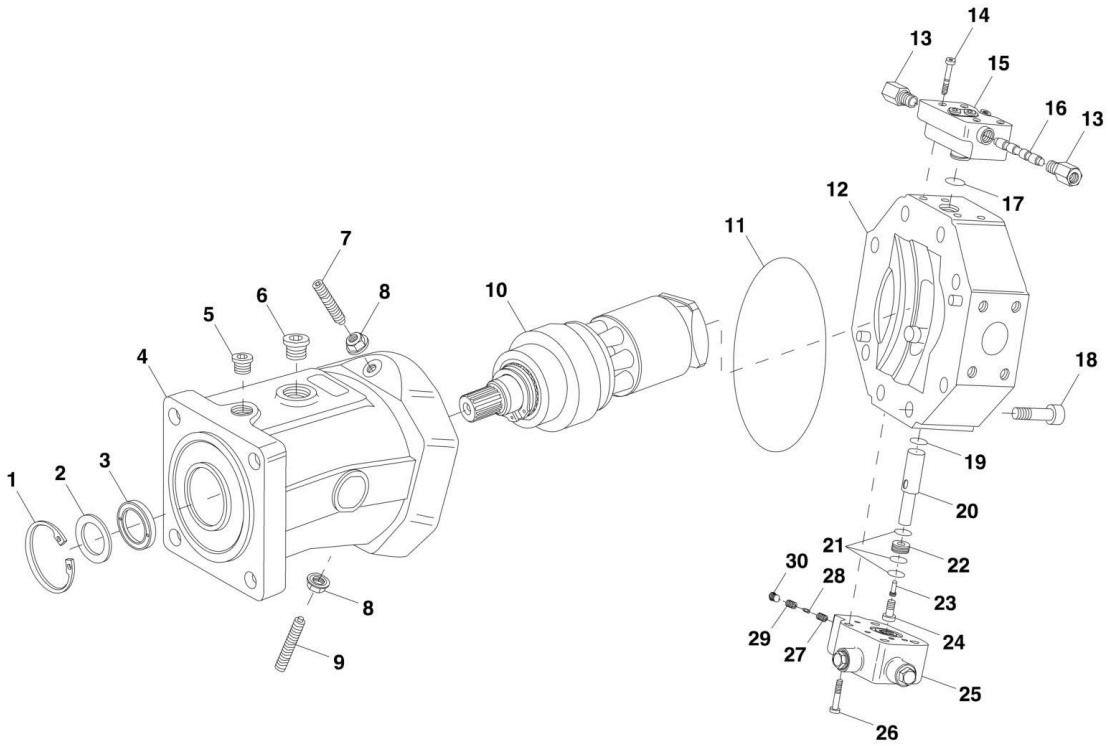
SECTION 9 - HYDRAULIC COMPONENTS

FIGURE 9-21. IMPLEMENT PUMP

ITEM	PART NUMBER	QTY	DESCRIPTION	REV
	91413007	1	IMPLEMENT PUMP, (includes all items)	A
1	91414030	1	SHAFT END COVER	
2	91414031	1	PORT END COVER	
3	91474179	1	GEAR HOUSING	
4	91414032	1	BEARING CARRIER	
5	91414033	1	GEAR HOUSING	
6	91414034	1	GEAR SHAFT AND GEAR SET	
7	91414035	1	GEAR SET	
8	77134044	4	WASHER	
9	91414036	4	HEX HD CAPSCREW, 5/8-11X8, GR8	
10	77134026	1	DOUBLE LIP SEAL	
11	91414037	2	THRUST PLATE	
12	83674096	2	THRUST PLATE	
13	91474182	4	CHANNEL SEAL	
14	91474184	4	GASKET SEALS	
15	83671037	8	DOWEL PIN	
16	91414038	4	BACK-UP SEAL	
17	91414039	1	CONNECTING SHAFT	

SECTION 9 - HYDRAULIC COMPONENTS

FIGURE 9-22. FRONT DRIVE MOTOR



NOTE:
ILLUSTRATION IS INVERTED FROM MACHINE APPLICATION.

PAP23850

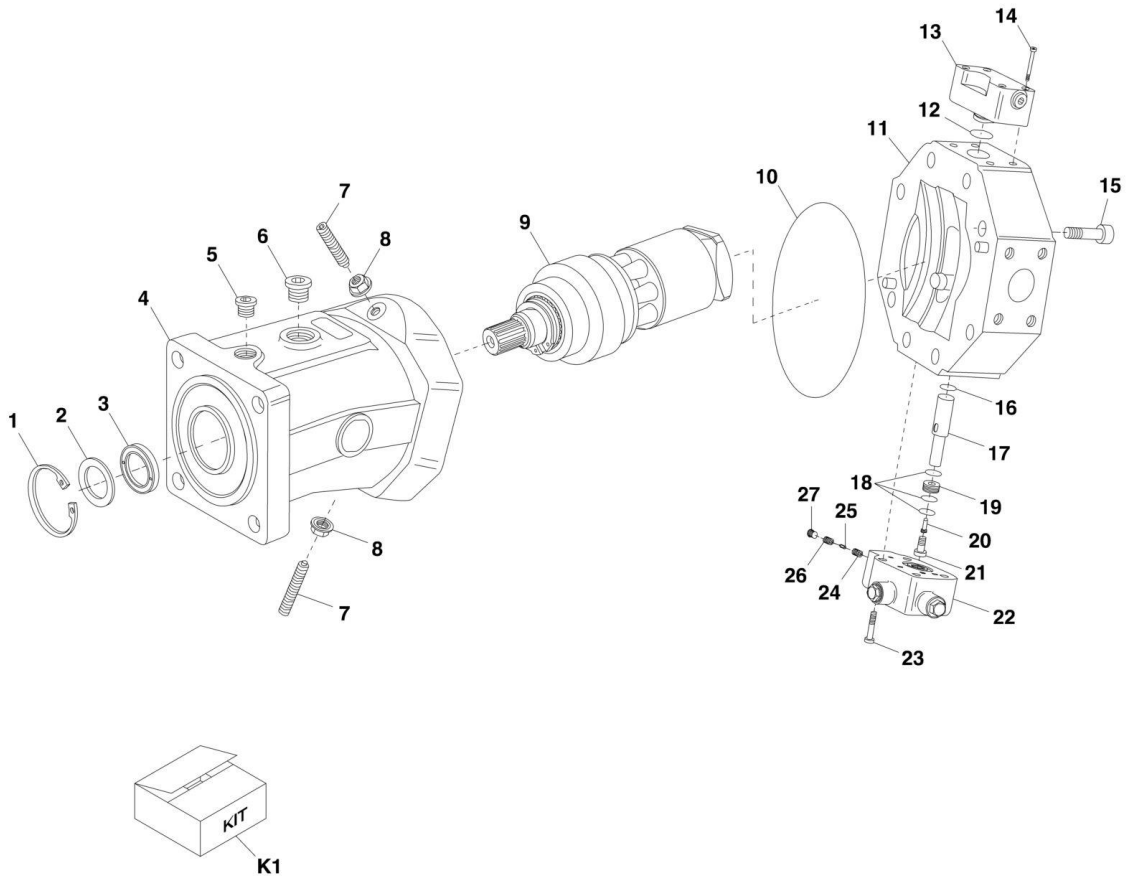
SECTION 9 - HYDRAULIC COMPONENTS

FIGURE 9-22. FRONT DRIVE MOTOR

ITEM	PART NUMBER	QTY	DESCRIPTION	REV
	91403449	Ref	FRONT DRIVE MOTOR, (includes all items)	C
1	91404040	1	SNAP RING	
2	Kit K1	1	SHIM	
3	Kit K1	1	SHAFT SEAL	
4	91404041	1	HOUSING	
5	Kit K1	1	PLUG, 7/8-14	
6	Kit K1	1	PLUG, 11/16-12	
7	91404042	1	STOP SCREW	
8	Kit K1	2	SEAL NUT, M12	
9	91404043	1	STOP SCREW	
10	91404044	1	ROTARY GROUP	
11	Kit K1	1	O-RING	
12	91404045	1	CONTROL ASSY, (includes items 15, 18 & 20 thru 25)	
13	91144248	2	FITTING	
14	91404046	4	CAPSCREW, M8X50	
15	91094033	1	DA1 CONTROL, (includes items 13, 14, 16 & 17)	
16	91404047	1	SLIDER	
17	Kit K1	1	O-RING	
18	91404048	8	CAPSCREW, M16X45	
19	Kit K1	1	O-RING	
20	91404049	1	STROKING PISTON	
21	Kit K1	3	SQUARE RING	
22	91404050	1	PISTON	
23	91404051	1	THREADED PIN	
24	91404052	1	CAPSCREW, M14X1-1/2	
25	91404053	1	FLUSHING VALVE, (includes items 19 & 26 thru 30)	
26	91404054	4	CAPSCREW, M12X50	
27	91404055	1	ORIFICE SEAT, (inner)	
28	91404056	1	SHUTTLE ORIFICE	
29	91404057	1	ORIFICE SEAT, (outer)	
30	Kit K1	1	PLUG, M14X1	
K1	7028820	1	SEAL KIT, (includes items 2, 3, 5, 6, 8, 11, 17, 19, 21, 30 & additional items not illustrated)	

SECTION 9 - HYDRAULIC COMPONENTS

FIGURE 9-23. REAR DRIVE MOTORS



NOTE:

PAY CLOSE ATTENTION WHEN ORDERING REAR DRIVE MOTORS. THE MOTORS ARE NOT INTERCHANGABLE & MUST BE USED ON THE SIDE DESIGNATED BY THIS FIGURE.

PAP23410

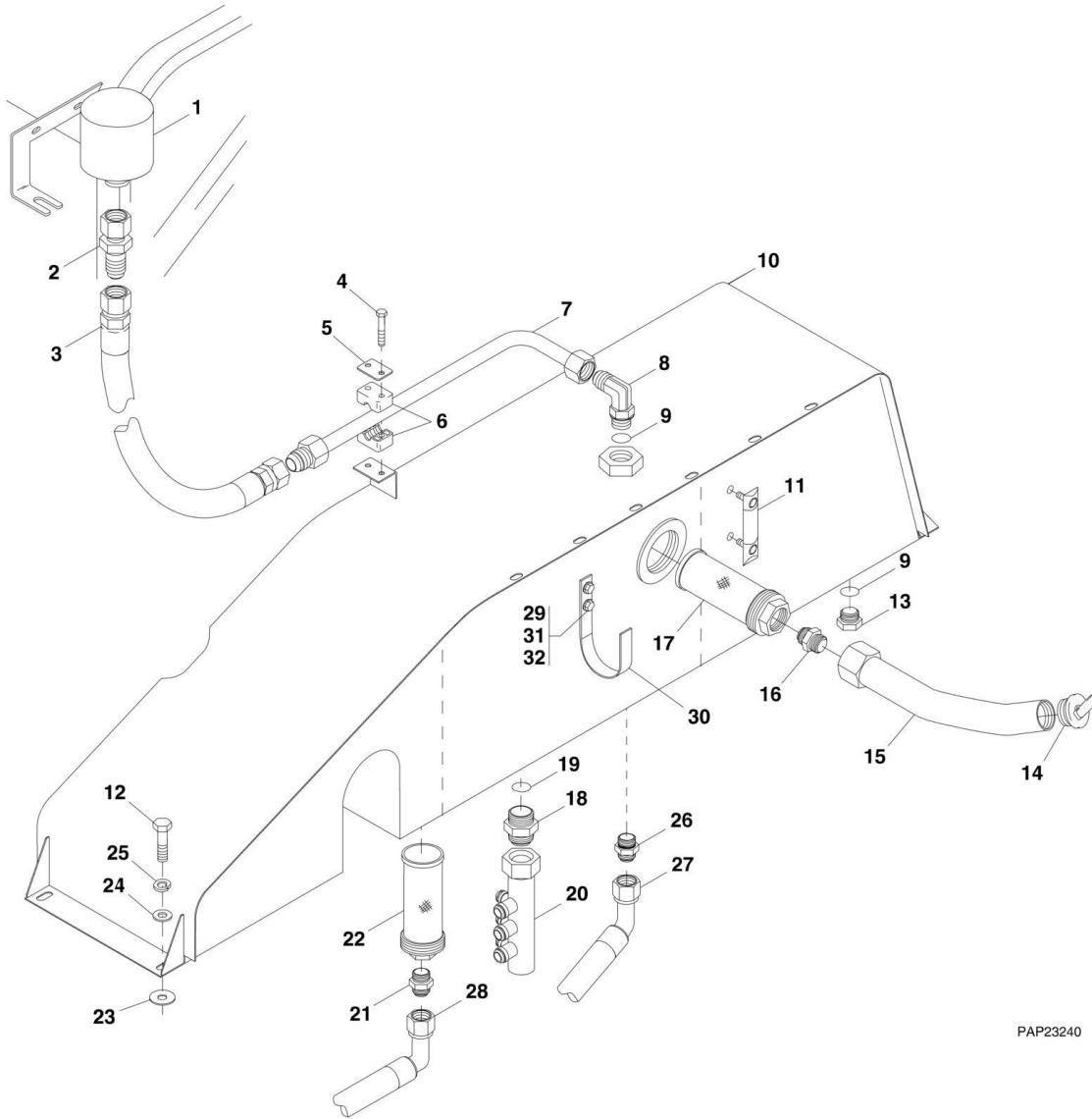
SECTION 9 - HYDRAULIC COMPONENTS

FIGURE 9-23. REAR DRIVE MOTORS

ITEM	PART NUMBER	QTY	DESCRIPTION	REV
	91403450	Ref	RH REAR DRIVE MOTOR, (includes all items)	D
	91403456	Ref	LH REAR DRIVE MOTOR, (includes all items)	C
1	91404070	1	SNAP RING	
2	Kit K1	1	SHIM	
3	Kit K1	1	SHAFT SEAL	
4	91404071	1	HOUSING	
5	Kit K1	1	PLUG, 7/8-14	
6	Kit K1	1	PLUG, 11/16-12	
7	91404072	2	STOP SCREW	
8	Kit K1	2	SEAL NUT, M10	
9	91404073	1	ROTARY GROUP	
10	Kit K1	1	O-RING	
11	91404074	1	CONTROL ASSY, (includes items 13, 15 & 17 thru 22)	
12	Kit K1	1	O-RING	
13	91404075	1	HZ1 CONTROL, (includes items 12 & 14)	
14	91404076	4	CAPSCREW, M6X40	
15	91404077	8	CAPSCREW, M10X60	
16	Kit K1	1	O-RING	
17	91404078	1	STROKING PISTON	
18	Kit K1	3	SQUARE RING	
19	91404079	1	PISTON	
20	91404080	1	THREADED PIN	
21	91404081	1	CAPSCREW, M10X25	
22	7029893	1	FLUSHING VALVE, (includes items 16 & 23 thru 27)	
23	91404082	4	CAPSCREW, M12X50	
24	91404055	1	ORIFICE SEAT, (inner)	
25	91404083	1	SHUTTLE ORIFICE	
26	91404057	1	ORIFICE SEAT, (outer)	
27	Kit K1	1	PLUG, M14X1-1/2	
K1	91144414	AR	SEAL KIT, (includes items 2, 3, 5, 6, 8, 10, 12, 16, 18, 27 & additional items not illustrated)	

SECTION 9 - HYDRAULIC COMPONENTS

FIGURE 9-24. HYDRAULIC TANK ASSEMBLY



PAP23240

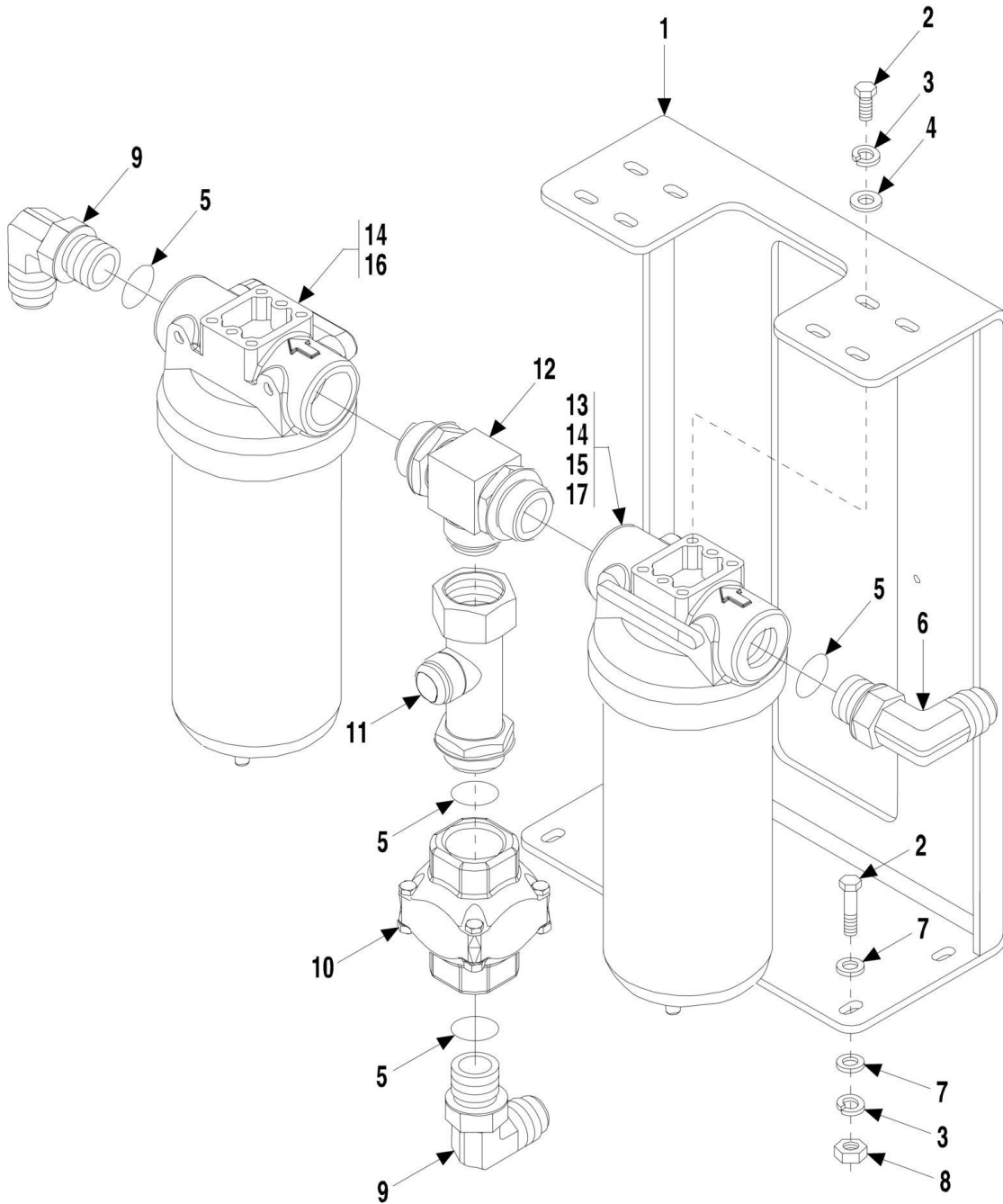
SECTION 9 - HYDRAULIC COMPONENTS

FIGURE 9-24. HYDRAULIC TANK ASSEMBLY

ITEM	PART NUMBER	QTY	DESCRIPTION	REV
	91405034	Ref	HYDRAULIC TANK ASSY, (includes all items except 1, 2, 3, 12, 23, 24 & 25)	Q
1	1340021	1	BREATHER	
2	91163100	1	BULKHEAD	
3	84719610	1	HOSE ASSY	
4	88201007	2	HEX HD CAPSCREW, 1/4-20X1-1/2	
5	77133052	1	COVER PLATE	
6	77133053	1	CLAMP SET	
7	91403502	1	TUBE ASSY	
8	2220578	1	ADAPTER, 90, (includes item 9)	
9	88591207	2	O-RING	
10	91403161	1	HYDRAULIC TANK	
11	91083070	1	FLUID LEVEL GAUGE, (includes mounting hardware)	
12	83201160	3	HEX HD CAPSCREW, 1/2-13X1-1/2, GR8	
13	88662177	1	HEX HD PLUG, (includes item 9) (Prior to SN 0160002301)	
14	91403579	1	OIL FILLER CAP	
15	91403565	1	FILL TUBE	
16	2220690	1	ADAPTER	
17	91403575	1	TANK FILTER	
18	2220765	1	ADAPTER, (includes item 19)	
19	88591211	1	O-RING	
20	91403253	1	RETURN MANIFOLD	
21	91083200	1	ADAPTER	
22	91083301	1	TANK FILTER	
23	91403611	3	RUBBER WASHER	
24	90027471	3	HARDENED WASHER, 1/2	
25	88551013	3	LOCKWASHER, 1/2	
26	2220733	1	ADAPTER	
27		Ref	HOSE ASSY, (See HYDRAULIC CIRCUITS SECTION for Breakdown)	
28		Ref	HOSE ASSY, (See HYDRAULIC CIRCUITS SECTION for Breakdown)	
29	91411069	1	SUPPORT	
30	90206198	63 in	TRIM-LOCK	
31	88551011	2	LOCKWASHER, 3/8	
32	88501006	2	HEX NUT, 3/8-16	

SECTION 9 - HYDRAULIC COMPONENTS

FIGURE 9-25. OIL FILTER ASSEMBLY



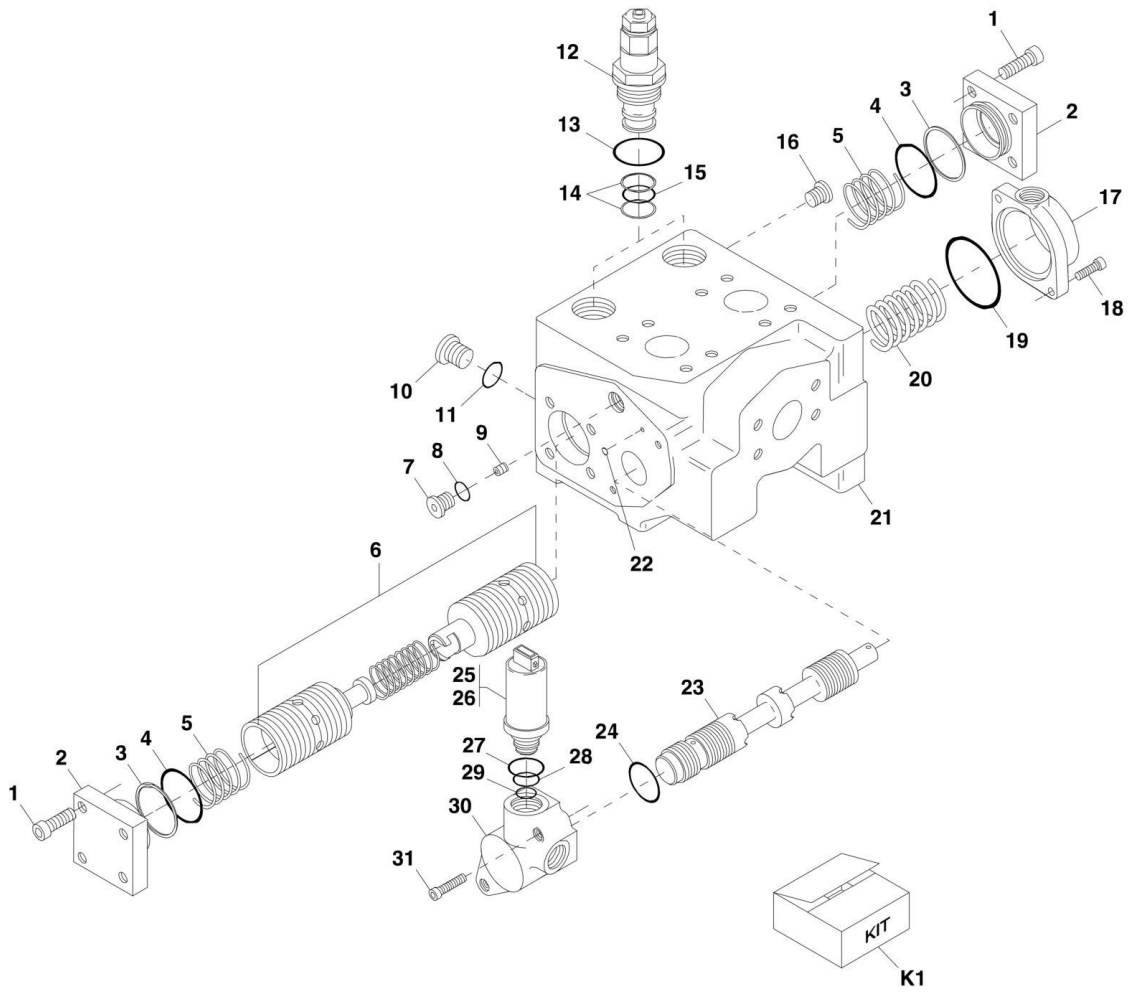
SECTION 9 - HYDRAULIC COMPONENTS

FIGURE 9-25. OIL FILTER ASSEMBLY

ITEM	PART NUMBER	QTY	DESCRIPTION	REV
	91405091	1	OIL FILTER ASSY, (includes all items)	C
1	91406134	1	FILTER SUPPORT WELDMENT	
2	88201020	12	HEX HD CAPSCREW, 5/16-18X1, GR5	
3	88551010	12	LOCKWASHER, 5/16	
4	88561108	8	FLAT WASHER, 5/16	
5	88591210	4	O-RING	
6	2220464	1	ELBOW, 90, (includes item 5)	
7	90027469	8	HARDENED WASHER, 5/16	
8	88501005	4	HEX NUT, 5/16-18	
9	88662070	2	ADAPTER, 90, (includes item 5)	
10	91403264	1	CHECK VALVE	
11	91403554	1	FILTER TUBE	
12	91403553	1	ADAPTER	
13	91403158	1	RETURN FILTER, (includes items 14, 15 & 17)	
14	1001093626	2	FILTER ELEMENT	
15	91404084	1	BAR GAUGE	
16	91403504	1	SUCTION FILTER, (includes item 14)	
17	7029833	1	SEAL RING, (between element and housing)	

SECTION 9 - HYDRAULIC COMPONENTS

FIGURE 9-26. TRACTION LOCK VALVE



PAP23280

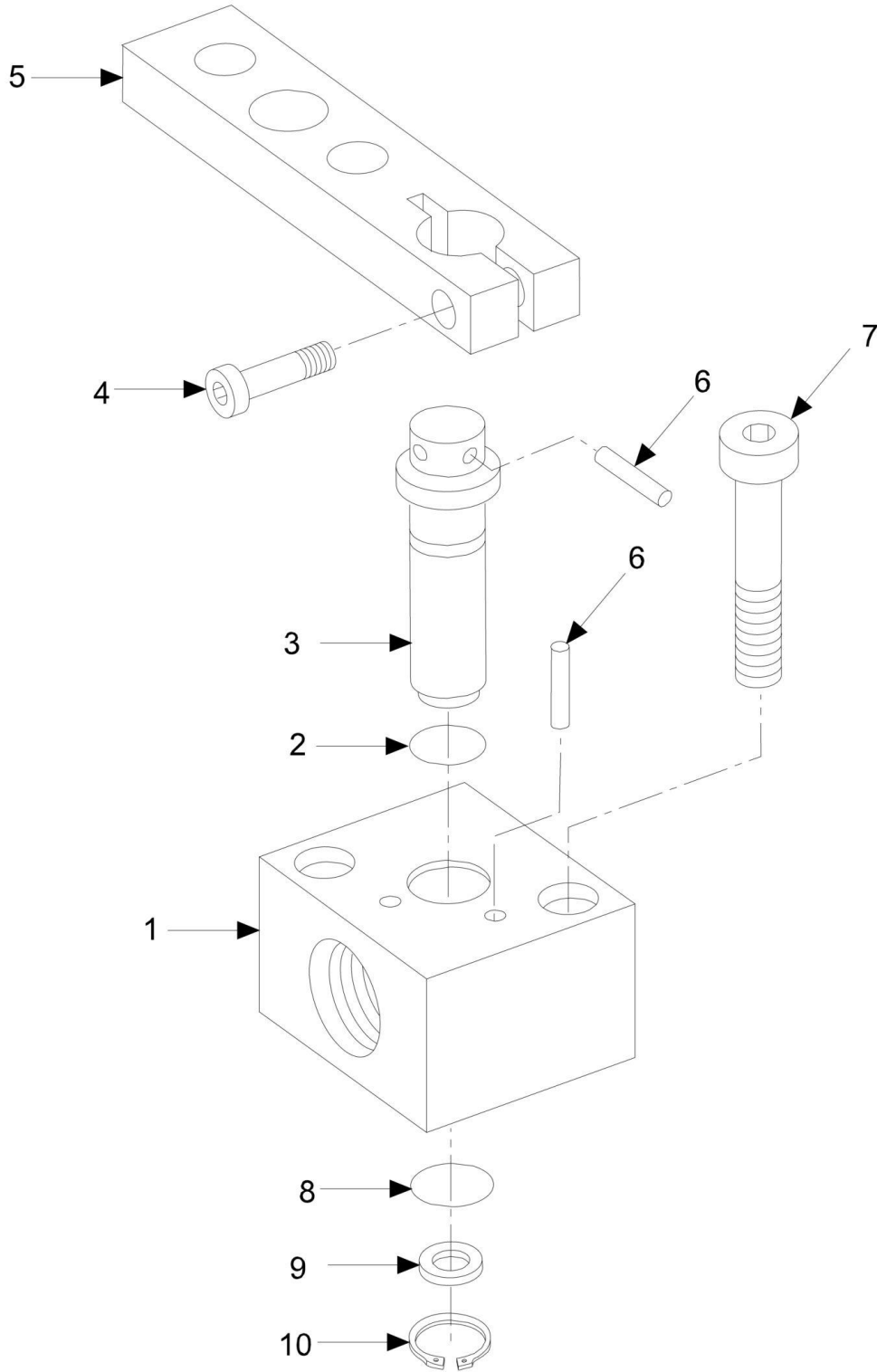
SECTION 9 - HYDRAULIC COMPONENTS

FIGURE 9-26. TRACTION LOCK VALVE

ITEM	PART NUMBER	QTY	DESCRIPTION	REV
	91403589	1	TRACTION LOCK VALVE, (includes all items)	E
1	91404058	8	HEX HD CAPSCREW, M10X30	
2	91404059	2	COVER	
3	Kit K1	2	BACK-UP RING	
4	Kit K1	2	O-RING	
5	91404060	2	SPRING	
6	N.S.S.	1	SPOOL, (not sold separately, order 91403589)	
7	91404061	1	PLUG, (includes item 8)	
8	Kit K1	1	O-RING	
9	91404062	1	ORIFICE	
10	91404063	2	PLUG, (includes item 11)	
11	Kit K1	2	O-RING	
12	91084297	2	RELIEF VALVE CARTRIDGE, (includes items 13, 14 & 15)	
13	Kit K1	2	O-RING	
14	Kit K1	4	BACK-UP RING	
15	Kit K1	2	O-RING	
16	Kit K1	1	PLUG	
17	91404064	1	COVER	
18	91404065	2	HEX HD CAPSCREW, M6X16	
19	Kit K1	1	O-RING	
20	91404066	1	SPRING	
21	N.S.S.	1	VALVE BODY, (not sold separately, order 91403589)	
22	Kit K1	1	O-RING	
23	N.S.S.	1	SPOOL, (not sold separately, order 91403589)	
24	Kit K1	1	O-RING	
25	91084302	1	SOLENOID VALVE, (include items 27, 28 & 29)	
26	91144015	1	CONNECTOR	
27	Kit K1	1	O-RING	
28	Kit K1	1	O-RING	
29	Kit K1	1	O-RING	
30	91084301	1	COVER	
31	91404067	2	HEX HD CAPSCREW, M6X30	
K1	91084284	1	SEAL KIT, (includes items 3, 4, 8, 11, 13 thru 16, 19, 22, 24 & 27 thru 29)	

SECTION 9 - HYDRAULIC COMPONENTS

FIGURE 9-27. INCHING VALVE



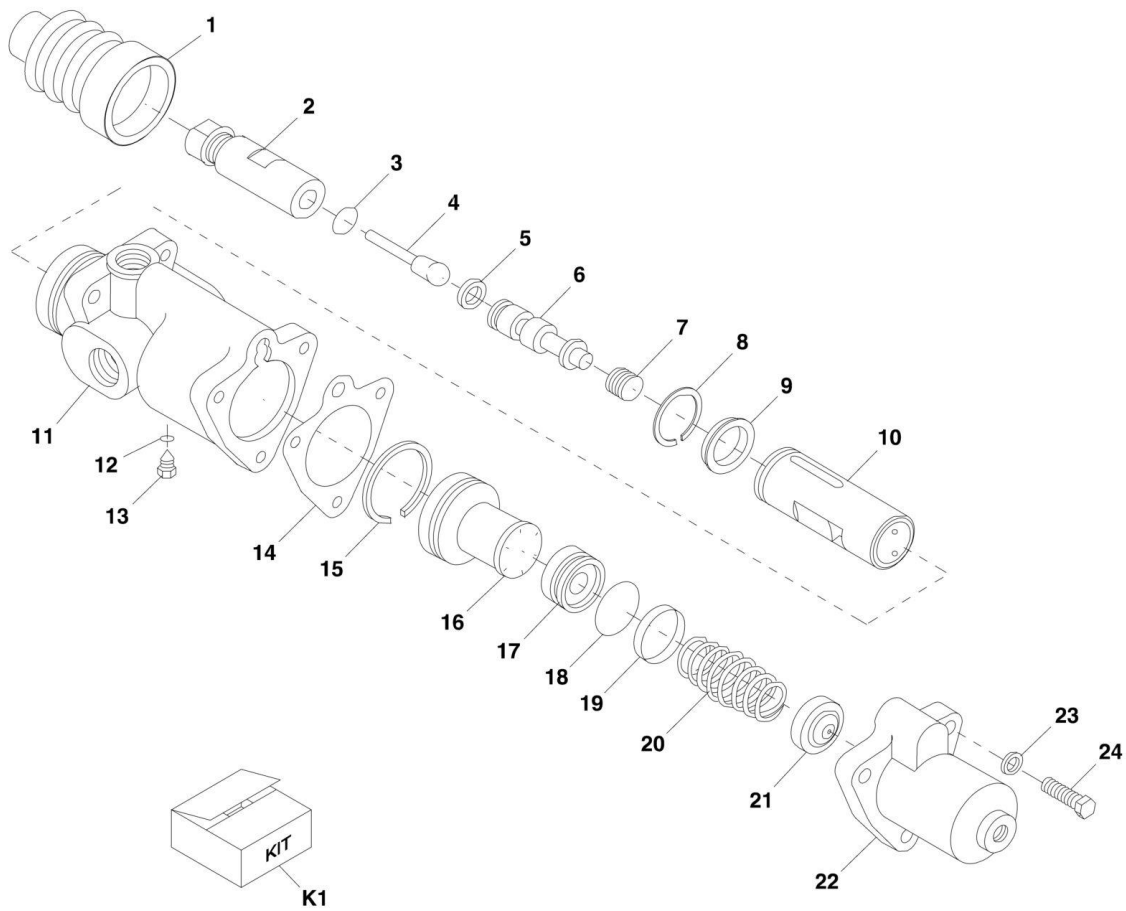
SECTION 9 - HYDRAULIC COMPONENTS

FIGURE 9-27. INCHING VALVE

ITEM	PART NUMBER	QTY	DESCRIPTION	REV
	91143372	1	INCHING VALVE, (includes all items) (Prior to SN 0160003213)	B
	91413141	1	INCHING VALVE, (includes all items except 1, 2 & 5) (SN 0160003213 to Present)	C
1	91144460	1	INCHING DEVICE, (includes all items except one of item 6)	
2	70022051	1	O-RING	
3	91144462	1	SHAFT	
4	91144463	1	CAPSCREW, M5X20	
5	91144464	1	LEVER	
6	91144465	3	PIN	
7	91144466	2	CAPSCREW, M8X30	
8	80934671	1	O-RING	
9	91144461	1	SHIM	
10	91144467	1	SNAP RING	

SECTION 9 - HYDRAULIC COMPONENTS

FIGURE 9-28. BRAKE VALVE (SN 0189001 through 0189345)



PAP23200

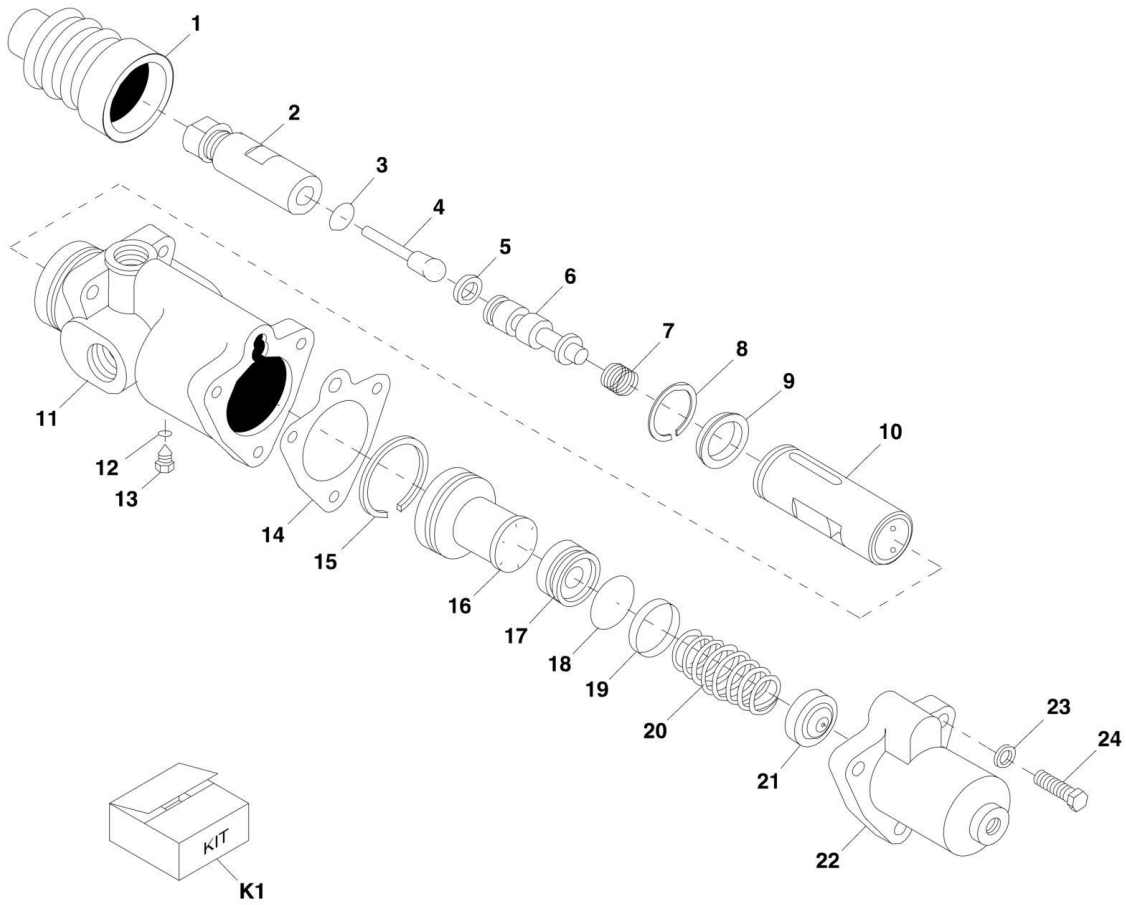
SECTION 9 - HYDRAULIC COMPONENTS

FIGURE 9-28. BRAKE VALVE (SN 0189001 through 0189345)

ITEM	PART NUMBER	QTY	DESCRIPTION	REV
	91413010	1	POWER BRAKE VALVE, (includes all items)	A
1	91084042	1	BOOT	
2	N.S.S.	1	PRESSURE REGULATING SPRING ASSY	
3	N.S.S.	1	RETAINING RING	
4	N.S.S.	1	PUSH ROD	
5	Kit K1	1	CUP	
6	N.S.S.	1	SPOOL	
7	N.S.S.	1	SPRING	
8	N.S.S.	1	RETAINING RING	
9	Kit K1	1	CUP	
10	N.S.S.	1	SLEEVE	
11	N.S.S.	1	HOUSING	
12	Kit K1	1	O-RING	
13	N.S.S.	1	CAPSCREW	
14	Kit K1	1	GASKET	
15	Kit K1	1	PISTON RING	
16	N.S.S.	1	PISTON	
17	Kit K1	1	PISTON AND POPPET ASSY	
18	Kit K1	1	O-RING	
19	Kit K1	1	RING SEAL	
20	N.S.S.	1	SPRING	
21	Kit K1	1	RESIDUAL VALVE	
22	N.S.S.	1	END CAP	
23	N.S.S.	3	LOCKWASHER	
24	N.S.S.	3	HEX HD CAPSCREW	
K1	91084043	1	REPAIR KIT, (includes items 1, 5, 9, 12, 14, 15, 17, 18, 19 & 21)	

SECTION 9 - HYDRAULIC COMPONENTS

FIGURE 9-29. BRAKE VALVE (SN 0160000230 to Present)



PAP20040

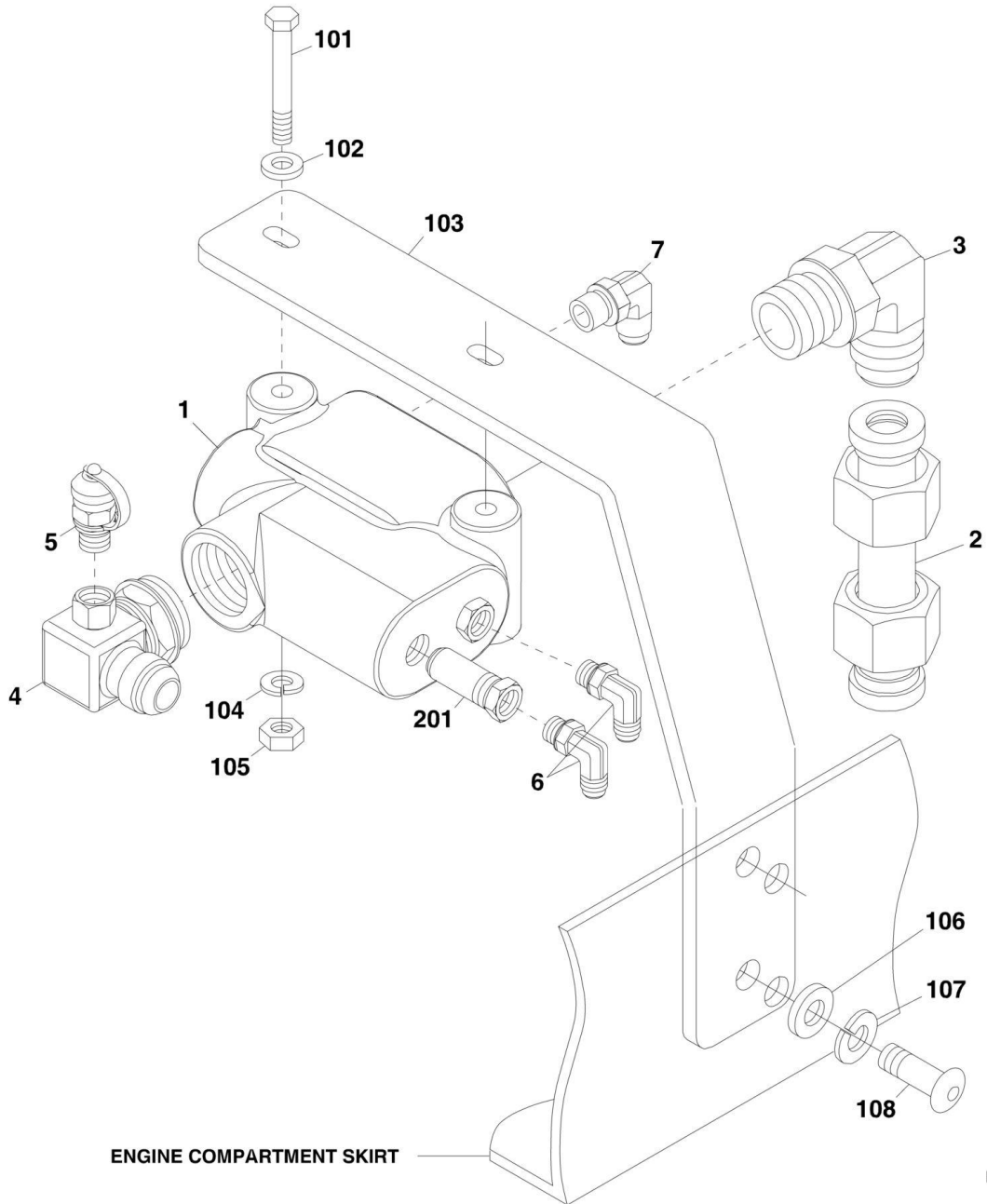
SECTION 9 - HYDRAULIC COMPONENTS

FIGURE 9-29. BRAKE VALVE (SN 0160000230 to Present)

ITEM	PART NUMBER	QTY	DESCRIPTION	REV
	91403592	1	POWER BRAKE VALVE, (includes all items)	C
1	Kit K1	1	BOOT	
2	N.S.S.	1	PRESSURE REGULATING SPRING ASSY	
3	N.S.S.	1	RETAINING RING	
4	N.S.S.	1	PUSH ROD	
5	Kit K1	1	CUP	
6	N.S.S.	1	SPOOL	
7	N.S.S.	1	SPRING	
8	N.S.S.	1	RETAINING RING	
9	Kit K1	1	CUP	
10	N.S.S.	1	SLEEVE	
11	N.S.S.	1	HOUSING	
12	Kit K1	1	O-RING	
13	N.S.S.	1	CAPSCREW	
14	Kit K1	1	GASKET	
15	Kit K1	1	PISTON RING	
16	N.S.S.	1	PISTON	
17	Kit K1	1	PISTON AND POPPET ASSY	
18	Kit K1	1	O-RING	
19	Kit K1	1	RING SEAL	
20	N.S.S.	1	SPRING	
21	Kit K1	1	RESIDUAL VALVE	
22	N.S.S.	1	END CAP	
23	N.S.S.	3	LOCKWASHER	
24	N.S.S.	3	HEX HD CAPSCREW	
K1	91084043	1	REPAIR KIT, (includes items 1, 5, 9, 12, 14, 15, 17, 18, 19 & 21)	

SECTION 9 - HYDRAULIC COMPONENTS

FIGURE 9-30. PRIORITY FLOW DIVIDER VALVE AND ASSEMBLY



PW0110

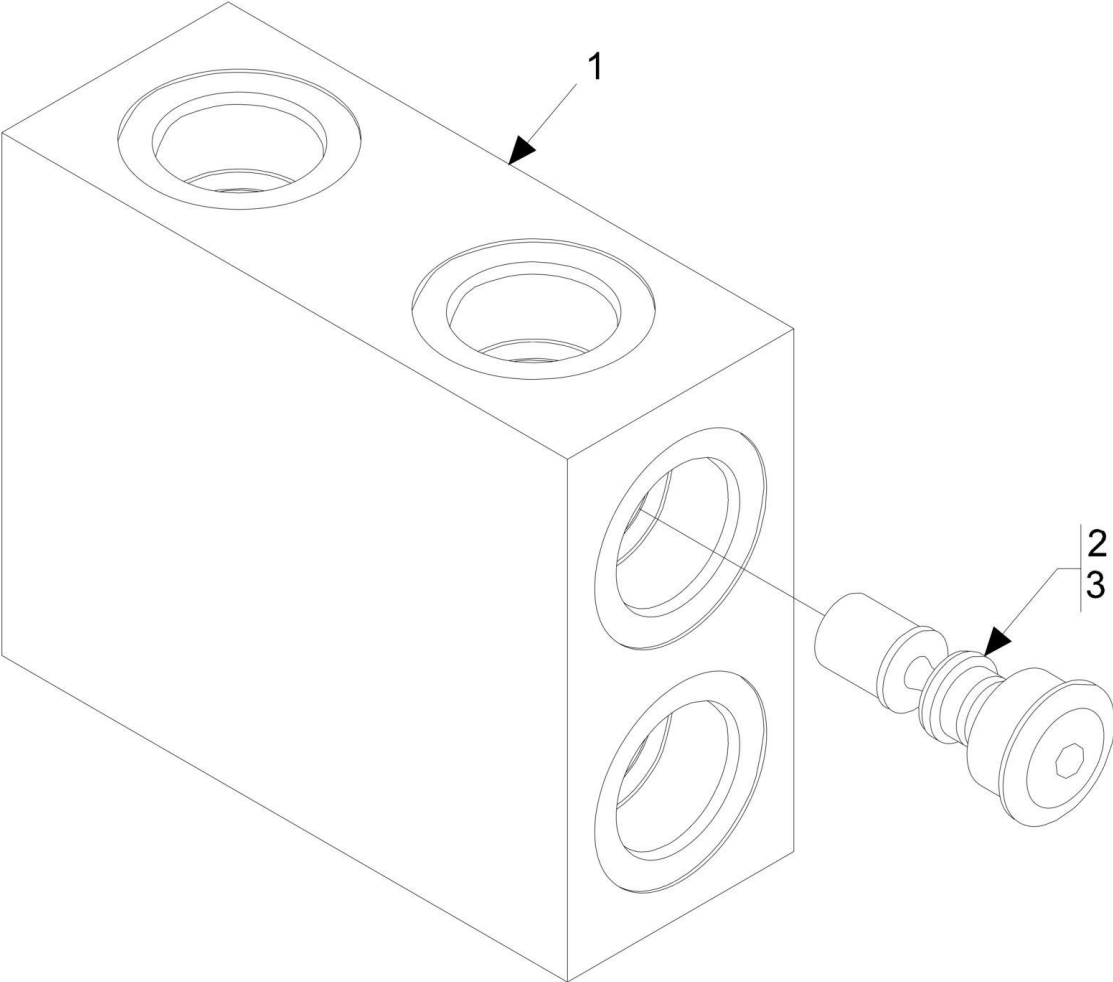
SECTION 9 - HYDRAULIC COMPONENTS

FIGURE 9-30. PRIORITY FLOW DIVIDER VALVE AND ASSEMBLY

ITEM	PART NUMBER	QTY	DESCRIPTION	REV
	91415032	1	PRIORITY FLOW DIVIDER VALVE ASSY, (includes items 1 thru 7)	C
1	91033240	1	PRIORITY FLOW DIVIDER VALVE, (includes item 201)	A
2	91413008	1	HYDRAULIC TUBE	
3	2131616	1	ELBOW, 90, (includes o-ring)	
4	91413015	1	ELBOW, 90	
5	91053020	1	MINI-CHECK	
5	91054002	1	VITON O-RING, (lubricate lightly)	
6	2220466	2	ELBOW, 90, (includes o-ring)	
7	2220671	1	ELBOW, 90, (includes o-ring)	
101	88201030	2	HEX HD CAPSCREW, 5/16-18X3-1/2, GR5	
102	88561003	2	FLAT WASHER, 5/16	
103	91411017	1	VALVE BRACKET	
104	88551010	2	LOCKWASHER, 5/16	
105	88501005	2	HEX NUT, 5/16-18	
106	88561004	2	FLAT WASHER, 3/8	
107	88551011	2	LOCKWASHER, 3/8	
108	88261029	2	SOCKET BUTTON HD CAPSCREW, 3/8-16X1	
201	90206553	1	RELIEF CARTRIDGE	

SECTION 9 - HYDRAULIC COMPONENTS

FIGURE 9-31. THERMAL BYPASS VALVE



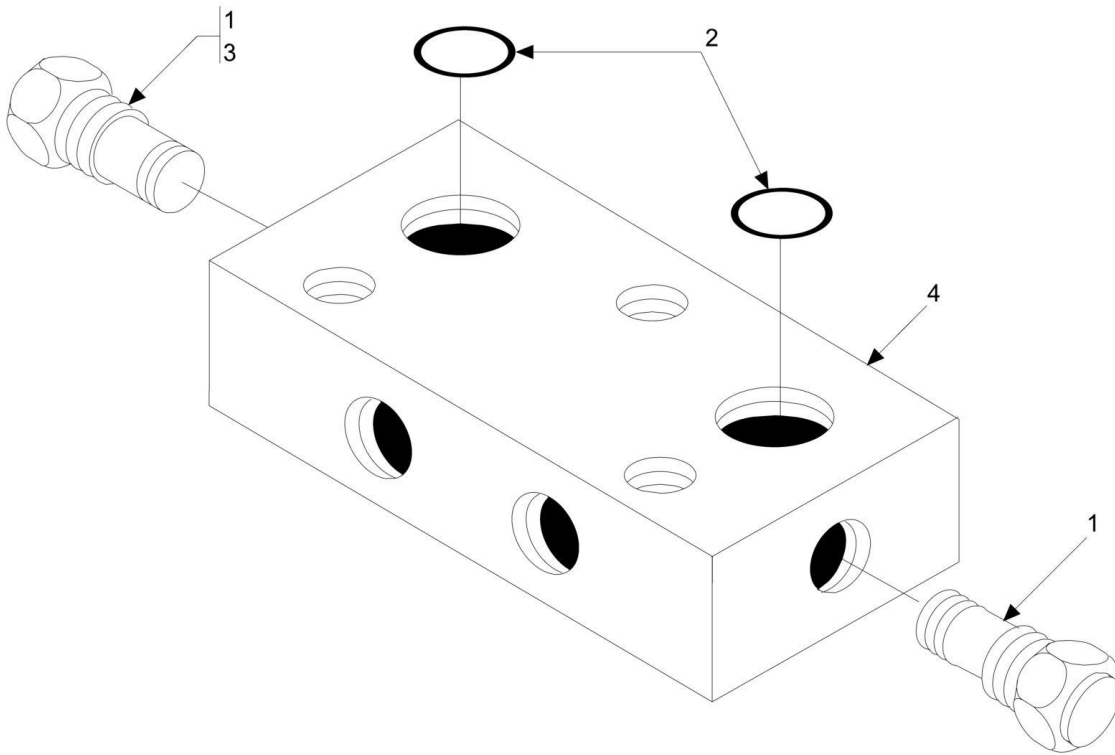
SECTION 9 - HYDRAULIC COMPONENTS

FIGURE 9-31. THERMAL BYPASS VALVE

ITEM	PART NUMBER	QTY	DESCRIPTION	REV
1	91403552	1	THERMAL BYPASS VALVE, (includes all items)	B
2	91404340	2	PRESSURE MAINTAINING CARTRIDGE ASSY, (includes item 3)	
3	91404341	2	SEAL KIT	

SECTION 9 - HYDRAULIC COMPONENTS

FIGURE 9-32. SWAY CYLINDER VALVE (SN 0189001 through 0189343)



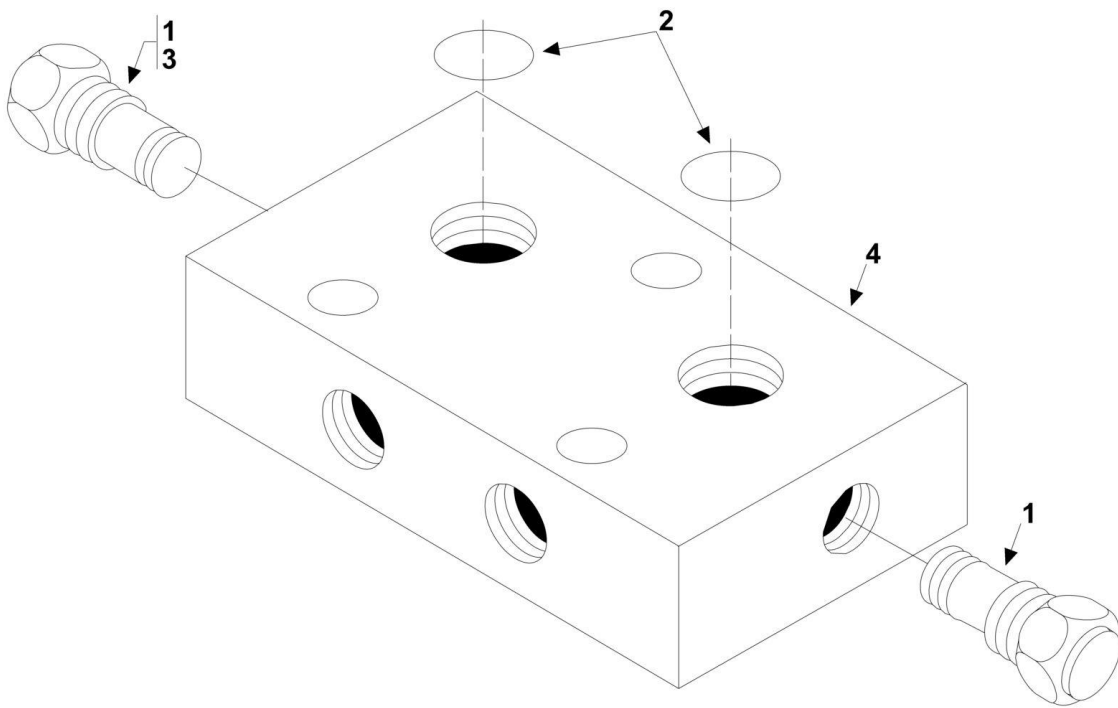
SECTION 9 - HYDRAULIC COMPONENTS

FIGURE 9-32. SWAY CYLINDER VALVE (SN 0189001 through 0189343)

ITEM	PART NUMBER	QTY	DESCRIPTION	REV
	91403180	1	SWAY CYLINDER VALVE, (includes all items)	E
1	91404216	2	VALVE CARTRIDGE	
2	91404215	2	O-RING	
3	91404217	1	PISTON	
4	91404218	1	VALVE BODY	

SECTION 9 - HYDRAULIC COMPONENTS

FIGURE 9-33. SWAY CYLINDER VALVE (SN 0160000230 to Present, SN 0189344 through 0189345)



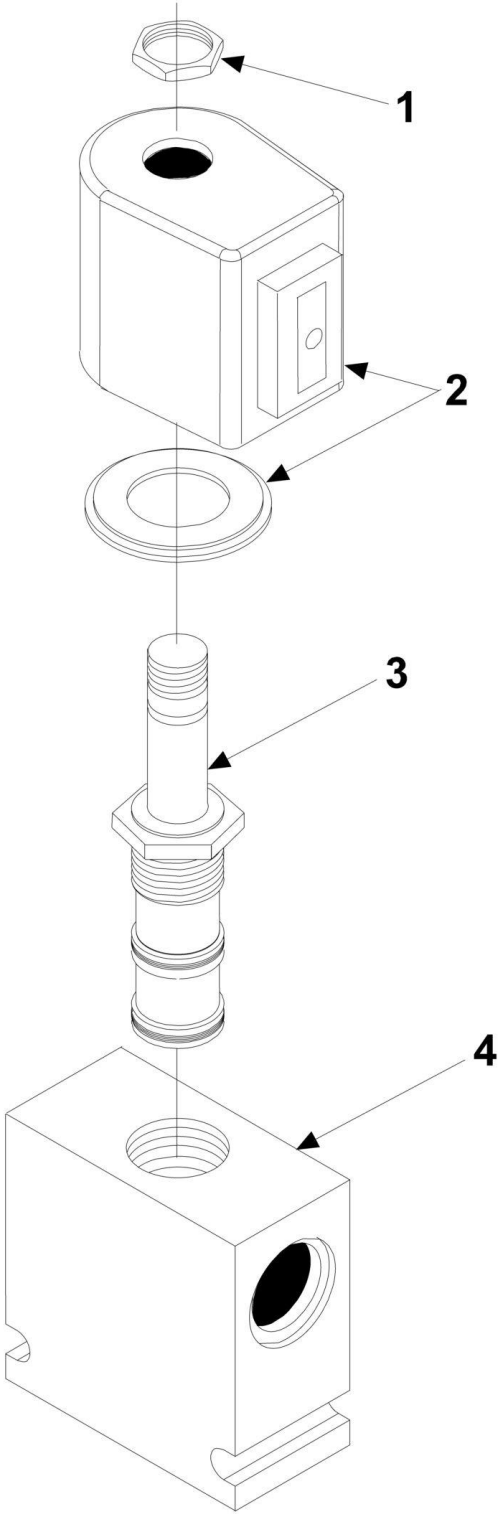
SECTION 9 - HYDRAULIC COMPONENTS

FIGURE 9-33. SWAY CYLINDER VALVE (SN 0160000230 to Present, SN 0189344 through 0189345)

ITEM	PART NUMBER	QTY	DESCRIPTION	REV
	91473188	1	SWAY CYLINDER VALVE, (includes all items)	B
1	91474490	2	VALVE CARTRIDGE	
2	91404215	2	O-RING	
3	91404217	1	PISTON	
4	91474491	1	VALVE BODY	

SECTION 9 - HYDRAULIC COMPONENTS

FIGURE 9-34. SOLENOID VALVE



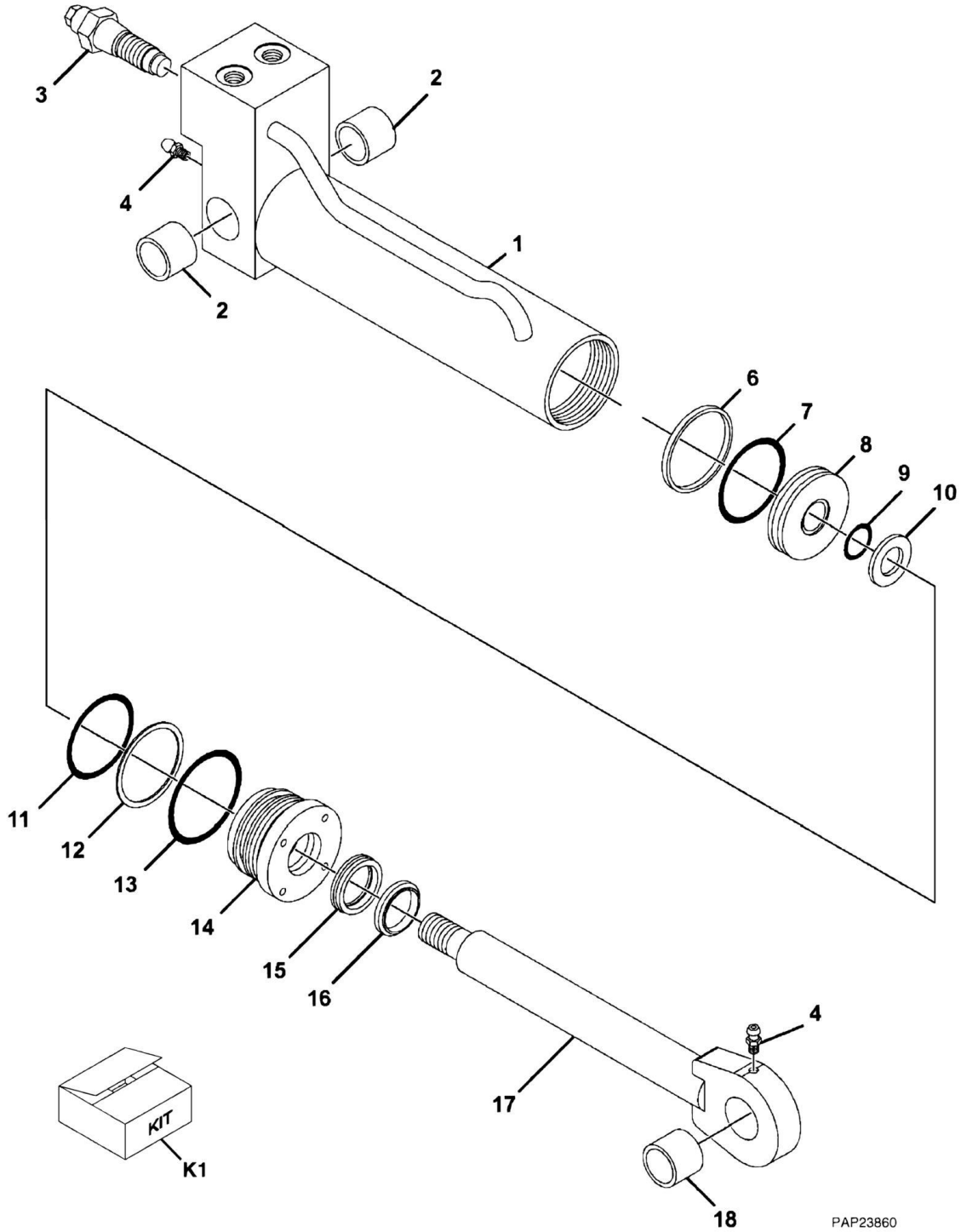
SECTION 9 - HYDRAULIC COMPONENTS

FIGURE 9-34. SOLENOID VALVE

ITEM	PART NUMBER	QTY	DESCRIPTION	REV
	91043446	1	3-WAY SOLENOID VALVE, (includes all items)	
1	90208066	1	NUT	
2	91144158	1	COIL	
3	91144159	1	CORE ASSY, (3-way, 2-position)	
4	80934035	1	VALVE BODY	

SECTION 9 - HYDRAULIC COMPONENTS

FIGURE 9-35. GRAPPLE BUCKET CYLINDER



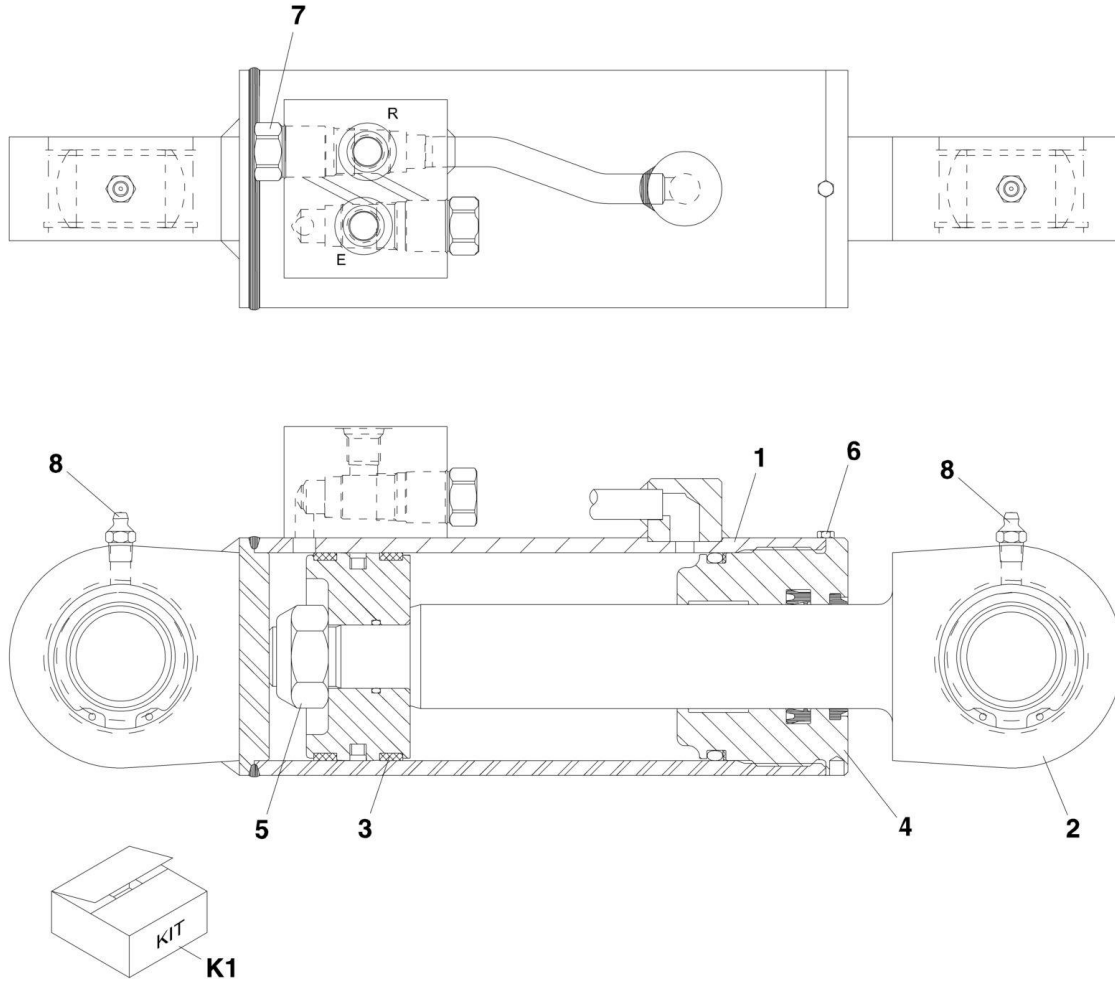
SECTION 9 - HYDRAULIC COMPONENTS

FIGURE 9-35. GRAPPLE BUCKET CYLINDER

ITEM	PART NUMBER	QTY	DESCRIPTION	REV
	70021393	1	GRAPPLE BUCKET CYLINDER, (includes all items)	
1	70021465	1	CYLINDER TUBE	
2	70021448	2	BUSHING	
3	70021464	2	VALVE CARTRIDGE	
4	90554045	2	GREASE FITTING	
5	70021440	1	HEX NUT	
6	Kit K1	1	PISTON RING	
7	Kit K1	1	O-RING	
8	70021451	1	PISTON	
9	Kit K1	1	O-RING	
10	70021444	1	WASHER	
11	Kit K1	1	O-RING	
12	Kit K1	1	BACK-UP WASHER	
13	Kit K1	1	O-RING	
14	70021446	1	CYLINDER GLAND	
15	Kit K1	1	POLY-PAK SEAL	
16	Kit K1	1	ROD WIPER	
17	70021466	1	PISTON ROD	
18	70021447	1	BUSHING	
K1	70021452	1	SEAL KIT, (includes items 6, 7, 9, 11 thru 13, 15 & 16)	

SECTION 9 - HYDRAULIC COMPONENTS

FIGURE 9-36. SIDE TILT CARRIAGE CYLINDER



PY1581

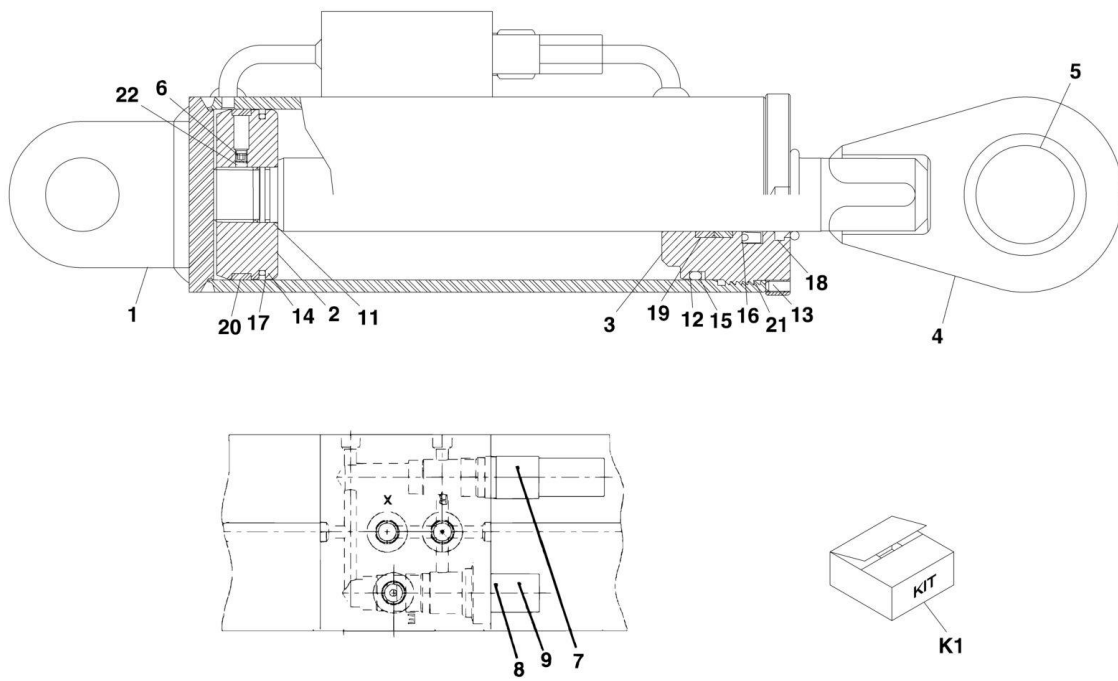
SECTION 9 - HYDRAULIC COMPONENTS

FIGURE 9-36. SIDE TILT CARRIAGE CYLINDER

ITEM	PART NUMBER	QTY	DESCRIPTION	REV
	1001090134	1	SIDE TILT CARRIAGE CYLINDER, (includes all items)	B
1	70022038	1	BARREL ASSY	
2	70022039	1	ROD ASSY	
3	70022040	1	PISTON	
3	70022042	1	SEAL KIT	
4	70021908	1	ROD BEARING	
4	70022043	1	SEAL KIT	
5	90022230	1	HEX NUT	
6	7029760	1	CAPSCREW	
7	4640438	2	CHECK VALVE	
7	2900770	1	SEAL KIT	
8	91044080	2	GREASE FITTING	
K1	70022041	1	SEAL KIT, (contains 70022042 & 70022043)	

SECTION 9 - HYDRAULIC COMPONENTS

FIGURE 9-37. 72 INCH 90, SWING CARRIAGE CYLINDER



PAP18860

SECTION 9 - HYDRAULIC COMPONENTS

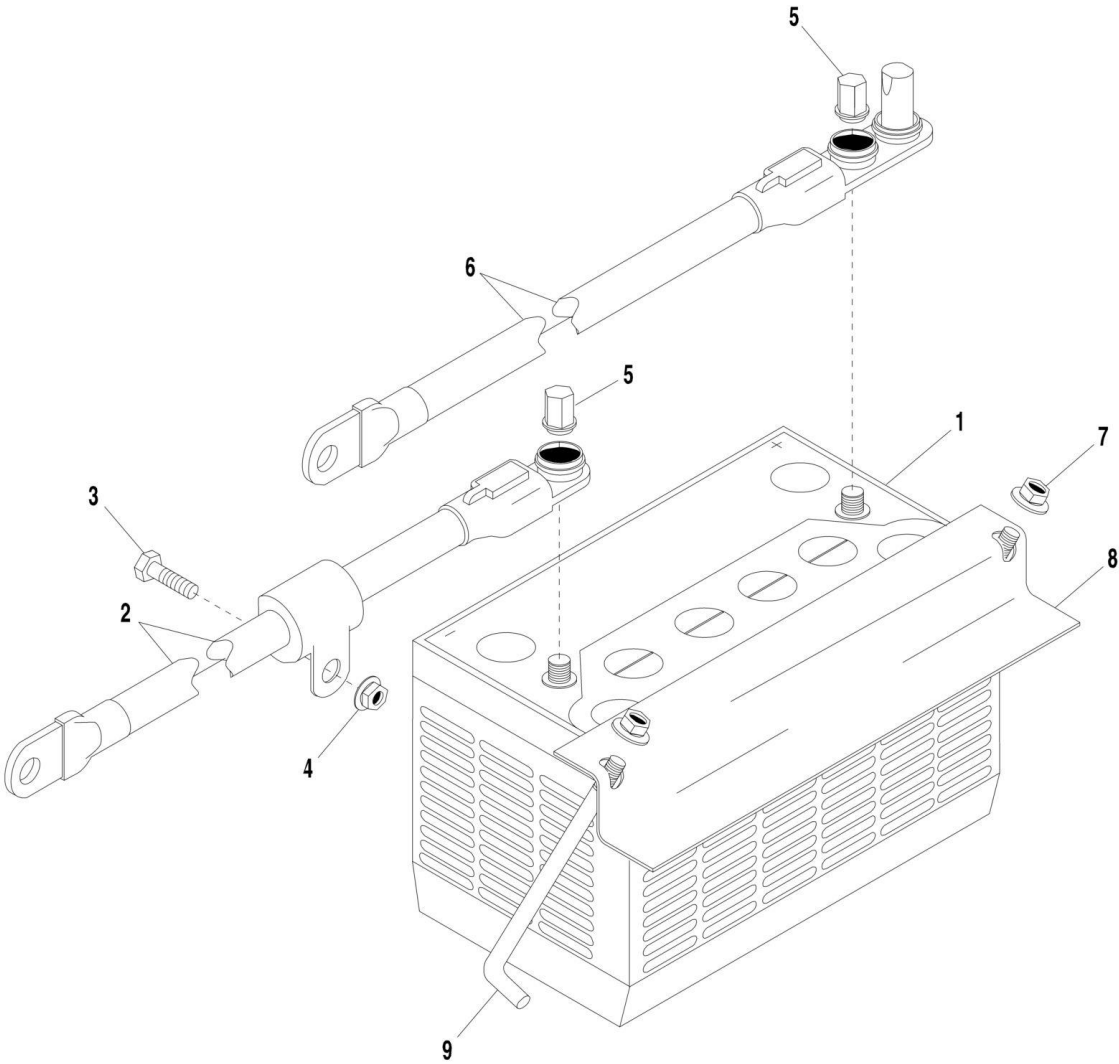
FIGURE 9-37. 72 INCH 90, SWING CARRIAGE CYLINDER

ITEM	PART NUMBER	QTY	DESCRIPTION	REV
	1001103182	1	SWING CARRIAGE CYLINDER, (includes items 1 thru 22)	B
1	70022044	1	TUBE ASSY	
2	8035863	1	PISTON	
3	8035862	1	HEAD GLAND	
4	70022045	1	ROD ASSY	
5	70022046	1	BEARING	
6	8035536	2	SET SCREW, 5/16-18X1/2	
7	70020428	1	RELIEF VALVE, (preset to 2000 psi)	
7	7024574	1	SEAL KIT	
8	8033786	1	COUNTERBALANCE VALVE, (preset to 3000 psi)	
8	8205655	1	SEAL KIT	
9	70021812	1	TAMPERPROOF CAP	
11	Kit K1	1	O-RING	
12	Kit K1	1	O-RING	
13	Kit K1	1	O-RING	
14	Kit K1	1	SQUARE RING	
15	Kit K1	1	BACK-UP RING	
16	Kit K1	1	SEAL	
17	Kit K1	1	PISTON SEAL	
18	Kit K1	1	ROD WIPER	
19	Kit K1	2	WEAR BAND	
20	Kit K1	1	WEAR BAND	
21	Kit K1	2	INSERT	
22	Kit K1	2	INSERT	
K1	2915023	1	SEAL KIT, (includes items 11 thru 22)	

SECTION 10 - ELECTRICAL

SECTION 10 - ELECTRICAL

FIGURE 10-1. BATTERY AND CABLES



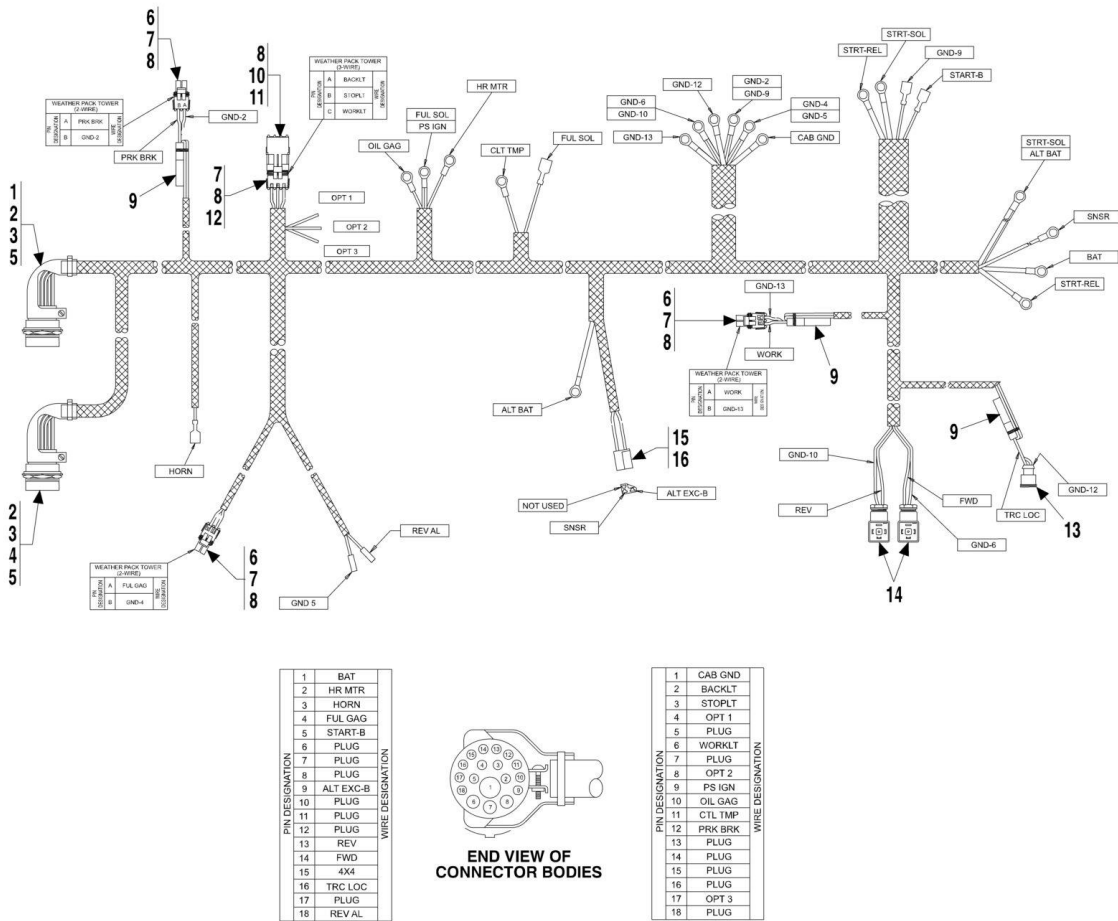
SECTION 10 - ELECTRICAL

FIGURE 10-1. BATTERY AND CABLES

ITEM	PART NUMBER	QTY	DESCRIPTION	REV
1	91473226	1	BATTERY, (12V, 750 AMP), TOP STUD, 3/8-16 UNC THREAD, BCI GROUP 31 (Prior to SN 0160018356)	
1	91083483	1	BATTERY, (12V, 1050 AMP), TOP STUD, 3/8-16 UNC THREAD, BCI GROUP 31 (SN 0160018356 to Present)	
2	91403200	1	NEGATIVE BATTERY CABLE	
3	80973025	1	WHIZ-LOCK SCREW, 3/8-16	
4	77143015	1	WHIZ-LOCKNUT, 3/8-16	
5	77383567	2	TERMINAL NUT	
6	91413147	1	POSITIVE BATTERY CABLE	
7	77143006	2	WHIZ-LOCKNUT, 5/16-18	
8	91401281	1	BATTERY HOLD DOWN	
9	91081640	2	HOLD DOWN STUD, 5/16-18	
10	14403416	AR	DI-ELECTRIC GREASE, (not shown), (add to caps on battery terminals)	

SECTION 10 - ELECTRICAL

FIGURE 10-2. ENGINE HARNESS (SN 0189001 through 0189345, SN 016000230 through 0160001775)



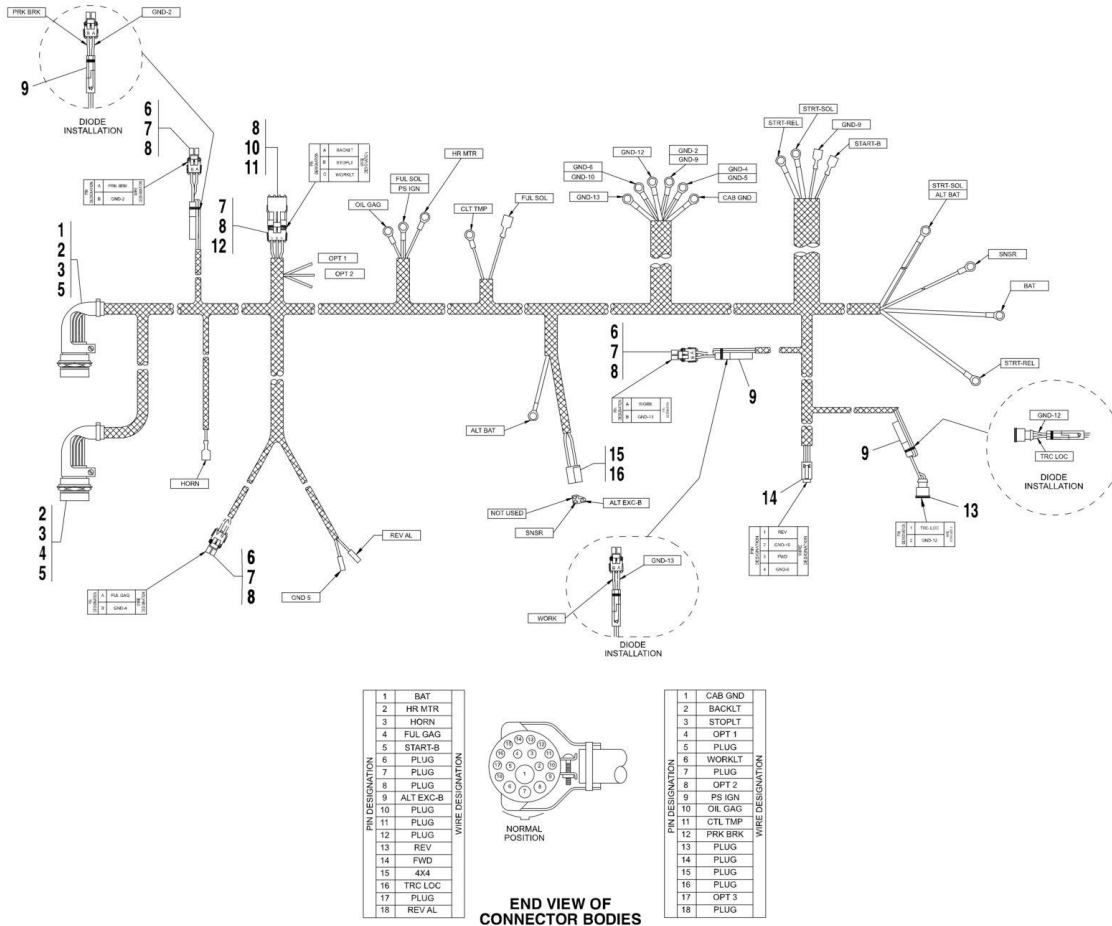
SECTION 10 - ELECTRICAL

FIGURE 10-2. ENGINE HARNESS (SN 0189001 through 0189345, SN 016000230 through 0160001775)

ITEM	PART NUMBER	QTY	DESCRIPTION	REV
	91403457	1	ENGINE HARNESS, (includes all items)	G
1	91404337	1	PLUG CONNECTOR	
2	83481286	2	PANEL NUT	
3	83481285	2	PANEL LOCKWASHER	
4	91364010	1	PLUG CONNECTOR	
5	91474463	2	STRAIN RELIEF	
6	80963057	3	WEATHER PACK CONNECTOR	
7	80963068	4	FEMALE PIN TERMINAL	
8	91364009	5	CABLE SEAL	
9	91363021	3	MOLDED DIODE	
10	80963060	1	WEATHER PACK CONNECTOR	
11	80963069	1	MALE PIN TERMINAL	
12	80963059	1	WEATHER PACK CONNECTOR	
13	91083440	1	SOLENOID CONNECTOR	
14	91084038	2	PLUG-IN CONNECTOR	
15	83683254	1	3 CONTACT PLUG	
16	90026803	1	CONNECTOR	

SECTION 10 - ELECTRICAL

FIGURE 10-3. ENGINE HARNESS (SN 0160001921 through 0160006643, Excluding 0160006494 and 0160006543)



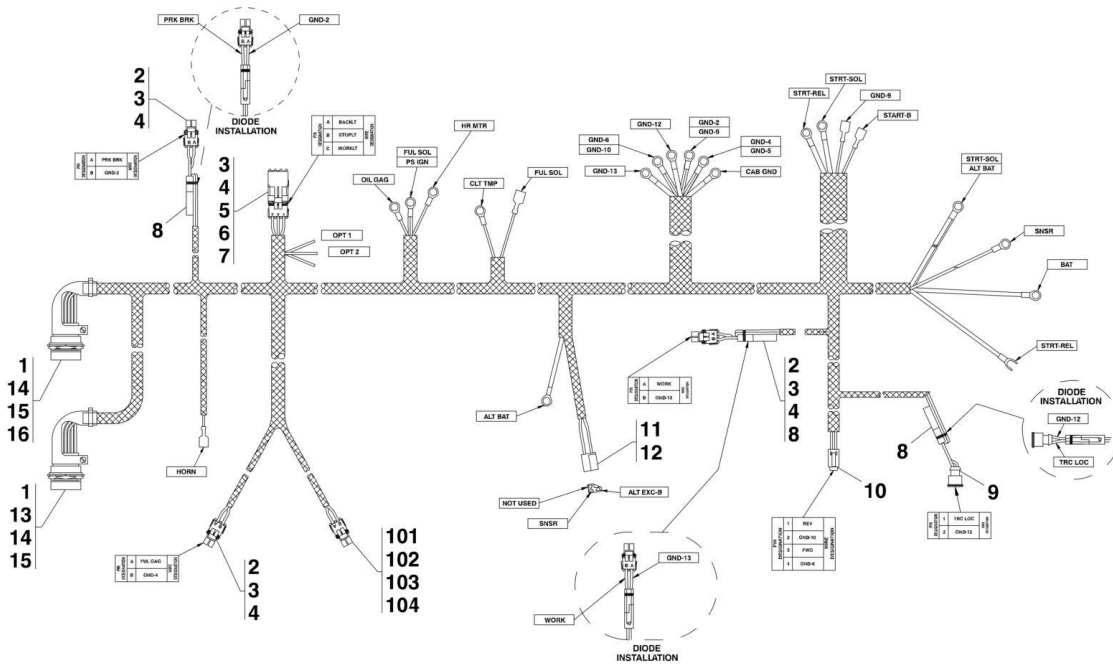
SECTION 10 - ELECTRICAL

FIGURE 10-3. ENGINE HARNESS (SN 0160001921 through 0160006643, Excluding 0160006494 and 0160006543)

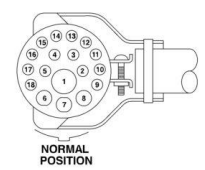
ITEM	PART NUMBER	QTY	DESCRIPTION	REV
	91413120	1	ENGINE HARNESS, (includes all items)	B
1	91404337	1	PLUG CONNECTOR	
2	83481286	2	PANEL NUT	
3	83481285	2	PANEL LOCKWASHER	
4	91364010	1	PLUG CONNECTOR	
5	91474463	2	STRAIN RELIEF	
6	80963057	3	WEATHER PACK CONNECTOR	
7	80963068	4	FEMALE PIN TERMINAL	
8	91364009	5	CABLE SEAL	
9	91363021	3	MOLDED DIODE	
10	80963060	1	WEATHER PACK CONNECTOR	
11	80963069	1	MALE PIN TERMINAL	
12	80963059	1	WEATHER PACK CONNECTOR	
13	91083440	1	SOLENOID CONNECTOR	
14	91554011	1	PLUG-IN CONNECTOR	
15	83683254	1	3 CONTACT PLUG	
16	90026803	1	CONNECTOR	

SECTION 10 - ELECTRICAL

FIGURE 10-4. ENGINE HARNESS (SN 0160006706 to Present, Including 0160006494 and 0160006543)



1	CAB GND
2	BACKLT
3	STOPLT
4	OPT 1
5	PLUG
6	WORKLT
7	PLUG
8	OPT 2
9	PS IGN
10	OIL GAG
11	CTL TMP
12	PRK BRK
13	PLUG
14	PLUG
15	PLUG
16	PLUG
17	OPT 3
18	PLUG



NORMAL POSITION
END VIEW OF CONNECTOR BODIES

1	BAT
2	HR MTR
3	HORN
4	FUL GAG
5	START-B
6	PLUG
7	PLUG
8	PLUG
9	ALT EXC-B
10	PLUG
11	PLUG
12	PLUG
13	REV
14	FWD
15	4X4
16	TRC LOC
17	PLUG
18	REV AL

PAP23260

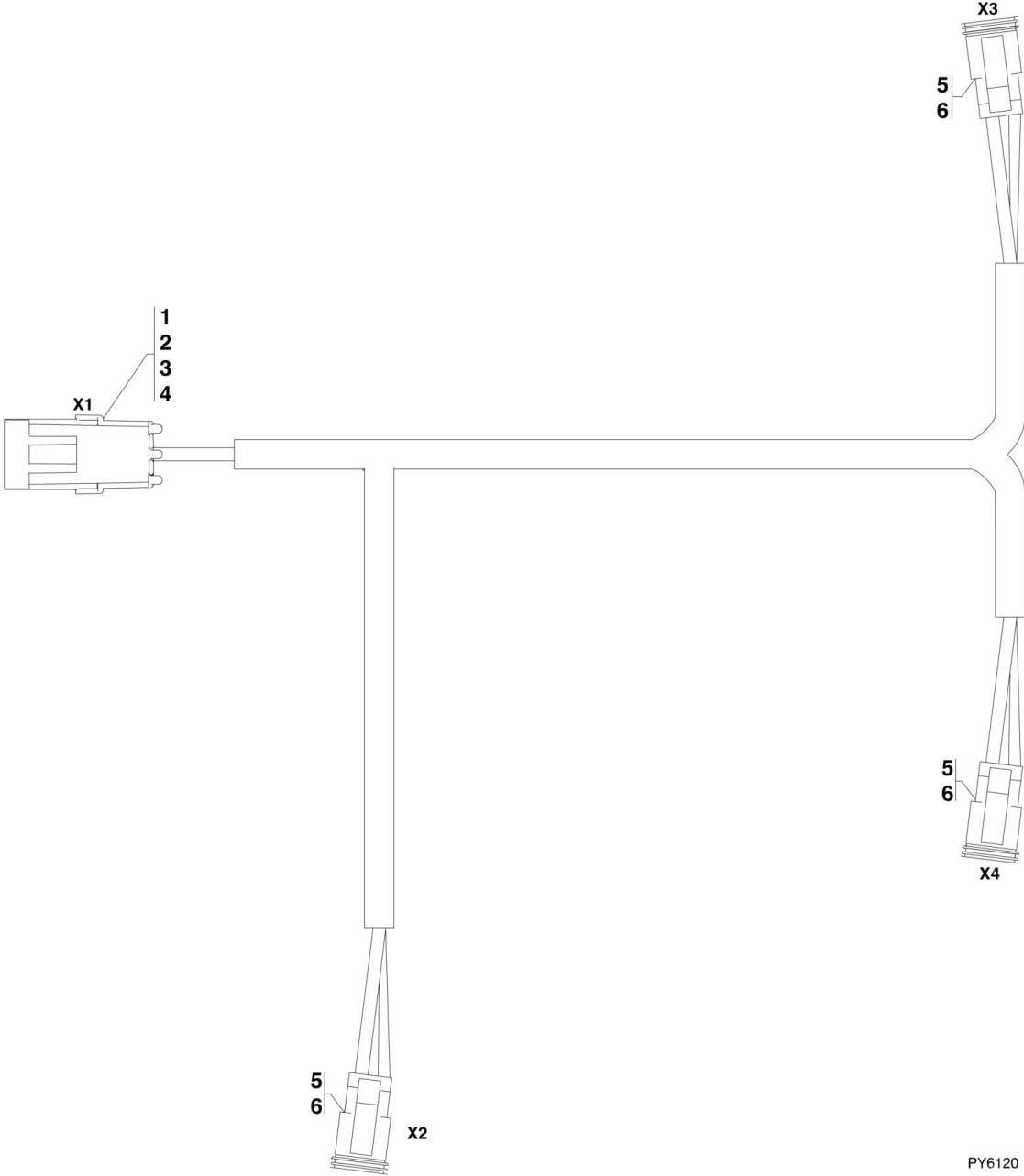
SECTION 10 - ELECTRICAL

FIGURE 10-4. ENGINE HARNESS (SN 0160006706 to Present, Including 0160006494 and 0160006543)

ITEM	PART NUMBER	QTY	DESCRIPTION	REV
	91413146	1	ENGINE HARNESS, (includes items 1 thru 16) (SN 0160006706 through 0160018158)	B
	4923400	1	ENGINE HARNESS, (includes all items) (SN 01600018163 to Present)	A
1	91474463	2	90, STRAIN RELIEF	
2	80963057	3	WEATHER PACK CONNECTOR	
3	80963068	4	FEMALE PIN TERMINAL	
4	91364009	5	CABLE SEAL	
5	80963060	1	WEATHER PACK CONNECTOR	
6	80963069	1	MALE PIN TERMINAL	
7	4460459	1	WEATHER PACK CONNECTOR	
8	91363021	3	MOLDED DIODE	
9	91083440	1	SOLENOID CONNECTOR	
10	91554011	1	PLUG	
11	83683254	1	3 CONTACT PLUG	
12	90026803	1	CONNECTOR	
13	91364010	1	PLUG CONNECTOR	
14	83481286	2	PANEL NUT	
15	83481285	2	PANEL LOCKWASHER	
16	91404337	1	PLUG CONNECTOR	
101	1001117021	1	CONNECTOR	
102	8220890	1	LOCK	
103	4460746	2	TERMINAL	
104	4460789	1	SEAL	

SECTION 10 - ELECTRICAL

FIGURE 10-5. BOOM WORK LIGHTS HARNESS



PY6120

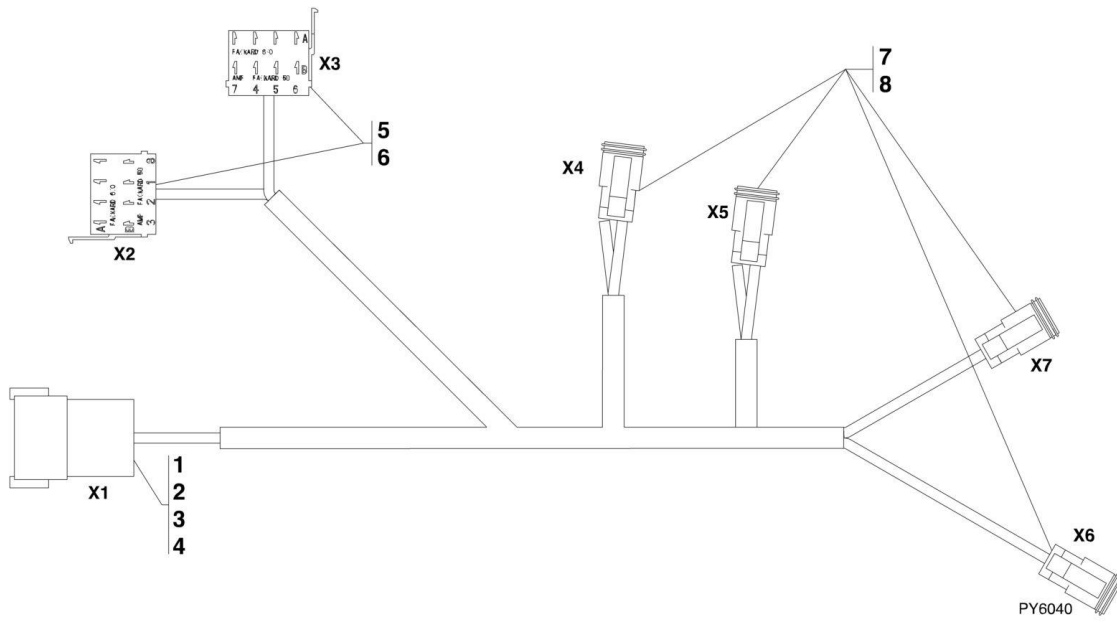
SECTION 10 - ELECTRICAL

FIGURE 10-5. BOOM WORK LIGHTS HARNESS

ITEM	PART NUMBER	QTY	DESCRIPTION	REV
	1001125382	1	BOOM WORK LIGHTS HARNESS, (if equipped), (includes all items)	A
1	80963062	1	CONNECTOR	
2	4460850	2	TERMINAL	
3	4460789	1	SEAL	
4	1001116727	2	PLUG	
5	4460891	3	CONNECTOR KIT	
5	80604018	3	WEDGE LOCK	
6	4460942	6	TERMINAL	

SECTION 10 - ELECTRICAL

FIGURE 10-6. CAB WORK LIGHT HARNESS



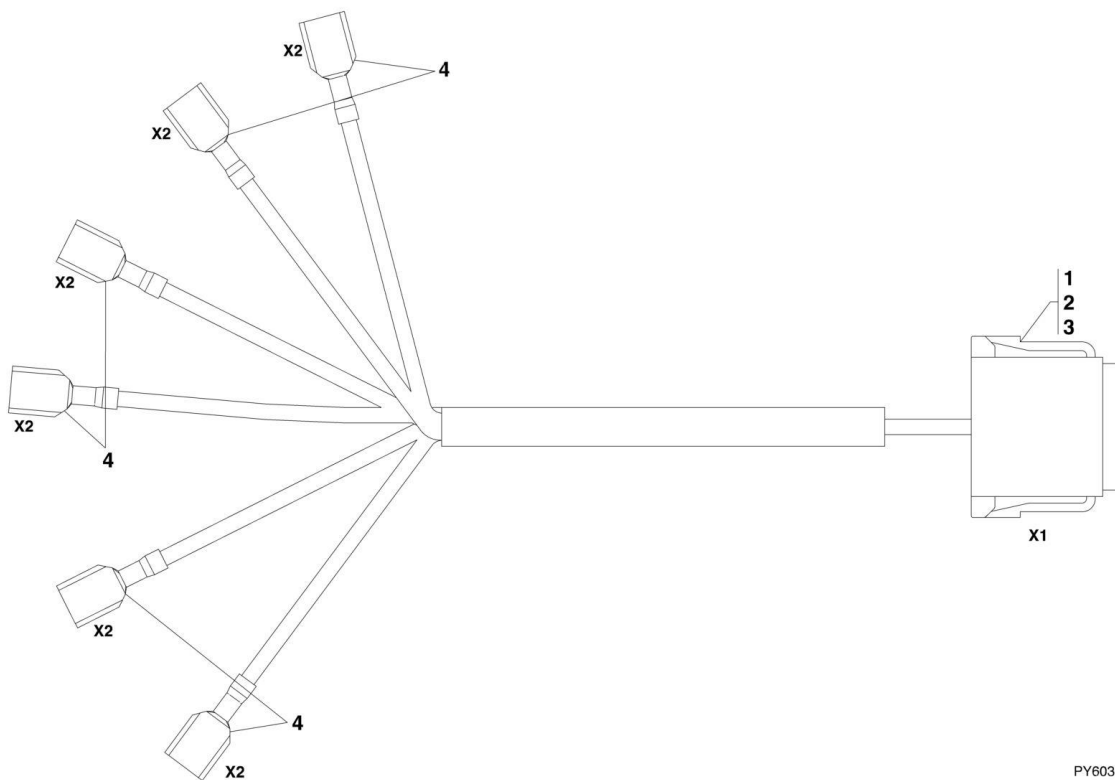
SECTION 10 - ELECTRICAL

FIGURE 10-6. CAB WORK LIGHT HARNESS

ITEM	PART NUMBER	QTY	DESCRIPTION	REV
	1001125384	1	CAB WORK LIGHT HARNESS, (if equipped), (includes all items)	A
1	4460931	1	CONNECTOR	
1	80604025	1	WEDGE LOCK	
2	4460465	2	TERMINAL	
3	4460942	4	TERMINAL	
4	4460466	2	PLUG	
5	7026439	2	CONNECTOR	
6	1001118384	8	TERMINAL	
7	4460891	4	CONNECTOR	
7	80604018	4	WEDGE LOCK	
8	4460942	8	TERMINAL	

SECTION 10 - ELECTRICAL

FIGURE 10-7. CAB WORK LIGHT AND BEACON LIGHT HARNESS (SN 0160031703 to Present)



PY6030

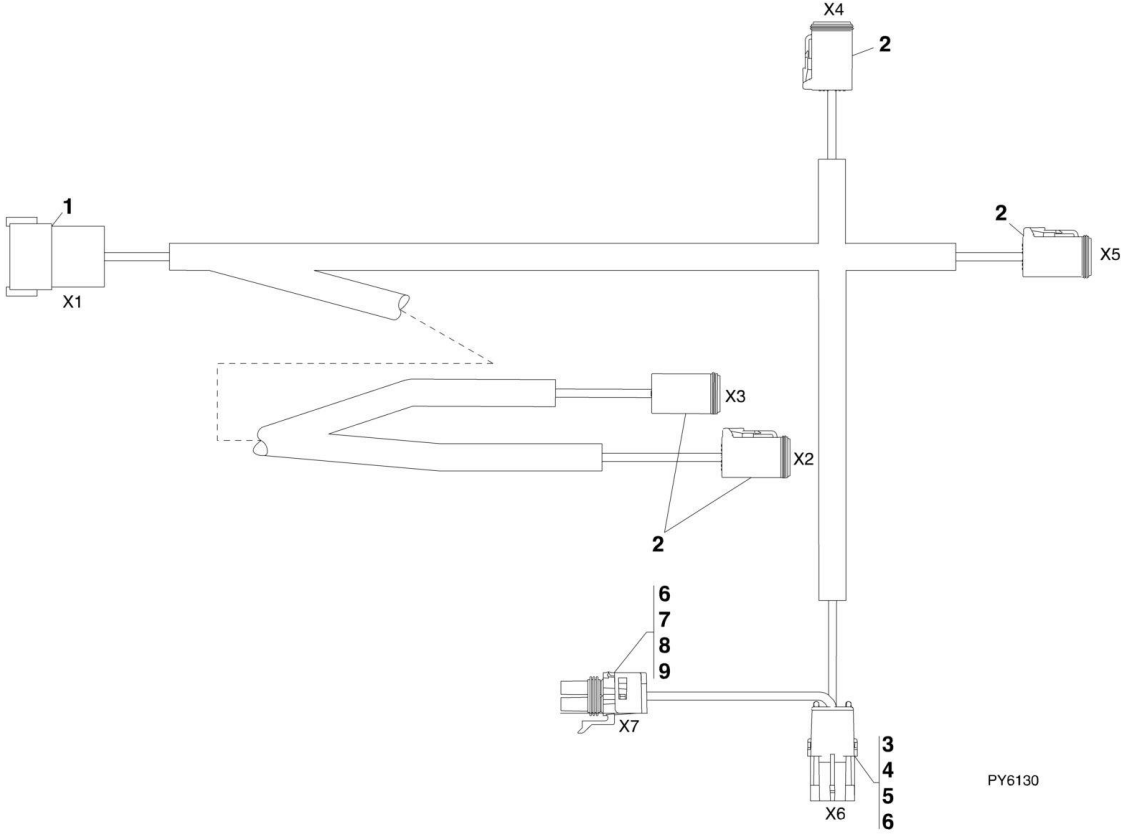
SECTION 10 - ELECTRICAL

FIGURE 10-7. CAB WORK LIGHT AND BEACON LIGHT HARNESS (SN 0160031703 to Present)

ITEM	PART NUMBER	QTY	DESCRIPTION	REV
	1001090507	1	CAB WORK LIGHT AND BEACON LIGHT SWITCH HARNESS, (if equipped), (includes all items)	B
1	4460930	1	CONNECTOR	
1	80604025	1	WEDGE LOCK	
2	N.S.S.	7	TERMINAL	
3	4460466	1	PLUG	
4	N.S.S.	6	TERMINAL, 1/4 FULLY INSULATED	

SECTION 10 - ELECTRICAL

FIGURE 10-8. FRAME ROAD LIGHTS HARNESS



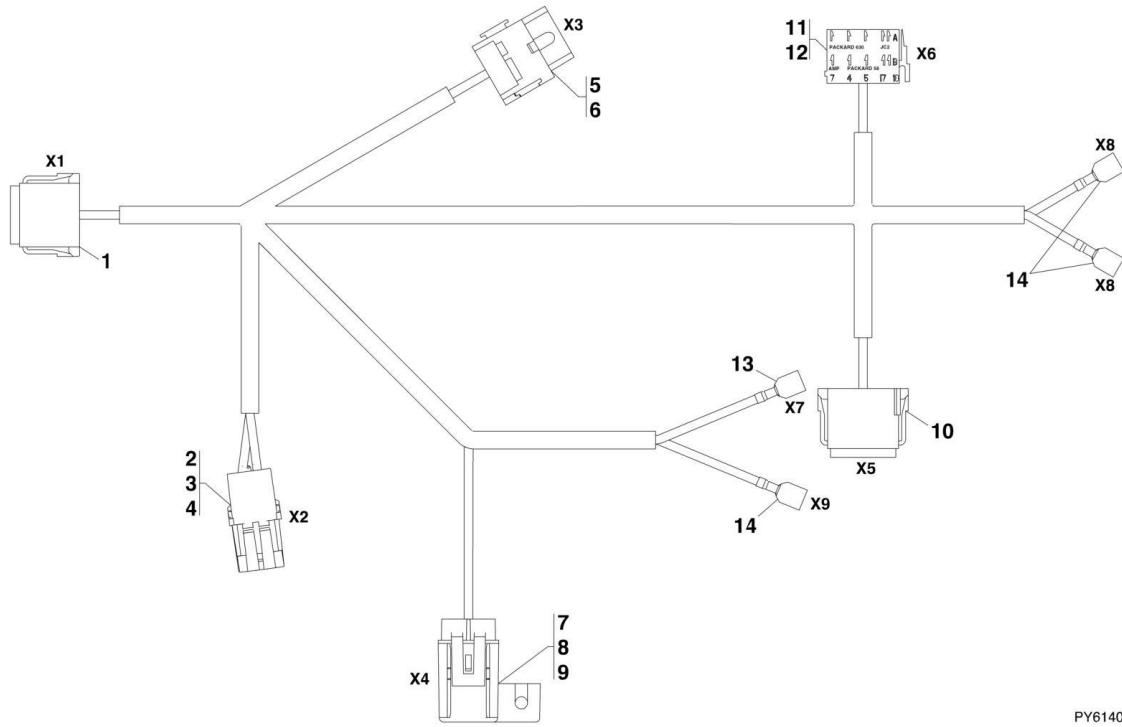
SECTION 10 - ELECTRICAL

FIGURE 10-8. FRAME ROAD LIGHTS HARNESS

ITEM	PART NUMBER	QTY	DESCRIPTION	REV
	1001125385	1	FRAME ROAD LIGHTS HARNESS, (if equipped), (includes all items)	A
1	91503105	1	CONNECTOR	
1	91503106	1	WEDGE LOCK	
2	7026909	4	CONNECTOR	
2	80604023	4	WEDGE LOCK	
3	80963062	1	CONNECTOR	
4	4460789	3	TERMINAL	
5	8220089	1	SEAL	
6	80963070	4	PLUG	
7	80963061	1	CONNECTOR	
8	4460457	2	TERMINAL	
9	4460458	1	SEAL	

SECTION 10 - ELECTRICAL

FIGURE 10-9. CAB ROAD LIGHTS HARNESS



PY6140

SECTION 10 - ELECTRICAL

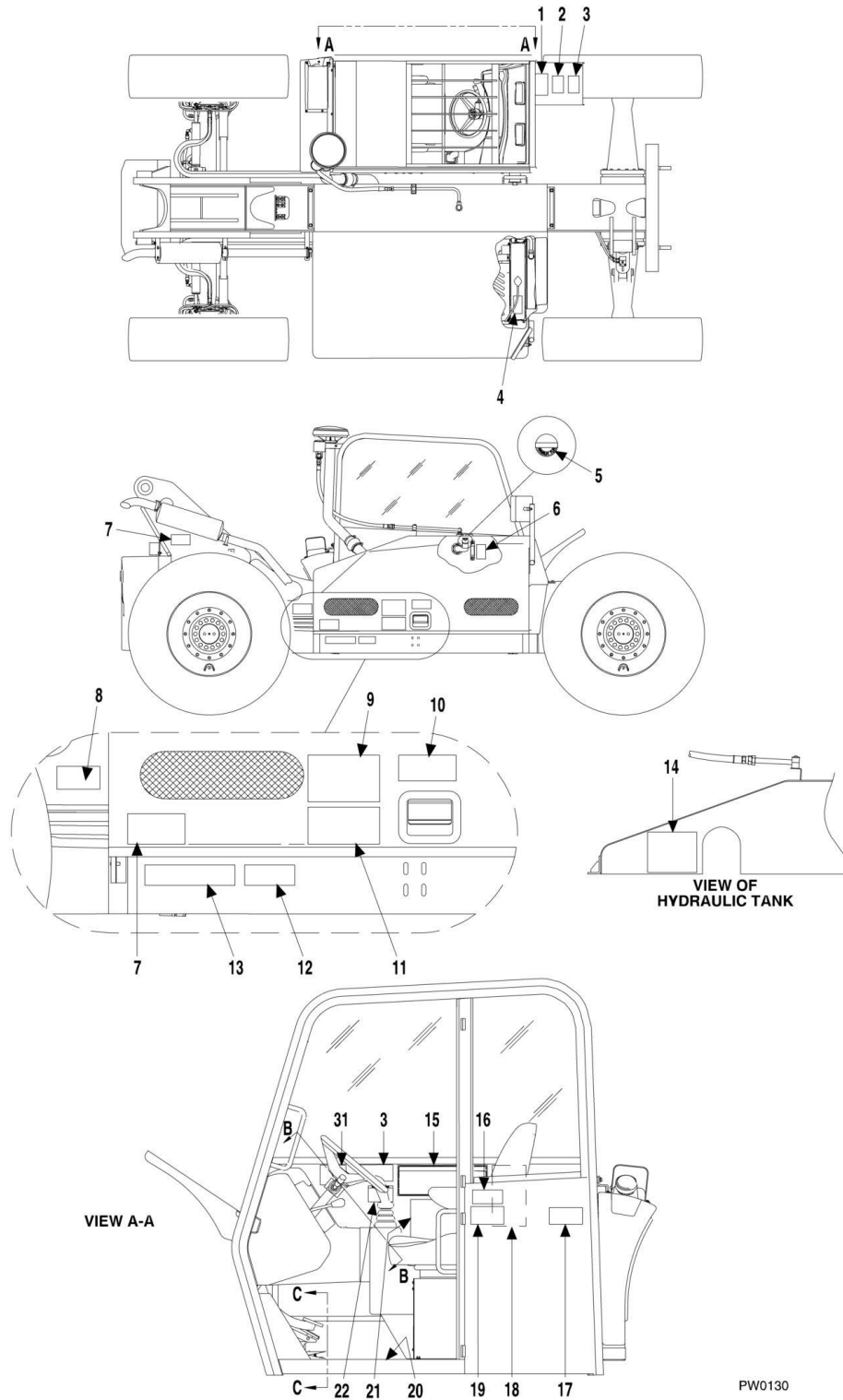
FIGURE 10-9. CAB ROAD LIGHTS HARNESS

ITEM	PART NUMBER	QTY	DESCRIPTION	REV
	1001090509	1	CAB ROAD LIGHTS HARNESS, (if equipped), (includes all items)	C
1	4460851	1	CONNECTOR	
1	80604025	1	WEDGE LOCK	
2	4461157	1	CONNECTOR	
3	4460475	2	TERMINAL	
4	8220081	1	SEAL	
5	1001117058	1	CONNECTOR	
6	4460419	2	TERMINAL	
7	1001117018	1	CONNECTOR, (includes 15 amp fuse)	
8	1001116733	2	TERMINAL	
9	7029771	1	COVER	
10	4460934	1	CONNECTOR	
10	80604016	1	WEDGE LOCK	
11	1001117079	1	CONNECTOR	
12	1001118384	7	TERMINAL	
13	N.S.S.	1	1/4 SPADE TERMINAL	
14	N.S.S.	3	1/4 FEMALE TERMINAL	

SECTION 11 - DECALS

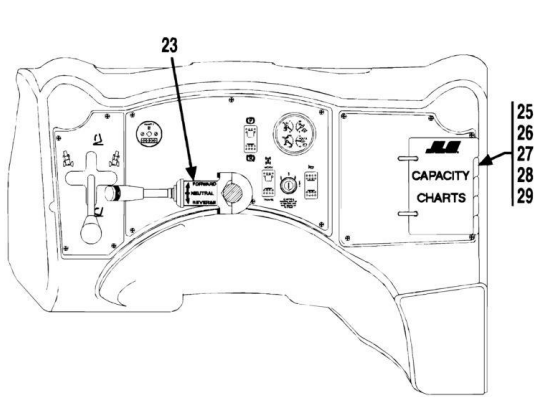
SECTION 11 - DECALS

FIGURE 11-1. CAB AND FRAME DECALS (SN 0189001 through 0189345, SN 016000230 through 0160003960)

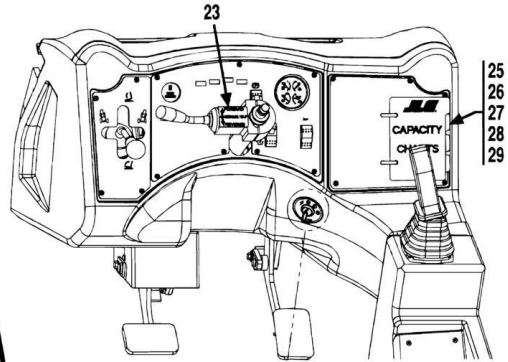


PW0130

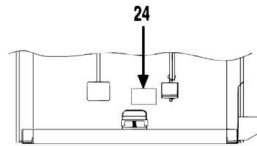
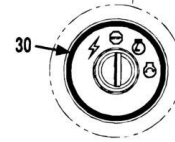
SECTION 11 - DECALS



VIEW B-B
(SN 0189001 THROUGH 0160001274)



VIEW B-B
(SN 0160001286 THROUGH 0160003960)



VIEW C-C

PW0160

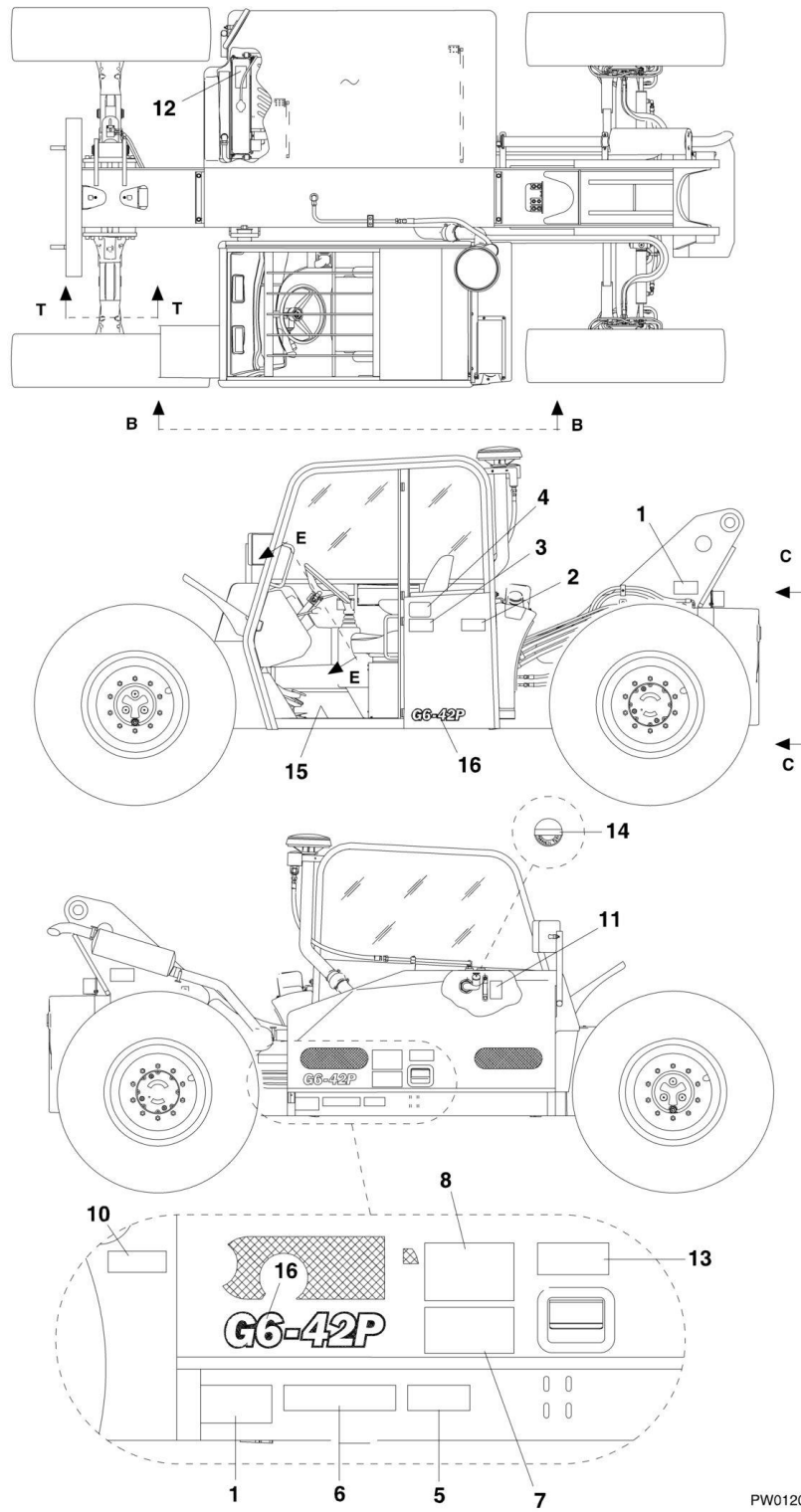
SECTION 11 - DECALS

FIGURE 11-1. CAB AND FRAME DECALS (SN 0189001 through 0189345, SN 016000230 through 0160003960)

ITEM	PART NUMBER	QTY	DESCRIPTION	REV
1	80603022	1	DANGER DECAL	
2	90553027	1	WARNING DECAL	
3	91323030	2	WARNING DECAL	
4	80603026	1	CAUTION DECAL	
5	91403573	1	HYDRAULIC FLUID DECAL	
6	91403569	1	OIL LEVEL DECAL	
7	91143282	3	WARNING DECAL	
8	91143280	1	WARNING DECAL	
9	91143285	1	INSTRUCTION DECAL	
10	91143281	1	WARNING DECAL	
11	91143284	1	WARNING DECAL	
12	91143288	1	HYDRAULIC OIL PLATE	
13	91083492	1	OIL WARNING DECAL	
14	91413024	1	TEST PORT DECAL	
15	90553028	1	WARNING DECAL	
16	77333027	1	MADE IN USA DECAL	
17	91143286	1	WARNING DECAL	
18	N.S.S.	1	SN AND ATTACHING PLATE	
19	91143283	1	WARNING DECAL	
20	91403597	1	NON-SKID FLOOR	
21	91413012	1	SERVICE INSTRUCTION PLATE	
22	91503102	1	BOOM OPERATION DECAL, (standard)	
23	91163028	1	SHIFTER DECAL	
24	91403529	1	TRACTION LOCK DECAL	
25	91403618	1	LOAD CHART FRONT COVER	
26	91413011	1	LOAD CHART, CARRIAGE AND SLOPE PILER	
27	91413021	1	LOAD CHART, MAST	
28	91413026	1	LOAD CHART, SWING CARRIAGE AND WORK PLATFORM	
29	91413027	1	LOAD CHART, TRUSS BOOM	
30	91413061	1	IGNITION SWITCH DECAL (SN 0160001286 through 0160003960)	
31	91343016	1	CAUTION DECAL (SN 0160003213 through 0160003960)	

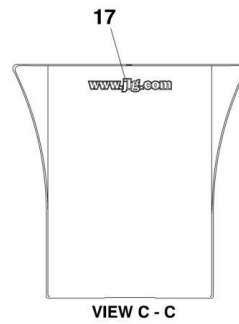
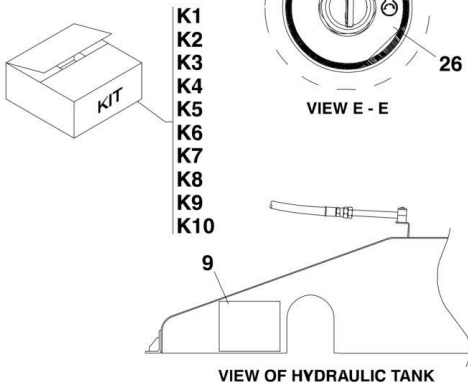
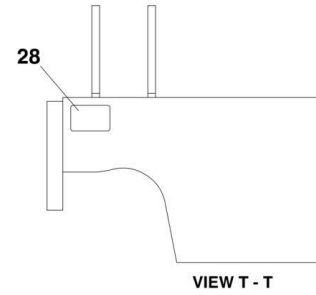
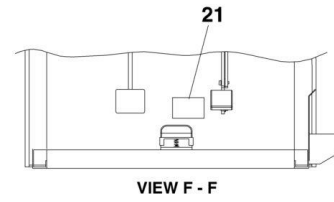
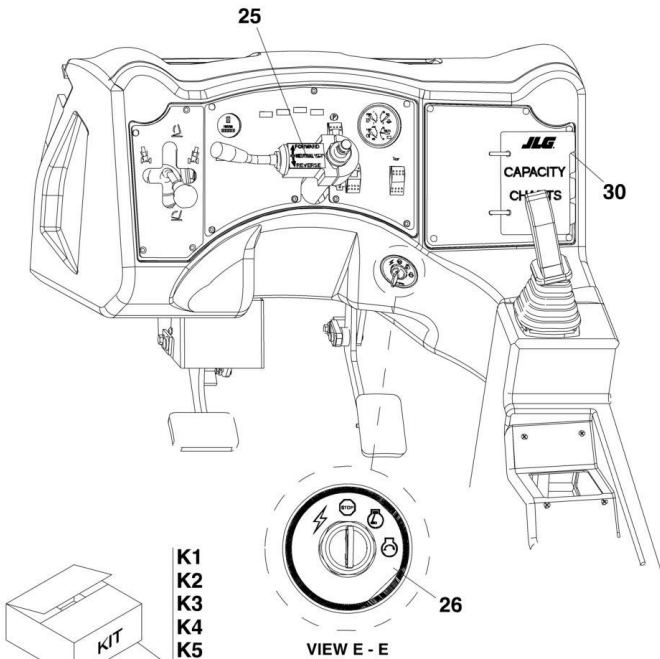
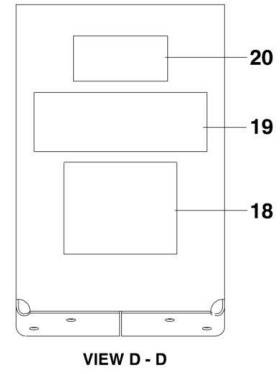
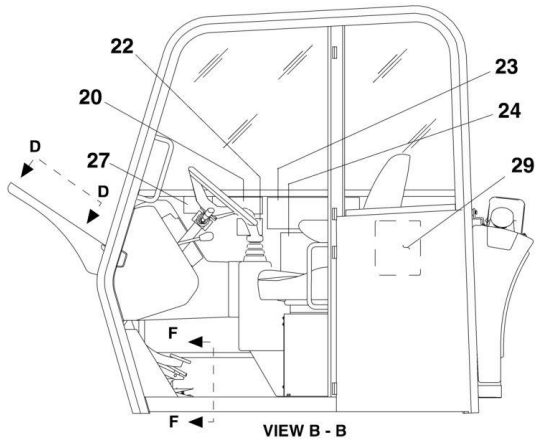
SECTION 11 - DECALS

FIGURE 11-2. CAB AND FRAME DECALS (SN 0160004018 to Present)



PW0120

SECTION 11 - DECALS



PAP23220

SECTION 11 - DECALS

FIGURE 11-2. CAB AND FRAME DECALS (SN 0160004018 to Present)

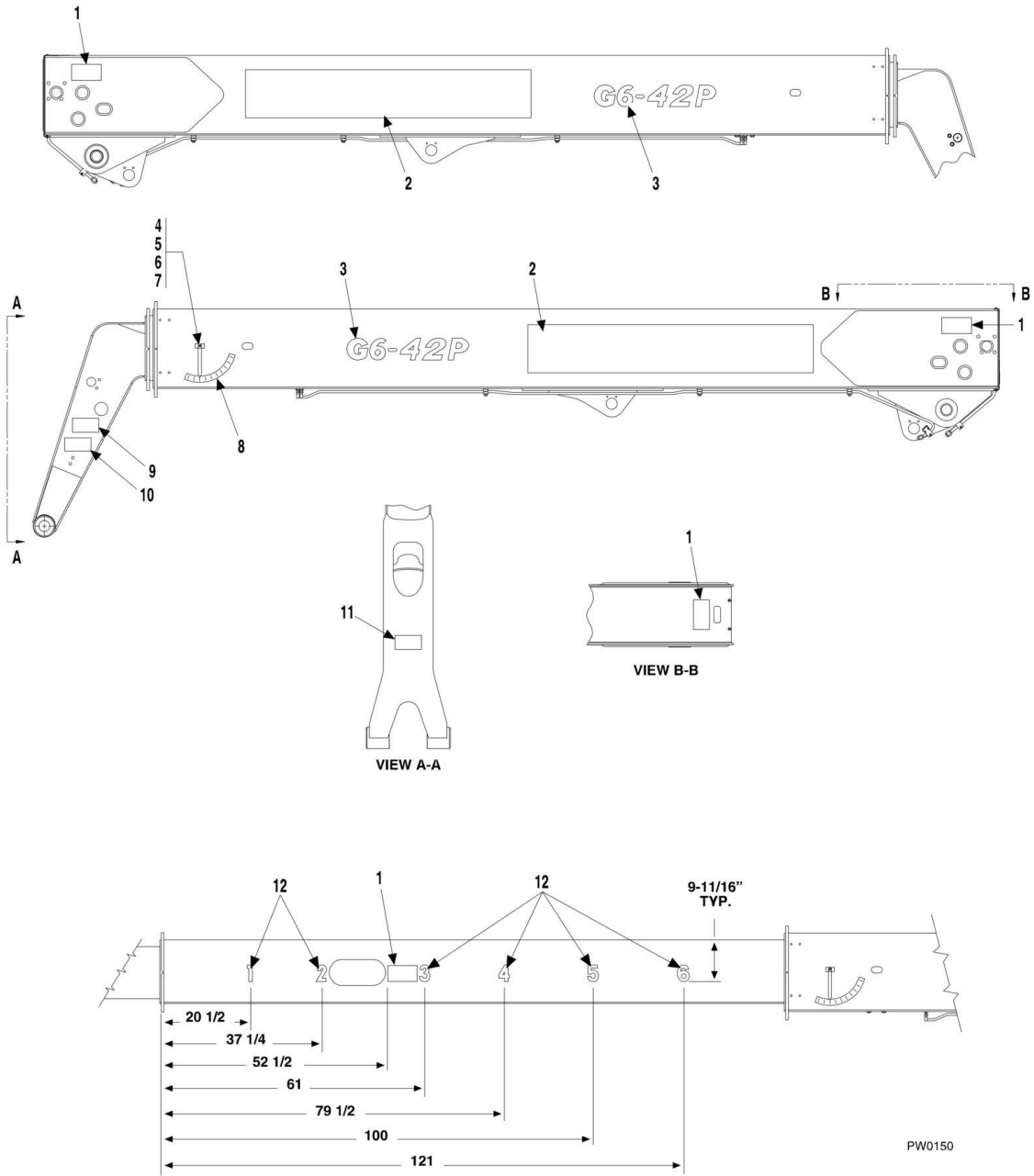
ITEM	PART NUMBER	QTY	DESCRIPTION	REV
1	91143282	3	WARNING DECAL	
2	91143286	1	WARNING DECAL	
3	91143283	1	WARNING DECAL	
4	3251813	1	MADE IN USA DECAL	
5	91143288	1	HYDRAULIC OIL PLATE	
6	91083492	1	OIL WARNING DECAL	
7	91143284	1	WARNING DECAL	
8	91143285	1	INSTRUCTION DECAL	
9	91413024	1	TEST PORT DECAL	
10	91143280	1	WARNING DECAL, (if equipped)	
11	91403569	1	OIL LEVEL DECAL	
12	80603026	1	CAUTION DECAL	
13	91143281	1	WARNING DECAL	
14	91403573	1	HYDRAULIC FLUID DECAL	
15	91403597	1	NON-SKID FLOOR	
16	1706191	2	G6-42P DECAL (SN 0160006618 to Present)	
17	1704885	1	WEBSITE DECAL (SN 0160006618 to Present)	
18	80603022	1	DANGER DECAL	
19	90553027	1	WARNING DECAL	
20	91323030	1	WARNING DECAL	
21	91403529	1	TRACTION LOCK DECAL	
22	91503102	1	BOOM OPERATION DECAL	
23	90553028	1	WARNING DECAL	
24	91413012	1	SERVICE INSTRUCTION PLATE	
25	91163028	1	SHIFTER DECAL	
26	91413061	1	IGNITION SWITCH DECAL	
27	91343016	1	CAUTION DECAL	
28	N.S.S.	1	SN PLATE	
29	90554001	1	PLATFORM DECAL	
30	1001105324	Ref	LOAD CHART BOOKLET, (includes all items) (Prior to SN 0160037689)	2
30	91403618	1	CAPACITY CHART FRONT COVER	
30	91413011	1	CAPACITY CHART, CARRIAGE AND SLOPE PILER	
30	91413021	1	CAPACITY CHART, MAST	
30	91413026	1	CAPACITY CHART, SWING CARRIAGE AND WORK PLATFORM	
30	91413027	1	CAPACITY CHART, TRUSS BOOM	
30	1001106005	1	LOAD CHART BOOKLET, (includes all items) (SN 0160037689 to Present)	4
30	1001112752	1	CAPACITY CHART FRONT COVER	
30	1001106037	1	CAPACITY CHART, STANDARD CARRIAGE	
30	1001106062	1	CAPACITY CHART, TILT CARRIAGE	
30	1001106087	1	CAPACITY CHART, SWING CARRIAGE	
30	1001106112	1	CAPACITY CHART, 120 IN BUCKET	
30	1001106137	1	CAPACITY CHART, 15 FT TRUSS BOOM	
30	1001110405	1	LOAD CHART BOOKLET, (includes all items) (SN 0160037689 to Present)	2
30	1001106191	1	GRAPPLE BUCKET	
30	1001106226	1	TRUSS BOOM WITH WINCH	
30	1001106296	1	VERTICAL MAST	

SECTION 11 - DECALS

ITEM	PART NUMBER	QTY	DESCRIPTION	REV
K1	91415021	1	DECAL KIT, (includes items 1 thru 9, 11 thru 14, 16 thru 27 & items 2 thru 9 on BOOM DECALS) (SN 0160006618 to Present)	H
K2	91415042	1	DECAL KIT, (Spanish)	
K3	91415041	1	DECAL KIT, (Portuguese)	
K4	91475104	1	NATIONS RENT DECAL KIT	
K5	91515073	1	NES DECAL KIT	
K6	91475063	1	SUN BELT RENTALS DECAL KIT	
K7	91415071	1	UNITED RENTALS DECAL KIT	
K8	91515074	1	H AND E RENTALS DECAL KIT	
K9	1001094592	1	RSC DECAL KIT	
K10	91555029	1	CORPORATE LOGOS DECAL KIT	

SECTION 11 - DECALS

FIGURE 11-3. BOOM DECALS (SN 0189001 through 0189345, SN 016000230 through 0160006413)



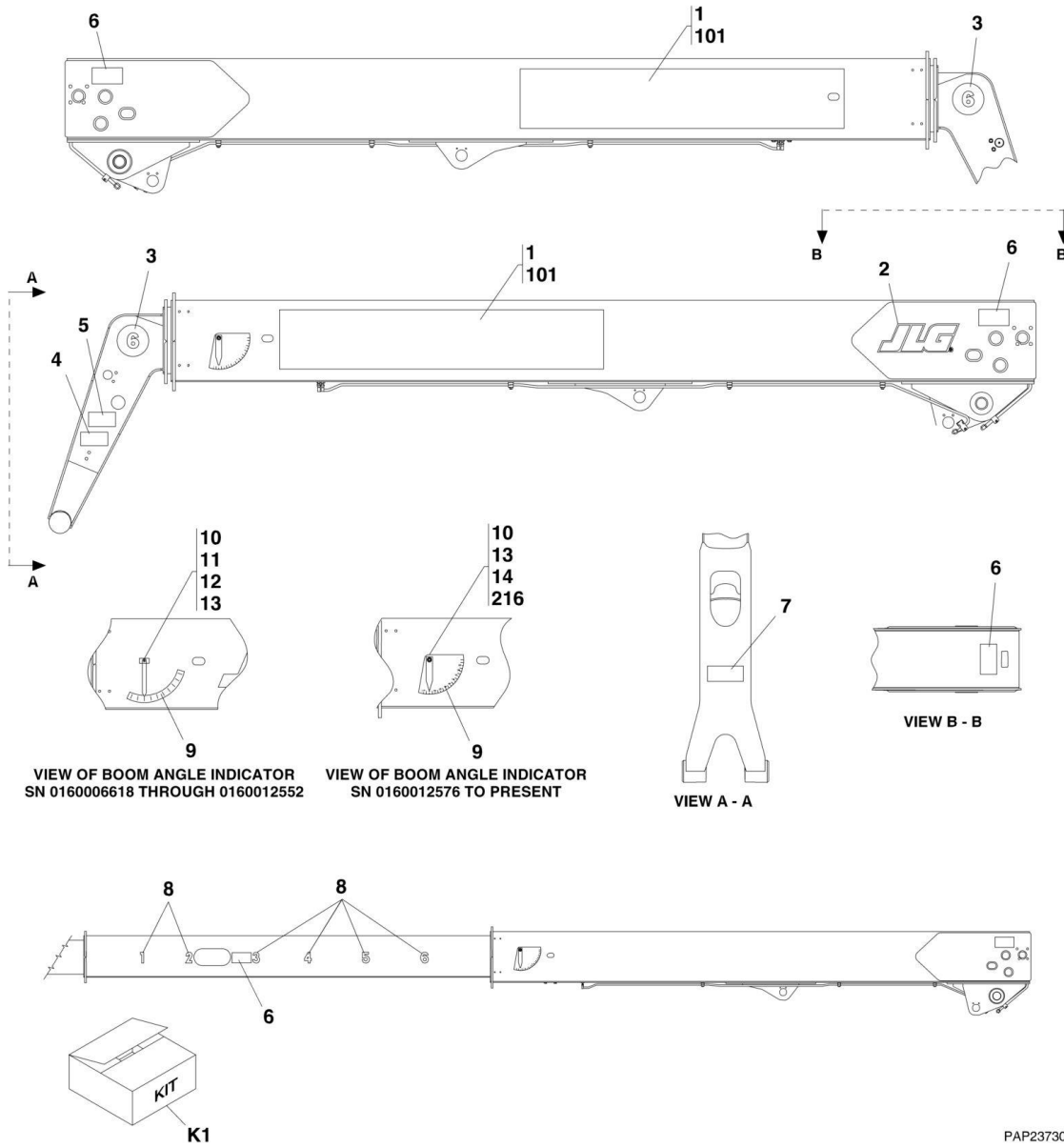
SECTION 11 - DECALS

FIGURE 11-3. BOOM DECALS (SN 0189001 through 0189345, SN 0160000230 through 0160006413)

ITEM	PART NUMBER	QTY	DESCRIPTION	REV
1	80603037	5	WARNING DECAL	
2	1001106734	2	JLG DECAL	
3	91403622	2	G6 DECAL, WHITE, (standard)	
3	91403623	2	G6 DECAL, BLACK, (optional)	
4	90200445	1	PENDULUM	
5	90200688	1	BEARING	
6	90026491	1	SHOULDER BOLT, 1/4-20	
7	88561108	1	FLAT WASHER, 5/16	
8	91003031	1	BOOM ANGLE DECAL, WHITE	
9	91143282	2	WARNING DECAL	
10	91143290	1	WARNING DECAL	
11	90553026	1	WARNING DECAL	
12	91553072	1	BOOM NUMBERS DECAL KIT	

SECTION 11 - DECALS

FIGURE 11-4. BOOM DECALS (SN 0160006618 to Present)



PAP23730

SECTION 11 - DECALS

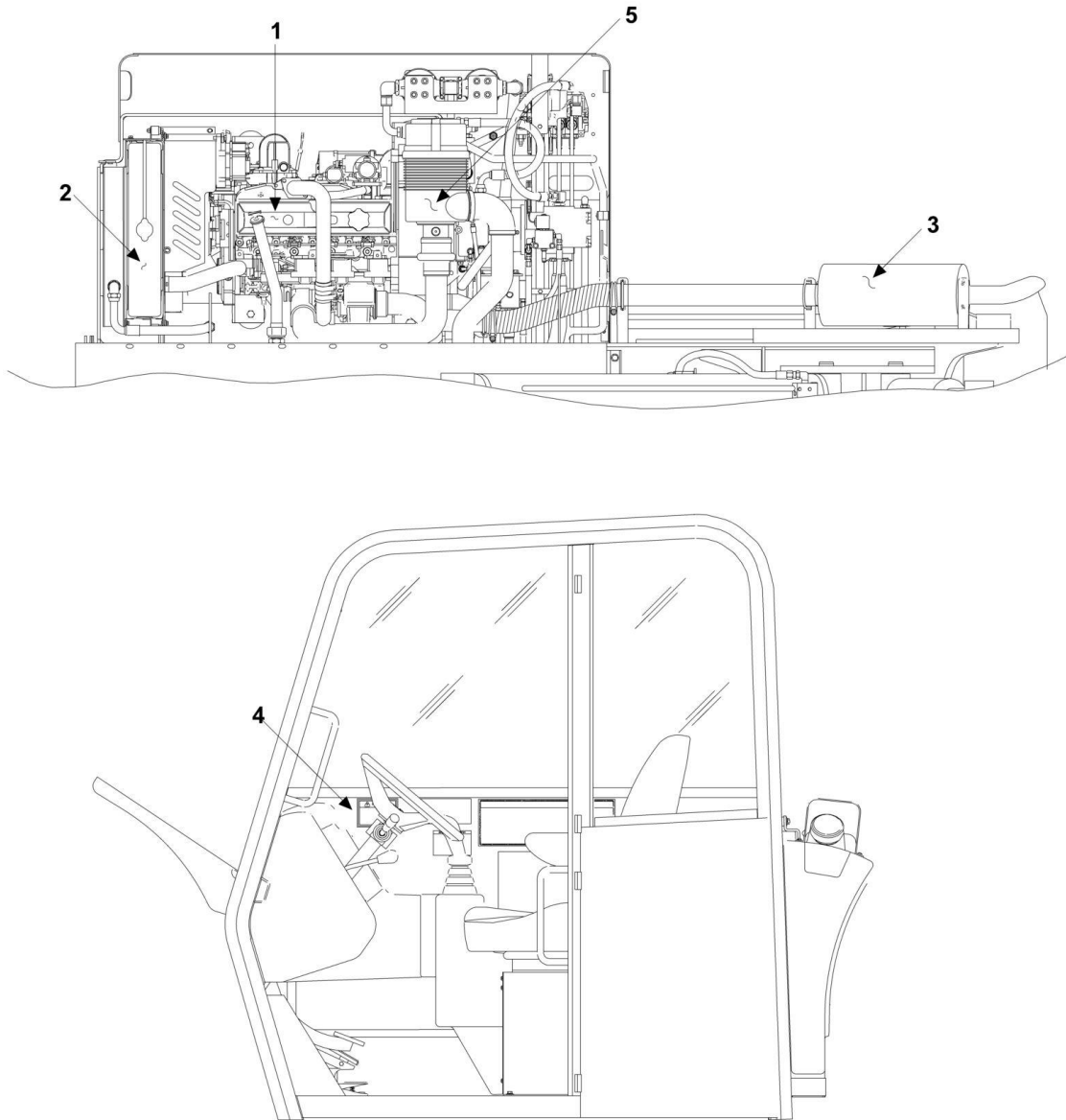
FIGURE 11-4. BOOM DECALS (SN 0160006618 to Present)

ITEM	PART NUMBER	QTY	DESCRIPTION	REV
1	1706184	NLA	12 IN GRADALL DECAL, WHITE, (no longer supplied with decal kit)	
2	1706101	2	7 IN JLG DECAL, WHITE	
3	1706170	2	GOOSENECK DECAL, 6	
4	91143290	1	WARNING DECAL	
5	91143282	2	WARNING DECAL	
6	80603037	5	WARNING DECAL	
7	90553026	1	WARNING DECAL	
8	91553072	1	BOOM NUMBERS DECAL KIT	
9	91003031	1	BOOM ANGLE DECAL, WHITE (SN 0160006618 through 0160012552)	
9	4105262	1	BOOM ANGLE DECAL, WHITE (SN 0160012576 to Present)	
10	90200445	1	PENDULUM (SN 0160006618 through 0160012552)	
10	7075611	1	PENDULUM (SN 0160012576 through 0160032930)	
10	1001098769	1	PENDULUM (SN 0160033319 to Present)	
11	90200688	1	BEARING (SN 0160006618 through 0160012552)	
12	90026491	1	SHOULDER BOLT, 1/4-20 (SN 0160006618 through 0160012552)	
13	88561108	1	FLAT WASHER, 5/16 (SN 0160006618 through 0160012552)	
13	8307113	3	WASHER (SN 0160012576 through 0160032930)	
13	4711600	1	WASHER, 3/8 (SN 0160033319 to Present)	
14	8305647	1	NUT (SN 0160012576 through 0160032930)	
14	8305645	1	HEX LOCKNUT, 3/8-16 (SN 0160033319 to Present)	
101	1001106734	2	JLG DECAL	
216	1001096404	1	BOOM ANGLE INDICATOR SPACER SLEEVE (SN 0160033319 to Present)	
K1	91415021	1	DECAL KIT, (includes items 1 thru 9, 11 thru 14 & 16 thru 27 on CAB AND FRAME DECALS & items 2 thru 9 on BOOM DECALS) (SN 0160006618 to Present)	H

SECTION 12 - OPTIONS

SECTION 12 - OPTIONS

FIGURE 12-1. TURBO OPTION (SN 0189001 through 0189345, SN 0160000230 through 0160001775)



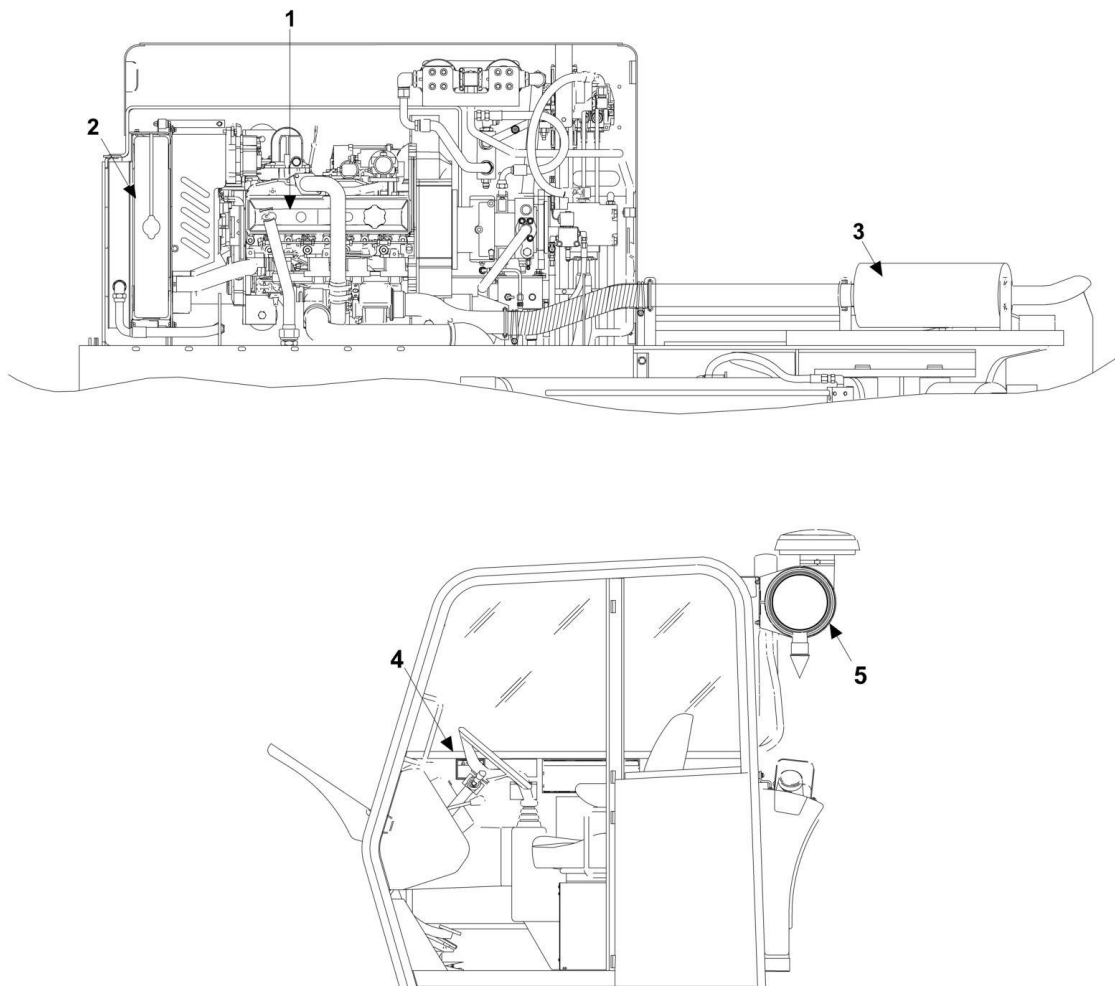
SECTION 12 - OPTIONS

FIGURE 12-1. TURBO OPTION (SN 0189001 through 0189345, SN 0160000230 through 0160001775)

ITEM	PART NUMBER	QTY	DESCRIPTION	REV
1	91415011	1	TURBO OPTION, (includes all items)	H
		Ref	TURBO ENGINE ASSY, (See TURBO ENGINE ASSEMBLY, LH VIEW AND TURBO ENGINE ASSEMBLY, RH VIEW)	
2		Ref	TURBO RADIATOR ASSY, (See TURBO RADIATOR ASSEMBLY for Breakdown)	
3		Ref	TURBO EXHAUST AND ATTACHING PARTS, (See TURBO EXHAUST INSTALLATION for Breakdown)	
4	91343016	1	CAUTION DECAL	
5		Ref	TURBO AIR CLEANER AND ATTACHING PARTS, (See TURBO AIR CLEANER AND INSTALLION for Breakdown)	

SECTION 12 - OPTIONS

FIGURE 12-2. TURBO OPTION (SN 0160001921 through 0160003058, Excluding 0160002657)



NOTE:
AFTER SN 0160003058 SEE ENGINE AND ATTACHING PARTS SECTION FOR DETAILS.

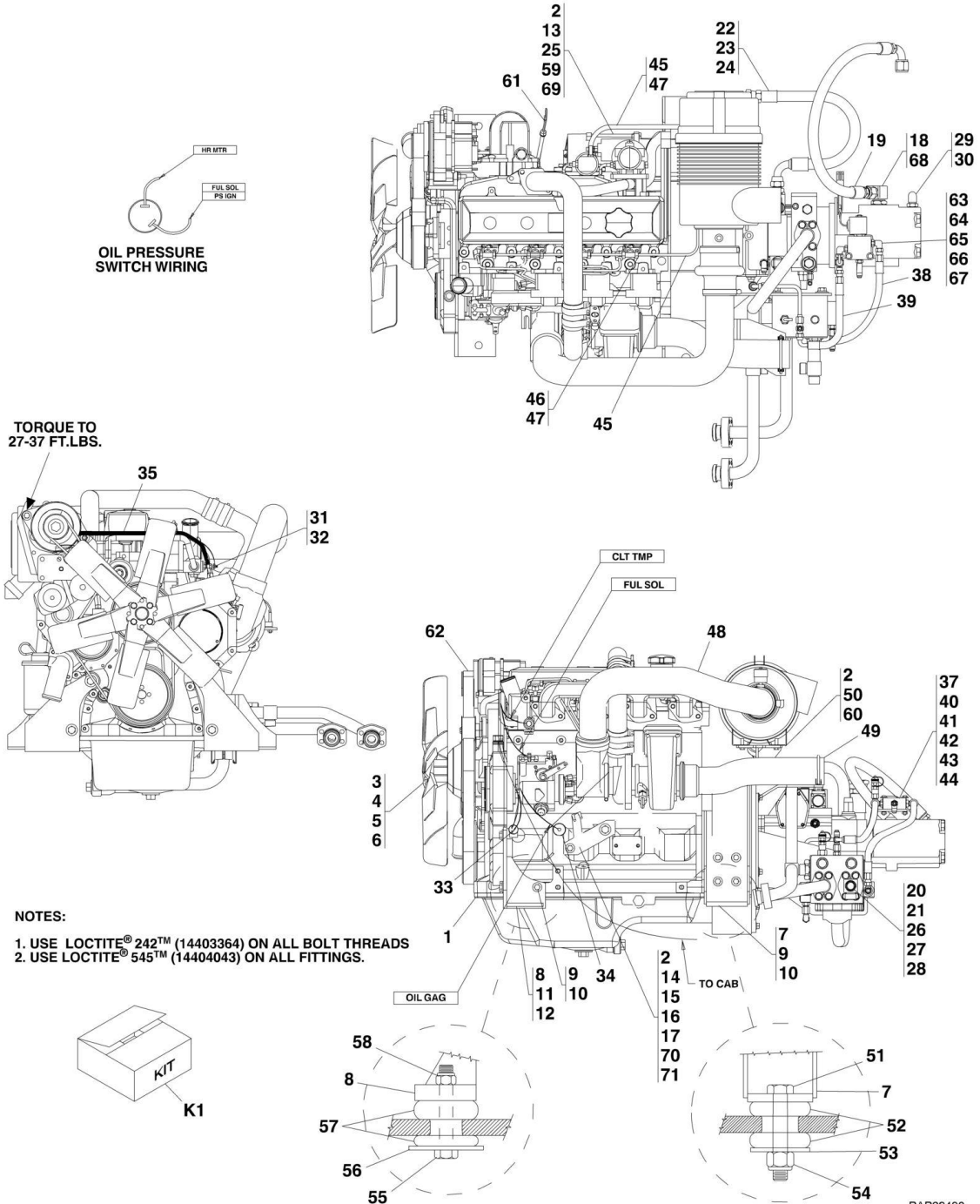
SECTION 12 - OPTIONS

FIGURE 12-2. TURBO OPTION (SN 0160001921 through 0160003058, Excluding 0160002657)

ITEM	PART NUMBER	QTY	DESCRIPTION	REV
1	91415011	1	TURBO OPTION, (includes all items)	I
		Ref	TURBO ENGINE ASSY, (See TURBO ENGINE ASSEMBLY, LH VIEW thru JOHN DEERE TURBO ENGINE for Breakdown)	
2		Ref	TURBO RADIATOR ASSY, (See TURBO RADIATOR ASSEMBLY for Breakdown)	
3		Ref	TURBO EXHAUST AND ATTACHING PARTS, (See TURBO EXHAUST INSTALLATION for Breakdown)	
4	91343016	1	CAUTION DECAL	
5		Ref	TURBO AIR CLEANER AND ATTACHING PARTS, (See TURBO AIR CLEANER AND INSTALLATION for Breakdown)	

SECTION 12 - OPTIONS

FIGURE 12-3. TURBO ENGINE ASSEMBLY, LH VIEW (SN 0189001 through 0189345, SN 016000230 through 0160001775)



NOTES:

1. USE LOCTITE® 242™ (14403364) ON ALL BOLT THREADS
2. USE LOCTITE® 545™ (14404043) ON ALL FITTINGS.

PAP23490

SECTION 12 - OPTIONS

FIGURE 12-3. TURBO ENGINE ASSEMBLY, LH VIEW (SN 0189001 through 0189345, SN 016000230 through 0160001775)

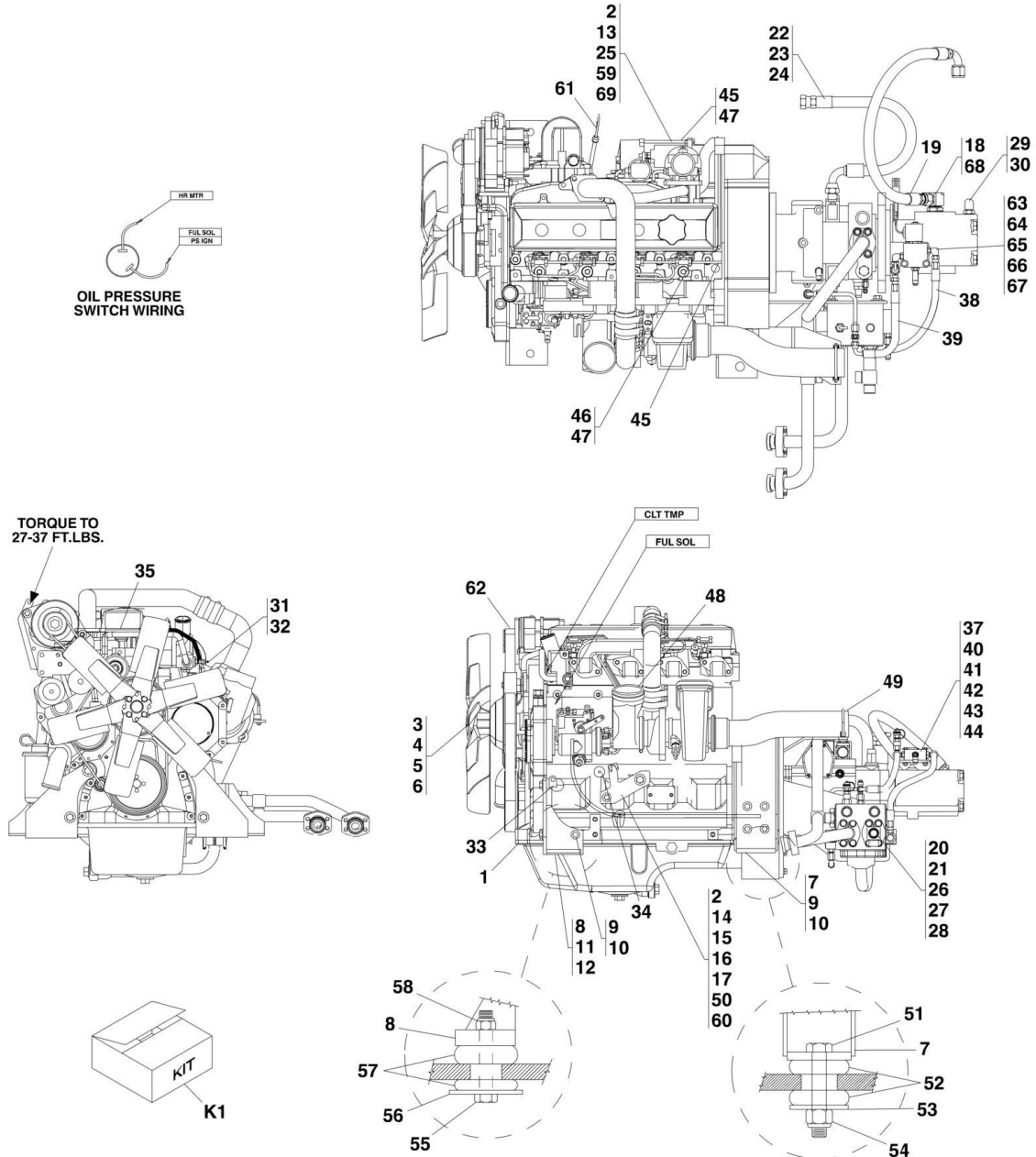
ITEM	PART NUMBER	QTY	DESCRIPTION	REV
	91415012	Ref	TURBO ENGINE ASSEMBLY, (includes items 1 thru 50, 60, 61, 62 & 69 thru 71 on TURBO ENGINE ASSEMBLY, LH VIEW and all items on TURBO ENGINE ASSEMBLY, RH VIEW)	
1		Ref	JOHN DEERE ENGINE, TURBO, (See JOHN DEERE TURBO ENGINE for Breakdown)	
2	83191013	6	LOCKWASHER, M10	
3	91403105	1	FAN	
4	91403248	1	FAN SPACER	
5	83191041	4	HEX HD CAPSCREW, M8X1-1/4X70	
6	88561108	4	FLAT WASHER, 5/16	
7	91406032	2	REAR ENGINE MOUNT	
8	91406026	1	LH FRONT ENGINE MOUNT	
8	91406027	1	RH FRONT ENGINE MOUNT	
9	83191032	10	HEX HD CAPSCREW, M12X1-3/4X35, (torque to 66-76 lb-ft)	
10	83191010	10	LOCKWASHER, M12	
11	83191043	4	HEX HD CAPSCREW, M16X2X30, (torque to 166-181 lb-ft)	
12	83783030	4	LOCKWASHER, M16	
13	91403160	1	STARTER, (includes item 59) (SN 189001 through 0189345)	
13	91413104	1	STARTER, (includes item 59) (SN 189346 through 0160001775)	
14	91401227	1	ACCELERATOR CABLE BRACKET (SN 189001 through 0160001379)	
14	91401060	1	ACCELERATOR CABLE BRACKET (SN 0160001388 through 0160001775)	
15	83191038	1	HEX HD CAPSCREW, M10X1-1/2X20	
16	91403293	1	HEX HD CAPSCREW, M14X2X25	
17	83191014	1	LOCKWASHER, M14	
18	88662429	1	ELBOW, 90, (includes item 68)	
19	84719468	1	HOSE ASSY	
20	91083106	1	O-RING	
21	91403455	1	HYDRAULIC TUBE	
22	2220451	1	CONNECTOR, (includes item 23)	
23	88591207	1	O-RING	
24	84719407	1	HOSE ASSY	
25	83191040	1	SOCKET HD CAPSCREW, M10X1-1/2X30, (torque to 38-48 lb-ft)	
26	83201135	4	HEX HD CAPSCREW, 7/16-14X1-1/2	
27	88551012	4	LOCKWASHER, 7/16	
28	84712738	2	CLAMP HALF	
29	88662059	1	ELBOW, 90, (includes item 30)	
30	88591206	1	O-RING	
31	91143314	1	WATER TEMPERATURE SENDER	
32	91403265	1	ADAPTER FITTING, (includes o-ring)	
33	24741047	1	OIL PRESSURE SWITCH	
34	91143315	1	OIL PRESSURE SENDER	
35	90027187	6	NYLON TIE	
37		Ref	SOLENOID VALVE, (See HYDRAULIC COMPONENTS SECTION for Breakdown)	
38	77133201	1	HOSE ASSY	
39	84719408	1	HOSE ASSY	
40	88201008	2	HEX HD CAPSCREW, 1/4-20X1-3/4, GR5	
41	88501304	2	HEX NUT, 1/4-28	

SECTION 12 - OPTIONS

ITEM	PART NUMBER	QTY	DESCRIPTION	REV
42	88561002	2	FLAT WASHER, 1/4	
43	88551009	2	LOCKWASHER, 1/4	
44	91401535	1	VALVE BRACKET	
45	82092118	120 in	FUEL LINE	
46	80373025	1	PUSH LOCK FITTING	
47	86883106	2	HOSE CLAMP	
48		Ref	TURBO AIR CLEANER AND INSTALLATION, (See TURBO AIR CLEANER AND INSTALLATION for Breakdown)	
49		Ref	TURBO EXHAUST AND INSTALLATION, (See TURBO EXHAUST INSTALLATION for Breakdown)	
50	83191027	2	HEX HD CAPSCREW, M10X1-1/2X35	
51	77321274	2	HEX HD CAPSCREW, 7/8-9X5	
52	91333003	2	SHOCK MOUNT	
53	91403137	2	REBOUND WASHER	
54	88521214	2	HEX LOCKNUT, 7/8-9	
55	88201105	2	HEX HD CAPSCREW, 5/8-11X4, GR5	
56	91403138	2	REBOUND WASHER	
57	91333002	2	SHOCK MOUNT	
58	88521010	2	HEX LOCKNUT, 5/8-11	
59	91404274	1	STARTER SOLENOID (SN 189001 through 0189345)	
59	91414040	1	STARTER SOLENOID (SN 189346 through 0160001775)	
60	91406118	1	AIR CLEANER BRACKET	
61	91404085	1	DIP STICK	
62	91404086	1	FAN BELT	
63	2220635	1	SWIVEL NUT RUN TEE, 3/8, TUBE	
64	2220473	2	ELBOW, 90, (includes item 65)	
65	88591204	3	O-RING	
66	2220606	1	RUN TEE, (includes item 65)	
67	91143172	1	TEST COUPLING	
68	88591209	1	O-RING	
69	83191062	2	SOCKET HD CAPSCREW, M10X1-1/2X40, (torque to 38-48 lb-ft)	
70	88561007	1	FLAT WASHER, 9/16	
71	80233220	1	FLAT WASHER, M10	
K1	91415035	1	TURBO ENGINE FILTER KIT, (includes all items)	
K1	91404005	1	OIL FILTER ELEMENT	
K1	91404004	1	FUEL FILTER	
K1	80273042	1	AIR FILTER SAFETY ELEMENT	
K1	80273010	1	AIR FILTER ELEMENT	
K1	91083218	1	FUEL STRAINER	

SECTION 12 - OPTIONS

FIGURE 12-4. TURBO ENGINE ASSEMBLY, LH VIEW (SN 0160001921 through 0160003058, Excluding 0160002657)



NOTES:

1. USE LOCTITE® 242TM, 14403364, ON ALL BOLT THREADS
2. USE LOCTITE® 545TM, 14404043, ON ALL FITTINGS.
3. AFTER SN 0160003058, SEE ENGINE AND ATTACHING PARTS SECTION FOR BREAKDOWN.

PAP23500

SECTION 12 - OPTIONS

**FIGURE 12-4. TURBO ENGINE ASSEMBLY, LH VIEW (SN 0160001921 through 0160003058,
Excluding 0160002657)**

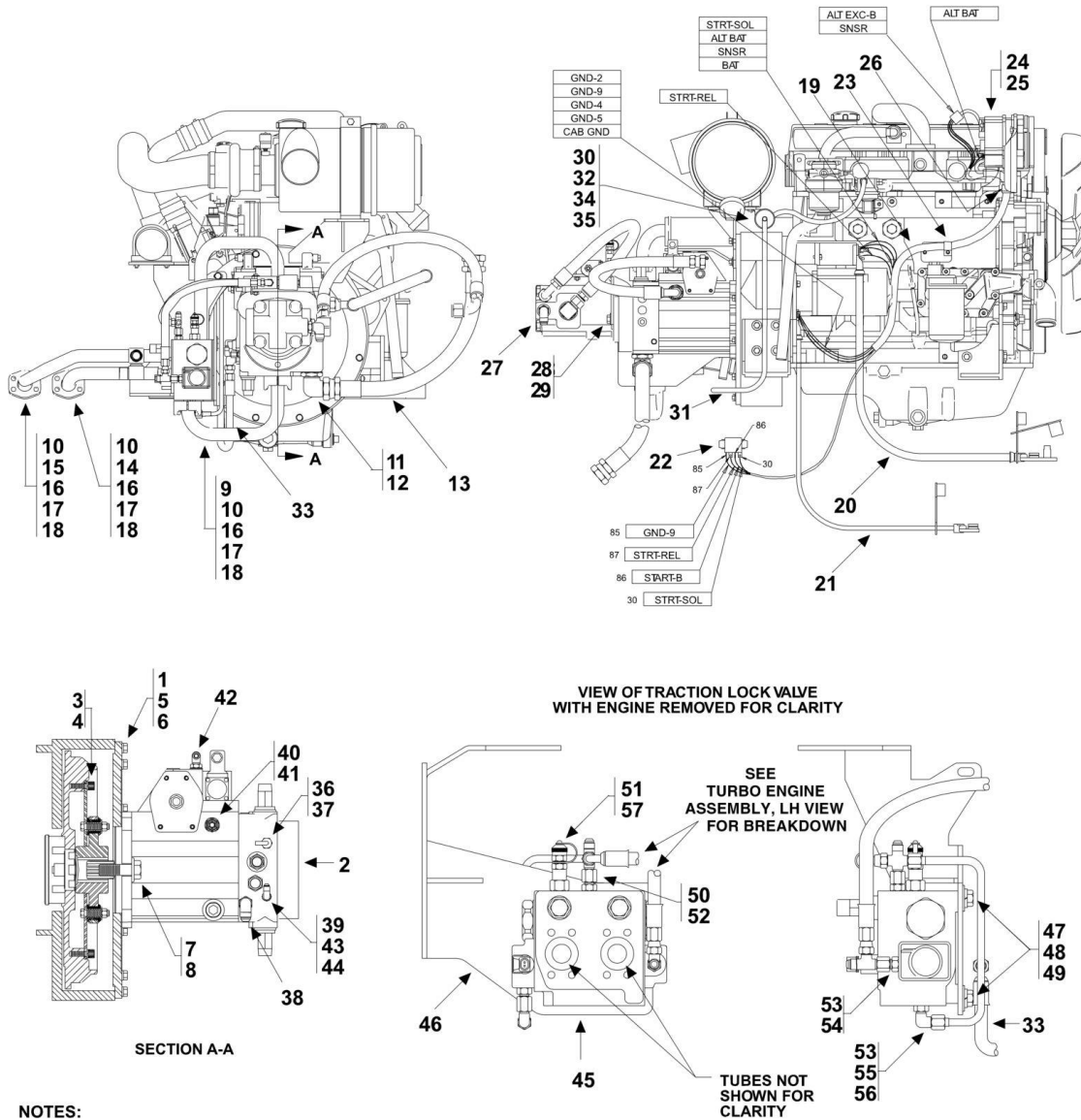
ITEM	PART NUMBER	QTY	DESCRIPTION	REV
	91415012	Ref	TURBO ENGINE ASSY, (includes items 1 thru 50, 60, 61, 62 & 69 on TURBO ENGINE ASSEMBLY, LH VIEW and all items on TURBO ENGINE ASSEMBLY, RH VIEW)	N
1		Ref	JOHN DEERE ENGINE, TURBO, (See JOHN DEERE TURBO ENGINE for Breakdown)	
2	83191013	6	LOCKWASHER, M10	
3	91403105	1	FAN	
4	91403248	1	FAN SPACER	
5	83191041	4	HEX HD CAPSCREW, M8X1-1/4X70	
6	88561108	4	FLAT WASHER, 5/16	
7	91406032	2	REAR ENGINE MOUNT	
8	91406026	1	LH FRONT ENGINE MOUNT	
8	91406027	1	RH FRONT ENGINE MOUNT	
9	83191032	10	HEX HD CAPSCREW, M12X1-3/4X35, (torque to 66-76 lb-ft)	
10	83191010	10	LOCKWASHER, M12	
11	83191043	4	HEX HD CAPSCREW, M16X2X30, (torque to 166-181 lb-ft)	
12	83783030	4	LOCKWASHER, M16	
13	91413104	1	STARTER, (includes item 59)	
14	91411060	1	ACCELERATOR CABLE BRACKET	
15	83191038	1	HEX HD CAPSCREW, M10X1-1/2X20	
16	91403293	1	HEX HD CAPSCREW, M14X2X25	
17	83191014	1	LOCKWASHER, M14	
18	88662429	1	ELBOW, 90, (includes item 68)	
19	84719468	1	HOSE ASSY	
20	91083106	1	O-RING	
21	91403455	1	HYDRAULIC TUBE	
22	2220451	1	CONNECTOR, (includes item 23)	
23	88591207	1	O-RING	
24	84719407	1	HOSE ASSY	
25	83191040	1	SOCKET HD CAPSCREW, M10X1-1/2X30, (torque to 38-48 lb-ft)	
26	83201135	4	HEX HD CAPSCREW, 7/16-14X1-1/2	
27	88551012	4	LOCKWASHER, 7/16	
28	84712738	2	CLAMP HALF	
29	88662059	1	ELBOW, 90, (includes item 30)	
30	88591206	1	O-RING	
31	91143314	1	WATER TEMPERATURE SENDER	
32	91403265	1	ADAPTER FITTING, (includes o-ring)	
33	24741047	1	OIL PRESSURE SWITCH	
34	91143315	1	OIL PRESSURE SENDER	
35	90027187	6	NYLON TIE	
37		Ref	SOLENOID VALVE, (See HYDRAULIC COMPONENTS SECTION for Breakdown)	
38	77133201	1	HOSE ASSY	
39	84719408	1	HOSE ASSY	
40	88201008	2	HEX HD CAPSCREW, 1/4-20X1-3/4, GR5	
41	88501304	2	HEX NUT, 1/4-28	
42	88561002	2	FLAT WASHER, 1/4	
43	88551009	2	LOCKWASHER, 1/4	
44	91401535	1	VALVE BRACKET	
45	82092118	120 in	FUEL LINE	

SECTION 12 - OPTIONS

ITEM	PART NUMBER	QTY	DESCRIPTION	REV
46	80373025	1	PUSH LOCK FITTING	
47	86883106	2	HOSE CLAMP	
48		Ref	TURBO AIR CLEANER AND INSTALLATION, (See TURBO AIR CLEANER AND INSTALLATION for Breakdown)	
49		Ref	TURBO EXHAUST AND INSTALLATION, (See TURBO EXHAUST INSTALLATION for Breakdown)	
50	88561007	1	FLAT WASHER, 9/16	
51	77321274	2	HEX HD CAPSCREW, 7/8-9X5	
52	91333003	2	SHOCK MOUNT	
53	91403137	2	REBOUND WASHER	
54	88521214	2	HEX LOCKNUT, 7/8-9	
55	88201105	2	HEX HD CAPSCREW, 5/8-11X4, GR5	
56	91403138	2	REBOUND WASHER	
57	91333002	2	SHOCK MOUNT	
58	88521010	2	HEX LOCKNUT, 5/8-11	
59	91414040	1	STARTER SOLENOID	
60	80233220	1	FLAT WASHER, M10	
61	91404085	1	DIP STICK	
62	91404086	1	FAN BELT	
63	2220635	1	SWIVEL NUT RUN TEE, 3/8, TUBE	
64	2220473	2	ELBOW, 90, (includes item 65)	
65	88591204	3	O-RING	
66	2220606	1	RUN TEE, (includes item 65)	
67	91143172	1	TEST COUPLING	
68	88591209	1	O-RING	
69	83191062	2	SOCKET HD CAPSCREW, M10X1-1/2X40, (torque to 38-48 lb-ft)	
K1	91415064	1	TURBO ENGINE FILTER KIT, (includes all items)	C
K1	91404005	1	OIL FILTER ELEMENT	
K1	91404004	1	FUEL FILTER	
K1	1101313	1	AIR FILTER SAFETY ELEMENT	
K1	1101312	1	AIR FILTER ELEMENT	
K1	91083218	1	FUEL STRAINER	

SECTION 12 - OPTIONS

FIGURE 12-5. TURBO ENGINE ASSEMBLY, RH VIEW (SN 0189001 through 0189345, SN 016000230 through 0160001775)



- NOTES:
1. USE LOCTITE® 242TM, 14403364, ON ALL BOLT THREADS
 2. USE LOCTITE® 545TM, 14404043, ON ALL FITTINGS.

SECTION 12 - OPTIONS

FIGURE 12-5. TURBO ENGINE ASSEMBLY, RH VIEW (SN 0189001 through 0189345, SN 016000230 through 0160001775)

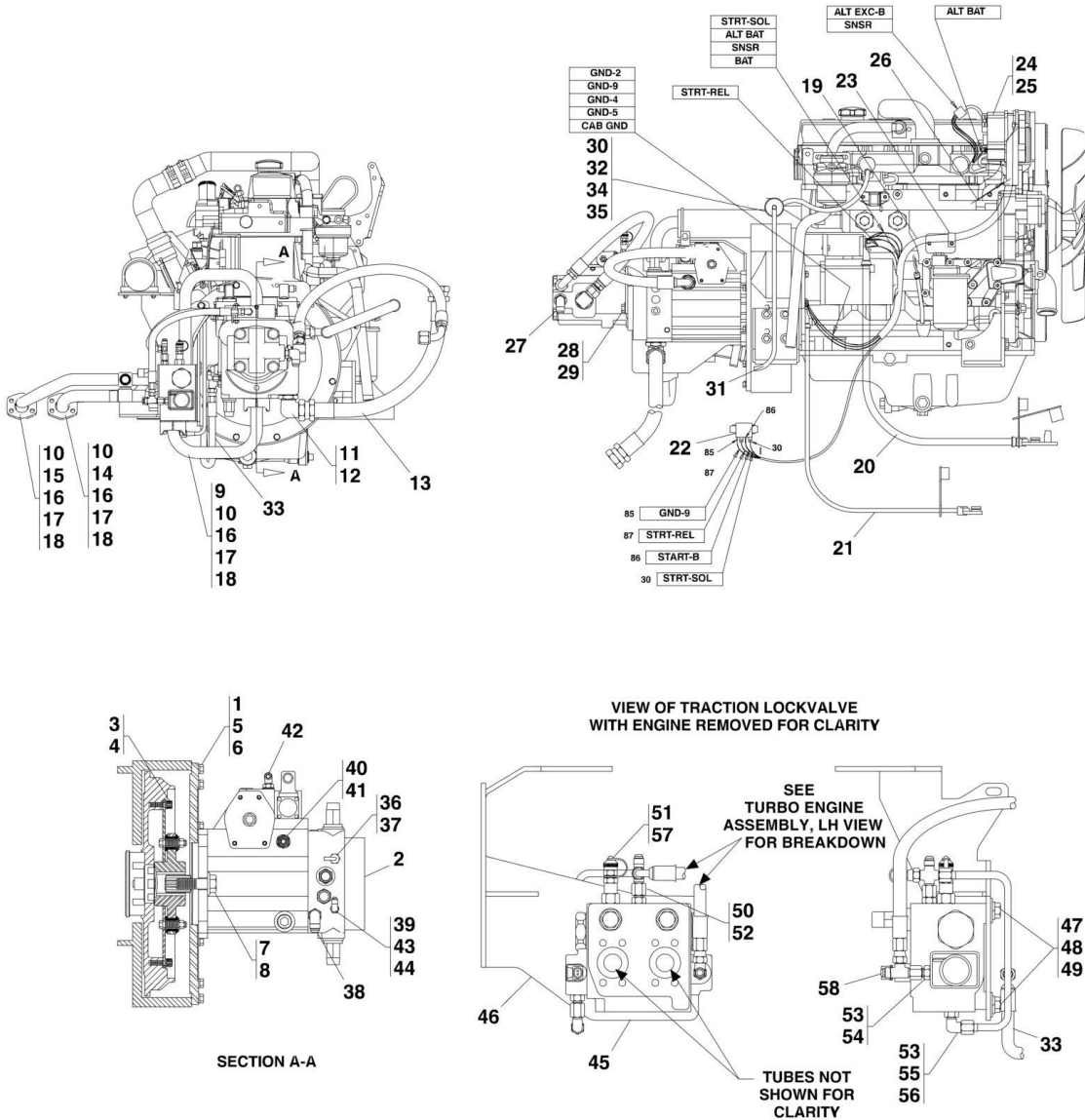
ITEM	PART NUMBER	QTY	DESCRIPTION	REV
	91415012	Ref	TURBO ENGINE ASSY, (includes items 1 thru 50, 60, 61, 62 & 69 thru 71 on TURBO ENGINE ASSEMBLY,LH VIEW and all items on TURBO ENGINE ASSEMBLY,RH VIEW)	
1	91163011	1	PUMP MOUNT AND COUPLING	
2		Ref	HYDROSTATIC TRANSMISSION, (See HYDRAULIC COMPONENTS SECTION for Breakdown)	
3	88211068	8	SOCKET HD CAPSCREW, 3/8-16X5/8, GR8, (torque to 40-45 lb-ft)	
4	88551011	8	LOCKWASHER, 3/8	
5	83191006	7	HEX HD CAPSCREW, M10X1-1/2X40, (torque to 38-48 lb-ft)	
6	83191013	7	LOCKWASHER, M10	
7	88201112	2	HEX HD CAPSCREW, 3/4-10X2-1/4, GR5, (torque to 240-265 lb-ft)	
8	90027473	2	HARDENED WASHER, 3/4	
9	91403454	1	HYDRAULIC TUBE	
10	91083106	4	O-RING	
11	88662070	1	ELBOW, 90, (includes item 12)	
12	88591210	1	O-RING	
13	84719593	1	HOSE ASSY	
14	91403556	1	HYDRAULIC TUBE	
15	91413005	1	HYDRAULIC TUBE	
16	83201135	16	HEX HD CAPSCREW, 7/16-14X1-1/2	
17	88551012	16	LOCKWASHER, 7/16	
18	84712738	8	CLAMP HALF	
19	91403457	1	WIRING HARNESS	
20		Ref	POSITIVE BATTERY CABLE, (See ELECTRICAL SECTION for Breakdown)	
21		Ref	NEGATIVE BATTERY CABLE, (See ELECTRICAL SECTION for Breakdown)	
22	77383377	1	STARTER RELAY	
23	85941017	1	SUPPORT CLAMP	
24	91343222	1	ALTERNATOR, (includes item 25)	
25	91083504	1	REGULATOR	
26	24431386	1	SUPPORT CLAMP	
27		Ref	HYDRAULIC PUMP, (See HYDRAULIC COMPONENTS SECTION for Breakdown)	
28	88201066	2	HEX HD CAPSCREW, 1/2-13X1-1/4, GR5, (torque to 68-78 lb-ft)	
29	90027471	2	HARDENED WASHER, 1/2	
30	91083218	1	FUEL STRAINER	
31	82092118	89 in	FUEL LINE	
32	90028660	1	SUPPORT CLAMP	
33	84719163	1	HOSE ASSY	
34	88561003	1	FLAT WASHER, 5/16	
35	86883106	2	HOSE CLAMP	
36	91053020	1	MINI-CHECK, (includes item 37)	
37	91054002	1	VITON O-RING, (lubricate lightly)	
38	91083222	1	ELBOW, 90, (swivel nut)	
39	88662103	1	ELBOW, 90, (swivel nut)	
40	2220371	1	CONNECTOR, (includes item 41)	
41	88591204	1	O-RING	

SECTION 12 - OPTIONS

ITEM	PART NUMBER	QTY	DESCRIPTION	REV
42	90027906	2	ELBOW, 90	
43	2220415	1	CONNECTOR, (includes item 44)	
44	88591202	1	O-RING	
45		Ref	TRACTION LOCK VALVE, (See HYDRAULIC COMPONENTS SECTION for Breakdown)	
46	91406112	1	FLOW DIVIDER BRACKET	
47	88201065	2	HEX HD CAPSCREW, 1/2-13X1, GR5	
48	88551013	2	LOCKWASHER, 1/2	
49	88561006	2	FLAT WASHER, 1/2	
50	91403523	1	SPECIAL FITTING	
51	83763056	1	VITON O-RING, (lubricate lightly)	
52	2220497	1	STRAIGHT THREAD CONNECTOR	
53	2220371	2	CONNECTOR, (includes item 54)	
54	88591204	2	O-RING	
55	88662105	1	ELBOW, 90, (swivel nut)	
56	91163098	1	TUBE ASSY	
57	77133089	1	MINI-CHECK, (includes item 51)	

SECTION 12 - OPTIONS

FIGURE 12-6. TURBO ENGINE ASSEMBLY, RH VIEW (SN 0160001921 through 0160003058, Excluding 0160002657)



NOTES:

1. USE LOCTITE® 242TM, 14403364, ON ALL BOLT THREADS
2. USE LOCTITE® 545TM, 14404043, ON ALL FITTINGS.
3. AFTER SN 0160003058, SEE ENGINE AND ATTACHING PARTS SECTION FOR BREAKDOWN.

PAP23510

SECTION 12 - OPTIONS

**FIGURE 12-6. TURBO ENGINE ASSEMBLY, RH VIEW (SN 0160001921 through 0160003058,
Excluding 0160002657)**

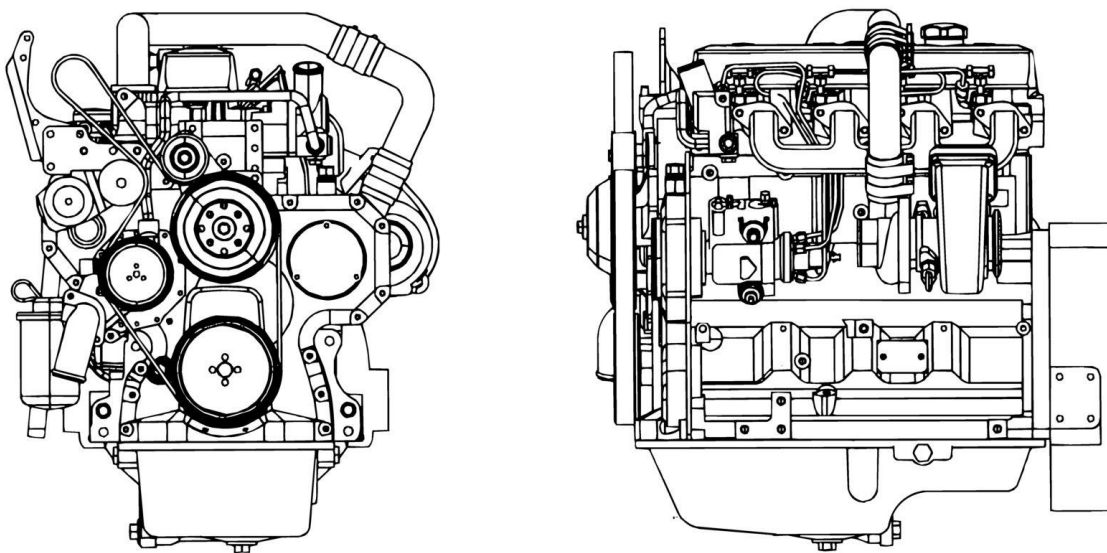
ITEM	PART NUMBER	QTY	DESCRIPTION	REV
	91415012	Ref	TURBO ENGINE ASSY, (includes items 1 thru 50, 60, 61, 62 & 69 on TURBO ENGINE ASSEMBLY, LH VIEW and all items on TURBO ENGINE ASSEMBLY, RH VIEW)	N
1	91163011	1	PUMP MOUNT AND COUPLING	
2		Ref	HYDROSTATIC TRANSMISSION, (See HYDRAULIC COMPONENTS SECTION for Breakdown)	
3	88211068	8	SOCKET HD CAPSCREW, 3/8-16X5/8, GR8, (torque to 40-45 lb-ft)	
4	88551011	8	LOCKWASHER, 3/8	
5	83191006	7	HEX HD CAPSCREW, M10X1-1/2X40, (torque to 38-48 lb-ft)	
6	83191013	7	LOCKWASHER, M10	
7	88201112	2	HEX HD CAPSCREW, 3/4-10X2-1/4, GR5, (torque to 240-265 lb-ft)	
8	90027473	2	HARDENED WASHER, 3/4	
9	91403454	1	HYDRAULIC TUBE	
10	91083106	4	O-RING	
11	88662070	1	ELBOW, 90, (includes item 12)	
12	88591210	1	O-RING	
13	84719593	1	HOSE ASSY	
14	91403556	1	HYDRAULIC TUBE	
15	91413005	1	HYDRAULIC TUBE	
16	83201135	16	HEX HD CAPSCREW, 7/16-14X1-1/2	
17	88551012	16	LOCKWASHER, 7/16	
18	84712738	8	CLAMP HALF	
19		Ref	WIRING HARNESS, (See ELECTRICAL SECTION for Breakdown)	
20		Ref	POSITIVE BATTERY CABLE, (See ELECTRICAL SECTION for Breakdown)	
21		Ref	NEGATIVE BATTERY CABLE, (See ELECTRICAL SECTION for Breakdown)	
22	77383377	1	STARTER RELAY	
23	85941017	1	SUPPORT CLAMP	
24	1001108293	1	ALTERNATOR, (includes item 25)	
25	1001108291	1	REGULATOR	
26	24431386	1	SUPPORT CLAMP	
27		Ref	HYDRAULIC PUMP, (See HYDRAULIC COMPONENTS SECTION for Breakdown)	
28	88201066	2	HEX HD CAPSCREW, 1/2-13X1-1/4, GR5, (torque to 68-78 lb-ft)	
29	90027471	2	HARDENED WASHER, 1/2	
30	91083218	1	FUEL STRAINER	
31	82092118	89 in	FUEL LINE	
32	90028660	1	SUPPORT CLAMP	
33	84719163	1	HOSE ASSY	
34	88561003	1	FLAT WASHER, 5/16	
35	86883106	2	HOSE CLAMP	
36	91053020	1	MINI-CHECK, (includes item 37)	
37	91054002	1	VITON O-RING, (lubricate lightly)	
38	91083222	1	ELBOW, 90, (swivel nut)	
39	88662103	1	ELBOW, 90, (swivel nut)	
40	2220371	1	CONNECTOR, (includes item 41)	
41	88591204	1	O-RING	

SECTION 12 - OPTIONS

ITEM	PART NUMBER	QTY	DESCRIPTION	REV
42	90027906	2	ELBOW, 90	
43	2220415	1	CONNECTOR, (includes item 44)	
44	88591202	1	O-RING	
45		Ref	TRACTION LOCK VALVE, (See HYDRAULIC COMPONENTS SECTION for Breakdown)	
46	91406112	1	FLOW DIVIDER BRACKET	
47	88201065	2	HEX HD CAPSCREW, 1/2-13X1, GR5	
48	88551013	2	LOCKWASHER, 1/2	
49	88561006	2	FLAT WASHER, 1/2	
50	91403523	1	SPECIAL FITTING	
51	83763056	1	VITON O-RING, (lubricate lightly)	
52	2220497	1	STRAIGHT THREAD CONNECTOR	
53	2220371	2	CONNECTOR, (includes item 54)	
54	88591204	2	O-RING	
55	88662105	1	ELBOW, 90, (swivel nut)	
56	91163098	1	TUBE ASSY	
57	77133089	1	MINI-CHECK, (includes item 51)	
58	2220635	1	SWIVEL NUT RUN TEE, 3/8, TUBE	

SECTION 12 - OPTIONS

FIGURE 12-7. JOHN DEERE TURBO ENGINE (SN 0189001 through 0189345, SN 016000230 through 0160003058, Excluding 0160002657)



NOTE:
AFTER SN 0160003058, SEE ENGINE AND ATTACHING PARTS SECTION FOR BREAKDOWN.

SECTION 12 - OPTIONS

FIGURE 12-7. JOHN DEERE TURBO ENGINE (SN 0189001 through 0189345, SN 0160000230 through 0160003058, Excluding 0160002657)

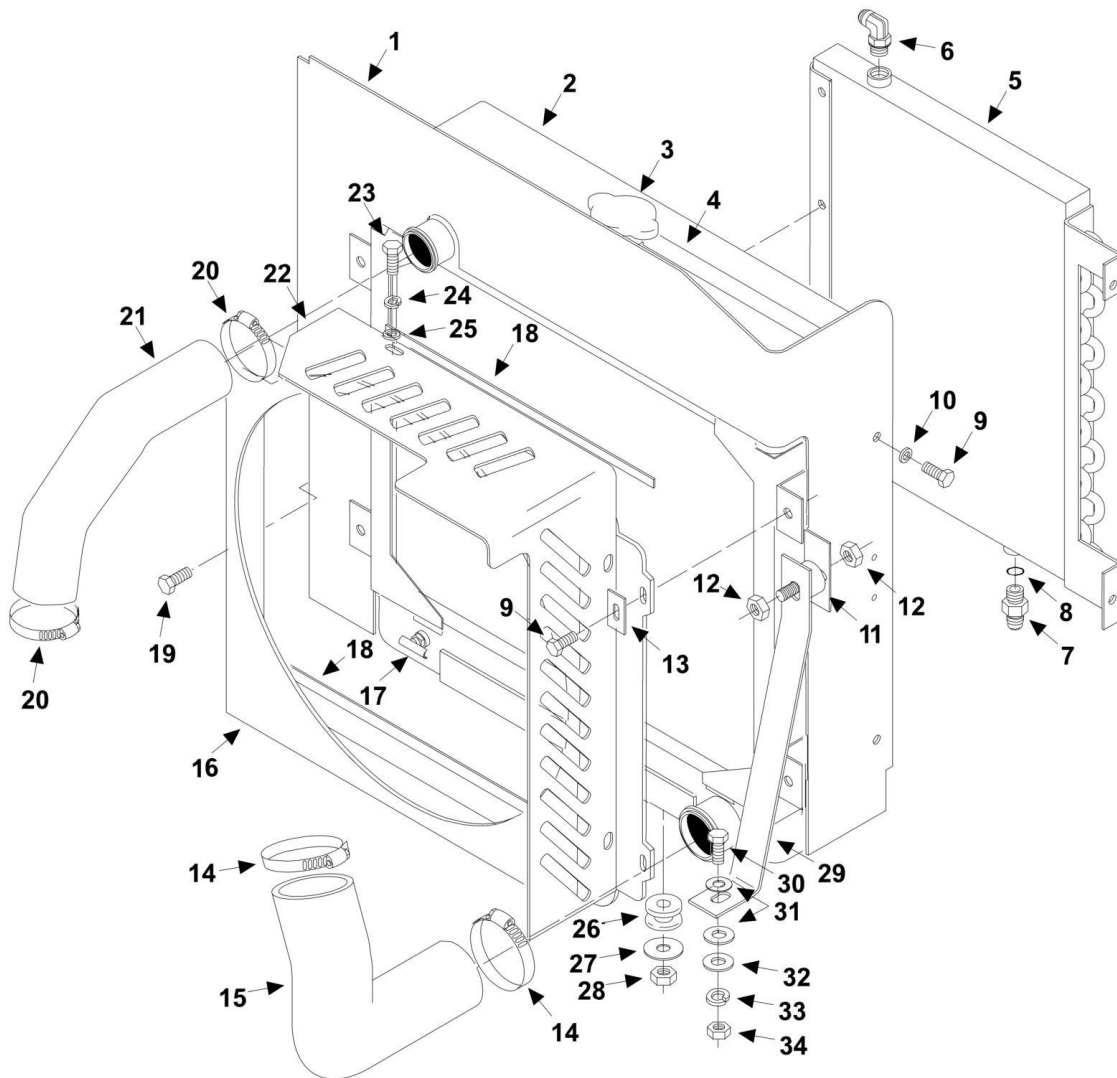
ITEM	PART NUMBER	QTY	DESCRIPTION	REV
	91403014	1	JOHN DEERE ENGINE, TURBO, (includes all items)	F
	91404219	1	GASKET KIT OVERHAUL	
	91404220	1	ENGINE CYLINDER HEAD GASKET	
	91404221	1	BOLT, BELT TENSIONER	
	91404222	1	SCREW, BELT TENSIONER	
	91404223	1	SHEAVE, BELT TENSIONER	
	91404265	1	GASKET	
	91404266	2	O-RING	
	91404267	1	GASKET	
	91404268	1	HYDRAULIC HOSE	
	91404269	1	TURBOCHARGER	
	91404224	1	OIL COOLER	
	91404225	1	GASKET, OIL COOLER	
	91404226	1	GASKET, OIL COOLER	
	91404227	2	O-RING, OIL COOLER	
	91404228	2	O-RING, OIL COOLER	
	91404230	1	KIT, WATER PUMP REPAIR	
	91404231	1	SEAL KIT, FRONT MAIN SEAL	
	91404232	1	GASKET, WATER PUMP	
	91404233	1	WATER PUMP	
	70024392	1	PULLEY, WATER PUMP	
	91404234	4	GASKET, EXHAUST MANIFOLD	
	91404235	1	FAN PULLEY	
	91404236	1	SCREW, FAN PULLEY	
	91404237	1	SPACER, FAN PULLEY	
	91404238	1	SLEEVE, FAN PULLEY	
	91404239	1	BEARING HOUSING WITH BEARING	
	7026927	1	GASKET, THERMOSTAT	
	91404241	3	PLUG, OIL PAN	
	91404242	1	GASKET, OIL PAN	
	91404243	2	O-RING, OIL DRAIN	
	91404270	1	WASHER, INJECTOR	
	91404248	1	SLEEVE, INJECTOR	
	91404271	1	PACKING, INJECTOR	
	91404272	1	INJECTION NOZZLE	
	91404273	1	PLUG, INJECTOR	
	91404250	1	FLYWHEEL WITH GEAR RING	
	91404251	1	SEAL, REAR MAIN	
	91404252	1	PULLEY, MAIN	
	91404253	2	GASKET, OIL FILTER	
	91404254	1	PACKING, VALVE COVER NUT	
	91404255	1	PACKING, FILLER CAP	
	91404256	4	PLUG, VALVE COVER	
	91404257	1	GASKET, VALVE COVER	
	91404258	1	FILLER CAP, VALVE COVER	
	91404259	4	O-RING, VALVE COVER	
	91404260	1	COOLANT, PRE-MIX, (2.5 gal)	
	91404261	1	COOLANT CONDITIONER	
	91404262	1	FUEL TRANSFER PUMP	

SECTION 12 - OPTIONS

ITEM	PART NUMBER	QTY	DESCRIPTION	REV
	91404263	1	THERMOSTAT	
	91404264	1	THERMOSTAT COVER SEAL	
	70023826	1	ELBOW FITTING, (connects lower radiator hose to the water pump)	
	91404229	1	O-RING, WATER PUMP INLET	
	70023426	1	BOLT, M8X25, (top bolt for mounting elbow fitting to water pump)	
	91474499	1	BOLT, M8X65, (bottom bolt for mounting elbow fitting to water pump)	

SECTION 12 - OPTIONS

FIGURE 12-8. TURBO RADIATOR ASSEMBLY (SN 0189001 through 0189345, SN 016000230 through 0160003058, Excluding 0160002657)



NOTE:
AFTER SN 0160003058, SEE ENGINE AND ATTACHING PARTS SECTION FOR BREAKDOWN.

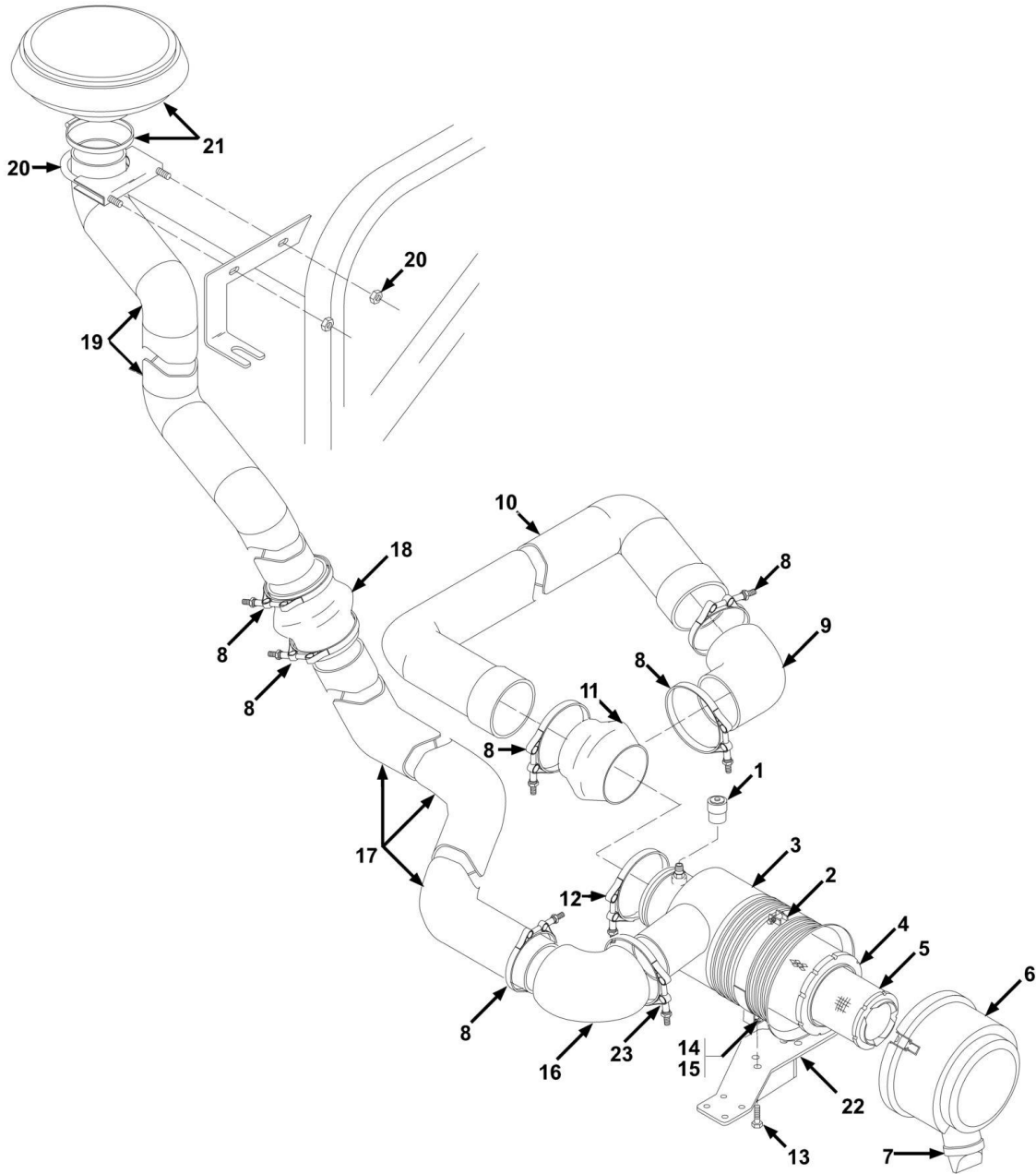
SECTION 12 - OPTIONS

FIGURE 12-8. TURBO RADIATOR ASSEMBLY (SN 0189001 through 0189345, SN 0160000230 through 0160003058, Excluding 0160002657)

ITEM	PART NUMBER	QTY	DESCRIPTION	REV
	91405010	1	RADIATOR ASSY, (includes items 1 thru 21)	
1	91403403	1	AIR DAM	
2	91403142	1	RADIATOR, (includes items 3 & 4)	
3	91404008	1	RADIATOR CAP, 10 PSI	
4	N.S.S.	38 in	OVERFLOW HOSE	
5	91403086	1	OIL COOLER	
6	83291198	1	ELBOW, 90	
6	83251198	1	ELBOW, 90 DEGREES	
7	2220376	1	CONNECTOR, (includes item 8)	
8	88591207	1	O-RING	
9	77143003	6	WHIZ-LOCK SCREW, 5/16-18X5/8	
10	88561003	2	FLAT WASHER, 5/16	
11	91033137	2	SHOCK MOUNT	
12	77143006	4	WHIZ-LOCKNUT, 5/16-18	
13	91143348	4	CLAMP BAR	
14	86883327	2	HOSE CLAMP	
15	91403096	1	LOWER RADIATOR HOSE	
16	91406090	1	FAN SHROUD	
17	84521056	1	DRAIN COCK	
18	90200755	38 in	GASKA-TAPE	
19	91123124	4	WHIZ-LOCK SCREW, 5/16-18X1/2	
20	85071128	2	HOSE CLAMP	
21	91403095	1	UPPER RADIATOR HOSE	
22	91401233	1	FAN GUARD	
23	88201017	3	HEX HD CAPSCREW, 5/16-18X5/8, GR5	
24	88551010	3	LOCKWASHER, 5/16	
25	88561108	3	FLAT WASHER, 5/16	
26	83683308	2	SHOCK MOUNT	
27	90205918	2	SPECIAL WASHER	
28	88521206	2	HEX LOCKNUT, 3/8-16	
29	91471108	1	RADIATOR SUPPORT BRACKET	
30	88201036	1	HEX HD CAPSCREW, 3/8-16X1-1/4, GR5	
31	88561004	2	FLAT WASHER, 3/8	
32	90027470	1	HARDENED WASHER, 3/8	
33	88551011	1	LOCKWASHER, 3/8	
34	88501006	1	HEX NUT, 3/8-16	

SECTION 12 - OPTIONS

FIGURE 12-9. TURBO AIR CLEANER AND INSTALLATION (SN 0189001 through 0189345, SN 0160000230 through 0160001775)



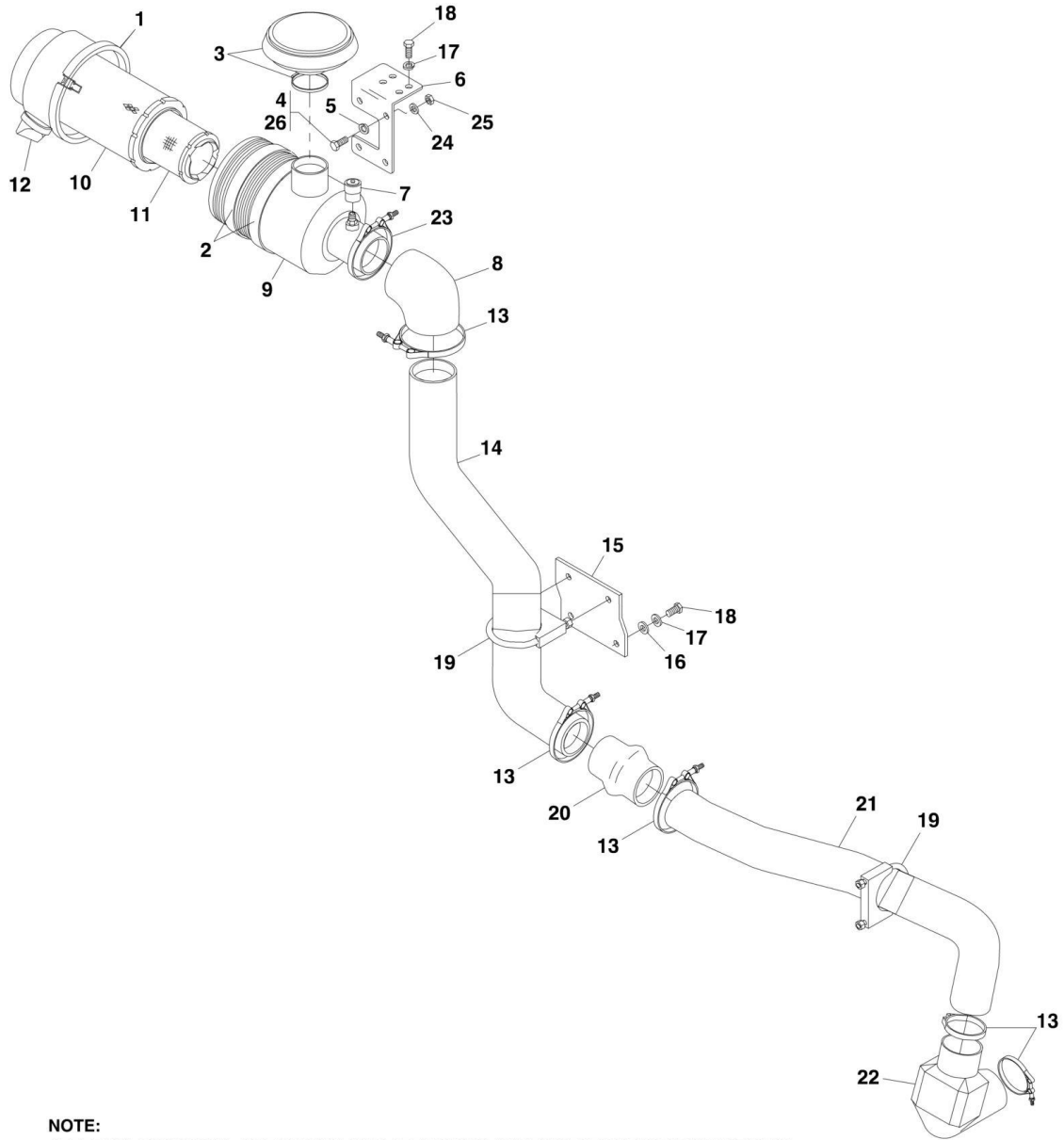
SECTION 12 - OPTIONS

FIGURE 12-9. TURBO AIR CLEANER AND INSTALLATION (SN 0189001 through 0189345, SN 0160000230 through 0160001775)

ITEM	PART NUMBER	QTY	DESCRIPTION	REV
	91405029	Ref	TURBO AIR CLEANER ASSY, (includes items 1 thru 3)	D
1	83671475	1	INDICATOR	
2	80273011	1	BAND CLAMP	
3	10733141	1	AIR CLEANER, (includes items 4 thru 7)	
4	80273010	1	ELEMENT, (outer)	
5	80273042	1	ELEMENT, (inner)	
6	80274004	1	COVER ASSY	
7	10733183	1	VACUATOR	
8	91163129	7	BAND CLAMP	
9	91083126	1	RUBBER ELBOW, 90	
10	91403118	1	AIR INTAKE TUBE	
11	91403239	1	STRAIGHT HUMP	
12	91163137	1	HOSE CLAMP	
13	88201020	2	HEX HD CAPSCREW, 5/16-18X1, GR5	
14	88521205	2	HEX LOCKNUT, 5/16-18	
15	88561108	1	FLAT WASHER, 5/16	
16	91083129	1	RUBBER ELBOW, 90	
17	91413054	1	AIR INTAKE TUBE	
18	91403244	1	STRAIGHT HUMP	
19	91403515	1	AIR INTAKE TUBE	
20	24921332	1	MUFFLER CLAMP	
21	91403512	1	AIR INTAKE HOOD, (includes clamp)	
22		Ref	BRACKET, (See TURBO ENGINE ASSEMBLY, LH VIEW for Breakdown)	
23	91413025	1	BAND CLAMP	

SECTION 12 - OPTIONS

FIGURE 12-10. TURBO AIR CLEANER AND INSTALLATION (SN 0160001921 through 0160003058, Excluding 0160002657)



NOTE:
AFTER SN 0160003058, SEE ENGINE AND ATTACHING PARTS SECTION FOR BREAKDOWN.

PAP21970

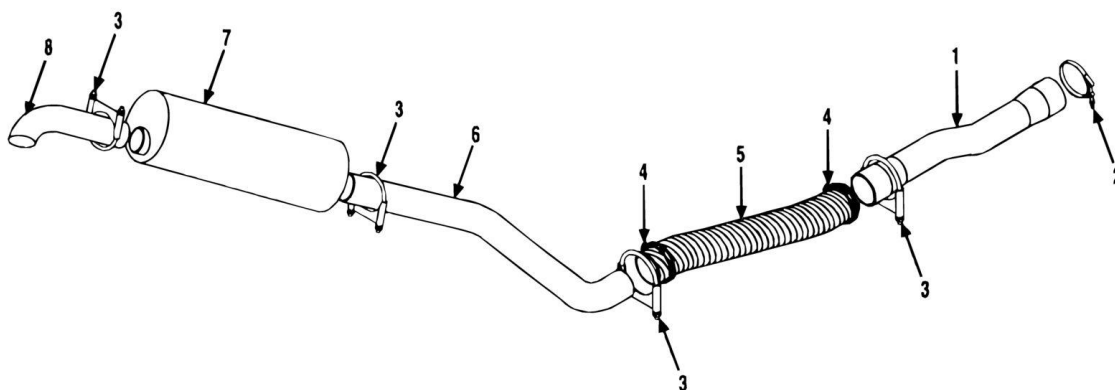
SECTION 12 - OPTIONS

**FIGURE 12-10. TURBO AIR CLEANER AND INSTALLATION (SN 0160001921 through 0160003058,
Excluding 0160002657)**

ITEM	PART NUMBER	QTY	DESCRIPTION	REV
	91515041	Ref	AIR CLEANER INSTALLATION, (not available to order, see items 1 thru 12 for service)	B
1	91364023	1	COVER ASSY	
2	10268516	2	MOUNTING BAND	
3	8273257	1	AIR INLET HOOD, (includes clamp)	
4	88201021	4	HEX HD CAPSCREW, 5/16-18X1-1/4, GR5	
5	88551010	4	LOCKWASHER, 5/16	
6	91511144	1	MOUNTING BRACKET	
7	77383154	1	SERVICE INDICATOR	
8	91153007	1	ELBOW, 90	
9	8273029	1	AIR CLEANER, (includes items 1 & 10 thru 12)	
10	1101312	1	OUTER ELEMENT	
11	1101313	1	INNER ELEMENT	
12	80373094	1	VACUATOR	
13	91163129	5	BAND CLAMP	
14	91473104	1	AIR INTAKE TUBE	
15	91471133	1	INTAKE SUPPORT BRACKET	
16	88561004	2	FLAT WASHER, 3/8	
17	88551011	4	LOCKWASHER, 3/8	
18	88201033	4	HEX HD CAPSCREW, 3/8-16X3/4, GR5	
19	24921332	2	CLAMP	
20	91403244	1	STRAIGHT HUMP	
21	91473103	1	AIR INTAKE TUBE	
22	91083126	1	AIR INTAKE ELBOW	
23	77383790	1	BAND CLAMP	
24	88561108	4	FLAT WASHER, 5/16	
25	77143006	4	WHIZ-LOCKNUT, 5/16-18	
26	0100011	AR	LOCTITE 242	

SECTION 12 - OPTIONS

FIGURE 12-11. TURBO EXHAUST INSTALLATION (SN 0189001 through 0189345, SN 0160000230 through 0160003058, Excluding 0160002657)



NOTE:
AFTER SN 0160003058, SEE ENGINE AND ATTACHING PARTS SECTION FOR BREAKDOWN

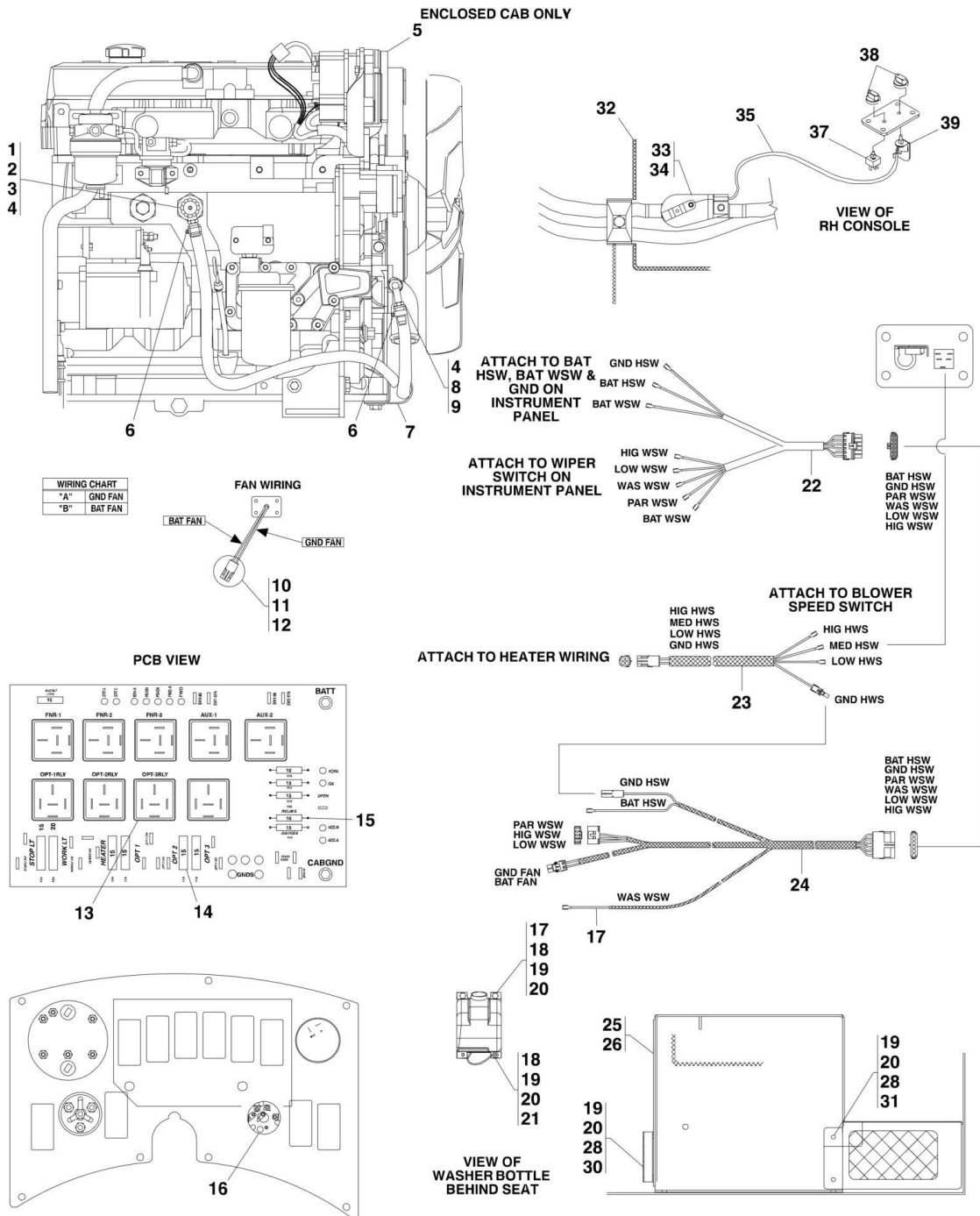
SECTION 12 - OPTIONS

FIGURE 12-11. TURBO EXHAUST INSTALLATION (SN 0189001 through 0189345, SN 0160000230 through 0160003058, Excluding 0160002657)

ITEM	PART NUMBER	QTY	DESCRIPTION	REV
1	91403485	1	EXHAUST TUBE	
2	91403216	1	V-BAND CLAMP	
3	24921332	4	MUFFLER CLAMP	
4	91403601	2	FLEXIBLE TUBE CLAMP	
5	91413030	1	FLEXIBLE TUBING	
6	91403511	1	EXHAUST TUBE	
7	91163035	1	MUFFLER	
8	91403489	1	TAIL PIPE	

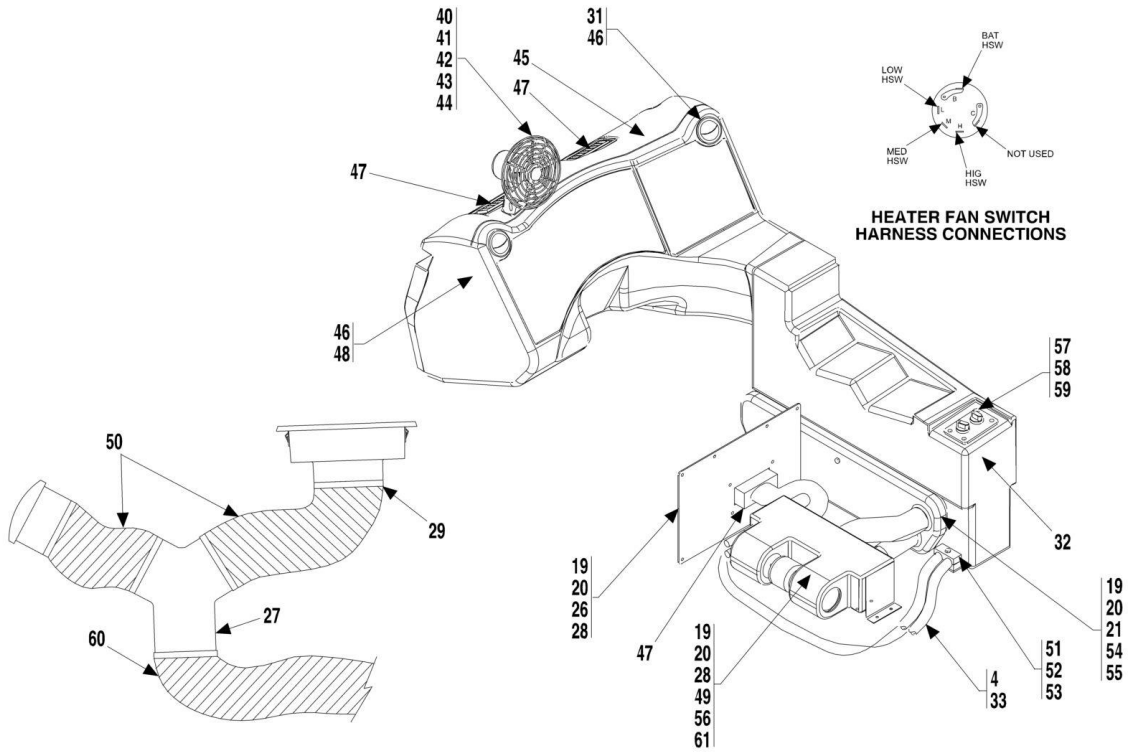
SECTION 12 - OPTIONS

FIGURE 12-12. HEATER OPTION ASSEMBLY (SN 0189001 through 0189345, SN 016000230 through 0160015436)



PAP23460

SECTION 12 - OPTIONS



SECTION 12 - OPTIONS

FIGURE 12-12. HEATER OPTION ASSEMBLY (SN 0189001 through 0189345, SN 0160000230 through 0160015436)

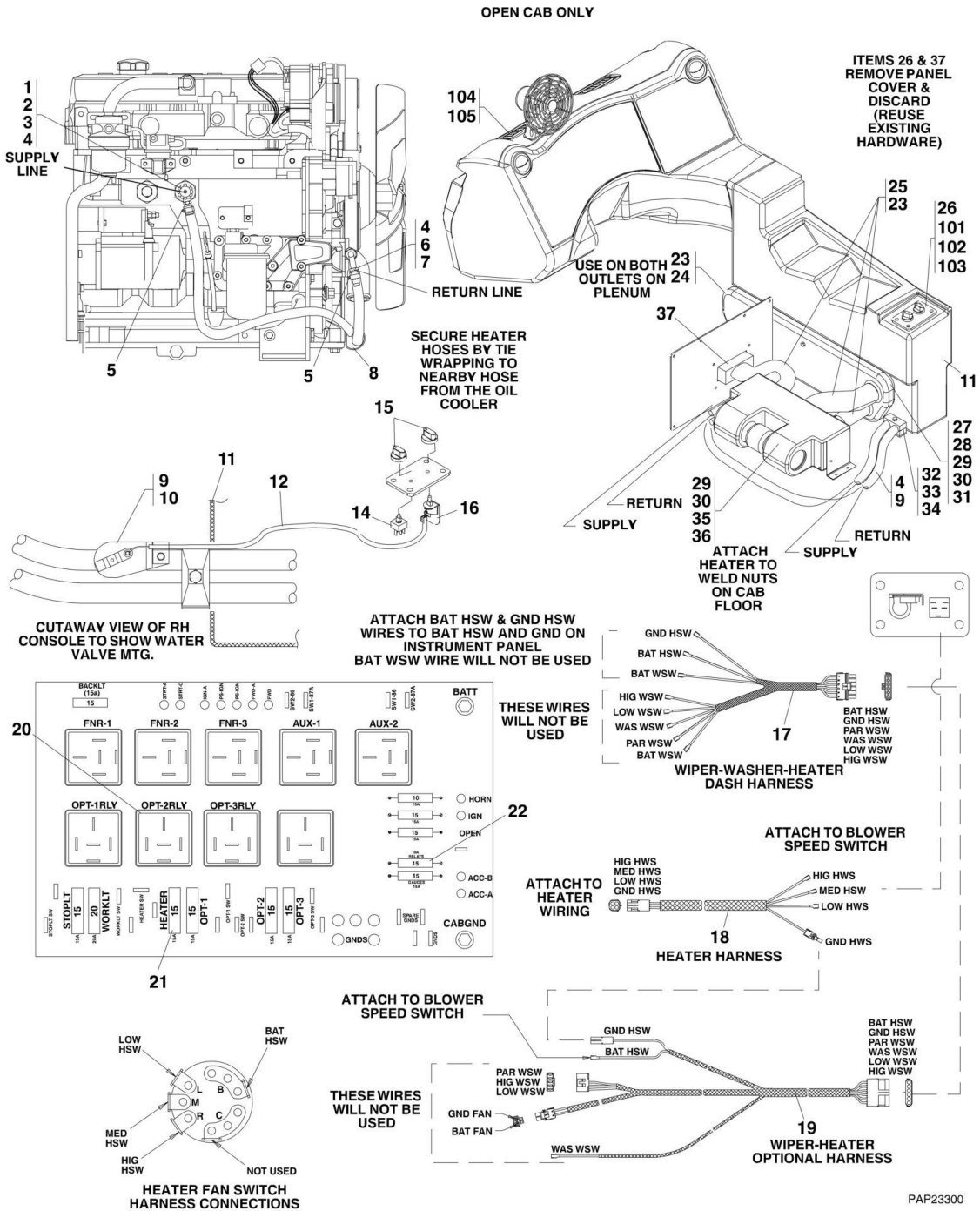
ITEM	PART NUMBER	QTY	DESCRIPTION	REV
	91405056	1	HEATER OPTION ASSY WITH STANDARD SEAT, (includes items 1 thru 55 & 57 thru 60)	K
	91415046	1	HEATER OPTION ASSY WITH SUSPENSION SEAT, (includes items 1 thru 55 & 57 thru 60)	D
1	80373046	1	FITTING	
2	91083155	1	TRUCK VALVE	
3	77383540	1	COOLANT RESTRICTER ORIFICE	
4	82033995	20 ft	HEATER HOSE, 5/8	
5		Ref	ENGINE ASSY, (See ENGINE AND ATTACHING PARTS for Breakdown)	
6	86671187	2	HEATER HOSE CLAMP	
7	85941018	1	SUPPORT CLAMP	
8	80683073	1	STRAIGHT FITTING	
9	91403443	1	BARBED FITTING, 90	
10	80963058	1	WEATHER PACK CONNECTOR, (shroud)	
11	80963069	2	WEATHER PACK CONNECTOR, (pins)	
12	80963065	2	WEATHER PACK CONNECTOR, (seals)	
13	77363265	1	RELAY	
14	77363268	2	AUTO FUSE, 15 AMP	
15	77363267	1	AUTO FUSE, 10 AMP	
16	80963101	1	WIPER SWITCH	
17	1001111112	1	WINDOW WASHER FLUID TANK	
18	88201005	3	HEX HD CAPSCREW, 1/4-20X1, GR5	
19	88561002	18	FLAT WASHER, 1/4	
20	88551009	17	LOCKWASHER, 1/4	
21	88501004	2	HEX NUT, 1/4-20	
22	91403351	1	WIPE/WASH HARNESS	
23	91403352	1	HEATER HARNESS	
24	91403350	1	WIPE/HEATER HARNESS	
25	91406114	1	HEATER COVER WELDMENT	
26	91406113	1	BEZEL COVER ACCESS	
27	91403539	2	3 WAY CONNECTOR	
28	88261015	13	SOCKET BUTTON HD CAPSCREW, 1/4-20X5/8	
29	84231107	18	HOSE CLAMP	
30	91401421	1	VENT COVER	
31	91406119	1	HEATER COVER WELDMENT	
32	91403288	1	RH CONSOLE WITH HEATER	
33	86971172	4	HOSE CLAMP	
34	83683182	1	WATER VALVE	
35	91413038	1	HEATER CONTROL CABLE	
37	80964001	1	BLOWER SWITCH	
38	80363069	2	KNOB, 3/16 SHAFT	
39	80363028	1	ROTARY CONTROL	
40	91403608	1	DEFROSTER FAN	
41	91401443	1	FAN BASE PLATE	
42	91033425	1	RUBBER GROMMET	
43	88211030	4	SOCKET HD CAPSCREW, #10-24X3/4, GR8	
44	77143017	4	WHIZ-LOCKNUT, #10-24	
45	91403299	1	DASH, ENCLOSED CAB	

SECTION 12 - OPTIONS

ITEM	PART NUMBER	QTY	DESCRIPTION	REV
46	80363106	2	CIRCULAR VENT	
47	91403538	3	RECTANGULAR VENT	
48	91403596	2	VENT REDUCER	
49	91403280	NLA	HEATER UNIT, (includes items 56 & 61), (no longer available, use 1001114282 for replacement) (Prior to SN 0160037689)	
49	1001114282	1	HEATER UNIT, 3 SPEED, (includes items 56 & 61) (SN 0160037689 to Present)	
50	71492150	10 ft	VENT HOSE, 2 IN	
51	77133279	1	CLAMP SET	
52	77133137	1	COVER PLATE	
53	88201023	1	HEX HD CAPSCREW, 5/16-18X1-3/4, GR5	
54	91403329	1	PLENUM, HEAT/AC	
55	88201011	1	HEX HD CAPSCREW, 1/4-20X2-1/2, GR5	
56	70022804	1	HEATER FAN MOTOR REPLACEMENT KIT	
57	91403445	1	HEATER CONTROL PANEL	
58	91413051	4	SELF-TAPPING SCREW, #10X3/4	
59	80363034	4	TINNERMAN NUT	
60	71492152	10 ft	VENT HOSE, 2-1/2	
61	91404439	2	HEATER FAN WHEEL	

SECTION 12 - OPTIONS

FIGURE 12-13. HEATER OPTION ASSEMBLY (SN 0160015465 to Present)



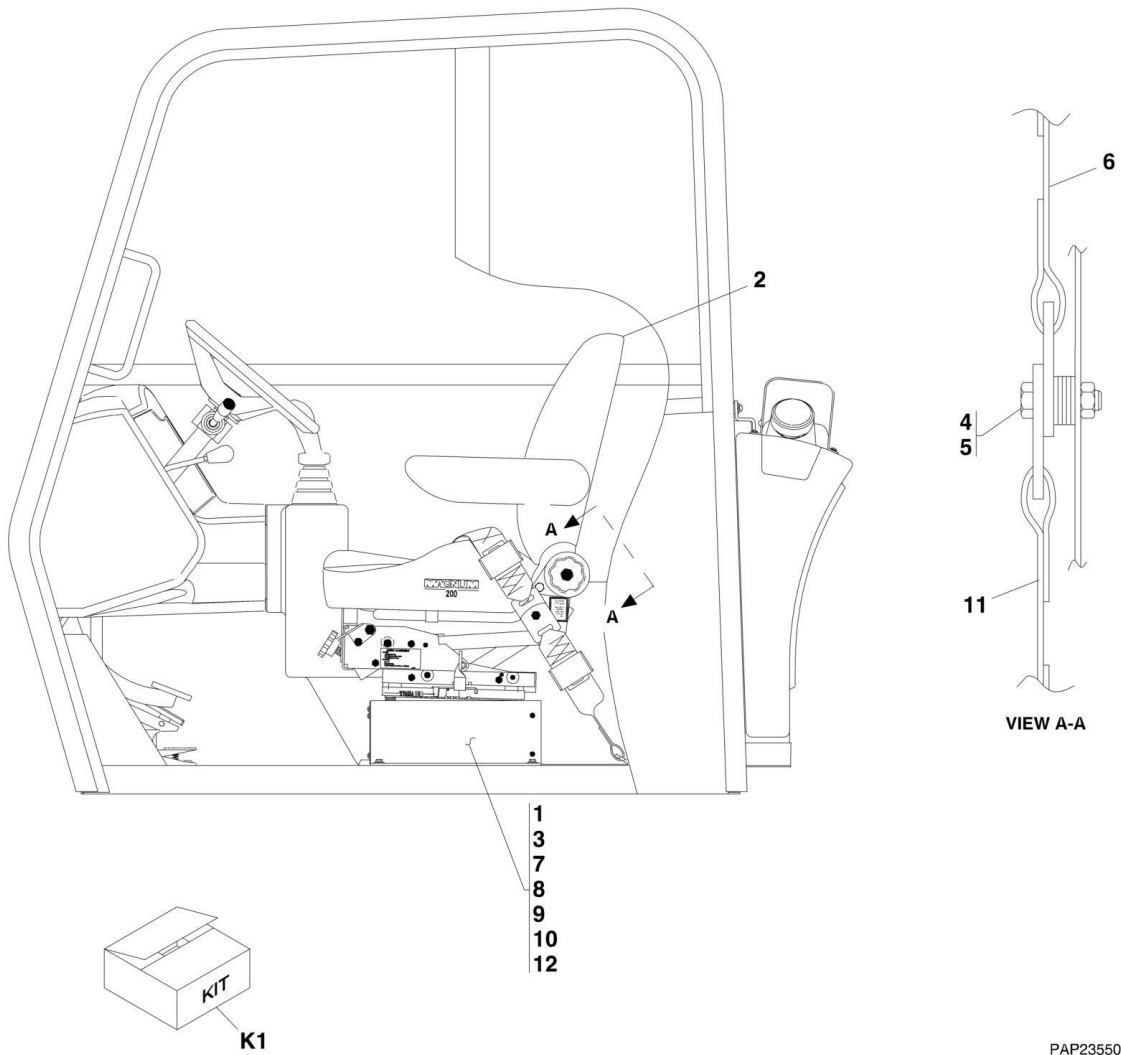
SECTION 12 - OPTIONS

FIGURE 12-13. HEATER OPTION ASSEMBLY (SN 0160015465 to Present)

ITEM	PART NUMBER	QTY	DESCRIPTION	REV
	91475109	1	OPEN CAB HEATER OPTION, (includes items 1 thru 37)	D
1	80373046	1	FITTING	
2	91083155	1	TRUCK VALVE	
3	77383540	1	COOLANT RESTRICTER ORIFICE	
4	82033995	26 ft	HEATER HOSE, 5/8 IN	
5	86671187	2	HEATER HOSE CLAMP	
6	80683073	1	ADAPTER FITTING	
7	91403443	1	BARBED FITTING, 90	
8	86683122	2	TIE WRAP	
9	86683193	4	HOSE CLAMP	
10	83683182	1	WATER VALVE	
11		Ref	RH CONSOLE WITH HEATER, (See CAB SECTION for Breakdown)	
12	91413038	1	HEATER CONTROL CABLE	
14	80964001	1	BLOWER SWITCH	
15	80363069	2	KNOB, 3/16 SHAFT	
16	80363028	1	ROTARY CONTROL	
17	91403351	1	WIPER/WASHER HARNESS	
18	91403352	1	HEATER HARNESS	
19	91403350	1	WIPER/HEATER HARNESS	
20	77363265	1	RELAY	
21	77363268	1	AUTO FUSE, 15 AMP	
22	77363267	1	AUTO FUSE, 10 AMP	
23	84231107	8	HOSE CLAMP	
24	91416020	2	VENT WELDMENT	
25	71492152	5.5 ft	VENT HOSE, 2-1/2 IN	
26	91403445	1	HEATER CONTROL PANEL	
27	91403329	1	HEAT/AC PLENUM	
28	88201011	1	HEX HD CAPSCREW, 1/4-20X2-1/2	
29	88561002	6	FLAT WASHER, 1/4	
30	88551009	5	LOCKWASHER, 1/4	
31	88501004	1	HEX NUT, 1/4-20	
32	77133279	1	CLAMP SET	
33	77133137	1	COVER PLATE	
34	88201023	1	HEX HD CAPSCREW, 5/16-18X1-3/4	
35	91403280	NLA	HEATER UNIT, (no longer available, use 1001114282 for replacement) (Prior to SN 0160037689)	
35	1001114282	1	HEATER UNIT, 3 SPEED (SN 0160037689 to Present)	
36	88261015	4	BUTTON HD CAPSCREW, 1/4-20X5/8	
37	91413053	1	RECTANGULAR VENT	
101	1001100322	4	PAN HD SCREW, #10	
102	80363034	4	TINNERMAN NUT	
103	91471243	1	PANEL COVER	
104	91413036	4	SELF-TAPPING SCREW	
105	91413053	2	RECTANGULAR VENT	

SECTION 12 - OPTIONS

FIGURE 12-14. SUSPENSION SEAT (SN 0189001 through 0189345, SN 016000230 through 0160015436)



PAP23550

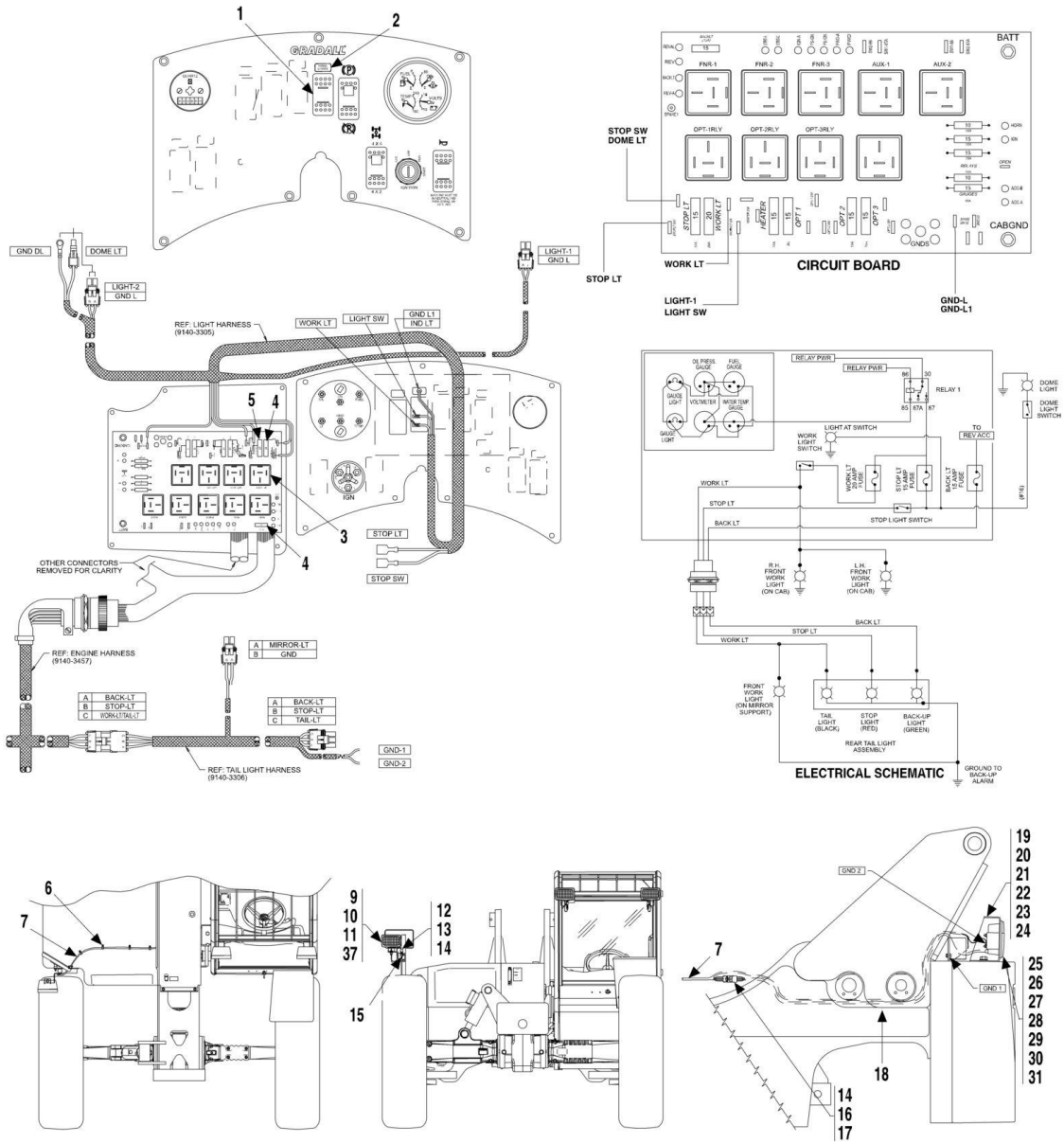
SECTION 12 - OPTIONS

FIGURE 12-14. SUSPENSION SEAT (SN 0189001 through 0189345, SN 0160000230 through 0160015436)

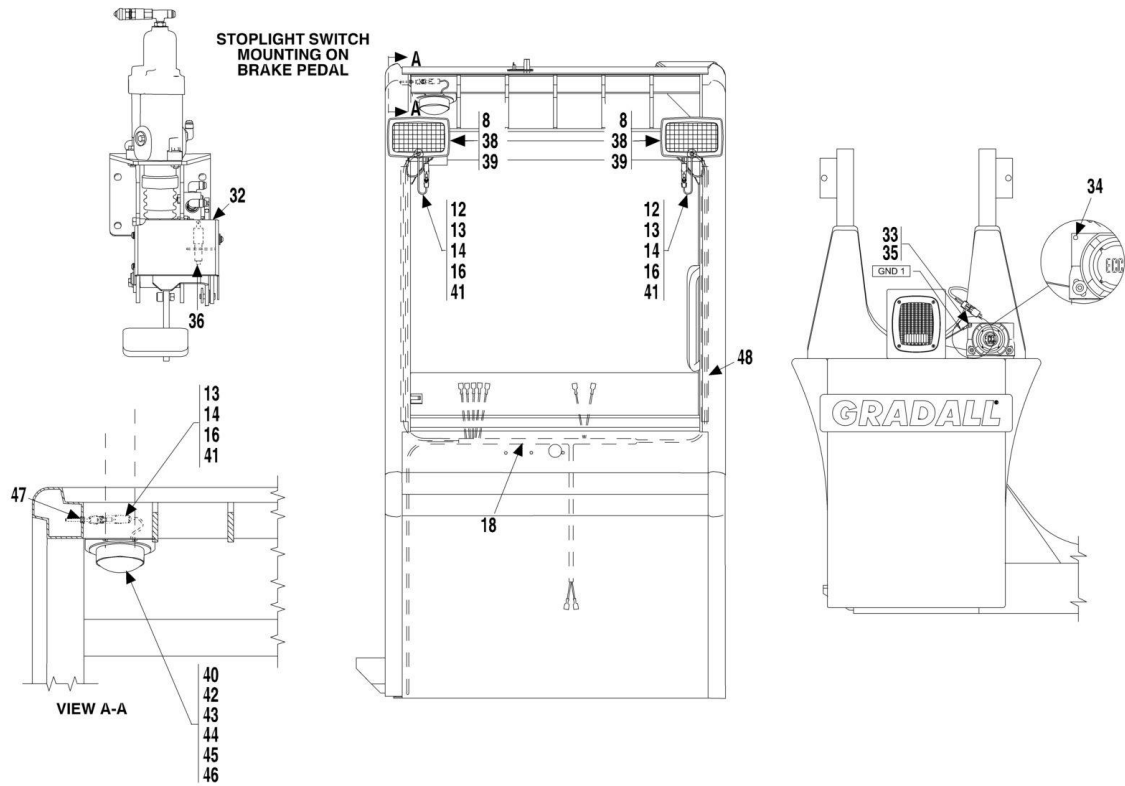
ITEM	PART NUMBER	QTY	DESCRIPTION	REV
		Ref	SUSPENSION SEAT OPTION WITH OPEN CAB, (includes all items), (item no longer available, See HEAVY SEAT REPLACEMENT KIT for Breakdown)	
		Ref	SUSPENSION SEAT OPTION WITH ENCLOSED CAB, (includes all items), (item no longer available, See HEAVY SEAT REPLACEMENT KIT for Breakdown)	
1	91405050	1	SEAT RISER ASSY, (open cab), (includes items 3, 7, 8, 9 & 10)	
1	91415045	1	SEAT RISER ASSY, (enclosed cab), (includes items 3, 7, 8, 9 & 10)	
2	91403527	1	TRIMLINE MAGNUM 200 SEAT	
3	88551009	6	LOCKWASHER, 1/4	
4	88201551	2	HEX HD CAPSCREW, 7/16-20X1-1/2, GR5	
5	88561111	10	FLAT WASHER, 1/2	
6	91033029	1	STANDARD SEAT BELT, 2 IN	
6	91033486	1	SEAT BELT, 3 IN, (California Only) (Prior to SN 0160015465)	
6	91565064	1	SEAT BELT, 3 IN, (California Only) (SN 0160015465 to Present)	
7	91406116	1	SUSPENSION RISER WELDMENT	
8	88561002	6	FLAT WASHER, 1/4	
9	91401417	1	ACCESS COVER, (open cab)	
9	91406114	1	ACCESS COVER, (enclosed cab)	
10	88261015	6	SOCKET BUTTON HD CAPSCREW, 1/4-20X5/8	
11	91403191	1	TETHER	
12	88561002	6	FLAT WASHER, 1/4	
K1	70023139	1	SEAT BELT KIT, 3 IN, (California only), (includes retractor and female ends)	

SECTION 12 - OPTIONS

FIGURE 12-15. WORK LIGHT PACKAGE (Prior to SN 0160031703)



SECTION 12 - OPTIONS



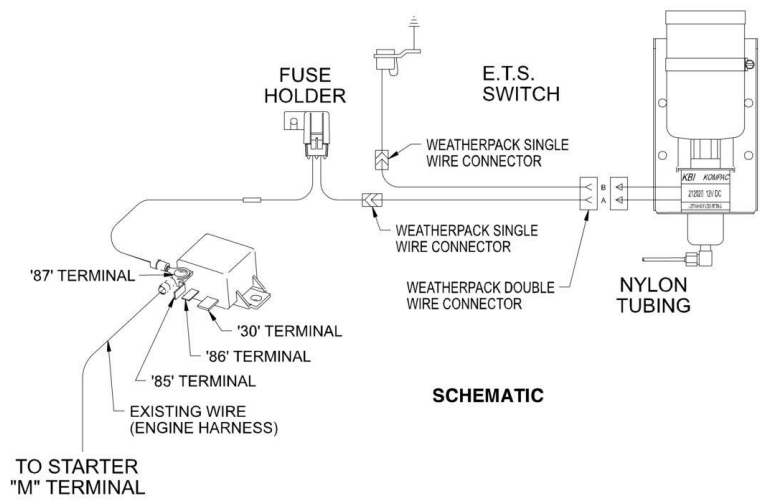
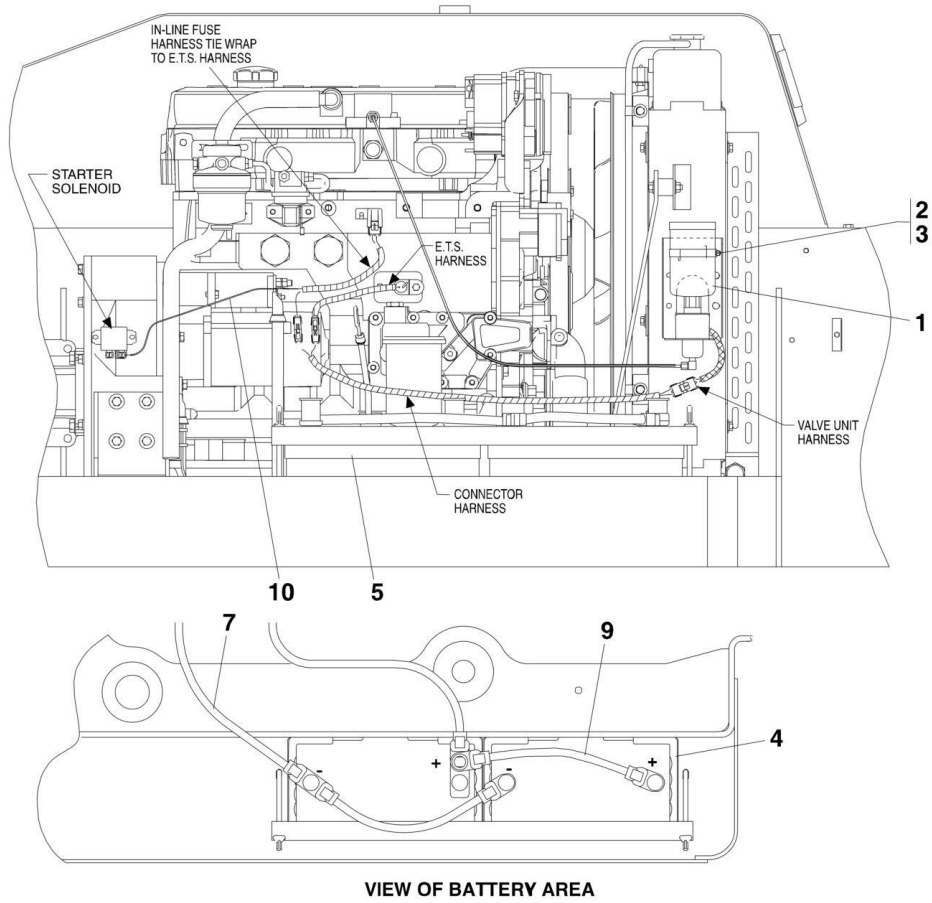
SECTION 12 - OPTIONS

FIGURE 12-15. WORK LIGHT PACKAGE (Prior to SN 0160031703)

ITEM	PART NUMBER	QTY	DESCRIPTION	REV
	91405057	1	WORK LIGHT PACKAGE, (includes all items)	I
1	91403304	1	TOGGLE SWITCH - SPST	
2	91403613	1	DECAL - WORK LIGHTS	
3	77363265	1	RELAY	
4	77363268	2	FUSE, 15 AMP	
5	77363302	1	FUSE, 20 AMP	
6	91203039	2	SUPPORT CLAMP	
7	91403306	1	TAIL LIGHT HARNESS	
8	91413052	2	MOUNTING BOLT	
9	80963050	1	UTILITY FLOOD LIGHT	
10	91411048	1	LIGHT SUPPORT	
11	77383293	3	WELD STUD, 5/16-18X3/4	
12	80963058	3	WEATHER PACK CONNECTOR, (shroud)	
13	80963068	2	WEATHER PACK CONNECTOR, (female pin terminal)	
14	80963066	10	WEATHER PACK CONNECTOR, (cable seal)	
15	86683122	1	TIE WRAP	
16	80963069	8	WEATHER PACK CONNECTOR, (male pin terminal)	
17	80963060	1	WEATHER PACK CONNECTOR, (shroud)	
18	91403305	1	LIGHT HARNESS	
19	91121145	1	TAIL LIGHT HOUSING	
20	91121146	1	TAIL LIGHT BRACKET	
21	91365045	1	TAIL LIGHT ASSY, (includes items 25 thru 31)	B
22	88201108	1	HEX HD CAPSCREW, 3/4-10X1-1/4, GR5	
23	88561115	1	FLAT WASHER, 3/4	
24	88551016	1	LOCKWASHER, 3/4	
25	91123065	1	TAIL LIGHT	
26	86661147	38 in	BLACK WIRE, 16 GA	
27	86661149	38 in	GREEN WIRE, 16 GA	
28	86661152	38 in	RED WIRE, 16 GA	
29	4460035	3	BUTT CONNECTOR	
30	82033996	45 in	WIRE LOOM	
31	86683122	2	TIE WRAP	
32	91406149	1	COVER PLATE WELDMENT	
33	88501004	1	HEX NUT, 1/4-20	
34	91033215	1	WELD STUD, 1/4-20X1/2	
35	88551009	1	LOCKWASHER, 1/4	
36	91143117	1	STOP LIGHT SWITCH	
37	77143006	3	WHIZ-LOCKNUT, 5/16-18	
38	80963050	2	UTILITY FLOOD LIGHT	
39	91403503	2	SPACER	
40	88551006	3	LOCKWASHER, #8	
41	80963056	1	WEATHER PACK CONNECTOR, (shroud)	
42	24861167	1	INTERIOR LIGHT	
43	91361003	1	MOUNTING BRACKET	
44	88321022	2	SELF-TAPPING SCREW, #8-32X3/8	
45	88501610	3	HEX NUT, #8-32	
46	89981036	3	PAN HD SCREW, #8-32X3/8	
47	90029955	1	RUBBER GROMMET	
48	80961142	3	ECONOMY WIRING DUCT	
49	14404173	AR	SILICON SEALANT, (not shown)	

SECTION 12 - OPTIONS

FIGURE 12-16. COLD START INSTALLATION



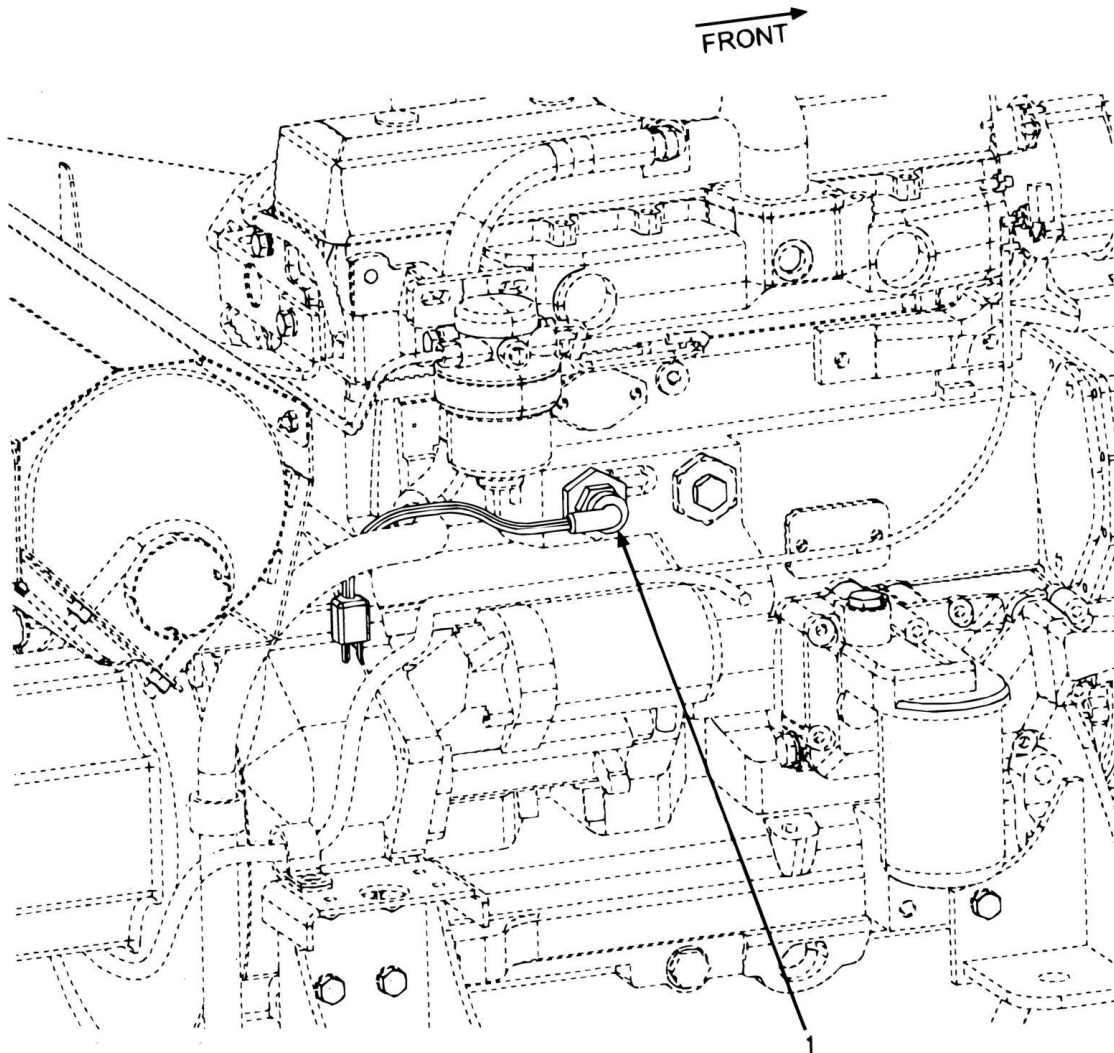
SECTION 12 - OPTIONS

FIGURE 12-16. COLD START INSTALLATION

ITEM	PART NUMBER	QTY	DESCRIPTION	REV
	91405023	1	COLD START INSTALLATION, (includes items 1 thru 3 & 10)	C
1	91403295	1	COLD START KIT	
1	70023156	1	VALVE, 12VDC	
2	88201001	2	HEX HD CAPSCREW, 1/4-20X1/2, GR5	
3	88551009	2	LOCKWASHER, 1/4	
4	91083483	1	BATTERY, (12 volt, 1050 amps), TOP STUD, 3/8-16 UNC THREAD, BCI GROUP 31	
5	91401299	1	TIE DOWN (SN 0189001 through 0160018282)	
7	91403367	1	NEGATIVE BATTERY CABLE (SN 0189001 through 0160018282)	
9	91403390	1	POSITIVE JUMPER CABLE (SN 0189001 through 0160018282)	
10	91473239	1	COLD START WIRE	

SECTION 12 - OPTIONS

FIGURE 12-17. BLOCK HEATER INSTALLATION



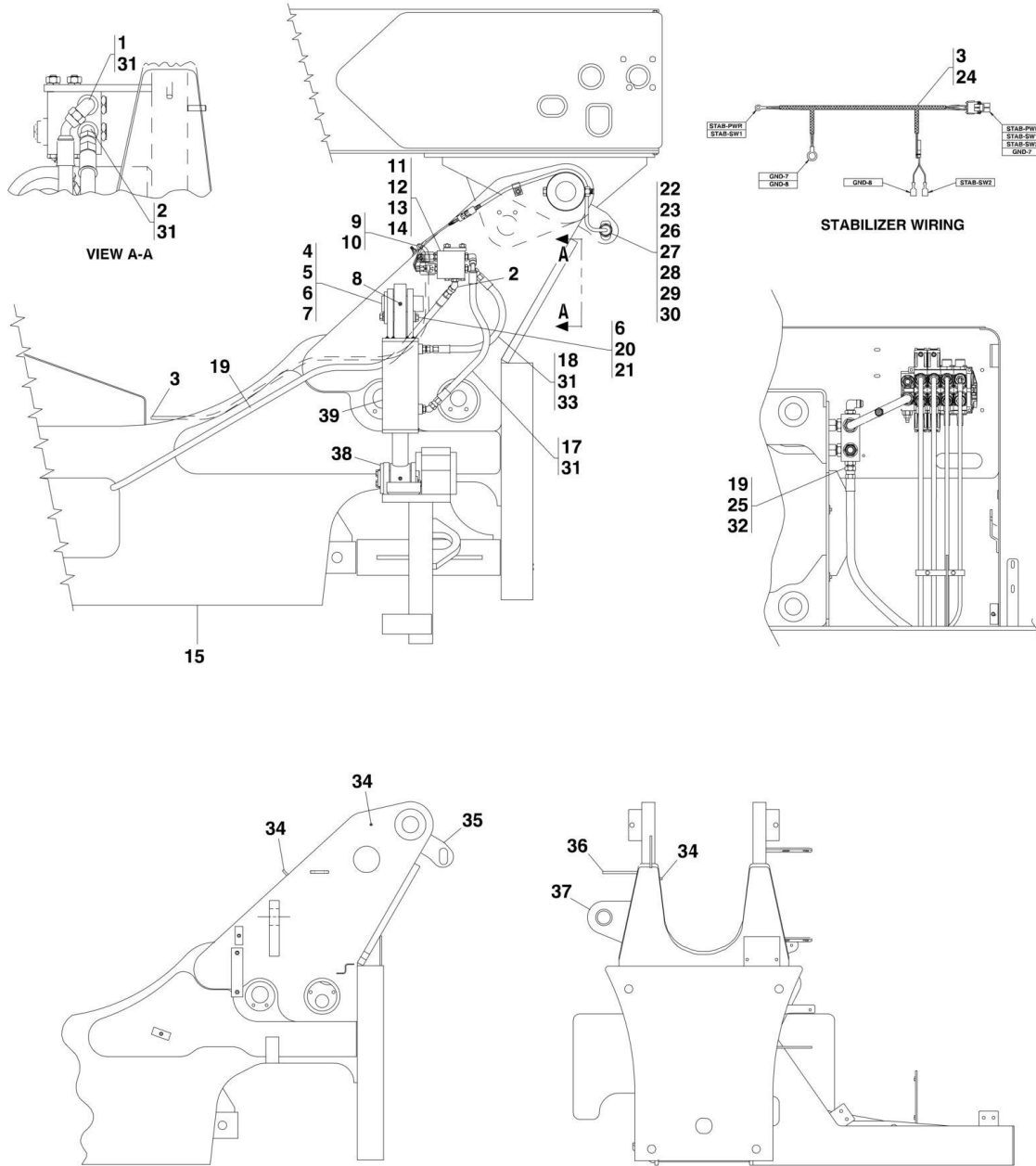
SECTION 12 - OPTIONS

FIGURE 12-17. BLOCK HEATER INSTALLATION

ITEM	PART NUMBER	QTY	DESCRIPTION	REV
1	80375012	1	BLOCK HEATER INSTALLATION, (includes item 1)	A
	80373088	1	BLOCK HEATER	

SECTION 12 - OPTIONS

FIGURE 12-18. STABILIZER OPTION



PAP233470

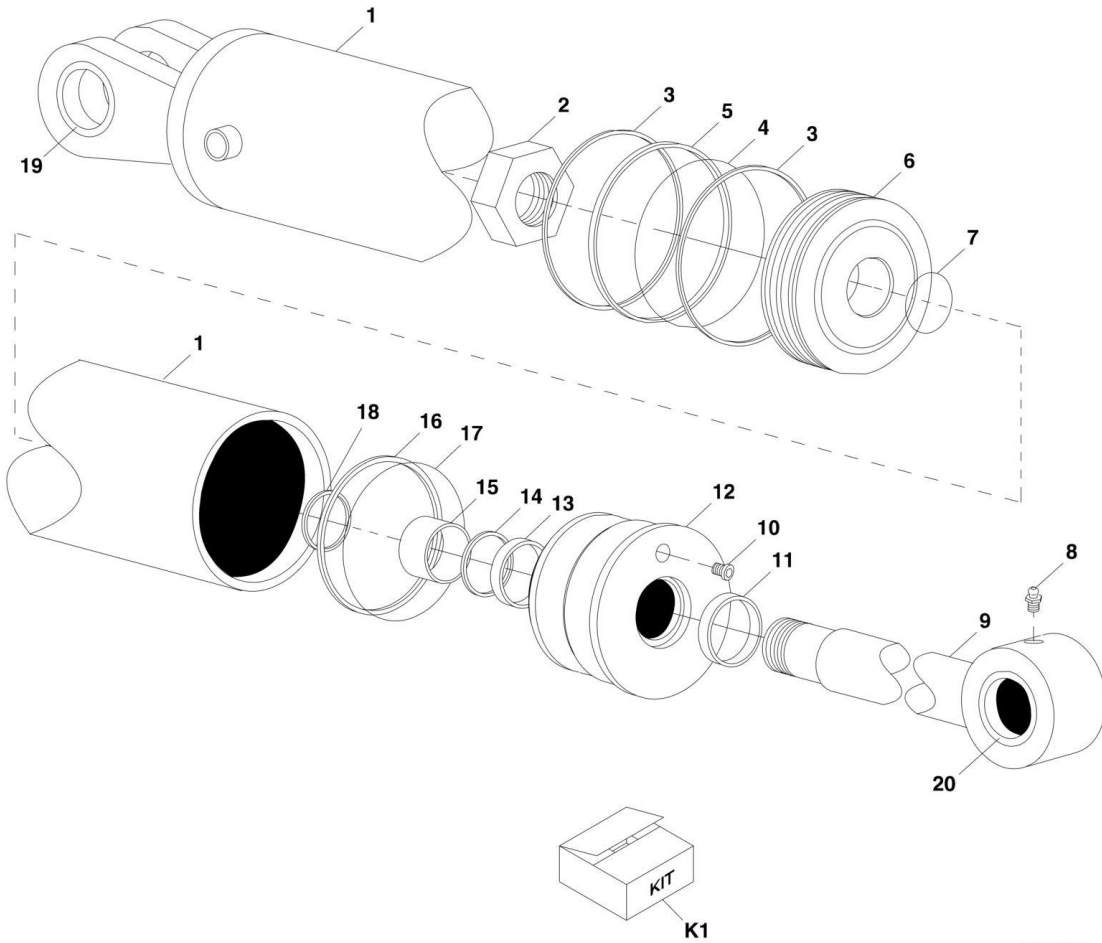
SECTION 12 - OPTIONS

FIGURE 12-18. STABILIZER OPTION

ITEM	PART NUMBER	QTY	DESCRIPTION	REV
	91415014	1	STABILIZER OPTION, (includes items 1 thru 25)	C
1	2220596	1	ADAPTER, 90, (includes item 31)	
2	2220500	2	ADAPTER, 45, (includes item 31)	
3	91403297	1	STABILIZER HARNESS	
4	91166062	1	PIN WELDMENT	
5	88201066	2	HEX HD CAPSCREW, 1/2-13X1-1/4, GR5	
6	88561111	3	FLAT WASHER, 1/2	
7	88551013	2	LOCKWASHER, 1/2	
8	88671001	1	STRAIGHT LUBE FITTING, 1/8	
9	86621230	3	SUPPORT CLAMP	
10	77143006	3	WHIZ-LOCKNUT, 5/16	
11		Ref	STABILIZER VALVE, (See STABILIZER VALVE for Breakdown)	
12	83201073	2	HEX HD CAPSCREW, 3/8-16X4-1/2	
13	88551011	2	LOCKWASHER, 3/8	
14	88501006	2	HEX NUT, 3/8-16	
15	N.S.S.	1	FRAME WELDMENT	
17	84718631	1	HOSE ASSY	
18	84717556	1	HOSE ASSY	
19	84719596	1	HOSE ASSY	
20	88201065	1	HEX HD CAPSCREW, 1/2-13X1, GR5	
21	91161269	1	KEEPER	
22	91365037	1	STABILIZER SENSOR ASSY, (includes items 26 thru 30)	B
23	91403156	2	WASHER	
24	90027187	4	NYLON TIE	
25	2220435	1	ADAPTER, (includes item 32)	
26	91143155	1	PROXIMITY SENSOR SWITCH	
27	80963062	1	WEATHER PACK CONNECTOR, (shroud)	
28	80963069	4	WEATHER PACK CONNECTOR, (male pin terminal)	
29	80963065	4	WEATHER PACK CONNECTOR, (cable seals)	
30	91053419	1	TIE WRAP	
31	88591205	5	O-RING	
32	88591209	1	O-RING	
33	2220373	1	CONNECTOR, (includes item 31)	
34	85051384	3	WELD STUD, 5/16-18X1	
35	91401256	1	SENSOR MOUNTING BRACKET	
36	91361026	1	STABILIZER VALVE MOUNTING PLATE	
37	91401464	1	STABILIZER CYLINDER BRACKET	
38	91163019	2	BUSHING	
39		Ref	STABILIZER CYLINDER, (See STABILIZER CYLINDER - IOWA for Breakdown)	

SECTION 12 - OPTIONS

FIGURE 12-19. STABILIZER CYLINDER - IOWA



PAP23450

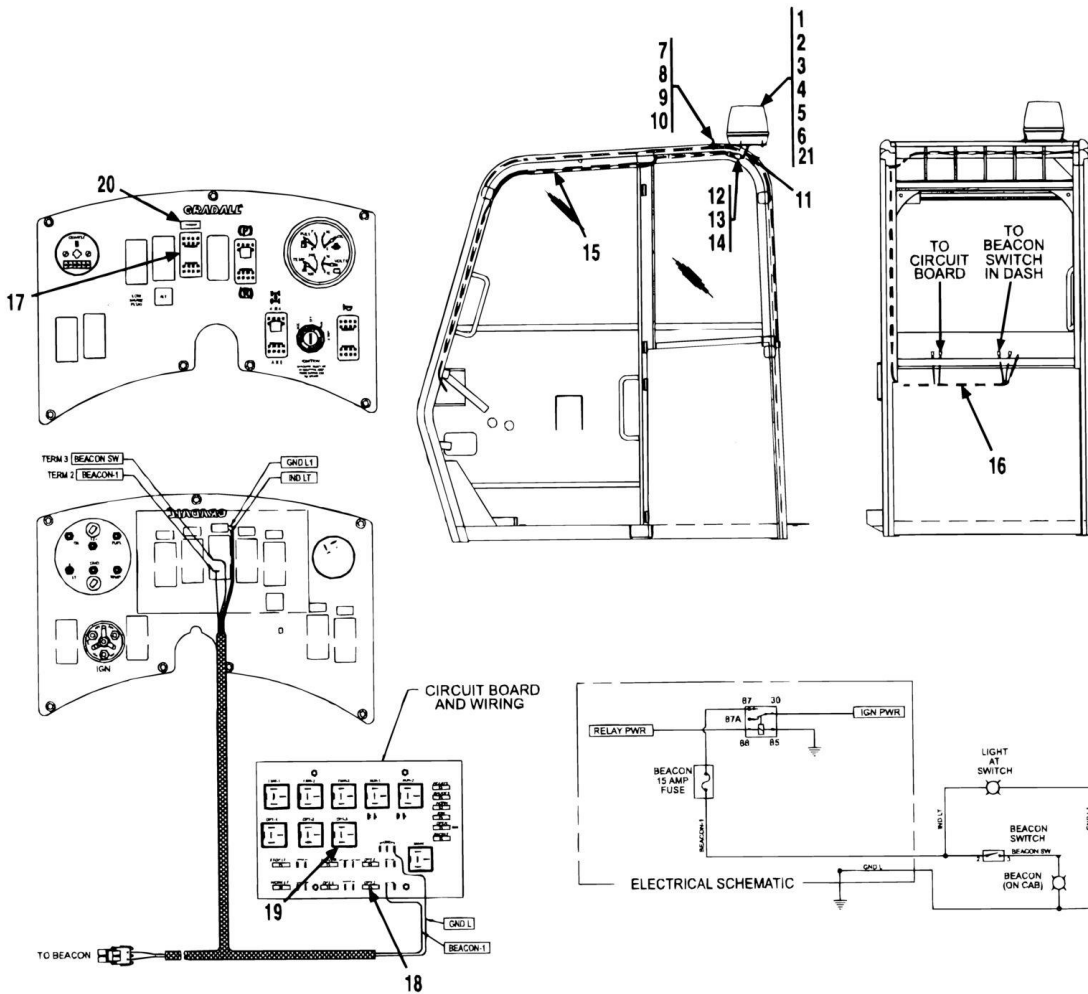
SECTION 12 - OPTIONS

FIGURE 12-19. STABILIZER CYLINDER - IOWA

ITEM	PART NUMBER	QTY	DESCRIPTION	REV
	91403140	1	STABILIZING CYLINDER, (includes all items)	B
1	91404276	1	CASE ASSY	
2	91064017	1	LOCKNUT	
3	Kit K1	2	WEAR RING	
4	Kit K1	1	O-RING	
5	Kit K1	1	PISTON SEAL	
6	91144033	1	PISTON	
7	Kit K1	1	O-RING	
8	91144128	1	GREASE FITTING	
9	91404281	1	SHAFT ASSY	
10	91404282	1	SETSCREW	
11	91124103	1	CANNED WIPER	
12	91404283	1	HEAD	
13	Kit K1	1	U-CUP SEAL	
14	Kit K1	1	STEP SEAL	
15	Kit K1	1	WEAR RING	
16	Kit K1	1	BACK-UP RING	
17	Kit K1	1	O-RING	
18	91084372	1	RETAINING RING	
19	91404338	2	BUSHING	
20	91404339	1	BUSHING	
K1	91144005	1	SEAL KIT, (includes items 3, 4, 5, 7 & 13 thru 17)	

SECTION 12 - OPTIONS

FIGURE 12-20. BEACON LIGHT PACKAGE (Prior to SN 0160031703)



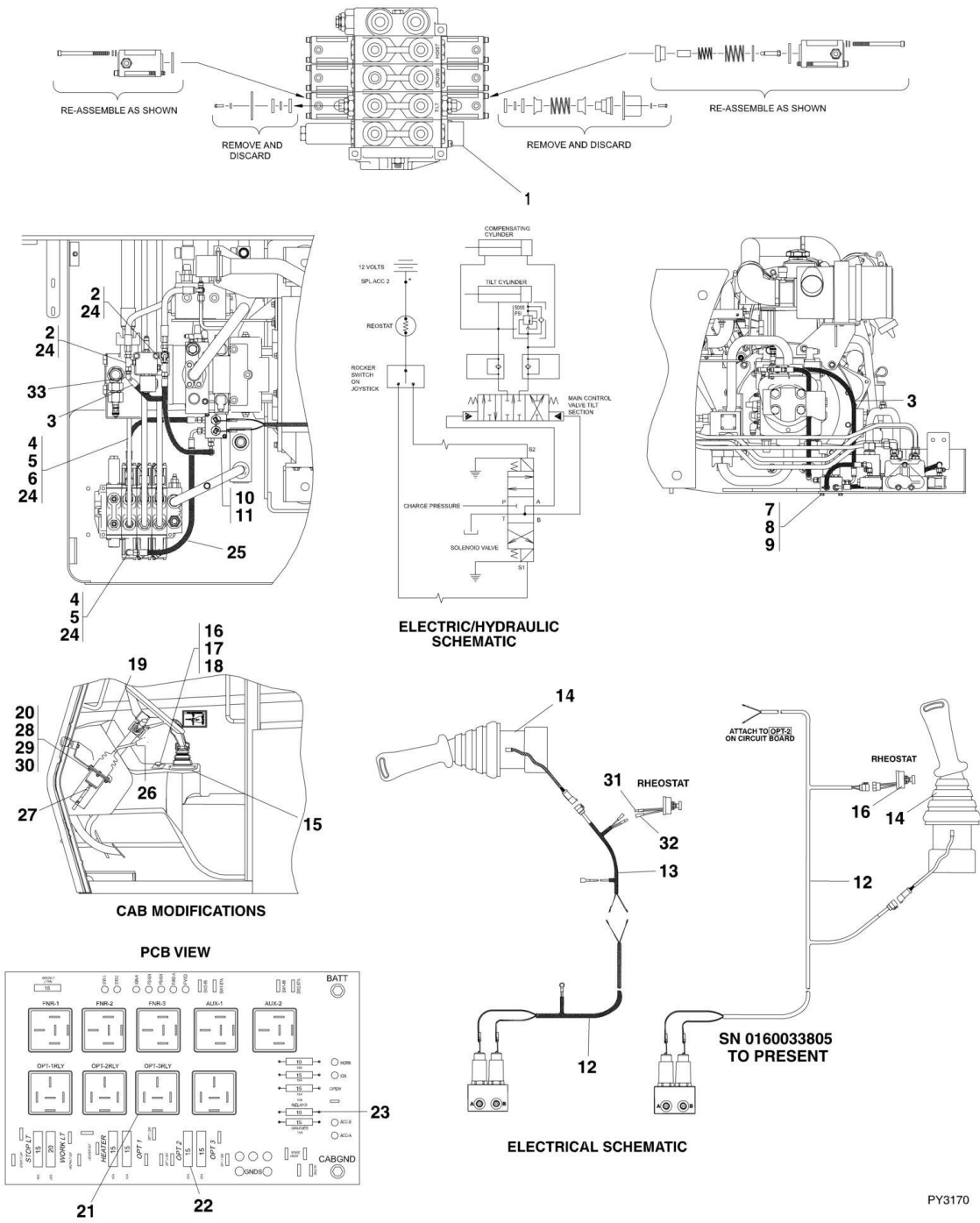
SECTION 12 - OPTIONS

FIGURE 12-20. BEACON LIGHT PACKAGE (Prior to SN 0160031703)

ITEM	PART NUMBER	QTY	DESCRIPTION	REV
	91415036	1	BEACON LIGHT PACKAGE, (includes all items)	D
1	91343031	1	ROTATING BEACON, (includes item 21)	
2	91511206	1	BEACON BRACKET	
3	90027214	1	RUBBER GROMMET	
4	88301093	3	ROUND HD MACHINE SCREW, #10-24X3/4	
5	88551007	3	LOCKWASHER, #10	
6	88501612	3	HEX NUT, #10-24	
7	88201005	2	HEX HD CAPSCREW, 1/4-20X1-1/4, GR5	
8	88561002	2	FLAT WASHER, 1/4	
9	88551009	2	LOCKWASHER, 1/4	
10	88501004	2	HEX NUT, 1/4-20	
11	90029955	1	RUBBER GROMMET	
12	80963058	1	W. PACK CONNECTOR, (shroud)	
13	80963069	2	W. PACK CONNECTOR, (male pin terminal)	
14	80963065	2	W. PACK CONNECTOR, (cable seal)	
15	8096D097	79 in	ECONOMY WIRING DUCT	
16	91413044	1	BEACON HARNESS	
17	91403304	1	TOGGLE SWITCH-SPST	
18	77363268	1	15 AMP FUSE	
19	77363265	1	RELAY	
20	91413045	1	BEACON DECAL	
21	91344053	1	BULB	

SECTION 12 - OPTIONS

FIGURE 12-21. TILT ON JOYSTICK WITH LH SWAY



PY3170

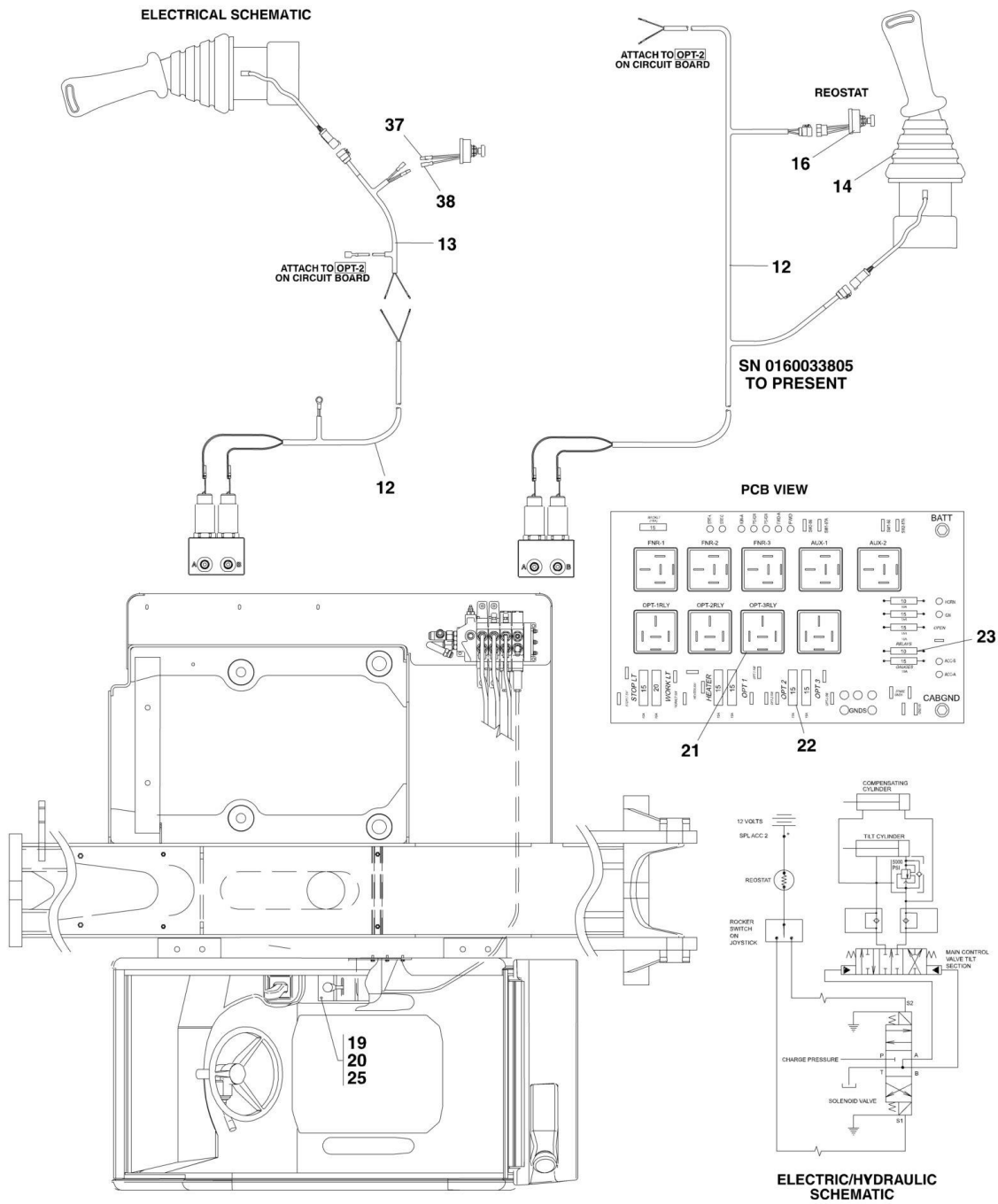
SECTION 12 - OPTIONS

FIGURE 12-21. TILT ON JOYSTICK WITH LH SWAY

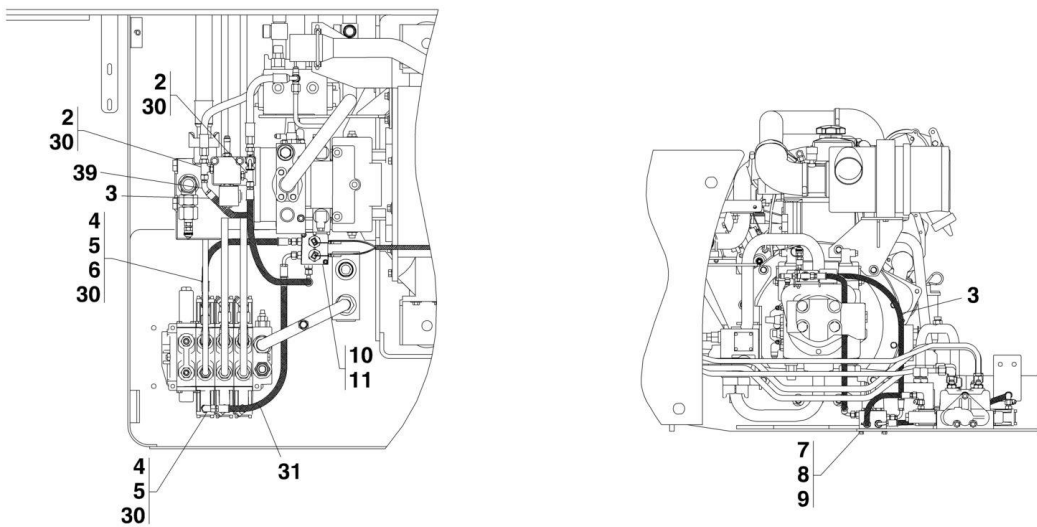
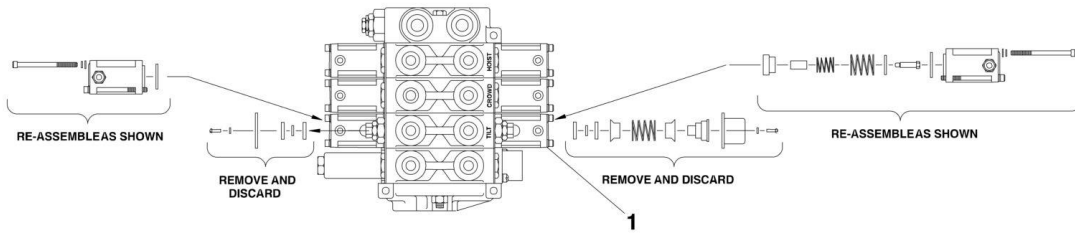
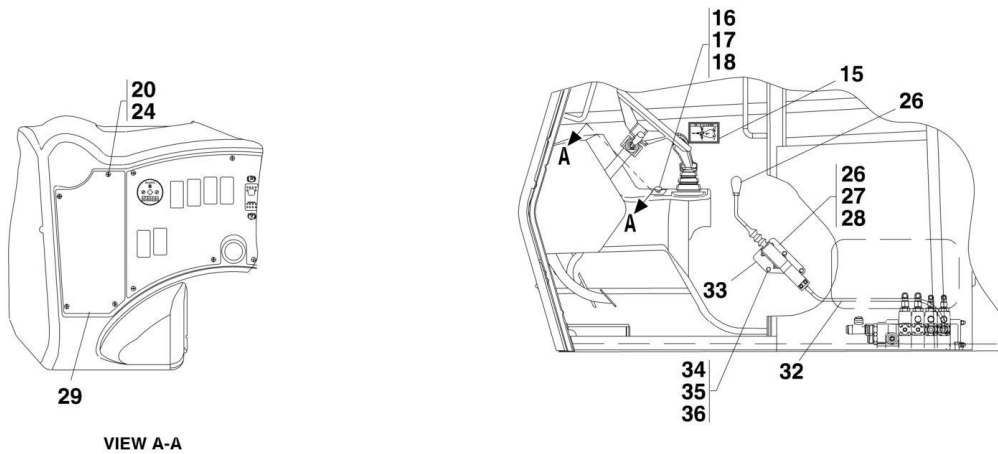
ITEM	PART NUMBER	QTY	DESCRIPTION	REV
	91405098	1	TILT ON JOYSTICK WITH LH SWAY, (includes all items)	F
1	91123075	1	HYDRAULIC VALVE POSITIONER KIT	
2	2220899	2	BRANCH TEE, (includes item 24)	
3	77133447	2	HOSE ASSY	
4	2220371	2	CONNECTOR, (includes item 24)	
5	8760268	2	ELBOW, 90, (swivel nut)	
6	84717537	1	HOSE ASSY	
7	88211047	2	SOCKET HD CAPSCREW, 1/4-20X2-1/4, GR8	
8	88551009	2	LOCKWASHER, 1/4	
9	88501004	2	HEX NUT, 1/4-20	
10	91403516	1	SOLENOID VALVE	
10	7026991	2	SOLENOID	
11	2220603	4	STRAIGHT THREAD CONNECTOR	
12	91403612	1	TILT ON JOYSTICK ENGINE HARNESS (Prior to SN 0160032178)	
12	91513119	1	TILT ON JOYSTICK ENGINE HARNESS (SN 0160032178 through 0160033603)	
12	1001099319	1	TILT ON JOYSTICK ENGINE HARNESS (SN 0160033805 to Present)	
13	91403614	1	TILT ON JOYSTICK CAB HARNESS (Prior to SN 0160032178)	
13	91513119	1	TILT ON JOYSTICK ENGINE HARNESS (SN 0160032178 through 0160033603)	
14		Ref	JOYSTICK, (See BOOM JOYSTIC WITH TILT for Breakdown)	
15	91403311	1	BOOM CONTROL DECAL	
16	80964002	1	RHEOSTAT (Prior to SN 0160033805)	
16	1001099174	1	RHEOSTAT (SN 0160033805 to Present)	
17	91401571	1	MOUNTING PLATE	
18	88321015	4	SELF-TAPPING SCREW, #6-32X1/2	
19	91403317	1	LH SWAY PANEL	
20	88551009	3	LOCKWASHER, 1/4	
21	77363265	1	RELAY	
22	77363268	1	AUTO FUSE, 15 AMP	
23	77363267	1	AUTO FUSE, 10 AMP	
24	88591204	4	O-RING	
25	84718515	1	HOSE ASSY	
26	91403274	1	JOYSTICK (Prior to SN 0160038555)	
26	91513204	1	JOYSTICK (SN 0160038555 to Present)	
26	91404445	1	COVER ATTACHING KIT	
26	91404091	1	OVAL KNOB HANDLE	
26	91404446	1	CABLE HARDWARE KIT, 1/4-28	
26	91404210	1	HEX JAM NUT, 1/2-13 (Prior to SN 0160038555)	
26	91404447	1	SPRING PACK (Prior to SN 0160038555)	
26	91404448	1	TOP BOOT (Prior to SN 0160038555)	
27	91403309	1	TILT/SWAY CABLE	
28	91401172	1	LH SWAY BRACKET	
29	88201009	3	HEX HD CAPSCREW, 1/4-20X2, GR5	
30	88501004	3	HEX NUT, 1/4-20	
31	86983193	1	MALE BULLET CONNECTOR (Prior to SN 0160033805)	
32	77163105	1	FEMALE BULLET CONNECTOR (Prior to SN 0160033805)	
33	2220657	1	ELBOW, 45, (swivel nut)	

SECTION 12 - OPTIONS

FIGURE 12-22. TILT ON JOYSTICK WITH RH SWAY



SECTION 12 - OPTIONS



PAP23390

SECTION 12 - OPTIONS

FIGURE 12-22. TILT ON JOYSTICK WITH RH SWAY

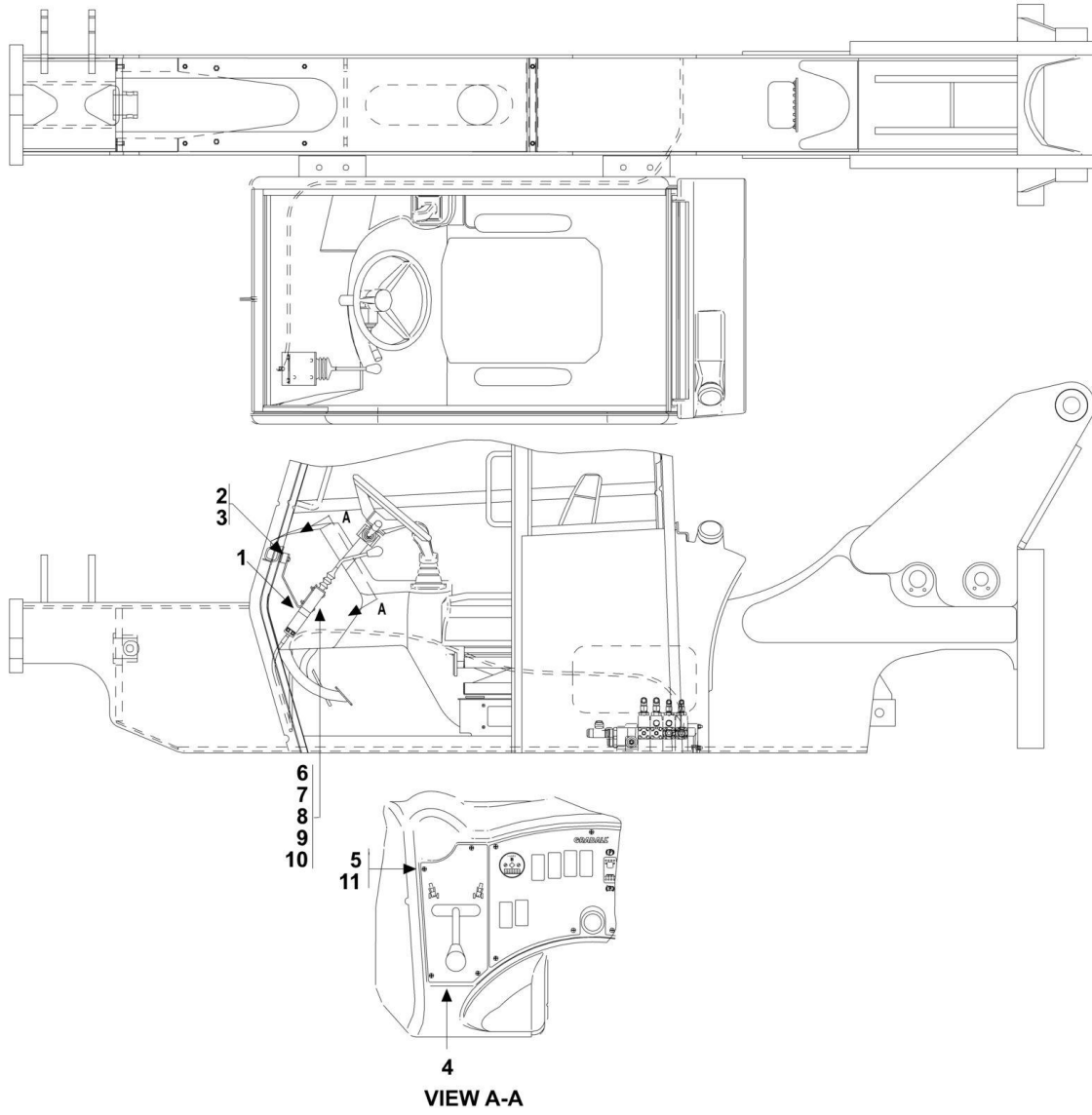
ITEM	PART NUMBER	QTY	DESCRIPTION	REV
	91415030	1	TILT ON JOYSTICK WITH RH SWAY, (includes all items)	G
1	91123075	1	HYDRAULIC VALVE POSITIONER KIT	
2	2220899	2	BRANCH TEE, (includes item 30)	
3	77133447	2	HOSE ASSY	
4	2220371	2	CONNECTOR, (includes item 30)	
5	8760268	2	ELBOW, 90, (swivel nut)	
6	84717537	1	HOSE ASSY	
7	88211047	2	SOCKET HD CAPSCREW, 1/4-20X2-1/4, GR8	
8	88551009	2	LOCKWASHER, 1/4	
9	88501004	2	HEX NUT, 1/4-20	
10	91403516	1	SOLENOID VALVE	
10	7026991	2	SOLENOID	
11	2220603	4	STRAIGHT THREAD CONNECTOR	
12	91403612	1	TILT ON JOYSTICK ENGINE HARNESS (Prior to SN 0160032178)	
12	91513119	1	TILT ON JOYSTICK ENGINE HARNESS (SN 0160032178 through 0160033603)	
12	1001099319	1	TILT ON JOYSTICK ENGINE HARNESS (SN 0160033805 to Present)	
13	91403614	1	TILT ON JOYSTICK CAB HARNESS (Prior to SN 0160032178)	
13	91513119	1	TILT ON JOYSTICK ENGINE HARNESS (SN 0160032178 through 0160033603)	
13	1001099319	1	TILT ON JOYSTICK ENGINE HARNESS (SN 0160033805 to Present)	
14		Ref	JOYSTICK, (See BOOM JOYSTIC WITH TILT for Breakdown)	
15	91403311	1	BOOM CONTROL DECAL	
16	80964002	1	RHEOSTAT (Prior to SN 0160033805)	
16	1001099174	1	RHEOSTAT (SN 0160033805 to Present)	
17	91401571	1	MOUNTING PLATE	
18	88321015	4	SELF-TAPPING SCREW, #6-32X1/2	
19	88241026	4	SOCKET FLAT HD CAPSCREW, #10-24X1-1/4	
20	80363034	8	TINNERMAN NUT	
21	77363265	1	RELAY	
22	77363268	1	AUTO FUSE, 15 AMP	
23	77363267	1	AUTO FUSE, 10 AMP	
24	80363033	4	FLAT HD CAPSCREW, #10-24X1	
25	91413113	1	RH SWAY CONTROL PANEL	
26	91403274	1	JOYSTICK (Prior to SN 0160038555)	
26	91513204	1	JOYSTICK (SN 0160038555 to Present)	
26	91404445	1	COVER ATTACHING KIT	
26	91404091	1	OVAL KNOB HANDLE	
26	91404446	1	CABLE HARDWARE KIT, 1/4-28	
26	91404210	1	HEX JAM NUT, 1/2-13 (Prior to SN 0160038555)	
26	91404447	1	SPRING PACK (Prior to SN 0160038555)	
26	91404448	1	TOP BOOT (Prior to SN 0160038555)	
27	88201020	3	HEX HD CAPSCREW, 5/16-18X1, GR5 (Prior to SN 0160001921)	
27	88201018	3	HEX HD CAPSCREW, 5/16-18X3/4, GR5 (SN 0160001921 to Present)	
28	88551010	3	LOCKWASHER, 5/16	
29	91403324	1	BLANK DASH PANEL	
30	88591204	4	O-RING	

SECTION 12 - OPTIONS

ITEM	PART NUMBER	QTY	DESCRIPTION	REV
31	84718515	1	HOSE ASSY	
32	91403308	1	TILT/SWAY CABLE	
33	91416011	1	RH SWAY BRACKET WELDMENT (Prior to SN 0160031703)	
33	1001092843	1	RH SWAY BRACKET WELDMENT (SN 0160031703 to Present)	
34	88201010	3	HEX HD CAPSCREW, 1/4-20X2-1/4, GR5 (Prior to SN 0160001921)	
34	88201009	3	HEX HD CAPSCREW, 1/4-20X2, GR5 (SN 0160001921 to Present)	
35	88501004	3	HEX NUT, 1/4-20	
36	88551009	3	LOCKWASHER, 1/4	
37	86983193	1	MALE BULLET CONNECTOR (Prior to SN 0160033805)	
38	77163105	1	FEMALE BULLET CONNECTOR (Prior to SN 0160033805)	
39	2220657	1	ELBOW, 45, (swivel nut)	

SECTION 12 - OPTIONS

FIGURE 12-23. LH SWAY OPTION ASSEMBLY



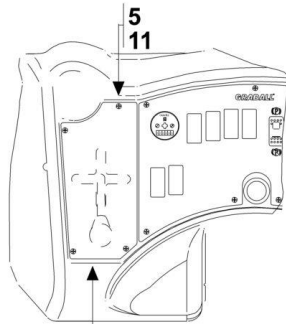
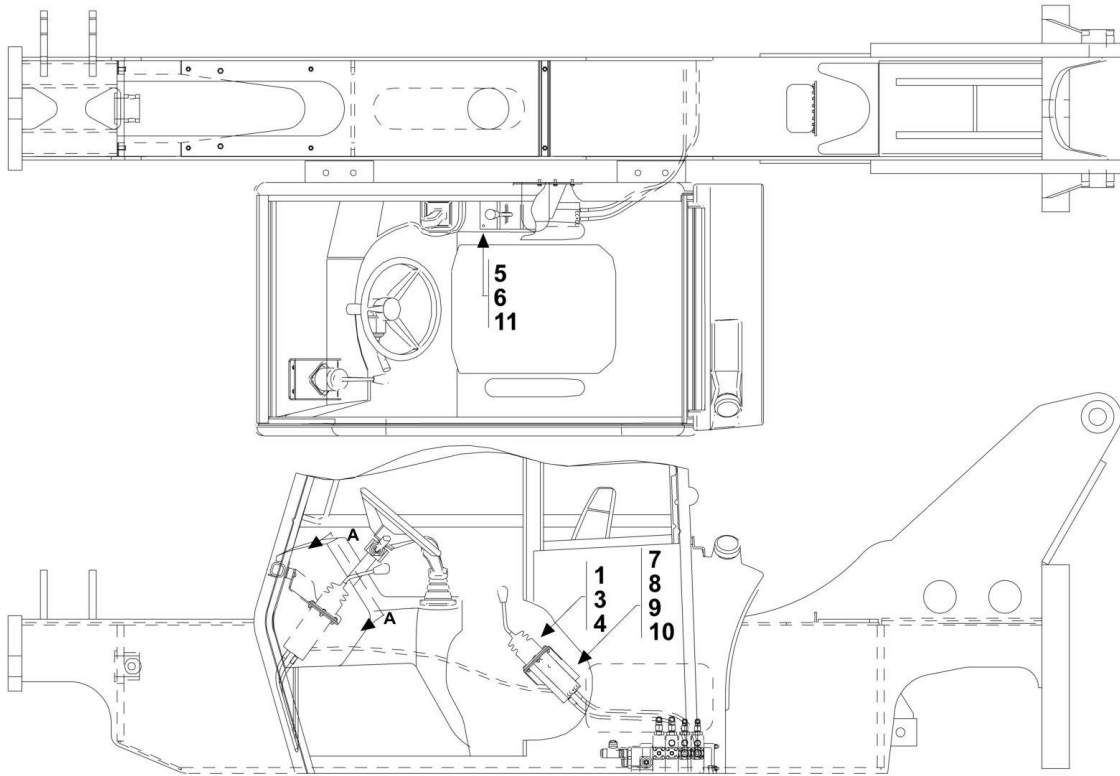
SECTION 12 - OPTIONS

FIGURE 12-23. LH SWAY OPTION ASSEMBLY

ITEM	PART NUMBER	QTY	DESCRIPTION	REV
	91405025	1	LH SWAY OPTION ASSY, (includes all items)	A
1	91403274	1	JOYSTICK (Prior to SN 0160038555)	
1	91513204	1	JOYSTICK (SN 0160038555 to Present)	
1	91404445	1	COVER ATTACHING KIT	
1	91404091	1	OVAL KNOB HANDLE	
1	91404446	1	CABLE HARDWARE KIT, 1/4-28	
1	91404210	1	HEX JAM NUT, 1/2-13 (Prior to SN 0160038555)	
1	91404447	1	SPRING PACK (Prior to SN 0160038555)	
1	91404448	1	TOP BOOT (Prior to SN 0160038555)	
2	88201065	2	HEX HD CAPSCREW, 1/2-13X1, GR5	
3	88551111	2	WASHER, 1/2	
4	91403317	1	LH SWAY DASH PANEL	
5	80363033	4	FLAT HD CAPSCREW, #10-24X1	
6	91403309	1	TILT-SWAY CABLE	
7	91401172	1	LH SWAY BRACKET	
8	88201009	3	HEX HD CAPSCREW, 1/4-20X2, GR5	
9	88501004	3	HEX NUT, 1/4-20	
10	88551009	3	LOCKWASHER, 1/4	
11	80363034	4	TINNERMAN NUT	

SECTION 12 - OPTIONS

FIGURE 12-24. RH TILT AND SWAY ASSEMBLY



2
VIEW A-A

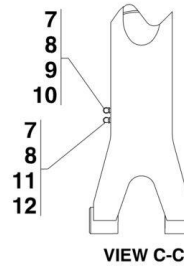
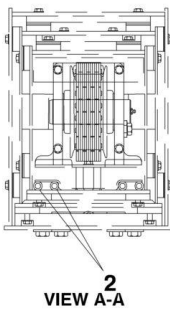
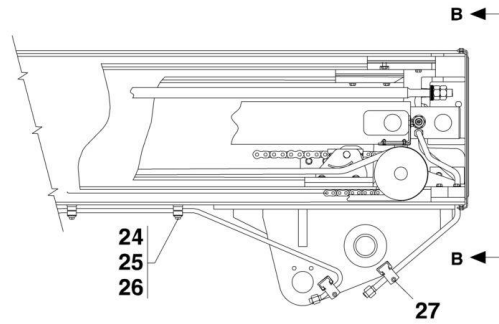
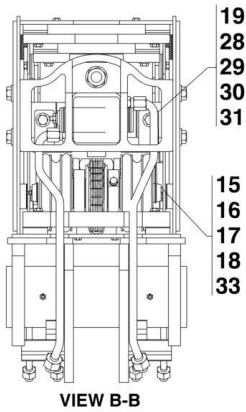
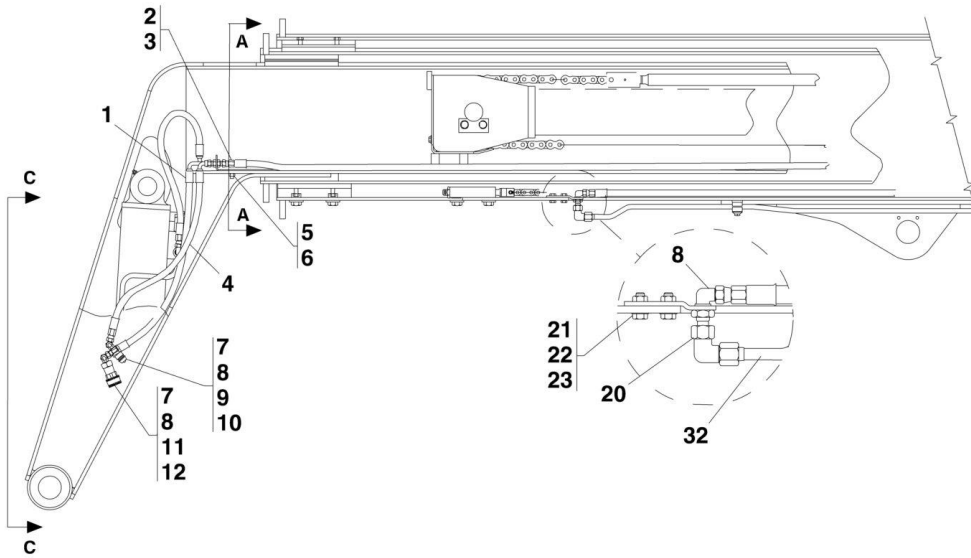
SECTION 12 - OPTIONS

FIGURE 12-24. RH TILT AND SWAY ASSEMBLY

ITEM	PART NUMBER	QTY	DESCRIPTION	REV
	91405015	1	R.H. TILT AND SWAY ASSY, (includes all items)	E
1	91403178	1	R.H. CONTROLLER JOYSTICK	
2	91403324	1	BLANK DASH PANEL	
3	88201020	3	HEX HD CAPSCREW, 5/16-18X1, GR5 (Prior to SN 0160001921)	
3	88201018	3	HEX HD CAPSCREW, 5/16-18X3/4, GR5 (SN 0160001921 to Present)	
4	88551010	3	LOCKWASHER, 5/16	
5	88241026	8	SOCKET FLAT HEAD CAPSCREW, #10-24X1-1/4 (Prior to SN 0160000880)	
5	80363033	8	SOCKET FLAT HEAD CAPSCREW, #10-24X1 (SN 0160000885 to Present)	
6	91403326	1	R.H. TILT-SWAY PANEL (Prior to SN 0160000880)	
6	91413111	1	R.H. TILT-SWAY PANEL (SN 0160000885 to Present)	
7	91403308	2	TILT-SWAY CABLE	
8	91416013	1	R.H. CONTROL BRACKET	
9	88201005	4	HEX HD CAPSCREW, 1/4-20X1, GR5	
10	88501004	4	HEX NUT, 1/4-20 (Prior to SN 0160001921)	
10	91416017	4	PLATE WELD (SN 0160001921 to Present)	
11	80363034	8	TINNERMAN NUT	

SECTION 12 - OPTIONS

FIGURE 12-25. AUXILIARY BOOM ASSEMBLY (Prior to SN 0160037689)



PAP22220

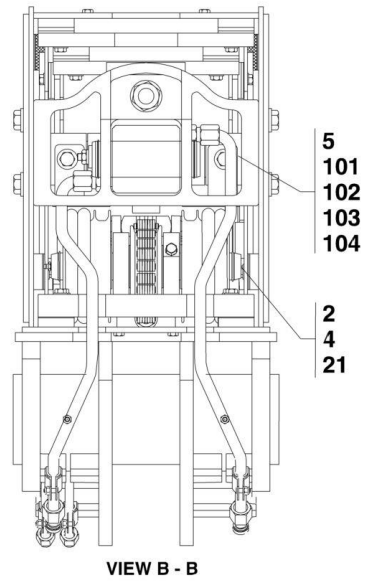
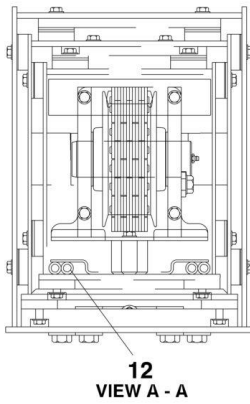
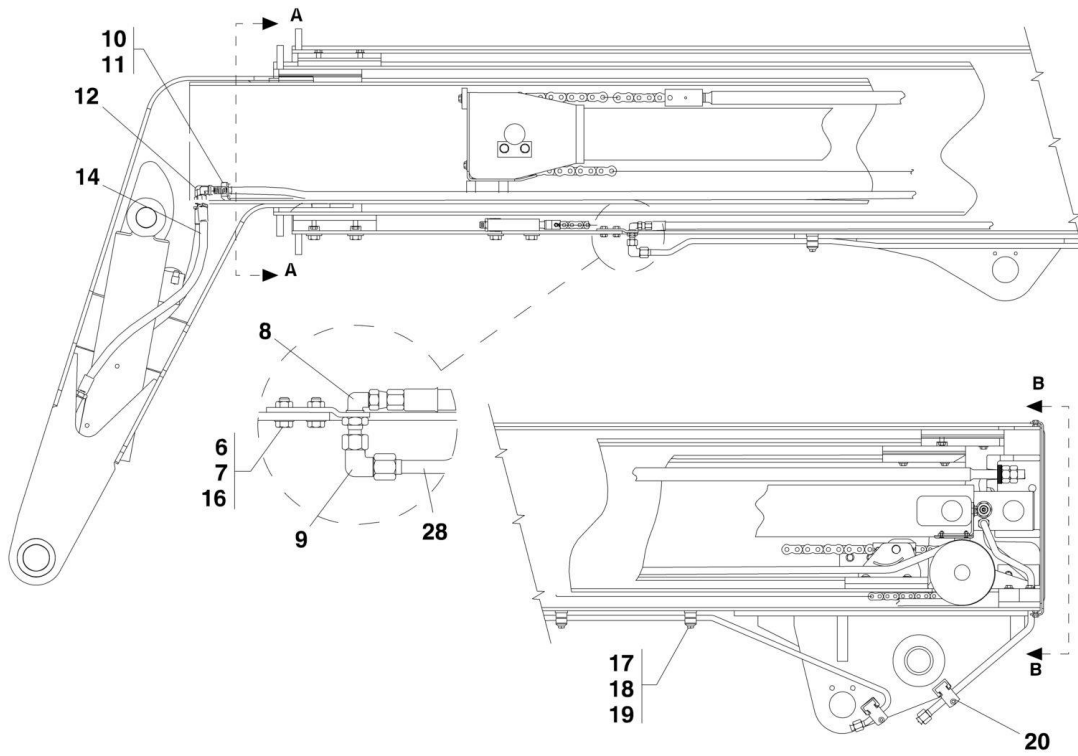
SECTION 12 - OPTIONS

FIGURE 12-25. AUXILIARY BOOM ASSEMBLY (Prior to SN 0160037689)

ITEM	PART NUMBER	QTY	DESCRIPTION	REV
	91405100	1	AUXILIARY BOOM ASSY, (includes all items)	J
1	84719359	1	HOSE ASSY	
2	84719168	2	HOSE ASSY (Prior to SN 0160016955, Excluding 0160015548, 0160016461, 0160016462, 0160016463 and 0160016648)	
2	2754603	1	HOSE ASSY (SN 0160016955 to Present, Including 0160015548, 0160016461, 0160016462, 0160016463 and 0160016648)	
3	2230024	1	BULKHEAD UNION, 9/16-18X3/8, TUBE	
4	84719358	1	HOSE ASSY	
5	91401354	1	HOSE RETAINER	
6	88501006	2	HEX NUT, 3/8-16	
7	91403444	2	ADAPTER, 90	
8	2230043	4	BULKHEAD FITTING, 90	
9	91403414	1	MALE QUICK CONNECT	
10	91043126	1	DUST CAP	
11	91403413	1	FEMALE QUICK CONNECT	
12	91043125	1	DUST PLUG	
15	91403019	1	RETRACT SHEAVE PIN	
16	91403127	AR	THRUST WASHER	
17	90028932	1	RETAINING RING	
18	3580347	1	HOSE SHEAVE	
19	91405086	1	HOSE RETAINER ASSY, (includes items 28 thru 31)	B
20	91403415	2	ADAPTER, 90	
21	88201034	2	HEX HD CAPSCREW, 3/8-16X1-1/4, GR5	
22	88561109	2	FLAT WASHER, 3/8	
23	91401344	1	HOSE BRACKET	
24	77133168	3	CLAMP SET, 1/2-1/2	
25	77133140	3	COVER PLATE	
26	77133177	3	HEX HD CAPSCREW, 5/16X1-3/8	
27	91083216	2	CLAMP, 1/2	
28	91401436	1	RH HOSE RETAINER	
29	91403499	1	PAD	
30	88241023	4	SOCKET FLAT HD CAPSCREW, #10-24X5/8	
31	88501612	4	HEX NUT, #10-24	
32	4569358	2	TUBE ASSY	
33	91403126	AR	THRUST WASHER	

SECTION 12 - OPTIONS

FIGURE 12-26. AUXILIARY BOOM ASSEMBLY (SN 0160037689 to Present)



PAP22230

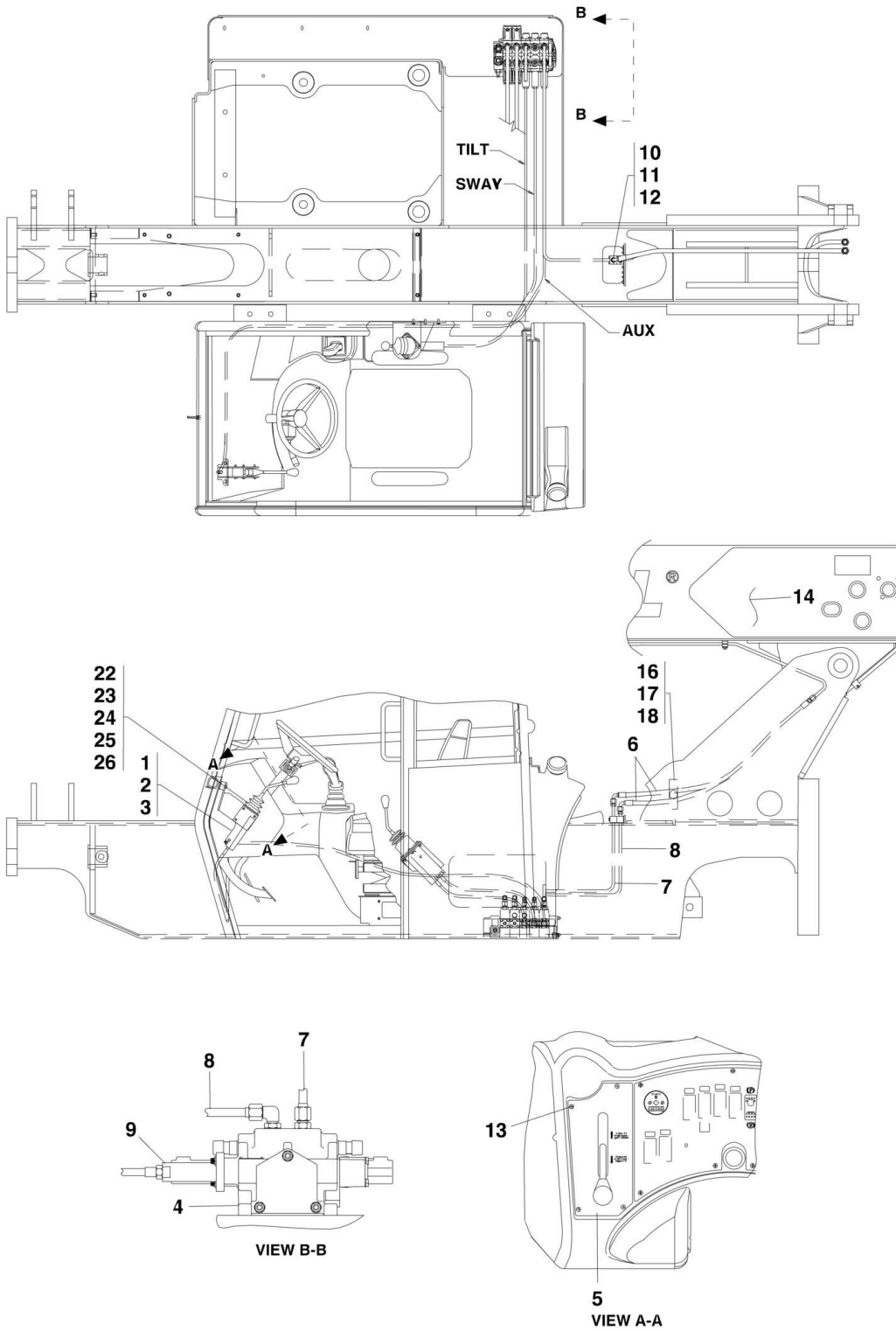
SECTION 12 - OPTIONS

FIGURE 12-26. AUXILIARY BOOM ASSEMBLY (SN 0160037689 to Present)

ITEM	PART NUMBER	QTY	DESCRIPTION	REV
	1001100092	1	AUXILIARY BOOM ASSY, (includes items 2 thru 28)	F
2	91403127	AR	THRUST WASHER	
4	3580347	1	HOSE SHEAVE	
5	91405086	1	HOSE RETAINER ASSY, (includes items 101 thru 104)	B
6	0641607	2	HEX HD CAPSCREW, 3/8-16X1-1/4, GR5	
7	4711600	2	FLAT WASHER, 3/8	
8	2171206	2	BULKHEAD FITTING, 90	
9	2221253	2	FITTING, 90	
10	1001101788	1	HOSE RETAINER	
11	88501006	2	HEX NUT, 3/8-16	
12	1001112207	1	HOSE ASSY	
14	1001099889	2	HOSE ASSY	
16	1001090032	1	HOSE BRACKET	
17	77133168	3	CLAMP SET, 1/2-1/2	
18	77133140	3	COVER PLATE	
19	0641511	3	HEX HD CAPSCREW, 5/16X1-3/8	
20	91083216	2	CLAMP, 1/2	
21	91403126	AR	THRUST WASHER	
28	1001001333	2	TUBE ASSY	
101	91401436	1	RH HOSE RETAINER	
102	91403499	1	PAD	
103	88241023	4	SOCKET FLAT HD CAPSCREW, #10-24X5/8	
104	88501612	4	HEX NUT, #10-24	

SECTION 12 - OPTIONS

FIGURE 12-27. LH AUXILIARY HYDRAULICS ASSEMBLY



PAP23560

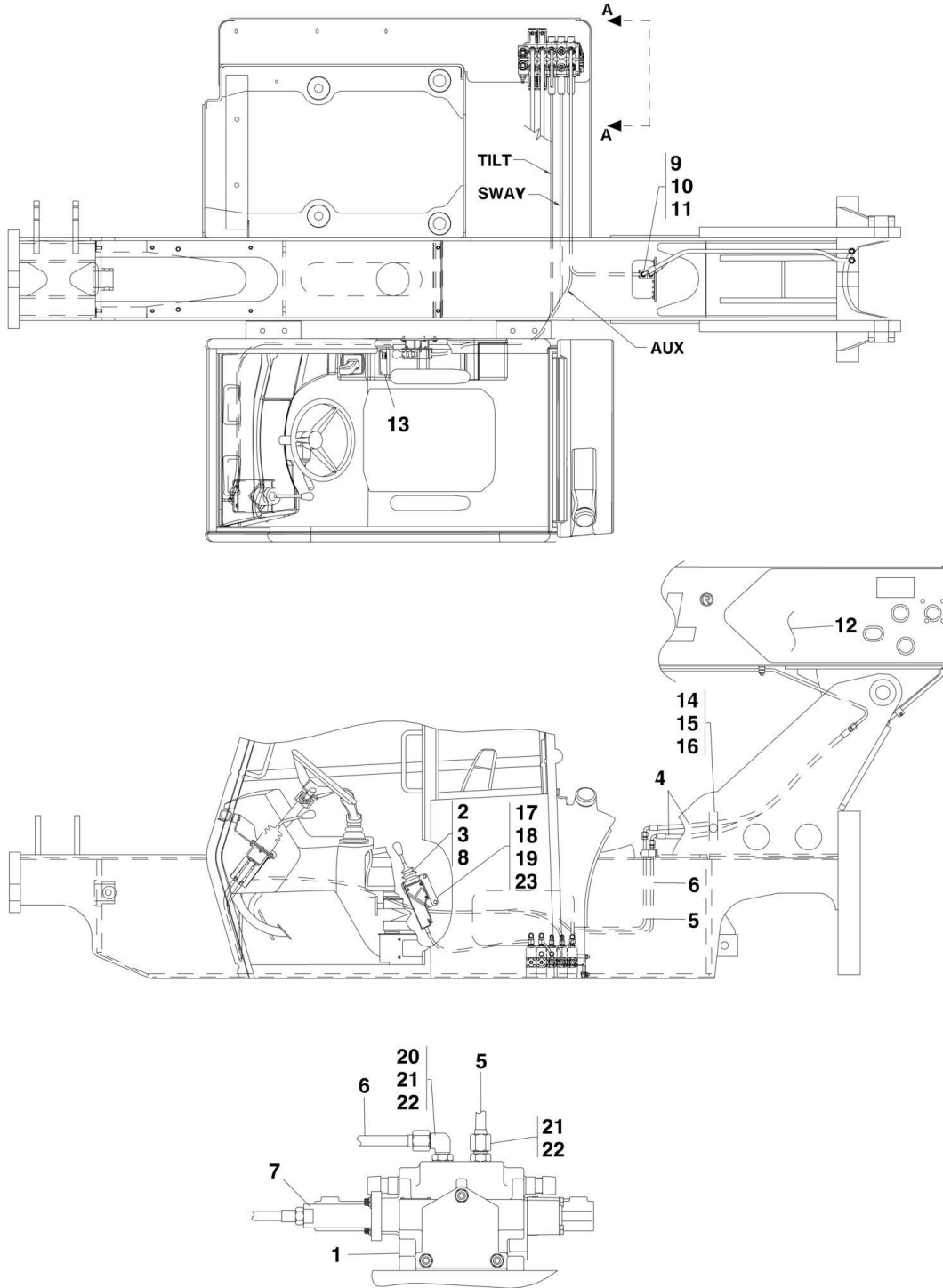
SECTION 12 - OPTIONS

FIGURE 12-27. LH AUXILIARY HYDRAULICS ASSEMBLY

ITEM	PART NUMBER	QTY	DESCRIPTION	REV
	91405052	1	LH AUXILIARY HYDRAULICS ASSY, (includes all items) (Prior to SN 0160037689)	L
	1001105827	1	LH AUXILIARY HYDRAULICS ASSY, (includes all items) (SN 0160037689 to Present)	C
1	91403273	1	LH VERTICAL CONTROL JOYSTICK	
1	91404091	1	OVAL KNOB HANDLE	
2	0641808	2	HEX HD CAPSCREW, 1/2-13X1, GR5	
3	4761800	2	LOCKWASHER, 1/2	
4		Ref	5 SECTION MAIN CONTROL VALVE, (See MAIN CONTROL VALVE WITH AUXILIARY HYDRAULICS for Breakdown)	
5	91403316	1	LH VERTICAL DASH PANEL	
6	84719205	2	HOSE ASSY (Prior to SN 0160037689)	
6	1001102661	2	HOSE ASSY (SN 0160037689 to Present)	
7	91403549	1	HYDRAULIC TUBE, (Auxiliary)	
8	91403550	1	HYDRAULIC TUBE, (Auxiliary)	
9	91123062	1	CABLE TO VALVE ADAPTER BONNET	
10	91033138	2	CLAMP SET, 1/2	
11	0641422	2	HEX HD CAPSCREW, 1/4-20X2-3/4, GR5	
12	77133498	1	COVER PLATE	
13	80363033	4	FLAT HEAD CAPSCREW, 10-24X1	
14		Ref	AUXILIARY BOOM ASSEMBLY, (See AUXILIARY BOOM ASSEMBLY for Breakdown)	
16	77133136	1	CLAMP SET	
17	77133137	1	COVER PLATE	
18	88201023	1	HEX HD CAPSCREW, 5/16-18X1-3/4, GR5	
22	91403309	1	CABLE	
23	91401432	1	LH VERTICAL BRACKET (Prior to SN 0160029242)	
23	1001091157		LH VERTICAL BRACKET (SN 0160029244 to Present)	
24	88201009	3	HEX HD CAPSCREW, 1/4-20X2-1/2, GR5	
25	88501004	3	HEX NUT, 1/4-20	
26	88551009	3	LOCKWASHER	

SECTION 12 - OPTIONS

FIGURE 12-28. RH AUXILIARY HYDRAULICS ASSEMBLY



VIEW A-A

PAP23890

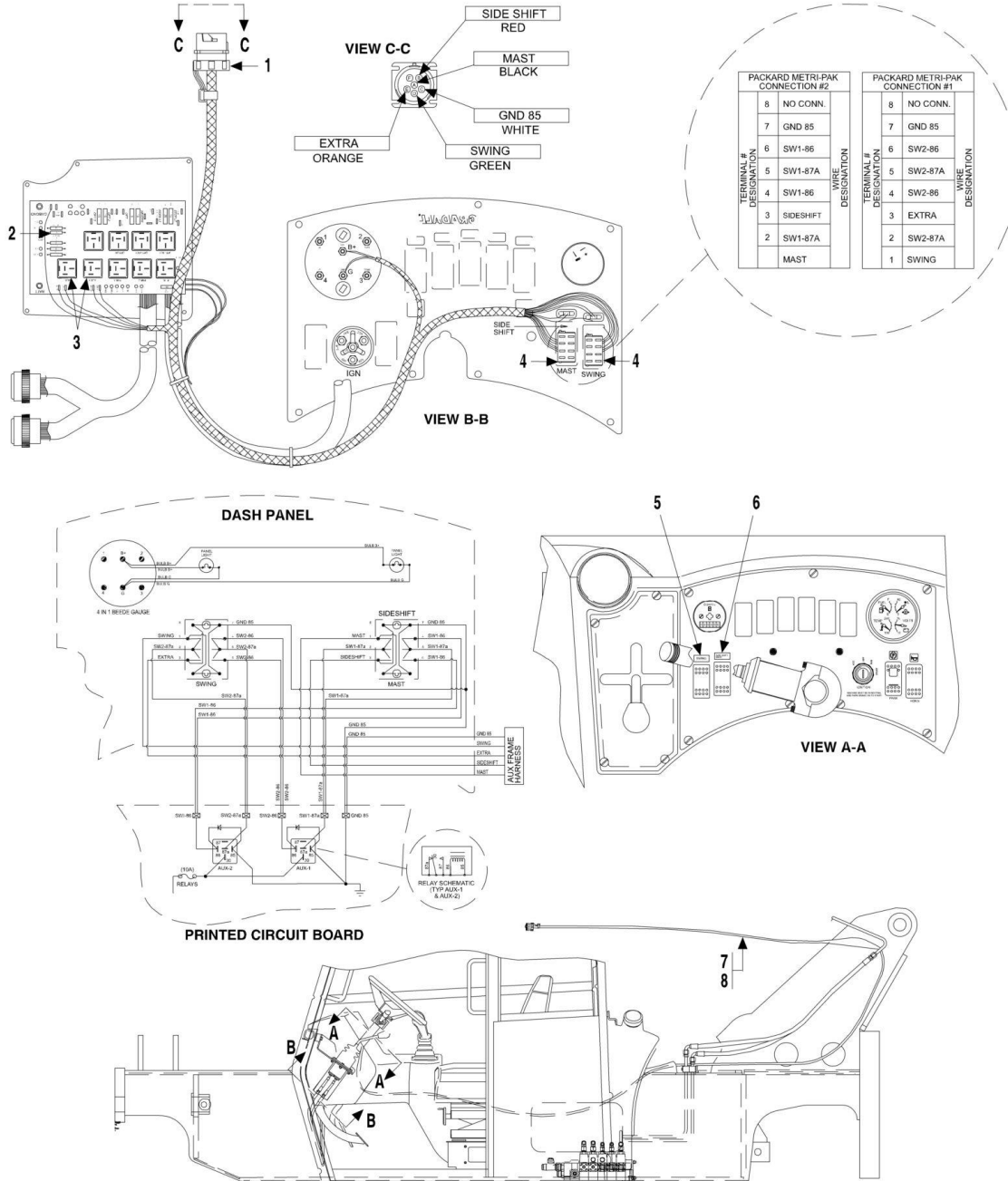
SECTION 12 - OPTIONS

FIGURE 12-28. RH AUXILIARY HYDRAULICS ASSEMBLY

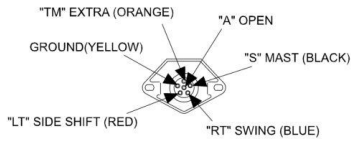
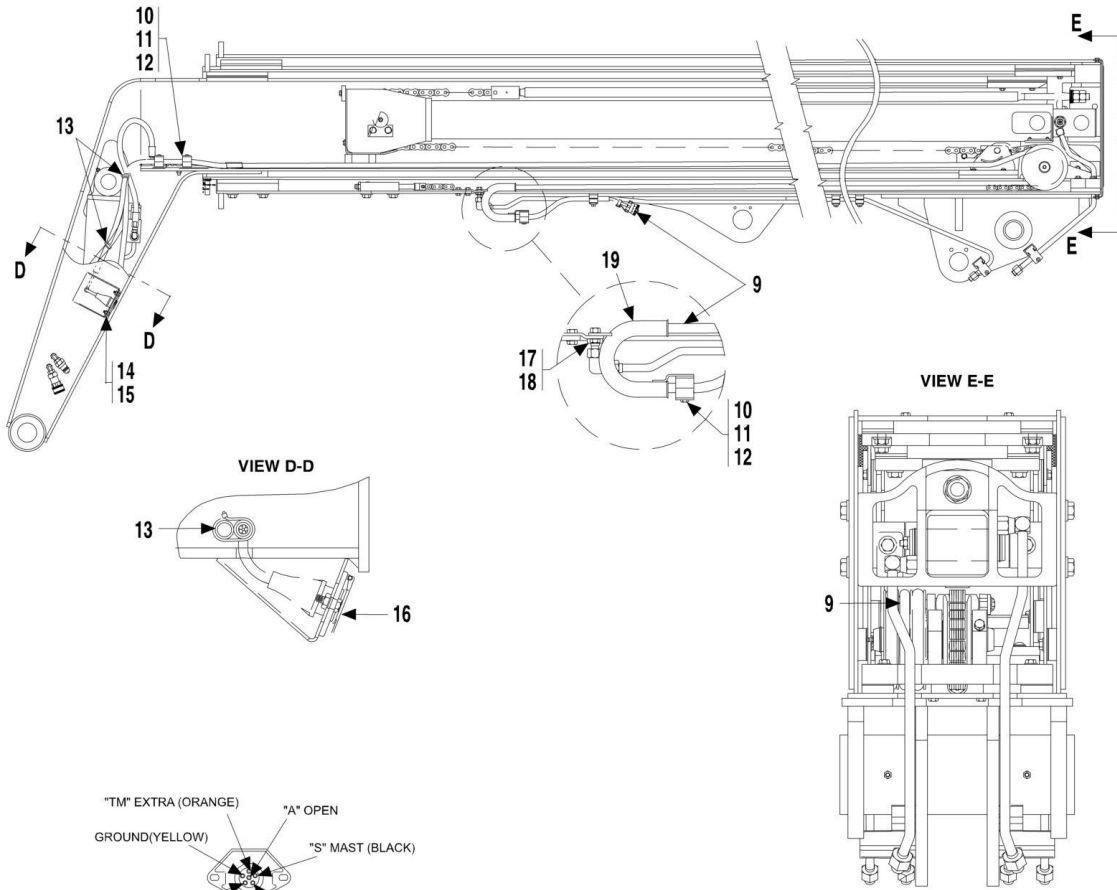
ITEM	PART NUMBER	QTY	DESCRIPTION	REV
	91405012	1	RH AUXILIARY HYDRAULICS ASSY, (includes all items) (Prior to SN 0160037689)	J
	1001105828	1	RH AUXILIARY HYDRAULICS ASSY, (includes all items) (SN 0160037689 to Present)	B
1		Ref	5 SECTION MAIN CONTROL VALVE, (See MAIN CONTROL VALVE WITH AUXILIARY HYDRAULICS for Breakdown)	
2	91405067	1	RH VERTICAL CONTROL ASSY	
3	88201034	3	HEX HD CAPSCREW, 5/16-18X2-1/4, GR5	
4	84719205	2	HOSE ASSY (Prior to SN 0160037689)	
4	1001102661	2	HOSE ASSY (SN 0160037689 to Present)	
5	91403549	1	HYDRAULIC TUBE, (Auxiliary)	
6	91403550	1	HYDRAULIC TUBE, (Auxiliary)	
7	91123062	1	VALVE CONNECTION KIT	
8	4711500	3	WASHER, 5/16	
9	91033138	2	CLAMP SET, 1/2	
10	0641422	2	HEX HD CAPSCREW, 1/4-20X2-3/4	
11	77133498	1	COVER PLATE	
12		Ref	AUXILIARY BOOM ASSEMBLY, (See AUXILIARY BOOM ASSEMBLY for Breakdown)	
13	91403328	1	RH PANEL, AUXILIARY HYDRAULICS (Prior to SN 0160037689)	
13	91413112	1	RH PANEL, AUXILIARY HYDRAULICS (SN 0160037689 to Present)	
14	77133136	1	CLAMP SET	
15	77133137	1	COVER PLATE	
16	88201023	1	HEX HD CAPSCREW, 5/16-18X1-3/4, GR5	
17	91403308	1	TILT-SWAY CABLE	
18	91416012	1	RH CONTROL BRACKET	
19	88211047	3	SOCKET HD CAPSCREW, 1/4-20X2-1/4, GR8	
20	8765204	1	ELBOW, 90, (swivel nut)	
21	2220374	2	ADAPTER, (includes item 22)	
22	88591206	1	O-RING	
23	4711400	6	FLAT WASHER, 1/4	

SECTION 12 - OPTIONS

FIGURE 12-29. AUXILIARY ELECTRICS ASSEMBLY (Prior to SN 0160037689)



SECTION 12 - OPTIONS



6 CONTACT SOCKET (ON BOOM HEAD)

PLUG CONNECTOR WIRE CHART		
CONN. BODY LETTER	WIRE COLOR	WIRE DESIGNATION
A	BLACK	MAST
B	RED	SIDESHIFT
C	YELLOW	GND 85
D	BLUE	SWING
E	ORANGE	EXTRA
F	NO CONN.	NO CONN.

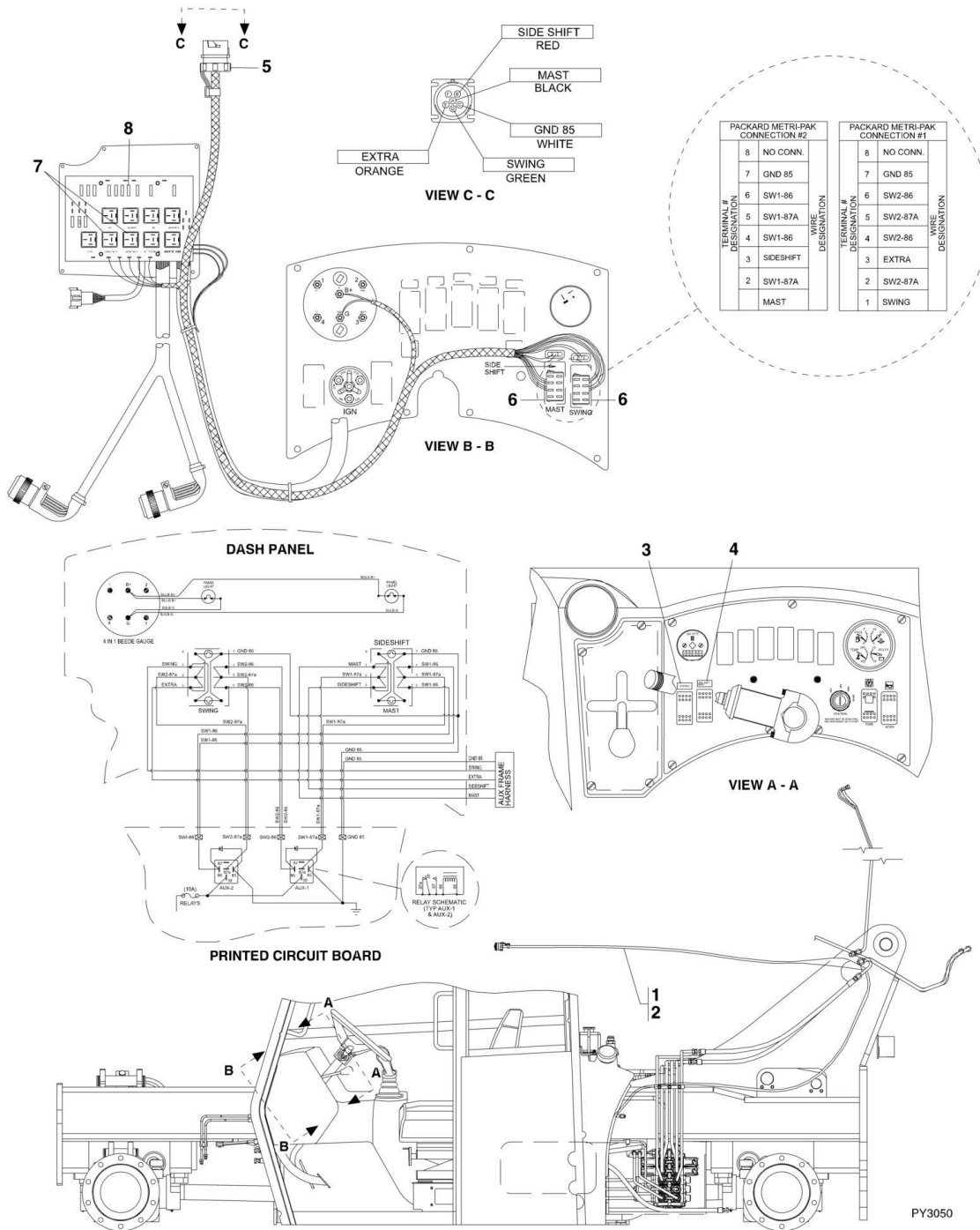
SECTION 12 - OPTIONS

FIGURE 12-29. AUXILIARY ELECTRICS ASSEMBLY (Prior to SN 0160037689)

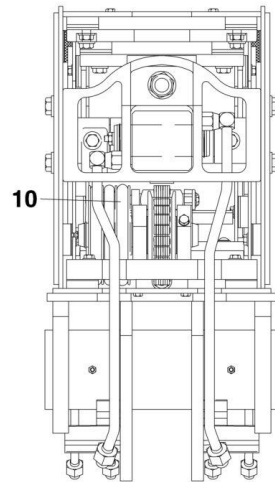
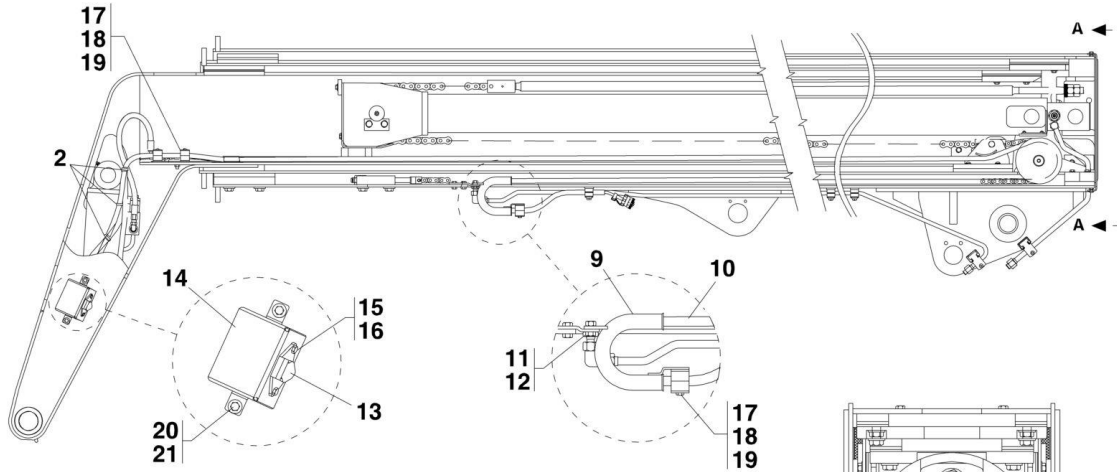
ITEM	PART NUMBER	QTY	DESCRIPTION	REV
	91405014	1	AUXILIARY ELECTRICS ASSY, (includes all items)	G
1	91473125	1	AUXILIARY DASH HARNESS	
2	77363267	1	AUTO FUSE, 10 AMP	
3	77363265	2	RELAY	
4	91473127	2	SWITCH, DPDT	
5	91403607	1	SWING DECAL	
6	91403606	1	SHIFT MAST DECAL	
7	91403318	1	AUXILIARY FRAME HARNESS	
8	90027187	6	NYLON TIE	
9	91403522	1	AUXILIARY ELECTRIC HARNESS	
10	77133497	3	CLAMP	
11	77133498	3	COVER PLATE	
12	77133209	6	HEX HD CAPSCREW, 1/4-20X1-5/16	
13	90027187	2	NYLON TIE	
14	91401276	1	CONNECTOR COVER	
15	88201005	2	HEX HD CAPSCREW, 1/4-20X1, GR5	
16	90207661	1	6 CONTACT SOCKET	
17	88201034	1	HEX HD CAPSCREW, 3/8-16X7/8, GR5	
18	88561004	1	FLAT WASHER, 3/8	
19	91403520	1	TUBE WELD	

SECTION 12 - OPTIONS

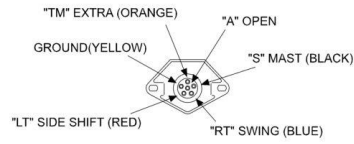
FIGURE 12-30. AUXILIARY ELECTRICS ASSEMBLY (SN 0160037689 to Present)



SECTION 12 - OPTIONS



PLUG CONNECTOR WIRE CHART		
CONN. BODY LETTER	WIRE COLOR	WIRE DESIGNATION
A	BLACK	MAST
B	RED	SIDESHIFT
C	YELLOW	GND 85
D	BLUE	SWING
E	ORANGE	EXTRA
F	NO CONN.	NO CONN.



VIEW A - A

PY3060

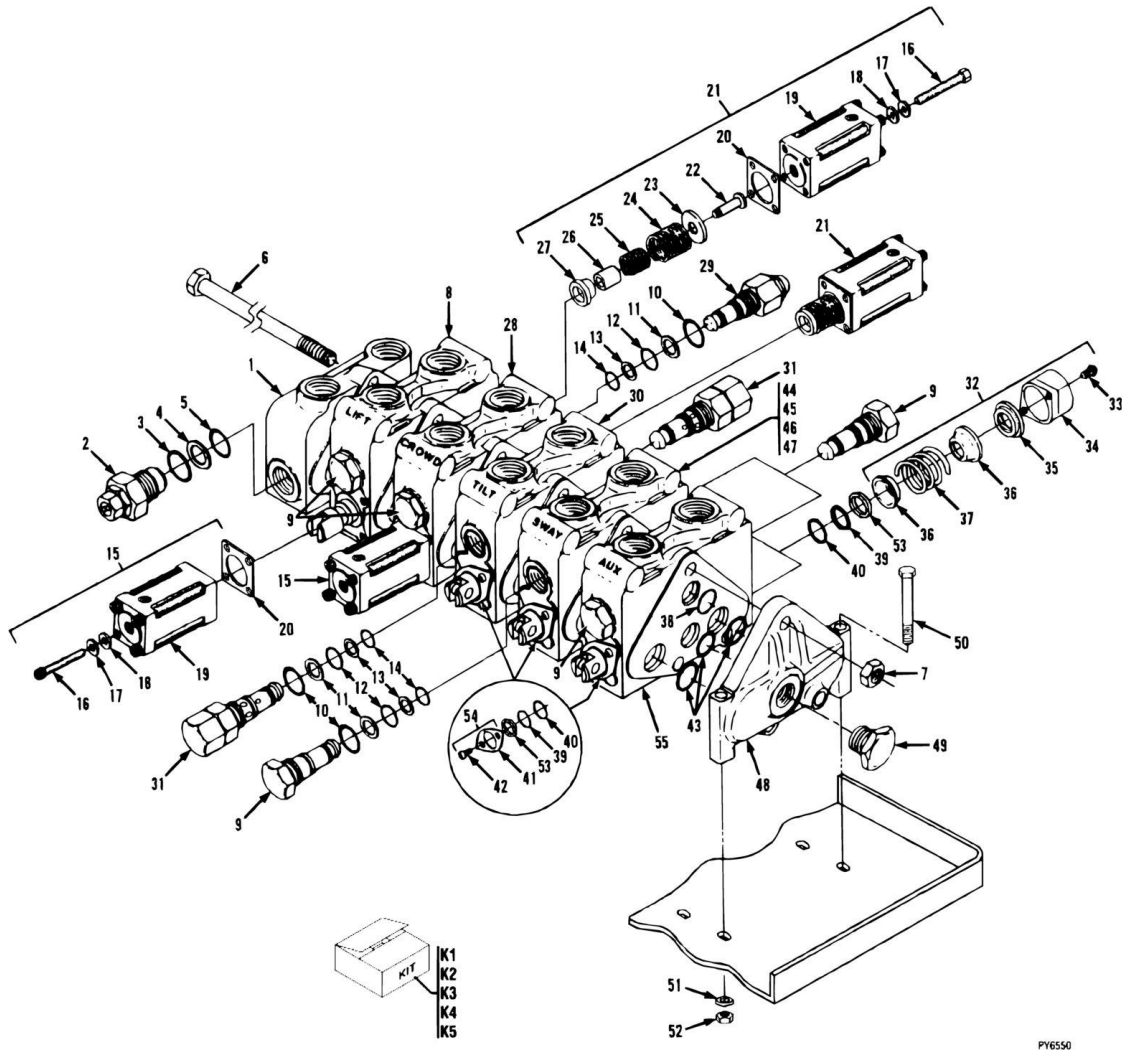
SECTION 12 - OPTIONS

FIGURE 12-30. AUXILIARY ELECTRICS ASSEMBLY (SN 0160037689 to Present)

ITEM	PART NUMBER	QTY	DESCRIPTION	REV
	1001101743	1	AUXILIARY ELECTRICS ASSY, (includes all items)	B
1	91403318	1	AUXILIARY FRAME HARNESS	
2	8584003	9	NYLON TIE	
3	91403607	1	SWING DECAL	
4	91403606	1	SWING MAST DECAL	
5	91473125	1	AUXILIARY DASH HARNESS	
6	91473127	2	SWITCH, DPDT	
7	77363265	2	RELAY	
8	77363267	1	AUTO FUSE, 10 AMP	
10	91403522	1	AUXILIARY ELECTRIC HARNESS	
11	0641607	1	HEX HD CAPSCREW, 3/8-16X7/8, GR5	
12	4751600	1	FLAT WASHER, 3/8	
13	90207661	1	6 CONTACT SOCKET	
14	1001099812	1	CONNECTOR COVER	
15	4711400	2	FLAT WASHER, 1/4	
16	0641408	2	HEX HD CAPSCREW, 1/4-20X1, GR5	
17	77133497	3	CLAMP	
18	77133498	3	COVER PLATE	
19	77133209	6	HEX HD CAPSCREW, 1/4-20X1-3/8	
20	4711600	2	FLAT WASHER, 3/8	
21	0641808	2	HEX HD CAPSCREW, 1/4-20X1	

SECTION 12 - OPTIONS

FIGURE 12-31. MAIN CONTROL VALVE WITH AUXILIARY HYDRAULICS (Prior to SN 0160037689)



SECTION 12 - OPTIONS

FIGURE 12-31. MAIN CONTROL VALVE WITH AUXILIARY HYDRAULICS (Prior to SN 0160037689)

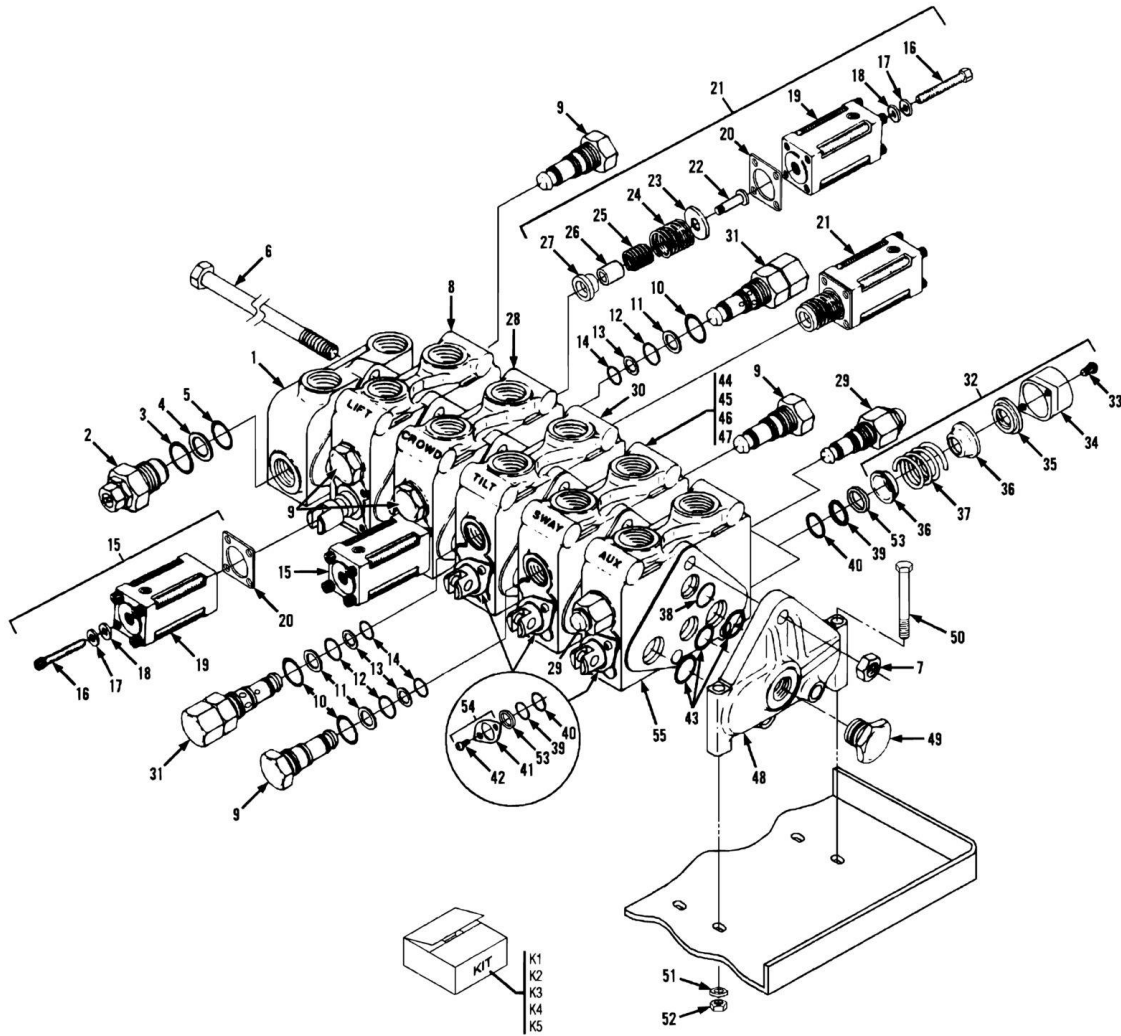
ITEM	PART NUMBER	QTY	DESCRIPTION	REV
	91403540	1	MAIN HYDRAULIC CONTROL VALVE, (includes all items except 50 thru 53)	J
1	91084008	1	INLET COVER ASSY, (includes item 2)	
2	91084009	1	MAIN RELIEF, (includes items 3, 4 & 5)	
3	Kit K3	1	O-RING	
4	Kit K3	1	BACK-UP RING	
5	Kit K3	1	O-RING	
6	Kit K1	3	HEX HD CAPSCREW	
7	Kit K1	3	HEX NUT	
8	91404182	1	VALVE SECTION ASSY, (Lift), (includes one each of items 15, 21 & two of item 9)	
9	91404183	7	LOAD CHECK PLUG, (includes items 10 thru 14)	
10	Kit K4	2	O-RING	
11	Kit K4	1	BACK-UP RING	
12	Kit K4	1	O-RING	
13	Kit K4	1	O-RING	
14	Kit K4	2	BACK-UP RING	
15	91404184	2	HYDRAULIC REMOTE POSITIONER, (includes items 16 thru 20)	
16	N.S.S.	1	SCREW	
17	N.S.S.	1	LOCKWASHER	
18	N.S.S.	1	BEARING PLATE	
19	N.S.S.	1	BONNET	
20	N.S.S.	1	SEAL	
21	91404185	2	HYDRAULIC REMOTE POSITIONER, (includes items 16 thru 20 & 22 thru 27)	
22	N.S.S.	1	SPOOL POSITIONER	
23	N.S.S.	1	WASHER	
24	N.S.S.	1	SPRING, (large)	
25	N.S.S.	1	SPRING, (small)	
26	N.S.S.	1	STOP SLEEVE	
27	N.S.S.	1	STOP COLLAR	
28	91404186	1	VALVE SECTION ASSY, (Crowd), (includes one each of items 9, 15, 21 & 29)	
29	91404187	1	RELIEF CARTRIDGE, (includes items 10 thru 14)	
30	91404188	1	VALVE SECTION ASSY, (Tilt), (includes one each of items 32, 53 & two each of items 31, 39, 40 & 54)	
31	91404189	2	RELIEF CARTRIDGE, (includes items 10 thru 14)	
32	91404190	3	SPOOL POSITIONER ASSY, (includes items 33 thru 37)	
33	N.S.S.	2	SCREW	
34	N.S.S.	1	BONNET	
35	N.S.S.	1	SPOOL SPUD	
36	N.S.S.	2	SPRING COLLAR	
37	N.S.S.	1	SPRING	
38	Kit K2	1	O-RING	
39	Kit K5	6	BACK-UP WASHER	
40	Kit K5	6	O-RING	
41	N.S.S.	1	RETAINER PLATE	
42	N.S.S.	1	SCREW	
43	Kit K2	3	O-RING	
44	91404191	1	VALVE SECTION ASSY, (Sway), (includes one each of items 32, 53 & two each of items 9, 39, 40 & 54)	

SECTION 12 - OPTIONS

ITEM	PART NUMBER	QTY	DESCRIPTION	REV
45	91404192	2	PORT RESTRICTOR ASSY, (includes items 46 & 47)	
46	N.S.S.	1	ORIFICE PLATE	
47	N.S.S.	1	CONICAL SPRING	
48	91084278	1	OUTLET COVER ASSY, (includes item 49)	
49	91084279	1	PLUG	
50	88201028	3	HEX HD CAPSCREW, 5/16-18X3, GR5	
51	88561003	3	FLAT WASHER, 5/16	
52	88521305	3	NYLOCK NUT, 5/16-18	
53	Kit K5	6	SEAL RETAINER	
54	91404180	3	SEAL RETAINER KIT, (includes items 41 & 42)	
55	91084014	1	VALVE SECTION ASSY, (Auxiliary), (includes one each of items 32 & 54 & two each of items 9, 39, 40 & 53)	
K1	91084203	1	STUD KIT, (includes items 6 & 7)	
K2	91404178	6	VALVE SECTION SEAL KIT, (includes items 38 & 43)	
K3	91404179	1	MAIN RELIEF SEAL KIT, (includes items 3, 4 & 5)	
K4	70020717	8	PLUG SEAL KIT, (includes items 10 thru 14)	
K5	91404181	6	SPOOL SEAL KIT, (includes one each of items 39, 40 & 53)	

SECTION 12 - OPTIONS

FIGURE 12-32. MAIN CONTROL VALVE WITH AUXILIARY HYDRAULICS (SN 0160037689 to Present)



PY6490

SECTION 12 - OPTIONS

FIGURE 12-32. MAIN CONTROL VALVE WITH AUXILIARY HYDRAULICS (SN 0160037689 to Present)

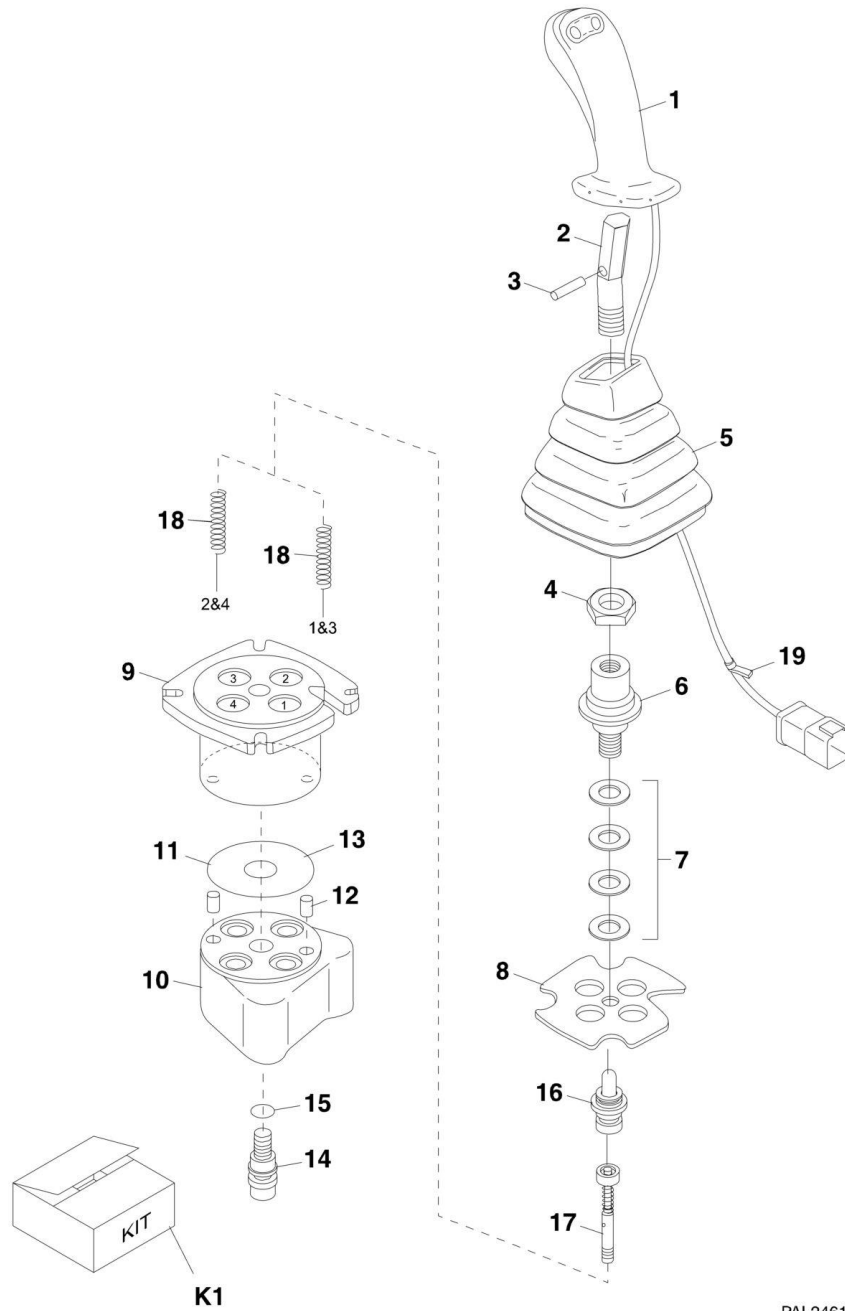
ITEM	PART NUMBER	QTY	DESCRIPTION	REV
	1001109217	1	MAIN HYDRAULIC CONTROL VALVE, (includes all items)	A
1	91084008	1	INLET COVER ASSY, (includes item 2)	
2	91084009	1	MAIN RELIEF, (includes items 3, 4 & 5)	
3	Kit K3	1	O-RING	
4	Kit K3	1	BACK-UP RING	
5	Kit K3	1	O-RING	
6	Kit K1	3	HEX HD CAPSCREW	
7	Kit K1	3	HEX NUT	
8	91404182	1	VALVE SECTION ASSY, (Lift), (includes one each of items 15, 21 & two of item 9)	
9	91084010	3	LOAD CHECK PLUG, (includes items 10 thru 14)	
10	Kit K4	2	O-RING	
11	Kit K4	1	BACK-UP RING	
12	Kit K4	1	O-RING	
13	Kit K4	1	O-RING	
14	Kit K4	2	BACK-UP RING	
15	91094023	2	HYDRAULIC REMOTE POSITIONER, (includes items 16 thru 20)	
16	N.S.S.	4	SCREW	
17	N.S.S.	4	LOCKWASHER	
18	N.S.S.	4	BEARING PLATE	
19	N.S.S.	1	BONNET	
20	N.S.S.	1	SEAL	
21	91094024	2	HYDRAULIC REMOTE POSITIONER, (includes items 16 thru 20 & 22 thru 27)	
22	N.S.S.	1	SPOOL POSITIONER	
23	N.S.S.	1	WASHER	
24	N.S.S.	1	SPRING, (large)	
25	N.S.S.	1	SPRING, (small)	
26	N.S.S.	1	STOP SLEEVE	
27	N.S.S.	1	STOP COLLAR	
28	91404186	1	VALVE SECTION ASSY, (Crowd), (includes one each of items 9, 15, 21 & 31)	
29	91404187	1	RELIEF CARTRIDGE, (includes items 10 thru 14)	
30	91404188	1	VALVE SECTION ASSY, (Tilt), (includes one each of items 32, 53 & two each of items 31, 39, 40 & 54)	
31	91404189	2	RELIEF CARTRIDGE, (includes items 10 thru 14)	
32	91084004	3	SPOOL POSITIONER ASSY, (includes items 33 thru 37)	
33	N.S.S.	2	SCREW	
34	N.S.S.	1	BONNET	
35	N.S.S.	1	SPOOL SPUD	
36	N.S.S.	2	SPRING COLLAR	
37	N.S.S.	1	SPRING	
38	Kit K2	1	O-RING	
39	Kit K5	6	BACK-UP WASHER	
40	Kit K5	6	O-RING	
41	N.S.S.	1	RETAINER PLATE	
42	N.S.S.	2	SCREW	
43	Kit K2	3	O-RING	
44	91404191	1	VALVE SECTION ASSY, (Sway), (includes one each of items 32, 53 & two each of items 9, 39, 40 & 54)	
45	91404192	2	PORT RESTRICTOR ASSY, (includes items 46 & 47)	

SECTION 12 - OPTIONS

ITEM	PART NUMBER	QTY	DESCRIPTION	REV
46	N.S.S.	1	ORIFICE PLATE	
47	N.S.S.	1	CONICAL SPRING	
48	91084278	1	OUTLET COVER ASSY, (includes item 49)	
49	91084279	1	PLUG	
50	88201028	3	HEX HD CAPSCREW, 5/16-18X3, GR5	
51	88561003	3	FLAT WASHER, 5/16	
52	88521305	3	NYLOCK NUT, 5/16-18	
53	Kit K5	6	SEAL RETAINER	
54	91084006	3	SEAL RETAINER KIT, (includes items 41 & 42)	
55	7029862	1	VALVE SECTION ASSY, (Auxiliary), (includes one each of items 32, 54 & two each of items 29, 39, 40 & 53)	
K1	91084203	1	STUD KIT, (includes items 6 & 7)	
K2	91404178	6	VALVE SECTION SEAL KIT, (includes items 38 & 43)	
K3	91404179	1	MAIN RELIEF SEAL KIT, (includes items 3, 4 & 5)	
K4	70020717	8	PLUG SEAL KIT, (includes items 10 thru 14)	
K5	91084005	6	SPOOL SEAL KIT, (includes one each of items 39, 40 & 53)	

SECTION 12 - OPTIONS

FIGURE 12-33. BOOM JOYSTICK WITH TILT



PAL2461

NOTE:

THE BOSCH REXROTH CORPORATION JOYSTICK HANDLE SWITCH IS NOT A FIELD SERVICABLE COMPONENT. ANY ATTEMPT BY NON-FACTORY AUTHORIZED PERSONNEL TO REPAIR OR REPLACE THE SWITCH WILL VOID THE WARRANTY & CAN RESULT IN A JOYSTICK MALFUNCTION.

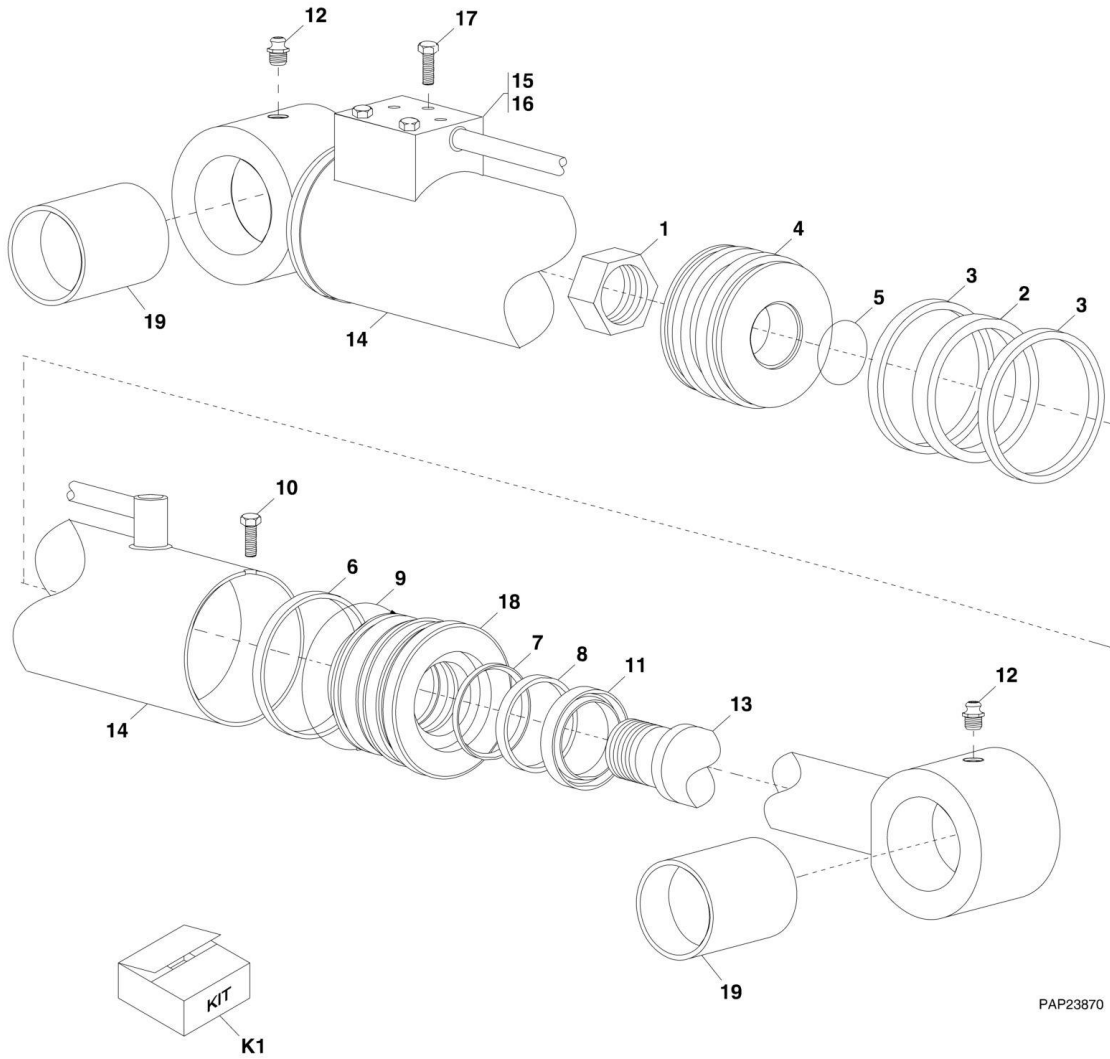
SECTION 12 - OPTIONS

FIGURE 12-33. BOOM JOYSTICK WITH TILT

ITEM	PART NUMBER	QTY	DESCRIPTION	REV
	91403491	1	BOOM JOYSTICK WITH ADJUSTABLE TILT, (if equipped), (includes all items)	A
1	91404325	1	BOOM JOYSTICK HANDLE WITH WIRE AND CONNECTOR	
2	91404011	1	BENT LEVER KIT, (includes items 3 & 4)	
3	N.S.S.	1	SPRING PIN	
4	N.S.S.	1	HEX NUT	
5	80364095	1	BOOT	
6	80264138	1	CARDAN KIT, (includes item 7)	
7	N.S.S.	AR	SHIM	
8	91404013	1	RETAINING PLATE	
9	91404016	1	UPPER BODY, (includes item 10)	
10	N.S.S.	1	LOWER BODY	
11	Kit K1	1	O-RING	
12	Kit K1	2	DOWEL PIN	
13	Kit K1	1	O-RING	
14	Kit K1	1	SCREW ASSY	
15	Kit K1	1	O-RING	
16	80934498	4	PLUNGER AND GUIDE KIT	
17	91404327	4	REGULATING UNIT	
18	91504028	1	SPRING, (ports 1 & 3), (pack of two)	
18	91504029	1	SPRING, (ports 2 & 4), (pack of two)	
19	80264139	1	GROMMET WITH CABLE TIE KIT	
K1	91404326	AR	SEAL KIT, (includes items 11 thru 15)	

SECTION 12 - OPTIONS

FIGURE 12-34. SWAY CYLINDER



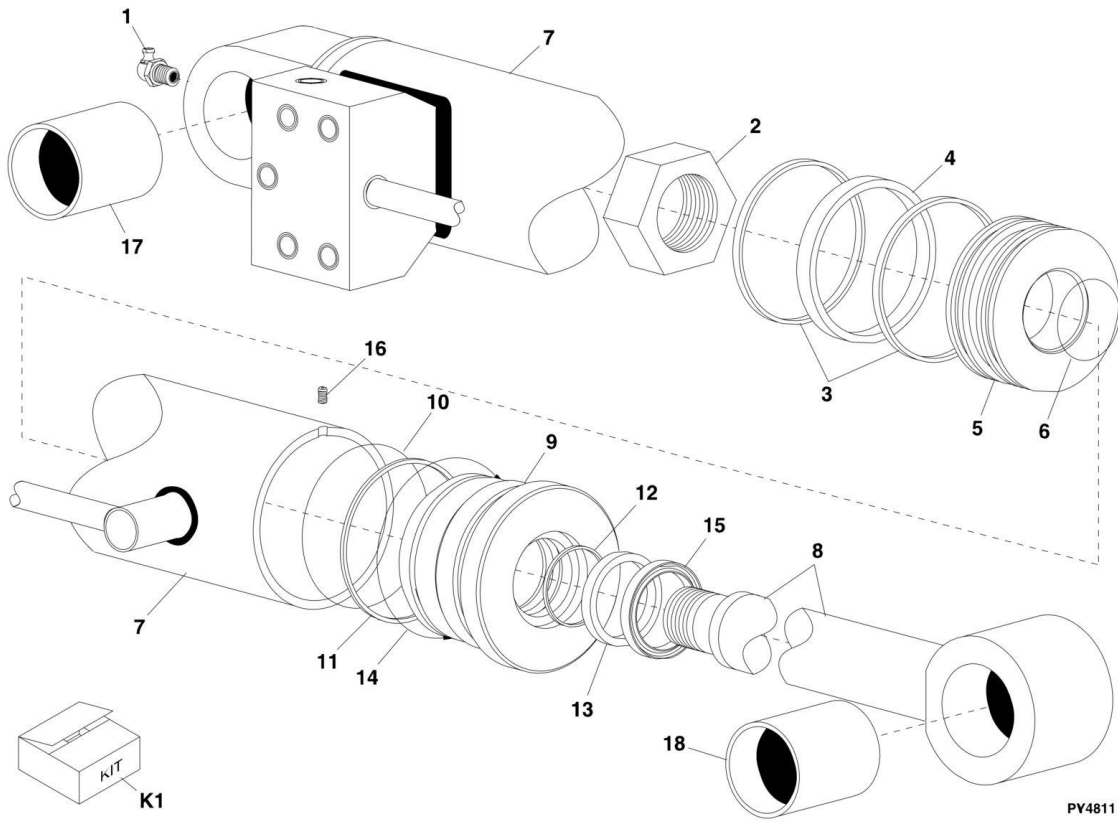
SECTION 12 - OPTIONS

FIGURE 12-34. SWAY CYLINDER

ITEM	PART NUMBER	QTY	DESCRIPTION	REV
	91403279	1	SWAY CYLINDER, (includes all items)	B
1	91144038	1	LOCKNUT	
2	Kit K1	1	PISTON SEAL	
3	Kit K1	2	WEAR RING	
4	91404355	1	PISTON	
5	Kit K1	1	O-RING	
6	Kit K1	1	U-CUP SEAL	
7	Kit K1	1	STEP SEAL	
8	Kit K1	1	U-CUP SEAL	
9	Kit K1	1	O-RING	
10	91124096	1	SELF-TAPPING SCREW	
11	91404360	1	WIPER	
12	91144128	2	GREASE FITTING	
13	91404361	1	SHAFT ASSY	
14	91404362	1	CASE ASSY	
15	91404363	1	COVER	
16	Kit K1	1	GASKET	
17	91404365	3	CAPSCREW	
18	91404366	1	HEAD	
19	91404352	2	BUSHING	
K1	91404367	AR	SEAL KIT, (includes items 2, 3, 5 thru 9, 11 & 16)	

SECTION 12 - OPTIONS

FIGURE 12-35. SWING CYLINDER



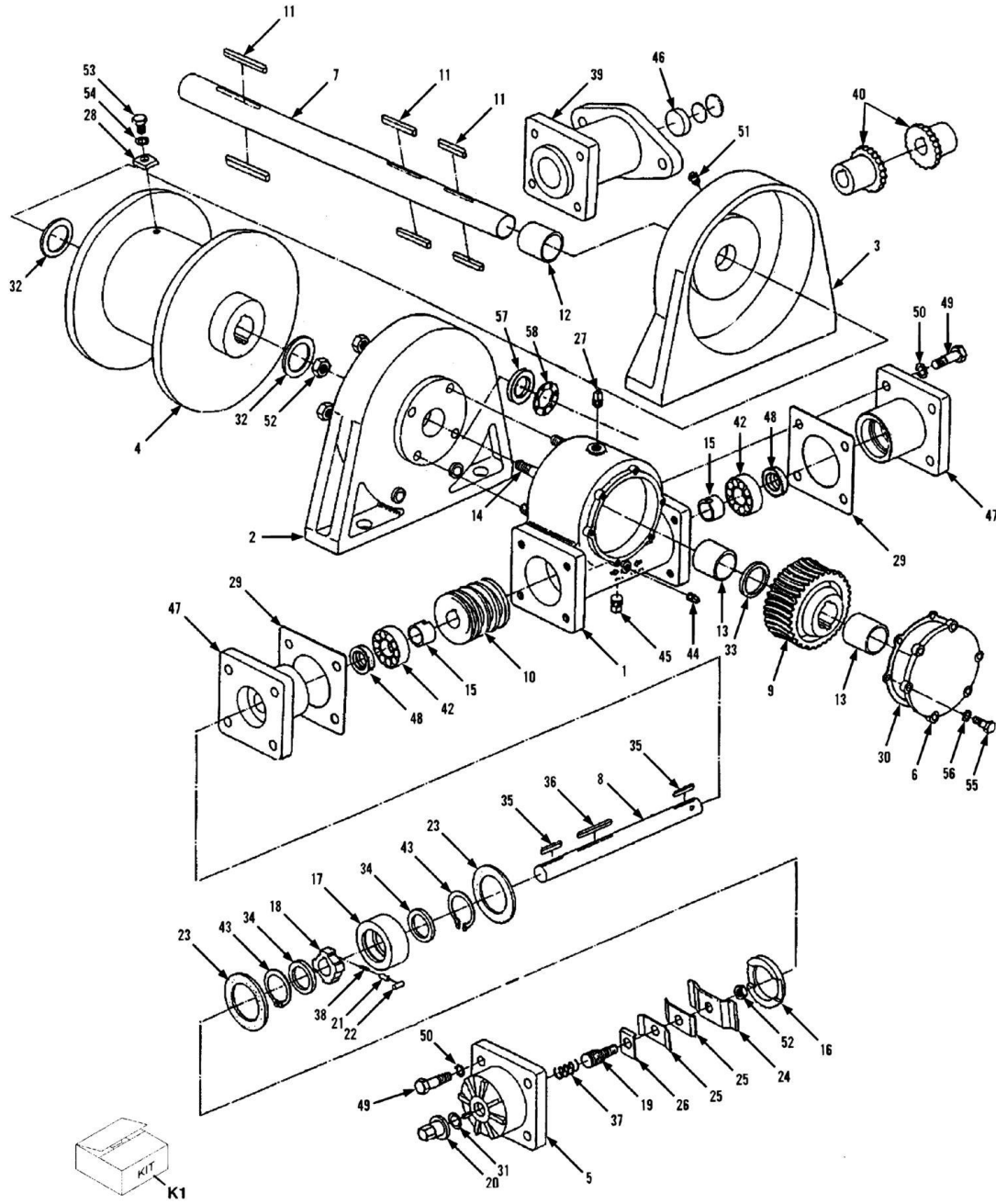
SECTION 12 - OPTIONS

FIGURE 12-35. SWING CYLINDER

ITEM	PART NUMBER	QTY	DESCRIPTION	REV
	91403322	1	SWING CYLINDER, (includes all items)	A
1	91144125	1	GREASE FITTING	
2	91034156	1	LOCKNUT	
3	Kit K1	2	WEAR RING	
4	Kit K1	1	PISTON SEAL	
5	91404370	1	PISTON	
6	Kit K1	1	O-RING	
7	91404371	1	CASE ASSY	
8	91404372	1	SHAFT ASSY	
9	91404373	1	HEAD	
10	Kit K1	1	O-RING	
11	Kit K1	1	BACK-UP RING	
12	Kit K1	1	STEP SEAL	
13	Kit K1	1	U-CUP	
14	Kit K1	1	O-RING	
15	Kit K1	1	WIPER	
16	91404380	1	SETSCREW	
17	91054157	1	BUSHING	
18	91034267	1	BUSHING	
K1	91404381	AR	SEAL KIT, (includes items 3, 4, 6 & 10 thru 15)	

SECTION 12 - OPTIONS

FIGURE 12-36. 5 INCH AND 8 INCH WINCH



PY5560

SECTION 12 - OPTIONS

FIGURE 12-36. 5 INCH AND 8 INCH WINCH

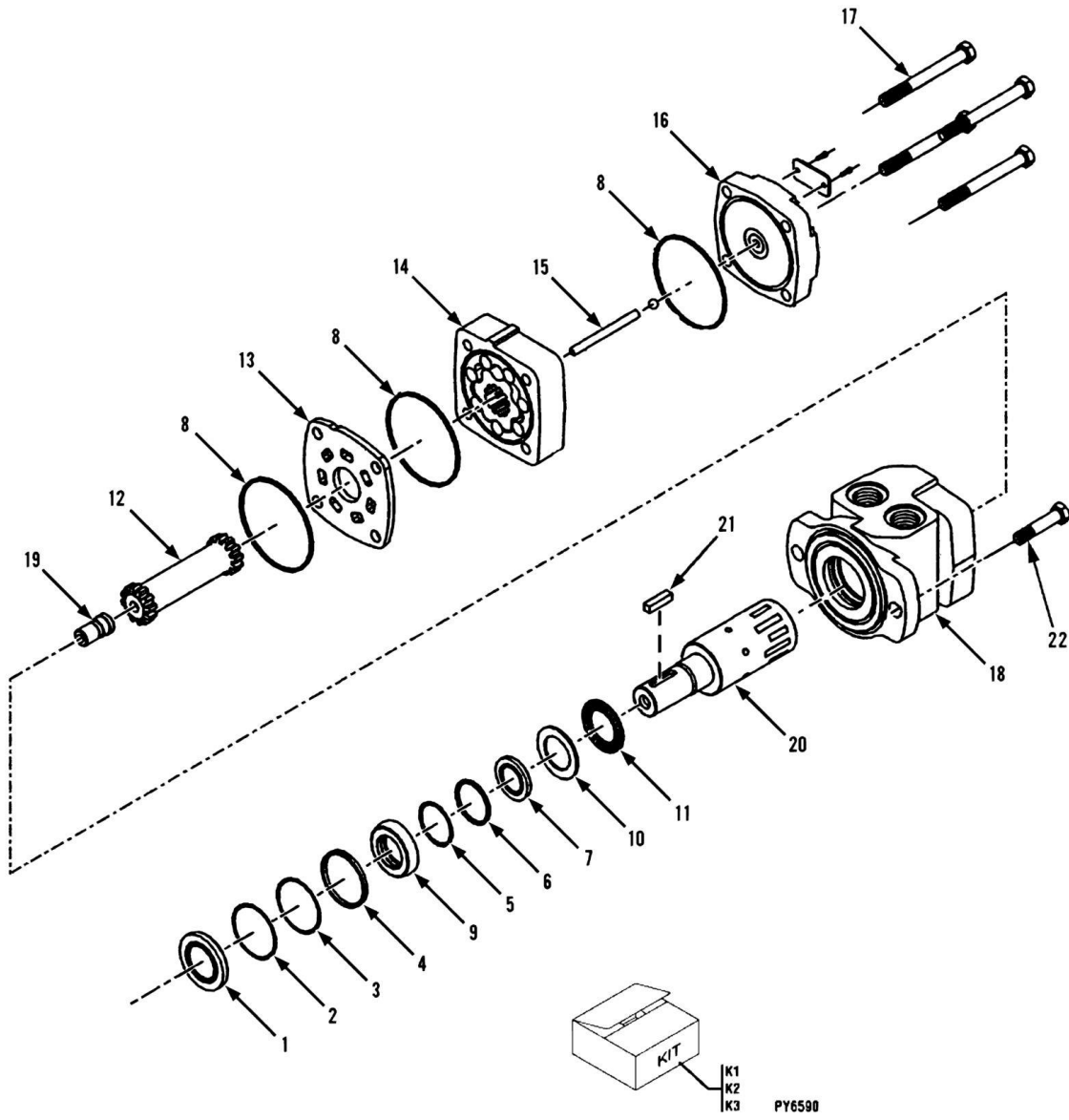
ITEM	PART NUMBER	QTY	DESCRIPTION	REV
	91413160	1	WINCH, 5 IN DRUM, (includes all items on this page and on WINCH)	B
	91413159	NLA	WINCH, 8 IN DRUM, (no longer available, use 1001114795 on WINCH for replacement), (includes all items of this page and on WINCH)	B
1	91404383	1	GEAR CASE	
2	N.S.S.	1	LOCK SET A	
3	91404385	1	LOCK SET B	
4	91404386	1	CABLE DRUM, 5 IN	
4	91404432	1	CABLE DRUM, 8 IN	
5	Kit K1	1	BRAKE DRUM	
6	91404388	1	GEAR CASE COVER	
7	90208148	1	CABLE DRUM SHAFT, 5 IN	
7	91404433	1	CABLE DRUM SHAFT, 8 IN	
8	91404389	1	WORM SHAFT, (includes item 10)	
9	N.S.S.	1	WORM GEAR	
10	N.S.S.	1	WORM	
11	91404392	6	CABLE DRUM SHAFT KEY	
12	N.S.S.	1	LOCK SEAT A BUSHING	
13	91404394	2	BUSHING	
14	91404395	4	STUD BOLT, 1/2X1-1/2	
15	91404396	2	COLLAR	
16	Kit K1	1	BRAKE PLATE	
17	Kit K1	1	BRAKE HOUSING	
18	Kit K1	1	BRAKE DRUM	
19	Kit K1	1	ADJUSTING BOLT	
20	Kit K1	1	ADJUSTING NUT	
21	Kit K1	1	SPRING SEAT	
22	Kit K1	1	ROLLER	
23	Kit K1	2	BRAKE LINING	
24	Kit K1	1	BRAKE PLATE A	
25	Kit K1	2	BRAKE PLATE B	
26	Kit K1	1	FIXING PLATE	
27	N.S.S.	1	OIL FILL PLUG	
28	N.S.S.	1	BEARING SHIM	
29	91404408	2	BEARING HUB GASKET	
30	91404409	1	GEAR CASE GASKET	
31	Kit K1	1	O-RING	
32	91404411	2	WASHER	
33	91404412	1	BUSHING	
34	Kit K1	2	SEAL	
35	91404413	2	WORM SHAFT KEY	
36	N.S.S.	1	WORM SHAFT KEY	
37	Kit K1	1	SPRING	
38	Kit K1	1	BRAKE DRUM SPRING	
39	N.S.S.	1	MOTOR MOUNT ADAPTER	
40	90208181	1	COUPLER	
42	91404416	2	BEARING	
43	Kit K1	2	V.C. TYPE LOCK RING	
44	91404418	1	OIL LEVEL PLUG	

SECTION 12 - OPTIONS

ITEM	PART NUMBER	QTY	DESCRIPTION	REV
45	91404419	1	OIL DRAIN PLUG	
46	N.S.S.	1	COUPLER SPACER	
47	91404420	2	BEARING HUB	
48	91404421	2	OIL SEAL	
49	Kit K1	8	CAPSCREW, 3/8X1-1/2	
50	Kit K1	8	LOCKWASHER	
51	N.S.S.	1	GREASE FITTING	
52	Kit K1	5	NUT	
53	91404426	1	HEX HD CAPSCREW, 3/8X1	
54	N.S.S.	1	LOCKWASHER	
55	N.S.S.	1	HEX HD CAPSCREW, 3/8X1	
56	Kit K1	1	BRAKE COVER GASKET	
57	91404430	1	OIL SEAL	
58	N.S.S.	1	LOCK SEAT GASKET	
K1	70020227	1	BRAKE LINING ASSY, (includes items 5, 16 thru 26, 31, 34, 37, 38, 43, 49, 50, 52 & 56)	

SECTION 12 - OPTIONS

FIGURE 12-37. WINCH MOTOR



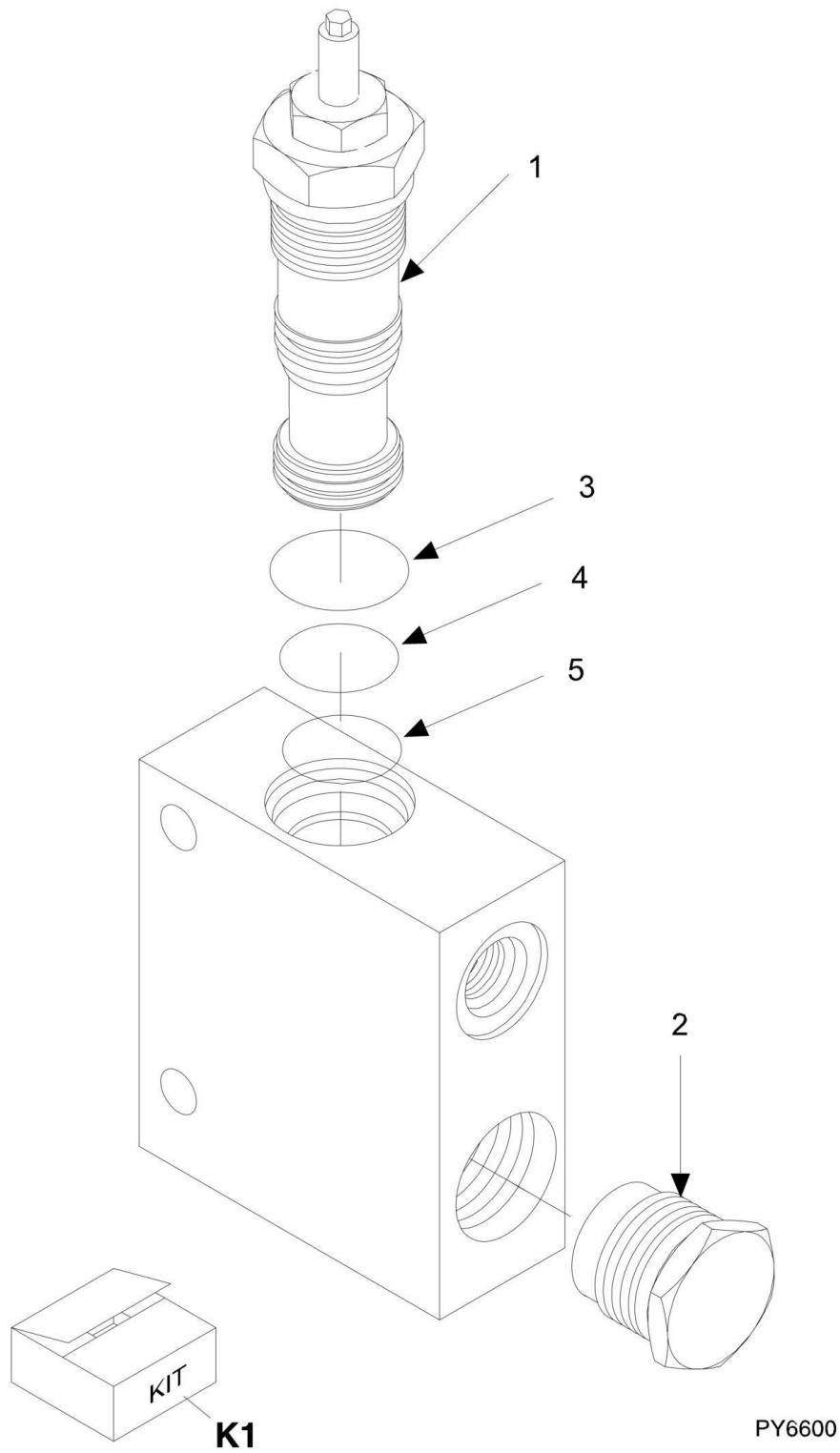
SECTION 12 - OPTIONS

FIGURE 12-37. WINCH MOTOR

ITEM	PART NUMBER	QTY	DESCRIPTION	REV
	91413039	1	WINCH MOTOR, (includes all items)	C
1	91414051	1	DUST SEAL	
2	Kit	1	SPLIT WIRE RING	
3	Kit	1	METAL BACK-UP SHIM	
4	Kit	1	HIGH PRESSURE SEAL	
5	Kit	1	METAL BACK-UP SHIM	
6	Kit	1	TEFLON BACK-UP SHIM	
7	Kit	1	SHAFT SEAL	
8	91414052	3	BODY SEAL	
9	Kit	1	SEAL CARRIER	
10	Kit	1	THRUST WASHER	
11	91414053	1	THRUST BEARING	
12	91414054	1	DRIVE LINK	
13	91414055	1	MID MOUNT WEAR PLATE	
14	91414056	1	ROTOR KIT	
15	91414057	1	DRIVE LINK PIN	
16	91414058	1	END COVER	
17	91414059	1	BOLT SET	
18	91414060	1	HOUSING	
19	91414061	1	COOLING PLUG	
20	91414062	1	SHAFT, (includes item 21)	
21	91414063	1	KEY	
22	88201024	2	HEX HD CAPSCREW, 5/16-18X2, GR5	
K1	91414049	1	SEAL KIT, (includes items 1 thru 8)	
K2	91414050	1	SEAL KIT, (includes items 9 & 10)	
K3	90208212	1	SEAL KIT, (includes items 1 thru 10)	

SECTION 12 - OPTIONS

FIGURE 12-38. TRUSS BOOM PRESSURE REDUCER VALVE - 1200 PSI (SN 0160015465 to Present)



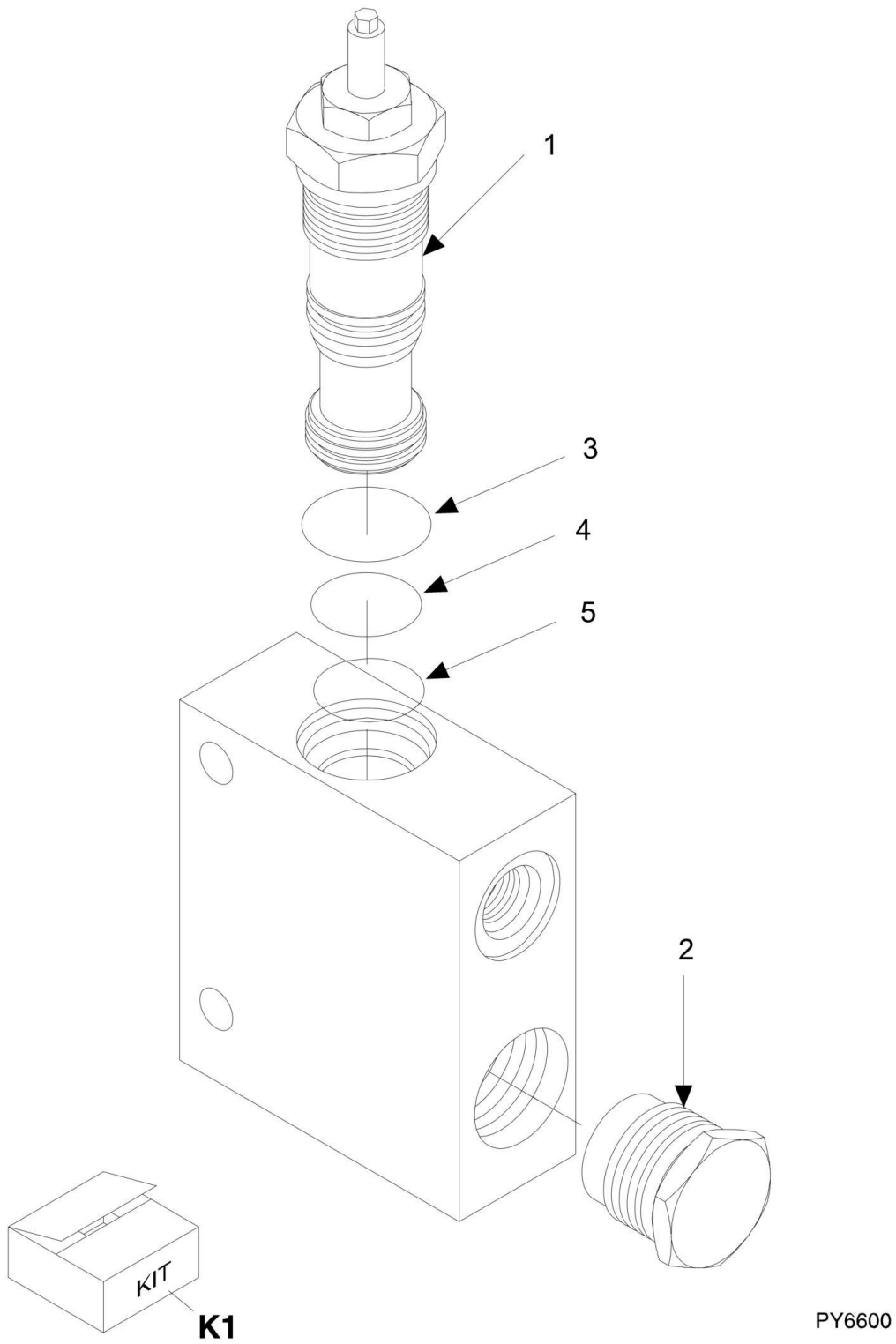
SECTION 12 - OPTIONS

FIGURE 12-38. TRUSS BOOM PRESSURE REDUCER VALVE - 1200 PSI (SN 0160015465 to Present)

ITEM	PART NUMBER	QTY	DESCRIPTION	REV
	91413041	1	TRUSS BOOM PRESSURE REDUCER VALVE, 1200 PSI, (if equipped), (includes all items)	B
1	91414046	1	PRESSURE REDUCING CARTRIDGE	
2	91414047	1	CHECK CARTRIDGE	
3	Kit K1	1	O-RING	
4	Kit K1	1	O-RING	
5	Kit K1	1	O-RING	
K1	91414045	1	SEAL KIT, (includes items 3 thru 5)	

SECTION 12 - OPTIONS

FIGURE 12-39. TRUSS BOOM PRESSURE REDUCER VALVE - 1360 PSI (SN 0160015465 to Present)



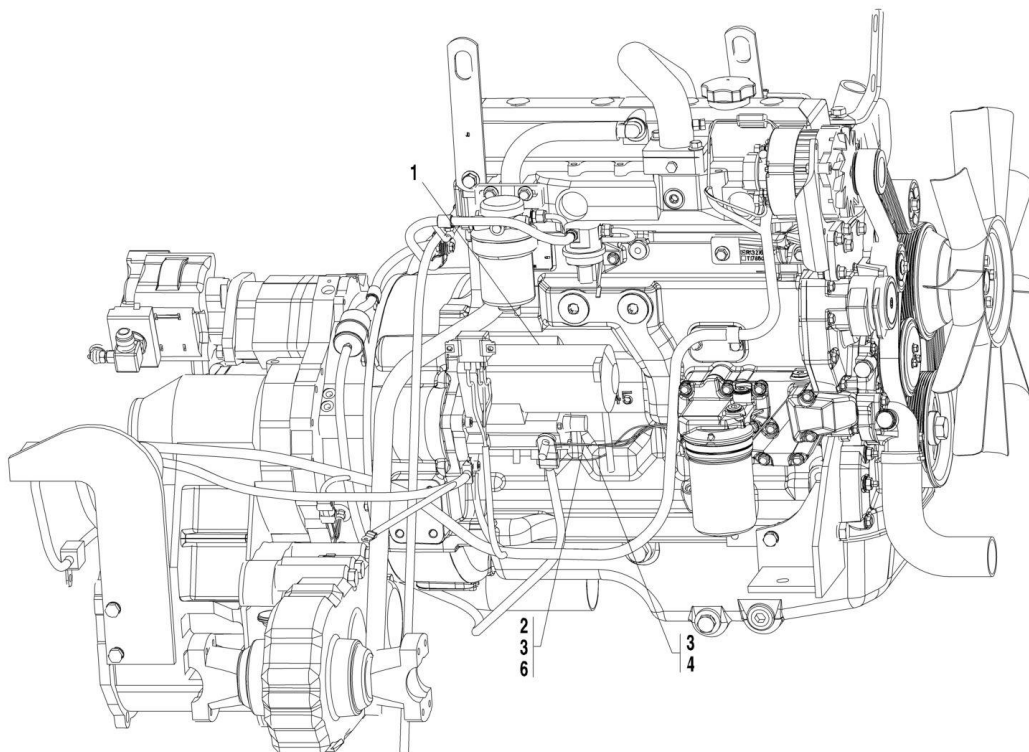
SECTION 12 - OPTIONS

FIGURE 12-39. TRUSS BOOM PRESSURE REDUCER VALVE - 1360 PSI (SN 0160015465 to Present)

ITEM	PART NUMBER	QTY	DESCRIPTION	REV
	91413040	1	TRUSS BOOM PRESSURE REDUCER VALVE, 1360 PSI, (includes all items)	
1	91414048	1	PRESSURE REDUCING CARTRIDGE	
2	91414047	1	CHECK CARTRIDGE	
3	Kit K1	1	O-RING	
4	Kit K1	1	O-RING	
5	Kit K1	1	O-RING	
K1	91414045	1	SEAL KIT, (includes items 3 thru 5)	

SECTION 12 - OPTIONS

FIGURE 12-40. STARTER KIT (Prior to SN 0160006706, Excluding 0160006494 and 0160006543)



NOTE:

**LEECE-NEVILLE & PRESTOLITE STARTERS NO LONGER AVAILABLE, ORDER
DENSO STARTER KIT FOR REPLACEMENT**

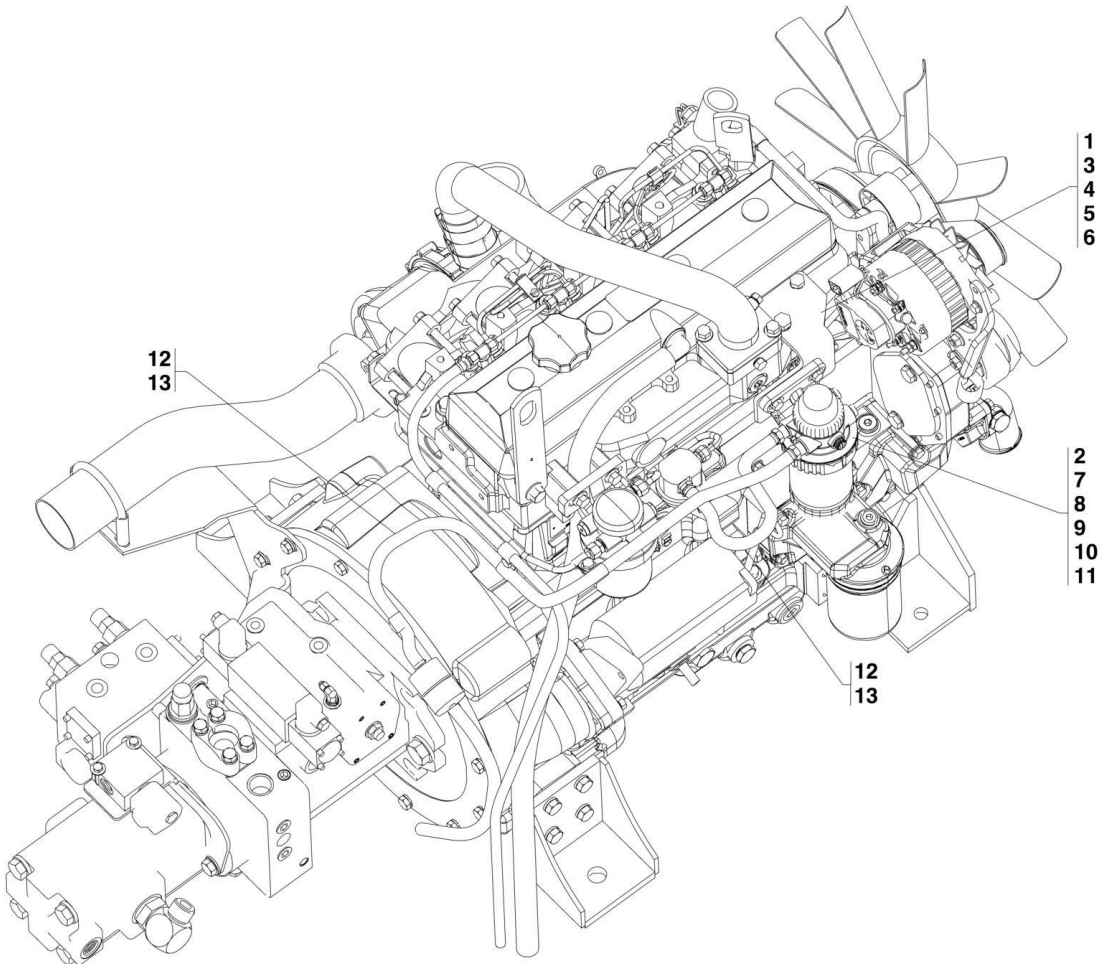
SECTION 12 - OPTIONS

FIGURE 12-40. STARTER KIT (Prior to SN 0160006706, Excluding 0160006494 and 0160006543)

ITEM	PART NUMBER	QTY	DESCRIPTION	REV
	91415083	1	STARTER KIT, (includes all items)	A
1	7026921	1	STARTER, (DENSO)	
2	91413148	1	JUMPER WIRES	
3	83681905	12 in	HEAT SHRINK INSULATION	
4	91413149	1	JUMPER WIRE	
6	71492134	12 in	SPLIT LOOM	

SECTION 12 - OPTIONS

FIGURE 12-41. FUEL/WATER SEPARATOR INSTALLATION



PAP23320

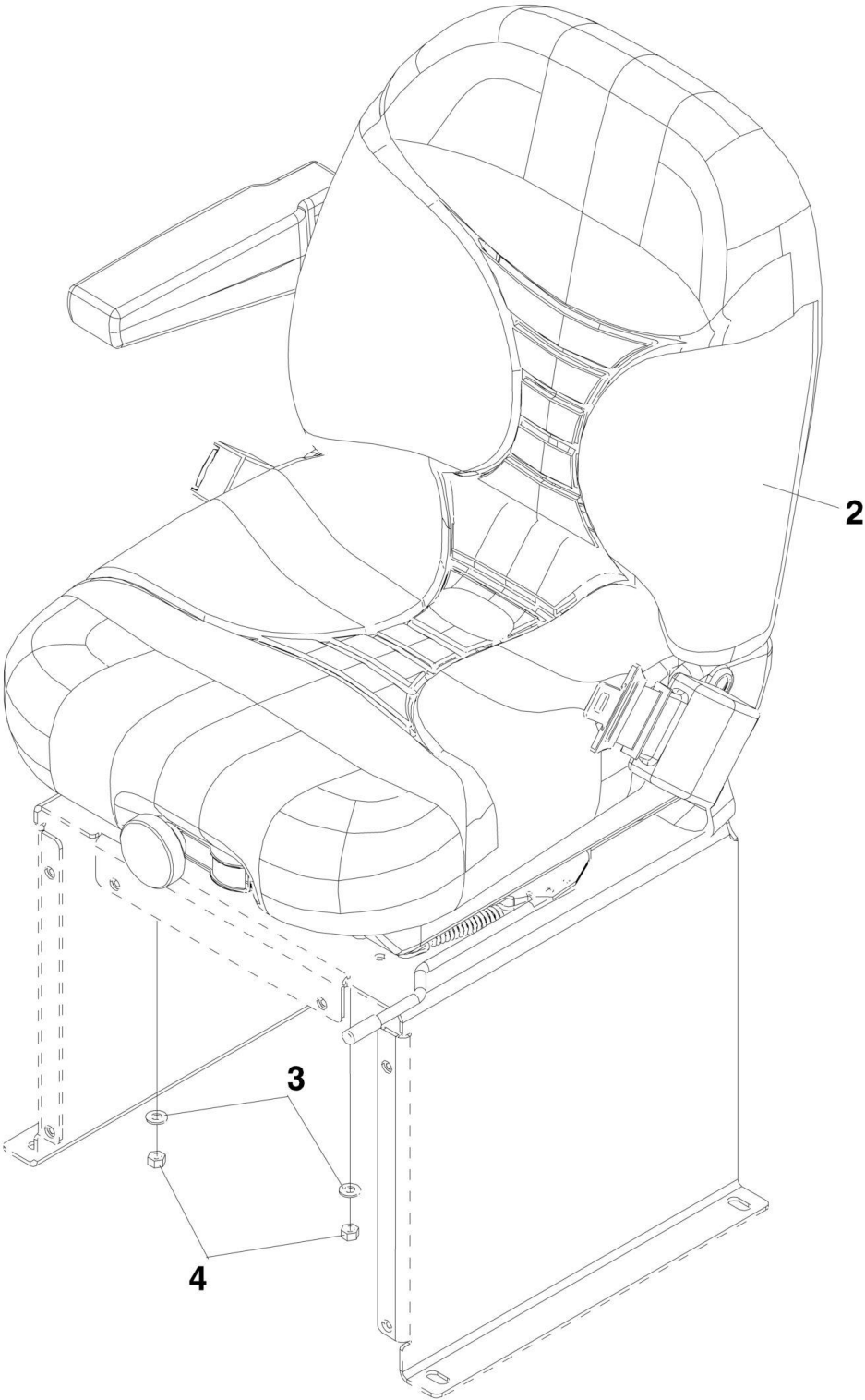
SECTION 12 - OPTIONS

FIGURE 12-41. FUEL/WATER SEPARATOR INSTALLATION

ITEM	PART NUMBER	QTY	DESCRIPTION	REV
	91535022	1	FUEL/WATER SEPARATOR INSTALLATION, (includes all items)	B
1	91531026	1	FILTER BRACKET	
2	91473240	1	FUEL/WATER SEPARATOR	
2	91474633	1	FUEL/WATER SEPARATOR ELEMENT	
2	91474634	1	WATER COLLECTION BOWL	
2	91474635	1	REVERSE FLOW HAND PRIMER	
3	4832000	1	LOCKWASHER, 10MM	
4	4832100	1	LOCKWASHER, 12MM	
5	0761012	1	HEX HD CAPSCREW, M10X1-1/2X25, GR5	
6	0761212	1	HEX HD CAPSCREW, M12X1-3/4X25, GR5	
7	4761500	2	LOCKWASHER, 5/16	
8	3311501	2	HEX NUT, 5/16-18	
9	0641510	2	HEX HD CAPSCREW, 5/16-18X1-1/4, GR5	
10	2200233	2	SOCKET HD PIPE PLUG, (ports #3 & #4)	
11	2221114	2	BARBED FITTING, (ports #1 & #2)	
12	1320022	4	HOSE CLAMP	
13	2750532	3.83 ft	FUEL LINE, 3/8	

SECTION 12 - OPTIONS

FIGURE 12-42. STANDARD SEAT REPLACEMENT KIT



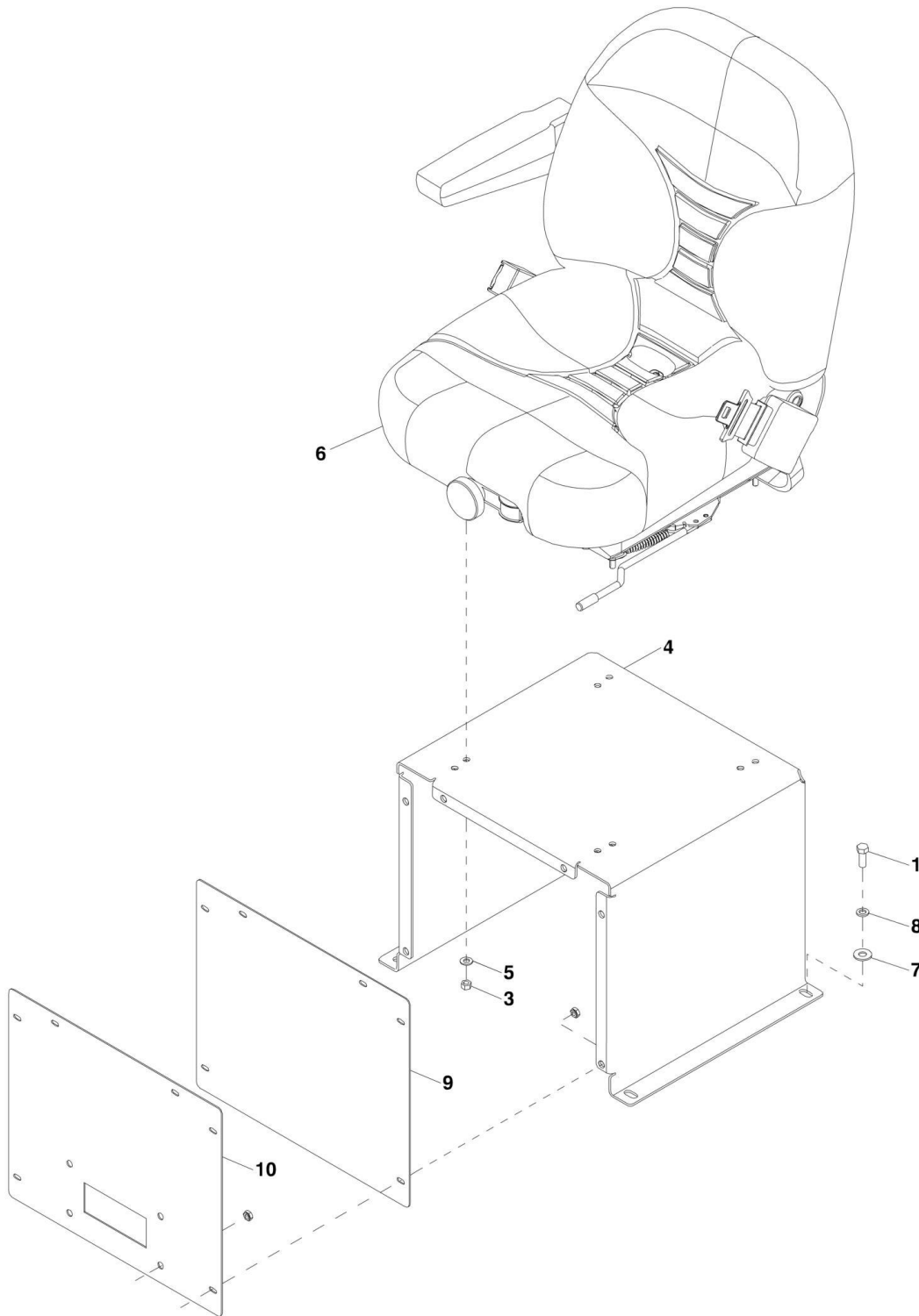
SECTION 12 - OPTIONS

FIGURE 12-42. STANDARD SEAT REPLACEMENT KIT

ITEM	PART NUMBER	QTY	DESCRIPTION	REV
	2915166	1	STANDARD SEAT REPLACEMENT KIT, (includes all items)	A
1	3128987	1	KIT INSTALLATION INSTRUCTIONS, (not shown)	
2	91563158	1	SUSPENSION SEAT WITH 2 IN SEAT BELT	
3	4711500	4	PLAIN WASHER, 5/16	
4	3311505	4	HEX LOCKNUT, 5/16-18	

SECTION 12 - OPTIONS

FIGURE 12-43. HEAVY SEAT REPLACEMENT KIT



PAP11300

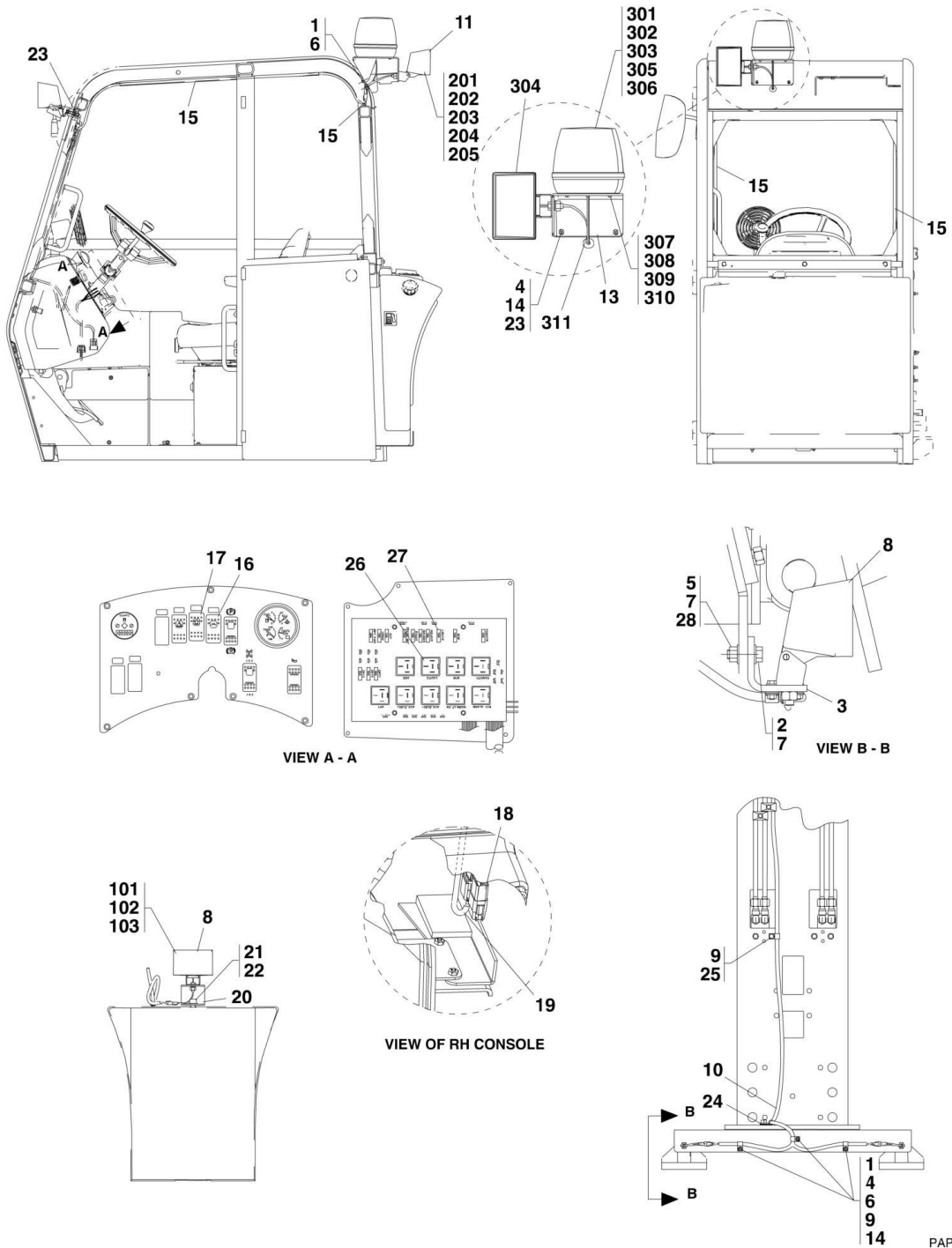
SECTION 12 - OPTIONS

FIGURE 12-43. HEAVY SEAT REPLACEMENT KIT

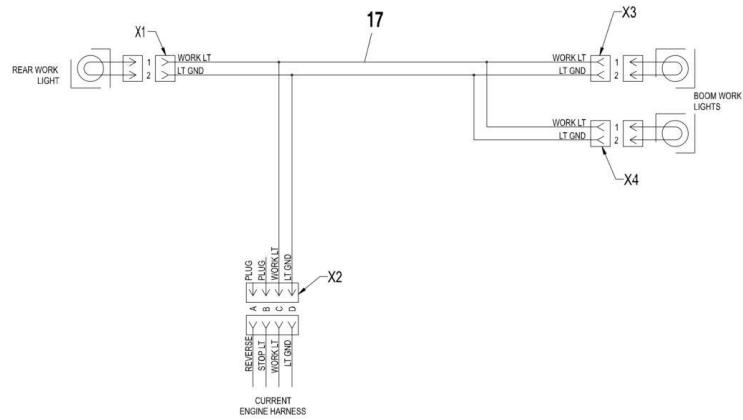
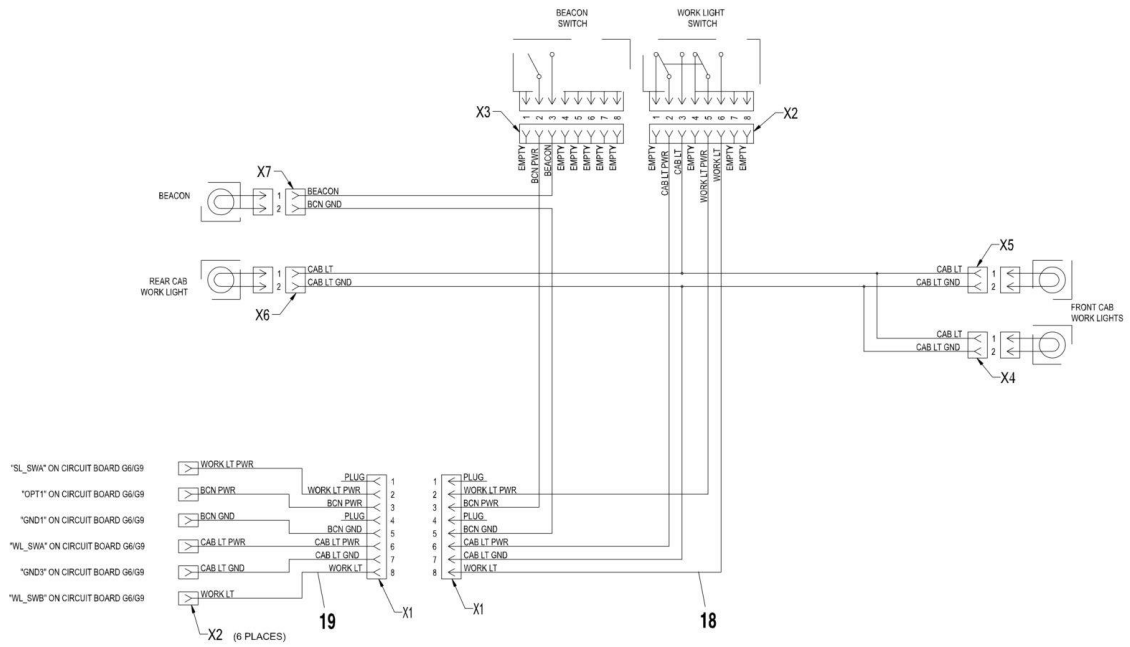
ITEM	PART NUMBER	QTY	DESCRIPTION	REV
	2915167	1	HEAVY SEAT REPLACEMENT KIT, (includes all items)	B
1	0641608	4	HEX HD CAPSCREW, 3/8-16	
2	3128992	1	KIT INSTALLATION INSTRUCTIONS, (not shown)	
3	3311505	4	HEX LOCKNUT, 5/16-18	
4	91406115	1	SEAT RISER WELDMENT	
5	4711500	4	PLAIN WASHER, 5/16	
6	91563158	1	SUSPENSION SEAT WITH 2 IN SEAT BELT	
7	4751600	4	WASHER, 3/8	
8	4761600	4	LOCKWASHER, 3/8	
9	91401415	1	ACCESS COVER PLATE	
10	91406113	1	ACCESS BEZEL COVER	

SECTION 12 - OPTIONS

FIGURE 12-44. WORK LIGHT INSTALLATION (SN 0160031703 through 0160038554)



SECTION 12 - OPTIONS



PAL2720

SECTION 12 - OPTIONS

FIGURE 12-44. WORK LIGHT INSTALLATION (SN 0160031703 through 0160038554)

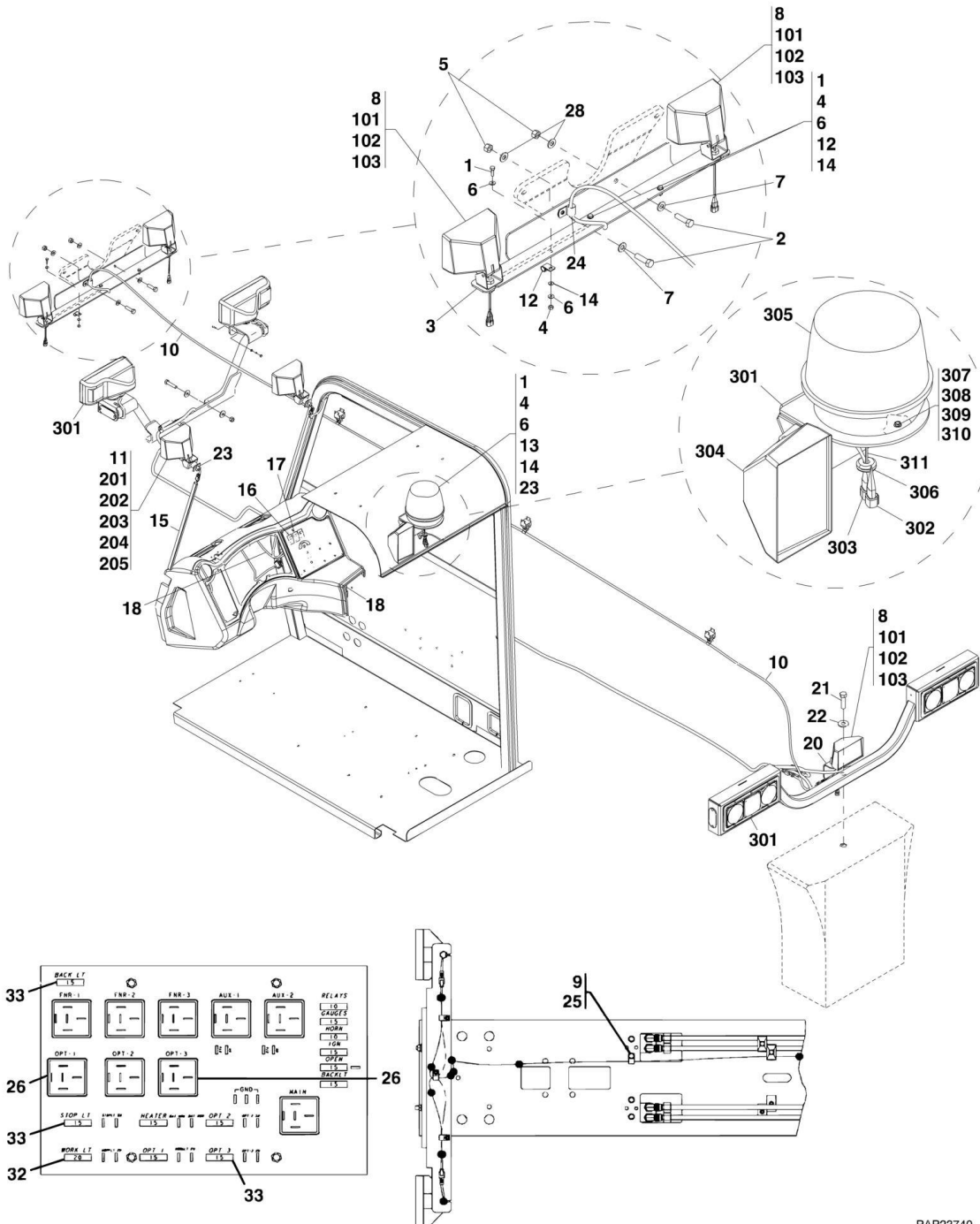
ITEM	PART NUMBER	QTY	DESCRIPTION	REV
	1001090468	Ref	WORK LIGHT INSTALLATION, (not available to order, see items 1 thru 28 for service)	H
1	0641407	5	HEX HD CAPSCREW, 1/4-20X7/8, GR5	
2	0641814	2	HEX HD CAPSCREW, 1/2-13X1-3/4, GR5	
3	0903661	1	BOOM LIGHT MOUNTING BRACKET	
4	3311401	5	HEX NUT, 1/4-20	
5	3311801	2	HEX NUT, 1/2-13	
6	4711400	8	FLAT WASHER, 1/4	
7	4711800	8	FLAT WASHER, 1/2	
8	1001095342	3	FLOOD LIGHT ASSY, (includes items 101 thru 103)	B
8	80964070	3	BULB	
9	85941016	3	CLAMP	
10		Ref	BOOM WORK LIGHTS HARNESS, (See ELECTRICAL SECTION for Breakdown)	
11	1001090580	2	FLOOD LIGHT ASSY, (includes items 201 thru 205)	B
13	1001090581	1	BEACON/FLOOD LIGHT INSTALLATION, (includes items 301 thru 311)	D
14	4761400	5	LOCKWASHER, 1/4	
15	8096D097	8.3 ft	WIRING DUCT	
16	1001090460	1	WORK LIGHTS SWITCH	
17	1001090461	1	BEACON SWITCH	
18		Ref	CAB WORK LIGHTS HARNESS, (See ELECTRICAL SECTION for Breakdown)	
19		Ref	CAB WORK LIGHT AND BEACON LIGHT SWITCH HARNESS, (See ELECTRICAL SECTION for Breakdown)	
20	1001090522	1	BACK-UP LIGHT MOUNTING BRACKET	
21	0642210	1	HEX HD CAPSCREW, 3/4-10X1-1/4, GR5	
22	4712200	1	WASHER, 3/4	
23	14404173	AR	SILICONE SEALANT	
24	8406105	1	CLIP	
25	0641608	1	HEX HD CAPSCREW, 3/8-16X1, GR5	
26	77363265	1	RELAY	
27	80964009	1	FUSE	
28	4761800	2	LOCKWASHER, 1/2	
101	4460464	2	PIN TERMINAL	
102	4460897	1	2 POSITION TERMINAL	
103	80963050	1	FLOOD LIGHT ASSY	A, 1
103	80964070	2	BULB	
201	4460464	2	PIN TERMINAL	
202	4460897	1	2 POSITION TERMINAL	
203	80963050	1	FLOOD LIGHT ASSY	A, 1
203	80964070	1	BULB	
204	91403503	1	SPACER	
205	91413052	1	WORK LIGHT MOUNTING BOLT	
301	0903669	1	BEACON BRACKET	
302	4460464	4	PIN TERMINAL	
303	4460897	2	2 POSITION TERMINAL	
304	1001099276	1	FLOOD LIGHT ASSY	A
304	80964070	1	BULB	
305	91343031	1	ROTATING BEACON	
305	91344053	1	BULB	

SECTION 12 - OPTIONS

ITEM	PART NUMBER	QTY	DESCRIPTION	REV
306	1001090615	1	GROMMET	
307	0721006	3	INDENTED HEX HD MACHINE SCREW, #10-24X3/4	
308	3311001	3	NUT, #10-24, GR2	
309	4751000	3	WASHER, #10	
310	4761000	3	LOCKWASHER, #10	
311	2820035	AR	INSULATE	

SECTION 12 - OPTIONS

FIGURE 12-45. WORK LIGHT INSTALLATION (SN 0160038555 to Present)



PAP23740

SECTION 12 - OPTIONS

FIGURE 12-45. WORK LIGHT INSTALLATION (SN 0160038555 to Present)

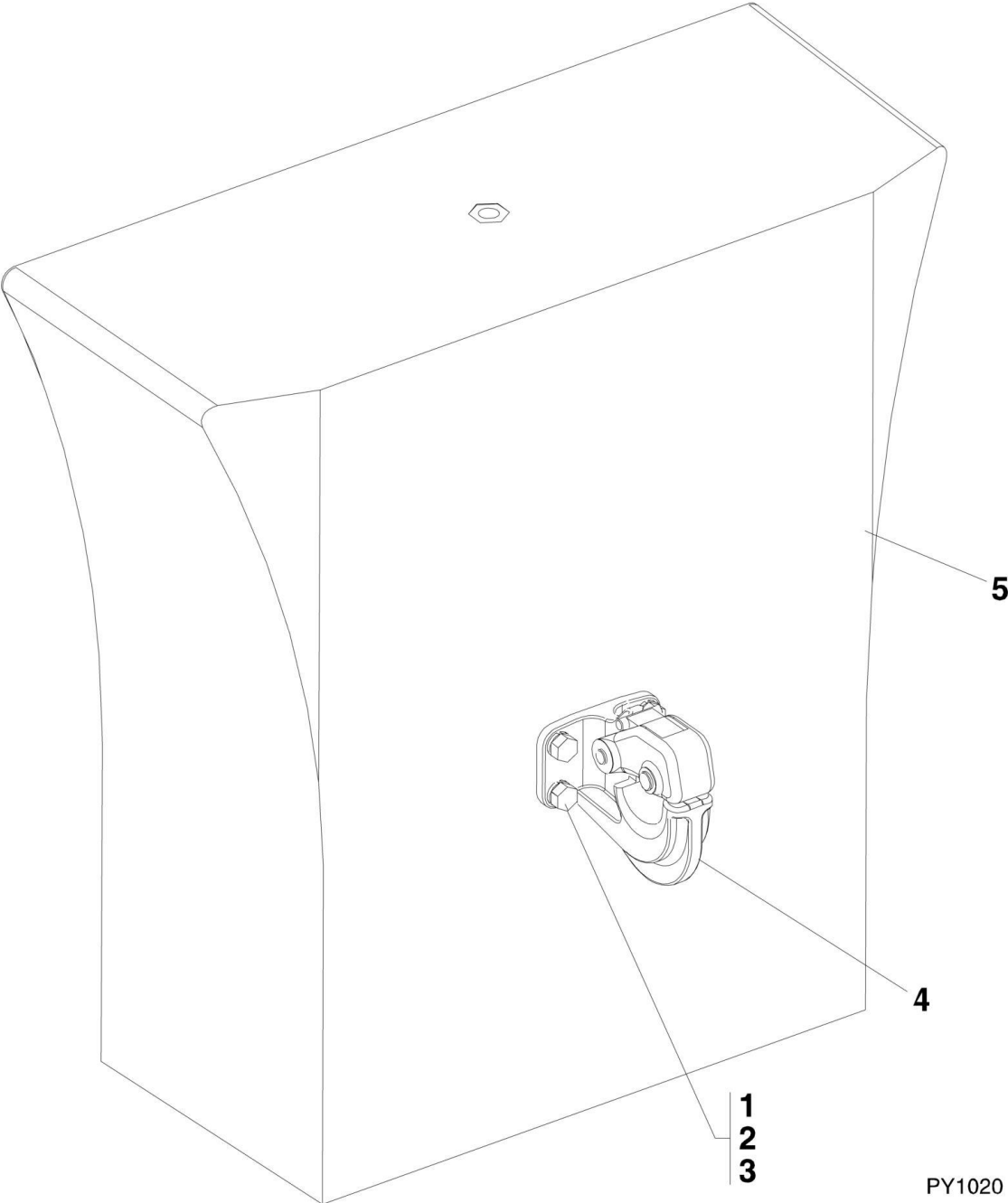
ITEM	PART NUMBER	QTY	DESCRIPTION	REV
	1001114486	Ref	WORK LIGHT INSTALLATION, (if equipped), (not available to order, see items 1 thru 33 for service)	B
1	0641407	5	HEX HD CAPSCREW, 1/4-20X7/8	
2	0641814	2	HEX HD CAPSCREW, 1/2-13X2-3/4	
3	0903661	1	BOOM LIGHT MOUNTING BRACKET	
4	3311401	5	HEX NUT, 1/4-20, GR2	
5	3311801	2	HEX NUT, 1/2-13, GR2	
6	4711400	6	WASHER, 1/4	
7	4711800	8	WASHER, 1/2	
8	1001095342	3	FLOOD LIGHT ASSY, (includes items 101 thru 103)	B
9	85941016	1	CLAMP	
10		Ref	BOOM WORK LIGHT HARNESS, (See ELECTRICAL SECTION for Breakdown)	
11	1001090580	2	FLOOD LIGHT ASSY, (includes items 201 thru 205)	B
12	1320263	3	CLAMP, 3/8	
13	1001090581	Ref	BEACON LIGHT INSTALLATION, (includes items 301 thru 311)	D
14	4761400	5	LOCKWASHER, 1/4	
15	8096D097	8.3 ft	ECONOMY WIRING DUCT	
16	1001090460	1	WORK LIGHT SWITCH	
17	1001090461	1	BEACON LIGHT SWITCH	
18		Ref	CAB WORK LIGHT HARNESS, (See ELECTRICAL SECTION for Breakdown)	
19		Ref	CAB WORK LIGHT AND BEACON LIGHT SWITCH HARNESS, (not shown), (See ELECTRICAL SECTION for Breakdown)	
20	1001090522	1	BACK-UP LIGHT MOUNTING BRACKET	
21	0642210	1	HEX HD CAPSCREW, 3/4-10X1-1/4	
22	4712200	1	WASHER, 3/4	
23	14404173	AR	SILICONE SEALANT	
24	8406105	1	CLAMP, 3/4	
25	0641608	1	HEX HD CAPSCREW, 3/8-16X1	
26	77363265	2	RELAY	
28	4761800	2	LOCKWASHER, 1/2	
32	77363302	1	FUSE, 20 AMP	
33	77363268	3	FUSE, 15 AMP	
101	4460464	2	PIN TERMINAL	
102	4460897	1	2 POSITION TERMINAL	
103	80963050	1	FLOOD LIGHT ASSY	A, 1
103	80964070	2	BULB	
201	4660508	4	PIN TERMINAL	
202	4461017	2	2 POSITION TERMINAL	
203	80963050	2	FLOOD LIGHT ASSY	A, 1
203	83664354	2	BULB	
204	91403503	2	SPACER	
205	91413052	2	WORK LIGHT MOUNTING BOLT	
301	0903669	1	BEACON BRACKET	
302	4460464	4	PIN TERMINAL	
303	4460897	2	2 POSITION TERMINAL	
304	1001099276	1	UTILITY FLOOD LIGHT	A
304	80964070	1	BULB	
305	91343031	1	ROTATING BEACON	

SECTION 12 - OPTIONS

ITEM	PART NUMBER	QTY	DESCRIPTION	REV
305	91344053	1	BULB	
306	1001090615	1	GROMMET	
307	0721006	3	HEX HD MACHINE SCREW, #10-24X3/4	
308	3311001	3	NUT, #10-24, GR2	
309	4751000	3	WASHER, #10	
310	4761000	3	LOCKWASHER, #10	
311	2820035	AR	INSULATE	

SECTION 12 - OPTIONS

FIGURE 12-46. PINTLE HOOK INSTALLATION



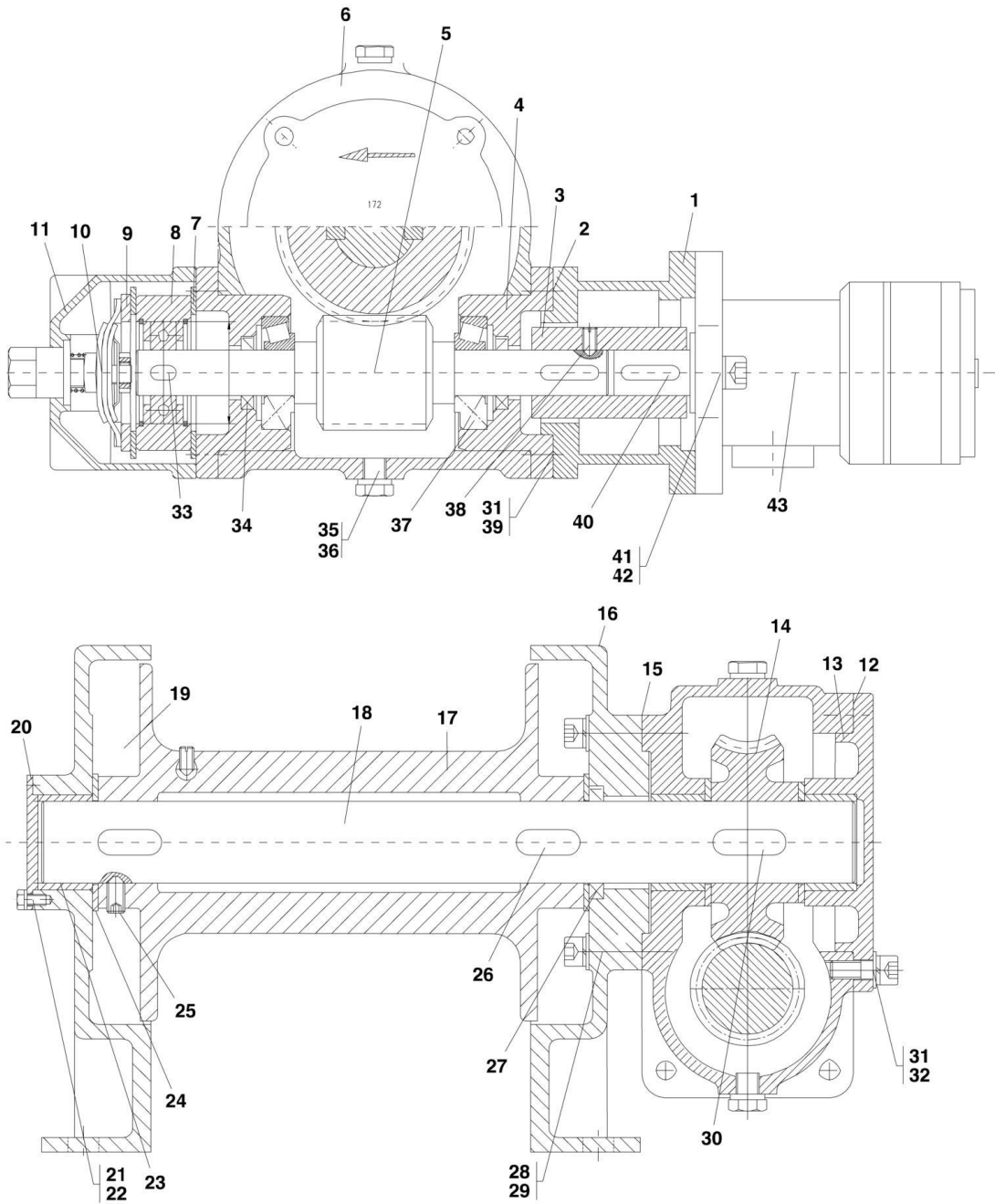
SECTION 12 - OPTIONS

FIGURE 12-46. PINTLE HOOK INSTALLATION

ITEM	PART NUMBER	QTY	DESCRIPTION	REV
	1001097095	1	PINTLE HOOK INSTALLATION, (includes all items)	A
1	0100011	AR	LOCTITE 242	
2	0681814	4	HEX HD CAPSCREW, 1/2-13X1-3/4	
3	88551013	4	LOCKWASHER, 1/2	
4	90200602	1	PINTLE HOOK	
5		Ref	COUNTERWEIGHT, (See FRAME AND ATTACHING PARTS for Breakdown)	

SECTION 12 - OPTIONS

FIGURE 12-47. WINCH



PAP2630

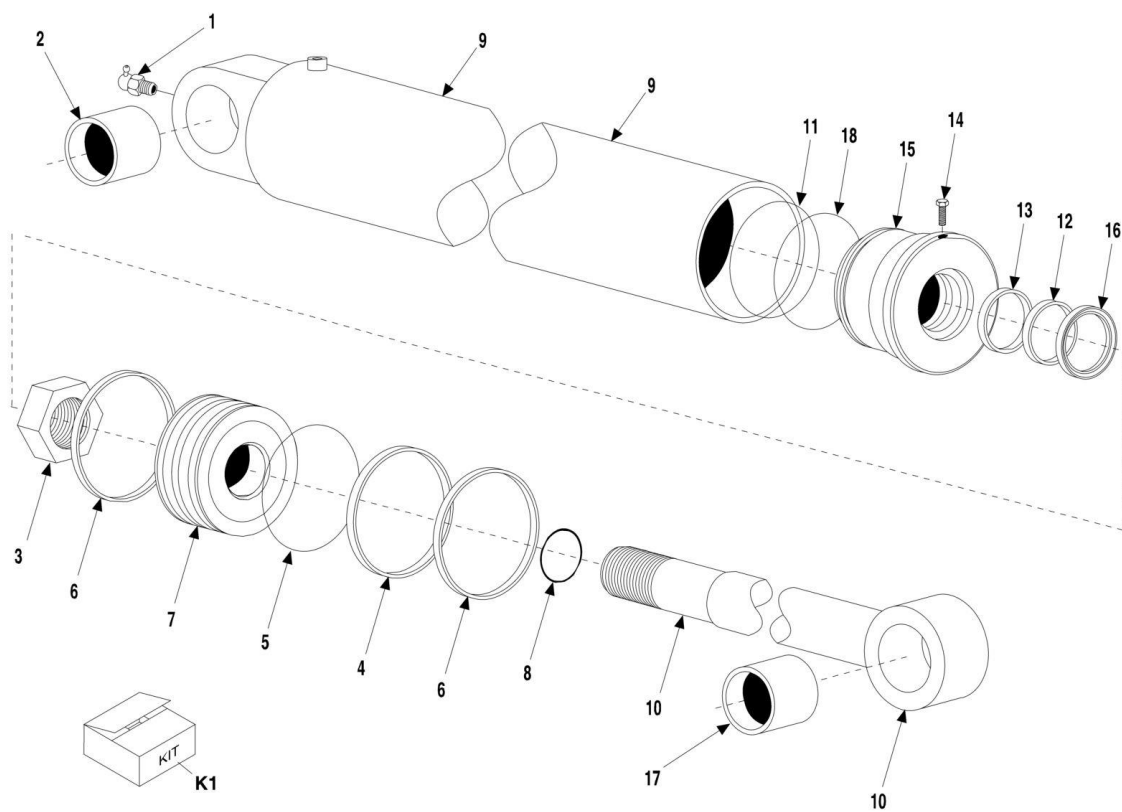
SECTION 12 - OPTIONS

FIGURE 12-47. WINCH

ITEM	PART NUMBER	QTY	DESCRIPTION	REV
	1001114795	1	WINCH WITH MOTOR, (includes all items)	A
1	70023747	1	MOTOR ADAPTER	
2	70023748	5	PAPER MAT	
3	70023749	1	COUPLING SHAFT	
4	70023750	2	BEARING HOUSING	
5	70023751	1	WORM	
6	70023752	1	GEAR HOUSING	
7	70023753	2	FRICTION PLATE	
8	70023754	1	OVER RUNNING CLUTCH	
9	70023755	1	FRICTION DISK	
10	70023756	1	BRAKE	
11	70023757	1	BRAKE SHELL	
12	70023758	2	PAPER MAT	
13	70023759	1	END CAP	
14	70023760	1	WORM GEAR	
15	70023761	1	PAPER MAT2	
16	70023762	1	CENTER BRACKET	
17	70023763	1	WINCH DRUM	
18	70023764	1	WORM GEAR SHAFT	
19	70023765	1	END BRACKET	
20	70023766	1	LEFT END CAP	
21	70023767	4	END CAP BOLT	
22	70023768	4	END CAP WASHER	
23	70023769	3	SELF LUBRICATING BEARING	
24	70023770	4	THRUST WASHER	
25	70023771	1	SHAFT BOLT	
26	70023772	4	DRUM SHAFT KEY	
27	70023773	1	CENTER BRACKET SEAL	
28	70023774	18	SPRING WASHER	
29	70023775	6	CENTER BRACKET BOLT	
30	70023776	2	DRUM SHAFT KEY	
31	70023777	10	GEAR COVER WASHER	
32	70023778	4	GEAR COVER BOLT	
33	70023779	1	WORM SHAFT KEY1	
34	70023780	2	WORM SHAFT SEAL	
35	70023781	3	GEAR HOUSING BOLT	
36	70023782	3	GEAR HOUSING WASHER	
37	70023783	2	TAPERED ROLLER BEARING	
38	70023784	3	MOTOR COUPLER SCREW	
39	70023785	8	MOTOR ADAPTER BOLT	
40	70023786	1	MOTOR COUPLER KEY	
41	70023787	2	MOTOR BOLT	
42	70023788	2	MOTOR WASHER	
43	70023789	1	MOTOR	

SECTION 12 - OPTIONS

FIGURE 12-48. SWING CYLINDER



PY4960

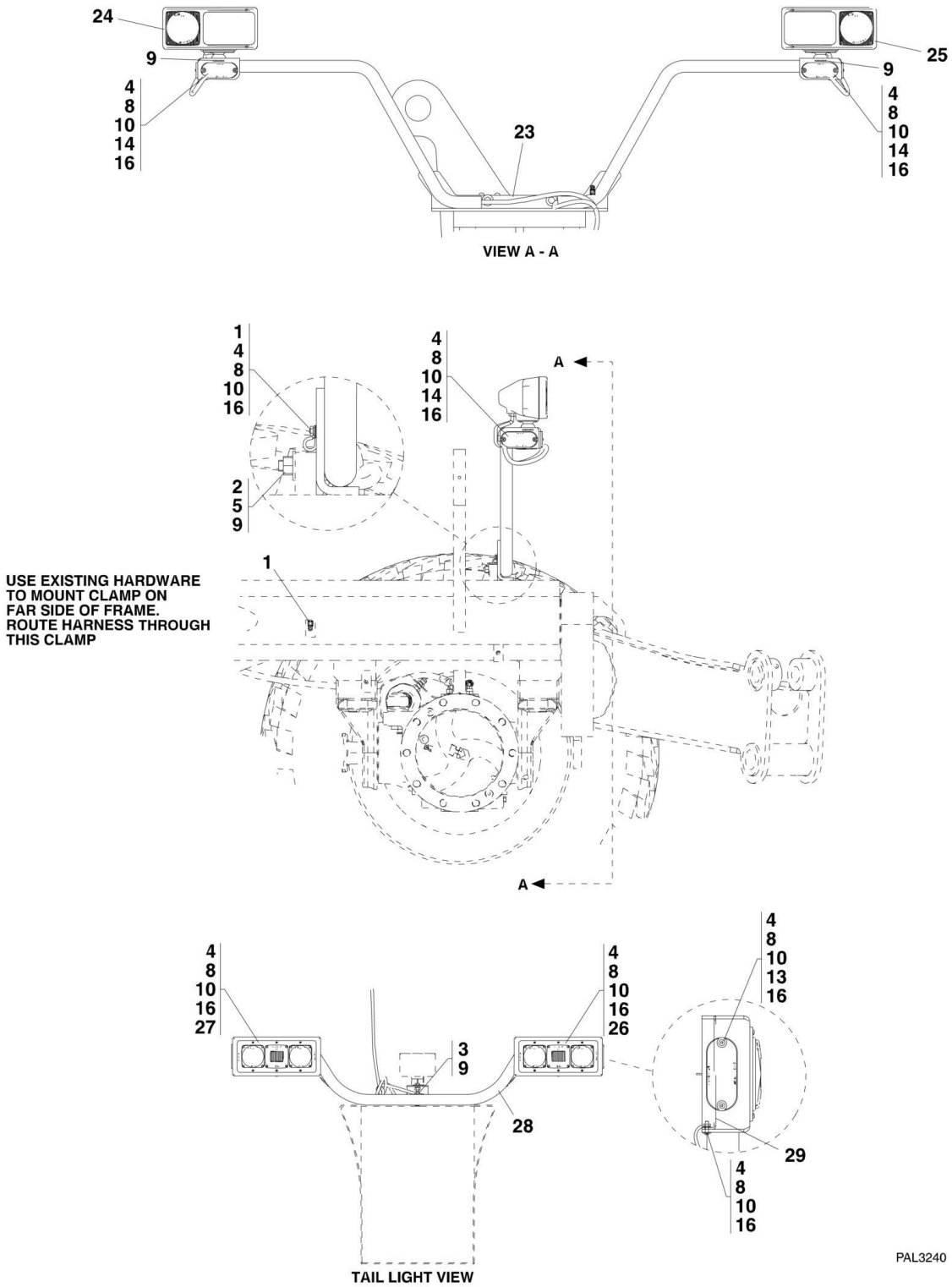
SECTION 12 - OPTIONS

FIGURE 12-48. SWING CYLINDER

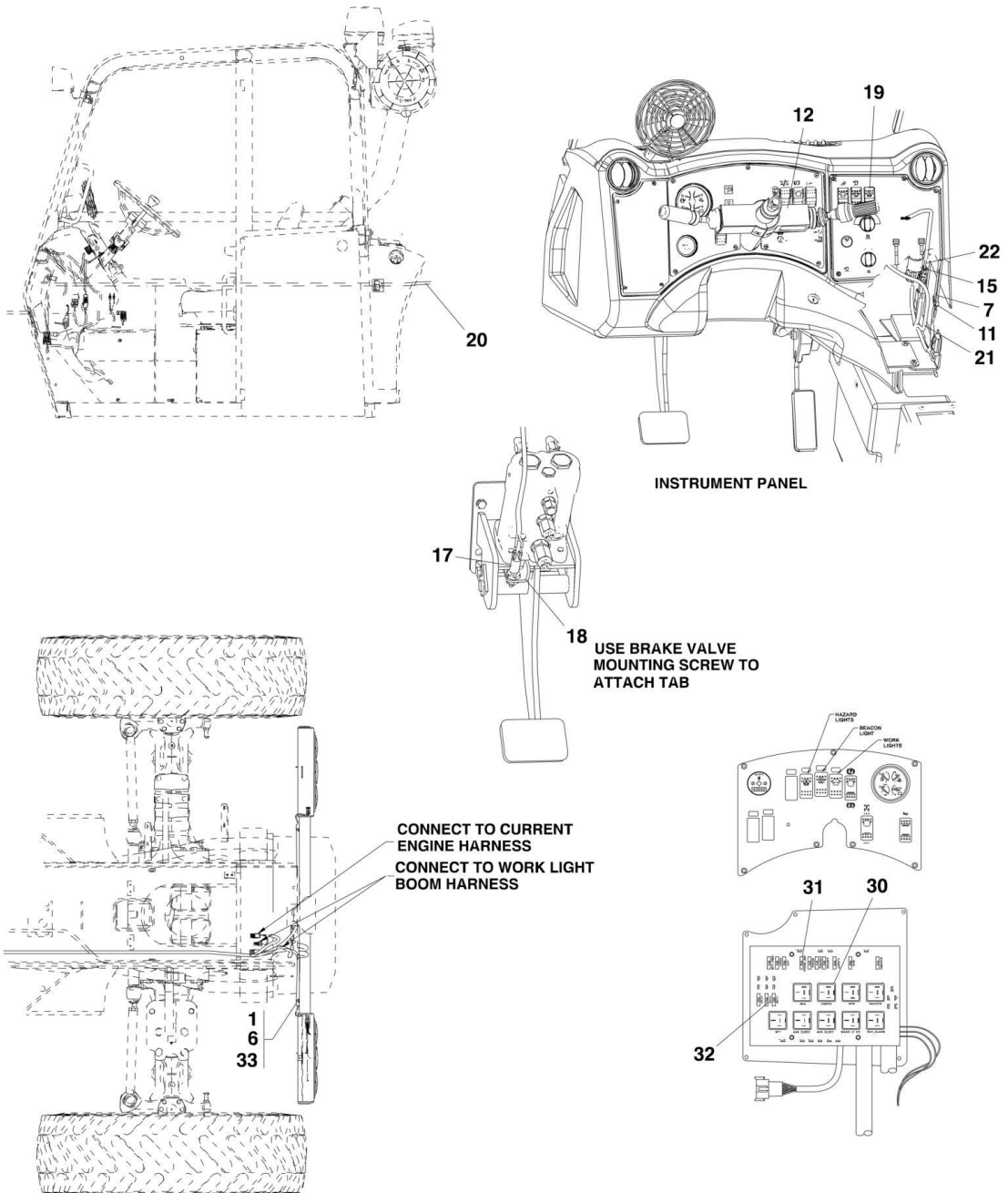
ITEM	PART NUMBER	QTY	DESCRIPTION	REV
	90453034	1	SWING CYLINDER, (includes all items)	C
1	91144125	1	GREASE FITTING	
2	91034157	1	BUSHING	
3	91144038	1	LOCKNUT	
4	Kit K1	1	PISTON SEAL	
5	Kit K1	1	O-RING	
6	Kit K1	2	WEAR RING	
7	91144039	1	PISTON	
8	Kit K1	1	O-RING	
9	91034435	1	BARREL	
10	91034436	1	PISTON ROD	
11	Kit K1	1	BACK-UP RING	
12	Kit K1	1	U-CUP	
13	Kit K1	1	STEP SEAL	
14	91124096	1	SELF-TAPPING SCREW	
15	91144040	1	CYLINDER HEAD	
16	Kit K1	1	WIPER	
17	91124087	1	BUSHING	
18	Kit K1	1	O-RING	
K1	91144006	1	SEAL KIT, (includes items 4 thru 6, 8, 11 thru 13, 16 & 18)	

SECTION 12 - OPTIONS

FIGURE 12-49. ROAD LIGHTS INSTALLATION (SN 0160038555 to Present)

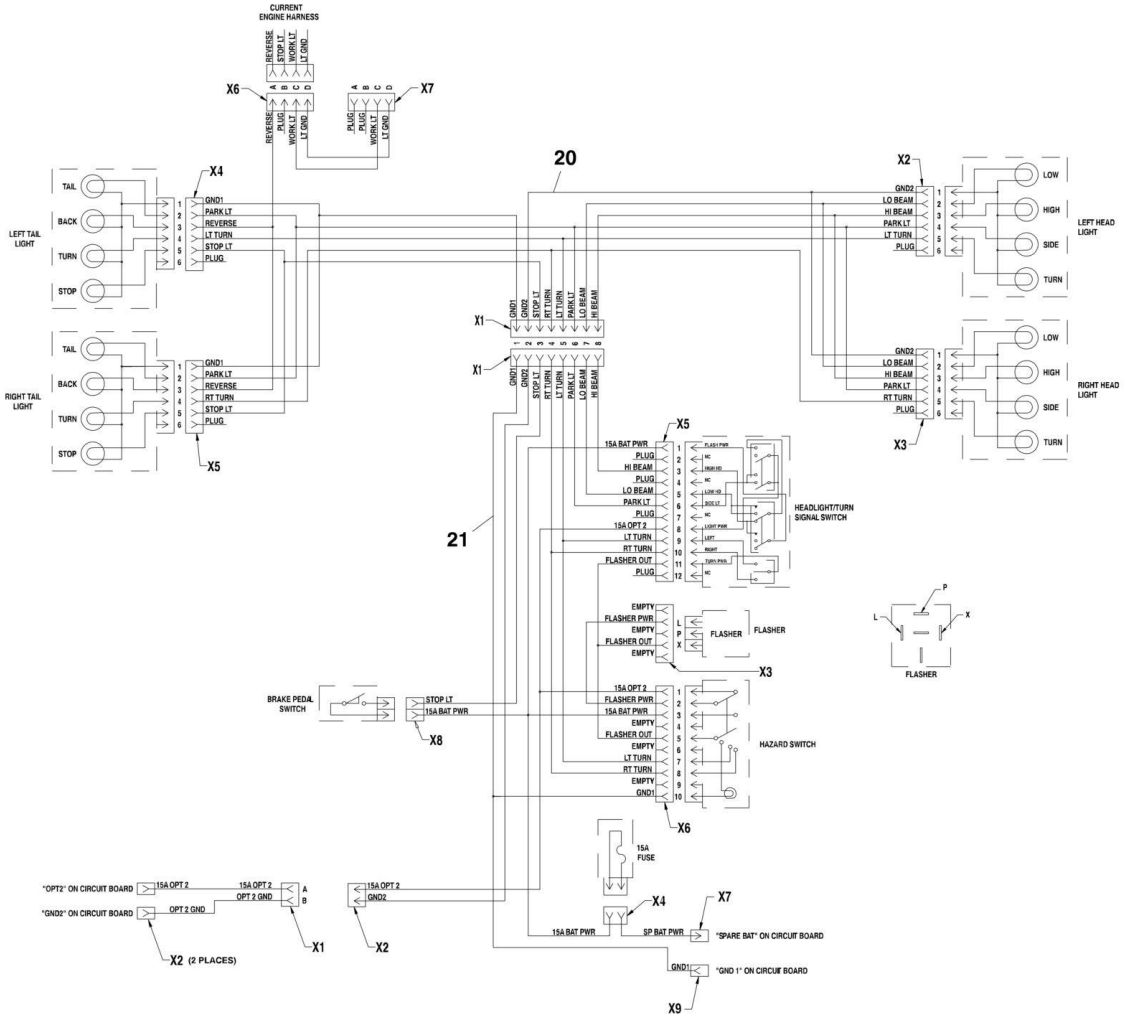


SECTION 12 - OPTIONS



PAP11390

SECTION 12 - OPTIONS



PAP18720

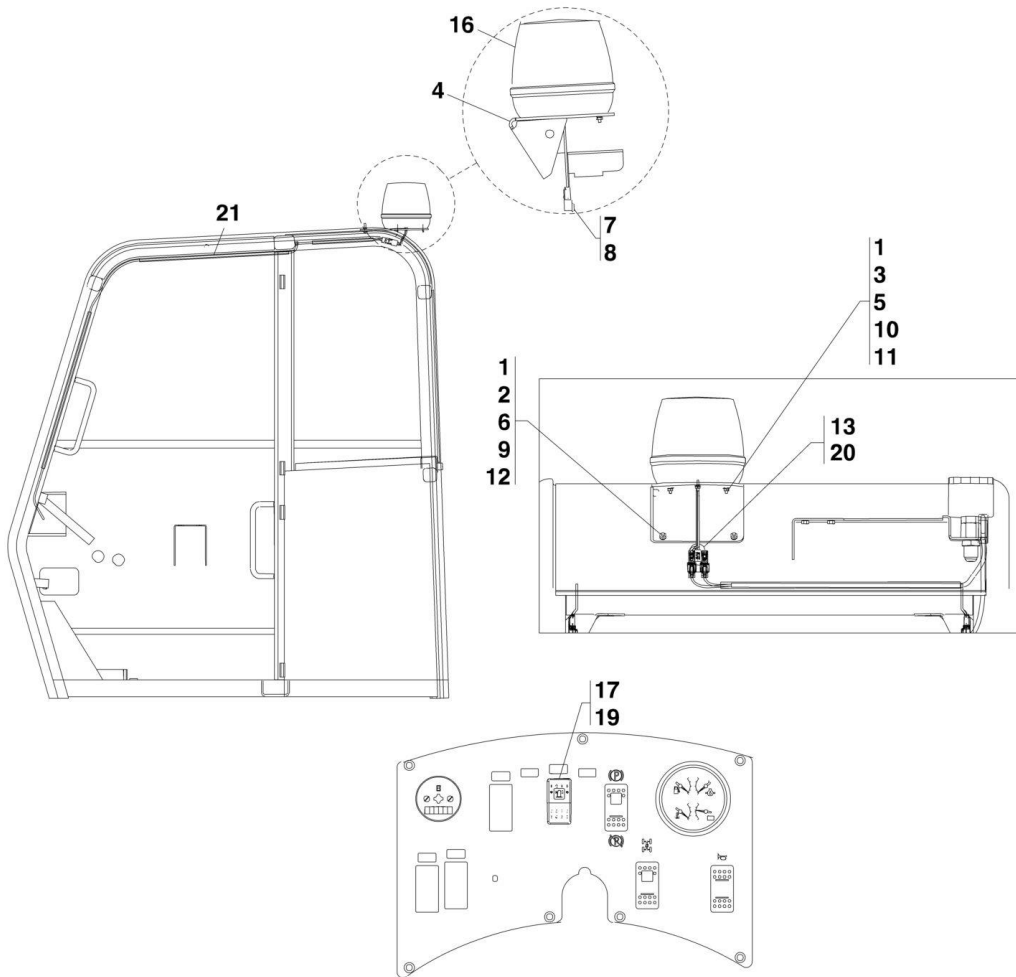
SECTION 12 - OPTIONS

FIGURE 12-49. ROAD LIGHTS INSTALLATION (SN 0160038555 to Present)

ITEM	PART NUMBER	QTY	DESCRIPTION	REV
	1001090469	Ref	ROAD LIGHTS INSTALLATION, (if equipped), (includes all items)	F
1	80630	2	CLAMP, 1/2	
2	0641818	2	HEX HD CAPSCREW, 1/2-13X2-1/4, GR5, (torque to 75 lb-ft)	
3	0641822	1	HEX HD CAPSCREW, 1/2-13X2-3/4, GR5, (torque to 80 lb-ft)	
4	3311001	27	HEX NUT, 10-24	
5	3311805	2	HEX LOCKNUT, 1/2-13	
6	3941506	2	TAP SCREW	
7	4461254	1	FASTON TERMINAL	
8	4711000	30	FLAT WASHER, #10	
9	4751800	7	FLAT WASHER, 1/2	
10	4761000	27	LOCKWASHER, #10	
11	8220050	1	MALE CONNECT TERMINAL	
12	8223073	1	TURN SIGNAL SELECTOR	
13	10718991	2	REFLECTOR, RED	
14	10718992	4	REFLECTOR, YELLOW	
15	80983168	1	VARIABLE LOAD FLASHER	
16	88261010	27	SOCKET BUTTON HD CAPSCREW, #10-24X3/4	
17	91143117	1	STOPLIGHT SWITCH	
18	91511127	1	MOUNTING TAB	
19	1001090459	1	SWITCH	
20		Ref	FRAME ROAD LIGHTS HARNESS, (See ELECTRICAL SECTION for Breakdown)	
21		Ref	CAB ROAD LIGHTS HARNESS, (See ELECTRICAL SECTION for Breakdown)	
22	1001090510	1	ROAD LIGHTS HARNESS	
23	1001094264	1	FRONT ROAD LIGHTS BRACKET	
24	1001094390	1	RH FRONT ROAD LIGHTS, (torque to 50 lb-ft)	
24	91503103	1	CONNECTOR	
24	91504107	1	LOCK CONNECTOR	
25	1001094391	1	LH FRONT ROAD LIGHTS, (torque to 50 lb-ft)	
25	91503103	1	CONNECTOR	
25	91504107	1	LOCK CONNECTOR	
26	1001094392	1	RH TAIL LIGHT	
26	91503103	1	CONNECTOR	
26	91504107	1	LOCK CONNECTOR	
27	1001094393	1	LH TAIL LIGHT	
27	91503103	1	CONNECTOR	
27	91504107	1	LOCK CONNECTOR	
28	1001094523	1	TAIL LIGHT BRACKET	
29	1001094824	2	TAIL LIGHT COVER	
30	77363265	1	RELAY	
31	8229262	1	FUSE, 25 AMP	
32	77363268	1	FUSE, 15 AMP	
33	86621230	2	SUPPORT CLAMP	

SECTION 12 - OPTIONS

FIGURE 12-50. BEACON LIGHT INSTALLATION (SN 0160031703 through 0160038554)



PAP11090

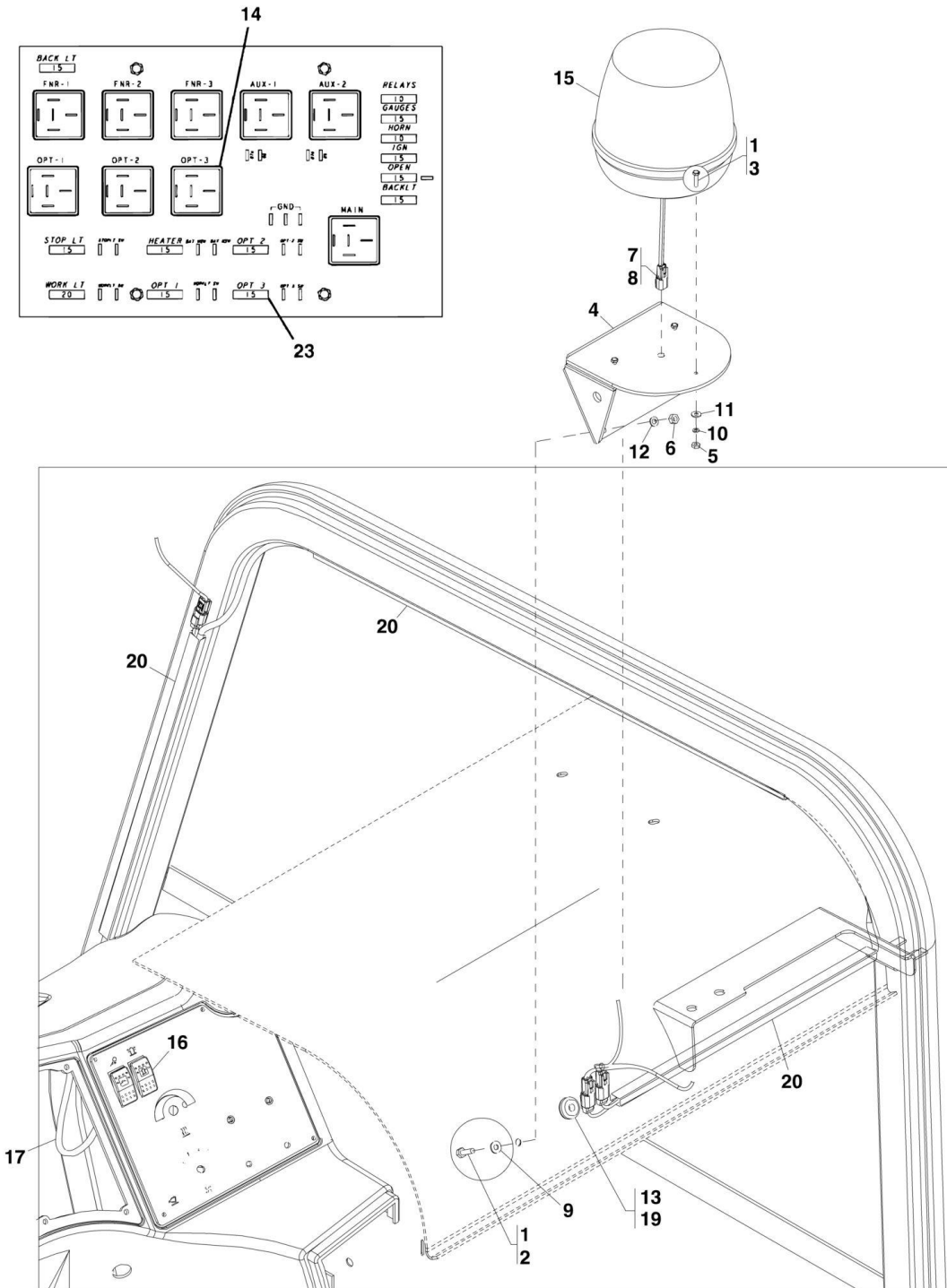
SECTION 12 - OPTIONS

FIGURE 12-50. BEACON LIGHT INSTALLATION (SN 0160031703 through 0160038554)

ITEM	PART NUMBER	QTY	DESCRIPTION	REV
	1001098035	Ref	BEACON LIGHT INSTALLATION, (if equipped), (not available to order, see items 1 thru 21 for service)	C
1	0100011	AR	LOCTITE 242	
2	0641407	2	HEX HD CAPSCREW, 1/4-20X7/8, GR5	
3	0721006	3	INDENTED HEX HD MACHINE SCREW, #10-24X3/4	
4	0903669	1	BEACON BRACKET	
5	3311001	3	HEX NUT, #10-24, GR2	
6	3311401	2	HEX NUT, 1/4-20, GR2	
7	4460508	2	TERMINAL	
8	4461017	1	2 POSITION TERMINAL	
9	4711400	2	WASHER, 1/4	
10	4751000	3	WASHER, #10	
11	4761000	3	LOCKWASHER, #10	
12	4761400	2	LOCKWASHER, 1/4	
13	14404173	AR	SILICONE SEALANT	
16	91343031	1	ROTATING BEACON	
16	91344053	1	BULB	
17	1001090461	1	BEACON SWITCH	
18		Ref	CAB WORK LIGHT HARNESS, (not shown), (See ELECTRICAL SECTION for Breakdown)	
19		Ref	CAB WORK LIGHT AND BEACON LIGHT SWITCH HARNESS, (See ELECTRICAL SECTION for Breakdown)	
20	1001090615	1	GROMMET	
21	8096D097	72 in	ECONOMY WIRING DUCT	

SECTION 12 - OPTIONS

FIGURE 12-51. BEACON LIGHT INSTALLATION (SN 0160038555 to Present)



PAP23660

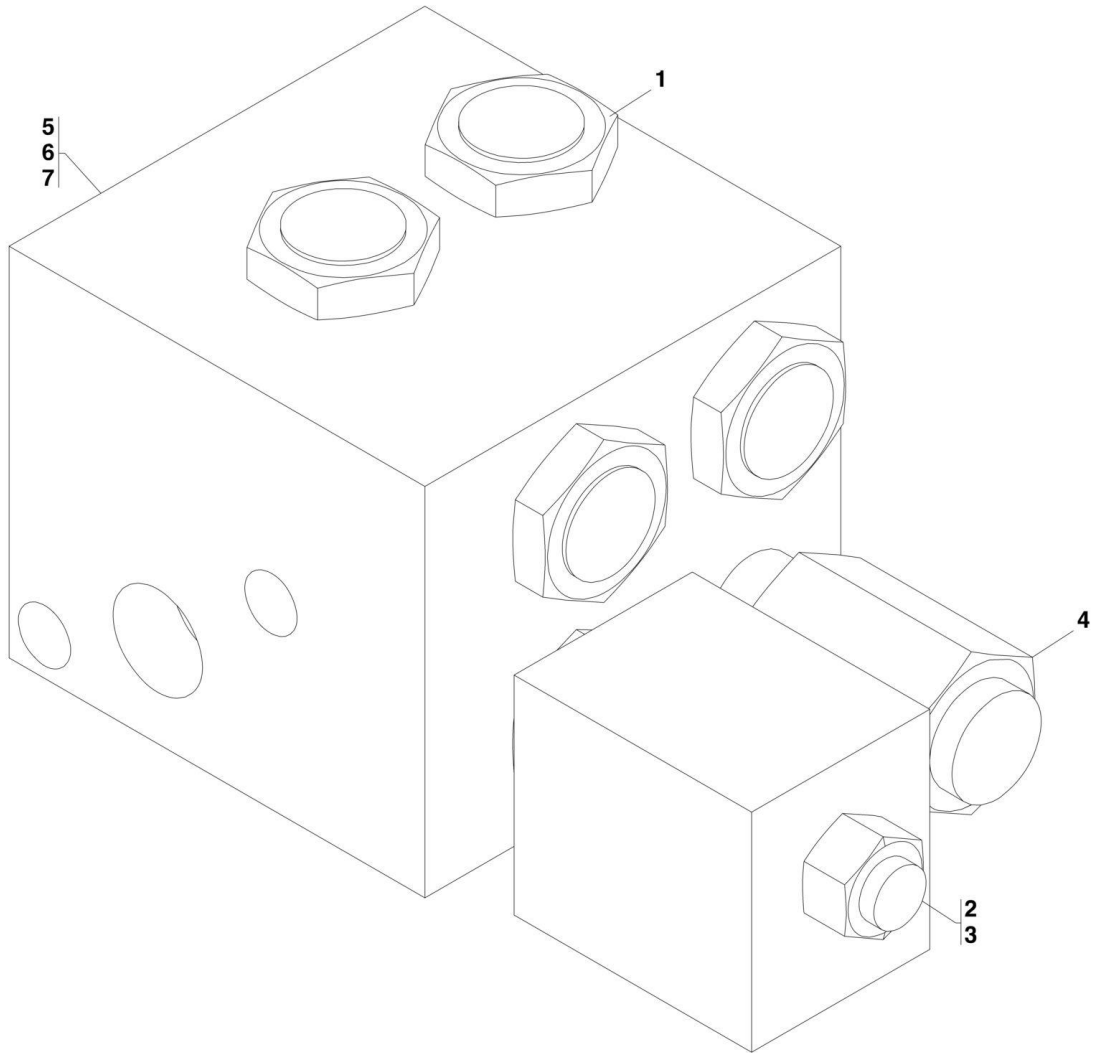
SECTION 12 - OPTIONS

FIGURE 12-51. BEACON LIGHT INSTALLATION (SN 0160038555 to Present)

ITEM	PART NUMBER	QTY	DESCRIPTION	REV
	1001114493	Ref	BEACON LIGHT INSTALLATION, (if equipped), (not available to order, see items 1 thru 23 for service)	B,2
1	0100011	AR	LOCTITE 242	
2	0641407	2	HEX HD CAPSCREW, 1/4-20X7/8, GR5	
3	0721006	3	INDENTED HEX HD MACHINE SCREW, #10-24X3/4	
4	0903669	1	BEACON BRACKET	
5	3311001	3	HEX NUT, #10-24, GR2	
6	3311401	2	HEX NUT, 1/4-20, GR2	
7	4460508	2	TERMINAL	
8	4461017	1	2 POSITION TERMINAL	
9	4711400	2	WASHER, 1/4	
10	4751000	3	WASHER, #10	
11	4761000	3	LOCKWASHER, #10	
12	4761400	2	LOCKWASHER, 1/4	
13	14404173	AR	SILICONE SEALANT	
14	77363265	1	RELAY	
15	91343031	1	ROTATING BEACON	
15	91344053	1	BULB	
16	1001090461	1	BEACON SWITCH	
17		Ref	CAB WORK LIGHT HARNESS, (See ELECTRICAL SECTION for Breakdown)	
18		Ref	CAB WORK LIGHT AND BEACON LIGHT SWITCH HARNESS, (not shown), (See ELECTRICAL SECTION for Breakdown)	
19	1001090615	1	GROMMET	
20	8096D097	72 in	ECONOMY WIRING DUCT	
23	77363268	1	FUSE, 15 AMP	

SECTION 12 - OPTIONS

FIGURE 12-52. STABILIZER VALVE



PAP23820

SECTION 12 - OPTIONS

FIGURE 12-52. STABILIZER VALVE

ITEM	PART NUMBER	QTY	DESCRIPTION	REV
	91113003	1	STABILIZER VALVE, (includes all items)	F
1	7017478	4	CARTRIDGE	
1	7017477	4	SEAL KIT	
2	7012910	1	CARTRIDGE	
2	2900708	1	SEAL KIT	
3	7000645	1	COIL, 12V DUAL SPADE	
4	70024348	1	RELIEF VALVE	
4	7017496	1	SEAL KIT	
5	7017494	2	ORIFICE	
6	7017406	6	PORT PLUG, (includes seals)	
7	N.S.S.	1	BLOCK	

SECTION 13 - RECOMMENDED SPARE PARTS

SECTION 13 - RECOMMENDED SPARE PARTS

FIGURE 13-1. RECOMMENDED SPARE PARTS

ITEM	PART NUMBER	QTY	DESCRIPTION	REV
	Note	Ref	Note: The following list will service fleets of machines (built to current production per date on the front cover) with repair parts which can be installed in the field. Parts from the list should be replaced when inventory is depleted to keep service parts stock supplied. For further information, contact your JLG dealer or the JLG Industries Parts Department.	
		Ref	Boom Assembly	
	84718545	2	Tilt Cylinder Hose	
	84719168	2	Boom Hose	
	3580347	1	Hose Sheave	
	91403530	10	Bearing Pad	
	91403531	4	Bearing Pad	
	91403532	4	Bearing Pad	
	91403533	2	Bearing Pad	
	1001117654	4	Bearing Pad	
	1001117655	4	Bearing Pad	
	91413127	4	Shim, .0598	
	91403126	AR	Shim, .0359	
	91401215	AR	Shim, .0598	
	91401216	AR	Shim, .0359	
	91471228	AR	Shim, .0598	
	91471229	AR	Shim, .0359	
	91401453	AR	Shim, .0598	
	91401454	AR	Shim, .0359	
	91401456	AR	Shim, .0598	
	91401457	AR	Shim, .0359	
	91401191	AR	Spacer, .1875	
	91401223	10	Spacer, .0598	
	91401224	4	Spacer, .0598	
	91401225	4	Spacer, .0598	
	91401226	2	Spacer, .0598	
	91401450	4	Spacer, .0598	
	91401451	AR	Spacer, .0598	
	91403087	1	Bearing Pad, Push Beam	
	91403404	1	Quick Switch Pin	
	91403407	1	Quick Release Pin	
	2940074	2	Latch	
		Ref	Engine	
	91405102	1	Engine Filter Kit, (Standard) (SN 0160001921 through 0160003058, Excluding 0160002657)	
	91415035		Engine Filter Kit, (Turbo) (SN 0189001 through 0189345, SN 016000230 through 0160001775)	
	91415035	1	Engine Filter Kit, (Standard) (SN 0160001921 through 0160003058, Excluding 0160002657)	
	91415064		Engine Filter Kit, (Turbo) (SN 0160001921 through 0160003058, Excluding 0160002657)	
	91415084	1	Engine Filter Kit (SN 0160003213 to Present, Including 0160002657)	
	91403513	1	Fuel Tank Cap	
	91403105	1	Fan (SN 0189001 through 0189345, SN 0160000230 through 0160001775)	

SECTION 13 - RECOMMENDED SPARE PARTS

ITEM	PART NUMBER	QTY	DESCRIPTION	REV
	91513159	1	Fan (SN 0160003213 to Present, Including 0160002657)	
	91404086	1	Alternator Belt	
	91404085	1	Dipstick	
		Ref	Drive Train	
	91363025	1	FNR Shifter	
	91414004	2	Rear Boot Seal	
	91414005	1	Rear Hub Oil Seal	
		Ref	Meritor Axle (SN 0189001 through 0189345)	
	91144336	2	Shaft Seal	
		Ref	Carraro Axle (SN 0160000230 to Present)	
	91364036	2	Bushing	
	91364035	2	Sealing Ring	
	91364079	2	Hub Seal	
	91364080	4	Hub Bearing	
	91474115	1	Hub O-Ring	
		Ref	Hydraulic System	
	91403490	1	Boom Joystick	
	91404010	1	Boom Joystick Handle Grip	
	91404140	1	Lift Cyl Seal Kit (SN 0189001 through 0160010472)	
	91414069	1	Lift Cyl Seal Kit (SN 0160010506 through 0160033603)	
	70021758	1	Lift Cyl Seal Kit (SN 0160033805 to Present)	
	70020432	1	Crowd Cyl Seal Kit (SN 0189001 through 0189345, SN 0160000230 through 0160033603)	
	70021775	1	Crowd Cyl Seal Kit (SN 0160033805 to Present)	
	91404157	1	Tilt Cyl Seal Kit (SN 0189001 through 0189345, SN 0160000230 through 0160033603)	
	70021764	1	Tilt Cyl Seal Kit (SN 0160033805 to Present)	
	91404206	1	Comp Cyl Seal Kit (SN 0189001 through 0189345, SN 0160007751 through 0160017477, SN 0160000230 through 0160007625)	
	7029821	1	Comp Cyl Seal Kit (SN 0160017516 to Present)	
	91404172	1	Sway Cyl Seal Kit (SN 0189001 through 0189345, SN 0160000230 through 0160033603)	
	70021633	1	Sway Cyl Seal Kit (SN 0160033805 to Present)	
	91404196	1	Steering Cyl Seal Kit (SN 0189001 through 0189345, SN 0160000230 through 0160033603)	
	70021751	1	Steering Cyl Seal Kit (SN 0160033805 to Present)	
	91403575	1	Tank Filter	
	91083301	1	Tank Filter	
	1340021	1	Breather	
	91083070	1	Fluid Level Gauge	
	1001093626	2	Hydraulic Filter Element	
	91404084	1	Color Coded Gauge	
		Ref	Electrical	
	91403307	1	Accelerator Cable (SN 0189001 through 0189345, SN 0160000230 through 0160001370)	
	91413121	1	Accelerator Cable (SN 0160038555 to Present, SN 0160001379 through 0160038344)	
	91143314	1	Water Temp. Sender	
	24741047	1	Oil Press Switch	
	91143315	1	Oil Press Sender	
	91403609	1	Fuel Level Sender	
	77383377	1	Starter relay	

SECTION 13 - RECOMMENDED SPARE PARTS

ITEM	PART NUMBER	QTY	DESCRIPTION	REV
	91033317	1	Ignition Switch	
	1001108293	1	Alternator	
	1001108291	1	Regulator	
	91415083	1	Starter Kit (Prior to SN 0160006706, Excluding 0160006494 and 0160006543)	
	7026921	1	Starter (SN 0160006786 to Present, Including 0160006494 and 0160006543)	
	91404274	1	Starter Solenoid (SN 0189001 through 0189345)	
	91414040	1	Starter Solenoid (SN 0189346 through 0160001775)	
	91403574	1	Back-up Alarm (Prior to SN 0160016458)	
	8270621		Back-up Alarm (SN 0160016458 to Present)	
	91143357	1	Horn	
		Ref	Misc.	
	77384578	1	Ignition Key	
	80964051	1	Cab Door Key	
	91404275	1	Engine Cover Key	
	80904003	1	Hydraulic Test Kit	
	24604083	1	ORS O-Ring Kit	
	90214009	1	O-Ring Kit	
	91404003	1	Owner/Operator Manual (SN 0189001 through 0189345, SN 0160000230 through 0160004017)	
	31200148	1	Operation and Safety Manual (SN 0160004018 to Present)	
	91404002	1	Service Manual	

SECTION 13 - RECOMMENDED SPARE PARTS

PART NUMBER INDEX

SECTION 13 - RECOMMENDED SPARE PARTS

0080272.....155	0791506.....138	1001096021.....87	1001105441.....47
0100011.....59, 165, 425, 517, 527, 529	0860520.....87	1001096023.....87	1001105827.....465
0100011S.....43	0903293.....277, 279	1001096024.....87	1001105828.....467
0100019.....16	0903661.....510, 513	1001096025.....87	1001106005.....388
0100075.....43	0903669...510, 513, 527, 529	1001096306.....87	1001106037.....388
0100093.....155	0930020.....101	1001096327.....16	1001106062.....388
0240156.....103	1001001332.....279	1001096344.....16	1001106087.....388
0274674.....43	1001001333.....463	1001096404.....393	1001106112.....388
0274799.....43	1001001422.....155	1001096728.....16	1001106137.....388
0275798.....43	1001080707.....155	1001097072.....87	1001106191.....388
0471140.....221	1001081307.....209	1001097095.....517	1001106226.....388
05101441.....57	1001081308.....209	1001097149.....16	1001106296.....388
0630407.....221	1001081310.....209	1001097168.....87	1001106734.....391, 393
0641405.....88	1001081311.....209	1001098035.....527	1001108291.....129, 133, 137, 413, 536
0641406.....14	1001090032.....463	1001098174.....47	1001108293.....129, 133, 137, 413, 536
0641407....510, 513, 527, 529	1001090063.....59	1001098218.....47	1001108668.....108
0641408.....474	1001090064.....59	1001098223.....301	1001108669.....112
0641422.....465, 467	1001090134.....357	1001098233.....47	1001109217.....481
0641508.....251	1001090140.....59	1001098362.....275	1001109225.....285, 287, 289, 291, 293, 295, 297, 299, 301
0641510.....503	1001090364.....279	1001098363.....275	1001110405.....388
0641511.....279, 463	1001090459.....525	1001098382.....47	1001110704.....73
0641524.....85	1001090460.....510, 513	1001098582.....88	1001111112.....212, 430
0641606.....39, 165	1001090461....510, 513, 527, 529	1001098769.....393	1001111190.73, 108, 112
0641607.31, 39, 279, 463, 474	1001090468.....510	1001099113.....59	1001112207.....279, 463
0641608.....19, 507, 510, 513	1001090469.....525	1001099115.....59	1001112752.....388
0641612.....59	1001090507.....375	1001099173.....19	1001113251.....153, 155
0641632.....33	1001090509.....379	1001099174.....451, 454	1001114282.....212, 431, 433
0641807.....35	1001090510.....525	1001099276.....510, 513	1001114486.....513
0641808..31, 43, 47, 465, 474	1001090522....510, 513	1001099319.....451, 454	1001114493.....529
0641810.....29	1001090580.....510, 513	1001099351.....67	1001114675.....16
0641814.....510, 513	1001090581.....510, 513	1001099812.....474	1001114795.....519
0641818.....525	1001090615....511, 514, 527, 529	1001099889.....463	1001115014.....79
0641822.....525	1001091157.....465	1001099901.....63	1001115153.....16
0641829.....33	1001091458.....14	1001099902.....63	1001116274.....16
0642012.....29	1001092280.....87	1001100092.....463	1001116727.....371
0642032.....53, 59	1001092391.....95	1001100227.....77	1001116733.....379
0642210.....510, 513	1001092481.....87	1001100228.....77	1001117018.....379
0651605.....36, 41	1001092482.....87	1001100229.....77	1001117021.....369
0651606....31, 35, 36, 41	1001092843....251, 455	1001100322....221, 433	1001117058.....379
0651607.....31, 35, 41	1001093140.....87	1001100822.....55	1001117079.....379
0651608.....31, 35	1001093171.....87, 99	1001100823.....55	1001117654...31, 35, 534
0651610.....31	1001093177.....103	1001100824.....55	1001117655...35, 41, 534
0651614.....35, 39	1001093273.....103	1001100825.....55	1001118384.....373, 379
0651805.....35	1001093377.....77, 103	1001101085.....219	1001120914.....59
0651806.....35	1001093388.....155	1001101115.....77	1001120915.....59
0651807.....35	1001093465.....103	1001101116.....77	1001125382.....371
0651808.....35	1001093626....126, 335, 535	1001101280.....293	1001125384.....373
0651810.....31, 35, 41	1001093641.....155	1001101617.....279	1001125385.....377
0651812.....31, 35, 41	1001094264.....525	1001101703....289, 291, 293	1001128273.....29
0681610.....39	1001094330.....103	1001101743.....474	1001132514.....53
0681810.....59, 287, 289, 291, 293, 301, 305, 307	1001094390.....525	1001101788.....463	1001133072.....59
0681814.....517	1001094391.....525	1001101956.....59	1001301599.....73
0682012.....85	1001094392.....525	1001102378.....59	1001301600.....73
0682048.....29	1001094393.....525	1001102560.....237	10268516.....165, 425
0682244.....47	1001094523.....525	1001102577.....39	1060379.....88
0700610.....16	1001094592.....389	1001102657.....155	10718991.....525
0721006....511, 514, 527, 529	1001094695.....105	1001102661....465, 467	10718992.....525
0741610.....59	1001094824.....525	1001102662.....279	10733141.....423
0761012.....503	1001094830.....103	1001102663.....279	10733183...161, 163, 423
0761212.....503	1001095342....510, 513	1001102664.....275	1101312....126, 165, 406, 425
	1001095418.....73	1001102813.....88	
	1001095810.....87	1001103182.....359	
	1001096019.....87	1001103637.....87	
	1001096020.....87	1001103730.....87	
		1001103736.....87	
		1001105324.....388	

SECTION 13 - RECOMMENDED SPARE PARTS

1101313 ... 126, 165, 406, 425	2220372 ... 57, 69, 81, 92, 281	2340038.....95	3760170 88
1120591 155	2220373 ... 65, 69, 82, 92, 239, 257, 445	2340039.....95	3780140 93
1170019 53	2220374 65, 241, 277, 279, 467	2340045.....95	3780177 93
1170021 53	2220376 ... 157, 159, 258, 421	2340046.....95	3790226 19
1170022 53	2220377257	24431386..105, 130, 134, 409, 413	3790230 19
1170024 53	2220385 65, 79, 269, 277, 279	24604083.....536	3820020 87
1170025 53	2220415 73, 126, 129, 133, 410, 414	24741047..118, 122, 125, 401, 405, 535	3841203 59
1170054 59	2220435 267, 445	24861167.....438	3900140 155
1170057 59	2220451 ... 117, 121, 137, 401, 405	24861170.....137, 212	3911008 85
1320022 503	2220464335	24921332..161, 163, 165, 169, 423, 425, 427	3911428 85
1320263 513	2220465 269	2600216.....85	3911528 85
1340021 127, 333, 535	2220466 ... 239, 255, 261, 345	2600281.....87	3941506 525
1360291 33	2220472 125	2716143.....113	3960616 153
1360298 43	2220473 73, 93, 122, 126, 241, 261, 267, 271, 402, 406	2717287.....73	4105262 393
14403303 20	2220474 277, 279	2720058.....138	4110422 63, 67
14403323 .. 264, 297, 301	2220490 93	2750532.....138, 503	4160215 235
14403323S 43	2220497 ... 126, 130, 134, 410, 414	2753902.....79	4400490 155
14403364 . 118, 122, 126, 130, 134, 138	2220499 65	2754603.....461	4400496 155
14403416 363	2220500 445	2820035.....511, 514	4420060 16
14404043 . 118, 122, 126, 130, 134, 138	2220574 263	2890228.....59	4460035 438
14404067 20	2220578 333	2900708.....531	4460419 379
14404102 20	2220596 65, 79, 269, 277, 279, 445	2900770.....357	4460457 377
14404173 . 438, 510, 513, 527, 529	2220603 451, 454	2902446 155	4460458 377
14404595 264, 267	2220606 69, 81, 118, 122, 126, 267, 269, 271, 402, 406	2915023.....359	4460459 369
14404645 14	2220609 73	2915166.....505	4460464 510, 513
14404646 14	2220612 263	2915167 507	4460465 373
14404793 20, 23, 43	2220628 73, 125	2915179 126	4460466 373, 375
14404978 20, 155	2220635 ... 118, 122, 126, 130, 134, 402, 406, 414	2915184.....16	4460475 379
1671313 155	2220654 126	2940074.....85, 87, 534	4460508 527, 529
1701509 85, 88	2220657 70, 82, 451, 455	31200148.....536	4460746 369
1702773 85, 87	2220664 159	31200160.....85, 87	4460789 ... 369, 371, 377
1704277 85, 88	2220671 79, 137, 241, 345	31200336.....87	4460850 371
1704885 87, 388	2220683 269	31200387.....87	4460851 379
1706101 393	2220690 333	31200388.....87	4460891 371, 373
1706170 393	2220726 65, 79	3128987 505	4460897 510, 513
1706184 393	2220733 333	3128992 507	4460930 375
1706191 388	2220765 333	3140007 16	4460931 373
1706892 85, 87	2220819 241	3251813.....388	4460934 379
1706893 85	2220828 277	3291201.....138	4460942 371, 373
20021648 293	2220865 263	3300240.....53, 59	4461017 ... 513, 527, 529
2080040 88	2220899 93, 241, 451, 454	3311001.....85, 511, 514, 525, 527, 529	4461157 379
2080044 87	2220906 261	3311401...510, 513, 527, 529	4461254 525
2080063 85	2220947 273, 275	3311405.....88	4520368 203
2080064 85	2220973 273, 275	3311501.....85, 503	4520369 203
2110606 59	2221040 281	3311505.....505, 507	4520370 203
2110608 59	2221114 503	3311801.....510, 513	4520371 203
2110808 59	2221253 279, 463	3311805.....525	4520374 203
2111010 275	2230024 92, 461	3421453.....88	4520375 203
2111612 255	2230043 277, 461	3423242.....53, 59	4520481 203
2130610 279	2340037 95	3423263.....57	4520482 203
2131216 137		3423275.....53, 59	4520485 203
2131616 345		3423276.....53, 59, 73	4520489 203
2160001 33		3423307.....59	4520490 203
2171106 279		3440832.....45	4520645 203
2171206 279, 463		3510809.....85	4520646 204
2172106 59		3520072.....85, 87	4520647 204
2200233 503		3520198.....87	4569358 461
2220362 257		3539685.....85	4569359 277
2220371 69, 81, 125, 129, 130, 133, 134, 173, 269, 271, 409, 410, 413, 414, 451, 454		3573363.....85	4640438 357
		3580347.....33, 461, 463, 534	4660508 513
		3641438.....85	4711000 525
			4711400 . 14, 85, 88, 467, 474, 510, 513, 527, 529
			4711500 85, 467, 505, 507

SECTION 13 - RECOMMENDED SPARE PARTS

471160020, 39, 279, 393, 463, 474	70021447 355	70022051 339	70022998..... 109, 113
4711800.29, 35, 510, 513	70021448 355	70022527 101	70022999..... 113
4712000.....29	70021451 355	70022729 .. 321, 323, 325	70023000..... 113, 114
4712200.....510, 513	70021452 355	70022804 431	70023001..... 113
4740003.....47	70021464 355	70022931 108, 112	70023002..... 113
4751000.....85, 511, 514, 527, 529	70021465 355	70022932 108, 112	70023003..... 108, 112
4751400.....87	70021466 355	70022933 112	70023004..... 108, 112
4751600..... 165, 474, 507	70021630 . 293, 301, 311, 315	70022934 108, 112	70023005..... 109, 114
4751800..... 16, 33, 525	70021633 311, 535	70022935 109, 113	70023006..... 109, 114
4761000.....85, 511, 514, 525, 527, 529	70021634 311	70022936 108, 113	70023007..... 109, 114
4761400.....510, 513, 527, 529	70021635 311	70022937 109, 113	70023008..... 108, 112
4761500..... 14, 251, 503	70021648 301	70022938 113	70023009..... 108, 112
4761600..19, 33, 39, 165, 277, 279, 507	70021742 311	70022939 109, 113	70023010..... 108, 112
4761800..16, 33, 43, 261, 465, 510, 513	70021743 311	70022940 113	70023011..... 114
4762000.....85	70021744 311	70022941 113	70023013..... 114
4832000.....503	70021745 315	70022942 109, 113	70023014..... 108, 112
4832100.....503	70021746 315	70022943 113	70023015..... 109, 114
4846265.....85	70021747 315	70022944 113	70023016... 108, 112, 113
4846452.....87	70021748 315	70022945 113	70023139..... 219, 435
4846528.....85	70021749 315	70022946 109, 113	70023156..... 441
4891800.....59, 287, 289, 291, 293, 301, 305, 307	70021750 315	70022947 113	70023425... 141, 145, 149
4923400.....369	70021751 315, 535	70022948 113	70023426..... 418
4923452.....155	70021752 293	70022949 109, 113	70023747..... 519
5251016.....138	70021753 293	70022950 109, 113	70023748..... 519
6604662.....73	70021754 293	70022951 113	70023749..... 519
7000297 197, 199	70021755 293	70022952 109	70023750..... 519
7000645 531	70021756 293	70022957 108, 112	70023751..... 519
70020227 492	70021757 293	70022958 113	70023752..... 519
70020428.....359	70021758 293, 535	70022959 114	70023753..... 519
70020429.....313	70021759 301	70022960 108, 112	70023754..... 519
70020432.....295, 535	70021760 301	70022961 113	70023755..... 519
70020494.....295	70021761 301	70022962 113	70023756..... 519
70020495.....295	70021762 301	70022963 114	70023757..... 519
70020555.....99	70021763 301	70022964 114	70023758..... 519
70020562.....101	70021764 301, 535	70022965 113	70023759..... 519
70020717...318, 478, 482	70021765 301	70022966 113	70023760..... 519
70020923.....239	70021766 297	70022967 113	70023761..... 519
70021141..... 197, 199	70021767 297	70022968 114	70023762..... 519
70021146..... 197, 199	70021768 297	70022969 108, 112	70023763..... 519
70021342.....67, 101	70021769 297	70022970 108, 112	70023764..... 519
70021349.....67	70021770 297	70022971 113	70023765..... 519
70021358.....101	70021771 297	70022972 113	70023766..... 519
70021359.....101	70021772 297	70022973 113	70023767..... 519
70021360.....101	70021774 297	70022974 113	70023768..... 519
70021361.....101	70021775 297, 535	70022975 113	70023769..... 519
70021362.....101	70021812 359	70022976 113	70023770..... 519
70021364.....101	70021908 357	70022977 113	70023771..... 519
70021365.....101	70021913 307	70022978 113	70023772..... 519
70021366.....101	70021921 67	70022979 113	70023773..... 519
70021367.....101	70021935 67	70022980 109, 113	70023774..... 519
70021387.....101	70021957 293	70022981 114	70023775..... 519
70021391.....101	70021958 293	70022982 113	70023776..... 519
70021392.....101	70021977 67	70022983 114	70023777..... 519
70021393.....355	70021978 67	70022984 108, 112	70023778..... 519
70021395.....101	70021979 67	70022985 108, 112	70023779..... 519
70021399.....101	70021981 101	70022986 114	70023780..... 519
70021415.....67	70022028 67	70022987 108, 112	70023781..... 519
70021440.....355	70022038 357	70022988 113	70023782..... 519
70021444.....355	70022039 357	70022989 114	70023783..... 519
70021446.....355	70022040 357	70022990 109, 113	70023784..... 519
	70022041 357	70022991 113	70023785..... 519
	70022042 357	70022992 108, 112	70023786..... 519
	70022043 357	70022993 108, 112	70023787..... 519
	70022044 359	70022994 108, 112	70023788..... 519
	70022045 359	70022995 108, 112	70023789..... 519
	70022046 359	70022996 114	70023826..... 418
		70022997 113	70023836..... 237

SECTION 13 - RECOMMENDED SPARE PARTS

70023837 237	7029860 209	77321274....15, 118, 122,	80374020 145, 149
70023838 237	7029862 482	126, 402, 406	80374031 145, 149
70023841 237	7029866 307	77323029.....269	80374036 145, 149
70023842 237	7029868 307	77333027.....384	80374037 145, 149
70023843 237	7029869 307	77363046.....185	80374050 145, 149
70023846 237	7029870 307	77363265..212, 225, 227,	80374054 145, 149
70023849 237	7029871 307	430, 433, 438, 449,	80375012 443
70023850 237	7029872 307	451, 454, 470, 474,	80384162 15
70023851 237	7029873 307	510, 513, 525, 529	80384164 15
70023852 237	7029874 307	77363267..212, 225, 227,	80384184 215
70023853 237	7029893 331	430, 433, 451, 454,	80384186 215
70023854 237	7062922 73	470, 474	80384187 215
70023925 109, 114	7075611 393	77363268..212, 225, 227,	80384189 215
70024348 531	7110702 73	430, 433, 438, 449,	80384191 215
70024392 141, 417	7110712 73	451, 454, 513, 525, 529	80384192 215
70031445 67	7110722 73	77363302.....438, 513	80384203 209
7003226 297, 301, 311	7112642 77	77383154.....165, 425	80384205 215
7003242 ... 293, 301, 311,	7114941 77	77383293.....438	80384207 209
315	71492134 501	77383377..129, 133, 137,	80384213 209
7005365 297	71492142 70, 82	409, 413, 535	80384215 209
7012910 531	71492150 212, 431	77383540...212, 430, 433	80384218 215
7017047 197, 199	71492152 .. 212, 431, 433	77383567.....363	8050001 20
7017094 197, 199	77133052 ... 92, 261, 263,	77383580.....173	80603022 384, 388
7017367 315	333	77383790.....165, 425	80603026 384, 388
7017406 531	77133053 93, 263, 333	77384578...225, 227, 536	80603037 391, 393
7017477 531	77133073 261	80233220..118, 121, 125,	80604016 379
7017478 531	77133089 . 126, 130, 134,	402, 406	80604018 371, 373
7017494 531	410, 414	80263012.....87	80604023 377
7017496 531	77133136 ... 92, 264, 267,	80263053.....14	80604025.. 373, 375, 379
7023483 15	465, 467	80263108..233, 235, 237,	80623016 263
7023500 311	77133137 ... 92, 212, 257,	241	80630 525
7024167 197, 199	264, 267, 269, 431,	80264031.....207	80633013 137
7024177 197, 199	433, 465, 467	80264066.....215	80634066 255
7024574 359	77133139 257, 261	80264138.....247, 485	8065062 73
7026439 373	77133140 . 257, 261, 267,	80264139.....485	80683073 .. 212, 430, 433
7026458 291	277, 279, 281, 461, 463	80273010..122, 163, 402,	80904003 536
7026477 239	77133168 . 261, 267, 277,	423	80933066 263
7026478 239	279, 281, 461, 463	80273011 163, 423	80934035 353
7026798 219	77133177 . 257, 261, 267,	80273042..122, 163, 402,	80934498 247, 485
7026799 219	277, 281, 461	423	80934671 339
7026900 219	77133201 ... 93, 117, 121,	80274004 163, 423	80961142 438
7026901 219	138, 401, 405	80333162.....185	80963050.. 438, 510, 513
7026902 219	77133209 92, 470, 474	8033786.....359	80963056 438
7026904 219	77133279 . 212, 257, 264,	8035180.....189	80963057 . 225, 227, 365,
7026905 219	431, 433	8035536.....359	367, 369
7026906 219	77133389 .. 261, 267, 281	8035831.....114	80963058 . 212, 430, 438,
7026909 377	77133390 .. 261, 267, 281	8035862.....359	449
7026918 145, 149	77133447 451, 454	8035863.....359	80963059 365, 367
7026919 145, 149	77133497 . 221, 263, 264,	80363028...212, 430, 433	80963060 . 225, 227, 365,
7026920 145, 149	267, 273, 275, 470, 474	80363033..454, 457, 459,	367, 369, 438
7026921 ... 137, 149, 501,	77133498 . 221, 263, 264,	465	80963061 377
536	267, 273, 275, 277,	80363034..221, 431, 433,	80963062.. 371, 377, 445
7026923 145, 149	279, 465, 467, 470, 474	454, 457, 459	80963065 . 212, 430, 445,
7026927 ... 141, 145, 149,	77133499 264, 267	80363069...212, 430, 433	449
417	77133810 92	80363106.....213, 431	80963066 438
7026991 451, 454	77134026 327	80364001 215	80963068 . 365, 367, 369,
7027772 16	77134044 327	80364009...207, 215, 217	438
7028492 190	77143003 . 137, 157, 159,	80364012.....217	80963069 . 212, 365, 367,
7028820 329	421	80364023.....209	369, 430, 438, 445, 449
7029520 99	77143006 14, 93, 137,	80364030.....217	80963070 377
7029521 99	157, 159, 163, 165,	80364088.....215	80963101 212, 430
7029692 67, 101	363, 421, 425, 438, 445	80364095.....247, 485	80964001.. 212, 430, 433
7029714 101	77143013 93	80373025..117, 121, 138,	80964002 451, 454
7029760 307, 357	77143015 57, 363	402, 406	80964009 510
7029771 379	77143017 213, 430	80373046...212, 430, 433	80964051 536
7029821 307, 535	77163105 451, 455	80373088.....443	80964070 510, 513
7029833 335		80373094.....165, 425	

SECTION 13 - RECOMMENDED SPARE PARTS

8096D097 .449, 510, 513, 527, 529	83191062 . 118, 121, 137, 402, 406	84718737 92	84719591.....269
80973025..... 15, 29, 221, 363	83201006..... 20	84719060 92	84719592.....269
80983168.....525	83201021 19	84719163 . 125, 129, 133, 409, 413	84719593.. 129, 133, 137, 255, 409, 413
8160419.....249	83201024 69, 81, 93	84719167 69, 81	84719594.....257
82033995...212, 430, 433	83201026 69, 81, 93	84719168 .. 277, 461, 534	84719595.....257
82033996.....438	83201036 25	84719170 263	84719596.....445
8205655.....359	83201058 15	84719185 92	84719610.....333
82092118.. 117, 121, 129, 133, 402, 405, 409, 413	83201062 65, 79	84719197 69, 81	84719732.....65
8220050.....525	83201073 445	84719198 267	84719734.....261
8220081379	83201095 79	84719205 465, 467	84719735.....261
8220089.....377	83201102 79	84719217 173, 185	84719760..... 69, 82
8220890.....369	83201115 263	84719218 173, 185	84719765..... 92
8223073.....525	83201120 261	84719223 57	84719766..... 92
8229262.....525	83201135 . 117, 121, 126, 129, 133, 138, 255, 401, 405, 409, 413	84719225 277, 279	84719767..... 92
8270621 14, 536	83201144 19	84719226 273	84721020.....261
8273029..... 165, 425	83201155 261	84719227 275	84721021.....261
8273257 165, 425	83201160 333	84719228 277	84721052.....263
8303626.....77	83201172 23	84719229 92, 105	84721053.....263
8303634.....73	83201183 14	84719236 79	85051384.....445
8303715.....73	83201188 14	84719280 277, 281	85071128... 157, 159, 421
8303799.....16	83251198 157, 421	84719281 277	8522012..... 33
8305012.....77	83291198 421	84719282 277, 281	8522012S 43
8305624..... 14	83304146 315	84719341 261	85401340..... 19
8305643..... 73	8340035 15	84719351 263	8580315..... 73
8305644.....77	8342813 155	84719352 263	8584001..... 73
8305645.....393	83481285.. 365, 367, 369	84719353 263	8584003.....474
8305647.....393	83481286.. 365, 367, 369	84719354 263	85941016.....510, 513
830700777	83483584 177	84719357 257	85941017.. 129, 133, 409, 413
8307024..... 16	83664354 513	84719358 461	85941018.....430
8307112.....77	83671037 327	84719359 461	8642207..... 73
8307113.....393	83671475.. 161, 163, 423	84719371 271	86521144..... 93
83073828.....177	83674096 327	84719372 271	86621230..... 445, 525
8307904.....73, 301	83681905 501	84719373 271	86661147.....438
8307916.....47	83683175 167	84719374 271	86661149.....438
8307917.....47	83683182.. 212, 430, 433	84719375 271	86661152.....438
8307918.....73, 301	83683254.. 365, 367, 369	84719376 271	86671187... 212, 430, 433
8310067.....47	83683308.. 157, 159, 421	84719407 . 117, 121, 137, 257, 401, 405	86681572..... 15, 20
8310093.....301	83763056 . 126, 130, 134, 410, 414	84719408 . 117, 121, 138, 401, 405	86683122..... 70, 82, 212, 239, 277, 279, 433, 438
8310160.....73	83783030 . 118, 122, 125, 137, 401, 405	84719418 263	86683193.....212, 433
8310161.....73	8406105 510, 513	84719420 263	86683480..... 16
8310308.....45	8420053 59, 73	84719422 267	86881421.....181
8310382.....85	8420055 59, 73	84719423 257	86883106.. 117, 121, 129, 133, 138, 153, 402, 406, 409, 413
83191006.. 125, 130, 134, 409, 413	8420231 155	84719424 269	86883327... 157, 159, 421
83191010.. 118, 121, 125, 137, 401, 405	84231107.. 212, 430, 433	84719427 267	86971172.....430
83191013.. 117, 121, 125, 130, 134, 137, 401, 405, 409, 413	8430007 155	84719428 267	86983193..... 451, 455
83191014.. 118, 122, 125, 401, 405	84521056.. 157, 159, 421	84719433 277, 279	86984451..... 183
83191021..... 125	84521062 57	84719436 267	86984452..... 183
83191027..... 117, 402	8466306 16	84719437 267	8760268....57, 69, 81, 92, 125, 451, 454
83191032.. 117, 121, 125, 137, 401, 405	84711342 255	84719438 277	8760454.....267
83191038.. 118, 121, 125, 401, 405	84712737 263	84719468 . 117, 121, 137, 255, 401, 405	8765204.. 70, 82, 93, 279, 467
83191040.. 117, 121, 137, 401, 405	84712738 . 117, 121, 126, 129, 133, 138, 255, 401, 405, 409, 413	84719469 255	8769132..... 73
83191041.. 118, 122, 125, 401, 405	84712739 261	84719471 257	8770016..... 73
83191043.. 118, 122, 125, 137, 401, 405	84717537 451, 454	84719483 258	8780031.....201, 203
83191059.....239	84717556 445	84719484 258	8780045.....203
	84717593 65	84719487 263	8780264.....203
	84717854 269	84719498 263	8786514.....203
	84718013 257	84719499 92	88201001.....441
	84718208 70, 82	84719541 267	88201002.....221
	84718515 451, 455	84719542 241, 257	88201003..... 130, 134
	84718545 277, 534	84719543 257	
	84718631 445	84719544 269	
		84719545 257	
		84719546 269	

SECTION 13 - RECOMMENDED SPARE PARTS

88201005 ... 15, 212, 221, 231, 233, 235, 271, 430, 449, 459, 470	88211047 .. 451, 454, 467	88521012.....45	88561108... 93, 118, 122, 125, 157, 159, 161, 165, 233, 235, 335, 391, 393, 401, 405, 421, 423, 425
88201007 . 221, 261, 263, 333	88211068 ... 19, 125, 129, 133, 409, 413	88521016.....23, 25, 57	88561109... 57, 233, 235, 277, 461
88201008 . 57, 69, 81, 92, 257, 269, 281, 401, 405	88211073 .. 233, 235, 237	88521020.....20	88561111 . 285, 287, 299, 435, 445
88201009 . 117, 121, 126, 251, 451, 455, 457, 465	88211105 285, 303	88521204.....16	88561115 438
88201010 455	88212229 241	88521205..... 161, 423	88581112 43
88201011 .. 212, 431, 433	88212272 19	88521206... 157, 159, 421	88581136 69, 81, 93
88201012 . 273, 275, 277, 279	88212285 20	88521210..... 19	88581149... 29, 295, 297, 301
88201016 15	88212321 19	88521214.. 118, 122, 126, 402, 406	88581325 19
88201017 .. 157, 159, 421	88221276 45	88521304..... 233, 235	88591019 19
88201018 . 163, 221, 233, 235, 241, 264, 454, 459	88241023 33, 461, 463	88521305.. 273, 318, 478, 482	88591202 . 126, 129, 133, 185, 255, 261, 410, 414
88201020 . 161, 221, 233, 235, 258, 335, 423, 454, 459	88241026 454, 459	88521306..... 19, 241	88591204..... 69, 81, 118, 122, 125, 129, 130, 133, 134, 173, 241, 257, 261, 263, 267, 269, 271, 281, 402, 406, 409, 410, 413, 414, 451, 454
88201021 . 165, 221, 241, 425	88241053 75, 81	88521310.. 51, 57, 69, 75, 81	88591205 . 57, 65, 69, 79, 81, 125, 173, 257, 269, 277, 279, 281, 445
88201023 79, 92, 212, 221, 257, 264, 267, 269, 431, 433, 465, 467	88251019 233, 235	88521312..... 19	88591206 65, 79, 117, 121, 126, 138, 241, 255, 267, 273, 275, 277, 401, 405, 467
88201024 65, 495	88261010 525	88551006..... 438	88591207 . 117, 121, 137, 157, 159, 261, 263, 333, 401, 405, 421
88201025 93	88261011 245	88551007..... 449	88591209 . 117, 121, 137, 257, 267, 269, 402, 406, 445
88201026 264	88261014 153	88551009.. 14, 57, 69, 81, 117, 121, 126, 130, 134, 212, 231, 241, 251, 269, 271, 281, 402, 405, 430, 433, 435, 438, 441, 449, 451, 454, 455, 457, 465	88591210 . 129, 133, 137, 255, 335, 409, 413
88201028 . 273, 318, 478, 482	88261015 ... 14, 212, 241, 430, 433, 435	88551010.. 65, 69, 79, 82, 92, 125, 157, 159, 163, 165, 233, 235, 241, 335, 345, 421, 425, 454, 459	88591211 333
88201029 69, 81, 92	88261017 243	88551011.. 14, 19, 75, 82, 105, 125, 129, 133, 153, 155, 157, 159, 163, 167, 239, 241, 263, 333, 345, 409, 413, 421, 425, 445	88591212 264
88201030 345	88261024 153	88551012.... 15, 117, 121, 126, 129, 133, 138, 255, 401, 405, 409, 413	88631302 33
88201033 .. 163, 239, 425	88261029 14, 345	88551013.... 57, 125, 130, 134, 231, 255, 261, 285, 287, 299, 303, 333, 410, 414, 445, 517	88631449.. 69, 81, 85, 93
88201034 . 241, 277, 461, 467, 470	88261030 14	88551016..... 438	88661001 45
88201035 ... 14, 153, 155, 239, 263	88261039 263	88551111 457	88661002 277, 279
88201036 ... 14, 153, 155, 157, 159, 421	88261128 41	88551154..... 20	88661084 277
88201037 105	88261129 41	88561002.. 15, 70, 82, 92, 117, 121, 126, 212, 221, 271, 402, 405, 430, 433, 435, 449	88662059 . 117, 121, 255, 267, 401, 405
88201038 167	88301093 449	88561003.... 15, 129, 133, 153, 157, 159, 221, 233, 235, 241, 258, 318, 345, 409, 413, 421, 478, 482	88662064.. 118, 257, 263
88201047 241	88301191 153	88561004.... 14, 105, 153, 155, 157, 159, 163, 345, 421, 425, 470	88662065 173
88201064 299	88301193 45	88561006.. 125, 130, 134, 410, 414	88662070 . 129, 133, 137, 255, 335, 409, 413
88201065 ... 57, 125, 130, 134, 231, 285, 287, 303, 410, 414, 445, 457	88302125 221	88561007.. 118, 121, 125, 275, 277, 279, 402, 406	88662103 . 129, 133, 409, 413
88201066 . 126, 129, 133, 289, 291, 409, 413, 445	88302192 155	88561010..... 14	88662105 . 130, 134, 173, 410, 414
88201067 45, 255	88321015 451, 454	88561011 14	88662106 277
88201073 61, 65	88321022 438	88561012..... 241	88662121 263
88201105 . 51, 57, 69, 75, 81, 118, 122, 126, 402, 406	88341022 85, 97	88561015..... 20	88662177 333
88201108 438	88501004 . 212, 251, 430, 433, 438, 449, 451, 454, 455, 457, 459, 465	88561016..... 438	88662429 . 117, 121, 255, 401, 405
88201112 . 129, 133, 137, 409, 413	88501005 . 65, 69, 81, 92, 335, 345	88561017..... 19	8866514 16
88201530 36	88501006 . 14, 19, 75, 82, 105, 157, 159, 167, 233, 235, 237, 277, 279, 333, 421, 445, 461, 463	88561018..... 14	8866530 16
88201532 16	88501008 16, 61, 65	88561105..... 45, 212	88671001 . 20, 29, 33, 43, 59, 61, 65, 263, 445
88201533 36	88501010 65, 79	88561107.... 16, 231, 269	
88201534 14, 57	88501012 15		
88201535 57	88501014 15		
88201549 15	88501016 57		
88201551 14, 435	88501106 14		
88201563 35	88501110 19		
88201616 173	88501304 . 117, 121, 126, 401, 405		
88204912 16	88501305 241		
88211030 213, 430	88501307 15		
	88501310 29		
	88501322 43		
	88501406 241		
	88501408 241		
	88501410 29		
	88501610 438		
	88501612 ... 33, 449, 461, 463		
	88521004 221		
	88521005 221		
	88521010 ... 29, 118, 122, 126, 402, 406		

SECTION 13 - RECOMMENDED SPARE PARTS

88671008..31, 45, 47, 69, 81, 93	90207661 470, 474	91034435 521	91083250.....167
88671018.....69, 81, 93	90207662 92	91034436 521	91083301.....333, 535
88671022.....57	90207882 65	91041322 69, 81, 92	91083312.....241
88671027.....36, 41	90208066 353	91041324 69, 81, 93	91083339.....261
88681344.....33	90208148 491	91041325 69, 81, 93	91083385.....201
88701021.....19	90208181 491	91041326 69, 81, 93	91083440...365, 367, 369
88711280.....19	90208212 495	91041327 69, 81, 93	91083449.....19
88711283.....153, 155	90214009 536	91041356 69, 81, 92	91083483.....363, 441
88711284.....175	90402948 61, 65	91041361 70, 82, 93	91083492.....384, 388
88712306.....125	90403056 65	91041362 93	91083504.....409
88821004.....241	90451053 61	91041387 57	91083533.....14, 221, 264
88991005.....31, 35, 41	90451061 93	91041451 43	91083535.....79
89981036.....438	90453018 92	91041596 43	91084004.....481
90020247.....20	90453023 92	91041732 19	91084005.....482
90021705.....273	90453034 521	91043084 201, 203	91084006.....482
90022230.....357	90453040 61	91043125 .57, 65, 69, 81, 92, 109, 113, 461	91084008...317, 477, 481
90026491.....391, 393	90453041 61	91043126 .57, 65, 69, 81, 92, 105, 109, 113, 258, 461	91084009...317, 477, 481
90026803...365, 367, 369	90553012 75, 82	91043146 201	91084010.....481
90026965.....65	90553013 75, 81	91043186 70, 82	91084014.....478
90027182.....258	90553026 391, 393	91043221 ..69, 81, 85, 93	91084033.....323
90027187..117, 121, 137, 263, 267, 401, 405, 445, 470	90553027 384, 388	91043222 20	91084038.....365
90027214.....449	90553028 384, 388	91043295 201	91084042.....341
90027469.....335	90553036 97	91043446 353	91084043.....341, 343
90027470..14, 31, 35, 41, 157, 159, 421	90554001 388	91044080 307, 357	91084046.....175
9002747131, 35, 41, 126, 129, 133, 333, 409, 413	90554016 67, 101	91045089 201	91084047.....175
90027472.....65, 79	90554017 101	91045106 201	91084203.....478, 482
90027473..129, 133, 137, 173, 185, 409, 413	90554018 101	91045107 201	91084278...318, 478, 482
90027906..129, 133, 410, 414	90554020 67	91053020 .126, 129, 133, 345, 409, 413	91084279...318, 478, 482
90027987.....241	90554042 67	91053419 445	91084284.....337
90028488.....161, 163	90554045 355	91053439 264	91084297.....337
90028660..129, 133, 137, 409, 413	90554054 67	91054002 .126, 129, 133, 345, 409, 413	91084301.....337
90028740.....19	90554062 67, 101	91054157 489	91084302.....337
90028932.....33, 461	90554065 101	91064017 447	91084316.....321
90028935.....309, 311	90554076 67, 101	91081158 126	91084324.....321
90028946.....233, 235	90554078 97	91081177 20	91084372.....299, 447
90028990.....65	90554079 97	91081313 57	91085040.....201
90029955.....438, 449	90554080 97, 99	91081415 19	91094023.....481
90029999.....79	90554081 97	91081445 241	91094024.....481
90200003..51, 53, 57, 59, 69, 73, 75, 81	91003031 391, 393	91081577 57	91094033.....329
90200440.....177	91014066 307	91081594 57	91113003.....531
90200445.....391, 393	91023098 221, 222	91081622 57	91121145.....438
90200602.....517	91031236 57	91081630 57	91121146.....438
90200688.....391, 393	91033029 14, 435	91081640 363	91123062...251, 465, 467
90200755..157, 159, 221, 421	91033038 ..69, 81, 85, 92	91083070 333, 535	91123065.....438
90201443.....79	91033039 ..69, 81, 85, 92	91083106 .117, 121, 126, 129, 133, 138, 255, 261, 401, 405, 409, 413	91123075.....451, 454
90203384.....93	91033137 ..157, 159, 421	91083126 ..165, 423, 425	91123092.....19
90203543.....183	91033138 .277, 279, 465, 467	91083128 161	91123119.....175
90204007.....57	91033186 57	91083129 163, 423	91123124...157, 159, 421
90204097.....93	91033215 438	91083136 ..233, 235, 241	91123126.....239
90205688.....225, 227	91033240 345	91083155 ..212, 430, 433	91124087.....521
90205870.....57	91033317 ..225, 227, 536	91083200 333	91124089.....313
90205918...157, 159, 421	91033320 16	91083216 .277, 279, 461, 463	91124094.....181
90206194.....221	91033321 201	91083217 275	91124096..285, 287, 289, 291, 299, 303, 305, 309, 313, 487, 521
90206198.....241, 333	91033425 213, 430	91083218 .118, 122, 126, 129, 133, 137, 402, 406, 409, 413	91124103.....447
90206202.....15	91033486 435	91083222 .129, 133, 409, 413	91125002.....201
90206553.....345	91034028 197	91083248 57	91125003.....201
90207204.....177	91034153 291		91140001.....14
	91034156 489		91141128.....33
	91034157 521		91141511.....175
	91034267 .295, 299, 303, 305, 489		91143117.....438, 525
	91034374 92, 105		91143122.....137
	91034375 92		91143155.....445
	91034377 93, 105		91143172..118, 122, 126, 241, 402, 406
	91034399 93		91143177.....255
	91034400 93		

SECTION 13 - RECOMMENDED SPARE PARTS

91143220	15	91144359	183	91163028.....	384, 388	91364038	195
91143280	384, 388	91144360	183	91163035.....	169, 427	91364039	195
91143281	384, 388	91144361	183	91163087.....	221	91364040	195
91143282 69, 81, 92, 384, 388, 391, 393		91144362	183	91163098..126, 130, 134, 410, 414		91364041	193
91143283	384, 388	91144363	183	91163100.....	333	91364042	193
91143284	384, 388	91144364	183	91163129..161, 163, 165, 423, 425		91364043	193
91143285	384, 388	91144365	183	91163137...163, 165, 423		91364044	193
91143286	384, 388	91144366	183	91163268.....	167	91364045	193
91143288	384, 388	91144367	183	91164086.....	207	91364046	189
91143290	391, 393	91144368	183	91164087.....	207	91364047	189
91143314 .117, 121, 125, 401, 405, 535		91144369	181	91164094.....	207	91364048	189
91143315 .118, 122, 125, 401, 405, 535		91144370	181	91164099.....	207	91364049	189
91143348 ..157, 159, 421		91144371	181	91164440.....	61	91364050	189
91143357	14, 536	91144372	181	91166062.....	445	91364051	189
91143372	339	91144373	181	91203039.....	137, 438	91364052	189
91144005	447	91144374	181	91204460.....	313	91364053	189
91144006	521	91144376	181	91303049.....	264	91364054	189
91144015	337	91144377	181	91323030.....	384, 388	91364055	189
91144033	447	91144378	181	91333002..118, 122, 126, 402, 406		91364056	189
91144038 ..309, 487, 521		91144379	181	91333003..118, 122, 126, 402, 406		91364057	189
91144039	521	91144380	181	91334024.....	209	91364058	189
91144040	521	91144381	181	91334031.....	215	91364059	189
91144042	313	91144382	177	91334032.....	215	91364060	189
91144098 ..321, 323, 325		91144383	178	91334038.....	225, 227	91364061	189
91144099	321, 325	91144384	178	91334038.....	225, 227	91364062	189
91144125	489, 521	91144385	178	91334135.....	209	91364063	189
91144128 .285, 287, 289, 291, 299, 303, 305, 309, 313, 447, 487		91144386	177	91343016..384, 388, 397, 399		91364064	189
91144158	353	91144387	177	91343031..449, 510, 513, 527, 529		91364065	189
91144159	353	91144388	177	91343052.....	19	91364066	189
91144190	239	91144389	177	91343218.....	245	91364067	189
91144248	329	91144390	177	91343222.....	409	91364068	189
91144326	175	91144391	177	91344018.....	215	91364069	189
91144327	175	91144392	177	91344046.....	215	91364070	189
91144328	175	91144393	177	91344053..449, 510, 514, 527, 529		91364071	189
91144329	175	91144394	177	91355034.....	203	91364072	189
91144332	175	91144395	177	91355035.....	203	91364073	189
91144333	183	91144396	177	91355037.....	203	91364074	189
91144334	183	91144397	177	91355038.....	203	91364075	189
91144335	183	91144398	177	91361003.....	438	91364076	189
91144336	183, 535	91144399	177	91361018.....	221	91364077	189
91144337	183	91144400	177	91361026.....	445	91364078	189
91144338	183	91144401	177	91363021...365, 367, 369		91364081	189
91144339	183	91144402	177	91363025.....	239, 535	91364082	189
91144340	183	91144403	177	91363158.....	187	91364083	189
91144341	183	91144404	177	91363202.....	201	91364084	189
91144342	183	91144405	177	91363215.....	204	91364085	189
91144343	183	91144406	177	91364009...365, 367, 369		91364086	189
91144344	183	91144407	177	91364010...365, 367, 369		91364087	190
91144345	183	91144408	177	91364013.....	225, 227	91364088	190
91144346	183	91144414	331	91364023.....	165, 425	91364089	190
91144347	183	91144442	181	91364026.....	195	91364090	190
91144348	183	91144448	239	91364027.....	195	91364091	190
91144349	183	91144458	239	91364028.....	195	91364092	190
91144350	183	91144460	339	91364029.....	195	91364093	190
91144351	183	91144461	339	91364030.....	195	91364094	190
91144352	183	91144462	339	91364031.....	195	91364095	190
91144353	183	91144463	339	91364032.....	195	91364096	190
91144354	183	91144464	339	91364033.....	195	91364097	190
91144355	183	91144465	339	91364034.....	195	91364098	190
91144356	183	91144466	339	91364035.....	195, 535	91364143..321, 323, 325	
91144357	183	91144467	339	91364036.....	195, 535	91364144	325
91144358	183	91153007	165, 425	91364037.....	195	91364145	325
		91161222	31, 41			91364146	325
		91161269	445			91365037	445
		91163011 .125, 129, 133, 409, 413				91365045	438
		91163019	20, 445				

SECTION 13 - RECOMMENDED SPARE PARTS

91365076.....203	91403009.. 285, 287, 289	91403160 117, 401	91403338.....93
91401060.....401	91403014 417	91403161 333	91403339.....105
91401081..... 19	91403017 43	91403163 19	91403350... 212, 430, 433
91401168.....231	91403018 33	91403164 19	91403351... 212, 430, 433
91401172..... 451, 457	91403019 33, 461	91403165 19	91403352... 212, 430, 433
91401189.... 43, 285, 287, 299, 303	91403020 45	91403166 19	91403353.....273
91401190.....43	91403021 299	91403172 20	91403354.....20
91401191..... 35, 534	91403022 295, 297	91403173 20	91403355.....20
91401193.....29	91403025 29	91403174 20	91403359.....95
91401197..... 35	91403026 303	91403176 153	91403364..... 92, 95
91401198..... 153, 155	91403027 285, 287	91403178 249, 459	91403366..... 75, 81, 95
91401204.....39	91403030 141	91403180 349	91403367.....441
91401215..... 31, 35, 534	91403031 19	91403191 435	91403372..... 19
91401216..... 31, 35, 534	91403033 20	91403193 203	91403377..... 39
91401223..... 31, 35, 534	91403034 19	91403200 363	91403384.....79
91401224..... 31, 36, 534	91403037 325	91403216 169, 427	91403387.....267
91401225..... 35, 41, 534	91403045 43	91403217 15	91403388.....267
91401226..... 41, 534	91403047 43	91403225 309, 311	91403390.....441
91401227..... 118, 401	91403052 33	91403226 309, 311	91403393.....277
91401233... 157, 159, 421	91403053 33	91403230 15, 85, 221	91403403... 157, 159, 421
91401256.....445	91403054 309	91403239 423	91403404..... 45, 534
91401266... 69, 81, 85, 92	91403060 45	91403240 163	91403405..... 45
91401276.....470	91403061 29	91403241 23, 25	91403407..... 45, 534
91401281.....363	91403065 19, 43	91403242 23, 25	91403411..... 45
91401296.....79	91403066 19	91403243 23, 25	91403412..... 45
91401299.....441	91403067 19	91403244 . 161, 163, 165, 423, 425	91403413.. 57, 59, 65, 69, 73, 79, 81, 92, 109, 113, 461
91401303.....51, 57	91403071 33	91403247 241	91403414.. 57, 59, 65, 69, 73, 79, 81, 92, 105, 109, 113, 258, 461
91401322..... 157	91403076 207	91403248 . 118, 122, 125, 401, 405	91403415..... 93, 277, 461
91401324..... 51, 57, 69	91403078 19	91403253 333	91403425..... 39, 241
91401340..... 75, 81	91403079 19	91403254 153	91403432..... 43
91401344..... 277, 461	91403082 19	91403258 185	91403433..... 33
91401347..... 14	91403084 . 209, 212, 215, 217	91403264 335	91403437..... 153
91401354.....461	91403086 .. 157, 159, 421	91403265 . 117, 121, 401, 405	91403441..... 14
91401370.....264	91403087 39, 534	91403268 14	91403443... 212, 430, 433
91401415..... 14, 507	91403095 .. 157, 159, 421	91403273 465	91403444.....461
91401417.....435	91403096 .. 157, 159, 421	91403274 .. 451, 454, 457	91403445... 212, 431, 433
91401421.....430	91403097 15	91403279 487	91403448.....65
91401423... 233, 235, 237	91403098 15	91403280 .. 212, 431, 433	91403449..... 329
91401432.....465	91403100 161	91403288 221, 430	91403450..... 331
91401435.....33	91403101 163	91403289 221	91403451..... 321
91401436..... 461, 463	91403102 118, 161	91403293 . 118, 121, 125, 401, 405	91403454.. 126, 129, 133, 255, 409, 413
91401443..... 213, 430	91403103 118, 161	91403295 441	91403455.. 117, 121, 126, 401, 405
91401450..... 31, 35, 534	91403104 161	91403297 445	91403456..... 331
91401451..... 35, 41, 534	91403105 . 118, 122, 401, 405, 534	91403298 221	91403457..... 365, 409
91401453..... 35, 41, 534	91403108 303	91403299 430	91403461..... 225
91401454..... 35, 41, 534	91403114 29	91403304 438, 449	91403462..... 263
91401456..... 31, 534	91403118 423	91403305 438	91403463..... 263
91401457..... 31, 534	91403119 43	91403306 438	91403466..... 263
91401464.....445	91403125 161	91403307 233, 535	91403467..... 263
91401469..... 31	91403126 33, 35, 461, 463, 534	91403308 . 251, 455, 459, 467	91403471..... 161
91401472.....31	91403127 33, 35, 461, 463	91403309 . 231, 451, 457, 465	91403473..... 233, 235
91401487.....15	91403137 . 118, 122, 126, 402, 406	91403311 451, 454	91403474..... 233, 235
91401516.....221	91403138 . 118, 122, 402, 406	91403316 465	91403476... 233, 235, 237
91401524..... 14	91403140 447	91403317 451, 457	91403478..... 243
91401529.....303	91403141 157	91403318 470, 474	91403481..... 221
91401535.. 117, 121, 126, 402, 405	91403142 159, 421	91403322 489	91403484..... 167
91401567.....241	91403145 19, 20	91403324 454, 459	91403485..... 169, 427
91401568..... 39	91403146 19	91403325 15	91403488..... 167
91401570..... 14	91403153 15	91403326 459	91403489..... 169, 427
91401571..... 451, 454	91403156 445	91403328 467	91403490..... 247, 535
91401573.....241	91403158 335	91403329 .. 212, 431, 433	91403491..... 485
91401581..... 153			
91401590.....221			
91403006.....295			
91403008.....299			

SECTION 13 - RECOMMENDED SPARE PARTS

91403493	29	91403607	470, 474	91404063.....	337	91404152..	285, 287, 289, 291
91403499	33, 461, 463	91403608	213, 430	91404064.....	337	91404153..	299, 303, 305
91403502	333	91403609 ..	153, 155, 535	91404065.....	337	91404154..	299, 303, 305
91403503 ...	16, 438, 510, 513	91403611	333	91404066.....	337	91404155.....	299
91403504	335	91403612	451, 454	91404067.....	337	91404156.....	299
91403506	275	91403613	438	91404068.....	153	91404157	299, 535
91403507	275	91403614	451, 454	91404070.....	331	91404168.....	309
91403510	167	91403618	384, 388	91404071.....	331	91404169.....	309
91403511	169, 427	91403619	257	91404072.....	331	91404170.....	309
91403512	161, 423	91403620	221	91404073.....	331	91404171.....	309
91403513	153, 534	91403622	391	91404074.....	331	91404172	309, 535
91403514	153	91403623	391	91404075.....	331	91404176.....	309
91403515	161, 423	91403629	313	91404076.....	331	91404177.....	318
91403516	451, 454	91404002	536	91404077.....	331	91404178..	318, 478, 482
91403519	33	91404003	536	91404078.....	331	91404179..	318, 478, 482
91403520	470	91404004 .	118, 122, 126, 145, 149, 402, 406	91404079.....	331	91404180.....	318, 478
91403521 ..	233, 235, 237	91404005 .	118, 122, 402, 406	91404080.....	331	91404181.....	318, 478
91403522	470, 474	91404007	161	91404081.....	331	91404182..	317, 477, 481
91403523 .	126, 130, 134, 410, 414	91404008 ..	157, 159, 421	91404082.....	331	91404183.....	317, 477
91403524	153	91404010	247, 535	91404083.....	331	91404184.....	317, 477
91403527	435	91404011	247, 485	91404084.....	335, 535	91404185.....	317, 477
91403528	257	91404013	247, 485	91404085..	117, 121, 145, 149, 402, 406, 535	91404186..	317, 477, 481
91403529	384, 388	91404016	247, 485	91404086..	118, 122, 145, 149, 402, 406, 535	91404187..	317, 477, 481
91403530	31, 35, 534	91404018 ..	321, 323, 325	91404088.....	249	91404188..	317, 477, 481
91403531	35, 41, 534	91404019 ..	321, 323, 325	91404089.....	249	91404189..	317, 477, 481
91403532	31, 35, 534	91404020 ..	321, 323, 325	91404091..	249, 451, 454, 457, 465	91404190.....	317, 477
91403533	41, 534	91404021 ..	321, 323, 325	91404093.....	249	91404191..	317, 477, 481
91403538	431	91404022	321, 323	91404094.....	249	91404192..	318, 478, 481
91403539	212, 430	91404023 ..	321, 323, 325	91404095.....	249	91404193.....	313
91403540	477	91404025	321	91404096.....	249	91404194.....	313
91403541	317	91404026	321	91404097.....	249	91404195.....	313
91403543	273	91404027 ..	321, 323, 325	91404098.....	249	91404196.....	313, 535
91403544	273	91404028 ..	321, 323, 325	91404099.....	249	91404202.....	313
91403545	275	91404029 ..	321, 323, 325	91404100.....	249	91404203.....	303, 305
91403546	275	91404030 ..	321, 323, 325	91404101.....	249	91404204.....	303, 305
91403547	277, 279	91404031 ..	321, 323, 325	91404102.....	249	91404205..	303, 305, 535
91403548	277, 279	91404032 ..	321, 323, 325	91404103.....	249	91404206..	303, 305, 535
91403549	465, 467	91404033 ..	321, 323, 325	91404105.....	249	91404207.....	249
91403550	465, 467	91404034 ..	321, 323, 325	91404106.....	249	91404208.....	249
91403552	347	91404035	321, 323	91404107.....	249	91404209.....	249
91403553	335	91404036 ..	321, 323, 325	91404108.....	249	91404210 .	249, 451, 454, 457
91403554	335	91404037	321, 323	91404109.....	207	91404211 ..	233, 235, 237
91403556 .	129, 133, 138, 409, 413	91404040	329	91404110.....	207, 217	91404212 ..	233, 235, 237
91403557	257	91404041	329	91404111.....	207, 217	91404213 ..	233, 235, 237
91403558	257	91404042	329	91404112.....	295	91404214.....	318
91403559	258	91404043	329	91404113.....	295	91404215.....	349, 351
91403565	333	91404044	329	91404114.....	295	91404216.....	349
91403569	384, 388	91404045	329	91404130.....	295	91404217	349, 351
91403573	384, 388	91404046	329	91404131...285, 287, 289		91404218.....	349
91403574	14, 536	91404047	329	91404132..285, 287, 289, 291		91404219.....	141, 417
91403575	333, 535	91404048	329	91404133..285, 287, 289, 291		91404220 .	141, 145, 149, 417
91403578	239	91404049	329	91404134...285, 287, 289		91404221 .	141, 145, 149, 417
91403579	333	91404050	329	91404135..285, 287, 289, 291		91404222 .	141, 145, 149, 417
91403582	14	91404051	329	91404136...285, 287, 289		91404223 .	141, 145, 149, 417
91403585	303, 305	91404052	329	91404137...285, 287, 289		91404224 .	141, 145, 149, 417
91403588	199	91404053	329	91404138..285, 287, 289, 291		91404225 .	141, 145, 149, 417
91403589	337	91404054	329	91404139...285, 287, 289		91404226 .	141, 145, 149, 417
91403590	241	91404055	329, 331	91404140..285, 287, 289, 535		91404227	141, 417
91403592	343	91404056	329	91404151...285, 287, 289			
91403596	213, 431	91404057	329, 331				
91403597	384, 388	91404058	337				
91403600	14	91404059	337				
91403601	169, 427	91404060	337				
91403606	470, 474	91404061	337				
		91404062	337				

SECTION 13 - RECOMMENDED SPARE PARTS

91404228.....141, 417	91404287 .. 299, 303, 305	91404361 487	91405036.....203
91404229..141, 145, 149, 418	91404288 . 285, 287, 289, 291	91404362 487	91405039.....201
91404230.....141, 417	91404291 217	91404363 487	91405042.....153
91404231.....417	91404292 215	91404365 487	91405047.....231
91404232..141, 145, 149, 417	91404293 209	91404366 487	91405050.....435
91404233..141, 145, 149, 417	91404294 215	91404367 487	91405051.....14
91404234..141, 145, 149, 417	91404295 209	91404370 489	91405052.....465
91404235.....141, 417	91404296 217	91404371 489	91405054.....55
91404236.....141, 417	91404297 209	91404372 489	91405055.....55
91404237.....141, 417	91404298 209	91404373 489	91405056.....430
91404238.....141, 417	91404299 209	91404380 489	91405057.....438
91404239.....141, 417	91404300 215	91404381 489	91405060.....105
91404241.....141, 417	91404301 209	91404382 . 285, 287, 289, 291, 293, 295, 297, 299, 301	91405061.....105
91404242..141, 145, 149, 417	91404302 215, 217	91404383 491	91405067.....467
91404243.....141, 417	91404303 215	91404385 491	91405070.....92
91404244.....141	91404304 215	91404386 491	91405071.....55
91404245.....141	91404305 215	91404388 491	91405073.....51
91404246.....141	91404306 215	91404389 491	91405074.....51
91404247141	91404307 215	91404392 491	91405075.....69
91404248.....417	91404308 215	91404399 491	91405077.....75
91404249.....141	91404309 215	91404395 491	91405078.....81
91404250..141, 145, 149, 417	91404310 215	91404396 491	91405079.....57
91404251..141, 145, 149, 417	91404311 215	91404408 491	91405080.....65
91404252.....141, 417	91404312 215	91404409 491	91405081.....65
91404253..141, 145, 149, 417	91404313 215	91404411 491	91405082.....61
91404254.....141, 417	91404314 215	91404412 491	91405083.....61
91404255..141, 145, 149, 417	91404315 215	91404416 491	91405084.....233
91404256..141, 145, 149, 417	91404316 215	91404418 491	91405085.....33
91404257..141, 145, 149, 417	91404317 215	91404419 492	91405086.....461, 463
91404258..141, 145, 149, 417	91404318 215	91404420 492	91405088.....126
91404259..141, 145, 149, 417	91404319 215	91404421 492	91405091.....335
91404260.....141, 417	91404320 215	91404426 492	91405098.....451
91404261.....141, 417	91404321 215	91404430 492	91405100.....461
91404262..141, 145, 149, 417	91404322 217	91404432 491	91405101.....57
91404263.....141, 418	91404323 215	91404433 491	91405102.....118, 534
91404264..141, 145, 149, 418	91404324 215	91404435 199	91406012.....29
91404265...145, 149, 417	91404325 485	91404436 199	91406013.....33
91404266.....417	91404326 247, 485	91404437 15	91406014.....39
91404267...145, 149, 417	91404327 247, 485	91404439 431	91406015.....43
91404268.....417	91404328 225, 227	91404441 15	91406017.....19
91404269.....417	91404329 225, 227	91404442 15	91406021.....20
91404270.....417	91404330 225, 227	91404443 153	91406026..118, 122, 125, 401, 405
91404271.....417	91404331 225, 227	91404445 .. 451, 454, 457	91406027..118, 122, 137, 233, 401, 405
91404272.....417	91404332 225, 227	91404446 .. 451, 454, 457	91406032..117, 121, 125, 137, 401, 405
91404273.....417	91404333 225, 227	91404447 .. 451, 454, 457	91406069...69, 81, 85, 92
91404274...118, 402, 536	91404334 225, 227	91404448 .. 451, 454, 457	91406070...69, 81, 85, 92
91404275.....14, 536	91404335 225, 227	91404450 15	91406072.....92
91404276.....447	91404336 225, 227	91404451 141	91406090...157, 159, 421
91404281.....447	91404337 .. 365, 367, 369	91405003 157	91406094.....14
91404282.....447	91404338 447	91405010 159, 421	91406098.....19, 263
91404283.....447	91404339 447	91405012 467	91406099.....19, 263
91404286...299, 303, 305	91404340 347	91405013 239	91406112..126, 130, 134, 410, 414
	91404341 347	91405014 470	91406113.....430, 507
	91404342 15	91405015 459	91406114.....430, 435
	91404343 15	91405018 201	91406115.....14, 507
	91404344 14	91405021 201	91406116.....435
	91404345 15	91405023 441	91406117.....14
	91404346 14	91405024 79	91406118.....117, 402
	91404347 15	91405025 457	91406119.....430
	91404348 15	91405027 161	91406134.....335
	91404349 225	91405029 423	91406139.....233, 235
	91404350 225	91405032 45	91406141.....241
	91404351 225	91405034 333	91406143.....241
	91404352 309, 487	91405035 203	
	91404355 487		
	91404360 487		

SECTION 13 - RECOMMENDED SPARE PARTS

91406147 233, 235	91413120 367	91414049.....495	91471240 . 287, 289, 291, 293, 305, 307
91406148 233, 235	91413121 .. 235, 237, 535	91414050.....495	91471243 433
91406149 438	91413122 43	91414051.....495	91473100 163
91406155 93	91413123 43	91414052.....495	91473102 163
91406156 85	91413127 33, 534	91414053.....495	91473103 165, 425
91409117 295	91413130 222	91414054.....495	91473104 .. 163, 165, 425
91411017 345	91413132 257, 269	91414055.....495	91473125 470, 474
91411021 273	91413134 145	91414056.....495	91473127 470, 474
91411044 79	91413138 29	91414057.....495	91473163 221
91411048 438	91413139 29	91414058.....495	91473188 351
91411050 70, 82, 93	91413141 339	91414059.....495	91473206 203
91411060 . 118, 121, 125, 405	91413142 217	91414060.....495	91473211 221
91411069 333	91413145 149	91414061.....495	91473212 221
91411071 16	91413146 369	91414062.....495	91473222 118, 122
91411073 69, 81, 92	91413147 363	91414063.....495	91473223 125
91413001 197	91413148 501	91414065.....291	91473226 363
91413002 173	91413149 501	91414066.....291	91473230 297
91413003 173	91413152 311	91414067.....291	91473233 . 287, 289, 291, 293
91413004 23, 25	91413153 315	91414068.....291	91473234 301, 307
91413005 . 129, 133, 138, 409, 413	91413154 307	91414069.....291, 535	91473235 305
91413007 327	91413155 293	91415001 173	91473239 441
91413008 345	91413156 301	91415004.....241	91473240 503
91413010 341	91413158 291	91415007..117, 121, 129, 133	91474037 190, 195
91413011 384, 388	91413159 491	91415011.....397, 399	91474039 195
91413012 384, 388	91413160 491	91415012..401, 405, 409, 413	91474058 195
91413013 273	91414001 197, 199	91415014.....445	91474060 195
91413014 233	91414002 197, 199	91415021.....389, 393	91474061 195
91413015 345	91414003 197, 199	91415025.....85	91474064 195
91413016 239	91414004 .. 197, 199, 535	91415027.....209	91474065 195
91413021 384, 388	91414005 .. 197, 199, 535	91415030.....454	91474066 195
91413024 384, 388	91414007 197, 199	91415031.....251	91474075 195
91413025 423	91414008 197	91415032.....345	91474095 195
91413026 384, 388	91414009 197, 199	91415033... 122, 402, 534	91474098 195
91413027 384, 388	91414011 197, 199	91415036.....449	91474115 189, 535
91413030 169, 427	91414012 197, 199	91415039.....20	91474116 189
91413031 167	91414013 197, 199	91415040.....20	91474126 189
91413036 .. 212, 221, 433	91414014 197, 199	91415041.....389	91474128 189
91413037 264	91414015 197, 199	91415042.....389	91474136 193
91413038 .. 212, 430, 433	91414019 197, 199	91415045.....435	91474137 193
91413039 495	91414020 197, 199	91415046.....430	91474139 193
91413040 499	91414021 197, 199	91415053.....185	91474140 193
91413041 497	91414022 197, 199	91415064.....406, 534	91474141 193
91413044 449	91414024 197, 199	91415067.....235	91474142 193
91413045 449	91414026 197, 199	91415071.....389	91474143 193
91413047 257	91414027 197, 199	91415072.....203	91474144 193
91413049 257	91414028 239	91415078..... 125, 137	91474145 193
91413050 221	91414029 239	91415083..... 501, 536	91474146 193
91413051 221, 431	91414030 327	91415084..... 126, 534	91474147 193
91413052 .. 438, 510, 513	91414031 327	91415088.....212	91474149 193
91413053 213, 433	91414032 327	91416006.....231	91474151 193
91413054 423	91414033 327	91416011.....455	91474155 189
91413055 323	91414034 327	91416012.....467	91474157 189
91413060 227	91414035 327	91416013.....459	91474162 190
91413061 384, 388	91414036 327	91416014..... 153, 155	91474163 190
91413096 161	91414037 327	91416017.....459	91474179 327
91413099 69, 81, 92	91414038 327	91416018.....92	91474182 327
91413100 69, 81	91414039 327	91416020.....433	91474184 327
91413104 .. 137, 401, 405	91414040 . 118, 122, 137, 402, 406, 536	91471108... 157, 159, 421	91474411 15
91413106 185	91414041 323	91471133... 163, 165, 425	91474412 15
91413107 185	91414042 323	91471181 163	91474413 15
91413110 221	91414043 323	91471226..... 31, 35	91474414 15
91413111 459	91414044 323	91471227..... 31, 35	91474416 15
91413112 467	91414045 497, 499	91471228..... 35, 41, 534	91474417 15
91413113 454	91414046 497	91471229..... 35, 534	91474423 15
91413118 325	91414047 497, 499		91474427 15
	91414048 499		

SECTION 13 - RECOMMENDED SPARE PARTS

91474463..227, 365, 367, 369	91475109..... 433	91513282 305, 307	91545010.....203
91474490.....351	91476053 235	91514246 15	91551039.....20
91474491.....351	91503102 384, 388	91514256 145, 149	91553052.....263
91474492.....215	91503103 525	91514257 145, 149	91553054.....263
91474499.....418	91503105 377	91514258 145, 149	91553072.....391, 393
91474506..... 145, 149	91503106 377	91514259 145, 149	91554011.....367, 369
91474629... 141, 145, 150	91504028 247, 485	91514260 145, 149	91554032..... 145, 149
91474630... 142, 146, 150	91504029 247, 485	91515041 165, 425	91555029.....389
91474631... 142, 146, 150	91504107 525	91515056 203	91555031.....20
91474633.....503	91511127 525	91515073 389	91555032.....20
91474634.....503	91511144 165, 425	91515074 389	91561150.....221
91474635.....503	91511206 449	91516044 14	91561200.....221
91475046.....163	91513029 43	91531026 503	91563141.....95
91475048.....239	91513099 15	91534005 .. 126, 145, 149	91563142.....95
91475054.....203	91513119 451, 454	91534006 126	91563143.....95
91475055.....203	91513159 125, 535	91535017 203	91563158.. 219, 505, 507
91475063.....389	91513197 16	91535019 203	91563164.....219
91475093.....203	91513204 . 251, 451, 454, 457	91535022 503	91563208.....239
91475104.....389	91513206 95	91543002 203	91565064.....435
		91545008 203	91565094.....99



**Corporate Office
JLG Industries, Inc.
1 JLG Drive
McConnellsburg, PA 17233-9533 USA
☎ (717) 485-5161 (Corporate)
☎ (877) 554-5438 (Customer Support)
📠 (717) 485-6417**

**Visit our website for JLG Worldwide Locations.
www.jlg.com**



OSHKOSH™