



***Illustrated Parts Manual
Manuel de pièces détachées***

MODEL / MODELE

**TOUCAN 8E
TOUCAN 20E**

**PVC
2101**

ANSI



AS/NZS

31210400

July 5, 2021
REV B



An Oshkosh Corporation Company

REVISION LOG

REVISION LOG

January 11, 2021 ----- Original issue of Manual - PVC2101 (Edited to B/M 1001220000 Revision K)
July 5, 2021 ----- Revision B-Add LSS cover (Edited to B/M 1001220000 Revision M)

TABLE OF CONTENTS

SECTION 1 - HOODS INSTALL / INSTALLATION CAPOTS	7
FIGURE 1-1. HOODS INSTALL / INSTALLATION CAPOTS	8
SECTION 2 - FRAME INSTALL / INSTALLATION CHASSIS.....	13
FIGURE 2-1. FRAME INSTAL / INSTALLATION CHASSIS.....	14
FIGURE 2-2. STEERING WHEEL HUB / MOYEU ROUE DIRECTRICE	18
FIGURE 2-3. DRIVE GEAR MOTOR / MOTOREDUCTEUR DE ROUE	20
SECTION 3 - MAST #1 INSTALL / INSTALLATION MAT 1.....	23
FIGURE 3-1. MAST 1 INSTALL / INSTALLATION MAT 1.....	24
FIGURE 3-2. REDUCER KIT / KIT REDUCTEUR.....	28
FIGURE 3-3. MTB INSTALL / INSTALLATION COMMANDES BASSES.....	30
FIGURE 3-4. CONTROL PANEL WITH ENABLE / BOITIER BAS AVEC VALIDATION	32
FIGURE 3-5. CONTROL PANEL W/O ENABLE / BOITIER BAS SANS VALIDATION	34
SECTION 4 - MAST AND BOOM INSTALL / INSTALLATION MAT ET BRAS.....	37
FIGURE 4-1. MAST AND BOOM INSTALL / INSTALLATION MAT ET BRAS.....	38
FIGURE 4-2. PULLEY SUPPORT LL10-44 / SUPPORT POULIE LL10-44	40
FIGURE 4-3. PULLEY SUPPORT LL12-66 / SUPPORT POULIE LL12-66	42
SECTION 5 - PLATFORMS INSTALL / INSTALLATION PLATE-FORMES.....	45
FIGURE 5-1. PLATFORM SUPPORT INSTALL / INSTALLATION SUPPORT PLATE-FORME.....	46
FIGURE 5-2. PLATFORM,DROP BAR / PLATE-FORME - LISSE COULISSANTE	48
FIGURE 5-3. 8E-XL PLATFORM,DROP BAR / 8E-PLATE-FORME XL - LISSE COULISSANTE	50
FIGURE 5-4. 20E-PLATFORM,SALOON GATES / 20E- PLATE-FORME - PORTE SALOON.....	52
FIGURE 5-5. SKYLINE INSTALL / INSTALLATION SKYLINE	54
FIGURE 5-6. CONSOLE AND CONTAINER INSTALL / INSTALLATION BOITIER DE COMMANDE ET BOITE A OUTILS.....	56
FIGURE 5-7. PLATFORM CONSOLE ASSEMBLY / BOITIER HAUT.....	58
SECTION 6 - POWER TRACKS AND CLAMPS / INSTALLATION CHAINES PORTE-CABLES	61
FIGURE 6-1. INSTALL,POWER TRACKS AND CLAMPS / INSTALLATION CHAINES PORTE-CABLES	62
SECTION 7 - HYDRAULIC INSTALL / INSTALLATION HYDRAULIQUE.....	67
FIGURE 7-1. HOSES KIT DIAGRAM / SCHEMA KIT FLEXIBLES	68
FIGURE 7-2. CONTROL VALVES INSTALL / INSTALLATION DISTRIBUTEURS	70
FIGURE 7-3. TANK AND PUMP INSTALL / INSTALLATION GROUPE HYDRAULIQUE	72
FIGURE 7-4. TANK AND PUMP / GROUPE HYDRAULIQUE	74
FIGURE 7-5. VALVE ASSY,MAST CYLINDER / ASSEMBLAGE DISTRIBUTEUR VERIN MAT.....	76
FIGURE 7-6. VALVE ASSY,JIB CYLINDER / ASSEMBLAGE DISTRIBUTEUR VERIN BRAS	78
SECTION 8 - ELECTRICAL SYSTEM INSTALL / INSTALLATION ELECTRIQUE.....	81
FIGURE 8-1. CABLES AND SWITCHES INSTALL DIAGRAM / DIAGRAMME D'INSTALLATION CABLES ET CAPTEURS.....	82
FIGURE 8-2. KIT, POWER CABLES / KIT CABLES DE PUISSANCE.....	88
FIGURE 8-3. BATTERY AND CHARGER W/O CW INSTALL / INSTALLATION BATTERIES ET CHARGEUR SANS CP.....	90
FIGURE 8-4. BATTERY AND CHARGER WITH CW INSTALL / INSTALLATION BATTERIES ET CHARGEUR AVEC CP.....	92
FIGURE 8-5. SWITCHES AND COVERS INSTALL / INSTALLATION CAPTEURS	94
SECTION 9 - DECALS INSTALL / INSTALLATION AUTOCOLLANTS	97
FIGURE 9-1. DECALS INSTALL ALL PRODUCTS / INSTALLATION AUTOCOLLANTS TOUT PRODUIT.....	98
SECTION 10 - OPTIONS / OPTIONS.....	107
FIGURE 10-1. SKYLINE BEACON INSTALL / INSTALLATION FEU SKYLINE.....	108
FIGURE 10-2. INSTALL,PEDAL FOR JAPAN / INSTALLATION PEDALE POUR JAPON	110
FIGURE 10-3. MOTION ALARM INSTALL / INSTALLATION ALARME DE MOUVEMENT.....	112
FIGURE 10-4. 230V PLATFORM SOCKET INSTALL / INSTALLATION PRISE PLATE-FORME 230V	114
FIGURE 10-5. PLATFORM 115V GFI-US SOCKET INSTALL / INSTALLATION PRISE PLATE-FORME 115V GFI-US.....	116
FIGURE 10-6. PLATFORM 115V IEC SOCKET INSTALL / INSTALLATION PRISE PLATE-FORME115V EIC	118

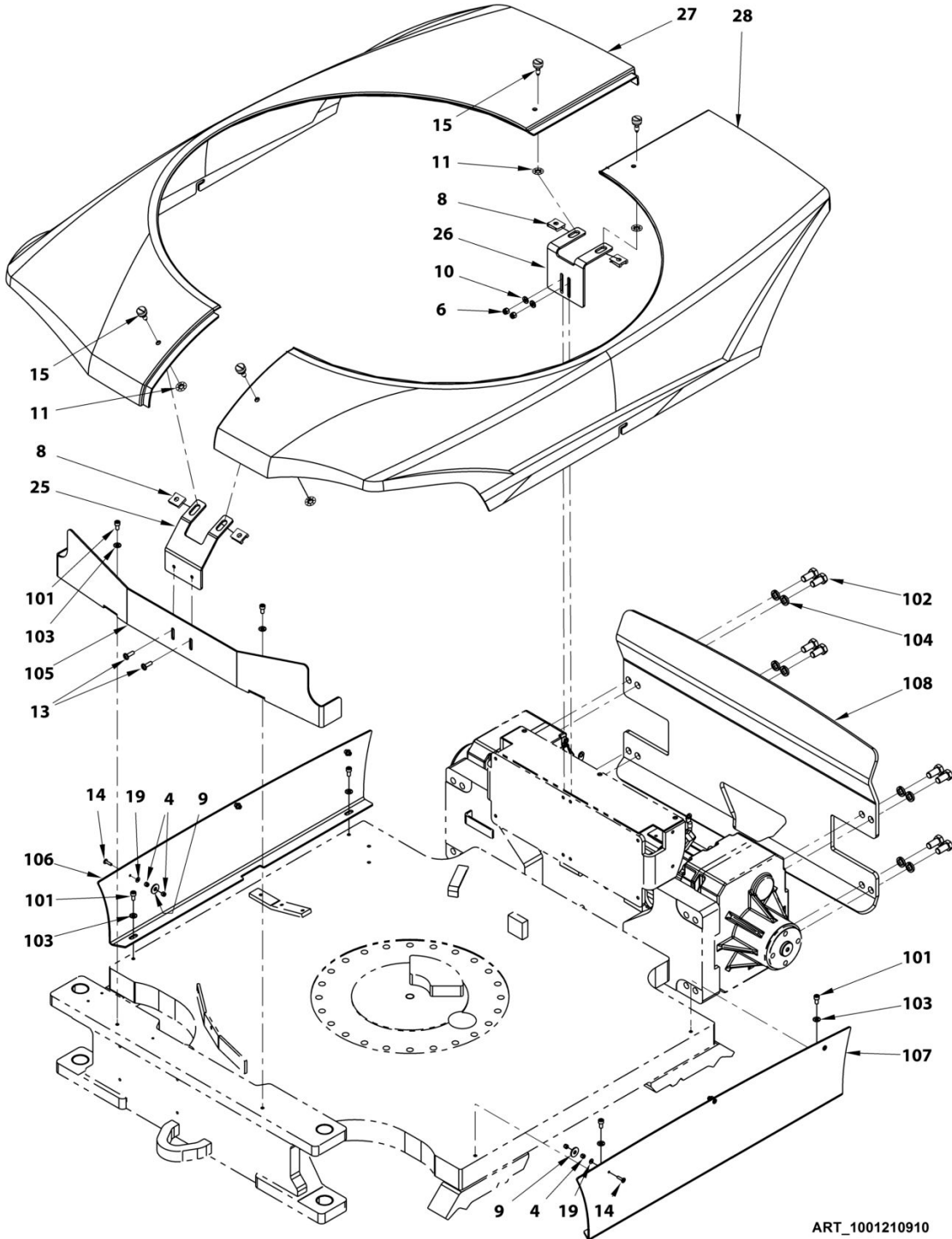
TABLE OF CONTENTS

FIGURE 10-7. AIRLINE 5/16" INSTALL / INSTALLATION AIR COMPRIE 5/16"	120
FIGURE 10-8. WORKING LIGHT INSTALL / INSTALLATION PHARE DE TRAVAIL.....	122
FIGURE 10-9. UCB PROTECTION INSTALL / INSTALLATION PROTECTION BOITIER HAUT	124
SECTION 11 - RECOMMENDED PARTS LIST / LISTE DE PIECES RECOMMANDEES.....	127
FIGURE 11-1. RECOMMENDED PARTS LIST / LISTE DE PIECES RECOMMANDEES	128
SECTION 12 - SPECIAL OPTIONS / OPTIONS SPECIALES.....	131
FIGURE 12-1. SPECIAL OPTIONS / OPTIONS SPECIALES	132
PART NUMBER INDEX.....	135

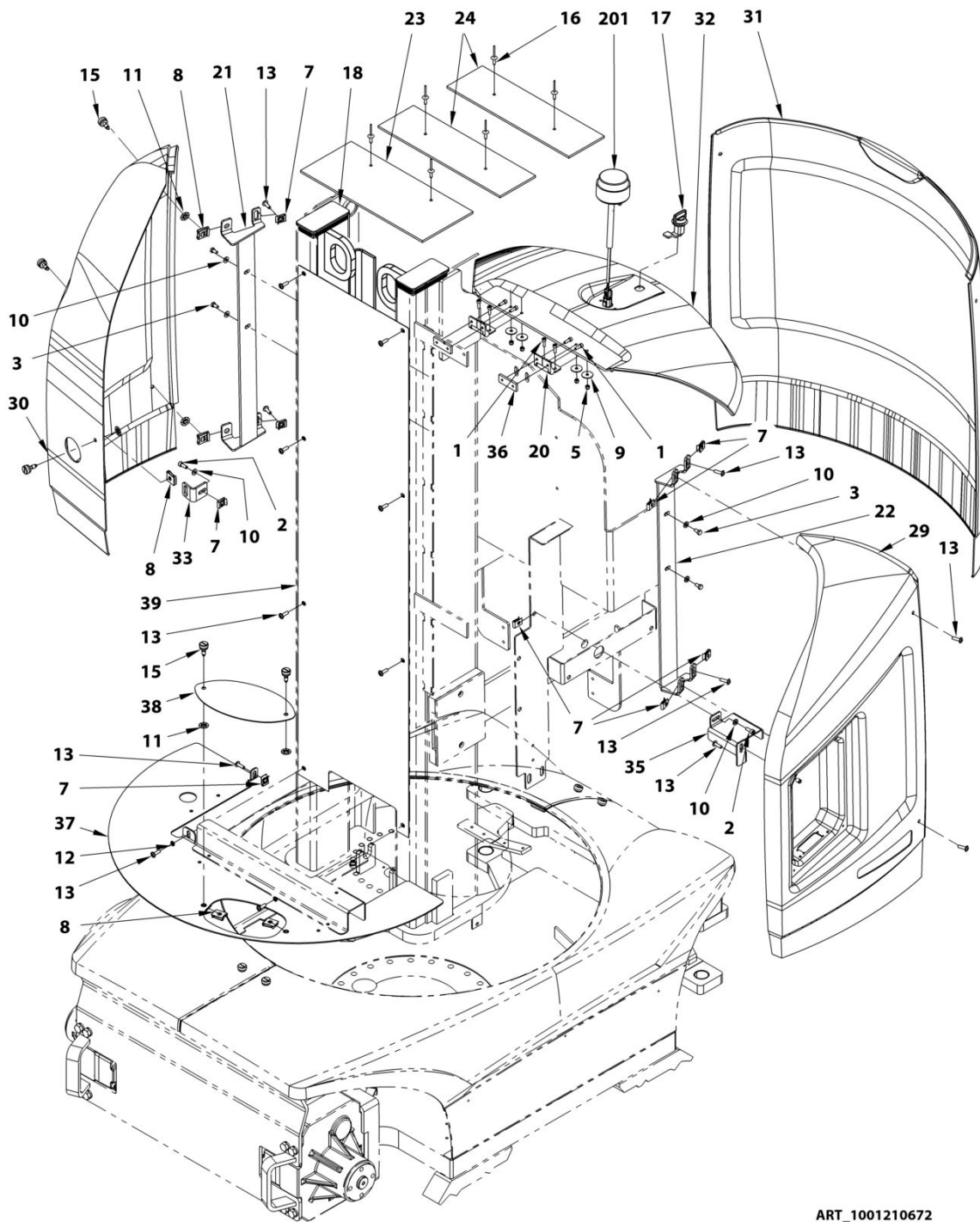
SECTION 1 - HOODS INSTALL / INSTALLATION CAPOTS

SECTION 1 - HOODS INSTALL / INSTALLATION CAPOTS

FIGURE 1-1. HOODS INSTALL / INSTALLATION CAPOTS



SECTION 1 - HOODS INSTALL / INSTALLATION CAPOTS



ART_1001210672

SECTION 1 - HOODS INSTALL / INSTALLATION CAPOTS

FIGURE 1-1. HOODS INSTALL / INSTALLATION CAPOTS

ITEM	PART NUMBER	QTY	DESCRIPTION	REV
	1001210672	Ref	8E-HOODS INSTALL / 8E-INSTALLATION CAPOTS	C
	1001223623	Ref	20E-HOODS INSTALL / 20E-INSTALLATION CAPOTS	B
1	000003	8	M05x16 8.8 SOCKET HEAD MACH SCREW / VIS CHC M05x16 8.8 BI FT	
2	000015	2	M06x16 8.8 SOCKET HEAD MACH SCREW / VIS CHC M06x16 8.8 BI FT	
3	100027	4	M06x12 8.8 HEX HEAD MACHINE SCREW / VIS H M06x12 8.8 BI FT	
4	110001	12	M04 GR. 8.8 LOCK NUT / ECROU FREIN M4 CL08 BI	
5	110002	4	M05 GR08 LOCK NUT / ECROU FREIN M5 CL08 BI	
6	110003	2	M06 GR08 LOCK NUT / ECROU FREIN M6 CL08 BI	
7	110026	9	M06 CAGE HEX NUT / ECROU CAGE M06	
8	110040	9	D8 CAGE HEX NUT / ECROU CAGE D8	
9	120004	10	dD 06x25 WASHER / RONDELLE dD 06x25x1.2 BI	
10	120009	8	dD 06x14 LOCK WASHER / RONDELLE CONTACT dD 06x14 BI	
11	120057	9	D8 RETAINING WASHER / RONDELLE DE RETENUE D8	
12	120060	2	WASHER, D6 SERRATED LOCK / RONDELLE EVENTAIL D6	
13	130021	18	M06x20 8.8 ROUND HEAD MACH SCREW / VIS BOMBEE ULF M06x20 8.8 BI FT	
14	130062	6	M04x16 8.8 ROUND HEAD MACH SCREW / VIS BOMBEE ULF M04x16 8.8 BI FT	
15	130064	9	D8 FAST-LEAD THREAD SCREW / VIS D8 PAS RAPIDE TETE LARGE	
16	180009	6	Ø5x16 LARGE HEAD POP RIVET / RIVET POP TETE LARGE Ø5x16	
17	190072	1	COMPRESSION LATCH / LOQUET A COMPRESSION	
18	400057	2	CAP / EMBOUT NOIR	
19	120056	6	dD 04x08 LOCK WASHER / RONDELLE CONTACT dD 04x08 BI	
20	190074	2	FRICTION HINGE / CHARNIERE A FRICTION	
21	DL0865	1	SUPPORT, FRONT LEFT HOOD / SUPPORT CAPOTS GAUCHE	
22	DL0866	1	SUPPORT, FRONT RIGHT HOOD / SUPPORT CAPOTS DROIT	
23	ST1403	1	MAST 1 COVER / PROTECTION MAT 1	
24	ST1404	2	MAST 2 AND 3 COVER / PROTECTION MATS 2 ET 3	
25	ST3170	1	FRONT HOOD SUPPORT / SUPPORT AVANT CAPOT	
26	ST3171	1	REAR HOOD SUPPORT / SUPPORT ARRIERE CAPOT	
27	1001248814	1	HOOD,FRAME RIGHT / CAPOT CHASSIS DROIT	
28	1001248815	1	HOODS, FRAME LEFT / CAPOT CHASSIS GAUCHE	
29	ST3327	1	8E-HOOD, MAST RIGHT / 8E-CAPOT MAT DROIT	
29	1001223717	1	20E-HOOD,MAST RIGHT CUTTING / 20E-CAPOT MAT DROIT COUPE	
30	ST3328	1	HOOD, MAST LEFT / CAPOT MAT GAUCHE	
31	ST3329	1	HOOD, FRONT / CAPOT AVANT	
32	ST3330	1	HOOD, BATTERIES / CAPOT BATTERIE	
33	ST3375	1	BRACKET, LEFT HOOD / EQUERRE CAPOT GAUCHE	
35	ST3376	1	SUPPORT, RIGHT HOOD / SUPPORT CAPOT DROIT	
36	ST3377	2	PLATE, NUT / PLAQUE ECROU	
37	ST3471	1	PLATE, SEAL COVER / TOLE COUVRE-JOINT	
38	ST3472	1	PLATE, FLAP CAP / TRAPPE DE VISITE	
39	ST3838	1	PLATE,PROTECTION / TOLE DE PROTECTION	

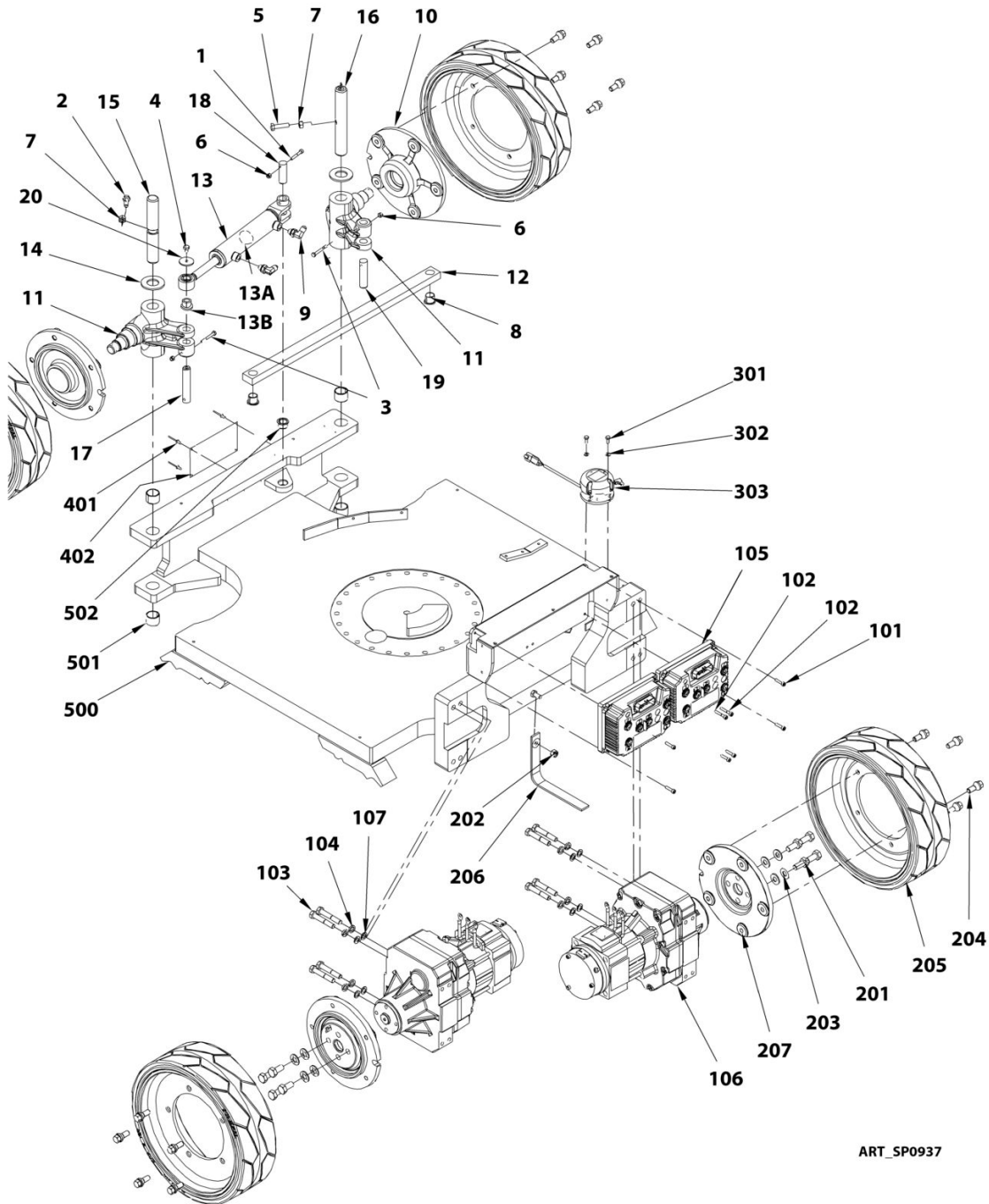
SECTION 1 - HOODS INSTALL / INSTALLATION CAPOTS

ITEM	PART NUMBER	QTY	DESCRIPTION	REV
	1001210910	Ref	FRAME SHIELDS INSTALL / INSTALLATION TOLES CHASSIS	A
101	000014	6	M06x12 8.8 SOCKET HEAD MACH SCREW / VIS CHC M06x12 8.8 BI FT	
102	100021	8	M12x25 8.8 HEX HEAD MACHINE SCREW / VIS H M12x25 8.8 BI FT	
103	120009	6	dD 06x14 LOCK WASHER / RONDELLE CONTACT dD 06x14 BI	
104	120054	8	HELICAL SPRING LOCK WASHER Ø12 / RONDELLE GROWER Ø12 BI	
105	ST3235	1	SHIELD, FRAME FRONT / CARTER AVANT CHASSIS	
106	ST3696	1	SHIELD,FRAME RIGHT / CAPOT CHASSIS DROIT	
107	ST3697	1	SHIELD,FRAME LEFT / CAPOT CHASSIS GAUCHE	
108	ST3841	1	PLATE,REAR FRAME SHIELD / TOLE ARRIERE CHASSIS	
	SA0082	Ref	BEACON INSTALL / INSTALLATION FEU A ECLATS	B
201	PC0534	1	HARNESS, BEACON / FAISCEAU FEU A ECLATS	

SECTION 2 - FRAME INSTALL / INSTALLATION CHASSIS

SECTION 2 - FRAME INSTALL / INSTALLATION CHASSIS

FIGURE 2-1. FRAME INSTAL / INSTALLATION CHASSIS



ART_SP0937

SECTION 2 - FRAME INSTALL / INSTALLATION CHASSIS**FIGURE 2-1. FRAME INSTAL / INSTALLATION CHASSIS**

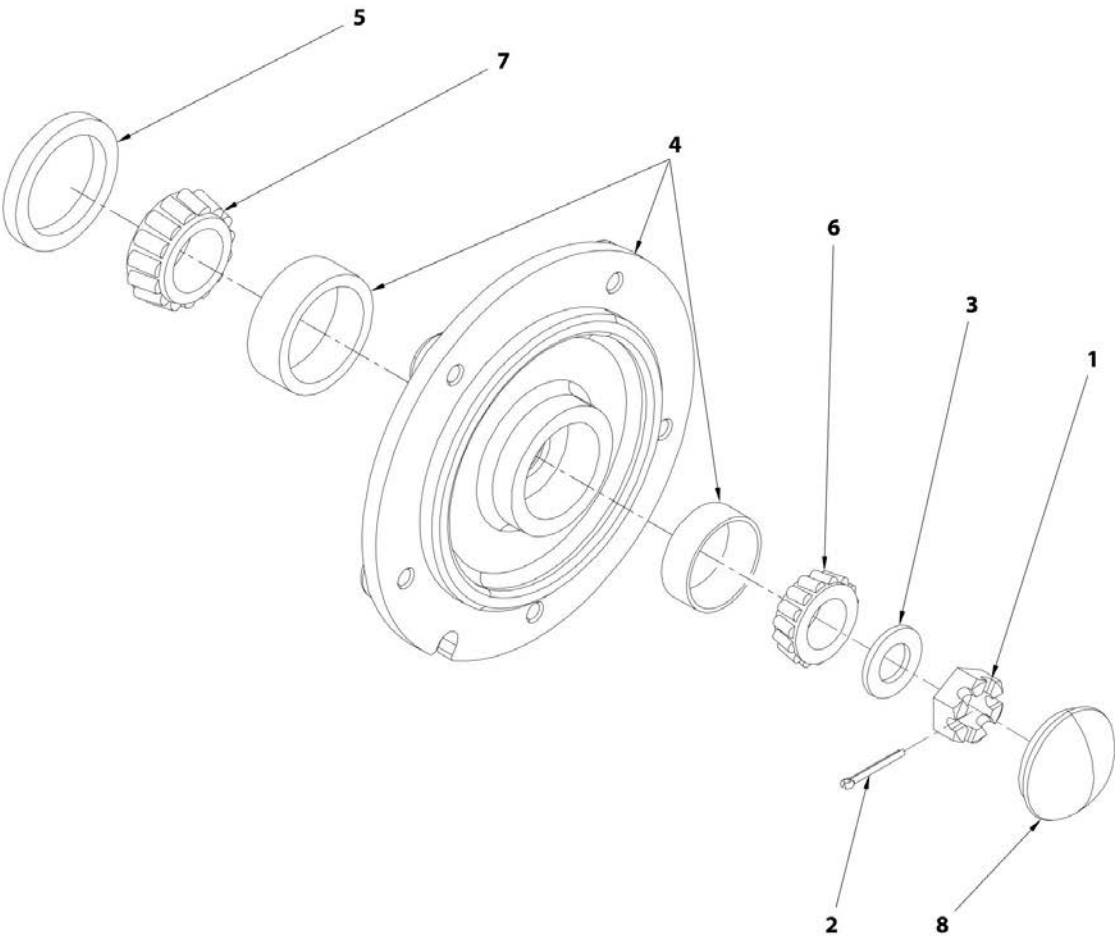
ITEM	PART NUMBER	QTY	DESCRIPTION	REV
	SA0002	Ref	STEER INSTALL / INSTALLATION DIRECTION	D
1	000017	1	M06x40 8.8 SOCKET HEAD MACH SCREW / VIS CHC M06x40 8.8 BI FT	
2	100009	1	M10x30 8.8 HEX HEAD MACHINE SCREW / VIS H M10x30 8.8 BI FT	
3	100013	2	M06x50 8.8 HEX HEAD CAPSCREW / VIS H M06x50 8.8 BI FP	
4	100053	1	M08x12 8.8 HEX HEAD MACHINE SCREW / VIS H M08x12 8.8 BI FT	
5	100102	1	M10x40 8.8 HEX HEAD MACHINE SCREW / VIS H M10x40 8.8 BI FT	
6	110003	3	M06 GR08 LOCK NUT / ECROU FREIN M6 CL08 BI	
7	110008	2	M10 GR08 HEX NUT / ECROU H M10 CL08 BI	
8	150059	2	FLANGE BUSHING Ø20 H21.5 DU / BAGUE EPAULEE Ø20 H21.5 DU	
9	300001	2	90° ELBOW MALE BSPP 1/4-MALE JIC 9/16 / COUDE 90° Mâle BSPP 1/4 -Mâle JIC 9/16	
10	2780266	2	STEERING WHEEL HUB / MOYEU ROUE DIRECTRICE	
11	DL0819	2	SPINDLE / PIVOT DE DIRECTION	
12	ST3158	1	LINK, STEERING / BIELLETTE DE DIRECTION	
13	ST3332	1	STEERING CYLINDER SERTA / VERIN DE DIRECTION SERTA (Prior to SN A300060538)	
13A	960099	1	SEAL KIT CYLINDER ST3332 / KIT DE JOINTS VERIN ST3332 (Prior to SN A300060538)	
13B	150004	2	FLANGE BUSHING Ø20 H11.5 DU / BAGUE EPAULEE Ø20 H11.5 DU	
13	1001267689	1	STEERING CYLINDER BURNSIDE / VERIN DE DIRECTION BURNSIDE (SN A300060538 to Present)	
13A	1001272231	1	SEAL KIT CYLINDER 1001267689 / KIT DE JOINTS VERIN 1001267689 (SN A300060538 to Present)	
14	US0134	2	THRUST WASHER / RONDELLE D'APPUI	
15	US0216	1	SPINDLE PIN / AXE DE FUSEE	
16	US0523	1	PIN, ROTARY ANGLE SENSOR / AXE DIRECTION POUR CAPTEUR D'ANGLE	
17	US0528	1	PIN, ARTICULATION D20-104 / AXE D20-104	
18	US0529	1	PIN, ARTICULATION D20-60 / AXE D20-60	
19	US0530	1	PIN, ARTICULATION D20-80 / AXE D20-80	
20	US0531	1	WASHER, ID8xOD37xTH3 / RONDELLE Di 8xDe 37xEP 3	
	SA0001	Ref	WHEEL DRIVE INSTALL / INSTALLATION TRANSLATION	B
101	000008	6	M06x25 8.8 SOCKET HEAD MACH SCREW / VIS CHC M06x25 8.8 BI FT	
102	000077	2	M06x35 8.8 SOCKET HEAD CAPSCREW / VIS CHC M06x35 8.8 BI FP	
103	100103	8	M12x70 10.9 HEX HEAD CAPSCREW / VIS H M12x70 10.9 BR FP	
104	120054	8	HELICAL SPRING LOCK WASHER Ø12 / RONDELLE GROWER Ø12 BI	
105	1001241322	1	CONTROLLER, COMBI-ACO / VARIATEUR COMBI-ACO	
106	1001245202	1	DRIVE GEAR MOTOR / MOTOREDUCTEUR DE ROUE	
107	US0190	8	dDH 13x20x02 HARDENED WASHER / RONDELLE TRAITEE dDH 13x20x02	

SECTION 2 - FRAME INSTALL / INSTALLATION CHASSIS

ITEM	PART NUMBER	QTY	DESCRIPTION	REV
	SA0009	Ref	TIRES AND WHEEL INSTALL / INSTALLATION ROUES	C
201	100104	8	M14x1.5x30 10.9 HEX HEAD Mach SCREW / VIS H M14X1.5x30 10.9 BI FT	
202	110005	1	M10 GR08 LOCK NUT / ECROU FREIN M10 CL08 BI	
203	120055	8	dD 14x30 LOCK WASHER BI / RONDELLE CONTACT dD 14x30 BI	
204	0630580	20	BOLT, WHEEL M12x1.5 / GOUJON DE ROUE M12x1.5	
205	1001114466	4	WHEEL/TIRE 125x406 NON-MARKING / ROUE NON MARQUANTE 125x406	
206	4240147	1	STRAP, ANTI-STATIC 13" / TRESSE ANTI-STATIQUE 13"	
207	US0532	2	HUB, DRIVE / MOYEU ARRIERE	
	1001211358	Ref	2.5° TILT SWITCH INSTALL / INSTALLATION DEVERS 2.5°	A
301	100098	2	M06x16 8.8 HEX HEAD MACHINE SCREW / VIS H M06x16 8.8 BI FT	
302	120009	2	dD 06x14 LOCK WASHER / RONDELLE CONTACT dD 06x14 BI	
303	1001213835	1	SENSOR,TILT 2.5° / DETECTEUR DE DEVERS 2.5°	
	SA0144	Ref	SERIAL NUMBER TAG INSTALL EU / INSTALLATION PLAQUE CONSTRUCTEUR CE	B
	1001213632	1	SERIAL NUMBER TAG INSTALL AS-NZS / INSTALLATION PLAQUE CONSTRUCTEUR AS/NZS	C
	1001223689	1	SERIAL NUMBER TAG INSTALL ANSI-CSA / INSTALLATION PLAQUE CONSTRUCTEUR ANSI-CSA	A
401	180003	4	Ø5x10 POP RIVET / RIVET POP Ø5x10	
402		Ref	MANUFACTURER'S NAME PLATE / PLAQUE CONSTRUCTEUR	
500	DL0921	1	FRAME WELDMENT / CHASSIS	
501	150019	4	BUSHING Ø30 H25 DU / BAGUE Ø30 H25 DU	
502	150058	1	FLANGE BUSHING Ø20 H16.5 / BAGUE EPAULEE Ø20 H16.5	

SECTION 2 - FRAME INSTALL / INSTALLATION CHASSIS

FIGURE 2-2. STEERING WHEEL HUB / MOYEU ROUE DIRECTRICE



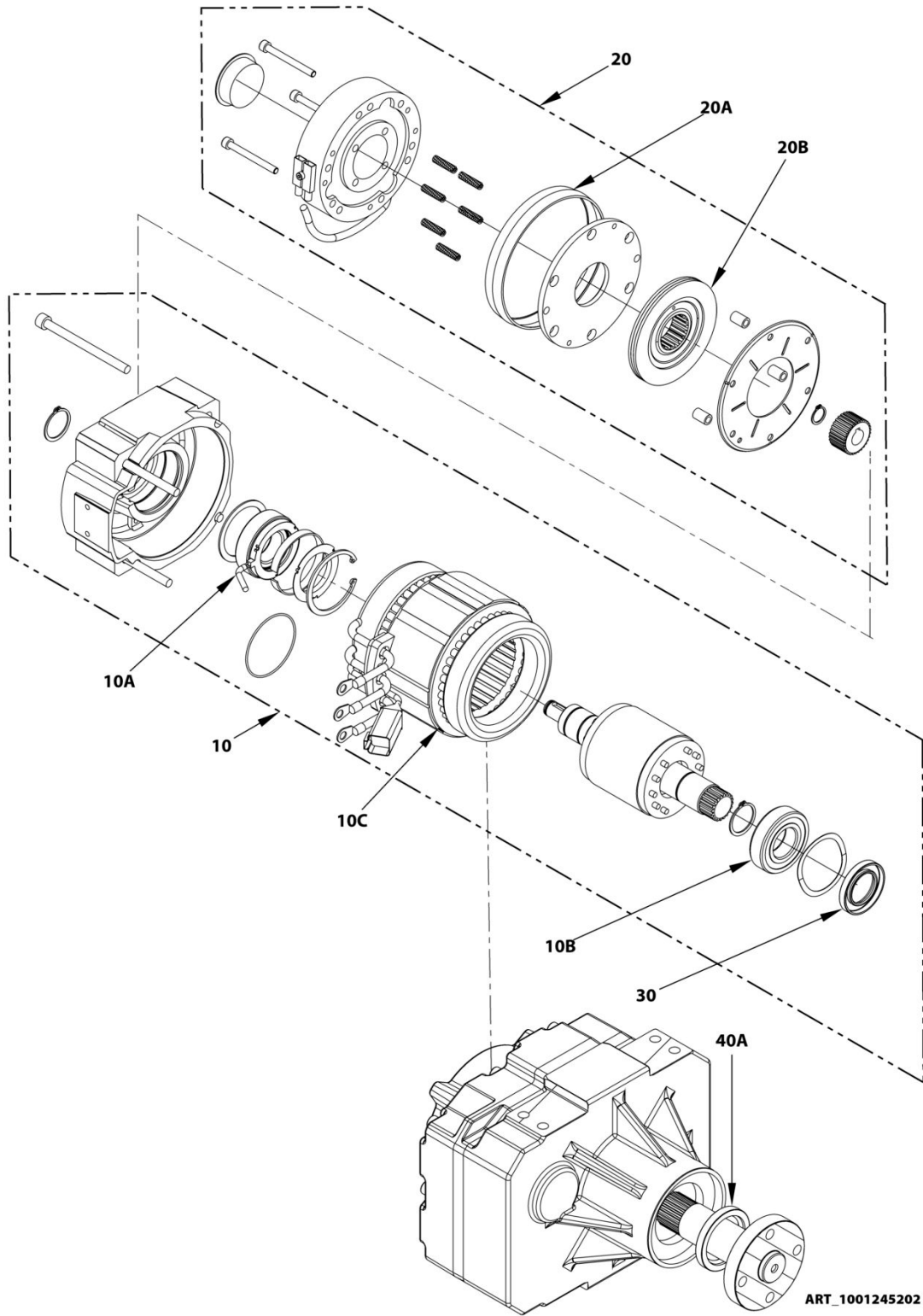
ART_2780266

SECTION 2 - FRAME INSTALL / INSTALLATION CHASSIS**FIGURE 2-2. STEERING WHEEL HUB / MOYEU ROUE DIRECTRICE**

ITEM	PART NUMBER	QTY	DESCRIPTION	REV
	2780266		HUB, STEERING WHEEL / MOYEU ROUE DIRECTRICE	E
1	3300423	1	NUT,SLOTTED / ECROU A ENCOCHE	
2	3450406	1	PIN, COTTER 2" x 3/16" / GOUPILLE FENDUE 2" x 3/16"	
3	4740468	1	WASHER / RONDELLE	
4	1001102189	1	HUB,REAR (ASSY) / KIT MOYEU	
5	1001102349	1	SEAL,GREASE / JOINT GRAISSE	
6	1001102351	1	BEARING CONE INNER / ROULEMENT CONIQUE INTERIEUR	
7	1001102353	1	BEARING CONE OUTER / ROULEMENT CONIQUE EXTERIEUR	
8	1001102354	1	CAP,GREASE / BOUCHON GRAISSE	

SECTION 2 - FRAME INSTALL / INSTALLATION CHASSIS

FIGURE 2-3. DRIVE GEAR MOTOR / MOTOREDUCTEUR DE ROUE



SECTION 2 - FRAME INSTALL / INSTALLATION CHASSIS**FIGURE 2-3. DRIVE GEAR MOTOR / MOTOREDUCTEUR DE ROUE**

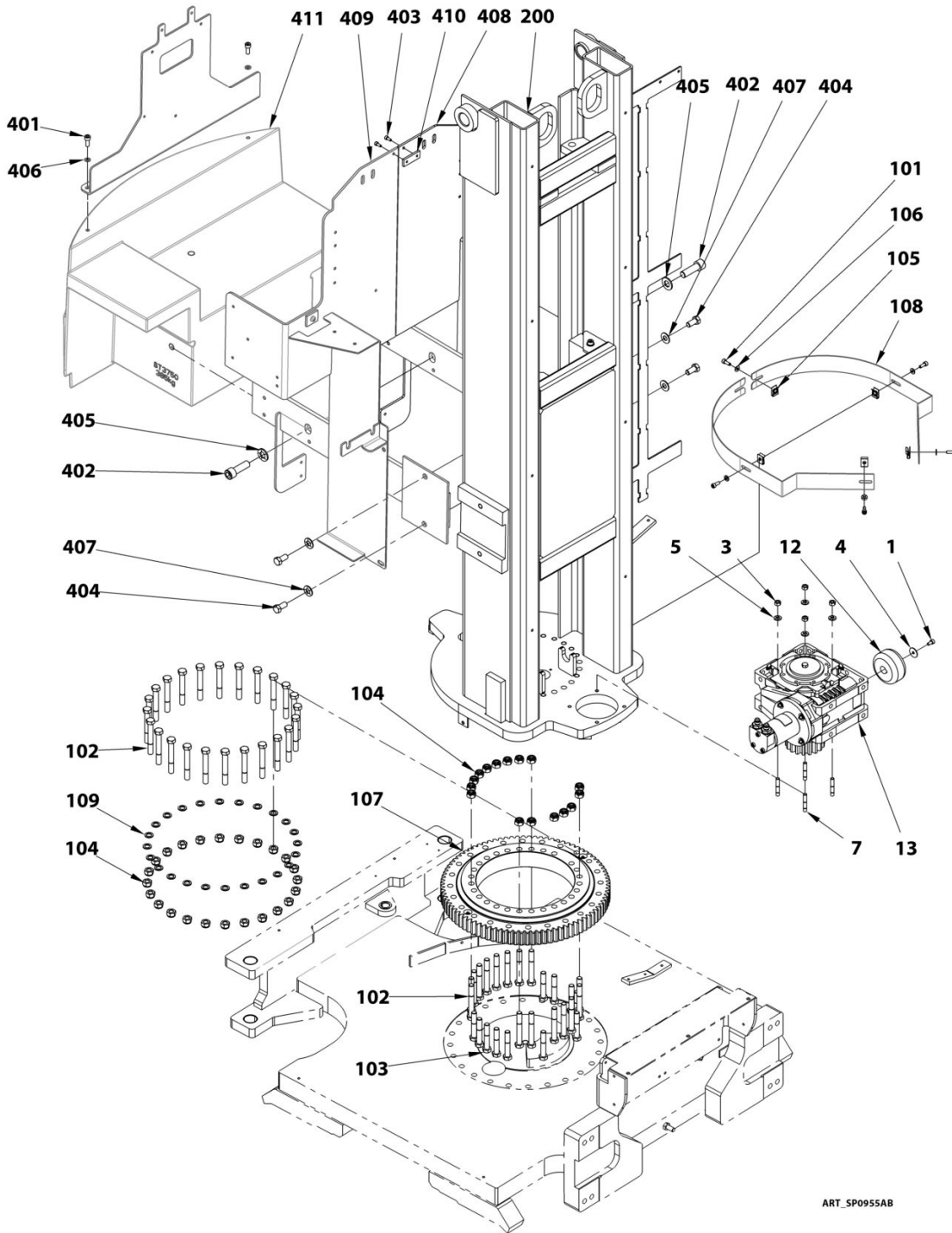
ITEM	PART NUMBER	QTY	DESCRIPTION	REV
	1001245202	1	DRIVE GEAR MOTOR / MOTOREDUCTEUR DE ROUE	B
10	1001246577	1	ELECTRIC MOTOR / MOTEUR ELECTRIQUE	
10A	951039	1	ENCODER BEARING KIT / KIT ROULEMENT CODEUR	
10B	951041	1	BEARING 6206ZC3/HTF / ROULEMENT 6206ZC3/HTF	
10C	1001246578	1	PT1000-STATOR / PT1000-STATOR	
20	951036	1	COMPLETE BRAKE KIT / FREIN COMPLET	
20A	951037	1	RING, DUST PROTECTION / JOINT ANTI-POUSSIERE	
20B	951038	1	DISC, FRICTION / DISQUE DE FREIN	
30	951040	1	GASKET WDR 30x52x7 / JOINT A LEVRE WDR 30x52x7	
40A	1001233406	1	SEAL,RADIAL 45X62X8 / JOINT A LEVRE 45X62X8	

SECTION 3 - MAST #1 INSTALL / INSTALLATION MAT 1

SECTION 3 - MAST #1 INSTALL / INSTALLATION MAT 1

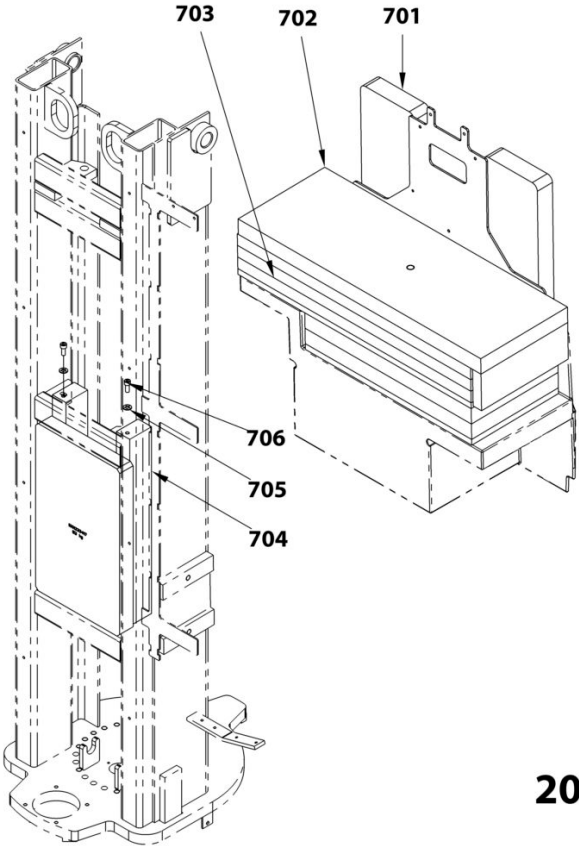
SECTION 3 - MAST #1 INSTALL / INSTALLATION MAT 1

FIGURE 3-1. MAST 1 INSTALL / INSTALLATION MAT 1

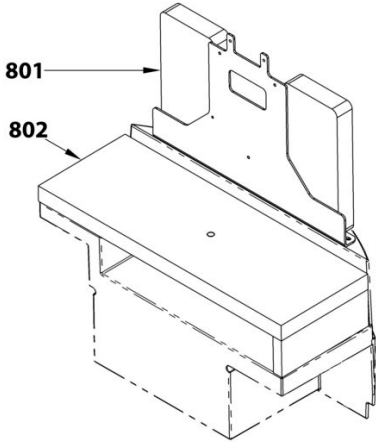


ART_SP0955AB

SECTION 3 - MAST #1 INSTALL / INSTALLATION MAT 1

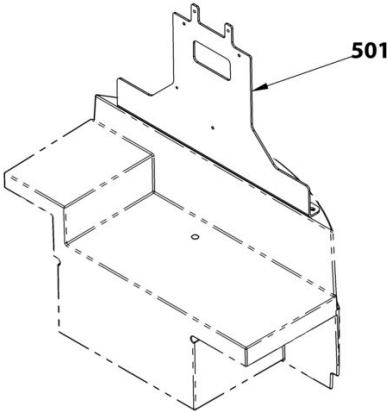


20E

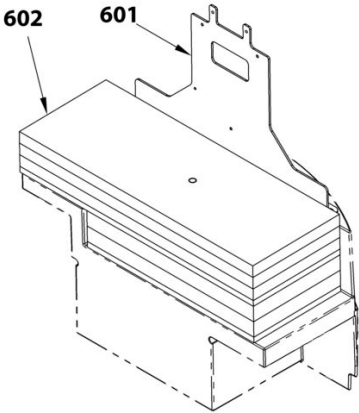


20E-L

8E-L



8E & 8E XL



ART_SP0955AB-2

SECTION 3 - MAST #1 INSTALL / INSTALLATION MAT 1

FIGURE 3-1. MAST 1 INSTALL / INSTALLATION MAT 1

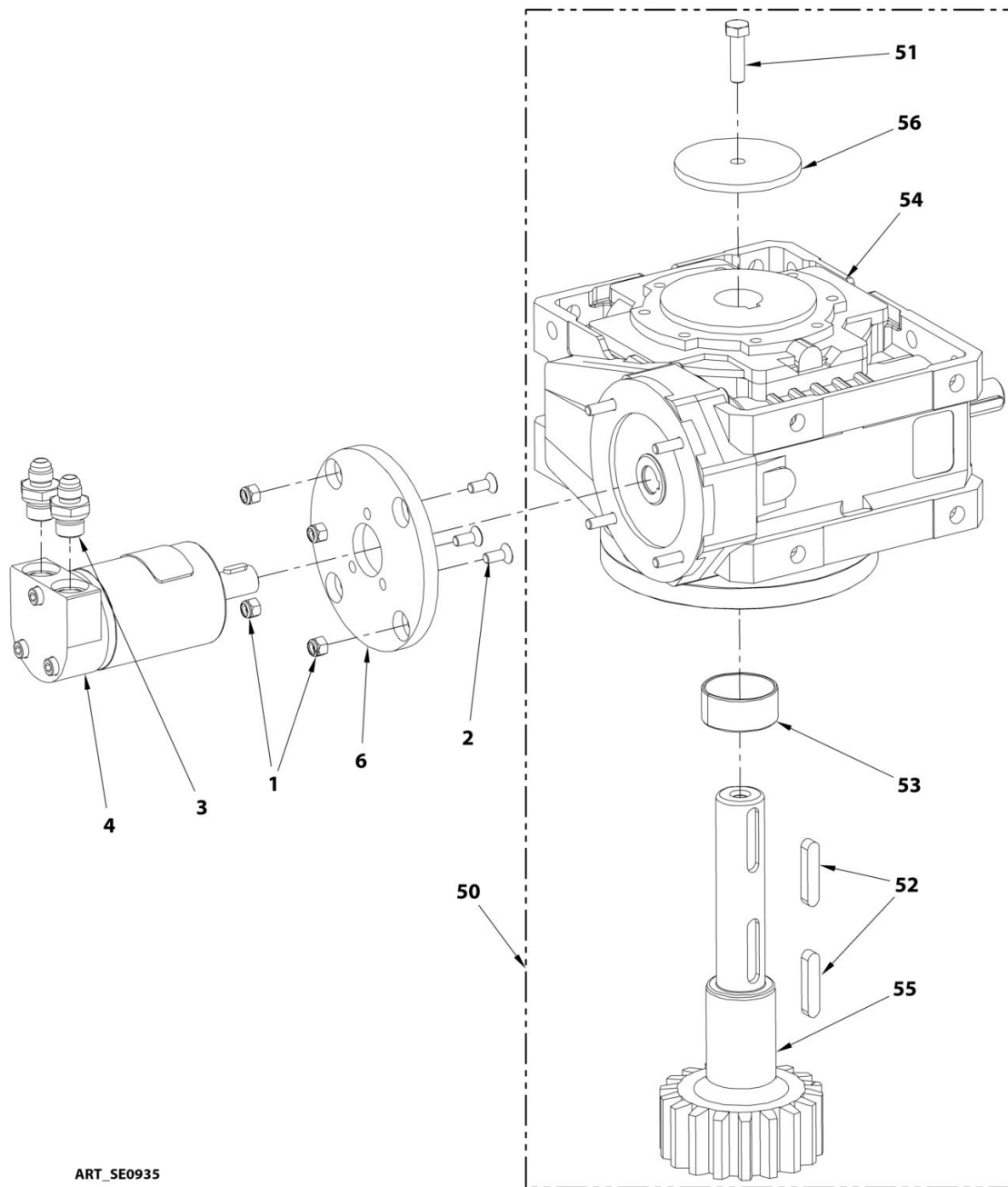
ITEM	PART NUMBER	QTY	DESCRIPTION	REV
	SA0089	Ref	SWING DRIVE INSTALL / INSTALLATION ORIENTATION	B
1	000014	1	M06x12 8.8 SOCKET HEAD MACH SCREW / VIS CHC M06x12 8.8 BI FT	
3	110016	4	M08 GR08 HEX NUT / ECROU H M08 CL08 BI	
4	120004	1	dD 06x25 WASHER / RONDELLE dD 06x25x1.2 BI	
5	120010	4	dD 08x18 LOCK WASHER / RONDELLE CONTACT dD 08x18 BI	
7	130034	4	M08x40 8.8 STUD / GOUGEON M08x40 BR 8.8	
12	US0548	1	SWING WHEEL / MOLETTE DEPANNAGE ORIENTATION	
13	SE0935	1	REDUCER ASSEMBLY; INFO - SE0935 / ASSEMBLAGE REDUCTEUR; INFO - SE0935	
	SA0083	Ref	TURNTABLE BEARING INSTALL / INSTALLATION COURONNE D'ORIENTATION	A
101	000015	5	M06x16 8.8 SOCKET HEAD MACH SCREW / VIS CHC M06x16 8.8 BI FT	
102	100038	40	M12x90 10.9 HEX HEAD CAPSCREW / VIS H M12x90 10.9 BR FP	
103	100103	11	M12x70 10.9 HEX HEAD CAPSCREW / VIS H M12x70 10.9 BR FP	
104	110017	40	M12 GR10 LOCK NUT / ECROU FREIN H M12 CL10 BI	
105	110026	5	M06 CAGE HEX NUT / ECROU CAGE M06	
106	120009	5	dD 06x14 LOCK WASHER / RONDELLE CONTACT dD 06x14 BI	
107	500021	1	SLEWING RING / COURONNE D'ORIENTATION	
108	ST1380	2	TURNTABLE BEARING COVER / TOLE PROTECTION COURONNE	
109	US0190	24	dDH 13x20x02 HARDENED WASHER / RONDELLE TRAITEE dDH 13x20x02	
200	DL0930	1	MAST 1 / MAT 1	
	1001223868	Ref	COUNTERWEIGHT INSTALL (385KG) / INSTALLATION CONTREPOIDS (385KG)	A
	1001223759	Ref	COUNTERWEIGHT INSTALL (488KG) / INSTALLATION CONTREPOIDS (488KG)	A
	1001233416	Ref	COUNTERWEIGHT INSTALL (540KG) / INSTALLATION CONTREPOIDS (540KG)	A
401	000006	2	M08x20 8.8 SOCKET HEAD MACH SCREW / VIS CHC M08x20 8.8 BI FT	
402	000023	2	M16x50 8.8 SOCKET HEAD CAPSCREW / VIS CHC M16x50 8.8 BI FP	
403	000067	2	M05x12 8.8 SOCKET HEAD MACH SCREW / VIS CHC M05x12 8.8 BI FT	
404	100021	4	M12x25 8.8 HEX HEAD MACHINE SCREW / VIS H M12x25 8.8 BI FT	
405	120008	2	dD 16x32 LOCK WASHER / RONDELLE CONTACT dD 16x32 BI	
406	120009	2	dD 06x14 LOCK WASHER / RONDELLE CONTACT dD 06x14 BI	
407	120015	4	dD 12x27 LOCK WASHER / RONDELLE CONTACT dD 12x27 BI	
408	DL0932	1	SUPPORT,COUNTERWEIGHT RIGHT / SUPPORT CONTREPOIDS DROIT	
409	DL0933	1	SUPPORT,COUNTERWEIGHT LEFT / SUPPORT CONTREPOIDS GAUCHE	
410	ST3377	1	PLATE,NUT / PLAQUE ECROU	
411	ST3750	1	COUNTERWEIGHT 385KG / CONTREPOIDS 385KG	

SECTION 3 - MAST #1 INSTALL / INSTALLATION MAT 1

ITEM	PART NUMBER	QTY	DESCRIPTION	REV
500		Ref	8E-L MODEL PARTS / PIECES MODELE 8E-L	
501	ST3752	1	BRACKET ON COUNTERWEIGHT / EQUERRE SUR CONTREPOIDS	
600		Ref	8E & 8E XL MODELS PARTS / PIECES MODELE 8E & 8E XL	
601	ST3752	1	BRACKET ON COUNTERWEIGHT / EQUERRE SUR CONTREPOIDS	
602	1001221429	1	COUNTERWEIGHT 243KG / CONTREPOIDS 243KG	
700		Ref	20E MODEL PARTS / PIECES MODELE 20E	
701	1001221247	1	BRACKET,COUNTERWEIGHT 40KG / EQUERRE CONTREPOIDS LESTEE 40KG	
702	1001221234	1	COUNTERWEIGHT 63KG / CONTREPOIDS 63KG	
703	1001221429	1	COUNTERWEIGHT 243KG / CONTREPOIDS 243KG	
704	1001233417	1	COUNTERWEIGHT 53KG / CONTREPOIDS 53KG	
705	120010	2	dD 08x18 LOCK WASHER / RONDELLE CONTACT dD 08x18 BI	
706	000006	2	M08x20 8.8 SOCKET HEAD MACH SCREW / RONDELLE CONTACT dD 06x14 BI	
800		Ref	20E-L MODEL PARTS / PIECES MODELE 20E-L	
801	1001221247	1	BRACKET,COUNTERWEIGHT 40KG / EQUERRE CONTREPOIDS LESTEE 40KG	
802	1001221234	1	COUNTERWEIGHT 63KG / CONTREPOIDS 63KG	

SECTION 3 - MAST #1 INSTALL / INSTALLATION MAT 1

FIGURE 3-2. REDUCER KIT / KIT REDUCTEUR



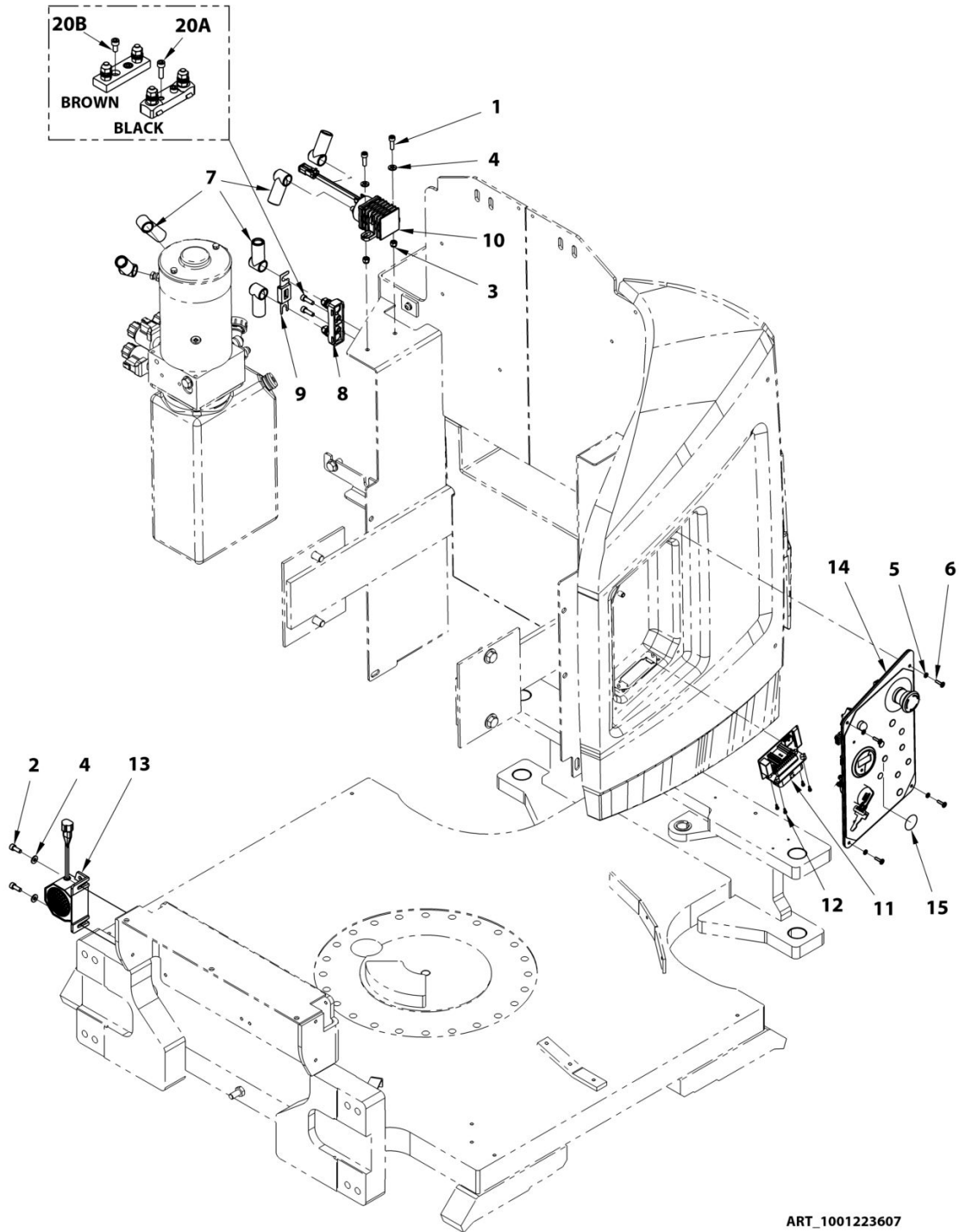
ART_SE0935

SECTION 3 - MAST #1 INSTALL / INSTALLATION MAT 1**FIGURE 3-2. REDUCER KIT / KIT REDUCTEUR**

ITEM	PART NUMBER	QTY	DESCRIPTION	REV
	SE0935		REDUCER ASSEMBLY / ASSEMBLAGE REDUCTEUR	A
1	110003	4	M06 GR08 LOCK NUT / ECROU FREIN M6 CL08 BI	
2	130003	3	M06x16 10.9 COUNTERSUNK HEAD M. S. / VIS FHC M06x16 10.9 BI FT	
3	300040	2	FITTING MALE BSPP3/8 MALE JIC9/16 / RACCORD MALE BSPP3/8 MALE JIC9/16	
4	320049	1	SLEWING MOTOR / MOTEUR D'ORIENTATION	
6	US0044	1	MOTOR ADAPTOR FLANGE / FLASQUE MOTEUR	
50	KT0152	1	REDUCER KIT / KIT REDUCTEUR	C
51	100008	1	M08x30 8.8 HEX HEAD MACHINE SCREW / VIS H M08x30 8.8 BI FT	
52	140016	2	A KEY 8x7x40 / CLAVETTE FORME A 8x7x40	
53	150009	1	BUSHING D40 H20 / BAGUE D40 H20	
54	500043	1	REDUCER W75 UFCR1 / REDUCTEUR W75 UFCR1	
55	US0342	1	PINION / PIGNON	
56	US0429	1	dDh 8.5x73x5 WASHER / RONDELLE dDh 8.5x73x5	

SECTION 3 - MAST #1 INSTALL / INSTALLATION MAT 1

FIGURE 3-3. MTB INSTALL / INSTALLATION COMMANDES BASSES

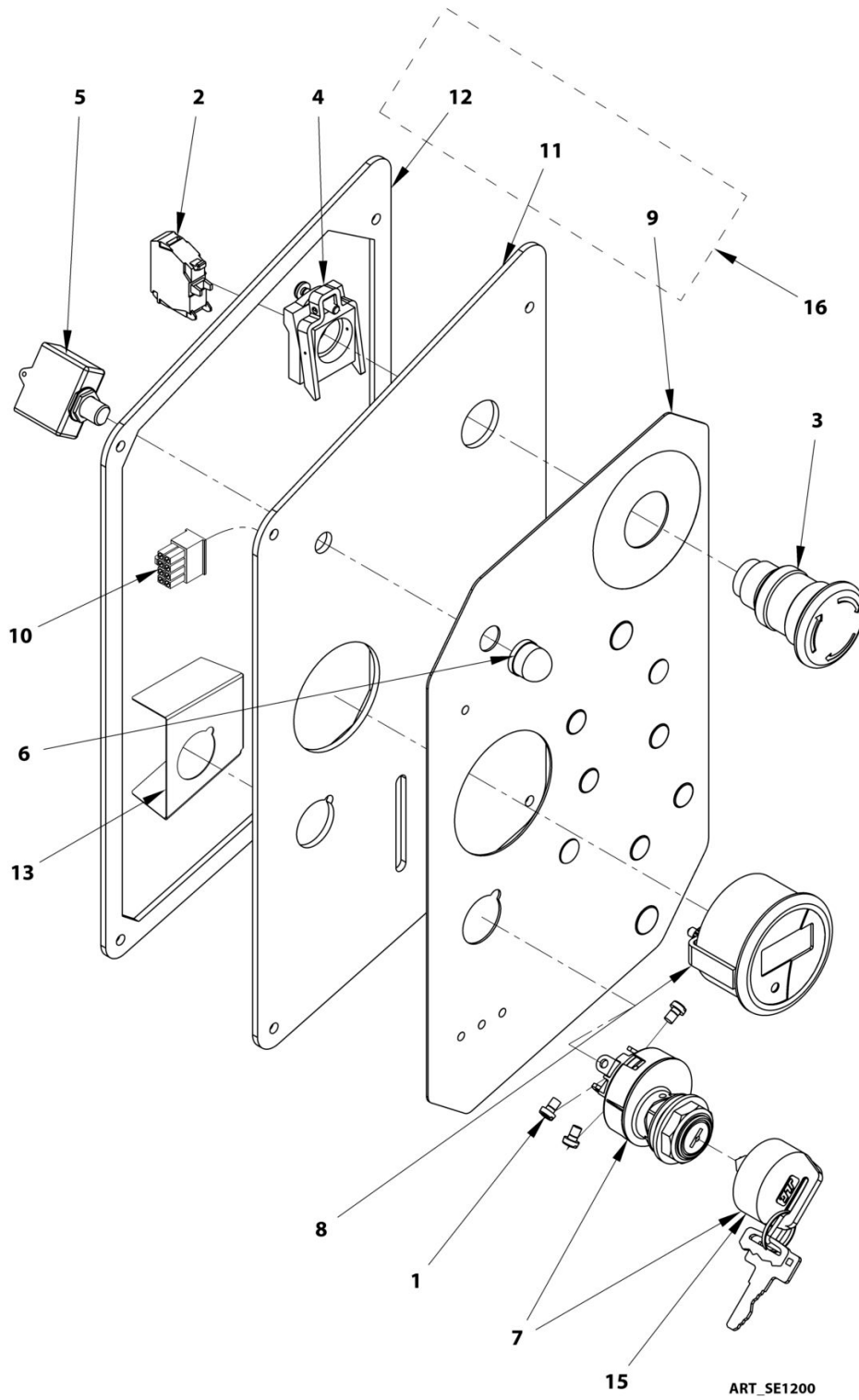


SECTION 3 - MAST #1 INSTALL / INSTALLATION MAT 1**FIGURE 3-3. MTB INSTALL / INSTALLATION COMMANDES BASSES**

ITEM	PART NUMBER	QTY	DESCRIPTION	REV
	1001211324	Ref	MTB (W/O ENABLE & WITH MSSO) / COMMANDES BASSES (SANS VALIDATION AVEC MSSO)	B
	1001223607	Ref	MTB (W/O ENABLE & W/O MSSO) / COMMANDES BASSES (SANS VALIDATION SANS MSSO)	B
	1001267298	Ref	MTB (WITH ENABLE & WITH MSSO) / COMMANDES BASSES (AVEC VALIDATION AVEC MSSO)	A
	1001267299	Ref	MTB (WITH ENABLE & W/O MSSO) / COMMANDES BASSES (AVEC VALIDATION SANS MSSO)	A
1	000005	2	M06x20 8.8 SOCKET HEAD MACH SCREW / VIS CHC M06x20 8.8 BI FT	
2	000015	2	M06x16 8.8 SOCKET HEAD MACH SCREW / VIS CHC M06x16 8.8 BI FT	
3	110003	2	M06 GR. 8.8 LOCK NUT / ECROU FREIN M6 CL08 BI	
4	120009	4	LOCK WASHER D06x14 / RONDELLE CONTACT dD 06x14 BI	
5	120033	4	M04 PLASTIC WASHER / RONDELLE PLASTIQUE M4	
6	130062	4	M04x16 8.8 ROUND HEAD MACH SCREW / VIS BOMBEE ULF M04x16 8.8 BI FT	
7	250031	6	BOOT,BATTERY TERMINAL / CAPUCHON D'ETANCHEITE	
8	260077	1	TERMINAL,FUSE HOLDER,DIN43560 / PORTE FUSIBLE DE PUISSANCE	
9	260079	1	325A FUSE / FUSIBLE 325A	
10	3740150	1	RELAY,24VDC/100A / RELAIS, 24VDC/100A	
11	1001187631	1	PC BRD,INTERFACE / CARTE ELECTRONIQUE INTERFACE	
12	1001210948	4	SCREW-SPEC,TORX D3 L8 METRIC / VIS TORX D3xL8 POUR THERMOPLASTIQUE	
13	PC0491	1	HARNESS, HORN / FAISCEAU AVERTISSEUR SONORE	
14	SE1200	1	GROUND CONTROL PANEL WITH ENABLE / BOITIER BAS AVEC VALIDATION	
14	1001223810	1	GROUND CONTROL PANEL WITHOUT ENABLE / BOITIER BAS SANS VALIDATION	
15	AU2228	1	DECAL,INDICATOR COVER D42 / AUTOCOLLANT MASQUE D42	
20A	000005	2	M06x20 8.8 SOCKET HEAD MACH SCREW / VIS CHC M06x20 8.8 BI FT	
20B	000014	2	M06x12 8.8 SOCKET HEAD MACH SCREW / VIS CHC M06x12 8.8 BI FT	

SECTION 3 - MAST #1 INSTALL / INSTALLATION MAT 1

FIGURE 3-4. CONTROL PANEL WITH ENABLE / BOITIER BAS AVEC VALIDATION

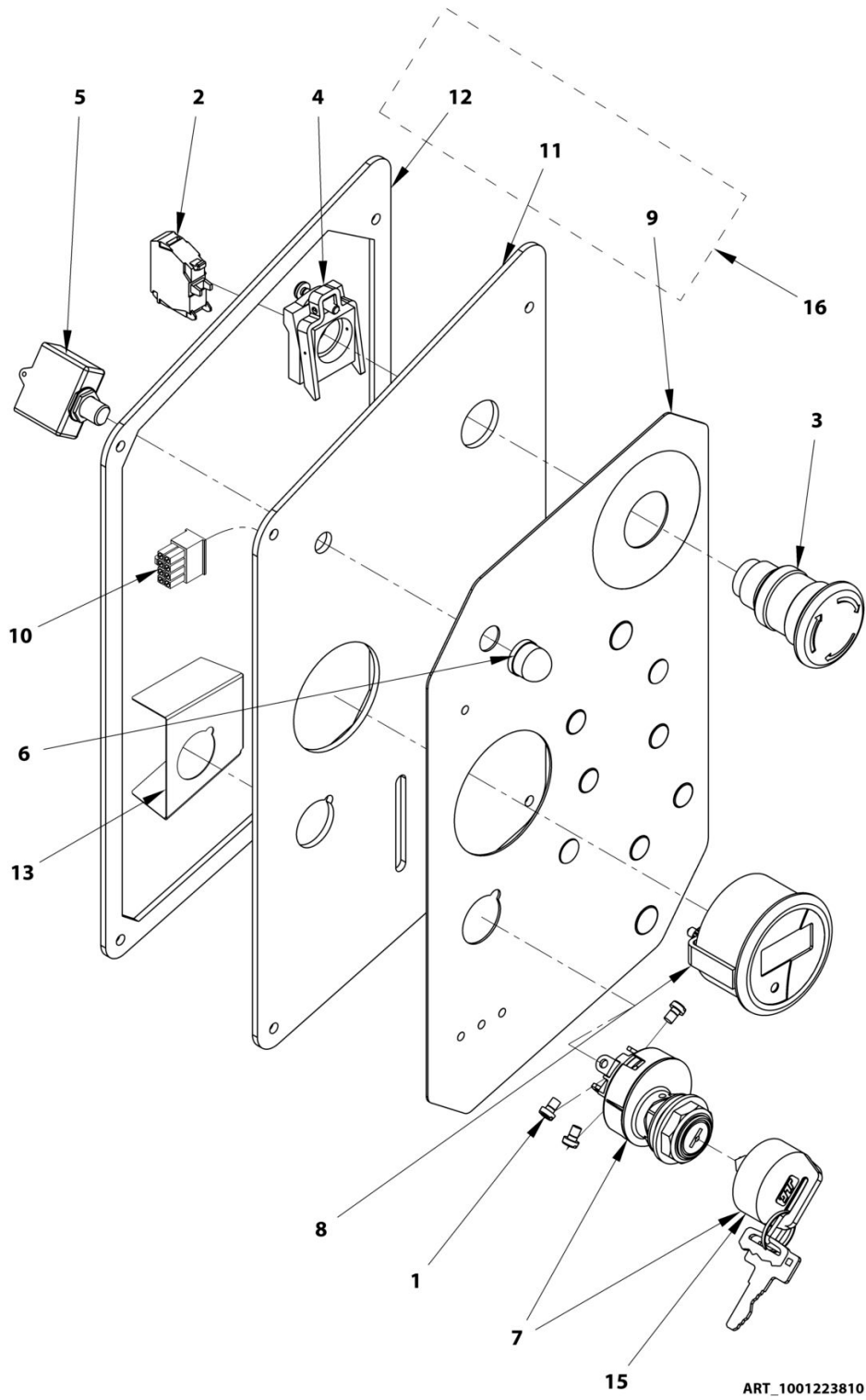


SECTION 3 - MAST #1 INSTALL / INSTALLATION MAT 1**FIGURE 3-4. CONTROL PANEL WITH ENABLE / BOITIER BAS AVEC VALIDATION**

ITEM	PART NUMBER	QTY	DESCRIPTION	REV
	SE1200		GROUND CONTROL PANEL WITH ENABLE / FACADE BOITIER BAS AVEC VALIDATION	B
1	130059	3	M04x06 GR. 4.8 CYLINDRIC HEAD / VIS TC M04x06 4.8 ZI	
2	240057	1	NC CONTACT BLOCK / CONTACT NF	
3	240060	1	TURN TO RELEASE KNOB / BOUTON D'ARRET D'URGENCE	
4	240076	1	CONTACT BLOCK HOLDER / EMBASE CONTACT	
5	260240	1	CIRCUIT BREAKER 5A / DISJONCTEUR 5A	
6	260243	1	CIRCUIT BREAKER BOOT / CAPUCHON DISJONCTEUR	
7	4360469	1	SWITCH,KEY ON/OFF/ON / SELECTEUR A CLE 3 POSITIONS	
8	1001109503	1	MULTI DISPLAY INDICATOR / AFFICHEUR MULTIFONCTIONS	
9	AU2207	1	MEMBRANE SWITCHES,GROUND PANEL / INTERRUPTEURS A MEMBRANE BOITIER BAS	
10	PC0465	1	HARNESS, LCB / FAISCEAU BOITIER BAS	
11	ST3775	1	GROUND PANEL / PLATINE BOITIER BAS	
12	ST3155	1	GASKET,GROUND PANEL / JOINT BOITER BAS	
13	1001239552	1	PLATE,KEY SWITCH CAP / CAPOT SELECTEUR A CLE	
15	2860030	1	KEY (INCLUDED IN ITEM 4360469) / CLE (COMPRISE DANS REF 4360469)	
16	SE1202	1	KIT(SERVICE),DECAL PLATE AND SEAL / KIT AUTOCOLLANT, PLATINE ET JOINT BOITIER BAS	

SECTION 3 - MAST #1 INSTALL / INSTALLATION MAT 1

FIGURE 3-5. CONTROL PANEL W/O ENABLE / BOITIER BAS SANS VALIDATION



ART_1001223810

SECTION 3 - MAST #1 INSTALL / INSTALLATION MAT 1**FIGURE 3-5. CONTROL PANEL W/O ENABLE / BOITIER BAS SANS VALIDATION**

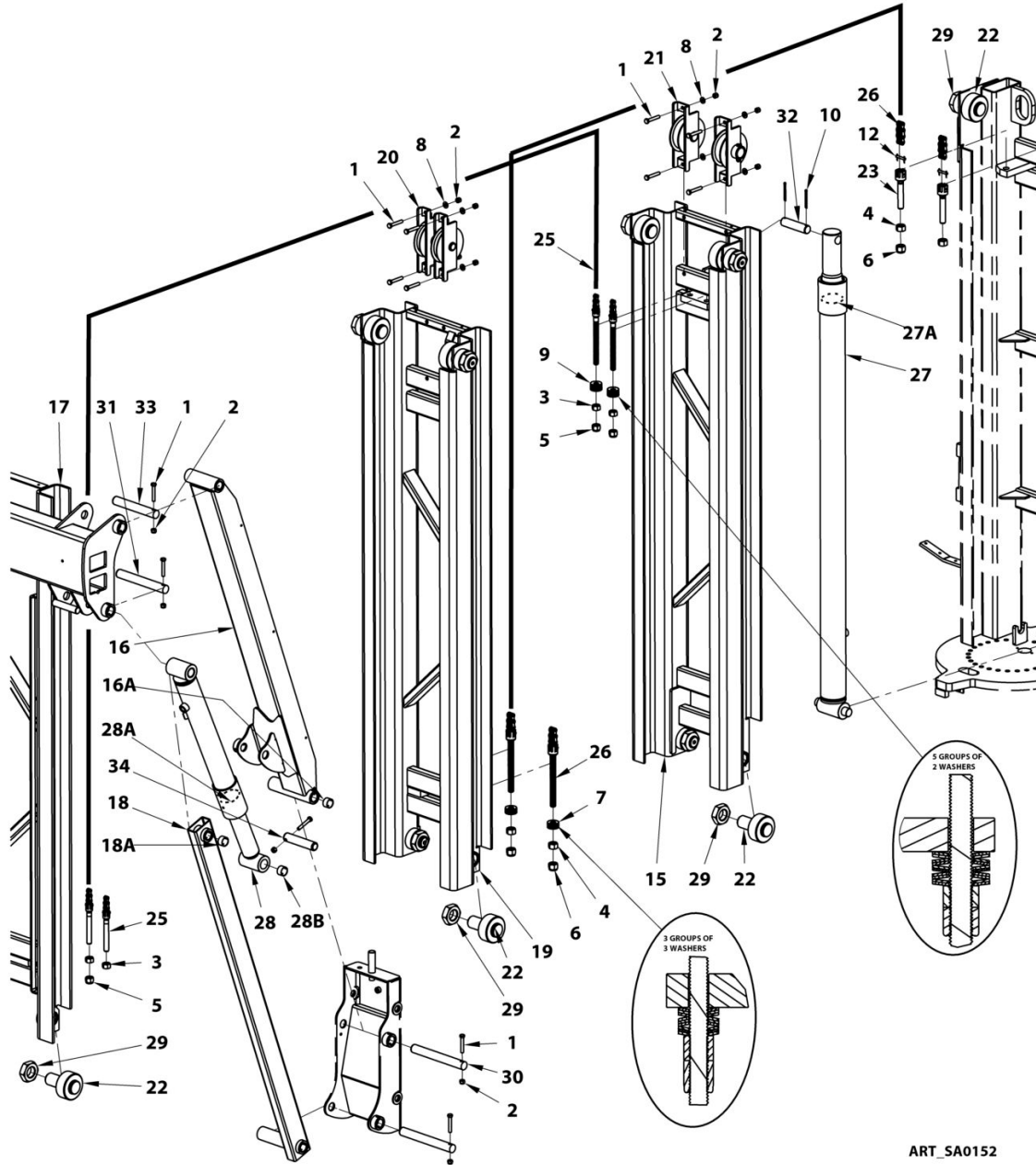
ITEM	PART NUMBER	QTY	DESCRIPTION	REV
	1001223810		GROUND CONTROL PANEL WITHOUT ENABLE / BOITIER BAS SANS VALIDATION	B
1	130059	3	M04x06 GR. 4.8 CYLINDRIC HEAD / VIS TC M04x06 4.8 ZI	
2	240057	1	NC CONTACT BLOCK / CONTACT NF	
3	240060	1	TURN TO RELEASE KNOB / BOUTON D'ARRET D'URGENCE	
4	240076	1	CONTACT BLOCK HOLDER / EMBASE CONTACT	
5	260240	1	CIRCUIT BREAKER 5A / DISJONCTEUR 5A	
6	260243	1	CIRCUIT BREAKER BOOT / CAPUCHON DISJONCTEUR	
7	4360469	1	SWITCH,KEY ON/OFF/ON / SELECTEUR A CLE 3 POSITIONS	
8	1001109503	1	MULTI DISPLAY INDICATOR / AFFICHEUR MULTIFONCTIONS	
9	1001223811	1	MEMBRANE SWITCHES,GROUND PANEL / INTERRUPTEURS A MEMBRANE BOITIER BAS	
10	PC0465	1	HARNESS, LCB / FAISCEAU BOITIER BAS	
11	ST3775	1	GROUND PANEL / PLATINE BOITIER BAS	
12	ST3155	1	GASKET,GROUND PANEL / JOINT BOITER BAS	
13	1001239552	1	PLATE,KEY SWITCH CAP / CAPOT SELECTEUR A CLE	
15	2860030	1	KEY (INCLUDED IN ITEM 4360469) / CLE (COMPRISE DANS REF 4360469)	
16	1001223812	1	KIT(SERVICE),DECAL PLATE AND SEAL / KIT AUTOCOLLANT, PLATINE ET JOINT BOITIER BAS	

SECTION 4 - MAST AND BOOM INSTALL / INSTALLATION MAT ET BRAS

**SECTION 4 - MAST AND BOOM INSTALL / INSTALLATION MAT ET
BRAS**

SECTION 4 - MAST AND BOOM INSTALL / INSTALLATION MAT ET BRAS

FIGURE 4-1. MAST AND BOOM INSTALL / INSTALLATION MAT ET BRAS



ART_SA0152

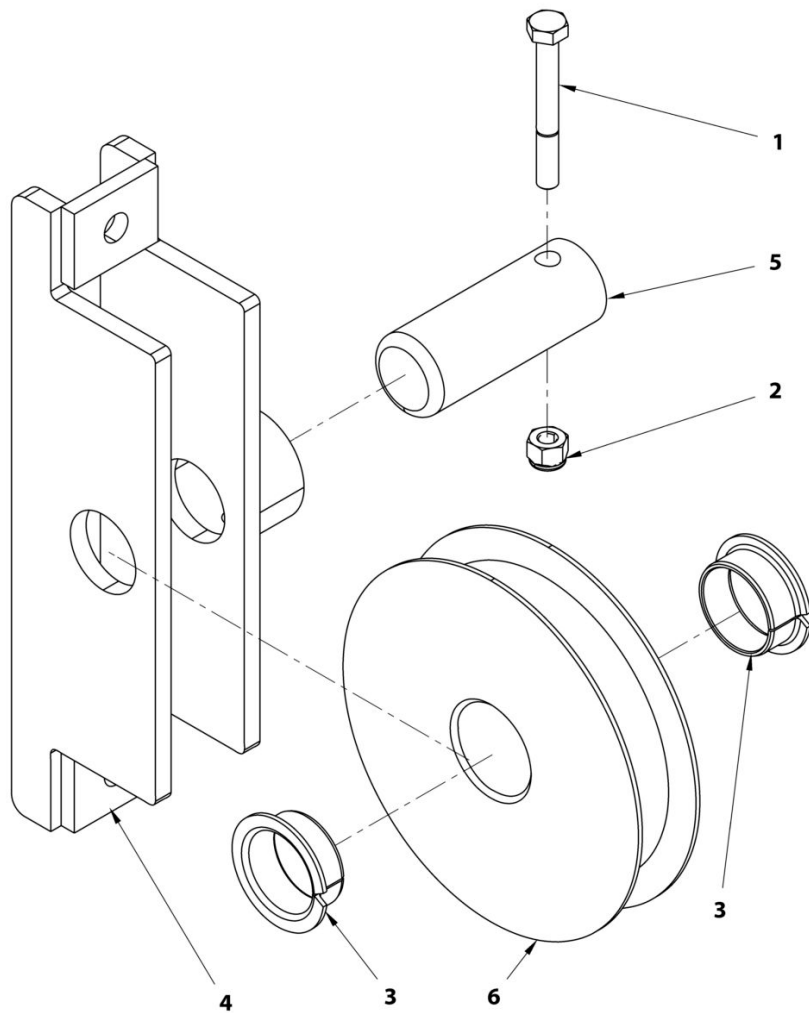
SECTION 4 - MAST AND BOOM INSTALL / INSTALLATION MAT ET BRAS

FIGURE 4-1. MAST AND BOOM INSTALL / INSTALLATION MAT ET BRAS

ITEM	PART NUMBER	QTY	DESCRIPTION	REV
	SA0152	Ref	MAST AND BOOM INSTALL / INSTALLATION MAT ET BRAS	E
1	100063	13	M08x50 8.8 HEX HEAD MACHINE SCREW / VIS H M08x50 8.8 BI FT	
2	110004	13	M08 GR. 8.8 LOCK NUT / ECROU FREIN M8 CL08 BI	
3	110009	4	M14 GR. 8.8 HEX NUT / ECROU H M14 CL08 BI	
4	110010	4	M16 GR. 8.8 HEX NUT / ECROU H M16 CL08 BI	
5	110019	3	M14 GR. 8.8 LOCK NUT / ECROU FREIN H M14 CL08 BI	
6	110020	3	M16 GR. 8.8 LOCK NUT / ECROU FREIN H M16 CL08 BI	
7	120006	18	Ø34x16.3x1.5 SPRING WASHER / RONDELLE RESSORT D34x16.3x1.5 BR	
8	120010	8	LOCK WASHER D08x18 / RONDELLE CONTACT dD 08x18 BI	
9	120017	20	SPRING WASHER Ø34x14.3x1.5 / RONDELLE RESSORT D34x14.3x1.5 BR	
10	140009	2	Ø4.5x50 COTTER PIN / GOUPILLE FENDUE D4.5x50	
12	170008	2	M16 CLEVIS PIN / AXE DE CHAPE M16	
15	DL0870	1	MAST 2 / MAT 2	
16	DL0914	1	UPPER JIB / BRAS SUPERIEUR	
16A	150002	4	BUSHING Ø25 H25 DX / BAGUE D25 H25 DX	
17	DL0915	1	MAST 4 / MAT 4	
18	DL0916	1	LOWER JIB / BRAS INFERIEUR	
18A	150002	4	BUSHING Ø25 H25 DX / BAGUE D25 H25 DX	
19	DL0931	1	MAST 3 / MAT 3	
20	SE0730	2	PULLEY SUPPORT LL10-44 / SUPPORT POULIE LL10-44	
21	SE0731	2	PULLEY SUPPORT LL12-66 / SUPPORT POULIE LL12-66	
22	SE1214	12	ROLLER,ASSEMBLY M36 / GALET DE GUIDAGE M36	
23	ST0099	2	CHAIN ANCHOR M16 L80 / CHAPE DE CHAINE M16 L80	
25	1001220619	1	CHAIN,LL10-44 EQUIPPED / CHAINE LL10-44 EQUIPEE	
26	1001220620	1	CHAIN,LL12-66 1 SIDE EQUIPPED / CHAINE LL10-66 EQUIPEE 1 COTE	
27	ST3333	1	MAST CYLINDER SERTA / VERIN DE MAT SERTA (Prior to SN A300060605)	
27A	960098	1	SEAL,KIT CYLINDER ST3333 / KIT DE JOINTS VERIN ST3333 (Prior to SN A300060605)	
27	1001267690	1	MAST CYLINDER BURNSIDE / VERIN DE MAT BURNSIDE (SN A300060605 to Present)	
27A	1001272232	1	SEAL,KIT CYLINDER 1001267690 / KIT DE JOINTS VERIN 1001267690 (SN A300060605 to Present)	
28	1001225701	1	JIB CYLINDER SERTA / VERIN DE BRAS SERTA (Prior to SN A300060605)	
28A	960097	1	SEAL,KIT / KIT DE JOINT (Prior to SN A300060605)	
28B	150002	4	BUSHING Ø25 H25 DX / BAGUE D25 H25 DX	
28	1001267687	1	JIB CYLINDER BURNSIDE / VERIN DE BRAS BURNSIDE (SN A300060605 to Present)	
28A	1001272230	1	SEAL,KIT CYLINDER 1001267687 / KIT DE JOINTS VERIN 1001267687 (SN A300060605 to Present)	
29	US0026	12	M36 GR. 8.8 HEX NUT / ECROU M36 CL04 BI	
30	US0481	2	PIN,D25 - L210 / AXE D25 L210	
31	US0492	1	PIN, D25-L195 / AXE D25 L195	
32	US0538	1	PIN,D25 - L100 - 2D5MM / AXE D25 - L100 - 2d5	
33	US0600	1	PIN,D25 - L170 / AXE D25 - L170	
34	US0602	1	PIN,D25 - L120 / AXE D25 - L120	

SECTION 4 - MAST AND BOOM INSTALL / INSTALLATION MAT ET BRAS

FIGURE 4-2. PULLEY SUPPORT LL10-44 / SUPPORT POULIE LL10-44



ART. 560730

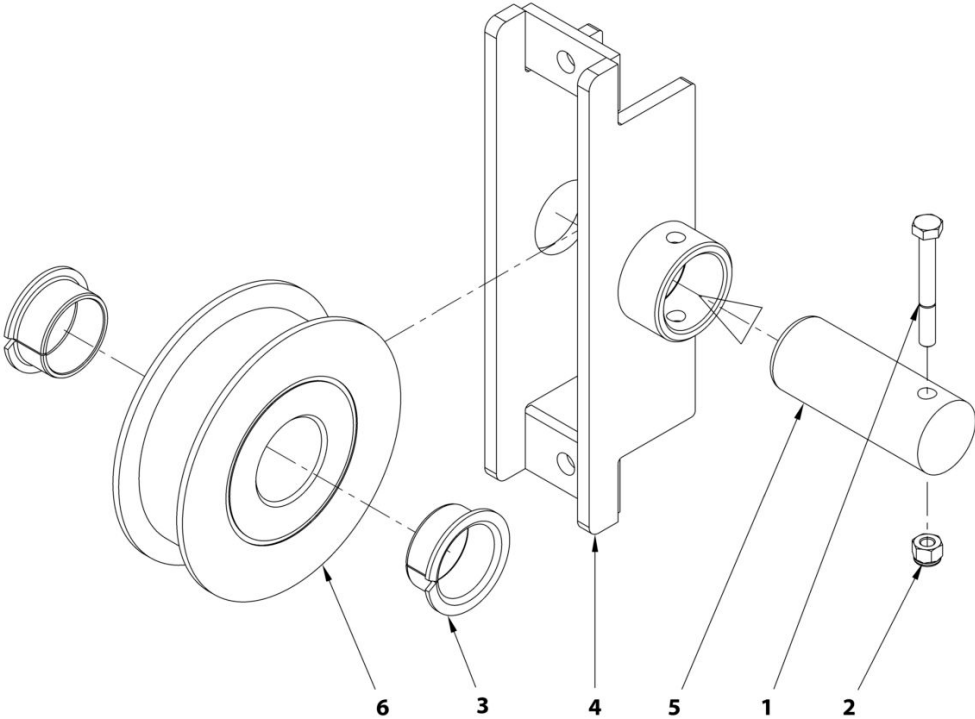
SECTION 4 - MAST AND BOOM INSTALL / INSTALLATION MAT ET BRAS

FIGURE 4-2. PULLEY SUPPORT LL10-44 / SUPPORT POULIE LL10-44

ITEM	PART NUMBER	QTY	DESCRIPTION	REV
	SE0730		PULLEY SUPPORT LL10-44 / SUPPORT POULIE LL10-44	A
1	100013	1	M06x50 8.8 HEX HEAD CAPSCREW / VIS H M06x50 8.8 BI FP	
2	110003	1	M06 GR.08 LOCK NUT / ECROU FREIN M6 CL08 BI	
3	150011	2	FLANGE BUSHING D25 H11.5 DU / BAGUE EPAULEE D25 H11.5 DU	
4	SD0453	1	PULLEY MOUNT / SUPPORT POULIE	
5	US0377	1	PULLEY PIN / AXE DE SUPPORT POULIE	
6	US0475	1	LL10-44 PULLEY / POULIE LL10-44	

SECTION 4 - MAST AND BOOM INSTALL / INSTALLATION MAT ET BRAS

FIGURE 4-3. PULLEY SUPPORT LL12-66 / SUPPORT POULIE LL12-66



ART_SE0731

SECTION 4 - MAST AND BOOM INSTALL / INSTALLATION MAT ET BRAS

FIGURE 4-3. PULLEY SUPPORT LL12-66 / SUPPORT POULIE LL12-66

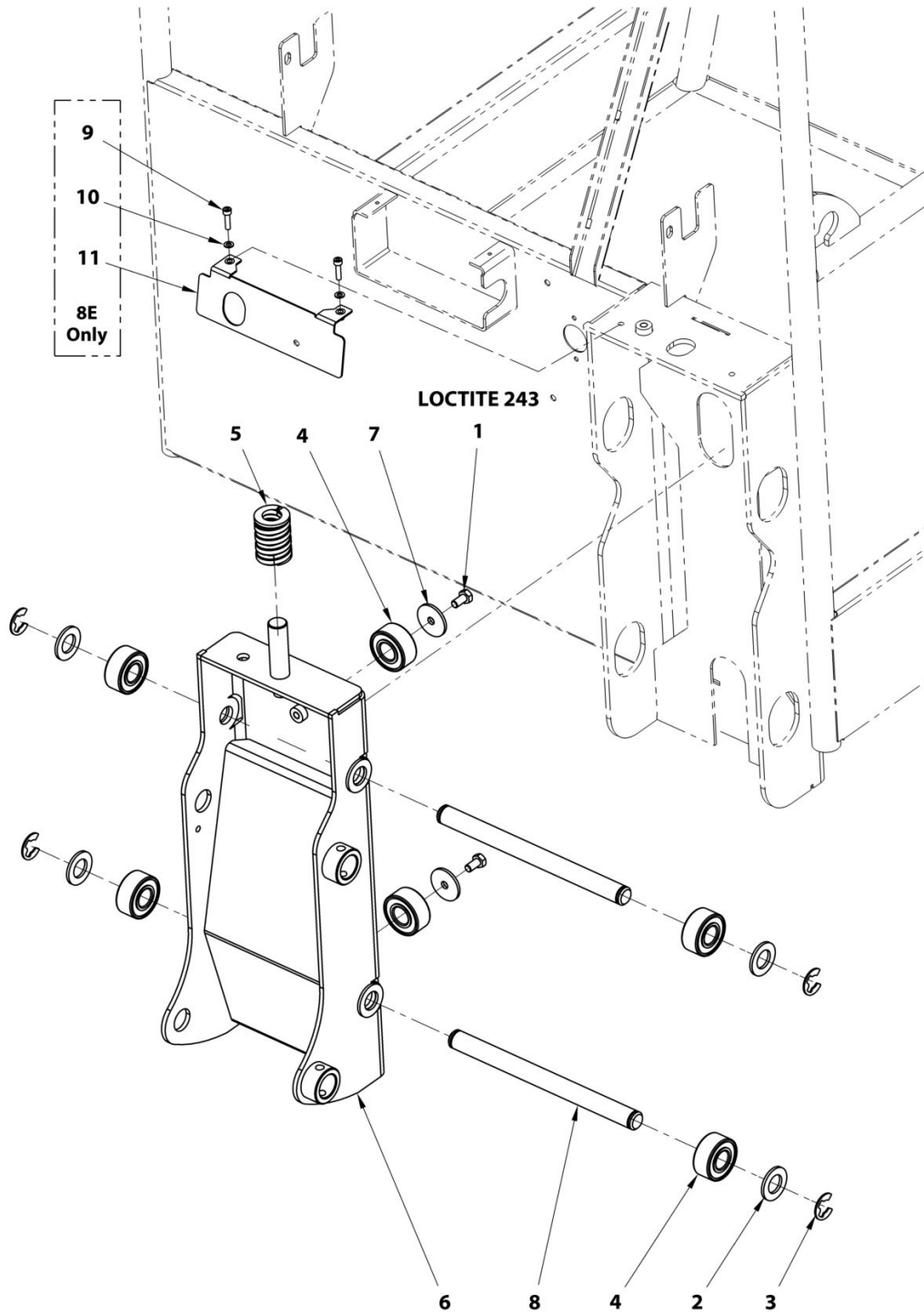
ITEM	PART NUMBER	QTY	DESCRIPTION	REV
	SE0731		PULLEY SUPPORT LL12-66 / SUPPORT POULIE LL12-66	A
1	100013	1	M06x50 8.8 HEX HEAD CAPSCREW / VIS H M06x50 8.8 BI FP	
2	110003	1	M06 GR08 LOCK NUT / ECROU FREIN M6 CL08 BI	
3	150007	2	FLANGE BUSHING Ø30 H16 DU / BAGUE EPAULEE Ø30 H16 DU	
4	SD0452	1	PULLEY MOUNT / SUPPORT POULIE	
5	US0375	1	PULLEY PIN / AXE DE SUPPORT POULIE	
6	US0479	1	LL12-66 PULLEY / POULIE LL12-66	

SECTION 5 - PLATFORMS INSTALL / INSTALLATION PLATE-FORMES

SECTION 5 - PLATFORMS INSTALL / INSTALLATION PLATE-FORMES

SECTION 5 - PLATFORMS INSTALL / INSTALLATION PLATE-FORMES

FIGURE 5-1. PLATFORM SUPPORT INSTALL / INSTALLATION SUPPORT PLATE-FORME



ART_1001277966

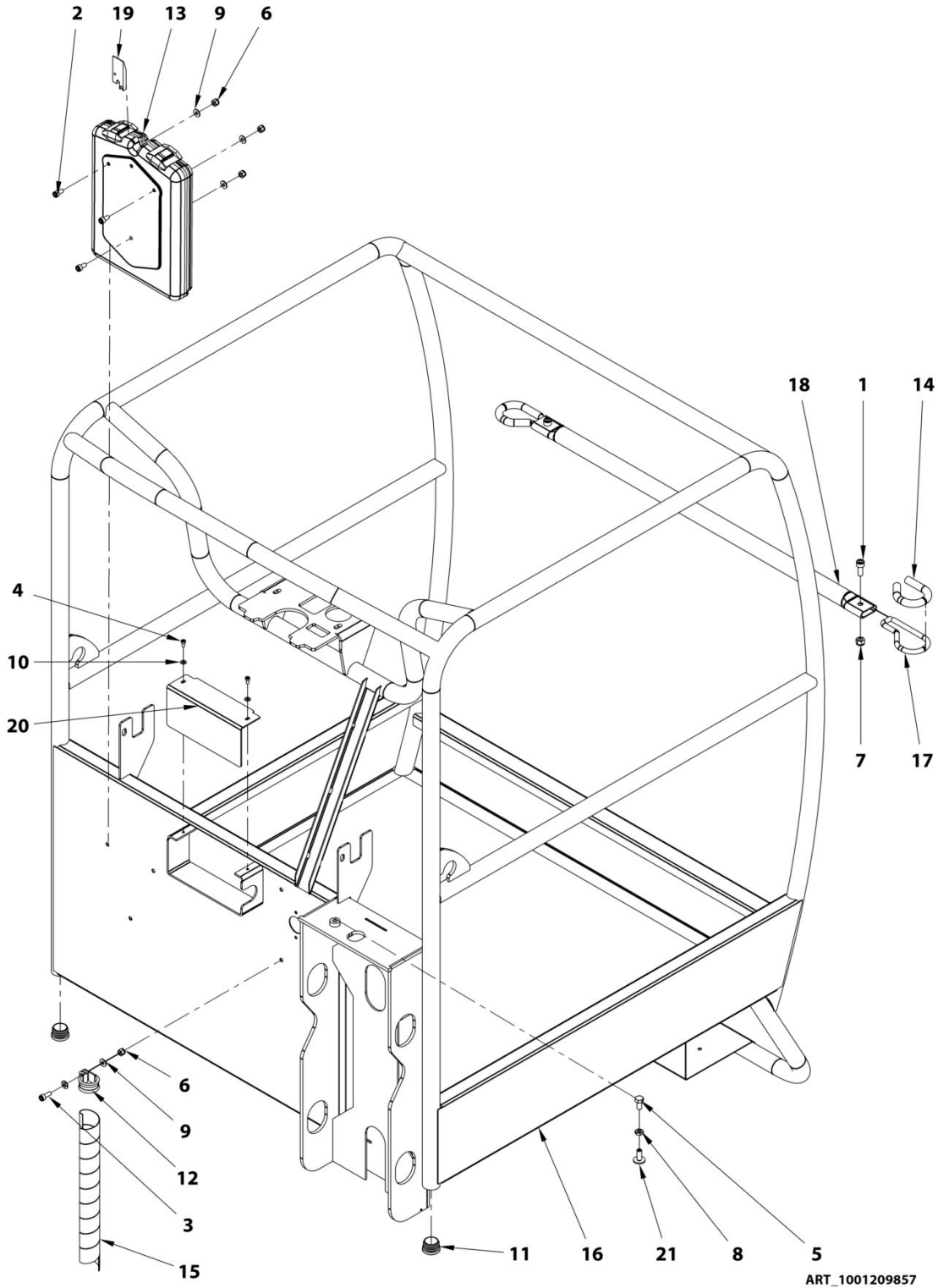
SECTION 5 - PLATFORMS INSTALL / INSTALLATION PLATE-FORMES

FIGURE 5-1. PLATFORM SUPPORT INSTALL / INSTALLATION SUPPORT PLATE-FORME

ITEM	PART NUMBER	QTY	DESCRIPTION	REV
	1001209860	Ref	20E-PLATFORM SUPPORT INSTALL / 20E-INSTALLATION SUPPORT PLATE-FORME	A
	1001277966	Ref	8E-PLATFORM SUPPORT INSTALL / 8E-INSTALLATION SUPPORT PLATE-FORME	A
1	100054	2	M08x16 8.8 HEX HEAD MACHINE SCREW / VIS H M08x16 8.8 BI FT	
2	120003	4	D20x37x3 WASHER / RONDELLE D20x37x3 BI	
3	130029	4	RETAINING RING D15 / CIRCLIPS EXTERIEUR D15	
4	150061	6	3204-2RS BEARING / ROULEMENT 3204-2RS	
5	160033	1	SPRING,OVERLOAD G 40-51 / RESSORT SURCHARGE G40-51	
6	DL0922	1	SUPPORT,PLATFORM / SUPPORT PLATE-FORME	
7	US0531	2	WASHER-SPEC,D8XD37XTH.3 / RONDELLE Di 8xDe 37xEP 3	
8	US0601	2	PIN,BEARING MOUNT / AXE ROULEMENTS	
9	000010	2	M05x20 8.8 SOCKET HEAD MACH SCREW / VIS CHC M05x20 BI FT (SN A300060684 to Present)	
10	120002	2	M05 WASHER / RONDELLE M05 (SN A300060684 to Present)	
11	1001276683	1	PLATE,LSS PROTECTION / CAPOT PROTECTION SURCHARGE (SN A300060684 to Present)	

SECTION 5 - PLATFORMS INSTALL / INSTALLATION PLATE-FORMES

FIGURE 5-2. PLATFORM, DROP BAR / PLATE-FORME - LISSE COULISSANTE



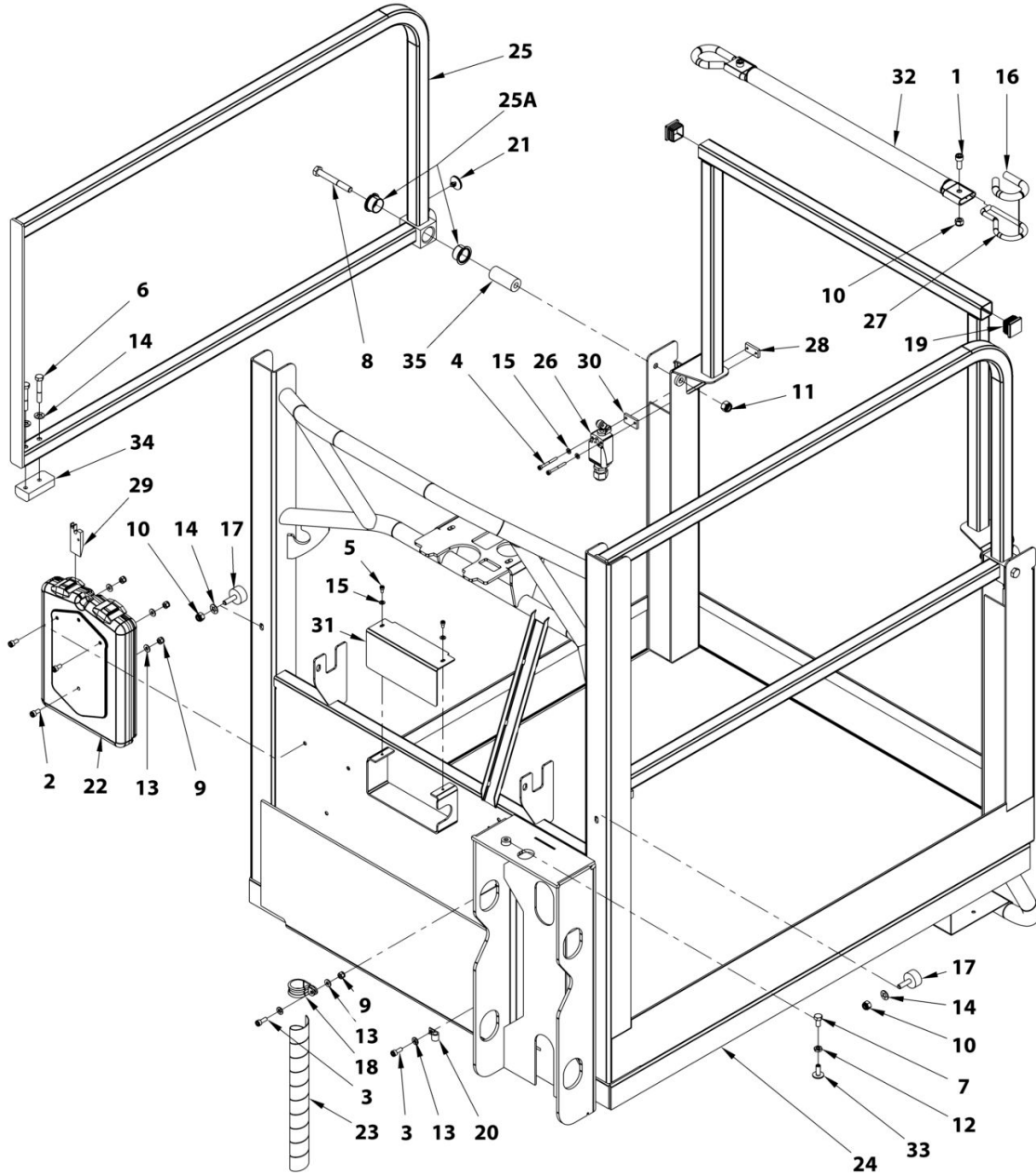
SECTION 5 - PLATFORMS INSTALL / INSTALLATION PLATE-FORMES

FIGURE 5-2. PLATFORM, DROP BAR / PLATE-FORME - LISSE COULISSANTE

ITEM	PART NUMBER	QTY	DESCRIPTION	REV
	1001209857	Ref	PLATFORM WITH DROP BAR / PLATE-FORME - LISSE COULISSANTE	A
1	000006	2	M08x20 8.8 SOCKET HEAD MACH SCREW / VIS CHC M08x20 8.8 BI FT	
2	000014	3	M06x12 8.8 SOCKET HEAD MACH SCREW / VIS CHC M06x12 8.8 BI FT	
3	000015	1	M06x16 8.8 SOCKET HEAD MACH SCREW / VIS CHC M06x16 8.8 BI FT	
4	000090	2	M04x08 8.8 SOCKET HEAD MACH SCREW / VIS CHC M04x08 8.8 BI FT	
5	100054	1	M08x16 8.8 HEX HEAD MACHINE SCREW / VIS H M08x16 8.8 BI FT	
6	110003	4	M06 GR. 8.8 LOCK NUT / ECROU FREIN M6 CL08 BI	
7	110004	2	M08 GR. 8.8 LOCK NUT / ECROU FREIN M8 CL08 BI	
8	110022	1	M08 GR. 8.8 FLAT HEX NUT / ECROU Hm M08 CL04 ZI	
9	120009	5	LOCK WASHER D06x14 / RONDELLE CONTACT dD 06x14 BI	
10	120024	2	LOCK WASHER D04x10 / RONDELLE CONTACT M4 BI	
11	400048	2	CAP D30 / BOUCHON D30	
12	400096	1	CLAMP, D 28mm / COLLIER D28 mm	
13	8990147	1	HOLDER, MANUAL / BOITE PORTE-DOCUMENTS	
14	280023	0.36m	PROTECTION SLEEVE / GAINE DE PROTECTION	
15	400010	1.1m	HOSE GUARD / GAINE TORSADEE	
16	DL0913	1	PLATFORM, WELDMENT / PLATE-FORME	
17	ST0736	2	BAR, FLAP HOOP / ANNEAU PORTILLON	
18	ST0763	1	RAIL, FLAP / PORTILLON	
19	ST2741	1	SENSOR CONTROL TOOL / CALE DE VERIFICATION	
20	ST3414	1	SHIELD, COVER CONNECTORS / CARTER DE PROTECTION CONNECTEURS	
21	US0236	1	SETTING SCREW / VIS DE REGLAGE	

SECTION 5 - PLATFORMS INSTALL / INSTALLATION PLATE-FORMES

FIGURE 5-3. 8E-XL PLATFORM, DROP BAR / 8E-PLATE-FORME XL - LISSE COULISSANTE



ART_1001209858

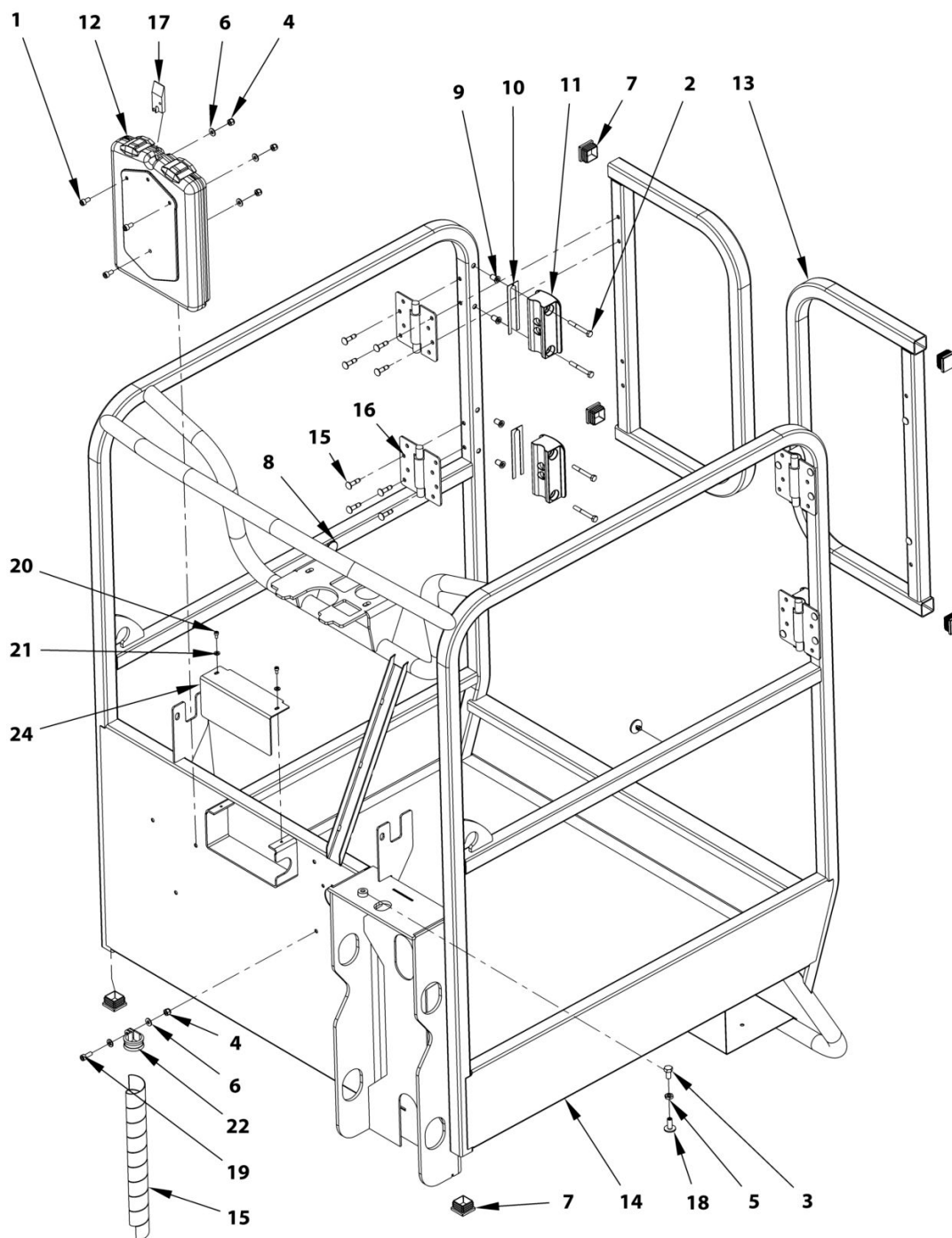
SECTION 5 - PLATFORMS INSTALL / INSTALLATION PLATE-FORMES

FIGURE 5-3. 8E-XL PLATFORM, DROP BAR / 8E-PLATE-FORME XL - LISSE COULISSANTE

ITEM	PART NUMBER	QTY	DESCRIPTION	REV
	1001209858	Ref	8E-XL PLATFORM WITH DROP BAR / 8E-PLATE-FORME XL - LISSE COULISSANTE	A
1	000006	2	M08x20 8.8 SOCKET HEAD MACH SCREW / VIS CHC M08x20 8.8 BI FT	
2	000014	3	M06x12 8.8 SOCKET HEAD MACH SCREW / VIS CHC M06x12 8.8 BI FT	
3	000015	2	M06x16 8.8 SOCKET HEAD MACH SCREW / VIS CHC M06x16 8.8 BI FT	
4	000032	4	M04x40 8.8 SOCKET HEAD CAPSCREW / VIS CHC M04x40 8.8 ZI FP	
5	000090	2	M04x08 8.8 SOCKET HEAD MACH SCREW / VIS CHC M04x08 8.8 BI FT	
6	100007	4	M08x50 8.8 HEX HEAD CAPSCREW / VIS H M08x50 8.8 BI FP	
7	100054	1	M08x16 8.8 HEX HEAD MACHINE SCREW / VIS H M08x16 8.8 BI FT	
8	100091	2	M10x80 8.8 HEX HEAD CAPSCREW / VIS H M10x80 8.8 BI FP	
9	110003	4	M06 GR. 8.8 LOCK NUT / ECROU FREIN M6 CL08 BI	
10	110004	4	M08 GR. 8.8 LOCK NUT / ECROU FREIN M8 CL08 BI	
11	110005	2	M10 GR. 8.8 LOCK NUT / ECROU FREIN M10 CL08 BI	
12	110022	1	M08 GR. 8.8 FLAT HEX NUT / ECROU Hm M08 CL04 ZI	
13	120009	6	LOCK WASHER D06x14 / RONDELLE CONTACT dD 06x14 BI	
14	120010	6	LOCK WASHER D08x18 / RONDELLE CONTACT dD 08x18 BI	
15	120024	6	LOCK WASHER D04x10 / RONDELLE CONTACT M4 BI	
16	280023	0.36 m	PROTECTION SLEEVE / GAINE DE PROTECTION	
17	400015	2	BUMPER, DIA.30_TH.15 / BUTEE ELASTIQUE	
18	400096	1	CLAMP, DIA. 28mm / COLLIER D28 mm	
19	400099	2	CAP, TUBE 30x30 / BOUCHON 30x30	
20	1321293	1	CLAMP, CABLE / COLLIER ISOLE	
21	3340962	2	PAD, ARM REST / BUTEE D'ARRET	
22	8990147	1	HOLDER, MANUAL / BOITE PORTE-DOCUMENTS	
23	400010	1.1 m	HOSE GUARD / GAINE	
24	DL0920	1	PLATFORM, WELDMENT XL / PLATE-FORME XL	
25	DL0927	2	GATE, XL PLATFORM / PORTILLON ROTATIF	
25A	150039	4	FLANGE BUSHING Ø25 H16.5 DU / BAGUE EPAULEE D25 H16.5 DU	
26	PC0531	2	LOOM, GATE LIMIT SWITCH / FAISCEAU CAPTEUR DE PORTE	
27	ST0736	2	BAR, FLAP HOOP / ANNEAU PORTILLON	
28	ST1971	2	PLATE, LOCKING / CONTRE PLAQUE	
29	ST2741	1	SENSOR CONTROL TOOL / CALE DE VERIFICATION	
30	ST3139	2	PLATE, SPACER / ENTRETOISE CAPTEUR	
31	ST3414	1	SHIELD, COVER CONNECTORS / CARTER DE PROTECTION CONNECTEURS	
32	ST3449	1	TUBE, GATE / PORTILLON COULISSANT	
33	US0236	1	SETTING SCREW / VIS DE REGLAGE	
34	US0470	2	SLIDE BLOCK / PATIN	
35	US0549	2	TUBE, GATE BUSH / AXE ROULEMENTS	

SECTION 5 - PLATFORMS INSTALL / INSTALLATION PLATE-FORMES

FIGURE 5-4. 20E-PLATFORM, SALOON GATES / 20E- PLATE-FORME - PORTE SALOON



ART_1001215766

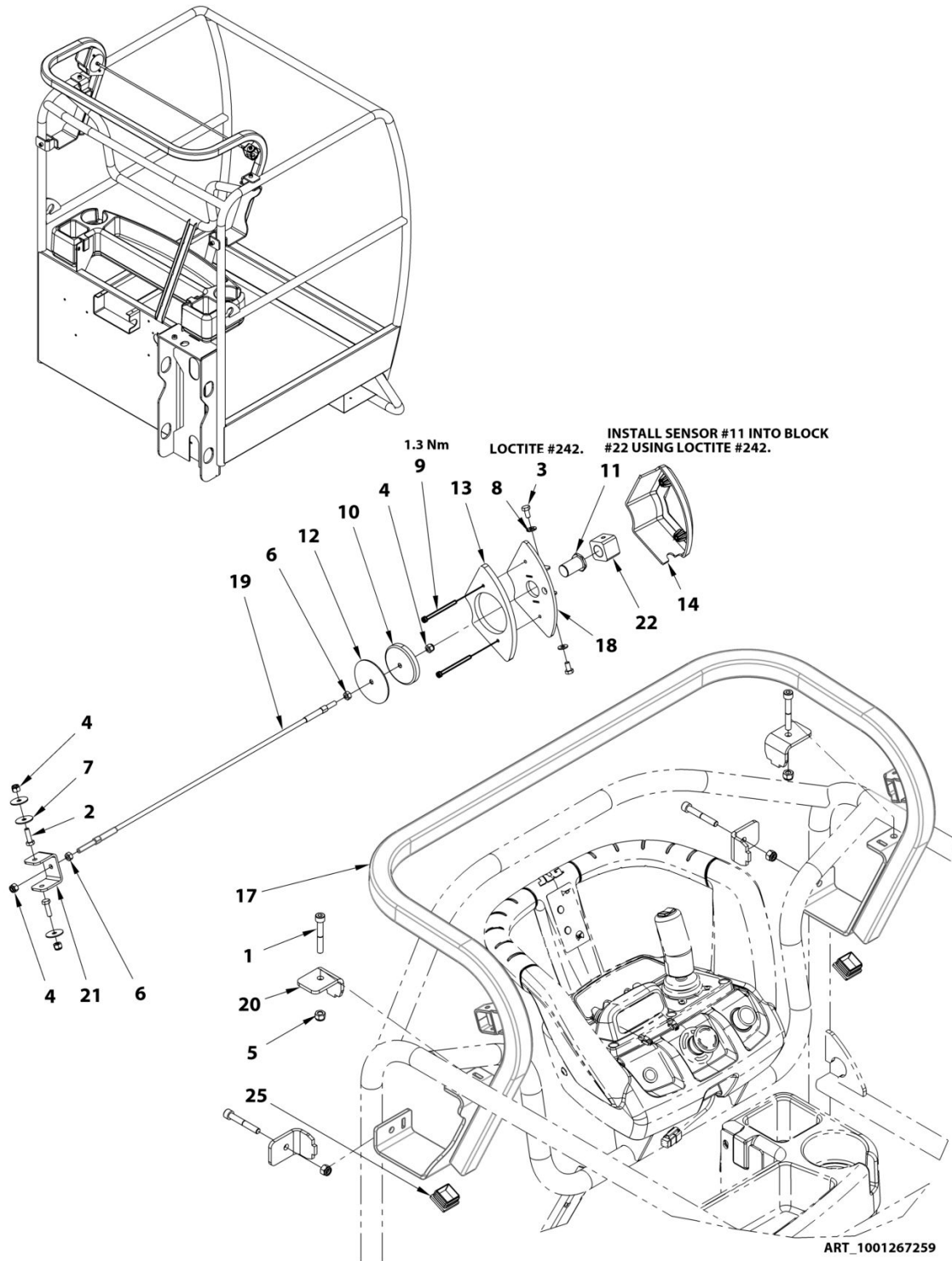
SECTION 5 - PLATFORMS INSTALL / INSTALLATION PLATE-FORMES

FIGURE 5-4. 20E-PLATFORM,SALOON GATES / 20E- PLATE-FORME - PORTE SALOON

ITEM	PART NUMBER	QTY	DESCRIPTION	REV
	1001215766	Ref	20E-PLATFORM,SALOON GATES / 20E-PLATE-FORME - PORTE SALOON	C
1	000014	3	M06x12 8.8 SOCKET HEAD MACH SCREW / VIS CHC M06x12 8.8 BI FT	
2	100013	8	M06x50 8.8 HEX HEAD CAPSCREW / VIS CHC M04x08 8.8 BI FT	
3	100054	1	M08x16 8.8 HEX HEAD MACHINE SCREW / VIS H M08x16 8.8 BI FT	
4	110003	4	M06 GR. 8.8 LOCK NUT / ECROU FREIN M6 CL08 BI	
5	110022	1	M08 GR. 8.8 FLAT HEX NUT / ECROU Hm M08 CL04 ZI	
6	120009	5	LOCK WASHER D06x14 / RONDELLE CONTACT dD 06x14 BI	
7	400099	6	CAP,TUBE / BOUCHON TUBE	
8	3340962	2	PAD,ARM REST / BUTEE D'ARRET	
9	1001258232	8	RIVET,NUT M6 / ECROU RIVET M6	
10	1001263939	4	SHIM,PLATFORM GATE / CALE PORTE PANIER	
11	4220309	4	STOP,SWING GATE / BUTEE PORTE PIVOTANTE	
12	8990147	1	HOLDER, MANUAL / BOITE PORTE-DOCUMENTS	
13	1001213260	2	GATE,PLATFORM / PORTE PLATE-FORME	
14	1001215090	1	PLATFORM,SALOON GATES / PLATE-FORME A PORTE SALOON	
15	2080040	16	HUCK MAGNALOK BLIND FASTENER / ATTACHE BORGNE	
16	2600281	4	HINGE,SELF CLOSING STAINLESS / CHARNIERE INOX FERMETURE AUTOMATIQUE	
17	ST2741	1	SHIM, CHECKING / CALE DE VERIFICATION	
18	US0236	1	SCREW, ADJUSTMENT / VIS DE REGLAGE	
19	000015	1	M06x16 8.8 SOCKET HEAD MACH SCREW / VIS CHC M06x16 8.8 BI FT	
20	000090	2	M04x08 8.8 SOCKET HEAD MACH SCREW / VIS CHC M04x08 8.8 BI FT	
21	120024	2	LOCK WASHER D04x10 / RONDELLE CONTACT M4 BI	
22	400096	1	CLAMP,DIA. 28MM / COLLIER D28 mm	
23	400010	1	HOSE GUARD (quantity indicated in meter) / GAINE	
24	ST3414	1	SHIELD,COVER CONNECTORS / CARTER CONNECTEURS BOITIER	

SECTION 5 - PLATFORMS INSTALL / INSTALLATION PLATE-FORMES

FIGURE 5-5. SKYLINE INSTALL / INSTALLATION SKYLINE



ART_1001267259

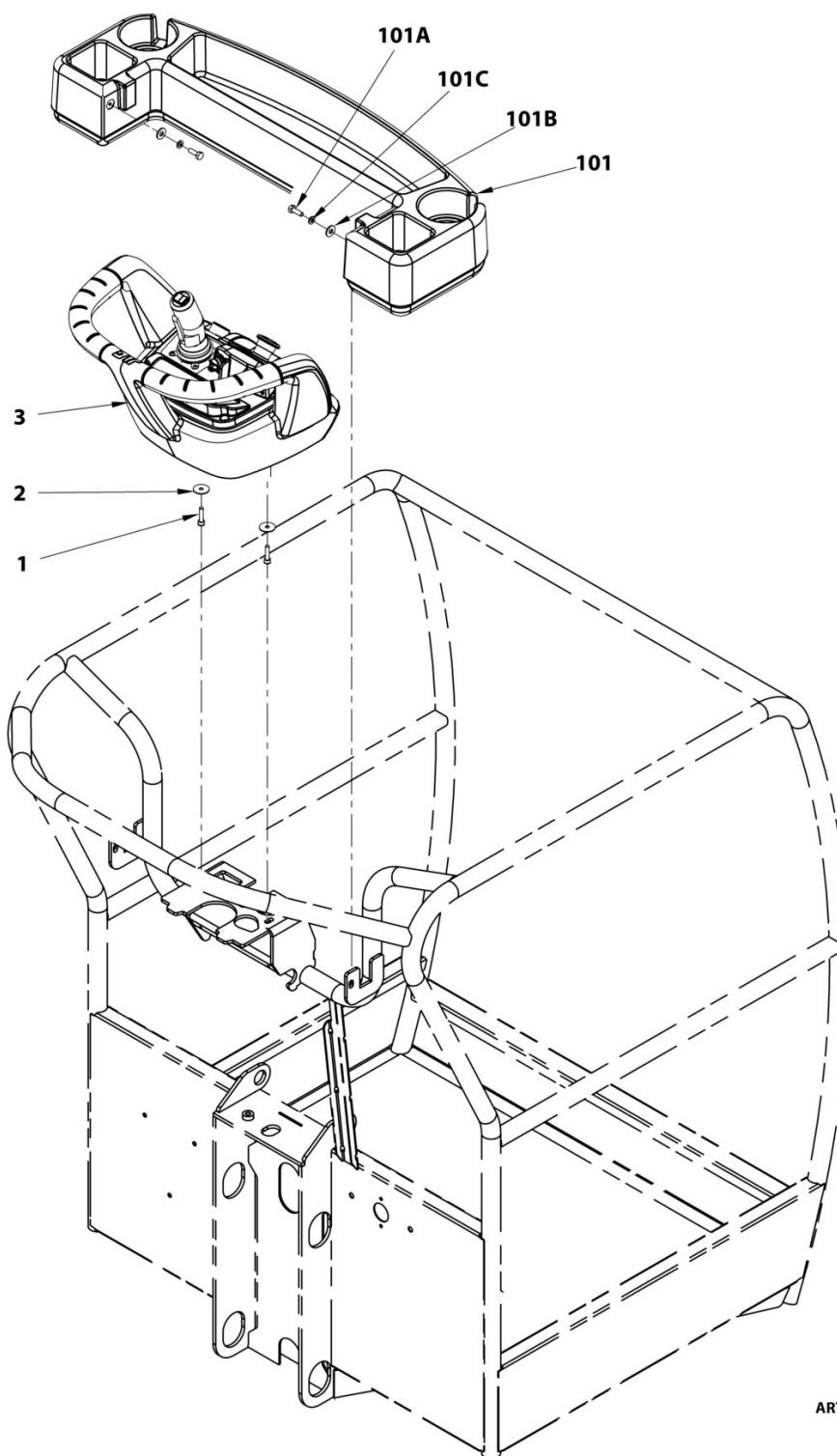
SECTION 5 - PLATFORMS INSTALL / INSTALLATION PLATE-FORMES

FIGURE 5-5. SKYLINE INSTALL / INSTALLATION SKYLINE

ITEM	PART NUMBER	QTY	DESCRIPTION	REV
	1001267259		SKYLINE INSTALL / INSTALLATION SKYLINE	A
1	000078	4	M08x55 8.8 SOCKET HEAD CAPSCREW / VIS CHC M08x55 8.8 BI FP	
2	100005	2	M06x20 8.8 HEX HEAD MACHINE SCREW / VIS H M06x20 8.8 BI FT	
3	100027	2	M06x12 8.8 HEX HEAD MACHINE SCREW / VIS H M06x12 8.8 BI FT	
4	110003	4	M06 GR. 8.8 LOCK NUT / ECROU FREIN M6 CL08 BI	
5	110004	4	M08 GR. 8.8 LOCK NUT / ECROU FREIN M8 CL08 BI	
6	110015	2	M06 GR. 8.8 HEX NUT / ECROU M6 CL08 BI	
7	120004	3	dD 06x25x1.2 WASHER / RONDELLE dD 6x25x1.2 BI	
8	120009	2	LOCK WASHER D06x14 / RONDELLE CONTACT dD 06x14 BI	
9	4031516	2	M04x60 8.8 SOCKET HEAD CAPSCREW / VIS CHC M04x60 8.8 BI FP	
10	1001232650	1	MAGNET,50LBS PULL FORCE / AIMANT 22KG	
11	1001232667	1	SENSOR ASSEMBLY,PROXIMITY / FAISCEAU CAPTEUR PROXIMITE	
12	1001235013	1	WASHER-SPEC,2.625 OD / RONDELLE SPECIALE D66.5mm	
13	1001238477	1	HOUSING,SKYLINE LEFT / PROTECTION GAUCHE SKYLINE	
14	1001241965	1	HOUSING,SKYLINE RIGHT / CAISSON DROIT SKYLINE	
17	1001257409	1	SUPPORT,SKYLINE / SUPPORT SKYLINE	
18	1001256255	1	MOUNT,SKYLINE MAGNET / TOLE MONTAGE AIMANT	
19	1001256342	1	ROPE,SKYLINE ASSEMBLY / CABLE SKYLINE	
20	1001256344	4	BRACKET,LOCK / BRIDE SKYLINE	
21	1001256346	1	PLATE,HINGE SKYLINE / CHAPE SKYLINE	
22	1001256347	1	BLOCK,SKYLINE / PAVE SKYLINE	
25	400099	2	CAP,TUBE / BOUCHON TUBE	

SECTION 5 - PLATFORMS INSTALL / INSTALLATION PLATE-FORMES

FIGURE 5-6. CONSOLE AND CONTAINER INSTALL / INSTALLATION BOITIER DE COMMANDE ET BOITE A OUTILS



ART_1001209934

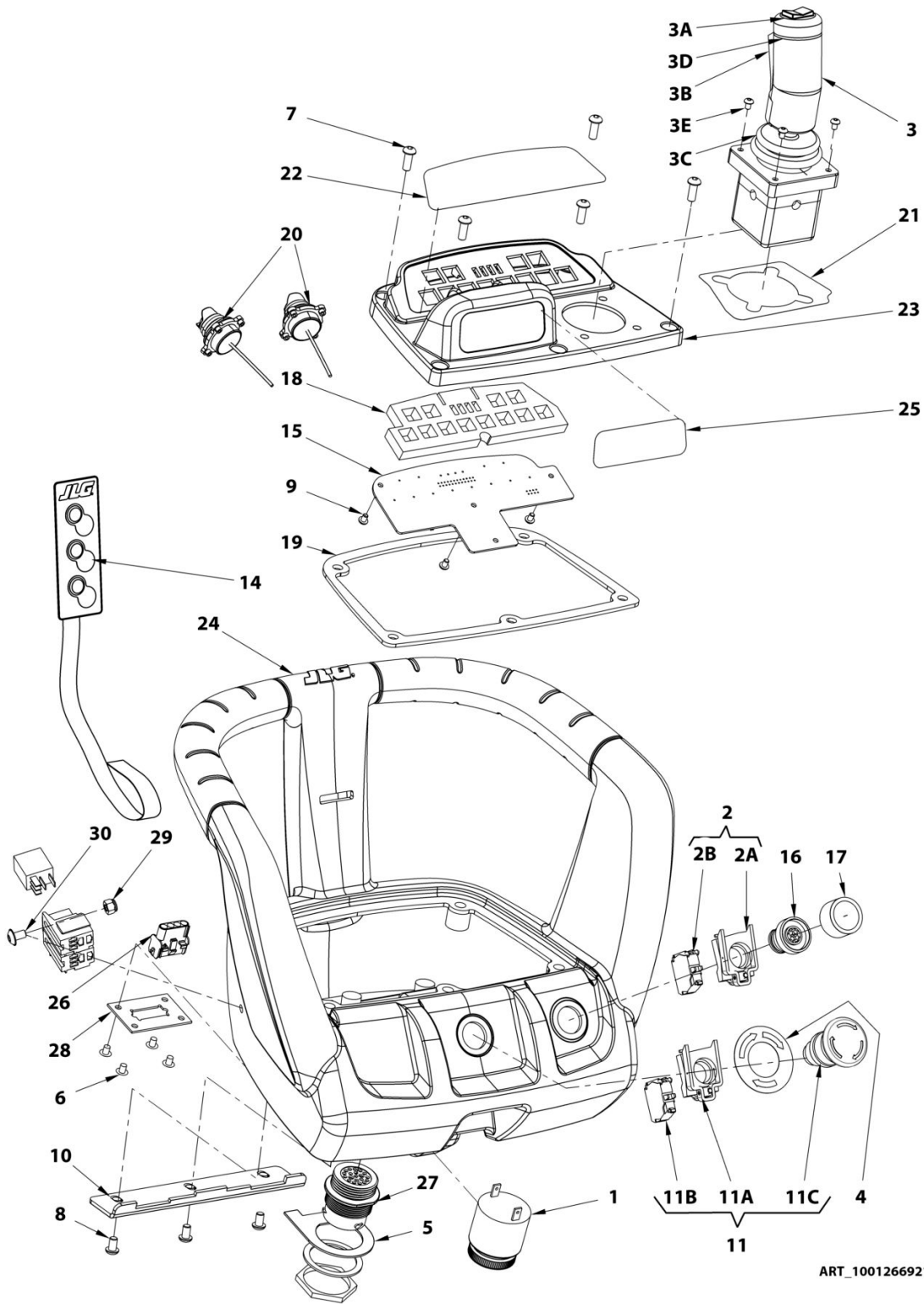
SECTION 5 - PLATFORMS INSTALL / INSTALLATION PLATE-FORMES

FIGURE 5-6. CONSOLE AND CONTAINER INSTALL / INSTALLATION BOITIER DE COMMANDE ET BOITE A OUTILS

ITEM	PART NUMBER	QTY	DESCRIPTION	REV
	1001209934	Ref	INSTALL,UPPER CONTROL BOX / ASSEMBLAGE BOITIER DE COMMANDE	B
1	000008	2	M06x25 8.8 SOCKET HEAD MACH SCREW / VIS CHC M06x25 8.8 BI FT	
2	120004	2	D06X25 LARGE WASHER / RONDELLE dD 06x25x1.2 BI	
3	1001266921	1	ELEC ASSY,PLATFORM CONTROL BOX / ASSEMBLAGE ELECTRIQUE, BOITIER DE COMMANDE	
	SA0020	Ref	INSTALL, CONTAINER STORAGE TRAY / INSTALLATION BOITE A OUTILS	B
101	1580012	1	CONTAINER, STORAGE TRAY / BOITE A OUTILS	
101A	0641406	2	HEX HD CAPSCREW, 1/4-20 x 3/4 LG / VIS H 1/4-20 x 3/4 LG	
101B	4751400	2	WASHER, 1/4" DIA PLAIN STL., WIDE / RONDELLE LARGE D, 1/4"	
101C	4761400	2	WASHER, 1/4" DIA ZINC PLT LOCK / RONDELLE FREIN D, 1/4" BI	

SECTION 5 - PLATFORMS INSTALL / INSTALLATION PLATE-FORMES

FIGURE 5-7. PLATFORM CONSOLE ASSEMBLY / BOITIER HAUT



ART_1001266921

SECTION 5 - PLATFORMS INSTALL / INSTALLATION PLATE-FORMES

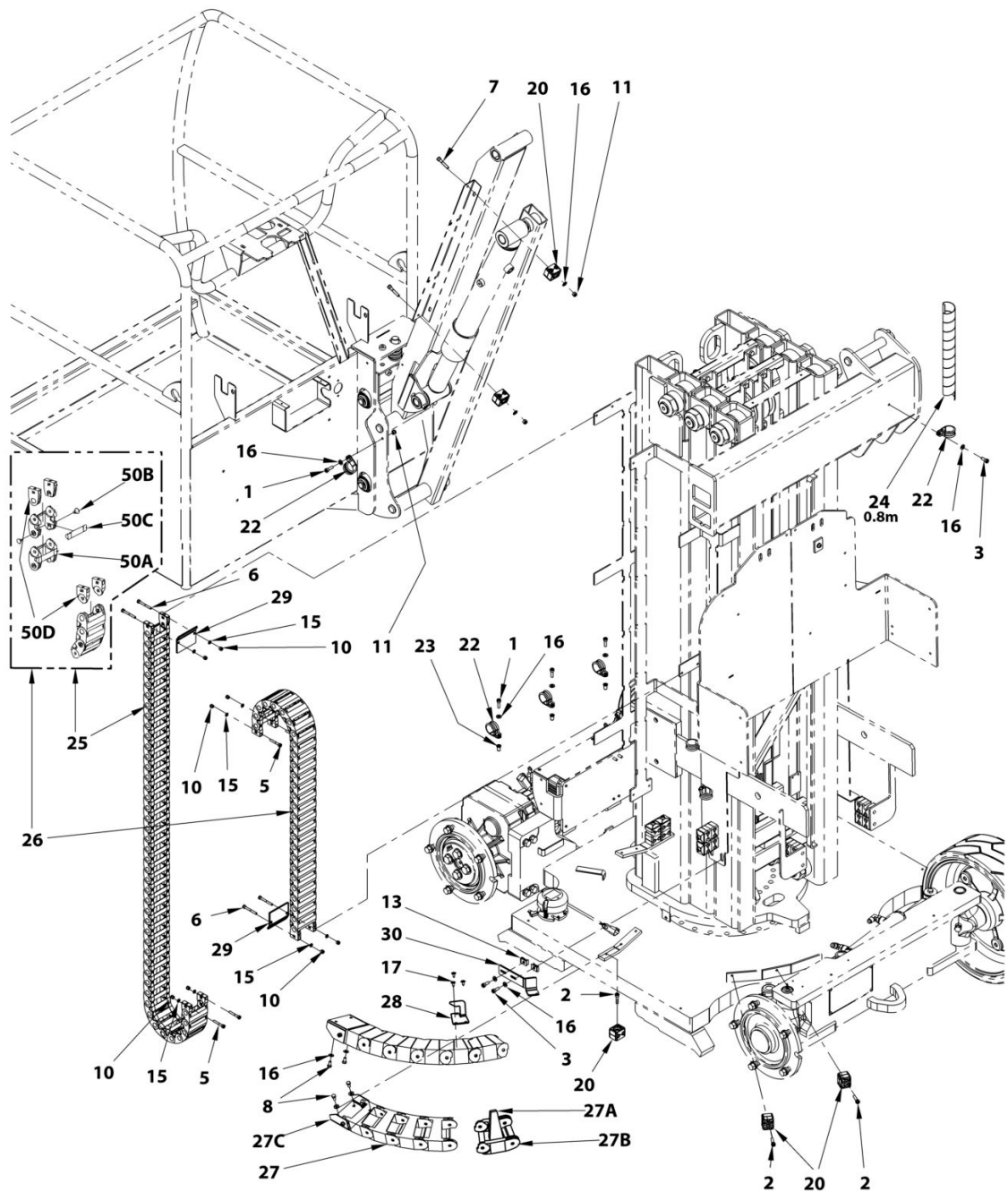
FIGURE 5-7. PLATFORM CONSOLE ASSEMBLY / BOITIER HAUT

ITEM	PART NUMBER	QTY	DESCRIPTION	REV
	1001266921		PLATFORM CONSOLE ASSEMBLY / BOITIER HAUT	B
1	0140011	1	AUDIBLE SIGNAL DEVICE / AVERTISSEUR SONORE	
2	240056	1	NO CONTACT BLOCK WITH HOLDER / EMBASE CONTACT NO	
2A	240076	1	CONTACT BLOCK HOLDER / EMBASE CONTACT	
2B	240058	1	NO CONTACT BLOCK / CONTACT NO	
3	1600458	1	JOYSTICK / JOYSTICK	
3A	70000084	1	CAP, RUBBER BOOT / PROTECTION CAOUTCHOUC	
3A	7027365	1	ACTUATOR HANDLE / ACTIONNEUR A BASCULE	
3B	7027367	1	SWITCH ENABLER / CONTACT VALIDATION	
3B	7027765	1	LEVER ENABLER / GACHETTE VALIDATION	
3C	70000682	1	RUBBER BELLOWS / SOUFFLET CAOUTCHOUC	
3D	7027766	1	BOOT RETAINING RING / ANNEAU DE BLOCAGE	
3E	130062	4	M04x16 8.8 ROUND HEAD MACH SCREW / VIS BOMBEE ULF M04x16 8.8 BI FT	
4	1706898	1	DECAL, EMERGENCY / AUTOCOLLANT ARRET D'URGENCE	
5	3575796	1	PLATE,D SLOT / PLAQUE ANTI-ROTATION	
6	3820019	4	RIVET, POP D4.75 L11.4 / RIVET POP D4.75 L11.4	
7	3900357	5	M06x16 10.9 BUTTON HEAD MACH SCREW / VIS BOMBEE ULF M06x16 10.9 BI FT	
8	3900358	3	M06x10 10.9 BUTTON HEAD MACH SCREW / VIS BOMBEE ULF M06x10 10.9 BI FT	
9	3900359	3	M04x06 10.9 BUTTON HEAD MACH SCREW / VIS BOMBEE ULF M04x06 10.9 BI FT	
10	4340871	1	MOUNT / BRIDE RENFORT	
11	4360562	1	COMPLETE KNOB / ARRET D'URGENCE COMPLET	
11A	240076	1	SWITCH BASE / EMBASE CONTACT	
11B	240057	1	NC CONTACT BLOCK / CONTACT NF	
11C	240060	1	TURN TO RELEASE KNOB / BOUTON D'ARRET D'URGENCE 1/4 TOUR	
14	1001266902	1	MEMBRANE 3 SWITCHES / MEMBRANE A 3 BOUTONS	
15	1001152692	1	CONTROLLER, PLATFORM MODULE / CARTE BOITIER HAUT PROGRAMMEE	
16	1001115919	1	SWITCH, PUSH BUTTON-ENABLE / BP DE VALIDATION	
17	1001117177	1	SWITCH,NEOPRENE BOOT / CAPUCHON D'ETANCHEITE NEOPRENE	
18	1001154560	1	SEAL,FORM SPACER GASKET / JOINT MOUSSE	
19	1001155328	1	SEAL,CONSOLE BOX LID / JOINT FACADE BOITIER HAUT	
20	1001155354	2	THUMB JOYSTICK / MINI JOYSTICK	
21	1001155460	1	DECAL,DRIVE SWING JOYSTICK / AUTOCOLLANT JOYSTICK TRANSLATION	
22	1001155462	1	DECAL,LIGHT PANEL ICON DISPLAY / AUTOCOLLANT INDICATEURS BOITIER HAUT	
23	1001157657	1	PANEL,CONSOLE COVER / PLATINE BOITIER HAUT	
24	1001266925	1	BOX,PLATFORM CONSOLE / BOITIER HAUT	
25	1001208856	1	DECAL,JIB,MAST JOYSTICK / AUTOCOLLANT JOYSTICK MAT ET BRAS	
26	1001208857	1	HARNESS,JOYSTICS / FAISCEAU JOYSTICKS	
27	1001266923	1	HARNESS UCB / FAISCEAU BOITIER HAUT	
28	ST3312	1	PLATE,PLUG MOUNT / PLATINE MONTAGE CONNECTEUR	
29	110003	1	M06 GR. 8.8 LOCK NUT / ECROU FREIN M6 CL08 BI	
30	1001256013	1	SCREW RD HD MACH,M6X10 / VIS TETE RONDE M06x10	

**SECTION 6 - POWER TRACKS AND CLAMPS / INSTALLATION
CHAINES PORTE-CABLES**

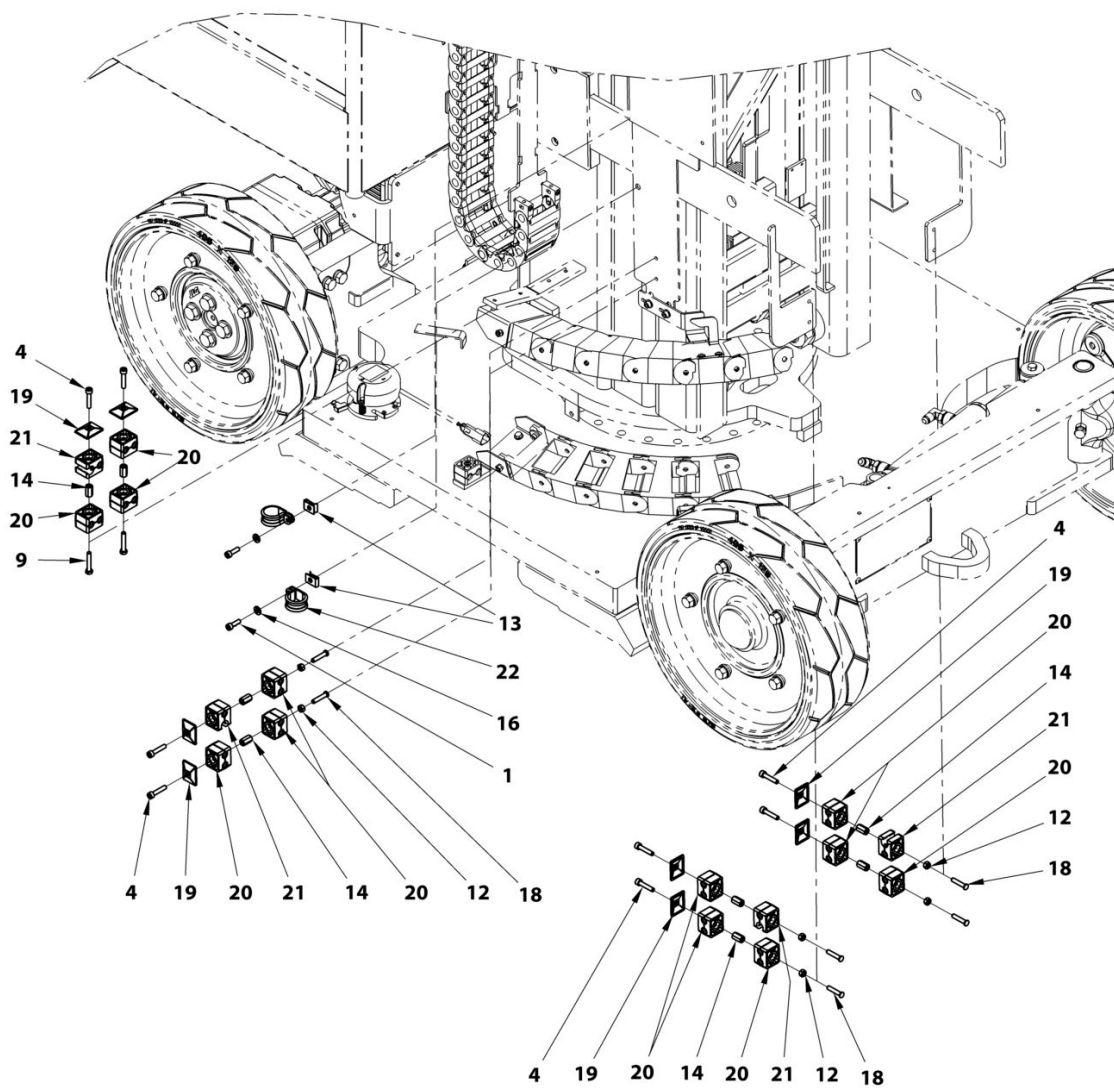
SECTION 6 - POWER TRACKS AND CLAMPS / INSTALLATION CHAINES PORTE-CABLES

FIGURE 6-1. INSTALL, POWER TRACKS AND CLAMPS / INSTALLATION CHAINES PORTE-CABLES



ART_1001209859-1

SECTION 6 - POWER TRACKS AND CLAMPS / INSTALLATION CHAINES PORTE-CABLES



ART_1001209859-2

SECTION 6 - POWER TRACKS AND CLAMPS / INSTALLATION CHAINES PORTE-CABLES

FIGURE 6-1. INSTALL,POWER TRACKS AND CLAMPS / INSTALLATION CHAINES PORTE-CABLES

ITEM	PART NUMBER	QTY	DESCRIPTION	REV
	1001209859	Ref	POWER TRACKS AND CLAMPS INSTALL / INSTALLATION CHAINES PORTE-CABLES	D
1	000005	6	M06x20 8.8 SOCKET HEAD MACH SCREW / VIS CHC M06x20 8.8 BI FT	
2	000008	3	M06x25 8.8 SOCKET HEAD MACH SCREW / VIS CHC M06x25 8.8 BI FT	
3	000015	3	M06x16 8.8 SOCKET HEAD MACH SCREW / VIS CHC M06x16 8.8 BI FT	
4	000016	8	M06x30 8.8 SOCKET HEAD MACH SCREW / VIS CHC M06x30 8.8 BI FT	
5	000030	4	M05x35 8.8 SOCKET HEAD CAPSCREW / VIS CHC M05x35 8.8 ZI FP	
6	000051	4	M05x45 8.8 SOCKET HEAD CAPSCREW / VIS CHC M05x45 8.8 BI FP	
7	000077	2	M06x35 8.8 SOCKET HEAD CAPSCREW / VIS CHC M06x35 8.8 BI FP	
8	100027	4	M06x12 8.8 HEX HEAD MACHINE SCREW / VIS H M06x12 8.8 BI FT	
9	100051	2	M06x35 8.8 HEX HEAD MACHINE SCREW / VIS H M06x35 8.8 BI FT	
10	110002	8	M05 GR. 8.8 LOCK NUT / ECROU FREIN M5 CL08 BI	
11	110003	3	M06 GR. 8.8 LOCK NUT / ECROU FREIN M6 CL08 BI	
12	110015	6	M06 GR. 8.8 HEX NUT / ECROU H M06 CL08 BI	
13	110026	4	M06 CAGE HEX NUT / ECROU CAGE M06	
14	110041	8	NUT,M6 EXTENSION / ECROU RALLONGE M6	
15	120002	8	M05 WASHER / RONDELLE M05 BI	
16	120009	15	LOCK WASHER D06x14 / RONDELLE CONTACT dD 06x14 BI	
17	130007	3	Ø4.8x13 SHEET METAL SCREW / VIS AUTOTARAUDEUSE D4.8-13 BI	
18	130066	6	STUD,SELF-CRIMPING,M6x30 / GOUJON A SERTIR M06x30	
19	400012	8	PAIR 1/2 SHELL PLATE / PLAQUE DE SERRAGE T1	
20	400018	17	CLAMP,TWIN 12-12 PP,BLK / COLLIER DOUBLE D12	
21	400092	4	CLAMP,TWIN 15-12 PP,BLK / COLLIER DOUBLE D12.7 / D15	
22	400096	7	CLAMP,DIA. 28mm / COLLIER D28 mm	
23	1001258232	3	RIVET,NUT M6 / ECROU RIVET M6	
24	400010	0.8 m	HOSE GUARD / GAINE	
25	ST1326	1	POWER TRACK 44L / CHAINE PORTE-CABLES 44M	
26	ST1327	1	POWER TRACK 27L / CHAINE PORTE-CABLES 27M	
27	1001239742	1	CIRCULAR POWER BRIDGE / CHAINE PORTE-CABLES CIRCULAIRE	
27A	1001248511	x	POWER TRACK,COVER / CLIP CHAINE CIRCULAIRE	
27B	1001248510	x	POWER TRACK,LINK / MAILLON CHAINE CIRCULAIRE	
27C	1001248513	x	POWER TRACK,ATTACHMENT / FIXATION CHAINE CIRCULAIRE	
28	1001239741	1	PLATE,POWER TRACK HOOK / SOUTIEN DE CHAINE PORTE-CABLES	
29	ST3219	2	PLATE,CABLES KEEPER / BRIDE DE CABLES	
30	ST3442	1	SUPPORT,POWER TRACKS / SOUTIEN DE CHAINE PORTE-CABLES	
50A	920042	x	POWER TRACKS LINK / MAILLON CHAINE PORTE-CABLES	

SECTION 6 - POWER TRACKS AND CLAMPS / INSTALLATION CHAINES PORTE-CABLES

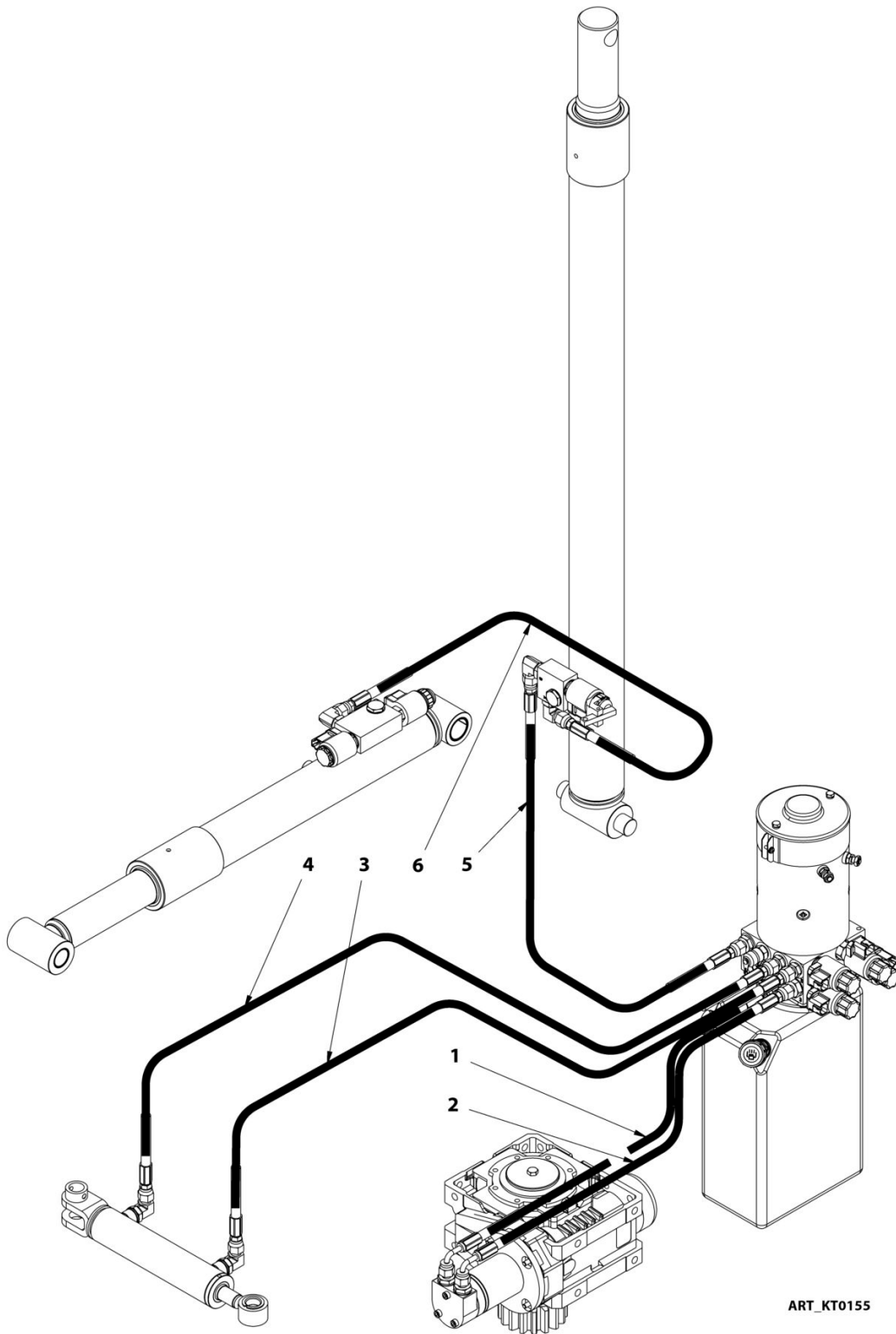
ITEM	PART NUMBER	QTY	DESCRIPTION	REV
50B	920045	x	POWER TRACKS PIN PG305 / AXE CHAINE PORTE-CABLES PG305	
50C	920046	x	POWER TRACKS COVER / CAPOT CHAINE PORTE-CABLES	
50D	920073	x	POWER TRACKS ATTACHMENT KIT SR305 / KIT ATTACHES CHAINE PORTE-CABLES SR305	

SECTION 7 - HYDRAULIC INSTALL / INSTALLATION HYDRAULIQUE

SECTION 7 - HYDRAULIC INSTALL / INSTALLATION HYDRAULIQUE

SECTION 7 - HYDRAULIC INSTALL / INSTALLATION HYDRAULIQUE

FIGURE 7-1. HOSES KIT DIAGRAM / SCHEMA KIT FLEXIBLES



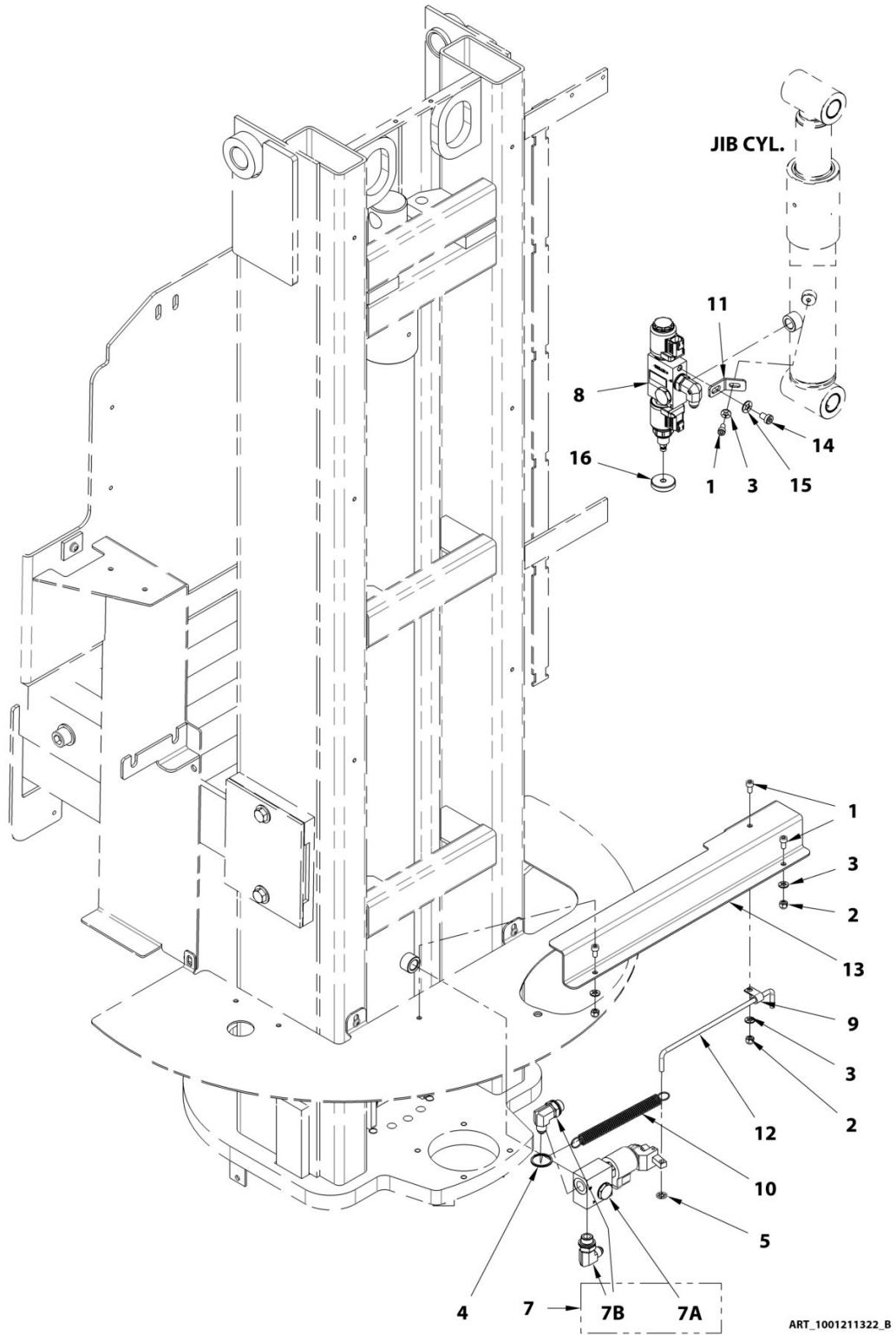
SECTION 7 - HYDRAULIC INSTALL / INSTALLATION HYDRAULIQUE

FIGURE 7-1. HOSES KIT DIAGRAM / SCHEMA KIT FLEXIBLES

ITEM	PART NUMBER	QTY	DESCRIPTION	REV
	KT0155	1	HOSES KIT / KIT FLEXIBLES	A
1	DF0981	1	HOSE 1/4-0205cm-JIC Fem 9/16-JIC Fem 9/16 90° / FLEXIBLE 1/4-0205cm-JIC Fem 9/16-JIC Fem 9/16 90°	
2	DF0982	1	HOSE 1/4-BLUE-0205cm-JIC Fem 9/16-JIC Fem 9/16 90° / FLEXIBLE 1/4-BLEU-0205cm-JIC Fem 9/16-JIC Fem 9/16 90°	
3	DF0050	1	HOSE 1/4-0450cm-JIC Fem 9/16-JIC Fem 9/16 / FLEXIBLE 1/4-0450cm-JIC Fem 9/16-JIC Fem 9/16	
4	DF0983	1	HOSE 1/4-GREEN-0430cm-JIC Fem 9/16-JIC Fem 9/16 / FLEXIBLE 1/4-VERT-0430cm-JIC Fem 9/16-JIC Fem 9/16	
5	DF0002	1	HOSE 5/16-0185cm-JIC Fem 9/16-JIC Fem 9/16 / FLEXIBLE 5/16-0185cm-JIC Fem 9/16-JIC Fem 9/16	
6	DF0984	1	HOSE 5/16-0755cm-JIC Fem 9/16-JIC Fem 9/16 / FLEXIBLE 5/16-0755cm-JIC Fem 9/16-JIC Fem 9/16	

SECTION 7 - HYDRAULIC INSTALL / INSTALLATION HYDRAULIQUE

FIGURE 7-2. CONTROL VALVES INSTALL / INSTALLATION DISTRIBUTEURS



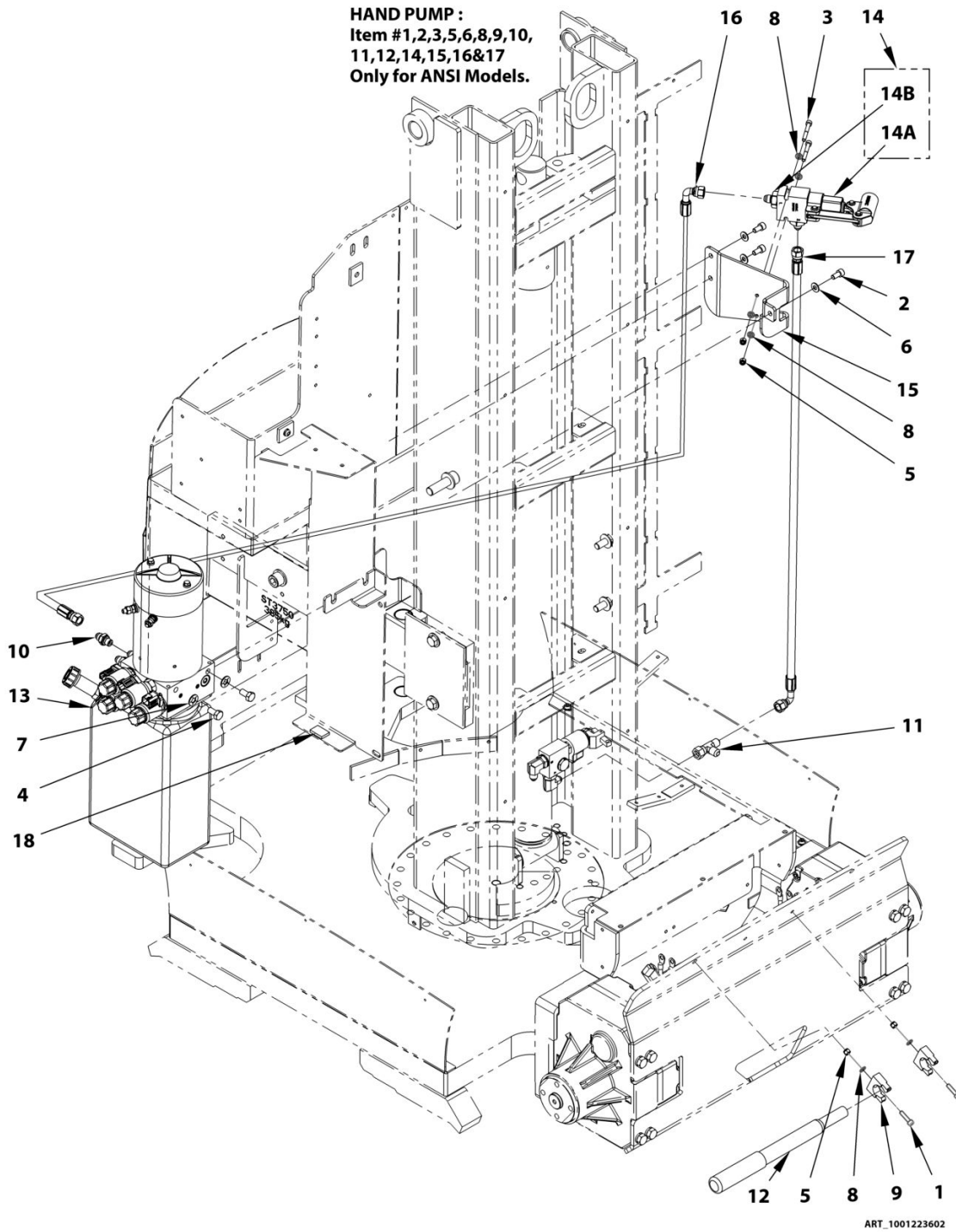
SECTION 7 - HYDRAULIC INSTALL / INSTALLATION HYDRAULIQUE

FIGURE 7-2. CONTROL VALVES INSTALL / INSTALLATION DISTRIBUTEURS

ITEM	PART NUMBER	QTY	DESCRIPTION	REV
	1001211322	Ref	INSTALL,CTL VALVES / INSTALLATION DISTRIBUTEURS	B
1	000014	4	M06x12 8.8 SOCKET HEAD MACH SCREW / VIS CHC M06x12 8.8 BI FT	
2	110003	3	M06 GR. 8.8 LOCK NUT / ECROU FREIN M6 CL08 BI	
3	120009	4	LOCK WASHER D06x14 / RONDELLE CONTACT dD 06x14 BI	
4	140014	1	LOCKING PIN RING / ANNEAU INDEX	
5	140024	1	WASHER-SPEC,PUSH-ON RETAINING D6 / RONDELLE AUTO-BLOQUANTE D6	
7	1001216711	1	VALVE ASSY,MAST CYLINDER / ASSEMBLAGE DISTRIBUTEUR VERIN MAT	
7A	520115	1	VALVE,MAST CYLINDER / DISTRIBUTEUR VERIN MAT	
7B	300061	1	90° ELBOW MALE BSPP 3/8-MALE JIC 9/16 / COUDE 90° MALE BSPP3/8-MALE JIC9/16	
8	1001222936	1	VALVE ASSY,JIB CYLINDER / ASSEMBLAGE DISTRIBUTEUR VERIN BRAS	
9	1321293	1	CLAMP, INSULATED BAND / COLLIER ISOLE	
10	160018	1	SPRING, TRACTION 160 140 1000 I / RESSORT DE TRACTION 160 140 1000 I	
11	1001225530	1	CYLINDER VALVE GUARD / PROTECTION VALVE VERIN	
12	ST3704	1	LINK,MANUAL DESCENT / TIRETTE DE SECOURS	
13	ST3707	1	LINK COVER / PROTECTION TIRETTE	
14	000059	1	M08x12 8.8 SOCKET HEAD MACH SCREW / VIS CHC M08x12 8.8 BI FT	
15	120010	1	LOCK WASHER D08x18 / RONDELLE CONTACT dD 08x18 BI	
16	US0277	1	CYLINDER EMERGENCY BUTTON / BOUTON DE SECOUR VERIN	

SECTION 7 - HYDRAULIC INSTALL / INSTALLATION HYDRAULIQUE

FIGURE 7-3. TANK AND PUMP INSTALL / INSTALLATION GROUPE HYDRAULIQUE



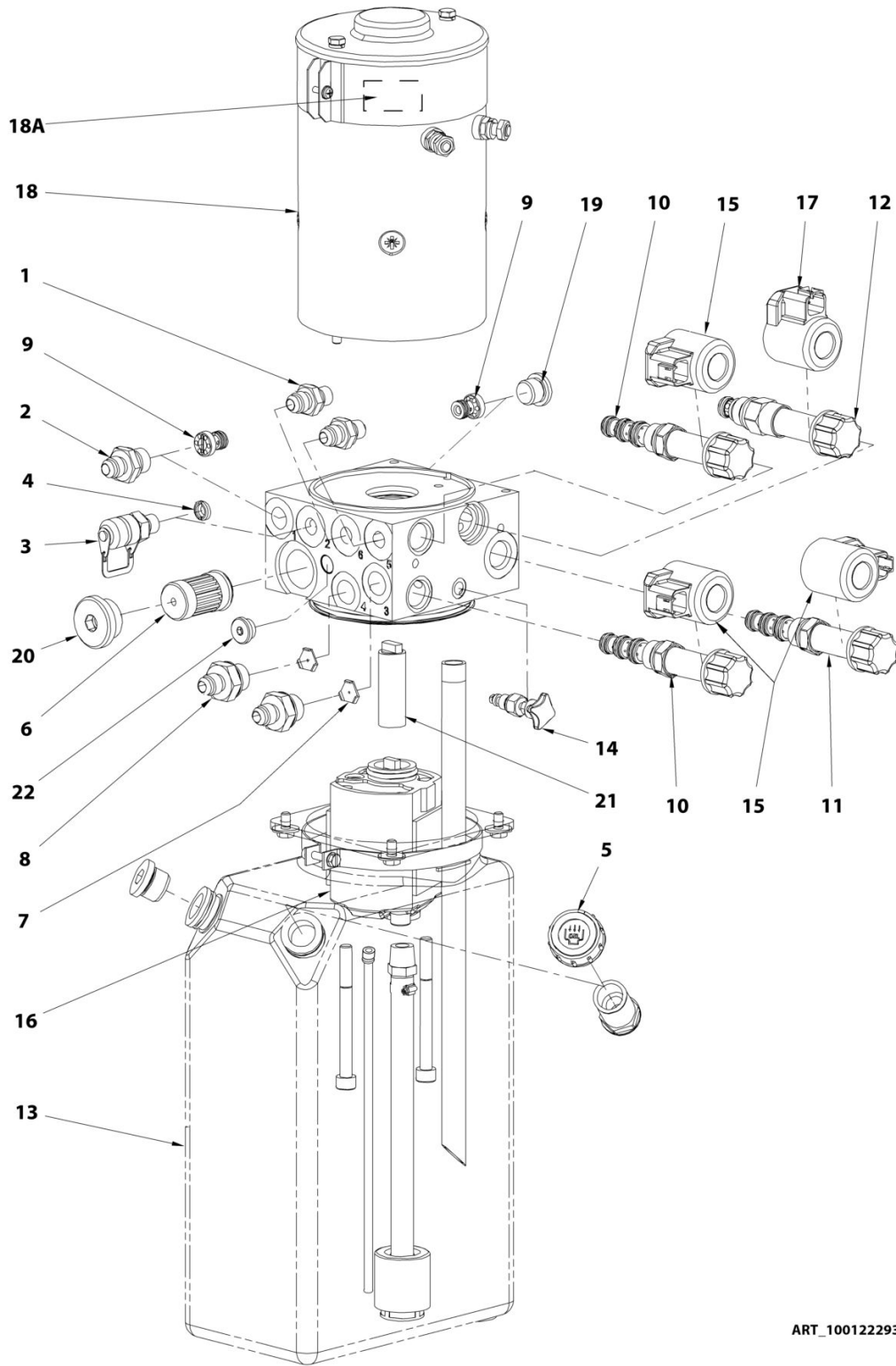
SECTION 7 - HYDRAULIC INSTALL / INSTALLATION HYDRAULIQUE

FIGURE 7-3. TANK AND PUMP INSTALL / INSTALLATION GROUPE HYDRAULIQUE

ITEM	PART NUMBER	QTY	DESCRIPTION	REV
	1001223602	Ref	20E-INSTALL,TANK & PUMP (HAND PUMP) / 20E-INSTALLATION GROUPE (POMPE A MAIN)	A
1	000008	2	M06x25 8.8 SOCKET HEAD MACH SCREW / VIS CHC M06x25 8.8 BI FT	
2	000018	3	M08x16 8.8 SOCKET HEAD MACH SCREW / VIS CHC M08x16 8.8 BI FT	
3	000026	2	M06x50 8.8 SOCKET HEAD CAPSCREW / VIS CHC M06x50 8.8 BI FP	
4	100156	2	M10x20 8.8 HEX HEAD MACHINE SCREW / VIS H M10x20 8.8 BI FT	
5	110003	4	M06 GR. 8.8 LOCK NUT / ECROU FREIN M6 CL08 BI	
6	120010	3	LOCK WASHER D08x18 / RONDELLE CONTACT dD 08x18 BI	
7	120011	2	LOCK WASHER D10x22 / RONDELLE CONTACT dD 10x22 BI	
8	120030	6	LOCK WASHER D06x12 / RONDELLE CONTACT dD 06x12 BI	
9	190027	2	Ø22 CLIP / CLIP Ø22	
10	300025	1	FITTING MALE BSPP1/4-MALE JIC9/16 / RACCORD MALE BSPP1/4-MALE JIC9/16	
11	300037	1	RUN TEE JIC 9/16 SWIVEL NUT / TE ECROU TOURNANT JIC 9/16	
12	310109	1	LEVER,HAND PUMP / MANCHE POMPE A MAIN	
13	1001222935	1	PUMP,MOTOR/TANK / GROUPE HYDRAULIQUE	
14	1001222937	1	PUMP,HAND PUMP ASSEMBLY / ASSEMBLAGE POMPE A MAIN	
14A	1001225624	1	PUMP,HAND PUMP / POMPE A MAIN	
14B	300044	2	FITTING MALE BSPP 1/2-MALE JIC 9/16 / RACCORD MALE BSPP 1/2-MALE JIC 9/16	
15	1001223714	1	PLATE,HAND PUMP SUPPORT / SUPPORT POMPE A MAIN	
16	1001223893	1	HOSE,5/16" 114cm-FEM JIC 9/16-90° FEM JIC 9/16 / FLEXIBLE 5/16" 114cm-FEM JIC 9/16-90° FEM JIC 9/16	
17	1001223897	1	HOSE,5/16" 105cm-FEM JIC 9/16-90° FEM JIC 9/16 / FLEXIBLE 5/16" 105cm-FEM JIC 9/16-90° FEM JIC 9/16	
18	ST3318	1	STOP,RUBBER STICK / BUTEE ELASTIQUE ADHESIVE	
	1001211321	Ref	8E-INSTALL,TANK & PUMP (W/O HAND PUMP) / 8E-INSTALLATION GROUPE (SANS POMPE A MAIN)	B
4	100156	2	M10x20 8.8 HEX HEAD MACHINE SCREW / VIS H M10x20 8.8 BI FT	
7	120011	2	LOCK WASHER D10x22 / RONDELLE CONTACT dD 10x22 BI	
13	1001222935	1	PUMP,MOTOR/TANK / GROUPE HYDRAULIQUE	B
18	ST3318	1	STOP,RUBBER STICK / BUTEE ELASTIQUE ADHESIVE	

SECTION 7 - HYDRAULIC INSTALL / INSTALLATION HYDRAULIQUE

FIGURE 7-4. TANK AND PUMP / GROUPE HYDRAULIQUE



ART_1001222935

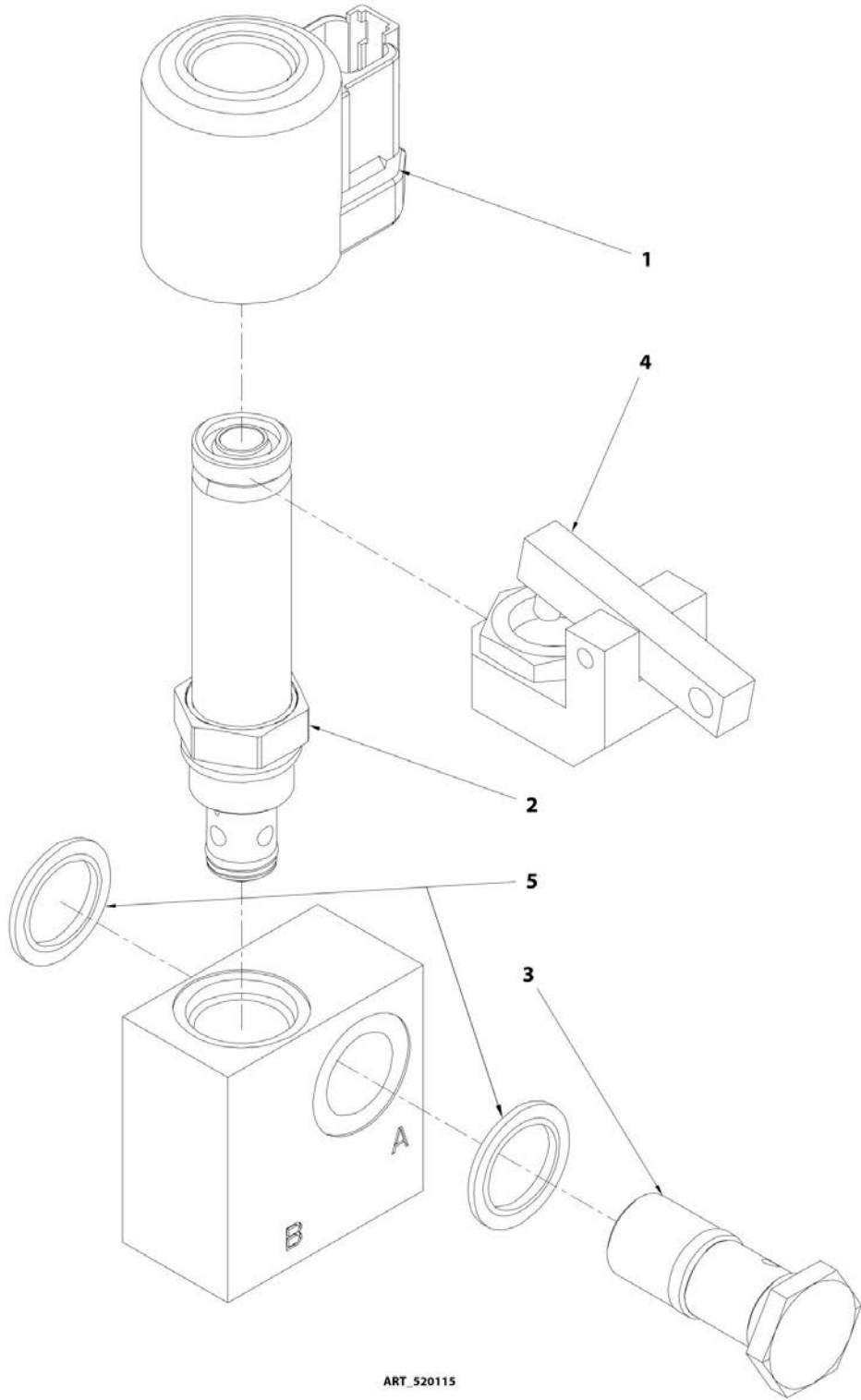
SECTION 7 - HYDRAULIC INSTALL / INSTALLATION HYDRAULIQUE

FIGURE 7-4. TANK AND PUMP / GROUPE HYDRAULIQUE

ITEM	PART NUMBER	QTY	DESCRIPTION	REV
	1001222935		PUMP, -MOTOR-TANK ASSEMBLY / GROUPE HYDRAULIQUE	C
1	300025	2	FITTING MALE BSPP1/4-MALE JIC9/16 / RACCORD MALE BSPP1/4-MALE JIC9/16	
2	300040	1	FITTING MALE BSPP3/8 MALE JIC9/16 / RACCORD MALE BSPP3/8 MALE JIC9/16	
3	300101	1	PRESSURE TEST PLUG BSPP1/4 / PRISE DE PRESSION BSPP1/4	
4	310091	1	SEEVE 1/4 BSPP MESH 0.1mm / TAMIS 1/4 BSPP MAILLE 0.1mm	
5	310103	1	BREATHER CAP / BOUCHON-RENIFLARD	
6	930134	1	FILTER, CARTRIDGE,10µm / ELEMENT FILTRANT 10µm	
7	930135	2	VALVE, JET / LIMITEUR DE DEBIT	
8	930136	2	ADPT, ST S JIC/MPP 6-M18 FG / RACCORD M18x150 JIC 9/16	
9	930138	2	CHECK VALVE / CLAPET A BILLE	
10	952094	2	4/2 SOLENOÏD DIRECTIONAL VALVEWK08Z / DISTRIBUTEUR 4/2 WK08Z	
11	952095	1	4/2 SOLENOÏD DIRECTIONAL VALVEWK08Y / DISTRIBUTEUR 4/2 WK08Y	
12	952096	1	PROPORTIONAL RELIEF VALVE-PDB08P / LIMITEUR DE PRESSION PROPORTIONNEL PDB08P	
13	952097	1	TANK, PLASTIC_6 LITERS / RESERVOIR PLASTIQUE 6 Litres	
14	952098	1	VALVE, NEEDLE,BUILD_IN / ROBINET	
15	952099	3	COIL, 24VDC_3012599 / BOBINE 24VDC_3012599	
16	952100	1	PUMP, GEAR PUMP 3, 1CC/REV / POMPE 3.1CC/Tr	
17	952101	1	COIL, 24VADC_3110057 / BOBINE 24VADC_3110057	
18	970065	1	MOTOR, 24VDC 3KW, AMK5542 / MOTEUR, 24VDC 3KW,AMK5542	
18A	951034	1	BRUSH KIT FOR AMK 5542 / KIT BALAIS DE CHARBON AMK 5542	
19	300047	1	CAP BSPP 3/8 / BOUCHON BSPP 3/8	
20	952108	1	FITTING,CAP M27x0.75 / BOUCHON M27x0.75	
21	1001215691	1	COUPLING,PUMP / MOTOR / ACCOUPLEMENT POMPE / MOTEUR	
22	300034	1	CAP MALE BSPP 1/4" / BOUCHON MALE BSPP 1/4"	

SECTION 7 - HYDRAULIC INSTALL / INSTALLATION HYDRAULIQUE

FIGURE 7-5. VALVE ASSY,MAST CYLINDER / ASSEMBLAGE DISTRIBUTEUR VERIN MAT



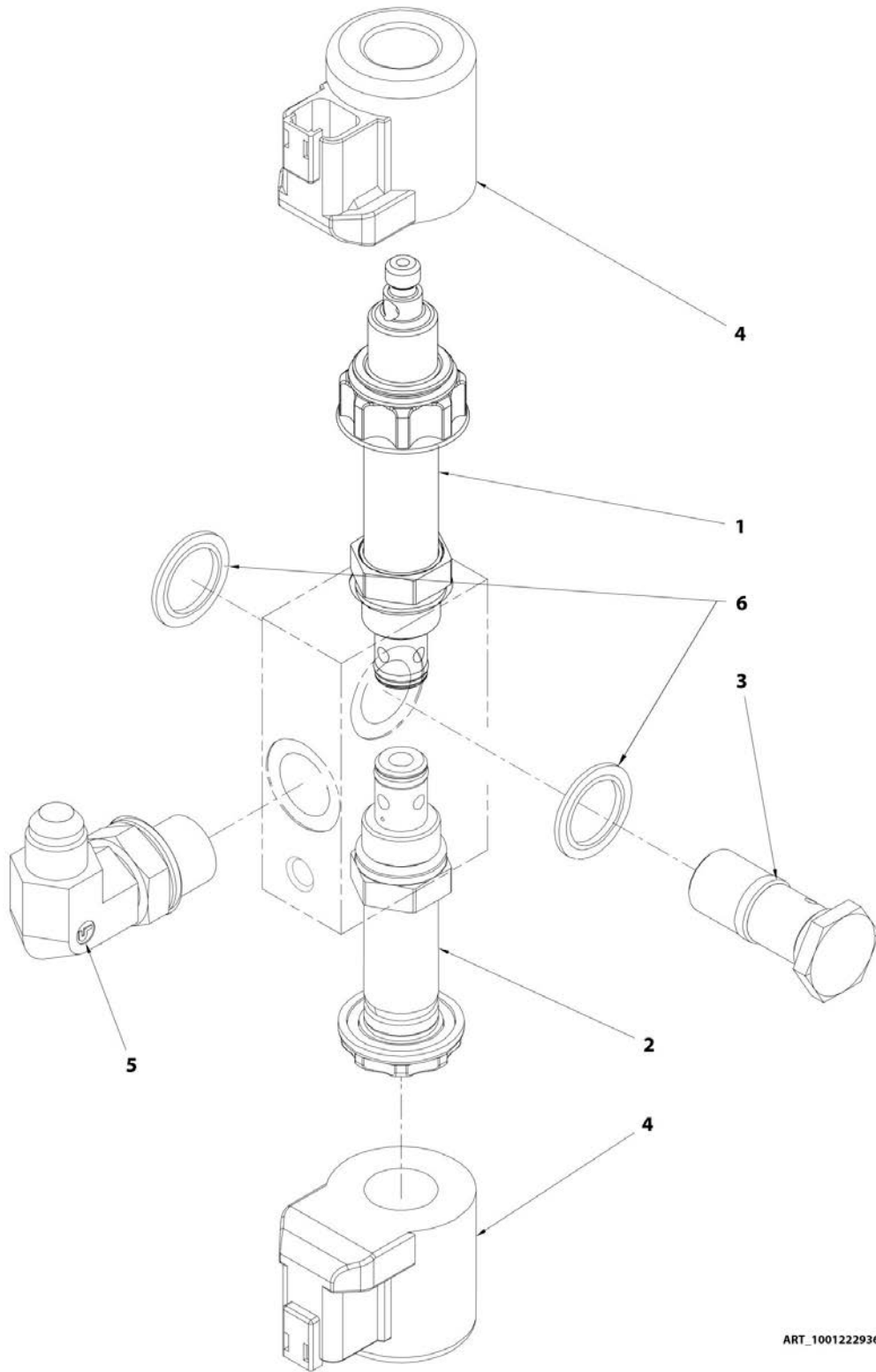
SECTION 7 - HYDRAULIC INSTALL / INSTALLATION HYDRAULIQUE

FIGURE 7-5. VALVE ASSY,MAST CYLINDER / ASSEMBLAGE DISTRIBUTEUR VERIN MAT

ITEM	PART NUMBER	QTY	DESCRIPTION	REV
	520115		VALVE, CYL. HOLDING WITH FLOW REGULATOR / DIST. VERIN AVEC REGULATEUR DE DEBIT	C
1	952099	1	COIL, 24VDC_3012599 / BOBINE 24VDC_3012599	
2	952102	1	2/2 SOLENOÏD DIRECTIONAL VALVE / DISTRIBUTEUR 2/2 WS08W	
3	952104	1	VALVE, FLOW REGULATOR-9L/MN / REGULATEUR DE DEBIT 9L/MN	
4	952106	1	MANUAL OVERRIDE SUPPORT, / COMMANDE MANUELLE	
5	952107	2	BS RING_HN48-10-U 16x24.7x1.5 St/NBR / BAGUE BS HN48-10- U 16x24.7x1.5 St/NBR	

SECTION 7 - HYDRAULIC INSTALL / INSTALLATION HYDRAULIQUE

FIGURE 7-6. VALVE ASSY, JIB CYLINDER / ASSEMBLAGE DISTRIBUTEUR VERIN BRAS



ART_1001222936

SECTION 7 - HYDRAULIC INSTALL / INSTALLATION HYDRAULIQUE

FIGURE 7-6. VALVE ASSY,JIB CYLINDER / ASSEMBLAGE DISTRIBUTEUR VERIN BRAS

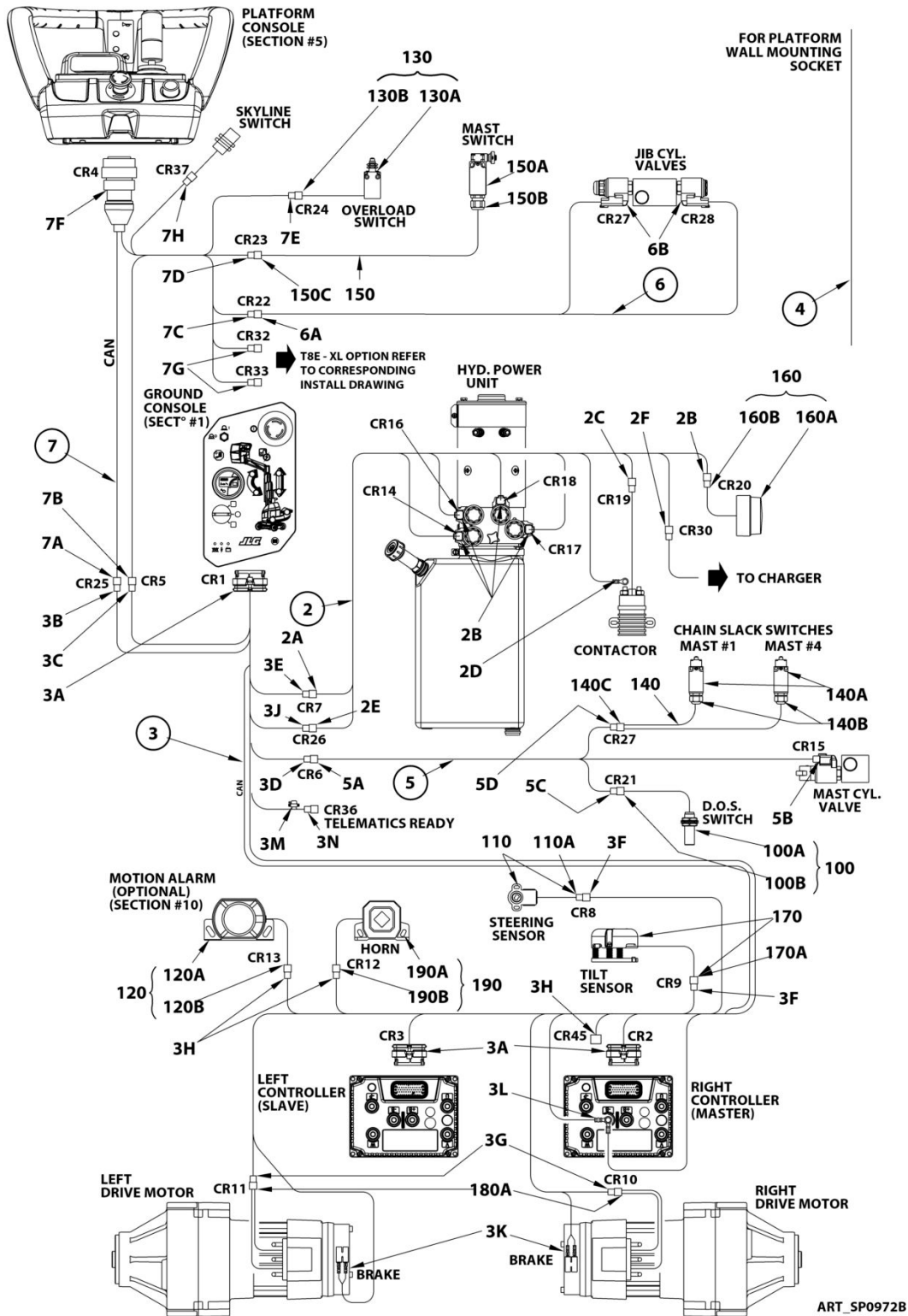
ITEM	PART NUMBER	QTY	DESCRIPTION	REV
	1001222936	1	VALVE ASSY,JIB CYLINDER / ASSEMBLAGE DISTRIBUTEUR VERIN BRAS	A
1	1001225133	1	DIRECTIONAL VALVE 2/2 NC / VALVE DIRECTIONNELLE 2/2 NC	
2	1001225159	1	DIRECTIONAL VALVE 2/2 NC / VALVE DIRECTIONNELLE 2/2 NC	
3	1001225157	1	SCREW SRH G3/8 / VIS SRH G3/8	
4	952099	2	COIL, 24VDC_3012599 / BOBINE 24VDC_3012599	
5	300061	1	90° ELBOW MALE BSPP 3/8-MALE JIC 9/16 / COUDE 90° MALE BSPP3/8-MALE JIC9/16	
6	952107	2	BS RING_HN48-10-U 16x24.7x1.5 St/NBR / BAGUE BS HN48-10-U 16x24.7x1.5 St/NBR	

SECTION 8 - ELECTRICAL SYSTEM INSTALL / INSTALLATION ELECTRIQUE

**SECTION 8 - ELECTRICAL SYSTEM INSTALL / INSTALLATION
ELECTRIQUE**

SECTION 8 - ELECTRICAL SYSTEM INSTALL / INSTALLATION ELECTRIQUE

FIGURE 8-1. CABLES AND SWITCHES INSTALL DIAGRAM / DIAGRAMME D'INSTALLATION CABLES ET CAPTEURS



SECTION 8 - ELECTRICAL SYSTEM INSTALL / INSTALLATION ELECTRIQUE

**FIGURE 8-1. CABLES AND SWITCHES INSTALL DIAGRAM / DIAGRAMME D'INSTALLATION
CABLES ET CAPTEURS**

ITEM	PART NUMBER	QTY	DESCRIPTION	REV
	1001211439	Ref	INSTALL,CABLES / INSTALLATION CABLES	B
1	1001213727	Ref	KIT,POWER CABLES (SEE NEXT FIGURE) / KIT CABLES PUISSANCE (VOIR FIGURE SUIVANTE)	B
2	1001213728	1	HARNESS,HYDRAULIC UNIT / FAISCEAU CENTRALE HYDRAULIQUE	A
2A	4460931	1	CONNECTOR, DEUTSCH DT 8P RECEPTACLE / CONNECTEUR DEUTSCH DT 8P FEMELLE	
2A	4460464	8	CONTACT DEUTSCH DT PIN / CONTACT DEUTSCH DT MALE	
2B	4460891	5 x1	CONNECTOR, DEUTSCH DT 2P PLUG / CONNECTEUR DEUTSCH DT 2P MALE	
2B	4460465	5 x2	CONTACT DEUTSCH DT SOCKET / CONTACT DEUTSCH DT FEMELLE	
2C	4460897	1	CONNECTOR, DEUTSCH DT 2P RECEPTACLE / CONNECTEUR DEUTSCH DT 2P FEMELLE	
2C	4460464	2	CONTACT DEUTSCH DT PIN / CONTACT DEUTSCH DT MALE	
2D	250084	1	M8 EYELET TERMINAL 0.25-1mm ² / COSSE A OEIL ISOLEE M8 - 0.25-1mm ²	
2E	250026	1	RED RECEPTACLE TERM. 6.3 - 0.5-1.2mm ² / COSSE FEMELLE 6.3 ROUGE - 0.5-1.2mm ²	
2F	NOT SERVICEABLE	1	TERMINAL,INSULATE FASTON TAB 1/4- 0.5-1.2mm ² / COSSE MALE 1/4 ROUGE - 0.5-1.2mm ²	
3	1001213729	1	HARNESS,CHASSIS / FAISCEAU CHASSIS	D
3A	4460873	3 x1	CONNECTOR, HOUSING AMP 35P / CONNECTEUR AMP 35P	
3A	4460871	3 x35	CONTACT AMPSEAL, SOCKET / CONTACT AMPSEAL, FEMELLE	
3B	4460539	1	CONNECTOR, DEUTSCH DT 3P PLUG / CONNECTEUR DEUTSCH DT 3P MALE	
3B	4460944	3	TERMINAL,16-18 GA SOCKET (GOLD) / CONTACT DUTSCH DT FEMMELLE (OR)	
3C	4460933	1	CONNECTOR, DEUTSCH DT 12P PLUG / CONNECTEUR DEUTSCH DT 12P MALE	
3C	4460465	12	CONTACT DEUTSCH DT SOCKET / CONTACT DEUTSCH DT FEMELLE	
3D	4460894	1	CONNECTOR, DEUTSCH DT 6P PLUG / CONNECTEUR DEUTSCH DT 6P MALE	
3D	4460465	6	CONTACT DEUTSCH DT SOCKET / CONTACT DEUTSCH DT FEMELLE	
3E	4460930	1	CONNECTOR, DEUTSCH DT 8P PLUG / CONNECTEUR DEUTSCH DT 8P MALE	
3E	4460465	8	CONTACT DEUTSCH DT SOCKET / CONTACT DEUTSCH DT FEMELLE	
3F	4460539	2 x1	CONNECTOR, DEUTSCH DT 3P PLUG / CONNECTEUR DEUTSCH DT 3P MALE	
3F	4460465	2 x3	CONTACT DEUTSCH DT SOCKET / CONTACT DEUTSCH DT FEMELLE	
3G	250227	2 x1	CONNECTOR, DEUTSCH DTM 6P PLUG / CONNECTEUR DEUTSCH DTM 6P MALE	
3G	4460928	2 x6	CONTACT DEUTSCH DTM, SOCKET / CONTACT DEUTSCH DTM FEMELLE	
3H	4460891	3 x1	CONNECTOR, DEUTSCH DT 2P PLUG / CONNECTEUR	

SECTION 8 - ELECTRICAL SYSTEM INSTALL / INSTALLATION ELECTRIQUE

ITEM	PART NUMBER	QTY	DESCRIPTION	REV
3H	4460465	3 x2	DEUTSCH DT 2P MALE CONTACT DEUTSCH DT SOCKET / CONTACT DEUTSCH DT FEMELLE	
3J	NOT SERVICEABLE	1	TERMINAL,INSULATE FASTON TAB 1/4- 0.5-1.2mm ² / COSSE MALE 1/4 ROUGE - 0.5-1.2mm ²	
3K	250060	4	RECEPTACLE TERMINAL 4.8 - 0.25-1mm ² / COSSE ISOLEE 4.8 mm 0.25-1 mm ²	
3L	250091	2	M6 EYELET TERMINAL 1-2.5mm ² / COSSE A OEIL ISOLEE M6 - 1-2.5mm ²	
3M	2400060	1	FUSE,HOLDER W/COVER / PORTE FUSIBLE	
3M	8229242	1	FUSE,5 A MINI / FUSIBLE 5A	
3N	4460884	1	PLUG,4-PIN CONNECTOR / CONNECTEUR 4 BROCHES	
3N	4460465	4	CONTACT DEUTSCH DT SOCKET / CONTACT DEUTSCH DT FEMELLE	
3N	1001192401	1	CONNECTOR,DUST CAP / PROTECTION CONNECTEUR	
4	270059	10.5 m	CABLE 3G2.5mm² Color leads (qty in meters) / CABLE 3G2.5mm² coloré (qté en mètre)	
5	PC0488	1	HARNESS, TURNTABLE / FAISCEAU MAT 1	A
5A	4460899	1	CONNECTOR, DEUTSCH DT 6P RECEPTACLE / CONNECTEUR DEUTSCH DT 6P FEMELLE	
5A	4460464	5	CONTACT DEUTSCH DT PIN / CONTACT DEUTSCH DT MALE	
5B	4460891	1	CONNECTOR, DEUTSCH DT 2P PLUG / CONNECTEUR DEUTSCH DT 2P MALE	
5B	4460465	2	CONTACT DEUTSCH DT SOCKET / CONTACT DEUTSCH DT FEMELLE	
5C	4461077	1	CONNECTOR, DEUTSCH DTM 4P PLUG / CONNECTEUR DEUTSCH DTM 4P MALE	
5C	4460928	3	CONTACT DEUTSCH DTM, SOCKET / CONTACT DEUTSCH DTM FEMELLE	
5D	4460932	1	CONNECTOR, DEUTSCH DT 4P RECEPTACLE / CONNECTEUR DEUTSCH DT 4P FEMELLE	
5D	4460464	4	CONTACT DEUTSCH DT PIN / CONTACT DEUTSCH DT MALE	
6	PC0524	1	HARNESS, JIB VALVES / FAISCEAU ELECTROVANNE BRAS	B
6A	4460536	1	CONNECTOR, DEUTSCH DT 3P RECEPTACLE / CONNECTEUR DEUTSCH DT 3P FEMELLE	
6A	4460464	3	CONTACT DEUTSCH DT PIN / CONTACT DEUTSCH DT MALE	
6B	4460891	2 x1	CONNECTOR, DEUTSCH DT 2P PLUG / CONNECTEUR DEUTSCH DT 2P MALE	
6B	4460465	2 x2	CONTACT DEUTSCH DT SOCKET / CONTACT DEUTSCH DT FEMELLE	
7	1001267255	1	HARNESS,PLATFORM CONSOLE / FAISCEAU BOITIER HAUT	B
7A	4460536	1	CONNECTOR, DEUTSCH DT 3P RECEPTACLE / CONNECTEUR DEUTSCH DT 3P FEMELLE	
7A	4460943	3	TERMINAL,16-18 GA PIN (GOLD) / CONTACT DEUTSCH DT MALE (OR)	
7B	4460970	1	CONNECTOR, DEUTSCH DT 12P RECEPTACLE / CONNECTEUR DEUTSCH DT 12P FEMELLE	
7B	4460464	12	CONTACT DEUTSCH DT PIN / CONTACT DEUTSCH DT MALE	
7C	4460539	1	CONNECTOR, DEUTSCH DT 3P PLUG / CONNECTEUR DEUTSCH DT 3P MALE	
7C	4460465	3	CONTACT DEUTSCH DT SOCKET / CONTACT DEUTSCH DT FEMELLE	

SECTION 8 - ELECTRICAL SYSTEM INSTALL / INSTALLATION ELECTRIQUE

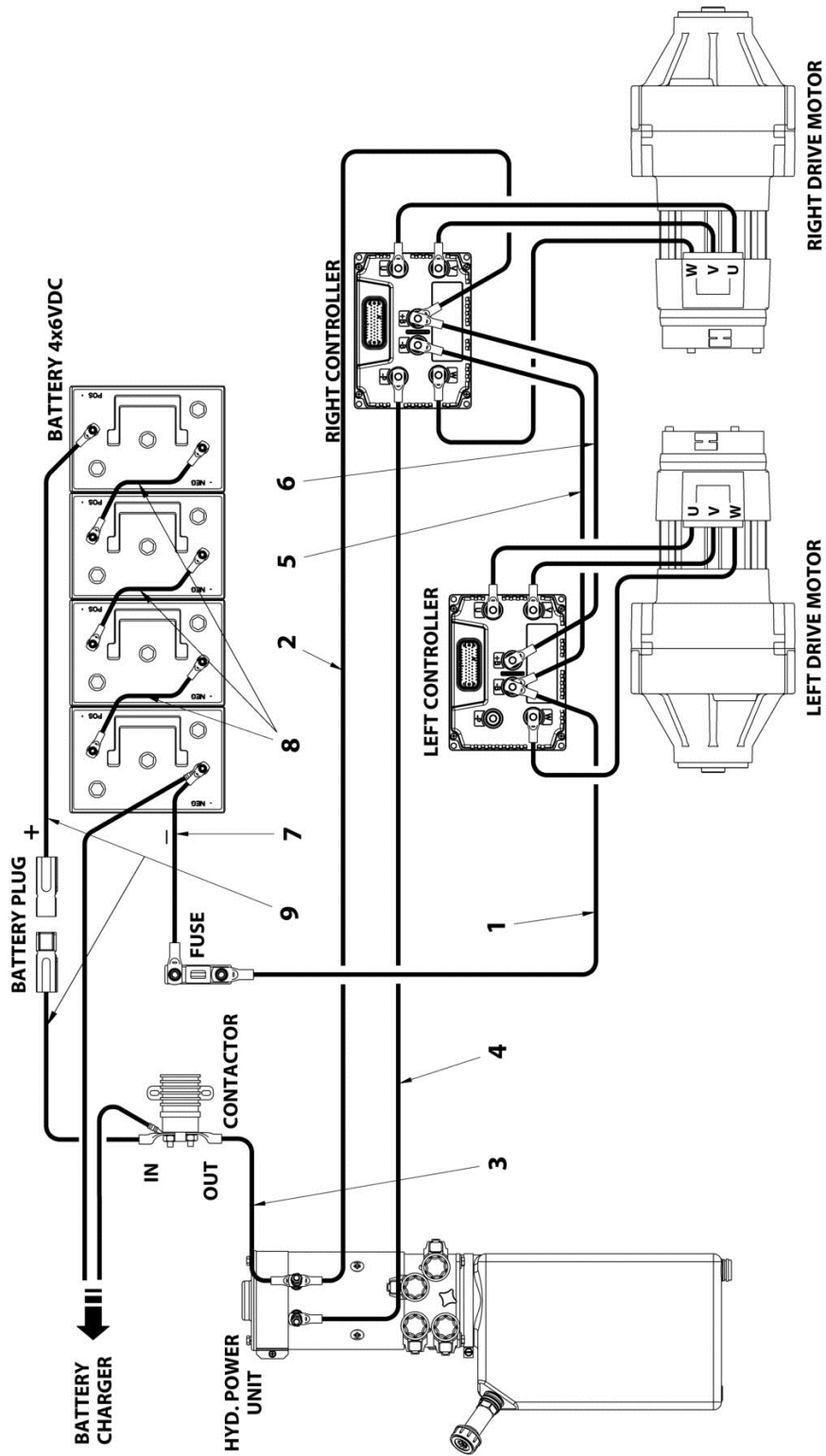
ITEM	PART NUMBER	QTY	DESCRIPTION	REV
7D	4460899	1	CONNECTOR, DEUTSCH DT 6P RECEPTACLE / CONNECTEUR DEUTSCH DT 6P FEMELLE	
7D	4460464	6	CONTACT DEUTSCH DT PIN / CONTACT DEUTSCH DT MALE	
7E	4460932	1	CONNECTOR, DEUTSCH DT 4P RECEPTACLE / CONNECTEUR DEUTSCH DT 4P FEMELLE	
7E	4460464	4	CONTACT DEUTSCH DT PIN / CONTACT DEUTSCH DT MALE	
7F	1001267665	1	CONNECTOR, DEUTCH HDP 20P / CONNECTEUR DEUTSCH HDP 20P MALE	
7F	1001116694	13	CONTACT DEUTSCH DTM SOCKET / CONTACT DEUTSCH DTM FEMELLE	
7F	1001119619	2	CONTACT DEUTSCH DTM SOCKET (GOLD) / CONTACT DEUTSCH DTM FEMELLE (OR)	
7F	1001116692	2	CONTACT DEUTSCH DT SOCKET / CONTACT DEUTSCH DT FEMELLE	
7F	4460916	3	SEAL PLUG DTM / BOUCHON JOINT DTM	
7G	4460536	2	CONNECTOR, DEUTSCH DT 3P RECEPTACLE / CONNECTEUR DEUTSCH DT 3P FEMELLE	
7G	4460464	6	CONTACT DEUTSCH DT PIN / CONTACT DEUTSCH DT MALE	
7H	4461077	1	CONNECTOR, DEUTSCH DTM 4P PLUG / CONNECTEUR DEUTSCH DTM 4P MALE	
7H	1001126009	4	CONTACT DEUTSCH DTM, SOCKET (GOLD) / CONTACT DEUTSCH DTM FEMELLE (OR)	
100	4000008	1	PROXIMITY SENSOR ASSEMBLY / FAISCEAU DETECTEUR DE PROXIMITE	B
100A	4000007	1	SENSOR, PROXIMITY / DETECTEUR DE PROXIMITE	
100B	4461076	1	CONNECTOR, DEUTSCH DTM 4P RECEPTACLE / CONNECTEUR DEUTSCH DTM 4P FEMELLE	
100B	4460917	4	CONTACT DEUTSCH DTM, GOLD PIN / CONTACT DEUTSCH DTM MALE DORE	
110	4360505	1	ROTARY ANGLE SENSOR / CAPTEUR D'ANGLE	C
110A	4460536	1	CONNECTOR, DEUTSCH DT 3P RECEPTACLE / CONNECTEUR DEUTSCH DT 3P FEMELLE	
110A	4460464	3	CONTACT DEUTSCH DT PIN / CONTACT DEUTSCH DT MALE	
120	PC0466	1	HARNESS, MOTION ALARM / FAISCEAU ALARME DE MOUVEMENT	A
120A	260275	1	ACCOUSTIC MOTION ALARM / ALARME DE MOUVEMENT SONORE	
120B	4460897	1	CONNECTOR, DEUTSCH DT 2P RECEPTACLE / CONNECTEUR DEUTSCH DT 2P FEMELLE	
120B	4460464	2	CONTACT DEUTSCH DT PIN / CONTACT DEUTSCH DT MALE	
130	PC0468	1	HARNESS, LOAD SENSING SWITCH / FAISCEAU CAPTEUR DE SURCHARGE	B
130A	260321	1	LIMIT SWITCH, SNAP ACTION / DETECTEUR DE POSITION A POUSSOIR	
130B	4460884	1	CONNECTOR, DEUTSCH DT 4P PLUG / CONNECTEUR DEUTSCH DT 4P MALE	
130B	4460465	4	CONTACT DEUTSCH DT SOCKET / CONTACT DEUTSCH DT FEMELLE	
140	PC0526	1	HARNESS, CHAIN SLACK SWITCHES / FAISCEAU CAPTEURS MOU DE CHAINE	B
140A	260327	2	SWITCH NO NC / CAPTEUR NO NF	

SECTION 8 - ELECTRICAL SYSTEM INSTALL / INSTALLATION ELECTRIQUE

ITEM	PART NUMBER	QTY	DESCRIPTION	REV
140B	210018	2	GLAND N°11 / PRESSE ETOUPE N°11	
140C	4460884	1	CONNECTOR, DEUTSCH DT 4P PLUG / CONNECTEUR DEUTSCH DT 4P MALE	
140C	4460465	4	CONTACT DEUTSCH DT SOCKET / CONTACT DEUTSCH DT FEMELLE	
150	PC0527	1	HARNESS, MAST LIMIT SWITCH / FAISCEAU CAPTEUR DE MAT	B
150A	260323	1	NO/NC SWITCH / CAPTEUR NO/NF	
150B	210018	1	GLAND N°11 / PRESSE ETOUPE N°11	
150C	4460894	1	CONNECTOR, DEUTSCH DT 6P PLUG / CONNECTEUR DEUTSCH DT 6P MALE	
150C	4460465	5	CONTACT DEUTSCH DT SOCKET / CONTACT DEUTSCH DT FEMELLE	
160	PC0534	1	HARNESS, BEACON / FAISCEAU FEU A ECLATS	A
160A	260329	1	FLASHING LIGHT / FEU A ECLATS	
160B	4460897	1	CONNECTOR, DEUTSCH DT 2P RECEPTACLE / CONNECTEUR DEUTSCH DT 2P FEMELLE	
160B	4460464	2	CONTACT DEUTSCH DT PIN / CONTACT DEUTSCH DT MALE	
170	1001213835	1	SENSOR, TILT 2.4° / DETECTEUR DE DEVERS 2.4°	A
170A	4460536	1	CONNECTOR, DEUTSCH DT 3P RECEPTACLE / CONNECTEUR DEUTSCH DT 3P FEMELLE	
170A	4460464	3	CONTACT DEUTSCH DT PIN / CONTACT DEUTSCH DT MALE	
180	1001245202	2	DRIVE GEAR MOTOR / MOTOREDUCTEUR DE ROUE	B
180A	250230	2 x1	CONNECTOR, DEUTSCH DTM 6P HOUSING / CONNECTEUR DEUTSCH DTM 6P FEMELLE	
180A	4460917	2 x6	CONTACT DEUTSCH DTM, GOLD PIN / CONTACT DEUTSCH DTM MALE DORE	
190	PC0491	1	HARNESS, HORN / FAISCEAU AVERTISSEUR SONORE	A
190A	260274	1	HORN / KLAXON	
190B	4460897	1	CONNECTOR, DEUTSCH DT 2P RECEPTACLE / CONNECTEUR DEUTSCH DT 2P FEMELLE	
190B	4460464	2	CONTACT DEUTSCH DT PIN / CONTACT DEUTSCH DT MALE	

SECTION 8 - ELECTRICAL SYSTEM INSTALL / INSTALLATION ELECTRIQUE

FIGURE 8-2. KIT, POWER CABLES / KIT CABLES DE PUISSANCE



ART_1001213727

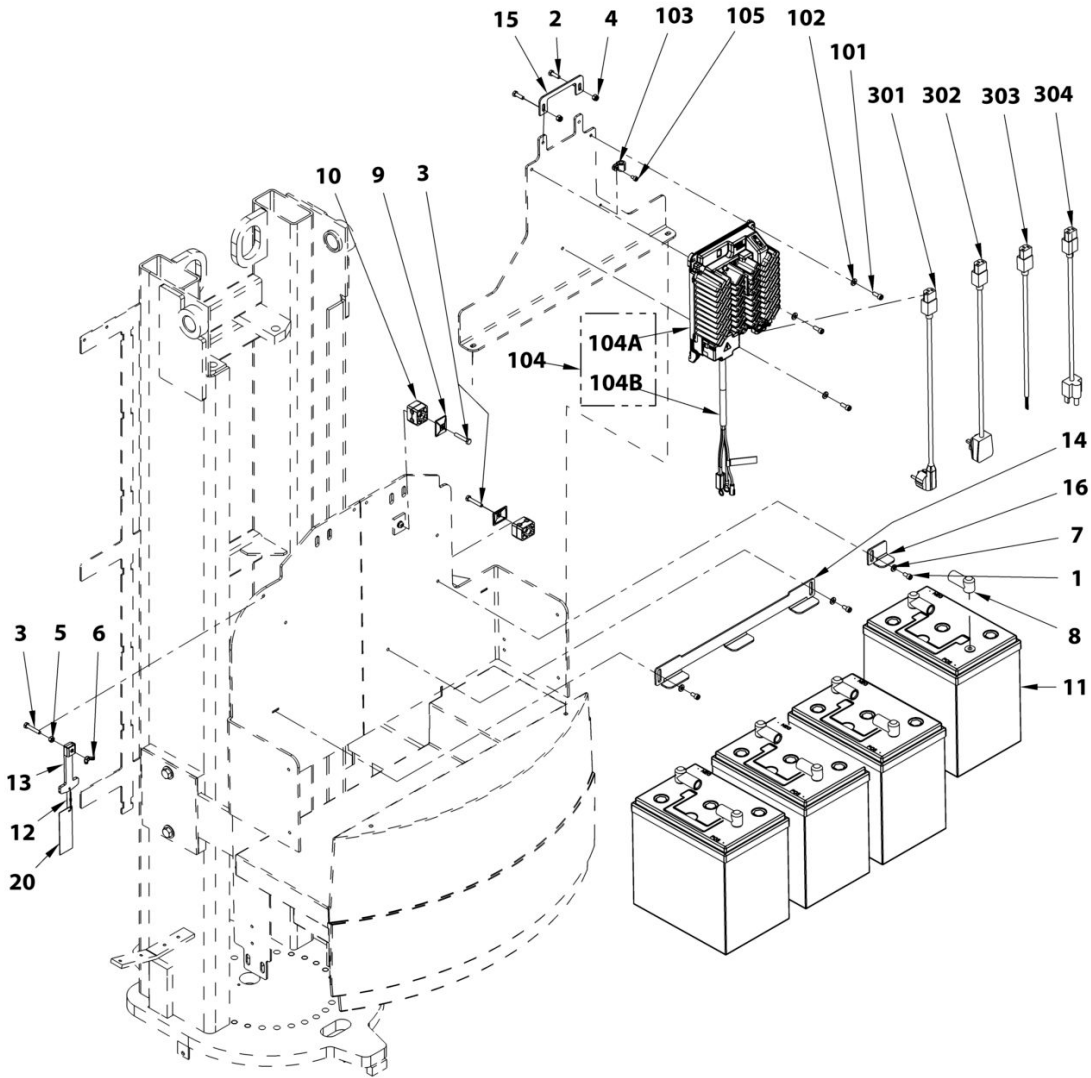
SECTION 8 - ELECTRICAL SYSTEM INSTALL / INSTALLATION ELECTRIQUE

FIGURE 8-2. KIT, POWER CABLES / KIT CABLES DE PUISSANCE

ITEM	PART NUMBER	QTY	DESCRIPTION	REV
	1001213727	Ref	KIT,POWER CABLES / KIT CABLES DE PUISSANCE	B
1	PC0514	1	CABLE,35MM ² ,4240mm BLUE / CABLE 35mm ² LONG 4240mm BLEU	
2	PC0515	1	CABLE,35MM ² ,4490mm RED / CABLE 35mm ² LONG 4490mm ROUGE	
3	PC0516	1	CABLE,35MM ² ,160mm RED / CABLE 35mm ² LONG 160mm ROUGE	
4	PC0517	1	CABLE,35MM ² ,4240mm BLACK / CABLE 35mm ² LONG 4240mm NOIR	
5	PC0483	1	CABLE 35mm ² LENGHT 590mm BLUE / CABLE 35mm ² LONG 590mm BLEU	
6	PC0484	1	CABLE 35mm ² LENGHT 590mm RED / CABLE 35mm ² LONG 590mm ROUGE	
7	PC0518	1	CABLE,35MM ² ,490mm BLUE / CABLE 35mm ² LONG 490mm BLEU	
8	PC0550	3	CABLE 35mm ² LENGTH 360mm BLACK / CABLE 35mm ² LONG 360mm NOIR	
9	PC0520	2	CABLE 35mm ² LENGTH 500mm RED / CABLE 35mm ² LONG 500mm ROUGE	

SECTION 8 - ELECTRICAL SYSTEM INSTALL / INSTALLATION ELECTRIQUE

FIGURE 8-3. BATTERY AND CHARGER W/O CW INSTALL / INSTALLATION BATTERIES ET CHARGEUR SANS CP



ART_SP0973

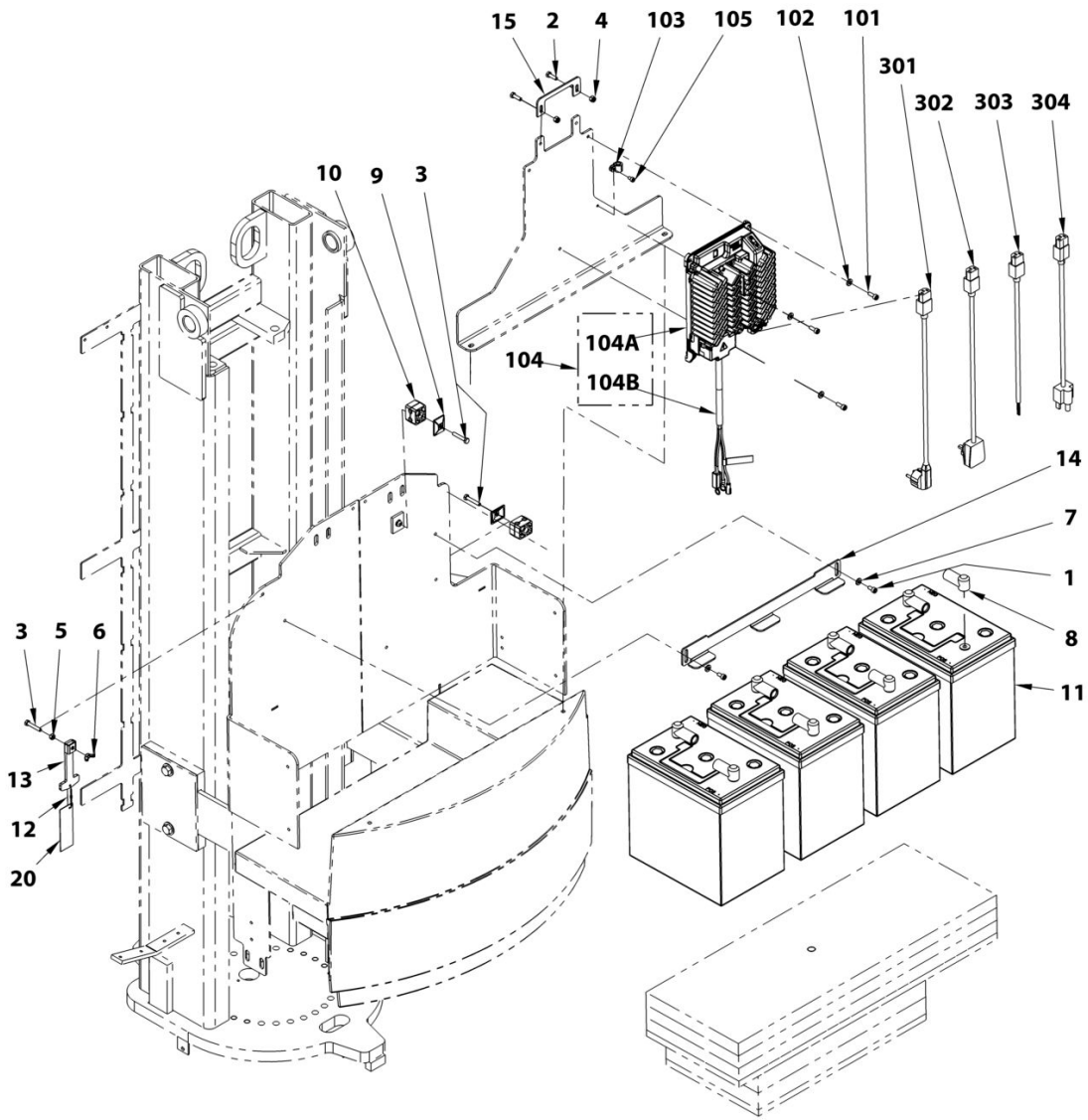
SECTION 8 - ELECTRICAL SYSTEM INSTALL / INSTALLATION ELECTRIQUE

FIGURE 8-3. BATTERY AND CHARGER W/O CW INSTALL / INSTALLATION BATTERIES ET CHARGEUR SANS CP

ITEM	PART NUMBER	QTY	DESCRIPTION	REV
	1001223766	Ref	AGM BATTERIES W/O CW INSTALL / INSTALLATION BATTERIES AGM SANS CP	A
1	000014	3	M06x12 8.8 SOCKET HEAD MACH SCREW / VIS CHC M06x12 8.8 BI FT	
2	100005	2	M06x20 8.8 HEX HEAD MACHINE SCREW / VIS H M06x20 8.8 BI FT	
3	100051	3	M06x35 8.8 HEX HEAD MACHINE SCREW / VIS H M06x35 8.8 BI FT	
4	110003	2	M06 GR. 8.8 LOCK NUT / ECROU FREIN M6 CL08 BI	
5	110015	1	M06 GR. 8.8 HEX NUT / ECROU H M06 CL08 BI	
6	110042	1	WING NUT, M6 / ECROU A OREILLE M6	
7	120009	3	LOCK WASHER D06x14 / RONDELLE CONTACT dD 06x14 BI	
8	250031	8	BOOT,BATTERY TERMINAL / CAPUCHON D'ETANCHEITE	
9	400012	2	PAIR 1/2 SHELL PLATE / PLAQUE DE SERRAGE	
10	400037	2	CLAMP,TWIN 10-10 PP,BLK / COLLIER DOUBLE D10	
11	1001213000	4	BATTERY,EVGC6A-A / BATTERIE,EVGC6A-A	
12	190077	1	CHAIN,METAL BALL / CHAINE A BILLES METAL	
13	DL0911	1	LEVER,BREAKDOWN CONTROLS / LEVIER DE CONTROLE SECOURS	
14	ST3433	1	SHIELD,BATTERY STOP / BRIDE DE BATTERIE	
15	ST3434	1	PLATE,HOOD LATCH / PLAQUE VERROUILLAGE CAPOT	
16	ST3753	1	SHIELD,BATTERY STOP / BRIDE DE BATTERIE	
20	AU2215	1	DECAL,SLACK CHAIN DETECTION / AUTOCOLLANT MOU DE CHAINE	
	1001211440	Ref	INSTALL,CHARGER / INSTALLATION CHARGEUR	B
101	000015	3	M06x16 8.8 SOCKET HEAD MACH SCREW / VIS CHC M06x16 8.8 BI FT	
102	120009	3	LOCK WASHER D06x14 / RONDELLE CONTACT dD 06x14 BI	
103	400034	1	CLAMP,D9 / COLLIER	
104	1001213986	1	CHARGER,WITH HARNESS / CHARGEUR AVEC FAISCEAU	
104A	1001213033	1	CHARGER W/O HARNESS / CHARGEUR SANS FAISCEAU	
104B	1001213985	1	HARNESS,CHARGER / FAISCEAU CHARGEUR	
105	000089	1	M05x08 8.8 SOCKET HEAD MACH SCREW / VIS CHC M05x08 8.8 BI FT	
		Ref	CHARGEUR EXTENSION / PRISE CHARGEUR	
301	250211	1	CABLE IEC22 / PLUG CEE7 2m 10A / CORDON IEC22 / FICHE CEE7 2m 10A	
302	250213	1	CABLE IEC22 / PLUG BS1362 2m 10A / CORDON IEC22 / FICHE BS1362 2m 10A	
303	1060689	1	CABLE AC CORD, W/O PLUG, L=2m / CABLE CA CHARGEUR, SANS PRISE, L=2m	
304	1060688	1	CABLE AC CORD, US PLUG, L=2m / CABLE AC CHARGEUR, US, L=2m	

SECTION 8 - ELECTRICAL SYSTEM INSTALL / INSTALLATION ELECTRIQUE

FIGURE 8-4. BATTERY AND CHARGER WITH CW INSTALL / INSTALLATION BATTERIES ET CHARGEUR AVEC CP



ART_SP0973CW

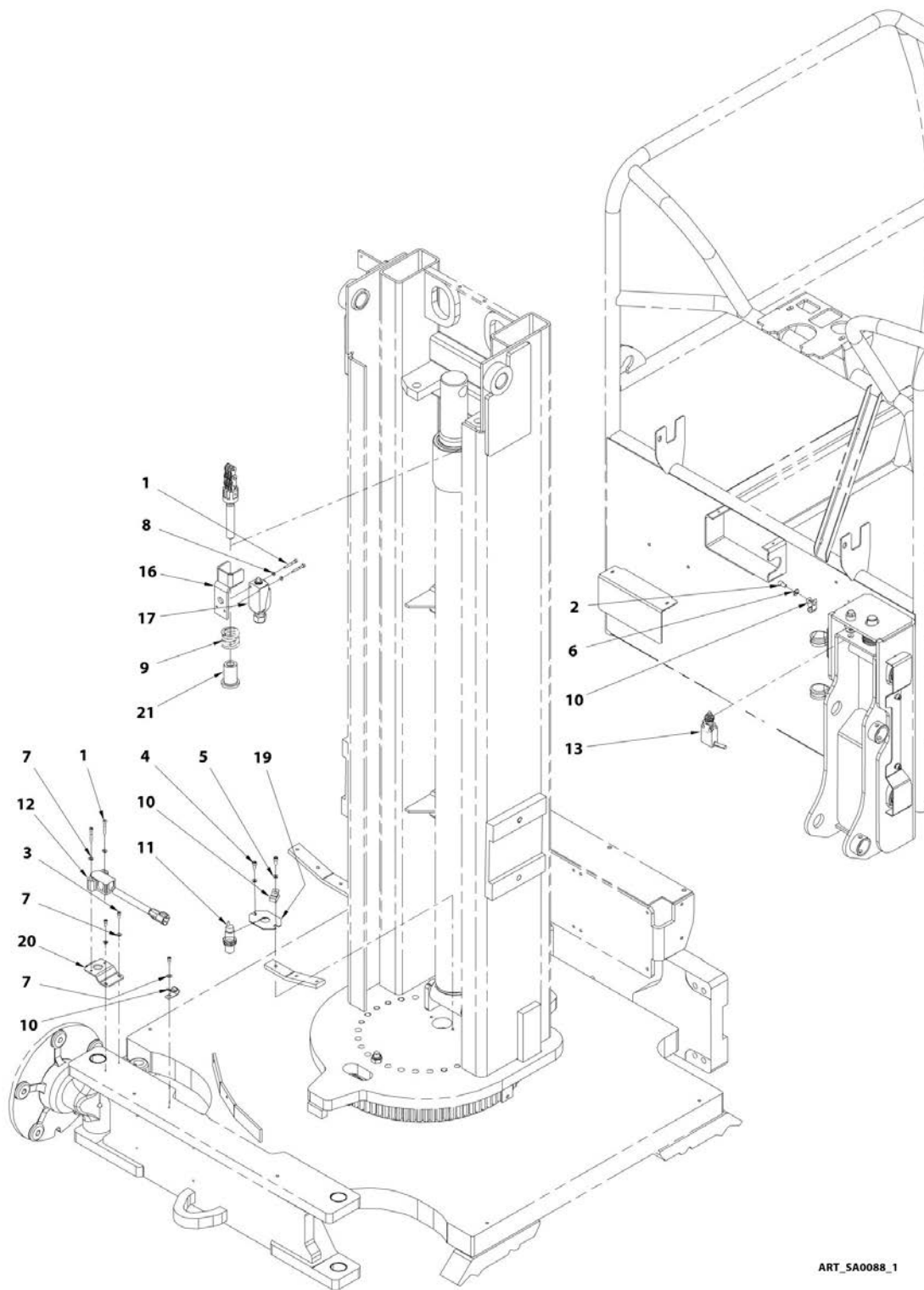
SECTION 8 - ELECTRICAL SYSTEM INSTALL / INSTALLATION ELECTRIQUE

FIGURE 8-4. BATTERY AND CHARGER WITH CW INSTALL / INSTALLATION BATTERIES ET CHARGEUR AVEC CP

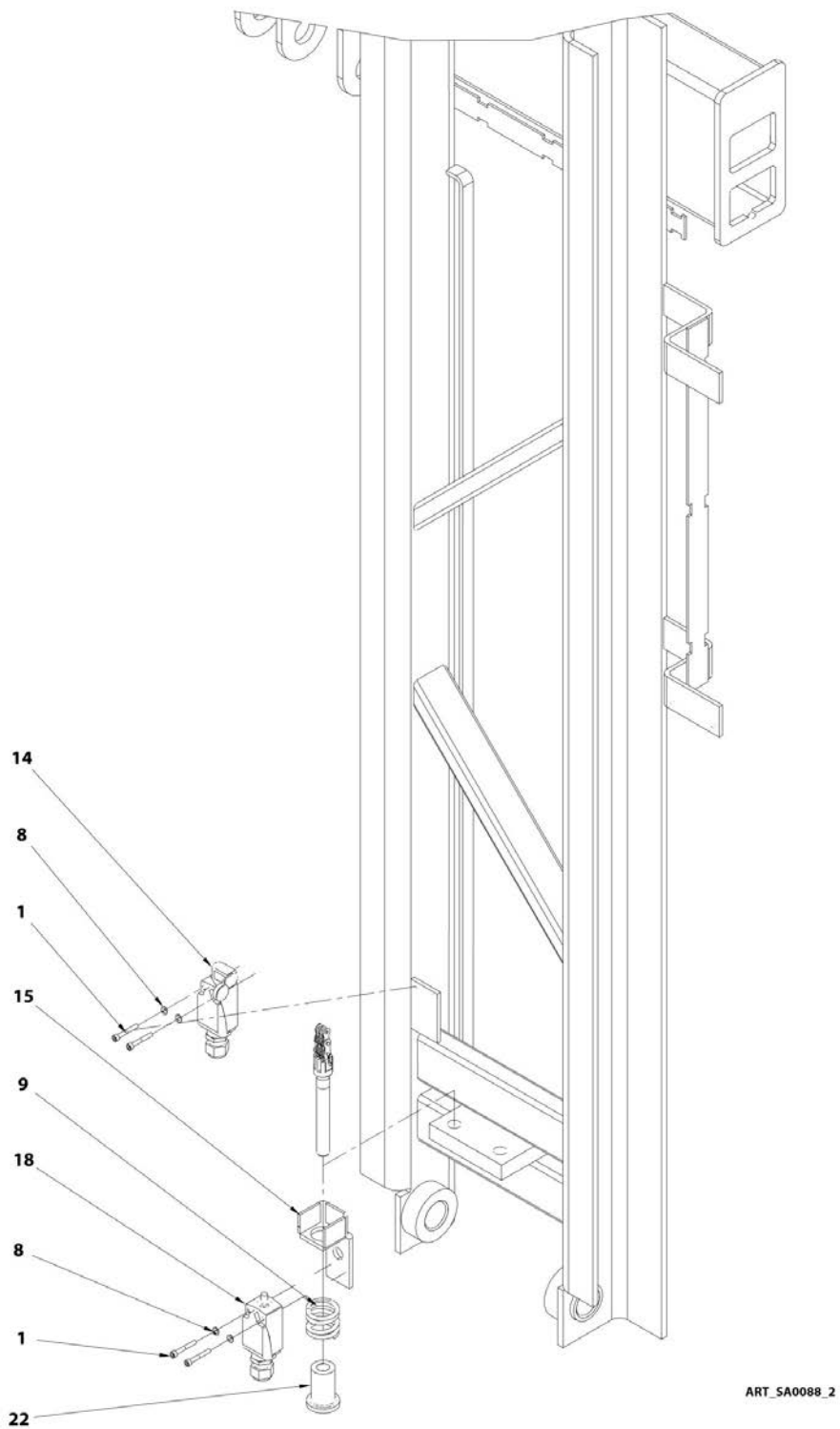
ITEM	PART NUMBER	QTY	DESCRIPTION	REV
	1001223767	Ref	INSTALL,AGM BATTERIES WITH CW / INSTALLATION BATTERIES AGM AVEC CP	A
1	000014	2	M06x12 8.8 SOCKET HEAD MACH SCREW / VIS CHC M06x12 8.8 BI FT	
2	100005	2	M06x20 8.8 HEX HEAD MACHINE SCREW / VIS H M06x20 8.8 BI FT	
3	100051	3	M06x35 8.8 HEX HEAD MACHINE SCREW / VIS H M06x35 8.8 BI FT	
4	110003	2	M06 GR. 8.8 LOCK NUT / ECROU FREIN M6 CL08 BI	
5	110015	1	M06 GR. 8.8 HEX NUT / ECROU H M06 CL08 BI	
6	110042	1	WING NUT, M6 / ECROU A OREILLE M6	
7	120009	2	LOCK WASHER D06x14 / RONDELLE CONTACT dD 06x14 BI	
8	250031	8	BOOT,BATTERY TERMINAL / CAPUCHON D'ETANCHEITE	
9	400012	2	PAIR 1/2 SHELL PLATE / PLAQUE DE SERRAGE	
10	400037	2	CLAMP,TWIN 10-10 PP,BLK / COLLIER DOUBLE D10	
11	1001213000	4	BATTERY,EVGC6A-A / BATTERIE,EVGC6A-A	
12	190077	1	CHAIN,METAL BALL / CHAINE A BILLES METAL	
13	DL0911	1	LEVER,BREAKDOWN CONTROLS / LEVIER DE CONTROLE SECOURS	
14	ST3433	1	SHIELD,BATTERY STOP / BRIDE DE BATTERIE	
15	ST3434	1	PLATE,HOOD LATCH / PLAQUE VERROUILLAGE CAPOT	
20	AU2215	1	DECAL,SLACK CHAIN DETECTION / AUTOCOLLANT MOU DE CHAINE	
	1001211440	Ref	INSTALL,CHARGER / INSTALLATION CHARGEUR	B
101	000015	3	M06x16 8.8 SOCKET HEAD MACH SCREW / VIS CHC M06x16 8.8 BI FT	
102	120009	3	LOCK WASHER D06x14 / RONDELLE CONTACT dD 06x14 BI	
103	400034	1	CLAMP,D9 / COLLIER	
104	1001213986	1	CHARGER,WITH HARNESS / CHARGEUR AVEC FAISCEAU	
104A	1001213033	1	CHARGER W/O HARNESS / CHARGEUR SANS FAISCEAU	
104B	1001213985	1	HARNESS,CHARGER / FAISCEAU CHARGEUR	
105	000089	1	M05x08 8.8 SOCKET HEAD MACH SCREW / VIS CHC M05x08 8.8 BI FT	
		Ref	CHARGEUR EXTENSION / PRISE CHARGEUR	
301	250211	1	CABLE IEC22 / PLUG CEE7 2m 10A / CORDON IEC22 / FICHE CEE7 2m 10A	
302	250213	1	CABLE IEC22 / PLUG BS1362 2m 10A / CORDON IEC22 / FICHE BS1362 2m 10A	
303	1060689	1	CABLE AC CORD, W/O PLUG, L=2m / CABLE CA CHARGEUR, SANS PRISE, L=2m	
304	1060688	1	CABLE AC CORD, US PLUG, L=2m / CABLE AC CHARGEUR, US, L=2m	

SECTION 8 - ELECTRICAL SYSTEM INSTALL / INSTALLATION ELECTRIQUE

FIGURE 8-5. SWITCHES AND COVERS INSTALL / INSTALLATION CAPTEURS



SECTION 8 - ELECTRICAL SYSTEM INSTALL / INSTALLATION ELECTRIQUE



SECTION 8 - ELECTRICAL SYSTEM INSTALL / INSTALLATION ELECTRIQUE

FIGURE 8-5. SWITCHES AND COVERS INSTALL / INSTALLATION CAPTEURS

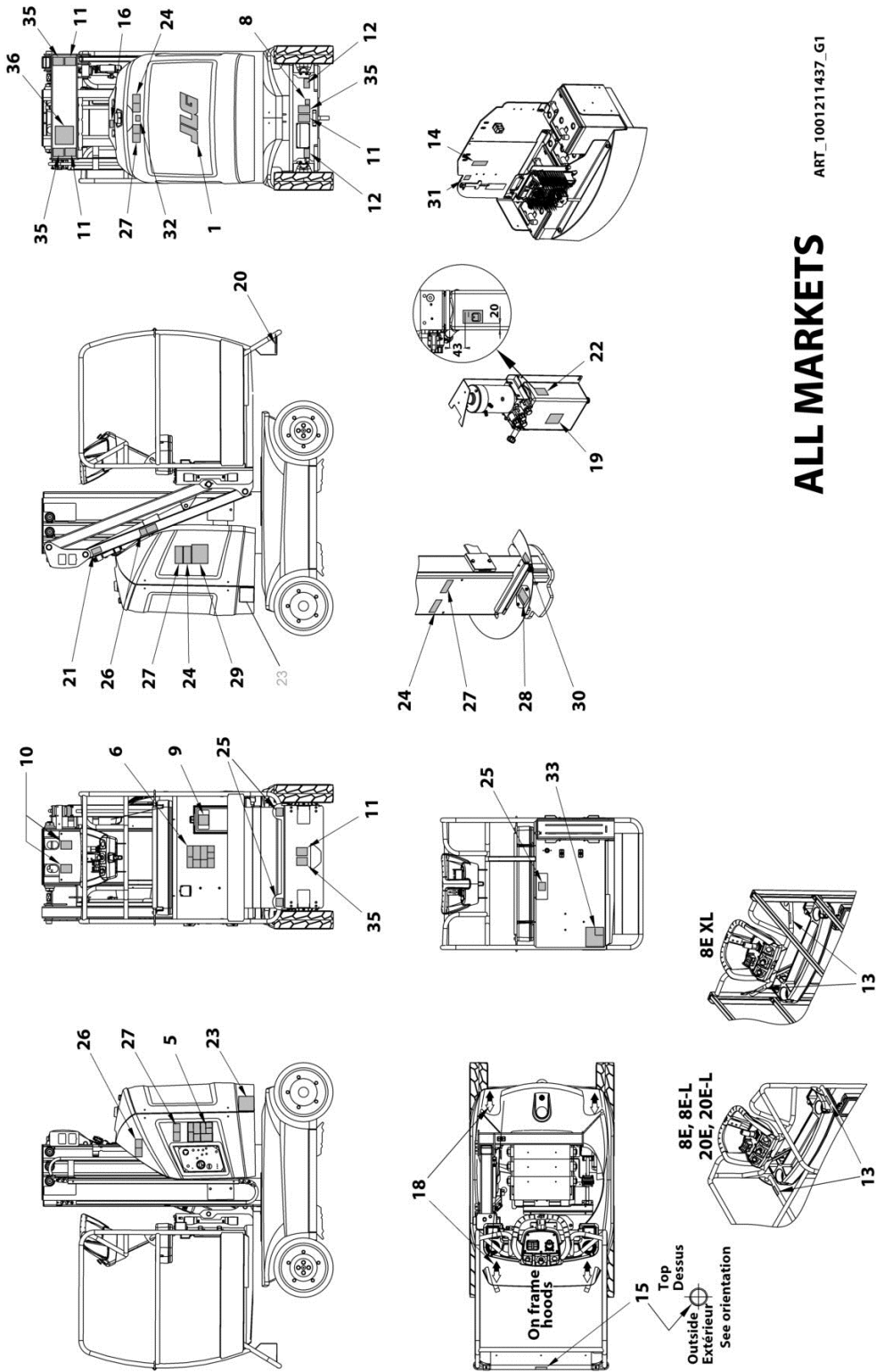
ITEM	PART NUMBER	QTY	DESCRIPTION	REV
	SA0088	Ref	8E - SWITCHES AND COVERS INSTALL / 8E - INSTALLATION CAPTEURS	A
1	000007	8	M04x30 8.8 SOCKET HEAD CAPSCREW / VIS CHC M04x30 8.8 BI FP	
2	000014	1	M06x12 8.8 SOCKET HEAD MACH SCREW / VIS CHC M06x12 8.8 BI FT	
3	000050	3	M04x10 8.8 SOCKET HEAD MACH SCREW / VIS CHC M04x10 8.8 BI FT	
4	000067	2	M05x12 8.8 SOCKET HEAD MACH SCREW / VIS CHC M05x12 8.8 BI FT	
5	120002	2	M05 WASHER / RONDELLE M05 BI	
6	120009	1	dD 06x14 LOCK WASHER / RONDELLE CONTACT dD 06x14 BI	
7	120024	5	M4 LOCK WASHER / RONDELLE CONTACT M4 BI	
8	120056	6	dD 04x08 LOCK WASHER / RONDELLE CONTACT dD 04x08 BI	
9	160010	2	C 360 450 320 SPRING / RESSORT C 360 450 320	
10	1321293	3	CLAMP, INSULATED BAND / COLLIER ISOLE	
11	4000008	1	PROXIMITY SENSOR ASSEMBLY / FAISCEAU DETECTEUR DE PROXIMITE	
12	4360505	1	ROTARY ANGLE SENSOR / CAPTEUR D'ANGLE	
13	PC0468	1	HARNESS, LOAD SENSING SWITCH / FAISCEAU CAPTEUR DE SURCHARGE	
14	PC0527	1	HARNESS, MAST LIMIT SWITCHE / FAISCEAU CAPTEUR DE MAT	
15	SD0345	1	SWITCH HOLDER / SUPPORT CAPTEUR	
16	SD0464	1	SWITCH HOLDER / SUPPORT CAPTEUR	
17	SE1137	1	HARNESS, CHAIN SLACK SW MAST 1; INFO - PC0526 / FAISCEAU CAPTEURS MOU DE CHAINE MAT 1; INFO - PC0526	
18	SE1138	1	HARNESS, CHAIN SLACK SW MAST 4; INFO - PC0526 / FAISCEAU CAPTEURS MOU DE CHAINE MAT 4; INFO - PC0526	
19	ST3226	1	D.O.S. SWITCH MOUNT / PLATINE CAPTEUR D'ORIENTATION	
20	ST3227	1	ROTARY SWITCH MOUNT / PLATINE CAPTEUR ROTATIF	
21	US0204	1	ACTUATOR M16 / ACTIONNEUR M16	
22	US0208	1	ACTUATOR M14 / ACTIONNEUR M14	

SECTION 9 - DECALS INSTALL / INSTALLATION AUTOCOLLANTS

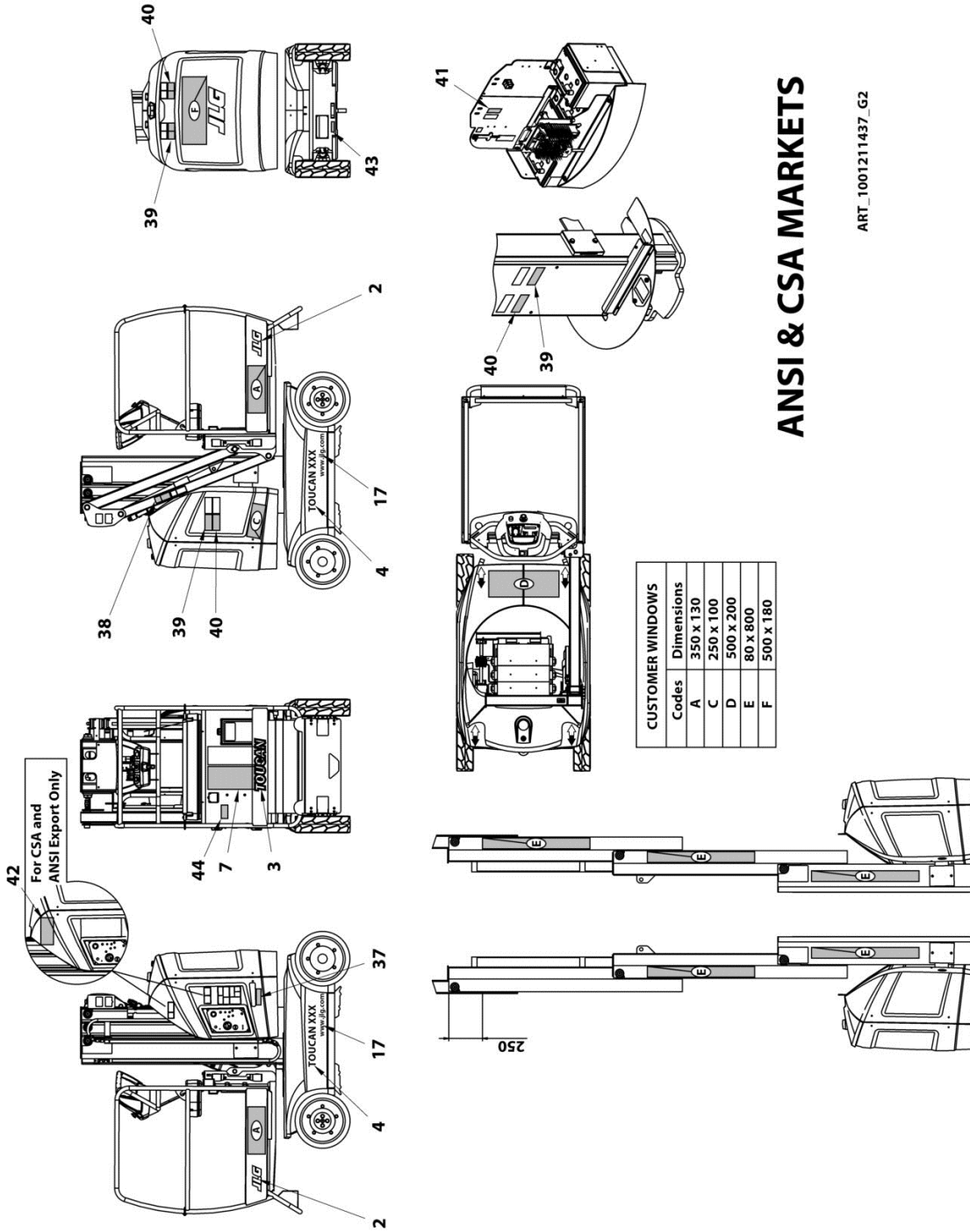
SECTION 9 - DECALS INSTALL / INSTALLATION AUTOCOLLANTS

SECTION 9 - DECALS INSTALL / INSTALLATION AUTOCOLLANTS

FIGURE 9-1. DECALS INSTALL ALL PRODUCTS / INSTALLATION AUTOCOLLANTS TOUT PRODUIT



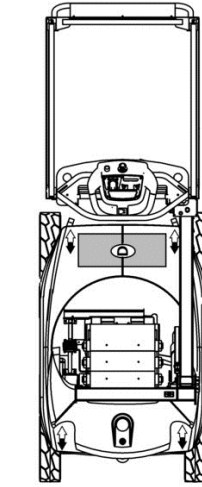
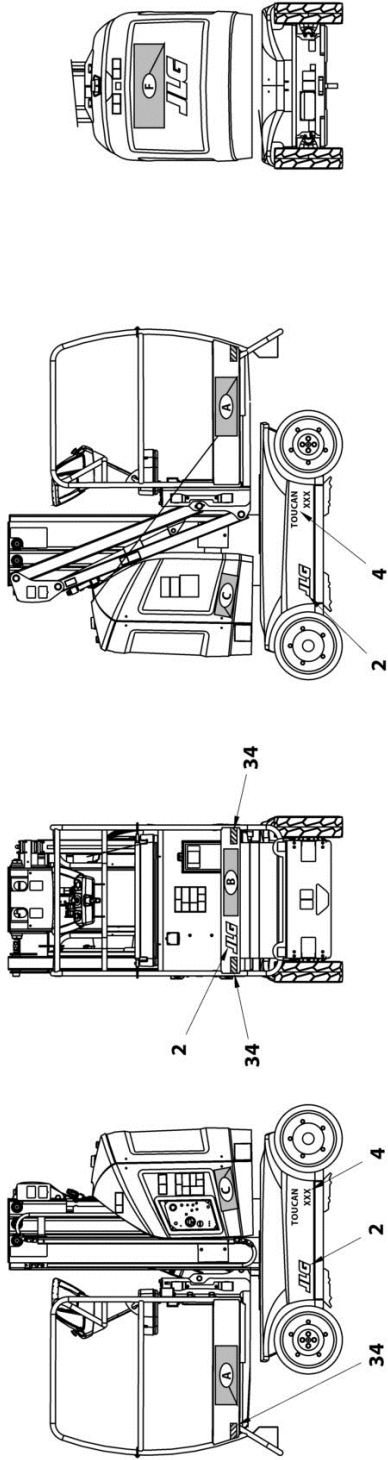
SECTION 9 - DECALS INSTALL / INSTALLATION AUTOCOLLANTS



ANSI & CSA MARKETS

ART_1001211437_G2

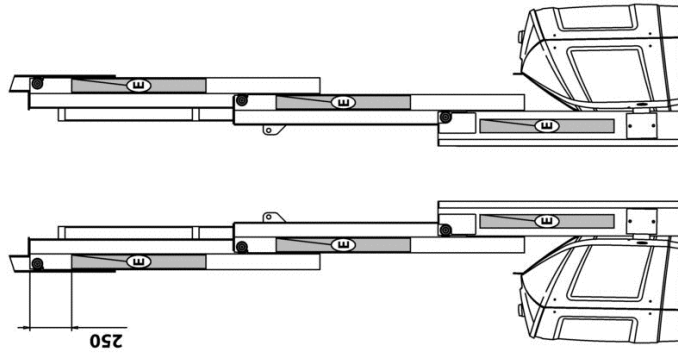
SECTION 9 - DECALS INSTALL / INSTALLATION AUTOCOLLANTS



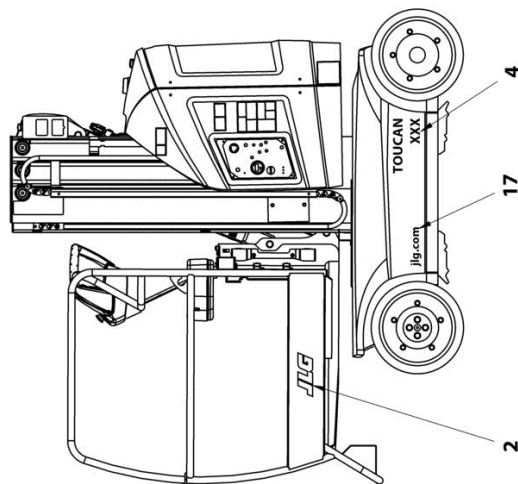
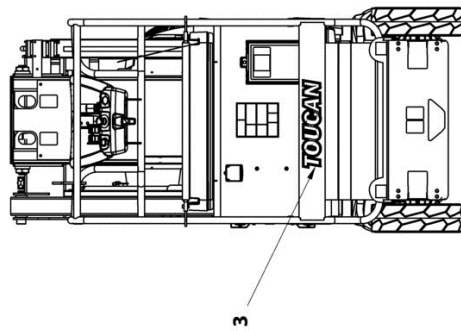
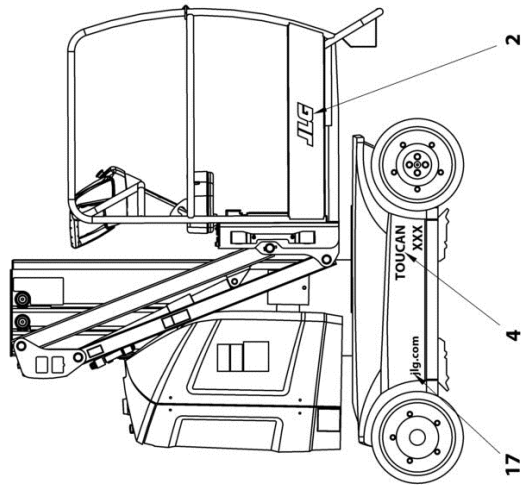
CUSTOMER WINDOWS	
Codes	Dimensions
A	350 x 130
B	400 x 80
C	250 x 100
D	500 x 200
E	80 x 800
F	500 x 180

CE MARKET

ART_1001211437_G3



SECTION 9 - DECALS INSTALL / INSTALLATION AUTOCOLLANTS



AS & NZL MARKETS

ART_1001211437_H4

SECTION 9 - DECALS INSTALL / INSTALLATION AUTOCOLLANTS

FIGURE 9-1. DECALS INSTALL / INSTALLATION AUTOCOLLANTS

ITEM	PART NUMBER	QTY	DESCRIPTION	REV
	1001211437		DECALS INSTALL;INFO: 1001211437 / INSTALLATION AUTOCOLLANTS;INFO: 1001211437	I
1	PA1113 1702773	Ref 1	INSTALL, DECAL JLG LOGOS / INSTALLATION LOGOS JLG BIG JLG DECAL ON BASKET / AUTOCOLLANT, JLG GRANDE TAILLE PANIER	A
2	1705781	2	DECAL, JLG 2.75" / AUTOCOLLANT, JLG	
3	AU1825	1	DECAL, FRONT BASKET TOUCAN / AUTOCOLLANT, LOGO TOUCAN AVANT PANIER	
4	1001267743	1	DECAL,TOUCAN 8E LOGO / AUTOCOLLANT, LOGO TOUCAN 8E	
4	1001267744	1	DECAL TOUCAN 8E-L LOGO / AUTOCOLLANT, LOGO TOUCAN 8E-L	
4	1001267745	1	DECAL TOUCAN 8E XL LOGO / AUTOCOLLANT, LOGO TOUCAN 8E XL	
4	1001267746	1	DECAL,TOUCAN 20E LOGO / AUTOCOLLANT, LOGO TOUCAN 20E	
4	1001267747	1	DECAL TOUCAN 20E-L LOGO / AUTOCOLLANT, LOGO TOUCAN 20E-L	
5	1001211443 AU2102	Ref 1	8E - DECALS LOADS / 8E - AUTOCOLLANTS CHARGES 8E - DECAL,LOADS AND INSTRUCTION / 8E - AUTOCOLLANT, CHARGES ET CONSIGNES	B
6	AU2109	1	8E - DECAL,INSTRUCTIONS AND LOADS / 8E - AUTOCOLLANT, CHARGES ET CONSIGNES	
8	1001214313	1	8E - DECAL,WHEEL LOAD / 8E - AUTOCOLLANT, CHARGE SUR ROUE	
5	1001211444 1001214284	Ref 1	8E-L - DECALS LOADS / 8E-L - AUTOCOLLANTS CHARGES 8E-L - DECAL,LOADS AND INSTRUCTION / 8E-L - AUTOCOLLANT, CHARGES ET CONSIGNES	C
6	1001214285	1	8E-L - DECAL,INSTRUCTIONS AND LOADS / 8E-L - AUTOCOLLANT, CHARGES ET CONSIGNES	
8	1001214314	1	8E-L - DECAL,WHEEL LOAD / 8E-L - AUTOCOLLANT, CHARGE SUR ROUE	
5	1001213957 1001214284	Ref 1	8E XL - DECALS LOADS / 8E XL - AUTOCOLLANTS CHARGES 8E XL - DECAL,INSTRUCTIONS AND LOADS / 8E XL - AUTOCOLLANT, CHARGES ET CONSIGNES	B
6	1001214285	1	8E XL - DECAL,INSTRUCTIONS AND LOADS / 8E XL - AUTOCOLLANT, CHARGES ET CONSIGNES	
8	1001214313	1	8E XL - DECAL,WHEEL LOAD / 8E XL - AUTOCOLLANT, CHARGE SUR ROUE	
5	1001228972 1001228600	Ref 1	8E (L-XL) - DECALS LOADS RUSSIA (EAC) / 8E (L-XL) - AUTOCOLLANTS CHARGES RUSSIE (EAC) 8E (L-XL) - DECAL,LOADS AND INSTRUCTION / 8E (L-XL) - AUTOCOLLANT, CHARGES ET CONSIGNES	A
6	1001228601	1	8E (L-XL) - DECAL,INSTRUCTIONS AND LOADS / 8E (L-XL) - AUTOCOLLANT, CHARGES ET CONSIGNES	
8	1001214313	1	8E XL - DECAL,WHEEL LOAD / 8E XL - AUTOCOLLANT, CHARGE SUR ROUE	
	1001223769	Ref	20E - (ENG) DECALS LOADS / 20E - (ENG) AUTOCOLLANTS	A

SECTION 9 - DECALS INSTALL / INSTALLATION AUTOCOLLANTS

ITEM	PART NUMBER	QTY	DESCRIPTION	REV
			CHARGES	
5	1001223845	1	20E - (ENG) DECAL,LOADS AND INSTRUCTION / 20E - (ENG) AUTOCOLLANT, CHARGES ET CONSIGNES	
6	1001223853	1	20E - (ENG) DECAL,INSTRUCTIONS AND LOADS / 20E - (ENG) AUTOCOLLANT, CHARGES ET CONSIGNES	
8	1001223861	1	20E - DECAL,WHEEL LOAD / 20E - AUTOCOLLANT, CHARGE SUR ROUE	
	1001223770	Ref	20E-L - (ENG) DECALS LOADS / 20E-L - (ENG) AUTOCOLLANTS CHARGES	A
5	1001223846	1	20E-L - (ENG) DECAL,LOADS AND INSTRUCTION / 20E - (ENG) AUTOCOLLANT, CHARGES ET CONSIGNES	
6	1001223854	1	20E-L - (ENG) DECAL,INSTRUCTIONS AND LOADS / 20E - (ENG) AUTOCOLLANT, CHARGES ET CONSIGNES	
8	1001223862	1	20E-L - DECAL,WHEEL LOAD / 20E-L - AUTOCOLLANT, CHARGE SUR ROUE	
	1001223771	Ref	20E - (SPA-POR) DECALS LOADS / 20E - (SPA-POR) AUTOCOLLANTS CHARGES	A
5	1001223847	1	20E - (SPA-POR) DECAL,LOADS AND INSTRUCTION / 20E - (SPA-POR) AUTOCOLLANT, CHARGES ET CONSIGNES	
6	1001223855	1	20E - (SPA) DECAL,INSTRUCTIONS AND LOADS / 20E - (SPA) AUTOCOLLANT, CHARGES ET CONSIGNES	
7	1001223857	1	20E - (POR) DECAL,INSTRUCTIONS AND LOADS / 20E - (POR) AUTOCOLLANT, CHARGES ET CONSIGNES	
8	1001223861	1	20E - DECAL,WHEEL LOAD / 20E - AUTOCOLLANT, CHARGE SUR ROUE	
	1001223772	Ref	20E-L - (SPA-POR) DECALS LOADS / 20E-L - (SPA-POR) AUTOCOLLANTS CHARGES	A
5	1001223848	1	20E-L - (SPA-POR) DECAL,LOADS AND INSTRUCTION / 20E-L - (SPA-POR) AUTOCOLLANT, CHARGES ET CONSIGNES	
6	1001223856	1	20E-L - (SPA) DECAL,INSTRUCTIONS AND LOADS / 20E-L - (SPA) AUTOCOLLANT, CHARGES ET CONSIGNES	
7	1001223858	1	20E-L - (POR) DECAL,INSTRUCTIONS AND LOADS / 20E-L - (POR) AUTOCOLLANT, CHARGES ET CONSIGNES	
8	1001223862	1	20E-L - DECAL,WHEEL LOAD / 20E-L - AUTOCOLLANT, CHARGE SUR ROUE	
	1001223773	Ref	20E - (ENG-SPA) DECALS LOADS / 20E - (ENG-SPA) AUTOCOLLANTS CHARGES	A
5	1001223849	1	20E - (ENG-SPA) DECAL,LOADS AND INSTRUCTION / 20E - (ENG-SPA) AUTOCOLLANT, CHARGES ET CONSIGNES	
6	1001223853	1	20E - (ENG) DECAL,INSTRUCTIONS AND LOADS / 20E - (ENG) AUTOCOLLANT, CHARGES ET CONSIGNES	
7	1001223855	1	20E - (SPA) DECAL,INSTRUCTIONS AND LOADS / 20E - (SPA) AUTOCOLLANT, CHARGES ET CONSIGNES	
8	1001223861	1	20E - DECAL,WHEEL LOAD / 20E - AUTOCOLLANT, CHARGE SUR ROUE	
	1001223774	Ref	20E-L - (ENG-SPA) DECALS LOADS / 20E-L - (ENG-SPA) AUTOCOLLANTS CHARGES	A
5	1001223850	1	20E-L - (ENG-SPA) DECAL,LOADS AND INSTRUCTION / 20E-L - (ENG-SPA) AUTOCOLLANT, CHARGES ET CONSIGNES	
6	1001223854	1	20E-L - (ENG) DECAL,INSTRUCTIONS AND LOADS / 20E-L - (ENG) AUTOCOLLANT, CHARGES ET CONSIGNES	
7	1001223856	1	20E-L - (SPA) DECAL,INSTRUCTIONS AND LOADS / 20E-L -	

SECTION 9 - DECALS INSTALL / INSTALLATION AUTOCOLLANTS

ITEM	PART NUMBER	QTY	DESCRIPTION	REV
8	1001223862	1	(SPA) AUTOCOLLANT, CHARGES ET CONSIGNES 20E-L - DECAL,WHEEL LOAD / 20E-L - AUTOCOLLANT, CHARGE SUR ROUE	
	1001223775	Ref	20E - (ENG-FRE) DECALS LOADS / 20E - (ENG-FRE) AUTOCOLLANTS CHARGES	A
5	1001223851	1	20E - (ENG-FRE) DECAL,LOADS AND INSTRUCTION / 20E - (ENG-FRE) AUTOCOLLANT, CHARGES ET CONSIGNES	
6	1001223853	1	20E - (ENG) DECAL,INSTRUCTIONS AND LOADS / 20E - (ENG) AUTOCOLLANT, CHARGES ET CONSIGNES	
7	1001223859	1	20E - (FRE) DECAL,INSTRUCTIONS AND LOADS / 20E - (FRE) AUTOCOLLANT, CHARGES ET CONSIGNES	
8	1001223861	1	20E - DECAL,WHEEL LOAD / 20E - AUTOCOLLANT, CHARGE SUR ROUE	
	1001223776	Ref	20E-L - (ENG-FRE) DECALS LOADS / 20E-L - (ENG-FRE) AUTOCOLLANTS CHARGES	A
5	1001223852	1	20E-L - (ENG-FRE) DECAL,LOADS AND INSTRUCTION / 20E-L - (ENG-FRE) AUTOCOLLANT, CHARGES ET CONSIGNES	
6	1001223854	1	20E-L - (ENG) DECAL,INSTRUCTIONS AND LOADS / 20E-L - (ENG) AUTOCOLLANT, CHARGES ET CONSIGNES	
7	1001223860	1	20E-L - (FRE) DECAL,INSTRUCTIONS AND LOADS / 20E-L - (FRE) AUTOCOLLANT, CHARGES ET CONSIGNES	
8	1001223862	1	20E-L - DECAL,WHEEL LOAD / 20E-L - AUTOCOLLANT, CHARGE SUR ROUE	
0	1001211436	Ref	DECALS CE / AUTOCOLLANTS CE	G
0	1001223765	Ref	DECALS AUSTRALIA / AUTOCOLLANTS AUSTRALIE	D
9	1001227848	1	DECAL, MANUAL / AUTOCOLLANT, MANUEL	
10	1703811	2	DECAL, LIFTING LUG / AUTOCOLLANT, ANNEAU DE LEVAGE	
11	1703814	4	DECAL, TIE DOWN / AUTOCOLLANT, ARRIMAGE	
12	1704016	2	DECAL, FORKLIFT LOCATION / AUTOCOLLANT, PRISE FOURCHE	
13	1704277	2	DECAL, LANYARD ATTACH / AUTOCOLLANT, ATTACHE HARNAIS	
14	1705803	1	DECAL, ELEC HAZARD / AUTOCOLLANT, RISQUES ELECTRIQUES	
15	1706493	1	DECAL, DROP BAR / AUTOCOLLANT, RISQUE DE CHUTE SOUS-LISSE	
16	1706740	1	DECAL, BATTERY DISCONNECT / AUTOCOLLANT, DECONNEXION BATTERIE	
17	1706764	2	DECAL, JLG.COM / AUTOCOLLANT, JLG.COM	
18	AU0149	4	DECAL REP DRIVE DIRECTION / AUTOCOLLANT, REP SENS MARCHE	
19	AU1423	1	DECAL, FILTER CHANGE DECAL / AUTOCOLLANT, CHANGEMENT DE FILTRE	
20	AU2061	1	ADHESIVE ANTI-SKID BAND (150x482) / BANDE ADHESIVE ANTIDERAPANTE (150x482)	
21	1001226413	1	DECAL, JIB MANUAL DESCENT / AUTOCOLLANT, DESCENTE BRAS	
22	AU2097	1	DECAL, OIL LEVEL / AUTOCOLLANT, NIVEAU D'HUILE	
23	AU2098	2	DECAL, INSERT FORKS / AUTOCOLLANT, PRISES DE FOURCHE	
24	AU2103	3	DECAL, ELECTROCUTION / AUTOCOLLANT, ELECTROCUTION	
25	AU2105	3	DECAL, NO KARCHER / AUTOCOLLANT, KARCHER	
26	AU2107	2	DECAL, HAND CRUSHING HAZARD / AUTOCOLLANT,	

SECTION 9 - DECALS INSTALL / INSTALLATION AUTOCOLLANTS

ITEM	PART NUMBER	QTY	DESCRIPTION	REV
			COINCEMENT MAIN	
27	AU2108	4	DECAL, CRUSHING / AUTOCOLLANT, ECRASEMENT	
28	AU2134	2	DECAL, MANUAL SWING / AUTOCOLLANT, ORIENTATION MANUELLE	
29	1001228389	1	DECAL,EMERGENCY CONTROLS / AUTOCOLLANT, SECOURS	
30	1001245243	1	DECAL,MAST MANUAL DESCENT / AUTOCOLLANT, DESCENTE MANUELLE MAT	
31	AU2215	1	DECAL,SLACK CHAIN DETECTION / AUTOCOLLANT, MOU DE CHAINE	
32	AU2229	1	DECAL,BATTERY CHARGER PLUG / AUTOCOLLANT, PRISE CHARGEUR	
33	1001213900	1	DECAL,TIE DOWN & LIFTING / AUTOCOLLANT, ARRIMAGE-ELINGAGE	
34	4420051	1 0.4m	DECAL,WARNING STRIPES / AUTOCOLLANT, BANDE JAUNE/NOIRE	
35	1701499	4	TIE DOWN DECAL / AUTOCOLLANT, ARRIMAGE	
36	1001278484	1	DECAL,BAR CODE ASSY / KIT AUTOCOLLANTS CODE BARRE	
36	1001278484	1	DECAL,BAR-CODE / AUTOCOLLANT CODE BARRE	
36	1703632	1	DECAL,OVERLAY / PROTECTION ADHESIVE	
0	1001223761	1	DECALS ANSI ENGLISH / AUTOCOLLANTS ANSI ANGLAIS	E
0	1001223762	1	DECALS ANSI SPANISH-PORTUGUESE / AUTOCOLLANTS ANSI ESPAGNOL-PORTUGAIS	D
0	1001223763	1	DECALS ANSI ENGLISH-SPANISH / AUTOCOLLANTS ANSI ANGLAIS-ESPAGNOL	D
0	1001223764	1	DECALS CSA ENGLISH-FRENCH / AUTOCOLLANTS CSA ANGLAIS-FRANCAIS	E
9	1001227848	1	DECAL,MANUAL / AUTOCOLLANT, MANUEL	
10	1703811	2	DECAL,LIFTING LUG / AUTOCOLLANT, ANNEAU DE LEVAGE	
11	1703814	4	DECAL,TIE DOWN / AUTOCOLLANT, ARRIMAGE	
12	1704016	2	DECAL,FORK LIFT / AUTOCOLLANT, PRISE FOURCHE	
13	1704277	2	DECAL,LANYARD ATTACH / AUTOCOLLANT, ATTACHE HARNAIS	
14	1703785	1	ENG-DECAL,WARNING FIRE HAZARD / ENG-AUTOCOLLANT, RISQUES EXPLOSION	
14	1704023	1	POR-DECAL,WARNING FIRE HAZARD / POR-AUTOCOLLANT, RISQUES EXPLOSION	
15	1706493	1	DECAL,DROP BAR / AUTOCOLLANT, RISQUE DE CHUTE SOUS-LISSE	
16	1706740	1	DECAL,BATTERY DISCONNECT / AUTOCOLLANT, DECONNEXION BATTERIE	
17	1704885	2	DECAL,WEBSITE / AUTOCOLLANT, SITE WEB	
18	AU0149	4	DECAL REP DRIVE DIRECTION / AUTOCOLLANT, REP SENS MARCHE	
19	AU1423	1	FILTER CHANGE DECAL / AUTOCOLLANT, CHANGEMENT DE FILTRE	
20	AU2061	1	ADHESIVE ANTI-SKID BAND (150x482) / BANDE ADHESIVE ANTIDERAPANTE (150x482)	
21	1001226413	1	DECAL,JIB MANUAL DESCENT / AUTOCOLLANT, DESCENTE BRAS	
22	AU2097	1	DECAL, OIL LEVEL / AUTOCOLLANT, NIVEAU D'HUILE	
23	AU2098	2	DECAL,INSERT FORKS / AUTOCOLLANT, PRISES DE FOURCHE	
24	AU2118	3	ENG-DECAL,ELECTROCUTION HAZARD / ENG-AUTOCOLLANT, ELECTROCUTION	
24	AU2155	3	POR-DECAL,ELECTROCUTION HAZARD / POR-AUTOCOLLANT,	

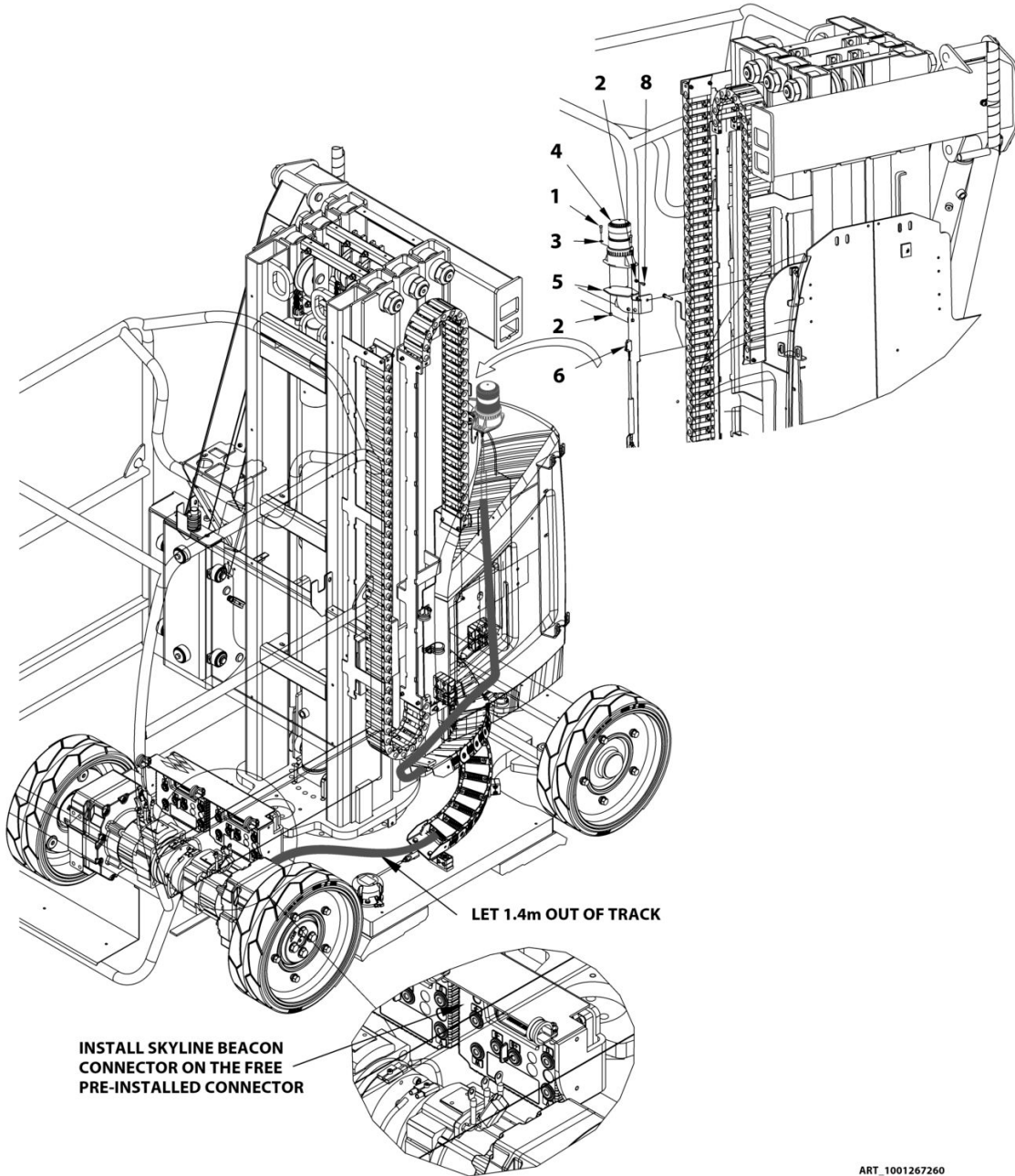
SECTION 9 - DECALS INSTALL / INSTALLATION AUTOCOLLANTS

ITEM	PART NUMBER	QTY	DESCRIPTION	REV
			ELECTROCUTION	
25	AU2105	3	DECAL, NO KARCHER / AUTOCOLLANT, KARCHER	
26	AU2119	2	ENG-DECAL,HAND CRUSHING HAZARD / ENG-AUTOCOLLANT, COINCEMENT MAIN	
26	AU2152	2	POR-DECAL,HAND CRUSHING HAZARD / POR-AUTOCOLLANT, COINCEMENT MAIN	
27	AU2117	4	ENG-DECAL, CRUSHING HAZARD / ENG-AUTOCOLLANT, ECRASEMENT	
27	AU2154	4	POR-DECAL, CRUSHING HAZARD / POR-AUTOCOLLANT, ECRASEMENT	
28	AU2134	1	DECAL, MANUAL SWING / AUTOCOLLANT, ORIENTATION MANUELLE	
29	1001226414	1	DECAL,EMERGENCY CONTROLS / AUTOCOLLANT, SECOURS	
30	1001245243	1	DECAL,MAST MANUAL DESCENT / AUTOCOLLANT, DESCENTE MANUELLE MAT	
31	AU2215	1	DECAL,SLACK CHAIN DETECTION / AUTOCOLLANT, MOU DE CHAINE	
32	AU2229	1	DECAL,BATTERY CHARGER PLUG / AUTOCOLLANT, PRISE CHARGEUR	
33	1001213900	1	DECAL,TIE DOWN & LIFTING / AUTOCOLLANT, ARRIMAGE-ELINGAGE	
35	1701499	4	TIE DOWN DECAL / AUTOCOLLANT, ARRIMAGE	
36	1001278484	1	DECAL,BAR CODE ASSY / KIT AUTOCOLLANTS CODE BARRE	
36	1001278485	1	DECAL,BAR CODE / AUTOCOLLANT CODE BARRE	
36	1703632	1	DECAL,OVERLAY / PROTECTION ADHESIVE	
37	1001224026	1	DECAL,JIB MANUAL RAISING / AUTOCOLLANT MONTEE BRAS	
38	AU2147	1	SPA-DECAL,HAND CRUSHING HAZARD / ENG-AUTOCOLLANT, COINCEMENT MAIN	
38	AU2140	1	FRE-DECAL,HAND CRUSHING HAZARD / FRE-AUTOCOLLANT, COINCEMENT MAIN	
39	AU2149	3	SPA-DECAL, CRUSHING HAZARD / SPA-AUTOCOLLANT, ECRASEMENT	
39	AU2143	1	FRE-DECAL, CRUSHING HAZARD / FRE-AUTOCOLLANT, ECRASEMENT	
40	AU2150	3	SPA-DECAL, ELECTROCUTION HAZARD / SPA-AUTOCOLLANT, ELECTROCUTION	
40	AU2144	1	FRE-DECAL, ELECTROCUTION HAZARD / FRE-AUTOCOLLANT, ELECTROCUTION	
41	1704031	1	SPA-DECAL,WARNING FIRE HAZARD / SPA-AUTOCOLLANT, RISQUES EXPLOSION	
41	AU2145	1	FRE-DECAL,WARNING FIRE HAZARD / FRE-AUTOCOLLANT, RISQUES EXPLOSION	
42	AU2160	1	ENG-SPA-DECAL, CRUSHING HAZARD / ENG-SPA-AUTOCOLLANT, ECRASEMENT	
42	AU2161	1	SPA-POR-DECAL, CRUSHING HAZARD / SPA-POR-AUTOCOLLANT, ECRASEMENT	
42	AU2159	1	ENG-FRE-DECAL, CRUSHING HAZARD / ENG-FRE-AUTOCOLLANT, ECRASEMENT	
44	1001231801	1	DECAL,WARNING PROP 65 / AUTOCOLLANT ATTENTION PROP 65	

SECTION 10 - OPTIONS / OPTIONS

SECTION 10 - OPTIONS / OPTIONS

FIGURE 10-1. SKYLINE BEACON INSTALL / INSTALLATION FEU SKYLINE



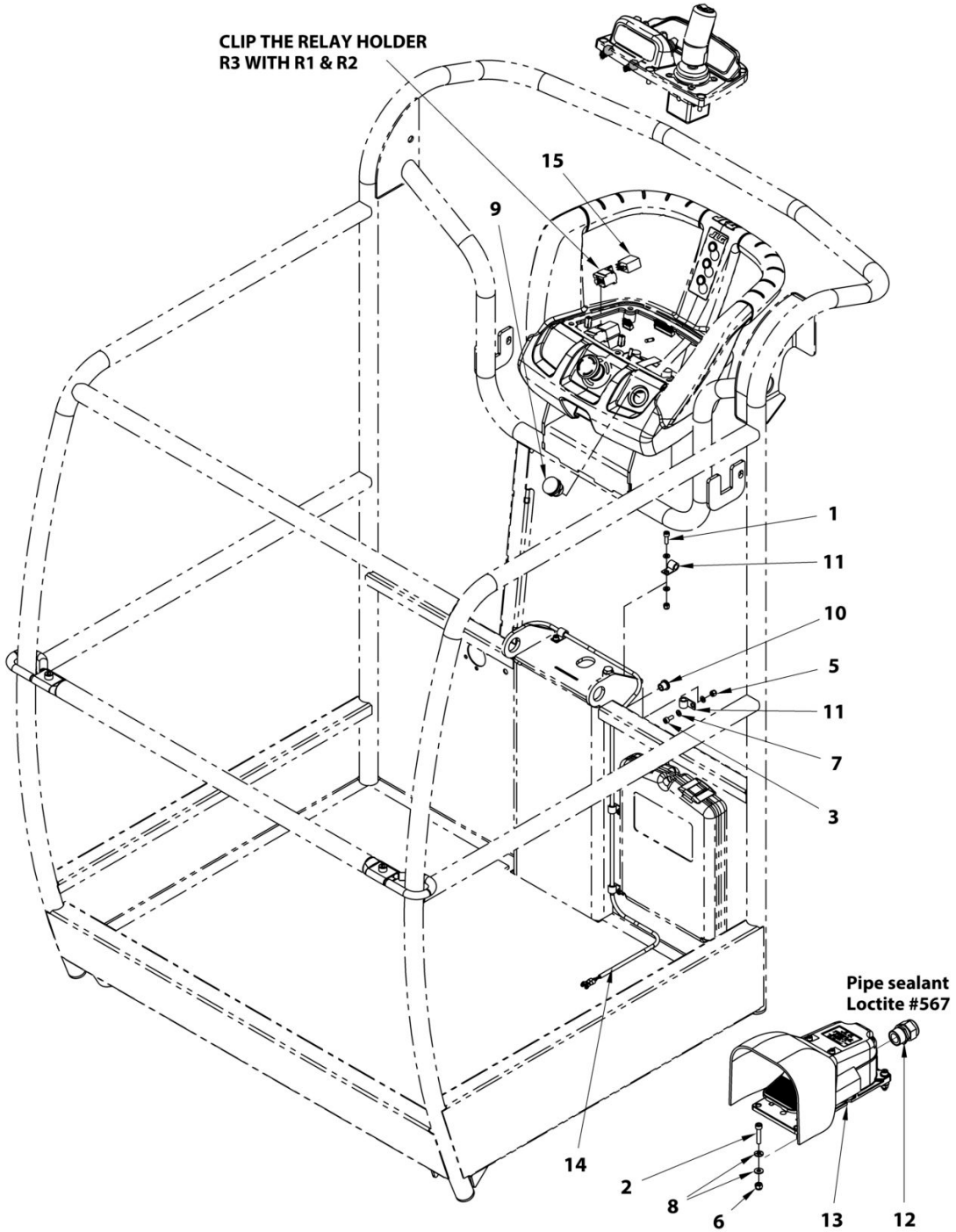
SECTION 10 - OPTIONS / OPTIONS

FIGURE 10-1. SKYLINE BEACON INSTALL / INSTALLATION FEU SKYLINE

ITEM	PART NUMBER	QTY	DESCRIPTION	REV
	1001267260		SKYLINE BEACON INSTALL / INSTALLATION FEU SKYLINE	A
1	000085	2	M04x16 8.8 SOCKET HEAD MACH SCREW / VIS CHC M04x16 8.8 BI FT	
2	110001	3	M04 GR. 8.8 LOCK NUT / ECROU FREIN M4 CL08 BI	
3	120024	2	LOCK WASHER D04x10 / RONDELLE CONTACT M4 BI	
4	1001200910	1	LAMP,BLUE BEACON / FEU BLEU	
5	1001257867	1	BRACKET,BLUE BEACON / SUPPORT FEU BLEU	
6	1001267261	1	HARNES,SKYLINE BEACON / FAISCEAU FEU BLEU	
8	000050	1	M04x10 8.8 SOCKET HEAD MACH SCREW / VIS CHC M04x10 8.8 BI FT	

SECTION 10 - OPTIONS / OPTIONS

FIGURE 10-2. INSTALL, PEDAL FOR JAPAN / INSTALLATION PEDALE POUR JAPON



ART_1001267669

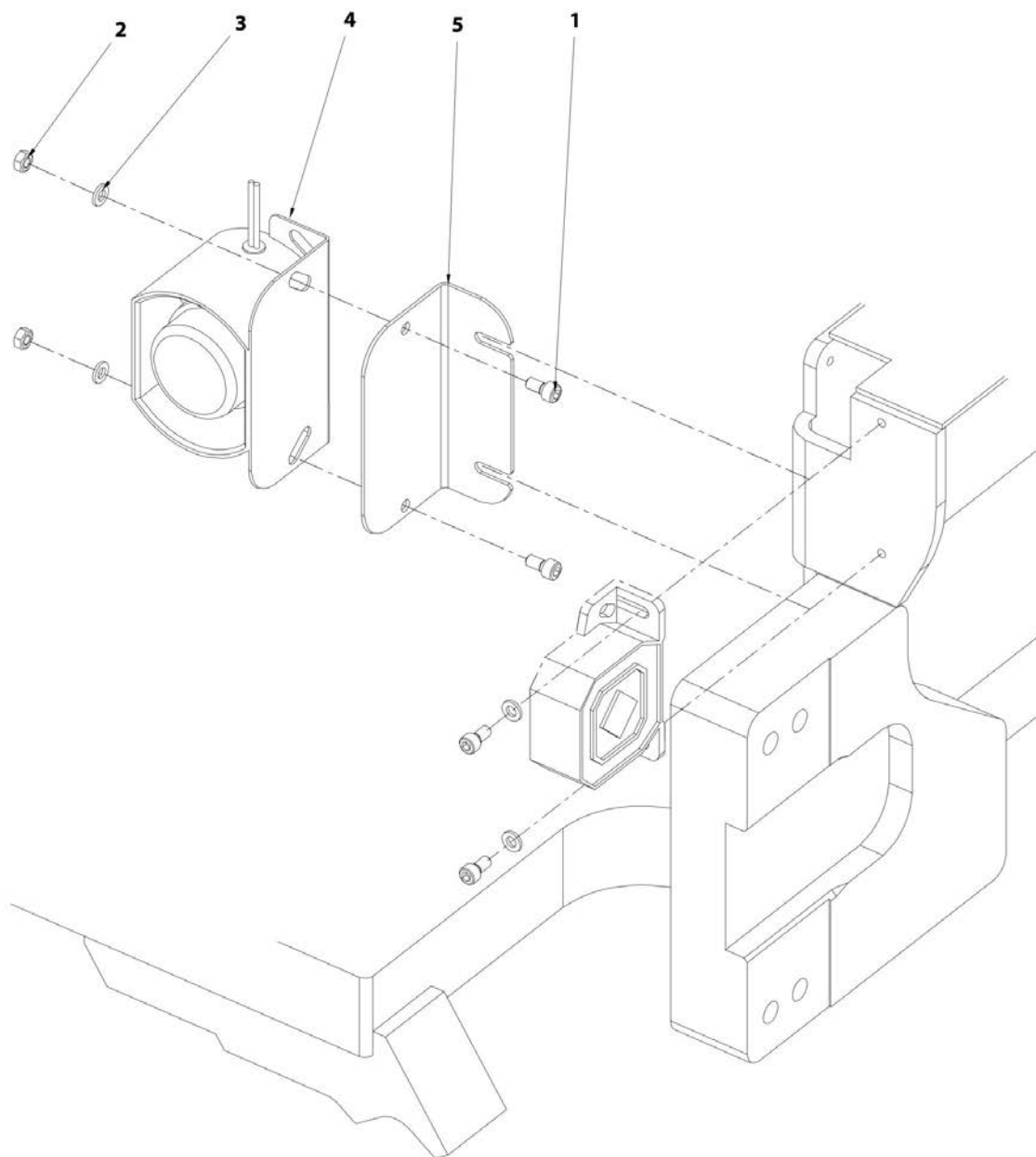
SECTION 10 - OPTIONS / OPTIONS

FIGURE 10-2. INSTALL,PEDAL FOR JAPAN / INSTALLATION PEDALE POUR JAPON

ITEM	PART NUMBER	QTY	DESCRIPTION	REV
	1001267669	Ref	INSTALL PEDAL FOR JAPAN / INSTALLATION PEDALE POUR JAPON	A
1	000003	2	M05x16 8.8 SOCKET HEAD MACH SCREW / VIS CHC M05x16 8.8 BI FT	
2	000016	3	M06x30 8.8 SOCKET HEAD MACH SCREW / VIS CHC M06x30 8.8 BI FT	
3	000067	3	M05x12 8.8 SOCKET HEAD MACH SCREW / VIS CHC M05x12 8.8 BI FT	
5	110002	5	M05 GR. 8.8 LOCK NUT / ECROU FREIN M5 CL08 BI	
6	110003	3	M06 GR. 8.8 LOCK NUT / ECROU FREIN M6 CL08 BI	
7	120002	10	M05 WASHER / RONDELLE M05 BI	
8	120009	6	LOCK WASHER D06x14 / RONDELLE CONTACT dD 06x14 BI	
9	210052	1	SWITCH,SHUTTER / BOUCHON D22.5	
10	250051	1	CHANNEL D11.5 / PASSE FIL D11.5	
11	1321293	5	CLAMP,INSULATED BAND / COLLIER ISOLE	
12	4460071	1	CONNECTOR,WATER TIGHT / PRESSE ETOUPE	
13	1001117172	1	PEDAL / PEDALE	
14	1001267644	1	HARNESS,PEDAL / FAISCEAU PEDALE	
15	1001230297	1	RELAY,TYCO 24V / RELAIS TYCO 24V	

SECTION 10 - OPTIONS / OPTIONS

FIGURE 10-3. MOTION ALARM INSTALL / INSTALLATION ALARME DE MOUVEMENT



ART_OP509

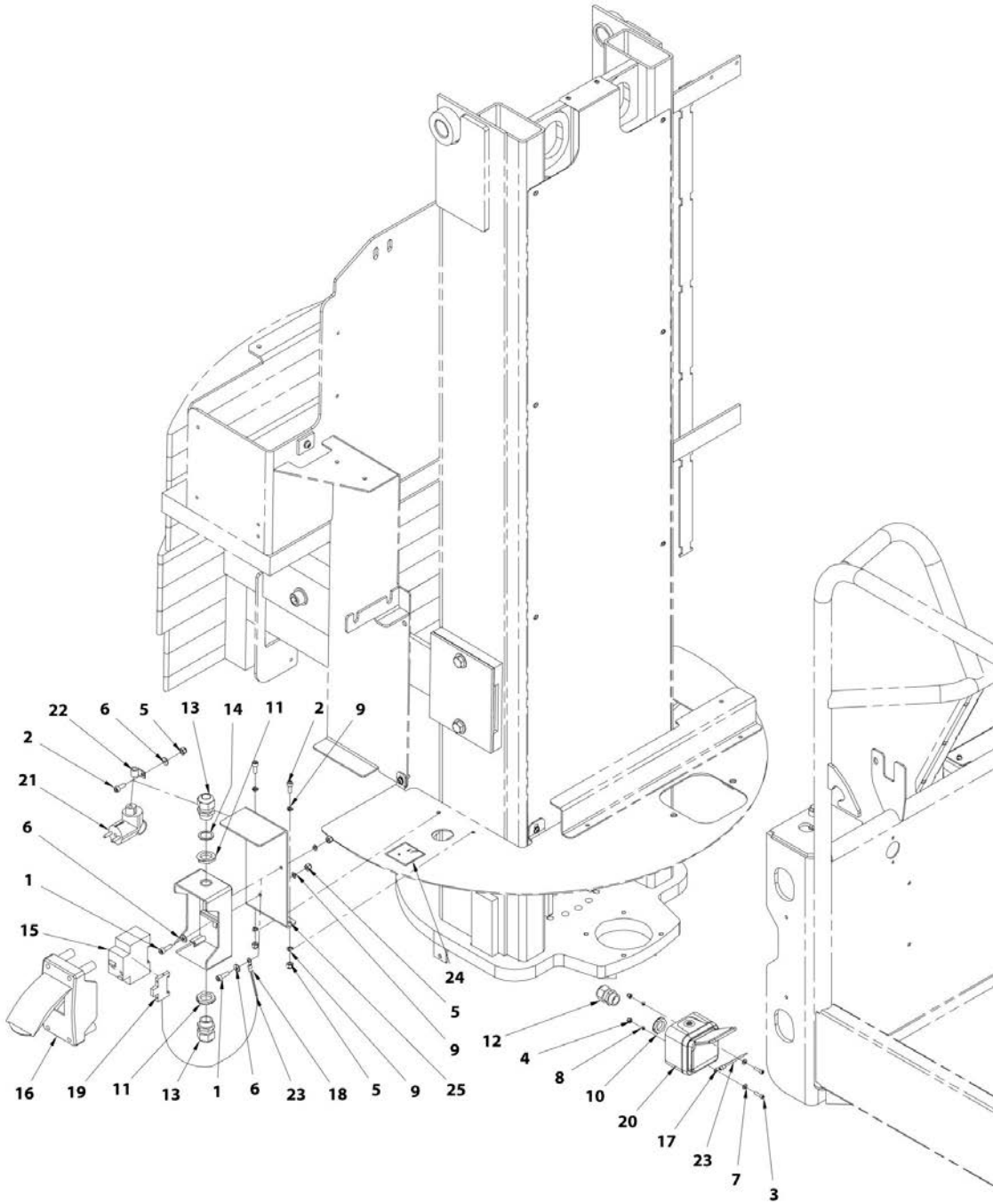
SECTION 10 - OPTIONS / OPTIONS

FIGURE 10-3. MOTION ALARM INSTALL / INSTALLATION ALARME DE MOUVEMENT

ITEM	PART NUMBER	QTY	DESCRIPTION	REV
	OP509		MOTION ALARM INSTALL / INSTALLATION ALARME DE MOUVEMENT	A
1	000014	2	M06x12 8.8 SOCKET HEAD MACH SCREW / VIS CHC M06x12 8.8 BI FT	
2	110003	2	M06 GR08 LOCK NUT / ECROU FREIN M6 CL08 BI	
3	120009	2	dD 06x14 LOCK WASHER / RONDELLE CONTACT dD 06x14 BI	
4	PC0466	1	HARNESS,MOTION ALARM / FAISCEAU ALARME DE MOUVEMENT	
5	ST3022	1	MOTION ALARM BRACKET / EQUERRE ALARME DE MOUVEMENTS	

SECTION 10 - OPTIONS / OPTIONS

FIGURE 10-4. 230V PLATFORM SOCKET INSTALL / INSTALLATION PRISE PLATE-FORME 230V



ART_SA0093

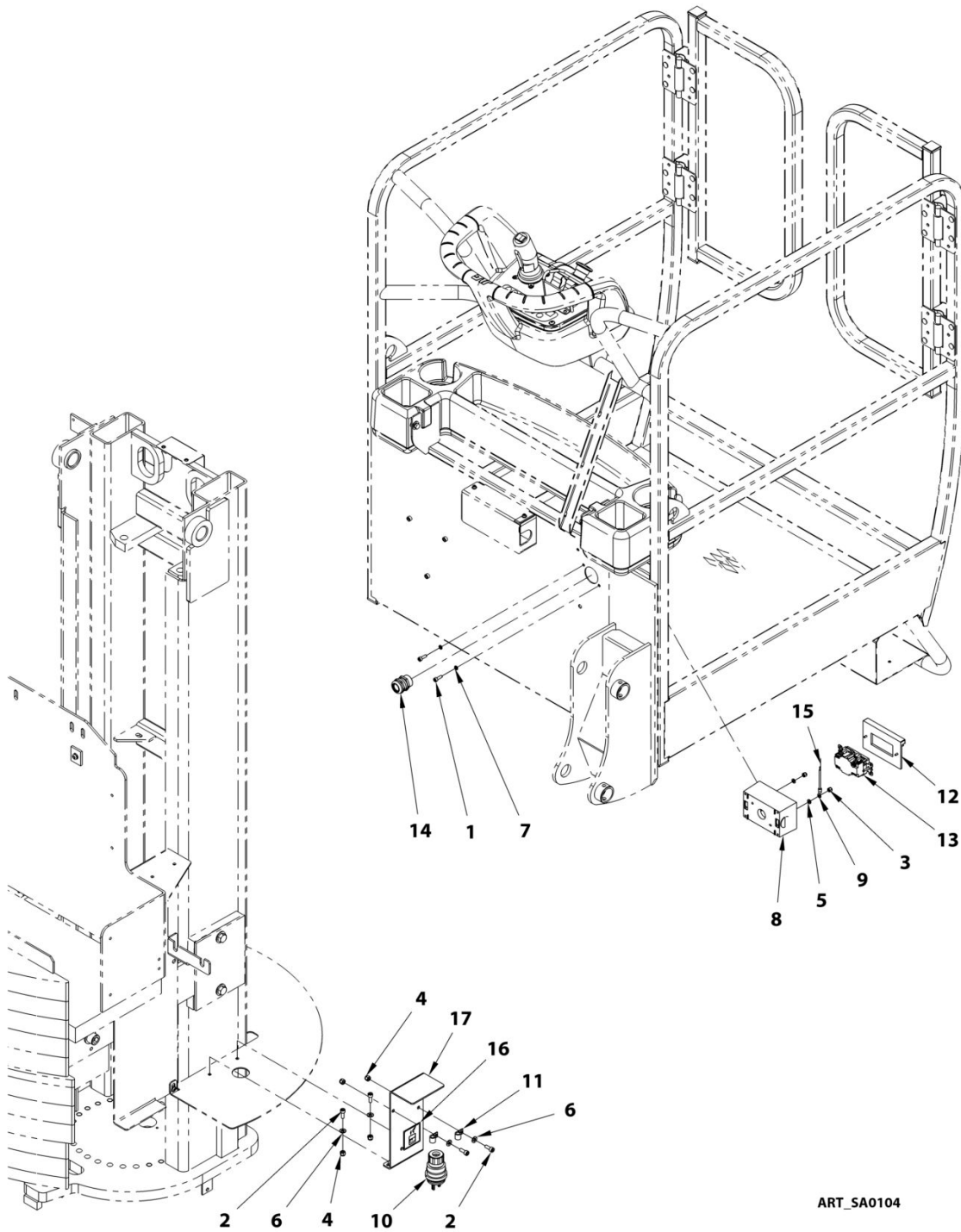
SECTION 10 - OPTIONS / OPTIONS

FIGURE 10-4. 230V PLATFORM SOCKET INSTALL / INSTALLATION PRISE PLATE-FORME 230V

ITEM	PART NUMBER	QTY	DESCRIPTION	REV
	SA0093		PLATFORM 230V FRENCH SOCKET INSTALL / INSTALLATION PRISE PANIER FRANCE 230V	C
	SA0094		PLATFORM 230V GERMAN SOCKET INSTALL / INSTALLATION PRISE PANIER ALLEMAGNE 230V	C
1	000005	2	M06x20 8.8 SOCKET HEAD MACH SCREW / VIS CHC M06x20 8.8 BI FT	
2	000015	3	M06x16 8.8 SOCKET HEAD MACH SCREW / VIS CHC M06x16 8.8 BI FT	
3	000085	2	M04x16 8.8 SOCKET HEAD MACH SCREW / VIS CHC M04x16 8.8 BI FT	
4	110001	2	M04 GR08 LOCK NUT / ECROU FREIN M4 CL08 BI	
5	110003	5	M06 GR08 LOCK NUT / ECROU FREIN M6 CL08 BI	
6	120009	3	dD 06x14 LOCK WASHER / RONDELLE CONTACT dD 06x14 BI	
7	120024	2	M4 LOCK WASHER / RONDELLE CONTACT M4 BI	
8	120058	2	WASHER,D4 SERRATED LOCK / RONDELLE EVENTAIL D4	
9	120060	6	WASHER,D6 SERRATED LOCK / RONDELLE EVENTAIL D6	
10	210011	1	GLAND N°13 NUT / ECROU DE PRESSE ETOUPE N°13	
11	210012	2	GLAND N°16 NUT / ECROU DE PRESSE ETOUPE N°16	
12	210019	1	GLAND N°13 / PRESSE ETOUPE N°13	
13	210021	2	GLAND N°16 / PRESSE ETOUPE N°16	
14	210065	1	N°16 GLAND SEAL / JOINT DE PRESSE ETOUPE N°16	
15	1001181045	1	CUTOUT 30 mA / DISJONCTEUR DIFFERENTIEL 30 mA	
16	240093	1	CUTOUT BOX / BOITIER DISJONCTEUR	
17	250089	1	M04 EYELET TERMINAL 1-2.5mm ² / COSSE A OEIL ISOLEE M4 - 1-2.5mm ²	
18	250091	1	M6 EYELET TERMINAL 1-2.5mm ² / COSSE A OEIL ISOLEE M6 - 1-2.5mm ²	
19	250135	1	TERMINAL BLOCK VICKING / BLOC DE JONCTION VICKING	
20	260029	1	FRENCH 230 VAC SOCKET 2P+T / PRISE FEM. FRANCAISE 230VAC 2P+T	
20	260187	1	GERMAN 230 VAC SOCKET 2P+T / PRISE FEM. ALLEMANDE 230VAC 2P+T	
21	260214	1	FRENCH AND GERMAN 230V CONNECTOR / PRISE 230V FRANCAISE ET ALLEMANDE	
22	1321293	1	CLAMP,INSULATED BAND / COLLIER ISOLE	
23	270002	0.5m	WIRE 2 mm ² Y/G (qty indicated in meter) / FIL 2 mm ² V/J (qté indiquée en mètre)	
24	AU1716	1	PLATFORM SOCKET DECAL / AUTOCOLLANT PRISE PANIER	
25	ST3438	1	SUPPORT,BREAKER BOX / SUPPORT COUPE CIRCUIT	

SECTION 10 - OPTIONS / OPTIONS

FIGURE 10-5. PLATFORM 115V GFI-US SOCKET INSTALL / INSTALLATION PRISE PLATE-FORME 115V GFI-US



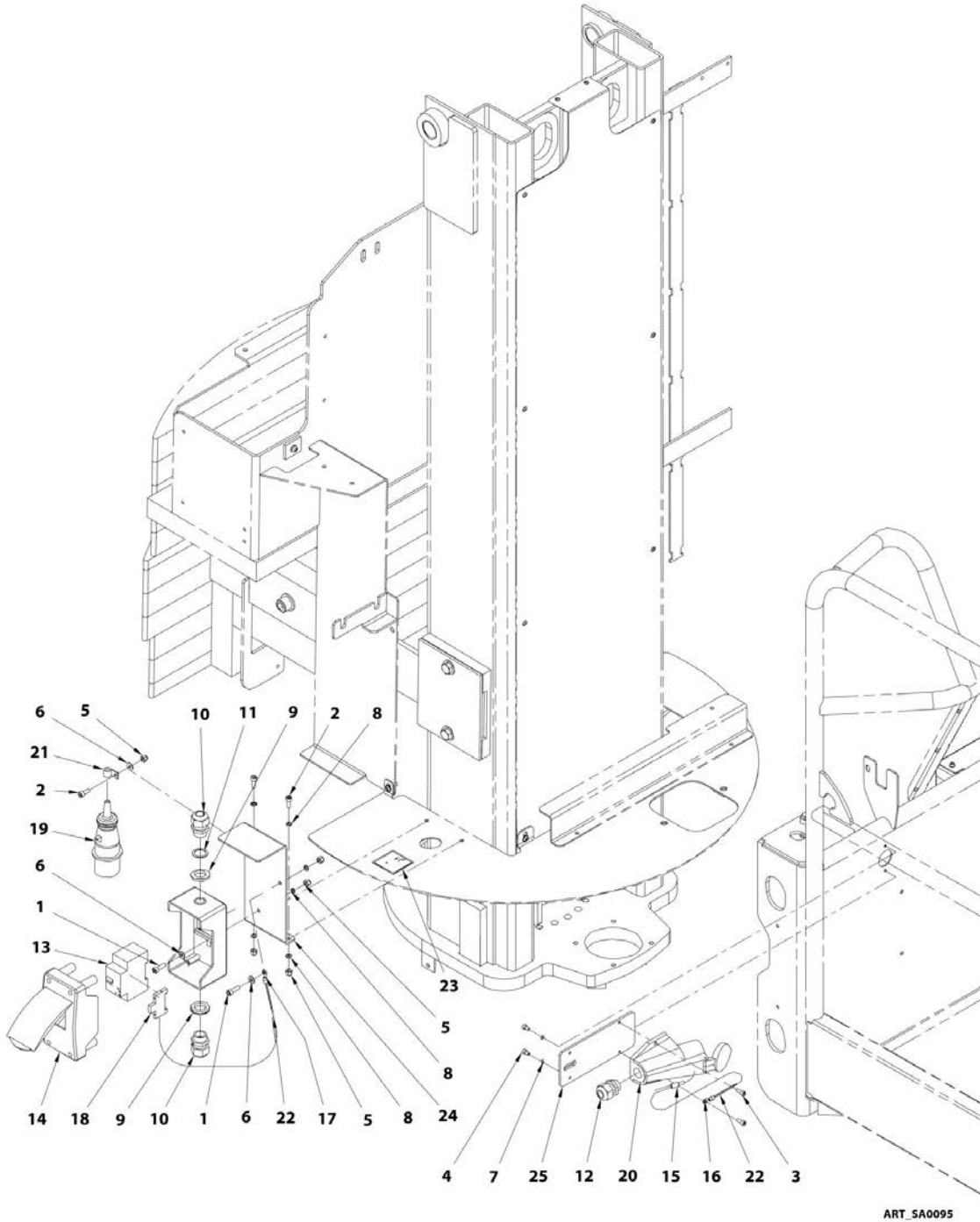
SECTION 10 - OPTIONS / OPTIONS

FIGURE 10-5. PLATFORM 115V GFI-US SOCKET INSTALL / INSTALLATION PRISE PLATE-FORME 115V GFI-US

ITEM	PART NUMBER	QTY	DESCRIPTION	REV
	SA0104		PLATFORM 115V GFI-US SOCKET INSTALL / INSTALLATION PRISE PLATE-FORME 115V GFI-US	B
1	000003	2	M05x16 8.8 SOCKET HEAD MACH SCREW / VIS CHC M05x16 8.8 BI FT	
2	000015	4	M06x16 8.8 SOCKET HEAD MACH SCREW / VIS CHC M06x16 8.8 BI FT	
3	110002	2	M05 GR08 LOCK NUT / ECROU FREIN M5 CL08 BI	
4	110003	4	M06 GR08 LOCK NUT / ECROU FREIN M6 CL08 BI	
5	120002	2	M05 WASHER / RONDELLE M05 BI	
6	120009	4	dD 06x14 LOCK WASHER / RONDELLE CONTACT dD 06x14 BI	
7	120059	2	WASHER,D5 SERRATED LOCK / RONDELLE EVENTAIL D5	
8	230016	1	ELECTRICAL BOX / BOITIER ELECTRIQUE	
9	250090	1	M5 EYELET TERMINAL 1-2.5mm ² / COSSE A OEIL ISOLEE M5 - 1-2.5mm ²	
10	260276	1	US 125 VAC MALE CONNec. (=7364002824) / PRISE US 125VAC (=7364002824)	
11	1321293	2	CLAMP,INSULATED BAND / COLLIER ISOLE	
12	4060700	1	CIRCUIT BREAKER COVER / COUVERCLE COUPE CIRCUIT	
13	4460346	1	CIRCUIT BREAKER KIT / KIT COUPE CIRCUIT	
14	7364001818	1	STRAIN RELIEF CONNECTOR / PRESSE ETOUPE	
15	270002	0.3	WIRE 2 mm ² Y/G (qty indicated in meter) / FIL 2 mm ² V/J (qté indiquée en mètre)	
16	AU1716	1	PLATFORM SOCKET DECAL / AUTOCOLLANT PRISE PANIER	
17	ST3438	1	SUPPORT,BREAKER BOX / SUPPORT COUPE CIRCUIT	

SECTION 10 - OPTIONS / OPTIONS

FIGURE 10-6. PLATFORM 115V IEC SOCKET INSTALL / INSTALLATION PRISE PLATE-FORME 115V EIC



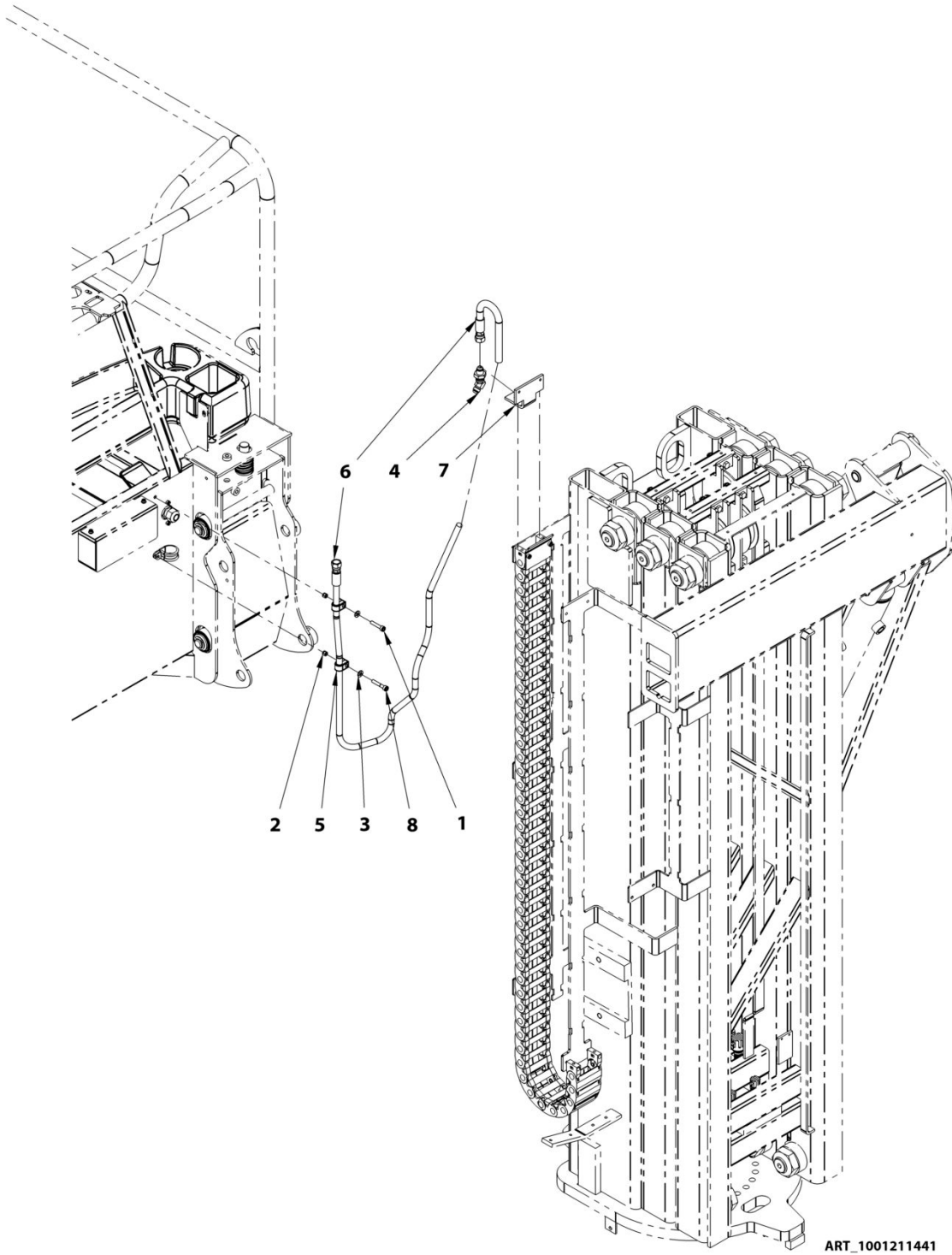
SECTION 10 - OPTIONS / OPTIONS

FIGURE 10-6. PLATFORM 115V IEC SOCKET INSTALL / INSTALLATION PRISE PLATE-FORME115V EIC

ITEM	PART NUMBER	QTY	DESCRIPTION	REV
	SA0095		PLATFORM 115V IEC SOCKET INSTALL / INSTALLATION PRISE PANIER IEC 115V	C
1	000005	2	M06x20 8.8 SOCKET HEAD MACH SCREW / VIS CHC M06x20 8.8 BI FT	
2	000015	3	M06x16 8.8 SOCKET HEAD MACH SCREW / VIS CHC M06x16 8.8 BI FT	
3	000067	2	M05x12 8.8 SOCKET HEAD MACH SCREW / VIS CHC M05x12 8.8 BI FT	
4	000089	2	M05x08 8.8 SOCKET HEAD MACH SCREW / VIS CHC M05x08 8.8 BI FT	
5	110003	5	M06 GR08 LOCK NUT / ECROU FREIN M6 CL08 BI	
6	120009	3	dD 06x14 LOCK WASHER / RONDELLE CONTACT dD 06x14 BI	
7	120059	2	WASHER,D5 SERRATED LOCK / RONDELLE EVENTAIL D5	
8	120060	6	WASHER,D6 SERRATED LOCK / RONDELLE EVENTAIL D6	
9	210012	2	GLAND N°16 NUT / ECROU DE PRESSE ETOUPE N°16	
10	210021	2	GLAND N°16 / PRESSE ETOUPE N°16	
11	210065	1	N°16 GLAND SEAL / JOINT DE PRESSE ETOUPE N°16	
12	210066	1	M20 CABLE GLAND / PRESSE ETOUPE M20	
13	1001181045	1	CUTOOUT 30 mA / DISJONCTEUR DIFFERENTIEL 30 mA	
14	240093	1	CUTOOUT BOX / BOITIER DISJONCTEUR	
15	250071	1	INSULATED SOCKET TERMINAL Ø5 / COSSE CYLINDRIQUE FEM. ISOLEE Ø5	
16	250090	1	M5 EYELET TERMINAL 1-2.5mm ² / COSSE A OEIL ISOLEE M5 - 1-2.5mm ²	
17	250091	1	M6 EYELET TERMINAL 1-2.5mm ² / COSSE A OEIL ISOLEE M6 - 1-2.5mm ²	
18	250135	1	TERMINAL BLOCK VICKING / BLOC DE JONCTION VICKING	
19	260213	1	CONNECTOR 115VAC/16A IEC60309 / PRISE MALE 115VAC/16A CEI60309	
20	260258	1	115 VAC IEC60309 SURFACE SOCKET / PRISE FEMELLE FIXE 115VAC CEI60309	
21	1321293	1	CLAMP, INSULATED BAND / COLLIER ISOLE	
22	270002	0.6m	WIRE 2 mm ² Y/G (qty indicated in meter) / FIL 2 mm ² V/J (qté indiquée en mètre)	
23	AU1716	1	PLATFORM SOCKET DECAL / AUTOCOLLANT PRISE PANIER	
24	ST3438	1	SUPPORT,BREAKER BOX / SUPPORT COUPE CIRCUIT	
25	ST3439	1	SUPPORT, SOCKET 115V / SUPPORT PRISE 115V	

SECTION 10 - OPTIONS / OPTIONS

FIGURE 10-7. AIRLINE 5/16" INSTALL / INSTALLATION AIR COMPRIE 5/16"



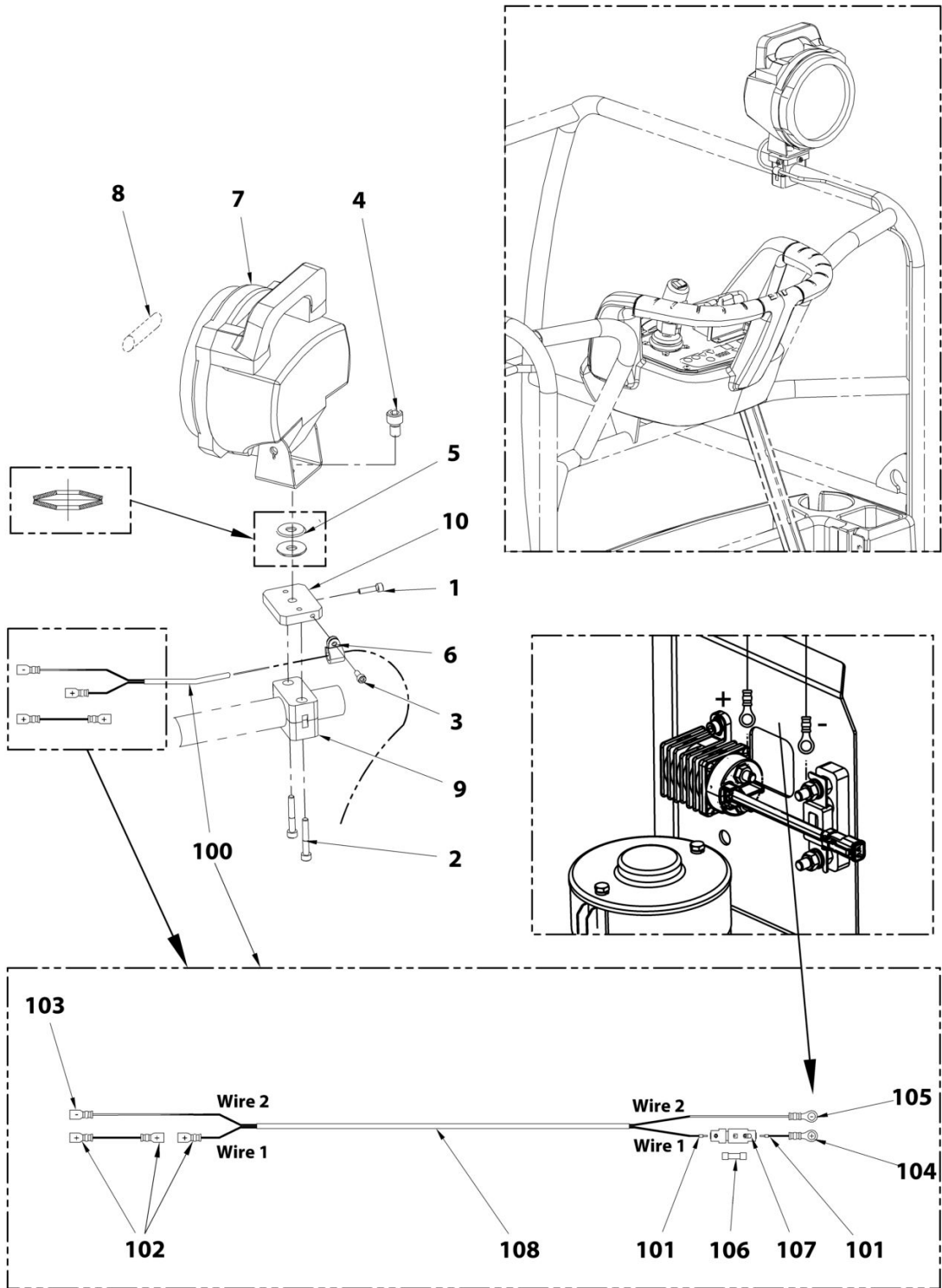
SECTION 10 - OPTIONS / OPTIONS

FIGURE 10-7. AIRLINE 5/16" INSTALL / INSTALLATION AIR COMPRIME 5/16"

ITEM	PART NUMBER	QTY	DESCRIPTION	REV
	1001211441		AIR LINE 5/16" INSTALL / INSTALLATION AIR COMPRIME 5/16"	B
1	000016	1	M06x30 8.8 SOCKET HEAD MACH SCREW / VIS CHC M06x30 8.8 BI FT	
2	110003	2	M06 GR. 8.8 LOCK NUT / ECROU FREIN M6 CL08 BI	
3	120009	2	LOCK WASHER D06x14 / RONDELLE CONTACT dD 06x14 BI	
4	300161	1	45° BULKHEAD JIC 9/16 / TRAVERSEE DE CLOISON 45° JIC	
5	400047	2	CLAMP,SINGLE D12 / COLLIER D12	
6	DF0986	1	HOSE 5/16-0760cm-JIC Fem 9/16-JIC Fem 9/16 / FLEXIBLE 5/16-0760cm-JIC Fem 9/16-JIC Fem 9/16	
7	ST1969	1	SUPPORT, AIR LINE HOSE / SUPPORT FLEXIBLE AIR COMPRIME	
8	000077	1	M06x35 8.8 SOCKET HEAD CAPSCREW / VIS CHC M06x35 8.8 BI FP	

SECTION 10 - OPTIONS / OPTIONS

FIGURE 10-8. WORKING LIGHT INSTALL / INSTALLATION PHARE DE TRAVAIL



ART_OP521

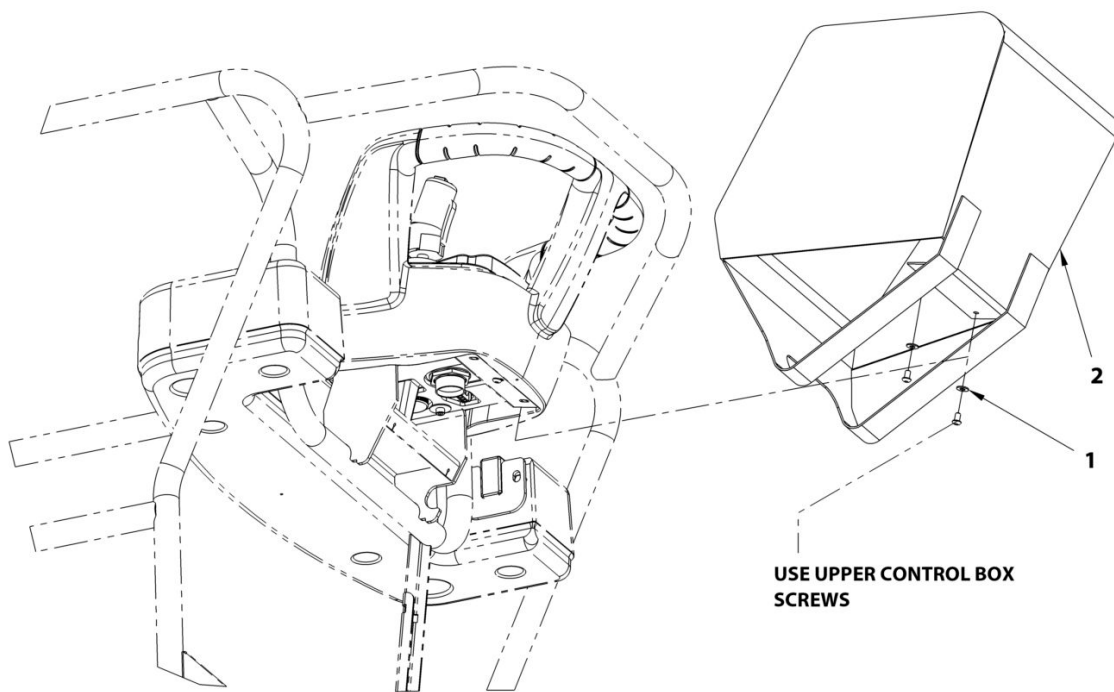
SECTION 10 - OPTIONS / OPTIONS

FIGURE 10-8. WORKING LIGHT INSTALL / INSTALLATION PHARE DE TRAVAIL

ITEM	PART NUMBER	QTY	DESCRIPTION	REV
	OP521		WORKING LIGHT INSTALL / INSTALLATION PHARE DE TRAVAIL	B
1	000010	1	M05x20 8.8 SOCKET HEAD MACH SCREW / VIS CHC M05x20 8.8 BI FT	
2	000017	2	M06x40 8.8 SOCKET HEAD MACH SCREW / VIS CHC M06x40 8.8 BI FT	
3	000067	1	M05x12 8.8 SOCKET HEAD MACH SCREW / VIS CHC M05x12 8.8 BI FT	
4	000069	1	M10x16 8.8 SOCKET HEAD MACH SCREW / VIS CHC M10x16 8.8 BI FT	
5	120043	2	BEVEL WASHER Ø28x10.2x1 / RONDELLE RESSORT Ø28x10.2x1 BR	
6	1321293	1	CLAMP,INSULATED BAND / COLLIER ISOLE	
7	260144	1	24V 70W LIGHT / PHARE 24V 70W	
8	260146	1	BULB H3 / 70W / AMPOULE H3 / 70W	
9	400077	1	CLAMP, SINGLE D30 / COLLIER D30	
10	FX158-014	1	PLATFORM LIGHT PLATE / PLATINE PHARE DE TRAVAIL	
100	PC0528	1	HARNES,WORK LIGHT / FAISEAU PHARE DE TRAVAIL	
101	250001	2	FERRULE TERMINAL 1mm ² / EMBOUT 1mm ²	
102	250026	3	RED RECEPTACLE TERM. 6.3 - 0.5-1.2mm ² / COSSE FEMELLE 6.3 ROUGE - 0.5-1.2mm ²	
103	250027	1	BLUE RECEPTACLE TER. 6.3 - 1.5-2.5mm ² / COSSE FEM. 6.3 BLEUE 6.3 - 1.5-2.5mm ²	
104	250084	1	M8 EYELET TERMINAL 0.25-1mm ² / COSSE A OEIL ISOLEE M8 - 0.25-1mm ²	
105	250172	1	M08 EYELET TERMINAL 1-2.5mm ² / COSSE A OEIL ISOLEE M08 - 1-2.5mm ²	
106	260006	1	5x20 3.15A FUSE / FUSIBLE 5x20 3.15A	
107	260007	1	FUSE HOLDER / PORTE FUSIBLE	
108	270031	12.2m	CABLE 2x1mm ² / CABLE 2x1mm ²	

SECTION 10 - OPTIONS / OPTIONS

FIGURE 10-9. UCB PROTECTION INSTALL / INSTALLATION PROTECTION BOITIER HAUT



ART_1001214774

SECTION 10 - OPTIONS / OPTIONS

FIGURE 10-9. UCB PROTECTION INSTALL / INSTALLATION PROTECTION BOITIER HAUT

ITEM	PART NUMBER	QTY	DESCRIPTION	REV
	1001214774	Ref	UCB PROTECTION INSTALL / INSTALLATION PROTECTION BOITIER HAUT	A
1	120009	1	LOCK WASHER D06x14 / RONDELLE FREIN D06x14	
2	1001214777	2	UCB PROTECTION / PROTECTION BOITIER HAUT	

**SECTION 11 - RECOMMENDED PARTS LIST / LISTE DE PIÈCES
RECOMMANDÉES**

**SECTION 11 - RECOMMENDED PARTS LIST / LISTE DE PIÈCES
RECOMMANDÉES**

SECTION 11 - RECOMMENDED PARTS LIST / LISTE DE PIÈCES RECOMMANDÉES

FIGURE 11-1. RECOMMENDED PARTS LIST / LISTE DE PIÈCES RECOMMANDÉES

ITEM	PART NUMBER	QTY	DESCRIPTION	REV
	Note		The following list will service one Machine with emergency repair parts which can be installed in the field. Parts from the list should be replaced when inventory is depleted to keep service parts stock supplied. For further information, contact your JLG Industries Parts Department. / La liste suivante indique (pour une Machine) les pièces de réparation d'urgence qui peuvent être installées sur le terrain. La quantité de pièces de cette liste doit être tenue en stock minimum. Pour de plus amples informations, contactez votre SAV JLG Industries.	~Ref
		Ref	STANDARD PARTS / PIÈCES STANDARD	
	310103	1	BREATHER CAP / BOUCHON-RENIFLARD	
	3740150	1	RELAY, 24VDC/100A / RELAIS, 24VDC/100A	
	1001230297	2	RELAY,TYCO 24V / RELAIS TYCO 24V	
	2860030	1	KEY (INCLUDED IN ITEM 4360469) / CLE (COMPRISE DANS REF 4360469)	
	1001266902	1	SWITCH, MEMBRANE PAD 3 BUTTONS / INTERRUPTEURS A MEMBRANE 3 BOUTONS	
	260079	1	325A FUSE / FUSIBLE 325A	
	930134	1	FILTER, CARTRIDGE, 10µm / ELEMENT FILTRANT 10µm	
	7027367	1	SWITCH ENABLER / CONTACT VALIDATION	
	4360562	1	COMPLETE KNOB / ARRET D'URGENCE COMPLET	
	1001115919	1	SWITCH,PUSH BUTTON-ENABLE / B P DE VALIDATION	
	240056	1	NO CONTACT BASE / EMBASE CONTACT NO	
		Ref	VARIABLE PARTS / AUTRES PIÈCES	
	1001223812	1	KIT-SERVICE, GROUND PANEL W/O ENABLE / KIT SAV PLATINE BOITIER BAS SANS ENABLE	
	SE1202	1	KIT-SERVICE, GROUND PANEL WITH ENABLE / KIT SAV PLATINE BOITIER BAS AVEC ENABLE	
	260323	1	NO/NC SWITCH PG11 / CAPTEUR NO/NF PE11	
	1001213835	1	SENSOR, TILT 2.4° / DETECTEUR DE DEVERS 2.4°	
	4000008	1	SENSOR, PROXIMITY ASSEMBLY / FAISCEAU DETECTEUR DE PROXIMITE	
	1001232667	1	SENSOR SKYLINE ASSEMBLY / FAISCEAU CAPTEUR SKYLINE	
	260327	2	NO/NC SWITCH TELEMECANIQUE / CAPTEUR NO/NF TELEMECANIQUE	
	PC0468	1	HARNESS, LOAD SENSING SWITCH / FAISCEAU CAPTEUR DE SURCHARGE	
	4360505	1	SWITCH, ROTARY ANGLE SENSOR / CAPTEUR D'ANGLE	
	130064	4	D8 FAST-LEAD THREAD SCREW / VIS D8 PAS RAPIDE TETE LARGE	
	1001109503	1	MULTIDISPLAY INDICATOR / AFFICHEUR MULTIFONCTION	
	4360469	1	3 POSITIONS KEY SELECTOR / SELECTEUR A CLE 3 POSITIONS	
	1600458	1	JOYSTICK / JOYSTICK	
	1001155354	1	THUMB JOYSTICK / MINI JOYSTICK	
	1001109239	1	PC BOARD PLATFORM MODULE / CARTE BOITIER HAUT PROGRAMMEE	
	1001241322	2	CONTROLLER, ZAPI COMBI AC0 / VARIATEUR COMBI-ACO	
	952099	6	COIL 24VDC_3012599 / BOBINE 24VDC_3012599	

**SECTION 11 - RECOMMENDED PARTS LIST / LISTE DE PIÈCES
RECOMMANDÉES**

ITEM	PART NUMBER	QTY	DESCRIPTION	REV
	952101	1	COIL 24VADC_3110057 / BOBINE 24VADC_3110057	

SECTION 12 - SPECIAL OPTIONS / OPTIONS SPECIALES

SECTION 12 - SPECIAL OPTIONS / OPTIONS SPECIALES

FIGURE 12-1. SPECIAL OPTIONS / OPTIONS SPECIALES

ITEM	PART NUMBER	QTY	DESCRIPTION	REV
		Ref	Note: This list is to accommodate machines ordered with special equipment. Options may not be applicable to all models. For more specific parts information contact JLG Parts Department. / Remarque: Cette liste fourni les info complémentaires pour les Machines commandées avec des équipements spéciaux. Ces Options ne sont pas applicables à tous les modèles. Pour des informations plus spécifiques sur les pièces, contacter le service pièces JLG.	
		Ref	MISCELLANEOUS SPECIAL OPTIONS / OPTIONS SPECIALES DIVERSES	
		Ref	ClearSky Telematic Installation (Factory Installed) / Installation ClearSky (Telematic)-(installé en usine)	
	1001252510	Ref	ClearSky Installation - Canbus Connection (ANSI, CSA and JPN Specs) / Installation ClearSky, Connection Canbus (ANSI, CSA et JPN Specs)	
	1001252515	Ref	ClearSky Installation - Canbus Connection (ANSI Export and CE Specs) / Installation ClearSky, Connection Canbus (ANSI Export et CE Specs)	
	1001254156	Ref	ClearSky Installation - Canbus Connection (Australian Specs) / Installation ClearSky, Connection Canbus (Australian Specs)	
	1001276610	Re	ClearSky GT1030 Installation / Installation ClearSky GT1030	
	1001229695	Ref	ClearSky decal Installation (Factory Installed) / Installation Autocollant Skyline (Installé en usine)	
	1001227878	Ref	Trackunit (Telematics) Installation (Factory Installed) - (CE Specs) / Installation Trackunit (Telematic)-(installé en usine)	
	1001214029	Ref	IInstall,decal,EAC (Russia,CIS) / Installation autocollant EAC (Russie, CIS)	
	1001223692	Ref	Possible positions for Custommer decals / Positions possibles des autocollants Client	
		Ref	CLEARSKY TELEMATIC KITS / KITS CLEARSKY TELEMATIC	
	1001265362	Ref	KIT, CLEARSKY CAN (N.A.) / KIT, CLEARSKY CAN (N.A.)	
	1001253875	Ref	KIT, CLEARSKY CAN (C.E.) / KIT, CLEARSKY CAN (C.E.)	
	1001254190	Ref	KIT, CLEARSKY CAN (AUS) / KIT, CLEARSKY CAN (AUS)	
	1001276923	Ref	KIT CLEARSKY GT1030 / KIT CLEARSKY GT1030	
	1001251483	Ref	KIT,ACCESS CONTROL / KIT DE CONTROLE D'ACCES	
		Ref	SKYLINE KITS / KITS SKYLINE	
	1001278009	Ref	KIT SKYLINE / KIT SKYLINE	
	1001278131	Ref	KIT SKYLINE BEACON / KIT FEU SKYLINE	
		Ref	Tools for Service / Outils pour entretien et dépannage	
	2901443	Ref	Analyzer Kit / Kit Analyseur	
	1001249695	Ref	Analyzer and Cable Kit / Analyseur et kit cables	
	8896941	Ref	Wire Stripper / Pince à dénuder	
	7002821	Ref	Wire Crimper (To install wire ends to wires) / Pince à sertir (pour installer des cosse sur des fils)	
	7002823	Ref	Pin/Socket Extractor - Universal (For Removal of Pins/Sockets from Connectors) / Extracteur de contacts Universel (pour retrait broches de connecteurs)	
	4460467	Ref	Extractor - 16-18 Gauge (For Removal of Pin/Sockets from	

SECTION 12 - SPECIAL OPTIONS / OPTIONS SPECIALES

ITEM	PART NUMBER	QTY	DESCRIPTION	REV
	4460510	Ref	Deutsch Connectors) / Extracteur AWG16-18 (pour retrait broches de connecteurs Deutch)	
	7016654	Ref	Extractor - 12-14 Gauge (For Removal of Pin/Sockets from Deutsch Connectors) / Extracteur AWG12-14 (pour retrait broches de connecteurs Deutch)	
			Screwdriver, Magnetic / Tournevis Magnétique	

SECTION 12 - SPECIAL OPTIONS / OPTIONS SPECIALES

PART NUMBER INDEX

SECTION 12 - SPECIAL OPTIONS / OPTIONS SPECIALES

000003.....10, 111, 117	1001155328..... 59	1001223714 73	1001238477..... 55
000005...31, 64, 115, 119	1001155354..... 59, 128	1001223717 10	1001239552..... 33, 35
000006.....26, 27, 49, 51	1001155460..... 59	1001223759 26	1001239741..... 64
000007.....96	1001155462..... 59	1001223761 105	1001239742..... 64
000008.....15, 57, 64, 73	1001157657 59	1001223762 105	1001241322..... 15, 128
000010.....47, 123	1001181045..... 115, 119	1001223763 105	1001241965..... 55
00001411, 26, 31, 49, 51, 53, 71, 91, 93, 96, 113	1001187631..... 31	1001223764 105	1001245202..... 15, 21, 86
00001510, 26, 31, 49, 51, 53, 64, 91, 93, 115, 117, 119	1001192401..... 84	1001223765 104	1001245243..... 105, 106
000016.....64, 111, 121	1001200910..... 109	1001223766 91	1001246577..... 21
000017.....15, 123	1001208856..... 59	1001223767 93	1001246578..... 21
000018.....73	1001208857..... 59	1001223769 102	1001248510..... 64
000023.....26	1001209857..... 49	1001223770 103	1001248511..... 64
000026.....73	1001209858..... 51	1001223771 103	1001248513..... 64
000030.....64	1001209859..... 64	1001223772 103	1001248814..... 10
000032.....51	1001209860..... 47	1001223773 103	1001248815..... 10
000050.....96, 109	1001209934..... 57	1001223774 103	1001249695..... 132
000051.....64	1001210672..... 10	1001223775 104	1001251483..... 132
000059.....71	1001210910..... 11	1001223776 104	1001252510..... 132
000067..26, 96, 111, 119, 123	1001210948..... 31	1001223810..... 31, 35	1001252515..... 132
000069.....123	1001211321..... 73	1001223811..... 35	1001253875..... 132
000077.....15, 64, 121	1001211322..... 71	1001223812..... 35, 128	1001254156..... 132
000078.....55	1001211324..... 31	1001223845..... 103	1001254190..... 132
000085.....109, 115	1001211358..... 16	1001223846..... 103	1001256013..... 59
000089.....91, 93, 119	1001211436..... 104	1001223847..... 103	1001256255..... 55
000090.....49, 51, 53	1001211437..... 102	1001223848..... 103	1001256342..... 55
0140011.....59	1001211439..... 83	1001223849..... 103	1001256344..... 55
0630580.....16	1001211440..... 91, 93	1001223850..... 103	1001256346..... 55
0641406.....57	1001211441..... 121	1001223851..... 104	1001256347..... 55
100005.....55, 91, 93	1001211443..... 102	1001223852..... 104	1001257409..... 55
100007.....51	1001211444..... 102	1001223853..... 103, 104	1001257867..... 109
100008.....29	1001213000..... 91, 93	1001223854..... 103, 104	1001258232..... 53, 64
100009.....15	1001213033..... 91, 93	1001223855..... 103	1001263939..... 53
100013.....15, 41, 43, 53	1001213260..... 53	1001223856..... 103	1001265362..... 132
100021.....11, 26	1001213632..... 16	1001223857..... 103	1001266902..... 59, 128
100027.....10, 55, 64	1001213727..... 83, 89	1001223858..... 103	1001266921..... 57, 59
100038.....26	1001213728..... 83	1001223859..... 104	1001266923..... 59
100051.....64, 91, 93	1001213729..... 83	1001223860..... 104	1001266925..... 59
100053.....15	1001213835.. 16, 86, 128	1001223861..... 103, 104	1001267255..... 84
100054.....47, 49, 51, 53	1001213900..... 105, 106	1001223862..... 103, 104	1001267259..... 55
100063.....39	1001213957..... 102	1001223868..... 26	1001267260..... 109
100091.....51	1001213985..... 91, 93	1001223893..... 73	1001267261..... 109
100098.....16	1001213986..... 91, 93	1001223897..... 73	1001267298..... 31
100102.....15	1001214029..... 132	1001224026..... 106	1001267299..... 31
100103.....15, 26	1001214284..... 102	1001225133..... 79	1001267644..... 111
100104.....16	1001214285..... 102	1001225157..... 79	1001267665..... 85
1001102189..... 19	1001214313..... 102	1001225159..... 79	1001267669..... 111
1001102349..... 19	1001214314..... 102	1001225530..... 71	1001267687..... 39
1001102351..... 19	1001214314..... 102	1001225624..... 73	1001267689..... 15
1001102353..... 19	1001214774..... 125	1001225701..... 39	1001267690..... 39
1001102354..... 19	1001214777..... 125	1001226413..... 104, 105	1001267743..... 102
1001109239..... 128	1001215090..... 53	1001226414..... 106	1001267744..... 102
1001109503...33, 35, 128	1001215691..... 75	1001227848..... 104, 105	1001267745..... 102
1001114466..... 16	1001215766..... 53	1001227878..... 132	1001267746..... 102
1001115919..... 59, 128	1001216711..... 71	1001228389..... 105	1001267747..... 102
1001116692..... 85	1001220619..... 39	1001228600..... 102	1001272230..... 39
1001116694..... 85	1001220620..... 39	1001228601..... 102	1001272231..... 15
1001117172..... 111	1001221234..... 27	1001228972..... 102	1001272232..... 39
1001117177..... 59	1001221247..... 27	1001229695..... 132	1001276610..... 132
1001119619..... 85	1001221429..... 27	1001230297..... 111, 128	1001276683..... 47
1001126009..... 85	1001222935..... 73, 75	1001231801..... 106	1001276923..... 132
1001152692..... 59	1001222936..... 71, 79	1001232650..... 55	1001277966..... 47
1001154560..... 59	1001222937..... 73	1001232667..... 55, 128	1001278009..... 132
	1001223602..... 73	1001233406..... 21	1001278131..... 132
	1001223607..... 31	1001233416..... 26	1001278484..... 105, 106
	1001223623..... 10	1001233417..... 27	1001278485..... 106
	1001223689..... 16	1001235013..... 55	100156..... 73
	1001223692..... 132		

SECTION 12 - SPECIAL OPTIONS / OPTIONS SPECIALES

1060688	91, 93	150007	43	250211	91, 93	400092	64
1060689	91, 93	150009	29	250213	91, 93	400096	49, 51, 53, 64
110001	10, 109, 115	150011	41	250227	83	400099	51, 53, 55
110002	10, 64, 111, 117	150019	16	250230	86	4031516	55
110003	10, 15, 29, 31, 41, 43, 49, 51, 53, 55, 59, 64, 71, 73, 91, 93, 111, 113, 115, 117, 119, 121	150039	51	260006	123	4060700	117
110004	39, 49, 51, 55	150058	16	260007	123	4220309	53
110005	16, 51	150059	15	2600281	53	4240147	16
110008	15	150061	47	260029	115	4340871	59
110009	39	1580012	57	260077	31	4360469	33, 35, 128
110010	39	160010	96	260079	31, 128	4360505	85, 96, 128
110015	55, 64, 91, 93	160018	71	260144	123	4360562	59, 128
110016	26	160033	47	260146	123	4420051	105
110017	26	1600458	59, 128	260187	115	4460071	111
110019	39	170008	39	260213	119	4460346	117
110020	39	1701499	105, 106	260214	115	4460464	83, 84, 85, 86
110022	49, 51, 53	1702773	102	260240	33, 35	4460465	83, 84, 85, 86
110026	10, 26, 64	1703632	105, 106	260243	33, 35	4460467	132
110040	10	1703785	105	260258	119	4460510	133
110041	64	1703811	104, 105	260274	86	4460536	84, 85, 86
110042	91, 93	1703814	104, 105	260275	85	4460539	83, 84
120002	47, 64, 96, 111, 117	1704016	104, 105	260276	117	4460871	83
120003	47	1704023	105	260321	85	4460873	83
120004	10, 26, 55, 57	1704031	106	260323	86, 128	4460884	84, 85, 86
120006	39	1704277	104, 105	260327	85, 128	4460891	83, 84
120008	26	1704885	105	260329	86	4460894	83, 86
120009	10, 11, 16, 26, 31, 49, 51, 53, 55, 64, 71, 91, 93, 96, 111, 113, 115, 117, 119, 121, 125	1705781	102	270002	115, 117, 119	4460897	83, 85, 86
120010	26, 27, 39, 51, 71, 73	1705803	104	270031	123	4460899	84, 85
120011	73	1706493	104, 105	270059	84	4460916	85
120015	26	1706740	104, 105	2780266	15, 19	4460917	85, 86
120017	39	1706764	104	280023	49, 51	4460928	83, 84
120024	49, 51, 53, 96, 109, 115	1706898	59	2860030	33, 35, 128	4460930	83
120030	73	180003	16	2901443	132	4460931	83
120033	31	180009	10	300001	15	4460932	84, 85
120043	123	190027	73	300025	73, 75	4460933	83
120054	11, 15	190072	10	300034	75	4460943	84
120055	16	190074	10	300037	73	4460944	83
120056	10, 96	190077	91, 93	300040	29, 75	4460970	84
120057	10	2080040	53	300044	73	4461076	85
120058	115	210011	115	300047	75	4461077	84, 85
120059	117, 119	210012	115, 119	300061	71, 79	4740468	19
120060	10, 115, 119	210018	86	300101	75	4751400	57
130003	29	210019	115	300161	121	4761400	57
130007	64	210021	115, 119	310091	75	500021	26
130021	10	210052	111	310103	75, 128	500043	29
130029	47	210065	115, 119	310109	73	520115	71, 77
130034	26	210066	119	320049	29	7000084	59
130059	33, 35	230016	117	3300423	19	70000682	59
130062	10, 31, 59	2400060	84	3340962	51, 53	7002821	132
130064	10, 128	240056	59, 128	3450406	19	7002823	132
130066	64	240057	33, 35, 59	3575796	59	7016654	133
1321293	51, 71, 96, 111, 115, 117, 119, 123	240058	59	3740150	31, 128	7027365	59
140009	39	240060	33, 35, 59	3820019	59	7027367	59, 128
140014	71	240076	33, 35, 59	3900357	59	7027765	59
140016	29	240093	115, 119	3900358	59	7027766	59
140024	71	250001	123	3900359	59	7364001818	117
150002	39	250026	83, 123	4000007	85	8229242	84
150004	15	250027	123	4000008	85, 96, 128	8896941	132
		250031	31, 91, 93	4000010	49, 51, 53, 64	8990147	49, 51, 53
		250051	111	400012	64, 91, 93	920042	64
		250060	84	400015	51	920045	65
		250071	119	400018	64	920046	65
		250084	83, 123	400034	91, 93	920073	65
		250089	115	400037	91, 93	930134	75, 128
		250090	117, 119	400047	121	930135	75
		250091	84, 115, 119	400048	49	930136	75
		250135	115, 119	400057	10	930138	75
		250172	123	400077	123	951034	75

SECTION 12 - SPECIAL OPTIONS / OPTIONS SPECIALES

951036.....21	AU2215 ..91, 93, 105, 106	SA0002..... 15	ST3375..... 10
951037.....21	AU2228..... 31	SA0009..... 16	ST3376..... 10
951038.....21	AU2229..... 105, 106	SA0020..... 57	ST3377..... 10, 26
951039.....21	DF0002..... 69	SA0082..... 11	ST3414..... 49, 51, 53
951040.....21	DF0050..... 69	SA0083..... 26	ST3433..... 91, 93
951041.....21	DF0981..... 69	SA0088..... 96	ST3434..... 91, 93
952094.....75	DF0982..... 69	SA0089..... 26	ST3438..... 115, 117, 119
952095.....75	DF0983..... 69	SA0093..... 115	ST3439..... 119
952096.....75	DF0984..... 69	SA0094..... 115	ST3442..... 64
952097.....75	DF0986..... 121	SA0095..... 119	ST3449..... 51
952098.....75	DL0819..... 15	SA0104..... 117	ST3471..... 10
952099.....75, 77, 79, 128	DL0865..... 10	SA0144..... 16	ST3472..... 10
952100.....75	DL0866..... 10	SA0152..... 39	ST3696..... 11
952101.....75, 129	DL0870..... 39	SD0345..... 96	ST3697..... 11
952102.....77	DL0911..... 91, 93	SD0452..... 43	ST3704..... 71
952104.....77	DL0913..... 49	SD0453..... 41	ST3707..... 71
952106.....77	DL0914..... 39	SD0464..... 96	ST3750..... 26
952107.....77, 79	DL0915..... 39	SE0730..... 39, 41	ST3752..... 27
952108.....75	DL0916..... 39	SE0731..... 39, 43	ST3753..... 91
960097.....39	DL0920..... 51	SE0935..... 26, 29	ST3775..... 33, 35
960098.....39	DL0921..... 16	SE1137..... 96	ST3838..... 10
960099.....15	DL0922..... 47	SE1138..... 96	ST3841..... 11
970065.....75	DL0927..... 51	SE1200..... 31, 33	US0026..... 39
AU0149..... 104, 105	DL0930..... 26	SE1202..... 33, 128	US0044..... 29
AU1423..... 104, 105	DL0931..... 39	SE1214..... 39	US0134..... 15
AU1716..... 115, 117, 119	DL0932..... 26	ST0099..... 39	US0190..... 15, 26
AU1825..... 102	DL0933..... 26	ST0736..... 49, 51	US0204..... 96
AU2061..... 104, 105	FX158-014..... 123	ST0763..... 49	US0208..... 96
AU2097..... 104, 105	KT0152..... 29	ST1326..... 64	US0216..... 15
AU2098..... 104, 105	KT0155..... 69	ST1327..... 64	US0236..... 49, 51, 53
AU2102..... 102	OP509..... 113	ST1380..... 26	US0277..... 71
AU2103..... 104	OP521..... 123	ST1403..... 10	US0342..... 29
AU2105..... 104, 106	PA1113..... 102	ST1404..... 10	US0375..... 43
AU2107..... 104	PC0465..... 33, 35	ST1969..... 121	US0377..... 41
AU2108..... 105	PC0466..... 85, 113	ST1971..... 51	US0429..... 29
AU2109..... 102	PC0468..... 85, 96, 128	ST2741..... 49, 51, 53	US0470..... 51
AU2117..... 106	PC0483..... 89	ST3022..... 113	US0475..... 41
AU2118..... 105	PC0484..... 89	ST3139..... 51	US0479..... 43
AU2119..... 106	PC0488..... 84	ST3155..... 33, 35	US0481..... 39
AU2134..... 105, 106	PC0491..... 31, 86	ST3158..... 15	US0492..... 39
AU2140..... 106	PC0514..... 89	ST3170..... 10	US0523..... 15
AU2143..... 106	PC0515..... 89	ST3171..... 10	US0528..... 15
AU2144..... 106	PC0516..... 89	ST3219..... 64	US0529..... 15
AU2145..... 106	PC0517..... 89	ST3226..... 96	US0530..... 15
AU2147..... 106	PC0518..... 89	ST3227..... 96	US0531..... 15, 47
AU2149..... 106	PC0520..... 89	ST3235..... 11	US0532..... 16
AU2150..... 106	PC0524..... 84	ST3312..... 59	US0538..... 39
AU2152..... 106	PC0526..... 85	ST3318..... 73	US0548..... 26
AU2154..... 106	PC0527..... 86, 96	ST3327..... 10	US0549..... 51
AU2155..... 105	PC0528..... 123	ST3328..... 10	US0600..... 39
AU2159..... 106	PC0531..... 51	ST3329..... 10	US0601..... 47
AU2160..... 106	PC0534..... 11, 86	ST3330..... 10	US0602..... 39
AU2161..... 106	PC0550..... 89	ST3332..... 15	
AU2207.....33	SA0001..... 15	ST3333..... 39	



31210400



An Oshkosh Corporation Company

Corporate Office
JLG Industries, Inc.
1 JLG Drive
McConnellsburg, PA 17233-9533 USA
☎ **(717) 485-5161 (Corporate)**
☎ **(877) 554-5438 (Customer Support)**
☎ **(717) 485-6417**

Visit our website for JLG Worldwide Locations.
www.jlg.com