



***Illustrated Parts Manual
Manuel de pièces détachées***

MODEL / MODELE

**TOUCAN 12E
TOUCAN 12E Plus
TOUCAN 32E**

**PVC
2101**

ANSI



31210402

April 27, 2023
REV D



An Oshkosh Corporation Company

REVISION LOG

REVISION LOG

January 11, 2021 ----- Original issue of Manual - PVC2101 (Edited to B/M 1001270001 Revision B)
July 5, 2021 ----- Revision B-MFG Covers & Cylinders (Edited to B/M 1001270001 Revision C)
January 10, 2022 ----- Revision C-Cover on LSS and Unit (Edited to B/M 1001270001 Revision D)
April 27, 2023 ----- Revision D-Update Upper Control Box (Edited to B/M 1001270001 Revision F)

TABLE OF CONTENTS

SECTION 1 - HOODS INSTALL / INSTALLATION CAPOTS	7
FIGURE 1-1. HOODS INSTALL / INSTALLATION CAPOTS	8
SECTION 2 - FRAME INSTALL / INSTALLATION CHASSIS	13
FIGURE 2-1. FRAME INSTALL / INSTALLATION CHASSIS	14
FIGURE 2-2. DRIVE GEAR MOTOR / MOTORÉDUCTEUR DE ROUE	18
SECTION 3 - MAST #1 INSTALL / INSTALLATION MAST #1	21
FIGURE 3-1. MAST #1 INSTALL / INSTALLATION MAT #1	22
FIGURE 3-2. GEAR, REDUCER AND MOTOR / MOTOREDUCTEUR ASSEMBLE	24
FIGURE 3-3. INSTALL MTB / INSTALLATION COMMANDES BASSES	26
FIGURE 3-4. ELEC ASSY,GROUND CONTROL / FACADE BOITIER BAS	30
SECTION 4 - MASTS INSTALL / INSTALLATION MATS	33
FIGURE 4-1. MASTS INSTALL / INSTALLATION MATS	34
FIGURE 4-2. KIT,CHAINS / KIT CHAINES	38
FIGURE 4-3. PULLEY SUPPORT LL10-44 / SUPPORT POULIE LL10-44	40
FIGURE 4-4. PULLEY SUPPORT LL12-66 / SUPPORT POULIE LL12-66	42
FIGURE 4-5. PULLEY SUPPORT LH12-66 / SUPPORT POULIE LH12-66	44
FIGURE 4-6. MAST CYLINDER MANIFOLD / BLOC VERIN DE MAT	46
SECTION 5 - BOOM INSTALL / INSTALLATION BRAS	49
FIGURE 5-1. 12E,32E BOOM INSTALL / 12E,32E ASSEMBLAGE BRAS	50
FIGURE 5-2. 12E PLUS BOOM INSTALL / 12E PLUS ASSEMBLAGE BRAS	54
FIGURE 5-3. MANIFOLD JIB / BLOC BRAS	58
SECTION 6 - PLATFORM INSTALL / INSTALLATION PLATE-FORME	61
FIGURE 6-1. PLATFORM SUPPORT INSTALL / INSTALLATION SUPPORT PLATE-FORME	62
FIGURE 6-2. PLATFORM INSTALL WITH DROP BAR / INSTALLATION PLATE-FORME AVEC LISSE COULISSANTE	66
FIGURE 6-3. PLATFORM INSTALL WITH SALOON GATES / INSTALLATION PLATE-FORME AVEC PORTES SALOON	68
FIGURE 6-4. SKYLINE INSTALL / INSTALLATION SKYLINE	70
FIGURE 6-5. CONSOLE AND CONTAINER INSTALL / INSTALLATION BOITIER DE COMMANDE ET BOITE A OUTILS	72
FIGURE 6-6. PLATFORM CONSOLE ASSEMBLY / ASSEMBLAGE BOITIER HAUT (Prior to SN A300063535)	74
FIGURE 6-7. PLATFORM CONSOLE ASSEMBLY / ASSEMBLAGE BOITIER HAUT (SN A300063535 to Present)	78
SECTION 7 - POWER TRACKS AND CLAMPS INSTALL / INSTALLATION CHAINES PORTE-CABLES	81
FIGURE 7-1. MAST POWER TRACK INSTALL / INSTALLATION CHAINES PORTE CABLES MAT	82
FIGURE 7-2. BOOM POWER TRACK INSTALL / INSTALLATION CHAINES PORTE CABLES BRAS	84
SECTION 8 - HYDRAULIC INSTALL / INSTALLATION HYDRAULIQUE	87
FIGURE 8-1. HYDRAULIC INSTALL / INSTALLATION HYDRAULIQUE	88
FIGURE 8-2. TANK AND PUMP INSTALL / INSTALLATION CENTRALE	90
FIGURE 8-3. PUMP,MOTOR-TANK ASSEMBLY / CENTRALE ASSEMBLEE	92
FIGURE 8-4. CONTROL VALVE / BLOC HYDRAULIQUE	94
FIGURE 8-5. MANIFOLD,TELESCOPE AND LEVELLING / BLOC TELESCOPE ET CORRECTION	96
SECTION 9 - ELECTRICAL SYSTEM INSTALL / INSTALLATION ELECTRIQUE	99
FIGURE 9-1. CABLES INSTALL DIAGRAM / DIAGRAMME D'INSTALLATION CABLES	100
FIGURE 9-2. KIT,POWER CABLES / KIT CABLES DE PUISSANCE	112
FIGURE 9-3. LIMIT SWITCHES AND COVERS / INSTALLATION CAPTEURS	114
FIGURE 9-4. CHARGER INSTALL / INSTALLATION CHARGEUR	118
FIGURE 9-5. FLOODED BATTERY (STANDARD) INSTALL / INSTALLATION BATTERIES A FLOTTEURS (STANDARD)	120
FIGURE 9-6. AGM/GEL BATTERY (OPTION) INSTALL / INSTALLATION BATTERIES AGM/GEL (OPTION)	122
FIGURE 9-7. WATER FILLING NETWORK KIT / KIT REMPLISSAGE CENTRALISE	124
SECTION 10 - DECALS INSTALL / INSTALLATION AUTOCOLLANTS	127
FIGURE 10-1. DECALS INSTALL - ALL MODELS / INSTALLATION AUTOCOLLANTS - TOUS	128

TABLE OF CONTENTS

SECTION 11 - OPTIONS / OPTIONS..... 135

 FIGURE 11-1. SKYLINE BEACON INSTALL / INSTALLATION FEU SKYLINE 136

 FIGURE 11-2. PEDAL FOR JAPAN INSTALL / INSTALLATION PEDALE POUR JAPON..... 138

 FIGURE 11-3. 230V PLATFORM SOCKET INSTALL / INSTALLATION PRISE PLATEFORME 230V 140

 FIGURE 11-4. 115V (GFI-US) PLATFORM SOCKET INSTALL / INSTALLATION PRISE PLATEFORME 115V (GFI-US)..... 142

 FIGURE 11-5. 115V CEI 60309 YELLOW PLATFORM SOCKET INSTALL / PRISE 115 V (IEC 60309 JAUNE)..... 144

 FIGURE 11-6. PLATFORM W/ ROTATION OBSTACLE DETECTION / DETECTION OBSTACLE AVEC ROTATION PLATE-FORME 146

 FIGURE 11-7. PLATFORM W/O ROTATION OBSTACLE DETECTION / DETECTION OBSTACLE SANS ROTATION PLATE-FORME 148

 FIGURE 11-8. AIR LINE INSTALL / INSTALLATION AIR COMPRIME 150

 FIGURE 11-9. PLATFORM WORK LIGTH INSTALL / INSTALLATION PHARE DE TRAVAIL 152

 FIGURE 11-10. UCB PROTECTION INSTALL / INSTALLATION PROTECTION BOITIER HAUT 154

 FIGURE 11-11. ROTATION CYLINDER PROTECTION INSTALL / INSTALLATION PROTECTION VERIN ROTATION 156

 FIGURE 11-12. INSTALL,PLATFORM PADDING 158

SECTION 12 - RECOMMENDED PARTS LIST / LISTE DE PIECES RECOMMANDEES..... 161

 FIGURE 12-1. RECOMMENDED PARTS LIST / LISTE DE PIECES RECOMMANDEES 162

SECTION 13 - SPECIAL OPTIONS / SPECIAL OPTIONS 165

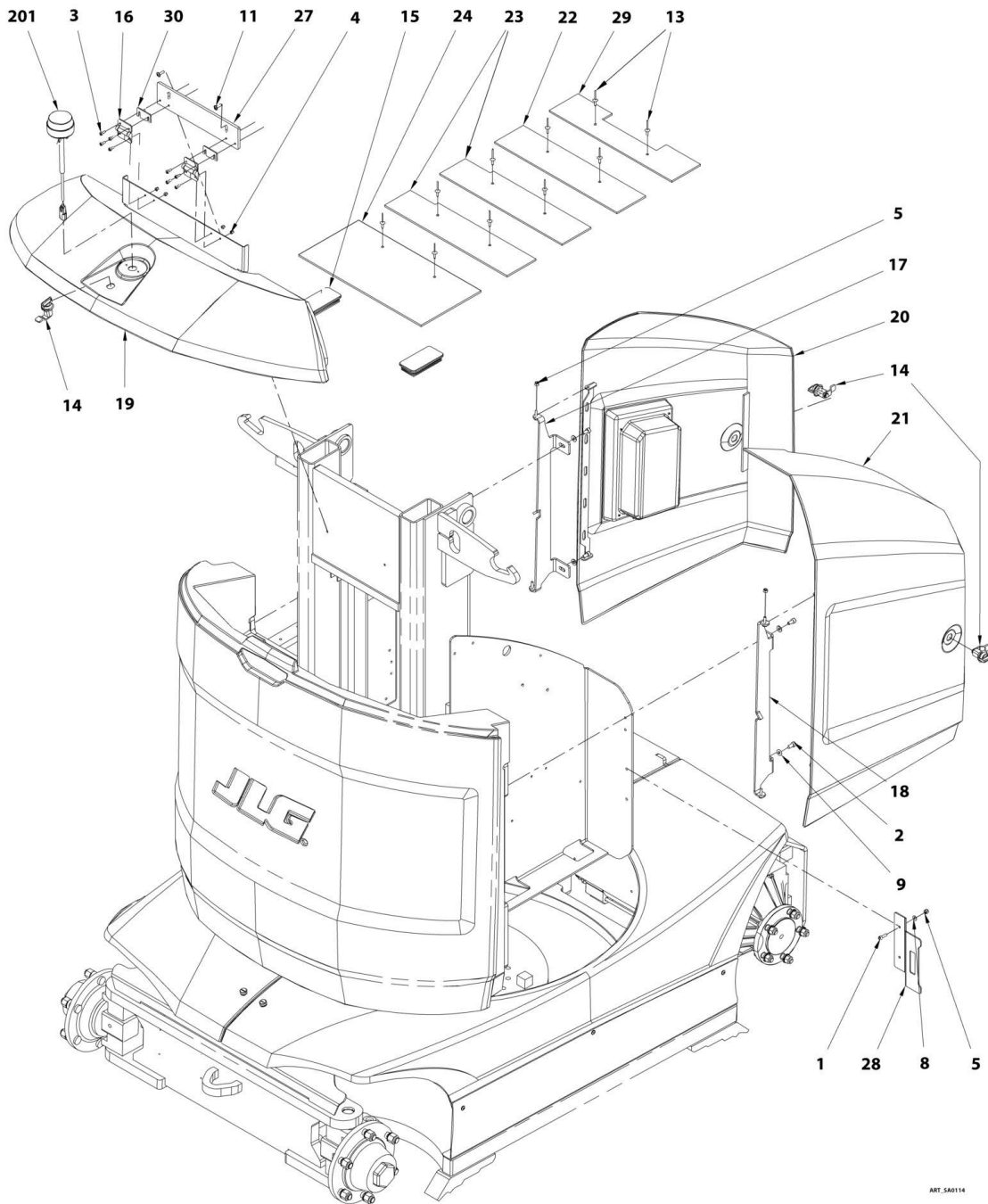
 FIGURE 13-1. SPECIAL OPTIONS / OPTIONS SPECIALES 166

PART NUMBER INDEX..... 169

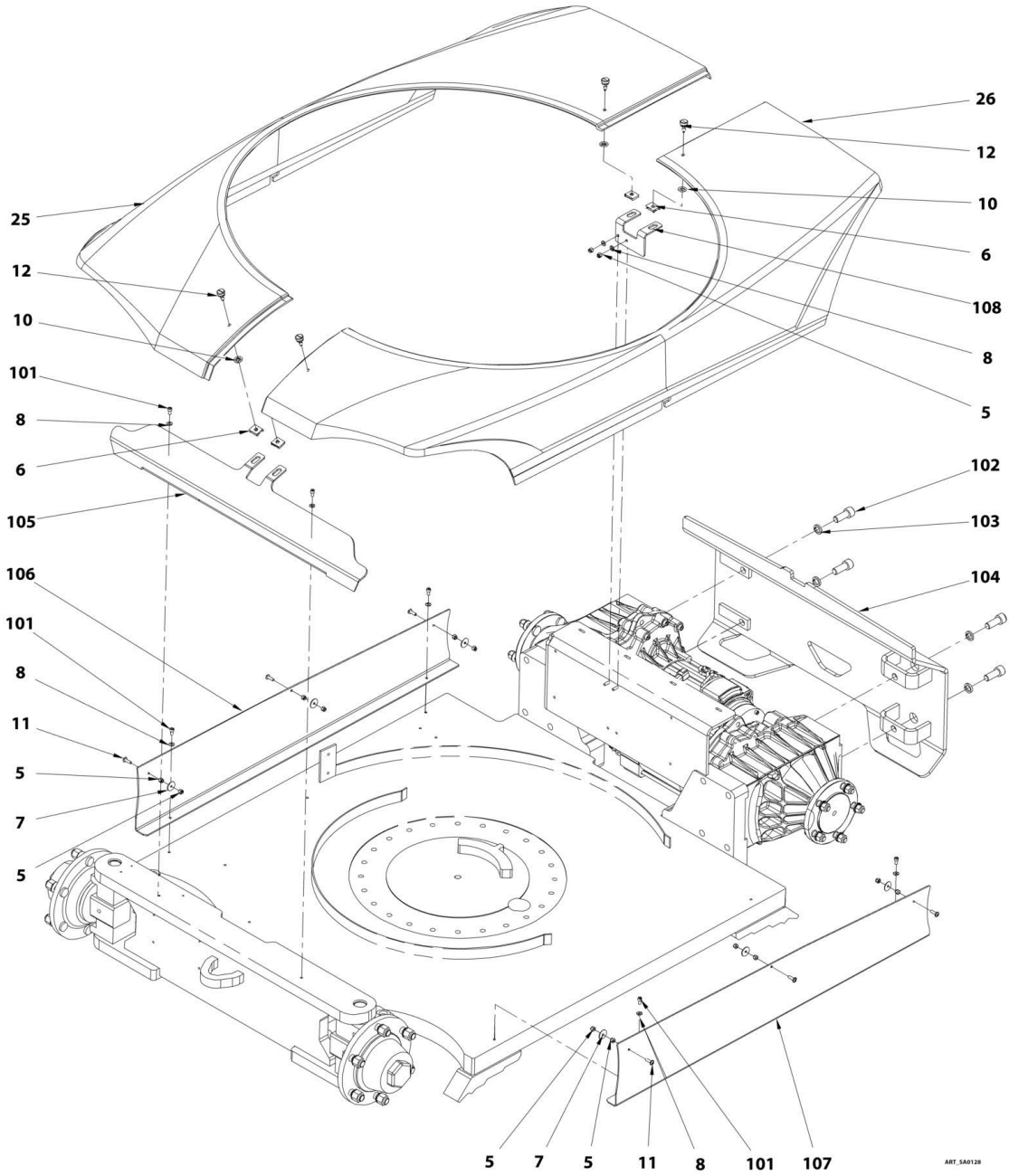
SECTION 1 - HOODS INSTALL / INSTALLATION CAPOTS

SECTION 1 - HOODS INSTALL / INSTALLATION CAPOTS

FIGURE 1-1. HOODS INSTALL / INSTALLATION CAPOTS



SECTION 1 - HOODS INSTALL / INSTALLATION CAPOTS



ART_5A0128

SECTION 1 - HOODS INSTALL / INSTALLATION CAPOTS**FIGURE 1-1. COVERS INSTALL / INSTALLATION CAPOTS**

ITEM	PART NUMBER	QTY	DESCRIPTION	REV
		Ref	COVERS INSTALL; INFO - SP0962 / INSTALLATION CAPOTS; INFO - SP0962	
0	SA0114	Ref	INSTALL, HOODS / INSTALLATION CAPOTS	D
1	000005	1	M06x20 8.8 SOCKET HEAD MACH SCREW / VIS CHC M06x20 8.8 BI FT	
2	000018	4	M08x16 8.8 SOCKET HEAD MACH SCREW / VIS CHC M08x16 8.8 BI FT	
3	000067	8	M05x12 8.8 SOCKET HEAD MACH SCREW / VIS CHC M05x12 8.8 BI FT	
4	110002	4	M05 GR08 LOCK NUT / ECROU FREIN M5 CL08 BI	
5	110003	15	M06 GR08 LOCK NUT / ECROU FREIN M6 CL08 BI	
6	110040	4	D8 CAGE HEX NUT / ECROU CAGE D8	
7	120004	6	dD 06x25 WASHER / RONDELLE dD 06x25x1.2 BI	
8	120009	1	dD 06x14 LOCK WASHER / RONDELLE CONTACT dD 06x14 BI	
9	120010	4	dD 08x18 LOCK WASHER / RONDELLE CONTACT dD 08x18 BI	
10	120057	4	D8 RETAINING WASHER / RONDELLE DE RETENUE D8	
11	130021	8	M06x20 8.8 ROUND HEAD MACH SCREW / VIS BOMBEE ULF M06x20 8.8 BI FT	
12	130064	4	D8 FAST-LEAD THREAD SCREW / VIS D8 PAS RAPIDE TETE LARGE	
13	180009	10	Ø5x16 LARGE HEAD POP RIVET / RIVET POP TETE LARGE Ø5x16	
14	190072	3	COMPRESSION LATCH / LOQUET A COMPRESSION	
15	400057	2	CAP / EMBOUT NOIR	
16	190074	2	FRICTION HINGE / CHARNIERE A FRICTION	
17	DL0905	1	SUPPORT, RIGHT MAST HOOD / SUPPORT CAPOT DROIT MATS	
18	DL0906	1	SUPPORT, LEFT MAST HOOD / SUPPORT CAPOT GAUCHE MATS	
19	SD0748	1	HOOD, BATTERIES / CAPOT BATTERIES (Prior to SN A300061131)	
19	1001275851	1	HOOD, BATTERIES MAP / CAPOT BATTERIES MAP (SN A300061131 to Present)	
20	SD0749	1	HOOD, MAST RIGHT / CAPOT DROIT MATS (Prior to SN A300061131)	
20	1001275854	1	HOOD, MAST RIGHT MAP / CAPOT DROIT MATS MAP (SN A300061131 to Present)	
21	SD0750	1	HOOD, MAST LEFT / CAPOT GAUCHE MATS (Prior to SN A300061131)	
21	1001275855	1	HOOD, MAST LEFT MAP / CAPOT GAUCHE MATS MAP (SN A300061131 to Present)	
22	ST3636	1	COVER, MAST / COUVRE MAT	
23	ST3637	2	COVER, MAST WITH CUT / COUVRE MAT AVEC DECOUPE	
24	ST3638	1	COVER, MAST 1 / COUVRE MAT 1	
25	1001248662	1	HOOD, FRAME RIGHT MAP / CAPOT CHASSIS DROIT MAP	
26	1001248663	1	HOOD, FRAME LEFT MAP / CAPOT CHASSIS GAUCHE MAP	
27	ST3667	1	PLATE, BATTERIES HOOD SUPPORT / TOLE SUPPORT CAPOT BATTERIES	
28	ST3668	1	PLATE, LEFT HOOD LOCK / TOLE VERROU CAPOT GAUCHE	
29	ST3669	1	COVER, MAST 6 / COUVRE MAT 6	
30	ST3692	AR	SHIM, HINGE / CALE DE CHARNIERE	

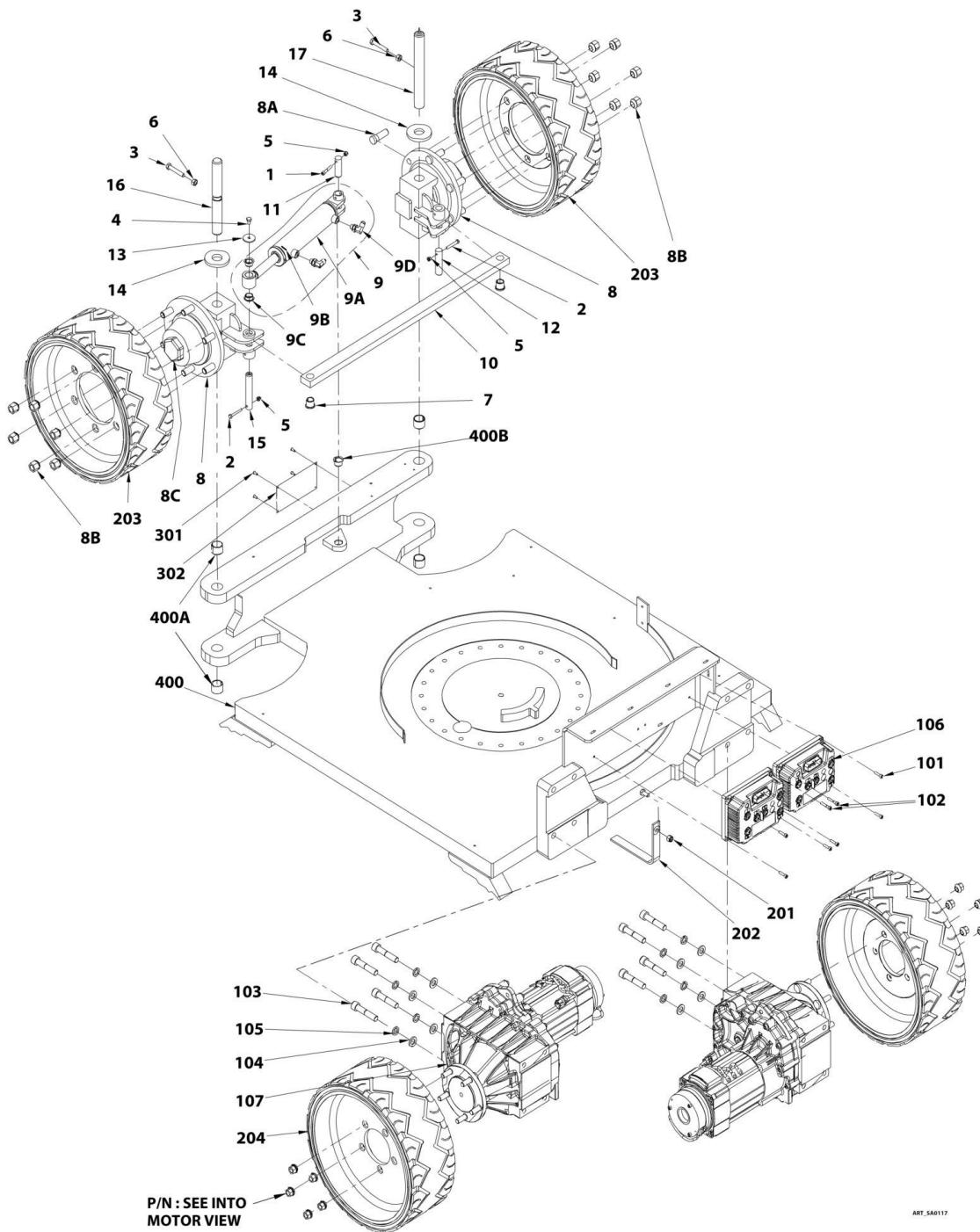
SECTION 1 - HOODS INSTALL / INSTALLATION CAPOTS

ITEM	PART NUMBER	QTY	DESCRIPTION	REV
100	SA0128	Ref	INSTALL, FRAME SHIELDS / INSTALLATION TOLES DE CHASSIS	A
5	110003	2	M06 GR08 LOCK NUT / ECROU FREIN M6 CL08 BI	
8	120009	8	dD 06x14 LOCK WASHER / RONDELLE CONTACT dD 06x14 BI	
101	000014	6	M06x12 8.8 SOCKET HEAD MACH SCREW / VIS CHC M06x12 8.8 BI FT	
102	000049	4	M16x40 8.8 SOCKET HEAD MACH SCREW / VIS CHC M16x40 8.8 BI FT	
103	120061	4	HELICAL SPRING LOCK WASHER Ø16 / RONDELLE GROWER Ø16 BI	
104	DL0899	1	SHIELD, REAR FRAME / TOLE ARRIERE CHASSIS	
105	ST3641	1	SHIELD, FRONT FRAME / TOLE AVANT CHASSIS	
106	ST3651	1	SHIELD, RIGHT FRAME / TOLE DROITE CHASSIS	
107	ST3652	1	SHIELD, LEFT FRAME / TOLE GAUCHE CHASSIS	
108	ST3666	1	SUPPORT, FRAME HOODS / SUPPORT CAPOTS CHASSIS	
200	SA0138	Ref	INSTALL, STROBE, AMBER / INSTALLATION FEU A ECLATS	B
201	PC0534	1	HARNES, BEACON / FAISCEAU FEU A ECLATS	

SECTION 2 - FRAME INSTALL / INSTALLATION CHASSIS

SECTION 2 - FRAME INSTALL / INSTALLATION CHASSIS

FIGURE 2-1. FRAME INSTALL / INSTALLATION CHASSIS



Oshkosh Corporation Classification - Restricted
SECTION 2 - FRAME INSTALL / INSTALLATION CHASSIS

FIGURE 2-1. FRAME INSTALL / INSTALLATION CHASSIS

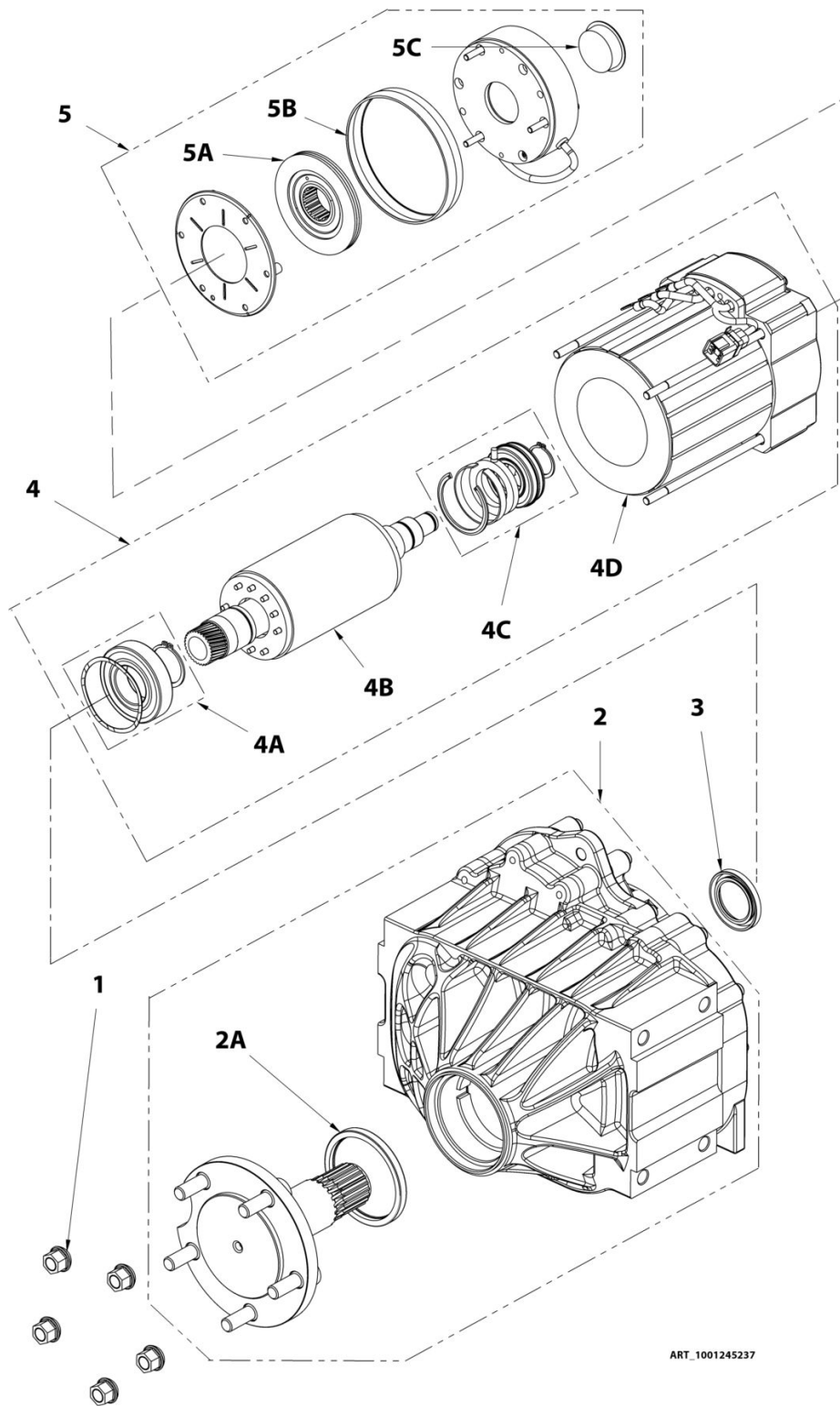
ITEM	PART NUMBER	QTY	DESCRIPTION	REV
		Ref	FRAME INSTALL; INFO - SP0963 / INSTALLATION CHASSIS; INFO - SP0963	
0	SA0117	Ref	INSTALL, STEER / INSTALLATION DIRECTION	A
1	000017	1	M06x40 8.8 SOCKET HEAD MACH SCREW / VIS CHC M06x40 8.8 BI FT	
2	100004	2	M06x45 8.8 HEX HEAD MACHINE SCREW / VIS H M06x45 8.8 BI FT	
3	100039	2	M10x60 8.8 HEX HEAD MACHINE SCREW / VIS H M10x60 8.8 BI FT	
4	100053	1	M08x12 8.8 HEX HEAD MACHINE SCREW / VIS H M08x12 8.8 BI FT	
5	110003	3	M06 GR08 LOCK NUT / ECROU FREIN M6 CL08 BI	
6	110008	2	M10 GR08 HEX NUT / ECROU H M10 CL08 BI	
7	150059	2	FLANGE BUSHING Ø20 H21.5 DU / BAGUE EPAULEE Ø20 H21.5 DU	
8	DL0897	2	SPINDLE / PIVOT DE DIRECTION	
8A	920061	AR	STUD M18x150 50/40 / GOUJON M18x150 50/40	
8B	920065	AR	M18x150 NUT / ECROU H M18x150	
8C	920083	AR	CAP,M73.5X150 ZINC PLATED / ECROU BOUCHON M73.5x150 ZINGUE (Prior to SN A300064344)	
8C	1001292186	1	CAP,M81.5X150 ZINC PLATED / ECROU BOUCHON M81.5x150 ZINGUE (SN A300064344 to Present)	
9	SE1159	1	CYLINDER, STEERING EQUIPPED / VERIN DE DIRECTION ASSEMBLE	C
9A	ST3527	1	STEERING CYLINDER SERTA / VERIN DE DIRECTION SERTA (Prior to SN A300060574)	
9B	960101	1	SEAL KIT CYLINDER ST3527 / KIT DE JOINTS VERIN ST3527 (Prior to SN A300060574)	
9A	1001267685	1	STEERING CYLINDER BURNSIDE / VERIN DE DIRECTION BURNSIDE (SN A300060574 to Present)	
9B	1001272228	1	SEAL KIT CYLINDER 1001267685 / KIT DE JOINTS VERIN 1001267685 (SN A300060574 to Present)	
9C	150004	2	FLANGE BUSHING Ø20 H11.5 DU / BAGUE EPAULEE Ø20 H11.5 DU	
9D	300001	2	90° ELBOW MALE BSPP 1/4-MALE JIC 9/16 / COUDE 90° Male BSPP 1/4 -Male JIC 9/16	
10	ST3563	1	LINK, STEERING / BIELLETTE DE DIRECTION	
11	US0529	1	PIN, ARTICULATION D20-60 / AXE D20-60	
12	US0530	1	PIN, ARTICULATION D20-80 / AXE D20-80	
13	US0531	1	WASHER, ID8xOD37xTH3 / RONDELLE Di 8xDe 37xEP 3	
14	US0572	2	WHASHER, PAD d31 d75 h8 / RONDELLE D'APPUI d31 d75 h8	
15	US0573	1	PIN, ARTICULATION / AXE DE DIRECTION	
16	US0574	1	PIN, SPINDLE PIVOT / AXE FUSEE	
17	US0575	1	PIN, ROTARY ANGLE SENSOR / AXE DIRECTION POUR CAPTEUR D'ANGLE	
100	SA0116	Ref	INSTALL, WHEEL DRIVE / INSTALLATION TRANSLATION	B
101	000008	6	M06x25 8.8 SOCKET HEAD MACH SCREW / VIS CHC M06x25 8.8 BI FT	
102	000077	2	M06x35 8.8 SOCKET HEAD CAPSCREW / VIS CHC M06x35 8.8 BI FP	

SECTION 2 - FRAME INSTALL / INSTALLATION CHASSIS

ITEM	PART NUMBER	QTY	DESCRIPTION	REV
103	000096	8	M16x80 10.9 SOCKET HEAD CAPSCREW / VIS CHC MM16x80 10.9 BI FP	
104	120001	8	M16 WASHER / RONDELLE M16 BI	
105	120061	8	HELICAL SPRING LOCK WASHER Ø16 / RONDELLE GROWER Ø16 BI	
106	260331	2	CONTROLLER, COMBI-ACO / VARIATEUR COMBI-ACO	
107	1001245237	1	DRIVE GEAR MOTOR / MOTOREDUCTEUR DE ROUE	
200	SA0118	Ref	INSTALL, TIRES AND WHEEL / INSTALLATION ROUES	A
201	110005	1	M10 GR08 LOCK NUT / ECROU FREIN M10 CL08 BI	
202	4240147	1	STRAP, ANTI-STATIC 13" / TRESSE ANTI-STATIQUE 13"	
203	ST3495	2	WHEEL/TYRE, d457x178 - STEERING / ROUE DIRECTION D457x178	
204	ST3496	2	WHEEL/TYRE, d457x178 - DRIVE / ROUE MOTRICE D457x178	
300	SA0144	Ref	INSTALL, 12E NAME PLATE / 12E - INST. PLAQUE CONSTRUCTEUR	B
300	1001223689	Ref	INSTALL 32E - ANSI92.20 - NAME PLATE / 32E - ANSI92.20 - INST. PLAQUE CONSTRUCTEUR	A
301	180003	4	Ø5x10 POP RIVET / RIVET POP Ø5x10	
302		Ref	MANUFACTURER'S PLATE / PLAQUE CONSTRUCTEUR	
400	DL0898	1	FRAME / CHASSIS	
400A	150019	4	BUSHING Ø30 H25 DU / BAGUE Ø30 H25 DU	
400B	150058	1	FLANGE BUSHING Ø20 H16.5 / BAGUE EPAULEE Ø20 H16.5	

SECTION 2 - FRAME INSTALL / INSTALLATION CHASSIS

FIGURE 2-2. DRIVE GEAR MOTOR / MOTORÉDUCTEUR DE ROUE



SECTION 2 - FRAME INSTALL / INSTALLATION CHASSIS**FIGURE 2-2. DRIVE GEAR MOTOR / MOTORÉDUCTEUR DE ROUE**

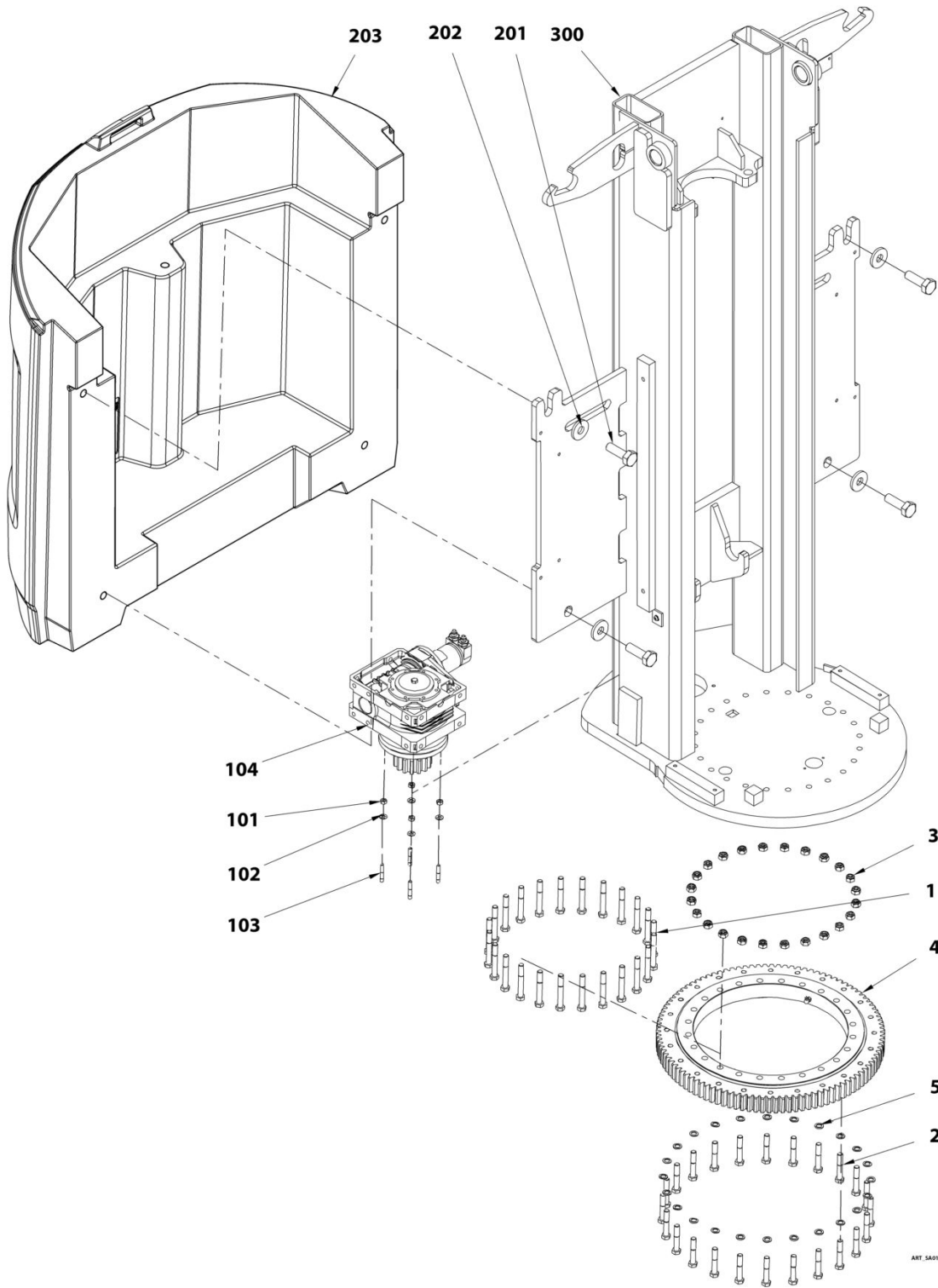
ITEM	PART NUMBER	QTY	DESCRIPTION	REV
	1001245237		PT1000-DRIVE GEAR MOTOR / PT1000-MOTORÉDUCTEUR DE ROUE	
1	952156	5	NUT, DIN74361 FORM A, M14x1.5 / ECROU M14x1,5 - DIN74361 (A)	
2	951044	1	GEARBOX, TDH440 / RÉDUCTEUR, TDH440	
2A	1001257401	1	SEAL,RADIAL 85x100x9 / JOINT A LEVRE 85x100x9	
3	952147	1	SEAL, MOTOR, TDH440 / JOINT MOTEUR, TDH440	
4	1001246579	1	PT1000-MOTOR, 2KW, 28VAC / PT1000-MOTEUR, 2KW, 28VAC	
4A	952148	1	KIT, FRONT BEARING TDH440 / KIT ROULEMENT AVANT, TDH440	
4B	952151	1	MOTOR, ROTOR, TDH440 / ROTOR MOTEUR, TDH440	
4C	952152	1	KIT, MOTOR, SENSOR, TDH440 / KIT, CODEUR MOTEUR, TDH440	
4D	1001246580	1	PT1000-MOTOR, STATOR, TDH440 / PT1000-STATOR MOTEUR, TDH440	
5	952154	1	KIT, BRAKE, TDH440 / KIT FREIN, TDH440	
5A	952144	1	BRAKE, DISK, TDH440 / DISQUE DE FREIN, TDH440	
5B	952155	1	COVER, DUST PROTECTION / CACHE POUSSIÈRE	
5C	952146	1	PLUG, BRAKE COVER / BOUCHON, FREIN	

SECTION 3 - MAST #1 INSTALL / INSTALLATION MAST #1

SECTION 3 - MAST #1 INSTALL / INSTALLATION MAST #1

SECTION 3 - MAST #1 INSTALL / INSTALLATION MAST #1

FIGURE 3-1. MAST #1 INSTALL / INSTALLATION MAT #1



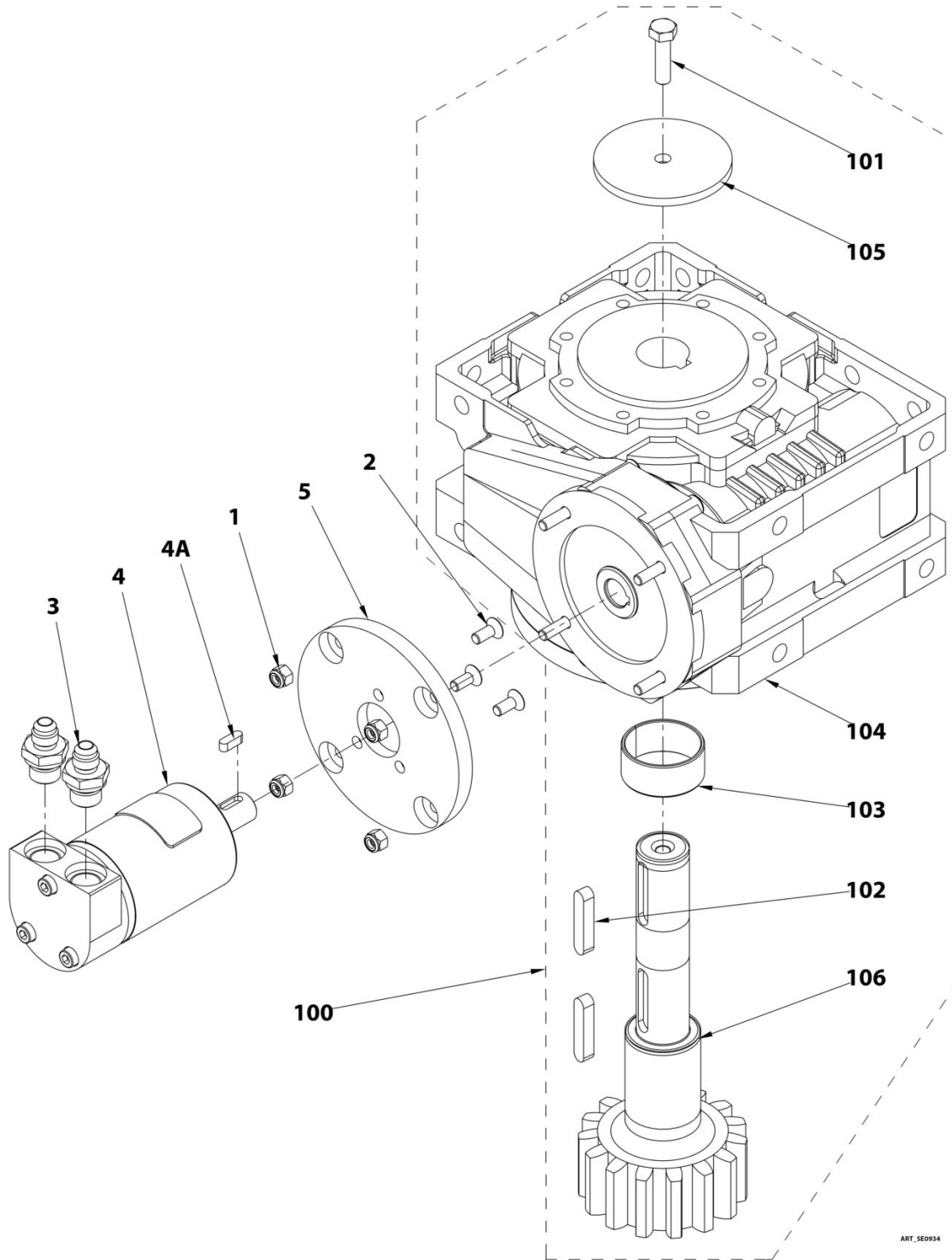
SECTION 3 - MAST #1 INSTALL / INSTALLATION MAST #1

FIGURE 3-1. MAST #1 INSTALL / INSTALLATION MAT #1

ITEM	PART NUMBER	QTY	DESCRIPTION	REV
		Ref	INSTALL, MAST 1; INFO - SP0964 / INSTALLATION MAT 1	
0	SA0120	Ref	INSTALL, TURNTABLE BEARING / INSTALLATION COURONNE D'ORIENTATION	A
1	100038	24	M12x90 10.9 HEX HEAD CAPSCREW / VIS H M12x90 10.9 BR FP	
2	100103	24	M12x70 10.9 HEX HEAD CAPSCREW / VIS H M12x70 10.9 BR FP	
3	110017	24	M12 GR10 LOCK NUT / ECROU FREIN H M12 CL10 BI	
4	500044	1	SLEWING RING / COURONNE D'ORIENTATION	
5	US0190	24	dDH 13x20x02 HARDENED WASHER / RONDELLE TRAITEE dDH 13x20x02	
100	SA0119	Ref	INSTALL, SWING DRIVE / INSTALLATION ORIENTATION	C
101	110016	4	M08 GR08 HEX NUT / ECROU H M08 CL08 BI	
102	120010	4	dD 08x18 LOCK WASHER / RONDELLE CONTACT dD 08x18 BI	
103	130034	4	M08x40 8.8 STUD / GOUGEON M08x40 BR 8.8	
104	SE0934	1	GEAR, REDUCER AND MOTOR; INFO - SE0934 / MOTOREDUCTEUR ASSEMBLE; INFO - SE0934	
200	SA0129	Ref	INSTALL, COUNTERWEIGHT 12E (1395 kg) / INSTALLATION CONTREPOIDS 12E (1395 kg)	B
200	1001225356	Ref	INSTALL,COUNTERWEIGHT 12E+ (1970kg) / INSTALLATION CONTREPOIDS 12E+ (1970 kg)	B
200	1001225357	Ref	INSTALL,COUNTERWEIGHT 32E (1680 kg) / INSTALLATION CONTREPOIDS 32E (1680 kg)	B
201	1001227894	4	M20x60 8.8 HEX. HEAD MACH. SCREW / VIS H 20x60 8.8 BI FT	
202	ST2475	4	COUNTERWEIGHT WASHER / RONDELLE DE CONTREPOIDS	
203	ST3655	1	COUNTERWEIGHT 12E / CONTREPOIDS 12E	
203	1001225354	1	COUNTERWEIGHT,12E+ / CONTREPOIDS 12E+	
203	1001225355	1	COUNTERWEIGHT,32E ANSI 92.20 / CONTREPOIDS 32E ANSI 92.20	
300	1001225538	1	MAST,TURNTABLE / MAT 1	

SECTION 3 - MAST #1 INSTALL / INSTALLATION MAST #1

FIGURE 3-2. GEAR, REDUCER AND MOTOR / MOTOREDUCTEUR ASSEMBLE



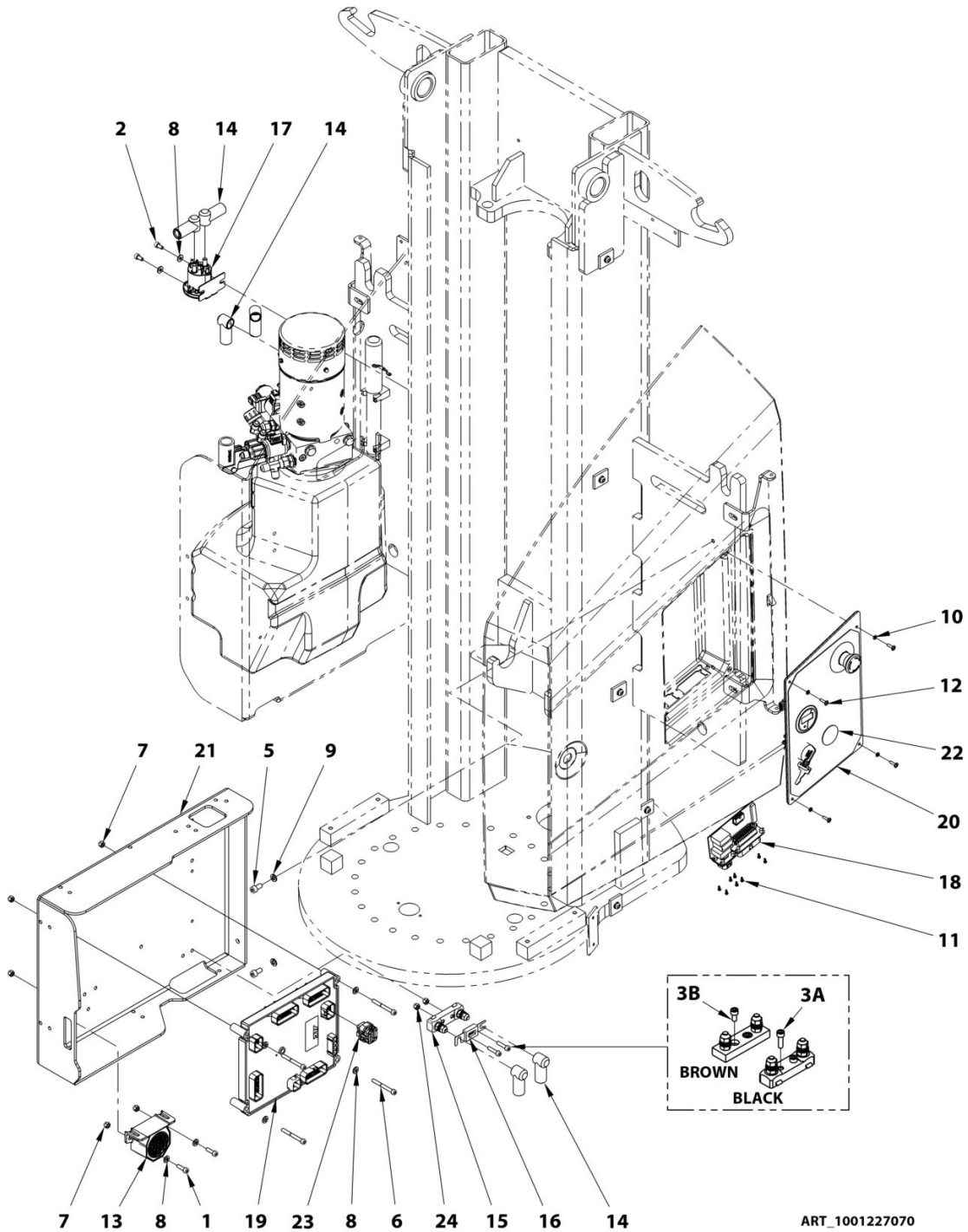
SECTION 3 - MAST #1 INSTALL / INSTALLATION MAST #1

FIGURE 3-2. GEAR, REDUCER AND MOTOR / MOTOREDUCTEUR ASSEMBLE

ITEM	PART NUMBER	QTY	DESCRIPTION	REV
	SE0934		GEAR, REDUCER AND MOTOR / MOTOREDUCTEUR ASSEMBLE	B
1	110003	4	M06 GR08 LOCK NUT / ECROU FREIN M6 CL08 BI	
2	130003	3	M06x16 10.9 COUNTERSUNK HEAD M. S. / VIS FHC M06x16 10.9 BI FT	
3	300040	2	FITTING MALE BSPP3/8 MALE JIC9/16 / RACCORD MALE BSPP3/8 MALE JIC9/16	
4	320071	1	SLEWING MOTOR / MOTEUR D'ORIENTATION	
4A	140026	1	A KEY 5x5x15 / CLAVETTE FORME A 5x5x15	
5	US0044	1	MOTOR ADAPTOR FLANGE / FLASQUE MOTEUR	
100	KT0157	1	GEAR ASSEMBLY / ASSEMBLAGE REDUCTEUR	B
101	100008	1	M08x30 8.8 HEX HEAD MACHINE SCREW / VIS H M08x30 8.8 BI FT	
102	140016	2	A KEY 8x7x40 / CLAVETTE FORME A 8x7x40	
103	150009	1	BUSHING D40 H20 / BAGUE D40 H20	
104	500045	1	GEAR, REDUCER W75 / REDUCTEUR W75	
105	US0429	1	dDh 8.5x73x5 WASHER / RONDELLE dDh 8.5x73x5	
106	US0586	1	SHAFT, REDUCER / PIGNON	

SECTION 3 - MAST #1 INSTALL / INSTALLATION MAST #1

FIGURE 3-3. INSTALL MTB / INSTALLATION COMMANDES BASSES



SECTION 3 - MAST #1 INSTALL / INSTALLATION MAST #1

FIGURE 3-3. INSTALL MTB / INSTALLATION COMMANDES BASSES

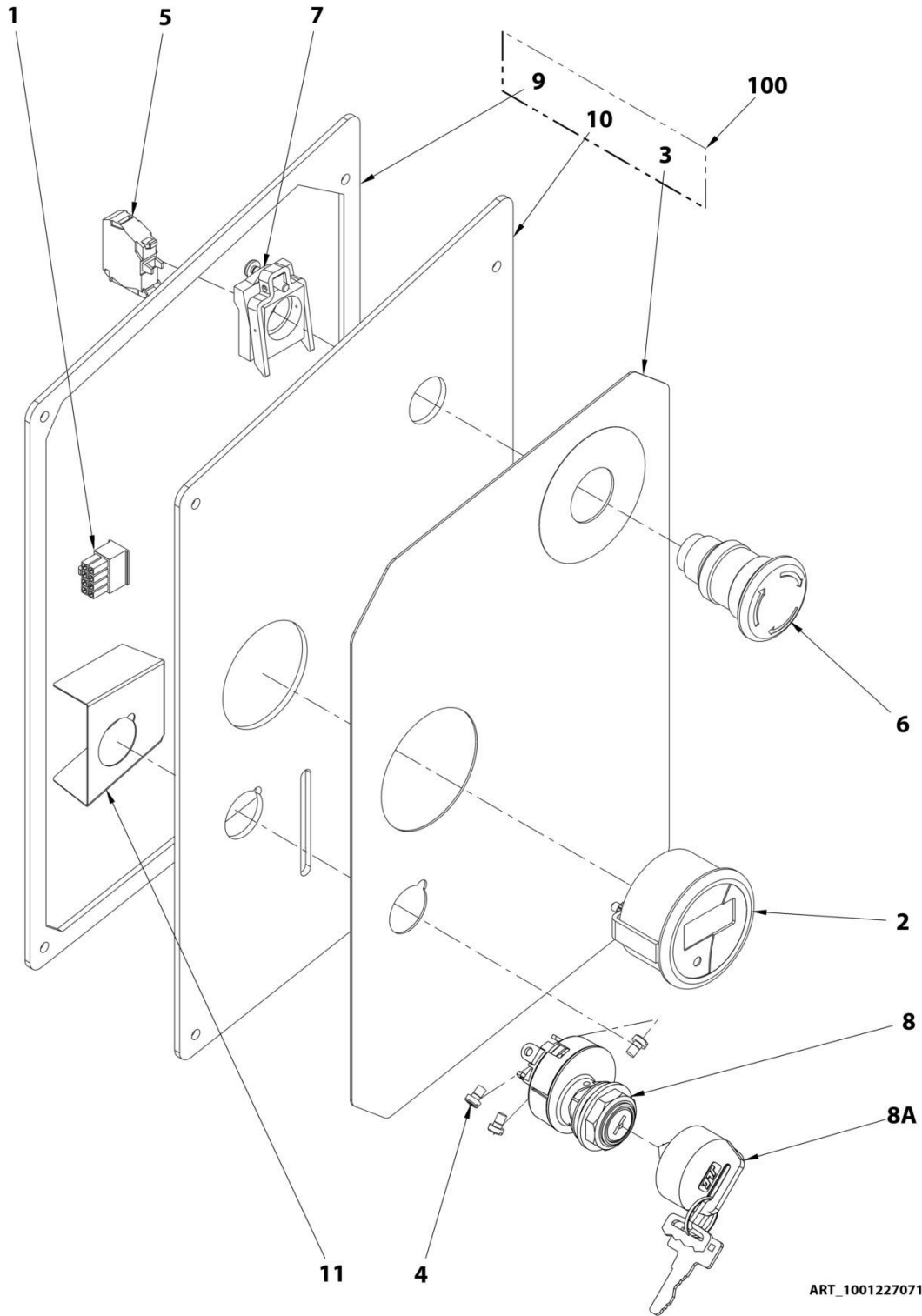
ITEM	PART NUMBER	QTY	DESCRIPTION	REV
	1001227069	Ref	MTB (W/O ENABLE & WITH MSSO) / COMMANDES BASSES (SANS VALIDATION AVEC MSSO)	D
	1001267300	Ref	MTB (WITH ENABLE & WITH MSSO) / COMMANDES BASSES (AVEC VALIDATION AVEC MSSO)	D
	1001227070	Ref	MTB (W/O ENABLE & W/O MSSO) / COMMANDES BASSES (SANS VALIDATION SANS MSSO)	D
1	000005	2	M06x20 8.8 SOCKET HEAD MACH SCREW / VIS CHC M06x20 8.8 BI FT	
2	000014	2	M06x12 8.8 SOCKET HEAD MACH SCREW / VIS CHC M06x12 8.8 BI FT	
3A	000008	2	M06x25 8.8 SOCKET HEAD MACH SCREW / VIS CHC M06x25 8.8 BI FT	
3B	000005	2	M06x20 8.8 SOCKET HEAD MACH SCREW / VIS CHC M06x20 8.8 BI FT (Prior to SN A300063654)	
3B	000085	2	M04x16 8.8 SOCKET HEAD MACH SCREW / VIS CHC M04x16 8.8 BI FT (SN A300063654 to Present)	
5	000018	2	M08x16 8.8 SOCKET HEAD MACH SCREW / VIS CHC M08x16 8.8 BI FT	
6	000073	4	M06x55 8.8 SOCKET HEAD CAPSCREW / VIS CHC M06x55 8.8 BI FP	
7	110003	6	M06 GR08 LOCK NUT / ECROU FREIN M6 CL08 BI	
8	120009	8	dD 06x14 LOCK WASHER / RONDELLE CONTACT dD 06x14 BI	
9	120021	2	HELICAL SPRING LOCK WASHER Ø8 / RONDELLE GROWER Ø8 BI	
10	120033	4	M4 PLASTIC WASHER / RONDELLE PLASTIQUE M4	
11	1001210948	8	SCREW,TORX D3xL8 FOR THERMOPLASTIC / VIS TORX D3xL8 POUR THERMOPLASTIQUE	
12	130062	4	M04x16 8.8 ROUND HEAD MACH SCREW / VIS BOMBEE ULF M04x16 8.8 BI FT	
13	0140043	1	ALARM, MOTION/DESCENT/HORN / ALARME MOUVEMENTS ET KLAXON	
14	250031	6	TERMINAL BOOT / CAPUCHON D'ETANCHEITE	
15	260077	1	POWER FUSE HOLDER / PORTE FUSIBLE DE PUISSANCE (Prior to SN A300063654)	
15	1001282390	1	POWER FUSE HOLDER / PORTE FUSIBLE DE PUISSANCE (SN A300063654 to Present)	
16	260115	1	250 A FUSE / FUSIBLE 250 A	
17	1001151762	1	RELAY, 48V / RELAIS 48V	
18	1001187632	1	PC BRD,INTERFACE / CARTE ELECTRONIQUE INTERFACE	
19	1001152628	1	PC-BRD, DE-POP UGM / CARTE ELECTRONIQUE UGM (Prior to SN A300064106)	
19	1001277886	1	PC-BRD, DE-POP UGM2 / CARTE ELECTRONIQUE UGM2 (SN A300064106 to Present)	
20	SE1203	1	GROUND CONTROL PANEL WITH ENABLE / BOITIER BAS AVEC VALIDATION	
20	1001227071	1	GROUND CONTROL PANEL WITHOUT ENABLE / BOITIER BAS SANS VALIDATION	
21	ST3648	1	PLATE, UGM MOUNT / SUPPORT CARTE UGM (Prior to SN A300063654)	
21	1001282561	1	PLATE, UGM MOUNT / SUPPORT CARTE UGM (SN A300063654 to Present)	
23	1001246859	1	CONNECTOR,GRAY,14 POS, AMPSEAL / CONNECTEUR GRIS 14 POS. AMPSEAL (SN A300064106 to Present)	
24	110003	2	M06 GR. 8.8 LOCK NUT / ECROU FREIN M6 CL08 BI (Prior to SN A300063654)	

SECTION 3 - MAST #1 INSTALL / INSTALLATION MAST #1

ITEM	PART NUMBER	QTY	DESCRIPTION	REV
24	110001	2	M04 GR. 8.8 LOCK NUT / ECROU FREIN M4 CL08 BI (SN A300063654 to Present)	
30	AU2228	1	32E-DECAL,INDICATOR COVER D42 / 32E-AUTOCOLLANT MASQUE D42	

SECTION 3 - MAST #1 INSTALL / INSTALLATION MAST #1

FIGURE 3-4. ELEC ASSY,GROUND CONTROL / FACADE BOITIER BAS



SECTION 3 - MAST #1 INSTALL / INSTALLATION MAST #1

FIGURE 3-4. ELEC ASSY,GROUND CONTROL / FACADE BOITIER BAS

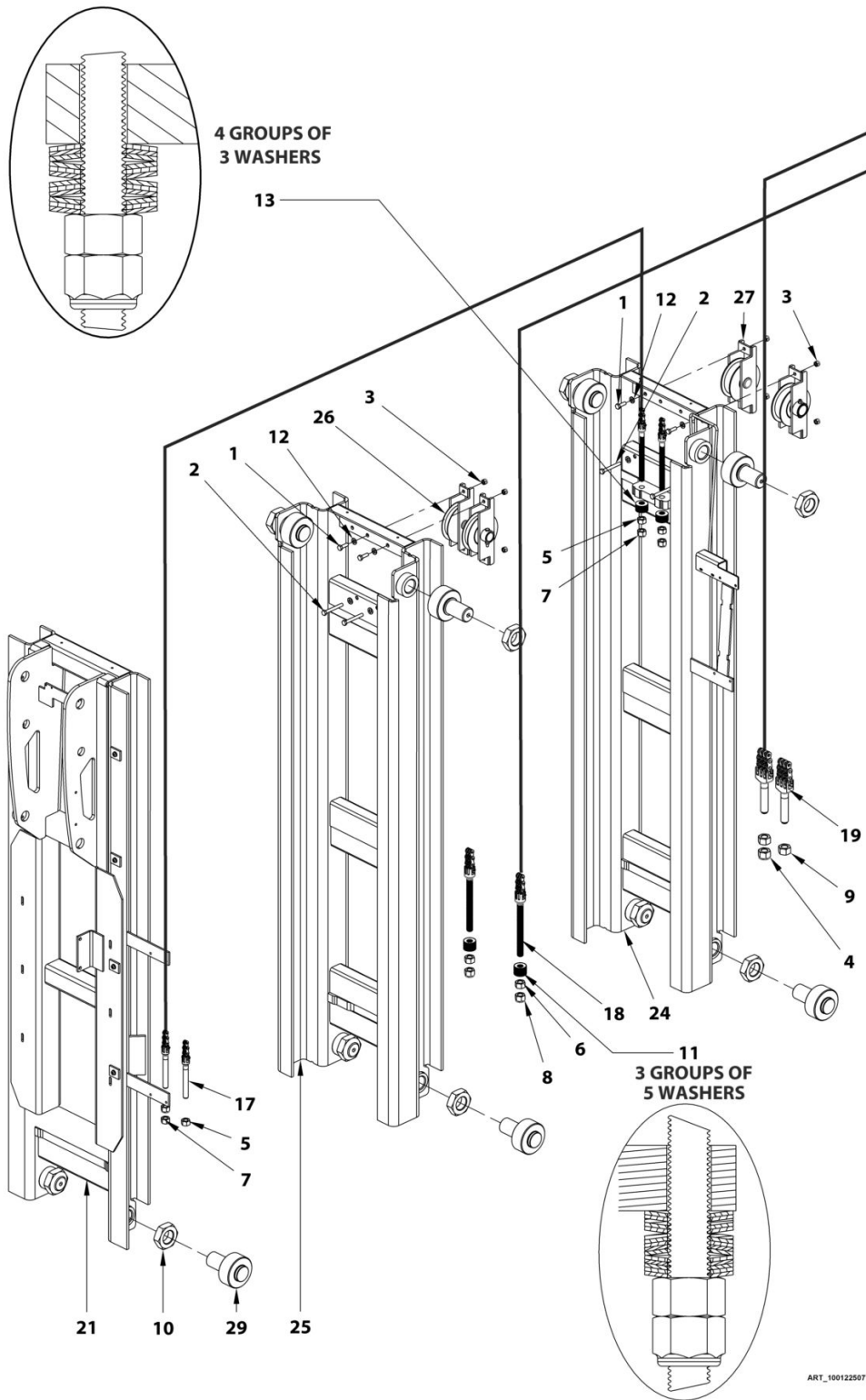
ITEM	PART NUMBER	QTY	DESCRIPTION	REV
0	SE1203		GROUND CONTROL PANEL WITH ENABLE / BOITIER BAS AVEC VALIDATION	C
0	1001227071		GROUND CONTROL PANEL WITHOUT ENABLE / BOITIER BAS SANS VALIDATION	C
1	1001152083	1	HARNESS LOWER CONTROL BOX / FAISCEAU BOITIER BAS	
2	1001109503	1	GAUGE, INDICATOR / AFFICHEUR MULTIFONCTION	
3	AU2208	1	SWITCH, MEMBRANE PANEL WITH ENABLE / INTERRUPTEUR A MENBRANE AVEC VALIDATION	
3	1001227072	1	SWITCH, MEMBRANE PANEL WITHOUT ENABLE / INTERRUPTEUR A MENBRANE SANS VALIDATION	
4	130059	3	SCREW, M4X6 CYLINDER HEAD / VIS TC M04x06 4.8 ZI	
5	240057	1	SWITCH, NC CONTACT BOX / CONTACT NF	
6	240060	1	TURN TO RELEASE KNOB / BOUTON D'ARRET D'URGENCE 1/4 TOUR	
7	240076	1	SWITCH, BASE / EMBASE CONTACT	
8	4360469	1	SWITCH, KEY (DOM) / SELECTEUR A CLE 3 POSITIONS	
8A	2860030	1	KEY, SPARE SET (HOBBS) / CLÉ (INCLUDE DANS REF 4360469)	
9	ST3654	1	SEAL, GROUND PANEL / JOINT BOITIER BAS	
10	ST3782	1	PLATE, GROUND PANEL / PLATINE BOITIER BAS	
11	1001239552	1	PLATE, KEY SWITCH CAP / CAPOT SELECTEUR A CLE	
100	SE1208	1	KIT-SERVICE, PANEL WITH ENABLE / KIT SAV PLATINE AVEC VALIDATION	
100	1001227074	1	KIT-SERVICE, PANEL WITHOUT ENABLE / KIT SAV PLATINE SANS VALIDATION	

SECTION 4 - MASTS INSTALL / INSTALLATION MATS

SECTION 4 - MASTS INSTALL / INSTALLATION MATS

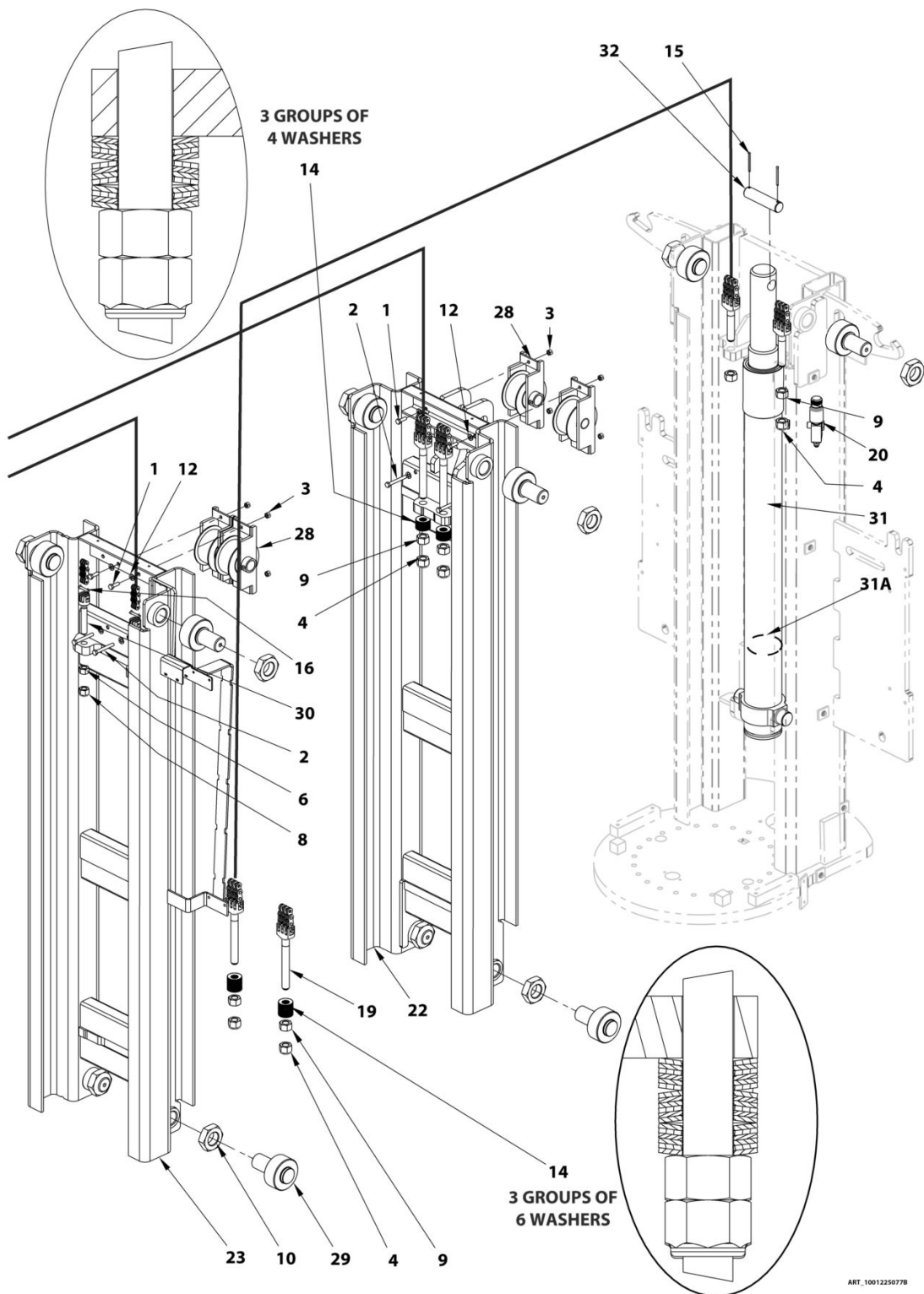
SECTION 4 - MASTS INSTALL / INSTALLATION MATS

FIGURE 4-1. MASTS INSTALL / INSTALLATION MATS



ART_1001225077A

SECTION 4 - MASTS INSTALL / INSTALLATION MATS



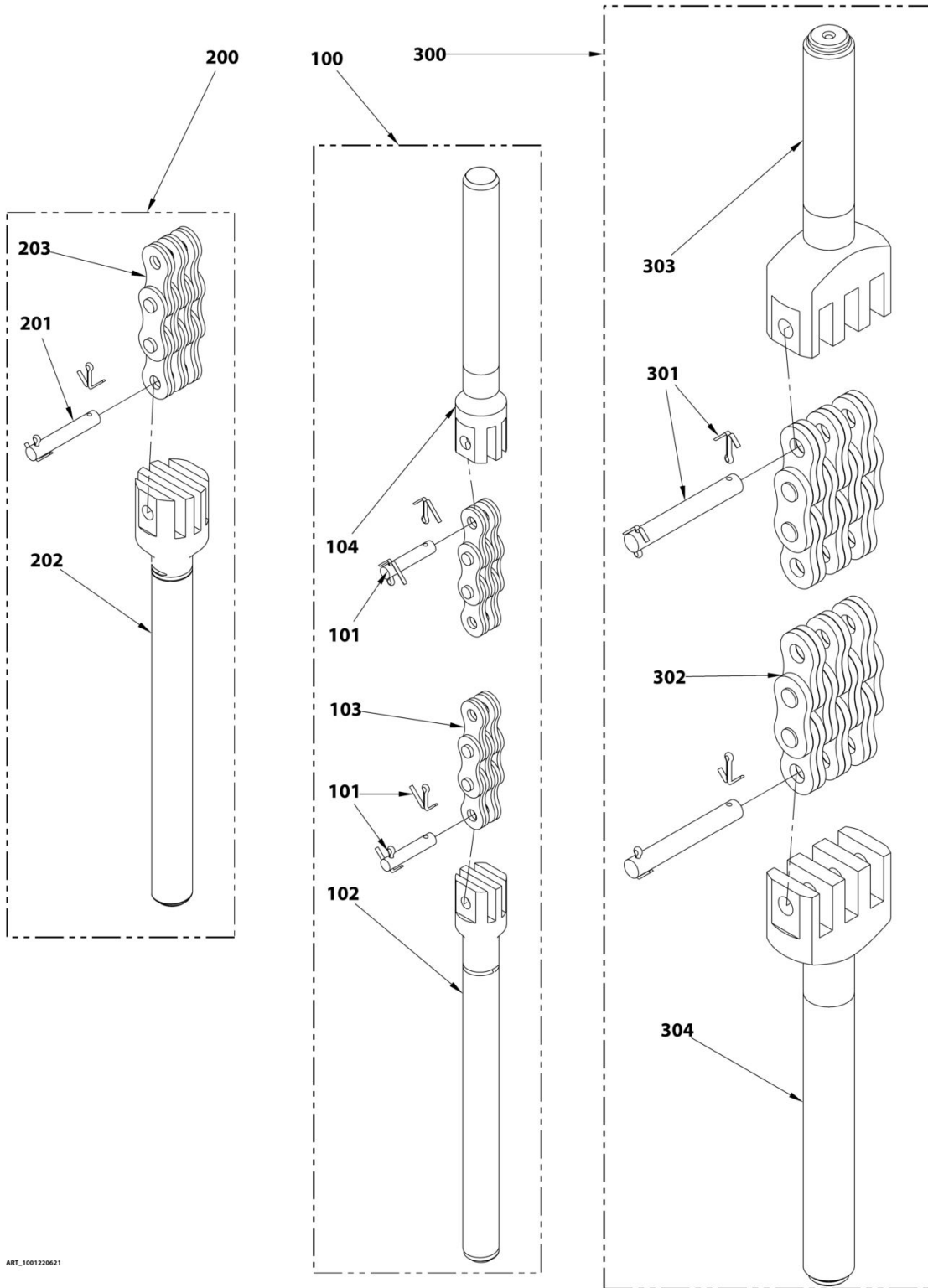
SECTION 4 - MASTS INSTALL / INSTALLATION MATS

FIGURE 4-1. MASTS INSTALL / INSTALLATION MATS

ITEM	PART NUMBER	QTY	DESCRIPTION	REV
	1001225077	Ref	INSTALL,MASTS / INSTALLATION MATS	B
1	0700812	8	M08x25 8.8 HEX HEAD CAPSCREW / VIS CHC M08x25 8.8 BI FP	
2	0700821	8	M08x65 8.8 HEX HEAD CAPSCREW / VIS CHC M08x65 8.8 BI FP	
3	110004	16	M08 GR. 8.8 LOCK NUT / ECROU FREIN M8 CL08 BI	
4	110006	6	M20 GR. 8.8 LOCK NUT / ECROU FREIN M20 CL08 BI	
5	110009	4	M14 GR. 8.8 HEX NUT / ECROU H M14 CL08 BI	
6	110010	4	M16 GR. 8.8 HEX NUT / ECROU H M16 CL08 BI	
7	110019	3	M14 GR. 8.8 LOCK NUT / ECROU FREIN H M14 CL08 BI	
8	110020	3	M16 GR. 8.8 LOCK NUT / ECROU FREIN H M16 CL08 BI	
9	110025	8	M20 GR. 8.8 HEX NUT / ECROU H M20 CL08 BI	
10	110036	20	M42x4.5 GR. 4 FLAT HEX NUT / ECROU Hm M42x4.5 CL04 BI	
11	120006	30	Ø34x16.3x1.5 SPRING WASHER / RONDELLE RESSORT Ø34x16.3x1.5 BR	
12	120010	16	LOCK WASHER D08x18 / RONDELLE CONTACT dD 06x14 BI	
13	120017	24	SPRING WASHER Ø34x14.3x1.5 / RONDELLE RESSORT Ø34x14.3x1.5 BR	
14	120018	60	BEVEL WASHER Ø40x20.4x2 / RONDELLE RESSORT 40x20.4x2 BR	
15	140009	2	Ø4.5x50 COTTER PIN / GOUPILLE FENDUE Ø4.5x50	
16	170008	2	M16 CLEVIS PIN / AXE DE CHAPE M16	
17	1001220619	2	CHAIN,LL10-44 EQUIPPED / CHAINE ASSEMBLEE LL10-44	
18	1001220620	2	CHAIN,LL12-66 (1 SIDE EQUIPPED) / CHAINE LL12-66 EQUIPPEE D'UN COTE	
19	1001220621	4	CHAIN,LH12-66 EQUIPPED / CHAINE ASSEMBLEE LH12-66	
20	1001222931	1	MANIFOLD,MAST CYLINDER / BLOC VERIN MAT	
21	1001225127	1	MAST 6 / MAT 6	
22	DL0892	1	MAST 2 / MAT 2	
23	DL0893	1	MAST 3 / MAT 3	
24	DL0894	1	MAST 4 / MAT 4	
25	DL0895	1	MAST 5 / MAT 5	
26	SE0730	2	PULLEY SUPPORT LL10-44 / ASSEMBLAGE SUPPORT POULIE LL10-44	
27	SE0731	2	PULLEY SUPPORT LL12-66 / ASSEMBLAGE SUPPORT POULIE LL12-66	
28	SE0733	4	PULLEY SUPPORT LH12-66 / ASSEMBLAGE SUPPORT POULIE LH12-66	
29	SE0929	20	ROLLER,ASSEMBLY M42 / ENSEMBLE GALET DE GUIDAGE M42	
30	ST0099	2	CHAIN ANCHOR M16 L80 / CHAPE DE CHAINE M16 L80	
31	ST3557	1	MAST CYLINDER SERTA / VERIN DE MAT SERTA (Prior to SN A300060574)	
31A	960110	1	SEAL KIT CYLINDER ST3557 / KIT DE JOINTS VERIN ST3557 (Prior to SN A300060574)	
31	1001267686	1	MAST CYLINDER BURNSIDE / VERIN DE MAT BURNSIDE (SN A300060574 to Present)	
31A	1001272229	1	SEAL KIT 1001267686 / KIT DE JOINTS VERIN 1001267686 (SN A300060574 to Present)	
32	US0465	1	MAST CYLINDER PIN / AXE VERIN/MAT	

SECTION 4 - MASTS INSTALL / INSTALLATION MATS

FIGURE 4-2. KIT,CHAINS / KIT CHAINES



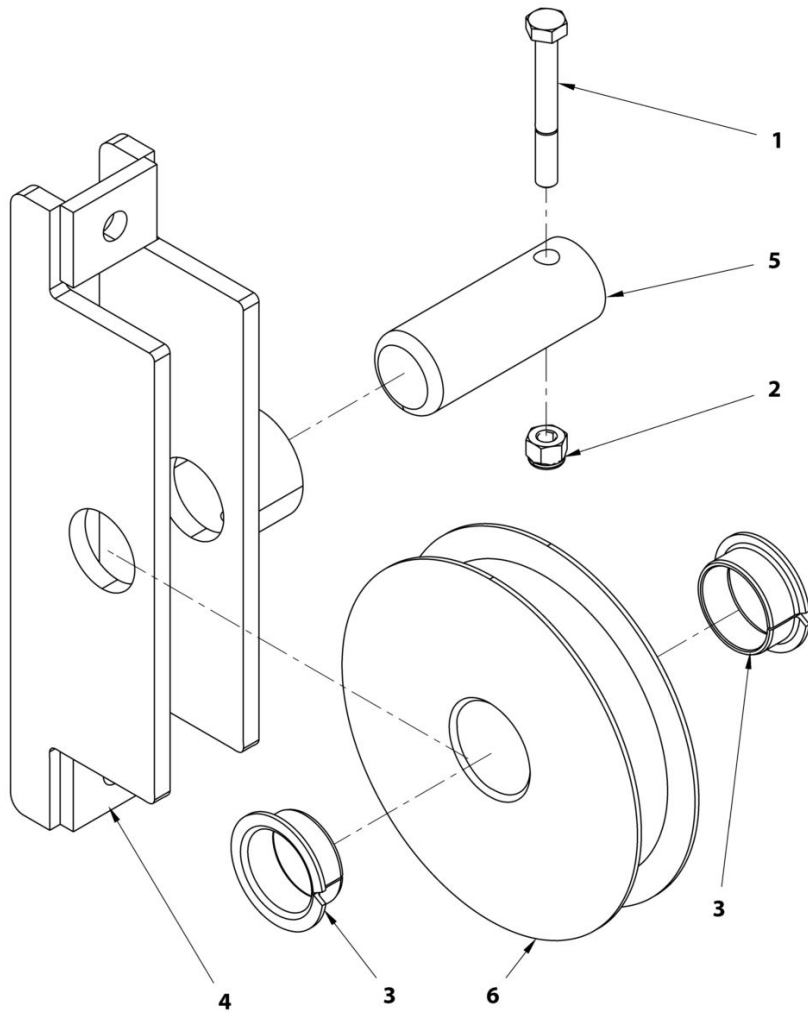
SECTION 4 - MASTS INSTALL / INSTALLATION MATS

FIGURE 4-2. KIT,CHAINS / KIT CHAINES

ITEM	PART NUMBER	QTY	DESCRIPTION	REV
100	1001220619	Ref	CHAIN LL10-44 EQUIPPED / CHAINE ASSEMBLEE LL10-44	A
101	170007	2	M14 CLEVIS PIN / AXE DE CHAPE M14	
102	170009	1	CHAIN ANCHOR M14x150 / CHAPE DE CHAINE M14 L150	
103	ST0120	1	CHAIN ANCHOR M14x90 / CHAPE DE CHAINE M14 L90	
104	ST0178	1	CHAIN LL10-44 / CHAINE LL10-44	
200	1001220620	Ref	CHAIN LL12-66 (1 SIDE EQUIPPED) / CHAINE LL12-66 EQUIPEE D'UN COTE	A
201	170008	1	M16 CLEVIS PIN / AXE DE CHAPE M16	
202	170010	1	CHAIN ANCHOR M16x160 / CHAPE DE CHAINE M16 L160	
203	ST0179	1	CHAIN LL12-66 / CHAINE LL12-66	
300	1001220621	Ref	CHAIN LH12-66 EQUIPPED / CHAINE ASSEMBLEE LH12-66	A
301	170002	2	M20 CLEVIS PIN / AXE DE CHAPE M20	
302	ST0751	1	CHAIN LH12-66 / CHAINE LH12-66	
303	ST0752	1	CHAIN ANCHOR M20x80 / CHAPE M20 L80	
304	ST0828	1	CHAIN ANCHOR M20x135 / CHAPE M20 L135	

SECTION 4 - MASTS INSTALL / INSTALLATION MATS

FIGURE 4-3. PULLEY SUPPORT LL10-44 / SUPPORT POULIE LL10-44



ART_560730

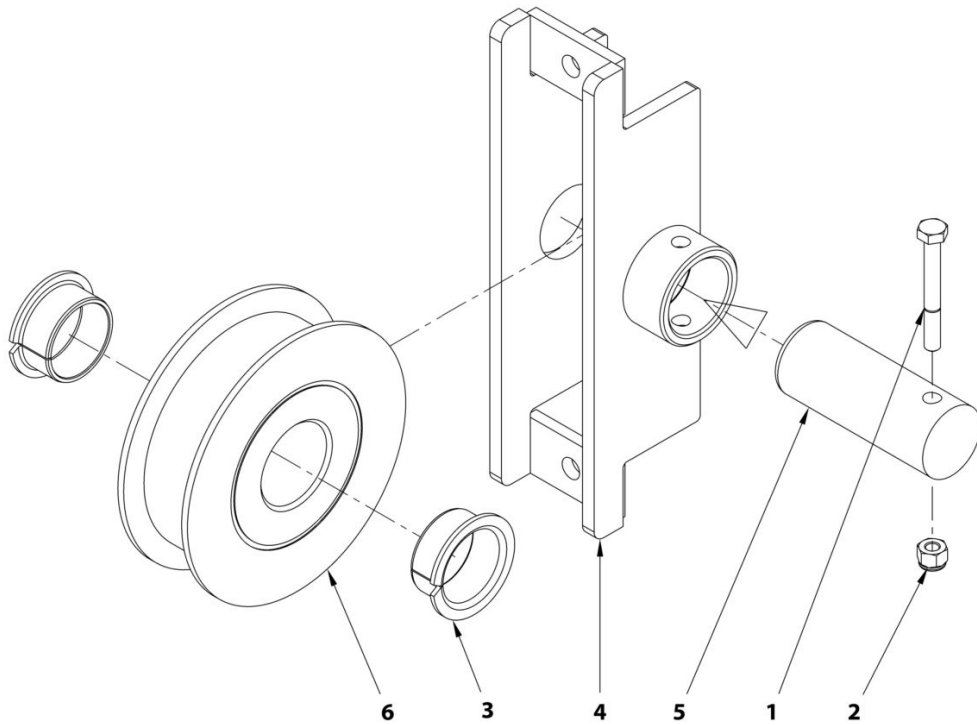
SECTION 4 - MASTS INSTALL / INSTALLATION MATS

FIGURE 4-3. PULLEY SUPPORT LL10-44 / SUPPORT POULIE LL10-44

ITEM	PART NUMBER	QTY	DESCRIPTION	REV
	SE0730		PULLEY SUPPORT LL10-44 / SUPPORT POULIE LL10-44	A
1	100013	1	M06x50 8.8 HEX HEAD CAPSCREW / VIS H M06x50 8.8 BI FP	
2	110003	1	M06 GR.08 LOCK NUT / ECROU FREIN M6 CL08 BI	
3	150011	2	FLANGE BUSHING D25 H11.5 DU / BAGUE EPAULEE D25 H11.5 DU	
4	SD0453	1	PULLEY MOUNT / SUPPORT POULIE	
5	US0377	1	PULLEY PIN / AXE DE SUPPORT POULIE	
6	US0475	1	LL10-44 PULLEY / POULIE LL10-44	

SECTION 4 - MASTS INSTALL / INSTALLATION MATS

FIGURE 4-4. PULLEY SUPPORT LL12-66 / SUPPORT POULIE LL12-66



ART_SE0731

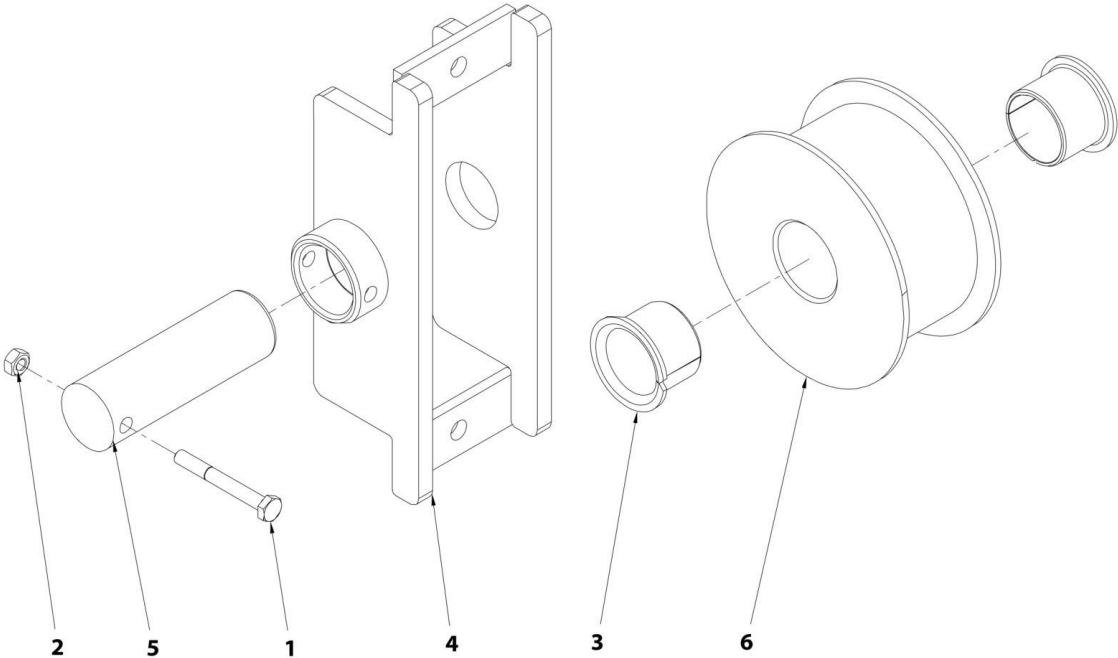
SECTION 4 - MASTS INSTALL / INSTALLATION MATS

FIGURE 4-4. PULLEY SUPPORT LL12-66 / SUPPORT POULIE LL12-66

ITEM	PART NUMBER	QTY	DESCRIPTION	REV
	SE0731		PULLEY SUPPORT LL12-66 / SUPPORT POULIE LL12-66	A
1	100013	1	M06x50 8.8 HEX HEAD CAPSCREW / VIS H M06x50 8.8 BI FP	
2	110003	1	M06 GR08 LOCK NUT / ECROU FREIN M6 CL08 BI	
3	150007	2	FLANGE BUSHING Ø30 H16 DU / BAGUE EPAULEE Ø30 H16 DU	
4	SD0452	1	PULLEY MOUNT / SUPPORT POULIE	
5	US0375	1	PULLEY PIN / AXE DE SUPPORT POULIE	
6	US0479	1	LL12-66 PULLEY / POULIE LL12-66	

SECTION 4 - MASTS INSTALL / INSTALLATION MATS

FIGURE 4-5. PULLEY SUPPORT LH12-66 / SUPPORT POULIE LH12-66



ART_560733

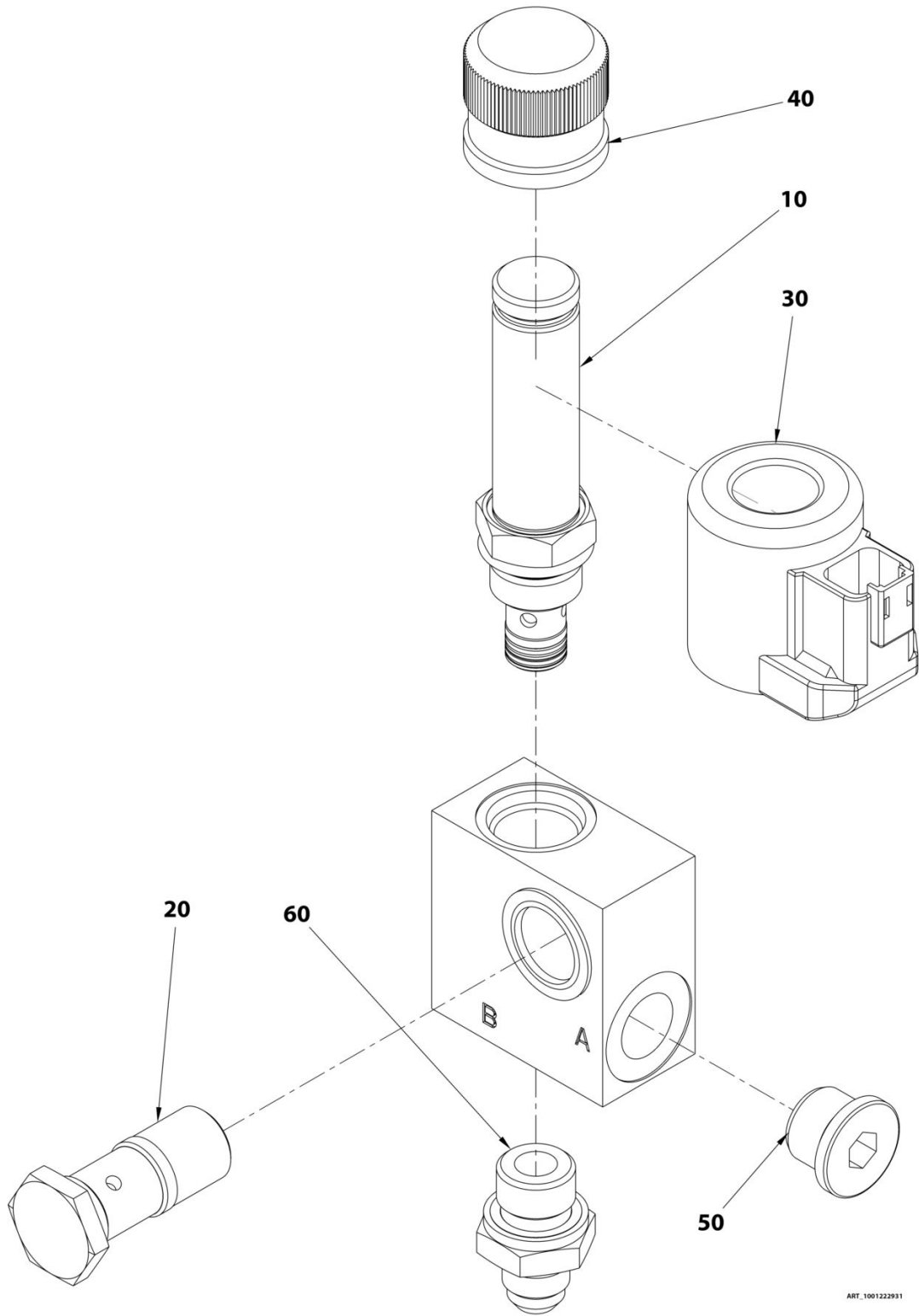
SECTION 4 - MASTS INSTALL / INSTALLATION MATS

FIGURE 4-5. PULLEY SUPPORT LH12-66 / SUPPORT POULIE LH12-66

ITEM	PART NUMBER	QTY	DESCRIPTION	REV
	SE0733		PULLEY SUPPORT LH12-66 TH=8mm / ASSEMBLAGE SUPPORT POULIE LH12-66 EP=8mm	B
1	100013	1	M06x50 8.8 HEX HEAD CAPSCREW / VIS H M06x50 8.8 BI FP	
2	110003	1	M06 GR08 LOCK NUT / ECROU FREIN M6 CL08 BI	
3	150006	2	FLANGE BUSHING Ø30 H26 DU / BAGUE EPAULEE Ø30 H26 DU	
4	SD0605	1	PULLEY MOUNT / SUPPORT POULIE	
5	US0460	1	PULLEY PIN / AXE DE POULIE	
6	US0478	1	PULLEY / POULIE	

SECTION 4 - MASTS INSTALL / INSTALLATION MATS

FIGURE 4-6. MAST CYLINDER MANIFOLD / BLOC VERIN DE MAT



ART_1001222931

SECTION 4 - MASTS INSTALL / INSTALLATION MATS

FIGURE 4-6. MAST CYLINDER MANIFOLD / BLOC VERIN DE MAT

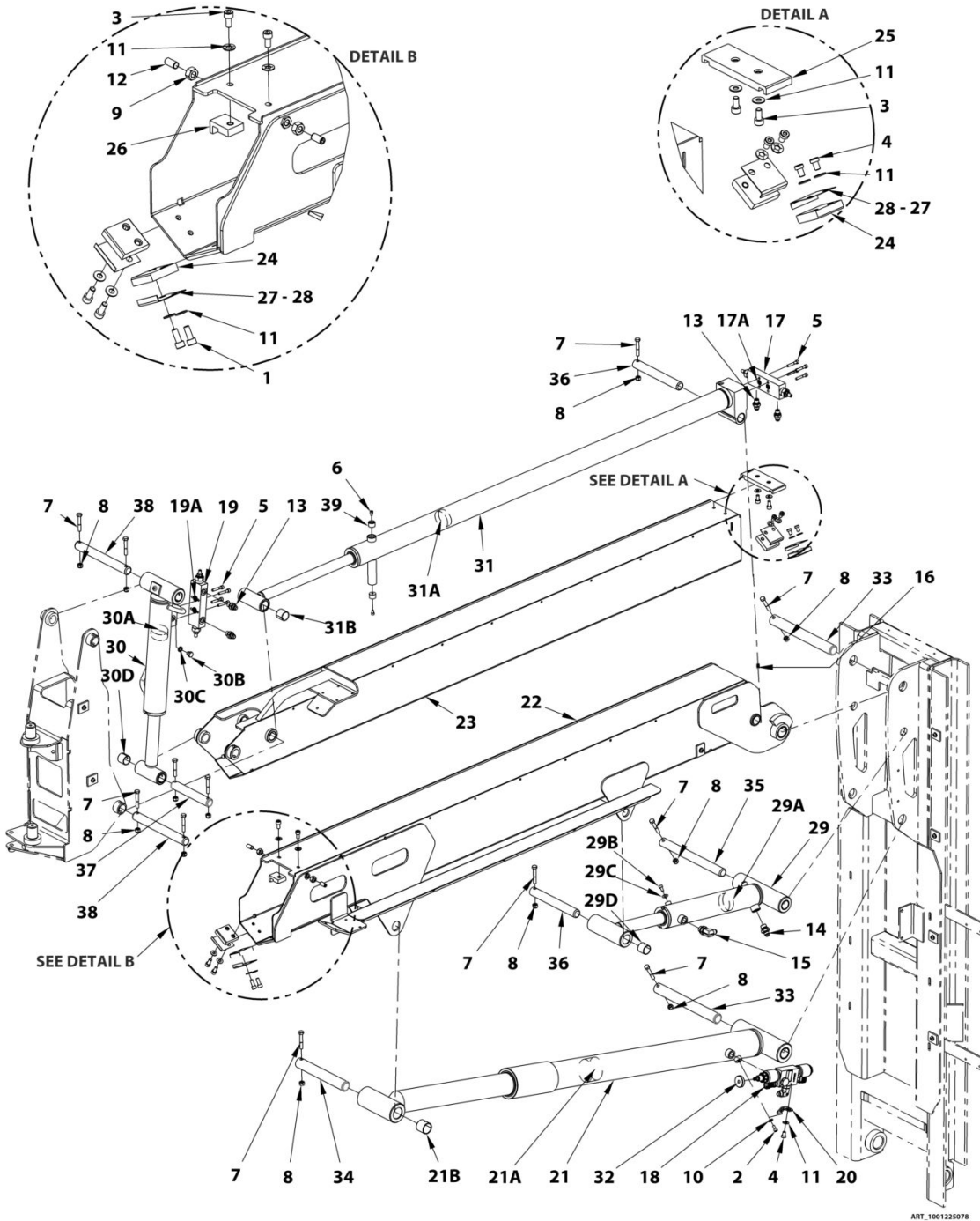
ITEM	PART NUMBER	QTY	DESCRIPTION	REV
	1001222931		MANIFOLD,MAST CYLINDER / BLOC VERIN DE MAT	A
10	952102	1	DIRECTION VALVE 2/2 NC / DISTRIBUTEUR DIRECTION 2/2 NC	
20	1001225154	1	SCREW SRH G3/8 / VIS SRH G3/8	
30	1001225149	1	COIL 2/2 VALVE / BOBINE DISTRIBUTEUR 2/2	
40	1001225155	1	MANUAL OVERRIDE SO1185 (RED) / COMMANDE MANUELLE SO1185 ROUGE	
50	300047	1	CAP BSPP 3/8 / BOUCHON BSPP 3/8	
60	300040	1	FITTING MALE BSPP3/8 MALE JIC9/16 / RACCORD MALE BSPP3/8 MALE JIC9/16	

SECTION 5 - BOOM INSTALL / INSTALLATION BRAS

SECTION 5 - BOOM INSTALL / INSTALLATION BRAS

SECTION 5 - BOOM INSTALL / INSTALLATION BRAS

FIGURE 5-1. 12E,32E BOOM INSTALL / 12E,32E ASSEMBLAGE BRAS



ART_100125078

SECTION 5 - BOOM INSTALL / INSTALLATION BRAS

FIGURE 5-1. 12E,32E BOOM INSTALL / 12E,32E ASSEMBLAGE BRAS

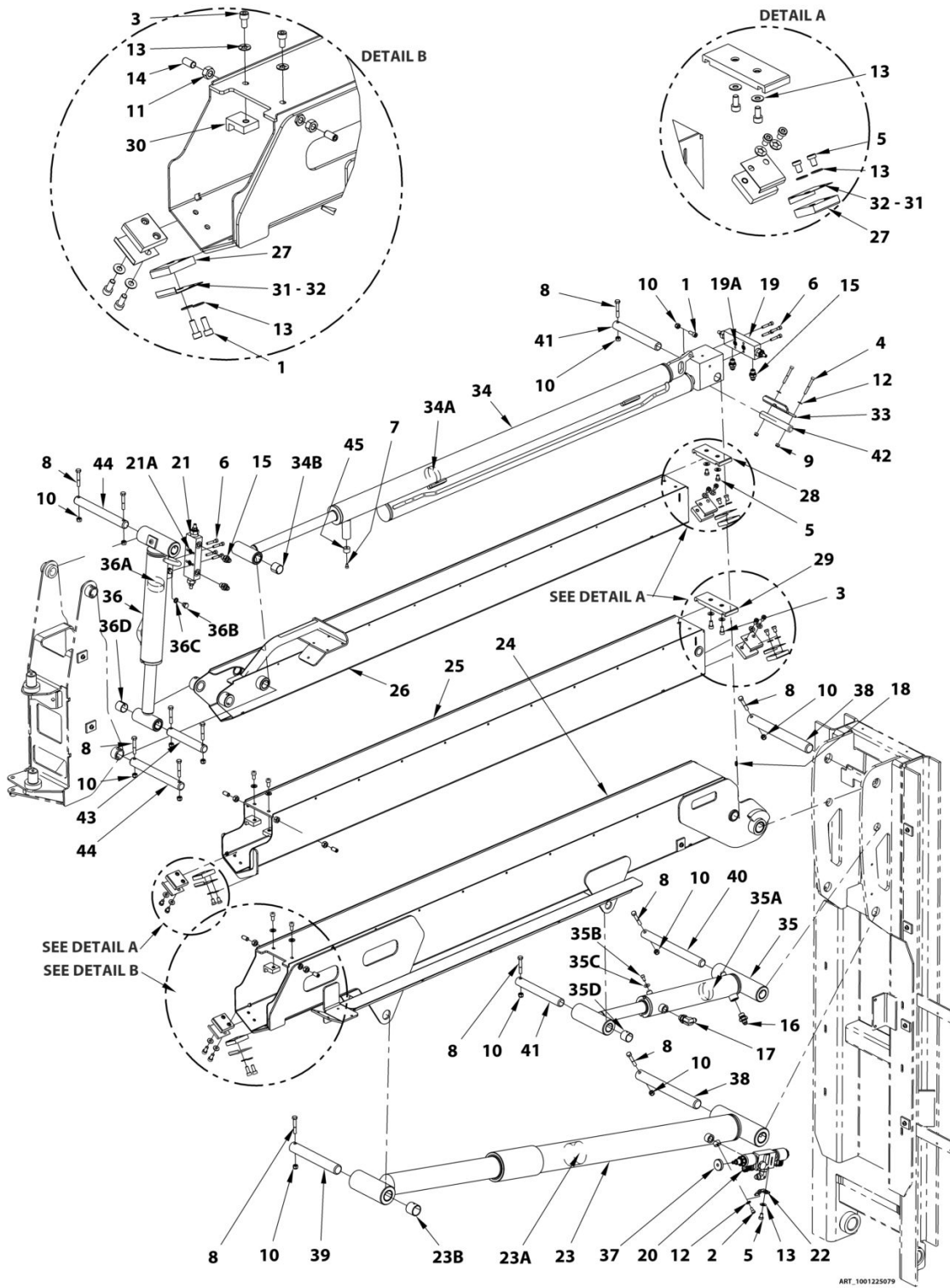
ITEM	PART NUMBER	QTY	DESCRIPTION	REV
	1001225078	Ref	12E,32E BOOM INSTALL / 12E,32E ASSEMBLAGE BRAS	D
1	000006	4	M08x20 8.8 SOCKET HEAD MACH SCREW / VIS CHC M08x20 8.8 BI FT	
2	000014	1	M06x12 8.8 SOCKET HEAD MACH SCREW / VIS CHC M06x12 8.8 BI FT	
3	000018	4	M08x16 8.8 SOCKET HEAD MACH SCREW / VIS CHC M08x16 8.8 BI FT	
4	000059	5	M08x12 8.8 S SOCK HEAD MACH SCREW / VIS CHC M08x12 8.8 BI FT	
5	000077	8	M06x35 8.8 SOCKET HEAD CAPSCREW / VIS CHC M06x35 8.8 BI FP	
6	000089	2	M05x08 8.8 SOCKET HEAD MACH SCREW / VIS CHC M05x08 8.8 BI FT	
7	100007	12	M08x50 8.8 HEX HEAD CAPSCREW / VIS H M08x50 8.8 BI FP	
8	110004	12	M08 GR. 8.8 LOCK NUT / ECROU FREIN M8 CL08 BI	
9	110008	2	M10 GR. 8.8 HEX NUT / ECROU H M10 CL08 BI	
10	120009	1	LOCK WASHER D06x14 / RONDELLE CONTACT dD06x14 BI	
11	120010	13	LOCK WASHER D08x18 / RONDELLE CONTACT dD08x18 BI	
12	130067	2	SCREW,SET-FLAT POINT-M10X20 / VIS HC M10x20 8.8 BI	
13	300025	4	FITTING MALE BSPP1/4-MALE JIC9/16 / RACCORD MALE BSPP1/4-MALE JIC9/16	
14	300040	1	FITTING MALE BSPP3/8 MALE JIC9/16 / RACCORD MALE BSPP3/8-MALE JIC9/16	
15	300061	1	90° ELBOW MALE BSPP 3/8-MALE JIC 9/16 / COUDE 90° MALE BSPP3/8-MALE JIC9/16	
16	310099	1	GREASE NIPPLE M6 / GRAISSEUR M6	
17	1001222934	1	VALVE TELESCOPE / DISTRIBUTEUR TELESCOPE	
17A	952163	AR	O-RING 9.93x2.62 / JOINT TORIQUE 9.93x2.62	
18	1001222932	1	VALVE JIB / DISTRIBUTEUR BRAS	
19	1001222933	1	VALVE LEVELLING / BOC CORRECTION	
19A	952163	AR	O-RING 9.93x2.62 / JOINT TORIQUE 9.93x2.62	
20	1001225530	1	PLATE,JIB CYLINDER,VALVE GUARD / TOLE PROTECTION BLOC	
21	1001225800	1	JIB CYLINDER SERTA / VERIN DE BRAS SERTA (Prior to SN A300060574)	
21A	960109	1	SEAL KIT CYLINDER 1001225800 / KIT DE JOINTS VERIN 1001225800 (Prior to SN A300060574)	
21B	150001	4	BUSHING Ø30 H30 DX / BAGUE Ø30 H30 DX	
21	1001267684	1	JIB CYLINDER BURNSIDE / VERIN DE BRAS BURNSIDE (SN A300060574 to Present)	
21A	1001272227	1	SEAL,KIT CYLINDER 1001267684 / KIT DE JOINTS VERIN 1001267684 (SN A300060574 to Present)	
22	DL0878	1	BOOM,OUTER SECTION / BRAS, SECTION EXTERIEURE	
23	DL0881	1	BOOM,INNER SECTION 12E-32E / BRAS, SECTION INTERIEURE 12E-32E	
24	ST3523	4	PAD,SLIDE / PATIN DE GLISSEMENT	
25	ST3525	1	PAD,SLIDE / PATIN DE GLISSEMENT DESSUS ET COTE	
26	ST3526	2	PAD,SLIDE SIDE / PATIN DE GLISSEMENT LATERAL	
27	ST3690	AR	SHIM,SPACER SLIDE PAD 1mm / CALE DE PATIN 1mm	
28	ST3691	AR	SHIM,SPACER SLIDE PAD 0.5mm / CALE DE PATIN 0.5mm	
29	1001239246	1	MASTER CYLINDER BURNSIDE / VERIN MAITRE BURNSIDE	
29A	1001247752	1	SEAL KIT BURNSIDE / KIT DE JOINT BURNSIDE	
29D	150002	4	BUSHING Ø25 H25 DX / BAGUE Ø25 H25 DX	

SECTION 5 - BOOM INSTALL / INSTALLATION BRAS

ITEM	PART NUMBER	QTY	DESCRIPTION	REV
30	1001239247	1	SLAVE CYLINDER BURNSIDE / VERIN ESCLAVE BURNSIDE	
30A	1001247752	1	SEAL KIT BURNSIDE / KIT DE JOINT BURNSIDE	
30B	1001254734	1	DRAINING SCREW BURNSIDE / VIS DE PURGE BURNSIDE	
30C	1001254735	1	DRAINING SCREW SEAL BURNSIDE / JOINT VIS DE PURGE BURNSIDE	
30D	150002	4	BUSHING Ø25 H25 DX / BAGUE Ø25 H25 DX	
31	1001239244	1	TELESCOPE CYLINDER BURNSIDE / VERIN TELESCOPE BURNSIDE	
31A	1001247750	1	SEAL KIT BURNSIDE / KIT DE JOINTS BURNSIDE	
31B	150002	2	BUSHING Ø25 H25 DX / BAGUE Ø25 H25 DX	
32	US0277	1	CYLINDER EMERGENCY BUTTON / BOUTTON DE SECOUR VERIN	
33	US0458	2	PIN, D30-L265 / AXE, D30-L265	
34	US0459	1	PIN, D30-L205 / AXE D30-L205	
35	US0490	1	PIN, D25-L265 / AXE D25-L265	
36	US0492	2	PIN, D25-L195 / AXE D25-L195	
37	US0580	1	PIN, D25-L160 / AXE D25-L160	
38	US0581	2	PIN, D25-L223 / AXE D25-L223	
39	US0588	2	ROLLER, SLIDING / BUTEE DE GLISSEMENT	

SECTION 5 - BOOM INSTALL / INSTALLATION BRAS

FIGURE 5-2. 12E PLUS BOOM INSTALL / 12E PLUS ASSEMBLAGE BRAS



SECTION 5 - BOOM INSTALL / INSTALLATION BRAS

FIGURE 5-2. 12E PLUS BOOM INSTALL / 12E PLUS ASSEMBLAGE BRAS

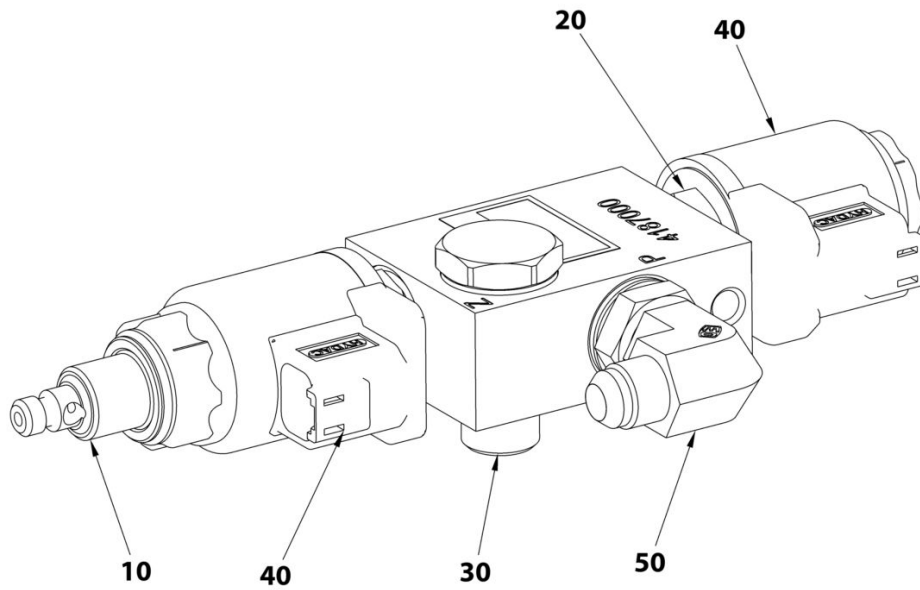
ITEM	PART NUMBER	QTY	DESCRIPTION	REV
	1001225079	Ref	12E Plus BOOM INSTALL / 12E Plus ASSEMBLAGE BRAS	D
1	000006	5	M08x20 8.8 SOCKET HEAD MACH SCREW / VIS CHC M08x20 8.8 BI FT	
2	000014	1	M06x12 8.8 SOCKET HEAD MACH SCREW / VIS CHC M06x12 8.8 BI FT	
3	000018	6	M08x16 8.8 SOCKET HEAD MACH SCREW / VIS CHC M08x16 8.8 BI FT	
4	000026	2	M06x50 8.8 SOCKET HEAD CAPSCREW / VIS CHC M06x50 8.8 BI FP	
5	000059	15	M08x12 8.8 S SOCK HEAD MACH SCREW / VIS CHC M08x12 8.8 BI FT	
6	000077	8	M06x35 8.8 SOCKET HEAD CAPSCREW / VIS CHC M06x35 8.8 BI FP	
7	000089	1	M05x08 8.8 SOCKET HEAD MACH SCREW / VIS CHC M05x08 8.8 BI FT	
8	100007	12	M08x50 8.8 HEX HEAD CAPSCREW / VIS H M08x50 8.8 BI FP	
9	110003	2	M06 GR. 8.8 LOCK NUT / ECROU FREIN M6 CL08 BI	
10	110004	13	M08 GR. 8.8 LOCK NUT / ECROU FREIN M8 CL08 BI	
11	110008	4	M10 GR. 8.8 HEX NUT / ECROU H M10 CL08 BI	
12	120009	3	LOCK WASHER D06x14 / RONDELLE CONTACT dD06x14 BI	
13	120010	25	LOCK WASHER D08x18 / RONDELLE CONTACT dD08x18 BI	
14	130067	4	SCREW,SET-FLAT POINT-M10X20 / VIS HC M10x20 8.8 BI	
15	300025	4	FITTING MALE BSPP1/4-MALE JIC9/16 / RACCORD MALE BSPP1/4-MALE JIC9/16	
16	300040	1	FITTING MALE BSPP3/8 MALE JIC9/16 / RACCORD MALE BSPP3/8-MALE JIC9/16	
17	300061	1	90° ELBOW MALE BSPP 3/8-MALE JIC 9/16 / COUDE 90° MALE BSPP3/8-MALE JIC9/16	
18	310099	1	GREASE NIPPLE M6 / GRAISSEUR M6	
19	1001222934	1	VALVE TELESCOPE / DISTRIBUTEUR TELESCOPE	
19A	952163	AR	O RING 9.93x2.62 / JOINT TORIQUE 9.93x2.62	
20	1001222932	1	VALVE JIB / DISTRIBUTEUR BRAS	
21	1001222933	1	VALVE LEVELLING / BOC CORRECTION	
21A	952163	AR	O-RING 9.93x2.62 / JOINT TORIQUE 9.93x2.62	
22	1001225530	1	PLATE,JIB CYLINDER,VALVE GUARD / TOLE PROTECTION BLOC	
23	1001225800	1	JIB CYLINDER SERTA / VERIN DE BRAS SERTA (Prior to SN A300060574)	
23A	960109	1	SEAL KIT CYLINDER 1001225800 / KIT DE JOINTS VERIN 1001225800 (Prior to SN A300060574)	
23B	150001	4	BUSHING Ø30 H30 DX / BAGUE Ø30 H30 DX	
23	1001267684	1	JIB CYLINDER BURNSIDE / VERIN DE BRAS BURNSIDE (SN A300060574 to Present)	
23A	1001272227	1	SEAL KIT CYLINDER 1001267684 / KIT DE JOINTS VERIN 1001267684 (SN A300060574 to Present)	
24	DL0878	1	BOOM,OUTER SECTION / BRAS, SECTION EXTERIEURE	
25	DL0879	1	BOOM,MID SECTION / BRAS, SECTION INTERMEDIAIRE	
26	DL0880	1	BOOM,INNER SECTION / BRAS, SECTION INTERIEURE	
27	ST3523	8	PAD,SLIDE / PATIN DE GLISSEMENT	
28	ST3524	1	PAD,SLIDE / PATIN DE GLISSEMENT	
29	ST3525	1	PAD,SLIDE / PATIN DE GLISSEMENT DESSUS ET COTE	
30	ST3526	4	PAD,SLIDE SIDE / PATIN DE GLISSEMENT LATERAL	
31	ST3690	AR	SHIM,SPACER SLIDE PAD 1mm / CALE DE PATIN 1mm	

SECTION 5 - BOOM INSTALL / INSTALLATION BRAS

ITEM	PART NUMBER	QTY	DESCRIPTION	REV
32	ST3691	AR	SHIM,SPACER SLIDE PAD 0.5mm / CALE DE PATIN 0.5mm	
33	ST3693	1	BRACKET,TELESCOPE CYLINDER / SUPPORT, VERIN TELESCOPE	
34	1001239245	1	TELESCOPE DUAL CYLINDER BURNSIDE / VERIN DOUBLE TELESCOPE BURNSIDE	
34A	1001247751	1	SEAL KIT BURNSIDE / KIT DE JOINTS BURNSIDE	
34B	150002	2	BUSHING Ø25 H25 DX / BAGUE Ø25 H25 DX	
35	1001239246	1	MASTER CYLINDER / VERIN MAITRE BURNSIDE	
35A	1001247752	1	SEAL KIT BURNSIDE / KIT DE JOINTS BURNSIDE	
35D	150002	4	BUSHING Ø25 H25 DX / BAGUE Ø25 H25 DX	
36	1001239247	1	SLAVE CYLINDER / VERIN ESCLAVE BURNSIDE	
36A	1001247752	1	SEAL KIT BURNSIDE / KIT DE JOINTS BURNSIDE	
36B	1001254734	1	DRAINING SCREW BURNSIDE / VIS DE PURGE BURNSIDE	
36C	1001254735	1	DRAINING SCREW SEAL BURNSIDE / JOINT VIS DE PURGE BURNSIDE	
36D	150002	4	BUSHING Ø25 H25 DX / BAGUE Ø25 H25 DX	
37	US0277	1	CYLINDER EMERGENCY BUTTON / BOUTTON DE SECOUR VERIN	
38	US0458	2	PIN, D30-L265 / AXE, D30-L265	
39	US0459	1	PIN, D30-L205 / AXE D30-L205	
40	US0490	1	PIN, D25-L265 / AXE D25-L265	
41	US0492	2	PIN, D25-L195 / AXE D25-L195	
42	US0579	1	PIN, D20-L132 / AXE, D20-L132	
43	US0580	1	PIN,D25-L160 / AXE D25-L160	
44	US0581	2	PIN,D25-L223 / AXE D25-L223	
45	US0588	1	ROLLER,SLIDING / BUTEE DE GLISSEMENT	

SECTION 5 - BOOM INSTALL / INSTALLATION BRAS

FIGURE 5-3. MANIFOLD JIB / BLOC BRAS



ART. 1001222932

SECTION 5 - BOOM INSTALL / INSTALLATION BRAS

FIGURE 5-3. MANIFOLD JIB / BLOC BRAS

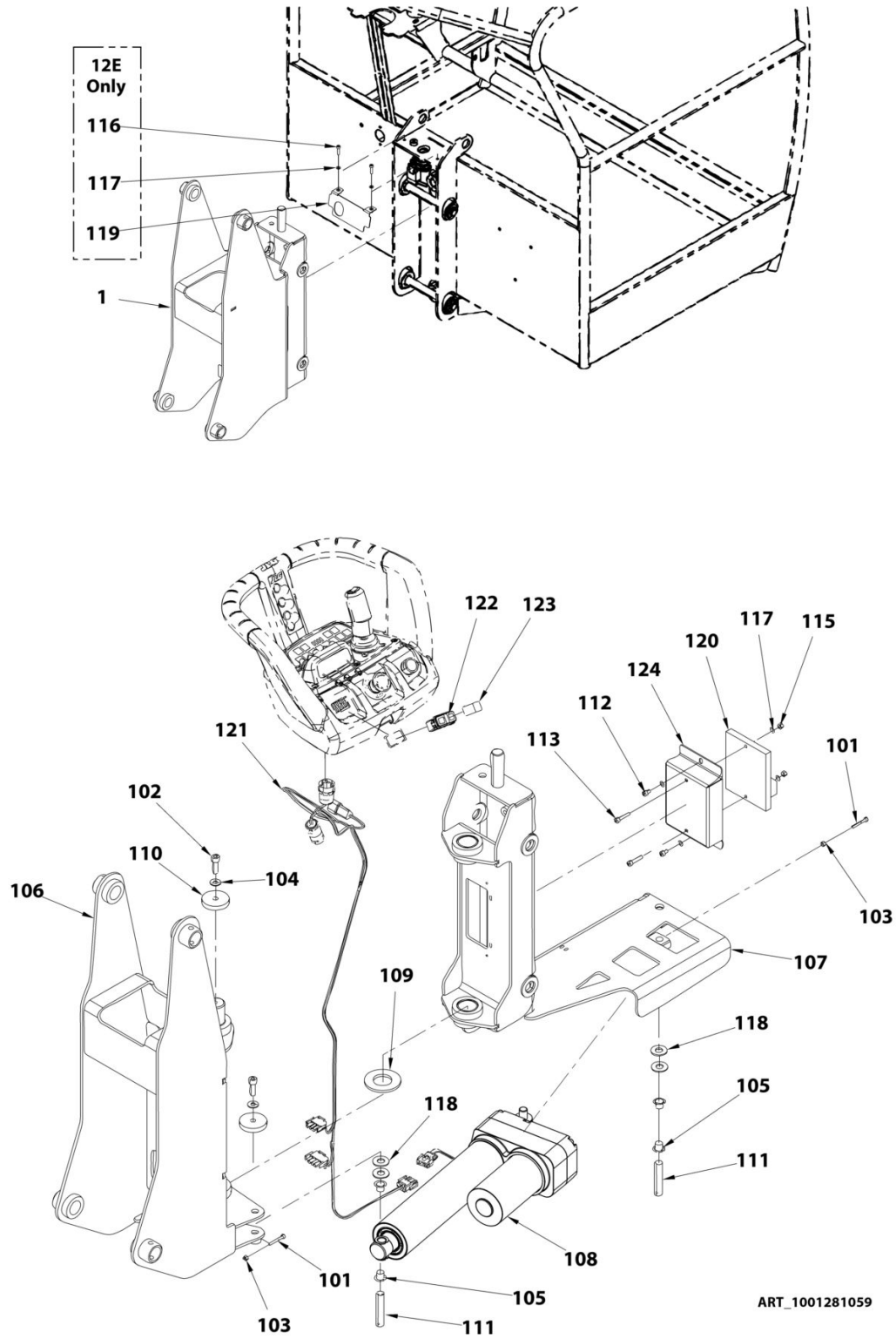
ITEM	PART NUMBER	QTY	DESCRIPTION	REV
	1001222932		MANIFOLD JIB / BLOC BRAS	A
10	1001225133	1	DIRECTIONAL VALVE 2/2 NC / DISTRIBUTEUR 2/2 NC	
20	1001225159	1	DIRECTIONAL VALVE 2/2 NC / DISTRIBUTEUR 2/2 NC	
30	1001225529	1	SCREW SRH G3/8 / VIS BANJO G3/8	
40	1001225149	2	COIL VALVE 2/2 / BOBINE DISTRIBUTEUR 2/2	
50	300061	1	90° ELBOW MALE BSPP 3/8-MALE JIC 9/16 / COUDE 90° MALE BSPP3/8-MALE JIC9/16	

SECTION 6 - PLATFORM INSTALL / INSTALLATION PLATE-FORME

SECTION 6 - PLATFORM INSTALL / INSTALLATION PLATE-FORME

SECTION 6 - PLATFORM INSTALL / INSTALLATION PLATE-FORME

FIGURE 6-1. PLATFORM SUPPORT INSTALL / INSTALLATION SUPPORT PLATE-FORME



SECTION 6 - PLATFORM INSTALL / INSTALLATION PLATE-FORME

FIGURE 6-1. PLATFORM SUPPORT INSTALL / INSTALLATION SUPPORT PLATE-FORME

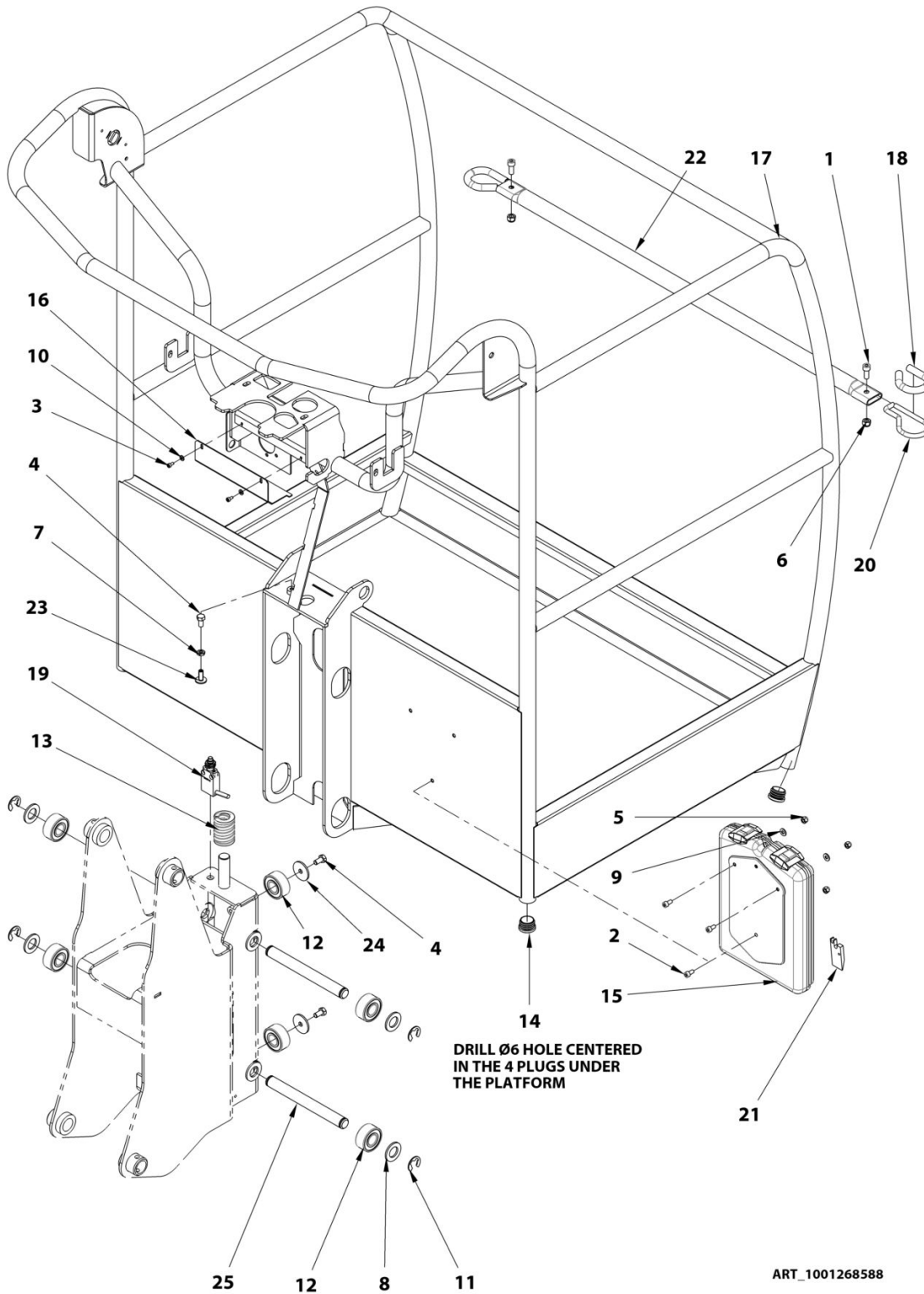
ITEM	PART NUMBER	QTY	DESCRIPTION	REV
		Ref	PLATFORM SUPPORTS; INFO - SP0966 / SUPPORTS PLATE-FORME; INFO - SP0966	
	SA0140	Ref	32E-PLATF SUPPORT W/O ROTATION / 32E-SUPPORT PLATE-FORME SANS ROTATION	A
	1001281060	Ref	12E-PLATF SUPPORT W/O ROTATION / 12E-SUPPORT PLATE-FORME SANS ROTATION	A
1	DL0901	1	PLATF.SUPPORT W/O ROTATION / SUPPORT PLATEFORME SANS ROTATION	
116	000010	2	M05x20 8.8 SOCKET HEAD MACH SCREW / VIS CHC M05x20 BI FT (SN A300061941 to Present)	
117	120002	2	WASHER D05x10 / RONDELLE D05X10 (SN A300061941 to Present)	
119	1001276933	1	PLATE,LSS PROTECTION 12E / CAPOT PROTECTION SURCHARGE 12E (SN A300061941 to Present)	
	SA0141	Ref	32E-PLATF SUPPORT W/ ROTATION / 32E-SUPPORT PLATE-FORME AVEC ROTATION	C
	1001281059	Ref	12E-PLATF SUPPORT W/ ROTATION / 12E-SUPPORT PLATE-FORME AVEC ROTATION	A
101	000007	2	M04x30 8.8 SOCKET HEAD CAPSCREW / VIS CHC M04x30 8.8 BI FP	
102	000053	2	M08x25 8.8 SOCKET HEAD MACHSCREW / VIS CHC M08x25 8.8 BI FT	
103	110001	2	M04 GR08 LOCK NUT / ECROU FREIN M4 CL08 BI	
104	120010	2	dD 08x18 LOCK WASHER / RONDELLE CONTACT dD 08x18 BI	
105	150038	4	BEARING, FLANGE D12xL12 / BAGUE EPAULEE D12 L12	
106	DL0882	1	SUPPORT LEVEL CORRECTION ROT OPT / SUPPORT CORRECTION DE NIVEAU OPTION ROTATION	
107	DL0883	1	SUPPORT PLATFORM, ROT OPT / SUPPORT PLATE-FORME OPTION ROTATION	
108	1001228269	1	ACTUATOR,PLATFORM ROTATION / VERIN,ROTATION PLATE-FORME	
109	US0134	1	PAD, WASHER D31x60X4 / PATIN, RONDELLE D31x60x4	
110	US0469	2	WASHER, STOP / RONDELLE, BUTEE	
111	US0582	2	PIN, D12 L65 / AXE, D12 L65	
112	000089	2	M05x08 8.8 SOCKET HEAD MACHSCREW / VIS CHC M08x8 8.8 BI FT	
113	000095	2	M05x25 8.8 SCOKET HEAD MACHSCREW / VIS CHC M08x25 8.8 BI FT	
115	110002	2	LOCK NUT H M5 8 / ECROU FREIN M5 CL08 BI	
116	000010	2	M05x20 8.8 SOCKET HEAD MACH SCREW / VIS CHC M05x20 BI FT (SN A300061941 to Present)	
117	120002	6	WASHER D05x10 / RONDELLE D05X10 (SN A300061941 to Present)	
118	120015	4	LOCK WASHER D12x27 / RONDELLE CONTACT dD 12x27 BI	
119	1001276933	1	PLATE,LSS PROTECTION 12E / CAPOT PROTECTION SURCHARGE 12E (SN A300061941 to Present)	
120	1001159126	1	ELEC ASSY, PLATFORM ROTATE BOARD / CARTE ROTATION PLATE-FORME	
121	1001159127	1	HARNESS PLATFORM ROTATE / FAISCEAU ROTATION PANIER	
122	1001164530	1	SWITCH CARLING 8-POS / INTERRUPTEUR CARLING 8-POS	
123	AU2200	1	DECAL, ROTATE PLATFORM / AUTOCOLLANT, ROTATION PLATEFORME	

SECTION 6 - PLATFORM INSTALL / INSTALLATION PLATE-FORME

ITEM	PART NUMBER	QTY	DESCRIPTION	REV
124	ST3684	1	COVER, ROTATION MODULE / COUVERCLE, MODULE ROTATION	

SECTION 6 - PLATFORM INSTALL / INSTALLATION PLATE-FORME

FIGURE 6-2. PLATFORM INSTALL WITH DROP BAR / INSTALLATION PLATE-FORME AVEC LISSE COULISSANTE



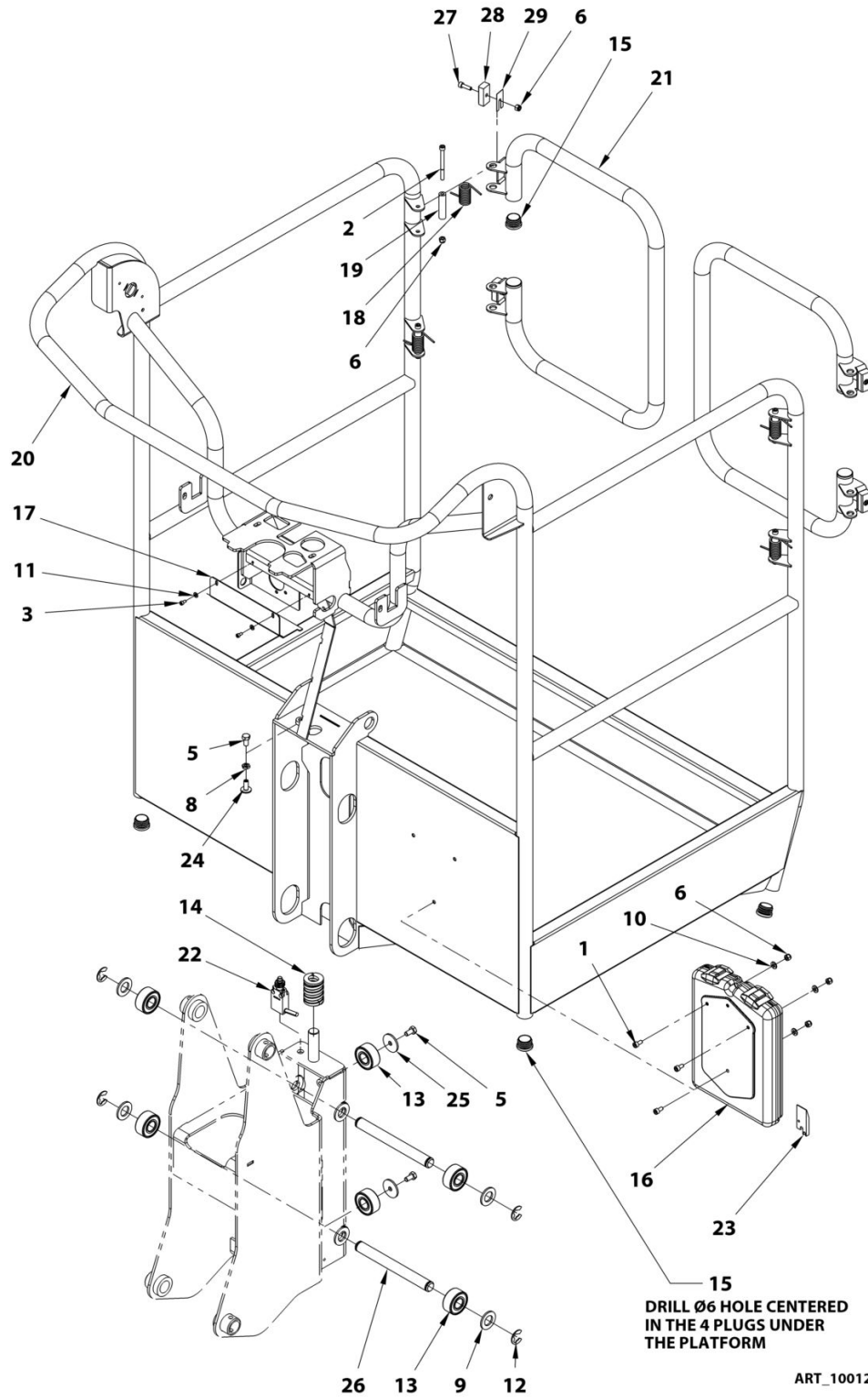
SECTION 6 - PLATFORM INSTALL / INSTALLATION PLATE-FORME

FIGURE 6-2. PLATFORM INSTALL WITH DROP BAR / INSTALLATION PLATE-FORME AVEC LISSE COULISSANTE

ITEM	PART NUMBER	QTY	DESCRIPTION	REV
	1001268588	Ref	PLATFORM INSTALL WITH DROP BAR / INSTALLATION PLATE-FORME AVEC LISSE COULISSANTE	A
1	000006	2	M08X20 8.8 SOCKET HEAD MACHSCREW / VIS CHC M08x20 8.8 BI FT	
2	000014	3	M06X12 8.8 SOCKET HEAD MACHSCREW / VIS CHC M06x12 8.8 BI FT	
3	000090	2	M04X08 8.8 SOCKET HEAD MACHSCREW / VIS CHC M04x08 8.8 BI FT	
4	100054	3	M08X16_8.8 HEX HEAD MACHINE_SCREW / VIS H M08x16 8.8 BI FT	
5	110003	3	LOCK NUT H M6 GR08 / ECROU FREIN M6 CL08 BI	
6	110004	2	LOCK NUT H M8 GR08 / ECROU FREIN M8 CL08 BI	
7	110022	1	NUT HM M8 GR04 / ECROU Hm M08 CL04 ZI	
8	120003	4	WASHER D20X37 / RONDELLE D20X37	
9	120009	3	LOCK WASHER D06X14 / RONDELLE CONTACT dD 06x14 BI	
10	120024	2	LOCK WASHER D04X10 / RONDELLE CONTACT M4 BI	
11	130029	4	CIRCLIP, BENZING / CIRCLIP	
12	150061	6	BALL BEARING, DBLE RAW 3204 / ROULEMENT A BILLE, DOUBLE RANGEE 3204	
13	160033	1	SPRING OVER LOAD G40 GR051 / RESSORT DE COMPRESSION	
14	400048	4	CAP Ø30 / BOUCHON	
15	8990147	1	HOLDER MANUAL / BOITE PORTE-DOCUMENTS	
16	1001266724	1	PLATE, CONNECTOR BOX COVER / CARTER CONNECTEURS BOITIER	
17	1001268583	1	PLATFORM DROP BAR / PLATE-FORME LISSE COULISSANTE	
18	280023	0.36 m	BLACK SHEATH / GAINÉ DE PROTECTION (qté en mètre)	
19	PC0468	1	HARNESS, LOAD SENSING SWITCH / FAISCEAU CAPTEUR DE SURCHARGE	
20	ST0736	2	BAR, FLAP HOOP / ANNEAU PORTILLON	
21	ST2741	1	SHIM, CHECKING / CALE DE VERIFICATION	
22	ST3521	1	TUBE, GATE / TUBE LISSE	
23	US0236	1	SCREW, ADJUSTMENT / SCREW, ADJUSTMENT	
24	US0531	2	WASHER-SPEC, D8XD37XTH.3 / RONDELLE D8xD37xEP3	
25	US0570	2	PIN BEARING MOUNT / AXE ROULEMENT	

SECTION 6 - PLATFORM INSTALL / INSTALLATION PLATE-FORME

FIGURE 6-3. PLATFORM INSTALL WITH SALOON GATES / INSTALLATION PLATE-FORME AVEC PORTES SALOON



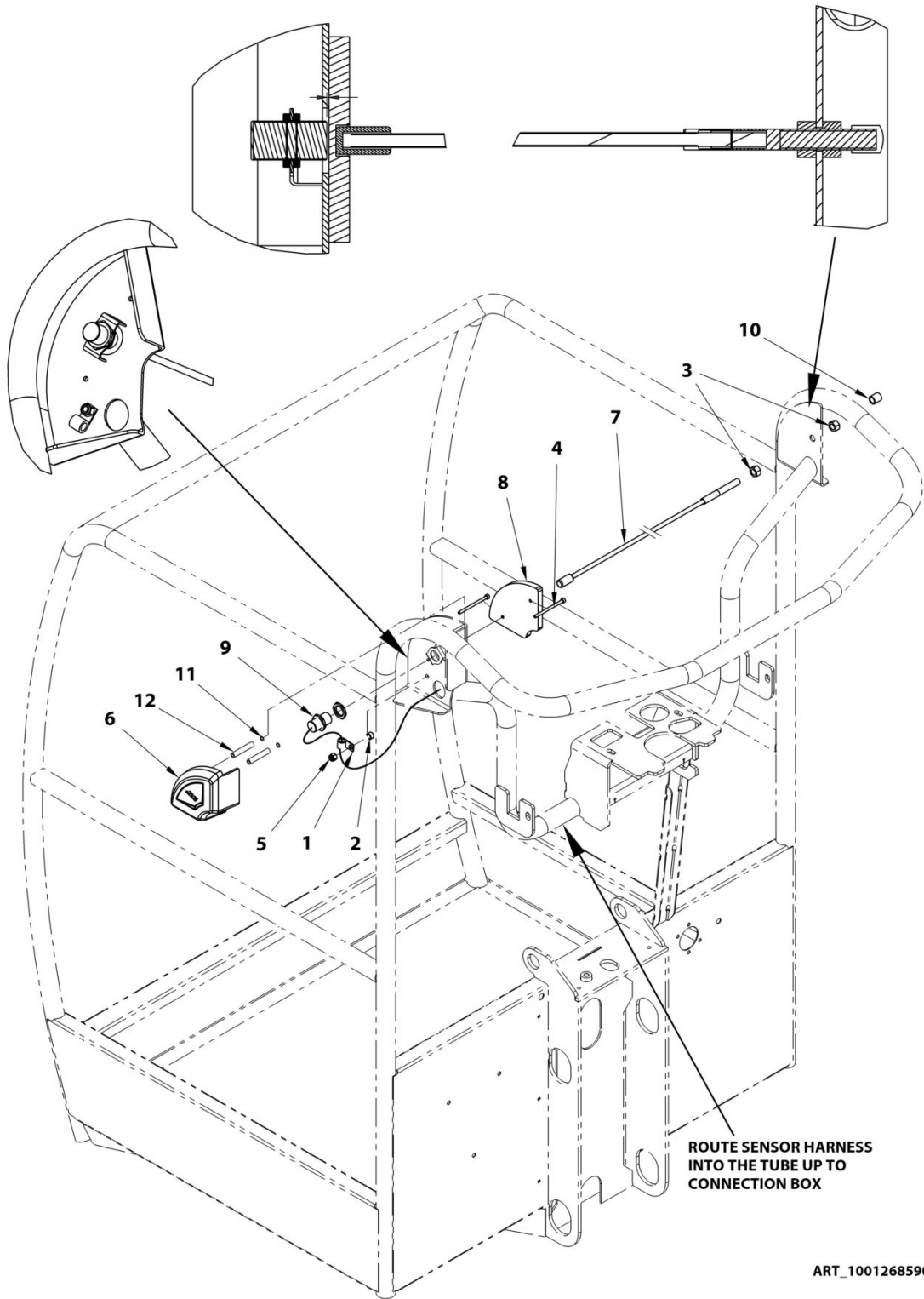
SECTION 6 - PLATFORM INSTALL / INSTALLATION PLATE-FORME

FIGURE 6-3. PLATFORM INSTALL WITH SALOON GATES / INSTALLATION PLATE-FORME AVEC PORTES SALOON

ITEM	PART NUMBER	QTY	DESCRIPTION	REV
	1001268589	Ref	INSTALL,PLATFORM,SALOON GATES / INSTALLATION PLATE-FORME AVEC PORTES SALOON	B
1	000014	3	M06x12 8.8 SOCKET HEAD MACH SCREW / VIS CHC M06x12 8.8 BI FT	
2	000088	4	M06x70 8.8 SOCKET HEAD CAPSCREW / VIS CHC M06x70 8.8 BI FP	
3	000090	2	M04x08 8.8 SOCKET HEAD MACH SCREW / VIS CHC M04x08 8.8 BI FT	
5	100054	3	M08x16 8.8 HEX HEAD MACHINE SCREW / VIS H M08x16 8.8 BI FT	
6	110003	11	M06 GR. 8.8 LOCK NUT / ECROU FREIN M6 CL08 BI	
8	110022	1	M08 GR. 8.8 FLAT HEX NUT / ECROU Hm M08 CL04 ZI	
9	120003	4	M20 WASHER / RONDELLE D20X37	
10	120009	3	LOCK WASHER D06x14 / RONDELLE CONTACT dD 06x14 BI	
11	120024	2	LOCK WASHER D04x10 / RONDELLE CONTACT M4 BI	
12	130029	4	CIRCLIP,BENZING / CIRCLIP	
13	150061	6	BEARING,3204-2RS / ROULEMENT A BILLE, DOUBLE RANGEE	
14	160033	1	SPRING,OVERLOAD G 40-51 / RESSORT DE COMPRESSION	
15	400048	8	CAP D30 / BOUCHON D30	
16	8990147	1	HOLDER, MANUAL / BOITE PORTE-DOCUMENTS	
17	1001266724	1	PLATE,CONNECTOR BOX COVER / CARTER CONNECTEURS BOITIER	
18	1001267022	4	SPRING,ANGULAR / RESSORT ANGULAIRE	
19	1001267401	4	PIN,SALOON GATE / AXE PORTE SALOON	
20	1001268582	1	PLATFORM,SALOON GATES / PLATE-FORME A PORTES SALOON	
21	1001268591	2	GATE,SALOON / PORTE SALOON	
22	PC0468	1	HARNES, LOAD SENSING SWITCH / FAISCEAU CAPTEUR DE SURCHARGE	
23	ST2741	1	SHIM, CHECKING / CALE DE VERIFICATION	
24	US0236	1	SCREW, ADJUSTMENT / VIS DE REGLAGE	
25	US0531	2	WASHER-SPEC,D8XD37XTH.3 / RONDELLE D8xD37xEP3	
26	US0570	2	PIN,BEARING MOUNT / AXE ROULEMENT	
27	000005	4	M06x20 8.8 SOCKET HEAD MACH SCREW / VIS CHC M06x20 8.8 BI FT	
28	1001271848	4	PAD,SALOON GATE / PATIN BUTEE PORTE SALOON	
29	1001271849	AR	SHIM,PAD / CALE DE PATIN	

SECTION 6 - PLATFORM INSTALL / INSTALLATION PLATE-FORME

FIGURE 6-4. SKYLINE INSTALL / INSTALLATION SKYLINE



ART_1001268590

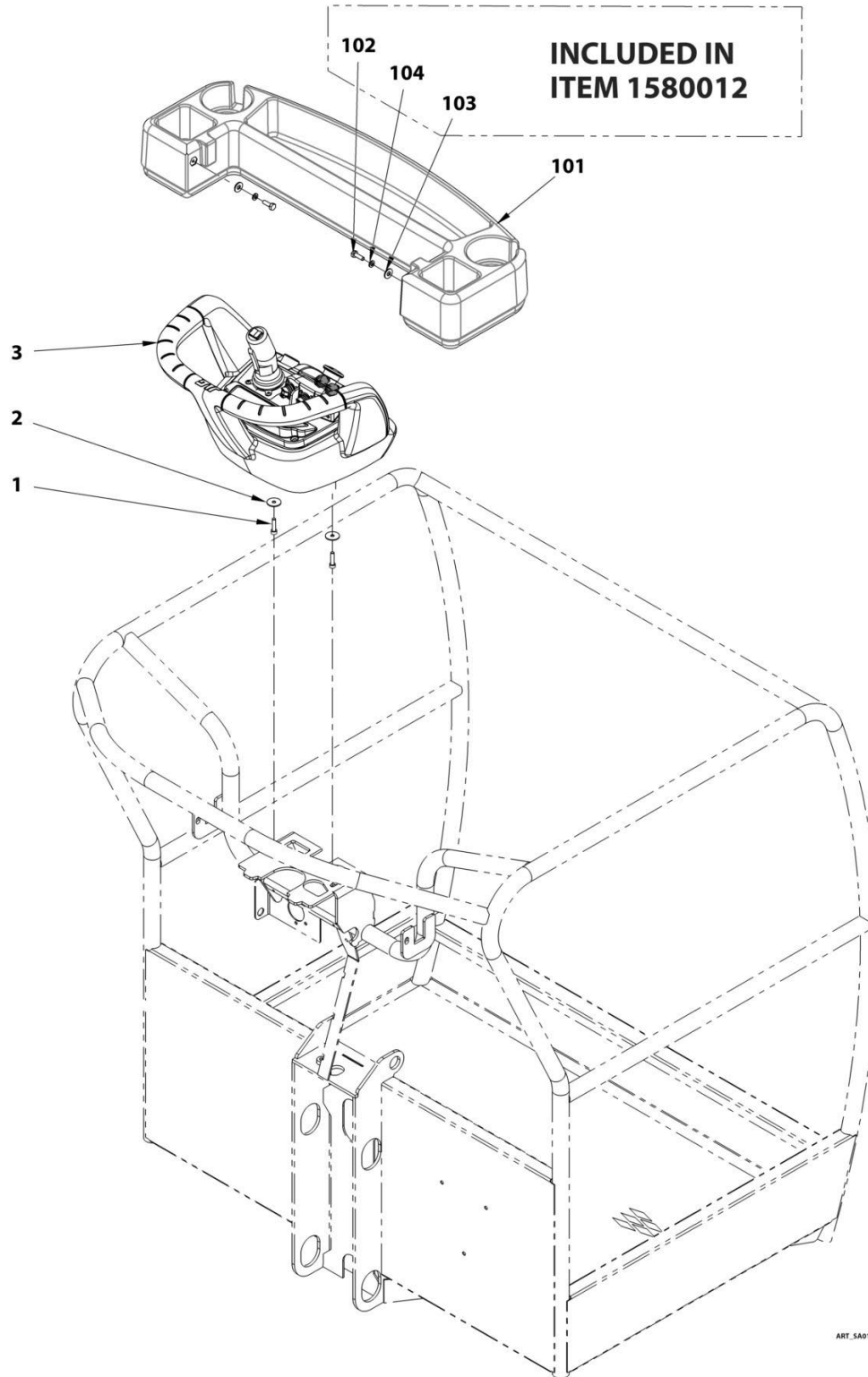
SECTION 6 - PLATFORM INSTALL / INSTALLATION PLATE-FORME

FIGURE 6-4. SKYLINE INSTALL / INSTALLATION SKYLINE

ITEM	PART NUMBER	QTY	DESCRIPTION	REV
	1001268590	Ref	INSTALL,SKYLINE / INSTALLATION SKYLINE	C
1	1001279287	1	CLAMP D9 / COLLIER D9	
2	000014	1	M06x12 8.8 SOCKET HEAD MACH SCREW / VIS CHC M06x12 8.8 BI FT	
3	3311601	2	NUT,3/8-16 HEX NUT / ECROU 3/8-16	
4	4031516	2	SOCKET HD CAP METRIC,4 X 60 / VIS CHC M04x60 8.8 BI FP	
5	110003	1	M06 GR. 8.8 LOCK NUT / ECROU FREIN M6 CL08 BI	
6	1001241965	1	HOUSING,SKYLINE RIGHT ASM / CAISSON DROIT SKYLINE	
7	1001268593	1	ROD,SKYGUARD ASSEMBLY / BARE SKYLINE	
8	1001254473	1	HOUSING,SKYLINE LEFT / CAISSON GAUCHE SKYLINE	
9	1001232667	1	SENSOR ASSEMBLY,PROXIMITY / DETECTEUR SKYLINE	
10	1001275523	1	CAP D9 / PROTECTION D9	
11	120056	2	dD 04x08 LOCK WASHER / RONDELLE FREIN Dd 04x08	
12	1001291927	2	TUBE,SPACER NYLON / ENTRETOISE NYLON	

SECTION 6 - PLATFORM INSTALL / INSTALLATION PLATE-FORME

FIGURE 6-5. CONSOLE AND CONTAINER INSTALL / INSTALLATION BOITIER DE COMMANDE ET BOITE A OUTILS



ART. SA0121

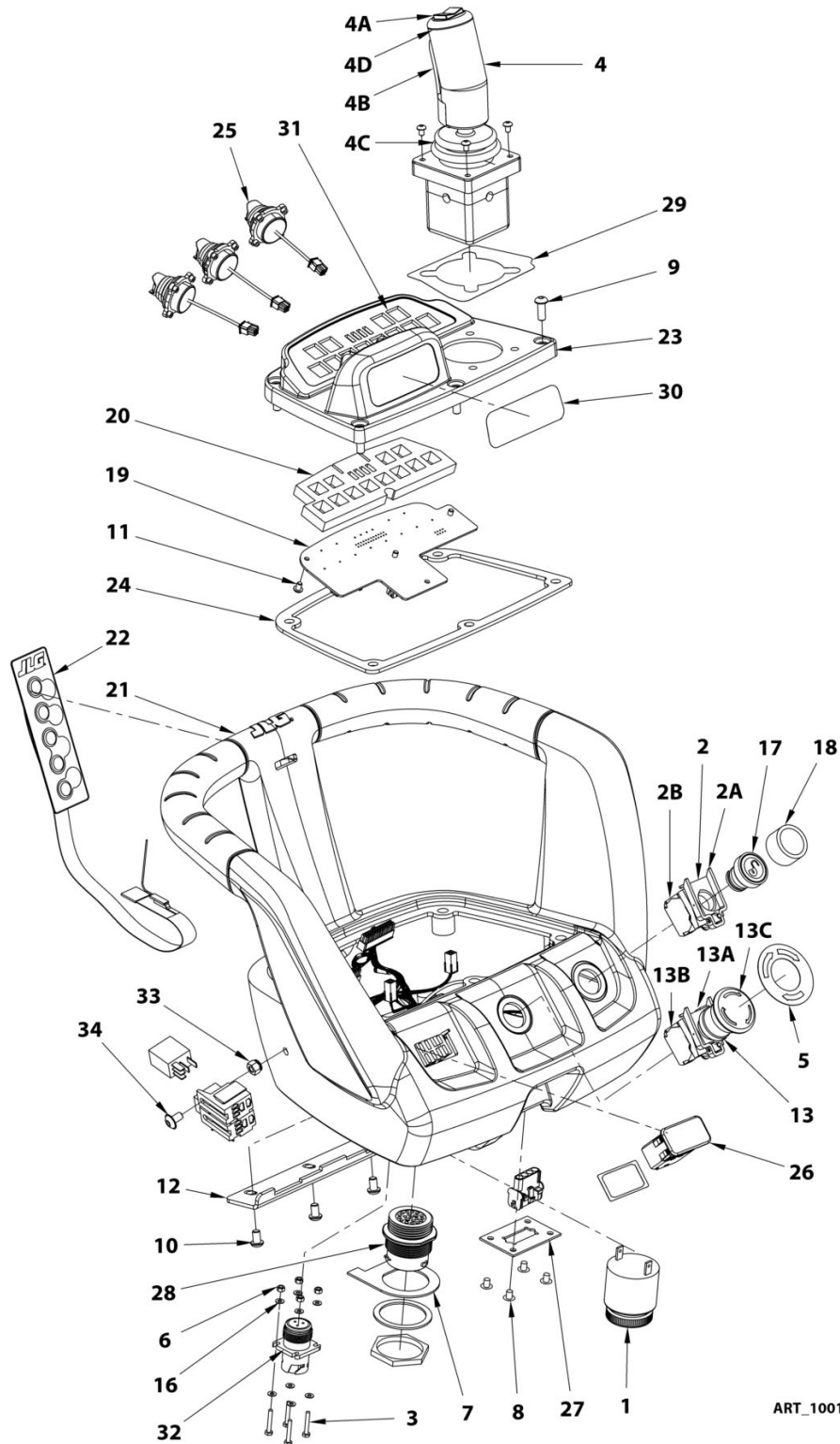
SECTION 6 - PLATFORM INSTALL / INSTALLATION PLATE-FORME

FIGURE 6-5. CONSOLE AND CONTAINER INSTALL / INSTALLATION BOITIER DE COMMANDE ET BOITE A OUTILS

ITEM	PART NUMBER	QTY	DESCRIPTION	REV
		Ref	CONSOLE AND CONTAINER INSTALL; INFO - SP0965 / INSTALLATION BOITIER DE COMMANDE ET BOITE A OUTIL; INFO - SP0965	
0	SA0121	Ref	INSTALL, PLATFORM CONSOLE / ASSEMBLAGE BOITIER DE COMMANDE	C
1	000008	2	M06x25 8.8 SOCKET HEAD MACH SCREW / VIS CHC M06x25 8.8 BI FT (Prior to SN A300063535)	
1	3900357	2	BTNHD CAP SCR,M6 X 16 / VIS BOMBEE ULF M06x16 10.9 BI FT (SN A300063535 to Present)	
2	120004	2	D06X25 LARGE WASHER / RONDELLE dD 06x25x1.2 BI	
3	1001266922	1	ELEC ASSY,PLATFORM CONSOLE / ASSEMBLAGE BOITIER HAUT (Prior to SN A300063535)	
3	1001282921	1	ELEC ASSY,PLATFORM CONSOLE / ASSEMBLAGE BOITIER HAUT (SN A300063535 to Present)	
100	SA0020	Ref	INSTALL, CONTAINER STORAGE TRAY / INSTALLATION BOITE A OUTILS	B
101	1580012	1	CONTAINER, STORAGE TRAY / BOITE A OUTILS	
102	0641406	2	HEX HD CAPSCREW, 1/4-20 x 3/4 LG / VIS H 1/4-20 x 3/4 LG	
103	4751400	2	WASHER, 1/4" DIA PLAIN STL., WIDE / RONDELLE LARGE D, 1/4"	
104	4761400	2	WASHER, 1/4" DIA ZINC PLT LOCK / RONDELLE FREIN D, 1/4" BI	

SECTION 6 - PLATFORM INSTALL / INSTALLATION PLATE-FORME

FIGURE 6-6. PLATFORM CONSOLE ASSEMBLY / ASSEMBLAGE BOITIER HAUT (Prior to SN A300063535)



ART_1001266922

SECTION 6 - PLATFORM INSTALL / INSTALLATION PLATE-FORME

FIGURE 6-6. PLATFORM CONSOLE ASSEMBLY / ASSEMBLAGE BOITIER HAUT (Prior to SN A300063535)

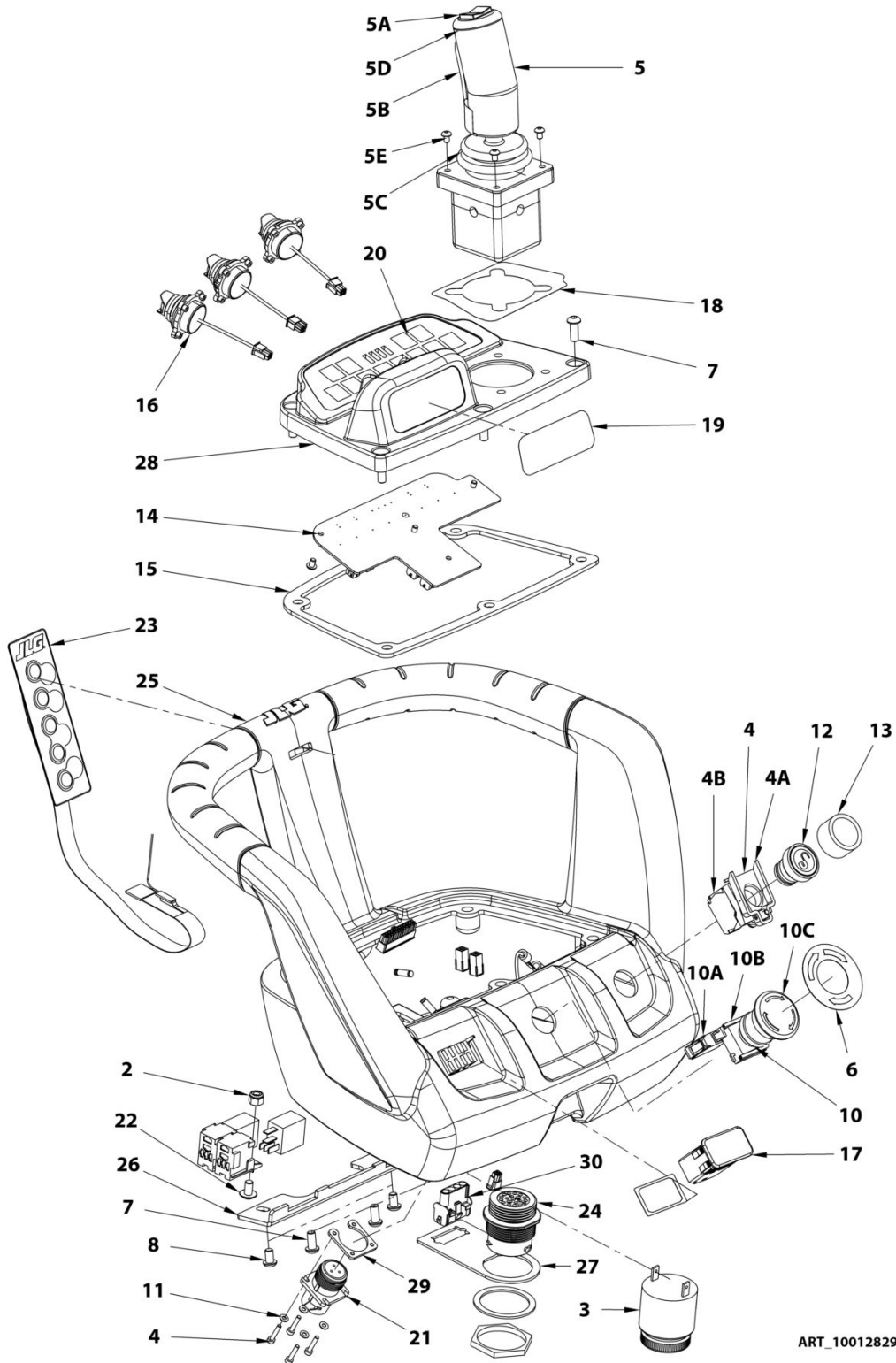
ITEM	PART NUMBER	QTY	DESCRIPTION	REV
	1001266922		ELEC ASSY,PLATFORM CONSOLE / ASSEMBLAGE BOITIER HAUT	B
1	0140011	1	ALARM, WARNING / AVERTISSEUR SONORE	
2	240056	1	SWITCH, NO CONTACT BASE / EMBASE CONTACT NO	
2A	240076	1	SWITCH BASE / EMBASE CONTACT	
2B	240058	1	NO CONTACT BLOC / CONTACT NO	
3	0760310	4	M03X20 8.8 HEX HD CAP SCREW / VIS H M03X20 8.8 BI FT	
4	1600458	1	CONTROLLER, JOYSTICK WITH ROCKER / JOYSTICK	
4A	70000084	1	CAP, RUBBER BOOT / PROTECTION CAHOUTCHOU	
4A	7027365	1	ACTUATOR HANDLE / ACTIONNEUR A BASCULE	
4B	7027367	1	SWITCH ENABLER / CONCTACT VALIDATION	
4B	7027765	1	LEVER ENABLER / GACHETTE VALIDATION	
4C	70000682	1	RUBBER BELLOWS / SOUFFLET CAHOUTCHOU	
4D	7027766	1	BOOT RETAINING RING / ANNEAU DE BLOCAGE	
5	1706898	1	DECAL, EMS / AUTOCOLLANT ARRET D'URGENCE	
6	3290305	4	M03 GR08 LOCK NUT / ECROU FREIN M03 CL08 BI	
7	3575796	1	PLATE, D SLOT / PLAQUE ANTI-ROTATION	
8	3820019	4	RIVET, POP D4.75 L11.4 / RIVET POP D4.75 L11.4	
9	3900357	5	M06x16 10.9 BUTTON HEAD MACH SCREW / VIS BOMBEE ULF M06x16 10.9 BI FT	
10	3900358	3	M06x10 10.9 BUTTON HEAD MACH SCREW / VIS BOMBEE ULF M06x10 10.9 BI FT	
11	3900359	3	M04x10 10.9 BUTTON HEAD MACH SCREW / VIS BOMBEE ULF M04x06 10.9 BI FT	
12	4340871	1	MOUNT, PLATFORM CONTROL BOX / BRIDE RENFORT	
13	4360562	1	SWITCH, E-STOP / ARRET D'URGENCE COMPLET	
13A	240076	1	SWITCH BASE / EMBASE CONTACT	
13B	240057	1	NC CONTACT BLOC / CONTACT NC	
13C	240060	1	TURN TO RELEASE KNOB / BOUTON ARRET D'URGENCE 1/4 TOUR	
16	1001110544	8	WASHER, 3MM NORM OD / RONDELLE M03	
17	1001115919	1	SWITCH PUSH BUTTON-ENABLE / BP DE VALIDATION	
18	1001117177	1	SWITCH NEOPRENE BOOT / CAPUCHON D'ETANCHEITE NEOPRENE	
19	1001152692	1	CONTROLLER, PLATFORM MODULE / CARTE BOITIER HAUT	
20	1001154560	1	SEAL, FORM SPACER GASKET / JOINT MOUSSE	
21	1001266926	1	BOX, PLATFORM CONSOLE / BOITIER HAUT	
22	1001266901	1	SWITCH, MEMBRANE PAD 5 BUTTONS / INTERRUPTEURS A MEMBRANE 5 BOUTONS	
23	1001155321	1	PLATE, CONSOLE COVER / FACADE BOITIER HAUT	
24	1001155328	1	SEAL, CONSOLE BOX LID / JOINT FACADE BOITIER HAUT	
25	1001155354	3	THUMB JOYSTICK / MINI JOYSTICK	
26	1001155457	1	PLUG, SVR PANEL (CARLING) / BOUCHON INTERRUPTEUR ROTATION	
27	ST3312	1	PLATE, PLUG MOUNT / PLATINE MONTAGE CONNECTEUR	
28	1001266924	1	HARNESS PLATFORM CONTROL / FAISCEAU BOITIER HAUT	
29	1001155460	1	DECAL, DRIVE AND SWING JOYSTICK / AUTOCOLLANT JOYSTICK TRANSLATION	
30	1001155461	1	DECAL, JIB, TELE MAST JOYSTICK / AUTOCOLLANT MINI JOYSTICKS	
31	1001155462	1	DECAL, LIGHT PANEL ICON DISPLAY / AUTOCOLLANT	

SECTION 6 - PLATFORM INSTALL / INSTALLATION PLATE-FORME

ITEM	PART NUMBER	QTY	DESCRIPTION	REV
32	1001155745	1	INDICATEURS BOITIER HAUT PLATFORM EMS HARNESS / FAISCEAU ARRET D'URGENCE BOITIER HAUT	
33	110003	1	M06 GR. 8.8 LOCK NUT / ECROU FREIN M6 CL08 BI	
34	1001256013	1	SCREW RD HD MACH,M6X10 / VIS TETE RONDE M06x10	

SECTION 6 - PLATFORM INSTALL / INSTALLATION PLATE-FORME

FIGURE 6-7. PLATFORM CONSOLE ASSEMBLY / ASSEMBLAGE BOITIER HAUT (SN A300063535 to Present)



ART_1001282921

SECTION 6 - PLATFORM INSTALL / INSTALLATION PLATE-FORME

FIGURE 6-7. PLATFORM CONSOLE ASSEMBLY / ASSEMBLAGE BOITIER HAUT (SN A300063535 to Present)

ITEM	PART NUMBER	QTY	DESCRIPTION	REV
	1001282921	1	ELEC ASSY,PLATFORM CONSOLE / ASSEMBLAGE BOITIER HAUT	B
1	000091	4	M03x16 8.8 SOCKET HEAD MACH SCREW / VIS CHC M03x16 8.8 BI FT	
2	110003	1	M06 GR. 8.8 LOCK NUT / ECROU FREIN M6 CL08 BI	
3	0140011	1	AUDIBLE SIGNAL DEVICE / AVERTISSEUR SONORE	
4	240056	1	NO CONTACT BLOCK WITH HOLDER / EMBASE CONTACT NO	
4A	240076	1	SWITCH BASE / EMBASE CONTACT	
4B	240058	1	NO CONTACT BLOC / CONTACT NO	
5	1600458	1	JOYSTICK / JOYSTICK	
5A	70000084	1	CAP, RUBBER BOOT / PROTECTION CAHOUTCHOU	
5A	7027365	1	ACTUATOR HANDLE / ACTIONNEUR A BASCULE	
5B	7027367	1	SWITCH ENABLER / CONCTACT VALIDATION	
5B	7027765	1	LEVER ENABLER / GACHETTE VALIDATION	
5C	70000682	1	RUBBER BELLOWS / SOUFFLET CAHOUTCHOU	
5D	7027766	1	BOOT RETAINING RING / ANNEAU DE BLOCAGE	
5E	130062	4	M04x16 8.8 ROUND HEAD MACH SCREW / VIS BOMBEE ULF M04x16 8.8 BI FT	
6	1706898	1	DECAL,EMS / AUTOCOLLANT ARRET D'URGENCE	
7	3900357	7	BTNHD CAP SCR,M6 X 16 / VIS BOMBEE ULF M06x16 10.9 BI FT	
8	3900358	2	BTNHD CAP SCR,M6 X 10 / VIS BOMBEE ULF M06x10 10.9 BI FT	
10	4360562	1	SWITCH,E-STOP / ARRET D'URGENCE COMPLET	
10A	240076	1	SWITCH BASE / EMBASE CONTACT	
10B	240057	1	NC CONTACT BLOC / CONTACT NC	
10C	240060	1	TURN TO RELEASE KNOB / ARRET D'URGENCE 1/4 TOUR	
11	1001110544	4	WASHERFLAT METRIC (CODED),3MM,NORM OD / RONDELLE M03	
12	1001115919	1	SWITCH,GREEN PUSH BUTTON,OPEN PAD LOCK / BP VERT DE VALIDATION	
13	1001117177	1	SWITCH,NEOPRENE BOOT / CAPUCHON D'ETANCHEITE NEOPRENE	
14	1001152692	1	CONTROL,PLATFORM MODULE,TOUCAN / CARTE BOITIER HAUT (Prior to SN A300064201)	
14	1001288829	1	CONTROL,PLATFORM MODULE,TOUCAN / CARTE BOITIER HAUT (SN A300064201 to Present)	
15	1001155328	1	SEAL,CONSOLE BOX LID / JOINT FACADE BOITIER HAUT	
16	1001155354	3	THUMB JOYSTICK / MINI JOYSTICK	
17	1001155457	1	PLUG,SVR PANEL (CARLING) / BOUCHON INTERRUPTEUR ROTATION	
18	1001155460	1	DECAL,DRIVE SWING JOYSTICK / AUTOCOLLANT JOYSTICK TRANSLATION	
19	1001155461	1	DECAL,JIB TELE MAST JOYSTICKS / AUTOCOLLANT MINI JOYSTICKS	
20	1001155462	1	DECAL,ICON DISPLAY / AUTOCOLLANT INDICATEURS BOITIER HAUT	
21	1001155745	1	HARNES,48V PLATFORM BOX / FAISCEAU ARRET D'URGENCE BOITIER HAUT	
22	1001256013	1	SCREW RD HD MACH,M6X10 / VIS TETE RONDE M06x10	
23	1001266901	1	SWITCH,MEMBRANE PAD 5 BUTTONS / INTERRUPTEURS A MEMBRANE 5 BOUTONS	
24	1001266924	1	HARNES,PLATFORM CONTROLS / FAISCEAU BOITIER HAUT (Prior to SN A300064201)	

SECTION 6 - PLATFORM INSTALL / INSTALLATION PLATE-FORME

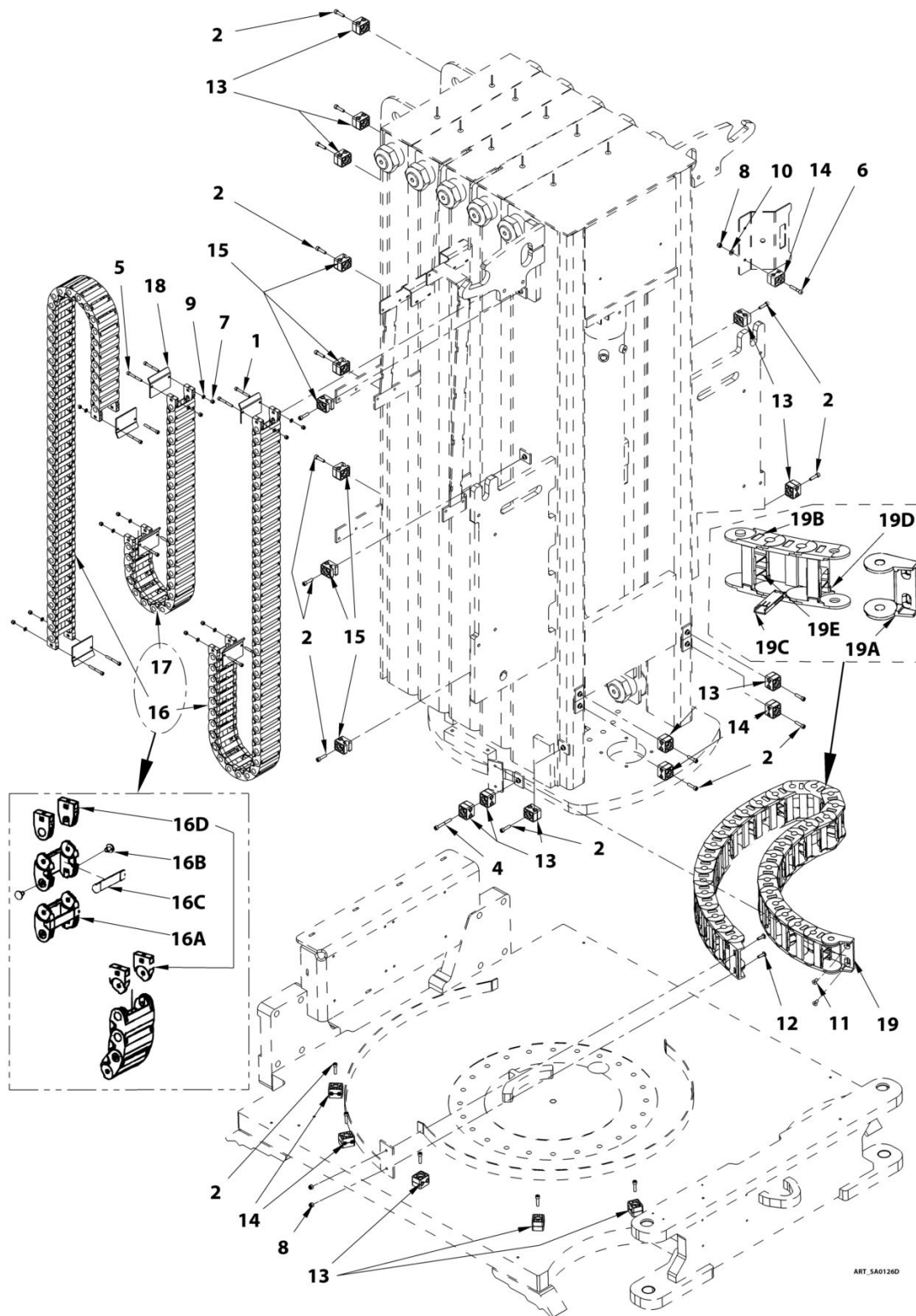
ITEM	PART NUMBER	QTY	DESCRIPTION	REV
24	1001294793	1	HARNES,PLATFORM CONTROLS / FAISCEAU BOITIER HAUT (SN A300064201 to Present)	
25	1001282924	1	PLASTIC PLATFORM CONSOLE / BOITIER HAUT PLASTIQUE	
26	1001283170	1	PLATE,BAYONET MOUNT / PLATINE MONTAGE BAYONETTE	
27	1001283171	1	PLATE,D SLOT / PLATINE EN D	
28	1001288684	1	PLATE,CONSOLE COVER / COUVERCLE BOITIER HAUT	
29	1001291878	1	PLATE,4XM3 NUT / BRIDE ECROU 4xM3	
30	1001294033	1	HARNES,ANALYZER EXTENSION / RALLONGE ANALYSEUR (SN A300064201 to Present)	

**SECTION 7 - POWER TRACKS AND CLAMPS INSTALL / INSTALLATION
CHAINES PORTE-CABLES**

**SECTION 7 - POWER TRACKS AND CLAMPS INSTALL /
INSTALLATION CHAINES PORTE-CABLES**

SECTION 7 - POWER TRACKS AND CLAMPS INSTALL / INSTALLATION CHAINES PORTE-CABLES

FIGURE 7-1. MAST POWER TRACK INSTALL / INSTALLATION CHAINES PORTE CABLES MAT



ART_SA0126D

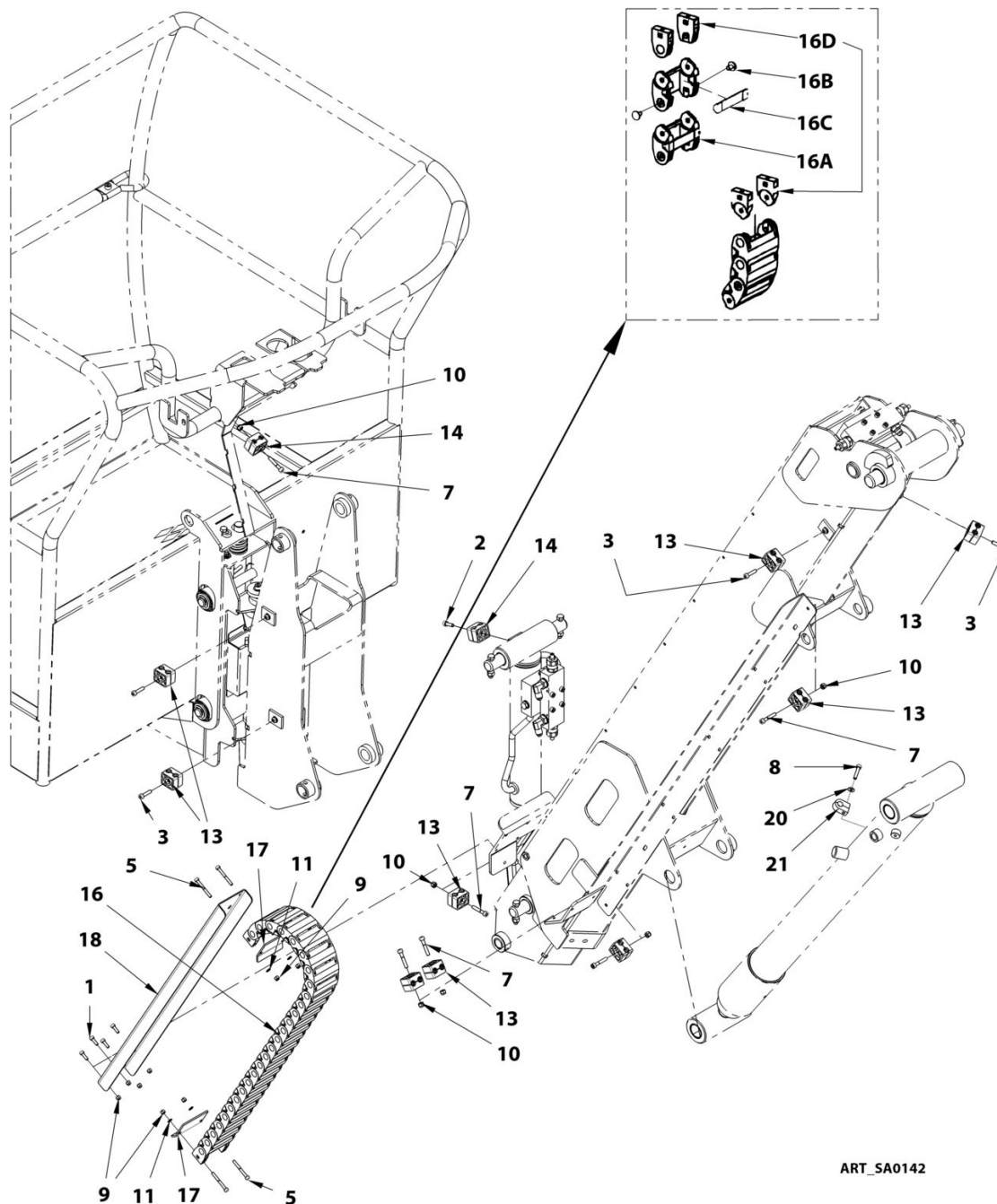
SECTION 7 - POWER TRACKS AND CLAMPS INSTALL / INSTALLATION CHAINES PORTE-CABLES

FIGURE 7-1. MAST POWER TRACK INSTALL / INSTALLATION CHAINES PORTE CABLES MAT

ITEM	PART NUMBER	QTY	DESCRIPTION	REV
0	SA0126	Ref	TURNTABLE AND MASTS POWER TRACKS / CHAINES PORTE CABLES TOURELLE ET MATS	D
1	000054	2	M05x55 8.8 SOCKET HEAD CAPSCREW / VIS CHC M05x55 8.8 BI FP	
2	000008	21	M06x25 8.8 SOCKET HEAD MACHSCREW / VIS CHC M06x25 8.8 BI FT	
4	000026	1	M06x50 8.8 SOCKET HEAD CAP SCREW / VIS CHC M06x50 8.8 BI FP	
5	000051	10	M05x45 8.8 SOCKET HEAD CAP SCREW / VIS CHC M05x45 8.8 BI FP	
6	000077	1	M06x35 8.8 SOCKET HEAD CAP SCREW / VIS CHC M06x35 8.8 BI FP	
7	110002	12	LOCK NUT H M5 GR8 / ECROU FREIN M5 CL08 BI	
8	110003	3	LOCK NUT H M6 GR8 / ECROU FREIN M6 CL08 BI	
9	120002	12	WASHER D05x10 / RONDELLE M05 BI	
10	120009	1	LOCK WASHER D06X14 / RONDELLE CONTACT dD 06x14 BI	
11	130003	2	FLAT HEAD SCREW, M6x16 / VIS FHC M06x16 8.8 BI FT	
12	130021	2	SCREW, ROUND HEAD M6x20 / VIS BOMBEE ULF M06x20 8.8 BI FT	
13	400018	13	CLAMP, TWIN 12-12 PP, PLK / COLLIER DOUBLE D12	
14	400037	5	CLAMP, TWIN 10-10 PP, PLK / COLLIER DOUBLE D10	
15	400092	6	CLAMP, TWIN 15-12 PP, PLK / COLLIER DOUBLE D12.7 / D15	
16	ST1326	2	POWER TRACK, SR305A/030. 44 LINKS / CHAINE PORTE-CABLES 44 MAILLONS	
16A	920042	x	POWER TRACKS LINK / MAILLON CHAINE PORTE-CABLES	
16B	920045	x	POWER TRACKS PIN PG305 / AXE CHAINE PORTE-CABLE PG305	
16C	920046	x	POWER TRACKS COVER / CAPOT CHAINE PORTE-CABLES	
16D	920073	x	POWER TRACKS ATTACHMENT KIT SR305 / KIT ATTACHES CHAINE PORTE CBL SR305	
17	ST1327	1	POWER TRACK, SR305A/030. 27 LINKS / CHAINE PORTE-CABLES 27 MAILLONS	
18	ST3219	6	PLATE, CABLES KEEPER / BRIDE DE CABLES	
19	ST3624	1	POWER TRACK, CIRCULAR POWERBRIDGE / CHAINE PORTE-CABLES CIRCULAIRE	
19A	920078	x	POWER TRACKS ATTACHMENT KIT / KIT ATTACHES CHAINE PORTE CABLE	
19B	920079	x	POWER TRACKS LINK / MAILLON CHAINE PORTE-CABLES	
19C	920080	x	POWER TRACKS COVER / CAPOT CHAINE PORTE-CABLES	
19D	920081	x	POWER TRACKS SPACER / ENTRTOISE CHAINE PORTE-CABLES	
19E	920082	x	POWER TRACKS SEPARATOR / SEPARATEUR CHAINE PORTE-CABLES	

SECTION 7 - POWER TRACKS AND CLAMPS INSTALL / INSTALLATION CHAINES PORTE-CABLES

FIGURE 7-2. BOOM POWER TRACK INSTALL / INSTALLATION CHAINES PORTE CABLES BRAS



ART_SA0142

SECTION 7 - POWER TRACKS AND CLAMPS INSTALL / INSTALLATION CHAINES PORTE-CABLES

FIGURE 7-2. BOOM POWER TRACK INSTALL / INSTALLATION CHAINES PORTE CABLES BRAS

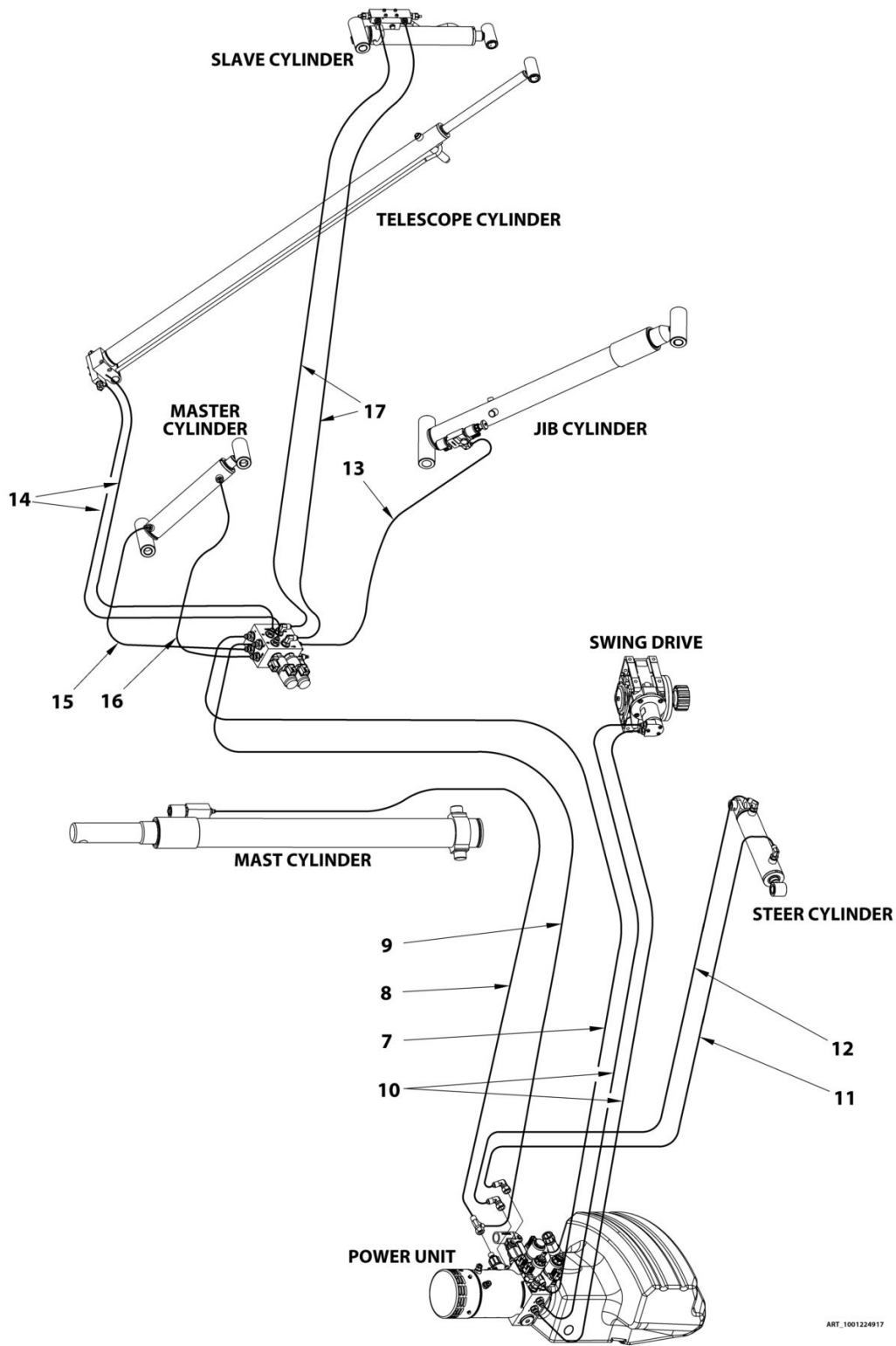
ITEM	PART NUMBER	QTY	DESCRIPTION	REV
	SA0142	Ref	POWER TRACK BOOM 12E/32E / CHAINE PORTE CABLES BRAS 12E/32E	E
	SA0143	Ref	POWER TRACK BOOM 12E PLUS / CHAINE PORTE CABLES BRAS 12E PLUS	D
1	000003	4	M05x16 8.8 SOCKET HEAD MACH SCREW / VIS CHC M05x16 8.8 BI FT	
2	000005	1	M06x20 8.8 SOCKET HEAD MACH SCREW / VIS CHC M06x20 8.8 BI FT	
3	000008	5	M06x25 8.8 SOCKET HEAD MACH SCREW / VIS CHC M06x25 8.8 BI FT	
5	000051	4	M05x45 8.8 SOCKET HEAD CAPSCREW / VIS CHC M05x45 8.8 BI FP	
7	000077	6	M06x35 8.8 SOCKET HEAD CAPSCREW / VIS CHC M06x35 8.8 BI FP	
9	110002	8	M05 GR08 LOCK NUT / ECROU FREIN M5 CL08 BI	
10	110003	6	M06 GR08 LOCK NUT / ECROU FREIN M6 CL08 BI	
11	120002	8	M05 WASHER / RONDELLE M05 BI	
13	400018	9	CLAMP, TWIN D12 / COLLIER DOUBLE D12	
14	400037	2	CLAMP, TWIN10-10PP BLK / COLLIER DOUBLE D10	
16	ST1327	1	12E,32E - POWER TRACK SR305A/030 27 LINKS / 12E,32E - CHAINE PORTE-CABLES 27 MAILLONS	
16	ST1326	1	12E PLUS - POWER TRACK SR305A/030 44 LINKS / 12E PLUS - CHAINE PORTE-CABLES 44 MAILLONS	
16A	920042	x	POWER TRACKS LINK / MAILLON CHAINE PORTE-CABLES	
16B	920045	x	POWER TRACKS PIN PG305 / AXE CHAINE PORTE-CABLE PG305	
16C	920046	x	POWER TRACKS COVER / CAPOT CHAINE PORTE-CABLES	
16D	920073	x	POWER TRACKS ATTACHMENT KIT SR305 / KIT ATTACHES CHAINE PORTE CBL SR305	
17	ST3219	2	PLATE, CABLE KEEPER / BRIDE DE CABLES	
18	ST3623	1	12E,32E - CHANNEL, POWER TRACK / 12E,32E - GOULOTTE CHAINE PORTE CABLE	
18	ST3575	1	12E PLUS - CHANNEL, POWER TRACK / 12E PLUS - GOULOTTE CHAINE PORTE CABLE	
20	120009	1	LOCK WASHER D06x14 / RONDELLE FREIN D06x14	
21	400047	1	CLAMP,SINGLE D12 PP / COLLIER SIMPLE D12	

SECTION 8 - HYDRAULIC INSTALL / INSTALLATION HYDRAULIQUE

SECTION 8 - HYDRAULIC INSTALL / INSTALLATION HYDRAULIQUE

SECTION 8 - HYDRAULIC INSTALL / INSTALLATION HYDRAULIQUE

FIGURE 8-1. HYDRAULIC INSTALL / INSTALLATION HYDRAULIQUE



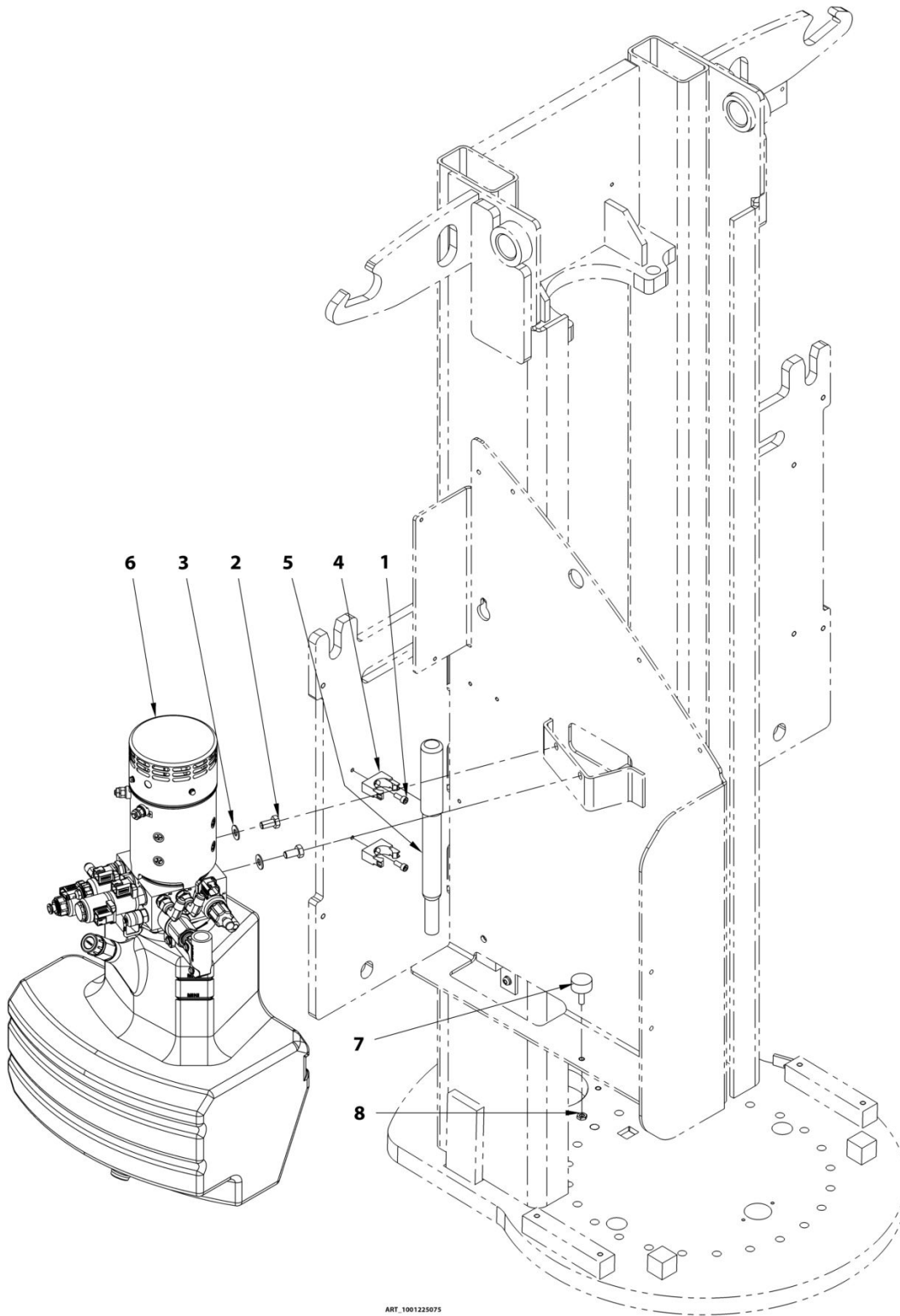
SECTION 8 - HYDRAULIC INSTALL / INSTALLATION HYDRAULIQUE

FIGURE 8-1. HYDRAULIC INSTALL / INSTALLATION HYDRAULIQUE

ITEM	PART NUMBER	QTY	DESCRIPTION	REV
	1001224917	1	12E,32E HOSES KIT / 12E,32E KIT FLEXIBLES	B
	1001224918	1	12E Plus HOSES KIT / 12E Plus KIT FLEXIBLES	B
7	1001224923	1	HOSE 3/8-1025CM-JIC FEM 9/16 / FLEXIBLE 3/8-1025CM-JIC FEM 9/16	
8	DF0994	1	HOSE 5/16-0233CM-JIC FEM 9/16 / FLEXIBLE 5/16-0233CM-JIC FEM 9/16	
9	DF0993	1	HOSE 5/16-1040CM-JIC FEM 9/16 / FLEXIBLE 5/16-1040CM-JIC FEM 9/16	
10	DF0989	2	HOSE 5/16-0159CM-JIC FEM 9/16 / FLEXIBLE 5/16-0159CM-JIC FEM 9/16	
11	1001224919	1	HOSE 1/4-0542CM-JIC FEM 9/16 / FLEXIBLE 1/4-0542CM-JIC FEM 9/16	
12	1001224920	1	HOSE 1/4-0525CM-JIC FEM 9/16 / FLEXIBLE 1/4-0525CM-JIC FEM 9/16	
13	1001237788	1	HOSE 5/16-0160CM-JIC FEM 9/16 / FLEXIBLE 5/16-0160CM-JIC FEM 9/16	
14	DF0996	2	HOSE 5/16-0179CM-JIC FEM 9/16-JIC FEM 9/16 90° / FLEXIBLE 5/16-0179CM-JIC FEM 9/16-JIC FEM 9/16 90°	
15	DF0997	1	FLEXIBLE 1/4-0114CM-JIC FEM 9/16-JIC FEM 9/16 90° / FLEXIBLE 1/4-0114CM-JIC FEM 9/16-JIC FEM 9/16 90°	
16	DF0998	1	HOSE 1/4-0102CM-JIC FEM 9/16 / FLEXIBLE 1/4-0102CM-JIC FEM 9/16	
17	1001224921	2	12E,32E - HOSE 5/16-0630CM-JIC FEM 9/16 / 12E,32E - FLEXIBLE 5/16-0630CM-JIC FEM 9/16	
17	1001224922	2	12E Plus - HOSE 5/16-0719CM-JIC FEM 9/16 / 12E Plus - FLEXIBLE 5/16-0719CM-JIC FEM 9/16	

SECTION 8 - HYDRAULIC INSTALL / INSTALLATION HYDRAULIQUE

FIGURE 8-2. TANK AND PUMP INSTALL / INSTALLATION CENTRALE



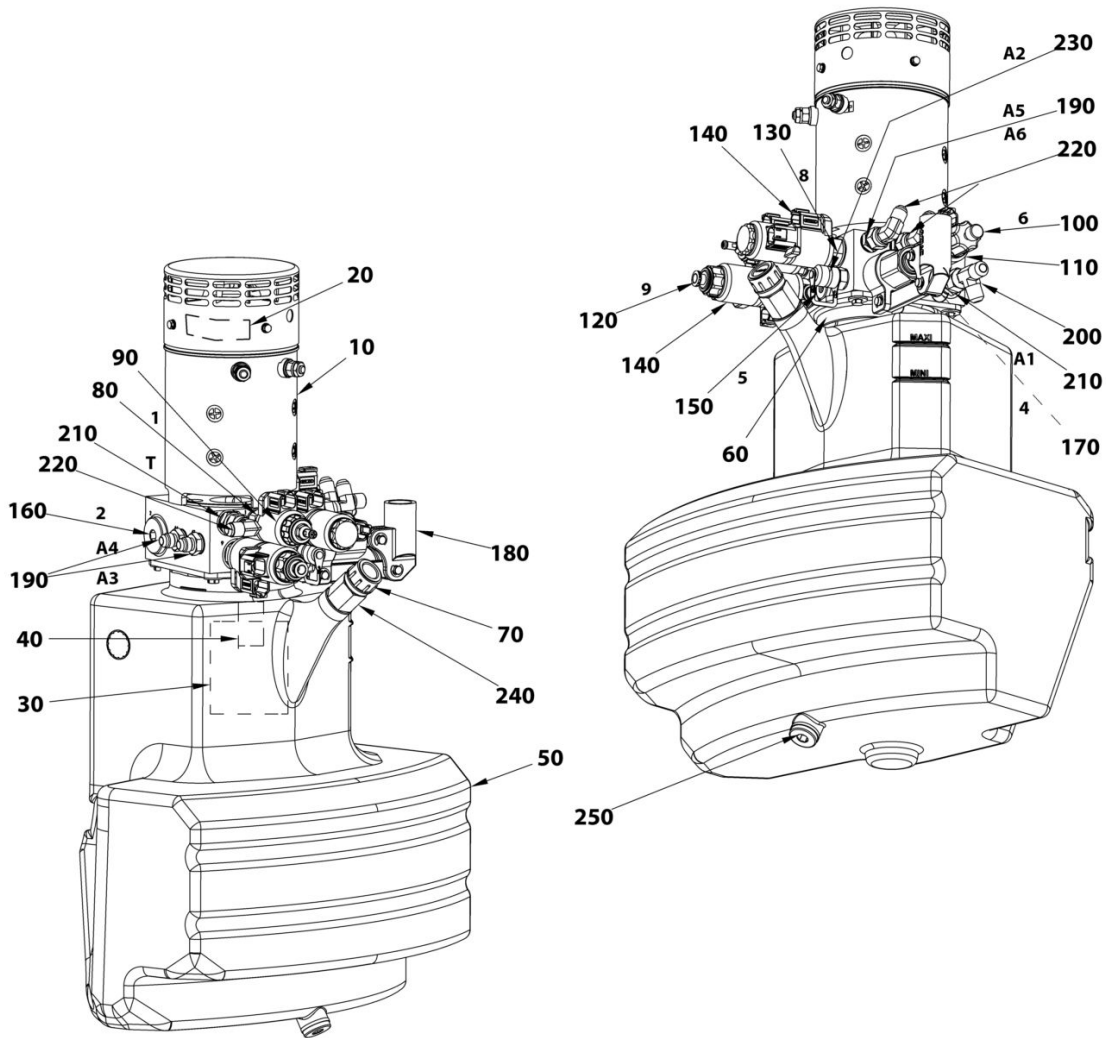
SECTION 8 - HYDRAULIC INSTALL / INSTALLATION HYDRAULIQUE

FIGURE 8-2. TANK AND PUMP INSTALL / INSTALLATION CENTRALE

ITEM	PART NUMBER	QTY	DESCRIPTION	REV
	1001225075	Ref	INSTALL,TANK AND PUMP / INSTALLATION CENTRALE	B
1	000014	2	M06x12 8.8 SOCKET HEAD MACH SCREW / VIS CHC M06x12 8.8 BI FT	
2	100156	2	M10x20 8.8 HEX HEAD MACHINE SCREW / VIS H M10x20 8.8 BI FT	
3	120011	2	LOCK WASHER D10x22 / RONDELLE CONTACT dD 10x22 BI	
4	190027	2	D22 CLIP / CLIP D22	
5	310109	1	LEVER,HAND PUMP / MANCHE POMPE À MAIN	
6	1001222242	1	PUMP,MOTOR/TANK ASSEMBLY / CENTRALE ASSEMBLEE	
7	400015	1	BUMPER,D30x15 / BUTEE ELASTIQUE D30x15	
8	110022	1	M08 GR. 04 FLAT HEX NUT / ECROU Hm M08 CL04 ZI	

SECTION 8 - HYDRAULIC INSTALL / INSTALLATION HYDRAULIQUE

FIGURE 8-3. PUMP,MOTOR-TANK ASSEMBLY / CENTRALE ASSEMBLEE



ART_1001222242

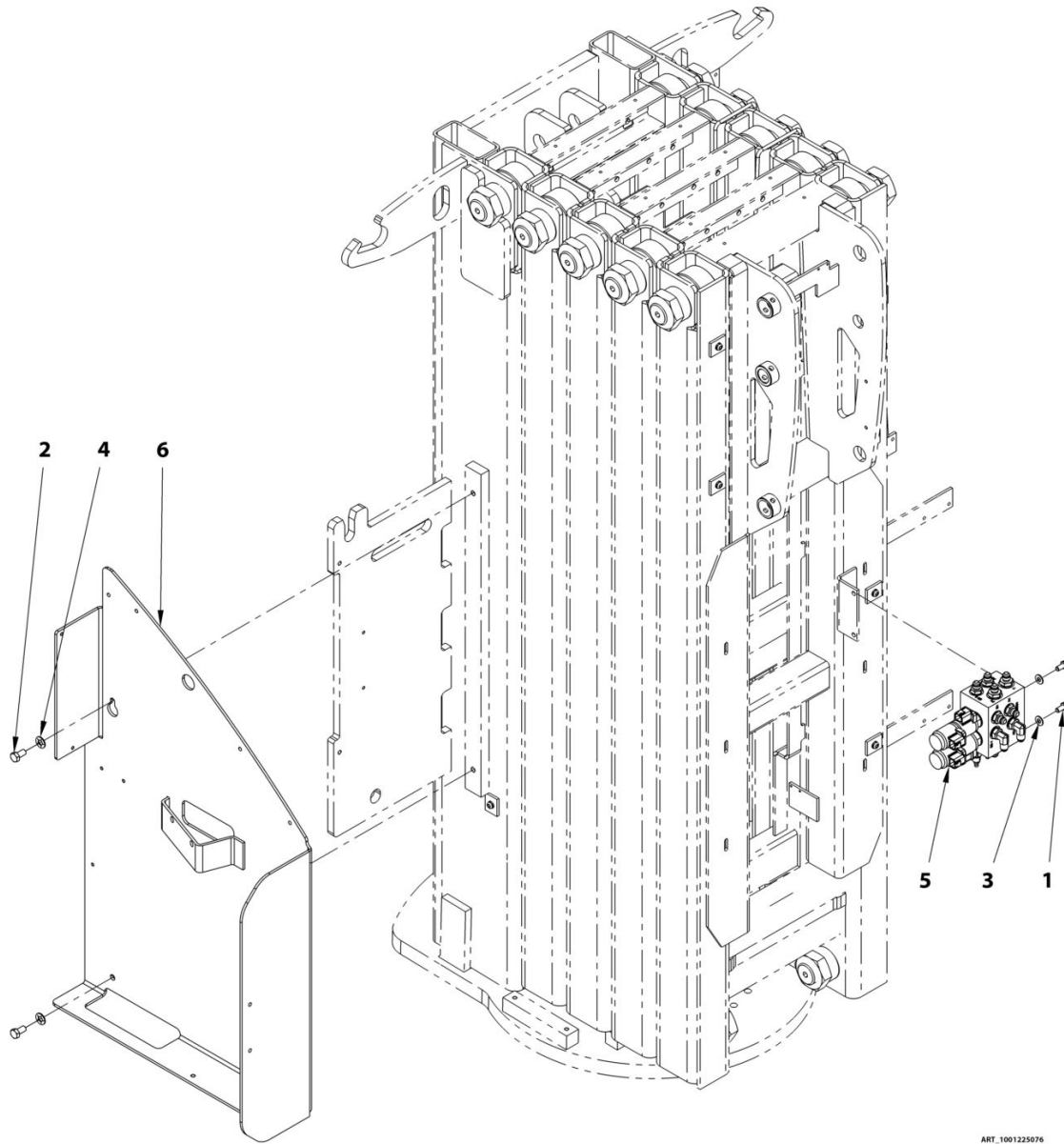
SECTION 8 - HYDRAULIC INSTALL / INSTALLATION HYDRAULIQUE

FIGURE 8-3. PUMP, MOTOR-TANK ASSEMBLY / CENTRALE ASSEMBLEE

ITEM	PART NUMBER	QTY	DESCRIPTION	REV
	1001222242	Ref	PUMP, MOTOR/TANK ASSEMBLY / CENTRALE COMPLETE	B
10	1001225134	1	MOTOR 48VDC / MOTEUR 48VDC	
20	1001225135	1	BRUSH KIT / JEU DE BALAIS	
30	1001225136	1	GEAR PUMP 42cc / POMPE 42cc	
40	1001225137	1	MOTOR/PUMP COUPLING / ACCOUPLEMENT MOTEUR/POMPE	
50	1001225138	1	RESERVOIR / RESERVOIR	
60	1001225139	1	RESERVOIR CLAMP / COLLIER RESERVOIR	
70	1001225141	1	BREATHER CAP / RENIFLARD	
80	1001225143	1	PROPORTIONAL PRESSURE RELIEF VALVE / LIMITEUR DE PRESSION PROPORTIONEL	
90	1001225144	1	COIL PROPORTIONAL VALVE / BOBINE LIMITEUR PROPORTIONEL	
100	1001225145	1	PROPORTIONAL FLOW CONTROL VALVE / REGULATEUR DE DEBIT PROPORTIONEL	
110	1001225146	1	COIL PROPORTIONAL FLOW VALVE / BOBINE REGULATEUR PROPORTIONEL	
120	1001225147	1	4/3 DIRECTIONAL VALVE-CLOSED CENTER / DISTRIBUTEUR 4/3 CENTRE FERME	
130	1001225148	1	4/3 DIRECTIONAL VALVE-CLOSED CENTER / DISTRIBUTEUR 4/3 CENTRE FERME	
140	1001225149	4	COIL 4/3 VALVE / BOBINE DISTRIBUTEUR 4/3	
150	1001225150	1	CHECK VALVE / LIMITEUR DE PRESSION	
160	1001225151	1	PRESSURE FILTER / FILTRE PRESSION	
170	1001225152	1	STRAINER / FILTRE	
180	1001223388	1	HAND PUMP / POMPE A MAIN	
190	300025	4	FITTING MALE BSPP1/4-MALE JIC9/16 / RACCORD MALE BSPP1/4-MALE JIC9/16	
200	300037	1	RUN TEE JIC 9/16 SWIVEL NUT / TE MALE JIC9/16-FEMELLE JIC9/16 TOUR.	
210	300040	2	FITTING MALE BSPP3/8 MALE JIC9/16 / RACCORD MALE BSPP3/8 MALE JIC9/16	
220	300067	3	90° ELBOW M JIC9/16 F JIC9/16 SWIVEL / COUDE Male JIC9/16 Fem JIC9/16 Tournant	
230	300101	1	PRESSURE TEST PLUG BSPP 1/4 / PRISE DE PRESSION BSPP1/4	
240	1001225140	1	BREATHER CAP ADAPTER / ADAPTEUR RENIFLARD	
250	1001225142	1	DRAINING CAP / BOUCHON DE VIDANGE	

SECTION 8 - HYDRAULIC INSTALL / INSTALLATION HYDRAULIQUE

FIGURE 8-4. CONTROL VALVE / BLOC HYDRAULIQUE



ART_1001225076

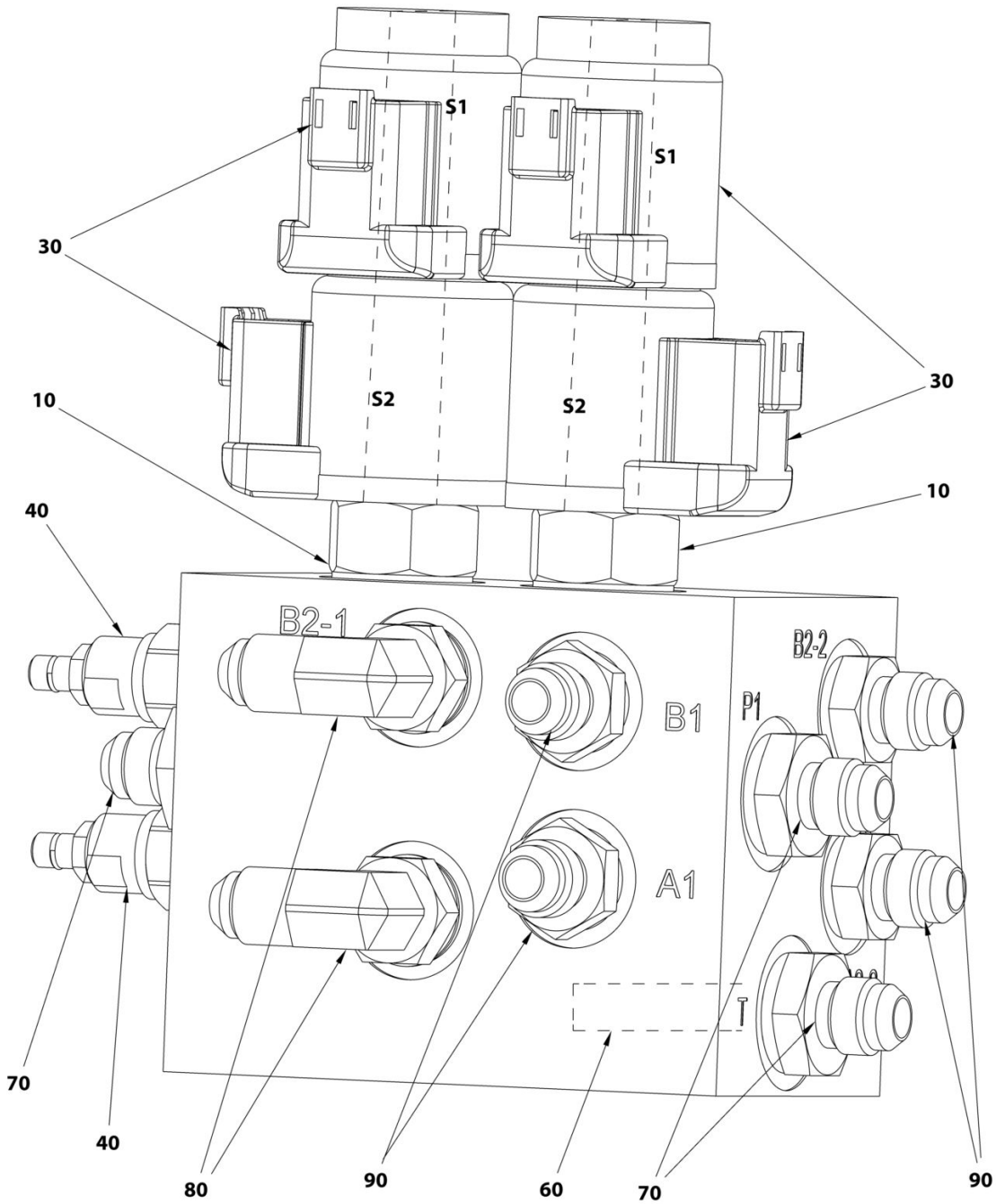
SECTION 8 - HYDRAULIC INSTALL / INSTALLATION HYDRAULIQUE

FIGURE 8-4. CONTROL VALVE / BLOC HYDRAULIQUE

ITEM	PART NUMBER	QTY	DESCRIPTION	REV
	1001225076	Ref	CONTROL VALVES INSTALL / INSTALLATION BLOC DISTRIBUTEUR	A
1	100054	2	M08x16 8.8 HEX HEAD MACHINE SCREW / VIS H M08x16 8.8 BI FT	
2	100156	2	M10x20 8.8 HEX HEAD MACHINE SCREW / VIS H M10x20 8.8 BI FT	
3	120010	2	LOCK WASHER D08x18 / RONDELLE CONTACT dD 08x18 BI	
4	120011	2	LOCK WASHER D10x22 / RONDELLE CONTACT dD 10x22 BI	
5	1001222243	1	MANIFOLD, TELESCOPE & LEVELLING / BLOC TELESCOPE ET CORRECTION	
6	1001223383	1	BRACKET, POWER UNIT MOUNT / TOLE SUPPORT CENTRALE	

SECTION 8 - HYDRAULIC INSTALL / INSTALLATION HYDRAULIQUE

FIGURE 8-5. MANIFOLD, TELESCOPE AND LEVELLING / BLOC TELESCOPE ET CORRECTION



ART_1001222243

SECTION 8 - HYDRAULIC INSTALL / INSTALLATION HYDRAULIQUE

FIGURE 8-5. MANIFOLD, TELESCOPE AND LEVELLING / BLOC TELESCOPE ET CORRECTION

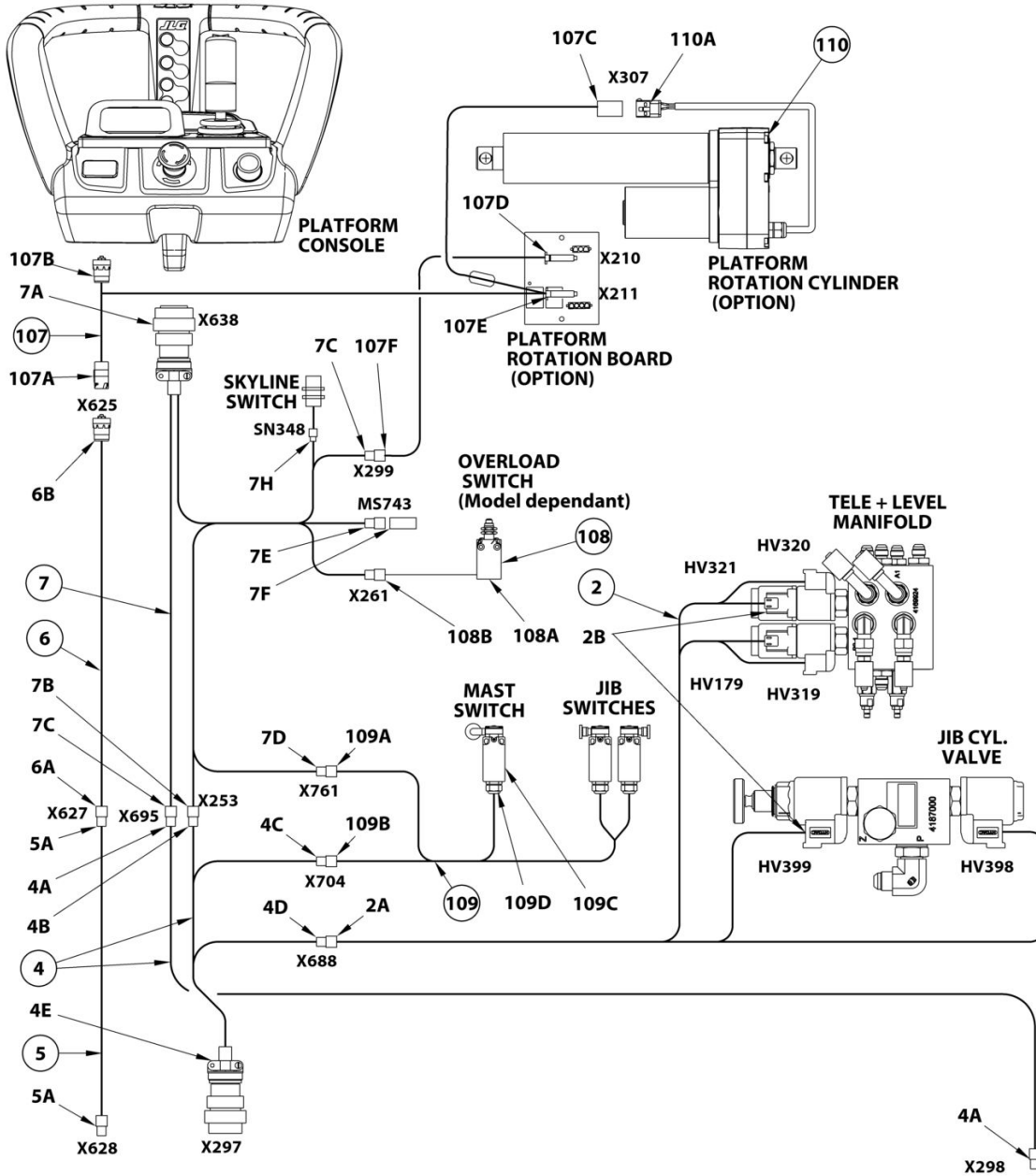
ITEM	PART NUMBER	QTY	DESCRIPTION	REV
	1001222243		MANIFOLD, TELESCOPE & LEVELLING / BLOC TELESCOPE ET CORRECTION	B
10	1001225153	2	4/3 DIRECTIONAL VALVE-OPEN CENTER / DISTRIBUTEUR 4/3 CENTRE OUVERT	
30	1001225149	4	COIL, 4/3 VALVE / BOBINE DISTRIBUTEUR 4/3	
40	1001225156	2	COUNTER BALANCE VALVE / VALVE D'EQUILIBRAGE	
60	1001225158	1	CHECK VALVE / LIMITEUR DE PRESSION	
70	300040	3	FITTING MALE BSPP3/8 MALE JIC9/16 / RACCORD MALE BSPP3/8 MALE JIC9/16	
80	300001	2	ADPT, 90 S JIC/BSPP 6-4 FG / COUDE 90° Male BSPP 1/4 -Male JIC 9/16	
90	300025	4	FITTING MALE BSPP1/4-MALE JIC9/16 / RACCORD MALE BSPP1/4-MALE JIC9/16	

SECTION 9 - ELECTRICAL SYSTEM INSTALL / INSTALLATION ELECTRIQUE

**SECTION 9 - ELECTRICAL SYSTEM INSTALL / INSTALLATION
ELECTRIQUE**

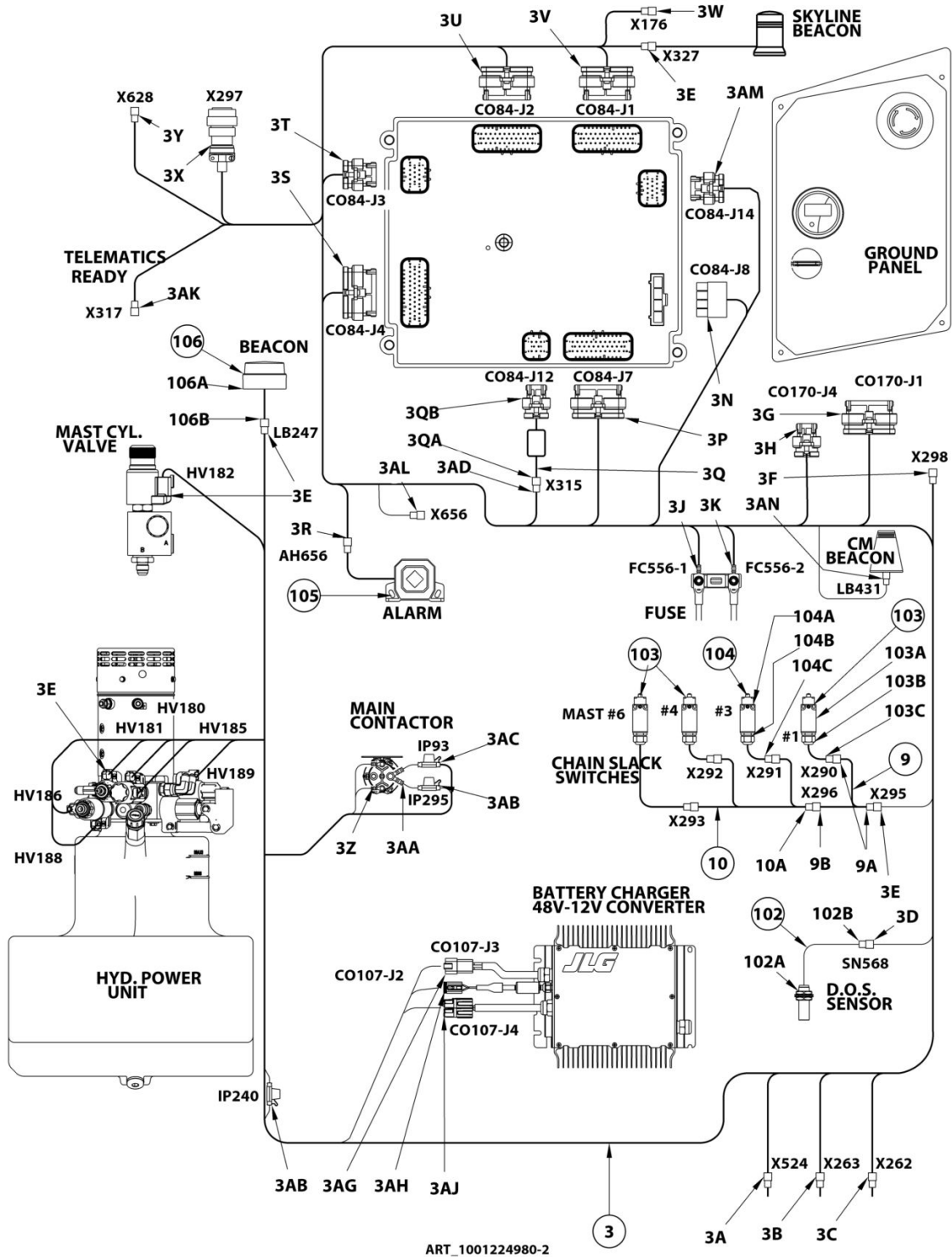
SECTION 9 - ELECTRICAL SYSTEM INSTALL / INSTALLATION ELECTRIQUE

FIGURE 9-1. CABLES INSTALL DIAGRAM / DIAGRAMME D'INSTALLATION CABLES

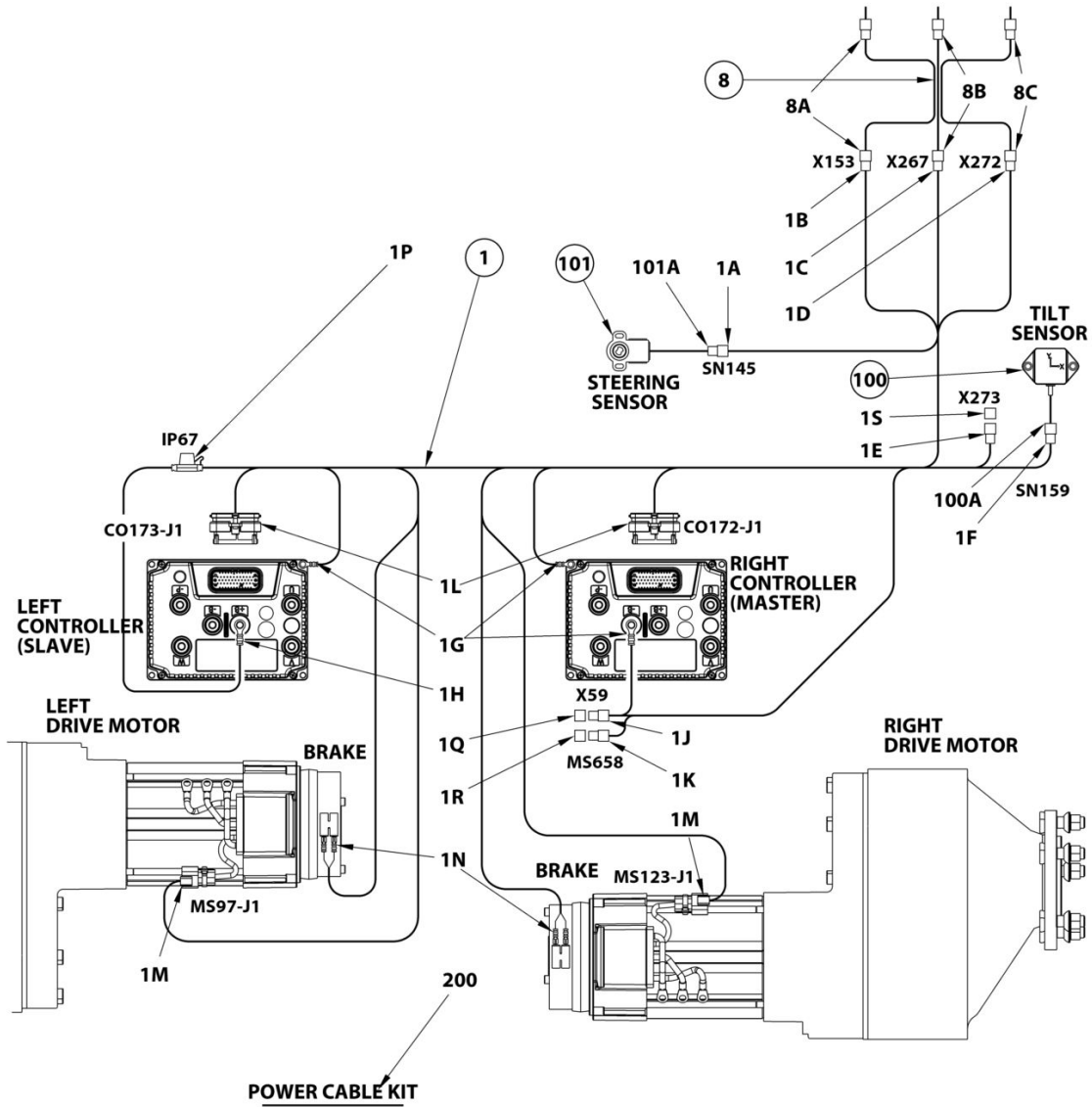


ART_1001224980-1

SECTION 9 - ELECTRICAL SYSTEM INSTALL / INSTALLATION ELECTRIQUE



SECTION 9 - ELECTRICAL SYSTEM INSTALL / INSTALLATION ELECTRIQUE



ART_1001224980-3

SECTION 9 - ELECTRICAL SYSTEM INSTALL / INSTALLATION ELECTRIQUE

FIGURE 9-1. CABLES INSTALL DIAGRAM / DIAGRAMME D'INSTALLATION CABLES

ITEM	PART NUMBER	QTY	DESCRIPTION	REV
0	1001224980	Ref	12E-32E - INSTALL, CABLES / 12E-32E - INSTALLATION CABLES	D
0	1001225001	Ref	12E Plus - INSTALL, CABLES / 12E Plus - INSTALLATION CABLES	E
1	1001152080	1	HARNESS, DRIVE SYSTEM / FAISCEAU TRANSLATION	D
1A	4460539	1	CONNECTOR, DEUTSCH DT 3P PLUG / CONNECTEUR DEUTSCH DT 3P MALE	
1A	4460465	3	CONTACT DEUTSCH DT SOCKET / CONTACT DEUTSCH DT FEMELLE	
1B	1001144147	1	CONNECTOR, DEUTSCH DT 3P PLUG / CONNECTEUR DEUTSCH DT 3P MALE	
1B	4460943	3	CONTACT DEUTSCH DT, GOLD PIN / CONTACT DEUTSCH DT, MALE DORE	
1C	4460884	1	CONNECTOR, DEUTSCH DT 4P PLUG / CONNECTEUR DEUTSCH DT 4P MALE	
1C	4460465	4	CONTACT DEUTSCH DT SOCKET / CONTACT DEUTSCH DT FEMELLE	
1D	4461077	1	CONNECTOR, DEUTSCH DTM 4P PLUG / CONNECTEUR DEUTSCH DTM 4P MALE	
1D	1001126008	4	SOCKET CONTACT DEUTSCH DTM / CONTACT FEMELLE DEUTSCH DTM	
1E	4460891	1	CONNECTOR, DEUTSCH DT 2P PLUG / CONNECTEUR DEUTSCH DT 2P MALE	
1E	4460465	2	CONTACT DEUTSCH DT SOCKET / CONTACT DEUTSCH DT FEMELLE	
1F	1001103012	1	CONNECTOR, HOUSING AMP SUPERSEAL 4P / CONNECTEUR AMP SUPERSEAL 4P	
1F	1001107854	4	SOCKET CONTACT AMP SUPERSEAL / CONTACT FEMELLE AMP SUPERSEAL	
1F	1001104498	4	SEAL AMP SUPERSEAL / JOINT AMP SUPERSEAL	
1G	4460702	3	RED EYELET TERMINAL D1/4 / COSSE A OEIL ISOLEE ROUGE D1/4	
1H	8220058	1	BLUE EYELET TERMINAL D1/4 / COSSE A OEIL ISOLEE BLEUE D1/4	
1J	1001144147	1	CONNECTOR, SOCKET DEUTSCH DT 3P / CONNECTEUR FEMELLE DEUTSCH DT 3P	
1J	4460943	2	CONTACT DEUTSCH DT, GOLD PIN / CONTACT DEUTSCH DT, MALE DORE	
1J	4460466	1	SEALING PLUG / JOINT CONNECTEUR	
1K	4460930	1	CONNECTOR, DEUTSCH DT 8P PLUG / CONNECTEUR DEUTSCH DT 8P MALE	
1K	4460944	8	SOCKET DEUTSCH DT, GOLD PIN / CONTACT DEUTSCH DT, FEMELLE DORE	
1L	4460873	2 x1	CONNECTOR, HOUSING AMP 35P / CONNECTEUR AMP 35P	
1L	4460871	16+12	CONTACT AMPSEAL, SOCKET / CONTACT AMPSEAL, FEMELLE	
1L	4460905	19+23	SEAL PLUG, AMPSEAL / JOINT CONTACT AMPSEAL	
1M	1001126007	2 x1	CONNECTOR, DEUTSCH DTM 6P / CONNECTEUR DEUTSCH DTM 6P	
1M	4460928	2 x6	CONTACT DEUTSCH DTM, SOCKET / CONTACT DEUTSCH DTM FEMELLE	
1N	4460016	4	TERMINAL RECEPTACLE FASTON / COSSE FASTON	
1P	2400060	1	FUSE HOLDER WITH COVER / PORTE FUSIBLE AVEC CAPOT	
1P	8229242	1	MINI FUSE 5A / FUSIBLE 5A	

SECTION 9 - ELECTRICAL SYSTEM INSTALL / INSTALLATION ELECTRIQUE

ITEM	PART NUMBER	QTY	DESCRIPTION	REV
1Q	1001116815	1	CONNECTOR, DEUTSCH DT 3P W RESISTOR / CONNECTEUR DEUTSCH DT 3P AVEC RESISTANCE	
1R	4460984	1	CONNECTOR, DEUTSCH DT 8P PLUG / CONNECTEUR DEUTSCH DT 8P MALE	
1S	1001116816	1	CONNECTOR, DEUTSCH DT 2P W DIODE / CONNECTEUR DEUTSCH DT 2P AVEC DIODE	
2	1001224983	1	HARNES, MAST VALVES / FAISCEAU BLOC CAGE 6	B
2A	4460931	1	CONNECTOR, DEUTSCH DT 8P RECEPTACLE / CONNECTEUR DEUTSCH DT 8P FEMELLE	
2A	4460464	8	CONTACT DEUTSCH DT PIN / CONTACT DEUTSCH DT MALE	
2B	4460891	6 x1	CONNECTOR, DEUTSCH DT 2P PLUG / CONNECTEUR DEUTSCH DT 2P MALE	
2B	4460465	6 x2	CONTACT DEUTSCH DT SOCKET / CONTACT DEUTSCH DT FEMELLE	
3	1001224981	1	HARNES, TURNTABLE / FAISCEAU TOURELLE	E
3A	1001144147	1	CONNECTOR, SOCKET DEUTSCH DT 3P / CONNECTEUR FEMELLE DEUTSCH DT 3P	
3A	4460943	3	CONTACT DEUTSCH DT, GOLD PIN / CONTACT DEUTSCH DT, MALE DORE	
3B	4460884	1	CONNECTOR, DEUTSCH DT 4P PLUG / CONNECTEUR DEUTSCH DT 4P MALE	
3B	4460465	4	CONTACT DEUTSCH DT SOCKET / CONTACT DEUTSCH DT FEMELLE	
3C	4461077	1	CONNECTOR, DEUTSCH DTM 4P PLUG / CONNECTEUR DEUTSCH DTM 4P MALE	
3C	1001126008	4	SOCKET CONTACT DEUTSCH DTM / CONTACT FEMELLE DEUTSCH DTM	
3D	4461077	1	CONNECTOR, DEUTSCH DTM 4P PLUG / CONNECTEUR DEUTSCH DTM 4P MALE	
3D	1001126008	3	SOCKET CONTACT DEUTSCH DTM / CONTACT FEMELLE DEUTSCH DTM	
3D	4460518	1	SEALING PLUG / JOINT CONNECTEUR	
3E	4460891	10 x1	CONNECTOR, DEUTSCH DT 2P PLUG / CONNECTEUR DEUTSCH DT 2P MALE	
3E	4460465	10 x2	CONTACT DEUTSCH DT SOCKET / CONTACT DEUTSCH DT FEMELLE	
3F	1001116812	1	CONNECTOR, DEUTSCH DT 3P MALE / CONNECTEUR DEUTSCH DT 3P MALE	
3F	4460944	3	SOCKET DEUTSCH DT, GOLD PIN / CONTACT DEUTSCH DT, FEMELLE DORE	
3G	4460876	1	CONNECTOR, BLUE 35P AMPSEAL / CONNECTEUR BLEU AMPSEAL 35P	
3G	4460871	29	CONTACT AMPSEAL, SOCKET / CONTACT AMPSEAL, FEMELLE	
3G	4460905	6	SEAL PLUG, AMPSEAL / JOINT CONTACT AMPSEAL	
3H	1001116946	1	CONNECTOR, 8P AMPSEAL / CONNECTEUR AMPSEAL 8P	
3H	4460871	6	CONTACT AMPSEAL, SOCKET / CONTACT AMPSEAL, FEMELLE	
3J	250010	1	M08 EYELET TERMINAL 4-6mm ² / COSSE A OEIL ISOLEE M8 - 4-6mm ²	
3K	4460670	1	M08 EYELET TERMINAL 1, 3-2mm ² / COSSE A OEIL ISOLEE M8 - 1,3-2mm ²	
3N	4460878	1	4 POS. MOLEX MINI-FIT SR HOUSING / CONNECTEUR 4 COSSES MOLEX MINI-FIT SR	
3N	4460887	4	CONTACT MOLEX MINI-FIT SR / CONTACT MOLEX MINI-FIT SR	
3P	4460873	1	CONNECTOR, HOUSING AMP 35P / CONNECTEUR AMP 35P	

SECTION 9 - ELECTRICAL SYSTEM INSTALL / INSTALLATION ELECTRIQUE

ITEM	PART NUMBER	QTY	DESCRIPTION	REV
3P	4460871	19	CONTACT AMPSEAL, SOCKET / CONTACT AMPSEAL, FEMELLE	
3P	4460905	16	SEAL PLUG, AMPSEAL / JOINT CONTACT AMPSEAL	
3Q	1001161254	1	HARNESS, CAN PROTECTION MODULE / FAISCEAU MODULE PROTECTION CAN	
3QA	1001116812	1	CONNECTOR, DEUTSCH DT 3P MALE / CONNECTEUR DEUTSCH DT 3P MALE	
3QA	4460944	3	SOCKET DEUTSCH DT, GOLD PIN / CONTACT DEUTSCH DT, FEMELLE DORE	
3QB	1001113961	1	CONNECTOR, BLACK 8P AMPSEAL / CONNECTEUR NOIR AMPSEAL 8P	
3QB	4460871	5	CONTACT AMPSEAL, SOCKET / CONTACT AMPSEAL, FEMELLE	
3QB	4460905	3	SEAL PLUG, AMPSEAL / JOINT CONTACT AMPSEAL	
3R	4460539	1	CONNECTOR, DEUTSCH DT 3P PLUG / CONNECTEUR DEUTSCH DT 3P MALE	
3R	4460465	3	CONTACT DEUTSCH DT SOCKET / CONTACT DEUTSCH DT FEMELLE	
3S	4460876	1	CONNECTOR, BLUE 35P AMPSEAL / CONNECTEUR BLEU AMPSEAL 35P	
3S	4460871	13	CONTACT AMPSEAL, SOCKET / CONTACT AMPSEAL, FEMELLE	
3S	4460905	22	SEAL PLUG, AMPSEAL / JOINT CONTACT AMPSEAL	
3T	4460872	1	CONNECTOR, 14P AMPSEAL / CONNECTEUR AMPSEAL 14P	
3T	4460871	8	CONTACT AMPSEAL, SOCKET / CONTACT AMPSEAL, FEMELLE	
3T	4460905	6	SEAL PLUG, AMPSEAL / JOINT CONTACT AMPSEAL	
3U	4460875	1	CONNECTOR, GREY 35P AMPSEAL / CONNECTEUR GRIS AMPSEAL 35P	
3U	4460871	15	CONTACT AMPSEAL, SOCKET / CONTACT AMPSEAL, FEMELLE	
3U	4460905	20	SEAL PLUG, AMPSEAL / JOINT CONTACT AMPSEAL	
3V	4460874	1	CONNECTOR, NATURAL 35P AMPSEAL / CONNECTEUR BLANC AMPSEAL 35P	
3V	4460871	7	CONTACT AMPSEAL, SOCKET / CONTACT AMPSEAL, FEMELLE	
3V	4460905	28	SEAL PLUG, AMPSEAL / JOINT CONTACT AMPSEAL	
3W	4460761	1	CONNECTOR, HOUSING AMP 4P / CONNECTEUR FEMELLE AMP 4P	
3W	4460267	4	CONTACT AMP MATE-N-LOK 0, 5-2mm ² / CONTACT MALE AMP MATE-N-LOK 0,5-2mm ²	
3X	4460754	1	CONNECTOR, DEUTSCH HD 14P PLUG / CONNECTEUR DEUTSCH HD 14P MALE	
3X	4460942	2	CONTACT DEUTSCH DT SOCKET 1, 3-2mm ² / CONTACT DEUTSCH DT FEMELLE 1,3-2mm ²	
3X	4460465	10	CONTACT DEUTSCH DT SOCKET / CONTACT DEUTSCH DT FEMELLE	
3X	4460466	2	SEALING PLUG / JOINT CONNECTEUR	
3Y	4460536	1	CONNECTOR, DEUTSCH DT 3P RECEPTACLE / CONNECTEUR DEUTSCH DT 3P FEMELLE	
3Y	1001116693	3	CONTACT DEUTSCH 0, 8-2mm ² / COSSE MALE DEUTSCH 0,8-2mm ²	
3Z	4460042	2	D4, 8 EYELET BLUE TERMINAL 1, 3-2mm ² / COSSE A OEIL BLEUE ISOLEE D4,8 - 1,3-2mm ²	
3AA	8220045	2	D4, 8 EYELET YELLOW TERMINAL 3, 3-5, 3mm ² / COSSE A OEIL JAUNE ISOLEE D4,8 - 3,3-5,3mm ²	
3AB	2400060	2 x1	FUSE HOLDER WITH COVER / PORTE FUSIBLE AVEC CAPOT	
3AB	80983191	2 x1	MINI FUSE 10A / FUSIBLE 10A	
3AC	2400060	1	FUSE HOLDER WITH COVER / PORTE FUSIBLE AVEC CAPOT	
3AC	8229245	1	MINI FUSE 30A / FUSIBLE 30A	
3AD	1001144147	1	CONNECTOR, SOCKET DEUTSCH DT 3P / CONNECTEUR	

SECTION 9 - ELECTRICAL SYSTEM INSTALL / INSTALLATION ELECTRIQUE

ITEM	PART NUMBER	QTY	DESCRIPTION	REV
3AD	4460943	3	FEMELLE DEUTSCH DT 3P CONTACT DEUTSCH DT, GOLD PIN / CONTACT DEUTSCH DT, MALE DORE	
3AG	1001116810	1	CONNECTOR, DEUTSCH DTP 4P MALE / CONNECTEUR DEUTSCH DTP 4P MALE	
3AG	1001150611	2	SOCKET DEUTSCH 3, 3-5mm ² / COSSE FEMELLE DEUTSCH 3,3-5mm ²	
3AG	4460509	2	SOCKET DEUTSCH 2-3, 3mm ² / COSSE FEMELLE DEUTSCH 2- 3,3mm ²	
3AH	4460931	1	CONNECTOR, DEUTSCH DT 8P RECEPTACLE / CONNECTEUR DEUTSCH DT 8P FEMELLE	
3AH	4460464	6	CONTACT DEUTSCH DT PIN / CONTACT DEUTSCH DT MALE	
3AH	4460466	2	SEALING PLUG / JOINT CONNECTEUR	
3AJ	1001151788	1	CONNECTOR, 4P APP PLUG / CONNECTEUR APP 4P	
3AJ	1001151824	5	CONTACT PP75 SB50 / CONTACT PP75 SB50	
3AK	4460884	1	PLUG,4-PIN CONNECTOR (IF EQUIPPED) / CONNECTEUR 4 BROCHES (SI EQUIPPE)	
3AK	4460465	4	CONTACT DEUTSCH DT SOCKET (IF EQUIPPED) / CONTACT DEUTSCH DT FEMELLE (SI EQUIPPE)	
3AK	1001192401	1	CONNECTOR,DUST CAP (IF EQUIPPED) / PROTECTION CONNECTEUR (SI EQUIPPE)	
3AL	4460884	1	CONNECTOR, DEUTSCH DT 4P PLUG / CONNECTEUR DEUTSCH DT 4P MALE	
3AL	4460465	4	CONTACT DEUTSCH DT SOCKET / CONTACT DEUTSCH DT FEMELLE	
3AM	1001246859	1	CONNECTOR,GRAY,14 POS, AMPSEAL / CONNECTEUR GRIS 14P AMPSEAL	
3AM	4460871	6	CONTACT AMPSEAL, SOCKET / CONTACT AMPSEAL, FEMELLE	
3AM	4460905	8	SEAL PLUG, AMPSEAL / JOINT CONTACT AMPSEAL	
3AN	4460930	1	CONNECTOR, HOUSING AMP 8P / CONNECTEUR AMP 8P	
3AN	4460464	8	CONTACT DEUTSCH DT PIN / CONTACT DEUTSCH DT MALE	
4	1001227067	1	HARNES, MAST / FAISCEAU MAT PRINCIPAL	C
4A	1001144147	2 x1	CONNECTOR, SOCKET DEUTSCH DT 3P / CONNECTEUR FEMELLE DEUTSCH DT 3P	
4A	4460943	2 x3	CONTACT DEUTSCH DT, GOLD PIN / CONTACT DEUTSCH DT, MALE DORE	
4B	4460899	1	CONNECTOR, DEUTSCH DT 6P RECEPTACLE / CONNECTEUR DEUTSCH DT 6P FEMELLE	
4B	4460464	5	CONTACT DEUTSCH DT PIN / CONTACT DEUTSCH DT MALE	
4B	4460466	1	SEALING PLUG / JOINT CONNECTEUR	
4C	4460897	1	CONNECTOR, DEUTSCH DT 2P RECEPTACLE / CONNECTEUR DEUTSCH DT 2P FEMELLE	
4C	4460464	2	CONTACT DEUTSCH DT PIN / CONTACT DEUTSCH DT MALE	
4D	4460930	1	CONNECTOR, DEUTSCH DT 8P PLUG / CONNECTEUR DEUTSCH DT 8P MALE	
4D	4460465	8	CONTACT DEUTSCH DT SOCKET / CONTACT DEUTSCH DT FEMELLE	
4E	1001156541	1	CONNECTOR, DEUTSCH DT 14P RECEPTACLE / CONNECTEUR DEUTSCH DT 14P FEMELLE	
4E	4460464	13	CONTACT DEUTSCH DT PIN / CONTACT DEUTSCH DT MALE	
4E	4460466	1	SEALING PLUG / JOINT CONNECTEUR	
5	1001152095	1	CABLE, MAST E-STOP / CABLE ARRET D'URGENCE MAT	C
5A	4460539	2 x1	CONNECTOR, DEUTSCH DT 3P PLUG / CONNECTEUR	

SECTION 9 - ELECTRICAL SYSTEM INSTALL / INSTALLATION ELECTRIQUE

ITEM	PART NUMBER	QTY	DESCRIPTION	REV
5A	1001116692	2 x3	DEUTSCH DT 3P MALE SOCKET DEUTSCH 0, 8-2mm ² / COSSE FEMELLE DEUTSCH 0,8-2mm ²	
6	1001152162	1	12E-32E - CABLE, PLATFORM E-STOP / 12E-32E - CABLE ARRET D'URGENCE PLATE-FORME	C
6	1001152163	1	12E Plus - CABLE, PLATFORM E-STOP / 12E Plus - CABLE ARRET D'URGENCE PLATE-FORME	C
6A	4460536	1	CONNECTOR, DEUTSCH DT 3P RECEPTACLE / CONNECTEUR DEUTSCH DT 3P FEMELLE	
6A	1001116693	3	CONTACT DEUTSCH 0, 8-2mm ² / COSSE MALE DEUTSCH 0,8-2mm ²	
6B	4460967	1	CONNECTOR DEUTSCH HD 3P / CONNECTEUR DEUTSCH HD 3P	
6B	1001116692	3	SOCKET DEUTSCH 0, 8-2mm ² / COSSE FEMELLE DEUTSCH 0,8-2mm ²	
7	1001267236	1	12E-32E - HARNESS, JIB / 12E-32E - FAISCEAU BRAS	C
7	1001267237	1	12E Plus - HARNESS, JIB / 12E Plus - FAISCEAU BRAS	C
7A	4460754	1	CONNECTOR, DEUTSCH HD 14P PLUG / CONNECTEUR DEUTSCH HD 14P MALE	
7A	4460465	8	CONTACT DEUTSCH DT SOCKET / CONTACT DEUTSCH DT FEMELLE	
7A	4460944	4	SOCKET DEUTSCH DT, GOLD PIN / CONTACT DEUTSCH DT, FEMELLE DORE	
7A	4460466	2	SEALING PLUG / JOINT CONNECTEUR	
7B	4460894	1	CONNECTOR, DEUTSCH DT 6P PLUG / CONNECTEUR DEUTSCH DT 6P MALE	
7B	4460465	5	CONTACT DEUTSCH DT SOCKET / CONTACT DEUTSCH DT FEMELLE	
7B	4460466	1	SEALING PLUG / JOINT CONNECTEUR	
7C	1001116812	2 x1	CONNECTOR, DEUTSCH DT 3P MALE / CONNECTEUR DEUTSCH DT 3P MALE	
7C	4460944	2 x3	SOCKET DEUTSCH DT, GOLD PIN / CONTACT DEUTSCH DT, FEMELLE DORE	
7D	4460932	2 x1	CONNECTOR, DEUTSCH DT 4P RECEPTACLE / CONNECTEUR DEUTSCH DT 4P FEMELLE	
7D	4460464	2 x4	CONTACT DEUTSCH DT PIN / CONTACT DEUTSCH DT MALE	
7E	4460851	1	CONNECTOR, DEUTSCH DT 8P PLUG / CONNECTEUR DEUTSCH DT 8P MALE	
7E	4460465	4	CONTACT DEUTSCH DT SOCKET / CONTACT DEUTSCH DT FEMELLE	
7E	4460466	4	SEALING PLUG / JOINT CONNECTEUR	
7F	4460852	1	CONNECTOR, DEUTSCH DT 8P SOCKET / CONNECTEUR DEUTSCH DT 8P FEMELLE	
7H	4461077	1	CONNECTOR, DEUTSCH DTM 4P PLUG / CONNECTEUR DEUTSCH DTM 4P MALE	
7H	4460918	4	CONTACT DEUTSCH DTM, SOCKET (GOLD) / CONTACT DEUTSCH DTM FEMELLE (OR)	
8	1001152567	1	HARNESS, FRAME POWER TRACK / FAISCEAU CHASSIS	D
8A	1001116812	2 x1	CONNECTOR, DEUTSCH DT 3P MALE / CONNECTEUR DEUTSCH DT 3P MALE	
8A	4460944	2 x3	SOCKET DEUTSCH DT, GOLD PIN / CONTACT DEUTSCH DT, FEMELLE DORE	
8B	4460932	2 x1	CONNECTOR, DEUTSCH DT 4P RECEPTACLE / CONNECTEUR	

SECTION 9 - ELECTRICAL SYSTEM INSTALL / INSTALLATION ELECTRIQUE

ITEM	PART NUMBER	QTY	DESCRIPTION	REV
8B	4460464	2 x4	DEUTSCH DT 4P FEMELLE CONTACT DEUTSCH DT PIN / CONTACT DEUTSCH DT MALE	
8C	1001097051	2 x1	CONNECTOR, DEUTSCH DTM 4P FEMALE / CONNECTEUR DEUTSCH DTM 4P FEMELLE	
8C	1001126011	2 x4	CONTACT DEUTSCH DTM / CONTACT MALE DTM	
9	1001157456	1	HARNESS, CHAIN SLACK MAST 1 / FAISCEAU MOU DE CHAINE MAT 1	C
9A	4460897	2 x1	CONNECTOR, DEUTSCH DT 2P RECEPTACLE / CONNECTEUR DEUTSCH DT 2P FEMELLE	
9A	4460464	2 x2	CONTACT DEUTSCH DT PIN / CONTACT DEUTSCH DT MALE	
9B	4460891	1	CONNECTOR, DEUTSCH DT 2P PLUG / CONNECTEUR DEUTSCH DT 2P MALE	
9B	4460465	2	CONTACT DEUTSCH DT SOCKET / CONTACT DEUTSCH DT FEMELLE	
10	1001157457	1	HARNESS, CHAIN SLACK MAST 3/4/6 / FAISCEAU MOU DE CHAINE MAT 3/4/6	B
10A	4460897	4 x1	CONNECTOR, DEUTSCH DT 2P RECEPTACLE / CONNECTEUR DEUTSCH DT 2P FEMELLE	
10A	4460464	4 x2	CONTACT DEUTSCH DT PIN / CONTACT DEUTSCH DT MALE	
100	1001151895	1	HARNESS, TILT SENSOR SWITCH / FAISCEAU CAPTEUR DE DEVERS	D
100A	1001103012	1	CONNECTOR, HOUSING AMP SUPERSEAL 4P / CONNECTEUR AMP SUPERSEAL 4P	
100A	1001107854	4	SOCKET CONTACT AMP SUPERSEAL / CONTACT FEMELLE AMP SUPERSEAL	
101	4360505	1	ROTARY ANGLE SENSOR / CAPTEUR D'ANGLE	C
101A	4460536	1	CONNECTOR, DEUTSCH DT 3P RECEPTACLE / CONNECTEUR DEUTSCH DT 3P FEMELLE	
101A	4460464	3	CONTACT DEUTSCH DT PIN / CONTACT DEUTSCH DT MALE	
102	4000008	1	PROXIMITY SENSOR ASSEMBLY / FAISCEAU DETECTEUR DE PROXIMITE	C
102A	4000007	1	SENSOR, PROXIMITY / DETECTEUR DE PROXIMITE	
102B	4461076	1	CONNECTOR, DEUTSCH DTM 4P RECEPTACLE / CONNECTEUR DEUTSCH DTM 4P FEMELLE	
102B	4460917	4	CONTACT DEUTSCH DTM, GOLD PIN / CONTACT DEUTSCH DTM MALE DORE	
103	1001157803	3 x1	SWITCH, CHAIN SLACK L1 / CAPTEUR MOU DE CHAINE L1	A
103A	260327	3 x1	NO/NC SWITCH PG11 / CAPTEUR NO/NF PE11	
103B	210018	3 x1	GLAND N°11 / PRESSE ETOUPE N°11	
103C	4460891	3 x1	CONNECTOR, DEUTSCH DT 2P PLUG / CONNECTEUR DEUTSCH DT 2P MALE	
103C	4460465	3 x2	CONTACT DEUTSCH DT SOCKET / CONTACT DEUTSCH DT FEMELLE	
104	1001157804	1	SWITCH, CHAIN SLACK L2 / CAPTEUR MOU DE CHAINE L2	A
104A	260327	1	NO/NC SWITCH PG11 / CAPTEUR NO/NF PE11	
104B	210018	1	GLAND N°11 / PRESSE ETOUPE N°11	
104C	4460891	1	CONNECTOR, DEUTSCH DT 2P PLUG / CONNECTEUR DEUTSCH DT 2P MALE	

SECTION 9 - ELECTRICAL SYSTEM INSTALL / INSTALLATION ELECTRIQUE

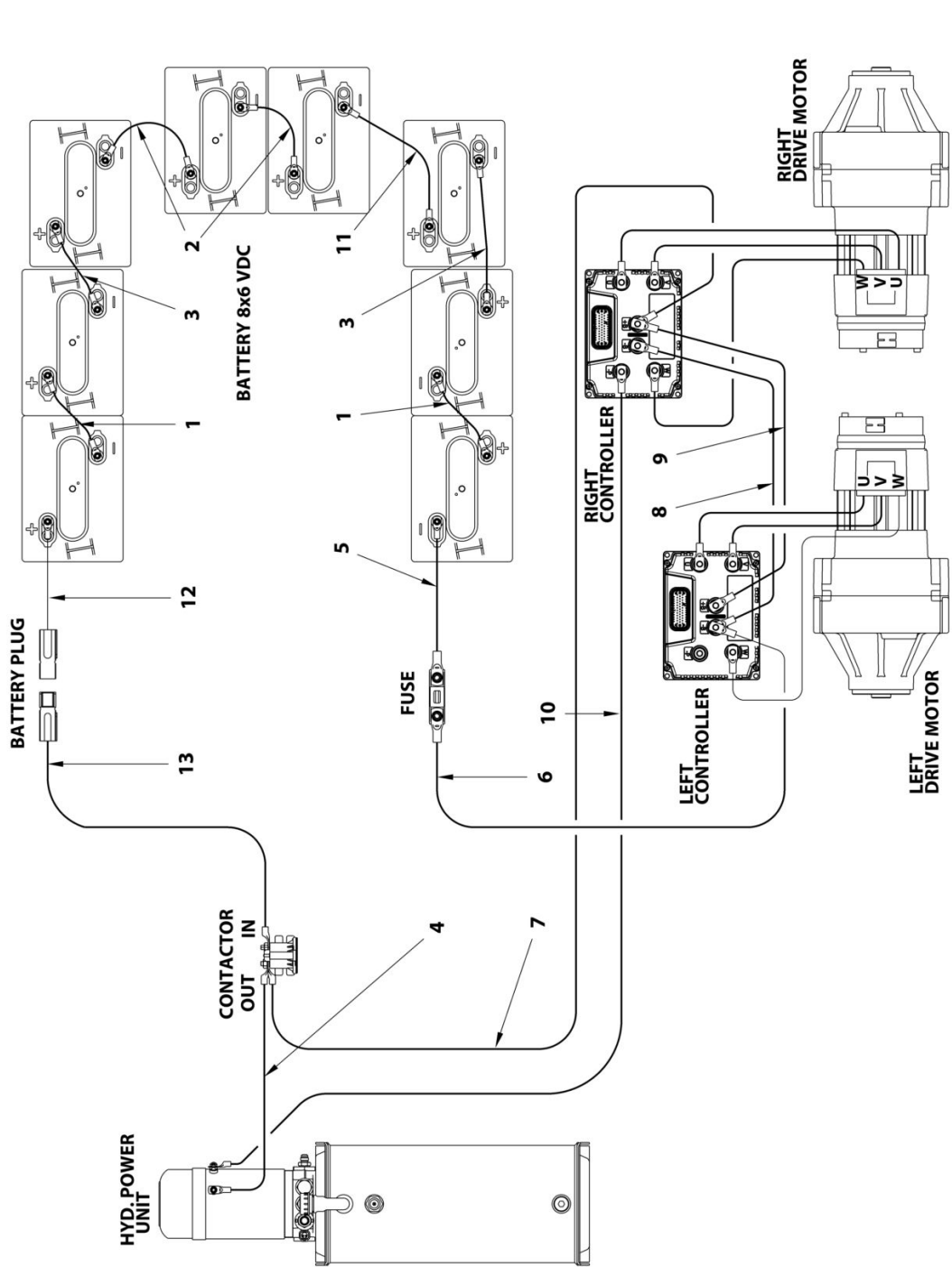
ITEM	PART NUMBER	QTY	DESCRIPTION	REV
104C	4460465	2	CONTACT DEUTSCH DT SOCKET / CONTACT DEUTSCH DT FEMELLE	
105	0140043	1	ALARM, MOTION/DESCENT/HORN / ALARME MOUVEMENTS ET KLAXON	F
106	PC0534	1	HARNES, BEACON / FAISCEAU FEU A ECLATS	A
106A	260329	1	FLASHING LIGHT / FEU A ECLAT	
106B	4460897	1	CONNECTOR, DEUTSCH DT 2P RECEPTACLE / CONNECTEUR DEUTSCH DT 2P FEMELLE	
106B	4460464	2	CONTACT DEUTSCH DT PIN / CONTACT DEUTSCH DT MALE	
107	1001159127	1	HARNES, PLATFORM ROTATE / FAISCEAU ROTATION PLATE-FORME; INFO - OPTION	C
107A	4460967	1	CONNECTOR DEUTSCH HD 3P / CONNECTEUR DEUTSCH HD 3P	
107A	1001116692	2	SOCKET DEUTSCH 0, 8-2mm ² / COSSE FEMELLE DEUTSCH 0,8-2mm ²	
107A	4460466	1	SEALING PLUG / JOINT CONNECTEUR	
107B	1001154726	1	CONNECTOR DEUTSCH HD 3P / CONNECTEUR DEUTSCH HD 3P	
107B	1001116693	3	CONTACT DEUTSCH 0, 8-2mm ² / COSSE MALE DEUTSCH 0,8-2mm ²	
107C	4460326	1	CONNECTOR MATE-N-LOK 3P MALE / CONNECTEUR MATE-N-LOK 3P MALE	
107C	4460227	2	CONTACT AMP MATE-N-LOK 0, 2-0, 8mm ² / CONTACT MALE AMP MATE-N-LOK 0,2-0,8mm ²	
107C	1001159298	1	3 POSITIONS WIRE SEAL / JOINT ARRIERE CONNECTEUR 3 CTS	
107C	1001159300	1	3 POSITIONS INTERFACE SEAL / JOINT INTERFACE CONNECTEUR 3 CTS	
107D	4460326	1	CONNECTOR MATE-N-LOK 3P MALE / CONNECTEUR MATE-N-LOK 3P MALE	
107D	4460268	3	SOCKET, CONTACT AMP MATE-N-LOK 0, 5-2mm ² / CONTACT FEMELLE AMP MATE-N-LOK 0,5-2mm ²	
107D	1001159298	1	3 POSITIONS WIRE SEAL / JOINT ARRIERE CONNECTEUR 3 CTS	
107D	1001159300	1	3 POSITIONS INTERFACE SEAL / JOINT INTERFACE CONNECTEUR 3 CTS	
107E	4460321	1	CONNECTOR MATE-N-LOK 4P MALE / CONNECTEUR MATE-N-LOK 4P MALE	
107E	4460226	2	SOCKET, CONTACT AMP MATE-N-LOK 0, 2-0, 8mm ² / CONTACT FEMELLE AMP MATE-N-LOK 0,2-0,8mm ²	
107E	4460268	2	SOCKET, CONTACT AMP MATE-N-LOK 0, 5-2mm ² / CONTACT FEMELLE AMP MATE-N-LOK 0,5-2mm ²	
107E	1001159297	1	4 POSITIONS WIRE SEAL / JOINT ARRIERE CONNECTEUR 4 CTS	
107E	1001159299	1	4 POSITIONS INTERFACE SEAL / JOINT INTERFACE CONNECTEUR 4 CTS	
107F	1001144147	1	CONNECTOR, SOCKET DEUTSCH DT 3P / CONNECTEUR FEMELLE DEUTSCH DT 3P	
107F	4460943	2	CONTACT DEUTSCH DT, GOLD PIN / CONTACT DEUTSCH DT, MALE DORE	
107F	4460466	1	SEALING PLUG / JOINT CONNECTEUR	
108	PC0468	1	HARNES, LOAD SENSING SWITCH / FAISCEAU CAPTEUR DE SURCHARGE	B

SECTION 9 - ELECTRICAL SYSTEM INSTALL / INSTALLATION ELECTRIQUE

ITEM	PART NUMBER	QTY	DESCRIPTION	REV
108A	260321	1	LIMIT SWITCH, SNAP ACTION / DETECTEUR DE POSITION A POUSSOIR	
108B	4460884	1	CONNECTOR, DEUTSCH DT 4P PLUG / CONNECTEUR DEUTSCH DT 4P MALE	
108B	4460465	4	CONTACT DEUTSCH DT SOCKET / CONTACT DEUTSCH DT FEMELLE	
109	1001152091	1	HARNES, JIB SWITCHES / FAISCEAU CAPTEUR BRAS	D
109A	4460884	1	CONNECTOR, DEUTSCH DT 4P PLUG / CONNECTEUR DEUTSCH DT 4P MALE	
109A	4460465	4	CONTACT DEUTSCH DT SOCKET / CONTACT DEUTSCH DT FEMELLE	
109B	4460891	1	CONNECTOR, DEUTSCH DT 2P PLUG / CONNECTEUR DEUTSCH DT 2P MALE	
109B	4460465	2	CONTACT DEUTSCH DT SOCKET / CONTACT DEUTSCH DT FEMELLE	
109C	260323	3	NO/NC SWITCH PG11 / CAPTEUR NO/NF PE11	
109D	210018	3	GLAND N°11 / PRESSE ETOUPE N°11	
110	1001228269	1	CYLINDER PLATFORM ROTATION / VERIN ROTATION PLATE-FORME	A
110A	250141	1	3 POSITIONS "MNL" CAP HOUSING / CONNECTEUR FEMELLE 3 CTS "MNL"	
110A	250144	1	3 POSITIONS WIRE SEAL / JOINT ARRIERE CONNECTEUR 3 CTS	
110A	210033	2	SOCKET CONTACT "MATE-N-LOK" / CONTACT FEMELLE "MATE-N-LOK"	
200	1001224982	1	KIT,POWER CABLES / KIT CABLES DE PUISSANCE	A

SECTION 9 - ELECTRICAL SYSTEM INSTALL / INSTALLATION ELECTRIQUE

FIGURE 9-2. KIT, POWER CABLES / KIT CABLES DE PUISSANCE



AMT_1001224942

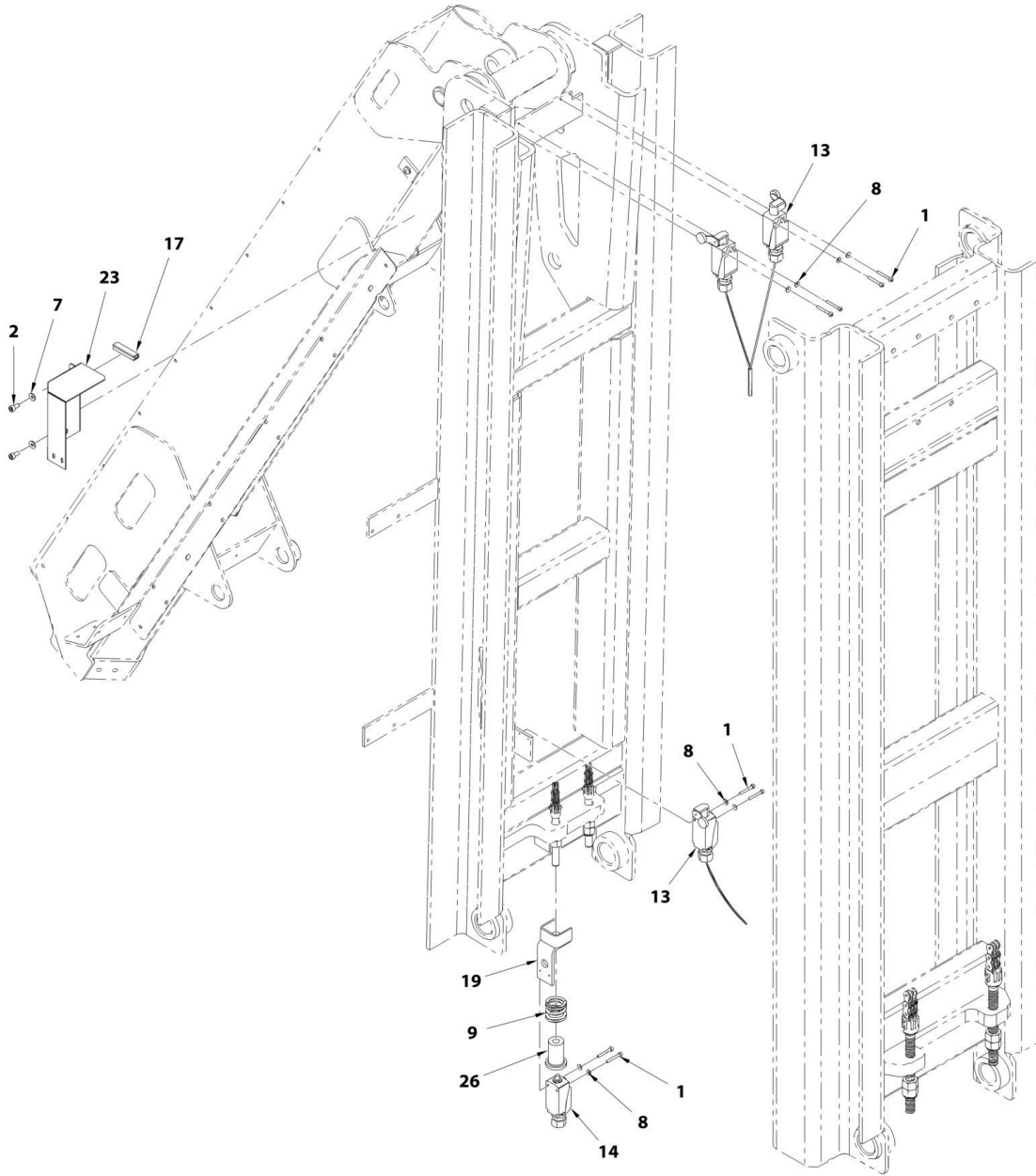
SECTION 9 - ELECTRICAL SYSTEM INSTALL / INSTALLATION ELECTRIQUE

FIGURE 9-2. KIT,POWER CABLES / KIT CABLES DE PUISSANCE

ITEM	PART NUMBER	QTY	DESCRIPTION	REV
	1001224982	Ref	KIT,POWER CABLES / KIT CABLES DE PUISSANCE	A
1	PC0549	2	CABLE 35mm ² LENGTH 180mm BLACK / CABLE 35mm ² LONG 180mm NOIR	
2	PC0550	2	CABLE 35mm ² LENGTH 320mm BLACK / CABLE 35mm ² LONG 320mm NOIR	
3	PC0551	2	CABLE 35mm ² LENGTH 1480mm BLACK / CABLE 35mm ² LONG 1480mm NOIR	
4	1001224984	1	CABLE 35mm ² LENGTH 320mm RED / CABLE 35mm ² LONG 320mm ROUGE	
5	PC0553	1	CABLE 35mm ² LENGTH 1000mm BLUE / CABLE 35mm ² LONG 1000mm BLEU	
6	PC0554	1	CABLE 35mm ² LENGTH 3970mm BLUE / CABLE 35mm ² LONG 3970mm BLEU	
7	1001224985	1	CABLE 35mm ² LENGTH 4750mm RED / CABLE 35mm ² LONG 4750mm ROUGE	
8	PC0483	1	CABLE 35mm ² LENGTH 590mm BLUE / CABLE 35mm ² LONG 590mm BLEU	
9	PC0484	1	CABLE 35mm ² LENGTH 590mm RED / CABLE 35mm ² LONG 590mm ROUGE	
10	PC0556	1	CABLE 25mm ² LENGTH 4950mm BLACK / CABLE 25mm ² LONG 4950mm NOIR	
11	1001223304	1	CABLE 35mm ² LENGTH 390mm BLACK / CABLE 35mm ² LONG 390mm NOIR	
12	PC0557	1	CABLE 35mm ² LENGTH 400mm RED / CABLE 35mm ² LONG 400mm ROUGE	
13	1001224986	1	CABLE 35mm ² LENGTH 1630mm RED / CABLE 35mm ² LONG 1630mm ROUGE	

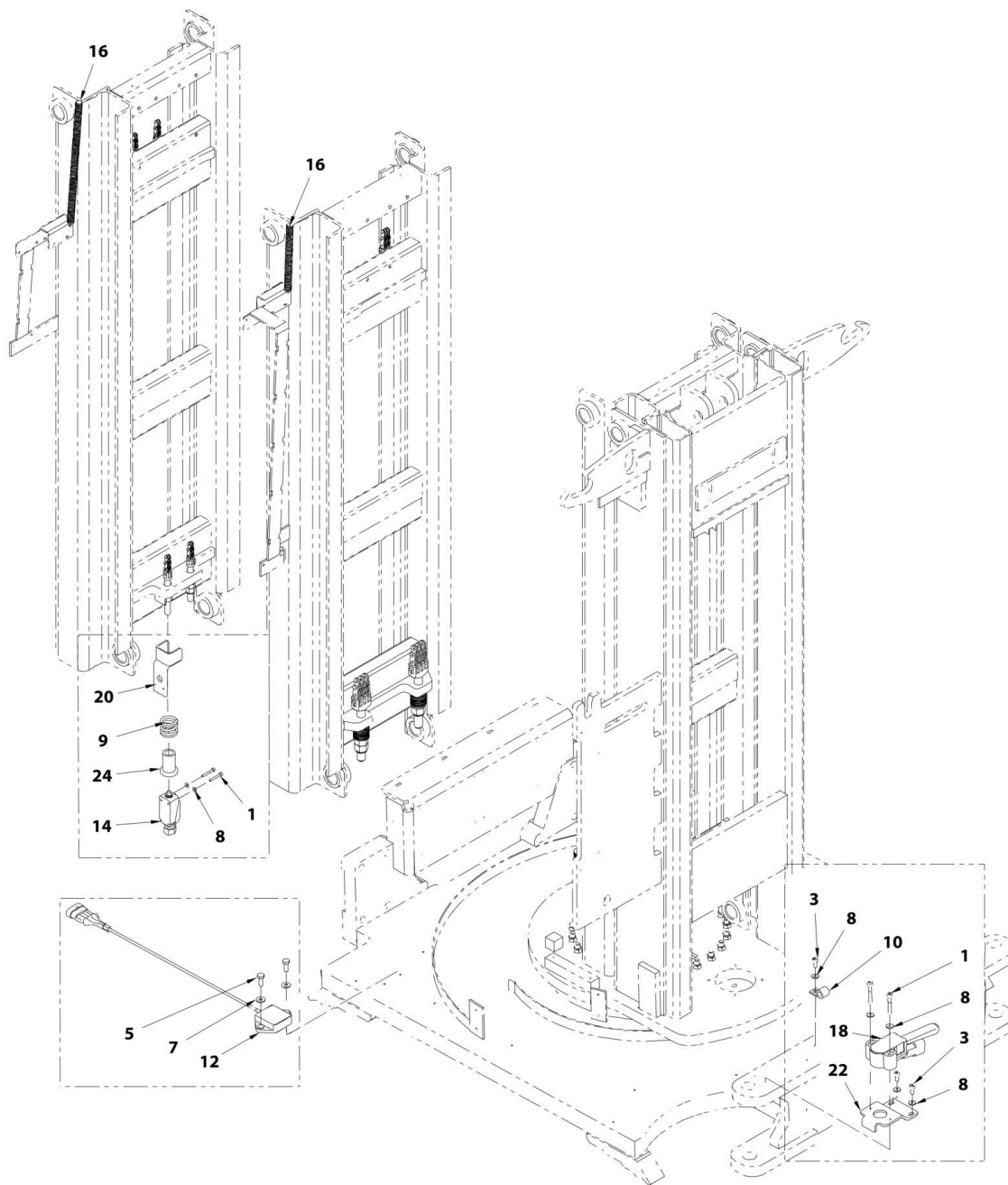
SECTION 9 - ELECTRICAL SYSTEM INSTALL / INSTALLATION ELECTRIQUE

FIGURE 9-3. LIMIT SWITCHES AND COVERS / INSTALLATION CAPTEURS



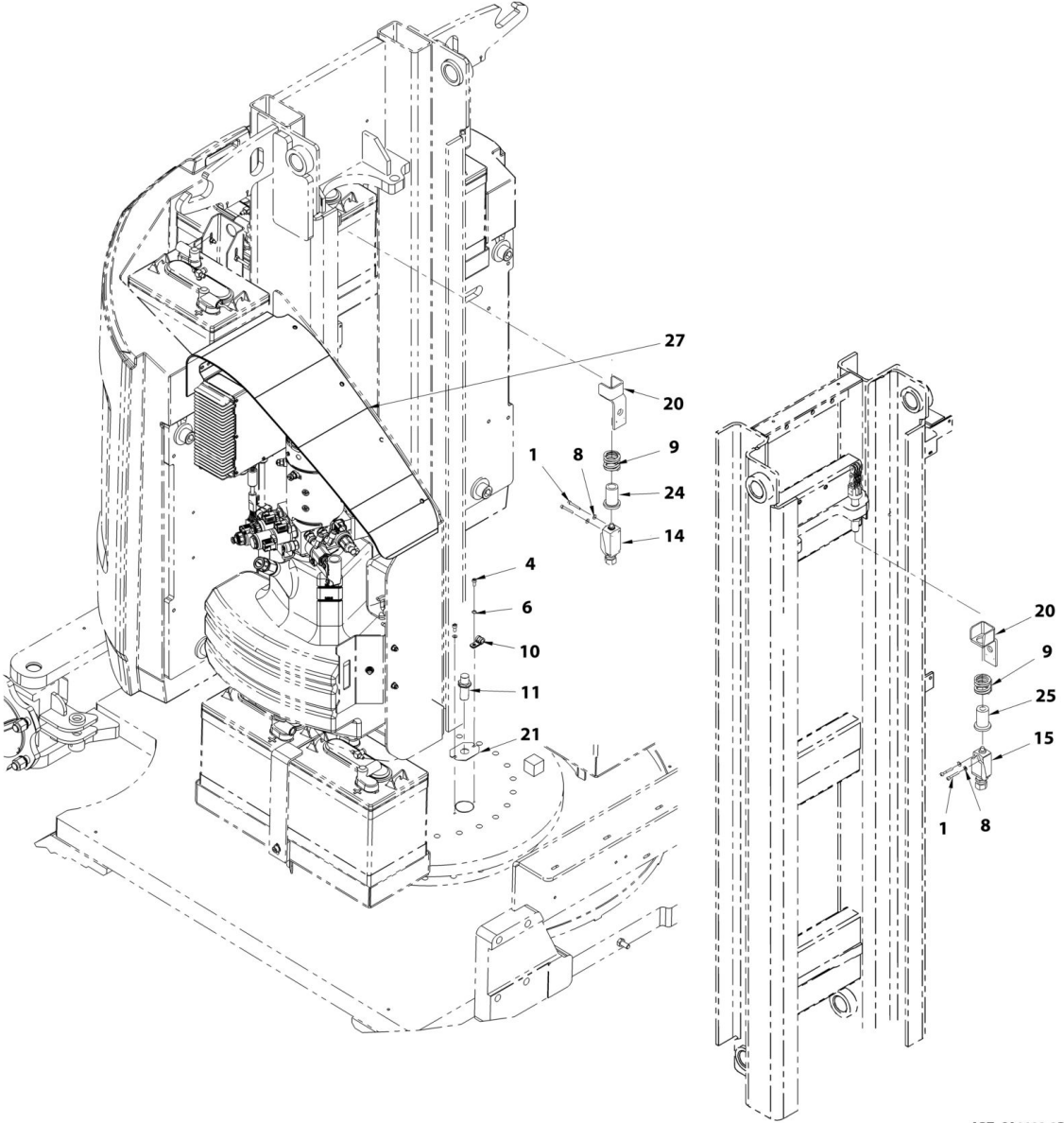
ART_S49123A

SECTION 9 - ELECTRICAL SYSTEM INSTALL / INSTALLATION ELECTRIQUE



ART. SA0123B

SECTION 9 - ELECTRICAL SYSTEM INSTALL / INSTALLATION ELECTRIQUE



ART_SA0123-3B

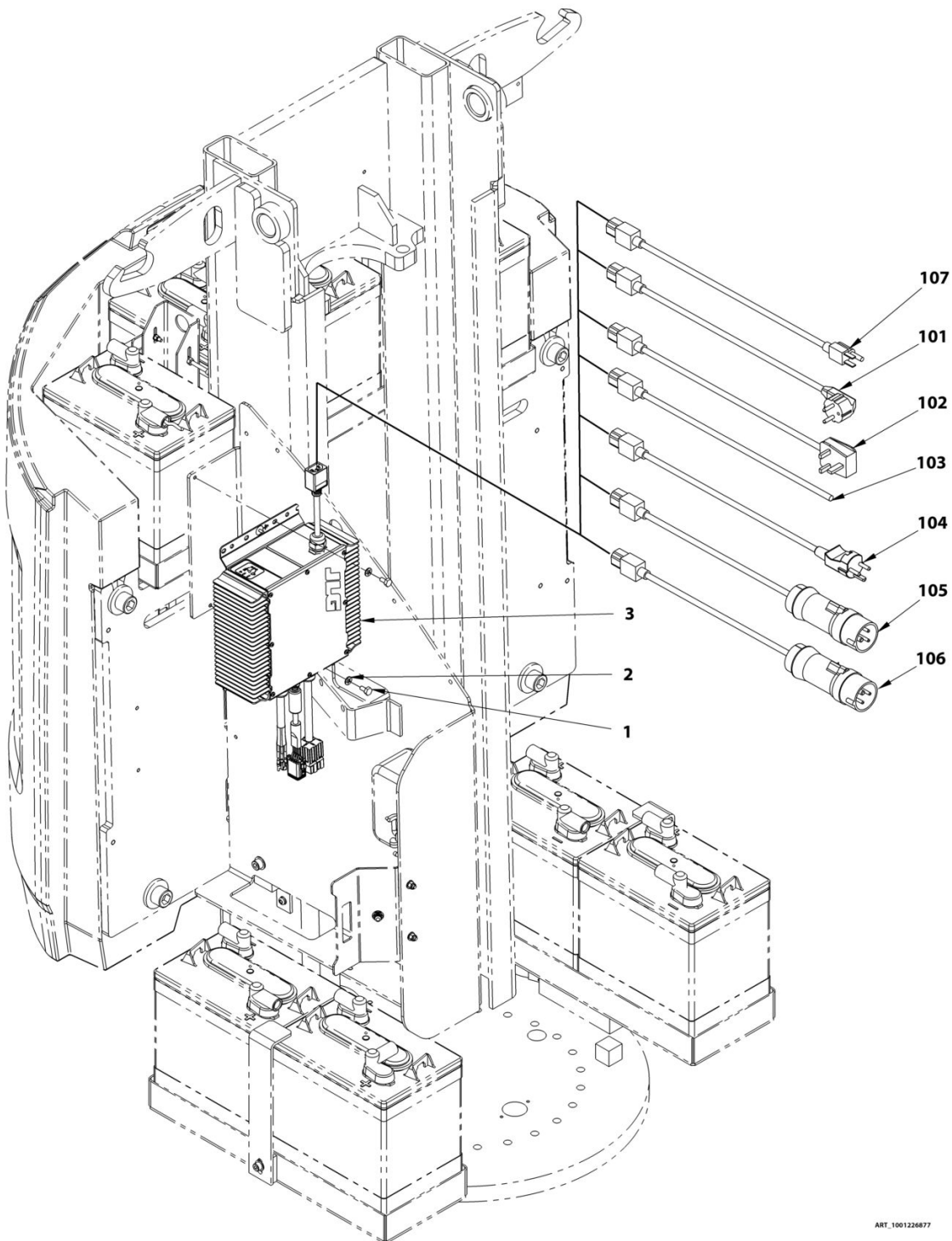
SECTION 9 - ELECTRICAL SYSTEM INSTALL / INSTALLATION ELECTRIQUE

FIGURE 9-3. LIMIT SWITCHES AND COVERS / INSTALLATION CAPTEURS

ITEM	PART NUMBER	QTY	DESCRIPTION	REV
0	SA0123	Ref	LIMIT SWITCHES AND COVERS / CAPTEURS ET COUVERCLES	B
1	000007	16	M04x30 8.8 SOCKET HEAD CAP SCREW / VIS CHC M04x30 8.8 BI FP	
2	000014	2	M06x12 8.8 SOCKET HEAD MACH SCREW / VIS CHC M06x12 8.8 BI FT	
3	000050	3	M04x10 8.8 SOCKET HEAD MACH SCREW / VIS CHC M04x10 8.8 BI FT	
4	000067	2	M05x12 8.8 SOCKET HEAD MACH SCREW / VIS CHC M05x12 8.8 BI FT	
5	100098	2	M06X16 8.8 SOCKET HEAD MACH SCREW / VIS H M06x16 8.8 BI FT	
6	120002	2	WASHER D05x10 / RONDELLE M05 BI	
7	120009	4	LOCK WASHER D06X14 / RONDELLE CONTACT dD 06x14 BI	
8	120024	19	LOCK WASHER D06x10 / RONDELLE CONTACT M4 BI	
9	160010	4	SPRING, D13XD4.5xL32 / RESSORT C 360 450 320	
10	1001279287	1	CLAMP D9 / COLLIER D9	
11	4000008	1	SENSOR, PROXIMITY ASSEMBLY / FAISCEAU DETECTEUR DE PROXIMITE	
12	1001151895	1	SENSOT, TILT / INDICATEUR DEVERS	
13	1001152091	1	HARNESS, JIB SWITCH / FAISCEAU CAPTEUR BRAS	
14	1001157803	3	SWITCH, CHAIN SLACK L1 / CAPTEUR MOU DE CHAINE L1	
15	1001157804	1	SWITCH, CHAIN SLACK L2 / CAPTEUR MOU DE CHAINE L2	
16	280013	0.58	TUBE, SPILT GROOVED / GAINE ANNELEE FENDUE	
17	400081	0.05	CLAMP, EDGE GUARD / COUVRE JOINT	
18	4360505	1	SWITCH, ROTARY ANGLE SENSOR / CAPTEUR D'ANGLE	
19	SD0345	1	SUPPORT, CHAIN SLACK SW / SUPPORT CAPTEUR	
20	SD0464	3	SUPPORT, CHAIN SLACK SW / SUPPORT CAPTEUR	
21	ST3226	1	PLATE, D. O. S SWITCH MOUNT / PLATINE CAPTEUR D'ORIENTATION	
22	ST3227	1	PLATE ROTRY SWITCH MOUNT / PLATINE CAPTEUR ROTATIF	
23	ST3657	1	COVER, CONNECTORS / COUVERCLE CONNECTEURS	
24	US0203	2	ACTUATOR, M20 / ACTIONNEUR M20	
25	US0204	1	ACTUATOR, M16 / ACTIONNEUR M16	
26	US0208	1	ACTUATOR, M14 / ACTIONNEUR M14	
27	1001280497	1	BOOT, TRANSPARENT / PROTECTION TRANSPARENTE (SN A300061826 to Present)	

SECTION 9 - ELECTRICAL SYSTEM INSTALL / INSTALLATION ELECTRIQUE

FIGURE 9-4. CHARGER INSTALL / INSTALLATION CHARGEUR



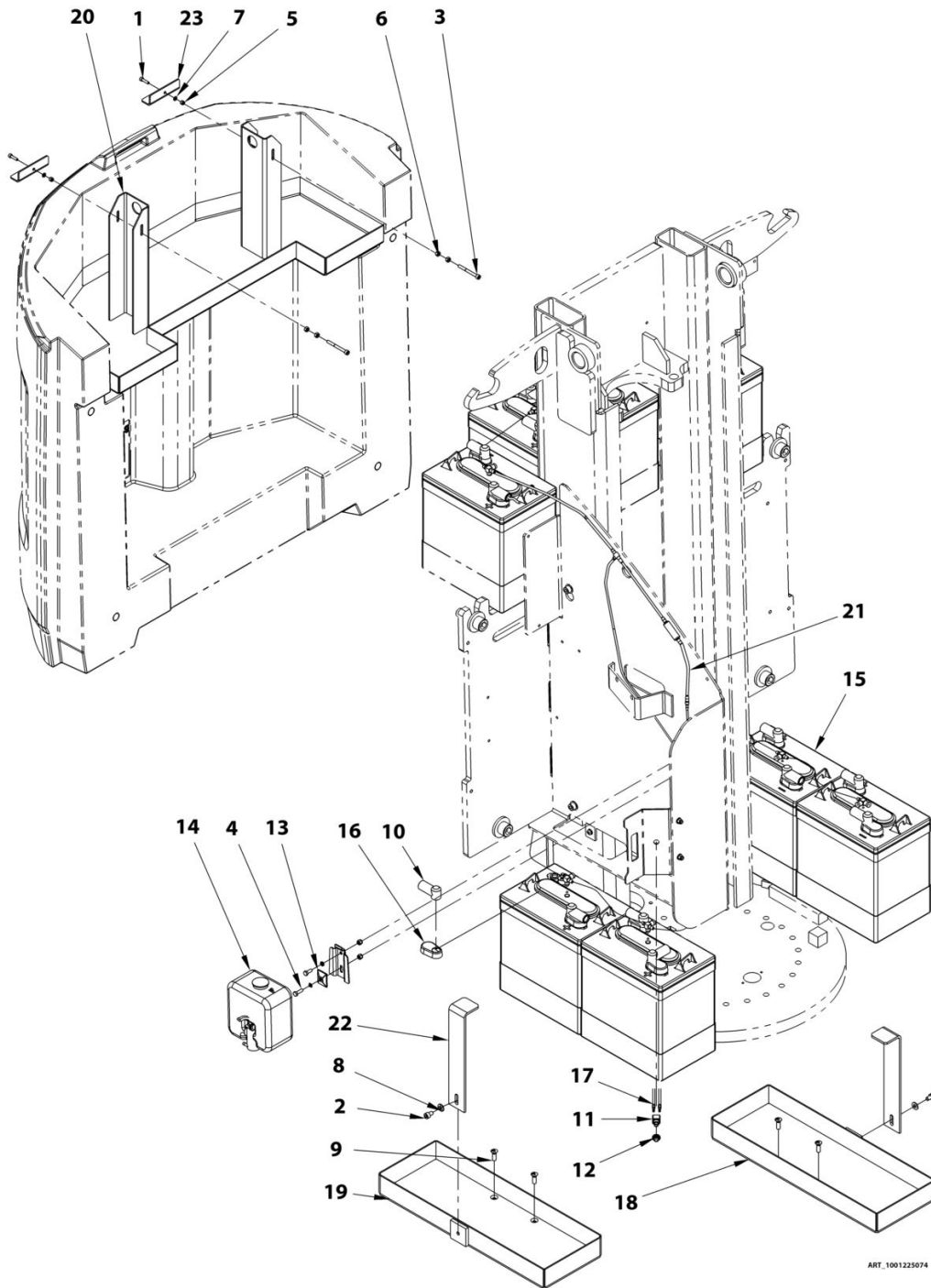
SECTION 9 - ELECTRICAL SYSTEM INSTALL / INSTALLATION ELECTRIQUE

FIGURE 9-4. CHARGER INSTALL / INSTALLATION CHARGEUR

ITEM	PART NUMBER	QTY	DESCRIPTION	REV
0	1001226877	Ref	CHARGER INSTALL / INSTALLATION CHARGEUR	B
1	100027	2	M06x12 8.8 HEX HEAD MACHINE SCREW / VIS H M06x12 8.8 BI FT	
2	120009	2	dD 06x14 LOCK WASHER / rondelle contact dd 06x14 biq	
3	1001152650	1	BATTERY CHARGER, 48 VOLTS / CHARGEUR BATTERIES, 48V	
100		Ref	CHARGER EXTENSION / PRISE CHARGEUR	
101	250211	1	CABLE IEC22 / PLUG CEE7 2m 10A / CORDON IEC22 / FICHE CEE7 2m 10A	
102	250213	1	CABLE IEC22 / PLUG BS1362 2m 10A / CORDON IEC22 / FICHE BS1362 2m 10A	
103	1060689	1	CABLE AC CORD, W/O PLUG, L=2m / CABLE AC CHARGEUR, SANS PRISE, L=2m	
104	PC0494	1	230V CEE7 POWER SUPPLY CABLE, KEYED / CABLE ALIMENTATION 230V CEE7, POLARISE	
105	PC0495	1	230V IEC60309 POWER SUPPLY CABLE / CABLE ALIMENTATION 230V CEI60309	
106	PC0496	1	115V IEC60309 POWER SUPPLY CABLE / CABLE ALIMENTATION 115V CEI60309	
107	1060688	1	CABLE AC CORD, US PLUG, L=2m / CABLE AC CHARGEUR, US, L=2m	

SECTION 9 - ELECTRICAL SYSTEM INSTALL / INSTALLATION ELECTRIQUE

FIGURE 9-5. FLOODED BATTERY (STANDARD) INSTALL / INSTALLATION BATTERIES A FLOTTEURS (STANDARD)



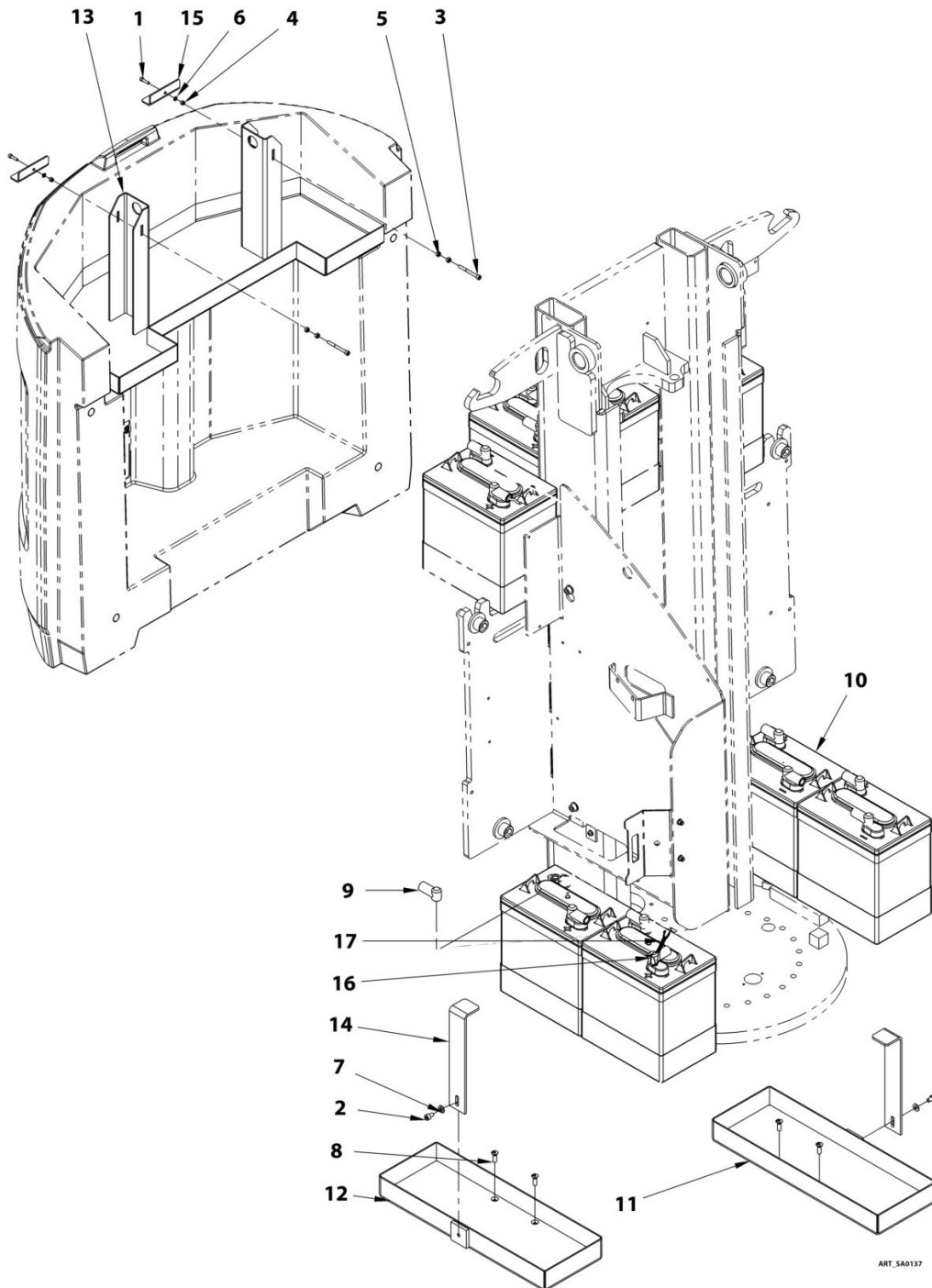
SECTION 9 - ELECTRICAL SYSTEM INSTALL / INSTALLATION ELECTRIQUE

FIGURE 9-5. FLOODED BATTERY (STANDARD) INSTALL / INSTALLATION BATTERIES A FLOTTEURS (STANDARD)

ITEM	PART NUMBER	QTY	DESCRIPTION	REV
	1001225074	Ref	FLOODED BATTERY INSTALL / INSTALLATION BATTERIES A FLOTTEURS	A
1	000010	2	M05x20 8.8 SOCKET HEAD MACH SCREW / VIS CHC M05x20 8.8 BI FT	
2	000042	2	M08x12 8.8 SOCKET HEAD MACH SCREW / VIS CHC M08x12 8.8 BI FT	
3	000076	2	M06x60 8.8 SOCKET HEAD CAP SCREW / VIS CHC M06x60 8.8 BI FT	
4	100005	1	M06x20 8.8 HEX HEAD MACHINE SCREW / VIS H M06x20 8.8 BI FT	
5	110002	2	M05 GR08 LOCK NUT / ECROU FREIN M5 CL08 BI	
6	110015	4	NUT H M6-8 / ECROU H M06 CL08	
7	120002	2	M05 WASHER / RONDELLE M05 BI	
8	120010	2	dD 08x18 LOCK WASHER / RONDELLE CONTACT dD 08x18 BI	
9	130068	4	M08X25 A4-70 COUNTERSUNK HEAD MS / VIS FHC M08x25 A4-70 FT	
10	250031	16	TERMINAL BOOT / CAPUCHON D'ETANCHEITE	
11	260259	1	PUSH BUTTON MOM NO / BOUTON POUSSOIR MOMENTANE NO	
12	260260	1	PUSH BUTTON SEAL CAP / CAPUCHON ETANCHEITE B. P	
13	400012	1	CLAMP COVER PLATE T1 / PLAQUE DE SERRAGE T1	
14	400093	1	WATER CAN KIT / KIT BIDON D'EAU	
15	510093	8	BATTERY, 6V 260AH-20H / BATTERIE,6V 260AH-20H	
16	0840060	16	BOOT BATTERY TERMINALS / CAPUCHON BATTERIE	
17	PC0548	1	HARNESS, BATTERY FILLING / FAISCEAU REMPLISSAGE BATTERIE	
18	DL0902	1	CONTAINER, BATTERY, RIGHT / BAC BATTERIES DROIT	
19	DL0903	1	CONTAINER, BATTERY, LEFT / BAC BATTERIES GAUCHE	
20	DL0904	1	CONTAINER, BATTERY, TOP / BAC BATTERIES HAUT	
21	1001225073	1	INSTALL, WATER FILLING NETWORK / RESEAU DE REMPLISSAGE BATTERIES	
22	ST3632	2	PLATE BATTERY HOLDER / EQUERRE DE MAINTIEN BATTERIE	
23	ST3647	2	PLATE BATTERY STOP / EQUERRE DE MAINTIEN BATTERIE	

SECTION 9 - ELECTRICAL SYSTEM INSTALL / INSTALLATION ELECTRIQUE

FIGURE 9-6. AGM/GEL BATTERY (OPTION) INSTALL / INSTALLATION BATTERIES AGM/GEL (OPTION)



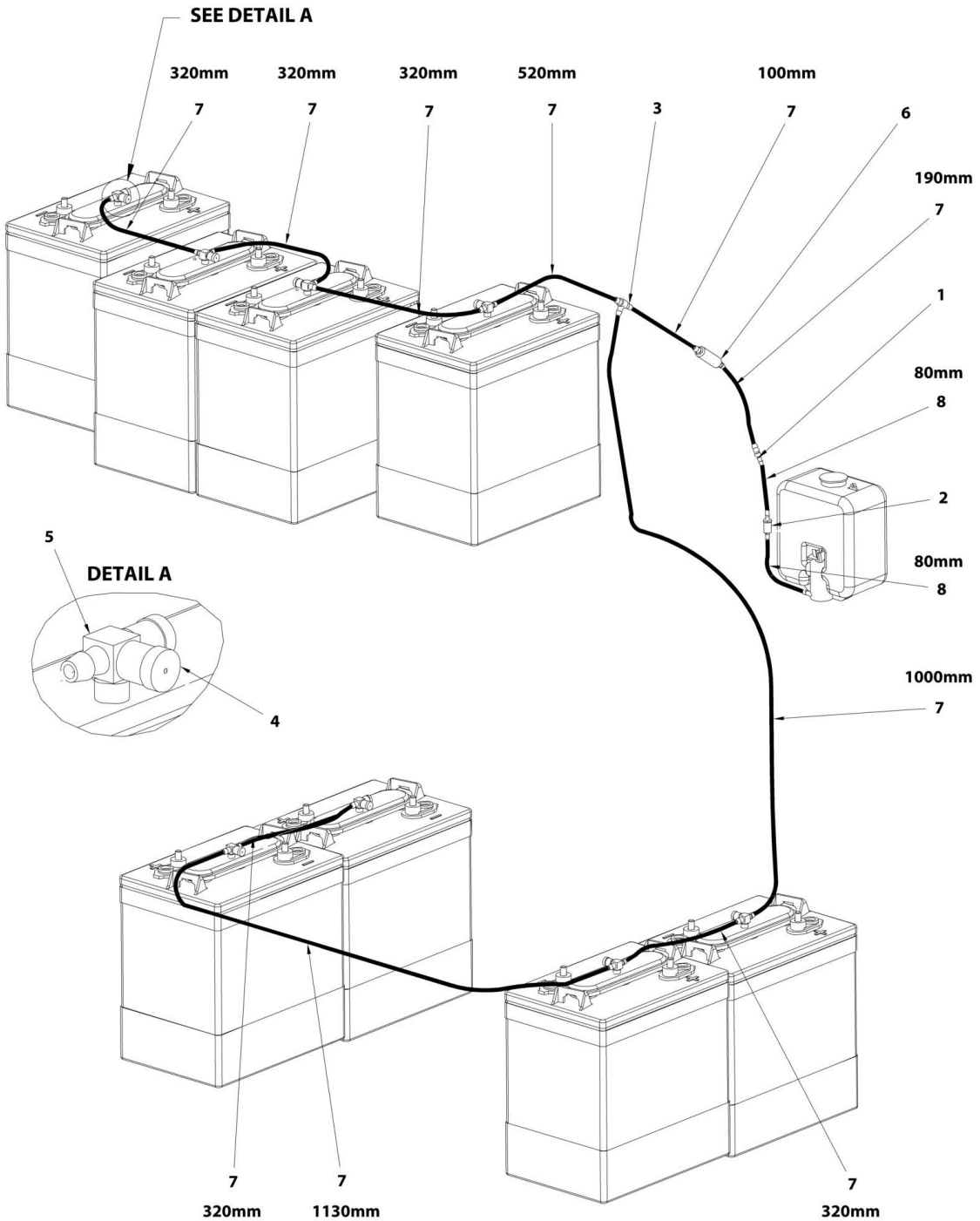
SECTION 9 - ELECTRICAL SYSTEM INSTALL / INSTALLATION ELECTRIQUE

FIGURE 9-6. AGM/GEL BATTERY (OPTION) INSTALL / INSTALLATION BATTERIES AGM/GEL (OPTION)

ITEM	PART NUMBER	QTY	DESCRIPTION	REV
	SA0137	Ref	BATTERIES INSTALL, AGM / INSTALLATION BATTERIES AGM	E
1	000010	2	M05x20 8.8 SOCKET HEAD MACH SCREW / VIS CHC M05x20 8.8 BI FT	
2	000042	2	M08x12 8.8 SOCKET HEAD MACH SCREW / VIS CHC M08x12 8.8 BI FT	
3	000076	2	M06x60 8.8 SOCKET HEAD CAPSCREW / VIS CHC M06x60 8.8 BI FT	
4	110002	2	M05 GR08 LOCK NUT / ECROU FREIN M5 CL08 BI	
5	110015	4	NUT H M6- 8 / ECROU H M06 CL08	
6	120002	2	M05 WASHER / RONDELLE M05 BI	
7	120010	2	dD 08x18 LOCK WASHER / RONDELLE CONTACT dD 08x18 BI	
8	130068	4	M08X25 A4-70 COUNTERSUNK HEAD MS / VIS FHC M08x25 A4-70 FT	
9	250031	16	TERMINAL BOOT / CAPUCHON D'ETANCHEITE	
10	510094	8	BATTERY, AGM, 6V 255AH-20H / BATTERIE AGM,6V 255AH-20H	
11	DL0902	1	CONTAINER, BATTERY, RIGHT / BAC BATTERIES DROIT	
12	DL0903	1	CONTAINER, BATTERY, LEFT / BAC BATTERIES GAUCHE	
13	DL0904	1	CONTAINER, BATTERY, TOP / BAC BATTERIES HAUT	
14	ST3632	2	PLATE BATTERY HOLDER / EQUERRE DE MAINTIEN BATTERIE	
15	ST3647	2	PLATE BATTERY STOP / EQUERRE DE MAINTIEN BATTERIE	
16	1001112113	1	SENSOR, TEMPERATURE / CAPTEUR DE TEMPERATURE	
17	4460509	2	TERMINAL, 10-12 SOCKETCOSSES / CONNECTEUR DEUTSCHAWG 12-14	

SECTION 9 - ELECTRICAL SYSTEM INSTALL / INSTALLATION ELECTRIQUE

FIGURE 9-7. WATER FILLING NETWORK KIT / KIT REMPLISSAGE CENTRALISE



ART_1001225073

SECTION 9 - ELECTRICAL SYSTEM INSTALL / INSTALLATION ELECTRIQUE

FIGURE 9-7. WATER FILLING NETWORK KIT / KIT REMPLISSAGE CENTRALISE

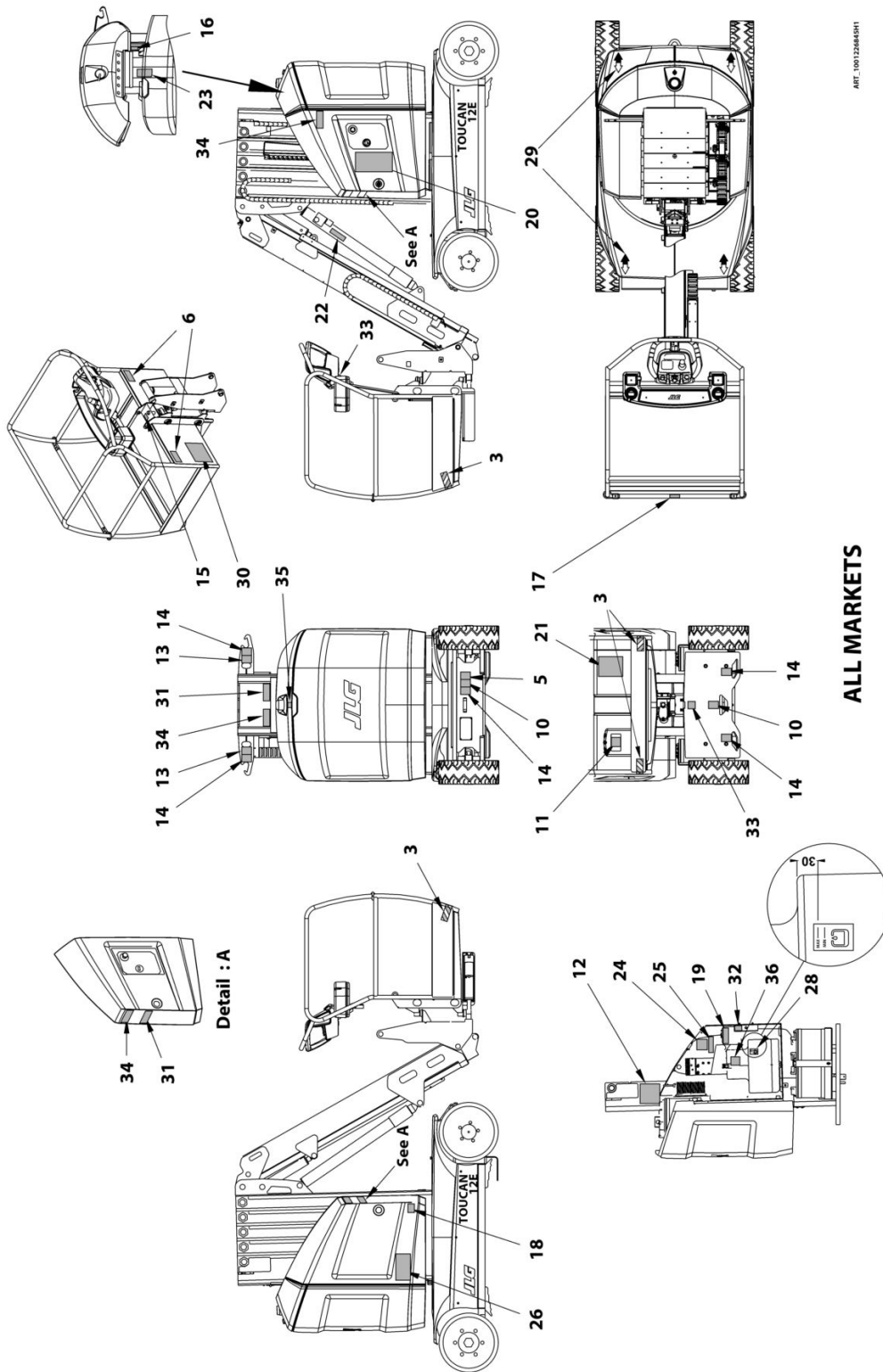
ITEM	PART NUMBER	QTY	DESCRIPTION	REV
	1001225073		NETWORK FILLING KIT / KIT REMPLISSAGE CENTRALISE	B
1	400059	1	4/6 REDUCTION / REDUCTION 4/6	
2	400086	1	CHECK VALVE / CLAPET ANTI-RETOUR	
3	950052	1	RUN TEE 06/06/06 / TE 06/06/06	
4	950219	10	CAP, HYDROLINK SYSTEM / BOUCHON HYDROLINK SYSTEM	
5	950220	8	TEE, HYDROLINK SYSTEM / TE HYDROLINK SYSTEM	
6	950221	1	FLOW INDICATOR Ø6 / INDICATEUR DE DEBIT Ø6	
7	950039	4.6 m	Ø6 PIPE (quantity indicated in meter) / TUYAU Ø 6 (quantité indiquée en mètre)	
8	950215	0.16 m	Ø4 PIPE (quantity indicated in meter) / TUYAU Ø 4 (quantité indiquée en mètre)	

SECTION 10 - DECALS INSTALL / INSTALLATION AUTOCOLLANTS

SECTION 10 - DECALS INSTALL / INSTALLATION AUTOCOLLANTS

SECTION 10 - DECALS INSTALL / INSTALLATION AUTOCOLLANTS

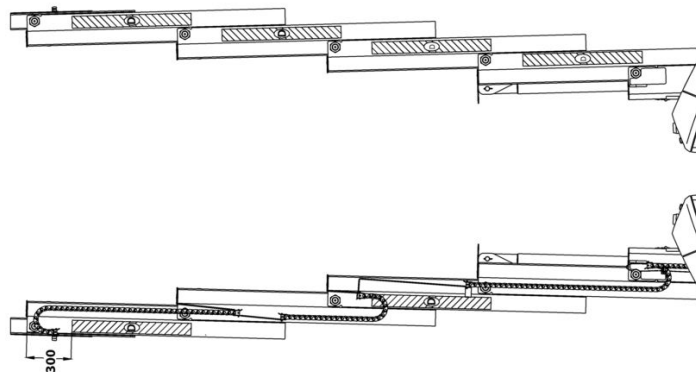
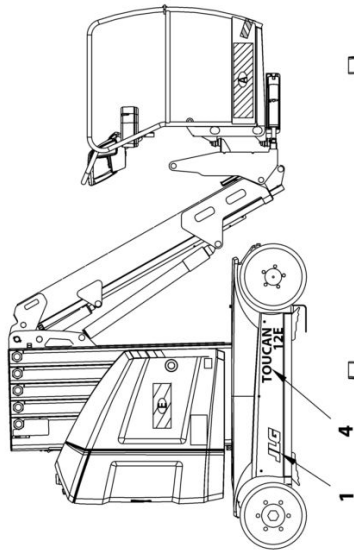
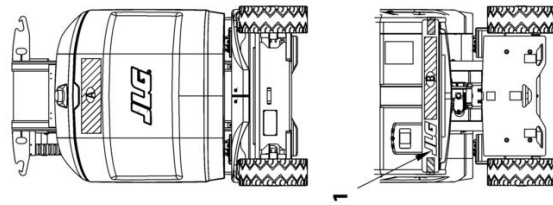
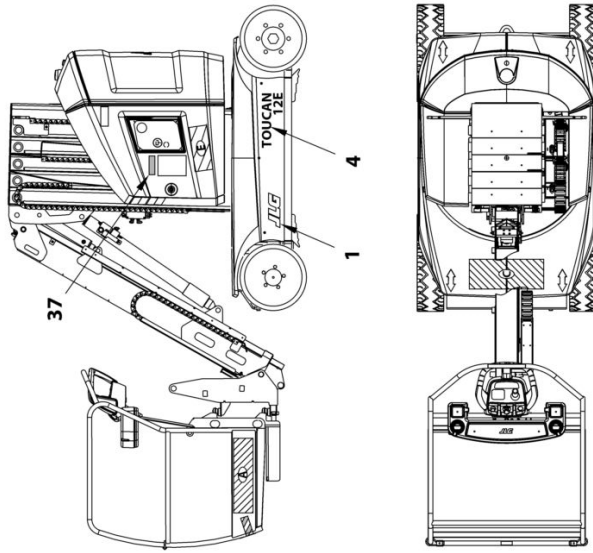
FIGURE 10-1. DECALS INSTALL - ALL MODELS / INSTALLATION AUTOCOLLANTS - TOUS



ART. 100122684SH1

ALL MARKETS

SECTION 10 - DECALS INSTALL / INSTALLATION AUTOCOLLANTS

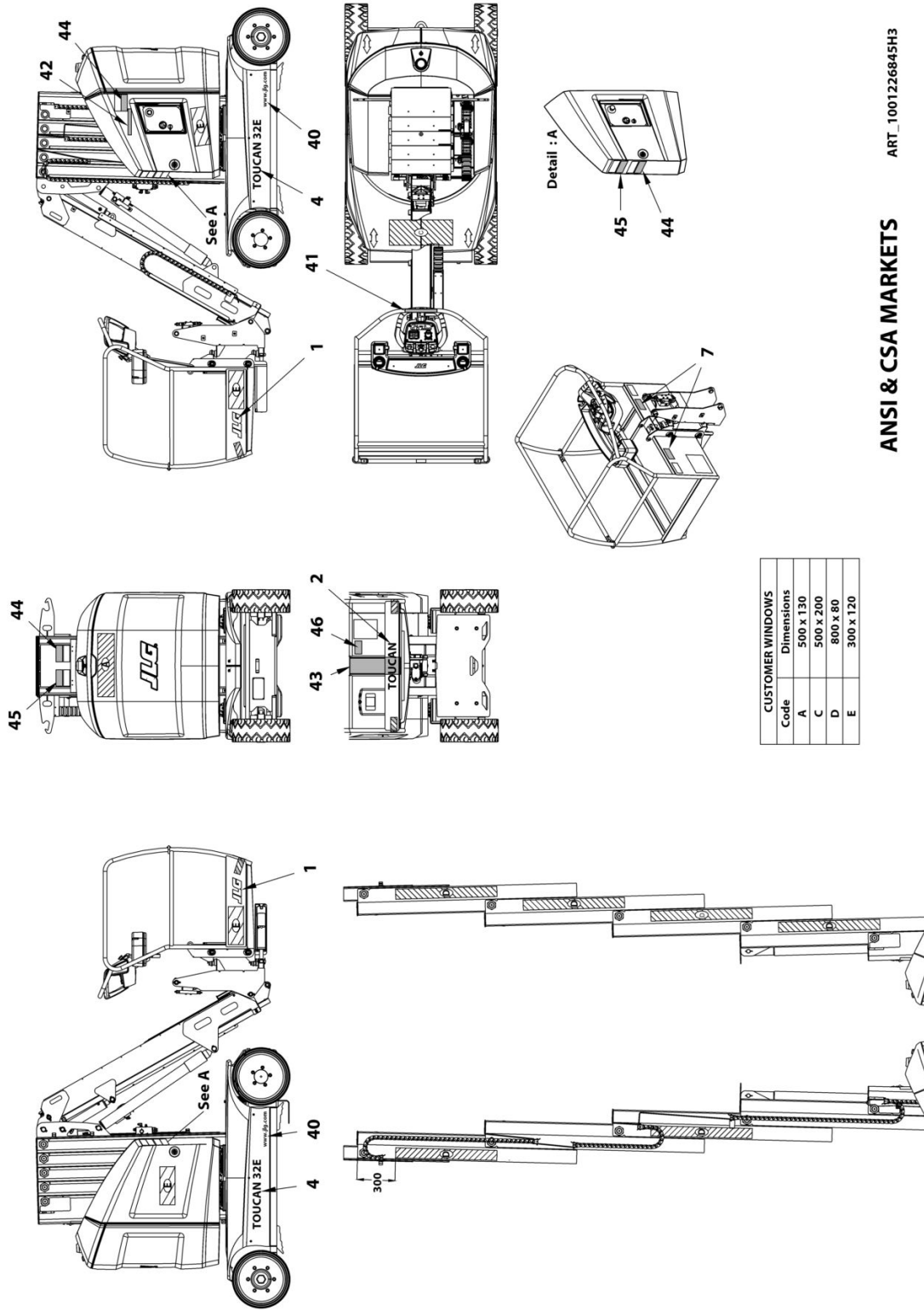


CUSTOMER WINDOWS	
Code	Dimensions
A	500 x 130
B	550 x 80
C	500 x 200
D	800 x 80
E	300 x 120

CE MARKET

ART_1001226845H2

SECTION 10 - DECALS INSTALL / INSTALLATION AUTOCOLLANTS



CUSTOMER WINDOWS	
Code	Dimensions
A	500 x 130
C	500 x 200
D	800 x 80
E	300 x 120

ANSI & CSA MARKETS

ART_1001226845H3

SECTION 10 - DECALS INSTALL / INSTALLATION AUTOCOLLANTS

FIGURE 10-1. DECALS INSTALL / INSTALLATION AUTOCOLLANTS

ITEM	PART NUMBER	QTY	DESCRIPTION	REV
	1001226845	REF	DECALS INSTALL / INSTALLATION AUTOCOLLANTS	H
1	1705781	3	DECAL, JLG 2.75" / AUTOCOLLANT, JLG	
2	Not Required	1	NOT REQUIRED / NON REQUIS	
3	4420051	0.4m	TAPE, SAFETY / RUBAN DE SECURITE	
4	1001268067	1	DECAL, MODEL DESIGNATION 12E / AUTOCOLLANT MODELE 12E	
4	1001268069	1	DECAL, MODEL DESIGNATION 12E Plus / AUTOCOLLANT MODELE 12E Plus	
5	AU2193	1	DECAL, LOAD ON WHEEL, 12E / AUTOCOLLANT CHARGE SUR ROUES 12E	
5	AU2194	1	DECAL, LOAD ON WHEEL, 12E Plus / AUTOCOLLANT CHARGE SUR ROUES 12E Plus	
6	AU2107	2	DECAL, HAND CRUSHING HAZARD (WITH PLATFORM ROTATION ONLY) / AUTOCOLLANT RISQUE D'ECRASEMENT (AVEC OPTION ROTATION PLATE-FORME)	
7	Not Required	1	NOT REQUIRED / NON REQUIS	
0	1001226844	1 Ref	DECALS, 12E-12E Plus CE / AUTOCOLLANTS 12E-12E Plus CE	E
10	1701499	2	DECAL, NO TIE DOWN/LIFT / AU ARRIMAGE	
11	1001227848	1	DECAL, MANUAL / AUTOCOLLANT, MANUEL	
12	1001278484	1	DECAL, BAR CODE ASSY / KIT AUTOCOLLANT CODE BARRE	
12	1001278485	1	DECAL, BAR CODE / AUTOCOLLANT CODE BARRE	
12	1703632	1	DECAL, OVERLAY / PROTECTION ADHESIVE	
13	1703811	2	DECAL, LIFTING LUG / AUTOCOLLANT, ANNEAU DE LEVAGE	
14	1703814	5	DECAL, TIE DOWN / AUTOCOLLANT, ARRIMAGE	
15	1704277	1	DECAL, LANYARD ATTACH / AUTOCOLLANT, ATTACHE HARNAIS	
16	1705803	1	DECAL, ELEC HAZARA(DAN) / AUTOCOLLANT, RISQUES ELECTRIQUES	
17	1706493	1	DECAL, DROP BAR / AU RISQUE DE CHUTE SOUS-LISSE	
18	1706740	1	DECAL, BATTERY DISCONNECT / AUTOCOLLANT, DECONNEXION BATTERIE	
19	1001212356	1	CE - DECAL, DISTILLED WATER / CE - AUTOCOLLANT EAU DISTILLEE	
20	AU2109	1	DECAL, INSTRUCTION AND LOADS / AUTOCOLLANT CONSIGNES ET CHARGES	
21	AU2102	1	DECAL, LOAD AND INSTRUCTIONS / AUTOCOLLANT CHARGES ET CONSIGNE	
22	1001226407	1	DECAL, JIB MANUAL DESCENT / AUTOCOLLANT, DESCENTE MANUELLE BRAS	
23	1001245245	1	DECAL, MAST MANUAL DESCENT / AUTOCOLLANT, DESCENTE MANUELLE MAT	
24	1001226409	1	DECAL, MANUAL ORIENTATION / AUTOCOLLANT, ORIENTATION MANUELLE	
25	1001226410	1	DECAL, JIB MANUAL RAISING / AUTOCOLLANT, MONTEE MANUELLE BRAS	
26	1001226411	1	DECAL, EMERGENCY CONTROLS / AUTOCOLLANT, COMMANDES SECOURS	
28	AU2097	1	DECAL, OIL LEVEL / AUTOCOLLANT, NIVEAU D'HUILE	
29	AU0149	4	DECAL, RIP DRIVER DIR.FIG T100U / AUTOCOLLANT, REP SENS MARCHE	
30	AU2101	1	DECAL, TIE DOWN AND LIFTING / AUTOCOLLANT ARRIMAGE	

SECTION 10 - DECALS INSTALL / INSTALLATION AUTOCOLLANTS

ITEM	PART NUMBER	QTY	DESCRIPTION	REV
31	AU2103	3	DECAL, ELECTROCUTION / AUTOCOLLANT ELECTROCUTION	
32	AU2104	1	DECAL, BATTERY FILLING / AUTOCOLLANT REEMPLISSAGE BATTERIE	
33	AU2105	2	DECAL, NO KARCHER / AUTOCOLLANT KARCHER	
34	AU2108	4	DECAL, CRUSHING HAZARD / AUTOCOLLANT ECRASEMENT	
35	AU2229	1	DECAL,BATTERY CHARGER PLUG / AUTOCOLLANT PRISE CHARGEUR	
36	1001296007	1	DECAL,HYD OIL CHART / AUTOCOLLANT TABLEAU HUILE	
37	1001189882	1	DECAL,MSSO OPERATION / AUTOCOLLANT MSSO	
40	Not Required	1	NOT REQUIRED / NON REQUIS	
41	Not Required	1	NOT REQUIRED / NON REQUIS	
42	Not Required	1	NOT REQUIRED / NON REQUIS	
43	Not Required	1	NOT REQUIRED / NON REQUIS	
44	Not Required	1	NOT REQUIRED / NON REQUIS	
45	Not Required	1	NOT REQUIRED / NON REQUIS	
46	Not Required	1	NOT REQUIRED / NON REQUIS	
		Ref	T32E DECALS / T32E - AUTOCOLLANTS	
1	1705781	2	DECAL, JLG 2.75" / AUTOCOLLANT,JLG	
2	AU1825	1	DECAL, FRONT BASKET TOUCAN / LOGO TOUCAN AVANT PANIER	
3	4420051	0.4m	TAPE,SAFETY / RUBAN DE SECURITE	
4	1001268068	1	DECAL,MODEL DESIGNATION 32E / AUTOCOLLANT MODELE 32E	
5	1001226846	1	DECAL,WHEEL LOADS 32E / AUTOCOLLANT, CHARGE SUR ROUE 32E	
6	AU2119	2	ENGLISH - DECAL, HAND CRUSHING HAZARD (WITH PLATFORM ROTATION ONLY) / ANGLAIS - AUTOCOLLANT RISQUE D'ECRASEMENT (AVEC OPTION ROTATION PLATE-FORME)	
6	AU2147	2	SPANISH - DECAL, HAND CRUSHING HAZARD (WITH PLATFORM ROTATION ONLY) / ESPAGNOL - AUTOCOLLANT RISQUE D'ECRASEMENT (AVEC OPTION ROTATION PLATE-FORME)	
7	AU2152	2	PORTUGUESE - DECAL, HAND CRUSHING HAZARD (WITH PLATFORM ROTATION ONLY) / PORTUGAIS - AUTOCOLLANT RISQUE D'ECRASEMENT (AVEC OPTION ROTATION PLATE-FORME)	
7	AU2119	1	ENGLISH - DECAL, HAND CRUSHING HAZARD (WITH PLATFORM ROTATION ONLY) / ANGLAIS - AUTOCOLLANT RISQUE D'ECRASEMENT (AVEC OPTION ROTATION PLATE-FORME)	
7	AU2140	2	FRENCH - DECAL, HAND CRUSHING HAZARD (WITH PLATFORM ROTATION ONLY) / FRANCAIS - AUTOCOLLANT RISQUE D'ECRASEMENT (AVEC OPTION ROTATION PLATE-FORME)	
0	1001226840	1 Ref	DECALS,32E ANSI ENGLISH / AUTOCOLLANTS T32E ANSI ANGLAIS	F
0	1001226841	1 Ref	DECALS,32E ANSI SPA-PORT / AUTOCOLLANTS T32E ANSI ESP-PORT	E
0	1001226842	1 Ref	DECALS,32E ANSI ENG-SPA / AUTOCOLLANTS T32E ANSI ANG-ESP	E
0	1001226843	1 Ref	DECALS,32E CSA / AUTOCOLLANTS T32E CANADA	E
10	1701499	2	DECAL, NO TIE DOWN/LIFT / AUTOCOLLANT, ARRIMAGE	
11	1001227848	1	DECAL,MANUAL / AUTOCOLLANT, MANUEL	

SECTION 10 - DECALS INSTALL / INSTALLATION AUTOCOLLANTS

ITEM	PART NUMBER	QTY	DESCRIPTION	REV
12	1001278484	1	DECAL,BAR CODE ASSY / KIT AUTOCOLLANT CODE BARRE	
12	1001278485	1	DECAL,BAR CODE / AUTOCOLLANT CODE BARRE	
12	1703632	1	DECAL,OVERLAY / PROTECTION ADHESIVE	
13	1703811	2	DECAL, LIFTING LUG / AUTOCOLLANT, ANNEAU DE LEVAGE	
14	1703814	5	DECAL, TIE DOWN / AUTOCOLLANT, ARRIMAGE	
15	1704277	1	DECAL, LANYARD ATTACH / AUTOCOLLANT, ATTACHE HARNAIS	
16	1703785	1	DECAL, ELEC HAZARA(DAN) / AUTOCOLLANT, DANGER-EXPLOSION	
17	1706493	1	DECAL,DROP BAR / AUTOCOLLANT,PORTILLON	
18	1706740	1	DECAL, BATTERY DISCONNECT / AUTOCOLLANT, DECONNEXION BATTERIE	
19	1001212355	1	ANSI - DECAL,DISTILLED WATER / ANSI - AUTOCOLLANT EAU DISTILLEE	
20	1001223845	1	ENGLISH - DECAL,SAFETY INSTRUCTIONS / ANGLAIS - AUTOCOLLANT CONSIGNES DE SECURITE	
20	1001223847	1	SPA-PORT - DECAL,SAFETY INSTRUCTIONS / ESP-PORT - AUTOCOLLANT CONSIGNES DE SECURITE	
20	1001223849	1	ENG-SPA - DECAL,SAFETY INSTRUCTIONS / ANG-ESP - AUTOCOLLANT CONSIGNES DE SECURITE	
20	1001223851	1	ENG-FRA - DECAL,SAFETY INSTRUCTIONS / ANG-FRA - AUTOCOLLANT CONSIGNES DE SECURITE	
21	1001223853	1	ENGLISH - DECAL,LOADS & SAFETY INSTRUCTIONS / ANGLAIS - AUTOCOLLANT CHARGES ET CONSIGNES	
21	1001223933	1	PORTUGUESE - DECAL,LOADS & SAFETY INSTRUCTIONS / PORTUGAIS- AUTOCOLLANT CHARGES ET CONSIGNES	
21	1001223935	1	SPANISH - DECAL,LOADS & SAFETY INSTRUCTIONS / ESPAGNOL - AUTOCOLLANT CHARGES ET CONSIGNES	
21	1001223937	1	FRENCH - DECAL,LOADS & SAFETY INSTRUCTIONS / FRANCAIS - AUTOCOLLANT CHARGES ET CONSIGNES	
22	1001226407	1	DECAL, JIB MANUAL DESCENT / AUTOCOLLANT,DESCENTE MANUELLE BRAS	
23	1001245245	1	DECAL,MAST MANUAL DESCENT / AUTOCOLLANT,DESCENTE MANUELLE MAT	
24	1001226409	1	DECAL,MANUAL ORIENTATION / AUTOCOLLANT,ORIENTATION MANUELLE	
25	1001226410	1	DECAL,JIB MANUAL RAISING / AUTOCOLLANT,MONTEE MANUELLE BRAS	
26	1001226411	1	DECAL,EMERGENCY CONTROLS / AUTOCOLLANT,COMMANDES SECOURS	
28	AU2097	1	DECAL, OIL LEVEL / AUTOCOLLANT,NIVEAU D'HUILE	
29	AU0149	4	DECAL, RIP DRIVER DIR.FIG T100U / AUTOCOLLANT, REP SENS MARCHE	
30	AU2101	1	DECAL, TIE DOWN AND LIFTING / AUTOCOLLANT ARRIMAGE	
31	AU2118	3	ENGLISH - DECAL, ELECTROCUTION / ANGLAIS - AUTOCOLLANT RISQUE ELECTROCUTION	
31	AU2150	3	SPANISH - DECAL, ELECTROCUTION / ESPAGNOL - AUTOCOLLANT RISQUE ELECTROCUTION	
31	AU2144	3	FRENCH - DECAL, ELECTROCUTION / FRANCAIS - AUTOCOLLANT RISQUE ELECTROCUTION	
32	AU2104	1	DECAL, BATTERY FILLING / AUTOCOLLANT REMPLISSAGE BATTERIE	
33	AU2105	2	DECAL, NO KARCHER / AUTOCOLLANT KARCHER	
34	AU2117	4	ENGLISH - DECAL, CRUSHING HAZARD / ANGLAIS - AUTOCOLLANT RISQUE ECRASEMENT	

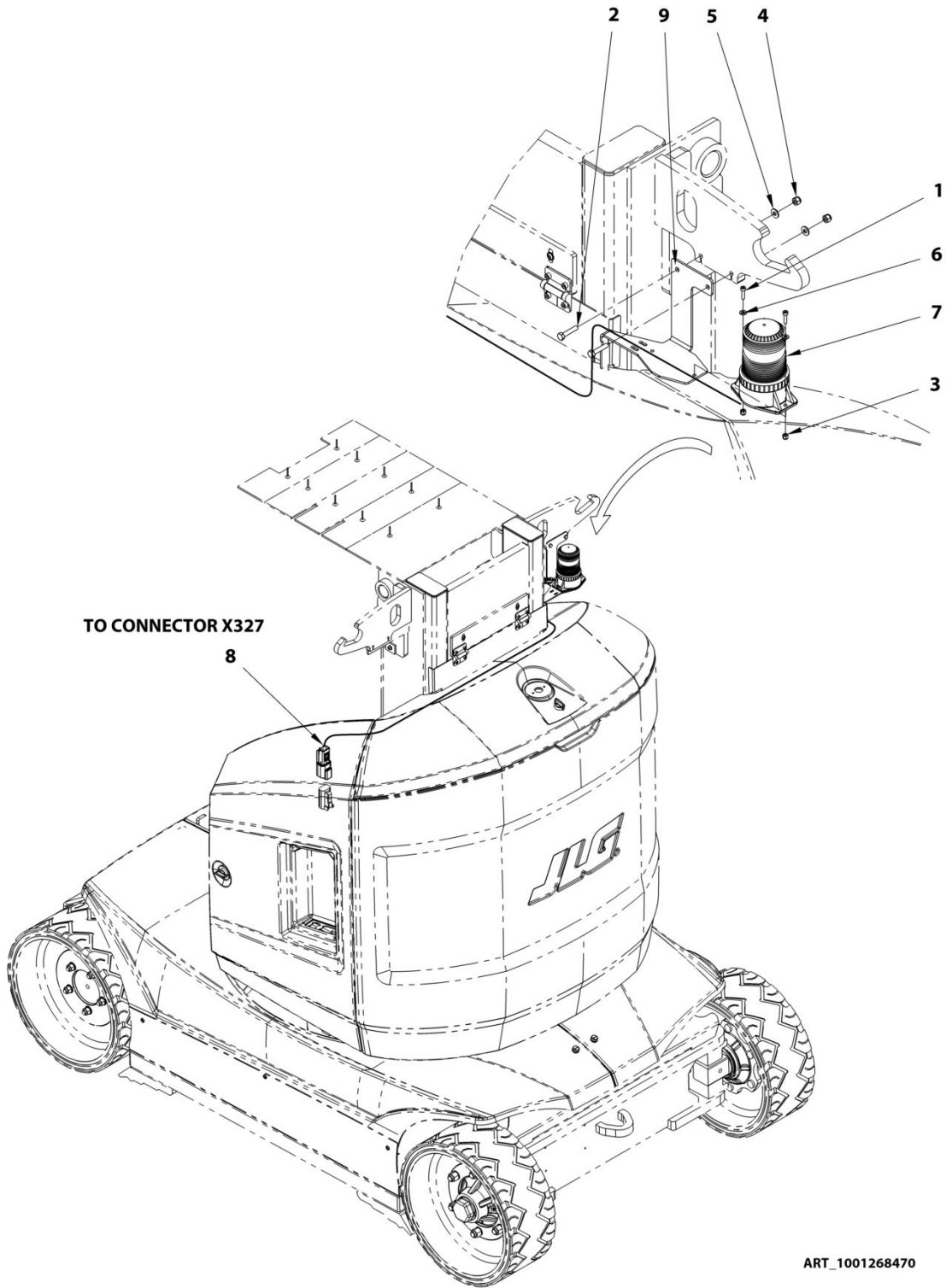
SECTION 10 - DECALS INSTALL / INSTALLATION AUTOCOLLANTS

ITEM	PART NUMBER	QTY	DESCRIPTION	REV
34	AU2149	4	SPANISH - DECAL, CRUSHING HAZARD / ESPAGNOL - AUTOCOLLANT RISQUE ECRASEMENT	
35	AU2229	1	DECAL,BATTERY CHARGER PLUG / AUTOCOLLANT PRISE CHARGEUR	
36	1001296007	1	DECAL,HYD OIL CHART / AUTOCOLLANT TABLEAU HUILE	
40	1704885	2	DECAL,WEBSITE / AUTOCOLLANT SITE WEB	
41	AU2201	1	DECAL, PLF LEGEND / AUTOCOLLANT LEGENDE BOITIER HAUT	
42	AU2202	1	DECAL, MTB LEGEND / AUTOCOLLANT LEGENDE BOITIER BAS	
43	1001223855	1	SPANISH - DECAL,LOADS & SAFETY INSTRUCTIONS / ESPAGNOL - AUTOCOLLANT CHARGES ET CONSIGNES	
43	1001223853	1	ENGLISH - DECAL,LOADS & SAFETY INSTRUCTIONS / ANGLAIS - AUTOCOLLANT CHARGES ET CONSIGNES	
44	AU2155	3	PORTUGUESE - DECAL, ELECTROCUTION HAZARD / PORTUGAIS - AUTOCOLLANT RISQUE ELECTROCUTION	
44	AU2118	3	ENGLISH - DECAL, ELECTROCUTION HAZARD / ANGLAIS - AUTOCOLLANT RISQUE ELECTROCUTION	
45	AU2154	4	PORTUGUESE - DECAL, CRUSHING HAZARD / PORTUGAIS - AUTOCOLLANT RISQUE ECRASEMENT	
45	AU2117	4	ENGLISH - DECAL, CRUSHING HAZARD / ANGLAIS - AUTOCOLLANT RISQUE ECRASEMENT	
45	AU2143	4	FRENCH - DECAL, CRUSHING HAZARD / FRANCAIS - AUTOCOLLANT RISQUE ECRASEMENT	
46	1001231801	1 0.4m	DECAL,WARNING PROP 65 / AUTOCOLLANT PROP 65	

SECTION 11 - OPTIONS / OPTIONS

SECTION 11 - OPTIONS / OPTIONS

FIGURE 11-1. SKYLINE BEACON INSTALL / INSTALLATION FEU SKYLINE



ART_1001268470

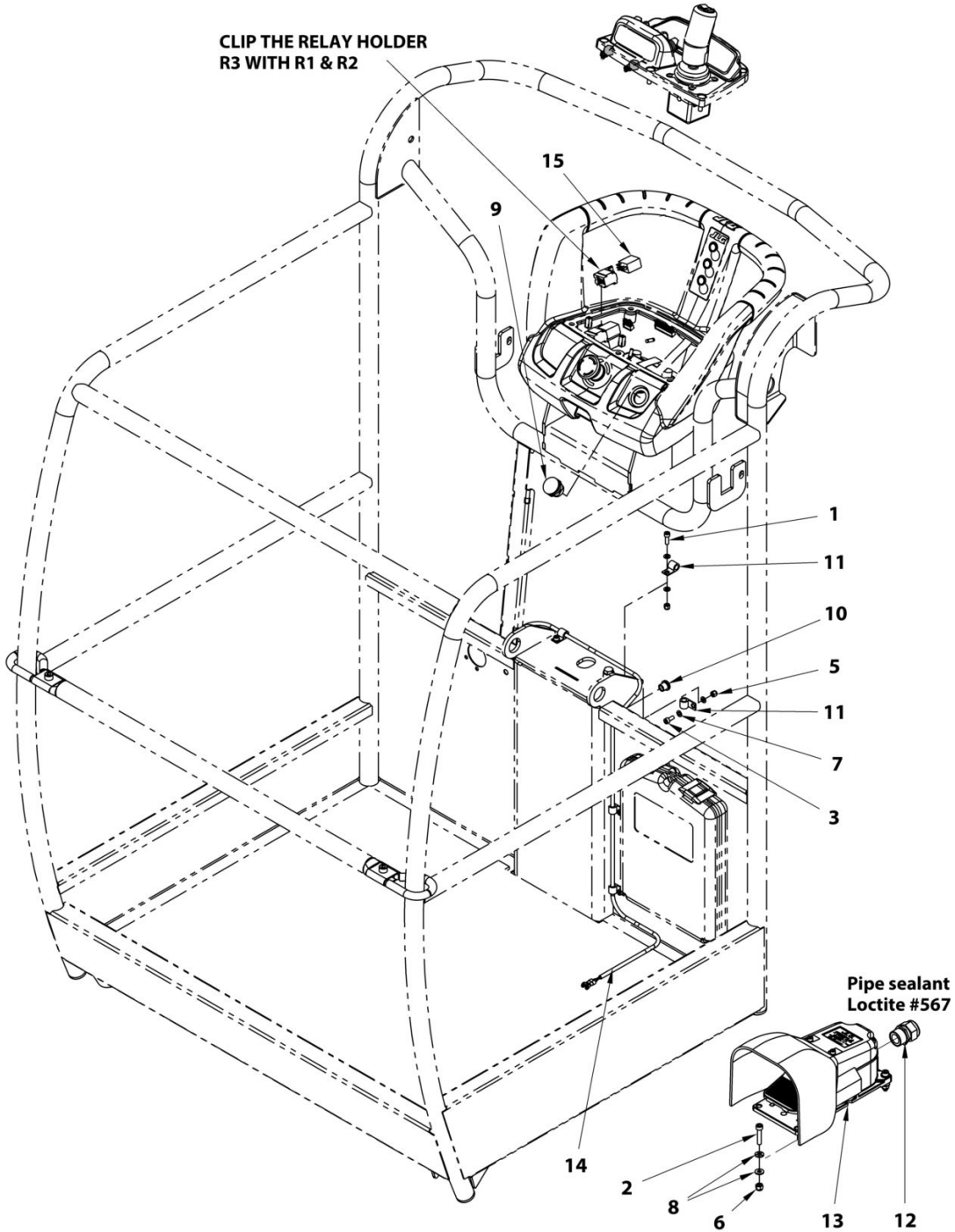
SECTION 11 - OPTIONS / OPTIONS

FIGURE 11-1. SKYLINE BEACON INSTALL / INSTALLATION FEU SKYLINE

ITEM	PART NUMBER	QTY	DESCRIPTION	REV
	1001268470	Ref	SKYLINE BEACON INSTALL / INSTALLATION FEU SKYLINE	A
1	000085	2	M04x16 8.8 SOCKET HEAD MACH SCREW / VIS CHC M04x16 8.8 BI FT	
2	100018	2	M06x30 8.8 HEX. HEAD MACHINE SCREW / VIS H M06x30 8.8 BI FT	
3	110001	2	M04 GR. 8.8 LOCK NUT / ECROU FREIN M4 CL08 BI	
4	110003	2	M06 GR. 8.8 LOCK NUT / ECROU FREIN M6 CL08 BI	
5	120009	2	LOCK WASHER D06x14 / RONDELLE CONTACT dD 06x14 BI	
6	120024	2	LOCK WASHER D04x10 / RONDELLE CONTACT M4 BI	
7	1001200910	1	LAMP,BLUE BEACON / FEU BLEU	
8	1001268471	1	HARNES,ALERT BEACON / FAISCEAU FEU	
9	1001268474	1	BRACKET,ALERT BEACON / SUPPORT FEU	

SECTION 11 - OPTIONS / OPTIONS

FIGURE 11-2. PEDAL FOR JAPAN INSTALL / INSTALLATION PEDALE POUR JAPON



ART_1001267669

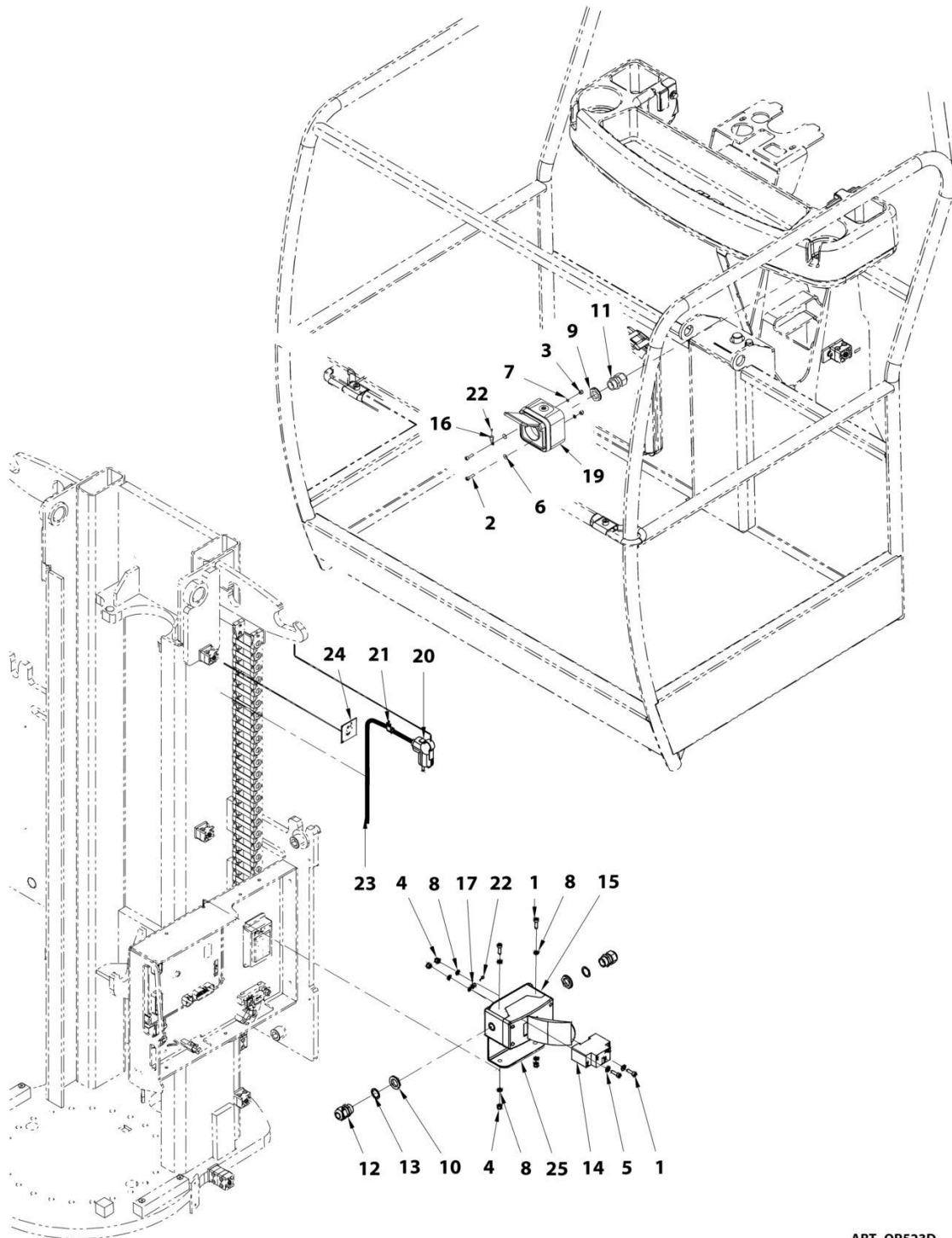
SECTION 11 - OPTIONS / OPTIONS

FIGURE 11-2. PEDAL FOR JAPAN INSTALL / INSTALLATION PEDALE POUR JAPON

ITEM	PART NUMBER	QTY	DESCRIPTION	REV
	1001268287	Ref	INSTALL PEDALE FOR JAPAN / INSTALLATION PEDALE POUR JAPON	B
1	000003	2	M05x16 8.8 SOCKET HEAD MACH SCREW / VIS CHC M05x16 8.8 BI FT	
2	000016	3	M06x30 8.8 SOCKET HEAD MACH SCREW / VIS CHC M06x30 8.8 BI FT	
3	000067	3	M05x12 8.8 SOCKET HEAD MACH SCREW / VIS CHC M05x12 8.8 BI FT	
5	110002	5	M05 GR. 8.8 LOCK NUT / ECROU FREIN M5 CL08 BI	
6	110003	3	M06 GR. 8.8 LOCK NUT / ECROU FREIN M6 CL08 BI	
7	120002	10	M05 WASHER / RONDELLE M05 BI	
8	120009	6	LOCK WASHER D06x14 / RONDELLE CONTACT dD 06x14 BI	
9	210052	1	LOCK WASHER D06x14 / BOUCHON D22.5	
10	250051	1	CHANNEL D11.5 / PASSE FIL D11.5	
11	1001279287	5	CLAMP D9 / COLLIER D9	
12	4460071	1	CONNECTOR,WATER TIGHT / PRESSE ETOUPE	
13	1001117172	1	PEDAL / PEDALE	
14	1001267644	1	HARNESS,PEDAL / FAISCEAU PEDALE	
15	1001268286	1	RELAY,TYCO 12V / RELAIS TYCO 12V	

SECTION 11 - OPTIONS / OPTIONS

FIGURE 11-3. 230V PLATFORM SOCKET INSTALL / INSTALLATION PRISE PLATEFORME 230V



ART_OP523D

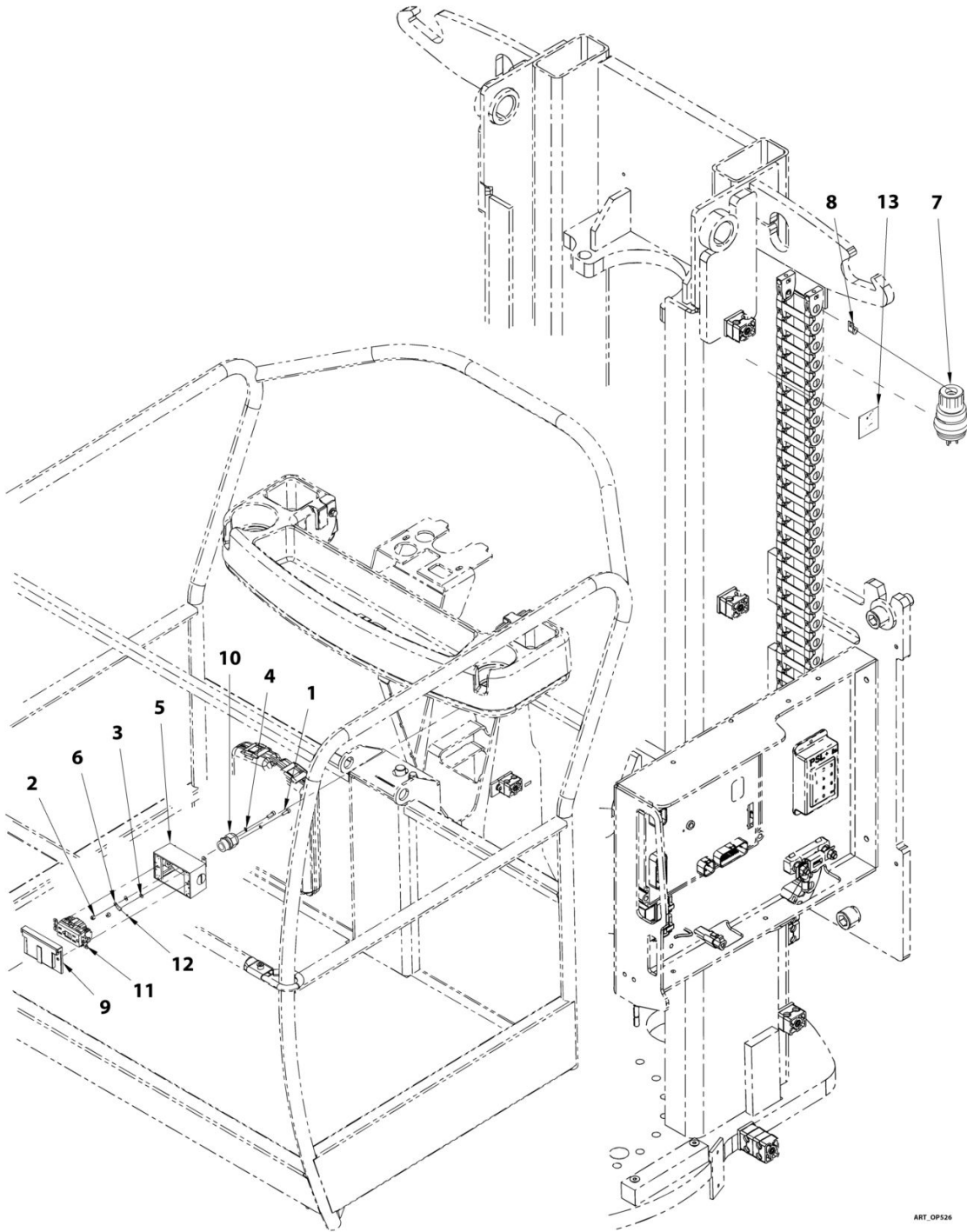
SECTION 11 - OPTIONS / OPTIONS

FIGURE 11-3. 230V PLATFORM SOCKET INSTALL / INSTALLATION PRISE PLATEFORME 230V

ITEM	PART NUMBER	QTY	DESCRIPTION	REV
0	OP523	Ref	PLUG AND RECEPT (220V) (CEE7 POST GROUND) / PRISE 220V (CEE7 TERRE FRONTALE)	D
0	OP524	Ref	PLUG AND RECEPT (220V) (CEE7 SIDE GROUND) / PRISE 220V (CEE7 TERRE LATÉRALE)	D
1	000005	4	M06x20 8.8 SOCKET HEAD MACH SCREW / VIS CHC M06x20 8.8 BI FT	
2	000085	2	M04x16 8.8 SOCKET HEAD MACH SCREW / VIS CHC M04x16 8.8 BI FT	
3	110001	2	M04 GR08 LOCK NUT / ECROU FREIN M4 CL08 BI	
4	110003	4	M06 GR08 LOCK NUT / ECROU FREIN M6 CL08 BI	
5	120009	2	dD 06x14 LOCK WASHER / RONDELLE CONTACT dD 06x14 BI	
6	120024	2	M4 LOCK WASHER / RONDELLE CONTACT M4 BI	
7	120058	2	WASHER, D4 SERRATED LOCK / RONDELLE EVENTAIL D4	
8	120060	6	WASHER, D6 SERRATED LOCK / RONDELLE EVENTAIL D6	
9	210011	1	GLAND N°13 NUT / ECROU DE PRESSE ETOUPE N°13	
10	210012	2	GLAND N°16 NUT / ECROU DE PRESSE ETOUPE N°16	
10	1001293012	2	GLAND M25 NUT / ECROU DE PRESSE ETOUPE M25	
11	210019	1	GLAND N°13 / PRESSE ETOUPE N°13	
12	210021	2	GLAND N°16 / PRESSE ETOUPE N°16	
12	1001293011	1	GLAND M25 / JOINT DE PRESSE ETOUPE M25	
13	210065	2	SEAL, PG13 GLAND / JOINT DE PRESSE ETOUPE N°13	
14	1001181045	1	CUTOOUT 30 mA / DISJONCTEUR DIFFERENTIEL 30 mA	
15	240093	1	CUTOOUT BOX / BOITIER DISJONCTEUR	
16	250089	1	M4 EYELET TERMINAL 1-2.5MM ² / COSSE A OEIL ISOLEE M4 - 1-2.5mm ²	
17	250091	1	M6 EYELET TERMINAL 1-2.5MM ² / COSSE A OEIL ISOLEE M6 - 1-2.5mm ²	
19	260029	1	FRENCH 230 VAC SOCKET 2P+T / PRISE FEM. FRANCAISE 230VAC 2P+T	
19	260187	1	GERMAN 230 VAC SOCKET 2P+T / PRISE FEM.ALLEMANDE 230VAC 2P+T	
20	260214	1	FRENCH AND GERMAN 230V CONNECTOR / PRISE 230V FRANCAISE ET ALLEMANDE	
21	1001279287	1	CLAMP D9 / COLLIER D9	
22	270002	0.22 m	WIRE 2 MM ² Y/G (qty indicated in meter) / FIL 2 MM ² V/J (QTÉ INDIQUÉE EN MÈTRE)	
23	270059	2.1 m	CABLE 3G2.5MM ² COLOR LEADS (qty indicated in meter) / CABLE 3G2.5mm ² coloré (qté en mètre)	
24	AU1716	1	PLATFORM SOCKET DECAL / AUTOCOLLANT PRISE PANIER	
25	ST3681	1	SUPPORT, PLUG OPTION BOX / SUPPORT BOITIER	

SECTION 11 - OPTIONS / OPTIONS

FIGURE 11-4. 115V (GFI-US) PLATFORM SOCKET INSTALL / INSTALLATION PRISE PLATEFORME 115V (GFI-US)



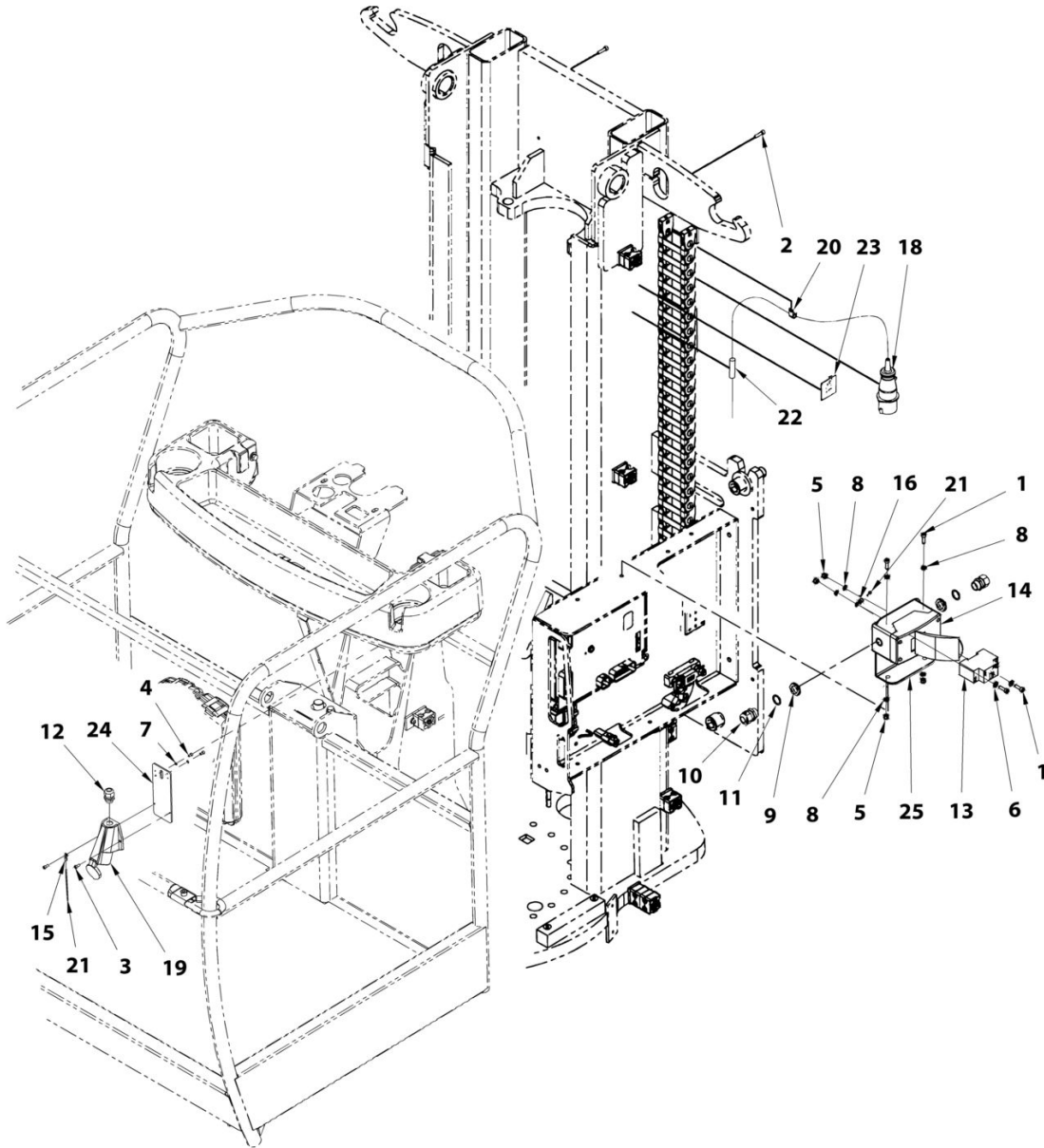
SECTION 11 - OPTIONS / OPTIONS

FIGURE 11-4. 115V (GFI-US) PLATFORM SOCKET INSTALL / INSTALLATION PRISE PLATEFORME 115V (GFI-US)

ITEM	PART NUMBER	QTY	DESCRIPTION	REV
0	OP526	Ref	PLUG AND RECEPT (115V-GFI) (US) / PRISE (115V -GFI) (US)	A
1	000003	2	M05x16 8.8 SOCKET HEAD MACH SCREW / VIS CHC M05x16 8.8 BI FT	
2	110002	2	M05 GR08 LOCK NUT / ECROU FREIN M5 CL08 BI	
3	120002	2	M05 WASHER / RONDELLE M05 BI	
4	120059	2	WASHER, D5 SERRATED LOCK / RONDELLE EVENTAIL D5	
5	230016	1	ELECTRICAL BOX / BOITIER ELECTRIQUE	
6	250090	1	M5 EYELET TERMINAL 1-2.5MM ² / COSSE A OEIL ISOLEE M5 - 1-2.5MM ²	
7	260276	1	US 125 VAC MALE CONNEC (=7634002827). / PRISE US 125VAC (=7364002824)	
8	1001279287	1	CLAMP D9 / COLLIER D9	
9	4060700	1	CIRCUIT BREAKER COVER / COUVERCLE COUPE CIRCUIT	
10	4460071	1	CONNECTOR, WATER TIGHT / PRESSE ETOUPE	
11	4460346	1	CIRCUIT BREAKER KIT / KIT COUPE CIRCUIT	
12	270002	0.1	WIRE 2 MM ² Y/G (qty indicated in meter) / FIL 2 MM ² V/J (QTÉ INDIQUÉE EN MÈTRE)	
13	AU1716	1	PLATFORM SOCKET DECAL / AUTOCOLLANT PRISE PANIER	

SECTION 11 - OPTIONS / OPTIONS

FIGURE 11-5. 115V CEI 60309 YELLOW PLATFORM SOCKET INSTALL / PRISE 115 V (IEC 60309 JAUNE)



ART_OP525E

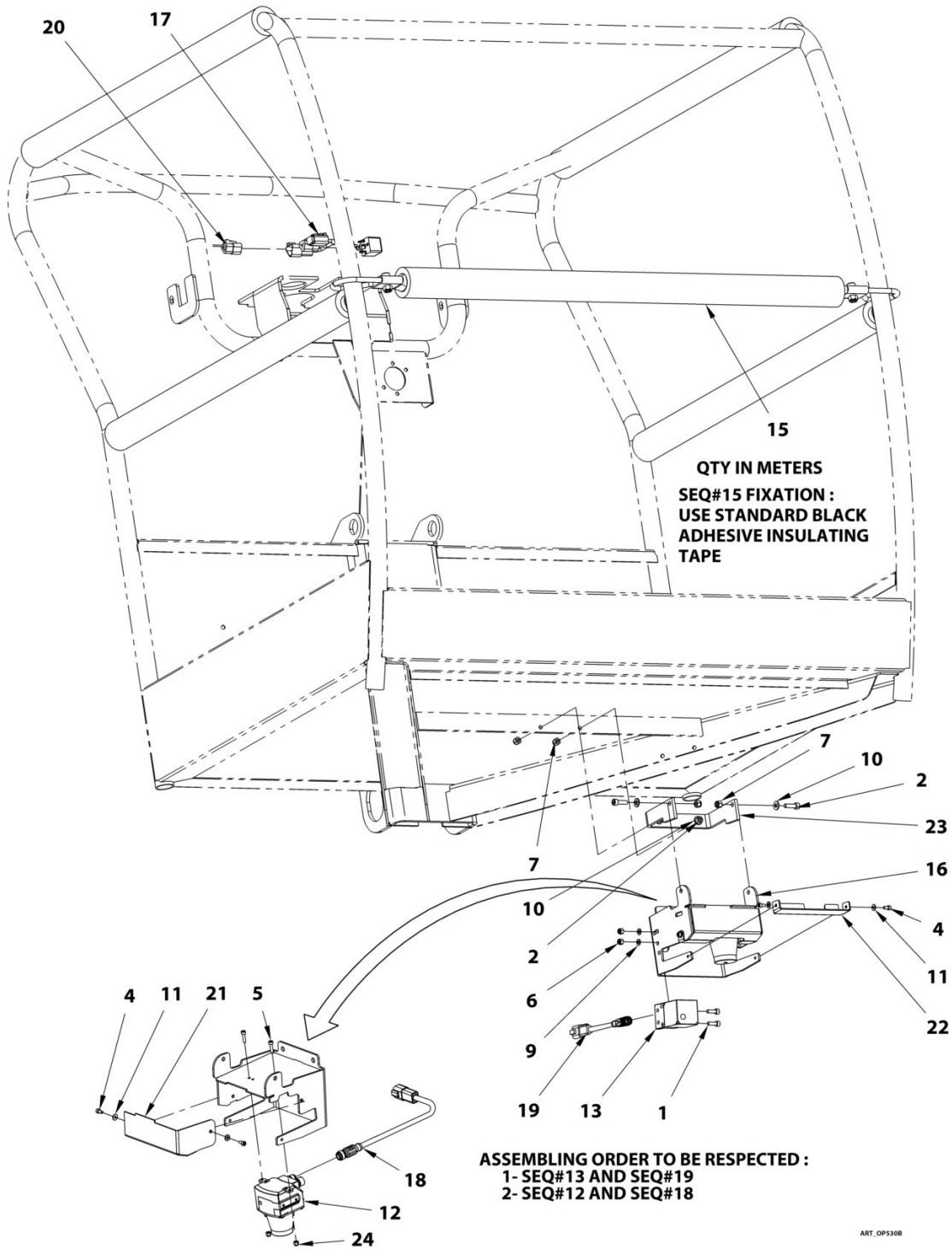
SECTION 11 - OPTIONS / OPTIONS

FIGURE 11-5. 115V CEI 60309 YELLOW PLATFORM SOCKET INSTALL / PRISE 115 V (IEC 60309 JAUNE)

ITEM	PART NUMBER	QTY	DESCRIPTION	REV
0	OP525	Ref	PLUG AND RECEPT (115V) (IEC 60309 YELLOW) / PRISE 115 V (IEC 60309 JAUNE)	E
1	000005	4	M06x20 8.8 SOCKET HEAD MACH SCREW / VIS CHC M06x20 8.8 BI FT	
2	000010	2	M05x20 8.8 SOCKET HEAD MACH SCREW / VIS CHC M05x20 8.8 BI FT	
3	000067	2	M05x12 8.8 SOCKET HEAD MACH SCREW / VIS CHC M05x12 8.8 BI FT	
4	000089	2	M05x08 8.8 SOCKET HEAD MACH SCREW / VIS CHC M05x08 8.8 BI FT	
5	110003	4	M06 GR08 LOCK NUT / ECROU FREIN M6 CL08 BI	
6	120009	2	DD 06x14 LOCK WASHER / RONDELLE CONTACT dD 06x14 BI	
7	120059	2	WASHER, D5 SERRATED LOCK / RONDELLE EVENTAIL D5	
8	120060	6	WASHER, D6 SERRATED LOCK / RONDELLE EVENTAIL D6	
9	210012	2	GLAND N°16 NUT / ECROU DE PRESSE ETOUPE N°16	
9	1001293012	2	GLAND M25 NUT / ECROU DE PRESSE ETOUPE M25	
10	210021	2	GLAND N°16 / PRESSE ETOUPE N°16	
10	1001293011	2	GLAND M25 / PRESSE ETOUPE M25	
11	210065	2	SEAL, PG16 GLAND / JOINT DE PRESSE ETOUPE N°16	
12	210066	1	M20 CABLE GLAND / PRESSE ETOUPE M20	
13	1001181045	1	CUTOUT 30 MA / DISJONCTEUR DIFFERENTIEL 30 mA	
14	240093	1	CUTOUT BOX / BOITIER DISJONCTEUR	
15	250090	1	M5 EYELET TERMINAL 1-2.5MM ² / COSSE A OEIL ISOLEE M5 - 1-2.5MM ²	
16	250091	1	M6 EYELET TERMINAL 1-2.5MM ² / COSSE A OEIL ISOLEE M6 - 1-2.5mm ²	
18	260213	1	CONNECTOR 115VAC/16A IEC60309 / PRISE MALE 115VAC/16A CEI60309	
19	260258	1	115 VAC IEC60309 SURFACE SOCKET / PRISE FEMELLE FIXE 115VAC CEI60309	
20	1001279287	1	CLAMP D9 / COLLIER D9	
21	270002	0.32 m	WIRE 2 mm ² Y/G (qty indicated in meter) / FIL 2 MM ² V/J (QTÉ INDIQUÉE EN MÈTRE)	
22	270059	2.1 m	CABLE 3G2.5mm ² Color leads (qty in meters) / CABLE 3G2.5mm ² coloré (qté en mètre)	
23	AU1716	1	PLATFORM SOCKET DECAL / AUTOCOLLANT PRISE PANIER	
24	ST3439	1	SUPPORT, SOCKET 115V / SUPPORT PRISE	
25	ST3681	1	SUPPORT, PLUG OPTION BOX / SUPPORT BOITIER	

SECTION 11 - OPTIONS / OPTIONS

FIGURE 11-6. PLATFORM W/ ROTATION OBSTACLE DETECTION / DETECTION OBSTACLE AVEC ROTATION PLATE-FORME



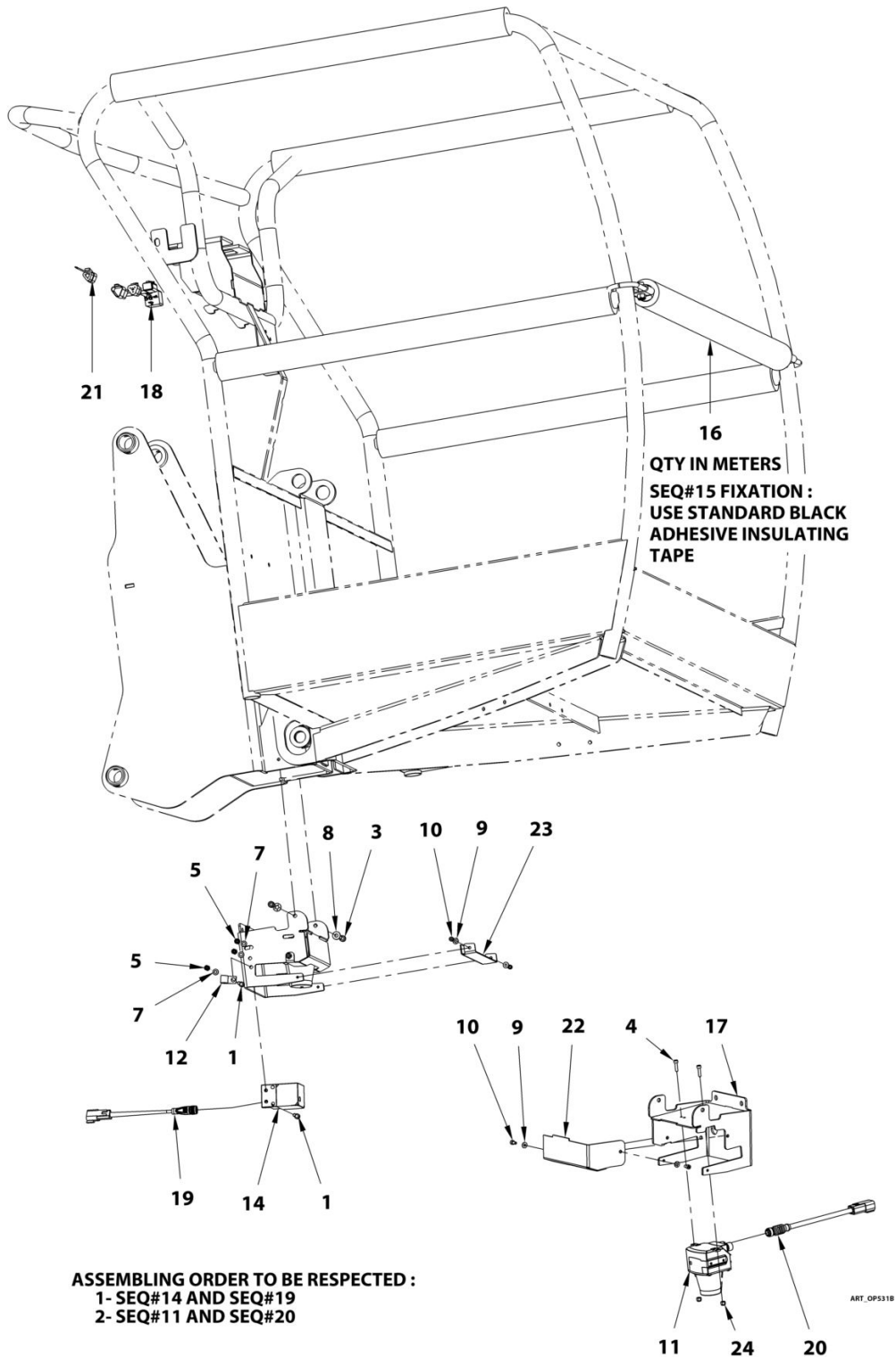
SECTION 11 - OPTIONS / OPTIONS

FIGURE 11-6. PLATFORM W/ ROTATION OBSTACLE DETECTION / DETECTION OBSTACLE AVEC ROTATION PLATE-FORME

ITEM	PART NUMBER	QTY	DESCRIPTION	REV
0	OP530	Ref	PLATFORM W/ ROTATION OBSTACLE DETECTION / DETECTION OBSTACLE AVEC ROTATION	B
1	000003	2	M05x16 8.8 SOCKET HEAD MACH SCREW / VIS CHC M05x16 8.8 BI FT	
2	000005	4	M06x20 8.8 SOCKET HEAD MACH SCREW / VIS CHC M06x20 8.8 BI FT	
4	000090	4	M04x08 8.8 SOCKET HEAD MACH SCREW / VIS CHC M04x08 8.8 BI FT	
5	000085	2	M04x16 8.8 SOCKET HEAD MACH SCREW / VIS CHC M04x16 8.8 BI FT	
6	110002	2	M05 GR. 8.8 LOCK NUT / ECROU FREIN M5 CL08 BI	
7	110003	4	M06 GR. 8.8 LOCK NUT / ECROU FREIN M6 CL08 BI	
9	120002	2	M05 WASHER / RONDELLE M05 BI	
10	120009	4	LOCK WASHER D06x14 / RONDELLE CONTACT dD 06x14 BI	
11	120024	4	LOCK WASHER D04x10 / RONDELLE CONTACT M4 BI	
12	260339	1	SENSOR,2D LASER SCANNER / SCANNER LASER 2D	
13	260341	1	SENSOR,ULTRASONIC / DETECTEUR ULTRASON	
15	400087	4	INSULATION PIPE D30 INT. LENGTHH 1m / TUBE ISOLANT D30 INT. LONGUEUR 1m	
16	1001229970	1	SUPPORT,OBSTACLE DETECTION / SUPPORT DETECTION OBSTACLE	
17	PC0617	1	HARNESS,OBSTACLE DETECTION / FAISCEAU DETECTION OBSTACLE	
18	PC0618	1	HARNESS,LASER SENSOR / FAISCEAU SCANNER LASER	
19	PC0619	1	HARNESS,ULTRASONIC SENSOR / FAISCEAU DETECTEUR ULTRASON	
20	PC0622	1	HARNESS,OBSTACLE DETECTION CONNECTORS / FAISCEAU CONNECTEURS DETECTION OBSTACLE	
21	1001229975	1	PLATE,SENSORS PROTECTION / TOLE PROTECTION CAPTEURS	
22	1001229971	1	PLATE,LASER SENSOR PROTECTION / TOLE PROTECTION CAPTEUR LASER	
23	1001229974	1	SUPPORT,OBSTACLE DETECTION / MONTAGE SUPPORT DETECTION OBSTACLE	
24	110001	2	M04 GR. 8.8 LOCK NUT / ECROU FREIN M4 CL08 BI	

SECTION 11 - OPTIONS / OPTIONS

FIGURE 11-7. PLATFORM W/O ROTATION OBSTACLE DETECTION / DETECTION OBSTACLE SANS ROTATION PLATE-FORME



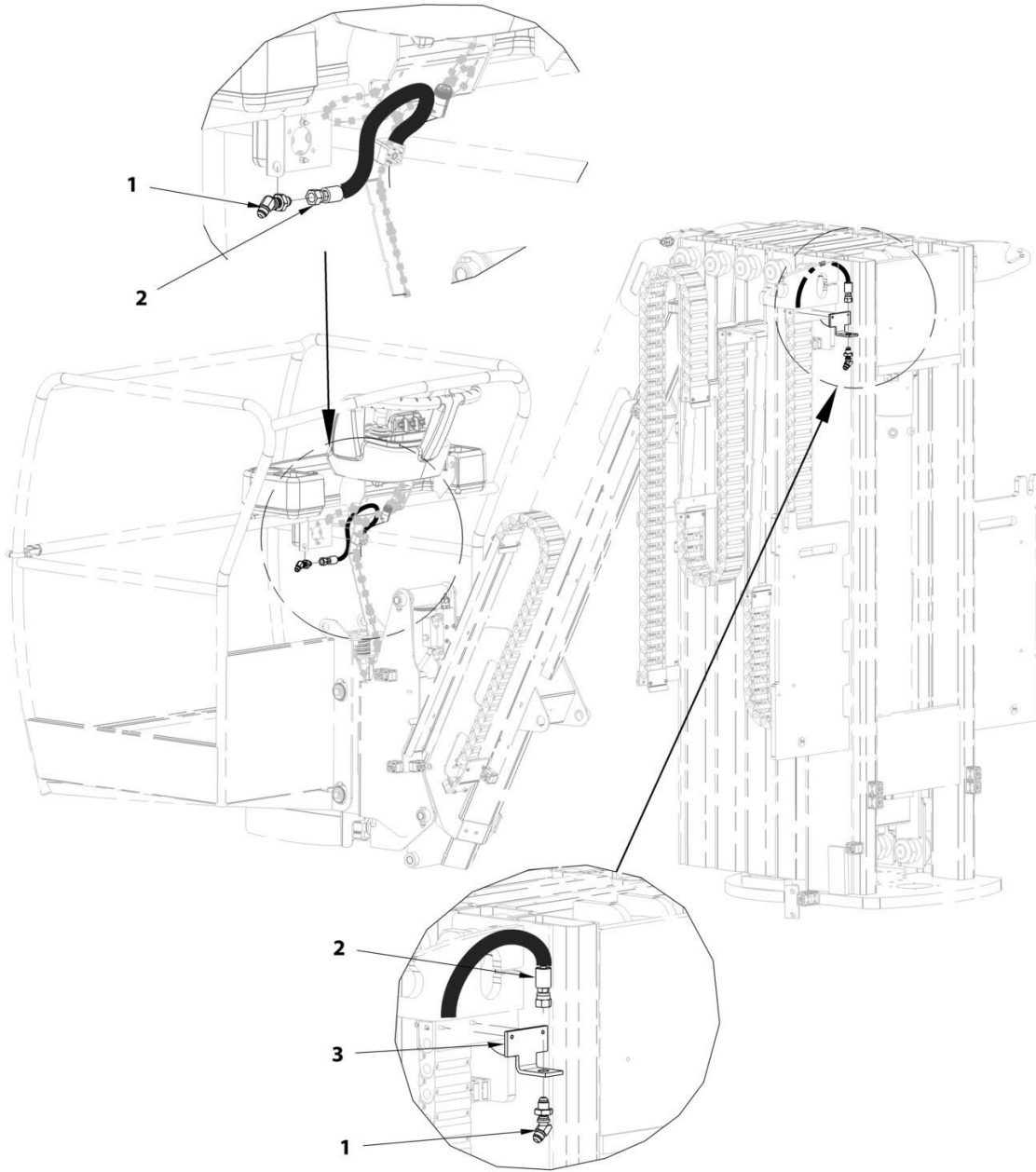
SECTION 11 - OPTIONS / OPTIONS

FIGURE 11-7. PLATFORM W/O ROTATION OBSTACLE DETECTION / DETECTION OBSTACLE SANS ROTATION PLATE-FORME

ITEM	PART NUMBER	QTY	DESCRIPTION	REV
0	OP531	Ref	PLATFORM W/O ROTATION OBSTACLE DETECTION / DETECTION OBSTACLE SANS ROTATION	C
1	000003	3	M05x16 8.8 SOCKET HEAD MACH SCREW / VIS CHC M05x16 8.8 BI FT	
3	000014	2	M06x12 8.8 SOCKET HEAD MACH SCREW / VIS CHC M06x12 8.8 BI FT	
4	000085	2	M04x16 8.8 SOCKET HEAD MACH SCREW / VIS CHC M04x16 8.8 BI FT	
5	110002	3	M05 GR. 8.8 LOCK NUT / ECROU FREIN M5 CL08 BI	
7	120002	3	M05 WASHER / RONDELLE M05 BI	
8	120009	2	LOCK WASHER D06x14 / RONDELLE CONTACT dD 06x14 BI	
9	120024	4	LOCK WASHER D04x10 / RONDELLE CONTACT M4 BI	
10	000090	1	M04x08 8.8 SOCKET HEAD MACH SCREW / VIS CHC M04x08 8.8 BI FT	
11	260339	1	SENSOR,2D LASER SCANNER / SCANNER LASER 2D	
12	1001279287	1	CLAMP D9 / COLLIER D9	
14	260341	1	SENSOR,ULTRASONIC / DETECTEUR ULTRASON	
16	400087	4	INSULATION PIPE D30 INT. LENGTHH 1m / TUBE ISOLANT D30 INT. LONGUEUR 1m	
17	1001229970	1	SUPPORT,OBSTACLE DETECTION / SUPPORT DETECTION OBSTACLE	
18	PC0617	1	HARNESS,OBSTACLE DETECTION / FAISCEAU DETECTION OBSTACLE	
19	PC0619	1	HARNESS,ULTRASONIC SENSOR / FAISCEAU DETECTEUR ULTRASON	
20	PC0618	1	HARNESS,LASER SENSOR / FAISCEAU SCANNER LASER	
21	PC0622	1	HARNESS,OBSTACLE DETECTION CONNECTORS / FAISCEAU CONNECTEURS DETECTION OBSTACLE	
22	1001229975	1	PLATE,SENSORS PROTECTION / TOLE PROTECTION CAPTEURS	
23	1001229971	1	PLATE,LASER SENSOR PROTECTION / TOLE PROTECTION CAPTEUR LASER	
24	110001	2	M04 GR. 8.8 LOCK NUT / ECROU FREIN M4 CL08 BI	

SECTION 11 - OPTIONS / OPTIONS

FIGURE 11-8. AIR LINE INSTALL / INSTALLATION AIR COMPRIME



ART_OP527

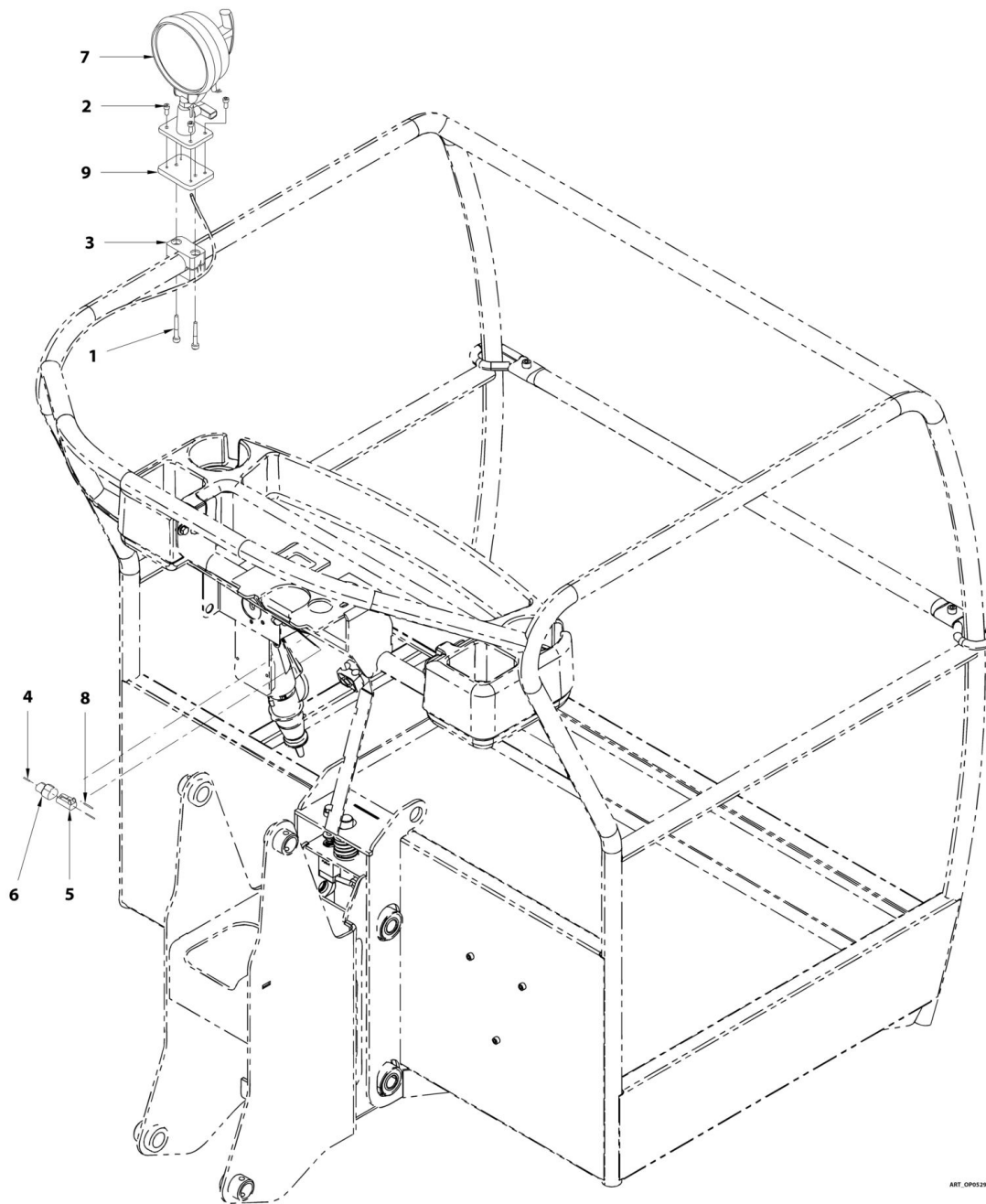
SECTION 11 - OPTIONS / OPTIONS

FIGURE 11-8. AIR LINE INSTALL / INSTALLATION AIR COMPRIME

ITEM	PART NUMBER	QTY	DESCRIPTION	REV
0	OP527	Ref	AIRLINE 5/16" 12E/32E / AIR COMPRIME 5/16" 12E/32E	A
0	OP528	Ref	AIRLINE 5/16" 12E PLUS / AIR COMPRIME 5/16" 12E PLUS	A
1	300161	2	45° BULKHEAD JIC 9/16 / TRAVERSEE DE CLOISON 45° JIC 9/16	
2	DF1001	1	12E,32E - HOSE 5/16-1315cm-JIC Fem 9/16-JIC Fem 9/16 / 12E,32E - FLEXIBLE 5/16-1315cm-JIC Fem 9/16-JIC Fem 9/16	
2	DF1002	1	12E PLUS - HOSE 5/16-1410cm-JIC Fem 9/16-JIC Fem 9/16 / 12E PLUS - FLEXIBLE 5/16-1410cm-JIC Fem 9/16-JIC Fem 9/16	
3	ST1969	1	BRACKET / EQUERRE	

SECTION 11 - OPTIONS / OPTIONS

FIGURE 11-9. PLATFORM WORK LIGHT INSTALL / INSTALLATION PHARE DE TRAVAIL



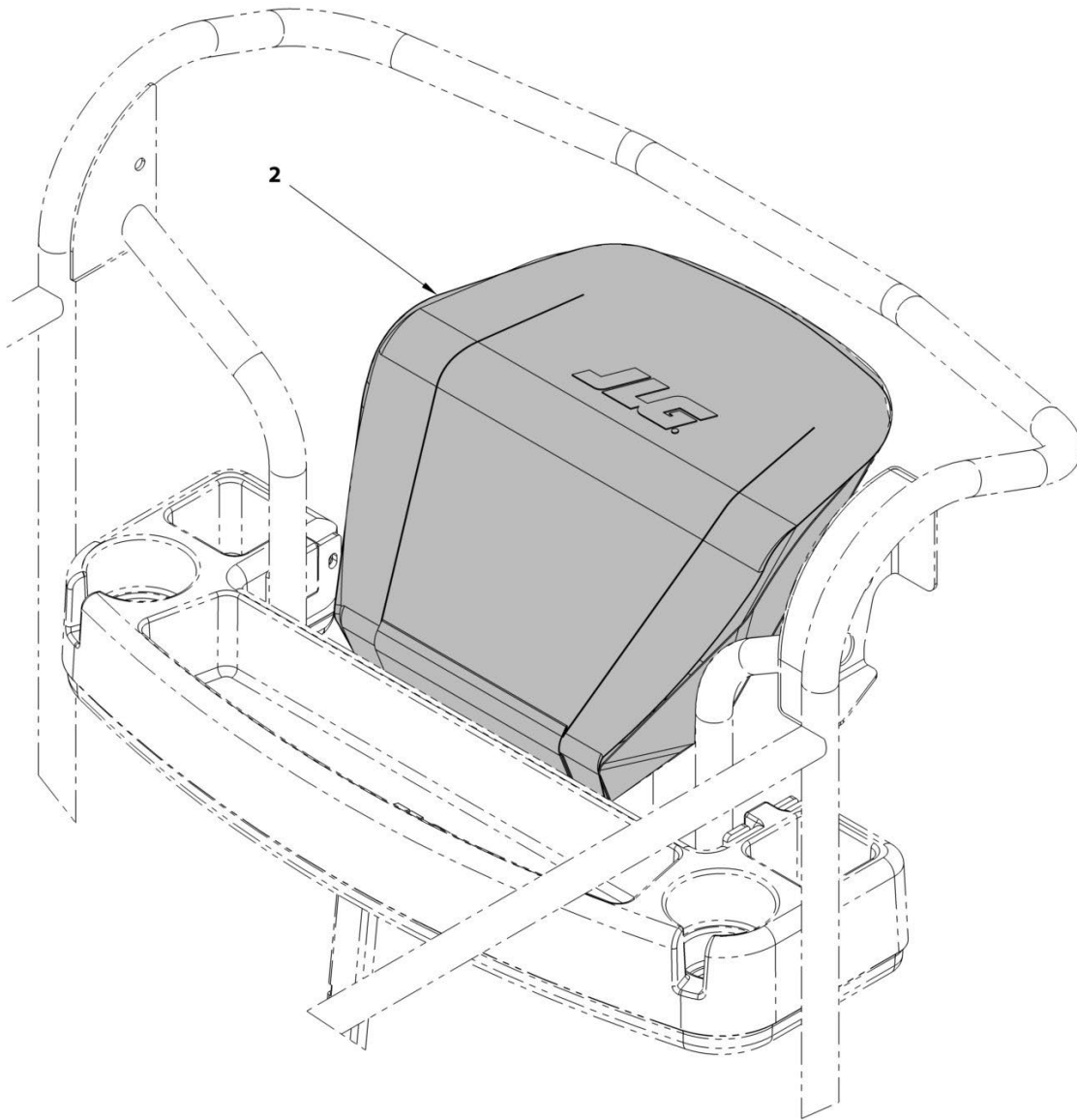
SECTION 11 - OPTIONS / OPTIONS

FIGURE 11-9. PLATFORM WORK LIGHT INSTALL / INSTALLATION PHARE DE TRAVAIL

ITEM	PART NUMBER	QTY	DESCRIPTION	REV
	OP529	Ref	PLATFORM WORK LIGHT / PHARE DE TRAVAIL PLATE-FORME	A
1	000017	2	M06x40 8.8 SOCKET HEAD MACH SCREW / VIS CHC M06x40 8.8 BI FT	
2	000067	4	M05x12 8.8 SOCKET HEAD MACH SCREW / VIS CHC M05x12 8.8 BI FT	
3	400077	1	CLAMP, SINGLE D30 / COLLIER D30	
4	4460464	1	CONTACT DEUTSCH DT PIN / CONTACT DEUTSCH DT MALE	
5	4460891	1	CONNECTOR, DEUTSCH DT 2P PLUG / CONNECTEUR DEUTSCH DT 2P MALE	
6	4460897	1	CONNECTOR, DEUTSCH DT 2P RECEPTACLE / CONNECTEUR DEUTSCH DT 2P FEMELLE	
7	1001120474	1	LAMP, 12V SPOT (LCD) / LAMPE 12V A LEDS	
8	4460465	2	CONTACT DEUTSCH DT SOCKET / CONTACT DEUTSCH DT FEMELLE	
9	ST3689	1	SUPPORT, WORK LIGHT / SUPPORT PHARE DE TRAVAIL	

SECTION 11 - OPTIONS / OPTIONS

FIGURE 11-10. UCB PROTECTION INSTALL / INSTALLATION PROTECTION BOITIER HAUT



ART_1001214774B

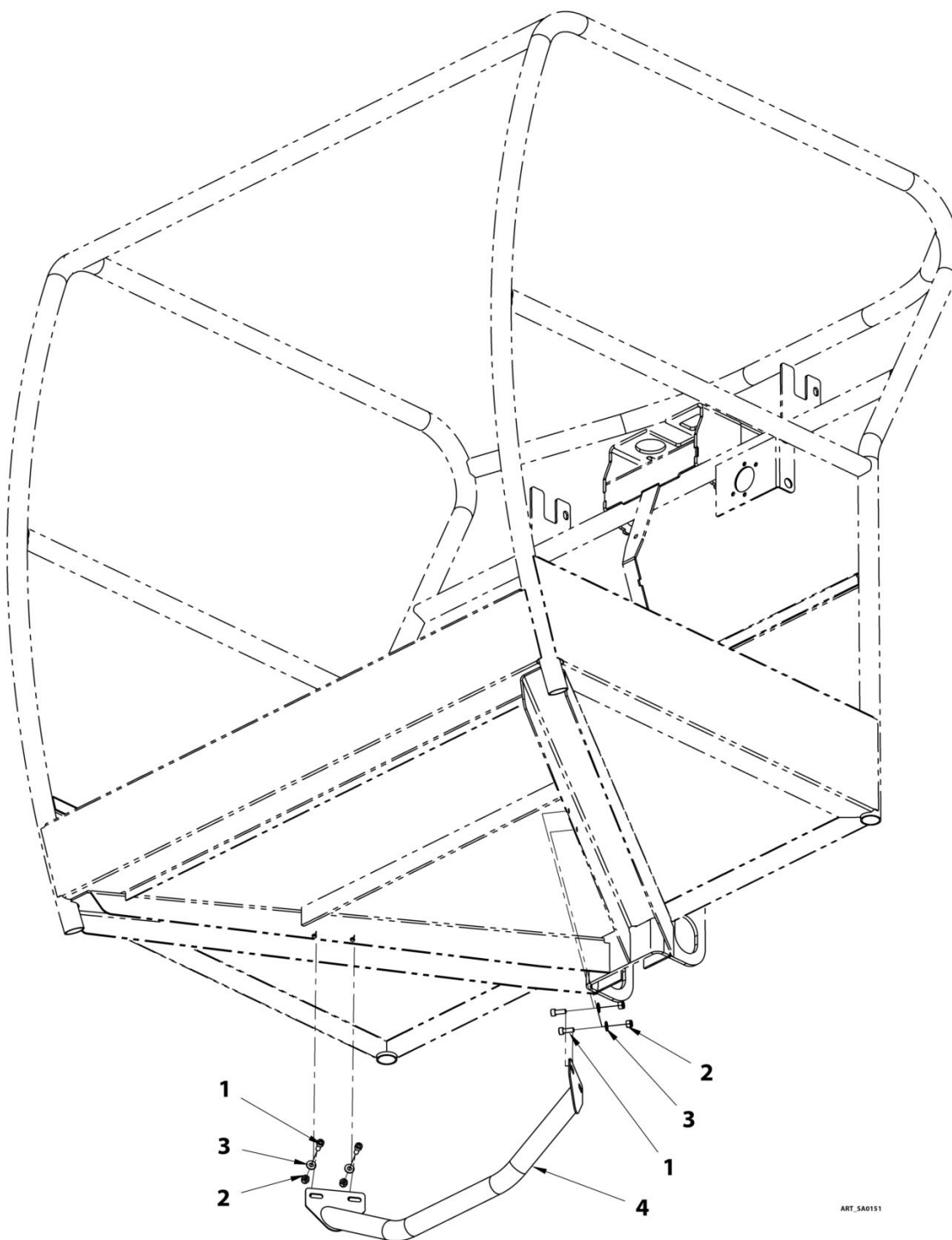
SECTION 11 - OPTIONS / OPTIONS

FIGURE 11-10. UCB PROTECTION INSTALL / INSTALLATION PROTECTION BOITIER HAUT

ITEM	PART NUMBER	QTY	DESCRIPTION	REV
	1001214774	REF	UCB PROTECTION INSTALL / INSTALLATION PROTECTION BOITIER HAUT	B
2	70014016	1	UCB PROTECTION / PROTECTION BOITIER HAUT	

SECTION 11 - OPTIONS / OPTIONS

FIGURE 11-11. ROTATION CYLINDER PROTECTION INSTALL / INSTALLATION PROTECTION VERIN ROTATION



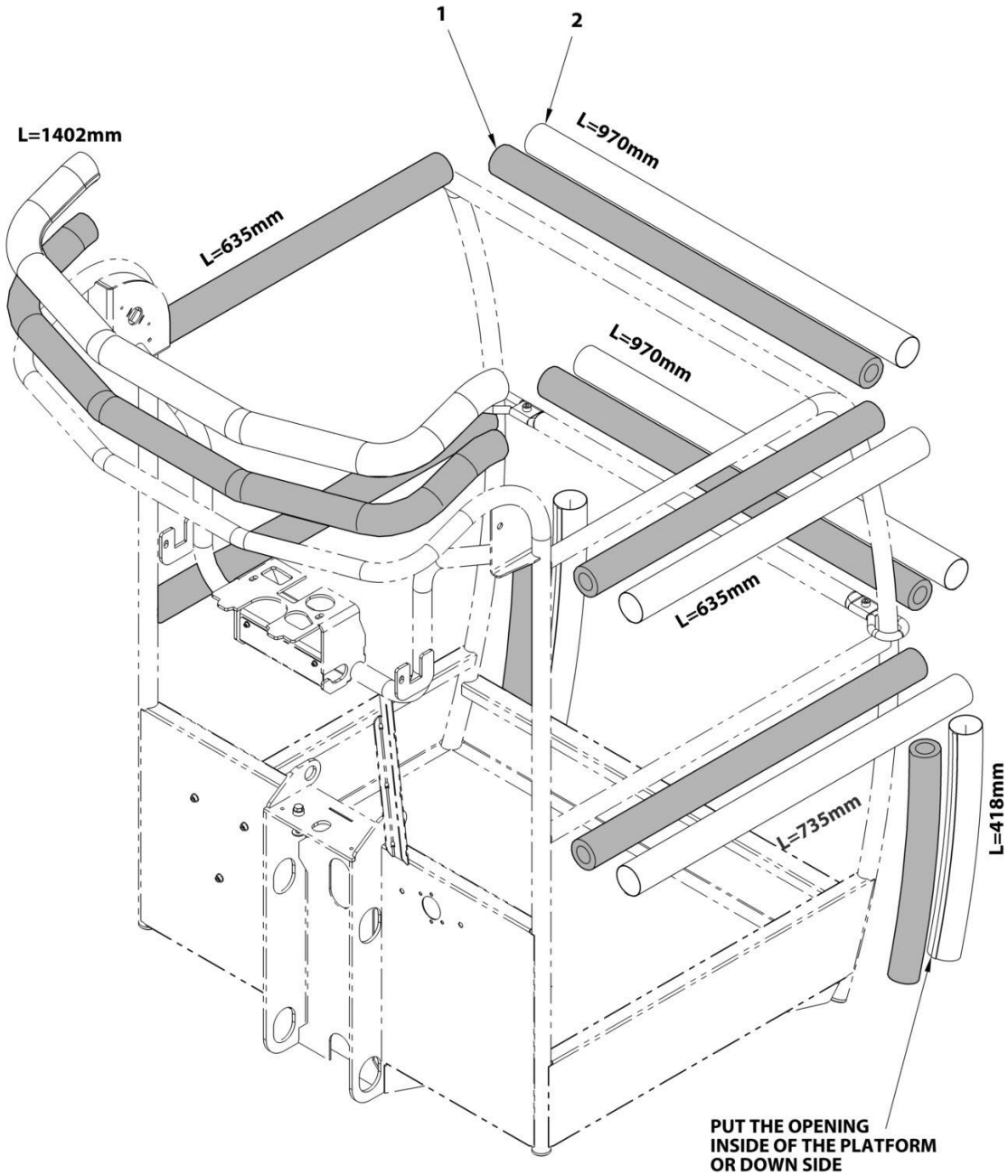
SECTION 11 - OPTIONS / OPTIONS

FIGURE 11-11. ROTATION CYLINDER PROTECTION INSTALL / INSTALLATION PROTECTION VERIN ROTATION

ITEM	PART NUMBER	QTY	DESCRIPTION	REV
0	SA0151	Ref	INSTALL,ROTATION CYLINDER PROTECTION / INSTALLATION PROTECTION VERIN ROTATION	A
1	000015	4	M06x16 8.8 SOCKET HEAD MACH SCREW / VIS CHC M06x16 8.8 BI FT	
2	110003	4	M06 GR. 8.8 LOCK NUT / ECROU FREIN M6 CL08 BI	
3	120009	4	LOCK WASHER D06x14 / RONDELLE CONTACT dD 06x14 BI	
4	DL0928	1	TUBE,CYLINDER PROTECTION / TUBE DE PROTECTION VERIN	

SECTION 11 - OPTIONS / OPTIONS

FIGURE 11-12. INSTALL, PLATFORM PADDING



ART_1001298857

SECTION 11 - OPTIONS / OPTIONS

FIGURE 11-12. INSTALL,PLATFORM PADDING

ITEM	PART NUMBER	QTY	DESCRIPTION	REV
	1001298856	REF	INSTALL,PLATFORM PADDING / INSTALLATION PROTECTION PLATE-FORME	
	400087	8	INSULATION PIPE,D30 INT. LENGTH 1m / TUBE ISOLATION D30 INT. LONGUEUR 1m	
	1001298866	1	KIT,HYPALON PROTECTION / JEU DE PROTECTION HYPALON	

**SECTION 12 - RECOMMENDED PARTS LIST / LISTE DE PIÈCES
RECOMMANDÉES**

**SECTION 12 - RECOMMENDED PARTS LIST / LISTE DE PIÈCES
RECOMMANDÉES**

SECTION 12 - RECOMMENDED PARTS LIST / LISTE DE PIECES RECOMMANDEES

FIGURE 12-1. RECOMMENDED PARTS LIST / LISTE DE PIECES RECOMMANDEES

ITEM	PART NUMBER	QTY	DESCRIPTION	REV
	Note		The following list will service one Machine with emergency repair parts which can be installed in the field. Parts from the list should be replaced when inventory is depleted to keep service parts stock supplied. For further information, contact your JLG Industries Parts Department. / La liste suivante indique (pour une Machine) les pièces de réparation d'urgence qui peuvent être installées sur le terrain. La quantité de pièces de cette liste doit être tenue en stock minimum. Pour de plus amples informations, contactez votre SAV JLG Industries.	
		Ref	STANDARD PARTS / PIECES STANDARDS	
	260115	1	250 A FUSE / FUSIBLE 250 A	
	2860030	1	KEY (INCLUDED IN ITEM 4360469) / CLE (COMPRISE DANS REF 4360469)	
	1001115919	1	SWITCH, PUSH BUTTON-ENABLE / BP DE VALIDATION	
	1001266901	1	SWITCH, MEMBRANE PAD 5 BUTTONS / INTERRUPTEURS A MEMBRANE 5 BOUTONS	
	240056	1	NO CONTACT BLOCK WITH HOLDER / EMBASE CONTACT NO	
	4360562	1	COMPLETE KNOB / ARRET D'URGENCE COMPLET	
	7027367	1	SWITCH ENABLER / CONTACT VALIDATION	
	952115	1	CAP, OIL FILLING / BOUCHON DE REMPLISSAGE	
	1001151762	1	RELAY, 48V / RELAIS 48V	
	1001268286	2	RELAY, TYCO 12V / RELAIS TYCO 12V	
	8229242	1	MINI FUSE 5A / FUSIBLE 5A	
	80983191	1	MINI FUSE 10A / FUSIBLE 10A	
	8229245	1	MINI FUSE 30A / FUSIBLE 30A	
		Ref	VARIABLE PARTS / AUTRES PIECES	
	0140011	1	AUDIBLE SIGNAL DEVICE / AVERTISSEUR SONORE	
	0140043	1	ALARM, MOTION/DESCENT/HORN / AUDIBLE SIGNAL DEVICE	
	1001117177	1	SWITCH, NEOPRENE BOOT / CAPUCHON D'ETANCHEITE NEOPRENE	
	110040	4	D8 CAGE HEX NUT / ECROU CAGE D8	
	130064	4	D8 FAST-LEAD THREAD SCREW / VIS D8 PAS RAPIDE TETE LARGE	
	190072	3	COMPRESSION LATCH / LOQUET A COMPRESSION	
	190074	2	FRICTION HINGE / CHARNIERE A FRICTION	
	260331	2	CONTROL, ZAPI COMBI AC0 / VARIATEUR COMBI-ACO	
	1001109503	1	MULTI DISPLAY INDICATOR / AFFICHEUR MULTIFONCTION	
	1001152628	1	PC-BRD, DE-POP UGM / CARTE ELECTRONIQUE UGM	
	4360469	1	KEY (INCLUDED IN ITEM 4360469) / CLE (COMPRISE DANS REF 4360469)	
	1001227074	1	KIT-SERVICE, GROUND PANEL W/O ENABLE / KIT SAV PLATINE BOITIER BAS SANS ENABLE	
	SE1208	1	KIT-SERVICE, GROUND PANEL WITH ENABLE / KIT SAV PLATINE BOITIER BAS AVEC ENABLE	
	952136	2	COIL, POPPET NC / BOBINE POPPET NC	
	PC0468	1	HARNESS, LOAD SENSING SWITCH / FAISCEAU CAPTEUR DE SURCHARGE	
	1001152692	1	P/C BOARD WITH SOFTWARE / CARTE BOITIER HAUT PROGRAMMEE (Prior to SN A300064201)	
	1001288829	1	P/C BOARD WITH SOFTWARE / CARTE BOITIER HAUT	

SECTION 12 - RECOMMENDED PARTS LIST / LISTE DE PIÈCES RECOMMANDEES

ITEM	PART NUMBER	QTY	DESCRIPTION	REV
			PROGRAMMEE (SN A300064201 to Present)	
	1001155354	3	THUMB JOYSTICK / MINI JOYSTICK	
	1600458	1	JOYSTICK / JOYSTICK	
	952110	2	COIL,PROPORTIONAL VALVE / BOBINE LIMITEUR PROPORTIONNEL	
	952123	8	COIL,SPOOL 4-3 / BOBINE DISTRIBUTEUR	
	1001151895	1	HARNESS,TILT SENSOR SWITCH / FAISCEAU CAPTEUR DE DEVERS	
	260323	3	NO/NC SWITCH PG11 / CAPTEUR NO/NF PE11	
	260327	4	NO/NC SWITCH PG11 / CAPTEUR NO/NF PE11	
	4000008	1	PROXIMITY SENSOR ASSEMBLY / FAISCEAU DETECTEUR DE PROXIMITE	
	1001232667	1	SENSOR SKYLINE ASSEMBLY / FAISCEAU CAPTEUR SKYLINE	
	4360505	1	ROTARY ANGLE SENSOR / CAPTEUR D'ANGLE	

SECTION 13 - SPECIAL OPTIONS / SPECIAL OPTIONS

SECTION 13 - SPECIAL OPTIONS / SPECIAL OPTIONS

FIGURE 13-1. SPECIAL OPTIONS / OPTIONS SPECIALES

ITEM	PART NUMBER	QTY	DESCRIPTION	REV
		Ref	Note: This list is to accommodate machines ordered with special equipment. Options may not be applicable to all models. For more specific parts information contact JLG Parts Department. / Remarque: Cette liste fourni les info complémentaires pour les Machines commandées avec des équipements spéciaux. Ces Options ne sont pas applicables à tous les modèles. Pour des informations plus spécifiques sur les pièces, contacter le service pièces JLG.	
		Ref	MISCELLANEOUS SPECIAL OPTIONS / OPTIONS SPECIALES DIVERSES	
		Ref	ClearSky Telematic Installation (Factory Installed) / Installation ClearSky (Telematic)-(installé en usine)	
	1001252516	Ref	ClearSky Installation - Canbus Connection (ANSI, CSA and JPN Specs) / Installation ClearSky, Connection Canbus (ANSI, CSA et JPN Specs)	
	1001252517	Ref	ClearSky Installation - Canbus Connection (ANSI Export and CE Specs) / Installation ClearSky, Connection Canbus (ANSI Export et CE Specs)	
	1001276606	Ref	CLEARSKY GT1030 installation / installation CLEARSKY GT1030	
	1001229695	Ref	ClearSky decal Installation (Factory Installed) / Installation Autocollant Skyline (Installé en usine)	
	1001227879	Ref	Trackunit (Telematics) Installation (Factory Installed) - (CE Specs) / Installation Trackunit (Telematic)-(installé en usine)	
	1001214029	Ref	Install,decal,EAC (Russia,CIS) / Installation autocollant EAC (Russie, CIS)	
	1001223694	Ref	Possible positions for Custommer decals / Positions possibles des autocollants Client	
		Ref	CLEARSKY KITS / KITS CLEARSKY	
	1001265361	Ref	KIT, CLEARSKY CAN (N.A.) / KIT CLEARSKY CAN (N.A.)	
	1001253877	Ref	KIT, CLEARSKY CAN (C.E.) / KIT CLEARSKY CAN (C.E.)	
	1001250541	Ref	KIT, CLEARSKY LOCATE CAN (N.A.) / KIT CLEARSKY LOCATE CAN (N.A.)	
	1001250542	Ref	KIT, CLEARSKY LOCATE CAN (C.E.) / KIT CLEARSKY LOCATE CAN (C.E.)	
	1001262959	Ref	KIT,VOLTAGE REGULATOR CLEARSKY LOCATE / KIT REGULATEUR DE TENSION CLEARSKY LOCALISATION	
	1001276925	Ref	KIT,CLEARSKY GT1030 / KIT CLEARSKY GT1030	
		Ref	SKYLINE KITS / KITS SKYLINE	
	1001270926	Ref	KIT SKYLINE / KIT SKYLINE	
	1001278132	Ref	KIT SKYLINE BEACON / KIT FEU SKYLINE	
	1001293711	Ref	KIT,POWER UNIT Supersedes 520122 and SE1160 / KIT CENTRALE Supersede 520122 et SE1160	
	1001300523	Ref	KIT,PLATFORM BOARD 1001152692 REPLACEMENT / KIT REMPLACEMENT CARTE 1001152692	
	1001304107	Ref	KIT,PLATFORM ROTATION LOCK / KIT BLOQUAGE ROTATION PLATE-FORME	
	1001298943	Ref	KIT,HYPALON PROTECTION / KIT PROTECTION HYPALON	
		Ref	Tools for Service / Outils pour entretien et dépannage	
	2901443	Ref	Analyzer Kit / Kit Analyseur	

SECTION 13 - SPECIAL OPTIONS / SPECIAL OPTIONS

ITEM	PART NUMBER	QTY	DESCRIPTION	REV
	1001249695	Ref	Analyzer and Cable Kit / Analyseur et kit cables	
	8896941	Ref	Wire Stripper / Pince à dénuder	
	7002821	Ref	Wire Crimper (To install wire ends to wires) / Pince à sertir (pour installer des cosses sur des fils)	
	7002823	Ref	Pin/Socket Extractor - Universal (For Removal of Pins/Sockets from Connectors) / Extracteur de contacts Universel (pour retrait broches de connecteurs)	
	4460467	Ref	Extractor - 16-18 Gauge (For Removal of Pin/Sockets from Deutsch Connectors) / Extracteur AWG16-18 (pour retrait broches de connecteurs Deutch)	
	4460510	Ref	Extractor - 12-14 Gauge (For Removal of Pin/Sockets from Deutsch Connectors) / Extracteur AWG12-14 (pour retrait broches de connecteurs Deutch)	
	7016654	Ref	Screwdriver, Magnetic / Tournevis Magnétique	
	1001239545	Ref	HARNES,PROP FLOW REGULATOR / FAISCEAU REGULATEUR DE DEBIT PROPORTIONEL	

SECTION 13 - SPECIAL OPTIONS / SPECIAL OPTIONS

PART NUMBER INDEX

SECTION 13 - SPECIAL OPTIONS / SPECIAL OPTIONS

00000385, 139, 143, 147, 149	1001116693 105, 107, 109	1001220620 36, 39	1001225153 97
000005 10, 27, 69, 85, 141, 145, 147	1001116810 106	1001220621 36, 39	1001225154 47
000006 51, 55, 67	1001116812 104, 105, 107	1001222242 91, 93	1001225155 47
000007 63, 117	1001116815 104	1001222243 95, 97	1001225156 97
000008. 15, 27, 73, 83, 85	1001116816 104	1001222931 36, 47	1001225158 97
000010. 63, 121, 123, 145	1001116946 104	1001222932 51, 55, 59	1001225159 59
000014 11, 27, 51, 55, 67, 69, 71, 91, 117, 149	1001117172 139	1001222933 51, 55	1001225354 23
000015 157	1001117177 .. 75, 79, 162	1001222934 51, 55	1001225355 23
000016 139	1001120474 153	1001223304 113	1001225356 23
000017 15, 153	1001126007 103	1001223383 95	1001225357 23
000018 10, 27, 51, 55	1001126008 103, 104	1001223388 93	1001225529 59
000026 55, 83	1001126011 108	1001223689 16	1001225530 51, 55
000042 121, 123	1001144147 103, 104, 105, 106, 109	1001223694 166	1001225538 23
000049 11	1001150611 106	1001223845 133	1001225800 51, 55
000050 117	1001151762 27, 162	1001223847 133	1001226407 131, 133
000051 83, 85	1001151788 106	1001223849 133	1001226409 131, 133
000053 63	1001151824 106	1001223851 133	1001226410 131, 133
000054 83	1001151895 108, 117, 163	1001223853 133, 134	1001226411 131, 133
000059 51, 55	1001152080 103	1001223855 134	1001226840 132
000067 10, 117, 139, 145, 153	1001152083 31	1001223933 133	1001226841 132
000073 27	1001152091 110, 117	1001223935 133	1001226842 132
000076 121, 123	1001152095 106	1001223937 133	1001226843 132
000077. 15, 51, 55, 83, 85	1001152162 107	1001224917 89	1001226844 131
000085 27, 137, 141, 147, 149	1001152163 107	1001224918 89	1001226845 131
000088 69	1001152567 107	1001224919 89	1001226846 132
000089 51, 55, 63, 145	1001152628 27, 162	1001224920 89	1001226877 119
000090 67, 69, 147, 149	1001152650 119	1001224921 89	1001227067 106
000091 79	1001152692 .. 75, 79, 162	1001224922 89	1001227069 27
000095 63	1001154560 75	1001224923 89	1001227070 27
000096 16	1001154726 109	1001224980 103	1001227071 27, 31
0140011 75, 79, 162	1001155321 75	1001224981 104	1001227072 31
0140043 27, 109, 162	1001155328 75, 79	1001224982 110, 113	1001227074 31, 162
0641406 73	1001155354 .. 75, 79, 163	1001224983 104	1001227848 131, 132
0700812 36	1001155457 75, 79	1001224984 113	1001227879 166
0700821 36	1001155460 75, 79	1001224985 113	1001227894 23
0760310 75	1001155461 75, 79	1001224986 113	1001228269 63, 110
0840060 121	1001155462 75, 79	1001225001 103	1001229695 166
100004 15	1001155745 76, 79	1001225073 121, 125	1001229970 147, 149
100005 121	1001156541 106	1001225074 121	1001229971 147, 149
100007 51, 55	1001157456 108	1001225075 91	1001229974 147
100008 25	1001157457 108	1001225076 95	1001229975 147, 149
100013 41, 43, 45	1001157803 108, 117	1001225077 36	1001231801 134
100018 137	1001157804 108, 117	1001225078 36	1001232667 71, 163
100027 119	1001159126 63	1001225079 55	1001237788 89
100038 23	1001159127 63, 109	1001225127 36	1001239244 52
100039 15	1001159297 109	1001225133 59	1001239245 56
100053 15	1001159298 109	1001225134 93	1001239246 51, 56
100054 67, 69, 95	1001159299 109	1001225135 93	1001239247 52, 56
100098 117	1001159300 109	1001225136 93	1001239545 167
100103 23	1001161254 105	1001225137 93	1001239552 31
1001097051 108	1001164530 63	1001225138 93	1001241965 71
1001103012 103, 108	1001181045 141, 145	1001225139 93	1001245237 16, 19
1001104498 103	1001187632 27	1001225140 93	1001245245 131, 133
1001107854 103, 108	1001189882 132	1001225141 93	1001246579 19
1001109503 31, 162	1001192401 106	1001225142 93	1001246580 19
1001110544 75, 79	1001200910 137	1001225143 93	1001246859 27, 106
1001112113 123	1001210948 27	1001225144 93	1001247750 52
1001113961 105	1001212355 133	1001225145 93	1001247751 56
1001115919 75, 79, 162	1001212356 131	1001225146 93	1001247752 51, 52, 56
1001116692 107, 109	1001214029 166	1001225147 93	1001248662 10
	1001214774 155	1001225148 93	1001248663 10
	1001220619 36, 39	1001225149 ... 47, 59, 93, 97	1001249695 167
		1001225150 93	1001250541 166
		1001225151 93	1001250542 166
		1001225152 93	1001252516 166
			1001252517 166

SECTION 13 - SPECIAL OPTIONS / SPECIAL OPTIONS

1001253877	166	1001291878.....	80	120061.....	11, 16	240093.....	141, 145
1001254473	71	1001291927.....	71	130003.....	25, 83	250010.....	104
1001254734	52, 56	1001292186.....	15	130021.....	10, 83	250031.....	27, 121, 123
1001254735	52, 56	1001293011.....	141, 145	130029.....	67, 69	250051.....	139
1001256013	76, 79	1001293012.....	141, 145	130034.....	23	250089.....	141
1001257401	19	1001293711.....	166	130059.....	31	250090.....	143, 145
1001262959	166	1001294033.....	80	130062.....	27, 79	250091.....	141, 145
1001265361	166	1001294793.....	80	130064.....	10, 162	250141.....	110
1001266724	67, 69	1001296007.....	132, 134	130067.....	51, 55	250144.....	110
1001266901	75, 79, 162	1001298856.....	159	130068.....	121, 123	250211.....	119
1001266922	73, 75	1001298866.....	159	140009.....	36	250213.....	119
1001266924	75, 79	1001298943.....	166	140016.....	25	260029.....	141
1001266926	75	1001300523.....	166	140026.....	25	260077.....	27
1001267022	69	1001304107.....	166	150001.....	51, 55	260115.....	27, 162
1001267236	107	100156	91, 95	150002.....	51, 52, 56	260187.....	141
1001267237	107	1060688	119	150004.....	15	260213.....	145
1001267300	27	1060689	119	150006.....	45	260214.....	141
1001267401	69	110001	28, 63, 137, 141, 147, 149	150007.....	43	260258.....	145
1001267644	139	110002	10, 63, 83, 85, 121, 123, 139, 143, 147, 149	150009.....	25	260259.....	121
1001267684	51, 55	110003	10, 11, 15, 25, 27, 41, 43, 45, 55, 67, 69, 71, 76, 79, 83, 85, 137, 139, 141, 145, 147, 157	150011.....	41	260260.....	121
1001267685	15	110004	36, 51, 55, 67	150019.....	16	260276.....	143
1001267686	36	110005	16	150038.....	63	260321.....	110
1001268067	131	110006	36	150058.....	16	260323.....	110, 163
1001268068	132	110008	15, 51, 55	150059.....	15	260327.....	108, 163
1001268069	131	110009	36	150061.....	67, 69	260329.....	109
1001268286	139, 162	110010	36	1580012.....	73	260331.....	16, 162
1001268287	139	110015	121, 123	160010.....	117	260339.....	147, 149
1001268470	137	110016	23	160033.....	67, 69	260341.....	147, 149
1001268471	137	110017	23	1600458.....	75, 79, 163	270002.....	141, 143, 145
1001268474	137	110019	36	170002.....	39	270059.....	141, 145
1001268582	69	110020	36	170007.....	39	280013.....	117
1001268583	67	110022	67, 69, 91	170008.....	36, 39	280023.....	67
1001268588	67	110025	36	170009.....	39	2860030.....	31, 162
1001268589	69	110036	36	170010.....	39	2901443.....	166
1001268590	71	110040	10, 162	1701499.....	131, 132	300001.....	15, 97
1001268591	69	120001	16	1703632.....	131, 133	300025.....	51, 55, 93, 97
1001268593	71	120002	63, 83, 85, 117, 121, 123, 139, 143, 147, 149	1703785.....	133	300037.....	93
1001270926	166	120003	67, 69	1703811.....	131, 133	30004025, 47, 51, 55, 93, 97	
1001271848	69	120004	10, 73	1703814.....	131, 133	300047.....	47
1001271849	69	120006	36	1704277.....	131, 133	300061.....	51, 55, 59
1001272227	51, 55	120009	10, 11, 27, 51, 55, 67, 69, 83, 85, 117, 119, 137, 139, 141, 145, 147, 149, 157	1704885.....	134	300067.....	93
1001272228	15	120010	10, 23, 36, 51, 55, 63, 95, 121, 123	1705781.....	131, 132	300101.....	93
1001272229	36	120011	91, 95	1705803.....	131	300161.....	151
1001275523	71	120015	63	1706493.....	131, 133	310099.....	51, 55
1001275851	10	120017	36	1706740.....	131, 133	310109.....	91
1001275854	10	120018	36	1706898.....	75, 79	320071.....	25
1001275855	10	120021	27	180003.....	16	3290305.....	75
1001276606	166	120024	67, 69, 117, 137, 141, 147, 149	180009.....	10	3311601.....	71
1001276925	166	120033	27	190027.....	91	3575796.....	75
1001276933	63	120056	71	190072.....	10, 162	3820019.....	75
1001277886	27	120057	10	190074.....	10, 162	3900357.....	73, 75, 79
1001278132	166	120058	141	210011.....	141	3900358.....	75, 79
1001278484	131, 133	120059	143, 145	210012.....	141, 145	3900359.....	75
1001278485	131, 133	120060	141, 145	210018.....	108, 110	4000007.....	108
100127928771, 117, 139, 141, 143, 145, 149				210019.....	141	4000008.....	108, 117, 163
1001280497	117			210021.....	141, 145	400012.....	121
1001281059	63			210033.....	110	400015.....	91
1001281060	63			210052.....	139	400018.....	83, 85
1001282390	27			210065.....	141, 145	400037.....	83, 85
1001282561	27			210066.....	145	400047.....	85
1001282921	73, 79			230016.....	143	400048.....	67, 69
1001282924	80			2400060.....	103, 105	400057.....	10
1001283170	80			240056.....	75, 79, 162	400059.....	125
1001283171	80			240057.....	31, 75, 79	400077.....	153
1001288684	80			240058.....	75, 79	400081.....	117
1001288829	79, 162			240060.....	31, 75, 79	400086.....	125
				240076.....	31, 75, 79		

SECTION 13 - SPECIAL OPTIONS / SPECIAL OPTIONS

400087.....147, 149, 159	4460943 ... 103, 104, 106,	960110 36	OP528 151
400092.....83	109	AU0149 131, 133	OP529 153
400093.....121	4460944 ... 103, 104, 105,	AU1716 141, 143, 145	OP530 147
4031516.....71	107	AU1825 132	OP531 149
4060700.....143	4460967 107, 109	AU2097 131, 133	PC0468.. 67, 69, 109, 162
4240147 16	4460984 104	AU2101 131, 133	PC0483..... 113
4340871.....75	4461076 108	AU2102 131	PC0484..... 113
4360469..... 31, 162	4461077 ... 103, 104, 107	AU2103 132	PC0494..... 119
4360505..... 108, 117, 163	4751400 73	AU2104 132, 133	PC0495..... 119
4360562..... 75, 79, 162	4761400 73	AU2105 132, 133	PC0496..... 119
4420051..... 131, 132	500044 23	AU2107 131	PC0534..... 11, 109
4460016..... 103	500045 25	AU2108 132	PC0548..... 121
4460042..... 105	510093 121	AU2109 131	PC0549..... 113
4460071..... 139, 143	510094 123	AU2117 133, 134	PC0550..... 113
4460226..... 109	70000084 75, 79	AU2118 133, 134	PC0551..... 113
4460227..... 109	70000682 75, 79	AU2119 132	PC0553..... 113
4460267..... 105	70014016 155	AU2140 132	PC0554..... 113
4460268..... 109	7002821 167	AU2143 134	PC0556..... 113
4460321..... 109	7002823 167	AU2144 133	PC0557..... 113
4460326..... 109	7016654 167	AU2147 132	PC0617..... 147, 149
4460346..... 143	7027365 75, 79	AU2149 134	PC0618..... 147, 149
4460464.... 104, 106, 107,	7027367 75, 79, 162	AU2150 133	PC0619..... 147, 149
108, 109, 153	7027765 75, 79	AU2152 132	PC0622..... 147, 149
4460465.... 103, 104, 105,	7027766 75, 79	AU2154 134	SA0020 73
106, 107, 108, 109,	80983191 105, 162	AU2155 134	SA0114..... 10
110, 153	8220045 105	AU2193 131	SA0116..... 15
4460466.... 103, 105, 106,	8220058 103	AU2194 131	SA0117..... 15
107, 109	8229242 103, 162	AU2200 63	SA0118..... 16
4460467..... 167	8229245 105, 162	AU2201 134	SA0119..... 23
4460509..... 106, 123	8896941 167	AU2202 134	SA0120..... 23
4460510..... 167	8990147 67, 69	AU2208 31	SA0121..... 73
4460518..... 104	920042 83, 85	AU2228 28	SA0123..... 117
4460536.... 105, 107, 108	920045 83, 85	AU2229 132, 134	SA0126..... 83
4460539.... 103, 105, 106	920046 83, 85	DF0989..... 89	SA0128..... 11
4460670..... 104	920061 15	DF0993..... 89	SA0129..... 23
4460702..... 103	920065 15	DF0994..... 89	SA0137..... 123
4460754..... 105, 107	920073 83, 85	DF0996..... 89	SA0138..... 11
4460761..... 105	920078 83	DF0997..... 89	SA0140..... 63
4460851..... 107	920079 83	DF0998..... 89	SA0141..... 63
4460852..... 107	920080 83	DF1001..... 151	SA0142..... 85
4460871.... 103, 104, 105,	920081 83	DF1002..... 151	SA0143..... 85
106	920082 83	DL0878..... 51, 55	SA0144..... 16
4460872..... 105	920083 15	DL0879..... 55	SA0151..... 157
4460873..... 103, 104	950039 125	DL0880..... 55	SD0345..... 117
4460874..... 105	950052 125	DL0881..... 51	SD0452..... 43
4460875..... 105	950215 125	DL0882..... 63	SD0453..... 41
4460876..... 104, 105	950219 125	DL0883..... 63	SD0464..... 117
4460878..... 104	950220 125	DL0892..... 36	SD0605..... 45
4460884.... 103, 104, 106,	950221 125	DL0893..... 36	SD0748..... 10
110	951044 19	DL0894..... 36	SD0749..... 10
4460887..... 104	952102 47	DL0895..... 36	SD0750..... 10
4460891.... 103, 104, 108,	952110 163	DL0897..... 15	SE0730..... 36, 41
110, 153	952115 162	DL0898..... 16	SE0731..... 36, 43
4460894..... 107	952123 163	DL0899..... 11	SE0733..... 36, 45
4460897.... 106, 108, 109,	952136 162	DL0901..... 63	SE0929..... 36
153	952144 19	DL0902..... 121, 123	SE0934..... 23, 25
4460899..... 106	952146 19	DL0903..... 121, 123	SE1159..... 15
4460905.... 103, 104, 105,	952147 19	DL0904..... 121, 123	SE1203..... 27, 31
106	952148 19	DL0905..... 10	SE1208..... 31, 162
4460917..... 108	952151 19	DL0906..... 10	ST0099..... 36
4460918..... 107	952152 19	DL0928..... 157	ST0120..... 39
4460928..... 103	952154 19	KT0157..... 25	ST0178..... 39
4460930..... 103, 106	952155 19	OP523 141	ST0179..... 39
4460931..... 104, 106	952156 19	OP524 141	ST0736..... 67
4460932..... 107	952163 51, 55	OP525 145	ST0751..... 39
4460942..... 105	960101 15	OP526 143	ST0752..... 39
	960109 51, 55	OP527 151	ST0828..... 39

SECTION 13 - SPECIAL OPTIONS / SPECIAL OPTIONS

ST1326.....	83, 85	ST3623.....	85	ST3690.....	51, 55	US0475.....	41
ST1327.....	83, 85	ST3624.....	83	ST3691.....	51, 56	US0478.....	45
ST1969.....	151	ST3632.....	121, 123	ST3692.....	10	US0479.....	43
ST2475.....	23	ST3636.....	10	ST3693.....	56	US0490.....	52, 56
ST2741.....	67, 69	ST3637.....	10	ST3782.....	31	US0492.....	52, 56
ST3219.....	83, 85	ST3638.....	10	US0044.....	25	US0529.....	15
ST3226.....	117	ST3641.....	11	US0134.....	63	US0530.....	15
ST3227.....	117	ST3647.....	121, 123	US0190.....	23	US0531.....	15, 67, 69
ST3312.....	75	ST3648.....	27	US0203.....	117	US0570.....	67, 69
ST3439.....	145	ST3651.....	11	US0204.....	117	US0572.....	15
ST3495.....	16	ST3652.....	11	US0208.....	117	US0573.....	15
ST3496.....	16	ST3654.....	31	US0236.....	67, 69	US0574.....	15
ST3521.....	67	ST3655.....	23	US0277.....	52, 56	US0575.....	15
ST3523.....	51, 55	ST3657.....	117	US0375.....	43	US0579.....	56
ST3524.....	55	ST3666.....	11	US0377.....	41	US0580.....	52, 56
ST3525.....	51, 55	ST3667.....	10	US0429.....	25	US0581.....	52, 56
ST3526.....	51, 55	ST3668.....	10	US0458.....	52, 56	US0582.....	63
ST3527.....	15	ST3669.....	10	US0459.....	52, 56	US0586.....	25
ST3557.....	36	ST3681.....	141, 145	US0460.....	45	US0588.....	52, 56
ST3563.....	15	ST3684.....	64	US0465.....	36		
ST3575.....	85	ST3689.....	153	US0469.....	63		



**Corporate Office
JLG Industries, Inc.
1 JLG Drive
McConnellsburg, PA 17233-9533 USA
☎ (717) 485-5161 (Corporate)
☎ (877) 554-5438 (Customer Support)
☎ (717) 485-6417**

**Visit our website for JLG Worldwide Locations.
www.jlg.com**



OSHKOSH™