



***Illustrated Parts Manual
Manuel de pièces détachées***

MODEL / MODELE

TOUCAN JUNIOR 6B

TOUCAN JUNIOR 8B



31210045
February 01, 2015



An Oshkosh Corporation Company

Original issue ————— **June 28, 2007**
Revised ————— **January 18, 2008** ————— **New frame weldment**
Revised ————— **July 01, 2009** ————— **Add DI Platform & Updates**
Revised ————— **January 01, 2010** ————— **Junior 8 2010 Platform & Updates**
Revised ————— **July 16, 2010** ————— **Add Delta Q charger**
Revised ————— **July 26, 2011** ————— **Telemecanic Switches**
Revised ————— **February 01, 2015** ————— **Junior 6B 2015**

TABLE OF CONTENTS

SECTION 1 - COVERS INSTALL / INSTALLATION CAPOTS	7
FIGURE 1-1. COVERS INSTALL / INSTALLATION CAPOTS	8
FIGURE 1-2. LOWER CONTROL BOX COVER OPTION / OPTION CAPOT BOITIER BAS	10
SECTION 2 - ELECTRICAL INSTALL / INSTALLATION ELECTRIQUE	13
FIGURE 2-1. POWER CIRCUIT / CIRCUIT DE PUISSANCE	14
FIGURE 2-2. CONTROL CIRCUIT / CIRCUIT DE COMMANDE (Junior 6B Prior to SN A130016673; Junior 8B Prior to SN A130019349)	16
FIGURE 2-3. CONTROL CIRCUIT / CIRCUIT DE COMMANDE (Junior 6B SN A130016673 through A130020221; Junior 8B SN A130019349 to Present)	18
FIGURE 2-4. CONTROL CIRCUIT / CIRCUIT DE COMMANDE (Junior 6B SN A130020222 to Present)	20
FIGURE 2-5. MATE-N-LOK CONNECTORS / CONNECTEURS MATE-N-LOK	22
FIGURE 2-6. CONNECTORS ON HARNESS ASSY / CONNECTEURS SUR FAISCEAUX	24
FIGURE 2-7. JUNIOR B UPPER CONTROL BOX / BOITIER HAUT JUNIOR B	26
FIGURE 2-8. JUNIOR B BOARD BOX / BOITIER CARTE JUNIOR B	28
FIGURE 2-9. JUNIOR 6 DI BOARD BOX / BOITIER CARTE JUNIOR 6 DI (Junior 6B Prior to SN A130020222)	30
FIGURE 2-10. L.C.B. WITHOUT HOURMETER / BOITIER BAS SANS HORAMETRE (Junior 6B Prior to SN A130016539; Junior 8B Prior to SN A130019232)	32
FIGURE 2-11. L.C.B. WITHOUT HOURMETER / BOITIER BAS SANS HORAMETRE (Junior 6B SN A130016539 through A130016672; Junior 8B SN A130019232 through A130019348)	34
FIGURE 2-12. L.C.B. WITHOUT HOURMETER / BOITIER BAS SANS HORAMETRE (Junior 6B SN A130016673 to Present; Junior 8B SN A130019349 to Present)	36
FIGURE 2-13. L.C.B. WITH HOURMETER / BOITIER BAS AVEC HORAMETRE (Junior 6B Prior to SN A130016539; Junior 8B Prior to SN A130019232)	40
FIGURE 2-14. L.C.B. WITH HOURMETER / BOITIER BAS AVEC HORAMETRE (Junior 6B SN A130016539 through A130016672; Junior 8B SN A130019232 through A130019348)	44
FIGURE 2-15. L.C.B. WITH HOURMETER / BOITIER BAS AVEC HORAMETRE (Junior 6B SN A130016673 to Present; Junior 8B SN A130019349 to Present)	48
SECTION 3 - MAST ON FRAME INSTALL / INSTALLATION MATS SUR CHASSIS	51
FIGURE 3-1. MAST ON FRAME INSTALL / INSTALLATION MATS SUR CHASSIS	52
SECTION 4 - FRAME INSTALL / INSTALLATION CHASSIS	55
FIGURE 4-1. FRAME INSTALL / INSTALLATION CHASSIS (Junior 6B Prior to SN A130016478; Junior 8B Prior to SN A130019198)	56
FIGURE 4-2. FRAME INSTALL / INSTALLATION CHASSIS (Junior 6B SN A130016478 through A130016504; Junior 8B SN A130019198 through A130019209; Including A130016507)	62
FIGURE 4-3. FRAME INSTALL / INSTALLATION CHASSIS (Junior 6B SN A130016505 through A130016620; Junior 8B SN A130019210 through A130019282)	68
FIGURE 4-4. FRAME INSTALL / INSTALLATION CHASSIS (Junior 6B SN A130016621 through A130020221; Junior 8B SN A130019283 to Present)	74
FIGURE 4-5. FRAME INSTALL / INSTALLATION CHASSIS (Junior 6B SN A130020222 to Present)	80
FIGURE 4-6. CHARGER CONNECTORS / PRISES CHARGEUR	86
FIGURE 4-7. COMPLETE POWER UNIT 1.25CC / CENTRALE COMPLETE 1.25CM ³ (Junior 6B Prior to SN A130020222; Including Junior 8B)	88
FIGURE 4-8. COMPLETE POWER UNIT 1.25CC / CENTRALE COMPLETE 1.25CM ³ (Junior 6B SN A130020222 to Present)	90
SECTION 5 - MASTS INSTALL / INSTALLATION MATS	93
FIGURE 5-1. TOUCAN JUNIOR 8B - MASTS INSTALL / INSTALLATION MATS	94
FIGURE 5-2. MAST 1 ASSEMBLY / ASSEMBLAGE MAT 1	98
FIGURE 5-3. MAST CYLINDER / VERIN DE MAT	100
FIGURE 5-4. MAST 2 ASSEMBLY / ASSEMBLAGE MAT 2	102
FIGURE 5-5. MAST 3 ASSEMBLY / ASSEMBLAGE MAT 3	104
FIGURE 5-6. MAST 4 ASSEMBLY / ASSEMBLAGE MAT 4	106
FIGURE 5-7. MAST 5 ASSEMBLY / ASSEMBLAGE MAT 5	108
FIGURE 5-8. MAST 6 ASSEMBLY / ASSEMBLAGE MAT 6	110
FIGURE 5-9. TOUCAN JUNIOR 6B - MASTS INSTALL / INSTALLATION MATS	112
FIGURE 5-10. MAST 1 ASSEMBLY / ASSEMBLAGE MAT 1	116
FIGURE 5-11. MAST CYLINDER / VERIN DE MAT	118
FIGURE 5-12. MAST 2 ASSEMBLY / ASSEMBLAGE MAT 2	120
FIGURE 5-13. MAST 3 ASSEMBLY / ASSEMBLAGE MAT 3	122

TABLE OF CONTENTS

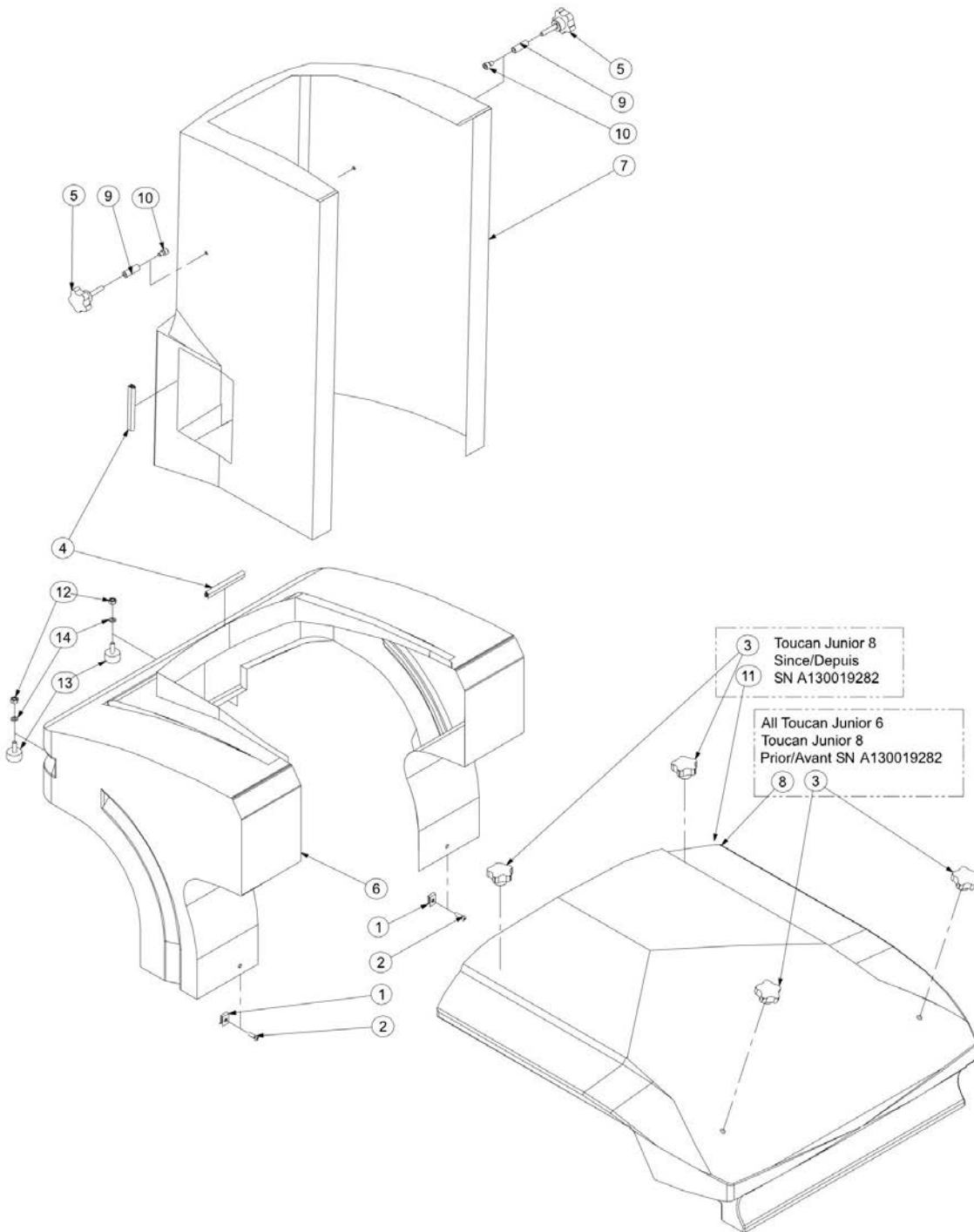
FIGURE 5-14. MAST 4 ASSEMBLY / ASSEMBLAGE MAT 4	124
SECTION 6 - PLATFORM INSTALL / INSTALLATION PLATE-FORME	127
FIGURE 6-1. PLATFORM INSTALL / INSTALLATION PLATE-FORME	128
FIGURE 6-2. PLATFORM ASSEMBLY / ASSEMBLAGE PLATE-FORME	130
FIGURE 6-3. JUNIOR 6DI - PLATFORM INSTALL / INSTALLATION PLATE-FORME	132
FIGURE 6-4. JUNIOR 6DI - PLATFORM ASSEMBLY / ASSEMBLAGE PLATE-FORME	134
SECTION 7 - DECALS INSTALL / INSTALLATION AUTOCOLLANTS.....	137
FIGURE 7-1. JUNIOR 6B STD DECAL KIT / JEU AUTOCOLLANTS STD JUNIOR 6B (Junior 6B Prior to SN A130016505; Including A130016507)	138
FIGURE 7-2. JUNIOR 6B STD DECAL KIT / JEU AUTOCOLLANTS STD JUNIOR 6B (Junior 6B SN A130016508 to Present; Including A130016505 and A130016506)	140
FIGURE 7-3. JUNIOR 6 DI STD DECAL KIT / JEU AUTOCOLLANTS STD JUNIOR 6 DI.....	142
FIGURE 7-4. JUNIOR 6B COUNTRIES DECAL KIT / JEU AUTOCOLLANTS PAYS JUNIOR 6B.....	144
FIGURE 7-5. JUNIOR 8B STD DECAL KIT / JEU AUTOCOLLANTS STD JUNIOR 8B (Junior 8B Prior to SN A130019210).....	148
FIGURE 7-6. JUNIOR 8B STD DECAL KIT / JEU AUTOCOLLANTS STD JUNIOR 8B (Junior 8B SN A130019210 through A130019337).....	150
FIGURE 7-7. JUNIOR 8B STD DECAL KIT / JUNIOR 8B JEU AUTOCOLLANTS STD JUNIOR 8B (Junior 8B SN A130019338 to Present).....	152
FIGURE 7-8. JUNIOR 8B COUNTRIES DECAL KIT / JEU AUTOCOLLANTS PAYS JUNIOR 8B.....	154
SECTION 8 - OPTIONS / OPTIONS.....	157
FIGURE 8-1. 115VAC PLATFORM SOCKET INSTALL / INSTALLATION PRISE PANIER 115VAC.....	158
FIGURE 8-2. 230VAC PLATFORM SOCKET INSTALL / INSTALLATION PRISE PLATE-FORME 230VAC (Junior 6B Prior to SN A130016508; Junior 8B Prior to SN A130019210).....	160
FIGURE 8-3. 230VAC PLATFORM SOCKET INSTALL / INSTALLATION PRISE PLATE-FORME 230VAC (Junior 6B SN A130016508 to Present; Junior 8B SN A130019210 to Present).....	162
FIGURE 8-4. TOOLS TRAY ASSEMBLY / ASSEMBLAGE BOITE A OUTILS	164
FIGURE 8-5. TUBE HOLDER ASSEMBLY / ASSEMBLAGE PORTE NEONS	166
FIGURE 8-6. FLASHING LIGHTS INSTALL / INSTALLATION LAMPES A ECLATS	168
PART NUMBER INDEX.....	171

SECTION 1 - COVERS INSTALL / INSTALLATION CAPOTS

SECTION 1 - COVERS INSTALL / INSTALLATION CAPOTS

SECTION 1 - COVERS INSTALL / INSTALLATION CAPOTS

FIGURE 1-1. COVERS INSTALL / INSTALLATION CAPOTS



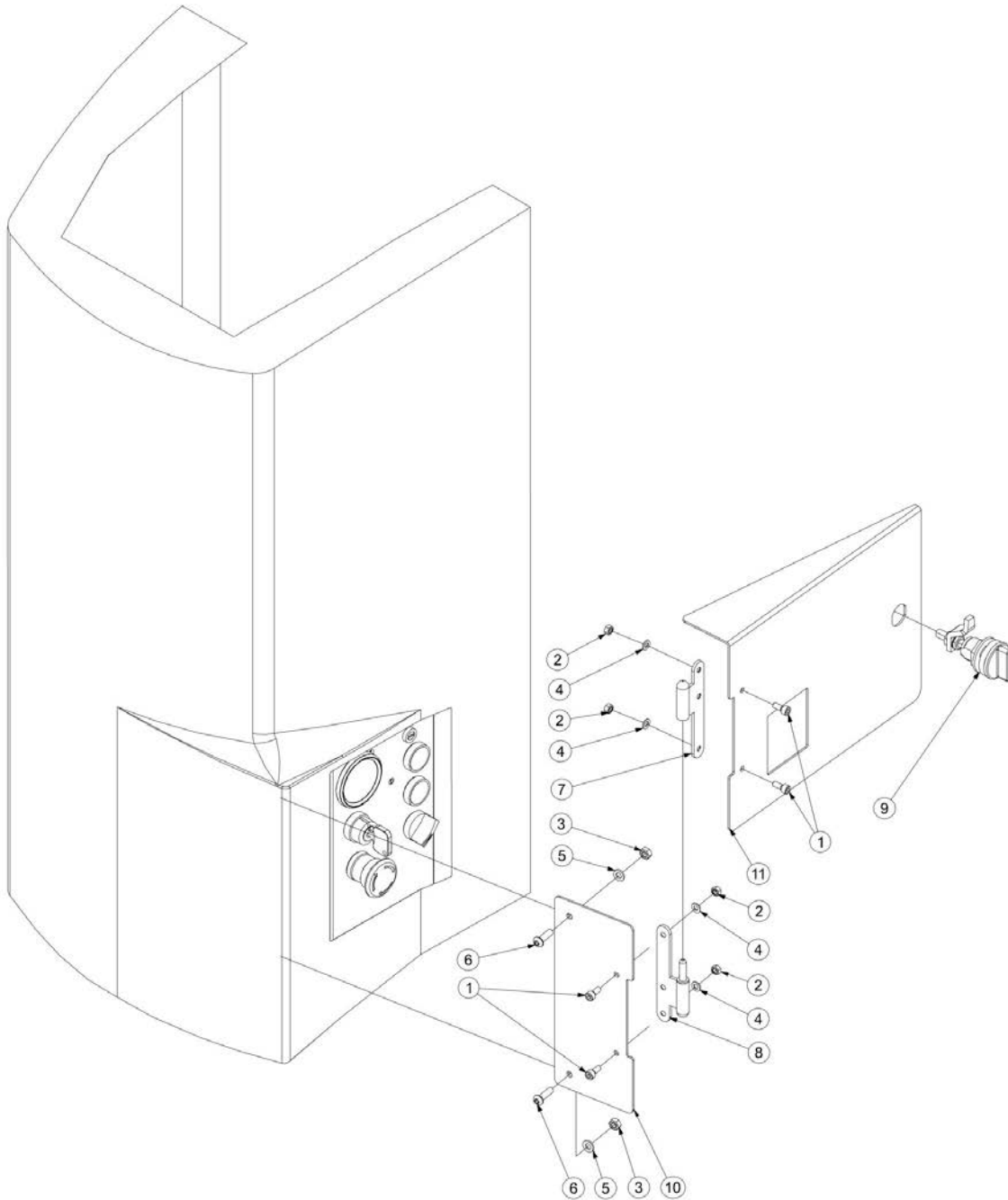
SECTION 1 - COVERS INSTALL / INSTALLATION CAPOTS

FIGURE 1-1. COVERS INSTALL / INSTALLATION CAPOTS

ITEM	PART NUMBER	QTY	DESCRIPTION	REV
		Ref	COVERS INSTALL; INFO - SP0614 / INSTALLATION CAPOTS; INFO - SP0614	
1	110026	2	M06 CAGE HEX NUT / ECROU CAGE M06	
2	130021	2	M06x20 8.8 ROUND HEAD MACH SCREW / VIS BOMBEE ULF M06x20 8.8 BI FT	
3	190044	4	STARKNOB / BOUTON ETOILE	
4	400081	2	REINFORCED PVC PROFILE 672 / PROFIL 672 PVC ARME	
5	400095	2	STARKNOB / BOUTON ETOILE	B
6	SD0541	1	JUNIOR8 FRONT COVER / CAPOT AVANT JUNIOR8	
6	SD0559	1	JUNIOR6 FRONT COVER / CAPOT AVANT JUNIOR6	
7	SD0542	1	JUNIOR8 MAST TOP COVER / CAPOT MAT JUNIOR8	
7	SD0560	1	JUNIOR6 MAST TOP COVER / CAPOT MAT JUNIOR6	
8	ST1654	1	REAR COVER; INFO - JUNIOR 6 / CAPOT ARRIERE; INFO - JUNIOR 6	
9	ST3063	2	SPACER L=25 / ENTRETOISE L=25	B
10	000059	2	M08x12 8.8 S SOCK HEAD MACH SCREW / VIS CHC M08x12 8.8 BI FT TETE BASSE	
11	ST2801	1	REINFORCED REAR COVER; INFO - JUNIOR 8 / CAPOT ARRIERE RENFORCE; INFO - JUNIOR 8	B
12	110016	2	M08 GR 8.8 HEX NUT / ECROU H M08 8.8 BI	B
13	400015	2	ELASTIC STOP / BUTEE ELASTIQUE	B
14	120021	2	HELICAL SPRING LOCK WASHER Ø8 / RONDELLE GROWER Ø8 BI	B

SECTION 1 - COVERS INSTALL / INSTALLATION CAPOTS

FIGURE 1-2. LOWER CONTROL BOX COVER OPTION / OPTION CAPOT BOITIER BAS



SECTION 1 - COVERS INSTALL / INSTALLATION CAPOTS

FIGURE 1-2. LOWER CONTROL BOX COVER OPTION / OPTION CAPOT BOITIER BAS

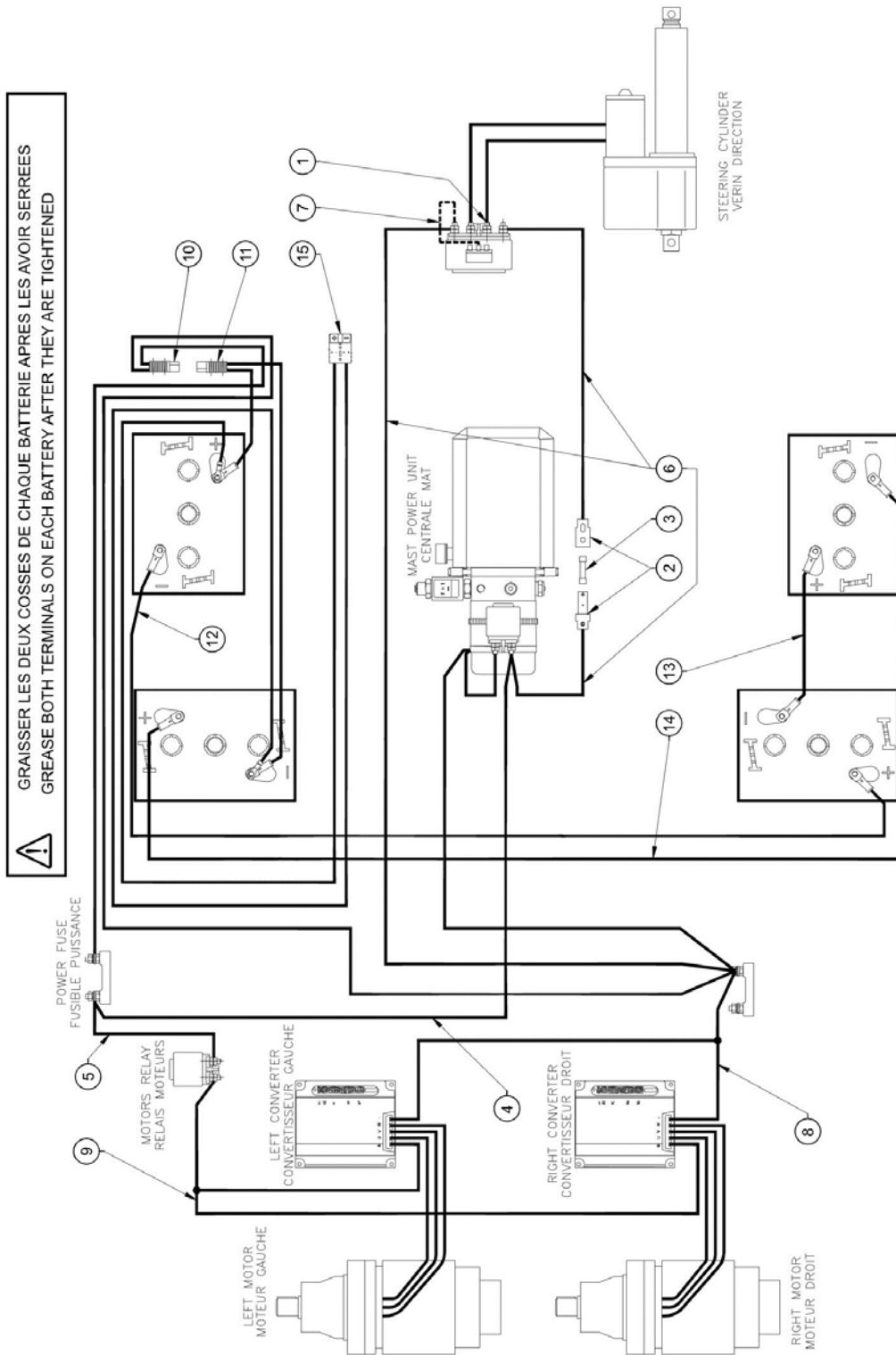
ITEM	PART NUMBER	QTY	DESCRIPTION	REV
		Ref	LOWER CONTROL BOX COVER OPTION; INFO - OPS482 / OPTION CAPOT BOITIER BAS; INFO - OPS482	
1	000067	4	M05x12 8.8 SOCKET HEAD MACH SCREW / VIS CHC M05x12 8.8 BI FT	
2	110002	4	M05 GR 8.8 LOCK NUT / ECROU FREIN M5 8.8 BI	
3	110003	2	M06 GR 8.8 LOCK NUT / ECROU FREIN M6 8.8 BI	
4	120002	4	M05 WASHER / RONDELLE M05 BI	
5	120009	2	dD 06x14 LOCK WASHER / RONDELLE CONTACT dD 06x14 BI	
6	130002	2	M06x20 6.8 ROUND HEAD MACH SCREW / VIS BOMBEE ULF M06x20 6.8 BI FT	
7	190032	1	FEMALE HINGE / PAUMELLE FEMELLE	
8	190033	1	MALE HINGE / PAUMELLE MALE	
9	190037	1	ROTARY LATCH / LOQUET	
10	ST2904	1	COVER SUPPORT / SUPPORT COUVERCLE	
11	ST2905	1	CONTROL BOX COVER; INFO - 13MSPT / Duo / COUVERCLE BOITIER BAS; INFO - 13MSPT / Duo	
11	ST2906	1	CONTROL BOX COVER; INFO - Junior / COUVERCLE BOITIER BAS; INFO - Junior	

SECTION 2 - ELECTRICAL INSTALL / INSTALLATION ELECTRIQUE

SECTION 2 - ELECTRICAL INSTALL / INSTALLATION ELECTRIQUE

SECTION 2 - ELECTRICAL INSTALL / INSTALLATION ELECTRIQUE

FIGURE 2-1. POWER CIRCUIT / CIRCUIT DE PUISSANCE



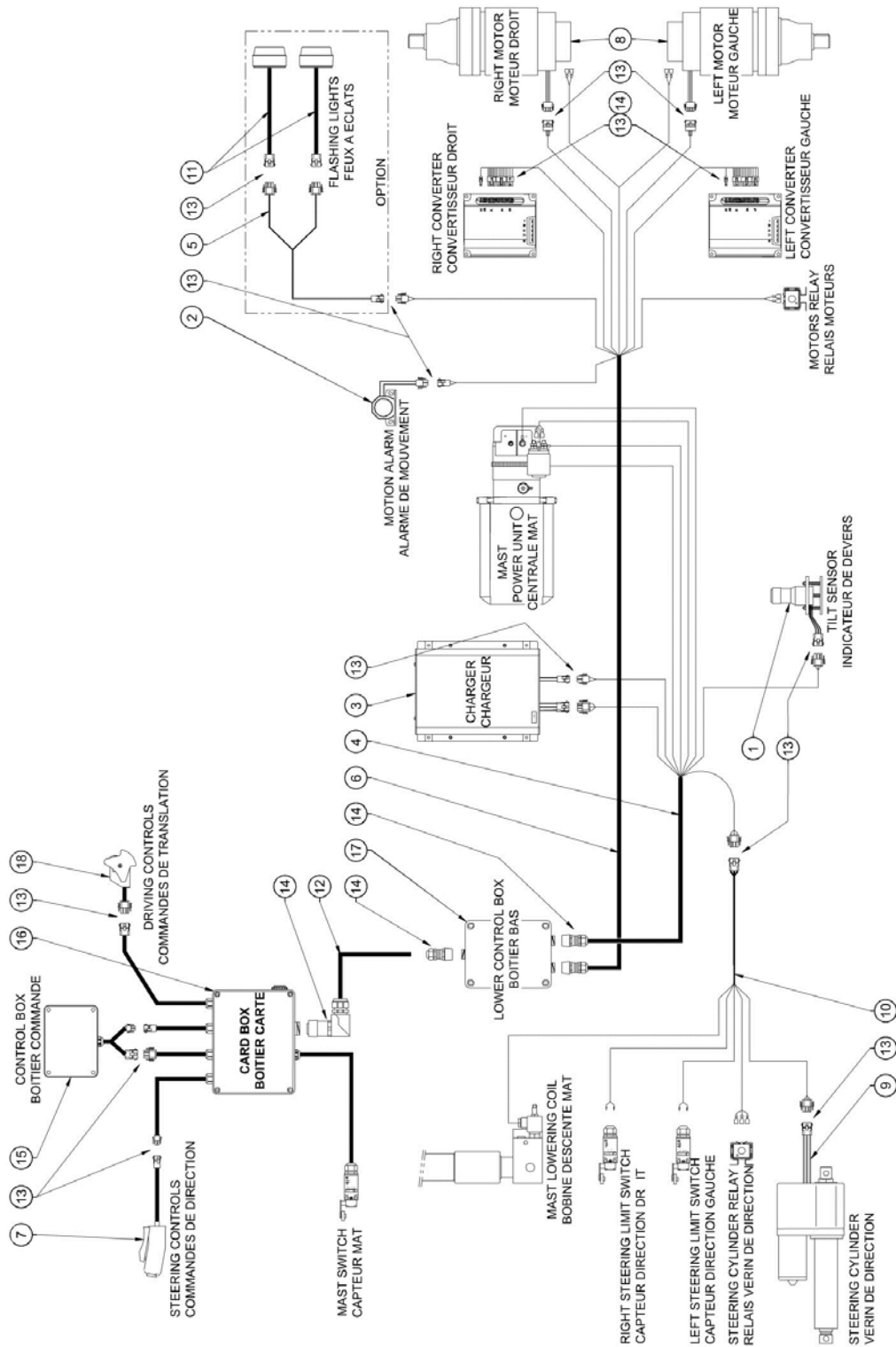
SECTION 2 - ELECTRICAL INSTALL / INSTALLATION ELECTRIQUE

FIGURE 2-1. POWER CIRCUIT / CIRCUIT DE PUISSANCE

ITEM	PART NUMBER	QTY	DESCRIPTION	REV
		Ref	POWER CIRCUIT; INFO - PC0504 / CIRCUIT DE PUISSANCE; INFO - PC0504	
1	250096	2	M6 EYELET TERMINAL 4-6mm ² / COSSE A OEIL ISOLEE M6 - 4-6mm ²	
2	260007	1	FUSE HOLDER / PORTE FUSIBLE	
3	260175	1	5x20 16A FUSE / FUSIBLE 5x20 16A	
4	PC0088	1	CABLE ASSEMBLY / CABLE ELECTRIQUE	
5	PC0093	1	CABLE ASSEMBLY / CABLE ELECTRIQUE	
6	PC0365	1	HARNESS ASSY-FRONT OF FRAME / FAISCEAU AVANT CHASSIS	
7	PC0368	1	NEGATIVE BATTERY JUMPER / PONT NEGATIF BATTERIE	
8	PC0371	1	CABLE ASSEMBLY / CABLE ELECTRIQUE	
9	PC0373	1	CABLE ASSEMBLY / CABLE ELECTRIQUE	
10	PC0375	1	CABLE ASSEMBLY / CABLE ELECTRIQUE	
11	PC0471	1	CABLE ASSEMBLY / CABLE ELECTRIQUE	
12	PC0472	1	CABLE ASSEMBLY / CABLE ELECTRIQUE	
13	PC0473	1	CABLE ASSEMBLY / CABLE ELECTRIQUE	
14	PC0474	1	CABLE ASSEMBLY / CABLE ELECTRIQUE	
15	PC0505	1	HARNESS ASSEMBLY-CHARGER 6mm ² / FAISCEAU CHARGEUR 6mm ² DEPUIS (Junior 6B SN A130016673 to Present; Junior 8B SN A130019349 to Present)	

SECTION 2 - ELECTRICAL INSTALL / INSTALLATION ELECTRIQUE

FIGURE 2-2. CONTROL CIRCUIT / CIRCUIT DE COMMANDE (Junior 6B Prior to SN A130016673; Junior 8B Prior to SN A130019349)



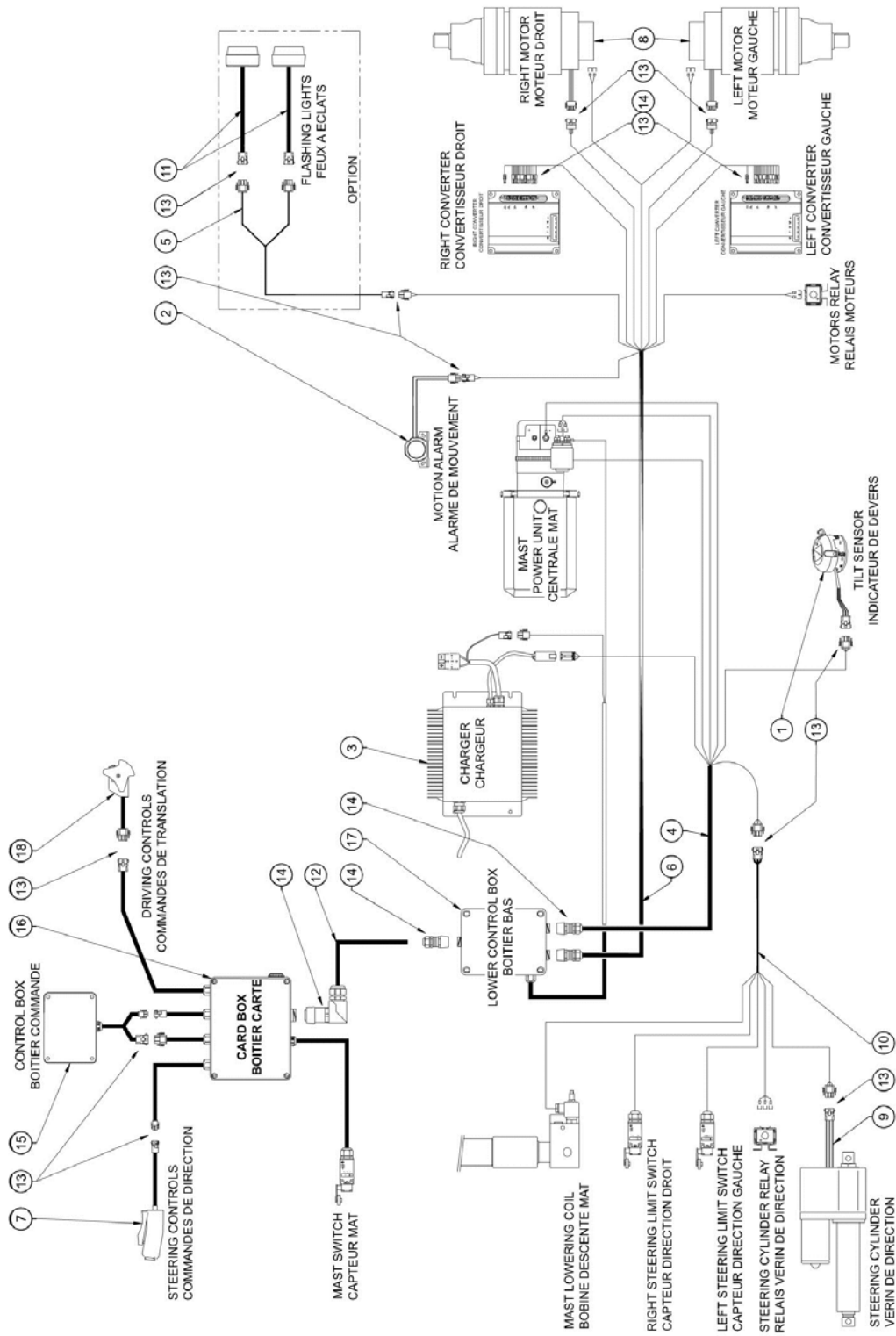
SECTION 2 - ELECTRICAL INSTALL / INSTALLATION ELECTRIQUE

**FIGURE 2-2. CONTROL CIRCUIT / CIRCUIT DE COMMANDE (Junior 6B Prior to SN A130016673;
Junior 8B Prior to SN A130019349)**

ITEM	PART NUMBER	QTY	DESCRIPTION	REV
		Ref	CONTROL CIRCUIT; INFO - PC0400 / CIRCUIT DE COMMANDE; INFO - PC0400 (Junior 6B Prior to SN A130016673; Junior 8B Prior to SN A130019349)	A
1	260319	1	TILT SENSOR 2° / DETECTEUR DE DEVERS 2°	A
2	PC0204	1	HARNESS ASSEMBLY-MOTION ALARM / CABLAGE ALARME DE MOUVEMENT	
3	PC0205	1	HARNESS ASSEMBLY-CHARGER / FAISCEAU CHARGESUR	
4	PC0211	1	HARNESS ASSEMBLY-POWER UNIT / FAISCEAU CENTRALE	
5	PC0355	1	HARNESS ASSEMBLY-FLASHING LIGHTS / FAISCEAU FEUX A ECLATS	
6	PC0356	1	HARNESS ASSEMBLY-DRIVE DEVICE / FAISCEAU MOTORISATION	
7	PC0362	1	HARNESS ASSY-STEERING CONTROLS / FAISCEAU COMMANDES DE DIRECTION	
8	PC0363	2	HARNESS ASSEMBLY-DRIVE MOTOR / FAISCEAU MOTEUR DE ROUE	
9	PC0364	1	HARNESS ASSY-STEERING CYLINDER / FAISCEAU VERIN DE DIRECTION	
10	PC0365	1	HARNESS ASSY-FRONT OF FRAME / FAISCEAU AVANT CHASSIS	
11	PC0366	2	HARNESS ASSEMBLY-FLASHING LIGHT / FAISCEAU FEUX A ECLATS	
12	PC0407	1	LCB / BOARD BOX LINK FOR JUNIOR8 / LIAISON BOITIER BAS / CARTE JUNIOR8	
12	PC0408	1	LCB / BOARD BOX LINK FOR JUNIOR6 / LIAISON BOITIER BAS / CARTE JUNIOR6	
13		Ref	MATE-N-LOK CONNECTORS; INFO - RM0090 / CONNECTEURS MATE-N-LOK; INFO - RM0090	
14		Ref	CONNECTORS ON HARNESS ASSEMBLIES; INFO - RM0091 / CONNECTEURS SUR FAISCEAUX; INFO - RM0091	
15	SE0697	1	JUNIOR B - UPPER CONTROL BOX ASSY; INFO - SE0697 / ASSEMBLAGE BOITIER HAUT JUNIOR B; INFO - SE0697	A
16	SE0696	1	JUNIOR B - BOARD BOX ASSEMBLY; INFO - SE0696 / ASSEMBLAGE BOITIER CARTE JUNIOR B; INFO - SE0696	A
16	SE0808	1	JUNIOR 6 DI - BOARD BOX ASSEMBLY; INFO - SE0808 / ASSEMBLAGE BOITIER CARTE JUNIOR 6 DI; INFO - SE0808	A
17	SE0716	1	LOWER CONTROL BOX W/O HOURMETER; INFO - SE0716 / BOITIER BAS SANS HORAMETRE; INFO - SE0716	A
17	SE0720	1	LOWER CONTROL BOX WITH HOURMETER; INFO - SE0720 / BOITIER BAS AVEC HORAMETRE; INFO - SE0720	A
18	240091	1	CONTROL HANDLE / POIGNEE DE COMMANDE	

SECTION 2 - ELECTRICAL INSTALL / INSTALLATION ELECTRIQUE

FIGURE 2-3. CONTROL CIRCUIT / CIRCUIT DE COMMANDE (Junior 6B SN A130016673 through A130020221; Junior 8B SN A130019349 to Present)



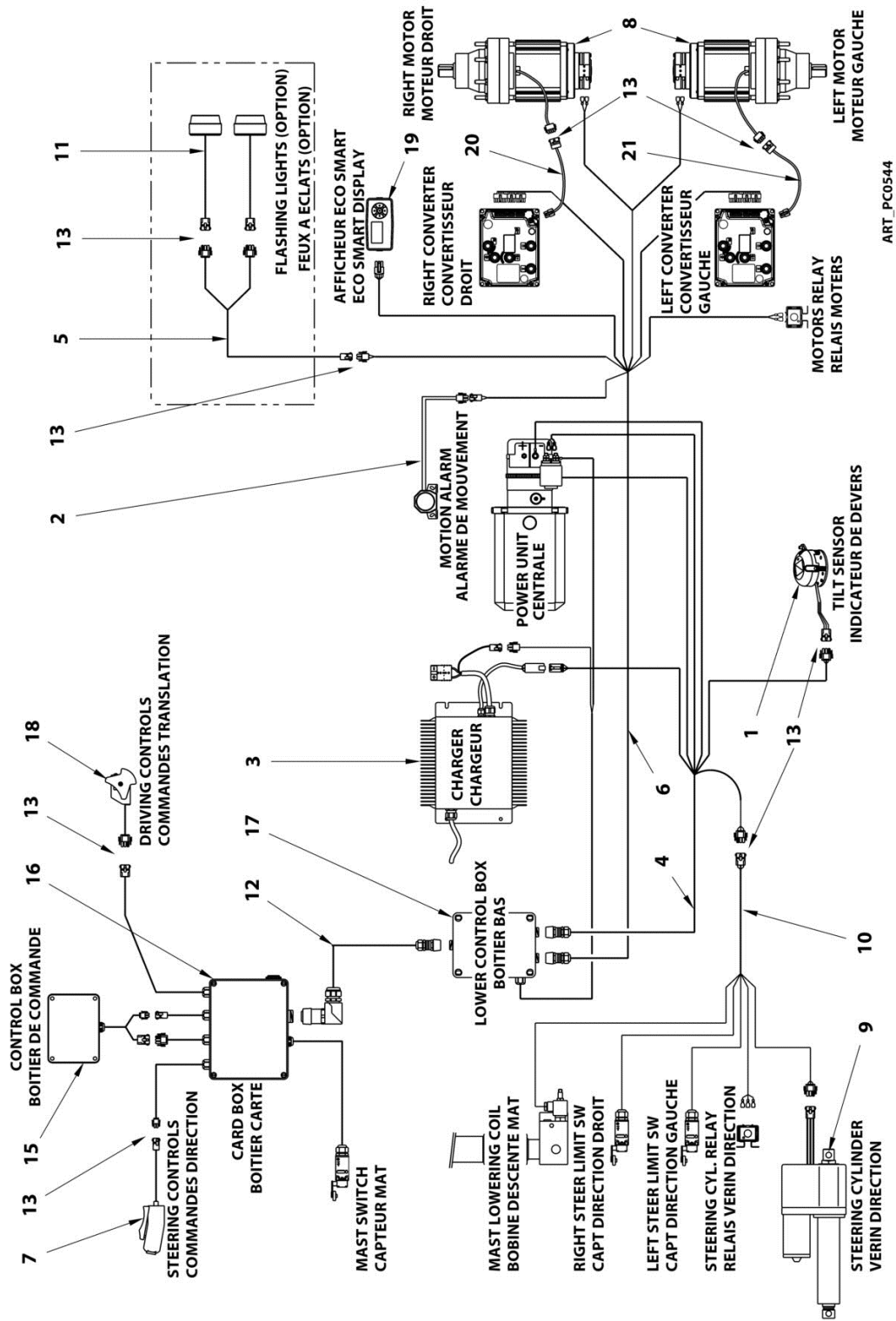
SECTION 2 - ELECTRICAL INSTALL / INSTALLATION ELECTRIQUE

FIGURE 2-3. CONTROL CIRCUIT / CIRCUIT DE COMMANDE (Junior 6B SN A130016673 through A130020221; Junior 8B SN A130019349 to Present)

ITEM	PART NUMBER	QTY	DESCRIPTION	REV
		Ref	CONTROL CIRCUIT; INFO - PC0500 / CIRCUIT DE COMMANDE; INFO - PC0500 (Junior 6B SN A130016673 to Present; Junior 8B SN A130019349 to Present)	
1	260319		TILT SENSOR 2° / DETECTEUR DE DEVERS 2°	
2	PC0204		HARNESS ASSEMBLY-MOTION ALARM / CABLAGE ALARME DE MOUVEMENT	
3	1001112111		CHARGER DELTA-Q 24V HF / CHARGEUR DELTA-Q 24V HF	
4	PC0501		HARNESS ASSEMBLY-POWER UNIT / FAISCEAU CENTRALE	
5	PC0355		HARNESS ASSEMBLY-FLASHING LIGHTS / FAISCEAU FEUX A ECLATS	
6	PC0356		HARNESS ASSEMBLY-DRIVE DEVICE / FAISCEAU MOTORISATION	
7	PC0362		HARNESS ASSY-STEERING CONTROLS / FAISCEAU COMMANDES DE DIRECTION	
8	PC0363		HARNESS ASSEMBLY-DRIVE MOTOR / FAISCEAU MOTEUR DE ROUE	
9	PC0364		HARNESS ASSY-STEERING CYLINDER / FAISCEAU VERIN DE DIRECTION	
10		Ref	TELEMECANIQUE / TELEMECANIQUE DEPUIS (Junior 6B SN A130016734 to Present; Junior 8B SN A130019458 to Present)	
10	PC0365		HARNESS ASSY-FRONT OF FRAME WITH CROUZET SWITCHES / FAISCEAU AVANT CHASSIS AVEC CAPTEURS CROUZET	
10	PC0529		HARNESS ASSY-FRONT OF FRAME WITH TELEMECANIQUE SWITCHES / FAISCEAU AVANT CHASSIS AVEC CAPTEURS TELEMECANIQUE	
11	PC0366		HARNESS ASSEMBLY-FLASHING LIGHT / FAISCEAU FEUX A ECLATS	
12	PC0407		LCB / BOARD BOX LINK FOR JUNIOR8 / LIAISON BOITIER BAS / CARTE JUNIOR8	
12	PC0408		LCB / BOARD BOX LINK FOR JUNIOR6 / LIAISON BOITIER BAS / CARTE JUNIOR6	
13		Ref	MATE-N-LOK CONNECTORS; INFO - RM0090 / CONNECTEURS MATE-N-LOK; INFO - RM0090	
14		Ref	CONNECTORS ON HARNESS ASSEMBLIES; INFO - RM0091 / CONNECTEURS SUR FAISCEAUX; INFO - RM0091	
15	SE0697		JUNIOR B - UPPER CONTROL BOX ASSY; INFO - SE0697 / ASSEMBLAGE BOITIER HAUT JUNIOR B; INFO - SE0697	
16	SE0696		JUNIOR B - BOARD BOX ASSEMBLY; INFO - SSE0696 / ASSEMBLAGE BOITIER CARTE JUNIOR B; INFO - SE0696	
16	SE0808		JUNIOR 6 DI - BOARD BOX ASSEMBLY; INFO - SE0808 / ASSEMBLAGE BOITIER CARTE JUNIOR 6 DI; INFO - SE0808 (Junior 6B Prior to SN A130020222)	
17	SE0816		LOWER CONTROL BOX W/O HOURMETER; INFO - SE0816 / BOITIER BAS SANS HORAMETRE; INFO - SE0816	
17	SE0817		LOWER CONTROL BOX WITH HOURMETER; INFO - SE0817 / BOITIER BAS AVEC HORAMETRE; INFO - SE0817	
18	240091		CONTROL HANDLE / POIGNEE DE COMMANDE	

SECTION 2 - ELECTRICAL INSTALL / INSTALLATION ELECTRIQUE

FIGURE 2-4. CONTROL CIRCUIT / CIRCUIT DE COMMANDE (Junior 6B SN A130020222 to Present)



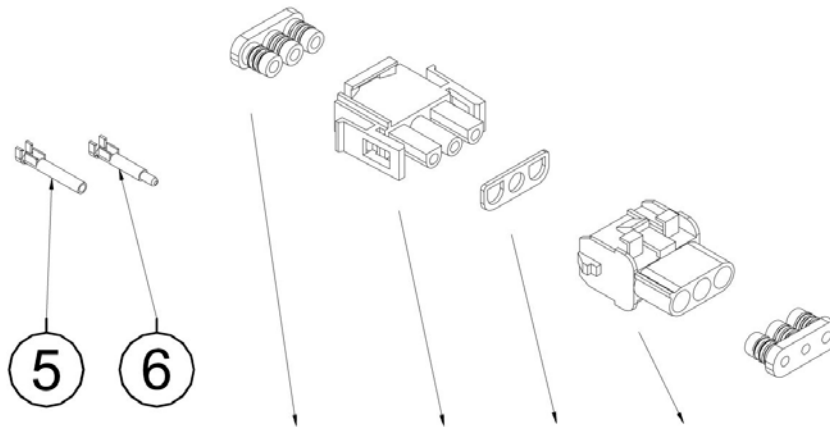
SECTION 2 - ELECTRICAL INSTALL / INSTALLATION ELECTRIQUE

FIGURE 2-4. CONTROL CIRCUIT / CIRCUIT DE COMMANDE (Junior 6B SN A130020222 to Present)

ITEM	PART NUMBER	QTY	DESCRIPTION	REV
		Ref	CONTROL CIRCUIT; INFO - PC0544 / CIRCUIT DE COMMANDE; INFO - PC0544 (Junior 6B SN A130020222 to Present)	
1	260319	1	TILT SENSOR 2° / DETECTEUR DE DEVERS 2°	
2	PC0204	1	HARNESS ASSEMBLY-MOTION ALARM / CABLAGE ALARME DE MOUVEMENT	
3	1001112111	1	CHARGER DELTA-Q 24V HF / CHARGEUR DELTA-Q 24V HF	
4	PC0501	1	HARNESS ASSEMBLY-POWER UNIT / FAISCEAU CENTRALE	
5	PC0355	1	HARNESS ASSEMBLY-FLASHING LIGHTS / FAISCEAU FEUX A ECLATS	
6	PC0535	1	HARNESS,DRIVE DEVICE / FAISCEAU MOTORISATION	
7	PC0362	1	HARNESS ASSY-STEERING CONTROLS / FAISCEAU COMMANDES DE DIRECTION	
8	PC0363	1	HARNESS ASSEMBLY-DRIVE MOTOR / FAISCEAU MOTEUR DE ROUE	
9	510090	1	STEERING ELECTRICAL CYLINDER / VERIN ELECTRIQUE DE DIRECTION	
10	PC0529	1	HARNESS ASSY-FRONT OF FRAME WITH TELEMECANIQUE SWITCHES / FAISCEAU AVANT CHASSIS AVEC CAPTEURS TELEMECANIQUE	
11	PC0366	1	HARNESS ASSEMBLY-FLASHING LIGHT / FAISCEAU FEUX A ECLATS	
12	PC0612	1	LCB / BOARD BOX LINK / LIAISON BOITIER BAS / CARTE	
13		Ref	MATE-N-LOK CONNECTORS; INFO - RM0090 / CONNECTEURS MATE-N-LOK; INFO - RM0090	
14		Ref	CONNECTORS ON HARNESS ASSEMBLIES; INFO - RM0091 / CONNECTEURS SUR FAISCEAUX; INFO - RM0091	
15	SE1210	1	UPPER CONTROL BOX ASSEMBLY / ASSEMBLAGE BOITIER HAUT	
16	SE0696	1	JUNIOR B - BOARD BOX ASSEMBLY / ASSEMBLAGE BOITIER CARTE JUNIOR B	
17	SE1211	1	LOWER CONTROL BOX W/O HOURMETER / BOITIER BAS SANS HORAMETRE	
17	SE1212	1	LOWER CONTROL BOX W/O HOURMETER / BOITIER BAS AVEC HORAMETRE	
18	240091	1	CONTROL HANDLE / POIGNEE DE COMMANDE	
19	260334	1	ECO SMART DISPLAY / AFFICHEUR ECO SMART	
20	PC0536	1	HARNESS,RIGHT MOTOR SENSOR / FAISCEAU CAPTEUR MOTEUR DROIT	
21	PC0537	1	HARNESS,LEFT MOTOR SENSOR / FAISCEAU CAPTEUR MOTEUR GAUCHE	

SECTION 2 - ELECTRICAL INSTALL / INSTALLATION ELECTRIQUE

FIGURE 2-5. MATE-N-LOK CONNECTORS / CONNECTEURS MATE-N-LOK



	(26)	(23)	(25)	(24)
	(10)	(7)	(9)	(8)
	(14)	(11)	(13)	(12)
	(18)	(15)	(17)	(16)
	(4)	(1)	(3)	(2)
	(22)	(19)	(21)	(20)

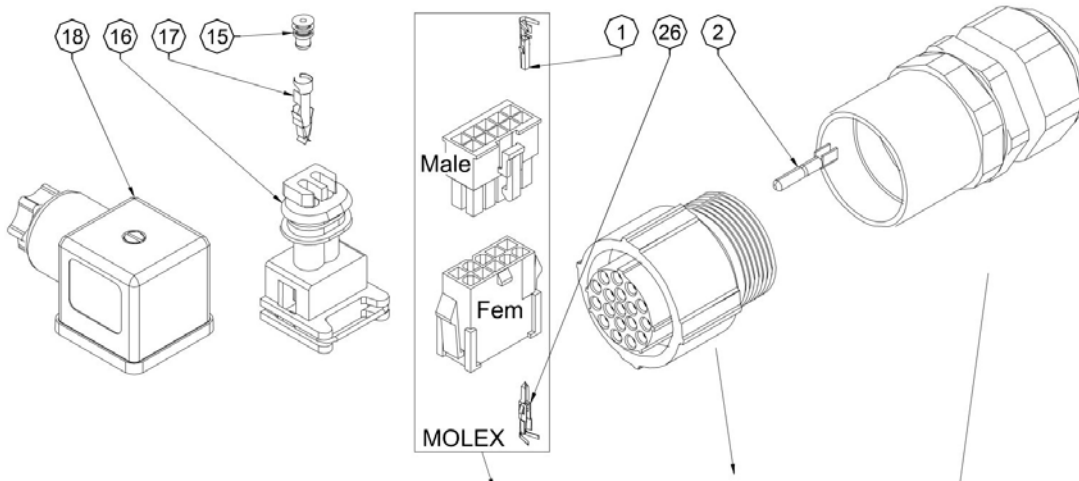
SECTION 2 - ELECTRICAL INSTALL / INSTALLATION ELECTRIQUE

FIGURE 2-5. MATE-N-LOK CONNECTORS / CONNECTEURS MATE-N-LOK

ITEM	PART NUMBER	QTY	DESCRIPTION	REV
		Ref	MATE-N-LOK CONNECTORS; INFO - RM0090 / CONNECTEURS MATE-N-LOK; INFO - RM0090	
1	210029		9 POSITIONS PLUG HOUSING "MNL" / CONNECTEUR MALE 9 COSSES "MNL"	
2	210030		9 POSITIONS CAP HOUSING "MNL" / CONNECTEUR FEMELLE 9 COSSES "MNL"	
3	210031		9 POSITIONS INTERFACE SEAL / JOINT INTERFACE CONNECTEUR 9 CTS	
4	210032		9 POSITIONS WIRE SEAL / JOINT ARRIERE CONNECTEUR 9 CTS	
5	210033		SOCKET CONTACT "MATE-N-LOK" / CONTACT FEMELLE "MATE-N-LOK"	
6	210034		PIN CONTACT "MATE-N-LOK" / CONTACT MALE "MATE-N-LOK"	
7	250140		3 POSITIONS "MNL" PLUG HOUSING / CONNECTEUR MALE 3 CONTACTS "MNL"	
8	250141		3 POSITIONS "MNL" CAP HOUSING / CONNECTEUR FEMELLE 3 CTS "MNL"	
9	250143		3 POSITIONS INTERFACE SEAL / JOINT INTERFACE CONNECTEUR 3 CTS	
10	250144		3 POSITIONS WIRE SEAL / JOINT ARRIERE CONNECTEUR 3 CTS	
11	250145		4 POSITIONS "MNL" PLUG HOUSING / CONNECTEUR MALE 4 CONTACTS "MNL"	
12	250146		4 POSITIONS "MNL" CAP HOUSING / CONNECTEUR FEMELLE 4 CTS "MNL"	
13	250148		4 POSITIONS INTERFACE SEAL / JOINT INTERFACE CONNECTEUR 4 CTS	
14	250149		4 POSITIONS WIRE SEAL / JOINT ARRIERE CONNECTEUR 4 CTS	
15	250150		6 POSITIONS "MNL" PLUG HOUSING / CONNECTEUR MALE 6 CONTACTS "MNL"	
16	250151		6 POSITIONS "MNL" CAP HOUSING / CONNECTEUR FEMELLE 6 CTS "MNL"	
17	250153		6 POSITIONS INTERFACE SEAL / JOINT INTERFACE CONNECTEUR 6 CTS	
18	250154		6 POSITIONS WIRE SEAL / JOINT ARRIERE CONNECTEUR 6 CTS	
19	250155		12 POSITIONS "MNL" PLUG HOUSING / CONNECTEUR MALE 12 CONTACTS "MNL"	
20	250156		12 POSITIONS "MNL" CAP HOUSING / CONNECTEUR FEMELLE 12 CTS "MNL"	
21	250158		12 POSITIONS INTERFACE SEAL / JOINT INTERFACE CONNECTEUR 12 CTS	
22	250159		12 POSITIONS WIRE SEAL / JOINT ARRIERE CONNECTEUR 12 CTS	
23	250193		2 POSITIONS "MNL" PLUG HOUSING / CONNECTEUR MALE 2 CONTACTS "MNL"	
24	250194		2 POSITIONS "MNL" CAP HOUSING / CONNECTEUR FEMELLE 2 CTS "MNL"	
25	250195		2 POSITIONS INTERFACE SEAL / JOINT INTERFACE CONNECTEUR 2 CTS	
26	250196		2 POSITIONS WIRE SEAL / JOINT ARRIERE CONNECTEUR 2 CTS	

SECTION 2 - ELECTRICAL INSTALL / INSTALLATION ELECTRIQUE

FIGURE 2-6. CONNECTORS ON HARNESS ASSY / CONNECTEURS SUR FAISCEAUX



Number of pins Nombre de contacts	PART NUMBER / REP			GLAND / PE	
	MOLEX		FCI		
	Male	Fem			
2	(3)				
4	(4)	(27)			
6	(5)				
8	(6)			180°	90°
9			(12)	(22)	
10	(7)	(28)			
12	(8)				
14	(9)				
16	(10)				
18	(24)		(13)	(21)	(23)
22	(25)				
24	(11)				
26			(14)	(20)	(19)

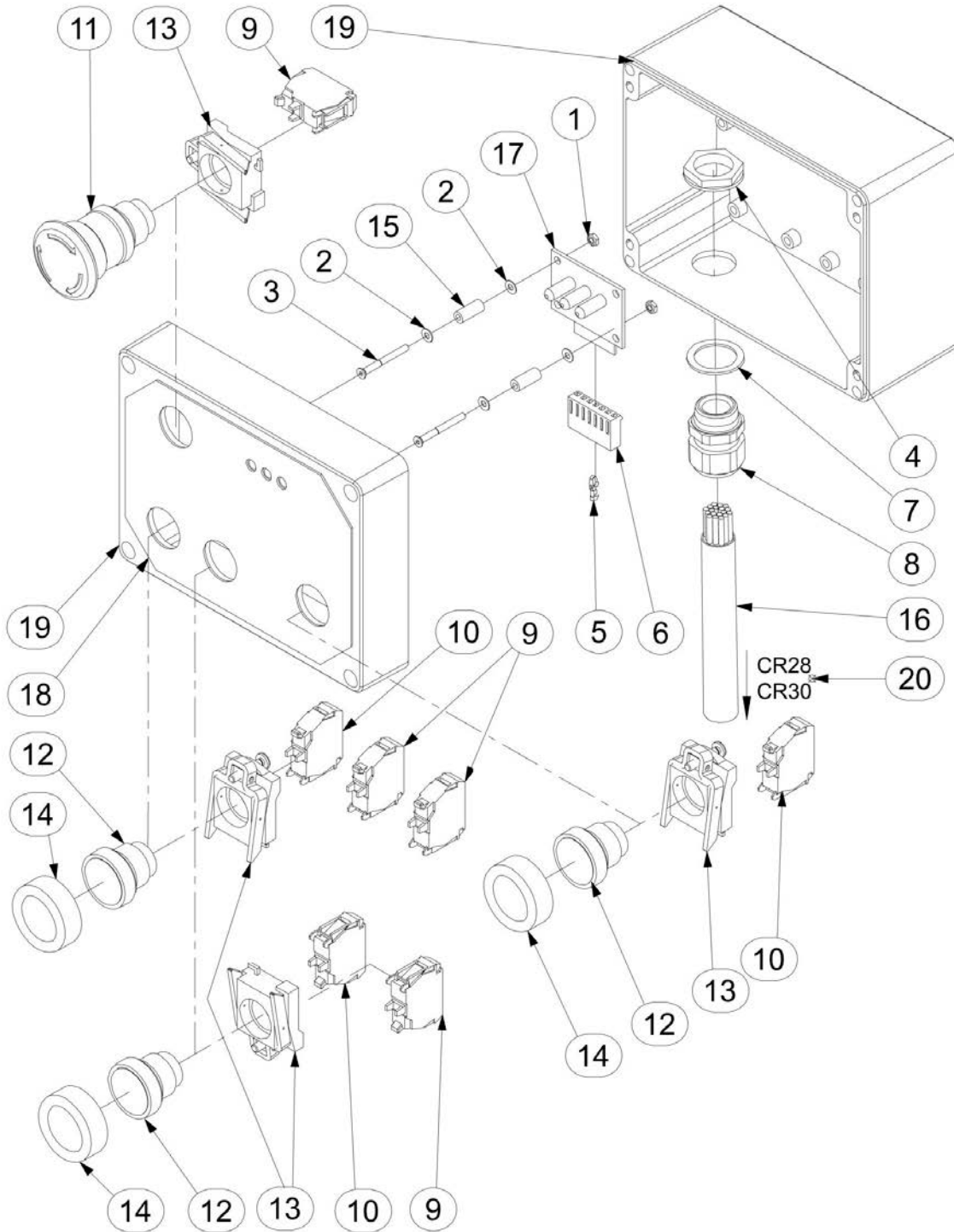
SECTION 2 - ELECTRICAL INSTALL / INSTALLATION ELECTRIQUE

FIGURE 2-6. CONNECTORS ON HARNESS ASSY / CONNECTEURS SUR FAISCEAUX

ITEM	PART NUMBER	QTY	DESCRIPTION	REV
		Ref	CONNECTORS ON HARNESS ASSEMBLIES; INFO - RM0091 / CONNECTEURS SUR FAISCEAUX; INFO - RM0091	
1	250190		SOCKET CONTACT "MOLEX MINI-FIT" / CONTACT FEMELLE "MOLEX MINI-FIT"	
2	260130		SOCKET CONTACT / CONTACT A SERTIR FEMELLE	
3	250206		2 POS "MOLEX MINI-FIT" PLUG HOUSING / CONNECTEUR "MOLEX MINI-FIT" 2 CTS	
4	250199		4 POS "MOLEX MINI-FIT" PLUG HOUSING / CONNECTEUR "MOLEX MINI-FIT" 4 CTS	
5	250200		6 POS "MOLEX MINI-FIT" PLUG HOUSING / CONNECTEUR "MOLEX MINI-FIT" 6 CTS	
6	250189		8 POS "MOLEX MINI-FIT" PLUG HOUSING / CONNECTEUR "MOLEX MINI-FIT" 8 CTS	
7	250201		10 POS "MOLEX MINI-FIT" PLUG HOUSING / CONNECTEUR "MOLEX MINI-FIT" 10 CTS	
8	250202		12 POS "MOLEX MINI-FIT" PLUG HOUSING / CONNECTEUR "MOLEX MINI-FIT" 12 CTS	
9	250203		14 POS "MOLEX MINI-FIT" PLUG HOUSING / CONNECTEUR "MOLEX MINI-FIT" 14 CTS	
10	250204		16 POS "MOLEX MINI-FIT" PLUG HOUSING / CONNECTEUR "MOLEX MINI-FIT" 16 CTS	
11	250205		24 POS "MOLEX MINI-FIT" PLUG HOUSING / CONNECTEUR "MOLEX MINI-FIT" 24 CTS	
12	260177		9 POSITIONS SOCKET HOUSING / CONNECTEUR 9 CONTACTS	
13	260168		18 POSITIONS SOCKET HOUSING / CONNECTEUR 18 CONTACTS	
14	260128		26 POSITIONS SOCKET HOUSING / CONNECTEUR 26 CONTACTS	
15	260132		WIRE SEAL / JOINT DE CONNECTEUR	
16	260136		AMP TIMER CAP HOUSING / CONNECTEUR AMP TIMER	
17	260137		RECEPTACLE CONTACT / CONTACT	
18	900086		GREY CONNECTOR DIN43650-A / CONNECTEUR GRIS DIN43650-A	
18	900087		BLACK CONNECTOR DIN43650-A / CONNECTEUR NOIR DIN43650-A	
19	210020		90° CABLE GLAND N°29 / PRESSE ETOUPE COUDE N°29	
20	260129		CABLE GLAND N°29 / PRESSE ETOUPE N°29	
21	260169		CABLE GLAND N°21 / PRESSE ETOUPE N°21	
22	260179		CABLE GLAND N°16 / PRESSE ETOUPE N°16	
23	260221		90° CABLE GLAND N°21 / PRESSE ETOUPE COUDE N°21	
24	250216		18 POS "MOLEX MINI-FIT" PLUG HOUSING / CONNECTEUR "MOLEX MINI-FIT" 18 CTS	
25	250217		22 POS "MOLEX MINI-FIT" PLUG HOUSING / CONNECTEUR "MOLEX MINI-FIT" 22 CTS	
26	250220		PIN CONTACT "MOLEX MINI-FIT" / CONTACT MALE "MOLEX MINI-FIT"	
27	250221		4 POS "MOLEX MINI-FIT" SOCKET HOUSING / CONNECTEUR FEM. "MOLEX MINI-FIT" 4 CTS	
28	250222		10 POS "MOLEX MINI-FIT" SOCKET HOUSING / CONNECTEUR FEM. "MOLEX MINI-FIT" 10 CTS	

SECTION 2 - ELECTRICAL INSTALL / INSTALLATION ELECTRIQUE

FIGURE 2-7. JUNIOR B UPPER CONTROL BOX / BOITIER HAUT JUNIOR B



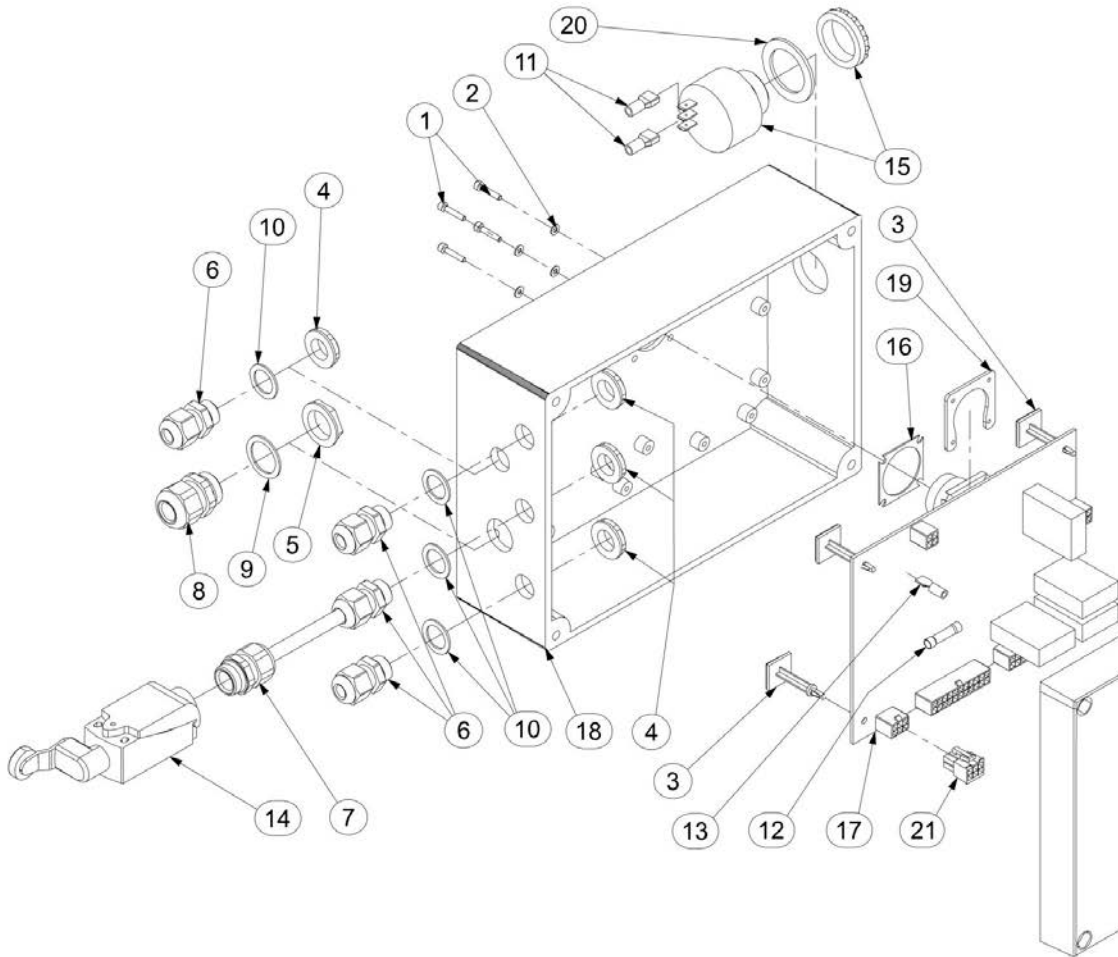
SECTION 2 - ELECTRICAL INSTALL / INSTALLATION ELECTRIQUE

FIGURE 2-7. JUNIOR B UPPER CONTROL BOX / BOITIER HAUT JUNIOR B

ITEM	PART NUMBER	QTY	DESCRIPTION	REV
	SE0697		JUNIOR B - UPPER CONTROL BOX ASSY; INFO - SE0697 / ASSEMBLAGE BOITIER HAUT JUNIOR B; INFO - SE0697 (Junior 6B Prior to SN A130020222; Including Junior 8B) UPPER CONTROL BOX ASSEMBLY / ASSEMBLAGE BOITIER HAUT (Junior 6B SN A130020222 to Present)	
	SE1210			
1	110024	2	M03 GR 8.8 LOCK NUT / ECROU FREIN M03 8.8 BI	
2	120023	4	M03 LOCK WASHER / RONDELLE CONTACT M03 BI	
3	130052	2	M03x30 8.8 COUNTERSUNK HEAD M. S. / VIS FHC M03x30 8.8 BI FT	
4	210011	1	GLAND N°13 NUT / ECROU DE PRESSE ETOUPE N°13	
5	210038	5	SOCKET CONTACT MOLEX / COSSE FEMELLE MOLEX	
6	210047	1	7 POS MOLEX KK 3.96 CAP HOUSING / CONNECTEUR 7 COSSES MOLEX KK 3.96	
7	210057	1	N°13 GLAND SEAL / JOINT DE PRESSE ETOUPE N°13	
8	210019	1	GLAND N°13 / PRESSE ETOUPE N°13	
9	240057	4	NC CONTACT BLOCK / CONTACT NF	
10	240058	3	NO CONTACT BLOCK / CONTACT NO	
11	240060	1	TURN TO RELEASE KNOB / BOUTON D'ARRET D'URGENCE 1/4 TOUR	
12	240061	3	PUSH BUTTON / BOUTON POUSSOIR	
13	240076	4	CONTACT BLOCK HOLDER / EMBASE CONTACT	
14	240082	3	PUSH BUTTON CAP / CAPUCHON D'ETANCHEITE	
15	250184	2	Ø 3x 14 PLASTIC SPACER / ENTRETOISE PVC Ø 3 lg 14	
16	270057	1.04	CABLE 18x0.75mm ² (qty indicated in meter) / CABLE 18x0.75mm ² (qté indiquée en mètre)	
17	290042	1	DISPLAY ELECTRONIC BOARD / CARTE ELECTRONIQUE D'AFFICHAGE	
18	AU1993	1	UPPER CONTROL BOX DECAL / AUTOCOLLANT BOITIER HAUT (Junior 6B Prior to SN A130020222; Including Junior 8B)	
18	AU2230	1	UPPER CONTROL BOX DECAL / AUTOCOLLANT BOITIER HAUT (Junior 6B SN A130020222 to Present)	
19	SD0687	1	DRILLED ELECTRICAL BOX / BOITIER ELECTRIQUE PERCE (Junior 6B Prior to SN A130020222; Including Junior 8B)	
19	ST3791	1	BOX UCB DRILLED / BOITIER HAUT PERCE (Junior 6B SN A130020222 to Present)	
20		Ref	MATE-N-LOK CONNECTORS; INFO - RM0090 / CONNECTEURS MATE-N-LOK; INFO - RM0090	

SECTION 2 - ELECTRICAL INSTALL / INSTALLATION ELECTRIQUE

FIGURE 2-8. JUNIOR B BOARD BOX / BOITIER CARTE JUNIOR B



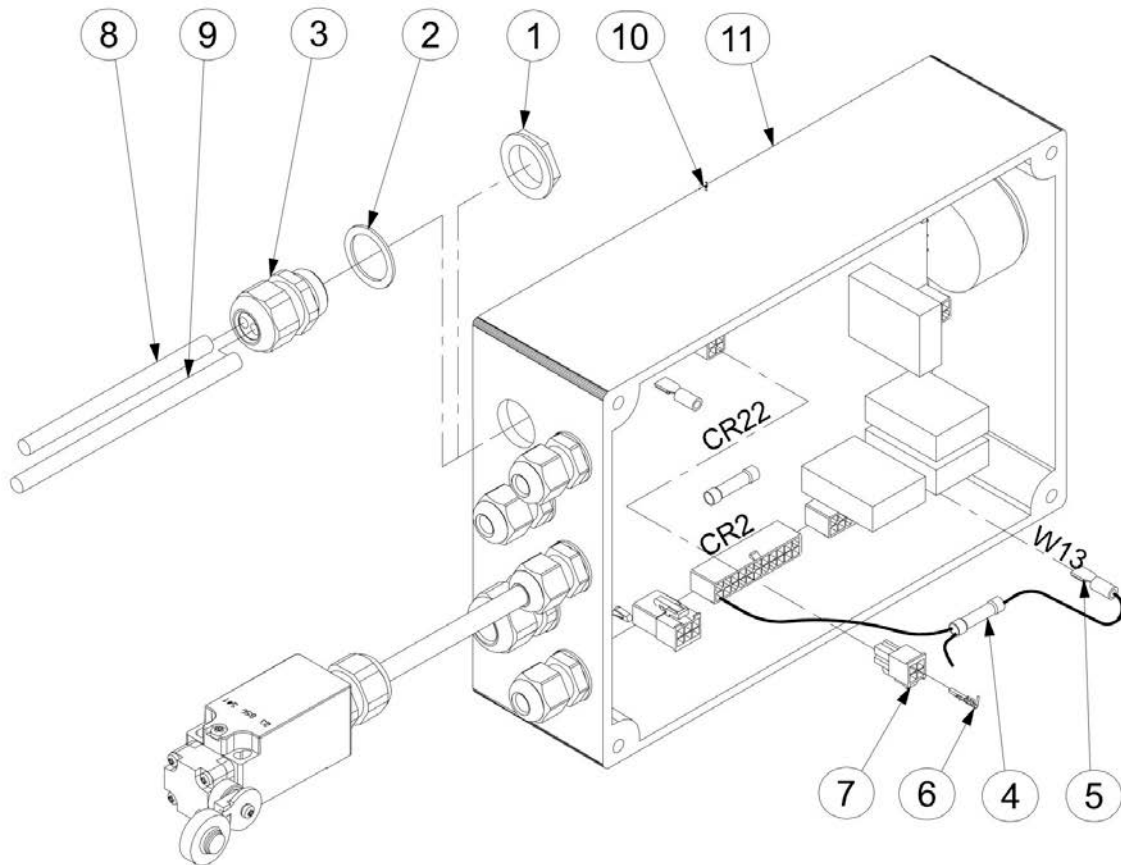
SECTION 2 - ELECTRICAL INSTALL / INSTALLATION ELECTRIQUE

FIGURE 2-8. JUNIOR B BOARD BOX / BOITIER CARTE JUNIOR B

ITEM	PART NUMBER	QTY	DESCRIPTION	REV
	SE0696		JUNIOR B - BOARD BOX ASSEMBLY; INFO - SE0696 / ASSEMBLAGE BOITIER CARTE JUNIOR B; INFO - SE0696	
1	000091	4	M03x16 8.8 SOCKET HEAD MACH SCREW / VIS CHC M03x16 8.8 BI FT	
2	120023	4	M03 LOCK WASHER / RONDELLE CONTACT M03 BI	
3	190055	4	ADHESIVE BRACKET SUPPORT / ENTRETOISE SUPPORT CARTE	
4	210009	4	GLAND N°9 NUT / ECROU DE PRESSE ETOUPE N°9	
5	210011	1	GLAND N°13 NUT / ECROU DE PRESSE ETOUPE N°13	
6	210017	4	GLAND N°9 / PRESSE ETOUPE N°9	
7	210018	1	TELEMECA - GLAND N°11 / TELEMECA - PRESSE ETOUPE N°11	
7	210019	1	CROUZET - GLAND N°13 / CROUZET - PRESSE ETOUPE N°13	
8	210019	1	GLAND N°13 / PRESSE ETOUPE N°13	
9	210057	1	N°13 GLAND SEAL / JOINT DE PRESSE ETOUPE N°13	
10	210063	4	N°9 GLAND SEAL / JOINT DE PRESSE ETOUPE N°9	
11	250026	2	RED RECEPTACLE TERM 6.3 - 0.5-1.2mm ² / COSSE FEMELLE 6.3 ROUGE - 0.5-1.2mm ²	
12	250037	1	SPLICE TERMINAL 1-2.5mm ² / EPISSURE DE CABLE 1-2.5mm ²	
13	250060	8	RECEPTACLE TERMINAL 4.8 - 0.25-1mm ² / COSSE ISOLEE 4.8 mm 0.25-1 mm ²	
14	260030	1	CROUZET - 2NC SWITCH / CROUZET - CAPTEUR 2NF	
14	260325	1	TELEMECA - 2NC SWITCH / TELEMECA - CAPTEUR 2NF	
15	260045	1	BUZZER 24V / BUZZER 24 V	
16	260167	1	18 POSITIONS CHASSIS PLUG GASCKET / JOINT CONNECTEUR 18 CONTACTS	
17	290044	1	UPPER CONTROL BOX BOARD / CARTE BOITIER HAUT	
18	SD0686	1	DRILLED ELECTRICAL BOX / BOITIER ELECTRIQUE PERCE	
19	ST1935	1	CONNECTOR PLATE / CONTRE PLAQUE CONNECTEUR	
20	ST2063	1	BUZZER SEAL / JOINT BUZZER	
21		Ref	CONNECTORS ON HARNESS ASSEMBLIES; INFO - RM0091 / CONNECTEURS SUR FAISCEAUX; INFO - RM0091	

SECTION 2 - ELECTRICAL INSTALL / INSTALLATION ELECTRIQUE

FIGURE 2-9. JUNIOR 6 DI BOARD BOX / BOITIER CARTE JUNIOR 6 DI (Junior 6B Prior to SN A130020222)



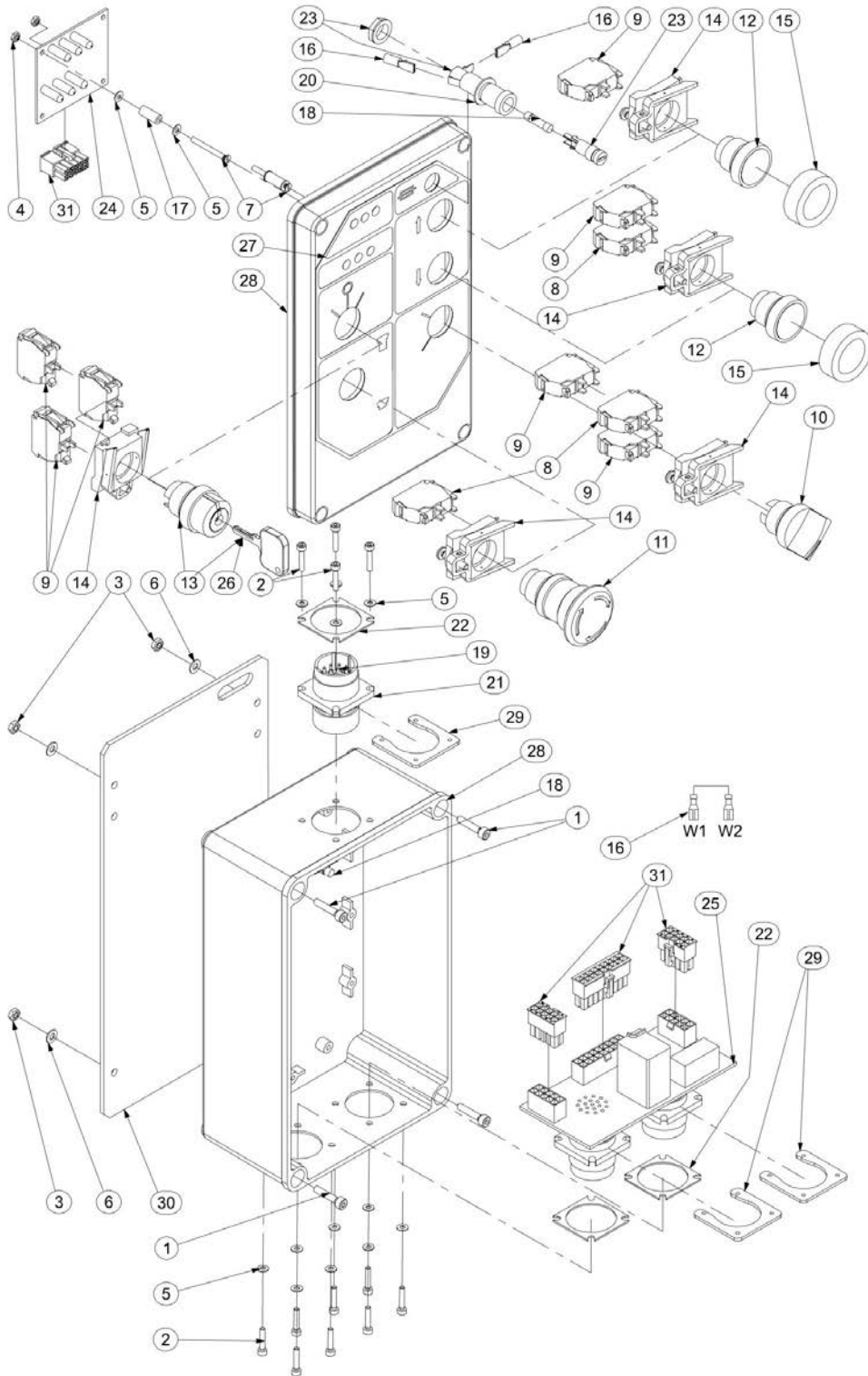
SECTION 2 - ELECTRICAL INSTALL / INSTALLATION ELECTRIQUE

FIGURE 2-9. JUNIOR 6 DI BOARD BOX / BOITIER CARTE JUNIOR 6 DI (Junior 6B Prior to SN A130020222)

ITEM	PART NUMBER	QTY	DESCRIPTION	REV
	SE0808		JUNIOR 6 DI - BOARD BOX ASSEMBLY / ASSEMBLAGE BOITIER CARTE JUNIOR 6 DI	
1	210011	1	GLAND N°13 NUT / ECROU DE PRESSE ETOUPE N°13	
2	210057	1	N°13 GLAND SEAL / JOINT DE PRESSE ETOUPE N°13	
3	210059	1	GLAND N°13 2xØ5 IP65 / PRESSE ETOUPE N°13 2xØ5 IP65	
4	250037	1	SPLICE TERMINAL 1-2.5mm ² / EPISSURE DE CABLE 1-2.5mm ²	
5	250060	1	RECEPTACLE TERMINAL 4.8 - 0.25-1mm ² / COSSE ISOLEE 4.8 mm 0.25-1 mm ²	
6	250190	4	SOCKET CONTACT "MOLEX MINI-FIT" / CONTACT FEMELLE "MOLEX MINI-FIT"	
7	250199	1	4 POS "MOLEX MINI-FIT" PLUG HOUSING / CONNECTEUR "MOLEX MINI-FIT" 4 CTS	
8	270010	1.3	CABLE 2x1mm ² (quantity indicated in meter) / CABLE 2x1mm ² (qté indiquée en mètre)	
9	270010	2.3	CABLE 2x1mm ² (quantity indicated in meter) / CABLE 2x1mm ² (qté indiquée en mètre)	
10	FX204-031	1	DRILLED ELECTRICAL BOX / BOITIER ELECTRIQUE PERCE	
11	SE0696	1	JUNIOR B - BOARD BOX ASSEMBLY; INFO - SE0696 / ASSEMBLAGE BOITIER CARTE JUNIOR B; INFO - SE0696	

SECTION 2 - ELECTRICAL INSTALL / INSTALLATION ELECTRIQUE

FIGURE 2-10. L.C.B. WITHOUT HOURMETER / BOITIER BAS SANS HORAMETRE (Junior 6B Prior to SN A130016539; Junior 8B Prior to SN A130019232)



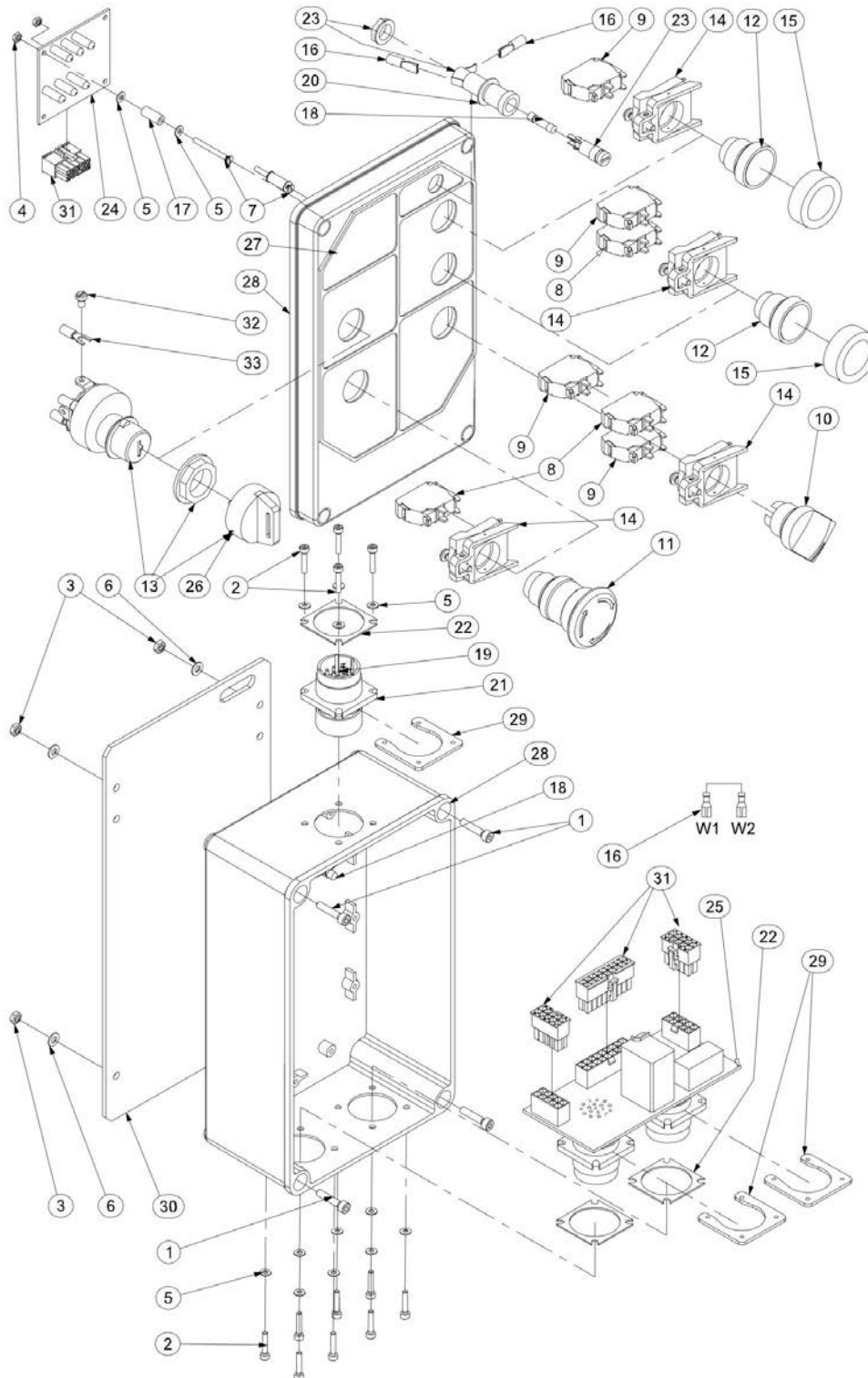
SECTION 2 - ELECTRICAL INSTALL / INSTALLATION ELECTRIQUE

FIGURE 2-10. L.C.B. WITHOUT HOURMETER / BOITIER BAS SANS HORAMETRE (Junior 6B Prior to SN A130016539; Junior 8B Prior to SN A130019232)

ITEM	PART NUMBER	QTY	DESCRIPTION	REV
	SE0716		LCB W/O HOURMETER; INFO - SE0716 / BOITIER BAS SANS HORAMETRE; INFO - SE0716 (Junior 6B Prior to SN A130016539; Junior 8B Prior to SN A130019232)	
1	000020	4	M04x20 8.8 SOCKET HEAD MACH SCREW / VIS CHC M04x20 8.8 BI FT	
2	000091	12	M03x16 8.8 SOCKET HEAD MACH SCREW / VIS CHC M03x16 8.8 BI FT	
3	110001	4	M04 GR 8.8 LOCK NUT / ECROU FREIN M4 8.8 BI	
4	110024	2	M03 GR 8.8 LOCK NUT / ECROU FREIN M03 8.8 BI	
5	120023	16	M03 LOCK WASHER / RONDELLE CONTACT M03 BI	
6	120024	4	M04 LOCK WASHER / RONDELLE CONTACT M04 BI	
7	130052	2	M03x30 8.8 COUNTERSUNK HEAD M. S. / VIS FHC M03x30 8.8 BI FT	
8	240057	3	NC CONTACT BLOCK / CONTACT NF	
9	240058	7	NO CONTACT BLOCK / CONTACT NO	
10	240059	1	2 POSITIONS SELECTOR / SELECTEUR 2 POSITIONS	
11	240060	1	TURN TO RELEASE KNOB / BOUTON D'ARRET D'URGENCE 1/4 TOUR	
12	240061	2	PUSH BUTTON / BOUTON POUSSOIR	
13	240066	1	3 POSITIONS KEY SELECTOR / SELECTEUR A CLE 3 POSITIONS	
14	240076	5	CONTACT BLOCK HOLDER / EMBASE CONTACT	
15	240082	2	PUSH BUTTON CAP / CAPUCHON D'ETANCHEITE	
16	250060	4	RECEPTACLE TERMINAL 4.8 - 0.25-1mm ² / COSSE ISOLEE 4.8 mm 0.25-1 mm ²	
17	250184	2	Ø 3x 14 PLASTIC SPACER / ENTRETOISE PVC Ø 3 lg 14	
18	260074	2	5A QUICK ACTING FUSE / FUSIBLE RAPIDE 5A	
19	260131	18	PIN CONTACT / CONTACT MALE	
20	260134	1	TOGGLE SWITCH GASKET / JOINT D'INVERSEUR	
21	260166	1	18 POSITIONS CHASSIS PLUG HOUSING / EMBASE CONNECTEUR 18 CONTACTS	
22	260167	3	18 POSITIONS CHASSIS PLUG GASCKET / JOINT CONNECTEUR 18 CONTACTS	
23	260224	1	FUSE HOLDER / PORTE FUSIBLE	
24	290051	1	6 LEDS BATTERY BOARD / CARTE BATTERIE 6 LEDS	
25	290061	1	LOWER CONTROL BOX BOARD / CARTE BOITIER BAS	
26	910003	1	KEY N°421 / CLE N°421	
27	AU1875	1	LOWER CONTROL BOX DECAL / AUTOCOLLANT BOITIER BAS	
28	SD0663	1	DRILLED ELECTRICAL BOX / BOITIER ELECTRIQUE PERCE	
29	ST1935	3	CONNECTOR PLATE / CONTRE PLAQUE CONNECTEUR	
30	ST2743	1	LOWER CONTROL BOX SUPPORT SHIELD / TOLE SUPPORT BOITIER BAS	
31		Ref	CONNECTORS ON HARNESS ASSEMBLIES; INFO - RM0091 / CONNECTEURS SUR FAISCEAUX; INFO - RM0091	

SECTION 2 - ELECTRICAL INSTALL / INSTALLATION ELECTRIQUE

FIGURE 2-11. L.C.B. WITHOUT HOURMETER / BOITIER BAS SANS HORAMETRE (Junior 6B SN A130016539 through A130016672; Junior 8B SN A130019232 through A130019348)



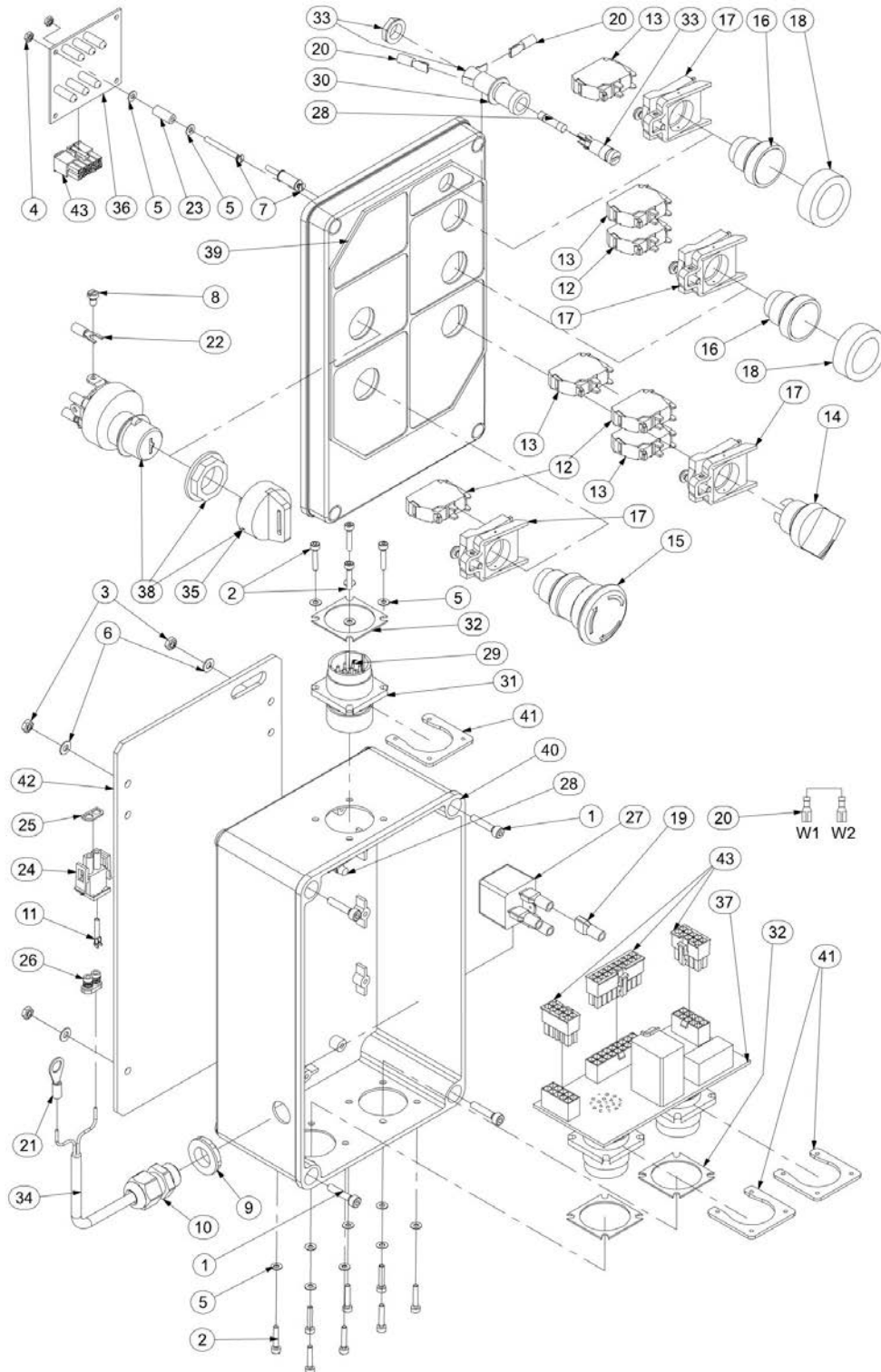
SECTION 2 - ELECTRICAL INSTALL / INSTALLATION ELECTRIQUE

FIGURE 2-11. L.C.B. WITHOUT HOURMETER / BOITIER BAS SANS HORAMETRE (Junior 6B SN A130016539 through A130016672; Junior 8B SN A130019232 through A130019348)

ITEM	PART NUMBER	QTY	DESCRIPTION	REV
	SE0716		LCB W/O HOURMETER; INFO - SE0716 / BOITIER BAS SANS HORAMETRE; INFO - SE0716 (Junior 6B SN A130016539 through A130016672; Junior 8B SN A130019232 through A130019348)	A
1	000020	4	M04x20 8.8 SOCKET HEAD MACH SCREW / VIS CHC M04x20 8.8 BI FT	
2	000091	12	M03x16 8.8 SOCKET HEAD MACH SCREW / VIS CHC M03x16 8.8 BI FT	
3	110001	4	M04 GR 8.8 LOCK NUT / ECROU FREIN M4 8.8 BI	
4	110024	2	M03 GR 8.8 LOCK NUT / ECROU FREIN M03 8.8 BI	
5	120023	16	M03 LOCK WASHER / RONDELLE CONTACT M03 BI	
6	120024	4	M04 LOCK WASHER / RONDELLE CONTACT M04 BI	
7	130052	2	M03x30 8.8 COUNTERSUNK HEAD M. S. / VIS FHC M03x30 8.8 BI FT	
8	240057	3	NC CONTACT BLOCK / CONTACT NF	
9	240058	4	NO CONTACT BLOCK / CONTACT NO	A
10	240059	1	2 POSITIONS SELECTOR / SELECTEUR 2 POSITIONS	
11	240060	1	TURN TO RELEASE KNOB / BOUTON D'ARRET D'URGENCE 1/4 TOUR	
12	240061	2	PUSH BUTTON / BOUTON POUSSOIR	
13	4360469	1	3 POSITIONS KEY SELECTOR / SELECTEUR A CLE 3 POSITIONS	A
14	240076	4	CONTACT BLOCK HOLDER / EMBASE CONTACT	A
15	240082	2	PUSH BUTTON CAP / CAPUCHON D'ETANCHEITE	
16	250060	4	RECEPTACLE TERMINAL 4.8 - 0.25-1mm ² / COSSE ISOLEE 4.8 mm 0.25-1 mm ²	
17	250184	2	Ø 3x 14 PLASTIC SPACER / ENTRETOISE PVC Ø 3 lg 14	
18	260074	2	5A QUICK ACTING FUSE / FUSIBLE RAPIDE 5A	
19	260131	18	PIN CONTACT / CONTACT MALE	
20	260134	1	TOGGLE SWITCH GASKET / JOINT D'INVERSEUR	
21	260166	1	18 POSITIONS CHASSIS PLUG HOUSING / EMBASE CONNECTEUR 18 CONTACTS	
22	260167	3	18 POSITIONS CHASSIS PLUG GASCKET / JOINT CONNECTEUR 18 CONTACTS	
23	260224	1	FUSE HOLDER / PORTE FUSIBLE	
24	290051	1	6 LEDS BATTERY BOARD / CARTE BATTERIE 6 LEDS	
25	290061	1	LOWER CONTROL BOX BOARD / CARTE BOITIER BAS	
26	2860030	1	KEY (INCLUDED IN ITEM 4360469) / CLE (COMPRISE DANS REF 4360469)	A
27	AU1992	1	LOWER CONTROL BOX DECAL / AUTOCOLLANT BOITIER BAS	A
28	SD0663	1	DRILLED ELECTRICAL BOX / BOITIER ELECTRIQUE PERCE	
29	ST1935	3	CONNECTOR PLATE / CONTRE PLAQUE CONNECTEUR	
30	ST2743	1	LOWER CONTROL BOX SUPPORT SHIELD / TOLE SUPPORT BOITIER BAS	
31		Ref	CONNECTORS ON HARNESS ASSEMBLIES; INFO - RM0091 / CONNECTEURS SUR FAISCEAUX; INFO - RM0091	
32	130059	5	M04x06 GR 4.8 CYLINDRIC HEAD / VIS TC M04x06 4.8 ZI	A
33	250085	5	M04 FORK TERMINAL 0.5-1mm ² / COSSE FOURCHE M04 - 0.5-1mm ²	A

SECTION 2 - ELECTRICAL INSTALL / INSTALLATION ELECTRIQUE

FIGURE 2-12. L.C.B. WITHOUT HOURMETER / BOITIER BAS SANS HORAMETRE (Junior 6B SN A130016673 to Present; Junior 8B SN A130019349 to Present)



SECTION 2 - ELECTRICAL INSTALL / INSTALLATION ELECTRIQUE

FIGURE 2-12. L.C.B. WITHOUT HOURMETER / BOITIER BAS SANS HORAMETRE (Junior 6B SN A130016673 to Present; Junior 8B SN A130019349 to Present)

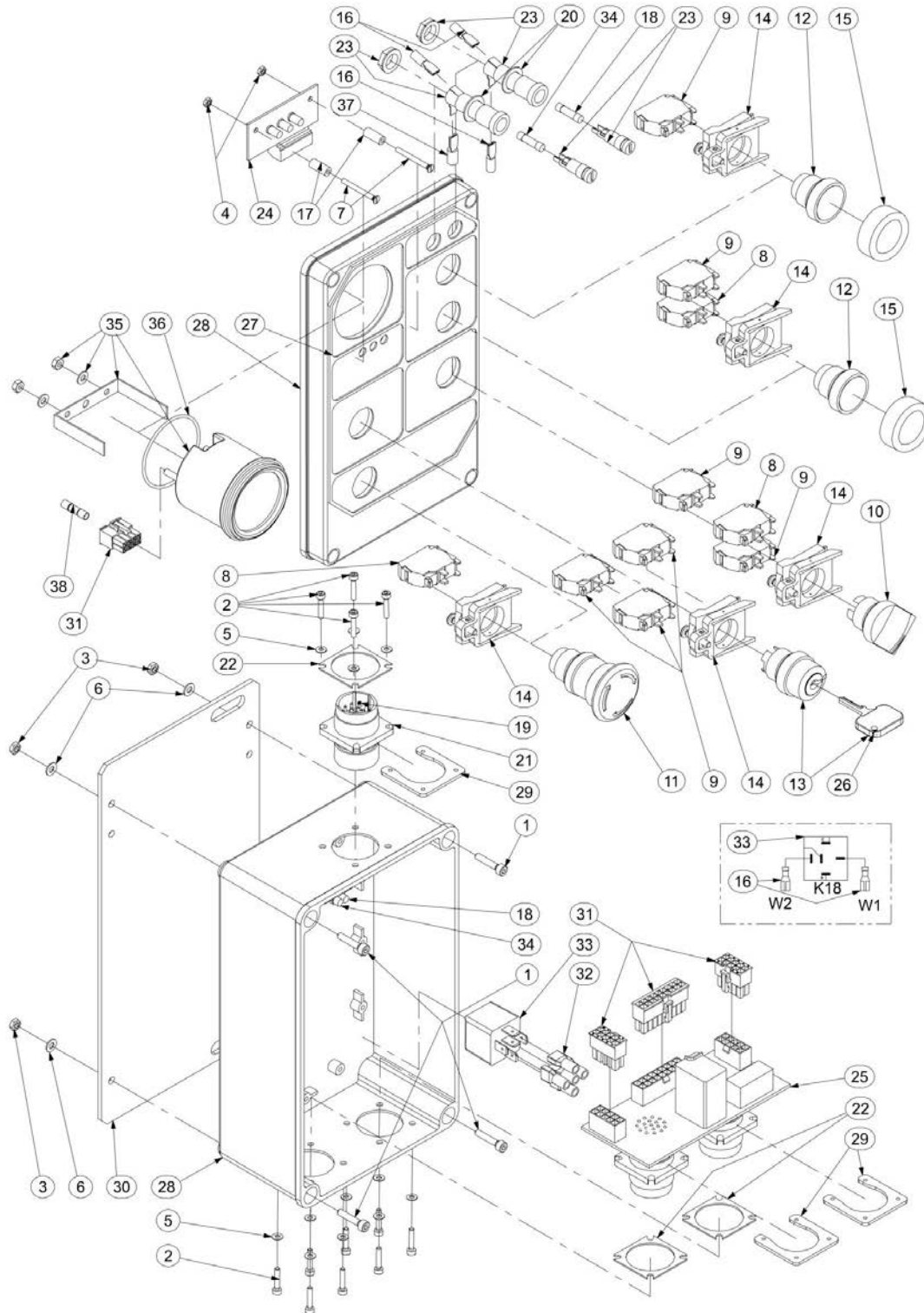
ITEM	PART NUMBER	QTY	DESCRIPTION	REV
	SE0816		LOWER CONTROL BOX W/O HOURMETER / BOITIER BAS SANS HORAMETRE (Junior 6B SN A130016673 through A130020221; Junior 8B SN A130019349 to Present)	
	SE1211		LOWER CONTROL BOX W/O HOURMETER / BOITIER BAS SANS HORAMETRE (Junior 6B SN A130020222 to Present)	
1	000020	4	M04x20 8.8 SOCKET HEAD MACH SCREW / VIS CHC M04x20 8.8 BI FT	
2	000091	12	M03x16 8.8 SOCKET HEAD MACH SCREW / VIS CHC M03x16 8.8 BI FT	
3	110001	4	M04 GR08 LOCK NUT / ECROU FREIN M4 CL08 BI	
4	110024	2	M03 GR08 LOCK NUT / ECROU FREIN M03 CL08 BI	
5	120023	16	M3 LOCK WASHER / RONDELLE CONTACT M3 BI	
6	120024	4	M4 LOCK WASHER / RONDELLE CONTACT M4 BI	
7	130052	2	M03x30 8.8 COUNTERSUNK HEAD M. S. / VIS FHC M03x30 8.8 BI FT	
8	130059	5	M04x06 GR 4.8 CYLINDRIC HEAD / VIS TC M04x06 4.8 ZI	
9	210009	1	GLAND N°9 NUT / ECROU DE PRESSE ETOUPE N°9	
10	210017	1	GLAND N°9 / PRESSE ETOUPE N°9	
11	210033	1	SOCKET CONTACT "MATE-N-LOK" / CONTACT FEMELLE "MATE-N-LOK"	
12	240057	3	NC CONTACT BLOCK / CONTACT NF	
13	240058	4	NO CONTACT BLOCK / CONTACT NO	
14	240059	1	2 POSITIONS SELECTOR / SELECTEUR 2 POSITIONS	
15	240060	1	TURN TO RELEASE KNOB / BOUTON D'ARRET D'URGENCE 1/4 TOUR	
16	240061	2	PUSH BUTTON / BOUTON POUSSOIR	
17	240076	4	SWITCH BASE / EMBASE CONTACT	
18	240082	2	PUSH BUTTON CAP / CAPUCHON D'ETANCHEITE	
19	250027	4	BLUE RECEPTACLE TER. 6.3 - 1.5-2.5mm ² / COSSE FEM. 6.3 BLEUE 6.3 - 1.5-2.5mm ²	
20	250060	4	RECEPTACLE TERMINAL 4.8 - 0.25-1mm ² / COSSE ISOLEE 4.8 mm 0.25-1 mm ²	
21	250084	1	M8 EYELET TERMINAL 0.25-1mm ² / COSSE A OEIL ISOLEE M8 - 0.25-1mm ²	
22	250085	5	M4 FORK TERMINAL 0.5-1mm ² / COSSE FOURCHE M4 - 0.5-1mm ²	
23	250184	2	Ø 3x 14 PLASTIC SPACER / ENTRETOISE PVC Ø 3 lg 14	
24	250193	1	2 POSITIONS "MNL" PLUG HOUSING / CONNECTEUR MALE 2 CONTACTS "MNL"	
25	250195	1	2 POSITIONS INTERFACE SEAL / JOINT INTERFACE CONNECTEUR 2 CTS	
26	250196	1	2 POSITIONS WIRE SEAL / JOINT ARRIERE CONNECTEUR 2 CTS	
27	260019	1	1RT 24V RELAY / RELAIS 24 V 1RT	
28	260074	2	5A QUICK ACTING FUSE / FUSIBLE RAPIDE 5A	
29	260131	18	PIN CONTACT / CONTACT MALE	
30	260134	1	TOGGLE SWITCH GASKET / JOINT D'INVERSEUR	
31	260166	1	18 POSITIONS CHASSIS PLUG HOUSING / EMBASE CONNECTEUR 18 CONTACTS	
32	260167	3	18 POSITIONS CHASSIS PLUG GASCKET / JOINT CONNECTEUR 18 CONTACTS	

SECTION 2 - ELECTRICAL INSTALL / INSTALLATION ELECTRIQUE

ITEM	PART NUMBER	QTY	DESCRIPTION	REV
33	260224	1	FUSE HOLDER / PORTE FUSIBLE	
34	270031	2.27	CABLE 2x1mm ² (quantity indicated in meter) / CABLE 2x1mm ² (qté indiquée en mètre)	
35	2860030	1	KEY (INCLUDED IN ITEM 4360469) / CLE (COMPRISE DANS REF 4360469)	
36	290051	1	6 LEDS BATTERY BOARD / CARTE BATTERIE 6 LEDS (Junior 6B SN A130016673 through A130020221; Junior 8B SN A130019349 to Present)	
36	290068	1	PC BOARD,LCB DISPLAY / CARTE AFFICHAGE BOITIER BAS (Junior 6B SN A130020222 to Present)	
37	290061	1	LOWER CONTROL BOX BOARD / CARTE BOITIER BAS	
38	4360469	1	3 POSITIONS KEY SELECTOR / SELECTEUR A CLE 3 POSITIONS	
39	AU1992	1	LOWER CONTROL BOX DECAL / AUTOCOLLANT BOITIER BAS (Junior 6B SN A130016673 through A130020221; Junior 8B SN A130019349 to Present)	
39	AU2231	1	LOWER CONTROL BOX DECAL / AUTOCOLLANT BOITIER BAS (Junior 6B SN A130020222 to Present)	
40	SD0737	1	DRILLED ELECTRICAL BOX / BOITIER ELECTRIQUE PERCE (Junior 6B SN A130016673 through A130020221; Junior 8B SN A130019349 to Present)	
40	ST3792	1	BOX LCB DRILLED / BOITIER BAS PERCE (Junior 6B SN A130020222 to Present)	
41	ST1935	3	CONNECTOR PLATE / CONTRE PLAQUE CONNECTEUR	
42	ST2743	1	LOWER CONTROL BOX SUPPORT SHIELD / TOLE SUPPORT BOITIER BAS	
43		Ref	CONNECTORS ON HARNESS ASSEMBLIES; INFO - RM0091 / CONNECTEURS SUR FAISCEAUX; INFO - RM0091	

SECTION 2 - ELECTRICAL INSTALL / INSTALLATION ELECTRIQUE

FIGURE 2-13. L.C.B. WITH HOURMETER / BOITIER BAS AVEC HORAMETRE (Junior 6B Prior to SN A130016539; Junior 8B Prior to SN A130019232)



SECTION 2 - ELECTRICAL INSTALL / INSTALLATION ELECTRIQUE

FIGURE 2-13. L.C.B. WITH HOURMETER / BOITIER BAS AVEC HORAMETRE (Junior 6B Prior to SN A130016539; Junior 8B Prior to SN A130019232)

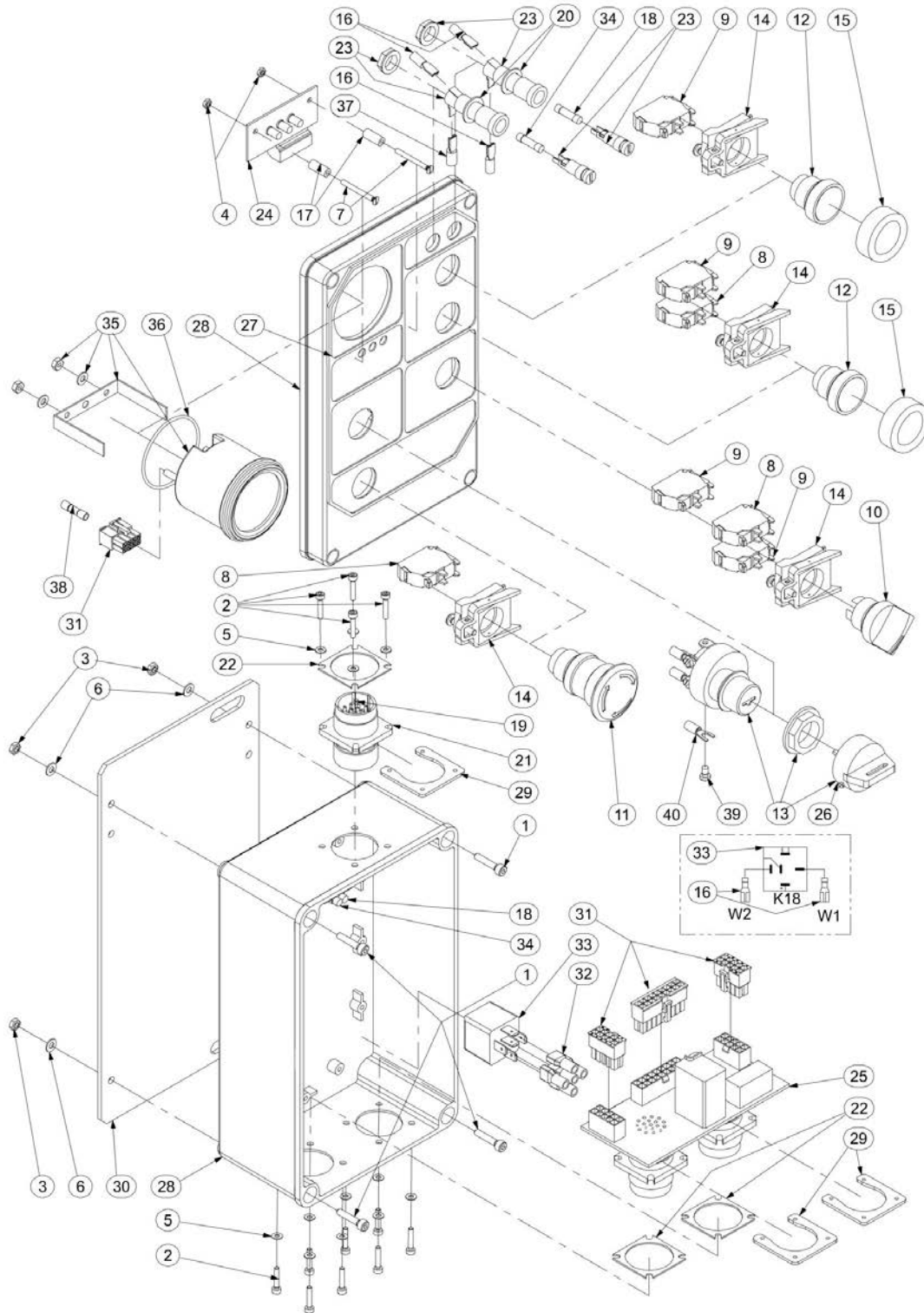
ITEM	PART NUMBER	QTY	DESCRIPTION	REV
	SE0720		LCB WITH HOURMETER; INFO - SE0720 / BOITIER BAS AVEC HORAMETRE; INFO - SE0720 (Junior 6B Prior to SN A130016539; Junior 8B Prior to SN A130019232)	
1	000020	4	M04x20 8.8 SOCKET HEAD MACH SCREW / VIS CHC M04x20 8.8 BI FT	
2	000091	12	M03x16 8.8 SOCKET HEAD MACH SCREW / VIS CHC M03x16 8.8 BI FT	
3	110001	4	M04 GR 8.8 LOCK NUT / ECROU FREIN M4 8.8 BI	
4	110024	2	M03 GR 8.8 LOCK NUT / ECROU FREIN M03 8.8 BI	
5	120023	12	M03 LOCK WASHER / RONDELLE CONTACT M03 BI	
6	120024	4	M04 LOCK WASHER / RONDELLE CONTACT M04 BI	
7	130052	2	M03x30 8.8 COUNTERSUNK HEAD M. S. / VIS FHC M03x30 8.8 BI FT	
8	240057	3	NC CONTACT BLOCK / CONTACT NF	
9	240058	7	NO CONTACT BLOCK / CONTACT NO	
10	240059	1	2 POSITIONS SELECTOR / SELECTEUR 2 POSITIONS	
11	240060	1	TURN TO RELEASE KNOB / BOUTON D'ARRET D'URGENCE 1/4 TOUR	
12	240061	2	PUSH BUTTON / BOUTON POUSSOIR	
13	240066	1	3 POSITIONS KEY SELECTOR / SELECTEUR A CLE 3 POSITIONS	
14	240076	5	CONTACT BLOCK HOLDER / EMBASE CONTACT	
15	240082	2	PUSH BUTTON CAP / CAPUCHON D'ETANCHEITE	
16	250060	5	RECEPTACLE TERMINAL 4.8 - 0.25-1mm ² / COSSE ISOLEE 4.8 mm 0.25-1 mm ²	
17	250184	2	Ø 3x 14 PLASTIC SPACER / ENTRETOISE PVC Ø 3 lg 14	
18	260074	2	5A QUICK ACTING FUSE / FUSIBLE RAPIDE 5A	
19	260131	18	PIN CONTACT / CONTACT MALE	
20	260134	2	TOGGLE SWITCH GASKET / JOINT D'INVERSEUR	
21	260166	1	18 POSITIONS CHASSIS PLUG HOUSING / EMBASE CONNECTEUR 18 CONTACTS	
22	260167	3	18 POSITIONS CHASSIS PLUG GASCKET / JOINT CONNECTEUR 18 CONTACTS	
23	260224	2	FUSE HOLDER / PORTE FUSIBLE	
24	260174	1	CHARGER LEDS DISPLAY / CARTE DE VISUALISATION CHARGEUR	
25	290061	1	LOWER CONTROL BOX BOARD / CARTE BOITIER BAS	
26	910003	1	KEY N°421 / CLE N°421	
27	AU1982	1	LOWER CONTROL BOX DECAL / AUTOCOLLANT BOITIER BAS	
28	SD0692	1	DRILLED ELECTRICAL BOX / BOITIER ELECTRIQUE PERCE	
29	ST1935	3	CONNECTOR PLATE / CONTRE PLAQUE CONNECTEUR	
30	ST2743	1	LOWER CONTROL BOX SUPPORT SHIELD / TOLE SUPPORT BOITIER BAS	
31		Ref	CONNECTORS ON HARNESS ASSEMBLIES; INFO - RM0091 / CONNECTEURS SUR FAISCEAUX; INFO - RM0091	
32	250027	5	BLUE RECEPTACLE TER. 6.3 - 1.5-2.5mm ² / COSSE FEM. 6.3 BLEUE 6.3 - 1.5-2.5mm ²	
33	260019	1	1RT 24V RELAY / RELAIS 24 V 1RT	
34	260104	2	500mA QUICK ACTING FUSE / FUSIBLE RAPIDE 500mA	
35	260142	1	24V HOURMETRE BATTERY INDICATOR / INDICATEUR DE DECHARGE HORAMETRE	
36	260209	1	CHARGE INDICATOR RING / JOINT INDICATEUR DE	

SECTION 2 - ELECTRICAL INSTALL / INSTALLATION ELECTRIQUE

ITEM	PART NUMBER	QTY	DESCRIPTION	REV
37	250061	1	DECHARGE RECEPTACLE TERMINAL 4.8 - 1.5-2.5mm ² / COSSE ISOLEE 4.8 mm 1.5-2.5 mm ²	
38	250168	1	SPLICE TERMINAL 1.5-2.5 / EPISSURE DE CABLE 1.5-2.5	

SECTION 2 - ELECTRICAL INSTALL / INSTALLATION ELECTRIQUE

FIGURE 2-14. L.C.B. WITH HOURMETER / BOITIER BAS AVEC HORAMETRE (Junior 6B SN A130016539 through A130016672; Junior 8B SN A130019232 through A130019348)



SECTION 2 - ELECTRICAL INSTALL / INSTALLATION ELECTRIQUE

FIGURE 2-14. L.C.B. WITH HOURMETER / BOITIER BAS AVEC HORAMETRE (Junior 6B SN A130016539 through A130016672; Junior 8B SN A130019232 through A130019348)

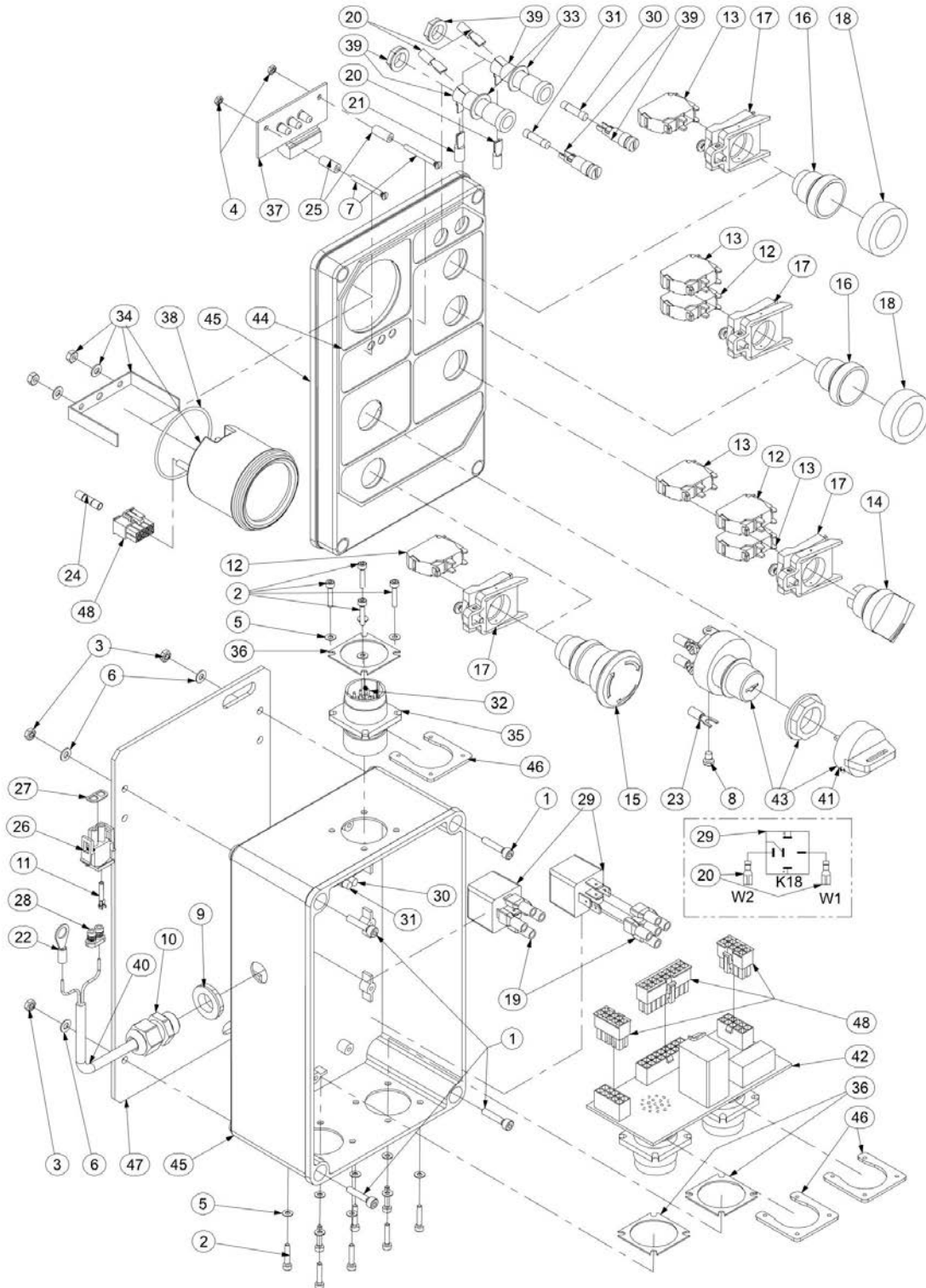
ITEM	PART NUMBER	QTY	DESCRIPTION	REV
	SE0720		LCB WITH HOURMETER; INFO - SE0720 / BOITIER BAS AVEC HORAMETRE; INFO - SE0720 (Junior 6B SN A130016539 through A130016672; Junior 8B SN A130019232 through A130019348)	A
1	000020	4	M04x20 8.8 SOCKET HEAD MACH SCREW / VIS CHC M04x20 8.8 BI FT	
2	000091	12	M03x16 8.8 SOCKET HEAD MACH SCREW / VIS CHC M03x16 8.8 BI FT	
3	110001	4	M04 GR 8.8 LOCK NUT / ECROU FREIN M4 8.8 BI	
4	110024	2	M03 GR 8.8 LOCK NUT / ECROU FREIN M03 8.8 BI	
5	120023	12	M03 LOCK WASHER / RONDELLE CONTACT M03 BI	
6	120024	4	M04 LOCK WASHER / RONDELLE CONTACT M04 BI	
7	130052	2	M03x30 8.8 COUNTERSUNK HEAD M. S. / VIS FHC M03x30 8.8 BI FT	
8	240057	3	NC CONTACT BLOCK / CONTACT NF	
9	240058	4	NO CONTACT BLOCK / CONTACT NO	A
10	240059	1	2 POSITIONS SELECTOR / SELECTEUR 2 POSITIONS	
11	240060	1	TURN TO RELEASE KNOB / BOUTON D'ARRET D'URGENCE 1/4 TOUR	
12	240061	2	PUSH BUTTON / BOUTON POUSSOIR	
13	4360469	1	3 POSITIONS KEY SELECTOR / SELECTEUR A CLE 3 POSITIONS	A
14	240076	4	CONTACT BLOCK HOLDER / EMBASE CONTACT	A
15	240082	2	PUSH BUTTON CAP / CAPUCHON D'ETANCHEITE	
16	250060	5	RECEPTACLE TERMINAL 4.8 - 0.25-1mm ² / COSSE ISOLEE 4.8 mm 0.25-1 mm ²	
17	250184	2	Ø 3x 14 PLASTIC SPACER / ENTRETOISE PVC Ø 3 lg 14	
18	260074	2	5A QUICK ACTING FUSE / FUSIBLE RAPIDE 5A	
19	260131	18	PIN CONTACT / CONTACT MALE	
20	260134	2	TOGGLE SWITCH GASKET / JOINT D'INVERSEUR	
21	260166	1	18 POSITIONS CHASSIS PLUG HOUSING / EMBASE CONNECTEUR 18 CONTACTS	
22	260167	3	18 POSITIONS CHASSIS PLUG GASCKET / JOINT CONNECTEUR 18 CONTACTS	
23	260224	2	FUSE HOLDER / PORTE FUSIBLE	
24	260174	1	CHARGER LEDS DISPLAY / CARTE DE VISUALISATION CHARGEUR	
25	290061	1	LOWER CONTROL BOX BOARD / CARTE BOITIER BAS	
26	2860030	1	KEY (INCLUDED IN ITEM 4360469) / CLE (COMPRISE DANS REF 4360469)	A
27	AU1982	1	LOWER CONTROL BOX DECAL / AUTOCOLLANT BOITIER BAS	
28	SD0692	1	DRILLED ELECTRICAL BOX / BOITIER ELECTRIQUE PERCE	
29	ST1935	3	CONNECTOR PLATE / CONTRE PLAQUE CONNECTEUR	
30	ST2743	1	LOWER CONTROL BOX SUPPORT SHIELD / TOLE SUPPORT BOITIER BAS	
31		Ref	CONNECTORS ON HARNESS ASSEMBLIES; INFO - RM0091 / CONNECTEURS SUR FAISCEAUX; INFO - RM0091	
32	250027	5	BLUE RECEPTACLE TER. 6.3 - 1.5-2.5mm ² / COSSE FEM. 6.3 BLEUE 6.3 - 1.5-2.5mm ²	
33	260019	1	1RT 24V RELAY / RELAIS 24 V 1RT	
34	260104	2	500mA QUICK ACTING FUSE / FUSIBLE RAPIDE 500mA	
35	260142	1	24V HOURMETER BATTERY INDICATOR / INDICATEUR DE	

SECTION 2 - ELECTRICAL INSTALL / INSTALLATION ELECTRIQUE

ITEM	PART NUMBER	QTY	DESCRIPTION	REV
36	260209	1	DECHARGE HORAMETRE CHARGE INDICATOR RING / JOINT INDICATEUR DE DECHARGE	
37	250061	1	RECEPTACLE TERMINAL 4.8 - 1.5-2.5mm ² / COSSE ISOLEE 4.8 mm 1.5-2.5 mm ²	
38	250168	1	SPLICE TERMINAL 1.5-2.5 / EPISSURE DE CABLE 1.5-2.5	
39	130059	5	M04x06 GR 4.8 CYLINDRIC HEAD / VIS TC M04x06 4.8 ZI	A
40	250085	5	M04 FORK TERMINAL 0.5-1mm ² / COSSE FOURCHE M04 - 0.5- 1mm ²	A

SECTION 2 - ELECTRICAL INSTALL / INSTALLATION ELECTRIQUE

FIGURE 2-15. L.C.B. WITH HOURMETER / BOITIER BAS AVEC HORAMETRE (Junior 6B SN A130016673 to Present; Junior 8B SN A130019349 to Present)



SECTION 2 - ELECTRICAL INSTALL / INSTALLATION ELECTRIQUE

FIGURE 2-15. L.C.B. WITH HOURMETER / BOITIER BAS AVEC HORAMETRE (Junior 6B SN A130016673 to Present; Junior 8B SN A130019349 to Present)

ITEM	PART NUMBER	QTY	DESCRIPTION	REV
	SE0817		LOWER CONTROL BOX WITH HOURMETER / BOITIER BAS AVEC HORAMETRE (Junior 6B SN A130016673 through A130020221; Junior 8B SN A130019349 to Present)	
	SE1212	1	LOWER CONTROL BOX WITH HOURMETER / BOITIER BAS AVEC HORAMETRE (Junior 6B SN A130020222 to Present)	
1	000020	4	M04x20 8.8 SOCKET HEAD MACH SCREW / VIS CHC M04x20 8.8 BI FT	
2	000091	12	M03x16 8.8 SOCKET HEAD MACH SCREW / VIS CHC M03x16 8.8 BI FT	
3	110001	4	M04 GR08 LOCK NUT / ECROU FREIN M4 CL08 BI	
4	110024	2	M03 GR08 LOCK NUT / ECROU FREIN M03 CL08 BI	
5	120023	12	M3 LOCK WASHER / RONDELLE CONTACT M3 BI	
6	120024	4	M4 LOCK WASHER / RONDELLE CONTACT M4 BI	
7	130052	2	M03x30 8.8 COUNTERSUNK HEAD M. S. / VIS FHC M03x30 8.8 BI FT	
8	130059	5	M04x06 GR 4.8 CYLINDRIC HEAD / VIS TC M04x06 4.8 ZI	
9	210009	1	GLAND N°9 NUT / ECROU DE PRESSE ETOUPE N°9	
10	210017	1	GLAND N°9 / PRESSE ETOUPE N°9	
11	210033	1	SOCKET CONTACT "MATE-N-LOK" / CONTACT FEMELLE "MATE-N-LOK"	
12	240057	3	NC CONTACT BLOCK / CONTACT NF	
13	240058	4	NO CONTACT BLOCK / CONTACT NO	
14	240059	1	2 POSITIONS SELECTOR / SELECTEUR 2 POSITIONS	
15	240060	1	TURN TO RELEASE KNOB / BOUTON D'ARRET D'URGENCE 1/4 TOUR	
16	240061	2	PUSH BUTTON / BOUTON POUSSOIR	
17	240076	4	SWITCH BASE / EMBASE CONTACT	
18	240082	2	PUSH BUTTON CAP / CAPUCHON D'ETANCHEITE	
19	250027	9	BLUE RECEPTACLE TER. 6.3 - 1.5-2.5mm ² / COSSE FEM. 6.3 BLEUE 6.3 - 1.5-2.5mm ²	
20	250060	5	RECEPTACLE TERMINAL 4.8 - 0.25-1mm ² / COSSE ISOLEE 4.8 mm 0.25-1 mm ²	
21	250061	1	RECEPTACLE TERMINAL 4.8 - 1.5-2.5mm ² / COSSE ISOLEE 4.8 mm 1.5-2.5 mm ²	
22	250084	1	M8 EYELET TERMINAL 0.25-1mm ² / COSSE A OEIL ISOLEE M8 - 0.25-1mm ²	
23	250085	5	M4 FORK TERMINAL 0.5-1mm ² / COSSE FOURCHE M4 - 0.5-1mm ²	
24	250168	1	SPLICE TERMINAL 1.5-2.5 / EPISSURE DE CABLE 1.5-2.5	
25	250184	2	Ø 3x 14 PLASTIC SPACER / ENTRETOISE PVC Ø 3 lg 14	
26	250193	1	2 POSITIONS "MNL" PLUG HOUSING / CONNECTEUR MALE 2 CONTACTS "MNL"	
27	250195	1	2 POSITIONS INTERFACE SEAL / JOINT INTERFACE CONNECTEUR 2 CTS	
28	250196	1	2 POSITIONS WIRE SEAL / JOINT ARRIERE CONNECTEUR 2 CTS	
29	260019	2	1RT 24V RELAY / RELAIS 24 V 1RT	
30	260074	2	5A QUICK ACTING FUSE / FUSIBLE RAPIDE 5A	
31	260104	2	500mA QUICK ACTING FUSE / FUSIBLE RAPIDE 500mA	
32	260131	18	PIN CONTACT / CONTACT MALE	
33	260134	2	TOGGLE SWITCH GASKET / JOINT D'INVERSEUR	

SECTION 2 - ELECTRICAL INSTALL / INSTALLATION ELECTRIQUE

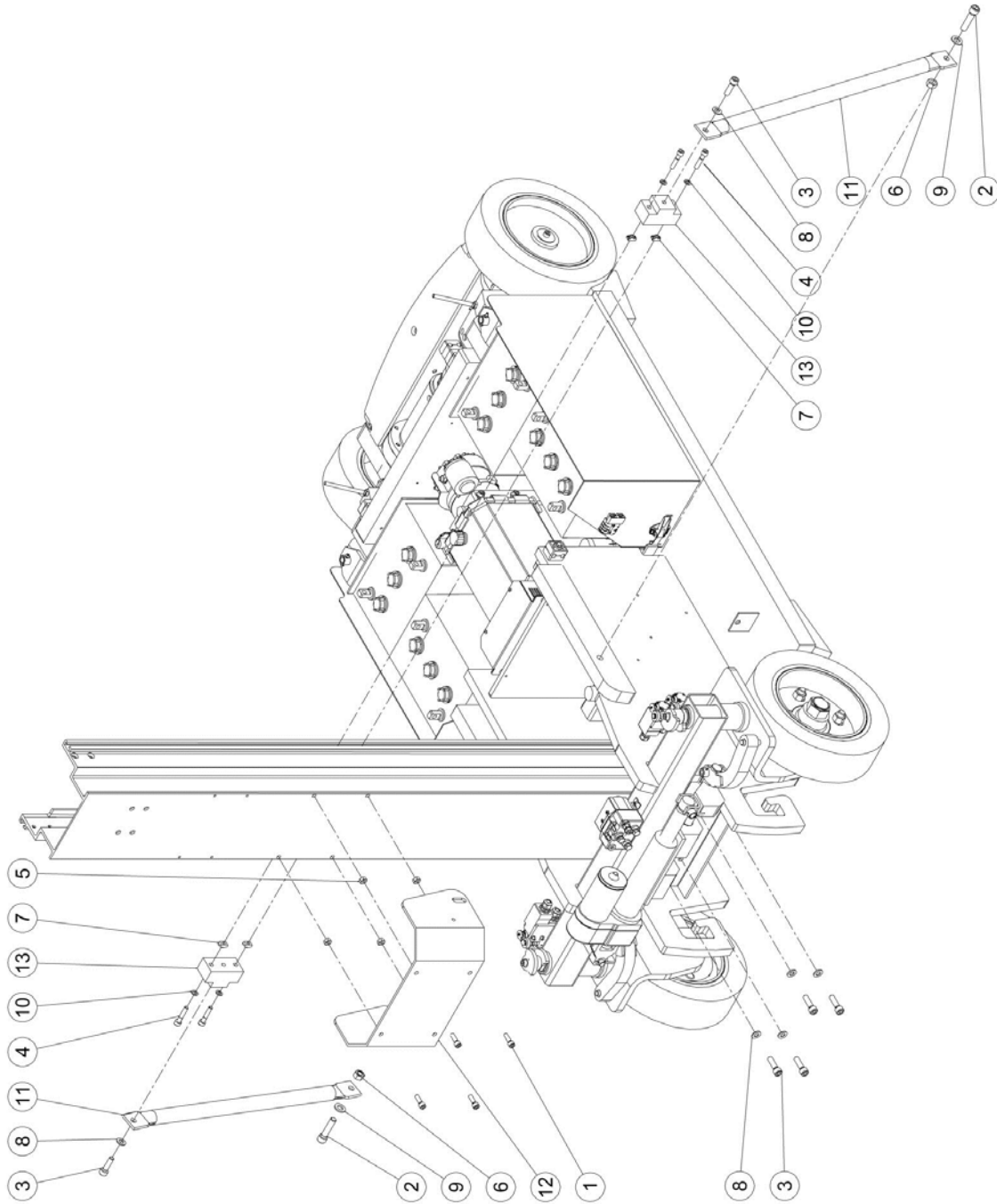
ITEM	PART NUMBER	QTY	DESCRIPTION	REV
34	260142	1	24V HOURMETRE BATTERY INDICATOR / INDICATEUR DE DECHARGE HORAMETRE	
35	260166	1	18 POSITIONS CHASSIS PLUG HOUSING / EMBASE CONNECTEUR 18 CONTACTS	
36	260167	3	18 POSITIONS CHASSIS PLUG GASCKET / JOINT CONNECTEUR 18 CONTACTS	
37	260174	1	CHARGER LEDS DISPLAY / CARTE DE VISUALISATION CHARGEUR (Junior 6B SN A130016673 through A130020221; Junior 8B SN A130019349 to Present)	
37	290069	1	CHARGER LEDS DISPLAY / CARTE DE VISUALISATION CHARGEUR (Junior 6B SN A130020222 to Present)	
38	260209	1	CHARGE INDICATOR RING / JOINT INDICATEUR DE DECHARGE	
39	260224	2	FUSE HOLDER / PORTE FUSIBLE	
40	270031	2.27	CABLE 2x1mm ² (quantity indicated in meter) / CABLE 2x1mm ² (qté indiquée en mètre)	
41	2860030	1	KEY (INCLUDED IN ITEM 4360469) / CLE (COMPRISE DANS REF 4360469)	
42	290061	1	LOWER CONTROL BOX BOARD / CARTE BOITIER BAS	
43	4360469	1	3 POSITIONS KEY SELECTOR / SELECTEUR A CLE 3 POSITIONS	
44	AU1982	1	LOWER CONTROL BOX DECAL / AUTOCOLLANT BOITIER BAS (Junior 6B SN A130016673 through A130020221; Junior 8B SN A130019349 to Present)	
44	AU2232	1	LOWER CONTROL BOX DECAL / AUTOCOLLANT BOITIER BAS (Junior 6B SN A130020222 to Present)	
45	SD0738	1	DRILLED ELECTRICAL BOX / BOITIER ELECTRIQUE PERCE (Junior 6B SN A130016673 through A130020221; Junior 8B SN A130019349 to Present)	
45	ST3793	1	BOX LCB DRILLED / BOITIER BAS PERCE (Junior 6B SN A130020222 to Present)	
46	ST1935	3	CONNECTOR PLATE / CONTRE PLAQUE CONNECTEUR	
47	ST2743	1	LOWER CONTROL BOX SUPPORT SHIELD / TOLE SUPPORT BOITIER BAS	
48		Ref	CONNECTORS ON HARNESS ASSEMBLIES; INFO - RM0091 / CONNECTEURS SUR FAISCEAUX; INFO - RM0091	

SECTION 3 - MAST ON FRAME INSTALL / INSTALLATION MATS SUR CHASSIS

**SECTION 3 - MAST ON FRAME INSTALL / INSTALLATION MATS SUR
CHASSIS**

SECTION 3 - MAST ON FRAME INSTALL / INSTALLATION MATS SUR CHASSIS

FIGURE 3-1. MAST ON FRAME INSTALL / INSTALLATION MATS SUR CHASSIS



SECTION 3 - MAST ON FRAME INSTALL / INSTALLATION MATS SUR CHASSIS

FIGURE 3-1. MAST ON FRAME INSTALL / INSTALLATION MATS SUR CHASSIS

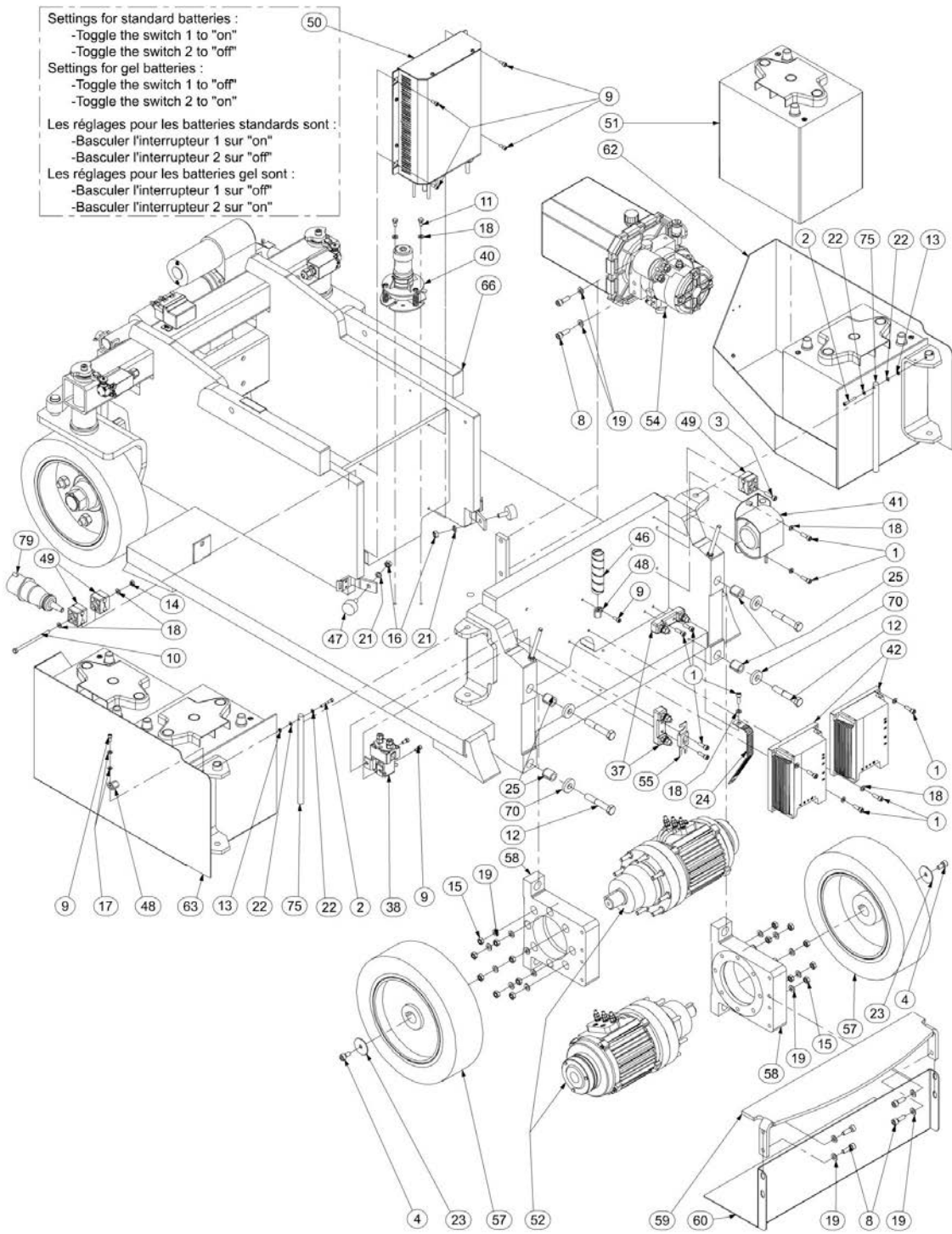
ITEM	PART NUMBER	QTY	DESCRIPTION	REV
		Ref	MASTS ON FRAME INSTALL; INFO - SP0390 / INSTALLATION MATS SUR CHASSIS; INFO - SP0390	A
1	000053	4	M08x25 8.8 SOCKET HEAD MACH SCREW / VIS CHC M08x25 8.8 BI FT	A
2	100076	2	M12x60 8.8 HEX HEAD CAPSCREW / VIS H M12x60 8.8 BI FP	A
3	000019	6	M10x35 8.8 SOCKET HEAD MACH SCREW / VIS CHC M10x35 8.8 BI FT	
4	000043	4	M08x40 8.8 SOCKET HEAD MACH SCREW / VIS CHC M08x40 8.8 BI FT	
5	110004	4	M08 GR. 8.8 LOCK NUT / ECROU FREIN M8 8.8 BI	
6	110014	2	M12 GR. 8.8 LOCK NUT / ECROU FREIN M12 8.8 BI	
7	US0506	4	M08 SLIDING BLOCK NUT / ECROU COULISSEAU M08	A
8	120011	6	dD 10x22 LOCK WASHER / RONDELLE CONTACT dD 10x22 BI	
9	120015	2	dD 12x27 LOCK WASHER / RONDELLE CONTACT dD 12x27 BI	
10	120021	4	HELICAL SPRING LOCK WASHER Ø8 / RONDELLE GROWER Ø8 BI	
11	ST1636	2	STRUT / HAUBAN	
12	ST1670	1	MAST HOUSING / CAISSON DE MAT	
13	US0300	2	SHROUD SPACER / ENTRETOISE HAUBAN	

SECTION 4 - FRAME INSTALL / INSTALLATION CHASSIS

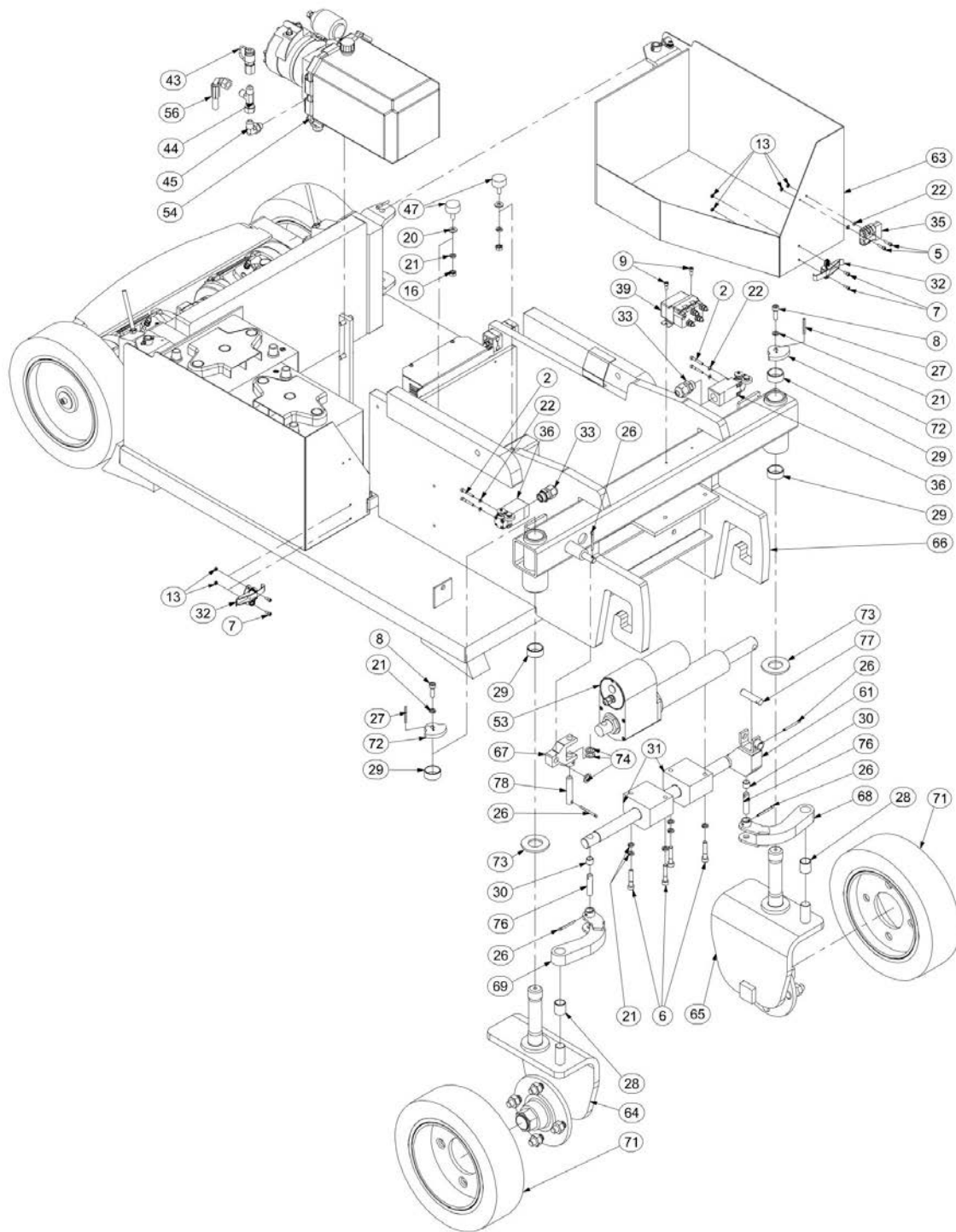
SECTION 4 - FRAME INSTALL / INSTALLATION CHASSIS

SECTION 4 - FRAME INSTALL / INSTALLATION CHASSIS

FIGURE 4-1. FRAME INSTALL / INSTALLATION CHASSIS (Junior 6B Prior to SN A130016478; Junior 8B Prior to SN A130019198)



SECTION 4 - FRAME INSTALL / INSTALLATION CHASSIS



SECTION 4 - FRAME INSTALL / INSTALLATION CHASSIS

FIGURE 4-1. FRAME INSTALL / INSTALLATION CHASSIS (Junior 6B Prior to SN A130016478; Junior 8B Prior to SN A130019198)

ITEM	PART NUMBER	QTY	DESCRIPTION	REV
		Ref	FRAME INSTALL; INFO - SP0893 / INSTALLATION CHASSIS; INFO - SP0893 (Junior 6B Prior to SN A130016478; Junior 8B Prior to SN A130019198)	
1	000005	11	M06x20 8.8 SOCKET HEAD MACH SCREW / VIS CHC M06x20 8.8 BI FT	
2	000007	6	M04x30 8.8 SOCKET HEAD CAPSCREW / VIS CHC M04x30 8.8 BI FP	
3	000008	1	M06x25 8.8 SOCKET HEAD MACH SCREW / VIS CHC M06x25 8.8 BI FT	
4	000018	2	M08x16 8.8 SOCKET HEAD MACH SCREW / VIS CHC M08x16 8.8 BI FT	
5	000020	2	M04x20 8.8 SOCKET HEAD MACH SCREW / VIS CHC M04x20 8.8 BI FT	
6	000043	4	M08x40 8.8 SOCKET HEAD MACH SCREW / VIS CHC M08x40 8.8 BI FT	
7	000050	4	M04x10 8.8 SOCKET HEAD MACH SCREW / VIS CHC M04x10 8.8 BI FT	
8	000053	8	M08x25 8.8 SOCKET HEAD MACH SCREW / VIS CHC M08x25 8.8 BI FT	
9	000067	10	M05x12 8.8 SOCKET HEAD MACH SCREW / VIS CHC M05x12 8.8 BI FT	
10	100014	1	M06x80 8.8 HEX HEAD CAPSCREW / VIS H M06x80 8.8 BI FP	
11	100027	2	M06x12 8.8 HEX HEAD MACHINE SCREW / VIS H M06x12 8.8 BI FT	
12	100035	4	M12x70 8.8 HEX HEAD CAPSCREW / VIS H M12x70 BI FP	
13	110001	8	M04 GR 8.8 LOCK NUT / ECROU FREIN M4 8.8 BI	
14	110003	1	M06 GR 8.8 LOCK NUT / ECROU FREIN M6 8.8 BI	
15	110004	16	M08 GR 8.8 LOCK NUT / ECROU FREIN M8 8.8 BI	
16	110016	4	M08 GR 8.8 HEX NUT / ECROU H M08 8.8 BI	
17	120002	2	M05 WASHER / RONDELLE M05 BI	
18	120009	11	dD 06x14 LOCK WASHER / RONDELLE CONTACT dD 06x14 BI	
19	120010	22	dD 08x18 LOCK WASHER / RONDELLE CONTACT dD 08x18 BI	
20	120014	2	M08 WASHER / RONDELLE M08 BI	
21	120021	12	HELICAL SPRING LOCK WASHER Ø8 / RONDELLE GROWER Ø8 BI	
22	120024	10	M04 LOCK WASHER / RONDELLE CONTACT M04 BI	
23	120026	2	dD 08x40 WASHER / RONDELLE dD 08x40 BI	
24	130022	1	STATIC STRAP / TRESSE DE MASSE	
25	140018	4	SAFETY PIN / GOUPILLE ELASTIQUE	
26	140019	5	Ø4x40 COTTER PIN / GOUPILLE FENDUE Ø4x40	
27	140022	2	Ø4x40x0.8 LOCK PIN / GOUPILLE ELASTIQUE Ø4x40x0.8	
28	150022	2	BUSHING Ø20 H25 DX / BAGUE Ø20 H25 DX	
29	150025	4	BUSHING Ø30 H15 DU / BAGUE Ø30 H15 DU	
30	150029	2	Ø12 H12 BUSHING / BAGUE Ø12 H12	
31	150044	2	PILLOW BLOCK / PALIER A SEMELLE	
32	190043	2	IRON LACK / GRENOUILLERE A BRAS RESSORT	
33	210062	2	GLAND N°13 Ø5 IP65 / PRESSE ETOUPE N°13 Ø5 IP65	
34	Not Required	0	NOT REQUIRED / NON REQUIS	
35	250038	1	QUICK CONNECTOR / PRISE RAPIDE	
36	260030	2	2NC SWITCH / CAPTEUR 2NF	
37	260077	2	POWER FUSE HOLDER / PORTE FUSIBLE DE PUISSANCE	

SECTION 4 - FRAME INSTALL / INSTALLATION CHASSIS

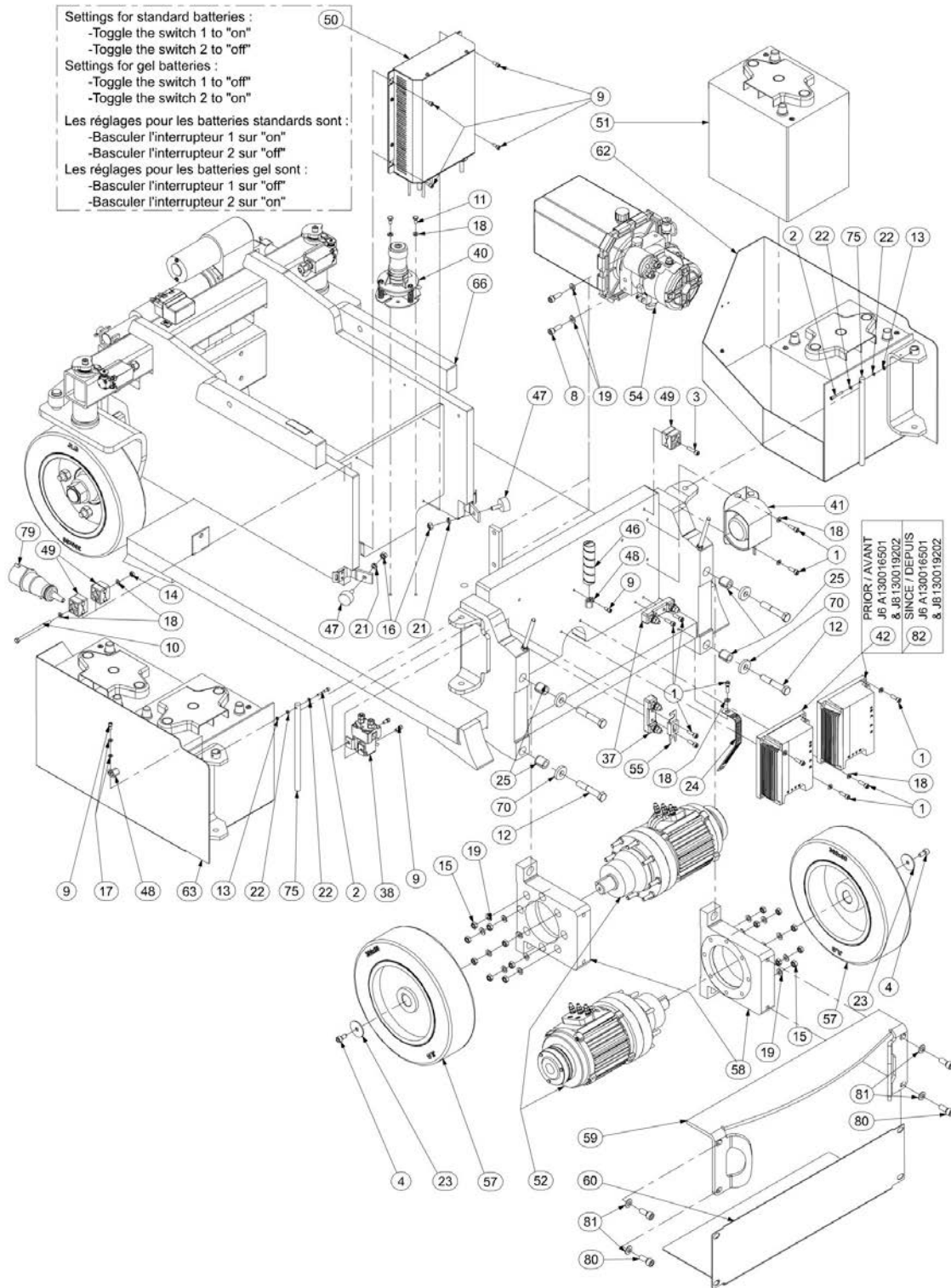
ITEM	PART NUMBER	QTY	DESCRIPTION	REV
38	260208	1	RELAY / RELAIS	
39	260269	1	INVERTER RELAY / RELAIS INVERSEUR	
40	260270	1	2°, TILT SENSOR / DETECTEUR DE DEVERS 2°	
41	260275	1	ACCOUSTIC MOTION ALARM / ALARME DE MOUVEMENT SONORE	
42	260286	2	FREQUENCY CONVERTER / CONVERTISSEUR DE FREQUENCE	
43	300004	1	PRESSURE TEST PLUG JIC9/16 SMK / PRISE DE PRESSION JIC 9/16 SMK	
44	300037	1	RUN TEE JIC 9/16 SWIVEL NUT / TE MALE JIC9/16-FEMELLE JIC9/16 TOUR.	
45	300075	1	90°, ELBOW MALE M14x150-MALE JIC 9/16 / COUDE 90° MALE M14x150-MALE JIC 9/16	
46	400010	0.25	HOSE GUARD (quantity indicated in meter) / GAINÉ (quantité en mètres)	
47	400015	4	ELASTIC STOP / BUTEE ELASTIQUE	
48	400034	2	COLLAR / COLLIER	
49	400037	3	PAIR 1/2 SHELL DOUBLE D10 / PAIRE DEMI COQUILLE DOUBLE D10	
50	510047	1	STANDARD CHARGER / CHARGEUR STANDARD	
51	951011	4	6V 180Ah DRY BATTERIE / BATTERIE SECHE 6V 180Ah	
51	510062	4	GEL BATTERY 6V 180Ah / BATTERIE GEL 6V 180Ah	
52	510073	2	INDUCTION GEAR MOTOR / MOTOREDUCTEUR + FREIN ASYNCHRONE	
53	510074	1	STEERING ELECTRICAL CYLINDER / VERIN ELECTRIQUE DE DIRECTION	
54	520099	1	COMPLETE POWER UNIT 1.25cc; INFO - 520099 / CENTRALE COMPLETE 1.25cm³; INFO - 520099	
55	950110	1	63A FUSE / FUSIBLE 63A	
56	DF0574	1	Junior6 HOSE 1/4" 110cm JIC Fem 9/16 90° JIC Fem 9/16 90°-90° / FLEXIBLE Junior6 1/4" 110cm JIC Fem 9/16 90° JIC Fem 9/16 90°-90°	
56	DF0656	1	Junior8/Duo HOSE 1/4" 125cm JIC Fem 9/16 90° JIC Fem 9/16 90°-90° / FLEXIBLE Junior8/Duo 1/4" 125cm JIC Fem 9/16 90° JIC Fem 9/16 90°-90°	
57	DL0441	2	NON MARKING DRIVING WHEEL / ROUE MOTRICE NON MARQUANTE	
58	DL0443	2	MOTOR FLANGE / BRIDE MOTEUR	
59	DL0445	1	STEP / MARCHE PIED	
60	DL0456	1	MOTORS GUARD / TOLE DE PROTECTION MOTEURS	
61	DL0555	1	TRANSMISSION LUG / PATTE DE TRANSMISSION	
62	DL0557	1	RIGHT BATTERY HOUSING / CAISSON DE BATTERIE DROIT	
63	DL0558	1	LEFT BATTERY HOUSING / CAISSON DE BATTERIE GAUCHE	
64	DL0576	1	RIGHT STEERING BRACKET / EQUERRE DE DIRECTION DROITE	
65	DL0577	1	LEFT STEERING BRACKET / EQUERRE DE DIRECTION GAUCHE	
66	DL0748	1	JUNIOR6B FRAME WELDMENT / CHASSIS MECANO-SOUDE JUNIOR6B	
66	DL0760	1	JUNIOR8B FRAME WELDMENT / CHASSIS MECANO-SOUDE JUNIOR8B	
67	SD0530	1	STEERING CYLINDER YOKE / CHAPE VERIN DE DIRECTION	
68	SD0549	1	LEFT STEERING ARM / BIELETTE DE DIRECTION GAUCHE	
69	SD0550	1	RIGHT STEERING ARM / BIELETTE DE DIRECTION DROITE	
70	ST1648	4	MOTOR WASHER / RONDELLE MOTEUR	

SECTION 4 - FRAME INSTALL / INSTALLATION CHASSIS

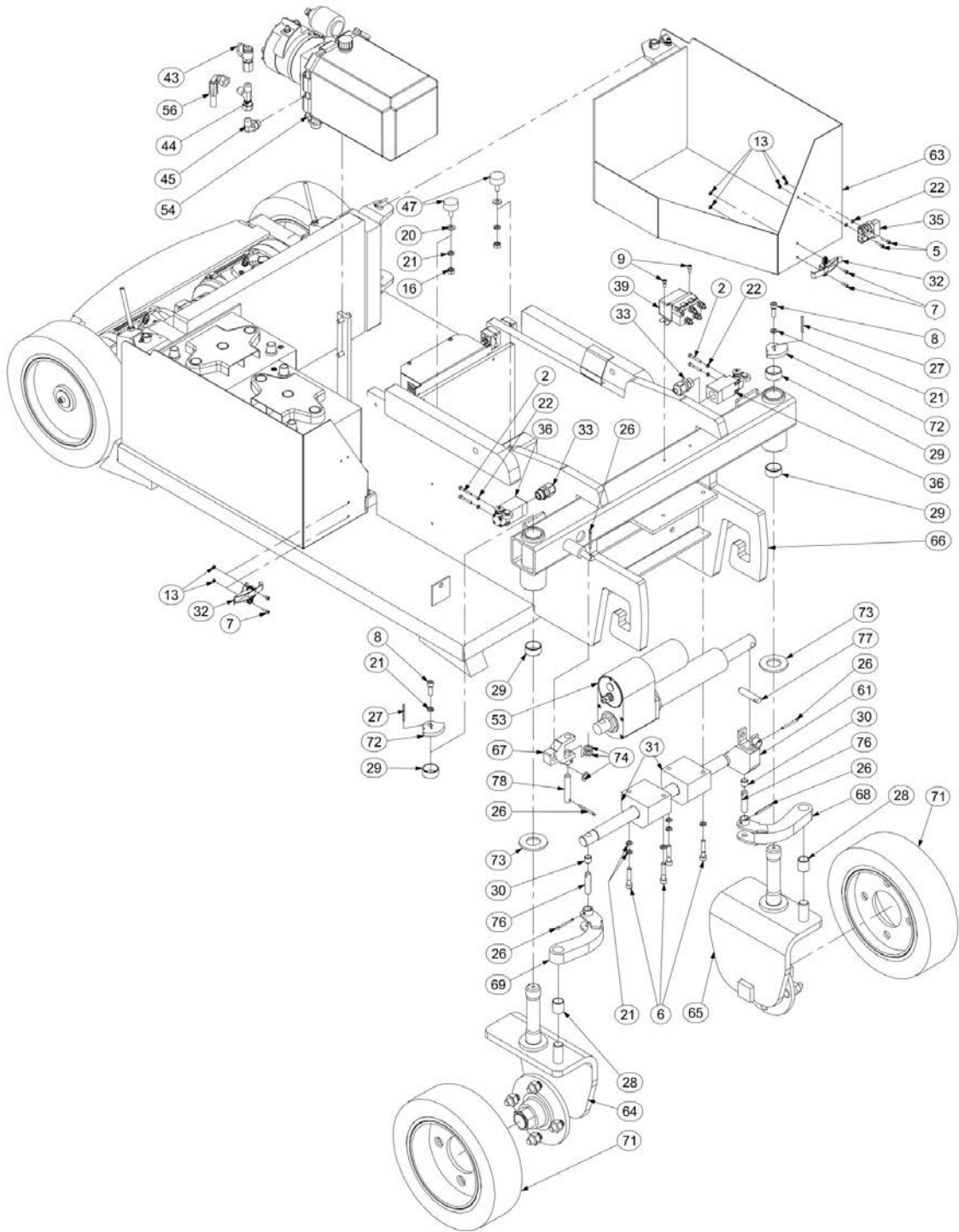
ITEM	PART NUMBER	QTY	DESCRIPTION	REV
71	ST2056	2	NON MARKING STEERING WHEEL / ROUE DIRECTRICE NON MARQUANTE	
72	ST2793	2	STEERING CAM / CAME DE DIRECTION	
73	US0134	2	THRUST WASHER / RONDELLE D'APPUI	
74	US0190	3	dDH 13x20x02 HEAT TREATED WASHER / RONDELLE TRAITEE dDH 13x20x02	
75	US0362	2	HOUSING PIN / AXE CAISSON DE BATTERIES	
76	US0395	2	STEERING ROD LINK PIN / AXE BIELLETTE DE DIRECTION	
77	US0417	1	TRANSMISSION PLATE SHAFT / AXE PATTE DE TRANSMISSION	
78	US0419	1	STEERING YOKE SHAFT / AXE CHAPE DE DIRECTION	
79		Ref	CHARGER CONNECTOR; INFO - RM0059 / PRISE CHARGEUR; INFO - RM0059	

SECTION 4 - FRAME INSTALL / INSTALLATION CHASSIS

FIGURE 4-2. FRAME INSTALL / INSTALLATION CHASSIS (Junior 6B SN A130016478 through A130016504; Junior 8B SN A130019198 through A130019209; Including A130016507)



SECTION 4 - FRAME INSTALL / INSTALLATION CHASSIS



SECTION 4 - FRAME INSTALL / INSTALLATION CHASSIS

FIGURE 4-2. FRAME INSTALL / INSTALLATION CHASSIS (Junior 6B SN A130016478 through A130016504; Junior 8B SN A130019198 through A130019209; Including A130016507)

ITEM	PART NUMBER	QTY	DESCRIPTION	REV
		Ref	FRAME INSTALL; INFO - SP0893B / INSTALLATION CHASSIS; INFO - SP0893B (Junior 6B SN A130016478 through A130016504; Junior 8B SN A130019198 through A130019209; Including A130016507)	
1	000005	11	M06x20 8.8 SOCKET HEAD MACH SCREW / VIS CHC M06x20 8.8 BI FT	
2	000007	6	M04x30 8.8 SOCKET HEAD CAPSCREW / VIS CHC M04x30 8.8 BI FP	
3	000008	1	M06x25 8.8 SOCKET HEAD MACH SCREW / VIS CHC M06x25 8.8 BI FT	
4	000018	2	M08x16 8.8 SOCKET HEAD MACH SCREW / VIS CHC M08x16 8.8 BI FT	
5	000020	2	M04x20 8.8 SOCKET HEAD MACH SCREW / VIS CHC M04x20 8.8 BI FT	
6	000043	4	M08x40 8.8 SOCKET HEAD MACH SCREW / VIS CHC M08x40 8.8 BI FT	
7	000050	4	M04x10 8.8 SOCKET HEAD MACH SCREW / VIS CHC M04x10 8.8 BI FT	
8	000053	4	M08x25 8.8 SOCKET HEAD MACH SCREW / VIS CHC M08x25 8.8 BI FT	A
9	000067	10	M05x12 8.8 SOCKET HEAD MACH SCREW / VIS CHC M05x12 8.8 BI FT	
10	100014	1	M06x80 8.8 HEX HEAD CAPSCREW / VIS H M06x80 8.8 BI FP	
11	100027	2	M06x12 8.8 HEX HEAD MACHINE SCREW / VIS H M06x12 8.8 BI FT	
12	100035	4	M12x70 8.8 HEX HEAD CAPSCREW / VIS H M12x70 BI FP	
13	110001	8	M04 GR 8.8 LOCK NUT / ECROU FREIN M4 8.8 BI	
14	110003	1	M06 GR 8.8 LOCK NUT / ECROU FREIN M6 8.8 BI	
15	110004	16	M08 GR 8.8 LOCK NUT / ECROU FREIN M8 8.8 BI	
16	110016	4	M08 GR 8.8 HEX NUT / ECROU H M08 8.8 BI	
17	120002	2	M05 WASHER / RONDELLE M05 BI	
18	120009	11	dD 06x14 LOCK WASHER / RONDELLE CONTACT dD 06x14 BI	
19	120010	18	dD 08x18 LOCK WASHER / RONDELLE CONTACT dD 08x18 BI	A
20	120014	2	M08 WASHER / RONDELLE M08 BI	
21	120021	12	HELICAL SPRING LOCK WASHER Ø8 / RONDELLE GROWER Ø8 BI	
22	120024	10	M04 LOCK WASHER / RONDELLE CONTACT M04 BI	
23	120026	2	dD 08x40 WASHER / RONDELLE dD 08x40 BI	
24	130022	1	STATIC STRAP / TRESSE DE MASSE	
25	140018	4	SAFETY PIN / GOUPILLE ELASTIQUE	
26	140019	5	Ø4x40 COTTER PIN / GOUPILLE FENDUE Ø4x40	
27	140022	2	Ø4x40x0.8 LOCK PIN / GOUPILLE ELASTIQUE Ø4x40x0.8	
28	150022	2	BUSHING Ø20 H25 DX / BAGUE Ø20 H25 DX	
29	150025	4	BUSHING Ø30 H15 DU / BAGUE Ø30 H15 DU	
30	150029	2	Ø12 H12 BUSHING / BAGUE Ø12 H12	
31	150044	2	PILLOW BLOCK / PALIER A SEMELLE	
32	190043	2	IRON LACK / GRENOUILLERE A BRAS RESSORT	
33	210062	2	GLAND N°13 Ø5 IP65 / PRESSE ETOUPE N°13 Ø5 IP65	
34	Not Required	0	NOT REQUIRED / NON REQUIS	
35	250038	1	QUICK CONNECTOR / PRISE RAPIDE	
36	260030	2	2NC SWITCH / CAPTEUR 2NF	
37	260077	2	POWER FUSE HOLDER / PORTE FUSIBLE DE PUISSANCE	

SECTION 4 - FRAME INSTALL / INSTALLATION CHASSIS

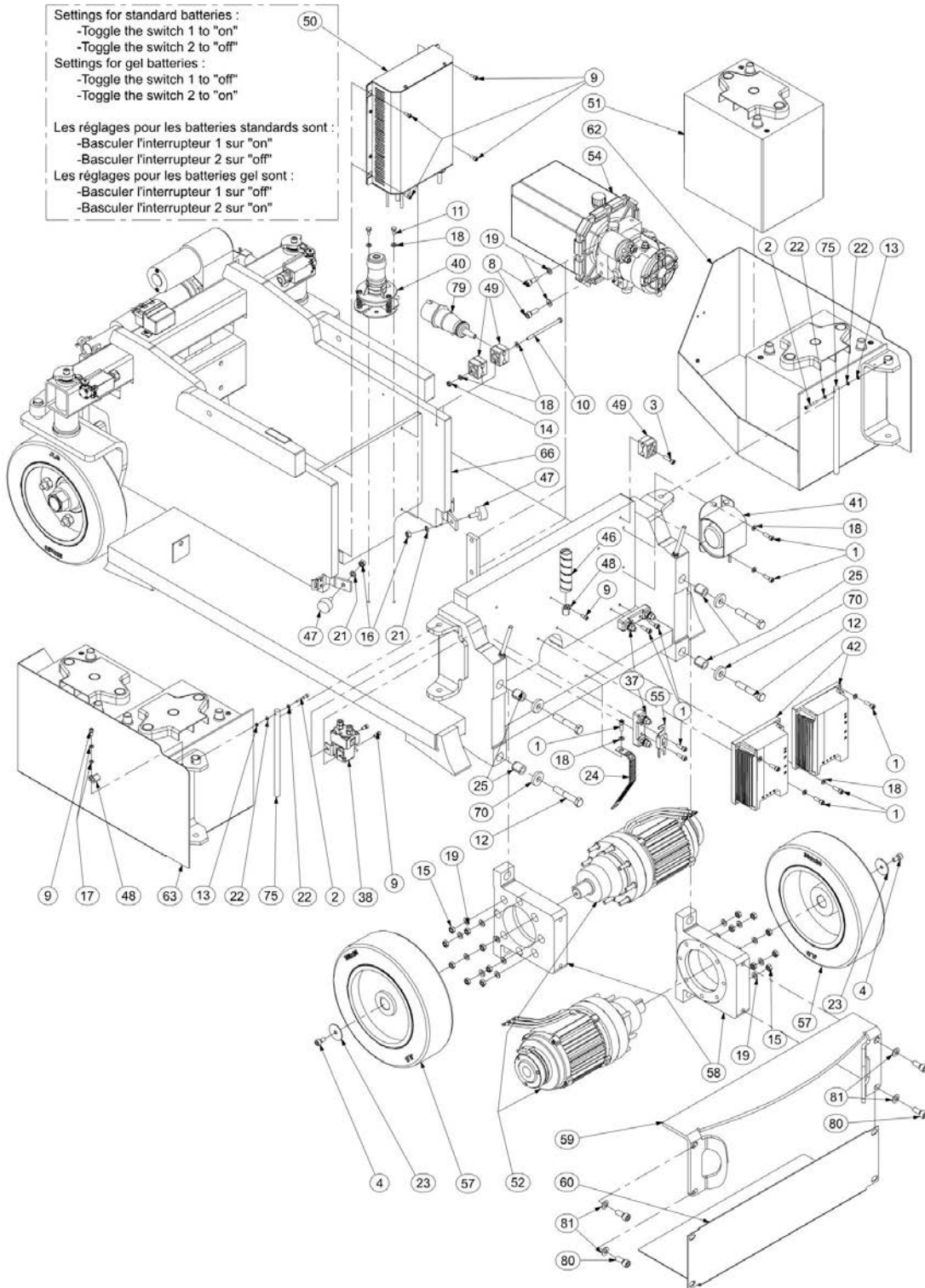
ITEM	PART NUMBER	QTY	DESCRIPTION	REV
38	260208	1	RELAY / RELAIS	
39	260269	1	INVERTER RELAY / RELAIS INVERSEUR	
40	260270	1	2°, TILT SENSOR / DETECTEUR DE DEVERS 2°	
41	260275	1	ACCOUSTIC MOTION ALARM / ALARME DE MOUVEMENT SONORE	
42	260286	2	FREQUENCY CONVERTER / CONVERTISSEUR DE FREQUENCE	B
43	300004	1	PRESSURE TEST PLUG JIC9/16 SMK / PRISE DE PRESSION JIC 9/16 SMK	
44	300037	1	RUN TEE JIC 9/16 SWIVEL NUT / TE MALE JIC9/16-FEMELLE JIC9/16 TOUR.	
45	300075	1	90° ELBOW MALE M14x150-MALE JIC 9/16 / COUDE 90° MALE M14x150-MALE JIC 9/16	
46	400010	0.25	HOSE GUARD (quantity indicated in meter) / GAINÉ (quantité en mètres)	
47	400015	4	ELASTIC STOP / BUTEE ELASTIQUE	
48	400034	2	COLLAR / COLLIER	
49	400037	3	PAIR 1/2 SHELL DOUBLE D10 / PAIRE DEMI COQUILLE DOUBLE D10	
50	510047	1	STANDARD CHARGER / CHARGEUR STANDARD	
51	951011	4	6V 180Ah DRY BATTERIE / BATTERIE SECHE 6V 180Ah	
51	510062	4	GEL BATTERY 6V 180Ah / BATTERIE GEL 6V 180Ah	
52	510073	2	INDUCTION GEAR MOTOR / MOTOREDUCTEUR + FREIN ASYNCHRONE	
53	510074	1	STEERING ELECTRICAL CYLINDER / VERIN ELECTRIQUE DE DIRECTION	
54	520099	1	COMPLETE POWER UNIT 1.25cc; INFO - 520099 / CENTRALE COMPLETE 1.25cm³; INFO - 520099	
55	950110	1	63A FUSE / FUSIBLE 63A	
56	DF0574	1	Junior6 HOSE 1/4" 110cm JIC Fem 9/16 90° JIC Fem 9/16 90°-90° / FLEXIBLE Junior6 1/4" 110cm JIC Fem 9/16 90° JIC Fem 9/16 90°-90°	
56	DF0656	1	Junior8/Duo HOSE 1/4" 125cm JIC Fem 9/16 90° JIC Fem 9/16 90°-90° / FLEXIBLE Junior8/Duo 1/4" 125cm JIC Fem 9/16 90° JIC Fem 9/16 90°-90°	
57	ST2997	2	NON MARKING DRIVING WHEEL / ROUE MOTRICE NON MARQUANTE	A
58	DL0792	2	MOTOR FLANGE / BRIDE MOTEUR	A
59	ST3028	1	STEP / MARCHE PIED	A
60	ST3035	1	MOTORS GUARD / TOLE DE PROTECTION MOTEURS	A
61	DL0555	1	TRANSMISSION LUG / PATTE DE TRANSMISSION	
62	DL0557	1	RIGHT BATTERY HOUSING / CAISSON DE BATTERIE DROIT	
63	DL0558	1	LEFT BATTERY HOUSING / CAISSON DE BATTERIE GAUCHE	
64	DL0576	1	RIGHT STEERING BRACKET / EQUERRE DE DIRECTION DROITE	
65	DL0577	1	LEFT STEERING BRACKET / EQUERRE DE DIRECTION GAUCHE	
66	DL0748	1	JUNIOR6B FRAME WELDMENT / CHASSIS MECANO-SOUDE JUNIOR6B	
66	DL0760	1	JUNIOR8B FRAME WELDMENT / CHASSIS MECANO-SOUDE JUNIOR8B	
67	SD0530	1	STEERING CYLINDER YOKE / CHAPE VERIN DE DIRECTION	
68	SD0549	1	LEFT STEERING ARM / BIELETTE DE DIRECTION GAUCHE	
69	SD0550	1	RIGHT STEERING ARM / BIELETTE DE DIRECTION DROITE	
70	ST1648	4	MOTOR WASHER / RONDELLE MOTEUR	

SECTION 4 - FRAME INSTALL / INSTALLATION CHASSIS

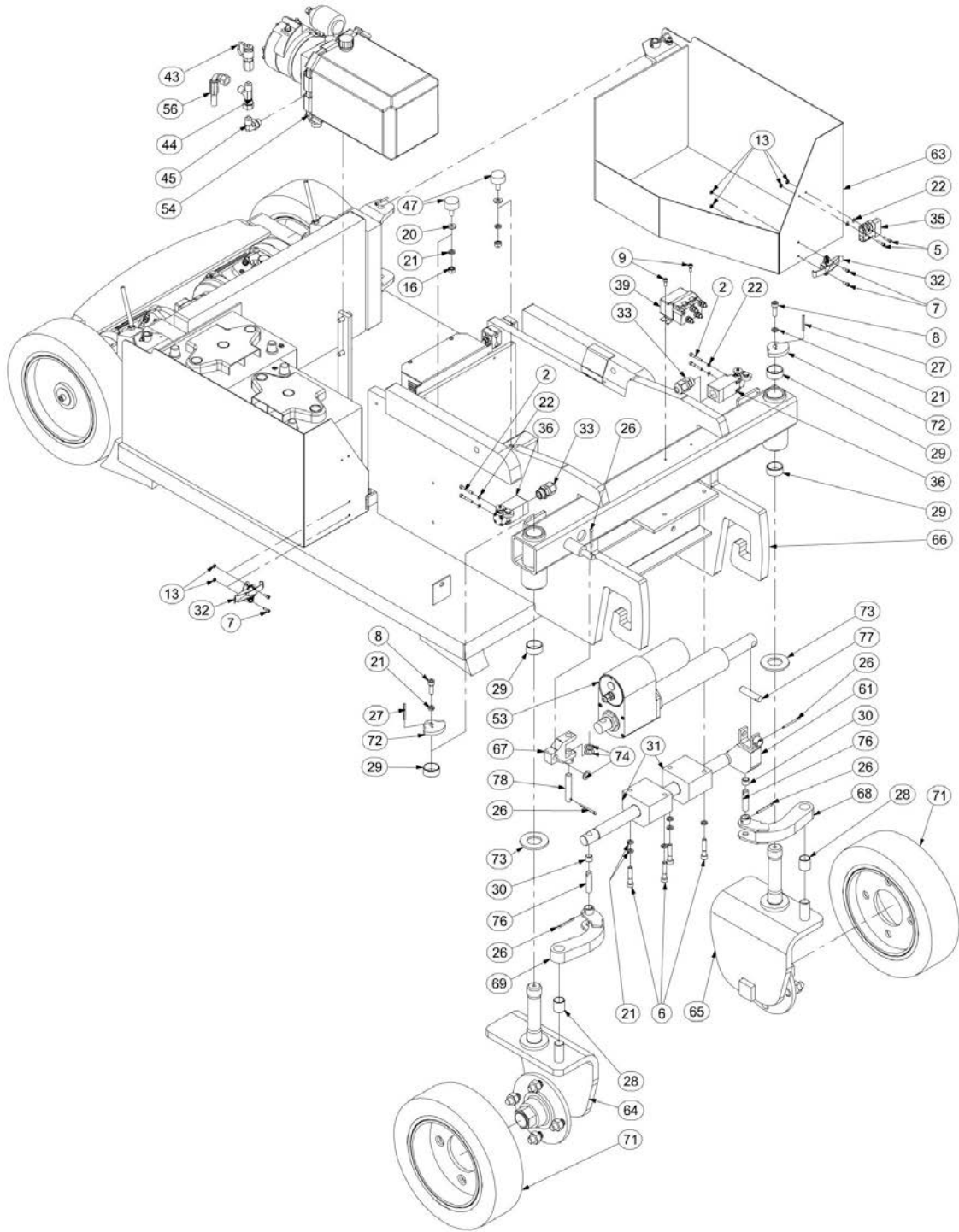
ITEM	PART NUMBER	QTY	DESCRIPTION	REV
71	ST2996	2	NON MARKING STEERING WHEEL / ROUE DIRECTRICE NON MARQUANTE	A
72	ST2793	2	STEERING CAM / CAME DE DIRECTION	
73	US0134	2	THRUST WASHER / RONDELLE D'APPUI	
74	US0190	3	dDH 13x20x02 HEAT TREATED WASHER / RONDELLE TRAITEE dDH 13x20x02	
75	US0362	2	HOUSING PIN / AXE CAISSON DE BATTERIES	
76	US0395	2	STEERING ROD LINK PIN / AXE BIELLETTE DE DIRECTION	
77	US0417	1	TRANSMISSION PLATE SHAFT / AXE PATTE DE TRANSMISSION	
78	US0419	1	STEERING YOKE SHAFT / AXE CHAPE DE DIRECTION	
79		Ref	CHARGER CONNECTOR; INFO - RM0059 / PRISE CHARGEUR; INFO - RM0059	
80	000013	4	M10x25 8.8 SOCKET HEAD MACH SCREW / VIS CHC M10x25 8.8 BI FT	A
81	120011	4	dD 10x22 LOCK WASHER / RONDELLE CONTACT dD 10x22 BI	A
82	260315	2	FRENQUENCY CONVERTER / CONVERTISSEUR DE FREQUENCE	B

SECTION 4 - FRAME INSTALL / INSTALLATION CHASSIS

FIGURE 4-3. FRAME INSTALL / INSTALLATION CHASSIS (Junior 6B SN A130016505 through A130016620; Junior 8B SN A130019210 through A130019282)



SECTION 4 - FRAME INSTALL / INSTALLATION CHASSIS



SECTION 4 - FRAME INSTALL / INSTALLATION CHASSIS

FIGURE 4-3. FRAME INSTALL / INSTALLATION CHASSIS (Junior 6B SN A130016505 through A130016620; Junior 8B SN A130019210 through A130019282)

ITEM	PART NUMBER	QTY	DESCRIPTION	REV
		Ref	FRAME INSTALL; INFO - SP0893C / INSTALLATION CHASSIS; INFO - SP0893C (Junior 6B SN A130016505 through A130016620; Junior 8B SN A130019210 through A130019282)	
1	000005	11	M06x20 8.8 SOCKET HEAD MACH SCREW / VIS CHC M06x20 8.8 BI FT	
2	000007	6	M04x30 8.8 SOCKET HEAD CAPSCREW / VIS CHC M04x30 8.8 BI FP	
3	000008	1	M06x25 8.8 SOCKET HEAD MACH SCREW / VIS CHC M06x25 8.8 BI FT	
4	000018	2	M08x16 8.8 SOCKET HEAD MACH SCREW / VIS CHC M08x16 8.8 BI FT	
5	000020	2	M04x20 8.8 SOCKET HEAD MACH SCREW / VIS CHC M04x20 8.8 BI FT	
6	000043	4	M08x40 8.8 SOCKET HEAD MACH SCREW / VIS CHC M08x40 8.8 BI FT	
7	000050	4	M04x10 8.8 SOCKET HEAD MACH SCREW / VIS CHC M04x10 8.8 BI FT	
8	000053	4	M08x25 8.8 SOCKET HEAD MACH SCREW / VIS CHC M08x25 8.8 BI FT	A
9	000067	10	M05x12 8.8 SOCKET HEAD MACH SCREW / VIS CHC M05x12 8.8 BI FT	
10	100014	1	M06x80 8.8 HEX HEAD CAPSCREW / VIS H M06x80 8.8 BI FP	
11	100027	2	M06x12 8.8 HEX HEAD MACHINE SCREW / VIS H M06x12 8.8 BI FT	
12	100035	4	M12x70 8.8 HEX HEAD CAPSCREW / VIS H M12x70 BI FP	
13	110001	8	M04 GR 8.8 LOCK NUT / ECROU FREIN M4 8.8 BI	
14	110003	1	M06 GR 8.8 LOCK NUT / ECROU FREIN M6 8.8 BI	
15	110004	16	M08 GR 8.8 LOCK NUT / ECROU FREIN M8 8.8 BI	
16	110016	4	M08 GR 8.8 HEX NUT / ECROU H M08 8.8 BI	
17	120002	2	M05 WASHER / RONDELLE M05 BI	
18	120009	11	dD 06x14 LOCK WASHER / RONDELLE CONTACT dD 06x14 BI	
19	120010	18	dD 08x18 LOCK WASHER / RONDELLE CONTACT dD 08x18 BI	A
20	120014	2	M08 WASHER / RONDELLE M08 BI	
21	120021	12	HELICAL SPRING LOCK WASHER Ø8 / RONDELLE GROWER Ø8 BI	
22	120024	10	M04 LOCK WASHER / RONDELLE CONTACT M04 BI	
23	120026	2	dD 08x40 WASHER / RONDELLE dD 08x40 BI	
24	130022	1	STATIC STRAP / TRESSE DE MASSE	
25	140018	4	SAFETY PIN / GOUPILLE ELASTIQUE	
26	140019	5	Ø4x40 COTTER PIN / GOUPILLE FENDUE Ø4x40	
27	140022	2	Ø4x40x0.8 LOCK PIN / GOUPILLE ELASTIQUE Ø4x40x0.8	
28	150022	2	BUSHING Ø20 H25 DX / BAGUE Ø20 H25 DX	
29	150025	4	BUSHING Ø30 H15 DU / BAGUE Ø30 H15 DU	
30	150029	2	Ø12 H12 BUSHING / BAGUE Ø12 H12	
31	150044	2	PILLOW BLOCK / PALIER A SEMELLE	
32	190043	2	IRON LACK / GRENOUILLERE A BRAS RESSORT	
33	210062	2	GLAND N°13 Ø5 IP65 / PRESSE ETOUPE N°13 Ø5 IP65	
34	Not Required	0	NOT REQUIRED / NON REQUIS	
35	250038	1	QUICK CONNECTOR / PRISE RAPIDE	
36	260030	2	2NC SWITCH / CAPTEUR 2NF	
37	260077	2	POWER FUSE HOLDER / PORTE FUSIBLE DE PUISSANCE	

SECTION 4 - FRAME INSTALL / INSTALLATION CHASSIS

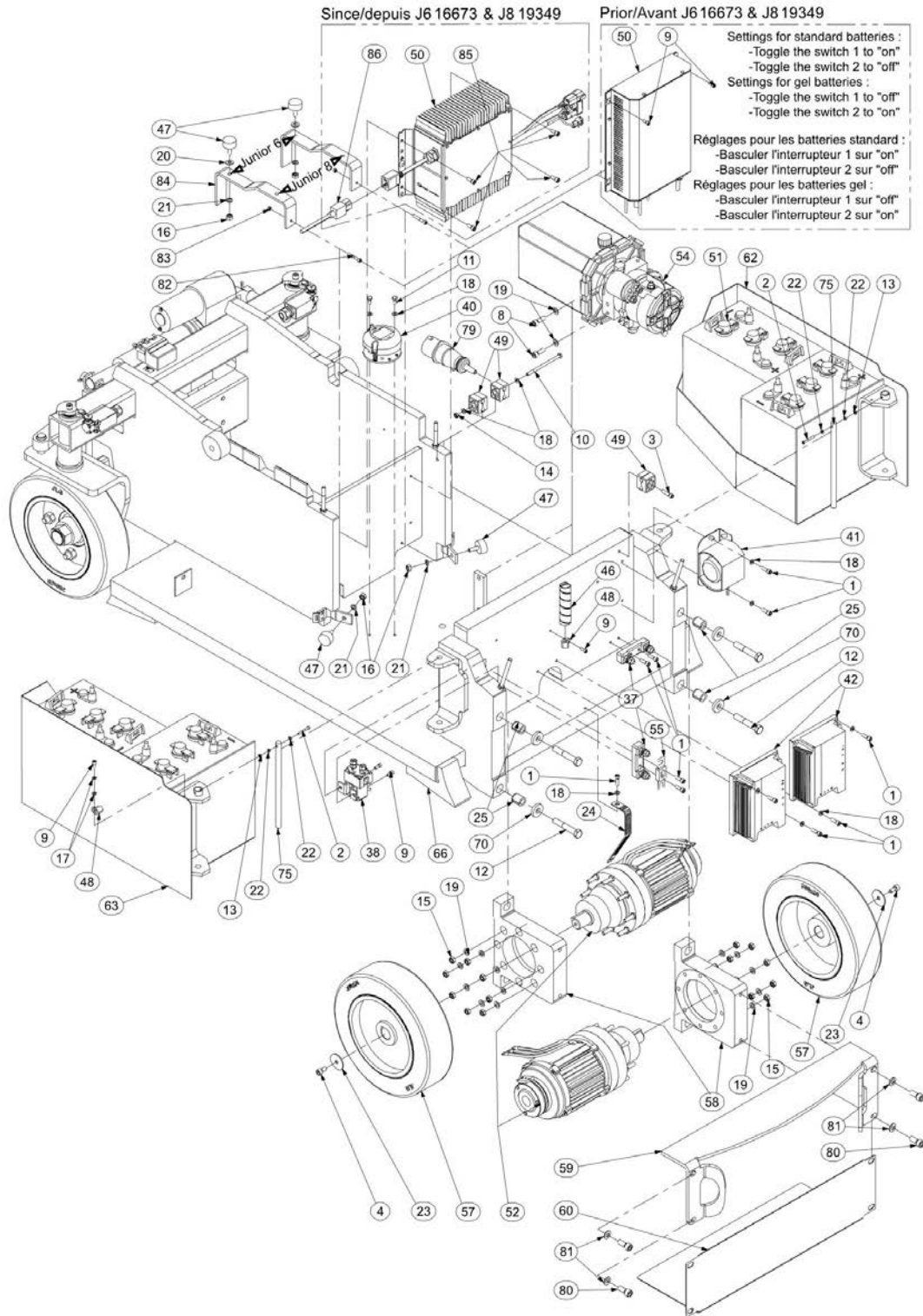
ITEM	PART NUMBER	QTY	DESCRIPTION	REV
38	260208	1	RELAY / RELAIS	
39	260269	1	INVERTER RELAY / RELAIS INVERSEUR	
40	260270	1	2° TILT SENSOR / DETECTEUR DE DEVERS 2°	
41	260275	1	ACCOUSTIC MOTION ALARM / ALARME DE MOUVEMENT SONORE	
42	260315	2	FREQUENCY CONVERTER / CONVERTISSEUR DE FREQUENCE	C
43	300004	1	PRESSURE TEST PLUG JIC9/16 SMK / PRISE DE PRESSION JIC 9/16 SMK	
44	300037	1	RUN TEE JIC 9/16 SWIVEL NUT / TE MALE JIC9/16-FEMELLE JIC9/16 TOUR.	
45	300075	1	90° ELBOW MALE M14x150-MALE JIC 9/16 / COUDE 90° MALE M14x150-MALE JIC 9/16	
46	400010	0.25	HOSE GUARD (quantity indicated in meter) / GAINÉ (quantité en mètres)	
47	400015	4	ELASTIC STOP / BUTEE ELASTIQUE	
48	400034	2	COLLAR / COLLIER	
49	400037	3	PAIR 1/2 SHELL DOUBLE D10 / PAIRE DEMI COQUILLE DOUBLE D10	
50	510047	1	STANDARD CHARGER / CHARGEUR STANDARD	
51	951011	4	6V 180Ah DRY BATTERIE / BATTERIE SECHE 6V 180Ah	
51	510062	4	GEL BATTERY 6V 180Ah / BATTERIE GEL 6V 180Ah	
52	510073	2	INDUCTION GEAR MOTOR / MOTOREDUCEUR + FREIN ASYNCHRONE	
53	510074	1	STEERING ELECTRICAL CYLINDER / VERIN ELECTRIQUE DE DIRECTION	
54	520099	1	COMPLETE POWER UNIT 1.25cc; INFO - 520099 / CENTRALE COMPLETE 1.25cm³; INFO - 520099	
55	950110	1	63A FUSE / FUSIBLE 63A	
56	DF0574	1	Junior6 HOSE 1/4" 110cm JIC Fem 9/16 90° JIC Fem 9/16 90°-90° / FLEXIBLE Junior6 1/4" 110cm JIC Fem 9/16 90° JIC Fem 9/16 90°-90°	
56	DF0656	1	Junior8/Duo HOSE 1/4" 125cm JIC Fem 9/16 90° JIC Fem 9/16 90°-90° / FLEXIBLE Junior8/Duo 1/4" 125cm JIC Fem 9/16 90° JIC Fem 9/16 90°-90°	
57	ST2997	2	NON MARKING DRIVING WHEEL / ROUE MOTRICE NON MARQUANTE	A
58	DL0792	2	MOTOR FLANGE / BRIDE MOTEUR	A
59	ST3028	1	STEP / MARCHE PIED	A
60	ST3035	1	MOTORS GUARD / TOLE DE PROTECTION MOTEURS	A
61	DL0555	1	TRANSMISSION LUG / PATTE DE TRANSMISSION	
62	DL0557	1	RIGHT BATTERY HOUSING / CAISSON DE BATTERIE DROIT	
63	DL0558	1	LEFT BATTERY HOUSING / CAISSON DE BATTERIE GAUCHE	
64	DL0576	1	RIGHT STEERING BRACKET / EQUERRE DE DIRECTION DROITE	
65	DL0577	1	LEFT STEERING BRACKET / EQUERRE DE DIRECTION GAUCHE	
66	DL0748	1	JUNIOR6B FRAME WELDMENT / CHASSIS MECANO-SOUDE JUNIOR6B	
66	DL0760	1	JUNIOR8B FRAME WELDMENT / CHASSIS MECANO-SOUDE JUNIOR8B	
67	SD0530	1	STEERING CYLINDER YOKE / CHAPE VERIN DE DIRECTION	
68	SD0549	1	LEFT STEERING ARM / BIELETTE DE DIRECTION GAUCHE	
69	SD0550	1	RIGHT STEERING ARM / BIELETTE DE DIRECTION DROITE	
70	ST1648	4	MOTOR WASHER / RONDELLE MOTEUR	

SECTION 4 - FRAME INSTALL / INSTALLATION CHASSIS

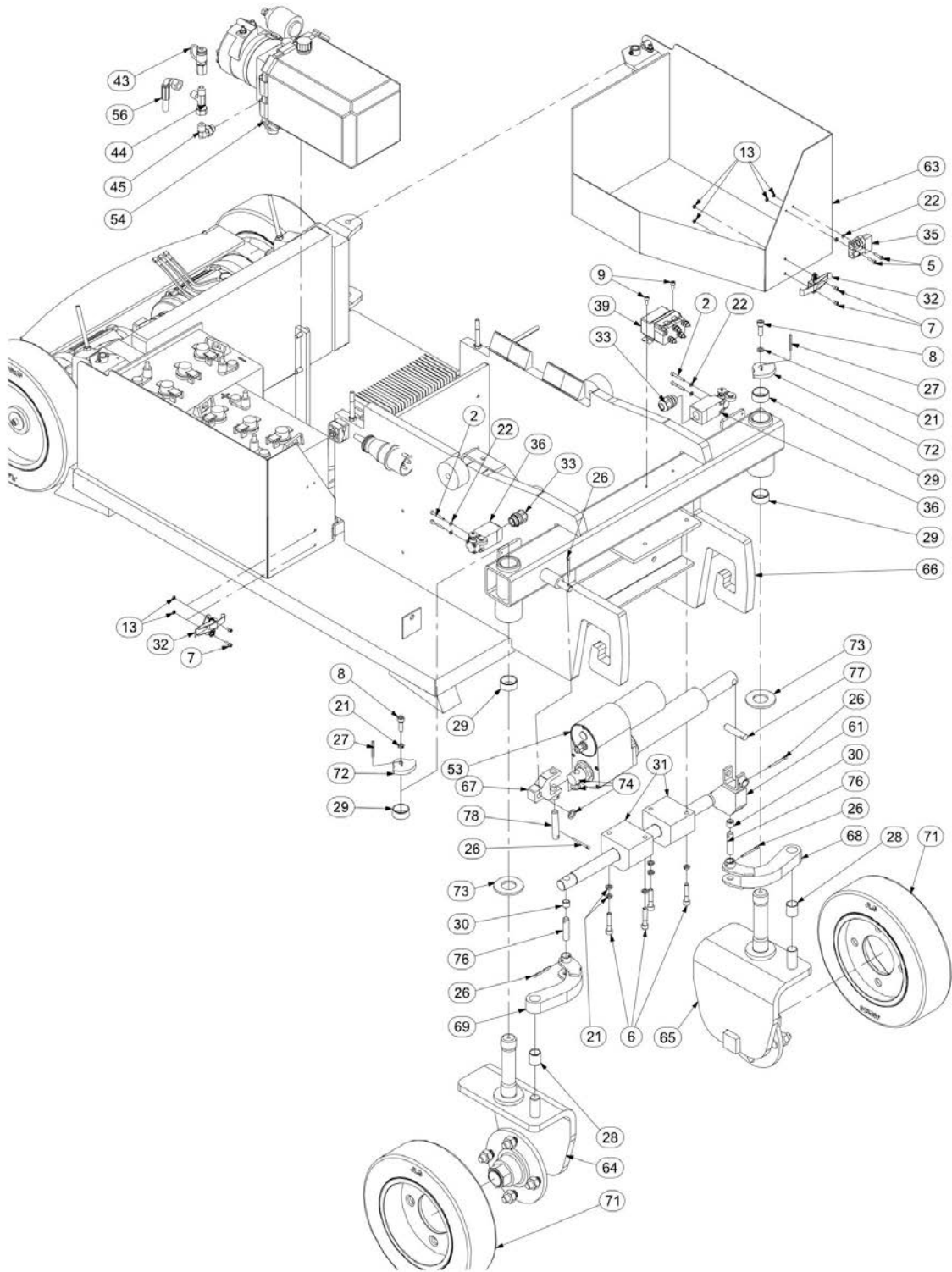
ITEM	PART NUMBER	QTY	DESCRIPTION	REV
71	ST2996	2	NON MARKING STEERING WHEEL; INFO - A / ROUE DIRECTRICE NON MARQUANTE; INFO - A	A
72	ST2793	2	STEERING CAM / CAME DE DIRECTION	
73	US0134	2	THRUST WASHER / RONDELLE D'APPUI	
74	US0190	3	dDH 13x20x02 HEAT TREATED WASHER / RONDELLE TRAITEE dDH 13x20x02	
75	US0362	2	HOUSING PIN / AXE CAISSON DE BATTERIES	
76	US0395	2	STEERING ROD LINK PIN / AXE BIELLETTE DE DIRECTION	
77	US0417	1	TRANSMISSION PLATE SHAFT / AXE PATTE DE TRANSMISSION	
78	US0419	1	STEERING YOKE SHAFT / AXE CHAPE DE DIRECTION	
79		Ref	CHARGER CONNECTOR; INFO - RM0059 / PRISE CHARGEUR; INFO - RM0059	
80	000013	4	M10x25 8.8 SOCKET HEAD MACH SCREW / VIS CHC M10x25 8.8 BI FT	A
81	120011	4	dD 10x22 LOCK WASHER / RONDELLE CONTACT dD 10x22 BI	A

SECTION 4 - FRAME INSTALL / INSTALLATION CHASSIS

FIGURE 4-4. FRAME INSTALL / INSTALLATION CHASSIS (Junior 6B SN A130016621 through A130020221; Junior 8B SN A130019283 to Present)



SECTION 4 - FRAME INSTALL / INSTALLATION CHASSIS



SECTION 4 - FRAME INSTALL / INSTALLATION CHASSIS

FIGURE 4-4. FRAME INSTALL / INSTALLATION CHASSIS (Junior 6B SN A130016621 through A130020221; Junior 8B SN A130019283 to Present)

ITEM	PART NUMBER	QTY	DESCRIPTION	REV
		Ref	FRAME INSTALL; INFO - SP0893D / INSTALLATION CHASSIS; INFO - SP0893D (Junior 6B SN A130016621 through A130020221; Junior 8B SN A130019283 to Present)	E
1	000005	11	M06x20 8.8 SOCKET HEAD MACH SCREW / VIS CHC M06x20 8.8 BI FT	
2	000007	6	M04x30 8.8 SOCKET HEAD CAPSCREW / VIS CHC M04x30 8.8 BI FP	
3	000008	1	M06x25 8.8 SOCKET HEAD MACH SCREW / VIS CHC M06x25 8.8 BI FT	
4	000018	2	M08x16 8.8 SOCKET HEAD MACH SCREW / VIS CHC M08x16 8.8 BI FT	
5	000020	2	M04x20 8.8 SOCKET HEAD MACH SCREW / VIS CHC M04x20 8.8 BI FT	
6	000043	4	M08x40 8.8 SOCKET HEAD MACH SCREW / VIS CHC M08x40 8.8 BI FT	
7	000050	4	M04x10 8.8 SOCKET HEAD MACH SCREW / VIS CHC M04x10 8.8 BI FT	
8	000053	4	M08x25 8.8 SOCKET HEAD MACH SCREW / VIS CHC M08x25 8.8 BI FT	A
9	000067	8	M05x12 8.8 SOCKET HEAD MACH SCREW / VIS CHC M05x12 8.8 BI FT	D
10	100014	1	M06x80 8.8 HEX HEAD CAPSCREW / VIS H M06x80 8.8 BI FP	
11	100098	2	M06x16 8.8 HEX HEAD MACHINE SCREW / VIS H M06x16 8.8 BI FT	
12	100035	4	M12x70 8.8 HEX HEAD CAPSCREW / VIS H M12x70 8.8 BI FP	
13	110001	8	M04 GR08 LOCK NUT / ECROU FREIN M4 CL08 BI	
14	110003	1	M06 GR08 LOCK NUT / ECROU FREIN M6 CL08 BI	
15	110004	16	M08 GR08 LOCK NUT / ECROU FREIN M8 CL08 BI	
16	110016	4	M08 GR08 HEX NUT / ECROU H M08 CL08 BI	
17	120002	2	M05 WASHER / RONDELLE M05 BI	
18	120009	11	dD 06x14 LOCK WASHER / RONDELLE CONTACT dD 06x14 BI	
19	120010	18	dD 08x18 LOCK WASHER / RONDELLE CONTACT dD 08x18 BI	A
20	120014	2	M08 WASHER / RONDELLE M08 BI	
21	120021	12	HELICAL SPRING LOCK WASHER Ø8 / RONDELLE GROWER Ø8 BI	
22	120024	10	M4 LOCK WASHER / RONDELLE CONTACT M4 BI	
23	120026	2	dD 08x40 WASHER / RONDELLE dD 08x40 BI	
24	130022	1	STATIC STRAP / TRESSE DE MASSE	
25	140018	4	SAFETY PIN / GOUPILLE ELASTIQUE	
26	140019	5	Ø4x40 COTTER PIN / GOUPILLE FENDUE Ø4x40	
27	140022	2	Ø4x40x0.8 LOCK PIN / GOUPILLE ELASTIQUE Ø4x40x0.8	
28	150022	2	BUSHING Ø20 H25 DX / BAGUE Ø20 H25 DX	
29	150025	4	BUSHING Ø30 H15 DU / BAGUE Ø30 H15 DU	
30	150029	2	Ø12 H12 BUSHING / BAGUE Ø12 H12	
31	150044	2	PILLOW BLOCK / PALIER A SEMELLE	
32	190043	2	IRON LACK / GRENOUILLERE A BRAS RESSORT	
33	210062	2	CROUZET - GLAND N°13 Ø5 IP65 / CROUZET-PRESSE ETOUPE N°13 Ø5 IP65	E
33	210018	2	TELEMECA - GLAND N°11 / TELEMECA-PRESSE ETOUPE N°11	E
35	250038	1	QUICK CONNECTOR / PRISE RAPIDE	
36	260030	2	CROUZET - 2NC SWITCH / CROUZET - CAPTEUR 2NF	E
36	260325	2	TELEMECA - 2NC SWITCH / TELEMECA - CAPTEUR 2NF	E

SECTION 4 - FRAME INSTALL / INSTALLATION CHASSIS

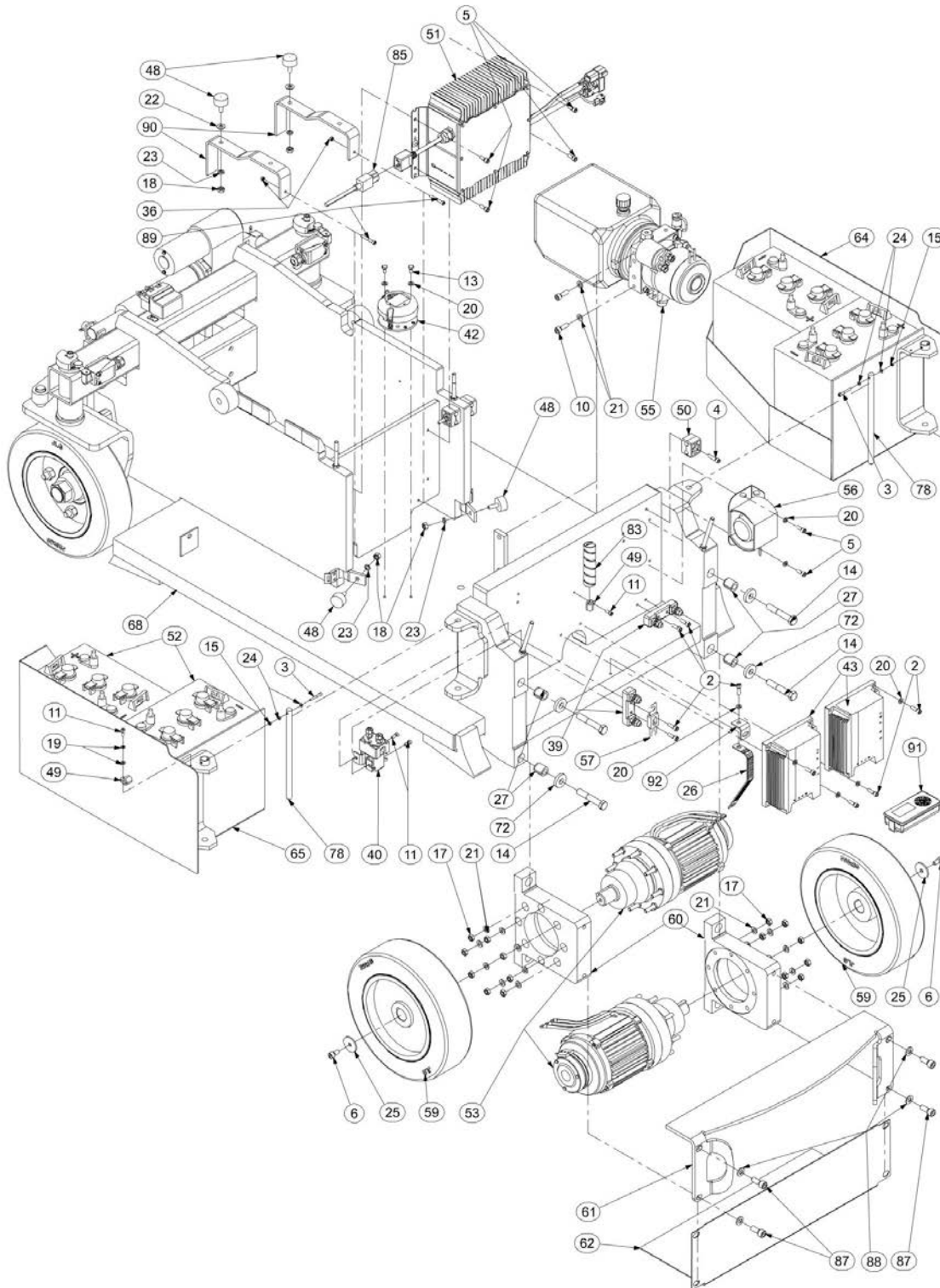
ITEM	PART NUMBER	QTY	DESCRIPTION	REV
37	260077	2	POWER FUSE HOLDER / PORTE FUSIBLE DE PUISSANCE	
38	260208	1	RELAY / RELAIS	
39	260269	1	INVERTER RELAY / RELAIS INVERSEUR	
40	260319	1	TILT SENSOR 2° / DETECTEUR DE DEVERS 2°	D
41	260275	1	ACCOUSTIC MOTION ALARM / ALARME DE MOUVEMENT SONORE	
42	260315	2	FREQUENCY CONVERTER / CONVERTISSEUR DE FREQUENCE	C
43	300004	1	PRESSURE TEST PLUG JIC9/16 SMK / PRISE DE PRESSION JIC 9/16 SMK	
44	300037	1	RUN TEE JIC 9/16 SWIVEL NUT / TE MALE JIC9/16-FEMELLE JIC9/16 TOUR.	
45	300075	1	90° ELBOW MALE M14x150-MALE JIC 9/16 / COUDE 90° MALE M14x150-MALE JIC 9/16	
46	400010	0.25	HOSE GUARD (quantity indicated in meter) / GAINÉ (quantité en mètres)	
47	400015	4	BUMPER / BUTEE ELASTIQUE	
48	400034	2	COLLAR / COLLIER	
49	400037	3	CLAMP, TWIN D10 / COLLIER DOUBLE D10	
50	510047	1	CHARGER TECSUP / CHARGEUR TECSUP (J6 Prior to SN A130016673; J8 Prior to SN A130019349)	E
50	1001112111	1	CHARGER DELTA-Q 24V HF / CHARGEUR DELTA-Q 24V HF (J6 SN A130016673 to Present; J8 SN A130019349 to Present)	E
51	0400215	4	BATTERY 6V 180Ah / BATTERIE 6V 180Ah	D
51	0400242	4	GEL BATTERY 6V 180Ah / BATTERIE GEL 6V 180Ah	D
52	510073	2	INDUCTION GEAR MOTOR / MOTOREDUCEUR + FREIN ASYNCHRONE	
52	951042	2	BRAKE, COMPLETE KIT, ZFB05 / KIT FREIN COMPLET ZFB05	D
53	510074	1	STEERING ELECTRICAL CYLINDER / VERIN ELECTRIQUE DE DIRECTION	
54	520099	1	COMPLETE POWER UNIT 1.25cc; INFO - 520099 / CENTRALE COMPLETE 1.25cm ³ ; INFO - 520099	
55	950110	1	63A FUSE / FUSIBLE 63A	
56	DF0574	1	Junior6 HOSE 1/4" 110cm JIC Fem 9/16 90° JIC Fem 9/16 90°-90° / Junior6 flexible 1/4" 110cm JIC Fem 9/16 90° JIC Fem 9/16 90°-90°	
56	DF0656	1	Junior8/Duo HOSE 1/4" 125cm JIC Fem 9/16 90, JIC Fem 9/16 90,-90 / Junior8/Duo flexible 1/4" 125cm JIC Fem 9/16 90° JIC Fem 9/16 90°-90°	
57	ST2997	2	NON MARKING DRIVING WHEEL / ROUE MOTRICE NON MARQUANTE	A
58	DL0792	2	MOTOR FLANGE / BRIDE MOTEUR	A
59	ST3028	1	STEP / MARCHE PIED	A
60	ST3035	1	MOTORS GUARD / TOLE DE PROTECTION MOTEURS	A
61	DL0555	1	TRANSMISSION LUG / PATTE DE TRANSMISSION	
62	DL0557	1	RIGHT BATTERY HOUSING / CAISSON DE BATTERIE DROIT	
63	DL0558	1	LEFT BATTERY HOUSING / CAISSON DE BATTERIE GAUCHE	
64	DL0576	1	RIGHT STEERING BRACKET / EQUERRE DE DIRECTION DROITE	
64	920076	4	M14x150 WHEEL NUT / ECROU DE ROUE H M14x150	E
64	920077	4	M14x150 L=40/30 RATCHET STUD / GOUJON CRANTE M14x150 L=40/30	E
65	DL0577	1	LEFT STEERING BRACKET / EQUERRE DE DIRECTION GAUCHE	
65	920076	4	M14x150 WHEEL NUT / ECROU DE ROUE H M14x150	E
65	920077	4	M14x150 L=40/30 RATCHET STUD / GOUJON CRANTE M14x150	E

SECTION 4 - FRAME INSTALL / INSTALLATION CHASSIS

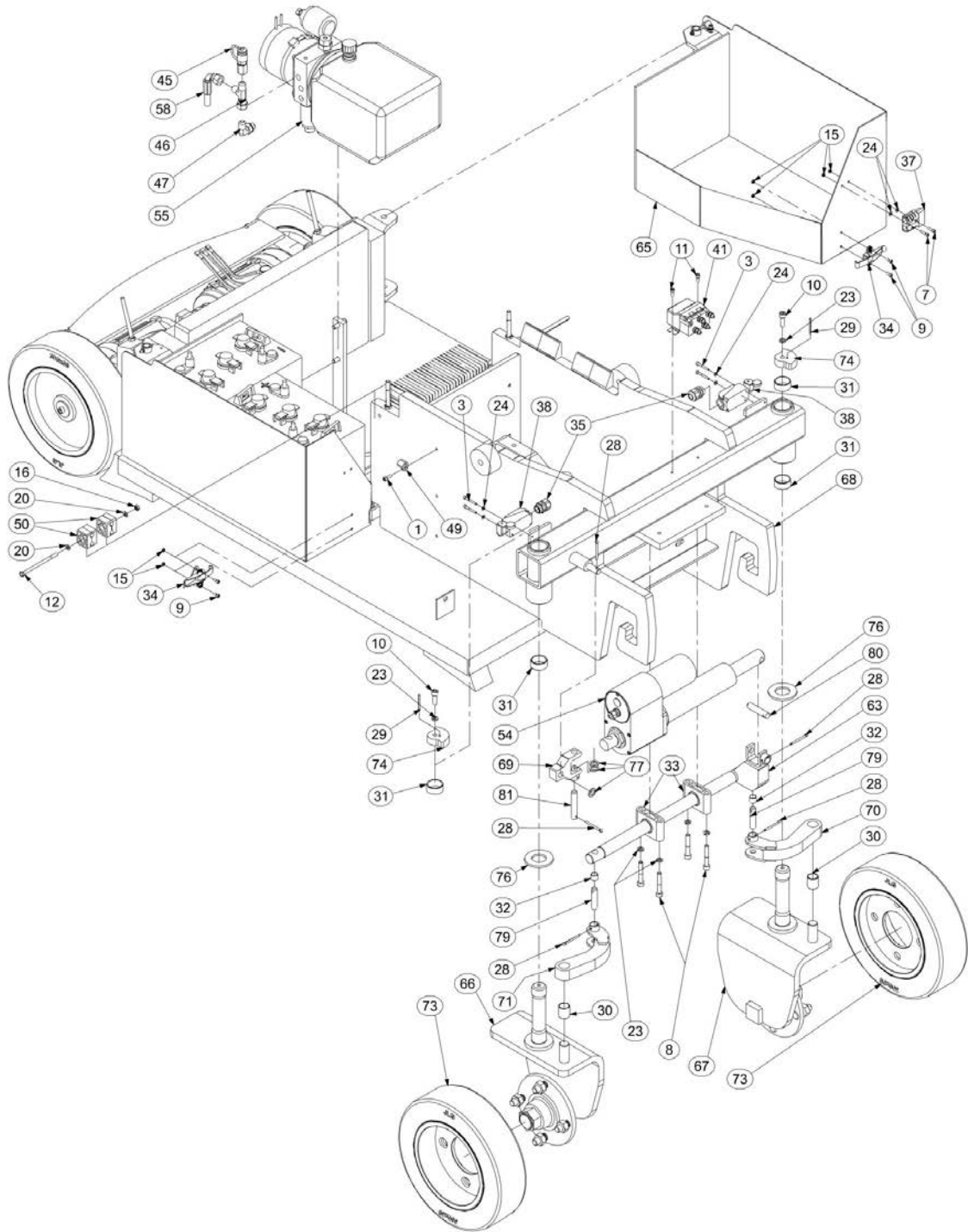
ITEM	PART NUMBER	QTY	DESCRIPTION	REV
			L=40/30	
66	DL0804	1	TJunior6 FRAME / CHASSIS Junior6 (Prior to SN A130016673)	E
66	DL0857	1	TJunior6 FRAME / CHASSIS Junior6 (SN A130016673 to Present)	E
66	DL0803	1	TJunior8 FRAME / CHASSIS Junior8 (Prior to SN A130019349)	E
66	DL0859	1	TJunior8 FRAME / CHASSIS Junior8 (SN A130019349 to Present)	E
67	SD0530	1	STEERING CYLINDER YOKE / CHAPE VERIN DE DIRECTION	
68	SD0549	1	LEFT STEERING ARM / BIELETTE DE DIRECTION GAUCHE	
69	SD0550	1	RIGHT STEERING ARM / BIELETTE DE DIRECTION DROITE	
70	ST1648	4	MOTOR WASHER / RONDELLE MOTEUR	
71	ST2996	2	NON MARKING STEERING WHEEL; INFO - A / ROUE DIRECTRICE NON MARQUANTE; INFO - A	A
72	ST2793	2	STEERING CAM / CAME DE DIRECTION	
73	US0134	2	THRUST WASHER / RONDELLE D'APPUI	
74	US0190	3	dDH 13x20x02 HARDENED WASHER / RONDELLE TRAITEE dDH 13x20x02	
75	US0362	2	HOUSING PIN / AXE CAISSON DE BATTERIES	
76	US0395	2	STEERING ROD LINK PIN / AXE BIELLETTE DE DIRECTION	
77	US0417	1	TRANSMISSION PLATE SHAFT / AXE PATTE DE TRANSMISSION	
78	US0419	1	STEERING YOKE SHAFT / AXE CHAPE DE DIRECTION	
79		Ref	CHARGER CONNECTORS; INFO - RM0059 / PRISES CHARGEUR; INFO - RM0059	
80	000013	4	M10x25 8.8 SOCKET HEAD MACH SCREW / VIS CHC M10x25 8.8 BI FT	A
81	120011	4	dD 10x22 LOCK WASHER / RONDELLE CONTACT dD 10x22 BI	A
82	000095	2	M05x25 8.8 SOCKET HEAD MACH SCREW / VIS CHC M05x25 8.8 BI FT	D
83	110002	2	M05 GR08 LOCK NUT / ECROU FREIN M5 CL08 BI	D
84	ST3091	2	TJ6 CATCHES SUPPORT / SUPPORT BUTEES TJ6	D
84	ST3122	2	TJ8-T Duo-13MSPT CATCHES SUPPORT / SUPPORT BUTEES TJ8-T Duo-13MSPT	D
85	000015	4	M06x16 8.8 SOCKET HEAD MACH SCREW / VIS CHC M06x16 8.8 BI FT	E
86	250211	1	CABLE IEC22 / PLUG CEE7 2m 10A / CORDON IEC22 / FICHE CEE7 2m 10A	E

SECTION 4 - FRAME INSTALL / INSTALLATION CHASSIS

FIGURE 4-5. FRAME INSTALL / INSTALLATION CHASSIS (Junior 6B SN A130020222 to Present)



SECTION 4 - FRAME INSTALL / INSTALLATION CHASSIS



SECTION 4 - FRAME INSTALL / INSTALLATION CHASSIS

FIGURE 4-5. FRAME INSTALL / INSTALLATION CHASSIS (Junior 6B SN A130020222 to Present)

ITEM	PART NUMBER	QTY	DESCRIPTION	REV
		Ref	FRAME INSTALL; INFO - SP0811 J / INSTALLATION CHASSIS; INFO - SP0811 J (Junior 6B SN A130020222 to Present)	I
1	000003	1	M05x16 8.8 SOCKET HEAD MACH SCREW / VIS CHC M05x16 8.8 BI FT	
2	000005	9	M06x20 8.8 SOCKET HEAD MACH SCREW / VIS CHC M06x20 8.8 BI FT	B
3	000007	6	M04x30 8.8 SOCKET HEAD CAPSCREW / VIS CHC M04x30 8.8 BI FP	
4	000008	1	M06x25 8.8 SOCKET HEAD MACH SCREW / VIS CHC M06x25 8.8 BI FT	
5	000015	8	M06x16 8.8 SOCKET HEAD MACH SCREW / VIS CHC M06x16 8.8 BI FT	H
6	000018	2	M08x16 8.8 SOCKET HEAD MACH SCREW / VIS CHC M08x16 8.8 BI FT	
7	000020	2	M04x20 8.8 SOCKET HEAD MACH SCREW / VIS CHC M04x20 8.8 BI FT	
8	000011	4	M08x50 8.8 SOCKET HEAD CAPSCREW / VIS CHC M08x50 8.8 BI FP	I
9	000050	4	M04x10 8.8 SOCKET HEAD MACH SCREW / VIS CHC M04x10 8.8 BI FT	
10	000053	4	M08x25 8.8 SOCKET HEAD MACH SCREW / VIS CHC M08x25 8.8 BI FT	D
11	000067	6	M05x12 8.8 SOCKET HEAD MACH SCREW / VIS CHC M05x12 8.8 BI FT	I
12	100014	1	M06x80 8.8 HEX HEAD CAPSCREW / VIS H M06x80 8.8 BI FP	
13	100098	2	M06x16 8.8 HEX HEAD MACHINE SCREW / VIS H M06x16 8.8 BI FT	
14	100035	4	M12x70 8.8 HEX HEAD CAPSCREW / VIS H M12x70 8.8 BI FP	
15	110001	8	M04 GR08 LOCK NUT / ECROU FREIN M4 CL08 BI	
16	110003	1	M06 GR08 LOCK NUT / ECROU FREIN M6 CL08 BI	
17	110004	16	M08 GR08 LOCK NUT / ECROU FREIN M8 CL08 BI	
18	110016	4	M08 GR08 HEX NUT / ECROU H M08 CL08 BI	
19	120002	2	M05 WASHER / RONDELLE M05 BI	
20	120009	11	dD 06x14 LOCK WASHER / RONDELLE CONTACT dD 06x14 BI	
21	120010	18	dD 08x18 LOCK WASHER / RONDELLE CONTACT dD 08x18 BI	D
22	120014	2	M08 WASHER / RONDELLE M08 BI	
23	120021	10	HELICAL SPRING LOCK WASHER Ø8 / RONDELLE GROWER Ø8 BI	I
24	120024	10	M4 LOCK WASHER / RONDELLE CONTACT M4 BI	
25	US0531	2	dD 08x37x3 WASHER / RONDELLE dD 08x37x3 BI	I
26	130022	1	STATIC STRAP / TRESSE DE MASSE	
27	140018	4	SAFETY PIN / GOUPILLE ELASTIQUE	
28	140019	5	Ø4x40 COTTER PIN / GOUPILLE FENDUE Ø4x40	
29	140022	2	Ø4x40x0.8 LOCK PIN / GOUPILLE ELASTIQUE Ø4x40x0.8	
30	150022	2	BUSHING Ø20 H25 DX / BAGUE Ø20 H25 DX	
31	150025	4	BUSHING Ø30 H15 DU / BAGUE Ø30 H15 DU	
32	150029	2	Ø12 H12 BUSHING / BAGUE Ø12 H12	
33	150060	2	PILLOW BLOCK BEARING / PALIER A SEMELLE	I
34	190043	2	IRON LACK / GRENOUILLERE A BRAS RESSORT	
35	210018	2	GLAND N°11 / PRESSE ETOUPE N°11	I
36	110002	2	M05 GR08 LOCK NUT / ECROU FREIN M5 CL08 BI	G
37	250038	1	QUICK CONNECTOR / PRISE RAPIDE	
38	260325	2	2NC SWITCH / CAPTEUR 2 NF	I

SECTION 4 - FRAME INSTALL / INSTALLATION CHASSIS

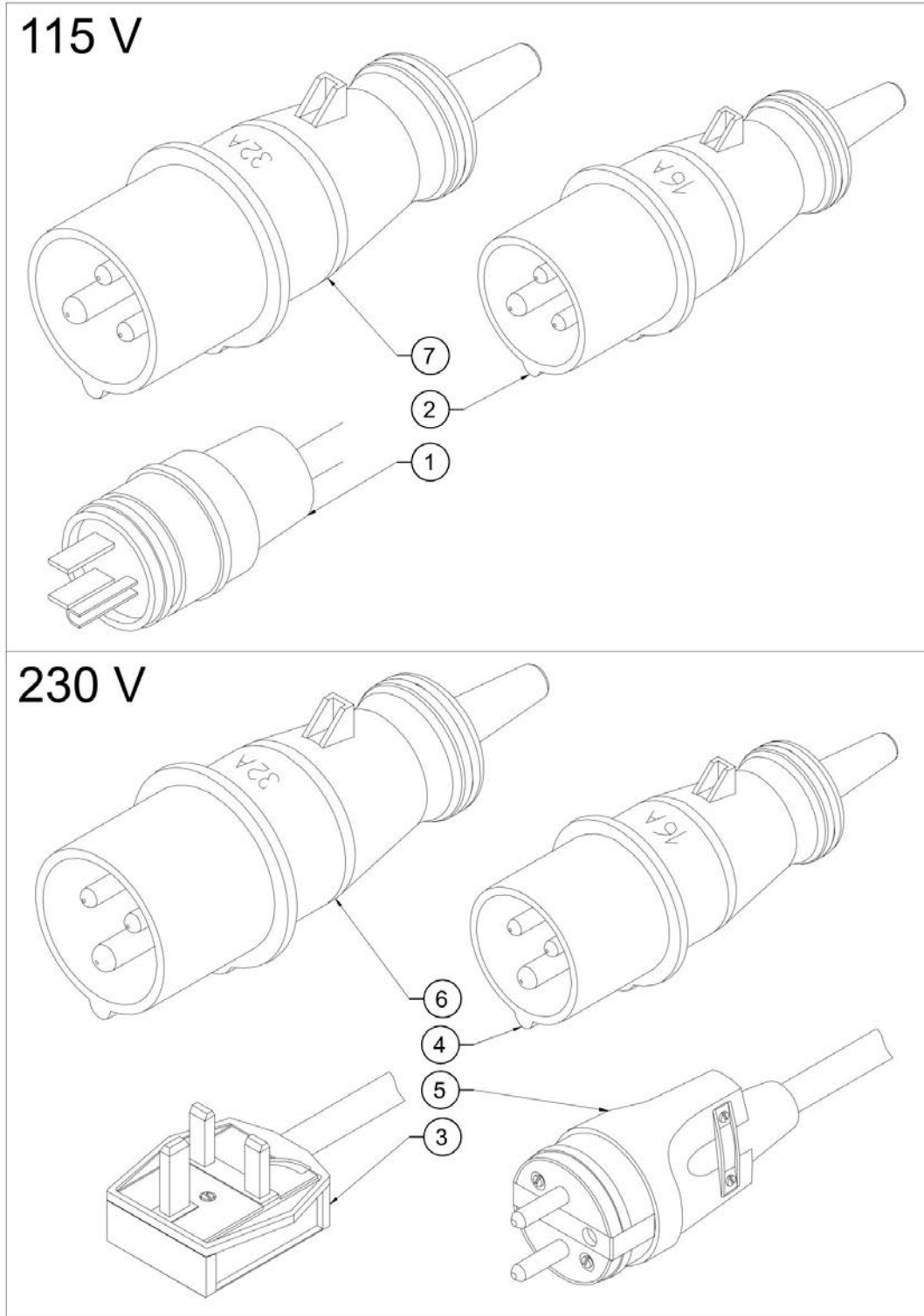
ITEM	PART NUMBER	QTY	DESCRIPTION	REV
39	260077	2	POWER FUSE HOLDER / PORTE FUSIBLE DE PUISSANCE	A
40	260208	1	RELAY / RELAIS	
41	260269	1	INVERTER RELAY / RELAIS INVERSEUR	
42	260319	1	TILT SENSOR 2° / DETECTEUR DE DEVERS 2°	G
43	260332	2	CONTROLLER ACEX 24VDC / CONTROLEUR ACEX 24VDC	I
45	300004	1	PRESSURE TEST PLUG JIC9/16 SMK / PRISE DE PRESSION JIC 9/16 SMK	
46	300037	1	RUN TEE JIC 9/16 SWIVEL NUT / TE MALE JIC9/16-FEMELLE JIC9/16 TOUR.	
47	300075	1	90° ELBOW MALE M14x150-MALE JIC 9/16 / COUDE 90° MALE M14x150-MALE JIC 9/16	
48	400015	4	BUMPER / BUTEE ELASTIQUE	
49	400034	3	COLLAR / COLLIER	G
50	400037	3	CLAMP, TWIN D10 / COLLIER DOUBLE D10	
51	1001112111	1	CHARGER DELTA-Q 24V HF / CHARGEUR DELTA-Q 24V HF	I
52	0400215	4	BATTERY 6V 180Ah / BATTERIE 6V 180Ah	G
52	0400242	4	GEL BATTERY 6V 180Ah; INFO - OPTION / BATTERIE GEL 6V 180Ah; INFO - OPTION	G
53	510073	2	INDUCTION GEAR MOTOR / MOTOREDUCTEUR + FREIN ASYNCHRONE	
53	951042	2	BRAKE, COMPLETE KIT, ZFB05 / KIT FREIN COMPLET ZFB05	G
53	1001210422	2	BRAKE, ROTOR / DISQUE DE FREIN	G
54	510090	1	STEERING ELECTRICAL CYLINDER / VERIN ELECTRIQUE DE DIRECTION	I
55	520099	1	COMPLETE POWER UNIT 1.25cc; INFO - 520099 / CENTRALE COMPLETE 1.25cm ³ ; INFO - 520099	A
56	260275	1	ACCOUSTIC MOTION ALARM / ALARME DE MOUVEMENT SONORE	
57	950110	1	63A FUSE / FUSIBLE 63A	
58	DF0574	1	HOSE 1/4" 110cm JIC Fem 9/16 90° JIC Fem 9/16 90°-90 / FLEXIBLE 1/4" 110cm JIC Fem 9/16 90° JIC Fem 9/16 90°-90	G
59	ST2997	2	NON MARKING DRIVING WHEEL / ROUE MOTRICE NON MARQUANTE	B
60	DL0792	2	MOTOR FLANGE / BRIDE MOTEUR	D
61	ST3028	1	STEP / MARCHE PIED	B
62	ST3035	1	MOTORS GUARD / TOLE DE PROTECTION MOTEURS	D
63	DL0555	1	TRANSMISSION LUG / PATTE DE TRANSMISSION	
64	DL0557	1	RIGHT BATTERY HOUSING / CAISSON DE BATTERIE DROIT	
65	DL0558	1	LEFT BATTERY HOUSING / CAISSON DE BATTERIE GAUCHE	
66	DL0576	1	RIGHT STEERING BRACKET / EQUERRE DE DIRECTION DROITE	
66	920076	4	M14x150 WHEEL NUT / ECROU DE ROUE H M14x150	H
66	920077	4	M14x150 L=40/30 RATCHET STUD / GOUJON CRANTE M14x150 L=40/30	H
67	DL0577	1	LEFT STEERING BRACKET / EQUERRE DE DIRECTION GAUCHE	
67	920076	4	M14x150 WHEEL NUT / ECROU DE ROUE H M14x150	H
67	920077	4	M14x150 L=40/30 RATCHET STUD / GOUJON CRANTE M14x150 L=40/30	H
68	DL0925	1	FRAME WELDMENT / CHASSIS	G
69	SD0530	1	STEERING CYLINDER YOKE / CHAPE VERIN DE DIRECTION	
70	SD0549	1	LEFT STEERING ARM / BIELETTE DE DIRECTION GAUCHE	
71	SD0550	1	RIGHT STEERING ARM / BIELETTE DE DIRECTION DROITE	
72	ST1648	4	MOTOR WASHER / RONDELLE MOTEUR	

SECTION 4 - FRAME INSTALL / INSTALLATION CHASSIS

ITEM	PART NUMBER	QTY	DESCRIPTION	REV
73	ST2996	2	NON MARKING STEERING WHEEL / ROUE DIRECTRICE NON MARQUANTE	B
74	ST3444	2	STEERING CAM / CAME DE DIRECTION	H
76	US0134	2	THRUST WASHER / RONDELLE D'APPUI	
77	US0190	3	dDH 13x20x02 HARDENED WASHER / RONDELLE TRAITEE dDH 13x20x02	
78	US0362	2	HOUSING PIN / AXE CAISSON DE BATTERIES	
79	US0395	2	STEERING ROD LINK PIN / AXE BIELLETTE DE DIRECTION	
80	US0417	1	TRANSMISSION PLATE SHAFT / AXE PATTE DE TRANSMISSION	
81	US0419	1	STEERING YOKE SHAFT / AXE CHAPE DE DIRECTION	
83	400010	0.25	HOSE GUARD (quantity indicated in meter) / GAINÉ (quantité en mètres)	
85	1060689	1	CABLE AC CORD, W/O PLUG, L=2m / CABLE AC CHARGEUR, SANS PRISE, L=2m	H
86	Not Required	0	NOT REQUIRED / NON REQUIS	G
87	000013	4	M10x25 8.8 SOCKET HEAD MACH SCREW / VIS CHC M10x25 8.8 BI FT	D
88	120011	4	dD 10x22 LOCK WASHER / RONDELLE CONTACT dD 10x22 BI	D
89	000095	2	M05x25 8.8 SOCKET HEAD MACH SCREW / VIS CHC M05x25 8.8 BI FT	G
90	ST3091	2	CATCHES SUPPORT / SUPPORT BUTEES	G
91	260334	1	ECO SMART DISPLAY / AFFICHEUR ECO SMART (SN A130020222 to Present)	I
92	ST1110	1	PLATFORM BRACKET / EQUERRE PANIER	I

SECTION 4 - FRAME INSTALL / INSTALLATION CHASSIS

FIGURE 4-6. CHARGER CONNECTORS / PRISES CHARGEUR



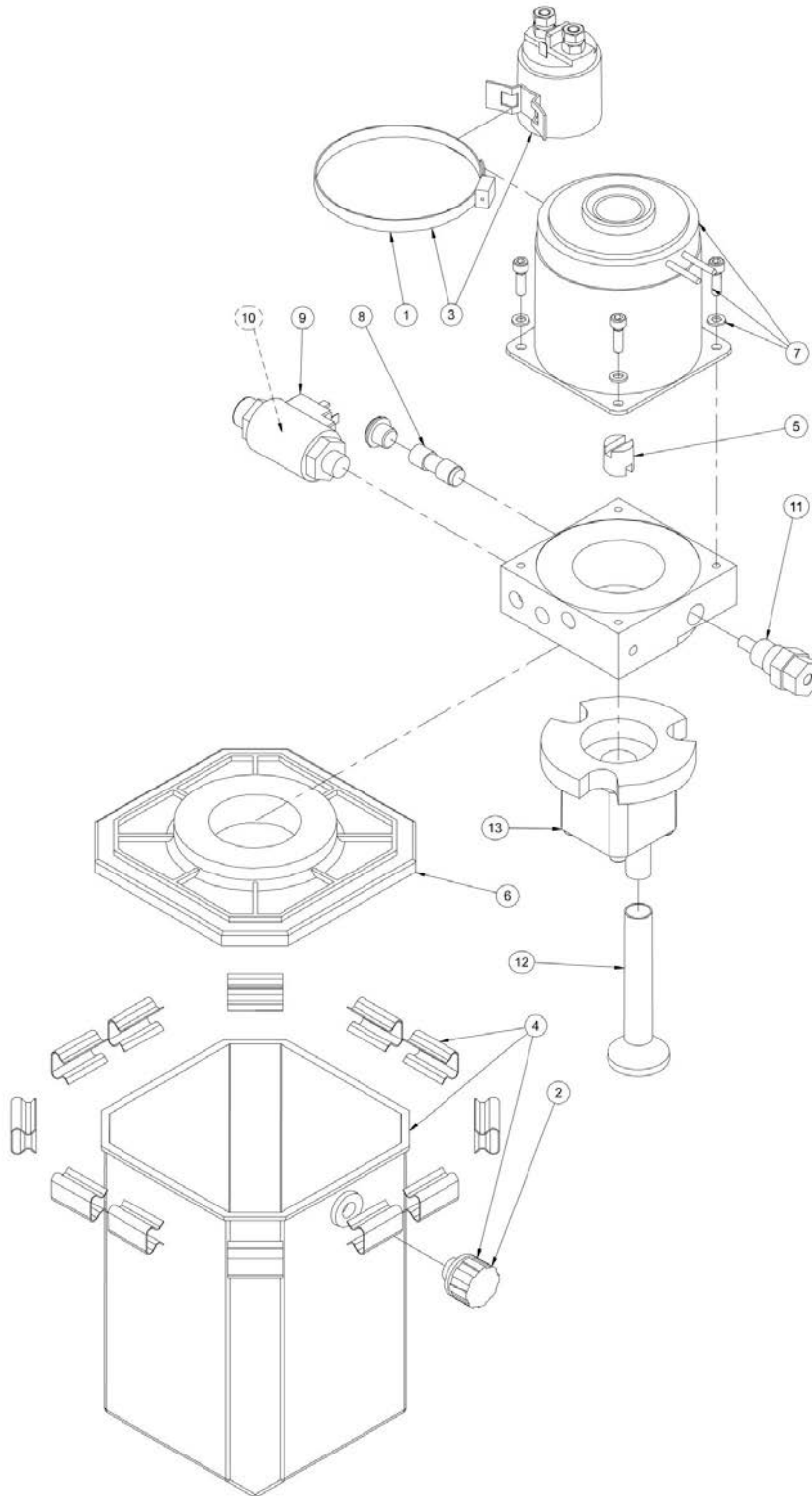
SECTION 4 - FRAME INSTALL / INSTALLATION CHASSIS

FIGURE 4-6. CHARGER CONNECTORS / PRISES CHARGEUR

ITEM	PART NUMBER	QTY	DESCRIPTION	REV
		Ref	CHARGER CONNECTOR; INFO - RM0059 / PRISE CHARGEUR; INFO - RM0059	
1	7364002824	1	US 125 VAC MALE CONNECTOR (=260276) / PRISE US 125VAC (=260276)	
2	260213	1	Yellow CONNECTOR 115VAC/16A CEI, IP44 / PRISE MALE Jaune 115VAC/16A CEI, IP44	
3	250117	1	UK 230 VAC MALE CONNECTOR / PRISE MALE 230VAC ROYAUME UNI	
4	260231	1	BLUE CONNECTOR 230VAC/16A CEI, IP44 / PRISE MALE BLEUE 230VAC/16A CEI, IP44	
5	260214	1	FRENCH AND GERMAN 230V CONNECTOR / PRISE 230V FRANCAISE ET ALLEMANDE	
6	260263	1	BLUE CONNECTOR 230VAC/32A CEI, IP44 / PRISE MALE BLEUE 230VAC/32A CEI, IP44	
7	260266	1	Yellow CONNECTOR 115VAC/32A CEI, IP44 / PRISE MALE Jaune 115VAC/32A CEI, IP44	

SECTION 4 - FRAME INSTALL / INSTALLATION CHASSIS

FIGURE 4-7. COMPLETE POWER UNIT 1.25CC / CENTRALE COMPLETE 1.25CM³ (Junior 6B Prior to SN A130020222; Including Junior 8B)



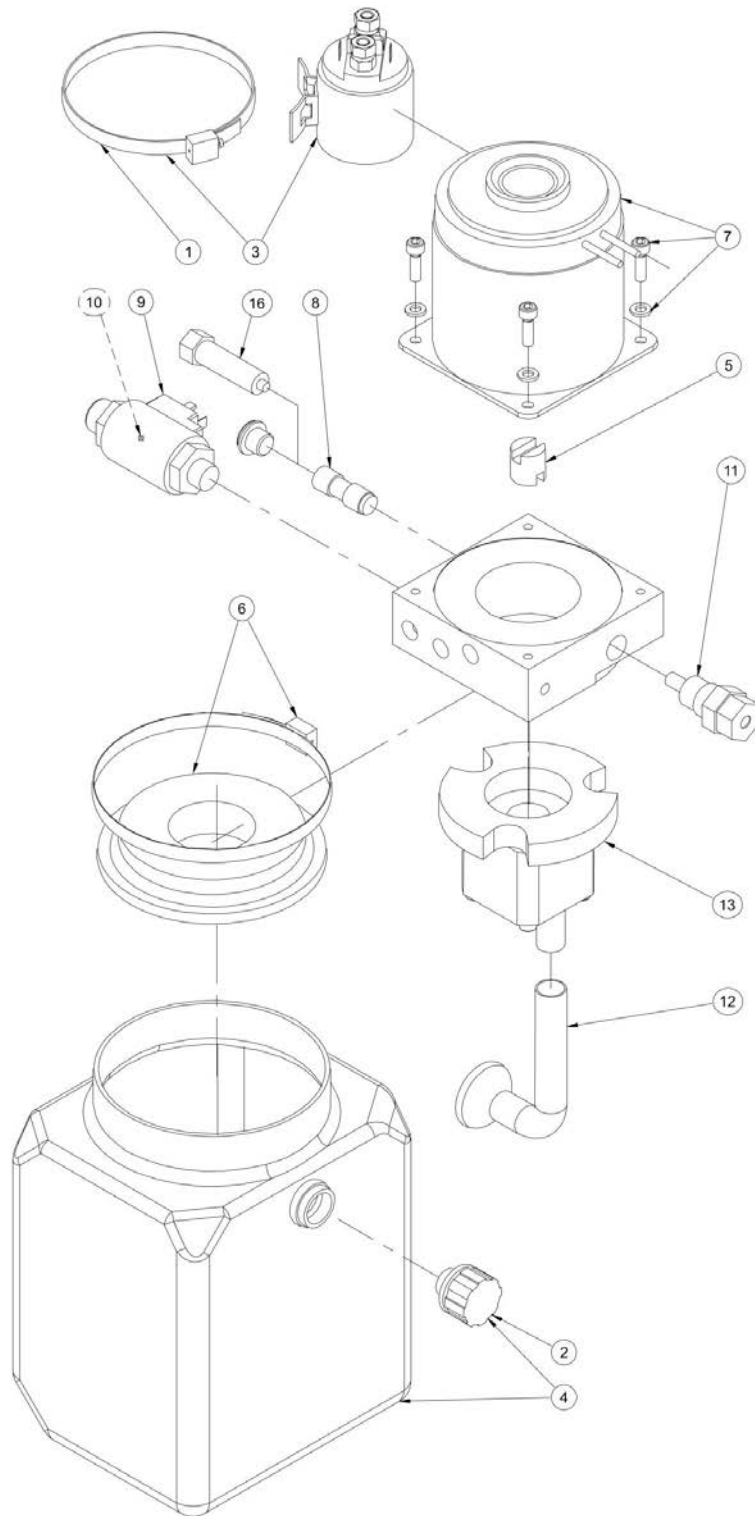
SECTION 4 - FRAME INSTALL / INSTALLATION CHASSIS

FIGURE 4-7. COMPLETE POWER UNIT 1.25CC / CENTRALE COMPLETE 1.25CM³ (Junior 6B Prior to SN A130020222; Including Junior 8B)

ITEM	PART NUMBER	QTY	DESCRIPTION	REV
	520099		COMPLETE POWER UNIT 1.25cc; INFO - 520099 / CENTRALE COMPLETE 1.25cm³; INFO - 520099 (Junior 6B Prior to SN A130020222; Including Junior 8B)	
1	190036	1	CLAMP / COLLIER	
2	970033	1	BREATHER CAP / RENIFLARD	
3	970037	1	RELAY 24V WITH CLAMP / RELAIS 24V AVEC COLLIER	
4	970041	1	OIL TANK KIT WITH BREATHER CAP / KIT RESERVOIR ET RENIFLARD	
5	970044	1	COUPLING / ACCOUPLEMENT	
6	970055	1	EQUIPPED FLANGE / COLLERETTE EQUIPEE	
7	970058	1	MOTOR 1KW-24V / MOTEUR 1KW-24V	
8	970059	1	CHECK VALVE / CLAPET ANTI RETOUR	
9	970060	1	ELECTRO POPPET VALVE 24V / ELECTROVALVE A CLAPET 24V	
10	970061	1	ELECTRO POPPET VALVE COIL / BOBINE ELECTROVALVE A CLAPET	
11	970062	1	PRESSURE RELIEF VALVE / LIMITEUR DE PRESSION	
12	970063	1	NOZZLE FILTER / BUSE FILTRE	
13	970064	1	EQUIPPED SUPPORT/PUMP / SUPPORT/POMPE EQUIPEE	

SECTION 4 - FRAME INSTALL / INSTALLATION CHASSIS

FIGURE 4-8. COMPLETE POWER UNIT 1.25CC / CENTRALE COMPLETE 1.25CM³ (Junior 6B SN A130020222 to Present)



SECTION 4 - FRAME INSTALL / INSTALLATION CHASSIS

FIGURE 4-8. COMPLETE POWER UNIT 1.25CC / CENTRALE COMPLETE 1.25CM³ (Junior 6B SN A130020222 to Present)

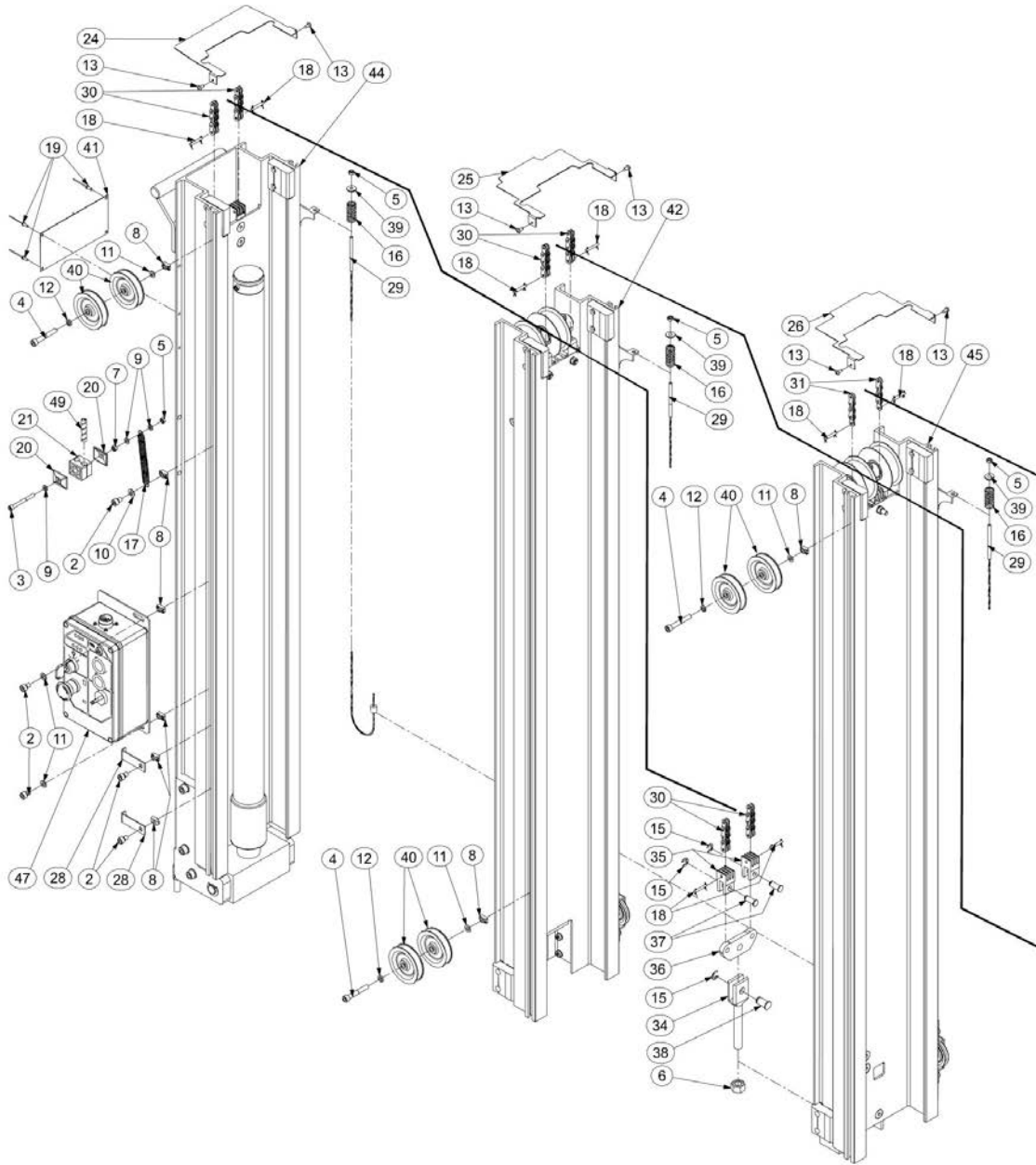
ITEM	PART NUMBER	QTY	DESCRIPTION	REV
	520099		COMPLETE POWER UNIT 1.25cc; INFO - 520099 / CENTRALE COMPLETE 1.25cm³; INFO - 520099 (Junior 6B SN A130020222 to Present)	B
1	190036	1	CLAMP / COLLIER	
2	970033	1	BREATHER CAP / RENIFLARD	
3	970037	1	RELAY 24V WITH CLAMP / RELAIS 24V AVEC COLLIER	
4	970068	1	OIL TANK KIT WITH BREATHER CAP / KIT RESERVOIR ET RENIFLARD	B
5	970044	1	COUPLING / ACCOUPLEMENT	
6	970069	1	EQUIPPED FLANGE / COLLERETTE EQUIPEE	B
7	970058	1	MOTOR 1KW-24V / MOTEUR 1KW-24V	
8	970059	1	CHECK VALVE / CLAPET ANTI RETOUR	
9	970066	1	ELECTRO POPPET VALVE 24V / ELECTROVALVE A CLAPET 24V	B
10	970067	1	ELECTRO POPPET VALVE COIL / BOBINE ELECTROVALVE A CLAPET	B
11	970062	1	PRESSURE RELIEF VALVE / LIMITEUR DE PRESSION	
12	970063	1	NOZZLE FILTER / BUSE FILTRE	
13	970064	1	EQUIPPED SUPPORT/PUMP / SUPPORT/POMPE EQUIPEE	
16	970072	1	TOOL, FOR CHECK VALVE / OUTIL POUR CLAPET	B

SECTION 5 - MASTS INSTALL / INSTALLATION MATS

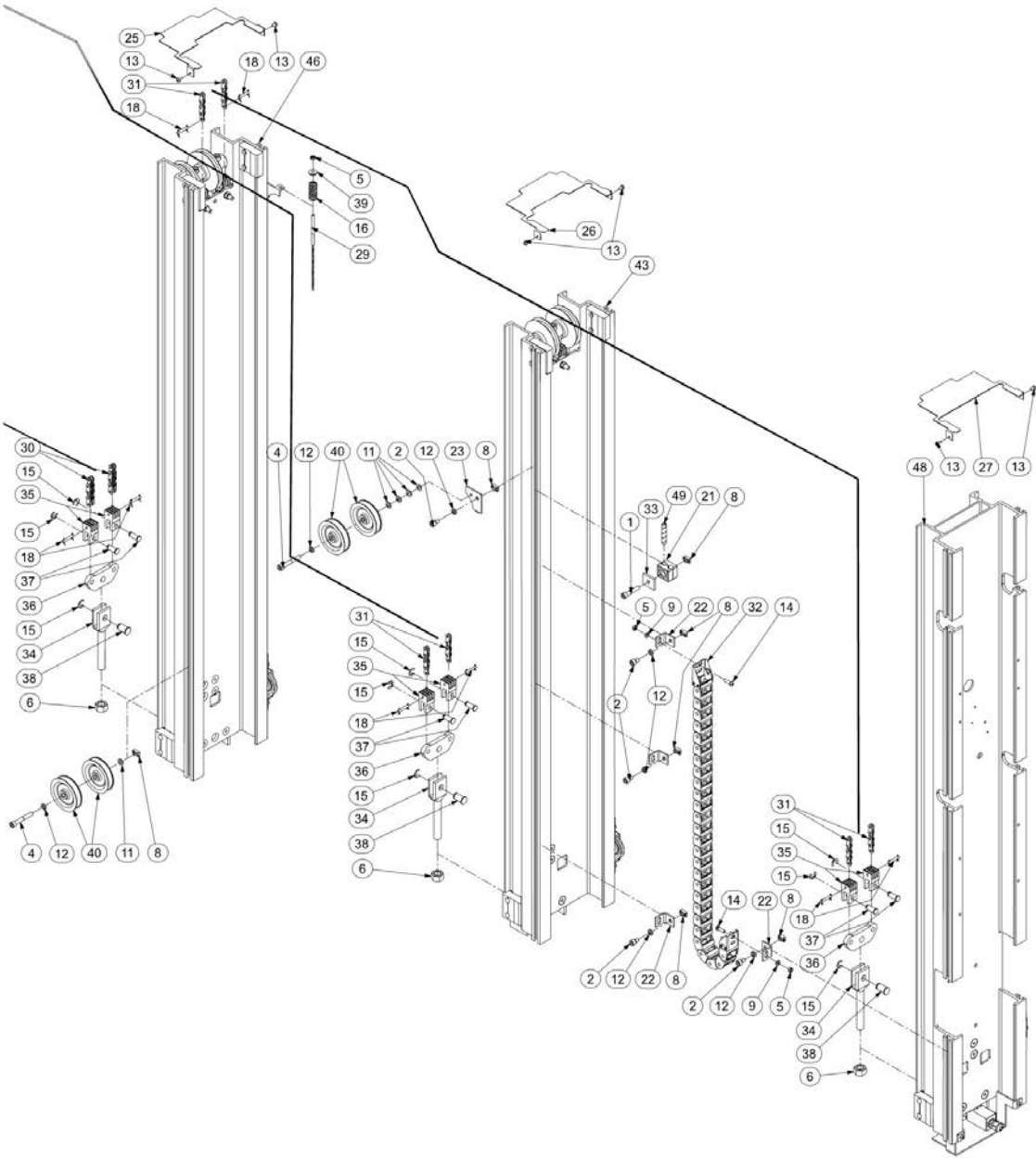
SECTION 5 - MASTS INSTALL / INSTALLATION MATS

SECTION 5 - MASTS INSTALL / INSTALLATION MATS

FIGURE 5-1. TOUCAN JUNIOR 8B - MASTS INSTALL / INSTALLATION MATS



SECTION 5 - MASTS INSTALL / INSTALLATION MATS



SECTION 5 - MASTS INSTALL / INSTALLATION MATS

FIGURE 5-1. TOUCAN JUNIOR 8B - MASTS INSTALL / INSTALLATION MATS

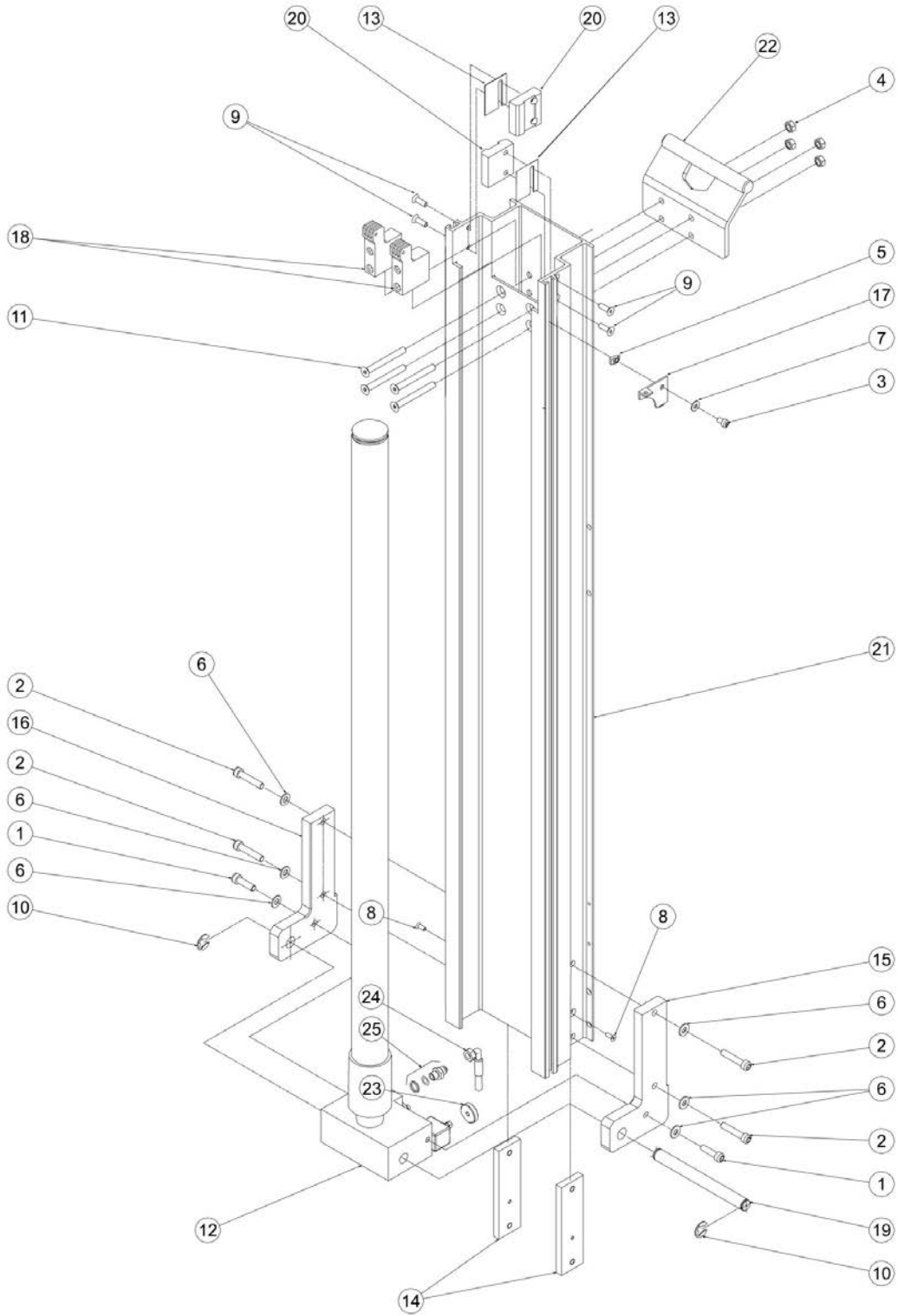
ITEM	PART NUMBER	QTY	DESCRIPTION	REV
		Ref	TOUCAN JUNIOR 8B MASTS INSTALL; INFO - SP0895 / INSTALLATION MATS TOUCAN JUNIOR 8B; INFO - SP0895	A
1	000043	1	M08x40 8.8 SOCKET HEAD MACH SCREW / VIS CHC M08x40 8.8 BI FT	
2	000059	10	M08x12 8.8 S SOCK HEAD MACH SCREW / VIS CHC M08x12 8.8 BI FT TETE BASSE	
3	000076	1	M06x60 8.8 SOCKET HEAD CAPSCREW / VIS CHC M06x60 8.8 BI FP	
4	000078	5	M08x55 8.8 SOCKET HEAD CAPSCREW / VIS CHC M08x55 8.8 BI FP	
5	110003	7	M06 GR 8.8 LOCK NUT / ECROU FREIN M6 8.8 BI	
6	110011	4	M16 GR 10.9 LOCK NUT / ECROU FREIN M16 10.9 BI	
7	110015	1	M06 GR 8.8 HEX NUT / ECROU H M06 8.8 BI	
8	110030	15	M08 RECTANGULAR BASE NUT / ECROU A EMBASE RECTANGULAIRE M08	
9	120009	5	dD 06x14 LOCK WASHER / RONDELLE CONTACT dD 06x14 BI	
10	120010	1	dD 08x18 LOCK WASHER / RONDELLE CONTACT dD 08x18 BI	
11	120014	10	M08 WASHER / RONDELLE M08 BI	
12	120021	10	HELICAL SPRING LOCK WASHER Ø8 / RONDELLE GROWER Ø8 BI	
13	130007	12	Ø4.8x13 SHEET METAL SCREW / VIS AUTOTARAUDEUSE Ø4.8-13 BI	
14	130021	2	M06x20 8.8 ROUND HEAD MACH SCREW / VIS BOMBEE ULF M06x20 8.8 BI FT	
15	130028	12	RETAINING RING Ø9 / CIRCLIPS EXTERIEUR Ø9	
16	160022	4	SPRING / RESSORT	
17	160024	1	SPRING / RESSORT	
18	170004	16	CLEVIS PIN / AXE DE CHAPE	
19	140017	4	NAIL / CLOU	A
20	400012	2	PAIR 1/2 SHELL PLATE / BRIDE PAIRE DEMI COQUILLE	
21	400037	2	PAIR 1/2 SHELL DOUBLE D10 / PAIRE DEMI COQUILLE DOUBLE D10	
22	ST1110	4	PLATFORM T-BRACKET / EQUERRE PANIER	
23	ST1120	1	PULLEY BRACKET / SUPPORT POULIE	
24	ST1146	1	MAST TOP COVER 1 / CAPOT MAT 1	
25	ST1147	2	MAST TOP COVER 2 & 4 / CAPOT MAT 2 ET 4	
26	ST1148	2	MAST TOP COVER 3 & 5 / CAPOT MAT 3 ET 5	
27	ST1149	1	MAST TOP COVER 6 / CAPOT MAT 6	
28	ST1193	2	WIRE FIXATION / FIXATION CABLE	
29	ST1627	4	MAST BACKUP CABLE / CABLE DE RAPPEL DE MATS	
30	ST1630	4	LL10-44 CHAIN / CHAINE LL10-44	
31	ST1632	4	LL10-22 CHAIN / CHAINE LL10-22	
32	ST1634	1	POWER BRIDGE / CHEMIN DE CABLE	
33	ST2529	1	DOUBLE CLAMP PLATE / PLAQUE COLLIER DOUBLE	
34	US0281	4	CHAIN ANCHOR / CHAPE DE REGLAGE	
35	US0282	8	YOKE / CHAPE DE CHAINE	
36	US0283	4	SPREADER / PALONNIER DE REGLAGE	
37	US0284	8	CHAIN ANCHOR PIN / AXE DE CHAPE DE CHAINE	
38	US0285	4	SPREADER PIN / AXE PALONNIER	
39	US0346	4	FLANGE BUSHING / RONDELLE EPAULEE	
40	US0360	10	PULLEY / POULIE	
41		Ref	MANUFACTURER'S NAME PLATE; INFO - SECTION 7 / PLAQUE	

SECTION 5 - MASTS INSTALL / INSTALLATION MATS

ITEM	PART NUMBER	QTY	DESCRIPTION	REV
42		Ref	CONSTRUCTEUR; INFO - SECTION 7 MAST 2 ASSEMBLY; INFO - SP0386 / ASSEMBLAGE MAT 2; INFO - SP0386	
43		Ref	MAST 5 ASSEMBLY; INFO - SP0387 / ASSEMBLAGE MAT 5; INFO - SP0387	
44		Ref	MAST 1 ASSEMBLY; INFO - SP0619 / ASSEMBLAGE MAT 1; INFO - SP0619	
45		Ref	MAST 3 ASSEMBLY; INFO - SP0620 / ASSEMBLAGE MAT 3; INFO - SP0620	
46		Ref	MAST 4 ASSEMBLY; INFO - SP0621 / ASSEMBLAGE MAT 4; INFO - SP0621	
47		Ref	LOWER CONTROL BOX; INFO - SECTION 2 / BOITIER BAS; INFO - SECTION 2	A
48		Ref	MAST 6 ASSEMBLY; INFO - SP0894 / ASSEMBLAGE MAT 6; INFO - SP0894	
49	400080	0.02	SPIRAL HOUSING PLIOSPIRE D12 / GAINÉ SPIRALE PLIOSPIRE D12	

SECTION 5 - MASTS INSTALL / INSTALLATION MATS

FIGURE 5-2. MAST 1 ASSEMBLY / ASSEMBLAGE MAT 1



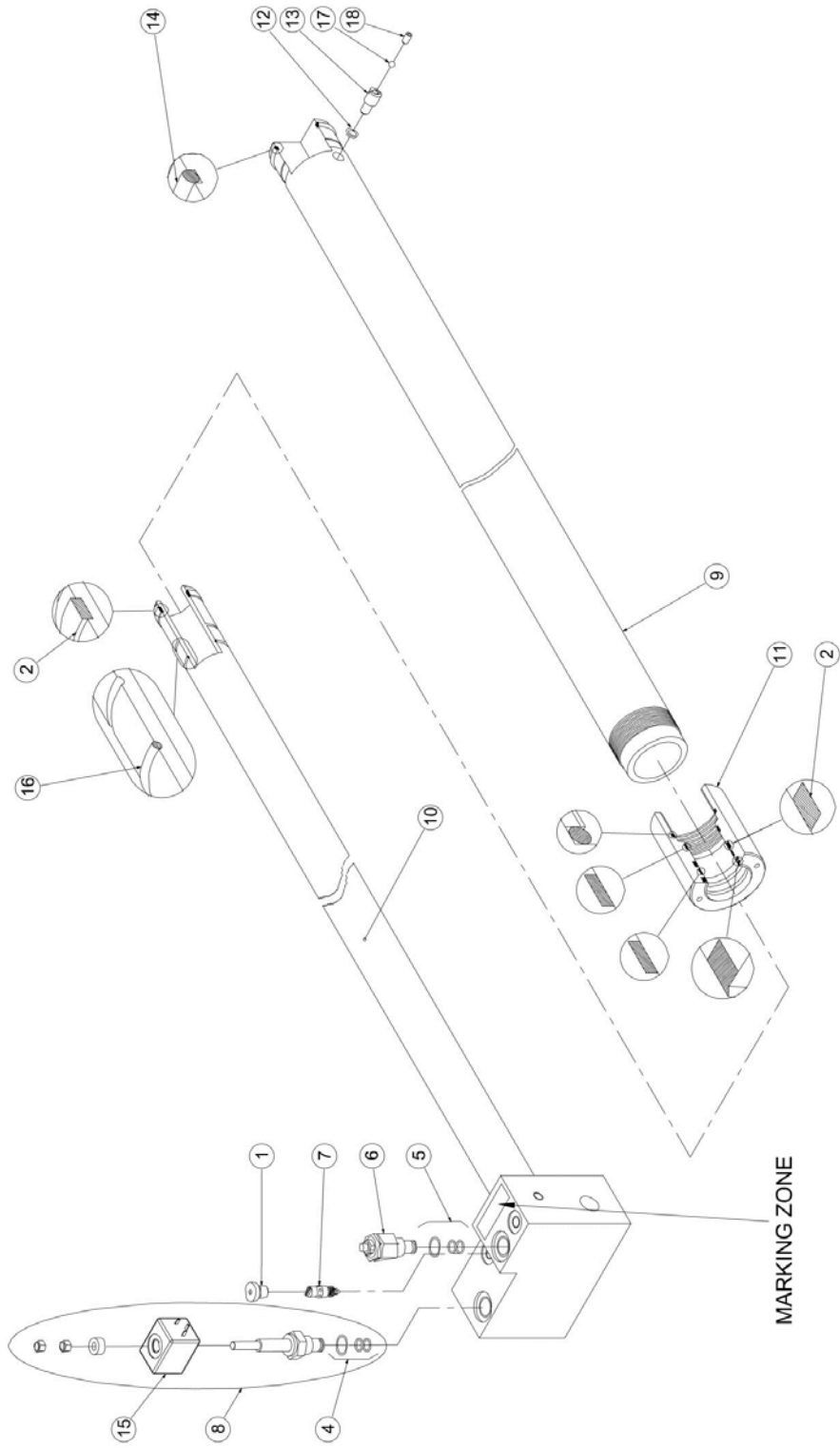
SECTION 5 - MASTS INSTALL / INSTALLATION MATS

FIGURE 5-2. MAST 1 ASSEMBLY / ASSEMBLAGE MAT 1

ITEM	PART NUMBER	QTY	DESCRIPTION	REV
		Ref	M10x35 8.8 SOCKET HEAD MACH SCREW; INFO - SP0619 / VIS CHC M10x35 8.8 BI FT; INFO - SP0619	
1	000019	2	M10x35 8.8 SOCKET HEAD MACH SCREW / VIS CHC M10x35 8.8 BI FT	
2	000035	4	M10x50 12.9 SOCKET HEAD CAPSCREW / VIS CHC M10x50 12.9 BR FT	
3	000059	1	M08x12 8.8 S SOCK HEAD MACH SCREW / VIS CHC M08x12 8.8 BI FT TETE BASSE	
4	110005	4	M10 GR 8.8 LOCK NUT / ECROU FREIN M10 8.8 BI	
5	110030	1	M08 RECTANGULAR BASE NUT / ECROU A EMBASE RECTANGULAIRE M08	
6	120011	6	dD 10x22 LOCK WASHER / RONDELLE CONTACT dD 10x22 BI	
7	120021	1	HELICAL SPRING LOCK WASHER Ø8 / RONDELLE GROWER Ø8 BI	
8	130003	2	M06x16 10.9 COUNTERSUNK HEAD M. S. / VIS FHC M06x16 10.9 BI FT	
9	130025	4	M08x25 10.9 COUNTERSUNK HEAD M. S. / VIS FHC M08x25 10.9 BI FT	
10	130029	2	RETAINING RING Ø15 / CIRCLIPS EXTERIEUR Ø15	
11	130033	4	M10x90 10.9 COUNTERSUNK HEAD CAPS / VIS FHC M10x90 10.9 BI FP	
12	ST2055	1	MAST CYLINDER; INFO - ST2055 / VERIN DE MAT; INFO - ST2055	
13	ST1109	2	SHIM (4 sizes : see Service Manual) / CALE (4 épaisseurs: voir Manuel de Service)	
14	ST1113	2	BASE PLATE CYLINDER / BRIDE DE VERIN	
15	ST1114	1	LEFT CYLINDER BRACKET / PATTE GAUCHE DE VERIN	
16	ST1115	1	RIGHT CYLINDER BRACKET / PATTE DROITE DE VERIN	
17	ST1119	1	STEEL WIRE BRACKET / EQUERRE CABLE	
18	US0278	2	CHAIN ANCHOR / CHAPE DE CHAINE	
19	US0289	1	MAST CYLINDER PIN / AXE VERIN	
20	US0321	2	SLIDE BLOCK (4 sizes: see Service Manual) / PATIN (4 épaisseurs: voir Manuel de Service)	
21	ST1625	1	MAST 1 / MAT 1	
22	DL0440	1	LIFTING BRACKET / ANNEAU D'ELINGUAGE	
23	US0277	1	CYLINDER EMERGENCY BUTTON / BOUTON D'URGENCE VERIN	
24	DF0656	1	HOSE 1/4" 125cm JIC Fem 9/16 90°-JIC Fem 9/16 90°-90° / FLEXIBLE 1/4" 125cm JIC Fem 9/16 90°-JIC Fem 9/16 90°-90°	
25	300025	1	FITTING MALE BSPP1/4-MALE JIC9/16 / RACCORD MALE BSPP1/4-MALE JIC9/16	

SECTION 5 - MASTS INSTALL / INSTALLATION MATS

FIGURE 5-3. MAST CYLINDER / VERIN DE MAT



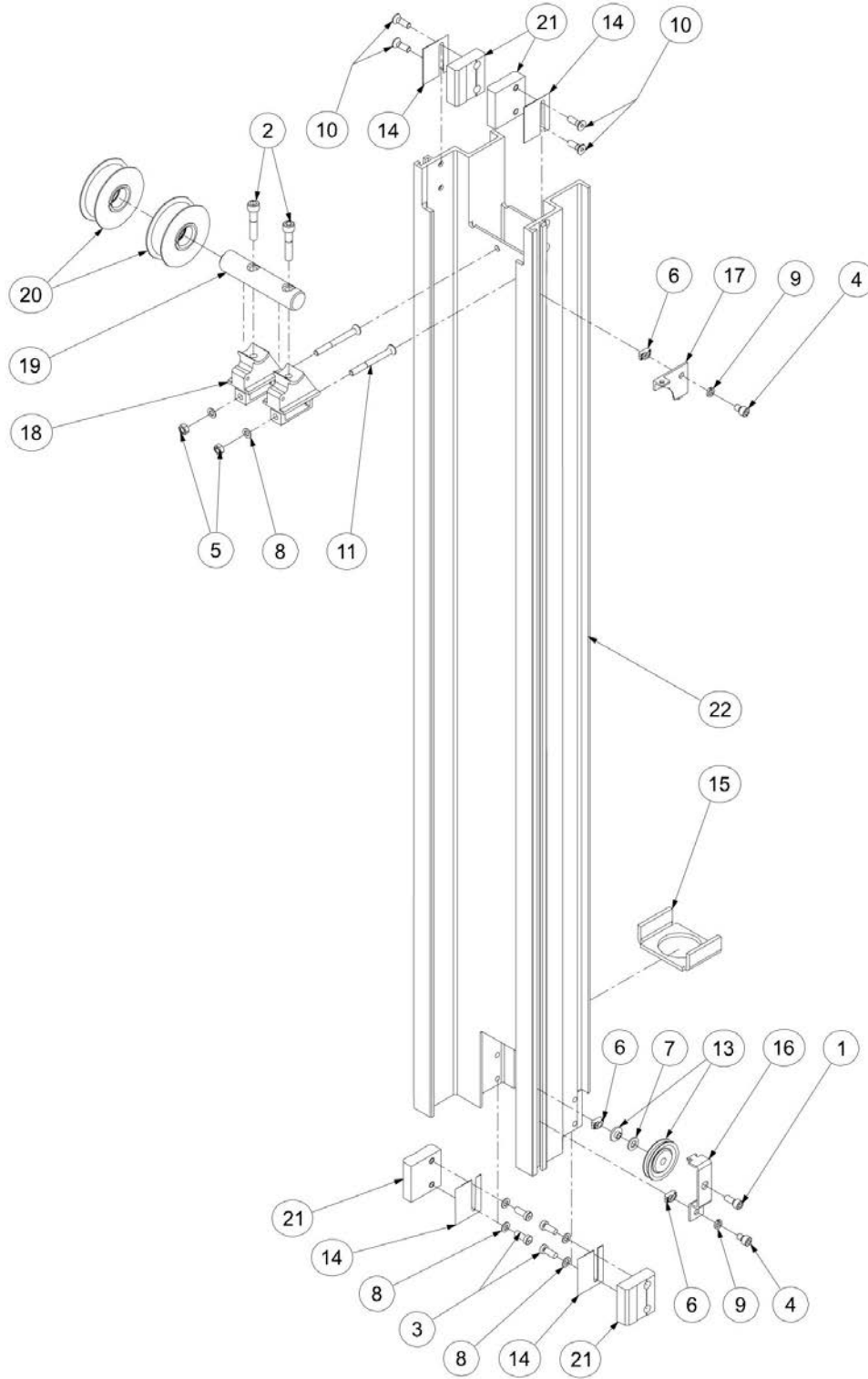
SECTION 5 - MASTS INSTALL / INSTALLATION MATS

FIGURE 5-3. MAST CYLINDER / VERIN DE MAT

ITEM	PART NUMBER	QTY	DESCRIPTION	REV
	ST2055		MAST CYLINDER; INFO - ST2055 / VERIN DE MAT; INFO - ST2055	A
1	300034	1	CAP MALE BSPP 1/4" / BOUCHON MALE BSPP 1/4"	
2	900172	1	MAST CYLINDER SEAL KIT / POCHETTE DE JOINT VERIN	
3	Not Required	0	NOT REQUIRED / NON REQUIS	
4	960069	1	NOT SERVICABLE - SEAL KIT / NON APPROVISIONABLE - POCHETTE DE JOINT	
5	960070	1	NOT SERVICABLE - SEAL KIT / NON APPROVISIONABLE - POCHETTE DE JOINT	
6	970001	1	PRESSURE RELIEF VALVE (18 MPa) / REGULATEUR DE PRESSION 18MPa	
7	310102	1	FLOW REGULATOR VALVE 5l/mn / REGULATEUR DE DEBIT 5l/mn	A
8	970038	1	HOLDING VALVE / ELECTROVANNE	
9	970045	1	CYLINDER BARREL / CORPS VERIN	
10	970046	1	CYLINDER ROD / TIGE VERIN	
11	970019	1	CYLINDER HEAD / TETE VERIN	
12	970052	1	BUSHING BS / BAGUE BS	
13	970051	1	BLEEDING SCREW / VIS DE PURGE	
14	970022	1	O RING / JOINT TORIQUE	
15	970047	1	24 VDC COIL / BOBINE 24 VDC	
16	970030	1	STOP RING / JONC	
17	970056	1	BLEEDING BALL / BILLE DE PURGE	A
18	130050	1	M06x8 HC SCREW / VIS HC M06x8 BR	A

SECTION 5 - MASTS INSTALL / INSTALLATION MATS

FIGURE 5-4. MAST 2 ASSEMBLY / ASSEMBLAGE MAT 2



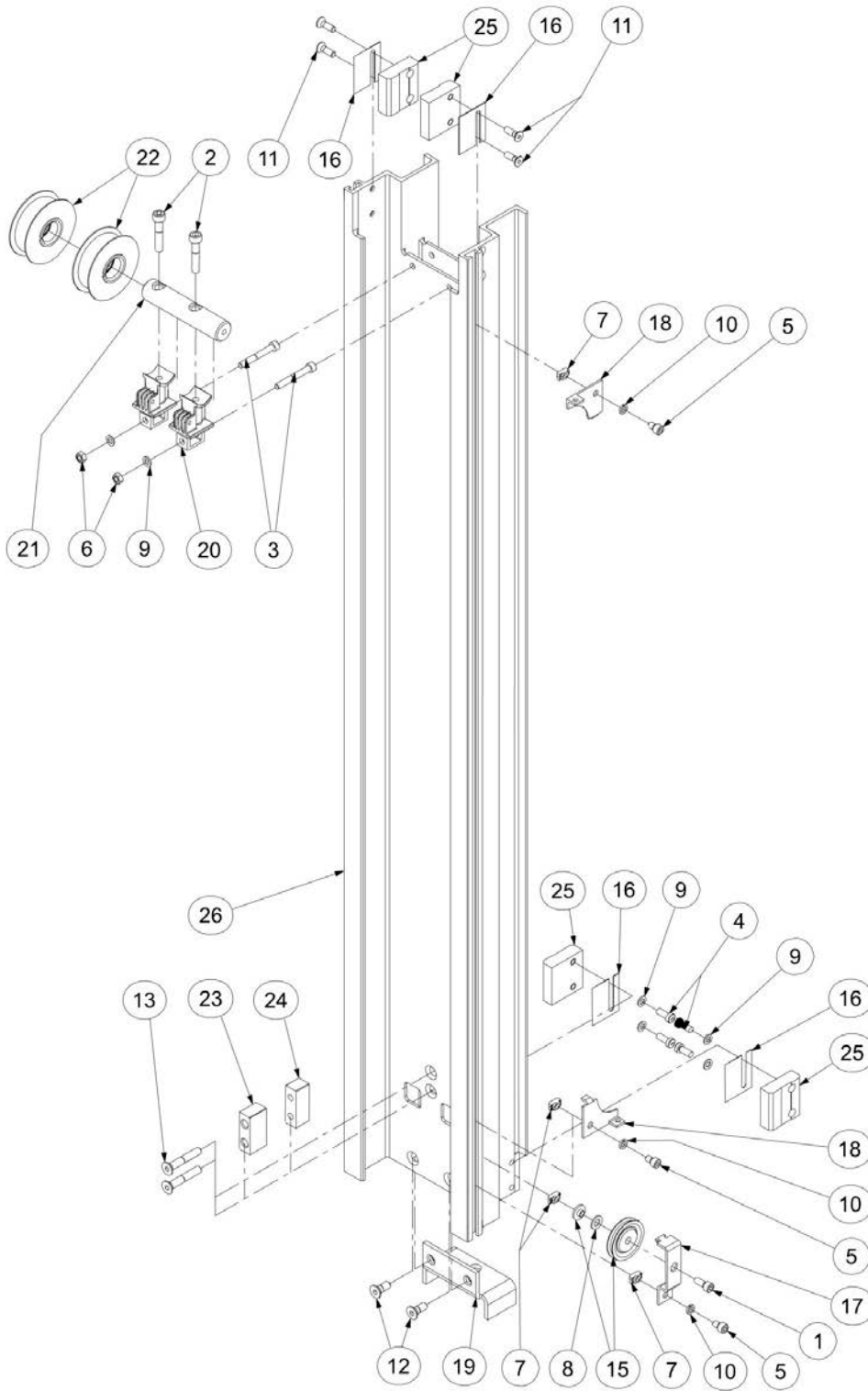
SECTION 5 - MASTS INSTALL / INSTALLATION MATS

FIGURE 5-4. MAST 2 ASSEMBLY / ASSEMBLAGE MAT 2

ITEM	PART NUMBER	QTY	DESCRIPTION	REV
		Ref	MAST 2 ASSEMBLY; INFO - SP0386 / ASSEMBLAGE MAT 2; INFO - SP0386	B
1	000006	1	M08x20 8.8 SOCKET HEAD MACH SCREW / VIS CHC M08x20 8.8 BI FT	
2	000035	2	M10x50 12.9 SOCKET HEAD CAPSCREW / VIS CHC M10x50 12.9 BR FT	
3	000058	4	M08x20 8.8 S SOCK HEAD MACH SCREW / VIS CHC M08x20 8.8 BI FT TETE BASSE	
4	000059	2	M08x12 8.8 S SOCK HEAD MACH SCREW / VIS CHC M08x12 8.8 BI FT TETE BASSE	
5	110004	2	M08 GR 8.8 LOCK NUT / ECROU FREIN M8 8.8 BI	
6	110030	3	M08 RECTANGULAR BASE NUT / ECROU A EMBASE RECTANGULAIRE M08	
7	120011	1	dD 10x22 LOCK WASHER / RONDELLE CONTACT dD 10x22 BI	
8	120014	6	M08 WASHER / RONDELLE M08 BI	
9	120021	2	HELICAL SPRING LOCK WASHER Ø8 / RONDELLE GROWER Ø8 BI	
10	130025	4	M08x25 10.9 COUNTERSUNK HEAD M. S. / VIS FHC M08x25 10.9 BI FT	
11	130031	2	M08x80 10.9 COUNTERSUNK HEAD CAPS / VIS FHC M08x80 10.9 BI FP	
12	Not Required	0	NOT REQUIRED / NON REQUIS	B
13	150028	1	BACKUP PULLEY / POULIE DE RAPPEL	
14	ST1109	4	SHIM (4 sizes : see Service Manual) / CALE (4 épaisseurs: voir Manuel de Service)	
15	ST1111	1	CYLINDER BASE PLATE / BUTEE DE VERIN	
16	ST1118	1	BACKUP PULLEY SUPPORT / SUPPORT POULIE DE RAPPEL	
17	ST1119	1	STEEL WIRE BRACKET / EQUERRE CABLE	
18	US0279	2	PULLEY SUPPORT A / SUPPORT POULIE A	
19	US0286	1	PULLEY PIN / AXE DE POULIE	
20	SE0305	2	ASSEMBLY, PULLEY Ø80x24 / ASSEMBLAGE POULIE Ø80x24	B
21	US0321	4	SLIDE BLOCK (4 sizes: see Service Manual) / PATIN (4 épaisseurs: voir Manuel de Service)	
22	ST1629	1	MAST 2 / MAT 2	

SECTION 5 - MASTS INSTALL / INSTALLATION MATS

FIGURE 5-5. MAST 3 ASSEMBLY / ASSEMBLAGE MAT 3



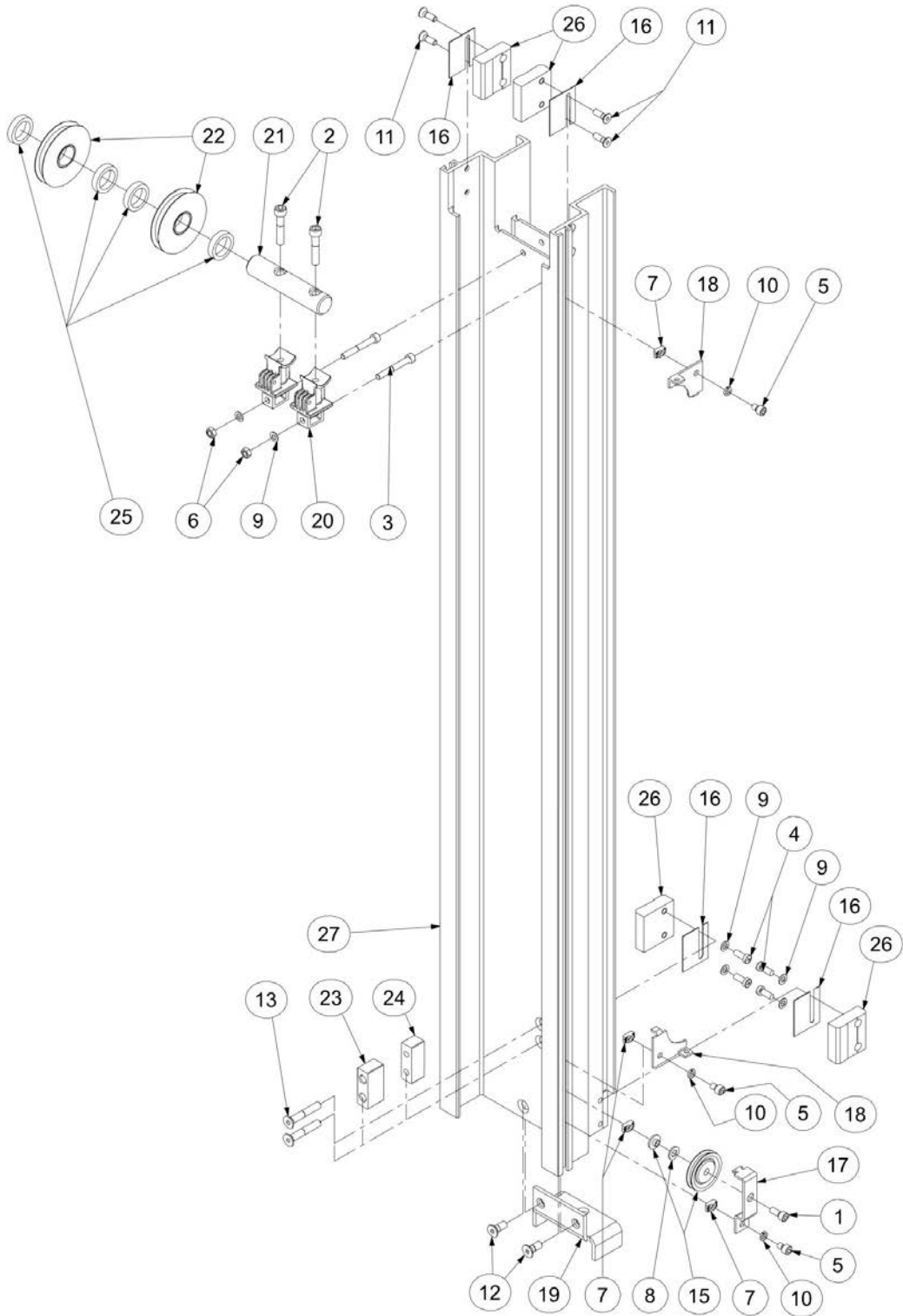
SECTION 5 - MASTS INSTALL / INSTALLATION MATS

FIGURE 5-5. MAST 3 ASSEMBLY / ASSEMBLAGE MAT 3

ITEM	PART NUMBER	QTY	DESCRIPTION	REV
		Ref	MAST 3 ASSEMBLY; INFO - SP0620 / ASSEMBLAGE MAT 3; INFO - SP0620	B
1	000006	1	M08x20 8.8 SOCKET HEAD MACH SCREW / VIS CHC M08x20 8.8 BI FT	
2	000035	2	M10x50 12.9 SOCKET HEAD CAPSCREW / VIS CHC M10x50 12.9 BR FT	
3	000057	2	M08x60 8.8 S SOCKET HEAD CAPSCREW / VIS CHC M08x60 8.8 BI FT TETE BASSE	
4	000058	4	M08x20 8.8 S SOCK. HEAD MACH SCREW / VIS CHC M08x20 8.8 BI FT TETE BASSE	
5	000059	3	M08x12 8.8 S SOCK HEAD MACH SCREW / VIS CHC M08x12 8.8 BI FT TETE BASSE	
6	110004	2	M08 GR 8.8 LOCK NUT / ECROU FREIN M8 8.8 BI	
7	110030	4	M08 RECTANGULAR BASE NUT / ECROU A EMBASE RECTANGULAIRE M08	
8	120011	1	dD 10x22 LOCK WASHER / RONDELLE CONTACT dD 10x22 BI	
9	120014	6	M08 WASHER / RONDELLE M08 BI	
10	120021	3	HELICAL SPRING LOCK WASHER Ø8 / RONDELLE GROWER Ø8 BI	
11	130025	4	M08x25 10.9 COUNTERSUNK HEAD M. S. / VIS FHC M08x25 10.9 BI FT	
12	130030	2	M010x25 10.9 COUNTERSUNK HEAD M. S. / VIS FHC M10x25 10.9 BI FT	
13	130032	2	M010x60 10.9 COUNTERSUNK HEAD M. S. / VIS FHC M10x60 10.9 BI FT	
14	Not Required	0	NOT REQUIRED / NON REQUIS	B
15	150028	1	BACKUP PULLEY / POULIE DE RAPPEL	
16	ST1109	4	SHIM (4 sizes : see Service Manual) / CALE (4 épaisseurs: voir Manuel de Service)	
17	ST1118	1	BACKUP PULLEY SUPPORT / SUPPORT POULIE DE RAPPEL	
18	ST1119	2	STEEL WIRE BRACKET / EQUERRE CABLE	
19	ST1125	1	SPREADER BRACKET / EQUERRE PALONNIER	
20	US0280	2	PULLEY SUPPORT B / SUPPORT POULIE B	
21	US0286	1	PULLEY PIN / AXE DE POULIE	
22	SE0305	2	ASSEMBLY, PULLEY Ø80x24 / ASSEMBLAGE POULIE Ø80x24	B
23	US0296	1	SAFETY SPACER / ENTRETOISE DE SECURITE	
24	US0297	1	SAFETY BLOCK / SECURITE PALONNIER	
25	US0321	4	SLIDE BLOCK (4 sizes: see Service Manual) / PATIN (4 épaisseurs: voir Manuel de Service)	
26	ST1631	1	MAST 3 / MAT 3	

SECTION 5 - MASTS INSTALL / INSTALLATION MATS

FIGURE 5-6. MAST 4 ASSEMBLY / ASSEMBLAGE MAT 4



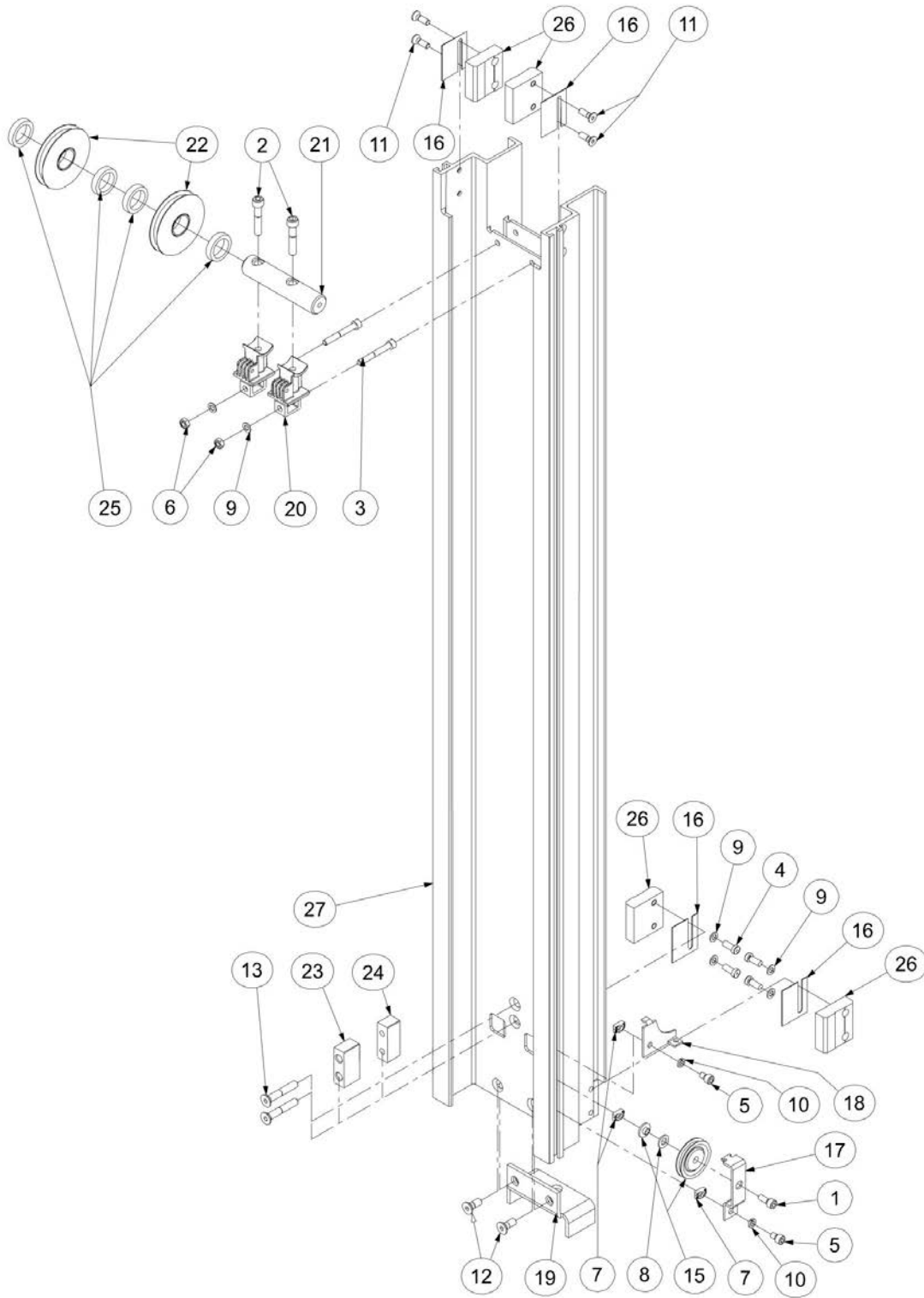
SECTION 5 - MASTS INSTALL / INSTALLATION MATS

FIGURE 5-6. MAST 4 ASSEMBLY / ASSEMBLAGE MAT 4

ITEM	PART NUMBER	QTY	DESCRIPTION	REV
		Ref	MAST 4 ASSEMBLY; INFO - SP0621 / ASSEMBLAGE MAT 4; INFO - SP0621	B
1	000006	1	M08x20 8.8 SOCKET HEAD MACH SCREW / VIS CHC M08x20 8.8 BI FT	
2	000035	2	M10x50 12.9 SOCKET HEAD CAPSCREW / VIS CHC M10x50 12.9 BR FT	
3	000057	2	M08x60 8.8 S SOCKET HEAD CAPSCREW / VIS CHC M08x60 8.8 BI FT TETE BASSE	
4	000058	4	M08x20 8.8 S SOCK HEAD MACH SCREW / VIS CHC M08x20 8.8 BI FT TETE BASSE	
5	000059	3	M08x12 8.8 S SOCK HEAD MACH SCREW / VIS CHC M08x12 8.8 BI FT TETE BASSE	
6	110004	2	M08 GR 8.8 LOCK NUT / ECROU FREIN M8 8.8 BI	
7	110030	4	M08 RECTANGULAR BASE NUT / ECROU A EMBASE RECTANGULAIRE M08	
8	120011	1	dD 10x22 LOCK WASHER / RONDELLE CONTACT dD 10x22 BI	
9	120014	6	M08 WASHER / RONDELLE M08 BI	
10	120021	3	HELICAL SPRING LOCK WASHER Ø8 / RONDELLE GROWER Ø8 BI	
11	130025	4	M08x25 10.9 COUNTERSUNK HEAD M. S. / VIS FHC M08x25 10.9 BI FT	
12	130030	2	M010x25 10.9 COUNTERSUNK HEAD M. S. / VIS FHC M10x25 10.9 BI FT	
13	130032	2	M010x60 10.9 COUNTERSUNK HEAD M. S. / VIS FHC M10x60 10.9 BI FT	
14	Not Required	0	NOT REQUIRED / NON REQUIS	B
15	150028	1	BACKUP PULLEY / POULIE DE RAPPEL	
16	ST1109	4	SHIM (4 sizes : see Service Manual) / CALE (4 épaisseurs: voir Manuel de Service)	
17	ST1118	1	BACKUP PULLEY SUPPORT / SUPPORT POULIE DE RAPPEL	
18	ST1119	2	STEEL WIRE BRACKET / EQUERRE CABLE	
19	ST1125	1	SPREADER BRACKET / EQUERRE PALONNIER	
20	US0280	2	PULLEY SUPPORT B / SUPPORT POULIE B	
21	US0286	1	PULLEY PIN / AXE DE POULIE	
22	SE0307	2	ASSEMBLY, PULLEY Ø83x10 / ASSEMBLAGE POULIE Ø83x10	B
23	US0296	1	SAFETY SPACER / ENTRETOISE DE SECURITE	
24	US0297	1	SAFETY BLOCK / SECURITE PALONNIER	
25	US0298	4	PULLEY SPACER / ENTRETOISE POULIES	
26	US0321	4	SLIDE BLOCK (4 sizes: see Service Manual) / PATIN (4 épaisseurs: voir Manuel de Service)	
27	ST2054	1	MAST 4 / MAT 4	

SECTION 5 - MASTS INSTALL / INSTALLATION MATS

FIGURE 5-7. MAST 5 ASSEMBLY / ASSEMBLAGE MAT 5



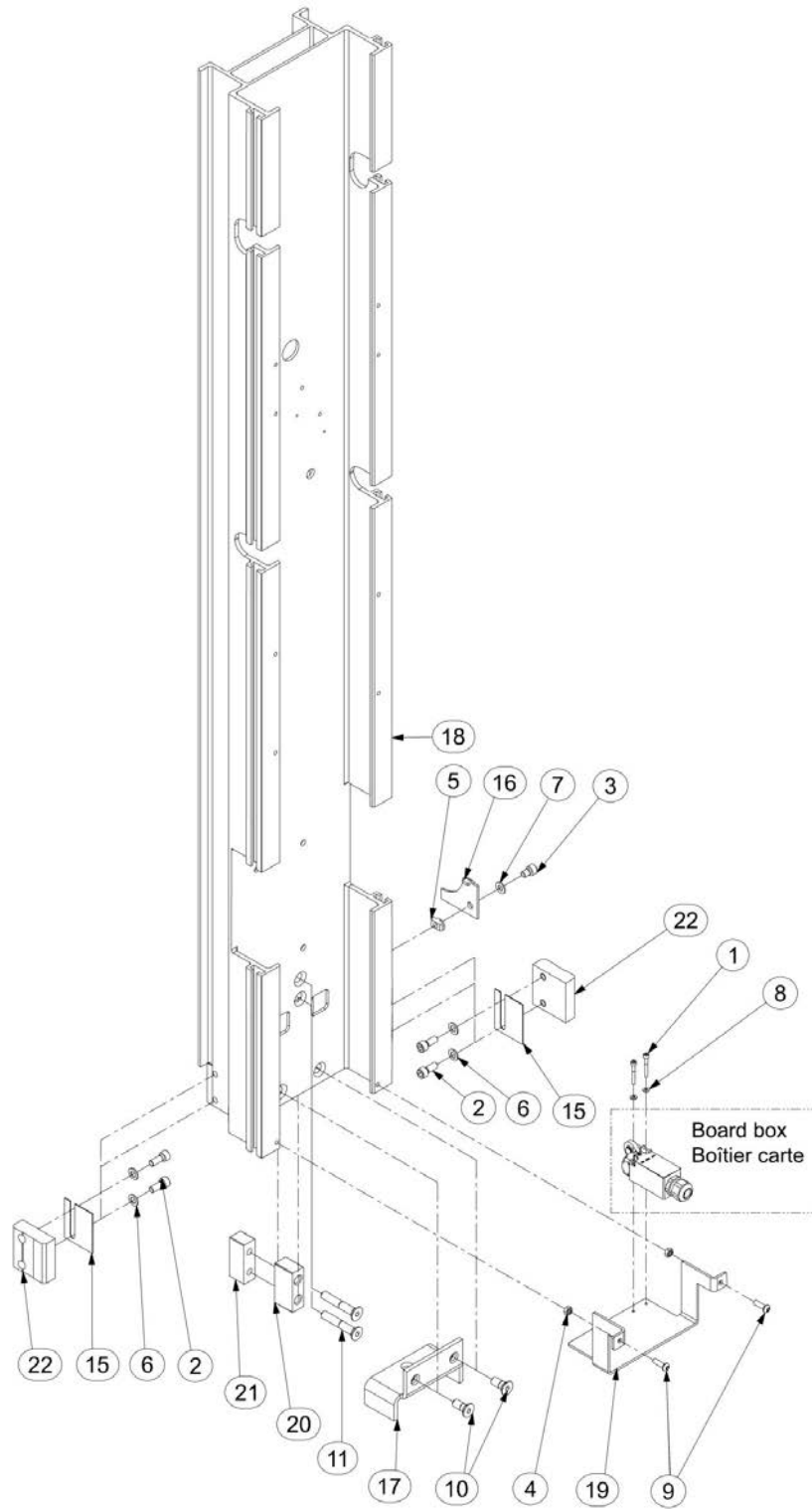
SECTION 5 - MASTS INSTALL / INSTALLATION MATS

FIGURE 5-7. MAST 5 ASSEMBLY / ASSEMBLAGE MAT 5

ITEM	PART NUMBER	QTY	DESCRIPTION	REV
		Ref	MAST 5 ASSEMBLY; INFO - SP0387 / ASSEMBLAGE MAT 5; INFO - SP0387	B
1	000006	1	M08x20 8.8 SOCKET HEAD MACH SCREW / VIS CHC M08x20 8.8 BI FT	
2	000035	2	M10x50 12.9 SOCKET HEAD CAPSCREW / VIS CHC M10x50 12.9 BR FT	
3	000057	2	M08x60 8.8 S SOCKET HEAD CAPSCREW / VIS CHC M08x60 8.8 BI FT TETE BASSE	
4	000058	4	M08x20 8.8 S SOCK HEAD MACH SCREW / VIS CHC M08x20 8.8 BI FT TETE BASSE	
5	000059	2	M08x12 8.8 S SOCK HEAD MACH SCREW / VIS CHC M08x12 8.8 BI FT TETE BASSE	
6	110004	2	M08 GR 8.8 LOCK NUT / ECROU FREIN M8 8.8 BI	
7	110030	3	M08 RECTANGULAR BASE NUT / ECROU A EMBASE RECTANGULAIRE M08	
8	120011	1	dD 10x22 LOCK WASHER / RONDELLE CONTACT dD 10x22 BI	
9	120014	6	M08 WASHER / RONDELLE M08 BI	
10	120021	2	HELICAL SPRING LOCK WASHER Ø8 / RONDELLE GROWER Ø8 BI	
11	130025	4	M08x25 10.9 COUNTERSUNK HEAD M. S. / VIS FHC M08x25 10.9 BI FT	
12	130030	2	M010x25 10.9 COUNTERSUNK HEAD M. S. / VIS FHC M10x25 10.9 BI FT	
13	130032	2	M010x60 10.9 COUNTERSUNK HEAD M. S. / VIS FHC M10x60 10.9 BI FT	
14	Not Required	0	NOT REQUIRED / NON REQUIS	B
15	150028	1	BACKUP PULLEY / POULIE DE RAPPEL	
16	ST1109	4	SHIM (4 sizes : see Service Manual) / CALE (4 épaisseurs: voir Manuel de Service)	
17	ST1118	1	BACKUP PULLEY SUPPORT / SUPPORT POULIE DE RAPPEL	
18	ST1119	1	STEEL WIRE BRACKET / EQUERRE CABLE	
19	ST1125	1	SPREADER BRACKET / EQUERRE PALONNIER	
20	US0280	2	PULLEY SUPPORT B / SUPPORT POULIE B	
21	US0286	1	PULLEY PIN / AXE DE POULIE	
22	SE0307	2	ASSEMBLY, PULLEY Ø83x10 / ASSEMBLAGE POULIE Ø83x10	B
23	US0296	1	SAFETY SPACER / ENTRETOISE DE SECURITE	
24	US0297	1	SAFETY BLOCK / SECURITE PALONNIER	
25	US0298	4	PULLEY SPACER / ENTRETOISE POULIES	
26	US0321	4	SLIDE BLOCK (4 sizes: see Service Manual) / PATIN (4 épaisseurs: voir Manuel de Service)	
27	ST1631	1	MAST / MAT	

SECTION 5 - MASTS INSTALL / INSTALLATION MATS

FIGURE 5-8. MAST 6 ASSEMBLY / ASSEMBLAGE MAT 6



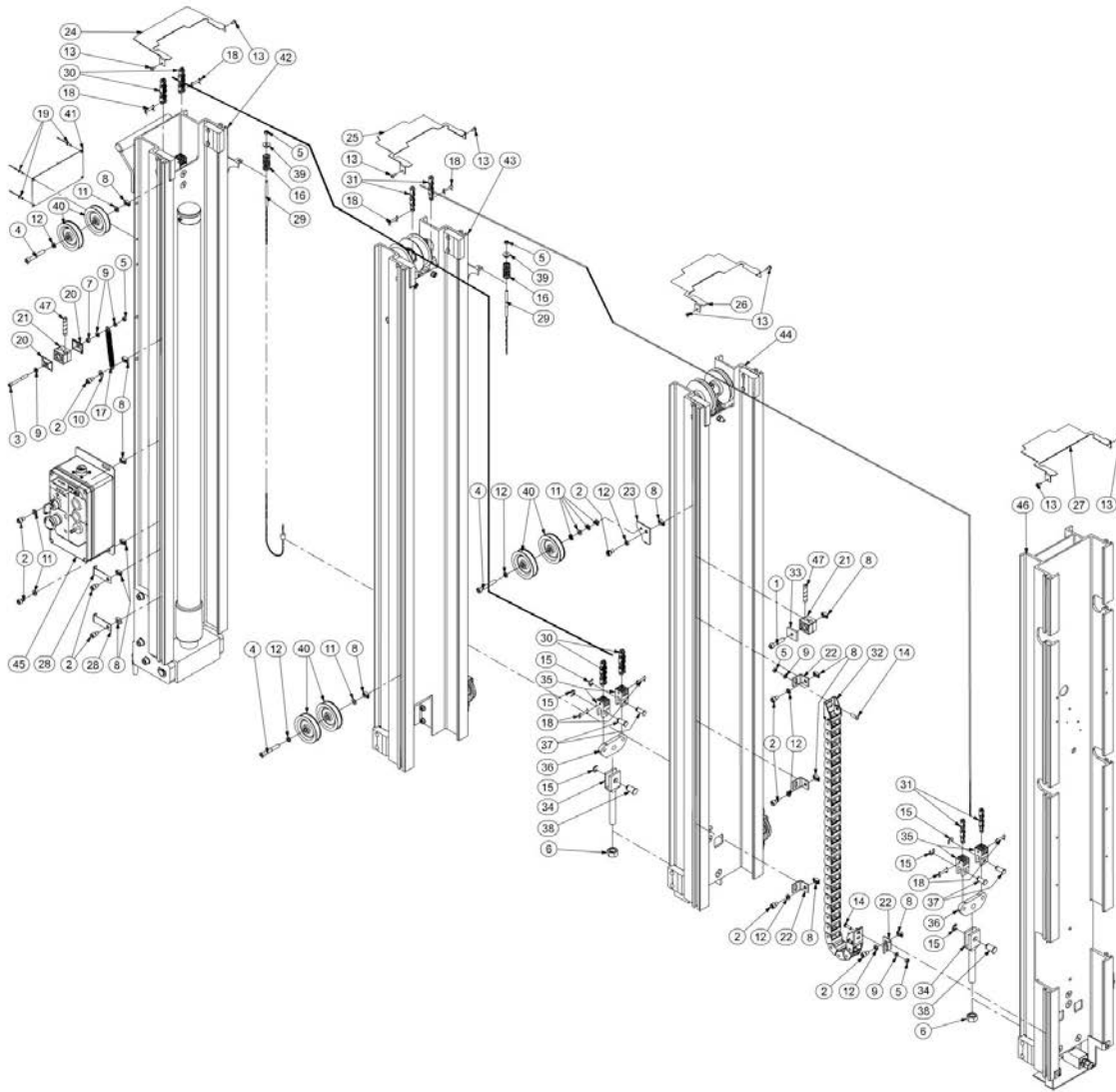
SECTION 5 - MASTS INSTALL / INSTALLATION MATS

FIGURE 5-8. MAST 6 ASSEMBLY / ASSEMBLAGE MAT 6

ITEM	PART NUMBER	QTY	DESCRIPTION	REV
		Ref	MAST 6 ASSEMBLY; INFO - SP0894 / ASSEMBLAGE MAT 6; INFO - SP0894	A
1	000007	2	M04x30 8.8 SOCKET HEAD CAPSCREW / VIS CHC M04x30 8.8 BI FP	
2	000058	4	M08x20 8.8 S SOCK HEAD MACH SCREW / VIS CHC M08x20 8.8 BI FT TETE BASSE	
3	000059	1	M08x12 8.8 S SOCK HEAD MACH SCREW / VIS CHC M08x12 8.8 BI FT TETE BASSE	
4	110003	2	M06 GR 8.8 LOCK NUT / ECROU FREIN M6 8.8 BI	
5	110030	1	M08 RECTANGULAR BASE NUT / ECROU A EMBASE RECTANGULAIRE M08	
6	120014	4	M08 WASHER / RONDELLE M08 BI	
7	120021	1	HELICAL SPRING LOCK WASHER Ø8 / RONDELLE GROWER Ø8 BI	
8	120024	2	M04 LOCK WASHER / RONDELLE CONTACT M04 BI	
9	130021	2	M06x20 8.8 ROUND HEAD MACH SCREW / VIS BOMBEE ULF M06x20 8.8 BI FT	
10	130030	2	M010x25 10.9 COUNTERSUNK HEAD M. S. / VIS FHC M10x25 10.9 BI FT	
11	130032	2	M010x60 10.9 COUNTERSUNK HEAD M. S. / VIS FHC M10x60 10.9 BI FT	
12	Not Required	1	NOT REQUIRED / NON REQUIS	A
13	Not Required	1	NOT REQUIRED / NON REQUIS	A
14	Not Required	1	NOT REQUIRED / NON REQUIS	A
15	ST1109	2	SHIM (4 sizes : see Service Manual) / CALE (4 épaisseurs: voir Manuel de Service)	
16	ST1119	1	STEEL WIRE BRACKET / EQUERRE CABLE	
17	ST1125	1	SPREADER BRACKET / EQUERRE PALONNIER	
18	ST1633	1	MAST 4 / MAT 4	
19	ST2521	1	SWITCH HOLDER / SUPPORT CAPTEUR	
20	US0296	1	SAFETY SPACER / ENTRETOISE DE SECURITE	
21	US0297	1	SAFETY BLOCK / SECURITE PALONNIER	
22	US0321	2	SLIDE BLOCK (4 sizes: see Service Manual) / PATIN (4 épaisseurs: voir Manuel de Service)	

SECTION 5 - MASTS INSTALL / INSTALLATION MATS

FIGURE 5-9. TOUCAN JUNIOR 6B - MASTS INSTALL / INSTALLATION MATS



SECTION 5 - MASTS INSTALL / INSTALLATION MATS

FIGURE 5-9. TOUCAN JUNIOR 6B - MASTS INSTALL / INSTALLATION MATS

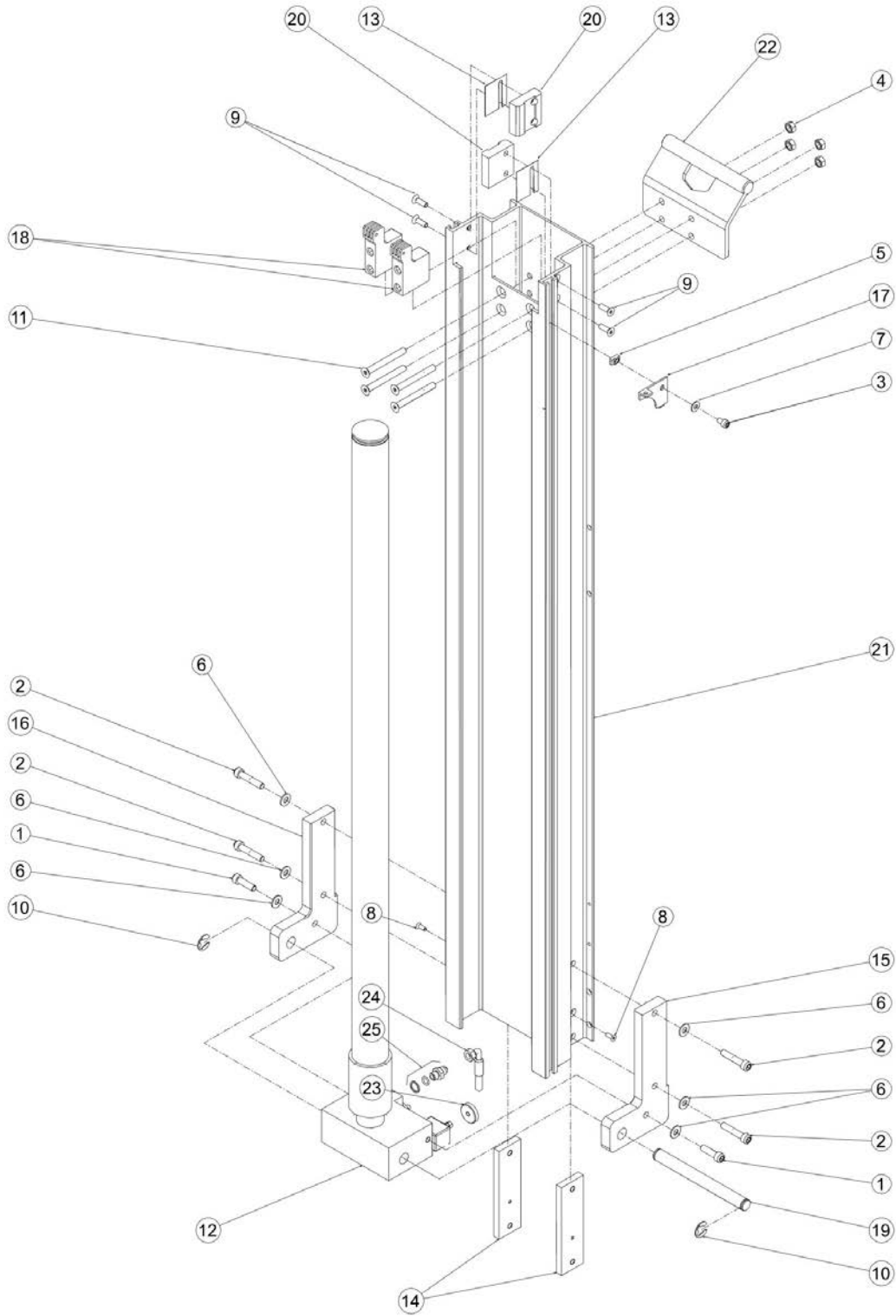
ITEM	PART NUMBER	QTY	DESCRIPTION	REV
		Ref	TOUCAN JUNIOR 6B MASTS INSTALL; INFO - SP0896 / INSTALLATION MATS TOUCAN JUNIOR 6B; INFO - SP0896	A
1	000043	1	M08x40 8.8 SOCKET HEAD MACH SCREW / VIS CHC M08x40 8.8 BI FT	
2	000059	10	M08x12 8.8 S SOCK HEAD MACH SCREW / VIS CHC M08x12 8.8 BI FT TETE BASSE	
3	000076	1	M06x60 8.8 SOCKET HEAD CAPSCREW / VIS CHC M06x60 8.8 BI FP	
4	000078	3	M08x55 8.8 SOCKET HEAD CAPSCREW / VIS CHC M08x55 8.8 BI FP	
5	110003	5	M06 GR 8.8 LOCK NUT / ECROU FREIN M6 8.8 BI	
6	110011	2	M16 GR 10.9 LOCK NUT / ECROU FREIN M16 10.9 BI	
7	110015	1	M06 GR 8.8 HEX NUT / ECROU H M06 8.8 BI	
8	110030	13	M08 RECTANGULAR BASE NUT / ECROU A EMBASE RECTANGULAIRE M08	
9	120009	5	dD 06x14 LOCK WASHER / RONDELLE CONTACT dD 06x14 BI	
10	120010	1	dD 08x18 LOCK WASHER / RONDELLE CONTACT dD 08x18 BI	
11	120014	8	M08 WASHER / RONDELLE M08 BI	
12	120021	8	HELICAL SPRING LOCK WASHER Ø8 / RONDELLE GROWER Ø8 BI	
13	130007	8	Ø4.8x13 SHEET METAL SCREW / VIS AUTOTARAUDEUSE Ø4.8-13 BI	
14	130021	2	M06x20 8.8 ROUND HEAD MACH SCREW / VIS BOMBEE ULF M06x20 8.8 BI FT	
15	130028	6	RETAINING RING Ø9 / CIRCLIPS EXTERIEUR Ø9	
16	160022	2	SPRING / RESSORT	
17	160024	1	SPRING / RESSORT	
18	170004	8	CLEVIS PIN / AXE DE CHAPE	
19	140017	4	NAIL / CLOU	A
20	400012	2	PAIR 1/2 SHELL PLATE / BRIDE PAIRE DEMI COQUILLE	
21	400037	2	PAIR 1/2 SHELL DOUBLE D10 / PAIRE DEMI COQUILLE DOUBLE D10	
22	ST1110	4	PLATFORM T-BRACKET / EQUERRE PANIER	
23	ST1120	1	PULLEY BRACKET / SUPPORT POULIE	
24	ST1146	1	MAST TOP COVER 1 / CAPOT MAT 1	
25	ST1147	1	MAST TOP COVER 2 & 4 / CAPOT MAT 2 ET 4	
26	ST1148	1	MAST TOP COVER 3 & 5 / CAPOT MAT 3 ET 5	
27	ST1149	1	MAST TOP COVER 6 / CAPOT MAT 6	
28	ST1193	2	WIRE FIXATION / FIXATION CABLE	
29	ST1627	2	MAST BACKUP CABLE / CABLE DE RAPPEL DE MATS	
30	ST1630	2	LL10-44 CHAIN / CHAINE LL10-44	
31	ST1632	2	LL10-22 CHAIN / CHAINE LL10-22	
32	ST1634	1	POWER BRIDGE / CHEMIN DE CABLE	
33	ST2529	1	DOUBLE CLAMP PLATE / PLAQUE COLLIER DOUBLE	
34	US0281	2	CHAIN ANCHOR / CHAPE DE REGLAGE	
35	US0282	4	YOKE / CHAPE DE CHAINE	
36	US0283	2	SPREADER / PALONNIER DE REGLAGE	
37	US0284	4	CHAIN ANCHOR PIN / AXE DE CHAPE DE CHAINE	
38	US0285	2	SPREADER PIN / AXE PALONNIER	
39	US0346	2	FLANGE BUSHING / RONDELLE EPAULEE	
40	US0360	6	PULLEY / POULIE	
41		Ref	MANUFACTURER'S NAME PLATE; INFO - SECTION 7 / PLAQUE	

SECTION 5 - MASTS INSTALL / INSTALLATION MATS

ITEM	PART NUMBER	QTY	DESCRIPTION	REV
42		Ref	CONSTRUCTEUR; INFO - SECTION 7 MAST 1 ASSEMBLY; INFO - SP0385 / ASSEMBLAGE MAT 1; INFO - SP0385	
43		Ref	MAST 2 ASSEMBLY; INFO - SP-0386 / ASSEMBLAGE MAT 2; INFO - SP0386	
44		Ref	MAST 3 ASSEMBLY; INFO - SP0387 / ASSEMBLAGE MAT 3; INFO - SP0387	
45		Ref	LOWER CONTROL BOX; INFO - SECTION 2 / BOITIER BAS; INFO - SECTION 2	A
46		Ref	MAST 4 ASSEMBLY; INFO - SP0894 / ASSEMBLAGE MAT 4; INFO - SP0894	
47	400080	0.02	SPIRAL HOUSING PLIOSPIRE D12 / GAINÉ SPIRALE PLIOSPIRE D12	

SECTION 5 - MASTS INSTALL / INSTALLATION MATS

FIGURE 5-10. MAST 1 ASSEMBLY / ASSEMBLAGE MAT 1



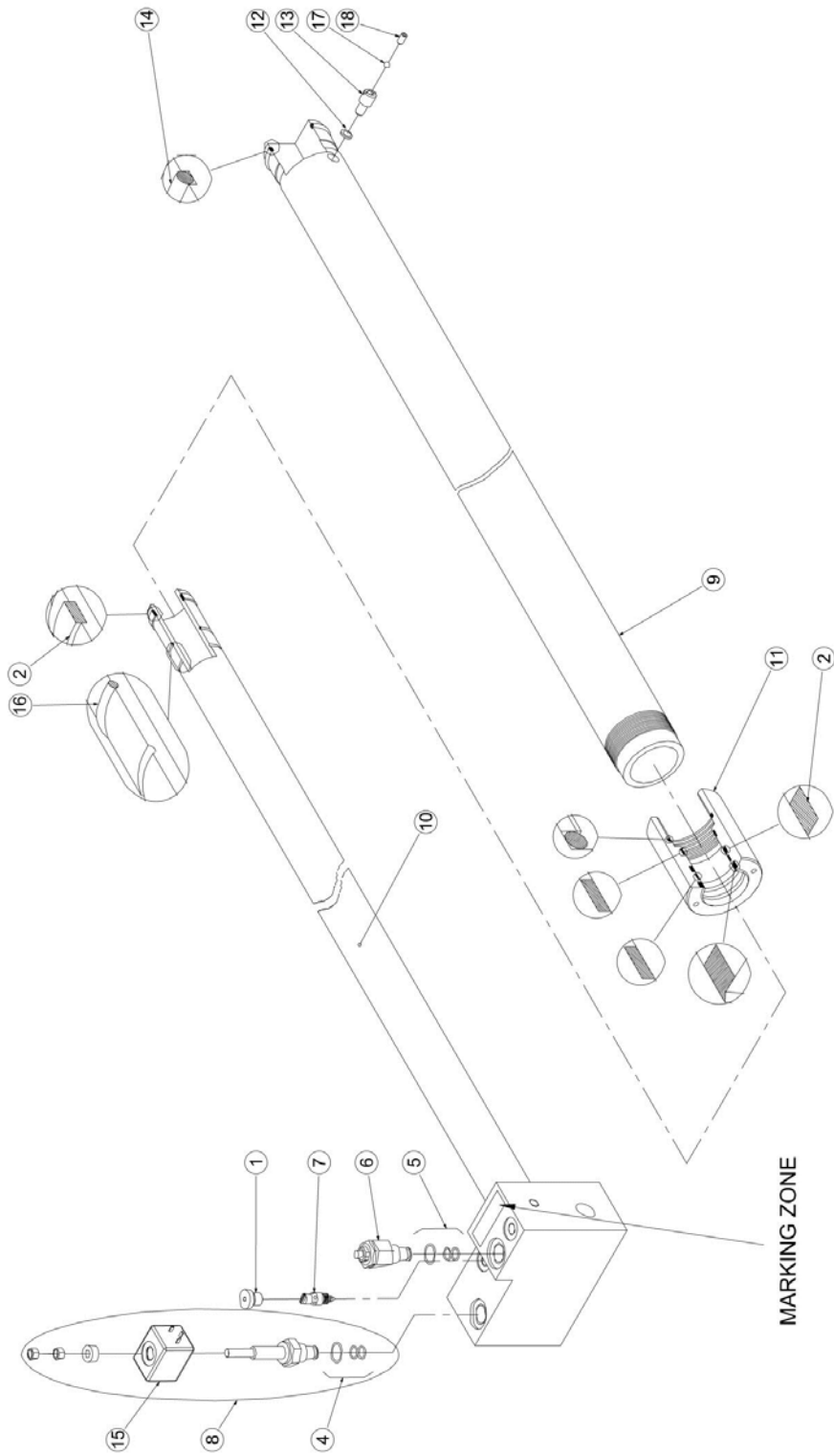
SECTION 5 - MASTS INSTALL / INSTALLATION MATS

FIGURE 5-10. MAST 1 ASSEMBLY / ASSEMBLAGE MAT 1

ITEM	PART NUMBER	QTY	DESCRIPTION	REV
		Ref	MAST 1 ASSEMBLY; INFO - SP0385 / ASSEMBLAGE MAT 1; INFO - SP0385	
1	000019	2	M10x35 8.8 SOCKET HEAD MACH SCREW / VIS CHC M10x35 8.8 BI FT	
2	000035	4	M10x50 12.9 SOCKET HEAD CAPSCREW / VIS CHC M10x50 12.9 BR FT	
3	000059	1	M08x12 8.8 S SOCK HEAD MACH SCREW / VIS CHC M08x12 8.8 BI FT TETE BASSE	
4	110005	4	M10 GR 8.8 LOCK NUT / ECROU FREIN M10 8.8 BI	
5	110030	1	M08 RECTANGULAR BASE NUT / ECROU A EMBASE RECTANGULAIRE M08	
6	120011	6	dD 10x22 LOCK WASHER / RONDELLE CONTACT dD 10x22 BI	
7	120021	1	HELICAL SPRING LOCK WASHER Ø8 / RONDELLE GROWER Ø8 BI	
8	130003	2	M06x16 10.9 COUNTERSUNK HEAD M. S. / VIS FHC M06x16 10.9 BI FT	
9	130025	4	M08x25 10.9 COUNTERSUNK HEAD M. S. / VIS FHC M08x25 10.9 BI FT	
10	130029	2	RETAINING RING Ø15 / CIRCLIPS EXTERIEUR Ø15	
11	130033	4	M10x90 10.9 COUNTERSUNK HEAD CAPS / VIS FHC M10x90 10.9 BI FP	
12	ST1628	1	MAST CYLINDER; INFO - ST1628 / VERIN DE MAT; INFO - ST1628	
13	ST1109	2	SHIM (4 sizes : see Service Manual) / CALE (4 épaisseurs: voir Manuel de Service)	
14	ST1113	2	BASE PLATE CYLINDER / BRIDE DE VERIN	
15	ST1114	1	LEFT CYLINDER BRACKET / PATTE GAUCHE DE VERIN	
16	ST1115	1	RIGHT CYLINDER BRACKET / PATTE DROITE DE VERIN	
17	ST1119	1	STEEL WIRE BRACKET / EQUERRE CABLE	
18	US0278	2	CHAIN ANCHOR / CHAPE DE CHAINE	
19	US0289	1	MAST CYLINDER PIN / AXE VERIN	
20	US0321	2	SLIDE BLOCK (4 sizes: see Service Manual) / PATIN (4 épaisseurs: voir Manuel de Service)	
21	ST1625	1	MAST 1 / MAT 1	
22	DL0440	1	LIFTING BRACKET / ANNEAU D'ELINGUAGE	
23	US0277	1	CYLINDER EMERGENCY BUTTON / BOUTON D'URGENCE VERIN	
24	DF0574	1	Junior6 HOSE (flexible) 1/4" 110cm JIC Fem 9/16 90° JIC Fem 9/16 90°-90° / Junior6 HOSE (flexible) 1/4" 110cm JIC Fem 9/16 90° JIC Fem 9/16 90°-90°	
25	300025	1	FITTING MALE BSPP1/4-MALE JIC9/16 / RACCORD MALE BSPP1/4-MALE JIC9/16	

SECTION 5 - MASTS INSTALL / INSTALLATION MATS

FIGURE 5-11. MAST CYLINDER / VERIN DE MAT



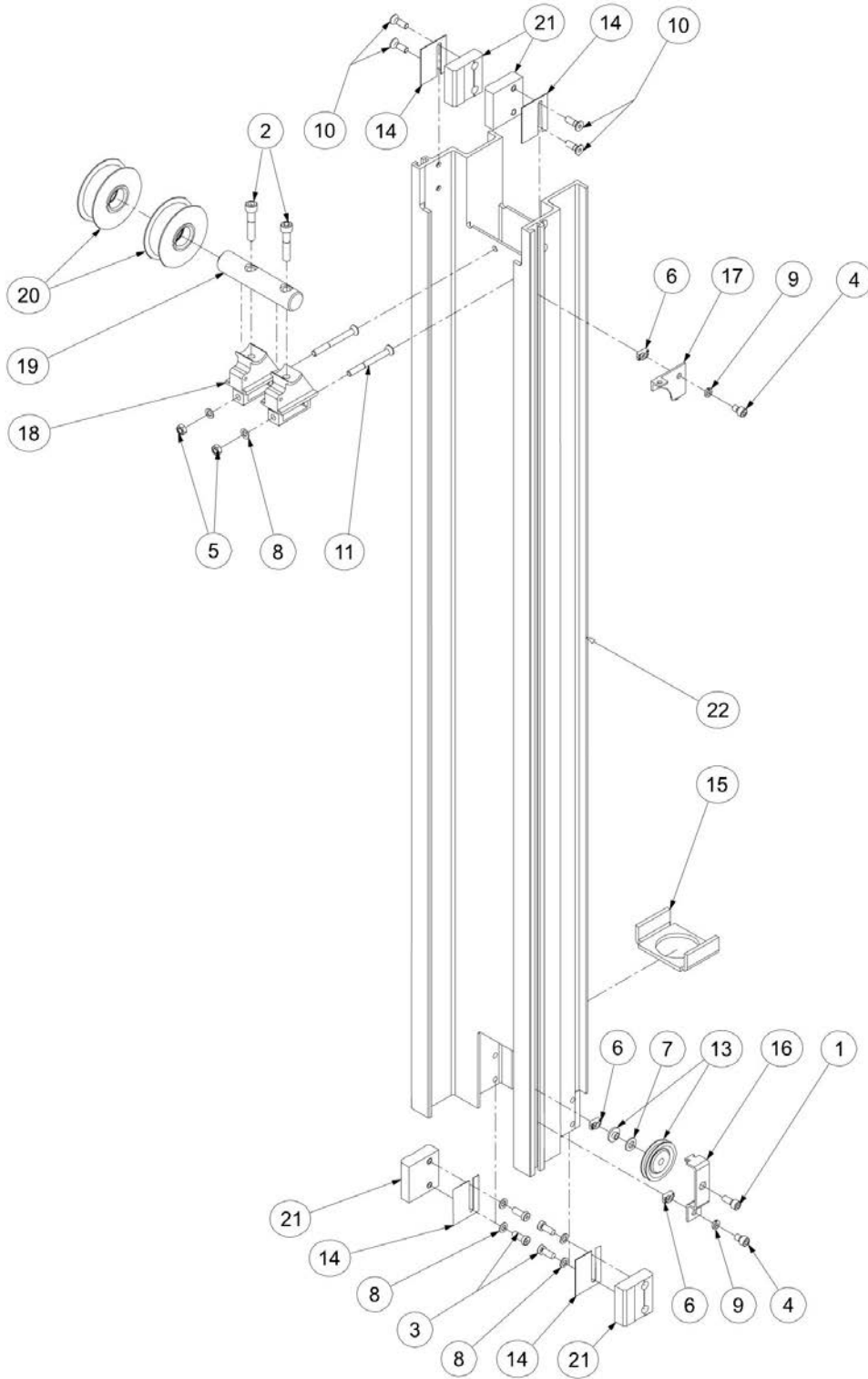
SECTION 5 - MASTS INSTALL / INSTALLATION MATS

FIGURE 5-11. MAST CYLINDER / VERIN DE MAT

ITEM	PART NUMBER	QTY	DESCRIPTION	REV
	ST1628		MAST CYLINDER; INFO - ST1628 / VERIN DE MAT; INFO - ST1628	B
1	300034	1	CAP MALE BSPP 1/4" / BOUCHON MALE BSPP 1/4"	
2	900017	1	CYLINDER SEAL KIT / POCHETTE DE JOINT VERIN	
3	Not Required	0	NOT REQUIRED / NON REQUIS	A
4	960069	1	HOLDING VALVE SEAL KIT / POCHETTE DE JOINT ELECTROVANNE	
5	960070	1	PRESSURE RELIEF VALVE SEAL KIT / POCHETTE DE JOINT REG. DE PRESSION	
6	970001	1	PRESSURE RELIEF VALVE (18 MPa) / REGULATEUR DE PRESSION 18MPa	
7	310102	1	FLOW REGULATOR VALVE 5l/mn / REGULATEUR DE DEBIT 5l/mn	B
8	970038	1	HOLDING VALVE / ELECTROVANNE	A
9	970045	1	CYLINDER BARREL / CORPS VERIN	A
10	970046	1	CYLINDER ROD / TIGE VERIN	A
11	970019	1	CYLINDER HEAD / TETE VERIN	
12	970052	1	BUSHING BS / BAGUE BS	B
13	US0468	1	BLEEDING SCREW / VIS DE PURGE	B
14	970022	1	O RING / JOINT TORIQUE	
15	970047	1	24 VDC COIL / BOBINE 24 VDC	A
16	970030	1	STOP RING / JONC	
17	970056	1	BLEEDING BALL / BILLE DE PURGE	B
18	130050	1	M06x8 HC SCREW / VIS HC M06x8 BR	B

SECTION 5 - MASTS INSTALL / INSTALLATION MATS

FIGURE 5-12. MAST 2 ASSEMBLY / ASSEMBLAGE MAT 2



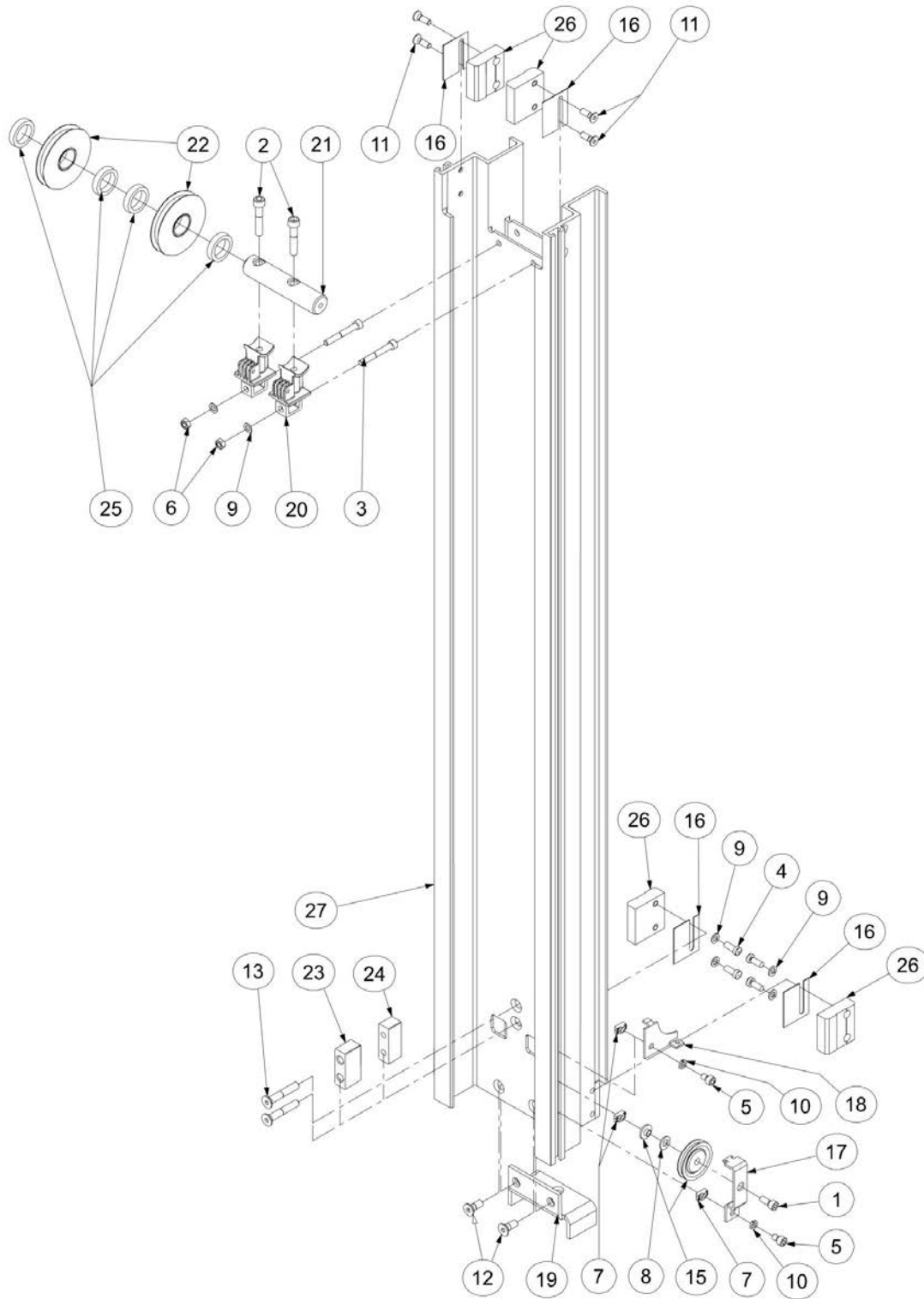
SECTION 5 - MASTS INSTALL / INSTALLATION MATS

FIGURE 5-12. MAST 2 ASSEMBLY / ASSEMBLAGE MAT 2

ITEM	PART NUMBER	QTY	DESCRIPTION	REV
		Ref	MAST 2 ASSEMBLY; INFO - SP0386 / ASSEMBLAGE MAT 2; INFO - SP0386	B
1	000006	1	M08x20 8.8 SOCKET HEAD MACH SCREW / VIS CHC M08x20 8.8 BI FT	
2	000035	2	M10x50 12.9 SOCKET HEAD CAPSCREW / VIS CHC M10x50 12.9 BR FT	
3	000058	4	M08x20 8.8 S SOCK HEAD MACH SCREW / VIS CHC M08x20 8.8 BI FT TETE BASSE	
4	000059	2	M08x12 8.8 S SOCK HEAD MACH SCREW / VIS CHC M08x12 8.8 BI FT TETE BASSE	
5	110004	2	M08 GR 8.8 LOCK NUT / ECROU FREIN M8 8.8 BI	
6	110030	3	M08 RECTANGULAR BASE NUT / ECROU A EMBASE RECTANGULAIRE M08	
7	120011	1	dD 10x22 LOCK WASHER / RONDELLE CONTACT dD 10x22 BI	
8	120014	6	M08 WASHER / RONDELLE M08 BI	
9	120021	2	HELICAL SPRING LOCK WASHER Ø8 / RONDELLE GROWER Ø8 BI	
10	130025	4	M08x25 10.9 COUNTERSUNK HEAD M. S. / VIS FHC M08x25 10.9 BI FT	
11	130031	2	M08x80 10.9 COUNTERSUNK HEAD CAPS / VIS FHC M08x80 10.9 BI FP	
12	Not Required	0	NOT REQUIRED / NON REQUIS	B
13	150028	1	BACKUP PULLEY / POULIE DE RAPPEL	
14	ST1109	4	SHIM (4 sizes : See Service Manual) / CALE (4 épaisseurs: voir Manuel de Service)	
15	ST1111	1	CYLINDER BASE PLATE / BUTEE DE VERIN	
16	ST1118	1	BACKUP PULLEY SUPPORT / SUPPORT POULIE DE RAPPEL	
17	ST1119	1	STEEL WIRE BRACKET / EQUERRE CABLE	
18	US0279	2	PULLEY SUPPORT A / SUPPORT POULIE A	
19	US0286	1	PULLEY PIN / AXE DE POULIE	
20	SE0305	2	ASSEMBLY, PULLEY Ø80x24 / ASSEMBLAGE POULIE Ø80x24	B
21	US0321	4	SLIDE BLOCK (4 sizes: see Service Manual) / PATIN (4 épaisseurs: voir Manuel de Service)	
22	ST1629	1	MAST 2 / MAT 2	

SECTION 5 - MASTS INSTALL / INSTALLATION MATS

FIGURE 5-13. MAST 3 ASSEMBLY / ASSEMBLAGE MAT 3



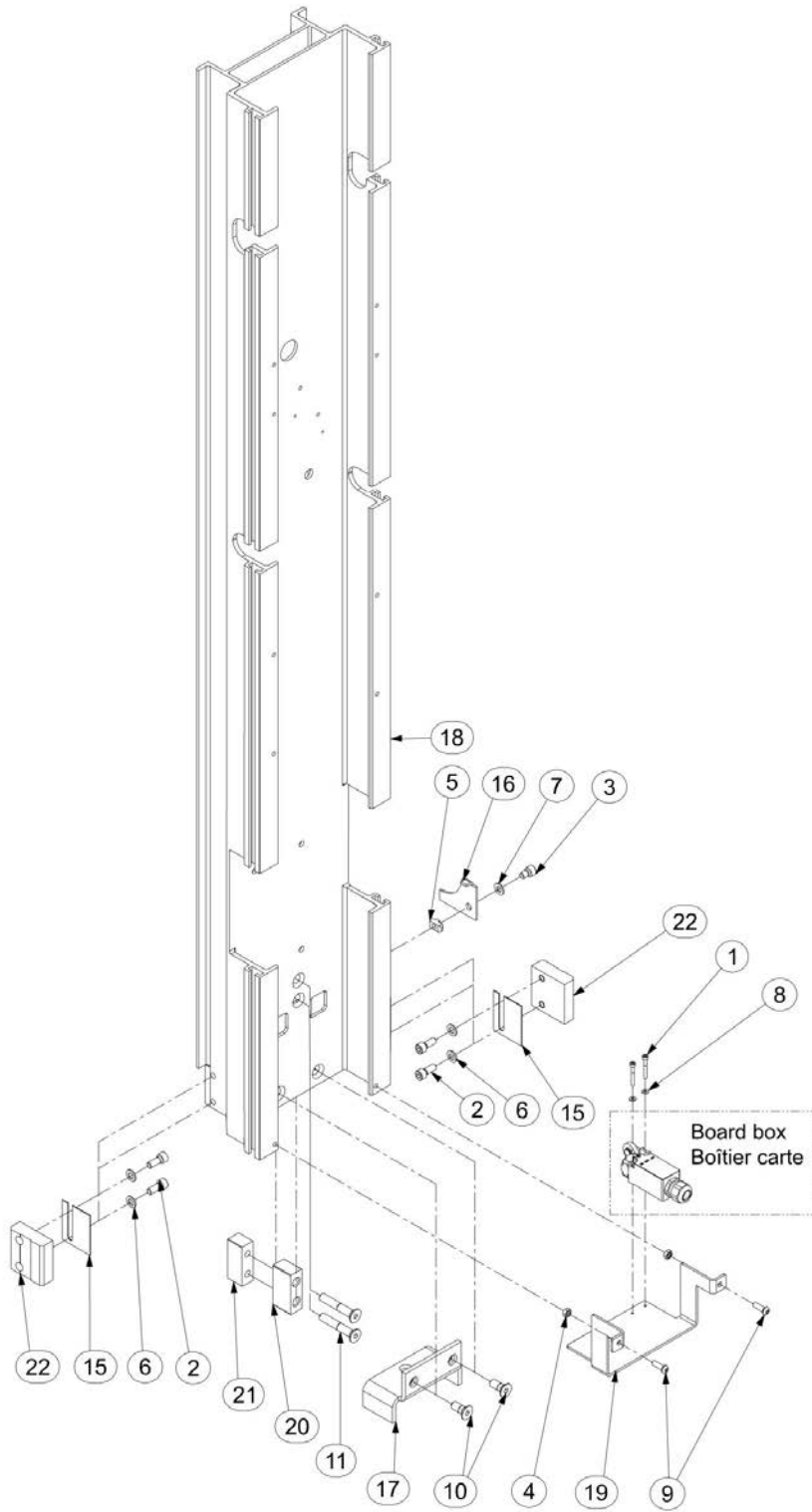
SECTION 5 - MASTS INSTALL / INSTALLATION MATS

FIGURE 5-13. MAST 3 ASSEMBLY / ASSEMBLAGE MAT 3

ITEM	PART NUMBER	QTY	DESCRIPTION	REV
		Ref	MAST 3 ASSEMBLY; INFO - SP0387 / ASSEMBLAGE MAT 3; INFO - SP0387	B
1	000006	1	M08x20 8.8 SOCKET HEAD MACH SCREW / VIS CHC M08x20 8.8 BI FT	
2	000035	2	M10x50 12.9 SOCKET HEAD CAPSCREW / VIS CHC M10x50 12.9 BR FT	
3	000057	2	M08x60 8.8 S SOCKET HEAD CAPSCREW / VIS CHC M08x60 8.8 BI FT TETE BASSE	
4	000058	4	M08x20 8.8 S SOCK HEAD MACH SCREW / VIS CHC M08x20 8.8 BI FT TETE BASSE	
5	000059	2	M08x12 8.8 S SOCK HEAD MACH SCREW / VIS CHC M08x12 8.8 BI FT TETE BASSE	
6	110004	2	M08 GR 8.8 LOCK NUT / ECROU FREIN M8 8.8 BI	
7	110030	3	M08 RECTANGULAR BASE NUT / ECROU A EMBASE RECTANGULAIRE M08	
8	120011	1	dD 10x22 LOCK WASHER / RONDELLE CONTACT dD 10x22 BI	
9	120014	6	M08 WASHER / RONDELLE M08 BI	
10	120021	2	HELICAL SPRING LOCK WASHER Ø8 / RONDELLE GROWER Ø8 BI	
11	130025	4	M08x25 10.9 COUNTERSUNK HEAD M. S. / VIS FHC M08x25 10.9 BI FT	
12	130030	2	M010x25 10.9 COUNTERSUNK HEAD M. S. / VIS FHC M10x25 10.9 BI FT	
13	130032	2	M010x60 10.9 COUNTERSUNK HEAD M. S. / VIS FHC M10x60 10.9 BI FT	
14	Not Required	0	NOT REQUIRED / NON REQUIS	B
15	150028	1	BACKUP PULLEY / POULIE DE RAPPEL	
16	ST1109	4	SHIM (4 sizes : see Service Manual) / CALE (4 épaisseurs: voir Manuel de Service)	
17	ST1118	1	BACKUP PULLEY SUPPORT / SUPPORT POULIE DE RAPPEL	
18	ST1119	1	STEEL WIRE BRACKET / EQUERRE CABLE	
19	ST1125	1	SPREADER BRACKET / EQUERRE PALONNIER	
20	US0280	2	PULLEY SUPPORT B / SUPPORT POULIE B	
21	US0286	1	PULLEY PIN / AXE DE POULIE	
22	SE0307	2	ASSEMBLY, PULLEY Ø83x10 / ASSEMBLAGE POULIE Ø83x10	B
23	US0296	1	SAFETY SPACER / ENTRETOISE DE SECURITE	
24	US0297	1	SAFETY BLOCK / SECURITE PALONNIER	
25	US0298	4	PULLEY SPACER / ENTRETOISE POULIES	
26	US0321	4	SLIDE BLOCK (4 sizes: see Service Manual) / PATIN (4 épaisseurs: voir Manuel de Service)	
27	ST1631	1	MAST / MAT	

SECTION 5 - MASTS INSTALL / INSTALLATION MATS

FIGURE 5-14. MAST 4 ASSEMBLY / ASSEMBLAGE MAT 4



SECTION 5 - MASTS INSTALL / INSTALLATION MATS

FIGURE 5-14. MAST 4 ASSEMBLY / ASSEMBLAGE MAT 4

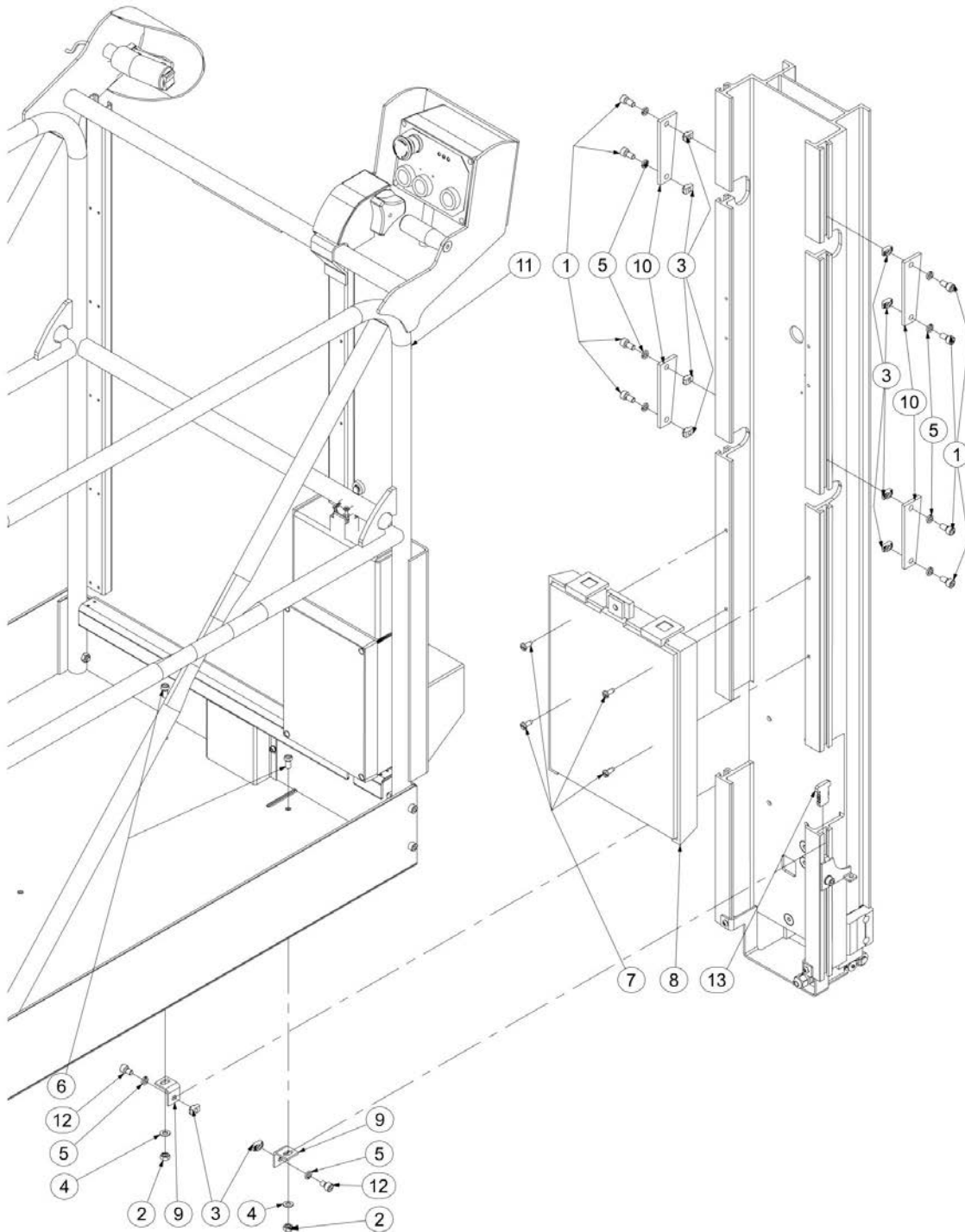
ITEM	PART NUMBER	QTY	DESCRIPTION	REV
		Ref	MAST 4 ASSEMBLY; INFO - SP0894 / ASSEMBLAGE MAT 4; INFO - SP0894	A
1	000007	2	M04x30 8.8 SOCKET HEAD CAPSCREW / VIS CHC M04x30 8.8 BI FP	
2	000058	4	M08x20 8.8 S SOCK HEAD MACH SCREW / VIS CHC M08x20 8.8 BI FT TETE BASSE	
3	000059	1	M08x12 8.8 S SOCK HEAD MACH SCREW / VIS CHC M08x12 8.8 BI FT TETE BASSE	
4	110003	2	M06 GR 8.8 LOCK NUT / ECROU FREIN M6 8.8 BI	
5	110030	1	M08 RECTANGULAR BASE NUT / ECROU A EMBASE RECTANGULAIRE M08	
6	120014	4	M08 WASHER / RONDELLE M08 BI	
7	120021	1	HELICAL SPRING LOCK WASHER Ø8 / RONDELLE GROWER Ø8 BI	
8	120024	2	M04 LOCK WASHER / RONDELLE CONTACT M04 BI	
9	130021	2	M06x20 8.8 ROUND HEAD MACH SCREW / VIS BOMBEE ULF M06x20 8.8 BI FT	
10	130030	2	M010x25 10.9 COUNTERSUNK HEAD M. S. / VIS FHC M10x25 10.9 BI FT	
11	130032	2	M010x60 10.9 COUNTERSUNK HEAD M. S. / VIS FHC M10x60 10.9 BI FT	
12	Not Required	0	NOT REQUIRED / NON REQUIS	A
13	Not Required	0	NOT REQUIRED / NON REQUIS	A
14	Not Required	0	NOT REQUIRED / NON REQUIS	A
15	ST1109	2	SHIM (4 sizes : see Service Manual) / CALE (4 épaisseurs: voir Manuel de Service)	
16	ST1119	1	STEEL WIRE BRACKET / EQUERRE CABLE	
17	ST1125	1	SPREADER BRACKET / EQUERRE PALONNIER	
18	ST1633	1	MAST 4 / MAT 4	
19	ST2521	1	SWITCH HOLDER / SUPPORT CAPTEUR	
20	US0296	1	SAFETY SPACER / ENTRETOISE DE SECURITE	
21	US0297	1	SAFETY BLOCK / SECURITE PALONNIER	
22	US0321	2	SLIDE BLOCK (4 sizes: see Service Manual) / PATIN (4 épaisseurs: voir Manuel de Service)	

SECTION 6 - PLATFORM INSTALL / INSTALLATION PLATE-FORME

SECTION 6 - PLATFORM INSTALL / INSTALLATION PLATE-FORME

SECTION 6 - PLATFORM INSTALL / INSTALLATION PLATE-FORME

FIGURE 6-1. PLATFORM INSTALL / INSTALLATION PLATE-FORME



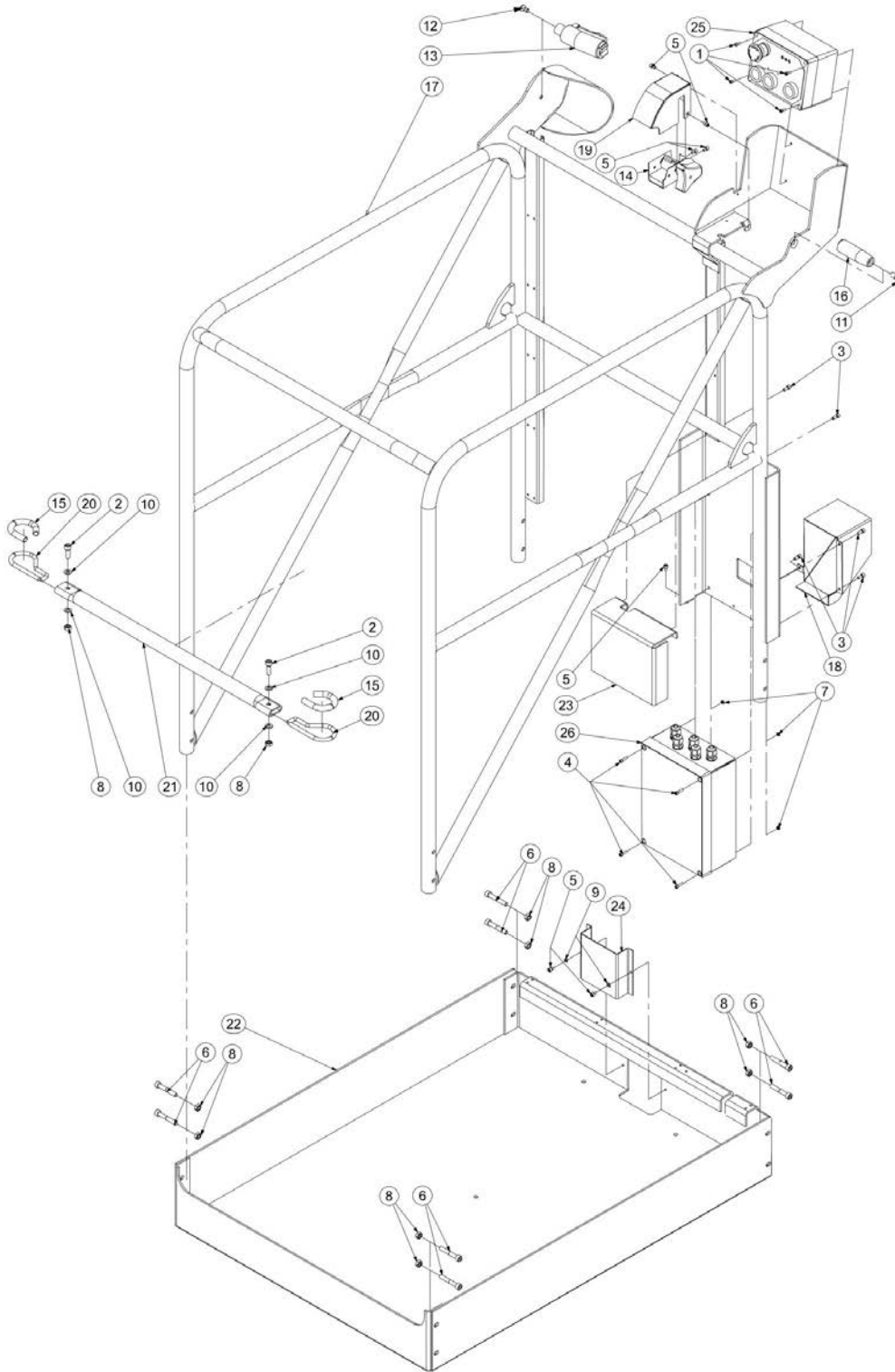
SECTION 6 - PLATFORM INSTALL / INSTALLATION PLATE-FORME

FIGURE 6-1. PLATFORM INSTALL / INSTALLATION PLATE-FORME

ITEM	PART NUMBER	QTY	DESCRIPTION	REV
		Ref	PLATFORM INSTALL; INFO - RM0048 / INSTALLATION PANIER; INFO - RM0048	B
1	000018	8	M08x16 8.8 SOCKET HEAD MACH SCREW / VIS CHC M08x16 8.8 BI FT	
2	110004	2	M08 GR. 8.8 LOCK NUT / ECROU FREIN M8 8.8 BI	
3	110030	10	M08 RECTANGULAR BASE NUT / ECROU A EMBASE RECTANGULAIRE M08	
4	120014	2	M08 WASHER / RONDELLE M08 BI	
5	120021	10	HELICAL SPRING LOCK WASHER Ø8 / RONDELLE GROWER Ø8 BI	
6	130013	2	M08x16 CROSS PAN HEAD CAPSCREW / VIS BOMBEE FENDUE M08x16 BI FT	
7	130009	4	SHEET METAL SCREW Ø6.5x16 / VIS A TOLE Ø6.5x16	
8	7348000653	1	MANUAL BOX / BOITE PORTE DOCUMENTS	
9	ST1110	2	PLATFORM T-BRACKET / EQUERRE PANIER	
10	ST1117	4	PLATFORM PLATE / FIXATION PANIER	
11		Ref	PLATFORM ASSEMBLY; INFO - SP0897 / ASSEMBLAGE PLATE-FORME; SP0897	B
12	000059	2	M08x12 8.8 S SOCK HEAD MACH SCREW / VIS CHC M08x12 8.8 BI FT TETE BASSE	A
13	ST2923	1	PLATFORM CENTERING / CENTREUR PANIER	B

SECTION 6 - PLATFORM INSTALL / INSTALLATION PLATE-FORME

FIGURE 6-2. PLATFORM ASSEMBLY / ASSEMBLAGE PLATE-FORME



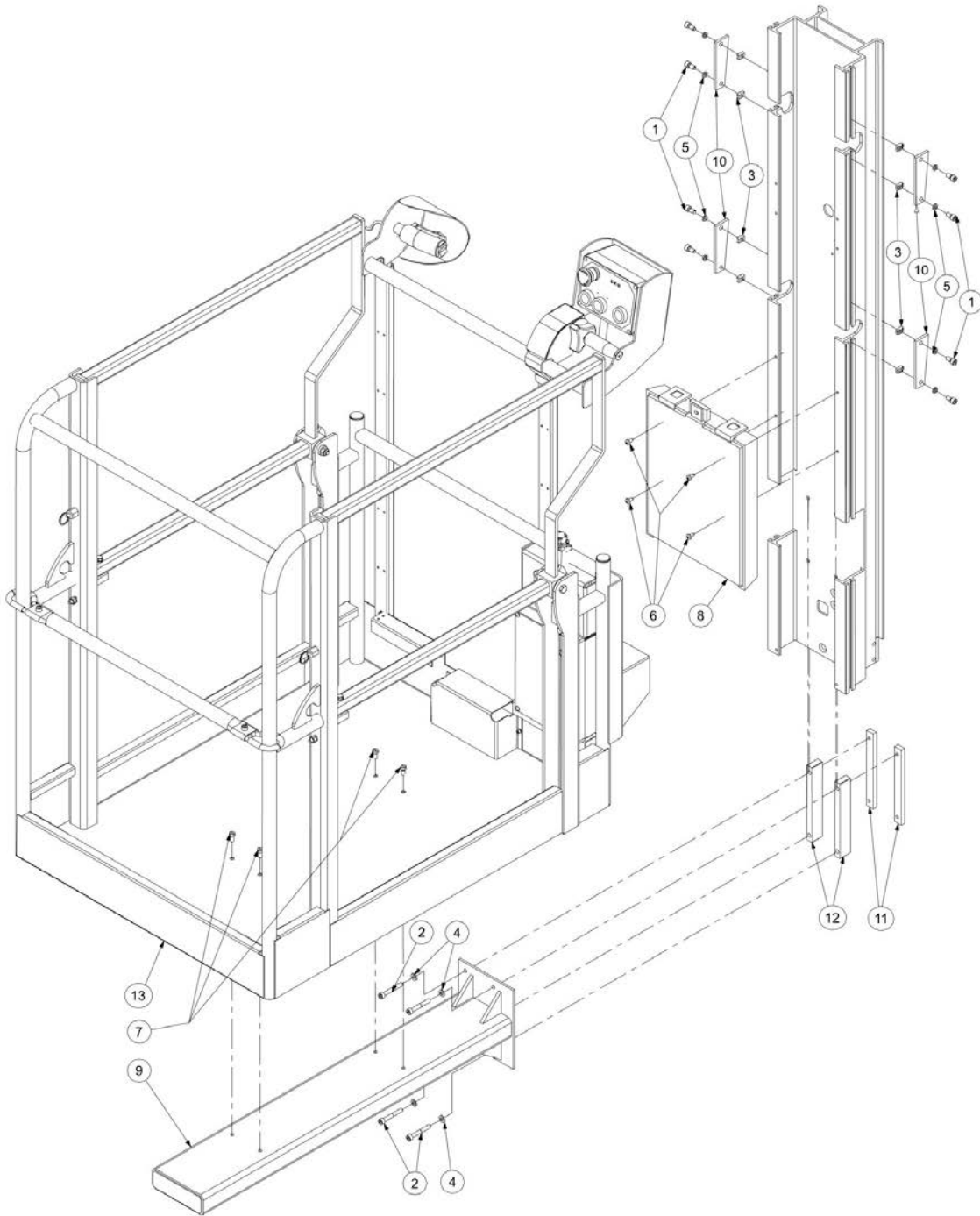
SECTION 6 - PLATFORM INSTALL / INSTALLATION PLATE-FORME

FIGURE 6-2. PLATFORM ASSEMBLY / ASSEMBLAGE PLATE-FORME

ITEM	PART NUMBER	QTY	DESCRIPTION	REV
		Ref	PLATFORM ASSEMBLY; INFO - SP0897 / ASSEMBLAGE PLATE-FORME; INFO - SP0897	B
1	000050	4	M04x10 8.8 SOCKET HEAD MACH SCREW / VIS CHC M04x10 8.8 BI FT	
2	000053	2	M08x25 8.8 SOCKET HEAD MACH SCREW / VIS CHC M08x25 8.8 BI FT	
3	000067	5	M05x12 8.8 SOCKET HEAD MACH SCREW / VIS CHC M05x12 8.8 BI FT	
4	000085	4	M04x16 8.8 SOCKET HEAD MACH SCREW / VIS CHC M04x16 8.8 BI FT	
5	000089	7	M05x08 8.8 SOCKET HEAD MACH SCREW / VIS CHC M05x08 8.8 BI FT	
6	100007	8	M08x50 8.8 HEX HEAD CAPSCREW / VIS H M08x50 8.8 BI FP	
7	110001	4	M04 GR. 8.8 LOCK NUT / ECROU FREIN M4 8.8 BI	
8	110004	10	M08 GR. 8.8 LOCK NUT / ECROU FREIN M8 8.8 BI	
9	120002	2	M05 WASHER / RONDELLE M05 BI	
10	120014	4	M08 WASHER / RONDELLE M08 BI	
11	130030	1	M010x25 10.9 COUNTERSUNK HEAD M. S. / VIS FHC M10x25 10.9 BI FT	
12	130053	1	M08x16 8.8 COUNTERSUNK HEAD M. S. / VIS FHC M08x16 8.8 BI FT	
13	240086	1	STEERING HANDLE / POIGNEE DE DIRECTION	
14	240091	1	CONTROL HANDLE / POIGNEE DE COMMANDE	
14	920075	1	GREEN HANDLE / PAPILLON VERT	B
15	280023	2 x0.18	PROTECTION SLEEVE (quantity in meter) / GAINÉ DE PROTECTION (qté en mètre)	
16	400089	1	PLASTIC HANDLE / POIGNEE PLASTIQUE	
17	DL0746	1	TJ6 PLATFORM WELDMNT / STRUCTURE PANIER TJ6	B
17	DL0746	1	PLATFORM WELDMNT (before year 2010) / STRUCTURE PANIER (avant année 2010) (TJ8 Prior to SN A130019338)	B
17	DL0841	1	PLATFORM WELDMNT (since year 2010) / STRUCTURE PANIER (depuis année 2010) (TJ8 SN A130019338 to Present)	B
18	DL0747	1	CONNECTORS COVER / CAPOTS CONNECTEURS	
19	DL0754	1	DRIVE HANDLE COVER / CAPOT POIGNEE TRANSLATION	
20	ST0736	2	SLIDING GATE LOOP / ANNEAU PORTILLON	
21	ST1637	1	PLATFORM SLIDING GATE / PORTILLON	
22	ST2917	1	TJ6 PLATFORM FLOOR / PLANCHER PLATE-FORME TJ6	B
22	ST2917	1	PLATFORM FLOOR (before year 2010) / PLANCHER PLATE-FORME (avant année 2010) (TJ8 Prior to SN A130019338)	B
22	ST3249	1	PLATFORM FLOOR (since year 2010) / PLANCHER PLATE-FORME (depuis année 2010) (TJ8 SN A130019338 to Present)	B
23	ST2919	1	CABLES COVER / CAPOT CABLES	
24	ST2955	1	PLATFORM FLOOR COVER / CAPOT PLANCHER PLATE-FORME	
25		Ref	UPPER CONTROL BOX ASSEMBLY; INFO - SECTION 2 / ASSEMBLAGE BOITIER HAUT; INFO - SECTION 2	
26		Ref	BOARD BOX ASSEMBLY; INFO - SECTION 2 / ASSEMBLAGE BOITIER CARTE; INFO - SECTION 2	

SECTION 6 - PLATFORM INSTALL / INSTALLATION PLATE-FORME

FIGURE 6-3. JUNIOR 6DI - PLATFORM INSTALL / INSTALLATION PLATE-FORME



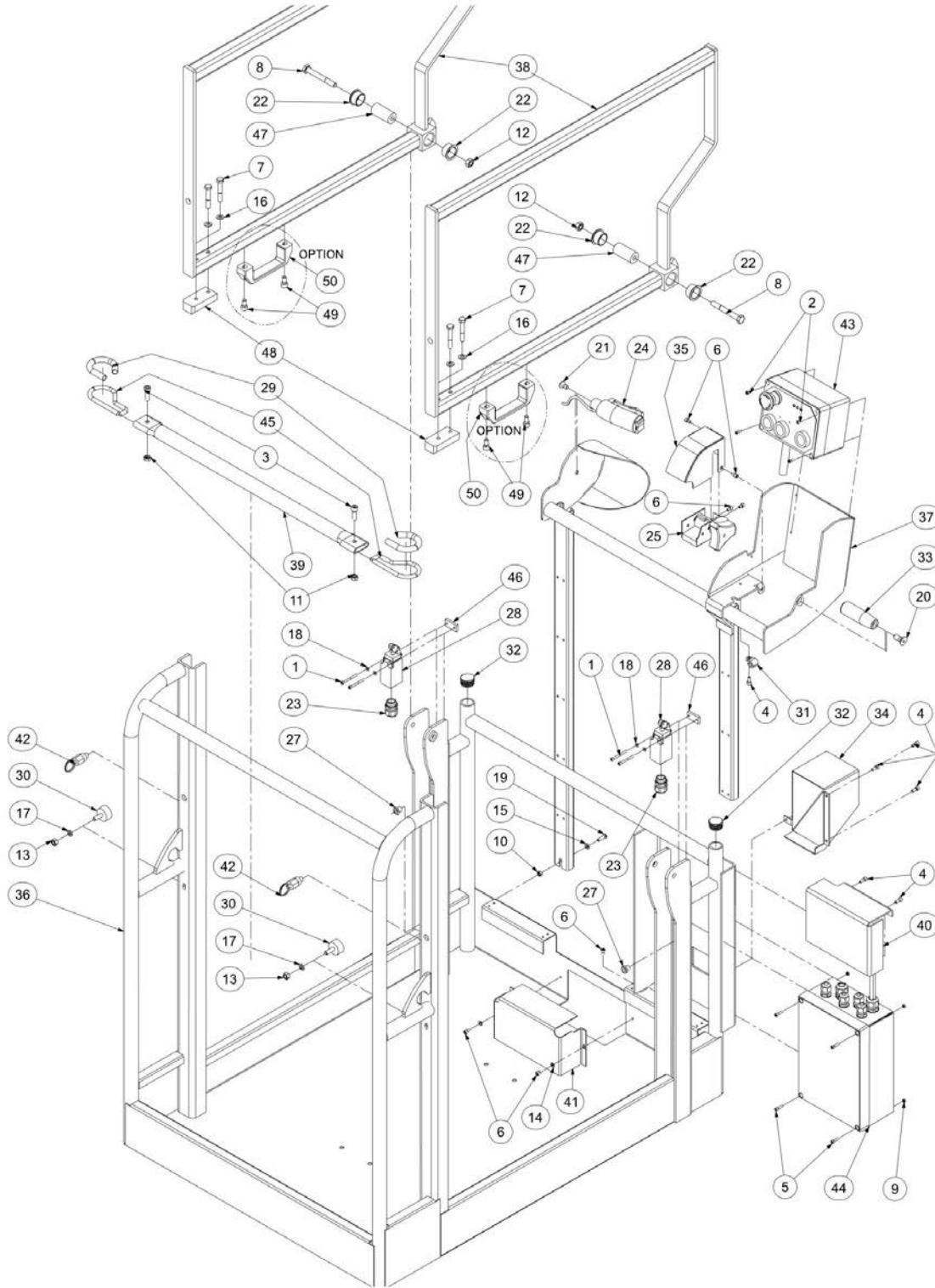
SECTION 6 - PLATFORM INSTALL / INSTALLATION PLATE-FORME

FIGURE 6-3. JUNIOR 6DI - PLATFORM INSTALL / INSTALLATION PLATE-FORME

ITEM	PART NUMBER	QTY	DESCRIPTION	REV
		Ref	JUNIOR 6DI PLATFORM INSTALL; INFO - SP0942 / INSTALLATION PLATE-FORME JUNIOR 6DI; INFO - SP0942	
1	000018	8	M08x16 8.8 SOCKET HEAD MACH SCREW / VIS CHC M08x16 8.8 BI FT	
2	000078	4	M08x55 8.8 SOCKET HEAD CAPSCREW / VIS CHC M08x55 8.8 BI FP	
3	110030	8	M08 RECTANGULAR BASE NUT / ECROU A EMBASE RECTANGULAIRE M08	
4	120010	4	dD 08x18 LOCK WASHER / RONDELLE CONTACT dD 08x18 BI	
5	120021	8	HELICAL SPRING LOCK WASHER Ø8 / RONDELLE GROWER Ø8 BI	
6	130009	4	SHEET METAL SCREW Ø6.5x16 / VIS A TOLE Ø6.5x16	
7	130013	4	M08x16 CROSS PAN HEAD CAPSCREW / VIS BOMBEE FENDUE M08x16 BI FT	
8	7348000653	1	MANUAL BOX / BOITE PORTE DOCUMENTS	
9	DL0569	1	DI PLATFORM SUPPORT / SUPPORT PANIER DI	
10	ST1117	4	PLATFORM PLATE / FIXATION PANIER	
11	US0425	2	PLATFORM FIXATION BLOCK / PLAQUE SUPPORT PANIER	
12	US0426	2	PLATFORM FIXATION SPACER / ENTRETOISE SUPPORT PANIER	
13		Ref	JUNIOR 6DI PLATFORM ASSEMBLY; INFO - SP0943 / ASSEMBLAGE PLATE-FORME JUNIOR 6DI; INFO - SP0943	

SECTION 6 - PLATFORM INSTALL / INSTALLATION PLATE-FORME

FIGURE 6-4. JUNIOR 6DI - PLATFORM ASSEMBLY / ASSEMBLAGE PLATE-FORME



SECTION 6 - PLATFORM INSTALL / INSTALLATION PLATE-FORME

FIGURE 6-4. JUNIOR 6DI - PLATFORM ASSEMBLY / ASSEMBLAGE PLATE-FORME

ITEM	PART NUMBER	QTY	DESCRIPTION	REV
		Ref	JUNIOR 6DI PLATFORM ASSEMBLY; INFO - SP0943 / ASSEMBLAGE PLATE-FORME JUNIOR 6DI; INFO - SP0943	
1	000032	4	M04x40 8.8 SOCKET HEAD CAPSCREW / CHC M04x	
2	000050	4	M04x10 8.8 SOCKET HEAD MACH SCREW / VIS CHC M04x10 8.8 BI FT	
3	000053	2	M08x25 8.8 SOCKET HEAD MACH SCREW / VIS CHC M08x25 8.8 BI FT	
4	000067	6	M05x12 8.8 SOCKET HEAD MACH SCREW / VIS CHC M05x12 8.8 BI FT	
5	000085	4	M04x16 8.8 SOCKET HEAD MACH SCREW / VIS CHC M04x16 8.8 BI FT	
6	000089	7	M05x08 8.8 SOCKET HEAD MACH SCREW / VIS CHC M05x08 8.8 BI FT	
7	100007	4	M08x50 8.8 HEX HEAD CAPSCREW / VIS H M08x50 8.8 BI FP	
8	100091	2	M10x80 8.8 HEX HEAD CAPSCREW / VIS H M10x80 8.8 BI FP	
9	110001	4	M04 GR08 LOCK NUT / ECROU FREIN M4 CL08 BI	
10	110003	1	M06 GR08 LOCK NUT / ECROU FREIN M6 CL08 BI	
11	110004	2	M08 GR08 LOCK NUT / ECROU FREIN M8 CL08 BI	
12	110005	2	M10 GR08 LOCK NUT / ECROU FREIN M10 CL08 BI	
13	110016	2	M08 GR08 HEX NUT / ECROU H M08 CL08 BI	
14	120002	2	M05 WASHER / RONDELLE M05 BI	
15	120009	1	dD 06x14 LOCK WASHER / RONDELLE CONTACT dD 06x14 BI	
16	120010	4	dD 08x18 LOCK WASHER / RONDELLE CONTACT dD 08x18 BI	
17	120021	2	HELICAL SPRING LOCK WASHER Ø8 / RONDELLE GROWER Ø8 BI	
18	120024	4	M4 LOCK WASHER / RONDELLE CONTACT M4 BI	
19	130021	1	M06x20 8.8 ROUND HEAD MACH SCREW / VIS BOMBEE ULF M06x20 8.8 BI FT	
20	130030	1	M010x25 10.9 COUNTERSUNK HEAD M. S. / VIS FHC M10x25 10.9 BI FT	
21	130053	1	M08x16 8.8 COUNTERSUNK HEAD M. S. / VIS FHC M08x16 8.8 BI FT	
22	150039	4	FLANGE BUSHING Ø25 H16.5 DU / BAGUE EPAULEE Ø25 H16.5 DU	
23	210062	2	CROUZET - GLAND N°13 Ø5 IP65 / CROUZET-PRESSE ETOUPE N°13 Ø5 IP65	
23	210018	2	TELEMECA - GLAND N°11 / TELEMECA - PRESSE ETOUPE N°11	
24	240086	1	STEERING HANDLE / POIGNEE DE DIRECTION	
25	240091	1	CONTROL HANDLE / POIGNEE DE COMMANDE	
25	920075	1	GRENN HANDLE / PAPILLON VERT	
27	250051	2	CHANNEL D11.5 / PASSE FIL D11.5	
28	260182	2	CROUZET - SWITCH / CROUZET - CAPTEUR	
28	260324	2	TELEMECA - SWITCH / TELEMECA - CAPTEUR	
29	280023	2 x0.18	PROTECTION SLEEVE (quantity in meter) / GAINÉ DE PROTECTION (qté en mètre)	
30	400015	2	BUMPER / BUTEE ELASTIQUE	
31	400034	1	COLLAR / COLLIER	
32	400048	2	CAP / BOUCHON	
33	400089	1	PLASTIC HANDLE / POIGNEE PLASTIQUE	
34	DL0747	1	CONNECTORS COVER / CAPOTS CONNECTEURS	
35	DL0754	1	DRIVE HANDLE COVER / CAPOT POIGNEE TRANSLATION	
36	FX204-001	1	WELDED PLATFORM / STRUCTURE PLATE-FORME	

SECTION 6 - PLATFORM INSTALL / INSTALLATION PLATE-FORME

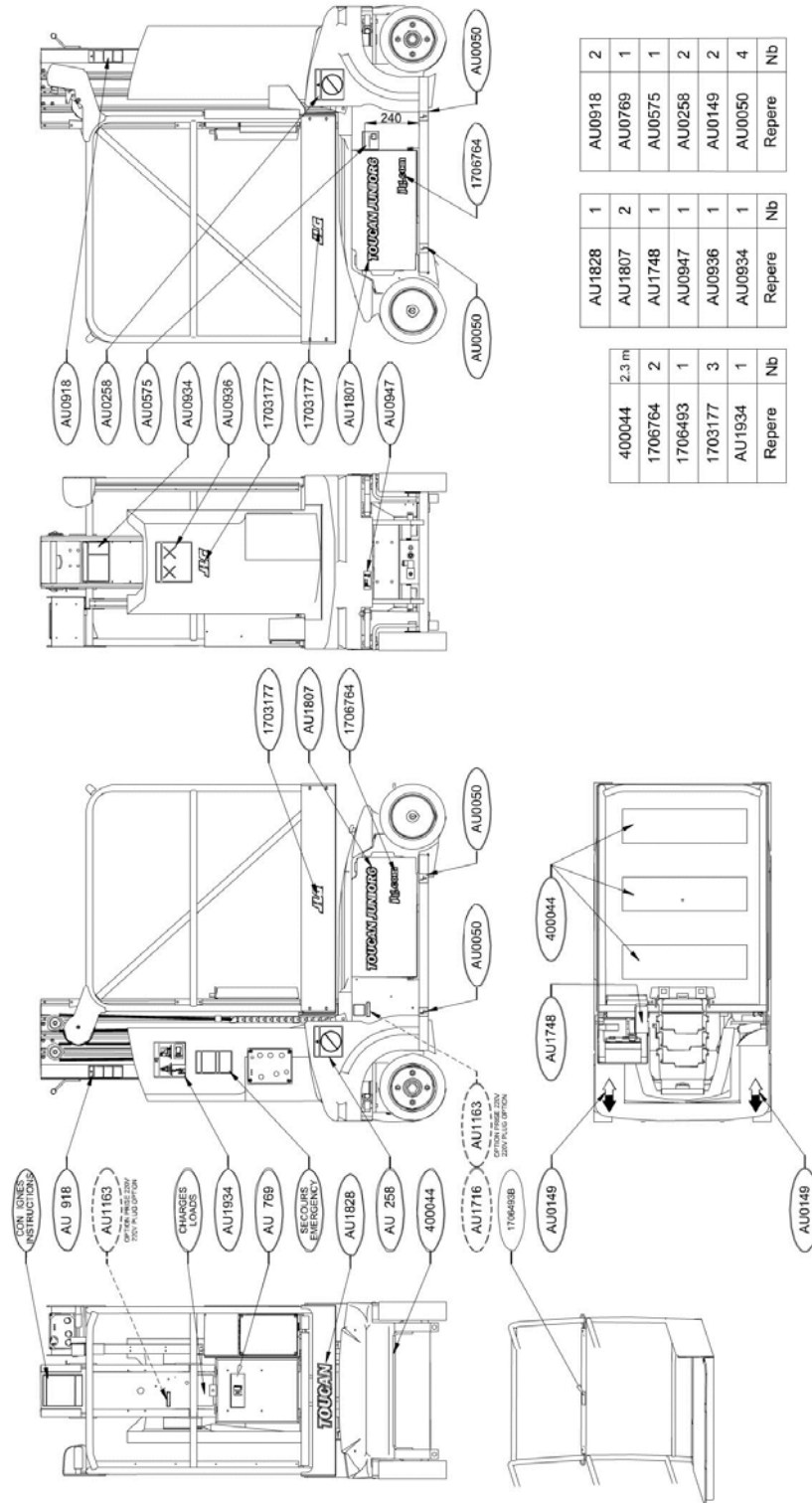
ITEM	PART NUMBER	QTY	DESCRIPTION	REV
37	FX204-018	1	HANDLE CONTROL / GUIDON DE COMMANDE	
38	FX204-019	2	LATERAL GATE / PORTE LATERALE	
39	FX204-024	1	SLIDING GATE / PORTE COULISSANTE	
40	FX204-025	1	CABLE COVER / CAPOT CABLES	
41	FX204-026	1	PLATFORM FLOOR COVER / CAPOT PLANCHER PLATE-FORME	
42	SE0308	2	LOCKING PIN / INDEX	
43		Ref	UPPER CONTROL BOX ASSEMBLY; INFO - SECTION 2 / ASSEMBLAGE BOITIER HAUT; INFO - SECTION 2	
44		Ref	BOARD BOX ASSEMBLY; INFO - SECTION 2 / ASSEMBLAGE BOITIER CARTE; INFO - SECTION 2	
45	ST0736	2	SLIDING GATE LOOP / ANNEAU PORTILLON	
46	ST1971	2	STEERING SWITCH PLATE / CONTRE PLAQUE CAPTEUR DIRECTION	
47	ST3082	2	Ddh 25x10.5x50 SPACER / ENTRETOISE Ddh 25x10.5x50	
48	US0470	2	SLIDE BLOCK / PATIN	
49	000018	4	M08x16 8.8 SOCKET HEAD MACH SCREW / VIS CHC M08x16 8.8 BI FT	
50	400001	2	HANDLE; INFO - OPTION / POIGNEE; INFO - OPTION	

SECTION 7 - DECALS INSTALL / INSTALLATION AUTOCOLLANTS

SECTION 7 - DECALS INSTALL / INSTALLATION AUTOCOLLANTS

SECTION 7 - DECALS INSTALL / INSTALLATION AUTOCOLLANTS

FIGURE 7-1. JUNIOR 6B STD DECAL KIT / JEU AUTOCOLLANTS STD JUNIOR 6B (Junior 6B Prior to SN A130016505; Including A130016507)



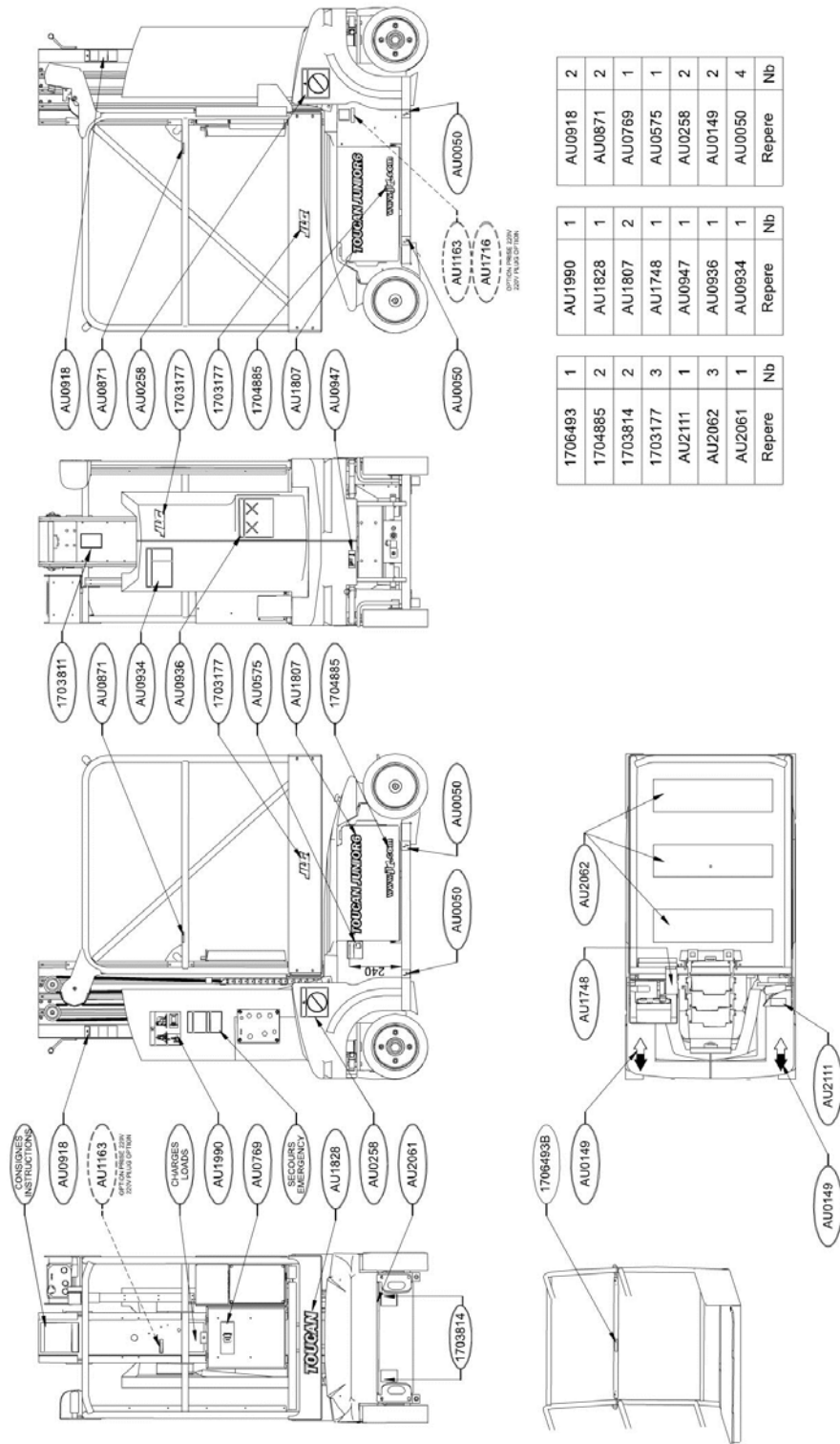
SECTION 7 - DECALS INSTALL / INSTALLATION AUTOCOLLANTS

FIGURE 7-1. JUNIOR 6B STD DECAL KIT / JEU AUTOCOLLANTS STD JUNIOR 6B (Junior 6B Prior to SN A130016505; Including A130016507)

ITEM	PART NUMBER	QTY	DESCRIPTION	REV
	PA1004		JUNIOR 6B CE DECALS INSTALL; INFO - PA1004 / AUTOCOLLANTS JUNIOR 6B CE; INFO - PA1004 (Junior 6B Prior to SN A130016505; Including A130016507)	A
1	1703177	3	AU JLG / JLG AUTOCOLLANT	
2	1706764	2	JLG.COM DECAL / AUTOCOLLANT JLG.COM	
3	1706493	1	DROP BAR DECAL / AU RISQUE DE CHUTE SOUS-LISSE	
4	AU0050	4	DECAL, FORK POSITION / AU REP PRISE FOURCHE	
5	AU0149	2	DECAL REP DRIVE DIR FIG T100U / AU REP SENS MARCHÉ FIG T100 US	
6	AU0258	2	DECAL KARCHER TOUCAN 10 FR / AU KARCHER TOUCAN 10 FR	
7	AU0575	1	DECAL RESERVOIR PM / AU RESERVOIR PM PUSH	
8	AU0769	1	DECAL DOCUMENT BOX T800 / AU PORTE-DOCUMENTS T800	
9	Not Required	0	NOT REQUIRED / NON REQUIS	
10	AU0918	2	DECAL, CRUSHING HAZARD TJ6 CE / AU RISQUE ECRASEMENTS TJ6 CE	
11	AU0934	1	DECAL, DANGER TJ6 CE / AU DANGER TJ6 CE	
12	AU0936	1	DECAL, FORK INSERT TJ6 / AU INSERTIONS FOURCHES TJ6	
13	AU0947	1	DECAL, MANUAL VALVE TJ6 CE / AU VANNE MANUELLE TJ6 CE	
14	AU1748	1	DRIVE DECAL / AU TRANSLATION	
15	AU1807	2	JUNIOR6 JLG DESIGN / JUNIOR6 CHARTE JLG	
16	AU1828	1	TOUCAN FRONT BASKET DUO AND JUNIOR / LOGO TOUCAN AV PANIER DUO ET JUNIOR	
17	AU1934	1	DECAL TIE DOWN AND LIFTING JUNIOR / ARRIMAGE ELINGUAGE JUNIOR/DUO	
18	400044	2.3	BLACK NON SLIP STRIP WIDTH 15cm / BANDE ANTIDERAPANTE NOIRE Larg. 15cm	

SECTION 7 - DECALS INSTALL / INSTALLATION AUTOCOLLANTS

FIGURE 7-2. JUNIOR 6B STD DECAL KIT / JEU AUTOCOLLANTS STD JUNIOR 6B (Junior 6B SN A130016508 to Present; Including A130016505 and A130016506)



1706493	1	AU1990	1	AU0918	2
1704885	2	AU1828	1	AU0871	2
1703814	2	AU1807	2	AU0769	1
1703177	3	AU1748	1	AU0575	1
AU2111	1	AU0947	1	AU0258	2
AU2062	3	AU0936	1	AU0149	2
AU2061	1	AU0934	1	AU0050	4
Repeate	Nb	Repeate	Nb	Repeate	Nb

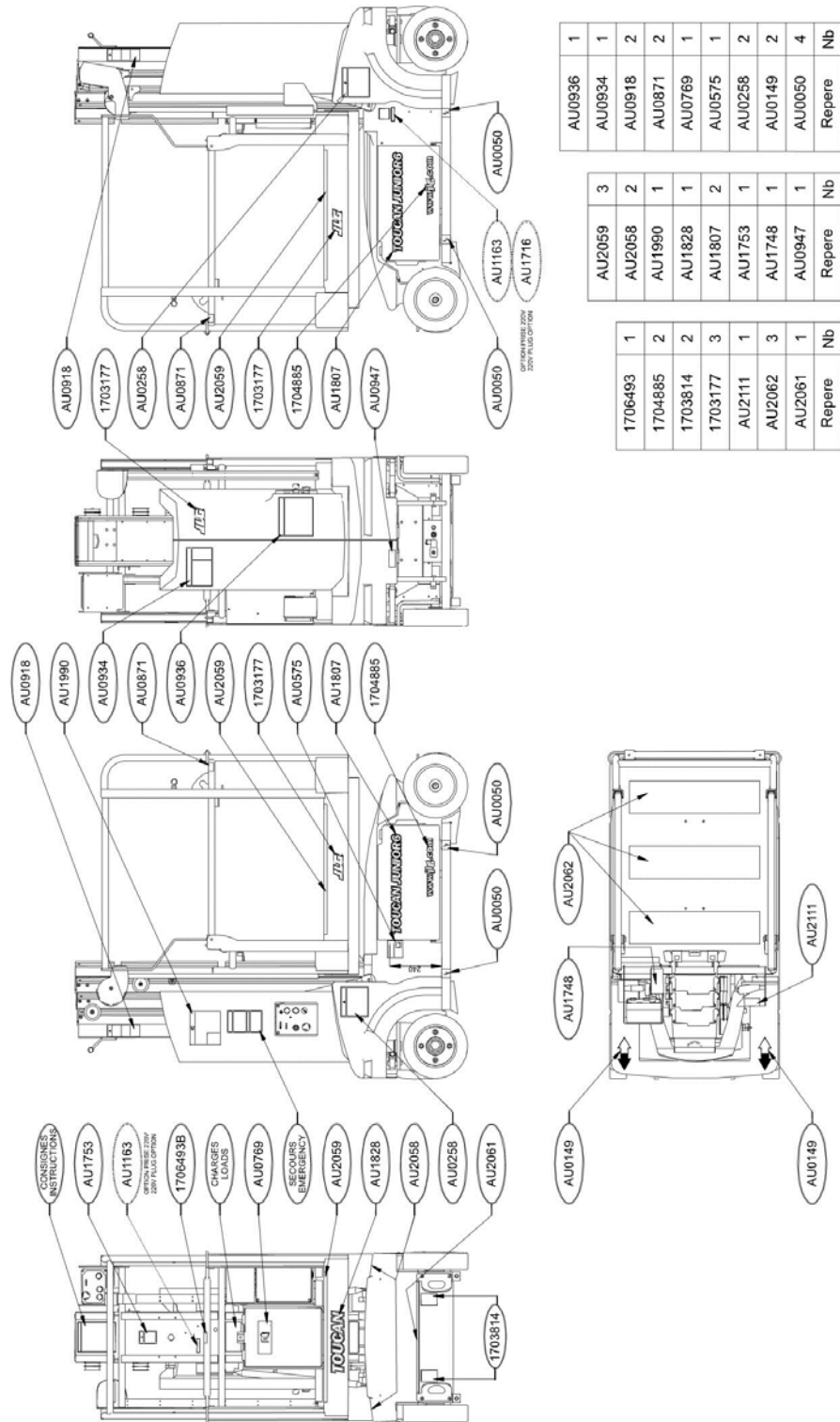
SECTION 7 - DECALS INSTALL / INSTALLATION AUTOCOLLANTS

FIGURE 7-2. JUNIOR 6B STD DECAL KIT / JEU AUTOCOLLANTS STD JUNIOR 6B (Junior 6B SN A130016508 to Present; Including A130016505 and A130016506)

ITEM	PART NUMBER	QTY	DESCRIPTION	REV
	PA1004		JUNIOR 6B CE DECALS INSTALL; INFO - PA1004 / AUTOCOLLANTS JUNIOR 6B CE; INFO - PA1004 (Junior 6B SN A130016508 to Present; Including A130016505 and A130016506)	D
1	1703177	3	AU JLG / JLG AUTOCOLLANT	
2	1703814	2	DECAL, TIE DOWN / AUTOCOLLANT, ARRIMAGE	C
3	1704885	2	WWW.JLG.COM DECAL / AUTOCOLLANT WWW.JLG.COM	B
4	1706493	1	DROP BAR DECAL / AU RISQUE DE CHUTE SOUS-LISSE	
5	AU0050	4	DECAL, FORK POSITION / AU REP PRISE FOURCHE	
6	AU0149	2	DECAL REP DRIVE DIRECTION / AU REP SENS MARCHÉ	
7	AU0258	2	DECAL KARCHER / AU KARCHER	
8	AU0575	1	DECAL RESERVOIR PM / AU RESERVOIR PM PUSH	
9	AU0769	1	DECAL DOCUMENT BOX / AU PORTE-DOCUMENTS	
10	AU0871	2	WEAR BODY HARNESS / HARNAIS DE SECURITE	B
11	AU0918	2	DECAL, CRUSHING HAZARD TJ6 CE / AU RISQUE ECRASEMENTS TJ6 CE	
12	AU0934	1	DECAL, DANGER TJ6 CE / AU DANGER TJ6 CE	
13	AU0936	1	DECAL, FORK INSERT TJ6 / AU INSERTIONS FOURCHES TJ6	
14	AU0947	1	DECAL, MANUAL VALVE TJ6 CE / AU VANNE MANUELLE TJ6 CE	
15	AU1748	1	DRIVE DECAL / AU TRANSLATION	
16	AU1807	2	JUNIOR6 JLG DESIGN / JUNIOR6 CHARTE JLG	
17	AU1828	1	TOUCAN FRONT BASKET DUO AND JUNIOR / LOGO TOUCAN AV PANIER DUO ET JUNIOR	
18	AU1990	1	TRANSPORT INSTRUCTIONS / INSTRUCTIONS DE TRANSPORT	C
20	AU2061	1	ADHESIVE ANTI-SKID BAND (150x482) / BANDE ADHESIVE ANTIDERAPANTE (150x482)	C
21	AU2062	3	ADHESIVE ANTI-SKID BAND (150x600) / BANDE ADHESIVE ANTIDERAPANTE (150x600)	B
22	AU2111	1	DECAL, STEERING CONTROL / AUTOCOLLANT COMMANDE DIRECTION	D
23	1703811	1	DECAL,LIFTING LUG / AUTOCOLLANT, ANNEAU DE LEVAGE	D

SECTION 7 - DECALS INSTALL / INSTALLATION AUTOCOLLANTS

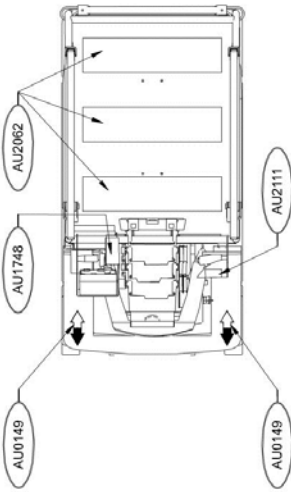
FIGURE 7-3. JUNIOR 6 DI STD DECAL KIT / JEU AUTOCOLLANTS STD JUNIOR 6 DI



AU0936	1
AU0934	1
AU0918	2
AU0871	2
AU0769	1
AU0575	1
AU0258	2
AU0149	2
AU0050	4
Repere	Nb

AU2059	3
AU2058	2
AU1990	1
AU1828	1
AU1807	2
AU1753	1
AU1748	1
AU0947	1
Repere	Nb

1706493	1
1704885	2
1703814	2
1703177	3
AU2111	1
AU2062	3
AU2061	1
Repere	Nb



SECTION 7 - DECALS INSTALL / INSTALLATION AUTOCOLLANTS

FIGURE 7-3. JUNIOR 6 DI STD DECAL KIT / JEU AUTOCOLLANTS STD JUNIOR 6 DI

ITEM	PART NUMBER	QTY	DESCRIPTION	REV
	FX204-027		JUNIOR 6 DI CE STD DECALS INSTALL; INFO - FX204-027 / AUTOCOLLANTS STD JUNIOR 6 DI CE; INFO - FX204-027	A
1	1703177	3	AU JLG / JLG AUTOCOLLANT	
2	1703814	2	DECAL, TIE DOWN / AUTOCOLLANT, ARRIMAGE	
3	1704885	2	WWW.JLG.COM DECAL / AUTOCOLLANT WWW.JLG.COM	
4	1706493	1	DECAL, DROP BAR / AU RISQUE DE CHUTE SOUS-LISSE	
5	AU0050	4	DECAL, FORK POSITION / AU REP PRISE FOURCHE	
6	AU0149	2	DECAL REP DRIVE DIRECTION / AUTOCOLLANT, REP SENS MARCHE	
7	AU0258	2	DECAL KARCHER / AU KARCHER	
8	AU0575	1	DECAL RESERVOIR PM / AU RESERVOIR PM PUSH	
9	AU0769	1	DECAL DOCUMENT BOX / AU PORTE-DOCUMENTS	
10	AU0871	2	WEAR BODY HARNESS / HARNAIS DE SECURITE	
11	AU0918	2	DECAL, CRUSHING HAZARD TJ6 CE / AU RISQUE ECRASEMENTS TJ6 CE	
12	AU0934	1	DECAL, DANGER TJ6 CE / AU DANGER TJ6 CE	
13	AU0936	1	DECAL, FORK INSERT TJ6 / AU INSERTIONS FOURCHES TJ6	
14	AU0947	1	DECAL, MANUAL VALVE TJ6 CE / AU VANNE MANUELLE TJ6 CE	
15	AU1748	1	DRIVE DECAL / AU TRANSLATION	
16	AU1753	1	T800 DI LOAD TRANSFERT DECAL / AU TRANSFERT DE CHARGE T800DI	
17	AU1807	2	JUNIOR6 JLG DESIGN / JUNIOR6 CHARTE JLG	
18	AU1828	1	TOUCAN FRONT BASKET DUO AND JUNIOR / LOGO TOUCAN AV PANIER DUO ET JUNIOR	
19	AU1990	1	TRANSPORT INSTRUCTIONS / INSTRUCTIONS DE TRANSPORT	
20	AU2058	2	ADHESIVE ANTI-SKID BAND (150x350) / BANDE ADHESIVE ANTIDERAPANTE (150x350)	
21	AU2059	3	ADHESIVE ANTI-SKID BAND (50x600) / BANDE ADHESIVE ANTIDERAPANTE (50x600)	
22	AU2061	1	ADHESIVE ANTI-SKID BAND (150x482) / BANDE ADHESIVE ANTIDERAPANTE (150x482)	
23	AU2062	3	ADHESIVE ANTI-SKID BAND (150x600) / BANDE ADHESIVE ANTIDERAPANTE (150x600)	
24	AU2111	1	DECAL, STEERING CONTROL / AUTOCOLLANT COMMANDE DIRECTION	A

SECTION 7 - DECALS INSTALL / INSTALLATION AUTOCOLLANTS

FIGURE 7-4. JUNIOR 6B COUNTRIES DECAL KIT / JEU AUTOCOLLANTS PAYS JUNIOR 6B

Toucan Junior 6B	INSTRUCTIONS /CONSIGNES	LOAD/CHARGE	EMERGENCY /SECOURS
Belgium / Belgique	AU1987	AU1479	AU1150
	PA1023		
Denmark / Danemark	AU2003	AU1482	AU1079
	PA1026		
Dutch / Hollande	AU1984	AU1477	AU1022
	PA1019		
Finland / Finlande	AU2005	AU1534	AU1019
	PA1028		
France	AU1957	AU1428	AU0932
	PA1005		
Germany / Allemagne Austria / Autriche	AU1983	AU1475	AU1017
	PA1021		
Italy / Italie	AU2006	AU1467	AU1016
	PA1029		
Norway / Norvège	AU2007	AU1921	AU1783
	PA1030		
Portugal	AU2008	AU1959	AU1027
	PA1031		
Spain / Espagne	AU2004	AU1481	AU1024
	PA1027		
Sweden / Suède	AU1967	AU1461	AU1030
	PA1012		
UK / Royaume Uni	AU1968	AU1462	AU0923
	PA1017		

PAxxxx = JEU COMPLET / COMPLETE KIT

SECTION 7 - DECALS INSTALL / INSTALLATION AUTOCOLLANTS

FIGURE 7-4. JUNIOR 6B COUNTRIES DECAL KIT / JEU AUTOCOLLANTS PAYS JUNIOR 6B

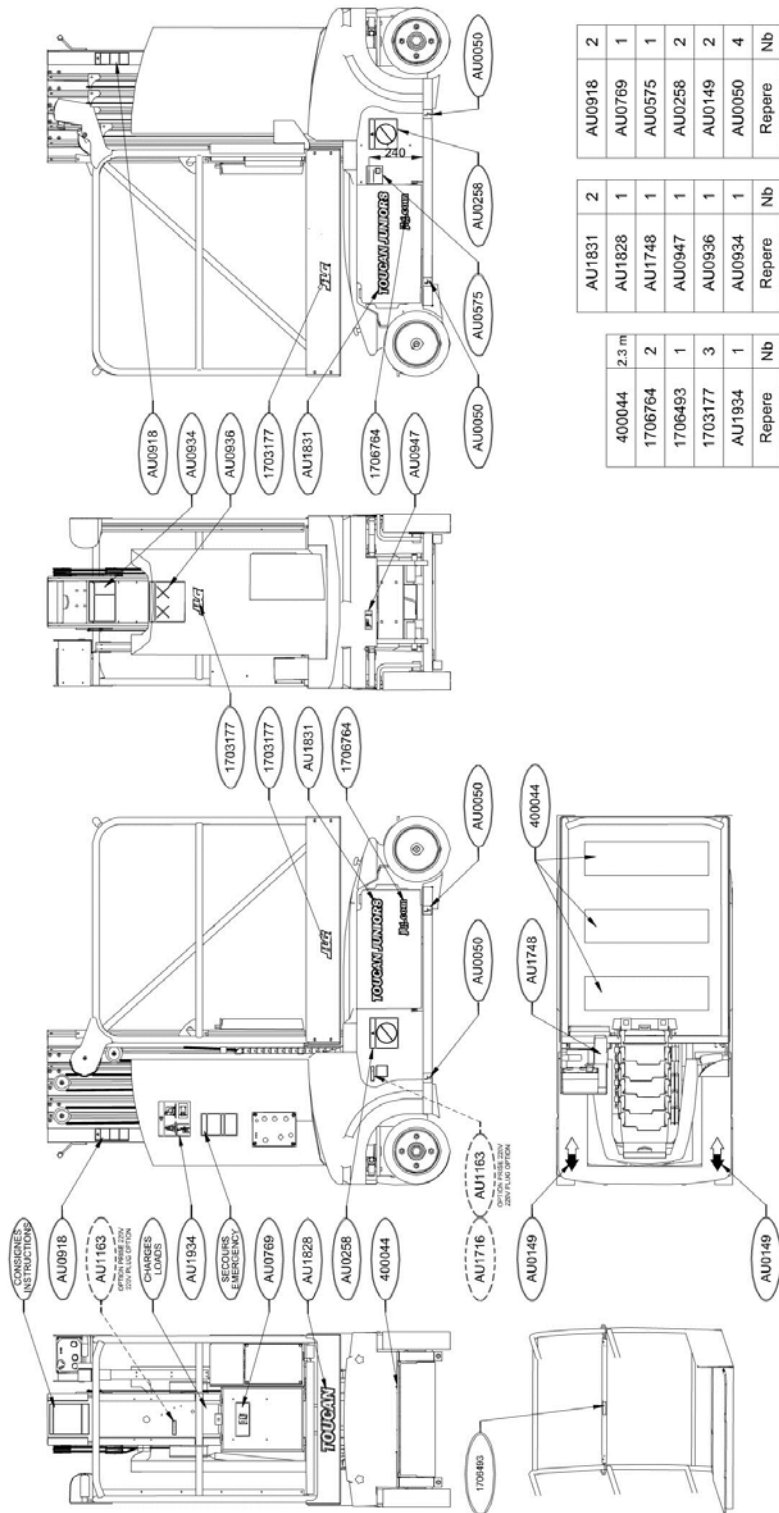
ITEM	PART NUMBER	QTY	DESCRIPTION	REV
		Ref	TOUCAN JUNIOR 6B COUNTRIES DECAL KIT; INFO - TPA1004 / AUTOCOLLANTS PAYS TOUCAN JUNIOR 6B; INFO - TPA1004	
1	AU0923	1	DECAL, EMERGENCY CONTROLS ENGLISH / AU MANOEUVRE URGENCE ANGLAIS	
2	AU0932	1	DECAL, EMERGENCY CONTROLS FRANCE / AU MANOEUVRE URGENCE FRANCE	
3	AU1016	1	DECAL EMERGENCY CONTROLS ITALY / AU MANOEUVRE URGENCE ITALIEN	
4	AU1017	1	DECAL EMERG CONTROLS GERMANY / AU MANOEUVRE URGENCE ALLEMAND	
5	AU1019	1	DECAL EMERG CONTROLS FINLAND / AU MANOEUVRE URGENCE FINLANDE	
6	AU1022	1	DECAL EMERG CONTROLS NETHERLANDS / AU MANOEUVRE URGENCE HOLLANDE	
7	AU1024	1	DECAL EMERG JUNIOR SPAIN / AU MANOEUVRE URGENCE ESPAGNE	
8	AU1027	1	DECAL EMERG JUNIOR PORTUGAL / AU MANOEUVRE URGENCE PORTUGAL	
9	AU1030	1	DECAL EMERG JUNIOR SWEDEN / AU MANOEUVRE URGENCE SUEDE	
10	AU1079	1	DECAL EMERG JUNIOR DANISH / AU MANOEUVRE URGENCE DANOIS	
11	AU1150	1	DECAL EMERG JUNIOR BELGIUM / AU MANOEUVRE URGENCE Belgique	
12	AU1428	1	LOADS DECAL JUNIOR 6 FRANCE / AU CHARGES JUNIOR 6 FRANCE	
13	AU1461	1	LOAD DECAL JUNIOR 6 SWEDEN / AU CHARGES JUNIOR 6 SUEDE	
14	AU1462	1	LOAD DECAL JUNIOR 6 UK / AU CHARGES JUNIOR 6 ANGLETERRE	
15	AU1467	1	DECAL, LOAD JUNIOR 6 ITALY / AU CHARGES JUNIOR 6 ITALIE	
16	AU1475	1	DECAL LOAD JUNIOR 6 GERMANY / AU CHARGES JUNIOR 6 ALLEMAGNE	
17	AU1477	1	DECAL LOAD JUNIOR 6 NETHERLANDS / AU CHARGES JUNIOR 6 HOLLANDE	
18	AU1479	1	DECAL LOAD JUNIOR 6 BELG (FR/NL) / AU CHARGES JUNIOR 6 BELG.(FR/NL)	
19	AU1481	1	DECAL LOAD JUNIOR 6 SPAIN / AU CHARGES JUNIOR 6 ESPAGNE	
20	AU1482	1	DECAL LOAD JUNIOR 6 DENMARK / AU CHARGES JUNIOR 6 DANEMARK	
21	AU1534	1	DECAL LOAD JUNIOR 6 FINLAND / AU CHARGES JUNIOR 6 FINLANDE	
22	AU1783	1	DECAL EMERG JUNIOR NORWAY / AU MANOEUVRE URGENCE NORVEGE	
23	AU1921	1	DECAL LOAD JUNIOR 6 NORVEGIAN / AU CHARGES JUNIOR 6 NORVEGE	
24	AU1957	1	INSTRUCTIONS JUNIOR 6B FRANCE / CONSIGNES JUNIOR 6B FRANCE	
25	AU1959	1	LOADS JUNIOR 6 PORTUGAL / CHARGES JUNIOR 6 PORTUGAL	
26	AU1967	1	INSTRUCTIONS JUNIOR 6B SWEDEN / CONSIGNES JUNIOR 6B SUEDE	
27	AU1968	1	INSTRUCTIONS JUNIOR 6B GB / CONSIGNES JUNIOR 6B ANGLETERRE	

SECTION 7 - DECALS INSTALL / INSTALLATION AUTOCOLLANTS

ITEM	PART NUMBER	QTY	DESCRIPTION	REV
28	AU1983	1	INSTRUCTIONS JUNIOR 6B DEUTSCHLAND / CONSIGNES JUNIOR 6B ALLEMAGNE	
29	AU1984	1	INSTRUCTIONS JUNIOR 6B NETHERLANDS / CONSIGNES JUNIOR 6B HOLLANDE	
30	AU1987	1	INSTRUCTIONS JUNIOR 6B BELGIUM FRNL / CONSIGNES JUNIOR 6B BELGE FR/NL	
31	AU2003	1	INSTRUCTIONS JUNIOR 6B DENMARK / CONSIGNES JUNIOR 6B DANEMARK	
32	AU2004	1	INSTRUCITONS JUNIOR 6B SPAIN / CONSIGNES JUNIOR 6B ESPAGNE	
33	AU2005	1	INSTRUCTION JUNIOR 6B FINLAND / CONSIGNES JUNIOR 6B FINLANDE	
34	AU2006	1	INSTRUCTIONS JUNIOR 6B ITALY / CONSIGNES JUNIOR 6B ITALIE	
35	AU2007	1	INSTRUCTIONS JUNIOR 6B NORWAY / CONSIGNES JUNIOR 6B NORVEGE	
36	AU2008	1	INSTRUCTIONS JUNIOR 6B PORTUGAL / CONSIGNES JUNIOR 6B PORTUGAL	
37	PA1005	1	JUNIOR 6B FRENCH DECALS / AUTOCOLLANTS JUNIOR 6B-FRANCE	
38	PA1012	1	JUNIOR 6B SWEDISH DECALS / AUTOCOLLANTS JUNIOR 6B-SUEDE	
39	PA1017	1	JUNIOR 6B ENGLISH DECALS / AUTOCOLLANTS JUNIOR 8B-ANGLETERRE	
40	PA1019	1	JUNIOR 6B DUTCH DECALS / AUTOCOLLANTS JUNIOR 6B-HOLLANDE	
41	PA1021	1	JUNIOR 6B GERMAN DECALS / AUTOCOLLANTS JUNIOR 6B-ALLEMAND	
42	PA1023	1	JUNIOR 6B BELGIUM DECALS / AUTOCOLLANTS JUNIOR 6B-Belgique	
43	PA1026	1	JUNIOR 6B DENMARK DECALS / AUTOCOLLANTS JUNIOR 6B-DANEMARK	
44	PA1027	1	JUNIOR 6B SPANISH DECALS / AUTOCOLLANTS JUNIOR 6B-ESPAGNE	
45	PA1028	1	JUNIOR 6B FINISH DECALS / AUTOCOLLANTS JUNIOR 6B-FINLANDE	
46	PA1029	1	JUNIOR 6B ITALIAN DECALS / AUTOCOLLANTS JUNIOR 6B-ITALIE	
47	PA1030	1	JUNIOR 6B NORWEGIAN DECALS / AUTOCOLLANTS JUNIOR 6B-NORVEGE	
48	PA1031	1	JUNIOR 6B PORTUGISH DECALS / AUTOCOLLANTS JUNIOR 6B-PORTUGAL	

SECTION 7 - DECALS INSTALL / INSTALLATION AUTOCOLLANTS

FIGURE 7-5. JUNIOR 8B STD DECAL KIT / JEU AUTOCOLLANTS STD JUNIOR 8B (Junior 8B Prior to SN A130019210)



AU0918	2
AU0769	1
AU0575	1
AU0258	2
AU0149	2
AU0050	4
Repare	Nb

AU1831	2
AU1828	1
AU1748	1
AU0947	1
AU0936	1
AU0934	1
Repare	Nb

400044	2.3 m
1706764	2
1706493	1
1703177	3
AU1934	1
Repare	Nb

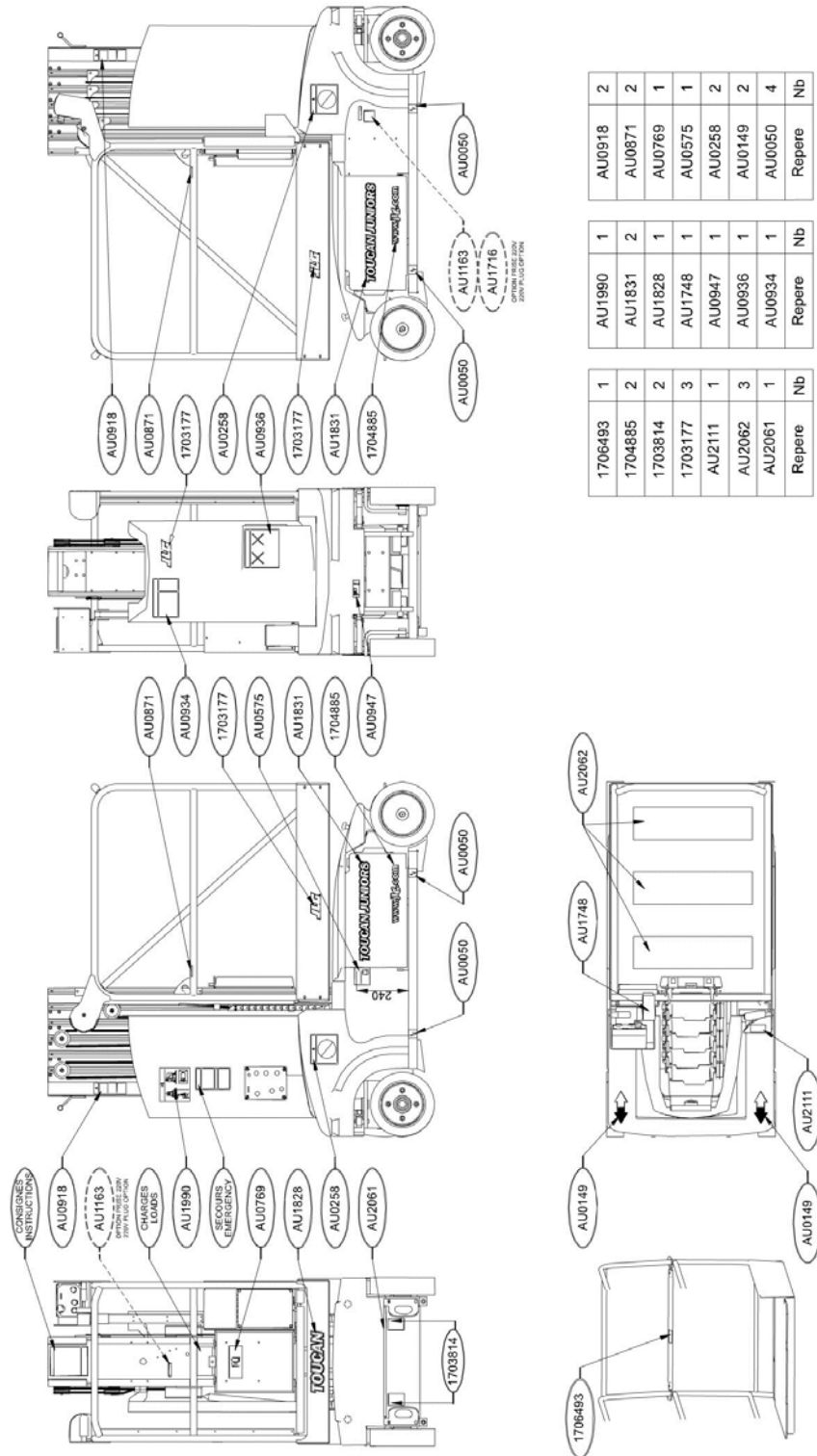
SECTION 7 - DECALS INSTALL / INSTALLATION AUTOCOLLANTS

FIGURE 7-5. JUNIOR 8B STD DECAL KIT / JEU AUTOCOLLANTS STD JUNIOR 8B (Junior 8B Prior to SN A130019210)

ITEM	PART NUMBER	QTY	DESCRIPTION	REV
	PA1010		JUNIOR 8B CE DECALS INSTALL; INFO - PA1010 / AUTOCOLLANTS JUNIOR 8B CE; INFO - PA1010 (Junior 8B Prior to SN A130019210)	A
1	1703177	3	AU JLG / JLG AUTOCOLLANT	
2	1706764	2	JLG.COM DECAL / AUTOCOLLANT JLG.COM	
3	1706493	1	DROP BAR DECAL / AU RISQUE DE CHUTE SOUS-LISSE	
4	AU0050	4	DECAL, FORK POSITION / AU REP PRISE FOURCHE	
5	AU0149	2	DECAL REP DRIVE DIRECTION / AU REP SENS MARCHE	
6	AU0258	2	DECAL KARCHER / AU KARCHER	
7	AU0575	1	DECAL RESERVOIR PM / AU RESERVOIR PM PUSH	
8	AU0769	1	DECAL DOCUMENT BOX / AU PORTE-DOCUMENTS	
9	Not Required	0	NOT REQUIRED / NON REQUIS	
10	AU0918	2	DECAL, CRUSHING HAZARD TJ6 CE / AU RISQUE ECRASEMENTS TJ6 CE	
11	AU0934	1	DECAL, DANGER TJ6 CE / AU DANGER TJ6 CE	
12	AU0936	1	DECAL, FORK INSERT TJ6 / AU INSERTIONS FOURCHES TJ6	
13	AU0947	1	DECAL, MANUAL VALVE TJ6 CE / AU VANNE MANUELLE TJ6 CE	
14	AU1748	1	DRIVE DECAL / AU TRANSLATION	
15	AU1828	1	TOUCAN FRONT BASKET DUO AND JUNIOR / LOGO TOUCAN AV PANIER DUO ET JUNIOR	
16	AU1831	2	JUNIOR8 JLG DESIGN / JUNIOR8 CHARTE JLG	
17	AU1934	1	DECAL TIE DOWN AND LIFTING JUNIOR / ARRIMAGE ELINGUAGE JUNIOR/DUO	
18	400044	2.3	BLACK NON SLIP STRIP WIDTH 15cm / BANDE ANTIDERAPANTE NOIRE Larg. 15cm	

SECTION 7 - DECALS INSTALL / INSTALLATION AUTOCOLLANTS

FIGURE 7-6. JUNIOR 8B STD DECAL KIT / JEU AUTOCOLLANTS STD JUNIOR 8B (Junior 8B SN A130019210 through A130019337)



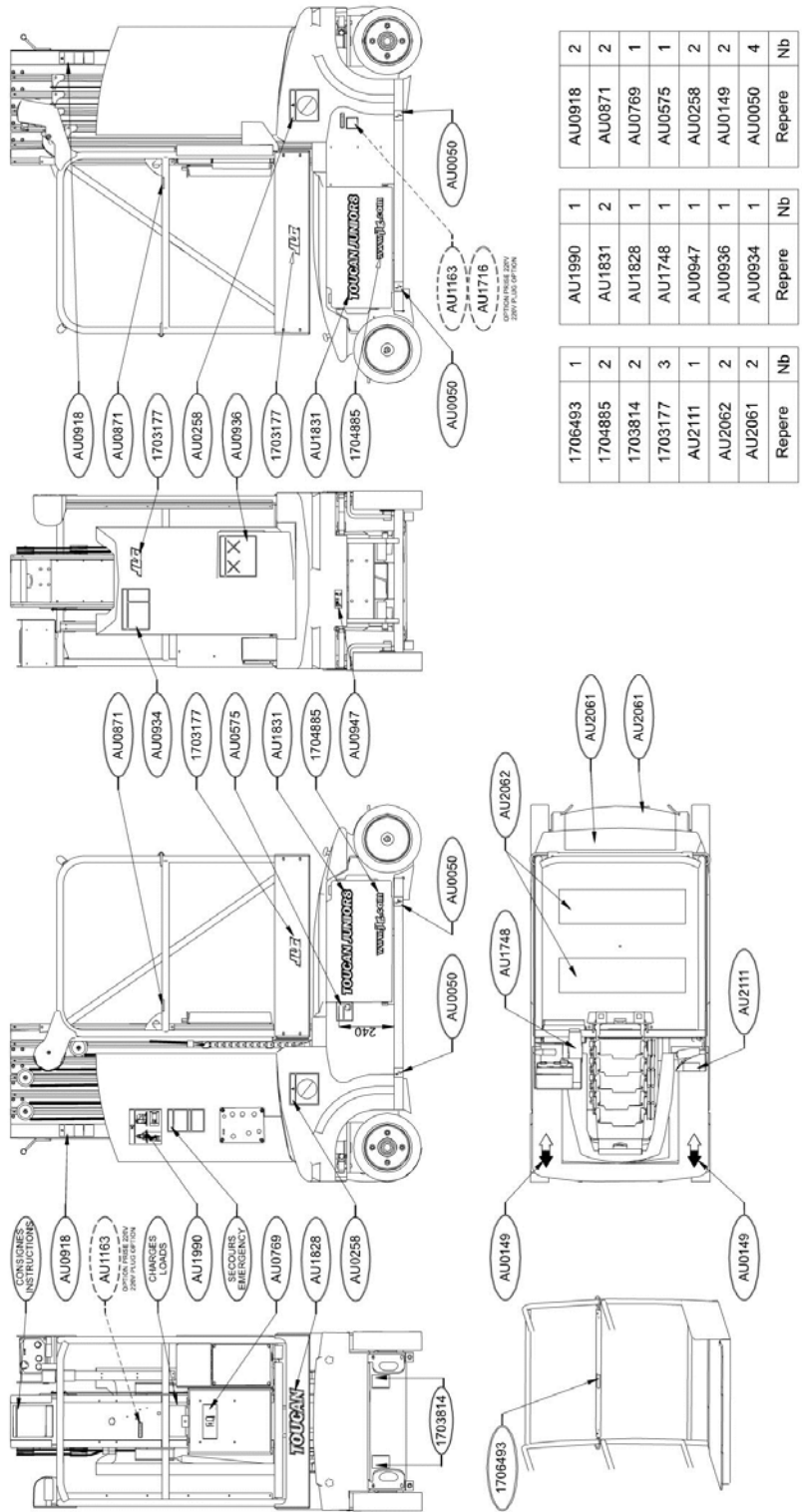
SECTION 7 - DECALS INSTALL / INSTALLATION AUTOCOLLANTS

FIGURE 7-6. JUNIOR 8B STD DECAL KIT / JEU AUTOCOLLANTS STD JUNIOR 8B (Junior 8B SN A130019210 through A130019337)

ITEM	PART NUMBER	QTY	DESCRIPTION	REV
	PA1010		JUNIOR 8B CE DECALS INSTALL; INFO - PA1010 / AUTOCOLLANTS JUNIOR 8B CE; INFO - PA1010 (Junior 8B SN A130019210 through A130019337)	D
1	1703177	3	AU JLG / JLG AUTOCOLLANT	
2	1703814	2	DECAL, TIE DOWN / AUTOCOLLANT, ARRIMAGE	C
3	1704885	2	WWW.JLG.COM DECAL / AUTOCOLLANT WWW.JLG.COM	B
4	1706493	1	DROP BAR DECAL / AU RISQUE DE CHUTE SOUS-LISSE	
5	AU0050	4	DECAL, FORK POSITION / AU REP PRISE FOURCHE	
6	AU0149	2	DECAL REP DRIVE DIRECTION / AU REP SENS MARCHÉ	
7	AU0258	2	DECAL KARCHER / AU KARCHER	
8	AU0575	1	DECAL RESERVOIR PM / AU RESERVOIR PM PUSH	
9	AU0769	1	DECAL DOCUMENT BOX / AU PORTE-DOCUMENTS	
10	AU0871	2	WEAR BODY HARNESS / HARNAIS DE SECURITE	B
11	AU0918	2	DECAL, CRUSHING HAZARD TJ6 CE / AU RISQUE ECRASEMENTS TJ6 CE	
12	AU0934	1	DECAL, DANGER TJ6 CE / AU DANGER TJ6 CE	
13	AU0936	1	DECAL, FORK INSERT TJ6 / AU INSERTIONS FOURCHES TJ6	
14	AU0947	1	DECAL, MANUAL VALVE TJ6 CE / AU VANNE MANUELLE TJ6 CE	
15	AU1748	1	DRIVE DECAL / AU TRANSLATION	
16	AU1828	1	TOUCAN FRONT BASKET DUO AND JUNIOR / LOGO TOUCAN AV PANIER DUO ET JUNIOR	
17	AU1831	2	JUNIOR8 JLG DESIGN / JUNIOR8 CHARTE JLG	
18	AU1990	1	TRANSPORT INSTRUCTIONS / INSTRUCTIONS DE TRANSPORT	C
20	AU2061	1	ADHESIVE ANTI-SKID BAND (150x482) / BANDE ADHESIVE ANTIDERAPANTE (150x482)	C
21	AU2062	3	ADHESIVE ANTI-SKID BAND (150x600) / BANDE ADHESIVE ANTIDERAPANTE (150x600)	B
22	AU2111	1	DECAL, STEERING CONTROL / AUTOCOLLANT COMMANDE DIRECTION	D

SECTION 7 - DECALS INSTALL / INSTALLATION AUTOCOLLANTS

FIGURE 7-7. JUNIOR 8B STD DECAL KIT / JUNIOR 8B JEU AUTOCOLLANTS STD JUNIOR 8B (Junior 8B SN A130019338 to Present)



AU0918	2
AU0871	2
AU0769	1
AU0575	1
AU0258	2
AU0149	2
AU0050	4
Repere	Nb

AU1990	1
AU1831	2
AU1828	1
AU1748	1
AU0947	1
AU0936	1
AU0934	1
Repere	Nb

1706493	1
1704885	2
1703814	2
1703177	3
AU2111	1
AU2062	2
AU2061	2
Repere	Nb

SECTION 7 - DECALS INSTALL / INSTALLATION AUTOCOLLANTS

**FIGURE 7-7. JUNIOR 8B STD DECAL KIT / JUNIOR 8B JEU AUTOCOLLANTS STD JUNIOR 8B
(Junior 8B SN A130019338 to Present)**

ITEM	PART NUMBER	QTY	DESCRIPTION	REV
	PA1083		JUNIOR 8B CE DECALS INSTALL; INFO - PA1083 / AUTOCOLLANTS JUNIOR 8B CE; INFO - PA1083 (Junior 8B SN A130019338 to Present)	
1	1703177	3	AU JLG / JLG AUTOCOLLANT	
2	1703814	2	DECAL, TIE DOWN / AUTOCOLLANT, ARRIMAGE	
3	1704885	2	WWW.JLG.COM DECAL / AUTOCOLLANT WWW.JLG.COM	
4	1706493	1	DROP BAR DECAL / AU RISQUE DE CHUTE SOUS-LISSE	
5	AU0050	4	DECAL, FORK POSITION / AU REP PRISE FOURCHE	
6	AU0149	2	DECAL REP DRIVE DIRECTION / AU REP SENS MARCHÉ	
7	AU0258	2	DECAL KARCHER / AU KARCHER	
8	AU0575	1	DECAL RESERVOIR PM / AU RESERVOIR PM PUSH	
9	AU0769	1	DECAL DOCUMENT BOX / AU PORTE-DOCUMENTS	
10	AU0871	2	WEAR BODY HARNESS / HARNAIS DE SECURITE	
11	AU0918	2	DECAL, CRUSHING HAZARD TJ6 CE / AU RISQUE ECRASEMENTS TJ6 CE	
12	AU0934	1	DECAL, DANGER TJ6 CE / AU DANGER TJ6 CE	
13	AU0936	1	DECAL, FORK INSERT TJ6 / AU INSERTIONS FOURCHES TJ6	
14	AU0947	1	DECAL, MANUAL VALVE TJ6 CE / AU VANNE MANUELLE TJ6 CE	
15	AU1748	1	DRIVE DECAL / AU TRANSLATION	
16	AU1828	1	TOUCAN FRONT BASKET DUO AND JUNIOR / LOGO TOUCAN AV PANIER DUO ET JUNIOR	
17	AU1831	2	JUNIOR8 JLG DESIGN / JUNIOR8 CHARTE JLG	
18	AU1990	1	TRANSPORT INSTRUCTIONS / INSTRUCTIONS DE TRANSPORT	
20	AU2061	2	ADHESIVE ANTI-SKID BAND (150x482) / BANDE ADHESIVE ANTIDERAPANTE (150x482)	
21	AU2062	2	ADHESIVE ANTI-SKID BAND (150x600) / BANDE ADHESIVE ANTIDERAPANTE (150x600)	
22	AU2111	1	DECAL, STEERING CONTROL / AUTOCOLLANT COMMANDE DIRECTION	

SECTION 7 - DECALS INSTALL / INSTALLATION AUTOCOLLANTS

FIGURE 7-8. JUNIOR 8B COUNTRIES DECAL KIT / JEU AUTOCOLLANTS PAYS JUNIOR 8B

Toucan Junior 8B	INSTRUCTIONS /CONSIGNES	LOAD/CHARGE	EMERGENCY /SECOURS
Belgium/Belgique	AU1988	AU1385	AU1150
	PA1024		
Denmark / Danemark	AU2009	AU1407	AU1079
	PA1032		
Dutch/Hollande	AU1986	AU1395	AU1022
	PA1020		
Finland / Finlande	AU2011	AU1542	AU1019
	PA1034		
France	AU1958	AU1372	AU0932
	PA1011		
Germany/Allemagne Austria/Autriche	AU1985	AU1376	AU1017
	PA1022		
Italy / Italie	AU2012	AU1383	AU1016
	PA1035		
Norway / Norvège	AU2013	AU1923	AU1783
	PA1036		
Portugal	AU2014	AU1962	AU1027
	PA1037		
Spain / Espagne	AU2010	AU1445	AU1024
	PA1033		
Sweden / Suède	AU1980	AU1473	AU1030
	PA1018		
UK/Royaume Uni	AU1969	AU1374	AU0923
	PA1014		

PAxxxx = JEU COMPLET / COMPLETE KIT

SECTION 7 - DECALS INSTALL / INSTALLATION AUTOCOLLANTS

FIGURE 7-8. JUNIOR 8B COUNTRIES DECAL KIT / JEU AUTOCOLLANTS PAYS JUNIOR 8B

ITEM	PART NUMBER	QTY	DESCRIPTION	REV
		Ref	TOUCAN JUNIOR 8B COUNTRIES DECAL KIT; INFO - TPA1010 / AUTOCOLLANTS PAYS TOUCAN JUNIOR 8B; INFO - TPA1010	
1	AU0923	1	DECAL, EMERGENCY CONTROLS ENGLISH / AU MANOEUVRE URGENCE ANGLAIS	
2	AU0932	1	DECAL, EMERGENCY CONTROLS FRANCE / AU MANOEUVRE URGENCE FRANCE	
3	AU1016	1	DECAL EMERGENCY CONTROLS ITALY / AU MANOEUVRE URGENCE ITALIEN	
4	AU1017	1	DECAL EMERG CONTROLS GERMANY / AU MANOEUVRE URGENCE ALLEMAND	
5	AU1019	1	DECAL EMERG CONTROLS FINLAND / AU MANOEUVRE URGENCE FINLANDE	
6	AU1022	1	DECAL EMERG CONTROLS NETHERLANDS / AU MANOEUVRE URGENCE HOLLANDE	
7	AU1024	1	DECAL EMERG JUNIOR SPAIN / AU MANOEUVRE URGENCE ESPAGNE	
8	AU1027	1	DECAL EMERG JUNIOR PORTUGAL / AU MANOEUVRE URGENCE PORTUGAL	
9	AU1030	1	DECAL EMERG JUNIOR SWEDEN / AU MANOEUVRE URGENCE SUEDE	
10	AU1079	1	DECAL EMERG JUNIOR DANISH / AU MANOEUVRE URGENCE DANOIS	
11	AU1150	1	DECAL EMERG JUNIOR BELGIUM / AU MANOEUVRE URGENCE Belgique	
12	AU1372	1	LOAD DECAL JUNIOR8 FRENCH / AU CHARGES TOUCAN JUNIOR8 FRANCE	
13	AU1374	1	LOAD DECAL JUNIOR 8 UK / AU CHARGES JUNIOR 8 ANGLETERRE	
14	AU1376	1	LOAD DECAL JUNIOR8 DEUTCH / AU CHARGES JUNIOR8 ALLEMAGNE	
15	AU1383	1	LOAD DECAL JUNIOR8 ITALIA / AU CHARGES JUNIOR8 ITALIE	
16	AU1385	1	LOAD DECAL JUNIOR8 BELGIUM / AU CHARGES JUNIOR8 BELGE (FR/HO)	
17	AU1395	1	LOAD DECAL JUNIOR8 NETHERLAND / AU CHARGES JUNIOR8 HOLLANDAIS	
18	AU1407	1	LOAD DECAL JUNIOR8 DANEMARK / AU CHARGES JUNIOR8 DANEMARK	
19	AU1445	1	LOADS DECAL JUNIOR8 SPANISH / AU CHARGES JUNIOR8 ESPAGNE	
20	AU1473	1	DECAL LOAD TJ8 SWEDEN / AU CHARGES JUNIOR 8 SUEDE	
21	AU1542	1	DECAL LOAD JUNIOR 8 FINLAND / AU CHARGES JUNIOR 8 FINLANDE	
22	AU1783	1	DECAL EMERG JUNIOR NORWAY / AU MANOEUVRE URGENCE NORVEGE	
23	AU1923	1	DECAL LOAD JUNIOR 8 NORWEGIAN / AU CHARGES JUNIOR 8 NORVEGE	
24	AU1958	1	INSTRUCTIONS JUNIOR 8B FRANCE / CONSIGNES JUNIOR 8B FRANCE	
25	AU1962	1	LOAD JUNIOR 8 PORTUGAL / AU CHARGES JUNIOR 8 PORTUGAL	
26	AU1969	1	INSTRUCTIONS JUNIOR 8B GB / CONSIGNES JUNIOR 8B ANGLETERRE	
27	AU1980	1	INSTRUCTIONS JUNIOR 8B SWEDEN / CONSIGNES JUNIOR 8B SUEDE	
28	AU1985	1	INSTRUCTIONS JUNIOR 8B DEUTSCHLAND / CONSIGNES	

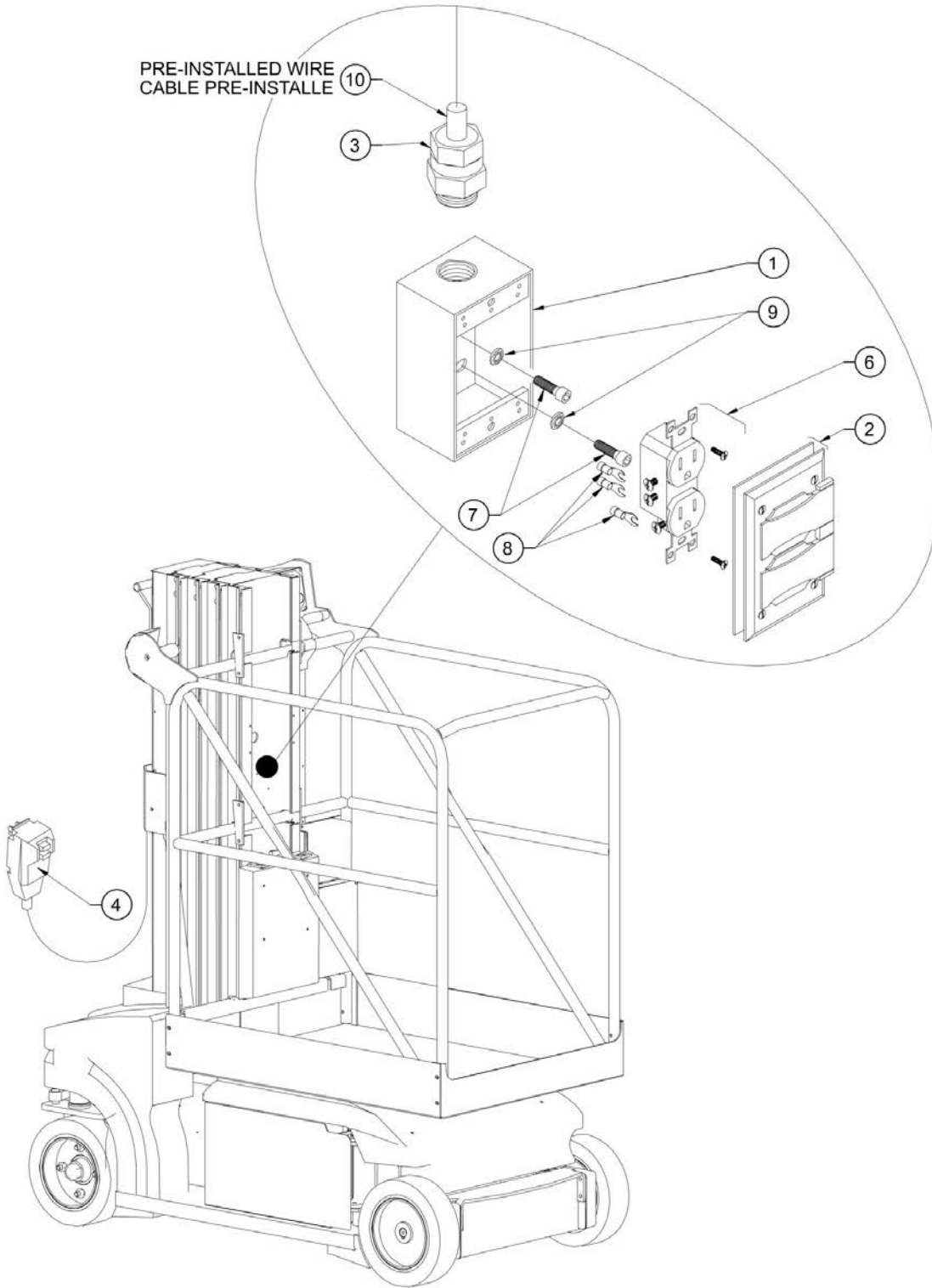
SECTION 7 - DECALS INSTALL / INSTALLATION AUTOCOLLANTS

ITEM	PART NUMBER	QTY	DESCRIPTION	REV
29	AU1986	1	JUNIOR 8B ALLEMAGNE INSTRUCTIONS JUNIOR 8B NETHERLANDS / CONSIGNES JUNIOR 8B HOLLANDE	
30	AU1988	1	INSTRUCTIONS JUNIOR 8B BELGIUM FRNL / CONSIGNES JUNIOR 8B BELGE FR/NL	
31	AU2009	1	INSTRUCTIONS JUNIOR 8B DENMARK / CONSIGNES JUNIOR 8B DANEMARK	
32	AU2010	1	INSTRUCTIONS JUNIOR 8B SPAIN / CONSIGNES JUNIOR 8B ESPAGNE	
33	AU2011	1	INSTRUCTIONS JUNIOR 8B FINLAND / CONSIGNES JUNIOR 8B FINLANDE	
34	AU2012	1	INSTRUCTIONS JUNIOR 8B ITALY / CONSIGNES JUNIOR 8B ITALIE	
35	AU2013	1	INSTRUCTIONS JUNIOR 8B NORWAY / CONSIGNES JUNIOR 8B NORVEGE	
36	AU2014	1	INSTRUCTIONS JUNIOR 8B PORTUG / CONSIGNES JUNIOR 8B PORTUGAL	
37	PA1011	1	JUNIOR 8B FRENCH DECALS / AUTOCOLLANTS JUNIOR 8B- FRANCE	
38	PA1014	1	JUNIOR 8B ENGLISH DECALS / AUTOCOLLANTS JUNIOR 8B- ANGLETERRE	
39	PA1018	1	JUNIOR 8B SWEDISH DECALS / AUTOCOLLANTS JUNIOR 8B- SUEDE	
40	PA1020	1	JUNIOR 8B DUTCH DECALS / AUTOCOLLANTS JUNIOR 8B- HOLLANDE	
41	PA1022	1	JUNIOR 8B GERMAN DECALS / AUTOCOLLANTS JUNIOR 8B- ALLEMAND	
42	PA1024	1	JUNIOR 8B BELGIUM DECALS / AUTOCOLLANTS JUNIOR 8B- Belgique	
43	PA1032	1	JUNIOR 8B DENMARK DECALS / AUTOCOLLANTS JUNIOR 8B- DANEMARK	
44	PA1033	1	JUNIOR 8B SPANISH DECALS / AUTOCOLLANTS JUNIOR 8B- ESPAGNE	
45	PA1034	1	JUNIOR 8B FINISH DECALS / AUTOCOLLANTS JUNIOR 8B- FINLANDE	
46	PA1035	1	JUNIOR 8B ITALIAN DECALS / AUTOCOLLANTS JUNIOR 8B- ITALIE	
47	PA1036	1	JUNIOR 8B NORWEGIAN DECALS / AUTOCOLLANTS JUNIOR 8B-NORVEGE	
48	PA1037	1	JUNIOR 8B PORTUGISH DECALS / AUTOCOLLANTS JUNIOR 8B-PORTUGAL	

SECTION 8 - OPTIONS / OPTIONS

SECTION 8 - OPTIONS / OPTIONS

FIGURE 8-1. 115VAC PLATFORM SOCKET INSTALL / INSTALLATION PRISE PANIER 115VAC



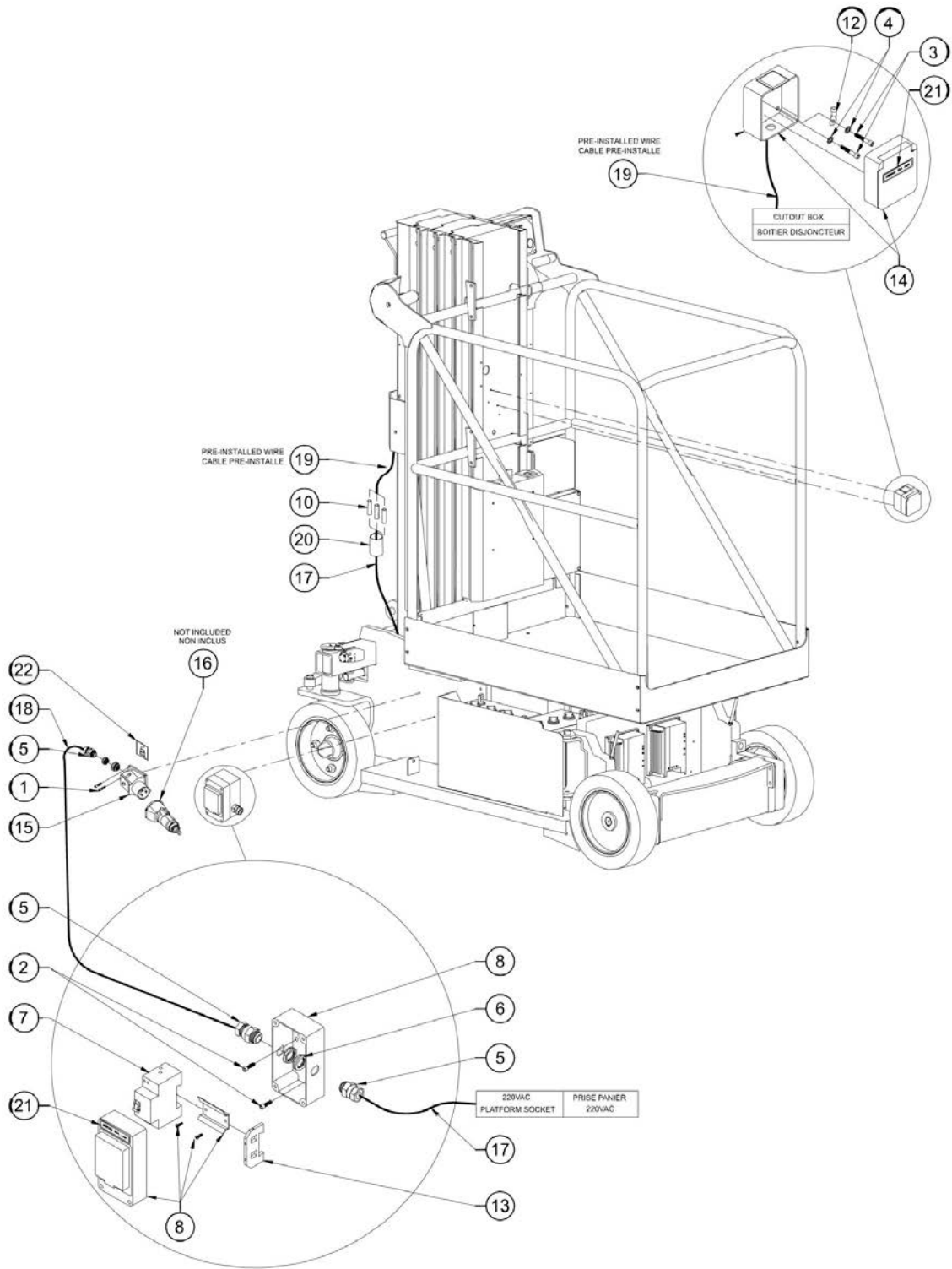
SECTION 8 - OPTIONS / OPTIONS

FIGURE 8-1. 115VAC PLATFORM SOCKET INSTALL / INSTALLATION PRISE PANIER 115VAC

ITEM	PART NUMBER	QTY	DESCRIPTION	REV
	OP350		115VAC PLATFORM SOCKET INSTALL; INFO - OP350 / INSTALLATION PRISE PANIER 115VAC; INFO - OP350	
1	230016	1	ELECTRICAL BOX / BOITIER ELECTRIQUE	
2	4060092	1	COVER PLATE / COUVERCLE BOITIER ELECTRIQUE	
3	7364001818	1	STRAIN RELIEF CONNECTOR / PRESSE ETOUPE	
4	7364002568	1	115 VAC G-F-C-I PLUG / PRISE DISJONCTEUR 115VAC	
5	Not Required	0	NOT REQUIRED / NON REQUIS	
6	4460190	1	RECEPTACLE / PRISE FEMELLE	
7	000015	2	M06x16 8.8 SOCKET HEAD MACH SCREW / VIS CHC M06x16 8.8 BI FT	
8	250088	3	M05 FORK TERMINAL 1-2.5mm ² / COSSE FOURCHE M05 - 1- 2.5mm ²	
9	120009	2	dD 06x14 LOCK WASHER / RONDELLE CONTACT dD 06x14 BI	
10	270059	7.2 m	CABLE 3G2.5mm ² Color leads (qty in meters); INFO - JUNIOR 6 / CABLE 3G2.5mm ² coloré (qté en mètre); INFO - JUNIOR 6	
10	270059	11.1 m	CABLE 3G2.5mm ² Color leads (qty in meters); INFO - JUNIOR 8 / CABLE 3G2.5mm ² coloré (qté en mètre); INFO - JUNIOR 8	

SECTION 8 - OPTIONS / OPTIONS

**FIGURE 8-2. 230VAC PLATFORM SOCKET INSTALL / INSTALLATION PRISE PLATE-FORME 230VAC
(Junior 6B Prior to SN A130016508; Junior 8B Prior to SN A130019210)**



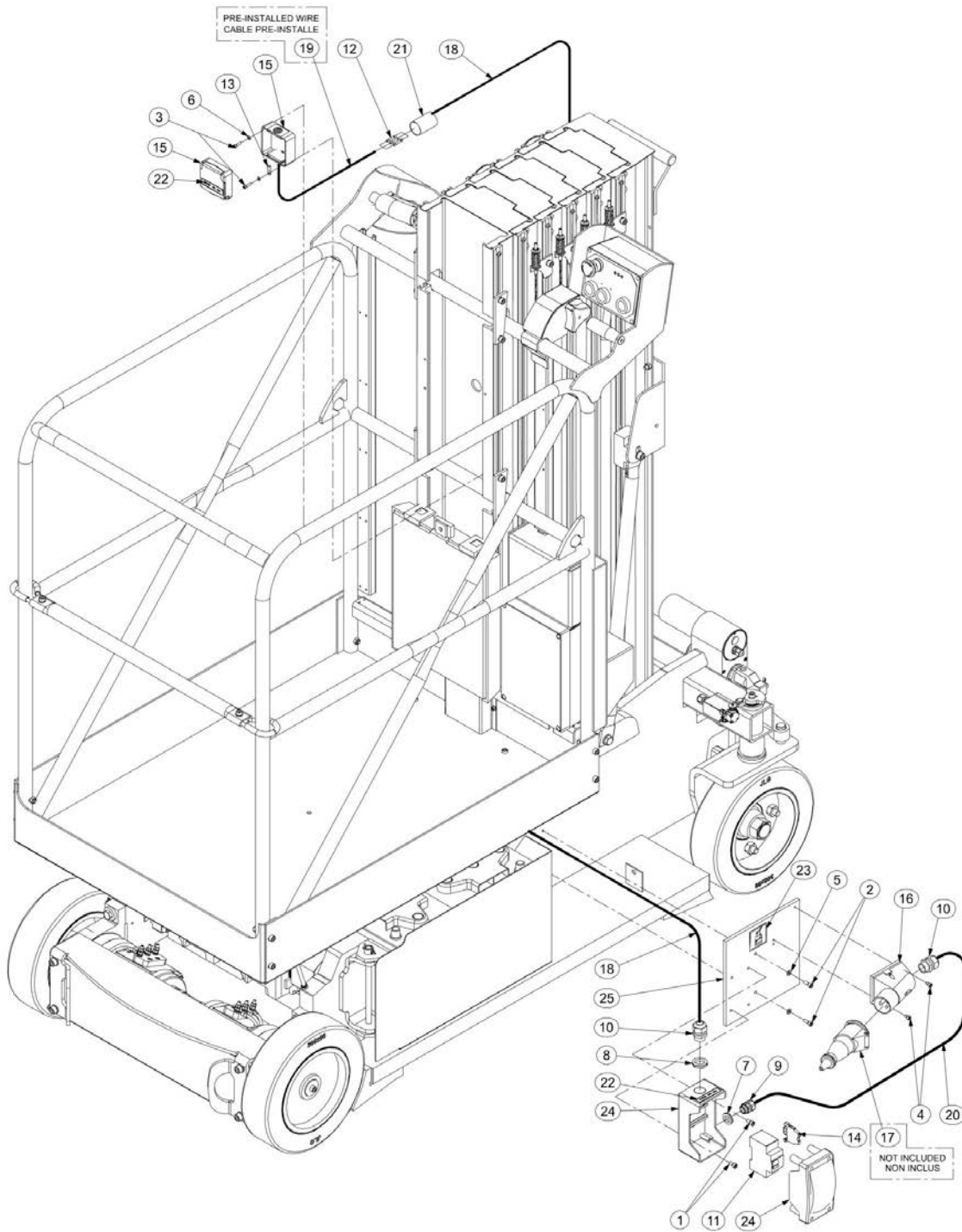
SECTION 8 - OPTIONS / OPTIONS

**FIGURE 8-2. 230VAC PLATFORM SOCKET INSTALL / INSTALLATION PRISE PLATE-FORME 230VAC
(Junior 6B Prior to SN A130016508; Junior 8B Prior to SN A130019210)**

ITEM	PART NUMBER	QTY	DESCRIPTION	REV
	OP395		230VAC FRENCH PLATFORM SOCKET INSTALL; INFO - OP395 / INSTALLATION PRISE FRANCE PANIER 230VAC; INFO - OP395 (Junior 6B Prior to SN A130016508; Junior 8B Prior to SN A130019210)	
	OP416		230VAC GERMAN PLATFORM SOCKET INSTALL; INFO - OP416 / INSTALLATION PRISE ALLEMAGNE PANIER 230VAC; INFO - OP416 (Junior 6B Prior to SN A130016508; Junior 8B Prior to SN A130019210)	
1	000067	2	M05x12 8.8 SOCKET HEAD MACH SCREW / VIS CHC M05x12 8.8 BI FT	
2	000015	2	M06x16 8.8 SOCKET HEAD MACH SCREW / VIS CHC M06x16 8.8 BI FT	
3	000085	2	M04x16 8.8 SOCKET HEAD MACH SCREW / VIS CHC M04x16 8.8 BI FT	
4	120024	2	M04 LOCK WASHER / RONDELLE CONTACT M04 BI	
5	210021	3	GLAND N°16 / PRESSE ETOUPE N°16	
6	210012	2	GLAND N°16 NUT / ECROU DE PRESSE ETOUPE N°16	
7	240015	1	CUTOUT 30 mA / DISJONCTEUR DIFFERENTIEL 30 mA	
8	240093	1	CUTOUT BOX / BOITIER DISJONCTEUR	
9	Not Required	0	NOT REQUIRED / NON REQUIS	
10	250064	3	SPLICE TERMINAL 0.25-1 / EPISSURE DE CABLE 0.25-1	
11	Not Required	0	NOT REQUIRED / NON REQUIS	
12	250089	1	M04 EYELET TERMINAL 1-2.5mm ² / COSSE A OEIL ISOLEE M4 - 1-2.5mm ²	
13	250135	1	TERMINAL BLOCK VICKING / BLOC DE JONCTION VICKING	
14	260029	1	FRENCH 230 VAC SOCKET 2P+T / PRISE FEM. FRANCAISE 230VAC 2P+T	
14	260187	1	GERMAN 230 VAC SOCKET 2P+T / PRISE FEM. ALLEMANDE 230VAC 2P+T	
15	260032	1	230 VAC SURFACE PLUG / PRISE MALE FIXE 230VAC	
16	260033	1	230 VAC FREE SOCKET / PRISE FEMELLE LIBRE 230VAC	
17	270060	2	CABLE 3G1.5mm ² Color leads (qty in meters) / CABLE 3G1.5mm ² coloré (qté en mètre)	
18	270060	0.55	CABLE 3G1.5mm ² Color leads (qty in meters) / CABLE 3G1.5mm ² coloré (qté en mètre)	
19	270060	7.2 m	CABLE 3G1.5mm ² Color leads (qty in meters); INFO - JUNIOR 6 / CABLE 3G1.5mm ² coloré (qté en mètre); INFO - JUNIOR 6	
19	270060	11.1 m	CABLE 3G1.5mm ² Color leads (qty in meters); INFO - JUNIOR 8 / CABLE 3G1.5mm ² coloré (qté en mètre); INFO - JUNIOR 8	
20	280021	0.15	Black Heat Shrink Sleeve 12.7(qty in meter) / GAINE THERMO 12.7 Noire (qté en mètre)	
21	AU1163	2	230 VAC DECAL / AUTOCOLLANT 230VAC	
22	AU1716	1	PLATFORM SOCKET DECAL / AUTOCOLLANT PRISE PANIER	

SECTION 8 - OPTIONS / OPTIONS

FIGURE 8-3. 230VAC PLATFORM SOCKET INSTALL / INSTALLATION PRISE PLATE-FORME 230VAC
(Junior 6B SN A130016508 to Present; Junior 8B SN A130019210 to Present)



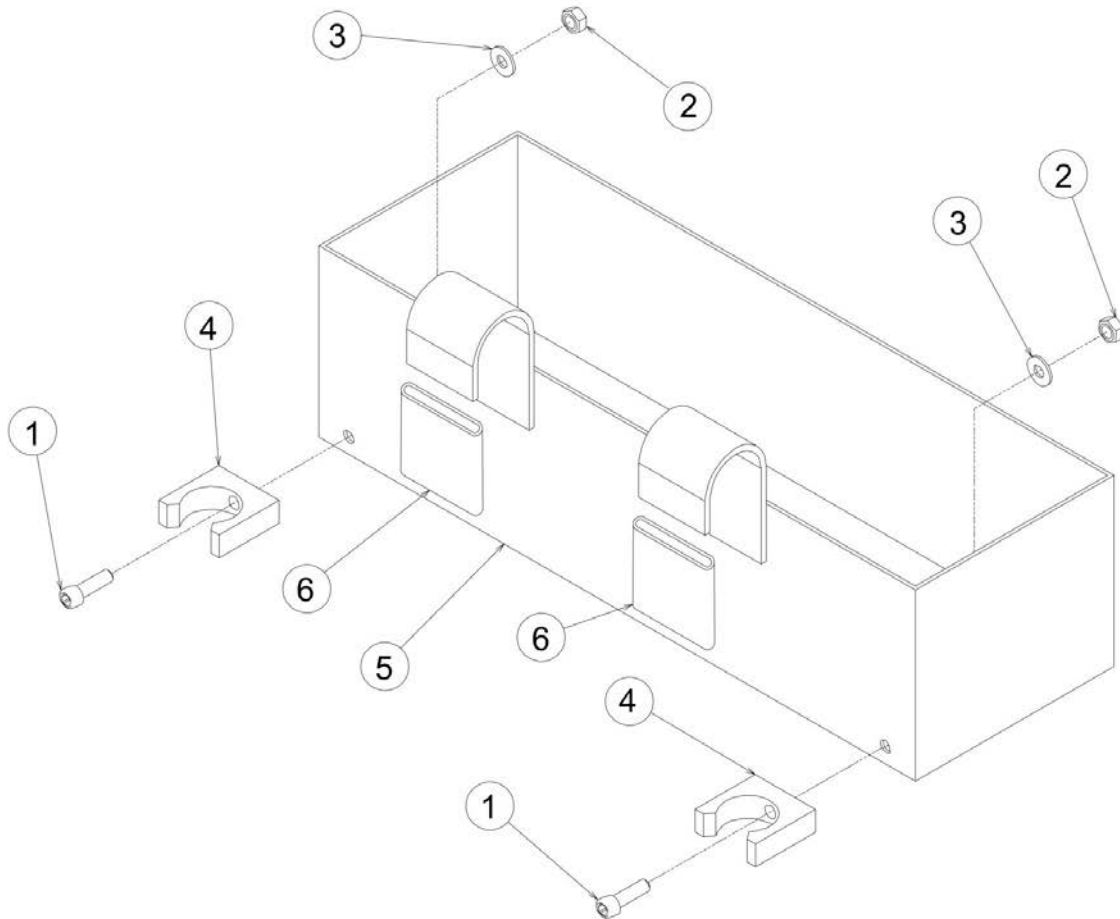
SECTION 8 - OPTIONS / OPTIONS

**FIGURE 8-3. 230VAC PLATFORM SOCKET INSTALL / INSTALLATION PRISE PLATE-FORME 230VAC
(Junior 6B SN A130016508 to Present; Junior 8B SN A130019210 to Present)**

ITEM	PART NUMBER	QTY	DESCRIPTION	REV
	OP494		230V FRENCH PLATFORM SOCKET INSTALL; INFO - OP494 / INSTALLATION PRISE PANIER 230V FRANCE; INFO - OP494 (Junior 6B SN A130016508 to Present; Junior 8B SN A130019210 to Present)	
1	OP495		230V GERMAN PLATFORM SOCKET INSTALL; INFO - OP495 / INSTALLATION PRISE PANIER 230V ALLEMAGNE; INFO - OP495 (Junior 6B SN A130016508 to Present; Junior 8B SN A130019210 to Present)	
1	000014	2	M06x12 8.8 SOCKET HEAD MACH SCREW / VIS CHC M06x12 8.8 BI FT	
2	000015	2	M06x16 8.8 SOCKET HEAD MACH SCREW / VIS CHC M06x16 8.8 BI FT	
3	000085	2	M04x16 8.8 SOCKET HEAD MACH SCREW / VIS CHC M04x16 8.8 BI FT	
4	000089	2	M05x08 8.8 SOCKET HEAD MACH SCREW / VIS CHC M05x08 8.8 BI FT	
5	120009	2	dD 06x14 LOCK WASHER / RONDELLE CONTACT dD 06x14 BI	
6	120024	2	M04 LOCK WASHER / RONDELLE CONTACT M04 BI	
7	210010	1	GLAND N°11 NUT / ECROU DE PRESSE ETOUPE N°11	
8	210012	1	GLAND N°16 NUT / ECROU DE PRESSE ETOUPE N°16	
9	210018	1	GLAND N°11 / PRESSE ETOUPE N°11	
10	210021	2	GLAND N°16 / PRESSE ETOUPE N°16	
11	240015	1	CUTOUT 30 mA / DISJONCTEUR DIFFERENTIEL 30 mA	
12	250037	3	SPLICE TERMINAL 1-2.5 / EPISSURE DE CABLE 1-2.5	
13	250089	1	M04 EYELET TERMINAL 1-2.5mm ² / COSSE A OEIL ISOLEE M4 - 1-2.5mm ²	
14	250135	1	TERMINAL BLOCK VICKING / BLOC DE JONCTION VICKING	
15	260029	1	FRENCH 230 VAC SOCKET 2P+T / PRISE FEM. FRANCAISE 230VAC 2P+T	
15	260187	1	GERMAN 230 VAC SOCKET 2P+T / PRISE FEM. ALLEMANDE 230VAC 2P+T	
16	260032	1	230 VAC SURFACE PLUG / PRISE MALE FIXE 230VAC	
17	260033	1	230 VAC FREE SOCKET; INFO - OPTION / PRISE FEMELLE LIBRE 230VAC; INFO - OPTION	
18	270059	2	CABLE 3G2.5mm ² Color leads (qty in meters) / CABLE 3G2.5mm ² coloré (qté en mètre)	
19	270059	7.2 m	CABLE 3G2.5mm ² Color leads (qty in meters); INFO - JUNIOR 6 / CABLE 3G2.5mm ² coloré (qté en mètre); INFO - JUNIOR 6	
19	270059	11.1 m	CABLE 3G2.5mm ² Color leads (qty in meters); INFO - JUNIOR 8 / CABLE 3G2.5mm ² coloré (qté en mètre); INFO - JUNIOR 8	
20	270059	0.55	CABLE 3G2.5mm ² Color leads (qty in meters) / CABLE 3G2.5mm ² coloré (qté en mètre)	
21	280021	0.15	Black Heat Shrink Sleeve 12.7(qty in meter) / GAINE THERMO 12.7 Noire (qté en mètre)	
22	AU1163	2	230 VAC DECAL / AUTOCOLLANT 230VAC	
23	AU1716	1	PLATFORM SOCKET DECAL / AUTOCOLLANT PRISE PANIER	
24	240093	1	CUTOUT BOX / BOITIER DISJONCTEUR	
25	ST3048	1	CUTOUT PLATE / PLATINE DISJONCTEUR	

SECTION 8 - OPTIONS / OPTIONS

FIGURE 8-4. TOOLS TRAY ASSEMBLY / ASSEMBLAGE BOITE A OUTILS



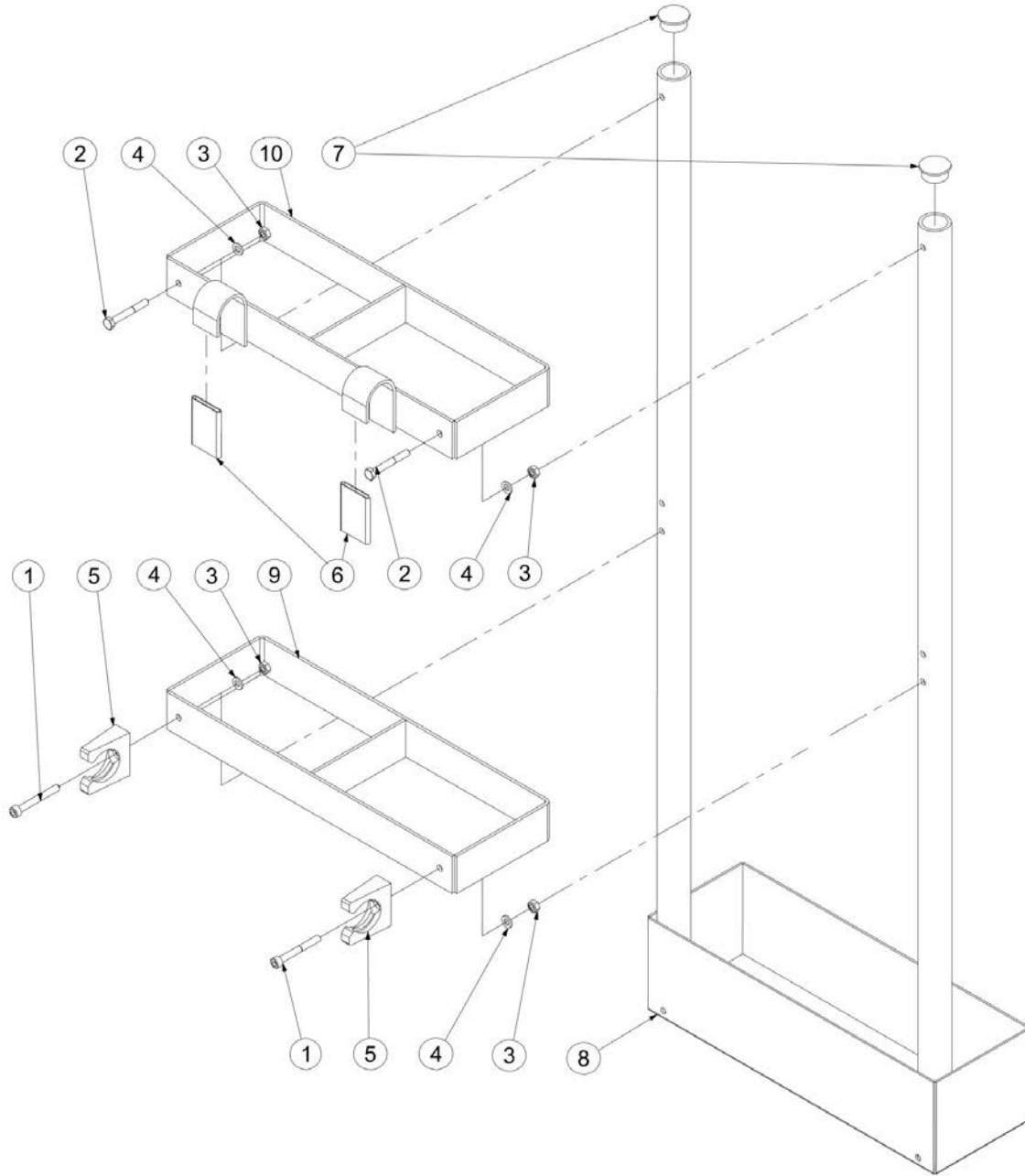
SECTION 8 - OPTIONS / OPTIONS

FIGURE 8-4. TOOLS TRAY ASSEMBLY / ASSEMBLAGE BOITE A OUTILS

ITEM	PART NUMBER	QTY	DESCRIPTION	REV
	OP186		TOOLS TRAY ASSEMBLY; INFO - OP186 / ASSEMBLAGE BOITE A OUTILS; INFO - OP186	
1	000005	2	M06x20 8.8 SOCKET HEAD MACH SCREW / VIS CHC M06x20 8.8 BI FT	
2	110003	2	M06 GR. 8.8 LOCK NUT / ECROU FREIN M6 8.8 BI	
3	120009	2	dD 06x14 LOCK WASHER / RONDELLE CONTACT dD 06x14 BI	
4	190028	2	Ø28 CLIP / CLIP Ø28	
5	DL0378	1	ALUMINIUM TOOLS TRAY WELDMENT / BOITE MECANOSOUDE	
6	280015	2 x0.1	Black Heat Shrink Sleeve (quantity in meter) / GAINÉ THERMO Noire (quantité en mètre)	

SECTION 8 - OPTIONS / OPTIONS

FIGURE 8-5. TUBE HOLDER ASSEMBLY / ASSEMBLAGE PORTE NEONS



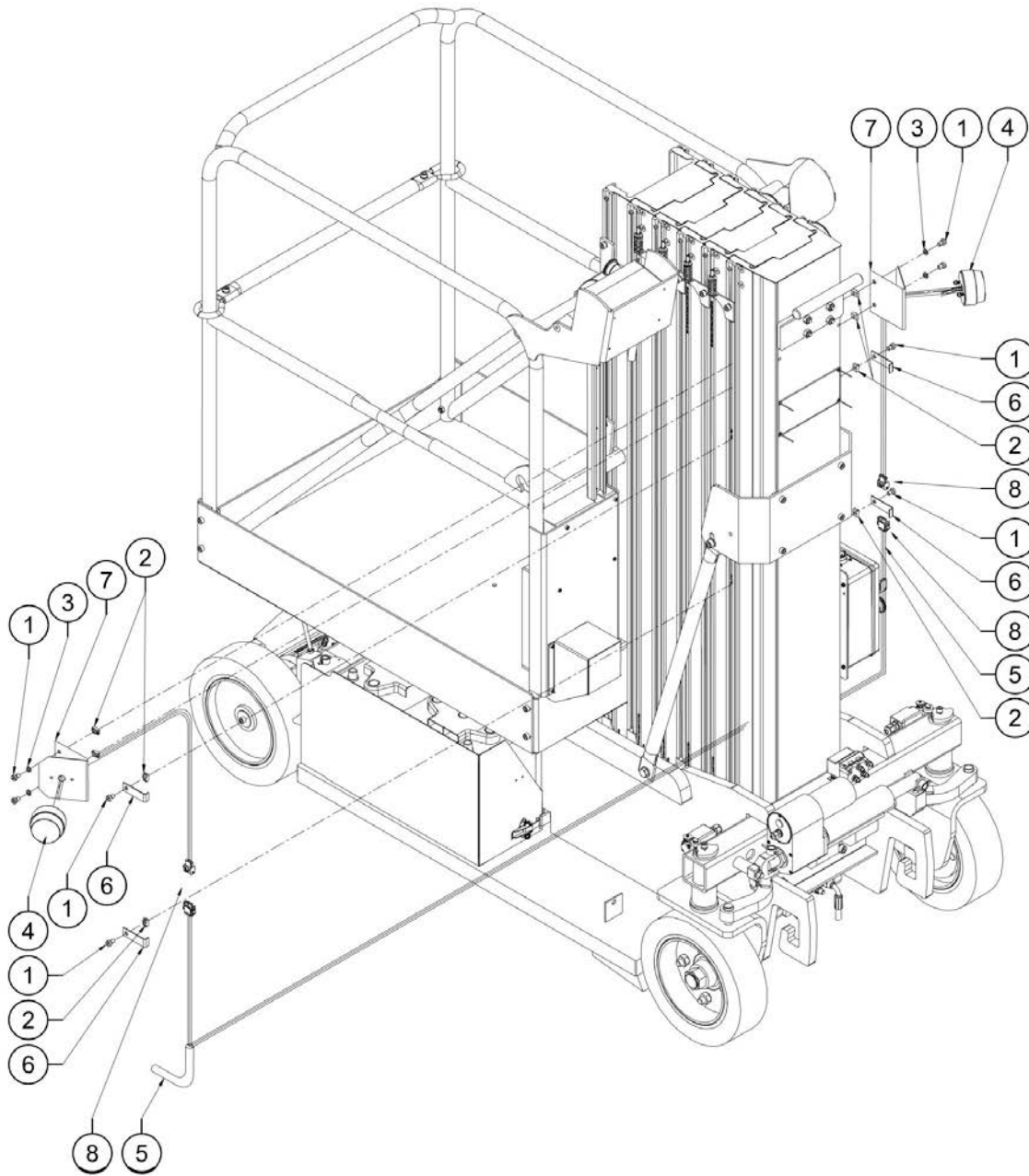
SECTION 8 - OPTIONS / OPTIONS

FIGURE 8-5. TUBE HOLDER ASSEMBLY / ASSEMBLAGE PORTE NEONS

ITEM	PART NUMBER	QTY	DESCRIPTION	REV
	OP187		TUBE HOLDER ASSEMBLY; INFO - OP187 / ASSEMBLAGE PORTE NEONS; INFO - OP187	
1	000026	2	M06x50 8.8 SOCKET HEAD CAPSCREW / VIS CHC M06x50 8.8 BI FP	
2	100004	2	M06x45 8.8 HEX HEAD MACHINE SCREW / VIS H M06x45 8.8 BI FT	
3	110003	4	M06 GR. 8.8 LOCK NUT / ECROU FREIN M6 8.8 BI	
4	120009	4	dD 06x14 LOCK WASHER / RONDELLE CONTACT dD 06x14 BI	
5	190028	2	Ø28 CLIP / CLIP Ø28	
6	280015	2 x0.1	Black Heat Shrink Sleeve (quantity in meter) / GAINÉ THERMO Noire (quantité en mètre)	
7	400043	2	CAP / BOUCHON	
8	DL0379	1	TUBE HOLDER WELDMENT / PORTE NEONS MECANOSOUE	
9	DL0380	1	LOWER BELT / CEINTURE BASSE	
10	DL0381	1	UPPER BELT / CEINTURE HAUTE	

SECTION 8 - OPTIONS / OPTIONS

FIGURE 8-6. FLASHING LIGHTS INSTALL / INSTALLATION LAMPES A ECLATS



SECTION 8 - OPTIONS / OPTIONS

FIGURE 8-6. FLASHING LIGHTS INSTALL / INSTALLATION LAMPES A ECLATS

ITEM	PART NUMBER	QTY	DESCRIPTION	REV
	OP485		FLASHING LIGHTS INSTALL; INFO - OP485 / INSTALLATION LAMPES A ECLATS; INFO - OP485	
1	000059	8	M08x12 8.8 S SOCK HEAD MACH SCREW / VIS CHC M08x12 8.8 BI FT TETE BASSE	
2	110030	8	M08 RECTANGULAR BASE NUT / ECROU A EMBASE RECTANGULAIRE M08	
3	120021	4	HELICAL SPRING LOCK WASHER Ø8 / RONDELLE GROWER Ø8 BI	
4	PC0366	2	HARNESS ASSEMBLY-FLASHING LIGHT / FAISCEAU FEUX A ECLATS	
5	PC0355	1	HARNESS ASSEMBLY-FLASHING LIGHTS / FAISCEAU FEUX A ECLATS	
6	ST1193	4	WIRE FIXATION / FIXATION CABLE	
7	ST2147	2	FLASHING LIGHT BRACKET / SUPPORT LAMPE A ECLAT	
8		Ref	MATE-N-LOK CONNECTORS; INFO - RM0090 / CONNECTEURS MATE-N-LOK; INFO - RM0090	

PART NUMBER INDEX

PART NUMBER INDEX

000003.....82	11000311, 58, 64, 70, 76,	130053 131, 135	24006027, 33, 35, 37, 41,
00000558, 64, 70, 76, 82,	82, 96, 111, 113, 125,	130059 35, 37, 46, 49	45, 49
165	135, 165, 167	140017 96, 113	24006127, 33, 35, 37, 41,
000006.....103, 105, 107,	11000453, 58, 64, 70, 76,	140018 58, 64, 70, 76, 82	45, 49
109, 121, 123	82, 103, 105, 107, 109,	140019 58, 64, 70, 76, 82	240066.....33, 41
00000758, 64, 70, 76, 82,	121, 123, 129, 131, 135	140022 58, 64, 70, 76, 82	24007627, 33, 35, 37, 41,
111, 125	110005 99, 117, 135	150022 58, 64, 70, 76, 82	45, 49
000008.58, 64, 70, 76, 82	110011 96, 113	150025 58, 64, 70, 76, 82	24008227, 33, 35, 37, 41,
000011.....82	110014 53	150028 103, 105, 107,	45, 49
000013.....66, 72, 78, 84	110015 96, 113	109, 121, 123	240086..... 131, 135
000014.....163	110016. 9, 58, 64, 70, 76,	150029 58, 64, 70, 76, 82	240091....17, 19, 21, 131,
000015..78, 82, 159, 161,	82, 135	150039 135	135
163	11002427, 33, 35, 37, 41,	150044 58, 64, 70, 76	240093..... 161, 163
00001858, 64, 70, 76, 82,	45, 49	150060 82	250026.....29
129, 133, 136	110026 9	160022 96, 113	250027..... 37, 41, 45, 49
000019.....53, 99, 117	110030. 96, 99, 103, 105,	160024 96, 113	250037.....29, 31, 163
00002033, 35, 37, 41, 45,	107, 109, 111, 113,	170004 96, 113	250038.58, 64, 70, 76, 82
49, 58, 64, 70, 76, 82	117, 121, 123, 125,	1703177 ... 139, 141, 143,	250051.....135
000026.....167	129, 133, 169	149, 151, 153	25006029, 31, 33, 35, 37,
000032.....135	12000211, 58, 64, 70, 76,	1703811 141	41, 45, 49
00003599, 103, 105, 107,	82, 131, 135	1703814 ... 141, 143, 151,	250061..... 42, 46, 49
109, 117, 121, 123	12000911, 58, 64, 70, 76,	153	250064.....161
00004353, 58, 64, 70, 76,	82, 96, 113, 135, 159,	1704885 ... 141, 143, 151,	250084..... 37, 49
96, 113	163, 165, 167	153	250085..... 35, 37, 46, 49
00005058, 64, 70, 76, 82,	12001058, 64, 70, 76, 82,	1706493 ... 139, 141, 143,	250088.....159
131, 135	96, 113, 133, 135	149, 151, 153	250089..... 161, 163
00005353, 58, 64, 70, 76,	12001153, 66, 72, 78, 84,	1706764 139, 149	250096.....15
82, 131, 135	99, 103, 105, 107, 109,	190028 165, 167	250117.....87
000057.....105, 107, 109,	117, 121, 123	190032 11	250135..... 161, 163
123	12001458, 64, 70, 76, 82,	190033 11	250140.....23
000058..... 103, 105, 107,	96, 103, 105, 107, 109,	190036 89, 91	250141.....23
109, 111, 121, 123, 125	111, 113, 121, 123,	190037 11	250143.....23
000059.....9, 96, 99, 103,	125, 129, 131	190043 58, 64, 70, 76, 82	250144.....23
105, 107, 109, 111,	120015 53	190044 9	250145.....23
113, 117, 121, 123,	120021. 9, 53, 58, 64, 70,	190055 29	250146.....23
125, 129, 169	76, 82, 96, 99, 103,	210009 29, 37, 49	250148.....23
00006711, 58, 64, 70, 76,	105, 107, 109, 111,	210010 163	250149.....23
82, 131, 135, 161	113, 117, 121, 123,	210011 27, 29, 31	250150.....23
000076.....96, 113	125, 129, 133, 135, 169	210012 161, 163	250151.....23
000078.....96, 113, 133	12002327, 29, 33, 35, 37,	210017 29, 37, 49	250153.....23
000085.....131, 135, 161,	41, 45, 49	210018 ... 29, 76, 82, 135,	250154.....23
163	12002433, 35, 37, 41, 45,	163	250155.....23
000089.....131, 135, 163	49, 58, 64, 70, 76, 82,	210019 27, 29	250156.....23
00009129, 33, 35, 37, 41,	111, 125, 135, 161, 163	210020 25	250158.....23
45, 49	120026 58, 64, 70, 76	210021 161, 163	250159.....23
000095.....78, 84	130002 11	210029 23	250168..... 42, 46, 49
0400215.....77, 83	130003 99, 117	210030 23	25018427, 33, 35, 37, 41,
0400242.....77, 83	130007 96, 113	210031 23	45, 49
100004.....167	130009 129, 133	210032 23	250189.....25
100007..... 131, 135	130013 129, 133	210033 23, 37, 49	250190.....25, 31
100014.58, 64, 70, 76, 82	130021 ... 9, 96, 111, 113,	210034 23	250193..... 23, 37, 49
10002758, 64, 70	125, 135	21003827	250194.....23
100035.58, 64, 70, 76, 82	130022.58, 64, 70, 76, 82	21004727	250195..... 23, 37, 49
100076.....53	13002599, 103, 105, 107,	210057 27, 29, 31	250196..... 23, 37, 49
100091.....135	109, 117, 121, 123	210059 31	250199.....25, 31
100098.....76, 82	130028 96, 113	210062 58, 64, 70, 76,	250200.....25
1001112111....19, 21, 77,	130029 99, 117	135	250201.....25
83	130030 105, 107, 109,	210063 29	250202.....25
1001210422.....83	111, 123, 125, 131, 135	230016 159	250203.....25
1060689.....84	130031 103, 121	240015 161, 163	250204.....25
11000133, 35, 37, 41, 45,	130032 105, 107, 109,	24005727, 33, 35, 37, 41,	250205.....25
49, 58, 64, 70, 76, 82,	111, 123, 125	45, 49	250206.....25
131, 135	130033 99, 117	24005827, 33, 35, 37, 41,	250211.....78
110002.....11, 78, 82	130050 101, 119	45, 49	250216.....25
	13005227, 33, 35, 37, 41,	24005933, 35, 37, 41, 45,	250217.....25
	45, 49	49	250220.....25

PART NUMBER INDEX

250221	25	290051	33, 35, 38	970052	101, 119	AU1716	161, 163
250222	25	290061	33, 35, 38, 41, 45, 50	970055	89	AU1748	139, 141, 143, 149, 151, 153
260007	15	290068	38	970056	101, 119	AU1753	143
260019	37, 41, 45, 49	290069	50	970058	89, 91	AU1783	145, 155
260029	161, 163	300004	59, 65, 71, 77, 83	970059	89, 91	AU1807	139, 141, 143
260030	29, 58, 64, 70, 76	300025	99, 117	970060	89	AU1828	139, 141, 143, 149, 151, 153
260032	161, 163	300034	101, 119	970061	89	AU1831	149, 151, 153
260033	161, 163	300037	59, 65, 71, 77, 83	970062	89, 91	AU1875	33
260045	29	300075	59, 65, 71, 77, 83	970063	89, 91	AU1921	145
260074	33, 35, 37, 41, 45, 49	310102	101, 119	970064	89, 91	AU1923	155
260077	58, 64, 70, 77, 83	400001	136	970066	91	AU1934	139, 149
260104	41, 45, 49	400010	59, 65, 71, 77, 84	970067	91	AU1957	145
260128	25	400012	96, 113	970068	91	AU1958	155
260129	25	400015	9, 59, 65, 71, 77, 83, 135	970069	91	AU1959	145
260130	25	400034	59, 65, 71, 77, 83, 135	970072	91	AU1962	155
260131	33, 35, 37, 41, 45, 49	400037	59, 65, 71, 77, 83, 96, 113	AU0050	139, 141, 143, 149, 151, 153	AU1967	145
260132	25	400043	167	AU0149	139, 141, 143, 149, 151, 153	AU1968	145
260134	33, 35, 37, 41, 45, 49	400044	139, 149	AU0258	139, 141, 143, 149, 151, 153	AU1969	155
260136	25	400048	135	AU0575	139, 141, 143, 149, 151, 153	AU1980	155
260137	25	400080	97, 114	AU0769	139, 141, 143, 149, 151, 153	AU1982	41, 45, 50
260142	41, 45, 50	400081	9	AU0871	141, 143, 151, 153	AU1983	146
260166	33, 35, 37, 41, 45, 50	400089	131, 135	AU0918	139, 141, 143, 149, 151, 153	AU1984	146
260167	29, 33, 35, 37, 41, 45, 50	400095	9	AU0923	145, 155	AU1985	155
260168	25	4060092	159	AU0932	145, 155	AU1986	156
260169	25	4360469	35, 38, 45, 50	AU0934	139, 141, 143, 149, 151, 153	AU1987	146
260174	41, 45, 50	4460190	159	AU0936	139, 141, 143, 149, 151, 153	AU1988	156
260175	15	510047	59, 65, 71, 77	AU0947	139, 141, 143, 149, 151, 153	AU1990	141, 143, 151, 153
260177	25	510062	59, 65, 71	AU1016	145, 155	AU1992	35, 38
260179	25	510073	59, 65, 71, 77, 83	AU1017	145, 155	AU1993	27
260182	135	510074	59, 65, 71, 77	AU1019	145, 155	AU2003	146
260187	161, 163	510090	21, 83	AU1022	145, 155	AU2004	146
260208	59, 65, 71, 77, 83	520099	59, 65, 71, 77, 83, 89, 91	AU1024	145, 155	AU2005	146
260209	41, 46, 50	734800653	129, 133	AU1027	145, 155	AU2006	146
260213	87	7364001818	159	AU1030	145, 155	AU2007	146
260214	87	7364002568	159	AU1033	145, 155	AU2008	146
260221	25	7364002824	87	AU1079	145, 155	AU2009	156
260224	33, 35, 38, 41, 45, 50	900017	119	AU1150	145, 155	AU2010	156
260231	87	900086	25	AU1163	161, 163	AU2011	156
260263	87	900087	25	AU1372	155	AU2012	156
260266	87	900172	101	AU1374	155	AU2013	156
260269	59, 65, 71, 77, 83	910003	33, 41	AU1376	155	AU2014	156
260270	59, 65, 71	920075	131, 135	AU1383	155	AU2058	143
260275	59, 65, 71, 77, 83	920076	77, 83	AU1385	155	AU2059	143
260286	59, 65	920077	77, 83	AU1395	155	AU2061	141, 143, 151, 153
260315	66, 71, 77	950110	59, 65, 71, 77, 83	AU1407	155	AU2062	141, 143, 151, 153
260319	17, 19, 21, 77, 83	951011	59, 65, 71	AU1428	145	AU2111	141, 143, 151, 153
260324	135	951042	77, 83	AU1445	155	AU2230	27
260325	29, 76, 82	960069	101, 119	AU1461	145	AU2231	38
260332	83	960070	101, 119	AU1462	145	AU2232	50
260334	21, 84	970001	101, 119	AU1467	145	DF0574	59, 65, 71, 77, 83, 117
270010	31	970019	101, 119	AU1473	155	DF0656	59, 65, 71, 77, 99
270031	38, 50	970022	101, 119	AU1475	145	DL0378	165
270057	27	970030	101, 119	AU1477	145	DL0379	167
270059	159, 163	970033	89, 91	AU1479	145	DL0380	167
270060	161	970037	89, 91	AU1481	145	DL0381	167
280015	165, 167	970038	101, 119	AU1482	145	DL0440	99, 117
280021	161, 163	970041	89	AU1483	145	DL0441	59
280023	131, 135	970044	89, 91	AU1534	145	DL0443	59
2860030	35, 38, 45, 50	970045	101, 119	AU1542	155	DL0445	59
290042	27	970046	101, 119			DL0456	59
290044	29	970047	101, 119				
		970051	101				

PART NUMBER INDEX

DL0555 59, 65, 71, 77, 83	PA1034 156	SE0817..... 19, 49	ST2905 11
DL0557 59, 65, 71, 77, 83	PA1035 156	SE1210..... 21, 27	ST2906 11
DL0558 59, 65, 71, 77, 83	PA1036 156	SE1211..... 21, 37	ST2917 131
DL0569 133	PA1037 156	SE1212..... 21, 49	ST2919 131
DL0576 59, 65, 71, 77, 83	PA1083 153	ST0736..... 131, 136	ST2923 129
DL0577 59, 65, 71, 77, 83	PC0088 15	ST110999, 103, 105, 107,	ST2955 131
DL0746 131	PC0093 15	109, 111, 117, 121,	ST2996 66, 72, 78, 84
DL0747 131, 135	PC0204 17, 19, 21	123, 125	ST2997 65, 71, 77, 83
DL0748 59, 65, 71	PC0205 17	ST1110.. 84, 96, 113, 129	ST3028 65, 71, 77, 83
DL0754 131, 135	PC0211 17	ST1111..... 103, 121	ST3035 65, 71, 77, 83
DL0760 59, 65, 71	PC0355 17, 19, 21, 169	ST1113..... 99, 117	ST3048 163
DL0792 65, 71, 77, 83	PC0356 17, 19	ST1114..... 99, 117	ST3063 9
DL0803 78	PC0362 17, 19, 21	ST1115..... 99, 117	ST3082 136
DL0804 78	PC0363 17, 19, 21	ST1117..... 129, 133	ST3091 78, 84
DL0841 131	PC0364 17, 19	ST1118.... 103, 105, 107,	ST3122 78
DL0857 78	PC0365 15, 17, 19	109, 121, 123	ST3249 131
DL0859 78	PC0366 17, 19, 21, 169	ST111999, 103, 105, 107,	ST3444 84
DL0925 83	PC0368 15	109, 111, 117, 121,	ST3791 27
FX204-001 135	PC0371 15	123, 125	ST3792 38
FX204-018 136	PC0373 15	ST1120..... 96, 113	ST3793 50
FX204-019 136	PC0375 15	ST1125.... 105, 107, 109,	US013460, 66, 72, 78, 84
FX204-024 136	PC0407 17, 19	111, 123, 125	US019060, 66, 72, 78, 84
FX204-025 136	PC0408 17, 19	ST1146..... 96, 113	US0277 99, 117
FX204-026 136	PC0471 15	ST1147 96, 113	US0278 99, 117
FX204-027 143	PC0472 15	ST1148..... 96, 113	US0279 103, 121
FX204-031 31	PC0473 15	ST1149..... 96, 113	US0280.... 105, 107, 109,
OP186 165	PC0474 15	ST1193..... 96, 113, 169	123
OP187 167	PC0501 19, 21	ST1625..... 99, 117	US0281..... 96, 113
OP350 159	PC0505 15	ST1627..... 96, 113	US0282..... 96, 113
OP395 161	PC0529 19, 21	ST1628..... 117, 119	US0283..... 96, 113
OP416 161	PC0535 21	ST1629..... 103, 121	US0284..... 96, 113
OP485 169	PC0536 21	ST1630..... 96, 113	US0285..... 96, 113
OP494 163	PC0537 21	ST1631..... 105, 109, 123	US0286.... 103, 105, 107,
OP495 163	PC0612 21	ST1632..... 96, 113	109, 121, 123
PA1004 139, 141	SD0530 59, 65, 71, 78, 83	ST1633..... 111, 125	US0289..... 99, 117
PA1005 146	SD0541 9	ST1634..... 96, 113	US0296.... 105, 107, 109,
PA1010 149, 151	SD0542 9	ST1636..... 53	111, 123, 125
PA1011 156	SD0549 59, 65, 71, 78, 83	ST1637..... 131	US0297.... 105, 107, 109,
PA1012 146	SD0550 59, 65, 71, 78, 83	ST1648 59, 65, 71, 78, 83	111, 123, 125
PA1014 156	SD0559 9	ST1654..... 9	US0298.... 107, 109, 123
PA1017 146	SD0560 9	ST1670..... 53	US0300..... 53
PA1018 156	SD0663 33, 35	ST193529, 33, 35, 38, 41,	US0321..... 99, 103, 105,
PA1019 146	SD0686 29	45, 50	107, 109, 111, 117,
PA1020 156	SD0687 27	ST1971..... 136	121, 123, 125
PA1021 146	SD0692 41, 45	ST2054..... 107	US0346..... 96, 113
PA1022 156	SD0737 38	ST2055..... 99, 101	US0360..... 96, 113
PA1023 146	SD0738 50	ST2056..... 60	US036260, 66, 72, 78, 84
PA1024 156	SE0305 103, 105, 121	ST2063..... 29	US039560, 66, 72, 78, 84
PA1026 146	SE0307 107, 109, 123	ST2147 169	US041760, 66, 72, 78, 84
PA1027 146	SE0308 136	ST2521..... 111, 125	US041960, 66, 72, 78, 84
PA1028 146	SE0696 17, 19, 21, 29, 31	ST2529..... 96, 113	US0425..... 133
PA1029 146	SE0697 17, 19, 27	ST274333, 35, 38, 41, 45,	US0426..... 133
PA1030 146	SE0716 17, 33, 35	50	US0468..... 119
PA1031 146	SE0720 17, 41, 45	ST2793..... 60, 66, 72, 78	US0470..... 136
PA1032 156	SE0808 17, 19, 31	ST2801..... 9	US0506..... 53
PA1033 156	SE0816 19, 37	ST2904..... 11	US0531..... 82



31210045



An Oshkosh Corporation Company

JLG Industries, Inc.
1 JLG Drive
McConnellsburg PA. 17233-9533
USA
Phone: +1-717-485-5161
Customer Support Toll Free: 1-877-554-5438
Fax: +1-717-485-6417

JLG Worldwide Locations

JLG Industries (Australia)
P.O. Box 5119
11 Bolwarra Road
Port Macquarie
N.S.W. 2444
Australia
Phone: +61 2 65 811111
Fax: +61 2 65 813058

JLG Latino Americana Ltda.
Rua Antonia Martins Luiz, 580
Distrito Industrial João Narezzi
13347-404 Indaiatuda-SP
Brazil
Phone: +55 19 3935 2767
Fax: +55 19 3935 2312

JLG Industries (UK) Ltd
Bentley House, Bentley Avenue
Middleton
Greater Manchester
M24 2GP
England
Phone: +44 161 654 1000
Fax: +44 161 654 1001

JLG France SAS
Z.I. Guillaume Mon amy
CS 30204
47400 FAUILLET
France
Phone: +33 (0) 553 883 170
Fax: +33 (0) 553 883 179

JLG Deutschland GmbH
Max Planck Strasse 21
D-27721 Ritterhude/lhlpohl
Germany
Phone: +49 (0) 421 69 350 20
Fax: +49 (0) 421 69 350 45

JLG Equipment Services Ltd
Rm 1107 Landmark North
39 Lung Sum Avenue
Sheung Shui N.T.
Hong Kong
Phone: +852 2639 5783
Fax: +852 2639 5797

JLG Industries (Italia)
Via Po. 22
20010 Pregnana Milanese - MI
Italy
Phone: +39 02 9359 5210
Fax: +39 02 9359 5845

JLG Europe B.V.
Polaris Avenue 62
2132 JH Hoofddorp
Netherlands
Phone: (31) 23 565 5665
Fax: (31) 23 557 2493

JLG Polska
Ul. Krolewska
00-060 Warszawa
Poland
Phone: +48 (0) 91 4320 245
Fax: +48 (0) 91 4358 200

JLG Industries (Scotland)
Wright Business Centre,
1 Lonmay Road
Queenslie
Glasgow G33 4EL
Scotland
Phone: +44 141 781 6700
Fax: +44 141 773 1907

Plataformas Elevadoras
JLG Iberica, S.L.
Trapadella, 2
P.I. Castellbisbal Sur
08755Castellbisbal, Barcelona
Spain
Phone: +34 93 77 24700
Fax: +34 93 77 11762

JLG Sverige AB
Enkopingsvagen 152
Box 704
SE - 176 27 Jarfalla
Sweden
Phone: (46) 8 506 59500
Fax: (46) 8 506 59534

www.jlg.com