



# MODEL TOUCAN DUO

CE



**SPARE PARTS MANUAL  
MANUEL DE PIÈCES DÉTACHÉES**

**U.S.A.**  
**JLG INDUSTRIES, INC**  
1 JLG Drive  
McConnellsburg  
PA 17233-9533  
Tél : (717) 485-5161  
Fax : (717) 485-6417

**C.E.**  
**JLG Industries,**  
Kilmartin Place,  
Tannochside Park  
Uddingston, Scotland G71 5PH  
Tel : +44(0)1698 811005  
Fax : +44(0)1698 811055

**AUSTRALIA**  
**JLG INDUSTRIE**  
P.O Box 972  
11 Bolwarra Road  
Port MacQuarie N.S.W. 44  
Tel : 1 (065) 811111  
Fax : 1 (065) 810122

**FRANCE**  
**Delta Manlift SAS**  
Z.I. «Guillaume mon amy»  
BP 20- 47400 TONNEINS  
France  
Tel : +33 553 84 85 11  
Fax : +33 553 79 06 87

Updated : 01-2005

MA0321-03  
English/French





DISTRIBUTOR STAMP / CACHET DISTRIBUTEUR

MACHINE SERIAL NUMBER :  
NUMERO DE SERIE MACHINE :

***Toucan Duo*** N° \_\_\_\_\_



Cert. N° FM 40826

Edition 06-2004  
MA0321-03



# **SPARE PARTS**

## **TO ORDER PARTS**

**IT IS ESSENTIAL TO SUPPLY THE FOLLOWING INFORMATION ON PARTS ORDERS SO THAT YOUR ORDER CAN BE PROPERLY EXPEDITED.**

1. Give model and serial number of your machine. This information is found on the serial number plate mounted on the mast n°1 on the front of the platform.
2. Give complete information on the parts requested including the part number, description, and quantity.
3. Give the specific major unit for which the item is required, such as : frame, mast, cylinder, platform, control box, etc.
4. Give complete "ship-to" address and specify the exact method of shipment wanted.
5. Specify the urgency of the parts order by designating the priority (emergency or stock).

### **NOTE**

**When placing telephone order, please record with whom you spoke and date, so that follow-up telephone conversations are processed without confusion.**

# **PIECES DETACHEES**

## **POUR PASSER COMMANDE**

**AFIN QUE VOTRE COMMANDE SOIT CORRECTEMENT TRAITEE, IL EST NECESSAIRE DE FOURNIR LES INFORMATIONS SUIVANTES SUR LE BON DE COMMANDE.**

1. Noter le modèle et le numéro de série de votre machine. Ces informations se trouvent sur la plaque constructeur qui est fixée sur l'avant de la machine, sur l'élément de mât n°1.
2. Noter entièrement les renseignements sur les articles en commande : référence de la pièce, description et quantité.
3. Indiquer l'unité principale pour laquelle la pièce est commandée : châssis, mât, vérin, plate-forme, boîtier de commande, etc...
4. Noter l'adresse complète du destinataire et indiquer le mode d'expédition souhaité.
5. Spécifier l'urgence des pièces commandées en indiquant leur priorité (urgence ou stock).

### **NOTE**

**Si vous passez une commande téléphonique, noter le nom de votre interlocuteur et la date afin que le suivi de votre entretien se fasse sans confusion.**

# TOUCAN DUO

UPPER CONTROL BOX  
BOITIER HAUT  
SECTION 2-2-3

PLATFORM  
PANIER  
SECTION 6-1-1

TABLE BOX  
BOITIER TABLETTE  
SECTION 2-2-5

TABLE  
TABLETTE  
SECTION 6-1

MAST  
MAT  
SECTION 5

LOWER CONTROL BOX  
BOITIER BAS  
SECTION 2-2-6

BOARD BOX  
BOITIER CARTE  
SECTION 2-2-4

DECALS  
AUTOCOLLANTS  
SECTION 7

COVERS  
CAPOTS  
SECTION 1

STEERING WHEEL  
ROUE DIRECTRICE  
SECTION 2-2-6

FRAME  
CHASSIS  
SECTION 4

CHARGER  
CHARGEUR  
SECTION 4

BATTERY  
BATTERIE  
SECTION 4

DRIVING WHEEL  
ROUE MOTRICE  
SECTION 4



| <b>TABLE OF CONTENTS</b>         |           | <b>TABLE DES MATIERES</b>             |               |
|----------------------------------|-----------|---------------------------------------|---------------|
| COVERS INSTALL                   | 1         | INSTALLATION CAPOTS                   | 1             |
| LOWER CONTROL BOX COVER OPTION   | 1-1       | OPTION COUVERCLE BOITIER BAS          | 1-1           |
| ELECTRICAL INSTALL               | 2         | INSTALLATION ELECTRIQUE               | 2             |
| POWER CIRCUIT                    | 2-1       | CIRCUIT DE PUISSANCE                  | 2-1           |
| CONTROL CIRCUIT                  | 2-2       | CIRCUIT DE COMMANDE                   | 2-2           |
| MATE-N-LOK CONNECTORS            | 2-2-1     | CONNECTEURS MATE-N-LOK                | 2-2-1         |
| CONNECTORS ON HARNESS ASSEMBLY   | 2-2-2     | CONNECTEURS SUR FAISCEAUX             | 2-2-2         |
| UPPER CONTROL BOX ASSEMBLY       | 2-2-3     | ASSEMBLAGE BOITIER HAUT               | 2-2-3         |
| BOARD BOX ASSEMBLY               | 2-2-4     | ASSEMBLAGE BOITIER CARTE              | 2-2-4         |
| TABLE BOX ASSEMBLY               | 2-2-5     | ASSEMBLAGE BOITIER TABLETTE           | 2-2-5         |
| LOWER CONTROL BOX ASSEMBLY       | 2-2-6     | ASSEMBLAGE BOITIER BAS                | 2-2-6         |
| LOWER CONTROL BOX WITH HOURMETER | 2-2-7     | BOITIER BAS AVEC HORAMETRE            | 2-2-7         |
| MASTS ON FRAME INSTALL           | 3         | INSTALLATION MATS SUR CHASSIS         | 3             |
| FRAME INSTALL                    | 4         | INSTALLATION CHASSIS                  | 4             |
| CHARGER CONNECTOR                | 4-1       | PRISE CHARGEUR                        | 4-1           |
| COMPLETE POWER UNIT 1.25cc       | 4-2       | CENTRALE COMPLETE 1.25cm <sup>3</sup> | 4-2           |
| MASTS INSTALL                    | 5         | INSTALLATION MATS                     | 5             |
| MAST 1 ASSEMBLY                  | 5-1       | ASSEMBLAGE MAT 1                      | 5-1           |
| MAST CYLINDER                    | 5-1-1     | VERIN DE MAT                          | 5-1-1         |
| MAST 2 ASSEMBLY                  | 5-2       | ASSEMBLAGE MAT 2                      | 5-2           |
| MAST 3 ASSEMBLY                  | 5-3       | ASSEMBLAGE MAT 3                      | 5-3           |
| MAST 4 ASSEMBLY                  | 5-4       | ASSEMBLAGE MAT 4                      | 5-4           |
| PLATFORM AND TABLE INSTALL       | 6         | INSTALLATION PANIER ET TABLETTE       | 6             |
| PLATFORM AND TABLE ASSEMBLY      | 6-1       | ASSEMBLAGE PANIER ET TABLETTE         | 6-1           |
| PLATFORM ASSEMBLY                | 6-1-1     | ASSEMBLAGE PANIER                     | 6-1-1         |
| DECALS INSTALL                   | 7         | INSTALLATION AUTOCOLLANTS             | 7             |
| CROSS REFERENCE CHART            | LAST PAGE | TABLEAU DE CORRESPONDANCE             | DERNIERE PAGE |





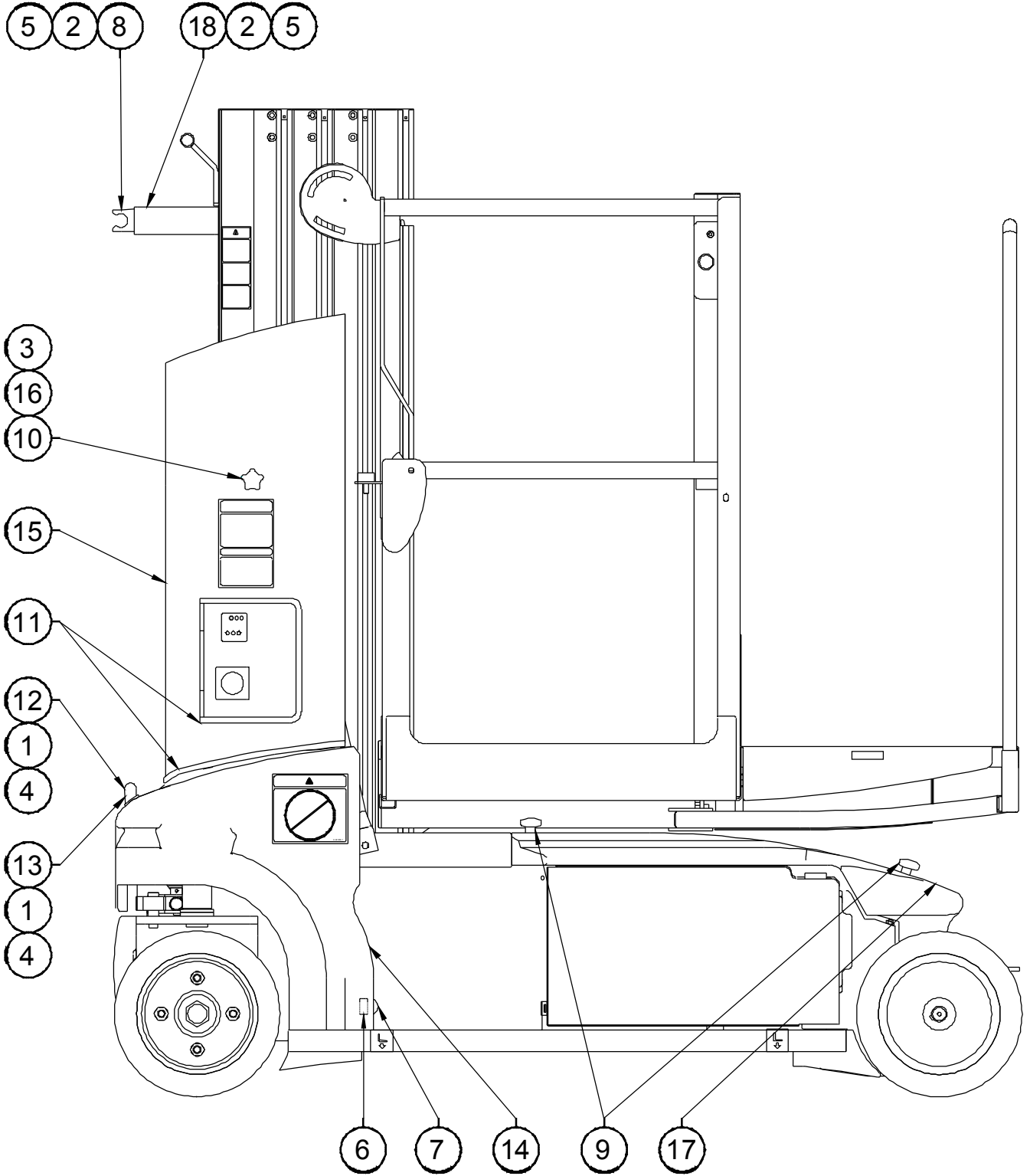
***SPARE PARTS***  
***PIECES DETACHEES***

**SECTION 1**

**COVERS INSTALL**  
**INSTALLATION CAPOTS**



# COVERS INSTALL INSTALLATION CAPOTS





ISSUE DATE : 05/01/05

## LOWER CONTROL BOX COVER OPTION

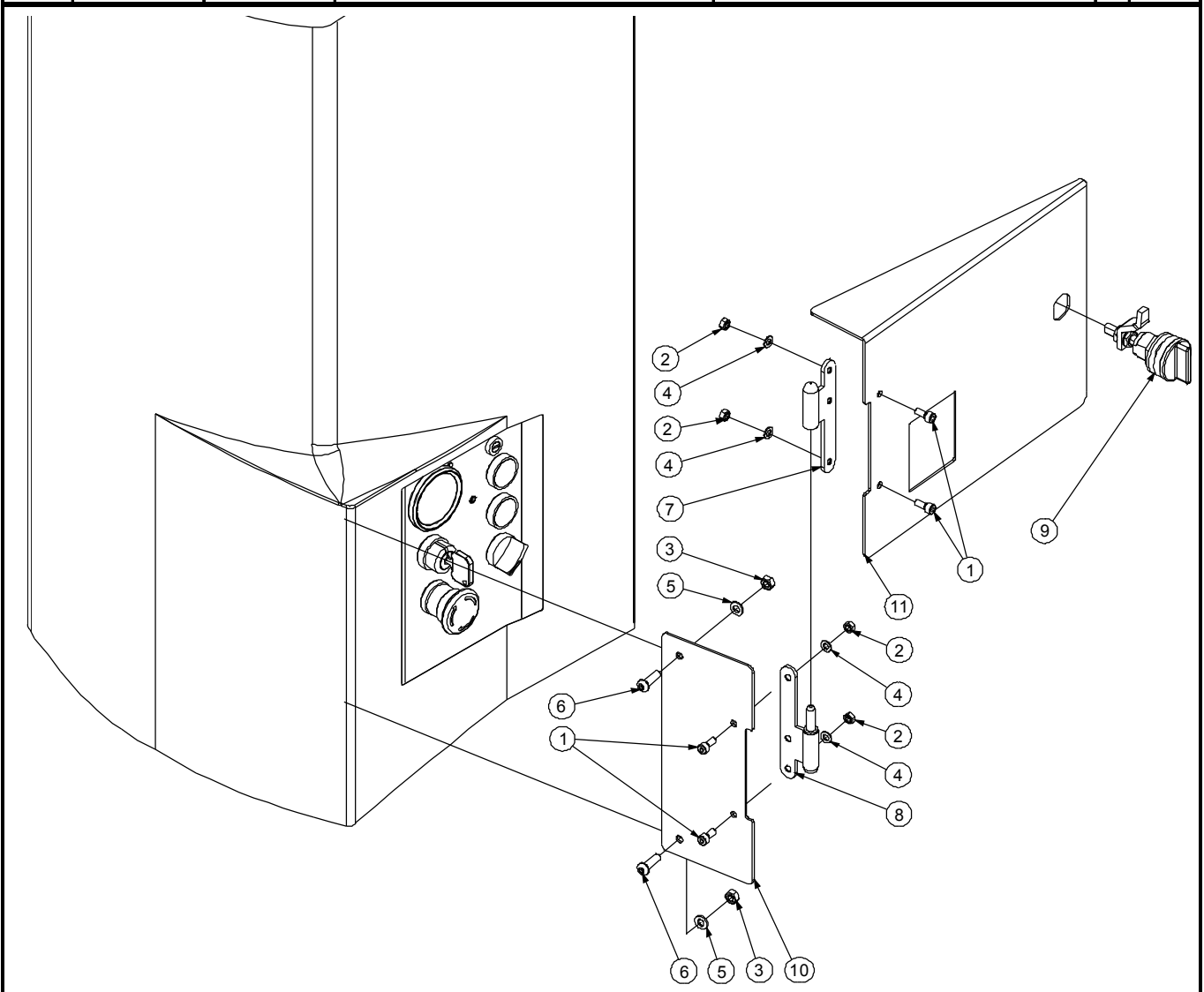
ISSUE REL :

ASSEMBLY N° : OPS482 REV :  
 N° ENSEMBLE :

## OPTION CAPOT BOITIER BAS

1/1

| DET<br>REP | PART<br>NUMBER<br>REF. | SEE VIEW<br>VOIR VUE | DESCRIPTION                       |                              | R<br>E<br>V | QTY<br>QTE |
|------------|------------------------|----------------------|-----------------------------------|------------------------------|-------------|------------|
| 1          | 000067                 |                      | M05x12 8.8 SOCKET HEAD MACH SCREW | VIS CHC M05x12 8.8 BI FT     |             | 4          |
| 2          | 110002                 |                      | M05 GR. 8.8 LOCK NUT              | ECROU FREIN M5 8.8 BI        |             | 4          |
| 3          | 110003                 |                      | M06 GR. 8.8 LOCK NUT              | ECROU FREIN M6 8.8 BI        |             | 2          |
| 4          | 120002                 |                      | M05 WASHER                        | RONDELLE M05 BI              |             | 4          |
| 5          | 120009                 |                      | dD 06x14 LOCK WASHER              | RONDELLE CONTACT dD 06x14 BI |             | 2          |
| 6          | 130002                 |                      | M06x20 6.8 ROUND HEAD MACH SCREW  | VIS BOMBEE M06x20 6.8 BI FT  |             | 2          |
| 7          | 190032                 |                      | FEMALE HINGE                      | PAUMELLE FEMELLE             |             | 1          |
| 8          | 190033                 |                      | MALE HINGE                        | PAUMELLE MALE                |             | 1          |
| 9          | 190037                 |                      | ROTARY LATCH                      | LOQUET                       |             | 1          |
| 10         | ST2904                 |                      | COVER SUPPORT                     | SUPPORT COUVERCLE            |             | 1          |
| 11         | ST2905                 | Duo                  | CONTROL BOX COVER                 | COUVERCLE BOITIER BAS        |             | 1          |
| 11         | ST2906                 | Junior               | CONTROL BOX COVER                 | COUVERCLE BOITIER BAS        |             | 1          |



***SPARE PARTS***  
***PIECES DETACHEES***

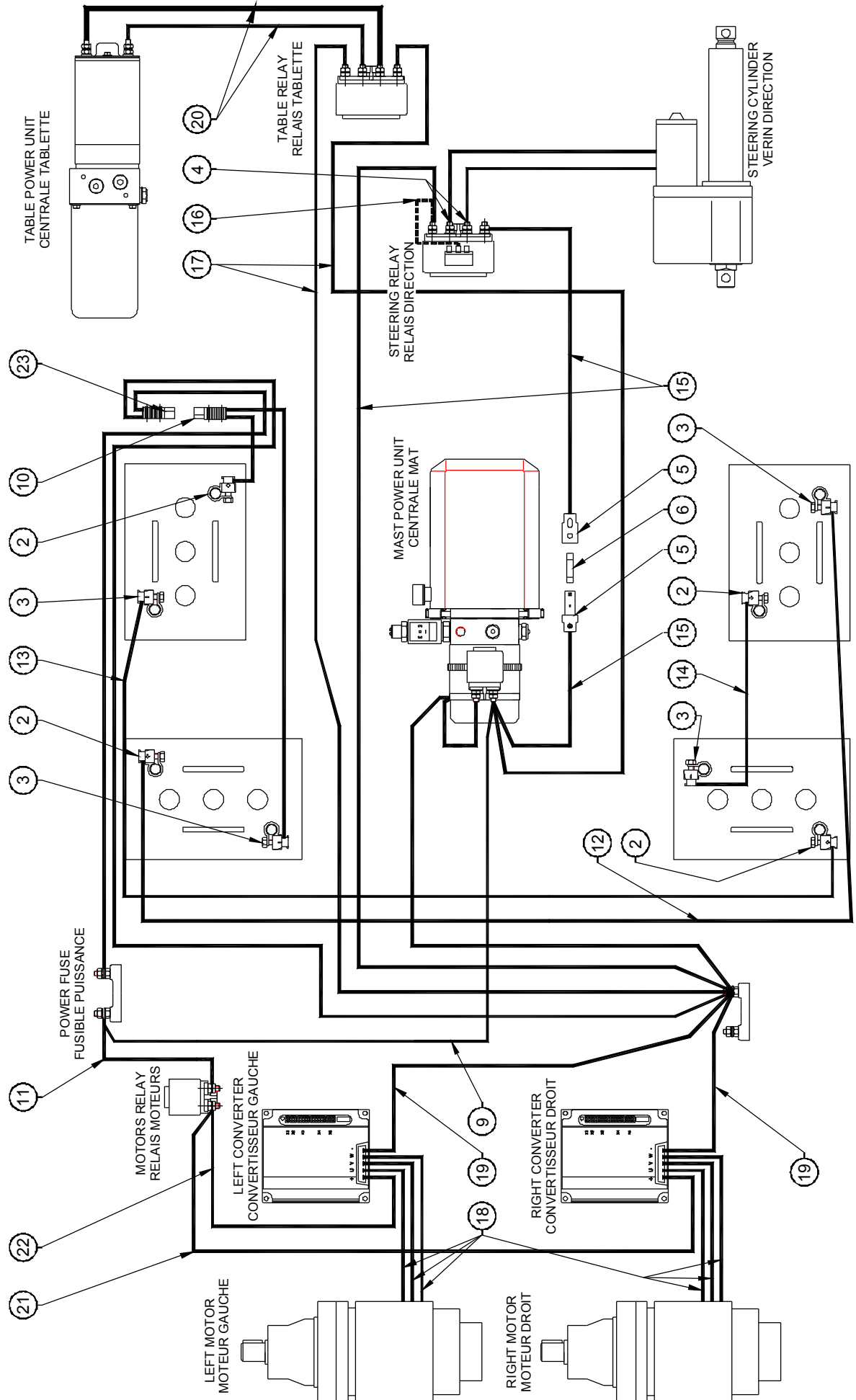
**SECTION 2**

**ELECTRICAL INSTALL**  
**INSTALLATION ELECTRIQUE**



# POWER CIRCUIT CIRCUIT DE PUISSANCE

**GRAISSER LES DEUX COSSES DE CHAQUE BATTERIE APRES LES AVOIR SERREES  
GREASE BOTH TERMINALS ON EACH BATTERY AFTER THEY ARE TIGHTENED**



ISSUE DATE : 21/06/04

**POWER ELECTRICAL INSTALL**

ISSUE REL :

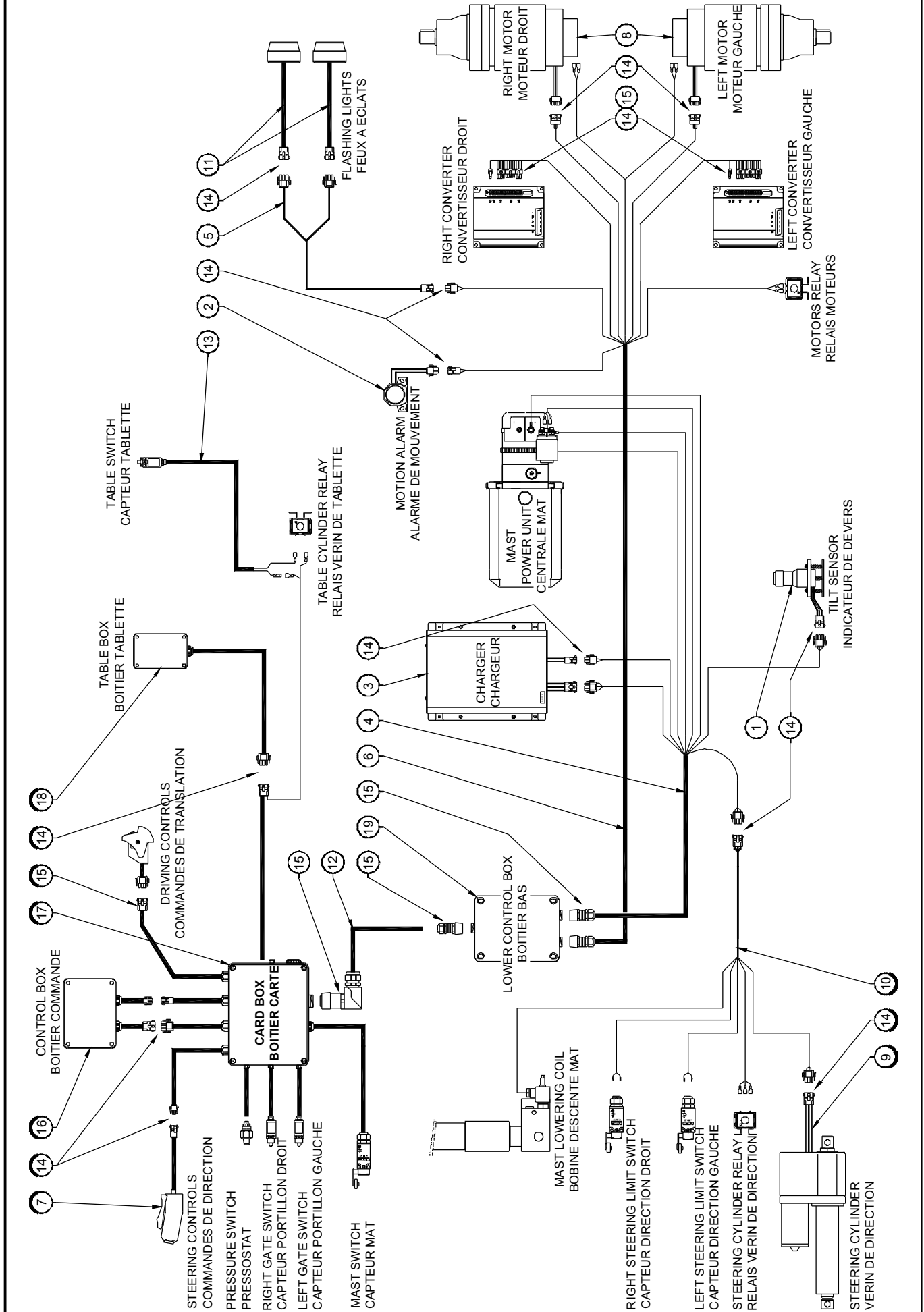
ASSEMBLY N° :  
 N° ENSEMBLE : PC0378 REV :

**INSTALLATION ELECTRIQUE DE  
 PUISSANCE**

1/1

| DET<br>REP | PART<br>NUMBER<br>REF. | SEE VIEW<br>VOIR VUE | DESCRIPTION                            |  | R<br>E<br>V | QTY<br>QTE |
|------------|------------------------|----------------------|--|--|-------------|------------|
| 1          |                        |                      | NOT REQUIRED                           | NON REQUIS                                 |             |            |
| 2          | 250028                 |                      | BATTERIE TERMINAL +                    | COSSE + BATTERIE                           |             | 4          |
| 3          | 250029                 |                      | BATTERIE TERMINAL -                    | COSSE - BATTERIE                           |             | 4          |
| 4          | 250096                 |                      | M06 EYELET TERMINAL 4-6mm <sup>2</sup> | COSSE A ŒIL ISOLEE M6 - 4-6mm <sup>2</sup> |             | 2          |
| 5          | 260007                 |                      | FUSE HOLDER                            | PORTE FUSIBLE                              |             | 1          |
| 6          | 260175                 |                      | FUSE 16A                               | FUSIBLE 16A                                |             | 1          |
| 7          |                        |                      | NOT REQUIRED                           | NON REQUIS                                 |             |            |
| 8          |                        |                      | NOT REQUIRED                           | NON REQUIS                                 |             |            |
| 9          | PC0088                 |                      | CABLE ASSEMBLY                         | CABLE ELECTRIQUE                           |             | 1          |
| 10         | PC0092                 |                      | CABLE ASSEMBLY                         | CABLE ELECTRIQUE                           |             | 1          |
| 11         | PC0093                 |                      | CABLE ASSEMBLY                         | CABLE ELECTRIQUE                           |             | 1          |
| 12         | PC0094                 |                      | CABLE ASSEMBLY                         | CABLE ELECTRIQUE                           |             | 1          |
| 13         | PC0095                 |                      | CABLE ASSEMBLY                         | CABLE ELECTRIQUE                           |             | 1          |
| 14         | PC0096                 |                      | CABLE ASSEMBLY                         | CABLE ELECTRIQUE                           |             | 1          |
| 15         | PC0365                 |                      | HARNES ASSY-FRONT OF FRAME             | FAISCEAU AVANT CHASSIS                     |             | 1          |
| 16         | PC0368                 |                      | NEGATIVE BATTERY JUMPER                | PONT NEGATIF BATTERIE                      |             | 1          |
| 17         | PC0369                 |                      | CABLE ASSEMBLY                         | CABLE ELECTRIQUE                           |             | 1          |
| 18         | PC0370                 |                      | CABLE ASSEMBLY                         | CABLE ELECTRIQUE                           |             | 6          |
| 19         | PC0371                 |                      | CABLE ASSEMBLY                         | CABLE ELECTRIQUE                           |             | 2          |
| 20         | PC0372                 |                      | CABLE ASSEMBLY                         | CABLE ELECTRIQUE                           |             | 2          |
| 21         | PC0373                 |                      | CABLE ASSEMBLY                         | CABLE ELECTRIQUE                           |             | 1          |
| 22         | PC0374                 |                      | CABLE ASSEMBLY                         | CABLE ELECTRIQUE                           |             | 1          |
| 23         | PC0375                 |                      | CABLE ASSEMBLY                         | CABLE ELECTRIQUE                           |             | 1          |
|            |                        |                      |  |  |             |            |
|            |                        |                      |  |  |             |            |
|            |                        |                      |  |  |             |            |
|            |                        |                      |  |  |             |            |
|            |                        |                      |  |  |             |            |
|            |                        |                      |  |  |             |            |
|            |                        |                      |  |  |             |            |
|            |                        |                      |  |  |             |            |
|            |                        |                      |  |  |             |            |
|            |                        |                      |  |  |             |            |
|            |                        |                      |  |  |             |            |
|            |                        |                      |  |  |             |            |
|            |                        |                      |  |  |             |            |
|            |                        |                      |  |  |             |            |
|            |                        |                      |  |  |             |            |
|            |                        |                      |  |  |             |            |
|            |                        |                      |  |  |             |            |
|            |                        |                      |  |  |             |            |
|            |                        |                      |  |  |             |            |
|            |                        |                      |  |  |             |            |
|            |                        |                      |  |  |             |            |
|            |                        |                      |  |  |             |            |
|            |                        |                      |  |  |             |            |
|            |                        |                      |  |  |             |            |
|            |                        |                      |  |  |             |            |
|            |                        |                      |  |  |             |            |
|            |                        |                      |  |  |             |            |
|            |                        |                      |  |  |             |            |
|            |                        |                      |  |  |             |            |
|            |                        |                      |  |  |             |            |
|            |                        |                      |  |  |             |            |
|            |                        |                      |  |  |             |            |
|            |                        |                      |  |  |             |            |
|            |                        |                      |  |  |             |            |
|            |                        |                      |  |  |             |            |
|            |                        |                      |  |  |             |            |
|            |                        |                      |  |  |             |            |
|            |                        |                      |  |  |             |            |
|            |                        |                      |  |  |             |            |
|            |                        |                      |  |  |             |            |
|            |                        |                      |  |  |             |            |
|            |                        |                      |  |  |             |            |
|            |                        |                      |  |  |             |            |
|            |                        |                      |  |  |             |            |

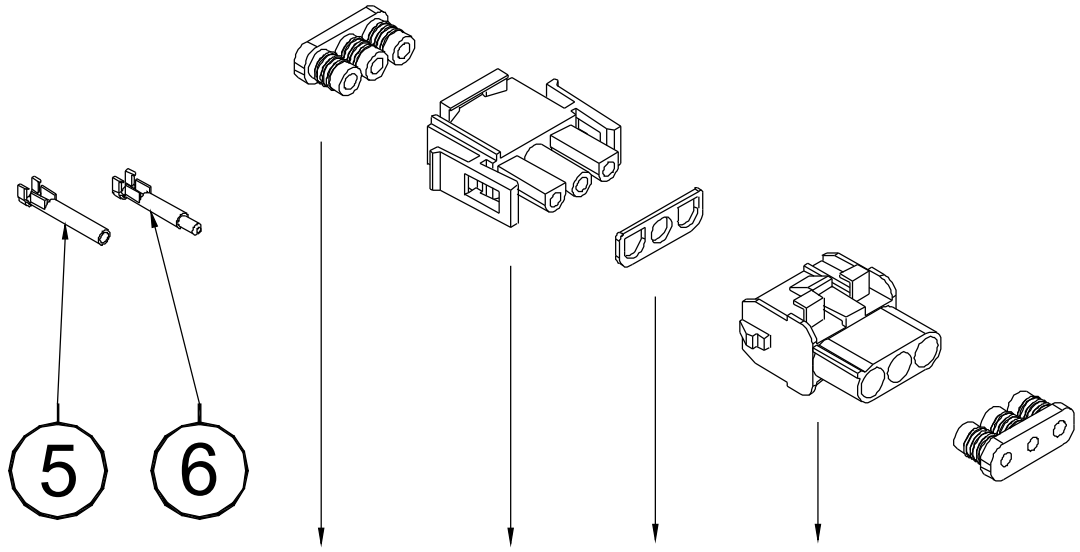
# CONTROL CIRCUIT CIRCUIT DE COMMANDE







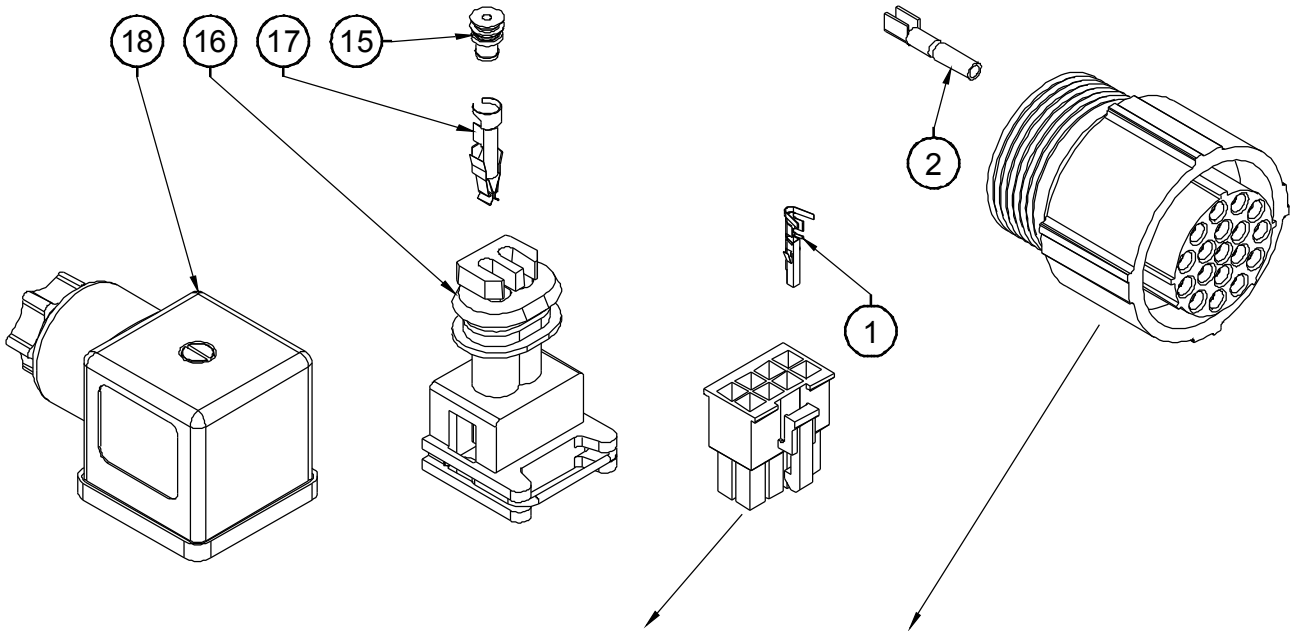
# MATE-N-LOK CONNECTORS CONNECTEURS MATE-N-LOK



|  |    |    |    |    |
|--|----|----|----|----|
|  | 26 | 23 | 25 | 24 |
|  | 10 | 7  | 9  | 8  |
|  | 14 | 11 | 13 | 12 |
|  | 18 | 15 | 17 | 16 |
|  | 4  | 1  | 3  | 2  |
|  | 22 | 19 | 21 | 20 |



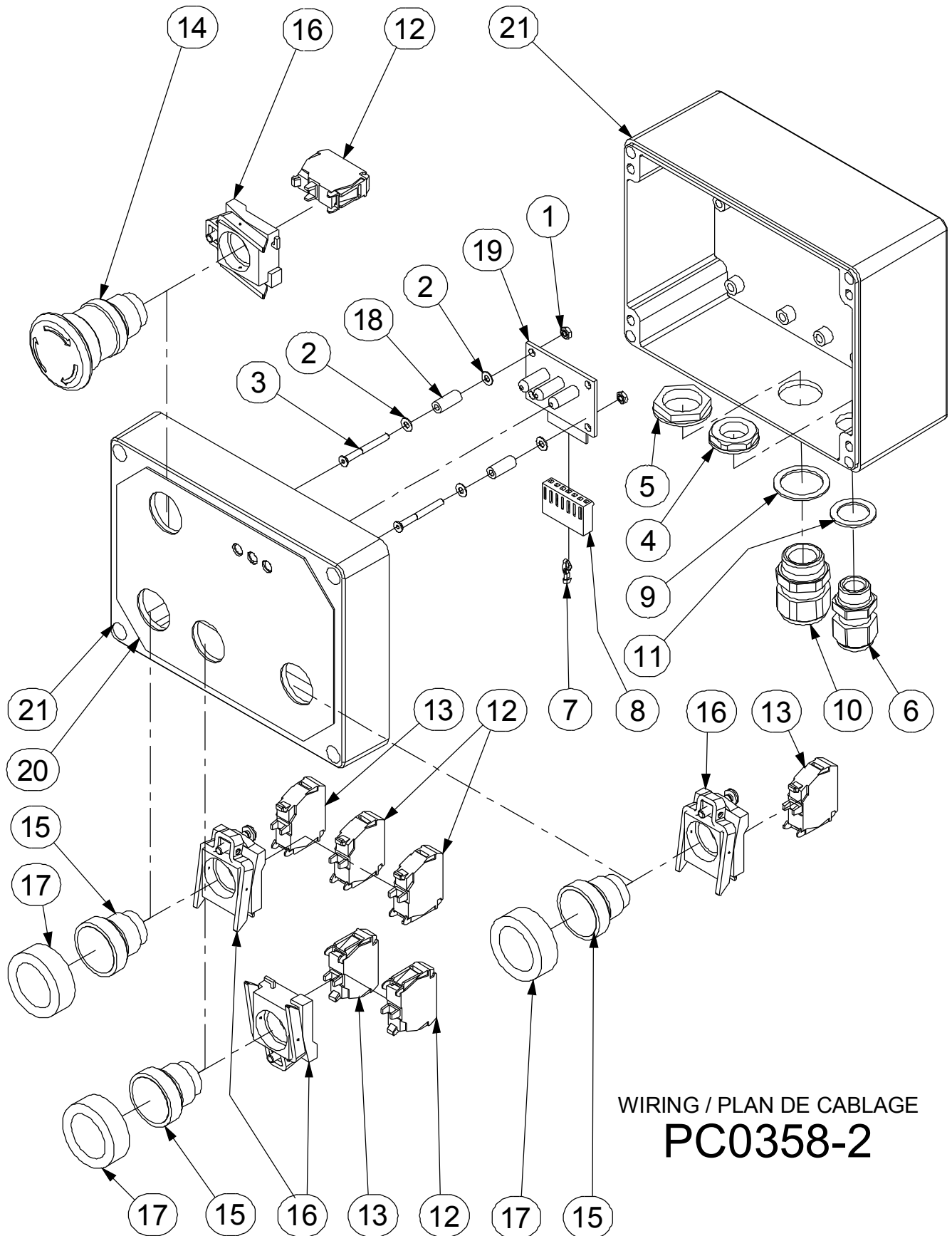
# CONNECTORS ON HARNESS ASSEMBLY CONNECTEURS SUR FAISCEAUX



| Number of pins<br>Nombre de contacts | PART NUMBER / REP |      | GLAND / PE |      |
|--------------------------------------|-------------------|------|------------|------|
|                                      | MOLEX             | FCI  |            |      |
| 2                                    | (3)               |      |            |      |
| 4                                    | (4)               |      |            |      |
| 6                                    | (5)               |      |            |      |
| 8                                    | (6)               |      | 180°       | 90°  |
| 9                                    |                   | (12) | (22)       |      |
| 10                                   | (7)               |      |            |      |
| 12                                   | (8)               |      |            |      |
| 14                                   | (9)               |      |            |      |
| 16                                   | (10)              |      |            |      |
| 18                                   | (24)              | (13) | (21)       | (23) |
| 22                                   | (25)              |      |            |      |
| 24                                   | (11)              |      |            |      |
| 26                                   |                   | (14) | (20)       | (19) |



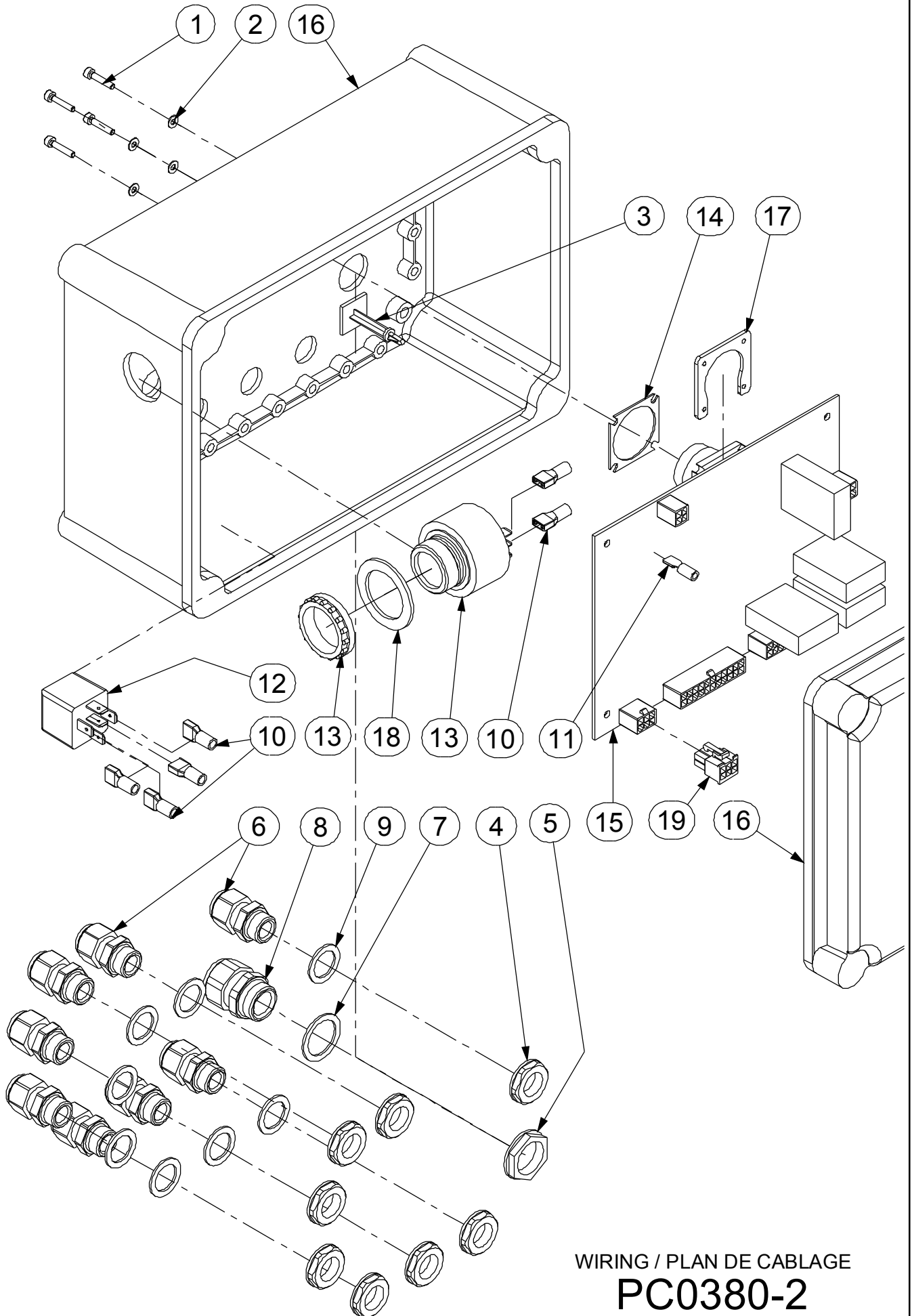
# UPPER CONTROL BOX ASSEMBLY ASSEMBLAGE BOITIER HAUT



WIRING / PLAN DE CABLAGE  
**PC0358-2**



# BOARD BOX ASSEMBLY ASSEMBLAGE BOITIER CARTE



WIRING / PLAN DE CABLAGE  
**PC0380-2**



ISSUE DATE : 22/09/03

**BOARD BOX ASSEMBLY**

ISSUE REL :

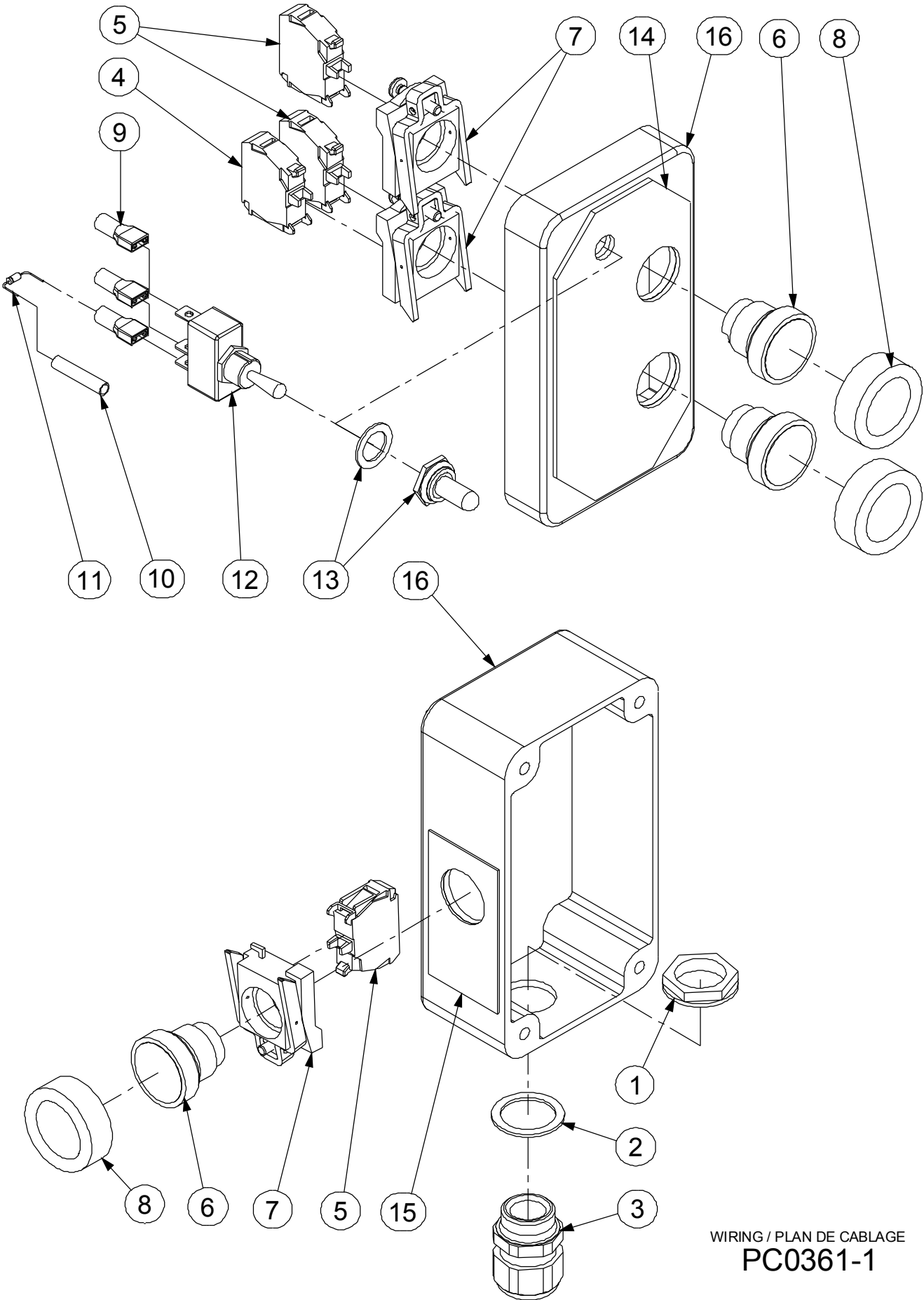
**ASSEMBLAGE BOITIER CARTE**

ASSEMBLY N° : SP0803 REV :  
 N° ENSEMBLE :

1/1

| DET REP | PART NUMBER REF. | SEE VIEW VOIR VUE | DESCRIPTION                           |                                       | RE V | QTY QTE |
|---------|------------------|-------------------|---------------------------------------|---------------------------------------|------|---------|
| 1       | 000091           |                   | M03x16 8.8 SOCKET HEAD MACH SCREW     | VIS CHC M03x16 8.8 BI FT              |      | 4       |
| 2       | 120023           |                   | M03 LOCK WASHER                       | RONDELLE CONTACT M03 BI               |      | 4       |
| 3       | 190055           |                   | ADHESIVE BRACKET SUPPORT              | ENTRETOISE SUPPORT CARTE              |      | 4       |
| 4       | 210009           |                   | GLAND N°9 NUT                         | ECROU DE PRESSE ETOUPE N°9            |      | 8       |
| 5       | 210011           |                   | GLAND N°13 NUT                        | ECROU DE PRESSE ETOUPE N°13           |      | 1       |
| 6       | 210017           |                   | GLAND N°9                             | PRESSE ETOUPE N°9                     |      | 8       |
| 7       | 210057           |                   | N°13 GLAND SEAL                       | JOINT DE PRESSE ETOUPE N°13           |      | 1       |
| 8       | 210062           |                   | GLAND N°13 Ø5 IP65                    | PRESSE ETOUPE N°13 Ø5 IP65            |      | 1       |
| 9       | 210063           |                   | N°9 GLAND SEAL                        | JOINT DE PRESSE ETOUPE N°9            |      | 8       |
| 10      | 250027           |                   | BLUE RECEPTACLE TER. 6.3 - 1.5-2.5mm² | COSSE FEM. 6.3 BLEUE 6.3 - 1.5-2.5mm² |      | 10      |
| 11      | 250060           |                   | RECEPTACLE TERMINAL 4.8 - 0.25-1 mm²  | COSSE ISOLEE 4.8 mm 0.25-1 mm²        |      | 7       |
| 12      | 260019           |                   | 1RT 24V RELAY                         | RELAIS 24 V 1RT                       |      | 1       |
| 13      | 260045           |                   | BUZZER 24 V                           | BUZZER 24 V                           |      | 1       |
| 14      | 260167           |                   | 18 POSITIONS CHASSIS PLUG GASCKET     | JOINT CONNECTEUR 18 CONTACTS          |      | 1       |
| 15      | 290044           |                   | UPPER CONTROL BOX BOARD               | CARTE BOITIER HAUT                    |      | 1       |
| 16      | SD0661           |                   | DRILLED ELECTRICAL BOX                | BOITIER ELECTRIQUE PERCE              |      | 1       |
| 17      | ST1935           |                   | CONNECTOR PLATE                       | CONTRE PLAQUE CONNECTEUR              |      | 1       |
| 18      | ST2063           |                   | BUZZER SEAL                           | JOINT BUZZER                          |      | 1       |
| 19      |                  | RM0091            | CONNECTORS ON HARNESS ASSEMBLY        | CONNECTEURS SUR FAISCEAUX             |      | 1       |
|         |                  |                   |                                       |                                       |      |         |
|         |                  |                   |                                       |                                       |      |         |
|         |                  |                   |                                       |                                       |      |         |
|         |                  |                   |                                       |                                       |      |         |
|         |                  |                   |                                       |                                       |      |         |
|         |                  |                   |                                       |                                       |      |         |
|         |                  |                   |                                       |                                       |      |         |
|         |                  |                   |                                       |                                       |      |         |
|         |                  |                   |                                       |                                       |      |         |
|         |                  |                   |                                       |                                       |      |         |
|         |                  |                   |                                       |                                       |      |         |
|         |                  |                   |                                       |                                       |      |         |
|         |                  |                   |                                       |                                       |      |         |
|         |                  |                   |                                       |                                       |      |         |
|         |                  |                   |                                       |                                       |      |         |
|         |                  |                   |                                       |                                       |      |         |
|         |                  |                   |                                       |                                       |      |         |
|         |                  |                   |                                       |                                       |      |         |
|         |                  |                   |                                       |                                       |      |         |

# TABLE BOX ASSEMBLY ASSEMBLAGE BOITIER TABLETTE



WIRING / PLAN DE CABLAGE  
**PC0361-1**

ISSUE DATE : 22/09/03

**TABLE BOX ASSEMBLY**

ISSUE REL :

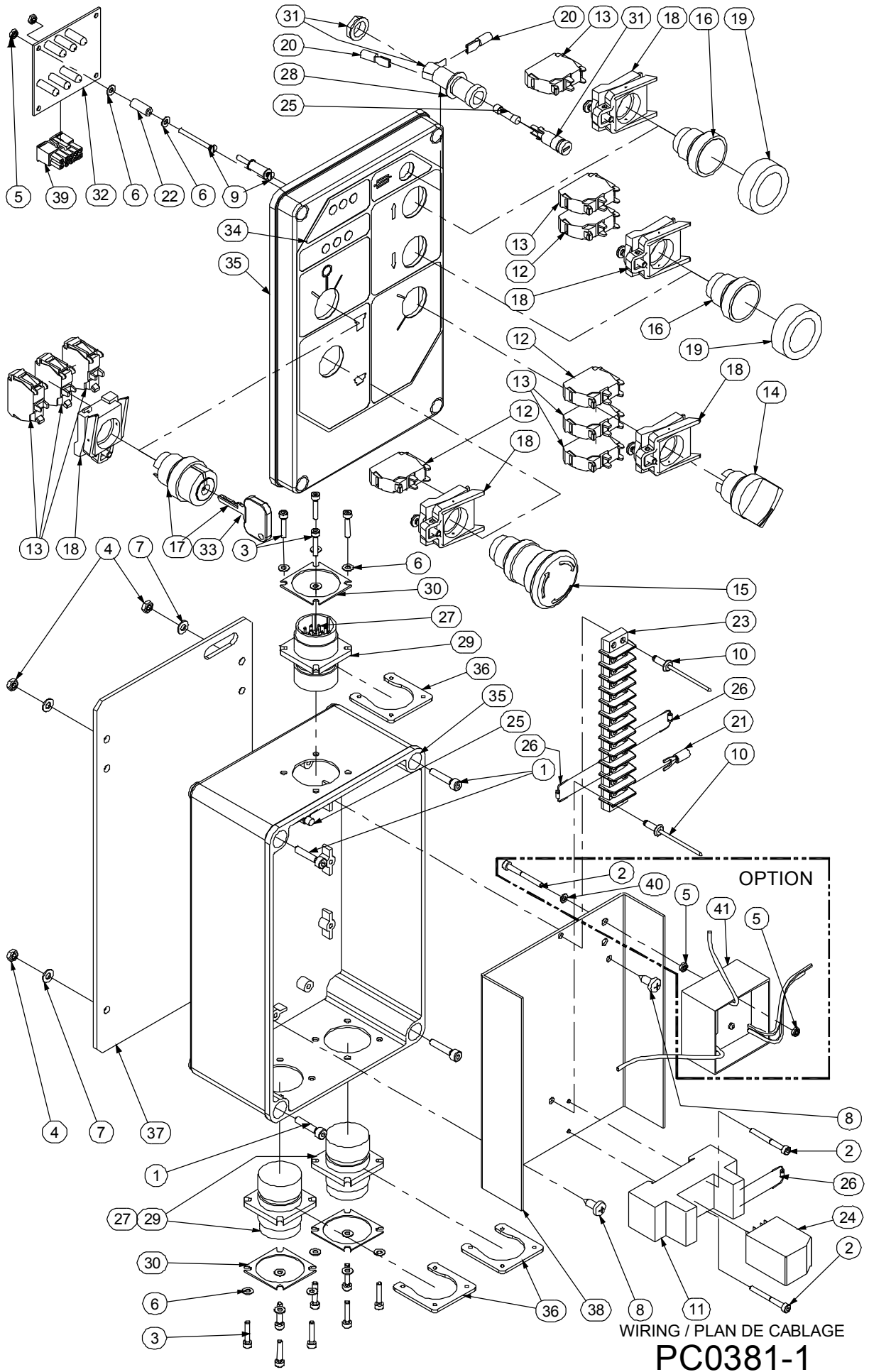
ASSEMBLY N° :  
N° ENSEMBLE : SP0804 REV :

**ASSEMBLAGE BOITIER TABLETTE**

1/1

| DET REP | PART NUMBER REF. | SEE VIEW VOIR VUE | DESCRIPTION                           |                                       | REV | QTY QTE |
|---------|------------------|-------------------|---------------------------------------|---------------------------------------|-----|---------|
| 1       | 210011           |                   | GLAND N°13 NUT                        | ECROU DE PRESSE ETOUPE N°13           |     | 1       |
| 2       | 210057           |                   | N°13 GLAND SEAL                       | JOINT DE PRESSE ETOUPE N°13           |     | 1       |
| 3       | 210062           |                   | GLAND N°13 Ø5 IP65                    | PRESSE ETOUPE N°13 Ø5 IP65            |     | 1       |
| 4       | 240057           |                   | NC CONTACT BLOCK                      | CONTACT NF                            |     | 1       |
| 5       | 240058           |                   | NO CONTACT BLOCK                      | CONTACT NO                            |     | 3       |
| 6       | 240061           |                   | PUSH BUTTON                           | BOUTON POUSSOIR                       |     | 3       |
| 7       | 240076           |                   | CONTACT BLOCK HOLDER                  | EMBASE CONTACT                        |     | 3       |
| 8       | 240082           |                   | PUSH BUTTON CAP                       | CAPUCHON D'ETANCHEITE                 |     | 3       |
| 9       | 250027           |                   | BLUE RECEPTACLE TER. 6.3 - 1.5-2.5mm² | COSSE FEM. 6.3 BLEUE 6.3 - 1.5-2.5mm² |     | 3       |
| 10      | 250037           |                   | SPLICE TERMINAL 1-2.5mm²              | EPISSURE DE CABLE 1-2.5mm²            |     | 1       |
| 11      | 260093           |                   | 1A DIODE                              | DIODE 1A                              |     | 1       |
| 12      | 260133           |                   | SINGLE POLE TOGGLE SWITCH             | INVERSEUR UNIPOLAIRE                  |     | 1       |
| 13      | 260135           |                   | TOGGLE SWITCH COVER                   | PROTECTION D'INTERRUPTEUR             |     | 1       |
| 14      | AU1724           |                   | TABLE BOX DECAL                       | AUTOCOLLANT BOITIER TABLETTE          |     | 1       |
| 15      | AU1740           |                   | ENABLE TABLE DECAL                    | AUTOCOLLANT ENERGIE TABLETTE          |     | 1       |
| 16      | SD0664           |                   | DRILLED ELECTRICAL BOX                | BOITIER ELECTRIQUE PERCE              |     | 1       |
|         |                  |                   |                                       |                                       |     |         |
|         |                  |                   |                                       |                                       |     |         |
|         |                  |                   |                                       |                                       |     |         |
|         |                  |                   |                                       |                                       |     |         |
|         |                  |                   |                                       |                                       |     |         |
|         |                  |                   |                                       |                                       |     |         |
|         |                  |                   |                                       |                                       |     |         |
|         |                  |                   |                                       |                                       |     |         |
|         |                  |                   |                                       |                                       |     |         |
|         |                  |                   |                                       |                                       |     |         |
|         |                  |                   |                                       |                                       |     |         |
|         |                  |                   |                                       |                                       |     |         |
|         |                  |                   |                                       |                                       |     |         |
|         |                  |                   |                                       |                                       |     |         |
|         |                  |                   |                                       |                                       |     |         |
|         |                  |                   |                                       |                                       |     |         |
|         |                  |                   |                                       |                                       |     |         |
|         |                  |                   |                                       |                                       |     |         |
|         |                  |                   |                                       |                                       |     |         |

# LOWER CONTROL BOX ASSEMBLY ASSEMBLAGE BOITIER BAS



WIRING / PLAN DE CABLAGE  
**PC0381-1**

ISSUE DATE : 29/03/05

**LOWER CONTROL BOX ASSEMBLY**

ISSUE REL :

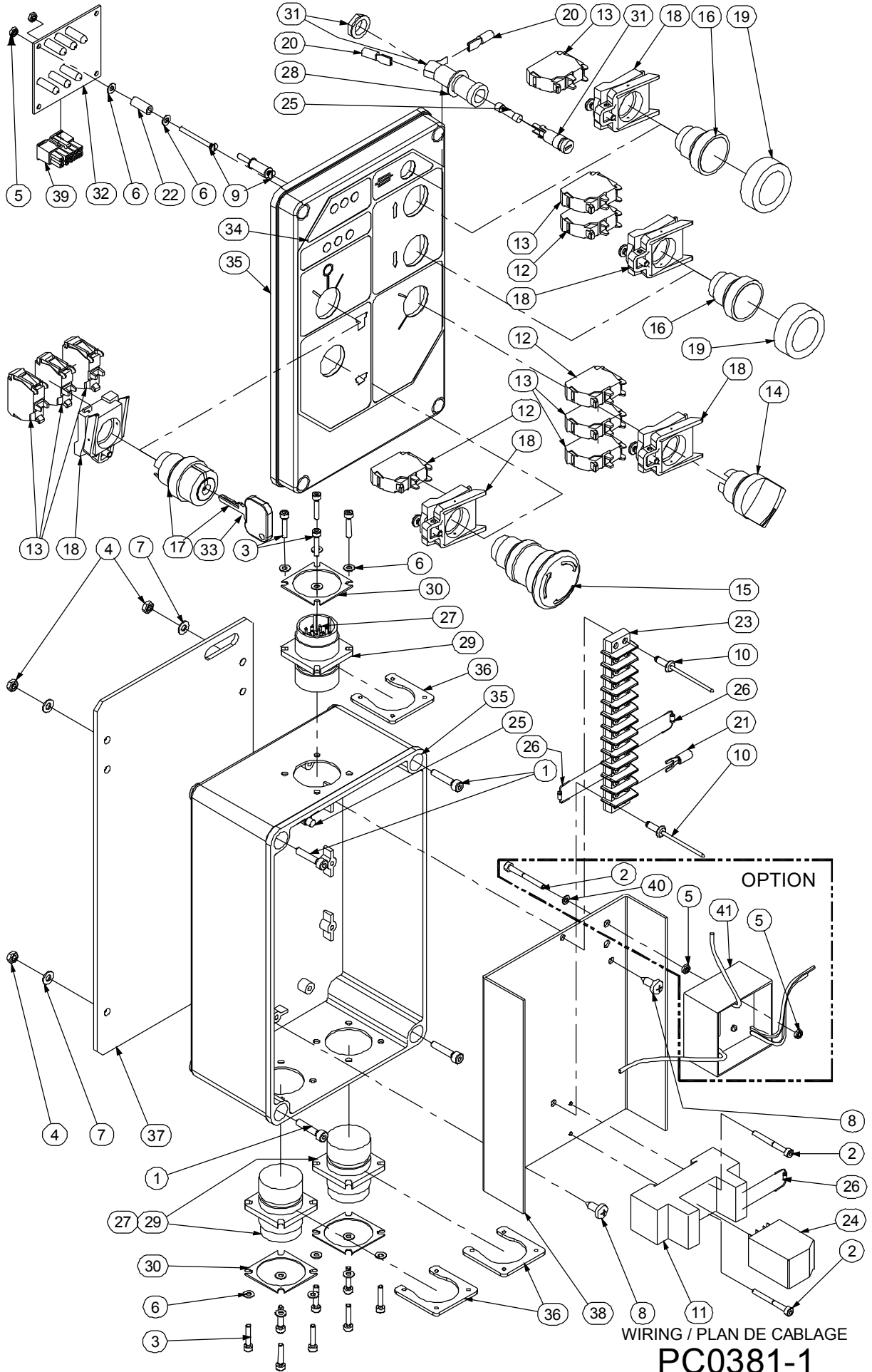
ASSEMBLY N° :  
N° ENSEMBLE : SP0805 REV : B**ASSEMBLAGE BOITIER BAS**

1/2

| DET<br>REP | PART<br>NUMBER<br>REF. | SEE VIEW<br>VOIR VUE | DESCRIPTION                                      |  | R<br>E<br>V | QTY<br>QTE |
|------------|------------------------|----------------------|--|--|-------------|------------|
| 1          | 000020                 |                      | M04x20 8.8 SOCKET HEAD MACH SCREW                | VIS CHC M04x20 8.8 BI FT                   |             | 4          |
| 2          | 000052                 |                      | M03x30 8.8 SOCKET HEAD MACH SCREW                | VIS CHC M03x30 8.8 BR FT                   | B           | 3          |
| 3          | 000091                 |                      | M03x16 8.8 SOCKET HEAD MACH SCREW                | VIS CHC M03x16 8.8 BI FT                   |             | 12         |
| 4          | 110001                 |                      | M04 GR. 8.8 LOCK NUT                             | ECROU FREIN M4 8.8 BI                      |             | 4          |
| 5          | 110024                 |                      | M03 GR. 8.8 LOCK NUT                             | ECROU FREIN M03 8.8 BI                     | B           | 4          |
| 6          | 120023                 |                      | M03 LOCK WASHER                                  | RONDELLE CONTACT M03 BI                    |             | 16         |
| 7          | 120024                 |                      | M04 LOCK WASHER                                  | RONDELLE CONTACT M04 BI                    |             | 4          |
| 8          | 130007                 |                      | Ø4.8x13 LG SHEET METAL SCREW                     | VIS AUTOTARAUDEUSE Ø4.8-13 BI              |             | 2          |
| 9          | 130052                 |                      | M03x30 8.8 COUNTERSUNK HEAD M. S.                | VIS FHC M03x30 8.8 BI FT                   |             | 2          |
| 10         | 180002                 |                      | Ø4x10 POP RIVET                                  | RIVET POP Ø4x10                            |             | 2          |
| 11         | 240019                 |                      | 4RT RELAY BASE                                   | EMBASE DE RELAIS 4RT                       |             | 1          |
| 12         | 240057                 |                      | NC CONTACT BLOCK                                 | CONTACT NF                                 |             | 3          |
| 13         | 240058                 |                      | NO CONTACT BLOCK                                 | CONTACT NO                                 |             | 7          |
| 14         | 240059                 |                      | 2 POSITIONS SELECTOR                             | SELECTEUR 2 POSITIONS                      |             | 1          |
| 15         | 240060                 |                      | TURN TO RELEASE KNOB                             | BOUTON D'ARRET D'URGENCE 1/4 TOUR          |             | 1          |
| 16         | 240061                 |                      | PUSH BUTTON                                      | BOUTON POUSSOIR                            |             | 2          |
| 17         | 240066                 |                      | 3 POSITIONS KEY SELECTOR                         | SELECTEUR A CLE 3 POSITIONS                |             | 1          |
| 18         | 240076                 |                      | CONTACT BLOCK HOLDER                             | EMBASE CONTACT                             |             | 5          |
| 19         | 240082                 |                      | PUSH BUTTON CAP                                  | CAPUCHON D'ETANCHEITE                      |             | 2          |
| 20         | 250060                 |                      | RECEPTACLE TERMINAL 4.8 - 0.25-1 mm <sup>2</sup> | COSSE ISOLEE 4.8 mm 0.25-1 mm <sup>2</sup> |             | 2          |
| 21         | 250085                 |                      | M04 FORK TERMINAL 0.5-1mm <sup>2</sup>           | COSSE FOURCHE M04 - 0.5-1mm <sup>2</sup>   |             | 18         |
| 22         | 250184                 |                      | Ø 3 lg 14 PLASTIC SPACER                         | ENTRETOISE PVC Ø 3 lg 14                   |             | 2          |
| 23         | 250191                 |                      | 12 PTS TERMINAL BLOCK                            | BARETTE DE CONNEXION 12 PTS                |             | 1          |
| 24         | 260042                 |                      | 4RT RELAY  | RELAIS 4RT                                 |             | 1          |
| 25         | 260074                 |                      | 5A QUICK ACTING FUSE                             | FUSIBLE RAPIDE 5A                          |             | 2          |
| 26         | 260093                 |                      | 1A DIODE   | DIODE 1A                                   |             | 3          |
| 27         | 260131                 |                      | PIN CONTACT                                      | CONTACT MALE                               |             | 54         |
| 28         | 260134                 |                      | TOGGLE SWITCH GASKET                             | JOINT D'INVERSEUR                          |             | 1          |
| 29         | 260166                 |                      | 18 POSITIONS CHASSIS PLUG HOUSING                | EMBASE CONNECTEUR 18 CONTACTS              |             | 3          |
| 30         | 260167                 |                      | 18 POSITIONS CHASSIS PLUG GASCKET                | JOINT CONNECTEUR 18 CONTACTS               |             | 3          |
| 31         | 260224                 |                      | FUSE HOLDER                                      | PORTE FUSIBLE                              |             | 1          |
| 32         | 290051                 |                      | 6 LEDS BATTERY BOARD                             | CARTE BATTERIE 6 LEDS                      |             | 1          |
| 33         | 910003                 |                      | KEY N°421  | CLE N°421                                  |             | 1          |
| 34         | AU1875                 |                      | LOWER CONTROL BOX DECAL                          | AUTOCOLLANT BOITIER BAS                    |             | 1          |
| 35         | SD0663                 |                      | DRILLED ELECTRICAL BOX                           | BOITIER ELECTRIQUE PERCE                   |             | 1          |
| 36         | ST1935                 |                      | CONNECTOR PLATE                                  | CONTRE PLAQUE CONNECTEUR                   |             | 3          |
| 37         | ST2743                 |                      | LOWER CONTROL BOX SUPPORT SHIELD                 | TOLE SUPPORT BOITIER BAS                   |             | 1          |

# LOWER CONTROL BOX ASSEMBLY

## ASSEMBLAGE BOITIER BAS



ISSUE DATE : 29/03/05

### LOWER CONTROL BOX ASSEMBLY

ISSUE REL :

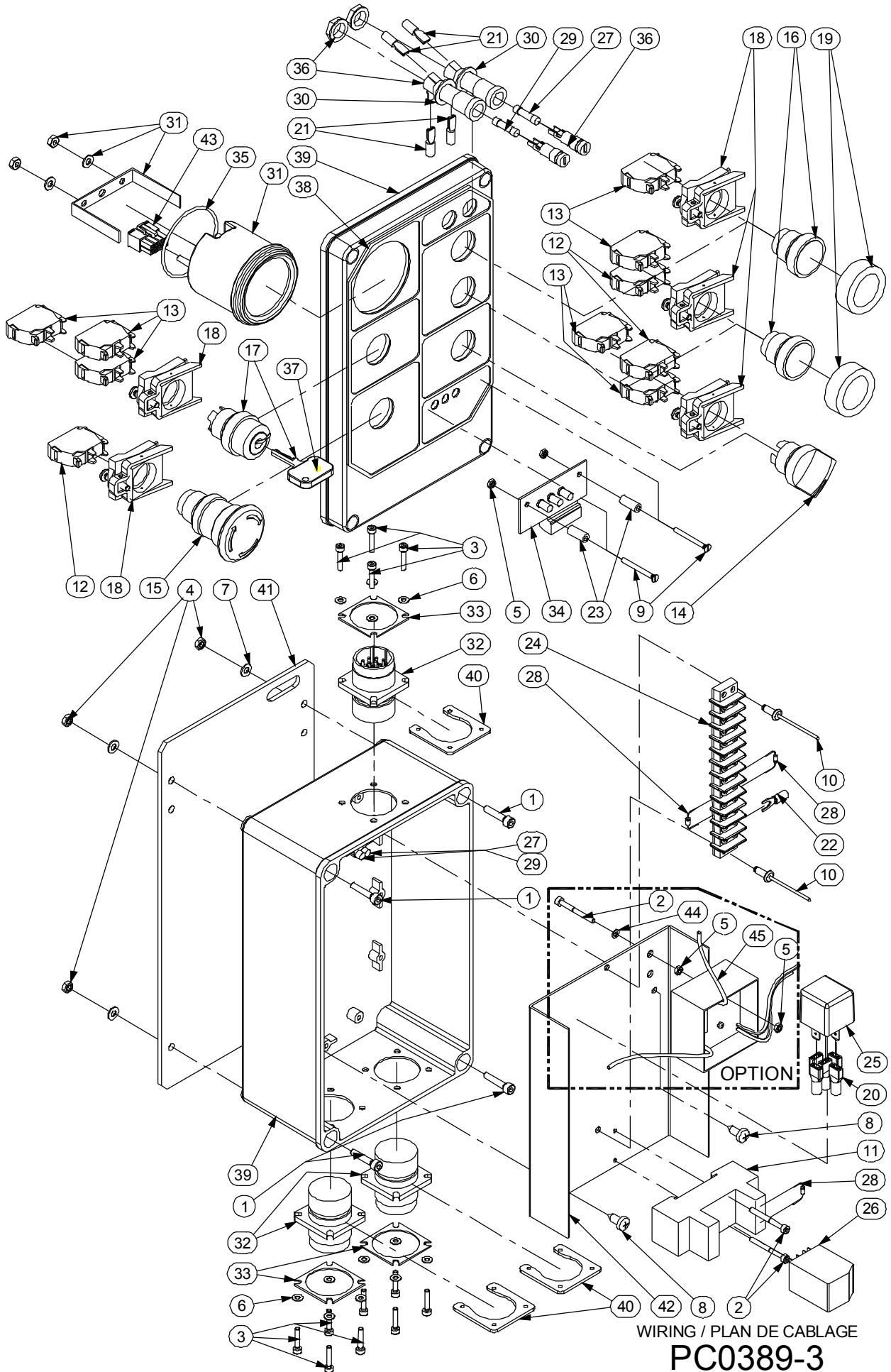
ASSEMBLY N° :  
N° ENSEMBLE : SP0805 REV : B

### ASSEMBLAGE BOITIER BAS

2/2

| DET<br>REP | PART<br>NUMBER<br>REF. | SEE VIEW<br>VOIR VUE | DESCRIPTION                    |                           | R<br>E<br>V | QTY<br>QTE |
|------------|------------------------|----------------------|--------------------------------|---------------------------|-------------|------------|
| 38         | ST2773                 |                      | LOWER CONTROL BOX PLATE        | PLATINE BOITIER BAS       |             | 1          |
| 39         |                        | RM0091               | CONNECTORS ON HARNESS ASSEMBLY | CONNECTEURS SUR FAISCEAUX |             | 1          |
| 40         | 120040                 |                      | M03 PLASTIC WASHER             | RONDELLE PLASTIQUE M03    | B           | 1          |
| 41         | 290058                 |                      | POWER TIMER                    | TEMPORISATION MACHINE     | B           | 1          |
|            |                        |                      |                                |                           |             |            |
|            |                        |                      |                                |                           |             |            |
|            |                        |                      |                                |                           |             |            |
|            |                        |                      |                                |                           |             |            |
|            |                        |                      |                                |                           |             |            |
|            |                        |                      |                                |                           |             |            |
|            |                        |                      |                                |                           |             |            |
|            |                        |                      |                                |                           |             |            |
|            |                        |                      |                                |                           |             |            |
|            |                        |                      |                                |                           |             |            |
|            |                        |                      |                                |                           |             |            |
|            |                        |                      |                                |                           |             |            |
|            |                        |                      |                                |                           |             |            |
|            |                        |                      |                                |                           |             |            |
|            |                        |                      |                                |                           |             |            |
|            |                        |                      |                                |                           |             |            |
|            |                        |                      |                                |                           |             |            |
|            |                        |                      |                                |                           |             |            |
|            |                        |                      |                                |                           |             |            |
|            |                        |                      |                                |                           |             |            |
|            |                        |                      |                                |                           |             |            |
|            |                        |                      |                                |                           |             |            |
|            |                        |                      |                                |                           |             |            |
|            |                        |                      |                                |                           |             |            |
|            |                        |                      |                                |                           |             |            |
|            |                        |                      |                                |                           |             |            |
|            |                        |                      |                                |                           |             |            |
|            |                        |                      |                                |                           |             |            |
|            |                        |                      |                                |                           |             |            |
|            |                        |                      |                                |                           |             |            |
|            |                        |                      |                                |                           |             |            |
|            |                        |                      |                                |                           |             |            |
|            |                        |                      |                                |                           |             |            |

# LOWER CONTROL BOX WITH HOURMETER BOITIER BAS AVEC HORAMETRE



WIRING / PLAN DE CABLAGE  
**PC0389-3**



ISSUE DATE : 29/03/05

## LOWER CONTROL BOX WITH HOURMETER

ISSUE REL :

ASSEMBLY N° :  
N° ENSEMBLE : SP0883 REV : A

## BOITIER BAS AVEC HORAMETRE

1/2

| DET<br>REP | PART<br>NUMBER<br>REF. | SEE VIEW<br>VOIR VUE | DESCRIPTION                                       |   | R<br>E<br>V | QTY<br>QTE |
|------------|------------------------|----------------------|---|---|-------------|------------|
| 1          | 000020                 |                      | M04x20 8.8 SOCKET HEAD MACH SCREW                 | VIS CHC M04x20 8.8 BI FT                          |             | 4          |
| 2          | 000052                 |                      | M03x30 8.8 SOCKET HEAD MACH SCREW                 | VIS CHC M03x30 8.8 BR FT                          | A           | 3          |
| 3          | 000091                 |                      | M03x16 8.8 SOCKET HEAD MACH SCREW                 | VIS CHC M03x16 8.8 BI FT                          |             | 12         |
| 4          | 110001                 |                      | M04 GR. 8.8 LOCK NUT                              | ECROU FREIN M4 8.8 BI                             |             | 4          |
| 5          | 110024                 |                      | M03 GR. 8.8 LOCK NUT                              | ECROU FREIN M03 8.8 BI                            | A           | 4          |
| 6          | 120023                 |                      | M03 LOCK WASHER                                   | RONDELLE CONTACT M03 BI                           |             | 12         |
| 7          | 120024                 |                      | M04 LOCK WASHER                                   | RONDELLE CONTACT M04 BI                           |             | 4          |
| 8          | 130007                 |                      | Ø4.8x13 LG SHEET METAL SCREW                      | VIS AUTOTARAUDEUSE Ø4.8-13 BI                     |             | 2          |
| 9          | 130052                 |                      | M03x30 8.8 COUNTERSUNK HEAD M. S.                 | VIS FHC M03x30 8.8 BI FT                          |             | 2          |
| 10         | 180002                 |                      | Ø4x10 POP RIVET                                   | RIVET POP Ø4x10                                   |             | 2          |
| 11         | 240019                 |                      | 4RT RELAY BASE                                    | EMBASE DE RELAIS 4RT                              |             | 1          |
| 12         | 240057                 |                      | NC CONTACT BLOCK                                  | CONTACT NF  |             | 3          |
| 13         | 240058                 |                      | NO CONTACT BLOCK                                  | CONTACT NO  |             | 7          |
| 14         | 240059                 |                      | 2 POSITIONS SELECTOR                              | SELECTEUR 2 POSITIONS                             |             | 1          |
| 15         | 240060                 |                      | TURN TO RELEASE KNOB                              | BOUTON D'ARRET D'URGENCE 1/4 TOUR                 |             | 1          |
| 16         | 240061                 |                      | PUSH BUTTON                                       | BOUTON POUSSOIR                                   |             | 2          |
| 17         | 240066                 |                      | 3 POSITIONS KEY SELECTOR                          | SELECTEUR A CLE 3 POSITIONS                       |             | 1          |
| 18         | 240076                 |                      | CONTACT BLOCK HOLDER                              | EMBASE CONTACT                                    |             | 5          |
| 19         | 240082                 |                      | PUSH BUTTON CAP                                   | CAPUCHON D'ETANCHEITE                             |             | 2          |
| 20         | 250027                 |                      | BLUE RECEPTACLE TER. 6.3 - 1.5-2.5mm <sup>2</sup> | COSSE FEM. 6.3 BLEUE 6.3 - 1.5-2.5mm <sup>2</sup> |             | 5          |
| 21         | 250060                 |                      | RECEPTACLE TERMINAL 4.8 - 0.25-1 mm <sup>2</sup>  | COSSE ISOLEE 4.8 mm 0.25-1 mm <sup>2</sup>        |             | 4          |
| 22         | 250085                 |                      | M04 FORK TERMINAL 0.5-1mm <sup>2</sup>            | COSSE FOURCHE M04 - 0.5-1mm <sup>2</sup>          |             | 21         |
| 23         | 250184                 |                      | Ø 3 lg 14 PLASTIC SPACER                          | ENTRETOISE PVC Ø 3 lg 14                          |             | 2          |
| 24         | 250191                 |                      | 12 PTS TERMINAL BLOCK                             | BARETTE DE CONNEXION 12 PTS                       |             | 1          |
| 25         | 260019                 |                      | 1RT 24V RELAY                                     | RELAIS 24 V 1RT                                   |             | 1          |
| 26         | 260042                 |                      | 4RT RELAY   | RELAIS 4RT  |             | 1          |
| 27         | 260074                 |                      | 5A QUICK ACTING FUSE                              | FUSIBLE RAPIDE 5A                                 |             | 2          |
| 28         | 260093                 |                      | 1A DIODE  | DIODE 1A  |             | 3          |
| 29         | 260104                 |                      | 500mA QUICK ACTING FUSE                           | FUSIBLE RAPIDE 500mA                              |             | 2          |
| 30         | 260134                 |                      | TOGGLE SWITCH GASKET                              | JOINT D'INVERSEUR                                 |             | 2          |
| 31         | 260142                 |                      | 24V HOURMETRE BATTERY INDICATOR                   | INDICATEUR DE DECHARGE HORAMETRE                  |             | 1          |
| 32         | 260166                 |                      | 18 POSITIONS CHASSIS PLUG HOUSING                 | EMBASE CONNECTEUR 18 CONTACTS                     |             | 3          |
| 33         | 260167                 |                      | 18 POSITIONS CHASSIS PLUG GASCKET                 | JOINT CONNECTEUR 18 CONTACTS                      |             | 3          |
| 34         | 260174                 |                      | CHARGER LEDS DISPLAY                              | CARTE DE VISUALISATION CHARGEUR                   |             | 1          |
| 35         | 260209                 |                      | CHARGE INDICATOR RING                             | JOINT INDICATEUR DE DECHARGE                      |             | 1          |
| 36         | 260224                 |                      | FUSE HOLDER                                       | PORTE FUSIBLE                                     |             | 2          |
| 37         | 910003                 |                      | KEY N°421   | CLE N°421   |             | 1          |

ISSUE DATE : 29/03/05

# LOWER CONTROL BOX WITH HOURMETER

ISSUE REL :

ASSEMBLY N° : SP0883 REV : A  
N° ENSEMBLE :

## BOITIER BAS AVEC HORAMETRE

2/2

| DET REP | PART NUMBER REF. | SEE VIEW VOIR VUE | DESCRIPTION                      |                           | R E V | QTY QTE |
|---------|------------------|-------------------|----------------------------------|---------------------------|-------|---------|
| 38      | AU1779           |                   | LOWER CONTROL BOX DECAL          | AUTOCOLLANT BOITIER BAS   |       | 1       |
| 39      | SD0677           |                   | DRILLED ELECTRICAL BOX           | BOITIER ELECTRIQUE PERCE  |       | 1       |
| 40      | ST1935           |                   | CONNECTOR PLATE                  | CONTRE PLAQUE CONNECTEUR  |       | 3       |
| 41      | ST2743           |                   | LOWER CONTROL BOX SUPPORT SHIELD | TOLE SUPPORT BOITIER BAS  |       | 1       |
| 42      | ST2773           |                   | LOWER CONTROL BOX PLATE          | PLATINE BOITIER BAS       |       | 1       |
| 43      |                  | RM0091            | CONNECTORS ON HARNESS ASSEMBLY   | CONNECTEURS SUR FAISCEAUX |       | 1       |
| 44      | 120040           |                   | M03 PLASTIC WASHER               | RONDELLE PLASTIQUE M03    | A     | 1       |
| 45      | 290058           |                   | POWER TIMER                      | TEMPORISATION MACHINE     | A     | 1       |
|         |                  |                   |                                  |                           |       |         |
|         |                  |                   |                                  |                           |       |         |
|         |                  |                   |                                  |                           |       |         |
|         |                  |                   |                                  |                           |       |         |
|         |                  |                   |                                  |                           |       |         |
|         |                  |                   |                                  |                           |       |         |
|         |                  |                   |                                  |                           |       |         |
|         |                  |                   |                                  |                           |       |         |
|         |                  |                   |                                  |                           |       |         |
|         |                  |                   |                                  |                           |       |         |
|         |                  |                   |                                  |                           |       |         |
|         |                  |                   |                                  |                           |       |         |
|         |                  |                   |                                  |                           |       |         |
|         |                  |                   |                                  |                           |       |         |
|         |                  |                   |                                  |                           |       |         |
|         |                  |                   |                                  |                           |       |         |
|         |                  |                   |                                  |                           |       |         |
|         |                  |                   |                                  |                           |       |         |
|         |                  |                   |                                  |                           |       |         |
|         |                  |                   |                                  |                           |       |         |
|         |                  |                   |                                  |                           |       |         |
|         |                  |                   |                                  |                           |       |         |

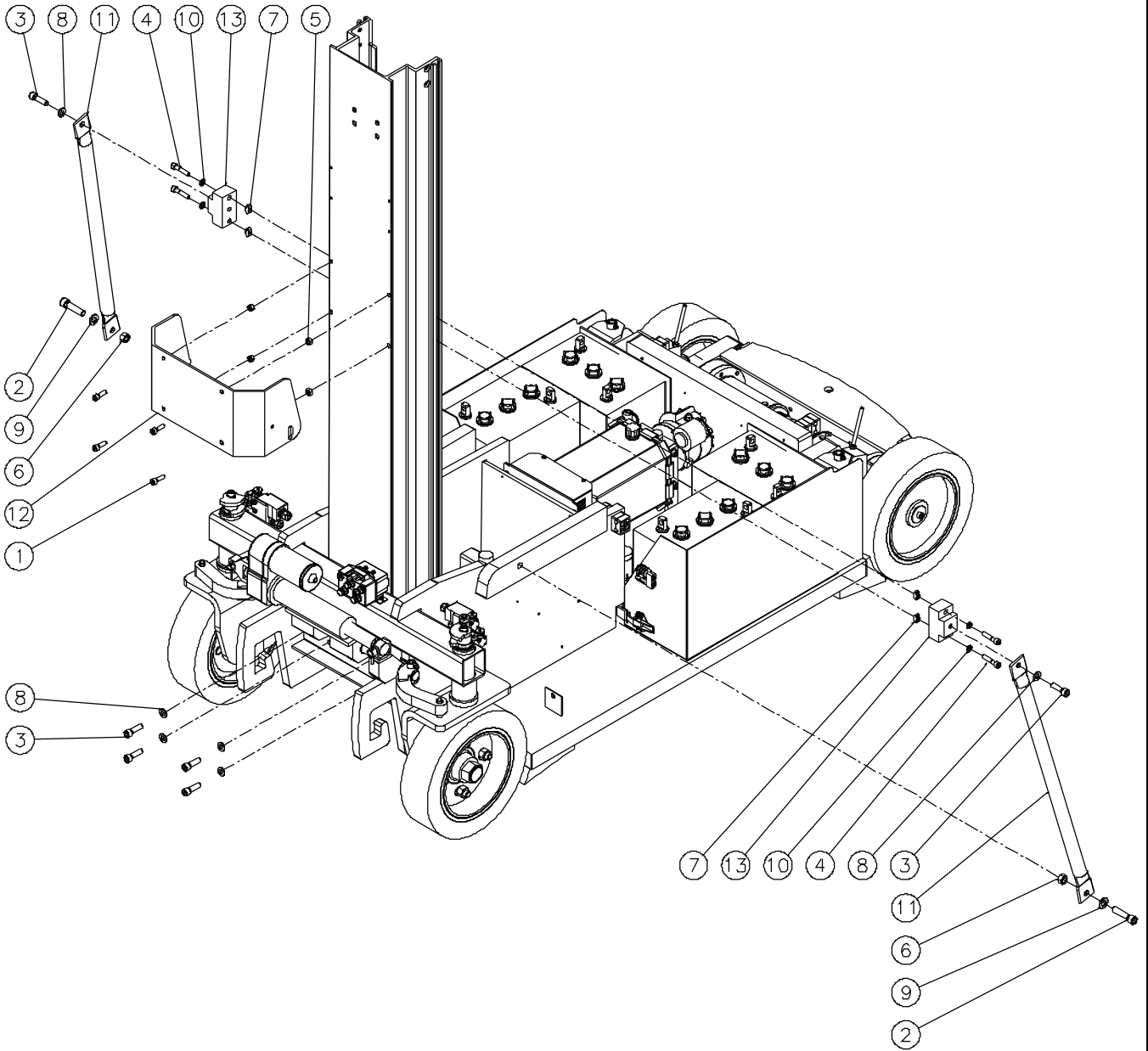
***SPARE PARTS  
PIECES DETACHEES***

**SECTION 3**

**MASTS ON FRAME INSTALL  
INSTALLATION MATS SUR CHASSIS**



# MASTS ON FRAME INSTALL INSTALLATION MATS SUR CHASSIS



ISSUE DATE : 04/07/00

**MASTS ON FRAME INSTALL**

ISSUE REL :

**INSTALLATION MATS SUR CHASSIS**

ASSY NO : SP0390 REV : A

1/1

| DET NO. | PART NUMBER | SEE VIEW | DESCRIPTION                       |                              | REV | QTY REQ. |
|---------|-------------|----------|-----------------------------------|------------------------------|-----|----------|
|         |             |          |                                   |                              |     |          |
| 1       | 000053      |          | M08x25 8.8 SOCKET HEAD MACH SCREW | VIS CHC M08x25 8.8 BI FT     | A   | 4        |
| 2       | 100076      |          | M12x60 8.8 HEX HEAD CAPSCREW      | VIS H M12x60 8,8 BI FP       | A   | 2        |
| 3       | 000019      |          | M10x35 8.8 SOCKET HEAD MACH SCREW | VIS CHC M10x35 8.8 BI FT     |     | 6        |
| 4       | 000043      |          | M08x40 8.8 SOCKET HEAD MACH SCREW | VIS CHC M08x40 8.8 BI FT     |     | 4        |
| 5       | 110004      |          | M08 GR. 8.8 LOCK NUT              | ECROU FREIN M8 8.8 BI        |     | 4        |
| 6       | 110014      |          | M12 GR. 8.8 LOCK NUT              | ECROU FREIN M12 8.8 BI       |     | 2        |
| 7       | US0506      |          | M08 SLIDING BLOCK NUT             | ECROU COULISSEAU M08         | A   | 4        |
| 8       | 120011      |          | dD 10x22 LOCK WASHER              | RONDELLE CONTACT dD 10x22 BI |     | 6        |
| 9       | 120015      |          | dD 12x27 LOCK WASHER              | RONDELLE CONTACT dD 12x27 BI |     | 2        |
| 10      | 120021      |          | HELICAL SPRING LOCK WASHER Ø8     | RONDELLE GROWER Ø8 BI        |     | 4        |
| 11      | ST1636      |          | STRUT                             | HAUBAN                       |     | 2        |
| 12      | ST1670      |          | MAST HOUSING                      | CAISSON DE MAT               |     | 1        |
| 13      | US0300      |          | SHROUD SPACER                     | ENTRETOISE HAUBAN            |     | 2        |
|         |             |          |                                   |                              |     |          |
|         |             |          |                                   |                              |     |          |
|         |             |          |                                   |                              |     |          |
|         |             |          |                                   |                              |     |          |
|         |             |          |                                   |                              |     |          |
|         |             |          |                                   |                              |     |          |
|         |             |          |                                   |                              |     |          |
|         |             |          |                                   |                              |     |          |
|         |             |          |                                   |                              |     |          |
|         |             |          |                                   |                              |     |          |
|         |             |          |                                   |                              |     |          |
|         |             |          |                                   |                              |     |          |
|         |             |          |                                   |                              |     |          |
|         |             |          |                                   |                              |     |          |
|         |             |          |                                   |                              |     |          |
|         |             |          |                                   |                              |     |          |
|         |             |          |                                   |                              |     |          |
|         |             |          |                                   |                              |     |          |
|         |             |          |                                   |                              |     |          |
|         |             |          |                                   |                              |     |          |
|         |             |          |                                   |                              |     |          |
|         |             |          |                                   |                              |     |          |
|         |             |          |                                   |                              |     |          |
|         |             |          |                                   |                              |     |          |
|         |             |          |                                   |                              |     |          |
|         |             |          |                                   |                              |     |          |
|         |             |          |                                   |                              |     |          |
|         |             |          |                                   |                              |     |          |
|         |             |          |                                   |                              |     |          |
|         |             |          |                                   |                              |     |          |
|         |             |          |                                   |                              |     |          |
|         |             |          |                                   |                              |     |          |
|         |             |          |                                   |                              |     |          |
|         |             |          |                                   |                              |     |          |



***SPARE PARTS***  
***PIECES DETACHEES***

**SECTION 4**

**FRAME INSTALL**  
**INSTALLATION CHASSIS**



# FRAME INSTALL INSTALLATION CHASSIS

Settings for standard batteries :

-Toggle the switch 1 to "on"

-Toggle the switch 2 to "off"

Settings for gel batteries :

-Toggle the switch 1 to "off"

-Toggle the switch 2 to "on"

Les réglages pour les batteries standard sont :

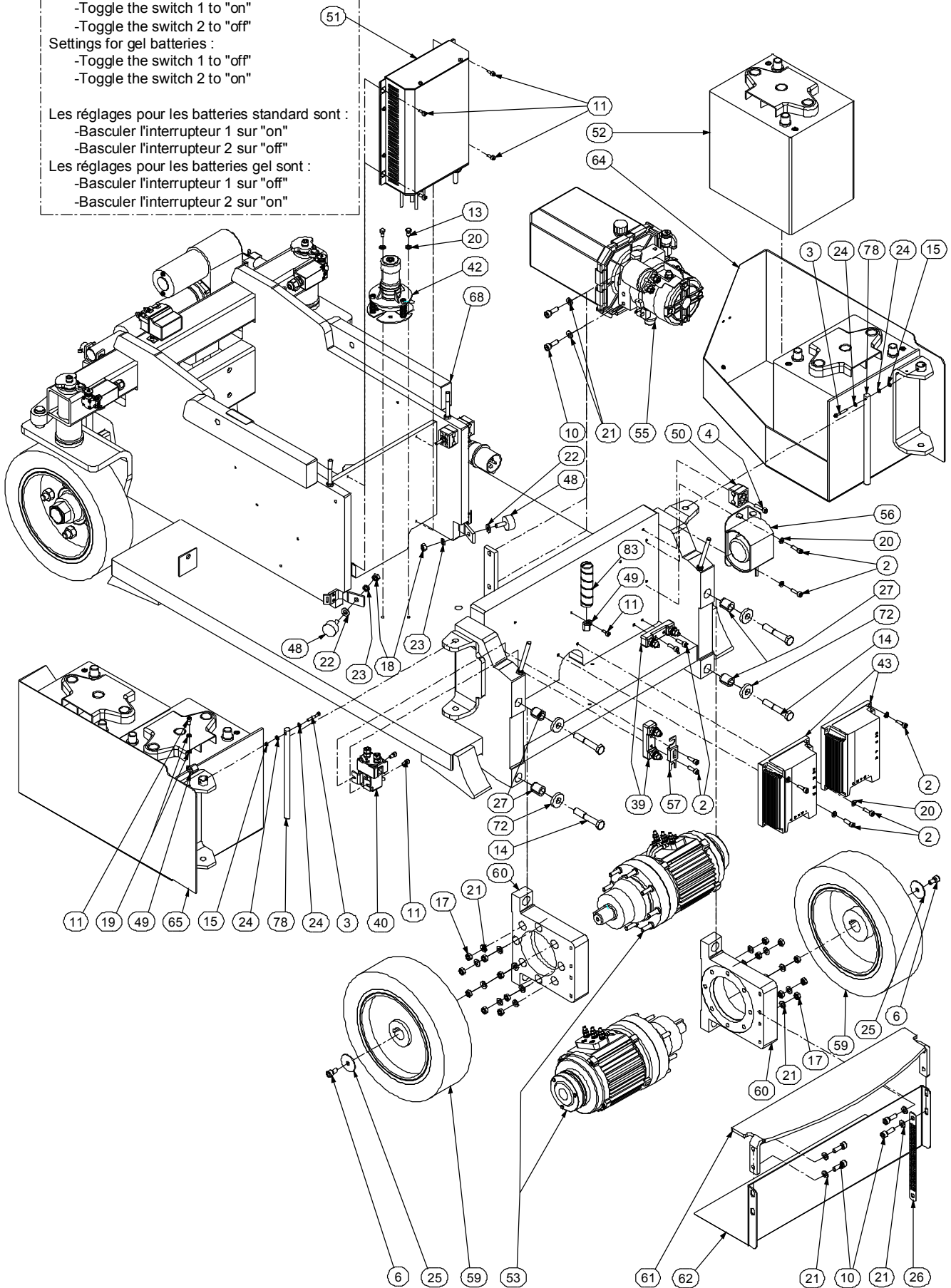
-Basculer l'interrupteur 1 sur "on"

-Basculer l'interrupteur 2 sur "off"

Les réglages pour les batteries gel sont :

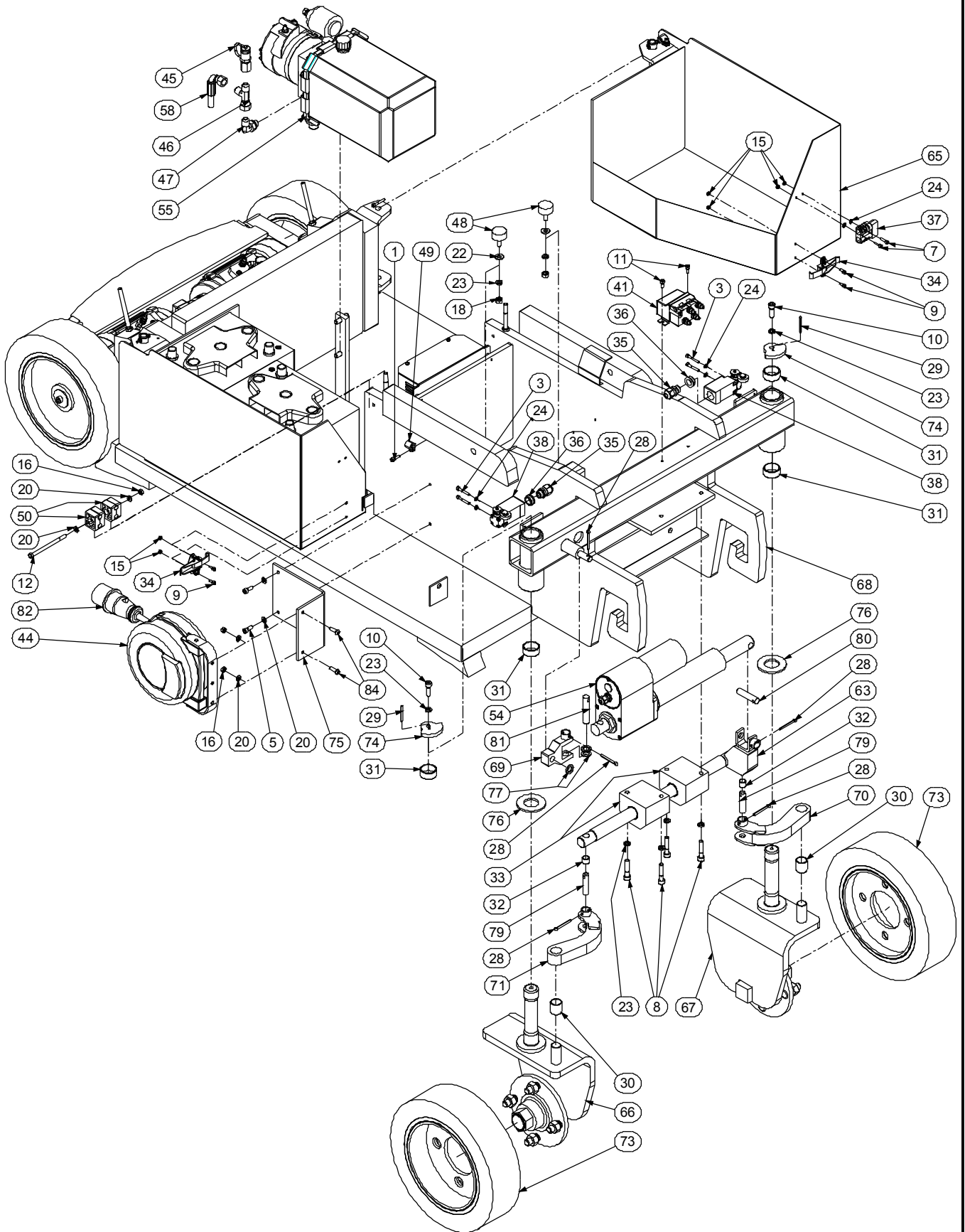
-Basculer l'interrupteur 1 sur "off"

-Basculer l'interrupteur 2 sur "on"





# FRAME INSTALL INSTALLATION CHASSIS



ISSUE DATE : 02/06/04

**FRAME INSTALL**

ISSUE REL :

ASSEMBLY N° :  
N° ENSEMBLE : SP0811 REV : A**INSTALLATION CHASSIS**

1/3

| DET<br>REP | PART<br>NUMBER<br>REF. | SEE VIEW<br>VOIR VUE | DESCRIPTION                       |                              | R<br>E<br>V | QTY<br>QTE |
|------------|------------------------|----------------------|-----------------------------------|------------------------------|-------------|------------|
| 1          | 000003                 |                      | M05x16 8.8 SOCKET HEAD MACH SCREW | VIS CHC M05x16 8.8 BI FT     |             | 1          |
| 2          | 000005                 |                      | M06x20 8.8 SOCKET HEAD MACH SCREW | VIS CHC M06x20 8.8 BI FT     | A           | 10         |
| 3          | 000007                 |                      | M04x30 8.8 SOCKET HEAD CAPSCREW   | VIS CHC M04x30 8.8 BI FP     |             | 6          |
| 4          | 000008                 |                      | M06x25 8.8 SOCKET HEAD MACH SCREW | VIS CHC M06x25 8.8 BI FT     |             | 1          |
| 5          | 000015                 |                      | M06x16 8.8 SOCKET HEAD MACH SCREW | VIS CHC M06x16 8.8 BI FT     |             | 2          |
| 6          | 000018                 |                      | M08x16 8.8 SOCKET HEAD MACH SCREW | VIS CHC M08x16 8.8 BI FT     |             | 2          |
| 7          | 000020                 |                      | M04x20 8.8 SOCKET HEAD MACH SCREW | VIS CHC M04x20 8.8 BI FT     |             | 2          |
| 8          | 000043                 |                      | M08x40 8.8 SOCKET HEAD MACH SCREW | VIS CHC M08x40 8.8 BI FT     |             | 4          |
| 9          | 000050                 |                      | M04x10 8.8 SOCKET HEAD MACH SCREW | VIS CHC M04x10 8.8 BI FT     |             | 4          |
| 10         | 000053                 |                      | M08x25 8.8 SOCKET HEAD MACH SCREW | VIS CHC M08x25 8.8 BI FT     |             | 8          |
| 11         | 000067                 |                      | M05x12 8.8 SOCKET HEAD MACH SCREW | VIS CHC M05x12 8.8 BI FT     |             | 10         |
| 12         | 100014                 |                      | M06x80 8.8 HEX HEAD CAPSCREW      | VIS H M06x80 8.8 BI FP       |             | 1          |
| 13         | 100027                 |                      | M06x12 8.8 HEX HEAD MACHINE SCREW | VIS H M06x12 8.8 BI FT       |             | 2          |
| 14         | 100035                 |                      | M12x70 8.8 HEX HEAD CAPSCREW      | VIS H M12x70 BI FP           |             | 4          |
| 15         | 110001                 |                      | M04 GR. 8.8 LOCK NUT              | ECROU FREIN M4 8.8 BI        |             | 8          |
| 16         | 110003                 |                      | M06 GR. 8.8 LOCK NUT              | ECROU FREIN M6 8.8 BI        |             | 3          |
| 17         | 110004                 |                      | M08 GR. 8.8 LOCK NUT              | ECROU FREIN M8 8.8 BI        |             | 16         |
| 18         | 110016                 |                      | M08 GR. 8.8 HEX NUT               | ECROU H M08 8.8 BI           |             | 4          |
| 19         | 120002                 |                      | M05 WASHER                        | RONDELLE M05 BI              |             | 2          |
| 20         | 120009                 |                      | dD 06x14 LOCK WASHER              | RONDELLE CONTACT dD 06x14 BI |             | 14         |
| 21         | 120010                 |                      | dD 08x18 LOCK WASHER              | RONDELLE CONTACT dD 08x18 BI |             | 22         |
| 22         | 120014                 |                      | M08 WASHER                        | RONDELLE M08 BI              |             | 4          |
| 23         | 120021                 |                      | HELICAL SPRING LOCK WASHER Ø8     | RONDELLE GROWER Ø8 BI        |             | 10         |
| 24         | 120024                 |                      | M04 LOCK WASHER                   | RONDELLE CONTACT M04 BI      |             | 10         |
| 25         | 120026                 |                      | dD 08x40 WASHER                   | RONDELLE dD 08x40 BI         |             | 2          |
| 26         | 130022                 |                      | STATIC STRAP                      | TRESSE DE MASSE              |             | 1          |
| 27         | 140018                 |                      | SAFETY PIN                        | GOUPILLE ELASTIQUE           |             | 4          |
| 28         | 140019                 |                      | Ø4x40 COTTER PIN                  | GOUPILLE FENDUE Ø4x40        |             | 5          |
| 29         | 140022                 |                      | Ø4x40x0.8 LOCK PIN                | GOUPILLE ELASTIQUE Ø4x40x0.8 |             | 2          |
| 30         | 150022                 |                      | BUSHING Ø20 H25 DX                | BAGUE Ø20 H25 DX             |             | 2          |
| 31         | 150025                 |                      | BUSHING Ø30 H15 DU                | BAGUE Ø30 H15 DU             |             | 4          |
| 32         | 150029                 |                      | Ø12 H12 BUSHING                   | BAGUE Ø12 H12                |             | 2          |
| 33         | 150044                 |                      | PILLOW BLOCK                      | PALIER A SEMELLE             |             | 2          |
| 34         | 190043                 |                      | IRON LACK                         | GRENOUILLERE A BRAS RESSORT  |             | 2          |
| 35         | 210017                 |                      | GLAND N°9                         | PRESSE ETOUPE N°9            |             | 2          |
| 36         | 250015                 |                      | REDUCTION 13/9                    | REDUCTION 13/9               |             | 2          |
| 37         | 250038                 |                      | QUICK CONNECTOR                   | PRISE RAPIDE                 |             | 1          |

ISSUE DATE : 02/06/04

**FRAME INSTALL**

ISSUE REL :

ASSEMBLY N° :  
N° ENSEMBLE : SP0811 REV : A**INSTALLATION CHASSIS**

2/3

| DET<br>REP | PART<br>NUMBER<br>REF. | SEE VIEW<br>VOIR VUE | DESCRIPTION  |                                       | R<br>E<br>V | QTY<br>QTE |
|------------|------------------------|----------------------|--|---------------------------------------|-------------|------------|
| 38         | 260030                 |                      | 2NC SWITCH   | CAPTEUR 2NF                           |             | 2          |
| 39         | 260077                 |                      | POWER FUSE HOLDER  | PORTE FUSIBLE DE PUISSANCE            | A           | 2          |
| 40         | 260208                 |                      | RELAY  | RELAIS                                |             | 1          |
| 41         | 260269                 |                      | INVERTER RELAY   | RELAIS INVERSEUR                      |             | 1          |
| 42         | 260270                 |                      | 2° TILT SENSOR   | DETECTEUR DE DEVERS 2°                |             | 1          |
| 43         | 260286                 |                      | FREQUENCY CONVERTER  | CONVERTISSEUR DE FREQUENCE            |             | 2          |
| 44         | 260287                 |                      | CABLE REAL   | ENROULEUR                             |             | 1          |
| 45         | 300004                 |                      | PRESSURE TEST PLUG JIC9/16 SMK                                   | PRISE DE PRESSION JIC 9/16 SMK        |             | 1          |
| 46         | 300037                 |                      | RUN TEE JIC 9/16 SWIVEL NUT                                      | TE MALE JIC9/16-FEMELLE JIC9/16 TOUR. |             | 1          |
| 47         | 300075                 |                      | 90° ELBOW MALE M14x150-MALE JIC 9/16                             | COUDE 90° MALE M14x150-MALE JIC 9/16  |             | 1          |
| 48         | 400015                 |                      | ELASTIC STOP   | BUTEE ELASTIQUE                       |             | 4          |
| 49         | 400034                 |                      | COLLAR   | COLLIER                               |             | 3          |
| 50         | 400037                 |                      | PAIR 1/2 SHELL DOUBLE  | PAIRE DE DEMI COQUILLE                |             | 3          |
| 51         | 510047                 |                      | STANDARD CHARGER   | CHARGEUR STANDARD                     |             | 1          |
| 52         | 951011                 |                      | 6V 180Ah DRY BATTERIE  | BATTERIE SECHE 6V 180Ah               |             | 4          |
| 52         | 510062                 |                      | GEL BATTERY 6V 180Ah   | BATTERIE GEL 6V 180Ah                 |             | 4          |
| 53         | 510073                 |                      | INDUCTION GEAR MOTOR   | MOTOREDUCTEUR + FREIN ASYNCHRONE      |             | 2          |
| 54         | 510074                 |                      | STEERING ELECTRICAL CYLINDER                                     | VERIN ELECTRIQUE DE DIRECTION         |             | 1          |
| 55         | 520099                 | 520099               | COMPLETE POWER UNIT 1.25cc                                       | CENTRALE COMPLETE 1.25cm³             | A           | 1          |
| 56         | 7025000801             |                      | MOTION ALARM (=260275)   | ALARME DE MOUVEMENT (=260275)         |             | 1          |
| 57         | 950110                 |                      | 63A FUSE   | FUSIBLE 63A                           |             | 1          |
| 58         | DF0656                 |                      | HOSE (flexible) 1/4" 125cm JIC Fem 9/16 90°-JIC Fem 9/16 90°-90° |                                       |             | 1          |
| 59         | DL0441                 |                      | NON MARKING DRIVING WHEEL  | ROUE MOTRICE NON MARQUANTE            |             | 2          |
| 60         | DL0443                 |                      | MOTOR FLANGE   | BRIDE MOTEUR                          |             | 2          |
| 61         | DL0445                 |                      | STEP   | MARCHE PIED                           |             | 1          |
| 62         | DL0456                 |                      | MOTORS GUARD   | TOLE DE PROTECTION MOTEURS            |             | 1          |
| 63         | DL0555                 |                      | TRANSMISSION LUG   | PATTE DE TRANSMISSION                 |             | 1          |
| 64         | DL0557                 |                      | RIGHT BATTERY HOUSING  | CAISSON DE BATTERIE DROIT             |             | 1          |
| 65         | DL0558                 |                      | LEFT BATTERY HOUSING   | CAISSON DE BATTERIE GAUCHE            |             | 1          |
| 66         | DL0576                 |                      | RIGHT STEERING BRACKET   | EQUERRE DE DIRECTION DROITE           |             | 1          |
| 67         | DL0577                 |                      | LEFT STEERING BRACKET  | EQUERRE DE DIRECTION GAUCHE           |             | 1          |
| 68         | DL0722                 |                      | FRAME WELDMENT   | CHASSIS MECANOSOUDE                   |             | 1          |
| 69         | SD0530                 |                      | STEERING CYLINDER YOKE   | CHAPE VERIN DE DIRECTION              |             | 1          |
| 70         | SD0549                 |                      | LEFT STEERING ARM  | BIELETTE DE DIRECTION GAUCHE          |             | 1          |
| 71         | SD0550                 |                      | RIGHT STEERING ARM   | BIELETTE DE DIRECTION DROITE          |             | 1          |
| 72         | ST1648                 |                      | MOTOR WASHER   | RONDELLE MOTEUR                       |             | 4          |
| 73         | ST2056                 |                      | NON MARKING STEERING WHEEL                                       | ROUE DIRECTRICE NON MARQUANTE         |             | 2          |

ISSUE DATE : 02/06/04

**FRAME INSTALL**

ISSUE REL :

ASSEMBLY N° : SP0811 REV : A  
 N° ENSEMBLE :

**INSTALLATION CHASSIS**

3/3

| DET<br>REP | PART<br>NUMBER<br>REF. | SEE VIEW<br>VOIR VUE | DESCRIPTION                          |                                 | R<br>E<br>V | QTY<br>QTE |
|------------|------------------------|----------------------|--------------------------------------|---------------------------------|-------------|------------|
| 74         | ST2793                 |                      | STEERING CAM                         | CAME DE DIRECTION               |             | 2          |
| 75         | ST2800                 |                      | CABLE REAL SUPPORT                   | SUPPORT ENROULEUR               |             | 1          |
| 76         | US0134                 |                      | THRUST WASHER                        | RONDELLE D'APPUI                |             | 2          |
| 77         | US0190                 |                      | dDH 13x20x02 HEAT TREATED WASHER     | RONDELLE TRAITEE dDH 13x20x02   |             | 3          |
| 78         | US0362                 |                      | HOUSING PIN                          | AXE CAISSON DE BATTERIES        |             | 2          |
| 79         | US0395                 |                      | STEERING ROD LINK PIN                | AXE BIELLETTE DE DIRECTION      |             | 2          |
| 80         | US0417                 |                      | TRANSMISSION PLATE SHAFT             | AXE PATTE DE TRANSMISSION       |             | 1          |
| 81         | US0419                 |                      | STEERING YOKE SHAFT                  | AXE CHAPE DE DIRECTION          |             | 1          |
| 82         |                        | RM0059               | CHARGER CONNECTOR                    | PRISE CHARGEUR                  |             | 1          |
| 83         | 400010                 |                      | SHEATH (quantity indicated in meter) | GAINÉ (quantité en mètres)      |             | 0.25       |
| 84         | 130021                 |                      | M06x20 8.8 ROUND HEAD MACH SCREW     | VIS BOMBÉE ULF M06x20 8.8 BI FT |             | 2          |
|            |                        |                      |                                      |                                 |             |            |
|            |                        |                      |                                      |                                 |             |            |
|            |                        |                      |                                      |                                 |             |            |
|            |                        |                      |                                      |                                 |             |            |
|            |                        |                      |                                      |                                 |             |            |
|            |                        |                      |                                      |                                 |             |            |
|            |                        |                      |                                      |                                 |             |            |
|            |                        |                      |                                      |                                 |             |            |
|            |                        |                      |                                      |                                 |             |            |
|            |                        |                      |                                      |                                 |             |            |
|            |                        |                      |                                      |                                 |             |            |
|            |                        |                      |                                      |                                 |             |            |
|            |                        |                      |                                      |                                 |             |            |
|            |                        |                      |                                      |                                 |             |            |
|            |                        |                      |                                      |                                 |             |            |
|            |                        |                      |                                      |                                 |             |            |
|            |                        |                      |                                      |                                 |             |            |
|            |                        |                      |                                      |                                 |             |            |
|            |                        |                      |                                      |                                 |             |            |
|            |                        |                      |                                      |                                 |             |            |

ISSUE DATE : 21/05/02

# CHARGER CONNECTOR

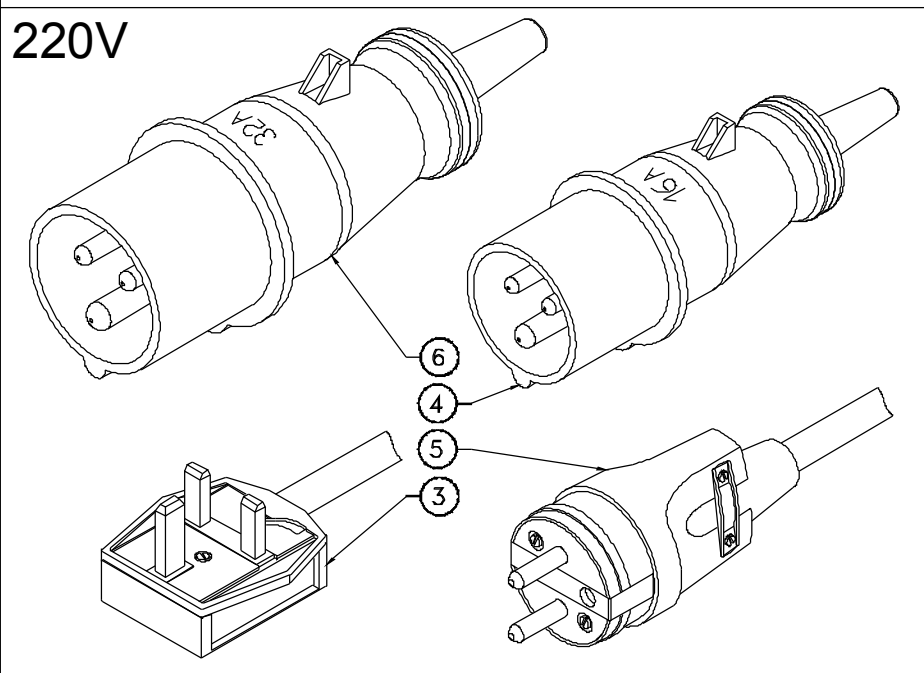
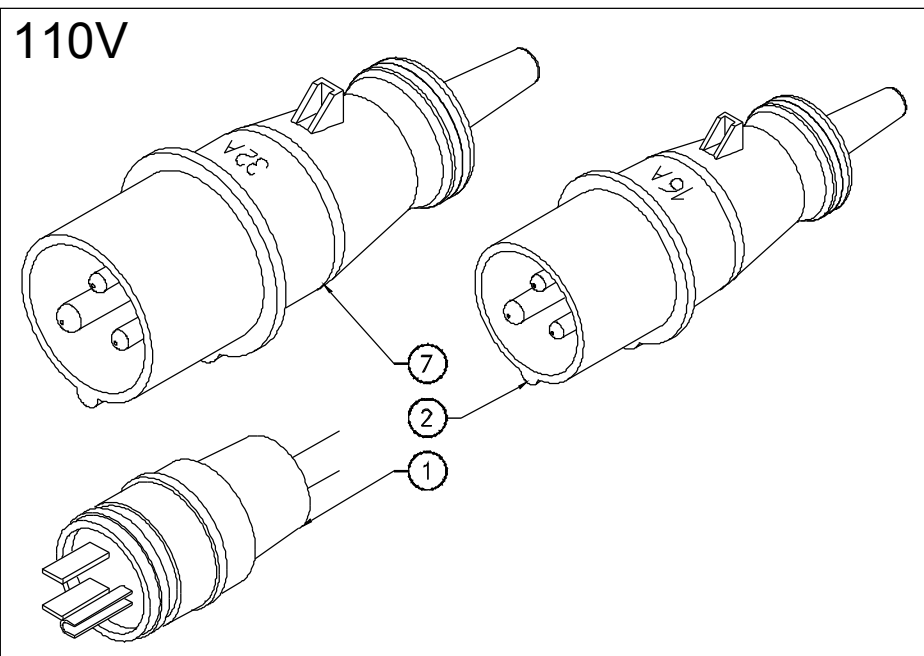
ISSUE REL :

ASSEMBLY N° : RM0059 REV :  
 N° ENSEMBLE :

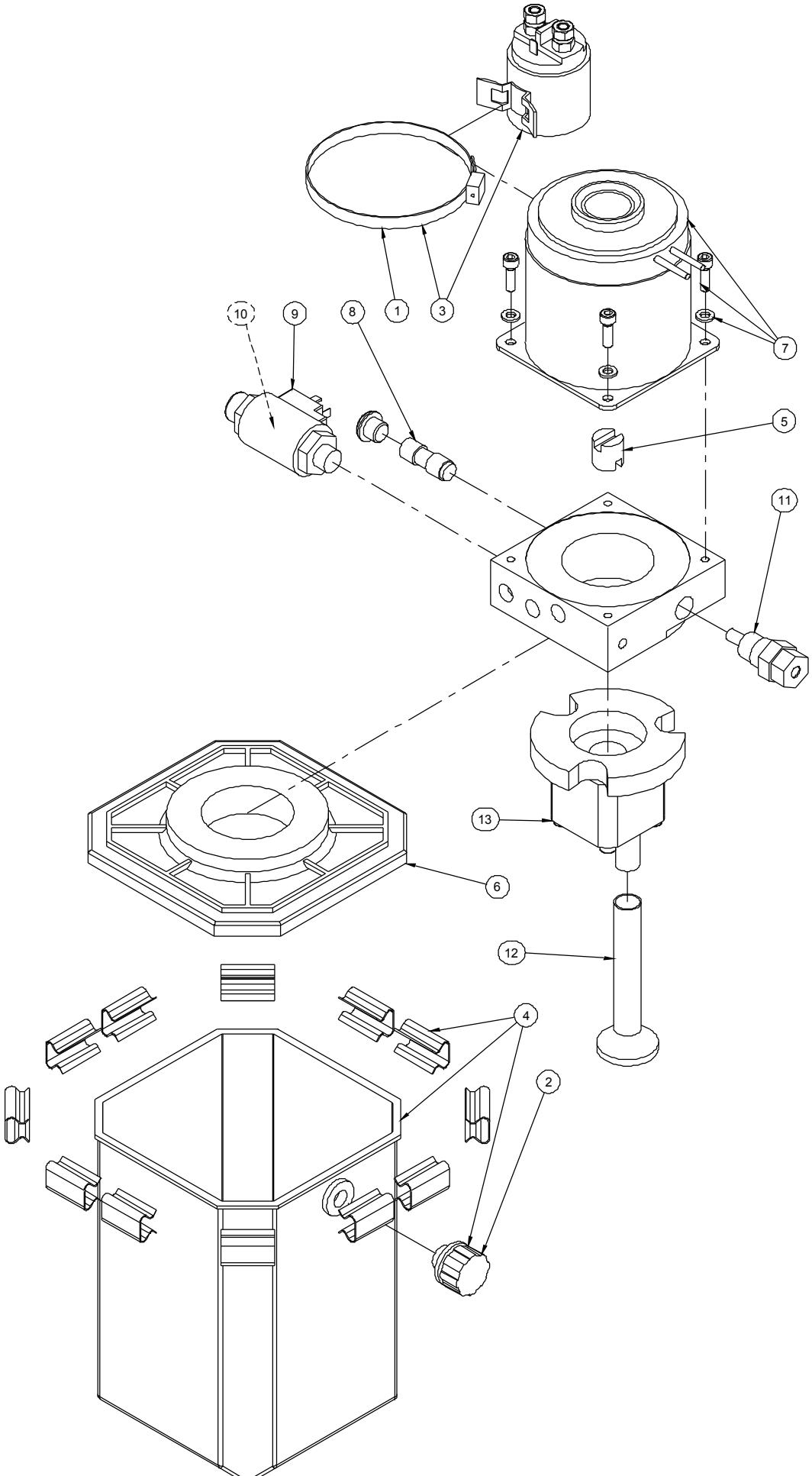
# PRISE CHARGEUR

1/1

| DET REP | PART NUMBER REF. | SEE VIEW VOIR VUE | DESCRIPTION                           | REV | QTY QTE |
|---------|------------------|-------------------|---------------------------------------|-----|---------|
| 1       | 7364002824       |                   | US 125 VAC MALE CONNECTOR (=260276)   |     | 1       |
| 2       | 260213           |                   | Yellow CONNECTOR 110VAC/16A CEI, IP44 |     | 1       |
| 3       | 250117           |                   | UK 220 VAC MALE CONNECTOR             |     | 1       |
| 4       | 260231           |                   | BLUE CONNECTOR 220VAC/16A CEI, IP44   |     | 1       |
| 5       | 260214           |                   | FRENCH AND GERMAN 220V CONNECTOR      |     | 1       |
| 6       | 260263           |                   | BLUE CONNECTOR 220VAC/32A CEI, IP44   |     | 1       |
| 7       | 260266           |                   | Yellow CONNECTOR 110VAC/32A CEI, IP44 |     | 1       |



# COMPLETE POWER UNIT CENTRALE COMPLETE



ISSUE DATE : 14/02/05

# COMPLETE POWER UNIT 1.25cc

ISSUE REL :

## CENTRALE COMPLETE 1.25cm<sup>3</sup>

ASSEMBLY N° : 520099 REV :  
N° ENSEMBLE :

1/1

| DET<br>REP | PART<br>NUMBER<br>REF. | SEE VIEW<br>VOIR VUE | DESCRIPTION                    |                              | R<br>E<br>V | QTY<br>QTE |
|------------|------------------------|----------------------|--------------------------------|------------------------------|-------------|------------|
| 1          | 190036                 |                      | CLAMP                          | COLLIER                      |             | 1          |
| 2          | 970033                 |                      | BREATHER CAP                   | RENIFLARD                    |             | 1          |
| 3          | 970037                 |                      | RELAY 24V WITH CLAMP           | RELAIS 24V AVEC COLLIER      |             | 1          |
| 4          | 970041                 |                      | OIL TANK KIT WITH BREATHER CAP | KIT RESERVOIR ET RENIFLARD   |             | 1          |
| 5          | 970044                 |                      | COUPLING                       | ACCOUPLEMENT                 |             | 1          |
| 6          | 970055                 |                      | EQUIPPED FLANGE                | COLLERETTE EQUIPEE           |             | 1          |
| 7          | 970058                 |                      | MOTOR 1KW-24V                  | MOTEUR 1KW-24V               |             | 1          |
| 8          | 970059                 |                      | CHECK VALVE                    | CLAPET ANTI RETOUR           |             | 1          |
| 9          | 970060                 |                      | ELECTRO POPPET VALVE 24V       | ELECTROVALVE A CLAPET 24V    |             | 1          |
| 10         | 970061                 |                      | ELECTRO POPPET VALVE COIL      | BOBINE ELECTROVALVE A CLAPET |             | 1          |
| 11         | 970062                 |                      | PRESSURE RELIEF VALVE          | LIMITEUR DE PRESSION         |             | 1          |
| 12         | 970063                 |                      | NOZZLE FILTER                  | BUSE FILTRE                  |             | 1          |
| 13         | 970064                 |                      | EQUIPPED SUPPORT/PUMP          | SUPPORT/POMPE EQUIPEE        |             | 1          |
|            |                        |                      |                                |                              |             |            |
|            |                        |                      |                                |                              |             |            |
|            |                        |                      |                                |                              |             |            |
|            |                        |                      |                                |                              |             |            |
|            |                        |                      |                                |                              |             |            |
|            |                        |                      |                                |                              |             |            |
|            |                        |                      |                                |                              |             |            |
|            |                        |                      |                                |                              |             |            |
|            |                        |                      |                                |                              |             |            |
|            |                        |                      |                                |                              |             |            |
|            |                        |                      |                                |                              |             |            |
|            |                        |                      |                                |                              |             |            |
|            |                        |                      |                                |                              |             |            |
|            |                        |                      |                                |                              |             |            |
|            |                        |                      |                                |                              |             |            |
|            |                        |                      |                                |                              |             |            |
|            |                        |                      |                                |                              |             |            |
|            |                        |                      |                                |                              |             |            |
|            |                        |                      |                                |                              |             |            |
|            |                        |                      |                                |                              |             |            |
|            |                        |                      |                                |                              |             |            |
|            |                        |                      |                                |                              |             |            |





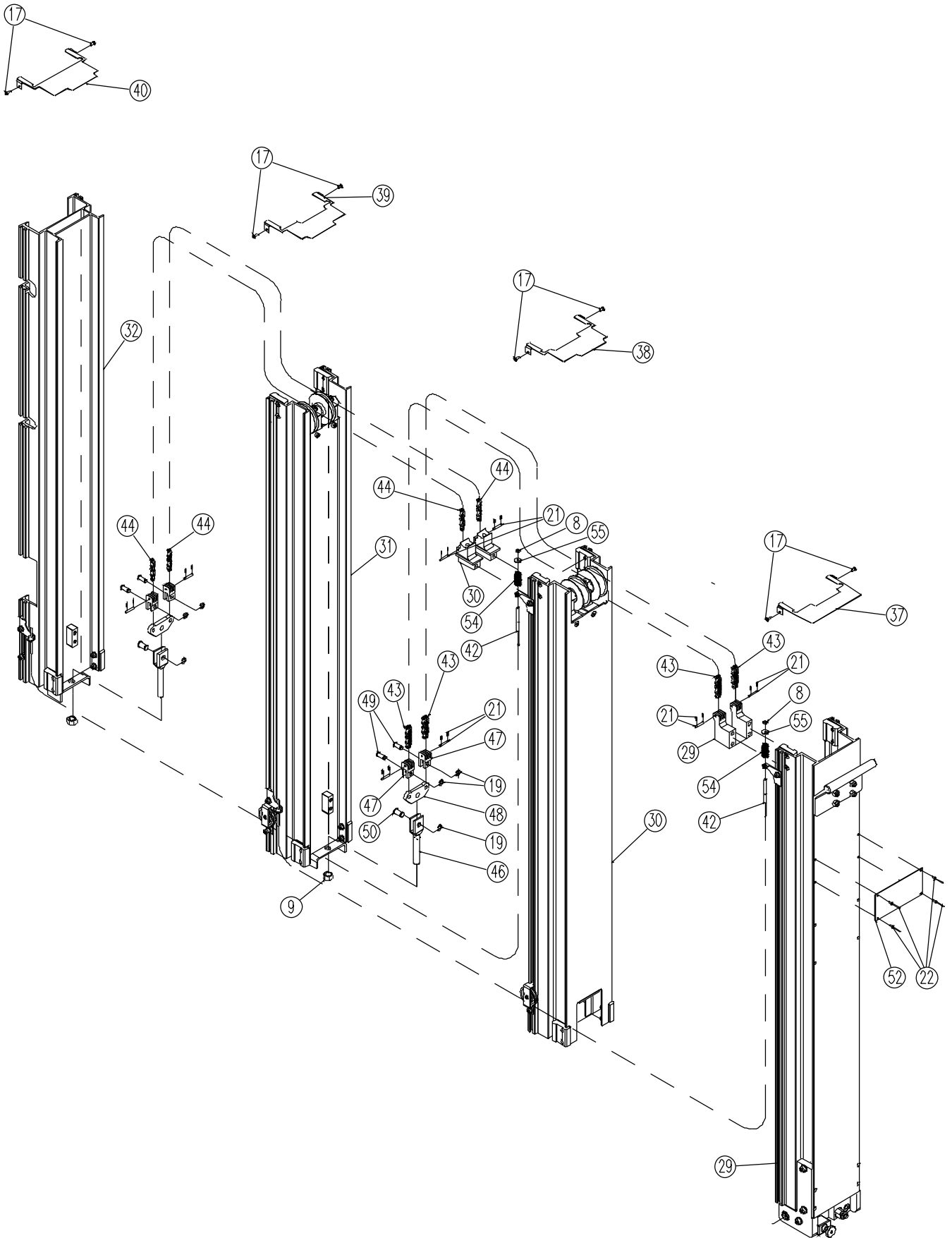
***SPARE PARTS***  
***PIECES DETACHEES***

**SECTION 5**

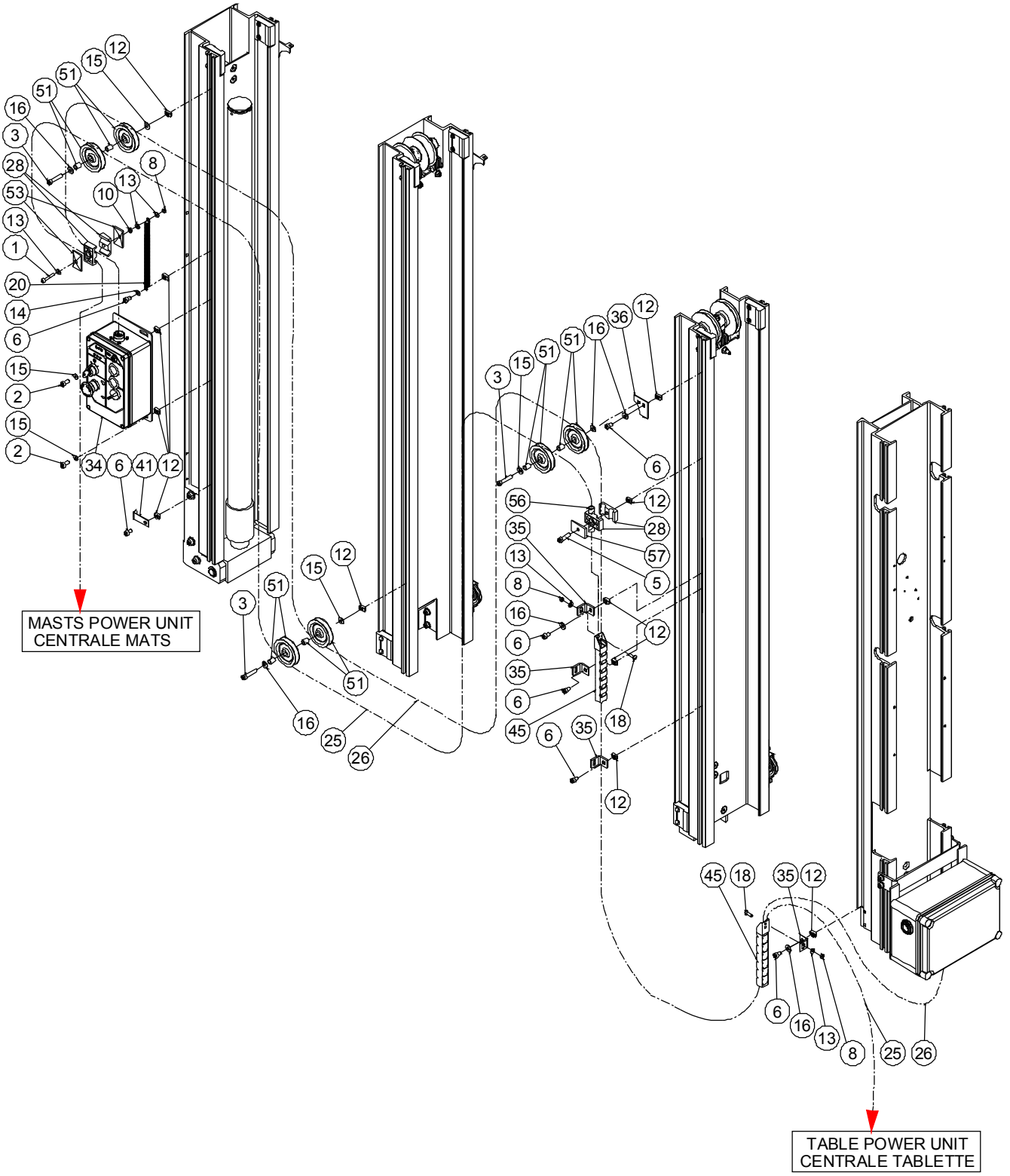
**MASTS INSTALL**  
**INSTALLATION MATS**



# MASTS INSTALL INSTALLATION MATS



# MASTS INSTALL INSTALLATION MATS



ISSUE DATE : 02/05/04

**MASTS INSTALL**

ISSUE REL :

**INSTALLATION MATS**

ASSY NO : SP0806 REV : A

1/2

| DET NO. | PART NUMBER | SEE VIEW | DESCRIPTION  |  | REV | QTY REQ. |
|---------|-------------|----------|--|--|-----|----------|
| 1       | 000076      |          | M06x60 8.8 SOCKET HEAD CAPSCREW                        | VIS CHC M06x60 8.8 BI FP                             |     | 1        |
| 2       | 000042      |          | M08x12 8.8 SOCKET HEAD MACH SCREW                      | VIS CHC M08x12 8.8 BI FT                             |     | 2        |
| 3       | 000078      |          | M08x55 8.8 SOCKET HEAD CAPSCREW                        | VIS CHC M08x55 8.8 BI FP                             |     | 3        |
| 4       |             |          | NOT REQUIRED   | NON REQUIS   |     |          |
| 5       | 000043      |          | M08x40 8.8 SOCKET HEAD MACH SCREW                      | VIS CHC M08x40 8.8 BI FT                             |     | 1        |
| 6       | 000059      |          | M08x12 8.8 S SOCK HEAD MACH SCREW                      | VIS CHC M08x12 8.8 BI FT TETE BASSE                  |     | 7        |
| 7       |             |          | NOT REQUIRED   | NON REQUIS   |     |          |
| 8       | 110003      |          | M06 GR. 8.8 LOCK NUT                                   | ECROU FREIN M6 8.8 BI                                |     | 5        |
| 9       | 110011      |          | M16 GR. 10.9 LOCK NUT                                  | ECROU FREIN M16 10.9 BI                              |     | 2        |
| 10      | 110015      |          | M06 GR. 8.8 HEX NUT                                    | ECROU H M06 8.8 BI                                   |     | 1        |
| 11      |             |          | NOT REQUIRED   | NON REQUIS   |     |          |
| 12      | 110030      |          | M08 RECTANGULAR BASE NUT                               | ECROU A EMBASE RECTANGULAIRE M08                     |     | 12       |
| 13      | 120009      |          | dD 06x14 LOCK WASHER                                   | RONDELLE CONTACT dD 06x14 BI                         |     | 5        |
| 14      | 120010      |          | dD 08x18 LOCK WASHER                                   | RONDELLE CONTACT dD 08x18 BI                         |     | 1        |
| 15      | 120014      |          | M08 WASHER   | RONDELLE M08 BI                                      |     | 5        |
| 16      | 120021      |          | HELICAL SPRING LOCK WASHER Ø8                          | RONDELLE GROWER Ø8 BI                                |     | 6        |
| 17      | 130007      |          | Ø4.8x13 LG SHEET METAL SCREW                           | VIS AUTOTARAUDEUSE Ø4.8-13 BI                        |     | 8        |
| 18      | 130021      |          | M06x20 8.8 ROUND HEAD MACH SCREW                       | VIS BOMBEE ULF M06x20 8.8 BI FT                      |     | 2        |
| 19      | 130028      |          | RETAINING RING Ø9                                      | CIRCLIPS EXTERIEUR Ø9                                |     | 6        |
| 20      | 160024      |          | SPRING   | RESSORT  |     | 1        |
| 21      | 170004      |          | CLEVIS PIN   | AXE DE CHAPE   |     | 8        |
| 22      | 180002      |          | Ø4x10 POP RIVET  | RIVET POP Ø4x10                                      |     | 4        |
| 23      |             |          | NOT REQUIRED   | NON REQUIS   |     |          |
| 24      |             |          | NOT REQUIRED   | NON REQUIS   |     |          |
| 25      | 270060      |          | CABLE 3G1.5mm <sup>2</sup> Color leads (qty in meters) | CABLE 3G1.5mm <sup>2</sup> coloré (qté en mètre)     |     | 6.1      |
| 26      | 270057      |          | CABLE 18x0.75mm <sup>2</sup> (qty indicated in meter)  | CABLE 18x0.75mm <sup>2</sup> (qté indiquée en mètre) |     | 5.3      |
| 27      |             |          | NOT REQUIRED   | NON REQUIS   |     |          |
| 28      | 400037      |          | PAIR 1/2 SHELL DOUBLE                                  | PAIRE DE DEMI COQUILLE                               |     | 2        |
| 29      |             | SP0813   | MAST 1 ASSEMBLY  | ASSEMBLAGE MAT 1                                     |     | 1        |
| 30      |             | SP0386   | MAST 2 ASSEMBLY  | ASSEMBLAGE MAT 2                                     |     | 1        |
| 31      |             | SP0387   | MAST (3/TJ6/Tduo or 5/TJ8) ASSEMBLY                    | ASSEMBLAGE MAT (3/TJ6/Tduo ou 5/TJ8)                 |     | 1        |
| 32      |             | SP0807   | MAST 4 ASSEMBLY  | ASSEMBLAGE MAT 4                                     |     | 1        |
| 33      |             |          | NOT REQUIRED   | NON REQUIS   |     |          |
| 34      |             | SP0805   | LOWER CONTROL BOX ASSEMBLY                             | ASSEMBLAGE BOITIER BAS                               |     | 1        |
| 34      |             | SP0883   | LOWER CONTROL BOX WITH HOURMETE                        | BOITIER BAS AVEC HORAMETRE                           |     | 1        |
| 35      | ST1110      |          | PLATFORM T-BRACKET                                     | EQUERRE PANIER                                       |     | 4        |
| 36      | ST1120      |          | PULLEY BRACKET   | SUPPORT POULIE                                       |     | 1        |

ISSUE DATE : 02/05/04

**MASTS INSTALL**

ISSUE REL :

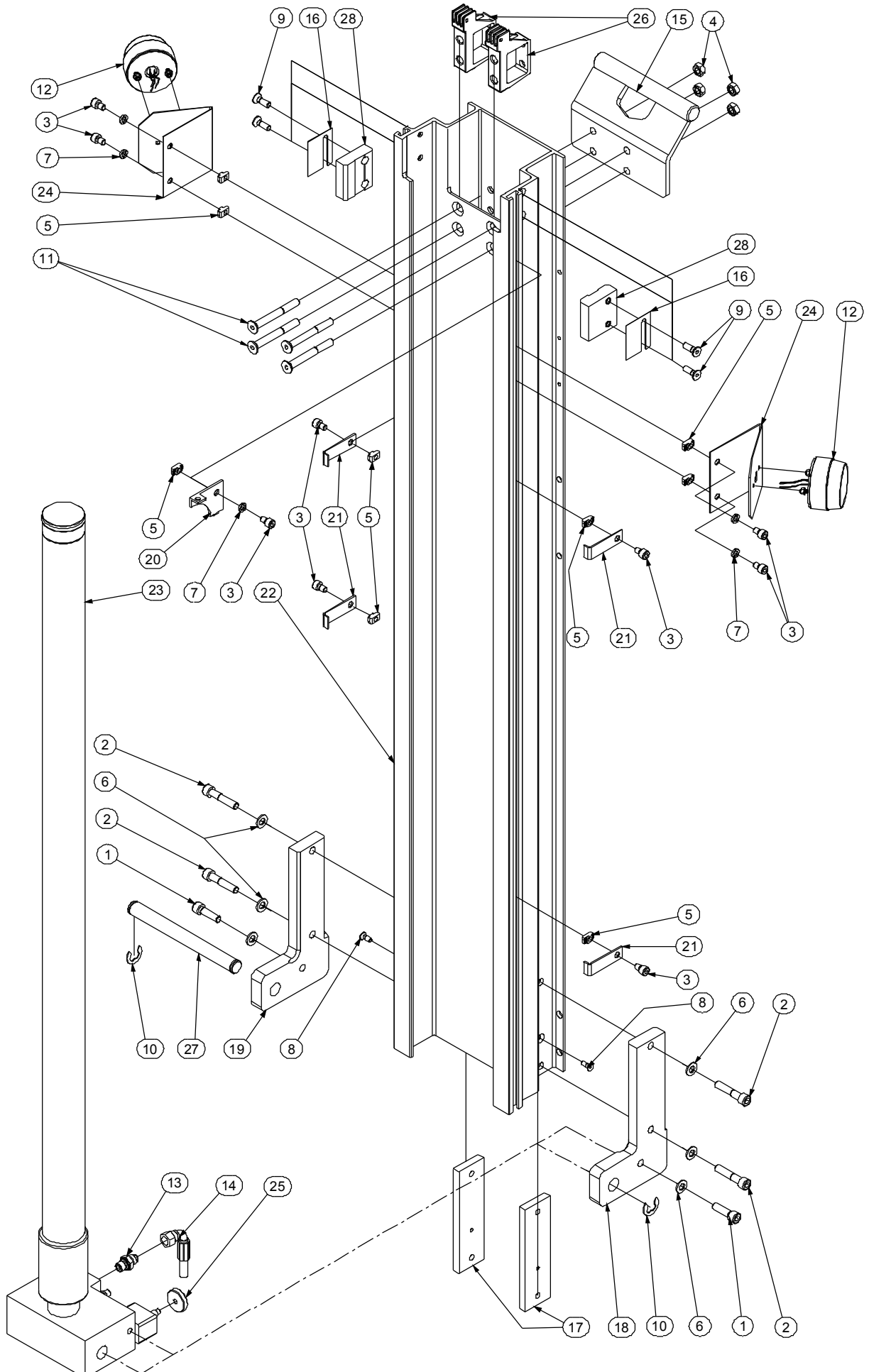
**INSTALLATION MATS**

ASSY NO : SP0806 REV : A

2/2

| DET NO. | PART NUMBER | SEE VIEW  | DESCRIPTION                  |                             | REV |  | QTY REQ. |
|---------|-------------|-----------|------------------------------|-----------------------------|-----|--|----------|
|         |             |           |                              |                             |     |  |          |
| 37      | ST1146      |           | MAST TOP COVER 1             | CAPOT MAT 1                 |     |  | 1        |
| 38      | ST1147      |           | MAST TOP COVER 2 & 4         | CAPOT MAT 2 & 4             |     |  | 1        |
| 39      | ST1148      |           | MAST TOP COVER 3 & 5         | CAPOT MAT 3 & 5             |     |  | 1        |
| 40      | ST1149      |           | MAST TOP COVER 6             | CAPOT MAT 6                 |     |  | 1        |
| 41      | ST1193      |           | WIRE FIXATION                | FIXATION CABLE              |     |  | 1        |
| 42      | ST1627      |           | MAST BACKUP CABLE            | CABLE DE RAPPEL DE MATS     |     |  | 2        |
| 43      | ST1630      |           | LL 10-44 CHAIN               | CHAINE LL10-44              |     |  | 2        |
| 44      | ST1632      |           | LL 10-22 CHAIN               | CHAINE LL10-22              |     |  | 2        |
| 45      | ST1634      |           | POWER BRIDGE                 | CHEMIN DE CABLE             |     |  | 1        |
| 46      | US0281      |           | CHAIN ANCHOR                 | CHAPE DE REGLAGE            |     |  | 2        |
| 47      | US0282      |           | YOKE                         | CHAPE DE CHAINE             |     |  | 4        |
| 48      | US0283      |           | SPREADER                     | PALONNIER DE REGLAGE        |     |  | 2        |
| 49      | US0284      |           | CHAIN ANCHOR PIN             | AXE DE CHAPE DE CHAINE      |     |  | 4        |
| 50      | US0285      |           | SPREADER PIN                 | AXE PALONNIER               |     |  | 2        |
| 51      | US0360      |           | PULLEY                       | POULIE                      |     |  | 6        |
| 52      |             | SECTION 7 | MANUFACTURER'S NAME PLATE    | PLAQUE CONSTRUCTEUR         |     |  | 1        |
| 53      | 400012      |           | PAIR 1/2 SHELL PLATE         | BRIDE PAIRE DEMI COQUILLE   |     |  | 2        |
| 54      | 160022      |           | SPRING                       | RESSORT                     |     |  | 2        |
| 55      | US0346      |           | FLANGE BUSHING               | RONDELLE EPAULEE            |     |  | 2        |
| 56      | 400080      |           | SPIRAL HOUSING PLIOSPIRE D12 | GAINÉ SPIRALE PLIOSPIRE D12 |     |  | 0.02     |
| 57      | ST2529      |           | DOUBLE CLAMP PLATE           | PLAQUE COLLIER DOUBLE       |     |  | 1        |
|         |             |           |                              |                             |     |  |          |
|         |             |           |                              |                             |     |  |          |
|         |             |           |                              |                             |     |  |          |
|         |             |           |                              |                             |     |  |          |
|         |             |           |                              |                             |     |  |          |
|         |             |           |                              |                             |     |  |          |
|         |             |           |                              |                             |     |  |          |
|         |             |           |                              |                             |     |  |          |
|         |             |           |                              |                             |     |  |          |
|         |             |           |                              |                             |     |  |          |
|         |             |           |                              |                             |     |  |          |
|         |             |           |                              |                             |     |  |          |
|         |             |           |                              |                             |     |  |          |
|         |             |           |                              |                             |     |  |          |
|         |             |           |                              |                             |     |  |          |
|         |             |           |                              |                             |     |  |          |
|         |             |           |                              |                             |     |  |          |
|         |             |           |                              |                             |     |  |          |

# MAST 1 ASSEMBLY ASSEMBLAGE MAT 1



ISSUE DATE : 29/09/03

**MAST 1 ASSEMBLY**

ISSUE REL :

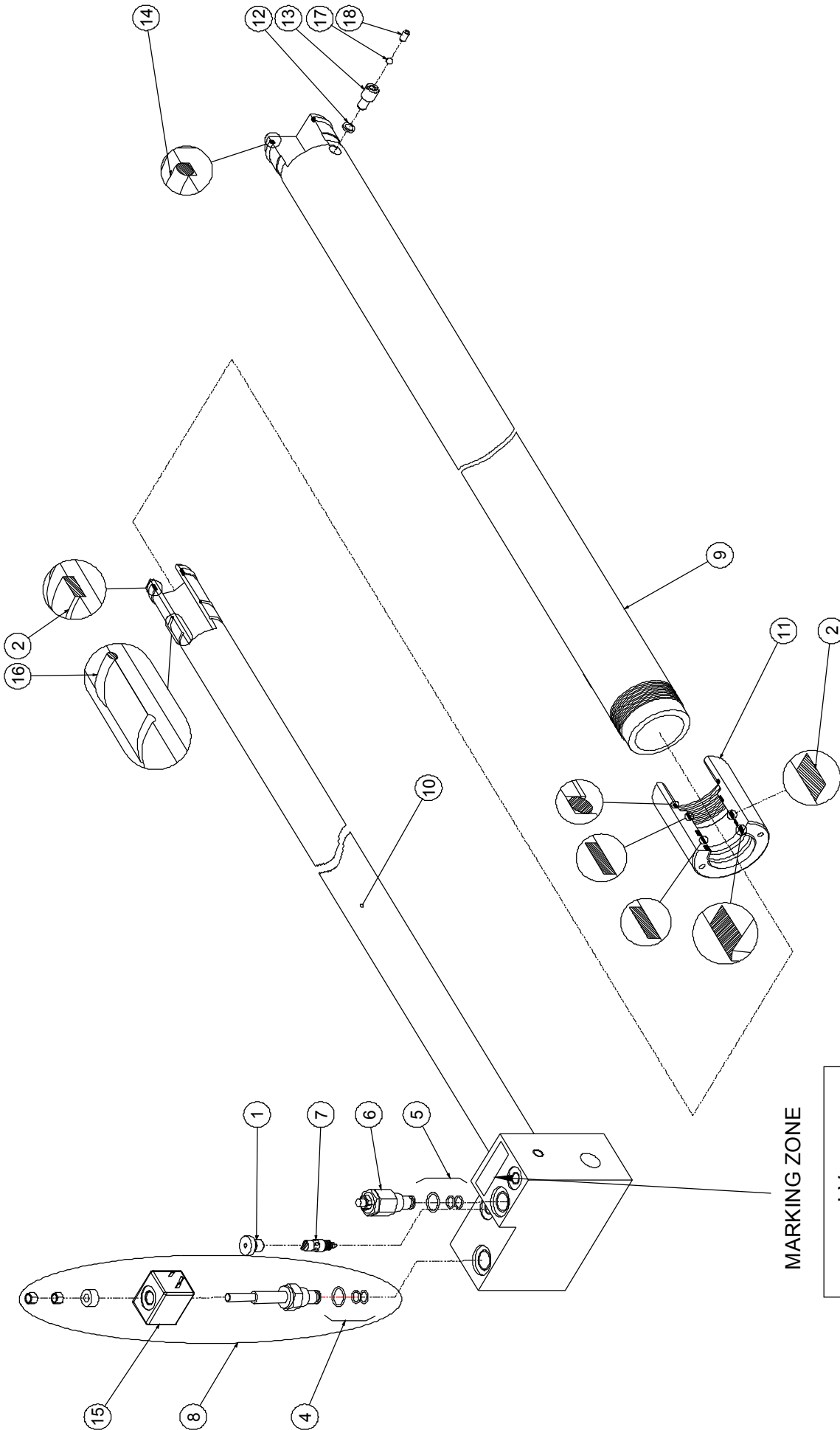
ASSEMBLY N° : SP0813 REV :  
 N° ENSEMBLE :

**ASSEMBLAGE MAT 1**

1/1

| DET<br>REP | PART<br>NUMBER<br>REF. | SEE VIEW<br>VOIR VUE | DESCRIPTION                                       |  | R<br>E<br>V | QTY<br>QTE |
|------------|------------------------|----------------------|---|--|-------------|------------|
| 1          | 000019                 |                      | M10x35 8.8 SOCKET HEAD MACH SCREW                 | VIS CHC M10x35 8.8 BI FT                     |             | 2          |
| 2          | 000035                 |                      | M10x50 12.9 SOCKET HEAD CAPSCREW                  | VIS CHC M10x50 12.9 BR FT                    |             | 4          |
| 3          | 000059                 |                      | M08x12 8.8 S SOCK HEAD MACH SCREW                 | VIS CHC M08x12 8.8 BI FT TETE BASSE          |             | 9          |
| 4          | 110005                 |                      | M10 GR. 8.8 LOCK NUT                              | ECROU FREIN M10 8.8 BI                       |             | 4          |
| 5          | 110030                 |                      | M08 RECTANGULAR BASE NUT                          | ECROU A EMBASE RECTANGULAIRE M08             |             | 9          |
| 6          | 120011                 |                      | dD 10x22 LOCK WASHER                              | RONDELLE CONTACT dD 10x22 BI                 |             | 6          |
| 7          | 120021                 |                      | HELICAL SPRING LOCK WASHER Ø8                     | RONDELLE GROWER Ø8 BI                        |             | 5          |
| 8          | 130003                 |                      | M06x16 10.9 COUNTERSUNK HEAD M. S.                | VIS FHC M06x16 10.9 BI FT                    |             | 2          |
| 9          | 130025                 |                      | M08x25 10.9 COUNTERSUNK HEAD M. S.                | VIS FHC M08x25 10.9 BI FT                    |             | 4          |
| 10         | 130029                 |                      | RETAINING RING Ø15                                | CIRCLIPS EXTERIEUR Ø15                       |             | 2          |
| 11         | 130033                 |                      | M10x90 10.9 COUNTERSUNK HEAD CAPS                 | VIS FHC M10x90 10.9 BI FP                    |             | 4          |
| 12         | 260229                 |                      | FLASHING LIGHT                                    | FEU A ECLAT                                  |             | 2          |
| 13         | 300025                 |                      | FITTING MALE BSPP1/4-MALE JIC9/16                 | RACCORD MALE BSPP1/4-MALE JIC9/16            |             | 1          |
| 14         | DF0574                 |                      | HOSE (flexible) 1/4 110cm JIC9/16 90° JIC9/16 90° | FLEXIBLE 1/4 110cm JIC9/16 90° JIC9/16 90°   |             | 1          |
| 15         | DL0440                 |                      | LIFTING BRACKET                                   | ANNEAU D'ELINGUAGE                           |             | 1          |
| 16         | ST1109                 |                      | SHIM (4 sizes : see Service Manual)               | CALE (4 épaisseurs: voir Manuel de Service)  |             | 2          |
| 17         | ST1113                 |                      | BASE PLATE CYLINDER                               | BRIDE DE VERIN                               |             | 2          |
| 18         | ST1114                 |                      | LEFT CYLINDER BRACKET                             | PATTE GAUCHE DE VERIN                        |             | 1          |
| 19         | ST1115                 |                      | RIGHT CYLINDER BRACKET                            | PATTE DROITE DE VERIN                        |             | 1          |
| 20         | ST1119                 |                      | STEEL WIRE BRACKET                                | EQUERRE CABLE                                |             | 1          |
| 21         | ST1193                 |                      | WIRE FIXATION                                     | FIXATION CABLE                               |             | 4          |
| 22         | ST1625                 |                      | MAST 1  | MAT 1  |             | 1          |
| 23         | ST1628                 | ST1628               | MAST CYLINDER                                     | VERIN DE MAT                                 |             | 1          |
| 24         | ST2147                 |                      | FLASHING LIGHT BRACKET                            | SUPPORT LAMPE A ECLAT                        |             | 2          |
| 25         | US0277                 |                      | CYLINDER EMERGENCY BUTTON                         | BOUTON D'URGENCE VERIN                       |             | 1          |
| 26         | US0278                 |                      | CHAIN ANCHOR                                      | CHAPE DE CHAINE                              |             | 2          |
| 27         | US0289                 |                      | MAST CYLINDER PIN                                 | AXE VERIN                                    |             | 1          |
| 28         | US0321                 |                      | SLIDE BLOCK (4 sizes: see Service Manual)         | PATIN (4 épaisseurs: voir Manuel de Service) |             | 2          |
|            |                        |                      |   |  |             |            |
|            |                        |                      |   |  |             |            |
|            |                        |                      |   |  |             |            |
|            |                        |                      |   |  |             |            |
|            |                        |                      |   |  |             |            |
|            |                        |                      |   |  |             |            |
|            |                        |                      |   |  |             |            |
|            |                        |                      |   |  |             |            |
|            |                        |                      |   |  |             |            |
|            |                        |                      |   |  |             |            |

# MAST CYLINDER VERIN DE MAT





ISSUE DATE : 29/03/01

MAST CYLINDER

ISSUE REL :

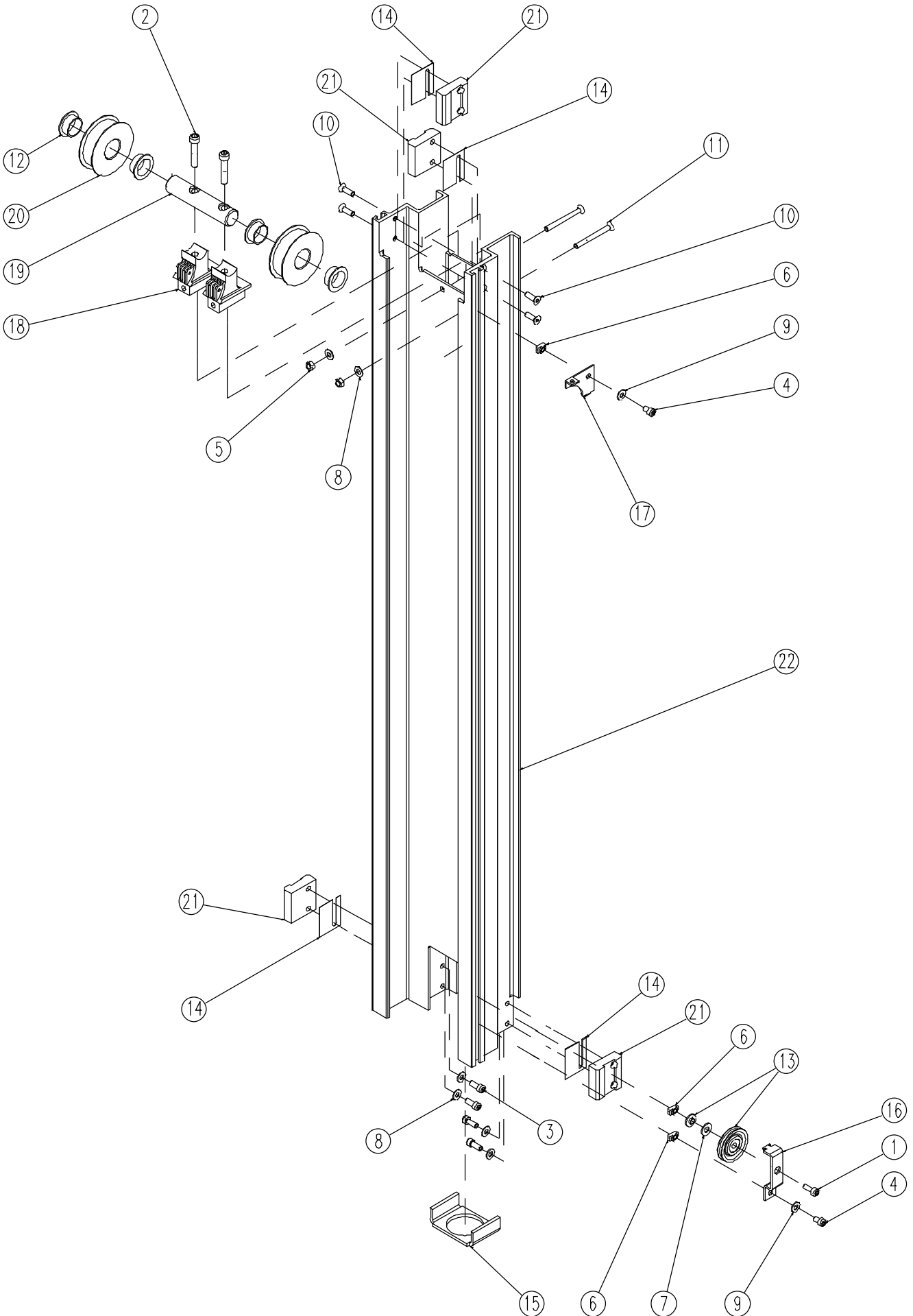
VERIN DE MAT

ASSY NO : ST1628 REV : B

1/1

| DET NO. | PART NUMBER | SEE VIEW | DESCRIPTION                    |                                    | REV | QTY REQ. |
|---------|-------------|----------|--------------------------------|------------------------------------|-----|----------|
| 1       | 300034      |          | PLUG MALE BSPP 1/4"            | BOUCHON MALE BSPP 1/4"             |     | 1        |
| 2       | 900017      |          | CYLINDER SEAL KIT              | POCHETTE DE JOINT VERIN            |     | 1        |
| 3       |             |          | NOT REQUIRED                   | NON REQUIS                         | A   |          |
| 4       | 960069      |          | HOLDING VALVE SEAL KIT         | POCHETTE DE JOINT ELECTROVANNE     |     | 1        |
| 5       | 960070      |          | PRESSURE RELIEF VALVE SEAL KIT | POCHETTE DE JOINT REG. DE PRESSION |     | 1        |
| 6       | 970001      |          | PRESSURE RELIEF VALVE (18 MPa) | REGULATEUR DE PRESSION 18MPa       |     | 1        |
| 7       | 970002      |          | FLOW REGULATOR VALVE           | REGULATEUR DE DEBIT                |     | 1        |
| 8       | 970038      |          | HOLDING VALVE                  | ELECTROVANNE                       | A   | 1        |
| 9       | 970045      |          | CYLINDER BARREL                | CORPS VERIN                        | A   | 1        |
| 10      | 970046      |          | CYLINDER ROD                   | TIGE VERIN                         | A   | 1        |
| 11      | 970019      |          | CYLINDER HEAD                  | TETE VERIN                         |     | 1        |
| 12      | 970052      |          | BUSHING BS                     | BAGUE BS                           | B   | 1        |
| 13      | US0468      |          | BLEEDING SCREW                 | VIS DE PURGE                       | B   | 1        |
| 14      | 970022      |          | O RING                         | JOINT TORIQUE                      |     | 1        |
| 15      | 970047      |          | 24 VDC COIL                    | BOBINE 24 VDC                      | A   | 1        |
| 16      | 970030      |          | STOP RING                      | JONC                               |     | 1        |
| 17      | 970056      |          | BLEEDING BALL                  | BILLE DE PURGE                     | B   | 1        |
| 18      | 130050      |          | M6x8 HC SCREW                  | VIS HC M6x8 BR                     | B   | 1        |
|         |             |          |                                |                                    |     |          |
|         |             |          |                                |                                    |     |          |
|         |             |          |                                |                                    |     |          |
|         |             |          |                                |                                    |     |          |
|         |             |          |                                |                                    |     |          |
|         |             |          |                                |                                    |     |          |
|         |             |          |                                |                                    |     |          |
|         |             |          |                                |                                    |     |          |
|         |             |          |                                |                                    |     |          |
|         |             |          |                                |                                    |     |          |
|         |             |          |                                |                                    |     |          |
|         |             |          |                                |                                    |     |          |
|         |             |          |                                |                                    |     |          |
|         |             |          |                                |                                    |     |          |
|         |             |          |                                |                                    |     |          |
|         |             |          |                                |                                    |     |          |
|         |             |          |                                |                                    |     |          |
|         |             |          |                                |                                    |     |          |
|         |             |          |                                |                                    |     |          |
|         |             |          |                                |                                    |     |          |
|         |             |          |                                |                                    |     |          |
|         |             |          |                                |                                    |     |          |
|         |             |          |                                |                                    |     |          |
|         |             |          |                                |                                    |     |          |
|         |             |          |                                |                                    |     |          |
|         |             |          |                                |                                    |     |          |
|         |             |          |                                |                                    |     |          |
|         |             |          |                                |                                    |     |          |
|         |             |          |                                |                                    |     |          |
|         |             |          |                                |                                    |     |          |
|         |             |          |                                |                                    |     |          |

# MAST 2 ASSEMBLY ASSEMBLAGE MAT 2



ISSUE DATE : 11/02/03

## MAST 2 ASSEMBLY

ISSUE REL :

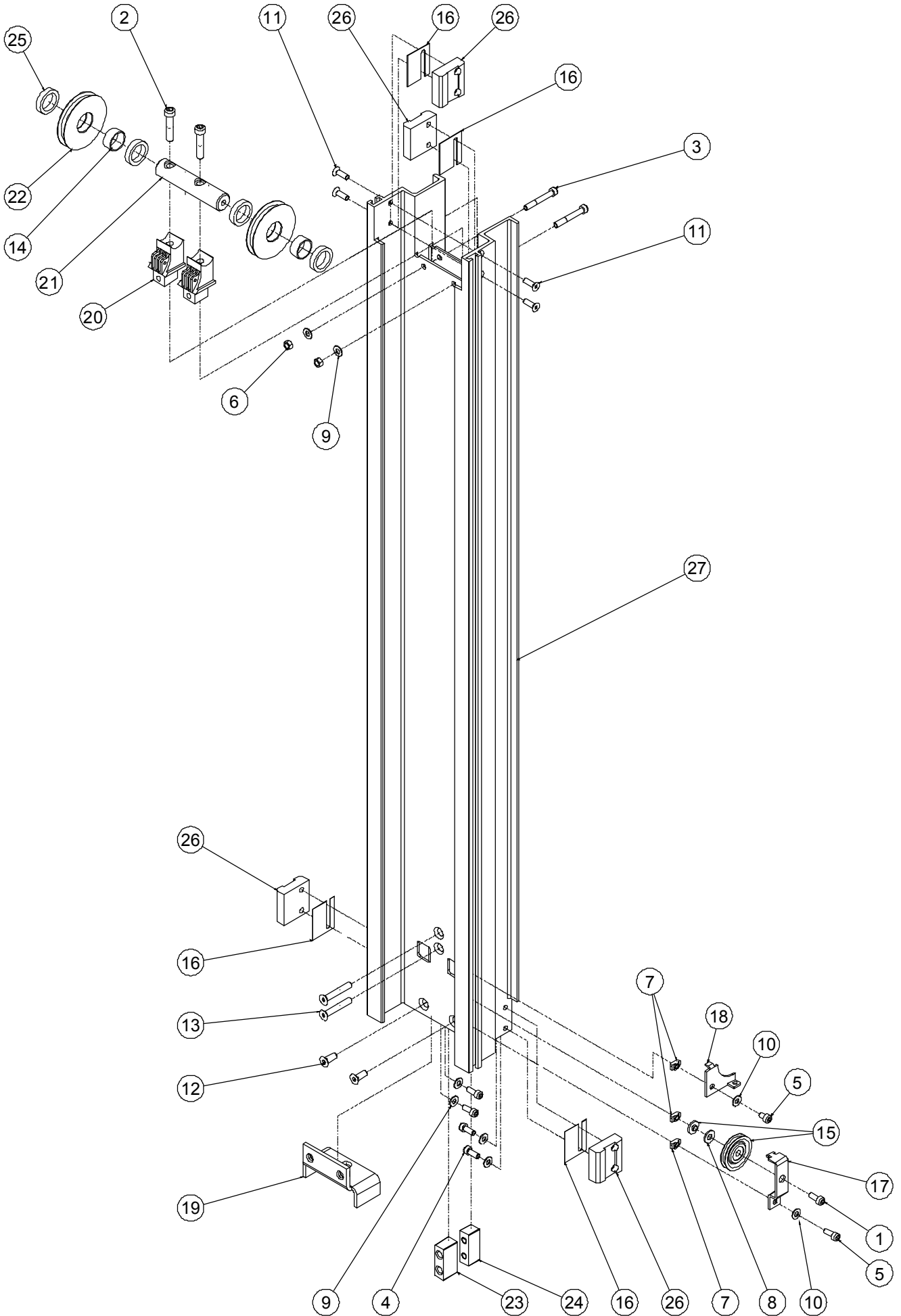
## ASSEMBLAGE MAT 2

ASSY NO : SP0386 REV : A

1/1

| DET NO. | PART NUMBER | SEE VIEW | DESCRIPTION                               |  | R E V | QTY REQ. |
|---------|-------------|----------|---|--|-------|----------|
| 1       | 000006      |          | M08x20 8.8 SOCKET HEAD MACH SCREW         | VIS CHC M08x20 8.8 BI FT                     |       | 1        |
| 2       | 000035      |          | M10x50 12.9 SOCKET HEAD CAPSCREW          | VIS CHC M10x50 12.9 BR FT                    |       | 2        |
| 3       | 000058      |          | M08x20 8.8 S SOCK. HEAD MACH SCREW        | VIS CHC M08x20 8.8 BI FT TETE BASSE          |       | 4        |
| 4       | 000059      |          | M08x12 8.8 S SOCK HEAD MACH SCREW         | VIS CHC M08x12 8.8 BI FT TETE BASSE          |       | 2        |
| 5       | 110004      |          | M08 GR. 8.8 LOCK NUT                      | ECROU FREIN M8 8.8 BI                        |       | 2        |
| 6       | 110030      |          | M08 RECTANGULAR BASE NUT                  | ECROU A EMBASE RECTANGULAIRE M08             |       | 3        |
| 7       | 120011      |          | dD 10x22 LOCK WASHER                      | RONDELLE CONTACT dD 10x22 BI                 |       | 1        |
| 8       | 120014      |          | M08 WASHER                                | RONDELLE M08 BI                              |       | 6        |
| 9       | 120021      |          | HELICAL SPRING LOCK WASHER Ø8             | RONDELLE GROWER Ø8 BI                        |       | 2        |
| 10      | 130025      |          | M08x25 10.9 COUNTERSUNK HEAD M. S.        | VIS FHC M08x25 10.9 BI FT                    |       | 4        |
| 11      | 130031      |          | M08x80 10.9 COUNTERSUNK HEAD CAPS.        | VIS FHC M08x80 10.9 BI FP                    |       | 2        |
| 12      | 150007      |          | FLANGE BUSHING Ø30 H16 DU                 | BAGUE EPAULEE Ø30 H16 DU                     |       | 4        |
| 13      | 150028      |          | BACKUP PULLEY                             | POULIE DE RAPPEL                             |       | 1        |
| 14      | ST1109      |          | SHIM (4 sizes : see Service Manual)       | CALE (4 épaisseurs: voir Manuel de Service)  |       | 4        |
| 15      | ST1111      |          | CYLINDER BASE PLATE                       | BUTEE DE VERIN                               |       | 1        |
| 16      | ST1118      |          | BACKUP PULLEY SUPPORT                     | SUPPORT POULIE DE RAPPEL                     |       | 1        |
| 17      | ST1119      |          | STEEL WIRE BRACKET                        | EQUERRE CABLE                                |       | 1        |
| 18      | US0279      |          | PULLEY SUPPORT A                          | SUPPORT POULIE A                             |       | 2        |
| 19      | US0286      |          | PULLEY PIN                                | AXE DE POULIE                                |       | 1        |
| 20      | US0473      |          | PULLEY Ø80x23.5                           | POULIE Ø80x23.5                              | A     | 2        |
| 21      | US0321      |          | SLIDE BLOCK (4 sizes: see Service Manual) | PATIN (4 épaisseurs: voir Manuel de Service) |       | 4        |
| 22      | ST1629      |          | MAST 2                                    | MAT 2  |       | 1        |
|         |             |          |   |  |       |          |
|         |             |          |   |  |       |          |
|         |             |          |   |  |       |          |
|         |             |          |   |  |       |          |
|         |             |          |   |  |       |          |
|         |             |          |   |  |       |          |
|         |             |          |   |  |       |          |
|         |             |          |   |  |       |          |
|         |             |          |   |  |       |          |
|         |             |          |   |  |       |          |
|         |             |          |   |  |       |          |
|         |             |          |   |  |       |          |
|         |             |          |   |  |       |          |
|         |             |          |   |  |       |          |
|         |             |          |   |  |       |          |
|         |             |          |   |  |       |          |
|         |             |          |   |  |       |          |
|         |             |          |   |  |       |          |
|         |             |          |   |  |       |          |
|         |             |          |   |  |       |          |
|         |             |          |   |  |       |          |
|         |             |          |   |  |       |          |
|         |             |          |   |  |       |          |

# MAST 3 ASSEMBLY ASSEMBLAGE MAT 3



ISSUE DATE : 17/03/03

**MAST (3/TJ6/Tduo or 5/TJ8) ASSEMBLY**

ISSUE REL :

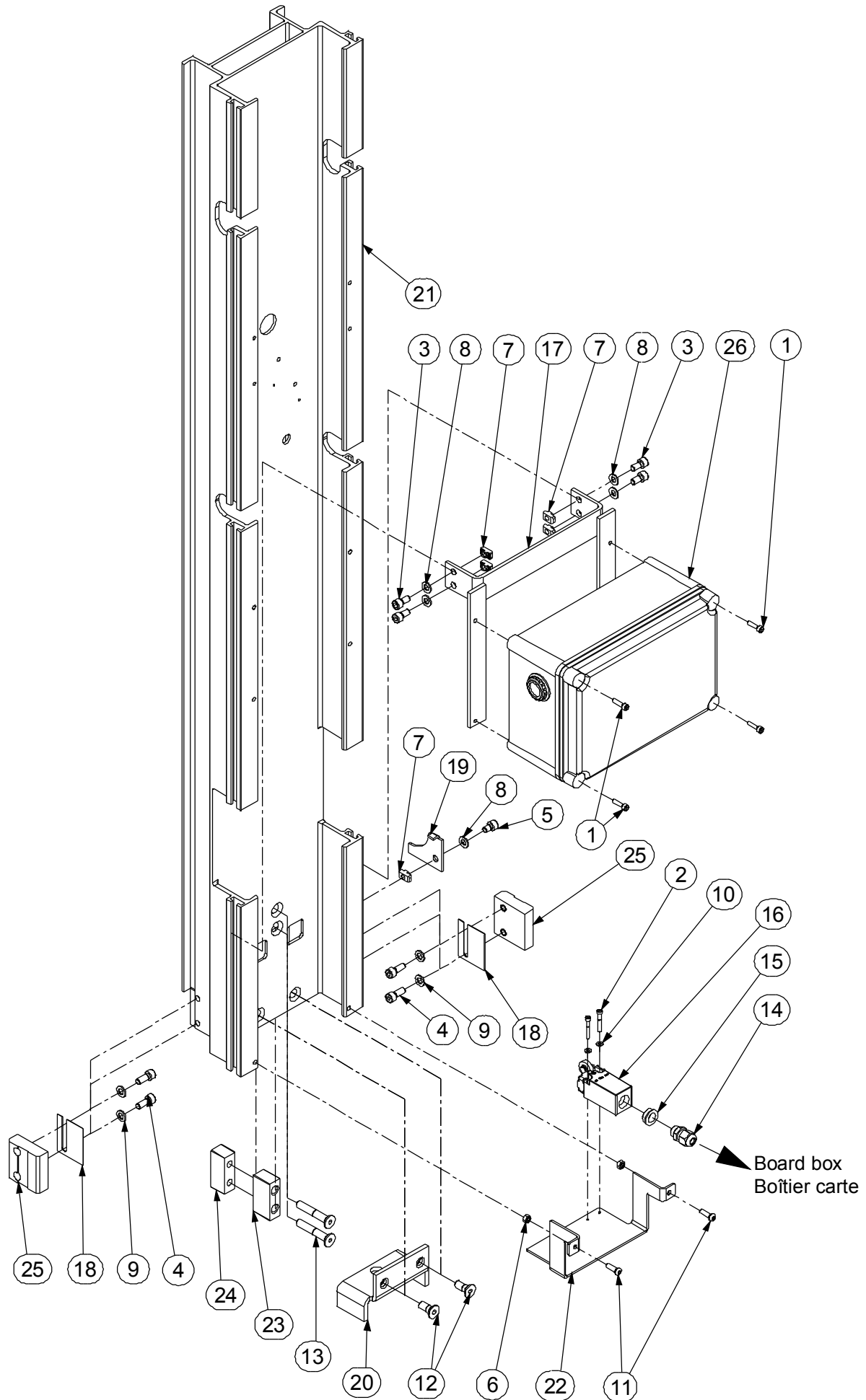
ASSY NO : SP0387 REV : A

**ASSEMBLAGE MAT (3/TJ6/Tduo ou  
5/TJ8)**

1/1

| DET NO. | PART NUMBER | SEE VIEW | DESCRIPTION                               |  | REV | QTY REQ. |
|---------|-------------|----------|---|--|-----|----------|
| 1       | 000006      |          | M08x20 8.8 SOCKET HEAD MACH SCREW         | VIS CHC M08x20 8.8 BI FT                     |     | 1        |
| 2       | 000035      |          | M10x50 12.9 SOCKET HEAD CAPSCREW          | VIS CHC M10x50 12.9 BR FT                    |     | 2        |
| 3       | 000057      |          | M08x60 8.8 S SOCKET HEAD CAPSCREW         | VIS CHC M08x60 8.8 BI FT TETE BASSE          |     | 2        |
| 4       | 000058      |          | M08x20 8.8 S SOCK. HEAD MACH SCREW        | VIS CHC M08x20 8.8 BI FT TETE BASSE          |     | 4        |
| 5       | 000059      |          | M08x12 8.8 S SOCK HEAD MACH SCREW         | VIS CHC M08x12 8.8 BI FT TETE BASSE          |     | 2        |
| 6       | 110004      |          | M08 GR. 8.8 LOCK NUT                      | ECROU FREIN M8 8.8 BI                        |     | 2        |
| 7       | 110030      |          | M08 RECTANGULAR BASE NUT                  | ECROU A EMBASE RECTANGULAIRE M08             |     | 3        |
| 8       | 120011      |          | dD 10x22 LOCK WASHER                      | RONDELLE CONTACT dD 10x22 BI                 |     | 1        |
| 9       | 120014      |          | M08 WASHER                                | RONDELLE M08 BI                              |     | 6        |
| 10      | 120021      |          | HELICAL SPRING LOCK WASHER Ø8             | RONDELLE GROWER Ø8 BI                        |     | 2        |
| 11      | 130025      |          | M08x25 10.9 COUNTERSUNK HEAD M. S.        | VIS FHC M08x25 10.9 BI FT                    |     | 4        |
| 12      | 130030      |          | M010x25 10.9 COUNTERSUNK HEAD M. S.       | VIS FHC M10x25 10.9 BI FT                    |     | 2        |
| 13      | 130032      |          | M010x60 10.9 COUNTERSUNK HEAD M. S.       | VIS FHC M10x60 10.9 BI FT                    |     | 2        |
| 14      | 150025      |          | BUSHING Ø30 H15 DU                        | BAGUE Ø30 H15 DU                             |     | 2        |
| 15      | 150028      |          | BACKUP PULLEY                             | POULIE DE RAPPEL                             |     | 1        |
| 16      | ST1109      |          | SHIM (4 sizes : see Service Manual)       | CALE (4 épaisseurs: voir Manuel de Service)  |     | 4        |
| 17      | ST1118      |          | BACKUP PULLEY SUPPORT                     | SUPPORT POULIE DE RAPPEL                     |     | 1        |
| 18      | ST1119      |          | STEEL WIRE BRACKET                        | EQUERRE CABLE                                |     | 1        |
| 19      | ST1125      |          | SPREADER BRACKET                          | EQUERRE PALONNIER                            |     | 1        |
| 20      | US0280      |          | PULLEY SUPPORT B                          | SUPPORT POULIE B                             |     | 2        |
| 21      | US0286      |          | PULLEY PIN                                | AXE DE POULIE                                |     | 1        |
| 22      | US0474      |          | PULLEY Ø83x10                             | POULIE Ø83x10                                | A   | 2        |
| 23      | US0296      |          | SAFETY SPACER                             | ENTRETOISE DE SECURITE                       |     | 1        |
| 24      | US0297      |          | SAFETY BLOCK                              | SECURITE PALONNIER                           |     | 1        |
| 25      | US0298      |          | PULLEY SPACER                             | ENTRETOISE POULIES                           |     | 4        |
| 26      | US0321      |          | SLIDE BLOCK (4 sizes: see Service Manual) | PATIN (4 épaisseurs: voir Manuel de Service) |     | 4        |
| 27      | ST1631      |          | MAST 3                                    | MAT 3  |     | 1        |
|         |             |          |   |  |     |          |
|         |             |          |   |  |     |          |
|         |             |          |   |  |     |          |
|         |             |          |   |  |     |          |
|         |             |          |   |  |     |          |
|         |             |          |   |  |     |          |
|         |             |          |   |  |     |          |
|         |             |          |   |  |     |          |
|         |             |          |   |  |     |          |
|         |             |          |   |  |     |          |
|         |             |          |   |  |     |          |
|         |             |          |   |  |     |          |
|         |             |          |   |  |     |          |
|         |             |          |   |  |     |          |
|         |             |          |   |  |     |          |
|         |             |          |   |  |     |          |
|         |             |          |   |  |     |          |
|         |             |          |   |  |     |          |

# MAST 4 ASSEMBLY ASSEMBLAGE MAT 4



ISSUE DATE : 29/09/03

**MAST 4 ASSEMBLY**

ISSUE REL :

**ASSEMBLAGE MAT 4**

ASSEMBLY N° : SP0807 REV :  
N° ENSEMBLE :

1/1

| DET<br>REP | PART<br>NUMBER<br>REF. | SEE VIEW<br>VOIR VUE | DESCRIPTION                               |  | R<br>E<br>V | QTY<br>QTE |
|------------|------------------------|----------------------|---|--|-------------|------------|
| 1          | 000003                 |                      | M05x16 8.8 SOCKET HEAD MACH SCREW         | VIS CHC M05x16 8.8 BI FT                     |             | 4          |
| 2          | 000007                 |                      | M04x30 8.8 SOCKET HEAD CAPSCREW           | VIS CHC M04x30 8.8 BI FP                     |             | 2          |
| 3          | 000018                 |                      | M08x16 8.8 SOCKET HEAD MACH SCREW         | VIS CHC M08x16 8.8 BI FT                     |             | 4          |
| 4          | 000058                 |                      | M08x20 8.8 S SOCK. HEAD MACH SCREW        | VIS CHC M08x20 8.8 BI FT TETE BASSE          |             | 4          |
| 5          | 000059                 |                      | M08x12 8.8 S SOCK HEAD MACH SCREW         | VIS CHC M08x12 8.8 BI FT TETE BASSE          |             | 1          |
| 6          | 110003                 |                      | M06 GR. 8.8 LOCK NUT                      | ECROU FREIN M6 8.8 BI                        |             | 2          |
| 7          | 110030                 |                      | M08 RECTANGULAR BASE NUT                  | ECROU A EMBASE RECTANGULAIRE M08             |             | 5          |
| 8          | 120021                 |                      | HELICAL SPRING LOCK WASHER Ø8             | RONDELLE GROWER Ø8 BI                        |             | 5          |
| 9          | 120014                 |                      | M08 WASHER                                | RONDELLE M08 BI                              |             | 4          |
| 10         | 120024                 |                      | M04 LOCK WASHER                           | RONDELLE CONTACT M04 BI                      |             | 2          |
| 11         | 130021                 |                      | M06x20 8.8 ROUND HEAD MACH SCREW          | VIS BOMBEE ULF M06x20 8.8 BI FT              |             | 2          |
| 12         | 130030                 |                      | M010x25 10.9 COUNTERSUNK HEAD M. S        | VIS FHC M10x25 10.9 BI FT                    |             | 2          |
| 13         | 130032                 |                      | M010x60 10.9 COUNTERSUNK HEAD M. S        | VIS FHC M10x60 10.9 BI FT                    |             | 2          |
| 14         | 210017                 |                      | GLAND N°9                                 | PRESSE ETOUPE N°9                            |             | 1          |
| 15         | 250015                 |                      | REDUCTION 13/9                            | REDUCTION 13/9                               |             | 1          |
| 16         | 260030                 |                      | 2NC SWITCH                                | CAPTEUR 2NF                                  |             | 1          |
| 17         | DL0721                 |                      | BOARD BOX SUPPORT                         | SUPPORT BOITIER CARTE                        |             | 1          |
| 18         | ST1109                 |                      | SHIM (4 sizes : see Service Manual)       | CALE (4 épaisseurs: voir Manuel de Service)  |             | 2          |
| 19         | ST1119                 |                      | STEEL WIRE BRACKET                        | EQUERRE CABLE                                |             | 1          |
| 20         | ST1125                 |                      | SPREADER BRACKET                          | EQUERRE PALONNIER                            |             | 1          |
| 21         | ST1633                 |                      | MAST 4                                    | MAT 4  |             | 1          |
| 22         | ST2521                 |                      | SWITCH HOLDER                             | SUPPORT CAPTEUR                              |             | 1          |
| 23         | US0296                 |                      | SAFETY SPACER                             | ENTRETOISE DE SECURITE                       |             | 1          |
| 24         | US0297                 |                      | SAFETY BLOCK                              | SECURITE PALONNIER                           |             | 1          |
| 25         | US0321                 |                      | SLIDE BLOCK (4 sizes: see Service Manual) | PATIN (4 épaisseurs: voir Manuel de Service) |             | 2          |
| 26         |                        | SP0803               | BOARD BOX ASSEMBLY                        | ASSEMBLAGE BOITIER CARTE                     |             | 1          |
|            |                        |                      |   |  |             |            |
|            |                        |                      |   |  |             |            |
|            |                        |                      |   |  |             |            |
|            |                        |                      |   |  |             |            |
|            |                        |                      |   |  |             |            |
|            |                        |                      |   |  |             |            |
|            |                        |                      |   |  |             |            |
|            |                        |                      |   |  |             |            |
|            |                        |                      |   |  |             |            |
|            |                        |                      |   |  |             |            |
|            |                        |                      |   |  |             |            |
|            |                        |                      |   |  |             |            |
|            |                        |                      |   |  |             |            |
|            |                        |                      |   |  |             |            |
|            |                        |                      |   |  |             |            |
|            |                        |                      |   |  |             |            |
|            |                        |                      |   |  |             |            |
|            |                        |                      |   |  |             |            |
|            |                        |                      |   |  |             |            |
|            |                        |                      |   |  |             |            |





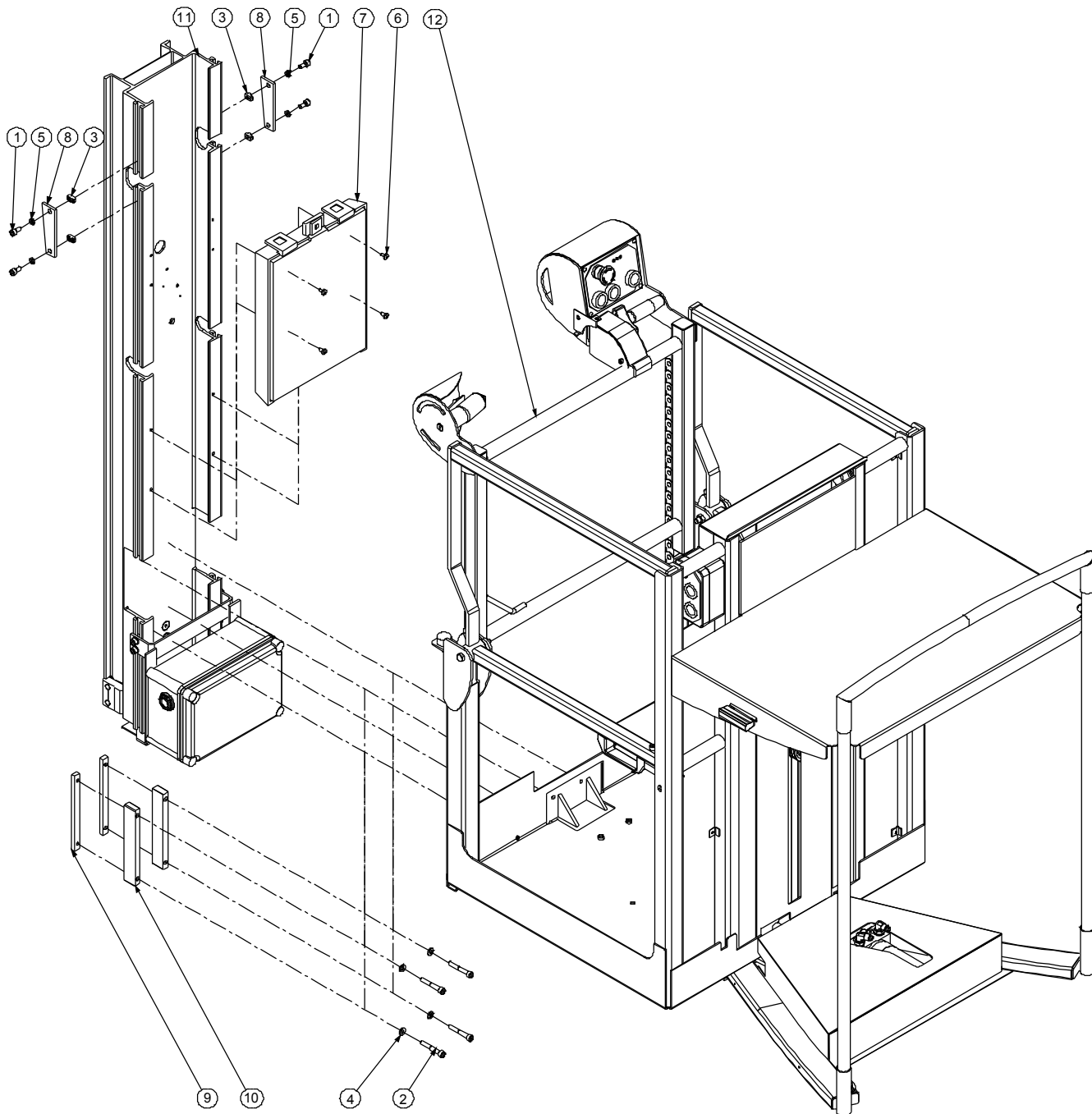
# ***SPARE PARTS PIECES DETACHEES***

## **SECTION 6**

### **PLATFORM AND TABLE INSTALL INSTALLATION PANIER ET TABLETTE**



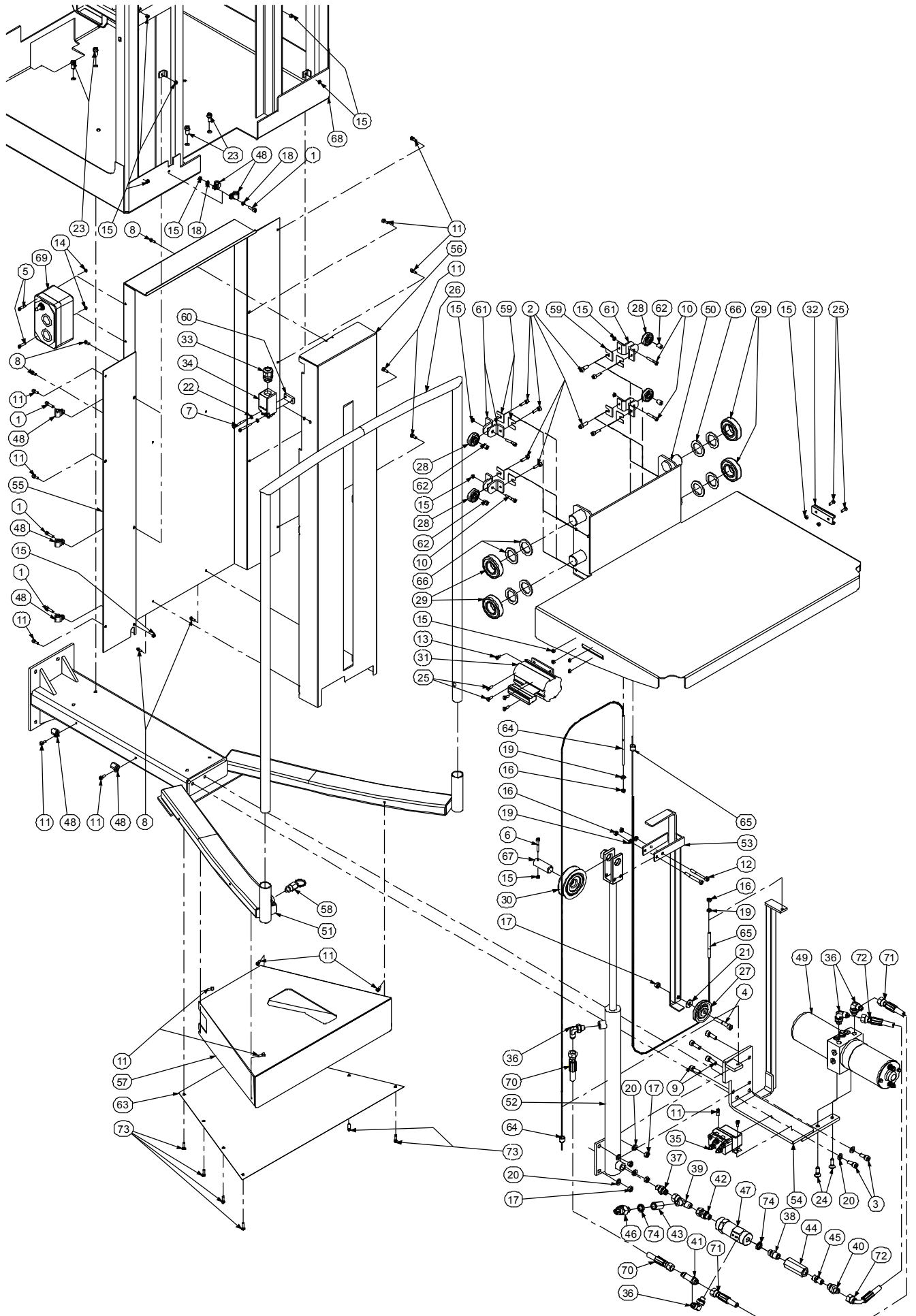
# PLATFORM AND TABLE INSTALL INSTALLATION PANIER ET TABLETTE





# PLATFORM AND TABLE ASSEMBLY

## ASSEMBLAGE PANIER ET TABLETTE



ISSUE DATE : 05/01/05

**PLATFORM AND TABLE ASSEMBLY**

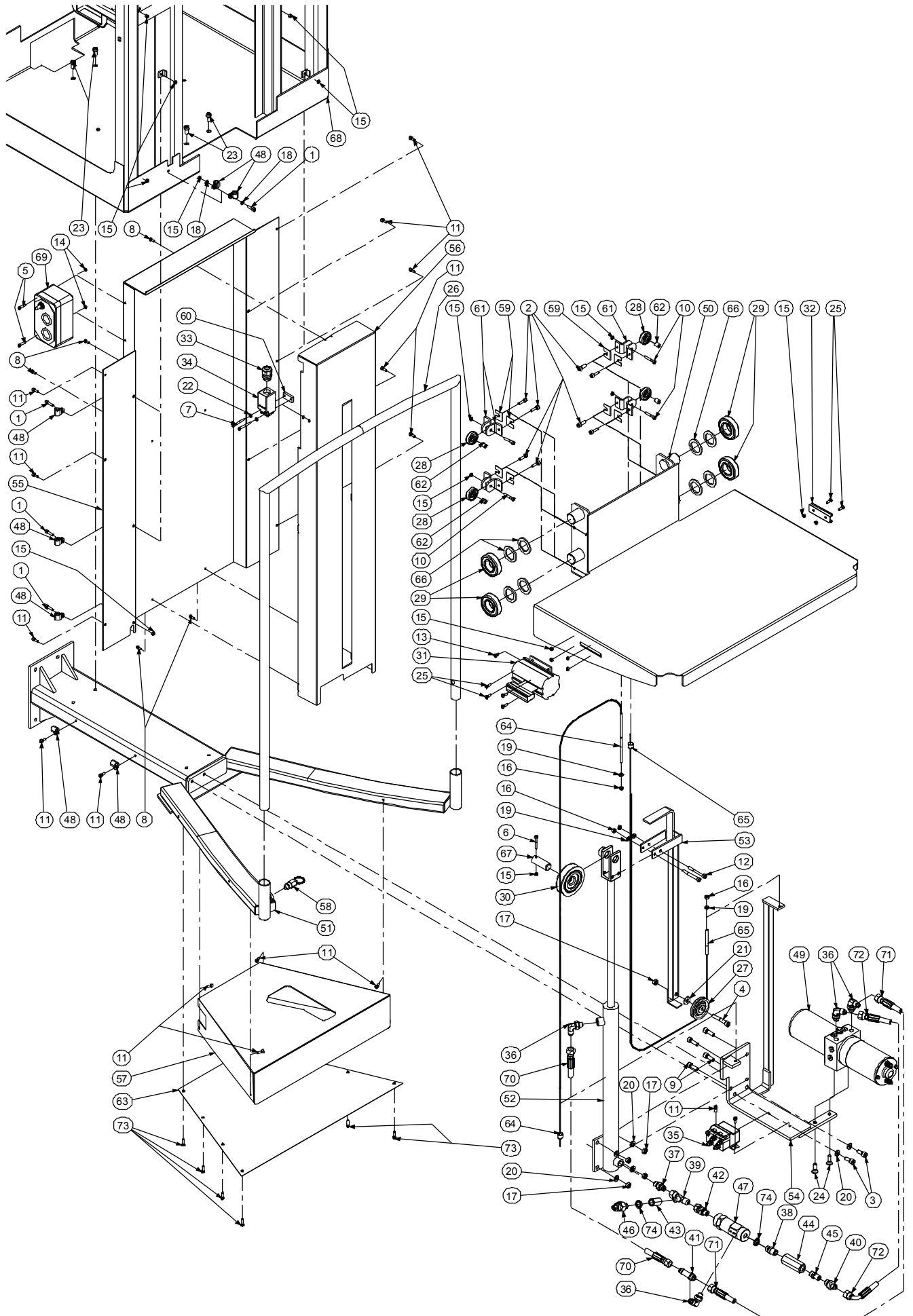
ISSUE REL :

ASSEMBLY N° : SP0809 REV : B  
N° ENSEMBLE :**ASSEMBLAGE PANIER ET TABLETTE**

1/2

| DET<br>REP | PART<br>NUMBER<br>REF. | SEE VIEW<br>VOIR VUE | DESCRIPTION                           |  | R<br>E<br>V | QTY<br>QTE |
|------------|------------------------|----------------------|---------------------------------------|--|-------------|------------|
| 1          | 000003                 |                      | M05x16 8.8 SOCKET HEAD MACH SCREW     | VIS CHC M05x16 8.8 BI FT               | A           | 4          |
| 2          | 000005                 |                      | M06x20 8.8 SOCKET HEAD MACH SCREW     | VIS CHC M06x20 8.8 BI FT               |             | 8          |
| 3          | 000006                 |                      | M08x20 8.8 SOCKET HEAD MACH SCREW     | VIS CHC M08x20 8.8 BI FT               |             | 2          |
| 4          | 000063                 |                      | M08x45 8.8 S SOCKET HEAD CAPSCREW     | VIS CHC M08x45 8.8 BI FT TETE BASSE    |             | 1          |
| 5          | 000020                 |                      | M04x20 8.8 SOCKET HEAD MACH SCREW     | VIS CHC M04x20 8.8 BI FT               |             | 2          |
| 6          | 000030                 |                      | M05x35 8.8 SOCKET HEAD CAPSCREW       | VIS CHC M05x35 8.8 ZI FP               |             | 1          |
| 7          | 000004                 |                      | M04x35 8.8 SOCK. HEAD MACH. SCREW     | VIS CHC M04x35 8.8 BI FT               |             | 2          |
| 8          | 000050                 |                      | M04x10 8.8 SOCKET HEAD MACH SCREW     | VIS CHC M04x10 8.8 BI FT               |             | 5          |
| 9          | 000053                 |                      | M08x25 8.8 SOCKET HEAD MACH SCREW     | VIS CHC M08x25 8.8 BI FT               |             | 4          |
| 10         | 000062                 |                      | M05x30 8.8 SOCK HEAD MACHINE SCREW    | Vis CHC M5x30 BI FT                    |             | 4          |
| 11         | 000067                 |                      | M05x12 8.8 SOCKET HEAD MACH SCREW     | VIS CHC M05x12 8.8 BI FT               |             | 16         |
| 12         | 000073                 |                      | M06x55 8.8 SOCKET HEAD CAPSCREW       | VIS CHC M06x55 8.8 BI FP               |             | 2          |
| 13         | 000089                 |                      | M05x08 8.8 SOCKET HEAD MACH SCREW     | VIS CHC M05x08 8.8 BI FT               | A           | 1          |
| 14         | 110001                 |                      | M04 GR. 8.8 LOCK NUT                  | ECROU FREIN M4 8.8 BI                  |             | 2          |
| 15         | 110002                 |                      | M05 GR. 8.8 LOCK NUT                  | ECROU FREIN M5 8.8 BI                  | A           | 23         |
| 16         | 110003                 |                      | M06 GR. 8.8 LOCK NUT                  | ECROU FREIN M6 8.8 BI                  |             | 4          |
| 17         | 110004                 |                      | M08 GR. 8.8 LOCK NUT                  | ECROU FREIN M8 8.8 BI                  |             | 5          |
| 18         | 120002                 |                      | M05 WASHER                            | RONDELLE M05 BI                        |             | 2          |
| 19         | 120009                 |                      | dD 06x14 LOCK WASHER                  | RONDELLE CONTACT dD 06x14 BI           |             | 4          |
| 20         | 120010                 |                      | dD 08x18 LOCK WASHER                  | RONDELLE CONTACT dD 08x18 BI           |             | 6          |
| 21         | 120014                 |                      | M08 WASHER                            | RONDELLE M08 BI                        |             | 1          |
| 22         | 120024                 |                      | M04 LOCK WASHER                       | RONDELLE CONTACT M04 BI                |             | 2          |
| 23         | 130013                 |                      | M08x16 CROSS PAN HEAD CAPSCREW        | VIS BOMBEE FENDUE M08x16 BI FT         |             | 4          |
| 24         | 130025                 |                      | M08x25 10.9 COUNTERSUNK HEAD M. S.    | VIS FHC M08x25 10.9 BI FT              |             | 2          |
| 25         | 130047                 |                      | M5x16 8.8 COUNTERSUNK HEAD M SCR      | VIS FHC M5x16 8.8 BI FT                |             | 6          |
| 26         | 140FP287               |                      | VELUX SUPPORT CROSSBAR                | TRAVERSE SUPPORT VELUX                 |             | 1          |
| 27         | 150028                 |                      | BACKUP PULLEY                         | POULIE DE RAPPEL                       |             | 1          |
| 28         | 150042                 |                      | BEARING 6300 2RS                      | ROULEMENT 6300 2RS                     |             | 4          |
| 29         | 150043                 |                      | BEARING 6206 2RS                      | ROULEMENT 6206 2RS                     |             | 4          |
| 30         | 150050                 |                      | LIFTING PULLEY                        | POULIE DE LEVAGE                       |             | 1          |
| 31         | 190066                 |                      | ROLLER STRAP                          | SANGLE ENROULEUR                       |             | 1          |
| 32         | 190067                 |                      | ROLLER STRAP LOCK                     | SABOT DE FIXATION SANGLE               |             | 1          |
| 33         | 210062                 |                      | GLAND N°13 Ø5 IP65                    | PRESSE ETOUPE N°13 Ø5 IP65             |             | 1          |
| 34         | 260016                 |                      | SWITCH                                | CAPTEUR                                |             | 1          |
| 35         | 260269                 |                      | INVERTER RELAY                        | RELAIS INVERSEUR                       |             | 1          |
| 36         | 300001                 |                      | 90° ELBOW MALE BSPP 1/4-MALE JIC 9/16 | COUDE 90° Male BSPP 1/4 -Male JIC 9/16 | B           | 4          |
| 37         | 300025                 |                      | FITTING MALE BSPP1/4-MALE JIC9/16     | RACCORD MALE BSPP1/4-MALE JIC9/16      | B           | 1          |
| 38         | 300107                 |                      | FITTING MALE BSPP 1/4- MALE BSPT 3/8  | RAC. MALE BSPP 1/4-MALE BSPT 3/8       | B           | 1          |

# PLATFORM AND TABLE ASSEMBLY ASSEMBLAGE PANIER ET TABLETTE



ISSUE DATE : 05/01/05

**PLATFORM AND TABLE ASSEMBLY**

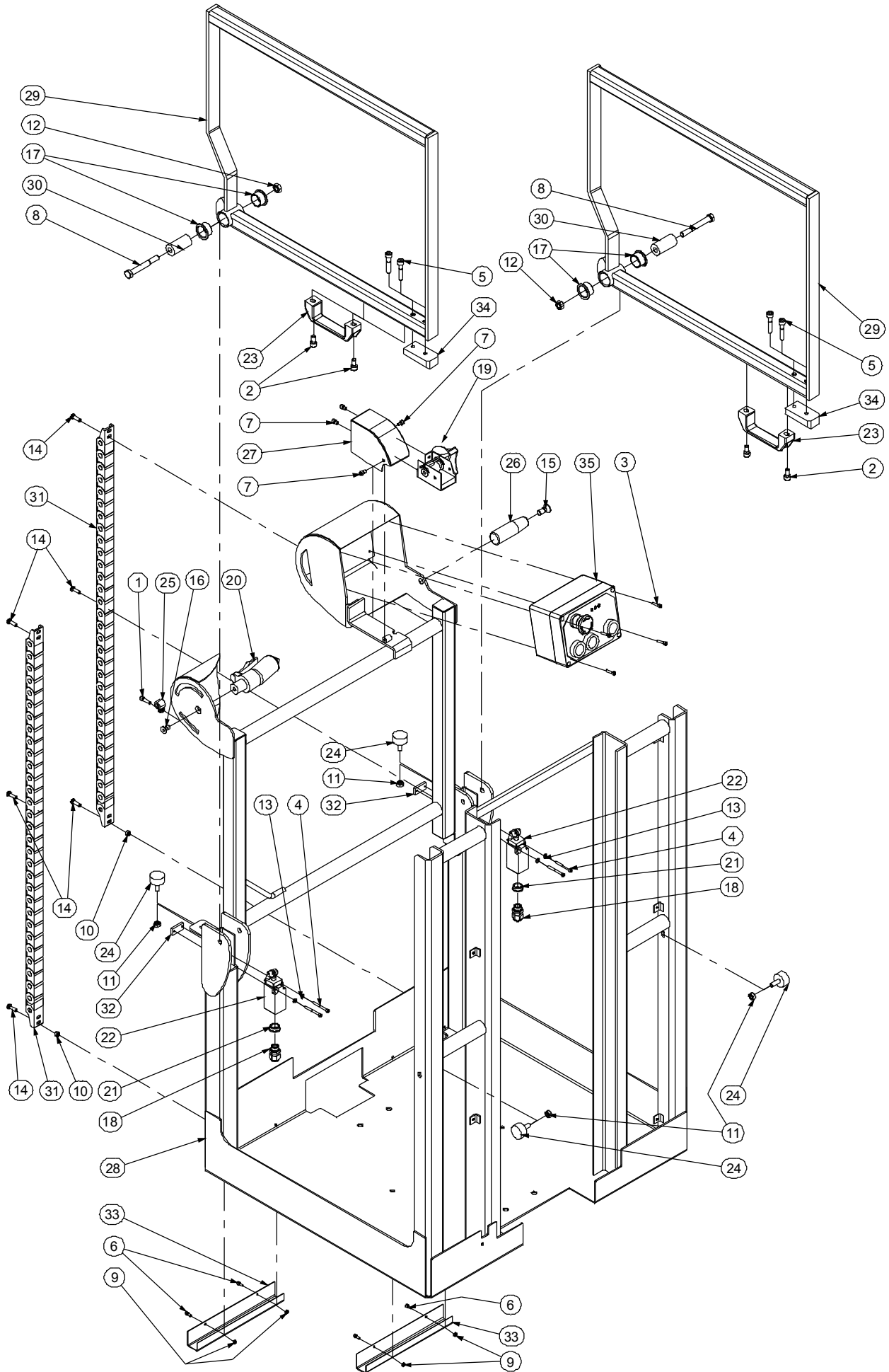
ISSUE REL :

ASSEMBLY N° : SP0809 REV : B  
N° ENSEMBLE :**ASSEMBLAGE PANIER ET TABLETTE**

2/2

| DET<br>REP | PART<br>NUMBER<br>REF. | SEE VIEW<br>VOIR VUE | DESCRIPTION   |                                       | R<br>E<br>V | QTY<br>QTE |
|------------|------------------------|----------------------|---|---------------------------------------|-------------|------------|
| 39         | 300037                 |                      | RUN TEE JIC 9/16 SWIVEL NUT   | TE MALE JIC9/16-FEMELLE JIC9/16 TOUR. |             | 1          |
| 40         | 300040                 |                      | FITTING MALE BSPP3/8 MALE JIC9/16                                   | RACCORD MALE BSPP3/8 MALE JIC9/16     |             | 1          |
| 41         | 300055                 |                      | BRANCH TEE MALE JIC 9/16 SWIVEL NUT                                 | TE Male JIC9/16 TOURNANT CENTRAL      |             | 1          |
| 42         | 300073                 |                      | FITTING MALE BSPP 1/4-FEMALE JIC 9/16                               | RACC. MALE BSPP 1/4 -FEM. JIC 9/16    |             | 1          |
| 43         | 300099                 |                      | PRESGAUGE UNION FEM BSPT1/4-JIC9/16                                 | UNION MANO FEM BSPT 1/4 - JIC 9/16    |             | 1          |
| 44         |                        |                      | EMPTY 310023  | 310023 VIDE                           |             | 1          |
| 45         | 310042                 |                      | FLOW CONTROL VALVE 3L/mn  | REGULATEUR DE DEBIT 3L/mn             |             | 1          |
| 46         | 310050                 |                      | PRESSURE SWITCH 10-20 BARS  | PRESSOSTAT 10-20 BARS                 |             | 1          |
| 47         | 320063                 |                      | PILOT CHECK VALVE   | CLAPET ANTI RETOUR PILOTE             | B           | 1          |
| 48         | 400034                 |                      | COLLAR  | COLLIER                               |             | 7          |
| 49         | 520054                 |                      | R2K STEERING POWER UNIT   | CENTRALE DE DIRECTION R2K             |             | 1          |
| 50         | DL0711                 |                      | TABLE   | TABLETTE                              |             | 1          |
| 51         | DL0712                 |                      | PLATFORM SUPPORT  | SUPPORT PANIER                        |             | 1          |
| 52         | DL0713                 |                      | TABLE RAISING CYLINDER  | VERIN LEVAGE TABLETTE C=400           |             | 1          |
| 53         | DL0714                 |                      | BACK UP TABLE TABLE BAR   | BARRE CABLE RAPPEL TABLETTE           |             | 1          |
| 54         | DL0715                 |                      | TABLE CYLINDER SUPPORT  | SUPPORT VERIN TABLETTE                |             | 1          |
| 55         | DL0718                 |                      | INSIDE COVER  | CAPOT INTERIEUR                       |             | 1          |
| 56         | DL0719                 |                      | OUTSIDE COVER   | CAPOT EXTERNE                         |             | 1          |
| 57         | DL0720                 |                      | POWER UNIT COVER  | CAPOT CENTRALE                        |             | 1          |
| 58         | SE0308                 |                      | LOCKING PIN   | INDEX                                 |             | 1          |
| 59         | ST1698                 |                      | MAST WHEEL HOLDER SHIM (th 1mm)                                     | CALE SUPPORT ROUE DE MAT(ép: 1mm)     |             | x          |
| 59         | ST1699                 |                      | MAST WHEEL HOLDER SHIM (th 0.8mm)                                   | CALE SUPPORT ROUE DE MAT(ép: 0.8mm)   |             | x          |
| 59         | ST1700                 |                      | MAST WHEEL HOLDER SHIM (th 0.5mm)                                   | CALE SUPPORT ROUE DE MAT(ép: 0.5mm)   |             | x          |
| 60         | ST1971                 |                      | STEERING SWITCH PLATE   | CONTRE PLAQUE CAPTEUR DIRECTION       |             | 1          |
| 61         | ST2790                 |                      | BEARING BRACKET   | EQUERRE DE ROULEMENT                  |             | 8          |
| 62         | ST2791                 |                      | BEARING SPACER  | ENTRETOISE ROULEMENT                  |             | 4          |
| 63         | ST2796                 |                      | POWER UNIT COVER BOTTOM   | FOND CAPOT CENTRALE                   |             | 1          |
| 64         | ST2803                 |                      | TABLE LIFTING TABLE   | CABLE LEVAGE TABLETTE                 |             | 1          |
| 65         | ST2804                 |                      | TABLE BACK UP TABLE   | CABLE RAPPEL TABLETTE                 |             | 1          |
| 66         | US0025                 |                      | WASHER  | RONDELLE AXE DE GALET                 |             | 8          |
| 67         | US0499                 |                      | TABLE CYLINDER PIN  | AXE VERIN TABLETTE                    |             | 1          |
| 68         |                        | SP0810               | PLATFORM ASSEMBLY   | ASSEMBLAGE PANIER                     |             | 1          |
| 69         |                        | SP0804               | TABLE BOX ASSEMBLY  | ASSEMBLAGE BOITIER TABLETTE           |             | 1          |
| 70         | DF0147                 |                      | HOSE (flexible) 1/4-PARKER 491-0065cm-JIC Fem 9/16-JIC Fem 9/16     |                                       |             | 1          |
| 71         | DF0221                 |                      | HOSE (flexible) 1/4-PARKER 491-0045cm-JIC Fem 9/16-JIC Fem 9/16     |                                       |             | 1          |
| 72         | DF0459                 |                      | HOSE (flexible) 1/4-PARKER 491-0037cm-JIC Fem 9/16-JIC Fem 9/16 90° |                                       | B           | 1          |
| 73         | 130010                 |                      | M05x16 8.8 CROSS RECESSED PAN HEAD                                  |                                       | A           | 8          |
| 74         | 300108                 |                      | BUSHING BS  | BAGUE BS                              | B           | 2          |

# PLATFORM ASSEMBLY ASSEMBLAGE PANIER





ISSUE DATE : 16/03/04

**PLATFORM ASSEMBLY**

ISSUE REL :

ASSEMBLY N° :  
N° ENSEMBLE : SP0810 REV : A**ASSEMBLAGE PANIER**

1/1

| DET<br>REP | PART<br>NUMBER<br>REF. | SEE VIEW<br>VOIR VUE | DESCRIPTION                         |                                 | R<br>E<br>V | QTY<br>QTE |
|------------|------------------------|----------------------|-------------------------------------|---------------------------------|-------------|------------|
| 1          | 000003                 |                      | M05x16 8.8 SOCKET HEAD MACH SCREW   | VIS CHC M05x16 8.8 BI FT        |             | 1          |
| 2          | 000018                 |                      | M08x16 8.8 SOCKET HEAD MACH SCREW   | VIS CHC M08x16 8.8 BI FT        |             | 4          |
| 3          | 000020                 |                      | M04x20 8.8 SOCKET HEAD MACH SCREW   | VIS CHC M04x20 8.8 BI FT        |             | 4          |
| 4          | 000032                 |                      | M04x40 8.8 SOCKET HEAD CAPSCREW     | VIS CHC M04x40 8.8 ZI FP        |             | 4          |
| 5          | 000043                 |                      | M08x40 8.8 SOCKET HEAD MACH SCREW   | VIS CHC M08x40 8.8 BI FT        |             | 4          |
| 6          | 000050                 |                      | M04x10 8.8 SOCKET HEAD MACH SCREW   | VIS CHC M04x10 8.8 BI FT        |             | 4          |
| 7          | 000089                 |                      | M05x08 8.8 SOCKET HEAD MACH SCREW   | VIS CHC M05x08 8.8 BI FT        |             | 4          |
| 8          | 100091                 |                      | M10x80 8.8 HEX HEAD CAPSCREW        | VIS H M10x80 8.8 BI FP          | A           | 2          |
| 9          | 110001                 |                      | M04 GR. 8.8 LOCK NUT                | ECROU FREIN M4 8.8 BI           |             | 4          |
| 10         | 110003                 |                      | M06 GR. 8.8 LOCK NUT                | ECROU FREIN M6 8.8 BI           | A           | 2          |
| 11         | 110004                 |                      | M08 GR. 8.8 LOCK NUT                | ECROU FREIN M8 8.8 BI           |             | 4          |
| 12         | 110005                 |                      | M10 GR. 8.8 LOCK NUT                | ECROU FREIN M10 8.8 BI          |             | 2          |
| 13         | 120024                 |                      | M04 LOCK WASHER                     | RONDELLE CONTACT M04 BI         |             | 4          |
| 14         | 130021                 |                      | M06x20 8.8 ROUND HEAD MACH SCREW    | VIS BOMBEE ULF M06x20 8.8 BI FT | A           | 6          |
| 15         | 130030                 |                      | M010x25 10.9 COUNTERSUNK HEAD M. S. | VIS FHC M10x25 10.9 BI FT       |             | 1          |
| 16         | 130053                 |                      | M08x16 8.8 COUNTERSUNK HEAD M. S.   | VIS FHC M08x16 8.8 BI FT        |             | 1          |
| 17         | 150039                 |                      | FLANGE BUSHING Ø25 H16.5 DU         | BAGUE EPAULEE Ø25 H16.5 DU      |             | 4          |
| 18         | 210017                 |                      | GLAND N°9                           | PRESSE ETOUPE N°9               |             | 2          |
| 19         | 240087                 |                      | CONTROL HANDLE                      | POIGNEE DE COMMANDE             | A           | 1          |
| 20         | 240086                 |                      | STEERING HANDLE                     | POIGNEE DE DIRECTION            |             | 1          |
| 21         | 250015                 |                      | REDUCTION 13/9                      | REDUCTION 13/9                  |             | 2          |
| 22         | 260182                 |                      | SWITCH                              | CAPTEUR                         |             | 2          |
| 23         | 400001                 |                      | HANDLE                              | POIGNEE                         |             | 2          |
| 24         | 400015                 |                      | ELASTIC STOP                        | BUTEE ELASTIQUE                 |             | 4          |
| 25         | 400034                 |                      | COLLAR                              | COLLIER                         |             | 1          |
| 26         | 400089                 |                      | PLASTIC HANDLE                      | POIGNEE PLASTIQUE               |             | 1          |
| 27         | DL0710                 |                      | GPH COVER                           | CAPOT GPH                       |             | 1          |
| 28         | DL0716                 |                      | PLATFORM GUARDRAIL                  | ARMATURE PANIER                 |             | 1          |
| 29         | DL0717                 |                      | GATE                                | PORTILLON                       |             | 2          |
| 30         | FP148-017              |                      | Ddh 25x10.5x50 SPACER               | ENTRETOISE Ddh 25x10.5x50       |             | 2          |
| 31         | ST2810                 |                      | POWER BRIDGE                        | CHAINE PORTE CABLES             | A           | 2          |
| 32         | ST1971                 |                      | STEERING SWITCH PLATE               | CONTRE PLAQUE CAPTEUR DIRECTION |             | 2          |
| 33         | ST2797                 |                      | CABLES PROTECTION                   | PROTECTION CABLES               |             | 2          |
| 34         | US0470                 |                      | SLIDE BLOCK                         | PATIN                           |             | 2          |
| 35         |                        | SP0802               | UPPER CONTROL BOX ASSEMBLY          | ASSEMBLAGE BOITIER HAUT         |             | 1          |
|            |                        |                      |                                     |                                 |             |            |
|            |                        |                      |                                     |                                 |             |            |



***SPARE PARTS***  
***PIECES DETACHEES***

**SECTION 7**

**DECALS INSTALL**  
**INSTALLATION AUTOCOLLANTS**



## DECALS INSTALL INSTALLATION AUTOCOLLANTS

| <b>TOUCAN Duo</b>                    |     | <b>INSTRUCTIONS<br/>/CONSIGNES</b> | <b>LOAD/CHARGE</b> | <b>EMERGENCY<br/>/SECOURS</b> |
|--------------------------------------|-----|------------------------------------|--------------------|-------------------------------|
| Belgium/Belgique                     | NL  | AU1765                             | AU1766             | AU1022                        |
|                                      | F   | AU1734                             | AU1735             | AU0932                        |
| Czechoslovakia/<br>Tchecoslovaquie   | CZ  | AU1944                             | AU1945             | AU1946                        |
|                                      |     | <b>PA0997</b>                      |                    |                               |
| Dutch/Hollande                       | NL  | AU1765                             | AU1766             | AU1022                        |
|                                      |     | <b>PA0913</b>                      |                    |                               |
| Finland/Finlande                     | FIN | AU1798                             | AU1799             | AU1019                        |
|                                      |     | <b>PA0926</b>                      |                    |                               |
| France                               | F   | AU1734                             | AU1735             | AU0932                        |
|                                      |     | <b>PA0899</b>                      |                    |                               |
| Germany/Allemagne<br>Ausria/Autriche | D   | AU1751                             | AU1752             | AU1017                        |
|                                      | A   | <b>PA0906</b>                      |                    |                               |
| Italy/Italie                         | I   | AU1759                             | AU1760             | AU1016                        |
|                                      |     | <b>PA0910</b>                      |                    |                               |
| Norway/Norvège                       | N   | AU1784                             | AU1785             | AU1783                        |
|                                      |     | <b>PA0919</b>                      |                    |                               |
| Poland/Pologne                       | PL  | AU1795                             | AU1796             | AU1794                        |
|                                      |     | <b>PA0922</b>                      |                    |                               |
| Portuguese/Portugal                  | P   | AU1951                             | AU1952             | AU1953                        |
|                                      |     | <b>PA1000</b>                      |                    |                               |
| Slovakia/<br>slovaquie               | SL  | AU1938                             | AU1939             | AU1940                        |
|                                      |     | <b>PA0994</b>                      |                    |                               |
| Spain/Espagne                        | E   | AU1778                             | AU1777             | AU1024                        |
|                                      |     | <b>PA0915</b>                      |                    |                               |
| Sweden/Suède                         | S   | AU1780                             | AU1781             | AU1030                        |
|                                      |     | <b>PA0916</b>                      |                    |                               |
| United Kingdom<br>Royaume uni        | GB  | AU1745                             | AU1746             | AU0923                        |
|                                      |     | <b>PA0905</b>                      |                    |                               |

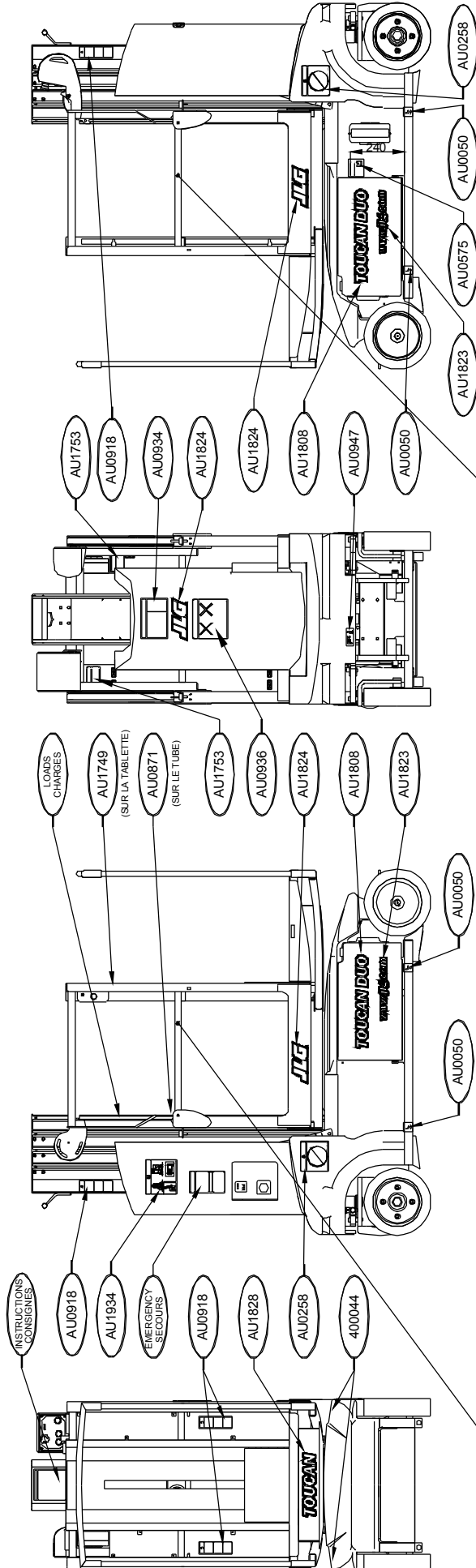
**PAxxxx = COMPLETE KIT / JEU COMPLET**

**MANUFACTURER'S NAME PLATE**

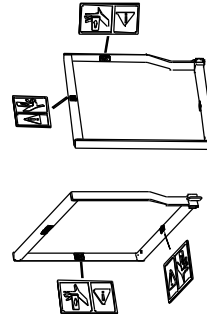
**PLAQUE CONSTRUCTEUR**

**AU1733**

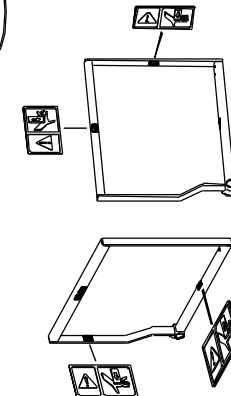
# DECALS INSTALL INSTALLATION AUTOCOLLANTS



POSITIONNEMENT DES 4AU1776  
SUR LE PORTILLON COTE DROIT



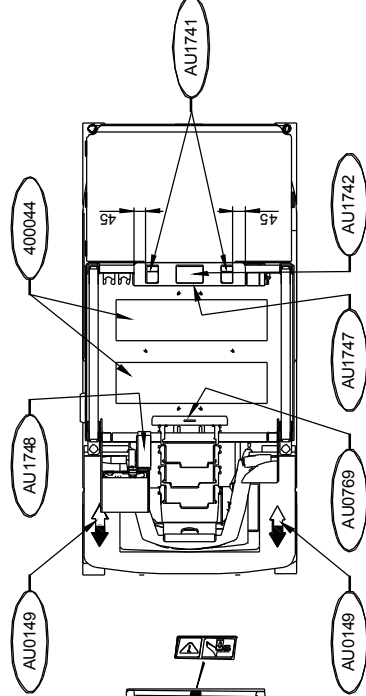
POSITIONNEMENT DES 4AU1776  
SUR LE PORTILLON COTE GAUCHE



|        |    |
|--------|----|
| AU0934 | 1  |
| AU0918 | 4  |
| AU0871 | 1  |
| AU0769 | 1  |
| AU0575 | 1  |
| AU0258 | 2  |
| AU0149 | 2  |
| AU0050 | 4  |
| Repere | Nb |

|        |    |
|--------|----|
| AU1753 | 2  |
| AU1749 | 1  |
| AU1748 | 1  |
| AU1747 | 1  |
| AU1742 | 1  |
| AU1741 | 2  |
| AU0947 | 1  |
| AU0936 | 1  |
| Repere | Nb |

|        |       |
|--------|-------|
| 400044 | 1,9 m |
| AU1934 | 1     |
| AU1828 | 1     |
| AU1824 | 3     |
| AU1823 | 2     |
| AU1808 | 2     |
| AU1776 | 8     |
| Repere | Nb    |



# CROSS REFERENCE CHART

## TABLEAU DE CORRESPONDANCE

|        | Pages | Main assembly<br>Assemblage supérieur |
|--------|-------|---------------------------------------|
| 520099 | 4-2   | SP0811                                |
| OPS482 | 1-1   | SP0812                                |
| Paxxxx | 7     |                                       |
| PC0382 | 2-2   |                                       |
| PC0378 | 2-1   |                                       |
| RM0059 | 4-1   | SP0811                                |
| RM0090 | 2-2-1 | PC0354                                |
| RM0091 | 2-2-2 | PC0354                                |
| SP0386 | 5-2   | SP0806                                |
| SP0387 | 5-3   | SP0806                                |
| SP0390 | 3     |                                       |
| SP0802 | 2-2-3 | PC0354                                |
| SP0803 | 2-2-4 | PC0354                                |
| SP0804 | 2-2-5 | PC0354                                |
| SP0805 | 2-2-6 | PC0354                                |
| SP0806 | 5     |                                       |
| SP0807 | 5-4   | SP0806                                |
| SP0808 | 6     |                                       |
| SP0809 | 6-1   | SP0808                                |
| SP0810 | 6-1-1 | SP0809                                |
| SP0811 | 4     |                                       |
| SP0812 | 1     |                                       |
| SP0813 | 5-1   | SP0806                                |
| SP0883 | 2-2-7 | PC0354                                |
| ST1628 | 5-1-1 | SP0813                                |