



Illustrated Parts Manual

Model 4017

3121859

Revised
March 31, 2014



EFFECTIVITY PAGE

October 22, 2004 - A - Original Issue Of Manual

April 8, 2005 - B - Revised Manual

November 23, 2005 - C - Revised Manual

January 2, 2007 - D - Revised Manual

April 25, 2008 - E - Revised Manual

July 15, 2009 - F - Revised Manual

April 20, 2012 - G - Revised Manual

March 31, 2014 - H - Revised Manual

TABLE OF CONTENTS

SECTION 1 - FRAME AND ATTACHING PARTS.....	9
FIGURE 1-1. FRAME SHROUDING AND ATTACHING PARTS, RIGHT SIDE	10
FIGURE 1-2. FRAME SHROUDING AND ATTACHING PARTS, LEFT SIDE	14
FIGURE 1-3. AXLE AND FENDER INSTALLATION	18
FIGURE 1-4. OUTRIGGER MOUNTING	20
FIGURE 1-5. OUTRIGGER MOUNTING WITH PLATFORM	22
FIGURE 1-6. OUTRIGGER MOUNTING EQUIPPED W/LMIS.....	24
FIGURE 1-7. HOOD INSTALLATION WITH PLATFORM	26
SECTION 2 - BOOM	29
FIGURE 2-1. FIRST BOOM SECTION.....	30
FIGURE 2-2. BEARINGS, PADS, SPACERS AND SHIMS, (FIRST BOOM SECTION)	32
FIGURE 2-3. SECOND BOOM SECTION.....	34
FIGURE 2-4. BEARINGS, PADS, SPACERS AND SHIMS, (SECOND BOOM SECTION)	36
FIGURE 2-5. THIRD BOOM SECTION	38
FIGURE 2-6. BEARINGS, PADS, SPACER AND SHIMS, (THIRD BOOM SECTION)	40
FIGURE 2-7. FOURTH BOOM SECTION	42
FIGURE 2-8. BEARINGS, PADS, SPACERS AND SHIMS, (FOURTH BOOM SECTION).....	44
FIGURE 2-9. QUICK SWITCH ASSEMBLY	46
SECTION 3 - ATTACHMENT.....	49
FIGURE 3-1. CARRIAGE ASSEMBLY	50
FIGURE 3-2. BUCKETS	52
FIGURE 3-3. FOUR IN ONE BUCKET	54
FIGURE 3-4. FORK MOUNTED HOOK	56
FIGURE 3-5. TRUSS BOOM.....	58
FIGURE 3-6. SIDE SHIFT CARRIAGE.....	60
FIGURE 3-7. FORK POSITIONING CARRIAGE ASSEMBLY.....	62
FIGURE 3-8. FORK EXTENSION	64
FIGURE 3-9. FORK.....	66
FIGURE 3-10. PLATFORM ASSEMBLY, ADAPTER AND PEDESTAL	68
FIGURE 3-11. PLATFORM ASSEMBLY, BASE AND RAILINGS	70
FIGURE 3-12. PLATFORM ASSEMBLY, ELECTRICAL	72
FIGURE 3-13. PLATFORM ASSEMBLY, MISCELLANEOUS.....	76
FIGURE 3-14. CONCRETE LADLE.....	78
FIGURE 3-15. CRANE HOOK.....	80
FIGURE 3-16. ADJUSTABLE BOOM TRUSS (AUSTRALIA).....	82
SECTION 4 - ENGINE AND ATTACHING PARTS	85
FIGURE 4-1. ENGINE ASSEMBLY	86
FIGURE 4-2. PERKINS ENGINE.....	90
FIGURE 4-3. FUEL TANK AND LINES	92
FIGURE 4-4. COOLING SYSTEM INSTALLATION	94
FIGURE 4-5. AIR FILTER INSTALLATION	96
FIGURE 4-6. MUFFLER INSTALLATION.....	98

TABLE OF CONTENTS

FIGURE 4-7. AC PUMP INSTALLATION	100
FIGURE 4-8. FOUR SPEED TRANSMISSION - CONVERTER HOUSING GROUP	102
FIGURE 4-9. FOUR SPEED TRANSMISSION - CASE AND PLATE GROUP	104
FIGURE 4-10. FOUR SPEED TRANSMISSION - TORQUE CONVERTER GROUP	106
FIGURE 4-11. FOUR SPEED TRANSMISSION - GEAR GROUP	108
FIGURE 4-12. FOUR SPEED TRANSMISSION - PUMP DRIVE GROUP	110
FIGURE 4-13. FOUR SPEED TRANSMISSION - CHARGING PUMP GROUP	112
FIGURE 4-14. FOUR SPEED TRANSMISSION - REVERSE IDLER GROUP	114
FIGURE 4-15. FOUR SPEED TRANSMISSION - FORWARD AND REVERSE SHAFT GROUP	116
FIGURE 4-16. FOUR SPEED TRANSMISSION - 3RD SHAFT GROUP	118
FIGURE 4-17. FOUR SPEED TRANSMISSION - FIRST AND SECOND SHAFT GROUP	120
FIGURE 4-18. FOUR SPEED TRANSMISSION - OUTPUT SHAFT GROUP	122
FIGURE 4-19. FOUR SPEED TRANSMISSION - ELECTRIC CONTROL GROUP (Prior to SN 1160000533, Except SN 1160000223 through 1160000531, Excluding 1160000516, 1160000517 and 1160000520)	124
FIGURE 4-20. FOUR SPEED TRANSMISSION - ELECTRIC CONTROL GROUP (SN 1160000533 to Present, SN 1160000223 through 1160000531, Including 1160000516, 1160000517 and 1160000520)	126
FIGURE 4-21. FOUR SPEED TRANSMISSION - DRIVE PLATE GROUP	128
FIGURE 4-22. FOUR SPEED TRANSMISSION - DROP BOX GROUP	130
SECTION 5 - DRIVE TRAIN	133
FIGURE 5-1. FRONT AXLE ASSEMBLY	134
FIGURE 5-2. FRONT AXLE - CENTRAL HOUSING AND STEERING	136
FIGURE 5-3. FRONT AXLE - DIFFERENTIAL	138
FIGURE 5-4. FRONT AXLE - HUB REDUCTION	140
FIGURE 5-5. FRONT AXLE - BRAKES	144
FIGURE 5-6. REAR AXLE ASSEMBLY	146
FIGURE 5-7. REAR AXLE - CENTRAL HOUSING AND STEERING	148
FIGURE 5-8. REAR AXLE - DIFFERENTIAL	150
FIGURE 5-9. REAR AXLE - HUB REDUCTION	152
FIGURE 5-10. REAR AXLE - BRAKES	156
FIGURE 5-11. TIRE AND WHEEL ASSEMBLY	158
SECTION 6 - CAB	161
FIGURE 6-1. CAB ASSEMBLY	162
FIGURE 6-2. CAB INTERIOR INSTALLATION	166
FIGURE 6-3. CAB DOOR ASSEMBLY	168
FIGURE 6-4. CAB WINDOWS	170
FIGURE 6-5. WIPER SYSTEM INSTALLATION	172
FIGURE 6-6. DRIVER SEAT ASSEMBLY INSTALLATION	174
FIGURE 6-7. DRIVER SEAT	176
FIGURE 6-8. AIR CIRCULATION INSTALLATION	178
FIGURE 6-9. AIR CONDITIONING UNIT INSTALLATION	180
SECTION 7 - CONTROLS	183
FIGURE 7-1. STEERING COLUMN AND ATTACHING PARTS	184
FIGURE 7-2. JOYSTICK SUPPORT ASSEMBLY	186
FIGURE 7-3. ACCELERATOR PEDAL ASSEMBLY	188

TABLE OF CONTENTS

SECTION 8 - HYDRAULIC CIRCUITS.....	191
FIGURE 8-1. HYDRAULIC SYSTEM.....	192
FIGURE 8-2. STEERING SUPPLY.....	194
FIGURE 8-3. SERVICE/PARK BRAKE	196
FIGURE 8-4. LIFT CYLINDER	198
FIGURE 8-5. LIFT CYLINDER	200
FIGURE 8-6. CROWD CYLINDER	202
FIGURE 8-7. TILT AND TILT COMPENSATING CYLINDER.....	204
FIGURE 8-8. AUXILIARY FUNCTION.....	206
FIGURE 8-9. BOOM HYDRAULICS ASSEMBLY.....	208
FIGURE 8-10. SWAY CYLINDER	210
FIGURE 8-11. STABILIZER CYLINDERS	212
FIGURE 8-12. HYDRAULIC KITS	214
FIGURE 8-13. BOOM HYDRAULICS WITH PLATFORM	218
FIGURE 8-14. BOOM HYDRAULICS INSTALLATION WITH PLATFORM	220
FIGURE 8-15. DRIVE PUMP TO MAIN VALVE WITH PLATFORM.....	222
SECTION 9 - HYDRAULIC COMPONENTS	225
FIGURE 9-1. LIFT CYLINDER (Prior to SN 1160001376).....	226
FIGURE 9-2. LIFT CYLINDER (SN 1160001376 to Present)	228
FIGURE 9-3. CROWD CYLINDER	230
FIGURE 9-4. TILT CYLINDER	232
FIGURE 9-5. COMPENSATION CYLINDER (Prior to SN 1160003270)	234
FIGURE 9-6. COMPENSATION CYLINDER (SN 1160003270 to Present)	236
FIGURE 9-7. SWAY CYLINDER (Prior to SN 1160003270).....	238
FIGURE 9-8. SWAY CYLINDER (SN 1160003270 to Present).....	240
FIGURE 9-9. STABILIZER CYLINDER (Prior to SN 1160002188).....	242
FIGURE 9-10. STABILIZER CYLINDER (SN 1160002188 to Present).....	244
FIGURE 9-11. STABILIZER CYLINDER (SN 1160002188 to Present)	246
FIGURE 9-12. FORK LOCKING CYLINDER (Prior to SN 1160003270)	248
FIGURE 9-13. FORK LOCKING CYLINDER (SN 1160003270 to Present)	250
FIGURE 9-14. MAIN CONTROL VALVE	252
FIGURE 9-15. ENGINE DRIVE PUMP	256
FIGURE 9-16. HYDRAULIC TANK ASSEMBLY.....	258
FIGURE 9-17. RETURN FILTER.....	260
FIGURE 9-18. AUXILIARY POWER PUMP	262
FIGURE 9-19. ERS CONTROL VALVE ASSEMBLY	264
SECTION 10 - ELECTRICAL	267
FIGURE 10-1. HEAD LIGHT/TAIL LIGHT ASSEMBLY	268
FIGURE 10-2. ELECTRICAL INSTALLATION, ENGINE.....	270
FIGURE 10-3. ELECTRICAL INSTALLATION, GEAR AND VALVE	272
FIGURE 10-4. ELECTRICAL INSTALLATION, CAB	274
FIGURE 10-5. ELECTRICAL INSTALLATION, ACCESSORIES.....	278
FIGURE 10-6. ELECTRICAL SYSTEM, REAR OF MACHINE	280
FIGURE 10-7. SENSOR ASSEMBLY.....	282

TABLE OF CONTENTS

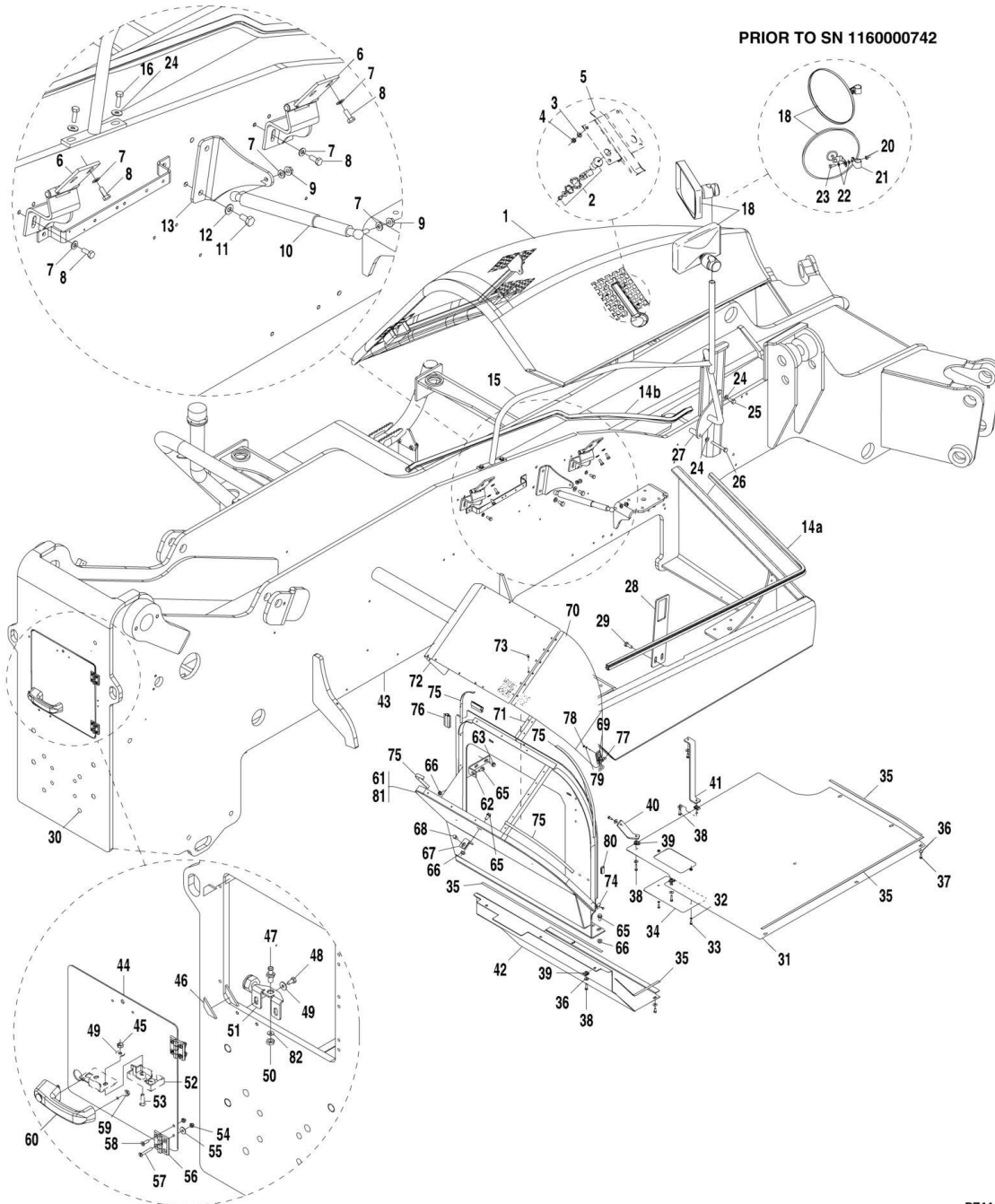
FIGURE 10-8. ELECTRICAL INSTALLATION, CAB WITH PLATFORM	284
FIGURE 10-9. ELECTRICAL INSTALLATION ON BOOM WITH PLATFORM	290
FIGURE 10-10. SENSOR ASSEMBLY WITH PLATFORM.....	292
FIGURE 10-11. ELECTRIC SYSTEM WITH PLATFORM.....	294
FIGURE 10-12. DISPLAY PANEL.....	298
FIGURE 10-13. LMIS INSTALLATION.....	300
FIGURE 10-14. LMIS AUDIBLE TOWER/BEACON INSTALLATION	304
FIGURE 10-15. LMIS HARNESS	306
FIGURE 10-16. STABILIZER HARNESS EQUIPPED W/LMIS.....	308
SECTION 11 - DECALS	311
FIGURE 11-1. FRAME AND BOOM DECALS	312
FIGURE 11-2. CAB DECALS.....	316
SECTION 12 - OPTIONS.....	319
FIGURE 12-1. DRIVERS SEAT INSTALLATION, AIR SUSPENSION.....	320
FIGURE 12-2. DRIVERS SEAT, AIR SUSPENSION.....	322
FIGURE 12-3. FRONT CAB GLASS SHIELD	324
FIGURE 12-4. TRAILER COUPLING KIT	326
FIGURE 12-5. SITE HITCH ASSEMBLY KIT	328
FIGURE 12-6. DRAW BAR COUPLING.....	330
FIGURE 12-7. BATTERY SWITCH.....	332
FIGURE 12-8. GROUND WIRE INSTALLATION.....	334
FIGURE 12-9. 7-PIN TRAILER SOCKET INSTALLATION (SN 1160002707 to Present).....	336
SECTION 13 - RECOMMENDED SPARE PARTS.....	339
FIGURE 13-1. RECOMMENDED SPARE PARTS.....	340
PART NUMBER INDEX.....	343

SECTION 1 - FRAME AND ATTACHING PARTS

SECTION 1 - FRAME AND ATTACHING PARTS

SECTION 1 - FRAME AND ATTACHING PARTS

FIGURE 1-1. FRAME SHROUDING AND ATTACHING PARTS, RIGHT SIDE



PZ4440

SECTION 1 - FRAME AND ATTACHING PARTS

FIGURE 1-1. FRAME SHROUDING AND ATTACHING PARTS, RIGHT SIDE

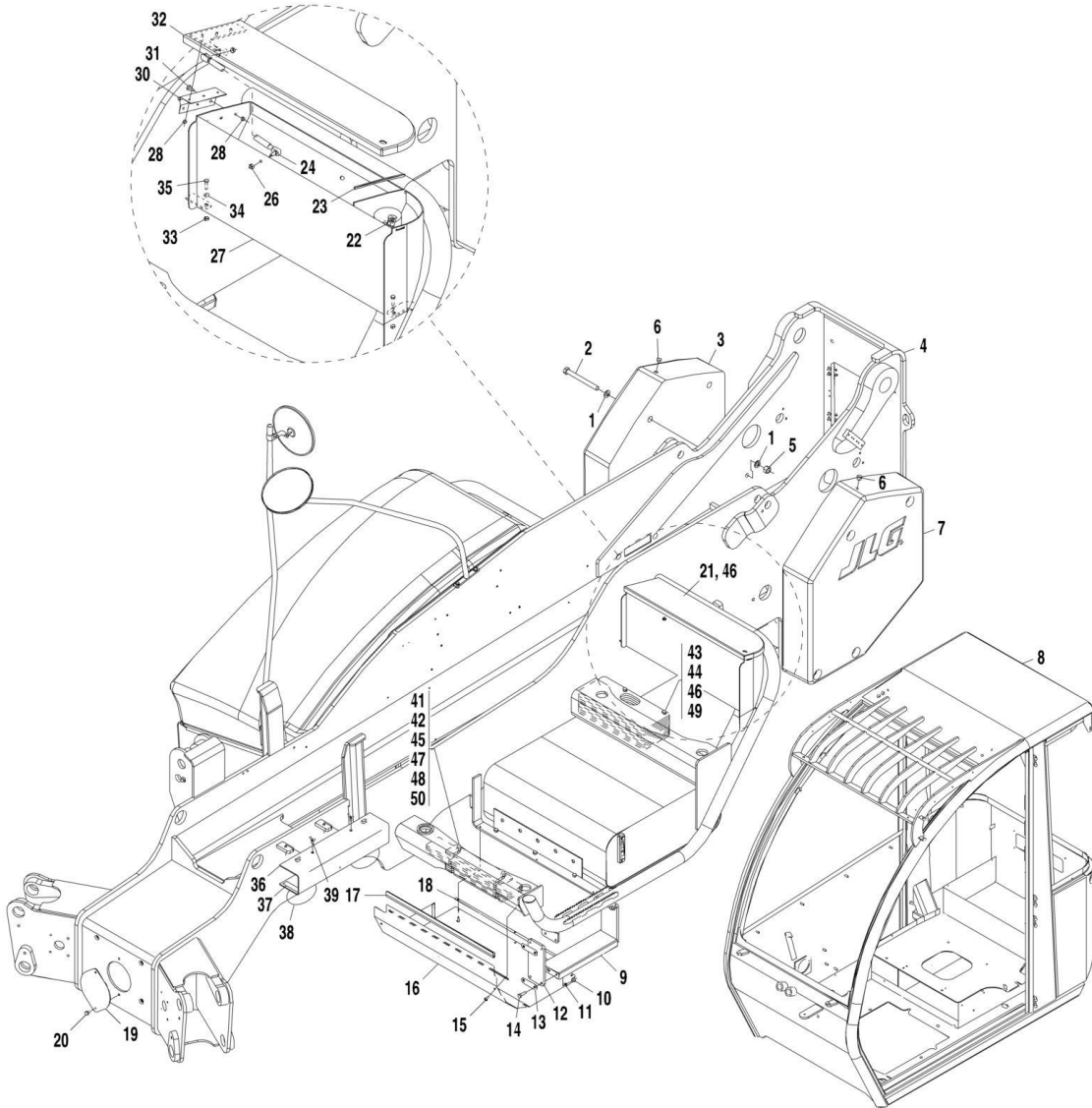
ITEM	PART NUMBER	QTY	DESCRIPTION	REV
1	0274487	1	ENGINE COVER, (includes items 2 thru 14)	G
2	8000801	1	LOCK	
2	70007289	1 st	KEY	
3	4811700	3	FLAT WASHER, 6X1MM	
4	3290607	3	HEX LOCKNUT, 6X1MM	
5	8000382	1	HOOD LOCK	
6	4806433	2	HOOD HINGE	
7	4811900	8	FLAT WASHER, 8MM	
8	0760810	8	HEX HD CAPSCREW, 8-1.25X20MM, GR 8.8	
9	5220800	2	RIPP NUT, 8MM-48	
10	8000420	1	GAS SPRING	
11	0761010	2	HEX HD CAPSCREW, 10-1.50X20MM, GR 8.8	
12	4812000	2	FLAT WASHER, 10MM	
13	0903224	1	BRACKET	
14	2014226	AR	TRIM, (a = 2.10m; b = 1.65m)	
15	4340994	1	MIRROR MOUNT	
16	0760812	2	HEX HD CAPSCREW, 8-1.25X25MM, GR 8.8	
18		Ref	10IN MIRROR, (no longer available, order 3140007) (Prior to SN 1160000742)	
18	3140007	2	RECTANGULAR MIRROR (SN 1160000742 to Present)	
20	3290807	2	HEX LOCKNUT, 8MM-1.25 (Prior to SN 1160000742)	
21	1321140	2	CLAMP (Prior to SN 1160000742)	
22	4811900	2	FLAT WASHER, 8MM (Prior to SN 1160000742)	
23	0760810	2	HEX HD CAPSCREW, 8-1.25X20MM, GR 8.8 (Prior to SN 1160000742)	
24	4812000	5	FLAT WASHER, 10MM	
25	0761012	2	HEX HD CAPSCREW, 10-1.50X25MM, GR 8.8	
26	0701024	1	HEX HD CAPSCREW, 10-1.50X80MM, GR 8.8	
27	8000704	1	STEEL PIPE	
28	8001626	1	PLATE	
29	5201012	2	RIPP BOLT, 10-48X25MM	
30	8008721	12	PLASTIC CAP	
31	3380538	1	PROTECTING PANEL ASSY, (includes items 32 thru 34)	
32	4811600	2	FLAT WASHER, 5MM	
33	0700507	2	HEX HD CAPSCREW, 5X8X14MM, GR 8.8	
34	3380534	1	OIL DRAIN PANEL	
35	1898686	AR	TRIM	
36	5211702	14	RIPP WASHER, M6	
37	0760608	8	HEX HD CAPSCREW, 6-1.00X16MM, GR 8.8	
38	0760612	6	HEX HD CAPSCREW, 6-1.00X25MM, GR 8.8	
39	2966421	6	NUT HOLDER	
40	8002423	1	HOLDER	
41	4805896	1	ANGLE	
42	8004879	1	RADIATOR GUARD PLATE	
43	2360693	1	FRAME	
44	8002263	1	REAR COVER ASSY, (includes items 45 thru 60 & 82)	H
45	3290801	2	HEX NUT, 8MMX1.25	
46	909304	0.12 m	TRIM	
47	8003293	1	PIN	
48	0760808	2	HEX HD CAPSCREW, 8-1.25X16MM, GR 8.8	

SECTION 1 - FRAME AND ATTACHING PARTS

ITEM	PART NUMBER	QTY	DESCRIPTION	REV
49	5211902	4	RIPP WASHER, 8MM	
50	3300497	1	RIPP NUT, 12X1MM	
51	8007430	1	HOLDER	
52	8004882	1	ROTARY LATCH LOCK	
53	1398385	2	SCREW, M6X40MM	
54	3290605	8	HEX LOCKNUT, 6MM	
55	5211702	4	RIPP WASHER, 6MM	
56	8006105	2	HINGE	
57	8006242	4	SCREW, M6X40MM	
58	0630576	4	FLAT HD CAPSCREW, M6X20MM	
59	5200605	2	RIPP BOLT, 6-36X10MM	
60	8006491	1	PUSH BUTTON HANDLE	
60		Ref	KEY, (same key used for ignition), (See ELECTRICAL SECTION for Breakdown)	
61	0274108	1	AIR DUCT INSTALLATION, (without A/C), (includes items 62 thru 81)	E
61	0274125	1	AIR DUCT INSTALLATION, (with A/C), (includes items 62 thru 81)	D
62	4806477	1	ANGLE	
63	5200810	2	RIPP BOLT, 8-48X20MM	
65	5201010	4	RIPP BOLT, 10-48X20MM	
66	5221000	4	RIPP NUT, 10MM	
67	8007467	1	HOLDER	
68	0761008	1	HEX HD CAPSCREW, 10-1.50X16MM, GR 8.8	
69	8003294	1	LOCK	
70	4803394	1	FLAP	
71	4806568	1	JOINT	
72	4802837	1	VENTILATOR	
73	3820019	22	POP RIVET	
74	8003295	1	LOCKING HOOK	
75	1898686	AR	TRIM	
76	3960927	AR	TRIM	
77	4010405	4	MACHINE SCREW	
78	3290405	4	HEX NUT, 4MM	
79	4811400	4	FLAT WASHER, 4MM	
80	935113	AR	TRIM	
81	8006452	1	RADIATOR MOUNTING SEAT, (without A/C)	
81	4806604	1	RADIATOR MOUNTING SEAT, (with A/C)	
82	4812100	1	FLAT WASHER, 12MM	

SECTION 1 - FRAME AND ATTACHING PARTS

FIGURE 1-2. FRAME SHROUDING AND ATTACHING PARTS, LEFT SIDE



SECTION 1 - FRAME AND ATTACHING PARTS

FIGURE 1-2. FRAME SHROUDING AND ATTACHING PARTS, LEFT SIDE

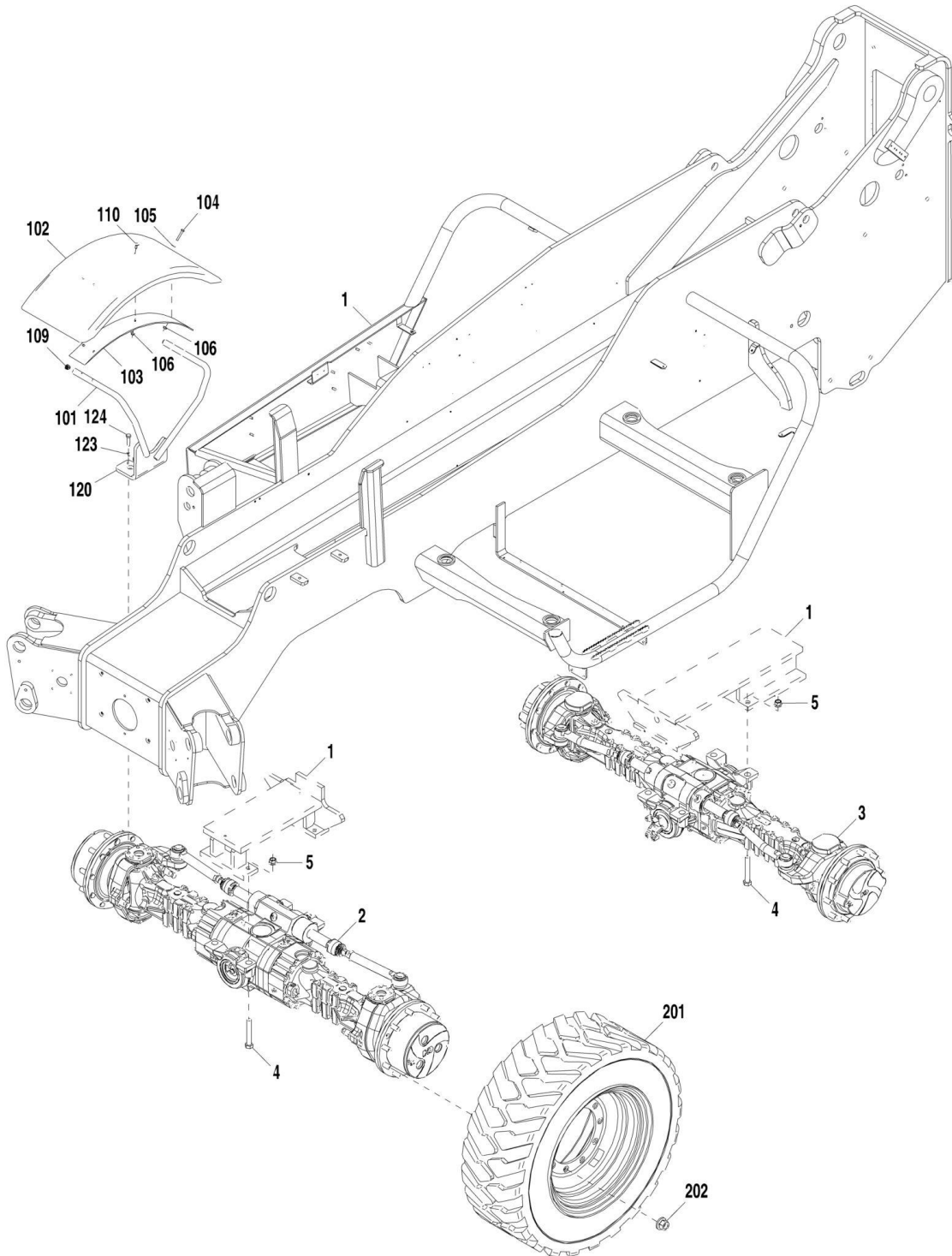
ITEM	PART NUMBER	QTY	DESCRIPTION	REV
1	4812500	16	FLAT WASHER, 20MM	
2	0702037	8	HEX HD CAPSCREW, 20-2.5X200MM, GR 8.8	
3	8008962	1	COUNTERWEIGHT, (right) (Prior to SN 1160002169)	
3	8005316	1	COUNTERWEIGHT, (right) (SN 1160002169 to Present)	
4		Ref	FRAME, (See FRAME SHROUDING AND ATTACHING PARTS, RIGHT SIDE for Breakdown)	
5	3292007	8	HEX LOCKNUT, M20	
6	8009883	2	PROTECTING CAP	
7	8008961	1	COUNTERWEIGHT, (left) (Prior to SN 1160002169)	
7	8005315	1	COUNTERWEIGHT, (left) (SN 1160002169 to Present)	
8		Ref	CAB, (See CAB SECTION for Breakdown)	
9	80383311	1	STAIR TREAD	
10	3291007	8	HEX LOCKNUT, M10X1.5	
11	4812000	4	FLAT WASHER, 10MM	
12	4240168	2	STEP STRAP	
13	3575424	4	STRAP COVER PLATE	
14	0701015	8	HEX HD CAPSCREW, 1.25-7X4, GR 8.8	
15	5200608	6	RIPP BOLT, 6-36X16MM	
16	3380567	1	CAB BOTTOM SHIELD	
17	3960927	0.722 m	TRIM	
18	1898686	1.6 m	TRIM	
19	3575579	1	COVER PLATE	
20	0761008	2	HEX HD CAPSCREW, 10-1.5X16MM, GR 8.8	
21	8001935	1	TOOL BOX ASSY, (includes items 22 thru 32)	G
22	8008701	1	LOCK	
22	8008049	1	KEY	
23	914210	AR	RUBBER SEAL	
24	1001097296	1	GAS SPRING	
26	5220800	2	RIPP NUT, 8MM	
27	8002319	1	TOOL BOX	
28	5220600	6	RIPP NUT, M6	
30	8002332	1	HINGE	
31	5200608	3	RIPP BOLT, 6-36X16MM	
32	3380559	1	TOOL BOX COVER	
33	5220800	3	RIPP NUT, 8MM	
34	5211900	3	RIPP WASHER, 8MM	
35	760810	3	HEX HD CAPSCREW, 8-1.25X25MM	
36	8004888	1	LIFTING SUPPORT SYSTEM, (includes items 37 thru 39)	
37	909304	AR	TRIM	
38	1784861	2	GASKET	
39	443630	2	WING SCREW	
40	0240064	1	WRENCH, (not shown), (stored in tool box)	
41	4821460	6	WEIGHT, 12X75X385MM	
42	4821461	3	WEIGHT, 12X90X565MM	
43	4821462	10	WEIGHT, 12X180X450MM	
44	3291005	2	HEX LOCKNUT, 10MM-1.50	
45	3291207	2	HEX LOCKNUT, 12MM-1.75	
46	5212000	4	RIPP WASHER, 10MM	
47	4812100	2	FLAT WASHER, 12MM	
48	4740550	2	FENDER WASHER, 12MM	

SECTION 1 - FRAME AND ATTACHING PARTS

ITEM	PART NUMBER	QTY	DESCRIPTION	REV
49	0701032	2	HEX HD CAPSCREW, 10X150MM, GR 8.8	
50	0701232	2	HEX HD CAPSCREW, 12X150MM, GR 8.8	

SECTION 1 - FRAME AND ATTACHING PARTS

FIGURE 1-3. AXLE AND FENDER INSTALLATION



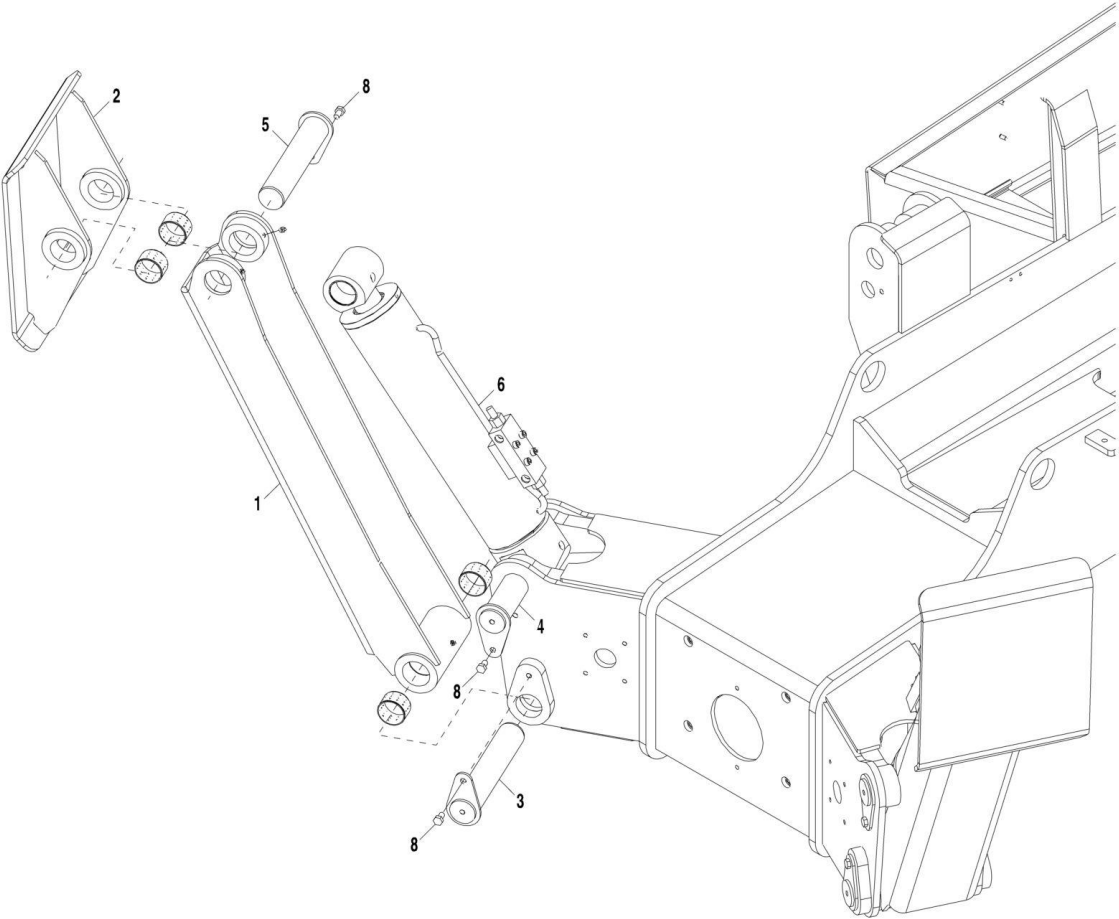
SECTION 1 - FRAME AND ATTACHING PARTS

FIGURE 1-3. AXLE AND FENDER INSTALLATION

ITEM	PART NUMBER	QTY	DESCRIPTION	REV
1	0273827	Ref	FRAME INSTALLATION, (includes items 1 thru 17)	G
		Ref	FRAME, (See FRAME SHROUDING AND ATTACHING PARTS, RIGHT SIDE for Breakdown)	
2		Ref	FRONT AXLE, (See DRIVE TRAIN SECTION for Breakdown)	
3		Ref	REAR AXLE, (See DRIVE TRAIN SECTION for Breakdown)	
4	0630574	8	HEX HD CAPSCREW, 20-1.5X130MM	
5	3300478	8	WHEEL NUT, M20X1.5	
	8007736	1	FENDER INSTALLATION, (includes items 101 thru 124)	F
101	8010525	2	FENDER SUPPORT, (left)	
101	8010526	2	FENDER SUPPORT, (right)	
102	8010519	4	FENDER	
103	8010524	4	SUPPORT PLATE	
104	0700818	16	HEX HD CAPSCREW, .875-9X8.00	
105	4811900	16	FLAT WASHER, 8MM	
106	5220800	20	RIPP NUT, 8MM	
109	8006580	8	HOLDER	
110	0328027	4	MUSHROOM HD BOLT	
120	4804522	2	FENDER ASSY, RIGHT, (includes items 101 thru 110)	
121	4804511	2	FENDER ASSY, LEFT, (includes items 101 thru 110)	
123	4740532	16	FLAT WASHER	
124	0630571	16	HEX HD CAPSCREW	
201		Ref	TIRE AND WHEEL ASSY, (See DRIVE TRAIN SECTION for Breakdown)	
202	2478782	40	FLANGED BALL NUT	

SECTION 1 - FRAME AND ATTACHING PARTS

FIGURE 1-4. OUTRIGGER MOUNTING



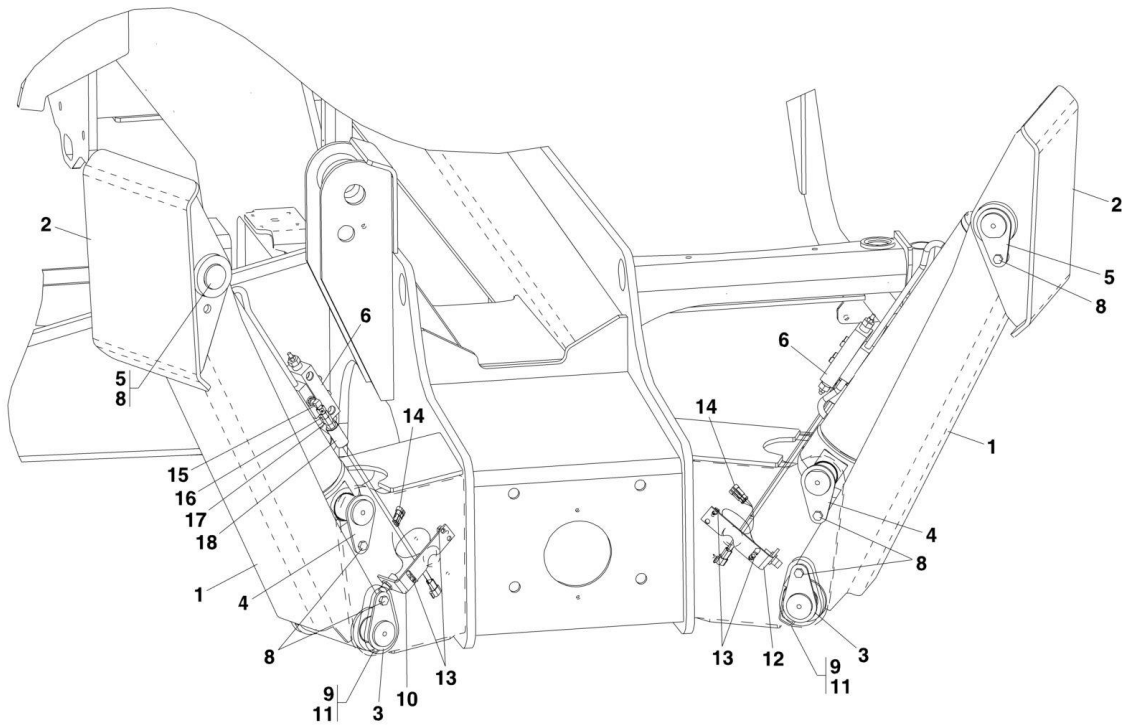
SECTION 1 - FRAME AND ATTACHING PARTS

FIGURE 1-4. OUTRIGGER MOUNTING

ITEM	PART NUMBER	QTY	DESCRIPTION	REV
	0273828	1	STABILIZER INSTALLATION, (includes items 1 thru 8)	C
1	4210014	2	STABILIZER MOUNT ASSY	
1	0440309	4	BEARING	
1	2160016	3	GREASE FITTING	
2	4210010	2	STABILIZER PAD	
3	3423125	2	STABILIZER PIN	
4	3423127	2	STABILIZER CYLINDER PIN	
5	3423129	2	STABILIZER CYLINDER PIN	
6		Ref	STABILIZER CYLINDER, (See HYDRAULIC COMPONENTS SECTION for Breakdown)	
8	0761210	6	HEX HD CAPSCREW, 12-1.75X20MM	

SECTION 1 - FRAME AND ATTACHING PARTS

FIGURE 1-5. OUTRIGGER MOUNTING WITH PLATFORM



PZ2250

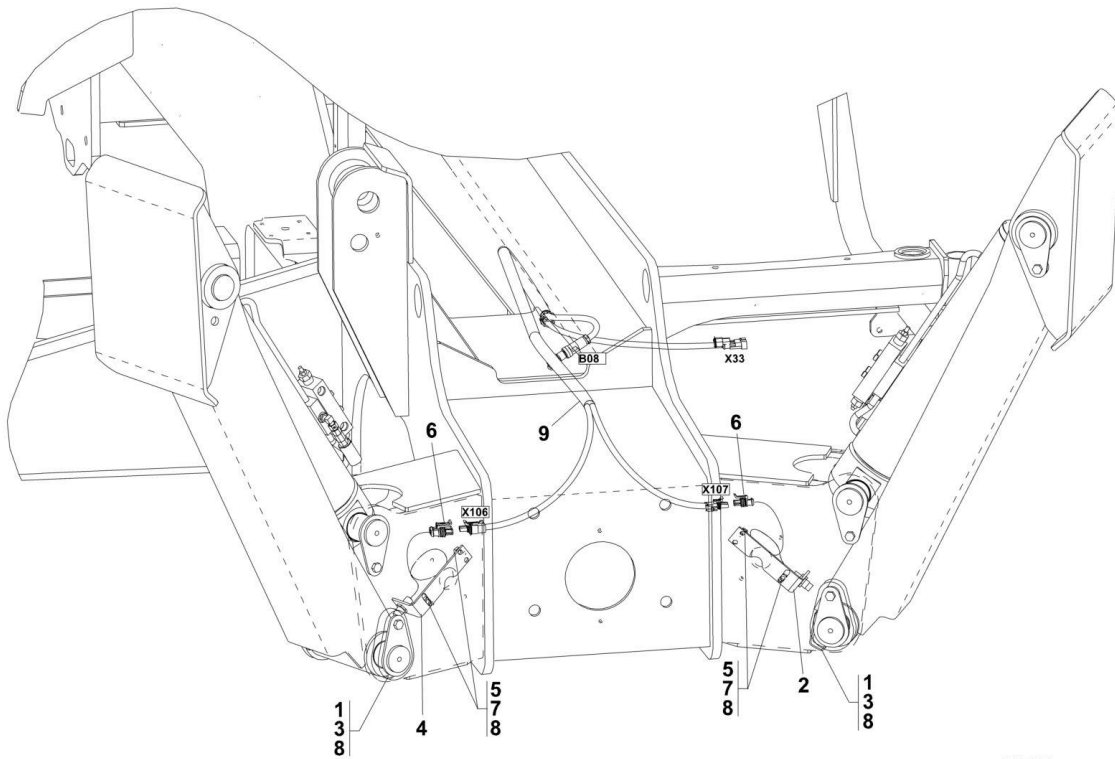
SECTION 1 - FRAME AND ATTACHING PARTS

FIGURE 1-5. OUTRIGGER MOUNTING WITH PLATFORM

ITEM	PART NUMBER	QTY	DESCRIPTION	REV
	0274919	1	STABILIZER INSTALLATION, (PLATFORM)	E
1	4210014	2	STABILIZER MOUNT AS	
2	4210010	2	STABILIZER PAD	
3	3423125	2	STABILIZER PIN	
4		Ref	STABILIZER CYLINDER PIN, (See HYDRAULIC COMPONENTS SECTION for Breakdown)	
5		Ref	STABILIZER PAD PIN, (See HYDRAULIC COMPONENTS SECTION for Breakdown)	
6		Ref	STABILIZER CYLINDER, (See HYDRAULIC COMPONENTS SECTION for Breakdown)	
8	0761210	6	HEX HD CAPSCREW, M12X20	
9	0760608	4	HEX HD CAPSCREW, M6X16	
10	0903341	1	SUPPORT BRACKET, LH	
11	0903342	2	STRIKER BRACKET	
12	0903368	1	SUPPORT BRACKET, RH	
13	3291001	4	HEX NUT, M10X1.5	
14	4000017	2	PROXIMITY SENSOR	
15	2141102	2	FITTING, ELBOW	
16	2143602	2	FITTING	
17	1001092224	2	FITTING	
18	4360661	2	PRESSURE SWITCH	

SECTION 1 - FRAME AND ATTACHING PARTS

FIGURE 1-6. OUTRIGGER MOUNTING EQUIPPED W/LMIS



PAP181

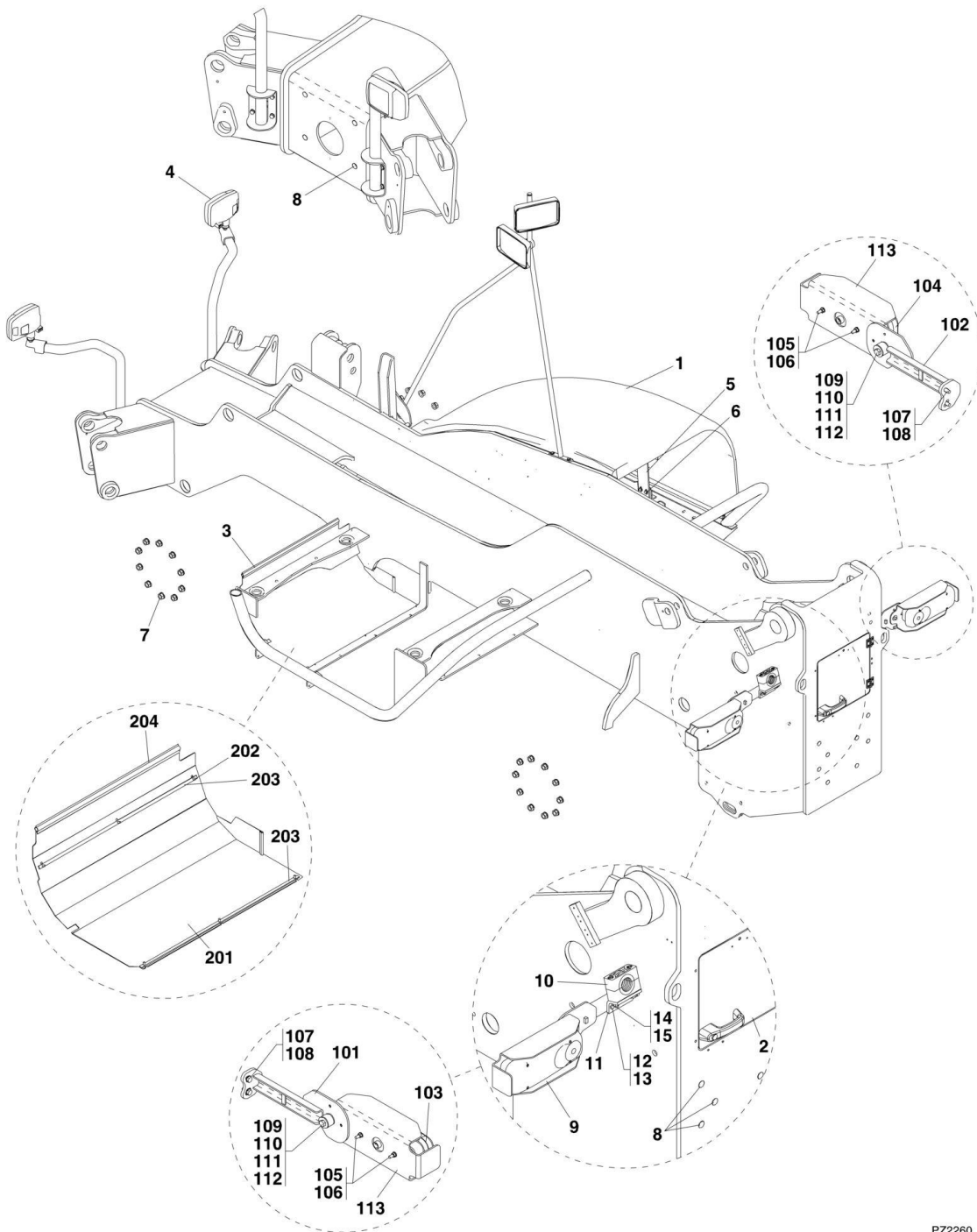
SECTION 1 - FRAME AND ATTACHING PARTS

FIGURE 1-6. OUTRIGGER MOUNTING EQUIPPED W/LMIS

ITEM	PART NUMBER	QTY	DESCRIPTION	REV
	1001106403	1	STABILIZER INSTALLATION EQUIPPED WITH LMIS, (includes items 1 thru 9)	A
1	0760606	4	HEX HD CAPSCREW, 6X12MM	
2	0903341	1	SUPPORT BRACKET, LH	
3	0903342	2	STRIKER BRACKET	
4	0903368	1	SUPPORT BRACKET, RH	
5	3291001	4	HEX NUT, M10X1.5	
6	4000017	2	PROXIMITY SENSOR	
7	4812000	4	WASHER, 10MM	
8	1001095650	AR	LOCTITE, #243	
9		Ref	HARNESS, STABILIZER, (See ELECTRICAL SECTION for Breakdown)	

SECTION 1 - FRAME AND ATTACHING PARTS

FIGURE 1-7. HOOD INSTALLATION WITH PLATFORM



PZ2260

SECTION 1 - FRAME AND ATTACHING PARTS

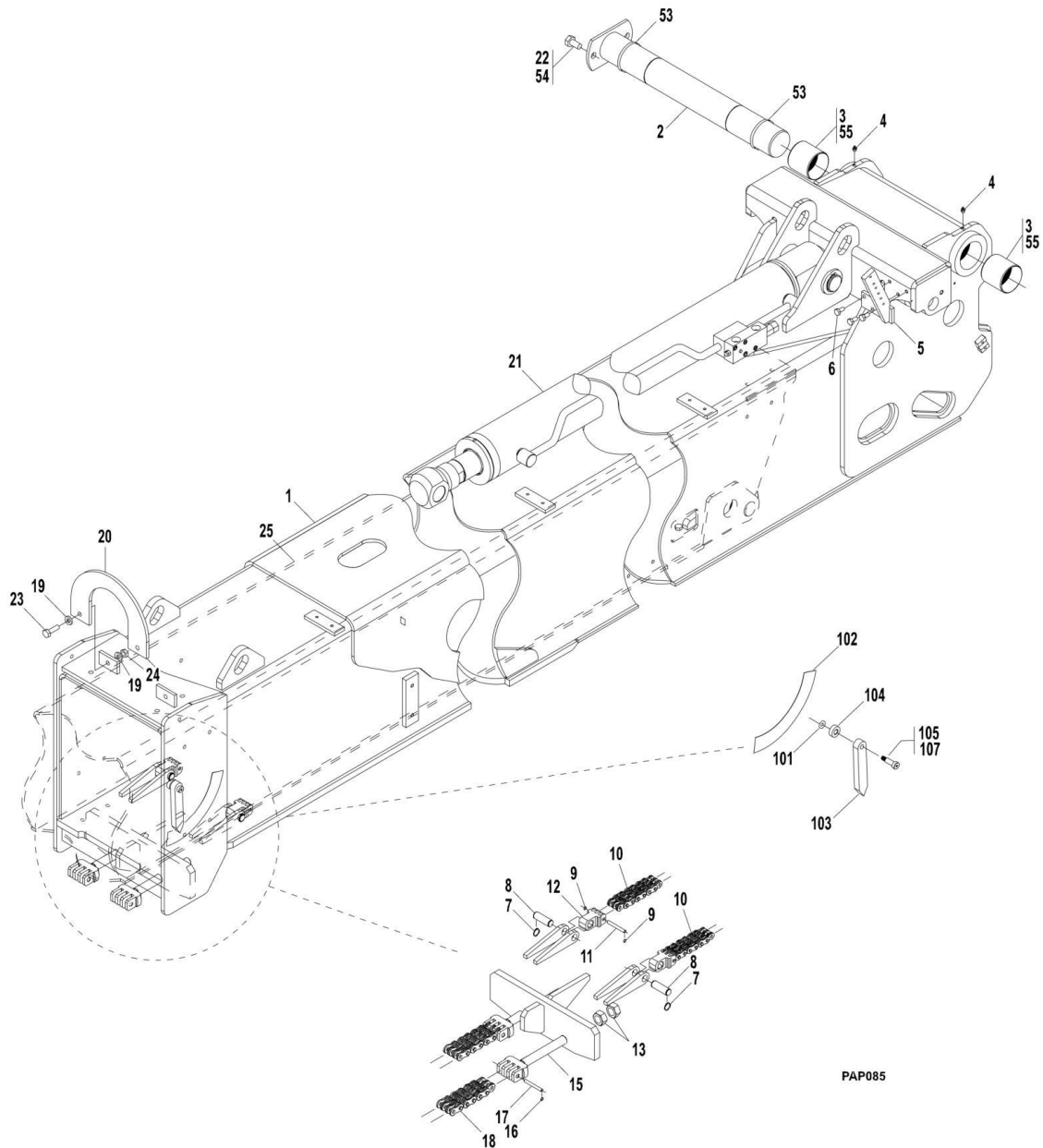
FIGURE 1-7. HOOD INSTALLATION WITH PLATFORM

ITEM	PART NUMBER	QTY	DESCRIPTION	REV
1	0275102	1	HOOD INSTALLATION, PLATFORM, (includes items 1 thru 15)	A
		Ref	HOOD AS, (See FRAME SHROUDING AND ATTACHING PARTS, RIGHT SIDE for Breakdown)	
2		Ref	REAR COVER AS, (See FRAME SHROUDING AND ATTACHING PARTS, RIGHT SIDE for Breakdown)	
3	8000782	1	CAB BOTTOM SHIELD AS, (includes items 201 thru 204)	D, 5
4		Ref	HEADLIGHT INSTALLATION, (See ELECTRICAL SECTION for Breakdown)	
5	8001626	1	PLATE	
6	5201012	2	RIPP BOLT, 10X25MM	
7		Ref	FLANGED BALL NUT, (See AXLE AND FENDER INSTALLATION for Breakdown)	
8		Ref	PLASTIC CAP, (See FRAME SHROUDING AND ATTACHING PARTS, RIGHT SIDE for Breakdown)	
9	0275101	1	REAR LAMP BRACKET AS, (includes items 101 thru 113)	B
10	1321620	1	CLAMP	
11	0903380	1	CLAMP SUPPORT BRACKET	
12	0760812	2	HEX HD CAPSCREW, 8X25	
13	5220800	2	RIPP NUT, 8MM	
14	5221200	2	RIPP NUT, 12MM	
15	4032123	2	SOCKET HD CAPSCREW, M12X100	
101	0903440	1	REAR LAMP BRACKET, LH	
102	0903502	1	REAR LAMP BRACKET, RH	
103	8001991	1	TAILLIGHT, LH	
104	8001989	1	TAILLIGHT, RH	
105	4811900	4	WASHER	
106	3290807	4	HEX LOCK NUT, M8X1.25	
107	5212000	4	RIPP WASHER, 10MM	
108	0761012	4	HEX HD CAPSCREW	
109	1356294	4	WASHER, 13MM	
110	0701219	2	HEX HD CAPSCREW	
111	3291207	2	HEX LOCK NUT, M12X1.75	
112	8009517	2	BUFFER	
113	8009226	2	PLATE	
201	3380567	1	SHIELD	
202	5200608	6	RIPP BOLT, M6X16	
203	1898686	1.6 m	STRAP	
204	3960927	0.72 m	RUBBER SEAL	

SECTION 2 - BOOM

SECTION 2 - BOOM

FIGURE 2-1. FIRST BOOM SECTION



PAP085

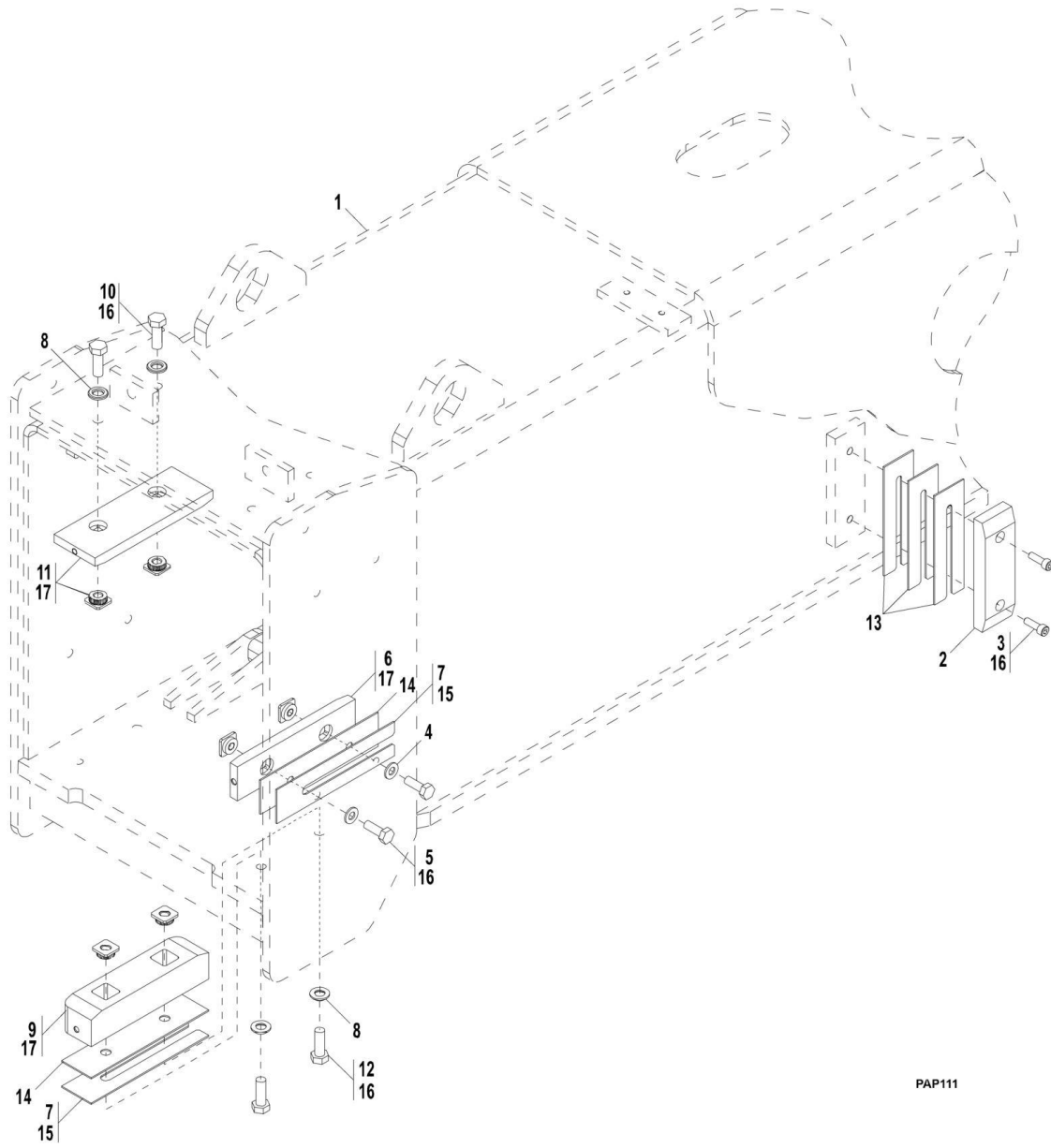
SECTION 2 - BOOM

FIGURE 2-1. FIRST BOOM SECTION

ITEM	PART NUMBER	QTY	DESCRIPTION	REV
1	0801453	1	FIRST BOOM SECTION	I
1	0801559	1	FIRST BOOM SECTION, PLATFORM	
2		Ref	BOOM PIVOT PIN, (See HYDRAULIC CIRCUITS SECTION, item 42 for Breakdown)	
3	8008047	2	BUSHING	
4	2160016	2	GREASE FITTING	
5	8005792	1	TUBE ASSEMBLIES HOLDER	
5	0903438	1	TUBE ASSEMBLIES HOLDER, PLATFORM	
6	0761010	3	HEX HD CAPSCREW, 10-1.50X20MM	
7	3760488	4	RETAINING RING	
8	3423110	2	ANCHOR PIN	
9	3760489	4	RETAINING RING	
10		Ref	RETRACT CHAIN, BL666, (See THIRD BOOM SECTION, item 13 for Brakdown)	
11	3423116	2	CHAIN PIN	
12	1360276	2	CLEVIS, BL666	
13	3292401	4	HEX NUT, M24X3	
15	1360279	2	CLEVIS, BL1066	
16	3760490	4	RETAINING RING	
17	3423119	2	CHAIN PIN	
18		Ref	EXTEND CHAIN, BL1066, (See THIRD BOOM SECTION, item 20 for Breakdown)	
19	4740532	4	WASHER, M12	
20	4220216	1	EXTEND CYLINDER STOP	
21		Ref	CROWD CYLINDER, (See HYDRAULIC COMPONENTS SECTION for Breakdown)	
22		Ref	RIPP BOLT, (metric), 16X25MM, (See HYDRAULIC CIRCUITS SECTION, item 27 for Breakdown)	
23	0761218	2	HEX HD CAPSCREW, M12X50, (torque to 90 Nm)	
24	3291207	2	HEX LOCK NUT, M12X1.75	
25		Ref	SECOND BOOM SECTION ASSY, (See SECOND BOOM SECTION for Breakdown)	
53		Ref	SHIM, (See HYDRAULIC CIRCUITS SECTION, item 53 for Breakdown)	
54	0100011	AR	LOCTITE, #242, (apply to item 22)	
55	1001099193	AR	LUBE, ALL PURPOSE, (apply to item 3)	
	1001094258	Ref	BOOM ANGLE INDICATOR INSTALLATION, (Australian machines only)	B
101	4811900	1	WASHER, 8MM	
102		Ref	DECAL - BOOM ANGLE INDICATOR, (See DECALS SECTION for Breakdown)	
103	1001094172	1	PENDULUM	
104	1001094181	1	SPACER	
105	1001094186	1	BOLT, M10 X 25MM	
107	0100011	AR	LOCTITE, #242, (apply to item 105)	

SECTION 2 - BOOM

FIGURE 2-2. BEARINGS, PADS, SPACERS AND SHIMS, (FIRST BOOM SECTION)



PAP111

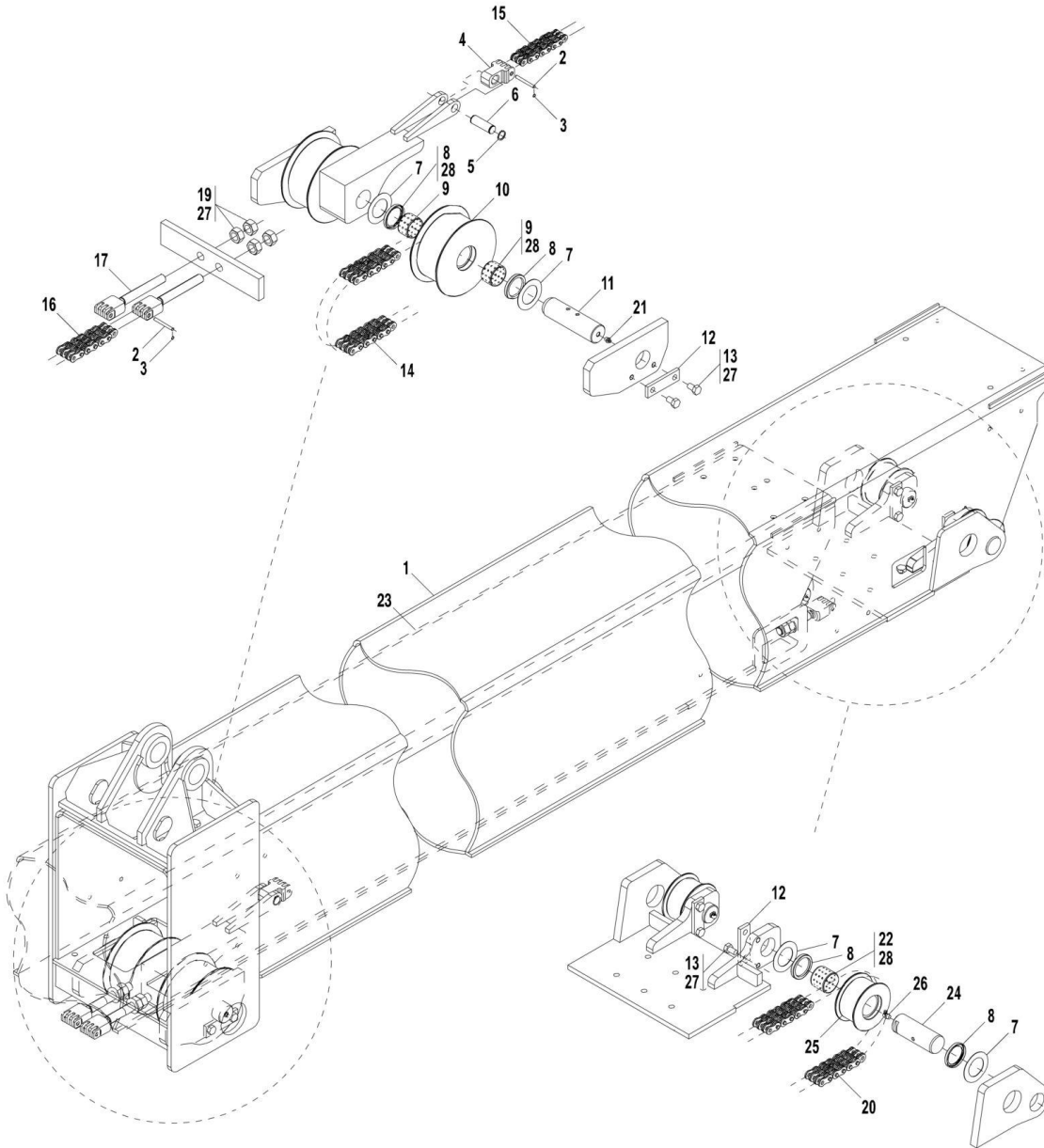
SECTION 2 - BOOM

FIGURE 2-2. BEARINGS, PADS, SPACERS AND SHIMS, (FIRST BOOM SECTION)

ITEM	PART NUMBER	QTY	DESCRIPTION	REV
1		Ref	FIRST BOOM SECTION, (See FIRST BOOM SECTION for Breakdown)	H
2	8010148	2	SLIDE	
3	4031908	4	SOCKET HD CAPSCREW, M8X20, (as required)	
3	4031909	4	SOCKET HD CAPSCREW, M8X25, (as required)	
4	4812000	8	FLAT WASHER, 10MM	
5	0761014	8	HEX HD CAPSCREW, 10-1.50X30mm, (as required), (torque to 90 Nm)	
5	0761015	8	HEX HD CAPSCREW, 10-1.50X35mm, (as required), (torque to 90 Nm)	
6	8002200	4	PAD	
7	8008070	8	SHIM	
8	4740532	8	FLAT WASHER, M-12	
9	8002201	2	PAD, SLIDING SEGMENT	
10	0761214	4	HEX HD CAPSCREW, 12-1.75X30MM, (torque to 90 Nm)	
11	4700021	2	PAD	
12	4032110	4	SOCKET HD CAPSCREW, M12X30, (as required), (torque to 90 Nm)	
12	4032111	4	SOCKET HD CAPSCREW, M12X35, (as required), (torque to 90 Nm)	
12	4032112	4	SOCKET HD CAPSCREW, M12X40, (as required), (torque to 90 Nm)	
13	8009987	6	SHIM	
14	8002904	6	SHIM	
15	4071110	8	SHIM	
16	0100011	AR	LOCTITE, #242, (apply to items 3, 5, 10 & 12)	
17	1001099193	AR	LUBE, ALL PURPOSE, (apply to items 6, 9 & 11)	

SECTION 2 - BOOM

FIGURE 2-3. SECOND BOOM SECTION



PAP112

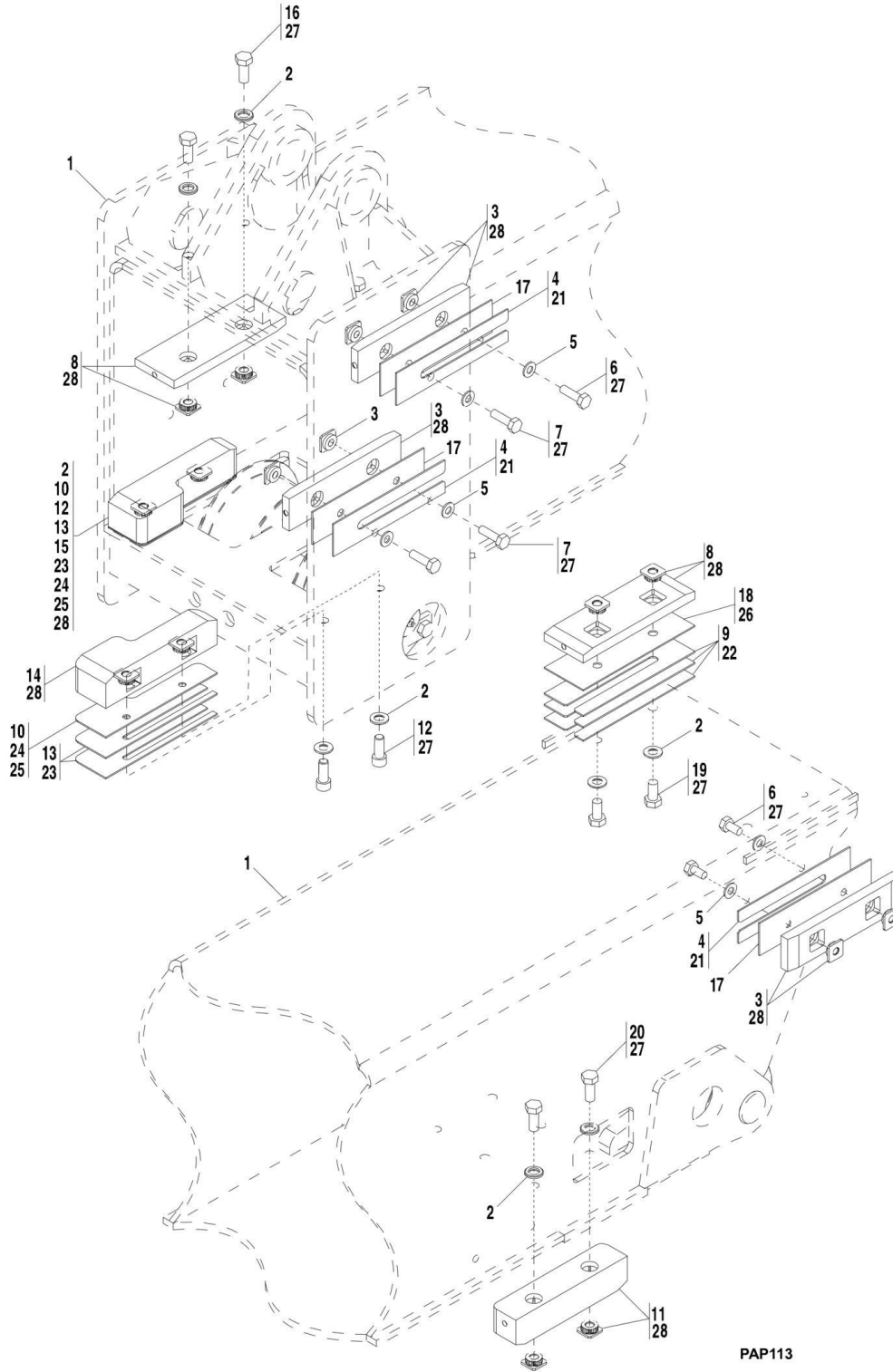
SECTION 2 - BOOM

FIGURE 2-3. SECOND BOOM SECTION

ITEM	PART NUMBER	QTY	DESCRIPTION	REV
1	0801445	1	SECOND BOOM SECTION	Q
2	3423116	3	PIN	
3	3760489	6	RETAINING RING	
4	1360276	1	CLEVIS, BL666	
5	3760488	2	RETAINING RING	
6	3423110	1	CHAIN PIN	
7	4740535	8	SPECIAL WASHER	
8	3960585	8	WIPER SEAL	
9	0440298	4	BEARING	
10	3580330	2	SHEAVE	
11	3423118	2	EXTENSION SHEAVE PIN	
12	4220215	4	PIN STOP PLATE	
13	0761210	8	HEX HD CAPSCREW, M12-1.75X20MM	
14		Ref	EXTENSION CHAIN, BL1066, (See THIRD BOOM SECTION, item 20 for Breakdown)	
15		Ref	RETRACT CHAIN, BL666, (See FOURTH BOOM SECTION, item 5 for Breakdown)	
16		Ref	EXTENSION CHAIN, BL666, (See FOURTH BOOM SECTION, item 12 for Breakdown)	
17	1360282	2	CLEVIS, BL666	
19	3292001	4	HEX NUT, M20X2.5, (torque to 135 Nm)	
20		Ref	RETRACT CHAIN, BL666, (See THIRD BOOM SECTION, item 13 for Breakdown)	
21	2160016	2	GREASE FITTING, STRAIGHT	
22	0440296	2	BEARING	
23		Ref	THIRD BOOM SECTION, (See THIRD BOOM SECTION for Breakdown)	
24	3423117	2	RETRACT SHEAVE PIN	
25	3580336	2	SHEAVE	
26	2160018	2	GREASE FITTING, 90	
27	0100011	AR	LOCTITE, #242, (apply to item 13)	
28	1001099193	AR	LUBE, ALL PURPOSE, (apply to items 9 & 22)	

SECTION 2 - BOOM

FIGURE 2-4. BEARINGS, PADS, SPACERS AND SHIMS, (SECOND BOOM SECTION)



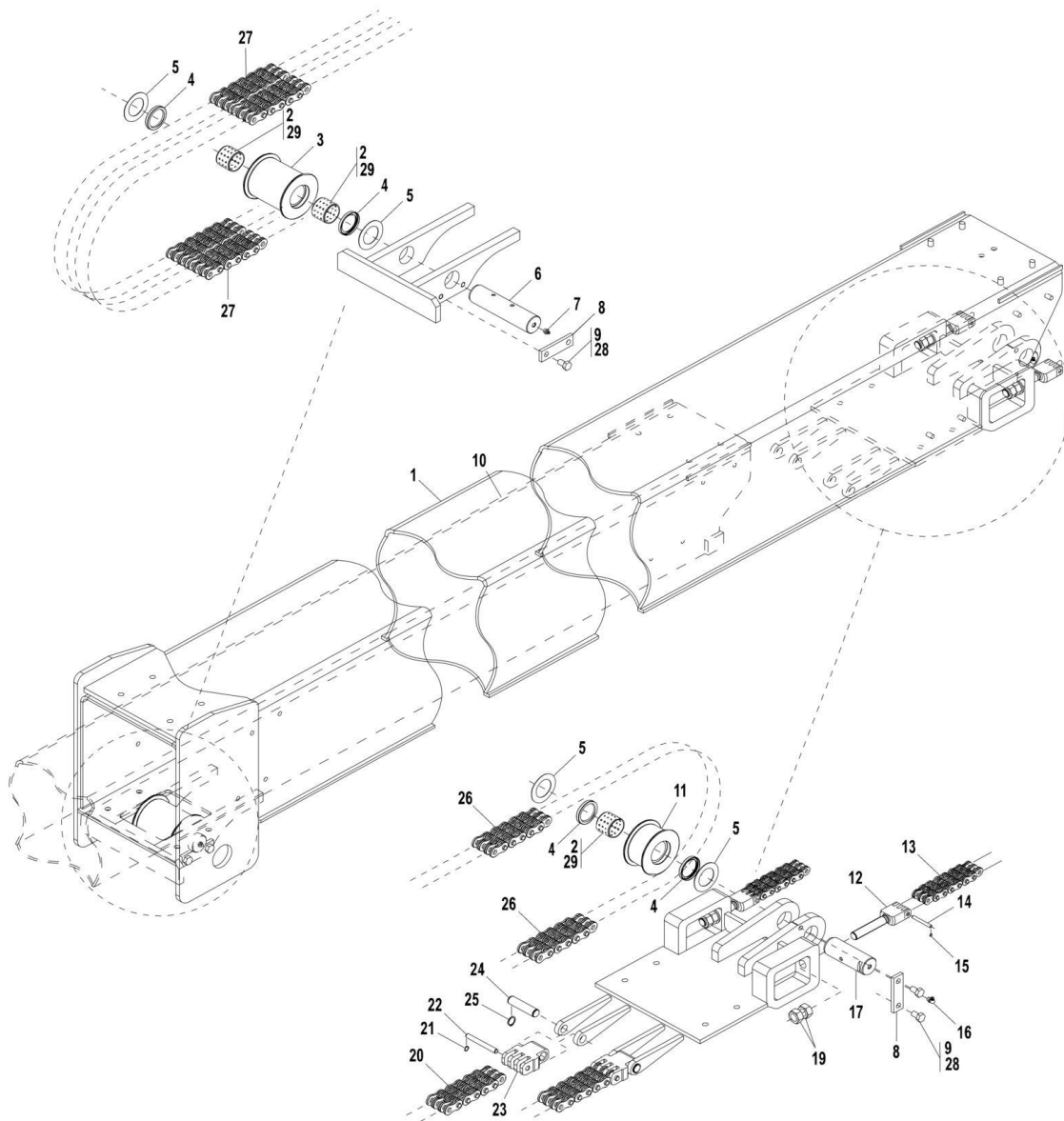
SECTION 2 - BOOM

FIGURE 2-4. BEARINGS, PADS, SPACERS AND SHIMS, (SECOND BOOM SECTION)

ITEM	PART NUMBER	QTY	DESCRIPTION	REV
1		Ref	SECOND BOOM SECTION, (See SECOND BOOM SECTION for Breakdown)	I
2	4740532	16	FLAT WASHER, M12	
3	8002200	8	PAD	
4	8008070	8	SHIM	
5	4812000	16	FLAT WASHER, 10M	
6	0761010	10	HEX HD CAPSCREW, 10-1.50X20mm, (as required), (torque to 50 Nm)	
6	0761012	10	HEX HD CAPSCREW, 10-1.50X25mm, (as required), (torque to 50 Nm)	
7	0761014	6	HEX HD CAPSCREW, 10-1.50X30mm, (as required), (torque to 50 Nm)	
7	0761015	6	HEX HD CAPSCREW, 10-1.50X35mm, (as required), (torque to 50 Nm)	
8	4700021	4	PAD	
9	4071085	2	SHIM, 2X70X200, (As Required)	
9	4071098	4	SHIM, 3X70X200, (As Required)	
10	4071099	2	SHIM	
11	4700032	2	PAD	
12	4032110	4	SOCKET HD CAPSCREW, M12X30, (as required), (torque to 90 Nm)	
12	4032111	4	SOCKET HD CAPSCREW, M12X35, (as required), (torque to 90 Nm)	
13	4071093	6	SHIM	
14	4700030	1	PAD	
15	4700031	1	PAD	
16	0761212	8	HEX HD CAPSCREW, 12-1.75X25mm, (as required), (torque to 90 Nm)	
16	0761214	8	HEX HD CAPSCREW, 12-1.75X30mm, (as required), (torque to 90 Nm)	
17	8002904	8	SHIM	
18	8003242	2	SHIM	
19	0761210	4	HEX HD CAPSCREW, 12-1.75X20mm, (as required), (torque to 90 Nm)	
19	0761212	4	HEX HD CAPSCREW, 12-1.75X25mm, (as required), (torque to 90 Nm)	
19	0761214	4	HEX HD CAPSCREW, 12-1.75X30mm, (as required), (torque to 90 Nm)	
20	0761214	4	HEX HD CAPSCREW, 12-1.75X30MM, (torque to 90 Nm)	
21	4071110	8	SHIM	
22	4071104	2	SHIM	
23	4071107	2	SHIM	
24	4071108	2	SHIM	
25	4071109	2	SHIM	
26	8002637	2	SHIM	
27	0100011	AR	LOCTITE, #242, (apply to items 6, 7, 12, 16, 19 & 20)	
28	1001099193	AR	LUBE, ALL PURPOSE, (apply to items 3, 8, 11, 14 & 15)	

SECTION 2 - BOOM

FIGURE 2-5. THIRD BOOM SECTION



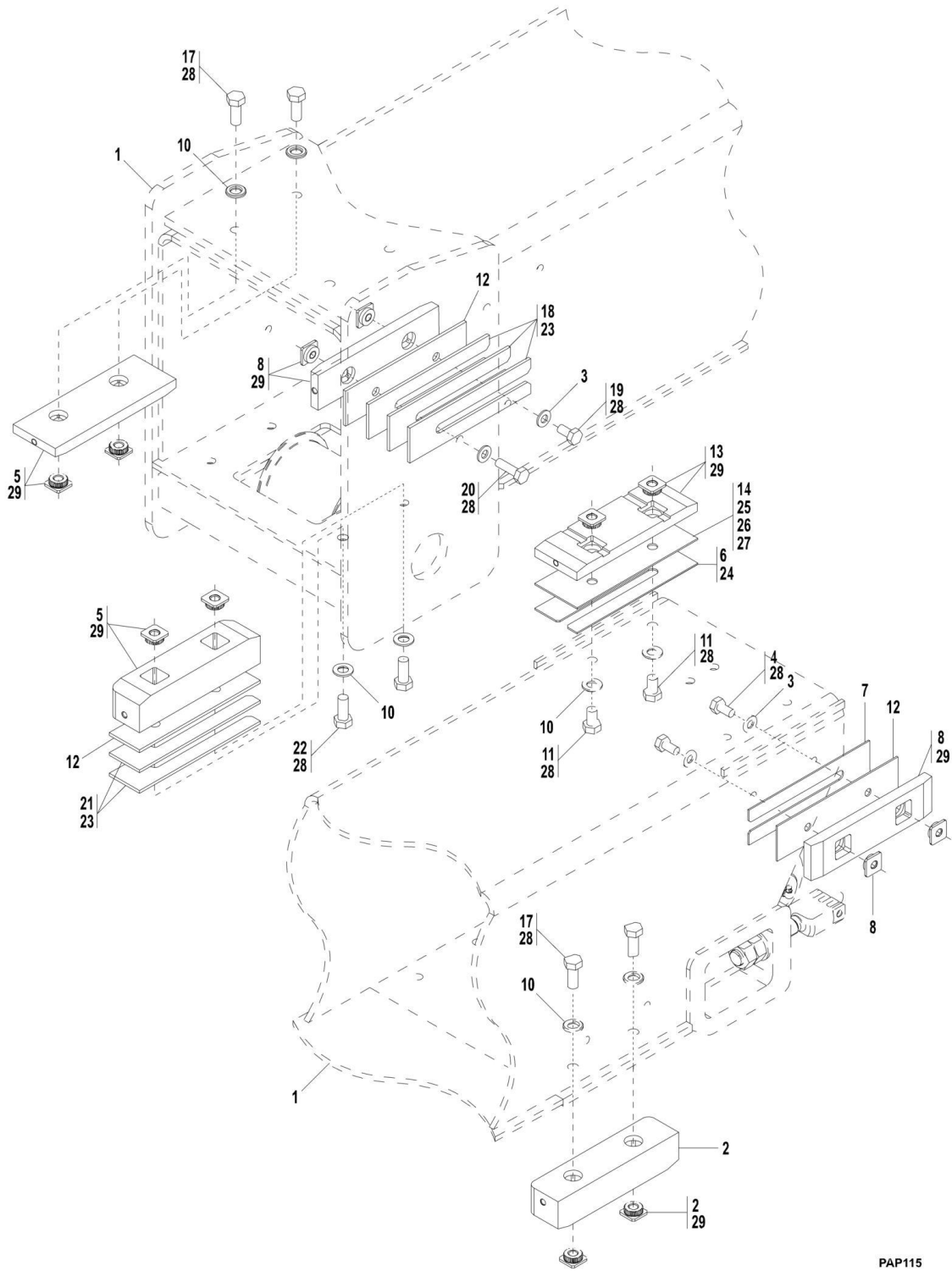
PAP114

FIGURE 2-5. THIRD BOOM SECTION

ITEM	PART NUMBER	QTY	DESCRIPTION	REV
1	0801449	1	THIRD BOOM SECTION	M
2	0440296	3	BEARING	
3	3580332	1	SHEAVE	
4	3960585	4	WIPER SEAL	
5	4740535	4	SPECIAL WASHER	
6	3423121	1	EXTENSION SHEAVE PIN	
7	2160016	1	GREASE FITTING, STRAIGHT	
8	4220215	2	PIN STOP PLATE	
9	0761210	2	HEX HD CAPSCREW, M12-1.75X20	
10		Ref	FOURTH BOOM SECTION, (See FOURTH BOOM SECTION for Breakdown)	
11	3580336	1	SHEAVE	
12	1360278	2	CLEVIS, BL666	
13	1260392	2	RETRACT CHAIN, BL666	
14	3423116	2	PIN	
15	3760489	4	RETAINING RING	
16	2160018	1	GREASE FITTING, 90	
17	3423117	1	RETRACT SHEAVE PIN	
19	3292001	4	HEX NUT, M20X2.5	
20	1260391	2	EXTENSION CHAIN, BL1066	
21	3760490	4	RETAINING RING	
22	3423119	2	PIN	
23	1360277	2	CLEVIS, BL-1066	
24	3423120	2	PIN	
25	3760488	4	RETAINING RING	
26		Ref	RETRACT CHAIN, (See FOURTH BOOM SECTION, item 5 for Breakdown)	
27		Ref	EXTENSION CHAIN, (See FOURTH BOOM SECTION, item 12 for Breakdown)	
28	0100011	AR	LOCTITE, #242, (apply to item 9)	
29	1001099193	AR	LUBE, ALL PURPOSE, (apply to item 2)	

SECTION 2 - BOOM

FIGURE 2-6. BEARINGS, PADS, SPACER AND SHIMS, (THIRD BOOM SECTION)



PAP115

SECTION 2 - BOOM

FIGURE 2-6. BEARINGS, PADS, SPACER AND SHIMS, (THIRD BOOM SECTION)

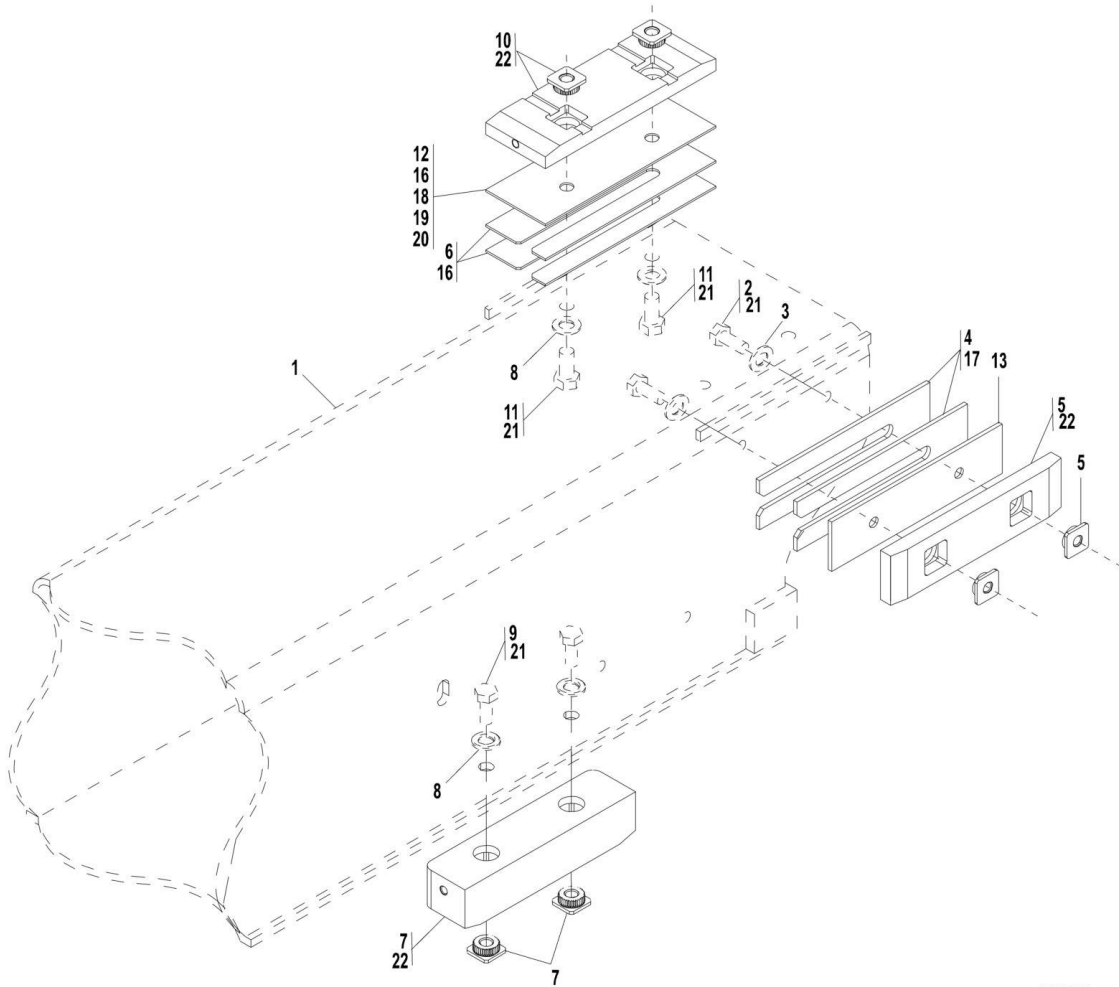
ITEM	PART NUMBER	QTY	DESCRIPTION	REV
1		Ref	THIRD BOOM SECTION, (See THIRD BOOM SECTION for Breakdown)	I
2	4700032	2	PAD	
3	4812000	16	FLAT WASHER, 10M	
4	0761010	8	HEX HD CAPSCREW, 10-1.50X20MM, (as required), (torque to 50 Nm)	
4	0761012	8	HEX HD CAPSCREW, 10-1.50X25MM, (as required), (torque to 50 Nm)	
5	4700021	2	PAD	
6	4071085	4	SHIM	
7	8008070	4	SHIM	
8	8002200	8	PAD	
9	8002201	2	PAD	
10	4740532	16	WASHER, M12	
11	0761210	4	HEX HD CAPSCREW, 12-1.75X20MM, (as required), (torque to 90 Nm)	
11	0761212	4	HEX HD CAPSCREW, 12-1.75X25MM, (as required), (torque to 90 Nm)	
12	8002904	10	SHIM	
13	1001093784	2	PAD	
14	8003242	2	SHIM	
17	0761214	8	HEX HD CAPSCREW, 12-1.75X30MM, (torque to 90 Nm)	
18	4071087	10	SHIM	
19	0761011	4	HEX HD CAPSCREW, 10-1.50X22MM, (as required), (torque to 50 Nm)	
19	0761012	4	HEX HD CAPSCREW, 10-1.50X25MM, (as required), (torque to 50 Nm)	
20	0761015	4	HEX HD CAPSCREW, 10-1.50X35MM, (as required, (torque to 50 Nm))	
20	0761016	4	HEX HD CAPSCREW, 10-1.50X40MM, (as required), (torque to 50 Nm)	
21	8008070	2	SHIM, 2X50X200MM	
21	4071087	2	SHIM, 4X50X200MM	
22	0761214	4	HEX HD CAPSCREW, 12-1.75X30MM, (as required), (torque to 90 Nm)	
22	0761215	4	HEX HD CAPSCREW, 12-1.75X35MM, (as required), (torque to 90 Nm)	
23	4071110	14	SHIM	
24	4071104	4	SHIM	
25	4071105	2	SHIM	
26	4071106	2	SHIM	
27	8002637	2	SHIM	
28	0100011	AR	LOCTITE, #242, (apply to items 4, 11, 17, 19, 20 & 22)	
29	1001099193	AR	LUBE, ALL PURPOSE, (apply to items 2, 5, 8, 9 & 13)	

FIGURE 2-7. FOURTH BOOM SECTION

ITEM	PART NUMBER	QTY	DESCRIPTION	REV
1	0801447	1	FOURTH BOOM SECTION	J
1	0801557	1	FOURTH BOOM SECTION, PLATFORM	
2	3423123	1	PIN	
3	3423116	5	PIN	
4	3760489	10	RETAINING RING	
5	1260394	1	RETRACT CHAIN, BL666	
6	1360282	1	CLEVIS, BL666	
8	3292001	2	HEX NUT, M20X2.5	
9	2160016	1	GREASE FITTING, STRAIGHT	
10	8008046	2	BUSHING	
11	3760488	2	RETAINING RING	
12	1260393	2	EXTENSION CHAIN, BL666	
13	1360276	2	CLEVIS, BL666	
14	0100011	AR	LOCTITE, #242, (apply to item 8)	
15	1001099193	AR	LUBE, ALL PURPOSE, (apply to item 10)	

SECTION 2 - BOOM

FIGURE 2-8. BEARINGS, PADS, SPACERS AND SHIMS, (FOURTH BOOM SECTION)



PAP117

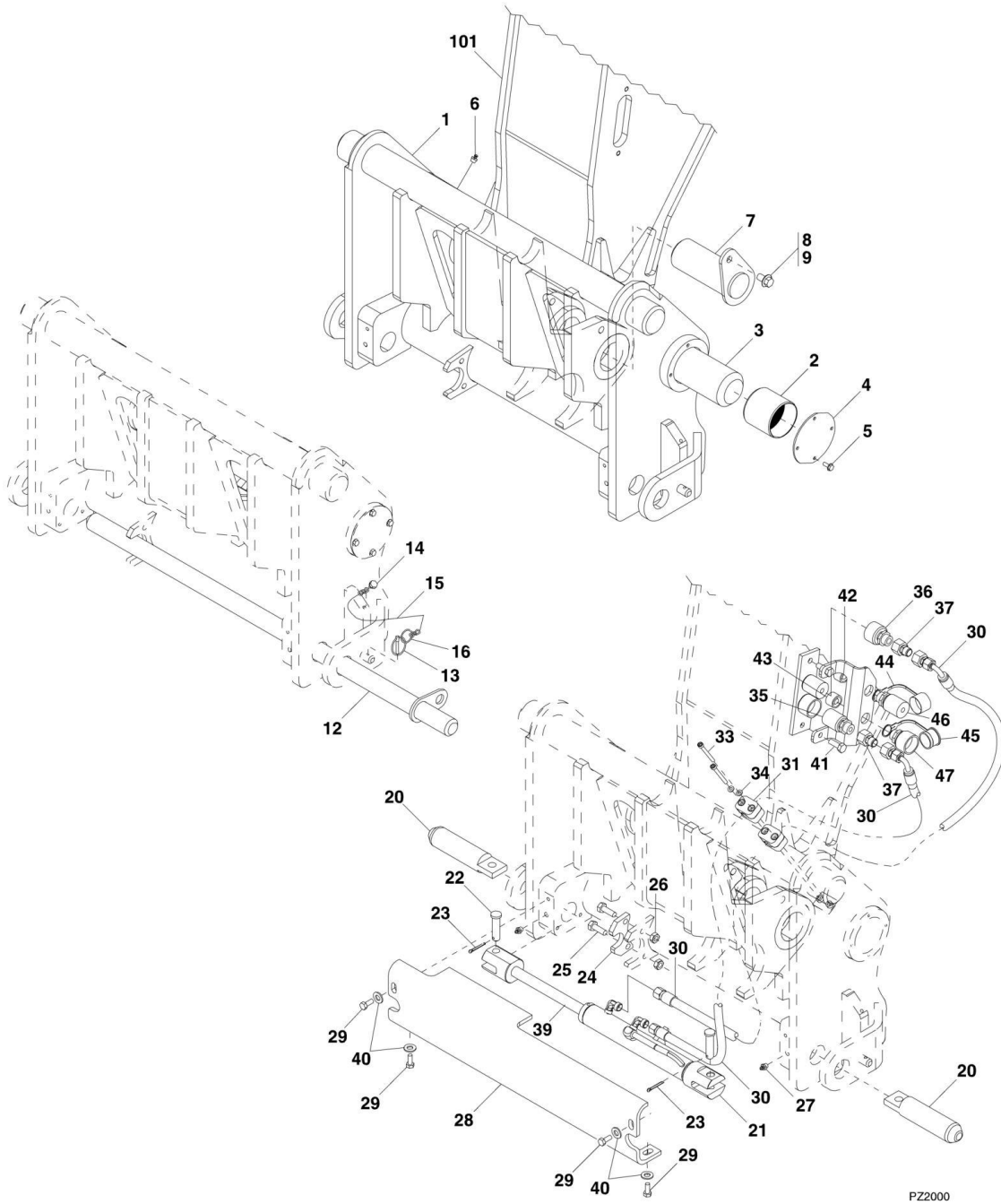
SECTION 2 - BOOM

FIGURE 2-8. BEARINGS, PADS, SPACERS AND SHIMS, (FOURTH BOOM SECTION)

ITEM	PART NUMBER	QTY	DESCRIPTION	REV
1		Ref	FOURTH BOOM SECTION, (See FOURTH BOOM SECTION for Breakdown)	G
2	0761010	8	HEX HD CAPSCREW, 10-1.50X20MM, (as required), (torque to 50 Nm)	
2	0761012	8	HEX HD CAPSCREW, 10-1.50X25MM, (as required), (torque to 50 Nm)	
3	4812000	8	FLAT WASHER, M10	
4	4071087	8	SHIM	
5	8002200	4	PAD	
6	4071085	4	SHIM	
7	4700032	2	PAD	
8	4740532	8	WASHER, M12	
9	0761212	6	HEX HD CAPSCREW, 12-1.75X25MM, (torque to 90 Nm)	
10	1001093784	2	PAD	
11	0761210	4	HEX HD CAPSCREW, 12-1.75X20MM, (as required), (torque to 90 Nm)	
11	0761212	4	HEX HD CAPSCREW, 12-1.75X25MM, (as required), (torque to 90 Nm)	
12	8003242	2	SHIM	
13	8002904	4	SHIM	
16	4071104	2	SHIM	
17	4071110	8	SHIM	
18	4071105	2	SHIM	
19	4071106	2	SHIM	
20	8002637	2	SHIM	
21	0100011	AR	LOCTITE, #242, (apply to items 2, 9 & 11)	
22	1001099193	AR	LUBE, ALL PURPOSE, (apply to items 5, 7 & 10)	

SECTION 2 - BOOM

FIGURE 2-9. QUICK SWITCH ASSEMBLY



PZ2000

SECTION 2 - BOOM

FIGURE 2-9. QUICK SWITCH ASSEMBLY

ITEM	PART NUMBER	QTY	DESCRIPTION	REV
	8002145	Ref	QUICK SWITCH ASSY, (includes item 1 thru 9)	M
1	8002005	1	QUICK RELEASE WELDMENT	
2	8008046	4	BUSHING	
3	4800948	1	PIVOT PIN	
4	4800959	2	PLATE	
5	2982603	8	SELF-LOCKING BOLT	
6	324590	2	GREASE FITTING	
7	4800788	1	CYLINDER PIN	
8	5201210	1	RIPP BOLT, 12X20mm	
9	0100011	AR	LOCTITE, #242	
	8002072	Ref	MECHANICAL QUICK RELEASE ASSY, (includes items 12 thru 16)	D
12	8002027	1	ROD	
13	3964987	1	SPLIT PIN	
14	5200605	1	BOLT	
15	933940	AR	CHAIN	
16	463929	1	RING	
	8002021	1	HYDRAULIC QUICK RELEASE ASSY, (includes items 20 thru 47)	
20	8001888	2	PIN	
21		Ref	LOCKING CYLINDER, (See HYDRAULIC COMPONENTS SECTION for Breakdown)	
22	8002110	2	EYE-BOLT	
23	3391410	2	COTTER PIN	
24	8002045	1	PLATE	
25	0761014	2	HEX HD CAPSCREW, 10-1.50X30MM	
26	3291001	2	NUT	
27	324590	2	GREASE FITTING	
28	8001918	1	PLATE	
29	0760810	4	HEX HD CAPSCREW, 8-1.25X20MM	
30	2754151	2	HOSE ASSY	
31	1321141	2	CLAMP BODY	
33	4031716	2	SOCKET HD CAPSCREW, M-6X60mm	
34	1302325	2	WASHER	
35	Kit	NLA	SCREW COUPLING, MALE, (no longer available, order 1001097287 kit)	
35	1001094556	1	QUICK DISCONNECT COUPLING, MALE	
36	Kit	NLA	SCREW COUPLING, FEMALE, (no longer available, order 1001097287 kit)	
36	1001094555	1	QUICK DISCONNECT COUPLING, FEMALE	
37	2143511	2	REDUCER	
38	2902399	1	AUX FITTING KIT, (includes items 41 thru 47)	
39	2902438	1	FORK LOCKING CYLINDER KIT, (includes items 20 thru 23)	C
40	4811902	4	WASHER, 8MM	
41	0761014	2	HEX HD CAPSCREW, 10-1.50X30MM	
42	0903109	1	MOUNTING BRACKET	
43	2142505	2	CAP	
44	3977459	1	DUST CAP, (use with male screw type coupling)	
44	1001093826	1	DUST CAP, (use with male quick disconnect type coupling)	
45	3977460	1	DUST PLUG, (use with female screw type coupling)	
45	1001093827	1	DUST PLUG, (use with female quick disconnect type coupling)	

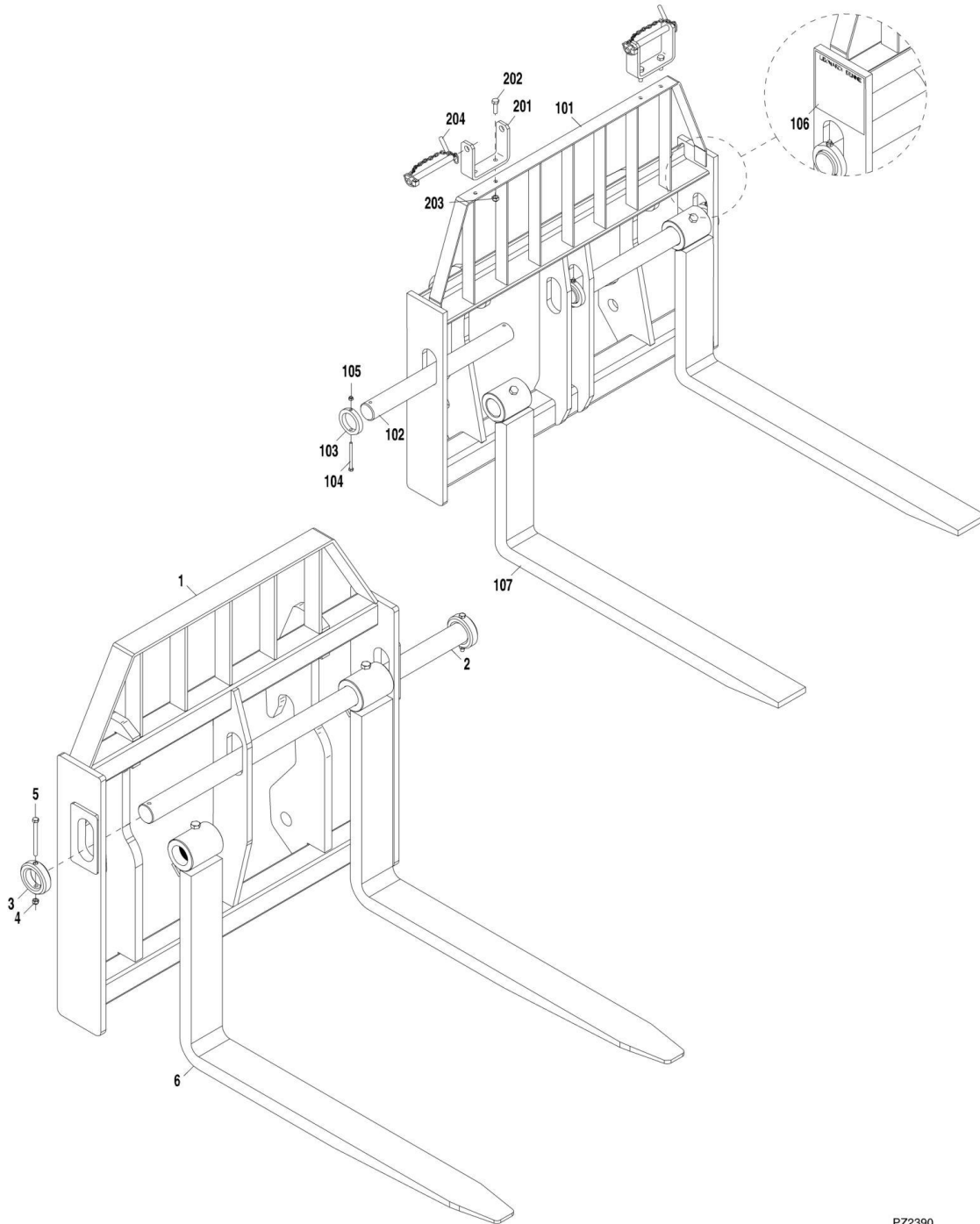
SECTION 2 - BOOM

ITEM	PART NUMBER	QTY	DESCRIPTION	REV
46	Kit	NLA	SCREW COUPLING, MALE, (no longer available, order 1001097287 kit)	
46	1001094556	1	QUICK DISCONNECT COUPLING, MALE	
47	Kit	NLA	SCREW COUPLING, FEMALE, (no longer available, order 1001097287 kit)	
47	1001094555	1	QUICK DISCONNECT COUPLING, FEMALE	
101		Ref	FOURTH BOOM ASSY, (See FOURTH BOOM SECTION for Breakdown)	
	1001097287	1	QUICK DISCONNECT ADAPTER KIT, (includes items 35, 36, dust plug and dust cap)	

SECTION 3 - ATTACHMENT

SECTION 3 - ATTACHMENT

FIGURE 3-1. CARRIAGE ASSEMBLY



PZ2390

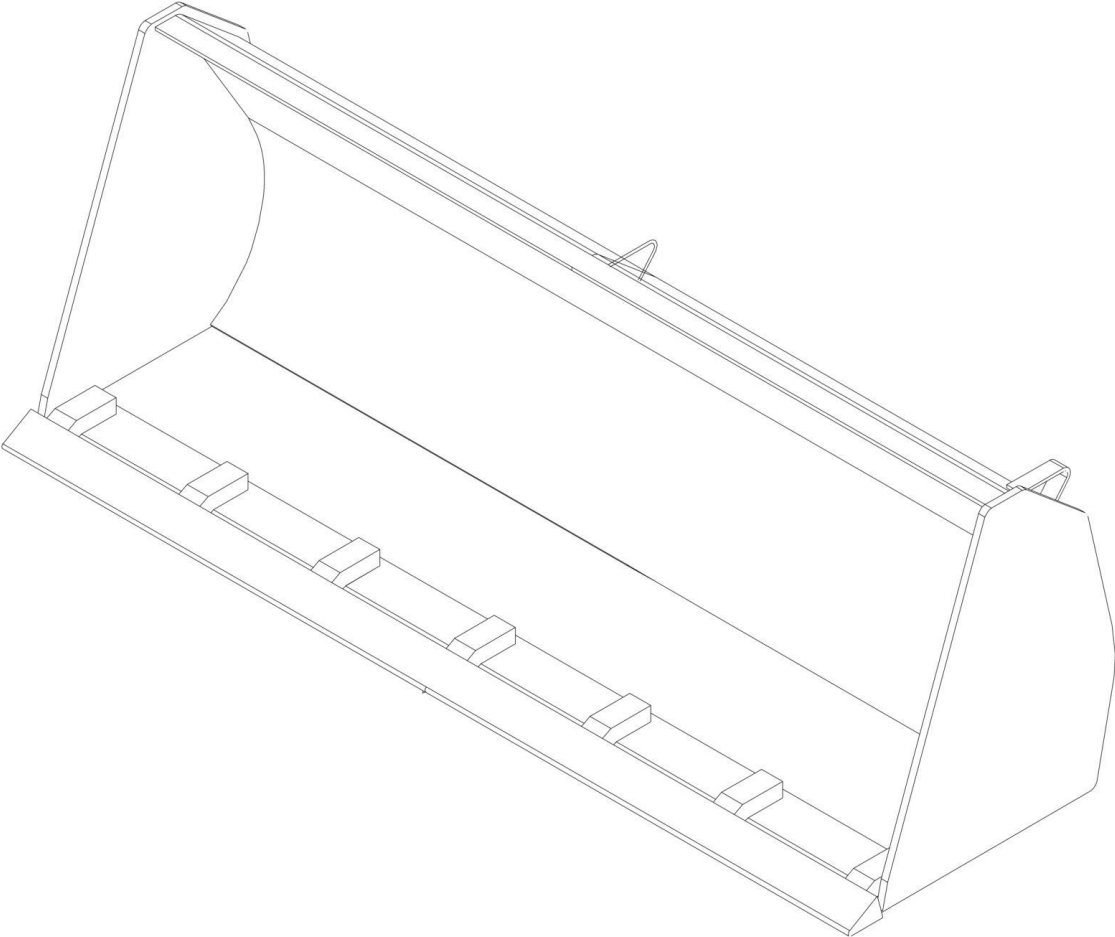
SECTION 3 - ATTACHMENT

FIGURE 3-1. CARRIAGE ASSEMBLY

ITEM	PART NUMBER	QTY	DESCRIPTION	REV
	1170001	1	CARRIAGE ASSY WITH LOADGUARD, (LAMY), (4000kg), (includes items 1 thru 5) (Prior to SN 1160002107)	
1		Ref	WELDMENT	
2	7028136	1	BAR, FORK CARRIER	
3	7028137	2	COLLAR	
4	3291005	2	NUT	
5	0701029	2	CAPSCREW	
6		Ref	FORK, (See FORK for Breakdown)	
	1170028	1	CARRIAGE ASSEMBLY, (Benne), (includes items 101 thru 106) (SN 1160002107 to Present)	A
101	1170029	1	CARRIAGE WELDMENT	
102	4040283	2	CARRIAGE SHAFT	
103	3760508	4	SHAFT COLLAR	
104	0700827	4	HEX HD CAPSCREW, 8-1.25X100MM, GR 8.8	
105	3290805	4	HEX LOCKNUT, 8MM	
106	1706702	1	NAME PLATE	
107		Ref	FORK, (See FORK for Breakdown)	
	0240143	1	FORK TRANSPORT LATCH, (Benne), (includes items 201 thru 204)	A
201	0903366	2	LOCKING BRACKET	
202	0761216	4	HEX HD CAPSCREW, 12X40	
203	3291205	4	HEX LOCKNUT, 12MM	
204	3423258	2	LOCKING PIN	

SECTION 3 - ATTACHMENT

FIGURE 3-2. BUCKETS



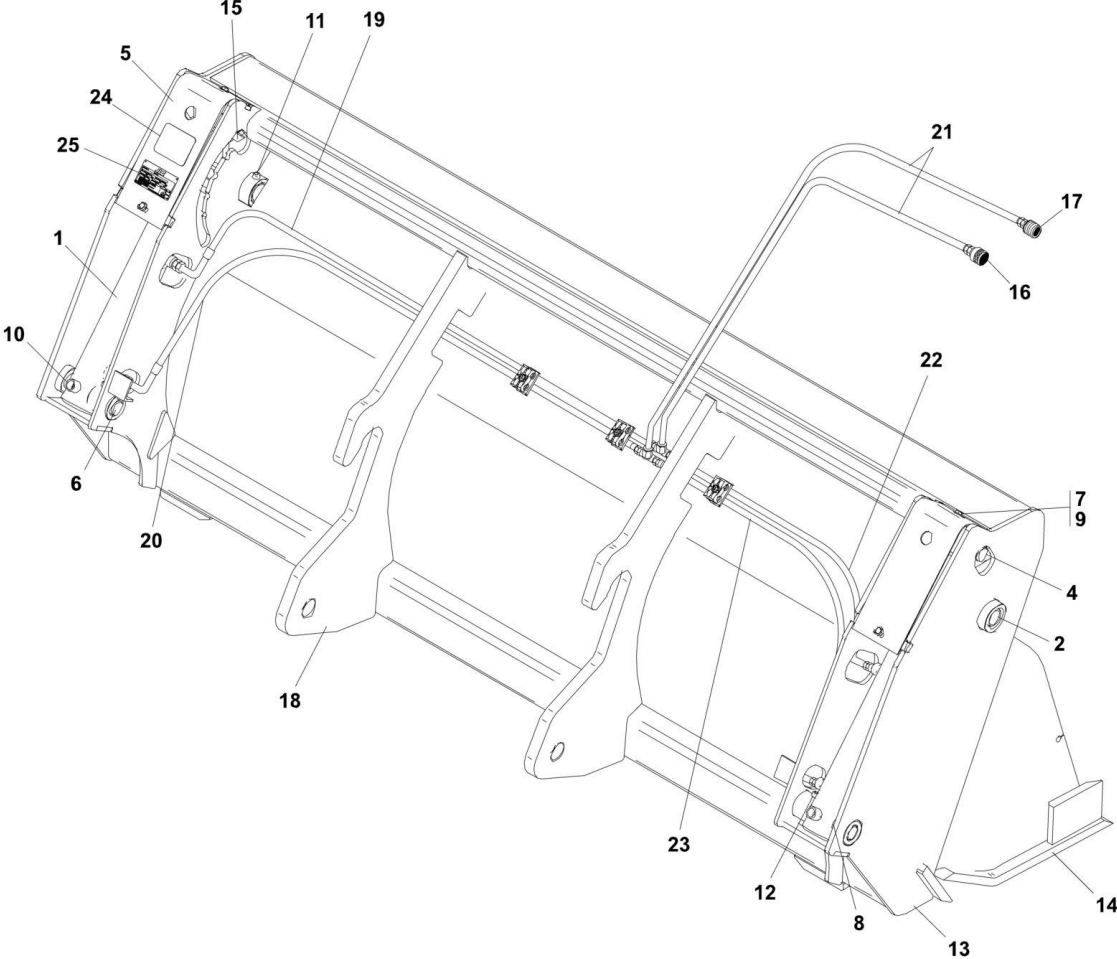
SECTION 3 - ATTACHMENT

FIGURE 3-2. BUCKETS

ITEM	PART NUMBER	QTY	DESCRIPTION	REV
1	4805670	1	0.8M ³ BUCKET	
2	0930015	1	0.9M ³ BUCKET	
2	70020392	1	BLADE KIT, (includes mounting hardware)	
2	1001094612	1	BUCKET TEETH KIT, (includes mounting hardware)	
3	4802100	1	1.0M ³ BUCKET	
4	0930016	1	1.8M ³ BUCKET	
4	70020392	1	BLADE KIT, (includes mounting hardware)	
4	1001094612	1	BUCKET TEETH KIT, (includes mounting hardware)	

SECTION 3 - ATTACHMENT

FIGURE 3-3. FOUR IN ONE BUCKET



PAP081

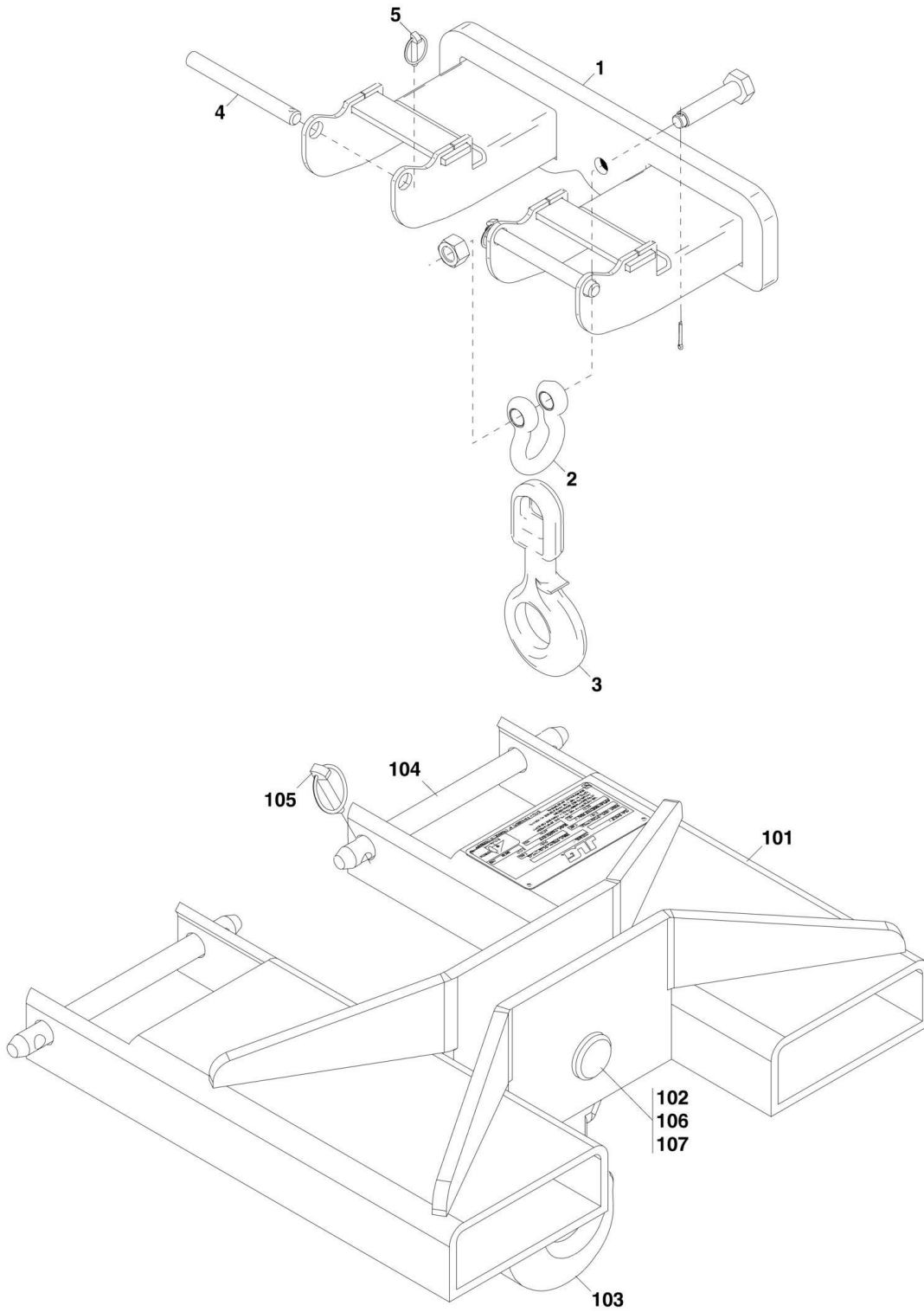
SECTION 3 - ATTACHMENT

FIGURE 3-3. FOUR IN ONE BUCKET

ITEM	PART NUMBER	QTY	DESCRIPTION	REV
	0930003	1	4 IN 1 BUCKET, (includes all items)	C
1	7028990	2	TILT CYLINDER	
1	7028910	2	SEAL KIT	
2	7028911	2	PIN	
3	7028912	6	NUT, (not illustrated)	
4	7028913	2	PIN	
5	7028914	2	PROTECTIVE PLATE	
6	7028915	2	PIN	
7	7028916	4	HEX HD SCREW	
8	7028131	6	BUSHING	
9	7028917	4	WASHER	
10	7028918	6	GREASE NIPPLE	
11	7028920	2	SCREW	
12	7028919	4	SCREW	
13	7028921	1	WELDMENT	
14	7028922	1	WELDMENT	
15	7028923	1	GAUGE	
16	Kit	NLA	FEMALE SCREW COUPLING, (no longer available, order 1001097287 kit)	
16	1001094555	1	FEMALE QUICK DISCONNECT FITTING	
17	Kit	NLA	MALE SCREW COUPLING, (no longer available, order 1001097287 kit)	
17	1001094556	1	MALE QUICK DISCONNECT FITTING	
18	7029748	1	CONNECTING ASSY	
19	7028982	1	HOSE ASSY	
20	7028983	1	HOSE ASSY	
21	7028984	2	HOSE ASSY	
22	7028985	1	HOSE ASSY	
23	7028991	1	HOSE ASSY	
24		Ref	BUCKET NAME PLATE	
25		Ref	SERIAL NUMBER PLATE	
	1001097287	1	QUICK DISCONNECT ADAPTER KIT, (includes items 16, 17, dust plug and dust cap)	

SECTION 3 - ATTACHMENT

FIGURE 3-4. FORK MOUNTED HOOK



PZ4260

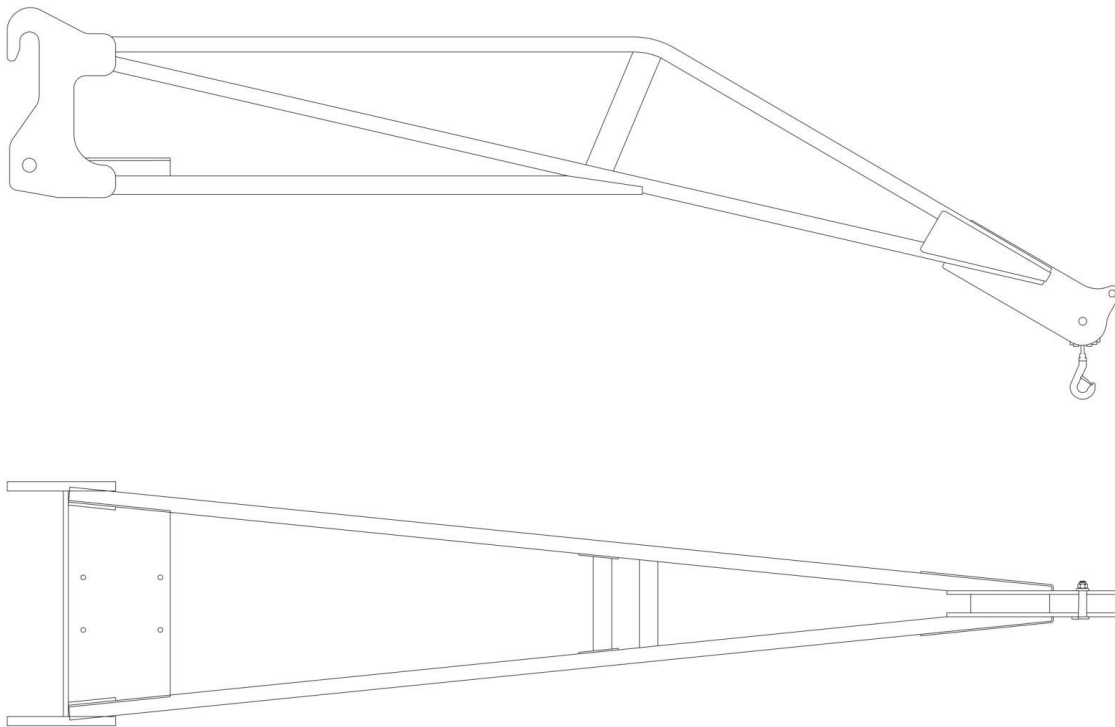
SECTION 3 - ATTACHMENT

FIGURE 3-4. FORK MOUNTED HOOK

ITEM	PART NUMBER	QTY	DESCRIPTION	REV
		Ref	FORK MOUNTED HOOK, (CE), (LAMY), (includes all items), (2700097 no longer available, order 2700118)	B
1		Ref	WELDMENT	
2	7028123	1	CLEVIS	
3	7028122	1	HOOK	
4	7028121	2	AXLE	
5	7028124	2	PIN	
	2700118	1	FORK MOUNTED HOOK, (BENNE), (includes items 101 thru 107)	A
101		Ref	WELDMENT	
102	70020201	1	PIN	
103	70020202	1	HOOK	
104	70020203	2	PIN	
105	70020204	4	RETAINING PIN	
106	70020205	1	BOLT	
107	70020206	1	SELF LOCKING NUT	

SECTION 3 - ATTACHMENT

FIGURE 3-5. TRUSS BOOM



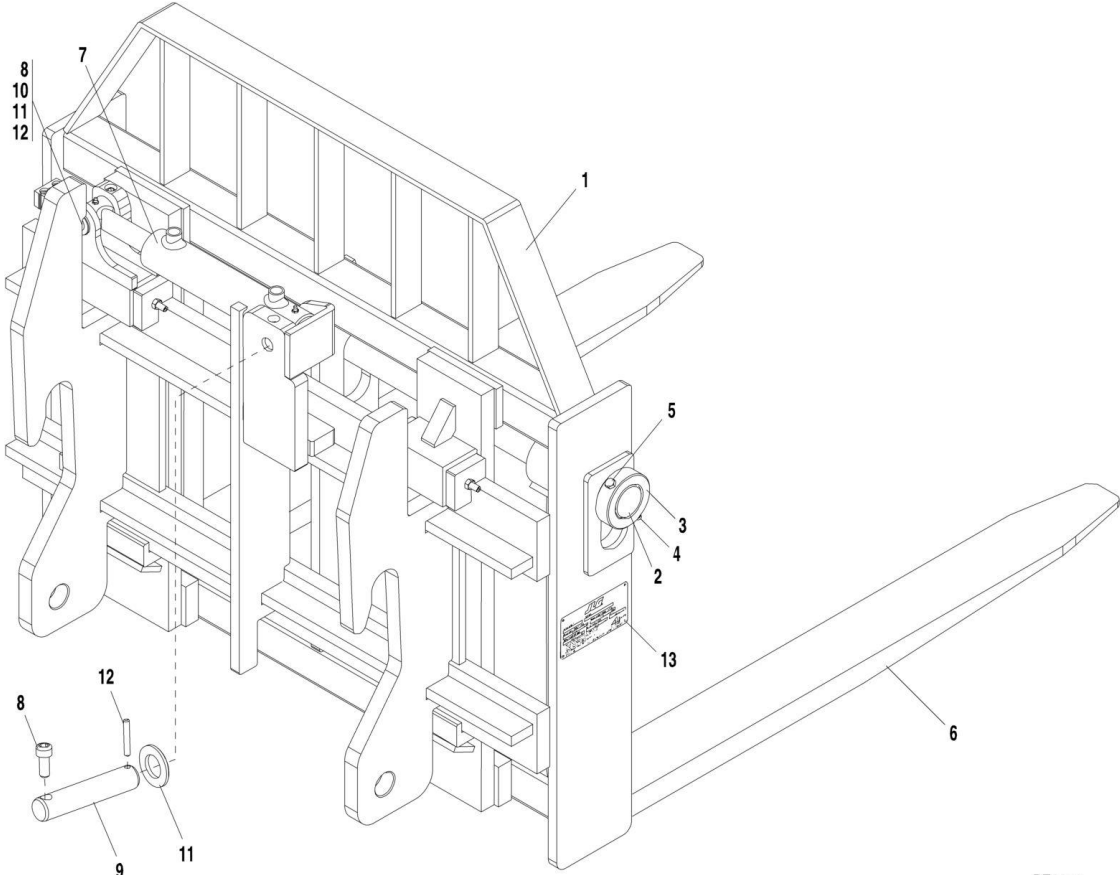
SECTION 3 - ATTACHMENT

FIGURE 3-5. TRUSS BOOM

ITEM	PART NUMBER	QTY	DESCRIPTION	REV
1	0240063	1	TRUSS BOOM, 3.4M-1000KG	
2	0240110	1	TRUSS BOOM, 3.6M-650KG	

SECTION 3 - ATTACHMENT

FIGURE 3-6. SIDE SHIFT CARRIAGE



PZ1181

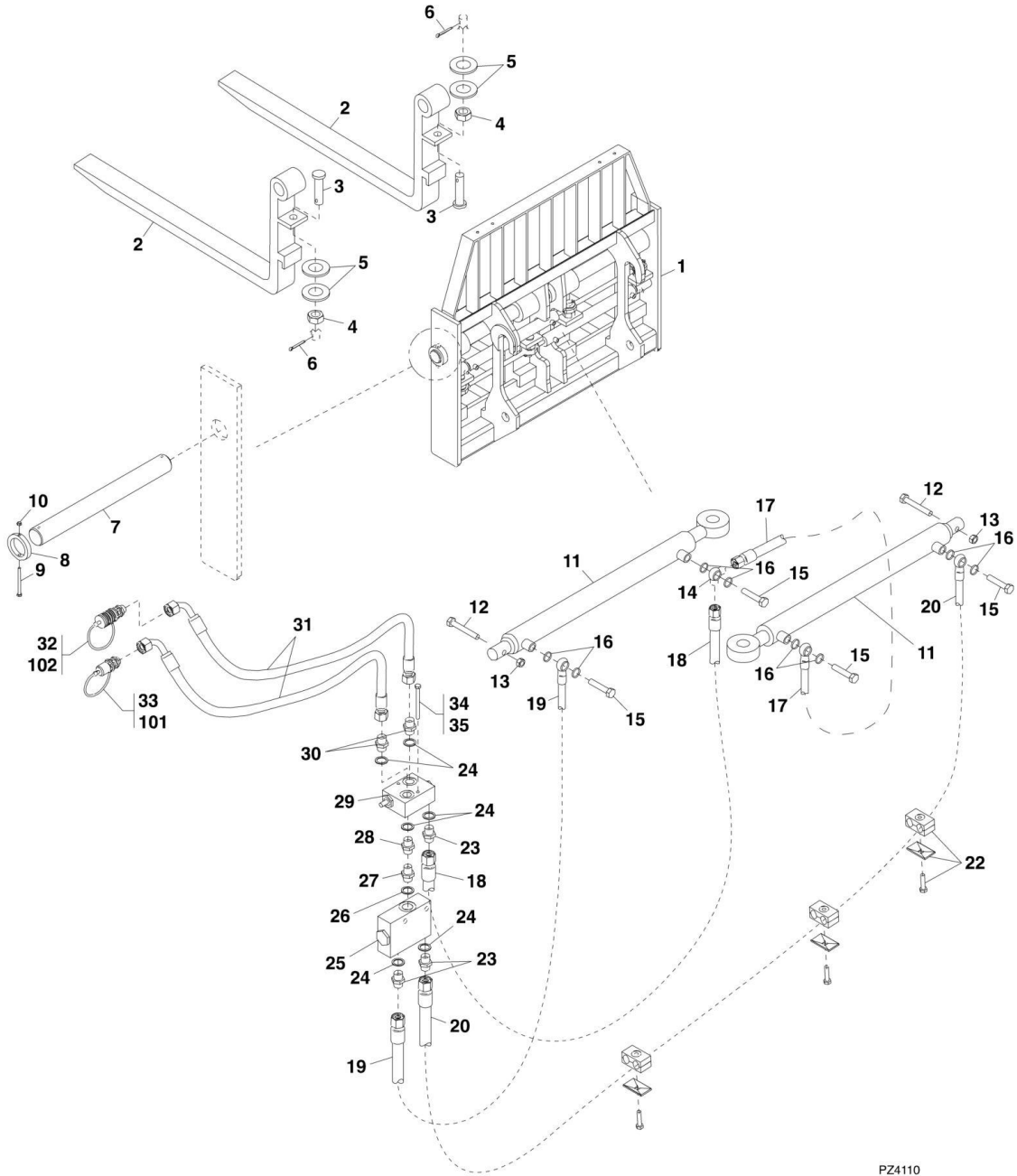
SECTION 3 - ATTACHMENT

FIGURE 3-6. SIDE SHIFT CARRIAGE

ITEM	PART NUMBER	QTY	DESCRIPTION	REV
	1170002	1	SIDE SHIFT CARRIAGE ASSY, (Lamy), (includes items 1 thru 5 & 7 thru 13)	E
1		Ref	WELDMENT	
2	7028136	1	BAR, FORK CARRIER	
3	7028137	2	COLLAR	
4	3291005	2	NUT	
5	0701029	2	CAPSCREW	
6		Ref	FORK, (See FORK EXTENSION for Breakdown)	
7	70021558	1	CYLINDER	
8	70021559	2	BOLT	
9	70021560	1	PIN	
10	70021561	1	PIN	
11	70021562	2	WASHER	
12	70021563	2	ROLL PIN	
13		Ref	SERIAL NUMBER PLATE	

SECTION 3 - ATTACHMENT

FIGURE 3-7. FORK POSITIONING CARRIAGE ASSEMBLY



PZ4110

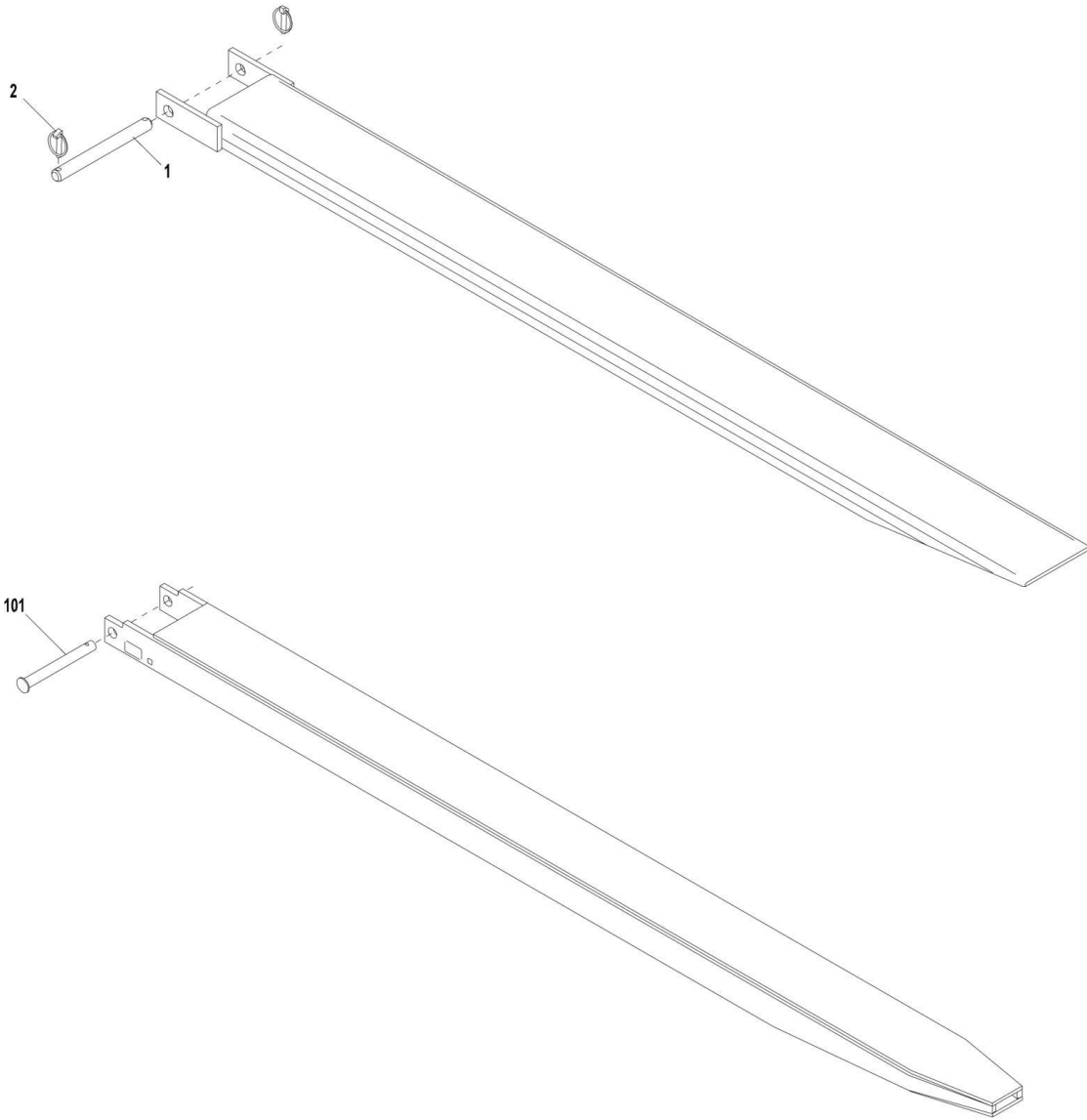
SECTION 3 - ATTACHMENT

FIGURE 3-7. FORK POSITIONING CARRIAGE ASSEMBLY

ITEM	PART NUMBER	QTY	DESCRIPTION	REV
	1001091313	1	FORK POSITIONING CARRIAGE W/FORKS, (CE), (includes items 1 thru 35)	A
1		Ref	WELDMENT	
2	70022922	2	FORKS, (100X50X1200), (2000kg per fork)	
3	70021835	2	ROD PIN	
4	70026018	2	Nut	
5	70028978	4	Washer	
6	70021836	2	SPLIT PIN	
7	70022923	2	CARRIAGE SHAFT	
8	70022924	4	SHAFT COLLAR	
9	70028979	4	Bolt	
10	70021241	4	HEX LOCKNUT, M12	
11	70023276	2	CYLINDER	
11	70023278	AR	SEAL KIT, (use with cylinders marked 1.3351.01C.02.01)	
11	70023277	AR	SEAL KIT, (use with cylinders marked 1.3351.01C.02.02)	
12	70028028	2	Bolt	
13	70028031	2	Locknut	
14	70022925	1	ELBOW, 90	
15	1001103530	4	BOLT	
16	70020730	8	O-RING	
17	70021838	1	HOSE ASSY	
18	70021839	1	HOSE ASSY	
19	70021840	1	HOSE ASSY	
20	70021841	1	HOSE ASSY	
22	1001103533	3	CLAMP SET, (includes screw and plate)	
23	70020731	3	FITTING	
24	70022907	6	O-RING	
25	70021842	1	COUNTER VALVE	
26	70022927	1	O-RING	
27	70022928	1	FITTING	
28	70022929	1	FITTING	
29	70021843	1	PRESSURE VALVE	
30	70022906	2	ADAPTER	
31	70022930	2	PIPE ASSY	
32	1001094555	1	FEMALE QUICK DISCONNECT COUPLING	
33	1001094556	1	MALE QUICK DISCONNECT COUPLING	
34	70028980	2	Bolt	
35	70022912	2	Nut	
101	1001093826	1	DUST CAP	
102	1001093827	1	DUST PLUG	

SECTION 3 - ATTACHMENT

FIGURE 3-8. FORK EXTENSION



PAP097

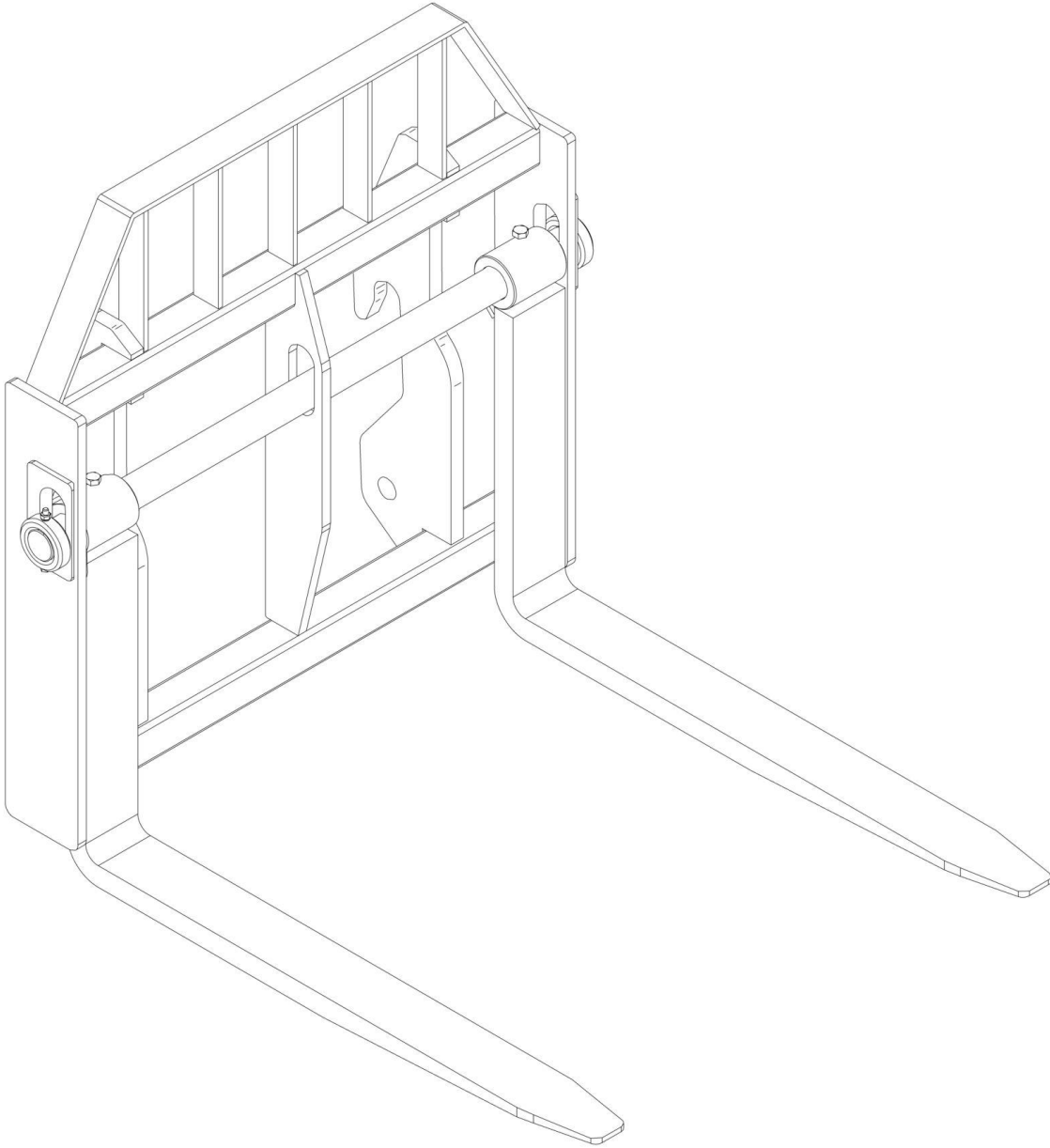
SECTION 3 - ATTACHMENT

FIGURE 3-8. FORK EXTENSION

ITEM	PART NUMBER	QTY	DESCRIPTION	REV
	2340034	NLA	FORK EXTENSION, (166.5MMX2000MM), (includes items 1 & 2), (no longer available; order 1001112559 for service replacement)	B
1	7028863	1	PIN	
2	7028864	2	CIRCLIP	
	1001112559	1	FORK EXTENSION, (100MMX50MM), (includes item 101)	B
101	70022831	1	PIN	

SECTION 3 - ATTACHMENT

FIGURE 3-9. FORK



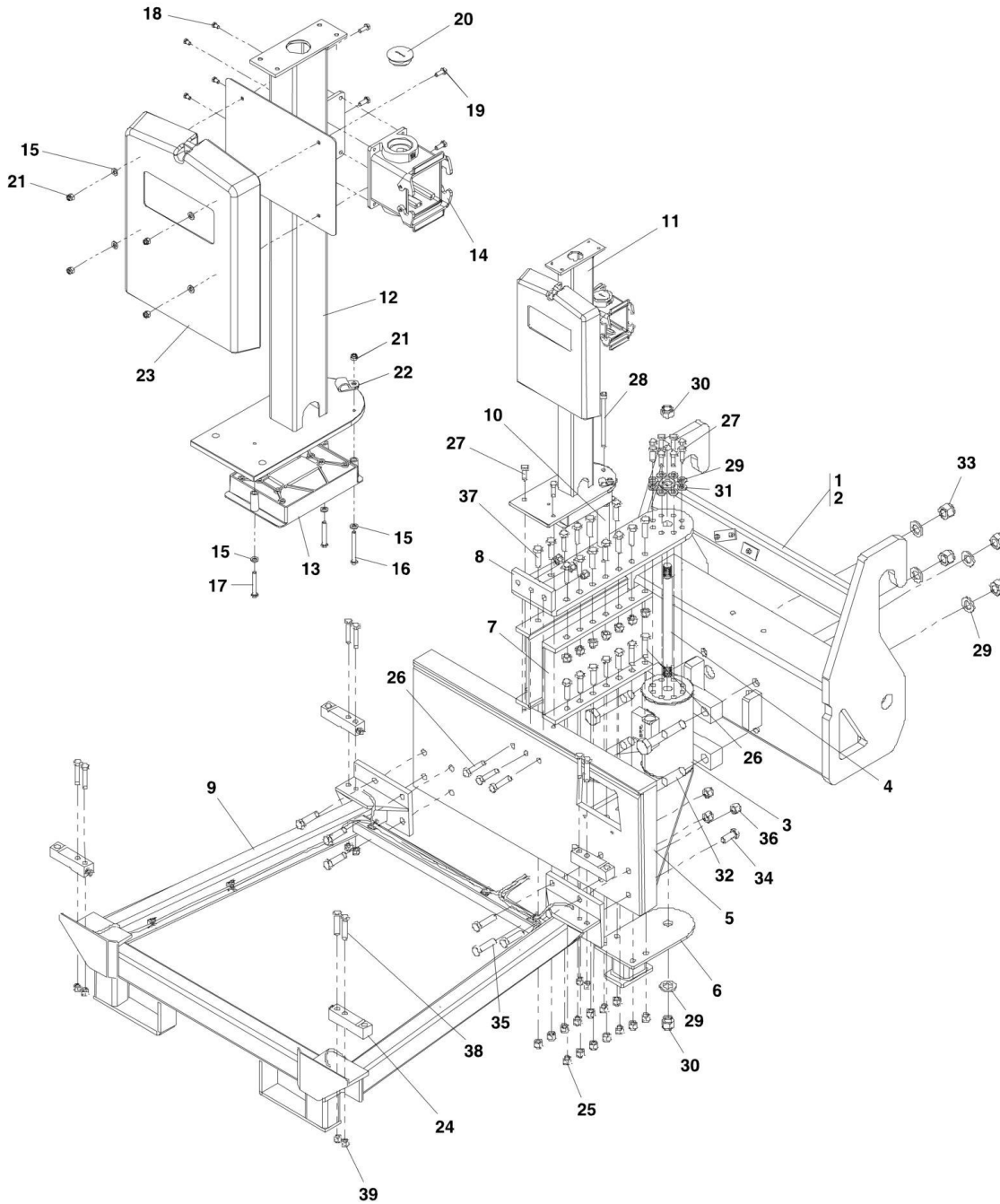
SECTION 3 - ATTACHMENT

FIGURE 3-9. FORK

ITEM	PART NUMBER	QTY	DESCRIPTION	REV
	2340029	2	FORK, 45X125, 4 TON	B
	7028626	2	HEX HD CAPSCREW	
	2340030	1	FORK, 50X100, 4 TON, (1 pair, complete assy)	C
	7028628	2	HEX HD CAPSCREW	
	2340040	1	FORK, 50X120, 4 TON, (1 pair, complete assy)	A
	0761612	2	HEX HD CAPSCREW, 16X25	
	2340041	1	FORK, 50X100, 4 TON, (1 pair, complete assy)	A
	0761612	2	HEX HD CAPSCREW, 16X25	

SECTION 3 - ATTACHMENT

FIGURE 3-10. PLATFORM ASSEMBLY, ADAPTER AND PEDESTAL



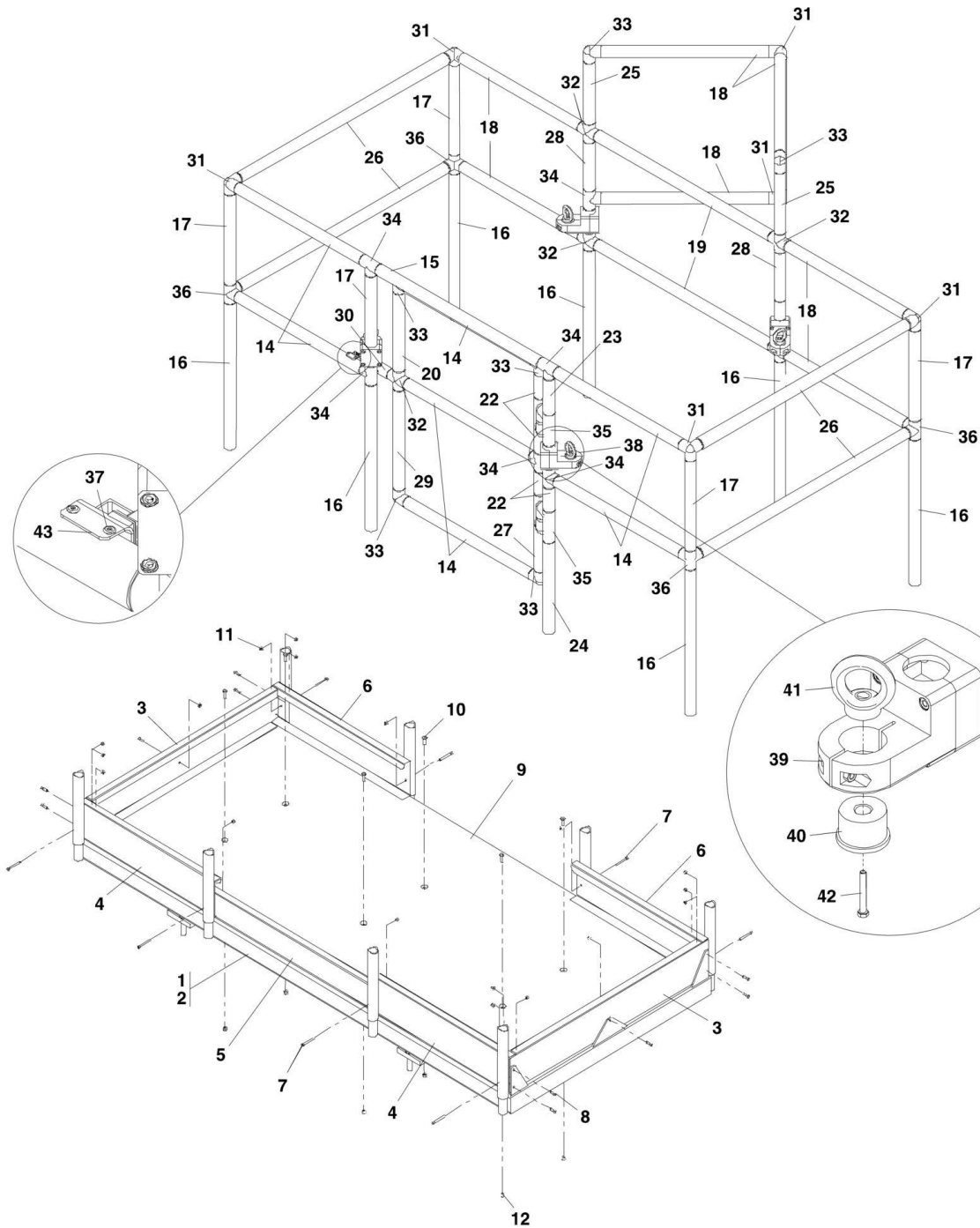
SECTION 3 - ATTACHMENT

FIGURE 3-10. PLATFORM ASSEMBLY, ADAPTER AND PEDESTAL

ITEM	PART NUMBER	QTY	DESCRIPTION	REV
	3510871	1	PLATFORM ASSY, (includes all items, See PLATFORM ASSEMBLY, ADAPTER AND PEDESTAL, PLATFORM ASSEMBLY, BASE AND RAILINGS, PLATFORM ASSEMBLY, ELECTRICAL AND PLATFORM ASSEMBLY, MISCELLANEOUS for Breakdown.)	D
1	70020143	1	PLATFORM ADAPTER ASSY, (includes all items)	
2	70020038	1	ADAPTER	
3	70020304	1	ACTUATOR, (includes counterbalance valve)	
3	7017165	1	SEAL KIT, ACTUATOR	
3	7017172	1	COUNTERBALANCE VALVE	
3	7017192	1	CARTRIDGE	
4	70020039	1	ACTUATOR PIN	
5	70020040	1	LOWER FIXING SUPPORT	
6	70020041	1	FOOT	
7	70020042	2	BAFFLE	
8	70020043	1	UPPER PLATE	
9	70020044	1	FRAME	
10	70020045	1	SPACER	
11	70020046	1	CONTROL BOX PEDESTAL ASSY, (includes items 12 thru 23)	
12	70020047	1	CONTROL BOX PEDESTAL	
13	1600387	1	LOAD SENSE CONTROLLER	
14	0861794	1	ELECTRICAL BOX	
15	70020048	7	PLAIN WASHER	
16	70020049	1	HEX HD SCREW, M6X1X60	
17	70020050	2	HEX HD SCREW, M6X1X45	
18	70020051	4	HEX HD SCREW, M6X1X12	
19	70020052	4	HEX HD SCREW, M6X1X16	
20	70020053	1	PLUG	
21	70020054	5	HEX SELF LOCKING NUT, M6X1	
22	70020055	1	HOSE CLAMP	
23	0860520	1	MANUAL STORAGE BOX	
24		Ref	LOAD CELL, (See PLATFORM ASSEMBLY, ELECTRICAL for Breakdown)	
25	70020057	31	HEX SELF LOCKING NUT, M14	
26	70020058	7	HEX HD SCREW, M14X2X60	
27	70020059	10	HEX HD SCREW, M12X1.75X35	
28	70020060	1	HEX HD SCREW, M12X1.75X160	
29	70020061	6	PLAIN WASHER	
30	70020062	2	HEX SELF LOCKING NUT, M22X1.5	
31	70020063	8	PLAIN WASHER	
32	70020064	4	HEX HD SCREW, M24X3X140	
33	70020065	4	HEX SELF LOCKING NUT, M24	
34	70020066	2	HEX SELF LOCKING NUT, M16X2X40	
35	70020067	6	HEX HD SCREW, M16X2X60	
36	70020068	6	HEX SELF LOCKING NUT, M16	
37	70020069	24	HEX HD SCREW, M14X2X50	
38	70020070	8	HEX HD SCREW, M12X1.75X65	
39	70020071	8	HEX SELF LOCKING NUT, M12	

SECTION 3 - ATTACHMENT

FIGURE 3-11. PLATFORM ASSEMBLY, BASE AND RAILINGS



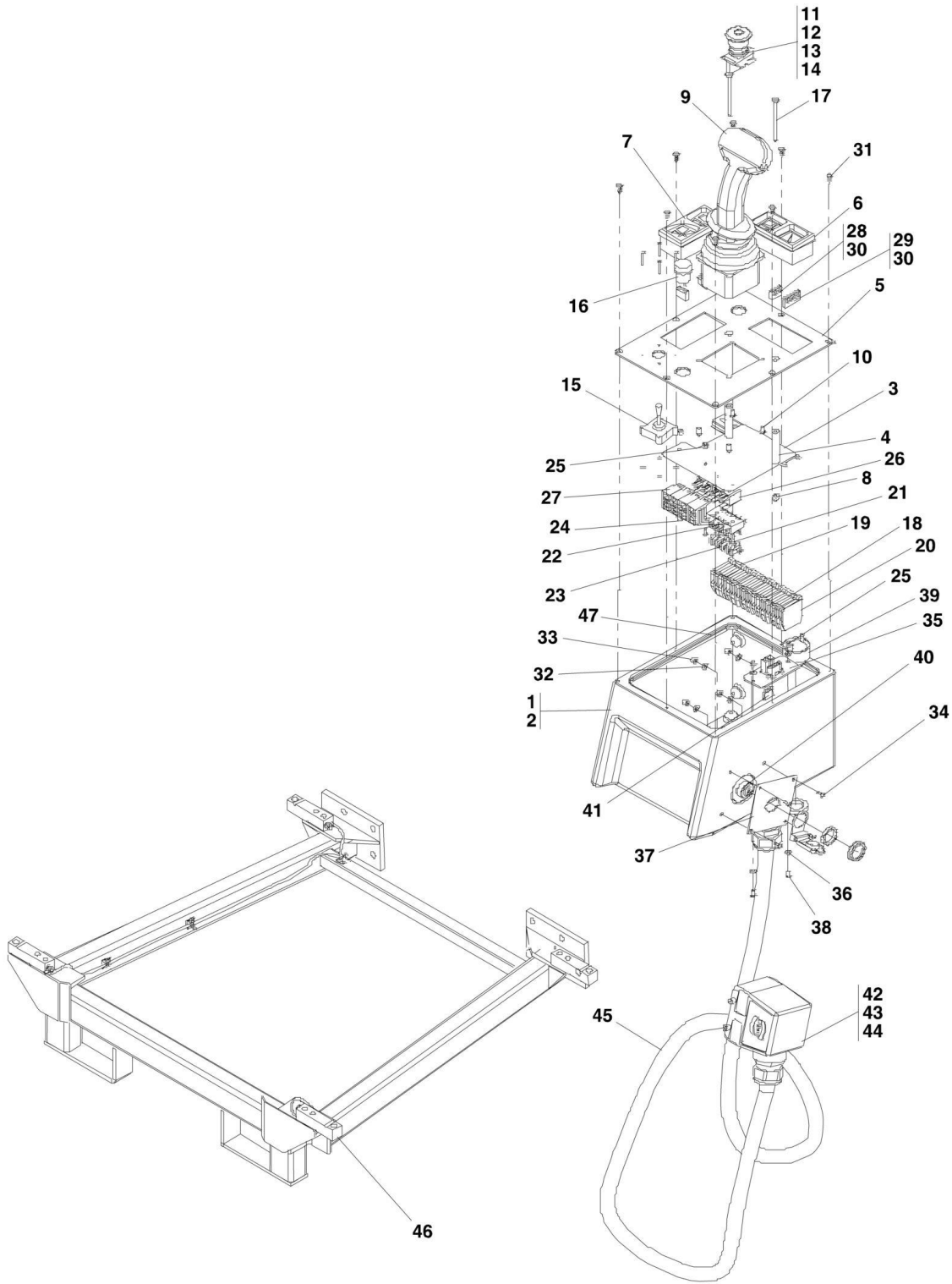
SECTION 3 - ATTACHMENT

FIGURE 3-11. PLATFORM ASSEMBLY, BASE AND RAILINGS

ITEM	PART NUMBER	QTY	DESCRIPTION	REV
	3510871	1	PLATFORM ASSY, (includes all items, See PLATFORM ASSEMBLY, ADAPTER AND PEDESTAL, PLATFORM ASSEMBLY, BASE AND RAILINGS, PLATFORM ASSEMBLY, ELECTRICAL AND PLATFORM ASSEMBLY, MISCELLANEOUS for Breakdown.)	D
1	70020144	1	COMPLETE BASE ASSY, (includes items 2 thru 12)	
2	70020072	1	PLATFORM BASE	
3	7029888	2	LATERAL TOEGUARD	
4	70020073	2	FRONT LATERAL TOEGUARD	
5	70020074	1	FRONT MIDDLE TOEGUARD	
6	70020075	2	REAR TOEGUARD	
7	70020076	8	CHEESE HD SOCKET SCREW, M6X1X55	
8	70020077	10	CHEESE HD SOCKET SCREW, M6X1X20	
9	70020078	1	METAL GRATING	
10	70020079	6	FLAT HD SCREW, M8X1.25X30	
11	70020054	18	HEX SELF LOCKING NUT, M6X1	
12	70020080	6	HEX SELF LOCKING NUT, M8X1.25	
13	70020145	1	COMPLETE RAILING ASSY, (includes items 14 thru 43)	
14	70020081	7	TUBULAR FRAME	
15	70020082	1	TUBULAR FRAME	
16	70020083	7	TUBULAR FRAME	
17	70020084	5	TUBULAR FRAME	
18	70020085	8	TUBULAR FRAME	
19	70020086	2	TUBULAR FRAME	
20	70020087	1	TUBULAR FRAME	
21	70020088	1	TUBULAR FRAME, (rear vertical), (not shown)	
22	70020089	7	TUBULAR FRAME	
23	70020090	1	TUBULAR FRAME	
24	70020091	1	TUBULAR FRAME	
25	70020092	1	TUBULAR FRAME	
26	70020093	4	TUBULAR FRAME	
27	70020094	1	TUBULAR FRAME	
28	70020095	2	TUBULAR FRAME	
29	70020096	1	TUBULAR FRAME	
30	70020097	1	TUBULAR FRAME	
31	70020098	6	CORNER TEE FITTING	
32	70020099	5	CROSS FITTING	
33	70020100	6	CORNER TEE FITTING, 90	
34	70020101	7	TEE FITTING, 90	
35	70020102	2	HINGE FITTING, RIGHT HAND	
36	70020103	4	CORNER TEE FITTING, 90	
37	70020104	4	RIVET	
38	70020105	4	LANYARD KEEPER ASSY, (includes items 39 thru 42)	
39	70020106	1	CLAMP	
40	70020107	1	BUSHING	
41	70020108	1	EYEBOLT	
42	70020109	1	HEX HD SCREW, M12X1.75X45	
43	7029962	1	DOOR LOCK	

SECTION 3 - ATTACHMENT

FIGURE 3-12. PLATFORM ASSEMBLY, ELECTRICAL



SECTION 3 - ATTACHMENT

FIGURE 3-12. PLATFORM ASSEMBLY, ELECTRICAL

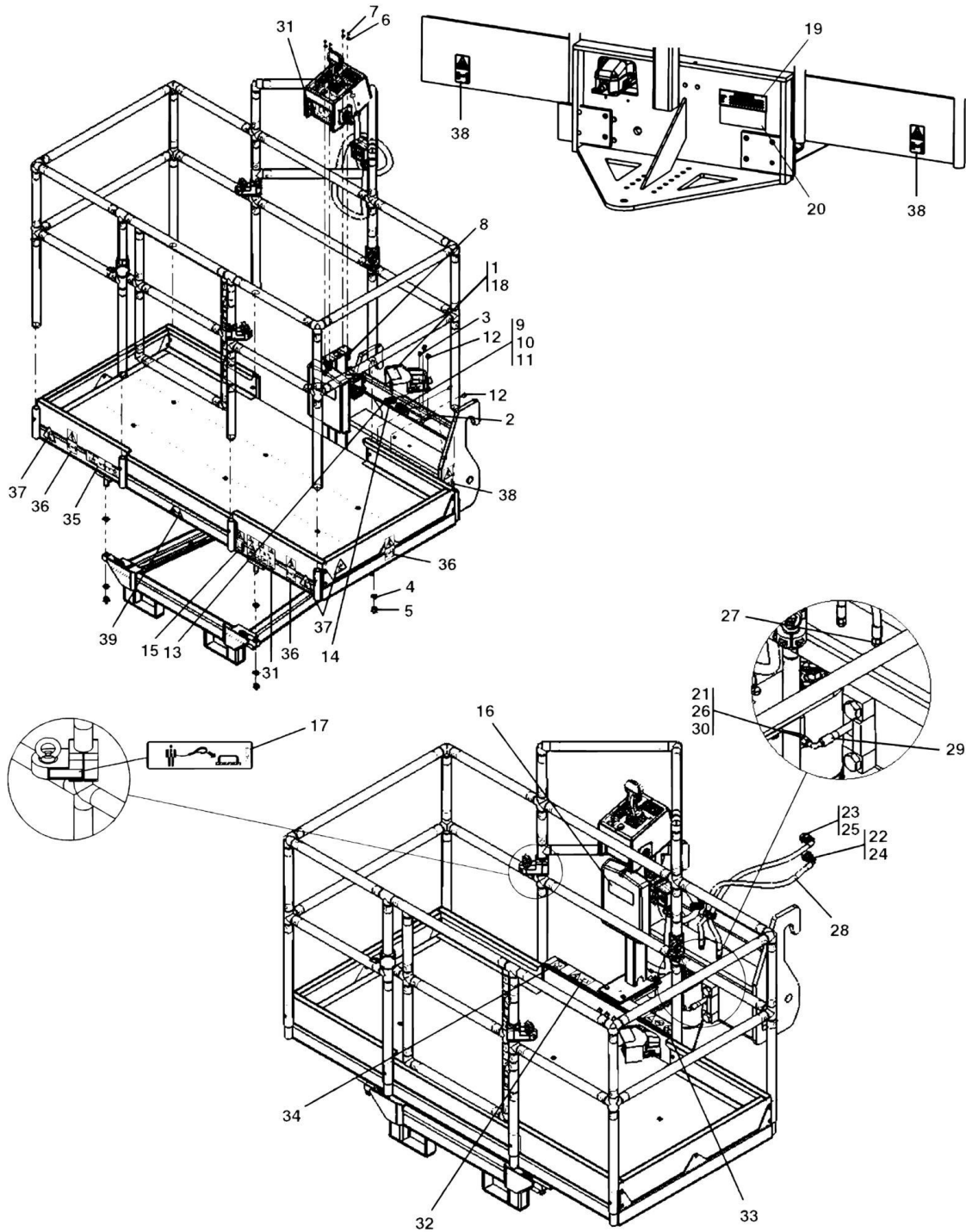
ITEM	PART NUMBER	QTY	DESCRIPTION	REV
	3510871	1	PLATFORM ASSY, (includes all items, See PLATFORM ASSEMBLY, ADAPTER AND PEDESTAL, PLATFORM ASSEMBLY, BASE AND RAILINGS, PLATFORM ASSEMBLY, ELECTRICAL AND PLATFORM ASSEMBLY, MISCELLANEOUS for Breakdown.)	D
1	70020147	1	CONTROL BOX ASSY, (includes items 1 thru 15)	
2	70020110	1	CONTROL BOX	
3	70020111	1	INTERMEDIATE PLATE	
4	70020112	2	SPACER	
5	70020113	1	DASHBOARD PANEL	
6	7029926	1	LIGHTS AND FUEL GAUGE ASSY	
7	7029927	1	LIGHTS ASSY	
8	70020054	2	HEX SELF LOCKING NUT, M6X1	
9	8002822	1	JOYSTICK	
10	70020114	4	RD HD CROSS SLOTTED SCREW, M5X0.8X10	
11	70020115	1	EMERGENCY STOP BUTTON	
12	70020116	1	EMERGENCY STOP BUTTON SUPPORT w/CONTACT	
13	70020117	1	EMERGENCY STOP BUTTON CONTACT	
14	70020118	1	EMERGENCY STOP BUTTON RING	
15	7029928	1	LITTLE JOYSTICK	
16	7029929	1	HORN BUTTON	
17	70020119	2	FLAT HD SOCKET SCREW, M6X1X80	
18	70020120	28	TERMINAL	
19	70020121	2	TERMINAL	
20	70020122	1	PLATE	
21	70020123	2	RD HD CROSS SLOTTED SCREW, M3X0.5X16	
22	70020124	1	FUSE BOX	
23	70020125	5	DIODE	
24	70020126	2	RD HD SOCKET SCREW, M4X0.7X10	
25	70021027	4	HEX SELF LOCKING NUT, M4X0.7	
26	7029930	4	RELAY, 12V 20A	
27	70020128	4	RELAY SUPPORT	
28	70020129	3	CONNECTOR	
29	70020130	1	CONNECTOR	
30	70020131	22	CONTACT FOR CONNECTOR	
31	70020132	8	SELF TAPPING FLAT HD SCREW, M4.8X2X16	
32	70020133	4	PLAIN WASHER	
33	70020134	4	HEX SELF LOCKING NUT, M5X0.8	
34	70020135	4	RD HD SOCKET SCREW, M5X0.8X16	
35	70020136	1	FUSE ASSY	
36	70020137	4	FLAT WASHER	
37	70020138	1	PLATE	
38	70020139	2	RD HD SOCKET SCREW, M4X0.7X20	
39	70020140	1	ALARM	
40	4360583	1	SWITCH	
41	70020141	1	FUSE, 15A	
42	7029931	1	FLYING BOX	
43	7029932	1	MALE CONTACT, 16 PIN, (1-16)	
44	7029933	1	MALE CONTACT, 16 PIN, (17-32)	
45	7029935	1	CABLE ASSY	

SECTION 3 - ATTACHMENT

ITEM	PART NUMBER	QTY	DESCRIPTION	REV
46	2420202	4	LOAD CELL	
47	4420008	3.4 ft	INSULATION TAPE	
	70020142	1	COMPLETE CABLE AND FLYBOX, (includes items 42 & 45)	

SECTION 3 - ATTACHMENT

FIGURE 3-13. PLATFORM ASSEMBLY, MISCELLANEOUS



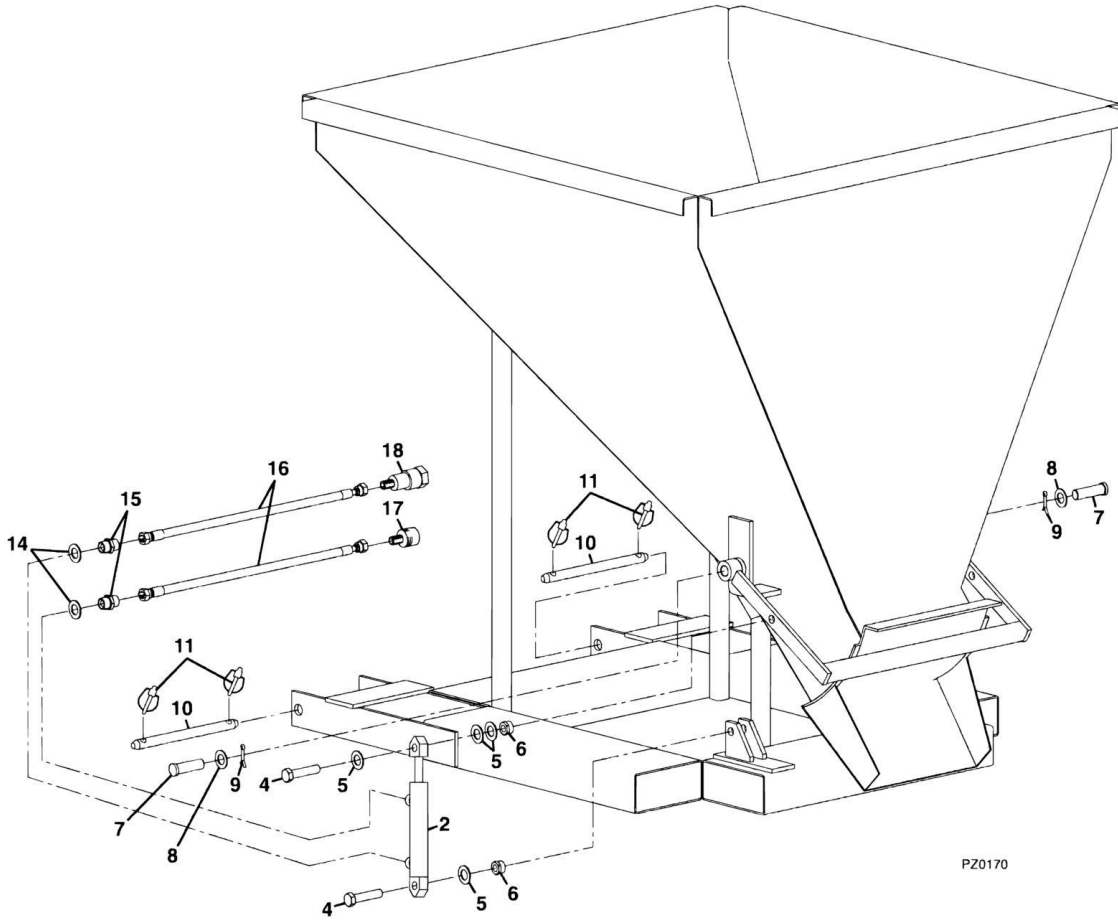
SECTION 3 - ATTACHMENT

FIGURE 3-13. PLATFORM ASSEMBLY, MISCELLANEOUS

ITEM	PART NUMBER	QTY	DESCRIPTION	REV
	3510871	1	PLATFORM ASSY, (includes all items, See PLATFORM ASSEMBLY, ADAPTER AND PEDESTAL, PLATFORM ASSEMBLY, BASE AND RAILINGS, PLATFORM ASSEMBLY, ELECTRICAL AND PLATFORM ASSEMBLY, MISCELLANEOUS for Breakdown.)	D
1	4360031	1	FOOT SWITCH	
2	70020146	1	FOOT SWITCH SUPPORT PLATE	
3	70020148	1	HEX HD SCREW, M6X1X20	
4	70020149	8	PLAIN WASHER	
5	70020068	4	HEX SELF LOCKING NUT, M16	
6	70020133	8	PLAIN WASHER	
7	70020150	4	HEX NUT, M5X0.8	
8	70020151	4	HEX HD SCREW, M5X0.8X25	
9	70020152	1	DOUBLE CLAMP	
10	70020153	1	UPPER DOUBLE CLAMP	
11	70020154	1	DOUBLE CLAMP SCREW	
12	70020155	4	CHEESE HD SOCKET SCREW, M8X1.25X20	
13	70020156	2	CHEESE HD SOCKET SCREW, M6X1X30	
14	70020157	2	CLAMP	
15	8006612	1	ATTENTION DECAL	
16	1701509	1	MANUAL BOX DECAL	
17	1704277	4	LANYARD DECAL	
18	1705828	1	FOOT SWITCH DECAL	
19	3252801	1	NAMEPLATE, MANUFACTURING SPECIFICATIONS	
20	70020159	1	PLATFORM NAMEPLATE	
21	70020160	2	COPPER WASHER	
22	70020161	1	FEMALE QUICK CONNECTION	
23	70020162	1	MALE QUICK CONNECTION	
24	70020163	1	FEMALE QUICK CONNECTION PLUG	
25	70020164	1	MALE QUICK CONNECTION PLUG	
26	70020165	2	O-RING	
27	70020166	2	FITTING, 1/4	
28	70020167	2	HOSE ASSY	
29	70020168	2	HOSE ASSY	
30	70020169	2	SPECIAL FITTING	
31	1706323	2	450 KG CAPACITY WARNING DECAL	
32	1706595	1	STABILITY WARNING DECAL	
33	1706596	1	FALL HAZARD WARNING DECAL	
34	1706600	1	OUTRIGGER LOAD DECAL	
35	1706601	1	PLATFORM LOAD CAPACITY DECAL	
36	1706602	3	CRUSHING HAZARD DECAL	
37	1706603	3	FOOT CRUSHING HAZARD DECAL	
38	1706604	3	CRUSHING HAZARD WARNING DECAL	
39	1706605	1	FOOT CRUSHING HAZARD DECAL	
	70020158	1	DECAL KIT, (includes items 31 thru 39)	

SECTION 3 - ATTACHMENT

FIGURE 3-14. CONCRETE LADLE



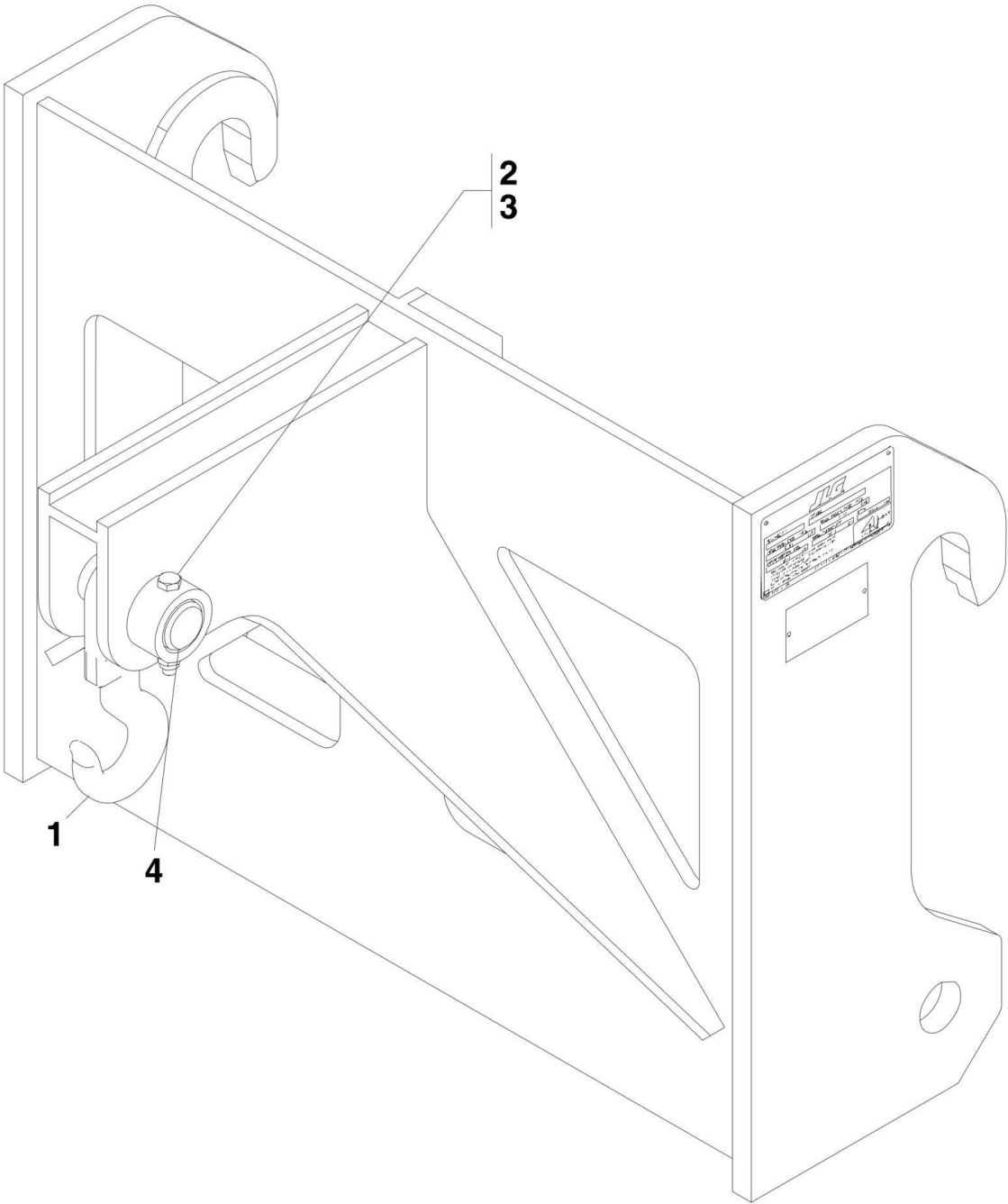
SECTION 3 - ATTACHMENT

FIGURE 3-14. CONCRETE LADLE

ITEM	PART NUMBER	QTY	DESCRIPTION	REV
	0240158	1	CONCRETE LADLE, (includes all items)	B
2	70020723	1	HYDRAULIC CYLINDER	
4	70020724	2	BOLT	
5	70020725	4	WASHER	
6	70020726	2	NUT	
7	70020727	2	PIN	
8	70020728	2	WASHER	
9	70020729	2	PIN	
10	70020203	2	SAFETY PIN	
11	70020204	4	RETAINING RING	
14	70020730	2	GASKET	
15	70020731	2	LINK	
16	70020732	2	PIPE	
17	70020733	1	QUICK COUPLING, MALE	
18	70020734	1	QUICK COUPLING, FEMALE	

SECTION 3 - ATTACHMENT

FIGURE 3-15. CRANE HOOK



PZ0380

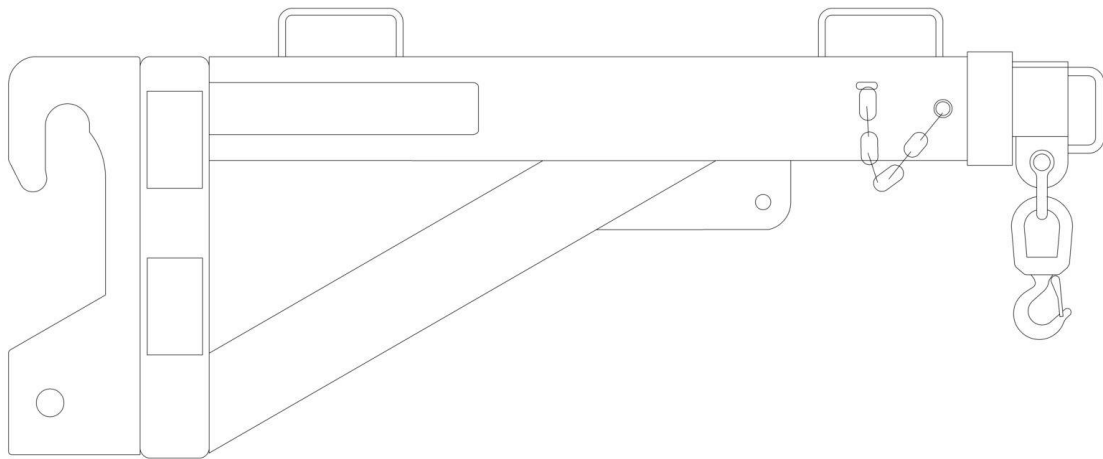
SECTION 3 - ATTACHMENT

FIGURE 3-15. CRANE HOOK

ITEM	PART NUMBER	QTY	DESCRIPTION	REV
	1170058	1	CRANE HOOK, (includes all items)	A
1	70020417	1	HOOK	
2	70020205	1	BOLT	
3	70020206	1	NUT	
4	70020201	1	PIN	

SECTION 3 - ATTACHMENT

FIGURE 3-16. ADJUSTABLE BOOM TRUSS (AUSTRALIA)



PAP099

SECTION 3 - ATTACHMENT

FIGURE 3-16. ADJUSTABLE BOOM TRUSS (AUSTRALIA)

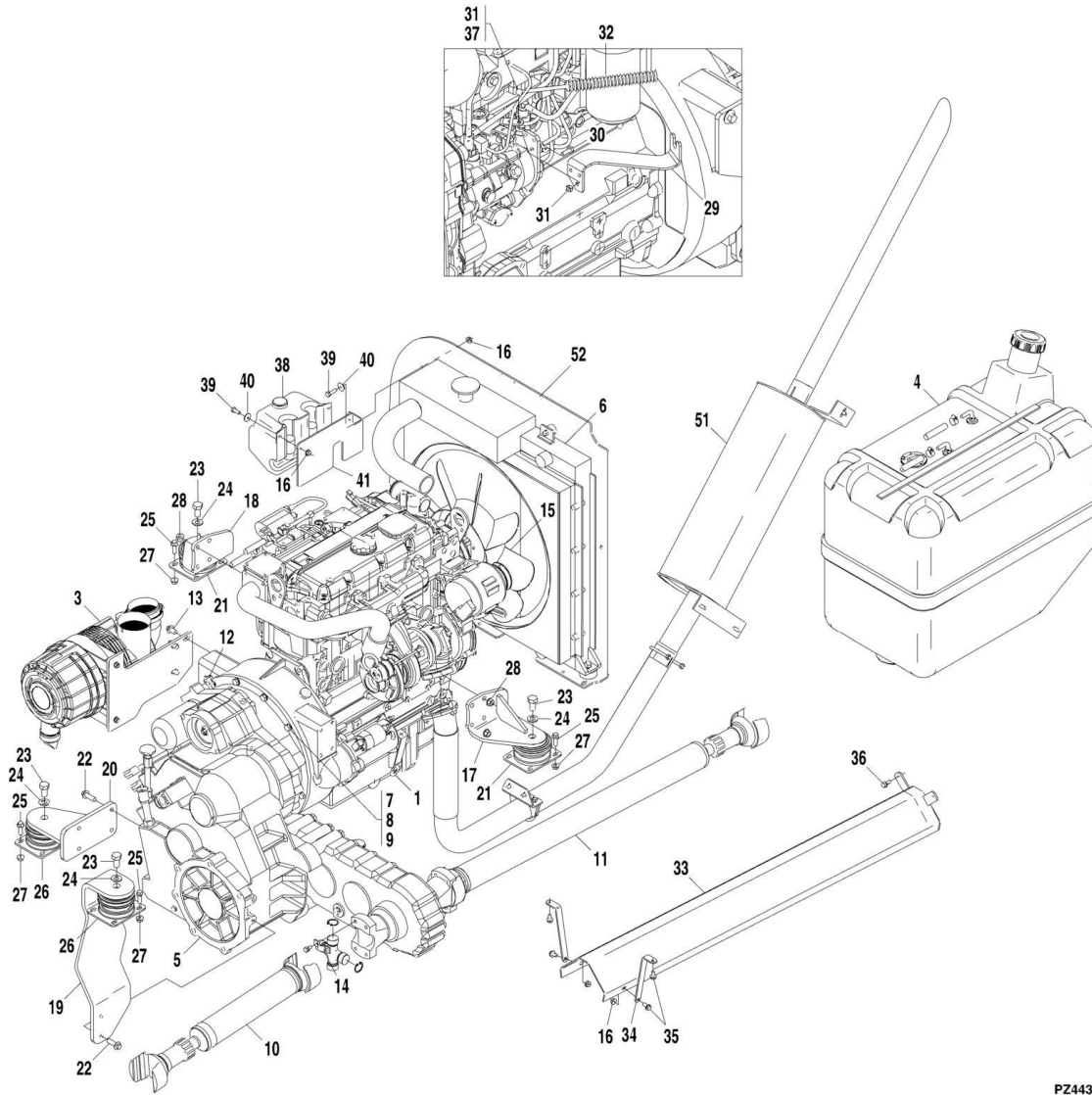
ITEM	PART NUMBER	QTY	DESCRIPTION	REV
	0240145	1	ADJUSTABLE BOOM TRUSS	B

SECTION 4 - ENGINE AND ATTACHING PARTS

SECTION 4 - ENGINE AND ATTACHING PARTS

SECTION 4 - ENGINE AND ATTACHING PARTS

FIGURE 4-1. ENGINE ASSEMBLY



PZ4430

SECTION 4 - ENGINE AND ATTACHING PARTS

FIGURE 4-1. ENGINE ASSEMBLY

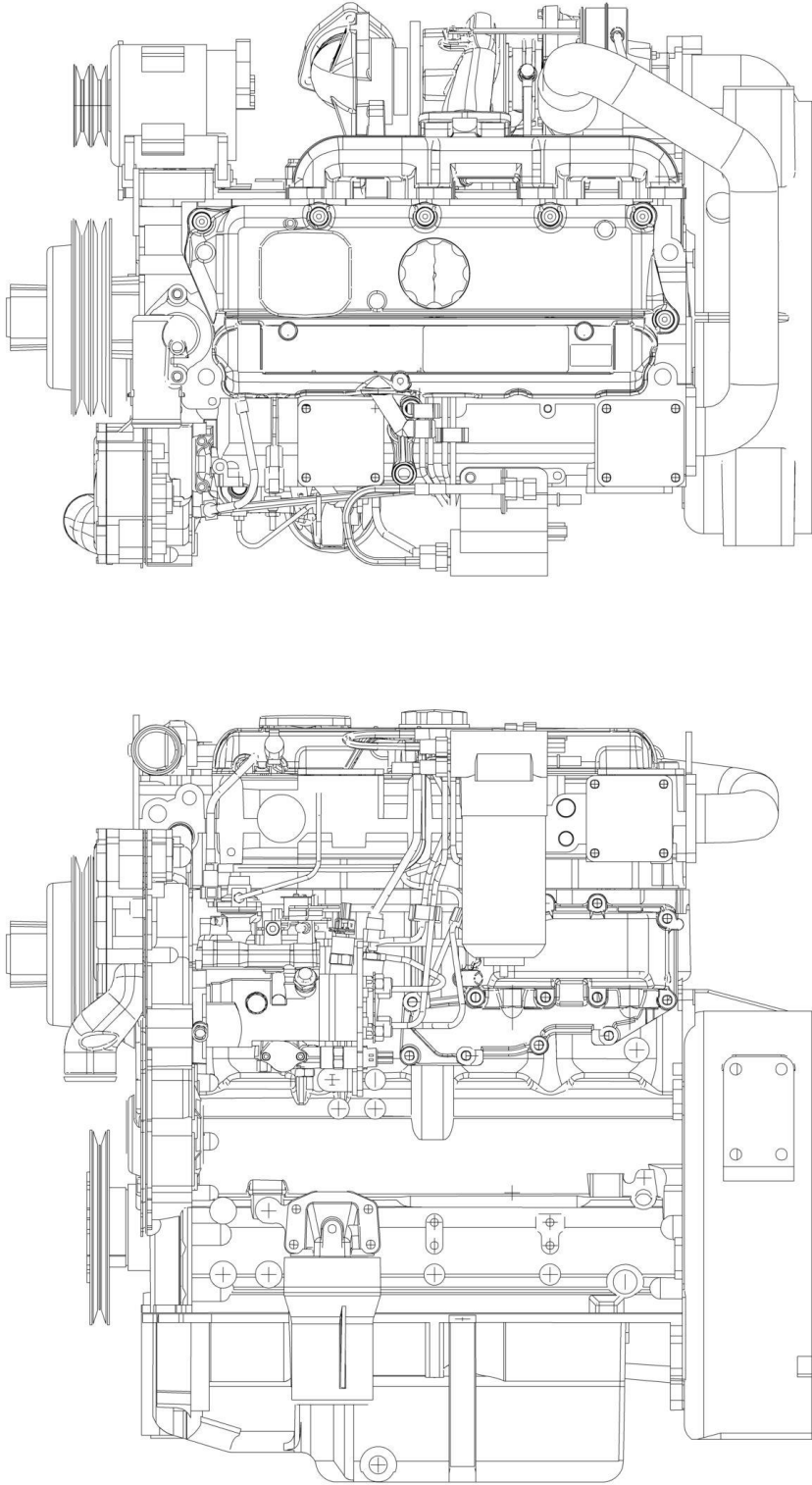
ITEM	PART NUMBER	QTY	DESCRIPTION	REV
	2000226	1	ENGINE ASSY, (includes items 1 thru 41)	F
1		Ref	PERKINS ENGINE, (See PERKINS ENGINE for Breakdown)	
3		Ref	AIR CLEANER INSTALLATION, (See AIR FILTER INSTALLATION for Breakdown)	
4		Ref	FUEL TANK INSTALLATION, (See FUEL TANK AND LINES for Breakdown)	
5		Ref	TRANSMISSION ASSY, (See AC PUMP INSTALLATION for Breakdown)	
6		Ref	COOLING SYSTEM INSTALLATION, (See COOLING SYSTEM INSTALLATION for Breakdown)	
7	0771014	10	HEX HD CAPSCREW, 10-1.50X30mm, GR 10.9	
8	8003320	8	BOLT	
9	5212000	10	RIPP WASHER, M10	
10	8004069	1	DRIVESHAFT	
10	7028929	2	UNIVERSAL JOINT	
11	8004070	1	DRIVESHAFT	
11	7028929	2	UNIVERSAL JOINT	
12	8004982	1	Fitting	
13	5201210	3	BOLT	
14	8005079	8	DRIVESHAFT ATTACHMENT KIT, (includes strap and bolts), (torque to 38Nm)	
15	2060033	1	FAN	
16	5220800	6	RIPP NUT, 8MM	
17	4801154	1	MOUNTING BRACKET, (rear left)	
18	4801176	1	MOUNTING BRACKET, (rear right)	
19	4804715	1	MOUNTING BRACKET, (front left)	
20	4804135	1	MOUNTING BRACKET, (front right)	
21	4806397	2	MOUNT, (rear)	
22	5201215	6	BOLT, (torque to 120Nm)	
23	398929	4	BOLT, (torque to 210Nm)	
24	4812300	4	FLAT WASHER, 16MM	
25	5201014	16	BOLT, (torque to 120Nm)	
26	4806386	2	MOUNT, (front)	
27	5221000	16	RIPP NUT, 10MM	
28	5221200	8	RIPP NUT, 12MM, (torque to 78Nm)	
29	0902954	1	THROTTLE BRACKET	
30	0760608	3	HEX HD CAPSCREW, 6-1.00X16MM, GR 8.8	
31	3290605	4	LOCKNUT, 6MM	
32	8002599	1	CABLE, THROTTLE	
33	8002584	1	GUARD	
34	8002585	2	HOLDER	
35	5200808	4	BOLT	
36	5200810	2	BOLT	
37	466104	1	ANGLE JOINT	
38	2995299	1	WASHER BOTTLE W/PUMP	
38	70021576	1	CAP	
39	0760810	4	HEX HD CAPSCREW, 8-1.25X20MM, GR 8.8	
40	1356341	4	WASHER	
41	0902957	1	WASHER BOTTLE BRACKET	
51		Ref	EXHAUST INSTALLATION, (See MUFFLER INSTALLATION for Breakdown)	

SECTION 4 - ENGINE AND ATTACHING PARTS

ITEM	PART NUMBER	QTY	DESCRIPTION	REV
52		Ref	RADIATOR MOUNTING SEAT, (See FRAME AND ATTACHING PARTS SECTION for Breakdown)	

SECTION 4 - ENGINE AND ATTACHING PARTS

FIGURE 4-2. PERKINS ENGINE



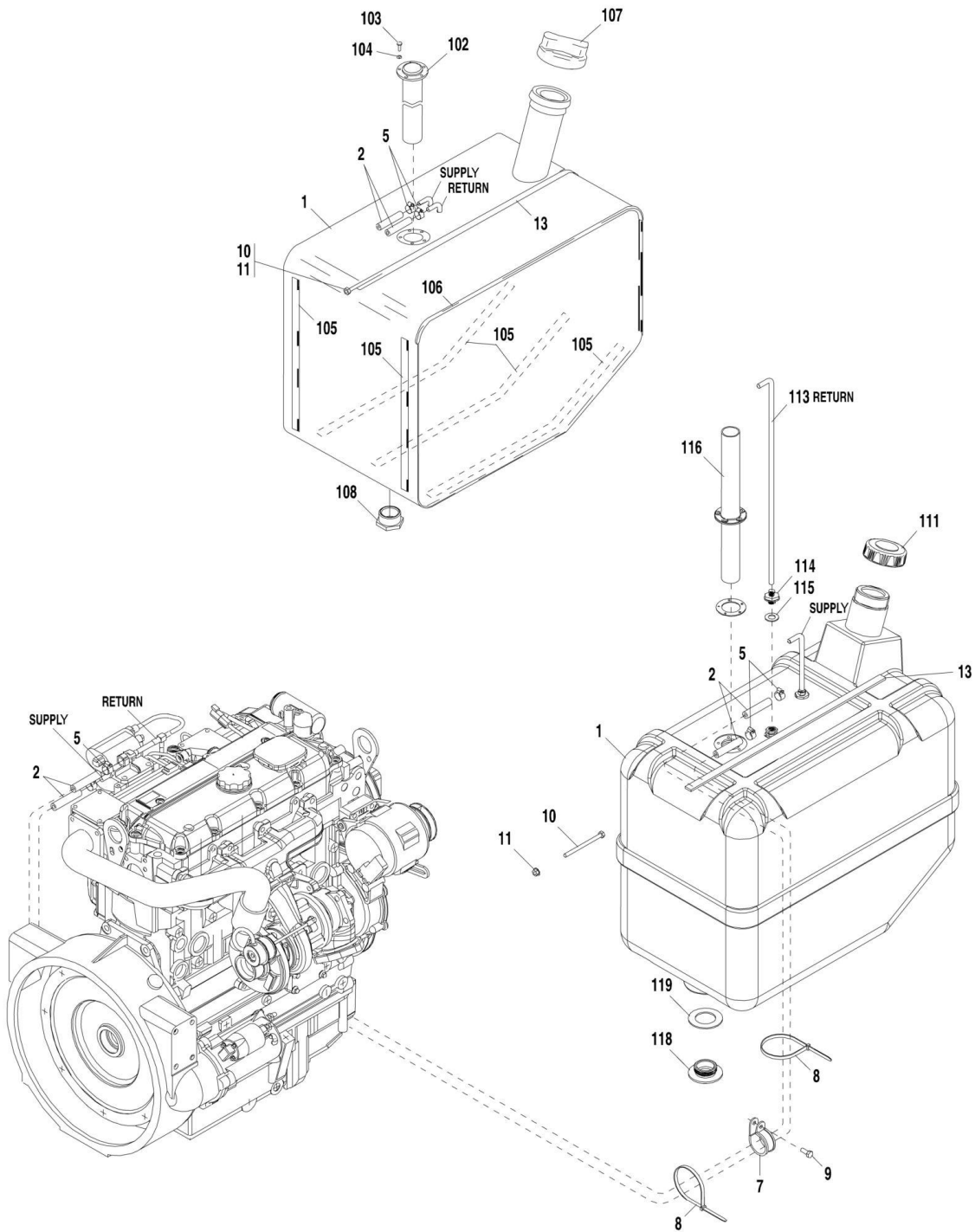
SECTION 4 - ENGINE AND ATTACHING PARTS

FIGURE 4-2. PERKINS ENGINE

ITEM	PART NUMBER	QTY	DESCRIPTION	REV
	2000200	1	PERKINS ENGINE, 99.5 BHP, (includes all items)	
	7028687	1	FUEL INJECTION PUMP	
	7028688	1	O-RING	
	7028689	1	FUEL SHUT-OFF SOLENOID	
	7028677	1	SENDER	
	7028679	1	FLY WHEEL ASSY	
	7028680	1	STARTER RING GEAR	
	70021786	1	STARTER MOTOR	
	7028686	1	FAN BELT	
	7028669	1	OIL PAN GASKET	
	7028659	2	OIL DRAIN PLUG	
	7028660	2	O-RING	
	7028672	1	DIPSTICK	
	7028681	1	OIL CAP	
	7028682	1	O-RING	
	7028692	1	OIL COOLER	
	7028684	2	GASKET	
	7028685	1	GASKET	
	8006013	1	OIL FILTER	
	7028663	1	WATER PUMP	
	7028664	1	WATER PUMP REPAIR KIT	
	7028665	1	GASKET	
	7028666	1	WATER PUMP GASKET	
	70020209	1	THERMOSTAT	
	7028668	1	O-RING, THERMOSTAT	
	1001090078	1	ALTERNATOR	
	70021487	1	ALTERNATOR BRACKET	
	70021488	1	ADJUSTING BAR, ALTERNATOR	
	70021490	1	PULLEY, ALTERNATOR	
	7028673	1	OIL PUMP	
	7028691	1	GASKET	
	8008076	1	TURBOCHARGER	
	7028674	1	EXHAUST MANIFOLD JOINT	
	7028655	1	FUEL FILTER ELEMENT KIT	
	7028676	4	GLOW PLUG	
	7028141	1	OIL PRESSURE SWITCH	
	7029717	1	FUEL LIFT PUMP, (includes fuel filter element)	
	70021142	1	INLET MANIFOLD PIPE	
	70021143	2	HOSE CLAMP	
	70021144	1	HOSE	
	70021145	1	GASKET	
	70021501	1	FUEL FEED PIPE	

SECTION 4 - ENGINE AND ATTACHING PARTS

FIGURE 4-3. FUEL TANK AND LINES



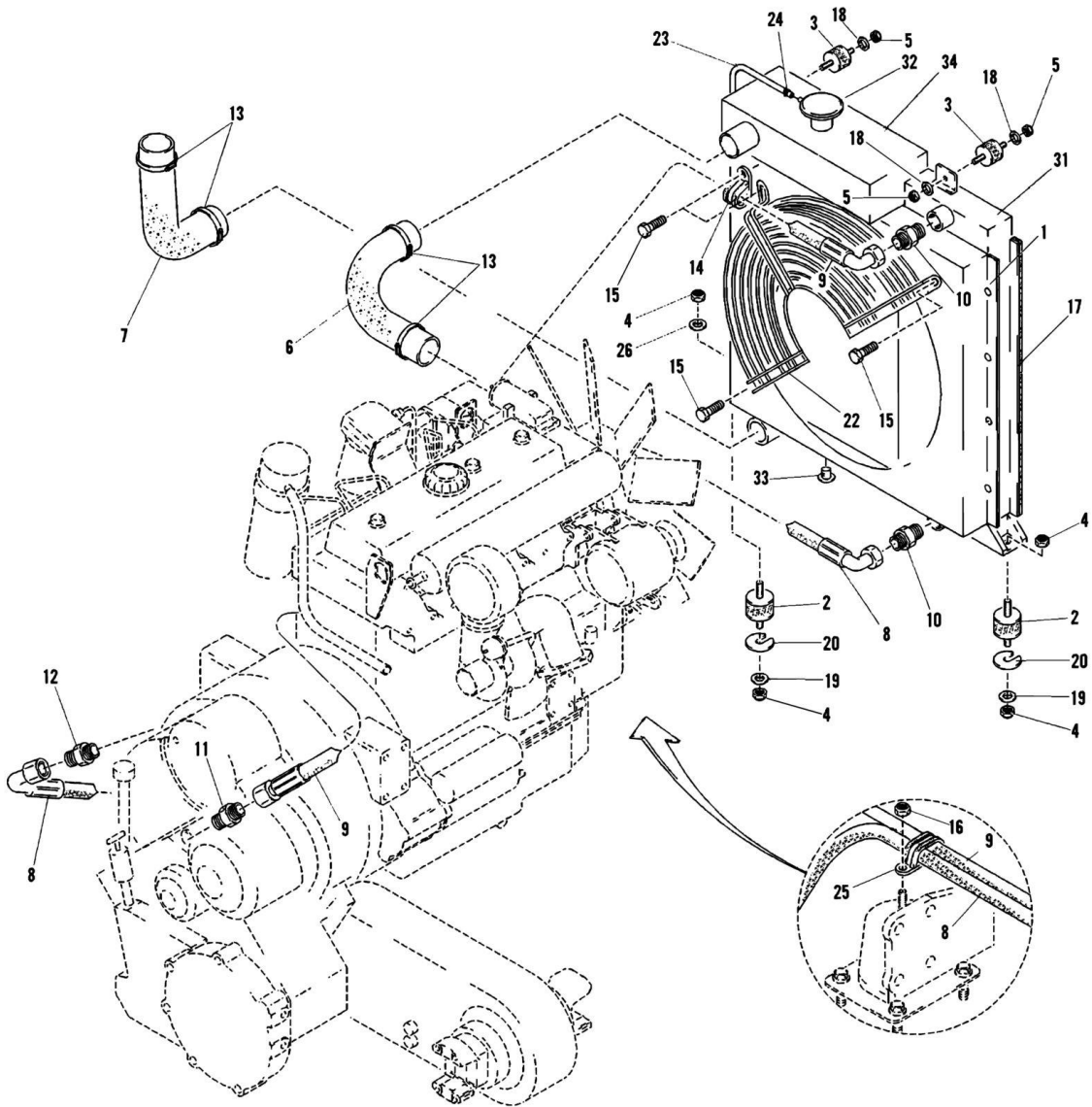
SECTION 4 - ENGINE AND ATTACHING PARTS

FIGURE 4-3. FUEL TANK AND LINES

ITEM	PART NUMBER	QTY	DESCRIPTION	REV
	4400464	Ref	FUEL SUPPLY INSTALLATION, (includes items 1 thru 13)	E
1	4805374	NLA	FUEL TANK ASSY, (includes items 102 thru 108), (no longer available; order 2915127 kit for replacement) (Prior to SN 1160000822)	
1	4400471	1	FUEL TANK ASSY, (includes items 111 thru 119) (SN 1160000822 to Present)	
2	2720519	2	FUEL PIPE	
5	1321301	4	MINI-CLAMP	
7	1003721	1	CLIP	
8	1062255	10	CABLE BAND	
9	0760810	1	HEX HD CAPSCREW, 8-1.25X20MM, GR8.8	
10	0760827	1	BOLT, 8X100MM	
11	5220800	1	RIPP NUT, 8MM	
13	909304	AR	TRIM	
102	8002019	1	FUEL LEVEL SENDER	
103	4010508	5	PAN HD SCREW, 5X16MM	
104	4811600	5	FLAT WASHER, 5MM	
105	909304	AR	TRIM	
106	935113	AR	TRIM	
107	8003285	1	FUEL CAP	
108	7028782	1	PLUG	
111	7029215	1	CAP, BREATHER VALVE	
113	7029216	2	PIPE	
114	7029217	2	COUPLER	
115	7029218	2	O-RING	
116	8002019	1	SENDER, FUEL GAUGE	
118	7029220	1	PLUG	
119	7029221	1	O-RING	

SECTION 4 - ENGINE AND ATTACHING PARTS

FIGURE 4-4. COOLING SYSTEM INSTALLATION



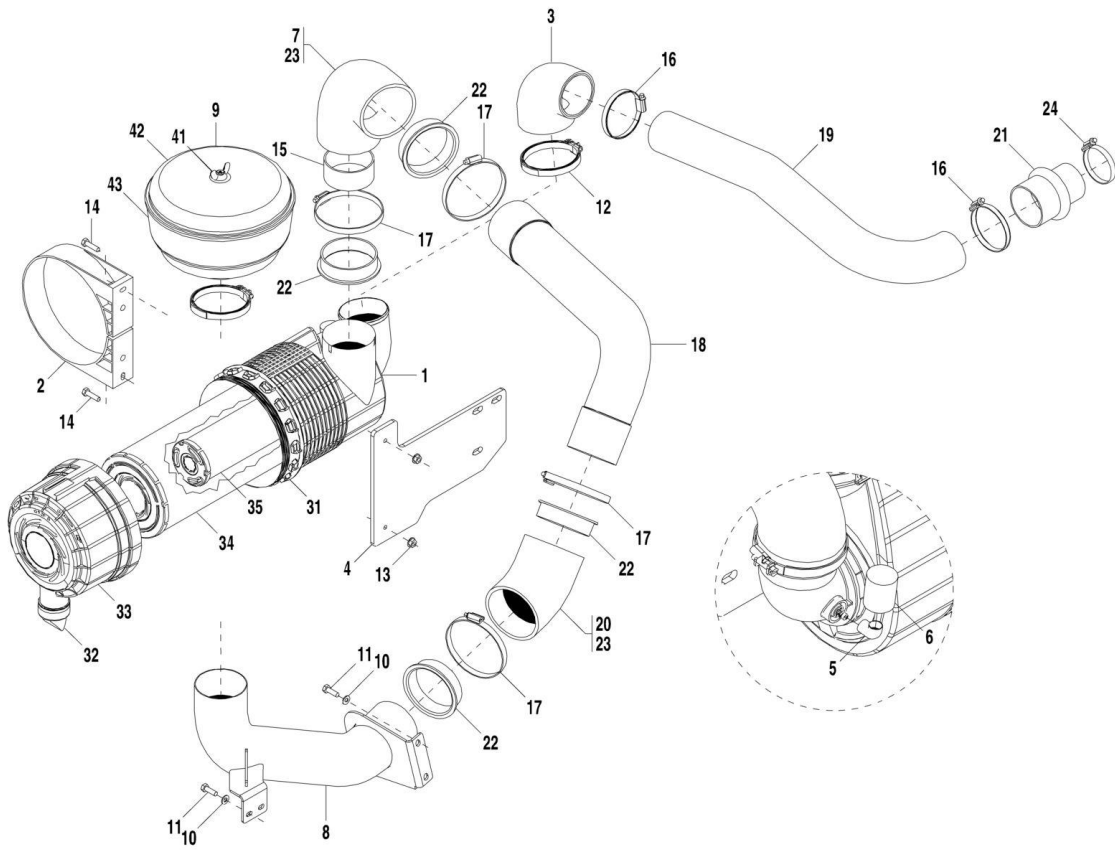
SECTION 4 - ENGINE AND ATTACHING PARTS

FIGURE 4-4. COOLING SYSTEM INSTALLATION

ITEM	PART NUMBER	QTY	DESCRIPTION	REV
	8004980	1	COOLING SYSTEM INSTALLATION, (includes items 1 thru 26)	E
1	4803178	1	RADIATOR ASSY, (includes items 31 thru 34)	
2	429063	2	RADIATOR MOUNT	
3	2969548	2	RADIATOR MOUNT	
4	3291005	4	NUT	
5	3290805	4	NUT	
6	4806046	1	RADIATOR HOSE	
7	4806057	1	RADIATOR HOSE	
8	8002374	1	HOSE	
9	8002375	1	HOSE	
10	2140810	2	FITTING, STRAIGHT	
11	8004603	1	FITTING, STRAIGHT	
12	8001908	1	FITTING, STRAIGHT	
13	8005376	4	CLIP	
14	816186	1	CLIP	
15	5200808	3	RIPP BOLT	
16	5220800	1	RIPP NUT	
17	909304	AR	TRIM, RUBBER	
18	1356341	4	WASHER	
19	1629567	2	WASHER	
20	8005741	2	SHIM, 5MM	
20	8005743	2	SHIM, 3MM	
22	8007733	1	SCREEN GRID	
23	8009666	1.05 m	HOSE	
24	8005197	1	CLIP	
25	1003721	1	CLIP	
26	4812000	2	WASHER, 10MM	
31	7029723	1	FAN HOUSING (SN 1160000545 to Present)	
32	3971793	1	RADIATOR CAP, METAL PUSH LOCK (Prior to SN 1160000545)	
32	7029722	1	RADIATOR CAP, PLASTIC THREADED, 1 BAR (SN 1160000545 to Present)	
33	0314725	1	PLUG (Prior to SN 1160000545)	
34	7029724	1	OIL/WATER COOLER (SN 1160000545 to Present)	
		Ref	NOTE: FAN HOUSING, PLUG, OIL/WATER COOLER FOR MACHINES PRIOR TO SN 1160000545 NO LONGER AVAILABLE; ORDER 4803178.	

SECTION 4 - ENGINE AND ATTACHING PARTS

FIGURE 4-5. AIR FILTER INSTALLATION



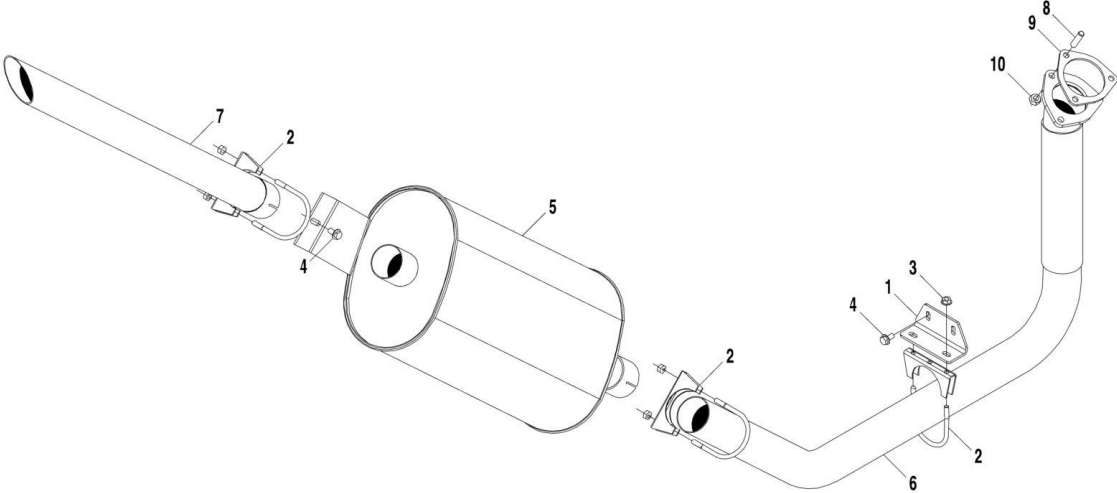
SECTION 4 - ENGINE AND ATTACHING PARTS

FIGURE 4-5. AIR FILTER INSTALLATION

ITEM	PART NUMBER	QTY	DESCRIPTION	REV
	2120187	1	AIR FILTER INSTALLATION, (includes items 1 thru 24)	C
1	2120186	1	AIR FILTER, (includes items 31 thru 35)	
2	3929780	1	MOUNTING BAND	
3	91083129	1	AIR INTAKE ELBOW	
4	3574617	1	AIR CLEANER MOUNT PLATE	
5	2988212	1	ELBOW, NIPPLE	
6	8004981	1	LOW PRESSURE INDICATOR	
7	09523572	1	ELBOW, 90	
8	4805794	1	AIR SUCTION PIPE	
9	8002927	1	REFRACTIONATOR, (includes items 41 thru 43)	
10	4811900	4	FLAT WASHER	
11	0760812	4	HEX HD CAPSCREW, 8.8 FT METRIC, 8-1.25X25MM	
12	1349717	1	BAND CLAMP	
13	5220800	2	RIPP NUT	
14	0760814	2	HEX HD CAPSCREW, 8.8 FT METRIC, 8-1.25X30MM	
15	2973384	1	REINFORCEMENT RING	
16	2991568	2	BAND CLAMP	
17	1380161	4	BAND CLAMP	
18	4568860	1	INTAKE TUBE	
19	4568838	1	TURBO TUBE	
20	77383126	1	ELBOW, 45	
21	4100072	1	SLEEVE REDUCER	
22	4100083	4	REDUCING INSERT	
23	0100085	AR	ADHESIVE, GLUE	
24	8005376	1	BAND CLAMP	
31	7028118	1	COVER	
32	80274006	1	VACUATOR VALVE	
33		Ref	PROTECTION CAP	
34	80273010	1	MAIN FILTER ELEMENT	
35	80273042	1	SAFETY ELEMENT	
41	7028097	1	WING NUT	
42	7028095	1	COVER	
43	7028096	1	BOWL	

SECTION 4 - ENGINE AND ATTACHING PARTS

FIGURE 4-6. MUFFLER INSTALLATION



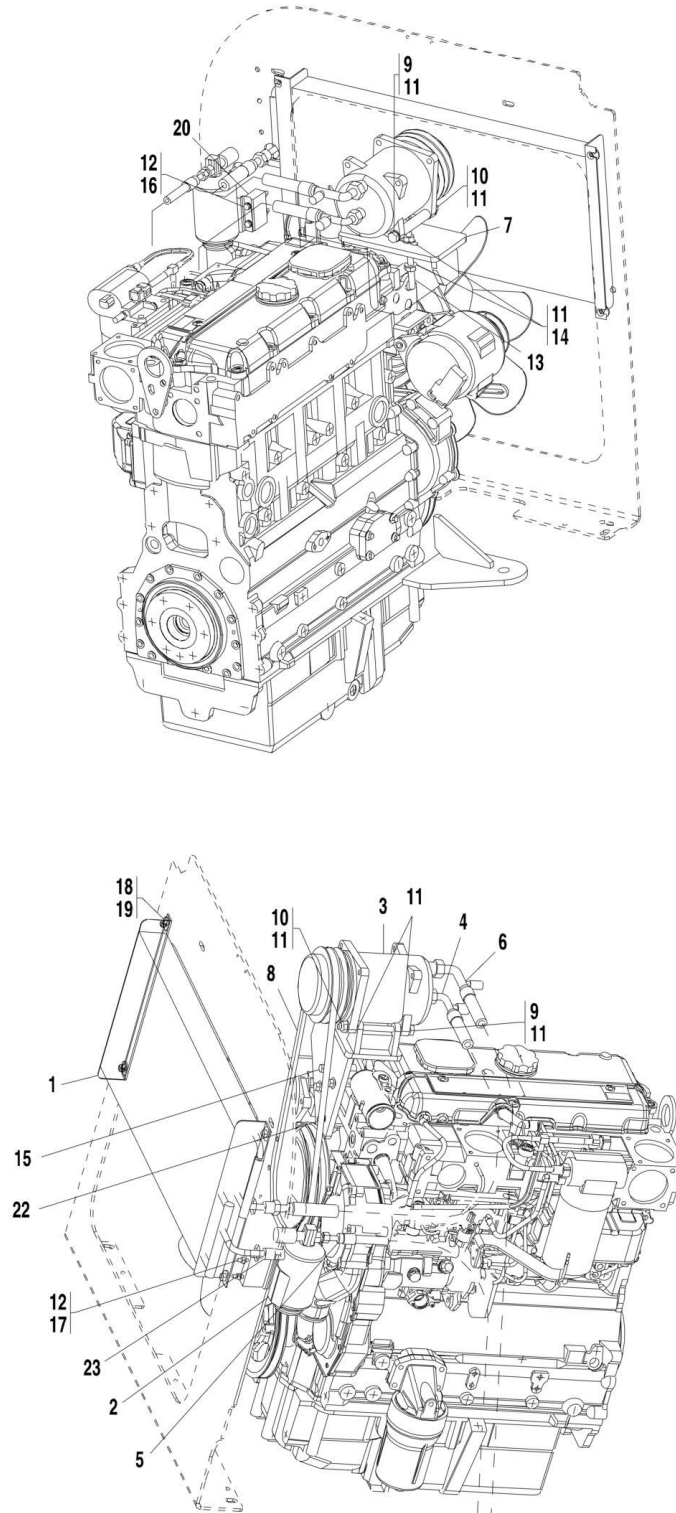
SECTION 4 - ENGINE AND ATTACHING PARTS

FIGURE 4-6. MUFFLER INSTALLATION

ITEM	PART NUMBER	QTY	DESCRIPTION	REV
	3220138	1	MUFFLER INSTALLATION, (includes all items)	B
1	4806580	1	BRACKET	
2	1686997	3	MUFFLER CLAMP	
3	5220800	2	NUT	
4	5200808	5	BOLT	
5	3220137	1	MUFFLER	
6	8007734	1	EXHAUST PIPE	
7	3460346	1	TAIL PIPE	
8	0630582	3	ENGINE EXHAUST BOLT	
9	3960586	1	ENGINE EXHAUST SEAL	
10	3300486	3	HEX NUT, M10X1.5	

SECTION 4 - ENGINE AND ATTACHING PARTS

FIGURE 4-7. AC PUMP INSTALLATION



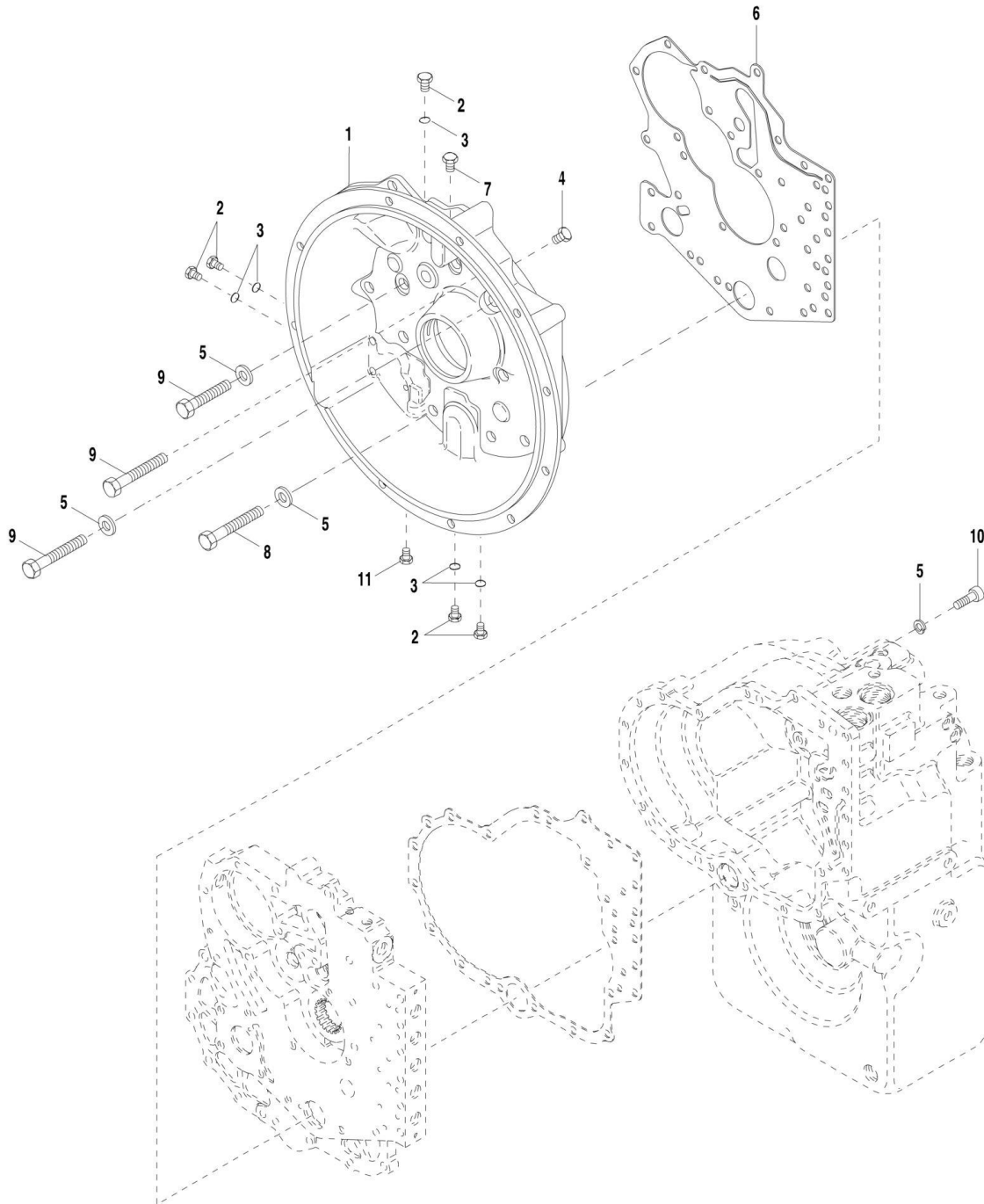
SECTION 4 - ENGINE AND ATTACHING PARTS

FIGURE 4-7. AC PUMP INSTALLATION

ITEM	PART NUMBER	QTY	DESCRIPTION	REV
	3600402	1	AC PUMP INSTALLATION, (includes all items)	D
1	8003165	1	CONDENSER	
2	8003166	1	DRIER ASSY	
2	70021482	1	DRYER	
2	70021483	1	CLAMP	
2	70021484	1	DRYER CLAMP	
2	70020721	1	PRESSURE SWITCH	
3	8003167	1	COMPRESSOR	
4	8005786	1	HOSE ASSY	
5	8005787	1	HOSE ASSY	
6	8005788	1	HOSE ASSY	
7	0902966	1	AIR CONDITIONING BRACKET	
8	0480138	1	COMPRESSOR BELT	
9	0701030	2	BOLT	
10	3291005	2	SELF LOCKING NUT	
11	4812000	8	WASHER	
12	4811700	8	WASHER	
13	0120008	1	AIR CONDITIONING ADJUSTER	
14	3291001	2	HEX NUT, 10MM-1.50	
15	5201012	3	RIPP BOLT, M10-25, (torque to 85 Nm)	
16	0700617	2	RIPP BOLT, M6-45	
17	3290605	2	NUT, 6MM	
18	3290805	4	NUT, 8MM	
19	1356341	4	WASHER	
20	8006450	1	DISTANCE PIECE	
22	5201010	1	RIPP BOLT, M10-20	
23	3780202	1	O-RING	

SECTION 4 - ENGINE AND ATTACHING PARTS

FIGURE 4-8. FOUR SPEED TRANSMISSION - CONVERTER HOUSING GROUP



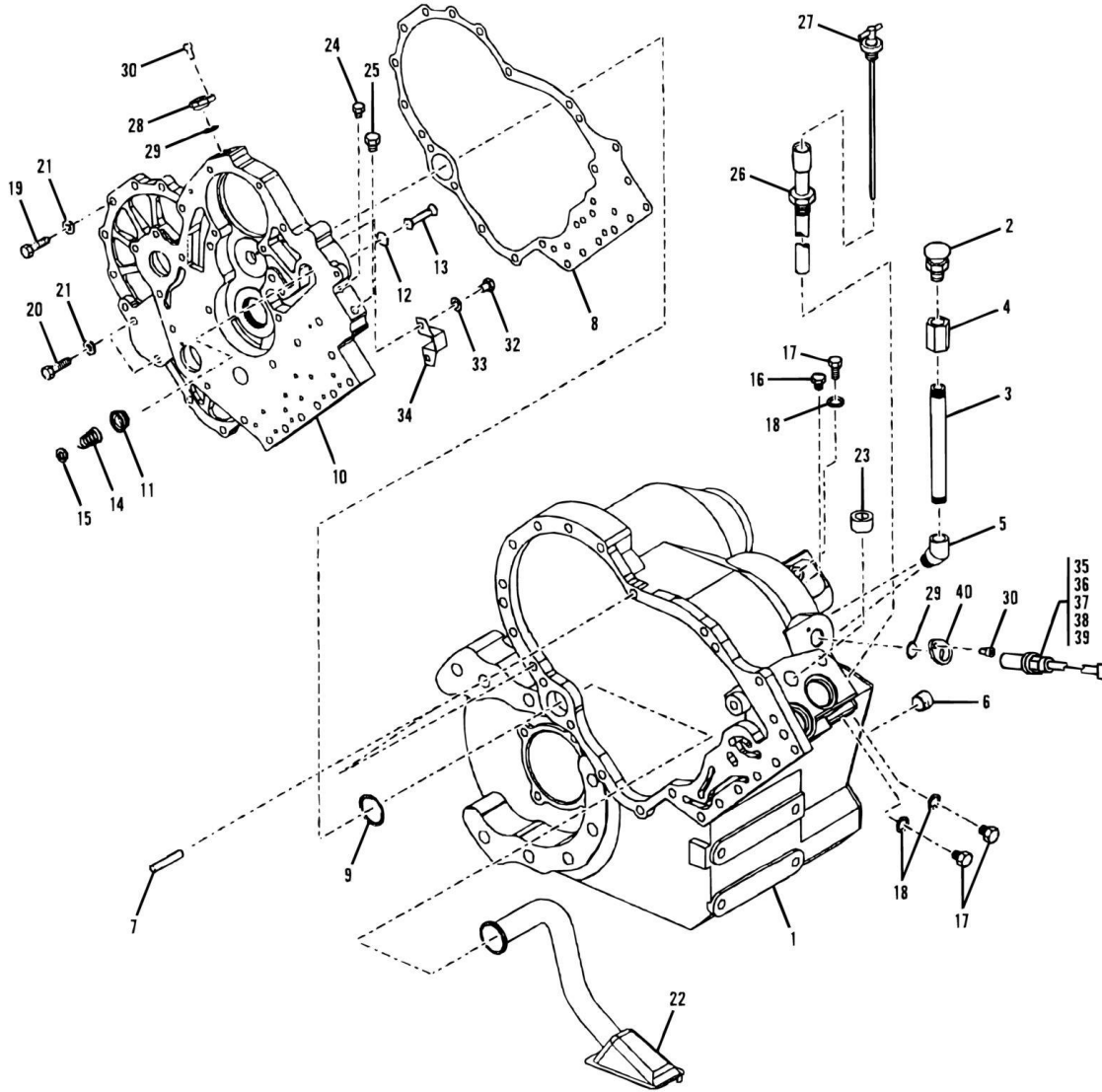
SECTION 4 - ENGINE AND ATTACHING PARTS

FIGURE 4-8. FOUR SPEED TRANSMISSION - CONVERTER HOUSING GROUP

ITEM	PART NUMBER	QTY	DESCRIPTION	REV
	4803361	1	FOUR SPEED TRANSMISSION , (includes all items See FOUR SPEED TRANSMISSION - CONVERTER HOUSING GROUP thur FOUR SPEED TRANSMISSION - DROP BOX GROUP) (Prior to SN 1160000533, Except SN 1160000523 through 1160000531, Excluding 1160000516, 1160000517 and 1160000520)	B
	4540016	1	FOUR SPEED TRANSMISSION , (includes all items See FOUR SPEED TRANSMISSION - CONVERTER HOUSING GROUP thru FOUR SPEED TRANSMISSION - DROP BOX GROUP) (SN 1160000533 to Present, SN 1160000523 through 1160000531, Including 1160000516, 1160000517 and 1160000520)	A
	8006318	1	TEMPERATURE SWITCH	
1	91474186	1	HOUSING, CONVERTER	
2	8032526	5	PLUG, (includes item 3)	
3		Ref	O-RING	
4	91474189	1	PLUG	
5	91474265	23	LOCKWASHER	
6	91474191	1	GASKET	
7	91474192	1	PLUG, CHECK VALVE	
8	91474193	6	SCREW	
9	91474194	16	SCREW	
10	91474195	1	SCREW	
11	8035092	1	PLUG	
	7028110		GASKET AND SEAL KIT, (contains gaskets and seals for entire transmission with the exception of the Drop Box)	
		Ref	DROP BOX GASKET AND SEAL KIT, (See FOUR SPEED TRANSMISSION - DROP BOX GROUP for Breakdown)	

SECTION 4 - ENGINE AND ATTACHING PARTS

FIGURE 4-9. FOUR SPEED TRANSMISSION - CASE AND PLATE GROUP



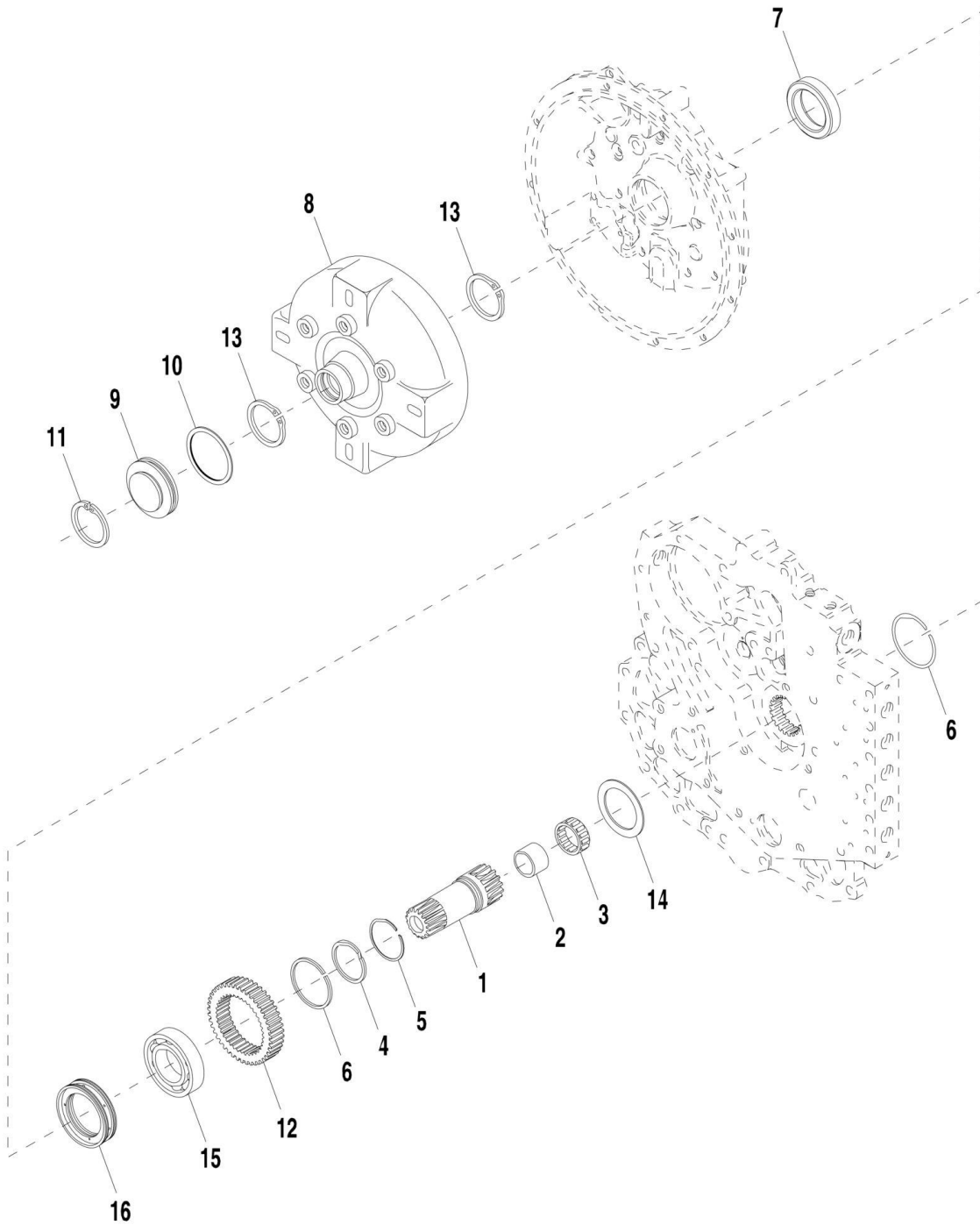
SECTION 4 - ENGINE AND ATTACHING PARTS

FIGURE 4-9. FOUR SPEED TRANSMISSION - CASE AND PLATE GROUP

ITEM	PART NUMBER	QTY	DESCRIPTION	REV
1	70020402	1	TRANSMISSION CASE	
2	8032509	1	AIR BREATHER	
3	7028058	1	PIPE NIPPLE	
4	91474198	1	PIPE COUPLING	
5	91474199	1	FITTING	
6	8032528	2	MAGNETIC DRAIN PLUG	
7	91474200	2	PIN	
8	91474201	1	GASKET	
9	10837074	1	SEAL RING	
10		Ref	PLATE SPACER	
11	91474204	1	SAFETY VALVE PLATE	
12	91474205	1	SNAP RING	
13	91474206	1	POPPET	
14	77104056	1	SPRING	
15	91474207	1	WASHER	
16	91474189	1	PLUG	
17	8032526	3	PLUG, (includes item 18)	
18		Ref	O-RING	
19	91474208	7	SCREW	
20	91474209	2	SCREW	
21	91474265	9	LOCKWASHER	
22	91474210	1	TUBE AND SCREEN ASSY	
23	91474211	1	FILLER PLUG	
24	91474189	1	PLUG	
25	91474192	1	PLUG	
26	90204823	1	DIPSTICK TUBE ASSY	
27	91474212	1	DIPSTICK	
28	91474213	1	PLUG	
29	91474214	2	O-RING	
30	8034940	2	SCREW	
32	91474617	2	CAPSCREW	
33	91474618	2	WASHER	
34	70020404	1	SAFETY VALVE BAFFLE	
35	8007875	1	SPEED SENSOR ASSY, (includes one of items 29 & 30 and items 36 thru 40)	C
36	4461118	1	CONNECTOR	
37	1001107854	2	CONTACT	
38	1001104498	1	SEAL	
39		Ref	SENSOR	
40	7028927	1	CLIP	

SECTION 4 - ENGINE AND ATTACHING PARTS

FIGURE 4-10. FOUR SPEED TRANSMISSION - TORQUE CONVERTER GROUP



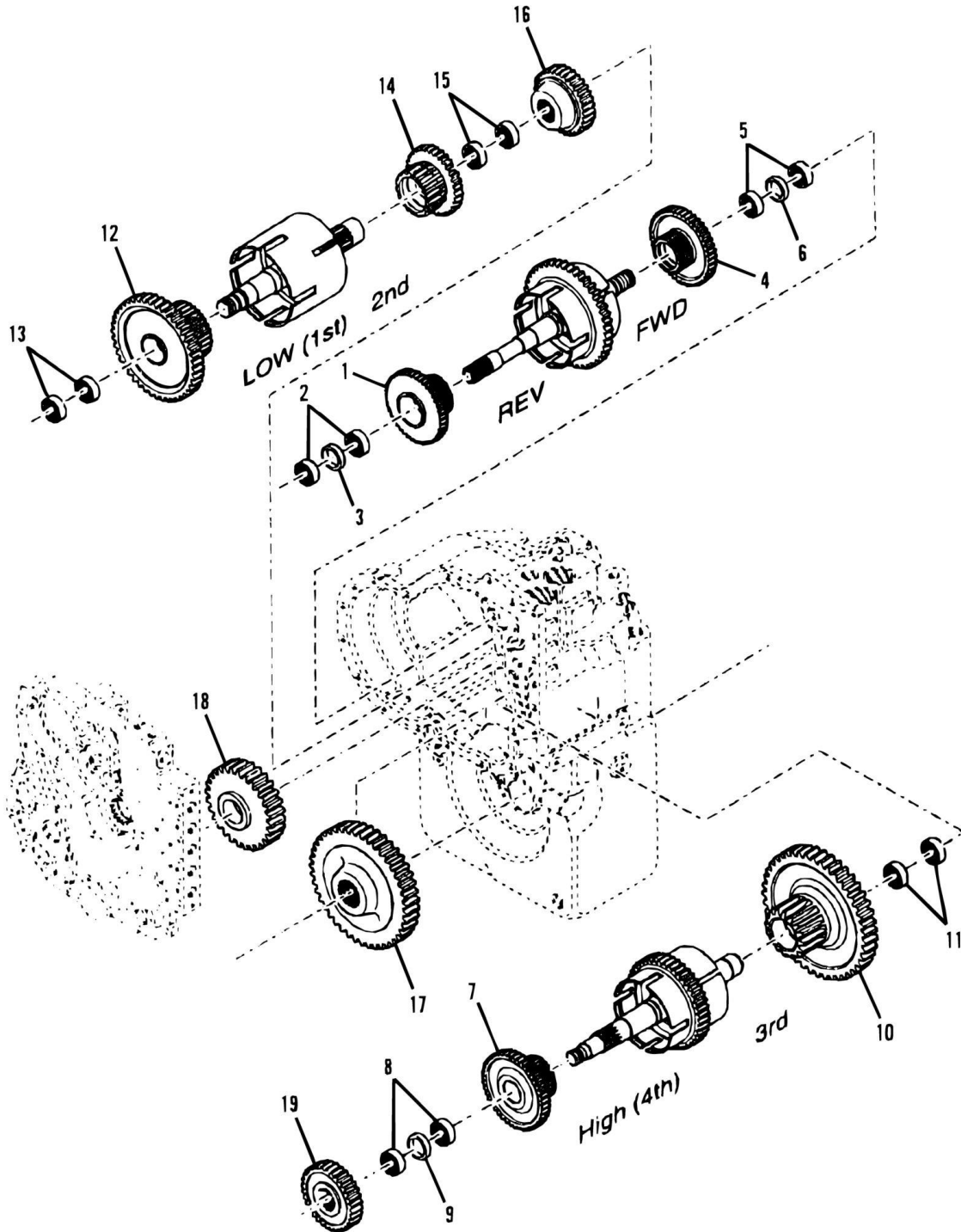
SECTION 4 - ENGINE AND ATTACHING PARTS

FIGURE 4-10. FOUR SPEED TRANSMISSION - TORQUE CONVERTER GROUP

ITEM	PART NUMBER	QTY	DESCRIPTION	REV
1	91474216	1	STATOR SUPPORT ASSY, (includes items 2 & 3)	
2	91474217	1	BUSHING	
3	91474218	1	BEARING	
4	91474219	1	RING	
5	91474220	1	EXPANDER	
6	91474221	2	SNAP RING	
7	10837072	1	OIL SEAL	
8	7028055	1	TORQUE CONVERTER ASSY	
9	90204781	1	PLUG	
10	77104039	1	O-RING	
11	77104041	1	SNAP RING	
12	91474224	1	GEAR	
13	8034968	2	SNAP RING	
14	91474226	1	WASHER	
15	10868235	1	BEARING	
16	91474228	1	RING	

SECTION 4 - ENGINE AND ATTACHING PARTS

FIGURE 4-11. FOUR SPEED TRANSMISSION - GEAR GROUP



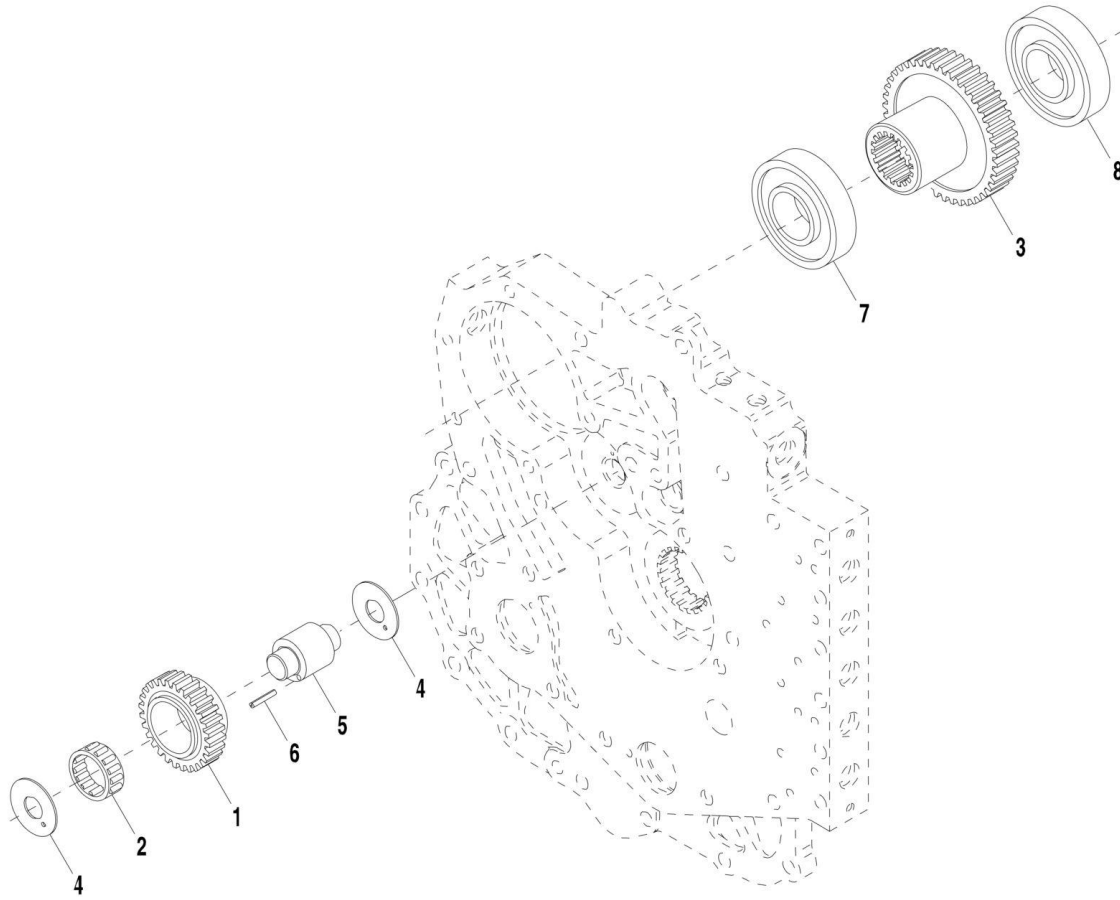
SECTION 4 - ENGINE AND ATTACHING PARTS

FIGURE 4-11. FOUR SPEED TRANSMISSION - GEAR GROUP

ITEM	PART NUMBER	QTY	DESCRIPTION	REV
1	7028060	1	GEAR AND BEARING ASSY, (includes items 2 & 3)	
2	91474230	2	BEARING	
3	91474231	1	SPACER	
4	91474232	1	GEAR AND BEARING ASSY, (includes items 5 & 6)	
5	91474230	2	BEARING	
6	91474231	1	SPACER	
7	7028061	1	GEAR AND BEARING ASSY, (includes items 8 & 9)	
8	91474387	2	BEARING	
9	91474388	1	SPACER	
10	91474389	1	THIRD CLUTCH GEAR AND BEARING ASSY, (includes item 11)	
11	91474236	2	BEARING	
12	91474390	1	FIRST CLUTCH GEAR AND BEARING, (includes item 13)	
13	91474230	2	BEARING	
14	91474239	1	SECOND CLUTCH GEAR AND BEARING, (includes item 15)	
15	91474230	2	BEARING	
16	91474393	1	THIRD DRIVEN GEAR	
17	91474394	1	OUTPUT SHAFT GEAR	
18	91474395	1	REVERSE IDLER GEAR	
19	91474396	1	FIRST DRIVEN GEAR	

SECTION 4 - ENGINE AND ATTACHING PARTS

FIGURE 4-12. FOUR SPEED TRANSMISSION - PUMP DRIVE GROUP



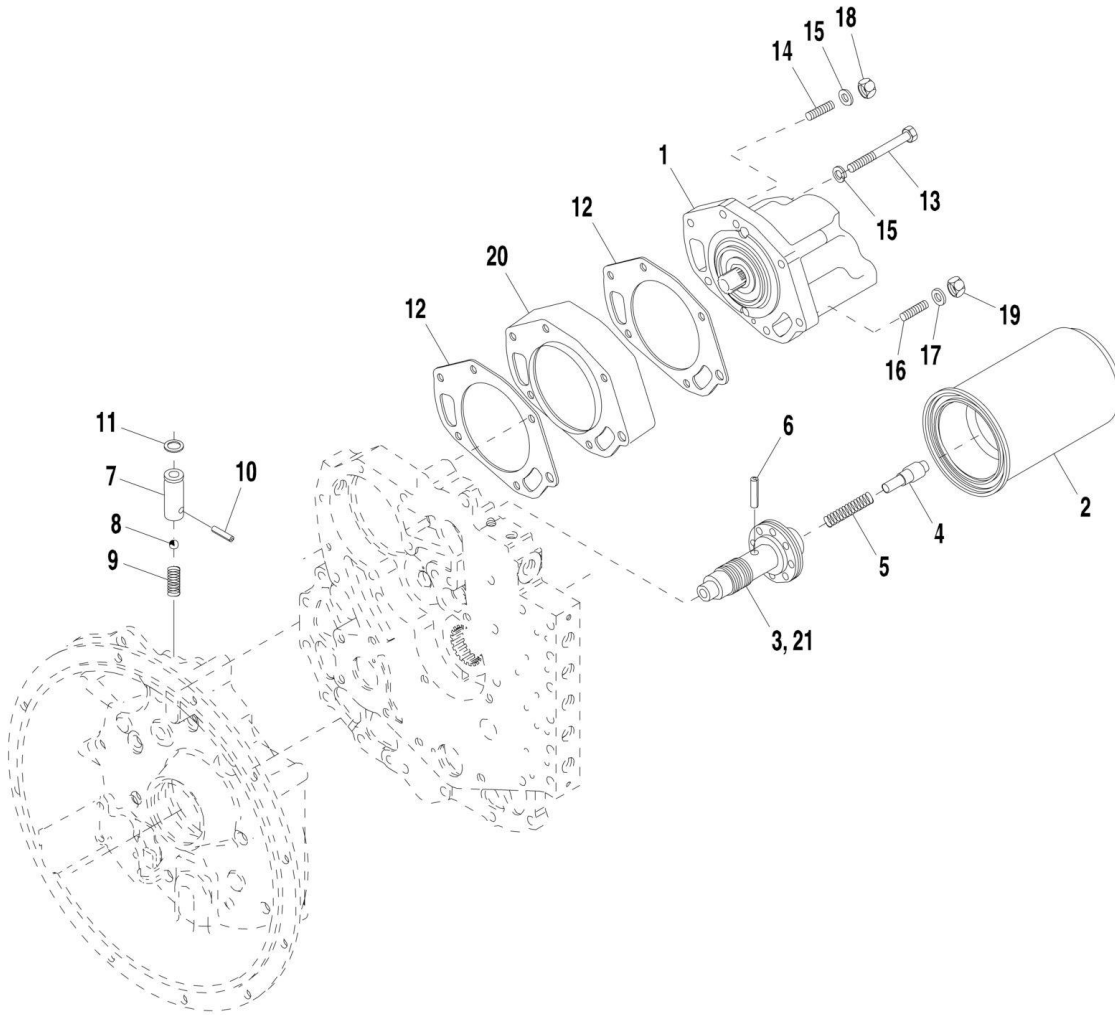
SECTION 4 - ENGINE AND ATTACHING PARTS

FIGURE 4-12. FOUR SPEED TRANSMISSION - PUMP DRIVE GROUP

ITEM	PART NUMBER	QTY	DESCRIPTION	REV
1	91474241	1	PUMP DRIVE IDLER GEAR	
2	91474242	1	BEARING	
3	91474243	1	GEAR	
4	10868243	2	THRUST WASHER	
5	91474245	1	RUMP DRIVE SHAFT AND PIN ASSY, (includes item 6)	
6		Ref	PIN	
7	91474247	1	BEARING	
8	91474248	1	BEARING	

SECTION 4 - ENGINE AND ATTACHING PARTS

FIGURE 4-13. FOUR SPEED TRANSMISSION - CHARGING PUMP GROUP



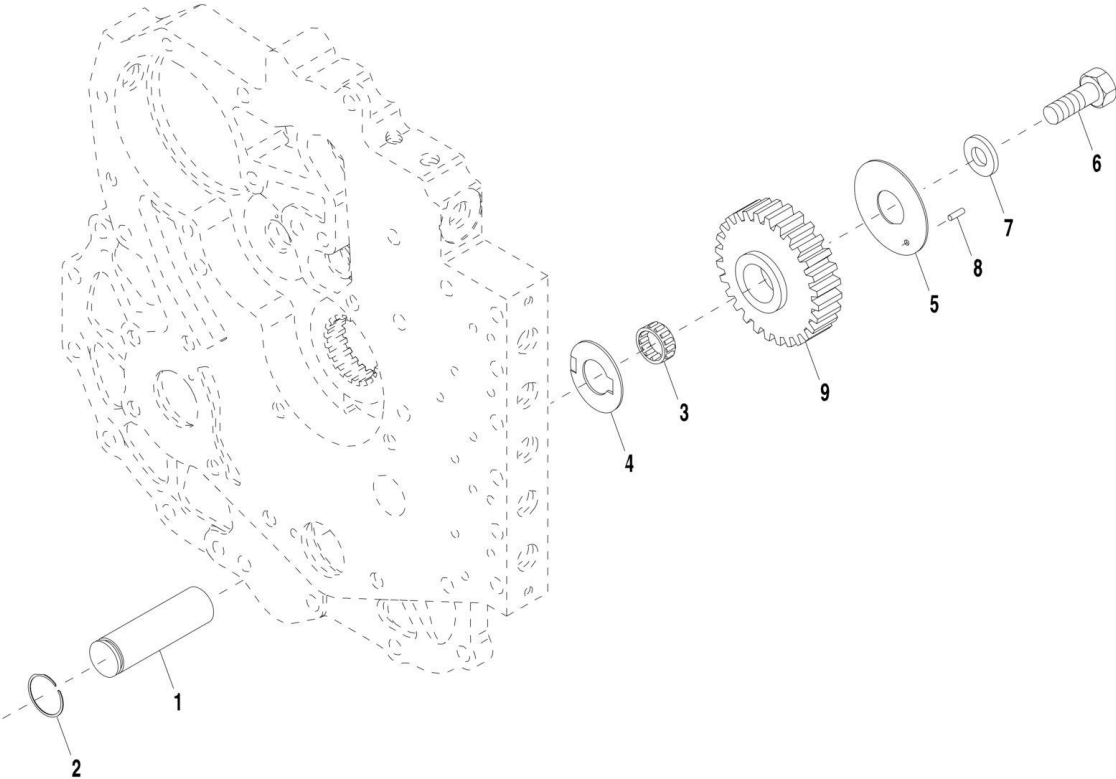
SECTION 4 - ENGINE AND ATTACHING PARTS

FIGURE 4-13. FOUR SPEED TRANSMISSION - CHARGING PUMP GROUP

ITEM	PART NUMBER	QTY	DESCRIPTION	REV
1	70020407	1	CHARGING PUMP ASSY	
1	70021830	1	O-RING, (located between two halves of charge pump)	
2	8008101	1	FILTER ASSY	
3	91474251	1	REGULATOR VALVE SLEEVE	
4	91474252	1	REGULATOR VALVE PISTON	
5	91474253	1	REGULATOR VALVE SPRING	
6	91474254	1	PIN	
7	91474255	1	BALL CHECK VALVE, (includes items 8 thru 11)	
8	91474256	1	BALL	
9	91474257	1	CHECK VALVE SPRING	
10	91474258	1	CHECK VALVE PIN	
11	91474259	1	O-RING	
12	10868254	2	CHARGING PUMP GASKET	
13	7028063	4	SCREW	
14	91474262	1	STUD	
15	91474263	5	LOCKWASHER	
16	91474264	1	STUD	
17	91474265	1	LOCKWASHER	
18	91474266	1	NUT	
19	91474274	1	NUT	
20	91474268	1	ADAPTOR	
21	91474273	1	REGULATOR VALVE ASSY, (includes items 3 thru 6)	

SECTION 4 - ENGINE AND ATTACHING PARTS

FIGURE 4-14. FOUR SPEED TRANSMISSION - REVERSE IDLER GROUP



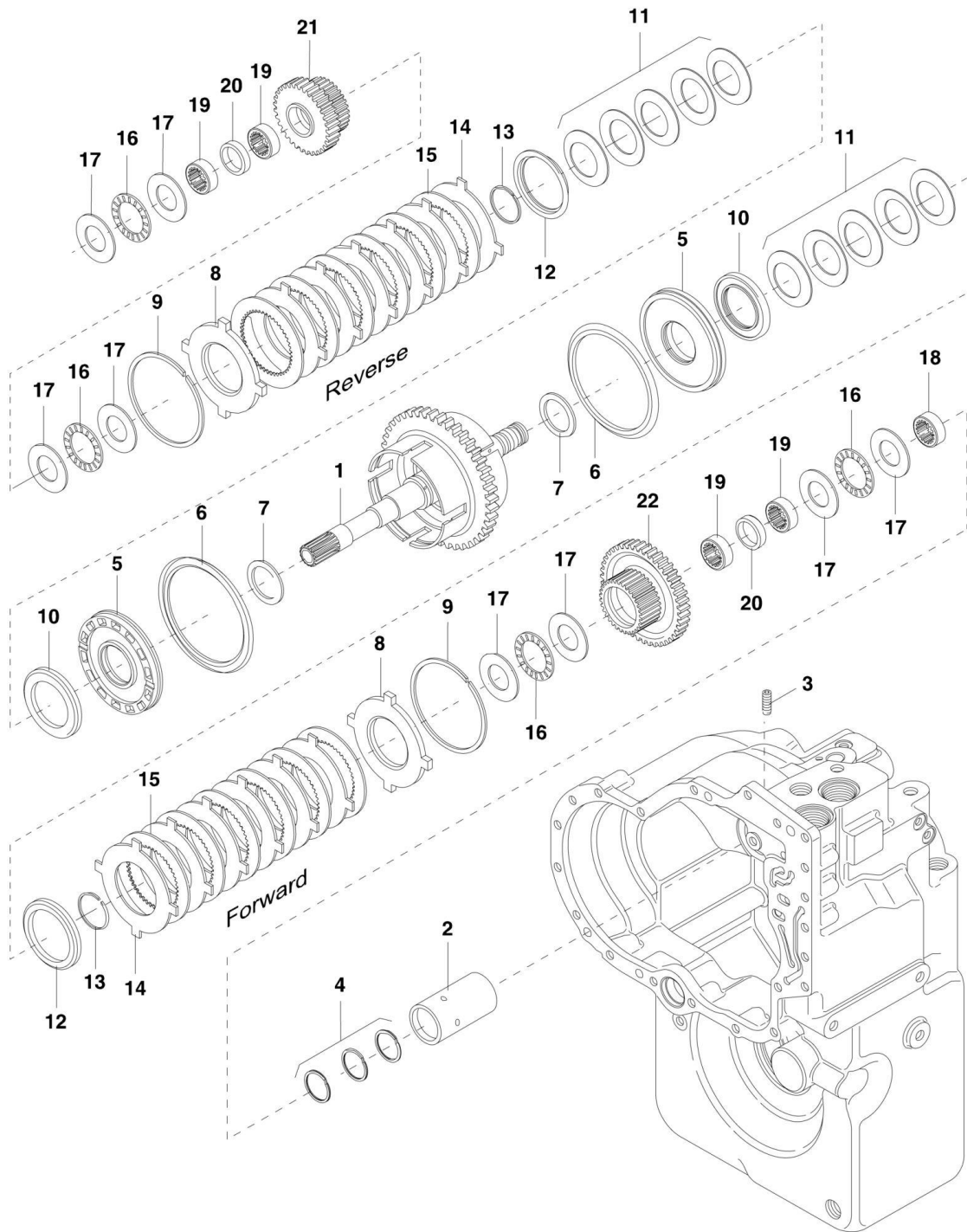
SECTION 4 - ENGINE AND ATTACHING PARTS

FIGURE 4-14. FOUR SPEED TRANSMISSION - REVERSE IDLER GROUP

ITEM	PART NUMBER	QTY	DESCRIPTION	REV
1	91474275	1	IDLER AND PILOT SHAFT	
2	91474276	1	SNAP RING	
3	91474277	1	BEARING	
4	91474278	1	THRUST WASHER	
5	91474279	1	END PLATE	
6	91474280	1	CAPSCREW	
7	91474281	1	WASHER	
8	91474282	1	ROLL PIN	
9		Ref	GEAR, (See FOUR SPEED TRANSMISSION - TORQUE CONVERTER GROUP for Breakdown)	

SECTION 4 - ENGINE AND ATTACHING PARTS

FIGURE 4-15. FOUR SPEED TRANSMISSION - FORWARD AND REVERSE SHAFT GROUP



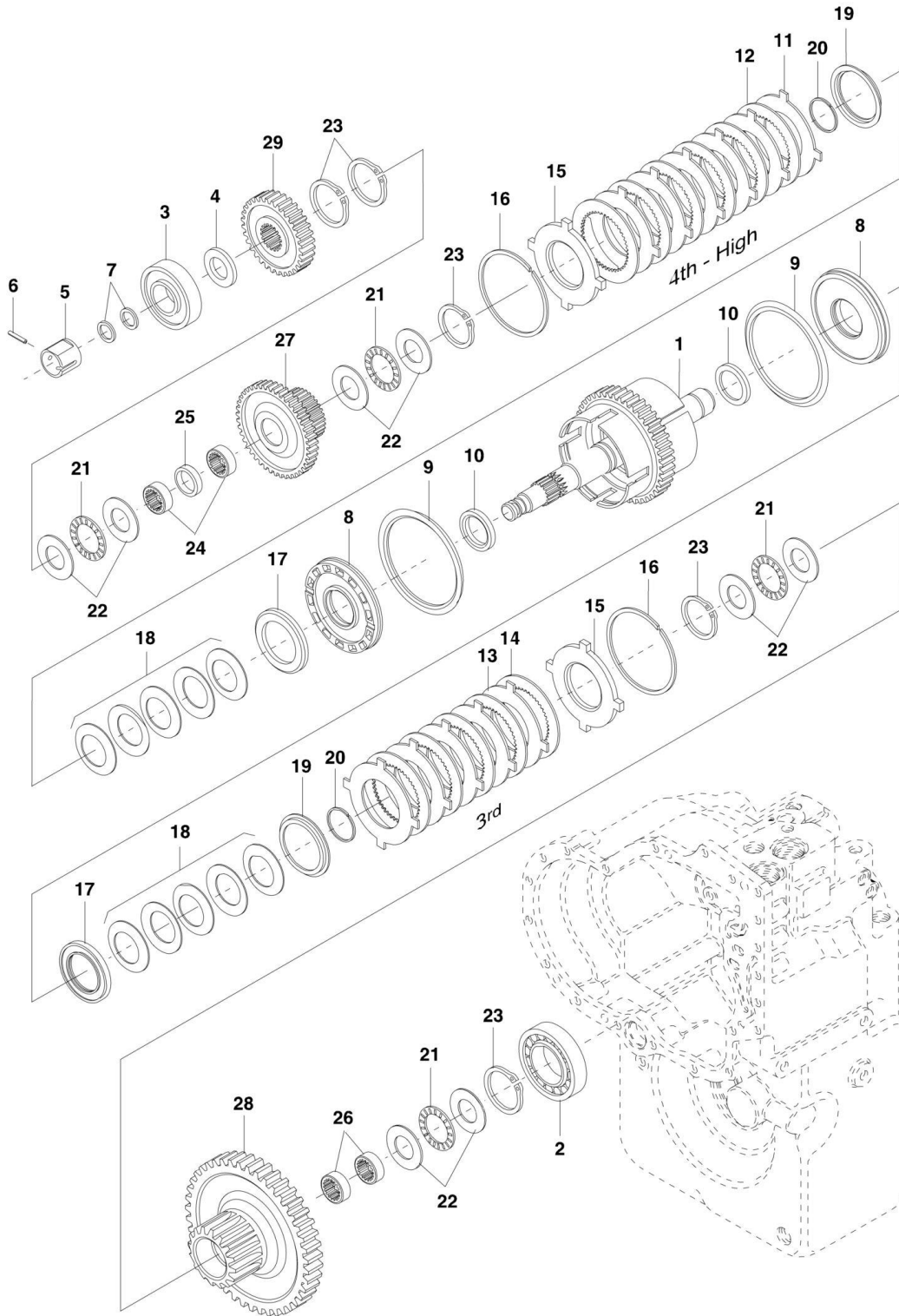
SECTION 4 - ENGINE AND ATTACHING PARTS

FIGURE 4-15. FOUR SPEED TRANSMISSION - FORWARD AND REVERSE SHAFT GROUP

ITEM	PART NUMBER	QTY	DESCRIPTION	REV
1		Ref	TURBINE SHAFT DRUM AND PLUG ASSEMBLY	
2	91474284	1	OIL DISTRIBUTOR SLEEVE	
3	91474285	1	RETAINER SCREW	
4	10837060	3	PISTON RING	
5	91474287	2	PISTON AND SEAL ASSY, (includes items 6 & 7)	
6	91474288	2	OUTER SEAL	
7	91474289	2	INNER SEAL	
8	91474308	2	END PLATE	
9	91474309	2	SNAP RING	
10	10868277	2	WEAR PLATE	
11	91474310	2	DISC SPRING ASSY	
12	91474294	2	SNAP RING	
13	91474295	2	SNAP RING	
14	91474296	12	OUTER DISC	
15	91474297	12	INNER DISC	
16	91474298	4	BEARING	
17	91474299	8	THRUST WASHER	
18	91474300	1	BEARING	
19		Ref	BEARING, (See FOUR SPEED TRANSMISSION - GEAR GROUP for Breakdown)	
20		Ref	SPACER, (See FOUR SPEED TRANSMISSION - GEAR GROUP for Breakdown)	
21		Ref	GEAR, (See FOUR SPEED TRANSMISSION - GEAR GROUP for Breakdown)	
22		Ref	GEAR, FORWARD CLUTCH, (See FOUR SPEED TRANSMISSION - GEAR GROUP for Breakdown)	

SECTION 4 - ENGINE AND ATTACHING PARTS

FIGURE 4-16. FOUR SPEED TRANSMISSION - 3RD SHAFT GROUP



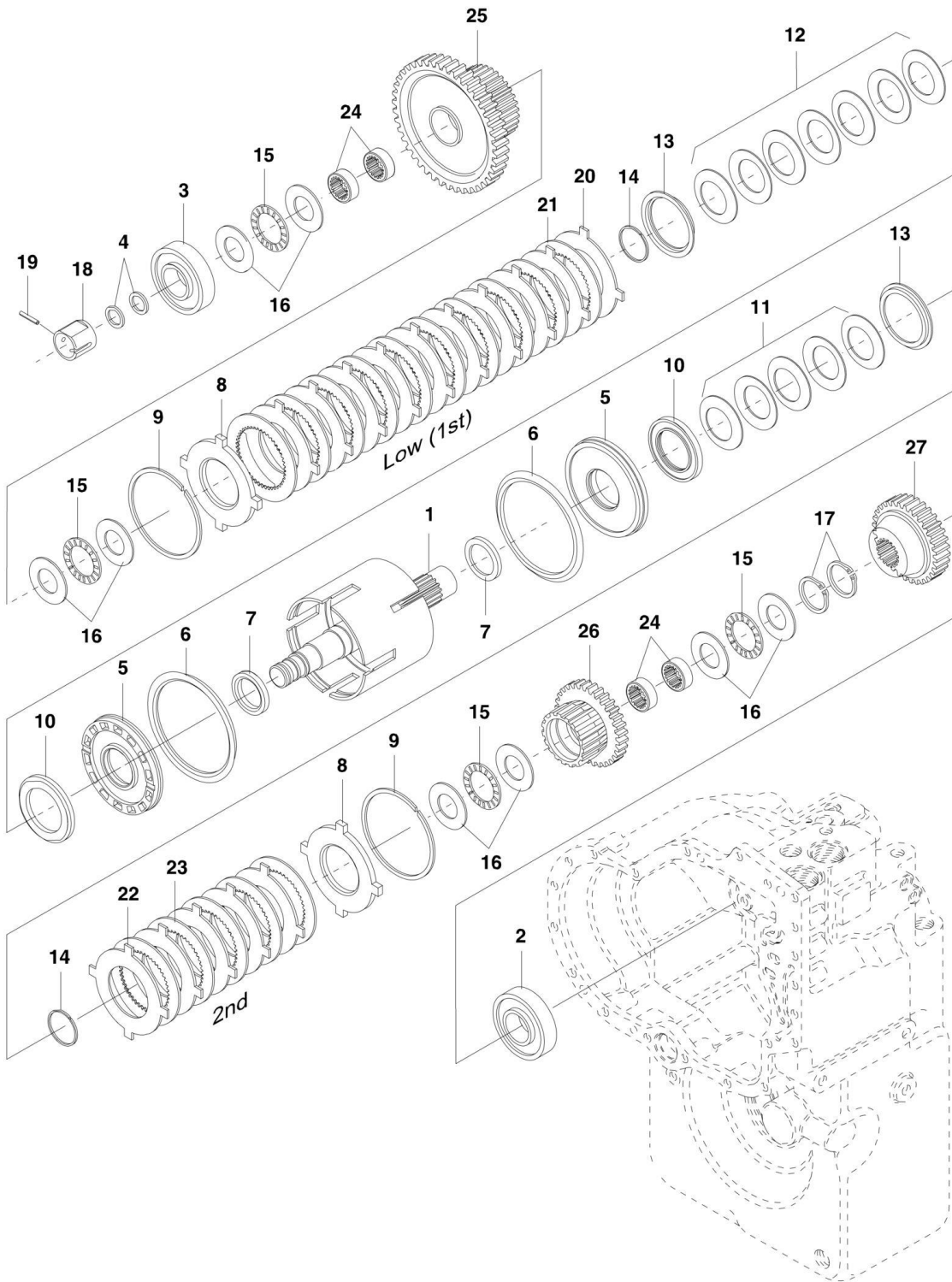
SECTION 4 - ENGINE AND ATTACHING PARTS

FIGURE 4-16. FOUR SPEED TRANSMISSION - 3RD SHAFT GROUP

ITEM	PART NUMBER	QTY	DESCRIPTION	REV
1	91474399	1	SHAFT DRUM AND PLUG ASSY	
2	91474302	1	ROLLER BEARING	
3	91474303	1	BEARING AND SEAL ASSY	
4	91474304	1	WASHER	
5	10868284	1	OIL DISTRIBUTOR SLEEVE	
6	91474306	1	SLEEVE RETAINING SCREW	
7	10837060	2	PISTON RING	
8	91474307	2	PISTON AND SEAL ASSY, (includes items 9 & 10)	
9	91474288	2	OUTER SEAL	
10	91474289	2	INNER SEAL	
11	91474296	6	OUTER DISC	
12	91474297	6	INNER DISC	
13	91474296	5	OUTER DISC	
14	91474297	5	INNER DISC	
15	91474308	2	END PLATE	
16	91474309	2	SNAP RING	
17	10868277	2	WEAR PLATE	
18	91474310	2	DISC SPRING ASSY	
19	91474294	2	SNAP RING	
20	91474295	2	SNAP RING	
21	91474311	4	BEARING	
22	91474312	8	THRUST WASHER	
23	91474313	5	SNAP RING	
24		Ref	BEARING, 4TH CLUTCH GEAR, (See FOUR SPEED TRANSMISSION - GEAR GROUP for Breakdown)	
25		Ref	SPACER, CLUTCH GEAR BEARING, (See FOUR SPEED TRANSMISSION - GEAR GROUP for Breakdown)	
26		Ref	BEARING, 3RD CLUTCH GEAR, (See FOUR SPEED TRANSMISSION - GEAR GROUP for Breakdown)	
27		Ref	GEAR, 4TH CLUTCH, (See FOUR SPEED TRANSMISSION - GEAR GROUP for Breakdown)	
28		Ref	GEAR, 3RD CLUTCH, (See FOUR SPEED TRANSMISSION - GEAR GROUP for Breakdown)	
29		Ref	GEAR, 1ST DRIVE, (See FOUR SPEED TRANSMISSION - GEAR GROUP for Breakdown)	

SECTION 4 - ENGINE AND ATTACHING PARTS

FIGURE 4-17. FOUR SPEED TRANSMISSION - FIRST AND SECOND SHAFT GROUP



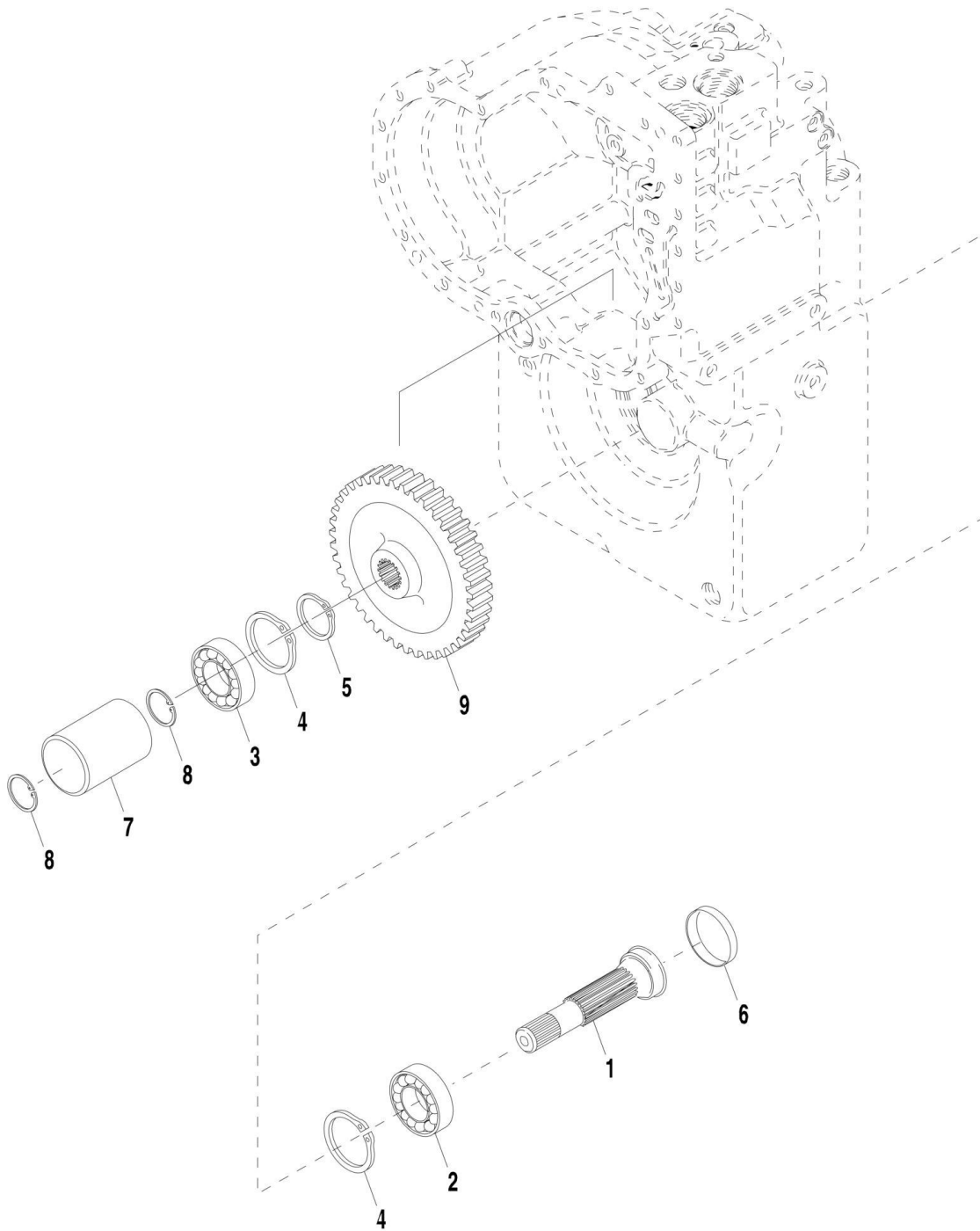
SECTION 4 - ENGINE AND ATTACHING PARTS

FIGURE 4-17. FOUR SPEED TRANSMISSION - FIRST AND SECOND SHAFT GROUP

ITEM	PART NUMBER	QTY	DESCRIPTION	REV
1	91474314	1	1ST & 2ND SHAFT ASSY	
2	91474315	1	BEARING, ROLLER	
3	91474303	1	BEARING AND SEAL ASSY	
4	10837060	2	RING, PISTON	
5	91474316	2	PISTON AND SEALS ASSY, (includes items 6 & 7)	
6	91474288	2	SEAL, CLUTCH PISTON, (outer)	
7	91474289	2	SEAL, CLUTCH PISTON, (inner)	
8	91474308	2	PLATE, END	
9	91474309	2	SNAP RING, END PLATE	
10	10868277	2	PLATE, CLUTCH PISTON WEAR	
11	91474310	1	DISC SPRING ASSY, (2nd), (includes 5 washers)	
12	91474317	1	DISC SPRING ASSY, (1st), (includes 7 washers)	
13	91474294	2	RETAINER, SNAP RING	
14	91474295	2	SNAP RING, RETAINER	
15	91474298	4	BEARING, CLUTCH GEAR THRUST	
16	91474299	8	WASHER, CLUTCH GEAR THRUST	
17	91474318	2	SNAP RING, 2ND CLUTCH GEAR HUB	
18	91474319	1	SLEEVE, OIL DISTRIBUTOR	
19	91474306	1	SCREW, SLEEVE RETAINING	
20	91474296	10	DISC, OUTER, (1st)	
21	91474297	10	DISC, INNER, (1st)	
22	91474296	5	DISC, OUTER, (2nd)	
23	91474297	5	DISC, INNER, (2nd)	
24		Ref	BEARING, CLUTCH, (See FOUR SPEED TRANSMISSION - GEAR GROUP for Breakdown)	
25		Ref	GEAR, 1ST CLUTCH, (See FOUR SPEED TRANSMISSION - GEAR GROUP for Breakdown)	
26		Ref	GEAR, 2ND CLUTCH, (See FOUR SPEED TRANSMISSION - GEAR GROUP for Breakdown)	
27		Ref	GEAR, 3RD DRIVEN, (See FOUR SPEED TRANSMISSION - GEAR GROUP for Breakdown)	

SECTION 4 - ENGINE AND ATTACHING PARTS

FIGURE 4-18. FOUR SPEED TRANSMISSION - OUTPUT SHAFT GROUP



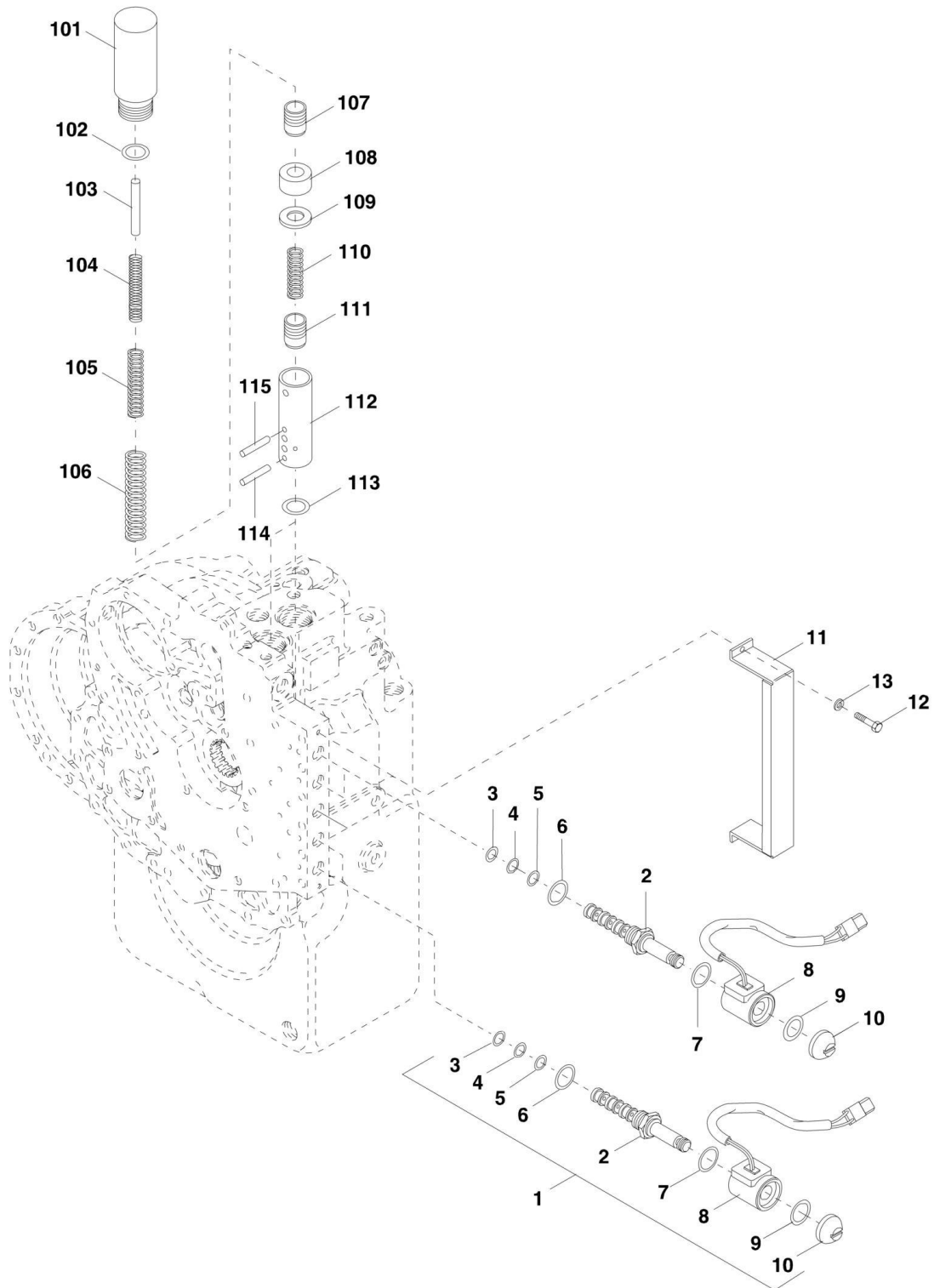
SECTION 4 - ENGINE AND ATTACHING PARTS

FIGURE 4-18. FOUR SPEED TRANSMISSION - OUTPUT SHAFT GROUP

ITEM	PART NUMBER	QTY	DESCRIPTION	REV
1	91474320	1	OUTPUT SHAFT	
2	77104140	1	BEARING	
3	77104081	1	BEARING	
4	91474321	2	RETAINING RING	
5	91474322	1	RETAINING RING	
6	91474323	1	END PLUG	
7	91474324	1	DRIVE COUPLING	
8	91474313	2	SNAP RING	
9		Ref	GEAR, (See FOUR SPEED TRANSMISSION - GEAR GROUP for Breakdown)	

SECTION 4 - ENGINE AND ATTACHING PARTS

FIGURE 4-19. FOUR SPEED TRANSMISSION - ELECTRIC CONTROL GROUP (Prior to SN 116000533, Except SN 116000223 through 116000531, Excluding 116000516, 116000517 and 116000520)



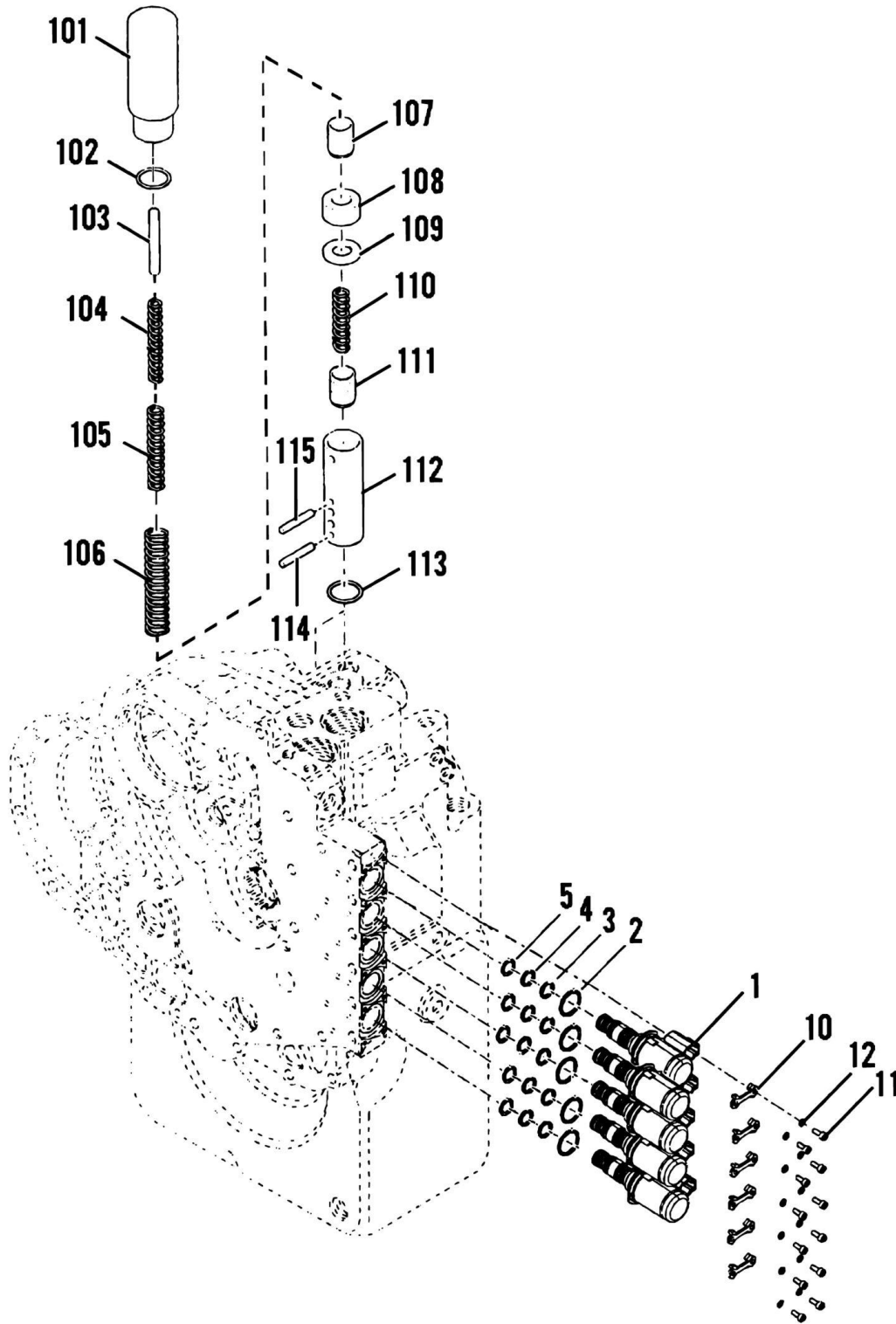
SECTION 4 - ENGINE AND ATTACHING PARTS

FIGURE 4-19. FOUR SPEED TRANSMISSION - ELECTRIC CONTROL GROUP (Prior to SN 1160000533, Except SN 1160000223 through 1160000531, Excluding 1160000516, 1160000517 and 1160000520)

ITEM	PART NUMBER	QTY	DESCRIPTION	REV
		Ref	CONTROL GROUP, (includes items 1 thru 13)	
1	8007821	5	SOLENOID ASSY, (includes items 2 thru 10)	
2	91474326	5	CARTRIDGE, VALVE 4-WAY, (includes items 3 thru 6)	
3		Ref	O-RING, CARTRIDGE	
4		Ref	O-RING, CARTRIDGE	
5		Ref	O-RING, CARTRIDGE	
6		Ref	O-RING, CARTRIDGE	
7	91474331	5	O-RING, COIL TO CARTRIDGE	
8	7028067	5	COIL, SOLENOID 12V	
9	91474331	5	O-RING, NUT TO COIL	
10	91474334	5	NUT, SOLENOID	
11	10868323	1	COVER, PROTECTIVE	
12	91474336	2	SCREW	
13	8035075	2	LOCKWASHER	
	7028056	2	MODULATION VALVE ASSY, (includes items 101 thru 115)	
101	91474338	1	HOUSING, MODULATION VALVE	
102	91474339	1	O-RING, MODULATION HOUSING	
103	91474345	1	PIN, STOP	
104	91474340	1	SPRING, INNER	
105	91474341	1	SPRING, MIDDLE	
106	91474342	1	SPRING, OUTER	
107	91474346	1	SPOOL, ACCUMULATOR	
108	91474349	1	RETAINER, SPRING	
109	91474350	1	SPACER, SPRING	
110	91474348	1	SPRING, MODULATION VALVE	
111	91474347	1	SPOOL, REGULATOR	
112	91474343	1	SLEEVE, MODULATION VALVE	
113	91474344	1	O-RING, SLEEVE	
114	91474351	1	PIN, UPPER	
115	91474352	1	PIN, LOWER	

SECTION 4 - ENGINE AND ATTACHING PARTS

FIGURE 4-20. FOUR SPEED TRANSMISSION - ELECTRIC CONTROL GROUP (SN 1160000533 to Present, SN 1160000223 through 1160000531, Including 1160000516, 1160000517 and 1160000520)



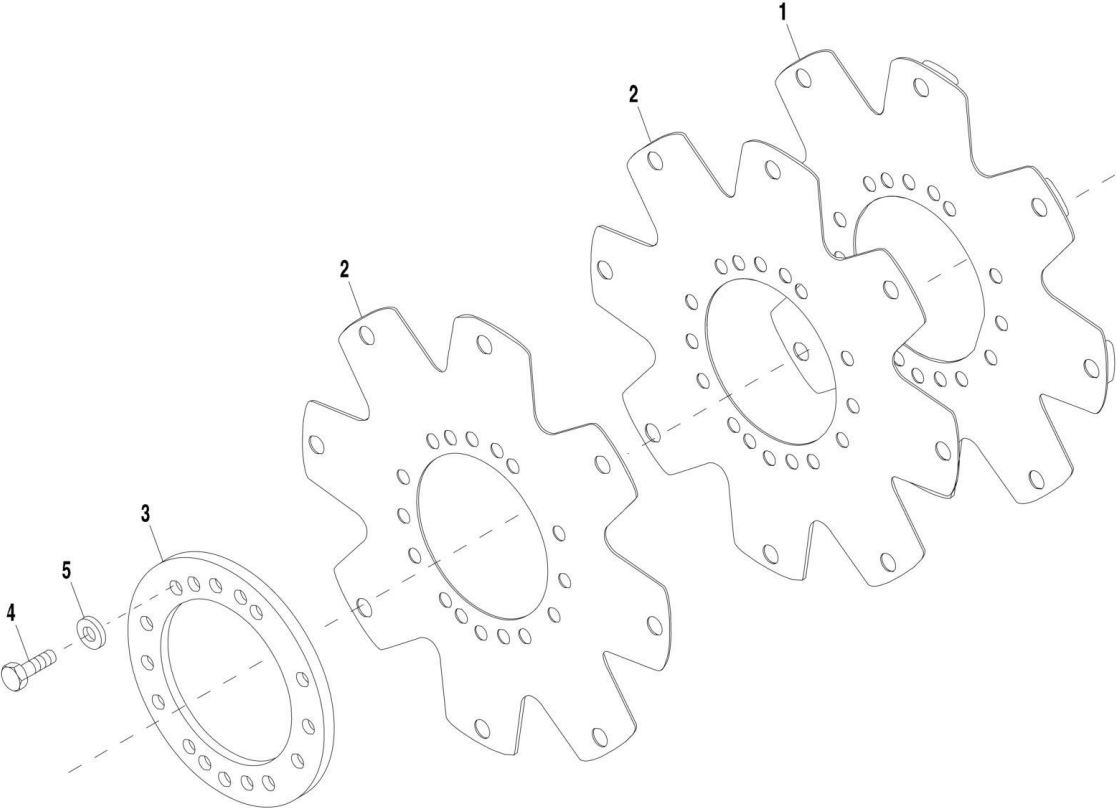
SECTION 4 - ENGINE AND ATTACHING PARTS

FIGURE 4-20. FOUR SPEED TRANSMISSION - ELECTRIC CONTROL GROUP (SN 1160000533 to Present, SN 1160000223 through 1160000531, Including 1160000516, 1160000517 and 1160000520)

ITEM	PART NUMBER	QTY	DESCRIPTION	REV
		Ref	CONTROL GROUP, (includes items 1 thru 12)	
1	91514287	5	DROP IN w/AMP SOLENOID ASSY, (includes items 2 thru 5)	
2		Ref	O-RING	
3		Ref	O-RING	
4		Ref	O-RING	
5		Ref	O-RING	
10	91514292	6	SOLENOID CLAMP	
11	91514293	12	CAPSCREW	
12	91514294	12	PLAIN WASHER	
	7028056	2	MODULATION VALVE ASSY, (includes items 101 thru 115)	
101	91474338	1	HOUSING, MODULATION VALVE	
102	91474339	1	O-RING, MODULATION HOUSING	
103	91474345	1	PIN, STOP	
104	91474340	1	SPRING, INNER	
105	91474341	1	SPRING, MIDDLE	
106	91474342	1	SPRING, OUTER	
107	91474346	1	SPOOL, ACCUMULATOR	
108	91474349	1	RETAINER, SPRING	
109	91474350	1	SPACER, SPRING	
110	91474348	1	SPRING, MODULATION VALVE	
111	91474347	1	SPOOL, REGULATOR	
112	91474343	1	SLEEVE, MODULATION VALVE	
113	91474344	1	O-RING, SLEEVE	
114	91474351	1	PIN, UPPER	
115	91474352	1	PIN, LOWER	

SECTION 4 - ENGINE AND ATTACHING PARTS

FIGURE 4-21. FOUR SPEED TRANSMISSION - DRIVE PLATE GROUP



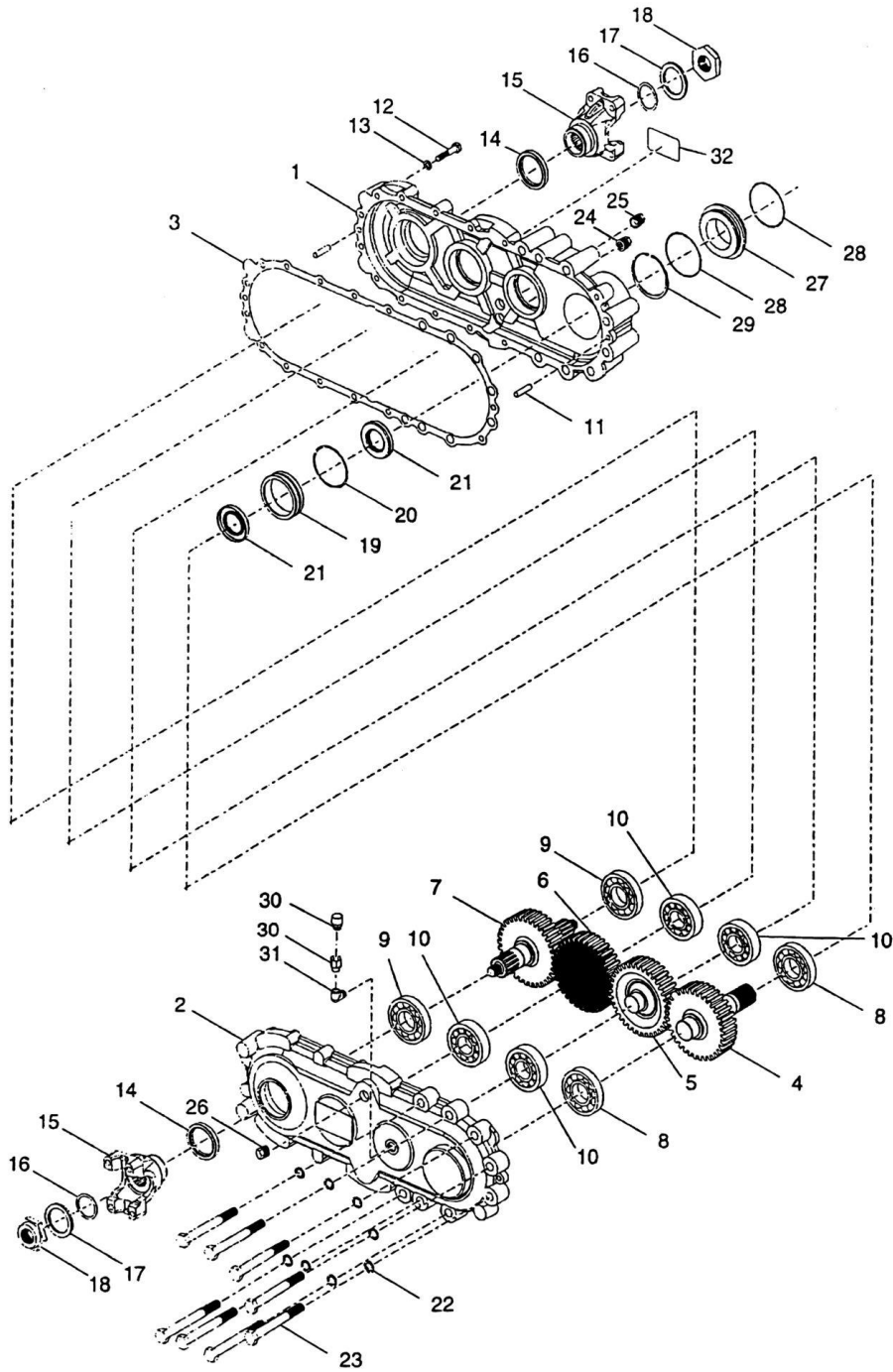
SECTION 4 - ENGINE AND ATTACHING PARTS

FIGURE 4-21. FOUR SPEED TRANSMISSION - DRIVE PLATE GROUP

ITEM	PART NUMBER	QTY	DESCRIPTION	REV
1	Kit	1	DRIVE PLATE ASSY	
2	Kit	2	DRIVE PLATE	
3	77104044	1	RING	
4	91474356	6	SCREW	
5	77104007	6	LOCKWASHER	
	7028057	1	DRIVE PLATE KIT, (includes items 1 thru 5)	

SECTION 4 - ENGINE AND ATTACHING PARTS

FIGURE 4-22. FOUR SPEED TRANSMISSION - DROP BOX GROUP



SECTION 4 - ENGINE AND ATTACHING PARTS

FIGURE 4-22. FOUR SPEED TRANSMISSION - DROP BOX GROUP

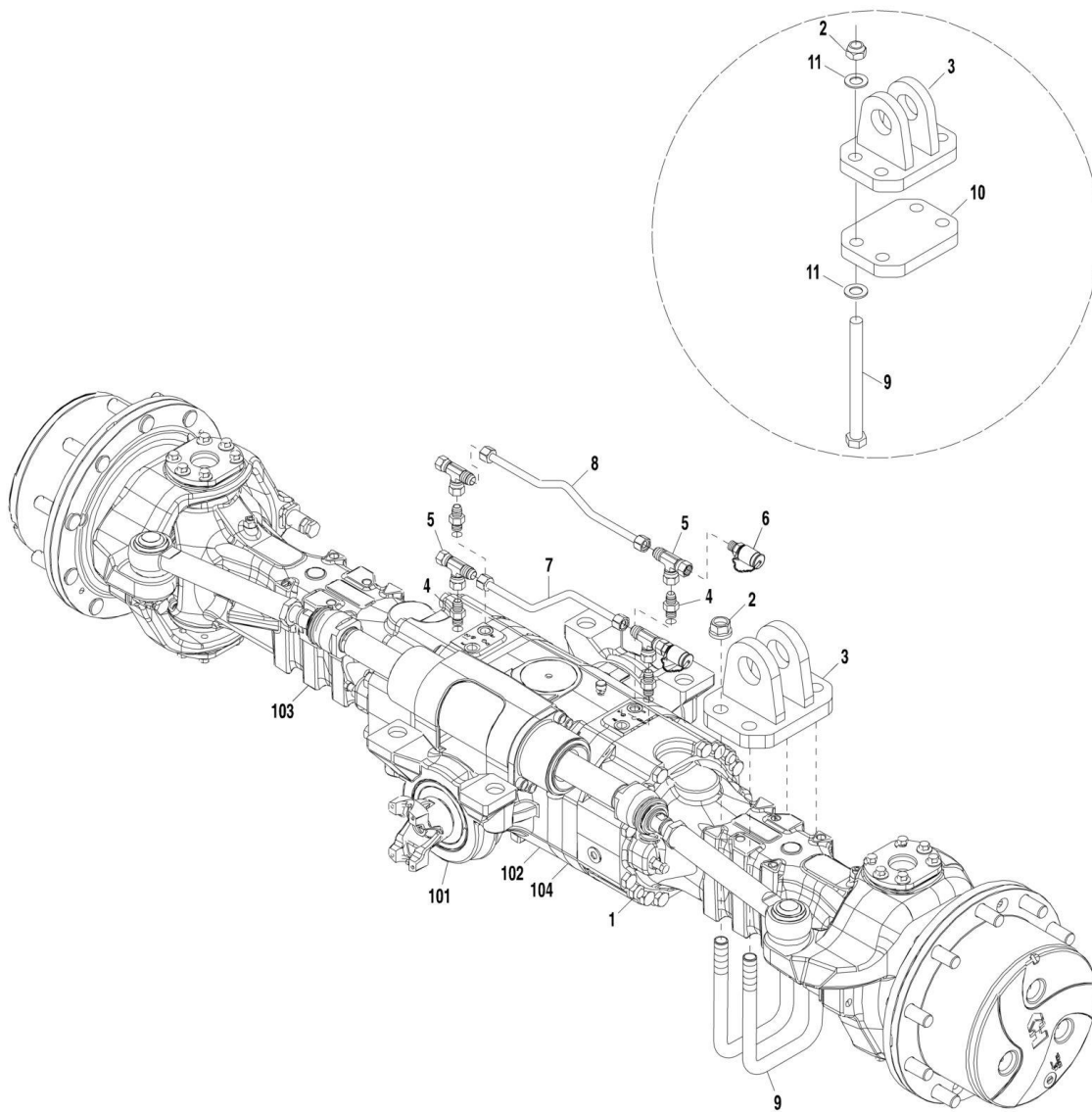
ITEM	PART NUMBER	QTY	DESCRIPTION	REV
1		Ref	COVER, REAR	
2		Ref	COVER, FRONT	
3	7028069	1	GASKET	
4	7028070	1	SHAFT, INPUT	
5	7028071	1	GEAR, IDLER	
6	91474362	1	GEAR, IDLER	
7	7028085	1	SHAFT, OUTPUT	
8	91474364	2	BEARING	
9	91474365	2	REAR BEARING	
10	91474366	4	BEARING, ROLLER	
11	91474200	2	PIN, ROLL	
12	91474209	13	CAPSCREW	
13	91474265	13	LOCKWASHER	
14	91474367	2	OIL SEAL	
15	7028086	2	FLANGE, YOKE	
16	91474369	2	O-RING	
17	91474370	2	WASHER	
18	91474371	2	NUT, IDLER SHAFT	
19	91474372	1	SLEEVE, OIL SEAL	
20	91474373	1	O-RING	
21	91474374	2	SEAL, OIL	
22	91474375	8	LOCKWASHER	
23	91474376	8	SCREW	
24	8007824	1	PLUG, MAGNETIC DRAIN	
25	91474377	1	OIL LEVEL GLASS	
26	8007822	1	PLUG	
27	91474381	1	SLEEVE PILOT	
28	91474382	2	O-RING	
29	91474321	1	RING, SNAP	
30		Ref	ADAPTER	
30	8007823	1	BREATHER	
31	91474383	1	FITTING, ELBOW 90, STREET	
32	91474384	1	STICKER	
	7028109	1	SEAL KIT, (includes items 3, 13, 15, 19, 20 & 28)	

SECTION 5 - DRIVE TRAIN

SECTION 5 - DRIVE TRAIN

FIGURE 5-1. FRONT AXLE ASSEMBLY

(SN 1160001147 Through 1160002091)



PAP093

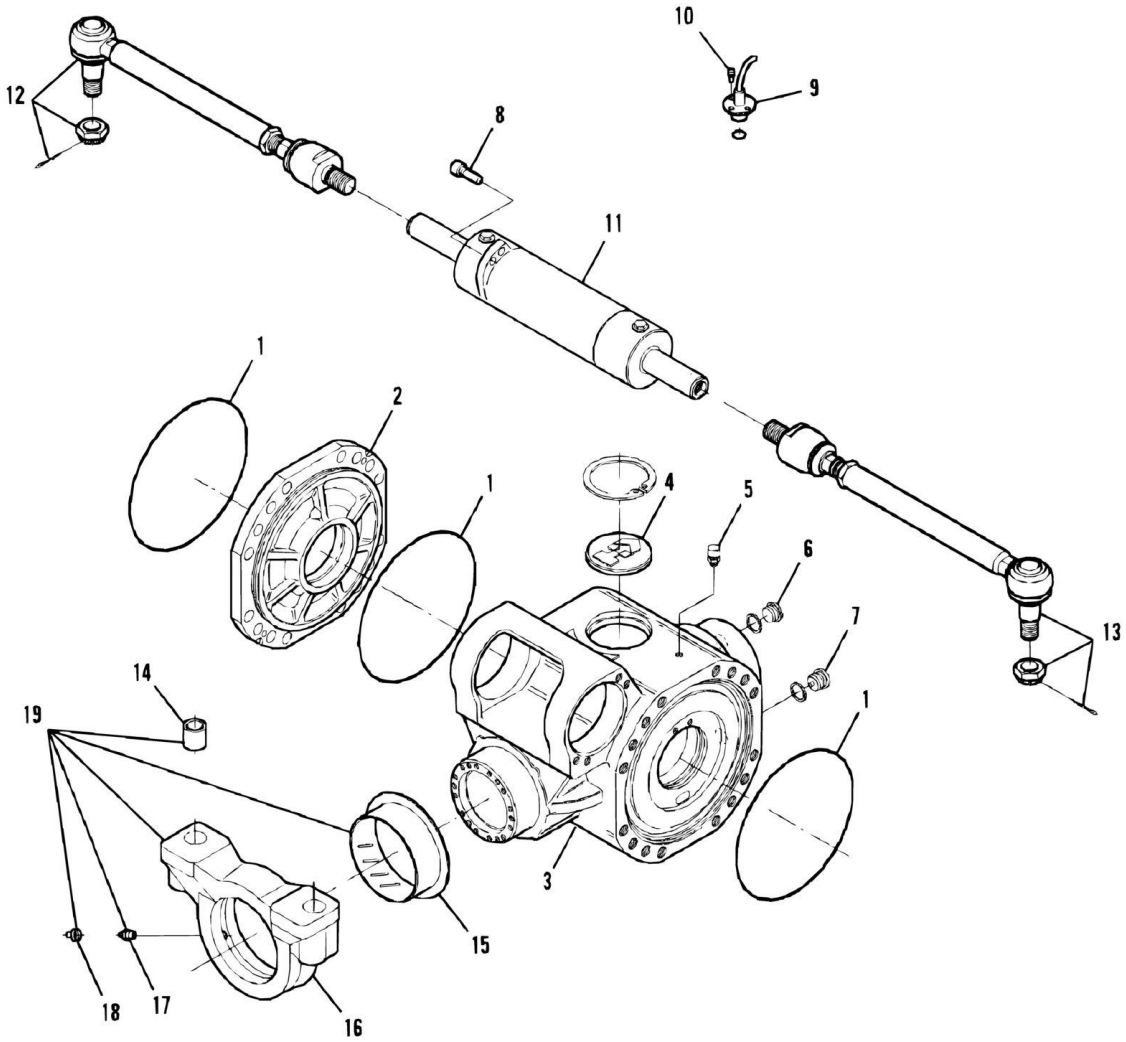
SECTION 5 - DRIVE TRAIN

FIGURE 5-1. FRONT AXLE ASSEMBLY

ITEM	PART NUMBER	QTY	DESCRIPTION	REV
1	0280173	1	FRONT AXLE, (includes items 101 thru 104)	A
2	3300479	4	NUT, (torque to 550 Nm) (Prior to SN 1160001147)	
2	3300500	4	NUT, M22, (torque to 550 Nm) (SN 1160001147 through 1160002090)	
2	3300479	4	NUT, (torque to 550 Nm) (SN 1160002091 to Present)	
3	4341221	1	AXLE BRACKET	
4	2902527	4	CONNECTOR	
5	2142103	4	TEE FITTING	
6	1616551	2	COUPLING	
7	3460380	1	PIPE ASSY	
8	3460374	1	PIPE ASSY	
9	0630589	2	"U" BOLT (Prior to SN 1160001147)	
9	0712242	4	HEX HD CAPSCREW, M22X250, GR10.9 (SN 1160001147 through 1160002090)	
9	0630589	2	"U" BOLT (SN 1160002091 to Present)	
10	3576026	1	PLATE, AXLE LEVEL (SN 1160001147 through 1160002091)	
11	4740555	8	WASHER, M22 (SN 1160001147 through 1160002091)	
101		Ref	FRONT AXLE - CENTRAL HOUSING AND STEERING, (See FRONT AXLE - CENTRAL HOUSING AND STEERING for Breakdown)	
102		Ref	FRONT AXLE - DIFFERENTIAL, (See FRONT AXLE - DIFFERENTIAL for Breakdown)	
103		Ref	FRONT AXLE - HUB REDUCTION, (See FRONT AXLE - HUB REDUCTION for Breakdown)	
104		Ref	FRONT AXLE - BRAKES, (See FRONT AXLE - BRAKES for Breakdown)	

SECTION 5 - DRIVE TRAIN

FIGURE 5-2. FRONT AXLE - CENTRAL HOUSING AND STEERING



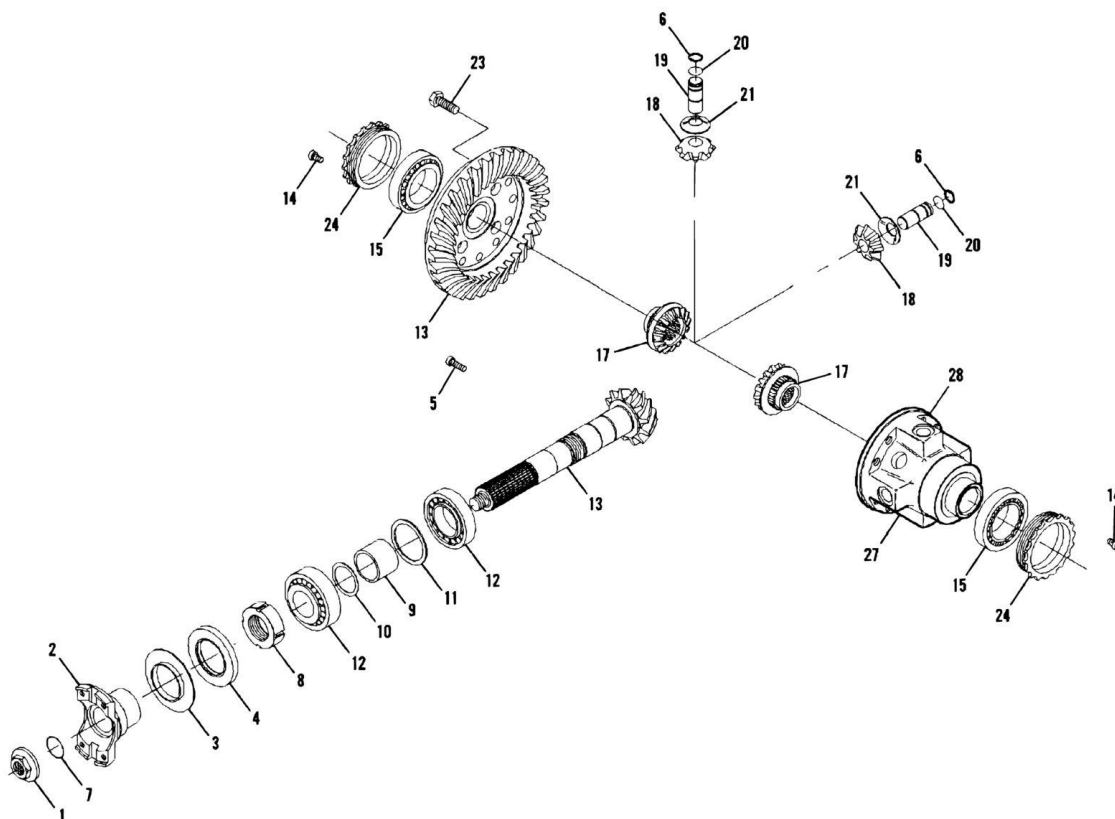
SECTION 5 - DRIVE TRAIN

FIGURE 5-2. FRONT AXLE - CENTRAL HOUSING AND STEERING

ITEM	PART NUMBER	QTY	DESCRIPTION	REV
1	91474507	3	O-RING	
2	91474509	1	INTERMEDIATE COVER	
3		Ref	HOUSING, (8007744 is no longer available; order 7029426 housing, 91514098 plug and 80204005 circlip)	
3	7029426	1	HOUSING	
4	91514098	1	PLUG	
5	91474512	1	VENT	
6	91514188	1	PLUG, (includes seal)	
7	91474513	1	MAGNET PLUG	
8	91474522	4	CYLINDER BOLT	
9	7028707	1	SENSOR	
10	8008175	3	BOLT	
11	7028708	1	CYLINDER	
11	7029920	1	SEAL KIT	
12	8007803	1	ARTICULATED TIE ROD, (left)	
13	8007804	1	ARTICULATED TIE ROD, (right)	
14	91474516	4	REDUCTION BUSHING	
15	91474515	2	THRUST BUSHING	
16	7028083	2	SUPPORT	
17	91514099	2	GREASE FITTING	
18	80204117	2	PLUG	
19	7028084	2	SUPPORT ASSY, (includes items 14 thru 18)	
	91514275	1	NUT AND COTTER PIN KIT	

SECTION 5 - DRIVE TRAIN

FIGURE 5-3. FRONT AXLE - DIFFERENTIAL



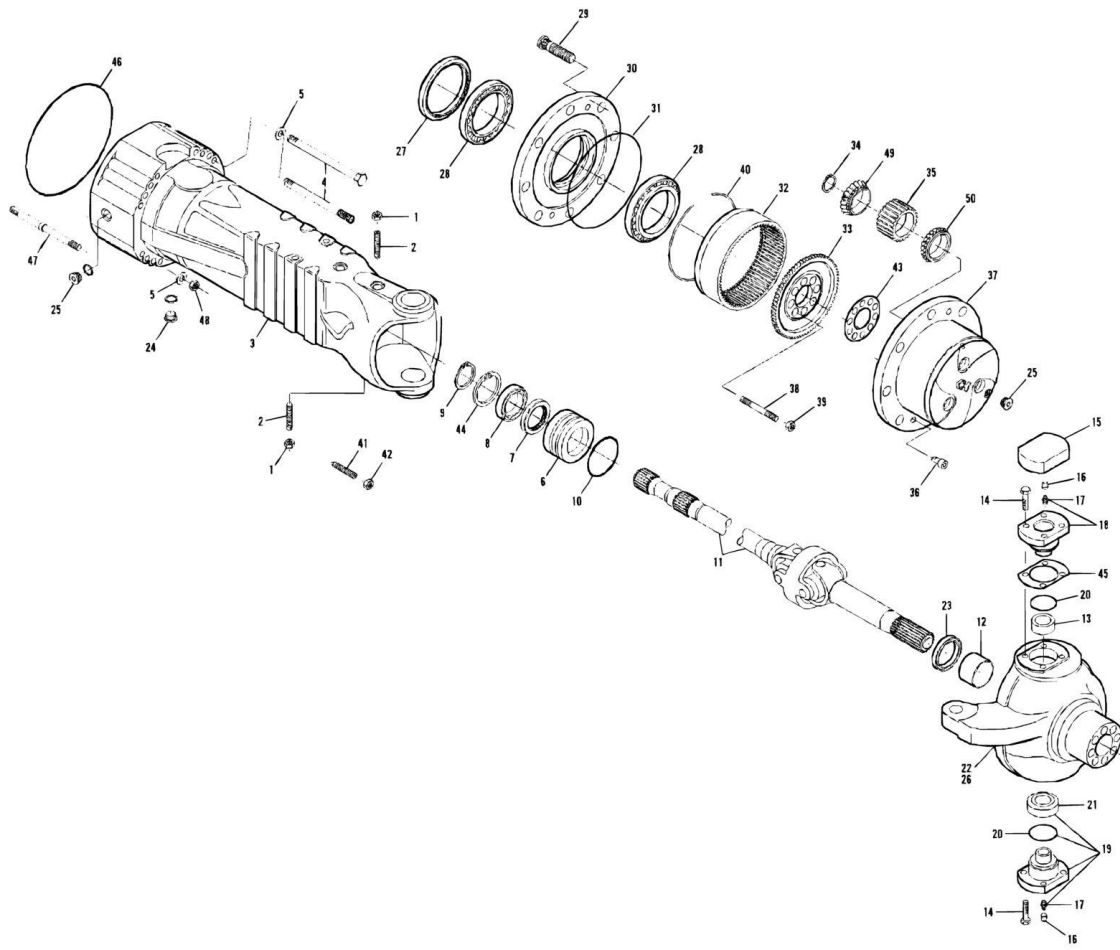
SECTION 5 - DRIVE TRAIN

FIGURE 5-3. FRONT AXLE - DIFFERENTIAL

ITEM	PART NUMBER	QTY	DESCRIPTION	REV
1	91474528	1	NUT	
2	7029427	1	FLANGE	
3	91474531	1	COVER PLATE	
4	91474532	1	SEAL	
5	91474591	4	CYLINDER BOLT	
6	91474550	4	CIRCLIP	
7	91474529	1	O-RING	
8	91474533	1	RING NUT	
9	91474539	1	SPACER	
10	91474535	1	SHIM	
10	91474536	1	SHIM	
10	91474537	1	SHIM	
10	91474538	1	SHIM	
11	91474540	1	SHIM	
11	91474541	1	SHIM	
11	91474542	1	SHIM	
11	91474543	1	SHIM	
12	3968141	2	ROLLER BEARING	
13	8007749	1	BEVEL GEAR SET	
14	91514134	2	CYLINDER BOLT	
15	91474548	2	ROLLER BEARING	
17	91474549	2	DIFFERENTIAL SIDE GEAR	
18	7029129	4	DIFFERENTIAL PINION	
19	7029131	4	PIN	
20	91474551	4	CIRCLIP	
21	91474553	4	FRICITION WASHER	
23	91514123	12	BOLT	
24	91474547	2	RING NUT	
27	8007751	1	DIFFERENTIAL CARRIER	
28	7028710	1	LIMITED SLIP DIFFERENTIAL KIT, (includes items 6, 16 thru 22 & 25 thru 27)	
29	8007755	2	DISC	

SECTION 5 - DRIVE TRAIN

FIGURE 5-4. FRONT AXLE - HUB REDUCTION



SECTION 5 - DRIVE TRAIN

FIGURE 5-4. FRONT AXLE - HUB REDUCTION

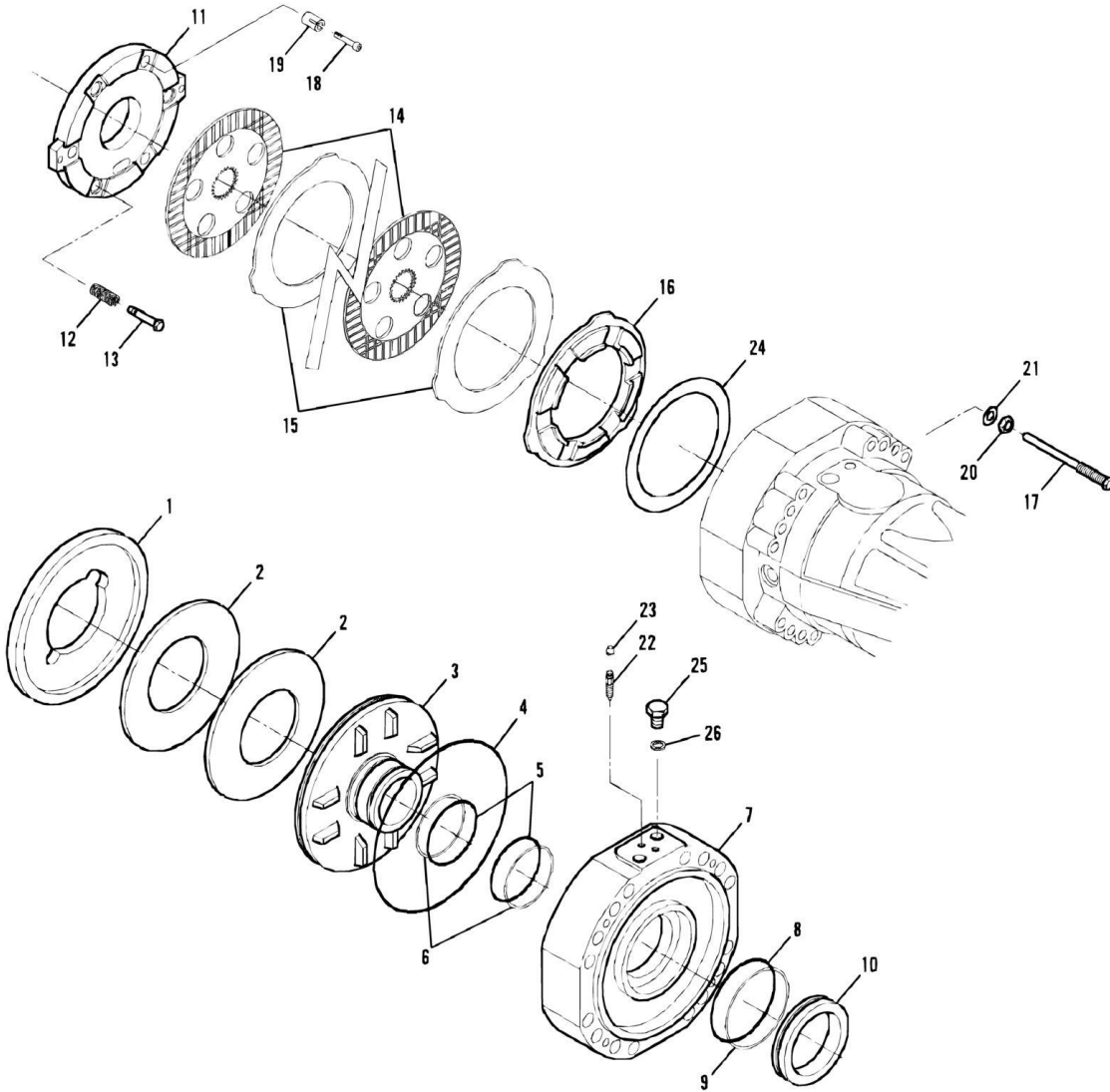
ITEM	PART NUMBER	QTY	DESCRIPTION	REV
1	91514082	2	NUT	
2	91514081	2	BOLT	
3	7028711	2	AXLE CASE	
4	7028712	24	STUD	
5	91514084	32	WASHER	
6	91514149	2	REDUCTION BUSHING	
7	91514147	2	SEAL	
8	91514146	2	BALL BEARING	
9	80204071	2	CIRCLIP	
10	91514148	2	O-RING	
11	7028713	2	JOINT	
12	91514111	2	THRUST BUSHING	
13	7028714	2	BUSHING	
14	91514123	24	BOLT	
15	91474524	2	COVER	
16	80204117	2	Plug	
17	91514099	2	GREASE FITTING	
18	91514112	2	PIVOT PIN	
19	7028715	2	PIVOT PIN	
20	7028716	2	DUST EXCLUDER	
21	91514095	2	BEARING	
22	7028717	1	STEERING CASE, (right)	
23	7028718	2	SEAL	
24	7028706	2	MAGNET PLUG	
25	91514188	4	PLUG	
26	7028720	NLA	STEERING CASE (left) (No Longer Available, Use Item 7028730)	
27	7028721	2	SEAL	
28	91474576	4	BEARING	
29	8000877	20	WHEEL STUD	
30	7028722	2	WHEEL HUB	
31	91514181	2	O-RING	
32	91514176	2	RING GEAR	
33	7028723	2	RING GEAR SUPPORT	
34	7028724	6	CIRCLIP	
35	7028725	6	DIFFERENTIAL PINION	
36	91514189	4	COUNTERSUNK BOLT	
37	7028726	2	PLANET GEAR CARRIER	
38	91474583	20	STUD	
39	91474584	20	NUT	
40	91514175	2	CIRCLIP	
41	91514117	4	BOLT	
42	80204065	4	NUT	
43	91474582	2	LOCKING PLATE	
44	80204005	2	CIRCLIP	
45	91514113	2	SHIM	
45	91514114	2	SHIM	
45	91514115	2	SHIM	
46	91474507	1	O-RING	
47	7028727	8	STUD	
48	91514083	32	NUT	

SECTION 5 - DRIVE TRAIN

ITEM	PART NUMBER	QTY	DESCRIPTION	REV
49	7028731	6	BEARING	
50	7028732	6	BEARING	
	7028727	2	PLANET GEAR CARRIER KIT, (includes items 32 thru 35, 37 thru 40)	
	7028729	1	STEERING POSITIONING KIT, (right), (includes one each of items 12 & 22)	
	7028730	1	STEERING POSITIONING KIT, (left), (includes one each of items 12 & 26)	
	70021898	4	CROSS KIT, (contains cross for joint, bearings, snap rings and grease seal)	

SECTION 5 - DRIVE TRAIN

FIGURE 5-5. FRONT AXLE - BRAKES



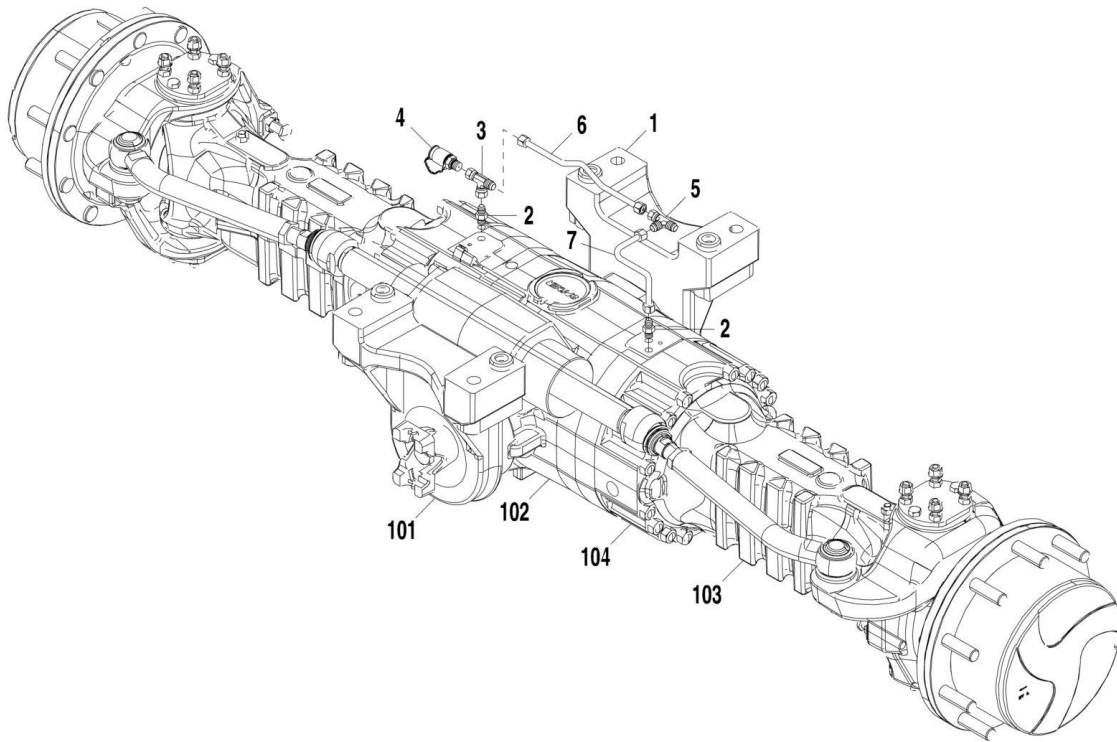
SECTION 5 - DRIVE TRAIN

FIGURE 5-5. FRONT AXLE - BRAKES

ITEM	PART NUMBER	QTY	DESCRIPTION	REV
1	7028734	2	SPACER	
2	91474559	4	SPRING	
3	91474560	2	PISTON	
4	91474561	2	O-RING	
5	91514167	4	O-RING	
6	91514153	4	BACK-UP RING	
7	7028735	2	COVER	
8	91474562	2	O-RING	
9	91474563	2	BACK-UP RING	
10	91474564	2	PISTON	
11	91474565	2	INTERMEDIATE BRAKE DISC	
12	91514159	6	SPRING	
13	91514160	6	ADJUSTING BOLT	
14	91474568	8	BRAKE DISC	
15	91474569	8	INTERMEDIATE BRAKE DISC	
16	91474570	2	SPACER	
17	7028736	4	BOLT	
18	7029787	6	ADJUSTING BOLT	
19	91514165	6	SPRING	
20	80204060	4	NUT	
21	80204108	4	LOCKWASHER	
22	80204281		BLEEDING BOLT	
23	80204117	4	PLUG	
24	91474571	2	SHIM	
24	91474572	2	SHIM	
24	91474573	2	SHIM	
25	91514154	4	BOLT	
26	91514155	4	SEAL WASHER	

SECTION 5 - DRIVE TRAIN

FIGURE 5-6. REAR AXLE ASSEMBLY



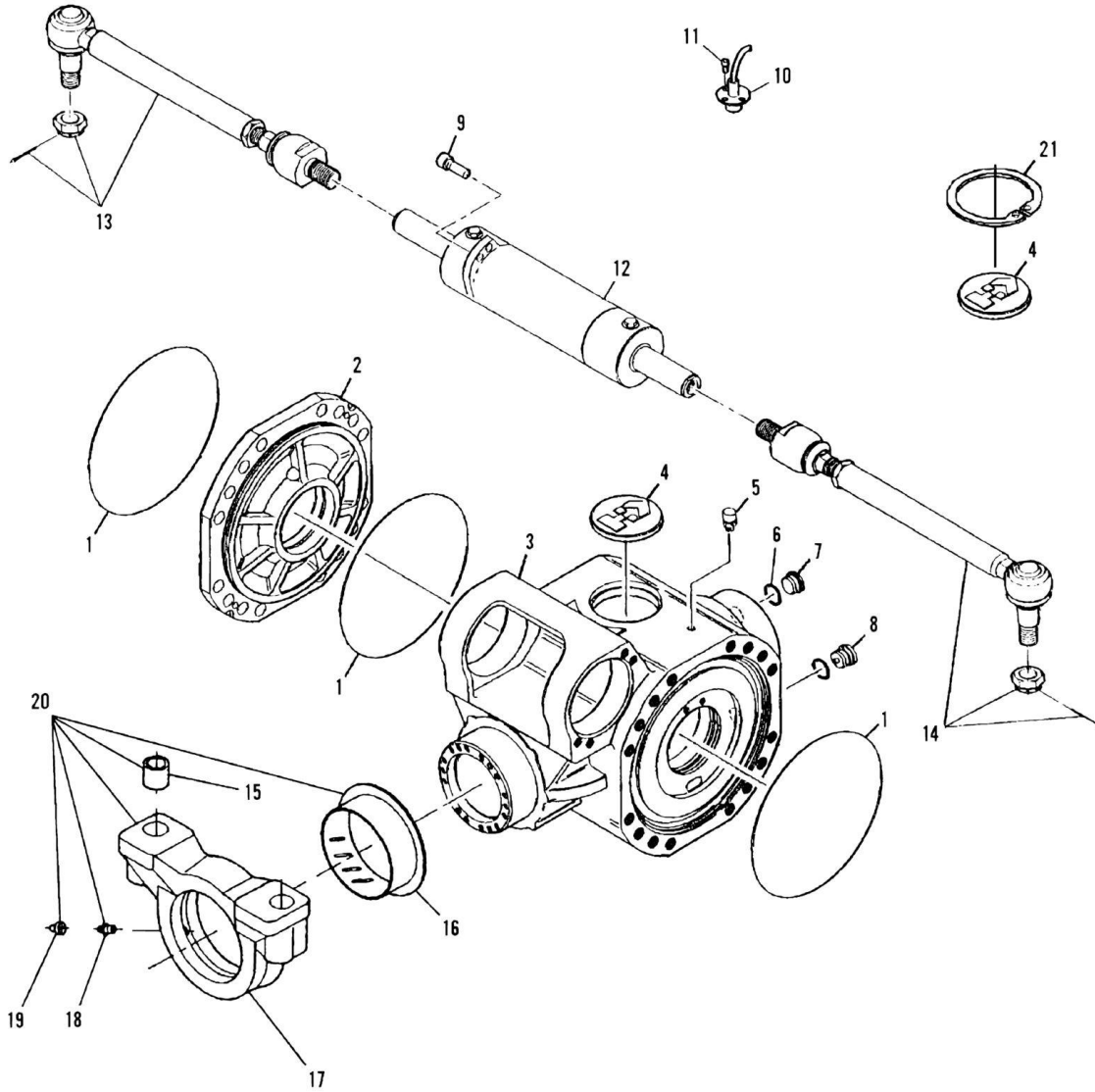
SECTION 5 - DRIVE TRAIN

FIGURE 5-6. REAR AXLE ASSEMBLY

ITEM	PART NUMBER	QTY	DESCRIPTION	REV
1	4803383	1	REAR AXLE, (includes items 101 thru 104)	C
2	2902527	2	CONNECTOR	
3	2142103	1	TEE FITTING	
4	1616551	1	COUPLING	
5	1631629	1	TEE FITTING	
6	8002323	1	PIPE ASSY	
7	8002324	1	PIPE ASSY	
101		Ref	REAR AXLE - CENTRAL HOUSING AND STEERING, (See REAR AXLE - CENTRAL HOUSING AND STEERING for Breakdown)	
102		Ref	REAR AXLE - DIFFERENTIAL, (See REAR AXLE - DIFFERENTIAL for Breakdown)	
103		Ref	REAR AXLE - HUB REDUCTION, (See REAR AXLE - HUB REDUCTION for Breakdown)	
104		Ref	REAR AXLE - BRAKES, (See REAR AXLE - BRAKES for Breakdown)	

SECTION 5 - DRIVE TRAIN

FIGURE 5-7. REAR AXLE - CENTRAL HOUSING AND STEERING



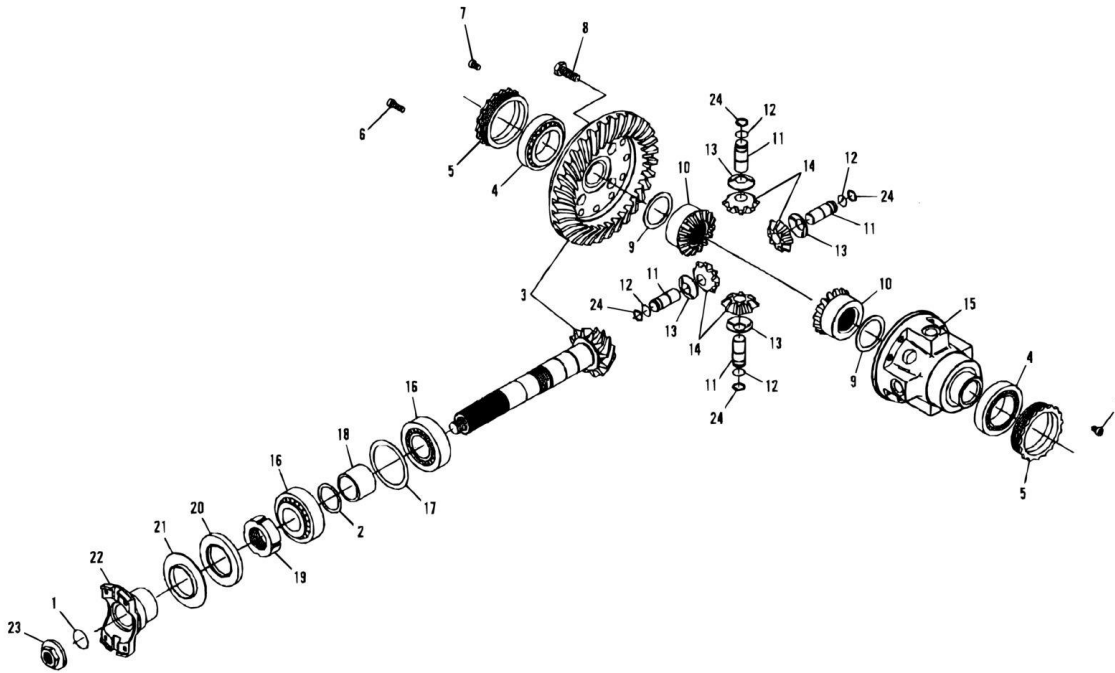
SECTION 5 - DRIVE TRAIN

FIGURE 5-7. REAR AXLE - CENTRAL HOUSING AND STEERING

ITEM	PART NUMBER	QTY	DESCRIPTION	REV
1	91474507	3	O-RING	
2	91474509	1	INTERMEDIATE COVER	
3		Ref	HOUSING, (axle), (no longer available, order 7029426 housing, 91514098 plug and 80204005 circlip) (Prior to SN GITA741822)	
3	7029426	1	HOUSING, (Axle) (SN GITA741822 to Present)	
4	91514098	1	PLUG	
5	91474512	1	VENT	
6		Ref	SEAL	
7	91514188	1	PLUG, (includes item 6)	
8	91474513	1	MAGNET PLUG, (includes seal)	
9	91474522	4	CYLINDER BOLT	
10	7028707	1	ELECTRONIC SENSOR	
11	8008175	3	BOLT	
12	7028079	1	STEERING CYLINDER, (axle) (Prior to SN CITA703951)	
12	7029527	1	SEAL KIT	
12	7028708	1	STEERING CYLINDER, (Axle) (SN CITA703951 to Present)	
12	7029920	1	SEAL KIT	
13	7028081	1	ARTICULATED TIE ROD, (right), (axle) (Prior to SN CITA703951)	
13	8007803	1	ARTICULATED TIE ROD, (right), (Axle) (SN CITA703951 to Present)	
14	7028080	1	ARTICULATED TIE ROD, (left), (axle) (Prior to SN CITA703951)	
14	8007804	1	ARTICULATED TIE ROD, (left), (Axle) (SN CITA703951 to Present)	
15	91474516	4	REDUCTION BUSHING	
16	91474515	2	THRUST BUSHING	
17	7028083	2	SUPPORT	
18	91514099	2	GREASE FITTING	
19	80204117	2	PLUG	
20	7028084	2	SUPPORT ASSY, (includes items 15 thru 19)	
21	80204005	1	CIRCLIP, (Axle) (SN GITA741822 to Present)	
	91514275	1	NUT AND COTTER PIN KIT	

SECTION 5 - DRIVE TRAIN

FIGURE 5-8. REAR AXLE - DIFFERENTIAL



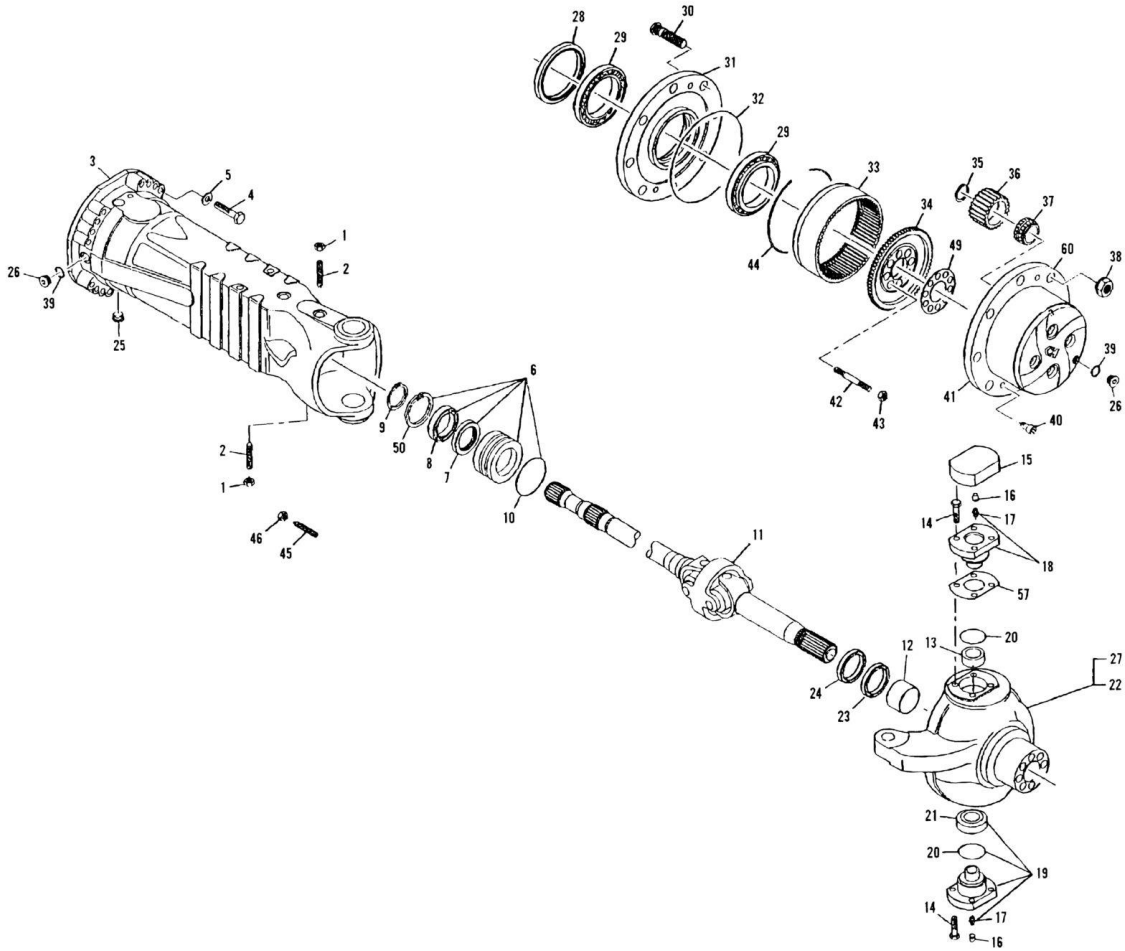
SECTION 5 - DRIVE TRAIN

FIGURE 5-8. REAR AXLE - DIFFERENTIAL

ITEM	PART NUMBER	QTY	DESCRIPTION	REV
1	91474529	1	O-RING	
2	91474535	1	SHIM	
2	91474536	1	SHIM	
2	91474537	1	SHIM	
2	91474538	1	SHIM	
3	7028043	1	BEVEL GEAR SET	
4	91474548	2	TAPER ROLLER BEARING	
5	91474547	2	RING NUT	
6	91474591	4	CYLINDER BOLT	
7	91474134	2	CYLINDER BOLT	
8	91514123	12	BOLT	
9		Ref	FRICITION WASHER	
10		Ref	DIFFERENTIAL SIDE GEAR	
11		Ref	PIN	
12	91474551	4	CIRCLIP	
13		Ref	FRICITION WASHER	
14		Ref	DIFFERENTIAL PINION	
15		Ref	DIFFERENTIAL CARRIER	
16	3968141	2	TAPER ROLLER BEARING	
17	91474540	1	SHIM	
17	91474541	1	SHIM	
17	91474542	1	SHIM	
17	91474543	1	SHIM	
18	91474539	1	SPACER	
19	91474533	1	RING NUT	
20	91474532	1	SEAL	
21	91474531	1	COVERPLATE, (axle) (Prior to SN GITA738344)	
22	7029427	1	FLANGE	
23	91474528	1	NUT	
24		Ref	CIRCLIP	
25	91474596	1	DIFFERENTIAL	
	70021140	1	DIFFERENTIAL ASSY, (Axle), (includes items 9, 10, 11, 13, 14, 15 & 24) (Including IITA776942)	

SECTION 5 - DRIVE TRAIN

FIGURE 5-9. REAR AXLE - HUB REDUCTION



SECTION 5 - DRIVE TRAIN

FIGURE 5-9. REAR AXLE - HUB REDUCTION

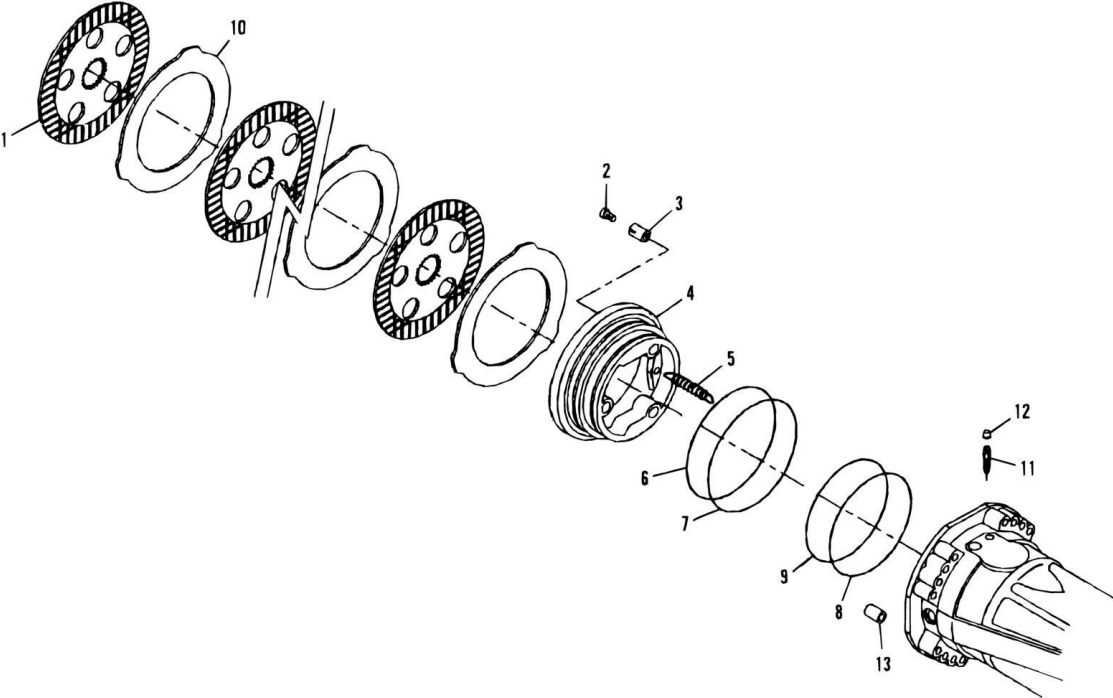
ITEM	PART NUMBER	QTY	DESCRIPTION	REV
1	91514082	2	NUT	
2	2400600	2	BOLT	
3	7028048	2	AXLE CASE	
4	7029428	32	BOLT	
5	91514084	32	WASHER	
6	91514149	2	REDUCTION BUSHING, (includes items 7, 8, 9, 10 & 50)	
7	91514147	2	SEAL	
8	91514146	2	BALL BEARING	
9	80204071	2	CIRCLIP	
10	91514148	2	O-RING	
11	8007770	2	JOINT, (axle) (Prior to SN KITA783471)	
11	7029811	AR	CROSS KIT, (includes cross for double joint, circlips and needle bearings), (axle) (Prior to SN KITA783471)	
11	70023105	2	JOINT, (Axle) (SN KITA783471 to Present)	
11	70021898	AR	CROSS KIT, (includes cross for double joint, circlips, bearings and grease seal), (Axle) (SN KITA783471 to Present)	
12	8004468	2	THRUST BUSHING	
13	70020173	2	OUTER RACE	
14	8006604	20	BOLT	
15	91474524	2	COVER	
16	80204117	4	PLUG	
17	91514099	2	GREASE FITTING	
18	8006603	2	PIVOT PIN, (includes one of item 17)	
19	8006605	2	PIVOT PIN, (includes one of item 17, item 20 & 21)	
20	2401043	2	SEAL	
21	2401258	2	ARTICULATION	
22	7028049	1	STEERING CASE, (left), (axle) (Prior to SN CITA703951)	
22	8007775	1	STEERING CASE, (left), (Axle) (SN CITA703951 to Present)	
23	8007771	2	SEAL	
24	7028035	2	DUST EXCLUDER	
25	91474513	2	MAGNET PLUG	
26	91514188	4	PLUG, (includes item 39)	
27	7028036	1	STEERING CASE, (right), (axle) (Prior to SN CITA703951)	
27	7029429	1	STEERING CASE, (right), (Axle) (SN CITA703951 to Present)	
28	7029430	2	SEAL	
29	3984301	4	BEARING	
30	8000877	20	WHEEL STUD	
31	8005801	2	WHEEL HUB	
32	80204002	2	O-RING	
33	91474580	2	RING GEAR	
34	3983720	2	RING GEAR SUPPORT	
35	91474585	8	CIRCLIP	
36	91474586	8	PLANET GEAR	
37	91474587	8	BEARING	
38		Ref	FLANGED BALL NUT, (See FRAME AND ATTACHING PARTS SECTION for Breakdown)	
39		Ref	SEAL WASHER	
40	91514189	4	COUNTERSUNK BOLT	
41	7029286	2	PLANET GEAR CARRIER	
42	91474583	16	STUD	

SECTION 5 - DRIVE TRAIN

ITEM	PART NUMBER	QTY	DESCRIPTION	REV
43	91474584	16	NUT	
44	91474579	2	CIRCLIP	
45	91514117	4	SETSCREW, (axle) (Prior to SN FITA706681)	
45	7028733	4	BOLT, (Axle) (SN FITA706681 to Present)	
46	80204065	4	NUT, (axle) (Prior to SN FITA706681)	
49	3983731	2	LOCKING PLATE	
50	80204005	2	CIRCLIP	
57	8007779	2	SHIM	
57	8007780	2	SHIM	
57	8007782	2	SHIM	
58	7028115	2	GREASE FITTING	
60	7029431	2	PLANET GEAR CARRIER ASSY, (includes items 35, 36, 37 & 41)	
	8007774	1	STEERING CASE ASSY, (left), (includes items 12 & 22)	
	8007777	1	STEERING CASE ASSY, (right), (includes items 12 & 27)	
	7028733	4	STEERING ADJUST BOLT ASSY, (Axle), (includes items 45 & 46) (SN FITA 706681 to Present)	
	7029432	2	RING GEAR SUPPORT ASSY, (includes items 33, 34 & 44)	

SECTION 5 - DRIVE TRAIN

FIGURE 5-10. REAR AXLE - BRAKES



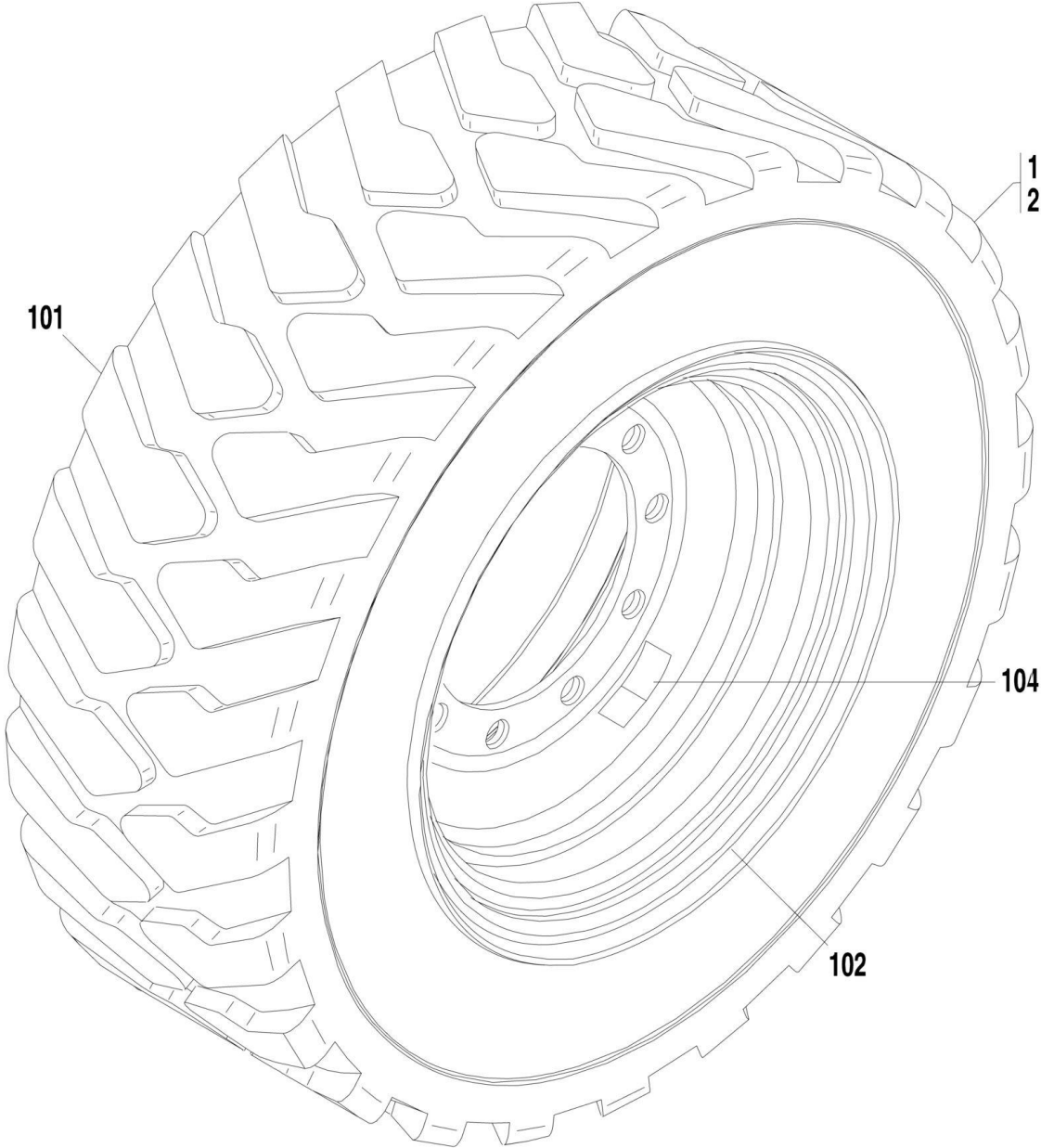
SECTION 5 - DRIVE TRAIN

FIGURE 5-10. REAR AXLE - BRAKES

ITEM	PART NUMBER	QTY	DESCRIPTION	REV
1	91474568	6	BRAKE DISC	
2	7029786	6	ADJUSTING BOLT	
3	91514165	6	SPRING	
4	7028052	2	PISTON	
5	3984425	6	SPRING	
6	3984436	2	BACK-UP RING	
7	3984458	2	O-RING	
8	3984447	2	BACK-UP RING	
9	3984469	2	O-RING	
10	91474569	8	INTERMEDIATE BRAKE DISC	
11	80204281	2	BLEEDING BOLT	
12	80204117	2	PLUG	
13	7029433	2	DOWEL	
14	7028053	2	PISTON POSITIONING KIT, (includes item 4 thru 9)	

SECTION 5 - DRIVE TRAIN

FIGURE 5-11. TIRE AND WHEEL ASSEMBLY



SECTION 5 - DRIVE TRAIN

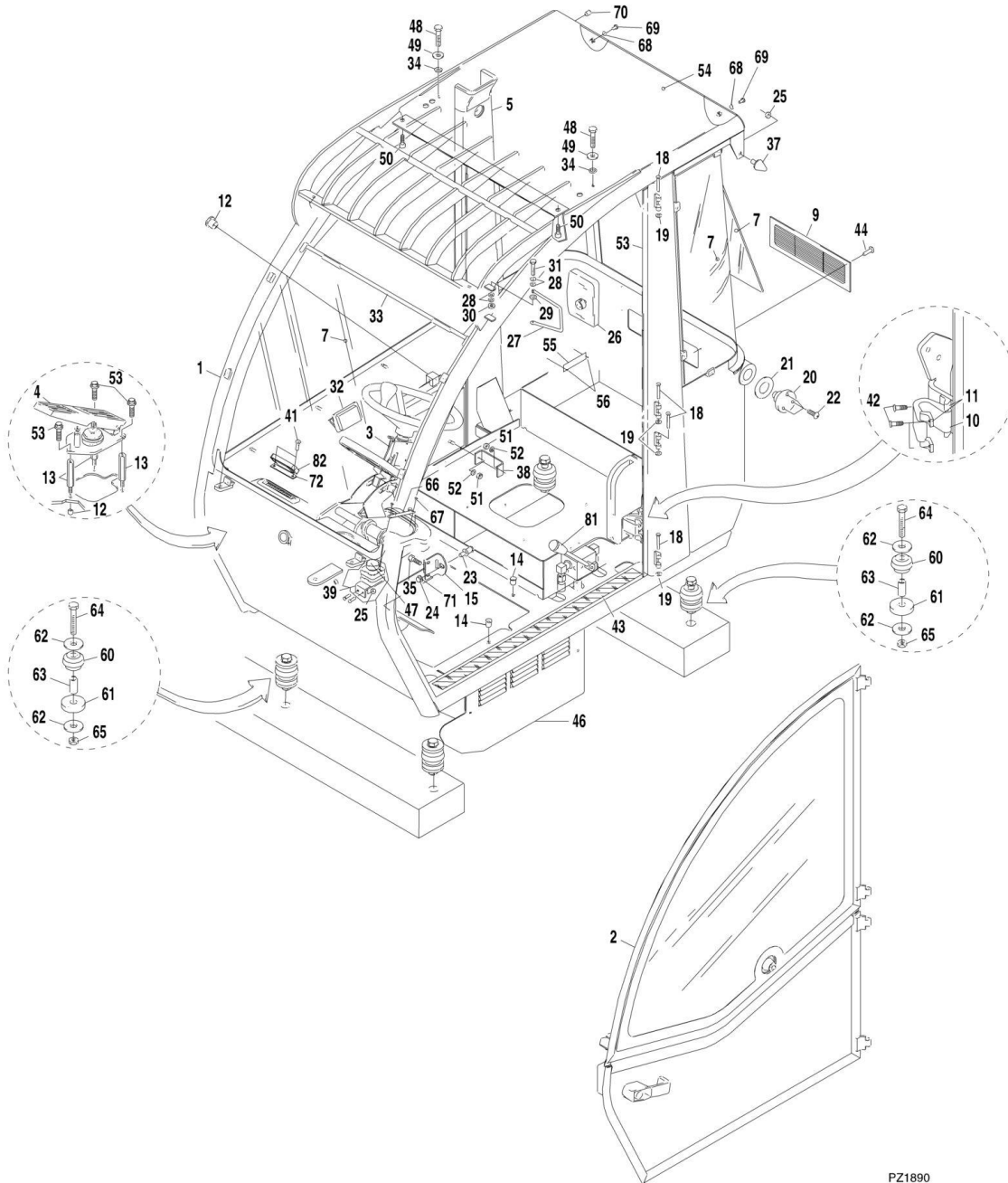
FIGURE 5-11. TIRE AND WHEEL ASSEMBLY

ITEM	PART NUMBER	QTY	DESCRIPTION	REV
	4520389	1	TIRE AND WHEEL ASSEMBLY, (MPT-01 agricultural), (includes items 1 & 2)	3
	4520330	1	TIRE AND WHEEL ASSEMBLY, (MPT-03 construction), (includes items 1 & 2)	3
	4520393	1	TIRE AND WHEEL ASSEMBLY, (MPT-04 construction), (includes items 1 & 2)	3
1	4520388	2	R.H. TIRE AND WHEEL, AGRICULTURAL, MPT-01, (includes items 101 thru 104)	1
1	4520325	2	R.H. TIRE AND WHEEL, CONSTRUCTION, MPT-03, (includes items 101 thru 104)	2
1	4520392	2	R.H. TIRE AND WHEEL, CONSTRUCTION, MPT-04, (includes items 101 thru 104)	1
2	4520387	2	L.H. TIRE AND WHEEL, AGRICULTURAL, MPT-01, (includes items 101 thru 104)	1
2	4520329	2	L.H. TIRE AND WHEEL, CONSTRUCTION, MPT-03, (includes items 101 thru 104)	1
2	4520391	2	L.H. TIRE AND WHEEL, CONSTRUCTION, MPT-04, (includes items 101 thru 104)	1
101	4520386	4	TIRE, AGRICULTURAL TIRE, 405/70-24 MPT-01	
101	4520324	4	TIRE, CONSTRUCTION TIRE, 405/70-24 MPT-03	
101	4520390	4	TIRE, CONSTRUCTION TIRE, 405/70-24 MPT-04	
102	8001143	4	WHEEL	
103	8008675	4	VALVE, (not shown)	
104	1706373	4	LABEL	
104	8005827	4	LABEL, (MPT-03 only)	

SECTION 6 - CAB

SECTION 6 - CAB

FIGURE 6-1. CAB ASSEMBLY



PZ1890

SECTION 6 - CAB

FIGURE 6-1. CAB ASSEMBLY

ITEM	PART NUMBER	QTY	DESCRIPTION	REV
	1040012	1	CAB ASSEMBLY, (includes items 1 thru 72)	G, 9
1	8009703	1	CAB	
2		Ref	CAB DOOR ASSY, (See CAB DOOR ASSEMBLY for Breakdown)	
3		Ref	STEERING COLUMN ASSY, (See CONTROLS SECTION for Breakdown)	
4		Ref	FOOT PEDAL ASSY, (See CONTROLS SECTION for Breakdown)	
5		Ref	INTERIOR ASSY, (See CAB INTERIOR INSTALLATION for Breakdown)	
7		Ref	CAB WINDOWS INSTALLATION, (See CAB WINDOWS for Breakdown)	
9	8001330	1	VENTILATOR	
10	8001331	1	DOOR HOLDER, (Not Illustrated)	
11	8001332	2	DOOR HOLDER CRANK	
12	3939475	9	RIVET	
13	8000337	3	SPACER	
14	3939486	4	RIVET	
15	4807616	1	ANGLE	
18	0879192	4	PIN	
19	0498748	4	LOCKWASHER, 7MM	
20	3975855	1	DOOR SHIFT LOCK	
21	3975833	1	DISC	
22	4010612	3	POSI-DRIVE MACHINE SCREW, 4.8-6X25MM	
23	8000803	1	PIN	
24	3300497	1	RIPP NUT, 12-1MM	
25	5220800	3	RIPP NUT, 8MM	
26	3949091	1	MIRROR, OUTSIDE MOUNT	
27	3945575	1	ROD, MIRROR MOUNT	
28	0885849	8	CUP, SPRING	
29	1042977	4	DISK, SPRING	
30	3290805	2	HEX NUT, 8MM-1.25	
31	0760812	2	HEX HD CAPSCREW, 8-25MM	
32	1780754	1	ASH-TRAY	
33	8003009	1	SUNVISOR	
34	0321779	2	RING	
35	0760808	2	HEX HD CAPSCREW, 8-1.25X16MM	
37	8005276	1	STOP, RUBBER	
38	8003140	1	BRACKET	
39	1001093893	1	BRACKET	
41	1001094077	2	COUNTERSUNK SCREW, 3.5-25MM	
42	3978381	4	LENS HD SCREW, 5-16MM	
43	3986530	AR	NONSKID TAPE	
44	2983091	8	TAPPING SCREW, 5X12MM	
46		Ref	AIR CIRCULATING SYSTEM, (See AIR CIRCULATION INSTALLATION for Breakdown)	
47		Ref	HYDRAULIC INSTALLATION, (See HYDRAULIC CIRCUITS SECTION for Breakdown)	
48	0761008	2	HEX HD CAPSCREW, 10-1.50X16MM	
49	4812000	2	FLAT WASHER, 10MM	
50	4010408	2	POSI-DRIVE MACHINE SCREW, 4X16MM	
51	3290601	2	HEX NUT, 6MM-1.00	
52	4811700	2	FLAT WASHER, 6MM	

SECTION 6 - CAB

ITEM	PART NUMBER	QTY	DESCRIPTION	REV
53	5200608	3	RIPP BOLT, 6-36X16MM	
54		Ref	ELECTRIC SYSTEM CABIN ROOF, (See ELECTRICAL SECTION for Breakdown)	
55	8004990	1	CABIN NAME PLATE	
56	0845749	2	RIVET	
60	8000567	4	ELEMENT, RUBBER	
61	8000565	4	WASHER, RUBBER	
62	1781813	8	DISK	
63	4806626	4	BUSHING	
64	0712030	4	HEX HD CAPSCREW, 20-2.5X130MM, (torque to 150 Nm)	
65	8005205	4	NUT, 20MM	
66	1001005960	1	BINDER FOR LIFTCHARTS	
67	8008862	2	RIVET	
68	4811900	2	FLAT WASHER, 8MM	
69	0760808	2	HEX HD CAPSCREW, 8-1.25X16MM	
70	8009464	1	PROTECTING CAP	
71	4812100	1	FLAT WASHER, M12	
72	1001093344	1	LEVEL INDICATOR BRACKET	
81		Ref	HAND BRAKE ASSY, (See HYDRAULIC CIRCUITS SECTION for Breakdown)	
82	1001094094	1	LEVEL INDICATOR GAUGE	

SECTION 6 - CAB

FIGURE 6-2. CAB INTERIOR INSTALLATION

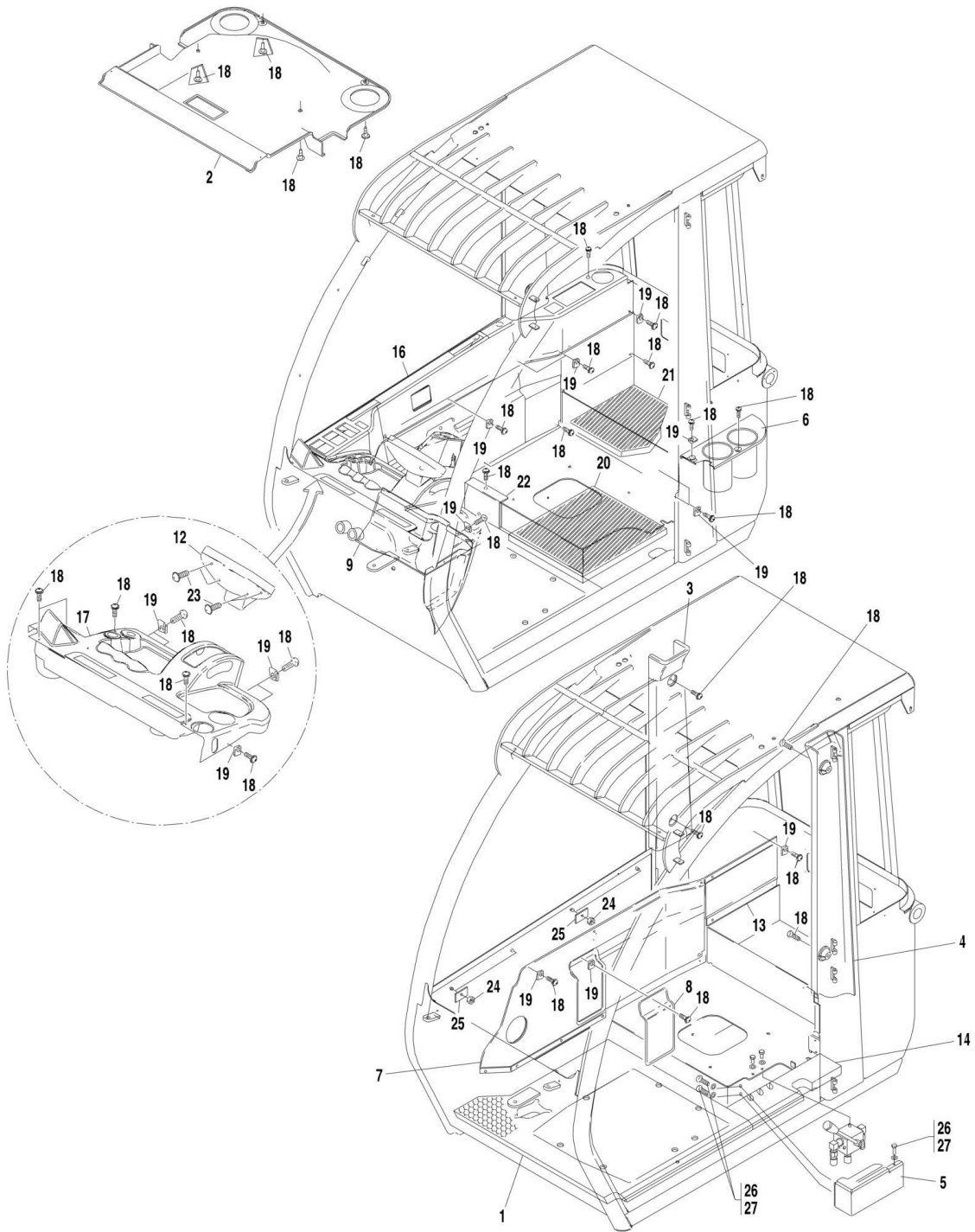


FIGURE 6-2. CAB INTERIOR INSTALLATION

ITEM	PART NUMBER	QTY	DESCRIPTION	REV
	1040013	1	CAB INTERIOR INSTALLATION, (WITHOUT AC), (includes items 1 thru 27)	C, 4
	1040030	1	CAB INTERIOR INSTALLATION, (WITH AC), (includes items 1 thru 27)	
1	8000078	1	MAT	
2	8003026	1	INSIDE ROOF LINING	
3	8003027	1	COVERING, PILLER (left)	
4	8003028	1	COVERING, PILLER (right)	
5	3575679	1	COVER	
6	8003309	1	CUPHOLDER	
7	8003032	1	COVER	
8	8003033	1	COVER	
9	8003035	1	COVER, FRONT BOTTOM	
12	8003038	1	COVER, DISPLAY	
13	8003191	1	COVER	
14	1671173	1	MAT	
16	8004887	1	COVER, WITHOUT AC	
16	8007811	1	COVER, WITH AC	
17	8004886	1	COVER, DASH	
18	3934378	46	LENS HD SCREW, 4.8-16MM	
19	3933468	17	CLIP	
20	8006261	1	MAT, RUBBER	
21	8006262	1	MAT, RUBBER	
22	8005408	1	PLATE, COVER	
23	3978370	4	LENS HD SCREW, 5X20MM	
24	5220800	4	RIPP NUT, 8MM	
25	8007568	4	PLATE	
26	0760610	3	HEX HD CAPSCREW, 6X20MM	
27	4811700	3	FLAT WASHER, 6MM	

FIGURE 6-3. CAB DOOR ASSEMBLY

ITEM	PART NUMBER	QTY	DESCRIPTION	REV
	8000339	1	CAB DOOR ASSEMBLY, (includes items 1 thru 33)	D
1	8009784	1	LOWER DOOR	
2	8009783	1	UPPER DOOR	
3	8001144	1	LATCH	
4	1749733	8	BUSHING	
5	3976925	AR	GLUE	
6	8003293	1	PIN	
7	3300497	1	RIPP NUT, 12-1MM	
8	8000799	1	PUSH-BUTTON HANDLE	
8		Ref	KEY, (same key used for ignition), (See ELECTRICAL SECTION for Breakdown)	
9	8000802	1	LATCH	
10	8001833	1	ANGLE	
11	3975866	1	PIN	
18	5220800	4	RIPP NUT, 8MM	
19	1398374	4	COUNTERSUNK SCREW, 8-35MM	
20	3946123	1	SPACER	
21	8002022	1	WINDOW, DOOR	
22	8000871	AR	TRIM	
23	8005553	1	COVER	
25	3939486	3	RIVET	
26	5200808	3	RIPP BOLT, 8-48X16MM	
27	4010510	1	MACHINE SCREW, 5X20MM	
28	1356352	3	WASHER, 5.3MM	
29	4010608	2	POSI-DRIVE MACHINE SCREW, #6-1X16MM	
30	8000797	AR	TRIM	
31	0447985	2	WASHER, 6.4MM	
32	3942436	8	SPACER	
33	4812100	1	FLAT WASHER, 12MM	

SECTION 6 - CAB

FIGURE 6-4. CAB WINDOWS

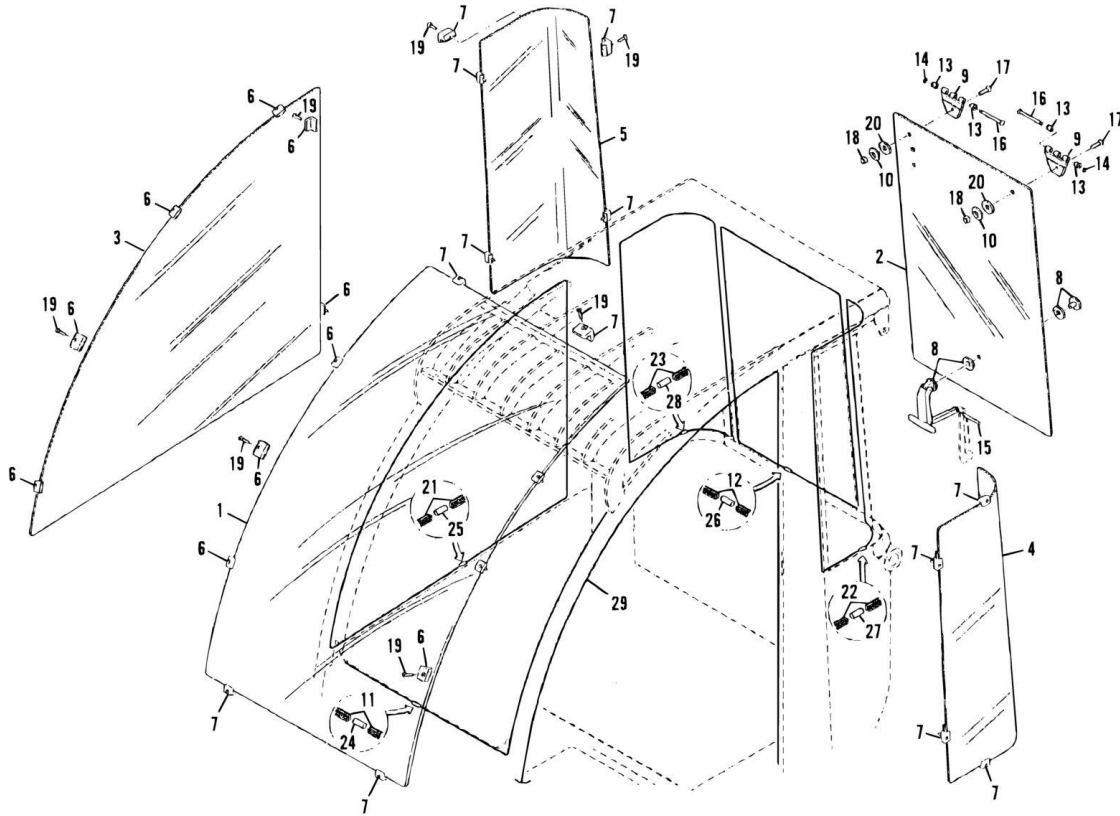


FIGURE 6-4. CAB WINDOWS

ITEM	PART NUMBER	QTY	DESCRIPTION	REV
	8000424	1	CAB WINDOWS INSTALLATION, (includes items 1 thru 29)	2
1	4805954	1	WINDOW, (front)	
2	4805998	1	WINDOW, (rear)	
3	4805965	1	WINDOW, (side)	
4	4805976	1	WINDOW, (corner left)	
5	4805987	1	WINDOW, (corner right)	
6	4806024	15	CLAMP	
7	4806035	16	CLAMP	
8	8000343	1	LATCH ASSY	
9	8000344	2	HINGE	
10	8000759	2	NYLON WASHER	
11	8000797	AR	TRIM	
12	8000798	AR	TRIM	
13	1749733	4	BUSHING	
14	0498748	2	LOCKWASHER, 7MM	
15	8004392	1	PIN	
16	8004393	2	PIN	
17	1398385	2	COUNTERSUNK SCREW, 8X30MM	
18	3290805	2	HEX NUT, NYLON INSERT, 8MM-1.25	
19	8004876	31	COUNTERSUNK SCREW, 5X25MM	
20	8004398	2	NYLON WASHER	
21	8000797	AR	TRIM	
22	8000798	AR	TRIM	
23	8000798	AR	TRIM	
24	2099716	AR	TRIM	
25	2099716	AR	TRIM	
26	3935835	AR	TRIM	
27	3935835	AR	TRIM	
28	3935835	AR	TRIM	
29	8000797	AR	TRIM	

SECTION 6 - CAB

FIGURE 6-5. WIPER SYSTEM INSTALLATION

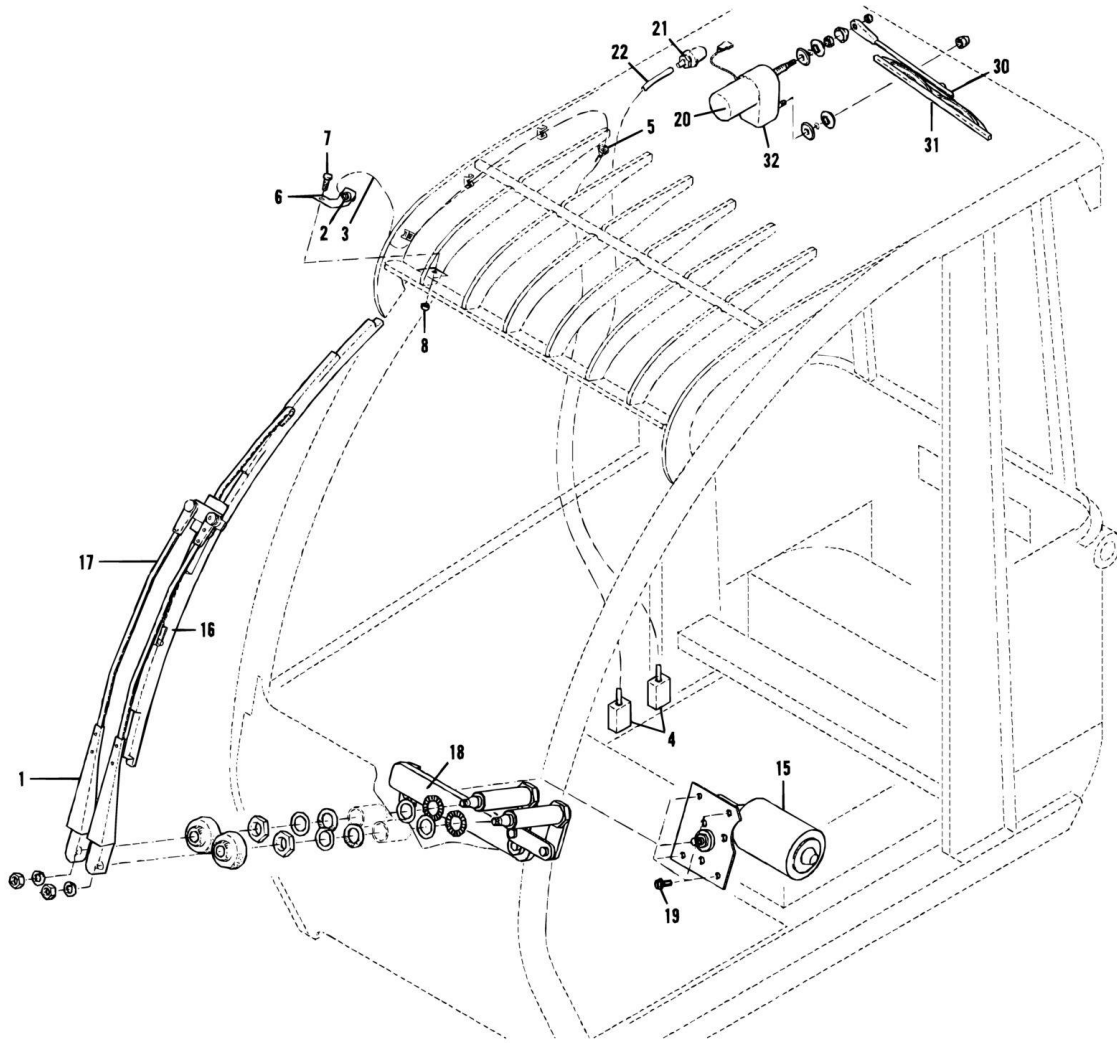


FIGURE 6-5. WIPER SYSTEM INSTALLATION

ITEM	PART NUMBER	QTY	DESCRIPTION	REV
	8000340	1	WIPER SYSTEM, (front), (includes items 1 thru 8)	2
	8000341	1	WIPER SYSTEM, (rear), (includes one of item 4 and items 20 thru 22)	1
1	4807707	1	FRONT WIPER ASSY, (includes items 15 thru 19)	2
2	3746392	1	DOUBLE NOZZLE	
3	3746405	AR	HOSE	
4	1366865	2	NON RETURN VALVE	
5	8002985	1	DUCT SOCKET	
6	8005447	1	ANGLE	
7	5200810	1	RIPP BOLT, 8-48X20MM	
8	5220800	1	RIPP NUT, 8MM	
15	4807752	1	WIPER MOTOR	
16	4807729	2	WIPER BLADE	
17	4807730	1	WIPER ARM	
18	4807741	1	WIPER DRIVE ARM ASSY	
19	5200608	4	RIPP BOLT, 6-36X16MM	
20	4807661	1	REAR WIPER ASSY, (includes items 30 thru 32)	1
21	3746392	1	DOUBLE NOZZLE	
22	3746405	AR	HOSE	
30	4807694	1	WIPER ARM	
31	4807718	1	WIPER BLADE	
32	4807763	1	WIPER MOTOR	

SECTION 6 - CAB

FIGURE 6-6. DRIVER SEAT ASSEMBLY INSTALLATION

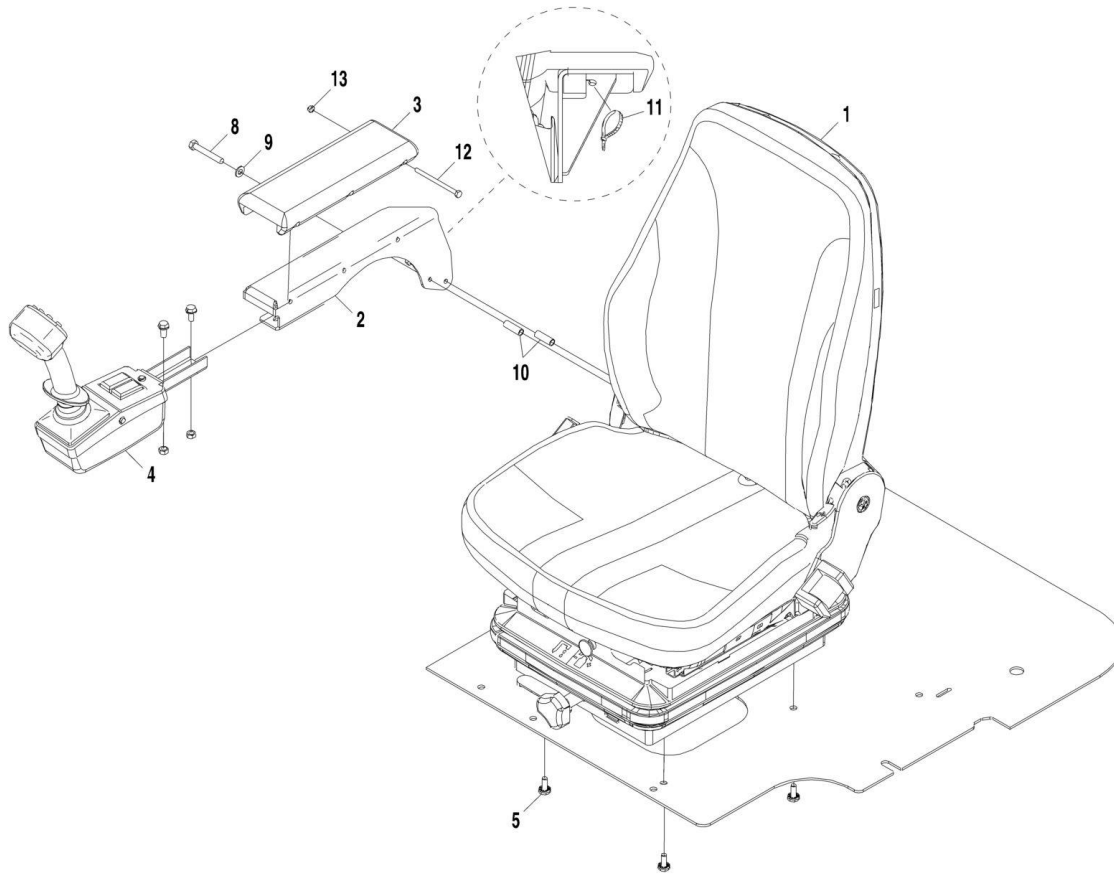


FIGURE 6-6. DRIVER SEAT ASSEMBLY INSTALLATION

ITEM	PART NUMBER	QTY	DESCRIPTION	REV
	8009724	1	DRIVERS SEAT ASSEMBLY INSTALLATION, (includes items 1 thru 13)	5
1		Ref	DRIVER SEAT, (See DRIVER SEAT for Breakdown)	
2	3980038	1	BRACKET	
3	8010452	1	FOAM PAD	
4		Ref	JOYSTICK, (See CONTROLS SECTION for Breakdown)	
5	5200810	4	RIPP BOLT	
8	0700818	2	HEX HD CAPSCREW, 8-1.25X50MM	
9	5211902	2	RIPP WASHER, 8MM	
10	4569078	2	SPACER TUBE	
11	471678	1	CABLE BAND	
12	0700626	3	HEX HD CAPSCREW, 6-1.00X90MM	
13	3290605	3	HEX NUT, NYLON, 6M-1.00	

SECTION 6 - CAB

FIGURE 6-7. DRIVER SEAT

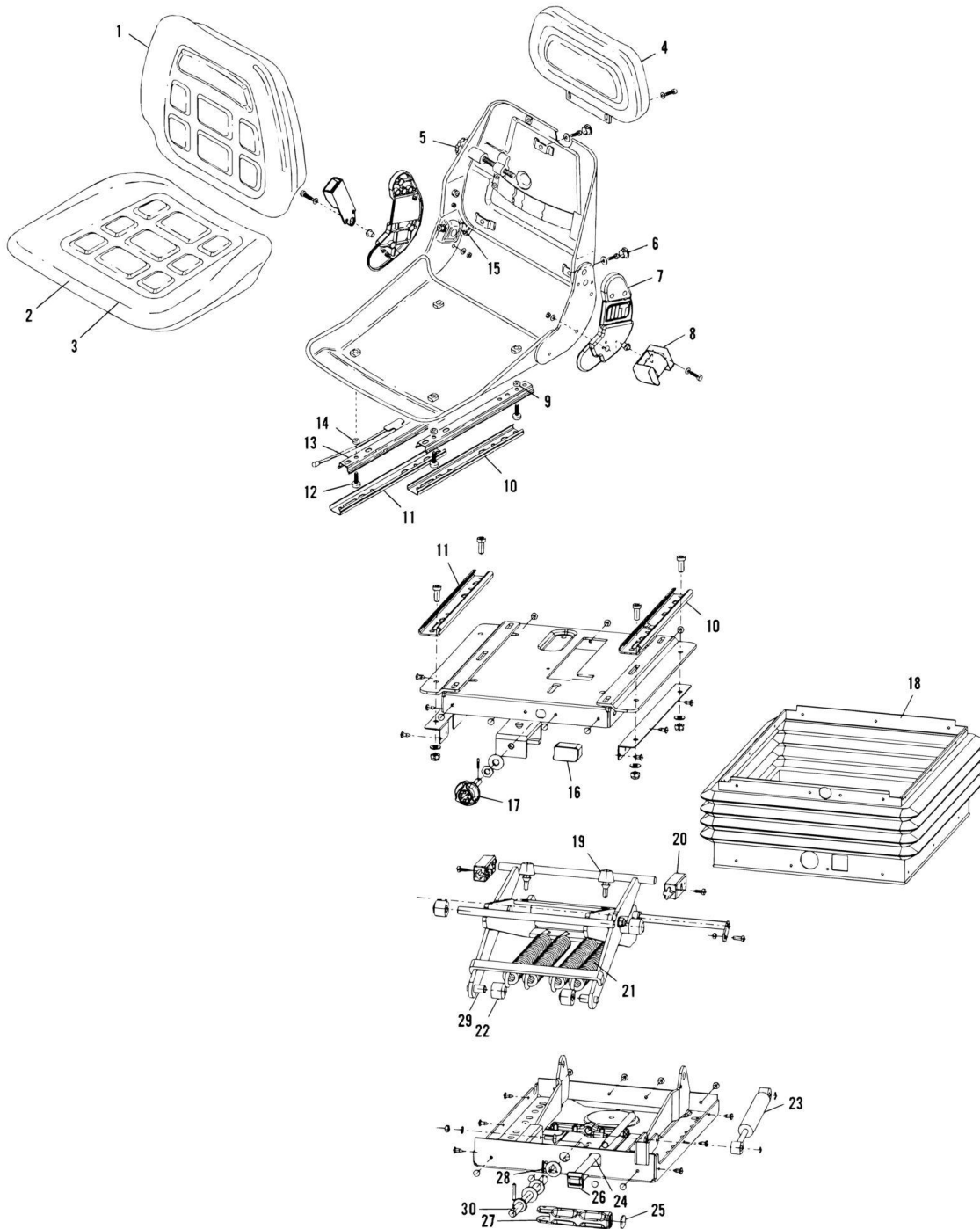


FIGURE 6-7. DRIVER SEAT

ITEM	PART NUMBER	QTY	DESCRIPTION	REV
	8009667	1	DRIVERS SEAT, (includes all items)	
1	7028742	1	BACKREST	
2	7028743	1	CUSHION	
3	7028744	1	SPRING	
4	7028745	1	BACKREST EXTENSION	
5	7028746	1	KNOB	
6	7028747	3	CAP	
7	7028748	1	RIGHT SIDE COVERING	
7	7028749	1	LEFT SIDE COVERING	
8	7028750	1	RETRACTABLE SEAT BELT	
9	7028751	1	INTERNAL SLIDE	
10	7028752	1	EXTERNAL SLIDE	
11	7028753	1	EXTERNAL SLIDE	
12	7028754	4	SCREW	
13	7028755	1	SLIDE ASSY	
14	7028756	4	SLIDE SPACER	
15	7028757	1	TILT ADJUSTER HANDLE	
16	7028758	1	HEIGHT ADJUSTING BUMPER	
17	7028759	1	HEIGHT ADJUSTING KNOB KIT	
18	7028760	1	RUBBER BODY	
19	7028761	2	BUMPER STOP	
20	7028762	2	SUSPENSION RUNNER	
21	7028763	4	SPRING	
22	7028764	4	SUSPENSION WHEEL	
23	7028765	1	SHOCK ABSORBER	
24	7028766	1	WEIGHT ADJUST STRIP	
25	7028767	1	WEIGHT INDICATOR DISPLAY	
26	7028768	1	HANDLE CAP	
27	7028769	1	ADJUSTING HANDLE	
28	7028770	1	WASHER	
29	7029827	1	SPRING SHAFT	
30	7029828	1	SHAFT	

SECTION 6 - CAB

FIGURE 6-8. AIR CIRCULATION INSTALLATION

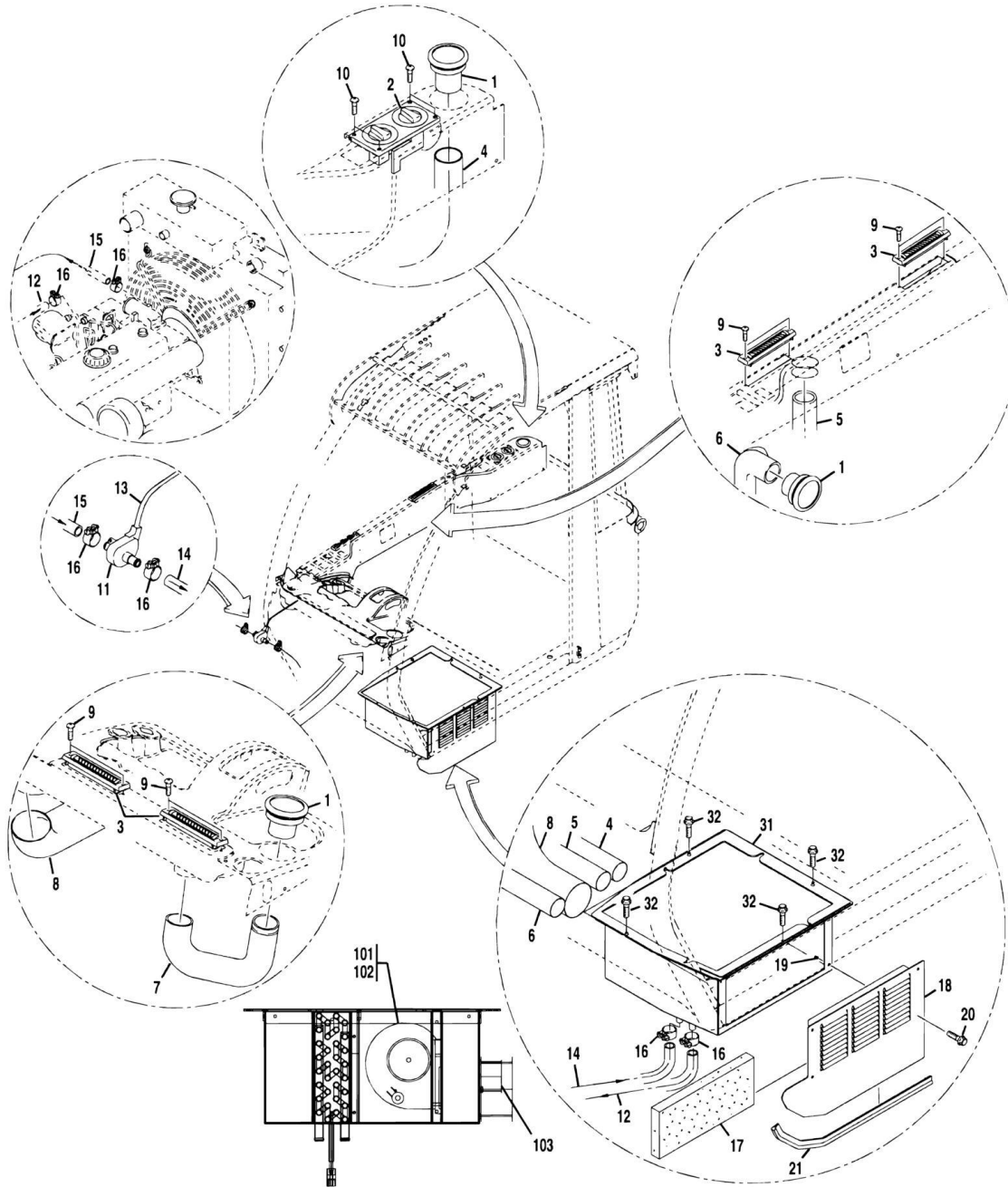


FIGURE 6-8. AIR CIRCULATION INSTALLATION

ITEM	PART NUMBER	QTY	DESCRIPTION	REV
	8002765	1	HEATING/AC UNIT INSTALLATION, (includes all items on AIR CIRCULATION INSTALLATION and AIR CONDITIONING UNIT INSTALLATION)	1
	8003161	1	AIR DIFFUSER, (for heat or ac), (includes items 1 thru 21)	2
1	8003008	3	NOZZLE	
2	8003163	1	CONTROL, HEAT	
3	3953973	4	NOZZLE	
4	8003171	AR	HOSE, HEAT DUCT	
5	8003171	AR	HOSE, HEAT DUCT	
6	8003171	AR	HOSE, HEAT DUCT	
7	8003171	AR	HOSE, HEAT DUCT	
8	8003172	AR	HOSE, HEAT DUCT	
9	0885236	8	SCREW	
10	2686762	4	SCREW	
11	8003164	1	WATER VALVE	
12	8003173	AR	HOSE, HEATER	
13	8003174	1	CABLE PULL	
14	8003173	AR	HOSE, HEATER	
15	8003173	AR	HOSE, HEATER	
16	3759535	6	CLAMP	
17	3929100	1	AIR FILTER	
18	8001236	1	COVER	
19	8003524	4	NUT HOLDER	
20	2982534	4	RIPP BOLT, 6-16MM	
21	8001565	AR	TRIM	
31	8009295	1	HEATING UNIT ASSY, (includes items 101 thru 103)	B
32	5200808	4	RIPP BOLT, 8-48X16MM	
101	8008218	1	VENTILATOR	
102	70021125	1	RESISTOR	
103	1001091537	1	HOSE ADAPTER	

SECTION 6 - CAB

FIGURE 6-9. AIR CONDITIONING UNIT INSTALLATION

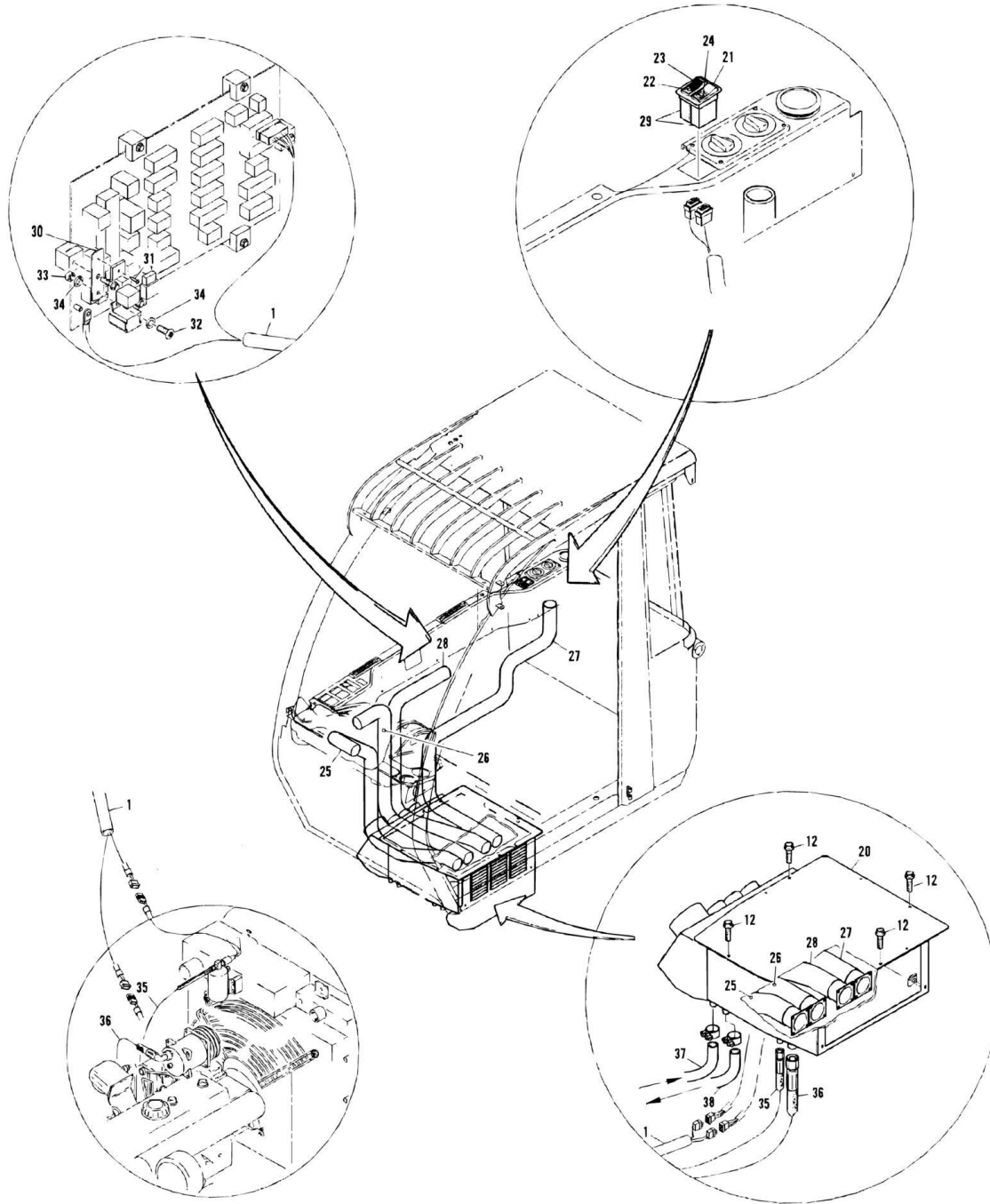


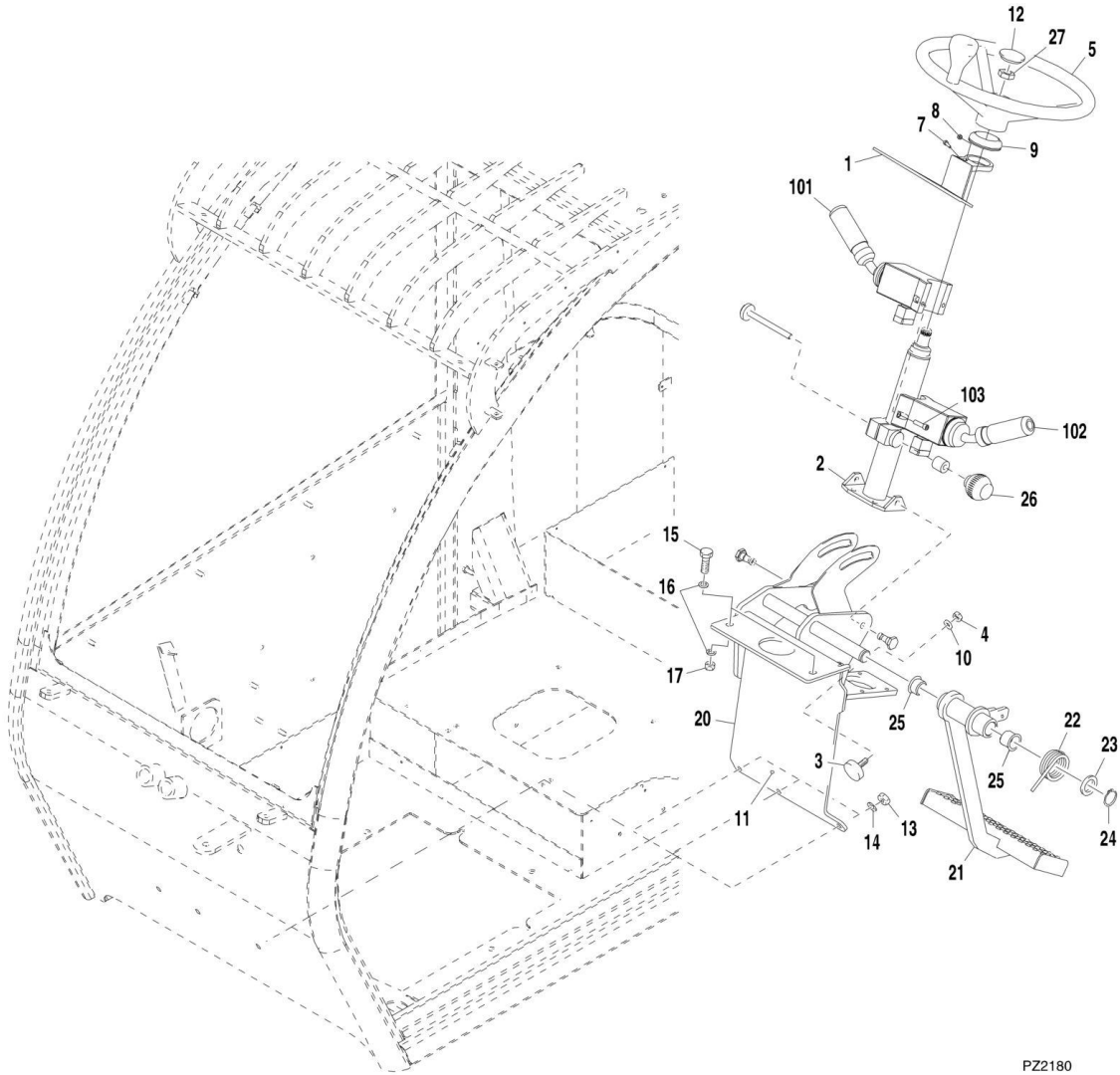
FIGURE 6-9. AIR CONDITIONING UNIT INSTALLATION

ITEM	PART NUMBER	QTY	DESCRIPTION	REV
	8006357	1	AIR CONDITIONING UNIT INSTALLATION, (includes items 1 thru 38)	3
1	8004600	1	HARNESS	
12	5200810	4	RIPP BOLT, 8-20MM	
20	8009296	1	AIR CONDITIONING UNIT ASSY	
20	8008237	1	HEAT EXCHANGER	
20	8008218	1	VENTILATOR	
20	8008238	1	EVAPORATING UNIT	
20	8008239	1	THERMOSTAT	
20	8008236	1	ELECTRIC MOTOR	
21	4674353	1	SWITCH	
22	3951006	1	DECAL, AC	
23	8006599	1	SWITCH	
24	8006658	1	DECAL, FRESH AIR	
25	8003171	AR	HOSE, AC DUCT	
26	8003171	AR	HOSE, AC DUCT	
27	8003171	AR	HOSE, AC DUCT	
28	8003171	AR	HOSE, AC DUCT	
29	8004763	2	COVER, SWITCH	
30	8007985	1	BRACKET	
31	876406	1	SCREW, 3.5X13MM	
32	4010506	1	POSI-DRIVE MACHINE SCREW, 5X12MM	
33	3290501	1	HEX NUT, 5-0.80MM	
34	4811600	2	FLAT WASHER, 5MM	
35		Ref	HOSE, (See ENGINE AND ATTACHING PARTS SECTION, item 5 for Breakdown)	
36		Ref	HOSE, (See ENGINE AND ATTACHING PARTS SECTION, item 5 for Breakdown)	
37		Ref	HOSE, (See AIR CIRCULATION INSTALLATION, item 14 for Breakdown)	
38		Ref	HOSE, (See AIR CIRCULATION INSTALLATION, item 12 for Breakdown)	

SECTION 7 - CONTROLS

SECTION 7 - CONTROLS

FIGURE 7-1. STEERING COLUMN AND ATTACHING PARTS



PZ2180

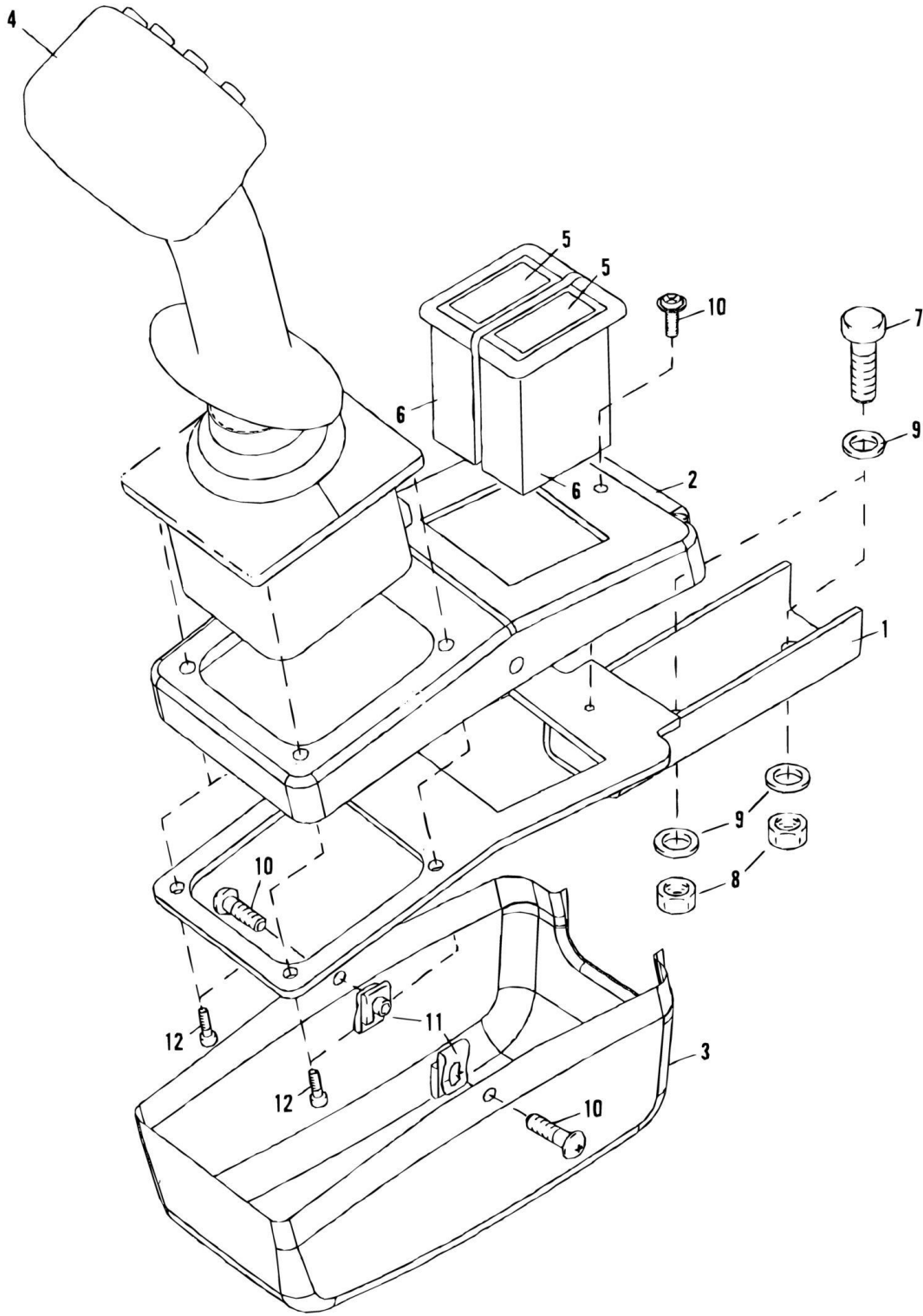
SECTION 7 - CONTROLS

FIGURE 7-1. STEERING COLUMN AND ATTACHING PARTS

ITEM	PART NUMBER	QTY	DESCRIPTION	REV
	8003739	1	STEERING COLUMN ASSEMBLY, (includes items 1 thru 17)	E
1	8008663	1	DISPLAY HOLDER	
2	8001885	1	STEERING COLUMN, (includes clamp, hardware, items 26 & 27)	
2	7028091	1	SPINNER KNOB	
3	1000331	1	RUBBER STOP	
4	3290605	1	HEX NUT, NYLON INSERT, 6MM-1.00	
5	8007753	1	STEERING WHEEL	
7	4031608	1	SOCKET HD CAPSCREW, 5-.8X20MM	
8	3290501	1	HEX NUT, 5MM-0.80	
9	8009046	1	RING COVER	
10	5211702	1	RIPP WASHER, 6MM	
11	4805534	1	BRACKET ASSY, (includes items 20 thru 25)	
12	2912132	1	COVER CAP	
13	3290805	3	HEX NUT, NYLON INSERT, 8MM-1.25	
14	5211902	3	RIPP WASHER, 8MM	
15	0761014	2	HEX HD CAPSCREW, 10-1.50X30MM	
16	4812000	4	FLAT WASHER, 10MM	
17	3291005	2	HEX NUT, NYLON INSERT, 10MM-1.50	
20	4805250	1	BRACKET	
21	4807321	1	BRAKE PEDAL	
22	4160212	1	RESTORING SPRING	
23	0899276	1	WASHER, 25MM	
24	1398443	1	CIRCLIP	
25	3976436	2	BUSHING	
26	8007965	1	ROTARY KNOB	
27	1630253	1	NUT, (torque to 25 Nm)	
101	3749975	1	LEVER	
102	91473031	1	LEVER, (includes item 103)	
103		Ref	HEX HD CAPSCREW, (torque to 41-47 Nm)	

SECTION 7 - CONTROLS

FIGURE 7-2. JOYSTICK SUPPORT ASSEMBLY



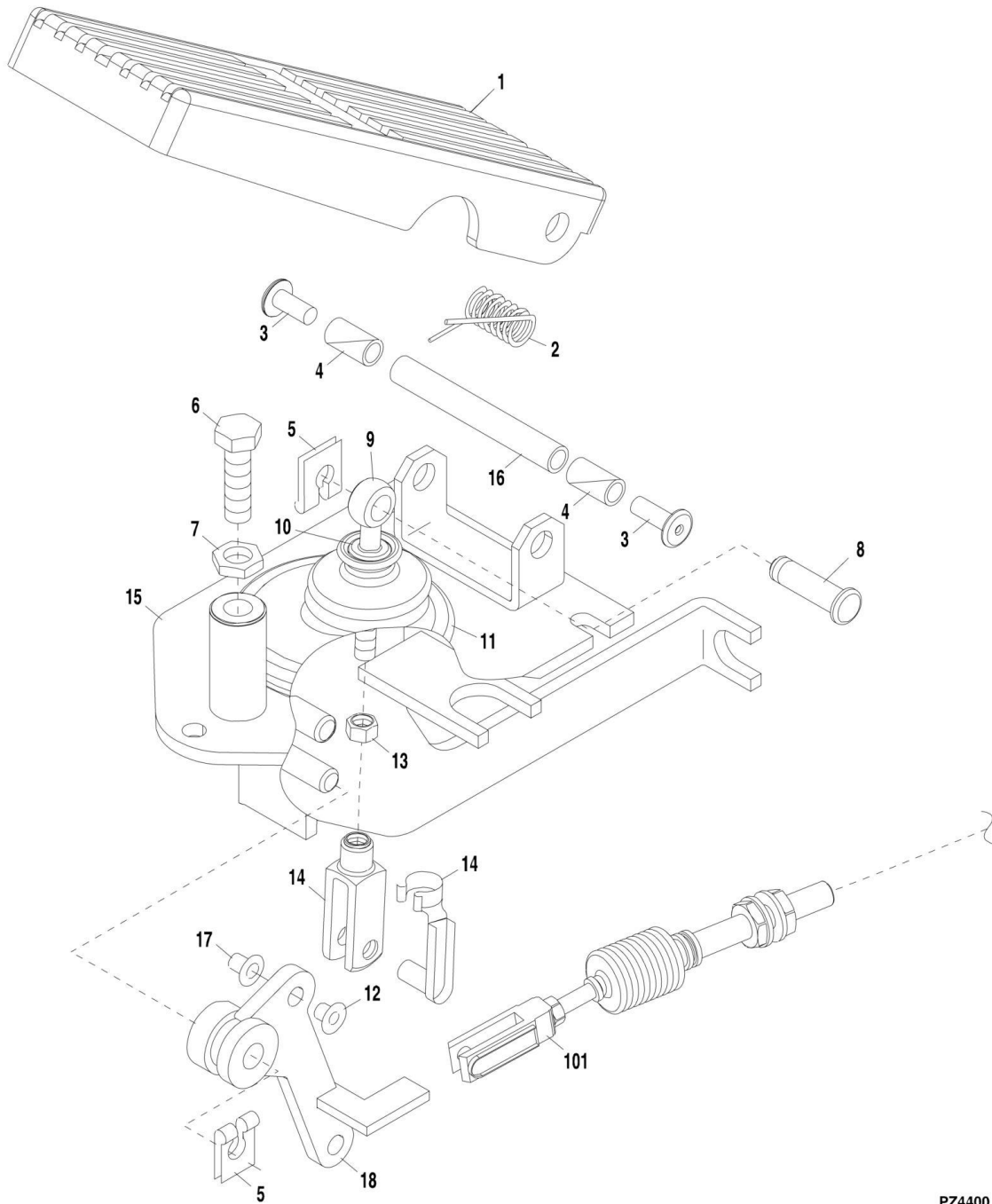
SECTION 7 - CONTROLS

FIGURE 7-2. JOYSTICK SUPPORT ASSEMBLY

ITEM	PART NUMBER	QTY	DESCRIPTION	REV
	8002407	1	JOYSTICK SUPPORT ASSEMBLY, (includes all items except item 4)	3
1	8000796	1	SUPPORT	
2	8004762	1	LID	
3	8004672	1	BOX	
4	8002822	1	JOYSTICK	
5	1359720	2	COVERING	
6	8004763	2	END PIECE	
7	0760810	2	HEX HD CAPSCREW, 8-1.25X20MM	
8	3290801	2	HEX NUT, 8MM-1.25	
9	5211902	4	RIPP WASHER, 8MM	
10	3934378	3	LENS HD CAPSCREW, 4.8X16MM	
11	3933468	2	CLIP	
12	2983091	4	TAPPING SCREW, 5X12MM	

SECTION 7 - CONTROLS

FIGURE 7-3. ACCELERATOR PEDAL ASSEMBLY



PZ4400

SECTION 7 - CONTROLS

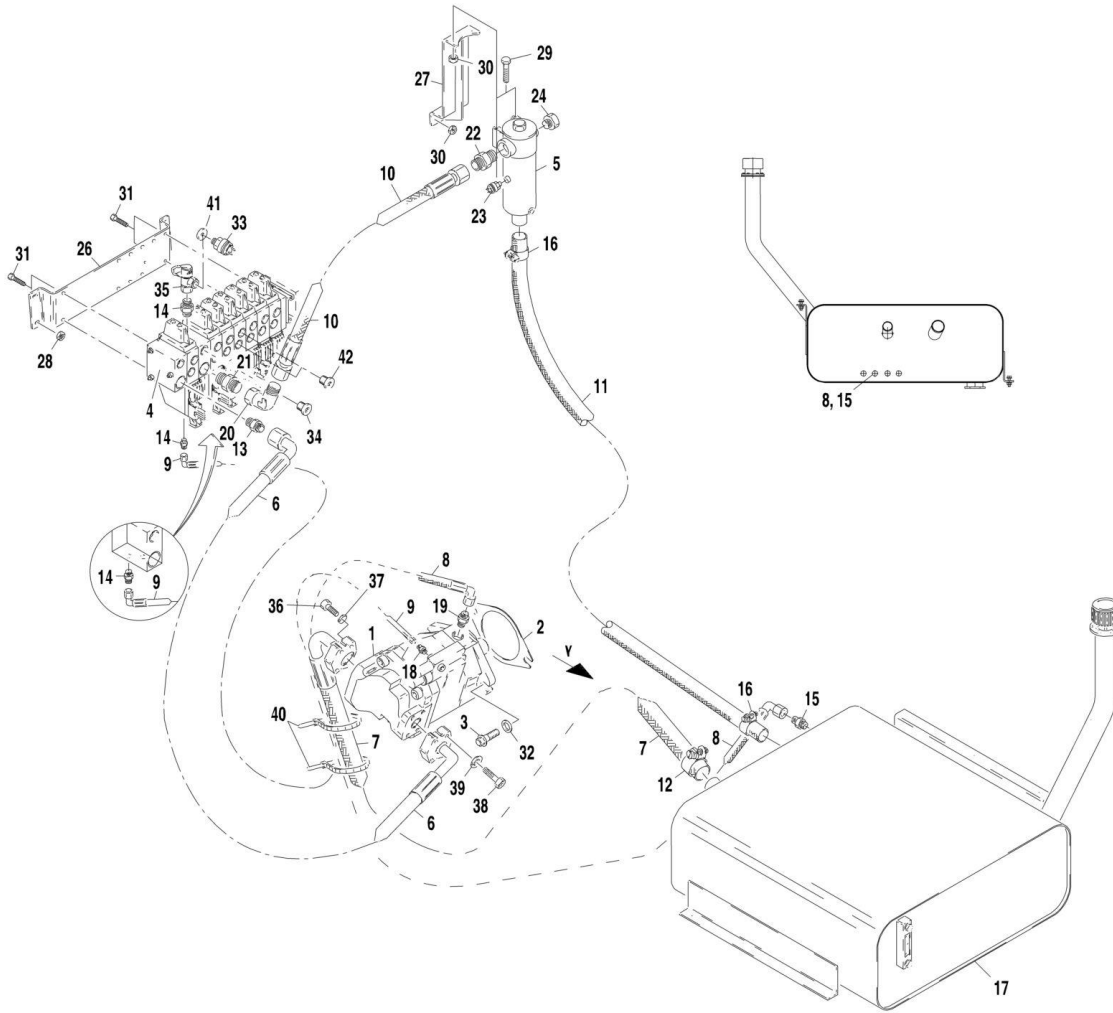
FIGURE 7-3. ACCELERATOR PEDAL ASSEMBLY

ITEM	PART NUMBER	QTY	DESCRIPTION	REV
	8000345	1	ACCELERATOR PEDAL ASSEMBLY, (includes items 1 thru 18)	B
1	7028526	1	GAS PEDAL	
2	7028527	1	SPRING	
3	7028528	2	BLIND RIVIT WITH FLAT ROUND HEAD	
4	7028529	2	SLIDING BEARING	
5	7028530	2	SAFETY DEVICE	
6	7028531	1	HEX SCREW	
7	7028532	1	HEX NUT	
8	7028533	1	PIN	
9	7028534	1	EYE BOLT	
10	7028535	1	RING	
11	7028536	1	BOOT	
12	7028537	1	BUSHING	
13	7028538	1	HEX NUT	
14	7028539	1	FORK LINK AND CLIP	
15	7029137	1	BRACKET WELDMENT	
16	7029138	1	SHAFT	
17	7028540	1	FRICTION BEARING	
18	7028541	1	LEVER	
101		Ref	THROTTLE CABLE, (See ENGINE AND ATTACHING PARTS SECTION for Breakdown)	

SECTION 8 - HYDRAULIC CIRCUITS

SECTION 8 - HYDRAULIC CIRCUITS

FIGURE 8-1. HYDRAULIC SYSTEM



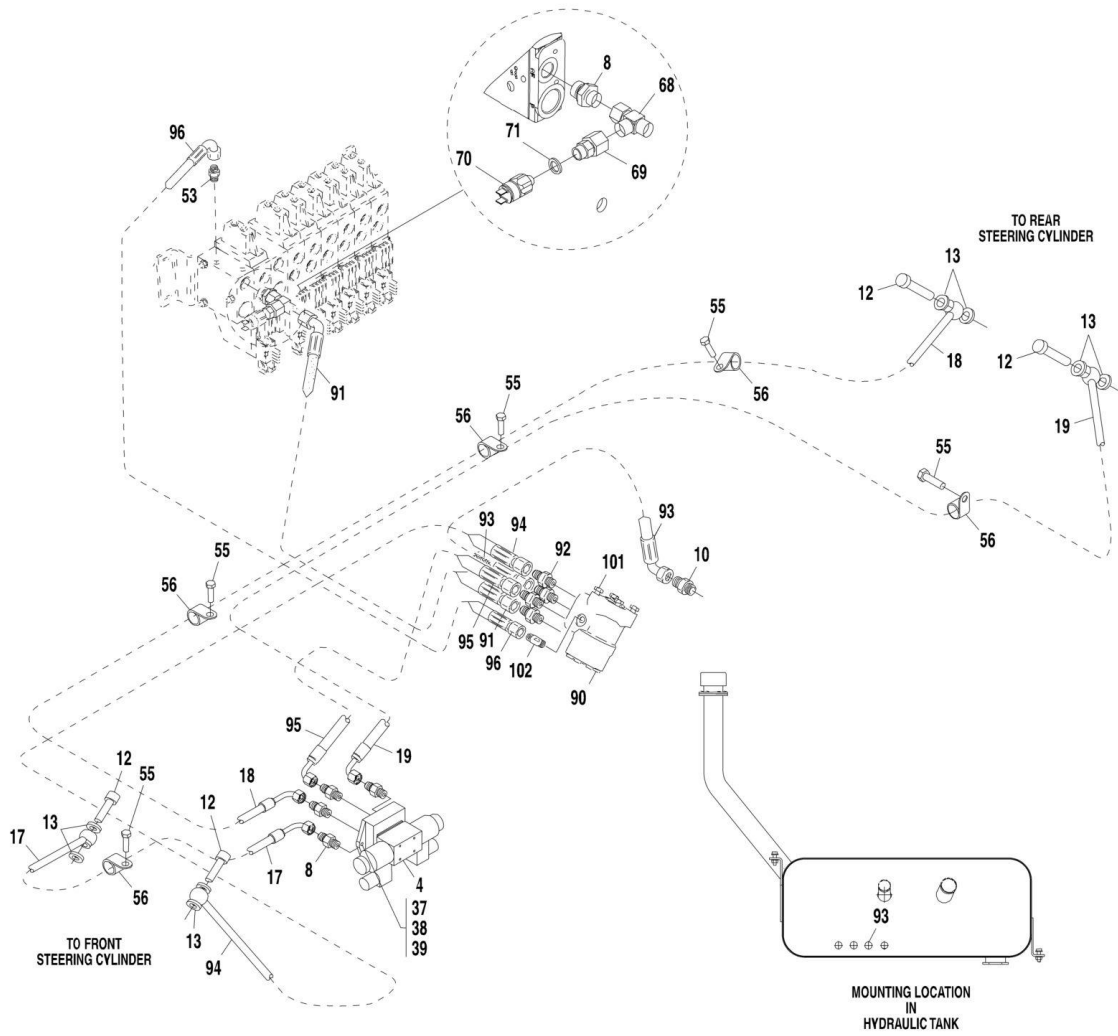
SECTION 8 - HYDRAULIC CIRCUITS

FIGURE 8-1. HYDRAULIC SYSTEM

ITEM	PART NUMBER	QTY	DESCRIPTION	REV
1	8001853	1	HYDRAULIC SYSTEM, (includes items 1 thru 43)	I
1		Ref	OPERATING PUMP, (See HYDRAULIC COMPONENTS SECTION for Breakdown)	
2	4804306	1	DISTANCE SHEET	
3	8001915	2	BOLT	
4		Ref	MAIN CONTROL VALVE, (See HYDRAULIC COMPONENTS SECTION for Breakdown)	
5		Ref	RETURN FILTER, (See HYDRAULIC COMPONENTS SECTION for Breakdown)	
6	8001641	1	HOSE ASSY	
7	8001635	1	HOSE ASSY	
8	8001642	1	HOSE ASSY	
9	2754320	1	HOSE ASSY	
10	8001627	1	HOSE ASSY	
11	8001628	1	HOSE ASSY	
12	3625158	1	CLIP	
13	2904676	1	CONNECTOR	
14	3970214	2	CONNECTOR	
15	2140225	1	CONNECTOR	
16	3737879	2	CLIP	
17		Ref	HYDRAULIC TANK, (See HYDRAULIC COMPONENTS SECTION for Breakdown)	
18	2142755	1	CONNECTOR, (includes o-ring)	
19	8001908	1	CONNECTOR, (includes o-ring)	
20	2143409	1	ELBOW, 90, (swivel nut)	
21	8001905	1	CONNECTOR	
22	8001906	1	CONNECTOR	
23	8005174	1	PRESSURE SWITCH	
26	4805852	1	CONTROL VALVE BRACKET	
27	8004631	1	FILTER BRACKET	
29	0700826	2	HEX HD CAPSCREW, 8-1.25X90MM, GR 8.8	
30	5220800	8	RIPP NUT, 8MM, (torque to 30 Nm)	
31	5200808	4	RIPP BOLT, 8-48X16	
32	4740532	2	WASHER	
33	8004908	1	PRESSURE SWITCH, (See STEERING SUPPLY for Breakdown) (Prior to SN 1160001630, SN 1160001630 to Present)	
34	2985515	1	PLUG, (See STEERING SUPPLY for Breakdown) (Prior to SN 1160001630, SN 1160001630 to Present)	
35	8006090	1	COUPLING (Prior to SN 1160001630)	
35	2988632	1	COUPLING (SN 1160001630 to Present)	
36	5201215	4	RIPP BOLT, 12-60X35	
38	5201014	4	RIPP BOLT, 10-48X30	
40	1062255	20	CABLE BAND	
41	1074306	1	O-RING, (See STEERING SUPPLY for Breakdown) (Prior to SN 1160001630, SN 1160001630 to Present)	
42	1309275	2	PLUG	
43	2180840	1	PLUG	

SECTION 8 - HYDRAULIC CIRCUITS

FIGURE 8-2. STEERING SUPPLY



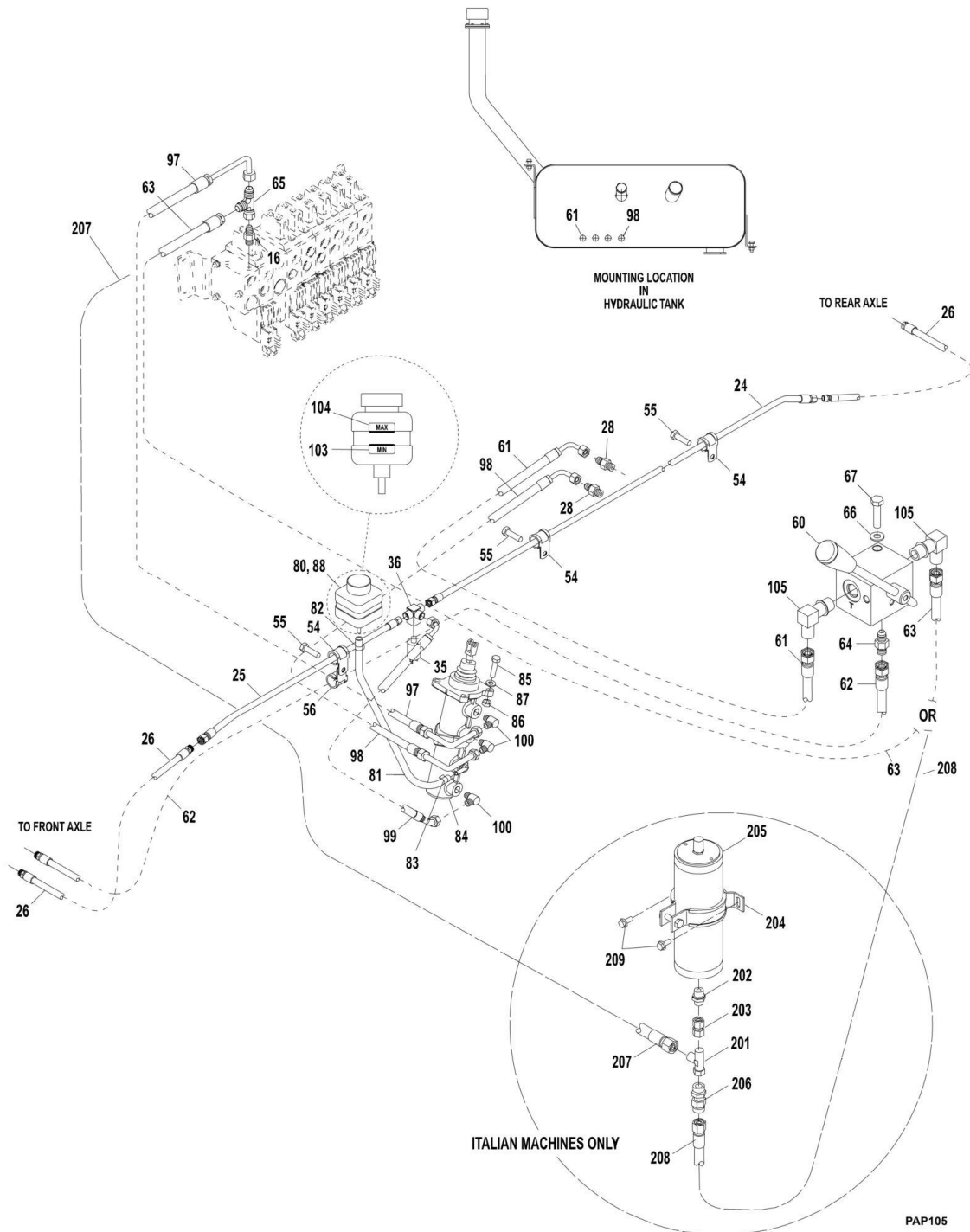
SECTION 8 - HYDRAULIC CIRCUITS

FIGURE 8-2. STEERING SUPPLY

ITEM	PART NUMBER	QTY	DESCRIPTION	REV
4	8001645	1	STEER SELECT VALVE ASSY	
4	8007879	2	COIL	
4	7024014	2	POLE TUBE	
4	8007877	2	SEAL KIT	
8	2142713	5	COUPLING	
10	2140224	1	CONNECTOR	
12	2471354	4	FEMALE SCREW	
13	462780	8	USIT RING	
17	8001629	1	HOSE ASSY	
18	8001631	1	HOSE ASSY	
19	8001632	1	HOSE ASSY	
37	0760614	2	HEX HD CAPSCREW, 6-1.00X30MM	
38	3290601	2	HEX NUT, 6MM-1.00	
39	4811700	2	FLAT WASHER, 6MM	
53	3970214	1	CONNECTOR	
55		Ref	RIPP BOLT, (See SERVICE/PARK BRAKE for Breakdown)	
56	2443576	7	CLIP	
68	2142204	1	SWIVEL NUT RUN TEE, (See HYDRAULIC SYSTEM for Breakdown) (SN 1160001630 to Present, Prior to SN 1160001630)	
69	2131216	1	PRESSURE GAUGE ADAPTER, (See HYDRAULIC SYSTEM for Breakdown) (SN 1160001630 to Present, Prior to SN 1160001630)	
70	4360585	1	PRESSURE SWITCH, (See HYDRAULIC SYSTEM for Breakdown) (SN 1160001630 to Present, Prior to SN 1160001630)	
71	1074306	1	O-RING, (See HYDRAULIC SYSTEM for Breakdown) (SN 1160001630 to Present, Prior to SN 1160001630)	
90	8007258	1	STEERING VALVE	
91	8001702	1	HOSE ASSY	
92	2142713	4	CONNECTOR	
93	8001699	1	HOSE ASSY	
94	8001693	1	HOSE ASSY	
95	8001694	1	HOSE ASSY	
96	8001692	1	HOSE ASSY	
101	0761008	4	HEX HD CAPSCREW, M10X16	
102	8004777	1	CONNECTOR	

SECTION 8 - HYDRAULIC CIRCUITS

FIGURE 8-3. SERVICE/PARK BRAKE



PAP105

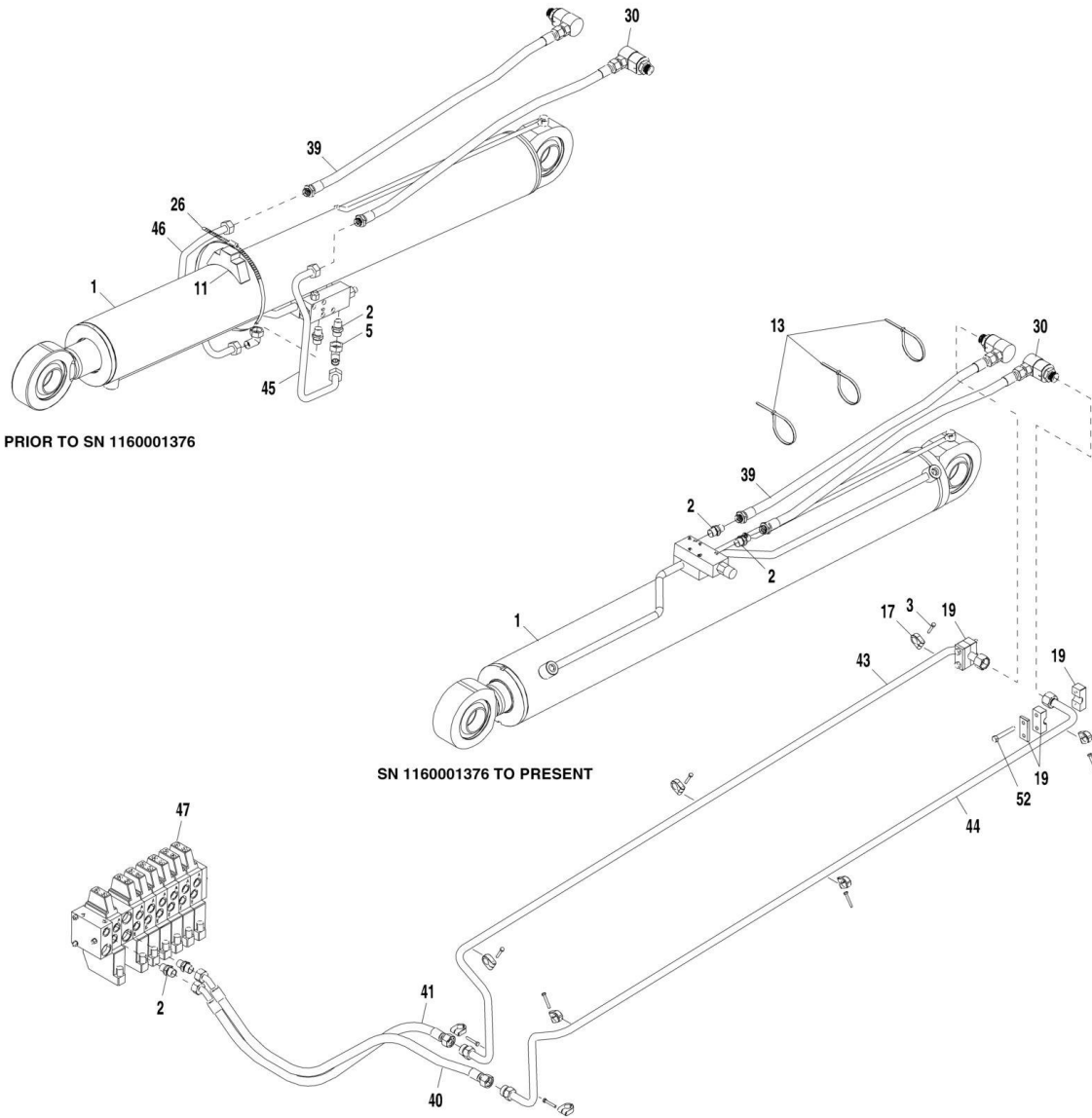
SECTION 8 - HYDRAULIC CIRCUITS

FIGURE 8-3. SERVICE/PARK BRAKE

ITEM	PART NUMBER	QTY	DESCRIPTION	REV
16	2142708	1	CONNECTOR	
24	8002096	1	PIPE ASSY	
25	8002097	1	PIPE ASSY	
26	2477156	2	HOSE ASSY	
28	2140223	2	CONNECTOR	
35	8005789	1	PRESSURE SWITCH PLUG	
36	8002838	1	DISTRIBUTOR	
54	2966454	4	CLIP	
55	5200810	8	RIPP BOLT, 8-48X25	
56	2443576	1	CLIP	
60	4641401	1	BRAKE VALVE	
60	70020800	1	BALL KNOB	
61	2754201	1	HOSE ASSY	
62	2754203	1	HOSE ASSY	
63	2754202	1	HOSE ASSY	
64	2142708	1	CONNECTOR	
65	2142203	1	SWIVEL NUT RUN TEE	
66	4812000	2	FLAT WASHER, 10MM	
67	0761012	2	HEX HD CAPSCREW, 10-1.50X25MM	
80	8002321	1	COMPENSATOR RESERVOIR	
81	8007622	1	BRAKE HOSE	
82	2985639	1	CLIP	
83	2985617	1	CLIP	
84	0920120	1	MAIN BRAKE CYLINDER, (includes the following two parts)	
84	7028112	1	BOOSTER	
84	7028113	1	MASTER CYLINDER	
85	0700816	4	HEX HD CAPSCREW, 8-1.25X40MM	
86	3290805	4	LOCKNUT, 8MM-1.25	
87	4811900	4	FLAT WASHER, 8MM	
88	2974454	1	CLAMP	
97	8001837	1	HOSE ASSY	
98	8001838	1	HOSE ASSY	
99	8002095	1	HOSE ASSY	
100	8003047	3	BANJO ELBOW	
103	8006515	1	LABEL, "MIN"	
104	8006516	1	LABEL, "MAX"	
105	2143005	2	LOCKNUT ELBOW	
	0274608	Ref	SERVICE/PARK BRAKE, (Italian machines only), (includes all items)	B
201	2142203	1	SWIVEL NUT RUN TEE	
202	2142709	1	CONNECTOR	
203	2143603	1	SWIVEL, UNION	
204	4341078	1	HANGER, ACCUMULATOR	
205	4400474	1	ACCUMULATOR HYDRAULIC TANK	
206	4641397	1	VALVE, CHECK	
207	2754496	1	HOSE ASSY	
208	2754497	1	HOSE ASSY	
209	5200810	2	RIPP BOLT, 8X20MM	

SECTION 8 - HYDRAULIC CIRCUITS

FIGURE 8-4. LIFT CYLINDER



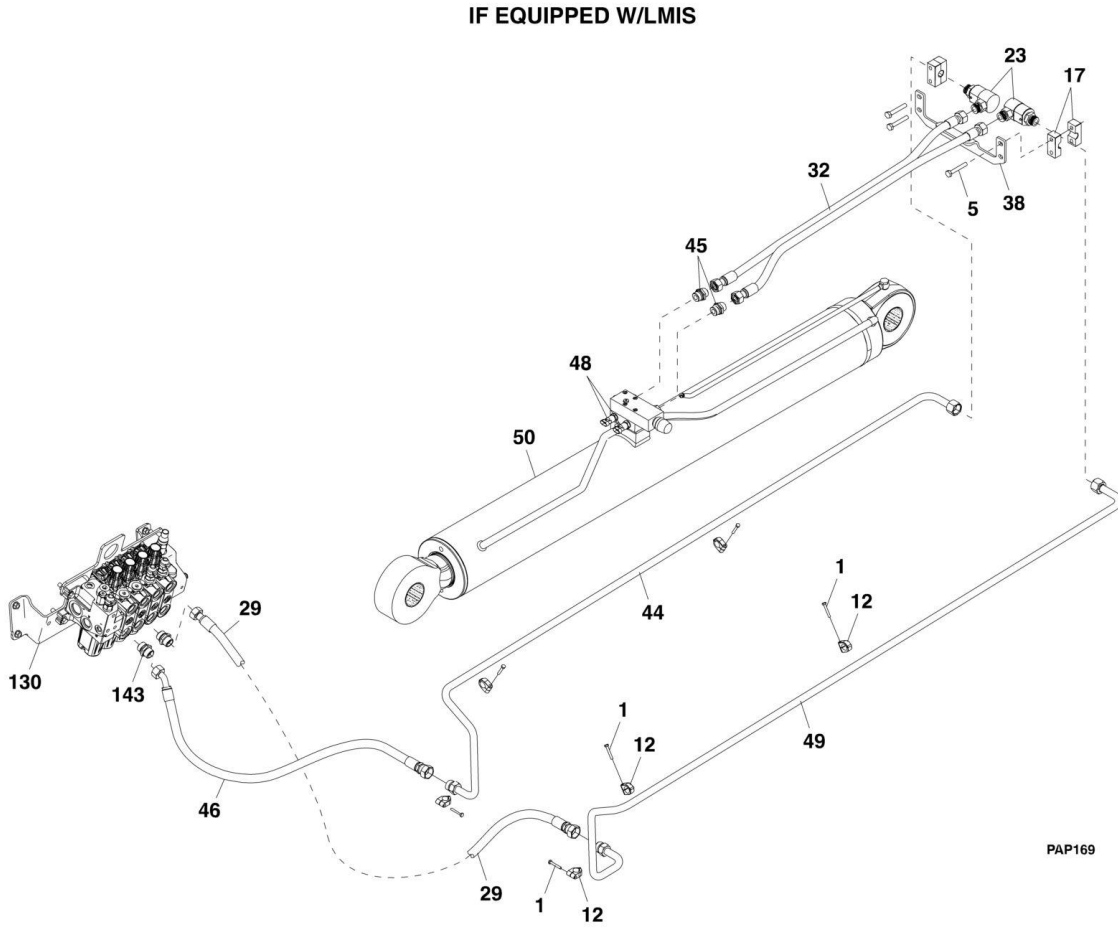
SECTION 8 - HYDRAULIC CIRCUITS

FIGURE 8-4. LIFT CYLINDER

ITEM	PART NUMBER	QTY	DESCRIPTION	REV
1	0700616	6	HEX HD CAPSCREW, M6X40, GR8.8	
5	0701021	4	HEX HD CAPSCREW, 6-M10X65, GR8.8	
12	1321264	6	TUBE CLAMP	
17	1321704	2	TUBE CLAMP	
23	2221085	2	ELBOW, 90	
29	2754276	1	HOSE ASSY	
32	2755053	1	HOSE ASSY	
38	4341384	1	HOSE SUPPORT	
44	1001091870	1	PIPE ASSY	
45	1001092511	4	CONNECTOR, (includes o-ring)	
46	1001093397	1	HOSE ASSY	
48	1001101954	2	PRESSURE SENSOR	
49	1001104018	1	PIPE ASSY	
50		Ref	LIFT CYLINDER, (See HYDRAULIC COMPONENTS SECTION for Breakdown)	
130		Ref	MAIN CONTROL VALVE, (See HYDRAULIC COMPONENTS SECTION for Breakdown)	
143	1001092511	1	CONNECTOR, (includes o-ring)	

SECTION 8 - HYDRAULIC CIRCUITS

FIGURE 8-5. LIFT CYLINDER



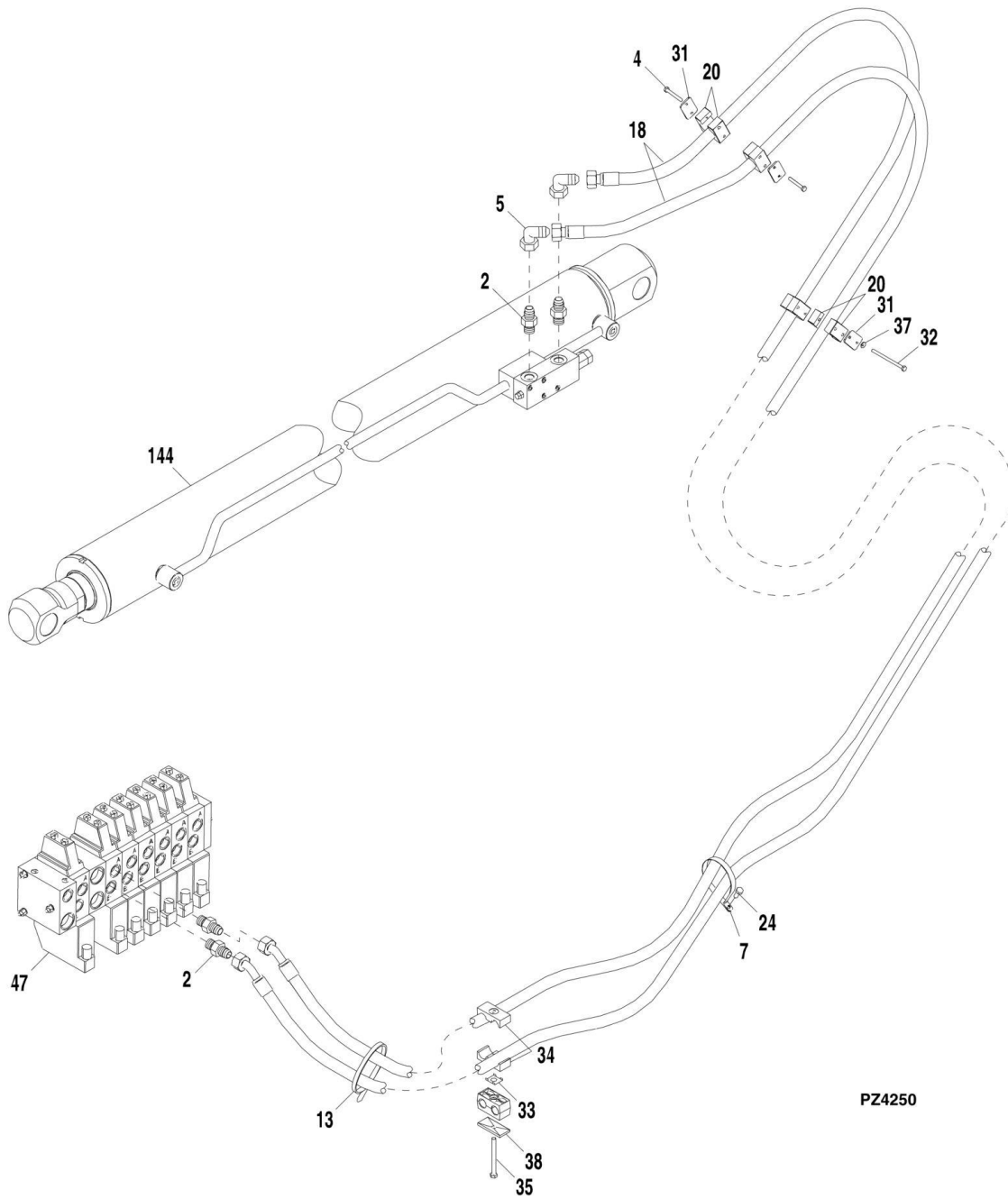
SECTION 8 - HYDRAULIC CIRCUITS

FIGURE 8-5. LIFT CYLINDER

ITEM	PART NUMBER	QTY	DESCRIPTION	REV
1		Ref	LIFT CYLINDER, (See HYDRAULIC COMPONENTS SECTION for Breakdown)	J
2	1686475	4	CONNECTOR	
3	0700616	6	HEX HD CAPSCREW, 6-1.00X40MM	
5	2143406	2	ELBOW, 90, (swivel nut), (Prior to SN 1160001376)	
11	0903097	1	LIFT CYLINDER TUBE BRACKET, (Prior to SN 1160001376)	
13	1062255	3	TIE STRAP	
17	1321264	6	LIGHT DUTY TUBE CLAMP	
19	1321284	2	TUBE CLAMP ASSY	
26	1321292	1	HOSE CLAMP, (Prior to SN 1160001376)	
30	2221085	2	FITTING, 90	
39	2754272	2	HOSE ASSY, (Prior to SN 1160001376)	
39	2754623	2	HOSE ASSY, (SN 1160001376 through 1160003131)	
39	2755053	2	HOSE ASSY, (SN 1160003132 to Present)	
40	2754275	1	HOSE ASSY	
41	2754276	1	HOSE ASSY	
43	3460381	1	PIPE ASSY, (right)	
44	3460382	1	PIPE ASSY, (left)	
45	4569102	1	PIPE ASSY, (Prior to SN 1160001376)	
46	4569103	1	PIPE ASSY, (Prior to SN 1160001376)	
47		Ref	MAIN CONTROL VALVE, (See HYDRAULIC COMPONENTS SECTION for Breakdown)	
52	0701021	4	HEX HD CAPSCREW, 10X65MM	

SECTION 8 - HYDRAULIC CIRCUITS

FIGURE 8-6. CROWD CYLINDER



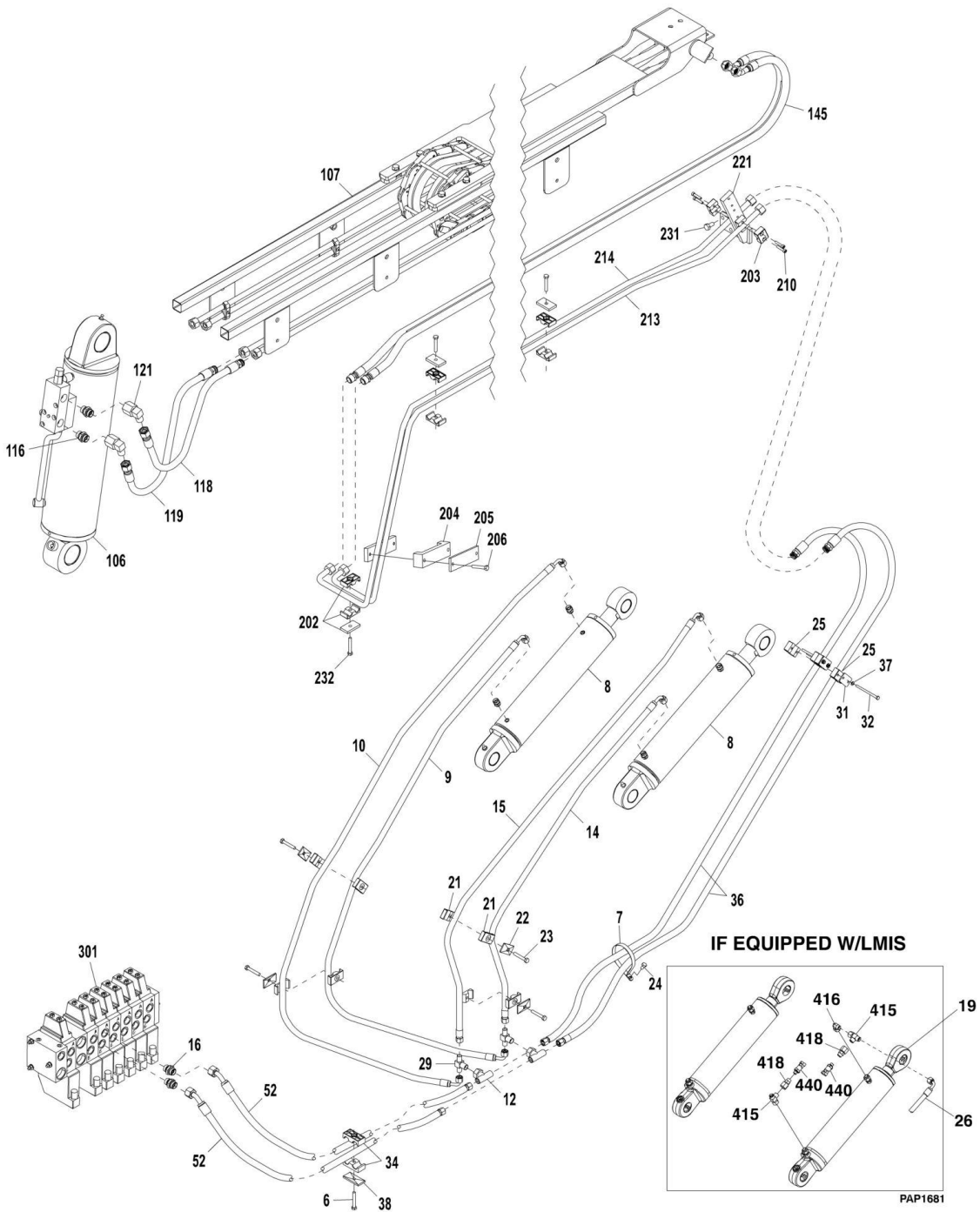
SECTION 8 - HYDRAULIC CIRCUITS

FIGURE 8-6. CROWD CYLINDER

ITEM	PART NUMBER	QTY	DESCRIPTION	REV
2	1686475	4	CONNECTOR	1
4	0700617	4	HEX HD CAPSCREW, 6-1.00X45MM	
5	2143406	2	ELBOW, 90, (swivel nut)	
7	3962930	1	CLAMP	
13	1062255	2	TIE STRAP	
18	2754091	2	HOSE ASSY	
20	1321285	4	CLAMP	
24	5200812	1	RIPP BOLT, 8X25MM	
31	1377299	3	COVER PLATE	
32	0700626	3	HEX HD CAPSCREW, 6-1.00X90MM	
33	1321329	1	DOUBLE CLAMP	
34	1321324	1	CLAMP BODY	
35	0760827	1	HEX HD CAPSCREW, 8X100MM	
37	4811700	3	FLAT WASHER, 6MM	
38	1309435	1	CLAMP COVER PLATE	
47		Ref	MAIN CONTROL VALVE, (See HYDRAULIC COMPONENTS SECTION for Breakdown)	
144		Ref	CROWD CYLINDER, (See HYDRAULIC COMPONENTS SECTION for Breakdown)	

SECTION 8 - HYDRAULIC CIRCUITS

FIGURE 8-7. TILT AND TILT COMPENSATING CYLINDER



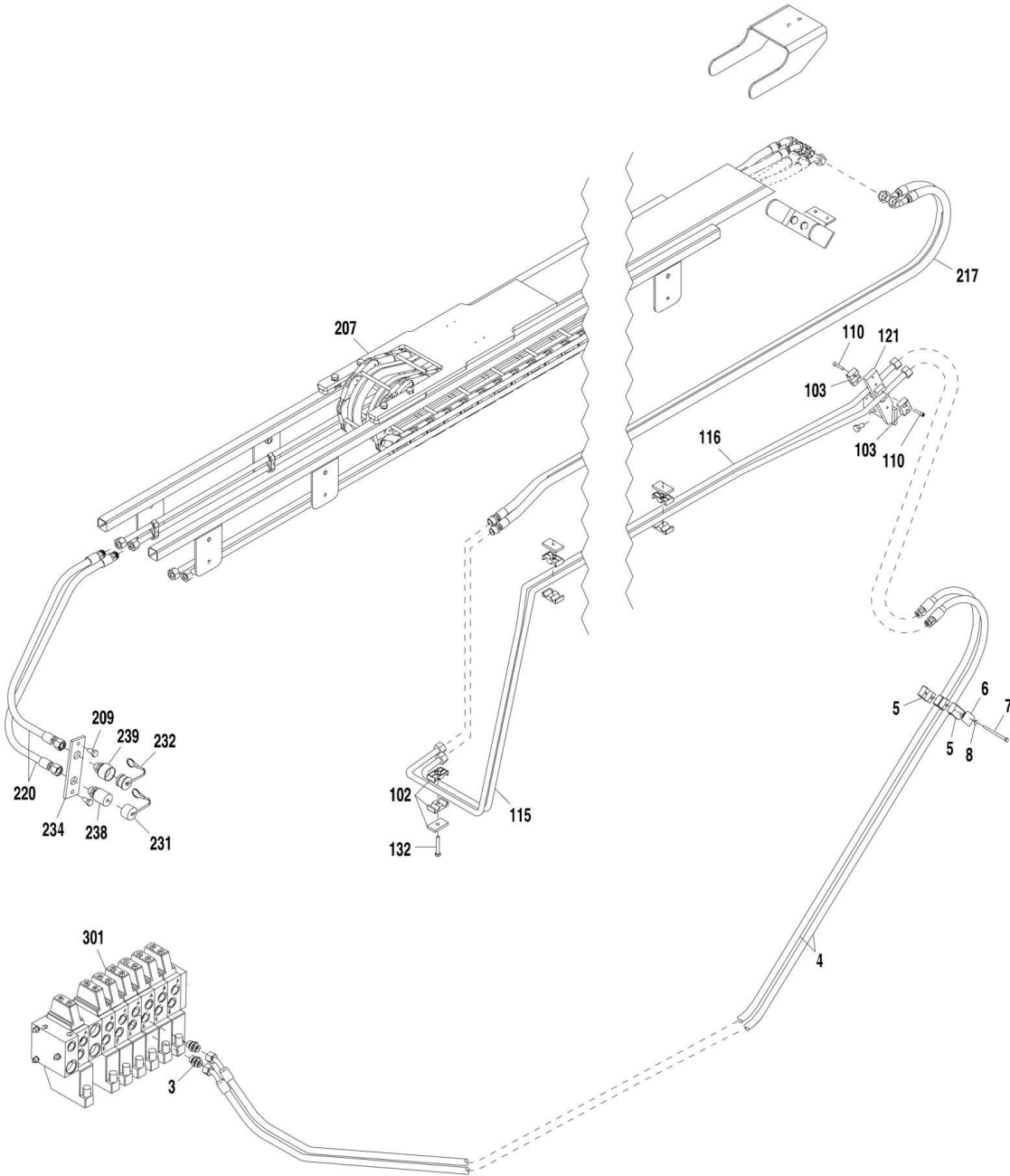
SECTION 8 - HYDRAULIC CIRCUITS

FIGURE 8-7. TILT AND TILT COMPENSATING CYLINDER

ITEM	PART NUMBER	QTY	DESCRIPTION	REV
6	0760819	1	HEX HD CAPSCREW, M8X55	
7		Ref	CLAMP, (See CROWD CYLINDER for Breakdown)	
8		Ref	COMP CYLINDER, (See HYDRAULIC COMPONENTS SECTION for Breakdown)	
9	2754144	1	HOSE ASSY	
10	2754145	1	HOSE ASSY	
12	2980565	2	SWIVEL NUT BRANCH TEE	
14	2754142	1	HOSE ASSY	
15	2754143	1	HOSE ASSY	
16	2481696	2	CONNECTOR	
21	2912085	4	CLAMP	
22	874960	4	COVER PLATE	
23	0700817	4	HEX HD CAPSCREW, M8X45	
24		Ref	RIPP BOLT, M8X25, (See CROWD CYLINDER for Breakdown)	
25	1321323	2	CLAMP	
29	2904789	2	TEE REDUCER FITTING	
31	1377299	1	COVER PLATE	
32	0700626	2	HEX HD CAPSCREW, M6X90	
34	1321324	1	CLAMP	
36	2754090	2	HOSE ASSY	
37	4811700	2	FLAT WASHER, 6MM	
38	1309435	1	COVER PLATE	
52	8002355	2	HOSE ASSY	
106		Ref	TILT CYLINDER, (See HYDRAULIC COMPONENTS SECTION for Breakdown)	
107		Ref	BOOM HYDRAULICS ASSY, (See BOOM HYDRAULICS ASSEMBLY for Breakdown)	
116	2481696	2	CONNECTOR	
118	2754157	1	HOSE ASSY	
119	2754158	1	HOSE ASSY	
121	2903062	2	ELBOW, 90, (swivel nut)	
145	2754236	1	HOSE ASSY	
202	1320626	4	CLAMP ASSY	
203	1321073	2	CLAMP ASSY	
204	1321570	1	CLAMP, TUBE SPACER	
205	1321590	1	CLAMP, COVER BAR	
206	0700817	2	HEX HD CAPSCREW, M8X45	
210	4031710	4	SOCKET HD CAPSCREW, M6X30	
213	4568998	1	TUBE ASSY	
214	4568999	1	TUBE ASSY	
221		Ref	TUBE ASSY HOLDER, (See BOOM SECTION for Breakdown)	
232	0700816	4	HEX HD CAPSCREW, 8-1.25X40MM	
301		Ref	MAIN CONTROL VALVE, (See HYDRAULIC COMPONENTS SECTION for Breakdown)	
415	2142204	2	TEE FITTING, (if equipped with LMIS)	
416	2143404	1	ELBOW, 90, (if equipped with LMIS)	
418	2180864	2	SWIVEL GAUGE ADAPTER, (if equipped with LMIS)	
440	1001101954	2	PRESSURE SENSOR, (if equipped with LMIS)	

SECTION 8 - HYDRAULIC CIRCUITS

FIGURE 8-8. AUXILIARY FUNCTION



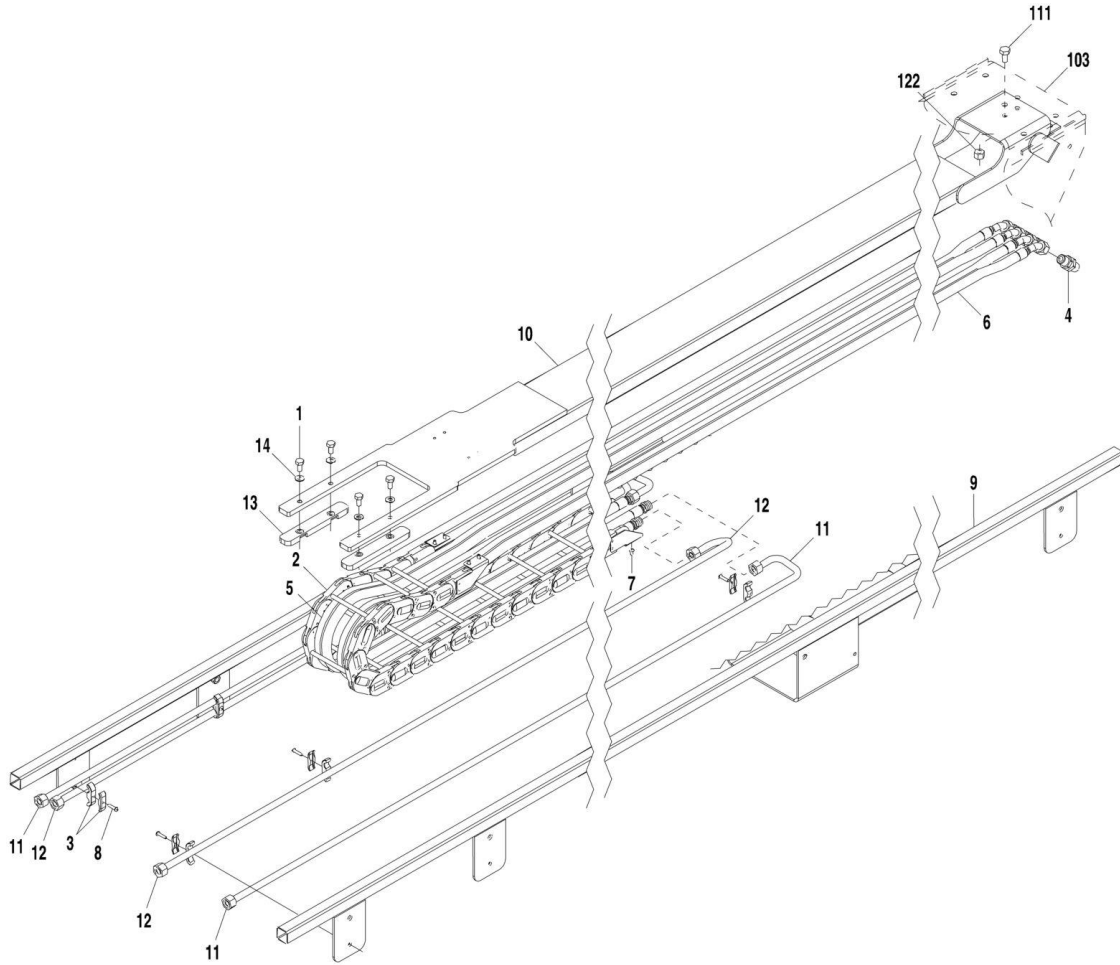
SECTION 8 - HYDRAULIC CIRCUITS

FIGURE 8-8. AUXILIARY FUNCTION

ITEM	PART NUMBER	QTY	DESCRIPTION	REV
3	2481696	2	CONNECTOR	
4	2754089	2	HOSE ASSY	
5	1321323	2	CLAMP ASSY	
6	1377299	1	COVER PLATE ASSY	
7	0700626	2	HEX HD CAPSCREW, 6-1.00X90MM	
8	4811700	2	FLAT WASHER, 6MM	
102	1320626	4	CLAMP ASSY	
103	1321073	2	CLAMP ASSY	
110	4031710	4	SOCKET HD CAPSCREW, M6X30	
115	4569000	1	TUBE ASSY	
116	4569001	1	TUBE ASSY	
121		Ref	TUBE HOLDER ASSY, (See BOOM SECTION for Breakdown)	
132	0700816	4	HEX HD CAPSCREW, 8-1.25X40MM	
207		Ref	BOOM HYDRAULICS ASSY, (See BOOM HYDRAULICS ASSEMBLY for Breakdown)	
209	0761010	2	HEX HD CAPSCREW, 10-1.50X20MM	
217	2754140	1	HOSE ASSY, RIGHT SIDE	
220	2754159	2	HOSE ASSY	
231	3977459	1	DUST CAP, (use with male screw type coupling)	
231	1001093826	1	DUST CAP, (use with male quick disconnect type coupling)	
232	3977460	1	DUST PLUG, (use with female screw type coupling)	
232	1001093827	1	DUST PLUG, (use with female quick disconnect type coupling)	
234	8001275	1	COVER PLATE	
238	Kit	NLA	MALE SCREW COUPLING, (no longer available, order 1001097287 kit)	
238	1001094556	1	MALE QUICK DISCONNECT FITTING	
239	Kit	NLA	FEMALE SCREW COUPLING, (no longer available, order 1001097287 kit)	
239	1001094555	1	FEMALE QUICK DISCONNECT FITTING	
301		Ref	MAIN CONTROL VALVE, (See HYDRAULIC COMPONENTS SECTION for Breakdown)	
	1001097287	1	QUICK DISCONNECT ADAPTER KIT, (includes items 238, 239, dust plug and dust cap)	

SECTION 8 - HYDRAULIC CIRCUITS

FIGURE 8-9. BOOM HYDRAULICS ASSEMBLY



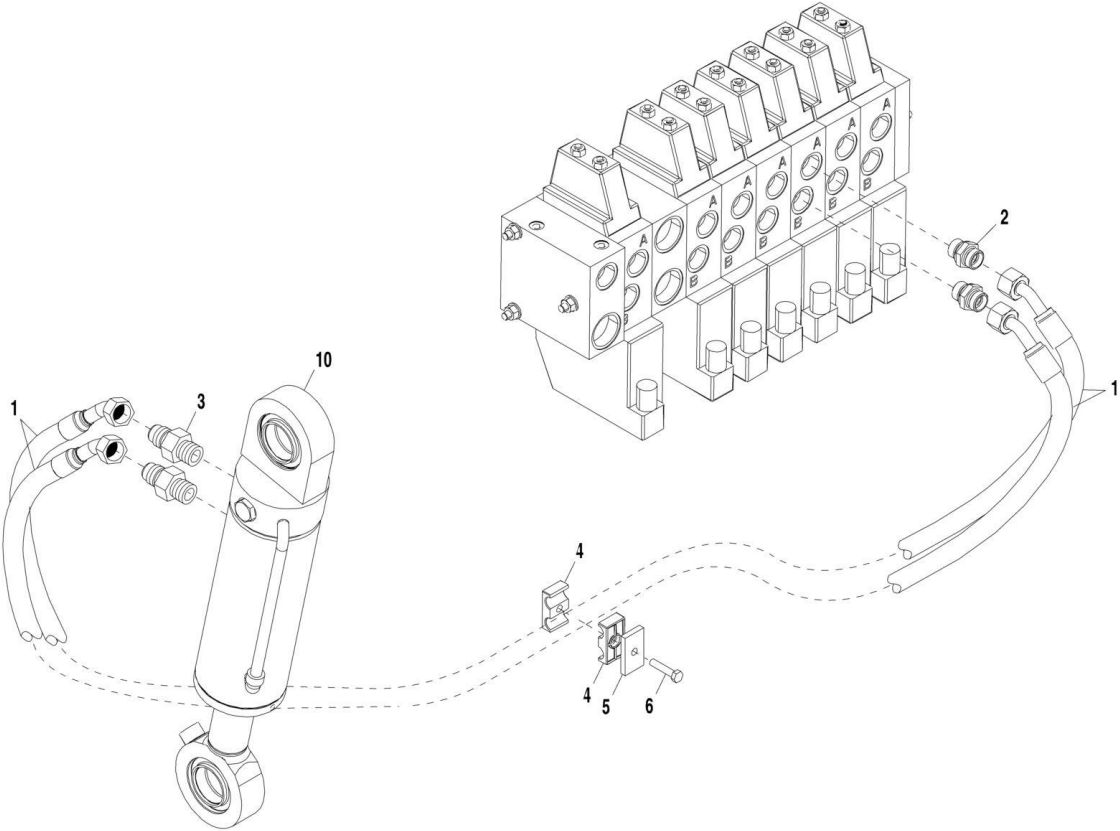
SECTION 8 - HYDRAULIC CIRCUITS

FIGURE 8-9. BOOM HYDRAULICS ASSEMBLY

ITEM	PART NUMBER	QTY	DESCRIPTION	REV
	4340907	1	HOSE AND CABLE SUPPORT ASSY, (includes items 1 thru 14)	B
1	0761010	4	HEX HD CAPSCREW, 10-1.50X20MM	
2	1260395	1	PROTECTIVE TRACK CHAIN	
3	1321132	8	CLAMP	
4	2141505	4	BULKHEAD FITTING	
5	2754141	1	HOSE ASSY, (right)	
6	2754150	1	HOSE ASSY, (left)	
7	3900362	8	BUTTON HD CAPSCREW, M6-1.0X12	
8	3900363	8	BUTTON HD CAPSCREW, M6-1X25	
9	4340880	1	HOSE TRACK WELDMENT, (lower)	
10	4340890	1	HOSE TRACK WELDMENT, (upper)	
11	4569043	2	TUBE ASSY	
12	4569044	2	TUBE ASSY	
13	4700025	2	PAD	
14	4812000	4	FLAT WASHER, 10MM	
103		Ref	THIRD BOOM SECTION, (See BOOM SECTION for Breakdown)	
111	0761215	2	HEX HD CAPSCREW, 12-1.75X35MM	
122	3291201	2	HEX NUT, M12X35, (torque to 90 Nm)	

SECTION 8 - HYDRAULIC CIRCUITS

FIGURE 8-10. SWAY CYLINDER



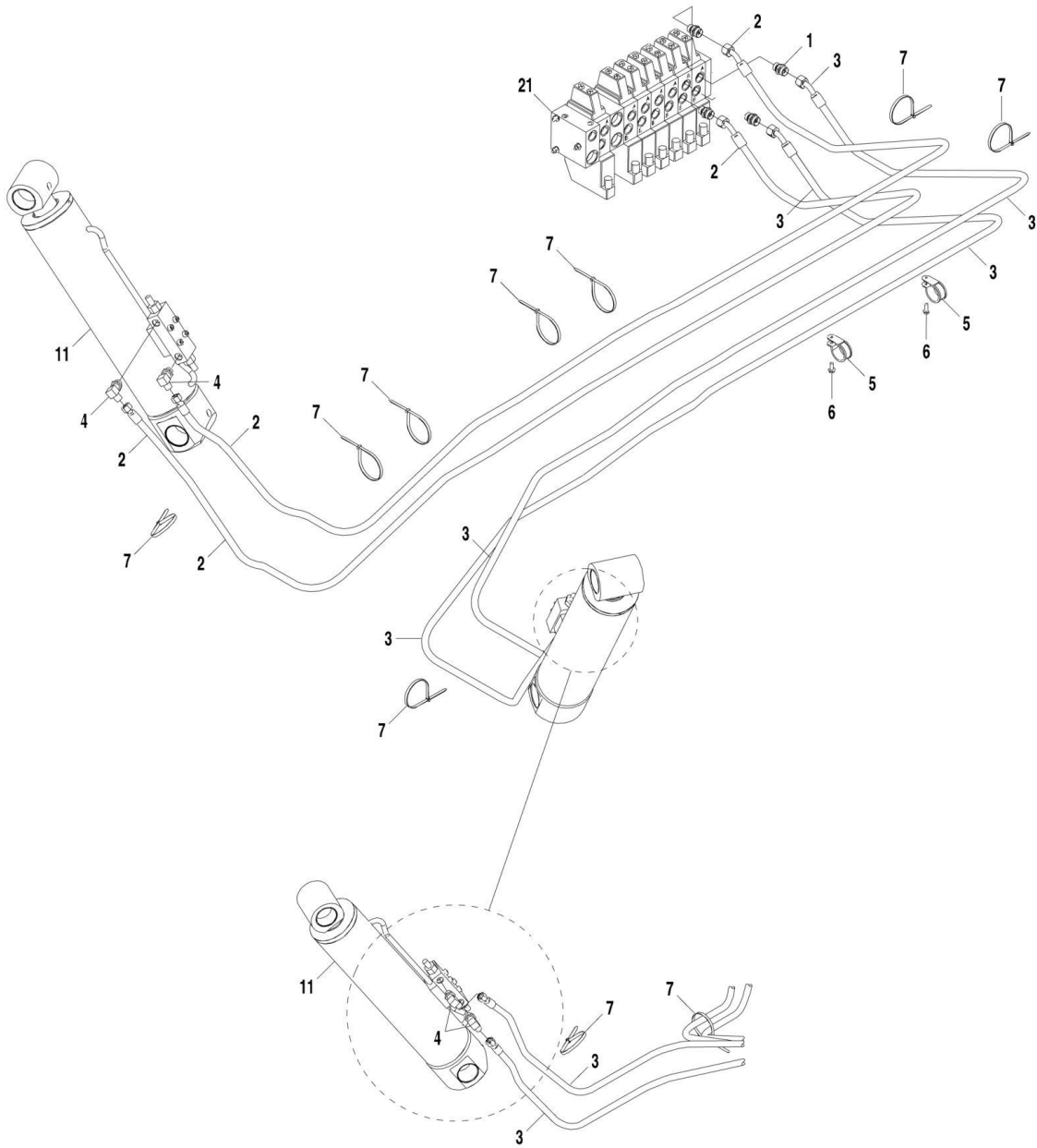
SECTION 8 - HYDRAULIC CIRCUITS

FIGURE 8-10. SWAY CYLINDER

ITEM	PART NUMBER	QTY	DESCRIPTION	REV
	8001854	1	SWAY CYLINDER HYDRAULIC SYSTEM, (includes items 1 thru 6)	A
1	8003045	2	HOSE ASSY	
2	2142713	2	CONNECTOR	
3	1689207	2	CONNECTOR	
4	2912085	1	CLIP BODY	
5	874960	1	COVER PLATE	
6	0700817	1	HEX HD CAPSCREW, 8-1.25X45MM	
10		Ref	SWAY CYLINDER, (See HYDRAULIC COMPONENTS SECTION for Breakdown)	

SECTION 8 - HYDRAULIC CIRCUITS

FIGURE 8-11. STABILIZER CYLINDERS



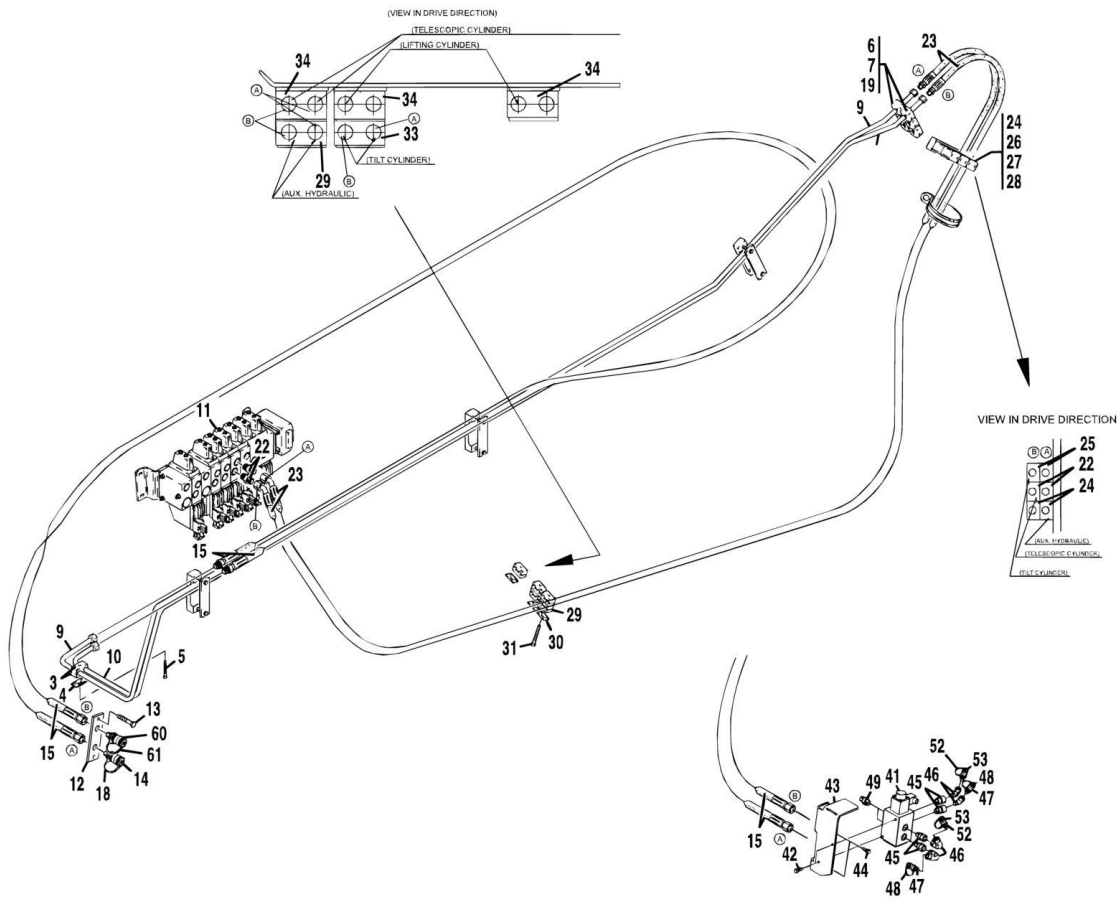
SECTION 8 - HYDRAULIC CIRCUITS

FIGURE 8-11. STABILIZER CYLINDERS

ITEM	PART NUMBER	QTY	DESCRIPTION	REV
	0273863	1	STABILIZER HYDRAULIC INSTALLATION, (includes item 1 thru 7)	B
1	2142713	4	CONNECTOR	
2	2754115	2	HOSE ASSY	
3	2754116	2	HOSE ASSY	
4	2143007	4	ELBOW, 90	
5	1003721	2	CLIP	
6	5200810	2	RIPP BOLT	
7	1062255	10	TIE STRAP	
11		Ref	STABILIZER CYLINDERS, (See HYDRAULIC COMPONENTS SECTION for Breakdown)	
21		Ref	MAIN CONTROL VALVE, (See HYDRAULIC COMPONENTS SECTION for Breakdown)	

SECTION 8 - HYDRAULIC CIRCUITS

FIGURE 8-12. HYDRAULIC KITS



SECTION 8 - HYDRAULIC CIRCUITS

FIGURE 8-12. HYDRAULIC KITS

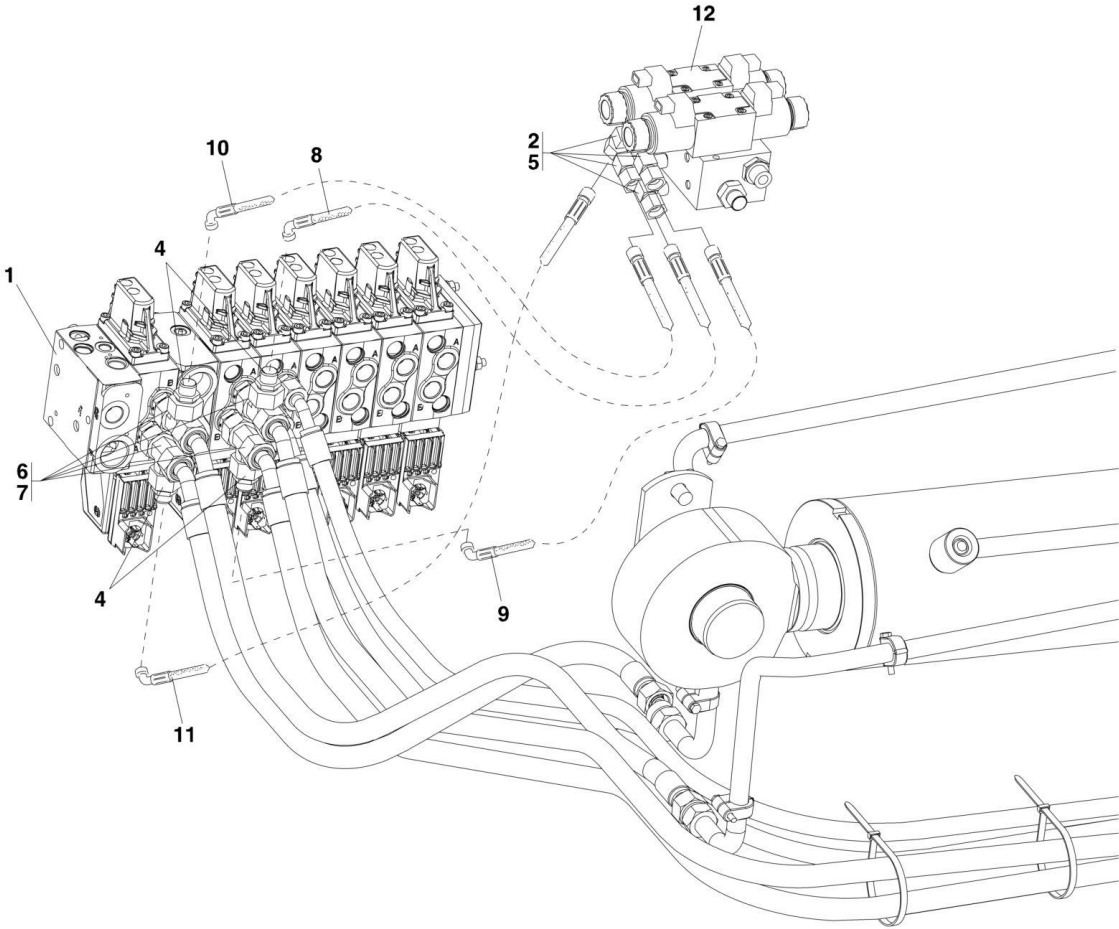
ITEM	PART NUMBER	QTY	DESCRIPTION	REV
	8002922	1	HYDRAULIC KIT SET, OPTIONAL, (includes items 3 thru 19 and items 60 & 61)	F
	0273534	1	ADDITIONAL HYDRAULICS, (frame), (includes items 20 thru 31)	
3	0874993	1	CLIP BODY	
4	874960	1	COVER PLATE	
5	0700817	1	BOLT	
6	0877203	2	CLIP BODY	
7	4010614	4	MACHINE SCREW, 6M-30MM	
9	8005621	1	PIPE LINE	
10	8005622	1	PIPE LINE	
12	8001275	1	HOLDER	
13	0761010	2	BOLT	
14	Kit	NLA	MALE SCREW COUPLING, (no longer available, order 1001097287 kit)	
14	1001094556	1	MALE QUICK DISCONNECT FITTING	
15	8005849	2	HOSE ASSY	
18	3977459	1	DUST CAP, (use with male screw type coupling)	
18	1001093826	1	DUST CAP, (use with male quick disconnect type coupling)	
19	1302325	4	WASHER	
20	8002834	1	SENSOR, (not illustrated)	
21	8002832	1	DECAL, (not illustrated)	
22	2481696	2	FITTING	
23	8008004	2	HOSE ASSY	
24	2997586	2	CLIP BODY	
26	1377299	1	CLAMP COVER	
27	0700626	2	BOLT	
28	4811700	2	FLAT WASHER	
29	8002781	1	CLIP BODY	
30	1309435	1	CLAMP COVER	
31	0700826	1	HEX HD CAPSCREW, M8-90	
	8006211	1	AUX HYDRAULIC KIT SET, (includes items 41 thru 53)	
41	3759579	1	FLOW CONTROL VALVE ASSY	
42	1614979	2	BOLT	
43	8003199	1	BRACKET	
44	0761010	2	BOLT	
45	8003065	4	FITTING	
46	2903062	4	FITTING	
47		Ref	MALE SCREW COUPLING, (no longer available, order 1001097287 kit)	
47	1001094556	2	MALE QUICK DISCONNECT FITTING	
48	3977459	2	DUST CAP, (use with male screw type coupling)	
48	1001093826	2	DUST CAP, (use with male quick disconnect type coupling)	
49	2481696	2	FITTING	
50	4674353	1	SWITCH, 12V, (not illustrated)	
51	8002833	1	DECAL, (not illustrated)	
52		Ref	FEMALE SCREW COUPLING, (no longer available, order 1001097287 kit)	
52	1001094555	2	FEMALE QUICK DISCONNECT FITTING	
53	3977460	2	DUST PLUG, (use with female screw type coupling)	
53	1001093827	2	DUST PLUG, (use with female quick disconnect type coupling)	

SECTION 8 - HYDRAULIC CIRCUITS

ITEM	PART NUMBER	QTY	DESCRIPTION	REV
60	Kit	NLA	FEMALE SCREW COUPLING, (no longer available, order 1001097287 kit)	
60	1001094555	1	FEMALE QUICK DISCONNECT FITTING	
61	3977460	1	DUST PLUG, (use with female screw type coupling)	
61	1001093827	1	DUST PLUG, (use with female quick disconnect type coupling)	
	1001097287	1	QUICK DISCONNECT ADAPTER KIT, (includes items 14, 60, dust plug and dust cap)	

SECTION 8 - HYDRAULIC CIRCUITS

FIGURE 8-13. BOOM HYDRAULICS WITH PLATFORM



PZ2270

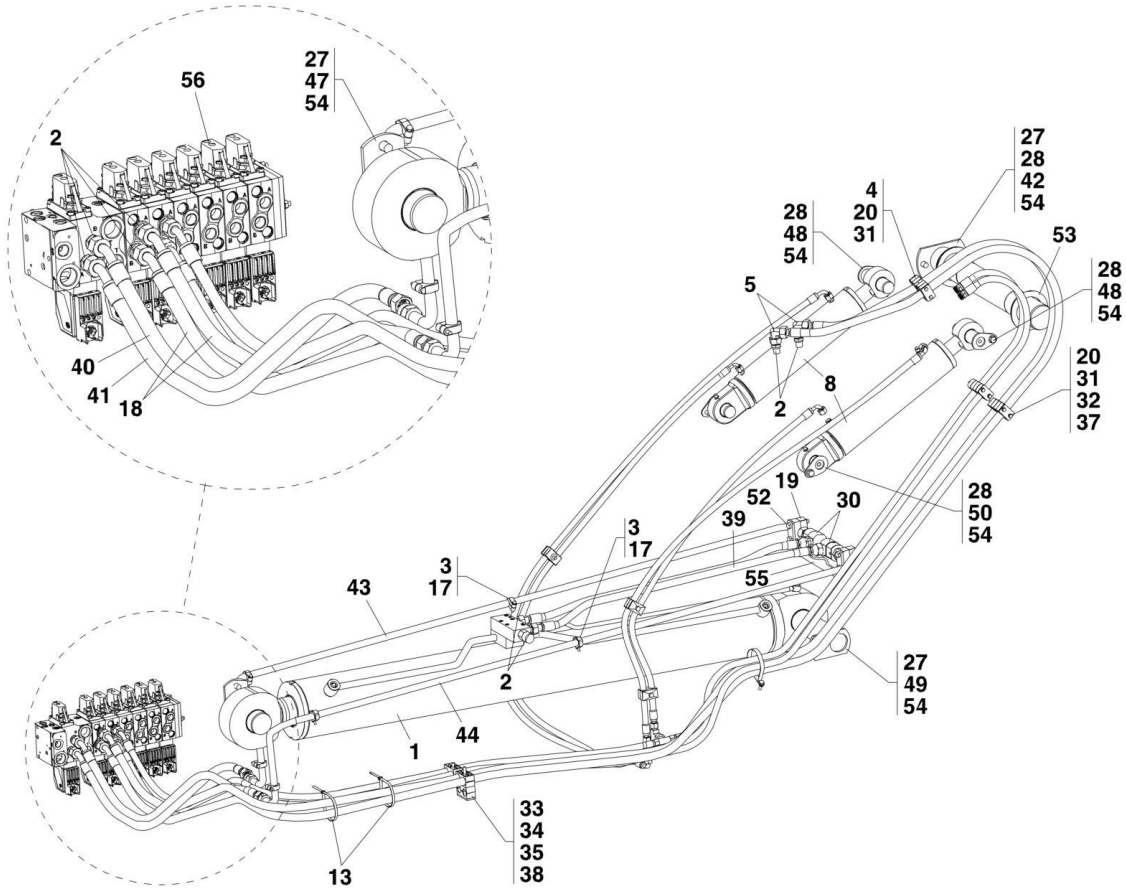
SECTION 8 - HYDRAULIC CIRCUITS

FIGURE 8-13. BOOM HYDRAULICS WITH PLATFORM

ITEM	PART NUMBER	QTY	DESCRIPTION	REV
	0275091	1	BOOM HYDRAULICS, PLATFORM, (includes all items)	B
1		Ref	BOOM HYDRAULIC INSTALLATION, PLATFORM, (See BOOM HYDRAULICS INSTALLATION WITH PLATFORM for Breakdown)	L
2	2140106	4	FITTING	
4	2143514	4	FITTING	
5	2141809	4	FITTING, ELBOW	
6	2142206	4	FITTING, RUN TEE	
7	2142716	4	FITTING, CONNECTOR	
8	2754505	0.6 m	HOSE AS	
9	2754506	0.8 m	HOSE AS	
10	2754507	0.72 m	HOSE AS	
11	2754508	0.92 m	HOSE AS	
12		Ref	ERS VALVE ASSEMBLY, (See HYDRAULIC COMPONENTS SECTION for Breakdown)	

SECTION 8 - HYDRAULIC CIRCUITS

FIGURE 8-14. BOOM HYDRAULICS INSTALLATION WITH PLATFORM



PZ2280

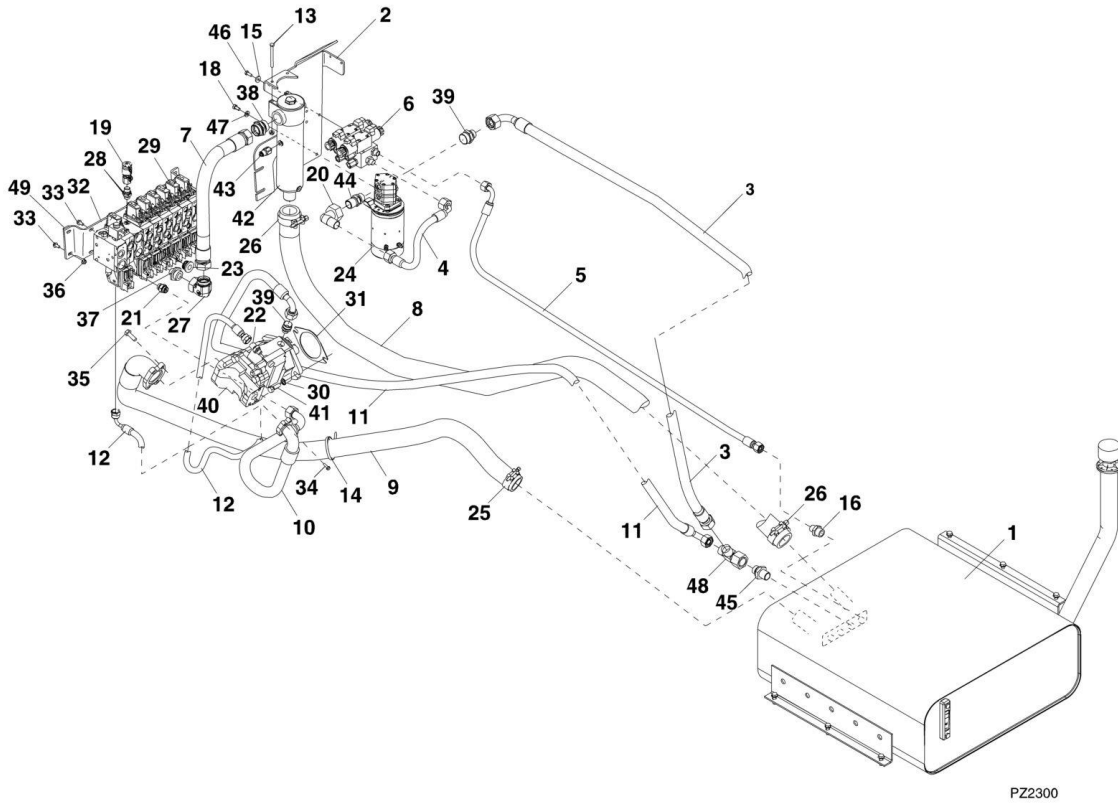
SECTION 8 - HYDRAULIC CIRCUITS

FIGURE 8-14. BOOM HYDRAULICS INSTALLATION WITH PLATFORM

ITEM	PART NUMBER	QTY	DESCRIPTION	REV
	0273831	1	BOOM HYDRAULIC INSTALLATION, PLATFORM, (includes all items)	L
1		Ref	LIFT CYLINDER, (See HYDRAULIC COMPONENTS SECTION for Breakdown)	
2	1686475	8	FITTING	
3	0700616	6	HEX HD CAPSCREW, M6X40	
4	0700617	4	HEX HD CAPSCREW, M6X45	
5	2143406	2	FITTING, ELBOW	
8		Ref	COMPENSATION CYLINDER, (See HYDRAULIC COMPONENTS SECTION for Breakdown)	
13	1062255	2	TIE STRAP	
17	1321264	6	CLAMP	
18	2754091	2	HOSE, 16X5.3M	
19	1321704	2	CLAMP	
20	1321285	4	CLAMP	
27	5201612	4	RIPP BOLT, M16X25MM	
28	5201210	4	RIPP BOLT, M12X20MM	
30	2221085	2	O-RING	
31	1377299	3	COVER PLATE	
32	0700626	2	HEX HD CAPSCREW, M6X90	
33	1321329	1	CLAMP	
34	1321324	1	CLAMP	
35	0760827	1	HEX HD CAPSCREW, M8X100	
37	4811700	2	WASHER, 6MM	
38	1309435	1	COVER PLATE	
39	2755053	1	HOSE, 17M	
40	2754275	1	HOSE AS	
41	2754276	1	HOSE AS	
42	3423139	1	PIVOT PIN AS	
43	3460381	1	PIPE, RH	
44	3460382	1	PIPE, LH	
47	4801654	1	PIN	
48	4803076	2	PIN AS	
49	4803941	1	PIN	
50	4804566	2	PIN AS	
52	0701021	4	HEX HD CAPSCREW, M10X65	
53	4071103	AR	SHIM	
54	0100011	AR	Loctite, #242	
55	4341384	1	HOSE SUPPORT	
56		Ref	MAIN CONTROL VALVE, (See HYDRAULIC COMPONENTS SECTION for Breakdown)	

SECTION 8 - HYDRAULIC CIRCUITS

FIGURE 8-15. DRIVE PUMP TO MAIN VALVE WITH PLATFORM



PZ2300

SECTION 8 - HYDRAULIC CIRCUITS

FIGURE 8-15. DRIVE PUMP TO MAIN VALVE WITH PLATFORM

ITEM	PART NUMBER	QTY	DESCRIPTION	REV
	0274377	Ref	PLATFORM HYDRAULIC INSTALLATION WITH LEVELING AND STABILIZER OPTIONS, (includes items 2 thru 49)	E
1		Ref	HYDRAULIC TANK	
2	0903122	1	WELDMENT BRACKET	
3	2754315	1	HOSE ASSY	
4	2754316	1	HOSE ASSY	
5	2754502	1	HOSE ASSY	
6		Ref	ERS CONTROL VALVE ASSY, (See HYDRAULIC COMPONENTS SECTION for Breakdown)	
7	8001627	1	HOSE ASSY	
8	8001628	1	HOSE ASSY	
9	8001635	1	HOSE ASSY	
10	8001641	1	HOSE ASSY	
11	8001642	1	HOSE ASSY	
12	2754320	1	HOSE ASSY	
13	0700826	2	HEX HD CAPSCREW, 8X90MM	
14	1062255	1	TIE STRAP	
15	4740557	3	WASHER, 4X23X4	
16	2140808	1	CONNECTOR, 22X1.5MM	
18	0641606	2	HEX HD CAPSCREW, 3/8-16X3/4	
19	2988632	1	FITTING	
20	2143404	1	FITTING	
21	2904676	1	FITTING	
22	2142755	1	MALE CONNECTOR	
23	2985515	1	PLUG	
24		Ref	AUXILIARY POWER PUMP, (See HYDRAULIC COMPONENTS SECTION for Breakdown)	
25	3625158	1	CLIP	
26	3737879	2	CLIP	
27	2143409	1	SWIVEL NUT ELBOW FITTING	
28	3970214	2	METRIC TUBE FITTING	
29		Ref	MAIN CONTROL VALVE ASSY, (See HYDRAULIC COMPONENTS SECTION for Breakdown)	
30	4740532	2	WASHER, 12MM	
31	4804306	1	SPACER	
32	4805852	1	BRACKET	
33	5200808	4	RIPP BOLT, 8X16MM	
34	5201014	4	RIPP BOLT, 10X30MM	
35	5201215	4	RIPP BOLT, 12X35MM	
36	5220800	8	RIPP NUT, 8MM	
37	8001905	1	MALE CONNECTOR	
38	8001906	1	METRIC TUBE FITTING	
39	8001908	2	MALE CONNECTOR	
40		Ref	ENGINE DRIVE PUMP ASSY, (See HYDRAULIC COMPONENTS SECTION for Breakdown)	
41	0681812	2	HEX HD CAPSCREW, 1/2-13X1-1/2	
42		Ref	RETURN FILTER, (See HYDRAULIC COMPONENTS SECTION for Breakdown)	
43	8005174	1	PRESSURE SWITCH	
44	2180855	1	SPECIAL FITTING	
45	2140225	1	MALE STUD CONNECTOR, 22X1.5MM	

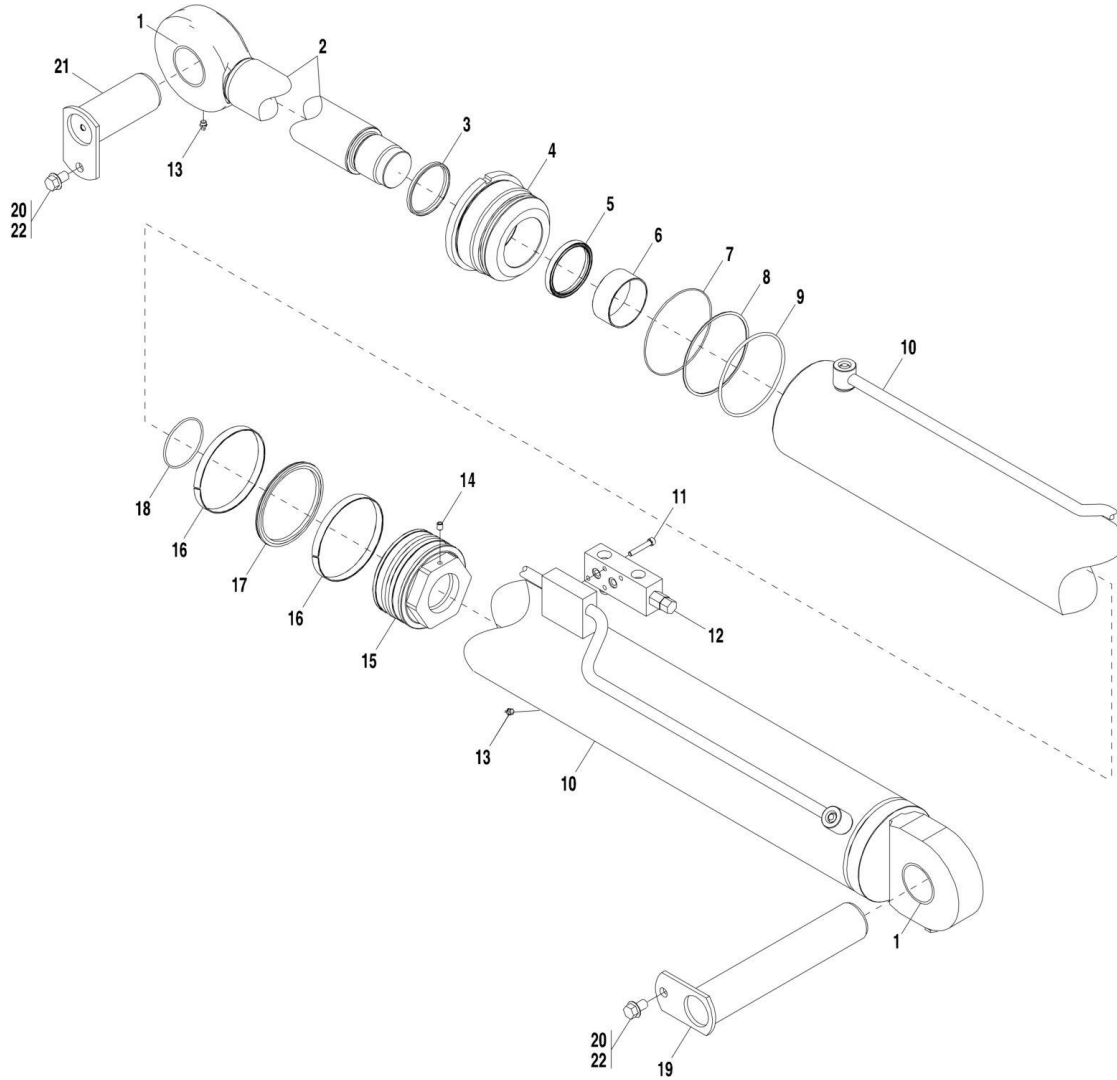
SECTION 8 - HYDRAULIC CIRCUITS

ITEM	PART NUMBER	QTY	DESCRIPTION	REV
46	0760810	3	HEX HD CAPSCREW, 8X20MM	
47	4891600	2	WASHER	
48	2142207	1	SWIVEL RUN TEE	
49	1001092742	1	SPACER BAR	

SECTION 9 - HYDRAULIC COMPONENTS

SECTION 9 - HYDRAULIC COMPONENTS

FIGURE 9-1. LIFT CYLINDER (Prior to SN 1160001376)



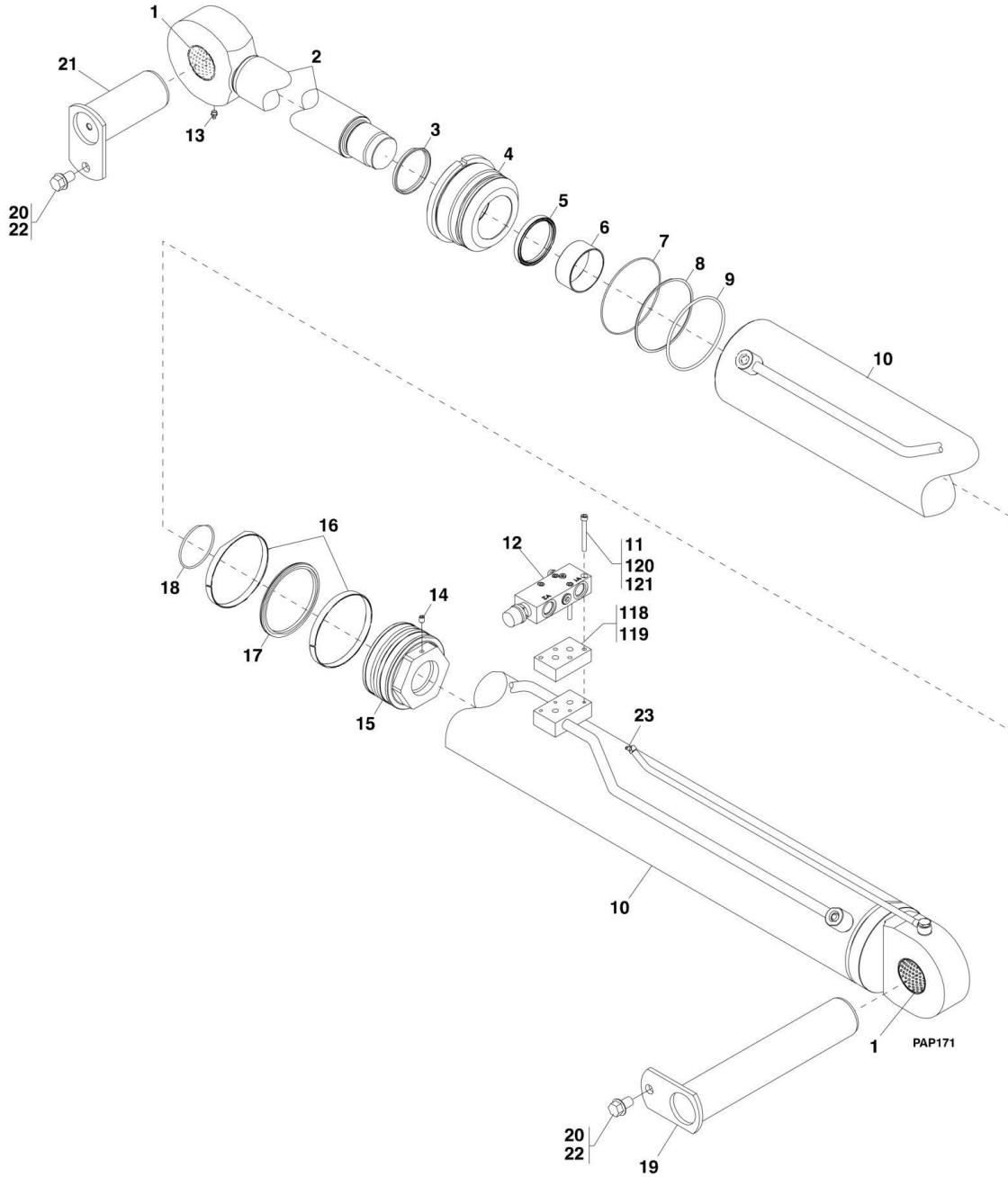
SECTION 9 - HYDRAULIC COMPONENTS

FIGURE 9-1. LIFT CYLINDER (Prior to SN 1160001376)

ITEM	PART NUMBER	QTY	DESCRIPTION	REV
	1684410	1	LIFT CYLINDER, (includes items 1 thru 18)	C
1	7029231	2	BUSHING	
2	7028851	1	PISTON ROD ASSY	
3	Kit	1	WIPER	
4	7028548	1	GLAND	
5	Kit	1	ROD SEAL	
6	7028550	1	BEARING	
7	Kit	1	O-RING	
8	Kit	1	BACK-UP RING	
9	Kit	1	O-RING	
10	7028850	1	CYLINDER HOUSING	
11	7028584	4	SOCKET HD CAPSCREW, M8X50	
12	8007707	1	LOAD CONTROL VALVE	
13	7028314	2	GREASE NIPPLE	
14	Kit	1	SET SCREW	
15	7028549	1	PISTON	
16	Kit	2	PISTON GUIDE RING	
17	Kit	1	PISTON SEAL	
18	Kit	1	O-RING	
19	4803941	1	CYLINDER PIN	
20	5201612	2	RIPP BOLT	
21	4801654	1	CYLINDER PIN	
22	0100011	AR	LOCTITE, #242	
	7028545	1	SEAL KIT, (includes items 3, 5, 7 thru 9, 14 & 16 thru 18)	

SECTION 9 - HYDRAULIC COMPONENTS

FIGURE 9-2. LIFT CYLINDER (SN 1160001376 to Present)



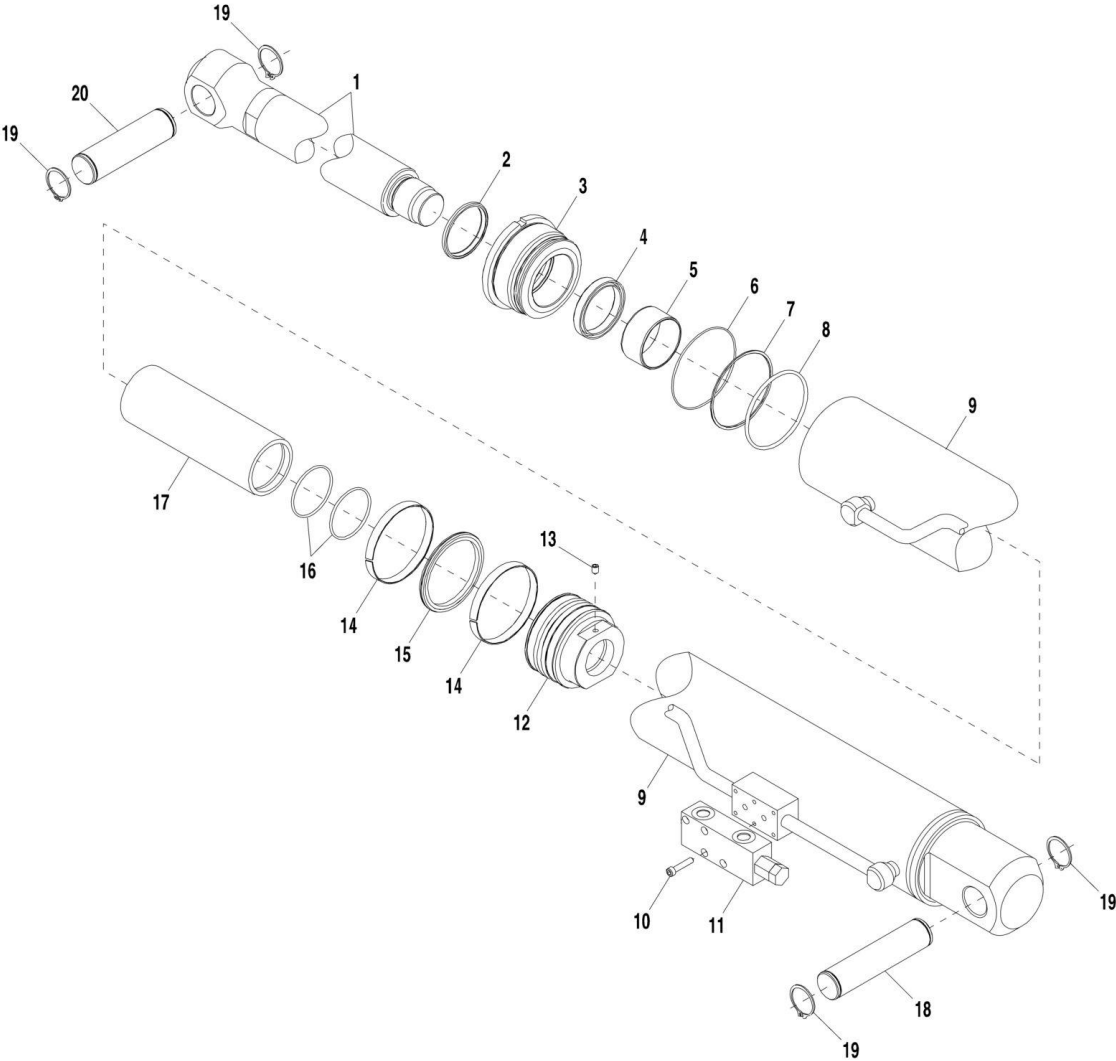
SECTION 9 - HYDRAULIC COMPONENTS

FIGURE 9-2. LIFT CYLINDER (SN 1160001376 to Present)

ITEM	PART NUMBER	QTY	DESCRIPTION	REV
	1684485	1	LIFT CYLINDER, (includes items 1 thru 18 and item 23)	A
	1001106978	1	LIFT CYLINDER, (if equipped with LMIS), (includes all items)	A
	7029443	1	GLAND ASSY, (includes items 4 & 6)	
1	7029231	2	BUSHING	
2	7028851	1	PISTON ROD ASSY	
3	Kit	1	WIPER	
4		Ref	GLAND	
5	Kit	1	ROD SEAL	
6		Ref	BEARING	
7	Kit	1	O-RING	
8	Kit	1	BACK-UP RING	
9	Kit	1	O-RING	
10	7029454	1	CYLINDER HOUSING	
11	7028584	4	SOCKET HD CAPSCREW, M8X50	
12	7028570	1	LOAD CONTROL VALVE	
13	7028314	1	GREASE NIPPLE	
14	Kit	1	SET SCREW	
15	7028549	1	PISTON	
16	Kit	2	PISTON GUIDE RING	
17	Kit	1	PISTON SEAL	
18	Kit	1	O-RING	
19	4803941	1	CYLINDER PIN	
20	5201612	2	RIPP BOLT	
21	4801654	1	CYLINDER PIN	
22	0100011	AR	LOCTITE, #242	
23	7029455	1	GREASE NIPPLE	
118	1001101830	1	LMIS MANIFOLD VALVE, (if equipped with LMIS)	
119	1001102080	2	O-RING, (if equipped with LMIS)	
120	1001095650	AR	LOCTITE, #243, (if equipped with LMIS)	
121	4031919	4	HEX SOCKET HD SCREW, M8X75, (if equipped with LMIS)	
	7028545	1	SEAL KIT,(includes items 3, 5, 7 thru 9, 14 & 16 thru 18)	

SECTION 9 - HYDRAULIC COMPONENTS

FIGURE 9-3. CROWD CYLINDER



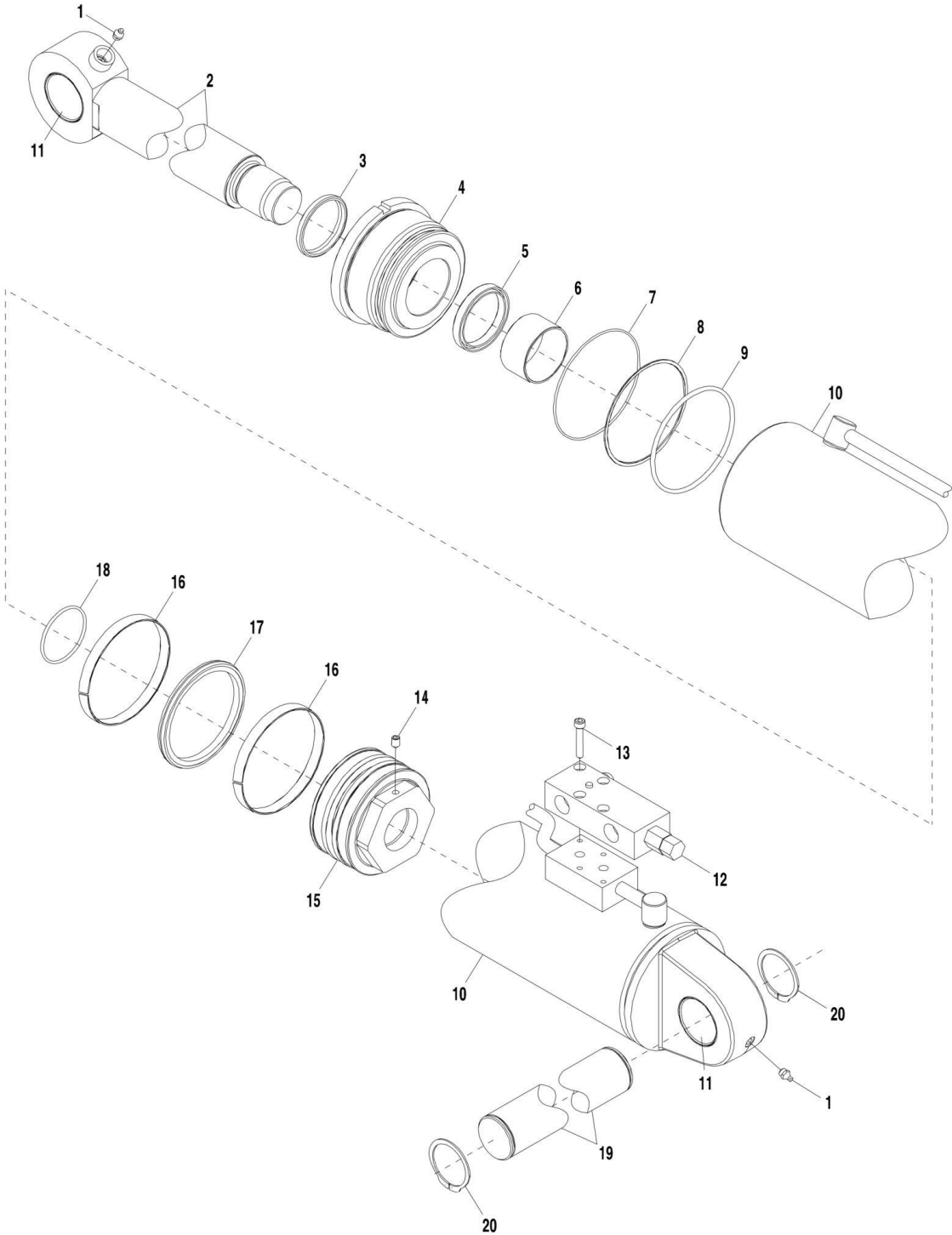
SECTION 9 - HYDRAULIC COMPONENTS

FIGURE 9-3. CROWD CYLINDER

ITEM	PART NUMBER	QTY	DESCRIPTION	REV
	1684428	1	CROWD CYLINDER, (includes items 1 thru 17)	B
	7029449	1	GLAND ASSY, (includes items 3 & 5)	
1	7028560	1	ROD ASSY	
2	Kit	1	WIPER	
3		Ref	GLAND	
4	Kit	1	ROD SEAL	
5		Ref	BEARING	
6	Kit	1	O-RING	
7	Kit	1	O-RING	
8	Kit	1	BACKRING	
9	7028559	1	CYLINDER HOUSING	
10	7028584	4	SOCKET HD CAPSCREW, M8X40	
11	7028570	1	LOAD CONTROL VALVE	
12	7028562	1	PISTON	
13	7028315	1	SET SCREW	
14	Kit	2	GUIDE RING	
15	Kit	1	PISTON SEAL	
16	Kit	2	O-RING	
17	7028569	1	SPACER	
18	3423140	1	CYLINDER PIN	
19	3760493	4	RETAINING RING	
20	3423141	1	CYLINDER PIN	
	7029232	1	SEAL KIT, (includes items 2, 4, 6 thru 8 & 14 thru 16)	

SECTION 9 - HYDRAULIC COMPONENTS

FIGURE 9-4. TILT CYLINDER



SECTION 9 - HYDRAULIC COMPONENTS

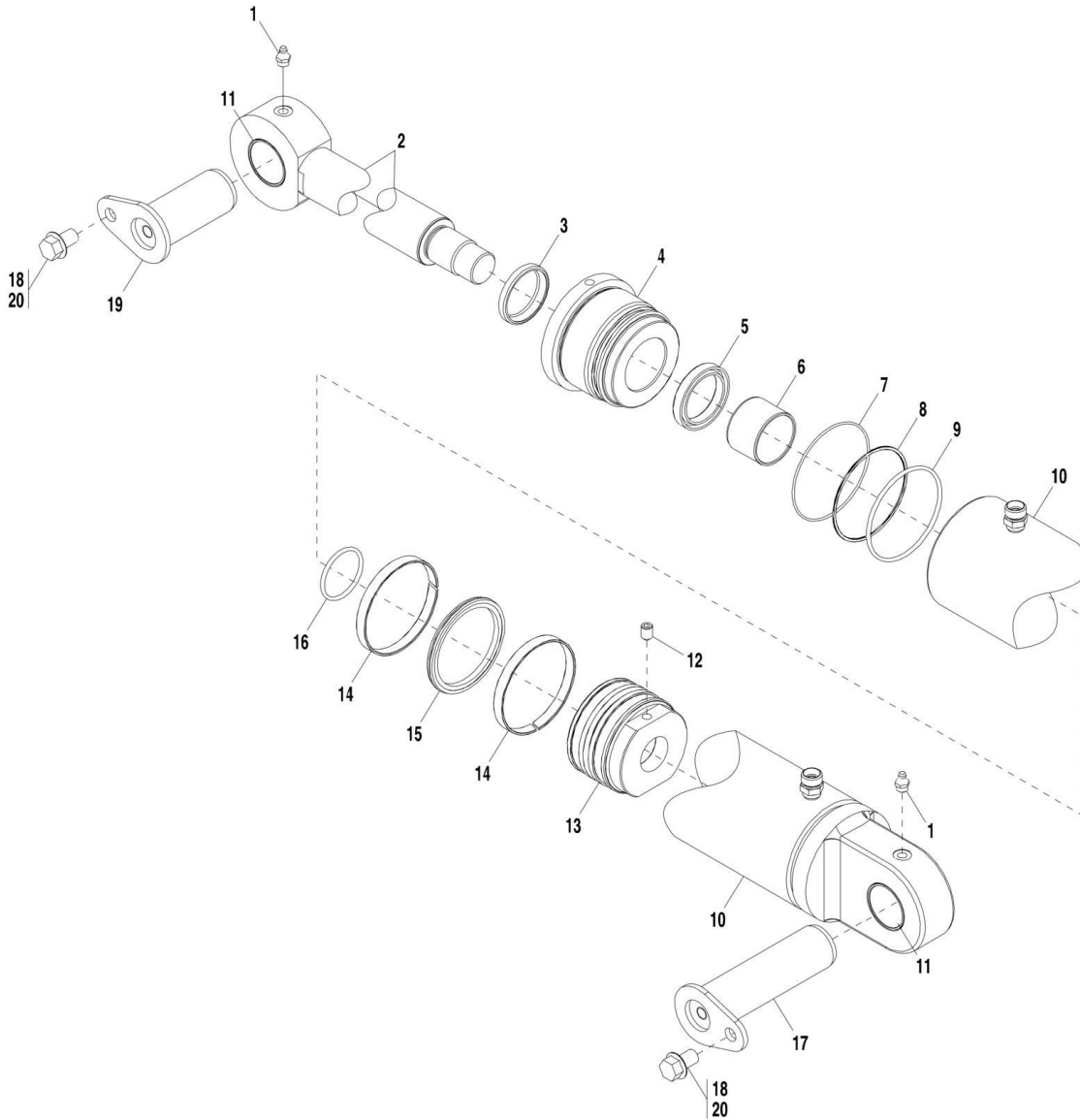
FIGURE 9-4. TILT CYLINDER

ITEM	PART NUMBER	QTY	DESCRIPTION	REV
	1684396	1	TILT CYLINDER, (includes items 1 thru 18)	F
1	7028314	2	GREASE NIPPLE	
2	7028574	1	PISTON ROD ASSY	
3	Kit	1	WIPER RING	
4	7028575	1	GLAND	
5	Kit	1	ROD SEAL	
6	7028856	2	BEARING	
7	Kit	1	O-RING	
8	Kit	1	BACKRING	
9	Kit	1	O-RING	
10	7028573	1	CYLINDER HOUSING	
11	7028840	2	BUSHING	
12	7028558	1	LOAD CONTROL VALVE	
13	7028584	4	HEX HD SOCKET SCREW	
14	Kit	1	SET SCREW	
15	7028576	1	PISTON	
16	Kit	2	PISTON GUIDE	
17	Kit	1	PISTON SEAL	
18	Kit	1	O-RING	
19	8002640	1	PIN	
20	3760463	2	RETAINING RING	
	7028572	1	SEAL KIT, (includes items 3, 5, 7 thru 9, 14 & 16 thru 18)	

SECTION 9 - HYDRAULIC COMPONENTS

FIGURE 9-5. COMPENSATION CYLINDER (Prior to SN 1160003270)

NOTE: CHECK CYLINDER FOR PART NUMBER PRIOR TO ORDERING REPLACEMENT PARTS



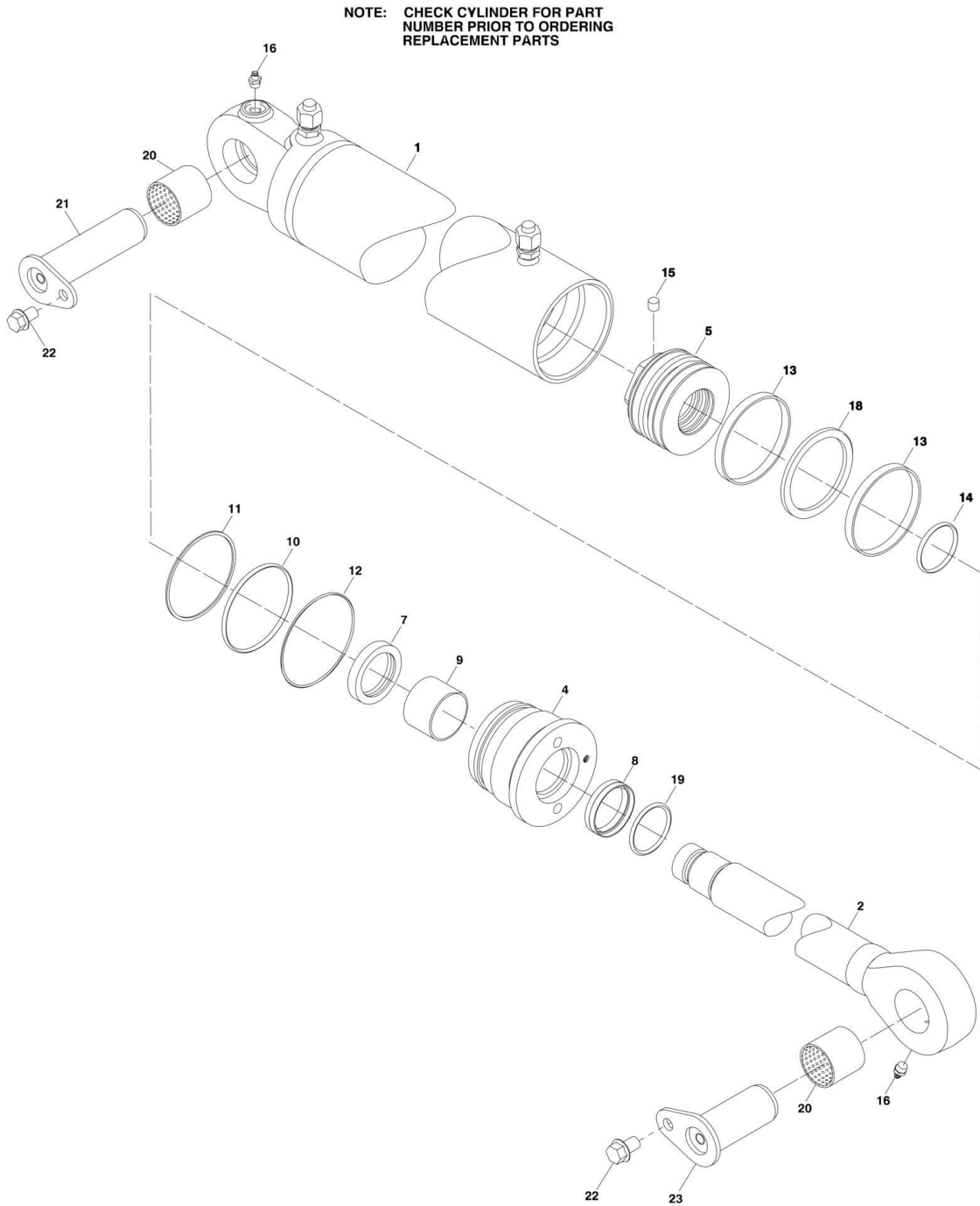
SECTION 9 - HYDRAULIC COMPONENTS

FIGURE 9-5. COMPENSATION CYLINDER (Prior to SN 1160003270)

ITEM	PART NUMBER	QTY	DESCRIPTION	REV
		Ref	COMPENSATION CYLINDER, (includes items 1 thru 16), (1684383 no longer available; order 1001107508 for service replacement)	D
	7029445	1	GLAND ASSY, (includes items 4 & 6)	
1	7028314	2	GREASE NIPPLE	
2	7029445	1	PISTON ROD ASSY	
3	Kit	1	WIPER RING	
4		Ref	GLAND	
5	Kit	1	ROD SEAL	
6		Ref	BEARING	
7	Kit	1	O-RING	
8	Kit	1	BACK-UP RING	
9	Kit	1	O-RING	
10	7028586	1	CYLINDER HOUSING	
11	7028857	2	BUSHING	
12	Kit	1	SET SCREW	
13	7028589	1	PISTON	
14	Kit	2	PISTON GUIDE	
15	Kit	1	PISTON SEAL	
16	Kit	1	O-RING	
17	4804566	2	PIN	
18	5201210	4	RIPP BOLT, 12X20mm	
19	4803076	2	PIN	
20	0100011	AR	LOCTITE, #242	
	7028585	1	SEAL KIT, (includes items 3, 5, 7 thru 9, 12 & 14 thru 16)	

SECTION 9 - HYDRAULIC COMPONENTS

FIGURE 9-6. COMPENSATION CYLINDER (SN 1160003270 to Present)



PAP1010

SECTION 9 - HYDRAULIC COMPONENTS

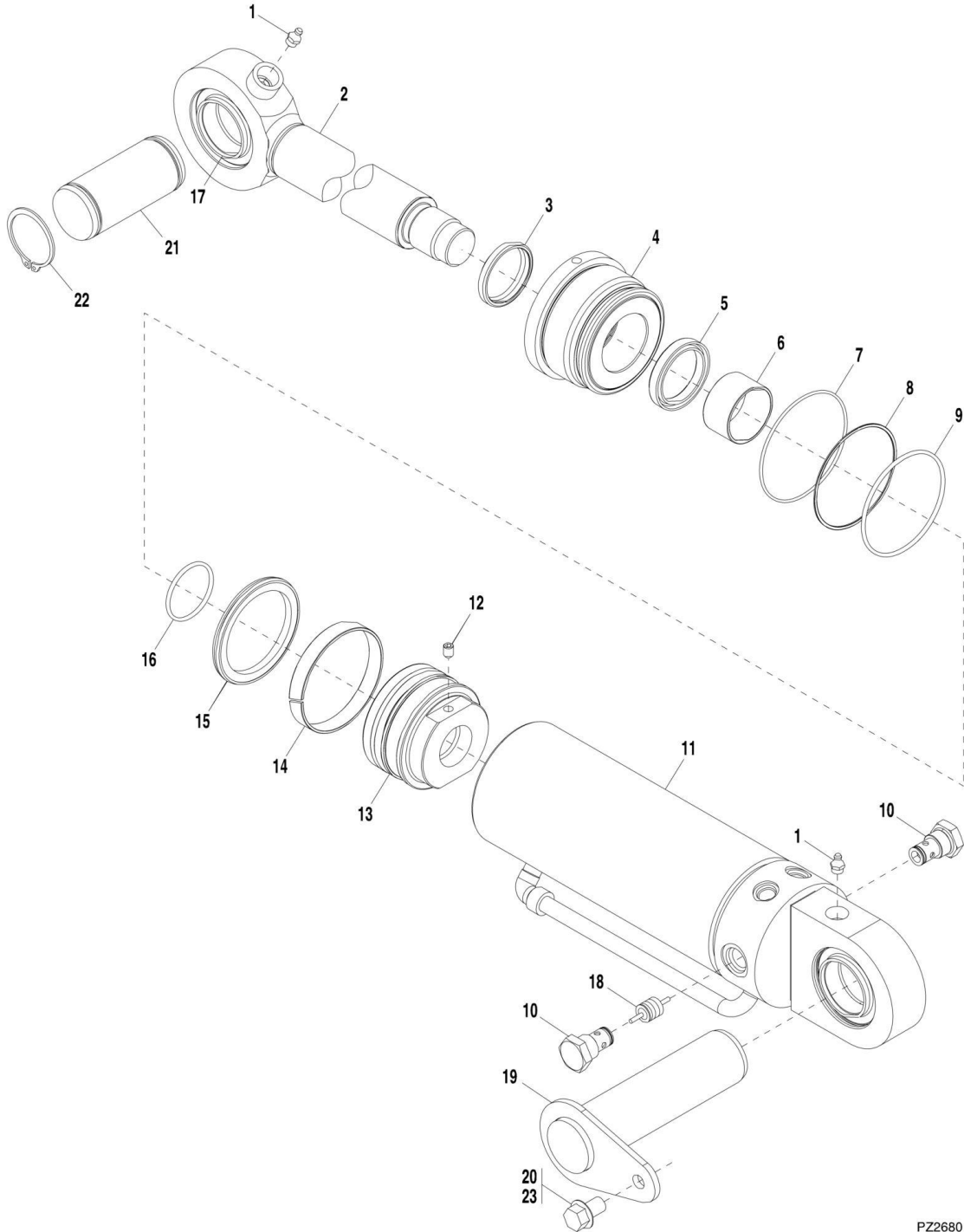
FIGURE 9-6. COMPENSATION CYLINDER (SN 1160003270 to Present)

ITEM	PART NUMBER	QTY	DESCRIPTION	REV
	1001107508	2	COMPENSATION CYLINDER, (includes items 1 thru 20)	A
1	70029943	1	CYLINDER HOUSING	
2	70029944	1	PISTON ROD ASSY	
4	70029937	1	GLAND	
5	70029938	1	PISTON	
7	Kit	1	ROD SEAL	
8	Kit	1	WIPER SEAL	
9	Kit	1	BEARING	
10	Kit	1	BACK-UP RING	
11	Kit	1	O-RING	
12	Kit	1	O-RING	
13	Kit	2	PISTON GUIDE	
14	Kit	1	O-RING	
15	70029940	1	SET SCREW	
16	70029941	2	GREASE NIPPLE	
18	Kit	1	PISTON SEAL	
19	Kit	1	O-RING	
20	70029942	2	BUSHING	
21		Ref	PIN, (See FRAME AND ATTACHING PARTS SECTION for Breakdown)	
22		Ref	BOLT, 12X20MM, (See FRAME AND ATTACHING PARTS SECTION for Breakdown)	
23		Ref	PIN, (See FRAME AND ATTACHING PARTS SECTION for Breakdown)	
	70029972	1	SEAL KIT, (includes items 7 thru 14, 18 & 19)	

SECTION 9 - HYDRAULIC COMPONENTS

FIGURE 9-7. SWAY CYLINDER (Prior to SN 1160003270)

NOTE: CHECK CYLINDER FOR PART NUMBER PRIOR TO ORDERING REPLACEMENT PARTS



PZ2680

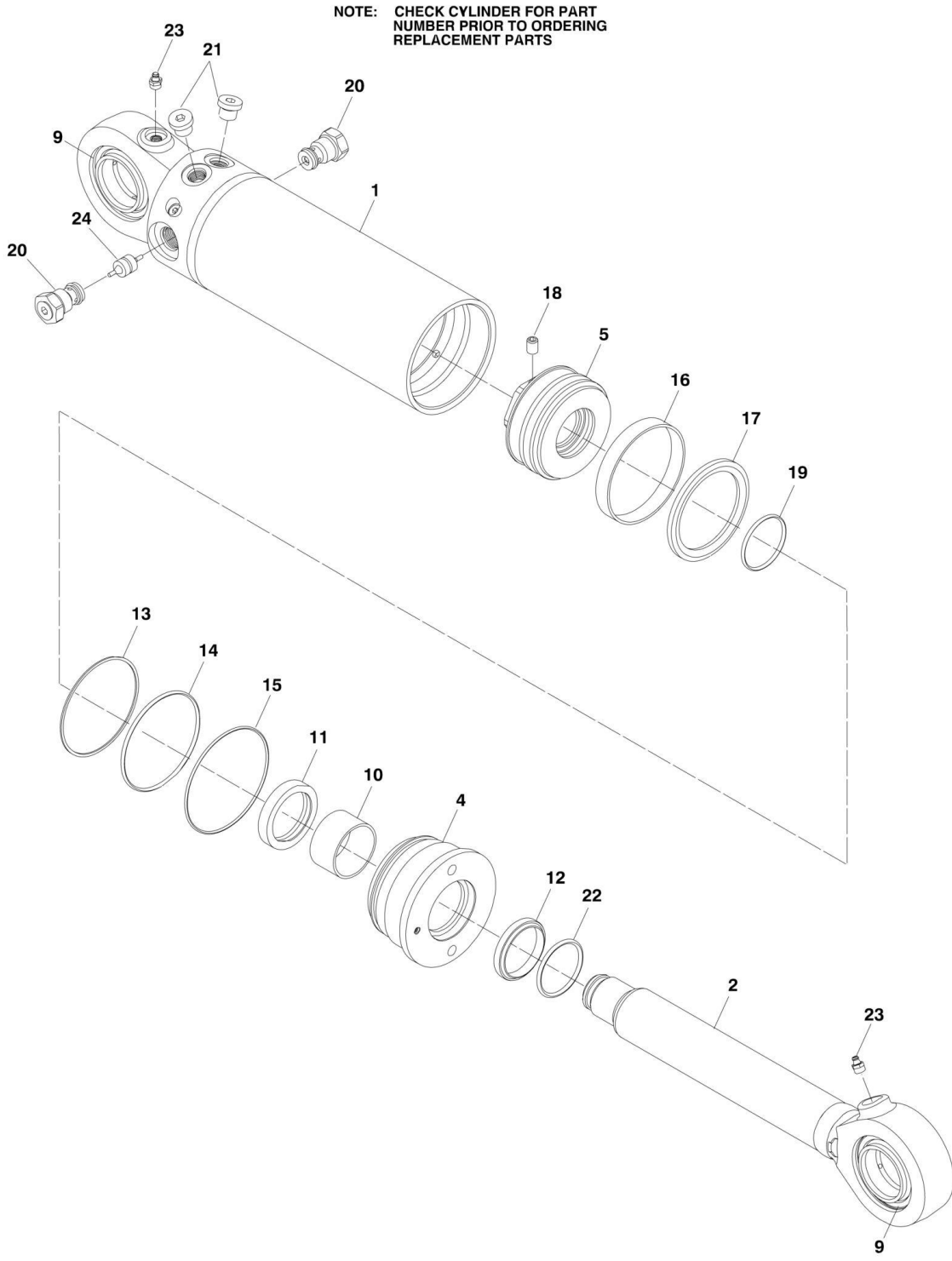
SECTION 9 - HYDRAULIC COMPONENTS

FIGURE 9-7. SWAY CYLINDER (Prior to SN 1160003270)

ITEM	PART NUMBER	QTY	DESCRIPTION	REV
		Ref	SWAY CYLINDER, (includes items 1 thru 18), (1684405 no longer available; order 1001107511 for service replacement)	D
1	7028314	2	GREASE NIPPLE	
2	7028601	1	PISTON ROD	
3	Kit	1	WIPER RING	
4		Ref	GLAND	
5	Kit	1	ROD SEAL	
6		Ref	BEARING	
7	Kit	1	O-RING	
8	Kit	1	BACK-UP RING	
9	Kit	1	O-RING	
10	7028606	2	CHECK VALVE, (use with cylinder 500531M91)	
10	7029845	2	CHECK VALVE, (use with cylinder 500531M92)	
11	7028600	1	CYLINDER HOUSING	
12	Kit	1	SET SCREW	
13	7028858	1	PISTON	
14	Kit	1	WEAR RING	
15	Kit	1	PISTON SEAL	
16	Kit	1	O-RING	
17	7028860	2	BUSHING	
18	7028605	1	VALVE PISTON, (use with cylinder 500531M91)	
18	7029847	1	VALVE PISTON, (use with cylinder 500531M92)	
19	4802122	1	CYLINDER PIN	
20	5201210	1	RIPP BOLT	
21	4802008	1	PIN	
22	3760493	2	CIRCLIP	
23	0100011	AR	LOCTITE, #242	
	7028599	1	SEAL KIT, (includes items 3, 5, 7 thru 9, 12 & 14 thru 16)	
	7028602	1	GLAND ASSY, (includes items 4 & 6)	

SECTION 9 - HYDRAULIC COMPONENTS

FIGURE 9-8. SWAY CYLINDER (SN 1160003270 to Present)



PAP1020

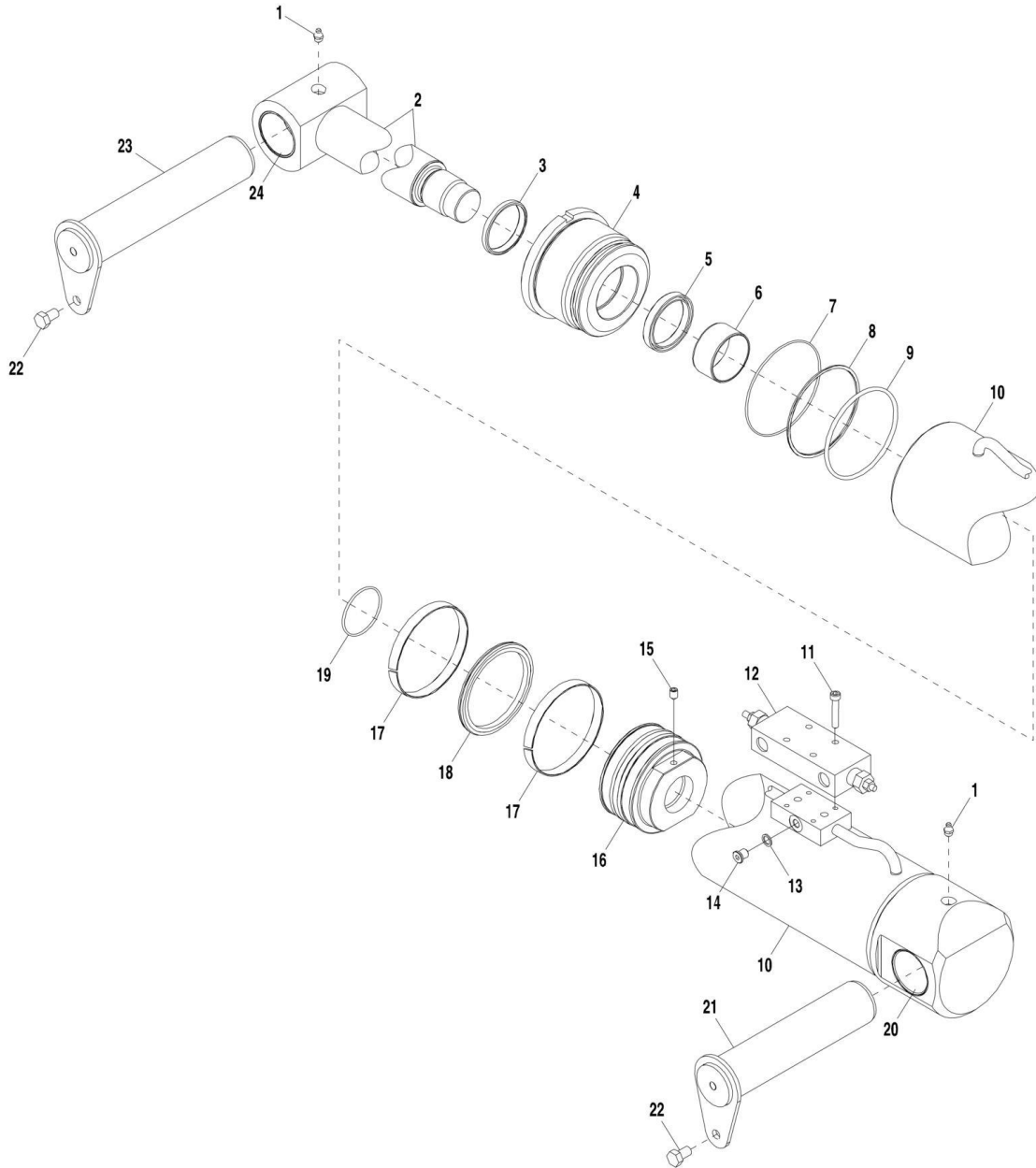
SECTION 9 - HYDRAULIC COMPONENTS

FIGURE 9-8. SWAY CYLINDER (SN 1160003270 to Present)

ITEM	PART NUMBER	QTY	DESCRIPTION	REV
	1001107511	1	SWAY CYLINDER, (includes items 1 thru 17)	D
1	70029960	1	CYLINDER HOUSING ASSY	
2	70029961	1	PISTON ROD ASSY	
4	70029956	1	GLAND	
5	70029957	1	PISTON	
9	70002222	4	SNAP RING	
10	70029958	1	BEARING	
11	Kit	1	ROD SEAL	
12	Kit	1	WIPER RING	
13	Kit	1	O-RING	
14	Kit	1	BACK-UP RING	
15	Kit	1	O-RING	
16	Kit	1	WEAR RING	
17	Kit	1	PISTON SEAL	
18	70029940	1	SET SCREW	
19	Kit	1	O-RING	
20	70029948	2	CHECK VALVE	
21		Ref	PLUG	
22	Kit	1	O-RING	
23	70029941	2	GREASE NIPPLE	
24	70029949	1	VALVE PISTON	
	70029959	1	SEAL KIT, (includes items 11 thru 17, 19 & 22)	

SECTION 9 - HYDRAULIC COMPONENTS

FIGURE 9-9. STABILIZER CYLINDER (Prior to SN 1160002188)



SECTION 9 - HYDRAULIC COMPONENTS

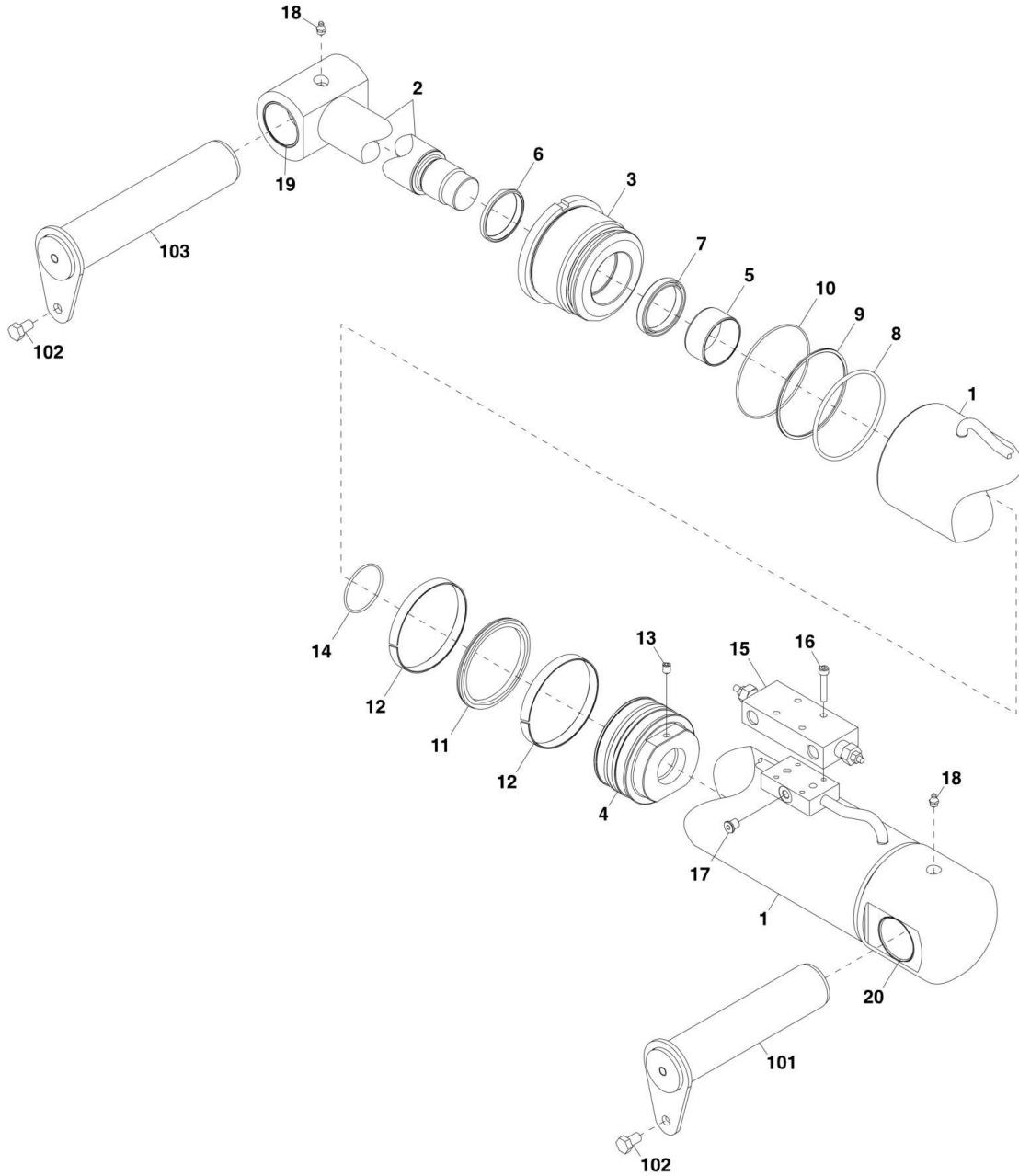
FIGURE 9-9. STABILIZER CYLINDER (Prior to SN 1160002188)

ITEM	PART NUMBER	QTY	DESCRIPTION	REV
	1684395	2	STABILIZER CYLINDER, (includes items 1 thru 20 & 24)	F
1	7028314	2	GREASE NIPPLE	
2	7028609	1	PISTON ROD	
3	Kit	1	DOUBLE WIPER	
4	7028610	1	GLAND	
5	Kit	1	ROD SEAL	
6	7028613	1	BEARING	
7	Kit	1	O-RING	
8	Kit	1	BACK RING	
9	Kit	1	O-RING	
10	70020654	1	CYLINDER HOUSING	
11	7028584	4	SOCKET HD CAPSCREW, M8X45	
12	7028316	1	LOAD CONTROL VALVE	
13	7028843	1	SEAL RING	
14	7028842	1	SCREW PLUG	
15	Kit	1	SET SCREW	
16	7028611	1	PISTON	
17	Kit	2	PISTON GUIDE RING	
18	Kit	1	PISTON SEAL	
19	Kit	1	O-RING	
20	7028840	2	BUSHING	
21	3423127	1	STABILIZER PIN	
22	0761210	4	HEX HD CAPSCREW, 12-1.75X20MM	
23	3423129	1	STABILIZER PIN	
24	7028841	2	BUSHING	
	7028607	1	SEAL KIT, (includes items 3, 5, 7 thru 9, 15 & 17 thru 19)	
		Ref	NOTE: QUANTITIES SHOWN ARE FOR ONE CYLINDER ONLY	

SECTION 9 - HYDRAULIC COMPONENTS

FIGURE 9-10. STABILIZER CYLINDER (SN 1160002188 to Present)

NOTE: CHECK CYLINDER FOR PART NUMBER PRIOR TO ORDERING REPLACEMENT PARTS



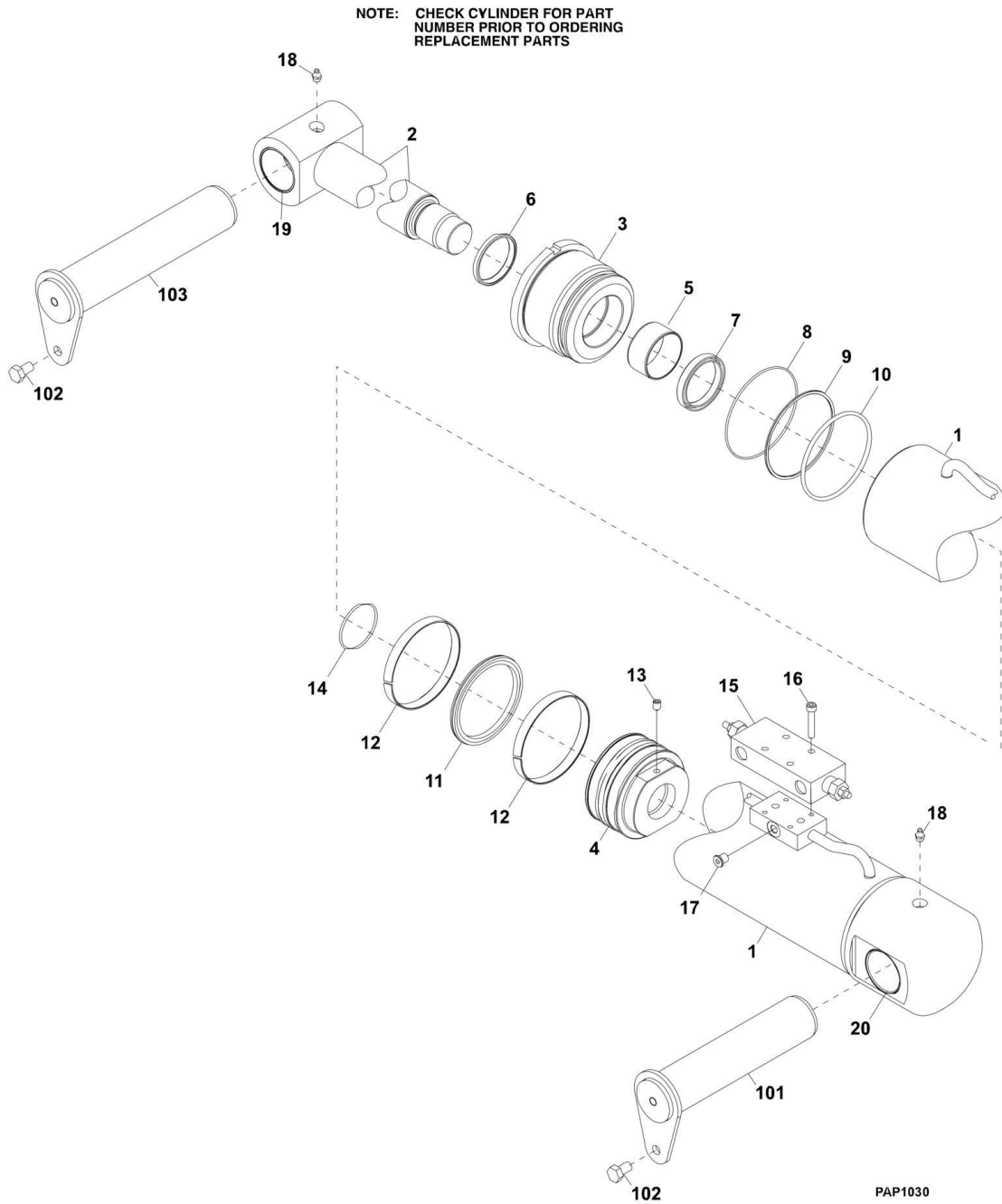
SECTION 9 - HYDRAULIC COMPONENTS

FIGURE 9-10. STABILIZER CYLINDER (SN 1160002188 to Present)

ITEM	PART NUMBER	QTY	DESCRIPTION	REV
	1001098161	NLA	STABILIZER CYLINDER, (17M), (includes items 1 thru 20), (no longer available; order 1001107512 for service replacement)	A
1	70020654	1	CYLINDER HOUSING	
2	7028609	1	PISTON ROD	
3		Ref	BEARING	
4	7028611	1	PISTON	
5		Ref	BEARING	
6	Kit	1	WIPER RING	
7	Kit	1	ROD SEAL	
8	Kit	1	O-RING	
9	Kit	1	BACKUP RING	
10	Kit	1	O-RING	
11	Kit	1	PISTON SEAL	
12	Kit	2	PISTON GUIDE RING	
13	Kit	1	SET SCREW	
14	Kit	1	O-RING	
15	70021494	1	LOAD CONTROL VALVE	
16	7028584	4	HEX SOCKET HD CAPSCREW	
17	70020655	1	SCREW PLUG	
18	7028314	2	GREASE NIPPLE	
19	7028841	2	BUSHING	
20	7028840	2	BUSHING	
101	3423127	1	STABILIZER PIN	
102	0761210	4	HEX HD CAPSCREW, 12-1.75X20MM	
103	3423129	1	STABILIZER PIN	
	7028607	1	SEAL KIT, (includes items 6 thru 14)	
	70020657	1	GLAND ASSY, (includes items 3 & 5)	

SECTION 9 - HYDRAULIC COMPONENTS

FIGURE 9-11. STABILIZER CYLINDER (SN 1160002188 to Present)



SECTION 9 - HYDRAULIC COMPONENTS

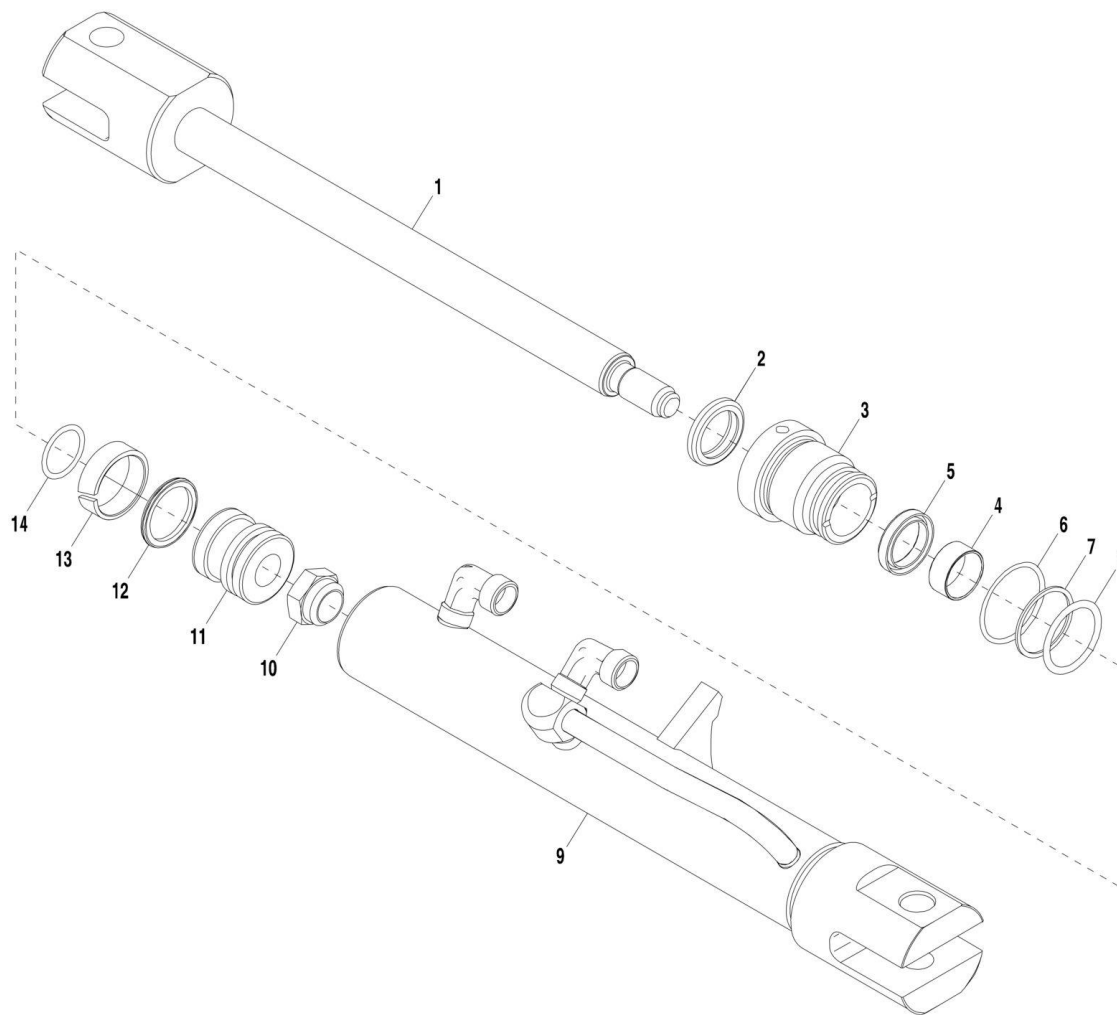
FIGURE 9-11. STABILIZER CYLINDER (SN 1160002188 to Present)

ITEM	PART NUMBER	QTY	DESCRIPTION	REV
	1001107512	1	STABILIZER CYLINDER, (17M), (includes items 1 thru 20)	
1	70029970	1	CYLINDER HOUSING	
2	70029971	1	PISTON ROD	
3	70029962	1	BEARING	
4	70029963	1	PISTON	
5	70029965	1	BEARING	
6	Kit	1	WIPER RING	
7	Kit	1	ROD SEAL	
8	Kit	1	O-RING	
9	Kit	1	BACKUP RING	
10	Kit	1	O-RING	
11	Kit	1	PISTON SEAL	
12	Kit	2	PISTON GUIDE RING	
13	70029940	1	SET SCREW	
14	Kit	1	O-RING	
15	70021494	1	LOAD CONTROL VALVE	
16	70029966	4	HEX SOCKET HD CAPSCREW	
17		Ref	SCREW PLUG	
18	70029941	2	GREASE NIPPLE	
19	70029968	2	BUSHING	
20	70029967	2	BUSHING	
101	3423127	1	STABILIZER PIN	
102	0761210	4	HEX HD CAPSCREW, 12-1.75X20MM	
103	3423129	1	STABILIZER PIN	
	70029969	1	SEAL KIT, (includes items 6 thru 14)	

SECTION 9 - HYDRAULIC COMPONENTS

FIGURE 9-12. FORK LOCKING CYLINDER (Prior to SN 1160003270)

NOTE: CHECK CYLINDER FOR PART NUMBER PRIOR TO ORDERING REPLACEMENT PARTS



SECTION 9 - HYDRAULIC COMPONENTS

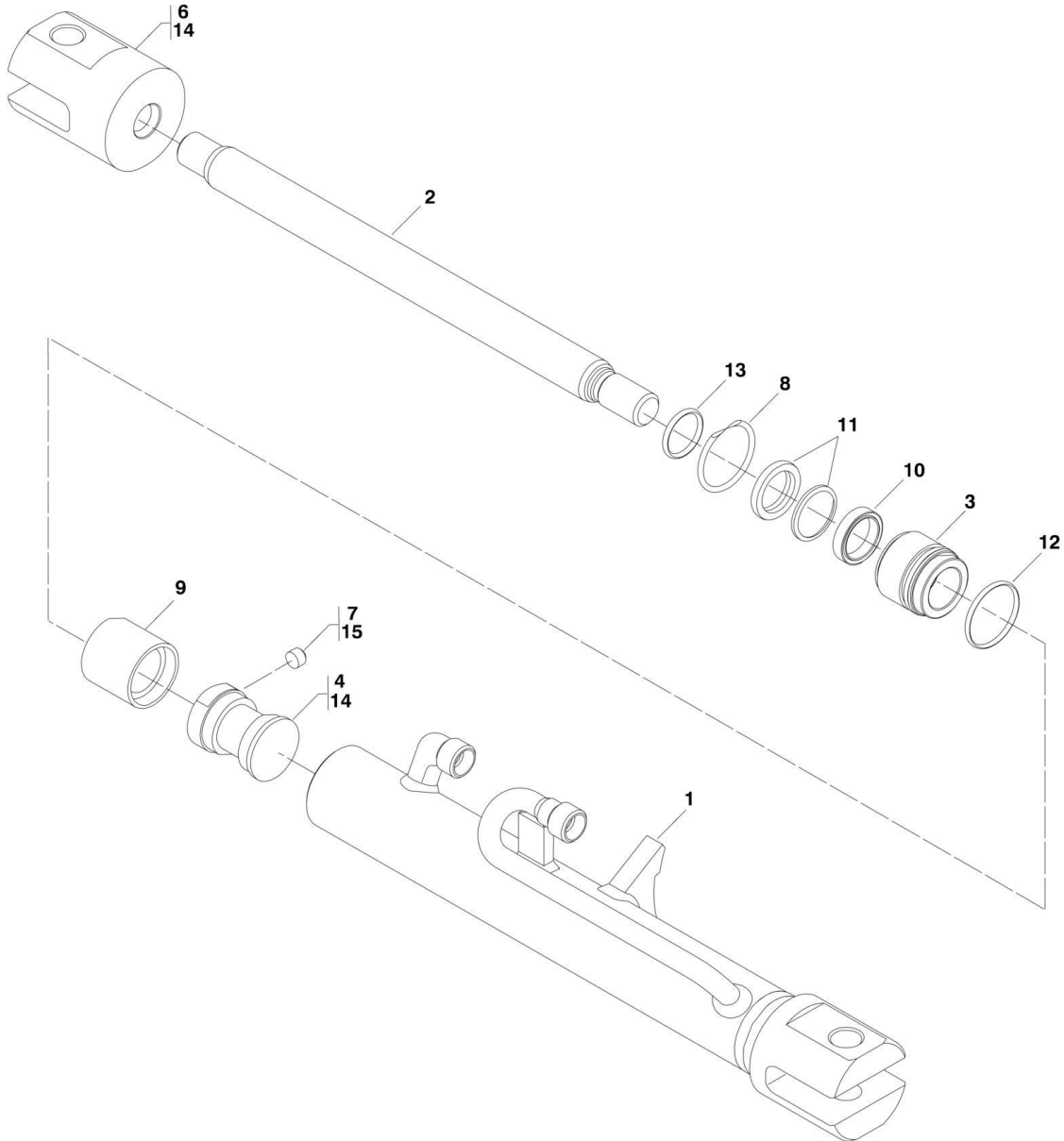
FIGURE 9-12. FORK LOCKING CYLINDER (Prior to SN 1160003270)

ITEM	PART NUMBER	QTY	DESCRIPTION	REV
	1684404	NLA	FORK LOCKING CYLINDER, (includes items 1 thru 14), (no longer available; order 1001107513 for service replacement)	E
1	7028784	1	PISTON ROD	
2	Kit	1	WIPER	
3	7028786	1	GLAND	
4	7028787	1	BEARING	
5	Kit	1	ROD SEAL	
6	Kit	1	O-RING	
7	Kit	1	BACK-UP RING	
8	Kit	1	O-RING	
9	7028792	1	CYLINDER HOUSING	
10	Kit	1	LOCKNUT	
11	7028794	1	PISTON	
12	Kit	1	PISTON SEAL	
13	Kit	1	WEAR RING	
14	Kit	1	O-RING	
	7029225	1	SEAL KIT, (includes items 2, 5 thru 8, 10 & 12 thru 14)	

SECTION 9 - HYDRAULIC COMPONENTS

FIGURE 9-13. FORK LOCKING CYLINDER (SN 1160003270 to Present)

NOTE: CHECK CYLINDER FOR PART NUMBER PRIOR TO ORDERING REPLACEMENT PARTS



PAP0950

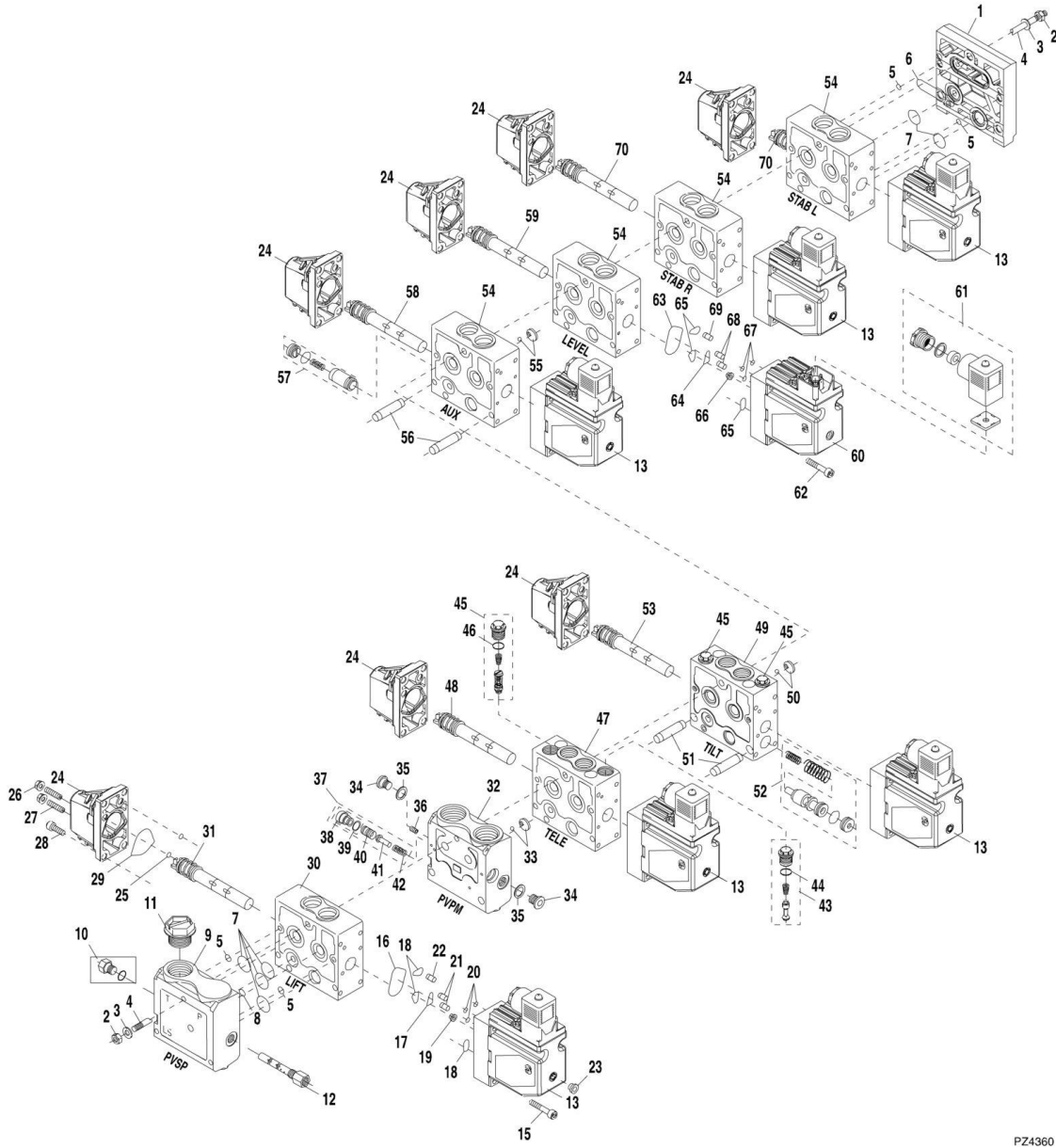
SECTION 9 - HYDRAULIC COMPONENTS

FIGURE 9-13. FORK LOCKING CYLINDER (SN 1160003270 to Present)

ITEM	PART NUMBER	QTY	DESCRIPTION	REV
	1001107513	1	FORK LOCKING CYLINDER, (includes items 1 thru 13)	A
1	70022698	1	CYLINDER HOUSING	
2	70022699	1	PISTON ROD	
3	70022704	1	GLAND	
4	70022703	1	PISTON, (torque to 36Nm)	
6	70022701	1	CLEVIS, (torque to 36Nm)	
7	70022702	1	SETSCREW, (torque to 20Nm)	
8	70022700	1	RETAINER RING	
9	Kit	1	PISTON SEAL	
10	Kit	1	ROD SEAL	
11	Kit	1	2 PIECE SEAL	
12	Kit	1	O-RING	
13	Kit	1	O-RING	
14	0100011	AR	LOCTITE, #242, (apply to items 4 & 6)	
15	0100035	AR	LOCTITE, #222, (apply to item 7)	
	70022705	1	SEAL KIT, (includes items 9 thru 13)	

SECTION 9 - HYDRAULIC COMPONENTS

FIGURE 9-14. MAIN CONTROL VALVE



PZ4360

SECTION 9 - HYDRAULIC COMPONENTS

FIGURE 9-14. MAIN CONTROL VALVE

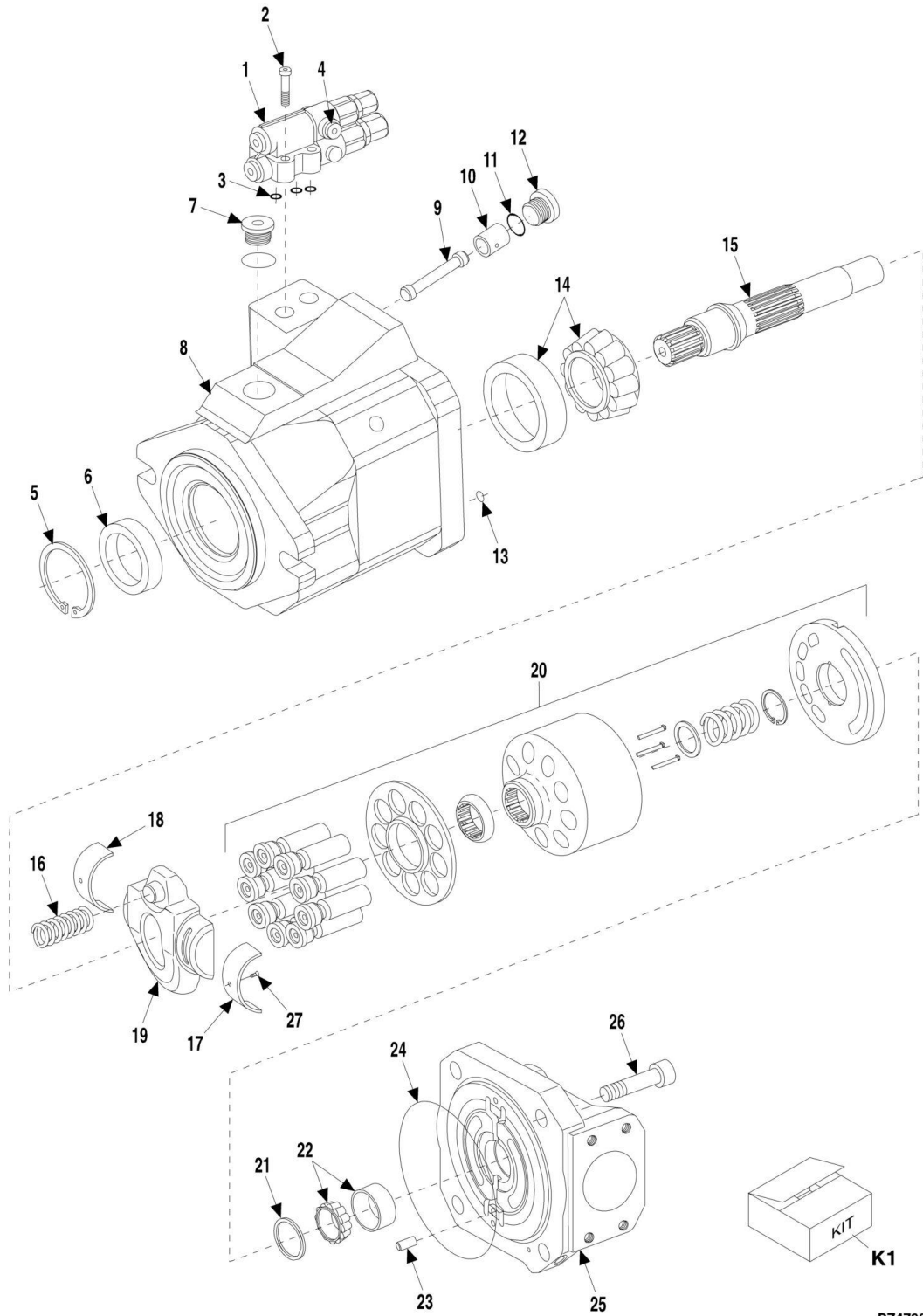
ITEM	PART NUMBER	QTY	DESCRIPTION	REV
	4641378	Ref	MAIN CONTROL VALVE, (not equipped with Platform option), (includes all items)	F
	4641382	Ref	MAIN CONTROL VALVE, (if equipped with Platform option), (includes all items)	B
	8007925	Ref	TIE ROD ASSY, (includes section seal kit and items 2 thru 4)	
	7028848	AR	SECTION SEAL KIT, (includes items 5 thru 8)	
1	8007924	1	END SECTION	
2	0443549	6	NUT	
3	1380625	6	WASHER	
4	8007929	3	STAY BOLT	
5	N.S.S.	20	O-RING	
6	N.S.S.	1	O-RING	
7	N.S.S.	40	O-RING	
8	N.S.S.	8	O-RING	
8		Ref	PRIORITY INLET SECTION, (PVSP), (includes items 9 & 12)	
9	8007959	1	INLET MODULE, (not equipped with Platform option), (includes items 10 & 11)	
9	7029531	1	INLET MODULE, (if equipped with Platform option)	
9	8007935	AR	SEAL KIT BETWEEN SECTIONS	
10	7028861	1	PLUG	
11	N.S.S.	1	PLUG	
12	7028862	1	INLET COMPENSATOR	
12		Ref	LIFT SECTION, (includes items 13 thru 31)	
13	1001105362	1	PROPORTIONAL SOLENOID MODULE COIL, (includes items 16 thru 23)	
13	7028629	NLA	PROPORTIONAL SOLENOID MODULE COIL, (includes items 14 & 15), (no longer available, use valve 1001105362 for service)	
13	8007954	AR	PROPORTIONAL SOLENOID SEAL KIT, (includes items 16, 17, 18 & 20)	
14	7028849	1	CONNECTOR	
15	7028846	4	MOUNTING SCREW	
16	N.S.S.	1	O-RING	
17	N.S.S.	1	O-RING	
18	N.S.S.	3	O-RING	
19	N.S.S.	1	FILTER	
20	N.S.S.	3	O-RING	
21	N.S.S.	2	CHECK VALVE	
22	N.S.S.	1	ORIFICE	
23	N.S.S.	1	PLUG	
24	8007899	1	ACTUATOR MODULE, (includes items 25 thru 29)	
24	8007894	AR	ACTUATOR SEAL KIT, (includes items 25, 26 & 29)	
25	N.S.S.	2	O-RING	
26	N.S.S.	2	SEAL NUT	
27	8007915	2	THREADED PIN	
28	0318854	4	SCREW	
29	N.S.S.	1	PROFILE O-RING	
30	8007917	1	PRESSURE COMPENSATOR VALVE	
31	7028894	1	CONTROL SPOOL MODULE	
31		Ref	MID-INLET SECTION, (PVPM), (includes items 32 thru 42)	
32	8007936	1	VALVE, (includes items 33 thru 42)	
32	8007939	AR	VALVE SEAL KIT	

SECTION 9 - HYDRAULIC COMPONENTS

ITEM	PART NUMBER	QTY	DESCRIPTION	REV
33	N.S.S.	1	SHUTTLE ASSY	
34	7028630	2	PLUG	
35	8007941	2	WASHER	
36	8007942	1	ORIFICE	
37	8007944	1	PILOT SUPPLY, (includes items 38 thru 42)	
38	8007943	1	PLUG, (includes item 39)	
39	N.S.S.	1	O-RING	
40	N.S.S.	1	SPOOL	
41	N.S.S.	1	CONE	
42	N.S.S.	1	SPRING	
42		Ref	TELESCOPE SECTION, (includes items 13, 24 & 43 thru 48)	
43	8007919	1	ANTI-CAVITATION VALVE, (includes item 44)	
44	N.S.S.	1	SPRING	
45	8007918	1	SHOCK VALVE, (includes item 46)	
46	N.S.S.	1	O-RING	
47	8007920	1	PRESSURE COMPENSATOR VALVE	
48	70022769	1	MODIFIED CONTROL SPOOL MODULE	
48		Ref	TILT SECTION, (includes items 13, 24, 2 of 45 & 49 thru 53)	
49	7028847	1	PRESSURE COMPENSATOR VALVE, (includes items 50, 51 & 52)	
50	N.S.S.	1	SHUTTLE ASSY	
51	N.S.S.	2	PIPE	
52	N.S.S.	1	COMPENSATOR VALVE ASSY	
53	8007956	1	CONTROL SPOOL MODULE	
53		Ref	AUXILIARY SECTION, (includes items 13, 24 & 54 thru 58)	
54	8007922	1	VALVE, (includes items 55, 56 & 57)	
55	N.S.S.	1	SHUTTLE ASSY	
56	N.S.S.	1	PIPE	
57	N.S.S.	1	CHECK VALVE ASSY	
58	8007947	1	CONTROL SPOOL MODULE	
58		Ref	LEVEL CONTROL SECTION, ((includes items 24, 54 & 59 thru 69)	
59	8007946	1	CONTROL SPOOL MODULE	
60	7028845	1	ON/OFF SOLENOID MODULE VALVE, (includes items 61 thru 69)	
60	8007954	AR	ON/OFF SOLENOID SEAL KIT, (includes items 63, 64, 65 & 67)	
61	7028849	1	CONNECTOR	
62	7028846	4	MOUNTING SCREW	
63	N.S.S.	1	O-RING	
64	N.S.S.	1	O-RING	
65	N.S.S.	3	O-RING	
66	N.S.S.	1	FILTER	
67	N.S.S.	3	O-RING	
68	N.S.S.	2	CHECK VALVE	
69	N.S.S.	1	ORIFICE	
70	8007945	1	CONTROL SPOOL MODULE	
71	7029208	1	CONTROL SPOOL MODULE	
		Ref	STABILIZER RIGHT SECTION, (includes items 13, 24, 54 & 70)	
		Ref	STABILIZER LEFT SECTION, (includes items 13, 24, 54 & 70)	

SECTION 9 - HYDRAULIC COMPONENTS

FIGURE 9-15. ENGINE DRIVE PUMP



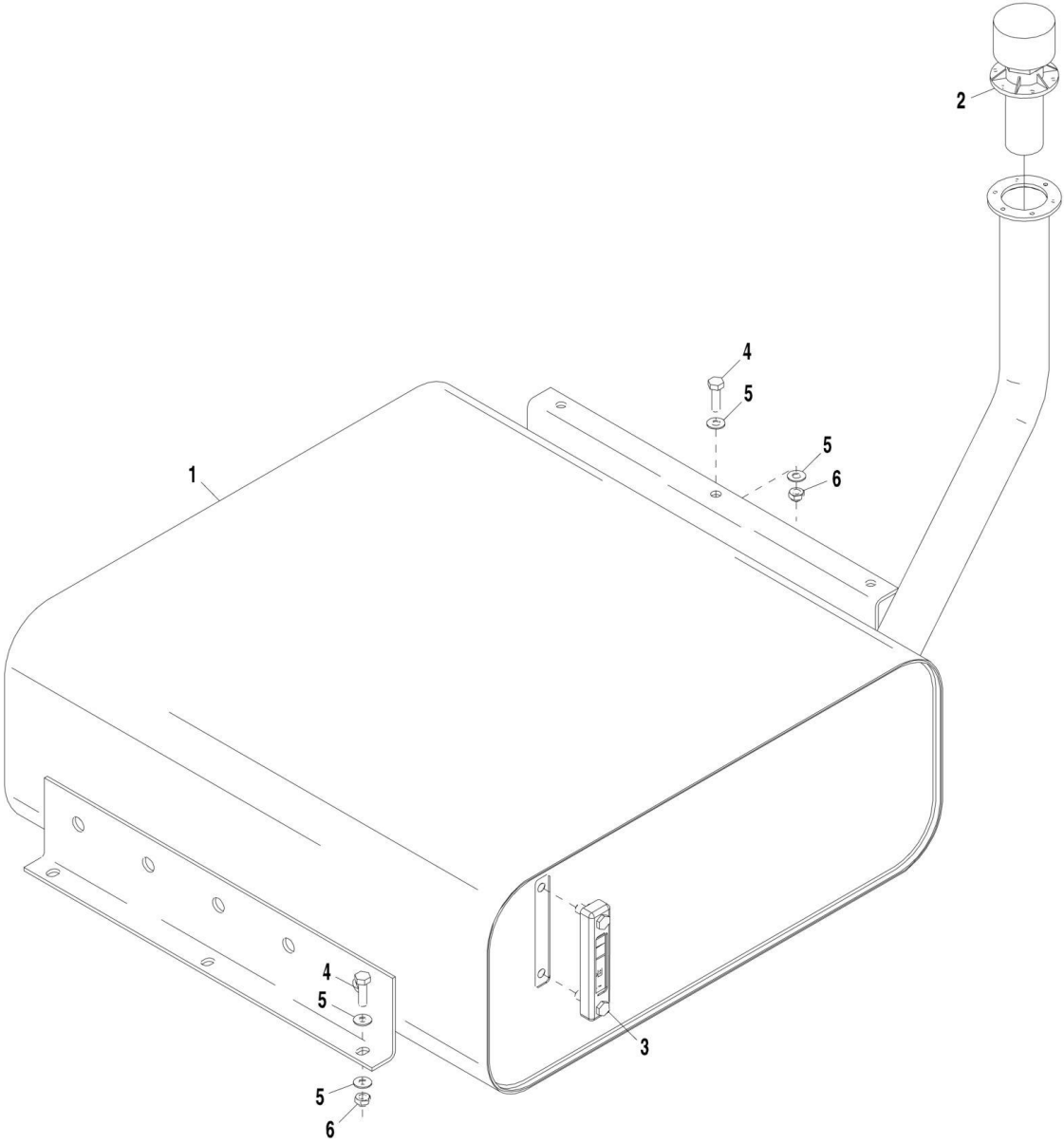
SECTION 9 - HYDRAULIC COMPONENTS

FIGURE 9-15. ENGINE DRIVE PUMP

ITEM	PART NUMBER	QTY	DESCRIPTION	REV
	8001912	1	ENGINE DRIVE PUMP, (includes all items)	
1	8007838	1	PILOT VALVE, (includes items 2, 3 & 4)	
2	Kit K1	4	SOCKET SCREW, M6X30, GR10.9	
3	Kit K1	3	O-RING	
4	Kit K1	1	PLUG	
5	80334277	1	SAFETY RING	
6	7024947	1	SHAFT SEAL	
7	N.S.S.	1	PLUG	
8	7028647	1	PUMP HOUSING	
9	7024935	1	PISTON ROD	
10	7024934	1	CONTROL PISTON	
11	Kit K1	1	O-RING	
12	Kit K1	1	SCREW PLUG	
13	Kit K1	1	O-RING	
14	7024943	1	TAPERED ROLLER BEARING	
15	7028648	1	DRIVE SHAFT	
16	7024941	1	SPRING	
17	7024945	1	CRADLE SHELL, RH	
18	7024946	1	CRADLE SHELL, LH	
19	7028649	1	SWASH PLATE	
20	7028650	1	ROTARY GROUP	
21	7024942	1	SHIM	
22	7024944	1	TAPERED ROLLER BEARING	
23	7024952	1	DOWEL PIN	
24	Kit K1	1	O-RING	
25	7028651	1	PORT PLATE	
26	7024951	4	SOCKET SCREW, M14X35, GR10.9	
27	7024953	2	COUNTERSUNK SCREW, M5X16	
K1	7029165	1	SEAL KIT, (includes items 2 thru 6, 11, 12, 13 & 24)	

SECTION 9 - HYDRAULIC COMPONENTS

FIGURE 9-16. HYDRAULIC TANK ASSEMBLY



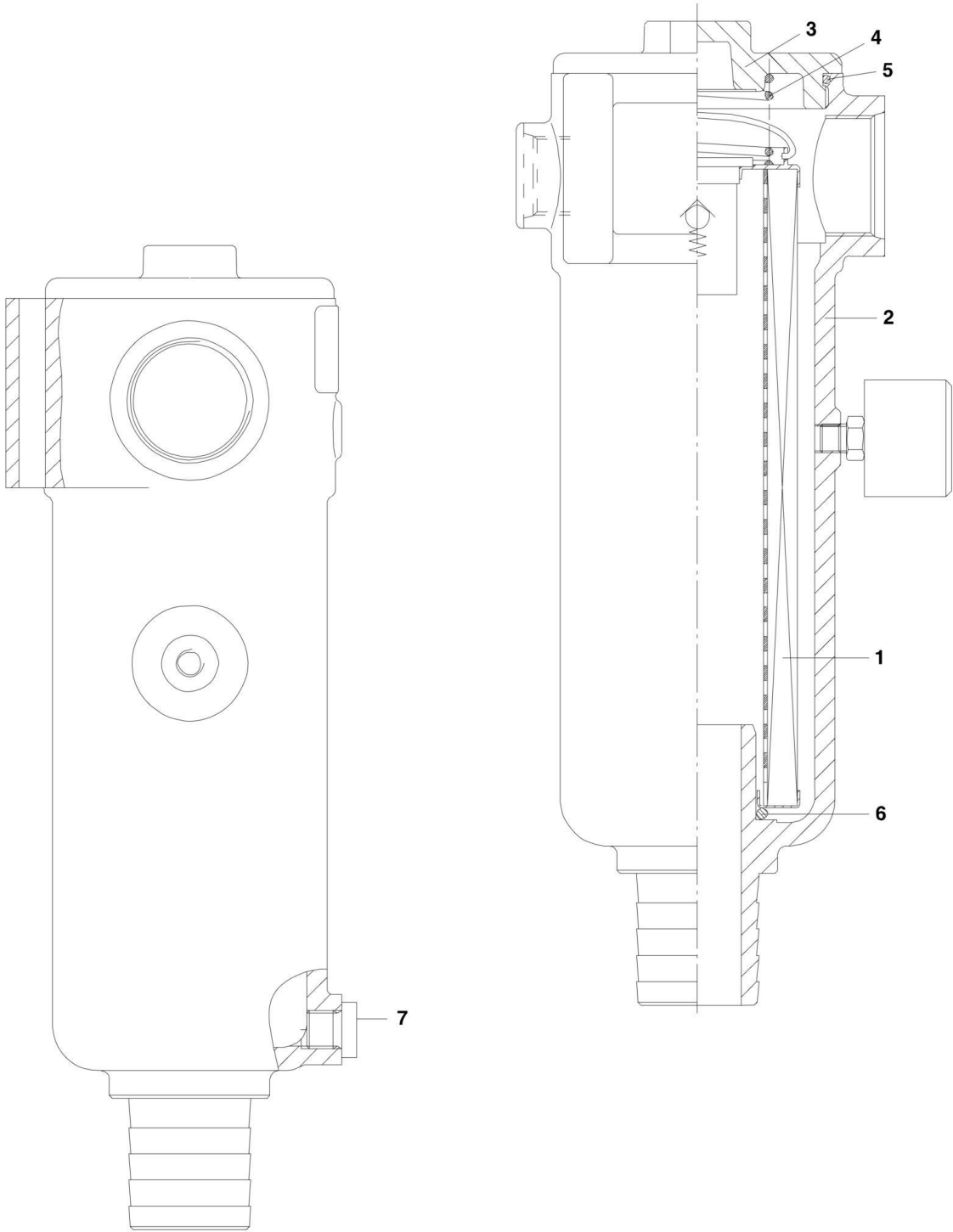
SECTION 9 - HYDRAULIC COMPONENTS

FIGURE 9-16. HYDRAULIC TANK ASSEMBLY

ITEM	PART NUMBER	QTY	DESCRIPTION	REV
	0273825	1	HYDRAULIC TANK ASSEMBLY, (includes all items)	C
	0273826	1	HYDRAULIC TANK ASSEMBLY, WITH TOOL BOX (includes all items)	C
1	4400465	1	HYDRAULIC OIL TANK	
2	1120586	1	CAP, STANDARD	
2	1120587	1	CAP, USED WITH TOOLBOX ASSY	
3	8005248	1	LEVEL	
4	0761015	6	HEX HD CAPSCREW, 10-1.50X35	
5	5212000	12	RIPP WASHER, 10MM	
6	3291005	6	HEX LOCK NUT, M10X1.50	

SECTION 9 - HYDRAULIC COMPONENTS

FIGURE 9-17. RETURN FILTER



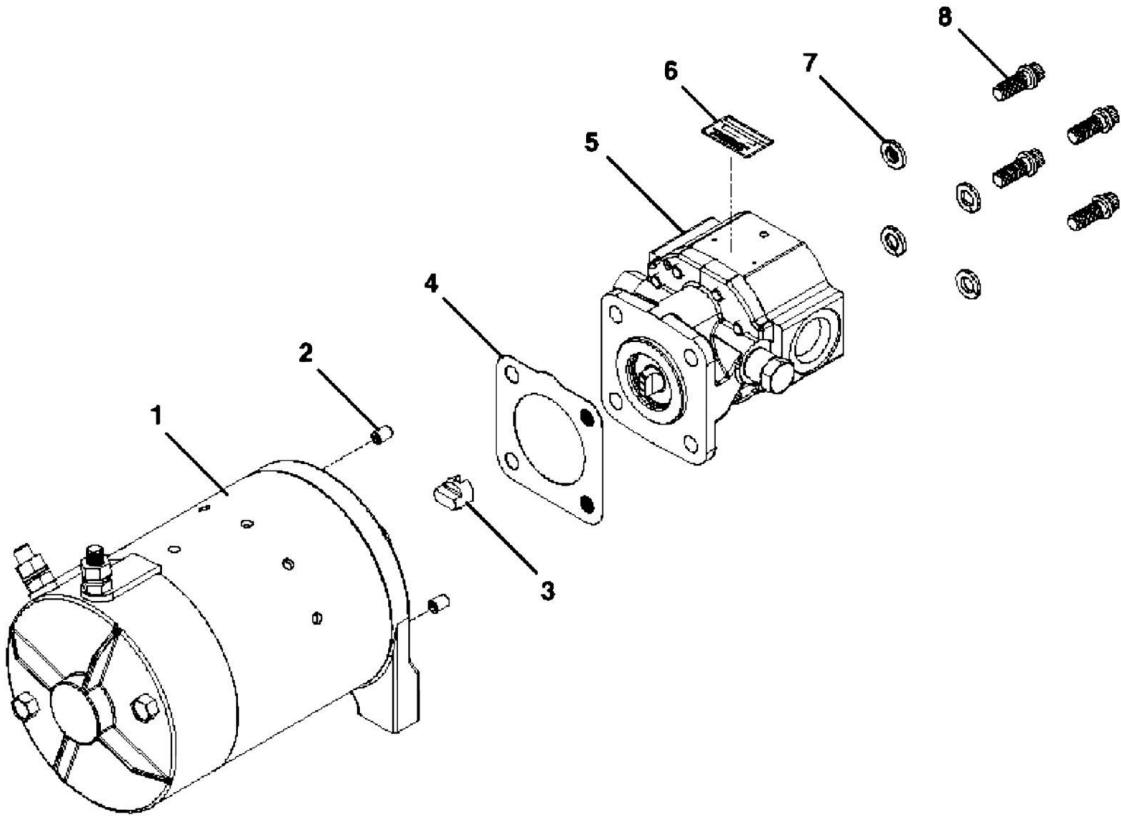
SECTION 9 - HYDRAULIC COMPONENTS

FIGURE 9-17. RETURN FILTER

ITEM	PART NUMBER	QTY	DESCRIPTION	REV
	8004054	1	RETURN FILTER, (includes all items)	B
1	8007563	1	FILTER ELEMENT	
2	8007554	1	FILTER HOUSING	
3	8007564	1	COVER	
4	8007555	1	COMPRESSION SPRING	
5	8007562	1	O-RING	
6	0330101	1	O-RING	
7	2904687	1	PLUG	

SECTION 9 - HYDRAULIC COMPONENTS

FIGURE 9-18. AUXILIARY POWER PUMP



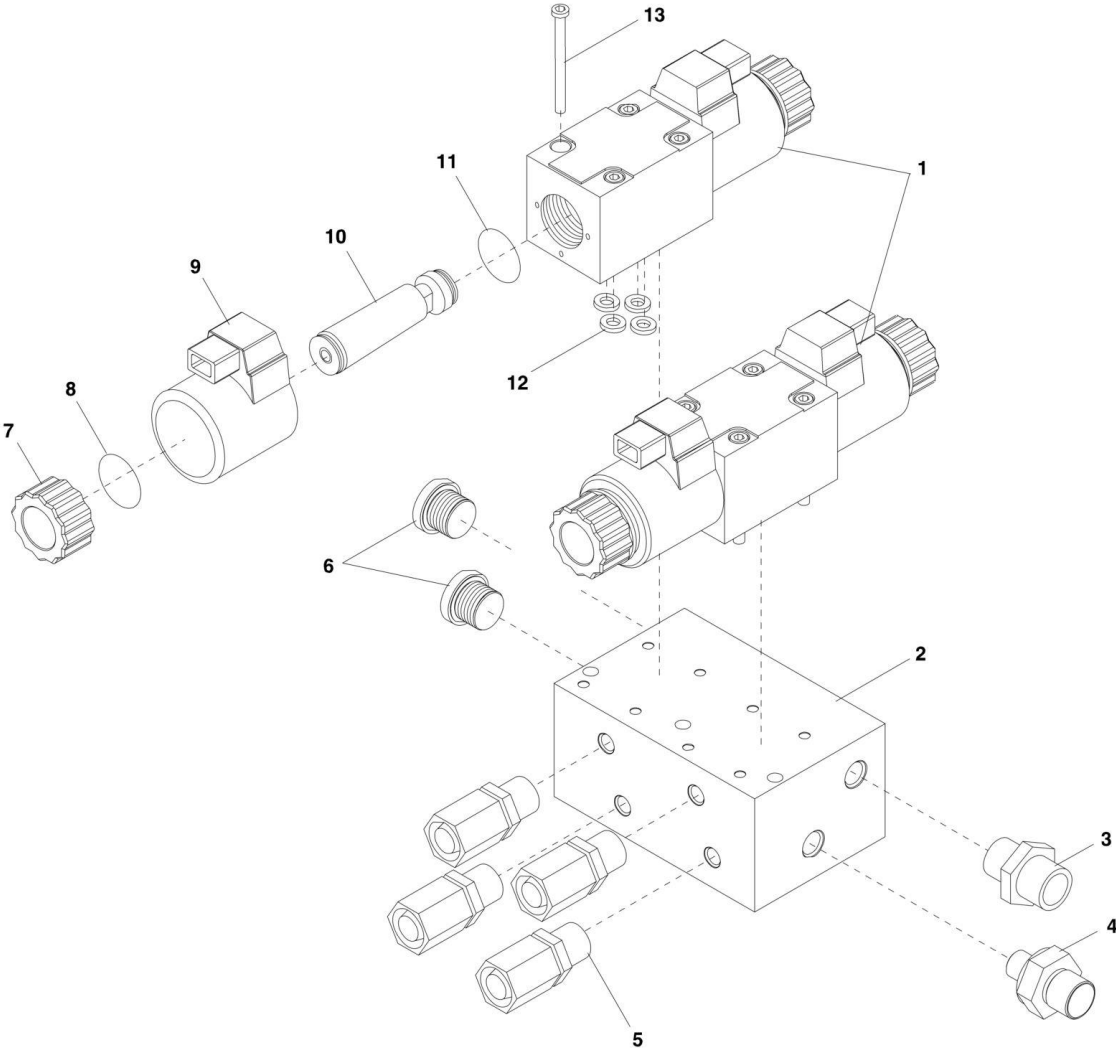
SECTION 9 - HYDRAULIC COMPONENTS

FIGURE 9-18. AUXILIARY POWER PUMP

ITEM	PART NUMBER	QTY	DESCRIPTION	REV
	3600422	1	AUXILIARY POWER PUMP, (includes all items)	C
1	7011067	1	MOTOR w/END HEAD	
2	7029592	2	SET SCREW	
3	7011016	1	COUPLING	
4	7011044	1	GASKET	
5	7029593	1	PUMP ASSY	
6	N.S.S.	1	LABEL	
7	7011048	4	WASHER	
8	7011043	4	SCREW	

SECTION 9 - HYDRAULIC COMPONENTS

FIGURE 9-19. ERS CONTROL VALVE ASSEMBLY



SECTION 9 - HYDRAULIC COMPONENTS

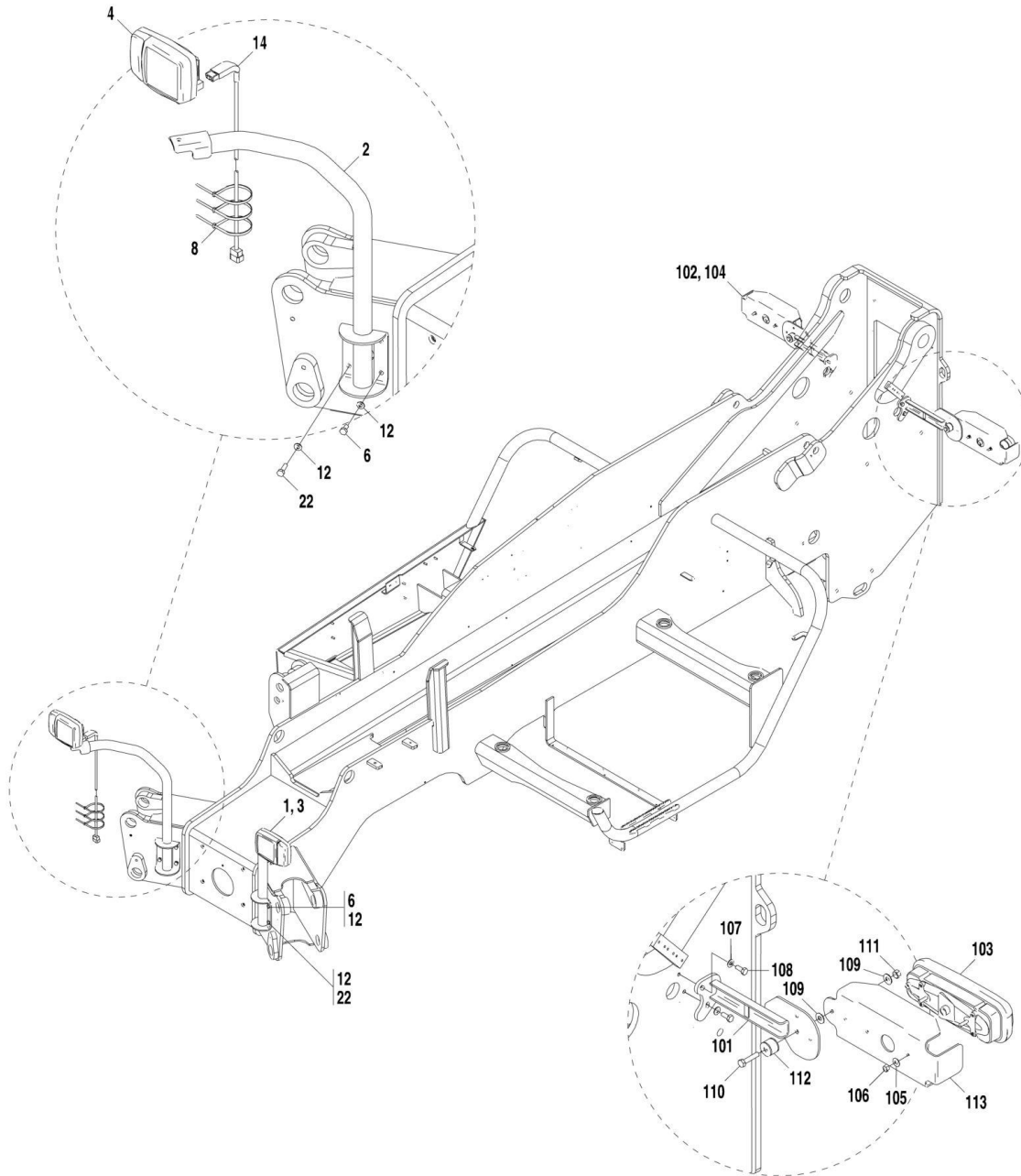
FIGURE 9-19. ERS CONTROL VALVE ASSEMBLY

ITEM	PART NUMBER	QTY	DESCRIPTION	REV
	4641363	1	ERS CONTROL VALVE ASSEMBLY, (includes all items)	D
1	7029519	2	DIRECTIONAL VALVE, (includes items 7 thru 12)	
2	N.S.S.	1	MANIFOLD BLOCK	
3	2142715	1	MALE CONNECTOR	
4	2142713	1	MALE CONNECTOR	
5	2142804	4	SWIVEL CONNECTOR	
6	1309275	2	PLUG	
7	91504035	2	NUT	
8	N.S.S.	2	O-RING	
9	7029515	2	COIL, 12V	
10	7024014	2	POLE TUBE	
11	N.S.S.	2	O-RING	
12	N.S.S.	4	O-RING	
13	4031614	4	SOCKET HD CAPSCREW, M5X50, GR8.8	
	91504041	1	SEAL KIT, (includes items 8, 11 & 12)	

SECTION 10 - ELECTRICAL

SECTION 10 - ELECTRICAL

FIGURE 10-1. HEAD LIGHT/TAIL LIGHT ASSEMBLY



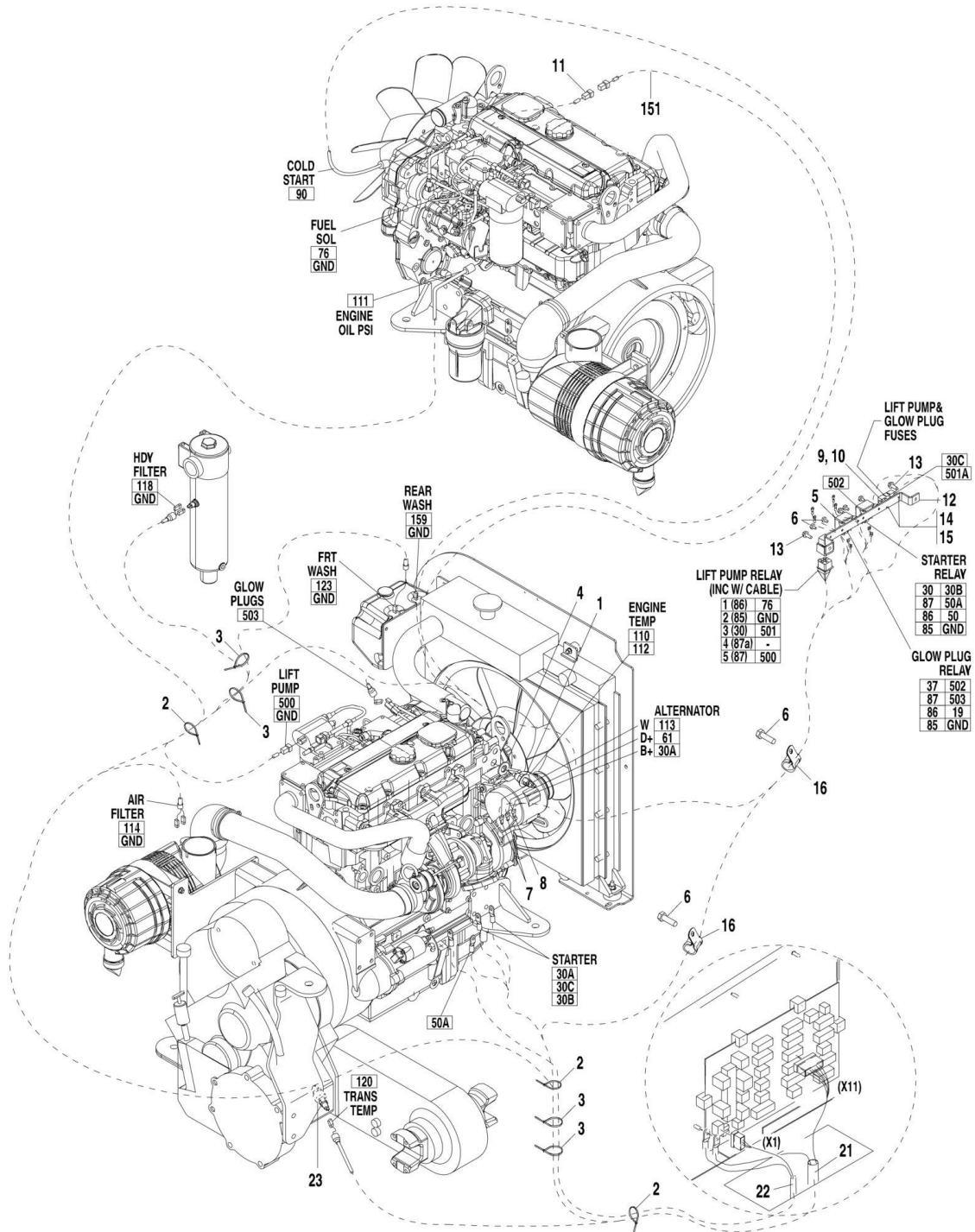
SECTION 10 - ELECTRICAL

FIGURE 10-1. HEAD LIGHT/TAIL LIGHT ASSEMBLY

ITEM	PART NUMBER	QTY	DESCRIPTION	REV
	0274097	1	HEADLIGHT INSTALLATION, (includes items 1 thru 22)	I
1	4340892	1	HEADLIGHT MOUNTING BRACKET, L.H.	
2	4340894	1	HEADLIGHT MOUNTING BRACKET, R.H.	
3	3928789	1	HEADLIGHT, LEFT, (includes mounting hardware)	
4	3928790	1	HEADLIGHT, RIGHT, (includes mounting hardware)	
6	0761010	4	HEX HD CAPSCREW, 10-1.50X20MM	
8	1062255	3	TIE STRAP	
12	4812000	8	FLAT WASHER, 10MM	
14	4923133	1	HEADLIGHT EXTENSION CABLE	
22	0761016	4	HEX HD CAPSCREW, 10-1.50X40MM	
		Ref	LAMP BRACKET ASSY, (includes items 101 thru 113)	
	8009366	Ref	LAMP BRACKET ASSY (Prior to SN 1160002619)	B
	2920210	Ref	LAMP BRACKET ASSY (SN 1160002619 to Present)	B
101	8009228	1	LAMP HOLDER, REAR, (left) (Prior to SN 1160002619)	
101	0903501	1	LAMP HOLDER, REAR, (left) (SN 1160002619 to Present)	
102	8009230	1	LAMP HOLDER, REAR, (right) (Prior to SN 1160002619)	
102	0903502	1	LAMP HOLDER, REAR, (right) (SN 1160002619 to Present)	
103	8001991	1	TAILLIGHT, LEFT	
103	0313279	2	REPLACEMENT BULB, 12V-10W	
103	0388450	4	REPLACEMENT BULB, 12V-21W	
104	8001989	1	TAILLIGHT, RIGHT	
104	0313279	2	REPLACEMENT BULB, 12V-10W	
104	0388450	4	REPLACEMENT BULB, 12V-21W	
105	4811900	4	FLAT WASHER, 8MM	
106	3290807	4	HEX NUT, 8MM-1.25	
107	5212000	4	RIPP WASHER	
108	0761012	4	HEX HD CAPSCREW, 10-1.50X25MM	
109	1356294	4	WASHER	
110	0701219	2	HEX HD CAPSCREW, 12-1.75X55MM	
111	3291207	2	HEX NUT, 12MM-1.75	
112	8009517	2	RUBBER BUFFER	
113	8009226	2	PLATE	

SECTION 10 - ELECTRICAL

FIGURE 10-2. ELECTRICAL INSTALLATION, ENGINE



SECTION 10 - ELECTRICAL

FIGURE 10-2. ELECTRICAL INSTALLATION, ENGINE

ITEM	PART NUMBER	QTY	DESCRIPTION	REV
	4923032	1	ELECTRICAL INSTALLATION, ENGINE, (includes items 1 thru 16)	4
1	4360560	1	TEMPERATURE SENDER SWITCH	
2	471678	20	CABLE BAND	
3	1062255	20	CABLE BAND	
4	4740534	1	COPPER WASHERS	
5	3740112	2	BOSCH RELAY	
6	5200605	7	RIPP BOLT, 6-36X10MM	
7	3300480	2	HEX NUT	
8	3300481	1	HEX NUT	
9	2400073	1	FUSE HOLDER	
10	2400074	1	FUSE, 50 AMP	
11	4923003	1	FUEL WIRE	
12	0902991	1	ELECTRIC RELAY BRACKET	
13	5200810	2	RIPP BOLT, 8-48X20MM	
14	4010308	2	POSI-DRIVE MACHINE SCREW, #3-.5X16	
15	3290305	2	LOCK NUT, 3MM-.50	
16	2443576	2	CLAMP, HOSE	
21		Ref	ENGINE HARNESS, (See ELECTRICAL INSTALLATION, CAB for Breakdown)	
22		Ref	CURRENCABLE, (See ELECTRICAL INSTALLATION, CAB for Breakdown)	
23		Ref	TEMPERATURE SWITCH, (See ENGINE AND ATTACHING PARTS SECTION for Breakdown)	

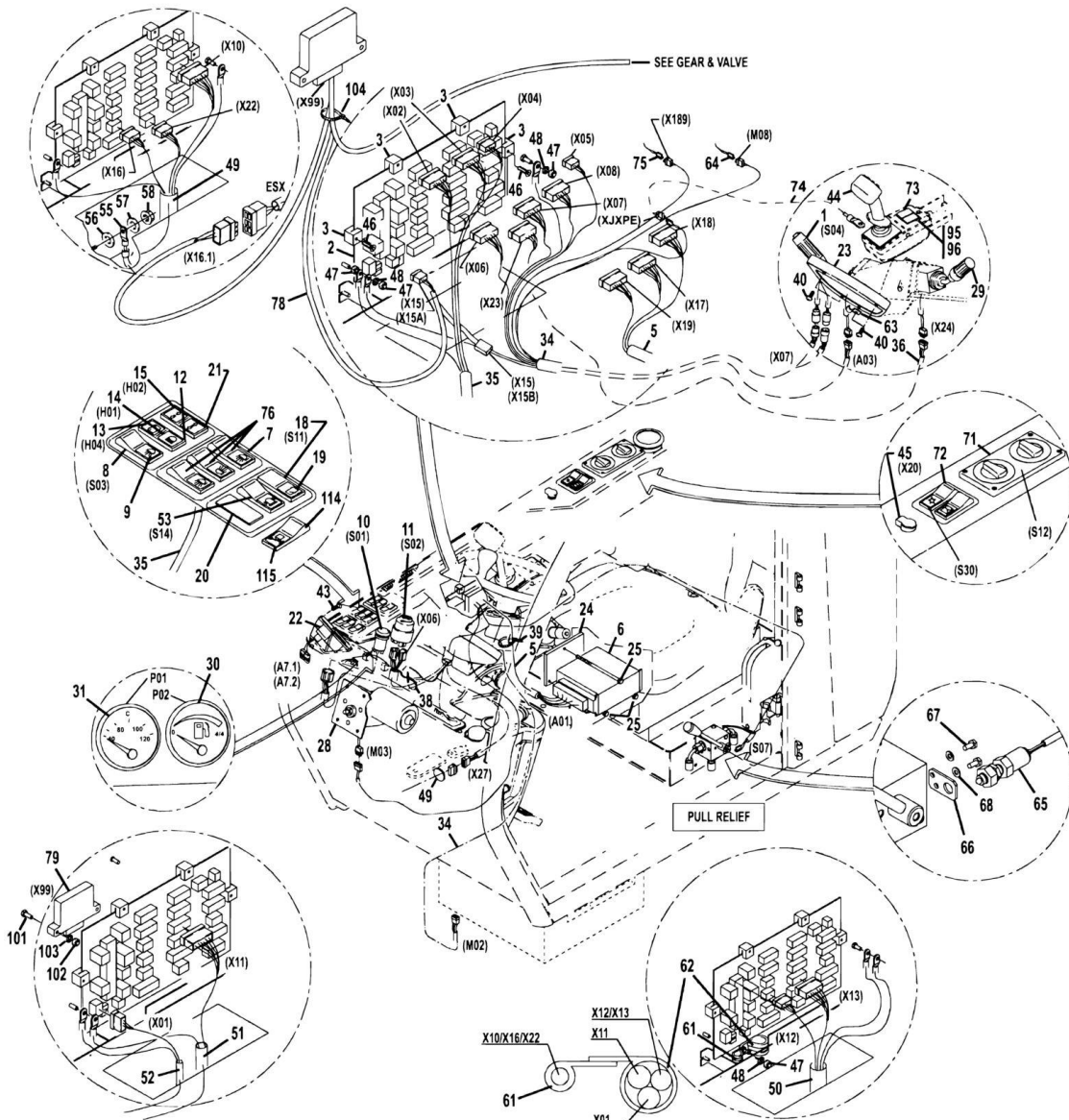
SECTION 10 - ELECTRICAL

FIGURE 10-3. ELECTRICAL INSTALLATION, GEAR AND VALVE

ITEM	PART NUMBER	QTY	DESCRIPTION	REV
	8006356	1	ELECTRICAL INSTALLATION, GEAR AND VALVE, (includes items 1 & 3 thru 18)	G
1	8009766	1	SIGNAL HORN	
2		Ref	HARNESS, (See ELECTRICAL INSTALLATION, CAB for Breakdown)	
3	8003391	1	POSITIVE BATTERY CABLE	
4	8003389	1	NEGATIVE BATTERY CABLE	
5	8008750	1	BATTERY, 12V	
6	1787217	1	BATTERY HOLDING BRACKET	
7	4811900	2	FLAT WASHER, 8MM	
9	0760814	2	HEX HD CAPSCREW, 8-1.25X30MM	
11	5201010	2	RIPP BOLT, 10-48X20MM	
12	8003393	1	BATTERY CABLE	
13	5201014	1	RIPP BOLT, 10-48X30MM	
14	3291001	1	HEX NUT, 10MM-1.50	
15	4812000	1	FLAT WASHER, 10MM	
16	471678	20	CABLE BAND	
17	1062255	21	CABLE BAND	
18		Ref	SPEED SENSOR ASSY, (See ENGINE AND ATTACHING PARTS SECTION for Breakdown)	
19		Ref	LAMP INSTALLATION, (See HEAD LIGHT/TAIL LIGHT ASSEMBLY for Breakdown)	
20		Ref	HARNESS, (See ELECTRICAL INSTALLATION, CAB for Breakdown)	

SECTION 10 - ELECTRICAL

FIGURE 10-4. ELECTRICAL INSTALLATION, CAB



- A01-----ESX
- A03-----DISPLAY
- A7.1, 7.2-----LMI
- H01-----HIGH BEAM PILOT LIGHT
- H02-----DIRECTION INDICATOR PILOT LIGHT
- H03-----INDICATOR PILOT LIGHT TRAILER. (in HYDRAULIC HITCH KIT)
- H04-----CHARGING WARNING LIGHT
- M02-----HEATER FAN, (in UNIT FOR HEAT ONLY; in AIR CONDITIONING UNIT INSTALLATION)
- M03-----WIPER FRONT
- M08-----AIR SUSPENSION SEAT OPTION
- P01-----TEMPERATURE DISPLAY ENGINE
- P02-----FUEL GAUGE
- S01-----SWITCH IGNITION
- S02-----WARNING FLASHER SWITCH
- S03-----DRIVING LIGHTS SWITCH
- S04-----SIGNAL and WIPER CONTROL
- S07-----SWITCH PARKING BRAKE
- S09-----SWITCH WORK LIGHTS FRONT, (in WORK LIGHT FRONT KIT)
- S10-----SWITCH WORK LIGHTS REAR, (in WORK LIGHTS REAR KIT)
- S11-----SWITCH WIPER REAR

- S12-----SWITCH HEATER FAN, (in UNIT FOR HEAT ONLY; in AIR CONDITIONING UNIT INSTALLATION)
- S14-----SWITCH WARNING BEACON
- S15-----SWITCH 2 AUXILIARY HYDRAULIC, (in 2. AUXILIARY HYDRAULIC KIT)
- S17-----SWITCH AUXILIARY HYDRAULIC CONTINUOUS OPERATION, (in 1. AUXILIARY HYDRAULIC KIT)
- S18-----SWITCH LEVELING
- S27-----SWITCH WORK FLASHER BOOM (in WORKLIGHT BOOM KIT)
- S30-----SWITCH AIR CONDITIONING (in AIR CONDITIONING KIT)
- X01-----POWER SUPPLY
- X02-04-----CABLE INSTRUMENT PANEL
- X05-08-----CABLE STEER COLUMN CABIN BOTTOM
- X10, 16, 16.1, 22-----CABLE FRONT END GEAR UNIT
- X11-----CABLE ENGINE
- X12, 13-----CABLE REAR
- X15-----JOYSTICK
- X15A-----SDIO CAN BUS
- X15B-----TEE'D INTO JOYSTICK CONNECTION
- X16.1, 17-19-----CABLE ESX
- X20-----12V POWER OUTLET IN CABIN
- X23, 24-----CABLE FNR GEAR SHIFT CONTROL
- X27-----LEFT DRIVING LIGHT
- X99-----SDIO MODULE
- X189-----AIR CONDITIONING OPTION
- XJXPE-----JOYSTICK CASE GROUND

PAP071

SECTION 10 - ELECTRICAL

FIGURE 10-4. ELECTRICAL INSTALLATION, CAB

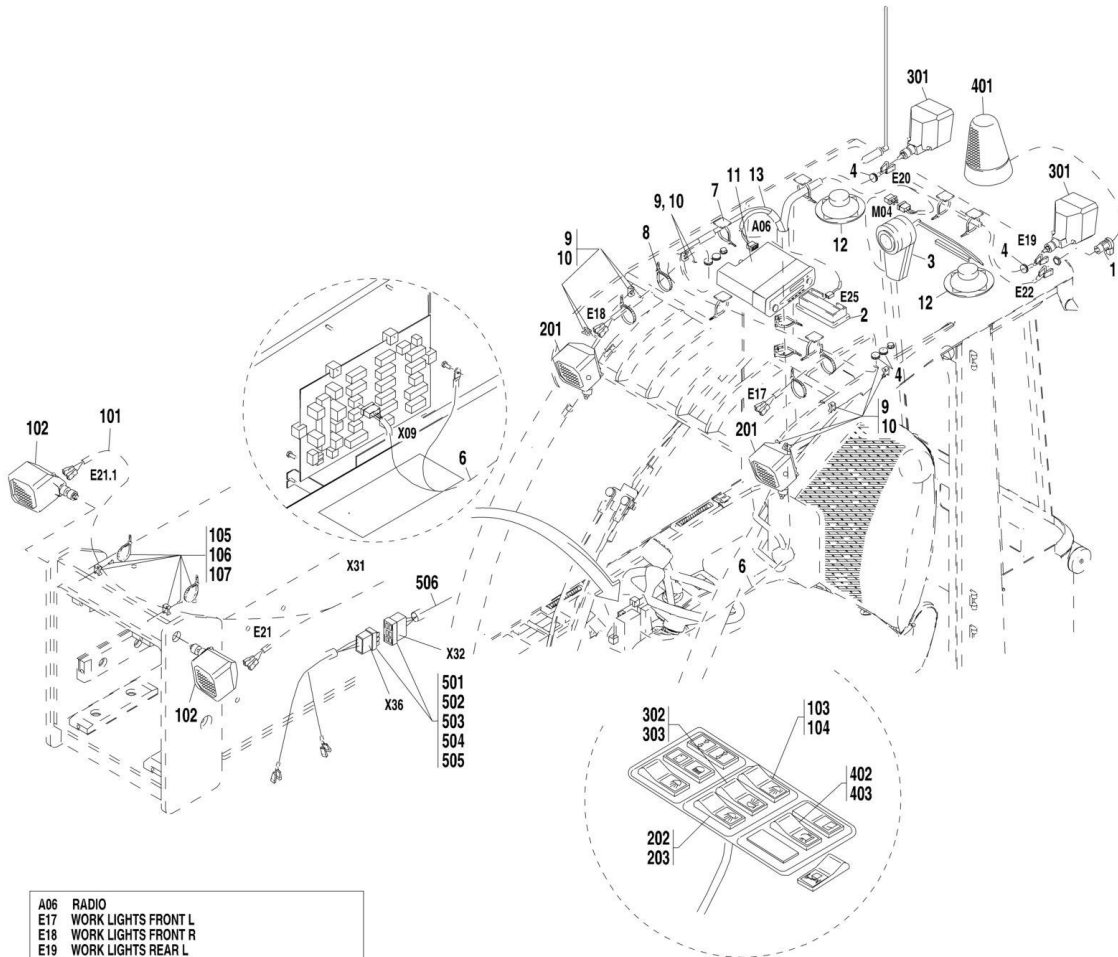
ITEM	PART NUMBER	QTY	DESCRIPTION	REV
	0274124	Ref	ELECTRIC SYSTEM, (instrument panel assy)	I
1		Ref	LEVER, (See CONTROLS SECTION for Breakdown)	
2	8009328	1	PRINTED CIRCUIT	
3	8000924	6	HOLDER	
5	8009326	1	CABLE SET	
6	8008173	1	CONTROL UNIT, ESX	
6	4170090	1	STANDARD COMPATIBLE ESX VERSION	
6	7029813	1	HARDWARE PACKET, X-FLASH CORD, (not illustrated)	
6	7002845	1	POWERCORD FOR ESX, (not illustrated)	
7	1663821	3	MOUNTING FRAME	
8	3972909	1	SWITCH	
9	1719033	1	SYMBOL, LAMP	
10	3933128	1	SWITCH	
11	8002820	1	IGNITION LATCH	
11	8008049	1	KEY, (also used for cab door, rear cover and engine cover)	
12	1719204	2	INDICATOR LIGHT	
13	1719088	1	SYMBOL, BATTERY	
14	1719113	1	SYMBOL, HIGH BEAM	
15	1719124	1	SYMBOL, DIRECTION INDICATOR	
18	8005424	1	SWITCH	
19	1718985	1	SYMBOL, REAR WINDOW WIPER	
20	1359720	7	COVERING	
21		Ref	INSERT, (See OPTIONS SECTION for Breakdown)	
22	8002819	1	WEIGHT INDICATOR	
22	7029105	1	REPLACEMENT SYMBOL PLATE	
23	8002954	1	DISPLAY, (See DISPLAY PANEL for Breakdown)	
24	8000984	1	PLATE	
25	0700836	3	BOLT, 8-1.25X190MM	
28	8000340	1	WIPER SYSTEM	
29		Ref	FNR SHIFTER, (See CONTROLS SECTION for Breakdown)	
30	8005257	1	FUEL GAUGE	
31	8005258	1	THERMOMETER	
34	8005556	1	CABLE SET	
35	8009324	1	CABLE SET, INSTRUMENT PANEL	
36	8009327	1	CABLE SET, STEERING GEAR	
38	471678	30	CABLE BAND	
39	1062255	20	CABLE BAND	
40	8002211	4	LENS HD CAPSCREW	
43	2686762	4	SCREW	
44		Ref	JOYSTICK, (See CONTROLS SECTION for Breakdown)	
45	1719419	1	SOCKET	
46	4010614	6	MACHINE SCREW	
47	3290805	4	NUT	
48	5211702	7	RIPP WASHER, 6MM	
49	8003385	1	CABLE SET	
50	8009329	1	CABLE SET	
51	4923002	1	ENGINE HARNESS	
52	8003387	1	CURRENT CABLE	
53		Ref	SWITCH, (See ELECTRICAL INSTALLATION, ACCESSORIES for Breakdown)	

SECTION 10 - ELECTRICAL

ITEM	PART NUMBER	QTY	DESCRIPTION	REV
55	8003392	1	CABLE SET	
56	492935	1	TOOTH LOCK WASHER	
57	5212000	1	RIPP WASHER, 10MM	
58	3291005	1	LOCK NUT, 10MM-1.50	
61	2906123	1	CLIP	
62	8000103	1	CLIP	
63	1320324	1	CLAMP	
64		Ref	AIR SUSPENSION SEAT HARNESS, (See OPTIONS SECTION for Breakdown)	
65	4360580	1	WATER PROOF SWITCH	
66	4340970	1	MICRO SWITCH	
67	0760405	2	HEX HD CAPSCREW, M4X10	
68	4811400	2	FLAT WASHER	
71		Ref	HEATING CONTROL, (See CAB SECTION for Breakdown)	
72		Ref	AIR CONDITIONING SWITCH, (See CAB SECTION for Breakdown)	
73		Ref	AUXILARY SELECT, (See HYDRAULIC CIRCUITS SECTION for Breakdown)	
74	4923262	1	GROUND CABLE	
75		Ref	AIR CONDITIONER HARNESS, (See CAB SECTION for Breakdown)	
76		Ref	WORK LIGHT KIT SWITCH, (See ELECTRICAL INSTALLATION, ACCESSORIES for Breakdown)	
78	1001105098	1	HARNESS, PVG	
79	1001105097	1	MODULE, SD10	
95	8002834	1	SWITCH, 12V	
96	8002832	1	SYMBOL	
101	1001096653	2	BOLT, 6MM X 70MM	
102	3290605	2	LOCKNUT, 6MM	
103	4811700	2	WASHER, 6MM	
104	4240099S	AR	CABLE TIE	
114	8008007	1	SWITCH	
115	8002831	1	SYMBOL, CROSS-SHAFT AXLE	

SECTION 10 - ELECTRICAL

FIGURE 10-5. ELECTRICAL INSTALLATION, ACCESSORIES



- | | |
|-------|----------------------------------|
| A06 | RADIO |
| E17 | WORK LIGHTS FRONT L |
| E18 | WORK LIGHTS FRONT R |
| E19 | WORK LIGHTS REAR L |
| E20 | WORK LIGHTS REAR R |
| E21 | WORK LIGHTS BOOM L |
| E21.1 | WORK LIGHTS BOOM R |
| E22 | WARNING LIGHT |
| E25 | COURTESY LIGHT |
| M04 | WIPER REAR |
| X09 | CABLE ROOF |
| X31 | PLUG 2-PIN BOOM |
| X32 | PLUG 6-PIN BOOM |
| X36 | 12V HEADIZ. AUX HYDRAULIC SYSTEM |

SECTION 10 - ELECTRICAL

FIGURE 10-5. ELECTRICAL INSTALLATION, ACCESSORIES

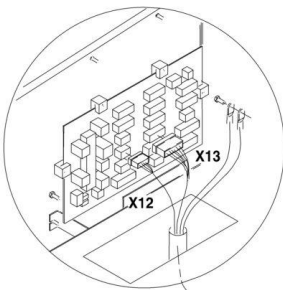
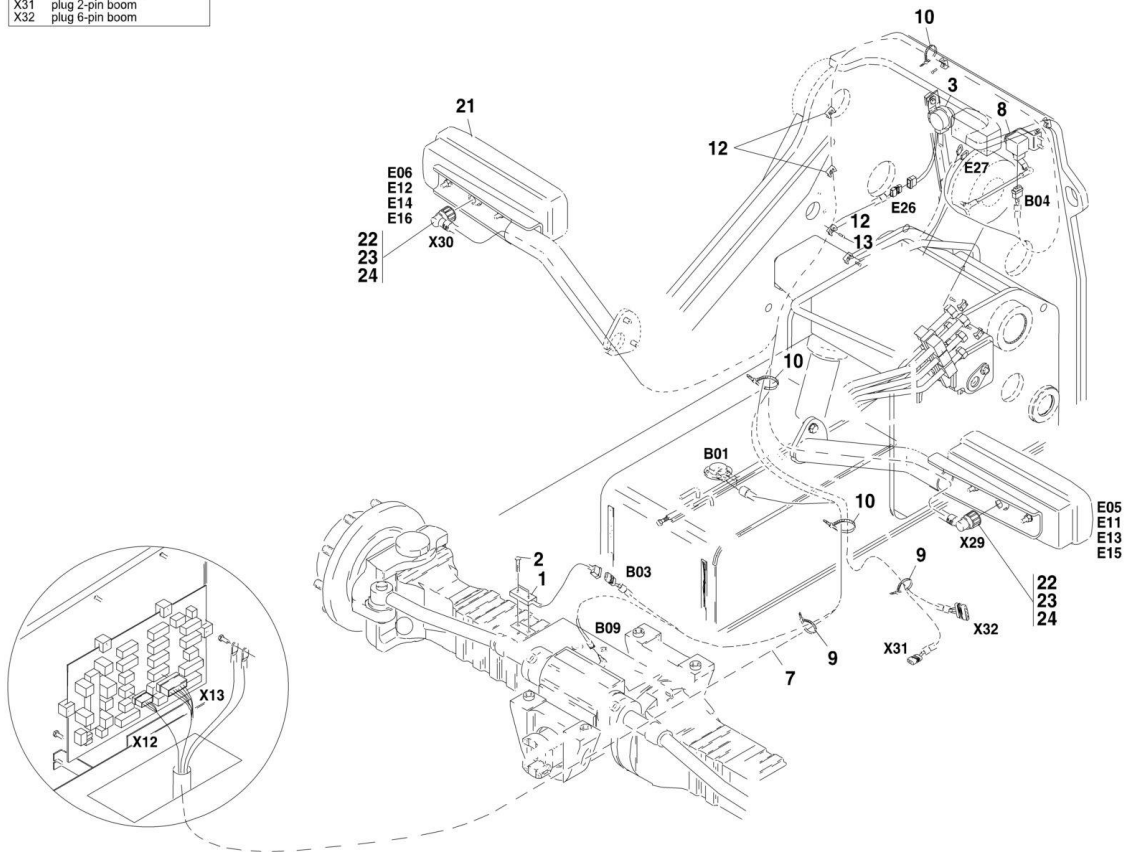
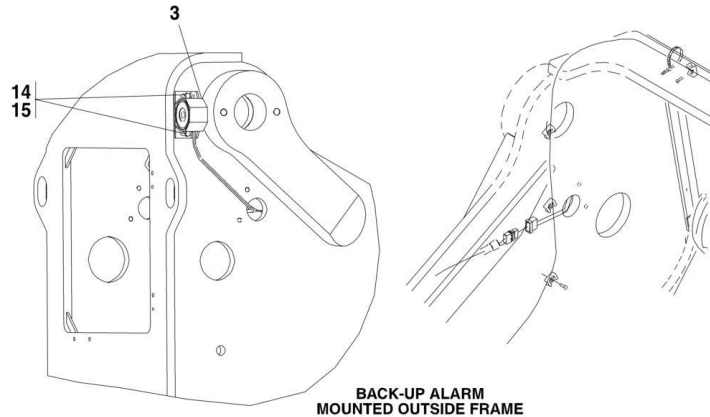
ITEM	PART NUMBER	QTY	DESCRIPTION	REV
	8006347	1	ELECTRICAL INSTALLATION, ACCESSORIES, (includes items 1 thru 14)	E
1	1719419	1	SOCKET	
2	3927186	1	INSIDE LIGHT	
3		Ref	WIPER SYSTEM, REAR, (See CAB SECTION for Breakdown)	
4	8002985	6	DUST SOCKET	
6	8003382	1	CABLE SET	
7	3977119	20	CABLE BAND	
8	471678	40	CABLE BAND	
9	8008862	6	BLIND RIVET	
10	8007986	8	MOUNTING PLATE	
	8002790	1	RADIO KIT, (includes items 11 thru 14)	
11	2913406	1	RADIO STEREO CASSET	
12	3938394	2	SPEAKER	
13	3938407	1	HARNESS	
14	8005901	1	ANTENNA	
	8005251	1	WORKLIGHT KIT, BOOM, (includes items 101 thru 107)	1
101	8005249	1	CABLE SET	
102	8002787	2	WORKING HEADLIGHT	
103	4674353	1	SWITCH	
104	1718996	1	SYMBOL, HEADLIGHT	
105	471678	20	CABLE BAND	
106	8008862	2	BLIND RIVIT	
107	8007986	2	MOUNTING PLATE	
	8005277	1	WORK LIGHT KIT, FRONT, (includes items 201 thru 203)	1
201	8002787	2	WORKING HEADLIGHTS	
202	4674353	1	SWITCH	
203	1718996	1	SYMBOL, HEADLIGHT	
	8005280	1	WORKLIGHT KIT, REAR, (includes items 301 thru 303)	1
301	8002787	2	WORKING HEADLIGHT	
302	4674353	1	SWITCH	
303	1719000	1	SYMBOL, REAR HEADLIGHT	
	8100074	1	WARNING LIGHT, YELLOW, (includes items 401 thru 403)	2
401	3963146	1	BEACON LIGHT, (optional)	
402	4674353	1	SWITCH	
403	1360585	1	SYMBOL, ROTARY BEACON	
	8005298	1	HYDRAULIC KIT SETS, (includes items 501 thru 506)	1
501	8005295	1	HYDRAULIC KIT, ADDED, (includes items 504 & 505)	
502	8005296	1	KIT SET CABLE	
503	8005297	1	HYDRAULIC KIT, (includes items 504 thru 506)	
504		Ref	HYDRAULIC KIT SET, (See HYDRAULIC CIRCUITS SECTION for Breakdown)	
505	8005293	1	KIT SET CABLE	
506	8006212	1	KIT SET	

SECTION 10 - ELECTRICAL

FIGURE 10-6. ELECTRICAL SYSTEM, REAR OF MACHINE

B01	Tauchrohrgeber
B03	Biegesensor
B04	Winkelsensor Hubarm
B09	Winkel Hinterrachse induktiv
E05	Rücklicht links
E06	Rücklicht rechts
E11	Blinklicht hinten links
E12	Blinklicht hinten rechts
E13	Bremslicht links
E14	Bremslicht rechts
E15	Rückfahrcheinwerfer links
E16	Rückfahrcheinwerfer rechts
E26	Rückfahrsummer
E27	Kennzeichenbeleuchtung
X12	Kabel Beleuchtung hinten
X13	Kabel Teleskop
X29	Stecker Rücklicht links
X30	Stecker Rücklicht rechts
X31	Stecker 2-polig Hubarm
X32	Stecker 6-polig Hubarm

B01	immers tube contact
B03	transducer
E04	angle-sensor boom
B09	angle rear-axle inductively
E05	tail-light left
E06	tail-light right
E11	indicator tail left
E12	indicator tail right
E13	brake-light left
E14	brake-light right
E15	back-up light left
E16	back-up light right
E26	back-driving-buzzer
E27	registration-plate light
X12	cable lights tail
X13	cable teleskop
X29	plug tail-light left
X30	plug tail-light right
X31	plug 2-pin boom
X32	plug 6-pin boom



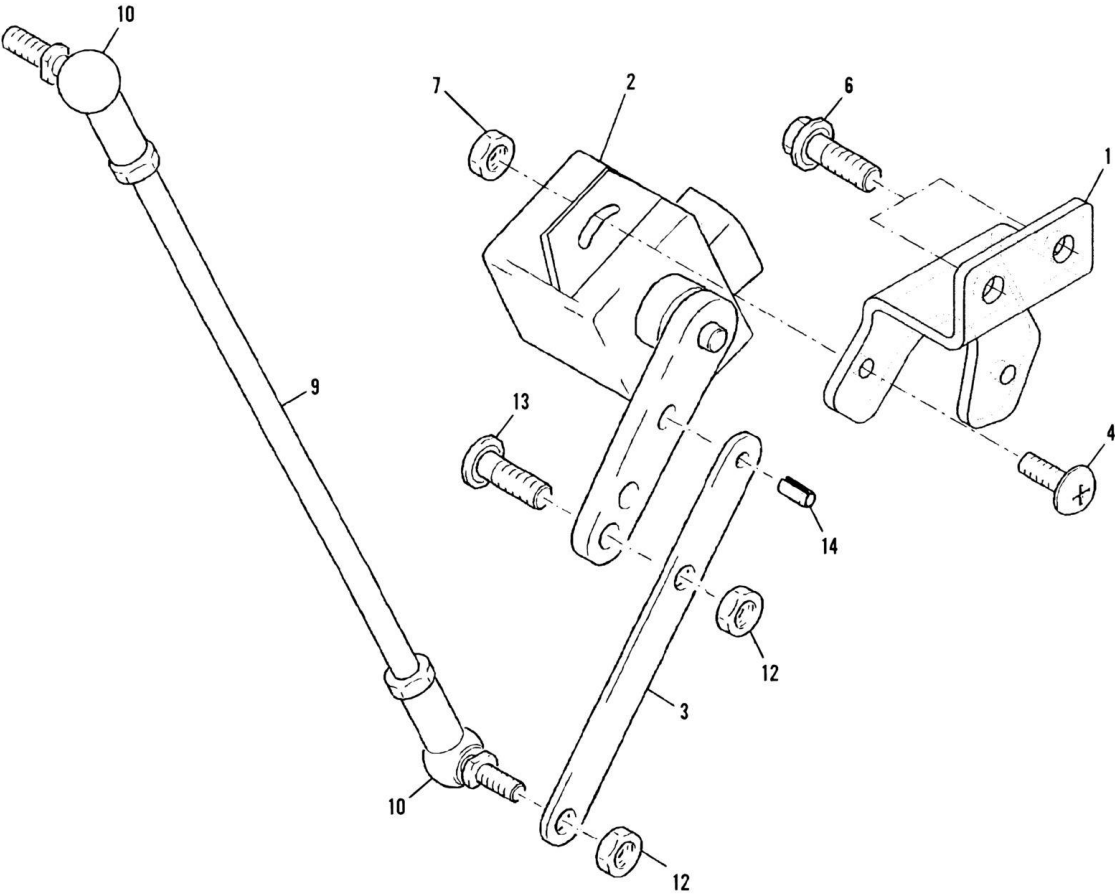
SECTION 10 - ELECTRICAL

FIGURE 10-6. ELECTRICAL SYSTEM, REAR OF MACHINE

ITEM	PART NUMBER	QTY	DESCRIPTION	REV
	8006382	Ref	ELECTRICAL SYSTEM, REAR OF MACHINE, (includes items 1 thru 15)	H
	1001094566	Ref	ELECTRICAL SYSTEM, REAR OF MACHINE, W/PLATFORM, (includes items 1 thru 15)	A, 1
1	8002843	1	SENSOR	
2	0771016	2	BOLT	
3	8002859	1	BACK-UP ALARM, (mounted inside frame)	
3	0140047	1	BACK-UP ALARM, (mounted outside frame)	
7	8003386	1	HARNESS	
8		Ref	SENSOR ASSY, (See SENSOR ASSEMBLY for Breakdown)	
8		Ref	SENSOR ASSY, (with platform), (See SENSOR ASSEMBLY WITH PLATFORM for Breakdown)	
9	471678	20	TIE STRAP	
10	1062255	20	TIE STRAP	
12	8007986	8	MOUNTING PLATE	
13	845749	6	RIVET	
14	0760614	2	HEX HD CAPSCREW, M30X1	
15	4811700	2	FLAT WASHER, 6MM	
21		Ref	TAIL LIGHT INSTALLATION, (See HEAD LIGHT/TAIL LIGHT ASSEMBLY for Breakdown)	
22	4461134	2	CONNECTOR	
23	4461006	10	SEAL	
24	7029636	4	PLUG	

SECTION 10 - ELECTRICAL

FIGURE 10-7. SENSOR ASSEMBLY



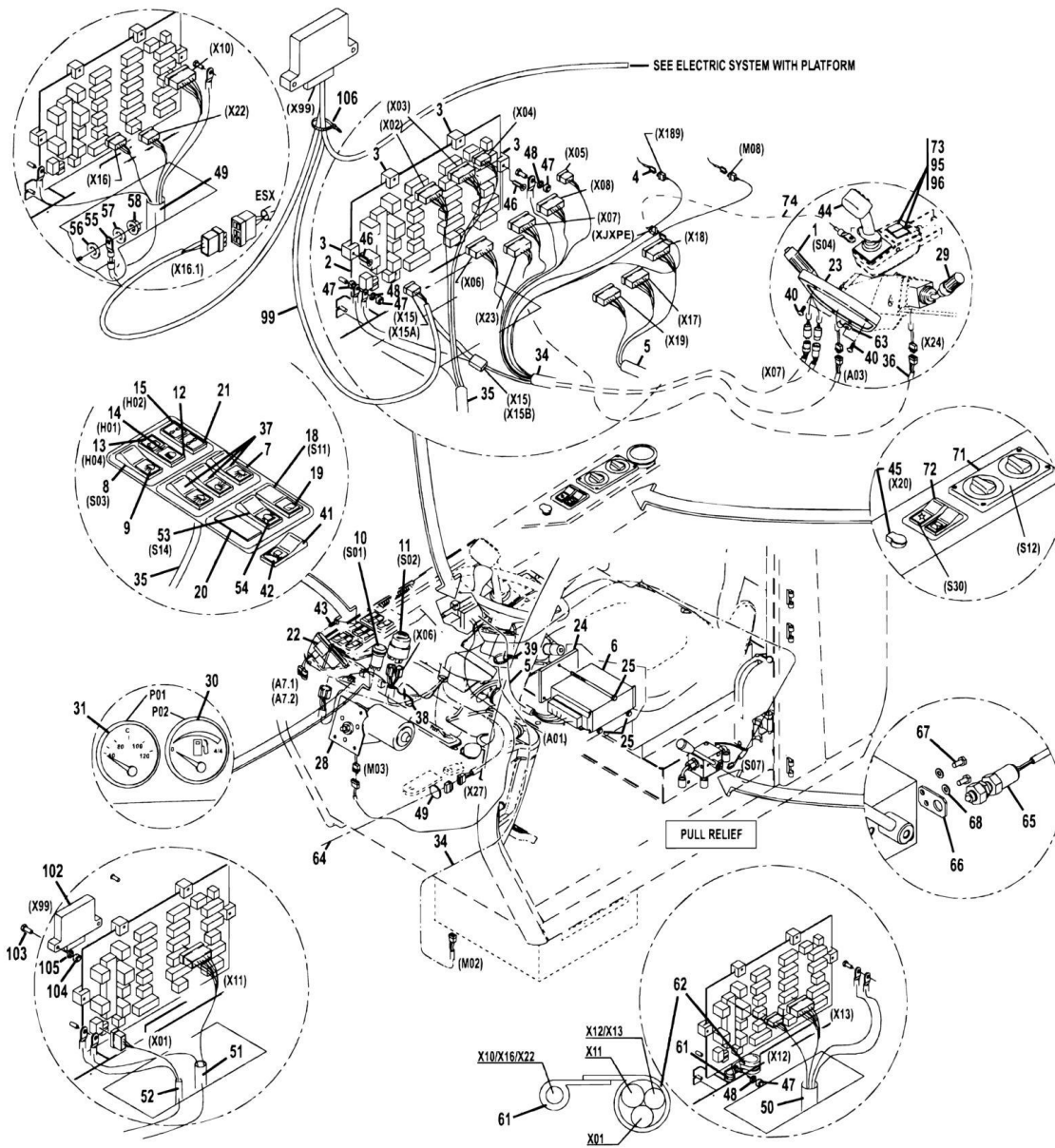
SECTION 10 - ELECTRICAL

FIGURE 10-7. SENSOR ASSEMBLY

ITEM	PART NUMBER	QTY	DESCRIPTION	REV
	8008863	1	SENSOR ASSEMBLY, (includes all items)	D
1	8008890	1	SENSOR SEAT	
2	8008893	1	SENSOR	
3	8008883	1	EXTENSION BAR	
4	4010408	2	LENS HD SCREW	
6	5200608	2	BOLT	
7	3290405	2	NUT	
9	8008885	1	THREADED BOLT	
10	466104	2	ANGLE JOINT	
12	3290607	2	NUT	
13	4010608	1	SCREW	
14	3370610	1	PIN	

SECTION 10 - ELECTRICAL

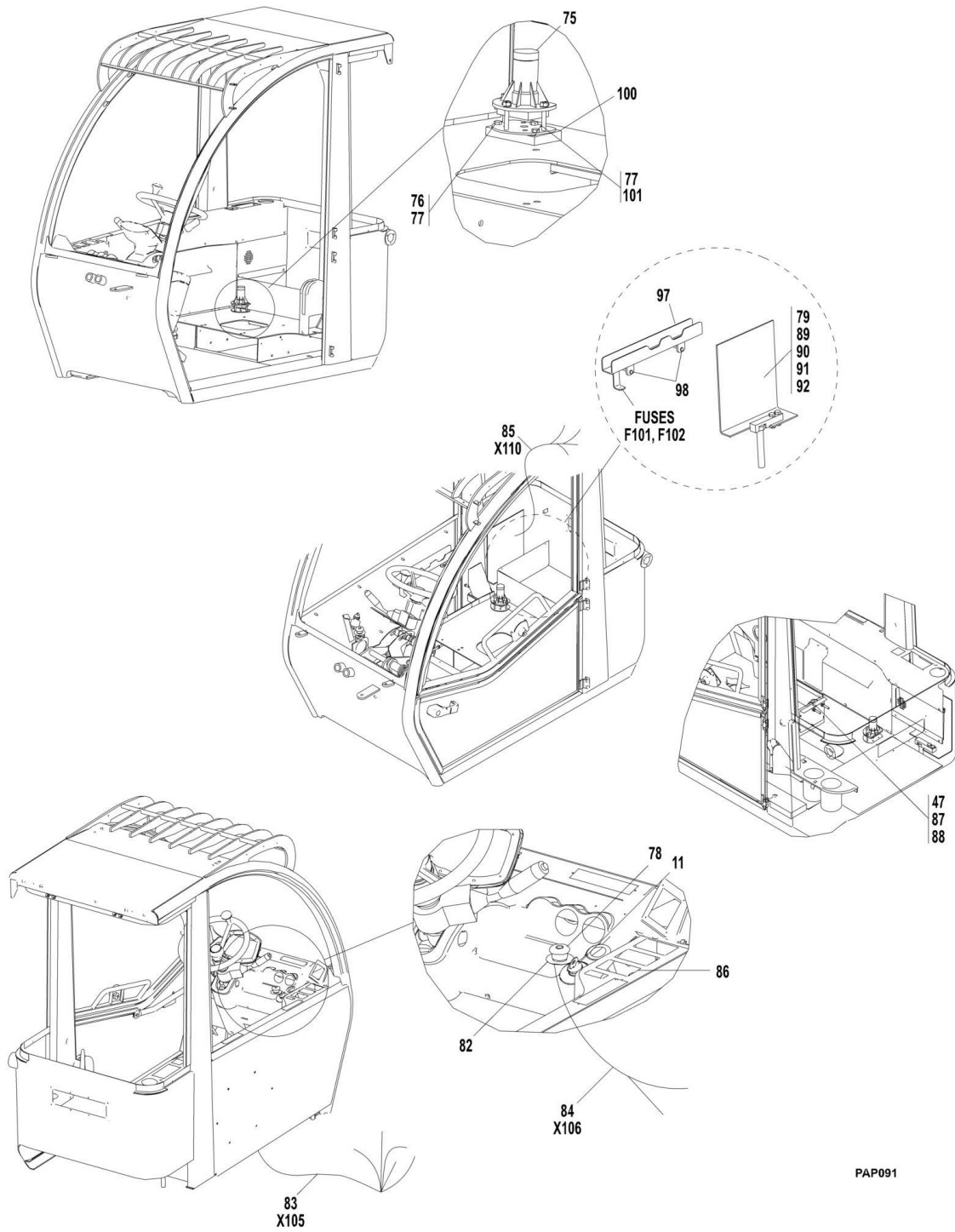
FIGURE 10-8. ELECTRICAL INSTALLATION, CAB WITH PLATFORM



- A01.....ESX
- A03.....DISPLAY
- A7.1, 7.2.....LMI
- H01.....HIGH BEAM PILOT LIGHT
- H02.....DIRECTION INDICATOR PILOT LIGHT
- H03.....INDICATOR PILOT LIGHT TRAILER, (in HYDRAULIC HITCH KIT)
- H04.....CHARGING WARNING LIGHT
- M02.....HEATER FAN, (in UNIT FOR HEAT ONLY; in AIR CONDITIONING UNIT INSTALLATION)
- M03.....WIPER FRONT
- M08.....AIR SUSPENSION SEAT OPTION
- P01.....TEMPERATURE DISPLAY ENGINE
- P02.....FUEL GAUGE
- S01.....SWITCH IGNITION
- S02.....WARNING FLASHER SWITCH
- S03.....DRIVING LIGHTS SWITCH
- S04.....SIGNAL and WIPER CONTROL
- S07.....SWITCH PARKING BRAKE
- S09.....SWITCH WORK LIGHTS FRONT, (in WORK LIGHT FRONT KIT)
- S10.....SWITCH WORK LIGHTS REAR, (in WORK LIGHTS REAR KIT)
- S11.....SWITCH WIPER REAR
- S12.....SWITCH HEATER FAN, (in UNIT FOR HEAT ONLY; in AIR CONDITIONING UNIT INSTALLATION)
- S14.....SWITCH WARNING BEACON
- S15.....SWITCH 2 AUXILIARY HYDRAULIC, (in 2. AUXILIARY HYDRAULIC KIT)
- S17.....SWITCH AUXILIARY HYDRAULIC CONTINUOUS OPERATION, (in 1. AUXILIARY HYDRAULIC KIT)
- S18.....SWITCH LEVELING
- S27.....SWITCH WORK FLASHER BOOM (in WORKLIGHT BOOM KIT)
- S30.....SWITCH AIR CONDITIONING (in AIR CONDITIONING KIT)
- X01.....POWER SUPPLY
- X02-04.....CABLE INSTRUMENT PANEL
- X05-08.....CABLE STEAR COLUMN CABIN BOTTOM
- X10, 16, 17, 22.....CABLE FRONT END GEAR UNIT
- X11.....CABLE ENGINE
- X12, 13.....CABLE REAR
- X15.....JOYSTICK
- X15A.....SDIG CAN BUS
- X15B.....TEE'D INTO JOYSTICK CONNECTION
- X16.1, 17-19.....CABLE ESX
- X20.....12V POWER OUTLET IN CABIN
- X23, 26.....CABLE FNR GEAR SHIFT CONTROL
- X27.....LEFT DRIVING LIGHT
- X99.....SDIG MODULE
- X189.....AIR CONDITIONING OPTION
- XJXPE.....JOYSTICK CASE GROUND

PAP076

SECTION 10 - ELECTRICAL



PAP091

SECTION 10 - ELECTRICAL

FIGURE 10-8. ELECTRICAL INSTALLATION, CAB WITH PLATFORM

ITEM	PART NUMBER	QTY	DESCRIPTION	REV
	0275083	1	PLATFORM CAB ELECTRICAL INSTALLATION, (includes items 1 thru 100)	1,6
1		Ref	LEVER, (See CONTROLS SECTION for Breakdown)	
2	0610175	1	PRINTED CIRCUIT	
3	8000924	6	HOLDER	
4		Ref	AIR CONDITIONER HARNESS, (See CAB SECTION for Breakdown)	
5	8009326	1	CABLE SET	
6	1600399	1	CONTROL UNIT, ESX	
6	4170100	1	PLATFORM EQUIPPED COMPATIBLE ESX VERSION	
6	7002844	1	HARDWARE PACKET, X-FLASH CORD, (not illustrated)	
6	7002845	1	POWERCORD FOR ESX, (not illustrated)	
7	1663821	3	MOUNTING FRAME	
8	3972909	1	SWITCH	
9	1719033	1	SYMBOL, LAMP	
10	3933128	1	SWITCH	
11	4360583	1	IGNITION LATCH	
11	8008049	1	KEY, (also used for cab door, rear cover and engine cover)	
12	1719204	2	INDICATOR LIGHT	
13	1719088	1	SYMBOL, BATTERY	
14	1719113	1	SYMBOL, HIGH BEAM	
15	1719124	1	SYMBOL, DIRECTION INDICATOR	
18	8005424	1	SWITCH	
19	1718985	1	SYMBOL, REAR WINDOW WIPER	
20	1359720	6	COVERING	
21		Ref	INSERT, (See OPTIONS SECTION for Breakdown)	
22	8002819	1	WEIGHT INDICATOR	
22	7029105	1	REPLACEMENT SYMBOL PLATE	
23	8002954	1	DISPLAY, (See DISPLAY PANEL for Breakdown)	
24	8000984	1	PLATE	
25	0700836	3	BOLT, 8-1.25X190MM	
28		Ref	WIPER SYSTEM, (See CAB SECTION for Breakdown)	
29		Ref	FNR SHIFTER, (See CONTROLS SECTION for Breakdown)	
30	8005257	1	FUEL GAUGE	
31	8005258	1	THERMOMETER	
34	8005556	1	CABLE SET	
35	8009324	1	CABLE SET, INSTRUMENT PANEL	
36	8009327	1	CABLE SET, STEERING GEAR	
37		Ref	WORK LIGHT KIT SWITCH, (See ELECTRICAL INSTALLATION, ACCESSORIES for Breakdown)	
38	471678	30	CABLE BAND	
39	1062255	20	CABLE BAND	
40	8002211	4	LENS HD CAPSCREW	
41	8008007	1	SWITCH, (leveling)	
42	8002831	1	DECAL, (leveling)	
43	2686762	4	SCREW	
44		Ref	JOYSTICK, (See CONTROLS SECTION for Breakdown)	
45	1719419	1	SOCKET	
46	4010614	6	MACHINE SCREW	
47	3290805	6	NUT	

SECTION 10 - ELECTRICAL

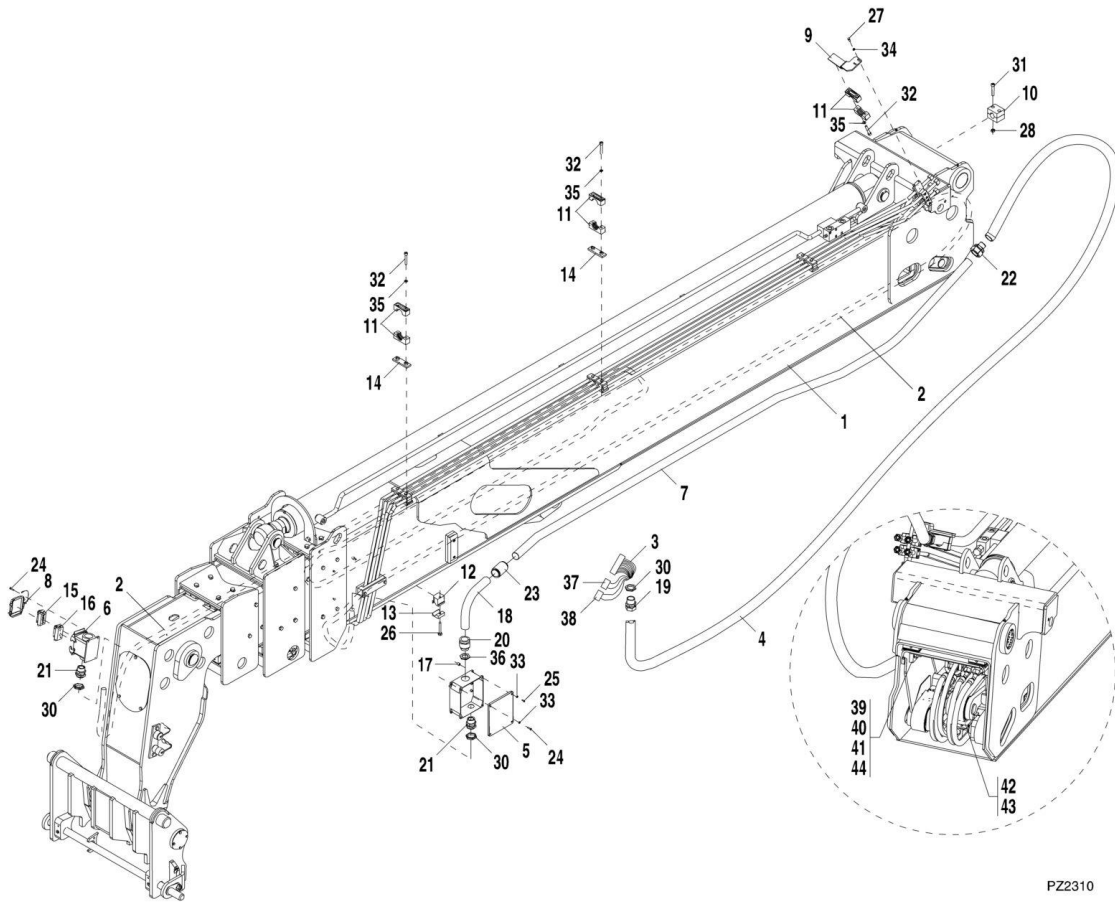
ITEM	PART NUMBER	QTY	DESCRIPTION	REV
48	5211702	7	RIPP WASHER, 6MM	
49	8003385	1	CABLE SET	
50	8009329	1	CABLE SET	
51		Ref	ENGINE HARNESS, (See ELECTRICAL INSTALLATION, CAB for Breakdown)	
52	8003387	1	CURRENT CABLE	
53		Ref	SWITCH, (See ELECTRICAL INSTALLATION, CAB for Breakdown)	
54		Ref	SYMBOL, ROTARY BEACON, (See ELECTRICAL INSTALLATION, CAB for Breakdown)	
55	8003392	1	CABLE SET	
56	492935	1	TOOTH LOCK WASHER	
57	5212000	1	RIPP WASHER, 10MM	
58	3291005	1	LOCK NUT, 10MM-1.50	
61	2906123	1	CLIP	
62	8000103	1	CLIP	
63	1320324	1	CLAMP	
64	4923134	1	HEAD LIGHT EXTENSION CABLE	
65	4360580	1	WATER PROOF SWITCH	
66	4340970	1	MICRO SWITCH	
67	0760405	2	HEX HD CAPSCREW, M4X10	
68	4811400	2	FLAT WASHER	
71		Ref	HEATING CONTROL, (See CAB SECTION for Breakdown)	
72		Ref	AIR CONDITIONING SWITCH, (See CAB SECTION for Breakdown)	
73		Ref	AUXILARY SELECT, (See HYDRAULIC CIRCUITS SECTION for Breakdown)	
74	4923262	1	GROUND CABLE	
75	1001107789	1	SWITCH, LEVEL SENSOR	
76	0760608	4	HEX HD CAPSCREW, M6X1X16	
77	4831700	7	LOCKWASHER, M6	
78	4360475	1	SWITCH, EMERGENCY STOP	
79	1810023	1	ELECTRICAL SCHEMATIC, CAB EQUIPPED WITH PLATFORM	
82	1704260	1	DECAL, EMERGENCY STOP	
83	4923313	1	HARNESS	
84	4923314	1	HARNESS	
85	4923312	1	HARNESS	
86	2920193	1	INDICATOR, PLATFORM READY LIGHT	
87	4811900	2	WASHER, M8	
88	0630605	1	U-BOLT	
89	4220298	1	BOLT BLOCK	
90	0761016	2	HEX HD CAPSCREW, M10X40	
91	4832000	2	LOCKWASHER, M10	
92	3291001	2	NUT, M10	
95	8002834	1	SWITCH, 12V	
96	8002832	1	SYMBOL	
97	4341392	1	HARNESS SUPPORT	
98	0700615	2	HEX HD CAPSCREW, M6X1X35	
99	1001105098	1	HARNESS, PVG	
100	1001093700	1	LEVELING PAD	
101	4031707	3	BOLT, M6X1 X 16MM	
102	1001105097	1	MODULE, SD10	

SECTION 10 - ELECTRICAL

ITEM	PART NUMBER	QTY	DESCRIPTION	REV
103	1001096653	2	BOLT, 6mm X 70MM	
104	3290605	2	LOCKNUT, 6MM	
105	4811700	2	WASHER, 6MM	
106	4240099	AR	CABLE TIE	

SECTION 10 - ELECTRICAL

FIGURE 10-9. ELECTRICAL INSTALLATION ON BOOM WITH PLATFORM



PZ2310

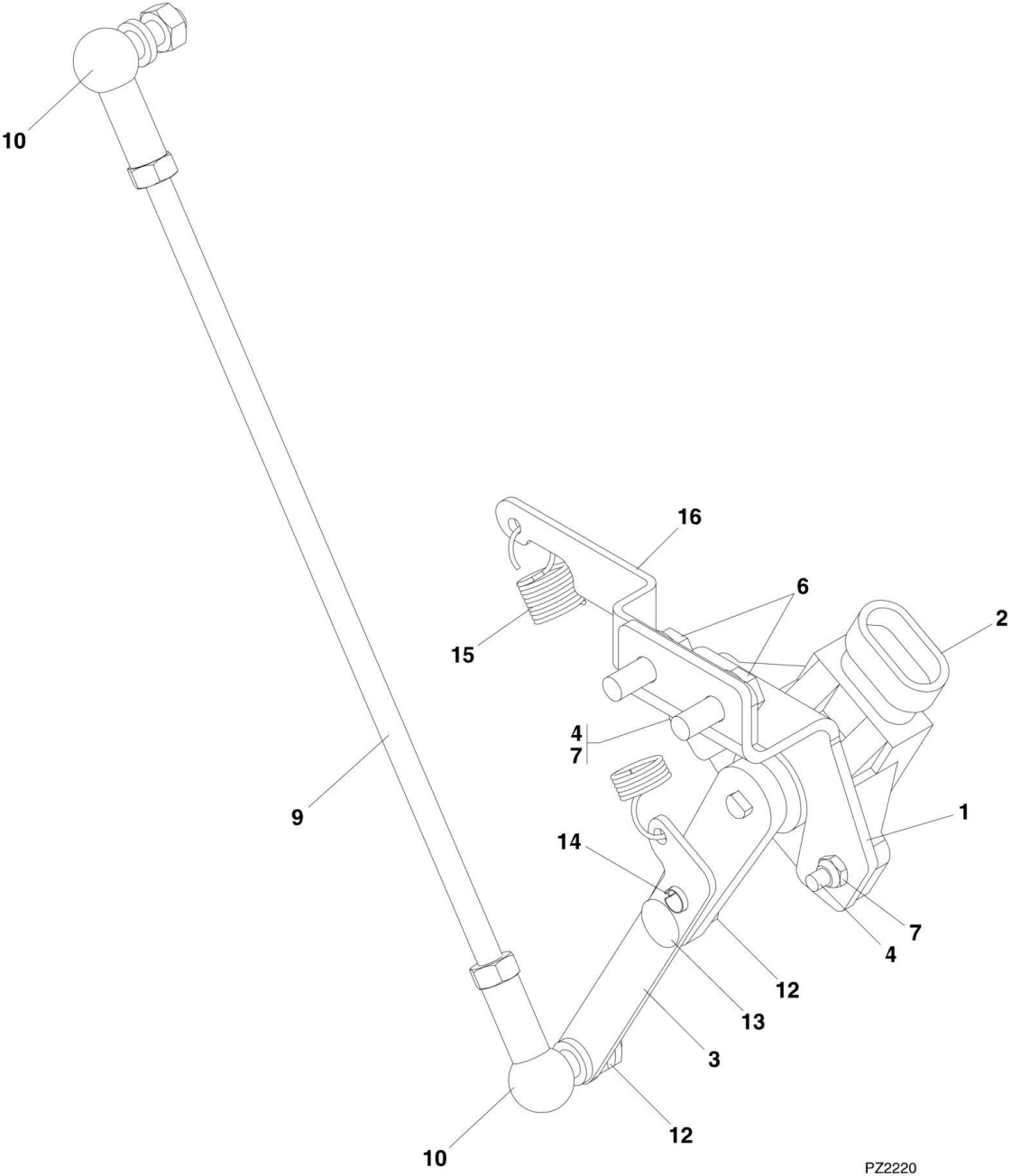
SECTION 10 - ELECTRICAL

FIGURE 10-9. ELECTRICAL INSTALLATION ON BOOM WITH PLATFORM

ITEM	PART NUMBER	QTY	DESCRIPTION	REV
	0275010	1	ELECTRICAL INSTALLATION, BOOM W/PLATFORM, (includes all items)	E,6
	0801546	1	ELECTRICAL INSTALLATION ON BOOM W/PLATFORM (includes items 1 thru 44)	E
1		Ref	BOOM ASSEMBLY, (See BOOM SECTION for Breakdown)	
2	4923440	1	CABLE, (inside boom)	
3	4923168	1	CABLE, (outside boom)	
4	1560029	1	FLEXIBLE SHEATH	
5	0861772	1	ELECTRICAL JUNCTION BOX	
6	0861794	1	BOOM ELECTRICAL BOX	
7	4569337	1	TUBE	
8	1671183	1	ELECTRICAL BOX COVER	
9	0903404	1	BRACKET, CLAMP MOUNT WELDMENT	
10	1321343	1	WIRE CLAMP ASSY	
11	1321344	6	PIPE HANGER CLAMP	
12	1321593	1	TOP CLAMP	
13	1321594	1	BOTTOM CLAMP	
14	3576094	2	PLATE	
15	4461045	1	BOOM HEAD PLATFORM TERMINAL	
16	4461096	1	PLATFORM BOOM TERMINAL, (17 thru 32)	
17	4569338	2	SPACER TUBE	
18	3460477	1	QUARTER BEND PIPE	
19	2132020	1	CONDUIT CONNECTOR	
20	2180850	1	PIPE BOX SPECIAL FITTING	
21	2180852	2	BOX SPECIAL FITTING	
22	2221219	1	SHEATH HYDRAULIC FITTING	
23	2180851	1	PIPE FITTING	
24	0700510	6	HEX HD CAPSCREW, 5X20MM	
25	0700512	2	HEX HD CAPSCREW, 5X25MM	
26	0701021	1	HEX HD CAPSCREW, 10X65MM	
27	0760608	2	HEX HD CAPSCREW, 6X16MM	
28	3290801	2	HEX NUT, M8X1.25	
30	3300499	3	NUT RING	
31	4031913	2	SOCKET HD CAPSCREW, 8X45MM	
32	4032016	6	SOCKET HD CAPSCREW, 10X60MM	
33	4811600	4	WASHER, 5MM	
34	4811700	2	WASHER, 6MM	
35	4811900	6	WASHER, 8MM	
36	3300498	1	NUT RING	
37	4923513	1	CABLE, (outside boom)	
38	4923514	1	CABLE, (outside boom)	
39	0761015	2	HEX HD CAPSCREW, M10X35	
40	4812000	2	WASHER 10MM	
41	1001092069	1	CABLE GUIDE BRACKET	
42	3900357	4	BUTTON HD CAPSCREW, M6X16	
43	1001092239	1	CABLE GUIDE BRACKET, BOTTOM	
44	0761016	2	HEX HD CAPSCREW, M10X40 (Note: Use item 39 or 44 depending on number of shims on boom assy)	
45	0275403	1	DECAL INSTALLATION, (not shown), (see DECALS SECTION for Breakdown)	

SECTION 10 - ELECTRICAL

FIGURE 10-10. SENSOR ASSEMBLY WITH PLATFORM



PZ2220

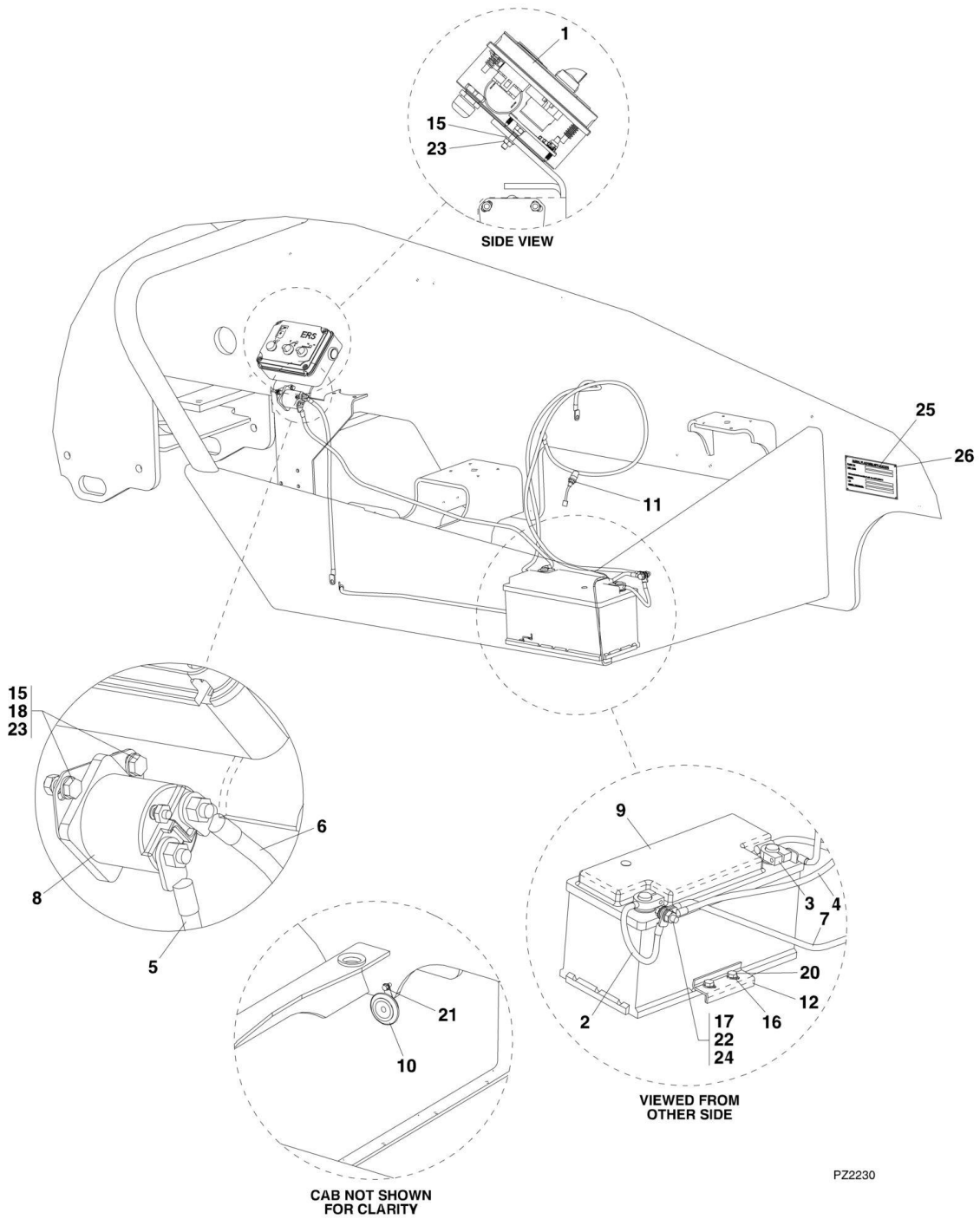
SECTION 10 - ELECTRICAL

FIGURE 10-10. SENSOR ASSEMBLY WITH PLATFORM

ITEM	PART NUMBER	QTY	DESCRIPTION	REV
	1001094565	1	SENSOR ASSEMBLY W/PLATFORM, (includes all items)	A
1	8008890	1	SENSOR SEAT	
2	8008893	1	SENSOR	
3	1001093947	1	EXTENSION BAR	
4	4010408	2	LENS HD SCREW	
6	5200608	2	BOLT	
7	3290405	2	NUT	
9	8008885	1	THREADED BOLT	
10	466104	2	ANGLE JOINT	
12	3290607	2	NUT	
13	4010608	1	SCREW	
14	3370610	1	PIN	
15	1001093875	1	SPRING	
16	1001093946	1	SPRING SUPPORT BRACKET	

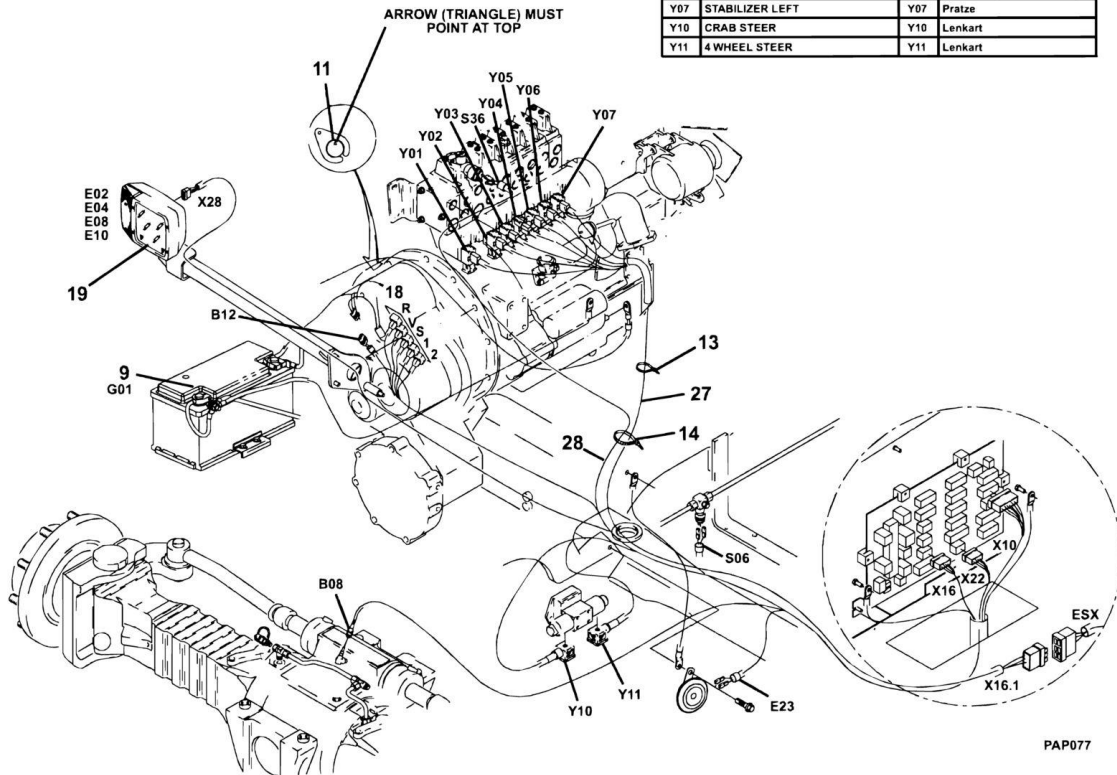
SECTION 10 - ELECTRICAL

FIGURE 10-11. ELECTRIC SYSTEM WITH PLATFORM



SECTION 10 - ELECTRICAL

ENGLISH		GERMAN	
B08	ANGLE FRONT AXLE (INDUCTIVE)	B08	Winkel Vorderachse
B12	TRANSMISSION SPEED	B12	Getriebedrehza
G01	BATTERY	G01	Batterie
E02	LOW BEAM LIGHT RIGHT	E02	Abblendlicht
E04	DRIVING LIGHT RIGHT	E04	Fernlicht
E08	PARKING LIGHT RIGHT	E08	Standlicht
E10	INDICATOR FRONT RIGHT	E10	Blinklicht vorne
E23	SIGNAL HORN	E23	Hupe
S06	STOP LIGHT SWITCH	S06	Bremslichtschalt
S36	HYDRAULIC PRESSURE	S36	Hydraulikdruck
X10	CABLE LIGHTING FRONT RIGHT	X10	Kabel Beleuchtung vorne
X16	CONNECTOR STEERING	X16	Stecker
X16.1	CONNECTOR HYDRAULIC BLOCK	X16.1	Stecker
X22	MAGNETS TRANSMISSION	X22	Magnete Getriebe
X28	CONNECTOR LIGHTING RIGHT	X28	Stecker Fahrlicht
Y01	LIFTING	Y01	Heben
Y02	TELESCOPE	Y02	Teleskopieren
Y03	TILT	Y03	Kippen
Y04	AUXILIARY HYDRAULIC	Y04	Zusatzhydraul
Y05	LEVELING	Y05	Niveaueausgleich
Y06	STABILIZER RIGHT	Y06	Pratze rechts
Y07	STABILIZER LEFT	Y07	Pratze
Y10	CRAB STEER	Y10	Lenkart
Y11	4 WHEEL STEER	Y11	Lenkart



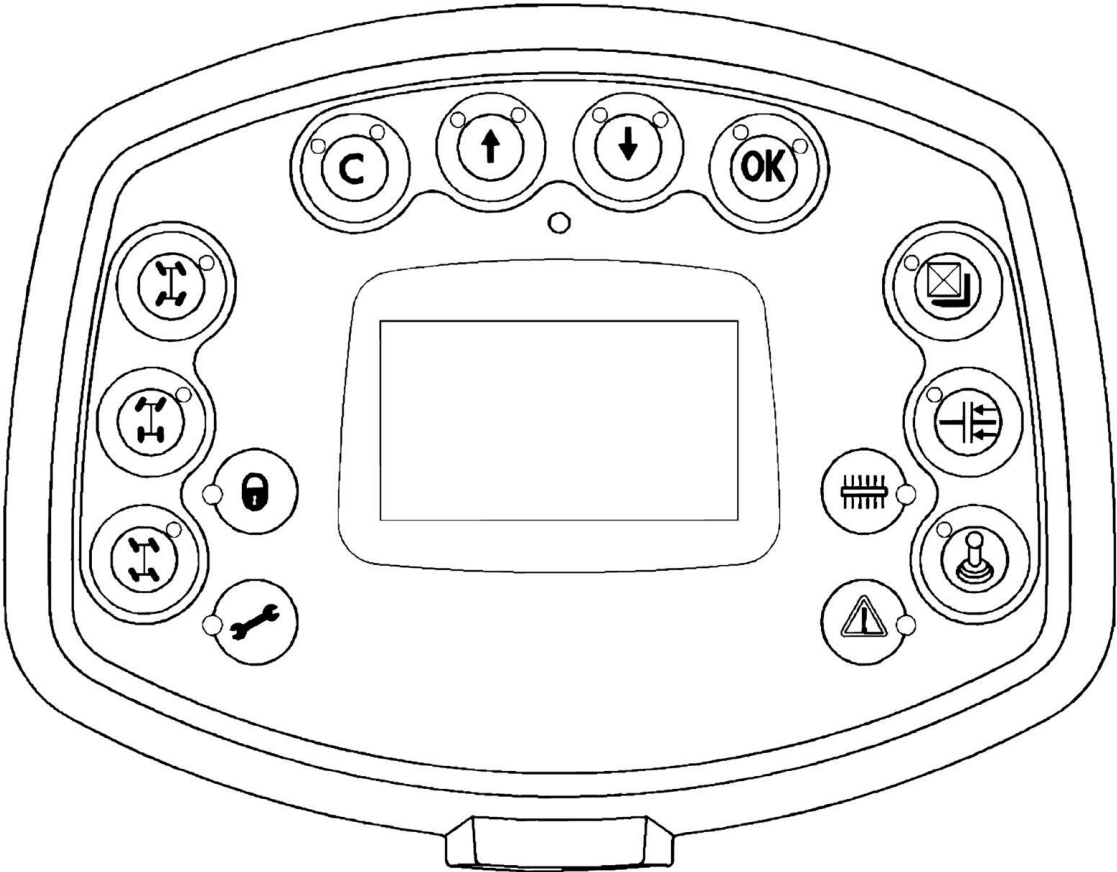
SECTION 10 - ELECTRICAL

FIGURE 10-11. ELECTRIC SYSTEM WITH PLATFORM

ITEM	PART NUMBER	QTY	DESCRIPTION	REV
	0274304	1	ELECTRIC SYSTEM, (PLATFORM), (includes all items)	E
1	1810024	1	ERS SYSTEM AS	
2	8003389	1	NEGATIVE BATTERY CABLE	
3	8003391	1	POSITIVE BATTERY CABLE	
4	8003393	1	BATTERY CABLE	
5	4923319	1	POSITIVE BATTERY CABLE, RELAY	
6	4923320	1	ERS PUMP CABLE, RELAY	
7	4923321	1	NEGATIVE BATTERY CABLE, ERS PUMP	
8	3740067	1	SOLENOID AS	
9	0400229	1	BATTERY	
10	8009766	1	HORN	
11		Ref	SPEED SENSOR AS, (See ENGINE AND ATTACHING PARTS SECTION for Breakdown)	
12	1787217	1	CLAMP	
13	471678	20	CABLE BAND	
14	1062255	20	CABLE BAND	
15	4811700	4	WASHER, 6MM	
16	4811900	2	WASHER, 8MM	
17	4812000	2	WASHER, 10MM	
18	0760608	2	HEX HD CAPSCREW, M6X16	
19		Ref	HARNESS, (See ELECTRICAL INSTALLATION, CAB for Breakdown)	
20	0760814	2	HEX HD CAPSCREW, M8X30	
21	5201010	1	RIPP BOLT, M10X20MM	
22	5201014	1	RIPP BOLT, M10X30MM	
23	3290601	4	HEX NUT, M6X1	
24	3291001	1	HEX NUT, M10X1.5	
25	1706628	1	NAMEPLATE, PLATFORM	
26	2080057	4	FASTENER	
27		Ref	HARNESS, (See ELECTRICAL INSTALLATION, CAB WITH PLATFORM for Breakdown)	
28		Ref	HARNESS, (See ELECTRICAL INSTALLATION, CAB WITH PLATFORM for Breakdown)	

SECTION 10 - ELECTRICAL

FIGURE 10-12. DISPLAY PANEL



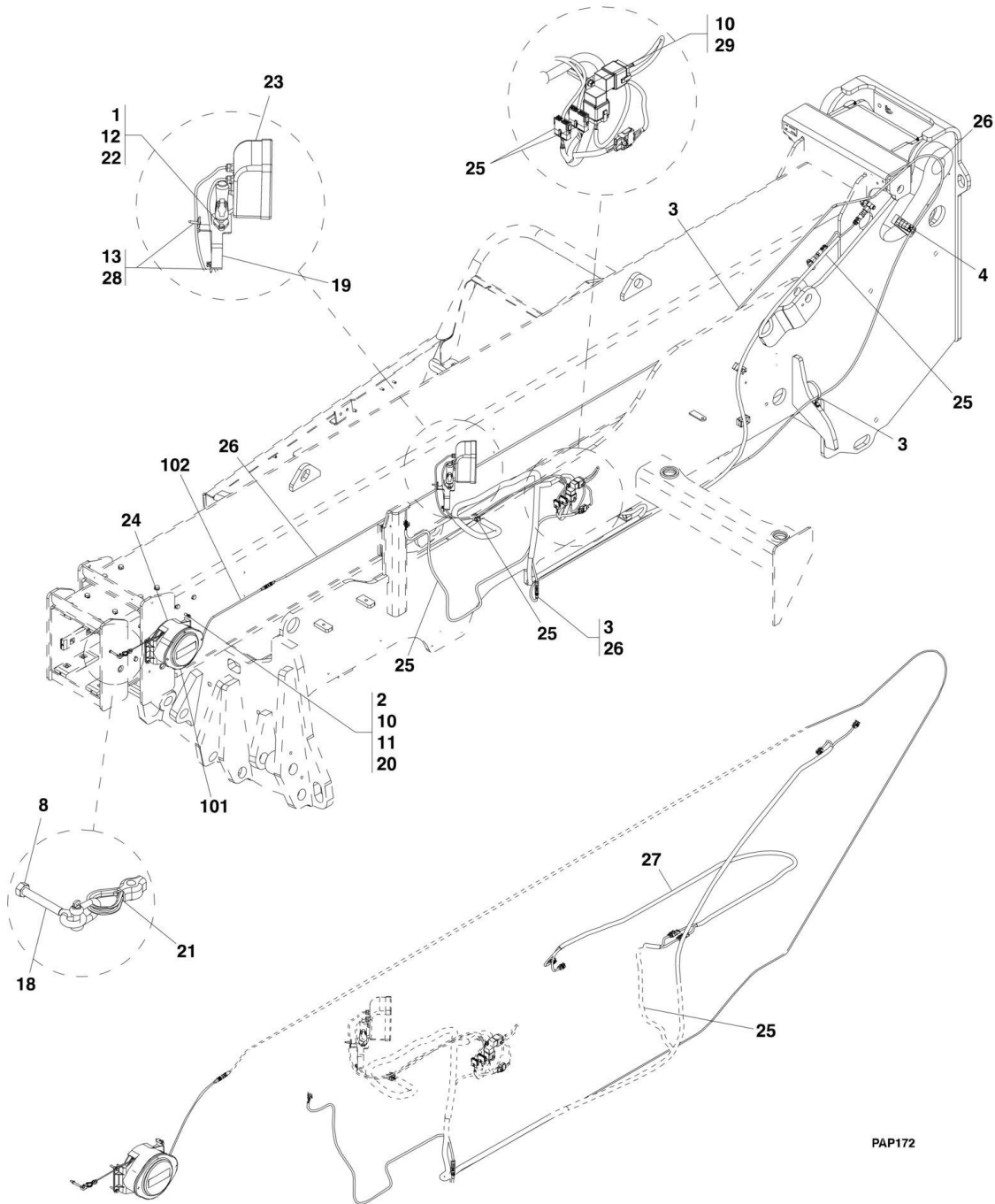
SECTION 10 - ELECTRICAL

FIGURE 10-12. DISPLAY PANEL

ITEM	PART NUMBER	QTY	DESCRIPTION	REV
	8002954	Ref	DISPLAY PANEL, (includes standard e-prom)	A, 9
	1001112126	1	STANDARD E-PROM, NORTH VERSION 17, (includes German, English, Dutch, Swedish, Norwegian, Belgian and Danish)	
	1001112127	1	OPTIONAL E-PROM, SOUTH VERSION 17, (includes German, English, Dutch, Portuguese, Spanish, French and Italian)	
	1001112128	1	PLATFORM E-PROM, NORTH VERSION 03-004, (includes German, English, Dutch, Swedish, Norwegian, Belgian and Danish)	
	1001112129	1	PLATFORM E-PROM, SOUTH VERSION 03-004, (includes German, English, Dutch, Portuguese, Spanish, French and Italian)	

SECTION 10 - ELECTRICAL

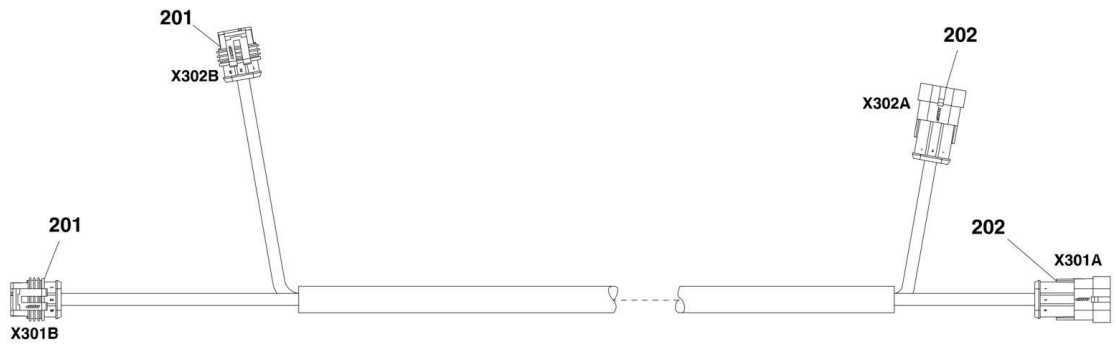
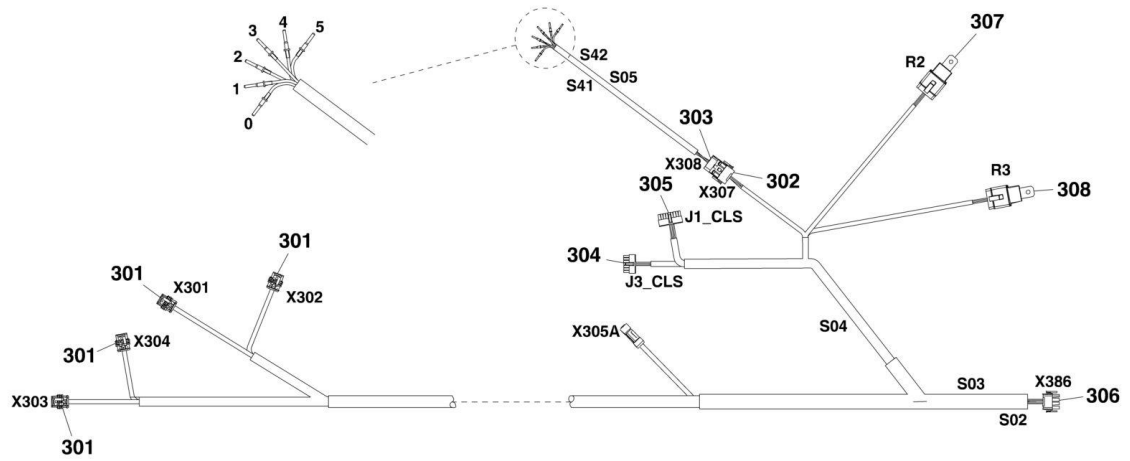
FIGURE 10-13. LMIS INSTALLATION



PAP172

NOTE: PORTIONS OF THE FRAME & CAB HIDDEN OR REMOVED FOR CLAIRITY

SECTION 10 - ELECTRICAL



PAP173

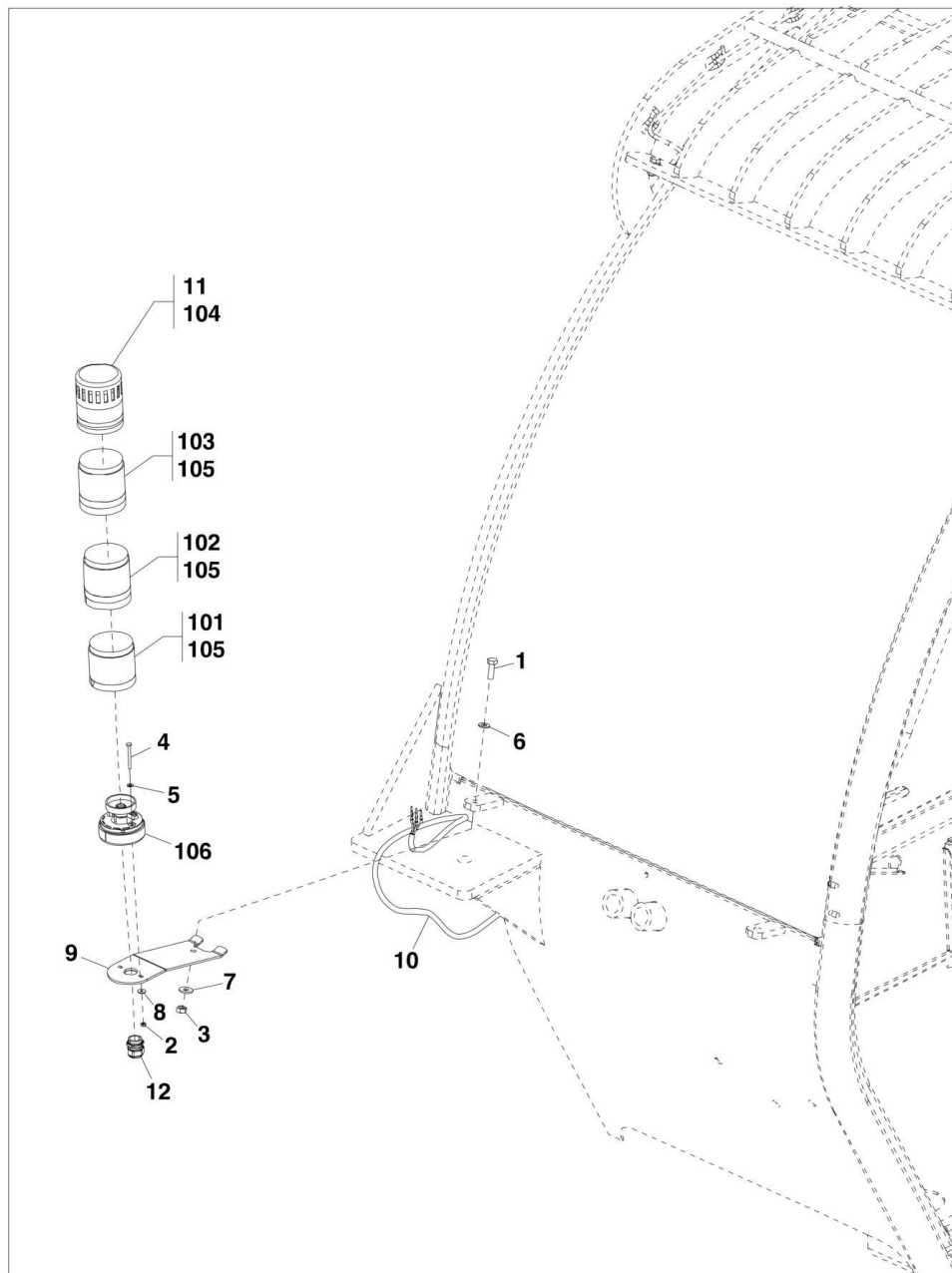
SECTION 10 - ELECTRICAL

FIGURE 10-13. LMIS INSTALLATION

ITEM	PART NUMBER	QTY	DESCRIPTION	REV
	1001107647	Ref	LMIS INSTALLATION, (if equipped), (not available to order, see items 1 thru 29 for service)	B
1	0760508	2	BOLT, M5X16	
2	0760615	4	HEX HD CAPSCREW, M6X35, GR8.8	
3	1062255	AR	TIR STRAP	
4	2966454	1	HOSE CLAMP	
8	3290601	1	HEX NUT, M6X1	
10	4811700	5	WASHER, 6MM	
11	4831700	4	LOCKWASHER, 6MM	
12	5220500	2	NUT, 5MM	
13	1001095650	AR	LOCTITE, #243	
18	1001102633	1	SPECIAL SCREW, M6X60	
19	1001103180	1	BRACKET	
20	1001103807	2	SPACER	
21	1001104341	1	LMIS CABLE REEL KIT	
22	1001104344	1	PIVOT ARM SUPPORT	
23	1001104415	1	LMIS DISPLAY GUAGE	
24	1001106385	1	LMIS CABLE REEL ASSY, (includes items 101 & 102)	A
25	1001106805	1	LMIS TRANSDUCER HARNESS, (includes items 301 thru 308)	D
26	1001107622	1	LMIS EXTENSION HARNESS	B
27	1001107749	1	LMIS LIFT HARNESS, (includes items 201 & 202)	A
28	1001107982	2	SCREW, 4.8X25	
29	1001113432	1	STANDOFF, M6	
101	1001104342	1	LMIS BOOM CABLE REEL	
102	1001106386	1	LMIS REEL PIGTAIL HARNESS	
201	4461262	2	CONNECTOR	
202	4641119	2	CONNECTOR	
202	1001104499	2	CAVITY PLUG	
301	4461262	4	CONNECTOR	
302	4460321	1	CONNECTOR	
303	4460761	1	CONNECTOR	
304	4460920	1	CONNECTOR	
305	250216	1	CONNECTOR	
306	4460343	1	CONNECTOR	
307	1001117057	1	CONNECTOR	
308	4460374	1	CONNECTOR	
308	3740080	1	RELAY	
401		Ref	LMIS BOOM HYDRAULICS, (not shown), (See HYDRAULIC CIRCUITS SECTION for Breakdown)	
402		Ref	LMIS AUDIBLE TOWER BEACON, (not shown), (See LMIS AUDIBLE TOWER/BEACON INSTALLATION for Breakdown)	

SECTION 10 - ELECTRICAL

FIGURE 10-14. LMIS AUDIBLE TOWER/BEACON INSTALLATION



BEACON ALARM WIRING CONFIGURATION

PAP176

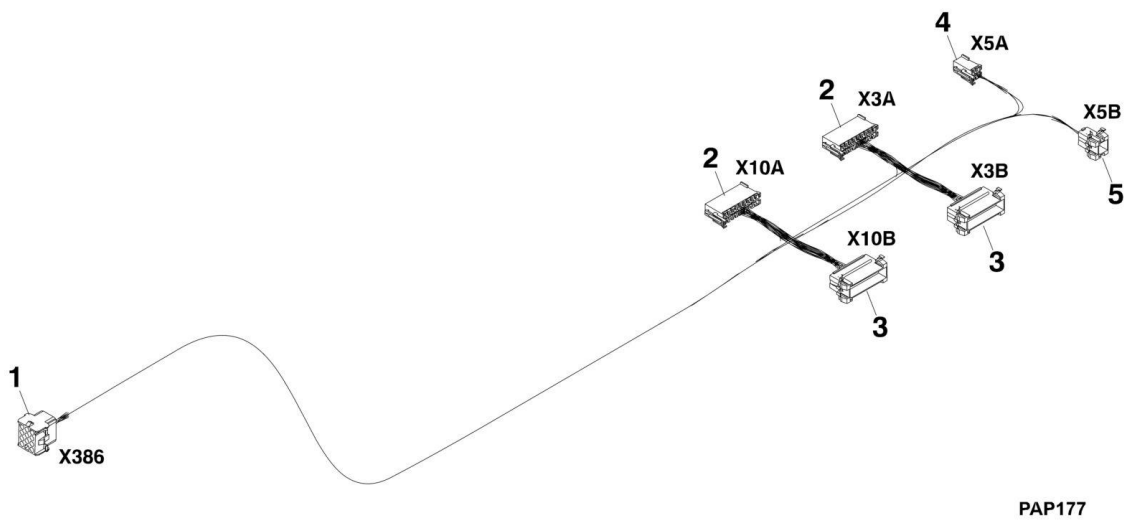
SECTION 10 - ELECTRICAL

FIGURE 10-14. LMIS AUDIBLE TOWER/BEACON INSTALLATION

ITEM	PART NUMBER	QTY	DESCRIPTION	REV
	1001108700	Ref	LMIS AUDIBLE TOWER/BEACON INSTALLATION, (if equipped), (not available to order, see items 1 thru 12 for service)	B
1	0760812	1	HEX HD CAPSCREW, M8X25, GR8.8	
2	3290405	2	HEX LOCKNUT, M4X0.7	
3	3290807	1	HEX LOCKNUT, M8X1.25	
4	4010416	2	PAN HD CAPSCREW, M4X40	
5	4811400	2	WASHER, 4MM	
6	4811900	1	WASHER, 8MM	
7	4811902	1	WASHER, 8MM	
8	1001091102	2	WASHER, 4MM	
9	1001106464	1	BEACON BRACKET	
10		Ref	LMIS TRANSDUCER HARNESS, (See LMIS INSTALLATION for Breakdown)	
11	1001108661	1	LMIS WARNING BEACON ASSY, (includes items 101 thru 106)	A
12	E000269	1	CABLE GLAND, M20X1.5	
101	1001108683	1	GREEN LIGHT GLOBE SECTION, (includes o-ring)	
102	1001108684	1	YELLOW LIGHT GLOBE SECTION, (includes o-ring)	
103	1001108685	1	REG LIGHT GLOBE SECTION, (includes o-ring)	
104	1001108686	1	BUZZER ALARM	
105	1001108687	3	LIGHT BULB, 5W-12V	
106	1001108689	1	BUZZER ALARM BASE	

SECTION 10 - ELECTRICAL

FIGURE 10-15. LMIS HARNESS



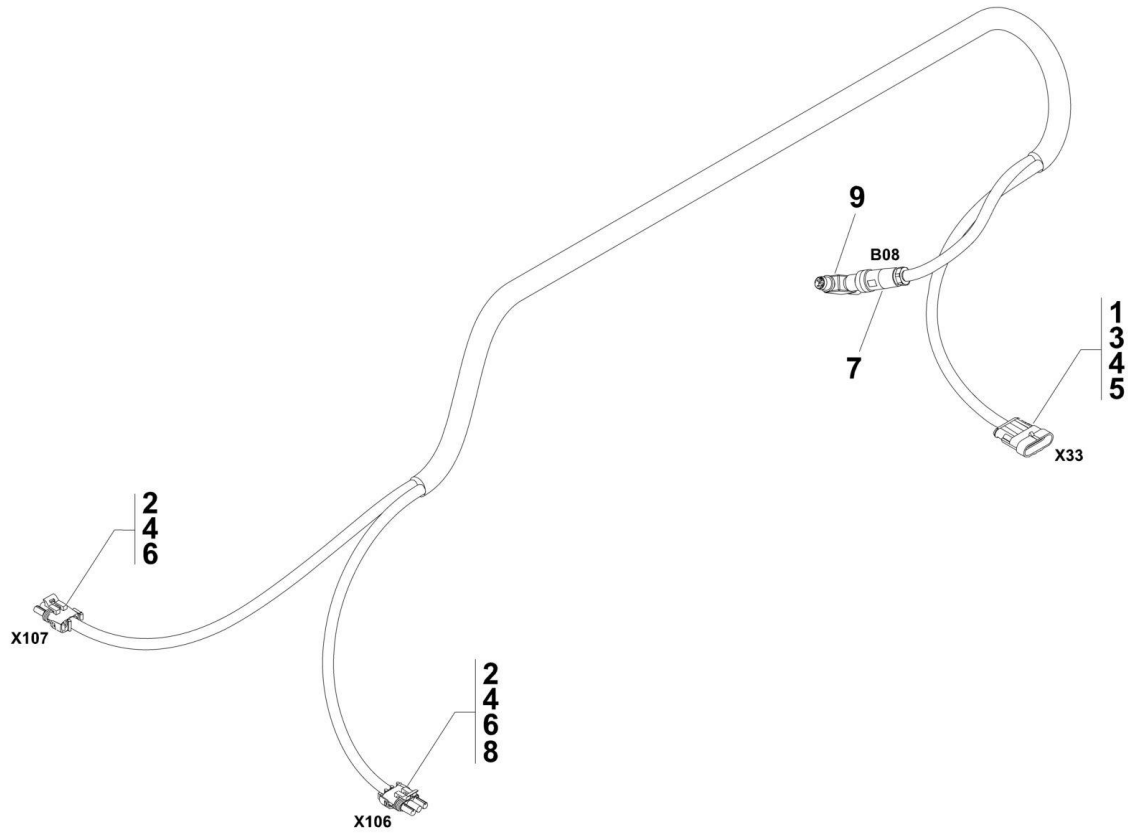
SECTION 10 - ELECTRICAL

FIGURE 10-15. LMIS HARNESS

ITEM	PART NUMBER	QTY	DESCRIPTION	REV
	1001108472	1	LMIS HARNESS, (if equipped)	A
1	4460367	1	CONNECTOR - 12 PIN	
2		Ref	CONNECTOR - 18 PIN	
3	1001117009	2	CONNECTOR - 18 PIN	
4		Ref	CONNECTOR - 4 PIN	
5		Ref	CONNECTOR - 4 PIN	

SECTION 10 - ELECTRICAL

FIGURE 10-16. STABILIZER HARNESS EQUIPPED W/LMIS



PAP182

SECTION 10 - ELECTRICAL

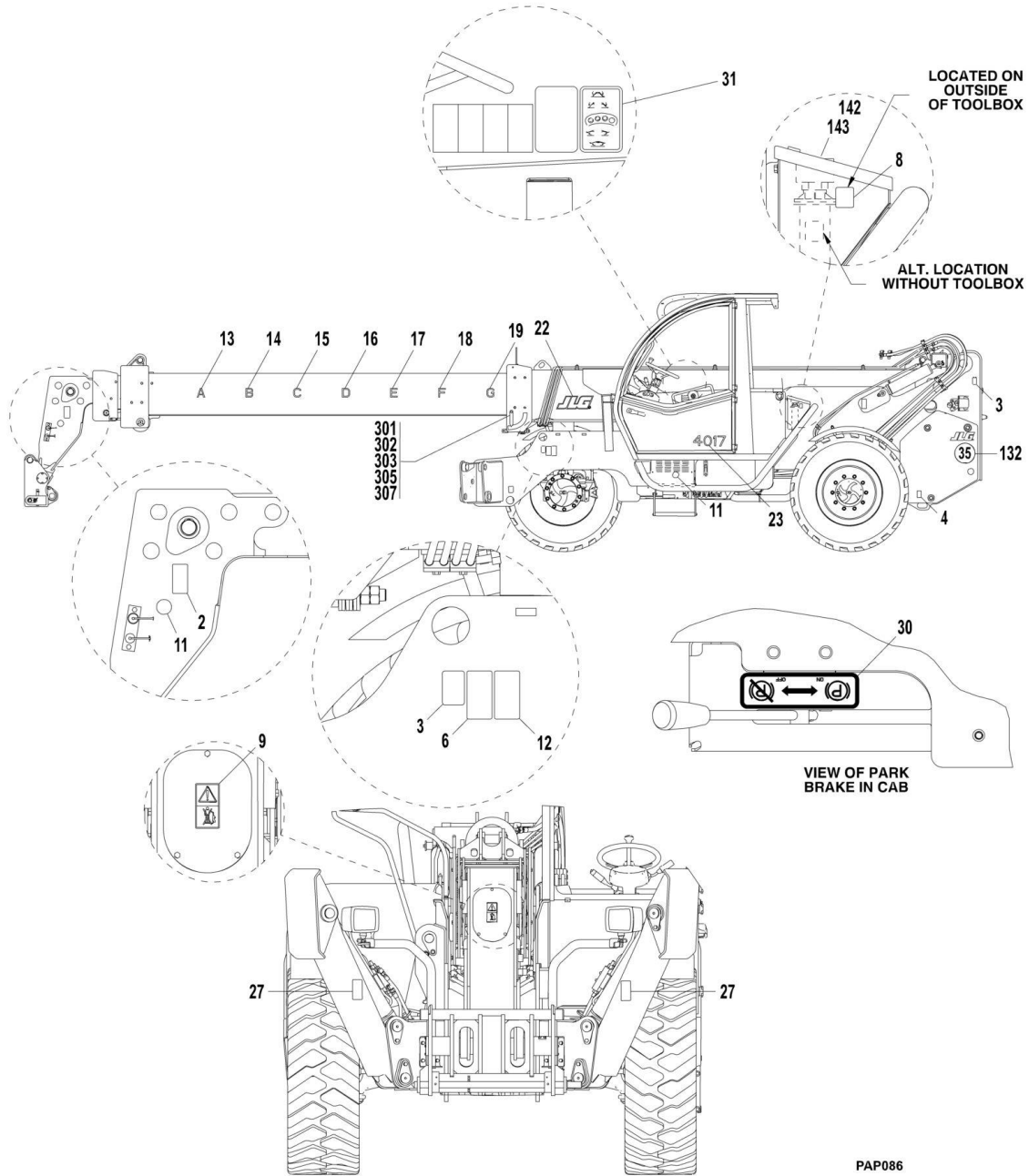
FIGURE 10-16. STABILIZER HARNESS EQUIPPED W/LMIS

ITEM	PART NUMBER	QTY	DESCRIPTION	REV
	1001108690	1	STABILIZER HARNESS, (if equipped)	B
1	4461229	1	CONNECTOR - 12 PIN	
2	4461262	2	CONNECTOR - 18 PIN	
3	1001104497	2	TERMINAL	
4	1001104498	7	SEAL	
5	1001104499	4	PLUG, CAVITY	
6	1001107854	6	TERMINAL	
7	1001107894	1	CONNECTOR	
8	1001107906	1	RESISTOR, 150 OHM	
9	1001108122	1	CONNECTOR, TEE ADAPTER	

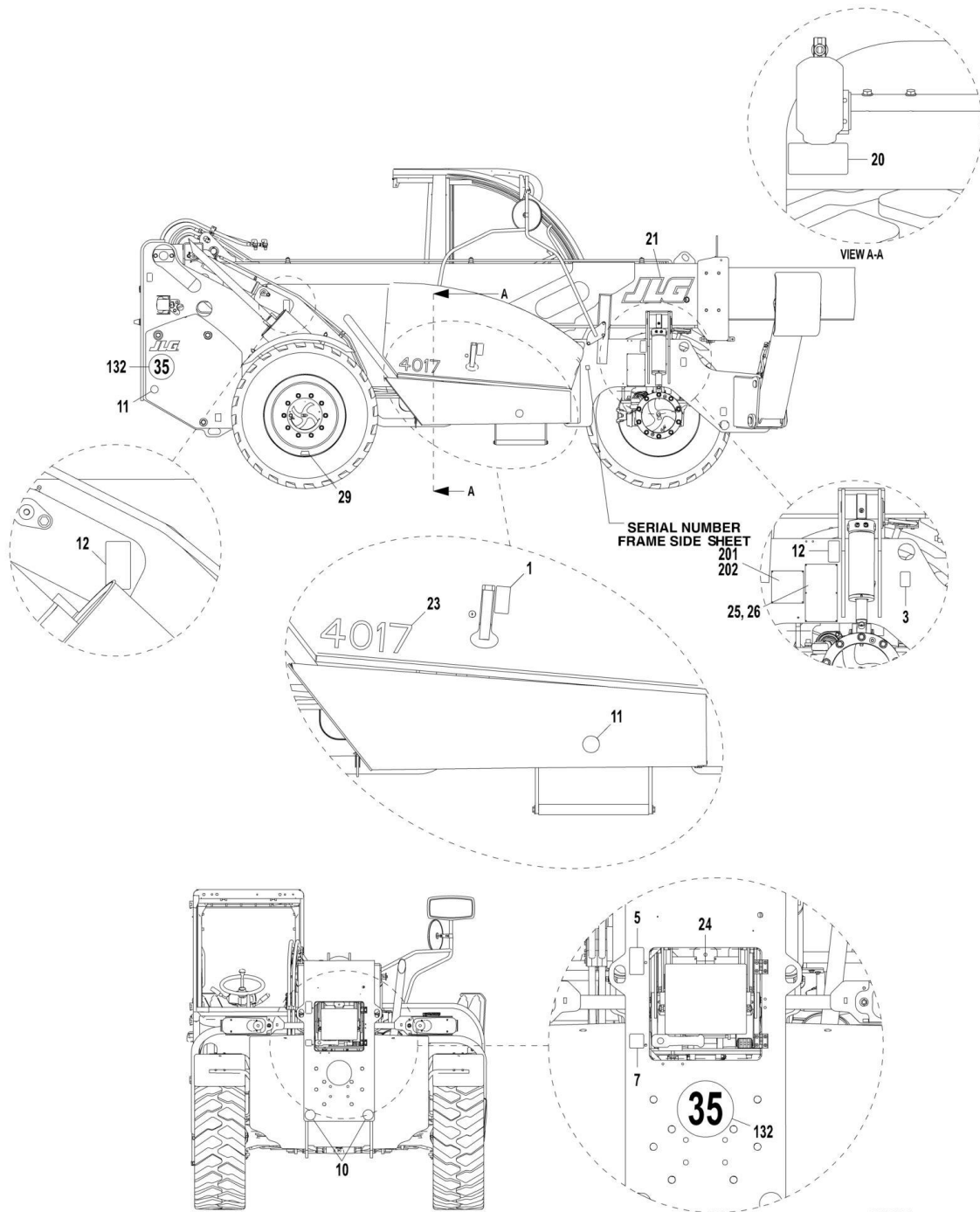
SECTION 11 - DECALS

SECTION 11 - DECALS

FIGURE 11-1. FRAME AND BOOM DECALS



SECTION 11 - DECALS



PAP104

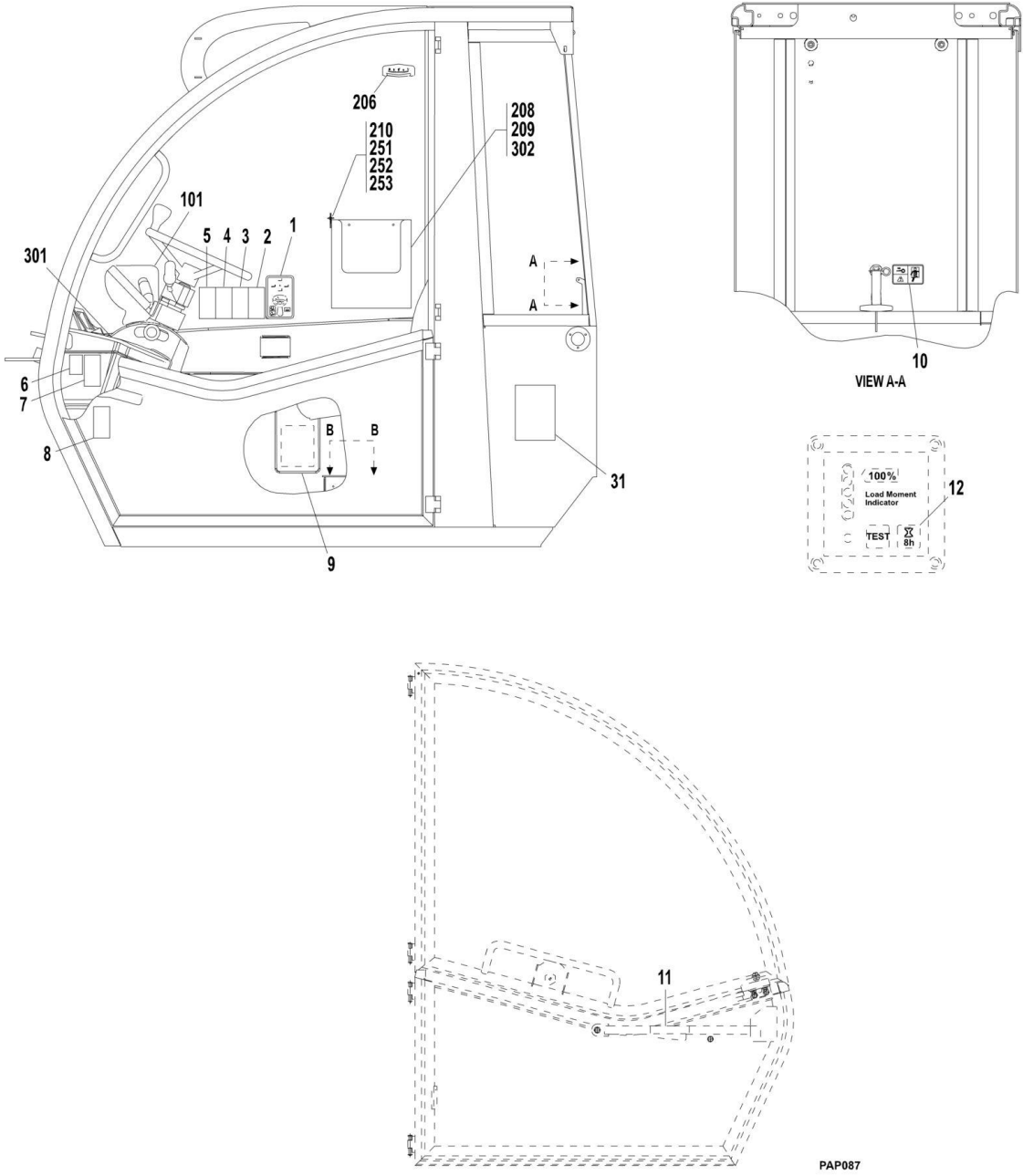
SECTION 11 - DECALS

FIGURE 11-1. FRAME AND BOOM DECALS

ITEM	PART NUMBER	QTY	DESCRIPTION	REV
	0273829	1	FRAME AND BOOM DECALS, (includes items 1 thru 12 & 20 thru 31)	K
1	8005670	1	INSTRUCTION AND SAFETY DECAL	
2	8005675	2	WARNING DECAL	
3	8005616	4	LIFTING POINT DECAL	
4	8005617	4	TIE DOWN DECAL	
5	8006612	1	WARNING DECAL	
6	8005671	1	WARNING DECAL	
7	8009815	1	DIESEL DECAL	
8	8009816	1	HYDRAULIC OIL DECAL	
9	8006038	1	WARNING DECAL	
10	3931579	2	REAR REFLECTOR	
11	8003198	6	SIDE REFLECTOR	
12	8008657	4	WARNING DECAL	
13	1706753	1	DECAL "A"	
14	1706754	1	DECAL "B"	
15	1706755	1	DECAL "C"	
16	1706756	1	DECAL "D"	
17	1706757	1	DECAL "E"	
18	1706758	1	DECAL "F"	
19	1706759	1	DECAL "G"	
20	8005869	1	WARNING DECAL	
21	8008629	1	JLG DECAL	
22	1702773	1	JLG DECAL	
23	1705951	2	4017 DECAL	
24	1706277	1	LUBE CHART DECAL	
25	2080057	4	AMTAK FASTENER	
26	1706227	1	NAME PLATE	
27	8008195	2	WARNING DECAL	
29	1706373	4	TIRE PRESSURE DECAL	
30	1706209	1	PARK BRAKE DECAL	
31	8005609	1	STABILIZER OPERATION DECAL	
132	8009377	3	35 KPH DECAL, (Ireland/UK machines only)	
142	4120047	1	SOCKET 14MM O/C WRENCH, (German machines only)	
143	4120048	1	SOCKET 19MM O/C WRENCH, (German machines only)	
	0275403	1	DECAL INSTALLATION, (includes items 13 thru 19)	
	1001091697	Ref	IDENTIFICATION PLATE INSTALLATION, (German and Italy machines only)	E
201	1001009178	4	FASTENER	
202	1001003536	1	NAME PLATE	
301	4811900	2	WASHER, 8MM, (AUS)	
302	1001094171	1	BOOM ANGLE INDICATOR DECAL, (AUS)	
303	1001094172	1	BOOM ANGLE PENDULUM, (AUS)	
305	063585	1	SHOULDER BOLT, M8X16, (AUS)	
307	0100011	AR	LOCTITE , #242, (AUS)	

SECTION 11 - DECALS

FIGURE 11-2. CAB DECALS



PAP087

SECTION 11 - DECALS

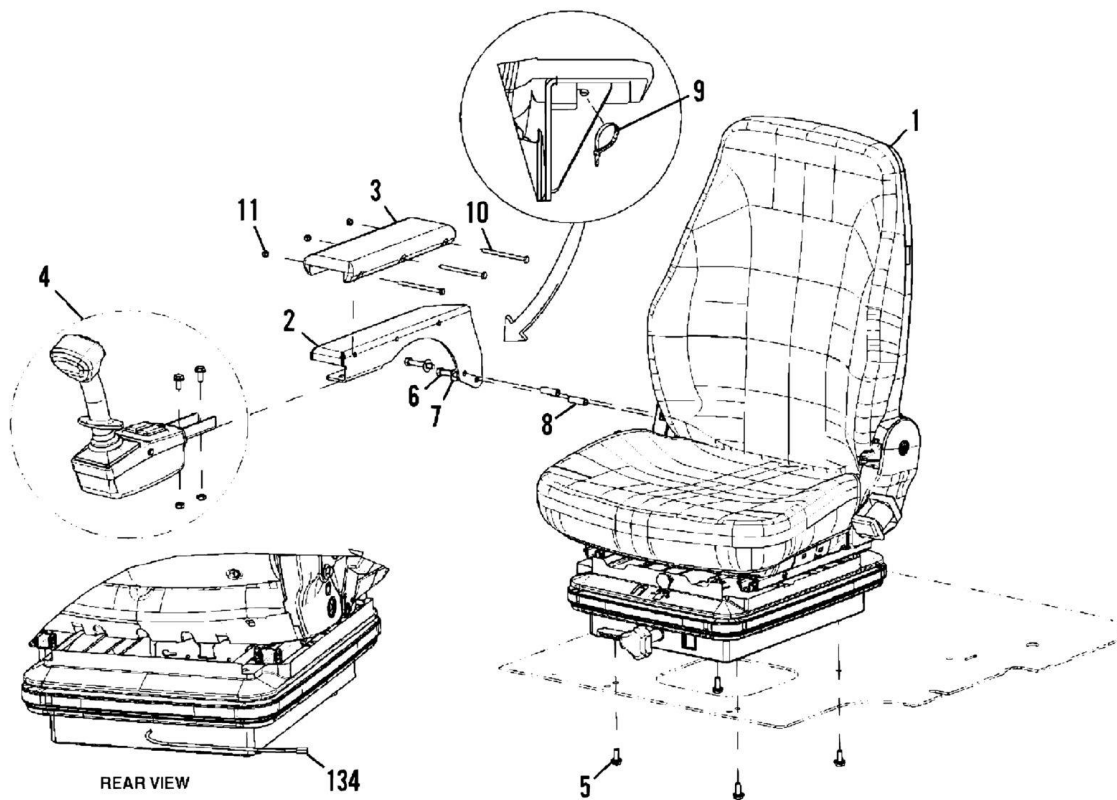
FIGURE 11-2. CAB DECALS

ITEM	PART NUMBER	QTY	DESCRIPTION	REV
	0274268	1	CAB DECALS INSTALLATION, (includes items 1 thru 12)	C
1	8005608	1	JOYSTICK FUNCTION DECAL	
2	8005671	1	WARNING DECAL	
3	8005672	1	WARNING DECAL	
4	8005673	1	WARNING DECAL	
5	8005674	1	WARNING DECAL	
6	2447967	1	OIL LABEL	
7	8005670	1	WARNING DECAL	
8	8008651	1	WARNING DECAL	
9	8008196	1	FUSE LABEL	
10	8005870	1	EMERGENCY EXIT DECAL	
11	8008804	1	YELLOW ORACAL DECAL	
12	8008805	1	LMI DECAL	
31	1705980	1	SOUND DECAL	
101	1706618		DECAL, DRIVING ON THE ROAD, (GER)	
206	8466306	1	LEVEL INDICATOR GAUGE, (AUS)	
208	1001095303	1	WALL MOUNT CONTAINER, (AUS)	
209	1001104090	0.4 m	TAPE, (AUS)	
210	1001110729	1	LANYARD ASSEMBLY, (AUS) (includes items 251 thru 253)	
251	1001104090	AR	TAPE, (AUS)	
252	1001104541	1	KEY RING, (AUS)	
253	1001110722	1	WIRE LANYARD, (AUS)	
301	1706352	1	LOAD CHART ASSY, (AUS AND CE)	
301	1706336	1	FORKS	
301	1706379	1	BUCKET, 0.8 ³	
301	1706371	1	BUCKET, 2 ³	
301	1706347	1	FORK HOOK	
301	1706348	1	SIDE SHIFT CARRIAGE	
301	1706374	1	TRUSS, 3.4M	
301	1706375	1	TRUSS, 3.6M	
301	1706760	1	PLATFORM	
301	1707147	1	CRANE HOOK	
301	1706716	1	BOOM ADJUSTABLE	
301	1707169	1	BOOM EXTEND	
302	1001109272	1	CAPACITY CHART BOOKLET, (AUS - if equipped with LMIS)	4
302	1001106382	1	TRUSS BOOM CAPACITY CHART	
302	1001109966	1	CAPACITY CHART COVER	

SECTION 12 - OPTIONS

SECTION 12 - OPTIONS

FIGURE 12-1. DRIVERS SEAT INSTALLATION, AIR SUSPENSION



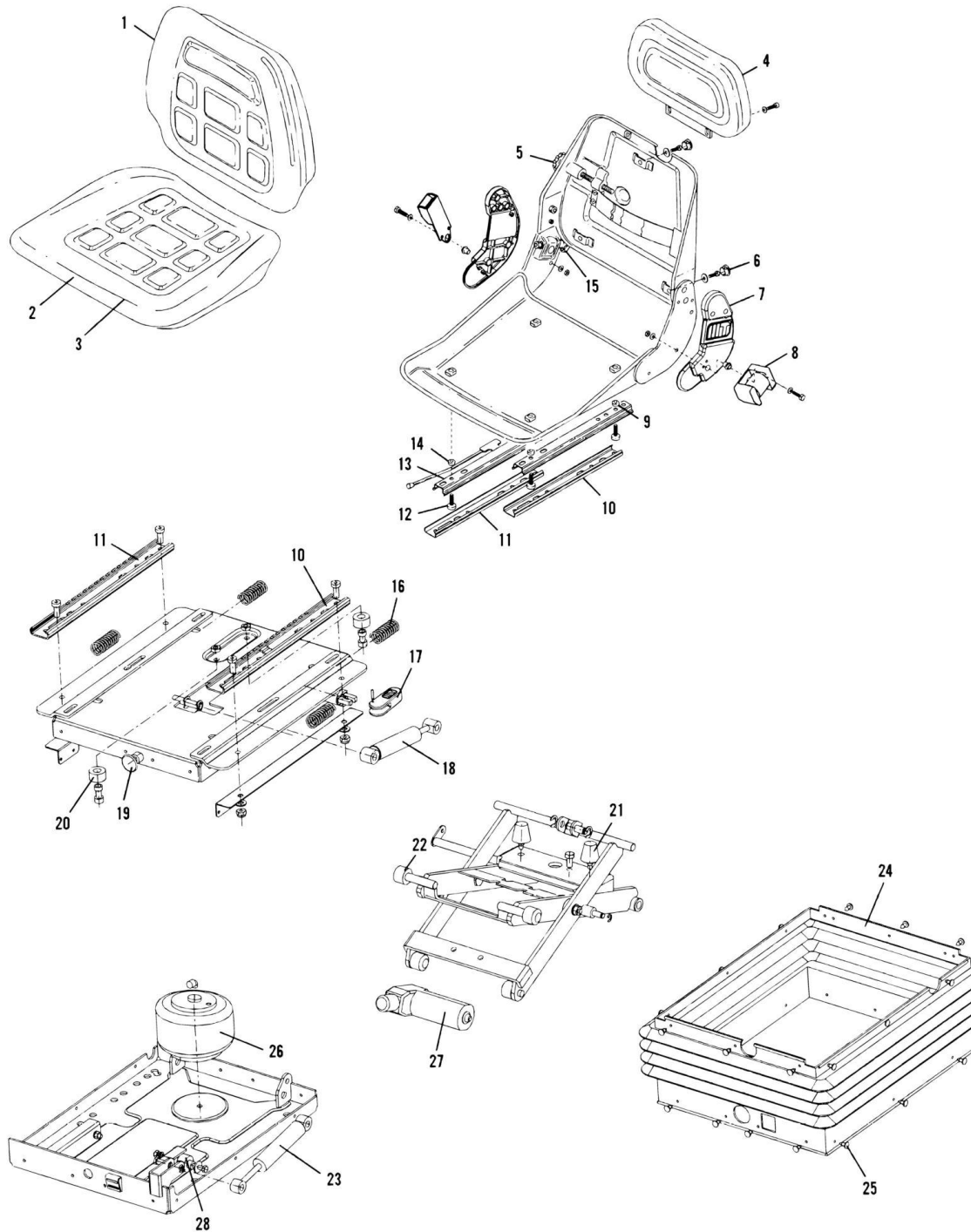
SECTION 12 - OPTIONS

FIGURE 12-1. DRIVERS SEAT INSTALLATION, AIR SUSPENSION

ITEM	PART NUMBER	QTY	DESCRIPTION	REV
	0273519	1	DRIVERS SEAT INSTALLATION, AIR SUSPENSION, (includes items 1 thru 11)	3
1		Ref	DRIVERS SEAT, AIR SUSPENSION, (See DRIVERS SEAT, AIR SUSPENSION for Breakdown)	
2	3980038	1	BRACKET	
3	8010452	1	FOAM PROFILE	
4		Ref	JOYSTICK SUPPORT ASSY, (See CONTROLS SECTION for Breakdown)	
5	5200810	4	RIPP BOLT, M8-20	
6	0700818	2	HEX HD CAPSCREW, 8-1.25X50MM	
7	2481254	2	RIPP WASHER	
8	4569078	2	TUBE SPACER	
9	471678	1	TIE STRAP	
10	0700626	3	HEX HD CAPSCREW, 6-1.00X90MM	
11	3290605	3	LOCKNUT, 6M-1.00	
134		Ref	HARNESS, (See ELECTRICAL SECTION, item 34 for Breakdown)	

SECTION 12 - OPTIONS

FIGURE 12-2. DRIVERS SEAT, AIR SUSPENSION



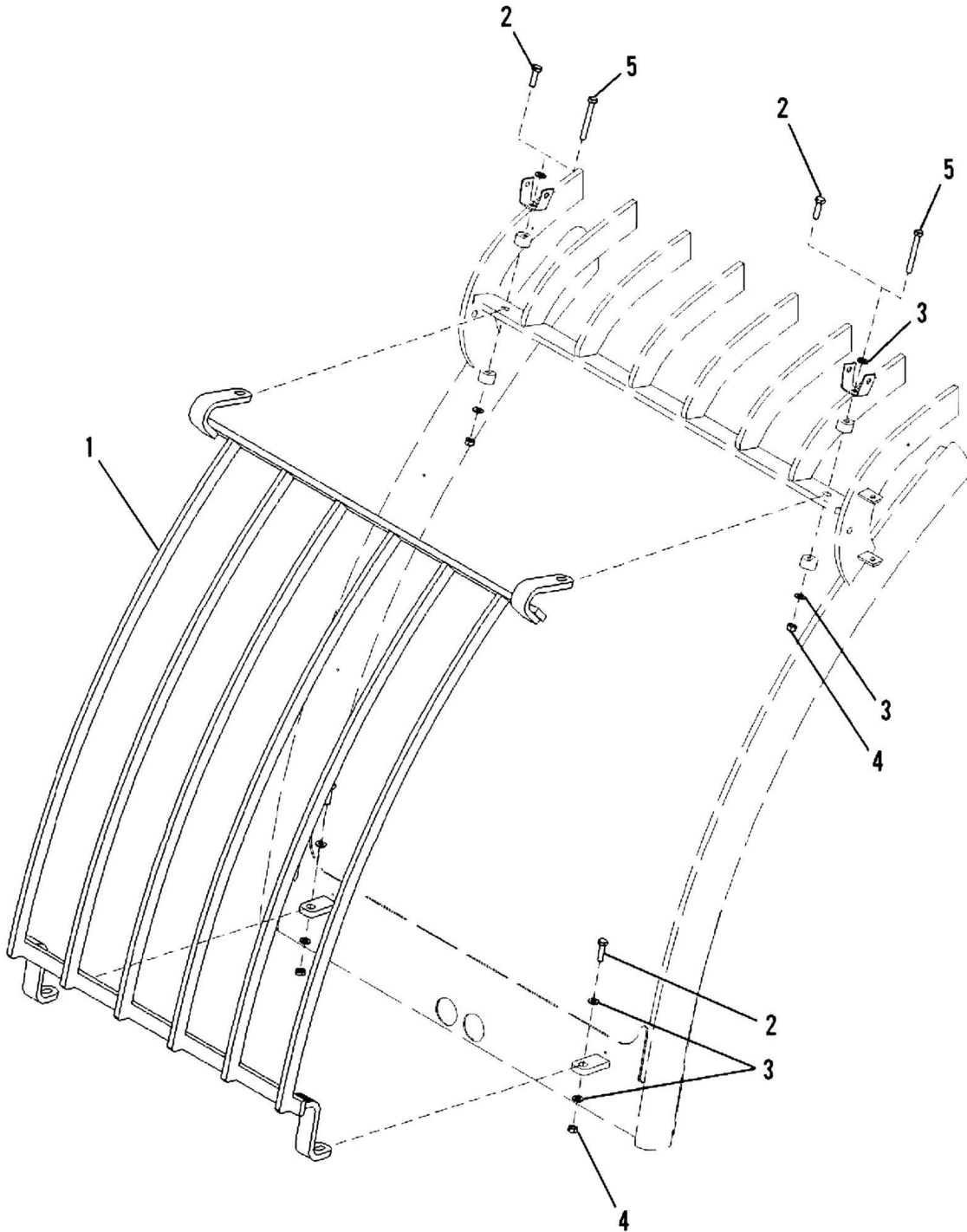
SECTION 12 - OPTIONS

FIGURE 12-2. DRIVERS SEAT, AIR SUSPENSION

ITEM	PART NUMBER	QTY	DESCRIPTION	REV
	3980036	1	DRIVERS SEAT, AIR SUSPENSION, (includes all items)	
1	7028742	1	BACKREST	
2	7028743	1	CUSHION	
3	7028744	1	SPRING	
4	7028745	1	BACKREST EXTENSION, (optional)	
5	7028746	1	KNOB	
6	7028747	3	CAP	
7	7028748	1	COVERING, RIGHT SIDE	
7	7028749	1	COVERING, LEFT SIDE	
8	7028750	1	RETRACTABLE SEAT BELT	
9	7028751	1	INTERNAL SLIDE	
10	7028752	1	EXTERNAL SLIDE	
11	7028753	1	EXTERNAL SLIDE	
12	7028754	4	SCREW	
13	7028755	1	SLIDE ASSY	
14	7028756	4	SLIDE SPACER	
15	7028757	1	TILT ADJUSTER HANDLE	
16	7028771	4	SPRING	
17	7028772	1	LEVER KIT	
18	7028773	1	SHOCK ABSORBER	
19	7028774	1	SWITCH	
20	7028775	2	BUMPER	
21	7028763	2	BUMPER STOP	
22	7028764	4	SUSPENSION WHEEL	
23	7028765	1	SHOCK ABSORBER	
24	7028777	1	RUBBER BODY	
25	7028778	29	SNAP FASTENER	
26	7028779	1	AIR SPRING	
27	7028780	1	COMPRESSOR, 12 VOLT	
28	7028781	2	BUMPER	

SECTION 12 - OPTIONS

FIGURE 12-3. FRONT CAB GLASS SHIELD



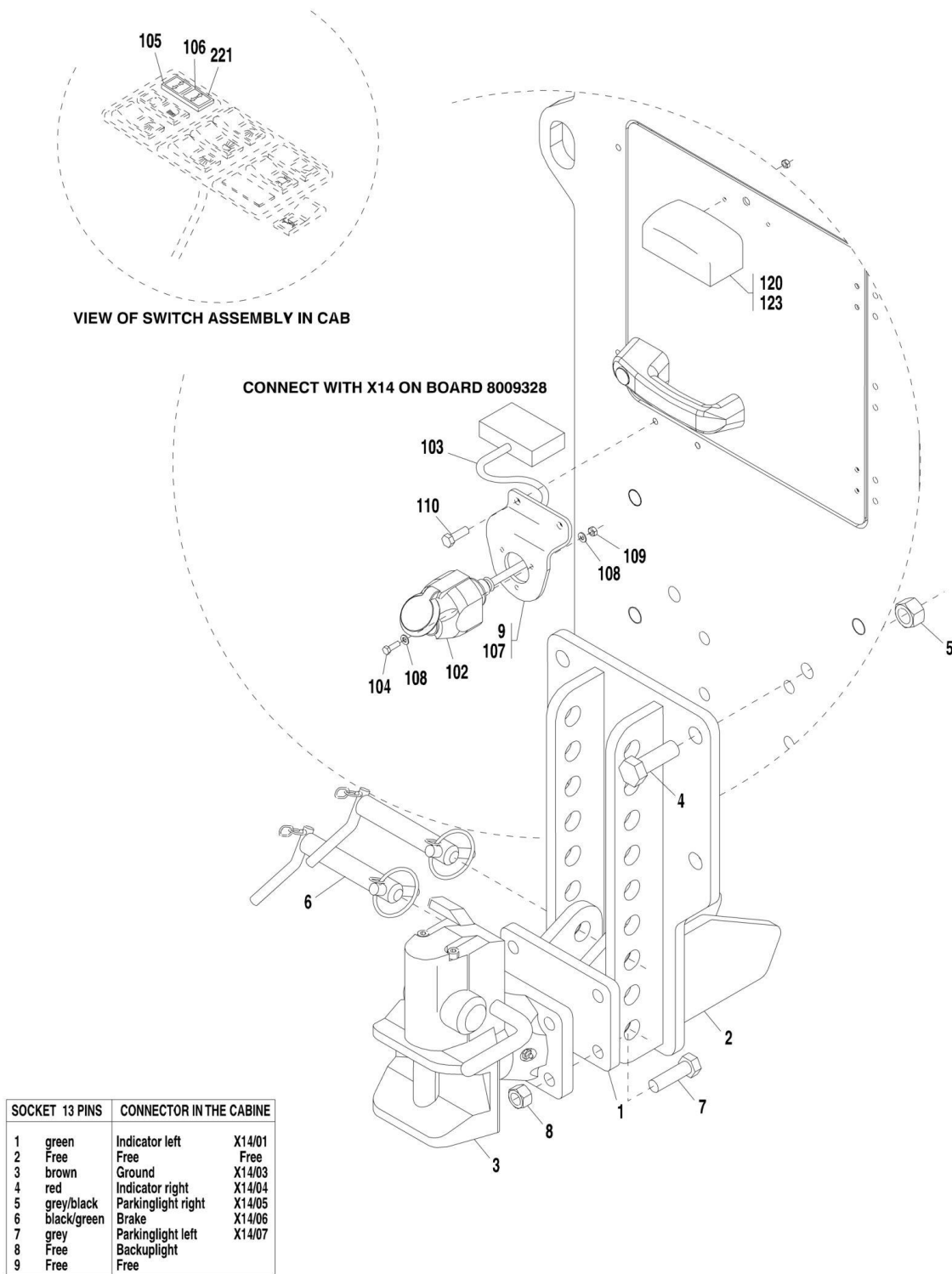
SECTION 12 - OPTIONS

FIGURE 12-3. FRONT CAB GLASS SHIELD

ITEM	PART NUMBER	QTY	DESCRIPTION	REV
	8009532	1	FRONT CAB GLASS SHIELD, (includes all items)	2
1	8009533	1	SCREEN GRID	
2	0700815	4	BOLT, (without work lights)	
3	4811900	8	WASHER	
4	3290807	4	NUT	
5	1391297	2	BOLT, (with work lights)	

SECTION 12 - OPTIONS

FIGURE 12-4. TRAILER COUPLING KIT



SECTION 12 - OPTIONS

FIGURE 12-4. TRAILER COUPLING KIT

ITEM	PART NUMBER	QTY	DESCRIPTION	REV
	8010198	1	TRAILER COUPLING KIT, (includes items 1 thru 9)	C, 4
1	8010234	1	ADAPTER	
2	8010228	1	HOLDER	
3	8002789	1	TRAILER COUPLING	
4	0712020	4	HEX HD CAPSCREW, 20-2.5X60MM, GR 10.9	
5	3332017	4	NUT, M20-10	
6	8010204	2	FASTENING BOLT	
7	0711619	4	HEX HD CAPSCREW, 16-2X55MM, GR 10.9	
8	3331607	4	LOCKNUT, M16-2.00	
9	8005289	1	REAR SOCKET KIT, (includes items 102 thru 110) (Prior to SN 1160002707)	
9		Ref	7-PIN TRAILER SOCKET INSTALLATION, (See 7-PIN TRAILER SOCKET INSTALLATION for Breakdown) (SN 1160002707 to Present)	
102	3985288	1	TRAILER PLUG SOCKET	
103	8005288	1	WIRING HARNESS	
104	4031612	3	SOCKET HD CAPSCREW, 5-0.8X40	
105	1719204	1	INDICATOR LIGHT	
106	8002826	1	SYMBOL, TRAILER	
107	8007433	1	SOCKET BRACKET	
108	4811600	6	FLAT WASHER, 5MM	
109	3290501	3	HEX NUT, 5MM-0.80	
110	0760806	2	HEX HD CAPSCREW, 8-1.25X12MM, GR 8.8	
	8006309	1	LICENSE PLATE LIGHT INSTALLATION, (includes items 120 & 123)	
120	448920	1	LICENSE PLATE LIGHT	
123	2920164	1	LIGHT BULB, 12V	
221	1663796	1	INSERT	

SECTION 12 - OPTIONS

FIGURE 12-5. SITE HITCH ASSEMBLY KIT

ITEM	PART NUMBER	QTY	DESCRIPTION	REV
	8010199	1	SITE HITCH ASSEMBLY KIT, (includes items 1 thru 7)	C, 4
1	8010200	1	TOWING ATTACHMENT	
2	8010228	1	HOLDER	
3	3944574	1	PIN	
4	0712020	4	HEX HD CAPSCREW, 20-2.5X60MM, GR 10.9	
5	3332017	4	NUT, M20-10	
6	8010204	2	FASTENING BOLT	
7	8005289	1	REAR SOCKET KIT, (includes items 102 thru 123) (Prior to SN 1160002707)	
7		Ref	7-PIN TRAILER SOCKET INSTALLATION, (See 7-PIN TRAILER SOCKET INSTALLATION for Breakdown) (SN 1160002707 to Present)	
102	3985288	1	TRAILER PLUG SOCKET	
103	8005288	1	WIRING HARNESS	
104	4031612	3	SOCKET HD CAPSCREW, 5-0.8X40	
105	1719204	1	INDICATOR LIGHT	
106	8002826	1	SYMBOL, TRAILER	
107	8007433	1	SOCKET BRACKET	
108	4811600	6	FLAT WASHER, 5MM	
109	3290501	3	HEX NUT, 5MM-0.80	
110	0760806	2	HEX HD CAPSCREW, 8-1.25X12MM, GR 8.8	
120	448920	1	LICENSE PLATE LIGHT	
123	2920164	1	LIGHT BULB, 12V	
221	1663796	1	INSERT	

SECTION 12 - OPTIONS

FIGURE 12-6. DRAW BAR COUPLING

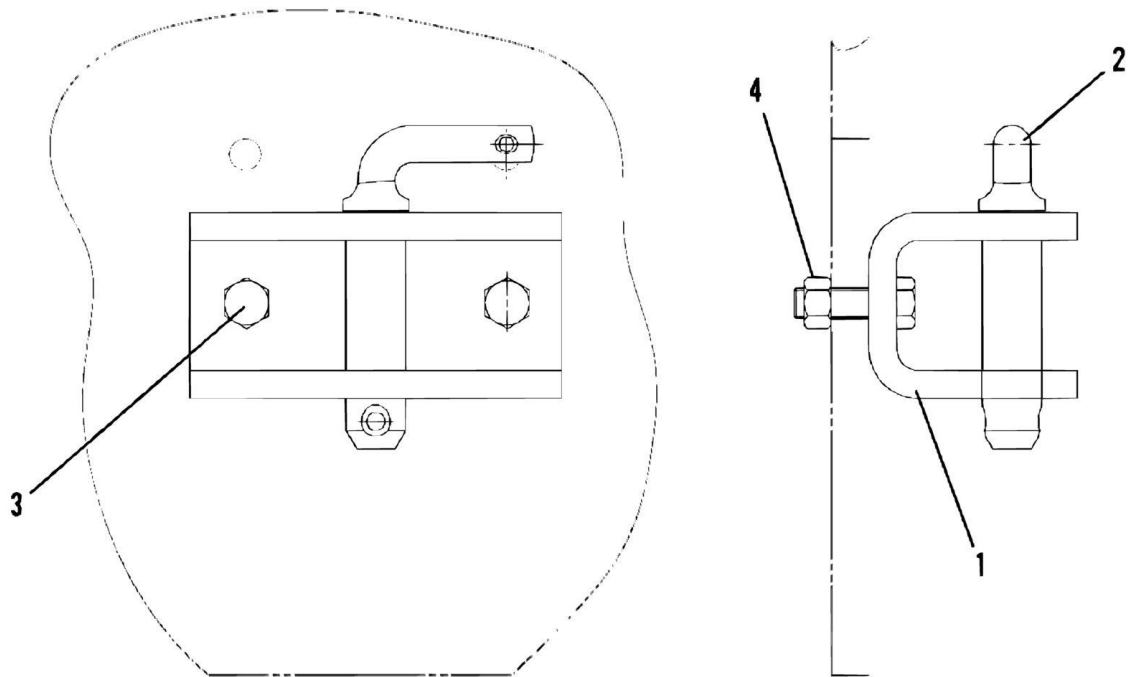


FIGURE 12-6. DRAW BAR COUPLING

ITEM	PART NUMBER	QTY	DESCRIPTION	REV
	4805932	1	DRAW BAR COUPLING, (includes all items)	2
1	4804533	1	TOWING ATTACHMENT	
2	3944574	1	PIN	
3	0771619	2	HEX HD CAPSCREW	
4	4805921	2	NUT	

SECTION 12 - OPTIONS

FIGURE 12-7. BATTERY SWITCH

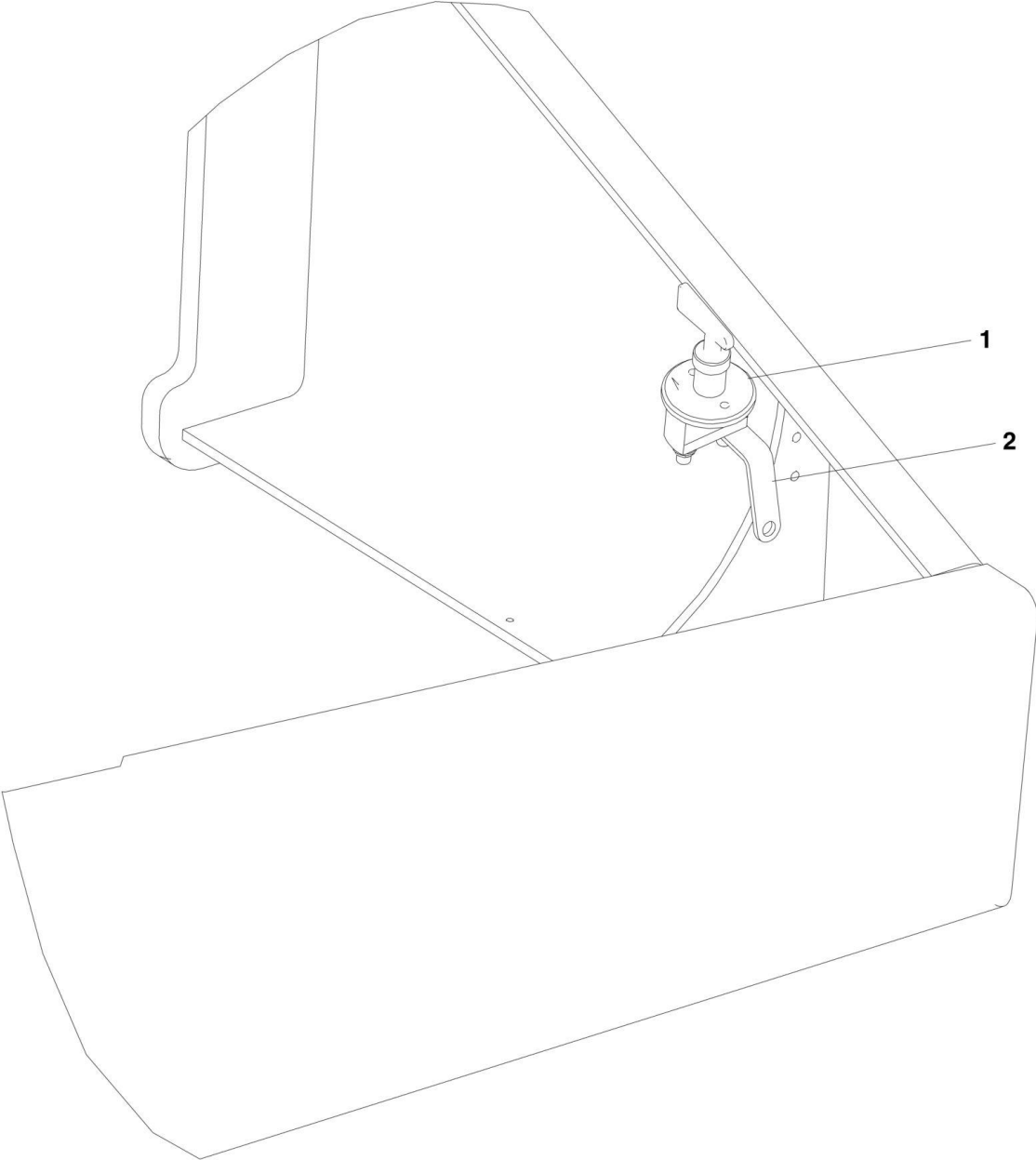


FIGURE 12-7. BATTERY SWITCH

ITEM	PART NUMBER	QTY	DESCRIPTION	REV
	8002791	1	BATTERY SWITCH OPTION	
1	1786385	1	BATTERY SWITCH	
2	8006680	1	PLATE	

SECTION 12 - OPTIONS

FIGURE 12-8. GROUND WIRE INSTALLATION

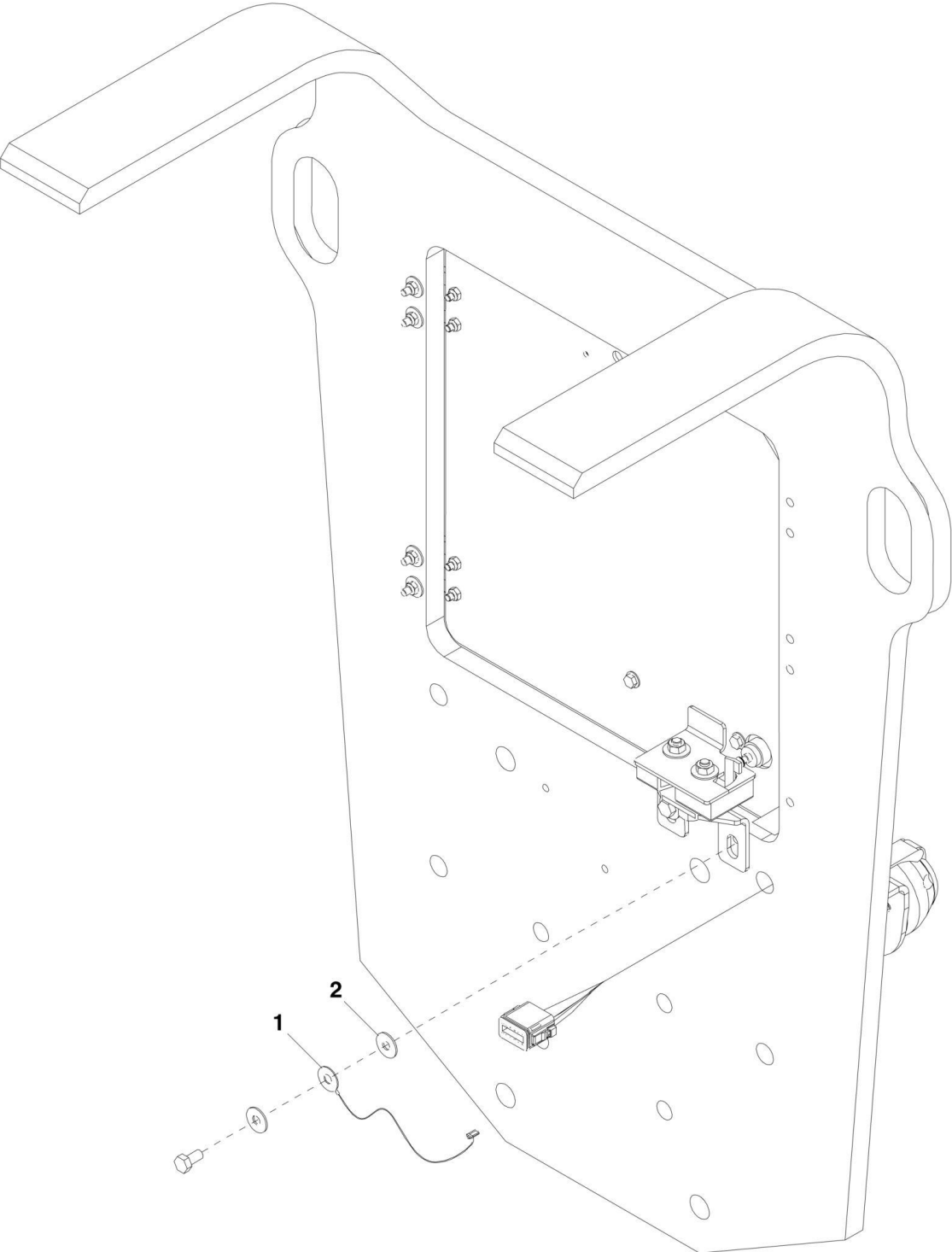


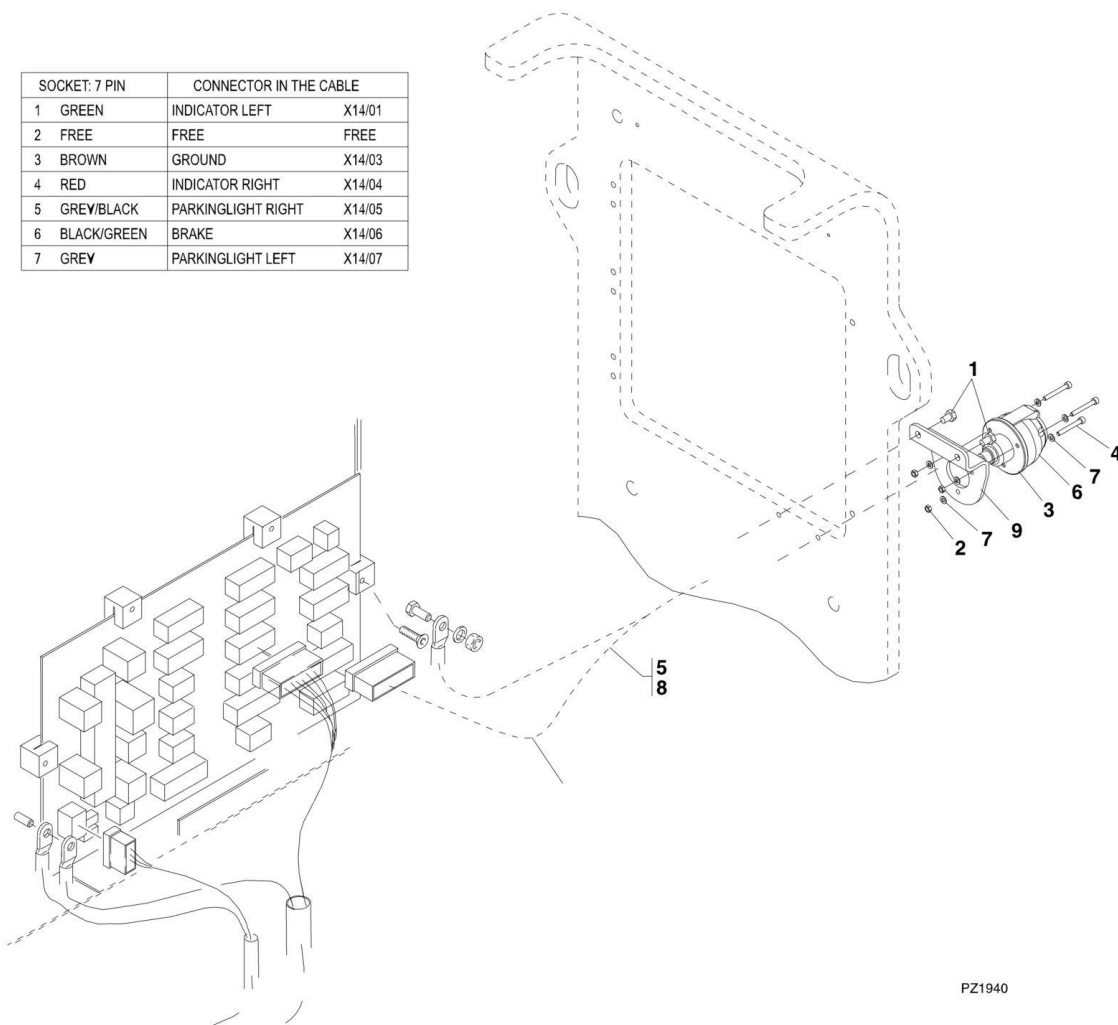
FIGURE 12-8. GROUND WIRE INSTALLATION

ITEM	PART NUMBER	QTY	DESCRIPTION	REV
	0275345	1	GROUND WIRE INSTALLATION, (includes all items)	
1	4923512	1	GROUND WIRE	
2	5211902	1	LOCKWASHER, 8MM	

SECTION 12 - OPTIONS

FIGURE 12-9. 7-PIN TRAILER SOCKET INSTALLATION (SN 1160002707 to Present)

SOCKET: 7 PIN	CONNECTOR IN THE CABLE	
1 GREEN	INDICATOR LEFT	X14/01
2 FREE	FREE	FREE
3 BROWN	GROUND	X14/03
4 RED	INDICATOR RIGHT	X14/04
5 GREY/BLACK	PARKINGLIGHT RIGHT	X14/05
6 BLACK/GREEN	BRAKE	X14/06
7 GREY	PARKINGLIGHT LEFT	X14/07



PZ1940

SECTION 12 - OPTIONS

FIGURE 12-9. 7-PIN TRAILER SOCKET INSTALLATION (SN 1160002707 to Present)

ITEM	PART NUMBER	QTY	DESCRIPTION	REV
	39453945	1	7-PIN TRAILER SOCKET INSTALLATION, (Includes all items)	A
1	0760806	2	HEX HD CAPSCEW, M8X12	
2	3290501	3	HEX NUT, M5X0.8	
3	3960600	1	GASKET	
4	4031612	3	SOCKET HD CAPSCREW, M5X40	
5	4460185	6	TERMINAL	
6	4461021	1	PLUG	
7	4811600	6	FLAT WASHER, 5MM	
8	8005288	1	CABLE	
9	8007433	1	BRACKET	

SECTION 13 - RECOMMENDED SPARE PARTS

SECTION 13 - RECOMMENDED SPARE PARTS

SECTION 13 - RECOMMENDED SPARE PARTS

FIGURE 13-1. RECOMMENDED SPARE PARTS

ITEM	PART NUMBER	QTY	DESCRIPTION	REV
	Note	Ref	NOTE: THE FOLLOWING LIST WILL SERVICE FLEETS OF MACHINES (BUILT TO CURRENT PRODUCTION PER DATE ON THE FRONT COVER) WITH REPAIR PARTS WHICH CAN BE INSTALLED IN THE FIELD. PARTS FROM THE LIST SHOULD BE REPLACED WHEN INVENTORY IS DEPLETED TO KEEP SERVICE PARTS STOCK SUPPLIED. FOR FURTHER INFORMATION, CONTACT YOUR JLG DEALER OR THE JLG INDUSTRIES PARTS DEPARTMENT.	
		Ref	BOOM ASSEMBLY	
	2754157	1	TILT CYLINDER HOSES	
	2754158	1	TILT CYLINDER HOSES	
	2754141	1	BOOM HOSES, (right)	
	2754150	1	BOOM HOSES, (left)	
	2754236	1	BOOM HOSES, (right)	
	2754140	1	BOOM HOSES, (left)	
	3580336	2	HOSE SHEAVE	
	4700021	8	BEARING PAD	
	4700030	1	BEARING PAD	
	4700031	1	BEARING PAD	
	4700032	6	BEARING PAD	
	1001093784	4	BEARING PAD	
	8002200	24	BEARING PAD	
	8002201	4	BEARING PAD	
	8010148	2	BEARING PAD	
	4071085	AR	SHIMS, 2.0MM	
	4071087	AR	SHIMS, 4.0MM	
	4071093	AR	SHIMS, 2.0MM	
	4071098	AR	SHIMS, 3.0MM	
	4071099	AR	SHIMS, 2.0MM	
	8002904	AR	SHIMS, 1.0MM	
	8003242	AR	SHIMS, 1.0MM	
	8008070	AR	SHIMS, 2.0MM	
	8009987	AR	SHIMS, 2.0MM	
	3964987	1	QUICK RELEASE PIN	
		Ref	ENGINE	
	8006013	1	OIL FILTER	
	7028655	1	FUEL FILTER	
	80273010	1	AIR FILTER ELEMENT	
	80273042	1	AIR FILTER SAFETY ELEMENT	
	3929100	1	AIR CIRCULATION FILTER ELEMENT	
	8003285	1	FUEL TANK CAP (Prior to SN 1160000822)	
	7029215	1	FUEL TANK CAP (SN 1160000822 to Present)	
	2060033	1	FAN	
	7028686	1	ALTERNATOR BELT	
	7028672	1	DIPSTICK	
		Ref	DRIVE TRAIN	
	91473031	1	FNR SHIFTER	
	8002599	1	ACCELERATOR CABLE	
	8008101	1	TRANSMISSION FILTER	
	7028718	2	WHEEL END SEAL	

SECTION 13 - RECOMMENDED SPARE PARTS

ITEM	PART NUMBER	QTY	DESCRIPTION	REV
	8004468	2	WHEEL END BUSHING	
	91514111	2	WHEEL END BUSHING	
	7029430	2	WHEEL HUB SEAL	
	7028721	2	WHEEL HUB SEAL	
	8005079	1	UNIVERSAL JOINT KIT	
		Ref	HYDRAULIC SYSTEM	
	7028545	1	LIFT CYLINDER SEAL KIT	
	7029232	1	CROWD CYLINDER SEAL KIT	
	7028572	1	TILT CYLINDER SEAL KIT	
	70029972	1	COMP CYLINDER SEAL KIT	
	7028599	1	SWAY CYLINDER SEAL KIT	
	70029969	2	STABILIZER CYLINDER SEAL KIT	
	8007563	1	HYDRAULIC FILTER ELEMENT	
	8005248	1	FLUID LEVEL GAUGE	
		Ref	ELECTRICAL	
	8002407	1	BOOM JOYSTICK	
	7028141	1	OIL PRESS SWITCH	
	8002019	1	FUEL LEVEL SENDER	
	3740112	2	BOSCH RELAY	
	8002859	1	BACKUP ALARM	
	8002820	1	IGNITION SWITCH	
	1001090078	1	ALTERNATOR	
	70021786	1	STARTER	
	8009766	1	HORN	
	8006318	1	TEMPERATURE SWITCH	
		Ref	MISC.	
	8008049	1	IGNITION KEY, (also for cab door, rear cover and engine cover)	
	8008049	1	TOOLBOX KEY	
	80904003	1	HYDRAULIC TEST KIT	
	3121857	1	OPERATOR AND SAFETY MANUAL	
	3121858	1	SERVICE MANUAL	

SECTION 13 - RECOMMENDED SPARE PARTS

PART NUMBER INDEX

SECTION 13 - RECOMMENDED SPARE PARTS

0100011.....31, 33, 35, 37, 39, 41, 43, 45, 47, 221, 227, 229, 235, 239, 251, 314	0700510..... 291	0771016..... 281	1001093946.....293
0100035.....251	0700512..... 291	0771619..... 331	1001093947.....293
0100085.....97	0700615..... 287	0801445..... 35	1001094077..... 163
0120008..... 101	0700616 199, 201, 221	0801447..... 43	1001094094..... 164
0140047.....281	0700617 ... 101, 203, 221	0801449..... 39	1001094171..... 314
0240063.....59	0700626... 175, 203, 205, 207, 215, 221, 321	0801453..... 31	1001094172..... 31, 314
0240064..... 15	0700815..... 325	0801546..... 291	1001094181..... 31
0240110.....59	0700816 197, 205, 207	0801557..... 43	1001094186..... 31
0240143.....51	0700817 205, 211, 215	0801559..... 31	1001094258..... 31
0240145.....83	0700818 19, 175, 321	0845749..... 164	1001094555.... 47, 48, 55, 63, 207, 215, 216
0240158.....79	0700826 193, 215, 223	0860520..... 69	1001094556.... 47, 48, 55, 63, 207, 215
0273519.....321	0700827..... 51	0861772..... 291	1001094565.....293
0273534.....215	0700836..... 275, 286	0861794..... 69, 291	1001094566.....281
0273825.....259	0701015..... 15	0874993..... 215	1001094612..... 53
0273826.....259	0701021 ... 199, 201, 221, 291	0877203..... 215	1001095303..... 317
0273827..... 19	0701024..... 11	0879192..... 163	1001095650.25, 229, 302
0273828.....21	0701029..... 51, 61	0885236..... 179	1001096653.....276, 288
0273829.....314	0701030..... 101	0885849..... 163	1001097287.. 48, 55, 207, 216
0273831.....221	0701032..... 16	0892976..... 185	1001097296..... 15
0273863.....213	0701219..... 27, 269	0902954..... 87	1001098161.....245
0274097.....269	0701232..... 16	0902966..... 101	1001099193.... 31, 33, 35, 37, 39, 41, 43, 45
0274108..... 12	0702037..... 15	0902991..... 271	1001101830.....229
0274124.....275	0711619..... 327	0903097..... 201	1001101954..... 199, 205
0274125..... 12	0712020..... 327, 329	0903109..... 47	1001102080.....229
0274268.....317	0712030..... 164	0903122..... 223	1001102633..... 302
0274304.....296	0712242..... 135	0903224..... 11	1001103180..... 302
0274377.....223	0760405..... 276, 287	0903341..... 23, 25	1001103530..... 63
0274487..... 11	0760508..... 302	0903342..... 23, 25	1001103533..... 63
0274608..... 197	0760508..... 302	0903366..... 51	1001103807..... 302
0274919.....23	0760606..... 25	0903368..... 23, 25	1001104018..... 199
0275010.....291	0760608 . 11, 23, 87, 287, 291, 296	0903380..... 27	1001104090..... 317
0275083.....286	0760610..... 167	0903404..... 291	1001104341..... 302
0275091.....219	0760612..... 11	0903438..... 31	1001104342..... 302
0275101.....27	0760614..... 195, 281	0903440..... 27	1001104344..... 302
0275102.....27	0760615..... 302	0903501..... 269	1001104415..... 302
0275345.....335	0760806 327, 329, 337	0903502..... 27, 269	1001104497..... 309
0275403.....291, 314	0760808 11, 163, 164	0920120..... 197	1001104498..... 105, 309
0280173..... 135	0760810 ... 11, 47, 87, 93, 187, 224	0930003..... 55	1001104499..... 302, 309
0313279.....269	0760812 . 11, 27, 97, 163, 305	0930015..... 53	1001104541..... 317
0314725..... 95	0760814 97, 273, 296	0930016..... 53	1001105097..... 276, 287
0318854.....253	0760819..... 205	09523572..... 97	1001105098.....276, 287
0321779..... 163	0760827 93, 203, 221	1000331..... 185	1001105362.....253
0328027..... 19	0761008 .12, 15, 163, 195	1001003536..... 314	1001106382..... 317
0330101.....261	0761010 ... 11, 31, 37, 41, 45, 207, 209, 215, 269	1001005960..... 164	1001106385..... 302
0388450.....269	0761011..... 41	1001009178..... 314	1001106386..... 302
0400229.....296	0761012 ... 11, 27, 37, 41, 45, 197, 269	1001090078..... 91, 341	1001106403..... 25
0440296.....35, 39	0761014 ...33, 37, 47, 185	1001091102..... 305	1001106464..... 305
0440298.....35	0761015 . 33, 37, 41, 259, 291	1001091313..... 63	1001106805..... 302
0440309.....21	0761016 41, 269, 287, 291	1001091537..... 179	1001106978..... 229
0443549.....253	0761210 ... 21, 23, 35, 37, 39, 41, 45, 243, 245, 247	1001091697..... 314	1001107508..... 237
0447985..... 169	0761212..... 37, 41, 45	1001091870..... 199	1001107511.....241
0480138..... 101	0761214..... 33, 37, 41	1001092069..... 291	1001107512.....247
0498748..... 163, 171	0761215..... 41, 209	1001092224..... 23	1001107513.....251
0610175.....286	0761216..... 51	1001092239..... 291	1001107622..... 302
0630571..... 19	0761218..... 31	1001092511..... 199	1001107647..... 302
0630574..... 19	0761612..... 67	1001092742..... 224	1001107749..... 302
0630576..... 12	0771014..... 87	1001093344..... 164	1001107789..... 287
0630582..... 99		1001093397..... 199	1001107854..... 105, 309
0630589..... 135		1001093700..... 287	1001107894..... 309
0630605.....287		1001093784 .. 41, 45, 340	1001107906..... 309
063585.....314		1001093826 . 47, 63, 207, 215	1001107982..... 302
0641606.....223		1001093827 . 47, 63, 207, 215, 216	1001108122..... 309
0681812.....223		1001093875..... 293	1001108472..... 307
0700507..... 11		1001093893..... 163	

SECTION 13 - RECOMMENDED SPARE PARTS

1001108661	305	1321323	205, 207	1706371	317	2142204	195, 205
1001108683	305	1321324	203, 205, 221	1706373	159, 314	2142206	219
1001108684	305	1321329	203, 221	1706374	317	2142207	224
1001108685	305	1321343	291	1706375	317	2142505	47
1001108686	305	1321344	291	1706379	317	2142708	197
1001108687	305	1321570	205	1706595	77	2142709	197
1001108689	305	1321590	205	1706596	77	2142713... ..	195, 211, 213, 265
1001108690	309	1321593	291	1706600	77	2142715	265
1001108700	305	1321594	291	1706601	77	2142716	219
1001109272	317	1321620	27	1706602	77	2142755	193, 223
1001109966	317	1321704	199, 221	1706603	77	2142804	265
1001110722	317	1349717	97	1706604	77	2143005	197
1001110729	317	1356294	27, 269	1706605	77	2143007	213
1001112126	299	1356341	87, 95, 101	1706618	317	2143404	205, 223
1001112127	299	1356352	169	1706628	296	2143406	201, 203, 221
1001112128	299	1359720	187, 275, 286	1706702	51	2143409	193, 223
1001112129	299	1360276	31, 35, 43	1706716	317	2143511	47
1001112559	65	1360277	39	1706753	314	2143514	219
1001113432	302	1360278	39	1706754	314	2143602	23
1001117009	307	1360279	31	1706755	314	2143603	197
1001117057	302	1360282	35, 43	1706756	314	2160016	21, 31, 35, 39, 43
1003721	93, 95, 213	1360585	279	1706757	314	2160018	35, 39
1040012	163	1366865	173	1706758	314	2180840	193
1040013	167	1377299	203, 205, 207, 215, 221	1706759	314	2180850	291
1040030	167	1380161	97	1706760	317	2180851	291
1042977	163	1380625	253	1707147	317	2180852	291
1062255	93, 193, 201, 203, 213, 221, 223, 269, 271, 273, 275, 281, 286, 296, 302	1391297	325	1707169	317	2180855	223
1074306	193, 195	1398374	169	1718985	275, 286	2180856	205
10837060	117, 119, 121	1398385	12, 171	1719000	279	2221085	199, 201, 221
10837072	107	1398443	185	1719033	275, 286	2221219	291
10837074	105	1560029	291	1719088	275, 286	2340029	67
10868235	107	1600387	69	1719113	275, 286	2340030	67
10868243	111	1600399	286	1719124	275, 286	2340034	65
10868254	113	1614979	215	1719204	275, 286, 327, 329	2340040	67
10868277	117, 119, 121	1616551	135, 147	1719419	275, 279, 286	2340041	67
10868284	119	1629567	95	1749733	169, 171	2360693	11
10868323	125	1630253	185	1780754	163	2400073	271
1120586	259	1631629	147	1781813	164	2400074	271
1120587	259	1663796	327, 329	1784861	15	2400600	153
1170001	51	1663821	275, 286	1786385	333	2401043	153
1170002	61	1671173	167	1787217	273, 296	2401258	153
1170028	51	1671183	291	1810023	287	2420202	74
1170029	51	1684395	243	1810024	296	2443576	195, 197, 271
1170058	81	1684396	233	1898686	11, 12, 15, 27	2447967	317
1260391	39	1684404	249	2000200	91	2471354	195
1260392	39	1684410	227	2000226	87	2477156	197
1260393	43	1684428	231	2014226	11	2478782	19
1260394	43	1684485	229	2060033	87, 340	2481254	321
1260395	209	1686475	201, 203, 221	2080057	296, 314	2481696	205, 207, 215
1302325	47, 215	1686997	99	2099716	171	250216	302
1309275	193, 265	1689207	211	2120186	97	2686762	179, 275, 286
1309435	203, 205, 215, 221	1701509	77	2120187	97	2700118	57
1320324	276, 287	1702773	314	2131216	195	2720519	93
1320626	205, 207	1704260	287	2132020	291	2754089	207
1321073	205, 207	1704277	77	2140106	219	2754090	205
1321132	209	1705828	77	2140223	197	2754091	203, 221
1321140	11	1705951	314	2140224	195	2754115	213
1321141	47	1705980	317	2140225	193, 223	2754116	213
1321264	199, 201, 221	1706209	314	2140808	223	2754140	207, 340
1321284	201	1706227	314	2140810	95	2754141	209, 340
1321285	203, 221	1706277	314	2141102	23	2754142	205
1321292	201	1706323	77	2141505	209	2754143	205
1321301	93	1706336	317	2141809	219	2754144	205
		1706347	317	2142103	135, 147	2754145	205
		1706348	317	2142203	197	2754150	209, 340
		1706352	317				

SECTION 13 - RECOMMENDED SPARE PARTS

2754151.....47	3290601 ... 163, 195, 296, 302	3576094 291	3977460.....47, 207, 215, 216
2754157.....205, 340	3290605 12, 87, 101, 175, 185, 276, 288, 321	3580330 35	3978370.....167
2754158.....205, 340	3290607 11, 283, 293	3580332 39	3978381.....163
2754159.....207	3290801 11, 187, 291	3580336 35, 39, 340	3980036.....323
2754201.....197	3290805 51, 95, 101, 163, 171, 185, 197, 275, 286	3600402 101	3980038.....175, 321
2754202.....197	3290807 11, 27, 269, 305, 325	3600422 263	3983720.....153
2754203.....197	3291001 . 23, 25, 47, 101, 273, 287, 296	3625158 193, 223	3983731.....154
2754236.....205, 340	3291005 ... 15, 51, 61, 95, 101, 185, 259, 276, 287	3737879 193, 223	3984301.....153
2754272.....201	3291007 15	3740067 296	3984425.....157
2754275.....201, 221	3291201 209	3740080 302	3984436.....157
2754276.....199, 201, 221	3291205 51	3740112 271, 341	3984447.....157
2754315.....223	3291207 ...15, 27, 31, 269	3746392 173	3984458.....157
2754316.....223	3292001 35, 39, 43	3746405 173	3984469.....157
2754320.....193, 223	3292007 15	3749975 185	3985288.....327, 329
2754496.....197	3292401 31	3759535 179	3986530.....163
2754497.....197	3300478 19	3759579 215	398929.....87
2754502.....223	3300479 135	3760463 233	4000017.....23, 25
2754505.....219	3300480 271	3760488 ... 31, 35, 39, 43	4010308.....271
2754506.....219	3300481 271	3760489 ... 31, 35, 39, 43	4010405.....12
2754507.....219	3300486 99	3760490 31, 39	4010408.... 163, 283, 293
2754508.....219	3300497 12, 163, 169	3760493 231, 239	4010416.....305
2754623.....201	3300498 291	3760508 51	4010506.....181
2755053.... 199, 201, 221	3300499 291	3780202 101	4010508.....93
2902399.....47	3300500 135	3820019 12	4010510.....169
2902438.....47	3331607 327	3900357 291	4010608.... 169, 283, 293
2902527.....135, 147	3332017 327, 329	3900362 209	4010612.....163
2903062.....205, 215	3370610 283, 293	3900363 209	4010614.... 215, 275, 286
2904676.....193, 223	3380534 11	3927186 279	4031608.....185
2904687.....261	3380538 11	3928789 269	4031612.... 327, 329, 337
2904789.....205	3380559 15	3928790 269	4031614.....265
2906123.....276, 287	3380567 15, 27	3929100 179, 340	4031707.....287
2912085.....205, 211	3391410 47	3929780 97	4031710.....205, 207
2912132.....185	3423110 31, 35	3931579 314	4031716.....47
2913406.....279	3423116 ... 31, 35, 39, 43	3933128 275, 286	4031908.....33
2920164.....327, 329	3423117 35, 39	3933468 167, 187	4031909.....33
2920193.....287	3423118 35	3934378 167, 187	4031913.....291
2920210.....269	3423119 31, 39	3935835 171	4031919.....229
2966421.....11	3423120 39	3938394 279	4032016.....291
2966454.....197, 302	3423121 39	3938407 279	4032110.....33, 37
2969548.....95	3423123 43	3939475 163	4032111.....33, 37
2973384.....97	3423125 21, 23	3939486 163, 169	4032112.....33
2974454.....197	3423127 21, 243, 245, 247	3942436 169	4032123.....27
2980565.....205	3423129 21, 243, 245, 247	3944574 329, 331	4040283.....51
2982534.....179	3423139 221	39453945 337	4071085... 37, 41, 45, 340
2982603.....47	3423140 231	3945575 163	4071087.....41, 45, 340
2983091.....163, 187	3423141 231	3946123 169	4071093.....37, 340
2985515.....193, 223	3423144 51	3949091 163	4071098.....37, 340
2985617.....197	3423258 51	3951006 181	4071099.....37, 340
2985639.....197	3460346 99	3953973 179	4071103.....221
2988212.....97	3460374 135	3960585 35, 39	4071104.....37, 41, 45
2988632.....193, 223	3460380 135	3960586 99	4071105.....41, 45
2991568.....97	3460381 201, 221	3960600 337	4071106.....41, 45
2995299.....87	3460382 201, 221	3960927 12, 15, 27	4071107.....37
2997586.....215	3460388 291	3962930 203	4071108.....37
3121857.....341	3460477 291	3963146 279	4071109.....37
3121858.....341	3510871 ... 69, 71, 73, 77	3964987 47, 340	4071110.... 33, 37, 41, 45
3140007.....11	3574617 97	3968141 139, 151	4100072.....97
3220137.....99	3575424 15	3970214 ... 193, 195, 223	4100083.....97
3220138.....99	3575579 15	3971793 95	4120047.....314
324590.....47	3575679 167	3972909 275, 286	4120048.....314
3252801.....77	3576026 135	3975833 163	4160212.....185
3290305.....271		3975855 163	4170090.....275
3290405.... 12, 283, 293, 305		3975866 169	4170100.....286
3290501.... 181, 185, 327, 329, 337		3976436 185	4210010.....21, 23
		3976925 169	4210014.....21, 23
		3977119 279	4220215.....35, 39
		3977459 47, 207, 215	

SECTION 13 - RECOMMENDED SPARE PARTS

4220216	31	4569078	175, 321	4806024	171	5200605	12, 47, 271
4220298	287	4569102	201	4806035	171	5200608 15, 27, 164, 173,	
4240099	288	4569103	201	4806046	95	283, 293	
4240099S	276	4569337	291	4806057	95	5200808 . 87, 95, 99, 169,	
4240168	15	4569338	291	4806386	87	179, 193, 223	
429063	95	462780	195	4806397	87	5200810 12, 87, 173, 175,	
4340880	209	463929	47	4806433	11	181, 197, 213, 271, 321	
4340890	209	4641119	302	4806477	12	5200812	203
4340892	269	4641363	265	4806568	12	5201010 12, 101, 273,	
4340894	269	4641378	253	4806580	99	296	
4340907	209	4641382	253	4806604	12	5201012	11, 27, 101
4340970	276, 287	4641397	197	4806626	164	5201014 87, 193, 223,	
4340994	11	4641401	197	4807321	185	273, 296	
4341078	197	466104	87, 283, 293	4807616	163	5201210 47, 87, 221, 235,	
4341221	135	4674353	181, 215, 279	4807661	173	239	
4341384	199, 221	4700021 ..	33, 37, 41, 340	4807694	173	5201215 87, 193, 223	
4341392	287	4700025	209	4807707	173	5201612 221, 227, 229	
4360031	77	4700030	37, 340	4807718	173	5211702 11, 12, 185, 275,	
4360475	287	4700031	37, 340	4807729	173	287	
4360560	271	4700032 ..	37, 41, 45, 340	4807730	173	5211900	15
4360580	276, 287	471678	175, 271, 273,	4807741	173	5211902 12, 175, 185,	
4360583	73, 286	275, 279, 281, 286,		4807752	173	187, 335	
4360585	195	296, 321		4807763	173	5212000 . 15, 27, 87, 259,	
4360661	23	4740532 ...	19, 31, 33, 37,	4811400	12, 276, 287,	269, 276, 287	
4400464	93	41, 45, 193, 223		305		5220500	302
4400465	259	4740534	271	4811600 11, 93, 181, 291,		5220600	15
4400471	93	4740535	35, 39	327, 329, 337		5220800 ... 11, 15, 19, 27,	
4400474	197	4740550	15	4811700	11, 101, 163,	87, 93, 95, 97, 99, 163,	
4420008	74	4740555	135	167, 195, 203, 205,		167, 169, 173, 193, 223	
443630	15	4740557	223	207, 215, 221, 276,		5221000	12, 87
4460185	337	4800788	47	281, 288, 291, 296, 302		5221200	27, 87
4460321	302	4800948	47	4811900 11, 19, 27, 31,		70002222	241
4460343	302	4800959	47	97, 164, 197, 269, 273,		70007289	11
4460367	307	4801154	87	287, 291, 296, 305,		70020038	69
4460374	302	4801176	87	314, 325		70020039	69
4460761	302	4801654	221, 227, 229	4811902	47, 305	70020040	69
4460920	302	4802008	239	4812000 11, 15, 25, 33,		70020041	69
4461006	281	4802100	53	37, 41, 45, 95, 101,		70020042	69
4461021	337	4802122	239	163, 185, 197, 209,		70020043	69
4461045	291	4802837	12	269, 273, 291, 296		70020044	69
4461096	291	4803076	221, 235	4812100 . 12, 15, 164, 169		70020045	69
4461118	105	4803178	95	4812300	87	70020046	69
4461134	281	4803361	103	4812500	15	70020047	69
4461229	309	4803383	147	4821460	15	70020048	69
4461262	302, 309	4803394	12	4821461	15	70020049	69
448920	327, 329	4803941	221, 227, 229	4821462	15	70020050	69
4520324	159	4804135	87	4831700	287, 302	70020051	69
4520325	159	4804306	193, 223	4832000	287	70020052	69
4520329	159	4804511	19	4891600	224	70020053	69
4520330	159	4804522	19	4923002	275	70020054	69, 71, 73
4520386	159	4804533	331	4923003	271	70020055	69
4520387	159	4804566	221, 235	4923032	271	70020057	69
4520388	159	4804715	87	4923133	269	70020058	69
4520389	159	4805250	185	4923134	287	70020059	69
4520390	159	4805374	93	4923168	291	70020060	69
4520391	159	4805534	185	4923262	276, 287	70020061	69
4520392	159	4805670	53	4923312	287	70020062	69
4520393	159	4805794	97	4923313	287	70020063	69
4540016	103	4805852	193, 223	4923314	287	70020064	69
4568838	97	4805896	11	4923319	296	70020065	69
4568860	97	4805921	331	4923320	296	70020066	69
4568998	205	4805932	331	4923321	296	70020067	69
4568999	205	4805954	171	4923440	291	70020068	69, 77
4569000	207	4805965	171	4923512	335	70020069	69
4569001	207	4805976	171	4923513	291	70020070	69
4569043	209	4805987	171	4923514	291	70020071	69
4569044	209	4805998	171	492935	276, 287	70020072	71

SECTION 13 - RECOMMENDED SPARE PARTS

70020073.....	71	70020141.....	73	70021241.....	63	70029948.....	241
70020074.....	71	70020142.....	74	70021482.....	101	70029949.....	241
70020075.....	71	70020143.....	69	70021483.....	101	70029956.....	241
70020076.....	71	70020144.....	71	70021484.....	101	70029957.....	241
70020077.....	71	70020145.....	71	70021487.....	91	70029958.....	241
70020078.....	71	70020146.....	77	70021488.....	91	70029959.....	241
70020079.....	71	70020147.....	73	70021490.....	91	70029960.....	241
70020080.....	71	70020148.....	77	70021494.....	245, 247	70029961.....	241
70020081.....	71	70020149.....	77	70021501.....	91	70029962.....	247
70020082.....	71	70020150.....	77	70021558.....	61	70029963.....	247
70020083.....	71	70020151.....	77	70021559.....	61	70029965.....	247
70020084.....	71	70020152.....	77	70021560.....	61	70029966.....	247
70020085.....	71	70020153.....	77	70021561.....	61	70029967.....	247
70020086.....	71	70020154.....	77	70021562.....	61	70029968.....	247
70020087.....	71	70020155.....	77	70021563.....	61	70029969.....	247, 341
70020088.....	71	70020156.....	77	70021576.....	87	70029970.....	247
70020089.....	71	70020157.....	77	70021786.....	91, 341	70029971.....	247
70020090.....	71	70020158.....	77	70021830.....	113	70029972.....	237, 341
70020091.....	71	70020159.....	77	70021835.....	63	7011016.....	263
70020092.....	71	70020160.....	77	70021836.....	63	7011043.....	263
70020093.....	71	70020161.....	77	70021838.....	63	7011044.....	263
70020094.....	71	70020162.....	77	70021839.....	63	7011048.....	263
70020095.....	71	70020163.....	77	70021840.....	63	7011067.....	263
70020096.....	71	70020164.....	77	70021841.....	63	7017165.....	69
70020097.....	71	70020165.....	77	70021842.....	63	7017172.....	69
70020098.....	71	70020166.....	77	70021843.....	63	7017192.....	69
70020099.....	71	70020167.....	77	70021898.....	142, 153	7024014.....	195, 265
70020100.....	71	70020168.....	77	70022698.....	251	7024934.....	257
70020101.....	71	70020169.....	77	70022699.....	251	7024935.....	257
70020102.....	71	70020173.....	153	70022700.....	251	7024941.....	257
70020103.....	71	70020201.....	57, 81	70022701.....	251	7024942.....	257
70020104.....	71	70020202.....	57	70022702.....	251	7024943.....	257
70020105.....	71	70020203.....	57, 79	70022703.....	251	7024944.....	257
70020106.....	71	70020204.....	57, 79	70022704.....	251	7024945.....	257
70020107.....	71	70020205.....	57, 81	70022705.....	251	7024946.....	257
70020108.....	71	70020206.....	57, 81	70022769.....	254	7024947.....	257
70020109.....	71	70020209.....	91	70022831.....	65	7024951.....	257
70020110.....	73	70020304.....	69	70022906.....	63	7024952.....	257
70020111.....	73	70020392.....	53	70022907.....	63	7024953.....	257
70020112.....	73	70020402.....	105	70022912.....	63	7028035.....	153
70020113.....	73	70020404.....	105	70022922.....	63	7028036.....	153
70020114.....	73	70020407.....	113	70022923.....	63	7028043.....	151
70020115.....	73	70020417.....	81	70022924.....	63	7028048.....	153
70020116.....	73	70020654.....	243, 245	70022925.....	63	7028049.....	153
70020117.....	73	70020655.....	245	70022927.....	63	7028052.....	157
70020118.....	73	70020657.....	245	70022928.....	63	7028053.....	157
70020119.....	73	70020721.....	101	70022929.....	63	7028055.....	107
70020120.....	73	70020723.....	79	70022930.....	63	7028056.....	125, 127
70020121.....	73	70020724.....	79	70023105.....	153	7028057.....	129
70020122.....	73	70020725.....	79	70023276.....	63	7028058.....	105
70020123.....	73	70020726.....	79	70023277.....	63	7028060.....	109
70020124.....	73	70020727.....	79	70023278.....	63	7028061.....	109
70020125.....	73	70020728.....	79	70026018.....	63	7028063.....	113
70020126.....	73	70020729.....	79	70028028.....	63	7028067.....	125
70020128.....	73	70020730.....	63, 79	70028031.....	63	7028069.....	131
70020129.....	73	70020731.....	63, 79	7002844.....	286	7028070.....	131
70020130.....	73	70020732.....	79	7002845.....	275, 286	7028071.....	131
70020131.....	73	70020733.....	79	70028978.....	63	7028079.....	149
70020132.....	73	70020734.....	79	70028979.....	63	7028080.....	149
70020133.....	73, 77	70020800.....	197	70028980.....	63	7028081.....	149
70020134.....	73	70021027.....	73	70029937.....	237	7028083.....	137, 149
70020135.....	73	70021125.....	179	70029938.....	237	7028084.....	137, 149
70020136.....	73	70021140.....	151	70029940.....	237, 241, 247	7028085.....	131
70020137.....	73	70021142.....	91	70029941.....	237, 241, 247	7028086.....	131
70020138.....	73	70021143.....	91	70029942.....	237	7028091.....	185
70020139.....	73	70021144.....	91	70029943.....	237	7028095.....	97
70020140.....	73	70021145.....	91	70029944.....	237	7028096.....	97

SECTION 13 - RECOMMENDED SPARE PARTS

7028097.....	97	7028628.....	67	7028747.....	177, 323	7028917.....	55
7028109.....	131	7028629.....	253	7028748.....	177, 323	7028918.....	55
7028110.....	103	7028630.....	254	7028749.....	177, 323	7028919.....	55
7028112.....	197	7028647.....	257	7028750.....	177, 323	7028920.....	55
7028113.....	197	7028648.....	257	7028751.....	177, 323	7028921.....	55
7028115.....	154	7028649.....	257	7028752.....	177, 323	7028922.....	55
7028118.....	97	7028650.....	257	7028753.....	177, 323	7028923.....	55
7028121.....	57	7028651.....	257	7028754.....	177, 323	7028927.....	105
7028122.....	57	7028655.....	91, 340	7028755.....	177, 323	7028929.....	87
7028123.....	57	7028659.....	91	7028756.....	177, 323	7028982.....	55
7028124.....	57	7028660.....	91	7028757.....	177, 323	7028983.....	55
7028131.....	55	7028663.....	91	7028758.....	177	7028984.....	55
7028136.....	51, 61	7028664.....	91	7028759.....	177	7028985.....	55
7028137.....	51, 61	7028665.....	91	7028760.....	177	7028990.....	55
7028141.....	91, 341	7028666.....	91	7028761.....	177	7028991.....	55
7028314... 227, 229, 233, 235, 239, 243, 245		7028668.....	91	7028762.....	177	7029105.....	275, 286
7028315.....	231	7028669.....	91	7028763.....	177, 323	7029129.....	139
7028316.....	243	7028672.....	91, 340	7028764.....	177, 323	7029131.....	139
7028526.....	189	7028673.....	91	7028765.....	177, 323	7029137.....	189
7028527.....	189	7028674.....	91	7028766.....	177	7029138.....	189
7028528.....	189	7028676.....	91	7028767.....	177	7029165.....	257
7028529.....	189	7028677.....	91	7028768.....	177	7029208.....	254
7028530.....	189	7028679.....	91	7028769.....	177	7029215.....	93, 340
7028531.....	189	7028680.....	91	7028770.....	177	7029216.....	93
7028532.....	189	7028681.....	91	7028771.....	323	7029217.....	93
7028533.....	189	7028682.....	91	7028772.....	323	7029218.....	93
7028534.....	189	7028684.....	91	7028773.....	323	7029220.....	93
7028535.....	189	7028685.....	91	7028774.....	323	7029221.....	93
7028536.....	189	7028686.....	91, 340	7028775.....	323	7029225.....	249
7028537.....	189	7028687.....	91	7028777.....	323	7029231.....	227, 229
7028538.....	189	7028688.....	91	7028778.....	323	7029232.....	231, 341
7028539.....	189	7028689.....	91	7028779.....	323	7029286.....	153
7028540.....	189	7028691.....	91	7028780.....	323	7029426.....	137, 149
7028541.....	189	7028692.....	91	7028781.....	323	7029427.....	139, 151
7028545... 227, 229, 341		7028706.....	141	7028782.....	93	7029428.....	153
7028548.....	227	7028707.....	137, 149	7028784.....	249	7029429.....	153
7028549.....	227, 229	7028708.....	137, 149	7028786.....	249	7029430.....	153, 341
7028550.....	227	7028710.....	139	7028787.....	249	7029431.....	154
7028558.....	233	7028711.....	141	7028792.....	249	7029432.....	154
7028559.....	231	7028712.....	141	7028794.....	249	7029433.....	157
7028560.....	231	7028713.....	141	7028840... 233, 243, 245		7029443.....	229
7028562.....	231	7028714.....	141	7028841.....	243, 245	7029445.....	235
7028569.....	231	7028715.....	141	7028842.....	243	7029449.....	231
7028570.....	229, 231	7028716.....	141	7028843.....	243	7029454.....	229
7028572.....	233, 341	7028717.....	141	7028845.....	254	7029455.....	229
7028573.....	233	7028718.....	141, 340	7028846.....	253, 254	7029515.....	265
7028574.....	233	7028720.....	141	7028847.....	254	7029519.....	265
7028575.....	233	7028721.....	141, 341	7028848.....	253	7029527.....	149
7028576.....	233	7028722.....	141	7028849.....	253, 254	7029531.....	253
7028584... 227, 229, 231, 233, 243, 245		7028723.....	141	7028850.....	227	7029592.....	263
7028585.....	235	7028724.....	141	7028851.....	227, 229	7029593.....	263
7028586.....	235	7028725.....	141	7028856.....	233	7029636.....	281
7028589.....	235	7028726.....	141	7028857.....	235	7029717.....	91
7028599.....	239, 341	7028727.....	141, 142	7028858.....	239	7029722.....	95
7028600.....	239	7028729.....	142	7028860.....	239	7029723.....	95
7028601.....	239	7028730.....	142	7028861.....	253	7029724.....	95
7028602.....	239	7028731.....	142	7028862.....	253	7029748.....	55
7028605.....	239	7028732.....	142	7028863.....	65	7029786.....	157
7028606.....	239	7028733.....	154	7028864.....	65	7029787.....	145
7028607.....	243, 245	7028734.....	145	7028894.....	253	7029811.....	153
7028609.....	243, 245	7028735.....	145	7028910.....	55	7029813.....	275
7028610.....	243	7028736.....	145	7028911.....	55	7029827.....	177
7028611.....	243, 245	7028742.....	177, 323	7028912.....	55	7029828.....	177
7028613.....	243	7028743.....	177, 323	7028913.....	55	7029845.....	239
7028626.....	67	7028744.....	177, 323	7028914.....	55	7029847.....	239
		7028745.....	177, 323	7028915.....	55	7029888.....	71
		7028746.....	177, 323	7028916.....	55	7029920.....	137, 149

SECTION 13 - RECOMMENDED SPARE PARTS

7029926.....	73	8001694.....	195	8002859.....	281, 341	8004886.....	167
7029927.....	73	8001699.....	195	8002904 ...	33, 37, 41, 45, 340	8004887.....	167
7029928.....	73	8001702.....	195	8002922.....	215	8004888.....	15
7029929.....	73	8001833.....	169	8002927.....	97	8004908.....	193
7029930.....	73	8001837.....	197	8002954 ...	275, 286, 299	8004980.....	95
7029931.....	73	8001838.....	197	8002985.....	173, 279	8004981.....	97
7029932.....	73	8001853.....	193	8003008.....	179	8004982.....	87
7029933.....	73	8001854.....	211	8003009.....	163	8004990.....	164
7029935.....	73	8001885.....	185	8003026.....	167	8005079.....	87, 341
7029962.....	71	8001888.....	47	8003027.....	167	8005174.....	193, 223
760810.....	15	8001905.....	193, 223	8003028.....	167	8005197.....	95
77104007.....	129	8001906.....	193, 223	8003032.....	167	8005205.....	164
77104039.....	107	8001908.....	95, 193, 223	8003033.....	167	8005248.....	259, 341
77104041.....	107	8001912.....	257	8003035.....	167	8005249.....	279
77104044.....	129	8001915.....	193	8003038.....	167	8005251.....	279
77104056.....	105	8001918.....	47	8003045.....	211	8005257.....	275, 286
77104081.....	123	8001935.....	15	8003047.....	197	8005258.....	275, 286
77104140.....	123	8001989.....	27, 269	8003065.....	215	8005276.....	163
77383126.....	97	8001991.....	27, 269	8003140.....	163	8005277.....	279
8000078.....	167	8002005.....	47	8003161.....	179	8005280.....	279
8000103.....	276, 287	8002019.....	93, 341	8003163.....	179	8005288.....	327, 329, 337
8000337.....	163	8002021.....	47	8003164.....	179	8005289.....	327, 329
8000339.....	169	8002022.....	169	8003165.....	101	8005293.....	279
8000340.....	173, 275	8002027.....	47	8003166.....	101	8005295.....	279
8000341.....	173	8002045.....	47	8003167.....	101	8005296.....	279
8000343.....	171	8002072.....	47	8003171.....	179, 181	8005297.....	279
8000344.....	171	8002095.....	197	8003172.....	179	8005298.....	279
8000345.....	189	8002096.....	197	8003173.....	179	8005315.....	15
8000382.....	11	8002097.....	197	8003174.....	179	8005316.....	15
8000420.....	11	8002110.....	47	8003191.....	167	8005376.....	95, 97
8000424.....	171	8002145.....	47	8003198.....	314	8005408.....	167
8000565.....	164	8002200 ...	33, 37, 41, 45, 340	8003199.....	215	8005424.....	275, 286
8000567.....	164	8002201.....	33, 41, 340	8003242 ..	37, 41, 45, 340	8005447.....	173
8000704.....	11	8002211.....	275, 286	8003285.....	93, 340	8005553.....	169
8000759.....	171	8002263.....	11	8003293.....	11, 169	8005556.....	275, 286
8000782.....	27	8002319.....	15	8003294.....	12	8005608.....	317
8000796.....	187	8002321.....	197	8003295.....	12	8005609.....	314
8000797.....	169, 171	8002323.....	147	8003309.....	167	8005616.....	314
8000798.....	171	8002324.....	147	8003320.....	87	8005617.....	314
8000799.....	169	8002332.....	15	8003382.....	279	8005621.....	215
8000801.....	11	8002355.....	205	8003385.....	275, 287	8005622.....	215
8000802.....	169	8002374.....	95	8003386.....	281	8005670.....	314, 317
8000803.....	163	8002375.....	95	8003387.....	275, 287	8005671.....	314, 317
8000871.....	169	8002407.....	187, 341	8003389.....	273, 296	8005672.....	317
8000877.....	141, 153	8002423.....	11	8003391.....	273, 296	8005673.....	317
8000924.....	275, 286	8002584.....	87	8003392.....	276, 287	8005674.....	317
8000984.....	275, 286	8002585.....	87	8003393.....	273, 296	8005675.....	314
8001143.....	159	8002599.....	87, 340	8003524.....	179	8005741.....	95
8001144.....	169	8002637.....	37, 41, 45	8003739.....	185	8005743.....	95
8001236.....	179	8002640.....	233	8004054.....	261	8005786.....	101
8001275.....	207, 215	8002765.....	179	8004069.....	87	8005787.....	101
8001330.....	163	8002781.....	215	8004070.....	87	8005789.....	197
8001331.....	163	8002787.....	279	8004392.....	171	8005792.....	31
8001332.....	163	8002789.....	327	8004393.....	171	8005799.....	153
8001565.....	179	8002790.....	279	8004398.....	171	8005801.....	153
8001626.....	11, 27	8002791.....	333	8004468.....	153, 341	8005827.....	159
8001627.....	193, 223	8002819.....	275, 286	8004600.....	181	8005849.....	215
8001628.....	193, 223	8002820.....	275, 341	8004603.....	95	8005869.....	314
8001629.....	195	8002822.....	73, 187	8004631.....	193	8005870.....	317
8001631.....	195	8002826.....	327, 329	8004672.....	187	8005901.....	279
8001632.....	195	8002831.....	276, 286	8004762.....	187	8006013.....	91, 340
8001635.....	193, 223	8002832 ...	215, 276, 287	8004763.....	181, 187	8006038.....	314
8001641.....	193, 223	8002833.....	215	8004777.....	195	8006090.....	193
8001642.....	193, 223	8002834 ...	215, 276, 287	8004876.....	171	8006105.....	12
8001645.....	195	8002838.....	197	8004879.....	11	8006211.....	215
8001692.....	195	8002843.....	281	8004882.....	12	8006212.....	279
8001693.....	195					8006242.....	12

SECTION 13 - RECOMMENDED SPARE PARTS

8006261	167	8007924	253	8009377	314	91474193	103
8006262	167	8007925	253	8009464	164	91474194	103
8006309	327	8007929	253	8009517	27, 269	91474195	103
8006318	103, 341	8007935	253	8009532	325	91474198	105
8006347	279	8007936	253	8009533	325	91474199	105
8006356	273	8007939	253	8009666	95	91474200	105, 131
8006357	181	8007941	254	8009667	177	91474201	105
8006382	281	8007942	254	8009703	163	91474204	105
8006450	101	8007943	254	8009724	175	91474205	105
8006452	12	8007944	254	8009766	273, 296, 341	91474206	105
8006491	12	8007945	254	8009783	169	91474207	105
8006515	197	8007946	254	8009784	169	91474208	105
8006516	197	8007947	254	8009815	314	91474209	105, 131
8006580	19	8007954	253, 254	8009816	314	91474210	105
8006599	181	8007956	254	8009883	15	91474211	105
8006603	153	8007959	253	8009987	33, 340	91474212	105
8006604	153	8007965	185	8010148	33, 340	91474213	105
8006605	153	8007985	181	8010198	327	91474214	105
8006612	77, 314	8007986	279, 281	8010199	329	91474216	107
8006658	181	8008004	215	8010200	329	91474217	107
8006680	333	8008007	276, 286	8010204	327, 329	91474218	107
8007258	195	8008046	43, 47	8010228	327, 329	91474219	107
8007430	12	8008047	31	8010234	327	91474220	107
8007433	327, 329, 337	8008049	15, 275, 286, 341	8010452	175, 321	91474221	107
8007467	12			8010519	19	91474222	107
8007554	261	8008070	33, 37, 41, 340	8010524	19	91474226	107
8007555	261	8008076	91	8010525	19	91474228	107
8007562	261	8008101	113, 340	8010526	19	91474230	109
8007563	261, 341	8008173	275	80204002	153	91474231	109
8007564	261	8008175	137, 149	80204005	141, 149, 154	91474232	109
8007568	167	8008195	314	80204060	145	91474236	109
8007622	197	8008196	317	80204065	141, 154	91474239	109
8007707	227	8008218	179, 181	80204071	141, 153	91474241	111
8007733	95	8008236	181	80204108	145	91474242	111
8007734	99	8008237	181	80204117	137, 141, 145, 149, 153, 157	91474243	111
8007736	19	8008238	181			91474245	111
8007749	139	8008239	181	80204281	145, 157	91474247	111
8007751	139	8008629	314	80273010	97, 340	91474248	111
8007753	185	8008651	317	80273042	97, 340	91474251	113
8007755	139	8008657	314	80274006	97	91474252	113
8007770	153	8008663	185	8032509	105	91474253	113
8007771	153	8008675	159	8032526	103, 105	91474254	113
8007774	154	8008701	15	8032528	105	91474255	113
8007775	153	8008721	11	80334277	257	91474256	113
8007777	154	8008750	273	8034940	105	91474257	113
8007779	154	8008804	317	8034968	107	91474258	113
8007780	154	8008805	317	8035075	125	91474259	113
8007782	154	8008862	164, 279	8035092	103	91474262	113
8007803	137, 149	8008863	283	80383311	15	91474263	113
8007804	137, 149	8008883	283	80904003	341	91474264	113
8007811	167	8008885	283, 293	8100074	279	91474265	103, 105, 113, 131
8007821	125	8008890	283, 293	816186	95		
8007822	131	8008893	283, 293	845749	281	91474266	113
8007823	131	8008961	15	8466306	317	91474268	113
8007824	131	8008962	15	874960	205, 211, 215	91474273	113
8007838	257	8009046	185	876406	181	91474274	113
8007875	105	8009226	27, 269	90204781	107	91474275	115
8007877	195	8009228	269	90204823	105	91474276	115
8007879	195	8009230	269	909304	11, 15, 93, 95	91474277	115
8007894	253	8009295	179	91083129	97	91474278	115
8007899	253	8009296	181	914210	15	91474279	115
8007915	253	8009324	275, 286	91473031	185, 340	91474280	115
8007917	253	8009326	275, 286	91474134	151	91474281	115
8007918	254	8009327	275, 286	91474186	103	91474282	115
8007919	254	8009328	275	91474189	103, 105	91474284	117
8007920	254	8009329	275, 287	91474191	103	91474285	117
8007922	254	8009366	269	91474192	103, 105	91474287	117

SECTION 13 - RECOMMENDED SPARE PARTS

91474288... 117, 119, 121	91474347 125, 127	91474531 139, 151	91504035.....265
91474289... 117, 119, 121	91474348 125, 127	91474532 139, 151	91504041.....265
91474294... 117, 119, 121	91474349 125, 127	91474533 139, 151	91514081..... 141
91474295... 117, 119, 121	91474350 125, 127	91474535 139, 151	91514082..... 141, 153
91474296... 117, 119, 121	91474351 125, 127	91474536 139, 151	91514083..... 141
91474297... 117, 119, 121	91474352 125, 127	91474537 139, 151	91514084..... 141, 153
91474298..... 117, 121	91474356 129	91474538 139, 151	91514095..... 141
91474299..... 117, 121	91474362 131	91474539 139, 151	91514098..... 137, 149
91474300..... 117	91474364 131	91474540 139, 151	91514099.. 137, 141, 149, 153
91474302..... 119	91474365 131	91474541 139, 151	91514111..... 141, 341
91474303..... 119, 121	91474366 131	91474542 139, 151	91514112..... 141
91474304..... 119	91474367 131	91474543 139, 151	91514113..... 141
91474306..... 119, 121	91474369 131	91474547 139, 151	91514114..... 141
91474307..... 119	91474370 131	91474548 139, 151	91514115..... 141
91474308... 117, 119, 121	91474371 131	91474549 139	91514117..... 141, 154
91474309... 117, 119, 121	91474372 131	91474550 139	91514123... 139, 141, 151
91474310... 117, 119, 121	91474373 131	91474551 139, 151	91514134..... 139
91474311..... 119	91474374 131	91474553 139	91514146..... 141, 153
91474312..... 119	91474375 131	91474559 145	91514147..... 141, 153
91474313..... 119, 123	91474376 131	91474560 145	91514148..... 141, 153
91474314..... 121	91474377 131	91474561 145	91514149..... 141, 153
91474315..... 121	91474381 131	91474562 145	91514153..... 145
91474316..... 121	91474382 131	91474563 145	91514154..... 145
91474317 121	91474383 131	91474564 145	91514155..... 145
91474318..... 121	91474384 131	91474565 145	91514159..... 145
91474319..... 121	91474387 109	91474568 145, 157	91514160..... 145
91474320..... 123	91474388 109	91474569 145, 157	91514165..... 145, 157
91474321..... 123, 131	91474389 109	91474570 145	91514167..... 145
91474322..... 123	91474390 109	91474571 145	91514175..... 141
91474323..... 123	91474393 109	91474572 145	91514176..... 141
91474324..... 123	91474394 109	91474573 145	91514181..... 141
91474326..... 125	91474395 109	91474576 141	91514188.. 137, 141, 149, 153
91474331..... 125	91474396 109	91474579 154	91514189..... 141, 153
91474334..... 125	91474399 119	91474580 153	91514275..... 137, 149
91474336..... 125	91474507 .. 137, 141, 149	91474582 141	91514287..... 127
91474338..... 125, 127	91474509 137, 149	91474583 141, 153	91514292..... 127
91474339..... 125, 127	91474512 137, 149	91474584 141, 154	91514293..... 127
91474340..... 125, 127	91474513 .. 137, 149, 153	91474585 153	91514294..... 127
91474341..... 125, 127	91474515 137, 149	91474586 153	933940..... 47
91474342..... 125, 127	91474516 137, 149	91474587 153	935113..... 12, 93
91474343..... 125, 127	91474522 137, 149	91474591 139, 151	E000269 305
91474344..... 125, 127	91474524 141, 153	91474596 151	
91474345..... 125, 127	91474528 139, 151	91474617 105	
91474346..... 125, 127	91474529 139, 151	91474618 105	



**Corporate Office
JLG Industries, Inc.
1 JLG Drive
McConnellsburg, PA 17233-9533 USA
☎ (717) 485-5161 (Corporate)
☎ (877) 554-5438 (Customer Support)
📠 (717) 485-6417**

**Visit our website for JLG Worldwide Locations.
www.jlg.com**



OSHKOSH™