



Illustrated Parts Manual

***Models
266, 307,
266 LoPro,
Agrovector
26.6, 30.7,
26.6 LP***

3126025

Revised
September 26, 2017



EFFECTIVITY PAGE

January 14, 2005 - A - Original Issue Of Manual

April 8, 2005 - B - Revised Manual

November 23, 2005 - C - Revised Manual and added 266 LoPro

January 2, 2007 - D - Revised Manual

January 2, 2008 - E - Revised Manual

May 29, 2009 - F - Revised Manual

October 8, 2009 - G - Revised Manual

September 29, 2010 - H - Revised Manual; added models 26.6, 30.7 & 26.6 LP

April 3, 2014 - I - Revised Manual

December 9, 2015 - J - Revised Manual

September 26, 2017 - K - Revised Manual

TABLE OF CONTENTS

SECTION 1 - FRAME AND ATTACHING PARTS.....	9
FIGURE 1-1. FRAME SHROUDING AND TRIM, COVERS (Prior to SN 1160005247).....	10
FIGURE 1-2. FRAME SHROUDING AND TRIM, COVERS (SN 1160005247 to Present).....	14
FIGURE 1-3. FRAME SHROUDING AND TRIM, CAB AND MIRRORS.....	18
FIGURE 1-4. AXLE AND FENDER INSTALLATION (266, 26.6, 266 LOPRO & 26.6 LP).....	22
FIGURE 1-5. AXLE AND FENDER INSTALLATION (307 & 30.7).....	24
FIGURE 1-6. FRENCH HOMOLOGATION INSTALLATION.....	26
SECTION 2 - BOOM.....	29
FIGURE 2-1. FIRST BOOM SECTION (266, 266 LOPRO, 26.6 & 26.6 LP).....	30
FIGURE 2-2. FIRST BOOM SECTION (307 & 30.7).....	32
FIGURE 2-3. SECOND BOOM SECTION (266, 266 LOPRO, 26.6 & 26.6 LP).....	34
FIGURE 2-4. SECOND BOOM SECTION (307 & 30.7).....	36
FIGURE 2-5. QUICK SWITCH ASSEMBLY.....	38
FIGURE 2-6. HYDRAULIC QUICK SWITCH ASSEMBLY.....	40
FIGURE 2-7. JD QUICK ATTACH.....	42
SECTION 3 - ATTACHMENTS.....	45
FIGURE 3-1. CARRIAGE ASSEMBLY.....	46
FIGURE 3-2. BUCKETS.....	48
FIGURE 3-3. MULTI-PURPOSE BUCKETS.....	50
FIGURE 3-4. FORK MOUNTED HOOK.....	52
FIGURE 3-5. TRUSS BOOM.....	54
FIGURE 3-6. MANURE BUCKET.....	56
FIGURE 3-7. FORK.....	58
FIGURE 3-8. SIDE SHIFT CARRIAGE.....	60
FIGURE 3-9. BALE HANDLER.....	62
FIGURE 3-10. ROUND TINE FORK.....	64
FIGURE 3-11. CONCRETE BUCKET.....	66
SECTION 4 - ENGINE AND ATTACHING PARTS.....	69
FIGURE 4-1. ENGINE ASSEMBLY.....	70
FIGURE 4-2. DEUTZ ENGINE.....	74
FIGURE 4-3. FUEL TANK AND LINES.....	76
FIGURE 4-4. RADIATOR ASSEMBLY.....	80
FIGURE 4-5. AIR CLEANER INSTALLATION.....	82
FIGURE 4-6. EXHAUST INSTALLATION.....	84
SECTION 5 - DRIVE TRAIN.....	87
FIGURE 5-1. FRONT AXLE.....	88
FIGURE 5-2. FRONT AXLE - HOUSING (266, 266 LOPRO, 26.6 & 26.6LP).....	90
FIGURE 5-3. FRONT AXLE - HOUSING (307 & 30.7).....	92
FIGURE 5-4. FRONT AXLE - HOUSING AND STEERING CYLINDER (266, 266 LOPRO, 26.6 & 26.6LP).....	94
FIGURE 5-5. FRONT AXLE - HOUSING AND STEERING CYLINDER (307 & 30.7).....	96
FIGURE 5-6. FRONT AXLE - BEVEL GEAR SET.....	98
FIGURE 5-7. FRONT AXLE - DIFFERENTIAL.....	100
FIGURE 5-8. FRONT AXLE - DOUBLE U-JOINT (266, 266 LOPRO, 26.6 & 26.6LP).....	102
FIGURE 5-9. FRONT AXLE - DOUBLE U-JOINT (307 & 30.7).....	104
FIGURE 5-10. FRONT AXLE - BRAKES (266, 266 LOPRO, 26.6 & 26.6LP).....	106
FIGURE 5-11. FRONT AXLE - BRAKES (307 & 30.7).....	108
FIGURE 5-12. FRONT AXLE - WHEEL HUB AND FINAL REDUCTION (266, 266 LOPRO, 26.6 & 26.6LP).....	110
FIGURE 5-13. FRONT AXLE - WHEEL HUB AND FINAL REDUCTION (307 & 30.7).....	112
FIGURE 5-14. FRONT AXLE - TRANSMISSION HOUSING.....	114
FIGURE 5-15. FRONT AXLE - LOWER AND UPPER SHAFT (266, 266 LOPRO, 26.6 & 26.6LP).....	116
FIGURE 5-16. FRONT AXLE - LOWER AND UPPER SHAFT (307 & 30.7).....	118
FIGURE 5-17. REAR AXLE.....	120
FIGURE 5-18. REAR AXLE - HOUSING.....	122
FIGURE 5-19. REAR AXLE - SWIVEL HOUSING AND STEERING CYLINDER (266, 266 LOPRO, 26.6 & 26.6LP).....	124
FIGURE 5-20. REAR AXLE - SWIVEL HOUSING AND STEERING CYLINDER (307 & 30.7).....	126
FIGURE 5-21. REAR AXLE - BEVEL GEAR SET.....	128
FIGURE 5-22. REAR AXLE - DIFFERENTIAL (266, 266 LOPRO, 26.6 & 26.6LP).....	130

TABLE OF CONTENTS

FIGURE 5-23. REAR AXLE - DIFFERENTIAL (307 & 30.7)	132
FIGURE 5-24. REAR AXLE - DOUBLE U-JOINT (266, 266 LOPRO, 26.6 & 26.6LP)	134
FIGURE 5-25. REAR AXLE - DOUBLE U-JOINT (307 & 30.7)	136
FIGURE 5-26. REAR AXLE - WHEEL HUB AND FINAL REDUCTION (266, 266 LOPRO, 26.6 & 26.6LP)	138
FIGURE 5-27. REAR AXLE - WHEEL HUB AND FINAL REDUCTION (307 & 30.7)	140
FIGURE 5-28. DRIVE SHAFT	142
FIGURE 5-29. TIRES AND RIMS	144
SECTION 6 - CAB	147
FIGURE 6-1. CAB ASSEMBLY	148
FIGURE 6-2. CAB INTERIOR ASSEMBLY	152
FIGURE 6-3. SEAT ASSEMBLY	154
FIGURE 6-4. CAB WINDOWS	156
FIGURE 6-5. CAB DOOR ASSEMBLY	158
FIGURE 6-6. WIPER ASSEMBLY (Prior to SN 1160005646)	160
FIGURE 6-7. WIPER ASSEMBLY (SN 1160005646 to Present)	162
FIGURE 6-8. AIR CIRCULATION INSTALLATION	164
SECTION 7 - CONTROLS	167
FIGURE 7-1. BOOM JOYSTICK	168
FIGURE 7-2. STEERING COLUMN AND ATTACHING PARTS	170
FIGURE 7-3. ACCELERATOR PEDAL ASSEMBLY	172
FIGURE 7-4. BRAKE PEDAL ASSEMBLY	174
SECTION 8 - HYDRAULIC CIRCUITS	177
FIGURE 8-1. SUPPLY CIRCUIT	178
FIGURE 8-2. DUMP CIRCUIT	182
FIGURE 8-3. FRONT DRIVE CIRCUIT (266, 266 LOPRO, 26.6 & 26.6LP)	186
FIGURE 8-4. FRONT DRIVE CIRCUIT (307 & 30.7)	188
FIGURE 8-5. STEER SELECT	190
FIGURE 8-6. SERVICE/PARK BRAKE	192
FIGURE 8-7. LIFT CYLINDER	194
FIGURE 8-8. CROWD CYLINDER (266, 266 LOPRO, 26.6 & 26.6LP)	196
FIGURE 8-9. CROWD CYLINDER (307 & 30.7)	198
FIGURE 8-10. TILT AND TILT COMPENSATING CYLINDER (266, 266 LOPRO, 26.6 & 26.6LP)	200
FIGURE 8-11. TILT AND TILT COMPENSATING CYLINDER (307 & 30.7)	202
FIGURE 8-12. AUXILIARY FUNCTION (266, 266 LOPRO, 26.6 & 26.6LP)	204
FIGURE 8-13. AUXILIARY FUNCTION (307 & 30.7)	206
FIGURE 8-14. REAR HYDRAULIC OUTLET	208
SECTION 9 - HYDRAULIC COMPONENTS	211
FIGURE 9-1. LIFT CYLINDER (266, 266 LOPRO, 26.6 & 26.6LP)	212
FIGURE 9-2. LIFT CYLINDER (307 & 30.7)	214
FIGURE 9-3. CROWD CYLINDER (266, 266 LOPRO, 26.6 & 26.6LP)	216
FIGURE 9-4. CROWD CYLINDER (307 & 30.7)	218
FIGURE 9-5. TILT CYLINDER (266, 266 LOPRO, 26.6 & 26.6LP)	220
FIGURE 9-6. TILT CYLINDER (307 & 30.7)	222
FIGURE 9-7. COMPENSATING CYLINDER (266, 266 LOPRO, 26.6 & 26.6LP)	224
FIGURE 9-8. COMPENSATING CYLINDER (307 & 30.7)	226
FIGURE 9-9. FORK LOCKING CYLINDER	228
FIGURE 9-10. FORK LOCKING CYLINDER ASSEMBLY	230
FIGURE 9-11. MAIN CONTROL VALVE (266;26.6 Prior to SN 1160003518; 307;30.7 Prior to SN 1160003514; 266 LoPro;26.6 LP Prior to SN 1160003525)	232
FIGURE 9-12. MAIN CONTROL VALVE (266;26.6 SN 1160003518 to Present; 307;30.7 SN 1160003514 to Present; 266 LoPro;26.6 LP SN 1160003525 to Present)	234
FIGURE 9-13. FRONT DRIVE MOTOR (266, 266 LOPRO, 26.6 & 26.6LP)	236
FIGURE 9-14. FRONT DRIVE MOTOR (307 & 30.7)	238
FIGURE 9-15. HYDROSTATIC TRANSMISSION PUMP	240
FIGURE 9-16. HYDRAULIC TANK ASSEMBLY	242
FIGURE 9-17. IMPLEMENT PUMP	244
FIGURE 9-18. AUXILIARY DIVERTER VALVE	246
SECTION 10 - ELECTRICAL	249

TABLE OF CONTENTS

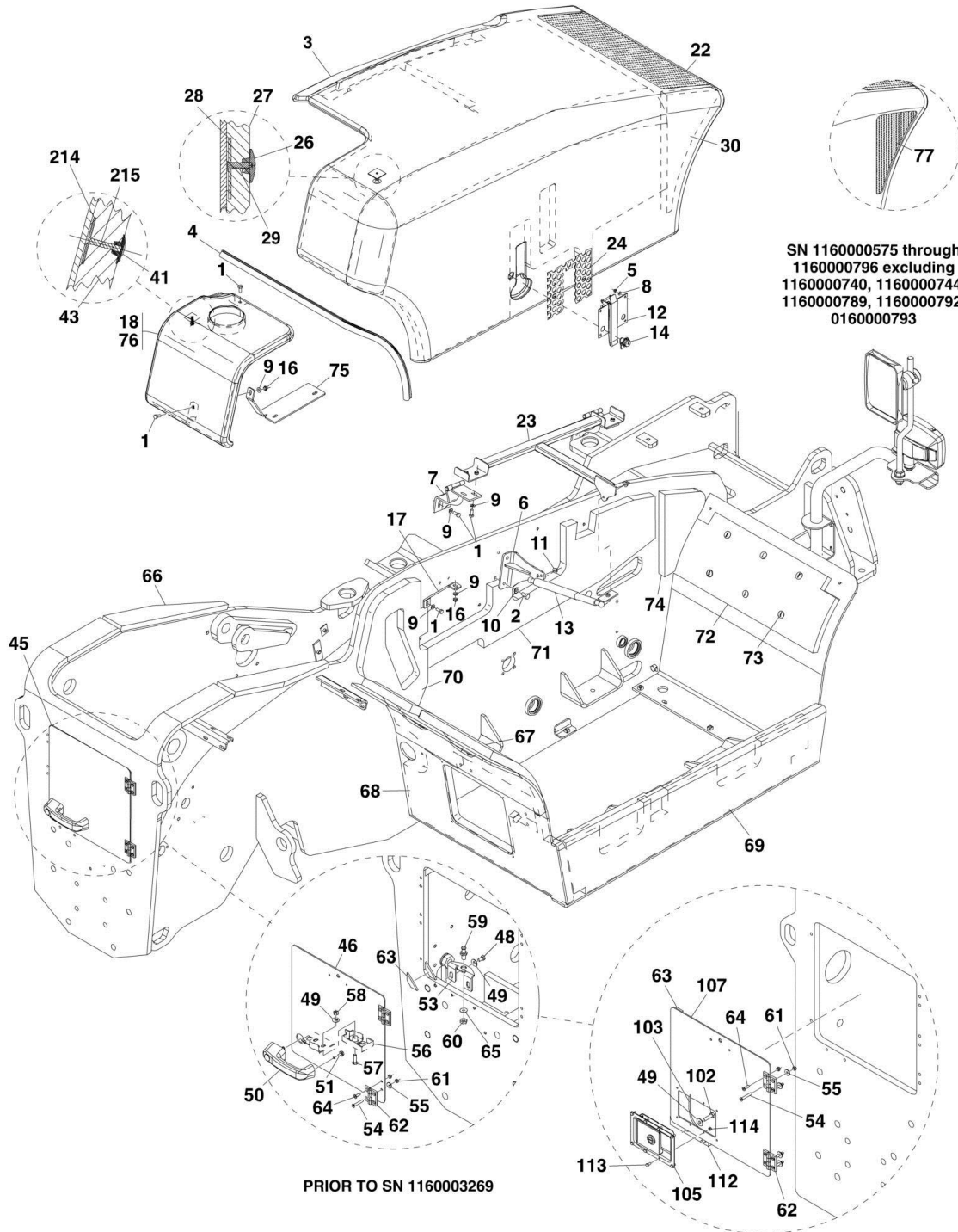
FIGURE 10-1. ELECTRICAL INSTALLATION	250
FIGURE 10-2. ENGINE HARNESS (266 & 26.6 Prior to SN 1160002246; 307 & 30.7 Prior to SN 1160002233; 266 LoPro & 26.6 LP Prior to SN 1160002238).....	254
FIGURE 10-3. ENGINE HARNESS (266 & 26.6 SN 1160002246 to Present; 307 & 30.7 SN 1160002233 to Present; 266 LoPro & 26.6 LP SN 1160002238 to Present).....	256
FIGURE 10-4. REAR CHASSIS HARNESS (Prior to SN 1160001559)	258
FIGURE 10-5. REAR CHASSIS HARNESS (SN 1160001559 to Present).....	260
FIGURE 10-6. FRONT CHASSIS HARNESS.....	262
FIGURE 10-7. PWM VALVE CONTROLLER ASSEMBLY	264
FIGURE 10-8. ROOF HARNESS	266
FIGURE 10-9. MAIN HARNESS (Prior to SN 1160001559).....	268
FIGURE 10-10. MAIN HARNESS (SN 1160001559 to Present)	272
FIGURE 10-11. GROUND HARNESS.....	276
FIGURE 10-12. BUCKET SHAKE SWITCH	278
FIGURE 10-13. LMIS INSTALLATION	280
FIGURE 10-14. LMIS AUDIBLE TOWER/BEACON INSTALLATION.....	284
FIGURE 10-15. LSI SWITCH	286
FIGURE 10-16. LMI OPTION	288
SECTION 11 - DECALS.....	291
FIGURE 11-1. FRAME AND BOOM DECALS.....	292
FIGURE 11-2. CAB DECALS	296
FIGURE 11-3. MACHINE DECALS, 266 AND 266 LOPRO	300
FIGURE 11-4. MACHINE DECALS, 307	302
FIGURE 11-5. MACHINE DECALS, 26.6 AND 26.6 LP	304
FIGURE 11-6. MACHINE DECALS, 30.7	306
SECTION 12 - OPTIONS.....	309
FIGURE 12-1. HITCH KIT ASSEMBLY	310
FIGURE 12-2. AUTOMATIC HITCH ASSEMBLY.....	312
FIGURE 12-3. HYDRAULIC HITCH INSTALLATION	314
FIGURE 12-4. FRONT CAB GLASS SHIELD	318
FIGURE 12-5. CAB WORKLIGHT INSTALLATIONS	320
FIGURE 12-6. BOOM WORKLIGHT INSTALLATION	322
FIGURE 12-7. ROTATING BEACON INSTALLATION.....	324
FIGURE 12-8. AIR CONDITIONER INSTALLATION (Prior to SN 1160004769).....	326
FIGURE 12-9. AIR CONDITIONER INSTALLATION (SN 1160004769 to Present)	328
FIGURE 12-10. WHEEL CHOCK INSTALLATION	330
FIGURE 12-11. DRAW BAR COUPLING INSTALLATION.....	332
FIGURE 12-12. DUAL BOOM AUX HYDRAULIC, MANUAL.....	334
FIGURE 12-13. DUAL BOOM AUX HYDRAULIC, ELECTRICAL	336
FIGURE 12-14. 6 TON HITCH INSTALLATION	338
FIGURE 12-15. 14 TON HITCH INSTALLATION	340
FIGURE 12-16. SPEEDOMETER INSTALLATION	342
FIGURE 12-17. SUN SCREEN INSTALLATION	344
FIGURE 12-18. GROUND WIRE INSTALLATION (Prior to SN 1160002125).....	346
FIGURE 12-19. DUMP VALVE INSTALLATION.....	348
FIGURE 12-20. BOOM AUXILIARY ELECTRIC.....	350
FIGURE 12-21. HYDRAULIC TRAILER BRAKES 266, 266 LOPRO, 26.6, 26.6 LP	352
FIGURE 12-22. HYDRAULIC TRAILER BRAKES 307, 30.7	354
FIGURE 12-23. OPTION HARNESS	358
FIGURE 12-24. PRESSURE MODULATOR VALVE	360
FIGURE 12-25. PITON FLXE HITCH INSTALLATION.....	362
SECTION 13 - RECOMMENDED SPARE PARTS	365
FIGURE 13-1. RECOMMENDED SPARE PARTS	366
PART NUMBER INDEX	369

SECTION 1 - FRAME AND ATTACHING PARTS

SECTION 1 - FRAME AND ATTACHING PARTS

SECTION 1 - FRAME AND ATTACHING PARTS

FIGURE 1-1. FRAME SHROUDING AND TRIM, COVERS (Prior to SN 1160005247)



SN 1160000575 through
1160000796 excluding
1160000740, 1160000744,
1160000789, 1160000792,
0160000793

PRIOR TO SN 1160003269

SN 1160003269 through 1160005246

ART_3126025-1-1

SECTION 1 - FRAME AND ATTACHING PARTS

FIGURE 1-1. FRAME SHROUDING AND TRIM, COVERS (Prior to SN 1160005247)

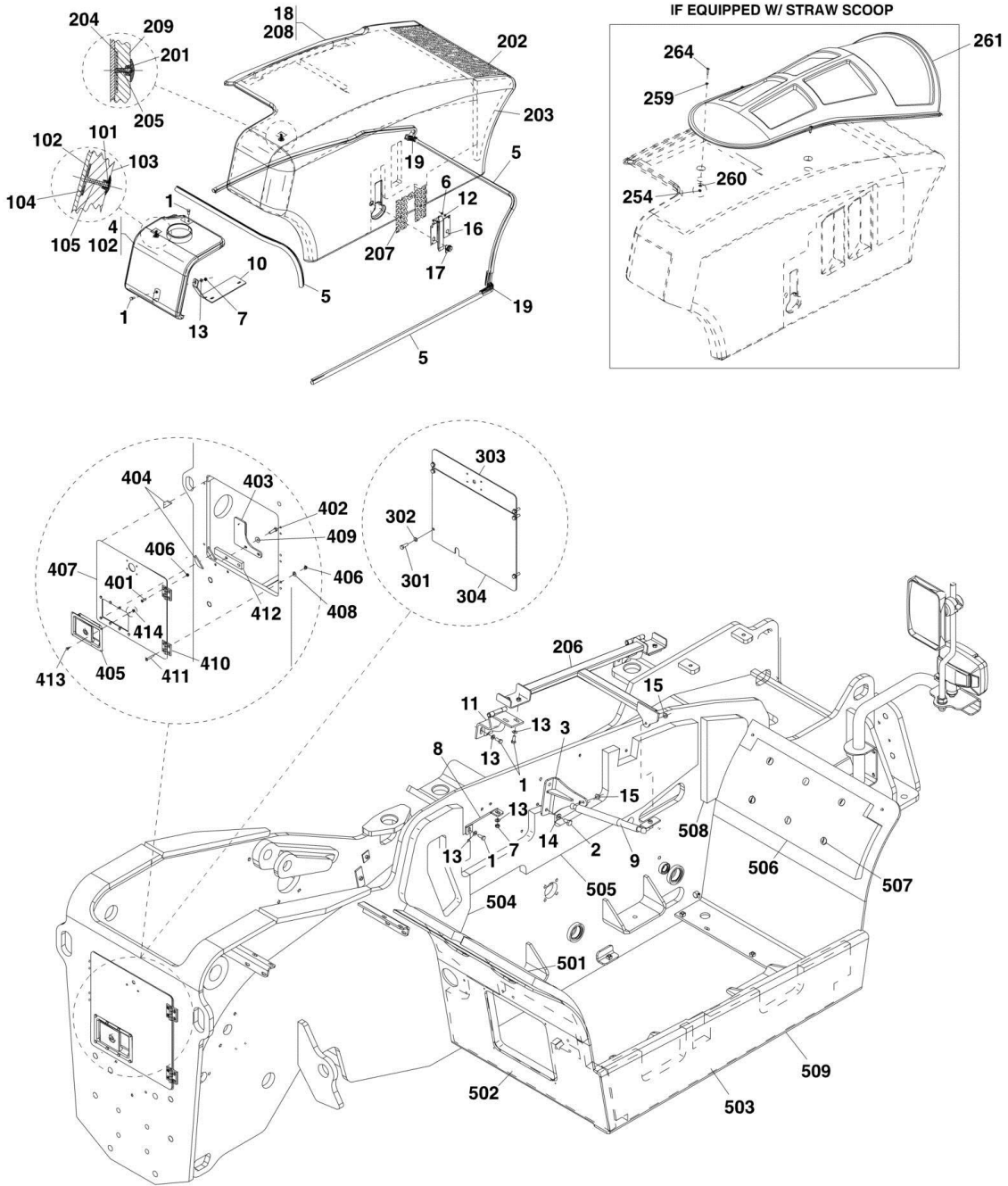
ITEM	PART NUMBER	QTY	DESCRIPTION	REV
		Ref	ENGINE HOOD INSTALLATION, (not available to order, see items 1 thru 18 for service) (Prior to SN 1160005247)	G
1	0760810	11	HEX HD CAPSCREW, M8X1.25X20, GR 8.8	
2	0761010	2	HEX HD CAPSCREW, M10X1.50X20, GR 8.8	
3		Ref	HOOD ASSY, (includes items 22 thru 30), (no longer available, order 1001096887 for models 266, 307, 266 LoPro or 1001096879 for models 26.6, 30.7, 26.6 LP) (Prior to SN 1160005247)	K
4	2014226	6.4 m	RUBBER SEAL	
5	3290605	3	HEX LOCK NUT, M6X1	
6	0903274	1	BRACKET	
7	4806433	2	HOOD HINGE	
8	4811700	3	FLAT WASHER, 6mm	
9	4811900	11	FLAT WASHER, 8mm	
10	4812000	2	FLAT WASHER, 10mm	
11	5220800	2	RIPP NUT, 8mm	
12	8000382	1	HOOD LATCH	
13	4160213	1	GAS SPRING	
14	8000801	1	HOOD LOCK	
16	3290805	2	HEX LOCK NUT, M8X1.25	
17	3575643	1	SUPPORT PLATE	
18	1671221	1	FIXED HOOD ASSY, (266, 307, 266 LoPro), (includes items 41, 43, 76, 214 & 215)	A
18	1671221G	1	FIXED HOOD ASSY, (26.6, 30.7, 26.6 LP), (includes items 41, 43, 76, 214 & 215)	A
22	2520136	1	GRILL	
23	4340868	1	HOOD SUPPORT	
24	4806444	1	PLATE	
26	1321291	25	CAP	
27	2820220	1	ENGINE HOOD INSULATION	
28	3575922	25	MOUNTING STUD PLATES	
29	4300161	25	MOUNTING STUDS	
30	2820230	1	RH SIDE INSULATION, HOOD	
41	1321291	7	CAP	
43	2820221	1	FIXED HOOD INSULATION	
45	8002263	1	REAR DOOR ASSY, (includes items 46 thru 65) (Prior to SN 1160003269)	H
45	0275785	1	REAR DOOR ASSY, (includes items 49 qty 2, 54, 55, 61 thru 64, 102 thru 114) (SN 1160003269 through 1160005246)	B
46	8004853	1	REAR DOOR, (266, 307, 266 LoPro)	
46	8004853B	1	REAR DOOR, (26.6, 30.7, 26.6 LP)	
48	0760808	2	HEX HD CAPSCREW, 8-1.25x16mm, GR8.8	
49	5211902	4	RIPP WASHER, 8mm	
50	8006491	1	PUSH BUTTON HANDLE	
51	5200605	2	RIPP BOLT, 6-36X10mm	
53	8007430	1	HOLDER	
54	8006242	4	SCREW, M6X40mm	
55	5211702	4	RIPP WASHER, 6mm	
56	8004882	1	ROTARY LATCH, LOCK	
57	1398385	2	SCREW, M6X40mm	
58	3290801	2	HEX NUT, 8mmX1.25	
59	8003293	1	PIN	

SECTION 1 - FRAME AND ATTACHING PARTS

ITEM	PART NUMBER	QTY	DESCRIPTION	REV
60	3300497	1	HEX NUT, M12-1	
61	3290605	8	HEX LOCKNUT, 6mmX1.00	
62	8006105	2	HINGE	
63	909304	0.12 m	RUBBER TRIM, 18X5mm	
64	0630576	4	FLAT HD CAPSCREW, M6X20mm	
65	4812100	1	FLAT WASHER, 12mm	
66	2360662	1	FRAME, (266)	
66	2360662B	1	FRAME, (26.6)	
66	2360663	1	FRAME, (307)	
66	2360663B	1	FRAME, (30.7)	
66	2360729	1	FRAME, (266 LoPro) (Prior to SN 1160002183)	
66	2360729B	1	FRAME, (26.6 LP) (Prior to SN 1160002183)	
66	2360778	1	FRAME, (266 LoPro) (SN 1160002183 to Present)	
66	2360778B	1	FRAME, (26.6 LP) (SN 1160002183 to Present)	
67	2820204	1	REAR UPPER SOUND INSULATION	
68	2820205	1	REAR LOWER SOUND INSULATION	
69	2820208	1	RIGHT SIDE SOUND INSULATION	
70	2820213	1	LEFT SIDE SOUND INSULATION	
71	2820214	1	FRONT LEFT SOUND INSULATION	
72	2820229	1	RADIATOR SOUND INSULATION	
73	1321291	6	CAP	
74	2820231	1	SOUND INSULATION	
75	3575641	1	PANEL SUPPORT	
76	1671177	1	HOOD PANEL, (266, 307, 266 LoPro)	
76	1671177G	1	HOOD PANEL, (26.6, 30.7, 26.6 LP)	
77	2520138	1	GRILL (SN 1160000575 through 1160000796, Excluding 1160000740, 1160000744, 1160000789, 1160000792 and 0160000793)	
102	0760814	2	HEX HD CAPSCREW, M8X30	
103	1001093372	1	LATCH BRACKET	
105	1001093383	1	LATCH	
107	3380756	1	REAR DOOR	
112	1001093373	1	LATCH SPACER	
113	0760505	8	HEX HD CAPSCREW, M5X10	
114	3290505	8	HEX LOCKNUT, M5X0.8	
214	3575922	7	MOUNTING STUD PLATES	
215	4300159	7	MOUNTING STUDS	

SECTION 1 - FRAME AND ATTACHING PARTS

FIGURE 1-2. FRAME SHROUDING AND TRIM, COVERS (SN 1160005247 to Present)



ART_3126025-1-2

SECTION 1 - FRAME AND ATTACHING PARTS

FIGURE 1-2. FRAME SHROUDING AND TRIM, COVERS (SN 1160005247 to Present)

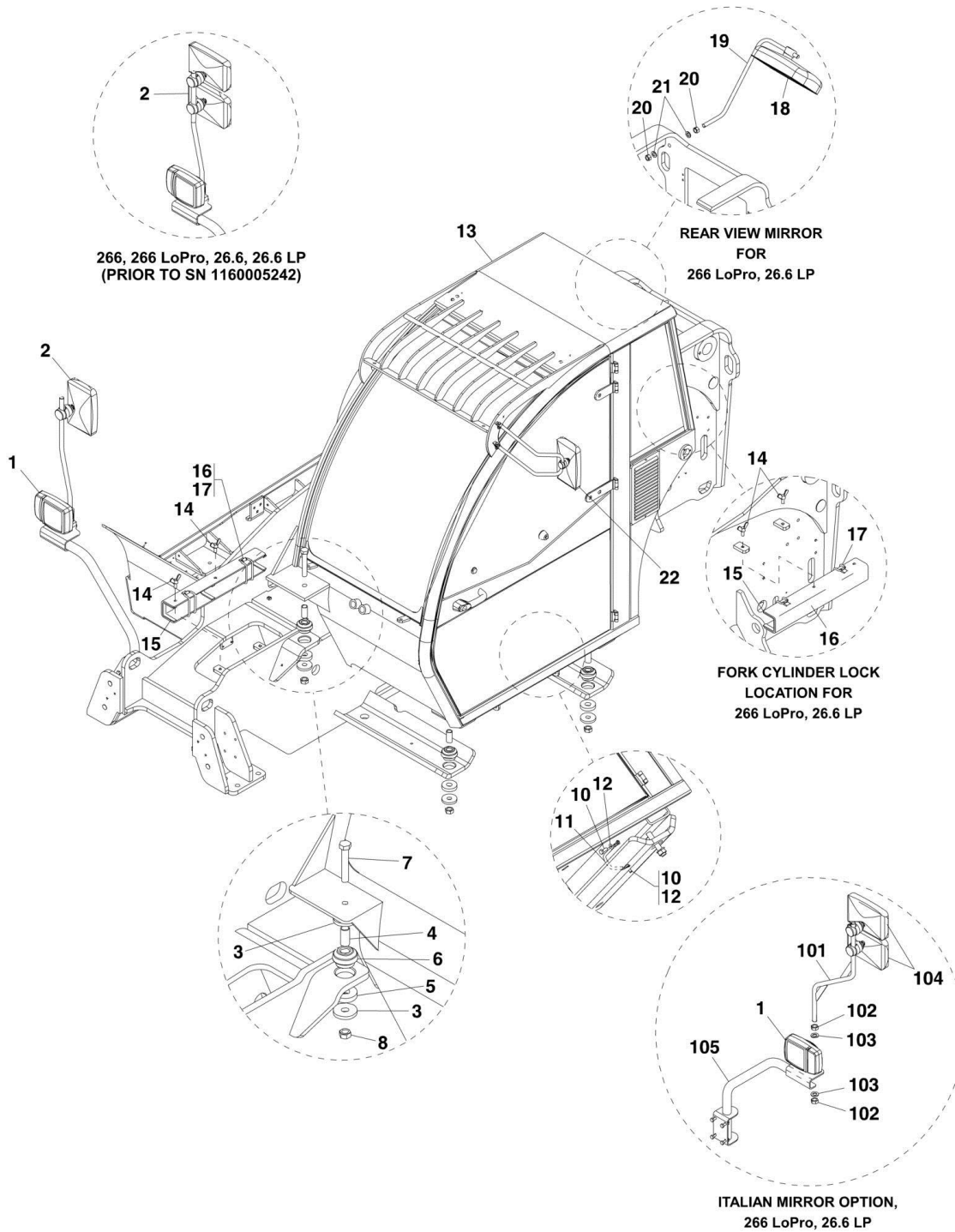
ITEM	PART NUMBER	QTY	DESCRIPTION	REV
	1001096890	Ref	ENGINE HOOD INSTALLATION, (266, 307, 266 LoPro if equipped), (not available to order, see items 1 thru 19 for service) (SN 1160005247 to Present)	B
	1001096888	Ref	ENGINE HOOD INSTALLATION, (26.6, 30.7, 26.6 LP if equipped), (not available to order, see items 1 thru 19 for service) (SN 1160005247 to Present)	B
	1001096891	Ref	ENGINE HOOD INSTALLATION W/ STRAW SCOOP, (266, 307, 266 LoPro if equipped), (not available to order, see items 1 thru 19 for service)	B
	1001096889	Ref	ENGINE HOOD INSTALLATION W/ STRAW SCOOP, (26.6, 30.7, 26.6 LP if equipped), (not available to order, see items 1 thru 19 for service)	B
1	0760810	11	HEX HD CAPSCREW, M8X1.25X20, GR8.8	
2	0761010	2	HEX HD CAPSCREW, M10X1.50X20, GR8.8	
3	0903274	1	BRACKET	
4	1671221	1	FIXED HOOD ASSY, (266, 307, 266 LoPro), (includes items 101 thru 105)	A
4	1671221G	1	FIXED HOOD ASSY, (26.6, 30.7, 26.6 LP), (includes items 101 thru 105)	A
5	2014226	6.4 m	RUBBER SEAL	
6	3290605	3	HEX LOCK NUT, M6X1	
7	3290805	2	HEX LOCK NUT, M8X1.25	
8	3575643	1	SUPPORT PLATE	
9	4160213	1	GAS SPRING	
10		Ref	SUPPORT BRACKET, (See ENGINE AND ATTACHING PARTS SECTION for Breakdown)	
11	4806433	2	HOOD HINGE	
12	4811700	3	WASHER, 6mm	
13	4811900	11	WASHER, 8mm	
14	4812000	2	WASHER, 10mm	
15	5220800	2	RIPP NUT, 8mm	
16	8000382	1	HOOD LATCH	
17	8000801	1	HOOD LOCK	
18	1001096887	1	HOOD ASSY, (266, 307, 266 LoPro if equipped), (includes items 201 thru 209) (SN 1160005247 to Present)	A
18	1001096879	1	HOOD ASSY, (26.6, 30.7, 26.6 LP if equipped), (includes items 201 thru 209) (SN 1160005247 to Present)	A
18	1001096884	1	HOOD ASSY W/ SCOOP, (266, 307, 266 LoPro if equipped), (includes items 201 thru 209 & 254 thru 264)	A
18	1001096885	1	HOOD ASSY W/ SCOOP, (26.6, 30.7, 26.6 LP if equipped), (includes items 201 thru 209 & 254 thru 264)	A
19		Ref	HOOD CORNER SEALS INSTALLATION	
19	1001103369	0.255 m	RUBBER SEAL	
101	1321291	7	CAP	
102	1671177	1	HOOD PANEL	
103	2820221	1	FIXED HOOD INSULATION	
104	3575922	7	MOUNTING STUD PLATES	
105	4300159	7	MOUNTING STUDS	
201	1321291	22	CAP	
202	2520136	1	GRILL	
203	2820230	1	RH SIDE INSULATION, HOOD	
204	3575922	22	MOUNTING STUD PLATES	
205	4300161	22	MOUNTING STUDS	

SECTION 1 - FRAME AND ATTACHING PARTS

ITEM	PART NUMBER	QTY	DESCRIPTION	REV
206	4340868	1	HOOD SUPPORT	
207	4806444	1	PLATE	
208	1001093852	1	ENGINE HOOD, (266, 307, 266 LoPro)	
208	1001096893	1	ENGINE HOOD, (26.6, 30.7, 26.6 LP)	
209	1001096896	1	SOUND INSULATION	
254	3290601	5	HEX NUT, M6X1	
259	4811702	5	WASHER, 6mm	
260	4831700	5	LOCKWASHER, 6mm	
261	1001091976	1	AIR INTAKE COVER, (266, 307, 266 LoPro)	
261	1001091976G	1	AIR INTAKE COVER, (26.6, 30.7, 26.6 LP)	
261	1001103103	3.5 m	FOAM SEAL	
264	1001097202	5	BUTTON HD BOLT, M6X30	
	1001102763	Ref	REAR ACCESS PANEL INSTALLATION, (if equipped), (includes items 301 thru 304 for service)	A
301	0700812	6	HEX HD CAPSCREW, M8X25, GR8.8	
302	4811900	6	WASHER, 8mm	
303	1001102756	1	PLATE	
304	1001102757	1	PLATE	
	0275785	Ref	REAR ACCESS PANEL INSTALLATION, (if equipped), (not available to order, see items 401 thru 414 for service)	B
401	0630576	4	SCREW, M6X20	
402	0760814	2	HEX HD CAPSCREW, M8X30, GR8.8	
403	1001093372	1	LATCH BRACKET	
404	909304	0.12 m	RUBBER TRIM, 18X5mm	
405	1001093383	1	LATCH	
406	3290605	8	HEX LOCKNUT, M6X1	
407	3380756	1	REAR DOOR	
408	5211702	4	RIPP WASHER, 6mm	
409	5211902	2	RIPP WASHER, 8mm	
410	8006105	2	HINGE	
411	8006242	4	SCREW, M6X40	
412	1001093373	1	LATCH SPACER	
413	0760505	8	HEX HD CAPSCREW, M5X10, GR8.8	
414	3290505	8	HEX LOCKNUT, M5X0.8	
501	2820204	1	REAR UPPER SOUND INSULATION	
502	2820205	1	REAR LOWER SOUND INSULATION	
503	2820208	1	RIGHT SIDE SOUND INSULATION	
504	2820213	1	LEFT SIDE SOUND INSULATION	
505	2820214	1	FRONT LEFT SOUND INSULATION	
506	2820229	1	RADIATOR SOUND INSULATION	
507	1321291	6	CAP	
508	2820231	1	SOUND INSULATION	
509	2360662	1	FRAME, (266)	
509	2360662B	1	FRAME, (26.6)	
509	2360663	1	FRAME, (307)	
509	2360663B	1	FRAME, (30.7)	
509	2360729	1	FRAME, (266 LoPro) (Prior to SN 1160002170)	
509	2360778	1	FRAME, (266 LoPro) (SN 1160002170 to Present)	
509	2360729B	1	FRAME, (26.6 LP) (Prior to SN 1160002170)	
509	2360778B	1	FRAME, (26.6 LP) (SN 1160002170 to Present)	

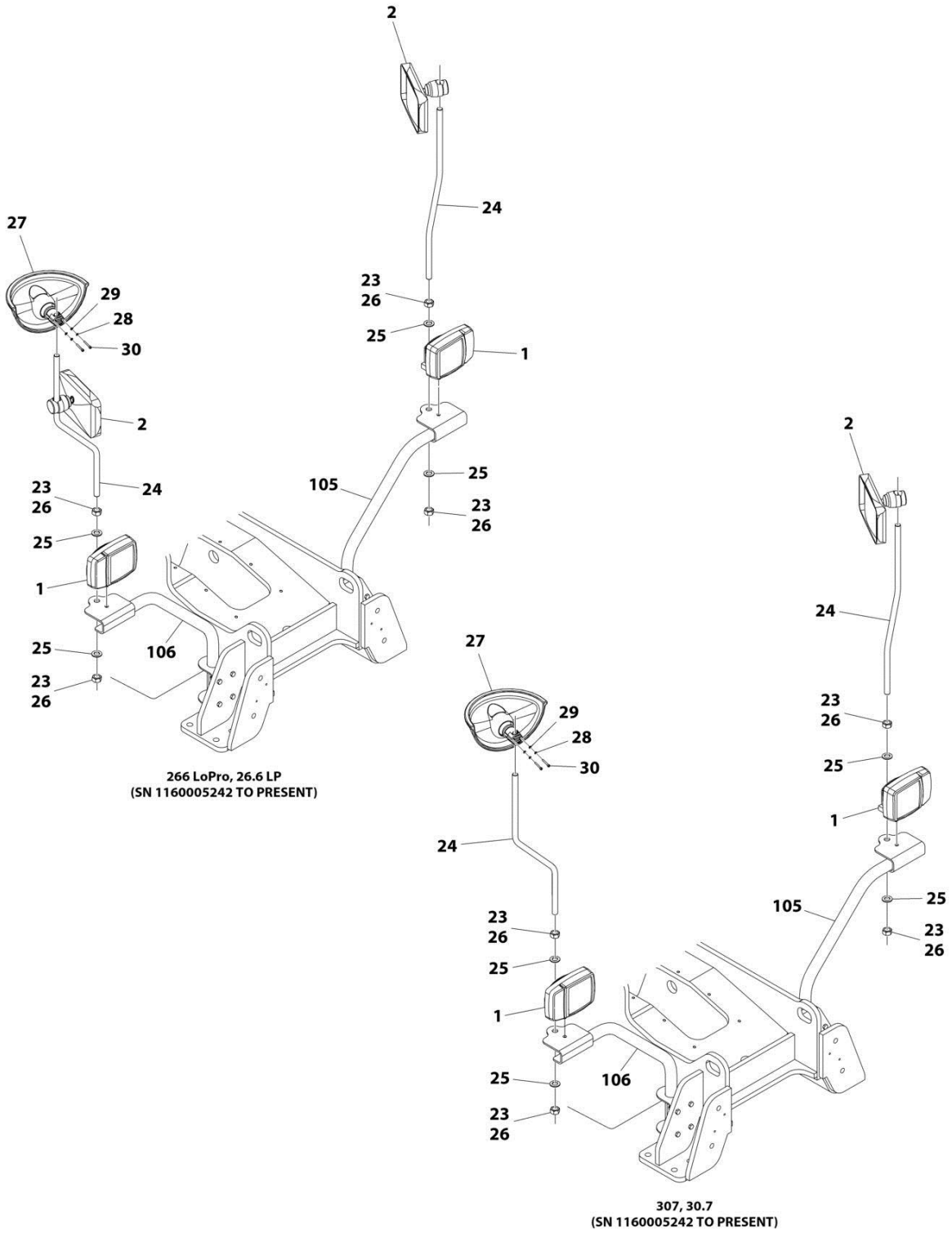
SECTION 1 - FRAME AND ATTACHING PARTS

FIGURE 1-3. FRAME SHROUDING AND TRIM, CAB AND MIRRORS



ART_3126025-1-3_1

SECTION 1 - FRAME AND ATTACHING PARTS



ART_3126025-1-3_2

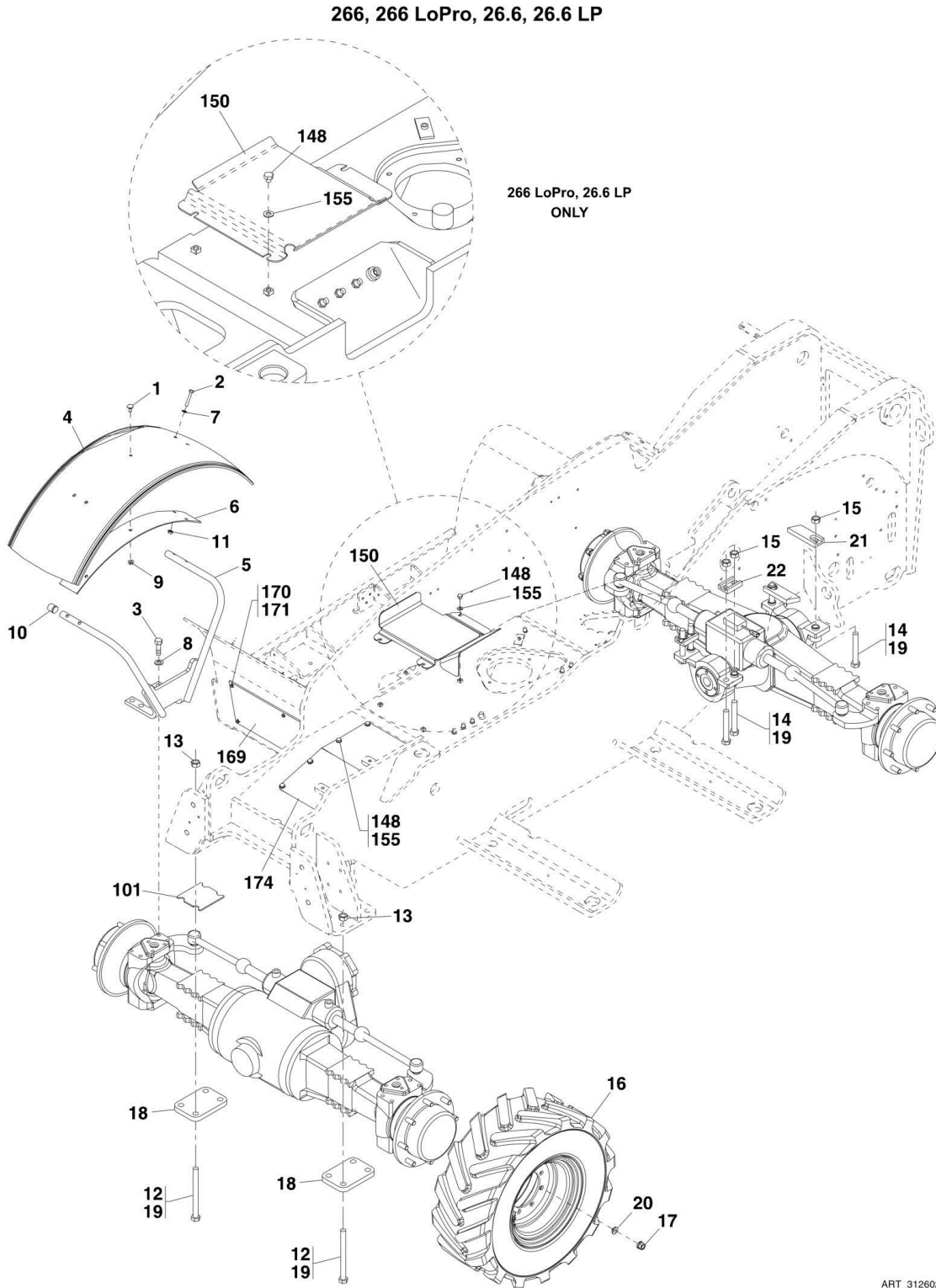
SECTION 1 - FRAME AND ATTACHING PARTS

FIGURE 1-3. FRAME SHROUDING AND TRIM, CAB AND MIRRORS

ITEM	PART NUMBER	QTY	DESCRIPTION	REV
1		Ref	HEADLIGHT ASSY, (See ELECTRICAL SECTION for Breakdown)	
2	3140007	2	MIRROR, (266, 266 LoPro, 26.6, 26.6 LP), (See ELECTRICAL SECTION for mounting hardware)	
2	3140007	1	MIRROR, (307, 30.7), (See ELECTRICAL SECTION for mounting hardware)	
3	1781813	8	CAB MOUNT	
4	4806626	4	BUSHING	
5	8000565	4	WASHER	
6	8000567	4	RUBBER MOUNT	
7	0712029	4	HEX HD CAPSCREW, GR 10.9, (torque to 150 Nm)	
8	3292001	4	HEX NUT, M20X2.5	
10	0761012	2	HEX HD CAPSCREW, 10-1.50X25mm	
11	8003392	1	CABLE SET, GROUND CONNECTION	
12	4812000	2	FLAT WASHER, 10mm	
13		Ref	CAB, (See CAB SECTION for Breakdown)	
14	443630	2	WING SCREW, M12X30mm	
15	909304	0.12 m	RUBBER TRIM, 18X5mm	
16	1271599	1	LIFT CYLINDER LOCK WELDMENT	
17	1784861	2	O-RING	
18	80363195	1	MIRROR	
19	3841634	1	MIRROR ATTACH BAR	
20	3291601	2	HEX LOCKNUT, 16MM-2.00	
21	4812300	2	FLAT WASHER, 16mm	
22		Ref	MIRROR, (See CAB SECTION for Breakdown)	
22	0275752	1	MIRROR INSTALLATION, (266 LoPro, 26.6 LP), (used in Italy), (Includes items 101 thru 104)	A
23	3292001	4	HEX NUT, M20X2.5	
24	4806693	2	ROD	
25	4812500	4	FLAT WASHER, 20mm	
26	1001095650	AR	LOCTITE, #243	
27	1001008436	1	MIRROR ASSY (includes 28 thru 30)	
28	1001008475	2	LOCKWASHER	
29	1001009062	2	WASHER	
30	1001010838	2	HEX HEAD BOLT	
101	0903629	1	BRACKET	
102	3292001	2	HEX NUT, M20X2.5	
103	4812500	2	FLAT WASHER, 20mm	
104	3140007	2	MIRROR	
105		Ref	HEADLIGHT BRACKET, LH, (See ELECTRICAL SECTION for Breakdown)	
106		Ref	HEADLIGHT BRACKET, RH, (See ELECTRICAL SECTION for Breakdown)	

SECTION 1 - FRAME AND ATTACHING PARTS

FIGURE 1-4. AXLE AND FENDER INSTALLATION (266, 26.6, 266 LOPRO & 26.6 LP)



ART_3126025-1-4

SECTION 1 - FRAME AND ATTACHING PARTS

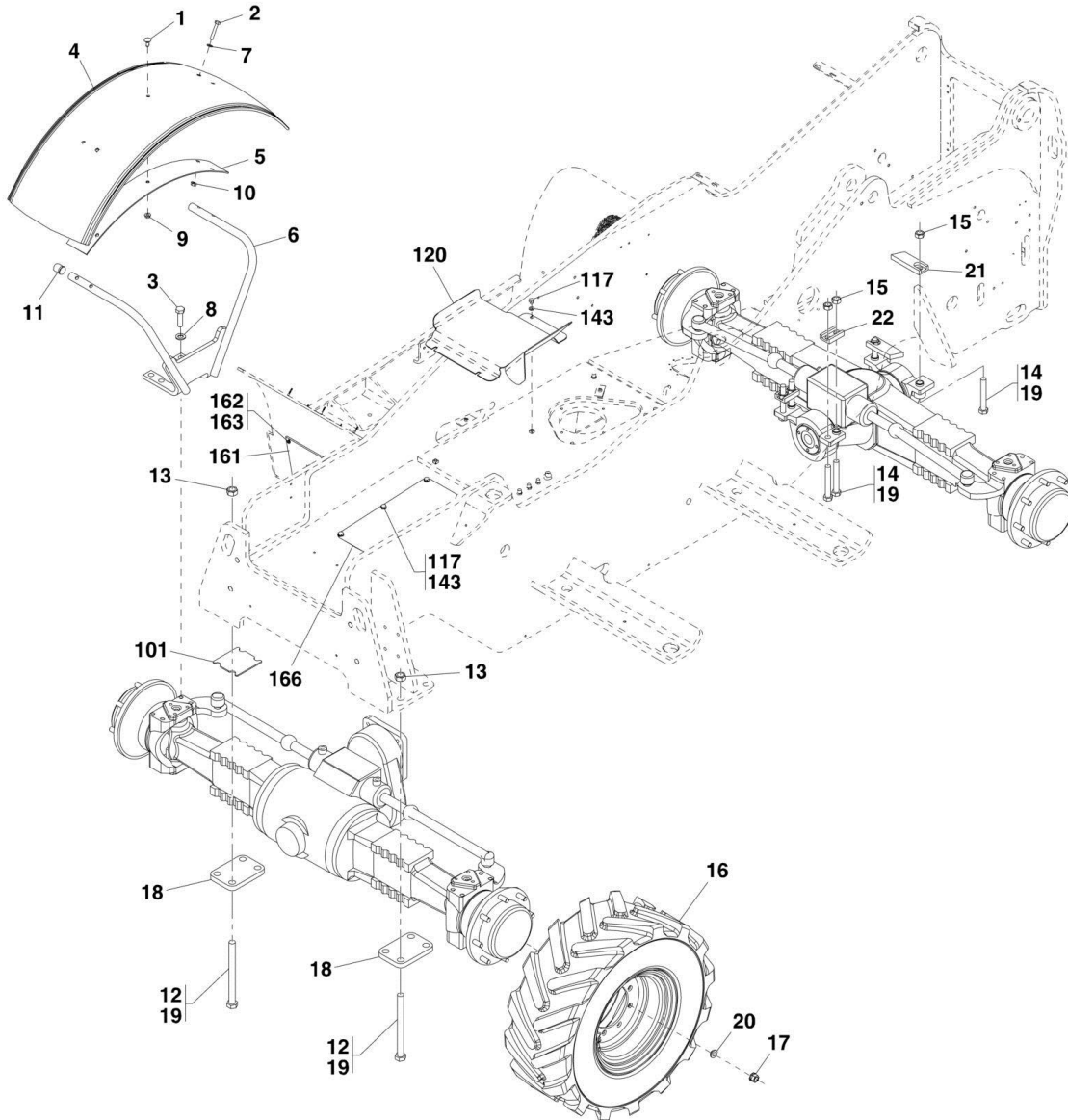
FIGURE 1-4. AXLE AND FENDER INSTALLATION (266, 26.6, 266 LOPRO & 26.6 LP)

ITEM	PART NUMBER	QTY	DESCRIPTION	REV
	0273811	Ref	FENDER INSTALLATION, (266, 26.6), (includes items 1 thru 11)	F
	0274812	Ref	FENDER INSTALLATION, (266 LoPro, 26.6 LP), (includes items 1 thru 11)	B
1	328027	4	BOLT, MUSHROOM HEAD 8-1.25X20mm	
2	0701018	16	HEX HD CAPSCREW, 10-1.50X50mm, GR8.8	
3	0761617	16	HEX HD CAPSCREW, 16X45, GR8.8	
4	1001096127	4	FENDER, (266, 26.6)	
4	1001096569	4	FENDER, (266 LoPro, 26.6 LP)	
5	4340882	4	FENDER SUPPORT	
6	8010524	4	FENDER SUPPORT PLATE, (266, 26.6)	
6	1001098263	4	FENDER SUPPORT PLATE, (266 LoPro, 26.6 LP)	
7	4812000	16	WASHER, 10mm	
8	4812300	16	WASHER, 16mm	
9	5220800	4	RIPP NUT, 8mm, (266, 26.6)	
9	5220800	8	RIPP NUT, 8mm, (266 LoPro, 26.6 LP)	
10	8006580	8	PLUG	
11	5221000	16	RIPP NUT	
12	0712040	8	HEX HD CAPSCREW, 20X230, GR10.9	
13	3332011	8	HEX NUT, M20X2.5	
14	0630599	6	HEX HD CAPSCREW, 20-1.50X140mm	
15	1001103482	6	NUT, M20X1.5	
16		Ref	TIRE AND RIM ASSY, (See DRIVE TRAIN SECTION for Breakdown)	
17	7028416	32	LUG NUT, (torque to 300 Nm)	
18	3574829	2	AXLE PLATE	
19	0100019	AR	LOCTITE, #271	
20	7028415	32	SPRING WASHER	
21	1001104299	2	NUT RETAINER PLATE	
22	1001104300	2	NUT RETAINER PLATE	
101	1001112161	AR	PLATE, AXLE SHIM, (if required)	
148	0761005	11	HEX HD CAPSCREW, 10X10	
150	1671209	1	FRAME COVER, (266)	
150	1671209B	1	FRAME COVER, (26.6)	
150	1671334	1	FRAME COVER, (266 LoPro)	
150	1671334B	1	FRAME COVER, (26.6 LP)	
155	4812000	11	FLAT WASHER, 10mm	
169	1001097241	1	COVER	
170	4811700	6	FLAT WASHER, 6mm	
171	4191707	6	SCREW, M6X16mm	
174	1001099383	1	MOTOR ACCESS COVER	

SECTION 1 - FRAME AND ATTACHING PARTS

FIGURE 1-5. AXLE AND FENDER INSTALLATION (307 & 30.7)

307, 30.7



ART_3126025-1-5

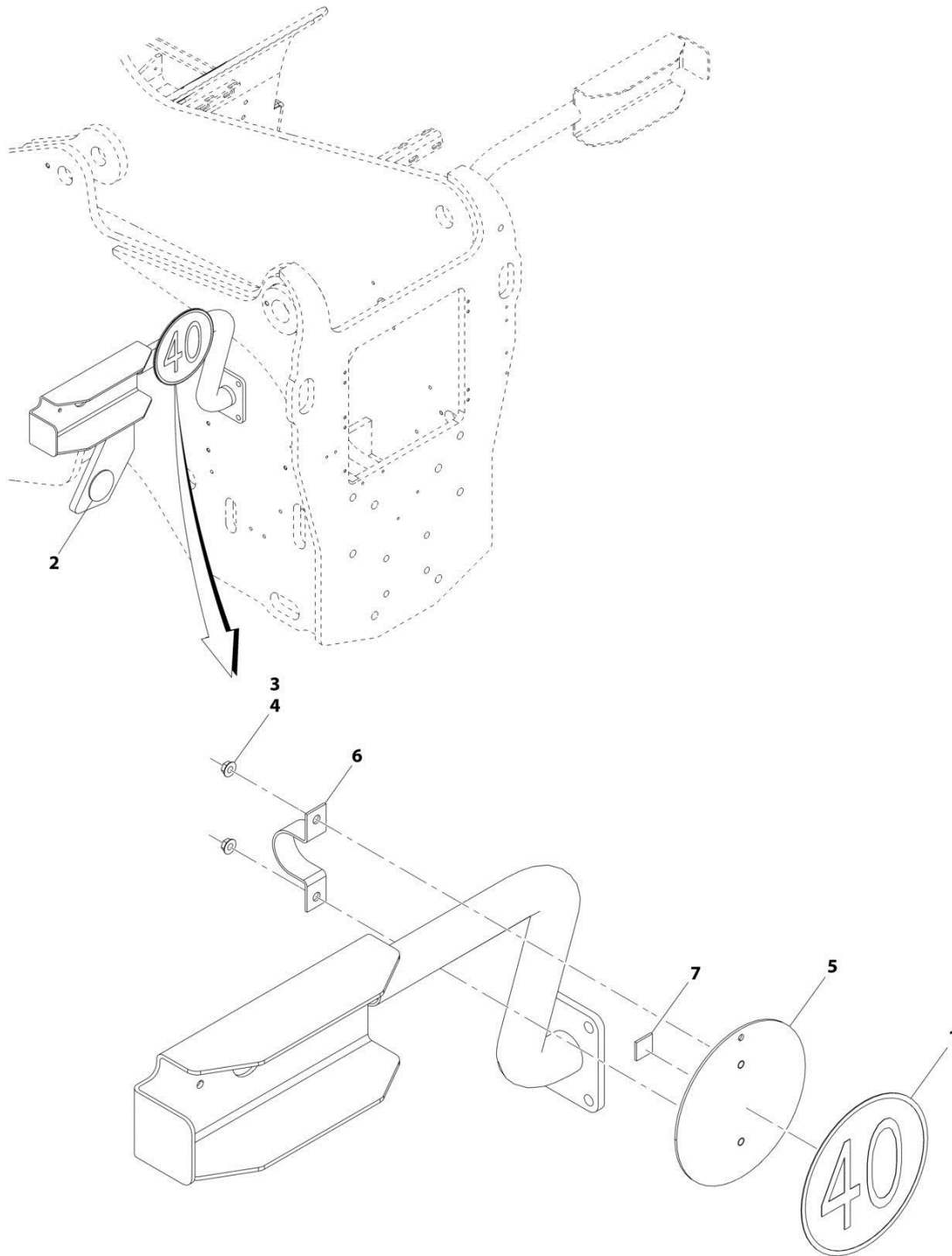
SECTION 1 - FRAME AND ATTACHING PARTS

FIGURE 1-5. AXLE AND FENDER INSTALLATION (307 & 30.7)

ITEM	PART NUMBER	QTY	DESCRIPTION	REV
	0273812	1	FENDER INSTALLATION, (307, 30.7), (OPTIONAL), (includes items 1 thru 11)	F
1	328027	4	BOLT, MUSHROOM HEAD 8-1.25X20mm	
2	0701018	16	HEX HD CAPSCREW, 10-1.50X50mm, GR 8.8	
3	0761617	16	HEX HD CAPSCREW, 16X45, GR 8.8	
4	1001096345	4	FENDER	
5	3575386	4	SUPPORT PLATE	
6	4340883	4	FENDER SUPPORT	
7	4812000	16	WASHER, 10mm	
8	4812300	16	WASHER, 16mm	
9	5220800	4	RIPP NUT, 8mm	
10	5221000	16	RIPP NUT	
11	8006580	8	PLUG	
12	0712445	8	HEX HD CAPSCREW, 24X280, GR 10.9	
13	3332411	8	HEX NUT, M20X2.5	
14	0630599	6	HEX HD CAPSCREW, 20-1.5X140mm	
15	1001103482	6	NUT, M20X1.5	
16		Ref	TIRE AND RIM ASSY, (See DRIVE TRAIN SECTION for Breakdown)	
17	7028416	32	LUG NUT, (torque to 300 Nm)	
18	3575706	2	AXLE PLATE	
19	0100019	AR	LOCTITE, #271	
20	7028415	32	SPRING WASHER	
21	1001104299	2	NUT RETAINER PLATE	
22	1001104300	2	NUT RETAINER PLATE	
101	1001112161	AR	PLATE, AXLE SHIM, (if required)	
117	0761005	9	HEX HD CAPSCREW, 10X10mm, GR 8.8	
120	1671206	1	FRAME COVER, (307)	
120	1671206B	1	FRAME COVER, (30.7)	
143	4812000	9	FLAT WASHER, 10mm	
161	1001097241	1	COVER	
162	4191707	6	SCREW, M6X16mm	
163	4811700	6	FLAT WASHER, 6mm	
166	1001099531	1	MOTOR ACCESS COVER	

SECTION 1 - FRAME AND ATTACHING PARTS

FIGURE 1-6. FRENCH HOMOLOGATION INSTALLATION



ART_1001098062-B

SECTION 1 - FRAME AND ATTACHING PARTS

FIGURE 1-6. FRENCH HOMOLOGATION INSTALLATION

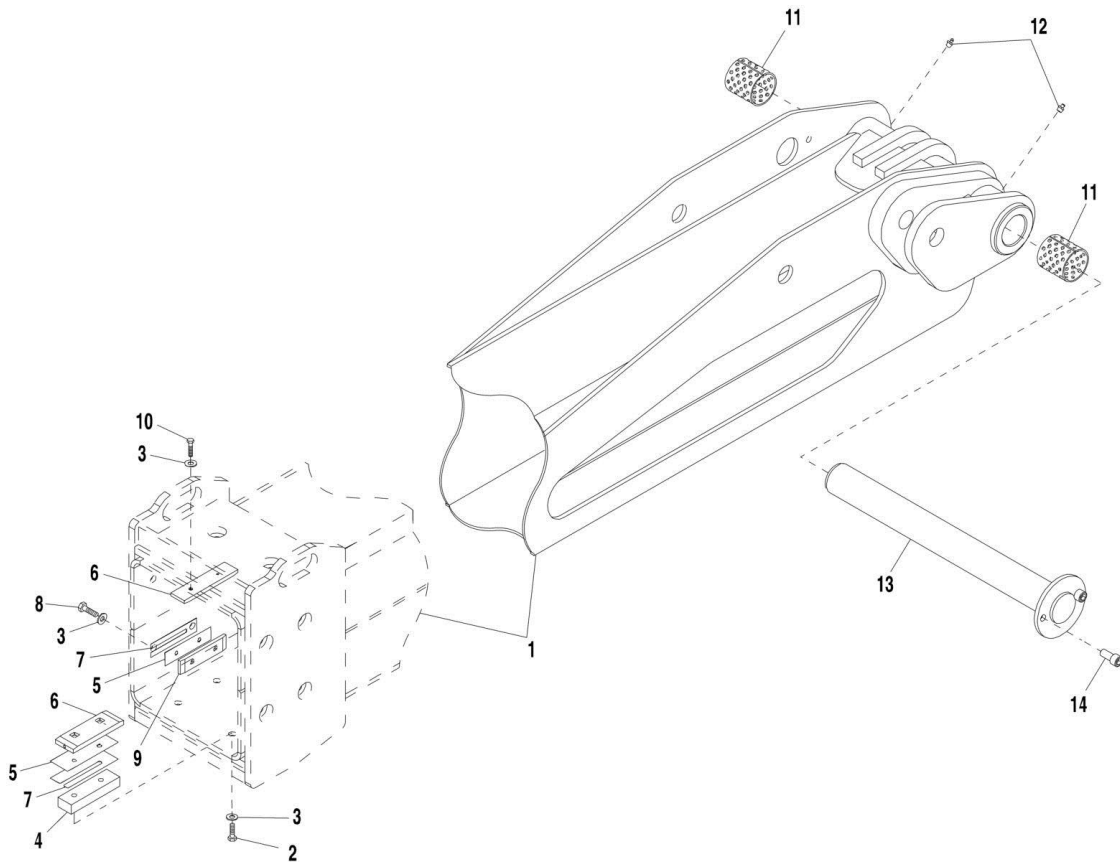
ITEM	PART NUMBER	QTY	DESCRIPTION	REV
	1001098062	Ref	FRENCH HOMOLOGATION INSTALLATION, (includes all items)	A
1	2999964	1	DECAL	
2	3931579	1	REFLECTOR, REAR	
3	5220800	2	RIPP NUT, 8mm	
4	1001095650	AR	LOCTITE	
5	1001097972	1	PLATE	
6	1001097973	1	CLIP, 52mm	
7	1001101227	25	SOLID RUBBER TAPE	

SECTION 2 - BOOM

SECTION 2 - BOOM

FIGURE 2-1. FIRST BOOM SECTION (266, 266 LOPRO, 26.6 & 26.6 LP)

266, 266 LoPro, 26.6, 26.6 LP



ART_3126025-2-1

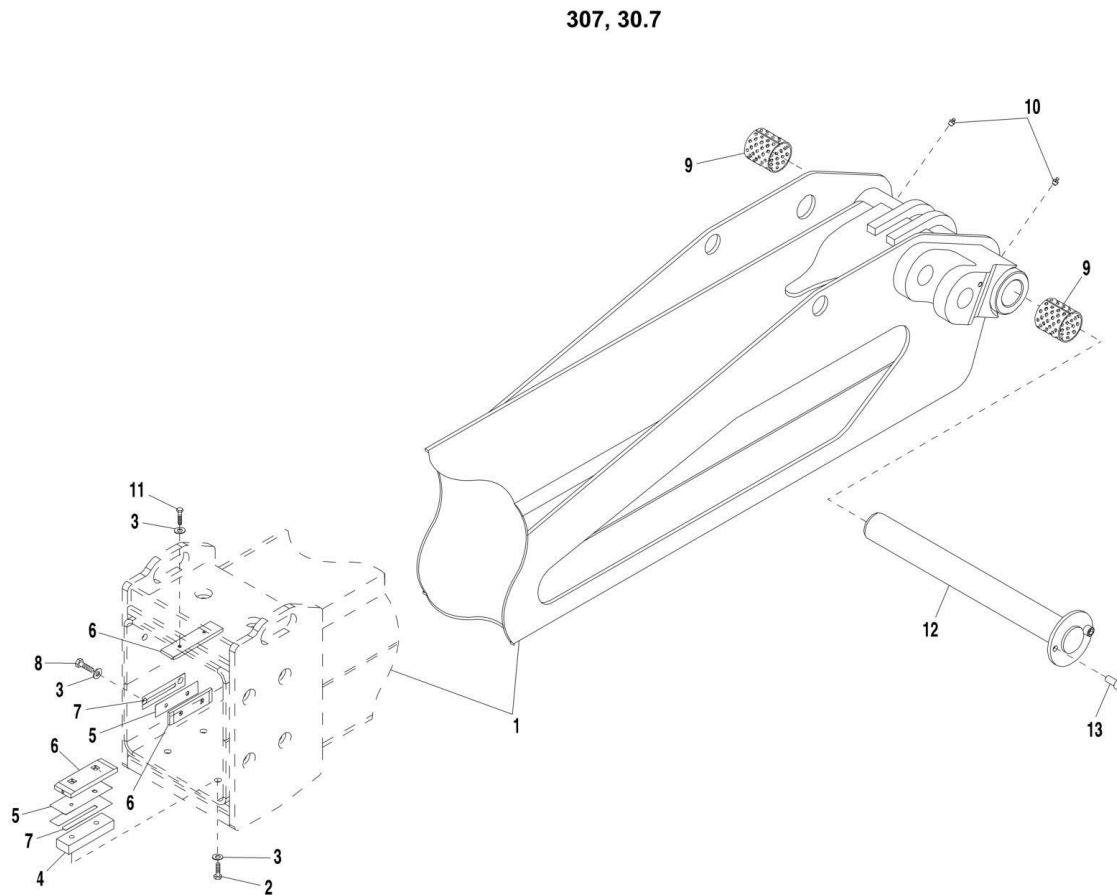
SECTION 2 - BOOM

FIGURE 2-1. FIRST BOOM SECTION (266, 266 LOPRO, 26.6 & 26.6 LP)

ITEM	PART NUMBER	QTY	DESCRIPTION	REV
1	0801412	1	FIRST BOOM SECTION, (266, 266 LoPro)	
1	0801412G	1	FIRST BOOM SECTION, (26.6, 26.6 LP)	
2	0701016	4	HEX HD CAPSCREW, 10-1.50X40mm, GR 8.8, (as required), (torque to 50 Nm)	
2	0701017	4	HEX HD CAPSCREW, 10-1.50X45mm, GR 8.8, (as required), (torque to 50 Nm)	
2	0701018	4	HEX HD CAPSCREW, 10-1.50X50mm, GR 8.8, (as required), (torque to 50 Nm)	
3	4812000	16	FLAT WASHER, 10mm	
4	3574821	2	SPACER	
5	8002901	6	SPACER	
6	8002200	4	BEARING PAD	
7	8008640	AR	SHIM, 50X200X0.5	
7	8008641	AR	SHIM, 50X200X1.0	
7	8008642	AR	SHIM, 50X200X1.5	
7	8008070	AR	SHIM, 50X200X2.0	
8	0761008	8	HEX HD CAPSCREW, 10-1.50X16mm, GR 8.8, (as required), (torque to 50 Nm)	
8	0761010	8	HEX HD CAPSCREW, 10-1.50X20mm, GR 8.8, (as required), (torque to 50 Nm)	
8	0761012	8	HEX HD CAPSCREW, 10-1.50X25mm, GR 8.8, (as required), (torque to 50 Nm)	
9	4700027	4	BEARING PAD	
10	0761010	4	HEX HD CAPSCREW, 10-1.50X20mm, GR 8.8, (torque to 50 Nm)	
11	4100076	2	BUSHING	
12	2160016	2	LUBE FITTING, STRAIGHT	
13	3423218	1	PIN	
14	5272611	2	HEX HD SCREW, M16X35LG	

SECTION 2 - BOOM

FIGURE 2-2. FIRST BOOM SECTION (307 & 30.7)



ART_3126025-2-2

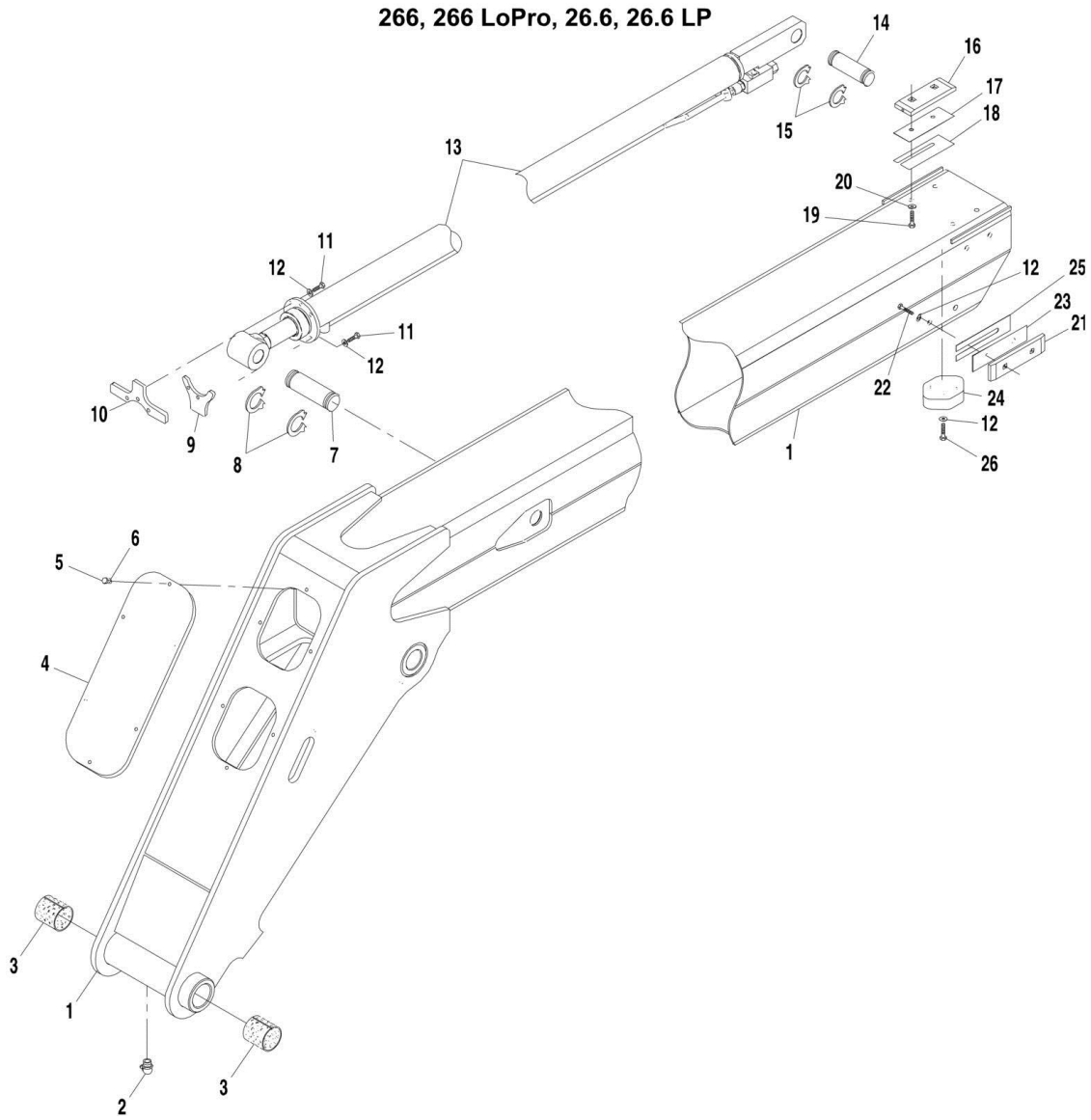
SECTION 2 - BOOM

FIGURE 2-2. FIRST BOOM SECTION (307 & 30.7)

ITEM	PART NUMBER	QTY	DESCRIPTION	REV
1	0801413	1	FIRST BOOM SECTION, (307)	
1	0801413G	1	FIRST BOOM SECTION, (30.7)	
2	0701016	4	HEX HD CAPSCREW, 10-1.50X40mm, GR 8.8, (as required), (torque to 50 Nm)	
2	0701017	4	HEX HD CAPSCREW, 10-1.50X45mm, GR 8.8, (as required), (torque to 50 Nm)	
2	0701018	4	HEX HD CAPSCREW, 10-1.50X50mm, GR 8.8, (as required), (torque to 50 Nm)	
3	4812000	16	FLAT WASHER, 10mm	
4	3574821	2	SPACER	
5	8002901	8	SPACER	
6	8002200	8	BEARING PAD	
7	8008640	AR	SHIM, 50X200X0.5	
7	8008641	AR	SHIM, 50X200X1.0	
7	8008642	AR	SHIM, 50X200X1.5	
7	8008070	AR	SHIM, 50X200X2.0	
8	0761010	8	HEX HD CAPSCREW, 10-1.50X20mm, GR 8.8, (as required), (torque to 50 Nm)	
8	0761012	8	HEX HD CAPSCREW, 10-1.50X25mm, GR 8.8, (as required), (torque to 50 Nm)	
8	0761014	8	HEX HD CAPSCREW, 10-1.50X30mm, GR 8.8, (as required), (torque to 50 Nm)	
9	4100076	2	BUSHING	
10	2160016	2	LUBE FITTING, STRAIGHT	
11	0761010	4	HEX HD CAPSCREW, 10-1.50X20mm, GR 8.8 (torque to 50 Nm)	
12	3423220	1	PIN	
13	5272611	2	HEX HD SCREW, M16X35LG	

SECTION 2 - BOOM

FIGURE 2-3. SECOND BOOM SECTION (266, 266 LOPRO, 26.6 & 26.6 LP)



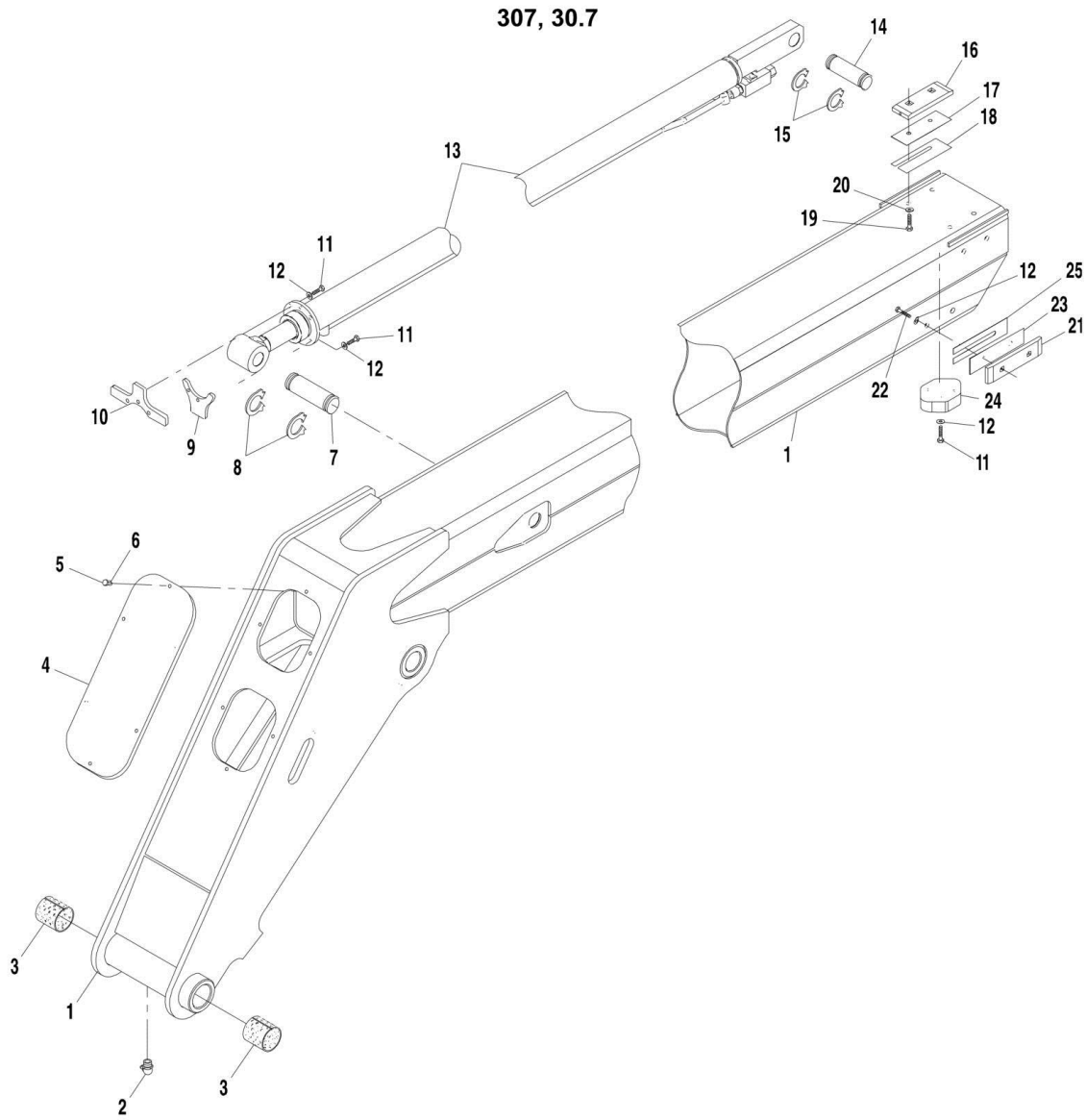
SECTION 2 - BOOM

FIGURE 2-3. SECOND BOOM SECTION (266, 266 LOPRO, 26.6 & 26.6 LP)

ITEM	PART NUMBER	QTY	DESCRIPTION	REV
1	0801419	1	SECOND BOOM SECTION, (266, 266 LoPro)	
1	0801419B	1	SECOND BOOM SECTION, (26.6/26.6 LP)	
2	2160018	1	LUBE FITTING, 90	
3	4100078	2	BUSHING	
4	3574798	1	FRONT COVER PLATE, (266, 266 LoPro)	
4	3574798B	1	FRONT COVER PLATE, (26.6/26.6 LP)	
5	0760808	6	HEX HD CAPSCREW, 8-1.25X16mm	
6	4831900	6	LOCKWASHER, 8mm	
7	3423152	1	CROWD CYLINDER PIN	
8	3760492	2	RETAINING RING	
9	4340827	1	BRACKET	
10	4340826	1	BRACKET	
11	0761012	6	HEX HD CAPSCREW, 10-1.50X25mm, GR 8.8, (torque to 50 Nm)	
12	4812000	18	FLAT WASHER, 10mm	
13		Ref	CROWD CYLINDER, (See HYDRAULIC COMPONENTS SECTION for Breakdown)	
14	3423075	1	CROWD BARREL PIN	
15	3760491	2	RETAINING RING	
16	8002199	2	BEARING PAD	
17	8003242	2	SPACER	
18	8008069	AR	SHIM, OFFSET, 70X200X2.0	
18	8008634	AR	SHIM, OFFSET, 70X200X0.5	
18	8008644	AR	SHIM, OFFSET, 70X200X1.0	
18	8008645	AR	SHIM, OFFSET, 70X200X1.5	
19	0761010	4	HEX HD CAPSCREW, 10-1.50X20mm, GR 8.8, (as required), (torque to 50 Nm)	
19	0761012	4	HEX HD CAPSCREW, 10-1.50X25mm, GR 8.8, (as required), (torque to 50 Nm)	
20	4812100	4	FLAT WASHER, 12mm	
21	4700027	4	BEARING PAD	
22	0761008	8	HEX HD CAPSCREW, 10-1.50X16mm, GR 8.8, (as required), (torque to 50 Nm)	
22	0761010	8	HEX HD CAPSCREW, 10-1.50X20mm, GR 8.8, (as required), (torque to 50 Nm)	
22	0761012	8	HEX HD CAPSCREW, 10-1.50X25mm, GR 8.8, (as required), (torque to 50 Nm)	
23	8002901	4	SPACER	
24	4700026	1	SLIDER PAD	
25	8008640	AR	SHIM, 50X200X0.5	
25	8008641	AR	SHIM, 50X200X1.0	
25	8008642	AR	SHIM, 50X200X1.5	
25	8008070	AR	SHIM, 50X200X2.0	
26	0761012	AR	HEX HD CAPSCREW, 10-1.50X25mm, GR 8.8	

SECTION 2 - BOOM

FIGURE 2-4. SECOND BOOM SECTION (307 & 30.7)



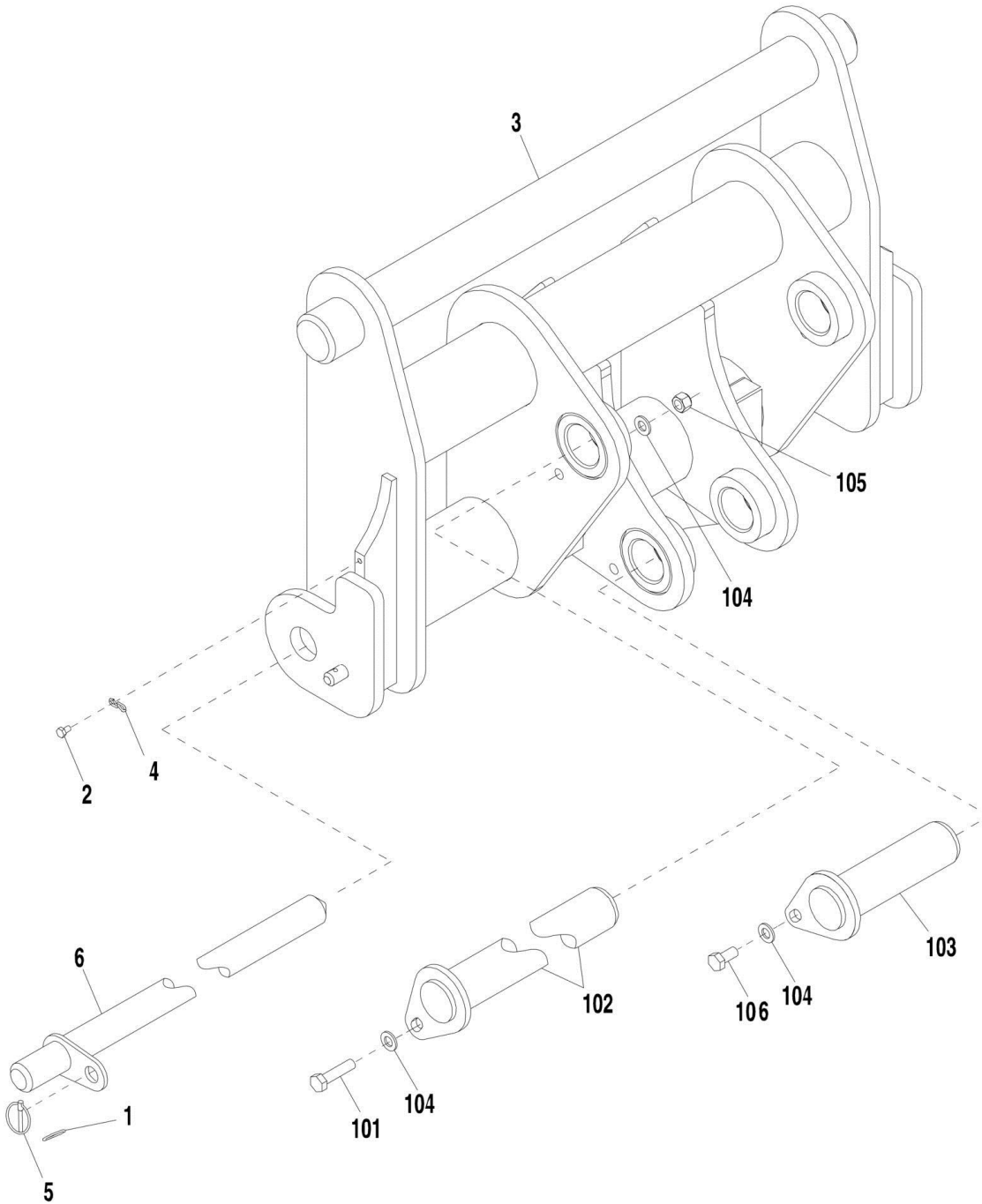
SECTION 2 - BOOM

FIGURE 2-4. SECOND BOOM SECTION (307 & 30.7)

ITEM	PART NUMBER	QTY	DESCRIPTION	REV
1	0801415	1	SECOND BOOM SECTION, (307)	
1	0801415B	1	SECOND BOOM SECTION, (30.7)	
2	2160018	1	LUBE FITTING, 90	
3	4100078	2	BUSHING	
4	3574798	1	FRONT COVER PLATE, (307)	
4	3574798B	1	FRONT COVER PLATE, (30.7)	
5	0760808	6	HEX HD CAPSCREW, 8-1.25x16mm, GR8.8	
6	4811900	6	LOCKWASHER, 8mm	
7	3423149	1	CROWD CYLINDER PIN	
8	3760492	2	RETAINING RING	
9	4340829	1	BRACKET	
10	4340828	1	BRACKET	
11	0761012	10	HEX HD CAPSCREW, 10-1.50X25mm, (torque to 50 Nm)	
12	4812000	18	FLAT WASHER, 10mm	
13		Ref	CROWD CYLINDER, (See HYDRAULIC COMPONENTS SECTION for Breakdown)	
14	3423075	1	CROWD BARREL PIN	
15	3760491	2	RETAINING RING	
16	8002199	2	BEARING PAD	
17	8003242	2	SPACER	
18	8008069	AR	SHIM, OFFSET, 70X200X2.0	
18	8008634	AR	SHIM, OFFSET, 70X200X0.5	
18	8008644	AR	SHIM, OFFSET, 70X200X1.0	
18	8008645	AR	SHIM, OFFSET, 70X200X1.5	
19	0761210	4	HEX HD CAPSCREW, 12-1.75X20mm, GR 8.8, (as required), (torque to 90 Nm)	
19	0761212	4	HEX HD CAPSCREW, 12-1.75X25mm, GR 8.8, (as required), (torque to 90 Nm)	
19	0761214	4	HEX HD CAPSCREW, 12-1.75X30mm, GR 8.8, (as required), (torque to 90 Nm)	
20	4812100	4	FLAT WASHER, 12mm	
21	8002200	4	BEARING PAD	
22	0761010	8	HEX HD CAPSCREW, 10-1.50X20mm, GR 8.8, (as required), (torque to 50 Nm)	
22	0761012	8	HEX HD CAPSCREW, 10-1.50X25mm, GR 8.8, (as required), (torque to 50 Nm)	
22	0761014	8	HEX HD CAPSCREW, 10-1.50X30mm, GR 8.8, (as required), (torque to 50 Nm)	
23	8002901	4	SPACER	
24	4700026	1	SLIDER PAD	
25	8008640	AR	SHIM, 50X200X0.5	
25	8008641	AR	SHIM, 50X200X1.0	
25	8008642	AR	SHIM, 50X200X1.5	
25	8008070	AR	SHIM, 50X200X2.0	

SECTION 2 - BOOM

FIGURE 2-5. QUICK SWITCH ASSEMBLY



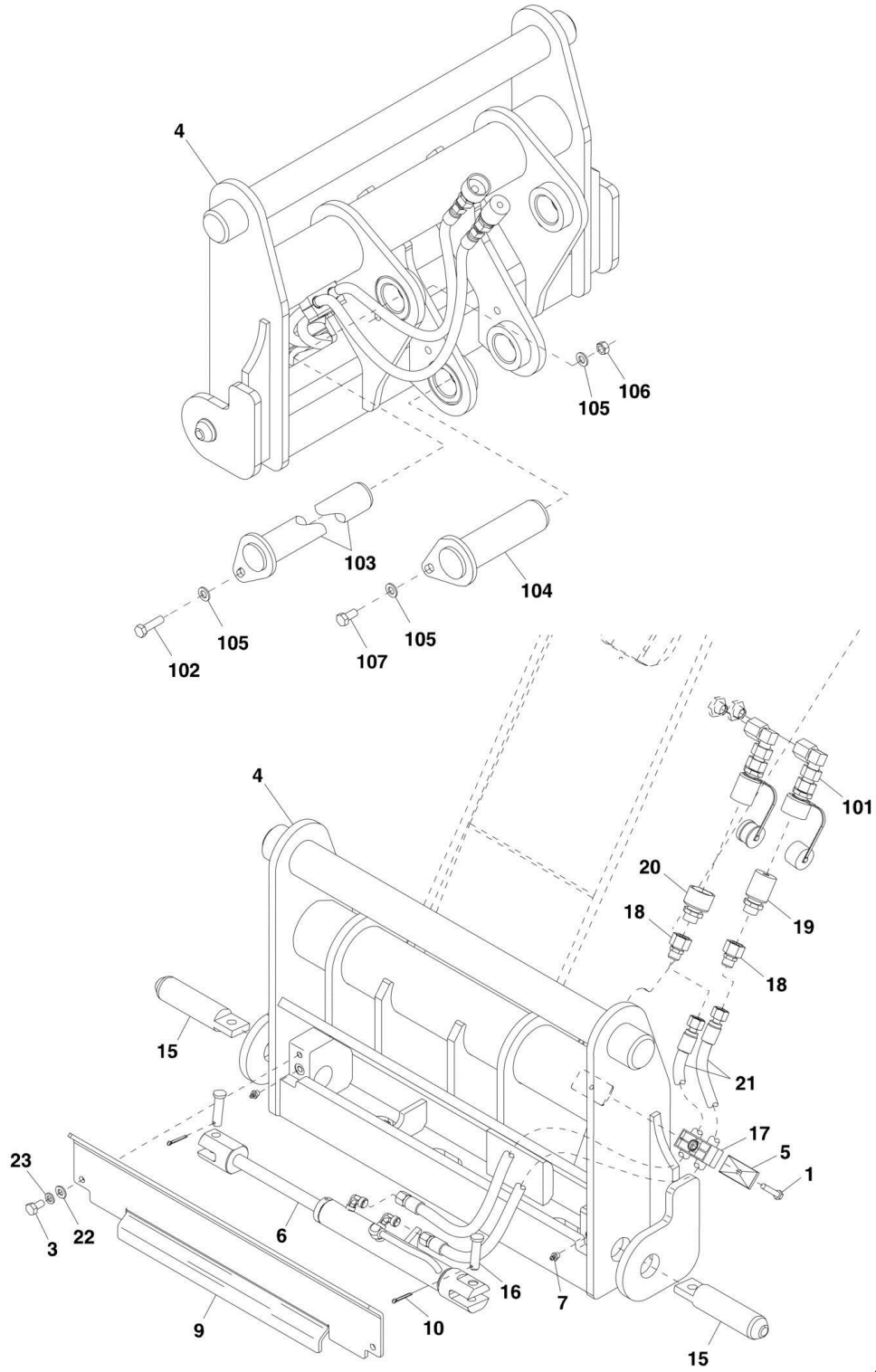
ART_3126025-2-5

FIGURE 2-5. QUICK SWITCH ASSEMBLY

ITEM	PART NUMBER	QTY	DESCRIPTION	REV
	0801416	1	SWITCH ASSEMBLY, (includes items 1 thru 6)	N
1	463929	1	RING	
2	0760605	1	HEX HD CAPSCREW, 6-1.00X10mm, GR 8.8	
3	0801417	1	SWITCH WELDMENT	
4	933940	1	CHAIN	
5	3964987	1	SPLIT PIN	
6	8002027	1	FORK LOCKING ROD	
101	0761218	1	HEX HD SCREW, 8.8 FULL THD, M12X50 LG	
102	3423211	1	PIN	
103	3423210	1	PIN	
104	4812100	3	FLAT WASHER, 12mm	
105	3291205	1	HEX LOCKNUT, 12mm-1.75	
106	0761212	1	HEX HD SCREW, 8.8 FULL THD, M12X25 LG	

SECTION 2 - BOOM

FIGURE 2-6. HYDRAULIC QUICK SWITCH ASSEMBLY



ART_3126025-2-6

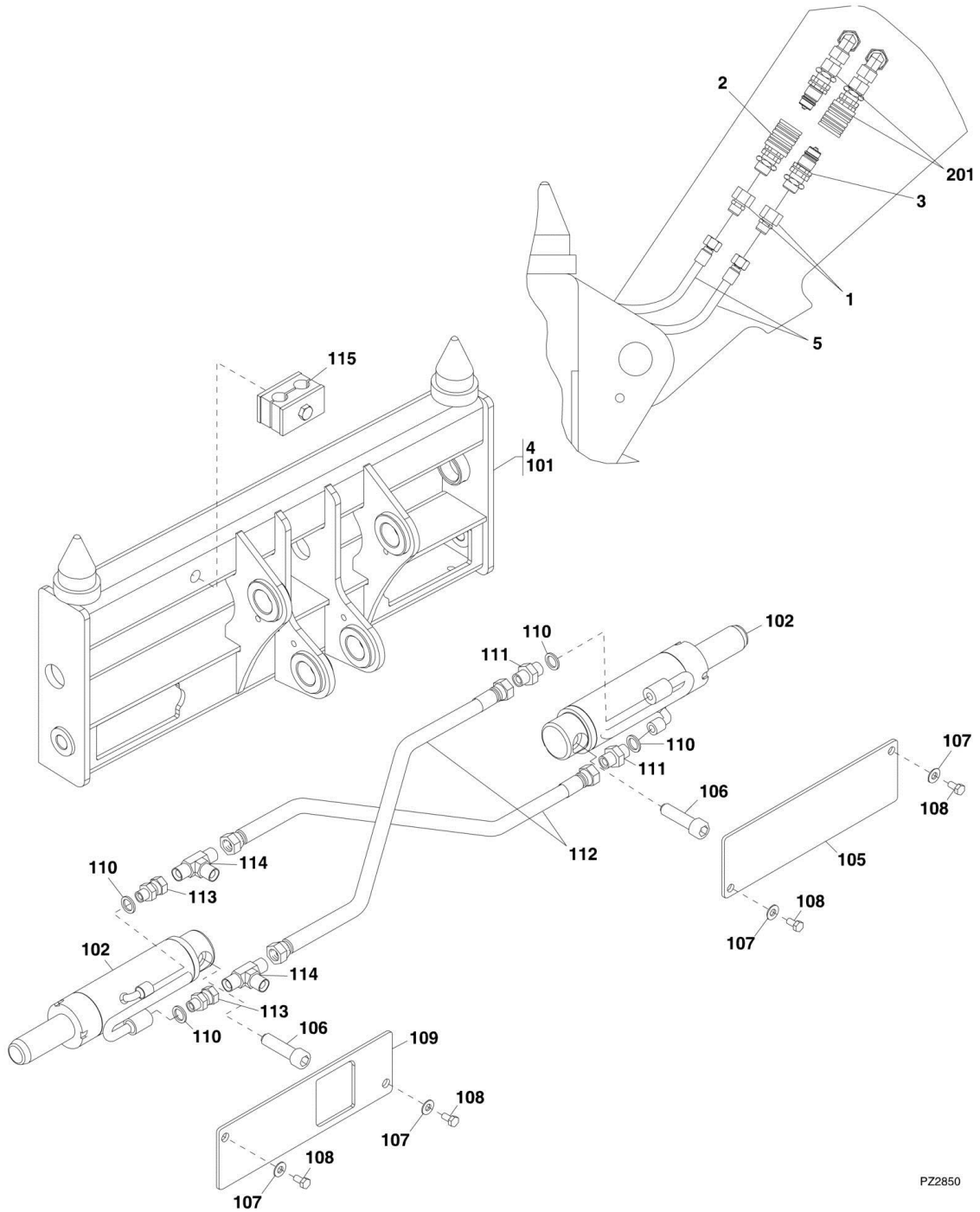
SECTION 2 - BOOM

FIGURE 2-6. HYDRAULIC QUICK SWITCH ASSEMBLY

ITEM	PART NUMBER	QTY	DESCRIPTION	REV
	0801420	1	HYDRAULIC QUICK SWITCH ASSEMBLY, (includes items 1 thru 23)	O
1	0700819	1	HEX HD CAPSCREW, 8-1.25X55mm, GR 8.8	
3	0761010	5	HEX HD CAPSCREW, 10-1.50X20mm, GR 8.8	
4	0801421	1	QUICK SWITCH WELDMENT	
5	1309435	1	CLAMP COVER PLATE	
6		Ref	FORK LOCKING CYLINDER, (See HYDRAULIC COMPONENTS SECTION for Breakdown)	
7	2160016	2	LUBE FITTING, (straight)	
9	3575838	1	COVER PLATE	
10	3391410	2	SPLIT PIN	
15	8001888	2	PIN	
16	8002110	2	CLEVIS PIN	
17	8002781	1	CLAMP BODY	
18	2143511	2	REDUCER	
19	Kit	NLA	MALE SCREW COUPLING, (no longer available, order 1001097287 kit)	
19	1001094556	1	MALE QUICK DISCONNECT COUPLING	
20	Kit	NLA	SCREW COUPLING, (no longer available, order 1001097287 kit)	
20	1001094555	1	FEMALE QUICK DISCONNECT COUPLING	
21	2754168	2	HOSE ASSY	
22	4812000	5	FLAT WASHER, 10mm	
23	4832000	5	SPRING LOCKWASHER, 10mm	
101		Ref	AUX HYDRAULICS, (See HYDRAULIC CIRCUITS SECTION for Breakdown)	
102	0761218	1	HEX HD SCREW, 8.8 FULL THD, M12X50 LG	
103	3423211	1	PIN	
104	3423210	1	PIN	
105	4812100	3	FLAT WASHER, 12mm	
106	3291205	1	HEX LOCKNUT, 12mm - 1.75	
107	0761212	1	HEX HD SCREW, 8.8 FULL THD, M12X25 LG	
	2902438	1	FORK LOCKING CYLINDER KIT, (includes items 6, 10, 15 & 16)	
	1001097287	1	QUICK DISCONNECT ADAPTOR KIT, (includes items 19, 20, dust cap and dust plug)	

SECTION 2 - BOOM

FIGURE 2-7. JD QUICK ATTACH



PZ2850

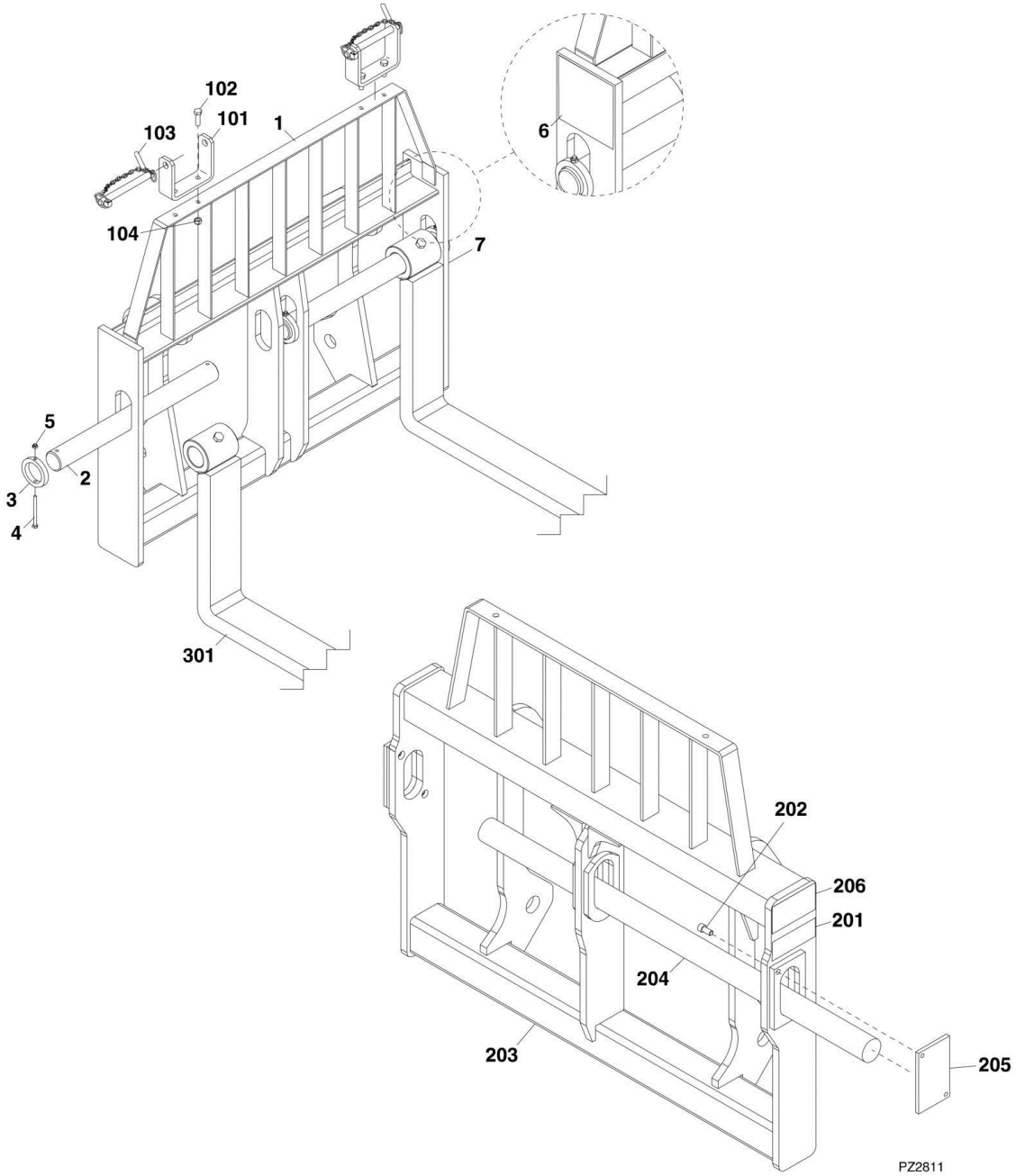
FIGURE 2-7. JD QUICK ATTACH

ITEM	PART NUMBER	QTY	DESCRIPTION	REV
	1001110008	Ref	JD QUICK ATTACH INSTALLATION, (CE - 266, 307, 266 LoPro), (if equipped), (not available to order, see items 1 thru 5 for service)	A
1	2143511	2	ADAPTER	
2	1001094555	1	FEMALE QUICK DISCONNECT COUPLING	
3	1001094556	1	MALE QUICK DISCONNECT COUPLING	
4	1001097350	1	JD QUICK ATTACH, (includes items 101 thru 115)	C
5	1001110009	2	HOSE ASSY	
101		Ref	WELDMENT	
102	1001104933	2	JD QUICK ATTACH CYLINDER	
102	70022559	1	SEAL KIT	
105	1001101425	1	COVER PLATE	
106	1001101587	2	BOLT, M14X55	
107	4811900	4	WASHER, 8mm	
108	3290805	4	HEX HD CAPSCREW, M8X16, GR8.8	
109	1001101356	1	COVER PLATE	
110	1001101590	4	O-RING	
111	1001097661	2	ADAPTER	
112	1001097664	2	HOSE ASSY	
113	1001097662	2	ADAPTER	
114	1001097663	2	TEE FITTING	
115	1001103533	1	CLAMP SET, (includes screw and plate)	
201		Ref	AUXILIARY HYDRAULICS, (See HYDRAULIC CIRCUITS SECTION for Breakdown)	

SECTION 3 - ATTACHMENTS

SECTION 3 - ATTACHMENTS

FIGURE 3-1. CARRIAGE ASSEMBLY



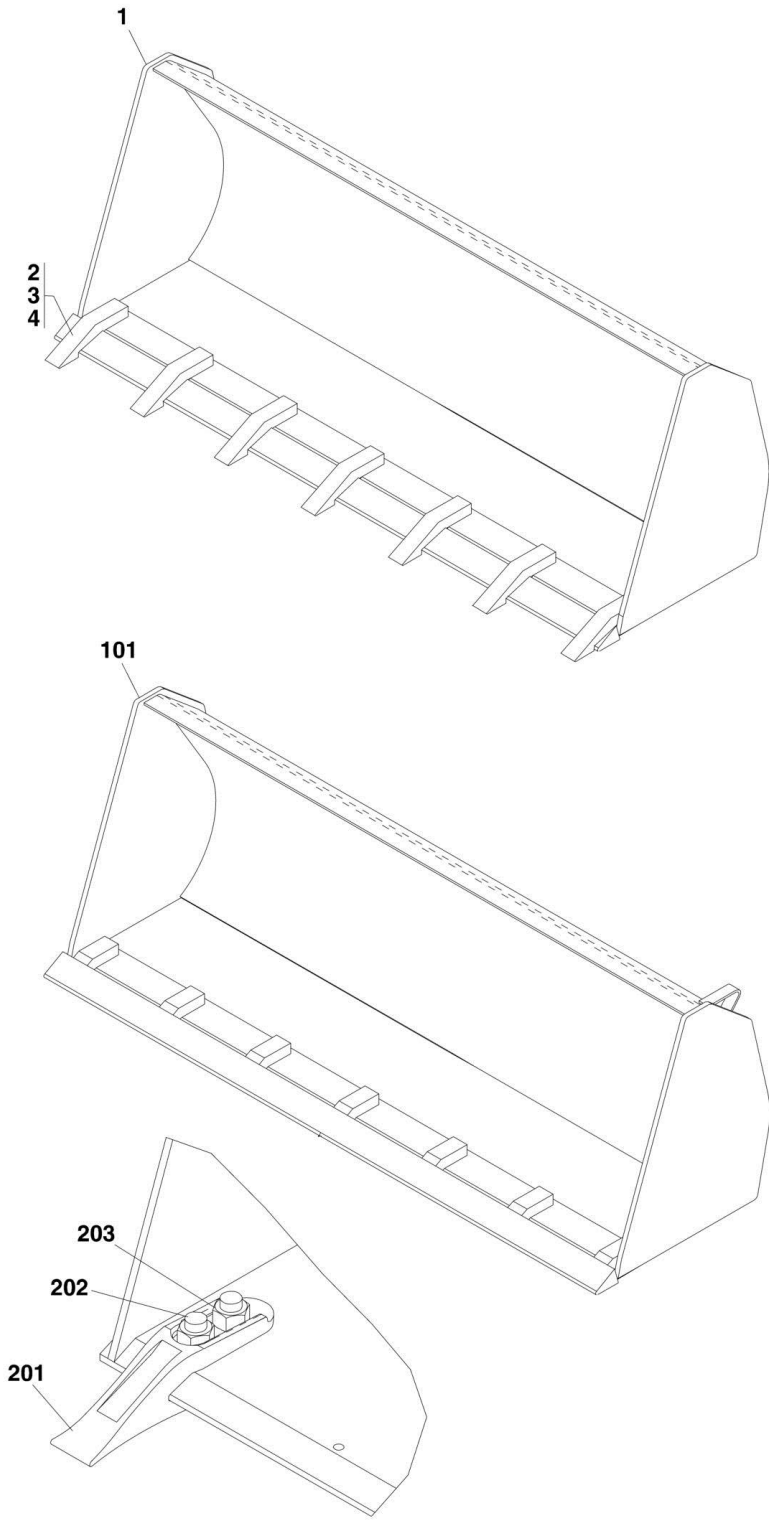
SECTION 3 - ATTACHMENTS

FIGURE 3-1. CARRIAGE ASSEMBLY

ITEM	PART NUMBER	QTY	DESCRIPTION	REV
	1001102554	1	CARRIAGE ASSY, (CE - 266, 307, 266 LoPro), (includes items 1 thru 5), (used with JD Quick Attach - See BOOM SECTION for Breakdown)	B
	1170028	1	CARRIAGE ASSY, (CE and AUS), (Benne), (includes items 1 thru 7)	E
1		Ref	CARRIAGE WELDMENT	
2	4040283	2	CARRIAGE SHAFT	
3	3760508	4	SHAFT COLLAR	
4	0700827	4	HEX HD CAPSCREW, 8-1.25X100mm, GR 8.8	
5	3290805	4	HEX LOCKNUT, 8mm	
6		Ref	NAME PLATE	
7		Ref	SN PLATE	
	0240143	1	FORK TRANSPORT LATCH, (CE and AUS), (includes items 101 thru 104)	A
101	0903366	2	LOCKING BRACKET	
102	0761216	4	HEX HD CAPSCREW, 12X40	
103	3291205	4	HEX LOCKNUT, 12mm	
104	3423258	2	LOCKING PIN	
	1001107333	1	CARRIAGE ASSY, (500mm), (CE), (Vetter), (includes items 201 thru 206)	A
	1001107581	1	CARRIAGE ASSY, (600mm), (AUS - 266, 307, 266 LoPro), (Vetter), (includes items 201 thru 206)	A
201		Ref	SN PLATE	
202	4032109	4	SOCKET HD CAPSCREW, M12X25	
203		Ref	CARRIAGE WELDMENT	
204	1001107336	1	CARRIAGE SHAFT	
205	1001107338	2	SHAFT COVER	
206		Ref	NAMEPLATE	
301		Ref	FORKS, (See FORK for Breakdown)	

SECTION 3 - ATTACHMENTS

FIGURE 3-2. BUCKETS



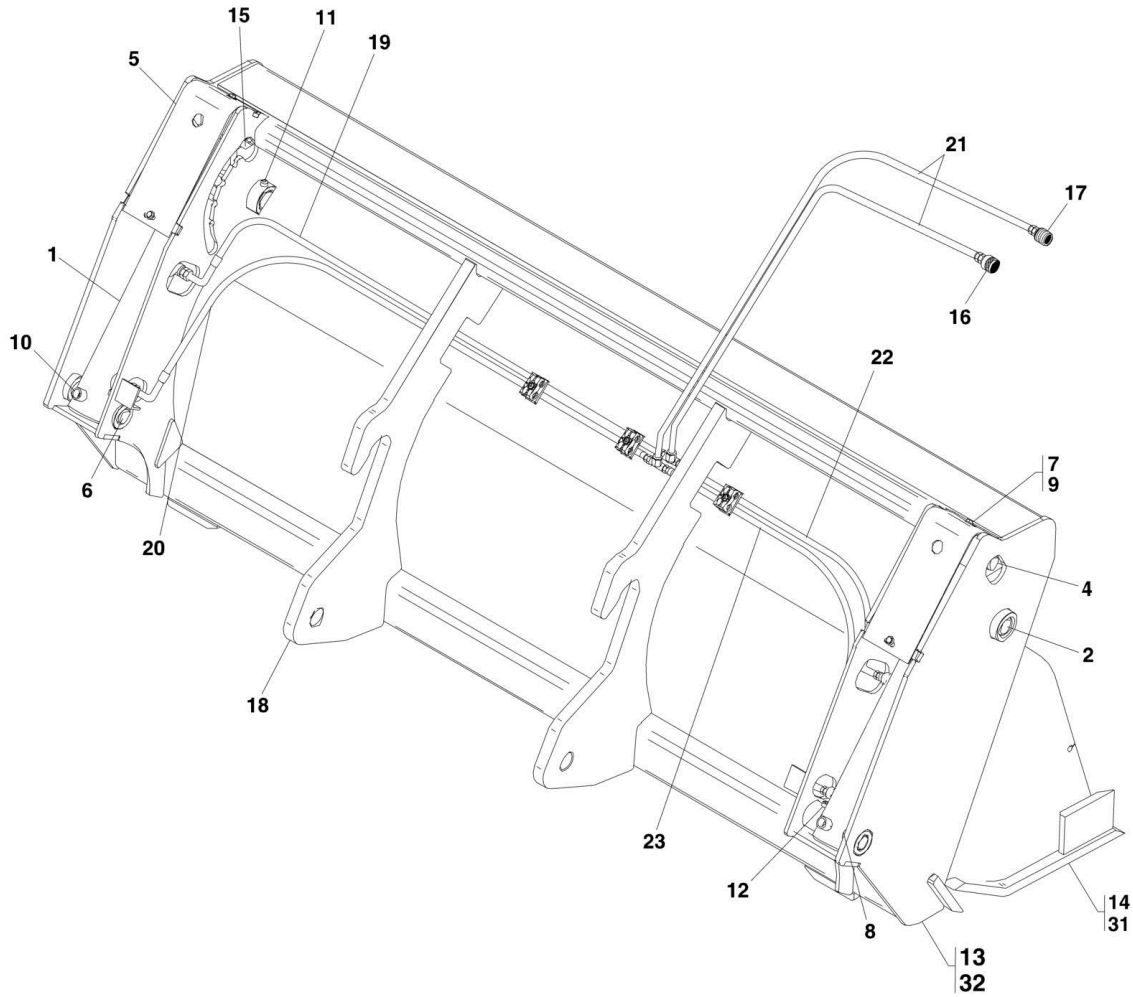
SECTION 3 - ATTACHMENTS

FIGURE 3-2. BUCKETS

ITEM	PART NUMBER	QTY	DESCRIPTION	REV
	4805670	1	0,8m ³ DIG BUCKET, W/TEETH, (CE)	B
1	4802100	1	1,0m ³ DIG BUCKET, W/TEETH, (CE and AUS), (includes items 2 thru 4)	B
2	7028092	7	TOOTH	
3	7028093	7	SECURING PIN	
4	7028094	7	TOOTH MOUNT	
4	8008424	1	TOOTH PROTECTION FOR 1,0m ³	
101	0930015	1	0,9m ³ DIG BUCKET, (CE and AUS), (includes items 102)	B
101	70020392	1	BLADE KIT, (includes qty 7 each of items 202 & 203)	
101	0930016	1	1,8m ³ BUCKET, (CE and AUS), (includes items 102)	B
101	70020392	1	BLADE KIT, (includes qty 7 each of items 202 & 203)	
101	0930008	1	0.8m ³ BUCKET, (CE and AUS - 266, 266 LoPro, 26.6, 26.6 LP), (includes items 102)	B
101	70020768	1	BLADE KIT, (includes mounting hardware)	
101	0930009	1	1.5m ³ BUCKET, (CE and AUS - 266, 266 LoPro, 26.6, 26.6 LP), (includes items 102)	B
101	70020768	1	BLADE KIT, (includes mounting hardware)	
101	1001094612	1	TEETH KIT, (includes items 201 thru 203), (used with item 101)	A
102	N.S.S.	1	SN PLATE, (not shown)	
201	1001094611	7	TOOTH	
202	1001094615	14	HEX HD CAPSCREW, M20X72	
203	1001094616	14	HEX NUT, M20X2.5	

SECTION 3 - ATTACHMENTS

FIGURE 3-3. MULTI-PURPOSE BUCKETS



ART_3126025-3-3

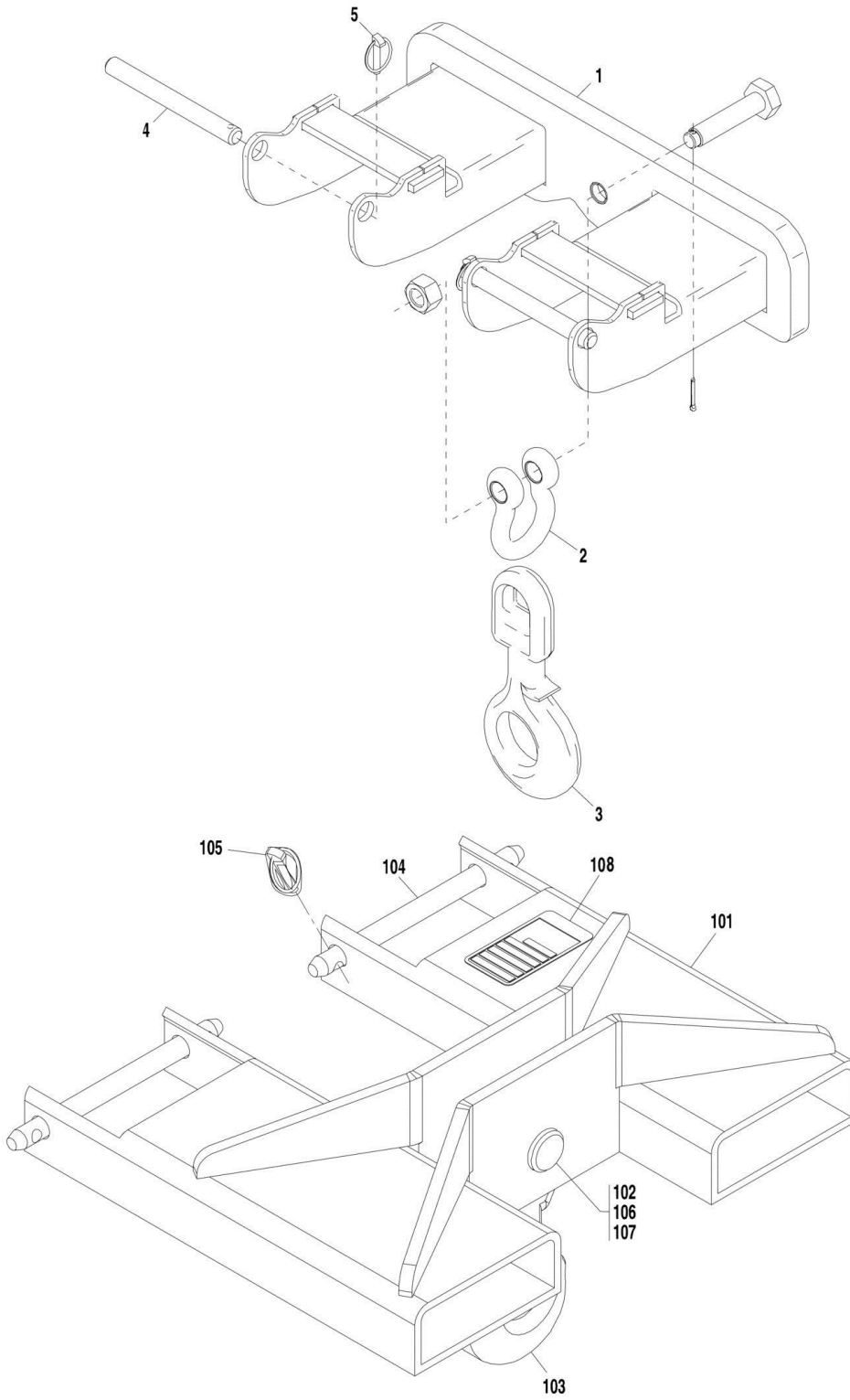
SECTION 3 - ATTACHMENTS

FIGURE 3-3. MULTI-PURPOSE BUCKETS

ITEM	PART NUMBER	QTY	DESCRIPTION	REV
	0930003	1	MULTI-PURPOSE BUCKET, 1m, (CE and AUS - 266 LoPro, 266 & 307), (includes items 1 thru 23)	D
	0930006	1	MULTI-PURPOSE BUCKET, 2.05m, (CE and AUS - 266 LoPro & 266), (includes items 1 thru 12 & 15 thru 32)	C
1	7028990	2	TILT CYLINDER	
1	7028910	2	SEAL KIT	
2	7028911	2	PIN	
3	7028912	6	NUT, (not shown)	
4	7028913	2	PIN	
5		Ref	PROTECTIVE PLATE	
6	7028915	2	PIN	
7	7028916	4	HEX HD SCREW	
8	7028131	6	BUSHING	
9	7028917	4	WASHER	
10	7028918	6	GREASE NIPPLE	
11	7028920	2	SCREW	
12	7028919	4	SCREW	
13	N.S.S.	1	WELDMENT	
14	N.S.S.	1	WELDMENT	
15	7028923	1	GAUGE	
16	Kit	NLA	FEMALE SCREW COUPLING, (no longer available, order 1001097287 kit)	
16	1001094555	1	FEMALE QUICK DISCONNECT COUPLING	
17	Kit	NLA	MALE SCREW COUPLING, (no longer available, order 1001097287 kit)	
17	1001094556	1	MALE QUICK DISCONNECT COUPLING	
18	N.S.S.	1	WELDMENT	
19	7028982	1	HOSE ASSY	
20	7028983	1	HOSE ASSY	
21	7028984	2	HOSE ASSY	
22	7028985	1	HOSE ASSY	
23	7028991	1	HOSE ASSY	
31	N.S.S.	1	WELDMENT	
32	N.S.S.	1	WELDMENT	
	1001097287	1	QUICK DISCONNECT ADAPTOR KIT, (includes items 16, 17, dust cap and dust plug)	

SECTION 3 - ATTACHMENTS

FIGURE 3-4. FORK MOUNTED HOOK



ART_3126025-3-4

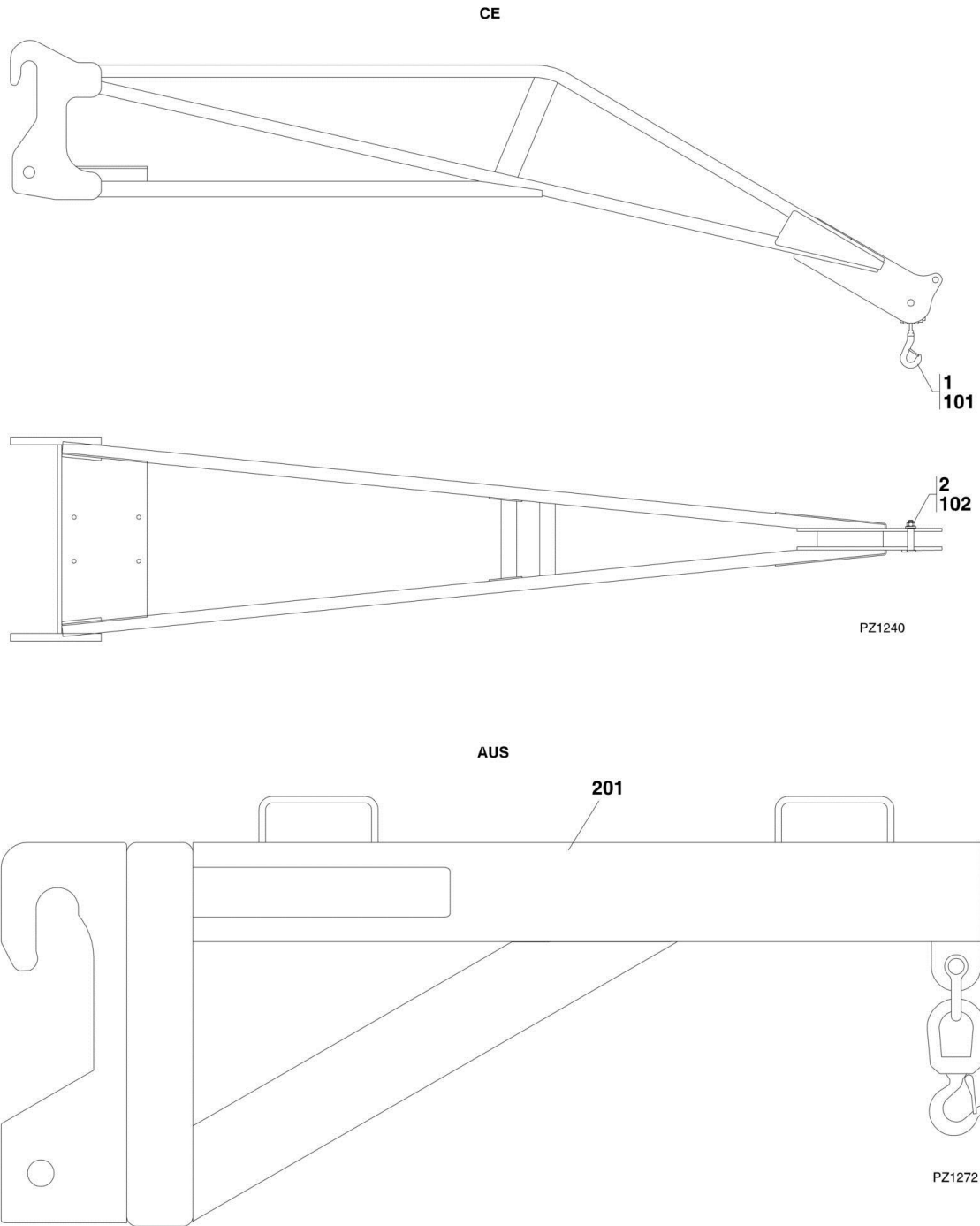
SECTION 3 - ATTACHMENTS

FIGURE 3-4. FORK MOUNTED HOOK

ITEM	PART NUMBER	QTY	DESCRIPTION	REV
		Ref	FORK MOUNTED HOOK, (CE), (Lamy), (includes items 1 thru 5), (2700097 is no longer available, order 2700118)	B
1		Ref	WELDMENT	
2	7028123	1	CLEVIS	
3	7028122	1	HOOK	
4	7028121	2	AXLE	
5		Ref	PIN	
	2700118	1	FORK MOUNTED HOOK, (CE), (Benne), (includes items 101 thru 108)	B
101		Ref	WELDMENT	
102	70020201	1	PIN	
103	70020202	1	HOOK	
104	70020203	2	PIN	
105	70020204	4	RETAINING PIN	
106	70020205	1	BOLT	
107	70020206	1	SELF LOCKING NUT	
108	N.S.S.	1	SN PLATE	

SECTION 3 - ATTACHMENTS

FIGURE 3-5. TRUSS BOOM



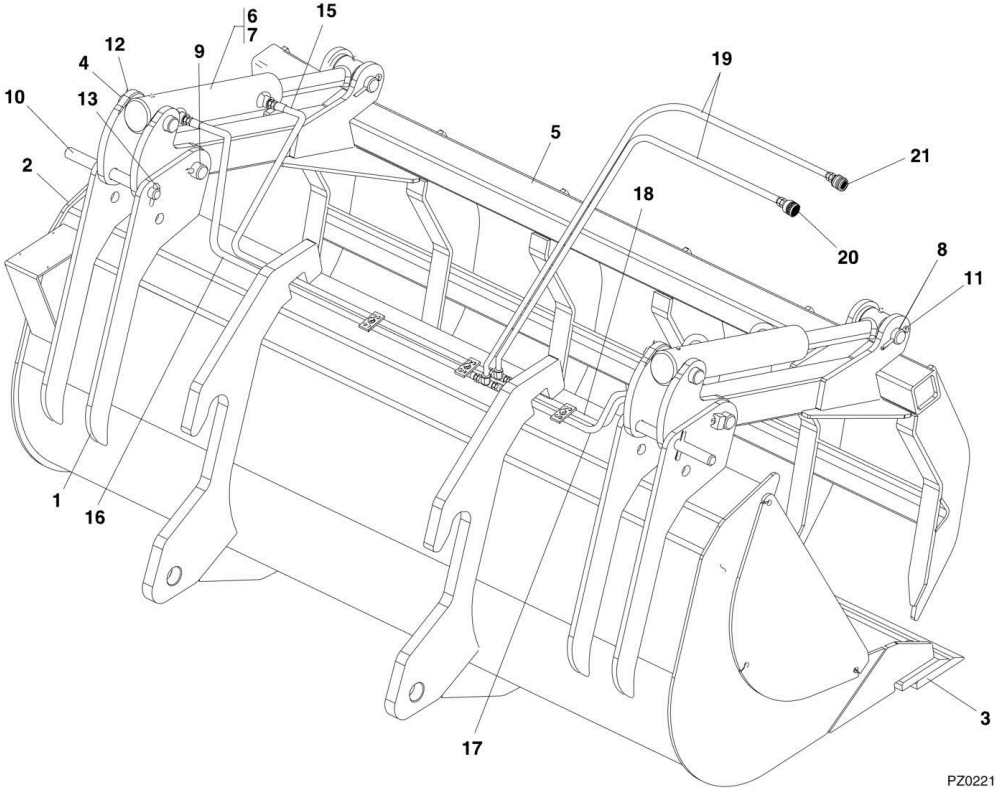
SECTION 3 - ATTACHMENTS

FIGURE 3-5. TRUSS BOOM

ITEM	PART NUMBER	QTY	DESCRIPTION	REV
	0240063	1	3,4m TRUSS BOOM, (CE), (1000kg), (includes items 1 & 2)	C
1	70020421	1	HOOK	
2	70020422	1	BOLT	
	0240110	1	3,6m TRUSS BOOM, (CE), (650kg), (includes items 101 & 102)	D
101	70020423	1	HOOK	
102	70020424	1	BOLT	
201	1001101442	NLA	2,0m TRUSS BOOM, (AUS - 266, 266 LoPro, 307), (4000kg), (no longer available, use 1001175721 for replacement)	E
201	1001175721	1	2,0m TRUSS BOOM, (AUS - 266, 266 LoPro, 307), (3000kg)	A

SECTION 3 - ATTACHMENTS

FIGURE 3-6. MANURE BUCKET



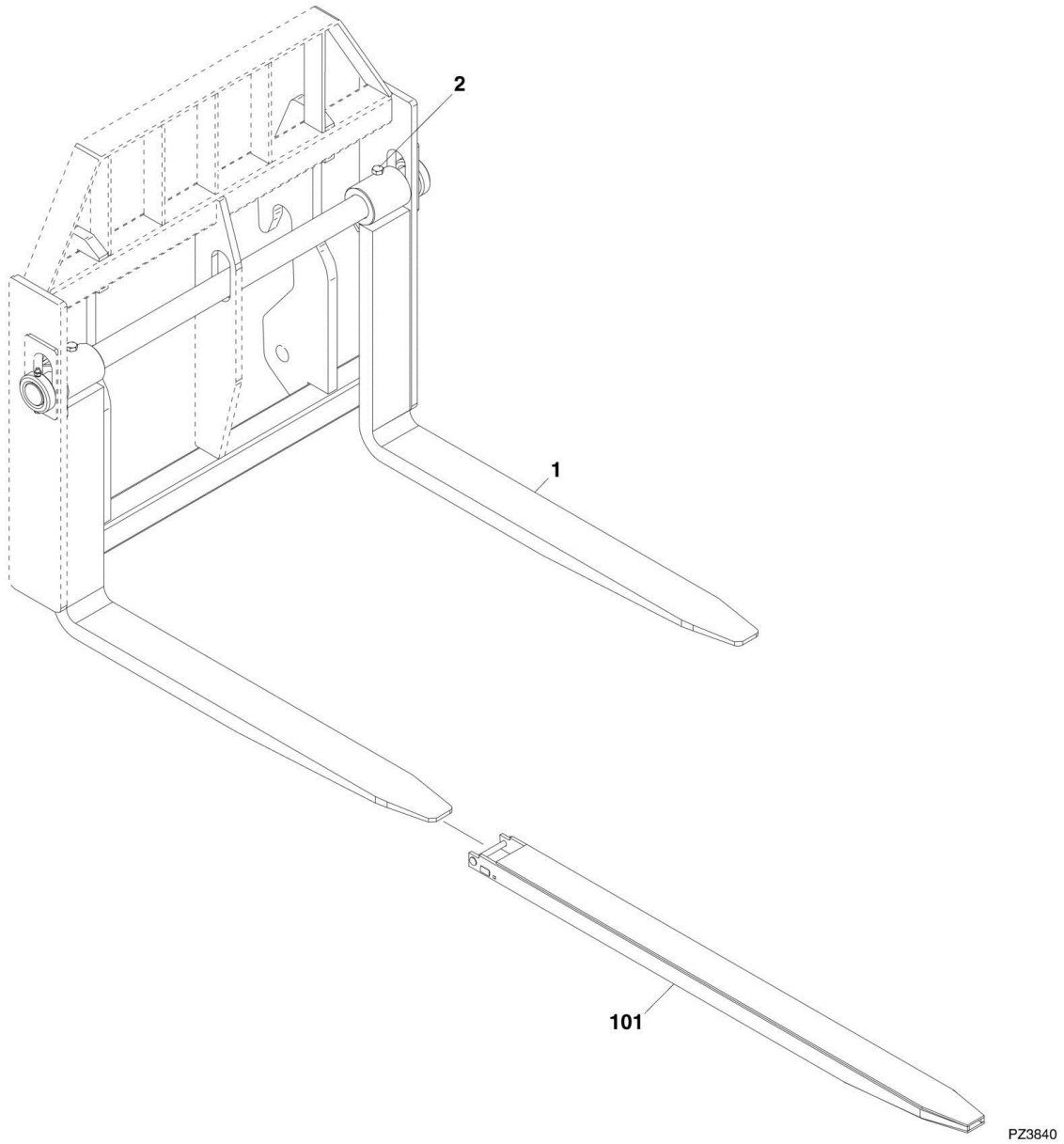
SECTION 3 - ATTACHMENTS

FIGURE 3-6. MANURE BUCKET

ITEM	PART NUMBER	QTY	DESCRIPTION	REV
	0930004	1	1,0m ³ MANURE BUCKET, (CE and AUS - 266, 266 LoPro, 307, 26.6, 26.6 LP, 30.7), (includes items 1 thru 21)	D
	0930005	1	0,8m ³ MANURE BUCKET, (CE and AUS - 266, 266 LoPro, 26.6, 26.6 LP), (includes items 1 thru 21)	C
1		Ref	WELDMENT	
2	7028133	1	SIDE PLATE ASSY, (1,0m ³)	
2	7029323	1	SIDE PLATE ASSY, (0,8m ³)	
3	7028132	1	BLADE ASSY, (1,0m ³)	
3	7029356	8	HEX LOCKNUT, M16-8	
3	70023484	8	BOLT, M16X60, GR10.9	
3	7029322	1	BLADE ASSY, (0,8m ³)	
3	7029356	7	HEX LOCKNUT, M16-8	
3	70023484	7	BOLT, M16X60, GR10.9	
4	7028126	2	ADJUSTING BRACKET	
5	7028125	1	GRAPPLE, (1,0m ³)	
5	7029321	1	GRAPPLE, (0,8m ³)	
6	7028127	2	TILT CYLINDER	
6	7028910	2	SEAL KIT	
7	7028131	6	BUSHING	
8	7028128	2	PIN	
9	7028129	2	LOCKING PIN	
10	7028130	2	PIN	
11	7028135	4	ROLL PIN	
12	7028134	8	ROLL PIN	
13	7028124	2	CIRCLIP	
15	7028986	1	HOSE ASSY	
16	7028987	1	HOSE ASSY	
17	7028988	1	HOSE ASSY	
18	7028989	1	HOSE ASSY	
19	7028984	2	HOSE ASSY	
20	Kit	NLA	FEMALE SCREW COUPLING, (no longer available, order 1001097287 kit)	
20	1001094555	1	FEMALE QUICK DISCONNECT COUPLING	
21	Kit	NLA	FEMALE SCREW COUPLING, (no longer available, order 1001097287 kit)	
21	1001094556	1	MALE QUICK DISCONNECT COUPLING	
K1	1001097287	1	QUICK DISCONNECT ADAPTOR KIT, (includes items 20, 21, dust cap and dust plug)	

SECTION 3 - ATTACHMENTS

FIGURE 3-7. FORK



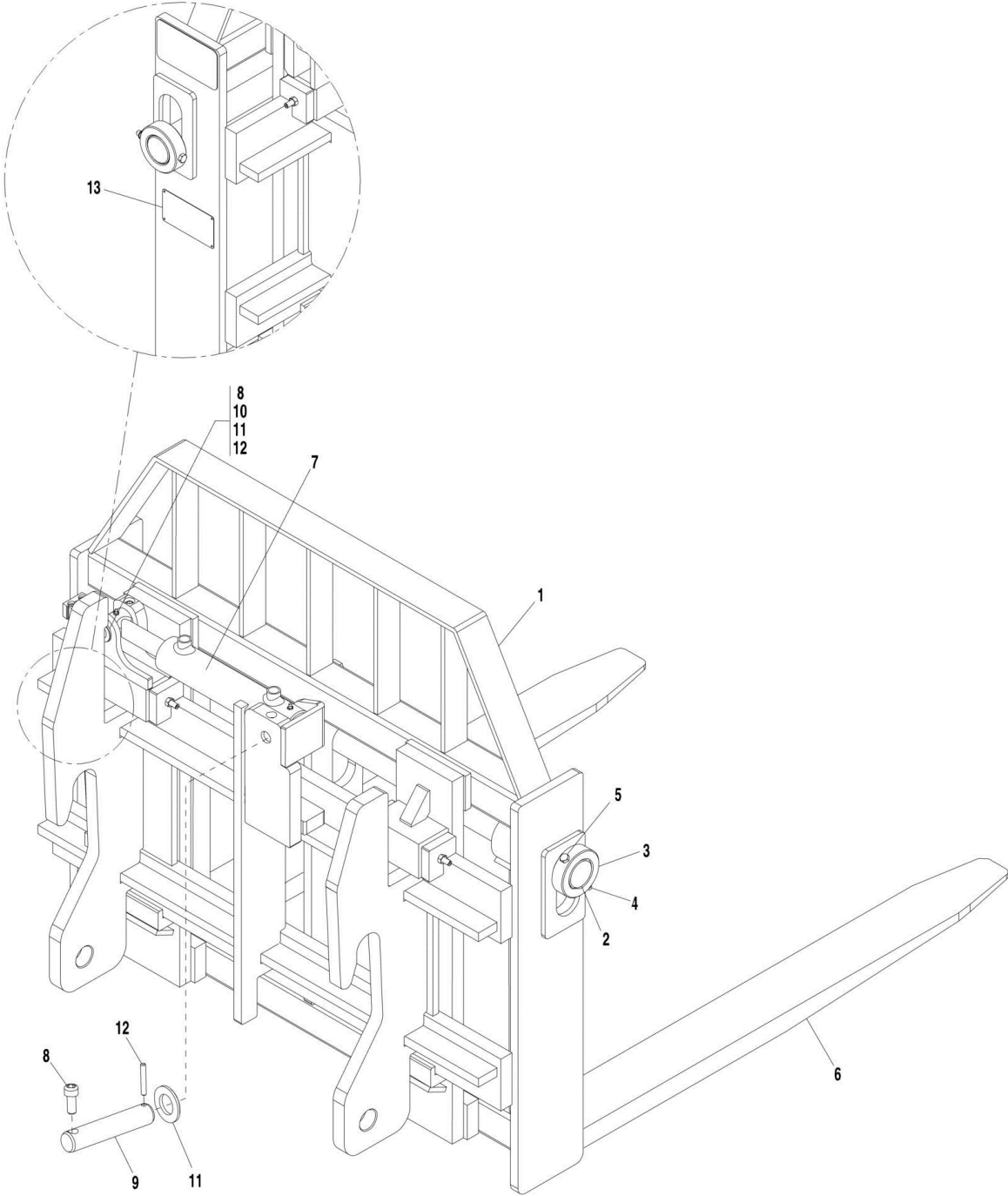
SECTION 3 - ATTACHMENTS

FIGURE 3-7. FORK

ITEM	PART NUMBER	QTY	DESCRIPTION	REV
1	2340041	1	PALLET FORK ASSY, (CE and AUS), (Benne), (100X50X1200mm), (4000kg per pair), (sold as a pair)	B
2	0761612	2	HEX HD CAPSCREW, M16X25, GR8.8	
1	2340029	2	FORK, (CE), (Lamy), (125X45X1200mm), (2000kg each fork)	C
2	7028626	2	HEX HD CAPSCREW	
1	2340030	1	FORK TINE ASSY, (CE), (Lamy), (100X50X1200mm), (4000kg per pair), (sold as a pair)	D
2	7028628	2	HEX HD CAPSCREW	
1	2340040	1	FORK, (Benne), (120X50X1200mm), (4000kg per pair), (sold as a pair)	B
2	0761612	2	HEX HD CAPSCREW, 16X25, GR8.8	
1	1001100911	1	FORK TINE ASSY, (CE), (Vetter), (4000kg per pair), (100X50X1200mm)	D
2	0761214	2	HEX HD CAPSCREW, M12X30, GR8.8	
1	1001107586	1	FORK TINE ASSY, (AUS - 266, 266 LoPro, 307), (Vetter), (4000kg per pair), (100X60X1200mm)	B
2	0761214	2	HEX HD CAPSCREW, M12X30, GR8.8	
101	1001112559	2	FORK EXTENSION, (110X55X1800), (CE)	C
101	70022831	2	BOLT KIT, (includes washer and clip), (CE)	
101	1001112560	2	FORK EXTENSION, (110X65X1800), (AUS - 266, 266 LoPro, 307)	B
101	70022831	2	BOLT KIT, (includes washer and clip), (AUS - 266, 266 LoPro, 307)	
		Ref	NOTE: FORKS RATED LESS THAN THE ATTACHMENT OR MACHINE'S CAPACITY DECREASES CAPACITY OF THE ATTACHMENT OR MACHINE TO THAT OF THE FORKS. FORKS RATED MORE THAN THE ATTACHMENT OR MACHINE'S CAPACITY DO NOT INCREASE ATTACHMENT OR MACHINE'S CAPACITY.	
		Ref	NOTE: PLEASE CONSULT JLG PARTS DEPARTMENT TO DETERMINE THE CORRECT FORKS APPLICABLE TO YOUR SPECIFIC CARRIAGE ASSEMBLY AND APPLICATION.	

SECTION 3 - ATTACHMENTS

FIGURE 3-8. SIDE SHIFT CARRIAGE



ART_3126025-3-8

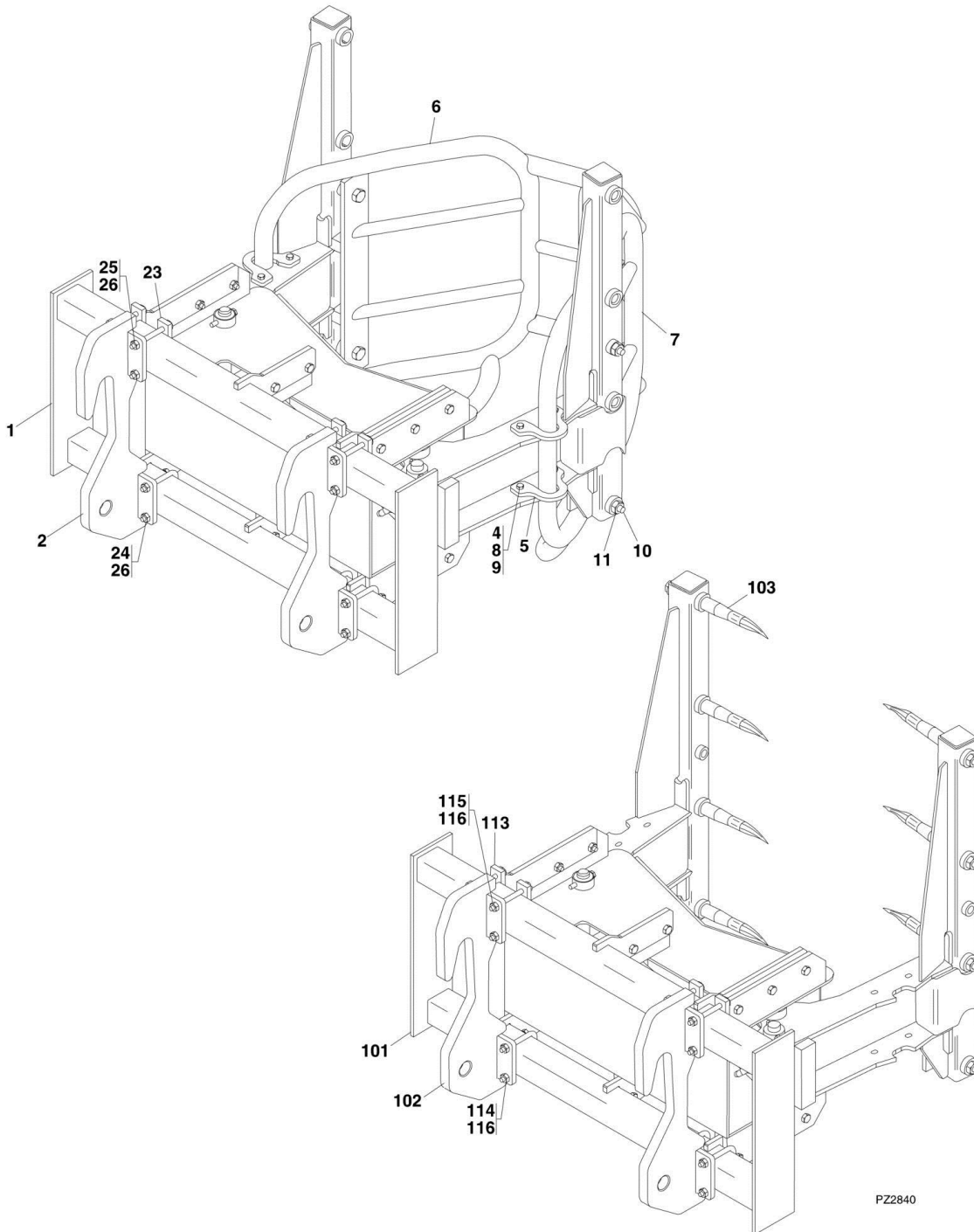
SECTION 3 - ATTACHMENTS

FIGURE 3-8. SIDE SHIFT CARRIAGE

ITEM	PART NUMBER	QTY	DESCRIPTION	REV
	1170002	1	SIDE SHIFT CARRIAGE ASSY, (CE), (Lamy), (includes items 1 thru 5 & 7 thru 13)	G
1	N.S.S.	1	CARRIAGE WELDMENT	
2	7028136	1	FORK PIN	
3	7028137	2	COLLAR	
4	3291005	2	NUT	
5	0701029	2	CAPSCREW	
6		Ref	FORK, (See FORK for Breakdown)	
7	70021558	1	CYLINDER	
8	70021559	2	BOLT	
9	70021560	1	PIN	
10	70021561	1	PIN	
11	70021562	2	WASHER	
12	70021563	2	ROLL PIN	
13	N.S.S.	1	SN PLATE	

SECTION 3 - ATTACHMENTS

FIGURE 3-9. BALE HANDLER



PZ2840

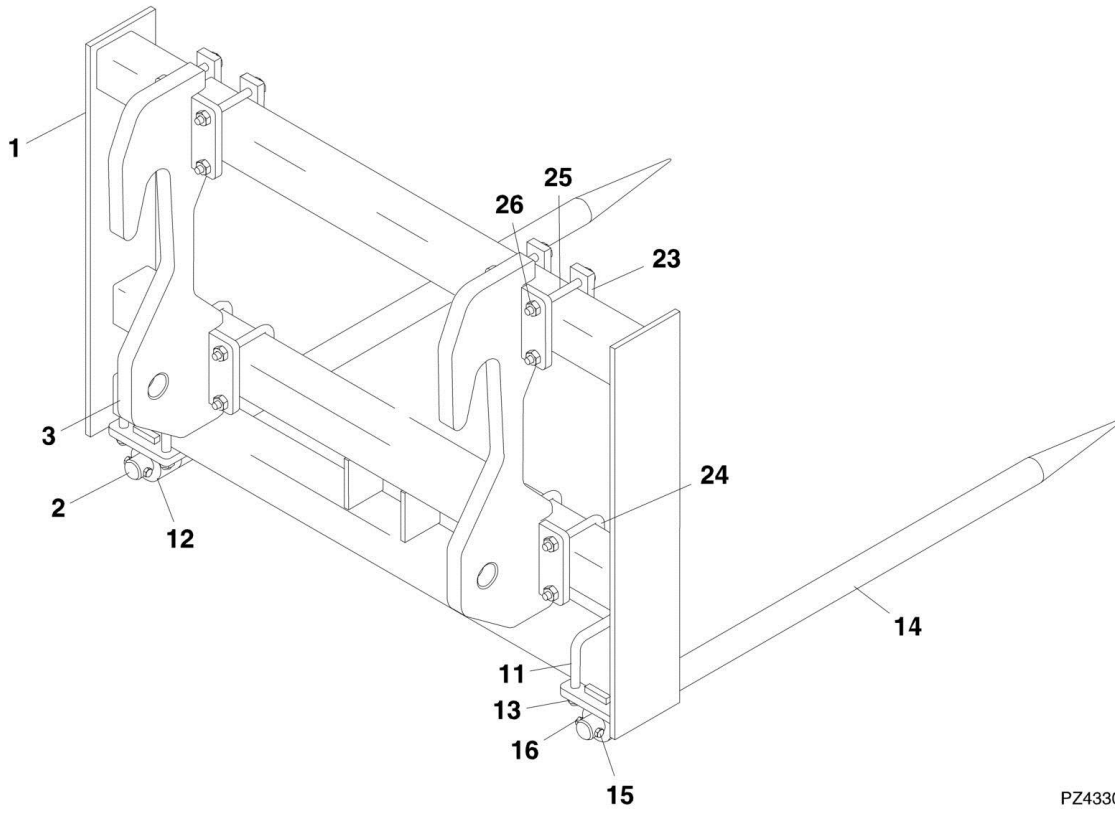
SECTION 3 - ATTACHMENTS

FIGURE 3-9. BALE HANDLER

ITEM	PART NUMBER	QTY	DESCRIPTION	REV
	0240117	1	BALE HANDLER, TUBE TYPE, (CE), (includes items 1 thru 11)	A
1		Ref	WELDMENT	
2	N.S.S.	1	ATTACH WELDMENT, (includes items 23 thru 26)	
4	7029345	8	HEX HD CAPSCREW, M12X45-8.8	
5	7029346	4	STRAP	
6	7029347	1	TUBE ARM, LEFT	
7	7029348	1	TUBE ARM, RIGHT	
8	7029349	8	FLAT WASHER, M12	
9	7029350	8	HEX LOCKNUT, M12-8	
10	7029351	4	HEX HD CAPSCREW, M22X180-8.8	
11	7029352	4	HEX LOCKNUT, M22-8	
23	7029353	4	PLATE	
24	7029354	4	U-BOLT	
25	7029355	8	HEX HD CAPSCREW, M16X130-8.8	
26	7029356	16	HEX LOCKNUT, M16-8	
	0240118	1	BALE HANDLER, SPIKE TYPE, (CE), (includes items 101 thru 103)	A
101		Ref	WELDMENT	
102	7029344	1	ATTACH WELDMENT, (includes items 113 thru 116)	
103	7029357	8	SPIKE	
113	7029353	4	PLATE	
114	7029354	4	U-BOLT	
115	7029355	8	HEX HD CAPSCREW, M16X130-8.8	
116	7029356	16	HEX LOCKNUT, M16-8	
	2902440	1	SPIKE TYPE TO TUBE TYPE CONVERSION KIT, (CE), (includes items 4 thru 11)	A
	2902441	1	TUBE TYPE TO SPIKE TYPE CONVERSION KIT, (CE), (includes item 103)	A

SECTION 3 - ATTACHMENTS

FIGURE 3-10. ROUND TINE FORK



PZ4330

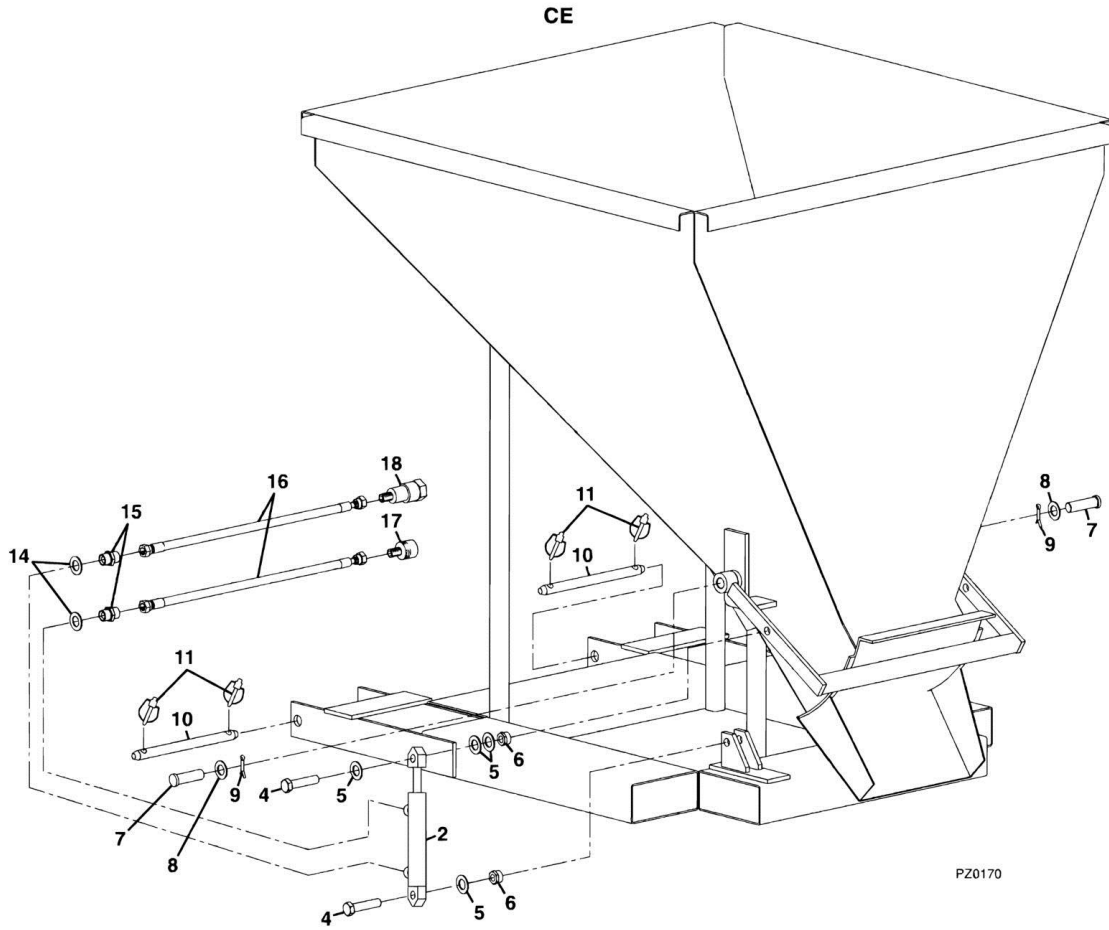
SECTION 3 - ATTACHMENTS

FIGURE 3-10. ROUND TINE FORK

ITEM	PART NUMBER	QTY	DESCRIPTION	REV
	2340035	1	ROUND TINE FORK, (CE), (includes items 1 thru 3)	B
1		Ref	WELDMENT	
2	7029359	2	FORK KIT, (includes items 11 thru 16)	
3		Ref	ATTACH WELDMENT, (includes items 23 thru 26)	
11	7029354	4	U-BOLT	
12	70023062	2	FORK TINE WELDMENT	
13	7029356	8	HEX LOCKNUT, M16-8	
14	7029361	2	FORK	
15	7029362	2	HEX HD CAPSCREW, M8X50-8.8	
16	7029363	2	HEX LOCKNUT, M8-8	
23	7029353	8	PLATE	
24	7029354	8	U-BOLT	
25	7029355	16	HEX HD CAPSCREW, M16X130-8.8	
26	7029356	32	HEX LOCKNUT, M16-8	

SECTION 3 - ATTACHMENTS

FIGURE 3-11. CONCRETE BUCKET



PZ0170

SECTION 3 - ATTACHMENTS

FIGURE 3-11. CONCRETE BUCKET

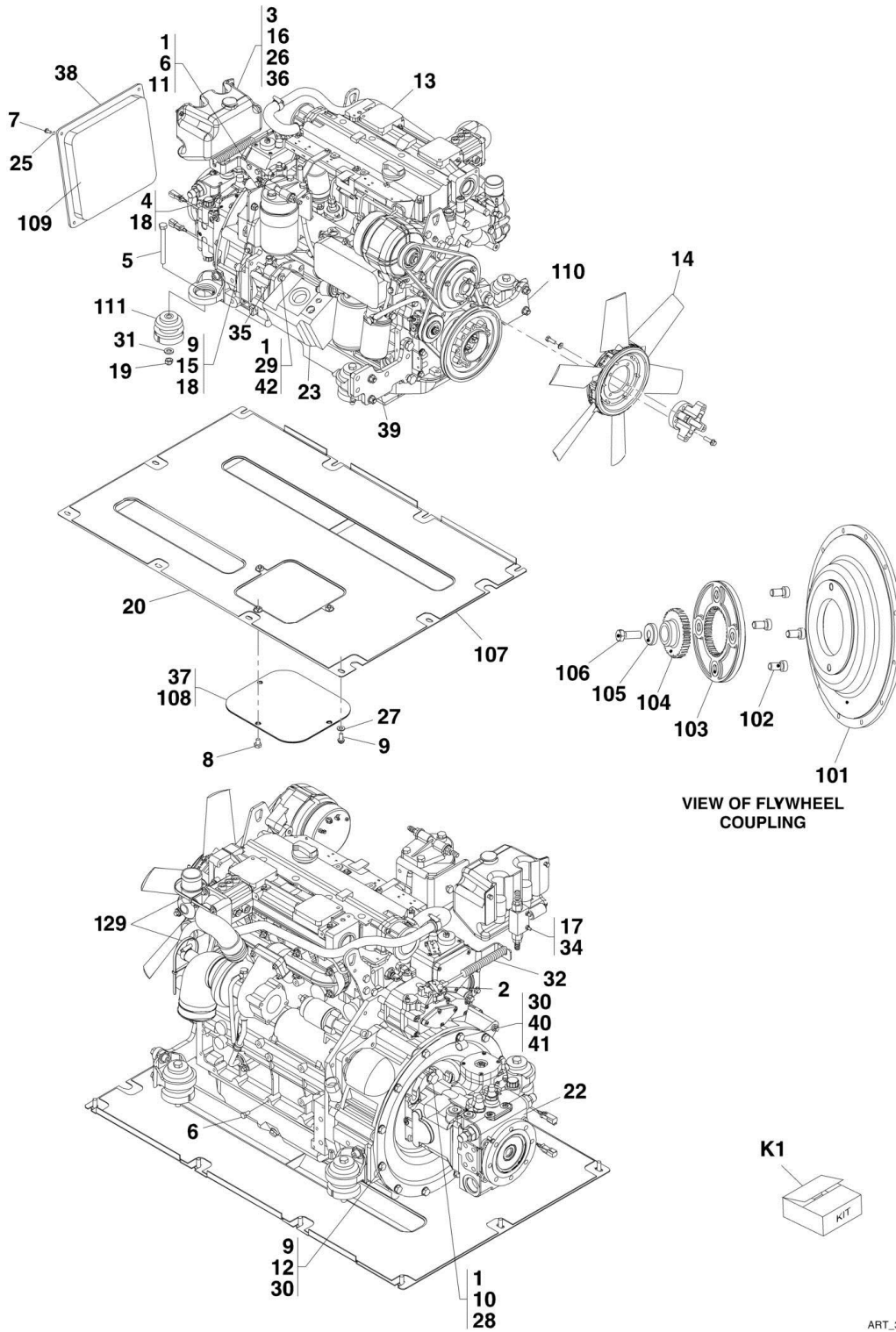
ITEM	PART NUMBER	QTY	DESCRIPTION	REV
	0240158	1	CONCRETE BUCKET, (CE), (includes all items)	C
2	70020723	1	HYDRAULIC CYLINDER	
4	70020724	2	BOLT	
5	70020725	4	WASHER	
6	70020726	2	NUT	
7	70020727	2	PIN	
8	70020728	2	WASHER	
9	70020729	2	PIN	
10	70020203	2	SAFETY PIN	
11	70020204	4	RETAINING RING	
14	70020730	2	GASKET	
15	70020731	2	LINK	
16	70020732	2	PIPE	
17	1001094556	1	MALE QUICK DISCONNECT COUPLING	
18	1001094555	1	FEMALE QUICK DISCONNECT COUPLING	

SECTION 4 - ENGINE AND ATTACHING PARTS

SECTION 4 - ENGINE AND ATTACHING PARTS

SECTION 4 - ENGINE AND ATTACHING PARTS

FIGURE 4-1. ENGINE ASSEMBLY



ART_3126025-4-1

SECTION 4 - ENGINE AND ATTACHING PARTS

FIGURE 4-1. ENGINE ASSEMBLY

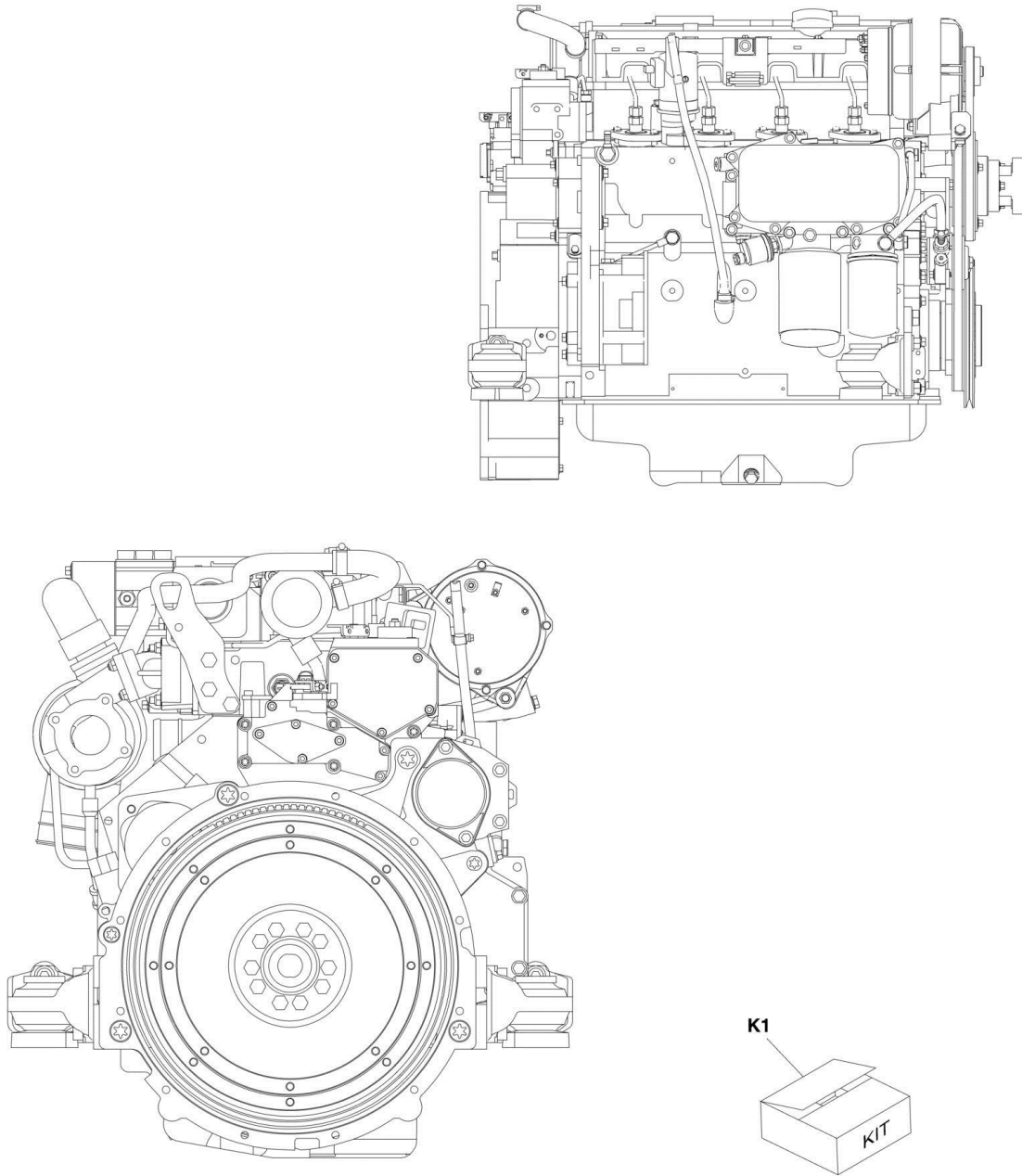
ITEM	PART NUMBER	QTY	DESCRIPTION	REV
	0274171	1	ENGINE INSTALLATION, (includes items 1 thru 31 & 33 thru 42)	M
1	0100011	AR	LOCTITE	
2	466104	1	ANGLE JOINT	
3	0760810	2	HEX HD CAPSCREW, 8-1.25X20mm, GR 8.8	
4	0701015	Ref	HEX HD CAPSCREW, 10-1.50X35mm, GR 8.8, (See FUEL TANK AND LINES for Breakdown)	
5	0701229	4	HEX HD CAPSCREW, 12X120, GR 8.8	
6	0760808	4	HEX HD CAPSCREW, 8-1.25X16mm, GR 8.8	
7	0760608	4	HEX HD CAPSCREW, 6-1.00X16mm, GR 8.8	
8	0761008	3	HEX HD CAPSCREW, 10-1.50X16mm, GR 8.8	
9	0761012	23	HEX HD CAPSCREW, 10-1.50X25mm, GR 8.8, (torque to 50 Nm)	
10	4032311	2	SOCKET HD CASPCREW, 16X35, (torque to 210 Nm)	
11	0903134	1	THROTTLE BRACKET	
12	1660281	1	FLYWHEEL COUPLING, (includes items 101 thru 106)	
13		Ref	DEUTZ ENGINE, (75 kw), (See DEUTZ ENGINE for Breakdown)	
14	2060034	1	FAN	
15		Ref	FUEL FILTER MOUNT, (See FUEL TANK AND LINES for Breakdown)	
16	2995299	1	WASHER BOTTLE W/PUMP	
16	70021576	1	CAP	
17	3290605	2	HEX LOCKNUT, 6mm-1.00	
18	3291005	Ref	HEX LOCKNUT, 10mm-1.50, (See FUEL TANK AND LINES for Breakdown)	
19	3291205	4	HEX LOCKNUT, M12X1.75	
20	3575670	1	BELLY PAN PLATE	
22		Ref	HYDROSTATIC TRANSMISSION PUMP, (See HYDRAULIC CIRCUITS SECTION for Breakdown)	
23		Ref	IMPLEMENT PUMP, (See HYDRAULIC COMPONENTS SECTION for Breakdown)	
25	4811700	4	FLAT WASHER, 6mm	
26	4811900	2	FLAT WASHER, 8mm	
27	4812000	13	FLAT WASHER, 10mm	
28	5241600	2	FLAT WASHER, 16mm	
29	0701215	2	HEX HD CAPSCREW, 12X35mm	
30	5212000	12	RIPP WASHER, 10mm	
31	5241200	4	WASHER, 12mm	
32		Ref	THROTTLE CABLE, (See CONTROLS SECTION for Breakdown)	
34	0630586	2	CARRIAGE BOLT, M6X50	
35	3760497	1	SPACER RING, IMPLEMENT PUMP, (apply silicone sealant)	
36	5220800	2	RIPP NUT, 8mm	
37	3576005	1	ENGINE DRAIN ACCESS PLATE	
38	3576006	1	MOTOR ACCESS PLATE	
39	4340966	1	ENGINE BRACKET	
40	0761014	1	HEX HD CAPSCREW, 10-1.50X30mm, GR 8.8	
41	1009352	1	HOSE CLAMP	
42	4812100	2	FLAT WASHER, 12mm	
101	7029255	1	MOUNTING PLATE	
102		Ref	BOLT	
103	7029256	1	FLANGE, (includes item 102)	
104	7029258	1	HUB, (includes item 106)	
105	7029259	1	END DISK	

SECTION 4 - ENGINE AND ATTACHING PARTS

ITEM	PART NUMBER	QTY	DESCRIPTION	REV
106		Ref	BOLT	
107	2820200	1	BELLY PAN SOUND INSULATION	
108	2820201	1	ENGINE DRAIN ACCESS SOUND INSULATION	
109	2820202	1	HYDRAULIC MOTOR ACCESS SOUND INSULATION	
110		Ref	MOUNTING FOOT BRACKET, LEFT, (See DEUTZ ENGINE for Breakdown)	
111		Ref	ENGINE MOUNT AND HARDWARE, (see Figure 4-2 for details)	
129	1062255	AR	TIE STRAP	
K1	1001108807	1	FUEL/ENGINE OIL FILTER KIT, (includes fuel pre-filter and oil filter)	

SECTION 4 - ENGINE AND ATTACHING PARTS

FIGURE 4-2. DEUTZ ENGINE



ART_3126025-4-2

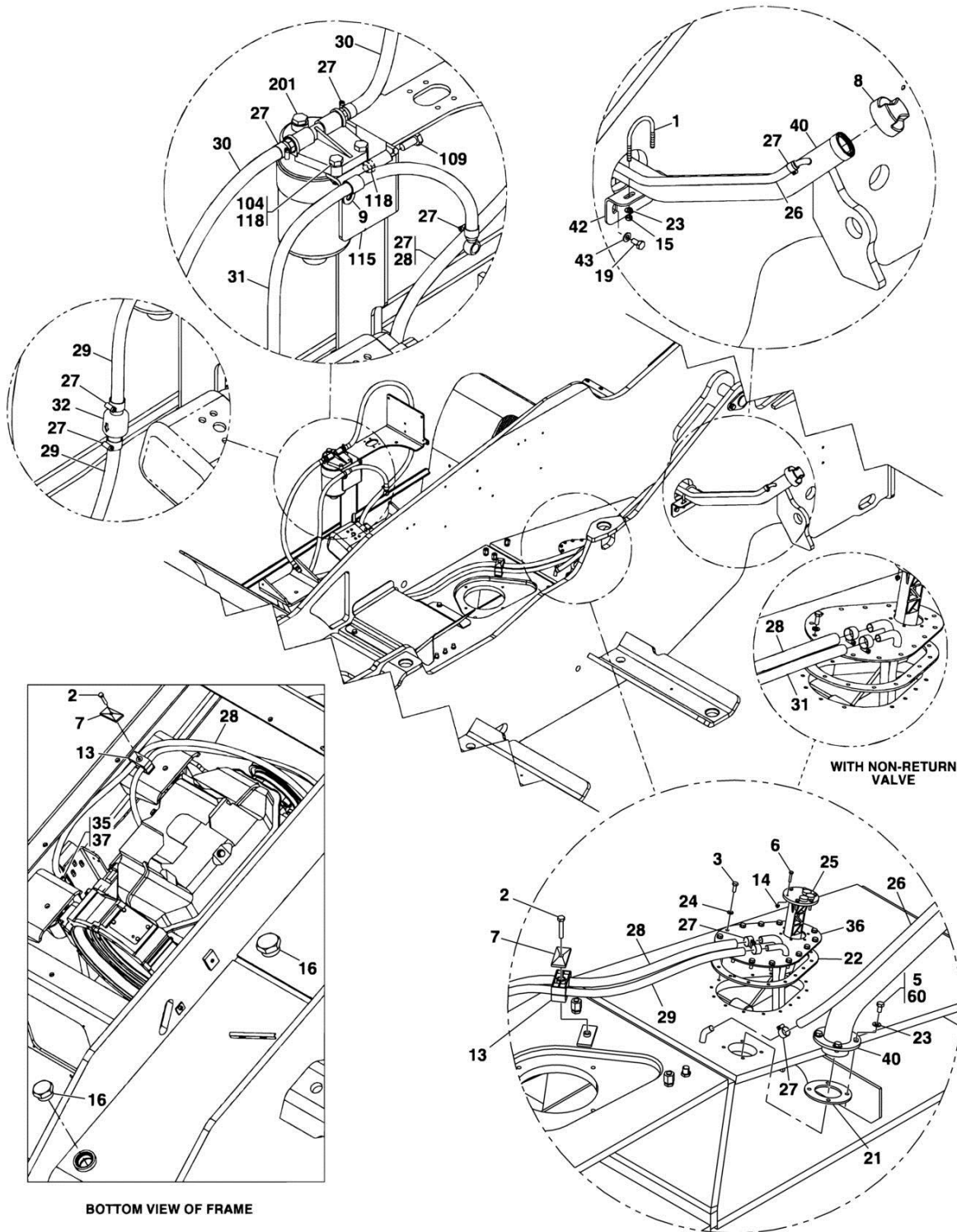
SECTION 4 - ENGINE AND ATTACHING PARTS

FIGURE 4-2. DEUTZ ENGINE

ITEM	PART NUMBER	QTY	DESCRIPTION	REV
	2000265	1	DEUTZ ENGINE, (includes all items)	D
	7029274	1	FUEL FILTER	
		Ref	FUEL PRE-FILTER, (See FUEL TANK AND LINES for Breakdown)	
	7029276	1	OIL FILTER	
	70022116	1	OIL COOLER BOX, (supports oil filter)	
	7029371	1	COOLANT PUMP	
	7029372	1	FLAT GASKET, COOLANT PUMP	
	7029373	2	O-SEAL	
	7029374	1	ALTERNATOR BELT	
	7029375	1	ALTERNATOR	
	7029376	1	VOLTAGE REGULATOR	
	7029377	1	TEMP TRANSMITTER	
	7029378	1	PRESSURE REGULATOR	
	7029379	1	GASKET, PRESSURE REGULATOR	
	7029380	1	DIPSTICK	
	7020487	1	O-RING, DIPSTICK	
	7029382	4	GASKET	
	7029383	1	GASKET	
	7029384	1	FUEL PRIMING PUMP, (includes fuel hand pump)	
	70000919	1	FUEL HAND PUMP	
	7029385	1	SEALING RING	
	7029386	1	FUEL PUMP	
	7029387	1	GASKET SET	
	7029388	1	GLOW PLUG	
	7029389	1	OIL PRESSURE SWITCH	
	7029390	1	SHUTDOWN DEVISE	
	7029391	1	O-SEAL, SHUTDOWN DEVISE	
	7029392	1	STARTER	
	7029393	1	STARTER RELAY	
	7029394	2	SEALING RING, THERMOSTAT	
	7029395	2	THERMOSTAT	
	7029396	1	GASKET	
	7029397	1	TURBOCHARGER	
	7029398	1	REPAIR KIT, TURBOCHARGER	
	7029399	1	CORE ASSEMBLY	
	7029400	1	GASKET	
	7029401	1	FILLER CAP	
	7029402	1	FAN BELT	
	70021481	1	ENGINE PREHEAT MODULE	
		Ref	NON-RETURN VALVE, (See FUEL TANK AND LINES for Breakdown)	
	70022920	1	MOUNTING FOOT BRACKET, LEFT	
	70022068	1	MOUNTING FOOT	
	70022070	4	PLAIN WASHER, MOUNTING FOOT	
	70022069	4	SPACER, MOUNTING FOOT	
	70023451	1	FUEL INJECTOR	
	70023452	1	FUEL INJECTION PUMP	
K1	1001108807	1	FUEL/ENGINE OIL FILTER KIT, (includes fuel pre-filter and oil filter)	

SECTION 4 - ENGINE AND ATTACHING PARTS

FIGURE 4-3. FUEL TANK AND LINES



ART_3126025-4-3

SECTION 4 - ENGINE AND ATTACHING PARTS

FIGURE 4-3. FUEL TANK AND LINES

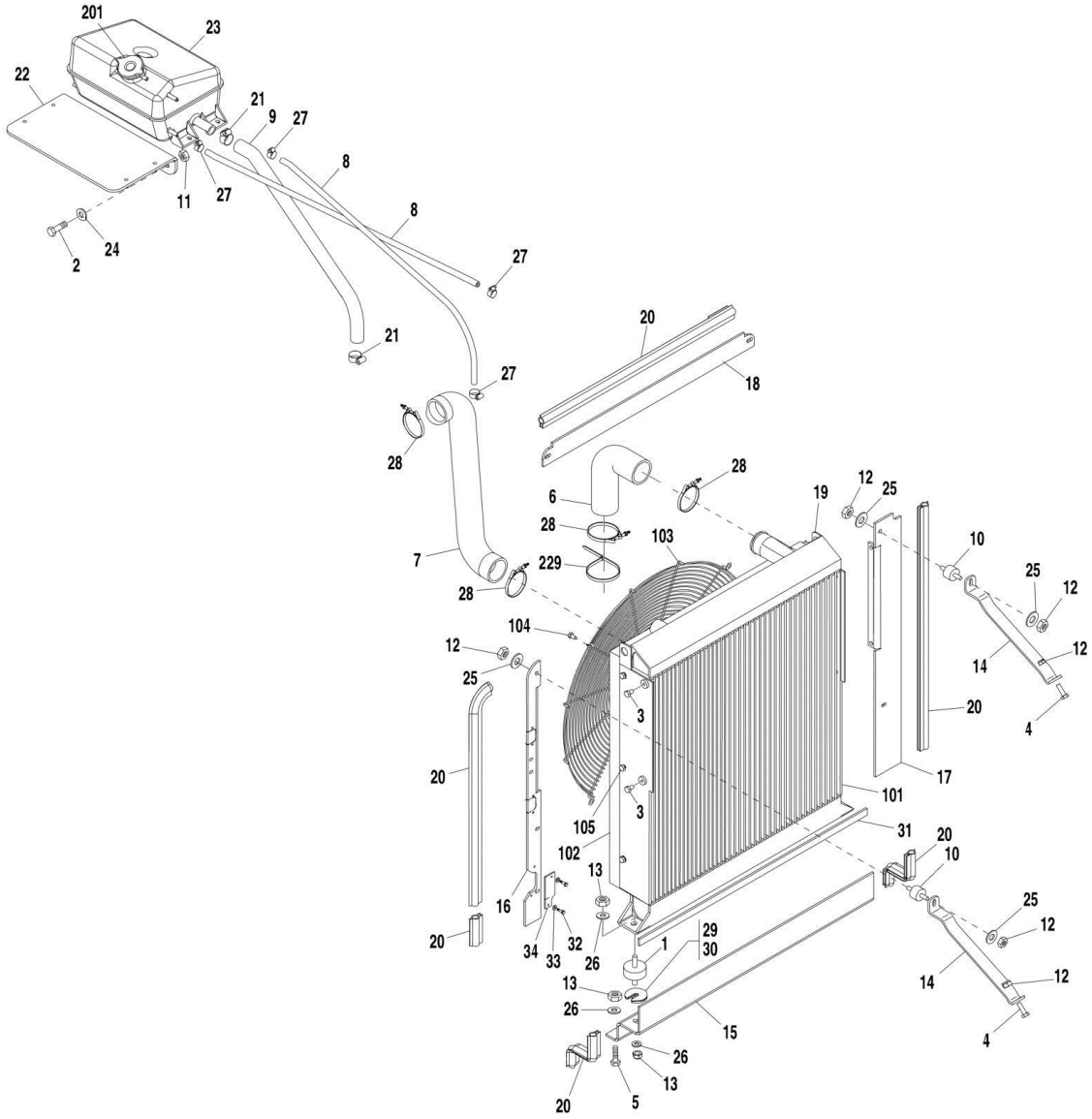
ITEM	PART NUMBER	QTY	DESCRIPTION	REV
1	0630583	1	U-BOLT	
2	0700817	3	HEX HD CAPSCREW, 8-1.25X45mm, GR 8.8	
3	0760608	15	HEX HD CAPSCREW, 6-1.00X16mm, GR 8.8	
5	0760810	4	HEX HD CAPSCREW, 8-1.25X20mm, GR 8.8, (266, 307, 26.6, 30.7)	
5	0760814	4	HEX HD CAPSCREW, 8-1.25X30mm, GR 8.8, (266 LoPro, 26.6 LP)	
6	0760410	6	HEX HD CAPSCREW, 4X20mm, GR 8.8	
7	1309435	3	CLAMP COVER PLATE	
8	1120576	1	FUEL CAP	
9	1320318	1	HOSE CLAMP	
13	8002781	3	CLAMP	
14	3290405	6	LOCKNUT, 4mm-.70	
15	3290805	2	LOCKNUT, 8mm-1.25	
16	2171948	1	PLUG	
19	0761010	2	HEX HD CAPSCREW, 10-1.50X20mm, GR 8.8	
21	3960603	1	FUEL FILL SEAL	
22	3960589	1	FUEL TANK COVER SEAL	
23	4811900	6	FLAT WASHER, 8mm	
24	4831700	15	LOCKWASHER, 6mm	
25	2420205	1	FUEL LEVEL GUAGE	
26	2720558	1	FUEL LINE, (266, 26.6)	
26	2720556	1	FUEL LINE, (307, 30.7)	
26	2720613	1	FUEL LINE, (266 LoPro, 26.6 LP)	
27	1320032	12	HOSE CLAMP	
28	2720537	1	FUEL LINE, SUPPLY	
29	2720538	1	FUEL LINE, RETURN, (without non-return valve)	
29	1001099585	1	FUEL LINE, (with non-return valve)	
30	2720543	2	FUEL LINE	
31	1001099586	1	FUEL LINE, (with non-return valve)	
32	70021467		NON-RETURN VALVE, (supplied with engine), (See ENGINE ASSEMBLY for Breakdown)	
35	0760806	1	HEX HD CAPSCREW, 8-1.25X12mm, GR8.8, (266, 266 LoPro, 26.6, 26.6 LP)	
35	0760810	1	HEX HD CAPSCREW, 8-1.25X20mm, GR8.8, (307, 30.7)	
36	3380577	1	FUEL TANK COVER PANEL	
37	2443576	1	HOSE CLAMP	
40	3460437	1	FUEL LINE PIPE (266) (Prior to SN 1160004867)	
40	1001099779	1	FUEL LINE PIPE (266) (SN 1160004867 to Present)	
40	3460456	1	FUEL LINE PIPE (307) (Prior to SN 1160004867)	
40	1001099761	1	FUEL LINE PIPE (307) (SN 1160004867 to Present)	
40	3460567	1	FUEL LINE PIPE (266 LoPro)	
42	4341033	1	FUEL FILL SUPPORT	
43	4812000	2	FLAT WASHER, 10mm	
60	0100011	AR	LOCTITE, #242	
104	0701015	2	HEX HD CAPSCREW, 10-1.50X35mm, GR 8.8	
109	0761012	2	HEX HD CAPSCREW, 10-1.50X25mm, GR 8.8	
115	3575717	1	FILTER MOUNT PLATE	
118	3291005	4	HEX LOCKNUT, 10mm-1.50	
201	7029447	1	FUEL PRE-FILTER ASSEMBLY	
201	7029275	1	FUEL PRE-FILTER INSERT, (includes top and bottom o-rings)	

SECTION 4 - ENGINE AND ATTACHING PARTS

ITEM	PART NUMBER	QTY	DESCRIPTION	REV
201	7029370	1	DRAIN VALVE	

SECTION 4 - ENGINE AND ATTACHING PARTS

FIGURE 4-4. RADIATOR ASSEMBLY



ART_3126025-4-4

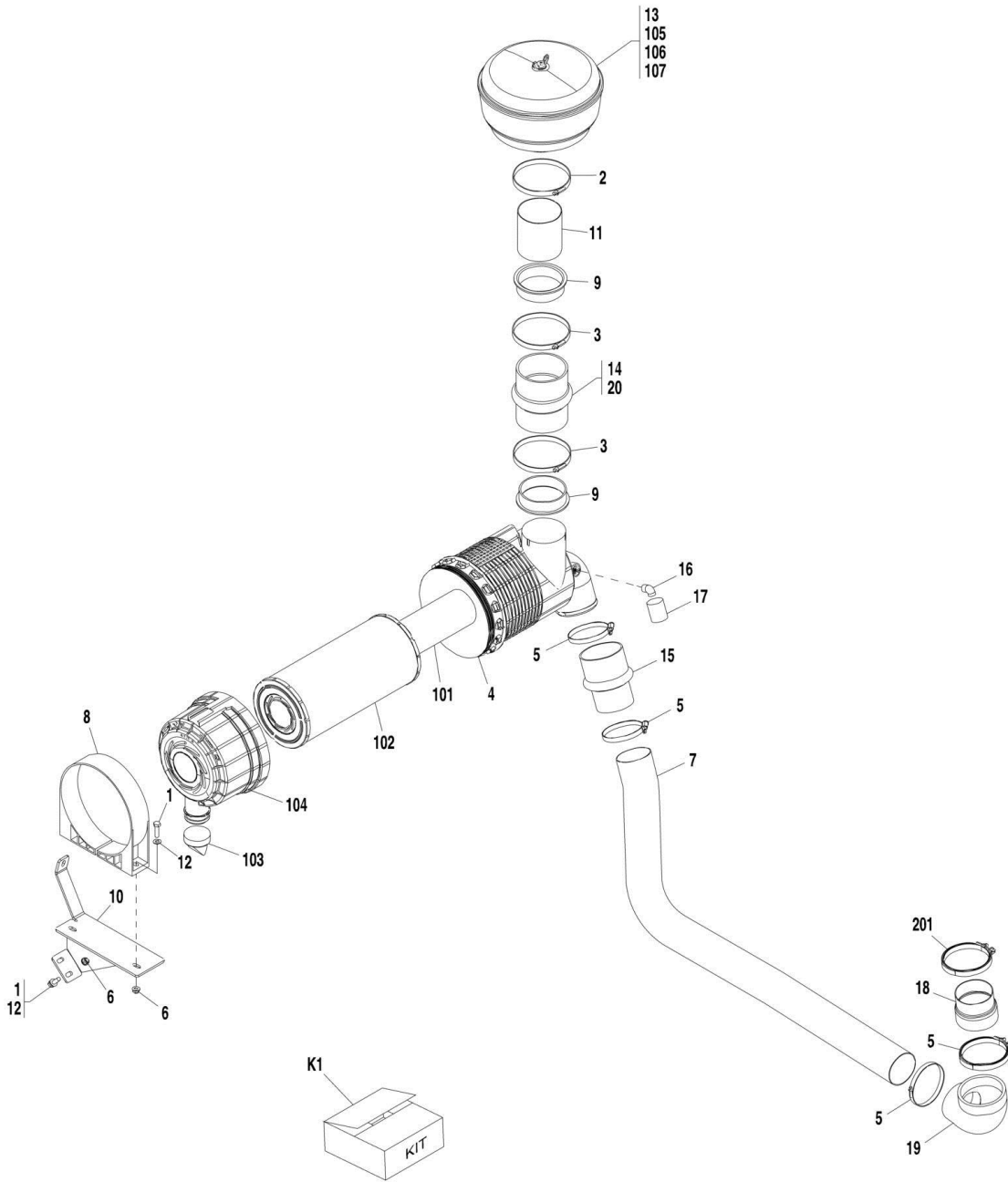
SECTION 4 - ENGINE AND ATTACHING PARTS

FIGURE 4-4. RADIATOR ASSEMBLY

ITEM	PART NUMBER	QTY	DESCRIPTION	REV
	0274198	1	RADIATOR ASSY, (includes items 1 thru 34)	F
1	429063	2	SHOCK MOUNT	
2	0760610	4	HEX HD CAPSCREW, 6x20mm, GR8.8	
3	0760806	4	HEX HD CAPSCREW, 8-1.25X12mm, GR8.8	
4	0760812	4	HEX HD CAPSCREW, 8-1.25X25mm, GR8.8	
5	0761014	2	HEX HD CAPSCREW, 10-1.50X30mm, GR8.8	
6	2720533	1	HOSE ASSY	
7	2720534	1	HOSE ASSY	
8	2720535	2.8 m	HOSE ASSY	
9	2720536	0.8 m	HOSE ASSY	
10	2969548	2	SEAL	
11	3290605	4	LOCKNUT, M6X1	
12	3290805	6	LOCKNUT, M10X1.25	
13	3291005	6	LOCKNUT, M10X1.5	
14	3575658	2	RADIATOR SUPPORT PLATE	
15	3575659	1	RADIATOR SUPPORT PLATE	
16	1001095953	1	BAFFLE PLATE	
17	3575661	1	BAFFLE PLATE	
18	3575662	1	BAFFLE PLATE	
19	3620055	1	RADIATOR COOLER, (includes items 101 thru 105)	
20	3960927	2.6 m	RUBBER SEAL	
21	3961951	2	CLIP	
22	4340957	1	EXPANSION TANK SUPPORT	
23	4400470	1	EXPANSION TANK, (includes item 201)	
24	4811700	4	FLAT WASHER, 6mm	
25	4811900	4	FLAT WASHER, 8mm	
26	4812000	6	FLAT WASHER, 10mm	
27	1321301	5	CLIP	
28	8005376	4	CLAMP	
29	8005741	2	SPACER, 5mm	
30	8005743	2	SPACER, 2mm	
31	909304	2 m	PROFILE RUBBER, 18X5mm	
32	0760405	2	HEX HD CAPSCREW, M4X10	
33	4811400	2	WASHER, 4mm	
34	1001096493	1	BAFFLE	
101	7029456	1	WATER/OIL COOLER	
102	7029457	1	FAN HOUSE	
103	7029458	1	FAN GUARD	
104		Ref	HEX HD CAPSCREW, M8X15mm	
105		Ref	HEX HD CAPSCREW, M8X20mm	
201	70020433	1	RADIATOR CAP, 13 PSI	
229	1062255	AR	TIE STRAP	

SECTION 4 - ENGINE AND ATTACHING PARTS

FIGURE 4-5. AIR CLEANER INSTALLATION



ART_3126025-4-5

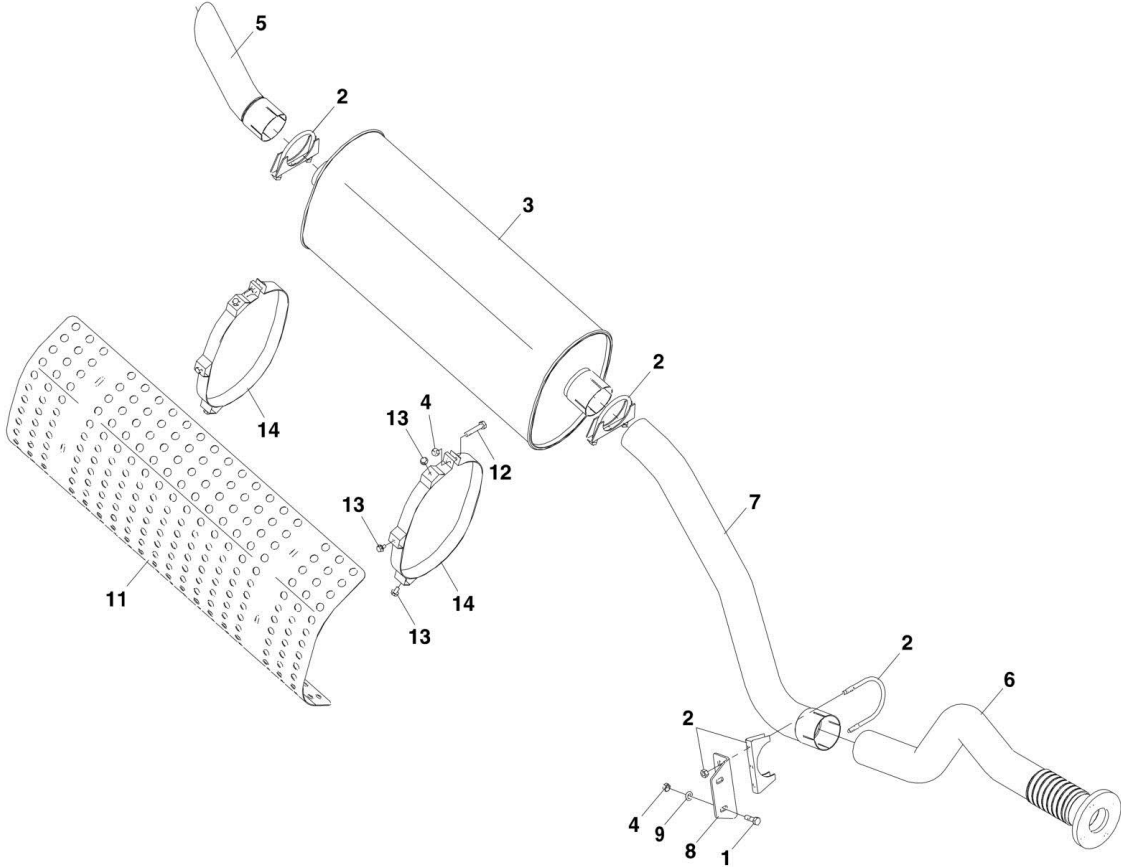
SECTION 4 - ENGINE AND ATTACHING PARTS

FIGURE 4-5. AIR CLEANER INSTALLATION

ITEM	PART NUMBER	QTY	DESCRIPTION	REV
	0274202	1	AIR INTAKE INSTALLATION, (includes items 1 thru 20)	E
1	0760814	4	HEX HD CAPSCREW, M8X30, GR 8.8	
2	1349717	1	HOSE CLAMP	
3	1380161	2	HOSE CLAMP	
4	2120186	1	AIR FILTER, (includes items 101 thru 104)	
5	2991568	4	HOSE CLAMP	
6	3290805	4	HEX LOCK NUT, M8X1.25	
7	3460402	1	AIR INTAKE PIPE	
8	3929780	1	BAND CLAMP	
9	4100083	2	REDUCING SLEEVE	
10	4340955	1	SUPPORT BRACKET	
11	4569149	1	AIR INTAKE TUBE	
12	4811900	8	FLAT WASHER, 8mm	
13	8002927	1	PRECLEANER, (includes items 105 thru 107)	
14	80973107	1	STRAIGHT HUMP COUPLING	
15	91403239	1	STRAIGHT HUMP REDUCER HOSE	
16	2988212	1	ELBOW, 90	
17	77383154	1	LOW PRESSURE INDICATOR	
18	3460421	1	AIR INTAKE PIPE	
19	91083129	1	REDUCING ELBOW	
20	909304	0.36 m	PROFILE RUBBER, 18X5mm	
101	80273042	1	SAFETY ELEMENT, (inner)	
102	80273010	1	PRIMARY ELEMENT, (outer)	
103	80274006	1	VACUATOR	
104	7028118	1	COVER ASSEMBLY	
105	7028095	1	COVER ASSEMBLY	
106	7028096	1	BOWL	
107	7028097	1	CLAMP	
201	2991568	1	HOSE CLAMP	
K1	1001108794	1	HYDRAULIC/AIR FILTER KIT, (includes items 101, 102 plus the return and hydraulic filters)	

SECTION 4 - ENGINE AND ATTACHING PARTS

FIGURE 4-6. EXHAUST INSTALLATION



SECTION 4 - ENGINE AND ATTACHING PARTS

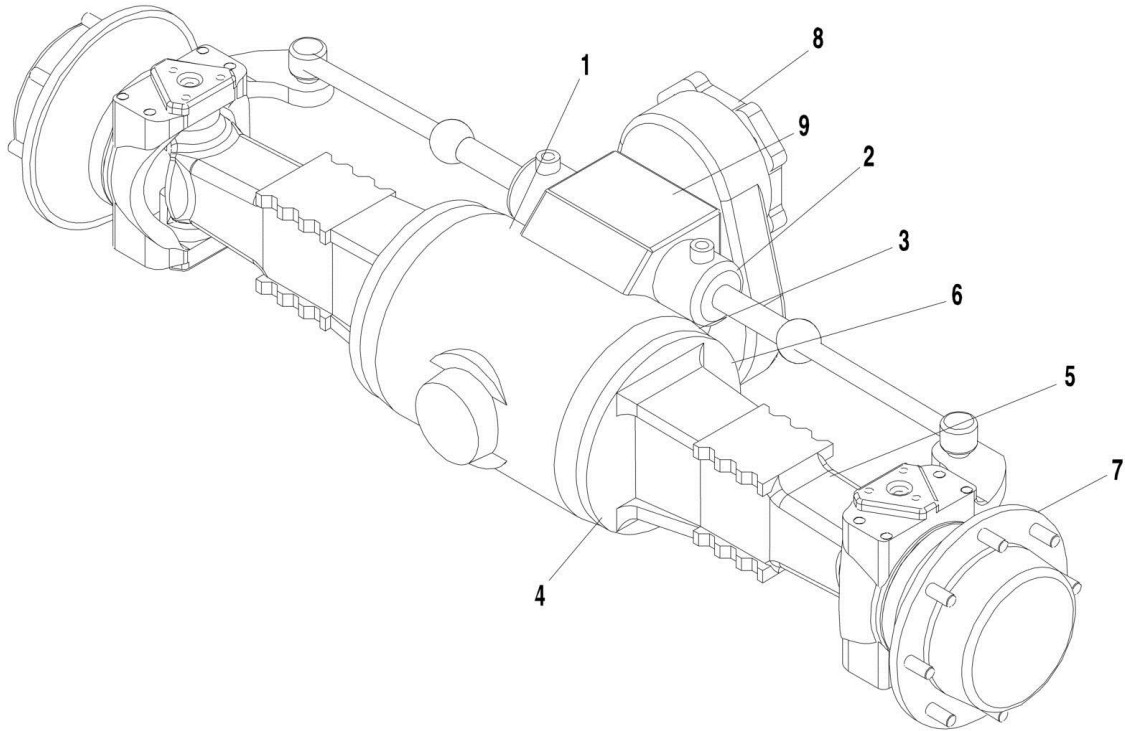
FIGURE 4-6. EXHAUST INSTALLATION

ITEM	PART NUMBER	QTY	DESCRIPTION	REV
	0274205	1	EXHAUST INSTALLATION, (includes all items)	F
1	0760812	2	HEX HD CAPSCREW, 8X25mm, GR8.8	
2	1686997	3	CLAMP	
3	3220140	1	MUFFLER	
4	3290805	4	LOCKNUT, M8X1.25	
5	3460365	1	TAIL PIPE	
6	3460403	1	EXHAUST TUBE	
7	3460404	1	EXHAUST TUBE	
8	4806580	1	EXHAUST MOUNT BRACKET	
9	4811900	2	FLAT WASHER, 8mm	
11	3380585	1	HEAT SHIELD	
12	0700816	2	HEX HD CAPSCREW, 8X40mm, GR8.8	
13	5200605	6	RIPP BOLT, 6X10mm	
14	1321367	2	HEAT SHIELD CLAMP	

SECTION 5 - DRIVE TRAIN

SECTION 5 - DRIVE TRAIN

FIGURE 5-1. FRONT AXLE



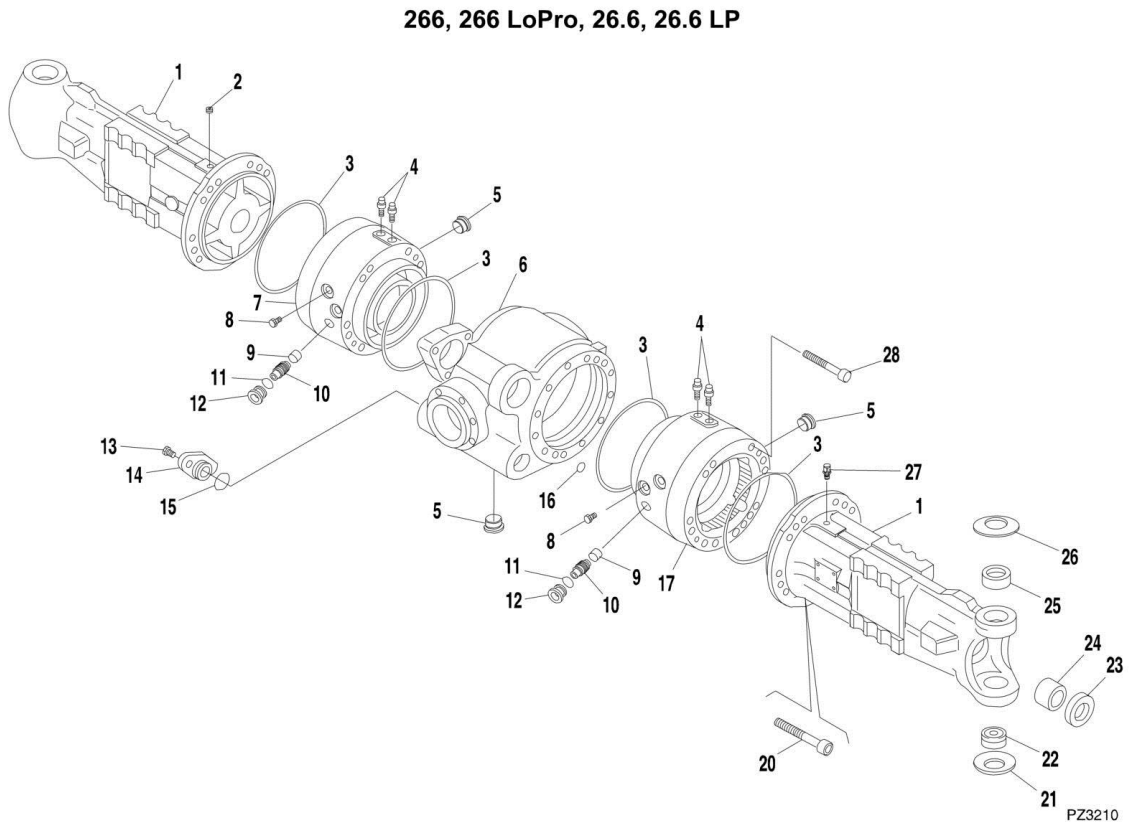
SECTION 5 - DRIVE TRAIN

FIGURE 5-1. FRONT AXLE

ITEM	PART NUMBER	QTY	DESCRIPTION	REV
	0280160		FRONT AXLE, (266, 266 LoPro, 26.6, 26.6 LP), (includes items 1 thru 9)	G
	0280162		FRONT AXLE, (307, 30.7), (includes items 1 thru 9)	G
1		Ref	CENTRAL HOUSING, (See FRONT AXLE – HOUSING for Breakdown)	
2		Ref	STEERING COMPONENTS, (See FRONT AXLE - HOUSING AND STEERING CYLINDER for Breakdown)	
3		Ref	BEVEL GEAR SET, (See FRONT AXLE - BEVEL GEAR SET for Breakdown)	
4		Ref	DIFFERENTIAL, (See FRONT AXLE - DIFFERENTIAL for Breakdown)	
5		Ref	DOUBLE JOINT, (See FRONT AXLE - DOUBLE U-JOINT for Breakdown)	
6		Ref	BRAKES, (See FRONT AXLE – BRAKES for Breakdown)	
7		Ref	HUB REDUCTION, (See FRONT AXLE - WHEEL HUB AND FINAL REDUCTION for Breakdown)	
8		Ref	TRANSMISSION HOUSING, (See FRONT AXLE - TRANSMISSION HOUSING for Breakdown)	
9		Ref	LOWER AND UPPER SHAFT, (See FRONT AXLE - LOWER AND UPPER SHAFT for Breakdown)	

SECTION 5 - DRIVE TRAIN

FIGURE 5-2. FRONT AXLE - HOUSING (266, 266 LOPRO, 26.6 & 26.6LP)



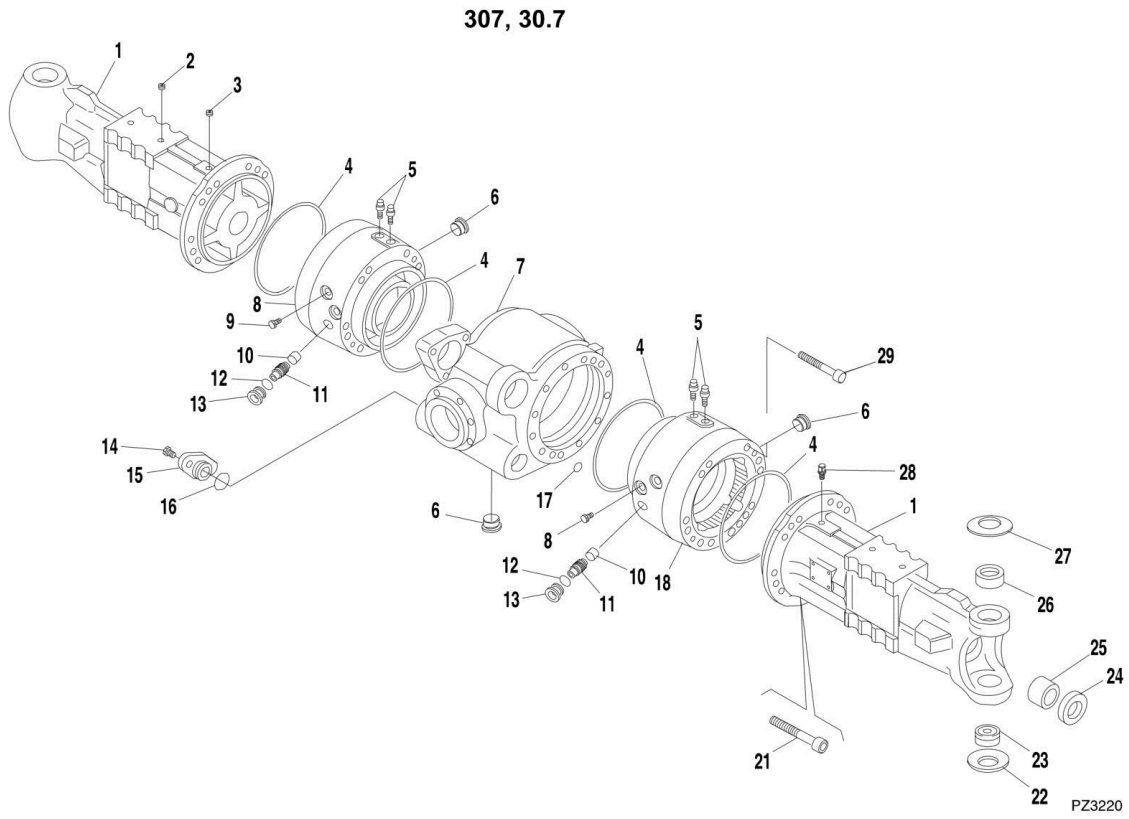
SECTION 5 - DRIVE TRAIN

FIGURE 5-2. FRONT AXLE - HOUSING (266, 266 LOPRO, 26.6 & 26.6LP)

ITEM	PART NUMBER	QTY	DESCRIPTION	REV
1	7028372	2	HOUSING	
2	91474041	1	PLUG	
3	91474038	4	O-RING	
4	91474039	4	BREATHER	
5	91474037	3	PLUG	
6	7028373	1	CENTRAL HOUSING	
7	91474040	1	BRAKE CYLINDER, (left)	
8	91474063	4	PLUG	
9	91474067	6	PIN	
10	91474066	6	SCREW	
11	91474065	6	O-RING	
12	91474064	6	SCREW	
13	7028374	2	SCREW	
14	7028375	1	COVER	
15	7028376	1	O-RING	
16	91474068	2	O-RING	
17	91474062	1	BRAKE CYLINDER, (right)	
20	91474059	22	SCREW	
21	7028377	2	WASHER	
22	7028378	2	JOINT	
23	7028379	2	SEAL	
24	7028380	2	BUSHING	
25	7028381	2	BUSHING	
26	7028382	2	WASHER	
27	91474058	1	BREATHER	
28	91474050	2	SCREW	

SECTION 5 - DRIVE TRAIN

FIGURE 5-3. FRONT AXLE - HOUSING (307 & 30.7)



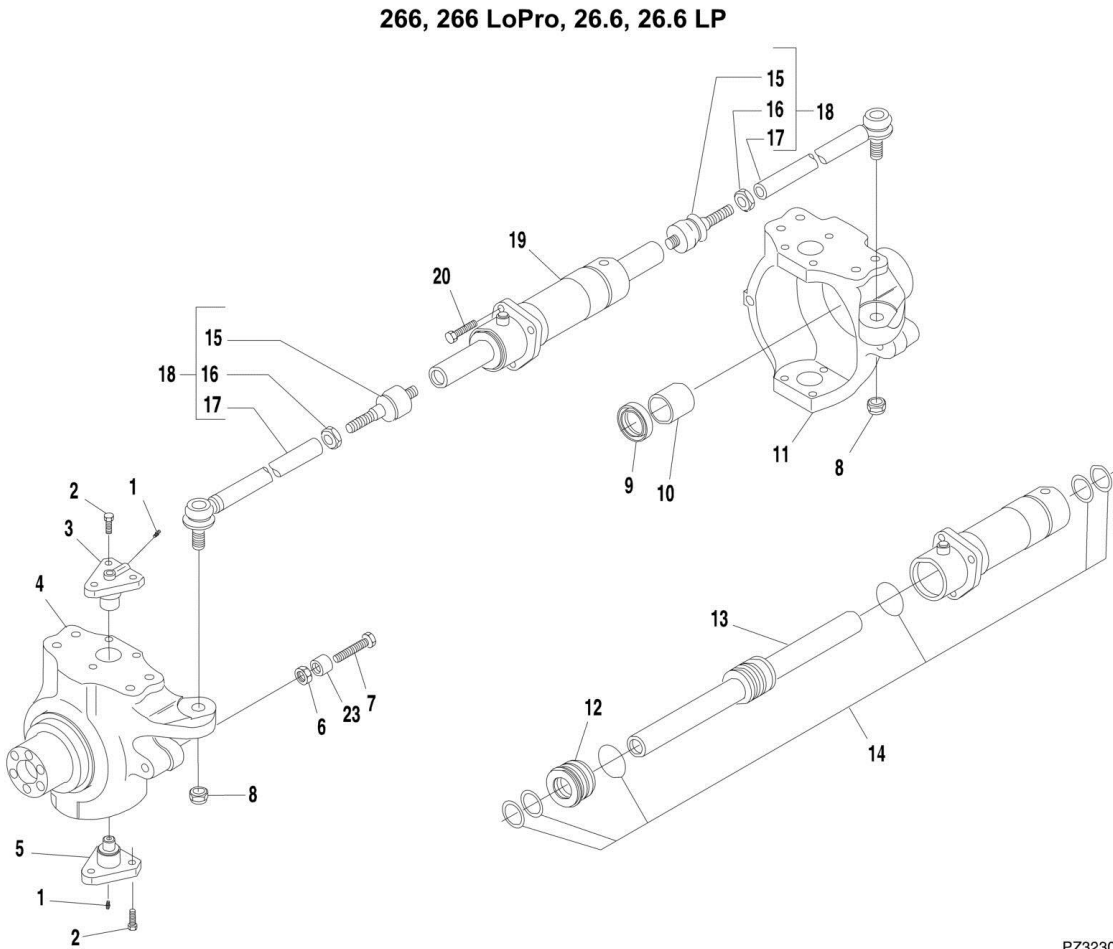
SECTION 5 - DRIVE TRAIN

FIGURE 5-3. FRONT AXLE - HOUSING (307 & 30.7)

ITEM	PART NUMBER	QTY	DESCRIPTION	REV
1	7028512	2	HOUSING	
2	7028513	4	PLUG	
3	91474041	1	PLUG	
4	91474038	4	O-RING	
5	91474039	4	BREATHER	
6	91474037	3	PLUG	
7	7028373	1	HOUSING	
8	91474040	1	BRAKE CYLINDER, (left)	
9	91474063	4	PLUG	
10	91474067	6	PIN	
11	91474066	6	SCREW	
12	91474065	6	O-RING	
13	91474064	6	SCREW	
14	7028374	2	SCREW	
15	7028375	1	COVER	
16	7028376	1	O-RING	
17	91474068	2	O-RING	
18	91474062	1	BRAKE CYLINDER, (right)	
21	91474059	24	SCREW	
22	7028377	2	WASHER	
23	7028378	2	JOINT	
24	7028379	2	SEAL	
25	7028380	2	BUSHING	
26	7028381	2	BUSHING	
27	7028382	2	WASHER	
28	91474058	1	BREATHER	
29	91474050	2	SCREW	

SECTION 5 - DRIVE TRAIN

FIGURE 5-4. FRONT AXLE - HOUSING AND STEERING CYLINDER (266, 266 LOPRO, 26.6 & 26.6LP)



PZ3230

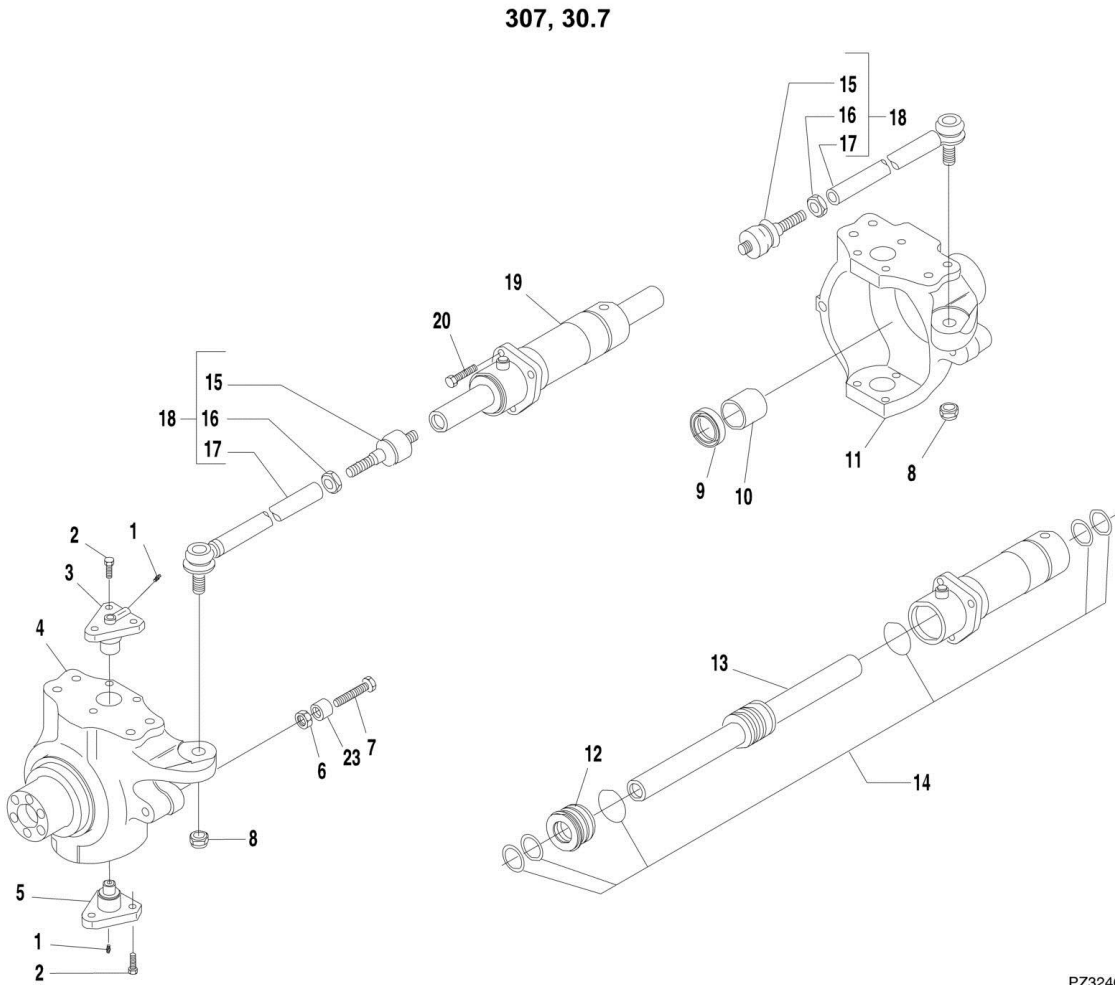
SECTION 5 - DRIVE TRAIN

FIGURE 5-4. FRONT AXLE - HOUSING AND STEERING CYLINDER (266, 266 LOPRO, 26.6 & 26.6LP)

ITEM	PART NUMBER	QTY	DESCRIPTION	REV
1	91474095	4	GREASE FITTING	
2	7028400	12	SCREW	
3	7028383	2	KING PIN	
4	70022376	1	SWIVEL HOUSING, (left)	
5	7028385	2	KING PIN	
6	91474092	4	NUT	
7	91474091	4	SCREW	
8	7028401	2	NUT	
9	7028386	1	SEAL	
10	7028387	2	BUSHING	
11	70022377	1	SWIVEL HOUSING, (right)	
12	7028389	1	CYLINDER HEAD	
13	7028390	1	ROD	
14	70022378	1	SEAL KIT	
15	7028392	2	BALL JOINT	
16	91474078	2	NUT	
17	7028393	2	TIE ROD	
18	7028394	2	STEERING ARM, (includes items 15, 16 & 17)	
19	70022498	1	STEERING CYLINDER, (includes items 12, 13 & 14)	
20	7028396	3	SCREW	
23	7028399	4	BUSHING	
		Ref	NOTE: ITEM NUMBERS NOT LISTED ARE NOT USED ON THIS FIGURE	

SECTION 5 - DRIVE TRAIN

FIGURE 5-5. FRONT AXLE - HOUSING AND STEERING CYLINDER (307 & 30.7)



PZ3240

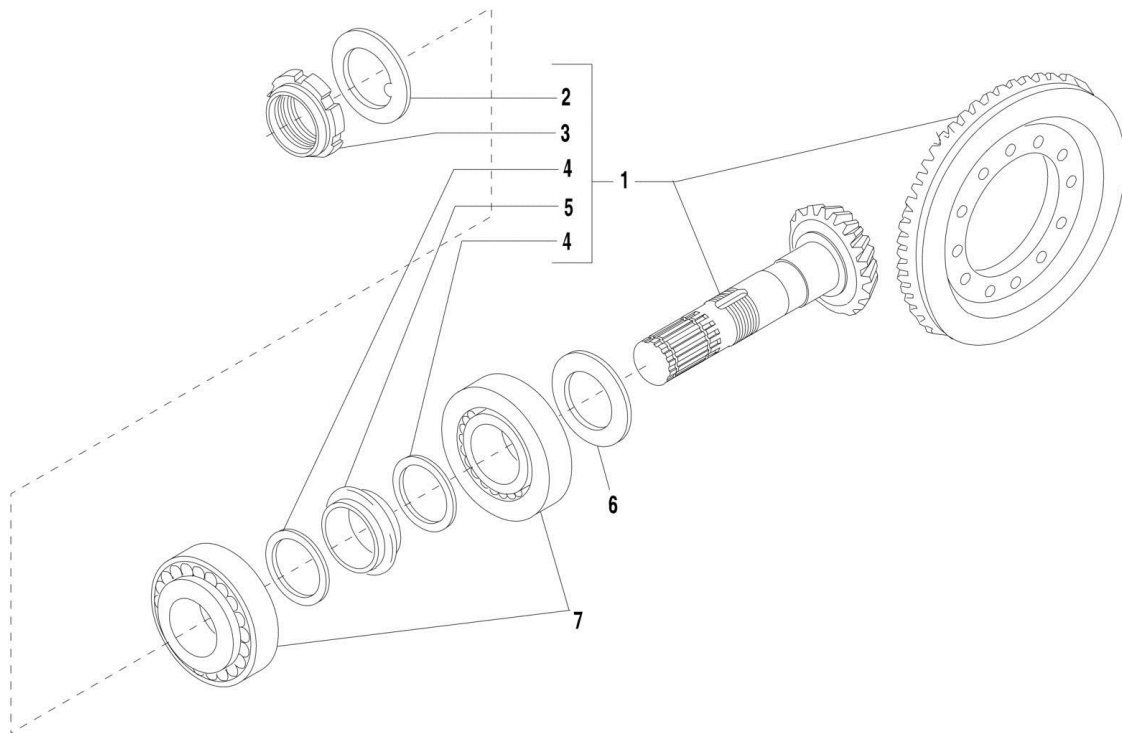
SECTION 5 - DRIVE TRAIN

FIGURE 5-5. FRONT AXLE - HOUSING AND STEERING CYLINDER (307 & 30.7)

ITEM	PART NUMBER	QTY	DESCRIPTION	REV
1	91474095	4	GREASE FITTING	
2	7028400	12	SCREW	
3	7028383	2	KING PIN	
4	70022404	1	SWIVEL HOUSING, (left)	
5	7028385	2	KING PIN	
6	91474092	4	NUT	
7	91474091	4	SCREW	
8	7028401	2	NUT	
9	7028386	1	SEAL	
10	7028387	2	BUSHING	
11	70022499	1	SWIVEL HOUSING, (right)	
12	7028389	1	CYLINDER HEAD	
13	7028390	1	ROD	
14	70022378	1	SEAL KIT	
15	7028392	2	BALL JOINT	
16	91474078	2	NUT	
17	7028514	2	TIE ROD	
18	7028496	2	STEERING ARM, (includes items 15, 16 & 17)	
19	70022498	1	STEERING CYLINDER, (includes items 12, 13 & 14)	
20	7028396	3	SCREW	
23	7028476	4	BUSHING	

SECTION 5 - DRIVE TRAIN

FIGURE 5-6. FRONT AXLE - BEVEL GEAR SET



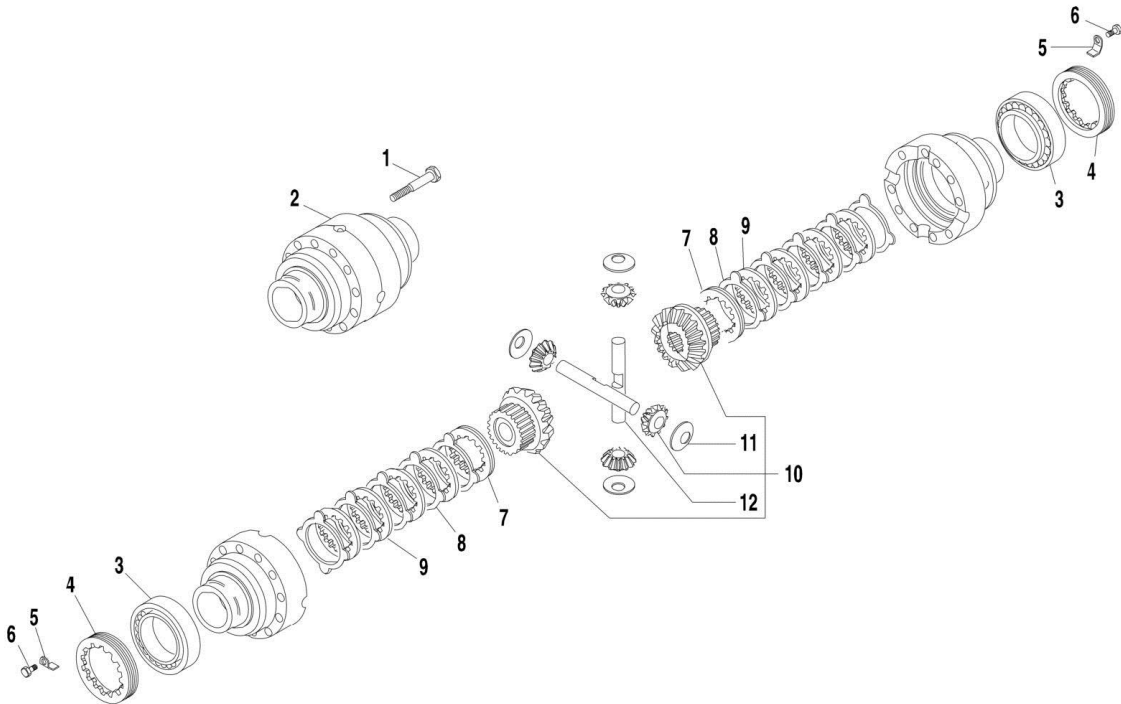
SECTION 5 - DRIVE TRAIN

FIGURE 5-6. FRONT AXLE - BEVEL GEAR SET

ITEM	PART NUMBER	QTY	DESCRIPTION	REV
1	7028402	1	BEVEL GEAR SET, (includes items 2 thru 5)	
2	91474100	1	WASHER	
3	91474101	1	RING NUT, M40X1.5	
4	91474102	2	WASHER, M51X35X3	
5	91474103	1	SPACER	
6	8035160	AR	SHIM, 2.50mm	
6	91474105	AR	SHIM, 2.60mm	
6	91474106	AR	SHIM, 2.70mm	
6	91474107	AR	SHIM, 2.80mm	
6	91474108	AR	SHIM, 2.90mm	
6	91474109	AR	SHIM, 3.00mm	
6	91474110	AR	SHIM, 3.10mm	
6	91474111	AR	SHIM, 3.20mm	
6	91474112	AR	SHIM, 3.30mm	
6	91474113	AR	SHIM, 3.40mm	
7	7028403	2	BEARING	

SECTION 5 - DRIVE TRAIN

FIGURE 5-7. FRONT AXLE - DIFFERENTIAL



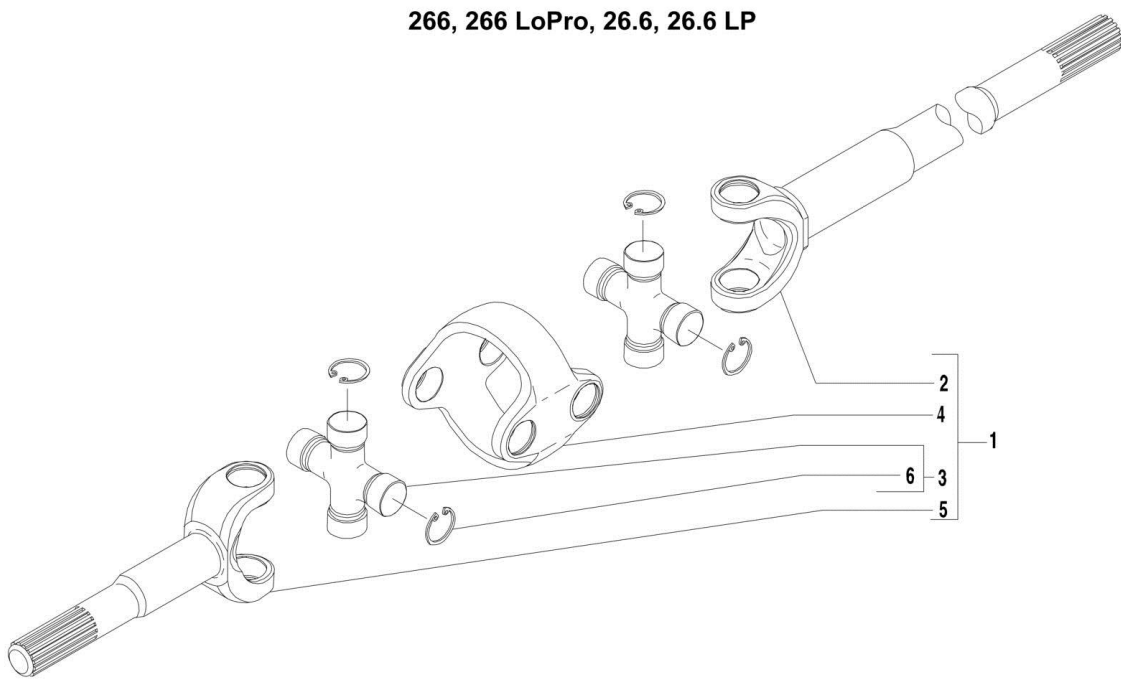
SECTION 5 - DRIVE TRAIN

FIGURE 5-7. FRONT AXLE - DIFFERENTIAL

ITEM	PART NUMBER	QTY	DESCRIPTION	REV
1	8033544	12	SCREW	
2	7028404	1	DIFFERENTIAL HOUSING	
3	91474129	2	BEARING	
4	91474128	2	RING NUT	
5	91474126	2	LOCK NUT	
6	8035180	2	SCREW, M6X10	
7	91474123	2	DIFFERENTIAL LOCK DISC	
8	91474124	10	DIFFERENTIAL LOCK PLATE	
9	91474125	8	DIFFERENTIAL LOCK DISC	
10	7028405	1	DIFFERENTIAL GEAR KIT, (includes items 11 & 12)	
11	91474121	4	THRUST WASHER	
12	91474122	2	SHAFT	

SECTION 5 - DRIVE TRAIN

FIGURE 5-8. FRONT AXLE - DOUBLE U-JOINT (266, 266 LOPRO, 26.6 & 26.6LP)



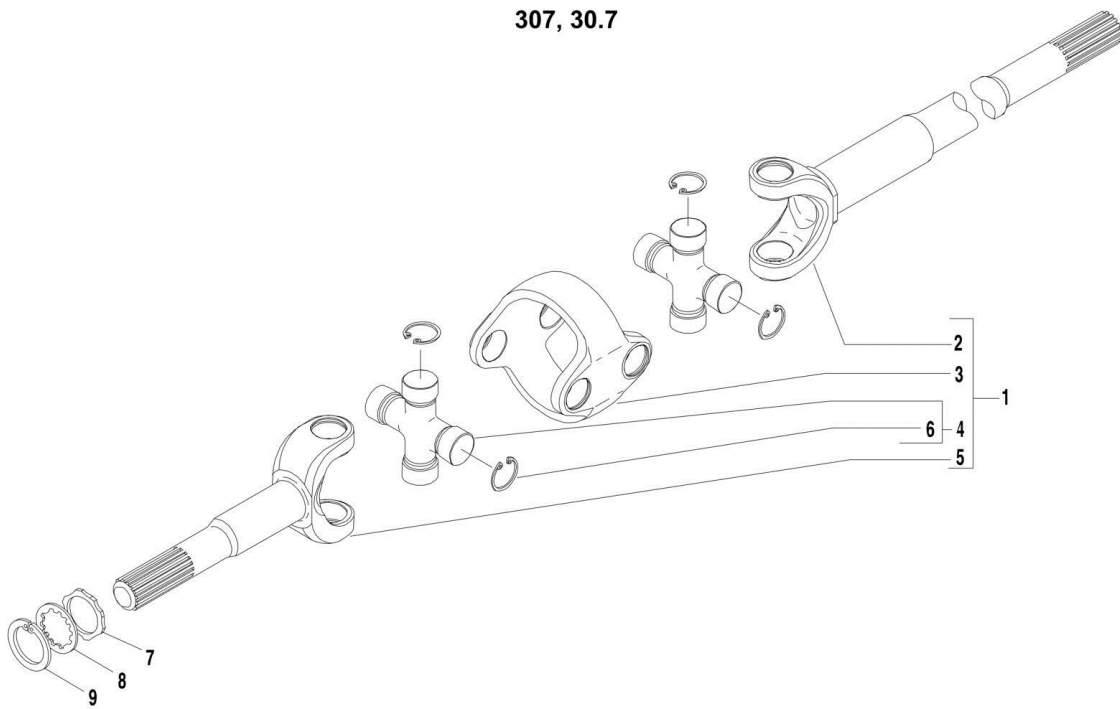
SECTION 5 - DRIVE TRAIN

FIGURE 5-8. FRONT AXLE - DOUBLE U-JOINT (266, 266 LOPRO, 26.6 & 26.6LP)

ITEM	PART NUMBER	QTY	DESCRIPTION	REV
1	7028406	1	DOUBLE JOINT, (includes all items)	
2	7028407	1	FORK	
3	7028408	2	SPIDER, (includes item 6)	
4	7028409	1	CENTRAL BODY	
5	7028410	1	FORK	
6	7028411	8	SNAP RING	
		Ref	NOTE: QUANTITIES SHOWN ARE FOR ONE U-JOINT ASSEMBLY ONLY	

SECTION 5 - DRIVE TRAIN

FIGURE 5-9. FRONT AXLE - DOUBLE U-JOINT (307 & 30.7)



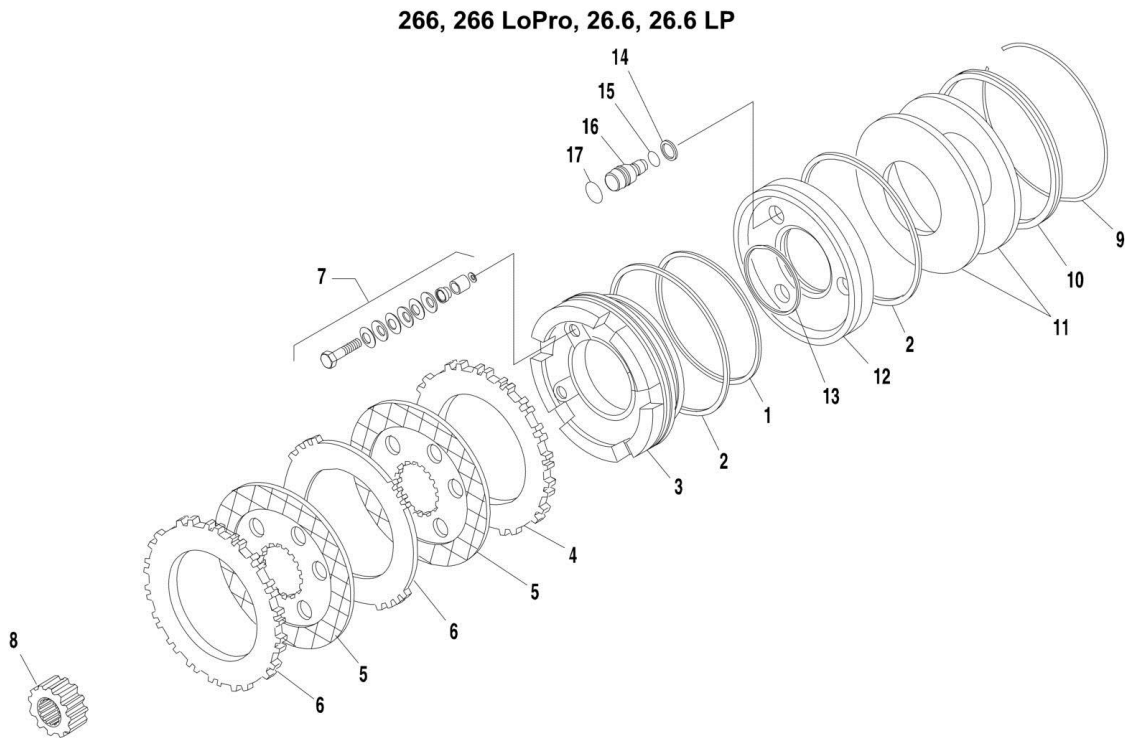
SECTION 5 - DRIVE TRAIN

FIGURE 5-9. FRONT AXLE - DOUBLE U-JOINT (307 & 30.7)

ITEM	PART NUMBER	QTY	DESCRIPTION	REV
1	7028498	1	DOUBLE JOINT, (includes items 2, 3, 4, 5 & 6)	
2	7028499	1	FORK	
3	7028500	1	CENTRAL BODY	
4	7028501	2	SPIDER, (includes item 6)	
5	7028502	1	FORK	
6	7028503	8	SNAP RING	
7	7028424	1	WASHER	
8	7028504	1	WASHER	
9	7028505	1	SNAP RING	
		Ref	NOTE: QUANTITIES SHOWN ARE FOR ONE U-JOINT ASSEMBLY ONLY	

SECTION 5 - DRIVE TRAIN

FIGURE 5-10. FRONT AXLE - BRAKES (266, 266 LOPRO, 26.6 & 26.6LP)



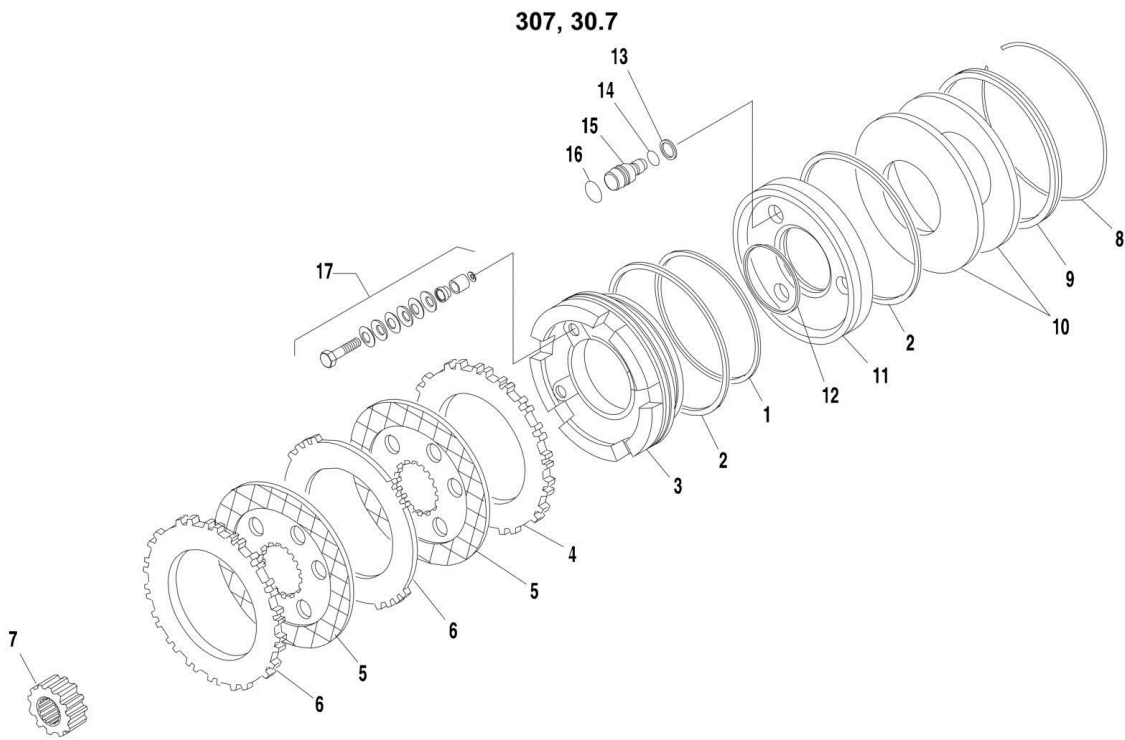
SECTION 5 - DRIVE TRAIN

FIGURE 5-10. FRONT AXLE - BRAKES (266, 266 LOPRO, 26.6 & 26.6LP)

ITEM	PART NUMBER	QTY	DESCRIPTION	REV
1	91474136	1	O-RING	
2	91474137	2	O-RING	
3	7028412	1	BRAKE PISTON	
4	91474139	1	COUNTER PLATE	
5	91474140	2	BRAKE DISC	
6	91474141	2	COUNTER PLATE	
7	91474152	1	SELF ADJUSTING-KIT	
8	91474142	1	SLEEVE	
9	91474143	1	RING	
10	91474144	1	SLEEVE	
11	91474145	2	WASHER	
12	91474146	1	PISTON	
13	91474147	1	O-RING	
14	91364041	3	O-RING	
15	91474149	3	O-RING	
16	91364042	3	PIN	
17	91474151	3	O-RING	
		Ref	NOTE: QUANTITIES SHOWN ARE FOR ONE BRAKE ASSEMBLY ONLY	

SECTION 5 - DRIVE TRAIN

FIGURE 5-11. FRONT AXLE - BRAKES (307 & 30.7)



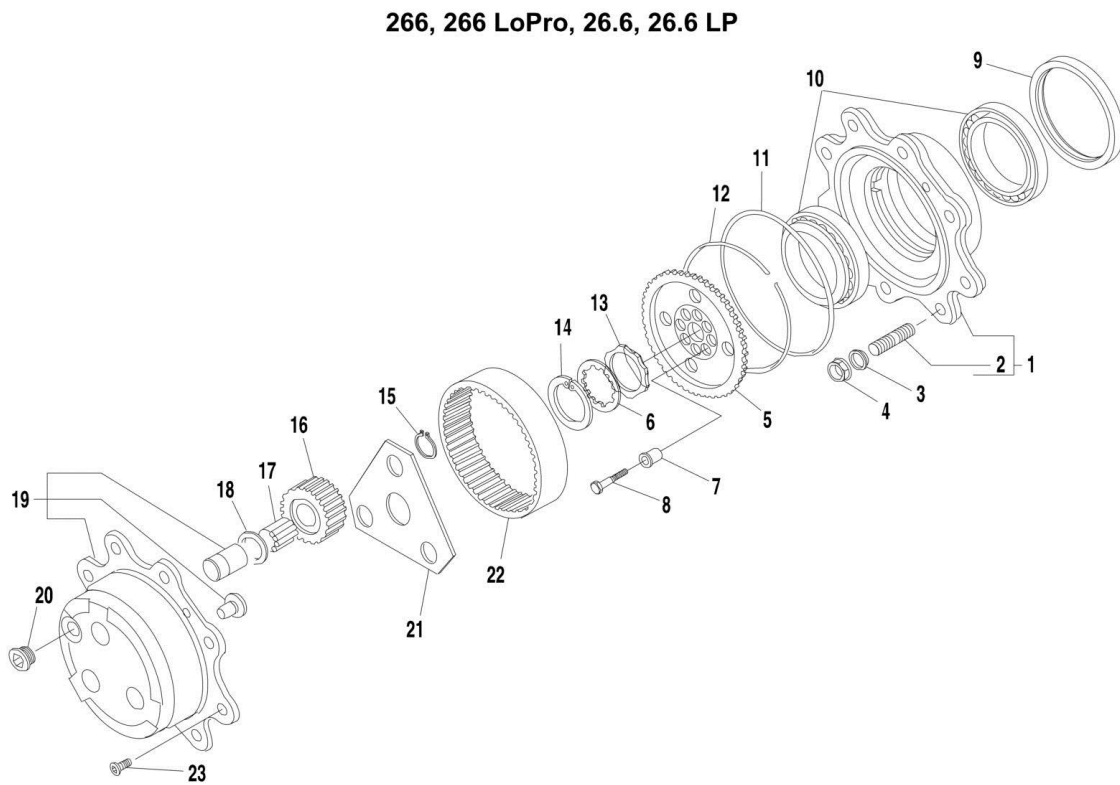
SECTION 5 - DRIVE TRAIN

FIGURE 5-11. FRONT AXLE - BRAKES (307 & 30.7)

ITEM	PART NUMBER	QTY	DESCRIPTION	REV
1	91474136	1	O-RING	
2	91474137	2	O-RING	
3	91474138	1	BRAKE PISTON	
4	91474139	1	COUNTER PLATE	
5	91474140	3	BRAKE DISC	
6	91474141	3	COUNTER PLATE	
7	91474142	1	SLEEVE	
8	91474143	1	RING	
9	91474144	1	SLEEVE	
10	91474145	2	WASHER	
11	91474146	1	PISTON	
12	91474147	1	O-RING	
13	91364041	3	O-RING	
14	91474149	3	O-RING	
15	91364042	3	PIN	
16	91474151	3	O-RING	
17	91474152	1	SELF ADJUSTING-KIT	
		Ref	NOTE: QUANTITIES SHOWN ARE FOR ONE BRAKE ASSEMBLY ONLY	

SECTION 5 - DRIVE TRAIN

FIGURE 5-12. FRONT AXLE - WHEEL HUB AND FINAL REDUCTION (266, 266 LOPRO, 26.6 & 26.6LP)



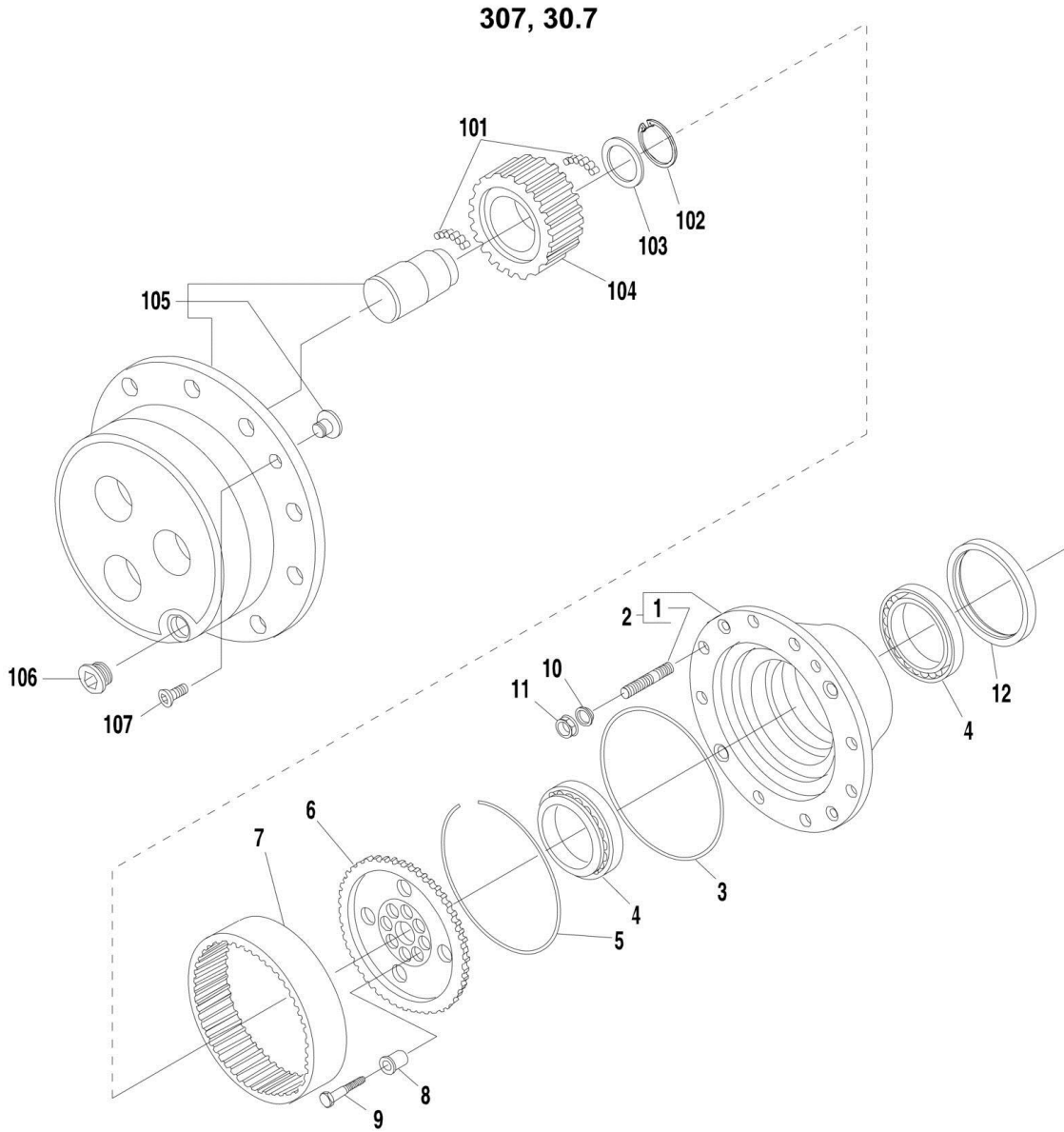
SECTION 5 - DRIVE TRAIN

FIGURE 5-12. FRONT AXLE - WHEEL HUB AND FINAL REDUCTION (266, 266 LOPRO, 26.6 & 26.6LP)

ITEM	PART NUMBER	QTY	DESCRIPTION	REV
1	7028413	1	WHEEL HUB KIT, (includes item 2)	
2	7028414	8	STUD	
3	7028415	8	WASHER	
4	7028416	8	NUT	
5	7028417	1	WHEEL CARRIER	
6	7028418	1	WASHER	
7	7028419	6	BUSHING	
8	7028420	6	SCREW	
9	91474161	1	SEAL	
10	7028421	2	BEARING	
11	7028487	1	O-RING	
12	7028423	1	SNAP RING	
13	7028424	1	WASHER	
14	7028488	1	SNAP RING	
15	91474119	3	SNAP RING	
16	7028426	3	GEAR	
17	7028490	90	NEEDLE BEARING, (30 per gear)	
18	7028428	3	WASHER	
19	7028491	1	PLANETARY CARRIER	
20	91474037	1	PLUG	
21	7028430	1	WASHER	
22	7028431	3	RING GEAR	
23	8035235	2	SCREW	
		Ref	NOTE: QUANTITIES SHOWN ARE FOR ONE WHEEL HUB AND REDUCTION GEAR ASSEMBLY ONLY	

SECTION 5 - DRIVE TRAIN

FIGURE 5-13. FRONT AXLE - WHEEL HUB AND FINAL REDUCTION (307 & 30.7)



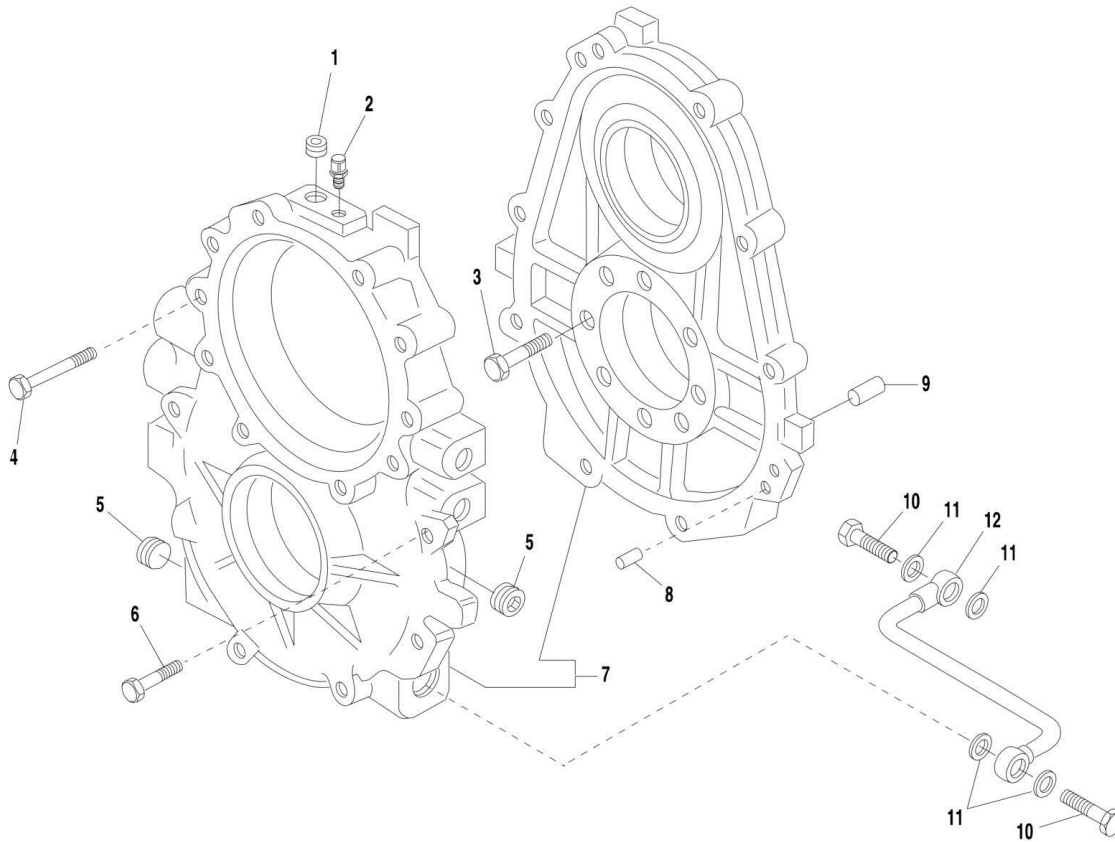
SECTION 5 - DRIVE TRAIN

FIGURE 5-13. FRONT AXLE - WHEEL HUB AND FINAL REDUCTION (307 & 30.7)

ITEM	PART NUMBER	QTY	DESCRIPTION	REV
1	7028414	8	STUD	
2	70022443	1	WHEEL HUB KIT, (includes item 1)	
3	7028487	1	O-RING	
4	7028421	2	BEARING	
5	7028423	1	LOCK RING	
6	7028417	1	WHEEL CARRIER	
7	7028507	1	GEAR	
8	7028419	8	BUSHING	
9	7028420	8	SCREW	
10	7028415	8	WASHER	
11	7028416	8	NUT	
12	91474161	1	SEAL	
101	91474163	336	NEEDLE BEARING, (56 per gear)	
102	7028508	3	SNAP RING	
103	7028509	3	WASHER	
104	7028510	3	GEAR	
105	7028511	1	PLANETARY CARRIER KIT	
106	91474037	1	PLUG	
107	8035235	2	SCREW	
		Ref	NOTE: QUANTITIES SHOWN ARE FOR ONE WHEEL HUB AND REDUCTION GEAR ASSEMBLY ONLY	

SECTION 5 - DRIVE TRAIN

FIGURE 5-14. FRONT AXLE - TRANSMISSION HOUSING



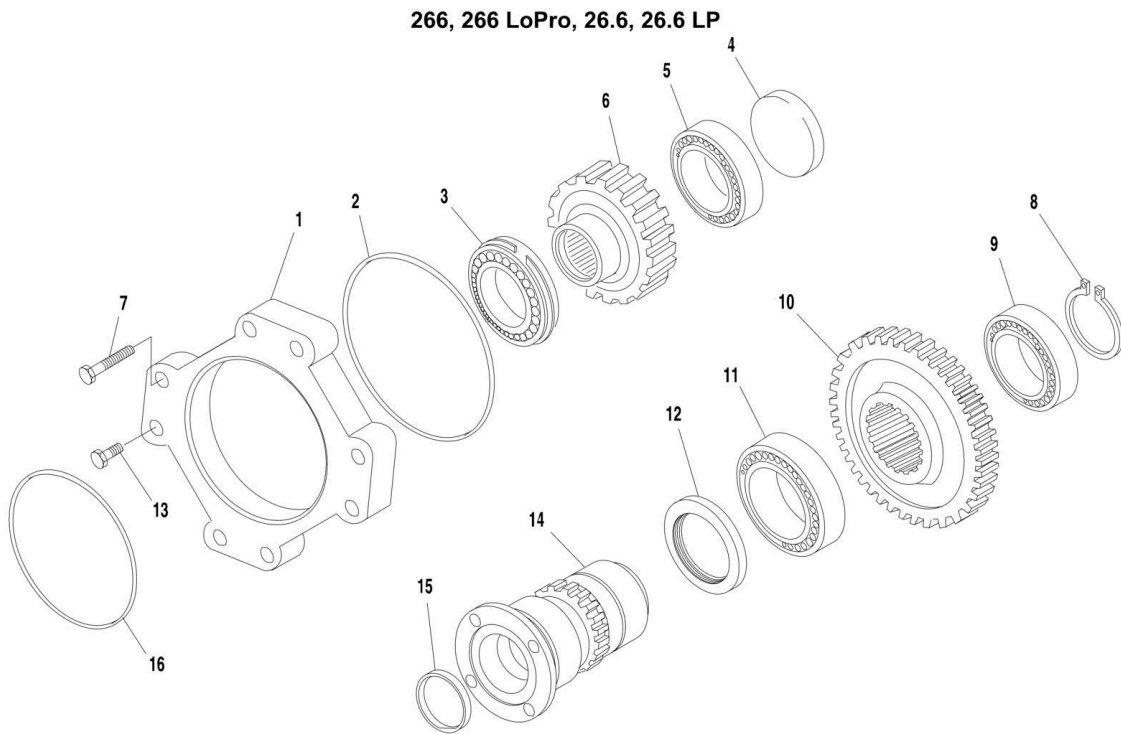
SECTION 5 - DRIVE TRAIN

FIGURE 5-14. FRONT AXLE - TRANSMISSION HOUSING

ITEM	PART NUMBER	QTY	DESCRIPTION	REV
1	91474075	1	PLUG	
2	70022076	1	BREATHER	
3	7028432	8	SCREW	
4	7028433	2	SCREW	
5	7028434	2	PLUG	
6	7028435	6	PLUG	
7	7028436	1	HOUSING	
8	7028437	4	PIN	
9	91364078	1	PIN	
10	7028438	2	SCREW	
11	7028439	4	WASHER	
12	7028440	1	OIL PIPE	

SECTION 5 - DRIVE TRAIN

FIGURE 5-15. FRONT AXLE - LOWER AND UPPER SHAFT (266, 266 LOPRO, 26.6 & 26.6LP)



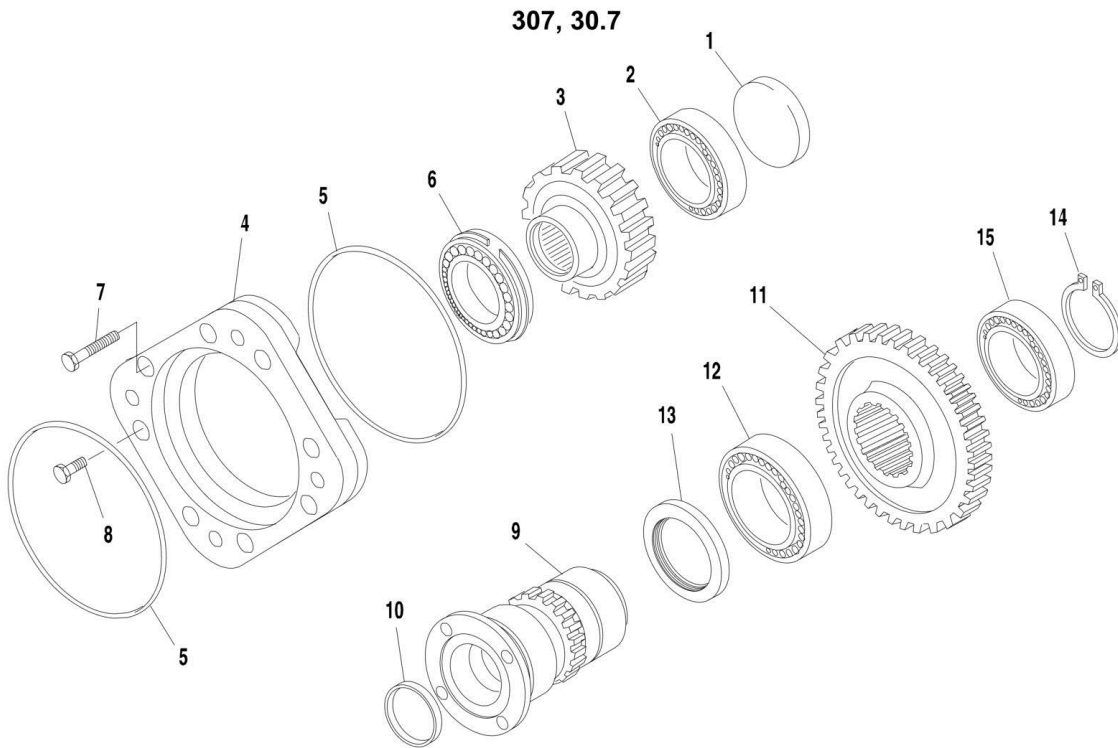
SECTION 5 - DRIVE TRAIN

FIGURE 5-15. FRONT AXLE - LOWER AND UPPER SHAFT (266, 266 LOPRO, 26.6 & 26.6LP)

ITEM	PART NUMBER	QTY	DESCRIPTION	REV
1	7028441	1	FLANGE	
2	7028442	1	O-RING	
3	7028443	1	BEARING	
4	7028444	1	PLUG	
5	7028445	1	BEARING	
6	70022380	1	GEAR	
7	7028447	2	SCREW	
8	7028448	1	SNAP RING	
9	7028449	1	BEARING	
10	70022381	1	GEAR	
11	7028451	1	BEARING	
12	7028452	1	SEAL	
13	7028453	6	SCREW	
14	7028454	1	LOWER SHAFT	
15	7028455	1	PLUG	
16	7028456	1	O-RING	

SECTION 5 - DRIVE TRAIN

FIGURE 5-16. FRONT AXLE - LOWER AND UPPER SHAFT (307 & 30.7)



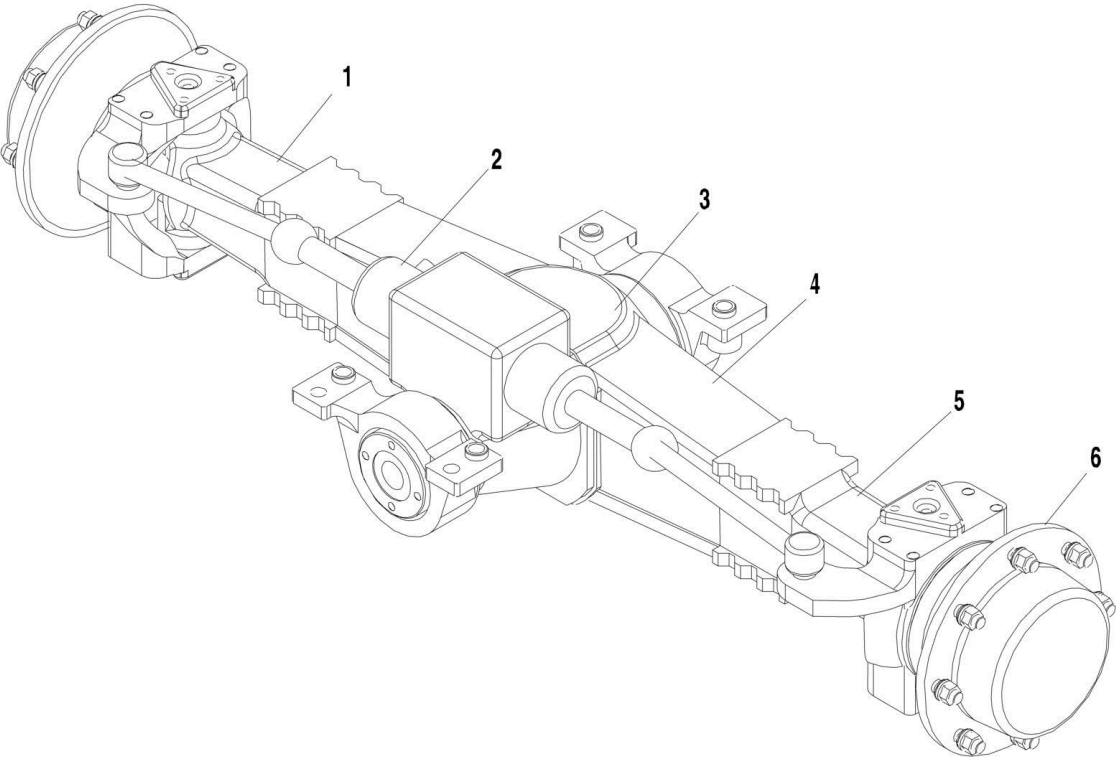
SECTION 5 - DRIVE TRAIN

FIGURE 5-16. FRONT AXLE - LOWER AND UPPER SHAFT (307 & 30.7)

ITEM	PART NUMBER	QTY	DESCRIPTION	REV
1	7028444	1	PLUG	
2	7028445	1	BEARING	
3	70022380	1	GEAR	
4	7028517	1	FLANGE	
5	7028442	2	O-RING	
6	7028443	1	BEARING	
7	7028447	2	SCREW	
8	7028521	6	SCREW	
9	7028454	1	LOWER SHAFT	
10	7028455	1	PLUG	
11	70022381	1	GEAR	
12	7028451	1	BEARING	
13	7028452	1	SEAL	
14	7028448	1	SNAP RING	
15	7028449	1	BEARING	

SECTION 5 - DRIVE TRAIN

FIGURE 5-17. REAR AXLE



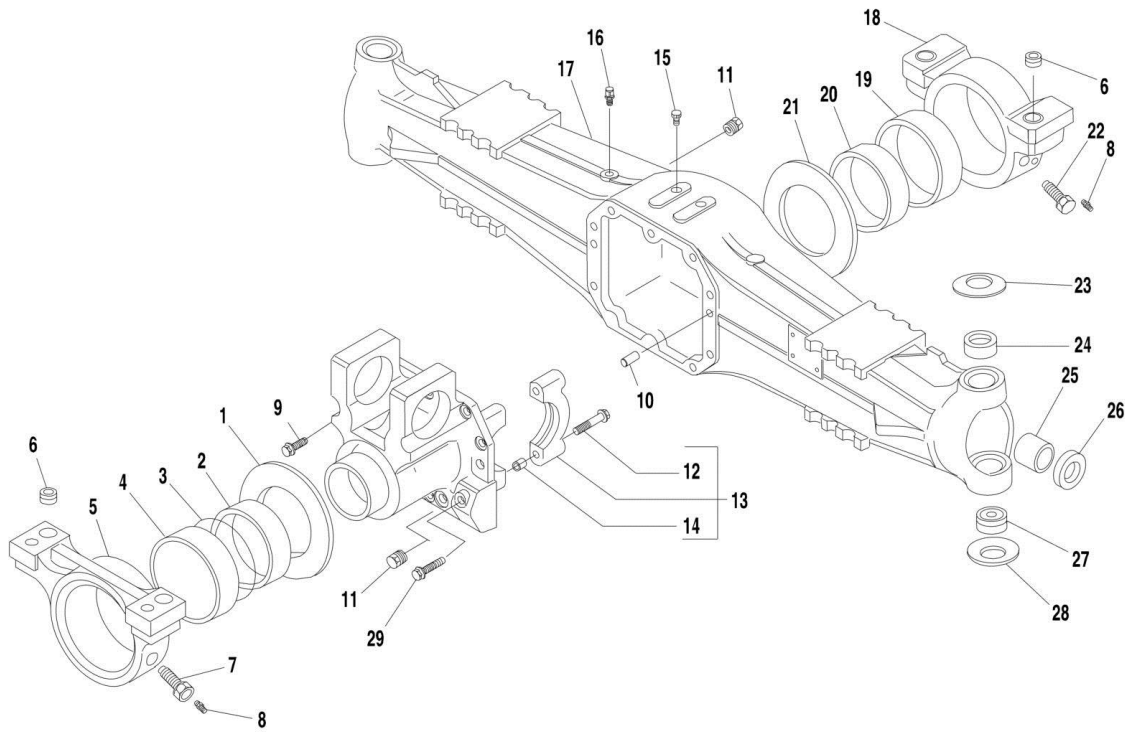
SECTION 5 - DRIVE TRAIN

FIGURE 5-17. REAR AXLE

ITEM	PART NUMBER	QTY	DESCRIPTION	REV
	0280161		REAR AXLE, (266, 266 LoPro, 26.6, 26.6 LP), (includes items 1 thru 6)	G
1	0280163	Ref	REAR AXLE, (307, 30.7), (includes items 1 thru 6) CENTRAL HOUSING, (See REAR AXLE - HOUSING for Breakdown)	H
2		Ref	STEERING COMPONENTS, (See REAR AXLE - SWIVEL HOUSING AND STEERING CYLINDER for Breakdown)	
3		Ref	BEVEL GEAR SET, (See REAR AXLE - BEVEL GEAR SET for Breakdown)	
4		Ref	DIFFERENTIAL, (See REAR AXLE - DIFFERENTIAL for Breakdown)	
5		Ref	DOUBLE JOINT, (See REAR AXLE - DOUBLE U-JOINT for Breakdown)	
6		Ref	HUB REDUCTION, (See REAR AXLE - WHEEL HUB AND FINAL REDUCTION for Breakdown)	

SECTION 5 - DRIVE TRAIN

FIGURE 5-18. REAR AXLE - HOUSING



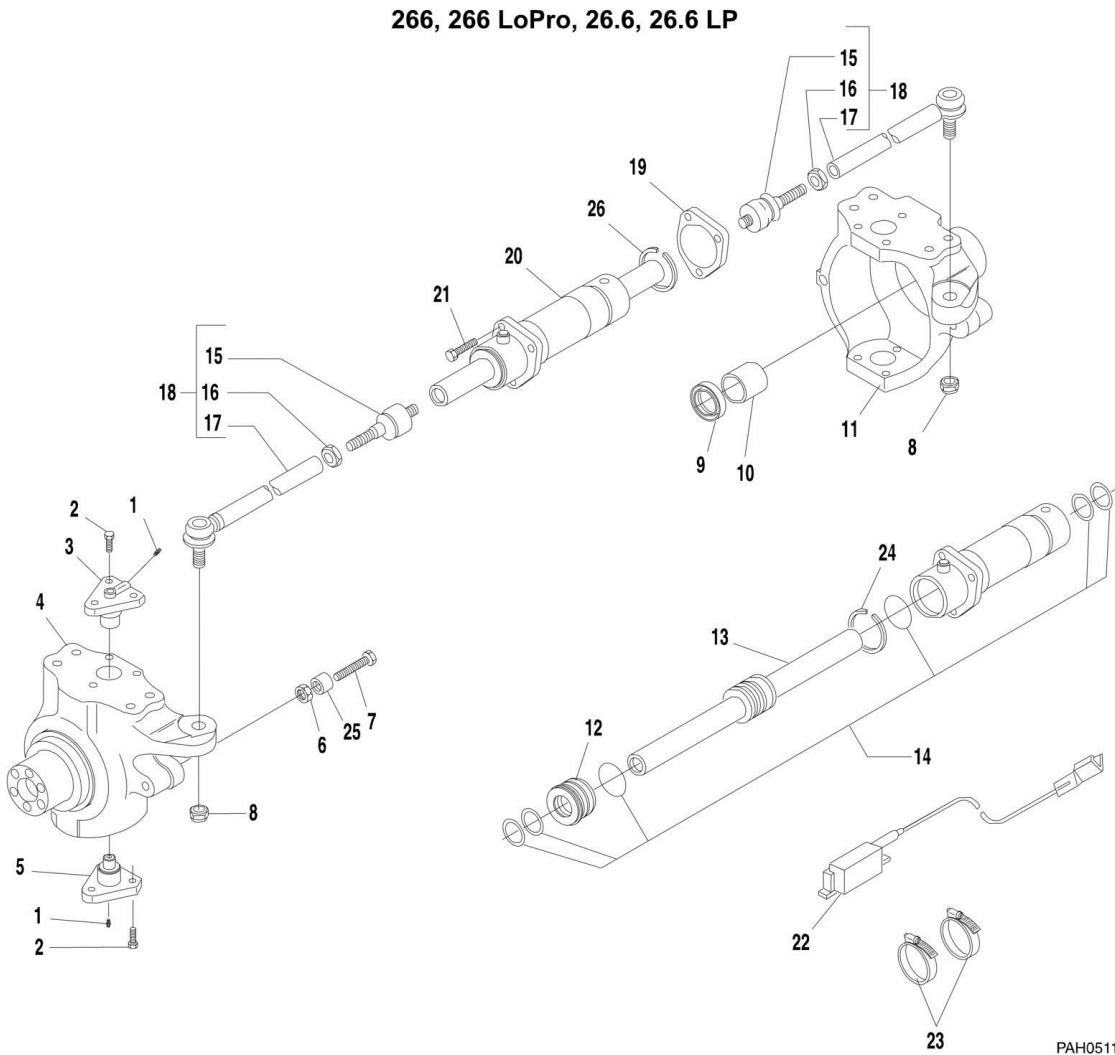
SECTION 5 - DRIVE TRAIN

FIGURE 5-18. REAR AXLE - HOUSING

ITEM	PART NUMBER	QTY	DESCRIPTION	REV
1	91474069	1	THRUST WASHER	
2	8035118	1	BUSHING	
3	91474071	1	O-RING	
4	91474072	1	BUSHING	
5	7028457	1	REAR SUPPORT	
6	91474043	4	BUSHING	
7	91474073	1	SCREW	
8	91474045	2	GREASE FITTING	
9	7028458	5	SCREW	
10	7028459	2	PIN	
11	7028460	2	PLUG	
12	7028461	4	SCREW	
13	7028462	1	DIFFERENTIAL SUPPORT, (includes items 12 & 14)	
14	7028463	4	BUSHING	
15	91474063	2	PLUG	
16	91474058	1	BREATHER	
17	7028464	1	AXLE BEAM, (266/266 LoPro)	
17	7028493	1	AXLE BEAM, (307)	
18	7028465	1	FRONT SUPPORT	
19	91474047	1	BUSHING	
20	91474048	1	BUSHING	
21	7028466	1	THRUST WASHER	
22	7028467	1	SCREW	
23	7028382	2	WASHER	
24	7028381	2	BUSHING	
25	7028380	2	BUSHING	
26	7028379	2	SEAL RING	
27	7028378	2	JOINT	
28	7028377	2	WASHER	
29	7028468	5	SCREW	

SECTION 5 - DRIVE TRAIN

FIGURE 5-19. REAR AXLE - SWIVEL HOUSING AND STEERING CYLINDER (266, 266 LOPRO, 26.6 & 26.6LP)



PAH0511

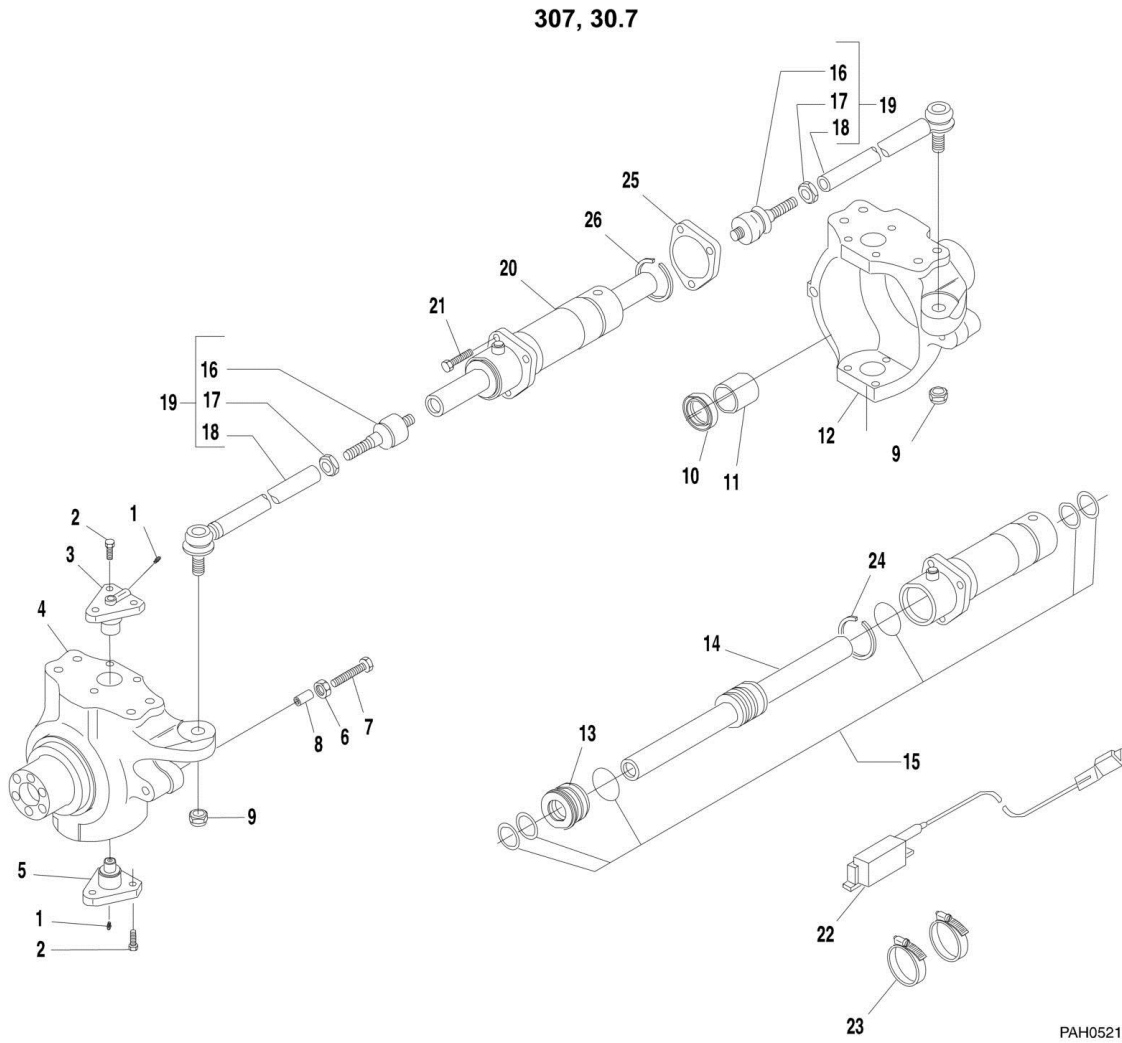
SECTION 5 - DRIVE TRAIN

FIGURE 5-19. REAR AXLE - SWIVEL HOUSING AND STEERING CYLINDER (266, 266 LOPRO, 26.6 & 26.6LP)

ITEM	PART NUMBER	QTY	DESCRIPTION	REV
1	91474095	4	GREASE FITTING	
2	7028400	12	SCREW	
3	7028383	2	KING PIN	
4	70022376	1	SWIVEL HOUSING, (right)	
5	7028385	2	KING PIN	
6	91474092	4	NUT	
7	7028470	4	SCREW	
8	7028401	2	NUT	
9	7028386	1	SEAL	
10	7028387	2	BUSHING	
11	70022377	1	SWIVEL HOUSING, (left)	
12	7028389	1	CYLINDER HEAD	
13	7028390	1	ROD	
14	7028391	1	SEAL KIT	
15	7028392	2	BALL JOINT	
16	91474078	2	NUT	
17	7028393	2	TIE ROD	
18	7028394	2	STEERING ARM, (includes items 15, 16 & 17)	
19	7028472	1	FLANGE	
20	7028395	1	STEERING CYLINDER, (includes items 12, 13, 14, 24 & 26)	
21	7028432	3	SCREW	
22	7028497	1	SENSOR	
23	7028475	2	BAND	
24	7028398	1	MAGNETIC RING	
25	7028476	4	BUSHING	
26	70022894	1	SNAP RING	

SECTION 5 - DRIVE TRAIN

FIGURE 5-20. REAR AXLE - SWIVEL HOUSING AND STEERING CYLINDER (307 & 30.7)



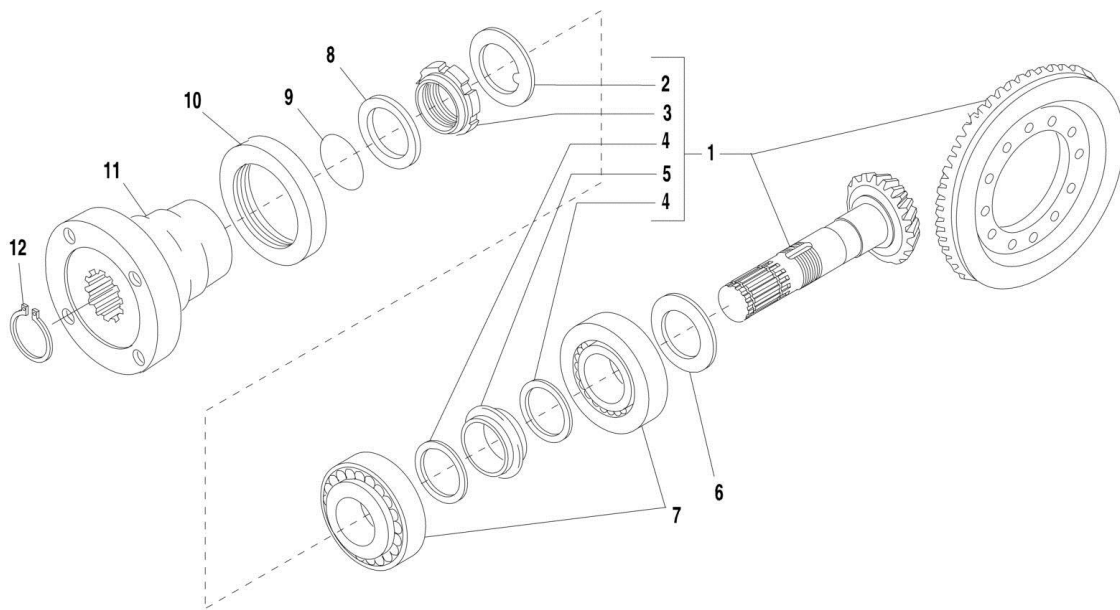
SECTION 5 - DRIVE TRAIN

FIGURE 5-20. REAR AXLE - SWIVEL HOUSING AND STEERING CYLINDER (307 & 30.7)

ITEM	PART NUMBER	QTY	DESCRIPTION	REV
1	91474095	4	GREASE FITTING	
2	7028400	12	SCREW	
3	7028383	2	KING PIN	
4	70022404	1	SWIVEL HOUSING, (right)	
5	7028385	2	KING PIN	
6	91474092	4	NUT	
7	7028470	4	SCREW	
8	7028476	4	BUSHING	
9	7028401	2	NUT	
10	7028386	1	SEAL	
11	7028387	2	BUSHING	
12	70022499	1	SWIVEL HOUSING, (left)	
13	7028389	1	CYLINDER HEAD	
14	7028390	1	ROD	
15	7028391	1	SEAL KIT	
16	7028392	2	BALL JOINT	
17	91474078	2	NUT	
18	7028514	2	TIE ROD	
19	7028496	2	STEERING ARM, (includes items 16, 17 & 18)	
20	7028395	1	STEERING CYLINDER, (includes 13, 14, 15, 24 & 26)	
21	7028432	3	SCREW	
22	7028497	1	SENSOR	
23	7028475	2	BAND	
24	7028398	1	MAGNETIC RING	
25	7028472	1	FLANGE	
26	70022894	1	SNAP RING	

SECTION 5 - DRIVE TRAIN

FIGURE 5-21. REAR AXLE - BEVEL GEAR SET



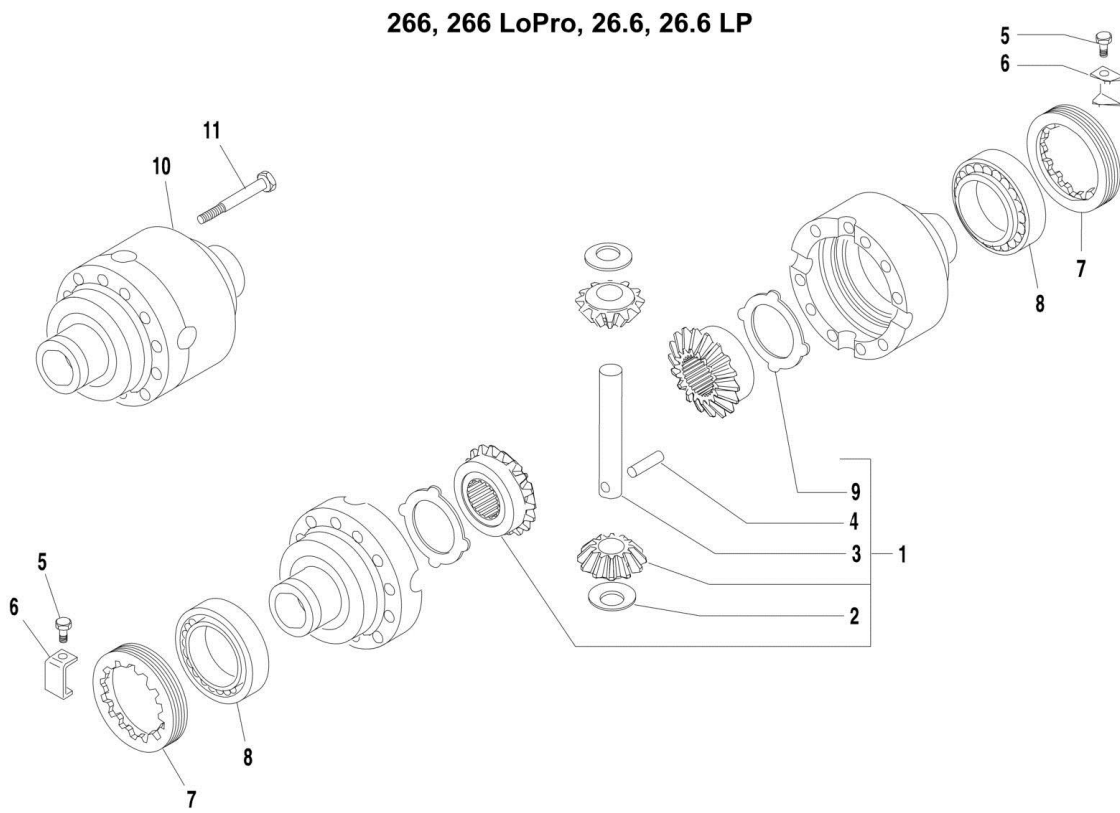
SECTION 5 - DRIVE TRAIN

FIGURE 5-21. REAR AXLE - BEVEL GEAR SET

ITEM	PART NUMBER	QTY	DESCRIPTION	REV
1	7028477	1	BEVEL GEAR SET, (includes 2, 3, 4 & 5)	
2	91474100	1	WASHER	
3	91474101	1	RING NUT	
4	91474102	2	WASHER	
5	91474103	1	SPACER	
6	8035160	AR	SHIM, 2.50mm	
6	91474105	AR	SHIM, 2.60mm	
6	91474106	AR	SHIM, 2.70mm	
6	91474107	AR	SHIM, 2.80mm	
6	91474108	AR	SHIM, 2.90mm	
6	91474109	AR	SHIM, 3.00mm	
6	91474110	AR	SHIM, 3.10mm	
6	91474111	AR	SHIM, 3.20mm	
6	91474112	AR	SHIM, 3.30mm	
6	91474113	AR	SHIM, 3.40mm	
7	7028403	2	BEARING	
8	91474115	1	WASHER	
9	91474116	1	O-RING	
10	7028478	1	SEAL RING	
11	7028479	1	FLANGE	
12	91474119	1	SNAP RING	

SECTION 5 - DRIVE TRAIN

FIGURE 5-22. REAR AXLE - DIFFERENTIAL (266, 266 LOPRO, 26.6 & 26.6LP)



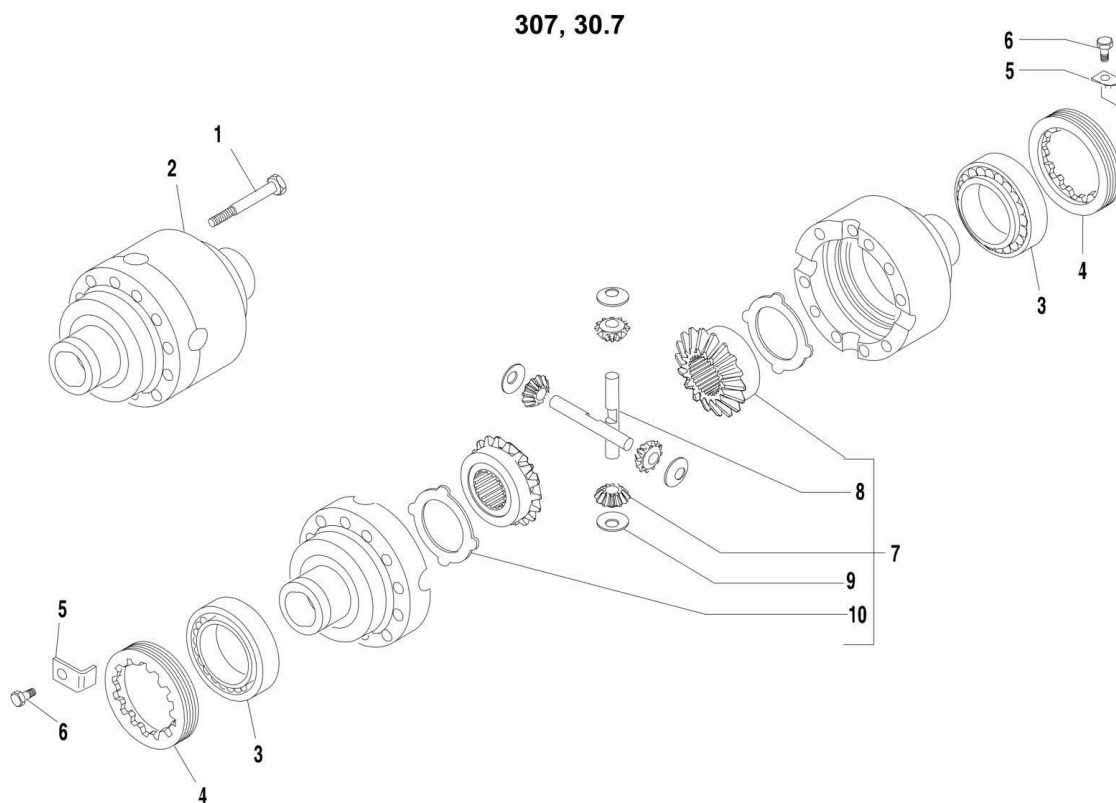
SECTION 5 - DRIVE TRAIN

FIGURE 5-22. REAR AXLE - DIFFERENTIAL (266, 266 LOPRO, 26.6 & 26.6LP)

ITEM	PART NUMBER	QTY	DESCRIPTION	REV
1	7028480	1	DIFFERENTIAL GEAR KIT, (includes 2, 3, 4 & 9)	
2	91474121	2	THRUST WASHER	
3	7028481	1	SHAFT	
4	7028482	1	PIN	
5	8035180	2	SCREW	
6	7028483	2	LOCK NUT	
7	91474128	2	RING NUT	
8	91474129	2	BEARING	
9	91474176	2	COUNTER PLATE	
10	7028404	1	DIFFERENTIAL HOUSING	
11	8033544	12	SCREW	

SECTION 5 - DRIVE TRAIN

FIGURE 5-23. REAR AXLE - DIFFERENTIAL (307 & 30.7)



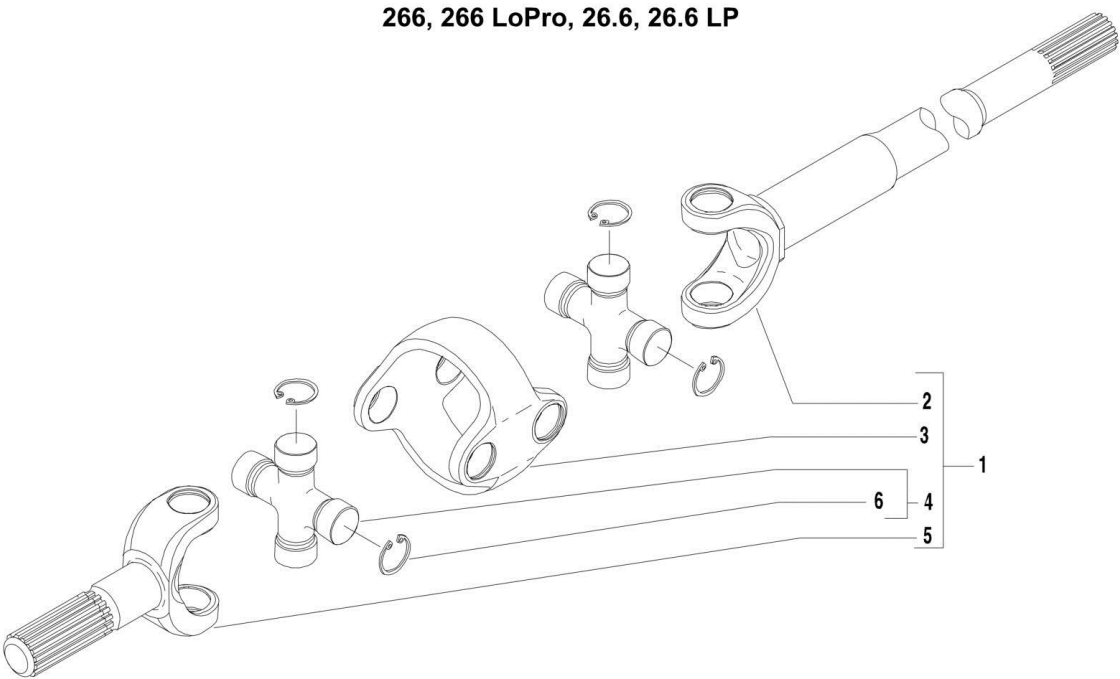
SECTION 5 - DRIVE TRAIN

FIGURE 5-23. REAR AXLE - DIFFERENTIAL (307 & 30.7)

ITEM	PART NUMBER	QTY	DESCRIPTION	REV
1	8033544	12	SCREW	
2	7028404	1	DIFFERENTIAL HOUSING	
3	91474129	2	BEARING	
4	91474128	2	RING NUT	
5	7028483	2	LOCK NUT	
6	8035180	2	SCREW	
7	8034679	1	DIFFERENTIAL GEAR KIT, (includes items 8, 9 & 10)	
8	91474122	2	SHAFT	
9	91474121	4	THRUST WASHER	
10	91474176	2	COUNTER PLATE	

SECTION 5 - DRIVE TRAIN

FIGURE 5-24. REAR AXLE - DOUBLE U-JOINT (266, 266 LOPRO, 26.6 & 26.6LP)



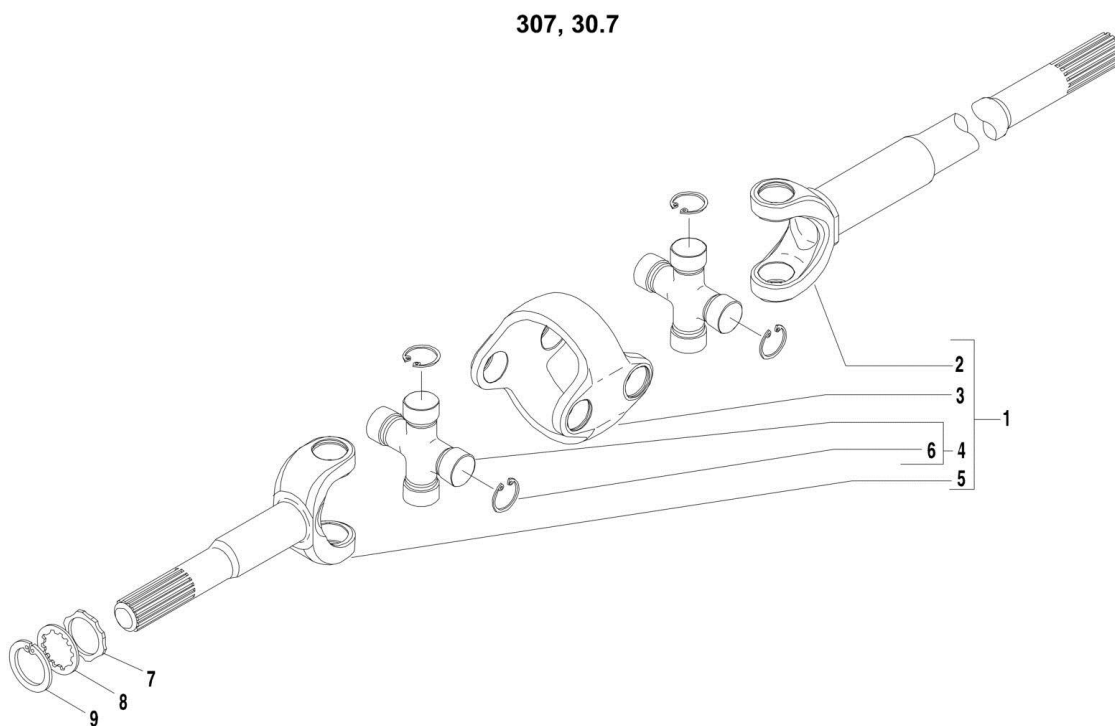
SECTION 5 - DRIVE TRAIN

FIGURE 5-24. REAR AXLE - DOUBLE U-JOINT (266, 266 LOPRO, 26.6 & 26.6LP)

ITEM	PART NUMBER	QTY	DESCRIPTION	REV
1	7028484	1	DOUBLE JOINT, (includes all items)	
2	7028485	1	FORK (differential side)	
3	7028409	1	CENTRAL BODY	
4	7028408	2	SPIDER, (includes item 6)	
5	7028410	1	FORK (wheel side)	
6	7028411	8	SNAP RING	
		Ref	NOTE: QUANTITIES SHOWN ARE FOR ONE U-JOINT ASSEMBLY ONLY	

SECTION 5 - DRIVE TRAIN

FIGURE 5-25. REAR AXLE - DOUBLE U-JOINT (307 & 30.7)



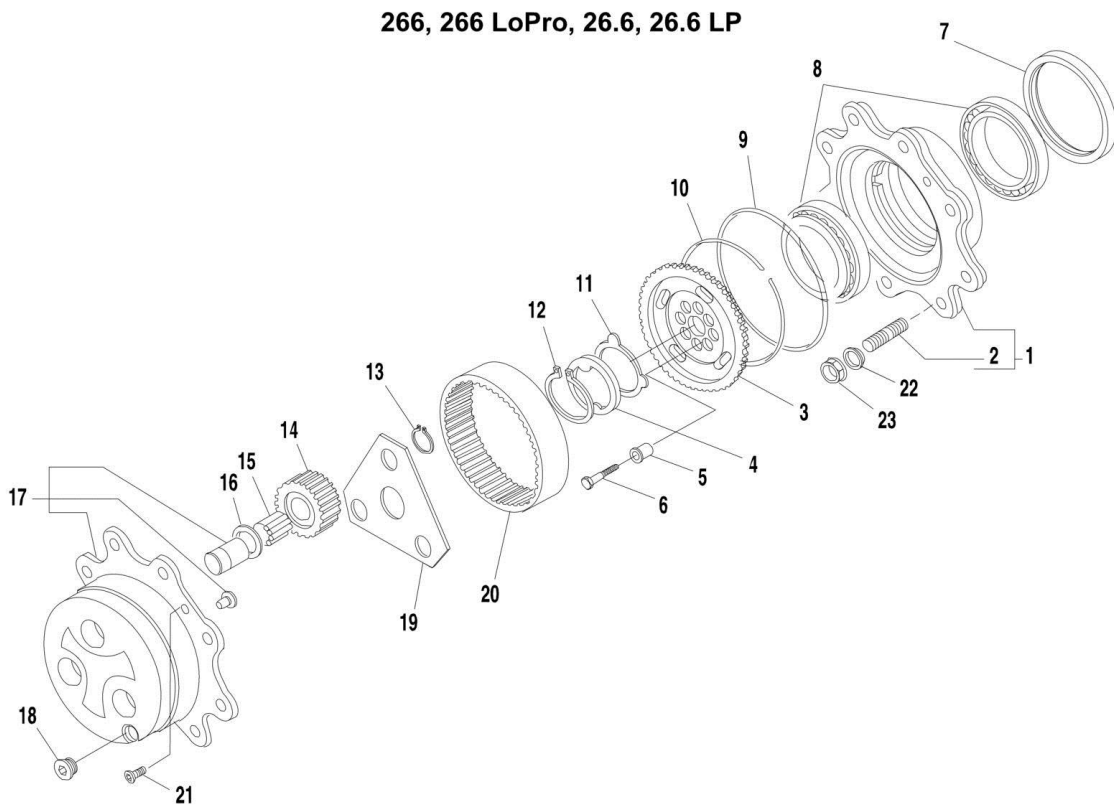
SECTION 5 - DRIVE TRAIN

FIGURE 5-25. REAR AXLE - DOUBLE U-JOINT (307 & 30.7)

ITEM	PART NUMBER	QTY	DESCRIPTION	REV
1	7028498	1	DOUBLE JOINT, (includes items 2, 3, 4, 5 & 6)	
2	7028499	1	FORK (differential side)	
3	7028500	1	CENTRAL BODY	
4	7028501	2	SPIDER, (includes item 6)	
5	7028502	1	FORK (wheel side)	
6	7028503	8	SNAP RING	
7	7028424	1	WASHER	
8	7028504	1	WASHER	
9	7028505	1	SNAP RING	
		Ref	NOTE: QUANTITIES SHOWN ARE FOR ONE U-JOINT ASSEMBLY ONLY	

SECTION 5 - DRIVE TRAIN

FIGURE 5-26. REAR AXLE - WHEEL HUB AND FINAL REDUCTION (266, 266 LOPRO, 26.6 & 26.6LP)



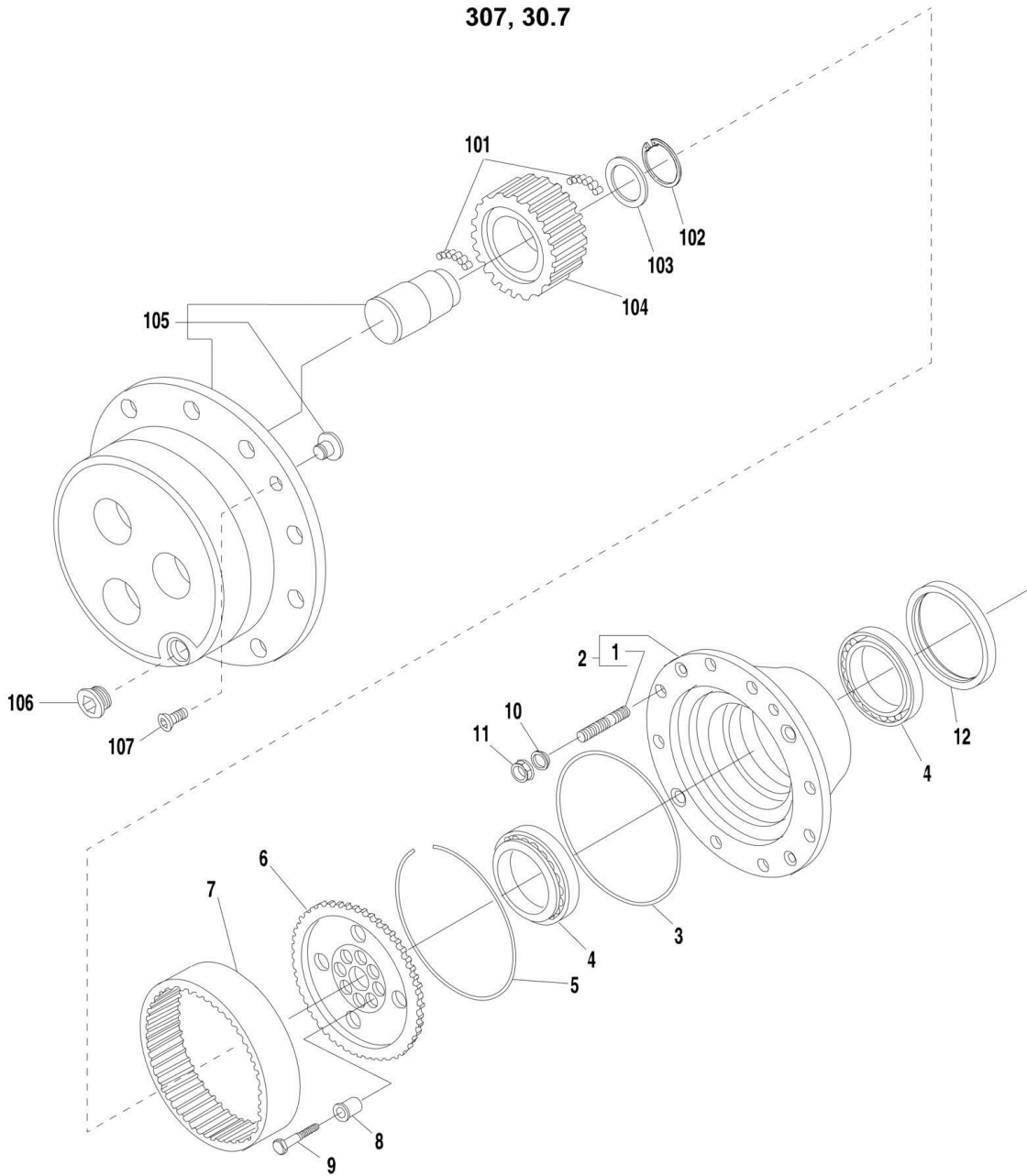
SECTION 5 - DRIVE TRAIN

FIGURE 5-26. REAR AXLE - WHEEL HUB AND FINAL REDUCTION (266, 266 LOPRO, 26.6 & 26.6LP)

ITEM	PART NUMBER	QTY	DESCRIPTION	REV
1	7028413	1	WHEEL HUB KIT, (includes item 2)	
2	7028414	8	STUD	
3	7028417	1	WHEEL CARRIER	
4	7028418	1	WASHER	
5	7028419	6	BUSHING	
6	7028420	6	SCREW	
7	91474161	1	SEAL	
8	7028421	2	BEARING	
9	7028487	1	O-RING	
10	7028423	1	SNAP RING	
11	7028424	1	THRUST WASHER	
12	7028488	1	SNAP RING	
13	91474119	3	SNAP RING	
14	7028426	3	GEAR	
15	7028490	90	NEEDLE BEARING, (30 per gear)	
16	7028428	3	WASHER	
17	7028491	1	PLANETARY CARRIER KIT	
18	91474037	1	PLUG	
19	7028430	1	WASHER	
20	7028431	3	RING GEAR	
21	8035235	2	SCREW	
22	7028415	8	WASHER	
23	7028416	8	NUT	
		Ref	NOTE: QUANTITIES SHOWN ARE FOR ONE WHEEL HUB AND REDUCTION GEAR ASSEMBLY ONLY	

SECTION 5 - DRIVE TRAIN

FIGURE 5-27. REAR AXLE - WHEEL HUB AND FINAL REDUCTION (307 & 30.7)



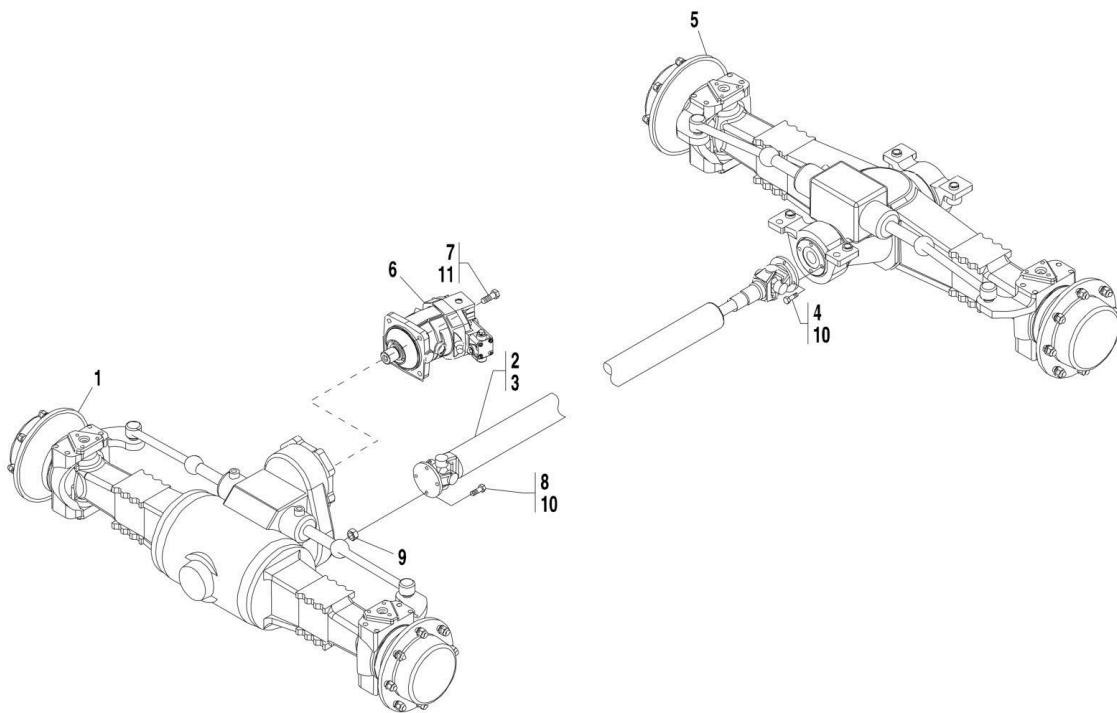
SECTION 5 - DRIVE TRAIN

FIGURE 5-27. REAR AXLE - WHEEL HUB AND FINAL REDUCTION (307 & 30.7)

ITEM	PART NUMBER	QTY	DESCRIPTION	REV
1	7028414	8	STUD	
2	70022443	1	WHEEL HUB KIT, (includes item 1)	
3	7028487	1	O-RING	
4	7028421	2	BEARING	
5	7028423	1	LOCK RING	
6	7028417	1	WHEEL CARRIER	
7	7028507	1	CROWN GEAR	
8	7028419	6	BUSHING	
9	7028420	6	SCREW	
10	7028415	8	WASHER	
11	7028416	8	NUT	
12	91474161	1	SEAL	
101	91474163	168	NEEDLE BEARING, (56 per gear)	
102	7028508	3	SNAP RING	
103	7028509	3	WASHER	
104	7028510	3	GEAR	
105	7028511	1	PLANETARY CARRIER KIT	
106	91474037	1	PLUG	
107	8035235	2	SCREW	
		Ref	NOTE: QUANTITIES SHOWN ARE FOR ONE WHEEL HUB AND REDUCTION GEAR ASSEMBLY ONLY	

SECTION 5 - DRIVE TRAIN

FIGURE 5-28. DRIVE SHAFT



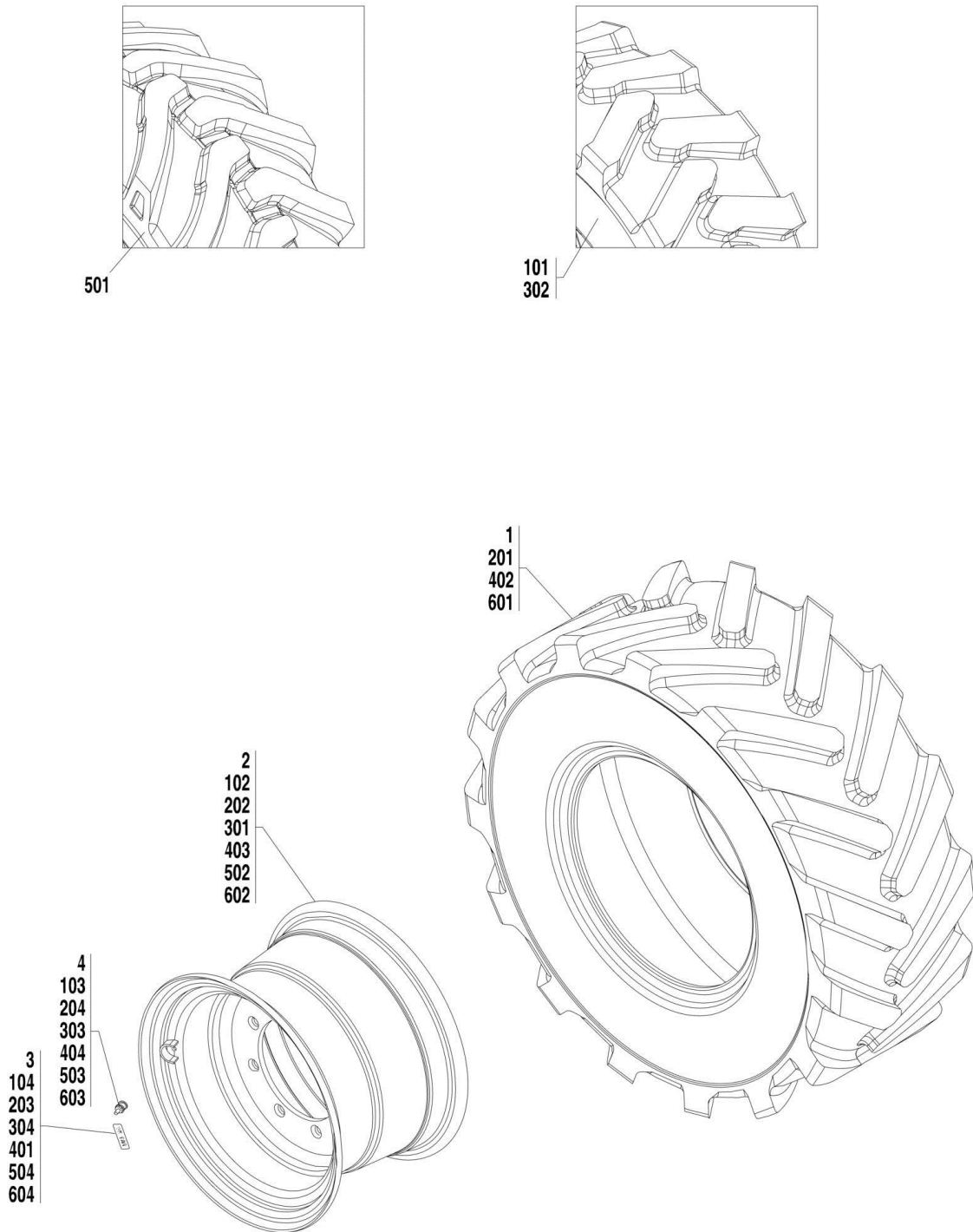
SECTION 5 - DRIVE TRAIN

FIGURE 5-28. DRIVE SHAFT

ITEM	PART NUMBER	QTY	DESCRIPTION	REV
1		Ref	FRONT AXLE, (See FRONT AXLE for Breakdown)	
2	4040275	1	DRIVESHAFT, (266, 266 LoPro, 26.6, 26.6 LP), (includes item 3)	
2	4040276	1	DRIVESHAFT, (307, 30.7), (includes item 3)	
3	7028929	2	UNIVERSAL JOINT KIT	
4	0771212	4	HEX HD CAPSCREW, 12X25, GR 10.9	
5		Ref	REAR AXLE ASSY, (See REAR AXLE for Breakdown)	
6		Ref	DRIVE MOTOR, (See HYDRAULIC COMPONENTS SECTION for Breakdown)	
7	0761617	4	HEX HD CAPSCREW, 16X45, GR 8.8	
8	0711215	4	HEX HD CAPSCREW, 12X35, GR 10.9	
9	3291201	4	HEX NUT, M12X1.75	
10	0100011	AR	LOCTITE, #242	
11	0100019	AR	LOCTITE, #271	

SECTION 5 - DRIVE TRAIN

FIGURE 5-29. TIRES AND RIMS



SECTION 5 - DRIVE TRAIN

FIGURE 5-29. TIRES AND RIMS

ITEM	PART NUMBER	QTY	DESCRIPTION	REV
	0273808	1	TIRE AND WHEEL INSTALLATION, 405/70-20, (MPT-01 agricultural), (includes items 1 thru 4)	C
	4520300	2	LH TIRE ASSY, 405/70-20, (MPT-01 agricultural), (includes items 1, 2 & 4)	C
	4520301	2	RH TIRE ASSY, 405/70-20, (MPT-01 agricultural), (includes items 1, 2 & 4)	C
1	3767853	4	TIRE, 405/70-20	
2	4520297	4	WHEEL, 13X20	
3	8005825	4	LABEL	
4	8008675	4	VALVE	
	0274769	1	TIRE AND WHEEL INSTALLATION, 405/70-20, (MPT-04 construction), (includes items 101 thru 104)	D
	4520566	2	RH TIRE ASSY, 405/70-20, (MPT-04 construction), (includes items 101 thru 103)	A
	4520567	2	LH TIRE ASSY, 405/70-20, (MPT-04 construction), (includes items 101 thru 103)	A
101	3767057	4	TIRE, 405/70-20	
102	4520297	4	WHEEL, 13X20	
103	8008675	4	VALVE	
104	1707148	NLA	LABEL, (no longer available, use 8005825 for replacement)	
104	8005825	4	LABEL	
	0273809	1	TIRE AND WHEEL INSTALLATION, 405/70-24, (MPT-01 agricultural), (266, 307, 26.6, 30.7), (includes items 201 thru 204)	C
	4520302	2	LH TIRE ASSY, 405/70-24, (MPT-01 agricultural), (266, 307, 26.6, 30.7), (includes items 201, 202 & 204)	E
	4520303	2	RH TIRE ASSY, 405/70-24, (MPT-01 agricultural), (266, 307, 26.6, 30.7), (includes items 201, 202 & 204)	E
201	3767864	4	TIRE, 405/70-24	
202	1001096917	4	WHEEL, 13X24	
203	8005827	4	LABEL	
204	8008675	4	VALVE	
	0274770	1	TIRE AND WHEEL INSTALLATION, 405/70-24, (MPT-04 construction), (266, 307, 26.6, 30.7), (includes items 301 thru 304)	B
	4520568	2	RH TIRE ASSY, 405/70-24, (MPT-04 construction), (266, 307, 26.6, 30.7), (includes items 301 thru 304)	B
	4520569	2	LH TIRE ASSY, 405/70-24, (MPT-04 construction), (266, 307, 26.6, 30.7), (includes items 301 thru 304)	B
301	1001096917	4	WHEEL, 13X24	
302	4520390	4	TIRE, 405/70-24	
303	8008675	4	VALVE	
304	1707149	4	LABEL	
	0273810	1	TIRE AND WHEEL INSTALLATION, 17.5-24, (agricultural), (307, 30.7), (includes items 401 thru 404)	C
	4520304	2	LH TIRE ASSY, 17.5-24, (agricultural), (307, 30.7), (includes items 402 thru 404)	C
	4520305	2	RH TIRE ASSY, 17.5-24, (agricultural), (307, 30.7), (includes items 402 thru 404)	C
401	1705954	4	LABEL	
402	4520296	4	TIRE, 17.5-24	
403	4520299	4	WHEEL, 15X24	
404	8008675	4	VALVE	
	0274804	1	TIRE AND WHEEL INSTALLATION, 18-19.5, (MPT-06 agricultural), (266 LoPro, 26.6 LP), (includes items 501 thru 504)	B

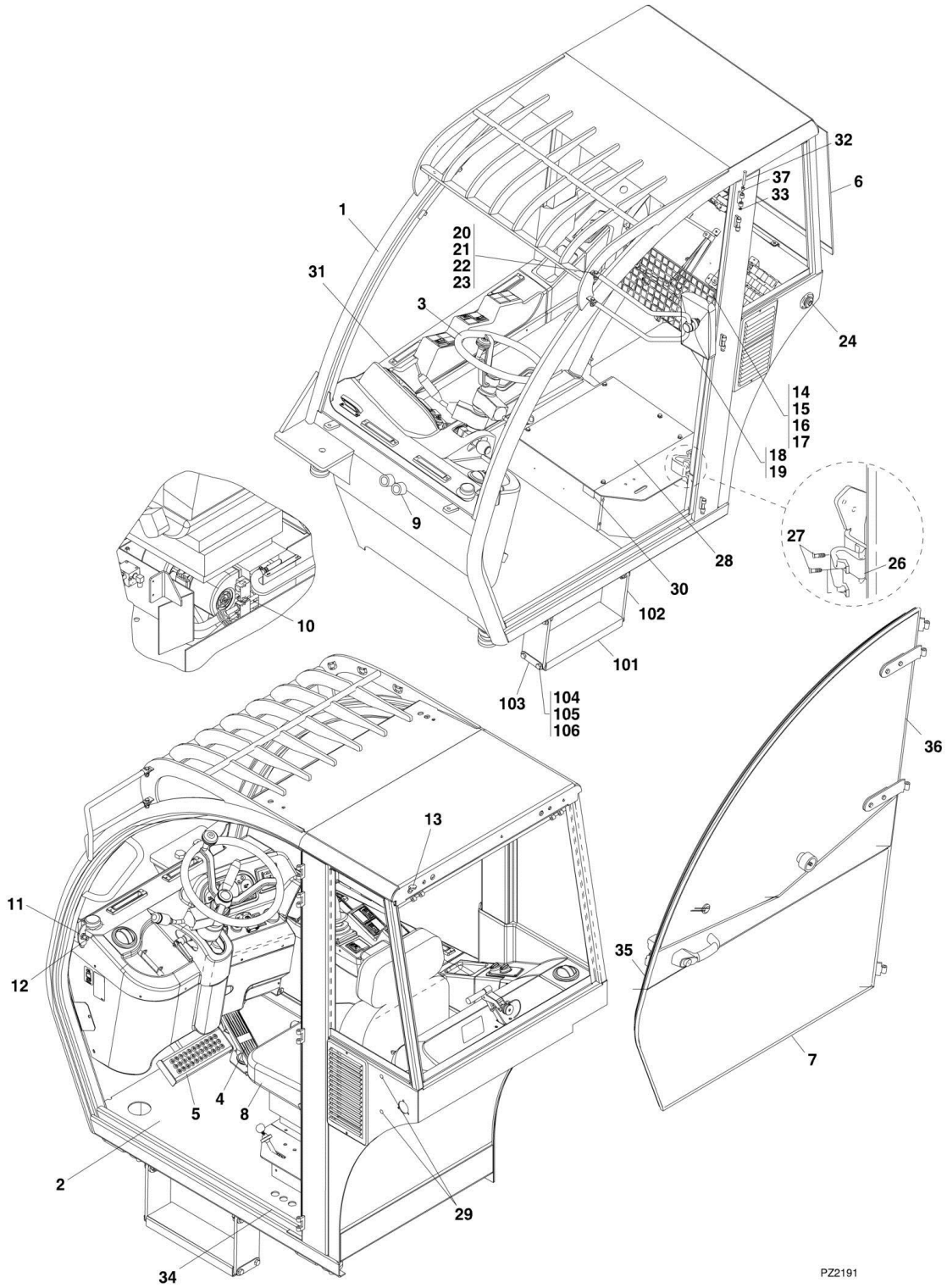
SECTION 5 - DRIVE TRAIN

ITEM	PART NUMBER	QTY	DESCRIPTION	REV
	4520586	2	RH TIRE ASSY, 18-19.5, (MPT-06 agricultural), (266 LoPro, 26.6 LP), (includes items 501 thru 503)	A
	4520587	2	LH TIRE ASSY, 18-19.5, (MPT-06 agricultural), (266 LoPro, 26.6 LP), includes items 501 thru 503)	A
501	4520582	4	TIRE, 17.5-24	
502	4520584	4	WHEEL, 14.5X24	
503	8008675	4	VALVE	
504	1706373	4	LABEL	
	0275421	1	TIRE AND WHEEL INSTALLATION, 18-12.5, (MPT-02 agricultural), (266 LoPro, 26.6 LP), (includes items 601 thru 604)	E
	4520642	2	LH TIRE ASSY, 18-12.5, (MPT-02 agricultural), (266 LoPro, 26.6 LP), (includes items 601 thru 603)	A
	4520643	2	RH TIRE ASSY, 18-12.5, (MPT-02 agricultural), (266 LoPro, 26.6 LP), (includes items 601 thru 603)	A
601	4520641	4	TIRE, 12.5-18	
602	4520640	4	WHEEL, 11X18	
603	8008675	4	VALVE	
604	1706891	4	LABEL	

SECTION 6 - CAB

SECTION 6 - CAB

FIGURE 6-1. CAB ASSEMBLY



PZ2191

FIGURE 6-1. CAB ASSEMBLY

ITEM	PART NUMBER	QTY	DESCRIPTION	REV
	1001093454	1	CAB ASSEMBLY, (266, 307), (with A/C), (includes items 1 thru 26, 30 thru 37)	G
	1001093454G	1	CAB ASSEMBLY, (26.6, 30.7), (with A/C), (includes items 1 thru 26, 30 thru 37)	G
	1001093452	1	CAB ASSEMBLY, (266, 307), (without A/C), (includes items 1 thru 26, 29, 30, 32 thru 37)	F
	1001093452G	1	CAB ASSEMBLY, (26.6, 30.7), (without A/C), (includes items 1 thru 26, 29, 30, 32 thru 37)	F
	1001093444	1	CAB ASSEMBLY, (266 LoPro), (with A/C), (includes items 1 thru 26, 30 thru 37)	G
	1001093444G	1	CAB ASSEMBLY, (26.6 LP), (with A/C), (includes items 1 thru 26, 30 thru 37)	G
	1001093442	1	CAB ASSEMBLY, (266 LoPro), (without A/C), (includes items 1 thru 26, 30, 32 thru 37)	F
	1001093442G	1	CAB ASSEMBLY, (26.6 LP), (without A/C), (includes items 1 thru 26, 30 & 32 thru 37)	F
	1001093455	1	CAB ASSEMBLY, (266, 307), (with A/C), (w/air suspension seat), (includes items 1 thru 26, 30, 32 thru 37)	G
	1001093455G	1	CAB ASSEMBLY, (26.6/30.7), (with A/C), (w/air suspension seat), (includes items 1 thru 26, 30 & 32 thru 37)	G
	1001093453	1	CAB ASSEMBLY, (266, 307), (without A/C), (w/air suspension seat), (includes items 1 thru 26, 30, 32 thru 37)	F
	1001093453G	1	CAB ASSEMBLY, (26.6, 30.7), (without A/C), (w/air suspension seat), (includes items 1 thru 26, 30 & 32 thru 37)	F
	1001093445	1	CAB ASSEMBLY, (266 LoPro), (with A/C), (w/air suspension seat), (includes items 1 thru 26, 30 thru 37)	G
	1001093445G	1	CAB ASSEMBLY, (26.6 LP), (with A/C), (w/air suspension seat), (includes items 1 thru 26, 30 thru 37)	G
	1001093443	1	CAB ASSEMBLY, (266 LoPro), (without A/C), (w/air suspension seat), (includes items 1 thru 26, 30, 32 thru 37)	F
	1001093443G	1	CAB ASSEMBLY, (26.6 LP), (without A/C), (w/air suspension seat), (includes items 1 thru 26, 30 & 32 thru 37)	F
1	1001093441	1	CAB WELDMENT, (266, 307)	
1	1001093440	1	CAB WELDMENT, (266 LoPro)	
2		Ref	CAB INTERIOR ASSY, (See CAB INTERIOR ASSEMBLY for Breakdown)	
3		Ref	STEERING COLUMN ASSY, (See CONTROLS SECTION for Breakdown)	
4		Ref	ACCELERATOR PEDAL ASSY, (See CONTROLS SECTION for Breakdown)	
5		Ref	BRAKE PEDAL ASSY, (See CONTROLS SECTION for Breakdown)	
6		Ref	CAB WINDOWS, (See CAB WINDOWS for Breakdown)	
7		Ref	CAB DOOR, (See CAB DOOR ASSEMBLY for Breakdown)	
8		Ref	CAB SEAT, (See SEAT ASSEMBLY for Breakdown)	
9		Ref	WIPER SYSTEM, (See WIPER ASSEMBLY for Breakdown)	
10		Ref	AIR CIRCULATION INSTALLATION, (See AIR CIRCULATION INSTALLATION for Breakdown)	
11	0903225	1	LATCH BRACKET	
12	8003293	1	PIN	
13	1719419	1	PLUG SOCKET	
14	1580040	1	ELASTIC MANUAL STORAGE NET	
15	2700109	3	NET RETAINER HOOK	
16	3900375	7	SCREW, 4.2X16 ZNT	

SECTION 6 - CAB

ITEM	PART NUMBER	QTY	DESCRIPTION	REV
17	4740554	4	WASHER, 4.3X10X1.5	
18	3949091	1	MIRROR	
19	3945575	1	MIRROR ROD	
20	885849	8	CUP SPRING	
21	1042977	4	SPRING DISK	
22	3290805	2	LOCK NUT, M8	
23	0760812	2	HEX HD CAPSCREW, 1.25X25mm	
24		Ref	DOOR HOLD OPEN ASSY, (See CAB DOOR ASSEMBLY for Breakdown)	
25	8001331	1	DOOR HOLDER, (not shown)	
26	8001332	1	DOOR HOLDER CRANK	
27	3978381	4	LENS HD SCREW, 5-16mm	
28		Ref	SEAT MOUNTING PLATE, (See SEAT ASSEMBLY for Breakdown)	
29	3520054	2	PLUG	
30	1001094256	1	DECAL, NAMEPLATE, (266, 307, 26.6, 30.7)	
30	1001094257	1	DECAL, NAMEPLATE, (266 LoPro, 26.6 LP)	
31	1001096902	1	CAB INSULATION	
32	0879192	4	PIN	
33	0498748	4	LOCKWASHER, 7mm	
34	1001002963	1	BOTTOM DOOR SEAL	
35	1001002961	1	DOOR SEAL	
36	3960608	1	DOOR WINDOW SEAL	
37	1749733	8	BUSHING	
	0273866	1	CAB STEP INSTALLATION, (266, 307, 26.6, 30.7), (includes items 101 thru 106)	A
101	80383311	1	STAIR TREAD, (266, 307)	
101	80383311B	1	STAIR TREAD, (26.6, 30.7)	
102	4240168	2	STEP STRAP, (266, 307)	
102	4240168B	2	STEP STRAP, (26.6, 30.7)	
103	3575424	4	STRAP COVER PLATE, (266, 307)	
103	3575424B	4	STRAP COVER PLATE, (26.6, 30.7)	
104	0701015	8	HEX HD CAPSCREW, M10X35	
105	3291007	8	HEX LOCKNUT, M10X1.5	
106	4812000	4	WASHER, 10mm	
	70021556	1	REPLACEMENT CAB, (266 LoPro), (includes cab weldment, door and windows)	
	70021556G	1	REPLACEMENT CAB, (26.6 LP), (includes cab weldment, door and windows)	
	70021822	1	REPLACEMENT CAB, (266, 307), (includes cab weldment, door and windows)	
	70021822G	1	REPLACEMENT CAB, (26.6, 30.7), (includes cab weldment, door and windows)	

SECTION 6 - CAB

FIGURE 6-2. CAB INTERIOR ASSEMBLY

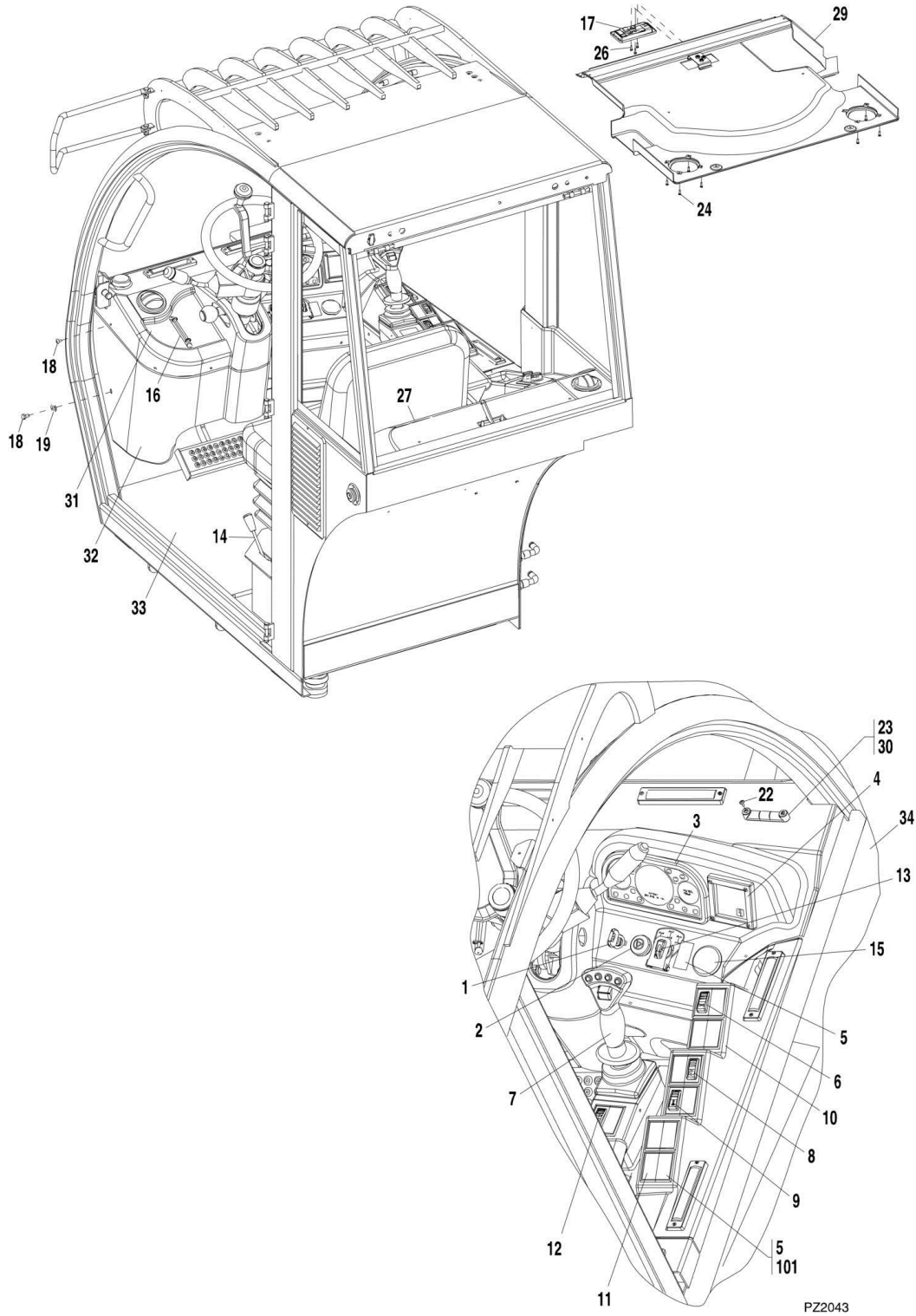


FIGURE 6-2. CAB INTERIOR ASSEMBLY

ITEM	PART NUMBER	QTY	DESCRIPTION	REV
1	8002820	1	IGNITION KEY SWITCH	
1	8008049	1	KEY, (ignition, cab door, rear cover and engine cover)	
2	3933128	1	HAZARD SWITCH	
3	2420207	1	TACH-FUEL-WATER DASHBOARD	
4	8002819	1	LMI INDICATOR	
5	2420212	2	BLANK PLATE	
5		Ref	TRAILER BRAKE INDICATOR, (optional), (See OPTIONS SECTION for Breakdown)	
6	4360596	1	HEAD-PARK LIGHT SWITCH	
7		Ref	JOYSTICK, (See CONTROLS SECTION for Breakdown)	
8	4360595	1	REAR WIPER-WASHER SWITCH	
9	4360602	1	JOYSTICK LOCKOUT SWITCH	
10	8004763	14	END SWITCH TRIM RING	
11	1359720	9	BLANK SWITCH PLATE	
12		Ref	CONTINUOUS AUXILLIARY HYDRAULIC SWITCH, (See CONTROLS SECTION for Breakdown)	
13	4360586	1	STEER MODE SWITCH	
14		Ref	PARKING BRAKE VALVE, (See HYDRAULIC CIRCUITS SECTION for Breakdown)	
15		Ref	SPEEDOMETER INSTALLATION, (optional), (See OPTIONS SECTION for Breakdown)	
15	1120593	1	PLUG, (Used in place of optional speedometer)	
16	1001005960	1	LOAD CHART HOLDER	
17	2920213	1	INTERIOR LIGHT ASSEMBLY	
18	1001093318	6	SCREW	
19	1001098150	6	WASHER	
22	1001094077	2	SCREW	
23	8466306	1	LEVEL INDICATOR GAUGE	
24	1001093319	8	SCREW	
26	7029486	3	SCREW	
27	7029538	1	FUSE COVER, (266, 307, 26.6, 30.7)	
27	7029564	1	FUSE COVER, (266 LoPro, 26.6 LP)	
29	7029560	1	ROOF LINING, (266, 307, 26.6, 30.7)	
29	7029561	1	ROOF LINING, (266 LoPro, 26.6 LP)	
30	1001093344	1	LEVEL INDICATOR BRACKET	
31	7029547	1	DASH COVER	
32	70020207	1	BOTTOM COVER	
33	70021477	1	FLOOR MAT	
34	1001096902	1	INSULATION	
34	0274916	1	AXLE CENTERING INDICATOR INSTALLATION, (includes item 101)	C
101	2420218	1	AXLE CENTERING INDICATOR	

SECTION 6 - CAB

FIGURE 6-3. SEAT ASSEMBLY

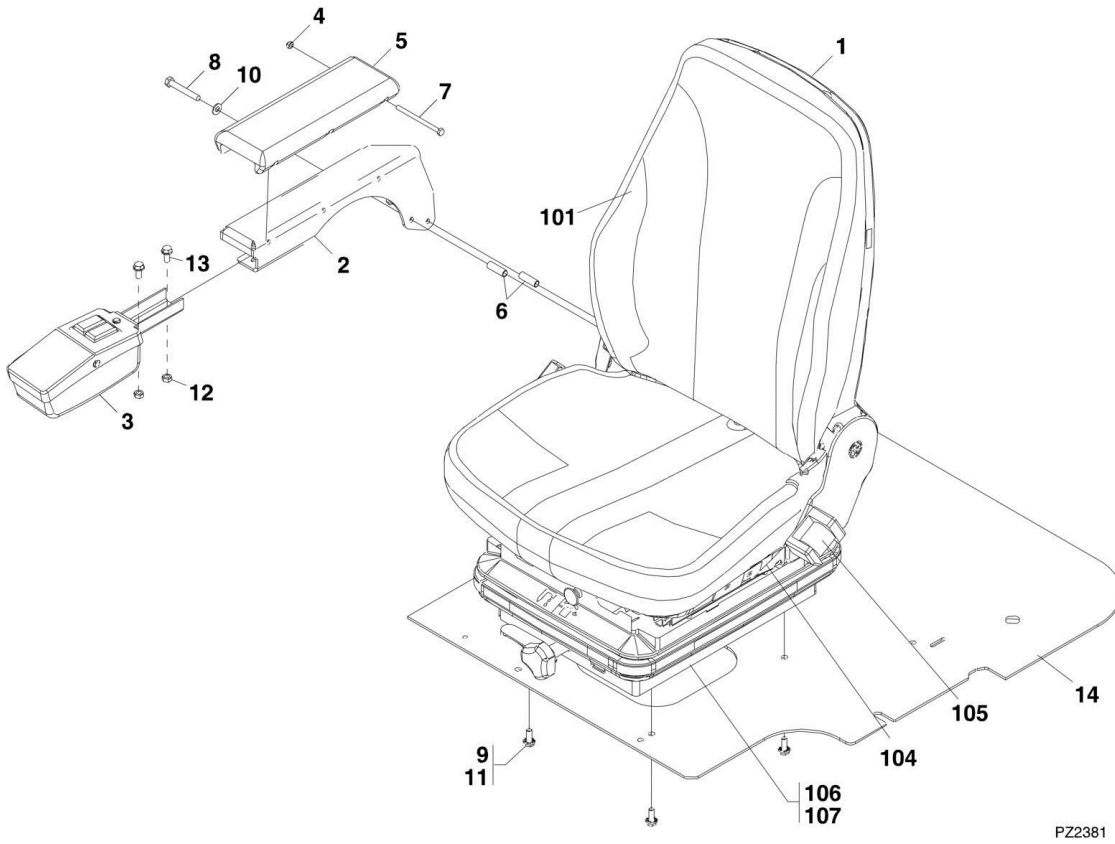


FIGURE 6-3. SEAT ASSEMBLY

ITEM	PART NUMBER	QTY	DESCRIPTION	REV
1	3980041		OPERATOR SEAT, MECHANICAL, (includes items 1 thru 13)	A
1	1001091682		OPERATOR SEAT, AIR SUSPENSION, (includes items 101 thru 107)	A
2		Ref	BRACKET	
3	8000796	1	SUPPORT	
4	21011032	2	NUT	
5	3767375	1	FOAM PAD	
6	4569078	2	SPACER TUBE	
7		Ref	HEX HD CAPSCREW	
8		Ref	HEX HD CAPSCREW	
9		Ref	HEX HD CAPSCREW	
10		Ref	WASHER	
11	7029515	4	NUT	
12		Ref	NUT	
13		Ref	HEX HD CAPSCREW	
14	1001091783	1	SEAT MOUNTING PLATE	
101	70022517	1	UPPER SEAT REPLACEMENT COVER	
104	70021252	1	SIDE RAILS	
105	7029767	1	SEAT BELT KIT	
106	70022519	1	SUSPENSION KIT	
107	70022034	1	SUSPENSION COVER KIT	

SECTION 6 - CAB

FIGURE 6-4. CAB WINDOWS

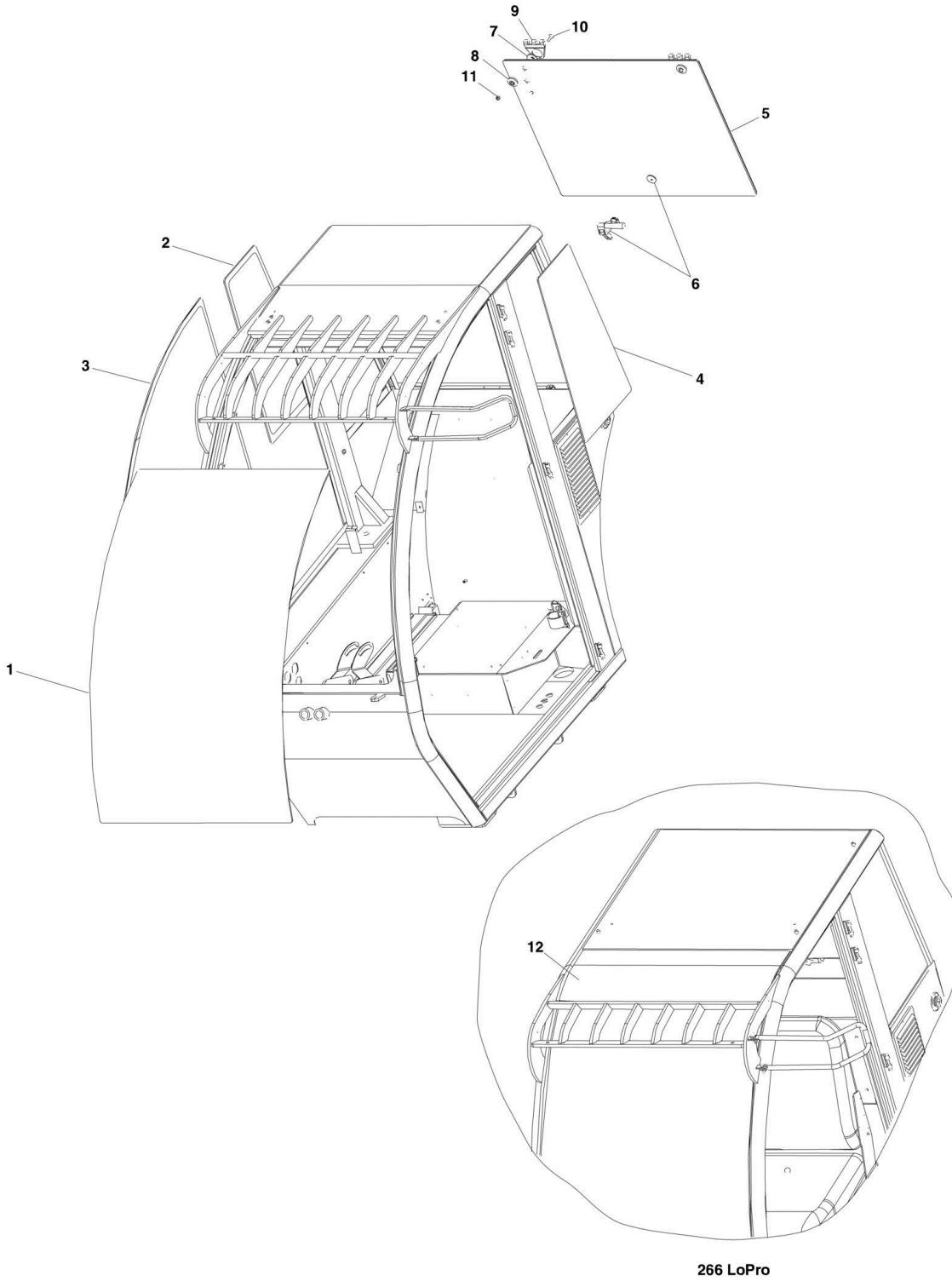
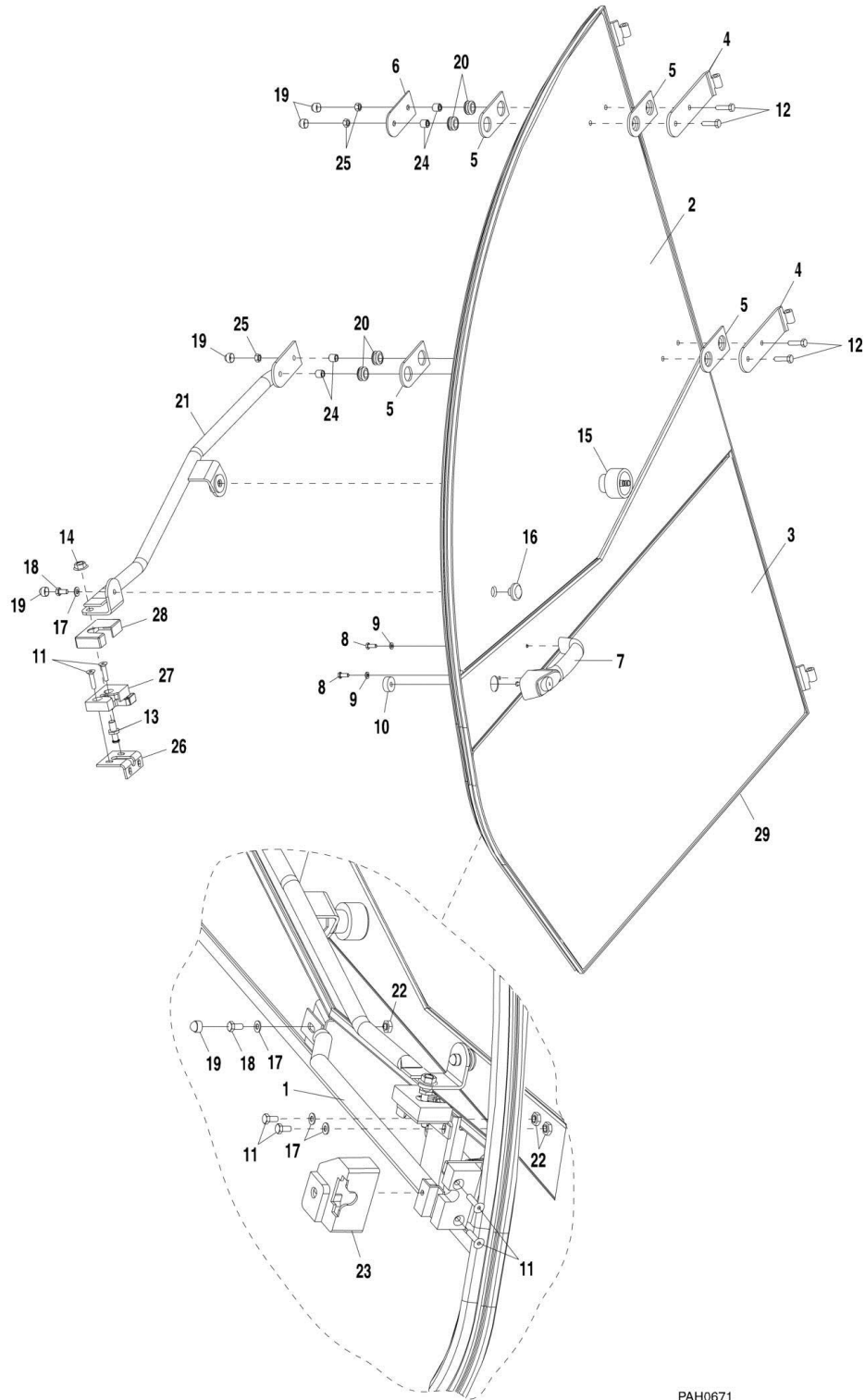


FIGURE 6-4. CAB WINDOWS

ITEM	PART NUMBER	QTY	DESCRIPTION	REV
1	7029420	1	FRONT WINDSHIELD GLASS, (266, 307, 26.6, 30.7)	
1	7029566	1	FRONT WINDSHIELD GLASS, (266 LoPro, 26.6 LP)	
2	7029421	1	REAR RIGHT WINDOW GLASS, (266, 307, 26.6, 30.7)	
2	7029569	1	REAR RIGHT WINDOW GLASS, (266 LoPro, 26.6 LP)	
3	7029422	1	RIGHT SIDE WINDOW GLASS, (266, 307, 26.6, 30.7)	
3	7029567	1	RIGHT SIDE WINDOW GLASS, (266 LoPro, 26.6 LP)	
4	7029423	1	REAR LEFT WINDOW GLASS, (266, 307, 26.6, 30.7)	
4	7029568	1	REAR LEFT WINDOW GLASS, (266 LoPro, 26.6 LP)	
5	2480075	1	REAR WINDSHIELD GLASS, (266, 307, 26.6, 30.7)	
5	2480079	1	GASKET, REAR WINDSHIELD, (266, 307, 26.6, 30.7)	
5	7029565	1	REAR WINDSHIELD GLASS, (266 LoPro, 26.6 LP)	
5	70023103	1	GASKET, REAR WINDSHIELD, (266 LoPro, 26.6 LP)	
6	2480080	1	LATCH ASSEMBLY	
7	8004398	2	PVC WASHER	
8	8000759	2	PVC WASHER	
9	8000344	2	HINGE JOINT	
10	7029491	2	HEX HD CAPSCREW	
11	7029492	2	NUT	
12	1001107286	1	FRONT TOP WINDSHIELD GLASS, (266 LoPro, 26.6 LP)	

SECTION 6 - CAB

FIGURE 6-5. CAB DOOR ASSEMBLY



PAH0671

FIGURE 6-5. CAB DOOR ASSEMBLY

ITEM	PART NUMBER	QTY	DESCRIPTION	REV
1	8000802	1	LATCH ASSY	
2	7029425	1	UPPER DOOR GLASS, (266, 307, 26.6, 30.7)	
2	7029573	1	UPPER DOOR GLASS, (266 LoPro, 26.6 LP)	
3	2480066	1	LOWER DOOR GLASS	
4	2600298	2	HINGE	
5	0903395	4	SPACER	
6	2480069	1	PLATE	
7	8000799	1	DOOR HANDLE	
8	7029451	2	SCREW	
9	7029452	2	WASHER	
10	3946123	1	SPACER	
11	7029498	6	SCREW	
12	7029499	4	SCREW	
13	3423260	1	PIN	
14	2440675	1	RIP NUT	
15	0903396	1	DOOR HOLD OPEN ASSY	
16	3300504	1	NUT	
17	7029504	4	WASHER	
18	7029505	2	SCREW	
19	1001096365	5	CAP	
20	2540050	4	SPACER	
21	1001111975	1	WINDOW SHACKLE	
22	8310608	3	NUT	
23	8005553	1	COVER	
24	0903397	4	CASING	
25	7029512	3	NUT	
26	7029582	1	BRACKET	
27	8001144	1	UPPER DOOR WINDOW LATCH	
28	8005553	1	COVER	
29	7029571	1	DOOR FRAME, (266, 307)	
29	7029571G	1	DOOR FRAME, (26.6, 30.7)	
29	7029572	1	DOOR FRAME, (266 LoPro)	
29	7029572G	1	DOOR FRAME, (26.6 LP)	

SECTION 6 - CAB

FIGURE 6-6. WIPER ASSEMBLY (Prior to SN 1160005646)

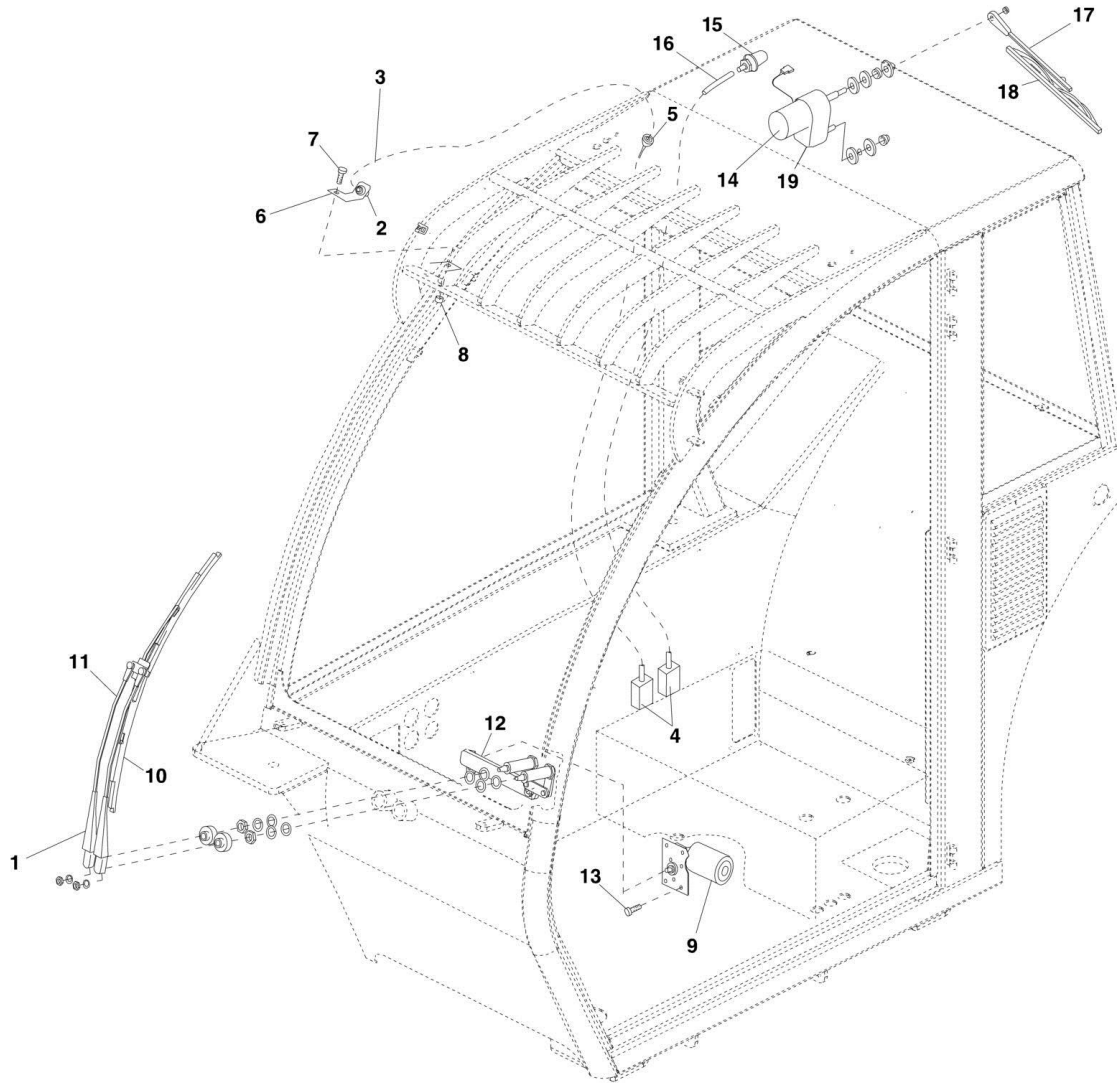
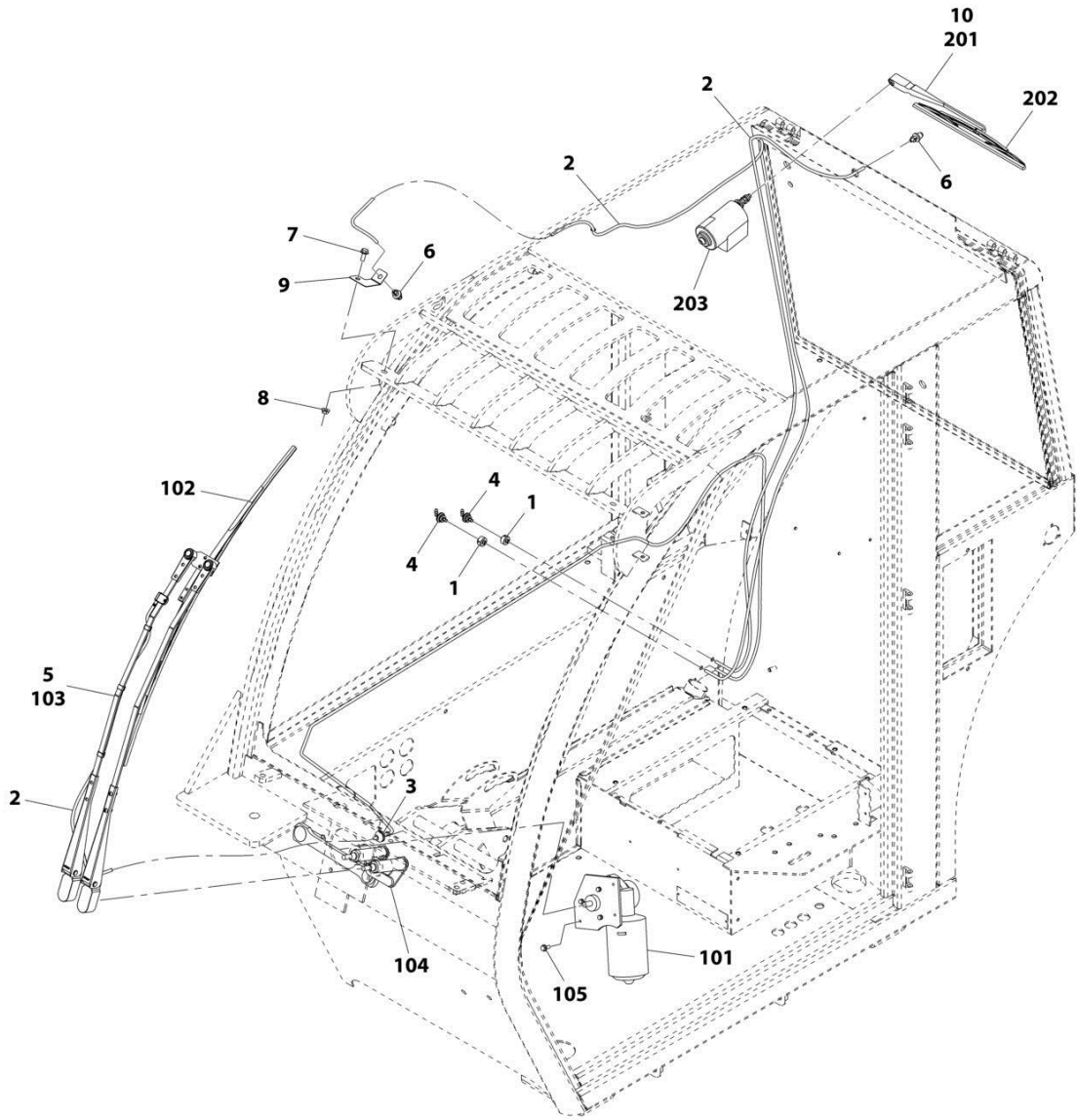


FIGURE 6-6. WIPER ASSEMBLY (Prior to SN 1160005646)

ITEM	PART NUMBER	QTY	DESCRIPTION	REV
	8007808	1	WIPER SYSTEM INSTALLATION, (includes all items)	C
	8000340	1	WIPER SYSTEM, (front), (includes items 1 thru 8)	
	8000341	1	WIPER SYSTEM, (rear), (includes items 14 thru 16)	
1	4807707	1	FRONT WIPER ASSY, (includes items 9 thru 13)	
2	3746392	1	DOUBLE NOZZLE	
3	3746405	6 m	HOSE	
4	1366865	2	NON RETURN VALVE	
5	8002985	1	DUCT SOCKET	
6	8005447	1	ANGLE	
7	5200810	1	RIPP BOLT, 8X20mm	
8	5220800	1	RIPP NUT, 8mm	
9	4807752	1	WIPER MOTOR	
10	4807729	2	WIPER BLADE	
11	4807730	1	WIPER ARM	
12	4807741	1	WIPER DRIVE ARM ASSY	
13	5200608	4	RIPP BOLT, 6X16mm	
14	4807661	1	REAR WIPER ASSY, (includes items 17 thru 19)	
15	3746392	1	DOUBLE NOZZLE	
16	3746405	6 m	HOSE	
17	4807694	1	WIPER ARM	
18	4807718	1	WIPER BLADE	
19	4807763	1	WIPER MOTOR	

SECTION 6 - CAB

FIGURE 6-7. WIPER ASSEMBLY (SN 1160005646 to Present)



ART_3126025-6-7

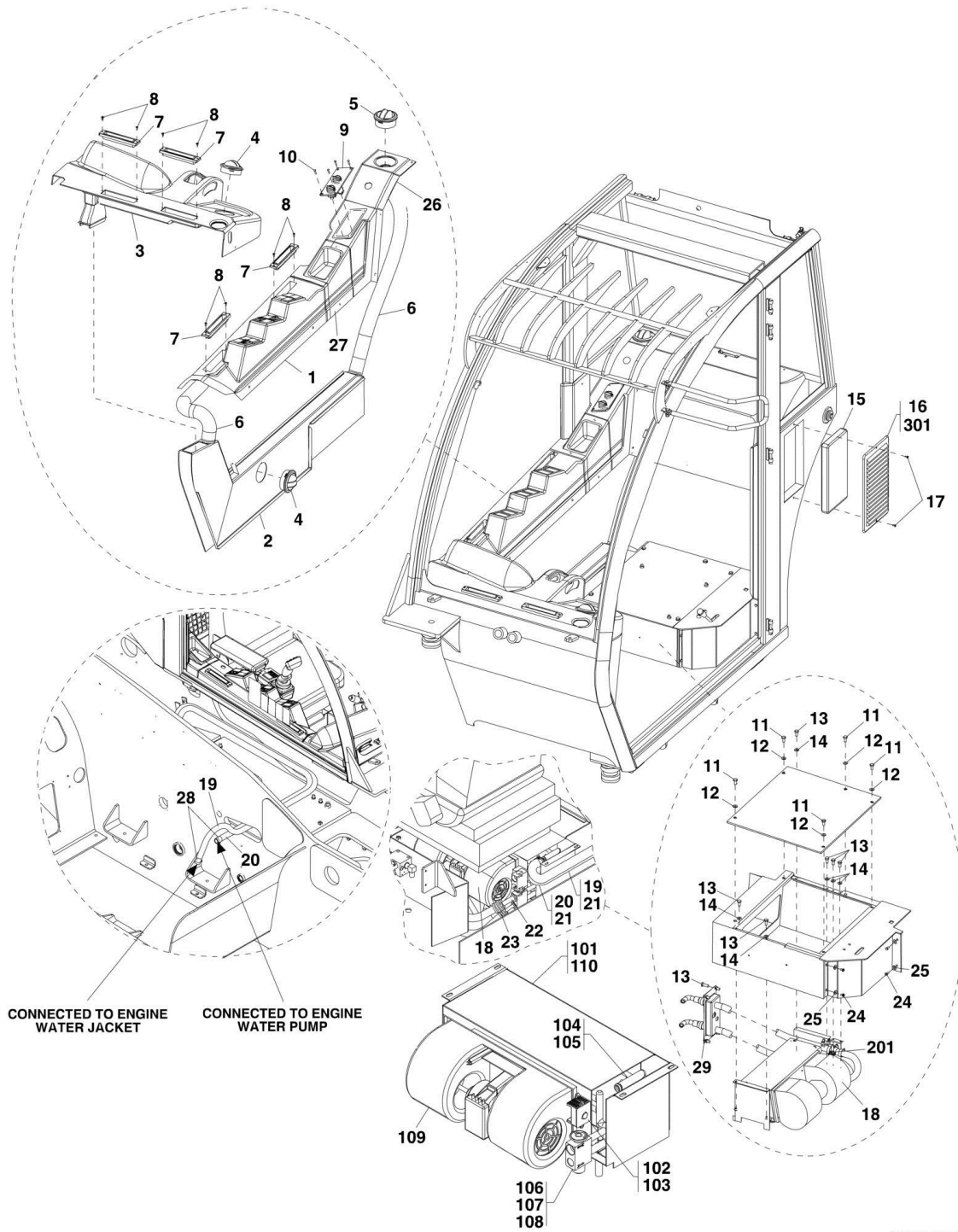
SECTION 6 - CAB

FIGURE 6-7. WIPER ASSEMBLY (SN 1160005646 to Present)

ITEM	PART NUMBER	QTY	DESCRIPTION	REV
	1001105044	1	WIPER SYSTEM, (front), (266 LoPro, 26.6 LP), (includes items 1 thru 5)	A
	1001104636	1	WIPER SYSTEM, (front), (266, 307, 26.6, 30.7), (includes items 1, 2, 4, 5 thru 9)	A
	1001104674	1	WIPER SYSTEM, (rear), (includes items 1, 2, 4, 6 & 10)	A
1	1366865	1	NON RETURN VALVE	
2	3746405	6 m	HOSE	
3	3260100	1	GROMMET, TET 7-10	
4	1001104288	1	WIPER HOSE BULKHEAD	
5	1001105043	1	FRONT WIPER ASSY, (266 LoPro, 26.6LP), (includes items 101 thru 105)	
5	4807707	1	FRONT WIPER ASSY, (266, 307, 26.6, 30.7), (includes items 101 thru 105)	
6	3746392	1	DOUBLE NOZZLE	
7	5200810	1	RIPP BOLT, 8X20mm	
8	5220800	1	RIPP NUT, 8mm	
9	8005447	1	ANGLE	
10	4807661	1	REAR WIPER ASSY, (includes items 201 thru 203)	
101	1001104478	1	WIPER MOTOR	
102	1001105042	1	WIPER BLADE, (266 LoPro, 26.6LP)	
102	4807729	2	WIPER BLADE, (266, 307, 26.6, 30.7)	
103	1001105041	1	WIPER ARM, (266 LoPro, 26.6LP)	
103	4807730	1	WIPER ARM, (266, 307, 26.6, 30.7)	
104	4807741	1	WIPER DRIVE ARM ASSY	
105	5200608	3	RIPP BOLT, 6X16mm	
201	4807694	1	WIPER ARM	
202	4807718	1	WIPER BLADE	
203	4807763	1	WIPER MOTOR	

SECTION 6 - CAB

FIGURE 6-8. AIR CIRCULATION INSTALLATION



ART_3126025-6-8

SECTION 6 - CAB

FIGURE 6-8. AIR CIRCULATION INSTALLATION

ITEM	PART NUMBER	QTY	DESCRIPTION	REV
1	7029545	1	CONTROL PANEL COVER	
2	7029546	1	LOWER HEATER/AC PLENUM COVER	
3		Ref	DASH COVER, (See CAB INTERIOR ASSEMBLY for Breakdown)	
4	7029548	2	ROUND VENT	
5	7029549	1	ROUND VENT	
6	7029550	1	TUBE, (includes one 500mm piece and one 900mm piece)	
7	3953973	4	NOZZLE	
8	7029482	8	SCREW	
9	7029551	1	HEATER CONTROL	
9	70020781	1	AC/HEATER CONTROL	
10	7029552	4	SCREW, M4x20	
11	7029505	5	SCREW	
12	7029504	5	WASHER	
13	7029451	10	SCREW	
14	7029553	6	WASHER	
15	1001116129	1	CABIN AIR FILTER ELEMENT	
16	7029555	1	CABIN AIR FILTER COVER	
17		Ref	SCREW	
18	2580058	1	HEATER WITHOUT AC	A
18	2580061	1	HEATER W/ AC MODULE	A
19	2720553	1	HEATER HOSE, UPPER	
20	2720554	1	HEATER HOSE, LOWER	
21	3759535	2	HOSE CLAMP	
22	2754283	1	AC HOSE ASSEMBLY, (models with AC)	
23	1001096029	1	AC HOSE ASSY, (models with AC)	
23	1001096126	1	AC HOSE ASSY INSULATION, (models with AC)	
24	7029556	4	SCREW	
25	7029557	4	WASHER	
26	7029562	1	COVER, (266, 307, 26.6, 30.7)	
26	7029563	1	COVER, (266 LoPro, 26.6 LP)	
27	70020880	1	COVER	
28	1320032	2	HOSE CLAMP	
29	70021846	1	TUBE SUPPORT	
101	70021254	1	HOUSING	
102	1001097445	1	THERMOSTAT KIT (266 Prior to SN 1160003238; 307 Prior to SN 1160003238; 266 LoPro Prior to SN 1160003253; 26.6 Prior to SN 1160003269; 30.7 Prior to SN 1160003288; 26.6 LP Prior to SN 1160003274)	
102	1001097446	1	THERMOSTAT (266 SN 1160003238 to Present; 307 SN 1160003238 to Present; 266 LoPro SN 1160003253 to Present; 26.6 SN 1160003269 to Present; 30.7 SN 1160003288 to Present; 26.6 LP SN 1160003274 to Present)	
103	1001099648	1	THERMOSTAT LOOM	
104	70021262	1	HEAT EXCHANGER	
105	70021260	1	TEMPERATURE SENSOR, (266 Prior to SN 1160003238; 307 Prior to SN 1160003238; 266 LoPro Prior to SN 1160003253; 26.6 Prior to SN 1160003269; 30.7 Prior to SN 1160003288; 26.6 LP Prior to SN 1160003274)	
105	70021261	1	TEMPERATURE SENSOR (266 SN 1160003238 to Present; 307 SN 1160003238 to Present; 266 LoPro SN 1160003253 to Present; 26.6 SN 1160003269 to Present; 30.7 SN 1160003288 to Present; 26.6 LP SN 1160003274 to Present)	

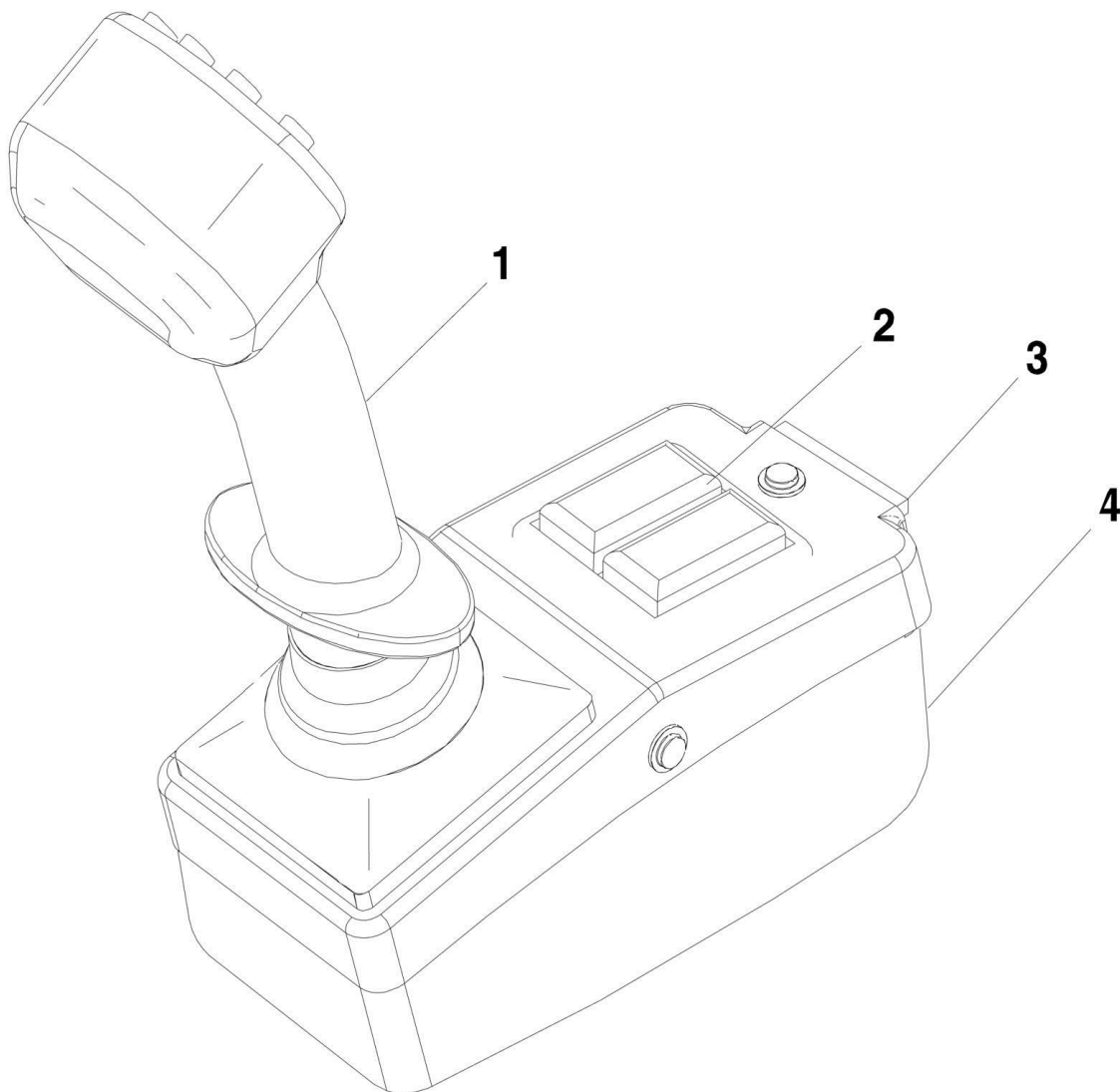
SECTION 6 - CAB

ITEM	PART NUMBER	QTY	DESCRIPTION	REV
106	70021265	10 cm	TAR BAND	
107	70021263	1	EXPANSION VALVE	
108	70021264	2	O-RING	
109	70021256	1	VENTILATOR	
110	70021255	1	COVER	
201	70021924	1	WATER VALVE	
301	1001094373	1	GRILL VENTILATOR	

SECTION 7 - CONTROLS

SECTION 7 - CONTROLS

FIGURE 7-1. BOOM JOYSTICK



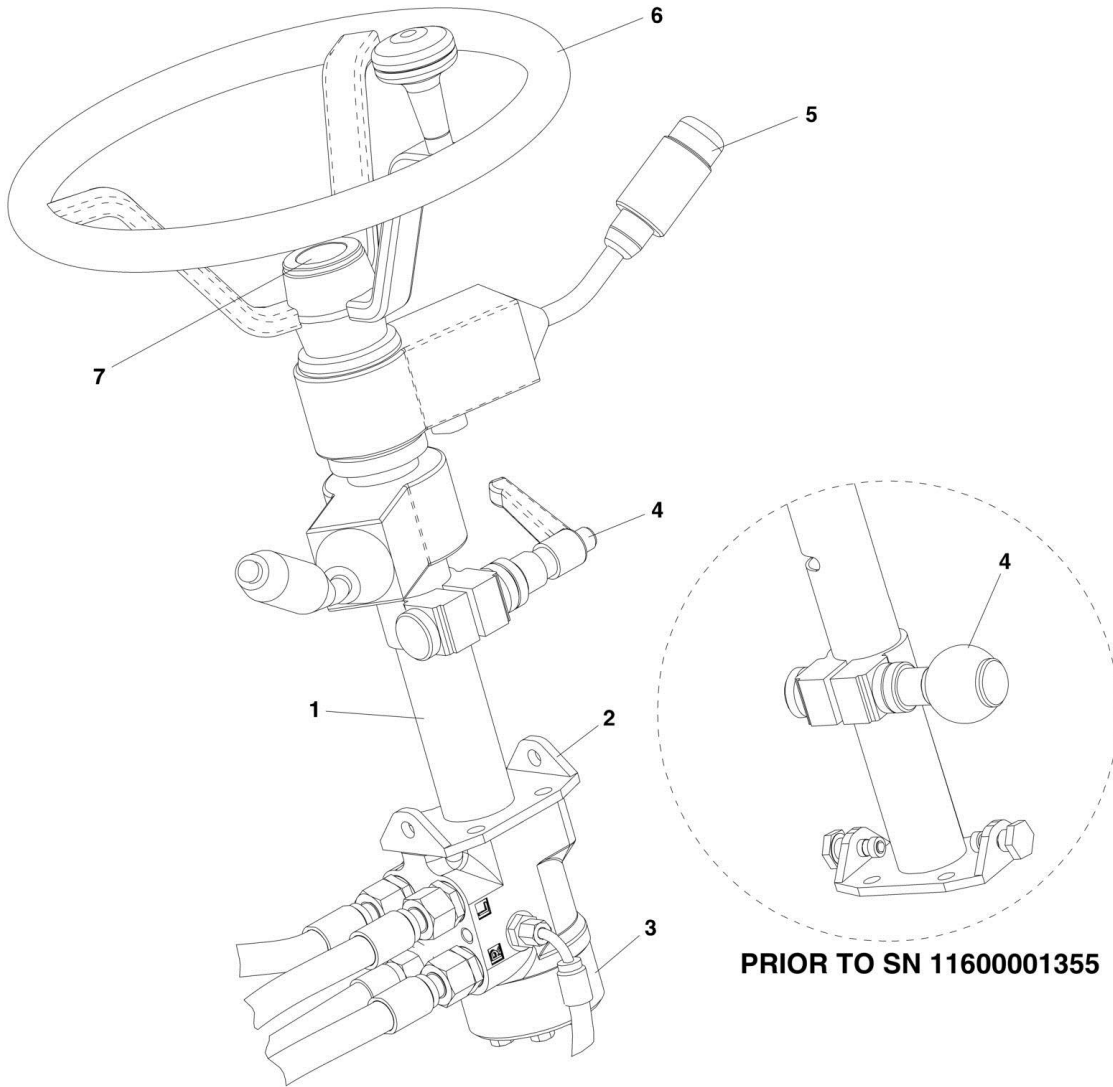
SECTION 7 - CONTROLS

FIGURE 7-1. BOOM JOYSTICK

ITEM	PART NUMBER	QTY	DESCRIPTION	REV
1	1600384	1	BOOM JOYSTICK	
2	4360601	1	CONTINUOUS AUXILIARY HYDRAULIC SWITCH	
3	8004762	1	UPPER JOYSTICK COVER	
4	8004672	1	LOWER JOYSTICK COVER	

SECTION 7 - CONTROLS

FIGURE 7-2. STEERING COLUMN AND ATTACHING PARTS



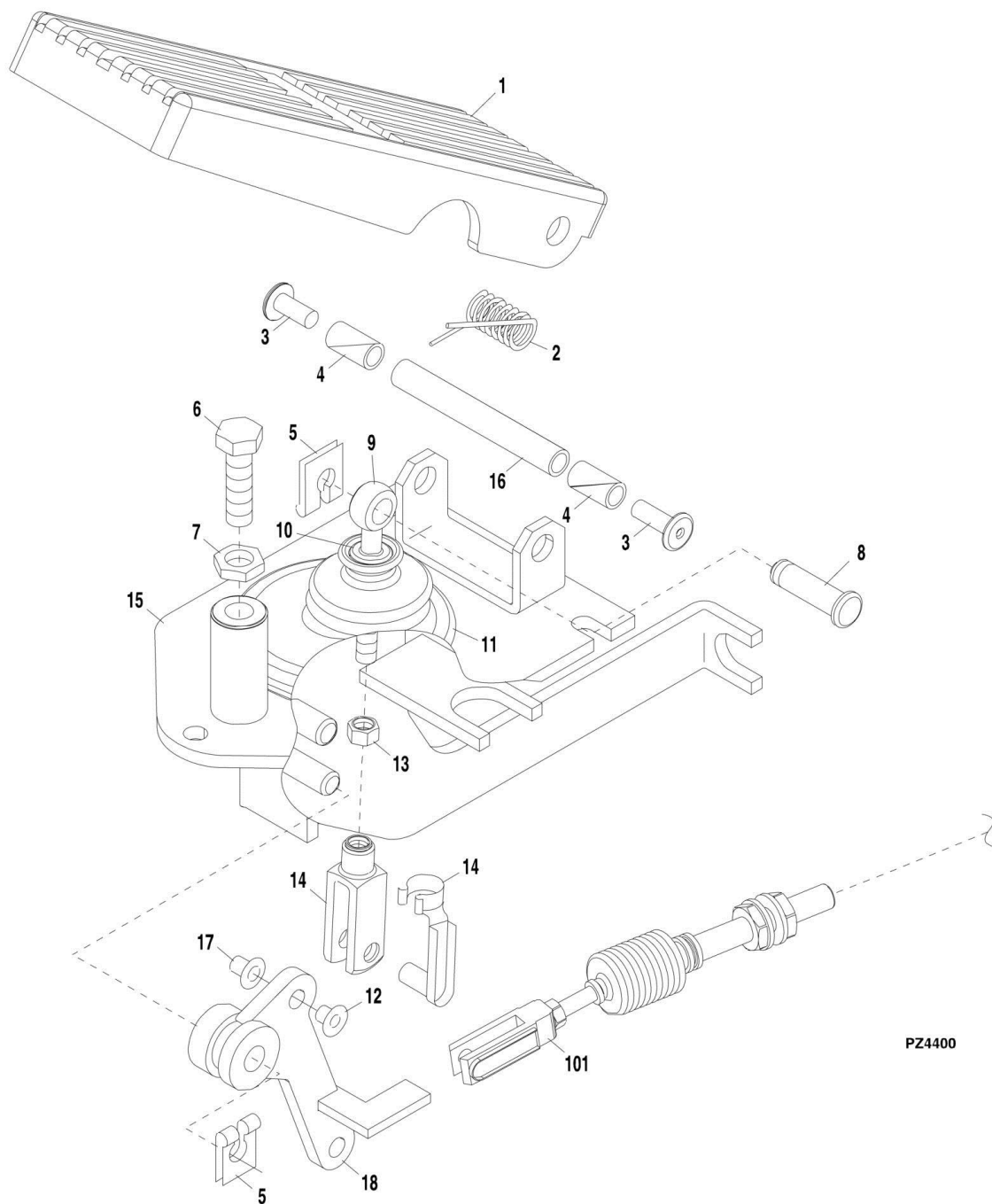
SECTION 7 - CONTROLS

FIGURE 7-2. STEERING COLUMN AND ATTACHING PARTS

ITEM	PART NUMBER	QTY	DESCRIPTION	REV
1	1460011	1	STEERING COLUMN ASSEMBLY	
2	0903252	1	STEERING VALVE BRACKET	
3	4641315	1	STEERING VALVE	
4	2560189	1	LOCKING STEERING COLUMN ANGLE HANDLE (SN 11600001355 to Present)	
4	8007965	1	STEERING COLUMN ANGLE KNOB (Prior to SN 11600001355)	
5	7029410	1	LEVER KIT	
5	70023081	1	TRANSMISSION LEVER	
5	70023082	1	LIGHT, WIPER, TURN SIGNAL LEVER	
6	8007753	1	STEERING WHEEL	
7	8007754	1	STEERING WHEEL CAP	

SECTION 7 - CONTROLS

FIGURE 7-3. ACCELERATOR PEDAL ASSEMBLY



PZ4400

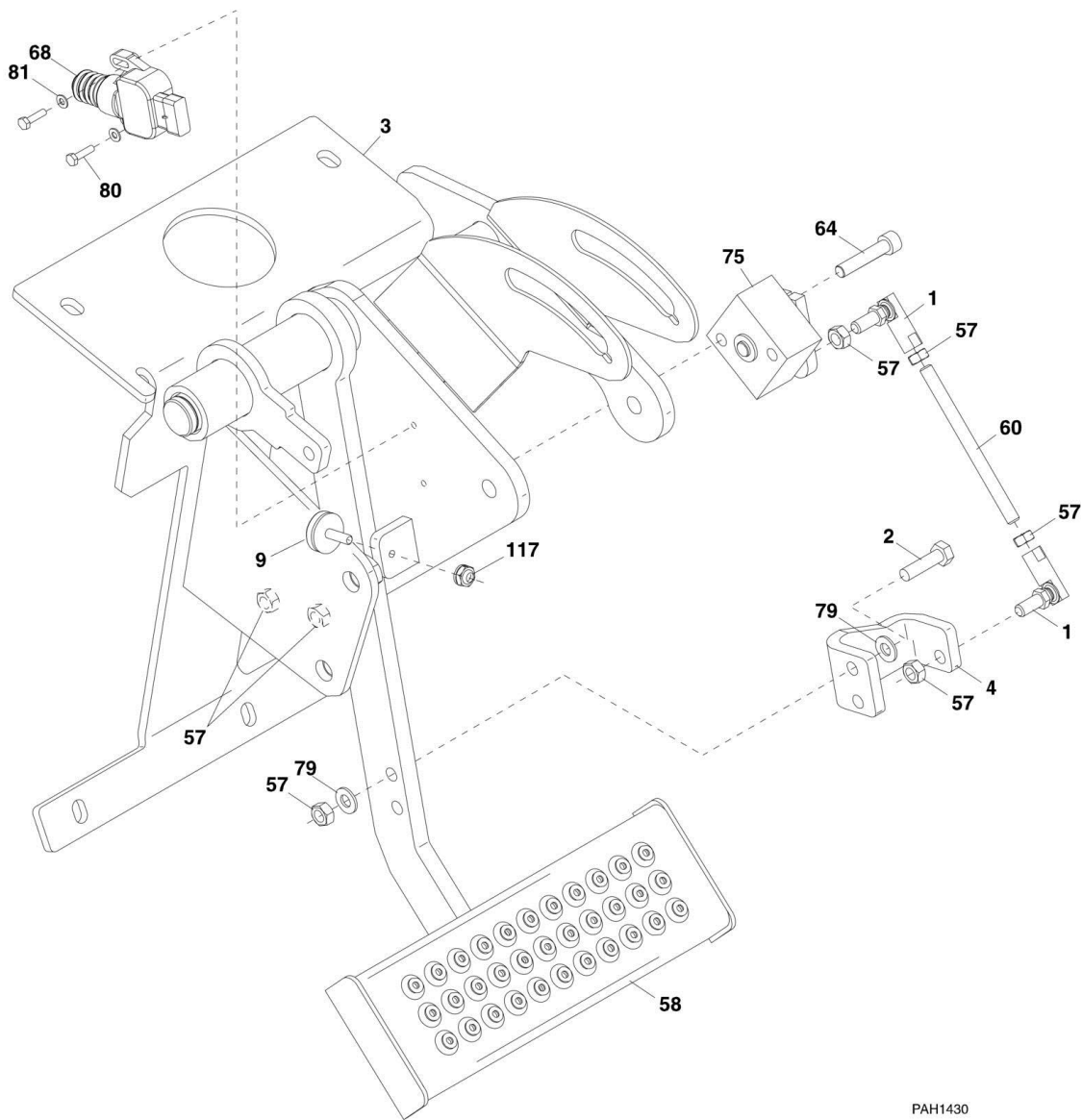
SECTION 7 - CONTROLS

FIGURE 7-3. ACCELERATOR PEDAL ASSEMBLY

ITEM	PART NUMBER	QTY	DESCRIPTION	REV
	8000345	1	ACCELERATOR PEDAL ASSEMBLY, (includes items 1 thru 18)	B
1	7028526	1	GAS PEDAL	
2	7028527	1	SPRING	
3	7028528	2	BLIND RIVIT WITH FLAT ROUND HEAD	
4	7028529	2	SLIDING BEARING	
5	7028530	2	SAFETY DEVICE	
6	7028531	1	HEX SCREW	
7	7028532	1	HEX NUT	
8	7028533	1	PIN	
9	7028534	1	EYE BOLT	
10	7028535	1	RING	
11	7028536	1	BOOT	
12	7028537	1	BUSHING	
13	7028538	1	HEX NUT	
14	7028539	1	FORK LINK AND CLIP	
15	7029137	1	BRACKET WELDMENT	
16	7029138	1	SHAFT	
17	7028540	1	FRICTION BEARING	
18	7028541	1	LEVER	
101	8002599	1	THROTTLE CABLE	

SECTION 7 - CONTROLS

FIGURE 7-4. BRAKE PEDAL ASSEMBLY



PAH1430

SECTION 7 - CONTROLS

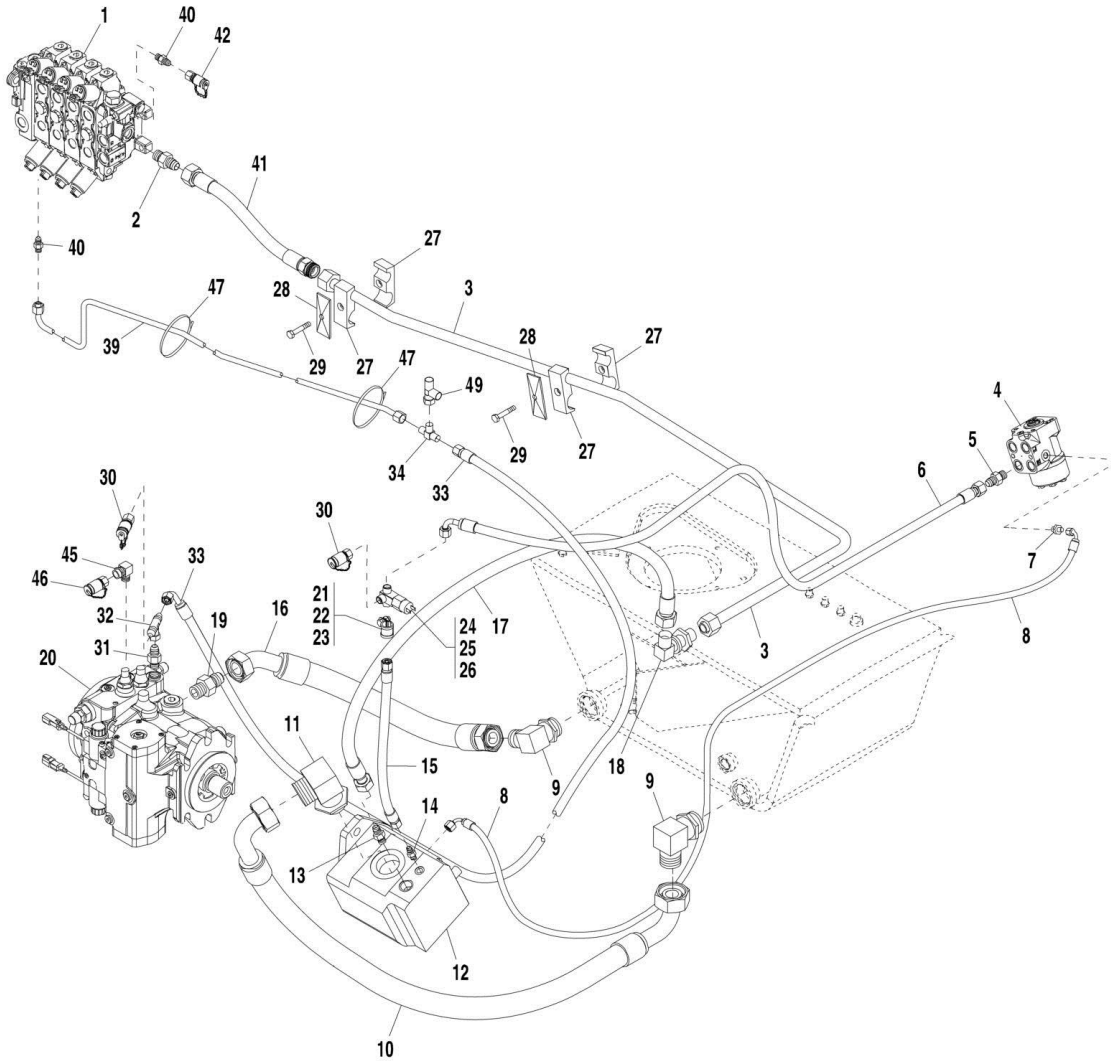
FIGURE 7-4. BRAKE PEDAL ASSEMBLY

ITEM	PART NUMBER	QTY	DESCRIPTION	REV
1	0310011	2	BALL JOINT, 8mm	
2	0760814	2	HEX HD CAPSCREW, 8-1.25X30mm	
3	0903185	1	BRAKE BRACKET	
4	0903203	1	INCHING LEVER BRACKET	
9	0940173	1	BRAKE PEDAL STOP BUMPER	
57	3290801	8	HEX NUT, 8mm-1.25	
58	3400021	1	BRAKE PEDAL	
60	3841683	1	INCHING LINKAGE ROD	
64	4031912	2	SOCKET HD CAPSCREW, 8-1.25X40mm	
68	4360588	1	BRAKE LIGHT SWITCH	
75	4641379	1	INCHING VALVE	
79	4811900	4	FLAT WASHER, 8mm	
80	0760408	2	HEX HD CAPSCREW, M4X16, GR8.8	
81	4811400	2	FLAT WASHER, 4mm	
117	3290607	1	HEX LOCKNUT, M6X1	

SECTION 8 - HYDRAULIC CIRCUITS

SECTION 8 - HYDRAULIC CIRCUITS

FIGURE 8-1. SUPPLY CIRCUIT



ART_3126025-8-1

SECTION 8 - HYDRAULIC CIRCUITS

FIGURE 8-1. SUPPLY CIRCUIT

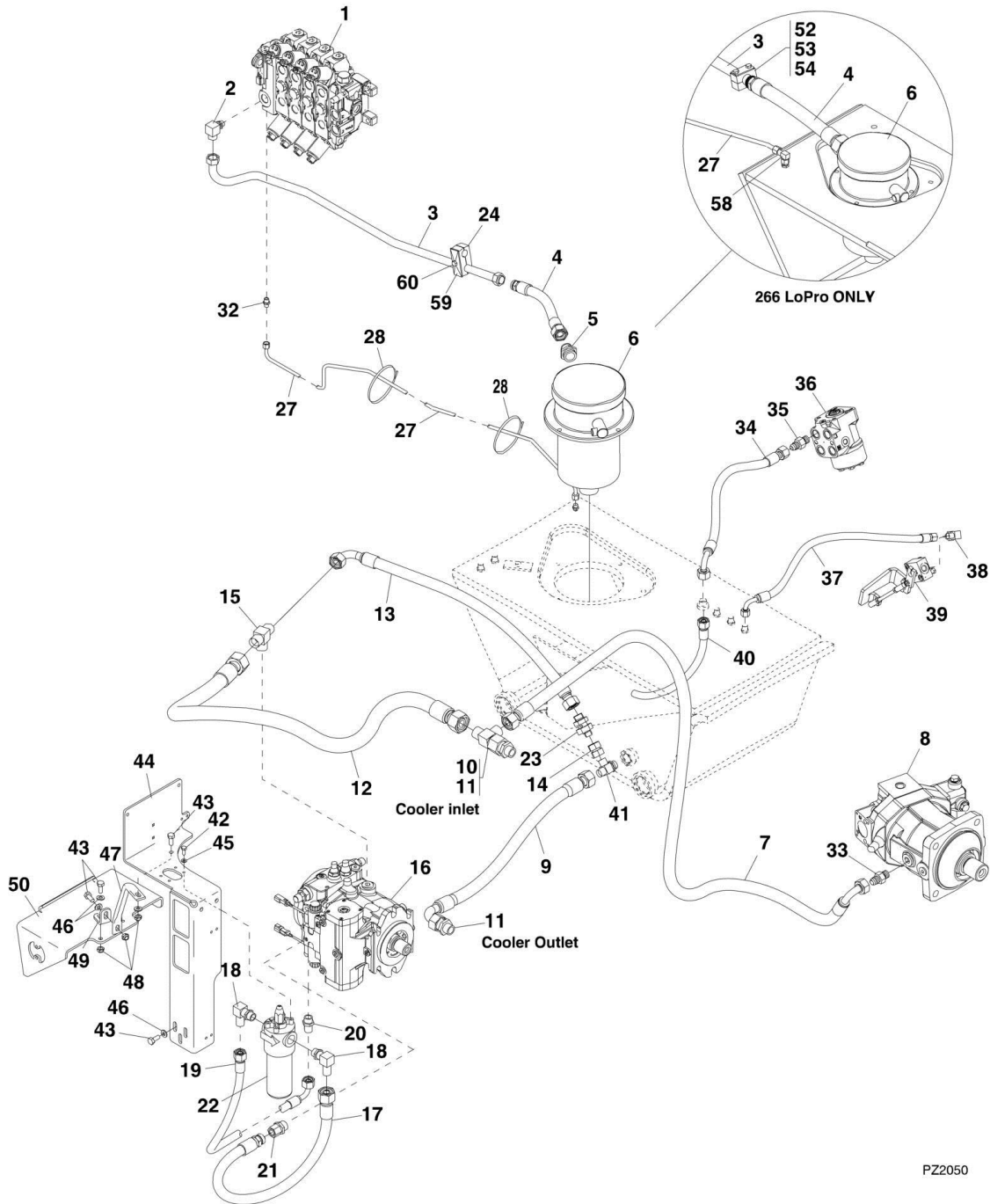
ITEM	PART NUMBER	QTY	DESCRIPTION	REV
1		Ref	MAIN CONTROL VALVE, (See HYDRAULIC COMPONENTS SECTION for Breakdown)	
2	2142740	1	CONNECTOR	
3	3460473	1	TUBE ASSY, (266, 26.6)	
3	3460472	1	TUBE ASSY, (307, 30.7)	
3	3460568	1	TUBE ASSY, (266 LoPro, 26.6 LP)	
4		Ref	STEERING VALVE, (See CONTROLS SECTION for Breakdown)	
5	2142710	1	CONNECTOR	
6	2754260	1	HOSE ASSY	
7	2142704	1	CONNECTOR	
8	2754261	1	HOSE ASSY	
9	2140423	2	ELBOW, 90	
10	2754251	1	HOSE ASSY	
11	2143021	1	ELBOW, 90	
12		Ref	IMPLEMENT PUMP, (See HYDRAULIC COMPONENTS SECTION for Breakdown)	
13	2142717	1	CONNECTOR	
14	2142709	1	CONNECTOR	
15	2754306	1	HOSE ASSY	
16	2754250	1	HOSE ASSY	
17	2754256	1	HOSE ASSY	
18	2143317	1	ELBOW, 90	
19	2140812	1	CONNECTOR	
20		Ref	HYDROSTATIC TRANSMISSION PUMP, (See HYDRAULIC COMPONENTS SECTION for Breakdown)	
21	3290805	1	HEX LOCK NUT, M8X1.25	
22	0760812	1	HEX HD CAPSCREW, 8-1.25X25mm, GR 8.8	
23	2443576	1	HOSE CLAMP	
24	372101	1	O-RING	
25	4360584	1	PRESSURE SWITCH	
26	8002838	1	RUN TEE	
27	1321142	2	CLAMP	
28	1321143	2	TOP PLATE	
29	0700817	2	HEX HD CAPSCREW, 8X45, GR 8.8	
30	1616551	2	TEST PORT	
31	2140826	1	CONNECTOR	
32	2142103	1	SWIVEL NUT BRANCH TEE	
33	2754257	1	HOSE ASSY, (266, 307, 26.6, 30.7)	
33	2754610	1	HOSE ASSY, (266 LoPro, 26.6 LP)	
34	2141908	1	UNION TEE	
39	2755064	1	HOSE ASSY (266;26.6 Prior to SN 1160003812)	
39	1001099001	1	HOSE ASSY (266;26.6 SN 1160003812 to Present)	
39	2755088	1	HOSE ASSY (307;30.7 Prior to SN 1160003815)	
39	1001099000	1	HOSE ASSY (307;30.7 SN 1160003815 to Present)	
39	2755078	1	HOSE ASSY (266 LoPro;26.6 LP Prior to SN 1160003818)	
39	1001098999	1	HOSE ASSY (266 LoPro;26.6 LP SN 1160003818 to Present)	
40	2142708	2	CONNECTOR	
41	2754500	1	HOSE ASSY, (266, 307, 26.6, 30.7)	
41	2754809	1	HOSE ASSY, (266 LoPro, 26.6 LP)	
42	1616551	1	TEST PORT	

SECTION 8 - HYDRAULIC CIRCUITS

ITEM	PART NUMBER	QTY	DESCRIPTION	REV
45	2141102	1	ELBOW, 90	
46	2988632	1	TEST PORT	
47	1062255	2	TIE STRAP	
48	0100011	AR	LOCTITE, #242	
49	2142203	1	SWIVEL NUT RUN TEE	

SECTION 8 - HYDRAULIC CIRCUITS

FIGURE 8-2. DUMP CIRCUIT



PZ2050

SECTION 8 - HYDRAULIC CIRCUITS

FIGURE 8-2. DUMP CIRCUIT

ITEM	PART NUMBER	QTY	DESCRIPTION	REV
1		Ref	MAIN CONTROL VALVE, (See HYDRAULIC COMPONENTS SECTION for Breakdown)	
2	2143024	1	ELBOW, 90	
3	3460459	1	TUBE ASSY, (266, 26.6)	
3	3460460	1	TUBE ASSY, (307, 30.7)	
3	3460569	1	TUBE ASSY, (266 LoPro, 26.6 LP)	
4	2754407	1	HOSE ASSY, (266, 307, 26.6, 30.7)	
4	2754799	1	HOSE ASSY, (266 LoPro, 26.6 LP)	
5	2140221	1	CONNECTOR	
6		Ref	RETURN FILTER, (See HYDRAULIC COMPONENTS SECTION for Breakdown)	
7	2754252	1	HOSE ASSY, (266, 266 LoPro, 26.6, 26.6 LP)	
7	2754313	1	HOSE ASSY, (307, 30.7)	
8		Ref	DRIVE MOTOR, (See HYDRAULIC COMPONENTS SECTION for Breakdown)	
9	2754258	1	HOSE ASSY	
10	2142207	1	SWIVEL NUT RUN TEE	
11	2140827	1	CONNECTOR	
12	2754255	1	HOSE ASSY	
13	2754253	1	HOSE ASSY	
14	2143607	1	SWIVEL UNION	
15	1001094414	1	SWIVEL RUN TEE	
16		Ref	HYDROSTATIC TRANSMISSION PUMP, (See HYDRAULIC COMPONENTS SECTION for Breakdown)	
17	2754248	1	HOSE ASSY	
18	2140419	2	ELBOW, 90	
19	2754249	1	HOSE ASSY	
20	2140819	1	CONNECTOR	
21	2140921	1	CONNECTOR	
22	2120193	1	FILTER	
22	2120150	1	ELEMENT	
22	7020020	1	INDICATOR	
23	4641389	1	CHECK VALVE	
24	1321142	1	CLAMP	
27	2755065	1	HOSE ASSY (266;26.6 Prior to SN 1160003812)	
27	1001099001	1	HOSE ASSY (266;26.6 SN 1160003812 to Present)	
27	2755089	1	HOSE ASSY (307;30.7 Prior to SN 1160003815)	
27	1001099000	1	HOSE ASSY (307;30.7 SN 1160003815 to Present)	
27	2755077	1	HOSE ASSY (266 LoPro;26.6 LP Prior to SN 1160003818)	
27	1001098999	1	HOSE ASSY (266 LoPro;26.6 LP SN 1160003818 to Present)	
28	1062255	2	TIE STRAP	
32	2142708	1	CONNECTOR	
33	2140829	1	CONNECTOR, (266, 266 LoPro, 26.6, 26.6 LP)	
33	2140810	1	CONNECTOR, (307, 30.7)	
34	2754297	1	HOSE ASSY (266, 307, 26.6, 30.7)	
34	2754761	1	HOSE ASSY (266 LoPro, 26.6 LP)	
35	2142715	1	CONNECTOR	
36		Ref	STEERING VALVE, (See CONTROLS SECTION for Breakdown)	
37	2754302	1	HOSE ASSY (266, 307, 26.6, 30.7)	
37	2754762	1	HOSE ASSY (266 LoPro, 26.6 LP)	

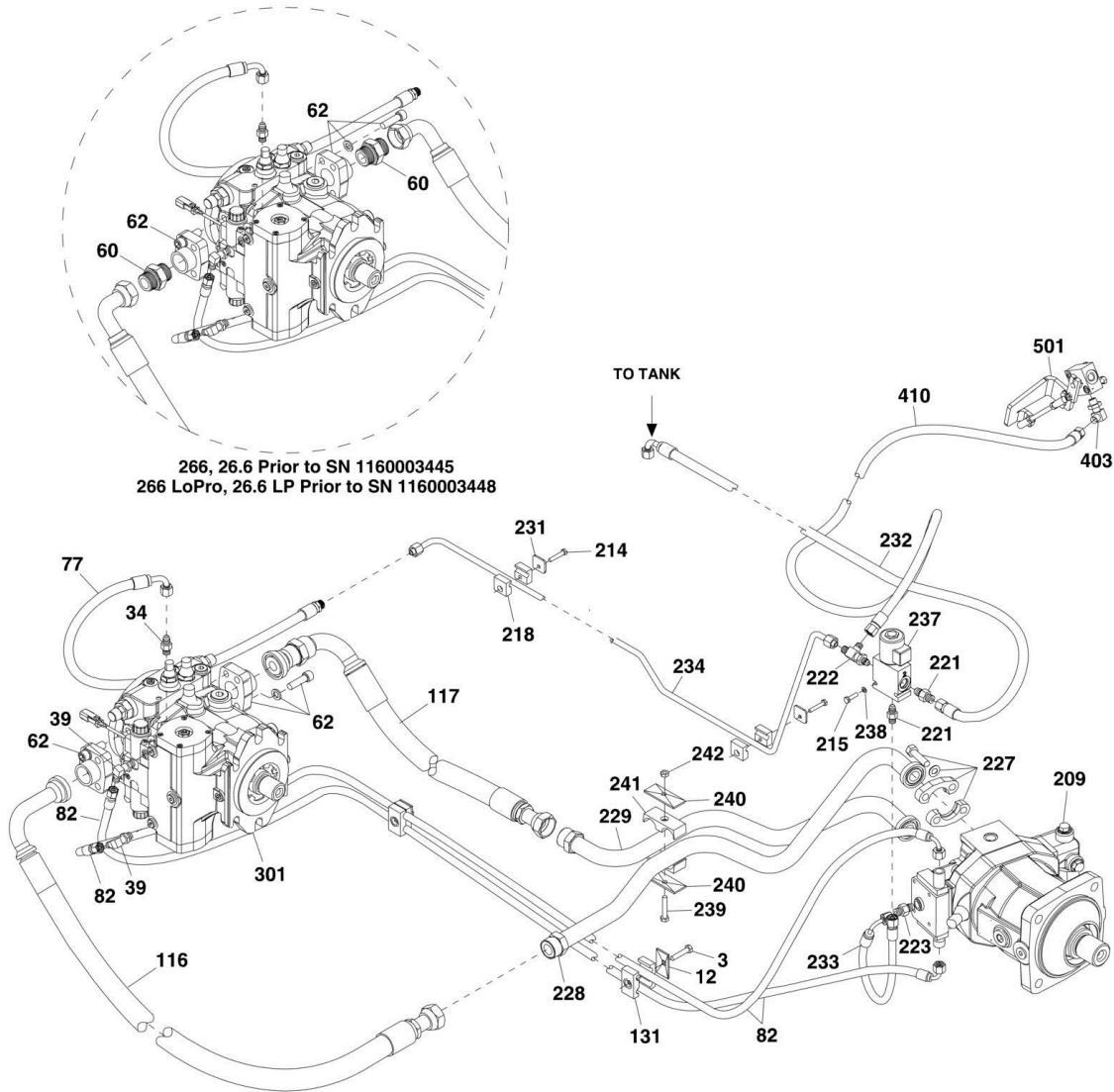
SECTION 8 - HYDRAULIC CIRCUITS

ITEM	PART NUMBER	QTY	DESCRIPTION	REV
38	2141103	1	ELBOW, 90	
39		Ref	BRAKE PEDAL ASSY, (See CONTROLS SECTION for Breakdown)	
40	2754305	1	STEER DRAIN HOSE, (266, 307, 26.6, 30.7), (inside tank), (remove return filter to service)	
40	2754604	1	STEER DRAIN HOSE, (266 LoPro, 26.6 LP), (inside tank), (remove return filter to service)	
41	2140607	1	RUN TEE	
42	0760608	4	HEX HD CAPSCREW, 6-1.00X16mm, GR 8.8	
43	0761012	6	HEX HD CAPSCREW, 10-1.50X25mm, GR 8.8	
44	0903113	1	FILTER MOUNTING BRACKET	
45	4811700	4	FLAT WASHER, 6mm	
46	4812000	6	FLAT WASHER, 10mm	
47	0903254	1	BRACKET SUPPORT	
48	3291005	3	HEX LOCKNUT, 10mm-1.50	
49	0182079	1	ANGLE	
50		Ref	BATTERY MOUNT, (See ELECTRICAL SECTION for Breakdown)	
52	0700617	2	HEX HD CAPSCREW, 6-1.00X45mm, GR 8.8	
53	1321372	1	CLAMP	
54	3576203	1	COVER PLATE	
58	2143403	1	ELBOW, 90, (swivel nut)	
59	1321143	1	COVER PLATE	
60	0700817	1	HEX HD CAPSCREW, 8-1.25X45mm, GR 8.8	
61	0100011	AR	LOCTITE, #242	

SECTION 8 - HYDRAULIC CIRCUITS

FIGURE 8-3. FRONT DRIVE CIRCUIT (266, 266 LOPRO, 26.6 & 26.6LP)

266, 266 LoPro, 26.6, 26.6 LP



SECTION 8 - HYDRAULIC CIRCUITS

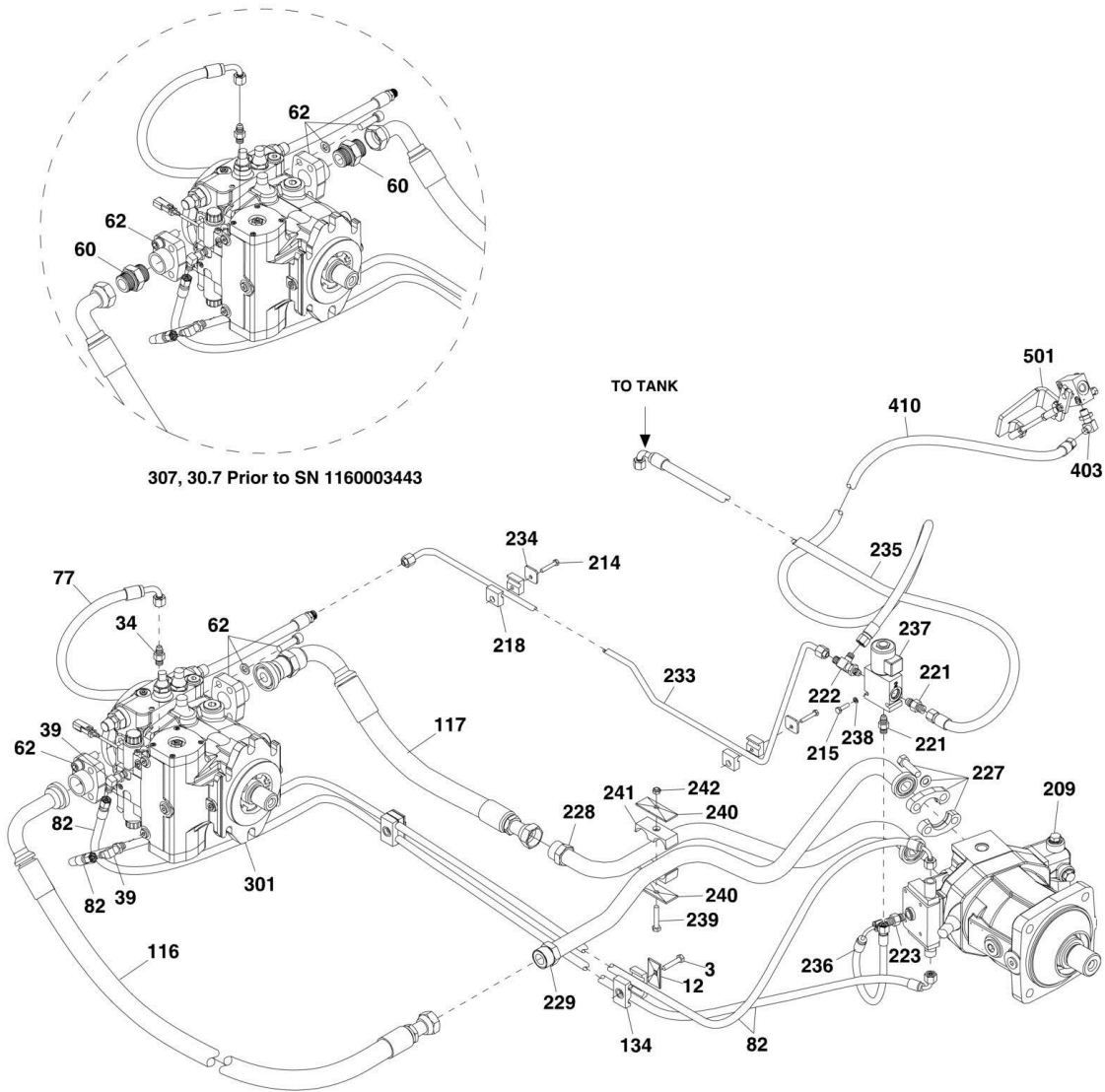
FIGURE 8-3. FRONT DRIVE CIRCUIT (266, 266 LOPRO, 26.6 & 26.6LP)

ITEM	PART NUMBER	QTY	DESCRIPTION	REV
3	0700816	2	HEX HD CAPSCREW, 8-1.25X40mm	
12	874960	2	CLAMP COVER PLATE	
34	2140803	1	CONNECTOR	
39	2141102	2	ELBOW, 90	
60	2111616	2	CONNECTOR (266;26.6 Prior to SN 1160003445; 266 LoPro;26.6 LP Prior to SN 1160003448)	
62	2180845	2	FLANGE KIT (266;26.6 Prior to SN 1160003445; 266 Lopro;26.6 LP Prior to SN 1160003448)	
62	1001093076	2	FLANGE KIT (266;26.6 SN 1160003445 to Present; 266 LoPro;26.6 LP SN 1160003448 to Present)	
77	2754254	1	HOSE ASSY	
82	2754259	2	HOSE ASSY	
116	2754340	1	HOSE ASSY (266;26.6 Prior to SN 1160003445; 266 LoPro;26.6 LP Prior to SN 1160003448)	
116	1001093077	1	HOSE ASSY (266;26.6 SN 1160003445 to Present; 266 LoPro;26.6 LP SN 1160003448 to Present)	
117	2754341	1	HOSE ASSY (266;26.6 Prior to SN 1160003445; 266 LoPro;26.6 LP Prior to SN 1160003448)	
117	1001094467	1	HOSE ASSY (266;26.6 SN 1160003445 to Present; 266 LoPro;26.6 LP SN 1160003448 to Present)	
131	1321321	2	CLAMP	
209		Ref	DRIVE MOTOR, (See HYDRAULIC COMPONENTS SECTION for Breakdown)	
214	0700614	2	HEX HD CAPSCREW, 6-1.00X30mm	
215	0700616	2	HEX HD CAPSCREW, 6-1.00X40mm	
218	1321125	2	CLAMP	
221	2140206	2	CONNECTOR	
222	2140603	1	RUN TEE	
223	2140803	1	CONNECTOR	
227	2171716	2	FLANGE KIT	
228	3460427	1	PIPE	
229	3460448	1	PIPE	
231	3575391	2	CLAMP COVER PLATE	
232	2754294	1	HOSE ASSY	
233	2754406	1	TUBE ASSY	
234	4569137	1	TUBE ASSY	
237	4641334	1	SOLENOID VALVE	
238	4811700	2	FLAT WASHER, 6mm	
239	0700822	1	HEX HD CAPSCREW, 8-1.25X45mm	
240	1321143	2	CLAMP COVER PLATE	
241	1321320	1	CLAMP	
242	3290805	1	HEX LOCKNUT, 8mm-1.25	
301		Ref	HYDROSTATIC TRANSMISSION PUMP, (See HYDRAULIC COMPONENTS SECTION for Breakdown)	
403	2141003	1	ELBOW, 45	
410	2754056	1	HOSE ASSY (266, 307, 26.6, 30.7)	
410	2754758	1	HOSE ASSY (266 LoPro, 26.6 LP)	
501		Ref	BRAKE PEDAL ASSEMBLY, (See CONTROLS SECTION for Breakdown)	
502	0100011	AR	LOCTITE, #242	

SECTION 8 - HYDRAULIC CIRCUITS

FIGURE 8-4. FRONT DRIVE CIRCUIT (307 & 30.7)

307, 30.7



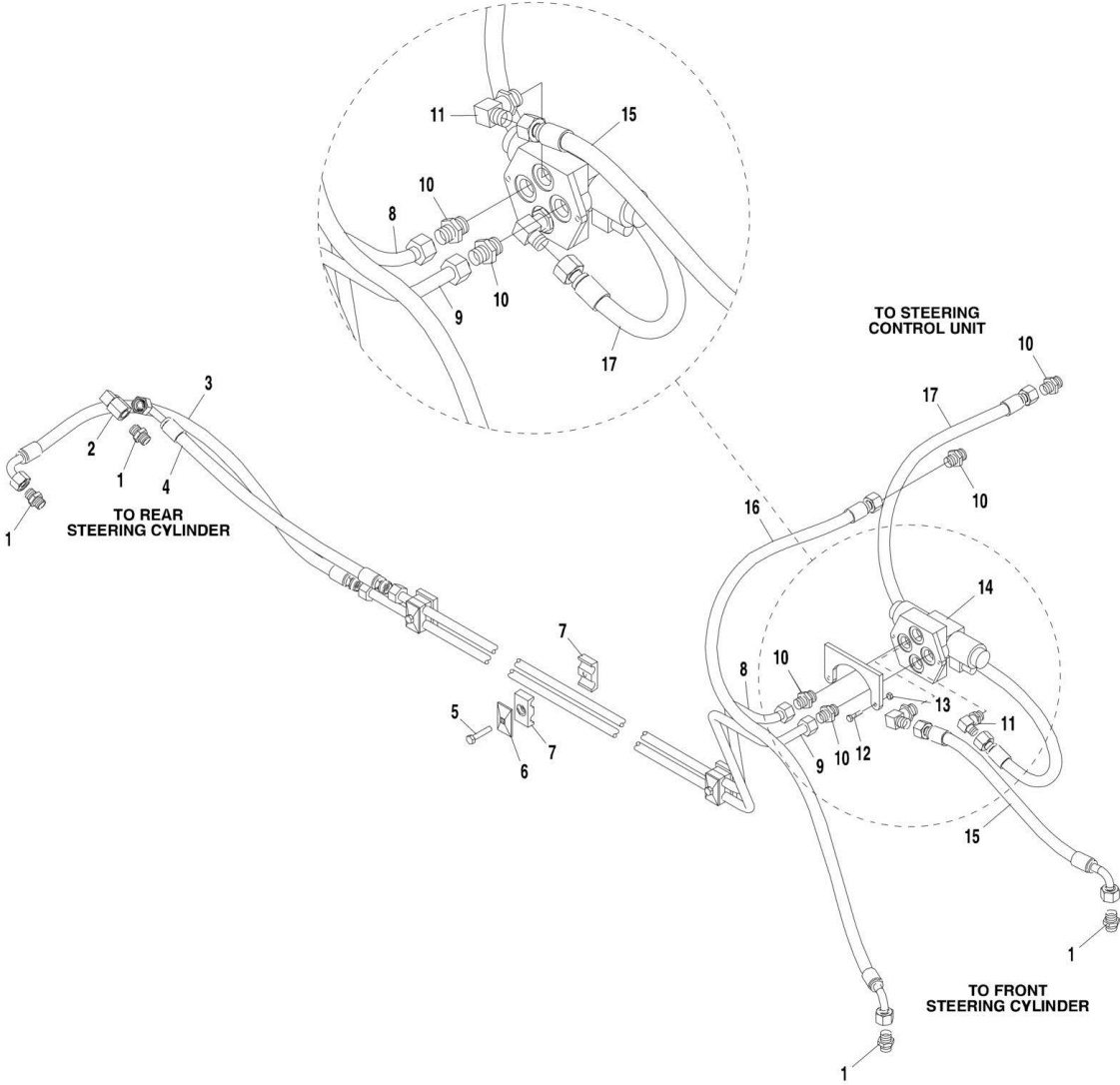
SECTION 8 - HYDRAULIC CIRCUITS

FIGURE 8-4. FRONT DRIVE CIRCUIT (307 & 30.7)

ITEM	PART NUMBER	QTY	DESCRIPTION	REV
3	0700816	2	HEX HD CAPSCREW, 8-1.25X40mm, GR 8.8	
12	874960	2	CLAMP COVER PLATE	
34	2140803	1	CONNECTOR	
39	2141102	2	ELBOW, 90	
60	2111616	2	CONNECTOR (307;30.7 Prior to SN 1160003443)	
62	2180845	2	FLANGE KIT (307;30.7 Prior to SN 1160003443)	
62	1001093076	2	FLANGE KIT (307;30.7 SN 1160003443 to Present)	
77	2754254	1	HOSE ASSY	
82	2754259	2	HOSE ASSY	
116	2754340	1	HOSE ASSY (307;30.7 Prior to SN 1160003443)	
116	1001093077	1	HOSE ASSY (307;30.7 SN 1160003443 to Present)	
117	2754341	1	HOSE ASSY (307;30.7 Prior to SN 1160003443)	
117	1001094467	1	HOSE ASSY (307;30.7 SN 1160003443 to Present)	
134	1321321	2	CLAMP	
209		Ref	DRIVE MOTOR, (See HYDRAULIC COMPONENTS SECTION for Breakdown)	
214	0700614	2	HEX HD CAPSCREW, 6-1.00X30mm, GR 8.8	
215	0700616	2	HEX HD CAPSCREW, 6-1.00X40mm, GR 8.8	
218	1321125	2	CLAMP	
221	2140206	2	CONNECTOR	
222	2140603	1	RUN TEE	
223	2140803	1	CONNECTOR	
227	2171733	2	FLANGE KIT	
228	3460450	1	PIPE	
229	3460429	1	PIPE	
233	3460411	1	TUBE ASSY	
234	3575391	2	CLAMP COVER PLATE	
235	2754294	1	HOSE ASSY	
236	2754406	1	TUBE ASSY	
237	4641334	1	SOLENOID VALVE	
238	4811700	2	FLAT WASHER, 6mm	
239	0700822	1	HEX HD CAPSCREW, 8X70, GR 8.8	
240	1321143	2	CLAMP COVER PLATE	
241	1321320	1	CLAMP	
242	3290805	1	HEX LOCKNUT, 8mm-1.25	
301		Ref	HYDROSTATIC TRANSMISSION PUMP, (See HYDRAULIC COMPONENTS SECTION for Breakdown)	
403	2141003	1	ELBOW, 45	
410	2754056	1	HOSE ASSY (266, 307, 26.6, 30.7)	
410	2754758	1	HOSE ASSY (266 LoPro, 26.6 LP)	
501		Ref	BRAKE PEDAL ASSY, (See CONTROLS SECTION for Breakdown)	
502	0100011	AR	LOCTITE, #242	

SECTION 8 - HYDRAULIC CIRCUITS

FIGURE 8-5. STEER SELECT



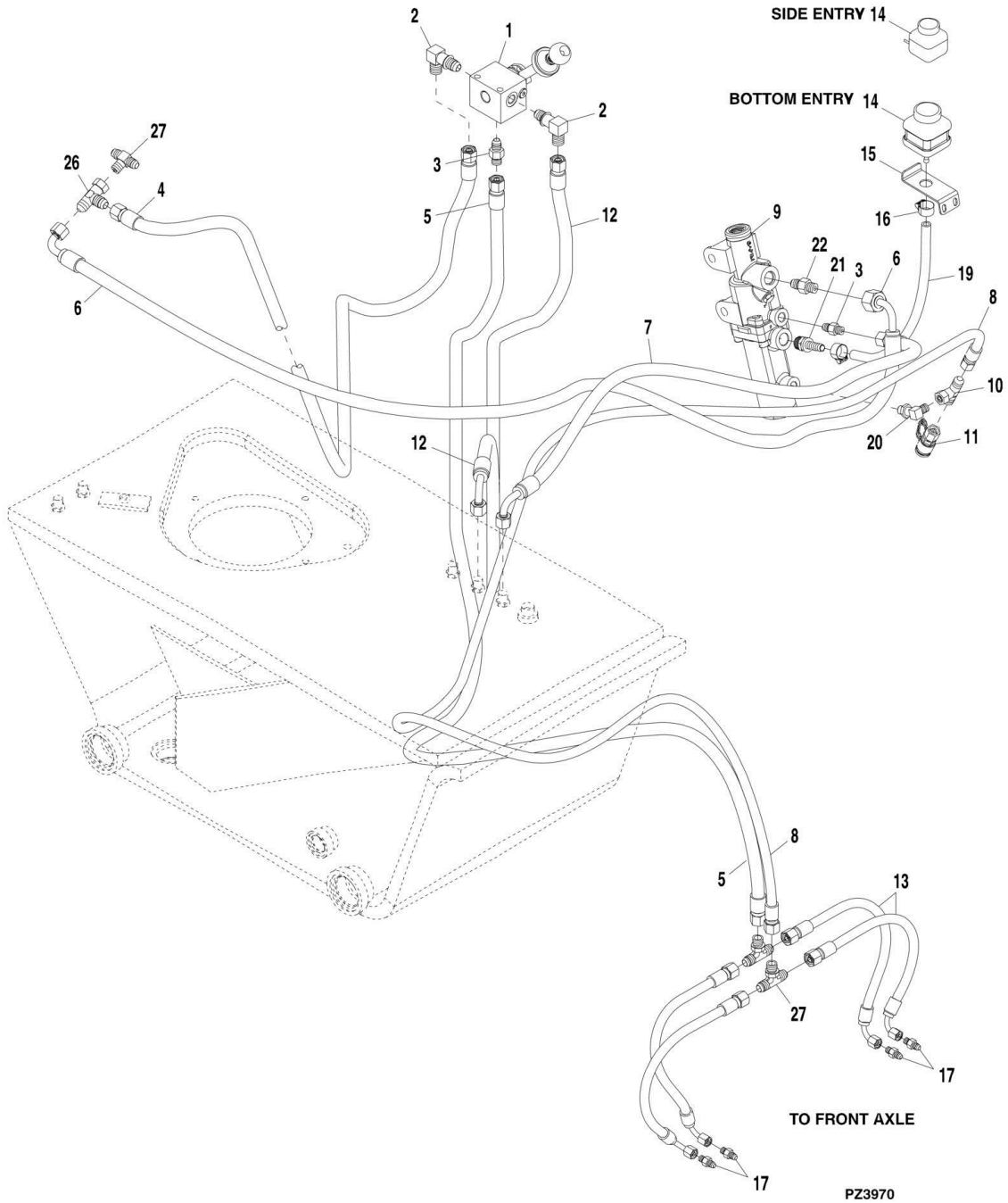
SECTION 8 - HYDRAULIC CIRCUITS

FIGURE 8-5. STEER SELECT

ITEM	PART NUMBER	QTY	DESCRIPTION	REV
1	2140208	4	CONNECTOR	
2	2143405	1	ELBOW, 90	
3	2754066	1	HOSE ASSY	
4	2754065	1	HOSE ASSY	
5	0700816	3	HEX HD CAPSCREW, 8X40, GR 8.8	
6	874960	3	COVER PLATE	
7	874993	3	CLAMP	
8	4569022	1	TUBE ASSY, (266, 266 LoPro, 26.6, 26.6 LP)	
8	4569024	1	TUBE ASSY, (307, 30.7)	
9	4569021	1	TUBE ASSY, (266, 266 LoPro, 26.6, 26.6 LP)	
9	4569025	1	TUBE ASSY, (307, 30.7)	
10	2142715	4	CONNECTOR	
11	2143007	2	ELBOW, 90	
12	0760612	2	HEX HD CAPSCREW, 6X25, GR 8.8	
13	3290601	2	HEX NUT M6X1	
14	4641314	1	STEER SELECT VALVE	
15	2754094	1	HOSE ASSY, (266, 266 LoPro, 26.6, 26.6 LP)	
15	2754100	1	HOSE ASSY, (307, 30.7)	
16	2754095	1	HOSE ASSY (266, 307, 26.6, 30.7)	
16	2754759	1	HOSE ASSY (266 LoPro, 26.6 LP)	
17	2754096	1	HOSE ASSY (266, 307, 26.6, 30.7)	
17	2754760	1	HOSE ASSY (266 LoPro, 26.6 LP)	

SECTION 8 - HYDRAULIC CIRCUITS

FIGURE 8-6. SERVICE/PARK BRAKE



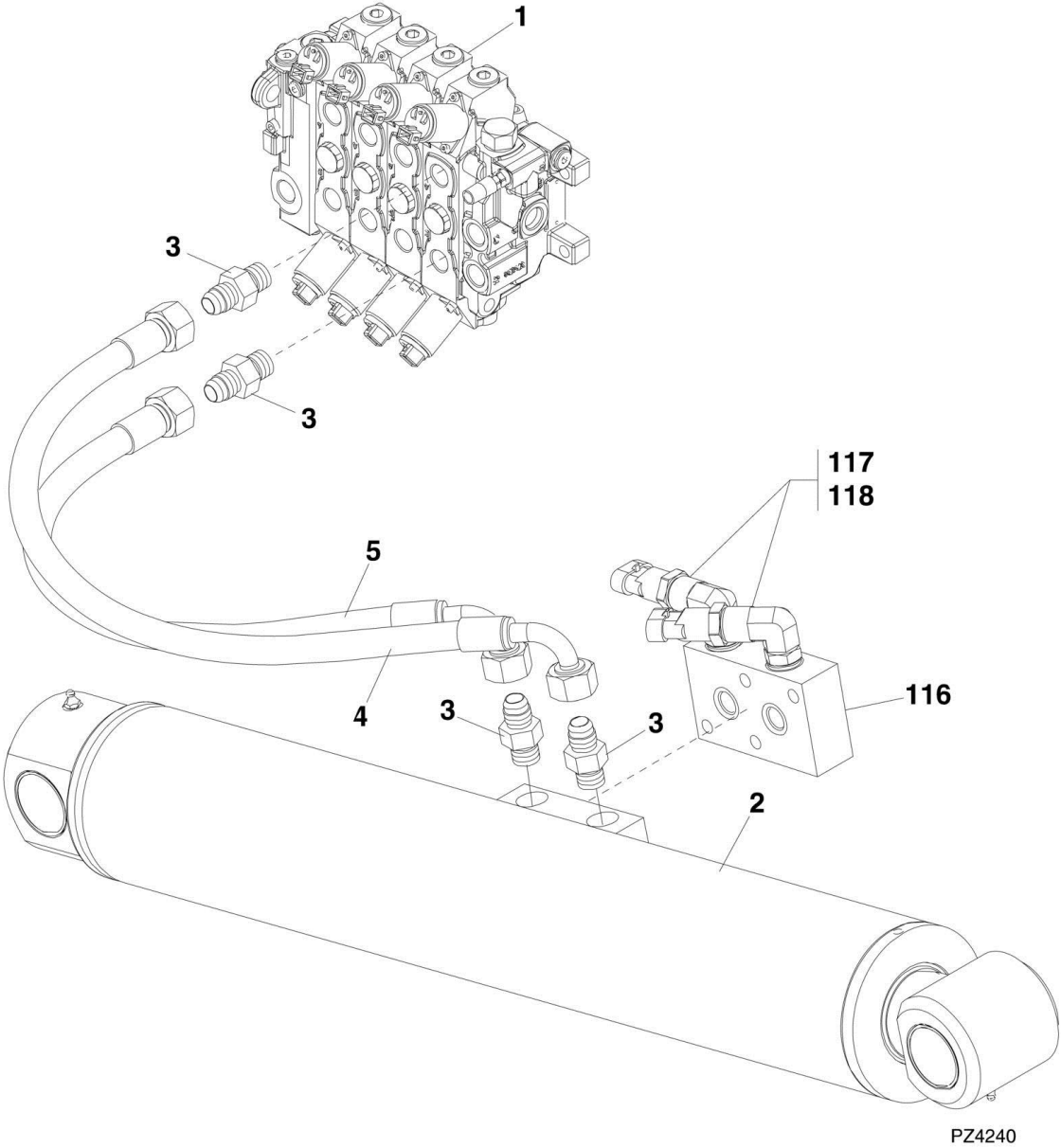
SECTION 8 - HYDRAULIC CIRCUITS

FIGURE 8-6. SERVICE/PARK BRAKE

ITEM	PART NUMBER	QTY	DESCRIPTION	REV
1	4641401	1	BRAKE VALVE	
1	70020800	1	BALL KNOB	
2	2143005	2	ELBOW, 90	
3	2142708	2	CONNECTOR	
4	2754298	1	HOSE ASSY (266, 307, 26.6, 30.7)	
4	2754634	1	HOSE ASSY (266 LoPro, 26.6 LP)	
5	2754303	1	HOSE ASSY	
6	2754299	1	HOSE ASSY (266, 307, 26.6, 30.7)	
6	2754635	1	HOSE ASSY (266 LoPro, 26.6 LP)	
7	2754301	1	HOSE ASSY	
8	2754304	1	HOSE ASSY (266, 307, 26.6/30.7)	
8	2754763	1	HOSE ASSY (266 LoPro, 26.6 LP)	
9	0920121	1	BRAKE CYLINDER	
10	2142103	1	SWIVEL NUT BRANCH TEE	
11	2988632	1	MINI CHECK	
12	2754318	1	HOSE ASSY (266, 307, 26.6/30.7)	
12	2754764	1	HOSE ASSY (266 LoPro, 26.6 LP)	
13	2754319	4	TUBE ASSY	
14	70022869	1	BRAKE RESERVOIR BOTTLE, (side entry)	
14	4400472	1	BRAKE RESERVOIR BOTTLE, (bottom entry)	
15	8002816	1	BOTTLE HOLDER	
16	8009974	2	HOSE CLAMP	
17	2140204	4	CONNECTOR	
19	2720548	1	HOSE	
20	2141102	1	ELBOW, 90	
21	2221204	1	HOSE BARB	
22	2140208	1	CONNECTOR	
26	2142203	1	SWIVEL NUT RUN TEE	
27	2141908	3	UNION TEE	
101	4360580	1	PARK BRAKE SWITCH, (not shown)	

SECTION 8 - HYDRAULIC CIRCUITS

FIGURE 8-7. LIFT CYLINDER



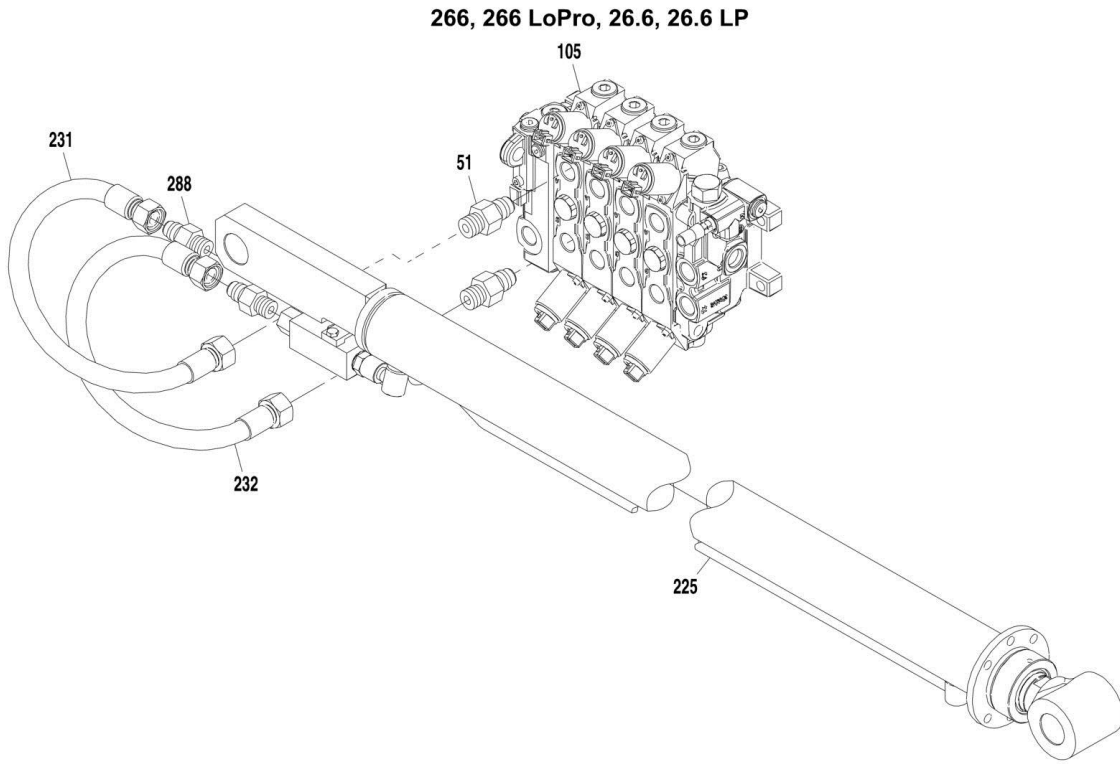
SECTION 8 - HYDRAULIC CIRCUITS

FIGURE 8-7. LIFT CYLINDER

ITEM	PART NUMBER	QTY	DESCRIPTION	REV
1		Ref	MAIN CONTROL VALVE, (See HYDRAULIC COMPONENTS SECTION for Breakdown)	
2		Ref	LIFT CYLINDER, (See HYDRAULIC COMPONENTS SECTION for Breakdown)	
3	2142740	4	CONNECTOR	
4	2754063	1	HOSE ASSY, (266, 266 LoPro, 26.6, 26.6 LP)	
4	2754083	1	HOSE ASSY, (307, 30.7)	
5	2754064	1	HOSE ASSY, (266, 266 LoPro, 26.6, 26.6 LP)	
5	2754084	1	HOSE ASSY, (307, 30.7)	
116		Ref	LMIS MANIFOLD VALVE, (AUS - if equipped with LMIS), (See HYDRAULIC COMPONENTS SECTION for Breakdown)	
117	1001101855	2	ELBOW, 90, (AUS - if equipped with LMIS)	
118	1001101954	2	PRESSURE SENSOR, (AUS - if equipped with LMIS)	

SECTION 8 - HYDRAULIC CIRCUITS

FIGURE 8-8. CROWD CYLINDER (266, 266 LOPRO, 26.6 & 26.6LP)



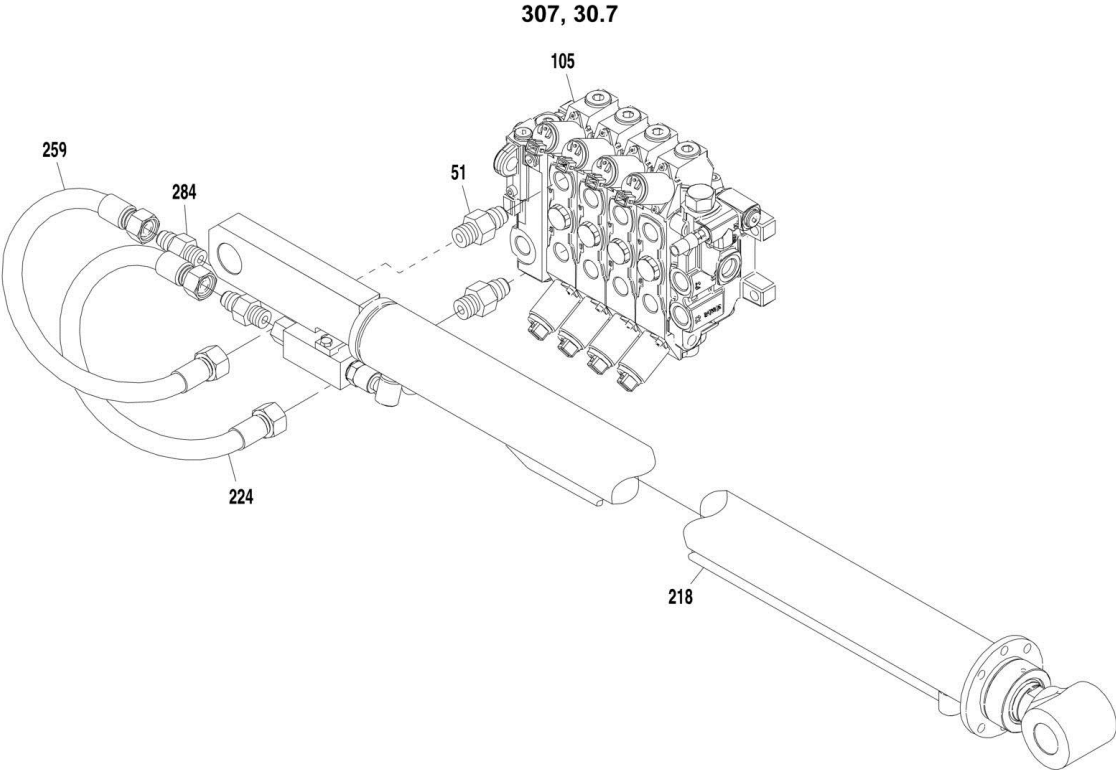
SECTION 8 - HYDRAULIC CIRCUITS

FIGURE 8-8. CROWD CYLINDER (266, 266 LOPRO, 26.6 & 26.6LP)

ITEM	PART NUMBER	QTY	DESCRIPTION	REV
51	2142733	2	CONNECTOR	
105		Ref	MAIN CONTROL VALVE, (See HYDRAULIC COMPONENTS SECTION for Breakdown)	
225		Ref	CROWD CYLINDER, (See HYDRAULIC COMPONENTS SECTION for Breakdown)	
231	2754085	1	HOSE ASSY	
232	2754086	1	HOSE ASSY	
288	2142733	2	CONNECTOR	

SECTION 8 - HYDRAULIC CIRCUITS

FIGURE 8-9. CROWD CYLINDER (307 & 30.7)



SECTION 8 - HYDRAULIC CIRCUITS

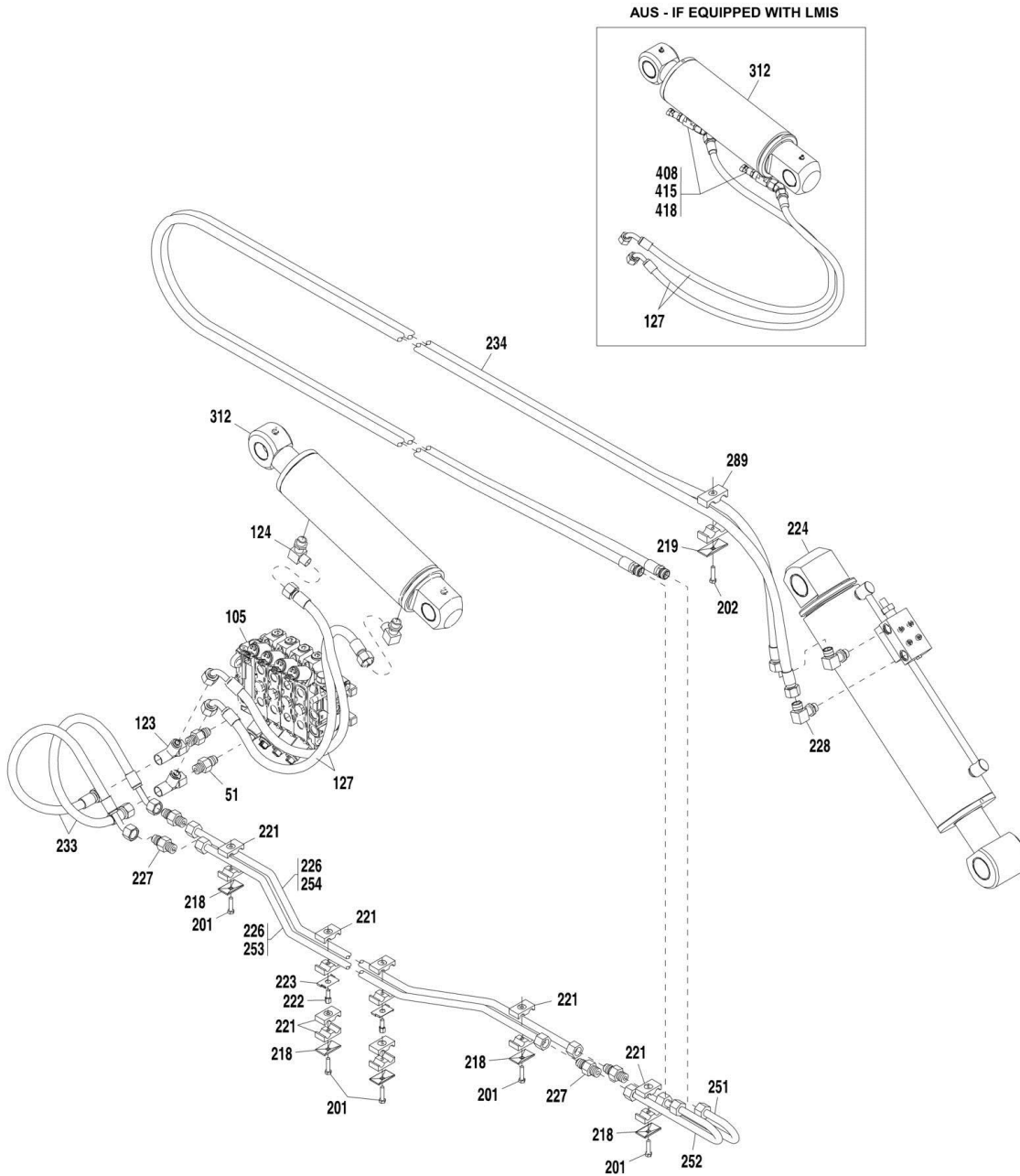
FIGURE 8-9. CROWD CYLINDER (307 & 30.7)

ITEM	PART NUMBER	QTY	DESCRIPTION	REV
51	2142733	2	CONNECTOR	
105		Ref	MAIN CONTROL VALVE, (See HYDRAULIC COMPONENTS SECTION for Breakdown)	
218		Ref	CROWD CYLINDER, (See HYDRAULIC COMPONENTS SECTION for Breakdown)	
224	2754087	1	HOSE ASSY	
259	2754086	1	HOSE ASSY	
284	2142733	2	CONNECTOR	

SECTION 8 - HYDRAULIC CIRCUITS

FIGURE 8-10. TILT AND TILT COMPENSATING CYLINDER (266, 266 LOPRO, 26.6 & 26.6LP)

266, 266 LoPro, 26.6, 26.6 LP



ART_3126025-8-10

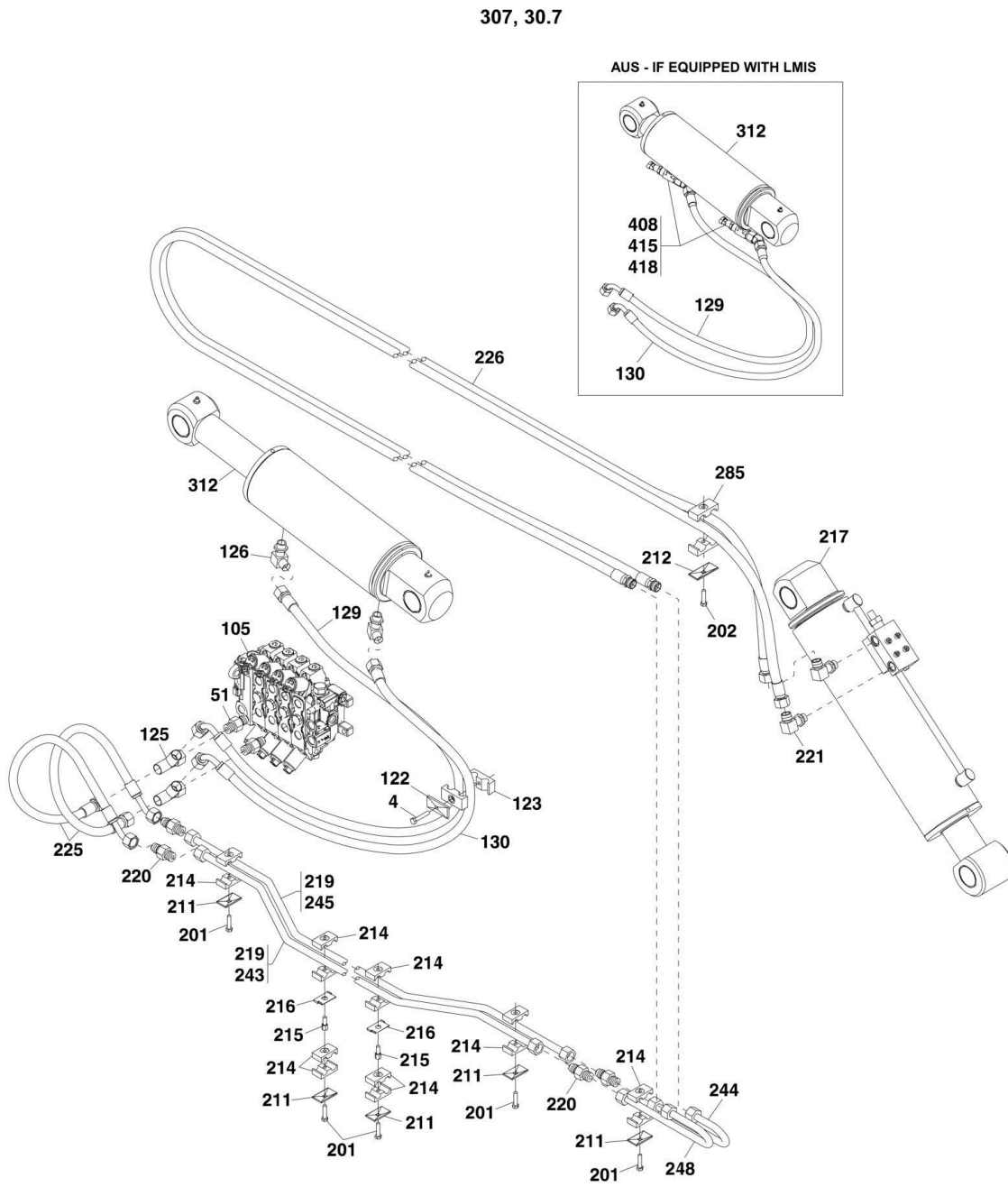
SECTION 8 - HYDRAULIC CIRCUITS

FIGURE 8-10. TILT AND TILT COMPENSATING CYLINDER (266, 266 LOPRO, 26.6 & 26.6LP)

ITEM	PART NUMBER	QTY	DESCRIPTION	REV
51	2142733	2	CONNECTOR	
105		Ref	MAIN CONTROL VALVE, (See HYDRAULIC COMPONENTS SECTION for Breakdown)	
123	2142216	2	SWIVEL NUT RUN TEE	
124	2143017	2	ELBOW, 90	
127	2754307	2	HOSE ASSY	
201	0700815	5	HEX HD CAPSCREW, 8-1.25X35mm	
202	0700818	1	HEX HD CAPSCREW, 8-1.25X50mm	
218	874960	5	COVER PLATE	
219	1309435	1	COVER PLATE	
221	1321128	7	CLAMP	
222	1321133	2	STACKING BOLT	
223	1321134	2	LOCKING PLATE	
224		Ref	TILT CYLINDER, (See HYDRAULIC COMPONENTS SECTION for Breakdown)	
226	2140118	6	DUAL NUT	
227	2141621	4	CONNECTOR	
228	2143017	2	ELBOW, 90	
233	2754113	2	HOSE ASSY	
234	2754122	NLA	HOSE ASSY, (no longer available, use 1001111491 for replacement)	
234	1001111491	1	HOSE ASSY	
251	4569029	1	TUBE ASSY	
252	4569042	1	TUBE ASSY	
253	4569047	1	TUBE ASSY	
254	4569053	1	TUBE ASSY	
289	1321086	1	CLAMP	
312		Ref	COMPENSATION CYLINDER, (See HYDRAULIC COMPONENTS SECTION for Breakdown)	
408	1001101935	2	ELBOW, 45, (AUS - if equipped with LMIS)	
415	1001101807	2	ADAPTER, (AUS - if equipped with LMIS)	
418	1001101954	2	PRESSURE SENSOR, (AUS - if equipped with LMIS)	

SECTION 8 - HYDRAULIC CIRCUITS

FIGURE 8-11. TILT AND TILT COMPENSATING CYLINDER (307 & 30.7)



ART_3126025-8-11

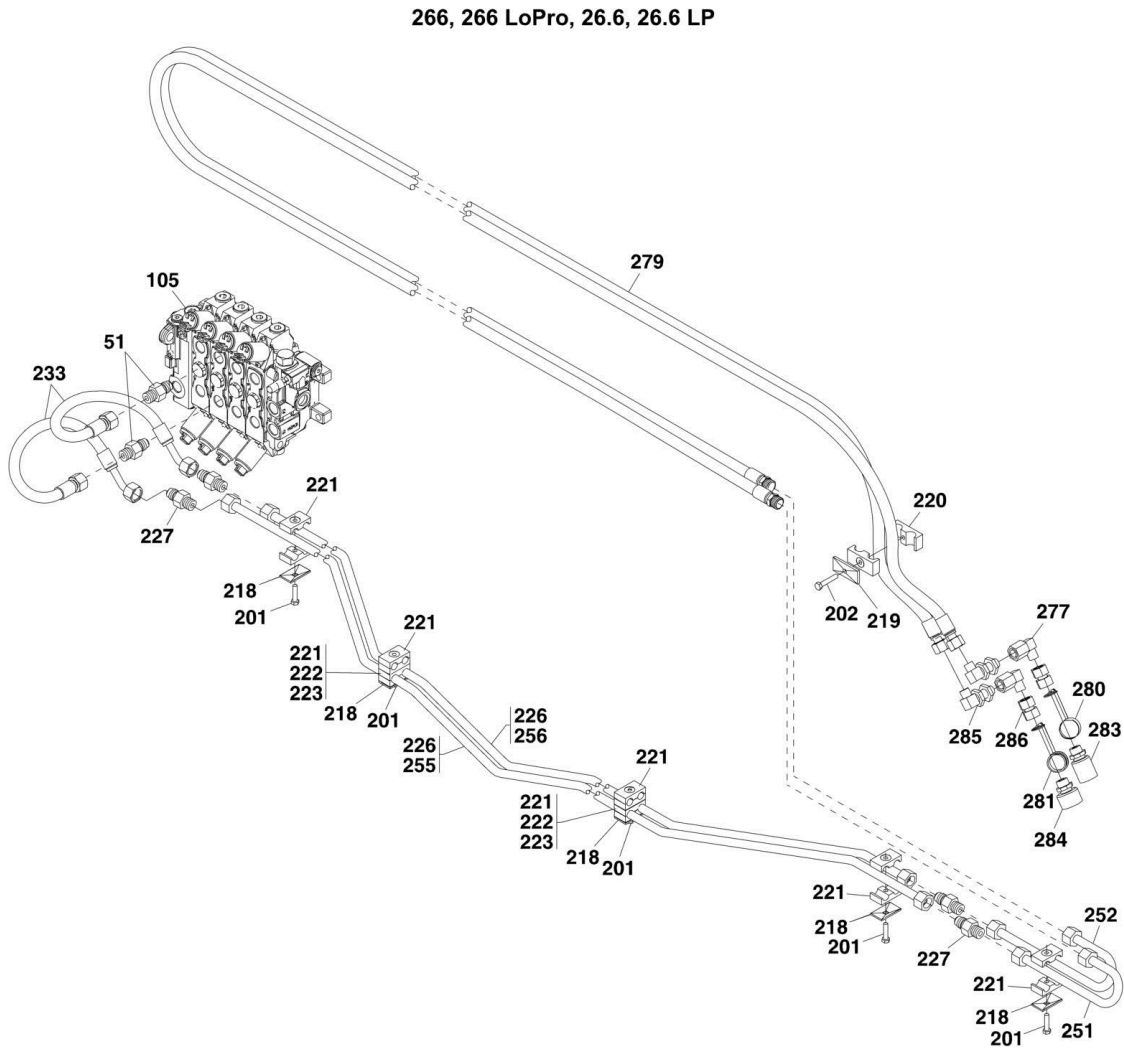
SECTION 8 - HYDRAULIC CIRCUITS

FIGURE 8-11. TILT AND TILT COMPENSATING CYLINDER (307 & 30.7)

ITEM	PART NUMBER	QTY	DESCRIPTION	REV
4	0700817	1	HEX HD CAPSCREW, 8-1.25X45mm	
51	2142733	2	CONNECTOR	
105		Ref	MAIN CONTROL VALVE, (See HYDRAULIC COMPONENTS SECTION for Breakdown)	
122	1309435	1	COVER PLATE	
123	1321086	1	CLAMP	
125	2142216	2	SWIVEL NUT RUN TEE	
126	2143017	2	ELBOW, 90	
129	2754308	1	HOSE ASSY	
130	2754310	1	HOSE ASSY	
201	0700815	5	HEX HD CAPSCREW, 8-1.25X35mm	
202	0700818	1	HEX HD CAPSCREW, 8-1.25X50mm	
211	874960	5	COVER PLATE	
212	1309435	1	COVER PLATE	
214	1321128	7	CLAMP	
215	1321133	2	STACKING BOLT	
216	1321134	2	CLAMP LOCKING PLATE	
217		Ref	TILT CYLINDER, (See HYDRAULIC COMPONENTS SECTION for Breakdown)	
219	2140118	6	DUAL NUT	
220	2141621	4	CONNECTOR	
221	2143017	2	ELBOW, 90	
225	2754111	2	HOSE ASSY	
226	2754120	NLA	HOSE ASSY, (no longer available, use 1001111490 for replacement)	
226	1001111490	1	HOSE ASSY	
243	4568870	1	TUBE ASSY	
244	4569029	1	TUBE ASSY	
245	4569036	1	TUBE ASSY	
248	4569042	1	TUBE ASSY	
285	1321086	1	CLAMP	
312		Ref	COMPENSATION CYLINDER, (See HYDRAULIC COMPONENTS SECTION for Breakdown)	
408	1001101935	2	ELBOW, 45, (AUS - if equipped with LMIS)	
415	1001101807	2	ADAPTER, (AUS - if equipped with LMIS)	
418	1001101954	2	PRESSURE SENSOR, (AUS - if equipped with LMIS)	

SECTION 8 - HYDRAULIC CIRCUITS

FIGURE 8-12. AUXILIARY FUNCTION (266, 266 LOPRO, 26.6 & 26.6LP)



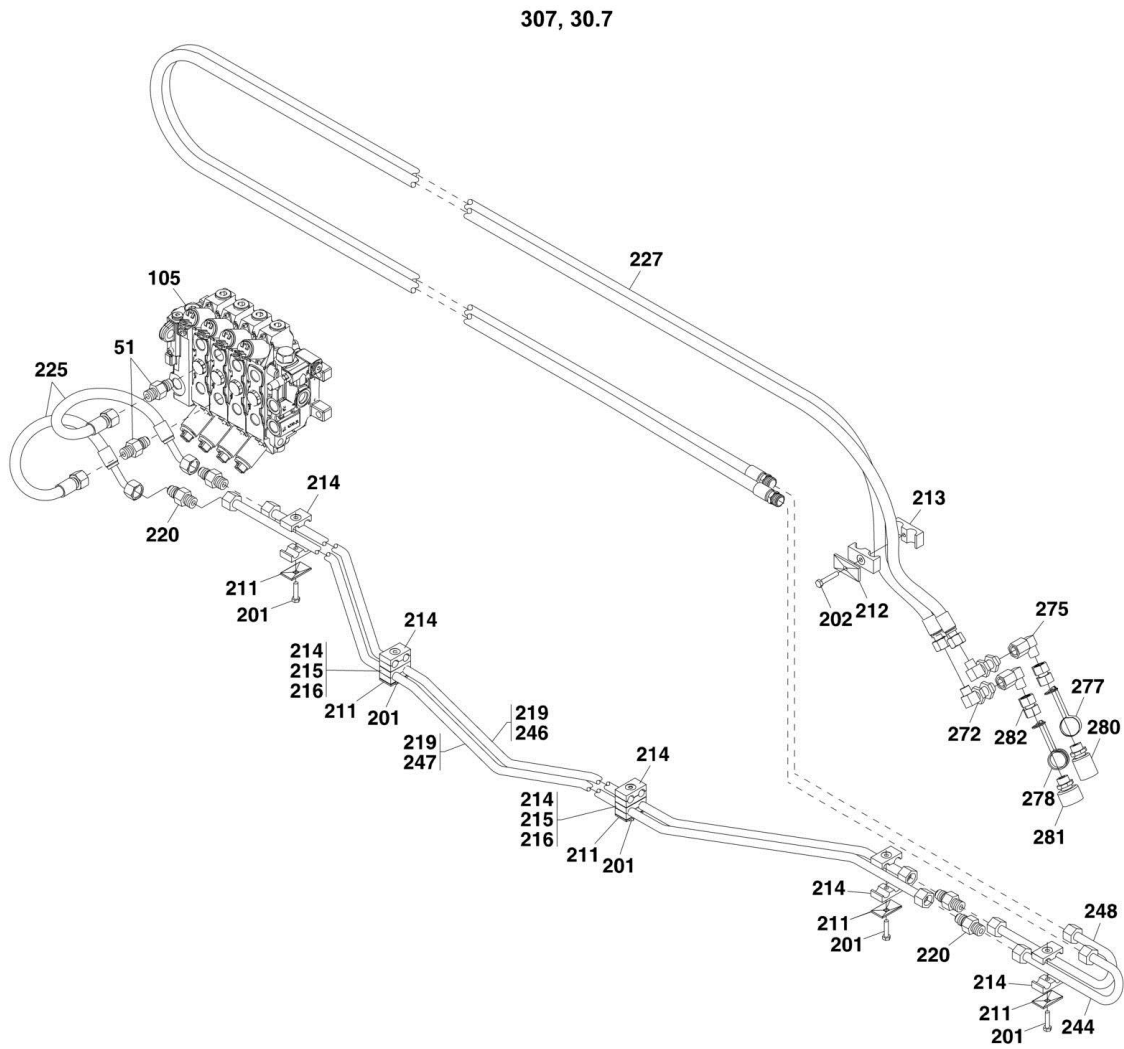
SECTION 8 - HYDRAULIC CIRCUITS

FIGURE 8-12. AUXILIARY FUNCTION (266, 266 LOPRO, 26.6 & 26.6LP)

ITEM	PART NUMBER	QTY	DESCRIPTION	REV
51	2142733	2	CONNECTOR	
105		Ref	MAIN CONTROL VALVE, (See HYDRAULIC COMPONENTS SECTION for Breakdown)	
201	0700815	5	HEX HD CAPSCREW, 8-1.25X35mm	
202	0700818	1	HEX HD CAPSCREW, 8-1.25X50mm	
218	874960	5	COVER PLATE	
219	1309435	1	COVER PLATE	
220	3117515	1	CLAMP	
221	1321128	7	CLAMP	
222	1321133	2	CLAMP BOLT	
223	1321134	2	LOCKING PLATE	
226	2140118	6	DUAL NUT	
227	2141621	4	CONNECTOR	
233	2754113	2	HOSE ASSY	
251	4569029	1	TUBE ASSY	
252	4569042	1	TUBE ASSY	
255	4569056	1	TUBE ASSY	
256	4569057	1	TUBE ASSY	
277	2143405	2	ELBOW, 90	
279	2754153	1	HOSE ASSY	
280	3977460	1	DUST CAP, (use with male screw type coupling)	
280	1001093826	1	DUST CAP, (use with male quick disconnect type coupling)	
281	3977459	1	DUST PLUG, (use with female screw type coupling)	
281	1001093827	1	DUST PLUG, (use with female quick disconnect type coupling)	
283	Kit	NLA	FEMALE SCREW COUPLING, (no longer available, order 1001097287 kit)	
283	1001094555	1	FEMALE QUICK DISCONNECT COUPLING	
284	Kit	NLA	MALE SCREW COUPLING, (no longer available, order 1001097287 kit)	
284	1001094556	1	MALE QUICK DISCONNECT COUPLING	
285	2143305	2	ELBOW, 90, (bulkhead fitting)	
286	2143605	2	SWIVEL UNION	
	1001097287	1	QUICK DISCONNECT ADAPTOR KIT, (includes items 283, 284, dust cap and dust plug)	

SECTION 8 - HYDRAULIC CIRCUITS

FIGURE 8-13. AUXILIARY FUNCTION (307 & 30.7)



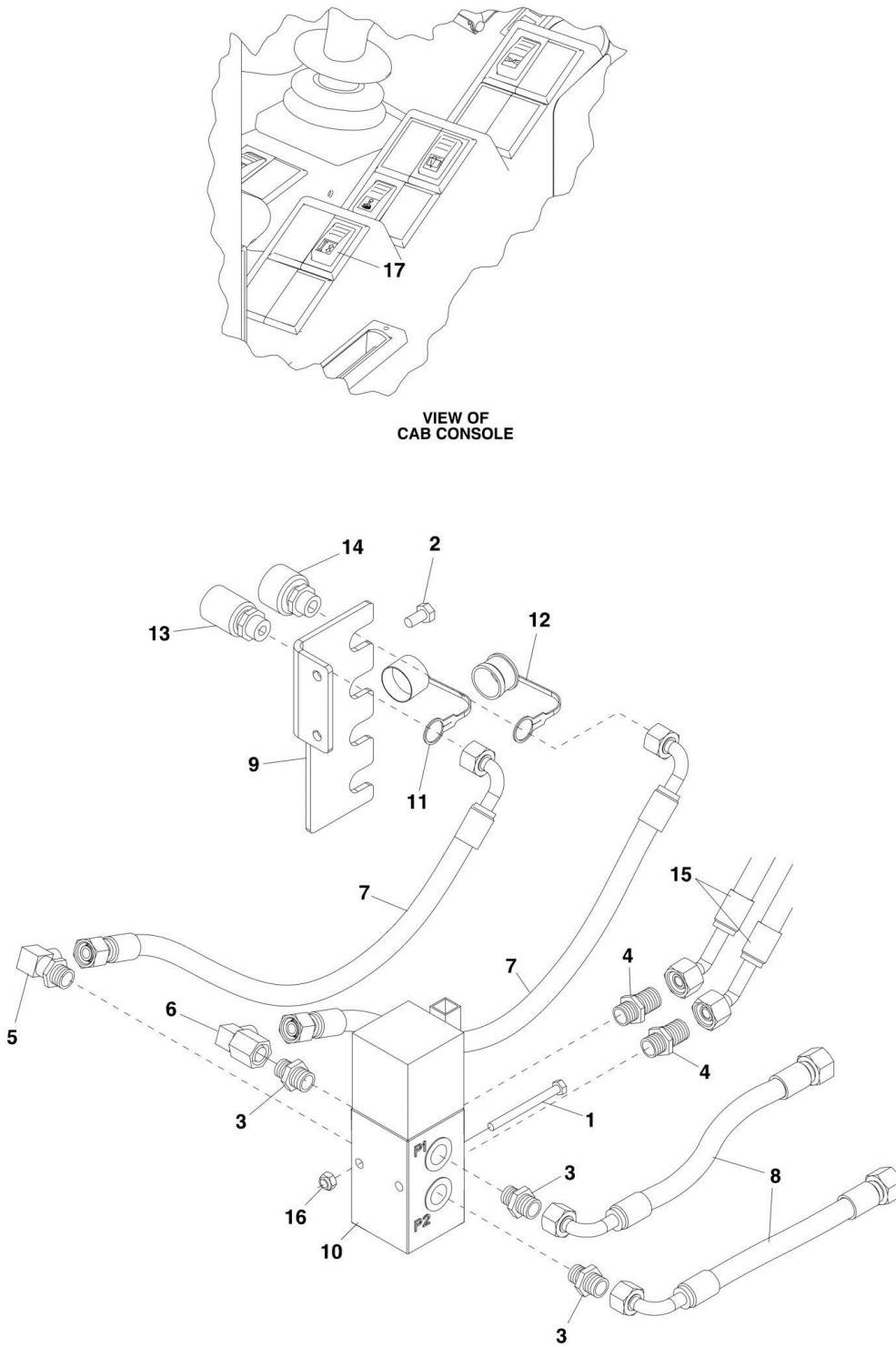
SECTION 8 - HYDRAULIC CIRCUITS

FIGURE 8-13. AUXILIARY FUNCTION (307 & 30.7)

ITEM	PART NUMBER	QTY	DESCRIPTION	REV
51	2142733	2	CONNECTOR	
105		Ref	MAIN CONTROL VALVE, (See HYDRAULIC COMPONENTS SECTION for Breakdown)	
201	0700815	5	HEX HD CAPSCREW, 8-1.25X35mm	
202	0700818	1	HEX HD CAPSCREW, 8-1.25X50mm	
211	874960	5	COVER PLATE	
212	1309435	1	COVER PLATE	
213	1317515	1	CLAMP	
214	1321128	7	CLAMP	
215	1321133	2	CLAMP BOLT	
216	1321134	2	LOCKING PLATE	
219	2140118	6	DUAL NUT	
220	2141621	4	CONNECTOR	
225	2754111	2	HOSE ASSY	
227	2754121	1	HOSE ASSY	
244	4569029	1	TUBE ASSY	
246	4569037	1	TUBE ASSY	
247	4569038	1	TUBE ASSY	
248	4569042	1	TUBE ASSY	
272	2143305	2	ELBOW, 90, (bulkhead fitting)	
275	2143405	2	ELBOW, 90, (bulkhead fitting)	
277	3977460	1	DUST CAP, (use with male screw type coupling)	
277	1001093826	1	DUST CAP, (use with male quick disconnect type coupling)	
278	3977459	1	DUST PLUG, (use with female screw type coupling)	
278	1001093827	1	DUST PLUG, (use with female quick disconnect type coupling)	
280	Kit	NLA	FEMALE SCREW COUPLING, (no longer available, order 1001097287 kit)	
280	1001094555	1	FEMALE QUICK DISCONNECT COUPLING	
281	Kit	NLA	FEMALE SCREW COUPLING, (no longer available, order 1001097287 kit)	
281	1001094556	1	MALE QUICK DISCONNECT COUPLING	
282	2143605	2	SWIVEL UNION	
	1001097287	1	QUICK DISCONNECT ADAPTOR KIT, (includes items 280, 281, dust cap and dust plug)	

SECTION 8 - HYDRAULIC CIRCUITS

FIGURE 8-14. REAR HYDRAULIC OUTLET



MZ2480

SECTION 8 - HYDRAULIC CIRCUITS

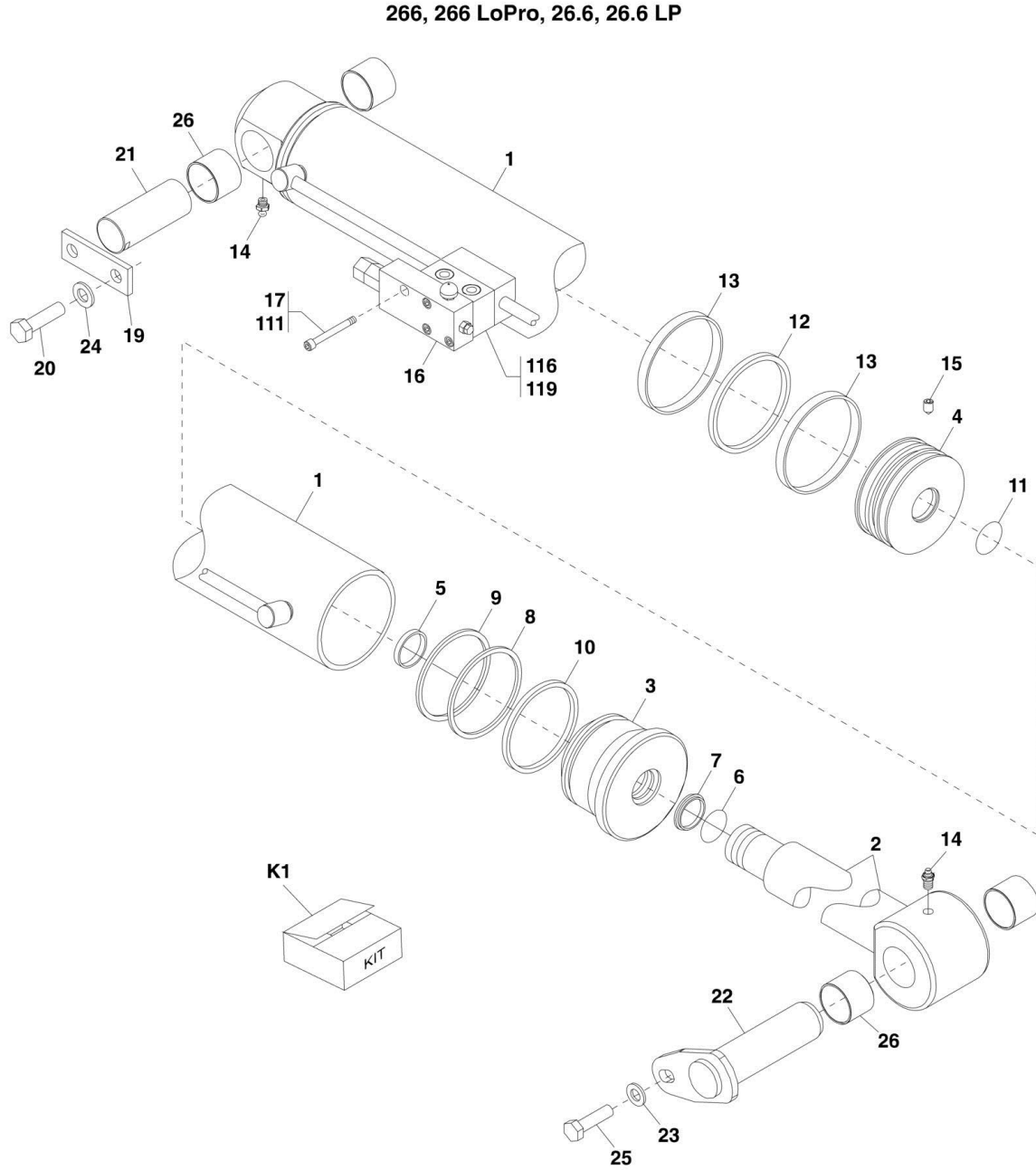
FIGURE 8-14. REAR HYDRAULIC OUTLET

ITEM	PART NUMBER	QTY	DESCRIPTION	REV
	0273815	1	REAR HYDRAULIC OUTLET INSTALLATION, (266, 266 LoPro, 26.6, 26.6 LP), (includes all items)	I
	1001096341	1	REAR HYDRAULIC OUTLET INSTALLATION, (307, 30.7), (includes all items)	C
1	4031922	2	SOCKET HD CAPSCREW, M8X90	
2	0761010	2	HEX HD CAPSCREW, 10-1.50X20mm	
3	2142715	3	CONNECTOR	
4	2142733	2	CONNECTOR	
5	2143007	1	ELBOW, 90	
6	2143405	1	ELBOW, 90	
7	2754127	2	HOSE ASSY	
8	2754128	2	HOSE ASSY, (266, 266 LoPro, 26.6, 26.6 LP)	
8	1001096338	2	HOSE ASSY, (307, 30.7)	
9	3574521	1	PLATE	
10		Ref	2POS/6WAY VALVE, (See HYDRAULIC COMPONENTS SECTION for Breakdown)	
11	3977460	1	DUST CAP, (use with male screw type coupling)	
11	1001093826	1	DUST CAP, (use with male quick disconnect type coupling)	
12	3977459	1	DUST PLUG, (use with female screw type coupling)	
12	1001093827	1	DUST PLUG, (use with female quick disconnect type coupling)	
13		Ref	MALE SCREW COUPLING, (no longer available, order 1001097287 kit)	
13	1001094556	1	MALE QUICK DISCONNECT COUPLING	
14		Ref	FEMALE SCREW COUPLING, (no longer available, order 1001097287 kit)	
14	1001094555	1	FEMALE QUICK DISCONNECT COUPLING	
15	1001096335	2	HOSE ASSY, (307, 30.7)	
16	3290805	2	HEX LOCKNUT, 8mm-1.25	
17	4360605	1	SWITCH ASSY	
17	4360593	1	SYMBOL PLATE, F/R HYD SELECT	
17	4674353	1	SWITCH BODY	
	1001097287	1	QUICK DISCONNECT ADAPTOR KIT, (includes items 11 thru 14)	

SECTION 9 - HYDRAULIC COMPONENTS

SECTION 9 - HYDRAULIC COMPONENTS

FIGURE 9-1. LIFT CYLINDER (266, 266 LOPRO, 26.6 & 26.6LP)



ART_3126025-9-1

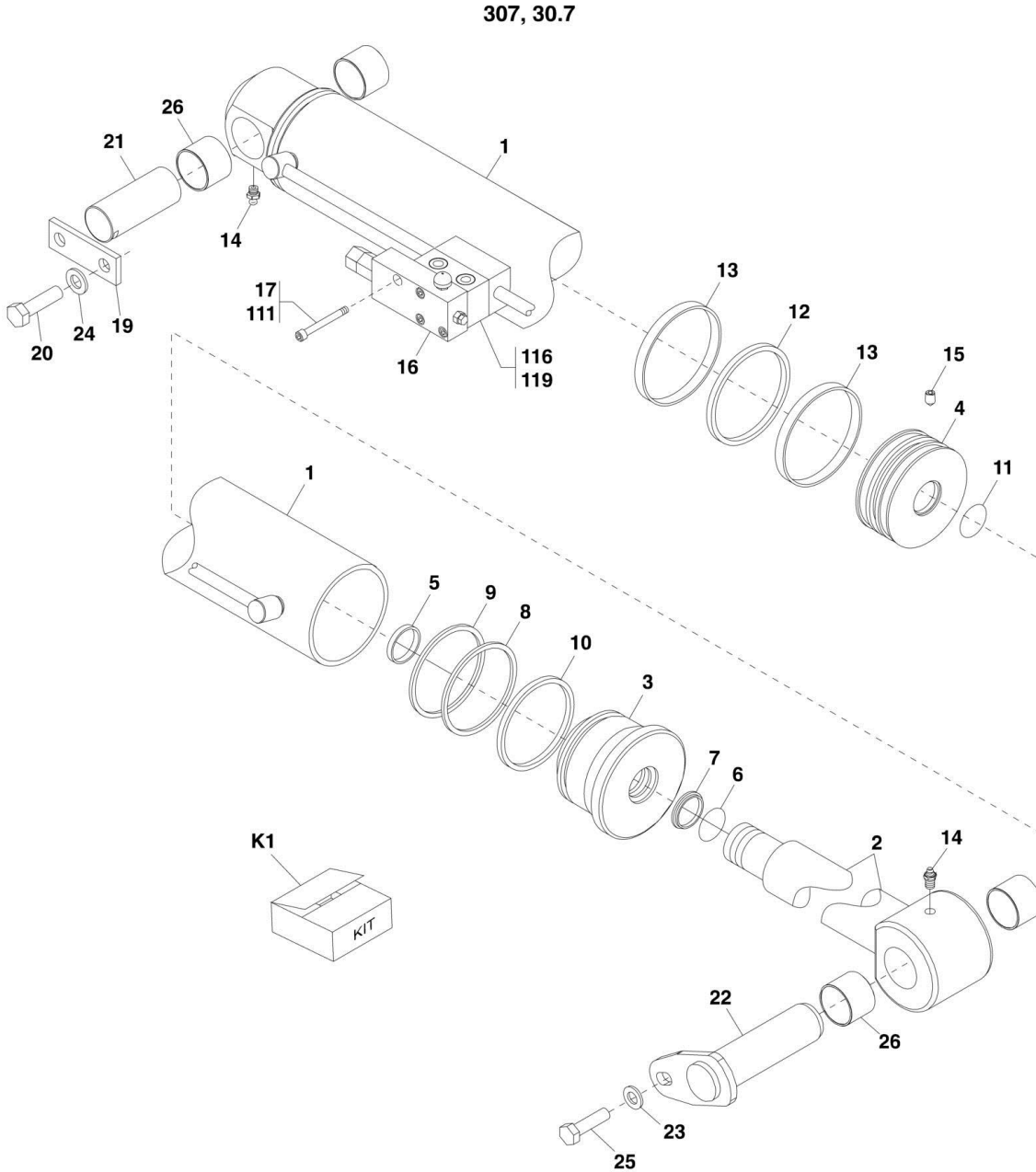
SECTION 9 - HYDRAULIC COMPONENTS

FIGURE 9-1. LIFT CYLINDER (266, 266 LOPRO, 26.6 & 26.6LP)

ITEM	PART NUMBER	QTY	DESCRIPTION	REV
	1684356	1	LIFT CYLINDER, (266, 266 LoPro, 26.6, 26.6 LP), (includes items 1 thru 17 & item 26)	E
1	7028301	1	CASE ASSY	
2	7028302	1	PISTON ROD	
3	7028303	1	GLAND, (torque to 500-550 Nm)	
4	7028304	1	PISTON, (torque to 2160-2210 Nm)	
5	7028856	1	BUSHING	
6	Kit	1	WIPER RING	
7	Kit	1	ROD SEAL	
8	Kit	1	BACKRING	
9	Kit	1	O-RING	
10	Kit	1	O-RING	
11	Kit	1	O-RING	
12	Kit	1	PISTON SEAL	
13	Kit	2	WEAR RING	
14	7028314	2	GREASE NIPPLE	
15	Kit	1	SET SCREW, (torque to 20-25 Nm)	
16	70020418	1	LOAD CONTROL VALVE	
17	7029239	4	HEX SOCKET HD SCREW	
19	3575850	1	BAR	
20	0761215	2	HEX HD SCREW, 12X35, GR 8.8	
21	3423215	1	CYLINDER PIN	
22	3423214	1	CYLINDER PIN	
23	4812100	1	FLAT WASHER, 12mm	
24	4832100	2	SPRING LOCK WASHER, 12mm	
25	0701215	1	HEX HD CAPSCREW, 12-1.75X35mm, GR 8.8	
26	7028899	4	BEARING	
111	4031919	4	HEX SOCKET HD CAPSCREW, M8X75, (AUS - if equipped with LMIS)	
116	1001101830	1	LMIS MANIFOLD VALVE, (AUS - if equipped with LMIS)	
119	1001102080	4	O-RING, (AUS - if equipped with LMIS)	
K1	7029240	1	SEAL KIT, (includes items 6 thru 13 & 15)	

SECTION 9 - HYDRAULIC COMPONENTS

FIGURE 9-2. LIFT CYLINDER (307 & 30.7)



ART_3126025-9-2

SECTION 9 - HYDRAULIC COMPONENTS

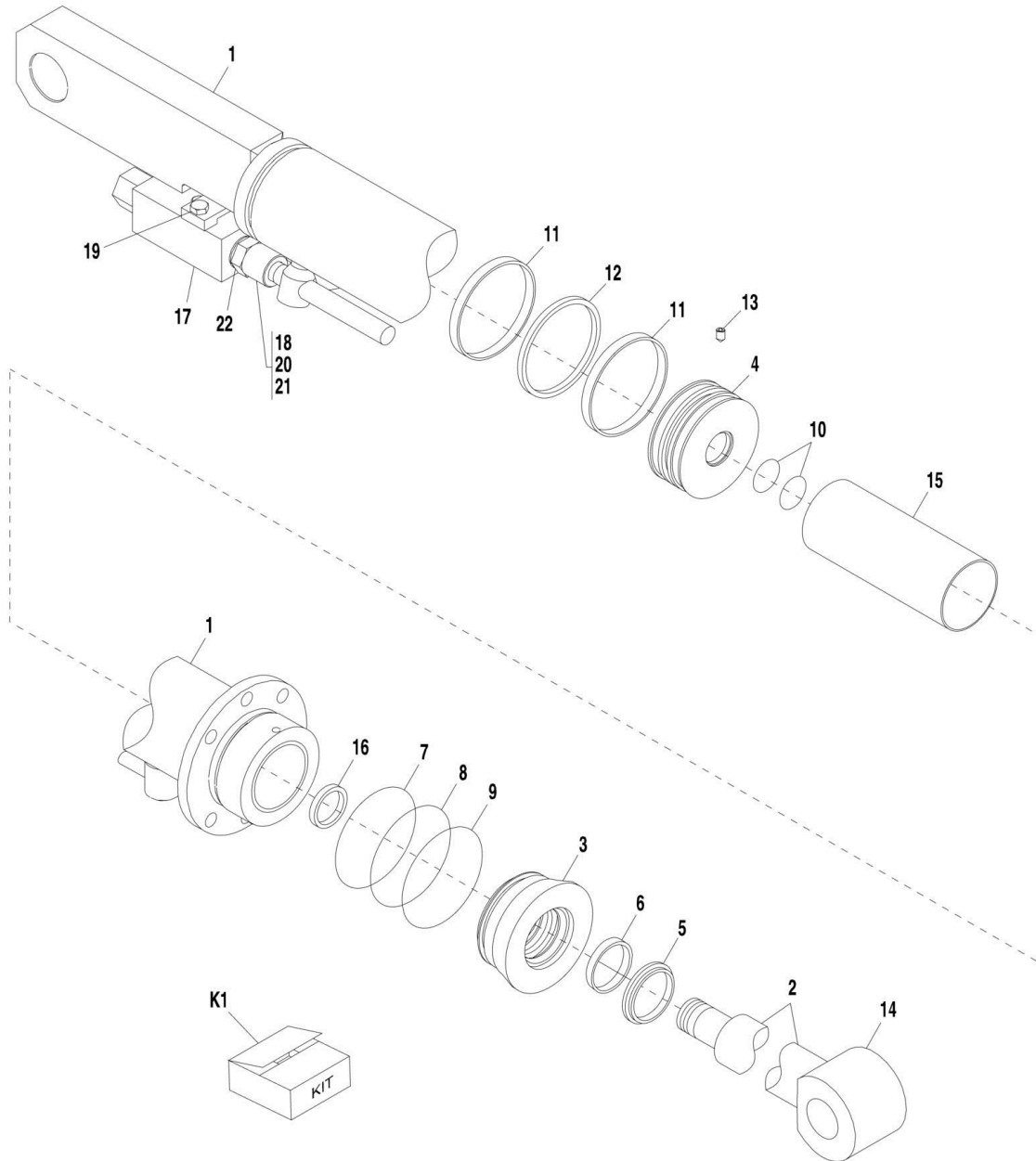
FIGURE 9-2. LIFT CYLINDER (307 & 30.7)

ITEM	PART NUMBER	QTY	DESCRIPTION	REV
	1684360	1	LIFT CYLINDER, (307, 30.7), (includes items 1 thru 17 & item 26)	E
1	7028319	1	CASE ASSY	
2	7028320	1	PISTON ROD	
3	7028321	1	GLAND, (torque to 700-750 Nm)	
4	7028322	1	PISTON, (torque to 2630-2680 Nm)	
5	7028856	1	BUSHING	
6	Kit	1	WIPER RING	
7	Kit	1	ROD SEAL	
8	Kit	1	BACKRING	
9	Kit	1	O-RING	
10	Kit	1	O-RING	
11	Kit	1	O-RING	
12	Kit	1	PISTON SEAL	
13	Kit	2	WEAR RING	
14	7028314	2	GREASE NIPPLE	
15	Kit	1	SET SCREW, (torque to 20-25 Nm)	
16	70020418	1	LOAD CONTROL VALVE	
17	7029239	4	HEX SOCKET HD SCREW	
19	3575850	1	BAR	
20	0761215	2	HEX HD SCREW, 12X35, GR 8.8	
21	3423215	1	CYLINDER PIN	
22	3423223	1	CYLINDER PIN	
23	4812100	1	FLAT WASHER, 12mm	
24	4832100	2	SPRING LOCKWASHER, 12mm	
25	0701215	1	HEX HD CAPSCREW, 12-1.75X35mm, GR 8.8	
26	7028899	4	BEARING	
111	4031919	4	HEX SOCKET HD CAPSCREW, M8X75, (AUS - if equipped with LMIS)	
116	1001101830	1	LMIS MANIFOLD VALVE, (AUS - if equipped with LMIS)	
119	1001102080	4	O-RING, (AUS - if equipped with LMIS)	
K1	7028318	1	SEAL KIT, (includes items 6 thru 13 & 15)	

SECTION 9 - HYDRAULIC COMPONENTS

FIGURE 9-3. CROWD CYLINDER (266, 266 LOPRO, 26.6 & 26.6LP)

266, 266 LoPro, 26.6, 26.6 LP



ART_3126025-9-3

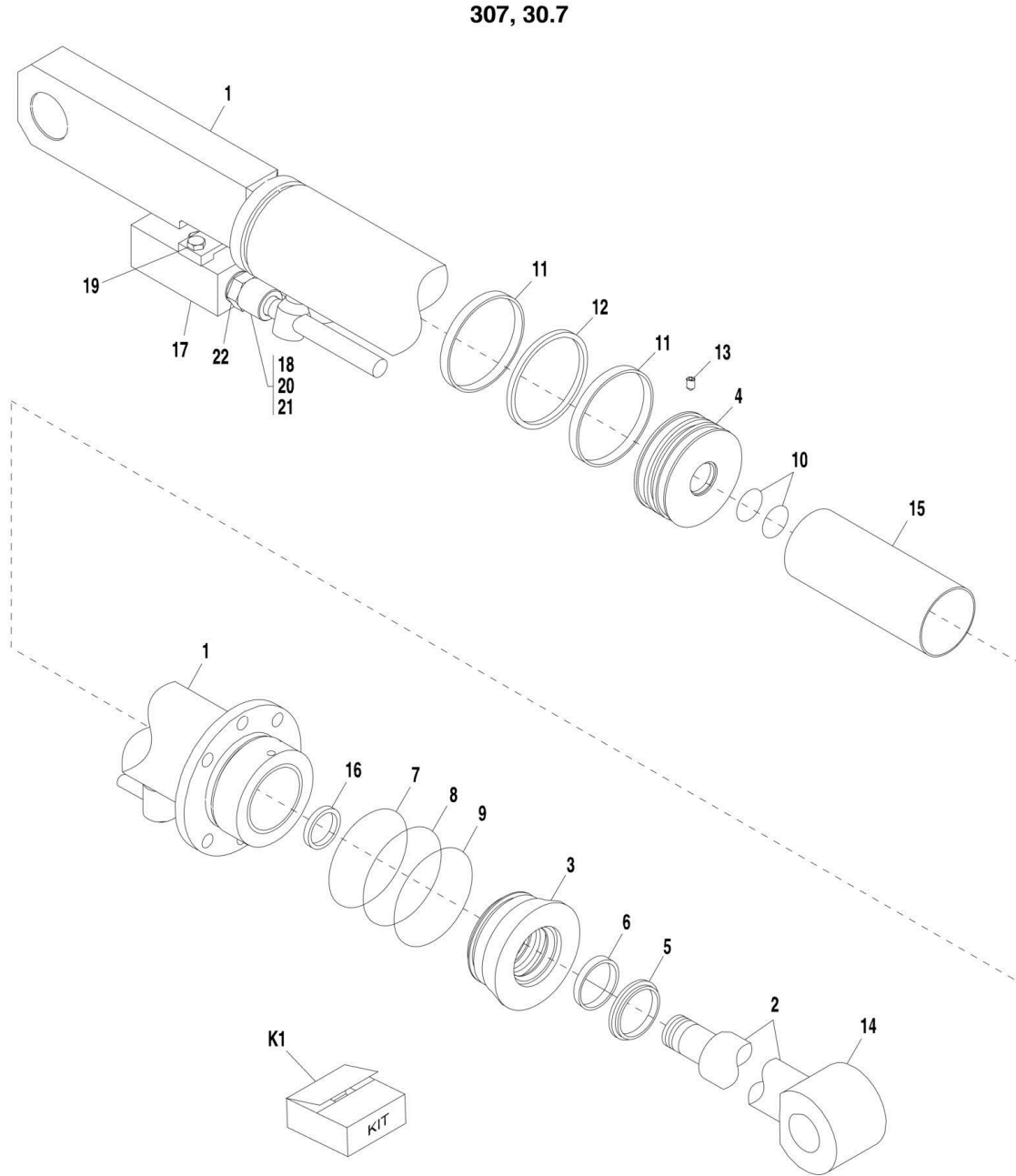
SECTION 9 - HYDRAULIC COMPONENTS

FIGURE 9-3. CROWD CYLINDER (266, 266 LOPRO, 26.6 & 26.6LP)

ITEM	PART NUMBER	QTY	DESCRIPTION	REV
	1684359	1	CROWD CYLINDER, (266, 266 LOPRO, 26.6, 26.6 LP), (includes items 1 thru 22)	C
1	7028329	1	CASE ASSY	
2	7029993	1	PISTON ROD ASSY, (includes item 14)	
3	7028331	1	GLAND, (torque to 300-350 Nm)	
4	7028332	1	PISTON, (torque to 550-600 Nm)	
5	Kit	1	WIPER RING	
6	Kit	1	ROD SEAL	
7	Kit	1	O-RING	
8	Kit	1	BACKRING	
9	Kit	1	O-RING	
10	Kit	2	O-RING	
11	Kit	2	WEAR RING	
12	Kit	1	PISTON SEAL	
13	Kit	1	SET SCREW, (torque to 20-25 Nm)	
14	item 2	1	ROD-EYE	
15	7028342	1	SPACER	
16	7028343	1	BEARING	
17	70020366	1	PRESSURE RELIEF VALVE	
18	7028345	2	SCREW NIPPLE	
19	7028346	2	HEX SCREW	
20	Kit	2	O-RING	
21	Kit	4	BACK-RING	
22	7028349	2	SEAL	
K1	7028328	1	SEAL KIT, (includes items 5 thru 13, 20 & 21)	

SECTION 9 - HYDRAULIC COMPONENTS

FIGURE 9-4. CROWD CYLINDER (307 & 30.7)



ART_3126025-9-4

SECTION 9 - HYDRAULIC COMPONENTS

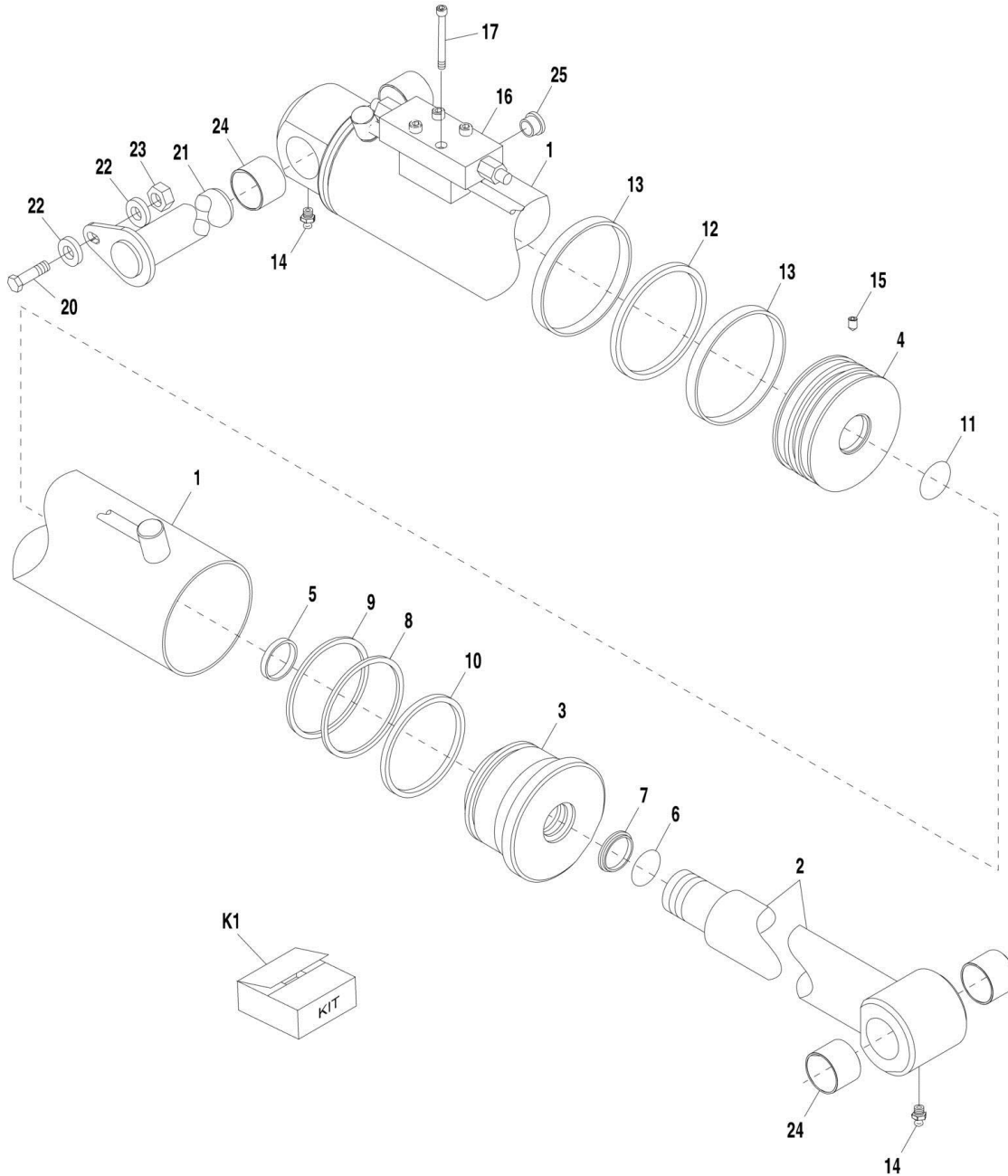
FIGURE 9-4. CROWD CYLINDER (307 & 30.7)

ITEM	PART NUMBER	QTY	DESCRIPTION	REV
	1684363	1	CROWD CYLINDER, (307, 30.7), (includes items 1 thru 22)	F
1	7028350	1	CASE ASSY	
2	7029993	1	PISTON ROD ASSY, (includes item 14)	
3	7028331	1	GLAND, (torque to 300-350 Nm)	
4	7028332	1	PISTON, (torque to 550-600 Nm)	
5	Kit	1	WIPER RING	
6	Kit	1	ROD SEAL	
7	Kit	1	O-RING	
8	Kit	1	BACKRING	
9	Kit	1	O-RING	
10	Kit	2	O-RING	
11	Kit	2	WEAR RING	
12	Kit	1	PISTON SEAL	
13	Kit	1	SET SCREW, (torque to 20-25 Nm)	
14	item 2	1	ROD-EYE	
15	7028342	1	SPACER	
16	7028343	1	BEARING	
17	70020366	1	PRESSURE RELIEF VALVE	
18	7028345	2	SCREW NIPPLE	
19	7028346	2	HEX SCREW	
20	Kit	2	O-RING	
21	Kit	4	BACK-RING	
22	7028349	2	SEAL	
K1	7028328	1	SEAL KIT, (includes items 5 thru 13, 20 & 21)	

SECTION 9 - HYDRAULIC COMPONENTS

FIGURE 9-5. TILT CYLINDER (266, 266 LOPRO, 26.6 & 26.6LP)

266, 266 LoPro, 26.6, 26.6 LP



ART_3126025-9-5

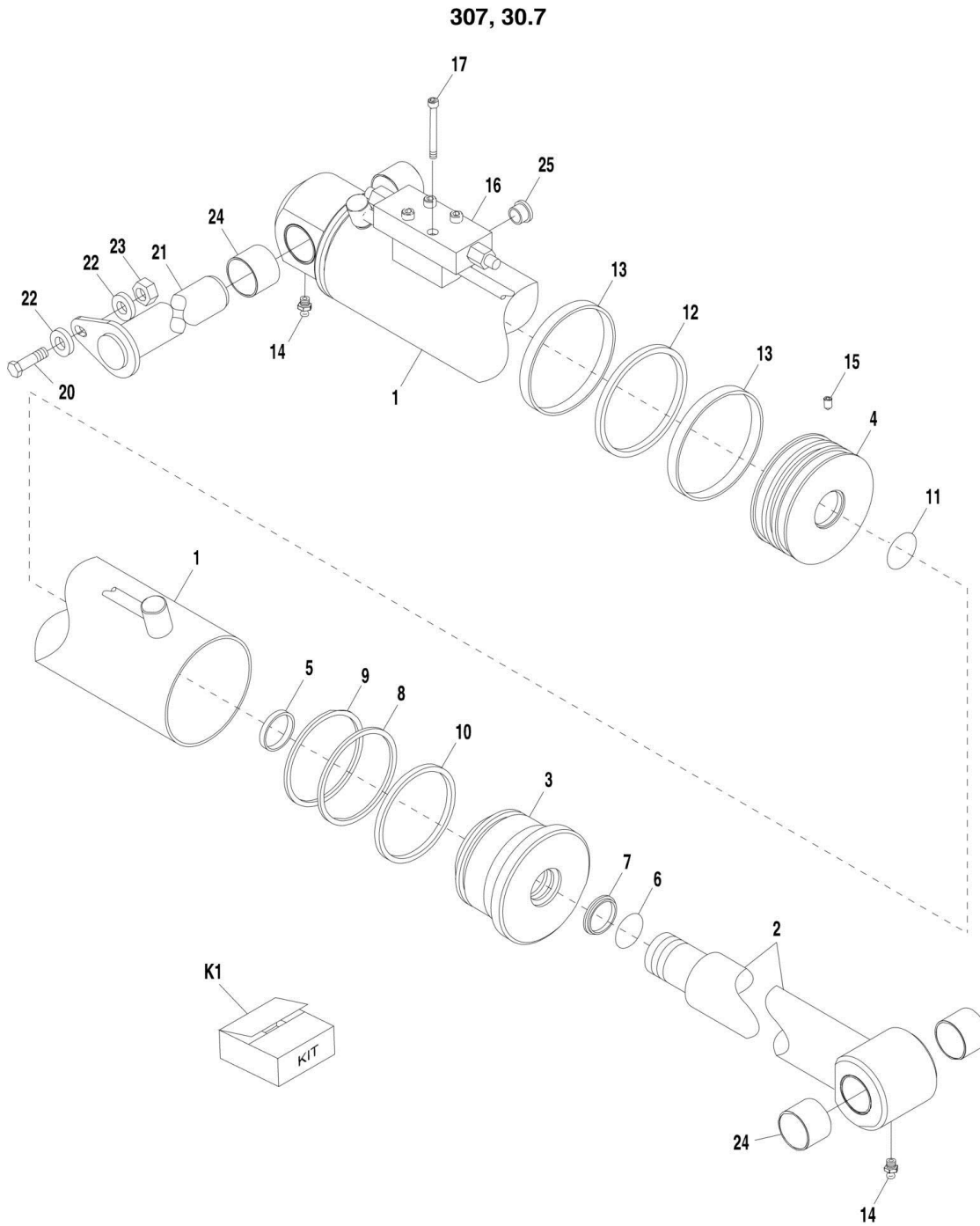
SECTION 9 - HYDRAULIC COMPONENTS

FIGURE 9-5. TILT CYLINDER (266, 266 LOPRO, 26.6 & 26.6LP)

ITEM	PART NUMBER	QTY	DESCRIPTION	REV
	1684357	1	TILT CYLINDER, (266, 266 LoPro, 26.6, 26.6 LP), (includes items 1 thru 17, 24 & 25)	D
1	7028353	1	CASE ASSY	
2	7028354	1	PISTON ROD	
3	7028355	1	GLAND, (torque to 400-450 Nm)	
4	7028356	1	PISTON, (torque to 1285-1335 Nm)	
5	7028357	1	BUSHING	
6	Kit	1	WIPER RING	
7	Kit	1	ROD SEAL	
8	Kit	1	BACKRING	
9	Kit	1	O-RING	
10	Kit	1	O-RING	
11	Kit	1	O-RING	
12	Kit	1	PISTON SEAL	
13	Kit	2	WEAR RING	
14	7028314	2	GREASE NIPPLE	
15	Kit	1	SET SCREW, (torque to 20-25 Nm)	
16	7029241	1	LOAD CONTROL VALVE	
17	7028317	4	HEX SOCKET HD SCREW	
20	0701217	1	HEX HD CAPSCREW, 12X45	
21	3423219	1	TILT CYLINDER PIN	
22	4812100	2	FLAT WASHER, 12mm	
23	3291201	1	HEX NUT, M12X1.75	
24	7028899	4	BEARING	
25	7029244	2	SCREW PLUG	
K1	7028352	1	SEAL KIT, (includes items 6 thru 13 & 15)	

SECTION 9 - HYDRAULIC COMPONENTS

FIGURE 9-6. TILT CYLINDER (307 & 30.7)



ART_3126025-9-6

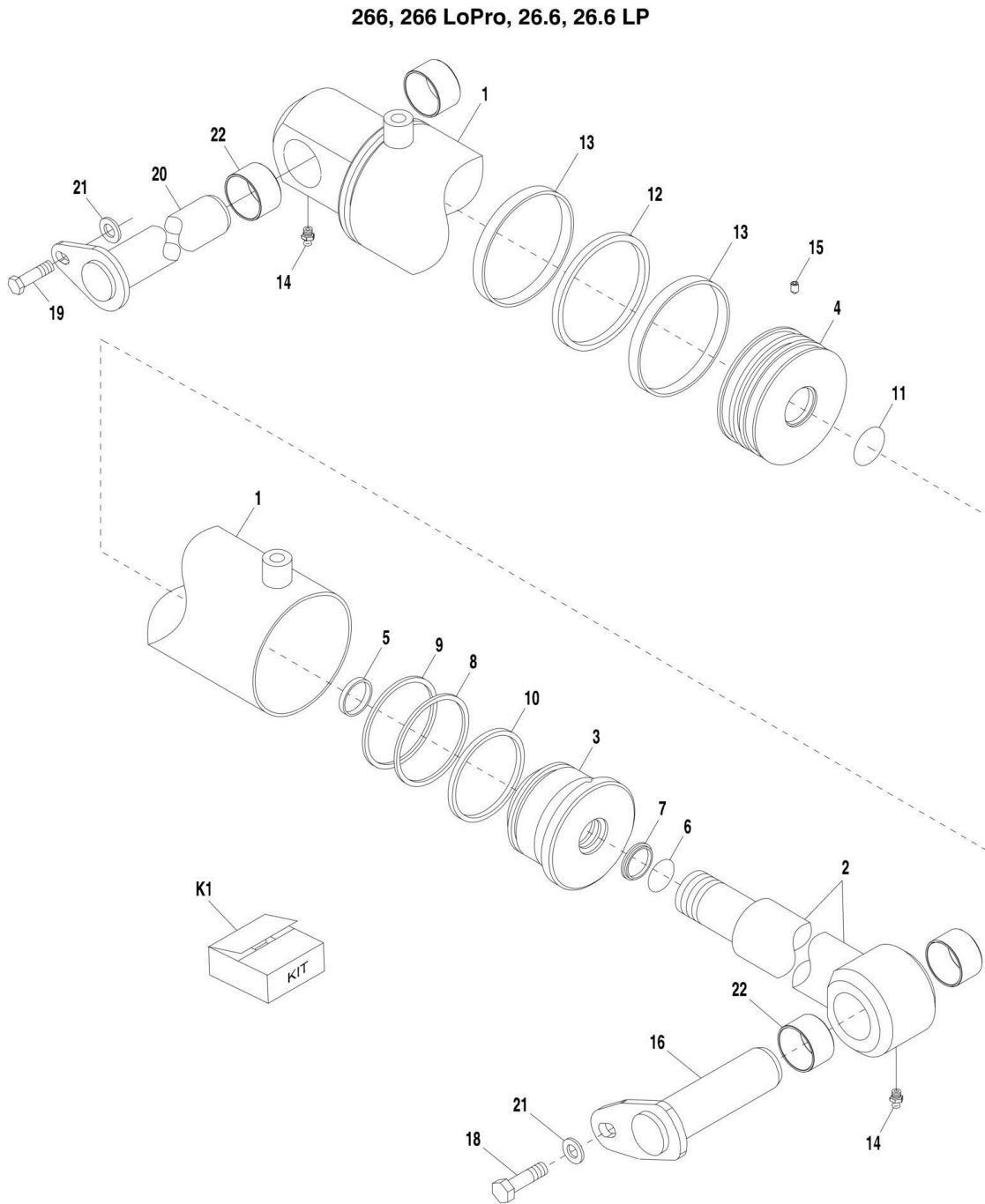
SECTION 9 - HYDRAULIC COMPONENTS

FIGURE 9-6. TILT CYLINDER (307 & 30.7)

ITEM	PART NUMBER	QTY	DESCRIPTION	REV
	1684361	1	TILT CYLINDER, (307, 30.7), (includes items 1 thru 17, 24 & 25)	C
1	7028366	1	CASE ASSY	
2	7028367	1	PISTON ROD	
3	7028321	1	GLAND, (torque to 700-750 Nm)	
4	7028322	1	PISTON, (torque to 2630-2680 Nm)	
5	7028856	1	BUSHING	
6	Kit	1	WIPER RING	
7	Kit	1	ROD SEAL	
8	Kit	1	BACKRING	
9	Kit	1	O-RING	
10	Kit	1	O-RING	
11	Kit	1	O-RING	
12	Kit	1	PISTON SEAL	
13	Kit	2	PISTON GUIDE RING	
14	7028314	2	GREASE NIPPLE	
15	Kit	1	SET SCREW, (torque to 20-25 Nm)	
16	7029241	1	LOAD CONTROL VALVE	
17	7028584	4	HEX SOCKET HD SCREW	
20	0701217	1	HEX HD CAPSCREW, 12X45	
21	3423224	1	TILT CYLINDER PIN	
22	4812100	2	FLAT WASHER, 12mm	
23	3291201	1	HEX NUT, M12X1.75	
24	7028899	4	BEARING	
25	7029244	2	SCREW PLUG	
K1	7028318	1	SEAL KIT, (includes items 6 thru 13 & 15)	

SECTION 9 - HYDRAULIC COMPONENTS

FIGURE 9-7. COMPENSATING CYLINDER (266, 266 LOPRO, 26.6 & 26.6LP)



ART_3126025-9-7

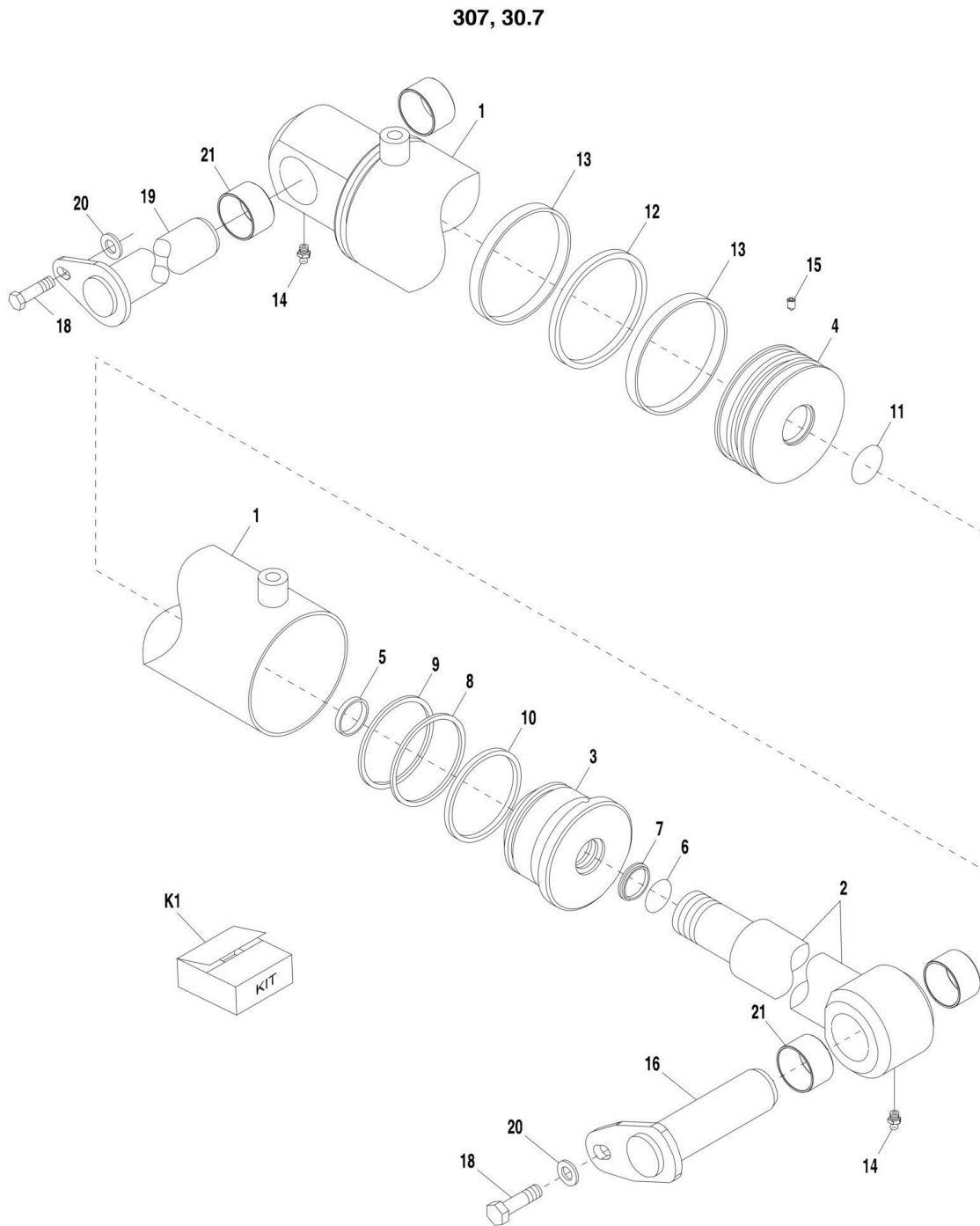
SECTION 9 - HYDRAULIC COMPONENTS

FIGURE 9-7. COMPENSATING CYLINDER (266, 266 LOPRO, 26.6 & 26.6LP)

ITEM	PART NUMBER	QTY	DESCRIPTION	REV
	1684358	1	COMPENSATING CYLINDER, (266, 266 LoPro, 26.6, 26.6 LP), (includes items 1 thru 15 & 22)	C
1	7028368	1	CASE ASSY	
2	7028369	1	PISTON ROD	
3	7028355	1	GLAND, (torque to 400-450 Nm)	
4	7028356	1	PISTON, (torque to 1115-1165 Nm)	
5	7028357	1	BUSHING	
6	Kit	1	WIPER RING	
7	Kit	1	ROD SEAL	
8	Kit	1	BACKRING	
9	Kit	1	O-RING	
10	Kit	1	O-RING	
11	Kit	1	O-RING	
12	Kit	1	PISTON SEAL	
13	Kit	2	WEAR RING	
14	7028314	2	GREASE NIPPLE	
15	7028315	1	SET SCREW, (torque to 20-25 Nm)	
16	3423217	1	COMP CYLINDER PIN	
18	0701217	1	HEX HD CAPSCREW, 12X45, GR 8.8	
19	0761215	1	HEX HD CAPSCREW, 12X35, GR 8.8	
20	3423216	1	COMP CYLINDER PIN	
21	4812100	2	FLAT WASHER, 12mm	
22	7029243	4	BEARING	
K1	7028352	1	SEAL KIT, (includes items 6 thru 13 & 15)	

SECTION 9 - HYDRAULIC COMPONENTS

FIGURE 9-8. COMPENSATING CYLINDER (307 & 30.7)



ART_3126025-9-8

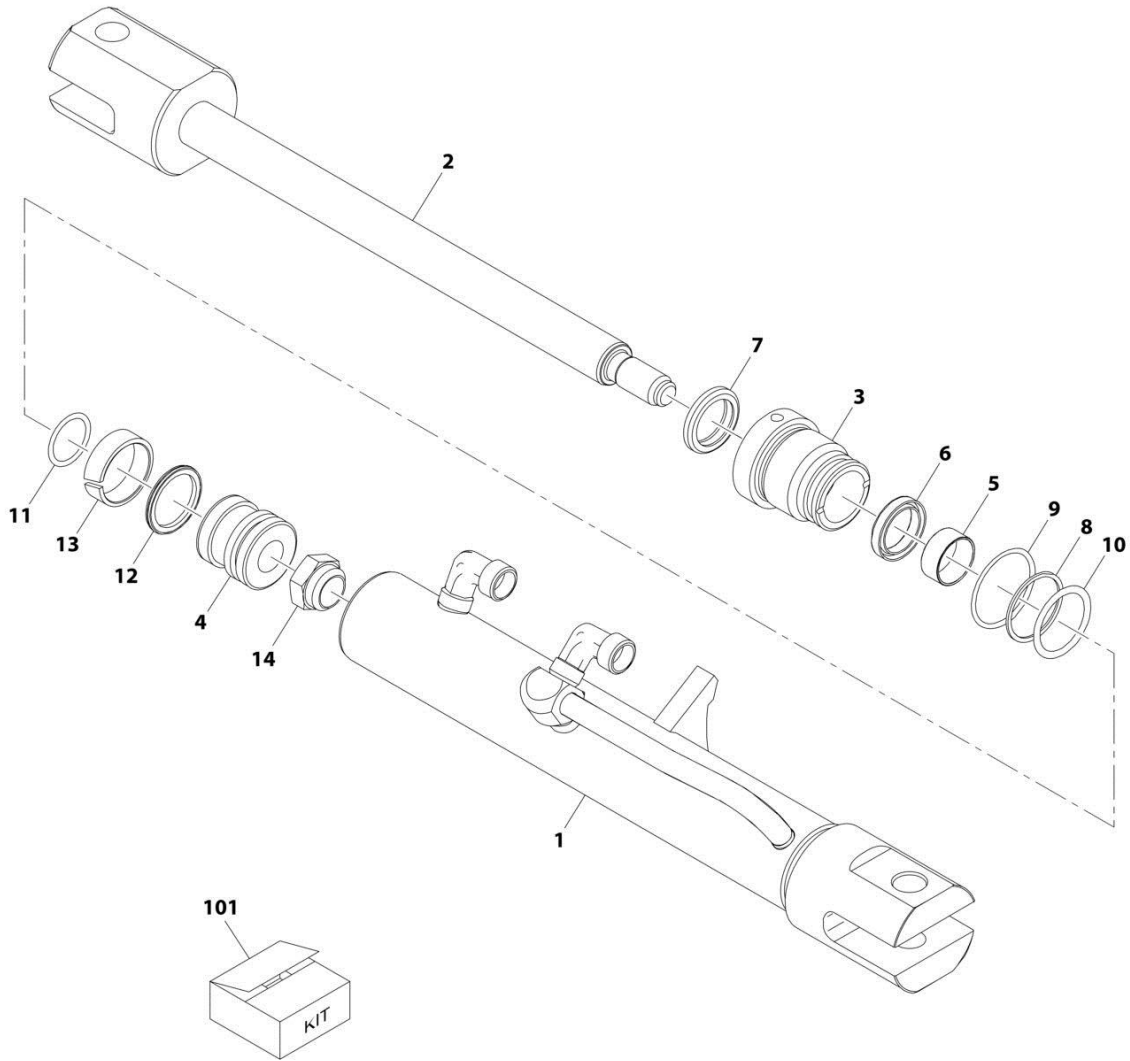
SECTION 9 - HYDRAULIC COMPONENTS

FIGURE 9-8. COMPENSATING CYLINDER (307 & 30.7)

ITEM	PART NUMBER	QTY	DESCRIPTION	REV
	1684362	1	COMPENSATING CYLINDER, (307, 30.7), (includes items 1 thru 15 & 21)	E
1	7028370	1	CASE ASSY	
2	7028371	1	PISTON ROD	
3	7028321	1	GLAND, (torque to 400-450 Nm)	
4	7028322	1	PISTON, (torque to 1115-1165 Nm)	
5	7028856	1	BUSHING	
6	Kit	1	WIPER RING	
7	Kit	1	ROD SEAL	
8	Kit	1	BACKRING	
9	Kit	1	O-RING	
10	Kit	1	O-RING	
11	Kit	1	O-RING	
12	Kit	1	PISTON SEAL	
13	Kit	2	WEAR RING	
14	7028314	2	GREASE NIPPLE	
15	Kit	1	SET SCREW, (torque to 20-25 Nm)	
16	3423221	1	COMP CYLINDER PIN	
18	0761215	2	HEX HD CAPSCREW, 12X35, GR 8.8	
19	3423222	1	COMP CYLINDER PIN	
20	4812100	2	FLAT WASHER, 12mm	
21	7028899	4	BEARING	
K1	7028318	1	SEAL KIT, (includes items 6 thru 13 & 15)	

SECTION 9 - HYDRAULIC COMPONENTS

FIGURE 9-9. FORK LOCKING CYLINDER



ART_1684404-E

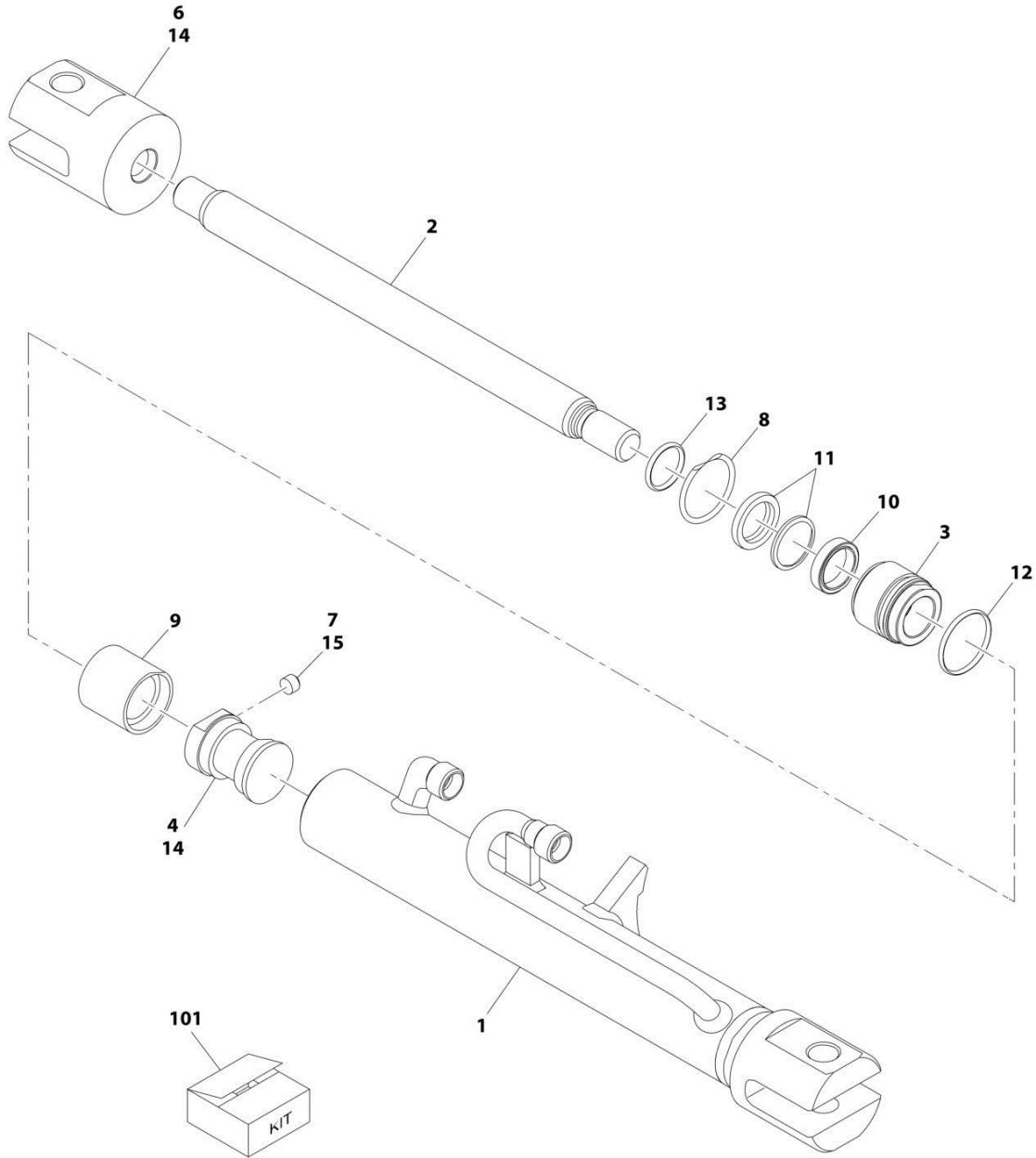
SECTION 9 - HYDRAULIC COMPONENTS

FIGURE 9-9. FORK LOCKING CYLINDER

ITEM	PART NUMBER	QTY	DESCRIPTION	REV
	1684404	NLA	FORK LOCKING CYLINDER, (includes all items), (no longer available, order 1001107513 for service replacement)	E
1	7028792	1	CYLINDER HOUSING	
2	7028784	1	PISTON ROD	
3	7028786	1	GLAND	
4	7028794	1	PISTON	
5	7028787	1	BEARING	
6	Kit	1	ROD SEAL	
7	Kit	1	WIPER	
8	Kit	1	BACK-UP RING	
9	Kit	1	O-RING	
10	Kit	1	O-RING	
11	Kit	1	O-RING	
12	Kit	1	PISTON SEAL	
13	Kit	1	WEAR RING	
14	Kit	1	LOCKNUT	
101	7029225	1	SEAL KIT, (includes items 6 thru 14)	

SECTION 9 - HYDRAULIC COMPONENTS

FIGURE 9-10. FORK LOCKING CYLINDER ASSEMBLY



ART_1001107513-A

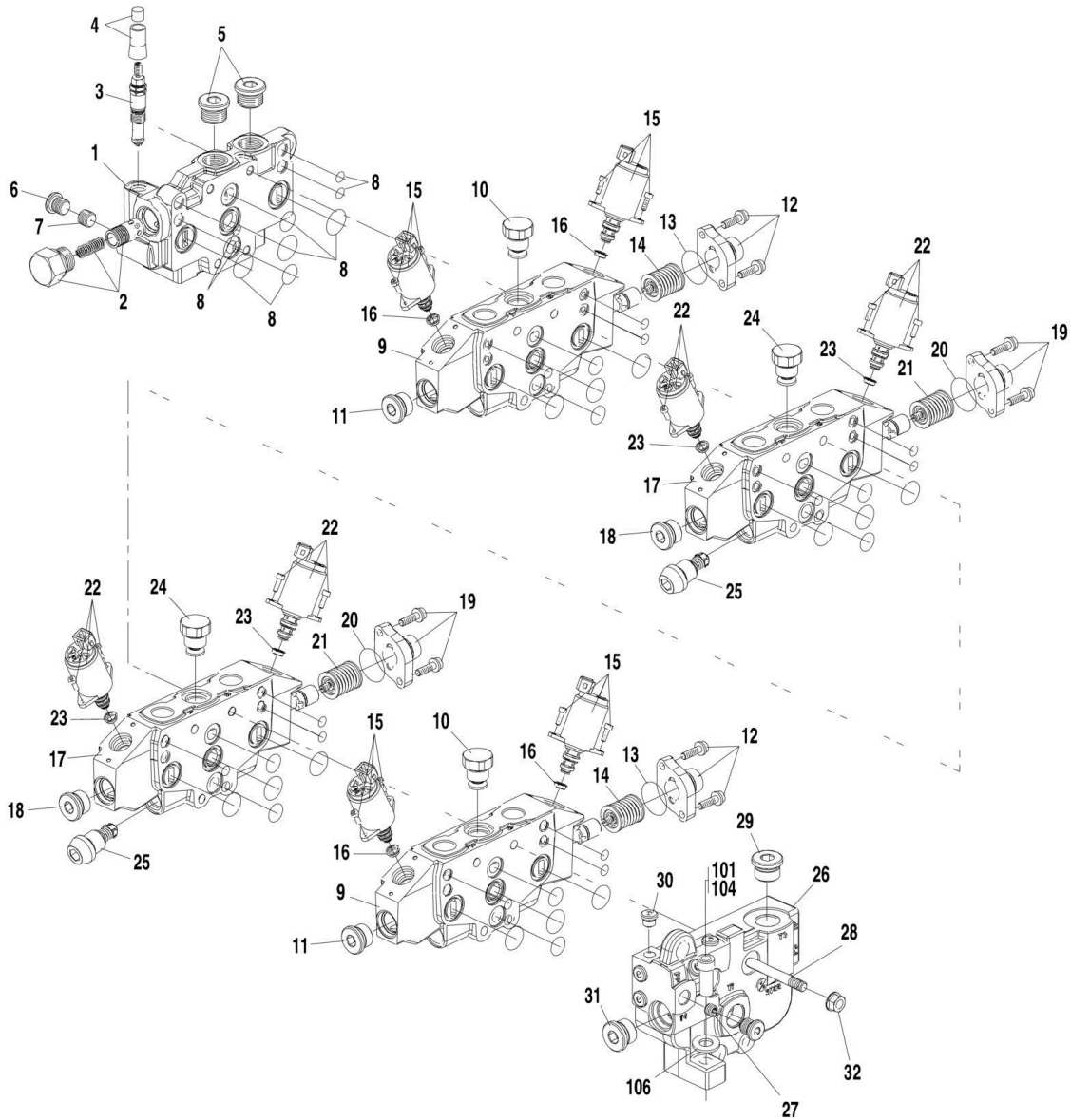
SECTION 9 - HYDRAULIC COMPONENTS

FIGURE 9-10. FORK LOCKING CYLINDER ASSEMBLY

ITEM	PART NUMBER	QTY	DESCRIPTION	REV
	1001107513	1	FORK LOCKING CYLINDER, (includes items 1 thru 13)	A
1	70022698	1	CYLINDER HOUSING	
2	70022699	1	PISTON ROD	
3	70022704	1	GLAND	
4	70022703	1	PISTON, (torque to 36 Nm)	
6	70022701	1	CLEVIS, (torque to 36 Nm)	
7	70022702	1	SET SCREW, (torque to 20 Nm)	
8	70022700	1	RETAINER RING	
9	Kit	1	PISTON SEAL	
10	Kit	1	ROD SEAL	
11	Kit	1	2 PIECE SEAL	
12	Kit	1	O-RING	
13	Kit	1	O-RING	
14	0100011	AR	LOCTITE 242, (apply to items 4 & 6)	
15	0100035	AR	LOCTITE 222, (apply to item 7)	
101	70022705	1	SEAL KIT, (includes items 9 thru 13)	

SECTION 9 - HYDRAULIC COMPONENTS

FIGURE 9-11. MAIN CONTROL VALVE (266;26.6 Prior to SN 1160003518; 307;30.7 Prior to SN 1160003514; 266 LoPro;26.6 LP Prior to SN 1160003525)



SECTION 9 - HYDRAULIC COMPONENTS

FIGURE 9-11. MAIN CONTROL VALVE (266;26.6 Prior to SN 1160003518; 307;30.7 Prior to SN 1160003514; 266 LoPro;26.6 LP Prior to SN 1160003525)

ITEM	PART NUMBER	QTY	DESCRIPTION	REV
	4641359	1	MAIN CONTROL VALVE, (includes items 1 thru 32)	
1	7029082	1	INLET SECTION ASSY, (includes items 1 thru 7)	
2	7029083	1	MAIN STAGE	
3	7029084	1	RELIEF VALVE	
4	7029085	1	SEALING SET	
5	7029086	2	PLUG	
6	80233260	1	PLUG	
7	7029087	1	ORIFICE	
8	7029088	5	SEAL KIT	
9	7029089	2	SECTION ASSY, (CROWD AND HOIST), (includes items 10 thru 16)	
10	7029097	2	CHECK VALVE	
11	7029091	2	PLUG	
12	7029092	2	CAP KIT	
13	7029093	2	O-RING	
14	7029094	2	SPRING PACK	
15	7029095	4	SOLENOID VALVE	
16	7029096	4	ORIFICE	
17	7029090	2	SECTION ASSY, (TILT AND AUX), (includes items 18 thru 25)	
18	7029091	2	PLUG	
19	7029092	2	CAP KIT	
20	7029093	2	O-RING	
21	7029094	2	SPRING PACK	
22	7029095	4	SOLENOID VALVE	
23	7029096	4	ORIFICE	
24	7029097	2	CHECK VALVE	
25	7029098	4	RELIEF VALVE	
26	7029099	1	OUTLET SECTION ASSY, (includes items 27 thru 31)	
27	7029100	1	PLUG ASSY	
28	7029101	1	TIE ROD KIT, (includes quantity of 4)	
29	7029086	1	PLUG	
30	7029102	1	PLUG KIT, (includes quantity of 5)	
31	7029091	1	PLUG	
32	7029608	4	NUT	
101	0100011	AR	LOCTITE, #242	
104	4032011	3	SOCKET HD CAPSCREW, M10X35	
106	4812000	3	FLAT WASHER, 10mm	

SECTION 9 - HYDRAULIC COMPONENTS

FIGURE 9-12. MAIN CONTROL VALVE (266;26.6 SN 1160003518 to Present; 307;30.7 SN 1160003514 to Present; 266 LoPro;26.6 LP SN 1160003525 to Present)

INFORMATION NOT AVAILABLE AT TIME OF PUBLICATION

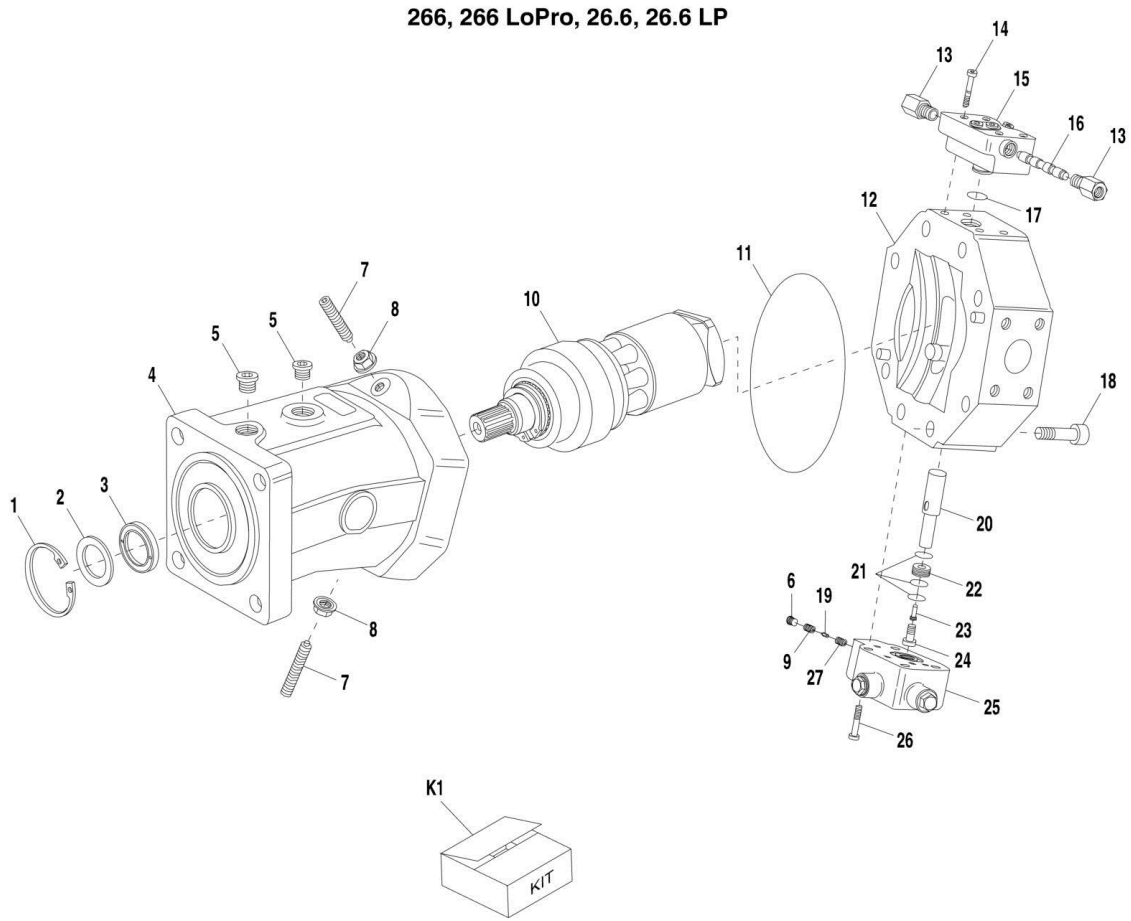
SECTION 9 - HYDRAULIC COMPONENTS

FIGURE 9-12. MAIN CONTROL VALVE (266;26.6 SN 1160003518 to Present; 307;30.7 SN 1160003514 to Present; 266 LoPro;26.6 LP SN 1160003525 to Present)

ITEM	PART NUMBER	QTY	DESCRIPTION	REV
	1001099032	1	MAIN CONTROL VALVE, (includes items 1 thru 27)	B
1	70023157	1	INLET SECTION ASSY, (includes items 2 thru 7)	
2	7029083	1	MAIN STAGE	
3	7029084	1	RELIEF VALVE	
3	70024374	1	SEAL KIT, RELIEF VALVE	
4	83304118	1	SEALING SET	
5		Ref	PLUG, HOLLOW HEX	
6		Ref	PLUG	
7	7029087	1	ORIFICE	
8	7029088	5	SEAL KIT	
9	70023158	1	SECTION ASSY, (LIFT AND TILT), (includes items 10 thru 16)	
10	7029097	4	CHECK VALVE	
10	70024371	1	SEAL KIT, CHECK VALVE	
11	70024372	4	PLUG, CAVITY	
11	88304161	1	SEAL KIT	
12	70024375	8	ACTUATOR CAP	
13	70024366	2	SEAL KIT, SIDE SECTION	
14	70024367	8	SPRING PACK	
15	70024368	8	SOLENOID VALVE	
16	70024369	1	SEAL KIT, SOLENOID VALVE	
17	70023159	1	SECTION ASSY, AUX AND EXTEND/RETRACT, (includes items 18 thru 20)	
18	7029098	4	RELIEF VALVE	
19	70024373	1	SEAL KIT	
20	70024370	8	PILOT ORIFCE KIT	
21	70023160	1	OUTLET SECTION ASSY, (includes items 22 thru 24)	
22	7029100	1	PLUG ASSY	
23	7029101	1	TIE ROD KIT, (includes quantity of 4)	
24	7029608	4	NUT	
25		Ref	PLUG	
26		Ref	PLUG	
27		Ref	PLUG ASSY	
101	0100011	AR	LOCTITE, #242	
104	4032011	3	SOCKET HD CAPSCREW, M10X35	
106	4812000	3	FLAT WASHER, 10mm	

SECTION 9 - HYDRAULIC COMPONENTS

FIGURE 9-13. FRONT DRIVE MOTOR (266, 266 LOPRO, 26.6 & 26.6LP)



ART_3126025-9-12

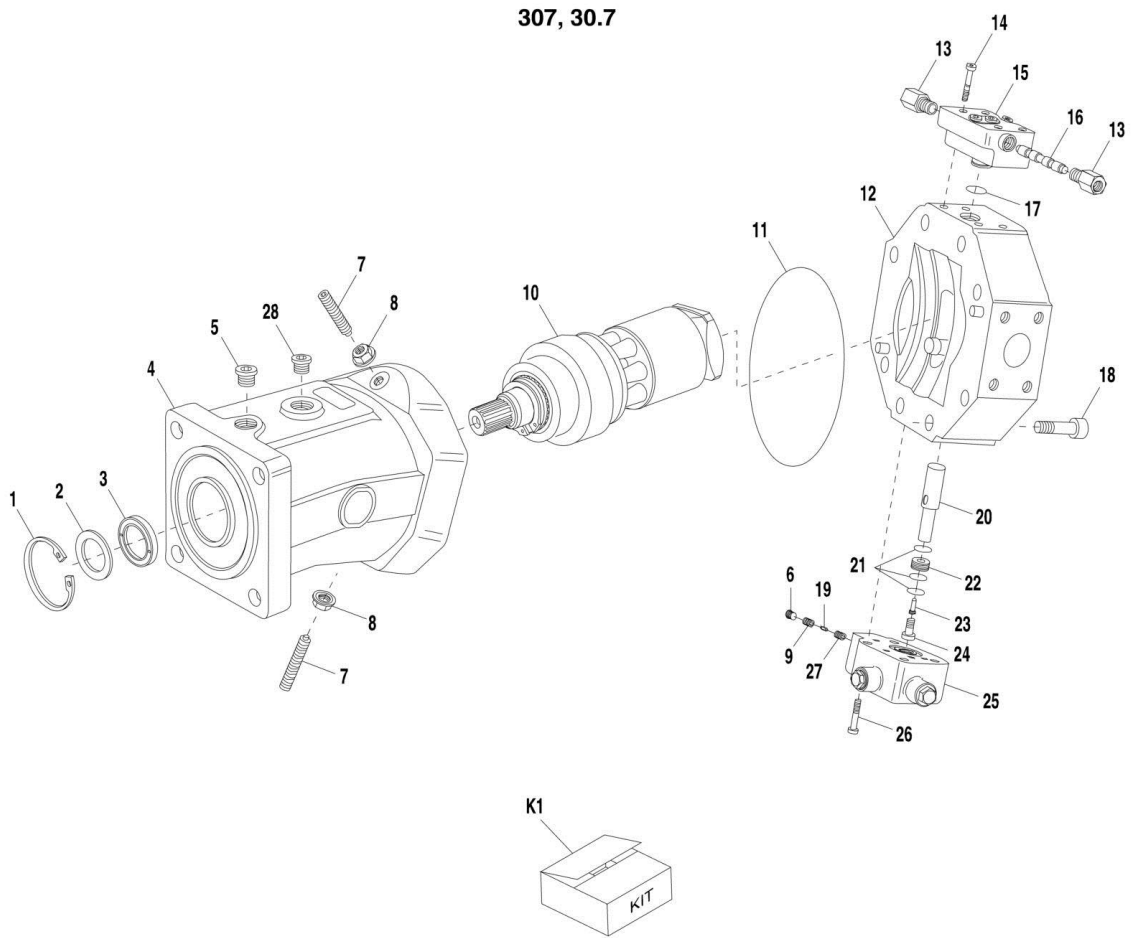
SECTION 9 - HYDRAULIC COMPONENTS

FIGURE 9-13. FRONT DRIVE MOTOR (266, 266 LOPRO, 26.6 & 26.6LP)

ITEM	PART NUMBER	QTY	DESCRIPTION	REV
	3160304	1	FRONT DRIVE MOTOR, (266, 266 LoPro, 26.6, 26.6 LP), (includes all items)	D
1	80934052	1	SNAP RING	
2	7028802	1	SHIM	
3	Kit	1	SHAFT SEAL	
4	7028800	1	HOUSING	
5	7028801	2	PLUG, M18X1.5	
6	7028805	1	PLUG, M14X1.5	
7	7028804	2	STOP SCREW KIT	
8	Kit	2	SEAL NUT, M12	
9	7028806	1	ORIFICE SEAT, (outer)	
10	7028798	1	ROTARY GROUP	
11	Kit	1	O-RING	
12	7028799	1	CONTROL ASSY, (includes items 15, 18 & 20 thru 25)	
13	7028807	2	FITTING	
14	7028808	4	CAPSCREW, M8X50	
15	7028809	1	DA1 CONTROL, (includes items 13, 14, 16 & 17)	
16	7028810	1	SLIDER	
17	Kit	1	O-RING	
18	7028811	8	CAPSCREW, M12X35	
19	7028812	1	SHUTTLE ORIFICE	
20	7028813	1	STROKING PISTON	
21	7028814	3	SQUARE-RING	
22	7028815	1	PISTON	
23	7028816	1	THREADED PIN	
24	7028817	1	CAPSCREW, M12X25	
25	7028818	1	FLUSHING VALVE, (includes items 6, 9, 26 & 27)	
26	7028819	4	CAPSCREW, M10X55	
27	83924123	1	ORIFICE SEAT, (inner)	
K1	7028803	1	SEAL KIT, (includes items 3, 8, 11, 17 & additional items not illustrated)	

SECTION 9 - HYDRAULIC COMPONENTS

FIGURE 9-14. FRONT DRIVE MOTOR (307 & 30.7)



ART_3126025-9-13

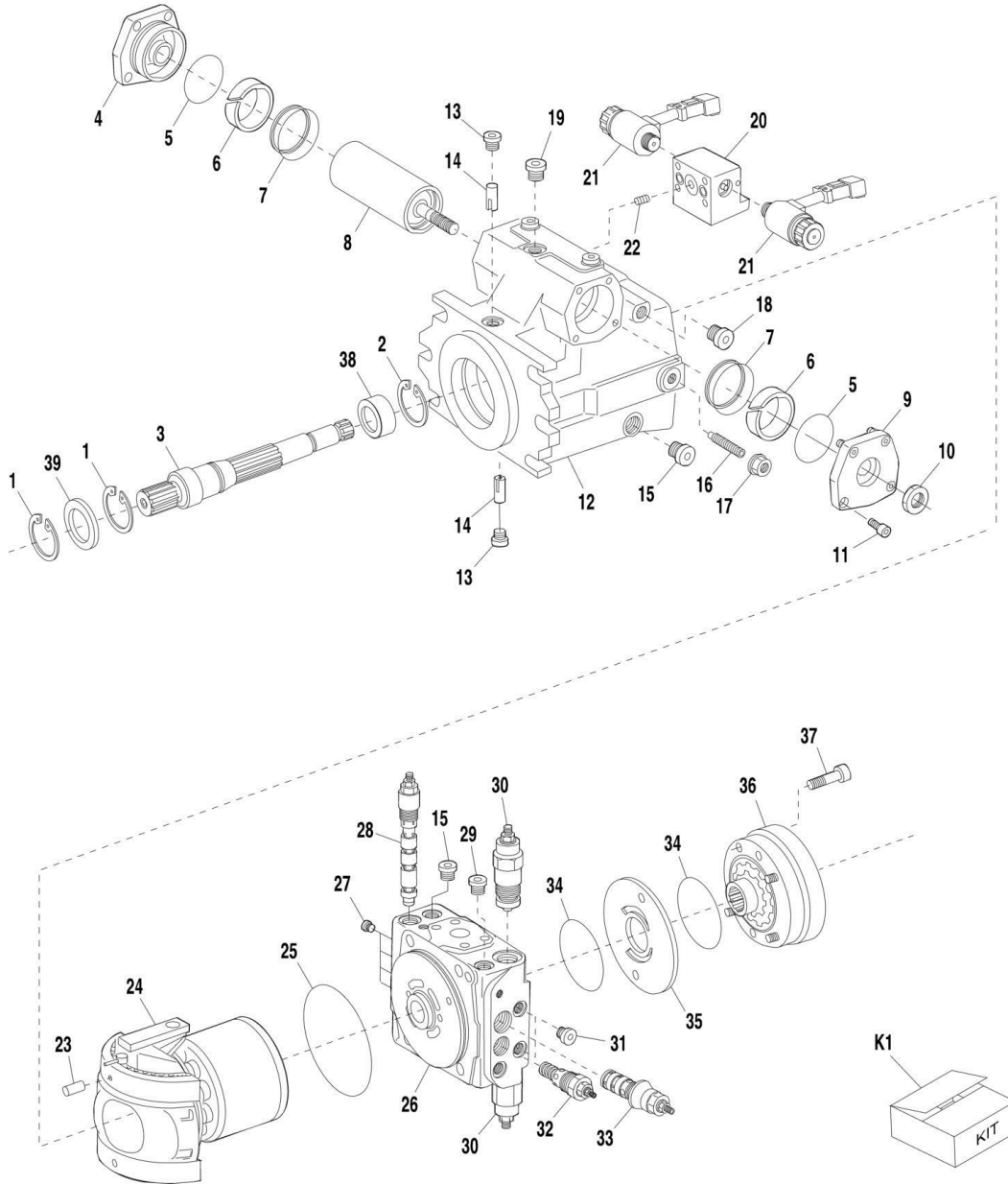
SECTION 9 - HYDRAULIC COMPONENTS

FIGURE 9-14. FRONT DRIVE MOTOR (307 & 30.7)

ITEM	PART NUMBER	QTY	DESCRIPTION	REV
	3160305	1	FRONT DRIVE MOTOR, (307, 30.7), (includes all items)	D
1	7028821	1	SNAP RING	
2	7028822	1	SHIM	
3	Kit	1	SHAFT SEAL	
4	7028823	1	HOUSING	
5	7028824	1	PLUG, M22X1.5	
6	7028805	1	PLUG, M14X1.5	
7	7028804	2	STOP SCREW KIT	
8	Kit	2	SEAL NUT, M12	
9	7028806	1	ORIFICE SEAT, (outer)	
10	7028825	1	ROTARY GROUP	
11	Kit	1	O-RING	
12	7028826	1	CONTROL ASSY, (includes items 15, 18 & 20 thru 25)	
13	7028807	2	FITTING	
14	7028808	4	CAPSCREW, M8X50	
15	7028827	1	DA1 CONTROL, (includes items 13, 14, 16 & 17)	
16	7028810	1	SLIDER	
17	Kit	1	O-RING	
18	7028828	8	CAPSCREW, M16X45	
19	7028812	1	SHUTTLE ORIFICE	
20	7028829	1	STROKING PISTON	
21	7028830	3	SQUARE-RING	
22	7028831	1	PISTON	
23	7028832	1	THREADED PIN	
24	7028833	1	CAPSCREW, M14X25	
25	7028834	1	FLUSHING VALVE, (includes items 6, 9, 26 & 27)	
26	7028835	4	CAPSCREW, M10X55	
27	83924123	1	ORIFICE SEAT, (inner)	
28	7028836	1	PLUG, M26X1.5	
K1	7028820	1	SEAL KIT, (includes items 3, 8, 11, 17 & additional items not illustrated)	

SECTION 9 - HYDRAULIC COMPONENTS

FIGURE 9-15. HYDROSTATIC TRANSMISSION PUMP



ART_3126025-9-14

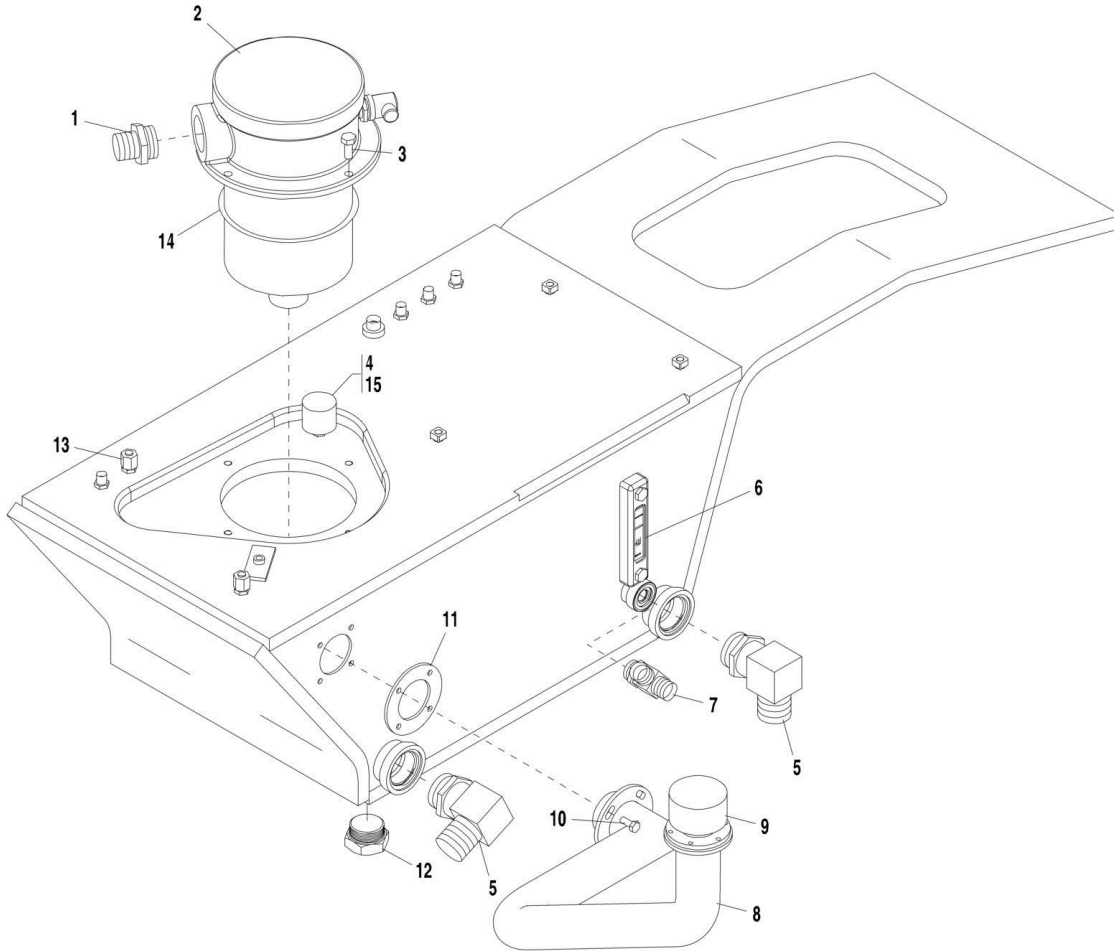
SECTION 9 - HYDRAULIC COMPONENTS

FIGURE 9-15. HYDROSTATIC TRANSMISSION PUMP

ITEM	PART NUMBER	QTY	DESCRIPTION	REV
	3600390	1	HYDROSTATIC TRANSMISSION PUMP, (includes all items)	D
1	7029940	2	RETAINING RING	
2	7029941	1	RETAINING RING	
3	7028865	1	DRIVE SHAFT	
4	7028866	1	COVER	
5	Kit	2	O-RING	
6	Kit	2	GUIDE RING	
7	Kit	2	TURCON-GLYD RING AND O-RING	
8	7028868	1	STROKING PISTON ASSY	
9	7028869	1	COVER	
10	7028870	1	HEX NUT	
11	7028871	8	SOCKET HD SCREW, M8X20	
12	NISE	1	HOUSING	
13	Kit	2	PLUG	
14	7028873	2	JOINT PIN	
15	Kit	2	PLUG	
16	N.S.S.	1	ECCENTRIC SCREW	
17	Kit	1	SEAL LOCKNUT, M12X1	
18	Kit	1	LOCKING SCREW	
19	Kit	4	LOCKING SCREW	
20	7028875	1	4/3-WAY DIRECTIONAL VALVE, (includes item 21)	
21	7028876	1	SOLENOID PAIR	
22	Kit	1	THROTTLE SCREW	
23	7028877	2	CLAMPING PIN	
24	7028878	1	ROTARY GROUP, (includes items 1, 2, 3 & 40)	
25	Kit	1	O-RING	
26	7028879	1	PORT BLOCK w/VALVES, (includes items 25 & 27 thru 32)	
27	Kit	4	LOCKING SCREW	
28	7028880	1	P.O.R. VALVE	
29	Kit	1	LOCKING SCREW	
30	70022729	2	RELIEF VALVE	
31	Kit	2	LOCKING SCREW	
32	7028881	1	PRESSURE RELIEF VALVE	
33	91144099	1	CONTROL CARTRIDGE	
34	Kit	2	O-RING	
35	item 36	1	WEAR PLATE	
36	7028882	1	CHARGE PUMP, (includes items 34, 35, 37 & 38)	
37	item 36	4	CAPSCREW, M10X25, GR8.8	
38	80234023	1	SHAFT BEARING	
39	70023022	1	SHAFT SEAL RING	
K1	7029534	1	SEAL KIT, (includes items 5, 6, 7, 13, 15, 17, 18, 19, 22, 25, 27, 29, 31, 34 & 39)	

SECTION 9 - HYDRAULIC COMPONENTS

FIGURE 9-16. HYDRAULIC TANK ASSEMBLY



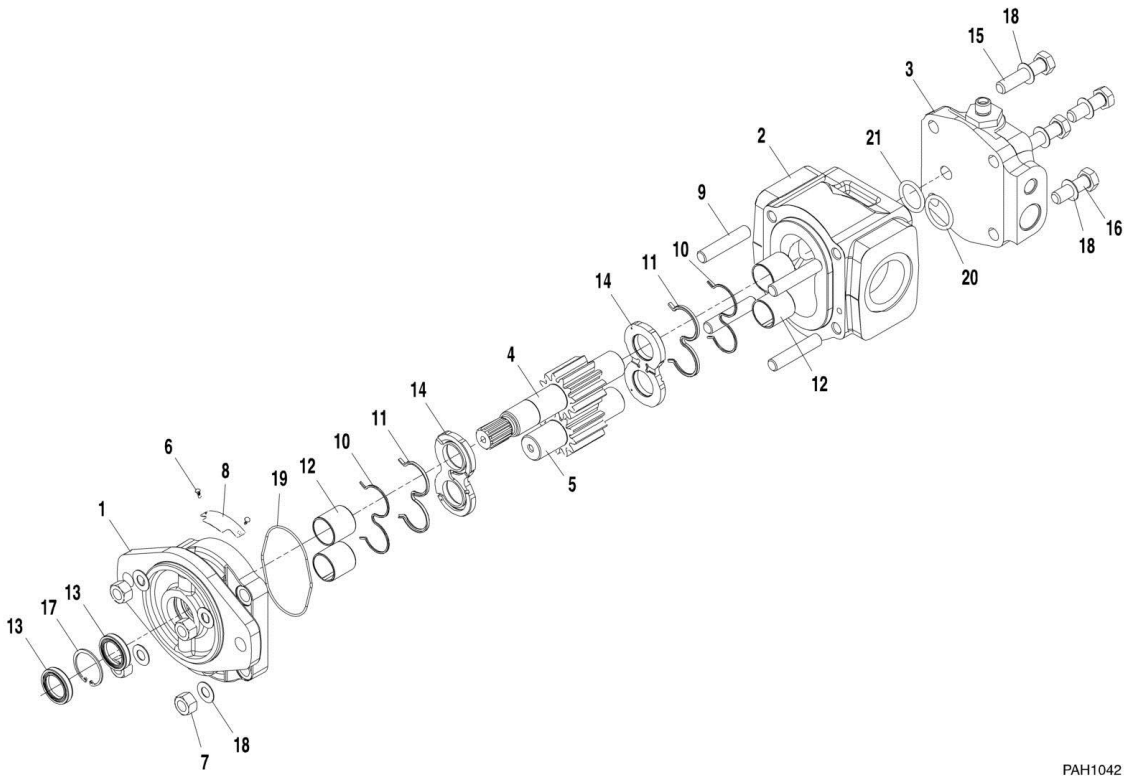
SECTION 9 - HYDRAULIC COMPONENTS

FIGURE 9-16. HYDRAULIC TANK ASSEMBLY

ITEM	PART NUMBER	QTY	DESCRIPTION	REV
1	2140221	1	CONNECTOR	
2	2120194	1	HYDRAULIC FILTER	
2	2120195	1	ELEMENT	
2	7029364	1	PRESSURE SWITCH	
2	7028909	1	CONNECTOR	
2	7029948	2	O-RING	
3	0761012	4	HEX HD CAPSCREW, 10X25, GR8.8	
4	2120206	1	BREATHER	
5	2140423	2	ELBOW, 90	
6	8005248	1	FLUID LEVEL GUAGE	
7	2140607	1	RUN TEE	
8	3460451	1	HYDRAULIC TUBE	
9	1120587	1	FILLER CAP	
10	0760810	4	HEX HD CAPSCREW, 8-1.25X20mm, GR8.8	
11	3960603	1	SEAL	
12	2171948	1	PLUG	
13	2142503	2	FITTING CAP	
14	7029949	1	O-RING	
15	2180874	1	SPACER	

SECTION 9 - HYDRAULIC COMPONENTS

FIGURE 9-17. IMPLEMENT PUMP



PAH1042

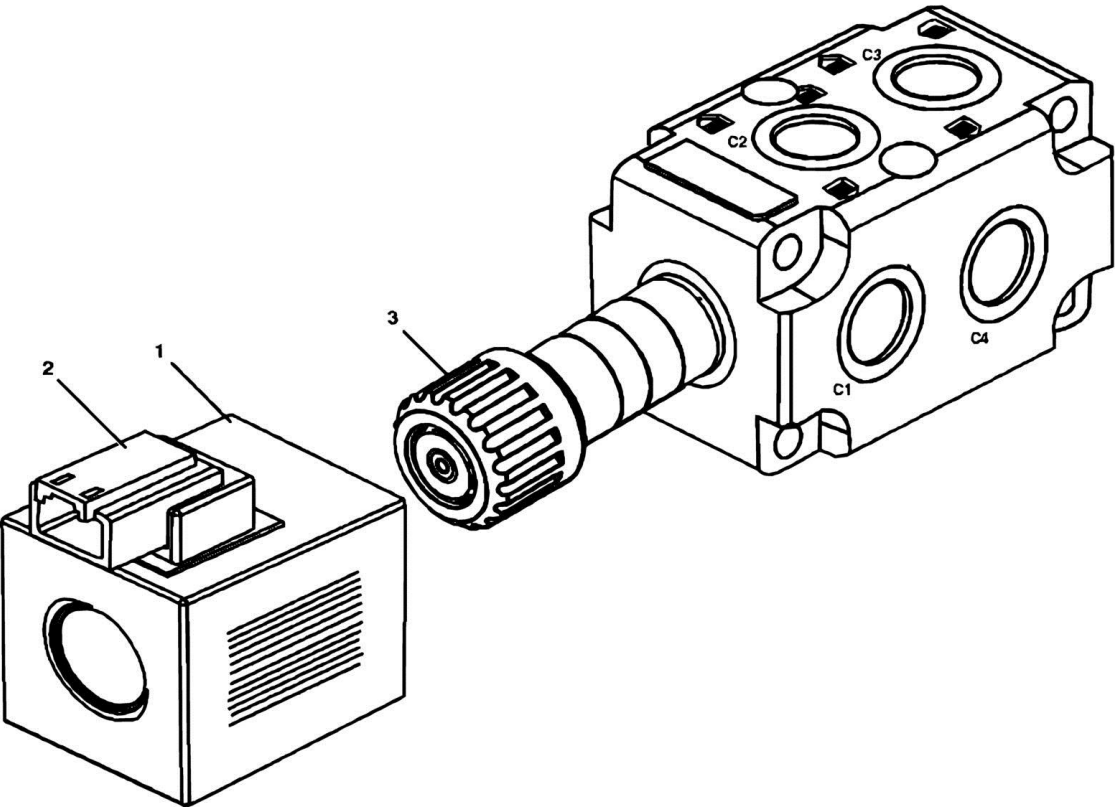
SECTION 9 - HYDRAULIC COMPONENTS

FIGURE 9-17. IMPLEMENT PUMP

ITEM	PART NUMBER	QTY	DESCRIPTION	REV
		Ref	IMPLEMENT PUMP, (3600421 is no longer available; order 3600429 for service), (includes all items)	C
	3600429	1	IMPLEMENT PUMP, (includes all items)	A
1	7029585	1	FLANGE	
2	7029108	1	BODY	
3		Ref	END COVER	
4	7029109	1	DRIVE GEAR-SHAFT	
5	7029110	1	DRIVEN GEAR	
6	7029112	2	DRIVE SCREW	
7	7029113	4	HEX NUT, M12	
8	7029114	1	NAME PLATE	
9	7029115	4	SCREW, M12	
10	7029116	2	SEAL	
11	7029117	2	SEAL	
12	7029118	4	BUSHING	
13	7029119	2	LIP SEAL	
14	7029120	2	BALANCE PLATE	
15	7029111	2	SCREW, 40mm	
16	7029121	2	SCREW, 55mm	
17	7029122	1	CLIP	
18	7029123	8	WASHER	
19	7029124	1	SECTION SEAL	
20	7029125	1	O-RING	
21	7029126	1	O-RING	

SECTION 9 - HYDRAULIC COMPONENTS

FIGURE 9-18. AUXILIARY DIVERTER VALVE



PZ1861

SECTION 9 - HYDRAULIC COMPONENTS

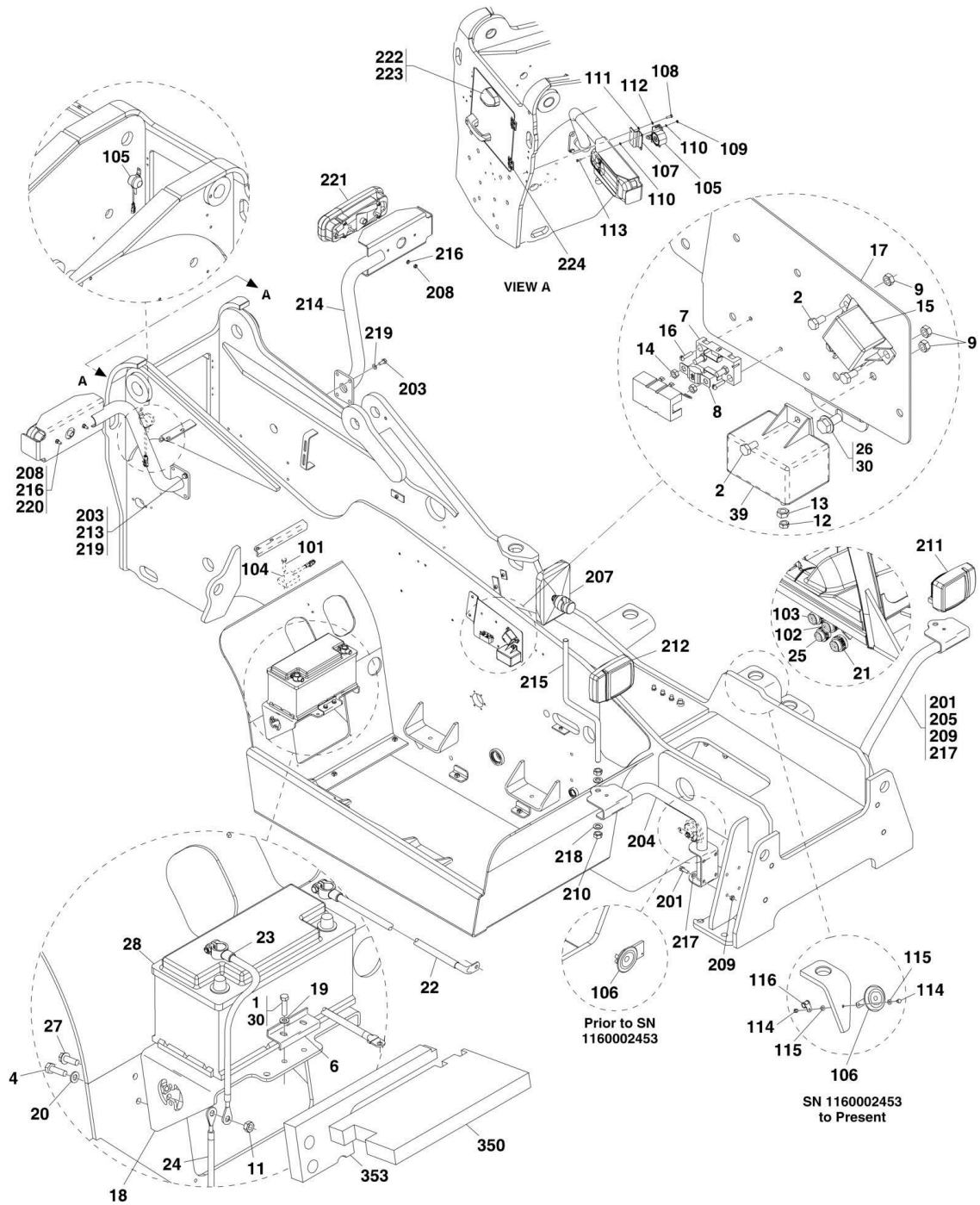
FIGURE 9-18. AUXILIARY DIVERTER VALVE

ITEM	PART NUMBER	QTY	DESCRIPTION	REV
	4641404	1	AUXILIARY DIVERTER VALVE	A
1	70021530	1	COIL, (includes item 2)	
2	7028909	1	CONNECTOR	
3	70021531	1	RETAINER KIT	

SECTION 10 - ELECTRICAL

SECTION 10 - ELECTRICAL

FIGURE 10-1. ELECTRICAL INSTALLATION



ART_3126025-10-1

SECTION 10 - ELECTRICAL

FIGURE 10-1. ELECTRICAL INSTALLATION

ITEM	PART NUMBER	QTY	DESCRIPTION	REV
	0274708	Ref	ELECTRICAL INSTALLATION, (ENG, PWR AND GND), (not available to order, see items 1 thru 30 for service)	G
1	0700815	2	HEX HD CAPSCREW, 8-1.25X35mm, GR 8.8	
2	0760606	3	HEX HD CAPSCREW, 6-1.00X12mm, GR 8.8	
4	0761015	4	HEX HD CAPSCREW, 10-1.50X35mm, GR 8.8	
6	1787217	1	BATTERY HOLD CLAMP	
7	2400073	1	FUSE HOLDER	
8	2400074	1	FUSE, 50 AMP	
9	3290601	3	HEX NUT, 6mm-1.00	
11	3291001	1	HEX NUT, 10mm-1.50	
12	3300480	1	HEX NUT, BRASS, 5mm-0.8	
13	3300481	1	HEX NUT, BRASS, 6mm-1.00	
14	3310405	2	HEX LOCKNUT, #4-40	
15	3740112	1	RELAY, 75 AMP	
16	3910408	2	ROUND HD SCREW, 4-40X.50	
17	4341413	1	ELECTRICAL COMPONENT MOUNT	
18	4341008	NLA	BATTERY MOUNT, (no longer available, use 1001109790 for replacement)	
18	1001109790	1	BATTERY MOUNT	
19	4811900	2	FLAT WASHER, 8mm	
20	4812000	5	FLAT WASHER, 10mm	
21		Ref	ENGINE HARNESS, (See ENGINE HARNESS for Breakdown)	
22	4923207	1	POSITIVE BATTERY CABLE	
23	4923208	1	NEGATIVE BATTERY CABLE	
24	4923209	1	NEGATIVE BATTERY WIRE	
25		Ref	GROUND HARNESS, (See GROUND HARNESS for Breakdown)	
26	5200808	1	RIPP BOLT, 8X16mm	
27	5201014	1	RIPP BOLT, 10X30mm	
28	8008750	1	BATTERY	
30	1001095650	1	LOCTITE, 243	
39		Ref	ENGINE PREHEAT MODULE, (See ENGINE AND ATTACHING PARTS SECTION for Breakdown)	
39	0274569	Ref	ELECTRICAL INSTALLATION, (front and rear), (not available to order, see items 101 thru 116 for service)	D
101	0771016	2	HEX HD CAPSCREW, 10-1.50X40mm, GR 8.8	
102		Ref	CHASSIS HARNESS, FRONT, (See FRONT CHASSIS HARNESS for Breakdown)	
103		Ref	CHASSIS HARNESS, REAR, (See REAR CHASSIS HARNESS for Breakdown)	
104	8002843	1	DETECTOR	
105	0140047	1	REVERSING ALARM	
106	8009766	1	HORN, 12V	
107	0903624	1	BRACKET	
108	0760812	2	HEX HD CAPSCREW, M8X25	
109	3290605	2	HEX LOCKNUT, M6X1	
110	4811700	4	FLAT WASHER, 6mm	
111	4811900	2	FLAT WASHER, 8mm	
112	4831900	2	LOCKWASHER, 8mm	
113	0700610	2	HEX HD CAPSCREW, 6X20mm	
114	0760805	2	HEX HD CAPSCREW, 8X10mm (SN 1160002453 to Present)	
115	5211900	2	LOCKWASHER, 8mm (SN 1160002453 to Present)	

SECTION 10 - ELECTRICAL

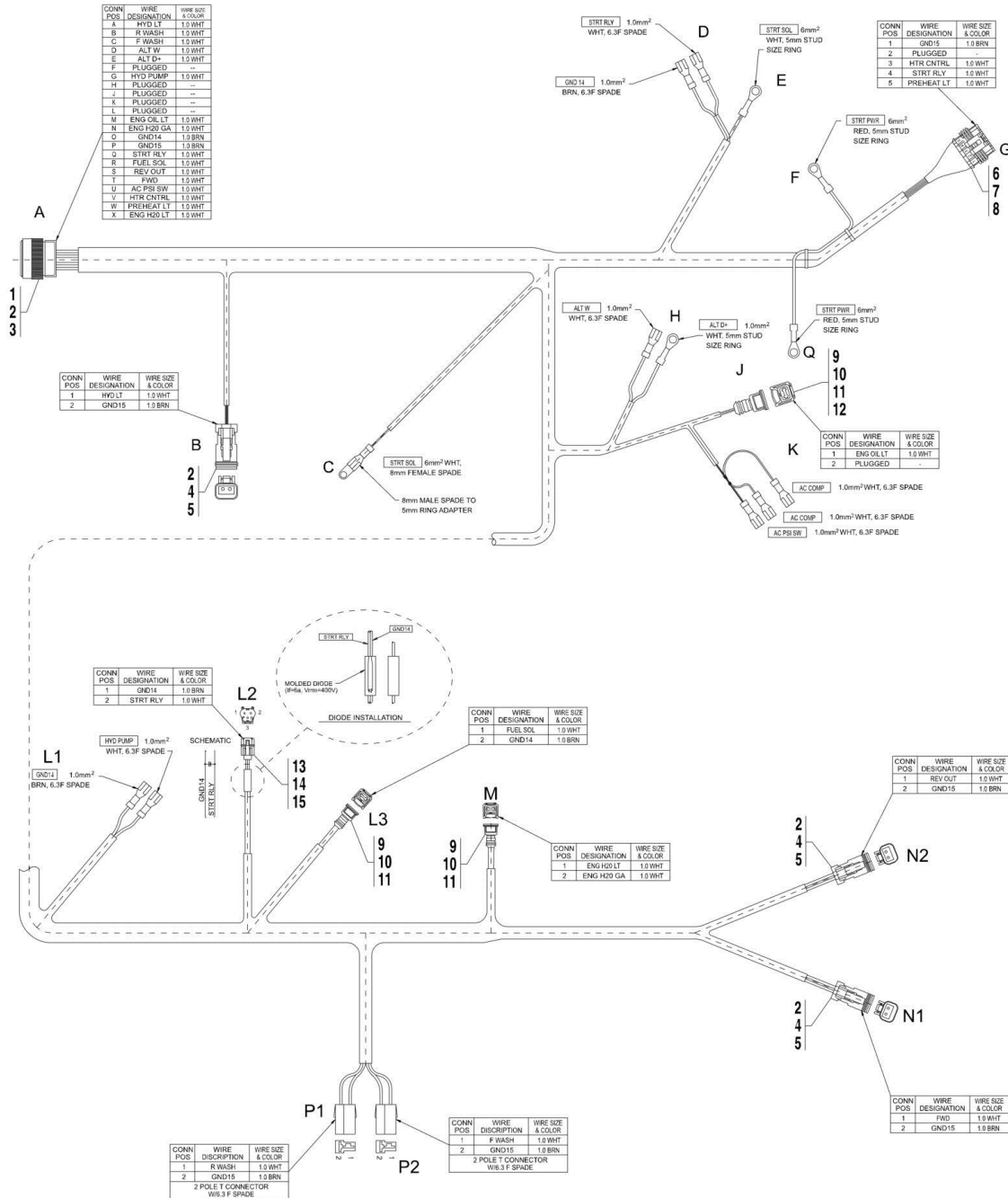
ITEM	PART NUMBER	QTY	DESCRIPTION	REV
116	1320061	1	HOSE CLAMP (SN 1160002453 to Present)	
	0274750	Ref	HEAD/TAILLIGHT INSTALLATION, (266, 26.6), (not available to order, see items 201 thru 223 for service)	C
	0274842	Ref	HEAD/TAILLIGHT INSTALLATION, (266 LoPro, 26.6 LP), (not available to order, see items 201 thru 223 & items 18 thru 21 on FRAME AND ATTACHING PARTS SECTION for service) (Prior to SN 1160005242)	C
	1001102362	1	HEAD/TAILLIGHT INSTALLATION, (266 LoPro, 26.6 LP), (not available to order, see items 201 thru 209, 211 thru 214, 216, 217, 219 thru 223 & items 18 thru 21 & 23 thru 30 on FRAME AND ATTACHING PARTS SECTION for service) (SN 1160005242 to Present)	A
	0274526	Ref	HEAD/TAILLIGHT INSTALLATION, (307, 30.7), (not available to order, see items 201 thru 223 for service) (Prior to SN 1160005242)	D
	1001102363	1	HEAD/TAILLIGHT INSTALLATION, (307, 30.7), (not available to order, see items 201 thru 209, 211 thru 214, 216, 217, 219 thru 223 & items 23 thru 30 on FRAME AND ATTACHING PARTS SECTION for service) (SN 1160005242 to Present)	A
201	0701016	8	HEX HD CAPSCREW, 10-1.50X40mm, GR 8.8	
203	0761012	4	HEX HD CAPSCREW, 10-1.50X25mm, GR 8.8, (266, 266 LoPro, 26.6, 26.6LP)	
203	0761010	4	HEX HD CAPSCREW, 10-1.50X20mm, GR 8.8, (307, 30.7)	
204	0903012	1	HEADLIGHT BRACKET, RH	
205	0903013	1	HEADLIGHT BRACKET, LH	
207		Ref	MIRROR, (See FRAME AND ATTACHING PARTS SECTION for Breakdown)	
208	3290807	4	HEX LOCKNUT, 8mm-1.25	
209	3291001	8	HEX NUT, 10mm-1.50	
210	3292001	2	HEX NUT, 20mm-2.25	
211	3928789	1	HEADLIGHT, LEFT	
212	3928790	1	HEADLIGHT, RIGHT	
213	4341140	1	TAILLIGHT WELDMENT, RH, (266, 266 LoPro)	
213	4341140G	1	TAILLIGHT WELDMENT, RH, (26.6, 26.6 LP)	
213	4341044	1	TAILLIGHT WELDMENT, RH, (307)	
213	4341044G	1	TAILLIGHT WELDMENT, RH, (30.7)	
214	4341141	1	TAILLIGHT WELDMENT, LH, (266, 266 LoPro)	
214	4341141G	1	TAILLIGHT WELDMENT, LH, (26.6, 26.6 LP)	
214	4341045	1	TAILLIGHT WELDMENT, LH, (307)	
214	4341045G	1	TAILLIGHT WELDMENT, LH, (30.7)	
215	4806693	1	ROD	
216	4811900	4	FLAT WASHER, 8mm	
217	4812000	8	FLAT WASHER, 10mm	
218	4812500	2	FLAT WASHER, 20mm	
219	5212000	4	RIPP WASHER, 10mm	
220	8001989	1	TAILLIGHT, RIGHT	
220	0313279	2	REPLACEMENT BULB, 12V-10W	
220	0388450	4	REPLACEMENT BULB, 12V-21W	
221	8001991	1	TAILLIGHT, LEFT	
221	0313279	2	REPLACEMENT BULB, 12V-10W	
221	0388450	4	REPLACEMENT BULB, 12V-21W	
222	448920	1	LICENSE PLATE LAMP	
223	2920164	1	LICENSE PLATE BULB	
224		Ref	REAR COVER, (See FRAME AND ATTACHING PARTS SECTION for Breakdown)	
350	2820203	1	BATTERY MOUNT INSULATION	

SECTION 10 - ELECTRICAL

ITEM	PART NUMBER	QTY	DESCRIPTION	REV
353	2820206	1	REAR MIDDLE SOUND INSULATION	

SECTION 10 - ELECTRICAL

FIGURE 10-2. ENGINE HARNESS (266 & 26.6 Prior to SN 1160002246; 307 & 30.7 Prior to SN 1160002233; 266 LoPro & 26.6 LP Prior to SN 1160002238)



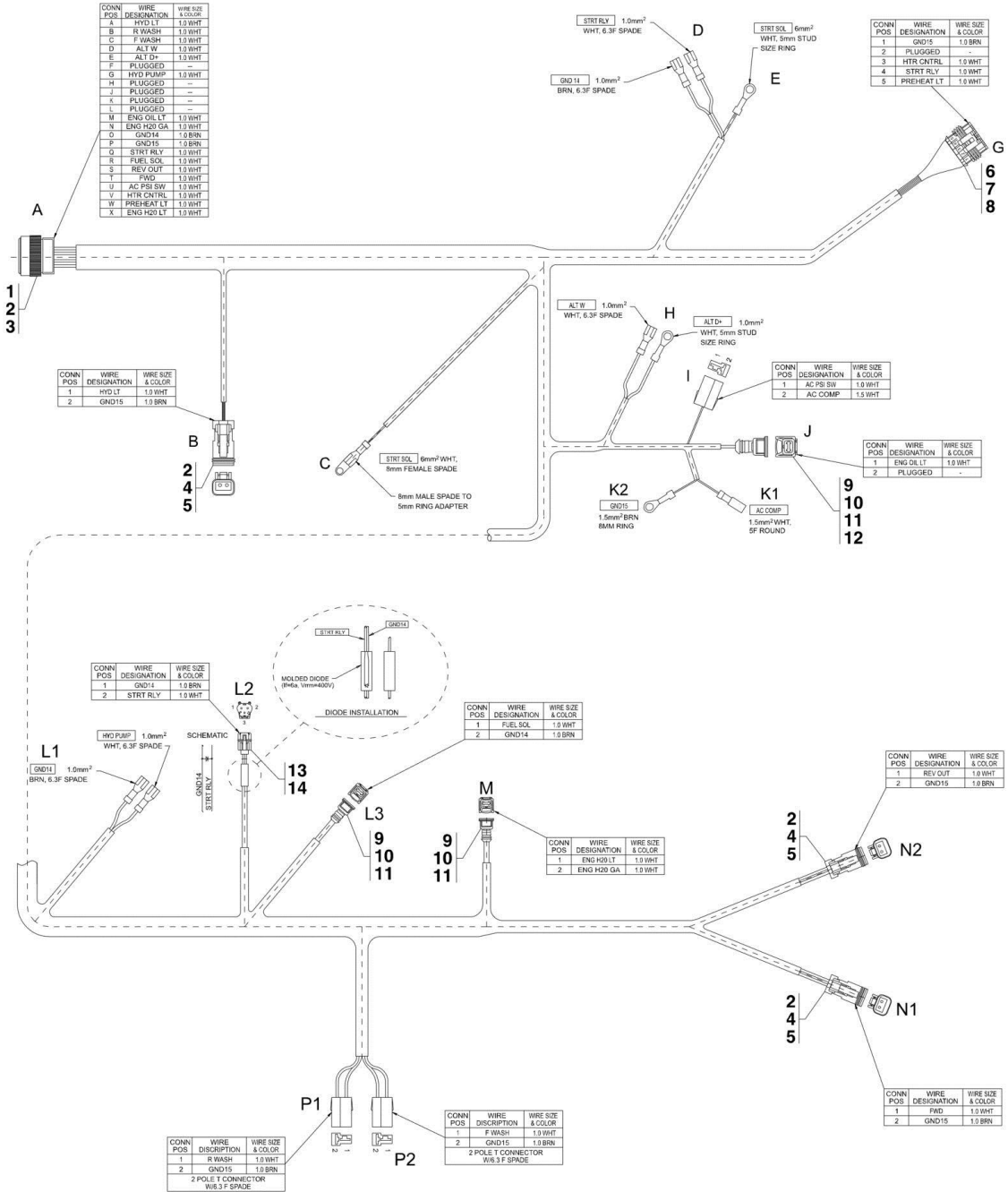
SECTION 10 - ELECTRICAL

FIGURE 10-2. ENGINE HARNESS (266 & 26.6 Prior to SN 1160002246; 307 & 30.7 Prior to SN 1160002233; 266 LoPro & 26.6 LP Prior to SN 1160002238)

ITEM	PART NUMBER	QTY	DESCRIPTION	REV
	4923183	1	ENGINE HARNESS, (includes all items)	D
1	1001116939	1	CONNECTOR	
2	1001116692	4	TERMINAL	
3	4460466	1	PLUG	
4	7026408	3	CONNECTOR	
5	80604018	3	LOCK	
6	7028996	1	CONNECTOR	
7	7028997	1	PLUG	
8	7028998	1	TERMINAL	
9	7028999	3	CONNECTOR	
10	4461006	3	SEAL	
11	7029000	3	CONTACT	
12	4461008	1	PLUG	
13	7029001	1	CONNECTOR	
14	7029002	1	SEAL	
15	1001116756	1	CONTACT	

SECTION 10 - ELECTRICAL

FIGURE 10-3. ENGINE HARNESS (266 & 26.6 SN 1160002246 to Present; 307 & 30.7 SN 1160002233 to Present; 266 LoPro & 26.6 LP SN 1160002238 to Present)



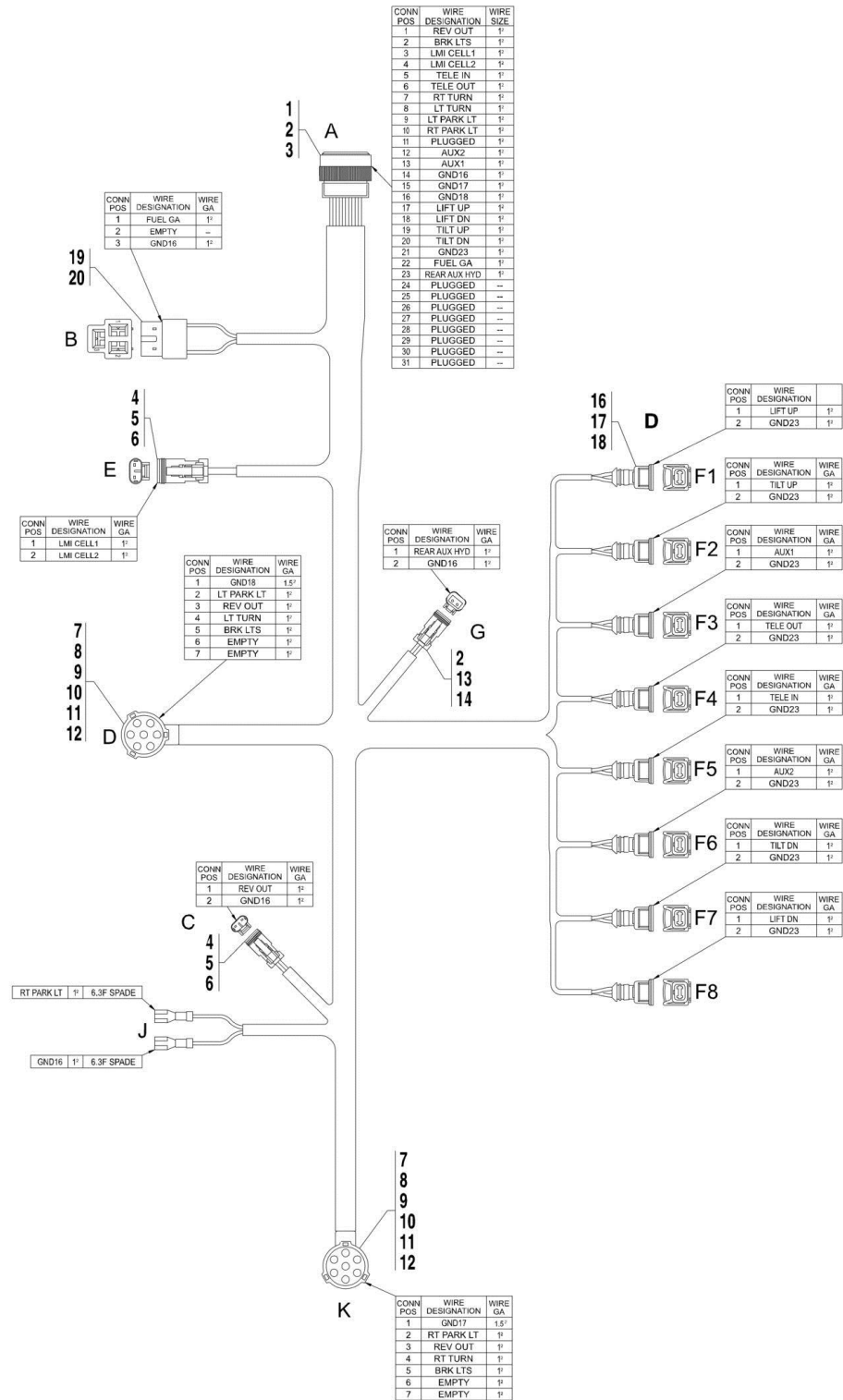
SECTION 10 - ELECTRICAL

FIGURE 10-3. ENGINE HARNESS (266 & 26.6 SN 1160002246 to Present; 307 & 30.7 SN 1160002233 to Present; 266 LoPro & 26.6 LP SN 1160002238 to Present)

ITEM	PART NUMBER	QTY	DESCRIPTION	REV
	4923629	1	ENGINE HARNESS, (includes all items) (266;26.6 Prior to SN 1160004769; 307;30.7 Prior to SN 1160004767; 266 LoPro;26.6 LP Prior to SN 1160004793)	D
	1001096111	1	ENGINE HARNESS, (includes all items) (266;26.6 SN 1160004769 to Present; 307;30.7 SN 1160004767 to Present; 266 LoPro;26.6 LP SN 1160004793 to Present)	B
1	1001116939	1	CONNECTOR	
2	1001116692	4	TERMINAL	
3	4460466	1	PLUG	
4	7026408	3	CONNECTOR	
5	80604018	3	LOCK	
6	7028996	1	CONNECTOR	
7	7028997	1	PLUG	
8	7028998	1	TERMINAL	
9	7028999	3	CONNECTOR	
10	4461006	3	SEAL	
11	7029000	3	CONTACT	
12	4461008	1	PLUG	
13	7029001	1	CONNECTOR	
14	7029002	1	SEAL	

SECTION 10 - ELECTRICAL

FIGURE 10-4. REAR CHASSIS HARNESS (Prior to SN 1160001559)



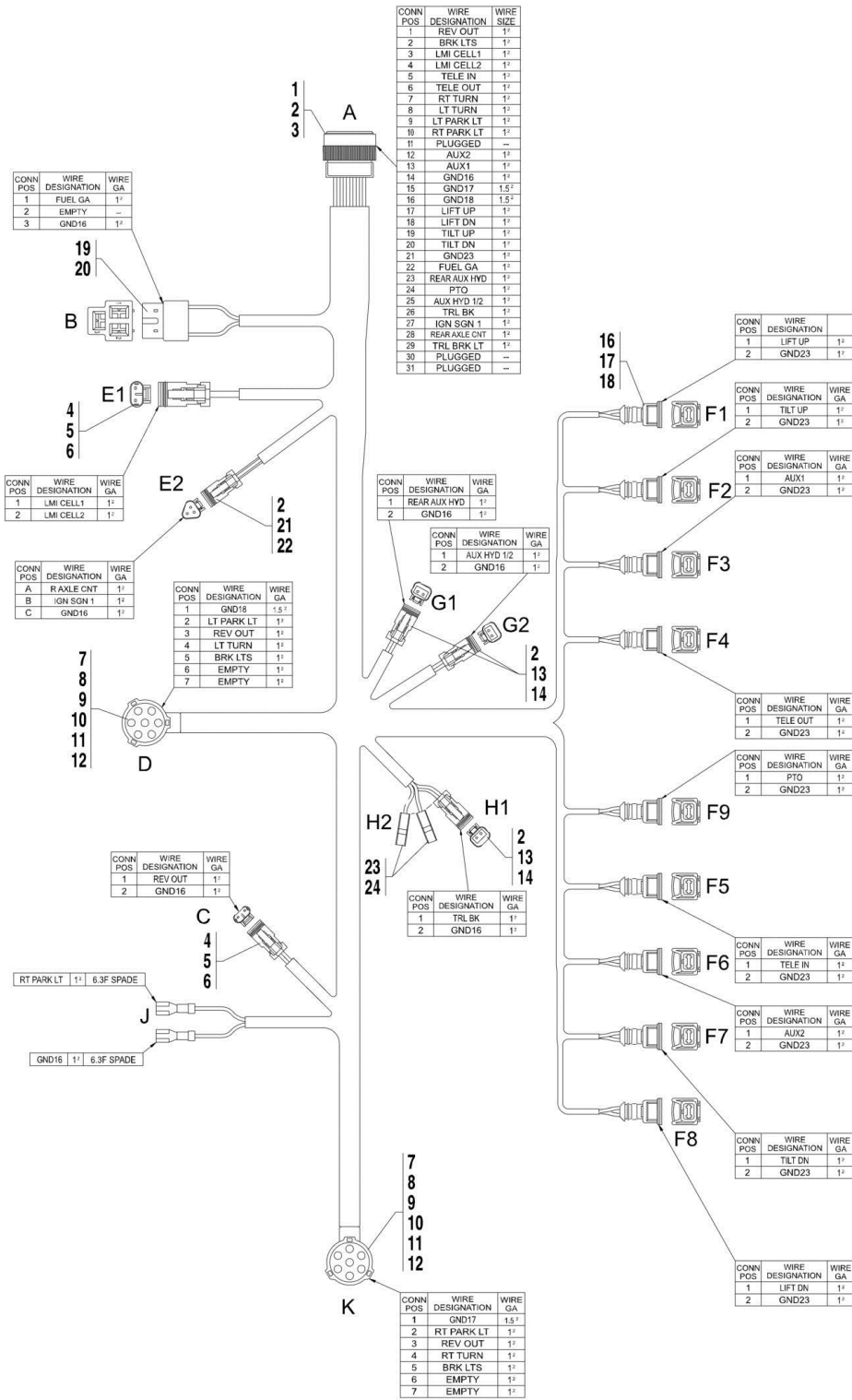
SECTION 10 - ELECTRICAL

FIGURE 10-4. REAR CHASSIS HARNESS (Prior to SN 1160001559)

ITEM	PART NUMBER	QTY	DESCRIPTION	REV
	4923099	1	REAR CHASSIS HARNESS, (includes all items)	D
1	1001116938	1	CONNECTOR	
2	77363229	2	TERMINAL	
3	4460466	1	PLUG	
4	4461118	2	CONNECTOR	
5	1001107854	2	TERMINAL	
6	1001104498	2	SEAL	
7	4461134	2	CONNECTOR	
8	4461006	2	SEAL	
9	4461008	2	PLUG	
10	1001118392	2	TERMINAL	
11	1001118393	8	TERMINAL	
12	7028639	2	CAP	
13	7026408	1	CONNECTOR	
14	80604018	1	CAP	
16	7028640	8	CONNECTOR	
17	7028641	8	TERMINAL	
18	7028642	8	SEAL	
19	250176	1	CONNECTOR	
20	7029234	1	TERMINAL	

SECTION 10 - ELECTRICAL

FIGURE 10-5. REAR CHASSIS HARNESS (SN 1160001559 to Present)



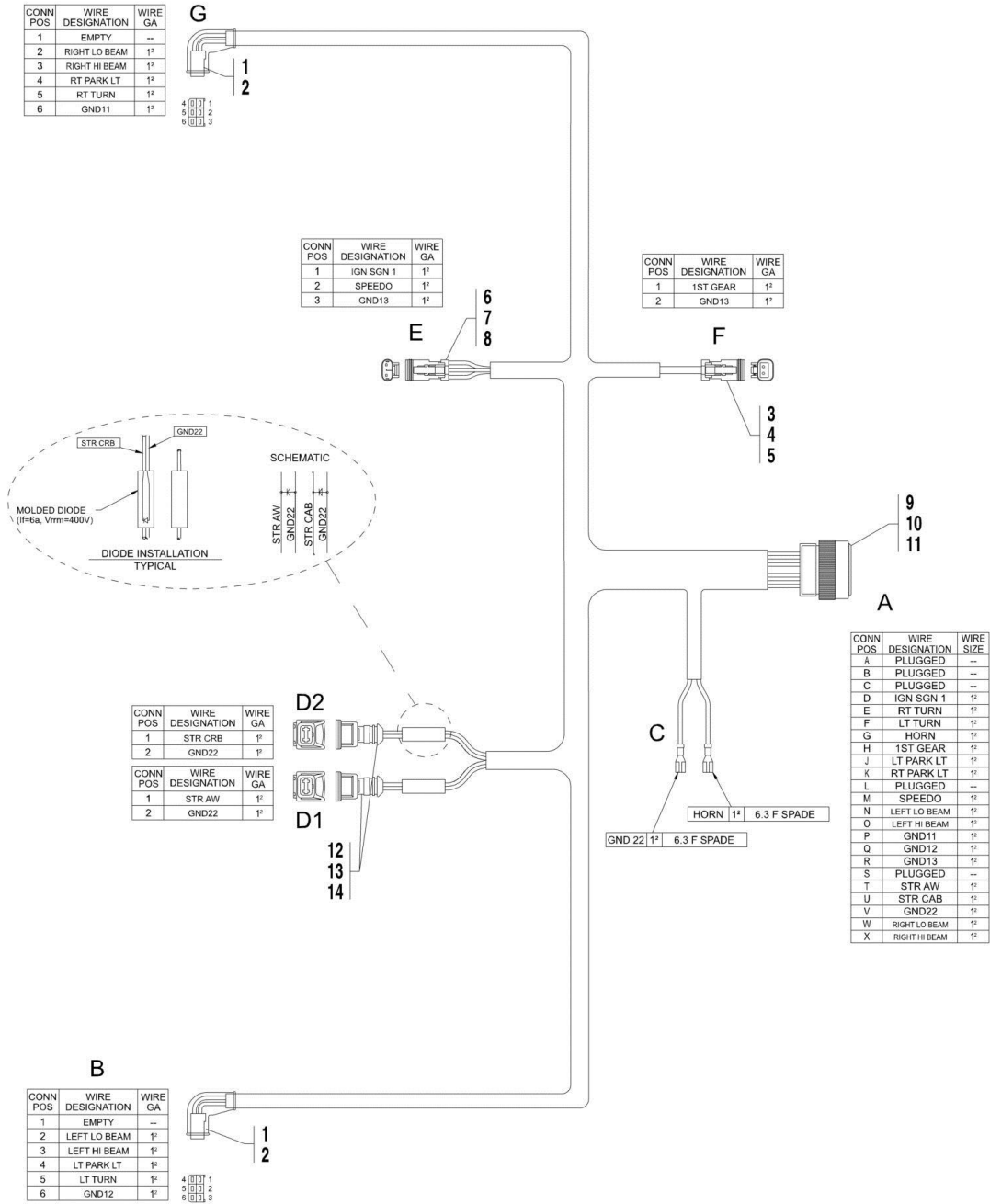
SECTION 10 - ELECTRICAL

FIGURE 10-5. REAR CHASSIS HARNESS (SN 1160001559 to Present)

ITEM	PART NUMBER	QTY	DESCRIPTION	REV
	4923099	1	REAR CHASSIS HARNESS, (includes all items)	H
1	1001116938	1	CONNECTOR	
2	1001116692	5	TERMINAL	
3	4460466	1	PLUG	
4	4461118	2	CONNECTOR	
5	1001107854	2	TERMINAL	
6	1001104498	2	SEAL	
7	4461134	2	CONNECTOR	
8	4461006	2	SEAL	
9	4461008	2	PLUG	
10	1001118392	2	TERMINAL	
11	1001118393	8	TERMINAL	
12	7028639	2	CAP	
13	7026408	3	CONNECTOR	
14	80604018	3	CAP	
16	7028640	9	CONNECTOR	
17	7028641	9	TERMINAL	
18	7028642	9	SEAL	
19	250176	1	CONNECTOR	
20	7029234	1	TERMINAL	
21	77363242	1	PLUG CONNECTOR	
22	70020200	1	CAP	
23	1001118379	2	FEMALE FASTON	
24	1001116995	2	FEMALE FASTON COVER	

SECTION 10 - ELECTRICAL

FIGURE 10-6. FRONT CHASSIS HARNESS



ART_3126025-10-6

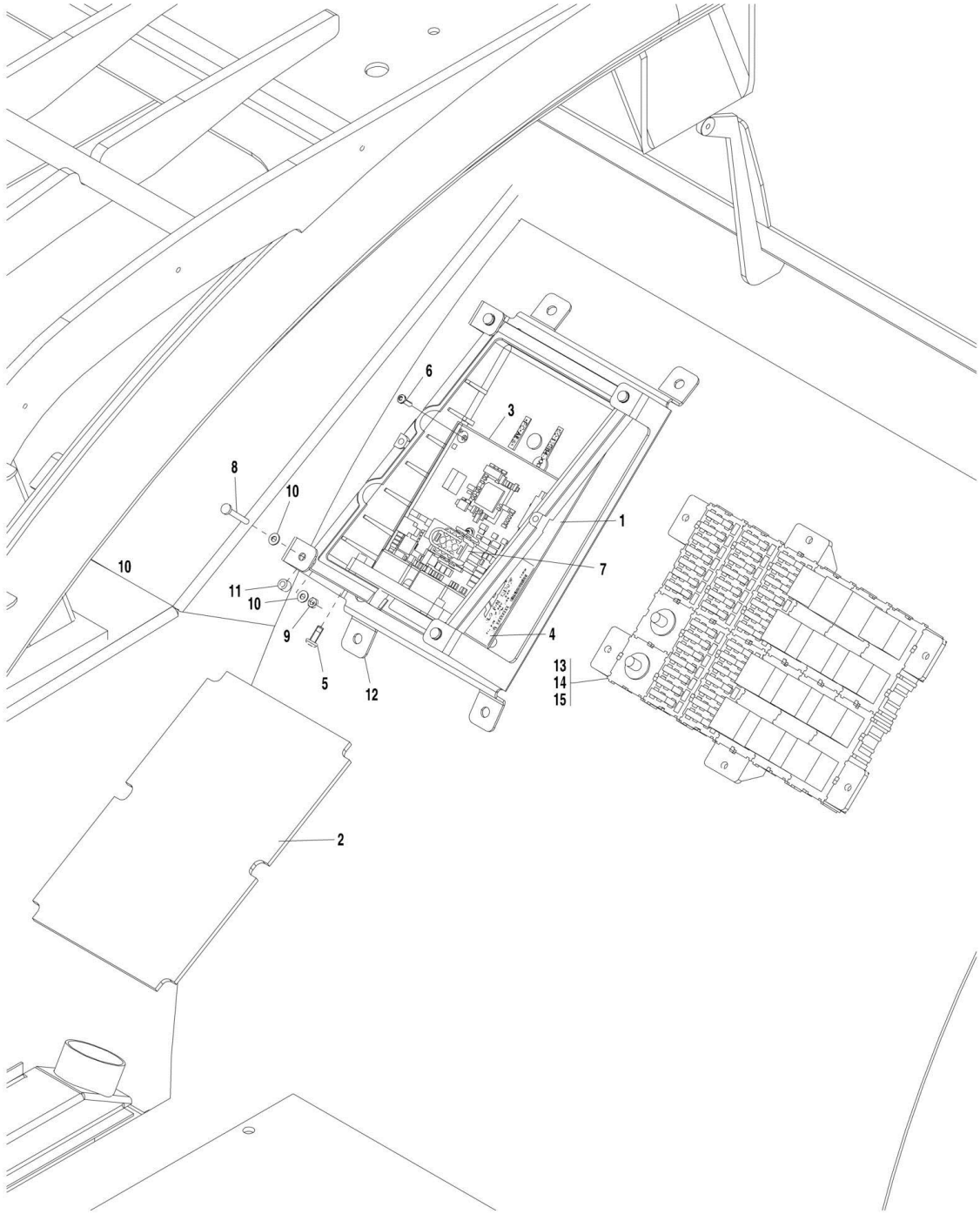
SECTION 10 - ELECTRICAL

FIGURE 10-6. FRONT CHASSIS HARNESS

ITEM	PART NUMBER	QTY	DESCRIPTION	REV
	4923098	1	FRONT CHASSIS HARNESS, (includes all items)	D
1	1001116997	2	HOUSING	
2	7028644	2	CONTACT	
3	7026408	1	CONNECTOR	
4	80604018	1	LOCK	
5	77363229	1	TERMINAL	
6	7028645	1	CONNECTOR	
7	1001107854	1	CONTACT	
8	1001104498	1	SEAL	
9	1001116942	1	CONNECTOR	
10	7029526	1	TERMINAL	
11	4460466	1	PLUG	
12	7028640	2	CONNECTOR	
13	7028641	2	TERMINAL	
14	7028642	2	SEAL	

SECTION 10 - ELECTRICAL

FIGURE 10-7. PWM VALVE CONTROLLER ASSEMBLY



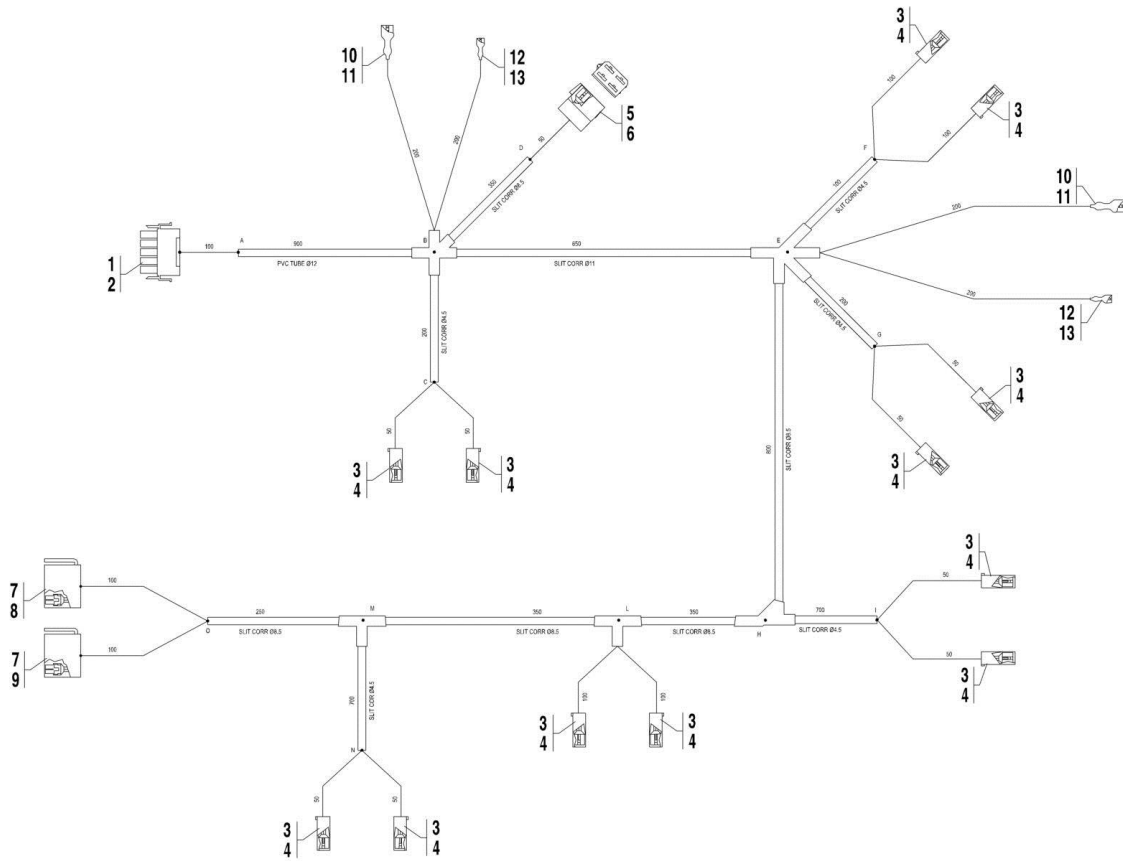
SECTION 10 - ELECTRICAL

FIGURE 10-7. PWM VALVE CONTROLLER ASSEMBLY

ITEM	PART NUMBER	QTY	DESCRIPTION	REV
	1810005	1	PWM VALVE CONTROLLER ASSEMBLY, (includes items 1 thru 7)	D
1	0380025	1	BOX BASE	
2	0861730	1	CLEAR BOX COVER	
3	1600388	1	CONTROLLER	
4	1705983	1	DECAL	
5	3900336	4	SPECIAL SCREW, #10-32X.500 TORX	
6	3900339	3	SPECIAL SCREW, #6-19X.500 LG	
7	4923258	1	PCB BOARD JUMPER HARNESS	
7	4460265	1	TERMINAL, CONNECTOR PLUG, 9 PIN	
7	4460268	2	TERMINAL, SOCKET	
7	4920017	5 CM	WIRE, 18 GA RED	
8	4010414	4	PAN HD SCREW, 4X30	
9	3290405	4	HEX LOCKNUT, 4mm-.70	
10	4811400	8	FLAT WASHER, 4mm	
11	4100106	4	SPACER	
12	0903217	1	MOUNTING BRACKET	
13	2400075	1	FUSE PAD ASSEMBLY	
13	1001100781	1	FLASHER RELAY	
13	70021567	11	RELAY	
14		Ref	ROOF HARNESS, (See ROOF HARNESS for Breakdown)	
15		Ref	MAIN HARNESS, (See MAIN HARNESS for Breakdown)	

SECTION 10 - ELECTRICAL

FIGURE 10-8. ROOF HARNESS



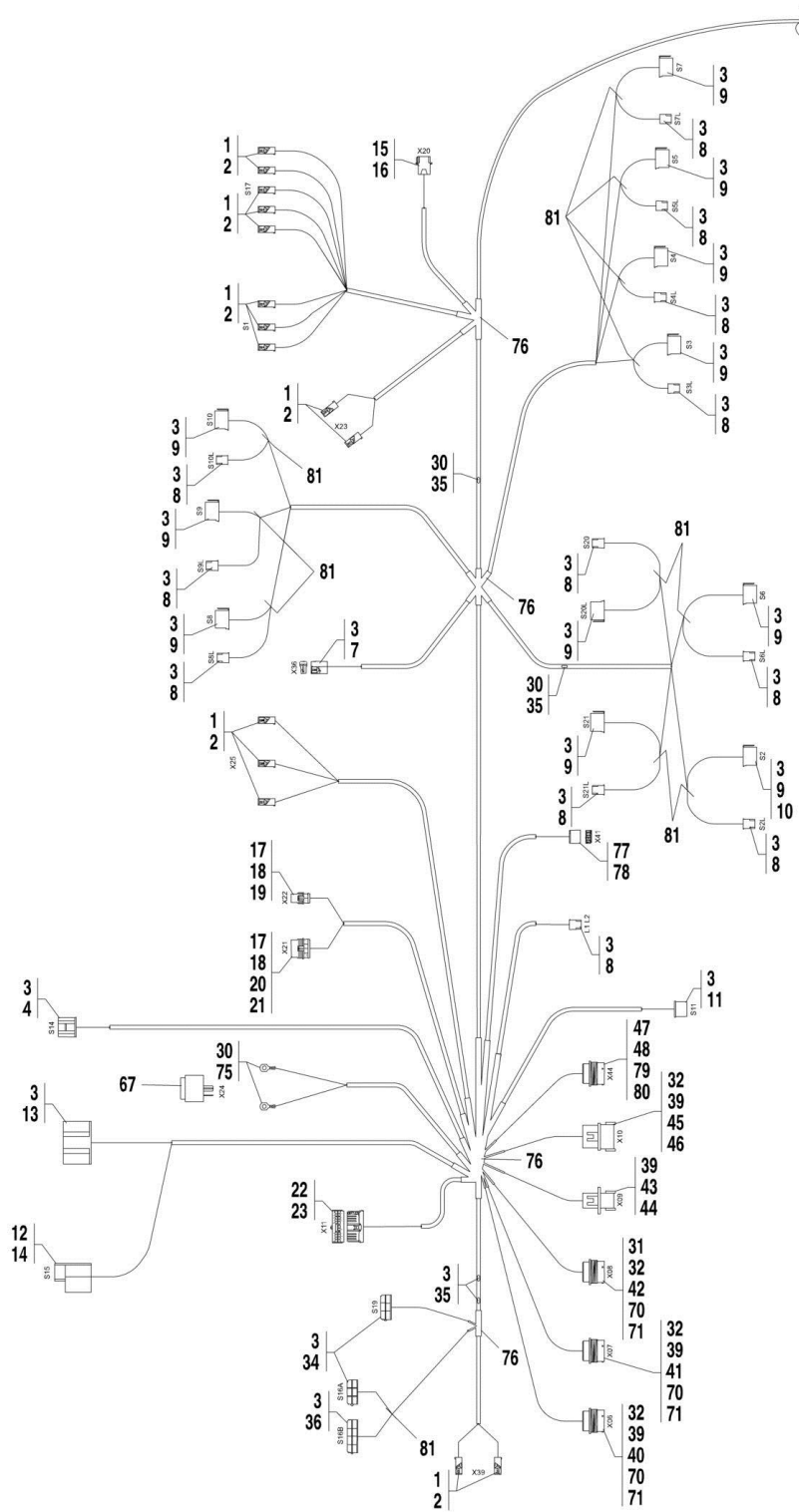
SECTION 10 - ELECTRICAL

FIGURE 10-8. ROOF HARNESS

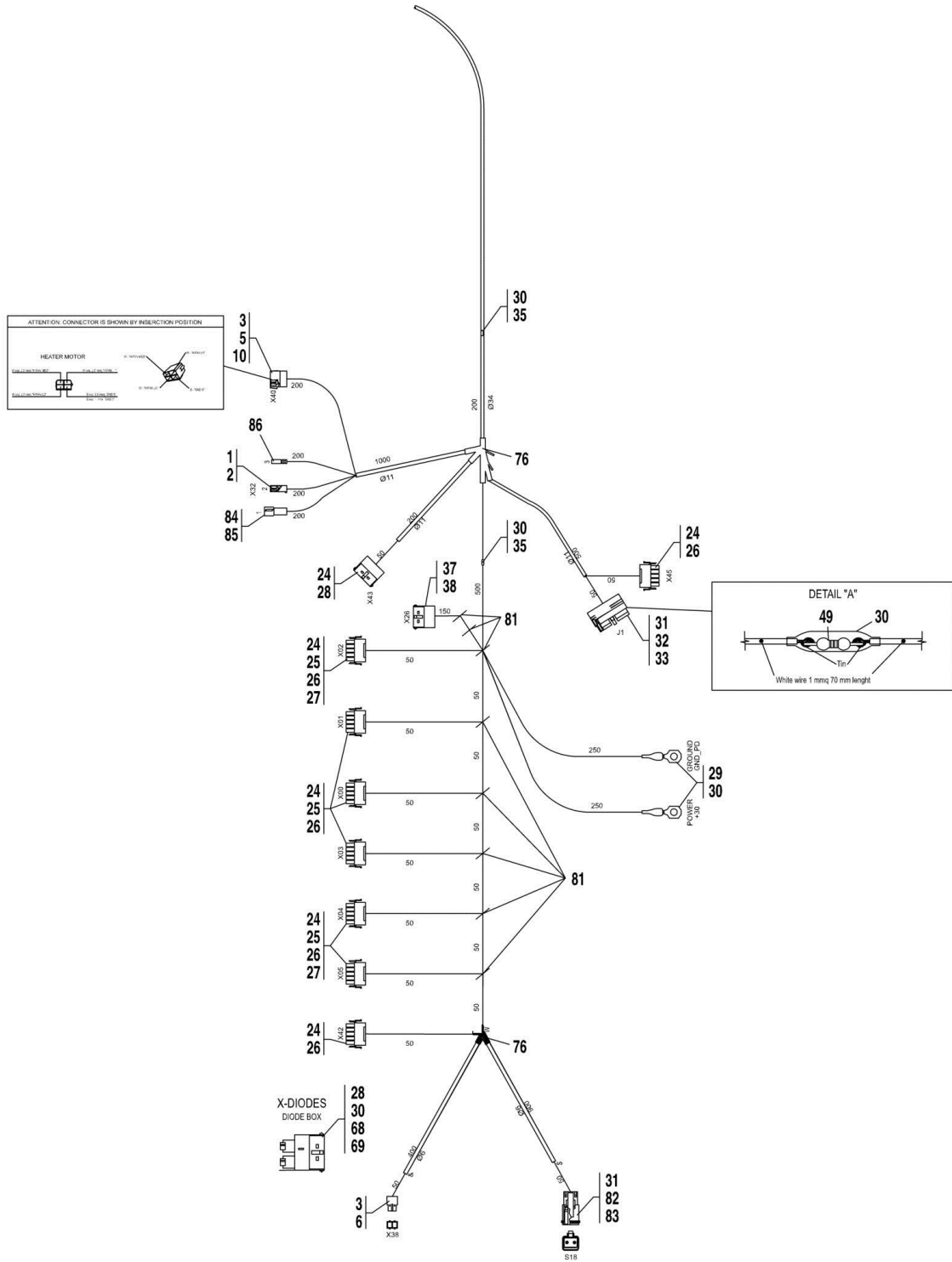
ITEM	PART NUMBER	QTY	DESCRIPTION	REV
	4923254	1	ROOF HARNESS, (includes all items)	C
1	7029461	1	PLUG	
2	7029462	14	SOCKET	
3	7029463	12	FEMALE FASTON	
4	7029464	12	FEMALE FASTON COVER	
5	7029465	1	4 WAY CONNECTOR	
6	7029466	4	FEMALE FASTON	
7	7029460	7	FEMALE TERMINAL	
8	7029467	1	8 WAY CONNECTOR, BLACK	
9	7029468	1	8 WAY CONNECTOR, BROWN	
10	7029469	2	HEAT SHRINK TUBE, (30mm)	
11	7029470	2	FEMALE FASTON	
12	7029471	2	FEMALE FASTON	
13	7029472	2	FEMALE FASTON	
14		Ref	PVC TAPE	

SECTION 10 - ELECTRICAL

FIGURE 10-9. MAIN HARNESS (Prior to SN 1160001559)



SECTION 10 - ELECTRICAL



SECTION 10 - ELECTRICAL

FIGURE 10-9. MAIN HARNESS (Prior to SN 1160001559)

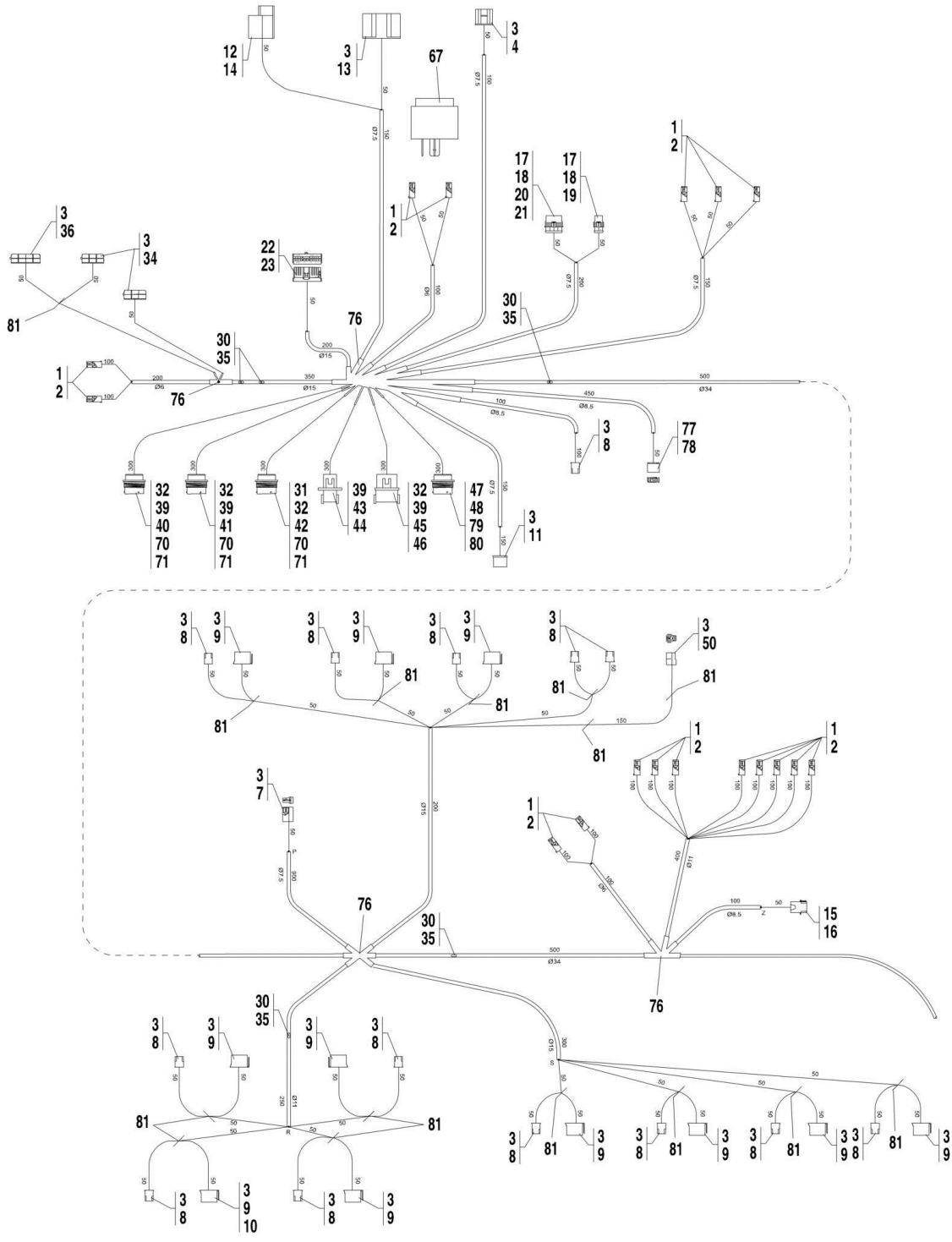
ITEM	PART NUMBER	QTY	DESCRIPTION	REV
	4923255	1	MAIN HARNESS, (includes all items)	C
1	1001118379	16	FEMALE FASTON	
2	1001116995	16	FEMALE FASTON COVER	
3	1001104519	90	FEMALE FASTON	
4	7029636	1	6 WAY CONNECTOR	
5	1001116986	1	4 WAY CONNECTOR	
6	1001116991	1	2 WAY CONNECTOR	
7	4460994	2	2 WAY, 90, CONNECTOR	
8	70020193	12	2 WAY, SWITCH LAMP CONNECTOR	
9	70020192	11	SWITCH CONNECTOR	
10	1001116716	3	FEMALE FASTON	
11	3933128	1	HAZARD SWITCH CONNECTOR	
12	7029642	1	4 WAY KEY CONNECTOR	
13	7029643	1	6 WAY KEY CONNECTOR	
14	1001118383	2	GIANT FEMALE FASTON	
15	7029645	4	FEMALE TERMINAL	
16	7029646	1	6 WAY CONNECTOR	
17	1001107854	5	CONTACT	
18	7029647	5	WIRE SEAL	
19	4461118	1	CONNECTOR	
20	1001103012	1	4 WAY CONNECTOR	
21	1001116698	1	SEAL PLUG	
22	7029650	20	FEMALE TERMINAL, 70	
23	7029651	1	20 WAY CONNECTOR, 70	
24	1001118378	110	MATE-N-LOK MALE TERMINAL	
25	91504093	6	SEALING PLUG	
26	7029653	8	MATE-N-LOK CONNECTOR	
27	7029654	7	MATE-N-LOK TERMINAL	
28	7029655	3	MATE-N-LOK FEMALE CONNECTOR	
29	7029656	2	THIMBLE	
30	N.S.S.	25	HEAT SHRINK	
31	1001116692	42	TERMINAL	
32	4460466	44	PLUG	
33	4460814	1	CONNECTOR	
34	7029658	2	6 WAY CONNECTOR	
35	N.S.S.	6	JOINT	
36	7029659	1	8 WAY FASTON CONNECTOR	
37	4460761	1	CAP	
38	91504092	4	PIN	
39	1001116693	49	MALE CONTACT	
40	1001116934	1	CONNECTOR	
41	1001116936	1	CONNECTOR	
42	1001116943	1	CONNECTOR	
43	80484072	1	CONNECTOR	
44	80604020	1	LOCK CONNECTOR	
45	4460532	1	CONNECTOR	
46	80363179	1	LOCK CONNECTOR	
47	7029664	8	MALE CONTACT	
48	1001116941	1	CONNECTOR	
49	70020191	1	RESISTOR	

SECTION 10 - ELECTRICAL

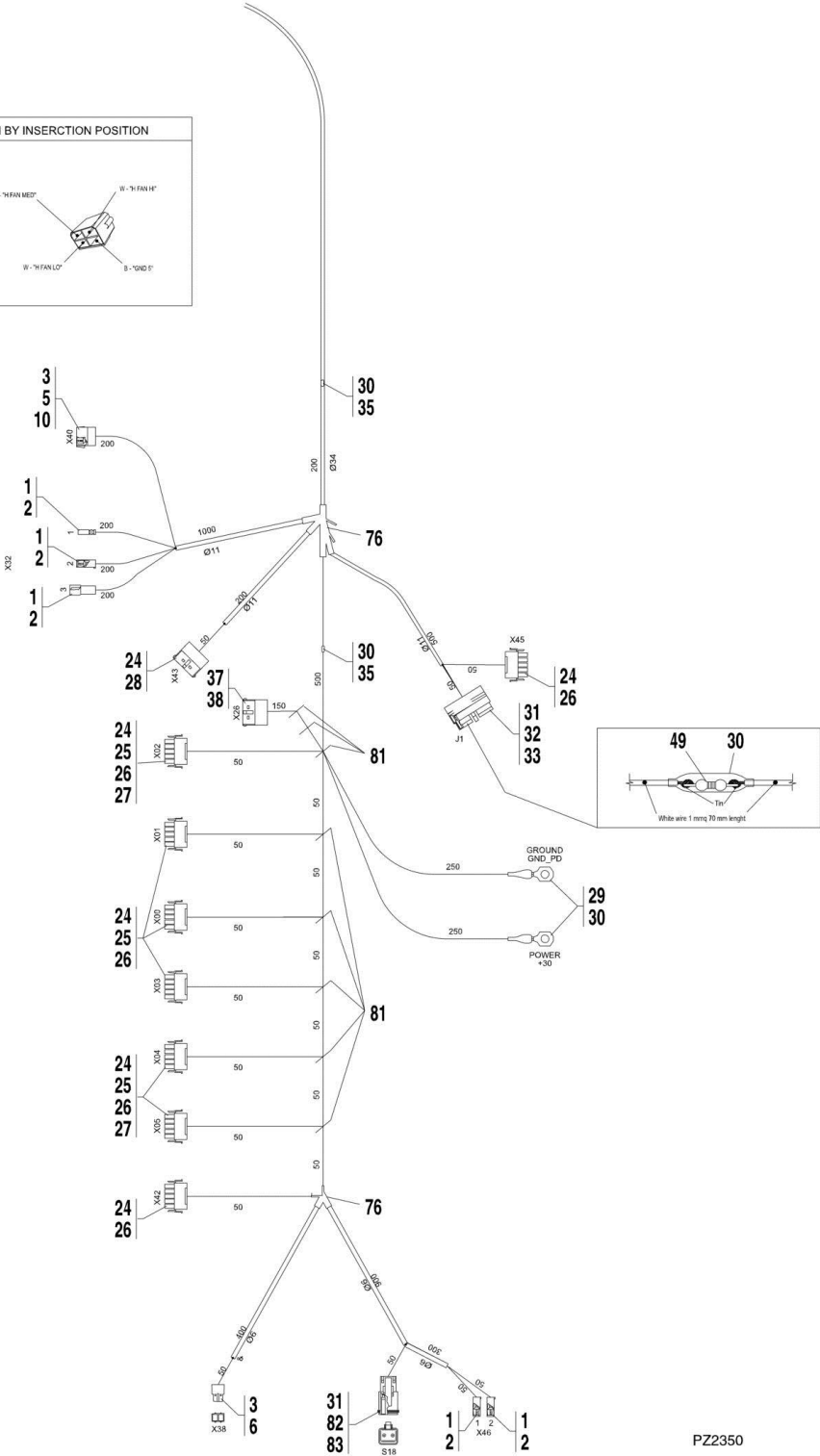
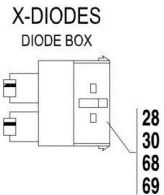
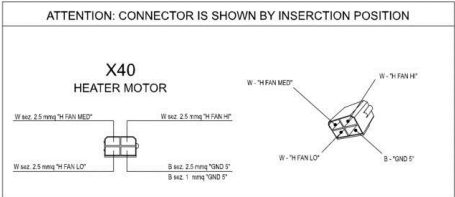
ITEM	PART NUMBER	QTY	DESCRIPTION	REV
67	70020198	1	BUZZER	
68	7029666	28	FEMALE TERMINAL	
69	70020199	14	DIODE	
70	83481286	3	NUT	
71	83481285	3	LOCKWASHER	
75	NLA	2	THIMBLE	
76	N.S.S.	6	PVC TAPE	
77	4461172	1	CONNECTOR	
78	1001116753	4	TERMINAL	
79	7029667	1	NUT	
80	N.S.S.	1	WASHER	
81	N.S.S.	19	BAND	
82	7026408	1	CONNECTOR	
83	80604018	1	LOCKING CONNECTOR	
84	7029668	1	MALE FASTON	
85	7029669	1	FASTON CONNECTOR	
86	7029670	1	PLUG RECEPTACLE	
32	4460466	44	PLUG	

SECTION 10 - ELECTRICAL

FIGURE 10-10. MAIN HARNESS (SN 1160001559 to Present)



SECTION 10 - ELECTRICAL



PZ2350

SECTION 10 - ELECTRICAL

FIGURE 10-10. MAIN HARNESS (SN 1160001559 to Present)

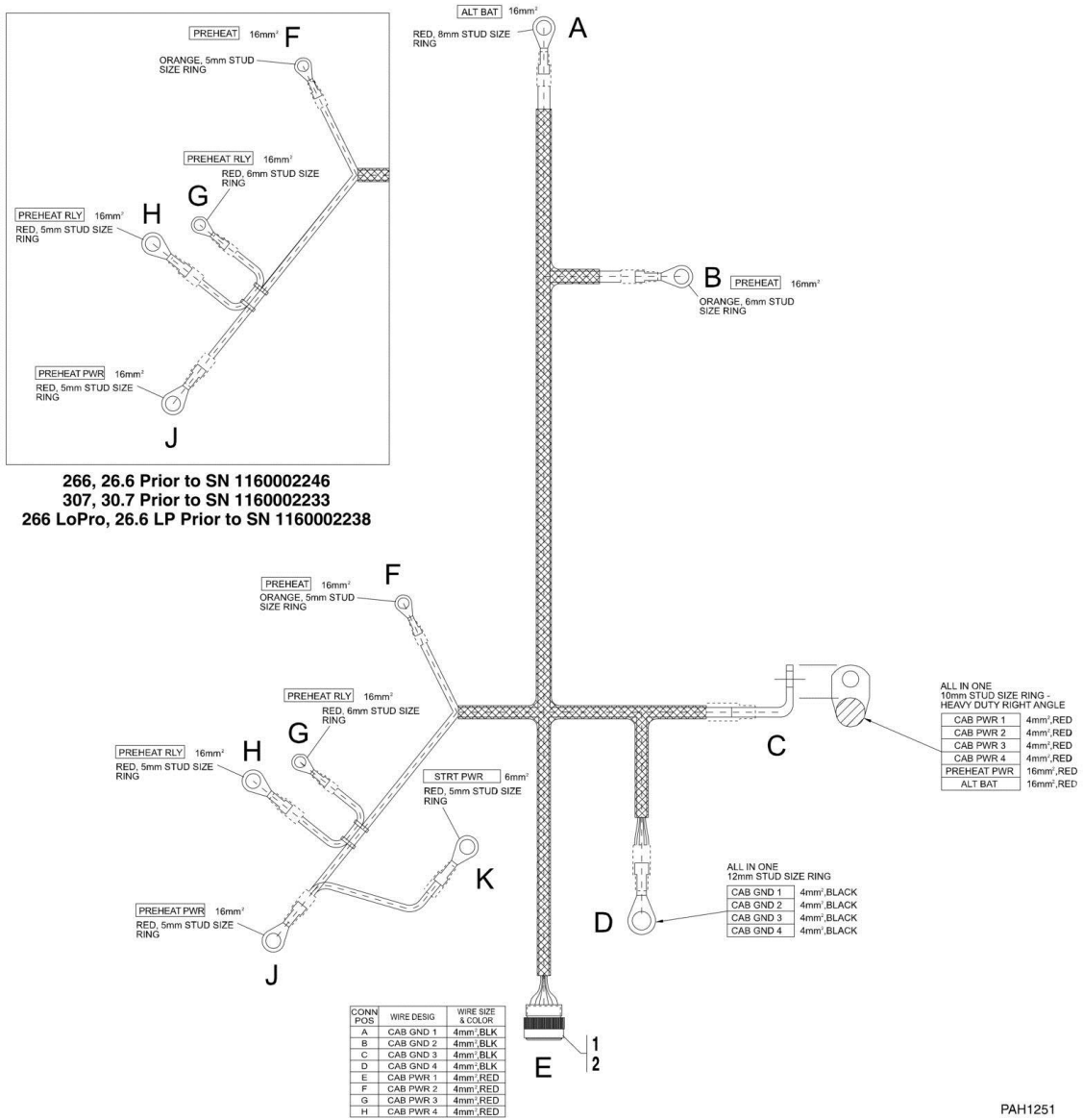
ITEM	PART NUMBER	QTY	DESCRIPTION	REV
	4923255	1	MAIN HARNESS, (includes all items)	G
1	1001118379	20	FEMALE FASTON	
2	1001116995	20	FEMALE FASTON COVER	
3	1001104519	96	FEMALE FASTON	
4	7029636	1	6 WAY CONNECTOR	
5	1001116986	1	4 WAY CONNECTOR	
6	1001116991	1	2 WAY CONNECTOR	
7	4460994	2	2 WAY, 90, CONNECTOR	
8	70020193	14	2 WAY, SWITCH LAMP CONNECTOR	
9	70020192	11	SWITCH CONNECTOR	
10	1001116716	3	FEMALE FASTON	
11	3933128	1	HAZARD SWITCH CONNECTOR	
12	7029642	1	4 WAY KEY CONNECTOR	
13	7029643	1	6 WAY KEY CONNECTOR	
14	1001118383	2	GIANT FEMALE FASTON	
15	7029645	2	FEMALE TERMINAL	
16	7029646	1	6 WAY CONNECTOR	
17	1001107854	5	CONTACT	
18	7029647	5	WIRE SEAL	
19	4461118	1	CONNECTOR	
20	1001103012	1	4 WAY CONNECTOR	
21	1001116698	1	SEAL PLUG	
22	7029650	20	FEMALE TERMINAL, 70	
23	7029651	1	20 WAY CONNECTOR, 70	
24	1001118378	112	MATE-N-LOK MALE TERMINAL	
25	91504093	6	SEALING PLUG	
26	7029653	8	MATE-N-LOK CONNECTOR	
27	7029654	7	MATE-N-LOK TERMINAL	
28	7029655	3	MATE-N-LOK FEMALE CONNECTOR	
29	7029656	2	THIMBLE	
30	N.S.S.	24	HEAT SHRINK	
31	1001116692	44	TERMINAL	
32	4460466	37	PLUG	
33	4460814	1	CONNECTOR	
34	7029658	2	6 WAY CONNECTOR	
35	N.S.S.	7	JOINT	
36	7029659	1	8 WAY FASTON CONNECTOR	
37	4460761	1	CAP	
38	91504092	4	PIN	
39	1001116693	54	MALE CONTACT	
40	1001116934	1	CONNECTOR	
41	1001116936	1	CONNECTOR	
42	1001116943	1	CONNECTOR	
43	80484072	1	CONNECTOR	
44	80604020	1	LOCK CONNECTOR	
45	4460532	1	CONNECTOR	
46	80363179	1	LOCK CONNECTOR	
47	7029664	8	MALE CONTACT	
48	1001116941	1	CONNECTOR	
49	70020191	1	RESISTOR	

SECTION 10 - ELECTRICAL

ITEM	PART NUMBER	QTY	DESCRIPTION	REV
50	250176	1	CONNECTOR	
67	1001091751	1	BUZZER	
68	7029666	28	FEMALE TERMINAL	
69	70020190	14	DIODE	
70	83481286	3	NUT	
71	83481285	3	LOCKWASHER	
75	NLA	2	THIMBLE	
76	N.S.S.	6	PVC TAPE	
77	4461172	1	CONNECTOR	
78	1001116753	4	TERMINAL	
79	7029667	1	NUT	
80	N.S.S.	1	WASHER	
81	N.S.S.	22	BAND	
82	7026408	1	CONNECTOR	
83	80604018	1	LOCKING CONNECTOR	
32	4460466	37	PLUG	

SECTION 10 - ELECTRICAL

FIGURE 10-11. GROUND HARNESS



PAH1251

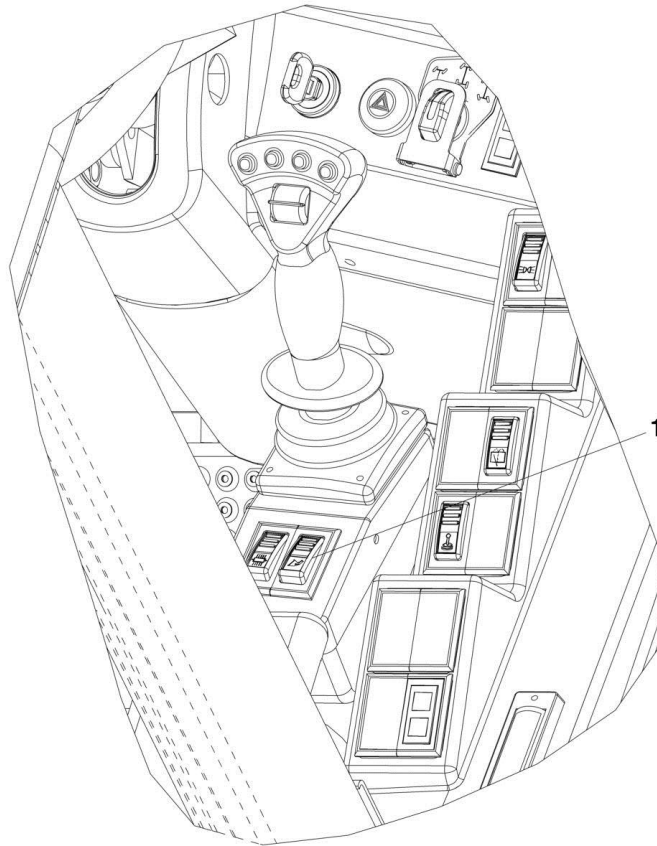
SECTION 10 - ELECTRICAL

FIGURE 10-11. GROUND HARNESS

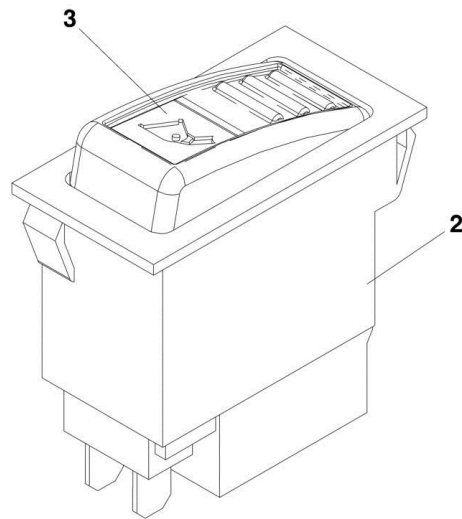
ITEM	PART NUMBER	QTY	DESCRIPTION	REV
	4923210	1	GROUND HARNESS, (includes all items) (266;26.6 Prior to SN 1160002246; 307;30.7 Prior to SN 1160002233; 266 LoPro;26.6 LP Prior to SN 1160002238)	D
	4923631	1	GROUND HARNESS, (includes all items) (266;26.6 SN 1160002246 to Present; 307;30.7 SN 1160002233 to Present; 266 LoPro;26.6 LP SN 1160002238 to Present)	B
1	1001116940	1	CONNECTOR	
2	77363347	1	CONTACT	

SECTION 10 - ELECTRICAL

FIGURE 10-12. BUCKET SHAKE SWITCH



VIEW OF SWITCH IN CAB



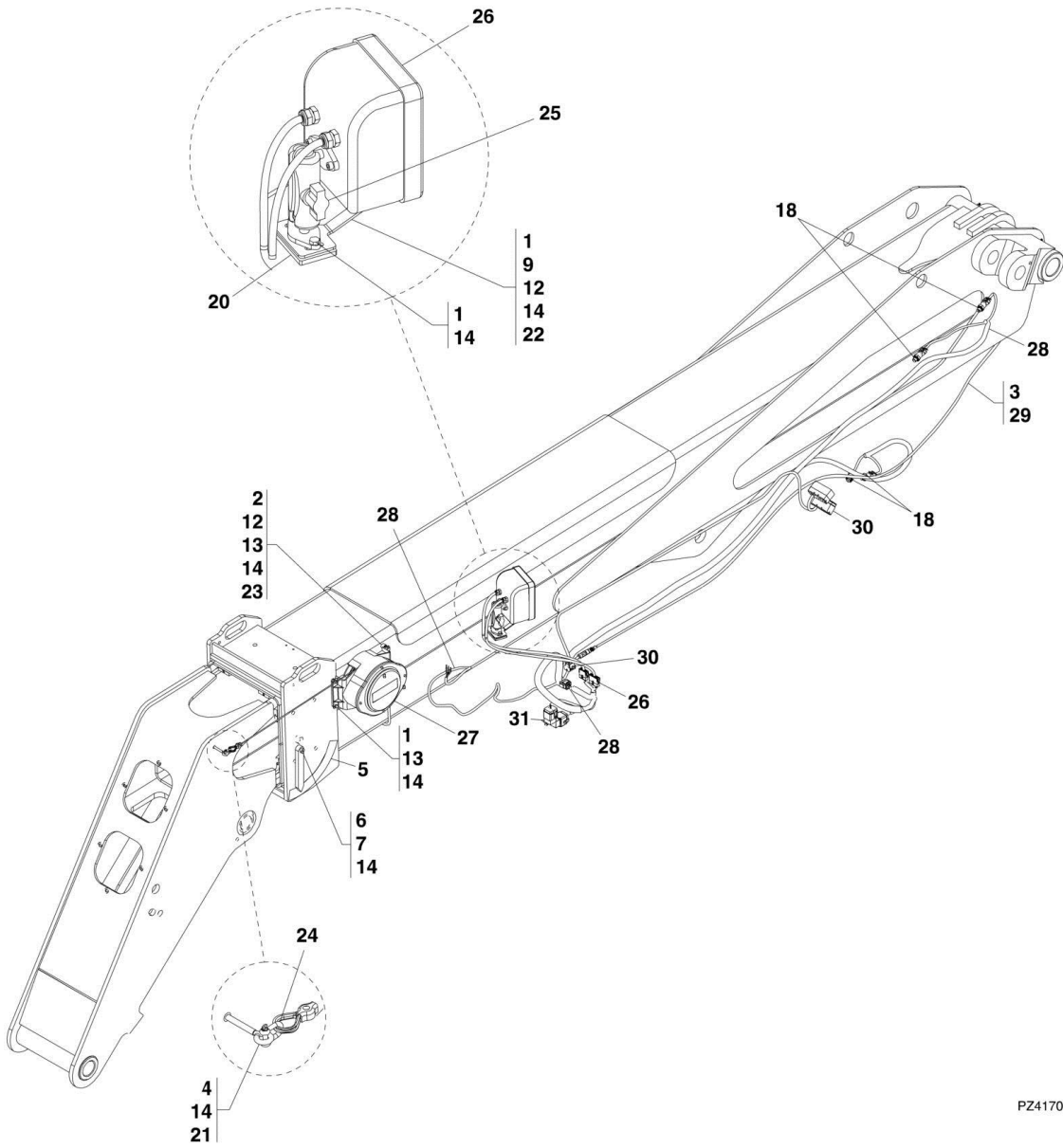
SECTION 10 - ELECTRICAL

FIGURE 10-12. BUCKET SHAKE SWITCH

ITEM	PART NUMBER	QTY	DESCRIPTION	REV
	1001098424	1	BUCKET SHAKE SWITCH, (Includes all items)	A
1	1001098423	1	SWITCH ASSY, (Includes items 2 & 3)	
2	4674353	1	ROCKER SWITCH	
3	1001098422	1	SYMBOL PLATE	

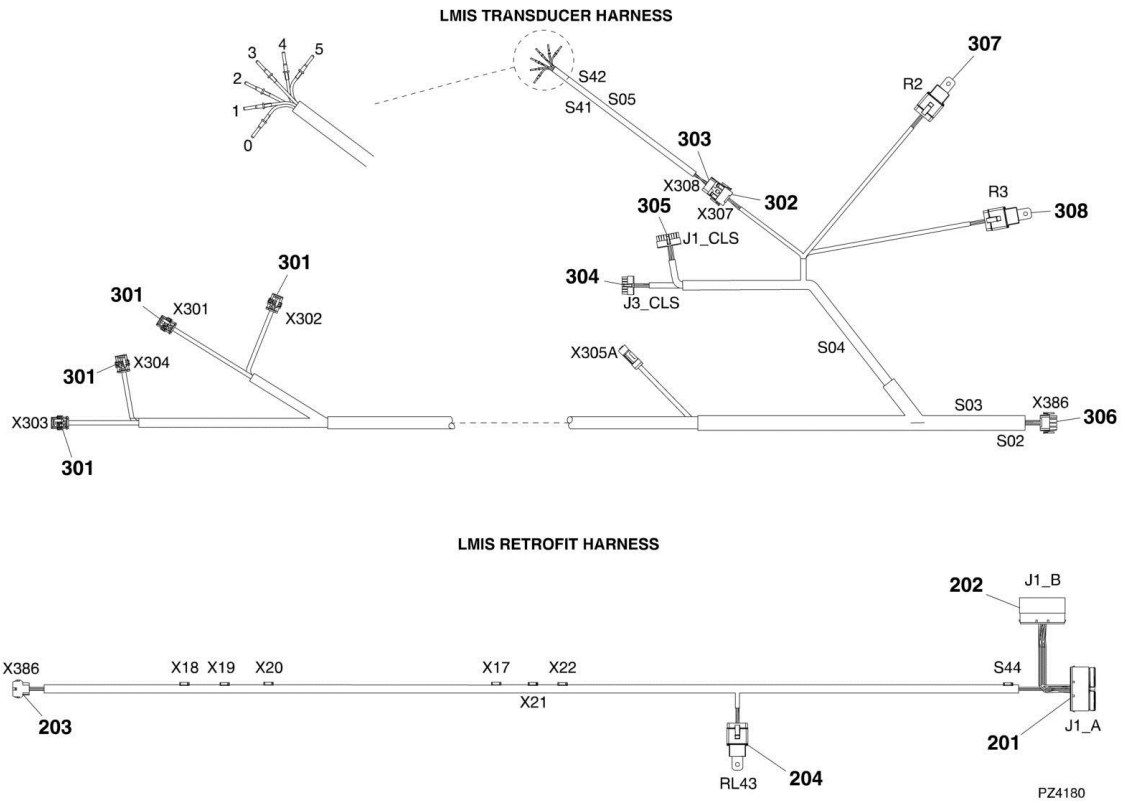
SECTION 10 - ELECTRICAL

FIGURE 10-13. LMIS INSTALLATION



PZ4170

SECTION 10 - ELECTRICAL



SECTION 10 - ELECTRICAL

FIGURE 10-13. LMIS INSTALLATION

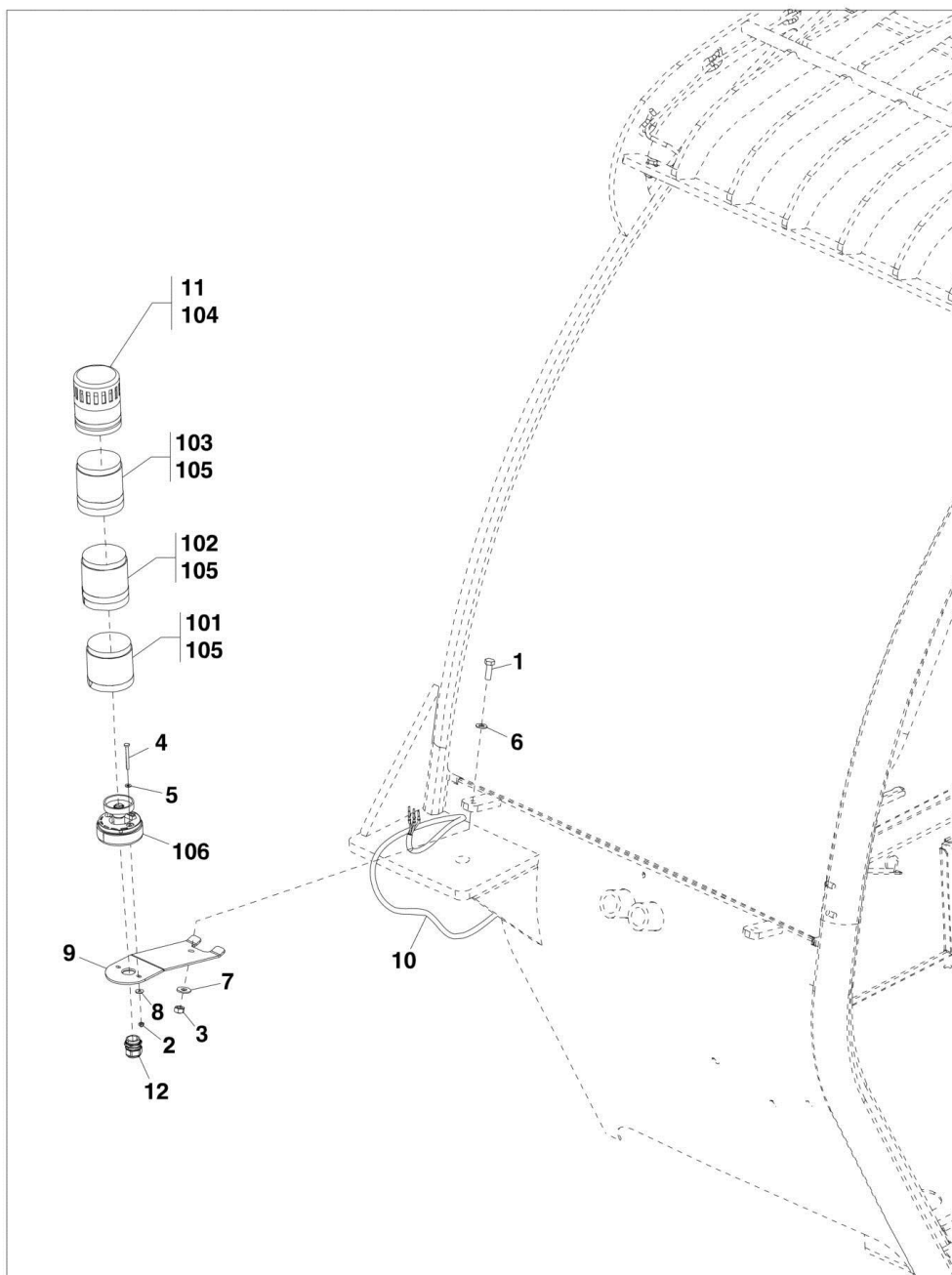
ITEM	PART NUMBER	QTY	DESCRIPTION	REV
	1001108512	Ref	LMIS INSTALLATION, (if equipped), (not available to order, see items 1 thru 31 for service)	A
1	0760610	5	HEX HD CAPSCREW, M6X20, GR8.8	
2	0760615	2	HEX HD CAPSCREW, M6X35, GR8.8	
3	1062255	AR	TIE-STRAP	
4	3290601	1	HEX NUT, M6X1	
5		Ref	BOOM ANGLE INDICATOR DECAL, (See DECALS SECTION for Breakdown)	
6		Ref	WASHER, 8mm, (See DECALS SECTION for Breakdown)	
7		Ref	SHOULDER BOLT, M8X10X16, (See DECALS SECTION for Breakdown)	
8		Ref	ELBOW, 45, (not shown), (See HYDRAULIC CIRCUITS SECTION for Breakdown)	
9	3290607	1	HEX LOCKNUT, M6X1	
10		Ref	PENDULUM, (See DECALS SECTION for Breakdown)	
11		Ref	SOCKET HD CAPSCREW, M8X75, (not shown), (See HYDRAULIC COMPONENTS SECTION for Breakdown)	
12	4811702	3	WASHER, 6mm	
13	4831700	4	LOCKWASHER, 6mm	
14	1001095650	AR	LOCTITE, #243	
15		Ref	ADAPTER, (See HYDRAULIC CIRCUITS SECTION for Breakdown)	
16		Ref	LMIS MANIFOLD VALVE, (not shown), (See HYDRAULIC COMPONENTS SECTION for Breakdown)	
17		Ref	ELBOW, 90, (not shown), (See HYDRAULIC CIRCUITS SECTION for Breakdown)	
18	1001101954	4	PRESSURE SENSOR	
19		Ref	O-RING, (not shown), (See HYDRAULIC COMPONENTS SECTION for Breakdown)	
20	1001102413	1	PLATE	
21	1001102633	1	SPECIAL SCREW, M6X60	
22	1001103420	1	BRACKET	
23	1001103807	2	SPACER	
24	1001104341	1	LMIS CABLE REEL KIT	
25	1001104344	1	PIVOT ARM SUPPORT	
26	1001106805	1	LMIS TRANSDUCER HARNESS, (includes items 301 thru 308)	D
27	1001106385	1	LMIS CABLE REEL ASSY, (includes items 101 & 102)	A
28	1001104415	1	LMIS DISPLAY GUAGE	
29	1001107622	1	LMIS REEL EXTENSION HARNESS	
30	1001107984	1	LMIS RETROFIT HARNESS, (includes items 201 thru 205)	A
31	1001108863	1	SPECIAL SCREW, 5.5X25	
101	1001104342	1	LMIS BOOM CABLE REEL	
102	1001106386	1	LMIS REEL PIGTAIL HARNESS	
201	4460814	1	CONNECTOR	
202	70023032	1	CONNECTOR	
203	4460367	1	CONNECTOR	
204	4460374	1	CONNECTOR	
205	3740080	1	RELAY	
301	4461262	4	CONNECTOR	
302	4460321	1	CONNECTOR	
303	4460761	1	CONNECTOR	
304	4460920	1	CONNECTOR	

SECTION 10 - ELECTRICAL

ITEM	PART NUMBER	QTY	DESCRIPTION	REV
305	250216	1	CONNECTOR	
306	4460343	1	CONNECTOR	
307	7029772	1	CONNECTOR	
308	4460374	1	CONNECTOR	
308	3740080	1	RELAY	

SECTION 10 - ELECTRICAL

FIGURE 10-14. LMIS AUDIBLE TOWER/BEACON INSTALLATION



PZ4000

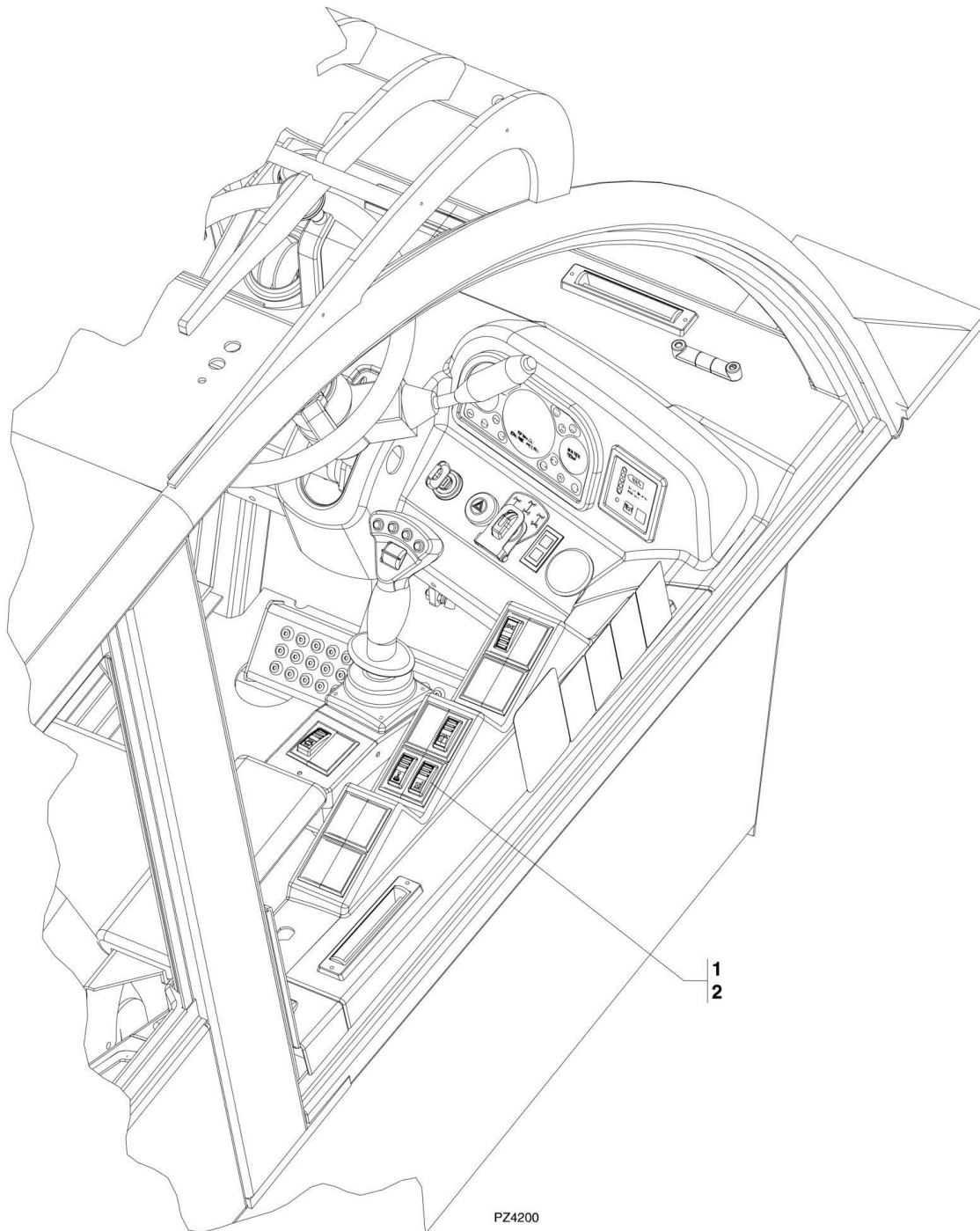
SECTION 10 - ELECTRICAL

FIGURE 10-14. LMIS AUDIBLE TOWER/BEACON INSTALLATION

ITEM	PART NUMBER	QTY	DESCRIPTION	REV
	1001108700	Ref	LMIS AUDIBLE TOWER/BEACON INSTALLATION, (if equipped), (not available to order, see items 1 thru 12 for service)	B
1	0760812	1	HEX HD CAPSCREW, M8X25, GR8.8	
2	3290405	2	HEX LOCKNUT, M4X0.7	
3	3290807	1	HEX LOCKNUT, M8X1.25	
4	4010416	2	PAN HD CAPSCREW, M4X40	
5	4811400	2	WASHER, 4mm	
6	4811900	1	WASHER, 8mm	
7	4811902	1	WASHER, 8mm	
8	1001091102	2	WASHER, 4mm	
9	1001106464	1	BEACON BRACKET	
10		Ref	LMIS TRANSDUCER HARNESS, (See LMIS INSTALLATION for Breakdown)	
11	1001108661	1	LMIS WARNING BEACON ASSY, (includes items 101 thru 106)	A
12	E000269	1	CABLE GLAND, M20X1.5	
101	1001108683	1	GREEN LIGHT GLOBE SECTION, (includes o-ring)	
102	1001108684	1	YELLOW LIGHT GLOBE SECTION, (includes o-ring)	
103	1001108685	1	REG LIGHT GLOBE SECTION, (includes o-ring)	
104	1001108686	1	BUZZER ALARM	
105	1001108687	3	LIGHT BULB, 5W-12V	
106	1001108689	1	BUZZER ALARM BASE	

SECTION 10 - ELECTRICAL

FIGURE 10-15. LSI SWITCH



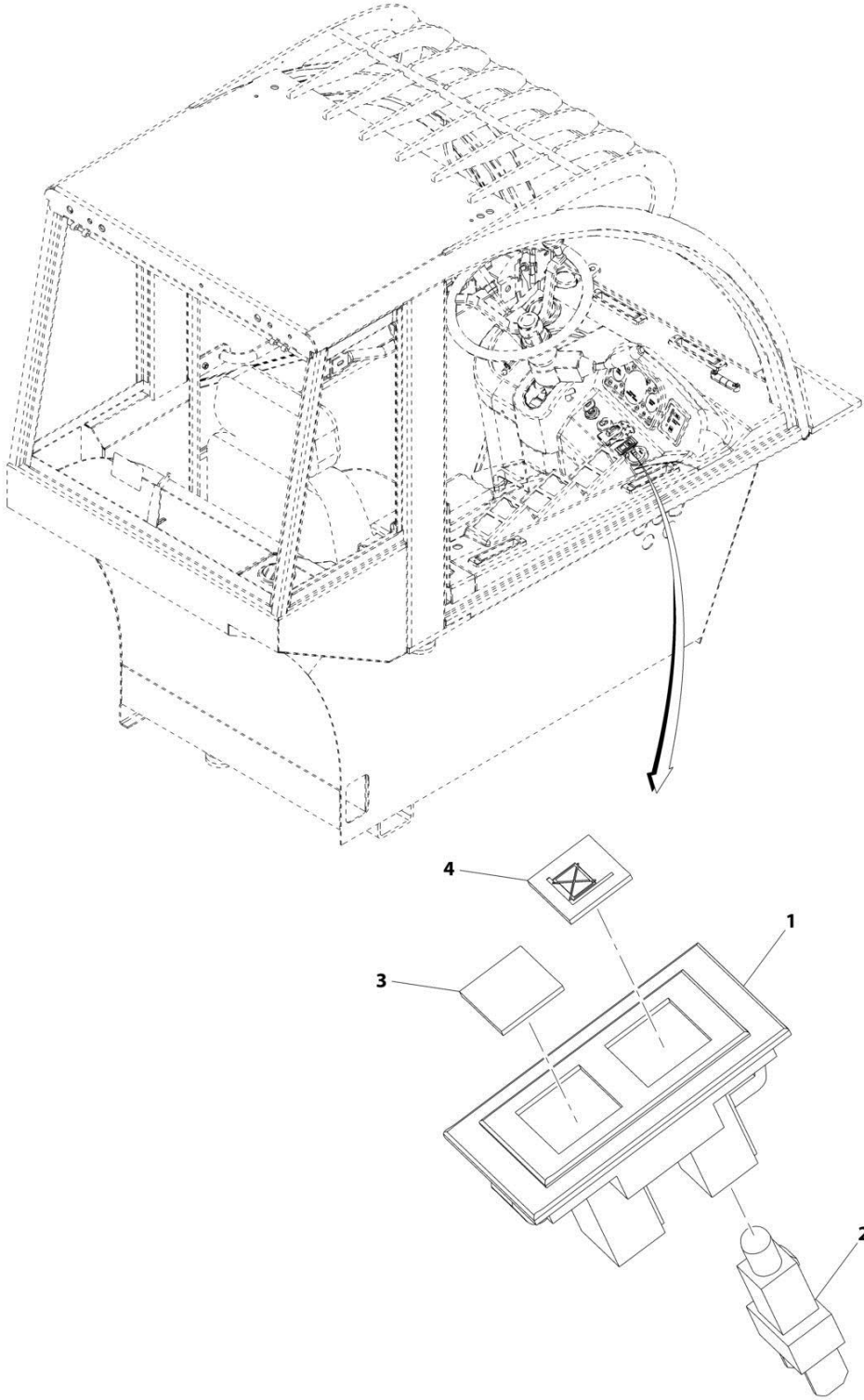
SECTION 10 - ELECTRICAL

FIGURE 10-15. LSI SWITCH

ITEM	PART NUMBER	QTY	DESCRIPTION	REV
	1001102401	1	LSI SWITCH, (if equipped), (includes items 1 & 2)	A
1	4360611	1	LSI SWITCH KEY	
2	8002834	1	LSI SWITCH BODY	

SECTION 10 - ELECTRICAL

FIGURE 10-16. LMI OPTION



ART_2420209-B

SECTION 10 - ELECTRICAL

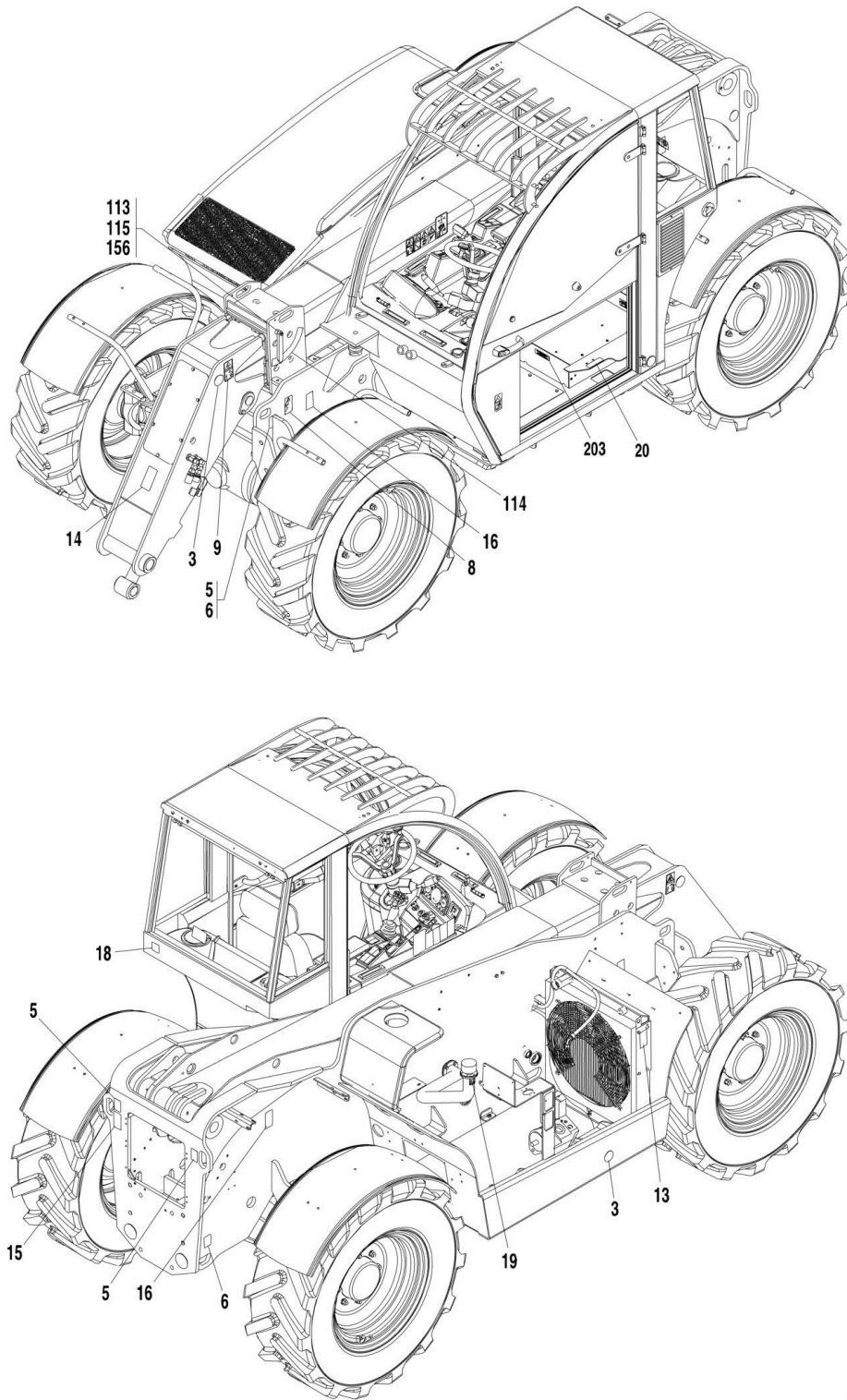
FIGURE 10-16. LMI OPTION

ITEM	PART NUMBER	QTY	DESCRIPTION	REV
	2420209	1	LMI SWITCH, (if equipped), (includes all items)	B
1	2420208	1	SWITCH BODY	
2	2420213	1	LAMP ASSY	
3	4360610	1	BLANK SYMBOL PLATE	
4	4360611	1	LMI SYMBOL PLATE	

SECTION 11 - DECALS

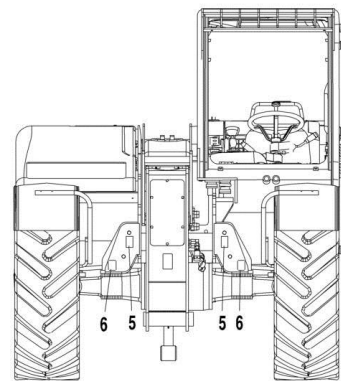
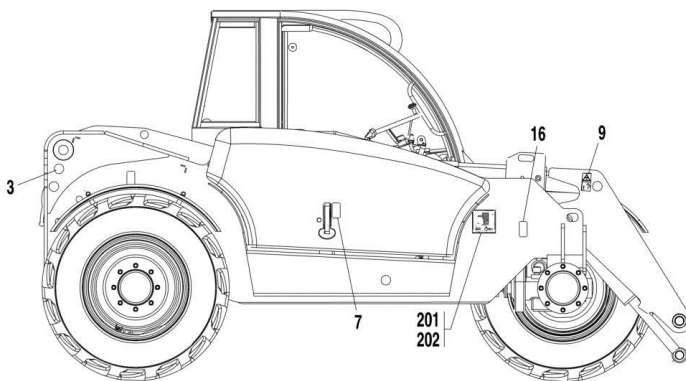
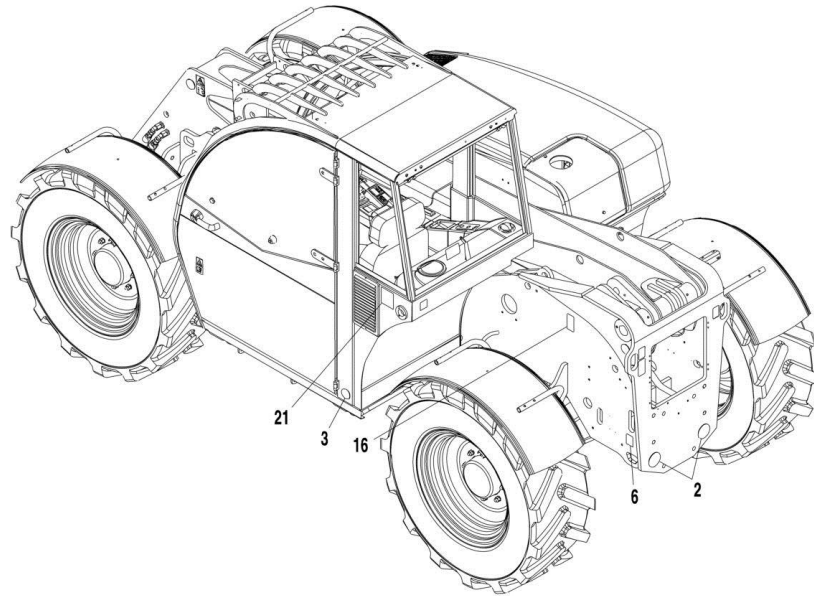
SECTION 11 - DECALS

FIGURE 11-1. FRAME AND BOOM DECALS



ART_3126025-11-1_1

SECTION 11 - DECALS



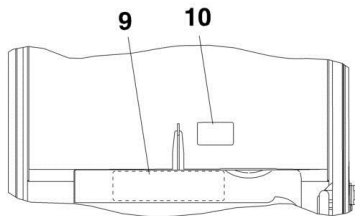
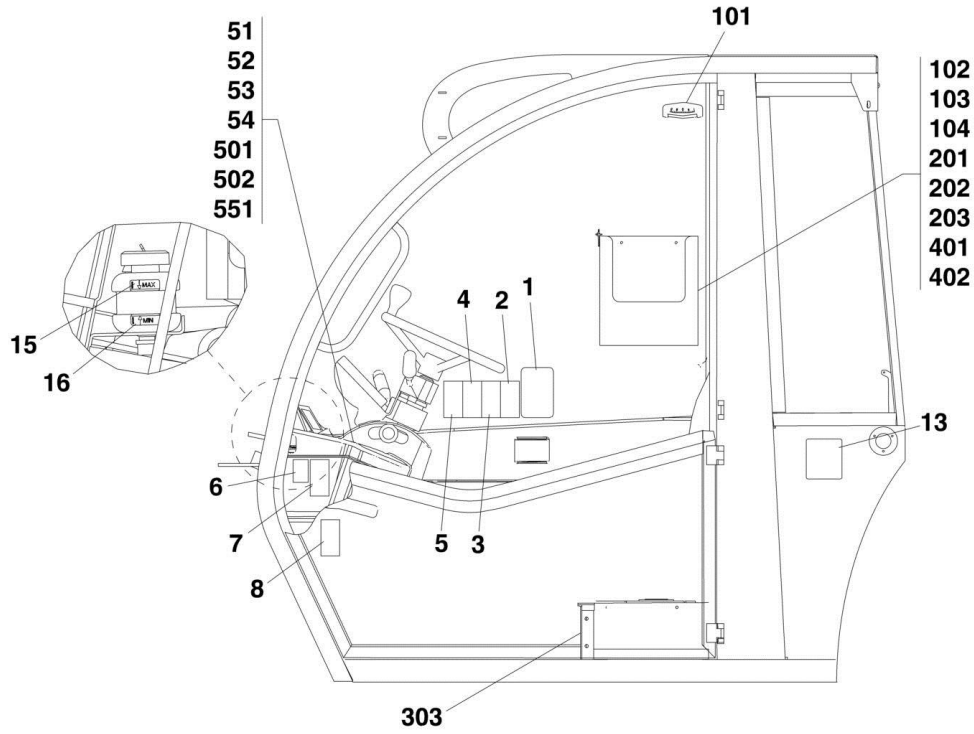
SECTION 11 - DECALS

FIGURE 11-1. FRAME AND BOOM DECALS

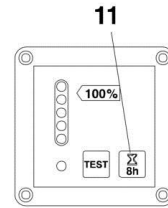
ITEM	PART NUMBER	QTY	DESCRIPTION	REV
	0274045	1	DECAL INSTALLATION, (266, 266 LoPro, 26.6, 26.6 LP), (includes items 1 thru 21)	G
	0274046	1	DECAL INSTALLATION, (307, 30.7), (includes items 1 thru 21)	F
2	3931579	2	REAR REFLECTOR	
3	8003198	6	SIDE REFLECTOR	
5	8005616	4	LIFTING PLATE DECAL	
6	8005617	4	TIE DOWN DECAL	
7	8005670	1	INSTRUCTION AND SAFETY DECAL	
8	8005671	1	WARNING DECAL	
9	8005675	2	WARNING DECAL	
13	8005869	1	WARNING DECAL	
14	8006038	1	WARNING DECAL	
15	8006612	1	WARNING DECAL	
16	8008657	4	WARNING DECAL	
18	8009815	1	DIESEL DECAL	
19	8009816	1	HYDRAULIC OIL DECAL	
20	1706209	1	PARK BRAKE DECAL	
21	1705980	1	ACOUSTIC POWER DECAL, 106dB	
113	0630585	1	SHOULDER BOLT, M8X10X16	
114	1705998	1	BOOM ANGLE INDICATOR DECAL	
115	3575478	1	PENDULUM	
156	4811902	1	WASHER, 8mm	
201	N.S.S.	1	SN PLATE	
202	1001009178	4	FASTENER	
203	N.S.S.	1	NAMEPLATE	

SECTION 11 - DECALS

FIGURE 11-2. CAB DECALS

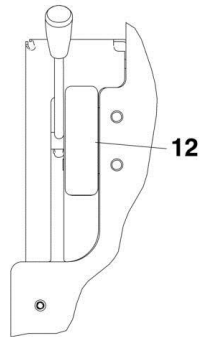


VIEW OF REAR WINDOW

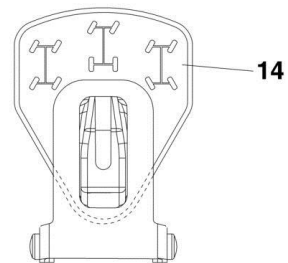


VIEW OF LSI

VIEW OF PARK BRAKE



VIEW OF STEER SELECT



PZ4191

SECTION 11 - DECALS

FIGURE 11-2. CAB DECALS

ITEM	PART NUMBER	QTY	DESCRIPTION	REV
1	1706710	1	JOYSTICK LABEL (266, 307, 26.6, 30.7)	
1	8008613	1	JOYSTICK LABEL (266 LoPro, 26.6 LP with A/C)	
2	8005671	1	DECAL	
3	8005672	1	DECAL	
4	8005673	1	DECAL	
5	8005674	1	DECAL	
6	2447967	1	OIL DECAL	
7	8005670	1	DECAL	
8	8008651	1	DECAL	
9	1706463	1	FUSE DECAL	
10	8005870	1	EMERGENCY EXIT DECAL	
11	8008805	1	DECAL	
12	1706209	1	PARK BRAKE DECAL	
13	1705980	1	SOUND DECAL	
14	1706443	1	STEERING MODE DECAL	
15	8006516	1	FLUID LEVEL (MAX)	
16	8006515	1	FLUID LEVEL (MIN)	
51	1706418	1	CAPACITY CHART KIT, (266, 266 LoPro)	
51	1706258	1	FORKS, (266, 266 LoPro)	
51	1706457	1	BUCKET, 1.8 ³ , (266, 266 LoPro)	
51	1706458	1	BUCKET, 0.8 ³ , (266, 266 LoPro)	
51	1706459	1	FORK HOOK, (266, 266 LoPro)	
51	1706460	1	TRUSS, 3.4M, (266, 266 LoPro)	
51	1706461	1	TRUSS, 3.6M, (266, 266 LoPro)	
51	1706462	1	SIDE SHIFT CARRIAGE, (266, 266 LoPro)	
51	1706402	1	BALE HANDLER, (266, 266 LoPro)	
51	1706403	1	BALE HANDLER SPIKE, (266, 266 LoPro)	
51	1706404	1	ROUND FORK, (266, 266 LoPro)	
52	1706630	1	CAPACITY CHART KIT, (26.6, 26.6 LP)	
52	1706632	1	FORKS, (26.6, 26.6 LP)	
52	1706636	1	BUCKET, 1.8 ³ , (26.6, 26.6 LP)	
52	1706638	1	BUCKET, 0.8 ³ , (26.6, 26.6 LP)	
52	1706640	1	FORK HOOK, (26.6, 26.6 LP)	
52	1706642	1	TRUSS, 3.4M, (26.6, 26.6 LP)	
52	1706644	1	TRUSS, 3.6M, (26.6, 26.6 LP)	
52	1706646	1	SIDE SHIFT CARRIAGE, (26.6, 26.6 LP)	
52	1706648	1	BALE HANDLER, (26.6, 26.6 LP)	
52	1706650	1	BALE HANDLER SPIKE, (26.6, 26.6 LP)	
52	1706652	1	ROUND FORK, (26.6, 26.6 LP)	
53	1706419	1	CAPACITY CHART KIT, (307)	6
53	1706259	1	FORKS, (307)	
53	1706410	1	FOUR IN ONE BUCKET, 2M ³ , (307)	
53	1706411	1	BUCKET, 0.8M ³ , (307)	
53	1706412	1	FORK HOOK, (307)	
53	1706413	1	TRUSS, 3.4M, (307)	
53	1706414	1	TRUSS, 3.6M, (307)	
53	1706415	1	SIDESHIFT CARRIAGE, (307)	
53	1706406	1	BALE HANDLER, (307)	
53	1706407	1	BALE HANDLER, (307)	
53	1706408	1	ROUND FORK, (307)	

SECTION 11 - DECALS

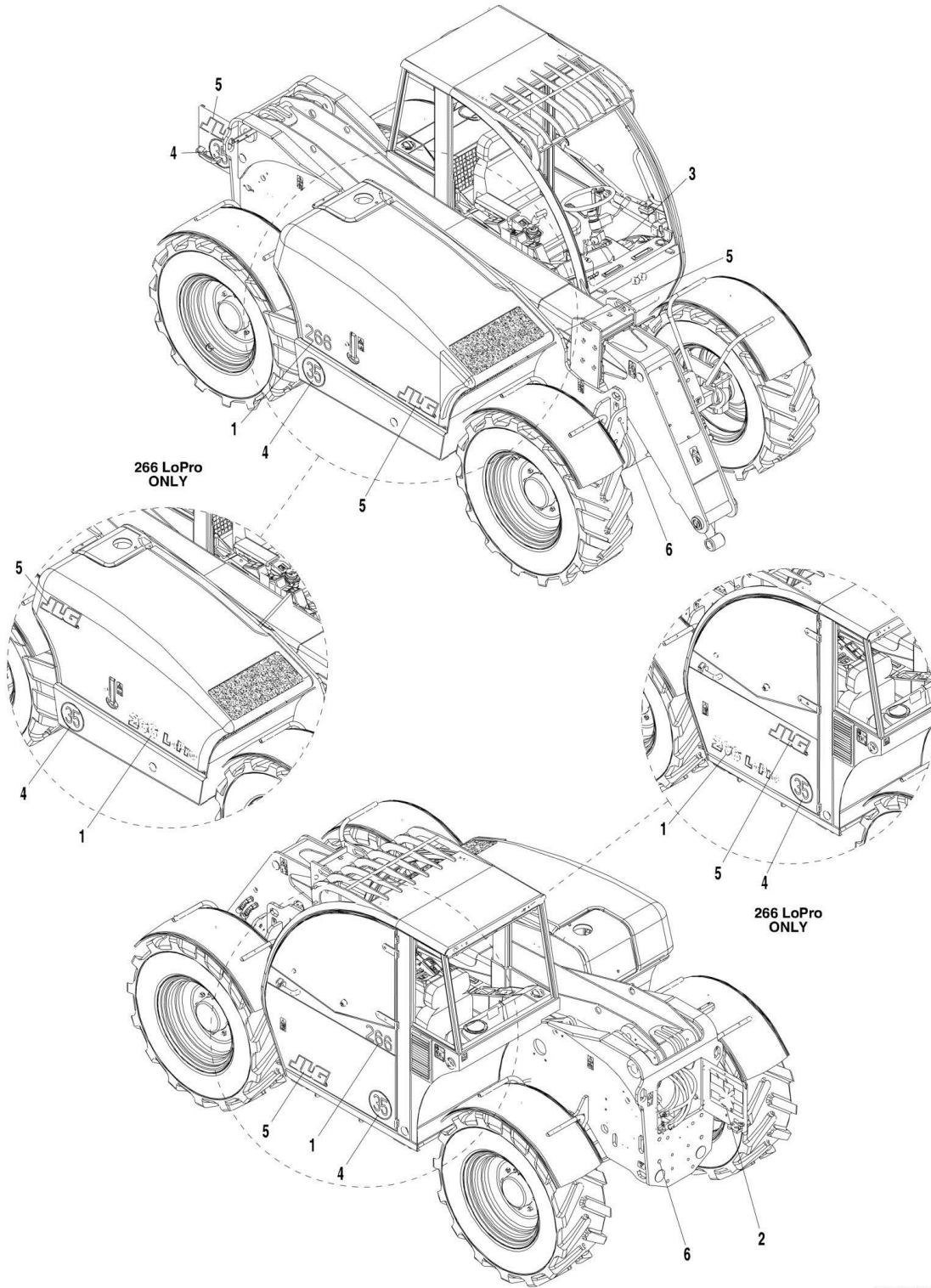
ITEM	PART NUMBER	QTY	DESCRIPTION	REV
53	1706717	1	TRUSS BOOM ADJUST, (307)	
54	1706631	1	CAPACITY CHART KIT, (30.7)	
54	1706633	1	FORKS, (30.7)	
54	1706637	1	FOUR IN ONE BUCKET, 2M ³ , (30.7)	
54	1706639	1	BUCKET, 0.8M ³ , (30.7)	
54	1706641	1	FORK HOOK, (30.7)	
54	1706643	1	TRUSS, 3.4M, (30.7)	
54	1706645	1	TRUSS, 3.6M, (30.7)	
54	1706647	1	SIDESHIFT CARRIAGE, (30.7)	
54	1706649	1	BALE HANDLER, (30.7)	
54	1706651	1	BALE HANDLER, (30.7)	
54	1706653	1	ROUND FORK, (30.7)	
101	8466306	1	LEVEL INDICATOR GUAGE, (AUS)	
102	1001095303	1	WALL MOUNT CONTAINER, (AUS)	
103	1001104090	0.4 m	TAPE, (AUS)	
104	1001110729	1	LANYARD ASSEMBLY, (AUS), (includes items 201 thru 203)	A
201	1001104090	AR	TAPE, (AUS)	
202	1001104541	1	KEY RING, (AUS)	
203	1001110722	1	WIRE LANYARD, (AUS)	
303		Ref	CAB SAFETY DECAL, (AUS)	
	1001114611	1	CAPACITY CHART BOOKLET, (AUS - 266 & 266 LoPro, if equipped with LMIS), (includes items 401 & 402) (Prior to SN 1160003670)	1
	1001103697	1	CAPACITY CHART BOOKLET, (AUS - 266 & 266 LoPro, if equipped with LMIS), (includes items 401 & 402) (SN 1160003670 to Present)	4
	1001114612	1	CAPACITY CHART BOOKLET, (AUS - 307, if equipped with LMIS), (includes items 401 & 402) (Prior to SN 1160003670)	1
	1001103698	1	CAPACITY CHART BOOKLET, (AUS - 307, if equipped with LMIS), (includes items 401 & 402) (SN 1160003670 to Present)	4
401	1001114609	1	TRUSS BOOM CAPACITY CHART, (AUS - 266 & 266 LoPro, if equipped with LMIS) (Prior to SN 1160003670)	
401	1001101805	1	TRUSS BOOM CAPACITY CHART, (AUS - 266 & 266 LoPro, if equipped with LMIS) (SN 1160003670 to Present)	
401	1001114610	1	TRUSS BOOM CAPACITY CHART, (AUS - 307, if equipped with LMIS) (Prior to SN 1160003670)	
401	1001101806	1	TRUSS BOOM CAPACITY CHART, (AUS - 307, if equipped with LMIS) (SN 1160003670 to Present)	
402	1001109966	1	CAPACITY CHART COVER	
	1001103691	1	CAPACITY CHART BOOKLET, (AUS - 266 & 266 LoPro, if equipped with LMIS), (includes items 501 & 502) (SN 1160003670 to Present)	2
	1001103692	1	CAPACITY CHART BOOKLET, (AUS - 307, if equipped with LMIS), (includes items 501 & 502) (SN 1160003670 to Present)	2
501	1001101906	1	CARRIAGE CAPACITY CHART, (AUS - 266 & 266 LoPro, if equipped with LMIS) (Prior to SN 1160003670)	
501	1001101907	1	CARRIAGE CAPACITY CHART, (AUS - 307, if equipped with LMIS) (SN 1160003670 to Present)	
502	1001102464	1	BUCKETS CAPACITY CHART, (AUS - 266 & 266 LoPro, if equipped with LMIS) (Prior to SN 1160003670)	
502	1001102465	1	BUCKETS CAPACITY CHART, (AUS - 307, if equipped with LMIS) (SN 1160003670 to Present)	
	1001103124	1	CAPACITY BOOKLET, (CE - 266 LoPro & 266, if equipped with JD Quick Attach), (includes item 551)	2
	1001103125	1	CAPACITY BOOKLET, (CE - 307, if equipped with JD Quick	2

SECTION 11 - DECALS

ITEM	PART NUMBER	QTY	DESCRIPTION	REV
551	1001103100	1	Attach), (includes item 551) JD CARRIAGE CAPACITY CHART, (CE - 266 LoPro & 266, if equipped with JD Quick Attach)	
551	1001103102	1	JD CARRIAGE CAPACITY CHART, (CE - 307, if equipped with JD Quick Attach)	

SECTION 11 - DECALS

FIGURE 11-3. MACHINE DECALS, 266 AND 266 LOPRO



ART_3126025-11-3

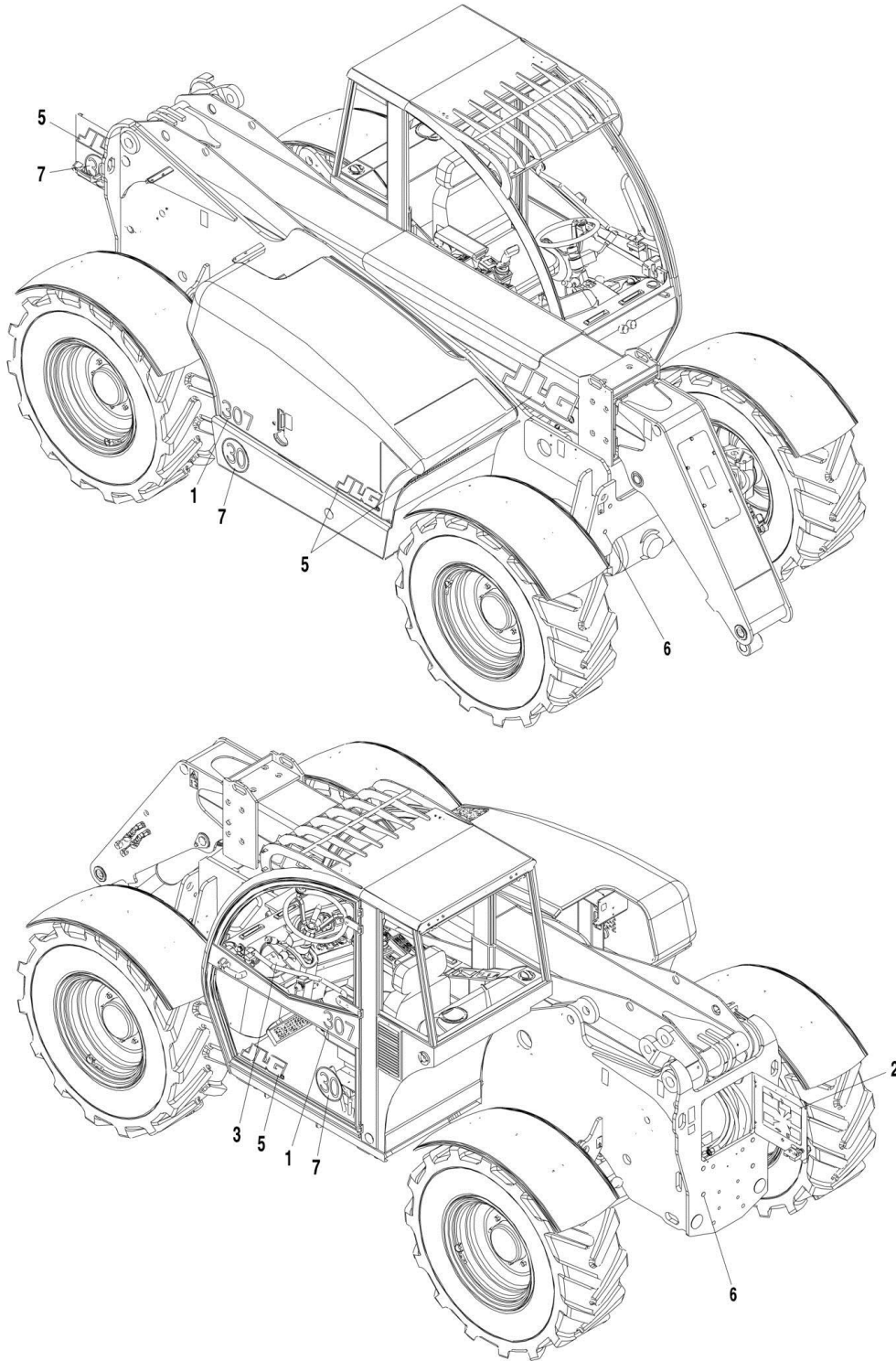
SECTION 11 - DECALS

FIGURE 11-3. MACHINE DECALS, 266 AND 266 LOPRO

ITEM	PART NUMBER	QTY	DESCRIPTION	REV
	0274456	Ref	DECAL INSTALLATION, (CE - 266), (if equipped), (not available to order, see items 1 thru 6 for service)	F
	0274813	Ref	DECAL INSTALLATION, (CE - 266 LoPro), (if equipped), (not available to order, see items 1 thru 6 for service)	C
	1001103126	Ref	DECAL INSTALLATION, (CE - 266), (if equipped), (not available to order, see items 1 thru 6 for service)	A
	1001103127	Ref	DECAL INSTALLATION, (CE - 266 LoPro), (if equipped), (not available to order, see items 1 thru 6 for service)	A
	1001111119	Ref	DECAL INSTALLATION, (AUS - 266 LoPro), (if equipped), (not available to order, see items 1 thru 6 for service)	A
	1001111120	Ref	DECAL INSTALLATION, (AUS - 266), (if equipped), (not available to order, see items 1 thru 6 for service)	A
1	1706000	2	MODEL DECAL, (266)	
1	1706659	2	MODEL DECAL, (266 LoPro)	
2	1001094795	1	LUBE CHART DECAL	
3		Ref	CAPACITY CHART KIT, (See CAB DECALS for Breakdown)	
4	8009377	3	35 KPH SPEED DECAL	
5	1702773	5	JLG DECAL	
6	8008721	8	PLASTIC CAP	

SECTION 11 - DECALS

FIGURE 11-4. MACHINE DECALS, 307



ART_3126025-11-4

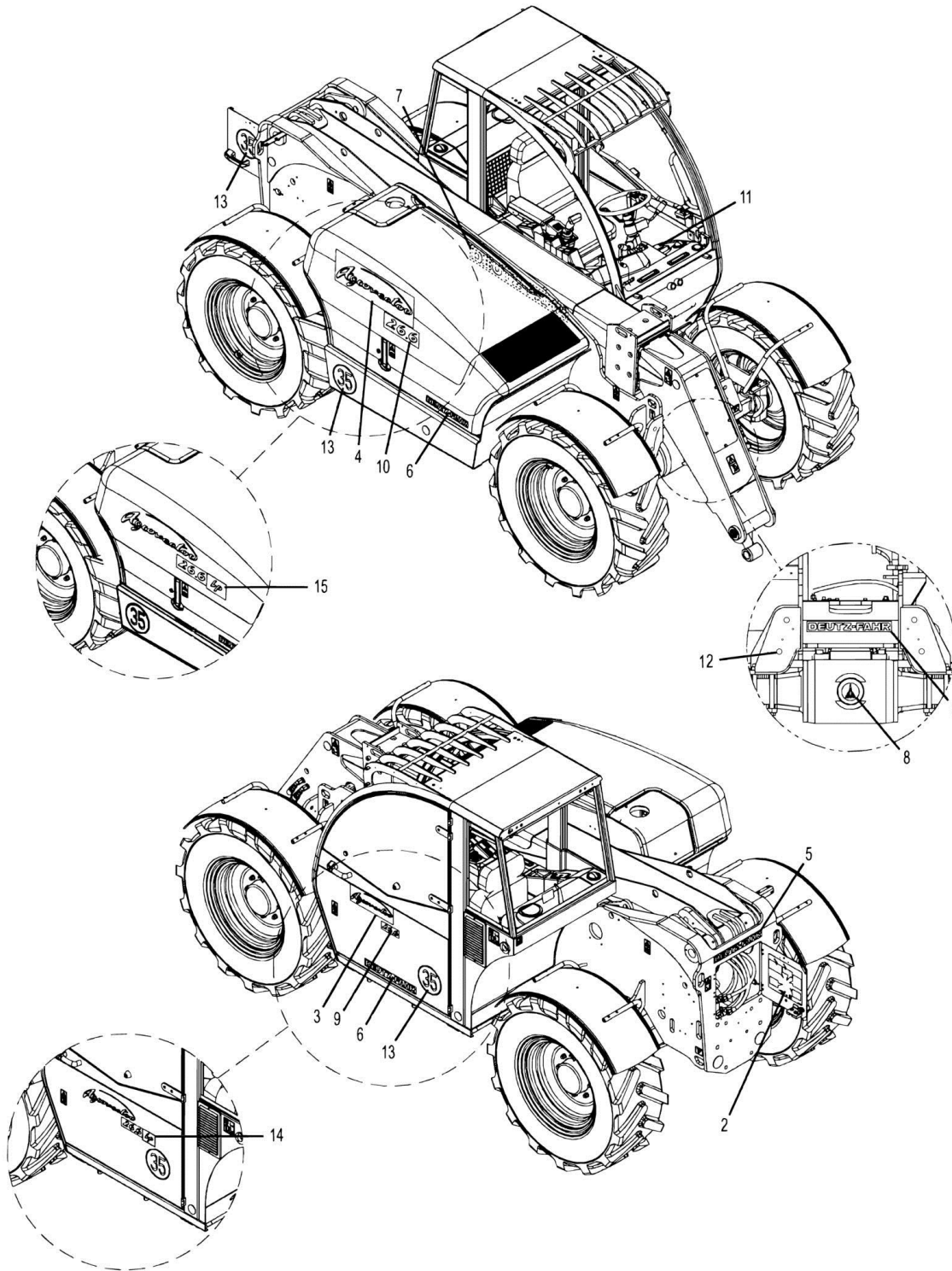
SECTION 11 - DECALS

FIGURE 11-4. MACHINE DECALS, 307

ITEM	PART NUMBER	QTY	DESCRIPTION	REV
	0274457	Ref	DECAL INSTALLATION, (CE - 307), (if equipped), (not available to order, see items 1 thru 7 for service)	F
	1001103128	Ref	DECAL INSTALLATION, (CE - 307), (if equipped), (not available to order, see items 1 thru 7 for service)	B
	1001111118	Ref	DECAL INSTALLATION, (AUS - 307), (if equipped), (not available to order, see items 1 thru 7 for service)	A
1	1706001	2	MODEL DECAL, (307)	
2	1001094795	1	LUBE CHART DECAL	
3		Ref	CAPACITY CHART KIT, (See CAB DECALS for Breakdown)	
5	1702773	5	JLG DECAL	
6	8008721	8	PLASTIC CAP	
7	8009377	3	SPEED DECAL, 35KPH	

SECTION 11 - DECALS

FIGURE 11-5. MACHINE DECALS, 26.6 AND 26.6 LP



ART_3126025-11-5

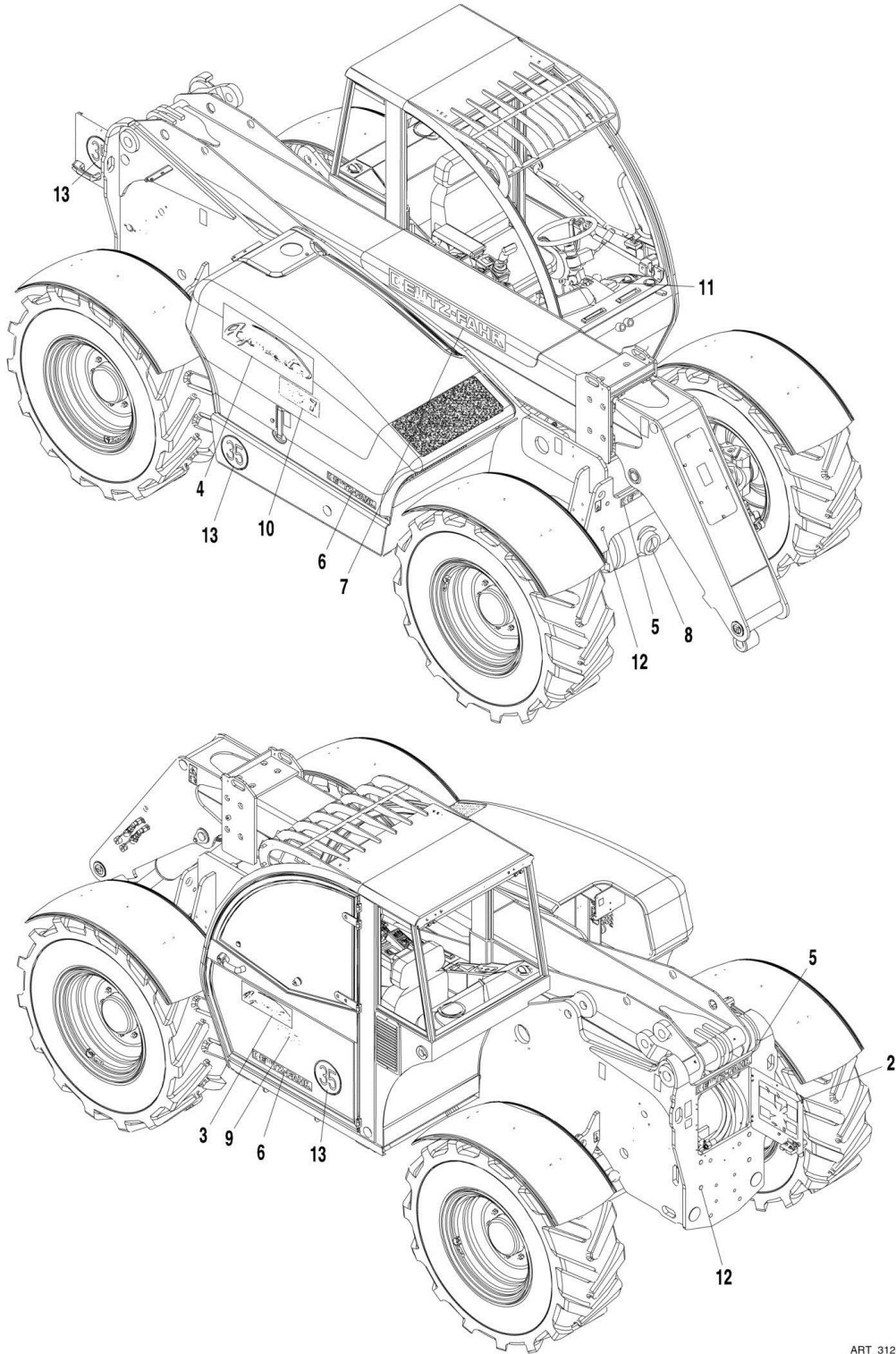
SECTION 11 - DECALS

FIGURE 11-5. MACHINE DECALS, 26.6 AND 26.6 LP

ITEM	PART NUMBER	QTY	DESCRIPTION	REV
	0274458	1	26.6 DECAL INSTALLATION, (includes items 2 thru 13)	D
	0274814	1	26.6 LP DECAL INSTALLATION, (includes items 2 thru 15)	F
2	1001094795	1	LUBE CHART DECAL	
3	1706441	1	AGROVECTOR DECAL, SMALL	
4	1706442	1	AGROVECTOR DECAL, LARGE	
5	1706607	2	DEUTZ-FAHR DECAL, SMALL	
6	1706608	2	DEUTZ-FAHR DECAL, MEDIUM	
7	1706609	2	DEUTZ-FAHR DECAL, LARGE	
8	1706610	1	CATHEDRAL DECAL	
9	1706611	1	26.6 DECAL, SMALL	
10	1706613	1	26.6 DECAL, LARGE	
11		Ref	LOAD CHART KIT, (See CAB DECALS for Breakdown)	
12	8008721	8	PLASTIC CAP	
13	8009377	3	SPEED DECAL, 35 KPH	
14	1706958	1	LP DECAL, SMALL	
15	1706959	1	LP DECAL, LARGE	

SECTION 11 - DECALS

FIGURE 11-6. MACHINE DECALS, 30.7



ART_3126025-11-6

SECTION 11 - DECALS

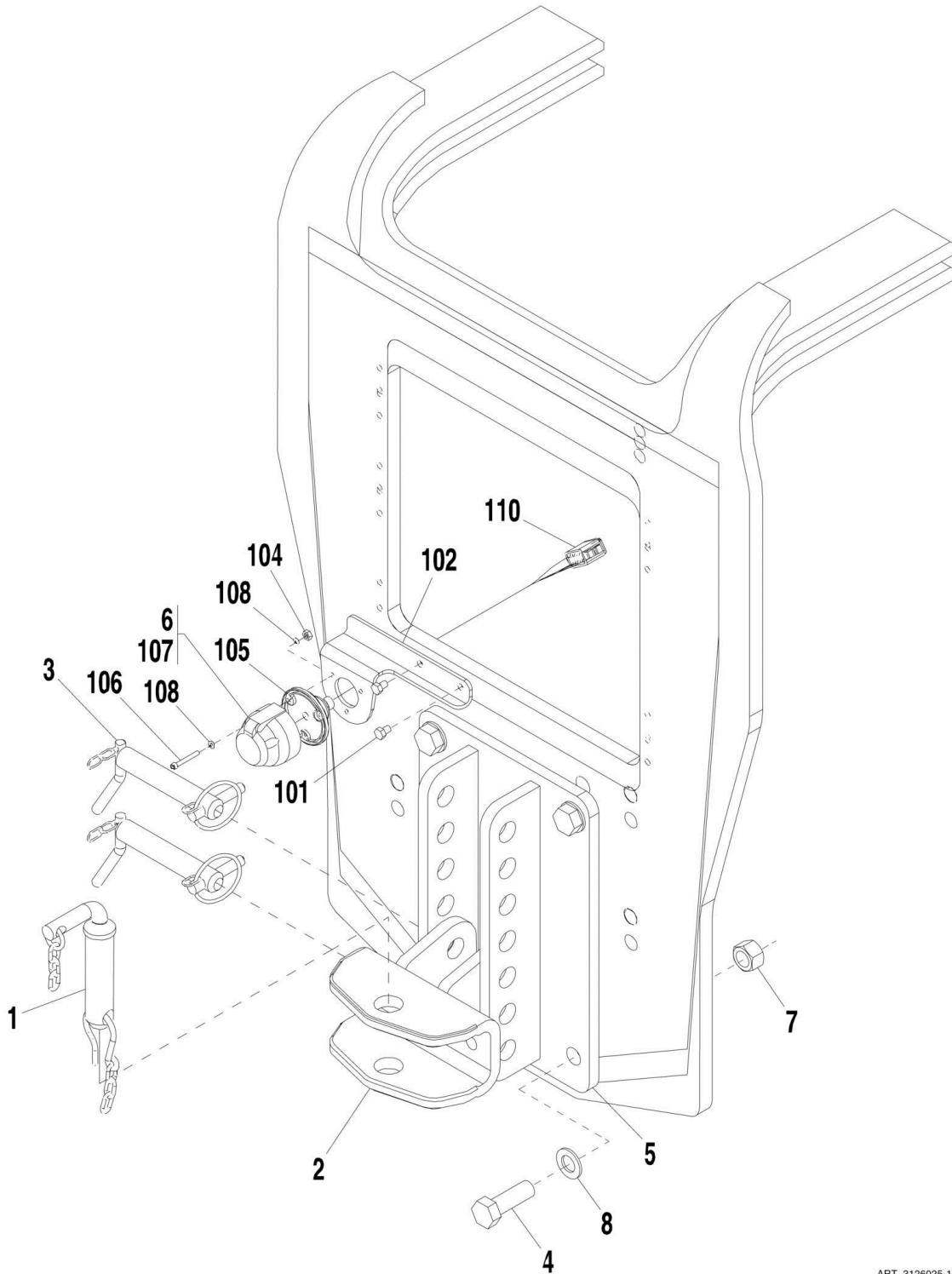
FIGURE 11-6. MACHINE DECALS, 30.7

ITEM	PART NUMBER	QTY	DESCRIPTION	REV
	0274459	1	30.7 DECALS, (INCLUDES ITEMS 2 THRU 13)	D
2	1001094795	1	LUBE CHART DECAL	
3	1706441	1	AGROVECTOR DECAL, SMALL	
4	1706442	1	AGROVECTOR DECAL, LARGE	
5	1706607	2	DEUTZ-FAHR DECAL, SMALL	
6	1706608	2	DEUTZ-FAHR DECAL, MEDIUM	
7	1706609	2	DEUTZ-FAHR DECAL, LARGE	
8	1706610	1	CATHEDRAL DECAL	
9	1706612	1	30.7 DECAL, SMALL	
10	1706614	1	30.7 DECAL, LARGE	
11		Ref	LOAD CHART KIT, (See CAB DECALS for Breakdown)	
12	8008721	8	PLASTIC CAP	
13	8009377	3	SPEED DECAL, 35 KPH	

SECTION 12 - OPTIONS

SECTION 12 - OPTIONS

FIGURE 12-1. HITCH KIT ASSEMBLY



ART_3126025-12-1

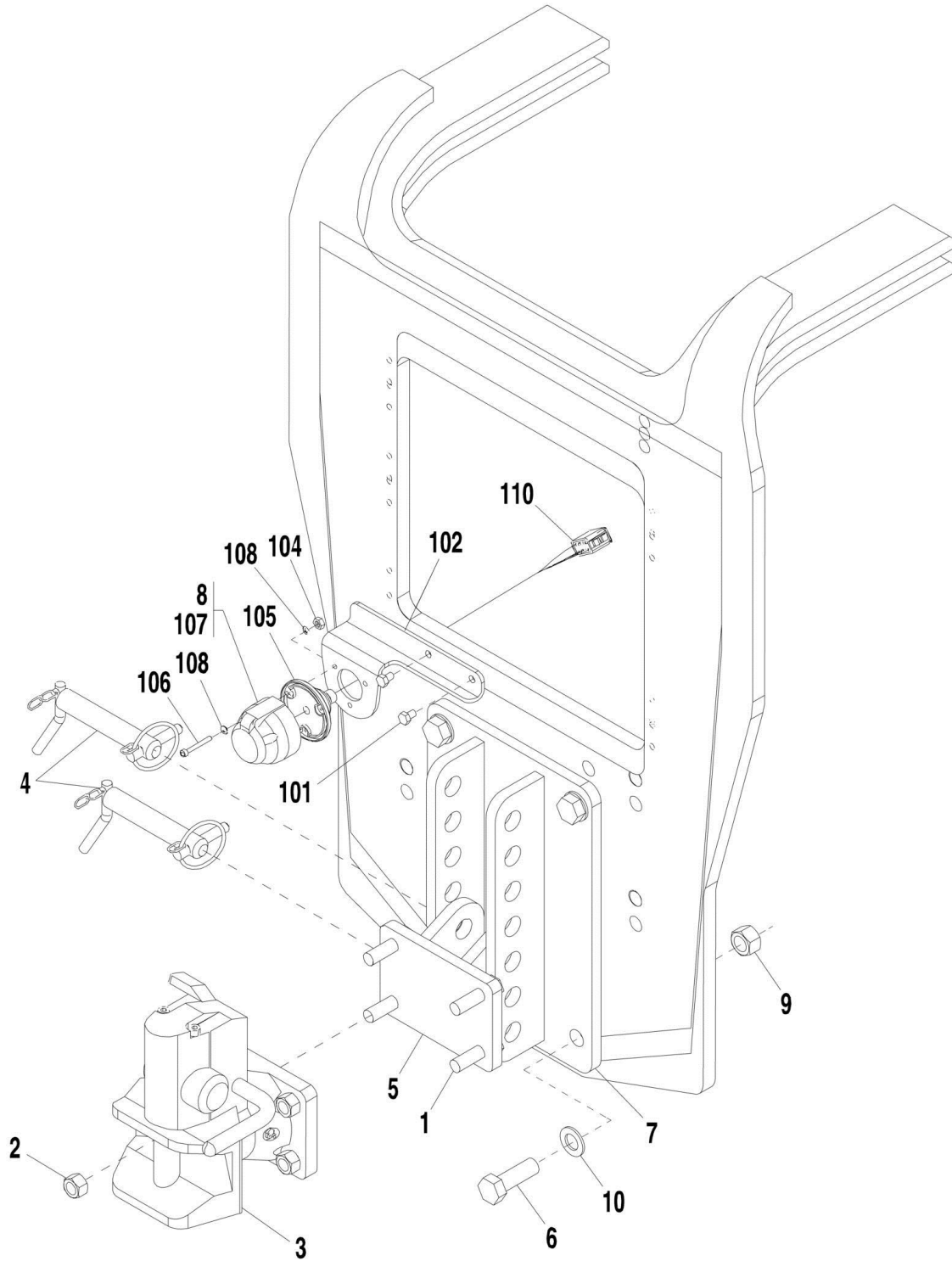
SECTION 12 - OPTIONS

FIGURE 12-1. HITCH KIT ASSEMBLY

ITEM	PART NUMBER	QTY	DESCRIPTION	REV
	2620049	1	HITCH KIT ASSY, (includes all items)	E
1	3944574	1	HITCH PIN	
2	8010200	1	HITCH WELDMENT	
3	8010204	2	HITCH MOUNTING PIN	
4	0712020	4	HEX HD CAPSCREW, 20-2.5X60, GR10.9	
5	0903083	1	HITCH MOUNTING BRACKET	
6	2902377	1	TRAILER PLUG KIT, (includes items 101 thru 110)	
7	3332007	4	HEX LOCK NUT, M20-2.5	
8	4812500	4	FLAT WASHER, 20mm	
101	0760806	2	HEX HD CAPSCREW, 8X12, GR 8.8	
102	0903094	1	TRAILER PLUG BRACKET	
103	1719204	1	INDICATOR LIGHT, (not illustrated, part of cab)	
104	3290507	3	HEX LOCK NUT, M5X.8	
105	3960600	1	TRAILER PLUG GASKET	
106	4031612	3	SOCKET HD CAPSCREW, M5X40	
107	4461021	1	TRAILER PLUG	
108	4811600	6	FLAT WASHER, 5mm	
109	8002826	1	FIRST TRAILER SYMBOL, (not illustrated, part of cab)	
110	4923122	1	ELECTRICAL HARNESS	

SECTION 12 - OPTIONS

FIGURE 12-2. AUTOMATIC HITCH ASSEMBLY



ART_3126025-12-2

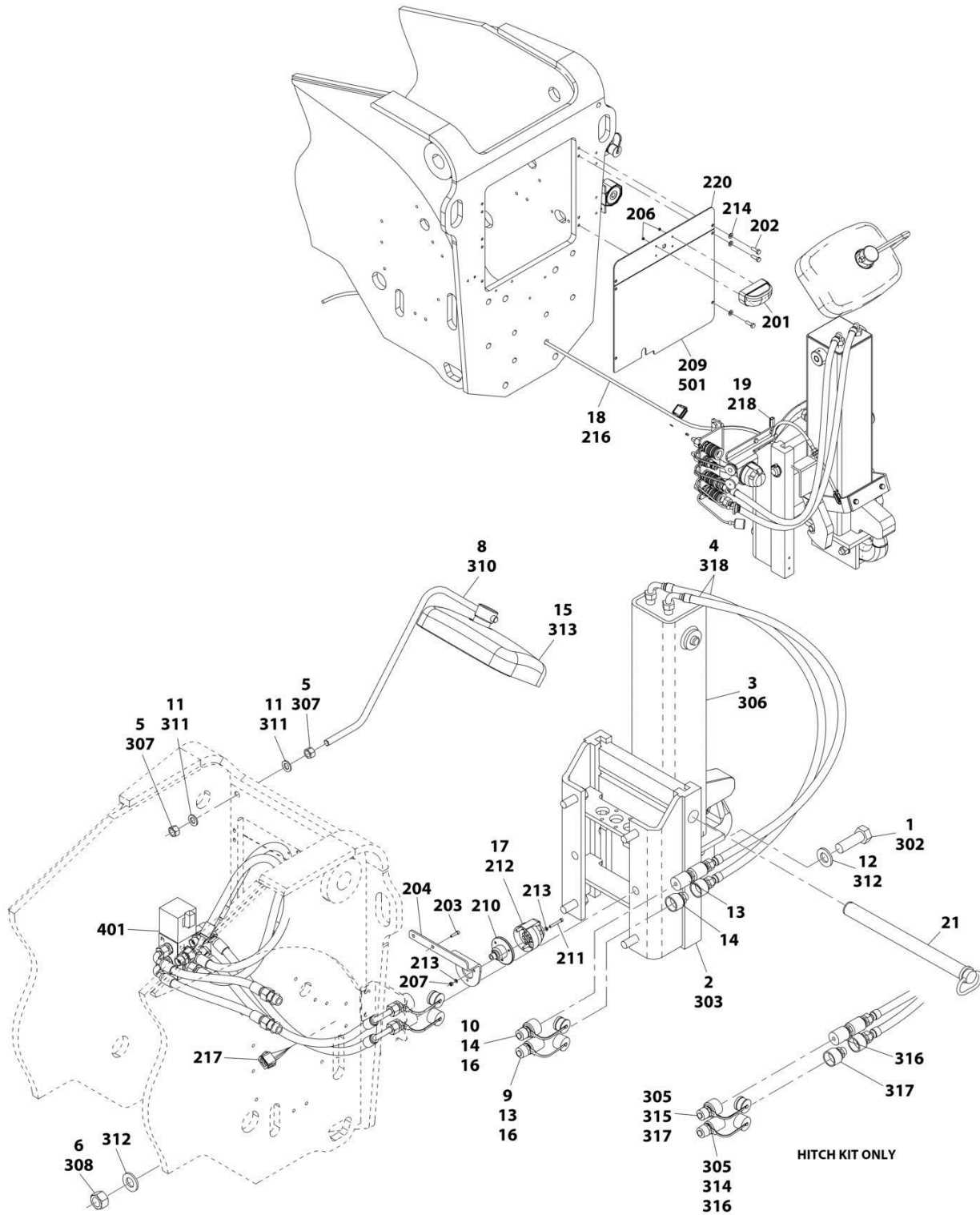
SECTION 12 - OPTIONS

FIGURE 12-2. AUTOMATIC HITCH ASSEMBLY

ITEM	PART NUMBER	QTY	DESCRIPTION	REV
	2620050	1	AUTOMATIC HITCH ASSY, (includes all items)	E
1	0711619	4	HEX HD CAPSCREW, 16-2X55mm	
2	3331607	4	HEX LOCK NUT, M16-2.00	
3	8002789	1	AUTOMATIC HITCH	
4	8010204	2	HITCH MOUNTING PIN	
5	8010234	1	HITCH WELDMENT ADAPTER	
6	0712020	4	HEX HD CAPSCREW, 20-2.5X60mm	
7	0903083	1	HITCH MOUNTING BRACKET	
8	2902377	1	TRAILER PLUG KIT, (includes items 101 thru 110)	C
9	3332017	4	HEX LOCK NUT, M20-2.50	
10	4812500	4	FLAT WASHER, 20mm	
101	0760806	2	HEX HD CAPSCREW, 8-1.25X12mm	
102	0903094	1	TRAILER PLUG BRACKET	
103	1719204	1	INDICATOR LIGHT, (not illustrated, part of cab)	
104	3290507	3	HEX LOCK NUT, 5mm-.8	
105	3960600	1	TRAILER PLUG GASKET	
106	4031612	3	SOCKET HD CAPSCREW, 5-.8X40	
107	4461021	1	TRAILER PLUG	
108	4811600	6	FLAT WASHER, 5mm	
109	8002826	1	FIRST TRAILER SYMBOL, (not illustrated, part of cab)	
110	4923122	1	ELECTRICAL HARNESS	

SECTION 12 - OPTIONS

FIGURE 12-3. HYDRAULIC HITCH INSTALLATION



ART_3126025-12-3

SECTION 12 - OPTIONS

FIGURE 12-3. HYDRAULIC HITCH INSTALLATION

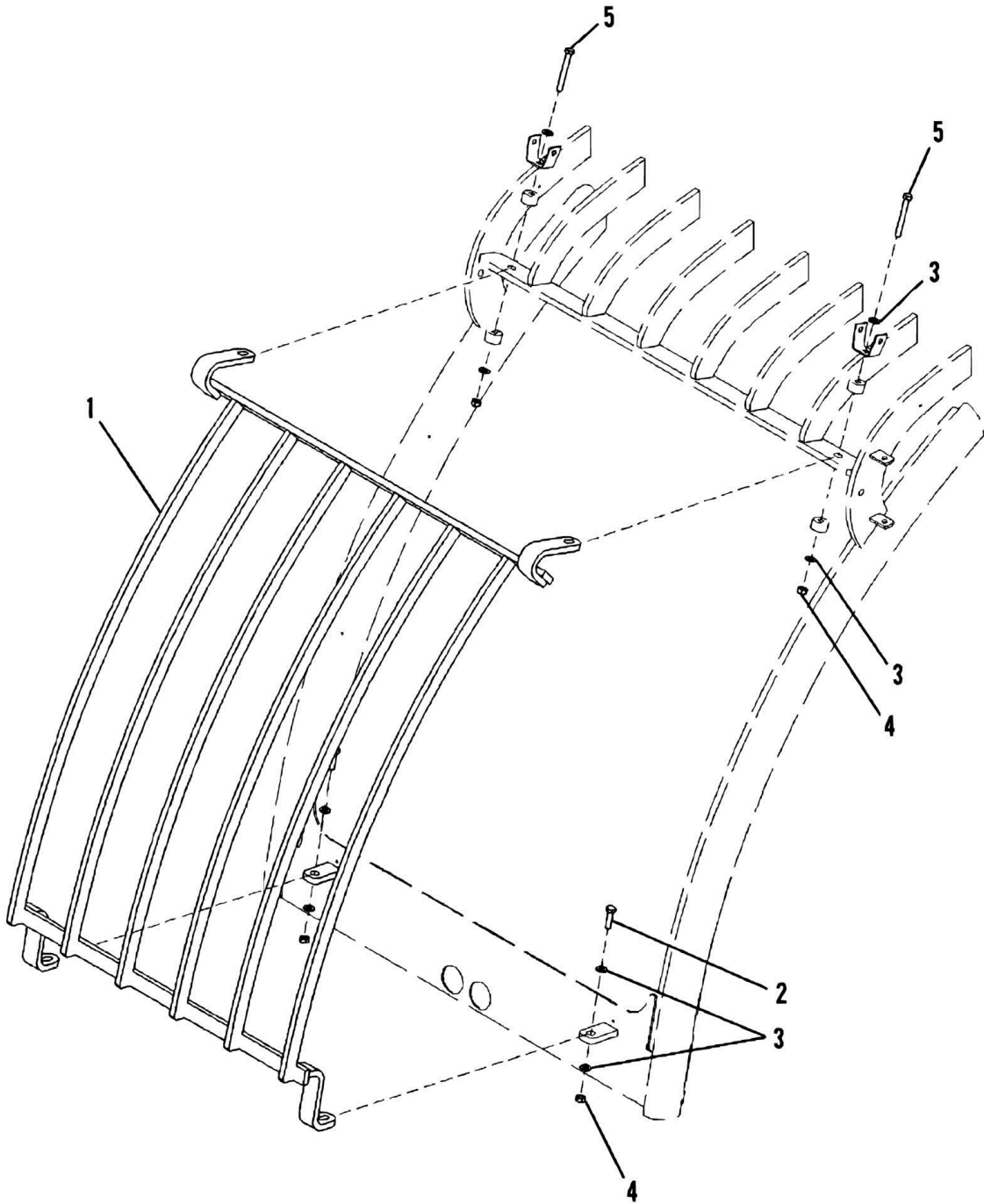
ITEM	PART NUMBER	QTY	DESCRIPTION	REV
	0273923	1	HYDRAULIC HITCH INSTALLATION, (includes items 1 thru 20)	L
1	0712020	4	HEX HD CAPSCREW, 20-2.5X60mm, GR 10.9	
2	0902987	1	HYDRAULIC HITCH BRACKET	
3	2620048	1	HYDRAULIC HITCH, (includes item 21)	
4	2754009	2	HOSE ASSY	
5	3291601	2	HEX LOCK NUT, M16X2	
6	3332017	4	HEX LOCK NUT, M20X2.5	
8	3841634	1	MIRROR ROD	
9	3977460	1	DUST CAP, (use with male screw type coupling)	
9	1001093826	1	DUST CAP, (use with male quick disconnect type coupling)	
10	3977459	1	DUST PLUG, (use with female screw type coupling)	
10	1001093827	1	DUST PLUG, (use with female quick disconnect type coupling)	
11	4812300	2	FLAT WASHER, 16mm	
12	4812500	4	FLAT WASHER, 20mm	
13	Kit	NLA	MALE SCREW COUPLING, (no longer available, order 1001097287 kit)	
13	1001094556	2	MALE QUICK DISCONNECT COUPLING	
14	Kit	NLA	FEMALE SCREW COUPLING, (no longer available, order 1001097287 kit)	
14	1001094555	2	FEMALE QUICK DISCONNECT COUPLING	
15	80363195	1	MIRROR	
16	2142505	2	CAP	
17	2902377	1	TRAILER PLUG KIT, (includes items 203 thru 205, 207, 210 thru 213, 215 and 217)	
18	3890066	1	HYD HITCH LOCK CABLE	
19	935113	71 mm	PROTECTIVE COVERING	
20	1062255	6	STRAP TIE, (not illustrated)	
21	1001005240	1	PIN ASSY	
	1001097287	1	QUICK DISCONNECT ADAPTOR KIT, (includes items 9, 10, 13, 14)	
	1001097500	1	HYDRAULIC HITCH FIELD KIT, (Includes items 21, 201 thru 318)	C
201	Kit	1	LICENSE PLATE LAMP, (See Separate Breakdown in ELECTRICAL Section)	
202	0700812	6	HEX HD CAPSCREW, M8X25, GR8.8	
203	0760806	2	HEX HD CAPSCREW, M8X12, GR 8.8	
204	0903094	1	TRAILER PLUG BRACKET	
205	1719204	1	INDICATOR LIGHT, (not illustrated, part of cab)	
206	3290405	2	HEX LOCKNUT, M4X0.7	
207	3290507	3	HEX LOCK NUT, M5X.8	
209	3380549	NLA	REAR ACCESS PLATE (no longer available, use 1001102757 for replacement)	
209	1001102757	1	REAR ACCESS PLATE	
210	3960600	1	TRAILER PLUG GASKET	
211	4031612	3	SOCKET HD CAPSCREW, M5X40	
212	4461021	1	TRAILER PLUG	
213	4811600	6	FLAT WASHER, 5mm	
214	4811900	6	FLAT WASHER, 8mm	
215	8002826	1	FIRST TRAILER SYMBOL, (not illustrated, part of cab)	
216	3890066	1	HYD HITCH LOCK CABLE	
217	4923122	1	ELECTRICAL HARNESS	
218	935113	71 mm	PROTECTIVE COVERING	

SECTION 12 - OPTIONS

ITEM	PART NUMBER	QTY	DESCRIPTION	REV
219	31200415	1	INSTALLATION INSTRUCTIONS, (Not shown)	
220	1001102756	1	LICENCE PLATE MOUNT	
302	0762020	4	HEX HD CAPSCREW, M20X60, GR 8.8	
303	0902987	1	HYDRAULIC HITCH BRACKET	
304	1062255	6	STRAP TIE, (not illustrated)	
305	2142505	2	CAP	
306	2620048	1	HYDRAULIC HITCH, (includes item 21)	
307	3291601	2	HEX LOCK NUT, M16X2	
308	3292001	4	HEX NUT, M20X2.5	
310	3841634	1	MIRROR ROD	
311	4812300	2	FLAT WASHER, 16mm	
312	4812500	8	FLAT WASHER, 20mm	
313	80363195	1	MIRROR	
314	3977460	1	DUST CAP, (use with male screw type coupling)	
314	1001093826	1	DUST CAP, (use with male quick disconnect type coupling)	
315	3977459	1	DUST PLUG, (use with female screw type coupling)	
315	1001093827	1	DUST PLUG, (use with female quick disconnect type coupling)	
316	Kit	NLA	MALE SCREW COUPLING, (no longer available, order 1001097287 kit)	
316	1001094556	1	MALE QUICK DISCONNECT COUPLING	
317	Kit	NLA	FEMALE SCREW COUPLING, (no longer available, order 1001097287 kit)	
317	1001094555	1	FEMALE QUICK DISCONNECT COUPLING	
318	2754009	2	HOSE ASSY	
401		Ref	REAR HYDRAULIC OUTLET INSTALLATION, (See Separate Breakdown in HYDRAULIC CIRCUITS Section)	
501	3380550	NLA	REAR ACCESS PANEL ASSY, (no longer available, use 1001102763 for replacement)	E
501	1001102763	1	REAR ACCESS PANEL, (includes 202, 209, 214 & 220)	
	1001097287	1	QUICK DISCONNECT ADAPTOR KIT, (includes items 316, 317, dust cap and dust plug)	

SECTION 12 - OPTIONS

FIGURE 12-4. FRONT CAB GLASS SHIELD



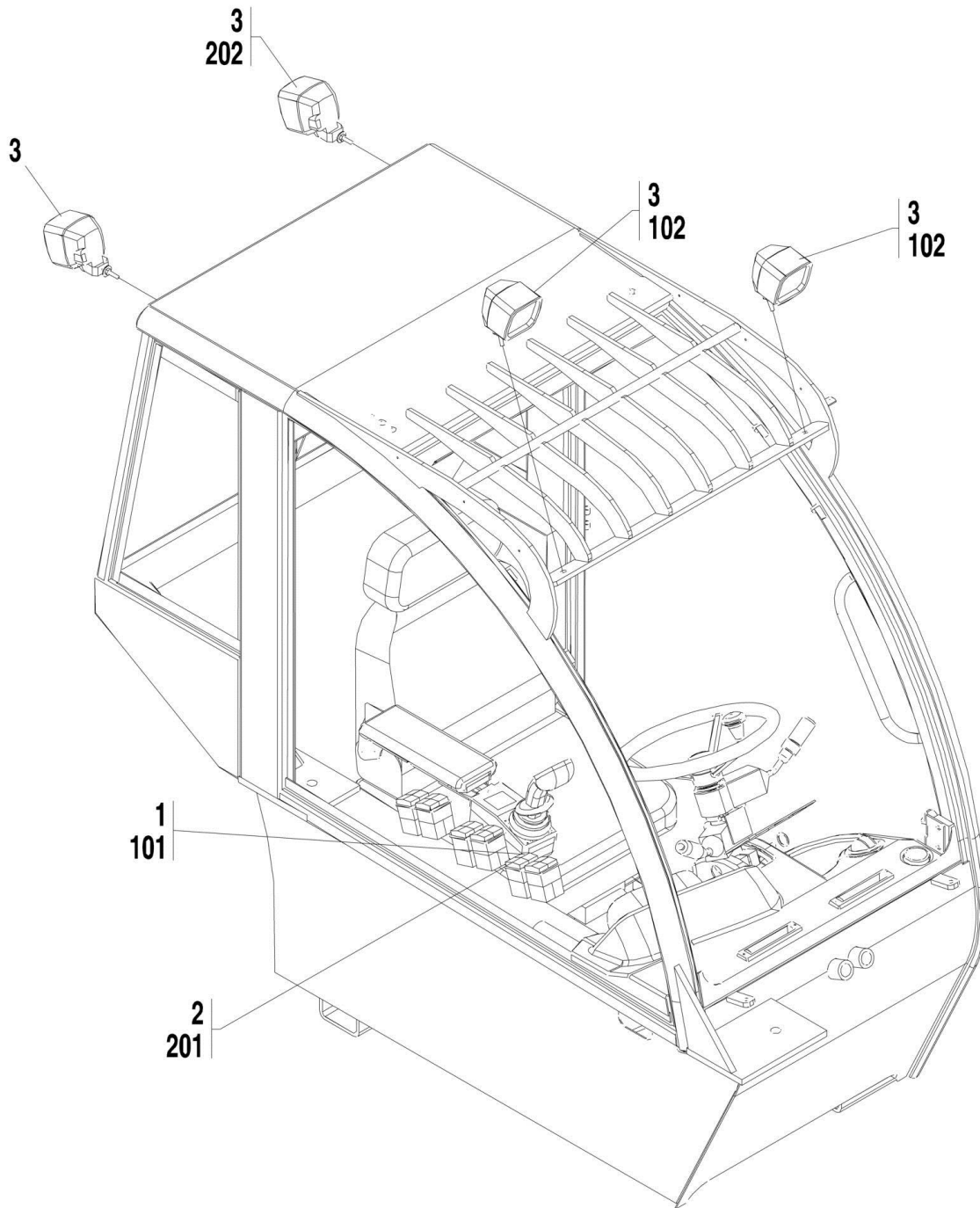
SECTION 12 - OPTIONS

FIGURE 12-4. FRONT CAB GLASS SHIELD

ITEM	PART NUMBER	QTY	DESCRIPTION	REV
	8009532	1	CAB GLASS SHIELD, (266, 307, 26.6, 30.7), (Includes all items)	B
	0275382	1	CAB GLASS SHIELD, (266 LoPro, 26.6 LP), (Includes all items)	A
1	8009533	1	GLASS SHIELD, (266, 307, 26.6, 30.7)	
1	2520148	1	GLASS SHIELD, (266 LoPro, 26.6 LP)	
2	0700815	2	HEX HD CAPSCREW, 8X35mm, (without work lights)	
3	4811900	8	FLAT WASHER, 8mm	
4	3290807	4	HEX LOCKNUT, M8X1.25	
5	1391297	2	HEX HD CAPSCEW, 8X65mm, (with work lights)	

SECTION 12 - OPTIONS

FIGURE 12-5. CAB WORKLIGHT INSTALLATIONS



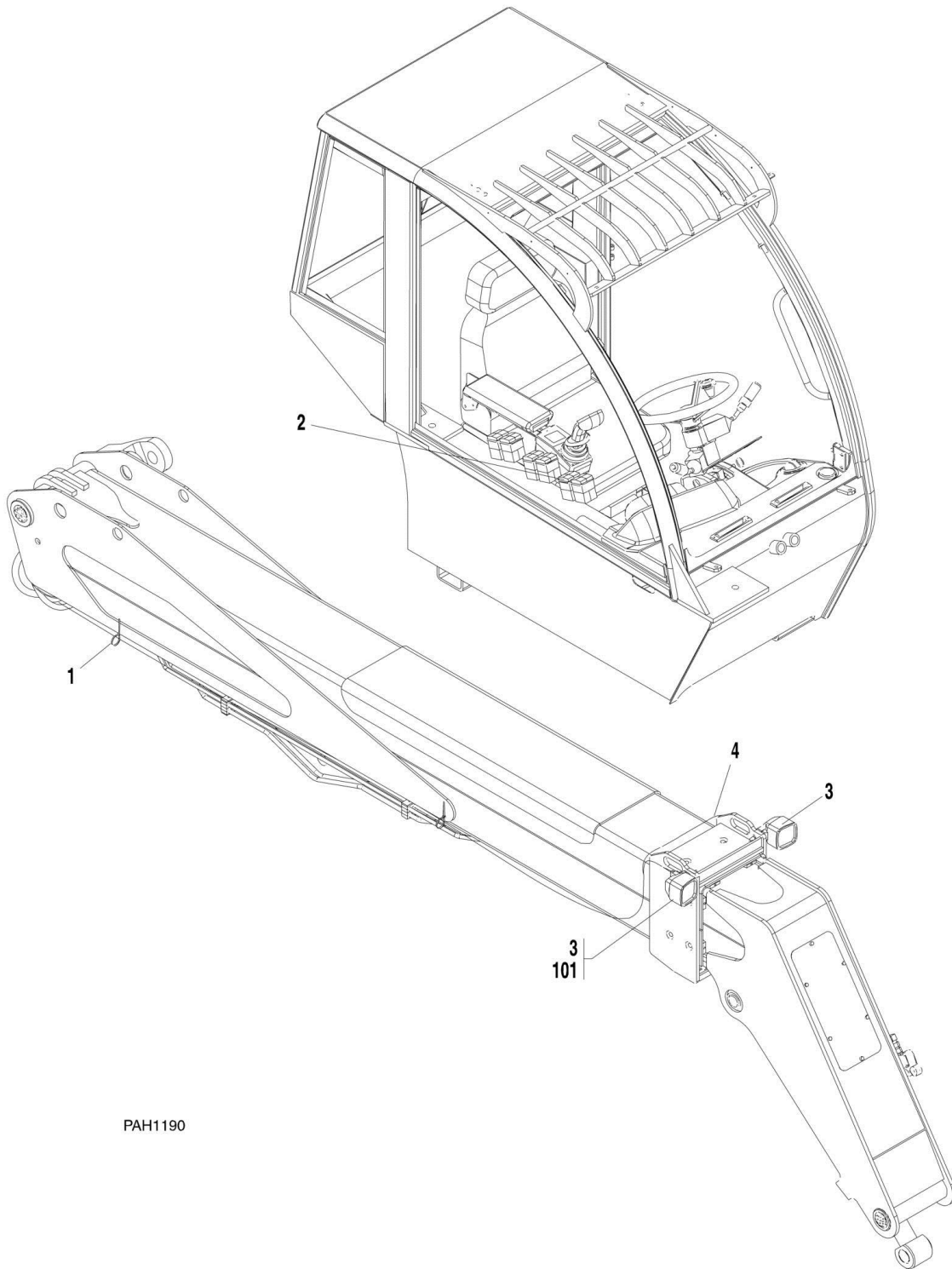
SECTION 12 - OPTIONS

FIGURE 12-5. CAB WORKLIGHT INSTALLATIONS

ITEM	PART NUMBER	QTY	DESCRIPTION	REV
	0274107	1	CAB WORKLIGHT INSTALLATION, (includes items 1 thru 3)	B
1	4360597	1	SWITCH ASSY, FRONT WORKLIGHT	
1	4360617	1	SYMBOL PLATE	
1	4674353	1	SWITCH BODY	
2	4360598	1	SWITCH ASSY, REAR WORKLIGHT	
2	4360594	1	SYMBOL PLATE	
2	4674353	1	SWITCH BODY	
3	8002787	4	WORK LIGHT	
3	0409672	4	REPLACEMENT BULB	
	0274756	1	CAB WORKLIGHT INSTALLATION, (FRONT ONLY), (includes items 101 thru 102)	A
101	4360597	1	SWITCH ASSY, FRONT WORKLIGHT	
101	4360617	1	SYMBOL PLATE	
101	4674353	1	SWITCH BODY	
102	8002787	2	WORK LIGHT	
102	0409672	2	REPLACEMENT BULB	
	0274757	1	CAB WORKLIGHT INSTALLATION, (REAR ONLY), (includes items 201 thru 202)	A
201	4360598	1	SWITCH ASSY, REAR WORKLIGHT	
201	4360594	1	SYMBOL PLATE	
201	4674353	1	SWITCH BODY	
202	8002787	1	WORK LIGHT	
202	0409672	1	REPLACEMENT BULB	

SECTION 12 - OPTIONS

FIGURE 12-6. BOOM WORKLIGHT INSTALLATION



PAH1190

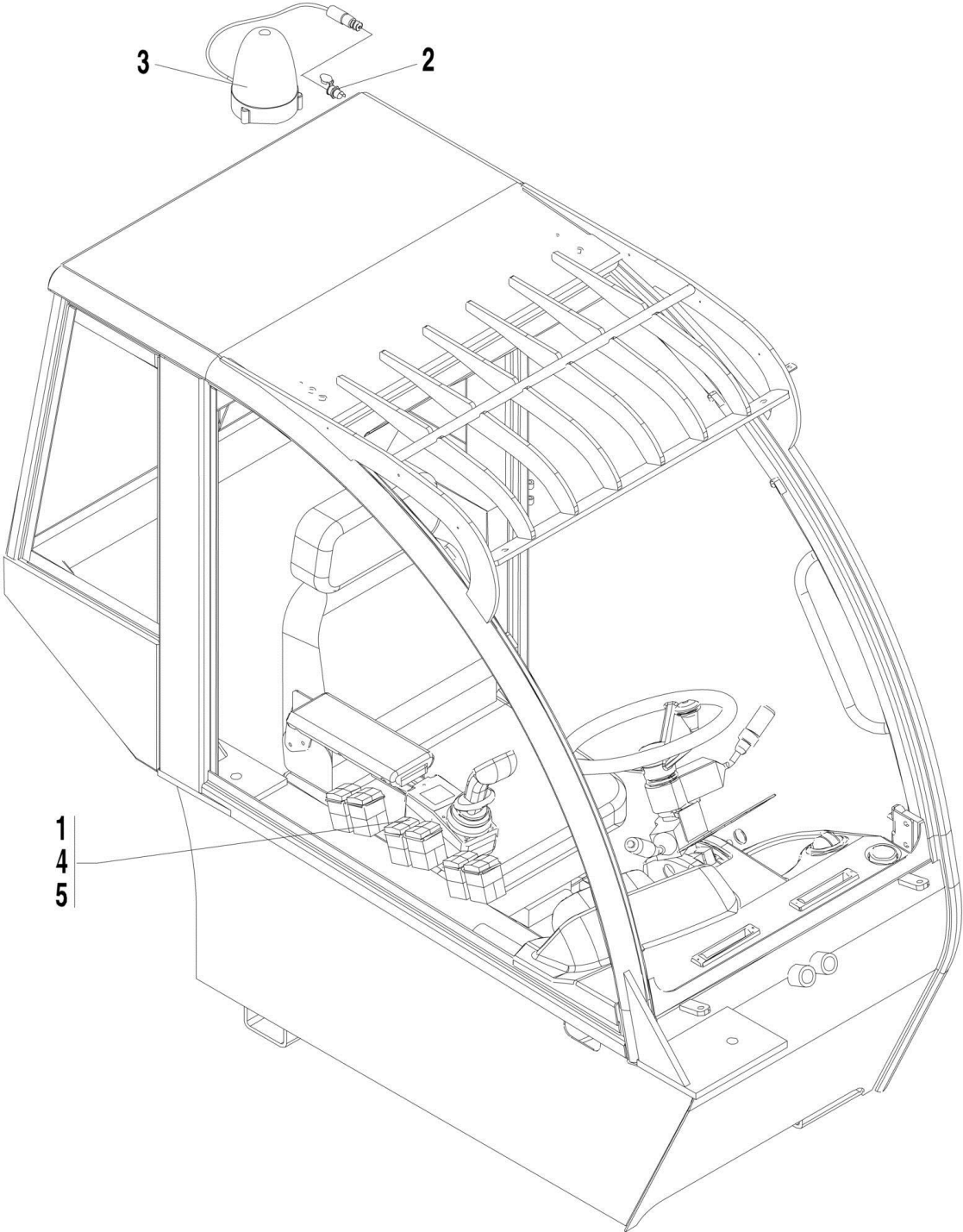
SECTION 12 - OPTIONS

FIGURE 12-6. BOOM WORKLIGHT INSTALLATION

ITEM	PART NUMBER	QTY	DESCRIPTION	REV
	0274122	1	BOOM WORKLIGHT INSTALLATION, (includes all items)	B
1	471678	10	CABLE BAND	
2	4360600	1	SWITCH ASSY	
2	4360616	1	SYMBOL PLATE	
2	4674353	1	SWITCH	
3	8002787	2	WORK LIGHT	
3	0409672	2	REPLACEMENT BULB	
4	8005249	1	BOOM LIGHTS CABLE	
101		Ref	OPTION HARNESS, (See OPTION HARNESS for Breakdown)	

SECTION 12 - OPTIONS

FIGURE 12-7. ROTATING BEACON INSTALLATION



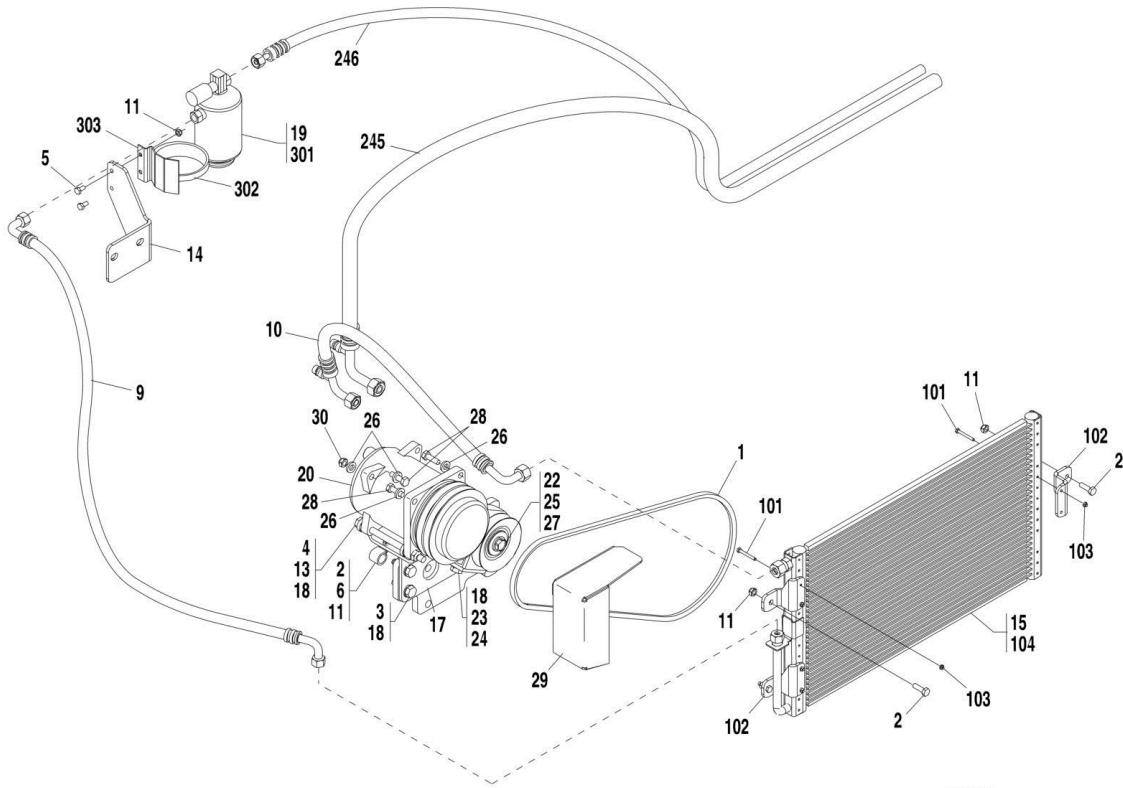
SECTION 12 - OPTIONS

FIGURE 12-7. ROTATING BEACON INSTALLATION

ITEM	PART NUMBER	QTY	DESCRIPTION	REV
	0274137	1	ROTATING BEACON INSTALLATION, (includes items 3 & 5)	C
1	1360585	1	ROTATING BEACON SYMBOL	
2		Ref	PLUG SOCKET, (See CAB SECTION for Breakdown)	
3	1001091573	1	ROTATING BEACON	
4	4674353	1	ROCKER SWITCH, 12V	
5	4360599	1	SWITCH ASSY, (includes items 1 & 4)	

SECTION 12 - OPTIONS

FIGURE 12-8. AIR CONDITIONER INSTALLATION (Prior to SN 1160004769)



PZ2070

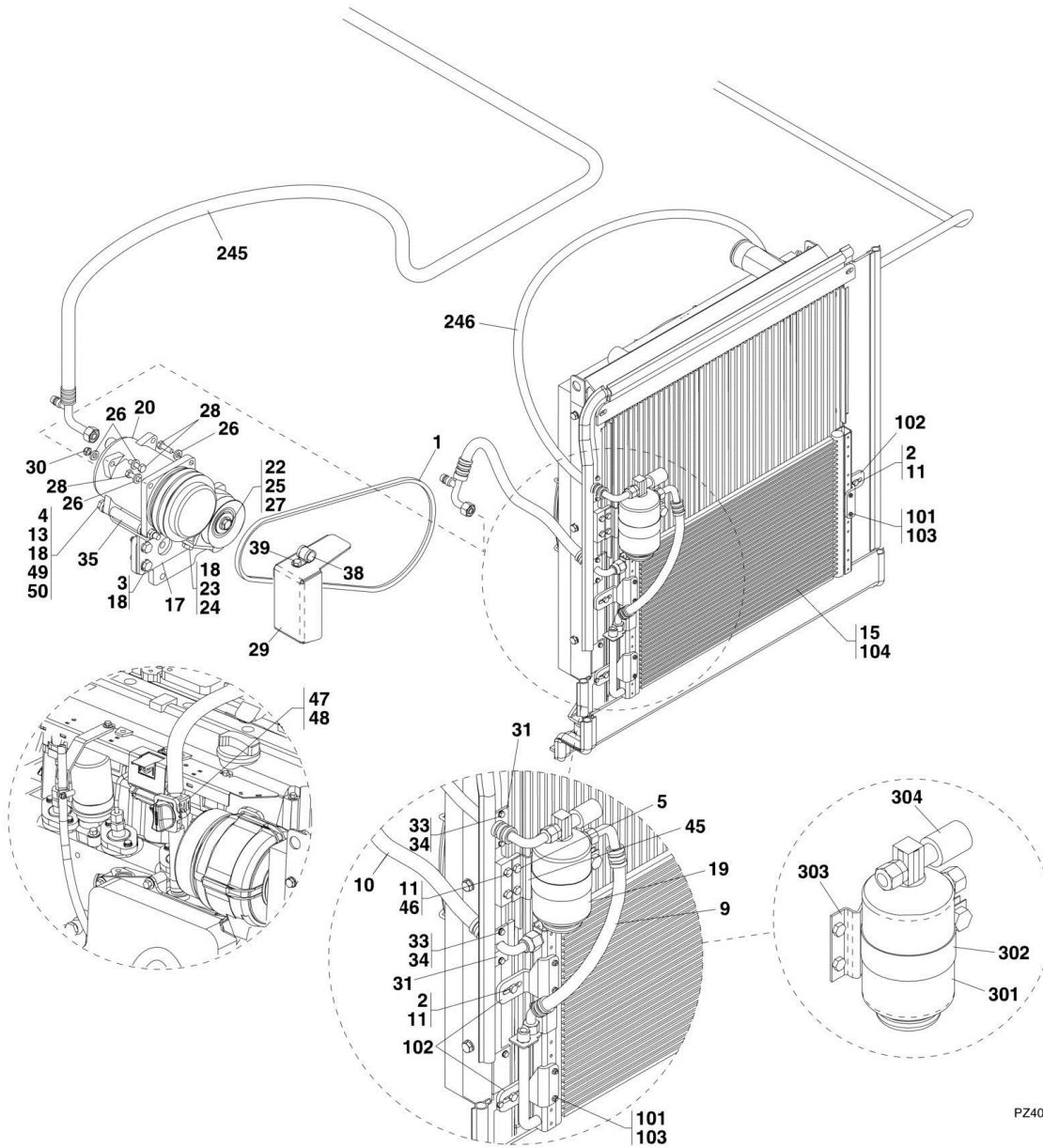
SECTION 12 - OPTIONS

FIGURE 12-8. AIR CONDITIONER INSTALLATION (Prior to SN 1160004769)

ITEM	PART NUMBER	QTY	DESCRIPTION	REV
		Ref	AIR CONDITIONER INSTALLATION, (not available to order, see items 1 thru 104 for service)	G
1	0480139	1	BELT	
2	0760610	2	HEX HD CAPSCREW, 6X20, GR 8.8	
3	0701015	3	HEX HD CAPSCREW, 10-1.50X35mm	
4	0701031	2	HEX HD CAPSCREW, 10X140mm, (torque to 50Nm)	
5	0760606	2	HEX HD CAPSCREW, 6-1.00X12mm	
6	1321296	1	CLAMP	
9	2754285	1	HOSE ASSY	
10	2754286	1	HOSE ASSY	
11	3290605	5	HEX LOCK NUT, M6X1	
13	3291005	2	HEX LOCK NUT, M10X1.5	
14	3575688	1	MOUNTING PLATE	
15	3620058	1	RADIATOR ASSY, (includes items 101 thru 104)	A
17	4341075	1	A/C PUMP MOUNT	
18	4812000	8	FLAT WASHER, 10mm	
19	8003166	1	AIR DRYER ASSY	
19	70020721	1	PRESSURE SWITCH	
19	70020722	1	CONNECTOR	
20	8003167	1	AIR COMPRESSOR	
22	4812100	2	FLAT WASHER, 12mm	
23	0761029	1	HEX HD CAPSCREW, 10X120mm	
24	4220262	1	IDLER BLOCK	
25	3580345	1	IDLER PULLY	
26	4811900	4	FLAT WASHER, 8mm	
27	0630604	1	AC PULLY BOLT	
28	0760812	3	HEX HD CAPSCREW, 8-1.25X25mm	
29	1671241	1	AC PULLY COVER	
30	3290801	1	HEX NUT, M8X1.25	
101	0700415	6	HEX HD CAPSCREW, 4X35, GR 8.8	
102	0903133	3	RADIATOR BRACKET	
103	3290405	6	HEX LOCK NUT, M4X.7	
104	3620057	1	RADIATOR	
245	2754283	1	HOSE ASSY	
246	2754284	1	HOSE ASSY	
301	70021482	1	DRYER	
302	70021483	1	CLAMP	
303	70021484	1	DRYER BRACKET	

SECTION 12 - OPTIONS

FIGURE 12-9. AIR CONDITIONER INSTALLATION (SN 1160004769 to Present)



PZ4031

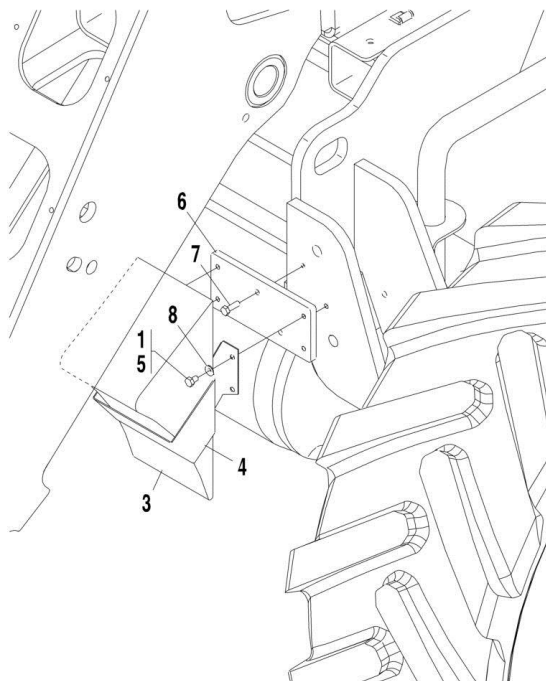
SECTION 12 - OPTIONS

FIGURE 12-9. AIR CONDITIONER INSTALLATION (SN 1160004769 to Present)

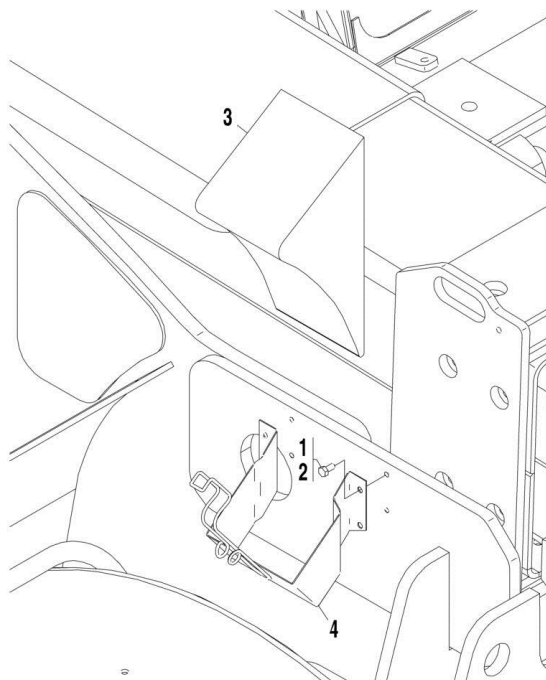
ITEM	PART NUMBER	QTY	DESCRIPTION	REV
	0274212	Ref	AIR CONDITIONER INSTALLATION, (not available to order, see items 1 thru 50 for service)	J
1	0480139	1	BELT	
2	0760610	3	HEX HD CAPSCREW, 6X20, GR 8.8	
3	0701015	3	HEX HD CAPSCREW, 10-1.50X35mm	
4	0701031	2	HEX HD CAPSCREW, 10X140mm, (torque to 50Nm)	
5	0760606	2	HEX HD CAPSCREW, 6-1.00X12mm	
9	1001096030	1	HOSE ASSY	
10	2754286	1	HOSE ASSY	
11	3290605	5	HEX LOCK NUT, M6X1	
13	3291005	2	HEX LOCK NUT, M10X1.5	
15	3620058	1	RADIATOR ASSY, (includes items 101 thru 104)	A
17	1001096644	1	A/C PUMP MOUNT	
18	4812000	8	FLAT WASHER, 10mm	
19	1001096032	1	AIR DRYER ASSY, (includes items 301 thru 304)	
20	8003167	1	AIR COMPRESSOR	
22	4812100	2	FLAT WASHER, 12mm	
23	0761029	1	HEX HD CAPSCREW, 10X120mm	
24	4220262	1	IDLER BLOCK	
25	3580345	1	IDLER PULLY	
26	4811900	4	FLAT WASHER, 8mm	
27	0630604	1	AC PULLY BOLT	
28	0760812	3	HEX HD CAPSCREW, 8-1.25X25mm	
29	1001096701	1	AC PULLY COVER	
30	3290801	1	HEX NUT, M8X1.25	
31	1001096100	2	RUBBER SEAL	
33	0760405	4	HEX HD CAPSCREW, M4X10	
34	4811400	4	WASHER, 4mm	
35	1001093785	2	SPACER SLEEVE	
38	2443576	1	CLAMP	
39	0760808	1	HEX HD CAPSCREW, M8X16	
45	1001096696	1	DRYER MOUNT	
46	0760614	2	HEX HD CAPSCREW, M6X30	
47	1001112094	1	WATER VALVE	
47	70022817	1	KNOB	
48	3961951	2	CLIP	
49	1001104686	AR	WASHER SHIM, M10X1.0	
50	1001104687	AR	WASHER SHIM, M10X0.5	
101	0700415	6	HEX HD CAPSCREW, 4X35, GR 8.8	
102	0903133	3	RADIATOR BRACKET	
103	3290405	6	HEX LOCK NUT, M4X.7	
104	3620057	1	RADIATOR	
245	2754283	1	HOSE ASSY	
246	1001096029	1	HOSE ASSY	
301	70021482	1	AIR DRYER	
302	70021483	1	CLAMP	
303	70021484	1	BRACKET	
304	70020721	1	PRESSURE SWITCH	
304	70020722	1	CONNECTOR	

SECTION 12 - OPTIONS

FIGURE 12-10. WHEEL CHOCK INSTALLATION



**266, 266 LoPro,
26.6, 26.6 LP**



307, 30.7

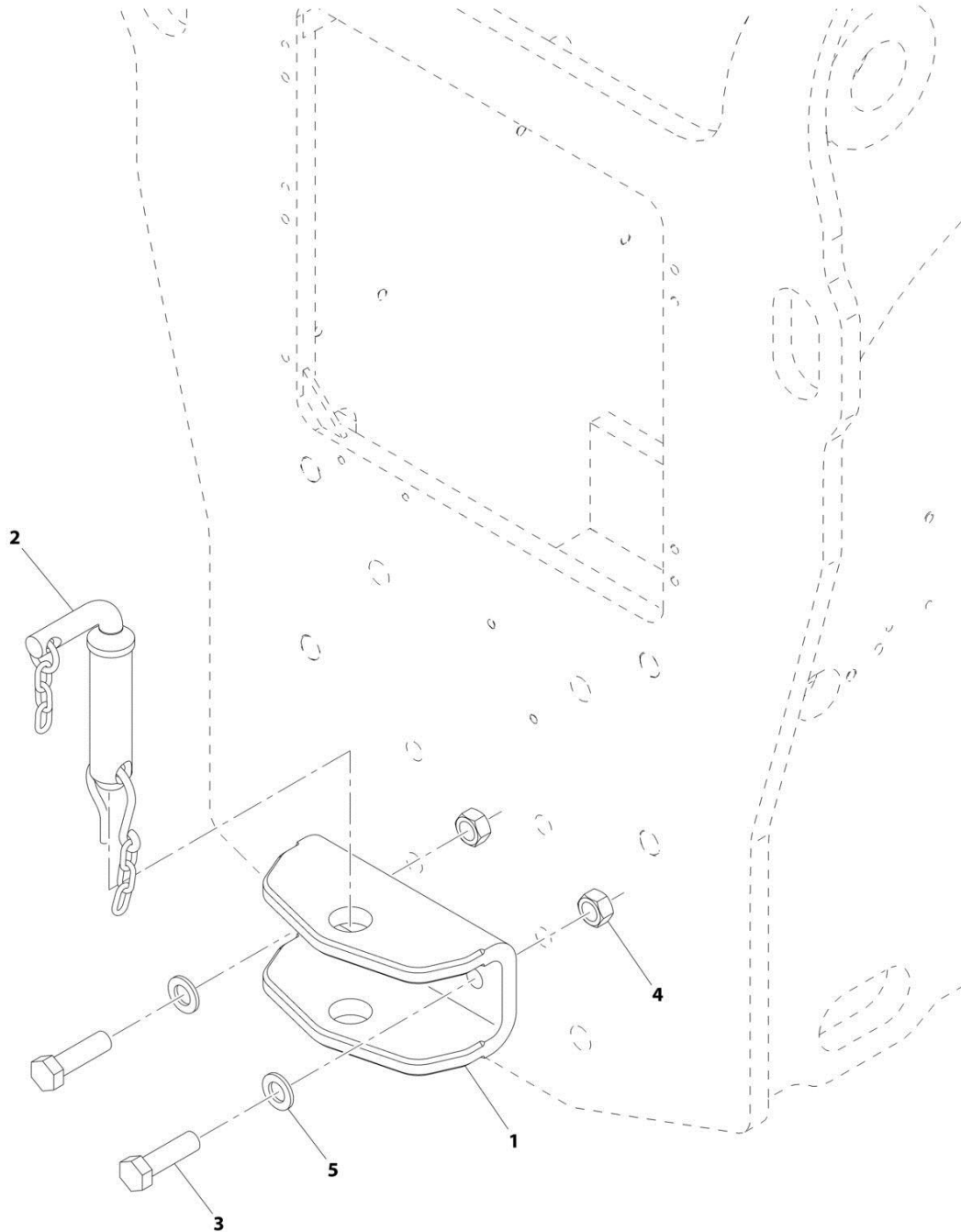
SECTION 12 - OPTIONS

FIGURE 12-10. WHEEL CHOCK INSTALLATION

ITEM	PART NUMBER	QTY	DESCRIPTION	REV
	0274590	1	WHEEL CHOCK INSTALLATION, (266, 266 LoPro, 26.6, 26.6 LP), (includes items 1, 3 thru 8)	B
	0274540	1	WHEEL CHOCK INSTALLATION, (307, 30.7), (includes items 1 thru 4 & 8)	B
1	0100011	AR	LOCTITE	
2	0760808	4	HEX HD CAPSCREW, 8-1.25X16mm	
3	806253	1	WEDGE	
4	806264	1	WEDGE HOLDER	
5	0760806	4	HEX HD CAPSCREW, 8-1.25X12mm	
6	3576164	1	MOUNTING PLATE	
7	0760812	2	HEX HD CAPSCREW, 8-1.25X25mm	
8	4811900	4	FLAT WASHER, 8mm	

SECTION 12 - OPTIONS

FIGURE 12-11. DRAW BAR COUPLING INSTALLATION



ART_4805932-B

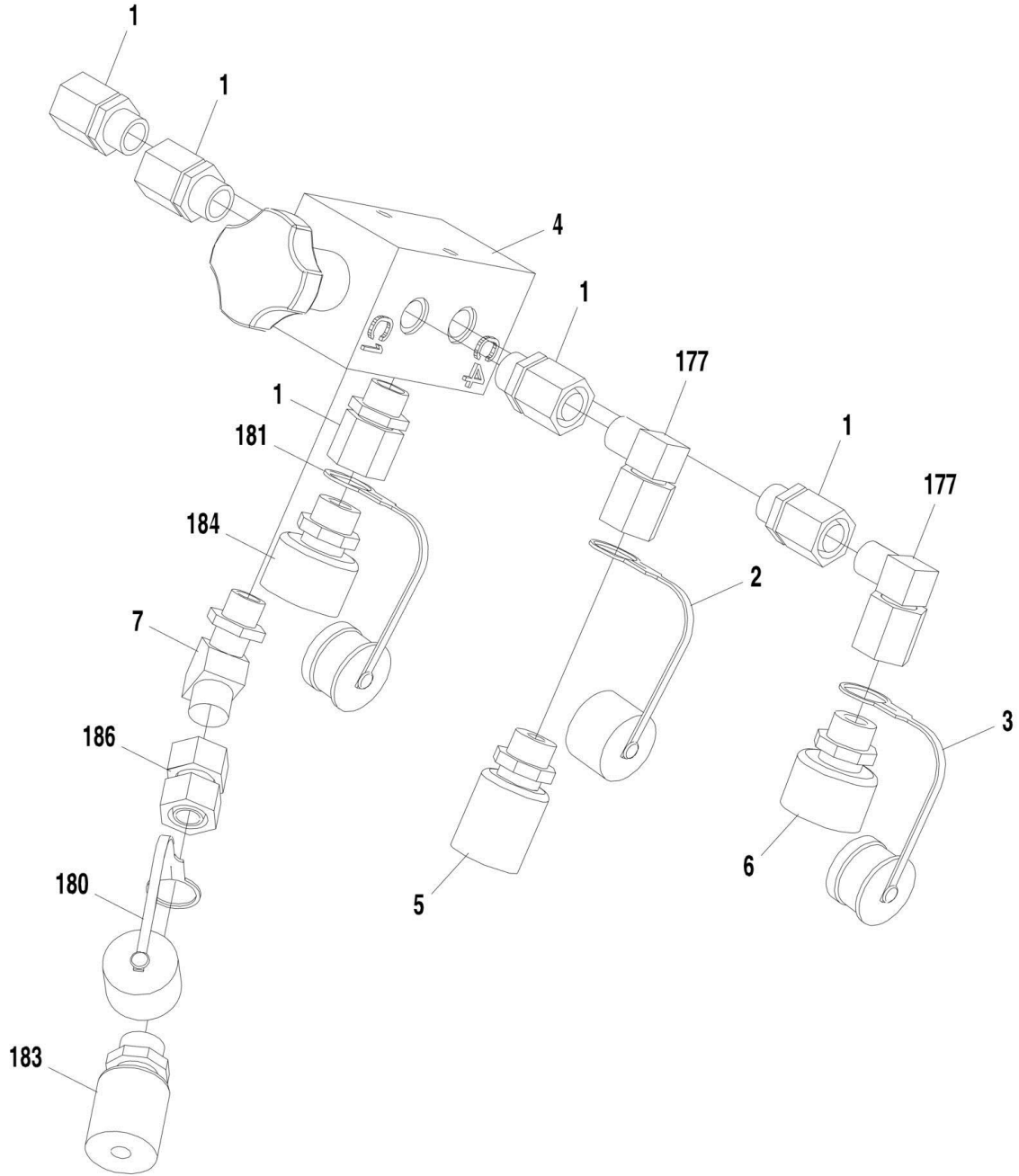
SECTION 12 - OPTIONS

FIGURE 12-11. DRAW BAR COUPLING INSTALLATION

ITEM	PART NUMBER	QTY	DESCRIPTION	REV
	4805932	1	DRAW BAR COUPLING INSTALLATION, (includes all items)	B
1	4804533	1	TOWING ATTACHMENT	
2	3944574	1	PIN	
3	0771619	2	HEX HD CAPSCREW, 10.9-16X55mm	
4	4805921	2	HEX NUT, 16mm	
5	4812300	2	FLAT WASHER, 16mm	

SECTION 12 - OPTIONS

FIGURE 12-12. DUAL BOOM AUX HYDRAULIC, MANUAL



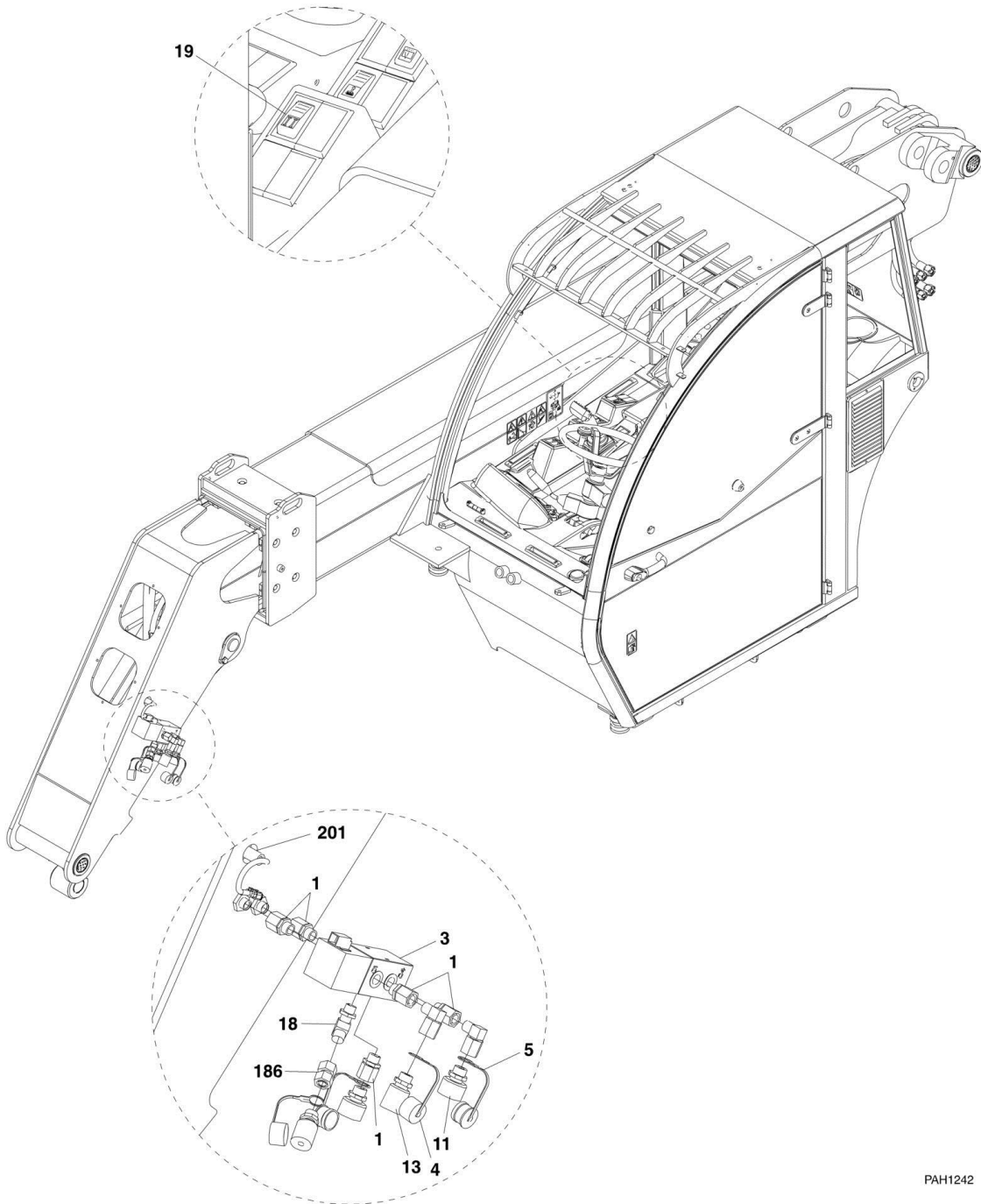
SECTION 12 - OPTIONS

FIGURE 12-12. DUAL BOOM AUX HYDRAULIC, MANUAL

ITEM	PART NUMBER	QTY	DESCRIPTION	REV
	0273814	1	DUAL BOOM AUX HYDRAULIC, (includes items 1 thru 7)	D
1	2142805	5	CONNECTOR, (swivel nut)	
2	3977460	1	DUST CAP, (use with male screw type coupling)	
2	1001093826	1	DUST CAP, (use with male quick disconnect type coupling)	
3	3977459		DUST PLUG, (use with female screw type coupling)	
3	1001093827	1	DUST PLUG, (use with female quick disconnect type coupling)	
4	4641357	1	2POS/6WAY VALVE	
4	70021532	1	ADJUSTMENT ASSY	
5		Ref	FEMALE SCREW COUPLING, (no longer available, order 1001097287 kit)	
5	1001094555	1	FEMALE QUICK DISCONNECT COUPLING	
6		Ref	MALE SCREW COUPLING, (no longer available, order 1001097287 kit)	
6	1001094556	1	MALE QUICK DISCONNECT COUPLING	
7	2142905	1	ELBOW, 45	
177	2143405	2	ELBOW, 90	
180	3977460	1	DUST CAP, (use with male screw type coupling)	
180	1001093826	1	DUST CAP, (use with male quick disconnect type coupling)	
181	3977459		DUST PLUG, (use with female screw type coupling)	
181	1001093827	1	DUST PLUG, (use with female quick disconnect coupling)	
183	Kit	NLA	FEMALE SCREW COUPLING, (no longer available, order 1001097287 kit)	
183	1001094555	1	FEMALE QUICK DISCONNECT COUPLING	
184	Kit	NLA	MALE SCREW COUPLING, (no longer available, order 1001097287 kit)	
184	1001094556	1	MALE QUICK DISCONNECT COUPLING	
186	2143605	1	SWIVEL UNION	
	1001097287	1	QUICK DISCONNECT ADAPTOR KIT, (includes items 183, 184, dust cap and dust plug)	

SECTION 12 - OPTIONS

FIGURE 12-13. DUAL BOOM AUX HYDRAULIC, ELECTRICAL



PAH1242

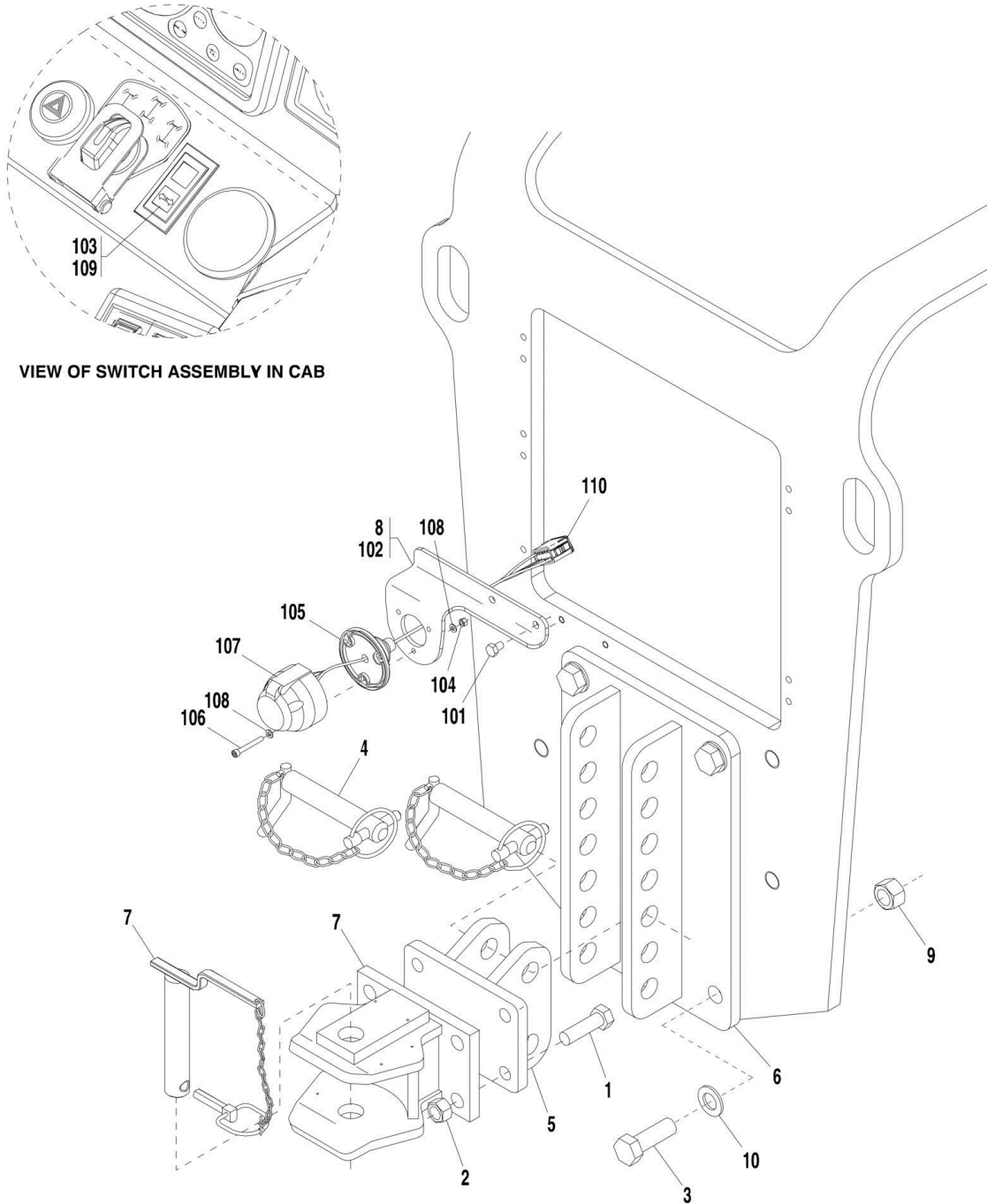
SECTION 12 - OPTIONS

FIGURE 12-13. DUAL BOOM AUX HYDRAULIC, ELECTRICAL

ITEM	PART NUMBER	QTY	DESCRIPTION	REV
	0275668	1	DUAL BOOM AUX HYDRAULIC, ELECTRICAL, (266, 266 LoPro, 26.6, 26.6 LP), (includes items 1 thru 19)	C
	0274065	1	DUAL BOOM AUX HYDRAULIC, ELECTRICAL, (307, 30.7), (includes items 1 thru 19)	I
1	2142805	5	SWIVEL CONNECTOR	
3		Ref	2POS/6WAY VALVE, (See HYDRAULIC COMPONENTS SECTION for Breakdown)	
4	3977459	1	DUST CAP, (use with screw type coupling)	
4	1001093826	1	DUST CAP, (use with quick disconnect type coupling)	
5	3977460		DUST PLUG, (use with screw type coupling)	
5	1001093827	1	DUST PLUG, (use with quick disconnect type coupling)	
11	Kit	NLA	FEMALE SCREW COUPLING, (no longer available, order 1001097287 kit)	
11	1001094555	1	FEMALE QUICK DISCONNECT COUPLING	
13	Kit	NLA	MALE SCREW COUPLING, (no longer available, order 1001097287 kit)	
13	1001094556	1	MALE QUICK DISCONNECT COUPLING	
18	2142905	1	ELBOW, 45	
19	4360604	1	SWITCH ASSY	
19	4674353	1	SWITCH BODY	
19	8002833	1	DUAL AUX HYD SELECT SYMBOL	
186	2143605	1	SWIVEL UNION	
201		Ref	OPTION HARNESS, (See OPTION HARNESS for Breakdown)	
	1001097287	1	QUICK DISCONNECT ADAPTOR KIT, (includes items 4, 5, 11 & 13)	

SECTION 12 - OPTIONS

FIGURE 12-14. 6 TON HITCH INSTALLATION



VIEW OF SWITCH ASSEMBLY IN CAB

ART_3126025-12-14

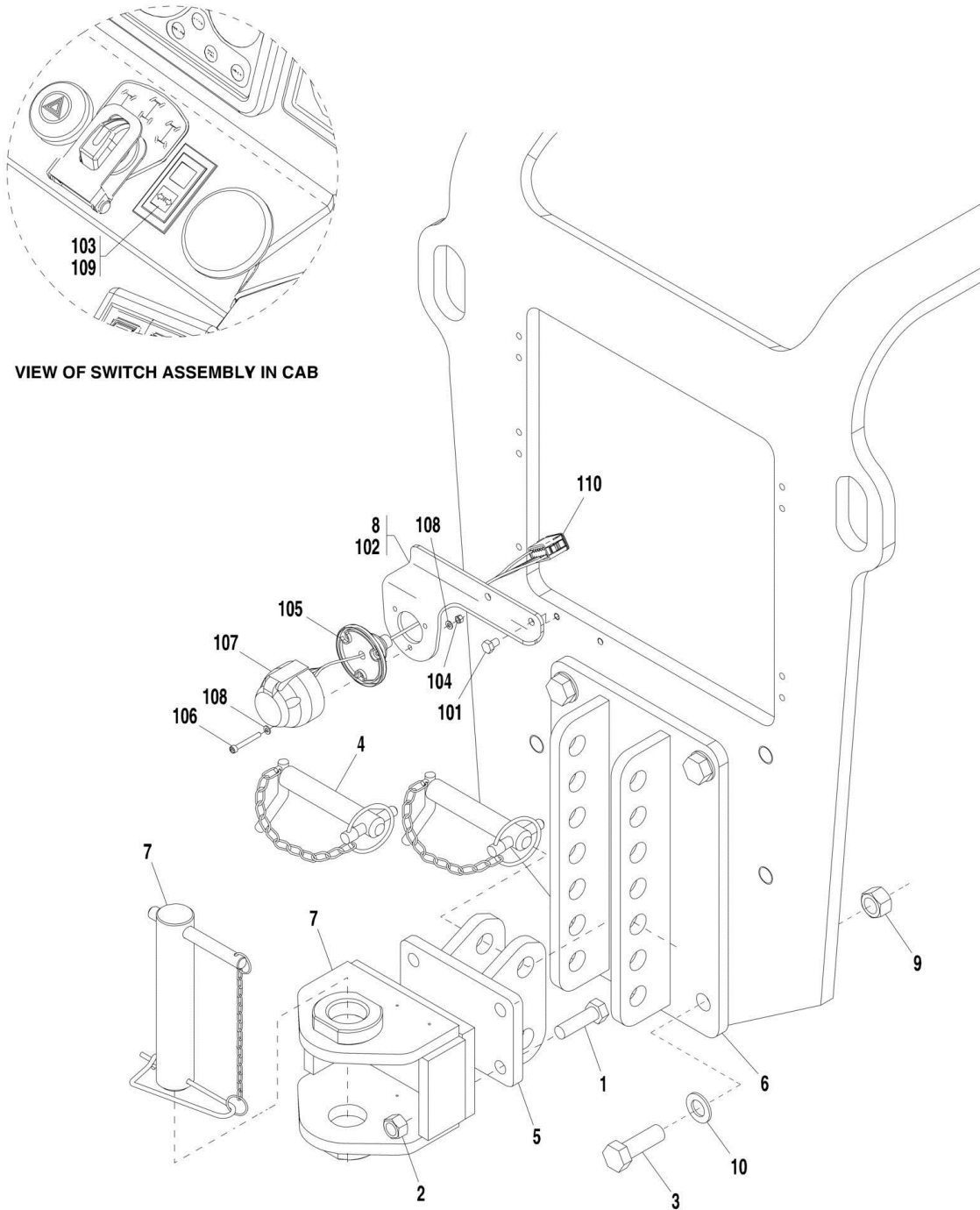
SECTION 12 - OPTIONS

FIGURE 12-14. 6 TON HITCH INSTALLATION

ITEM	PART NUMBER	QTY	DESCRIPTION	REV
	2620055	1	6 TON HITCH INSTALLATION, (includes items 1 thru 10)	B
1	0711618	4	HEX HD CAPSCREW, 16X50mm	
2	3331607	4	HEX LOCKNUT, M16-2.00	
3	0712020	4	HEX HD CAPSCREW, 20-2.5X60mm, GR 10.9	
4	8010204	2	HITCH MOUNTING PIN	
5	8010234	1	HITCH WELDMENT ADAPTER	
6	0903083	1	HITCH MOUNTING BRACKET	
7	2620052	1	6 TON HITCH	
8	2902377	1	TRAILER PLUG KIT, (includes items 101 thru 110)	
9	3332017	4	HEX LOCKNUT, M20-2.5	
10	4812500	4	FLAT WASHER, 16mm	
101	0760806	2	HEX HD CAPSCREW, 8-1.25X12mm, GR 8.8	
102	0903094	1	TRAILER PLUG BRACKET	
103	1719204	1	INDICATOR LIGHT	
104	3290507	3	HEX LOCKNUT, 5MM-0.8	
105	3960600	1	GASKET TRAILER PLUG	
106	4031612	3	SOCKET HD CAPSCREW, 5-0.8X40mm, GR 8.8	
107	4461021	1	TRAILER PLUG	
108	4811600	6	FLAT WASHER, 5mm	
109	8002826	1	FIRST TRAILER SYMBOL	
110	4923122	1	HARNESS	

SECTION 12 - OPTIONS

FIGURE 12-15. 14 TON HITCH INSTALLATION



ART_3126025-12-15

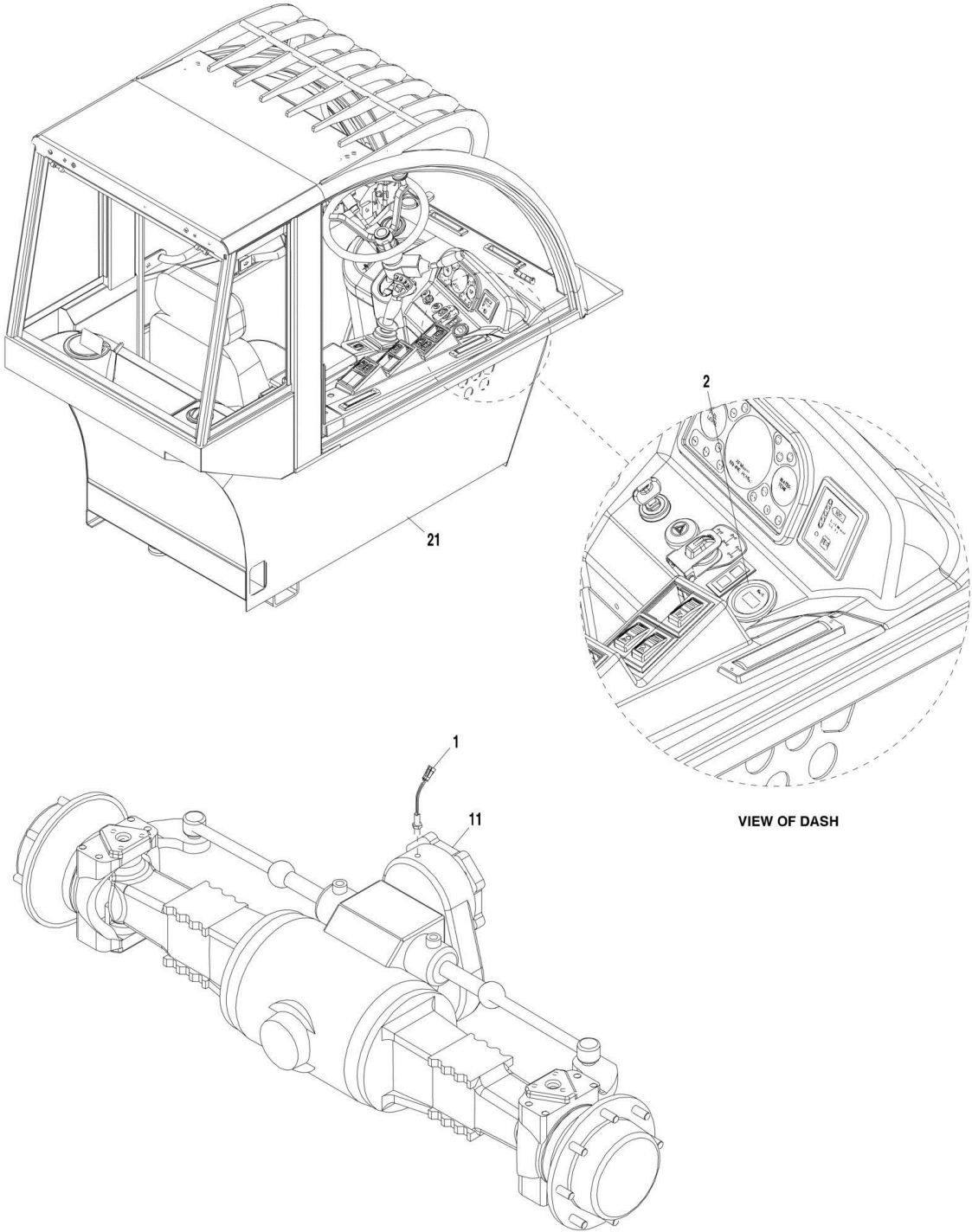
SECTION 12 - OPTIONS

FIGURE 12-15. 14 TON HITCH INSTALLATION

ITEM	PART NUMBER	QTY	DESCRIPTION	REV
	2620057	1	14 TON HITCH INSTALLATION, (includes items 1 thru 10)	B
1	0711619	4	HEX HD CAPSCREW, 16-2X55mm, GR 10.9	
2	3331607	4	HEX LOCKNUT, M16-2.00	
3	0712020	4	HEX HD CAPSCREW, 20-2.5X60mm, GR 10.9	
4	8010204	2	HITCH MOUNTING PIN	
5	8010234	1	HITCH WELDMENT ADAPTER	
6	0903083	1	HITCH MOUNTING BRACKET	
7	2620056	1	14 TON HITCH	
8	2902377	1	TRAILER PLUG KIT, (includes items 101 thru 110)	
9	3332017	4	HEX LOCKNUT, M20-2.5	
10	4812500	4	FLAT WASHER, 20mm	
101	0760806	2	HEX HD CAPSCREW, 8-1.25X12mm, GR 8.8	
102	0903094	1	TRAILER PLUG BRACKET	
103	1719204	1	INDICATOR LIGHT	
104	3290507	3	HEX LOCKNUT, 5MM-0.8	
105	3960600	1	GASKET TRAILER PLUG	
106	4031612	3	SOCKET HD CAPSCREW, 5-0.8X40mm, GR 8.8	
107	4461021	1	TRAILER PLUG	
108	4811600	6	FLAT WASHER, 5mm	
109	8002826	1	FIRST TRAILER SYMBOL	
110	4923122	1	HARNES	

SECTION 12 - OPTIONS

FIGURE 12-16. SPEEDOMETER INSTALLATION



SECTION 12 - OPTIONS

FIGURE 12-16. SPEEDOMETER INSTALLATION

ITEM	PART NUMBER	QTY	DESCRIPTION	REV
	0274609	1	SPEEDOMETER INSTALLATION, (includes items 1 & 2)	C
1	1810010	1	SENSOR	
2	2420211	1	DIGITAL SPEEDOMETER	
11		Ref	FRONT AXLE, (See DRIVE TRAIN SECTION for Breakdown)	
21		Ref	CAB, (See CAB SECTION for Breakdown)	

SECTION 12 - OPTIONS

FIGURE 12-17. SUN SCREEN INSTALLATION

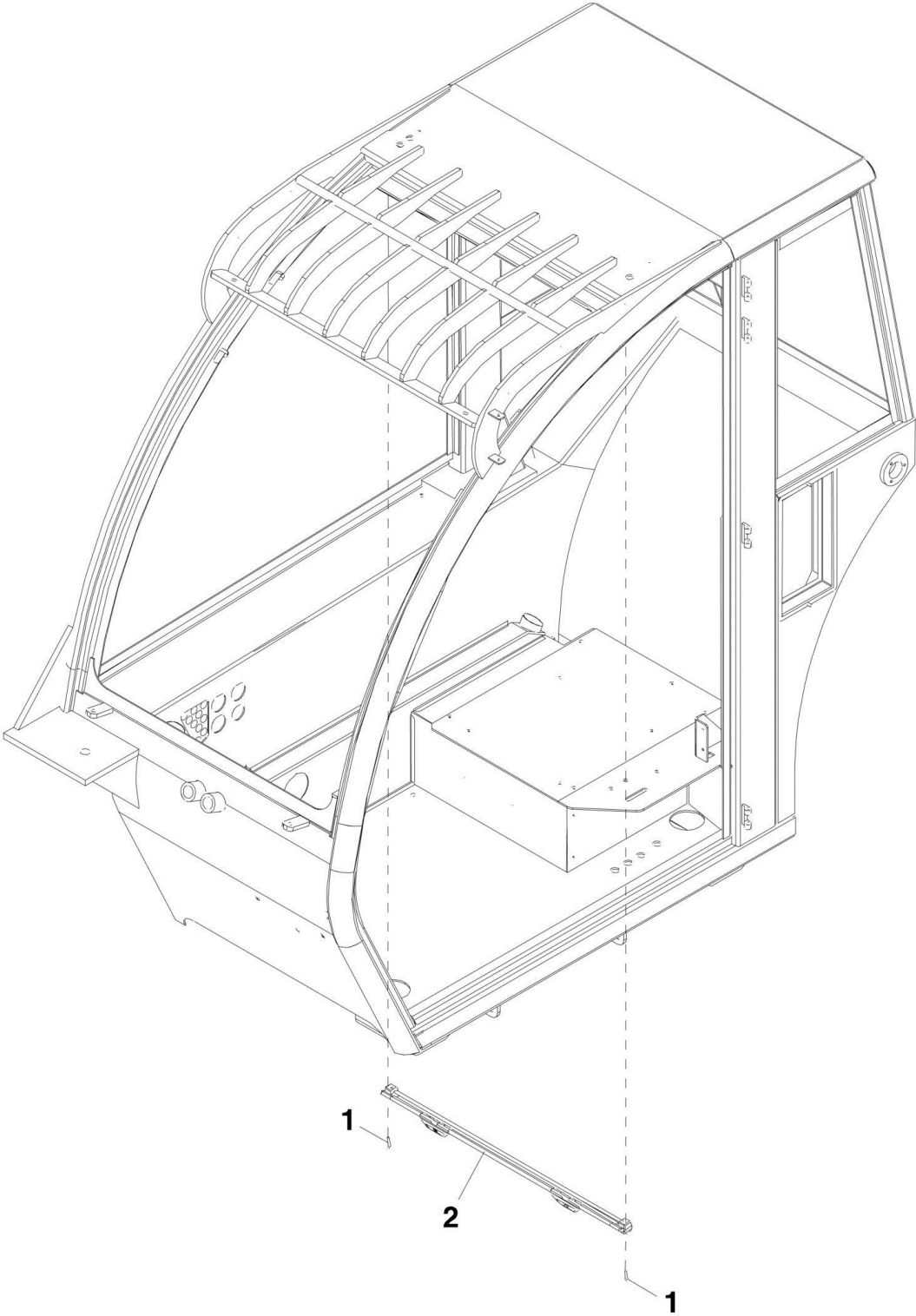
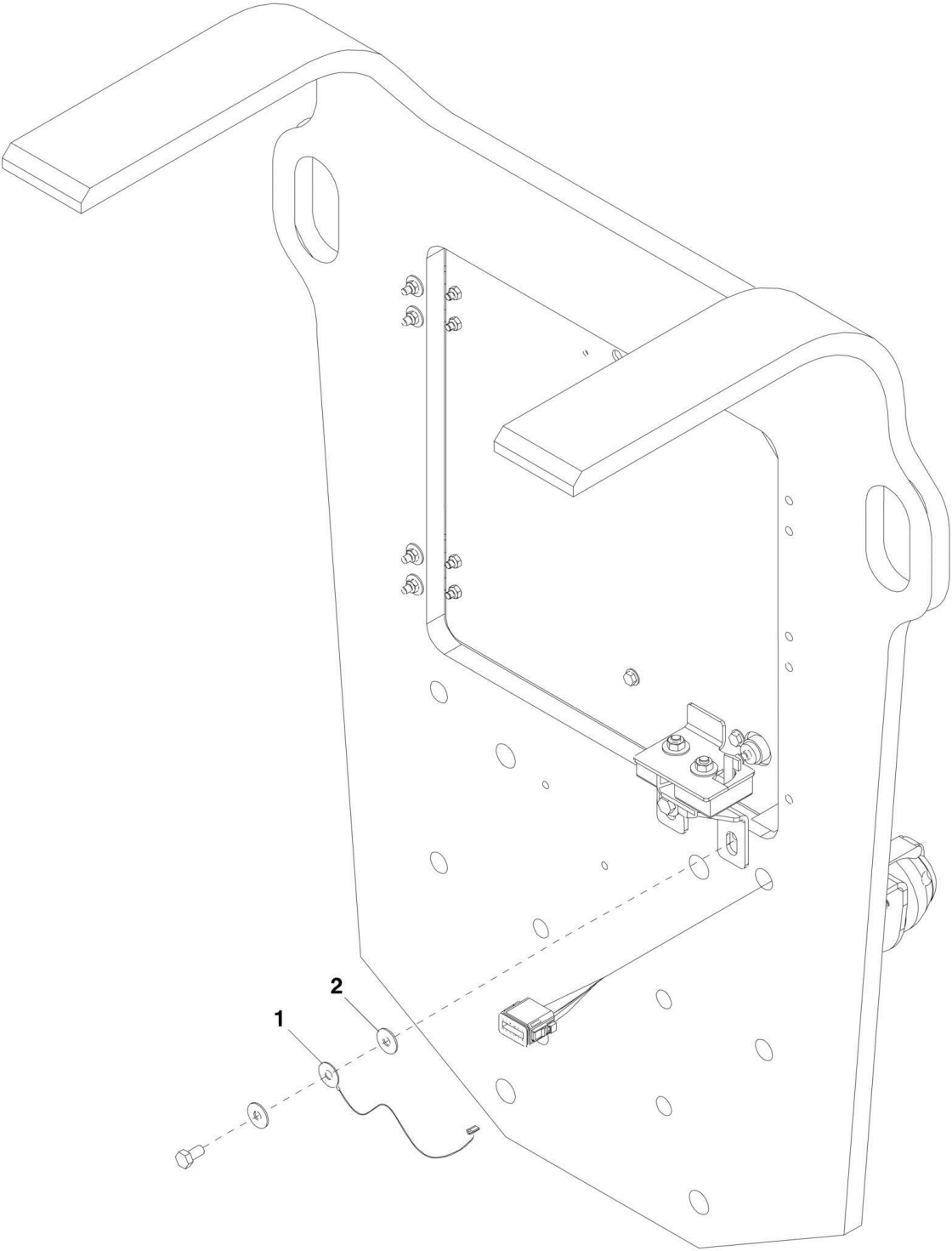


FIGURE 12-17. SUN SCREEN INSTALLATION

ITEM	PART NUMBER	QTY	DESCRIPTION	REV
	0275732	1	SUN SCREEN INSTALLATION, (includes all items)	B
1	4031508	2	SOCKET HD CAPSCREW, M4X20	
2	8003009	1	RETRACTABLE SUN SCREEN	

SECTION 12 - OPTIONS

FIGURE 12-18. GROUND WIRE INSTALLATION (Prior to SN 1160002125)



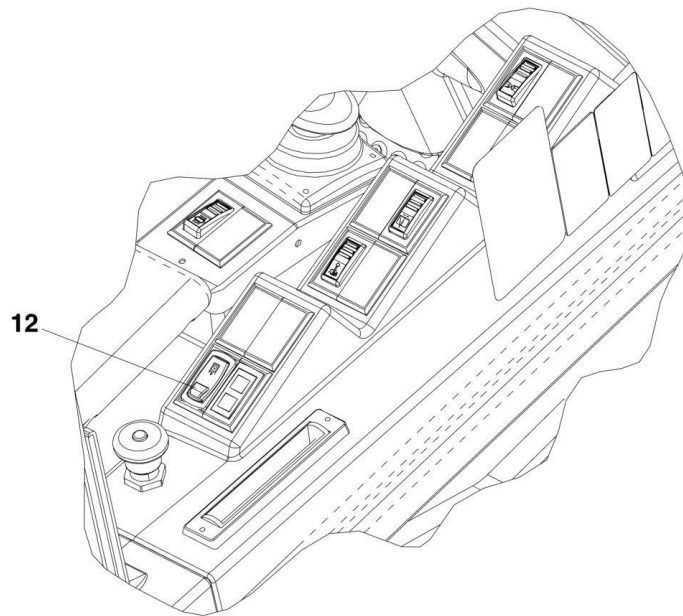
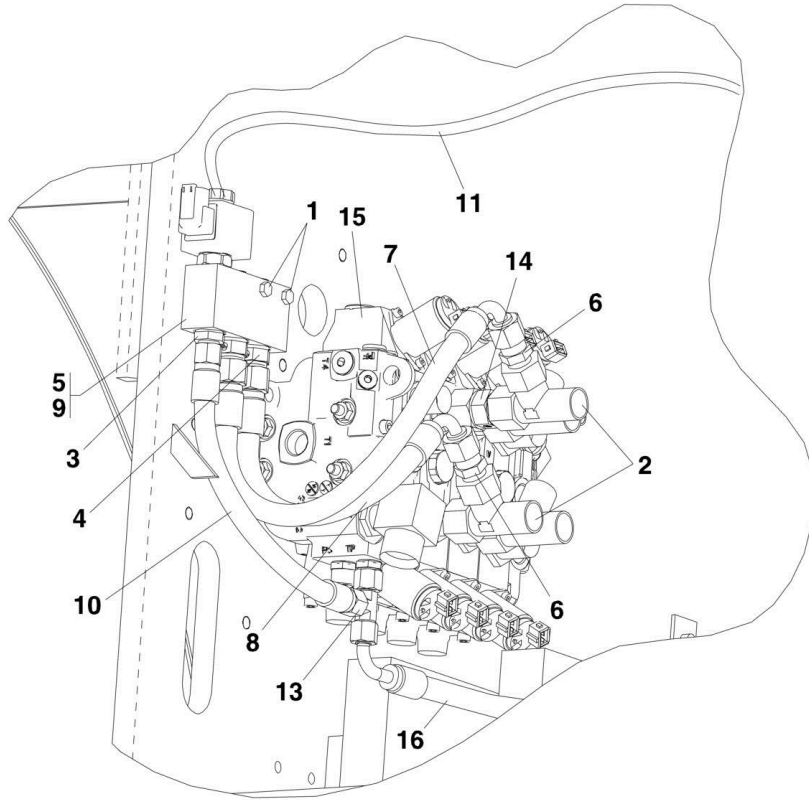
SECTION 12 - OPTIONS

FIGURE 12-18. GROUND WIRE INSTALLATION (Prior to SN 1160002125)

ITEM	PART NUMBER	QTY	DESCRIPTION	REV
	0275345	1	GROUND WIRE INSTALLATION, (includes all items)	B
1	4923512	1		
2	5211902	1		

SECTION 12 - OPTIONS

FIGURE 12-19. DUMP VALVE INSTALLATION



VIEW OF
CAB CONSOLE

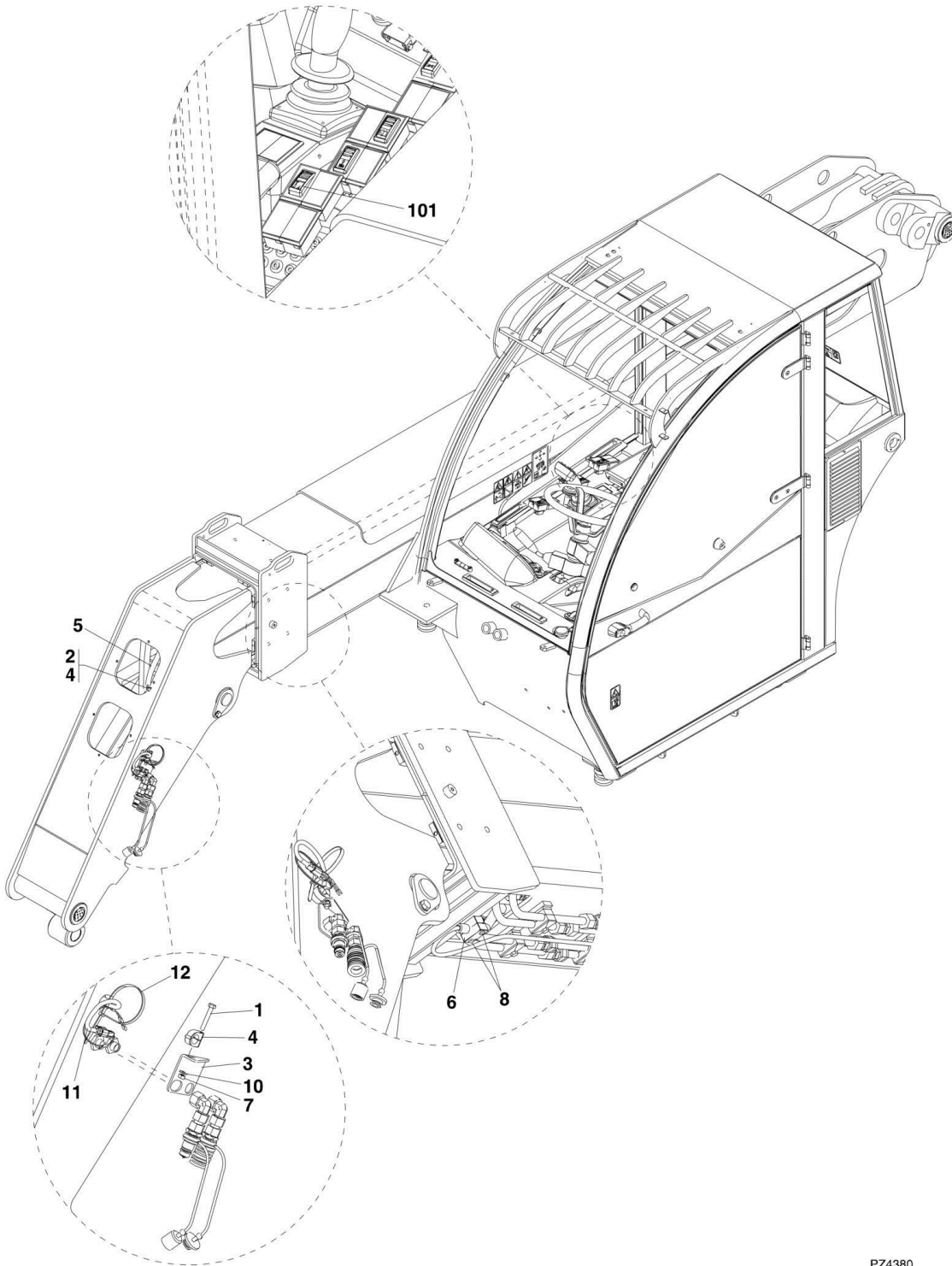
SECTION 12 - OPTIONS

FIGURE 12-19. DUMP VALVE INSTALLATION

ITEM	PART NUMBER	QTY	DESCRIPTION	REV
	1001091623	1	DUMP VALVE INSTALLATION, (Includes items 1 thru 14)	B
1	0700618	2	HEX HD CAPSCREW, M6X50	
2	2142216	2	SWIVEL NUT RUN TEE	
3	2142709	1	CONNECTOR	
4	2142729	2	CONNECTOR	
5	1001091180	1	VENTING VALVE	
6	1001091352	2	CONNECTOR	
7	1001091354	1	HOSE ASSY	
8	1001091355	1	HOSE ASSY	
9	1001091361	1	VALVE SPACER PLATE	
10	1001091491	1	HOSE ASSY	
11	1001092023	1	HARNES	
12	1001092138	1	SWITCH	
13	2142203	1	SWIVEL NUT RUN TEE	
14	1001092282	1	ADAPTER	
15		Ref	MAIN CONTROL VALVE, (See HYDRAULIC COMPONENTS SECTION for Breakdown)	
15	1001091988	1	DUMP VALVE FIELD KIT, (Includes items 1 thru 14 & 16)	
16	2755065	1	VALVE RETURN HOSE ASSY	

SECTION 12 - OPTIONS

FIGURE 12-20. BOOM AUXILIARY ELECTRIC



PZ4380

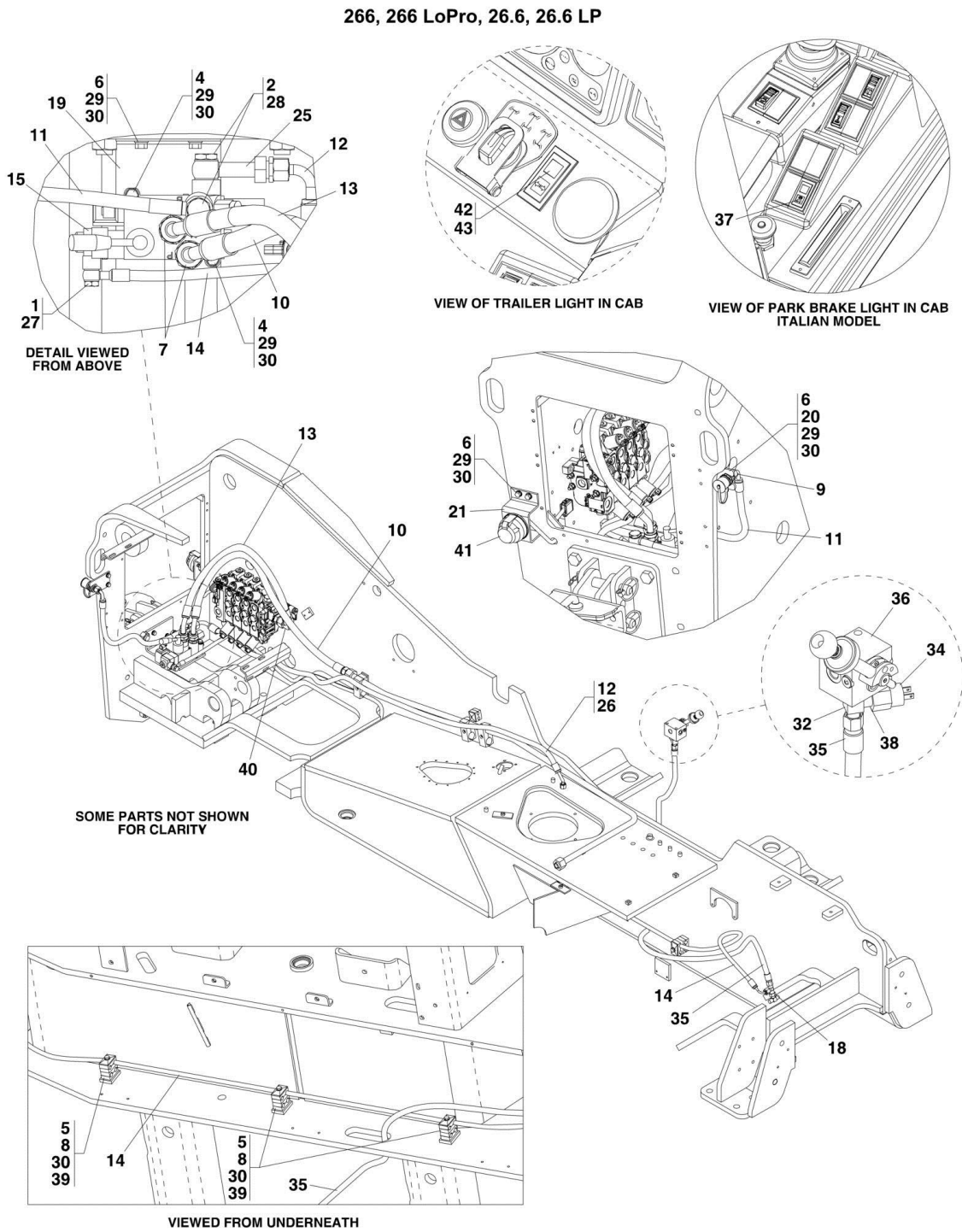
SECTION 12 - OPTIONS

FIGURE 12-20. BOOM AUXILIARY ELECTRIC

ITEM	PART NUMBER	QTY	DESCRIPTION	REV
	1001102264	1	BOOM AUXILIARY ELECTRIC, (266, 266 LoPro, 26.6, 26.6 LP)	B
	1001102178	1	BOOM AUXILIARY ELECTRIC, (307, 30.7)	B
1	0700818	1	HEX HD CAPSCREW, M8X50	
2	0700826	1	HEX HD CAPSCREW, M8X90	
3	0903637	1	CLAMP MOUNT BRACKET	
4	1321264	2	CLAMP	
5	2755030	1	HOSE ASSY, (266, 266 LoPro, 26.6, 26.6 LP)	
5	2754325	1	HOSE ASSY, (307, 30.7)	
6	2997586	1	CLIP	
7	3290801	1	HEX NUT, M8X1.25	
8	4010616	2	PAN HD SCREW, M6X40	
10	4811900	1	FLAT WASHER, 8mm	
11	4923633	1	HARNES	
12	1062255	1	TIE STRAP	
101	4360703	1	SWITCH ASSY	
101	4674353	1	SWITCH BODY	
101	1707115	1	BOOM AUX ELECTRIC SYMBOL	

SECTION 12 - OPTIONS

FIGURE 12-21. HYDRAULIC TRAILER BRAKES 266, 266 LOPRO, 26.6, 26.6 LP



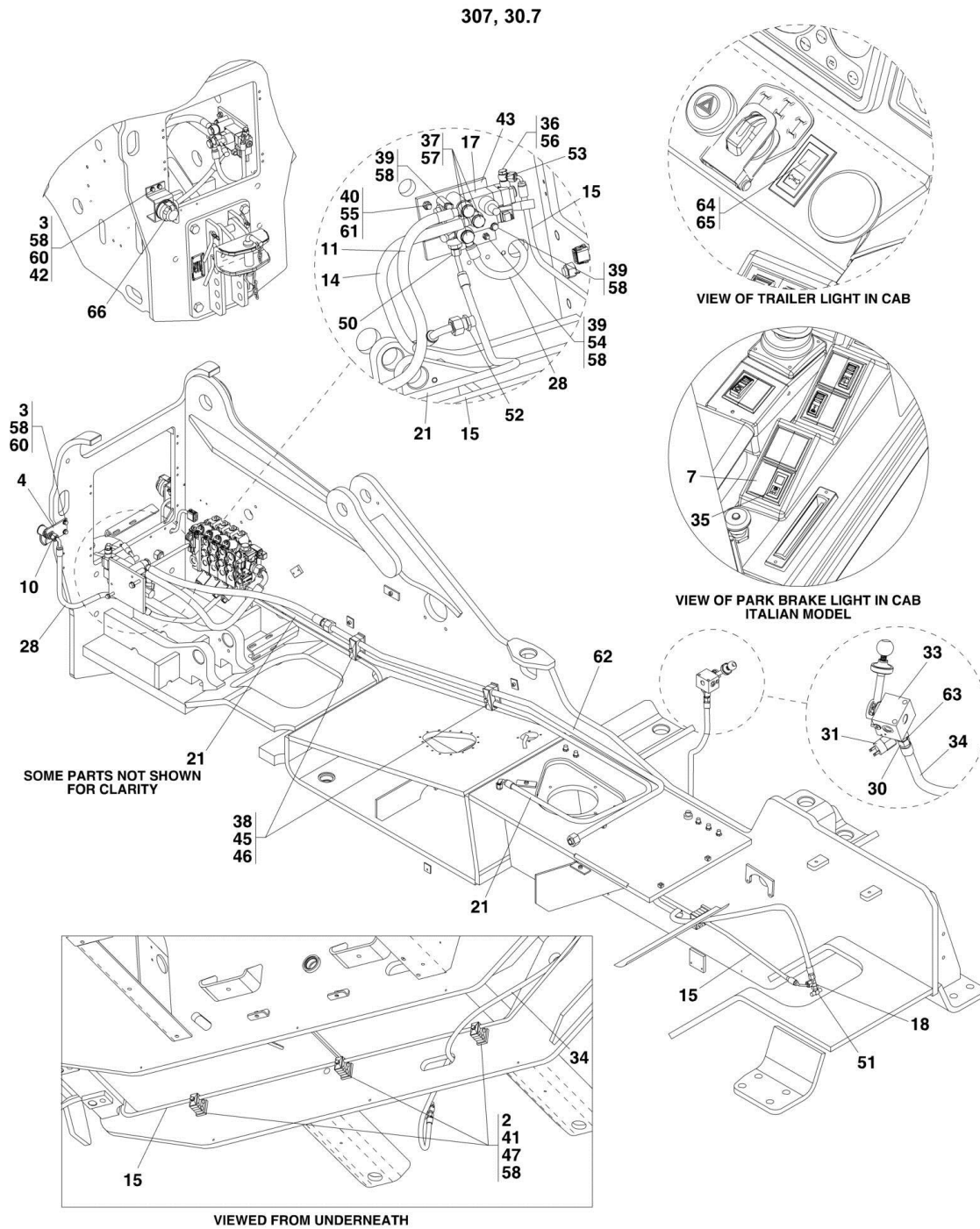
SECTION 12 - OPTIONS

FIGURE 12-21. HYDRAULIC TRAILER BRAKES 266, 266 LOPRO, 26.6, 26.6 LP

ITEM	PART NUMBER	QTY	DESCRIPTION	REV
	0273816	1	HYDRAULIC TRAILER BRAKES, (CE AND AUS - 266, 266 LoPro, 26.6, 26.6 LP), (Includes items 1 thru 36, 38 thru 40)	G
	0274924	1	HYDRAULIC TRAILER BRAKES, (ITALY - 266, 266 LoPro, 26.6, 26.6 LP), (includes items 1 thru 40)	G
1	0630609	1	BOLT, M12X21.25	
2	0630610	2	BOLT, M22X1.5	
4	0700820	2	HEX HD CAPSCREW, M8X60	
5	0700822	3	HEX HD CAPSCREW, M8X70	
6	0760812	6	HEX HD CAPSCREW, M8X25	
7	2140209	2	CONNECTOR	
8	1321321	3	CLAMP HALF	
9	2221193	1	CONNECTOR, QUICK DISCONNECT	
10	2754864	1	HOSE ASSY	
11	2754665	1	HOSE ASSY	
12	2754867	1	HOSE ASSY	
13	2754865	1	HOSE ASSY (Prior to SN 1160005294)	
13	1001103784	1	HOSE ASSY (SN 1160005294 to Present)	
14	2754866	1	HOSE ASSY	
15	4641488	1	PRESSURE MODULATOR VALVE	
18	2142203	1	CONNECTOR, SWIVEL RUN TEE	
19	0903532	1	VALVE BRACKET	
20	0903533	1	CONNECTOR BRACKET	
21	0903534	1	PLUG BRACKET	
25	2180883	1	EYELET CONNECTOR	
26	4240099	AR	WIRE TIE	
27	4740566	2	FLAT WASHER, M12	
28	4740567	4	FLAT WASHER, M22	
29	4831900	8	LOCKWASHER, 8mm	
30	4811900	11	FLAT WASHER, 8mm	
32	2180859	1	CONNECTOR, TEE	
34	4360705	1	PRESSURE SWITCH	
35		Ref	HOSE ASSY, (See HYDRAULIC CIRCUITS SECTION for Breakdown)	
36		Ref	PARKING BRAKE VALVE, (See HYDRAULIC CIRCUITS SECTION for Breakdown)	
37	2420221	1	TRAILER PARK BRAKE INDICATOR	
37	2420208	1	INDICATOR BODY	
37	2420213	1	LAMP ASSY	
37	4360639	1	BRAKE SYMBOL	
38	372101	1	O-RING	
39	874960	3	CLAMP COVER PLATE	
40	2143417	1	ELBOW 90	
41		Ref	TRAILER PLUG KIT, (See HITCH KIT ASSEMBLY for Breakdown)	
42	0274621	1	TRAILER CONTROLS, (Includes item 42)	
43	2420215	1	TRAILER INDICATOR	

SECTION 12 - OPTIONS

FIGURE 12-22. HYDRAULIC TRAILER BRAKES 307, 30.7



SECTION 12 - OPTIONS

FIGURE 12-22. HYDRAULIC TRAILER BRAKES 307, 30.7

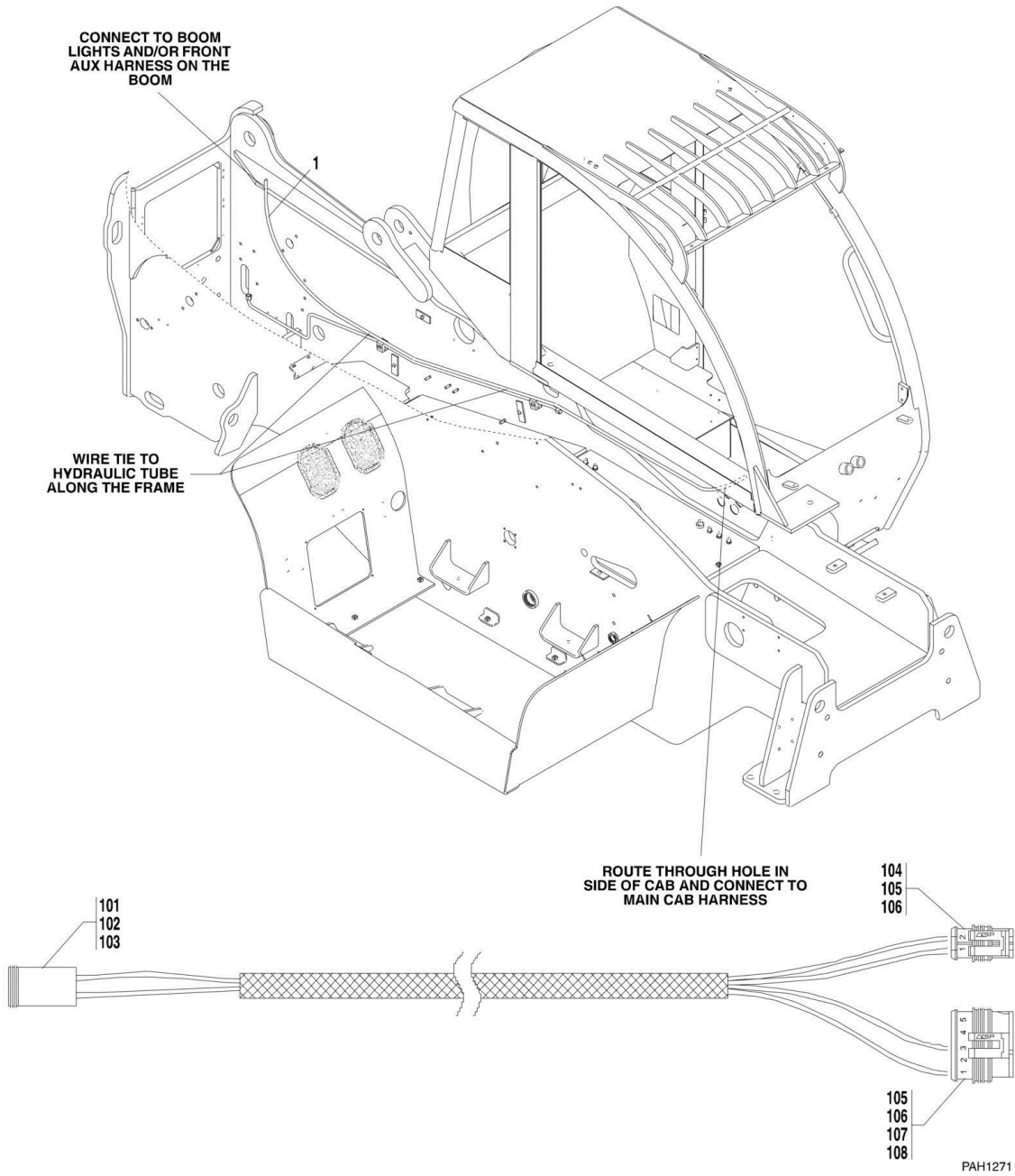
ITEM	PART NUMBER	QTY	DESCRIPTION	REV
	0274208	1	HYDRAULIC TRAILER BRAKES, (CE AND AUS - 307, 30.7), (Includes items 1 thru 4, 10 thru 34, 36 thru 63)	F
	0274986	1	HYDRAULIC TRAILER BRAKES, (ITALY - 307, 30.7), (Includes items 1 thru 63)	E
2	0700822	3	HEX HD CAPSCREW, M8X70	
3	0760812	4	HEX HD CAPSCREW, M8X25	
4	0903533	1	CONNECTOR BRACKET	
7	1359720	1	BLANK SWITCH PLATE	
10	2221193	1	CONNECTOR, QUICK DISCONNECT	
11	2755068	1	HOSE ASSY	
14	2755069	1	HOSE ASSY	
15	2755071	1	HOSE ASSY	
17	4641488	1	PRESSURE MODULATOR VALVE	
18	2142203	1	CONNECTOR, SWIVEL RUN TEE	
21	2755072	1	HOSE ASSY	
28	2755070	1	HOSE ASSY	
30	2180059	1	FITTING, TEE	
31	4360705	1	PRESSURE SWITCH	
33		Ref	PARKING BRAKE VALVE, (See HYDRAULIC CIRCUITS SECTION for Breakdown)	
34		Ref	HOSE ASSY, (See HYDRAULIC CIRCUITS SECTION for Breakdown)	
35	2420221	1	TRAILER PARK BRAKE INDICATOR	
35	2420208	1	INDICATOR BODY	
35	2420213	1	LAMP ASSY	
35	4360639	1	BRAKE SYMBOL	
36	0630609	1	BOLT, M12X21.25	
37	0630610	3	BOLT, M22X1.5	
38	0700617	2	HEX HD CAPSCREW, M6X45	
39	0760818	3	HEX HD CAPSCREW, M8X50	
40	0761020	1	HEX HD CAPSCREW, M10X60	
41	874960	3	CLAMP COVER PLATE	
42	0903534	1	PLUG BRACKET	
43	0903555	1	BRAKE VALVE BRACKET	
45	1321142	2	CLAMP HALF	
46	1321143	2	CLAMP TOP PLATE	
47	1321321	3	CLAMP HALF	
50	2141710	1	CONNECTOR	
51	2141908	1	CONNECTOR, UNION TEE	
52	2142740	1	MALE CONNECTOR	
53	2180885	1	EYELET CONNECTOR	
54	3290805	1	HEX LOCKNUT, M8X1.25	
55	3291005	1	HEX LOCKNUT, M10X1.5	
56	4740566	2	WASHER, M12	
57	4740567	6	WASHER, M22	
58	4811900	10	WASHER, 8mm	
60	4831900	4	LOCKWASHER, 8mm	
61	5212000	1	FLAT WASHER, 10mm	
62	4240099	AR	WIRE TIE	
63	372101	1	O-RING	

SECTION 12 - OPTIONS

ITEM	PART NUMBER	QTY	DESCRIPTION	REV
64	0274621	1	TRAILER CONTROLS, (Includes item 65)	
65	2420215	1	TRAILER INDICATOR	
66		Ref	TRAILER PLUG KIT, (See HITCH KIT ASSEMBLY for Breakdown)	

SECTION 12 - OPTIONS

FIGURE 12-23. OPTION HARNESS



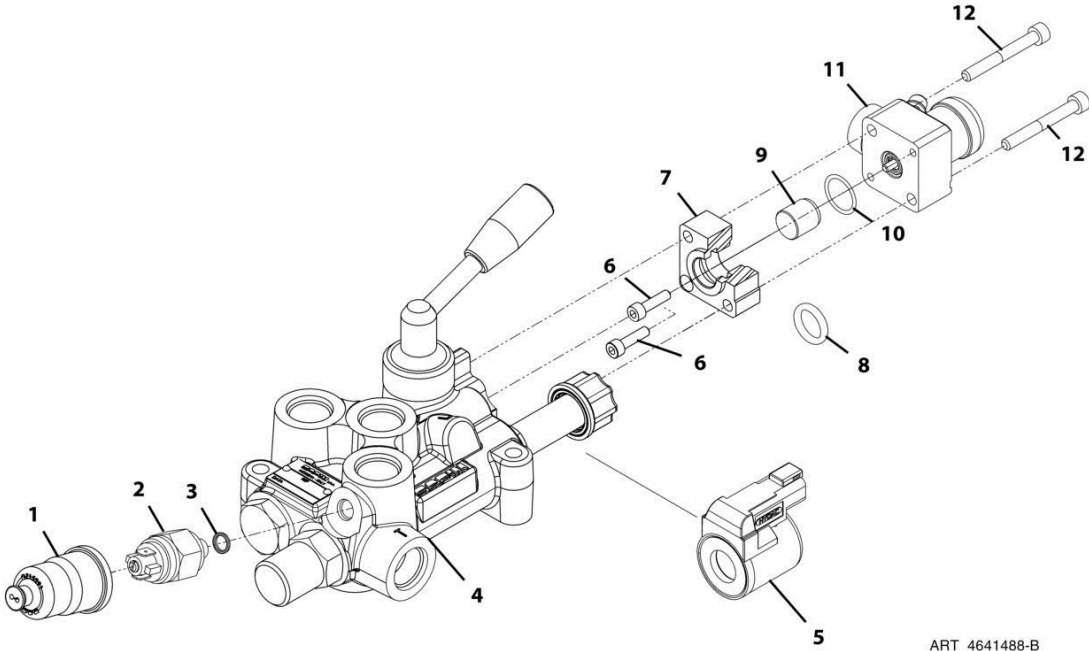
SECTION 12 - OPTIONS

FIGURE 12-23. OPTION HARNESS

ITEM	PART NUMBER	QTY	DESCRIPTION	REV
	0274662	1	OPTION HARNESS INSTALLATION, (includes item 1)	A
1	4923298	1	FRONT AUX AND BOOM LIGHTS HARNESS, (includes items 101 thru 108)	A
101	80484087	1	CONNECTOR	
102	1001116692	1	SOCKET TERMINAL	
103	80604021	1	CONNECTOR LOCK	
104	4461118	1	CONNECTOR	
105	1001107854	2	TERMINAL	
106	1001104498	2	SEAL	
107	4461128	1	HOUSING	
108	1001116698	1	PLUG	

SECTION 12 - OPTIONS

FIGURE 12-24. PRESSURE MODULATOR VALVE



ART_4641488-B

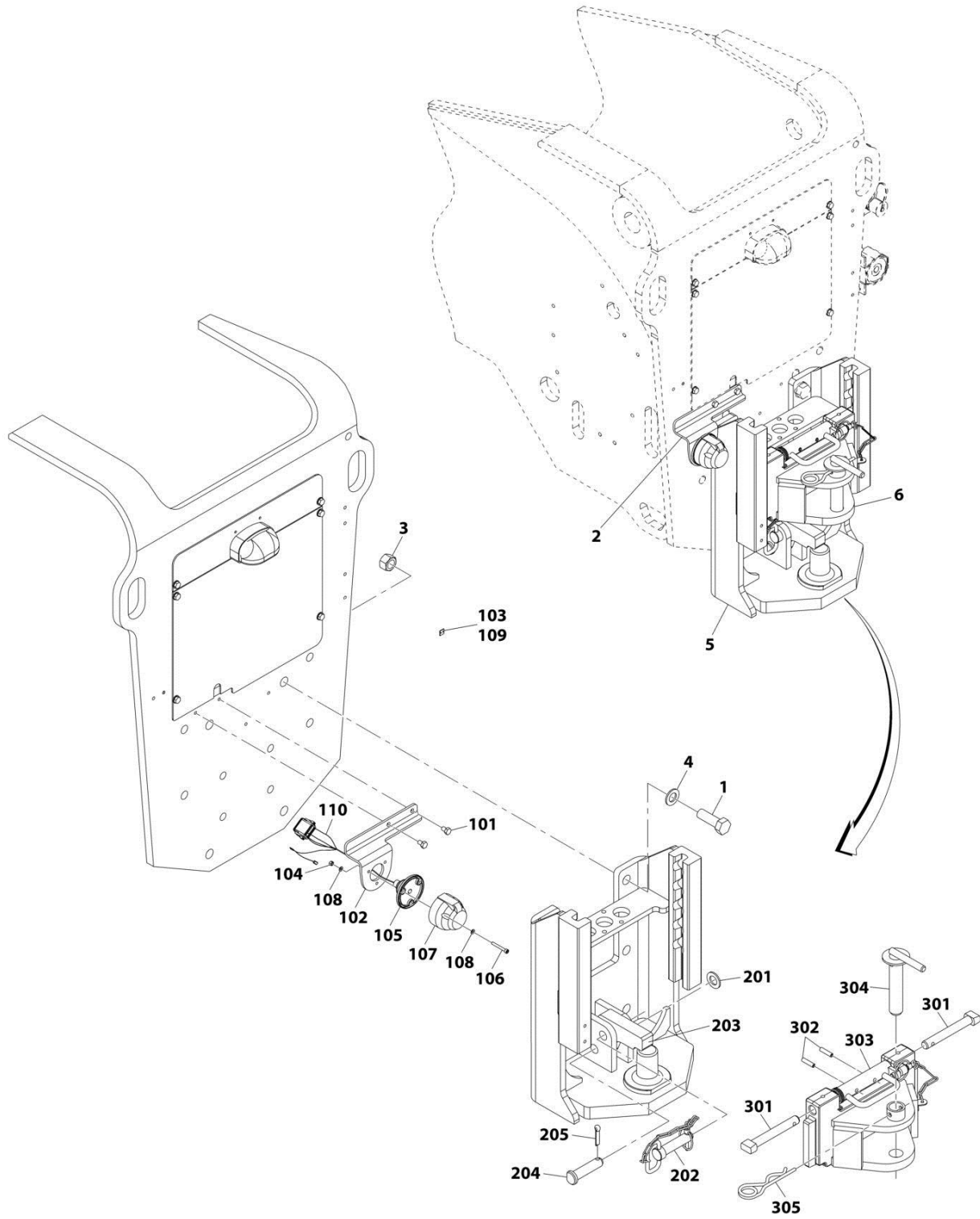
SECTION 12 - OPTIONS

FIGURE 12-24. PRESSURE MODULATOR VALVE

ITEM	PART NUMBER	QTY	DESCRIPTION	REV
	4641488	1	VALVE, PRESSURE MODULATOR	B
1	70025986	1	PRESSURE SWITCH COVER	
2	70025987	1	PRESSURE SWITCH BODY	
3	80234225	1	O-RING	
4	70025988	1	VALVE BODY	
5	70025989	1	SOLENOID	
6	70025990	2	SOCKET HD CAPSCREW	
7	70025991	1	VALVE BLOCK	
8	70025992	1	O-RING	
9	70025993	1	SHUTTLE VALVE	
10	70025994	1	O-RING	
11	70025995	1	PRESSURE ERASING SCREW	
12	70025996	2	SOCKET HD CAPSCREW	

SECTION 12 - OPTIONS

FIGURE 12-25. PITON FLXE HITCH INSTALLATION



ART_1001096522-C

SECTION 12 - OPTIONS

FIGURE 12-25. PITON FLXE HITCH INSTALLATION

ITEM	PART NUMBER	QTY	DESCRIPTION	REV
	1001096522	Ref	PITON FIXE HITCH INSTALLATION, (includes items 1 thru 6)	C
1	0712020	4	HEX HD CAPSCREW, 20-2.5X60, GR10.9	
2	2902377	1	TRAILER PLUG KIT, (includes items 101 thru 110)	
3	3332017	4	HEX LOCK NUT, M20-2.50	
4	4812500	4	FLAT WASHER, 20mm	
5	1001004151	1	HITCH ASSEMBLY, (includes items 201 thru 205)	
6	1001004152	1	HITCH ASSEMBLY, (includes items 301 thru 305)	
101	0760806	2	HEX HD CAPSCREW, 8-1.25X12mm, GR 8.8	
102	0903094	1	TRAILER PLUG BRACKET	
103	1719204	1	INDICATOR LIGHT	
104	3290507	3	HEX LOCKNUT, 5MM-0.8	
105	3960600	1	GASKET TRAILER PLUG	
106	4031612	3	SOCKET HD CAPSCREW, 5-0.8X40mm, GR 8.8	
107	4461021	1	TRAILER PLUG	
108	4811600	6	FLAT WASHER, 5mm	
109	8002826	1	FIRST TRAILER SYMBOL	
110	4923122	1	HARNES	
201	1001008980	1	WASHER	
202	1001010108	1	PIN ASSEMBLY	
203	1001010116	1	LATCH	
204	1001010117	1	PIN	
205	1001010120	1	PIN-COTTER	
301	1001010123	2	PIN	
302	1001010124	2	PIN-SPRING	
303	1001059383	1	HANDLE	
304	1001059384	1	PIN	
305	1001059385	1	PIN-LOCK	

SECTION 13 - RECOMMENDED SPARE PARTS

SECTION 13 - RECOMMENDED SPARE PARTS

SECTION 13 - RECOMMENDED SPARE PARTS

FIGURE 13-1. RECOMMENDED SPARE PARTS

ITEM	PART NUMBER	QTY	DESCRIPTION	REV
	Note	Ref	Note: The following list will service fleets of machines (built to current production per date on the front cover) with repair parts which can be installed in the field. Parts from the list should be replaced when inventory is depleted to keep service parts stock supplied. For further information, contact your JLG dealer or the JLG Industries Parts Department.	
		Ref	Boom	
	2754122	2	Tilt Cylinder Hose, (266, 266 LoPro, 26.6, 26.6 LP)	
	2754111	2	Tilt Cylinder Hose, (307, 30.7)	
	4700027	8	Bearing Pad, (266, 266 LoPro, 26.6, 26.6 LP)	
	8002200	12	Bearing Pad, (307, 30.7)	
	8002199	2	Bearing Pad	
	8008640	AR	Shim, 0.5	
	8008641	AR	Shim, 1.0	
	8008642	AR	Shim, 1.5	
	8008070	AR	Shim, 2.0	
	8008634	AR	Shim Offset, 0.5	
	8008644	AR	Shim Offset, 1.0	
	8008645	AR	Shim Offset, 1.5	
	8008069	AR	Shim Offset, 2.0	
	3964987	1	Split Pin	
	8002027	1	Fork Locking Rod	
		Ref	Engine	
	80273010	1	Air Filter Element	
	80273042	1	Air Filter Safety Element	
	1120576	1	Fuel Tank Cap	
	2060034	1	Fan	
	1001108807	1	Fuel/Engine Oil Kit	
		Ref	Drive Train	
	7028379	2	Wheel End Seal	
	7028380	2	Wheel End Bushing	
	91474161	2	Wheel Hub Seal	
	7028929	1	Universal Joint Kit	
		Ref	Hydraulic System	
	7029240	1	Lift Cylinder Seal Kit, (266, 266 LoPro, 26.6, 26.6 LP)	
	7028318	1	Lift Cylinder Seal Kit, (307, 30.7)	
	7028328	1	Crowd Cylinder Seal Kit	
	7028352	1	Tilt Cylinder Seal Kit, (266, 266 LoPro, 26.6, 26.6 LP)	
	7028318	1	Tilt Cylinder Seal Kit, (307, 30.7)	
	7028352	1	Compensating Cylinder Seal Kit, (266, 266 LoPro, 26.6, 26.6 LP)	
	7028318	1	Compensating Cylinder Seal Kit, (307, 30.7)	
	2120194	1	Hydraulic Filter	
	2120195	1	Hydraulic Filter Element	
	2120206	1	Breather	
	8005248	1	Fluid Level gauge	
	2120150	1	Filter Element	
	7020020	1	Filter Indicator	
		Ref	Electrical	
	0140047	1	Back-up Alarm	

SECTION 13 - RECOMMENDED SPARE PARTS

ITEM	PART NUMBER	QTY	DESCRIPTION	REV
		Ref	Miscellaneous	
	2901443	1	Analyzer Kit	
	80904003	1	Hydraulic Test Kit	
	24604083	1	ORS O-Ring Kit	
	90214009	1	O-Ring Kit	
	3126023	1	Operator and Safety Manual	
	3126024	1	Service Manual	
	8008049	1	Replacement Key, (ignition, cab door, rear cover and engine cover)	

PART NUMBER INDEX

PART NUMBER INDEX

010001171, 77, 143, 180, 184, 187, 189, 231, 233, 235, 331	0275785 11, 16	0760610 81, 282, 327, 329	0903185.....175
0100019.....23, 25, 143	0280160 89	0760612 191	0903203.....175
0100035.....231	0280161 121	0760614 329	0903217.....265
0140047.....251, 366	0280162 89	0760615 282	0903225.....149
0182079.....184	0280163 121	0760805 251	0903252.....171
0240063.....55	0310011 175	076080677, 81, 311, 313, 315, 331, 339, 341, 363	0903254.....184
0240110.....55	0313279 252	0760808 ... 11, 35, 37, 71, 329, 331	0903274.....11, 15
0240117.....63	0380025 265	0760810 ... 11, 15, 71, 77, 243	0903366.....47
0240118.....63	0388450 252	076081281, 85, 150, 179, 251, 285, 327, 329, 331, 353, 355	0903395.....159
0240143.....47	0409672 321, 323	0760814 ... 12, 16, 77, 83, 175	0903396.....159
0240158.....67	0480139 327, 329	0760818 355	0903397.....159
0273808.....145	0498748 150	0761005 23, 25	0903532.....353
0273809.....145	0630576 12, 16	0761008 31, 35, 71	0903533.....353, 355
0273810.....145	0630583 77	0761010 ... 11, 15, 31, 33, 35, 37, 41, 77, 209, 252	0903534.....353, 355
0273811.....23	0630585 294	0761012 ... 20, 31, 33, 35, 37, 71, 77, 184, 243, 252	0903555.....355
0273812.....25	0630586 71	0761014 33, 37, 71, 81	0903624.....251
0273814.....335	0630599 23, 25	0761015 251	0903629.....20
0273815.....209	0630604 327, 329	0761020 355	0903637.....351
0273816.....353	0630609 353, 355	0761029 327, 329	0920121.....193
0273866.....150	0630610 353, 355	0761210 37	0930003.....51
0273923.....315	0700415 327, 329	0761212 37, 39, 41	0930004.....57
0274045.....294	0700610 251	0761214 37, 59	0930005.....57
0274046.....294	0700614 187, 189	0761215 ... 213, 215, 225, 227	0930006.....51
0274065.....337	0700616 187, 189	0761216 47	0930008.....49
0274107.....321	0700617 184, 355	0761218 39, 41	0930009.....49
0274122.....323	0700618 349	0761612 59	0930015.....49
0274137.....325	0700812 16, 315	0761617 23, 25, 143	0930016.....49
0274171.....71	0700815 ... 201, 203, 205, 207, 251, 319	0762020 316	0940173.....175
0274198.....81	0700816 85, 187, 189, 191	0771016 251	1001002961.....150
0274202.....83	0700817 77, 179, 184, 203	0771212 143	1001002963.....150
0274205.....85	0700818 ... 201, 203, 205, 207, 351	0771619 333	1001004151.....363
0274208.....355	0700819 41	0801412 31	1001004152.....363
0274212.....329	0700820 353	0801412G.....31	1001005240.....315
0274456.....301	0700822 ... 187, 189, 353, 355	0801413 33	1001005960.....153
0274457.....303	0700826 351	0801415 37	1001008436.....20
0274458.....305	0700827 47	0801415B.....37	1001008475.....20
0274459.....307	070101571, 77, 150, 327, 329	0801416 39	1001008980.....363
0274526.....252	0701016 31, 33, 252	0801417 39	1001009062.....20
0274540.....331	0701017 31, 33	0801419 35	1001009178.....294
0274569.....251	0701018 ... 23, 25, 31, 33	0801419B.....35	1001010108.....363
0274590.....331	0701029 61	0801420 41	1001010116.....363
0274609.....343	0701031 327, 329	0801421 41	1001010117.....363
0274621.....353, 356	0701215 71, 213, 215	0861730 265	1001010120.....363
0274662.....359	0701217 ... 221, 223, 225	0879192 150	1001010123.....363
0274708.....251	0701229 71	0902987 315, 316	1001010124.....363
0274750.....252	0711215 143	0903012 252	1001010838.....20
0274756.....321	0711618 339	0903013 252	1001059383.....363
0274757.....321	0711619 313, 341	0903083 ... 311, 313, 339, 341	1001059384.....363
0274769.....145	0712020 ... 311, 313, 315, 339, 341, 363	0903094 ... 311, 313, 315, 339, 341, 363	1001059385.....363
0274770.....145	0712029 20	0903113 184	1001091102.....285
0274804.....145	0712040 23	0903133 327, 329	1001091180.....349
0274812.....23	0712445 25	0903134 71	1001091352.....349
0274813.....301	0760405 81, 329		1001091354.....349
0274814.....305	0760408 175		1001091355.....349
0274842.....252	0760410 77		1001091361.....349
0274916.....153	0760505 12, 16		1001091491.....349
0274924.....353	0760605 39		1001091573.....325
0274986.....355	0760606 ... 251, 327, 329		1001091623.....349
0275345.....347	0760608 71, 77, 184		1001091682.....155
0275382.....319			1001091751.....275
0275421.....146			1001091783.....155
0275668.....337			1001091976.....16
0275732.....345			1001091976G.....16
0275752.....20			1001091988.....349
			1001092023.....349
			1001092138.....349

PART NUMBER INDEX

1001092282 349	1001096493..... 81	1001101954..... 195, 201, 203, 282	1001107586 59
1001093076 187, 189	1001096522..... 363	1001102080..... 213, 215	1001107622 282
1001093077 187, 189	1001096569..... 23	1001102178..... 351	1001107854 259, 261, 263, 270, 274, 359
1001093318 153	1001096644..... 329	1001102264..... 351	1001107984 282
1001093319 153	1001096696..... 329	1001102362..... 252	1001108512 282
1001093344 153	1001096701..... 329	1001102363..... 252	1001108661 285
1001093372 12, 16	1001096879..... 15	1001102401..... 287	1001108683 285
1001093373 12, 16	1001096884..... 15	1001102413..... 282	1001108684 285
1001093383 12, 16	1001096885..... 15	1001102464..... 298	1001108685 285
1001093440 149	1001096887..... 15	1001102465..... 298	1001108686 285
1001093441 149	1001096888..... 15	1001102554..... 47	1001108687 285
1001093442 149	1001096889..... 15	1001102633..... 282	1001108689 285
1001093442G 149	1001096890..... 15	1001102756..... 16, 316	1001108700 285
1001093443 149	1001096891..... 15	1001102757..... 16, 315	1001108794 83
1001093443G 149	1001096893..... 16	1001102763..... 16, 316	1001108807 .. 72, 75, 366
1001093444 149	1001096896..... 16	1001103012..... 270, 274	1001108863 282
1001093444G 149	1001096902..... 150, 153	1001103100..... 299	1001109790 251
1001093445 149	1001096917..... 145	1001103102..... 299	1001109966 298
1001093445G 149	1001097202..... 16	1001103103..... 16	1001110008 43
1001093452 149	1001097241..... 23, 25	1001103124..... 298	1001110009 43
1001093452G 149	1001097287.... 41, 51, 57, 205, 207, 209, 315, 316, 335, 337	1001103125..... 298	1001110722 298
1001093453 149	1001097350..... 43	1001103126..... 301	1001110729 298
1001093453G 149	1001097445..... 165	1001103127 301	1001111118 303
1001093454 149	1001097446..... 165	1001103128..... 303	1001111119 301
1001093454G 149	1001097446..... 165	1001103369..... 15	1001111120 301
1001093455 149	1001097500..... 315	1001103420..... 282	1001111490 203
1001093455G 149	1001097661..... 43	1001103482..... 23, 25	1001111491 201
1001093785 329	1001097662..... 43	1001103533..... 43	1001111975 159
1001093826 205, 207, 209, 315, 316, 335, 337	1001097663..... 43	1001103691..... 298	1001112094 329
1001093827 205, 207, 209, 315, 316, 335, 337	1001097664..... 43	1001103692..... 298	1001112161 23, 25
1001093852 16	1001097972..... 27	1001103697..... 298	1001112559 59
1001094077 153	1001097973..... 27	1001103698..... 298	1001112560 59
1001094256 150	1001098062..... 27	1001103784..... 353	1001114609 298
1001094257 150	1001098150..... 153	1001103807 282	1001114610 298
1001094373 166	1001098263..... 23	1001104090..... 298	1001114611 298
1001094414 183	1001098422..... 279	1001104288 163	1001114612 298
1001094467 187, 189	1001098423..... 279	1001104299..... 23, 25	1001116129 165
1001094555 ... 41, 43, 51, 57, 67, 205, 207, 209, 315, 316, 335, 337	1001098424..... 279	1001104300..... 23, 25	1001116692 255, 257, 261, 270, 274, 359
1001094556 ... 41, 43, 51, 57, 67, 205, 207, 209, 315, 316, 335, 337	1001098999..... 179, 183	1001104341..... 282	1001116693 270, 274
1001094611 49	1001099000..... 179, 183	1001104342..... 282	1001116698 270, 274, 359
1001094612 49	1001099001..... 179, 183	1001104344..... 282	1001116716 270, 274
1001094615 49	1001099032..... 235	1001104415..... 282	1001116753 271, 275
1001094616 49	1001099383..... 23	1001104478..... 163	1001116756 255
1001094795 301, 303, 305, 307	1001099531..... 25	1001104498..... 259, 261, 263, 359	1001116934 270, 274
1001095303 298	1001099585..... 77	1001104519..... 270, 274	1001116936 270, 274
1001095650 . 20, 27, 251, 282	1001099586..... 77	1001104541..... 298	1001116938 259, 261
1001095953 81	1001099648..... 165	1001104636..... 163	1001116939 255, 257
1001096029 165, 329	1001099761..... 77	1001104674..... 163	1001116940 277
1001096030 329	1001099779..... 77	1001104686..... 329	1001116941 270, 274
1001096032 329	1001100781..... 265	1001104687 329	1001116942 263
1001096100 329	1001100911..... 59	1001104933 43	1001116943 270, 274
1001096111 257	1001101227..... 27	1001105041 163	1001116946 270, 274
1001096126 165	1001101356..... 43	1001105042 163	1001116986 270, 274
1001096127 23	1001101425..... 43	1001105043 163	1001116991 270, 274
1001096335 209	1001101442..... 55	1001105044 163	1001116995 261, 270, 274
1001096338 209	1001101587..... 43	1001106385..... 282	1001116997 263
1001096341 209	1001101590..... 43	1001106386..... 282	1001118378 270, 274
1001096345 25	1001101805..... 298	1001106464..... 285	1001118379 261, 270, 274
1001096365 159	1001101806..... 298	1001106805..... 282	1001118383 270, 274
	1001101807..... 201, 203	1001107286..... 157	1001118392 259, 261
	1001101830..... 213, 215	1001107333..... 47	1001118393 259, 261
	1001101855..... 195	1001107336..... 47	1001175721 55
	1001101906..... 298	1001107338..... 47	1009352 71
	1001101907..... 298	1001107513..... 231	
	1001101935..... 201, 203	1001107581 47	

PART NUMBER INDEX

1042977.....	150	1684404.....	229	1706659.....	301	2142715.....	183, 191, 209
106225572, 81, 180, 183, 282, 315, 316, 351		1686997.....	85	1706710.....	297	2142717.....	179
1120576.....	77, 366	1702773.....	301, 303	1706717.....	298	2142729.....	349
1120587.....	243	1705954.....	145	1706891.....	146	2142733.....	197, 199, 201, 203, 205, 207, 209
1120593.....	153	1705980.....	294, 297	1706958.....	305	2142740.....	179, 195, 355
1170002.....	61	1705983.....	265	1706959.....	305	2142805.....	335, 337
1170028.....	47	1705998.....	294	1707115.....	351	2142905.....	335, 337
1271599.....	20	1706000.....	301	1707148.....	145	2143005.....	193
130943541, 77, 201, 203, 205, 207		1706001.....	303	1707149.....	145	2143007.....	191, 209
1317515.....	207	1706209.....	294, 297	1719204 ...	311, 313, 315, 339, 341, 363	2143017.....	201, 203
1320032.....	77, 165	1706258.....	297	1719419.....	149	2143021.....	179
1320061.....	252	1706259.....	297	1749733.....	150	2143024.....	183
1320318.....	77	1706373.....	146	1781813.....	20	2143305.....	205, 207
1321086.....	201, 203	1706402.....	297	1784861.....	20	2143317.....	179
1321125.....	187, 189	1706403.....	297	1787217.....	251	2143403.....	184
1321128....	201, 203, 205, 207	1706404.....	297	1810005.....	265	2143405....	191, 205, 207, 209, 335
1321133....	201, 203, 205, 207	1706406.....	297	1810010.....	343	2143417.....	353
1321134....	201, 203, 205, 207	1706407.....	297	2000265.....	75	2143511.....	41, 43
1321142....	179, 183, 355	1706408.....	297	2014226.....	11, 15	2143605....	205, 207, 335, 337
1321143....	179, 184, 187, 189, 355	1706410.....	297	2060034.....	71, 366	2143607.....	183
1321264.....	351	1706411.....	297	21011032.....	155	2160016.....	31, 33, 41
1321291.....	11, 12, 15, 16	1706412.....	297	2111616.....	187, 189	2160018.....	35, 37
1321296.....	327	1706413.....	297	2120150.....	183, 366	2171716.....	187
1321301.....	81	1706414.....	297	2120186.....	83	2171733.....	189
1321320.....	187, 189	1706415.....	297	2120193.....	183	2171948.....	77, 243
1321321....	187, 189, 353, 355	1706418.....	297	2120194.....	243, 366	2180059.....	355
1321367.....	85	1706419.....	297	2120195.....	243, 366	2180845.....	187, 189
1321372.....	184	1706441.....	305, 307	2120206.....	243, 366	2180859.....	353
1349717.....	83	1706442.....	305, 307	2140118 ...	201, 203, 205, 207	2180874.....	243
1359720.....	153, 355	1706443.....	297	2140204.....	193	2180883.....	353
1360585.....	325	1706457.....	297	2140206.....	187, 189	2180885.....	355
1366865.....	161, 163	1706458.....	297	2140208.....	191, 193	2221193.....	353, 355
1380161.....	83	1706459.....	297	2140209.....	353	2221204.....	193
1391297.....	319	1706460.....	297	2140221.....	183, 243	2340029.....	59
1398385.....	11	1706461.....	297	2140419.....	183	2340030.....	59
1460011.....	171	1706462.....	297	2140423.....	179, 243	2340035.....	65
1580040.....	149	1706463.....	297	2140603.....	187, 189	2340040.....	59
1600384.....	169	1706607.....	305, 307	2140607.....	184, 243	2340041.....	59
1600388.....	265	1706608.....	305, 307	2140803.....	187, 189	2360662.....	12, 16
1616551.....	179	1706609.....	305, 307	2140810.....	183	2360662B.....	12, 16
1660281.....	71	1706610.....	305, 307	2140812.....	179	2360663.....	12, 16
1671177.....	12, 15	1706611.....	305	2140819.....	183	2360663B.....	12, 16
1671177G.....	12	1706612.....	307	2140826.....	179	2360729.....	12, 16
1671206.....	25	1706613.....	305	2140827.....	183	2360729B.....	12, 16
1671206B.....	25	1706614.....	307	2140829.....	183	2360778.....	12, 16
1671209.....	23	1706630.....	297	2140921.....	183	2360778B.....	12, 16
1671209B.....	23	1706631.....	298	2141003.....	187, 189	2400073.....	251
1671221.....	11, 15	1706632.....	297	2141102 ...	180, 187, 189, 193	2400074.....	251
1671221G.....	11, 15	1706633.....	298	2141103.....	184	2400075.....	265
1671241.....	327	1706636.....	297	2141621 ...	201, 203, 205, 207	2420205.....	77
1671334.....	23	1706637.....	298	2141710.....	355	2420207.....	153
1671334B.....	23	1706638.....	297	2141908 ...	179, 193, 355	2420208....	289, 353, 355
1684356.....	213	1706639.....	298	2142103.....	179, 193	2420209.....	289
1684357.....	221	1706640.....	297	2142203 ...	180, 193, 349, 353, 355	2420211.....	343
1684358.....	225	1706641.....	298	2142207.....	183	2420212.....	153
1684359.....	217	1706642.....	297	2142216	201, 203, 349	2420213....	289, 353, 355
1684360.....	215	1706643.....	298	2142503.....	243	2420215.....	353, 356
1684361.....	223	1706644.....	297	2142505.....	315, 316	2420218.....	153
1684362.....	227	1706645.....	298	2142704.....	179	2420221.....	353, 355
1684363.....	219	1706646.....	297	2142708	179, 183, 193	2440675.....	159
		1706647.....	298	2142709.....	179, 349	2443576.....	77, 179, 329
		1706648.....	297	2142710.....	179	2447967.....	297
		1706649.....	298			24604083.....	367
		1706650.....	297			2480066.....	159
		1706651.....	298				
		1706652.....	297				
		1706653.....	298				

PART NUMBER INDEX

2480069.....	159	2754255.....	183	2820204.....	12, 16	3332011.....	23
2480075.....	157	2754256.....	179	2820205.....	12, 16	3332017... 313, 315, 339,	
2480079.....	157	2754257.....	179	2820206.....	253	341, 363	
2480080.....	157	2754258.....	183	2820208.....	12, 16	3332411.....	25
250176.....	259, 261, 275	2754259.....	187, 189	2820213.....	12, 16	3380549.....	315
250216.....	283	2754260.....	179	2820214.....	12, 16	3380550.....	316
2520136.....	11, 15	2754261.....	179	2820220.....	11	3380577.....	77
2520138.....	12	2754283.....	165, 327, 329	2820221.....	11, 15	3380585.....	85
2520148.....	319	2754284.....	327	2820229.....	12, 16	3380756.....	12, 16
2540050.....	159	2754285.....	327	2820230.....	11, 15	3391410.....	41
2560189.....	171	2754286.....	327, 329	2820231.....	12, 16	3400021.....	175
2580058.....	165	2754294.....	187, 189	2901443.....	367	3423075.....	35, 37
2580061.....	165	2754297.....	183	2902377... 311, 313, 315,		3423149.....	37
2600298.....	159	2754298.....	193	339, 341, 363		3423152.....	35
2620048.....	315, 316	2754299.....	193	2902438.....	41	3423210.....	39, 41
2620049.....	311	2754301.....	193	2902440.....	63	3423211.....	39, 41
2620050.....	313	2754302.....	183	2902441.....	63	3423214.....	213
2620052.....	339	2754303.....	193	2920164.....	252	3423215.....	213, 215
2620055.....	339	2754304.....	193	2920213.....	153	3423216.....	225
2620056.....	341	2754305.....	184	2969548.....	81	3423217.....	225
2620057.....	341	2754306.....	179	2988212.....	83	3423218.....	31
2700109.....	149	2754307.....	201	2988632.....	180, 193	3423219.....	221
2700118.....	53	2754308.....	203	2991568.....	83	3423220.....	33
2720533.....	81	2754310.....	203	2995299.....	71	3423221.....	227
2720534.....	81	2754313.....	183	2997586.....	351	3423222.....	227
2720535.....	81	2754318.....	193	2999964.....	27	3423223.....	215
2720536.....	81	2754319.....	193	3117515.....	205	3423224.....	223
2720537.....	77	2754325.....	351	31200415.....	316	3423258.....	47
2720538.....	77	2754340.....	187, 189	3126023.....	367	3423260.....	159
2720543.....	77	2754341.....	187, 189	3126024.....	367	3460365.....	85
2720548.....	193	2754406.....	187, 189	3140007.....	20	3460402.....	83
2720553.....	165	2754407.....	183	3160304.....	237	3460403.....	85
2720554.....	165	2754500.....	179	3160305.....	239	3460404.....	85
2720556.....	77	2754604.....	184	3220140.....	85	3460411.....	189
2720558.....	77	2754610.....	179	3260100.....	163	3460421.....	83
2720613.....	77	2754634.....	193	328027.....	23, 25	3460427.....	187
2754009.....	315, 316	2754635.....	193	3290405.....	77, 265, 285,	3460429.....	189
2754056.....	187, 189	2754665.....	353	315, 327, 329		3460437.....	77
2754063.....	195	2754758.....	187, 189	3290505.....	12, 16	3460448.....	187
2754064.....	195	2754759.....	191	3290507... 311, 313, 315,		3460450.....	189
2754065.....	191	2754760.....	191	339, 341, 363		3460451.....	243
2754066.....	191	2754761.....	183	3290601.....	16, 191, 251,	3460456.....	77
2754083.....	195	2754762.....	183	282		3460459.....	183
2754084.....	195	2754763.....	193	3290605... 11, 12, 15, 16,		3460460.....	183
2754085.....	197	2754764.....	193	71, 81, 251, 327, 329		3460472.....	179
2754086.....	197, 199	2754799.....	183	3290607.....	175, 282	3460473.....	179
2754087.....	199	2754809.....	179	3290801.....	11, 175, 327,	3460567.....	77
2754094.....	191	2754864.....	353	329, 351		3460568.....	179
2754095.....	191	2754865.....	353	3290805... 11, 15, 43, 47,		3460569.....	183
2754096.....	191	2754866.....	353	77, 81, 83, 85, 150,		3520054.....	150
2754100.....	191	2754867.....	353	179, 187, 189, 209, 355		3574521.....	209
2754111... 203, 207, 366		2755030.....	351	3290807... 252, 285, 319		3574798.....	35, 37
2754113.....	201, 205	2755064.....	179	3291001.....	251, 252	3574798B.....	35, 37
2754120.....	203	2755065.....	183, 349	3291005... 61, 71, 77, 81,		3574821.....	31, 33
2754121.....	207	2755068.....	355	184, 327, 329, 355		3574829.....	23
2754122.....	201, 366	2755069.....	355	3291007.....	150	3575386.....	25
2754127.....	209	2755070.....	355	3291201... 143, 221, 223		3575391.....	187, 189
2754128.....	209	2755071.....	355	3291205... 39, 41, 47, 71		3575424.....	150
2754153.....	205	2755072.....	355	3291601... 20, 315, 316		3575424B.....	150
2754168.....	41	2755077.....	183	3292001... 20, 252, 316		3575478.....	294
2754248.....	183	2755078.....	179	3300480.....	251	3575641.....	12
2754249.....	183	2755088.....	179	3300481.....	251	3575643.....	11, 15
2754250.....	179	2755089.....	183	3300497.....	12	3575658.....	81
2754251.....	179	2820200.....	72	3300504.....	159	3575659.....	81
2754252.....	183	2820201.....	72	3310405.....	251	3575661.....	81
2754253.....	183	2820202.....	72	3331607... 313, 339, 341		3575662.....	81
2754254.....	187, 189	2820203.....	252	3332007.....	311	3575670.....	71

PART NUMBER INDEX

3575688.....	327	4031912.....	175	4400470.....	81	4569057.....	205
3575706.....	25	4031919.....	213, 215	4400472.....	193	4569078.....	155
3575717.....	77	4031922.....	209	443630.....	20	4569137.....	187
3575838.....	41	4032011.....	233, 235	4460265.....	265	4569149.....	83
3575850.....	213, 215	4032109.....	47	4460268.....	265	463929.....	39
3575922.....	11, 12, 15	4032311.....	71	4460321.....	282	4641314.....	191
3576005.....	71	4040275.....	143	4460343.....	283	4641315.....	171
3576006.....	71	4040276.....	143	4460367.....	282	4641334.....	187, 189
3576164.....	331	4040283.....	47	4460374.....	282, 283	4641357.....	335
3576203.....	184	4100076.....	31, 33	4460466 ...	255, 257, 259, 261, 263, 270, 271, 274, 275	4641359.....	233
3580345.....	327, 329	4100078.....	35, 37	4460532.....	270, 274	4641379.....	175
3600390.....	241	4100083.....	83	4460761	270, 274, 282	4641389.....	183
3600429.....	245	4100106.....	265	4460814	270, 274, 282	4641401.....	193
3620055.....	81	4160213.....	11, 15	4460920.....	282	4641404.....	247
3620057.....	327, 329	4191707.....	23, 25	4460994.....	270, 274	4641488....	353, 355, 361
3620058.....	327, 329	4220262.....	327, 329	4461006 ...	255, 257, 259, 261	466104.....	71
372101.....	179, 353, 355	4240099.....	353, 355	4461008 ...	255, 257, 259, 261	4674353....	209, 279, 321, 323, 325, 337, 351
3740080.....	282, 283	4240168.....	150	4461021 ...	311, 313, 315, 339, 341, 363	4700026.....	35, 37
3740112.....	251	4240168B.....	150	4461118 ...	259, 261, 270, 274, 359	4700027.....	31, 35, 366
3746392.....	161, 163	429063.....	81	4461128.....	359	471678.....	323
3746405.....	161, 163	4300159.....	12, 15	4461134.....	259, 261	4740554.....	150
3759535.....	165	4300161.....	11, 15	4461172.....	271, 275	4740566.....	353, 355
3760491.....	35, 37	4340826.....	35	4461262.....	282	4740567.....	353, 355
3760492.....	35, 37	4340827.....	35	448920.....	252	4802100.....	49
3760497.....	71	4340828.....	37	4520296.....	145	4804533.....	333
3760508.....	47	4340829.....	37	4520297.....	145	4805670.....	49
3767057.....	145	4340868.....	11, 16	4520299.....	145	4805921.....	333
3767375.....	155	4340882.....	23	4520300.....	145	4805932.....	333
3767853.....	145	4340883.....	25	4520301.....	145	4806433.....	11, 15
3767864.....	145	4340955.....	83	4520302.....	145	4806444.....	11, 16
3841634.....	20, 315, 316	4340957.....	81	4520303.....	145	4806580.....	85
3841683.....	175	4340966.....	71	4520304.....	145	4806626.....	20
3890066.....	315	4341008.....	251	4520305.....	145	4806693.....	20, 252
3900336.....	265	4341033.....	77	4520306.....	145	4807661.....	161, 163
3900339.....	265	4341044.....	252	4520307.....	145	4807694.....	161, 163
3900375.....	149	4341044G.....	252	4520308.....	145	4807707.....	161, 163
3910408.....	251	4341045.....	252	4520309.....	145	4807718.....	161, 163
3928789.....	252	4341045G.....	252	4520310.....	145	4807729.....	161, 163
3928790.....	252	4341075.....	327	4520311.....	145	4807730.....	161, 163
3929780.....	83	4341140.....	252	4520312.....	145	4807741.....	161, 163
3931579.....	27, 294	4341140G.....	252	4520313.....	145	4807752.....	161
3933128.....	153, 270, 274	4341141.....	252	4520314.....	145	4807763.....	161, 163
3944574.....	311, 333	4341141G.....	252	4520315.....	145	4811400....	81, 175, 265, 285, 329
3945575.....	150	4341413.....	251	4520316.....	146	4811600....	311, 313, 315, 339, 341, 363
3946123.....	159	4360580.....	193	4520317.....	146	4811700....	11, 15, 23, 25, 71, 81, 184, 187, 189, 251
3949091.....	150	4360584.....	179	4520318.....	146	4811702.....	16, 282
3953973.....	165	4360586.....	153	4520319.....	146	4811900....	11, 15, 16, 37, 43, 71, 77, 81, 83, 85, 175, 251, 252, 285, 315, 319, 327, 329, 331, 351, 353, 355
3960589.....	77	4360588.....	175	4520320.....	146	4811902.....	285, 294
3960600....	311, 313, 315, 339, 341, 363	4360593.....	209	4520321.....	146	4812000....	11, 15, 20, 23, 25, 31, 33, 35, 37, 41, 71, 77, 81, 150, 184, 233, 235, 251, 252, 327, 329
3960603.....	77, 243	4360594.....	321	4520322.....	146	4812100....	12, 35, 37, 39, 41, 71, 213, 215, 221, 223, 225, 227, 327, 329
3960608.....	150	4360595.....	153	4520323.....	146	4812300..	20, 23, 25, 315, 316, 333
3960927.....	81	4360596.....	153	4568870.....	203		
3961951.....	81, 329	4360597.....	321	4569021.....	191		
3964987.....	39, 366	4360598.....	321	4569022.....	191		
3977459....	205, 207, 209, 315, 316, 335, 337	4360599.....	325	4569024.....	191		
3977460....	205, 207, 209, 315, 316, 335, 337	4360600.....	323	4569025.....	191		
3978381.....	150	4360601.....	169	4569029 ...	201, 203, 205, 207		
3980041.....	155	4360602.....	153	4569036.....	203		
4010414.....	265	4360604.....	337	4569037.....	207		
4010416.....	285	4360605.....	209	4569038.....	207		
4010616.....	351	4360610.....	289	4569042 ...	201, 203, 205, 207		
4031508.....	345	4360611.....	287, 289	4569047.....	201		
4031612....	311, 313, 315, 339, 341, 363	4360616.....	323	4569053.....	201		
		4360617.....	321	4569056.....	205		
		4360639.....	353, 355				
		4360703.....	351				
		4360705.....	353, 355				

PART NUMBER INDEX

4812500	20, 252, 311, 313, 315, 316, 339, 341, 363	70020724	67	70022701	231	7028132	57
4831700	16, 77, 282	70020725	67	70022702	231	7028133	57
4831900	35, 251, 353, 355	70020726	67	70022703	231	7028134	57
4832000	41	70020727	67	70022704	231	7028135	57
4832100	213, 215	70020728	67	70022705	231	7028136	61
4920017	265	70020729	67	70022729	241	7028137	61
4923098	263	70020730	67	70022817	329	7028301	213
4923099	259, 261	70020731	67	70022831	59	7028302	213
4923122 ...	311, 313, 315, 339, 341, 363	70020732	67	70022869	193	7028303	213
4923183	255	70020768	49	70022894	125, 127	7028304	213
4923207	251	70020781	165	70022920	75	7028314 ...	213, 215, 221, 223, 225, 227
4923208	251	70020800	193	70023022	241	7028315	225
4923209	251	70020880	165	70023032	282	7028317	221
4923210	277	70021252	155	70023062	65	7028318 ...	215, 223, 227, 366
4923254	267	70021254	165	70023081	171	7028319	215
4923255	270, 274	70021255	166	70023082	171	7028320	215
4923258	265	70021256	166	70023103	157	7028321 ...	215, 223, 227
4923298	359	70021260	165	70023157	235	7028322 ...	215, 223, 227
4923512	347	70021261	165	70023158	235	7028328 ...	217, 219, 366
4923629	257	70021262	165	70023159	235	7028329	217
4923631	277	70021263	166	70023160	235	7028331	217, 219
4923633	351	70021264	166	70023451	75	7028332	217, 219
5200605	11, 85	70021265	166	70023452	75	7028342	217, 219
5200608	161, 163	70021467	77	70023484	57	7028343	217, 219
5200808	251	70021477	153	70024366	235	7028344	217, 219
5200810	161, 163	70021481	75	70024367	235	7028345	217, 219
5201014	251	70021482	327, 329	70024368	235	7028346	217, 219
5211702	11, 16	70021483	327, 329	70024369	235	7028349	217, 219
5211900	251	70021484	327, 329	70024370	235	7028350	219
5211902	11, 16, 347	70021530	247	70024371	235	7028352 ...	221, 225, 366
5212000	71, 252, 355	70021531	247	70024372	235	7028353	221
5220800 ...	11, 15, 23, 25, 27, 71, 161, 163	70021532	335	70024373	235	7028354	221
5221000	23, 25	70021556	150	70024374	235	7028355	221, 225
5241200	71	70021556G	150	70024375	235	7028356	221, 225
5241600	71	70021558	61	70025986	361	7028357	221, 225
5272611	31, 33	70021559	61	70025987	361	7028358	223
70000919	75	70021560	61	70025988	361	7028367	223
70020190	275	70021561	61	70025989	361	7028368	225
70020191	270, 274	70021562	61	70025990	361	7028369	225
70020192	270, 274	70021563	61	70025991	361	7028370	227
70020193	270, 274	70021567	265	70025992	361	7028371	227
70020198	271	70021576	71	70025993	361	7028372	91
70020199	271	70021822	150	70025994	361	7028373	91, 93
70020200	261	70021822G	150	70025995	361	7028374	91, 93
70020201	53	70021846	165	70025996	361	7028375	91, 93
70020202	53	70021924	166	7020020	183, 366	7028376	91, 93
70020203	53, 67	70022034	155	7020487	75	7028377	91, 93, 123
70020204	53, 67	70022068	75	7026408 ...	255, 257, 259, 261, 263, 271, 275	7028378	91, 93, 123
70020205	53	70022069	75	7028092	49	7028379	91, 93, 123, 366
70020206	53	70022070	75	7028093	49	7028380	91, 93, 123, 366
70020207	153	70022076	115	7028094	49	7028381	91, 93, 123
70020366	217, 219	70022116	75	7028095	83	7028382	91, 93, 123
70020392	49	70022376	95, 125	7028096	83	7028383	95, 97, 125, 127
70020418	213, 215	70022377	95, 125	7028097	83	7028385	95, 97, 125, 127
70020421	55	70022378	95, 97	7028118	83	7028386	95, 97, 125, 127
70020422	55	70022380	117, 119	7028119	83	7028387	95, 97, 125, 127
70020423	55	70022381	117, 119	7028121	53	7028389	95, 97, 125, 127
70020424	55	70022404	97, 127	7028122	53	7028390	95, 97, 125, 127
70020433	81	70022443	113, 141	7028123	53	7028391	125, 127
70020721	327, 329	70022498	95, 97	7028124	57	7028392	95, 97, 125, 127
70020722	327, 329	70022499	97, 127	7028125	57	7028393	95, 125
70020723	67	70022517	155	7028126	57	7028394	95, 125
		70022519	155	7028127	57	7028395	125, 127
		70022559	43	7028128	57	7028396	95, 97
		70022698	231	7028129	57	7028398	125, 127
		70022699	231	7028130	57	7028399	95
		70022700	231	7028131	51, 57		

PART NUMBER INDEX

7028400	95, 97, 125, 127	7028464	123	7028644	263	7028911	51
7028401	95, 97, 125, 127	7028465	123	7028645	263	7028912	51
7028402	99	7028466	123	7028784	229	7028913	51
7028403	99, 129	7028467	123	7028786	229	7028915	51
7028404	101, 131, 133	7028468	123	7028787	229	7028916	51
7028405	101	7028470	125, 127	7028792	229	7028917	51
7028406	103	7028472	125, 127	7028794	229	7028918	51
7028407	103	7028475	125, 127	7028798	237	7028919	51
7028408	103, 135	7028476	97, 125, 127	7028799	237	7028920	51
7028409	103, 135	7028477	129	7028800	237	7028923	51
7028410	103, 135	7028478	129	7028801	237	7028929	143, 366
7028411	103, 135	7028479	129	7028802	237	7028982	51
7028412	107	7028480	131	7028803	237	7028983	51
7028413	111, 139	7028481	131	7028804	237, 239	7028984	51, 57
7028414	111, 113, 139, 141	7028482	131	7028805	237, 239	7028985	51
7028415	23, 25, 111, 113, 139, 141	7028483	131, 133	7028806	237, 239	7028986	57
7028416	23, 25, 111, 113, 139, 141	7028484	135	7028807	237, 239	7028987	57
7028417	111, 113, 139, 141	7028485	135	7028808	237, 239	7028988	57
7028418	111, 139	7028487	111, 113, 139, 141	7028809	237	7028989	57
7028419	111, 113, 139, 141	7028488	111, 139	7028810	237, 239	7028990	51
7028420	111, 113, 139, 141	7028490	111, 139	7028811	237	7028991	51
7028421	111, 113, 139, 141	7028491	111, 139	7028812	237, 239	7028996	255, 257
7028423	111, 113, 139, 141	7028493	123	7028813	237	7028997	255, 257
7028424	105, 111, 137, 139	7028496	97, 127	7028814	237	7028998	255, 257
7028426	111, 139	7028497	125, 127	7028815	237	7028999	255, 257
7028428	111, 139	7028498	105, 137	7028816	237	7029000	255, 257
7028430	111, 139	7028499	105, 137	7028817	237	7029001	255, 257
7028431	111, 139	7028500	105, 137	7028818	237	7029002	255, 257
7028432	115, 125, 127	7028501	105, 137	7028819	237	7029082	233
7028433	115	7028502	105, 137	7028820	239	7029083	233, 235
7028434	115	7028503	105, 137	7028822	239	7029084	233, 235
7028435	115	7028504	105, 137	7028823	239	7029085	233
7028436	115	7028505	105, 137	7028824	239	7029086	233
7028437	115	7028507	113, 141	7028825	239	7029087	233, 235
7028438	115	7028508	113, 141	7028826	239	7029088	233, 235
7028439	115	7028509	113, 141	7028827	239	7029089	233
7028440	115	7028510	113, 141	7028828	239	7029090	233
7028441	117	7028511	113, 141	7028829	239	7029091	233
7028442	117, 119	7028512	93	7028830	239	7029092	233
7028443	117, 119	7028513	93	7028831	239	7029093	233
7028444	117, 119	7028514	97, 127	7028832	239	7029094	233
7028445	117, 119	7028517	119	7028833	239	7029095	233
7028447	117, 119	7028521	119	7028834	239	7029096	233
7028448	117, 119	7028526	173	7028835	239	7029097	233, 235
7028449	117, 119	7028527	173	7028836	239	7029098	233, 235
7028451	117, 119	7028528	173	7028856	213, 215, 223, 227	7029099	233
7028452	117, 119	7028529	173	7028865	241	7029100	233, 235
7028453	117	7028530	173	7028866	241	7029101	233, 235
7028454	117, 119	7028531	173	7028868	241	7029102	233
7028455	117, 119	7028532	173	7028869	241	7029108	245
7028456	117	7028533	173	7028870	241	7029109	245
7028457	123	7028534	173	7028871	241	7029110	245
7028458	123	7028535	173	7028873	241	7029112	245
7028459	123	7028536	173	7028875	241	7029113	245
7028460	123	7028537	173	7028876	241	7029114	245
7028461	123	7028538	173	7028877	241	7029115	245
7028462	123	7028539	173	7028878	241	7029116	245
7028463	123	7028540	173	7028879	241	7029117	245
		7028541	173	7028880	241	7029118	245
		7028542	223	7028881	241	7029119	245
		7028626	59	7028882	241	7029120	245
		7028628	59	7028889	213, 215, 221, 223, 227	7029121	245
		7028639	259, 261	7028909	243, 247	7029122	245
		7028640	259, 261, 263	7028910	51, 57	7029123	245
		7028641	259, 261, 263			7029124	245
		7028642	259, 261, 263			7029125	245

PART NUMBER INDEX

7029126.....	245	7029399.....	75	7029572G.....	159	8002826... 311, 313, 315,
7029137.....	173	7029400.....	75	7029573.....	159	339, 341, 363
7029138.....	173	7029401.....	75	7029582.....	159	8002833.....
7029225.....	229	7029402.....	75	7029585.....	245	337
7029234.....	259, 261	7029410.....	171	7029608.....	233, 235	8002834.....
7029239.....	213, 215	7029420.....	157	7029636.....	270, 274	287
7029240.....	213, 366	7029421.....	157	7029642.....	270, 274	8002838.....
7029241.....	221, 223	7029422.....	157	7029643.....	270, 274	179
7029243.....	225	7029423.....	157	7029645.....	270, 274	8002843.....
7029244.....	221, 223	7029425.....	159	7029646.....	270, 274	251
7029255.....	71	7029447.....	77	7029647.....	270, 274	8002901... 31, 33, 35, 37
7029256.....	71	7029451.....	159, 165	7029650.....	270, 274	8002927.....
7029258.....	71	7029452.....	159	7029651.....	270, 274	83
7029259.....	71	7029456.....	81	7029653.....	270, 274	8002985.....
7029274.....	75	7029457.....	81	7029654.....	270, 274	161
7029275.....	77	7029458.....	81	7029655.....	270, 274	8003009.....
7029276.....	75	7029460.....	267	7029656.....	270, 274	345
7029321.....	57	7029461.....	267	7029658.....	270, 274	8003166.....
7029322.....	57	7029462.....	267	7029659.....	270, 274	327
7029323.....	57	7029463.....	267	7029664.....	270, 274	8003167.....
7029344.....	63	7029464.....	267	7029666.....	271, 275	327, 329
7029345.....	63	7029465.....	267	7029667.....	271, 275	8003198.....
7029346.....	63	7029466.....	267	7029668.....	271	294
7029347.....	63	7029467.....	267	7029669.....	271	8003242.....
7029348.....	63	7029468.....	267	7029670.....	271	35, 37
7029349.....	63	7029469.....	267	7029767.....	155	8003293.....
7029350.....	63	7029470.....	267	7029772.....	283	11, 149
7029351.....	63	7029471.....	267	7029940.....	241	8003392.....
7029352.....	63	7029472.....	267	7029941.....	241	20
7029353.....	63, 65	7029482.....	165	7029948.....	243	8004398.....
7029354.....	63, 65	7029486.....	153	7029949.....	243	157
7029355.....	63, 65	7029491.....	157	7029993.....	217, 219	8004672.....
7029356.....	57, 63, 65	7029492.....	157	77363229.....	259, 263	169
7029357.....	63	7029498.....	159	77363242.....	261	8004762.....
7029359.....	65	7029499.....	159	77363347.....	277	169
7029361.....	65	7029504.....	159, 165	77383154.....	83	8004763.....
7029362.....	65	7029505.....	159, 165	8000340.....	161	153
7029363.....	65	7029512.....	159	8000341.....	161	8004853.....
7029364.....	243	7029515.....	155	8000344.....	157	11
7029370.....	78	7029526.....	263	8000345.....	173	8004853B.....
7029371.....	75	7029534.....	241	8000382.....	11, 15	11
7029372.....	75	7029538.....	153	8000565.....	20	8004882.....
7029373.....	75	7029545.....	165	8000567.....	20	11
7029374.....	75	7029546.....	165	8000759.....	157	8005248.....
7029375.....	75	7029547.....	153	8000796.....	155	243, 366
7029376.....	75	7029548.....	165	8000799.....	159	8005249.....
7029377.....	75	7029549.....	165	8000801.....	11, 15	323
7029378.....	75	7029550.....	165	8000802.....	159	8005376.....
7029379.....	75	7029551.....	165	8001144.....	159	81
7029380.....	75	7029552.....	165	8001331.....	150	161, 163
7029382.....	75	7029553.....	165	8001332.....	150	8005553.....
7029383.....	75	7029555.....	165	8001888.....	41	159
7029384.....	75	7029556.....	165	8001989.....	252	8005616.....
7029385.....	75	7029557.....	165	8001991.....	252	294
7029386.....	75	7029560.....	153	8002027.....	39, 366	297
7029387.....	75	7029561.....	153	8002110.....	41	8005671.....
7029388.....	75	7029562.....	165	8002199.....	35, 37, 366	294, 297
7029389.....	75	7029563.....	165	8002200... 31, 33, 37, 366		297
7029390.....	75	7029564.....	153	8002263.....	11	8005672.....
7029391.....	75	7029565.....	157	8002599.....	173	81
7029392.....	75	7029566.....	157	8002781.....	41, 77	8005673.....
7029393.....	75	7029567.....	157	8002787.....	321, 323	297
7029394.....	75	7029568.....	157	8002789.....	313	8005674.....
7029395.....	75	7029569.....	157	8002816.....	193	297
7029396.....	75	7029571.....	159	8002819.....	153	8005675.....
7029397.....	75	7029571G.....	159	8002820.....	153	294
7029398.....	75	7029572.....	159			81

PART NUMBER INDEX

8008642.....31, 33, 35, 37, 366	80363195..... 20, 315, 316	91474040 91, 93	91474111.....99, 129
8008644.....35, 37, 366	80383311 150	91474041 91, 93	91474112.....99, 129
8008645.....35, 37, 366	80383311B..... 150	91474043 123	91474113.....99, 129
8008651.....297	80484072 270, 274	91474045 123	91474115.....129
8008657.....294	80484087 359	91474047 123	91474116.....129
8008675..... 145, 146	80604018. 255, 257, 259, 261, 263, 271, 275	91474048 123	91474119... 111, 129, 139
8008721....301, 303, 305, 307	80604020 270, 274	91474050 91, 93	91474121... 101, 131, 133
8008750.....251	80604021 359	91474058 91, 93, 123	91474122..... 101, 133
8008805.....297	806253 331	91474059 91, 93	91474123.....101
8009377....301, 303, 305, 307	806264 331	91474062 91, 93	91474124.....101
8009532.....319	80904003 367	91474063 91, 93, 123	91474125.....101
8009533.....319	80934052 237	91474064 91, 93	91474126.....101
8009766.....251	80973107 83	91474065 91, 93	91474128... 101, 131, 133
8009815.....294	8310608 159	91474066 91, 93	91474129... 101, 131, 133
8009816.....294	83304118 235	91474067 91, 93	91474136..... 107, 109
8009974.....193	83481285 271, 275	91474068 91, 93	91474137..... 107, 109
8010200.....311	83481286 271, 275	91474069 123	91474138..... 109
8010204....311, 313, 339, 341	83924123 237, 239	91474071 123	91474139..... 107, 109
8010234....313, 339, 341	8466306 153, 298	91474072 123	91474140..... 107, 109
8010524.....23	874960 187, 189, 191, 201, 203, 205, 207, 353, 355	91474073 123	91474141..... 107, 109
80233260.....233	874993 191	91474075 115	91474142..... 107, 109
80234023.....241	88304161 235	91474078 95, 97, 125, 127	91474143..... 107, 109
80234225.....361	885849 150	91474091 95, 97	91474144..... 107, 109
80273010.....83, 366	90214009 367	91474092 95, 97, 125, 127	91474145..... 107, 109
80273042.....83, 366	909304 .12, 16, 20, 81, 83	91474095 95, 97, 125, 127	91474146..... 107, 109
80274006.....83	91083129 83	91474100 99, 129	91474147..... 107, 109
8033544..... 101, 131, 133	91144099 241	91474101 99, 129	91474149..... 107, 109
8034679..... 133	91364041 107, 109	91474102 99, 129	91474151..... 107, 109
8035118..... 123	91364042 107, 109	91474103 99, 129	91474152..... 107, 109
8035160.....99, 129	91364078 115	91474105 99, 129	91474161.. 111, 113, 139, 141, 366
8035180..... 101, 131, 133	91403239 83	91474106 99, 129	91474163..... 113, 141
8035235.... 111, 113, 139, 141	91474037 91, 93, 111, 113, 139, 141	91474107 99, 129	91474176..... 131, 133
80363179.....270, 274	91474038 91, 93	91474108 99, 129	91504092.....270, 274
	91474039 91, 93	91474109 99, 129	91504093.....270, 274
		91474110 99, 129	933940.....39
			935113.....315
			E000269285



3126025



An Oshkosh Corporation Company

Corporate Office
JLG Industries, Inc.
1 JLG Drive
McConnellsburg PA. 17233-9533
USA

☎ (717) 485-5161

📠 (717) 485-6417

JLG Worldwide Locations

JLG Industries (Australia)
P.O. Box 5119
11 Bolwarra Road
Port Macquarie
N.S.W. 2444
Australia
☎ +61 2 65 811111
📠 +61 2 65 813058

JLG Latino Americana Ltda.
Rua Eng. Carlos Stevenson,
80-Suite 71
13092-310 Cam inas-SP
Brazil
☎ +55 19 3295 0407
📠 +55 19 3295 1025

JLG Industries (UK) Ltd
Bentley House
Bentley Avenue
Middleton
Greater Manchester
M24 2GP - England
☎ +44 (0)161 654 1000
📠 +44 (0)161 654 1001

JLG France SAS
Z.I. de Baulieu
47400 Fauillet
France
☎ +33 (0)5 53 88 31 70
📠 +33 (0)5 53 88 31 79

JLG Deutschland GmbH
Max-Planck-Str. 21
D - 27721 Ritterhude - Ihlpohl
Germany
☎ +49 (0)421 69 350 20
📠 +49 (0)421 69 350 45

JLG Equipment Services Ltd.
Rm 1107 Landmark North
39 Lung Sum Avenue
Sheung Shui N. T.
Hong Kong
☎ (852) 2639 5783
📠 (852) 2639 5797

JLG Industries (Italia) s.r.l.
Via Po. 22
20010 Pregnana Milanese - MI
Italy
☎ +39 029 359 5210
📠 +39 029 359 5845

Oshkosh-JLG Singapore
Technology Equipment Pte Ltd
29 Tuas Ave 4,
Jurong Industrial Estate
Singapore, 639379
☎ +65-6591 9030
📠 +65-6591 9031

Oshkosh-JLG (Tianjin) Equipment
Technology, Ltd
Pudong Kerry Parkside
Room 3705
1155 Fang Dian Road
Pudong, Shanghai 201204
China
☎ +0086 21 60311575
📠 +0086 21 60311599

Plataformas Elevadoras
JLG Iberica, S.L.
Trapadella, 2
P.I. Castellbisbal Sur
08755 Castellbisbal, Barcelona
Spain
☎ +34 93 772 4700
📠 +34 93 771 1762

JLG Sverige AB
Enkopingsvagen 150
Box 704
SE - 176 27 Jarfalla
Sweden
☎ +46 (0)850 659 500
📠 +46 (0)850 659 534

www.jlg.com