



Illustrated Parts Manual

Models

***L2906H, 2906H,
3507H, 619A,
723A***

Agrovector

29.6LP, 29.6, 35.7

Prior to SN 1160007966

31200566

Revised
September 14, 2017



EFFECTIVITY PAGE

April 22, 2009 - A - Original Release of Manual
September 22, 2010 - B - Revised Manual; Added Models 29.6LP, 29.6 & 35.7
October 21, 2011 - C - Revised Manual
November 30, 2011 - D - Revised Manual
June 8, 2012 - E - Revised Manual
February 8, 2013 - F - Revised Manual
May 6, 2013 - G - Revised Manual
August 1, 2013 - H - Revised Manual
January 10, 2014 - I - Revised Manual
February 17, 2014 - J - Revised Manual
December 19, 2014 - K - Revised Manual
January 25, 2016 - L - Revised Manual
October 26, 2016 - M - Revised Manual
June 5, 2017 - N - Revised Manual
September 14, 2017 - O - Revised Manual

TABLE OF CONTENTS

SECTION 1 - FRAME AND ATTACHING PARTS.....	9
FIGURE 1-1. FRAME SHROUDING AND TRIM	10
FIGURE 1-2. ENGINE COVER INSTALLATION AND ENGINE POD INSULATION.....	16
FIGURE 1-3. AXLE AND FENDER INSTALLATION	18
FIGURE 1-4. DRAW BAR COUPLING L2906H, 2906H, 3507H, 29.6LP, 29.6 & 35.7	22
FIGURE 1-5. PIN HITCH - CUNA C AND CUNA D2	24
FIGURE 1-6. EEC AUTO, EEC MANUAL AND EEC AUTO PITON-FRAME SWIVEL HITCH.....	26
FIGURE 1-7. HYDRAULIC HITCH	28
FIGURE 1-8. PINTLE HITCH	30
SECTION 2 - BOOM.....	33
FIGURE 2-1. BOOM INSTALLATION.....	34
FIGURE 2-2. BOOM ASSEMBLY - PADS AND SHIMS	38
FIGURE 2-3. QUICK ATTACH	40
FIGURE 2-4. JD QUICK ATTACH L2906H, 2906H, 3507H, 29.6LP, 29.6 & 35.7	42
SECTION 3 - ATTACHMENTS	45
FIGURE 3-1. CARRIAGE ASSEMBLY	46
FIGURE 3-2. SIDE SHIFT CARRIAGE.....	48
FIGURE 3-3. SIDE TILT CARRIAGE 619A & 723A.....	50
FIGURE 3-4. SIDE TILT CARRIAGE 619A & 723A.....	52
FIGURE 3-5. FORK POSITION/ SIDE SHIFT CARRIAGE L2906H, 3507H, 29.6LP, 35.7 & 723A.....	54
FIGURE 3-6. FORKS AND FORK EXTENSIONS	58
FIGURE 3-7. TRUSS BOOMS L2906H, 2906H, 3507H, 29.6LP, 29.6 & 35.7	60
FIGURE 3-8. BUCKETS	62
FIGURE 3-9. MULTI-PURPOSE BUCKETS.....	64
FIGURE 3-10. MANURE BUCKET	66
FIGURE 3-11. FORK MOUNTED HOOK	68
FIGURE 3-12. CONCRETE LADLE L2906H, 2906H, 3507H, 29.6LP, 29.6 & 35.7	72
FIGURE 3-13. ROUND FORK TINE	74
FIGURE 3-14. BALE HANDLER.....	76
FIGURE 3-15. UNIVERSAL HITCH ATTACH 619A & 723A	78
FIGURE 3-16. FORK MOUNTED PLATFORM 619A & 723A	80
FIGURE 3-17. CARRIAGE, CRANE HOOK L2906H, 2906H, 3507H.....	82
FIGURE 3-18. CARRIAGE, JIB	84
SECTION 4 - ENGINE AND ATTACHING PARTS	87
FIGURE 4-1. ENGINE INSTALLATION.....	88
FIGURE 4-2. DEUTZ ENGINE	92
FIGURE 4-3. DEUTZ ENGINE, (LRC).....	94
FIGURE 4-4. FUEL TANK AND LINES	96
FIGURE 4-5. RADIATOR INSTALLATION	98
FIGURE 4-6. AIR CLEANER INSTALLATION.....	102
FIGURE 4-7. EXHAUST INSTALLATION.....	104
SECTION 5 - DRIVE TRAIN	107
FIGURE 5-1. FRONT AXLE	108
FIGURE 5-2. FRONT AXLE - HOUSING L2906, 2906H, 619A, 29.6LP & 29.6	110
FIGURE 5-3. FRONT AXLE - HOUSING 3507H, 723A & 35.7	112
FIGURE 5-4. FRONT AXLE - HOUSING AND STEERING CYLINDER.....	114
FIGURE 5-5. FRONT AXLE - BEVEL GEAR SET.....	116
FIGURE 5-6. FRONT AXLE - DIFFERENTIAL.....	118
FIGURE 5-7. FRONT AXLE - DOUBLE U-JOINT.....	120
FIGURE 5-8. FRONT AXLE - BRAKES.....	122
FIGURE 5-9. FRONT AXLE - WHEEL HUB AND FINAL REDUCTION L2906, 2906H, 619A, 29.6LP & 29.6.....	124
FIGURE 5-10. FRONT AXLE - WHEEL HUB AND FINAL REDUCTION 3507H, 723A & 35.7	126
FIGURE 5-11. FRONT AXLE - TRANSMISSION HOUSING	128
FIGURE 5-12. FRONT AXLE - LOWER AND UPPER SHAFT.....	130
FIGURE 5-13. REAR AXLE.....	132
FIGURE 5-14. REAR AXLE HOUSING	134
FIGURE 5-15. REAR AXLE - STEERING COMPONENTS.....	136

TABLE OF CONTENTS

FIGURE 5-16. REAR AXLE - BEVEL GEAR SET.....	138
FIGURE 5-17. REAR AXLE - DIFFERENTIAL L2906H, 2906H, 619A, 29.6LP & 29.6.....	140
FIGURE 5-18. REAR AXLE - DIFFERENTIAL 3507H, 723A & 35.7.....	142
FIGURE 5-19. REAR AXLE - DOUBLE U-JOINT.....	144
FIGURE 5-20. REAR AXLE - WHEEL HUB AND FINAL REDUCTION L2906H, 2906H, 619A, 29.6LP & 29.6.....	146
FIGURE 5-21. REAR AXLE - WHEEL HUB AND FINAL REDUCTION 3507H, 723A & 35.7.....	148
FIGURE 5-22. DRIVE SHAFT ASSEMBLY.....	150
FIGURE 5-23. TIRES AND WHEEL INSTALLATION.....	152
SECTION 6 - CAB.....	155
FIGURE 6-1. CAB INSTALLATION (Prior to SN 1160005989, Excluding 1160005189, 1160005314 and 1160005414).....	156
FIGURE 6-2. CAB INSTALLATION (SN 1160005989 to Present, Including 1160005189, 1160005314 and 1160005414).....	160
FIGURE 6-3. CAB COMMON ASSEMBLY.....	164
FIGURE 6-4. INTERIOR INSTALLATION.....	168
FIGURE 6-5. CAB DOOR AND WINDOW INSTALLATION.....	172
FIGURE 6-6. WIPER INSTALLATIONS.....	176
FIGURE 6-7. SEAT ASSEMBLIES.....	178
FIGURE 6-8. HEATER INSTALLATION (Prior to SN 1160005989, Excluding 1160005189, 1160005314 and 1160005414).....	182
FIGURE 6-9. HEATER INSTALLATION (SN 1160005989 to Present, Including 1160005189, 1160005314 and 1160005414).....	184
FIGURE 6-10. HEAT AND A/C INSTALLATION (Prior to SN 1160005989, Excluding 1160005189, 1160005314 and 1160005414).....	186
FIGURE 6-11. HEAT AND A/C INSTALLATION (SN 1160005989 to Present, Including 1160005189, 1160005314 and 1160005414).....	192
FIGURE 6-12. FRONT CAB GLASS SHIELD.....	198
FIGURE 6-13. GREASE GUN TOOL KIT INSTALLATION 619A & 723A.....	200
FIGURE 6-14. OIL TEMP GAUGE INSTALLATION AND FIRE EXTINGUISHER INSTALLATION 723A.....	202
FIGURE 6-15. RADIO PREP INSTALLATION.....	204
SECTION 7 - CONTROLS.....	207
FIGURE 7-1. JOYSTICK.....	208
FIGURE 7-2. STEERING COLUMN.....	210
FIGURE 7-3. THROTTLE ASSEMBLY.....	212
FIGURE 7-4. BRAKE PEDAL COMPONENTS.....	214
SECTION 8 - HYDRAULIC CIRCUITS.....	217
FIGURE 8-1. SUPPLY CIRCUIT.....	218
FIGURE 8-2. DUMP CIRCUIT.....	222
FIGURE 8-3. ORBITAL STEERING AND STEERING SELECT CIRCUIT.....	226
FIGURE 8-4. SERVICE AND PARK BRAKE CIRCUIT.....	228
FIGURE 8-5. LIFT CYLINDER CIRCUIT.....	230
FIGURE 8-6. EXTEND/RETRACT CYLINDER CIRCUIT.....	232
FIGURE 8-7. TILT AND TILT COMPENSATION CYLINDER CIRCUIT.....	234
FIGURE 8-8. AUXILIARY HYDRAULIC CIRCUIT.....	236
FIGURE 8-9. REAR AUXILIARY HYDRAULIC INSTALLATION.....	240
FIGURE 8-10. TRAILER BRAKES L2906H, 2906H & 3507H (Prior to SN 1160005189).....	242
FIGURE 8-11. TRAILER BRAKES 2906H & 3507H (SN 1160005189 through 1160006365).....	244
FIGURE 8-12. TRAILER BRAKES L2906H, 2906H & 3507H (SN 1160006366 to Present).....	246
SECTION 9 - HYDRAULIC COMPONENTS.....	249
FIGURE 9-1. LIFT CYLINDER.....	250
FIGURE 9-2. EXTEND/RETRACT CYLINDER.....	252
FIGURE 9-3. TILT CYLINDER.....	254
FIGURE 9-4. TILT COMPENSATION CYLINDER.....	256
FIGURE 9-5. FORK LOCKING CYLINDER.....	258
FIGURE 9-6. FORK SIDE SHIFT CYLINDER.....	260
FIGURE 9-7. FORK SIDE TILT CYLINDER 619A & 723A.....	262
FIGURE 9-8. MAIN CONTROL VALVE.....	264
FIGURE 9-9. SERVICE BRAKE VALVE.....	268
FIGURE 9-10. BOOM AUXILIARY DIVERTER VALVES.....	270
FIGURE 9-11. REAR ELECTRIC AUXILIARY DIVERTER VALVE.....	272
FIGURE 9-12. BRAKE VALVES.....	274
FIGURE 9-13. STEERING SELECT VALVE.....	276
FIGURE 9-14. HYDROSTATIC TRANSMISSION.....	278

TABLE OF CONTENTS

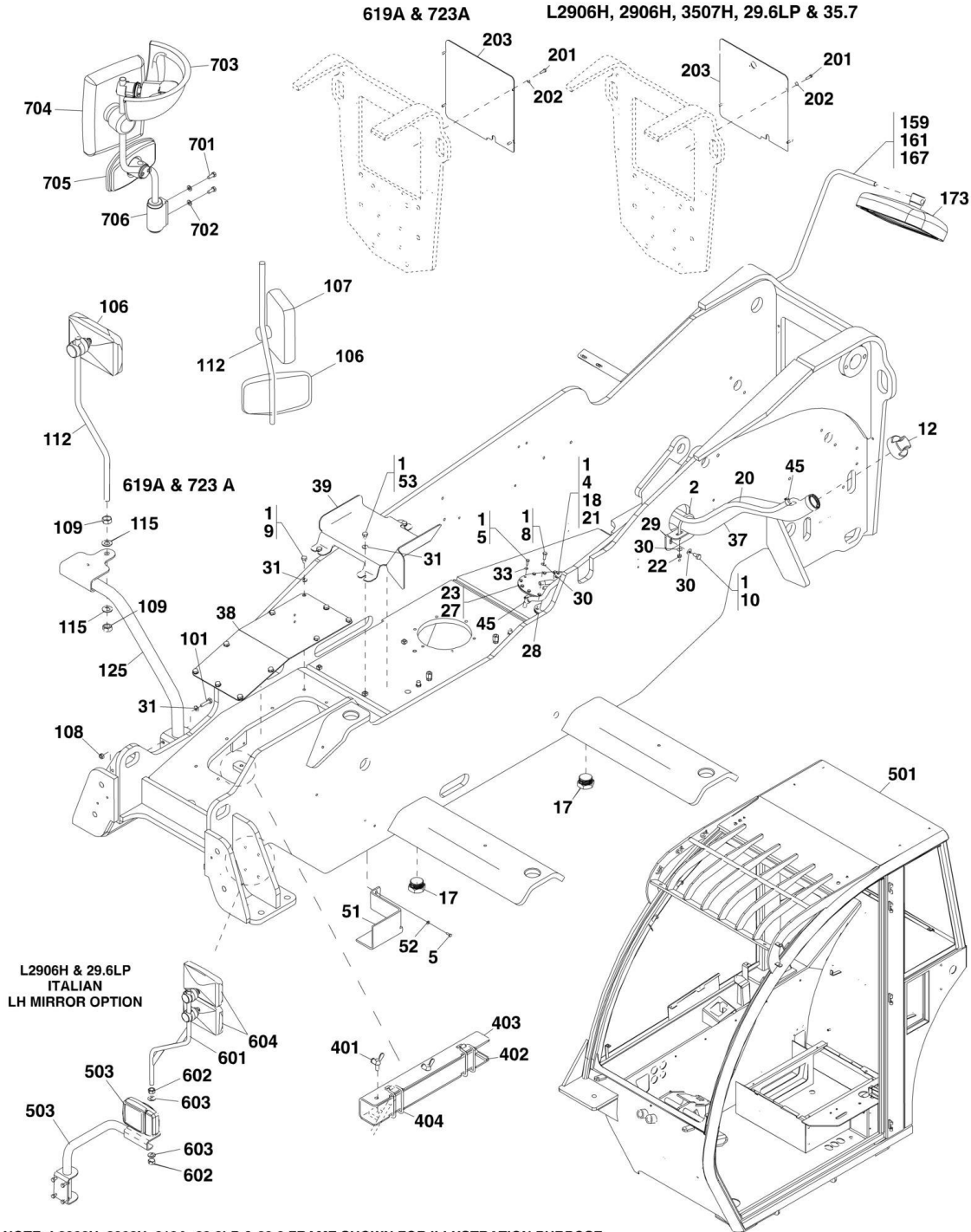
FIGURE 9-15. HYDRAULIC DRIVE MOTOR	280
FIGURE 9-16. PISTON PUMP AND GEAR PUMP	282
FIGURE 9-17. HYDRAULIC TANK.....	284
SECTION 10 - ELECTRICAL.....	287
FIGURE 10-1. ENGINE ELECTRICAL INSTALLATION.....	288
FIGURE 10-2. CAB ELECTRICAL INSTALLATION	290
FIGURE 10-3. BOOM AND FRAME ELECTRICAL INSTALLATION.....	294
FIGURE 10-4. CAB SWITCHES L2906H, 2906H, 3507H, 29.6LP, 29.6 & 35.7.....	298
FIGURE 10-5. CAB SWITCHES 619A & 723A.....	300
FIGURE 10-6. WORK LIGHT INSTALLATIONS	302
FIGURE 10-7. DRIVING LIGHT INSTALLATIONS AND LICENSE PLATE LIGHT INSTALLATION L2906H, 2906H, 3507H, 29.6LP, 29.6 & 35.7	304
FIGURE 10-8. ENGINE HARNESS.....	308
FIGURE 10-9. POWER/GROUND HARNESS	310
FIGURE 10-10. CAB MAIN HARNESS (Prior to SN 1160005989, Excluding 1160005189, 1160005314 and 1160005414).....	312
FIGURE 10-11. CAB MAIN HARNESS (SN 1160005993 to Present, Including 1160005189, 1160005314 and 1160005414) ...	316
FIGURE 10-12. CAB ROOF HARNESS	320
FIGURE 10-13. BOOM AUXILIARY ELECTRIC HARNESS	322
FIGURE 10-14. BOOM LIGHT HARNESS	324
FIGURE 10-15. FRONT FRAME HARNESS.....	326
FIGURE 10-16. REAR FRAME HARNESS (Prior to SN 1160005989, Excluding 1160005189, 1160005314 and 1160005414).	328
FIGURE 10-17. REAR FRAME HARNESS (SN 1160005989 to Present, Including 1160005189, 1160005314 and 1160005414)	330
FIGURE 10-18. LIGHT SHIFTER HARNESS 619A & 723A.....	332
FIGURE 10-19. OIL TEMPERATURE HARNESS 723A.....	334
FIGURE 10-20. SEAT SWITCH WIRE	336
SECTION 11 - DECALS.....	339
FIGURE 11-1. DECALS AND LOAD CHARTS L2906H, 2906H, 3507H, 619A & 723A	340
SECTION 12 - RECOMMENDED SPARE PARTS	347
FIGURE 12-1. RECOMMENDED SPARE PARTS	348
PART NUMBER INDEX.....	351

SECTION 1 - FRAME AND ATTACHING PARTS

SECTION 1 - FRAME AND ATTACHING PARTS

SECTION 1 - FRAME AND ATTACHING PARTS

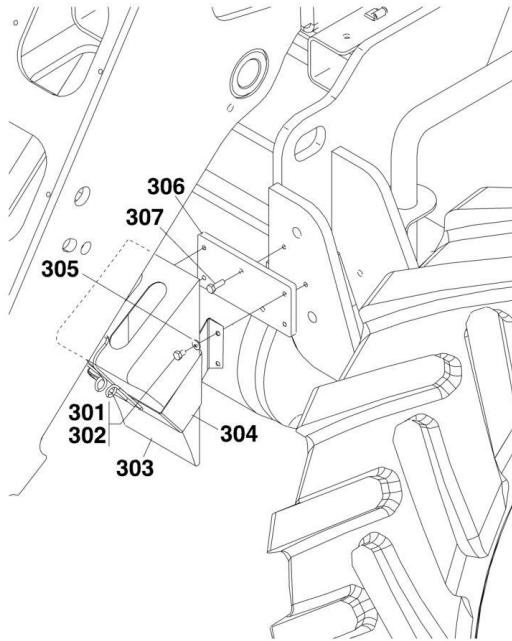
FIGURE 1-1. FRAME SHROUDING AND TRIM



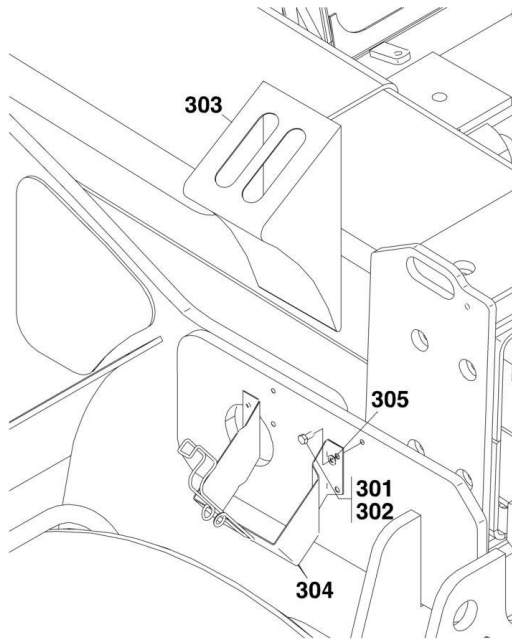
ART_31200566-1-1_1

SECTION 1 - FRAME AND ATTACHING PARTS

L2906H & 2906H



3507H



PAP4800

SECTION 1 - FRAME AND ATTACHING PARTS

FIGURE 1-1. FRAME SHROUDING AND TRIM

ITEM	PART NUMBER	QTY	DESCRIPTION	REV
1	1001095650	AR	LOCTITE 243	
2		Ref	METRIC BOLT, (See ENGINE AND ATTACHING PARTS SECTION for Breakdown)	
4		Ref	HEX HD CAPSCREW, M4X20, GR8.8, (See ENGINE AND ATTACHING PARTS SECTION for Breakdown)	
5		Ref	HEX HD CAPSCREW, M6X16, GR8.8, (See ENGINE AND ATTACHING PARTS SECTION for Breakdown)	
8		Ref	HEX HD CAPSCREW, M8X20, GR8.8, (See ENGINE AND ATTACHING PARTS SECTION for Breakdown)	
9	0761007	10	HEX HD CAPSCREW, M10X14, GR8.8, (L2906H, 2906H, 619A, 29.6LP & 29.6)	
9	0761007	9	HEX HD CAPSCREW, M10X14, GR8.8, (3507H, 723A & 35.7)	
10		Ref	HEX HD CAPSCREW, M12X30, GR8.8, (See ENGINE AND ATTACHING PARTS SECTION for Breakdown)	
12		Ref	FUEL CAP, (See ENGINE AND ATTACHING PARTS SECTION for Breakdown)	
17	2171948	2	PLUG	
18		Ref	FUEL LEVEL GAUGE, (See ENGINE AND ATTACHING PARTS SECTION for Breakdown)	
20		Ref	FUEL VENT HOSE, (See ENGINE AND ATTACHING PARTS SECTION for Breakdown)	
21		Ref	HEX LOCKNUT, M4X0.7, (See ENGINE AND ATTACHING PARTS SECTION for Breakdown)	
22		Ref	HEX LOCKNUT, M8X1.25, (See ENGINE AND ATTACHING PARTS SECTION for Breakdown)	
23	3380577	1	FUEL TANK COVER PANEL	
27	3960589	1	FUEL TANK COVER SEAL	
28		Ref	SEAL, (See ENGINE AND ATTACHING PARTS SECTION for Breakdown)	
29		Ref	FUEL FILL SUPPORT, (See ENGINE AND ATTACHING PARTS SECTION for Breakdown)	
30		Ref	FUEL LINE PIPE MOUNTING HARDWARE, (See ENGINE AND ATTACHING PARTS SECTION for Breakdown)	
31	4812000	13	WASHER, 10mm, (L2906H, 2906H, 3507H, 29.6LP, 29.6 & 35.7)	
31	4812000	17	WASHER, 10mm, (619A & 723A)	
33		Ref	LOCKWASHER, 6mm, (See ENGINE AND ATTACHING PARTS SECTION for Breakdown)	
37		Ref	FUEL LINE PIPE, (See ENGINE AND ATTACHING PARTS SECTION for Breakdown)	
38	1001103033	1	MOTOR ACCESS COVER, (L2906H, 2906H, 619A, 29.6LP & 29.6)	
38	1001099531	1	MOTOR ACCESS COVER, (3507H, 723A & 35.7)	
39	1001103089	1	COVER, (2906H & 619A)	
39	1001103480	1	COVER, (3507H & 723A)	
39	1001103481	1	COVER, (L2906H)	
45		Ref	HOSE CLAMP, (See ENGINE AND ATTACHING PARTS SECTION for Breakdown)	
51	1001113439	1	BRACKET, STRAP	
52	4811700	2	WASHER, 6mm	
53	0761006	3	HEX HD CAPSCREW, M10x12, GR8.8	
101	0701016	4	HEX HD CAPSCREW, M10X40, GR8.8	
106	80363195	1	MIRROR, (619A & 723A)	
106	1001005981	1	MIRROR, (L2906H, 29.6LP, 2906H, 29.6, 3507H & 35.7) (Prior to SN 1160006787)	

SECTION 1 - FRAME AND ATTACHING PARTS

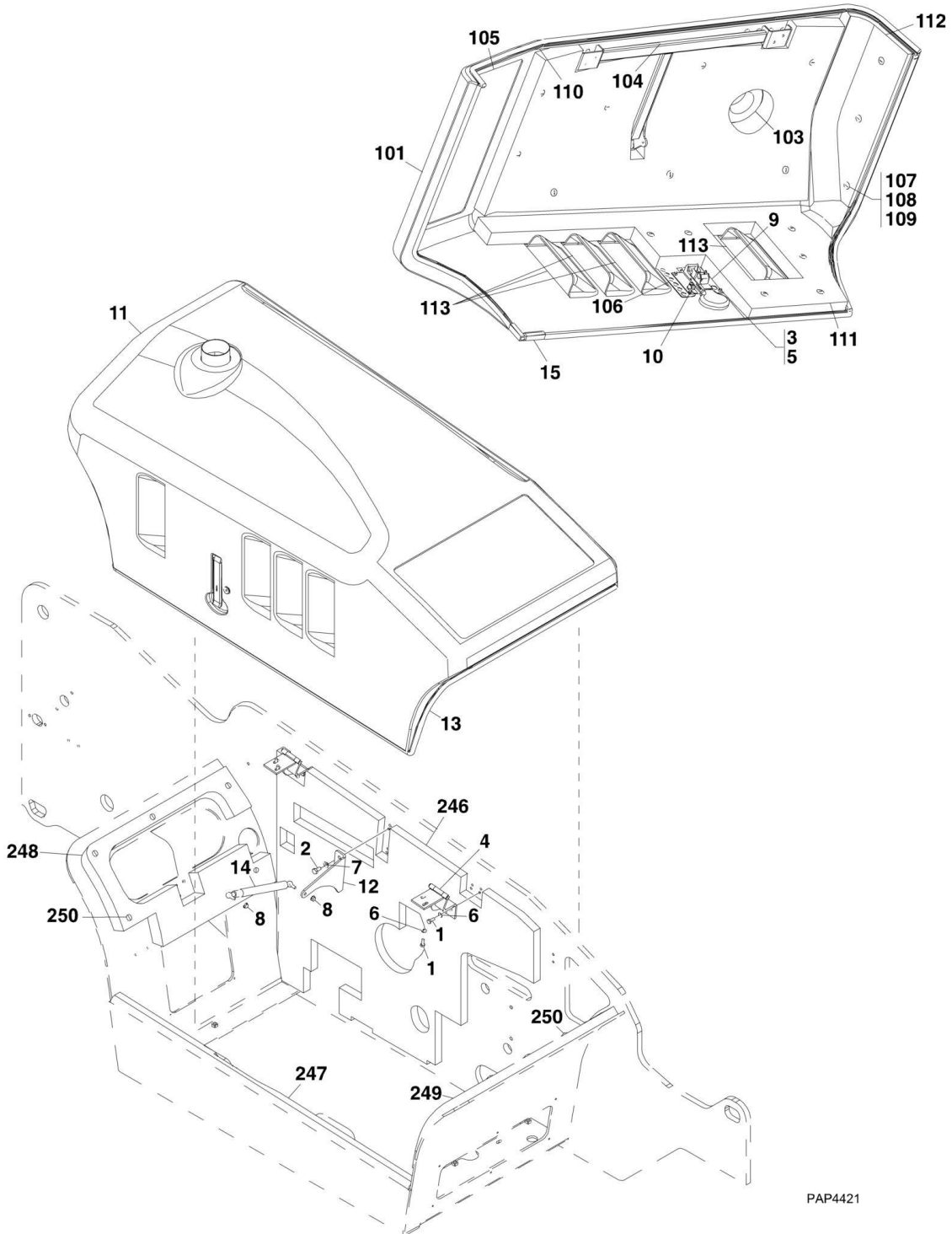
ITEM	PART NUMBER	QTY	DESCRIPTION	REV
107	1001004242	1	MIRROR, (L2906H, 29.6LP, 2906H, 29.6, 3507H & 35.7) (Prior to SN 1160006787)	
108	3291001	4	HEX NUT, M10X1.5, (619A & 723A)	
108		Ref	HEX NUT, M10X1.5, (L2906H, 2906H, 3507H, 29.6LP, 29.6 & 35.7), (See ELECTRICAL SECTION for Breakdown)	
109	3292001	2	HEX NUT, M20X2.5, (619A & 723A)	
109	3292001	2	HEX NUT, M20X2.5, (L2906H, 29.6LP, 2906H, 29.6, 3507H & 35.7) (Prior to SN 1160006787)	
112	4806693	1	ROD, (619A & 723A)	
112	4806693	1	ROD, (L2906H, 29.6LP, 2906H, 29.6, 3507H & 35.7) (Prior to SN 1160006787)	
115	4812500	2	WASHER, 20mm, (619A & 723A)	
115	4812500	2	WASHER, 20mm, (L2906H, 29.6LP, 2906H, 29.6, 3507H & 35.7) (Prior to SN 1160006787)	
125	1001099899	1	RH HEADLIGHT BRACKET, (619A & 723A)	
125	1001099899	1	RH HEADLIGHT BRACKET, (L2906H, 29.6LP, 2906H, 29.6, 3507H & 35.7) (Prior to SN 1160006787)	
125	1001147929	1	RH HEADLIGHT BRACKET, (L2906H, 29.6LP, 2906H, 29.6, 3507H & 35.7) (SN 1160006787 to Present)	
159	0700614	2	HEX HD CAPSCREW, M6X30, GR8.8, (L2906H, 2906H, 619A, 29.6LP & 29.6)	
161	1001111900	1	ROD, (L2906H, 2906H, 619A, 29.6LP & 29.6)	
167	4811700	2	WASHER, 6mm, (L2906H, 2906H, 619A, 29.6LP & 29.6)	
173	1001111129	1	MIRROR, (L2906H, 2906H, 619A, 29.6LP & 29.6)	
	1001105985	Ref	REAR ACCESS PANEL INSTALLATION, (L2906H, 2906H, 3507H, 29.6LP, 29.6 & 35.7), (not available to order, see items 201 thru 203 for service)	C
	1001106454	Ref	REAR ACCESS PANEL INSTALLATION, (619A & 723A), (not available to order, see items 201 thru 203 for service)	A
201	0700812	4	HEX HD CAPSCREW, M8X25, GR8.8	
202	4811900	4	WASHER, 8mm	
203	1001105986	1	PLATE, (L2906H, 2906H & 3507H)	
203	1001106453	1	PLATE, (619A & 723A)	
	1001115279	Ref	WHEEL CHOCK INSTALLATION, (3507H & 35.7 - if equipped), (GERMANY) (not available to order, see items 301 thru 305 for service)	A
	1001115278	Ref	WHEEL CHOCK INSTALLATION, (L2906H, 2906H, 29.6LP & 29.6 - if equipped), (GERMANY), (not available to order, see items 301 thru 307 for service)	A
301	1001095650	AR	LOCTITE 243	
302	0760806	4	HEX HD CAPSCREW, M8X12, GR8.8, (L2906H, 2906H, 29.6LP & 29.6)	
302	0760808	4	HEX HD CAPSCREW, M8X16, GR8.8, (3507H & 35.7)	
303	806253	1	WEDGE	
304	806264	1	WEDGE HOLDER	
305	4811900	4	WASHER, 8mm	
306	3576164	1	PLATE, (L2906H, 2906H, 29.6LP & 29.6)	
307	0760812	2	HEX HD CAPSCREW, M8X25, GR8.8, (L2906H, 2906H, 29.6LP & 29.6)	
	0274535	Ref	CYLINDER LIFT PROP INSTALLATION, (2906H, 3507H, 29.6 & 35.7), (619A & 723A - if equipped), (not available to order, see items 401 thru 404 for service)	B
	0274850	Ref	CYLINDER LIFT PROP INSTALLATION, (L2906H & 29.6LP), (not available to order, see items 401 thru 404 for service)	A
401	443630	2	WING SCREW, M12X30	
402	909304	0.64 m	TRIM	

SECTION 1 - FRAME AND ATTACHING PARTS

ITEM	PART NUMBER	QTY	DESCRIPTION	REV
403	1271599	1	LIFT CYLINDER LOCK WELDMENT	
404	1784861	2	O-RING	
501		Ref	CAB, (See CAB SECTION for Breakdown)	
502		Ref	HYDRAULIC SIGHT GAUGE, (not shown), (See HYDRAULIC COMPONENTS SECTION for Breakdown)	
503		Ref	DRIVING LIGHT INSTALLATION, (See ELECTRICAL SECTION for Breakdown)	
	0275752	Ref	MIRROR INSTALLATION, (L2906H & 29.6LP - if equipped), (Italy) (not available to order, see items 601 thru 604 for service)	A
601	0903629	1	BRACKET	
602	3292001	2	HEX NUT, M20X2.5	
603	4812500	2	WASHER, 20mm	
604	3140007	2	MIRROR	
	1001148083	1	RH MIRROR INSTALLATION, (L2906H, 2906H, 3507H, 29.6LP, 29.6 & 35.7), (includes items 701 thru 706) (SN 1160006787 to Present)	A
701	0760810	2	HEX HD CAPSCREW, M8X20, GR8.8	
702	4811900	2	WASHER, 8mm	
703	1001008436	1	MIRROR ASSEMBLY	
704	1001142726	1	REAR VIEW MIRROR	
705	1001143339	1	CONVEX MIRROR	
706	1001148082	1	MIRROR SUPPORT BRACKET	

SECTION 1 - FRAME AND ATTACHING PARTS

FIGURE 1-2. ENGINE COVER INSTALLATION AND ENGINE POD INSULATION



PAP4421

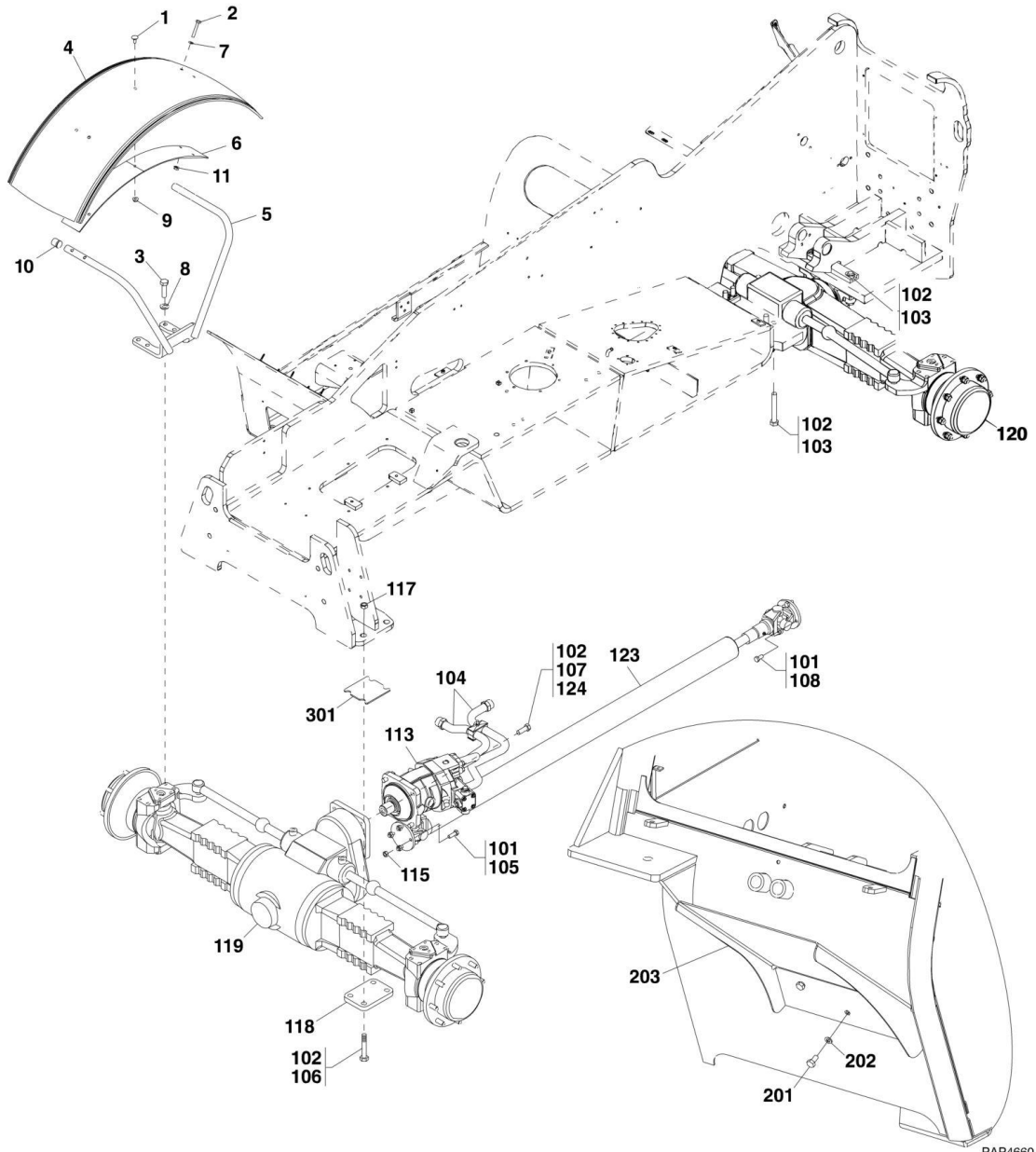
SECTION 1 - FRAME AND ATTACHING PARTS

FIGURE 1-2. ENGINE COVER INSTALLATION AND ENGINE POD INSULATION

ITEM	PART NUMBER	QTY	DESCRIPTION	REV
	1001099411	Ref	ENGINE COVER INSTALLATION, (L2906H, 2906H & 3507H), (not available to order, see items 1 thru 15 for service)	D
	1001099412	Ref	ENGINE COVER INSTALLATION, (619A & 723A), (not available to order, see items 1 thru 15 for service)	C
1	0760810	8	HEX HD CAPSCREW, M8X20, GR8.8	
2	0761010	2	HEX HD CAPSCREW, M10X20, GR8.8	
3	3290605	3	HEX LOCKNUT, M6X1	
4	4806433	2	HOOD HINGE	
5	4811700	3	WASHER, 6mm	
6	4811900	8	WASHER, 8mm	
7	4812000	2	WASHER, 10mm	
8	5220800	2	RIPP NUT, 8mm	
9	8000382	1	HOOD LATCH	
10	8000801	1	HOOD LOCK	
10	70007289	1 st	KEY	
11	1001099412	1	HOOD ASSY, (L2906H, 2906H & 3507H), (includes items 101 thru 113)	B
11	1001109144	1	HOOD ASSY, (619A & 723A), (includes items 101 thru 113)	A
12	1001100859	1	BRACKET	
13	1001097159	AR	SEAL	
14	4160213	NLA	GAS SPRING, (no longer available, use 1001111440 for replacement)	
14	1001111440	1	GAS SPRING	
15	1001103369	AR	SEAL RIBBED SECTION	
101	1001105436	1	ENGINE HOOD, (L2906H, 2906H, 3507H, 619A & 723A)	
103	1001106540	1	AIR FILTER SHEEVE	
104	N.S.S.	1	SUPPORT WELDMENT	
105	1001109624	1	GRILL	
106	4806444	1	PLATE	
107	4300159	17	MOUNTING STUDS	
108	3575922	17	MOUNTING STUD PLATES	
109	1321291	17	CAP	
110	1001109266	1	SOUND INSULATION	
111	1001109267	1	SOUND INSULATION	
112	1001109269	1	SOUND INSULATION	
113	1001109180	4	GRILL	
246	1001109109	1	SOUND INSULATION, (L2906H, 2906H, 3507H, 29.6LP, 29.6 & 35.7)	
247	1001109110	1	SOUND INSULATION, (L2906H, 2906H, 3507H, 29.6LP, 29.6 & 35.7)	
248	1001109111	1	SOUND INSULATION, (L2906H, 2906H, 3507H, 29.6LP, 29.6 & 35.7)	
249	1001109112	1	SOUND INSULATION, (L2906H, 2906H, 3507H, 29.6LP, 29.6 & 35.7)	
250	1321291	11	CAP, (L2906H, 2906H, 3507H, 29.6LP, 29.6 & 35.7)	

SECTION 1 - FRAME AND ATTACHING PARTS

FIGURE 1-3. AXLE AND FENDER INSTALLATION



NOTE: PORTIONS OF THE FRAME REMOVED FOR CLAIRITY.

PAP4660

SECTION 1 - FRAME AND ATTACHING PARTS

FIGURE 1-3. AXLE AND FENDER INSTALLATION

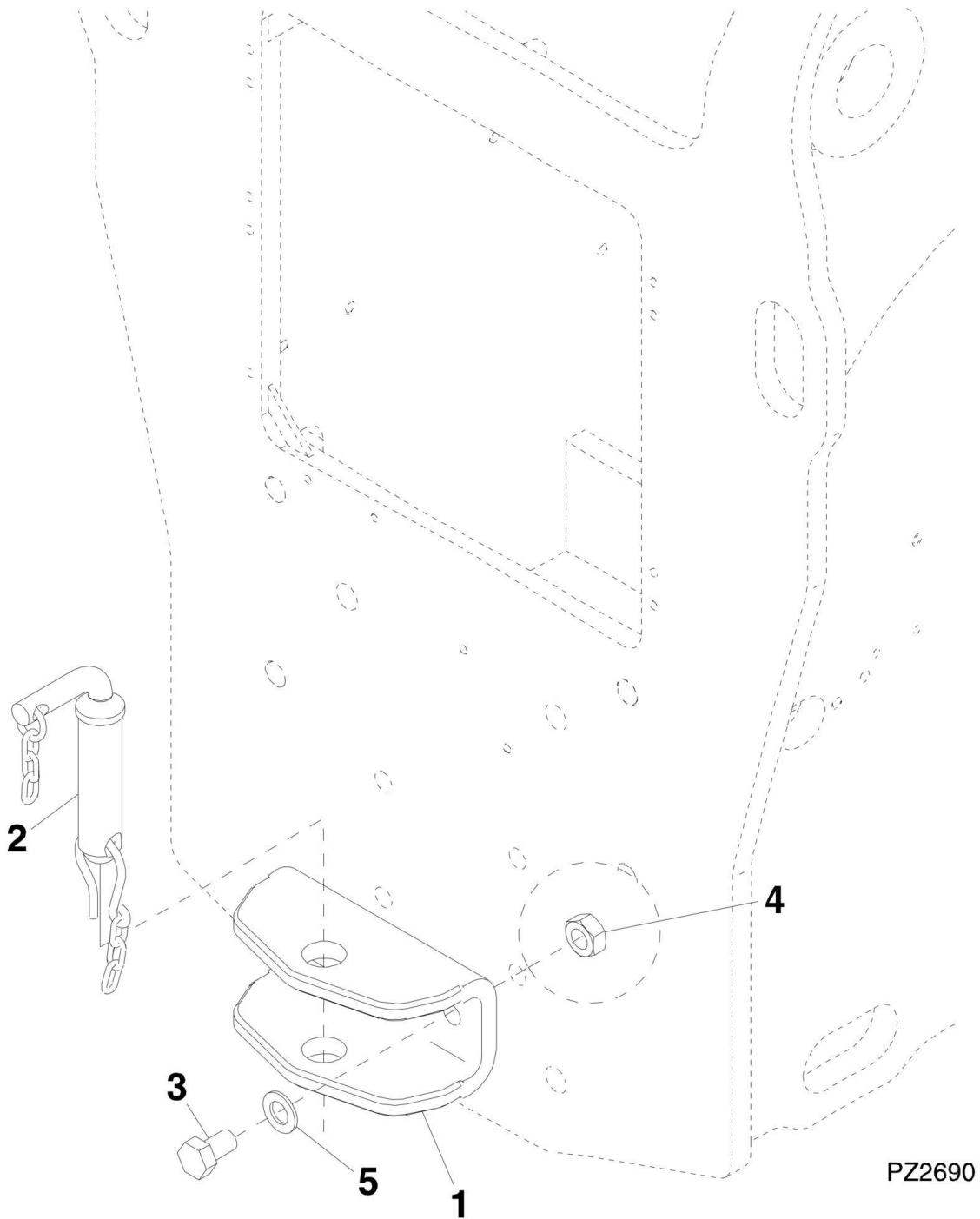
ITEM	PART NUMBER	QTY	DESCRIPTION	REV
	0273811	Ref	FENDER INSTALLATION, (2906H & 29.6), (not available to order, see items 1 thru 11 for service)	F
	0274812	Ref	FENDER INSTALLATION, (L2906H & 29.6LP), (619A - if equipped), (not available to order, see items 1 thru 11 for service)	B
	0273812	Ref	FENDER INSTALLATION, (3507H & 35.7), (723A - if equipped), (not available to order, see items 1 thru 11 for service)	F
1	328027	4	MUSHROOM HD BOLT, 8-1.25X20, (2906H, 3507H, 723A, 29.6 & 35.7)	
1	328027	8	MUSHROOM HD BOLT, 8-1.25X20, (L2906H, 619A & 29.6LP)	
2	0701018	16	HEX HD CAPSCREW, M10X50, GR8.8	
3	0761617	16	HEX HD CAPSCREW, M16X45, GR8.8	
4	1001096569	4	FENDER, (L2906H, 619A & 29.6LP)	
4	1001096127	4	FENDER, (2906H & 29.6)	
4	1001096345	4	FENDER, (3507H, 723A & 35.7)	
5	4340882	4	FENDER SUPPORT, (L2906H, 2906H, 619A, 29.6LP & 29.6)	
5	4340883	4	FENDER SUPPORT, (3507H, 723A & 35.7)	
6	1001098263	4	SUPPORT PLATE, (L2906H, 619A & 29.6LP)	
6	8010524	4	SUPPORT PLATE, (2906H & 29.6)	
6	3575386	4	SUPPORT PLATE, (3507H, 723A & 35.7)	
7	4812000	16	WASHER, 10mm	
8	4812300	16	WASHER, 16mm	
9	5220800	8	RIPP NUT, 8mm, (L2906H, 619A & 29.6LP)	
9	5220800	4	RIPP NUT, 8mm, (2906H, 3507H, 723A, 29.6 & 35.7)	
10	8006580	8	PLUG	
11	5221000	16	RIPP NUT, 10mm	
	1001100339	Ref	DRIVE TRAIN INSTALLATION, (L2906H, 2906H, 619A, 29.6LP & 29.6), (not available to order, see items 101 thru 124 for service)	F
	1001100340	Ref	DRIVE TRAIN INSTALLATION, (3507H, 723A & 35.7), (not available to order, see items 101 thru 124 for service)	G
101	1001095650	AR	LOCTITE 243	
102	0100019	AR	LOCTITE 271	
103	0712028	6	HEX HD CAPSCREW, M20X110, GR10.9	
104		Ref	FRONT DRIVE MOTOR HYDRAULIC COMPONENTS	
104		Ref	DRIVE MOTOR HYDRAULIC SUPPLY, (See HYDRAULIC CIRCUITS SECTION for Breakdown)	
104		Ref	DRIVE MOTOR HYDRAULIC RETURN, (See HYDRAULIC CIRCUITS SECTION for Breakdown)	
105	0711215	4	HEX HD CAPSCREW, M12X35, GR10.9	
106	0712040	8	HEX HD CAPSCREW, M20X230, GR10.9, (L2906H, 2906H, 619A, 29.6LP & 29.6)	
106	0712445	8	HEX HD CAPSCREW, M24X280, GR10.9, (3507H, 723A & 35.7)	
107	0761617	4	HEX HD CAPSCREW, M16X45, GR8.8, (L2906H, 2906H, 619A, 29.6LP & 29.6)	
107	0701619	4	HEX HD CAPSCREW, M16X55, GR8.8, (3507H, 723A & 35.7)	
108	0771212	4	HEX HD CAPSCREW, M12X25, GR10.9	
113		Ref	HYDRAULIC DRIVE MOTOR, (See HYDRAULIC COMPONENTS SECTION for Breakdown)	
115	3291201	4	HEX NUT, M12X1.75	
117	3332011	8	HEX NUT, M20X2.5, (L2906H, 2906H, 619A, 29.6LP & 29.6)	
117	3332411	8	HEX NUT, M24X3, (3507H, 723A & 35.7)	
118	3574829	2	AXLE PLATE, (L2906H, 2906H, 619A, 29.6LP & 29.6)	
118	3575706	2	AXLE PLATE, (3507H, 723A & 35.7)	

SECTION 1 - FRAME AND ATTACHING PARTS

ITEM	PART NUMBER	QTY	DESCRIPTION	REV
119		Ref	FRONT AXLE, (See DRIVE TRAIN SECTION for Breakdown)	
120		Ref	REAR AXLE, (See DRIVE TRAIN SECTION for Breakdown)	
123		Ref	DRIVE SHAFT ASSY, (See DRIVE TRAIN SECTION for Breakdown)	
124	4812300	4	WASHER, 16mm	
	1001108610	1	CAB FENDER INSTALLATION, (619A & 723A), (if equipped), (not available to order, see items 201 thru 203 for service)	A
201	0761010	3	HEX HD CAPSCREW, M10X20, GR8.8	
202	4832000	3	LOCKWASHER, 10mm	
203	1001100836	1	CAB FENDER	
301	1001112161	AR	AXLE SHIM PLATE, (if equipped)	

SECTION 1 - FRAME AND ATTACHING PARTS

FIGURE 1-4. DRAW BAR COUPLING L2906H, 2906H, 3507H, 29.6LP, 29.6 & 35.7



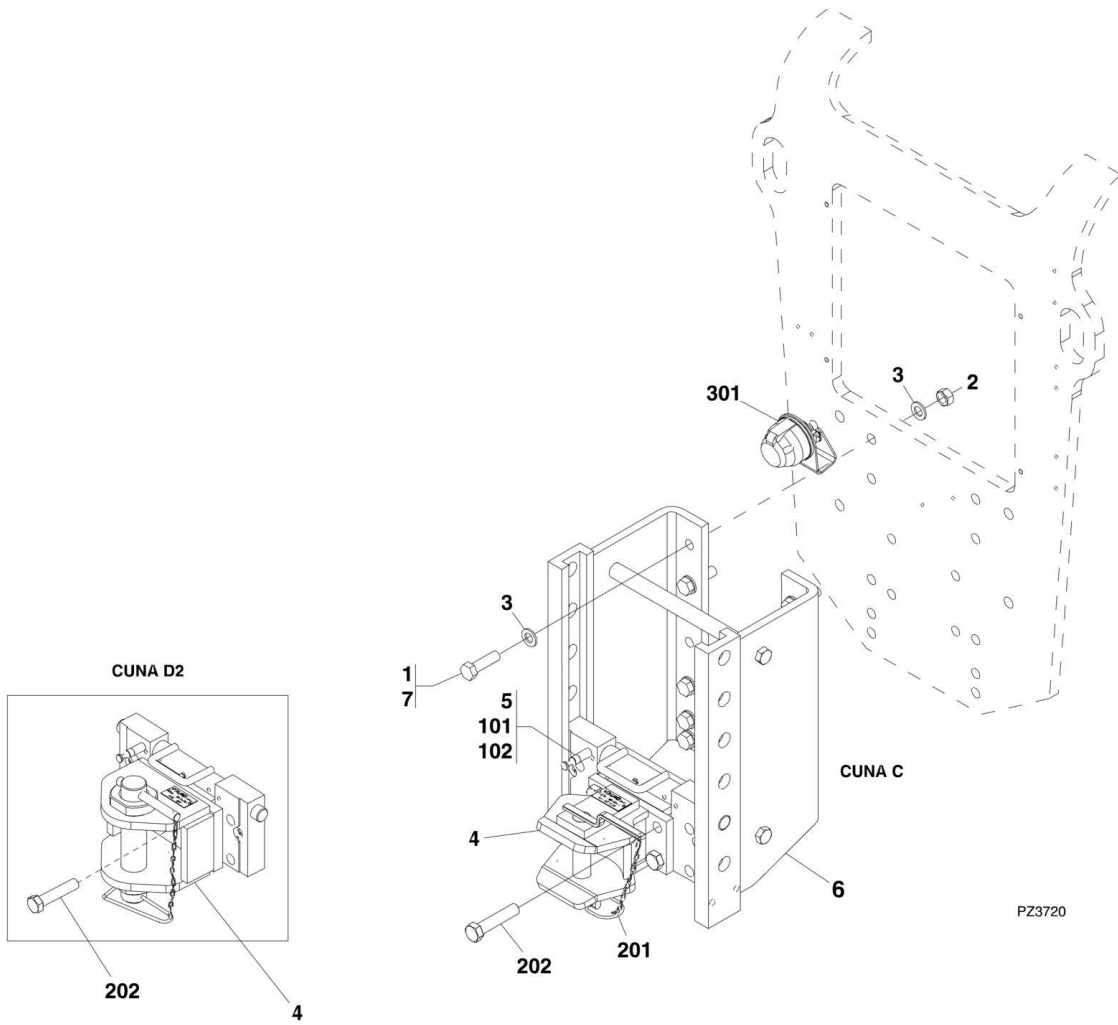
SECTION 1 - FRAME AND ATTACHING PARTS

FIGURE 1-4. DRAW BAR COUPLING L2906H, 2906H, 3507H, 29.6LP, 29.6 & 35.7

ITEM	PART NUMBER	QTY	DESCRIPTION	REV
	4805932	1	DRAW BAR COUPLING, (L2906H, 2906H, 3507H, 29.6LP, 29.6 & 35.7), (if equipped), (includes items 1 thru 5)	B
1	4804533	1	HITCH	
2	3944574	1	PIN	
3	0771619	2	HEX HD CAPSCREW, M16X55, GR10.9	
4	4805921	2	HEX NUT, M16X2	
5	4812300	2	WASHER, 16mm	

SECTION 1 - FRAME AND ATTACHING PARTS

FIGURE 1-5. PIN HITCH - CUNA C AND CUNA D2



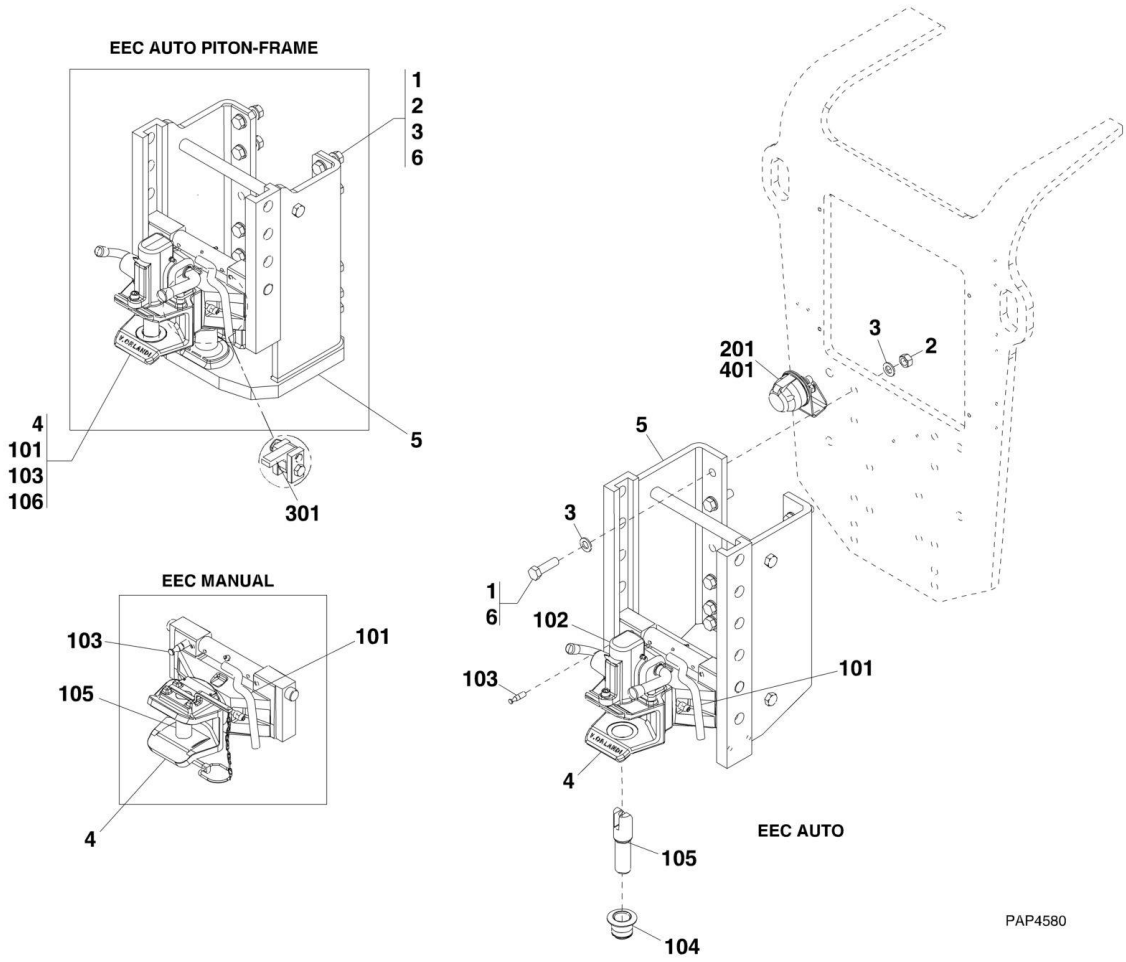
SECTION 1 - FRAME AND ATTACHING PARTS

FIGURE 1-5. PIN HITCH - CUNA C AND CUNA D2

ITEM	PART NUMBER	QTY	DESCRIPTION	REV
	1001113662	Ref	CUNA C PIN HITCH INSTALLATION, (if equipped), (not available to order, see items 1 thru 7 for service)	A
	1001113663	Ref	CUNA D2 PIN HITCH INSTALLATION, (if equipped), (not available to order, see items 1 thru 7 for service)	A
1	0701619	10	HEX HD CAPSCREW, M16X55, GR8.8, (torque to 180-230 Nm)	
2	3291601	10	HEX NUT, M16X2	
3	4812300	20	WASHER, 16mm	
4	1001098631	1	PIN HITCH ASSY, (CUNA C), (includes items 201 & 202)	A
4	1001098632	1	PIN HITCH ASSY, (CUNA D2), (includes items 201 & 202)	A
5	1001098636	1	PLATE ADAPTER, (includes items 101 & 102)	
6	1001103597	1	HITCH FRAME	
7	1001095650	AR	LOCTITE 243	
101	70022823	1	PIVOT PIN	
102	70022827	1	LEVER OPENING KIT	
201	70022818	1	PIN, (CUNA C)	
201	70022820	1	PIN, (CUNA D2)	
202	70022819	1	MOUNTING HARDWARE KIT	
301		Ref	TRAILER PLUG KIT, (See ELECTRICAL SECTION for Breakdown)	

SECTION 1 - FRAME AND ATTACHING PARTS

FIGURE 1-6. EEC AUTO, EEC MANUAL AND EEC AUTO PITON-FRAME SWIVEL HITCH



PAP4580

SECTION 1 - FRAME AND ATTACHING PARTS

FIGURE 1-6. EEC AUTO, EEC MANUAL AND EEC AUTO PITON-FRAME SWIVEL HITCH

ITEM	PART NUMBER	QTY	DESCRIPTION	REV
	1001113660	Ref	EEC AUTO HITCH INSTALLATION, (if equipped), (not available to order, see items 1 thru 6 for service)	A
	1001113659	Ref	EEC MANUAL HITCH INSTALLATION, (if equipped), (not available to order, see items 1 thru 6 for service)	B
	1001113665	Ref	EEC AUTO PITON-FRAME SWIVEL HITCH INSTALLATION, (if equipped), (not available to order, see items 1 thru 6 for service)	A
1	0701619	10	HEX HD CAPSCREW, M16X55, GR8.8	
1	0701620	10	HEX HD CAPSCREW, M16X60, (EEC MANUAL)	
2	3291601	10	HEX NUT, M16X2	
3	4812300	20	WASHER, 16mm	
4	1001098629	1	HITCH ASSY, (EEC AUTO and EEC AUTO PITON-FRAME), (includes items 101 thru 105)	A
4	1001098630	1	HITCH ASSY, (EEC MANUAL), (includes items 101, 103 & 105)	A
5	1001103597	1	HITCH FRAME, (EEC AUTO and EEC MANUAL)	
5	1001104302	1	HITCH FRAME, (EEC AUTO PITON-FRAME), (includes item 301)	
6	1001095650	AR	LOCTITE 243	
101	70022821	1	LEVER OPENING KIT	
102	70022822	1	BOX MECHANISM	
103	70022823	1	PIVOT PIN	
104	70022824	1	BUSHING, (includes snap ring)	
105	70022825	1	PIN, (EEC AUTO and EEC AUTO PITON-FRAME)	
106	70022826	1	PIN, (EEC MANUAL)	
201		Ref	TRAILER PLUG KIT, (See ELECTRICAL SECTION for Breakdown)	
301	70023348	1	KEEPER KIT, (includes keeper, screw, nut, pin and ring pin)	
401		Ref	TRAILER ELECTRICAL SOCKET, (See ELECTRICAL SECTION for Breakdown)	

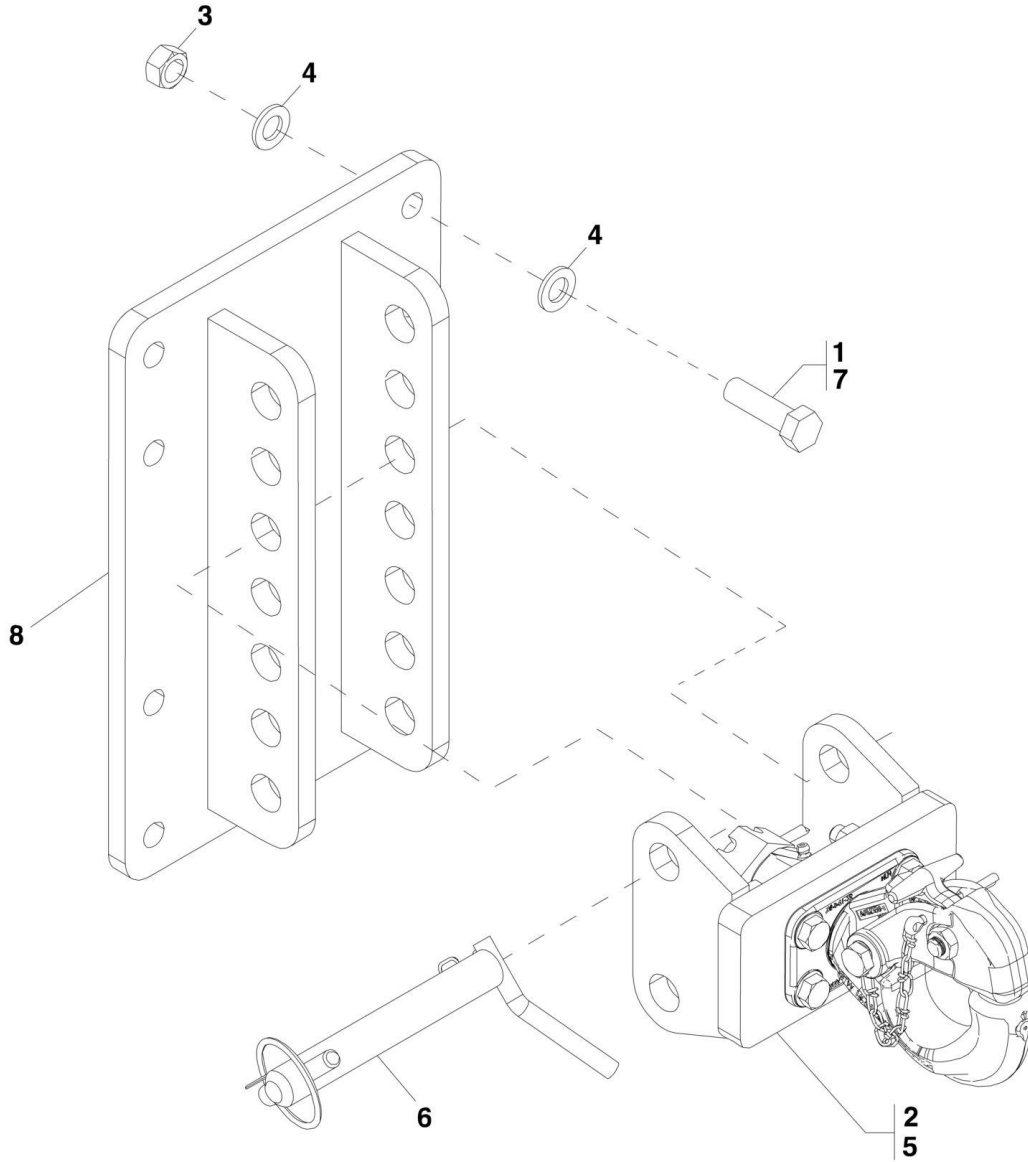
SECTION 1 - FRAME AND ATTACHING PARTS

FIGURE 1-7. HYDRAULIC HITCH

ITEM	PART NUMBER	QTY	DESCRIPTION	REV
	1001113777	Ref	HYDRAULIC HITCH INSTALLATION WITHOUT MIRROR, (if equipped), (not available to order, see items 2 thru 13 & 16 thru 24 for service)	D
	1001113661	Ref	HYDRAULIC HITCH INSTALLATION WITH MIRROR, (3507H, 619A, 723A & 35.7 - if equipped), (not available to order, see items 1 thru 24 for service)	D
1	0700614	2	HEX HD CAPSCREW, M6X30, GR8.8, (3507H & 35.7 -if equipped)	
2	0701619	10	HEX HD CAPSCREW, M16X55, GR8.8	
3	935113	1	RUBBER COVER	
4	2142505	2	CAP	
5	3291601	10	HEX NUT, M16X2	
6	1001109240	1	HYDRAULIC HITCH LOCK CABLE	
7	4811700	8	WASHER, 6mm, (3507H, 619A, 723A & 35.7 - if equipped)	
7	4811700	6	WASHER, 6mm, (2906H & L2906H - if equipped)	
8	4812300	20	WASHER, 16mm	
9	1001093826	2	DUST CAP	
10	1001093827	2	DUST PLUG	
11	1001094555	2	FEMALE QUICK DISCONNECT COUPLING	
12	1001094556	2	MALE QUICK DISCONNECT COUPLING	
13	1001103014	1	HYDRAULIC HITCH ASSY, (includes items 101 thru 111) (Prior to SN 1160005189)	C
13	1001118096	1	HYDRAULIC HITCH ASSY (SN 1160005189 to Present)	A
14	1001111129	1	MIRROR, (3507H & 35.7 - if equipped)	
15	1001111900	1	MIRROR SUPPORT, (3507H & 35.7 - if equipped)	
16	1001113764	2	HOSE ASSY	
17	1001095650	AR	LOCTITE 243	
18	0760610	3	HEX HD CAPSCREW, M6X20, GR8.8	
19	2920204	2	LICENSE PLATE LIGHT	
20	3290605	3	HEX LOCKNUT, M6X1	
21	5220500	4	NUT, 5mm	
22	1001136873	1	LICENSE PLATE BRACKET, LH	
23	1001137976	1	LICENSE PLATE LIGHT HARNESS	
24	471678	8	BAND CLAMP, 4.8X204mm	
101	70022752	1	SLIDER	
102	70022753	1	HOOK	
103	70022754	1	CYLINDER PIN	
104	70022755	1	HOOK PIN	
105	70022756	1	CENTRAL PIN	
106	70022757	1	LINK SYSTEM	
107	70022758	2	LINK PLATE	
108	70022759	2	LINK PIN	
109	70022760	2	SPRING	
110	70022761	1	CYLINDER	
111	70022762	1	CYLINDER PIN	

SECTION 1 - FRAME AND ATTACHING PARTS

FIGURE 1-8. PINTLE HITCH



PAP4610

SECTION 1 - FRAME AND ATTACHING PARTS

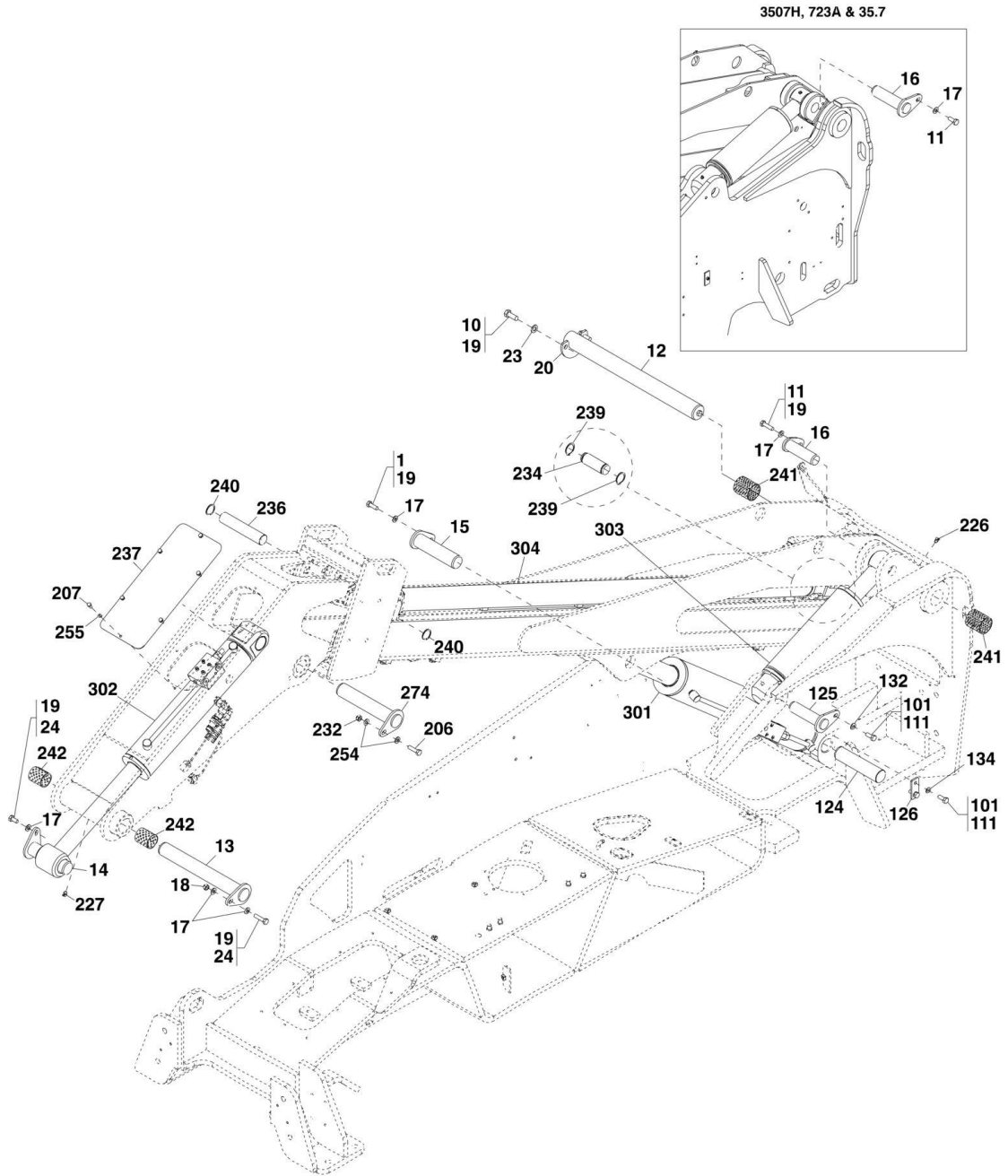
FIGURE 1-8. PINTLE HITCH

ITEM	PART NUMBER	QTY	DESCRIPTION	REV
	1001114477	1	PINTLE HITCH INSTALLATION, (includes all items)	A
1	0701619	8	HEX HD CAPSCREW, M16X55, GR8.8	
2	2620060	1	PINTLE HOOK	
3	3291601	8	HEX NUT, M16X2	
4	4812300	16	WASHER, 16mm	
5	1001092144	1	ADAPTER WELDMENT HITCH	
6	1001093306	2	PIN, HITCH MOUNTING	
7	1001095650	AR	LOCTITE 243	
8	1001114476	1	HITCH MOUNTING BRACKET	

SECTION 2 - BOOM

SECTION 2 - BOOM

FIGURE 2-1. BOOM INSTALLATION



NOTE: PORTIONS OF THE FRAME & BOOM REMOVED FOR CLARITY.

PAP4460

FIGURE 2-1. BOOM INSTALLATION

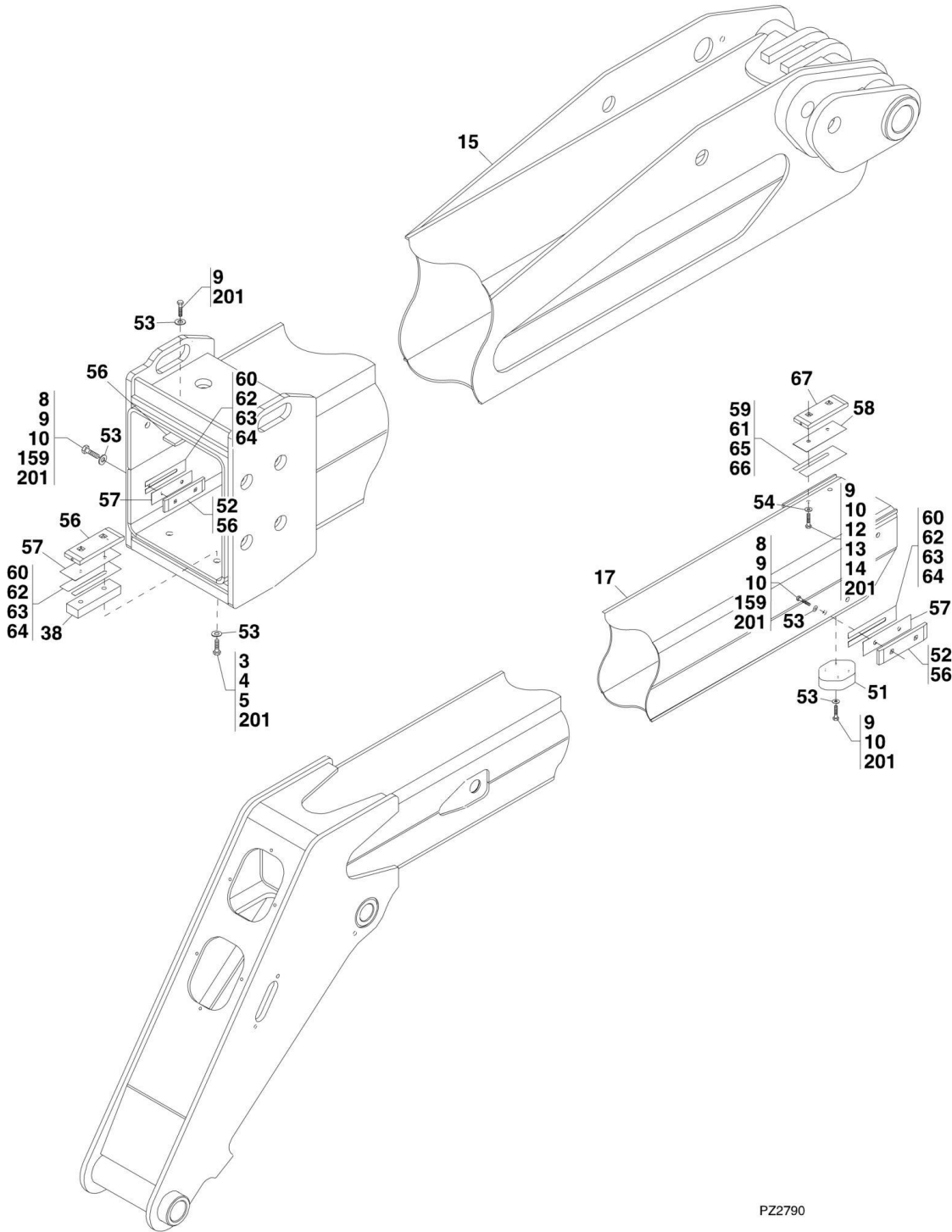
ITEM	PART NUMBER	QTY	DESCRIPTION	REV
	1001098696	Ref	BOOM INSTALLATION, (2906H, 619A & 29.6), (not available to order, see items 1 thru 27)	K
	1001098988	Ref	BOOM INSTALLATION, (3507H, 723A & 35.7), (not available to order, see items 1 thru 27)	J
	1001120764	1	BOOM INSTALLATION, (L2906H & 29.6LP), (includes items 1 thru 28)	
1	0701215	1	HEX HD CAPSCREW, M12X35, GR8.8, (torque to 97 Nm / 72 lb-ft)	
10	1001110922	2	HEX HD CAPSCREW, M16X40, GR10.9, (torque to 241 Nm / 178 lb-ft)	
10	0761215	2	HEX HD CAPSCREW, M12X35, GR8.8, (3507H, 723A & 35.7), (torque to 97 Nm / 72 lb-ft)	
11	0701217	1	HEX HD CAPSCREW, M12X45, GR8.8, (2906H, 619A & 29.6), (torque to 97 Nm / 72 lb-ft)	
11	0701217	2	HEX HD CAPSCREW, M12X45, GR8.8, (L2906H & 29.6LP), (torque to 97 Nm / 72 lb-ft)	
11	0761215	1	HEX HD CAPSCREW, M12X35, GR8.8, (3507H, 723A & 35.7), (torque to 97 Nm / 72 lb-ft)	
12	1001103083	1	PIVOT PIN, (L2906H, 2906H, 619A, 29.6LP & 29.6)	
12	1001103087	1	PIVOT PIN, (3507H, 723A & 35.7)	
13	1001131873	1	PIN	
14	1001131874	1	PIN	
15	1001109056	NLA	PIN, (no longer available, use 1001131867 for replacement), (L2906H, 2906H, 619A, 29.6LP & 29.6)	
15	1001109061	NLA	PIN, (no longer available, use 1001131868 for replacement), (3507H, 723A & 35.7)	
15	1001131867	1	PIN, (L2906H, 2906H, 619A, 29.6LP & 29.6)	
15	1001131868	1	PIN, (3507H, 723A & 35.7)	
16	1001109054	NLA	PIN, (no longer available, use 1001131871 for replacement), (2906H, 619A & 29.6)	
16	1001109047	NLA	PIN, (no longer available, use 1001131872 for replacement), (3507H, 723A & 35.7)	
16	1001131871	1	PIN, (2906H, 619A & 29.6)	
16	1001131872	1	PIN, (3507H, 723A & 35.7)	
16	1001120710	1	PIN, (L2906H & 29.6LP)	
17	4812100	6	WASHER, 12mm, (2906H, 619A, 29.6, 3507H, 723A & 35.7)	
17	4812100	7	WASHER, 12mm, (L2906H & 29.6LP)	
18	3291205	2	HEX LOCKNUT, M12X1.75	
19	1001095650	AR	LOCTITE 243	
20	1001103085	1	PLATE	
23	4812300	2	WASHER, 16mm	
24	0701220	2	HEX HD CAPSCREW, M12X60, GR8.8, (torque to 97 Nm / 72 lb-ft)	
25	1001117382	AR	SHIM WASHER, 62X100X2, (not shown)	
26	1001117383	AR	SHIM WASHER, 62X100X0.5, (not shown)	
27	1001120761	AR	SHIM WASHER, 41X80X2, (L2906H, 2906H, 619A, 29.6LP & 29.6), (not shown)	
28	1001120711	1	PIN KEEPER PLATE, (not shown)	
101	1001095650	AR	LOCTITE 243	
111	0761214	3	HEX HD CAPSCREW, M12X30, GR8.8, (L2906H, 2906H, 619A, 29.6LP & 29.6)	
111	0761215	3	HEX HD CAPSCREW, M12X35, GR8.8, (3507H, 723A & 35.7)	
124	1001109071	1	PIN	

SECTION 2 - BOOM

ITEM	PART NUMBER	QTY	DESCRIPTION	REV
125	1001109055	NLA	PIN, (no longer available, use 1001131869 for replacement), (L2906H, 2906H, 619A, 29.6LP & 29.6)	
125	1001109072	NLA	PIN, (no longer available, use 1001131870 for replacement), (3507H, 723A & 35.7)	
125	1001131869	1	PIN, (L2906H, 2906H, 619A, 29.6LP & 29.6)	
125	1001131870	1	PIN, (3507H, 723A & 35.7)	
126	3575850	1	BAR	
132	4812100	1	WASHER, 12mm	
134	4832100	2	LOCKWASHER, 12mm	
206	0701217	1	HEX HD CAPSCREW, M8X16, GR8.8	
207	0760808	6	HEX HD CAPSCREW, M8X16, GR8.8	
226	2160016	2	GREASE FITTING	
227	2160018	1	GREASE FITTING	
232	3291201	1	HEX NUT, M12X1.75	
234	3423075	1	PIN, (L2906H, 2906H & 3507H)	
234	1001109059	1	PIN, (29.6LP, 29.6, 35.7, 619A & 723A)	
236	3423152	1	PIN, (L2906H & 2906H)	
236	3423149	1	PIN, (3507H)	
236	1001109058	1	PIN, (619A, 29.6LP & 29.6)	
236	1001109074	1	PIN, (723A & 35.7)	
237	3574798	1	FRONT COVER PLATE, (L2906H, 2906H, 3507H, 619A & 723A)	
239	3760491	2	RETAINING RING	
240	3760492	2	RETAINING RING	
241	4100076	2	BUSHING	
242	4100078	2	BUSHING	
254	4812100	3	WASHER, 12mm	
255	4831900	6	LOCKWASHER, 8mm	
274	1001109057	NLA	PIN, (619A, 29.6LP & 29.6), (no longer available, use 1001130575 for replacement)	
274	1001130575	1	PIN, (L2906, 2906, 619A, 29.6LP & 29.6)	
274	1001109073	NLA	PIN, (723A & 35.7), (no longer available, use 1001130572 for replacement)	
274	1001130572	1	PIN, (723A, 3507 & 35.7)	
301		Ref	LIFT CYLINDER, (See HYDRAULIC COMPONENTS SECTION for Breakdown)	
302		Ref	TILT CYLINDER, (See HYDRAULIC COMPONENTS SECTION for Breakdown)	
303		Ref	TILT COMPENSATION CYLINDER, (See HYDRAULIC COMPONENTS SECTION for Breakdown)	
304		Ref	EXTEND/RETRACT CYLINDER, (See HYDRAULIC COMPONENTS SECTION for Breakdown)	

SECTION 2 - BOOM

FIGURE 2-2. BOOM ASSEMBLY - PADS AND SHIMS



PZ2790

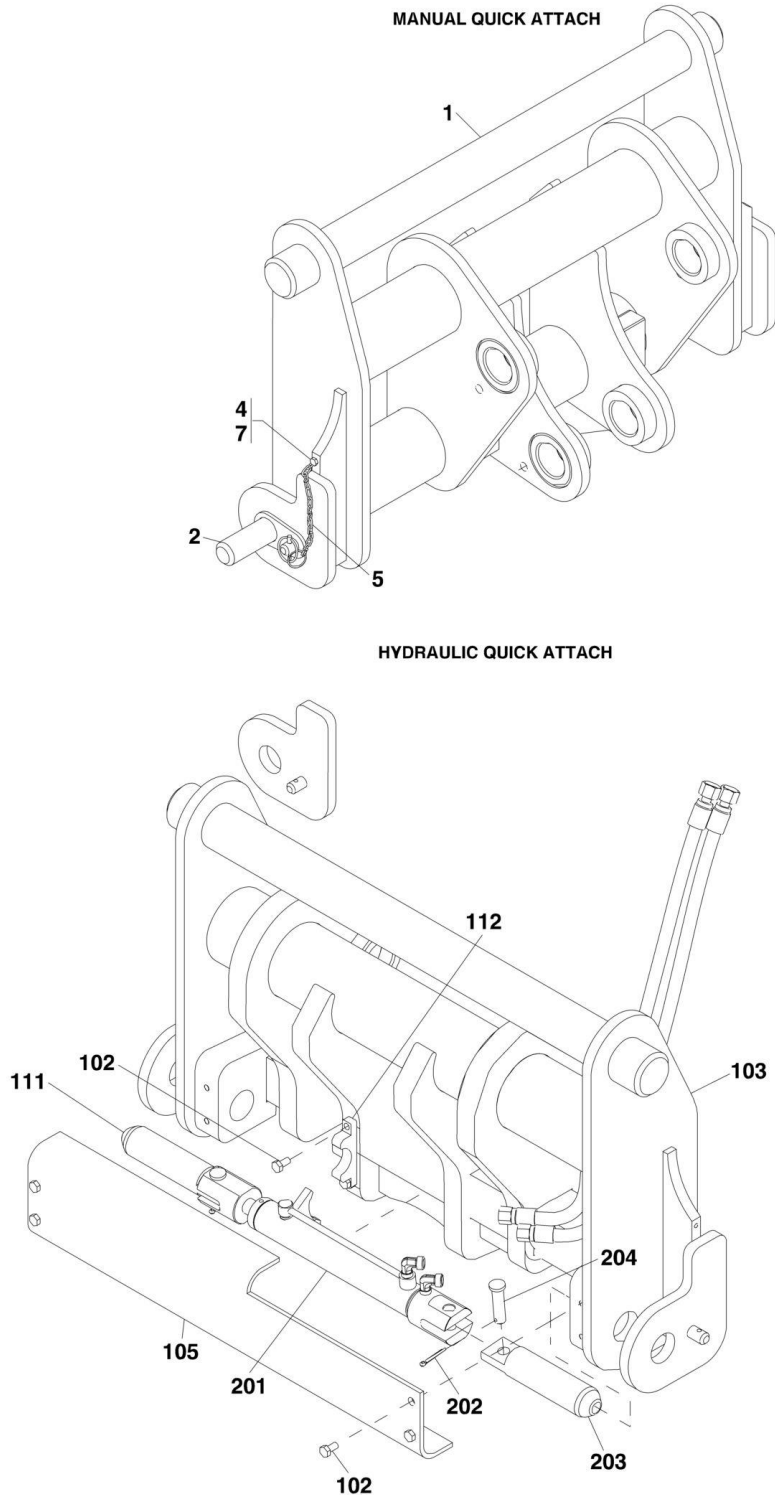
SECTION 2 - BOOM

FIGURE 2-2. BOOM ASSEMBLY - PADS AND SHIMS

ITEM	PART NUMBER	QTY	DESCRIPTION	REV
3	0701016	AR	HEX HD CAPSCREW, M10X40, GR8.8	
4	0701017	AR	HEX HD CAPSCREW, M10X45, GR8.8	
5	0701018	AR	HEX HD CAPSCREW, M10X50, GR8.8	
8	0761008	AR	HEX HD CAPSCREW, M10X16, GR8.8, (L2906H, 2906H, 619A, 29.6LP & 29.6)	
9	0761010	AR	HEX HD CAPSCREW, M10X20, GR8.8	
10	0761012	AR	HEX HD CAPSCREW, M10X25, GR8.8	
12	0761210	AR	HEX HD CAPSCREW, M12X20, GR8.8	
13	0761212	AR	HEX HD CAPSCREW, M12X25, GR8.8	
14	0761214	AR	HEX HD CAPSCREW, M12X30, GR8.8	
15	1001111536	1	FIRST BOOM SECTION WELDMENT, (L2906H, 2906H & 619A) (Prior to SN 1160005870)	
15	1001098698	1	FIRST BOOM SECTION WELDMENT, (L2906H, 2906H, 619A, 29.6LP & 29.6) (SN 1160005870 to Present)	
15	1001111583	1	FIRST BOOM SECTION WELDMENT, (3507H & 723A) (Prior to SN 1160005870)	
15	1001098986	1	FIRST BOOM SECTION WELDMENT, (3507H, 723A & 35.7) (SN 1160005870 to Present)	
17	1001111535	1	SECOND BOOM SECTION WELDMENT, (L2906H, 2906H & 619A) (Prior to SN 1160005870)	
17	1001099252	1	SECOND BOOM SECTION WELDMENT, (L2906H, 2906H, 619A 29.6LP & 29.6) (SN 1160005870 to Present)	
17	1001111582	1	SECOND BOOM SECTION WELDMENT, (3507H & 723A) (Prior to SN 1160005870)	
17	1001099264	1	SECOND BOOM SECTION WELDMENT, (3507H, 723A & 35.7) (SN 1160005870 to Present)	
38	3574821	2	SPACER	
51	4700026	1	WEAR PAD	
52	4700027	8	WEAR PAD, (L2906H, 2906H, 619A, 29.6LP & 29.6)	
53	4812000	28	WASHER, 10mm	
54	4812100	4	WASHER, 12mm	
56	8002200	4	WEAR PAD, (L2906H, 2906H, 619A, 29.6LP & 29.6)	
56	8002200	12	WEAR PAD, (3507H, 723A & 35.7)	
57	8002901	10	SPACER	
58	8003242	2	SPACER	
59	8008069	AR	SHIM, 2.0X70X200mm	
60	8008070	AR	SHIM, 2.0X50X200mm	
61	8008634	AR	SHIM, 0.5X70X200mm	
62	8008640	AR	SHIM, 0.5X50X200mm	
63	8008641	AR	SHIM, 1.0X50X200mm	
64	8008642	AR	SHIM, 1.5X50X200mm	
65	8008644	AR	SHIM, 1.0X70X200mm	
66	8008645	AR	SHIM, 1.5X70X200mm	
67	8002199	2	WEAR PAD	
159	0761014	AR	HEX HD CAPSCREW, M10X30, GR8.8, (3507H, 723A & 35.7)	
201	1001095650	AR	LOCTITE 243	

SECTION 2 - BOOM

FIGURE 2-3. QUICK ATTACH



PAP16051

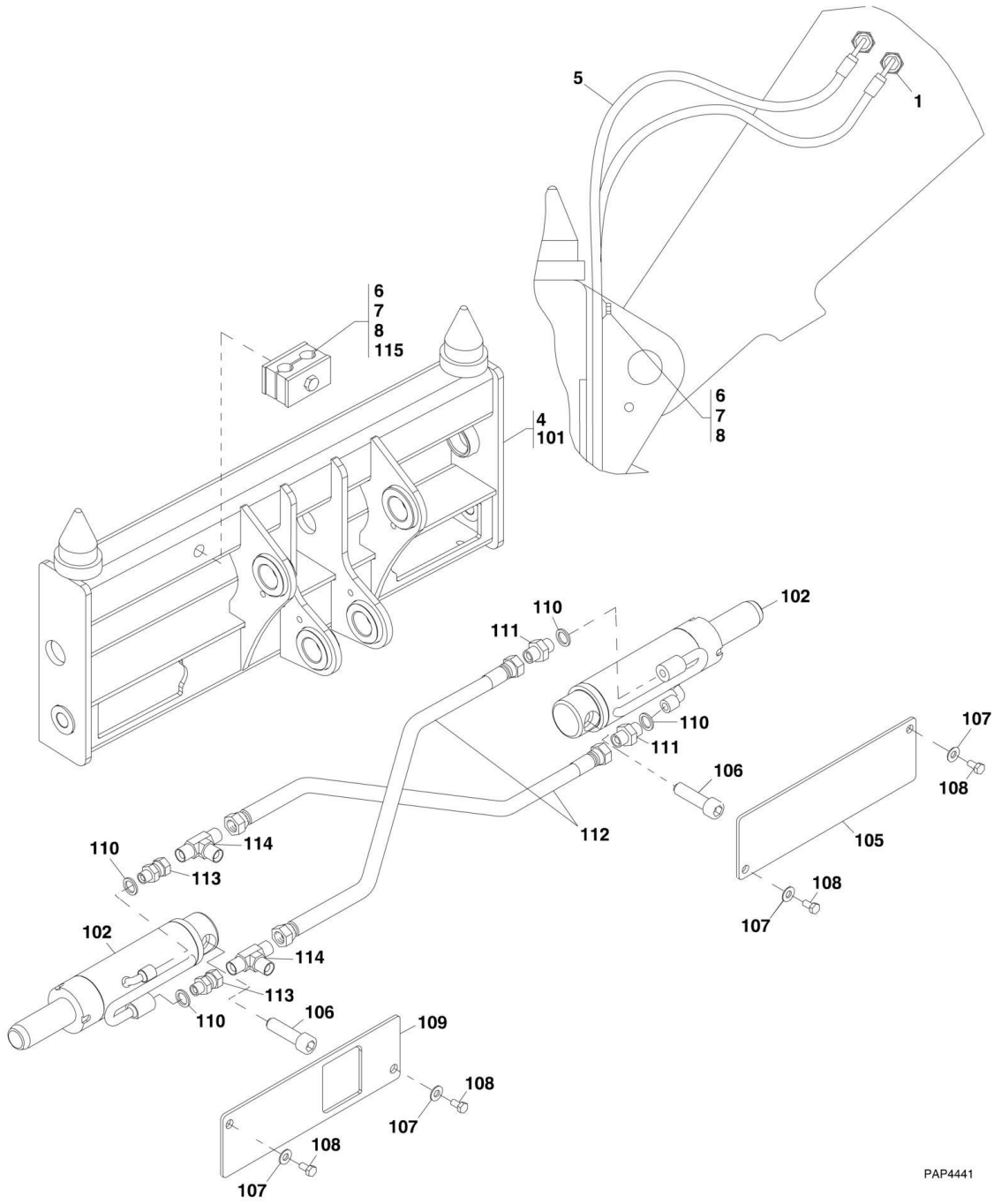
SECTION 2 - BOOM

FIGURE 2-3. QUICK ATTACH

ITEM	PART NUMBER	QTY	DESCRIPTION	REV
	1001102310	1	MANUAL QUICK ATTACH, (includes items 1 thru 7), (if equipped)	D
1	N.S.S.	1	WELDMENT	
2	1001162636	1	ROD	
4	0760605	1	HEX HD CAPSCREW, M6X10, GR8.8	
5	1001161673	1	CHAIN	
7	1001095650	AR	LOCTITE 243	
	1001103641	1	HYDRAULIC QUICK ATTACH, (includes items 102 thru 112), (if equipped)	G
102	0760808	6	HEX HD CAPSCREW, M8X16, GR8.8	
103	N.S.S.	1	WELDMENT	
105	1001099431	1	COVER PLATE	
111	1001100827	1	FORK LOCKING CYLINDER KIT, (includes items 201 thru 204)	B
112	1001100900	1	STOP BLOCK	
201		Ref	FORK LOCKING CYLINDER, (See HYDRAULIC COMPONENTS SECTION for Breakdown)	
202	3391410	2	COTTER PIN	
203	8001888	2	PIN	
204	8002110	2	CLEVIS PIN	

SECTION 2 - BOOM

FIGURE 2-4. JD QUICK ATTACH L2906H, 2906H, 3507H, 29.6LP, 29.6 & 35.7



PAP4441

SECTION 2 - BOOM

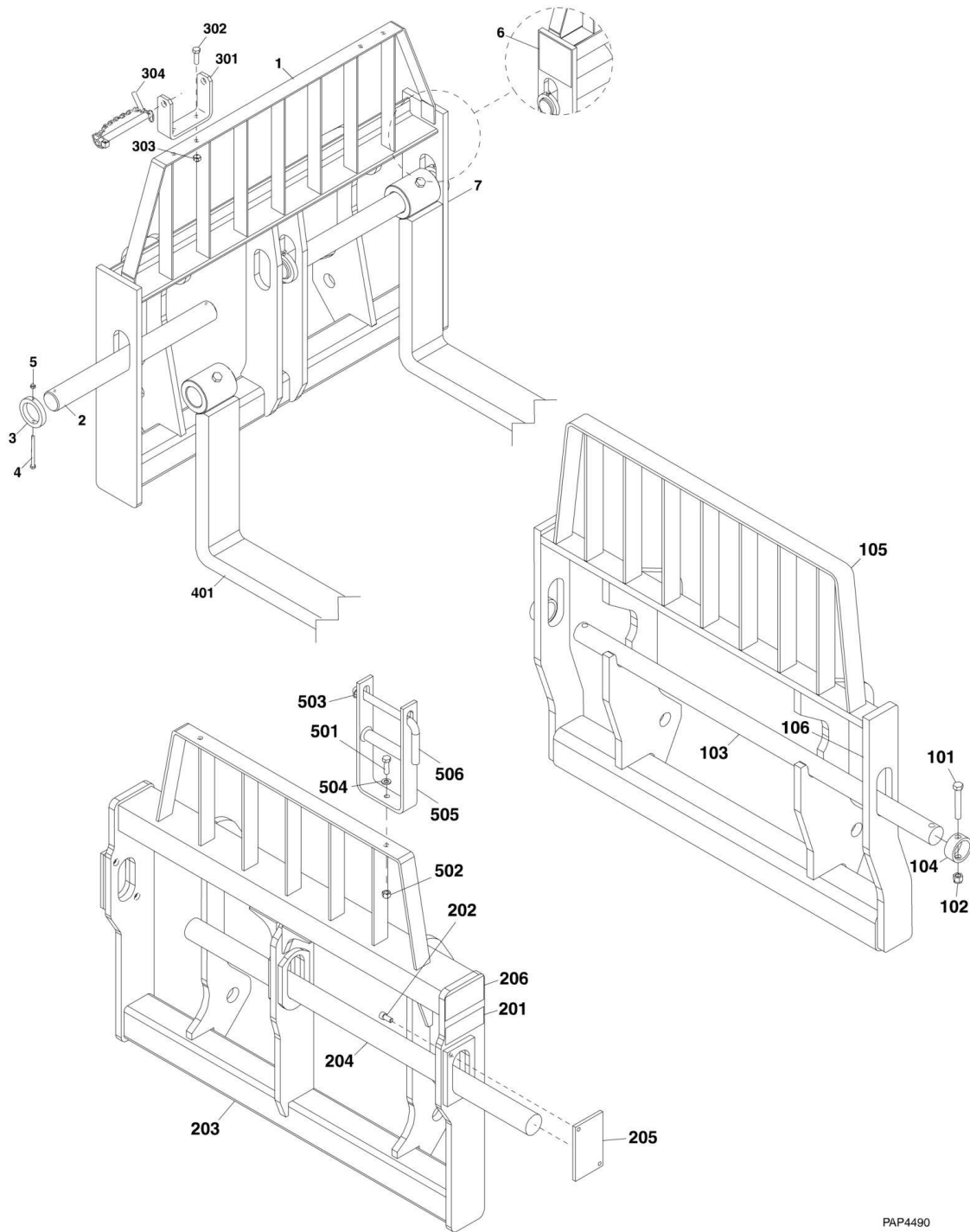
FIGURE 2-4. JD QUICK ATTACH L2906H, 2906H, 3507H, 29.6LP, 29.6 & 35.7

ITEM	PART NUMBER	QTY	DESCRIPTION	REV
	1001110008	Ref	JD QUICK ATTACH INSTALLATION, (L2906H, 2906H, 3507H, 29.6LP, 29.6 & 35.7), (if equipped), (not available to order, see items 1 thru 8 for service)	B
1	2143511	2	ADAPTER	
4	1001097350	1	JD QUICK ATTACH, (includes items 101 thru 115)	C
5	1001110009	2	HOSE ASSY	
6	0700817	1	HEX HD CAPSCREW, M8X45, GR8.8	
7	1321321	1	CLAMP	
8	874960	1	CLAMP GROUP 2D COVER PLATE	
101	N.S.S.	1	WELDMENT	
102	1001104933	1	JD QUICK ATTACH CYLINDER	
102	70022559	1	SEAL KIT	
105	1001101356	1	COVER PLATE	
106	1001101587	2	BOLT, M14X55	
107	4811900	4	WASHER, 8mm	
108	1001111847	4	HEX HD CAPSCREW, M8X16, GR8.8	
109	1001101425	1	COVER PLATE	
110	1001101590	4	O-RING	
111	1001097661	2	ADAPTER	
112	1001097664	2	HOSE ASSY	
113	1001097662	2	ADAPTER	
114	1001097663	2	TEE FITTING	
115	1001103533	1	CLAMP SET, (includes screw and plate)	
201		Ref	AUXILIARY HYDRAULICS, (See HYDRAULIC CIRCUITS SECTION for Breakdown)	

SECTION 3 - ATTACHMENTS

SECTION 3 - ATTACHMENTS

FIGURE 3-1. CARRIAGE ASSEMBLY



PAP4490

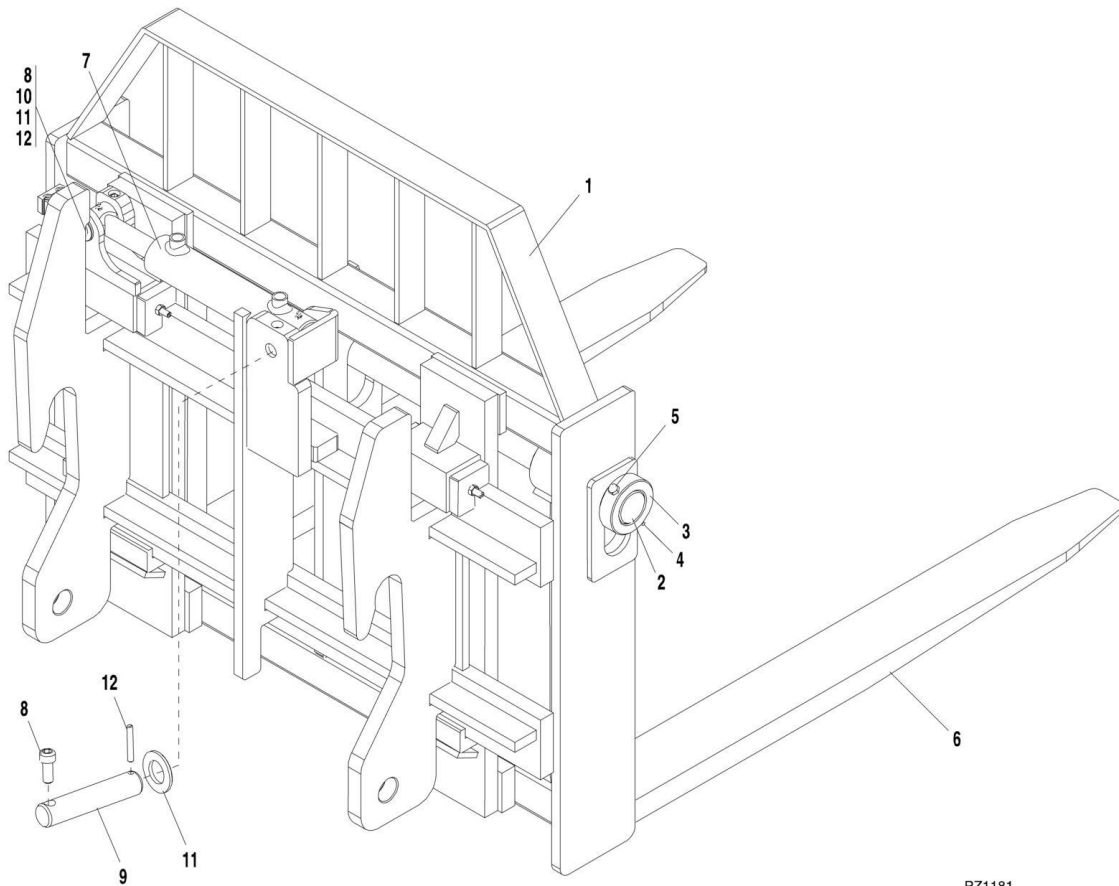
SECTION 3 - ATTACHMENTS

FIGURE 3-1. CARRIAGE ASSEMBLY

ITEM	PART NUMBER	QTY	DESCRIPTION	REV
	1001102554	1	CARRIAGE ASSY, (L2906H, 2906H, 3507H, 29.6LP, 29.6 & 35.7), (includes items 1 thru 5), (used with JD Quick Attach - See BOOM SECTION for Breakdown)	B
	1170028	NLA	CARRIAGE ASSY, (includes items 1 thru 7) (no longer available, order 1001112618 for replacement)	E
	1001112618	1	CARRIAGE ASSY, (includes items 1 thru 5 & 7)	C
1	N.S.S.	1	CARRIAGE WELDMENT	
2	4040283	2	CARRIAGE SHAFT	
3	3760508	4	SHAFT COLLAR	
4	0700827	4	HEX HD CAPSCREW, 8-1.25X100mm, GR8.8	
5	3290805	4	HEX LOCKNUT, 8mm	
6	N.S.S.	1	NAME PLATE	
7	N.S.S.	1	SN PLATE	
	1001097283	1	50IN STANDARD CARRIAGE ASSY, (7000lbs), (619A & 723A), (includes items 101 thru 106)	B
101	0642032	2	HEX HD CAPSCREW, 5/8-11X4	
102	3300240	2	LOCKNUT, 5/8-11	
103	3423275	1	50IN FORK PIN	
104	90200003	2	COLLAR	
105	N.S.S.	1	CARRIAGE WELDMENT	
106	N.S.S.	1	SN PLATE	
	1001107333	1	CARRIAGE ASSY, (500mm), (L2906H, 2906H, 3507H, 29.6LP, 29.6 & 35.7), (VETTER), (includes items 201 thru 206)	A
	1001107581	1	CARRIAGE ASSY, (600mm), (L2906H, 2906H, 3507H, 29.6LP, 29.6 & 35.7), (VETTER), (includes items 201 thru 206)	A
201	N.S.S.	1	SN PLATE	
202	4032109	4	SOCKET HD CAPSCREW, M12X25	
203	N.S.S.	1	CARRIAGE WELDMENT	
204	1001107336	1	CARRIAGE SHAFT	
205	1001107338	2	SHAFT COVER	
206	N.S.S.	1	NAME PLATE	
	0240143	Ref	FORK TRANSPORT LATCH, (L2906H, 2906H, 3507H, 29.6LP, 29.6 & 35.7), (not available to order, see includes items 301 thru 304 for service)	A
301	0903366	2	LOCKING BRACKET	
302	0761216	4	HEX HD CAPSCREW, 12X40	
303	3291205	4	HEX LOCKNUT, 12mm	
304	3423258	2	LOCKING PIN	
401		Ref	FORKS, (See FORKS AND FORK EXTENSIONS for Breakdown)	
	1001120182	1	FORK TRANSPORT LATCH, (L2906H, 2906H, 3507H, 29.6LP, 29.6 & 35.7), (VETTER), (includes items 501 thru 506)	C
501	0701217	2	HEX HD CAPSCREW, M12X45, GR8.8	
502	3291201	2	HEX NUT, M12X1.75	
503	3964987	2	SPLIT PIN	
504	5241200	4	WASHER, 12mm	
505	1001006141	NLA	FORK LOCK BACK BRACKET, (no longer available, use 1001130822 for replacement)	
505	1001130822	2	FORK LOCK BACK BRACKET	
506	1001100262	2	CARRIAGE FORK RETAINER PIN	

SECTION 3 - ATTACHMENTS

FIGURE 3-2. SIDE SHIFT CARRIAGE



PZ1181

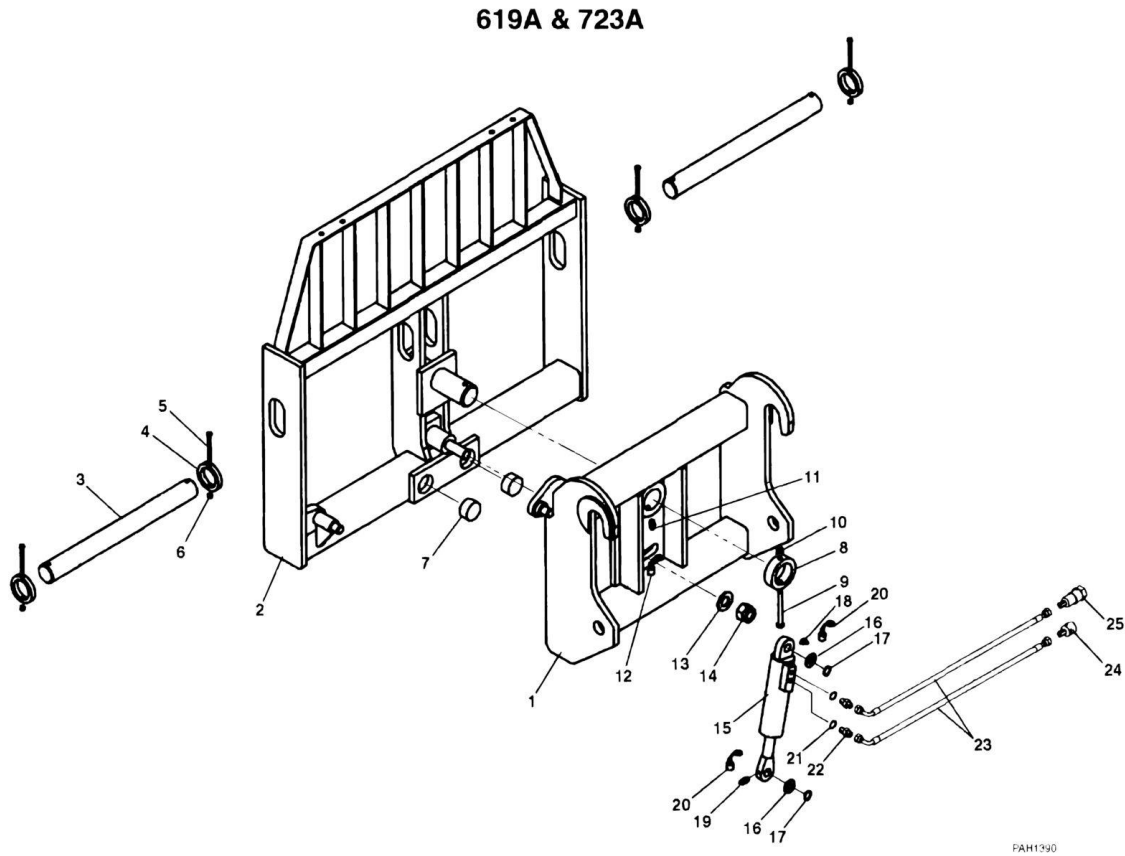
SECTION 3 - ATTACHMENTS

FIGURE 3-2. SIDE SHIFT CARRIAGE

ITEM	PART NUMBER	QTY	DESCRIPTION	REV
	1170002	1	SIDE SHIFT CARRIAGE ASSY, (includes items 1 thru 5 & 7 thru 13)	G
1	N.S.S.	1	CARRIAGE WELDMENT	
2	7028136	1	FORK PIN	
3	7028137	2	COLLAR	
4	3291005	2	NUT	
5	0701029	2	CAPSCREW	
6		Ref	FORK, (See FORKS AND FORK EXTENSIONS for Breakdown)	
7	70021558	1	CYLINDER	
8	70021559	2	BOLT	
9	70021560	1	PIN	
10	70021561	1	PIN	
11	70021562	2	WASHER	
12	70021563	2	ROLL PIN	
13	N.S.S.	1	SN PLATE, (not shown)	

SECTION 3 - ATTACHMENTS

FIGURE 3-3. SIDE TILT CARRIAGE 619A & 723A



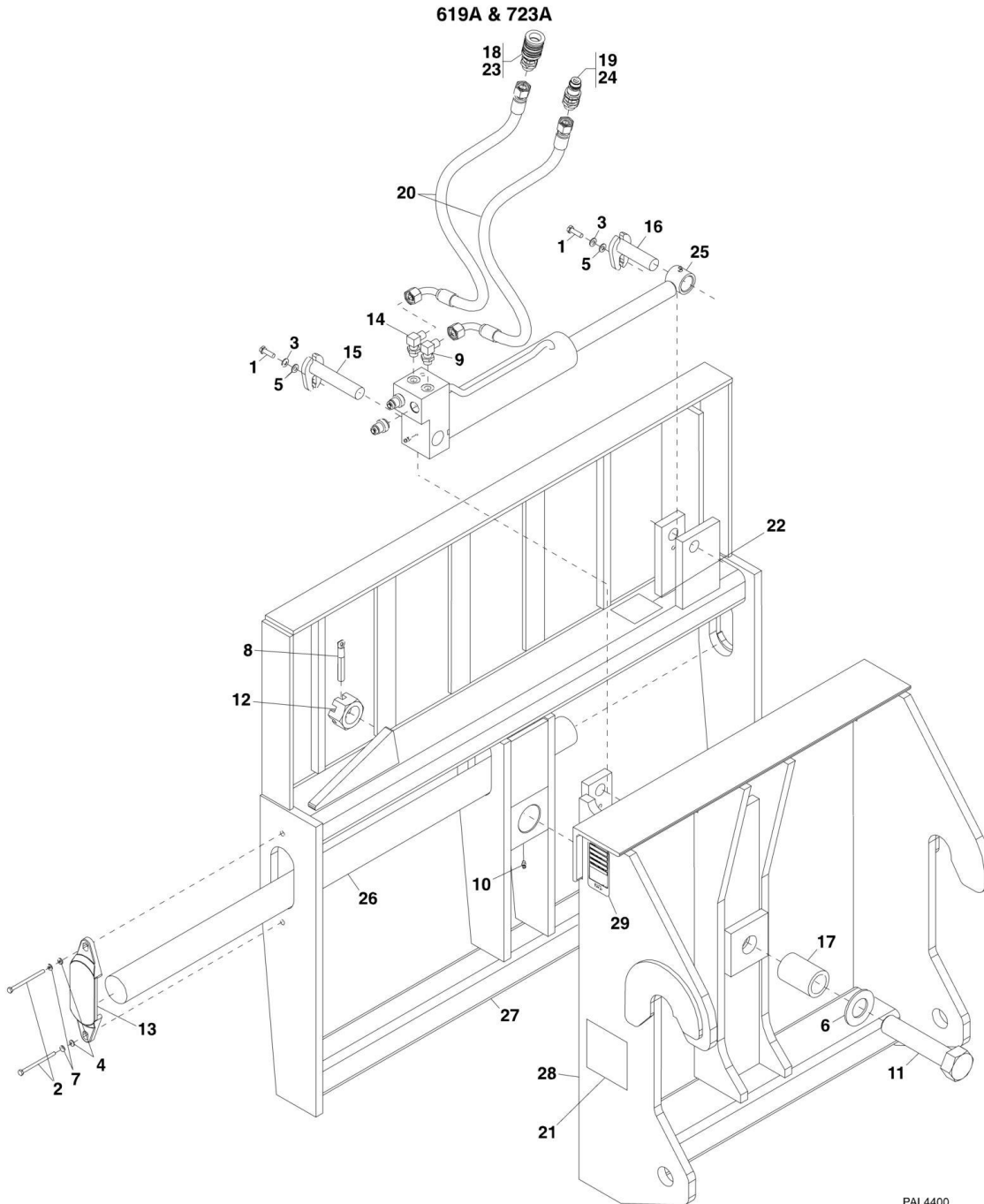
SECTION 3 - ATTACHMENTS

FIGURE 3-3. SIDE TILT CARRIAGE 619A & 723A

ITEM	PART NUMBER	QTY	DESCRIPTION	REV
	1170046	1	SIDE TILT CARRIAGE, (619A & 723A), (Includes all items)	C
1	N.S.S.	1	CARRIAGE WELDMENT	
2	N.S.S.	1	TILT CARRIAGE WELDMENT	
3	4040283	2	CARRIAGE SHAFT	
4	3760508	4	SHAFT COLLAR	
5	70021236	4	HEX HD CAPSCREW	
6	3290805	4	HEX LOCKNUT	
7	70021238	2	BUFFER	
8	70021239	1	COLLAR	
9	70021240	1	HEX HD CAPSCREW	
10	70021241	1	HEX LOCKNUT	
11	70021242	1	GREASE FITTING	
12	70021243	1	GREASE FITTING COVER	
13	70021244	1	WASHER	
14	70022697	1	HEX LOCKNUT	
15	70020506	1	CYLINDER	
15	70023271	1	SEAL KIT	
15	70023272	1	VALVE	
16	70020507	2	WASHER	
17	70020508	2	SNAP RING	
18	70021245	1	GREASE FITTING	
19	70021246	1	GREASE FITTING	
20	70021247	2	GREASE FITTING COVER	
21	70020730	2	GASKET	
22	70020731	2	LINK	
23	70021248	2	HYDRAULIC TUBE	
24	1001094556	1	MALE QUICK DISCONNECT COUPLING	
25	1001094555	1	FEMALE QUICK DISCONNECT COUPLING	

SECTION 3 - ATTACHMENTS

FIGURE 3-4. SIDE TILT CARRIAGE 619A & 723A



PAL4400

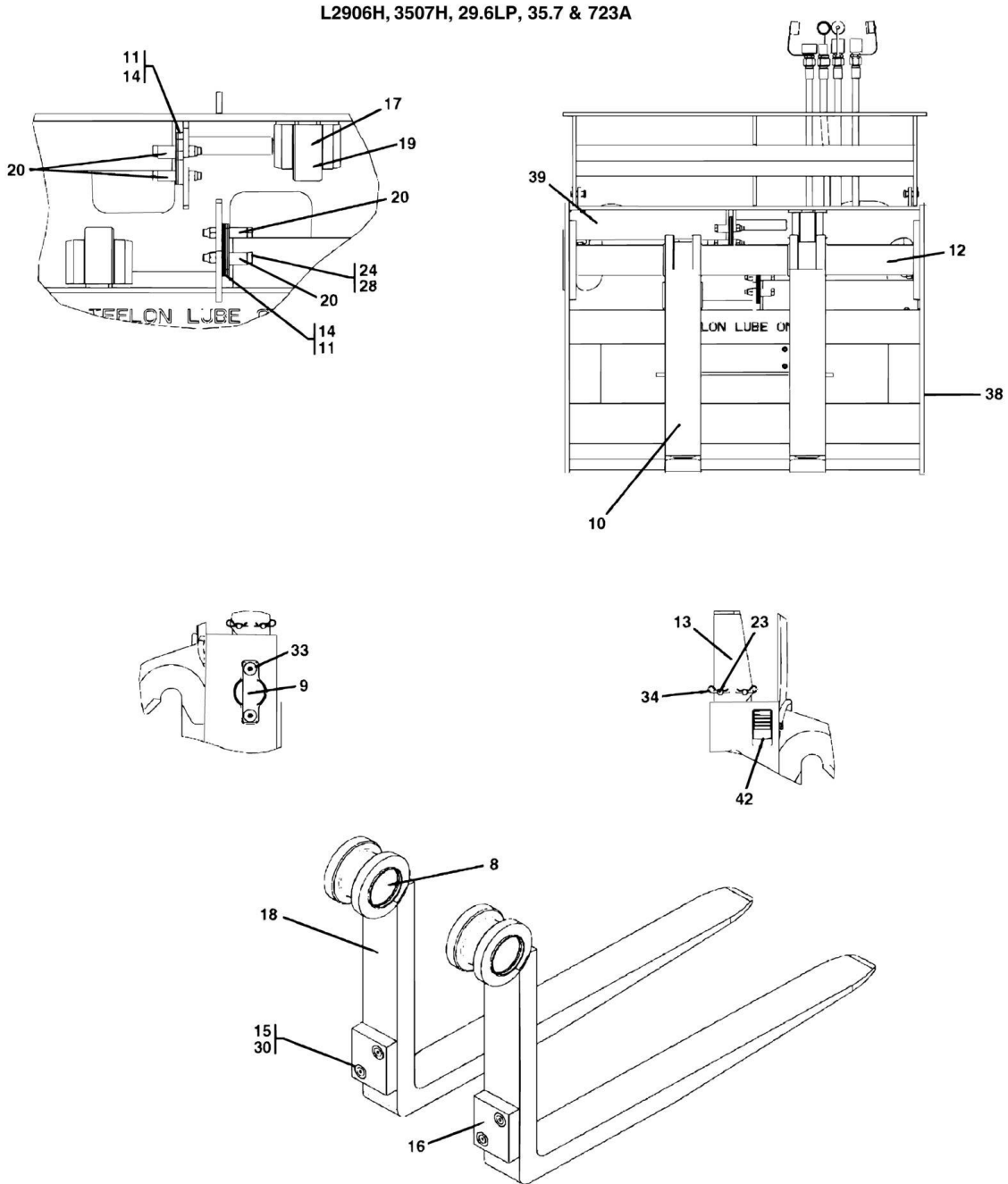
SECTION 3 - ATTACHMENTS

FIGURE 3-4. SIDE TILT CARRIAGE 619A & 723A

ITEM	PART NUMBER	QTY	DESCRIPTION	REV
	1001099613	1	48IN SIDE TILT CARRIAGE, (619A & 723A), (7000lbs), (includes items 1 thru 29)	A
1	70021349	2	HEX HD CAPSCREW, 0.38X1.00	
2	7029691	4	HEX HD CAPSCREW, 0.50X1.25	
3	90554042	2	LOCKWASHER, 0.38	
4	90554020	4	LOCKWASHER, 0.50	
5	70021350	2	FLAT WASHER, 0.38	
6	70021346	1	FLAT WASHER, 1.50	
7	70021338	4	HARD WASHER, 0.50	
8	7029700	1	COTTER PIN	
9	90554065	1	ELBOW, 90	
10	90554045	1	GREASE FITTING	
11	70021347	1	HEX HD CAPSCREW, 1.50X7.00	
12	7029713	1	HEX NUT, 1.50	
13	7029690	2	FORK PIN RETAINER	
14	7029705	1	ELBOW, 90	
15	70021348	1	PIN	
16	70021351	1	PIN	
17	70021345	1	SPACER	
18	7029692	1	MALE QUICK COUPLER	
19	70021342	1	FEMALE QUICK COUPLER	
20	70021343	2	HOSE ASSY	
21	90554017	2	PINCH POINT DECAL	
22	7029711	1	HIGH PRESSURE DECAL	
23	90554062	1	DUST CAP	
24	90554076	1	DUST PLUG	
25		Ref	SIDE TILT CYLINDER, (See HYDRAULIC COMPONENTS SECTION for Breakdown)	
26	70021339	1	FORK PIN	
27	N.S.S.	1	CARRIAGE WELDMENT	
28	N.S.S.	1	REAR FRAME WELDMENT	
29	N.S.S.	1	SN PLATE	

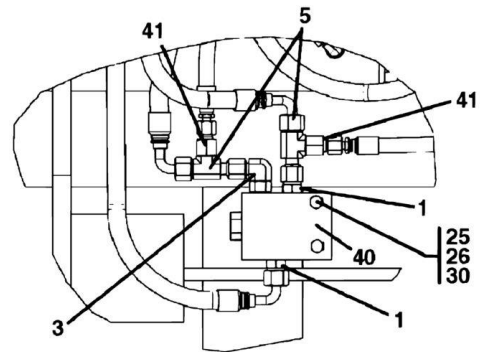
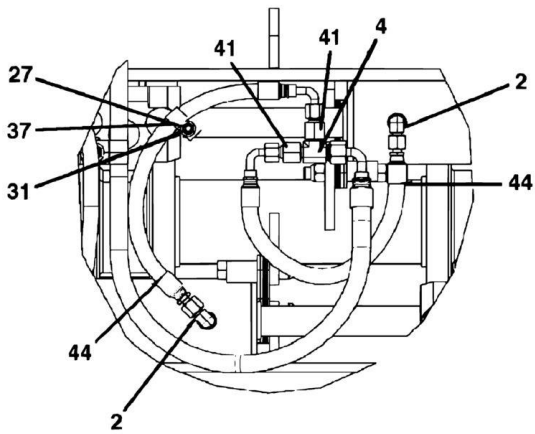
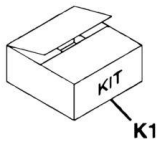
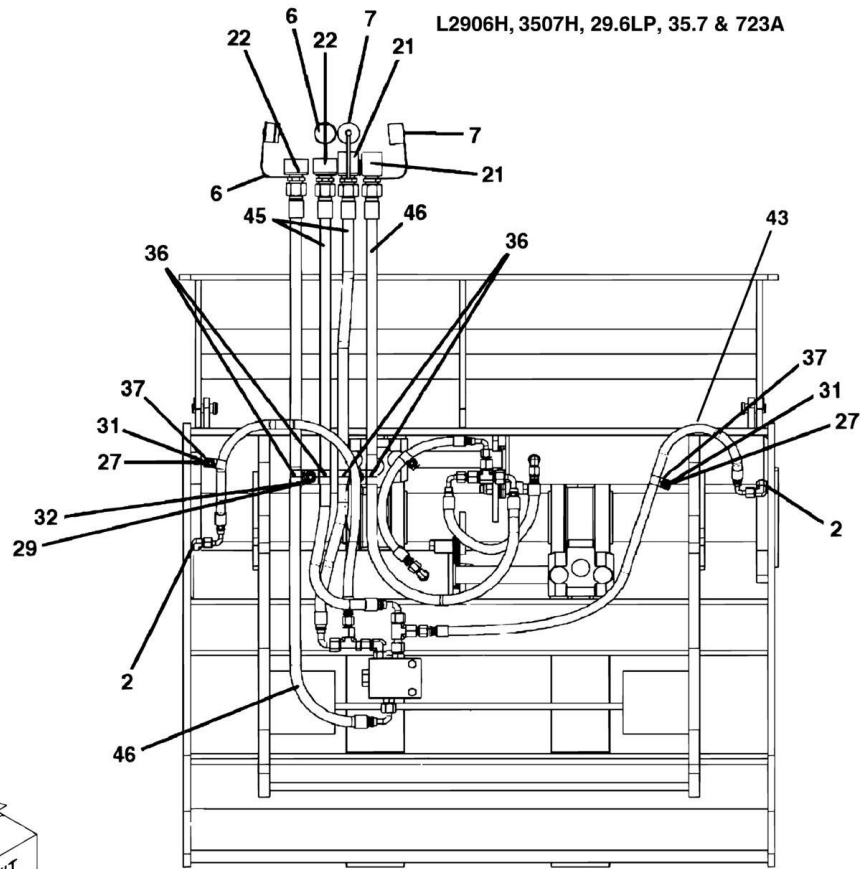
SECTION 3 - ATTACHMENTS

FIGURE 3-5. FORK POSITION/ SIDE SHIFT CARRIAGE L2906H, 3507H, 29.6LP, 35.7 & 723A



ART_1001091316_1-F

SECTION 3 - ATTACHMENTS



ART_1001091316_2-F

SECTION 3 - ATTACHMENTS

FIGURE 3-5. FORK POSITION/ SIDE SHIFT CARRIAGE L2906H, 3507H, 29.6LP, 35.7 & 723A

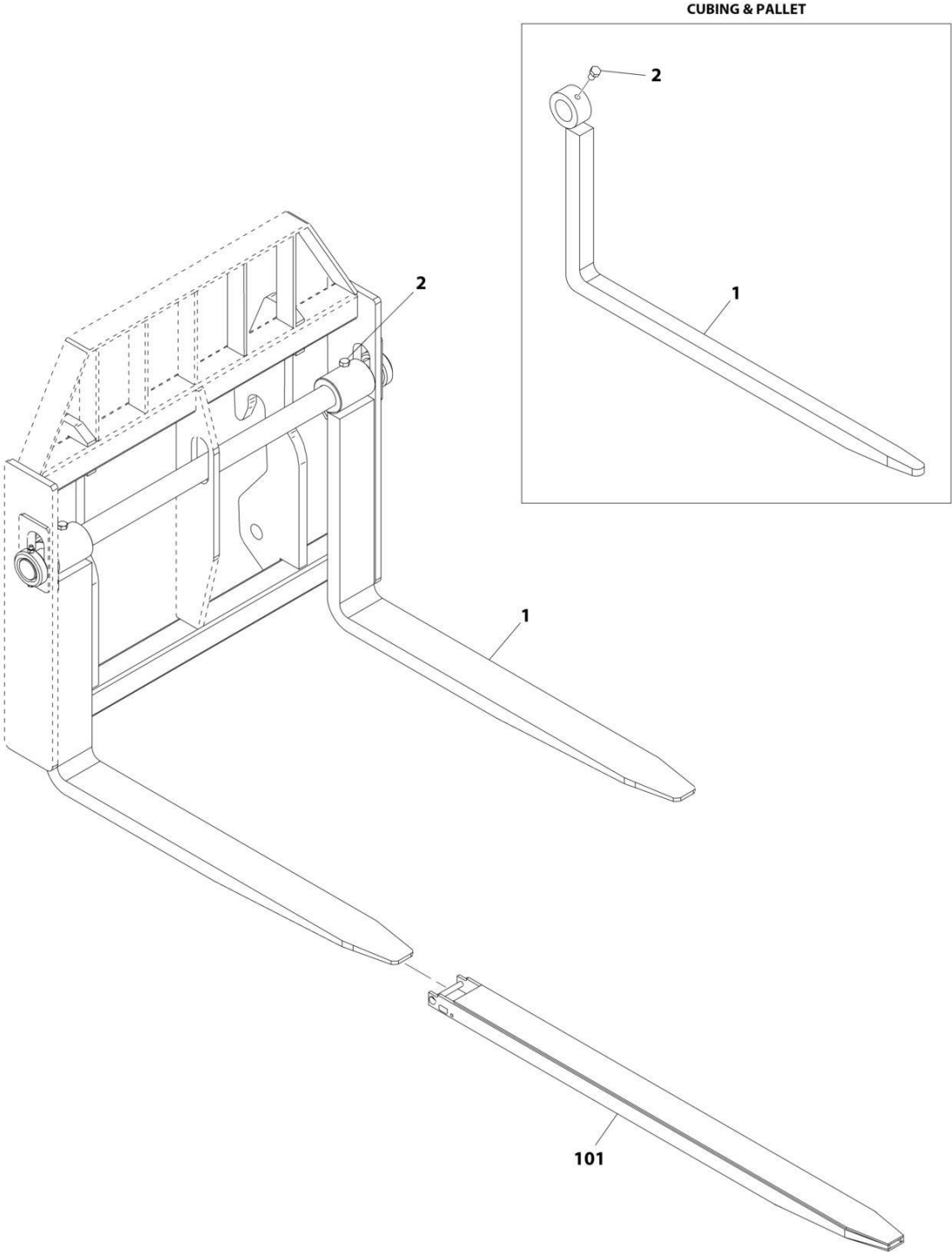
ITEM	PART NUMBER	QTY	DESCRIPTION	REV
	1001091316	1	FORK POSITION/SIDE SHIFT CARRIAGE, (L2906H, 3507H, 29.6LP, 35.7 & 723A), (includes items 1 thru 46)	F
1	2110606	2	CONNECTOR	
2	2130404	4	CONNECTOR	
3	2130606	1	CONNECTOR	
4	2170506	1	UNION	
5	2170706	2	UNION	
6	1001093826	1	DUST CAP	
7	1001093827	1	DUST PLUG	
8	6616072	2	FIBERGLIDE BEARING	
9	6616152	1	SHAFT RETAINER	
10	6616313	2	FORK ASSEMBLY	
11	6616372	4	CYLINDER RETAINER PLATE	
12	6616553	1	FORK CARRIAGE SHAFT	
13	N.S.S.	1	BACKREST WELDMENT	
14	6617012	8	CYLINDER RETAINER SHIM	
15	6618622	4	WEAR PAD INSERT	
16	6618632	2	WEAR PAD	
17	6619882	12	PAWL WEAR PAD	
18	6621863	2	PALLET FORK, 2.00X4.00X40.00	
19	7115372	2	PAWL CYLINDER ROD END	
20	7116171	4	SPACER	
21	1001094555	1	FEMALE QUICK DISCONNECT COUPLING	
22	1001094556	1	MALE QUICK DISCONNECT COUPLING	
23	8301428	4	CLEVIS PIN, 5/8X1-1/2	
24	8303702	4	HEX HD CAPSCREW, 0.500-13NCX3, GR5	
25	8303757	2	HEX HD CAPSCREW, 0.312-18NCX2.5, GR5	
26	8305006	2	HEX NUT, 0.250-20	
27	8305624	3	HEX LOCKNUT, 0.250-20	
28	8305644	4	HEX LOCKNUT, 0.500-13	
29	8305645	2	HEX LOCKNUT, 0.375-16	
30	8307004	2	LOCKWASHER, 5/16	
31	8307109	3	WASHER, 0.250	
32	8307110	2	WASHER, 0.375	
33	8310261	2	SCREW, 0.750-10X1.5	
34	8310264	4	HAIR PIN	
35	8310341	4	SCREW, 0.375-16X1.5	
36	8406105	4	TUBE CLIP, 0.75	
37	8406109	3	TUBE CLIP, 0.5	
38	N.S.S.	1	CARRIAGE WELDMENT	
39		Ref	FORK SIDE SHIFT CYLINDER, (See HYDRAULIC COMPONENTS SECTION for Breakdown)	
40	1001092465	1	MANIFOLD VALVE	
40	70022664	1	CARTRIDGE	
41	1001092764	4	TUBE END REDUCER CONNECTOR	
42	N.S.S.	1	SN PLATE	
43	1001093411	2	HOSE ASSY	
44	1001093412	2	HOSE ASSY	
45	1001093413	2	HOSE ASSY	
46	1001093414	2	HOSE ASSY	

SECTION 3 - ATTACHMENTS

ITEM	PART NUMBER	QTY	DESCRIPTION	REV
K1	1001097287	1	QUICK DISCONNECT ADAPTOR KIT, (if equipped), (includes items 6, 7, 21 & 22)	

SECTION 3 - ATTACHMENTS

FIGURE 3-6. FORKS AND FORK EXTENSIONS



ART_31200566-3-6

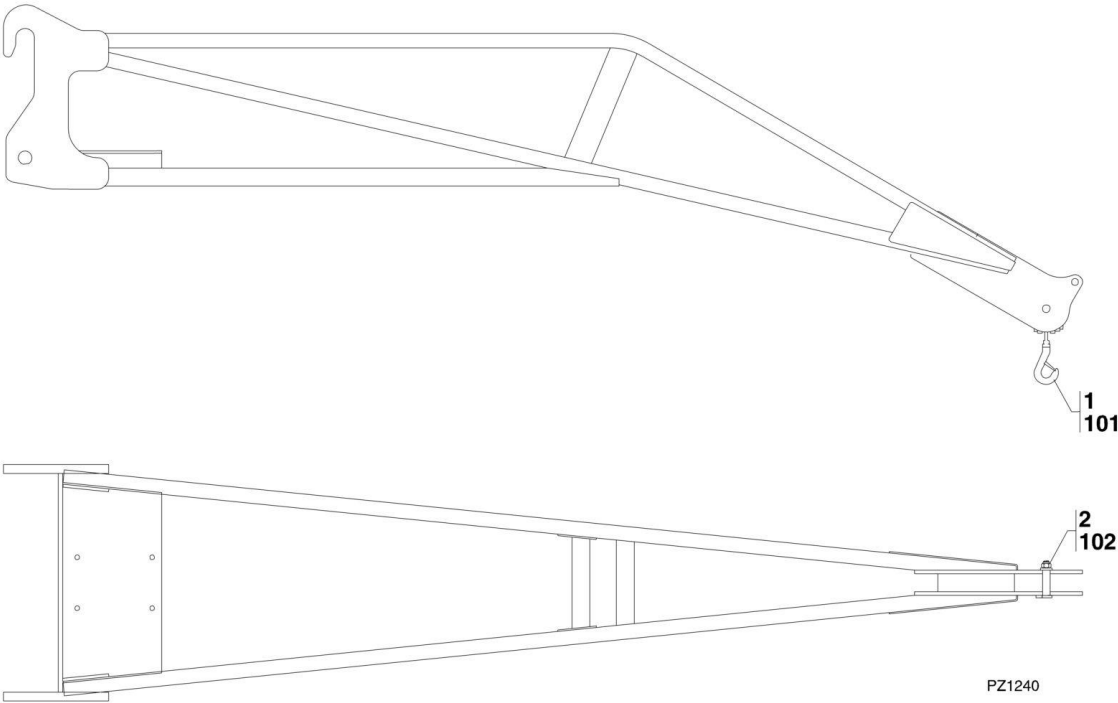
SECTION 3 - ATTACHMENTS

FIGURE 3-6. FORKS AND FORK EXTENSIONS

ITEM	PART NUMBER	QTY	DESCRIPTION	REV
1	2340029	2	FORK, (125X45X1200mm), (2000kg each fork), (L2906H, 2906H, 3507H, 29.6LP, 29.6 & 35.7)	B
2	7028626	2	HEX HD CAPSCREW	
1	2340030	1	FORK TINE ASSY, (Lamy), (100X50X1200mm), (4000kg per pair), (sold as a pair), (L2906H, 2906H, 3507H, 29.6LP, 29.6 & 35.7)	C
2	7028628	2	HEX HD CAPSCREW	
1	2340037	4	48IN CUBING FORK, (2X2X48), (7760lbs), (619A & 723A)	A
1	2340040	NLA	FORK, (120X50X1200mm), (4000kg per pair), (no longer available, use 1001117945 for replacement), (L2906H, 2906H, 3507H, 29.6LP, 29.6 & 35.7), (sold as a pair)	C
1	1001117945	1	FORK, (120X50X1200mm), (2000kg), (L2906H, 2906H, 3507H, 29.6LP, 29.6 & 35.7), (sold as a pair)	C
2	0761612	2	HEX HD CAPSCREW, 16X25, GR8.8	
1	1001100911	1	FORK TINE ASSY, (L2906H, 2906H, 3507H, 29.6LP, 29.6 & 35.7), (VETTER), (4000kg per pair), (100X50X1200mm), (includes hardware)	D
2	0761214	2	HEX HD CAPSCREW, M12X30, GR8.8	
1	1001099457	2	60IN LUMBER FORK, (1.5X6X60), (7300lbs), (619A & 723A)	C
1	1001099458	2	48IN PALLET FORK, (2X4X48), (7600lbs), (619A & 723A)	C
1	1001107586	1	FORK, (100X60X1200mm), (2000kg), (L2906H, 2906H, 3507H, 29.6LP, 29.6 & 35.7) (sold as a pair)	C
2	0761214	2	HEX HD CAPSCREW, M12X30, GR8.8	
1	2340041	1	FORK, (100X50X1200mm), (2000kg), (L2906H, 2906H, 3507H, 29.6LP, 29.6 & 35.7) (sold as a pair)	C
2	0761612	2	HEX HD CAPSCREW, 16X25, GR8.8	
101	1001112559	2	FORK EXTENSION, (110X55X1800), (L2906H, 2906H, 3507H, 29.6LP, 29.6 & 35.7)	C
101	1001112560	2	FORK EXTENSION, 100x60, (AUS), (2906H, L2906H, 3507H)	B
101	70022831	2	BOLT KIT, (includes washer and clip), (L2906H, 2906H, 3507H, 29.6LP, 29.6 & 35.7)	
N1	Note	Ref	FORKS RATED LESS THAN THE ATTACHMENT OR MACHINE'S CAPACITY DECREASES CAPACITY OF THE ATTACHMENT OR MACHINE TO THAT OF THE FORKS. FORKS RATED MORE THAN THE ATTACHMENT OR MACHINE'S CAPACITY DO NOT INCREASE ATTACHMENT OR MACHINE'S CAPACITY.	
N2	Note	Ref	PLEASE CONSULT JLG PARTS DEPARTMENT TO DETERMINE THE CORRECT FORKS APPLICABLE TO YOUR SPECIFIC CARRIAGE ASSEMBLY AND APPLICATION.	

SECTION 3 - ATTACHMENTS

FIGURE 3-7. TRUSS BOOMS L2906H, 2906H, 3507H, 29.6LP, 29.6 & 35.7



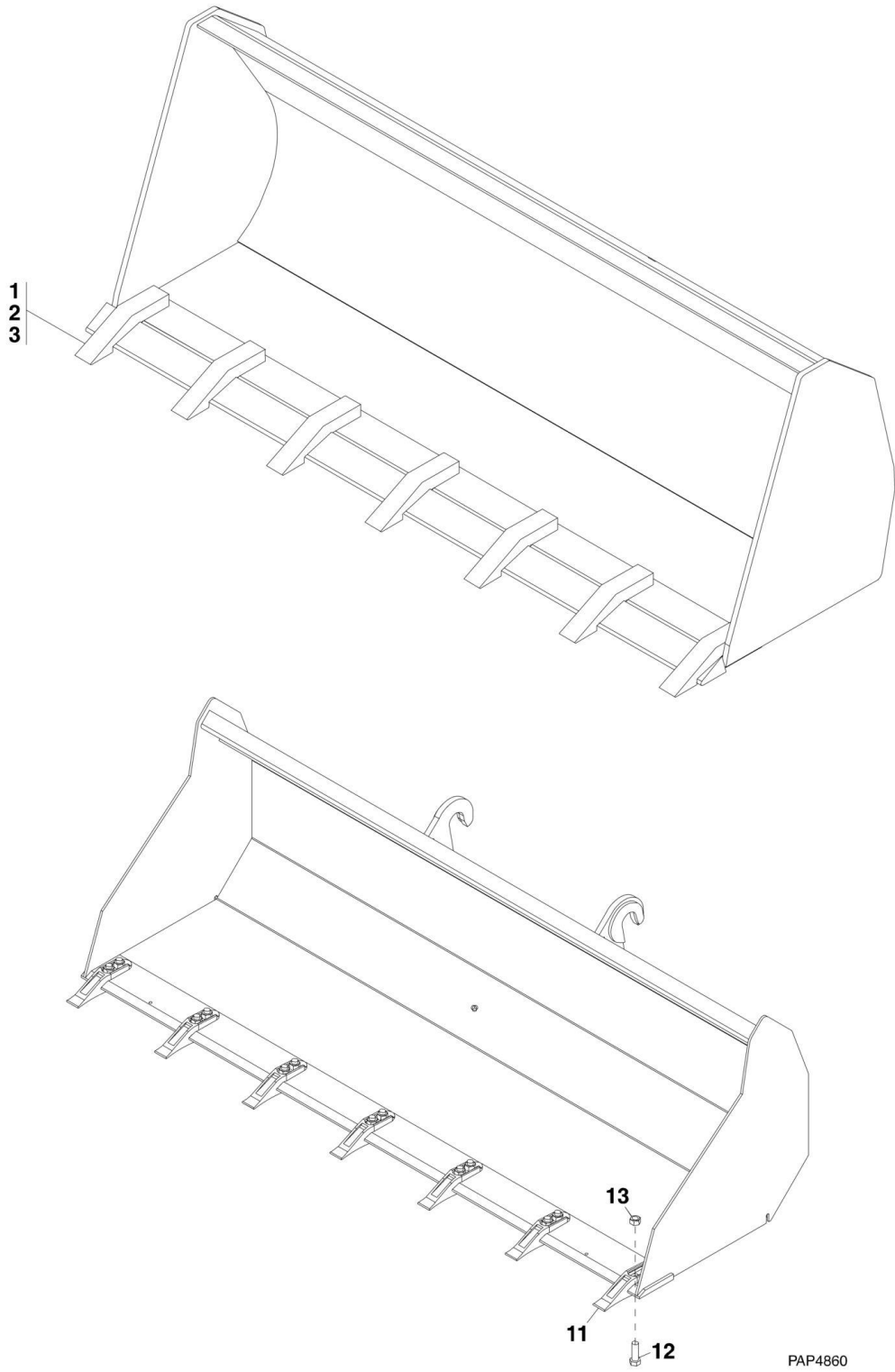
SECTION 3 - ATTACHMENTS

FIGURE 3-7. TRUSS BOOMS L2906H, 2906H, 3507H, 29.6LP, 29.6 & 35.7

ITEM	PART NUMBER	QTY	DESCRIPTION	REV
	0240063	1	3.4M TRUSS BOOM, (1000kg), (L2906H, 2906H, 3507H, 29.6LP, 29.6 & 35.7), (includes items 1 & 2)	C
1	70020421	1	HOOK	
2	70020422	1	BOLT	
	0240110	1	3.6M TRUSS BOOM, (650kg), (includes items 101 & 102)	D
101	70020423	1	HOOK	
102	70020424	1	BOLT	

SECTION 3 - ATTACHMENTS

FIGURE 3-8. BUCKETS



PAP4860

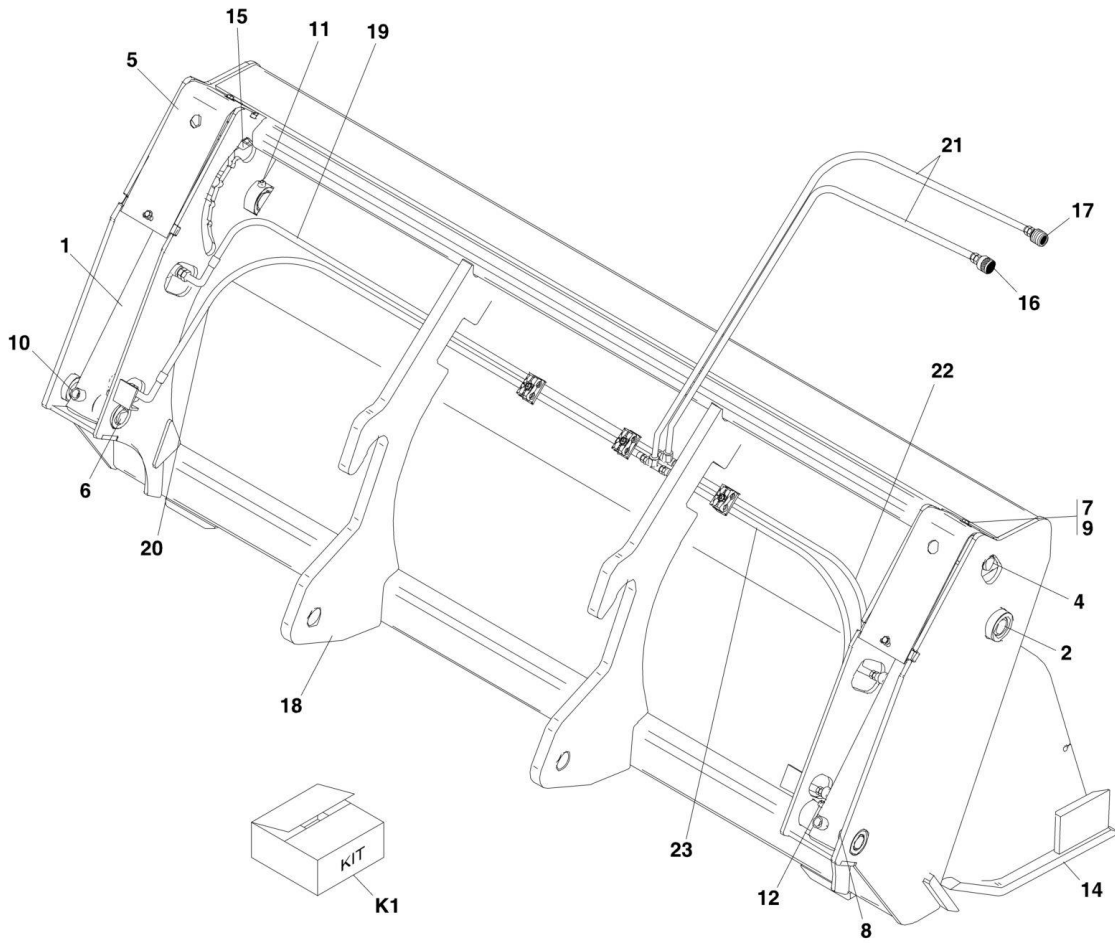
SECTION 3 - ATTACHMENTS

FIGURE 3-8. BUCKETS

ITEM	PART NUMBER	QTY	DESCRIPTION	REV
	4805670	1	DIG BUCKET, W/TEETH, 0.8m ³ , (L2906H, 2906H, 3507H, 29.6LP, 29.6 & 35.7), (includes items 1 thru 3)	B
	4802100	1	DIG BUCKET, W/TEETH, 1.0m ³ , (L2906H, 2906H, 3507H, 29.6LP, 29.6 & 35.7), (includes items 1 thru 3)	B
1	7028092	7	TOOTH	
2	7028093	7	SECURING PIN	
3	7028094	7	TOOTH MOUNT	
4	8008424	1	TOOTH PROTECTION, (if equipped), (not shown)	
4	0930015	1	DIG BUCKET, 0.9m ³ , (not shown)	C
4	70020392	1	BLADE KIT, (includes qty 7 each of items 12 & 13), (not shown)	
4	0930016	1	DIG BUCKET, 1.8m ³ , (not shown)	C
4	70020392	1	BLADE KIT, (includes qty 7 each of items 12 & 13), (not shown)	
4	0930008	1	DIG BUCKET, 0.8m ³ , (L2906H, 2906H, 619A, 29.6LP & 29.6), (not shown)	A
4	70020768	1	BLADE KIT, (includes mounting hardware), (not shown)	
4	0930009	1	DIG BUCKET, 1.5m ³ , (L2906H, 2906H, 619A, 29.6LP & 29.6), (not shown)	A
4	70020768	1	BLADE KIT, (includes mounting hardware), (not shown)	
4	1001094612	1	TEETH KIT, (includes items 11 thru 13), (not shown)	A
11	1001094611	7	TOOTH	
12	1001094615	14	HEX HD CAPSCREW, M20X72	
13	1001094616	14	HEX NUT, M20X2.5	

SECTION 3 - ATTACHMENTS

FIGURE 3-9. MULTI-PURPOSE BUCKETS



PAP15910

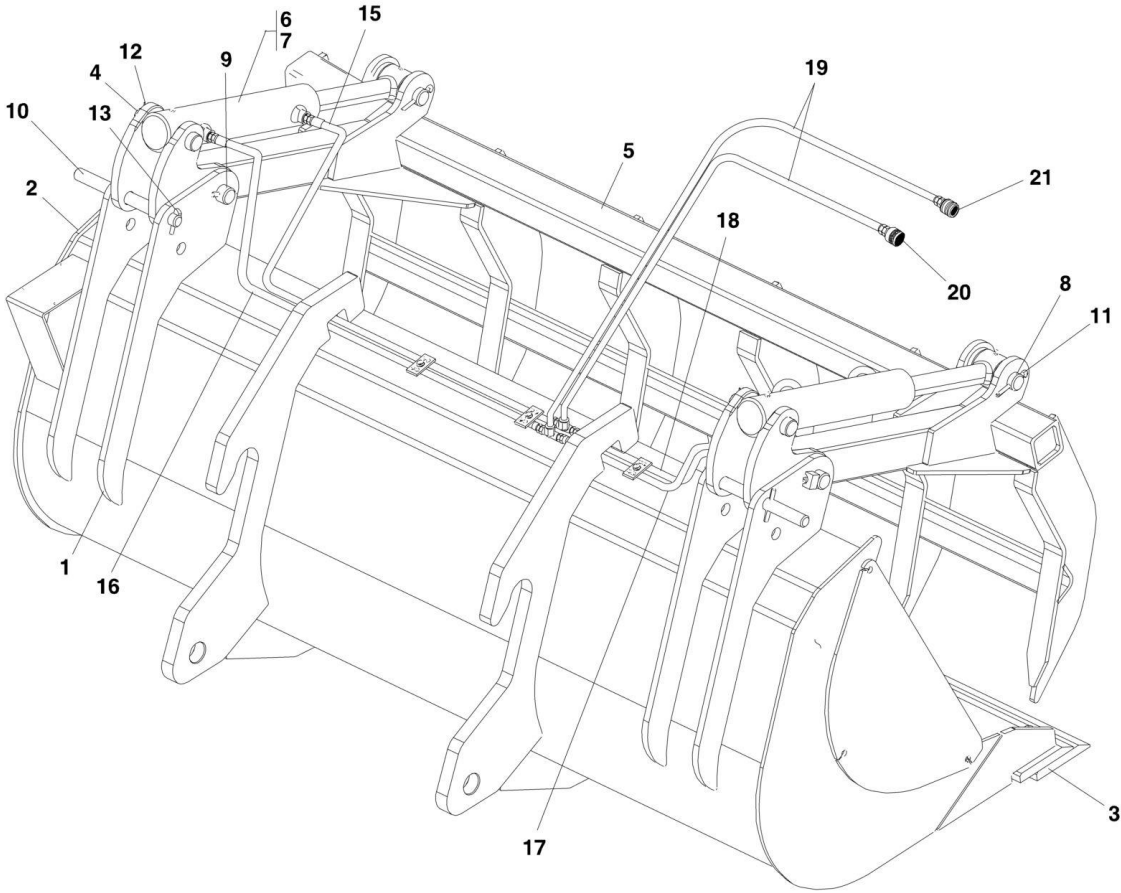
SECTION 3 - ATTACHMENTS

FIGURE 3-9. MULTI-PURPOSE BUCKETS

ITEM	PART NUMBER	QTY	DESCRIPTION	REV
	0930003	1	MULTI-PURPOSE BUCKET, 1m, (includes items 1 thru 23)	E
	0930006	1	MULTI-PURPOSE BUCKET, 2.05m, (L2906H, 2906H, 619A, 29.6LP & 29.6) (includes items 1 thru 23)	C
1	7028990	2	CYLINDER	
1	7028910	AR	CYLINDER SEAL KIT	
2	7028911	2	PIN	
3	7028912	6	NUT, (not shown)	
4	7028913	2	PIN	
5	7028914	2	PROTECTING PLATE	
6	7028915	2	PIN	
7	7028916	4	HEX HD SCREW	
8	7028131	6	BUSHING	
9	7028917	4	WASHER	
10	7028918	6	GREASE NIPPLE	
11	7028920	2	SCREW	
12	7028919	4	SCREW	
14	N.S.S.	1	WELDMENT	
15	7028923	1	GAUGE	
16	1001094555	1	FEMALE QUICK DISCONNECT COUPLING	
17	1001094556	1	MALE QUICK DISCONNECT COUPLING	
18	N.S.S.	1	WELDMENT	
19	7028982	1	HOSE ASSY	
20	7028983	1	HOSE ASSY	
21	7028984	2	HOSE ASSY	
22	7028985	1	HOSE ASSY	
23	7028991	1	HOSE ASSY	
101	1001093826	1	DUST CAP, (not shown)	
102	1001093827	1	DUST PLUG, (not shown)	
K1	1001097287	1	QUICK DISCONNECT ADAPTER KIT, (includes items 16, 17, 101 & 102)	

SECTION 3 - ATTACHMENTS

FIGURE 3-10. MANURE BUCKET



PZ0221

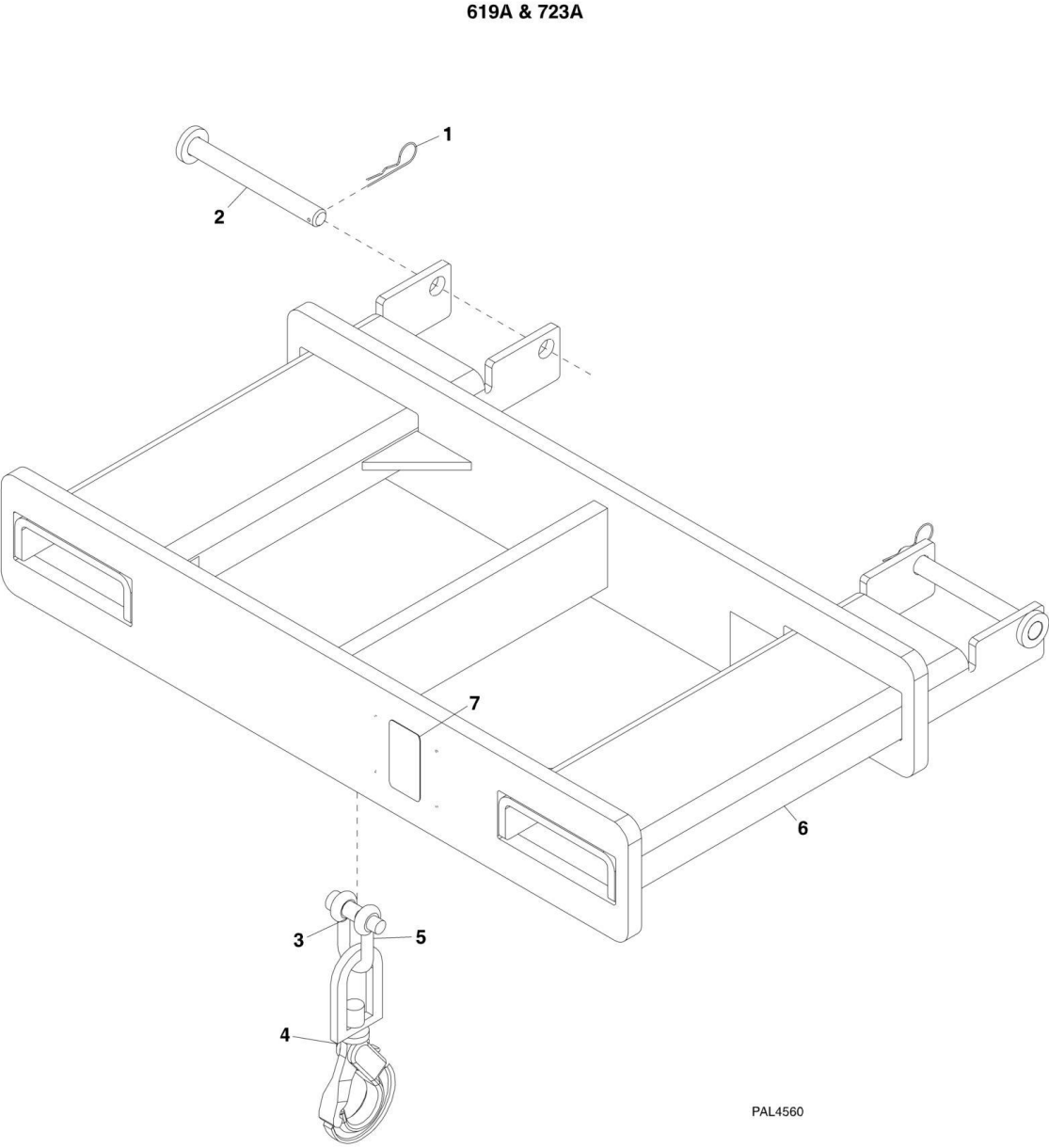
SECTION 3 - ATTACHMENTS

FIGURE 3-10. MANURE BUCKET

ITEM	PART NUMBER	QTY	DESCRIPTION	REV
	0930004	1	MANURE BUCKET, 1.0m ³ , (includes items 1 thru 21)	D
	0930005	1	MANURE BUCKET, 0.8m ³ , (L2906H, 2906H, 619A, 29.6LP & 29.6), (includes items 1 thru 21)	C
1	N.S.S.	1	WELDMENT	
2	7028133	1	SIDE PLATE ASSY, (1.0m ³)	
2	7029323	1	SIDE PLATE ASSY, (0.8m ³)	
3	7028132	1	BLADE ASSY, (1.0m ³), (includes blade and the following hardware)	
3	7029356	8	HEX LOCKNUT, M16-8	
3	70023484	8	BOLT, M16X60, GR10.9	
3	7029322	1	BLADE ASSY, (0.8m ³), (includes blade and the following hardware)	
3	7029356	7	HEX LOCKNUT, M16-8	
3	70023484	7	BOLT, M16X60, GR10.9	
4	7028126	2	ADJUSTING BRACKET	
5	7028125	1	GRAPPLE, (1.0m ³)	
5	7029321	1	GRAPPLE, (0.8m ³)	
6	7028127	2	TILT CYLINDER	
6	7028910	2	SEAL KIT	
7	7028131	6	BUSHING	
8	7028128	2	PIN	
9	7028129	2	LOCKING PIN	
10	7028130	2	PIN	
11	7028135	4	ROLL PIN	
12	7028134	8	ROLL PIN	
13	7028124	2	CIRCLIP	
15	7028986	1	HOSE ASSY	
16	7028987	1	HOSE ASSY	
17	7028988	1	HOSE ASSY	
18	7028989	1	HOSE ASSY	
19	7028984	2	HOSE ASSY	
20	1001094555	1	FEMALE QUICK DISCONNECT COUPLING	
21	1001094556	1	MALE QUICK DISCONNECT COUPLING	

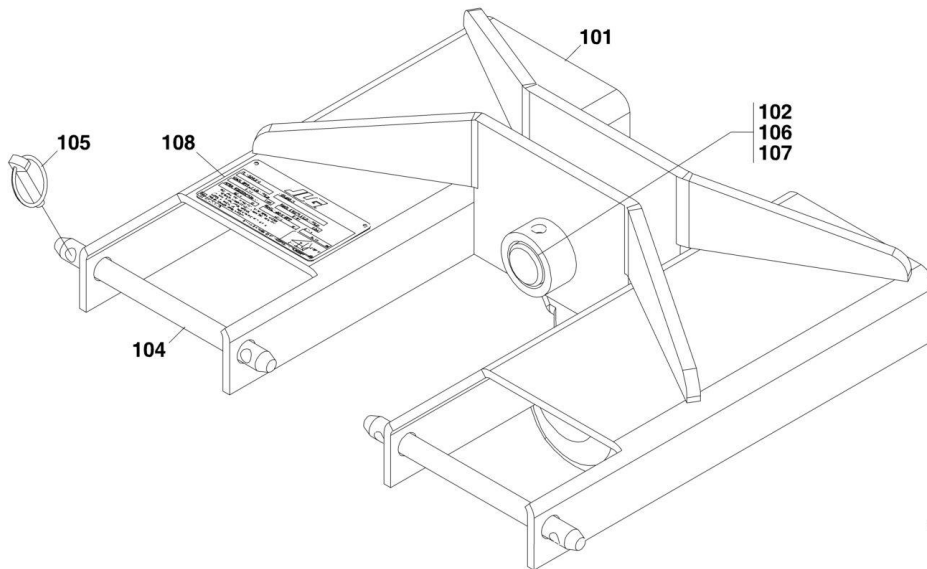
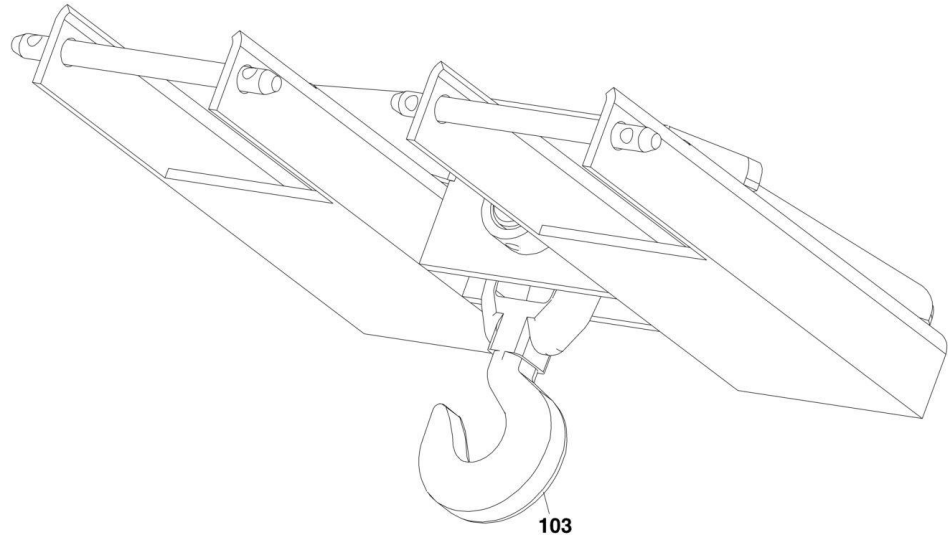
SECTION 3 - ATTACHMENTS

FIGURE 3-11. FORK MOUNTED HOOK



SECTION 3 - ATTACHMENTS

L2906H, 2906H, 3507H, 29.6LP, 29.6 & 35.7



PAL4570

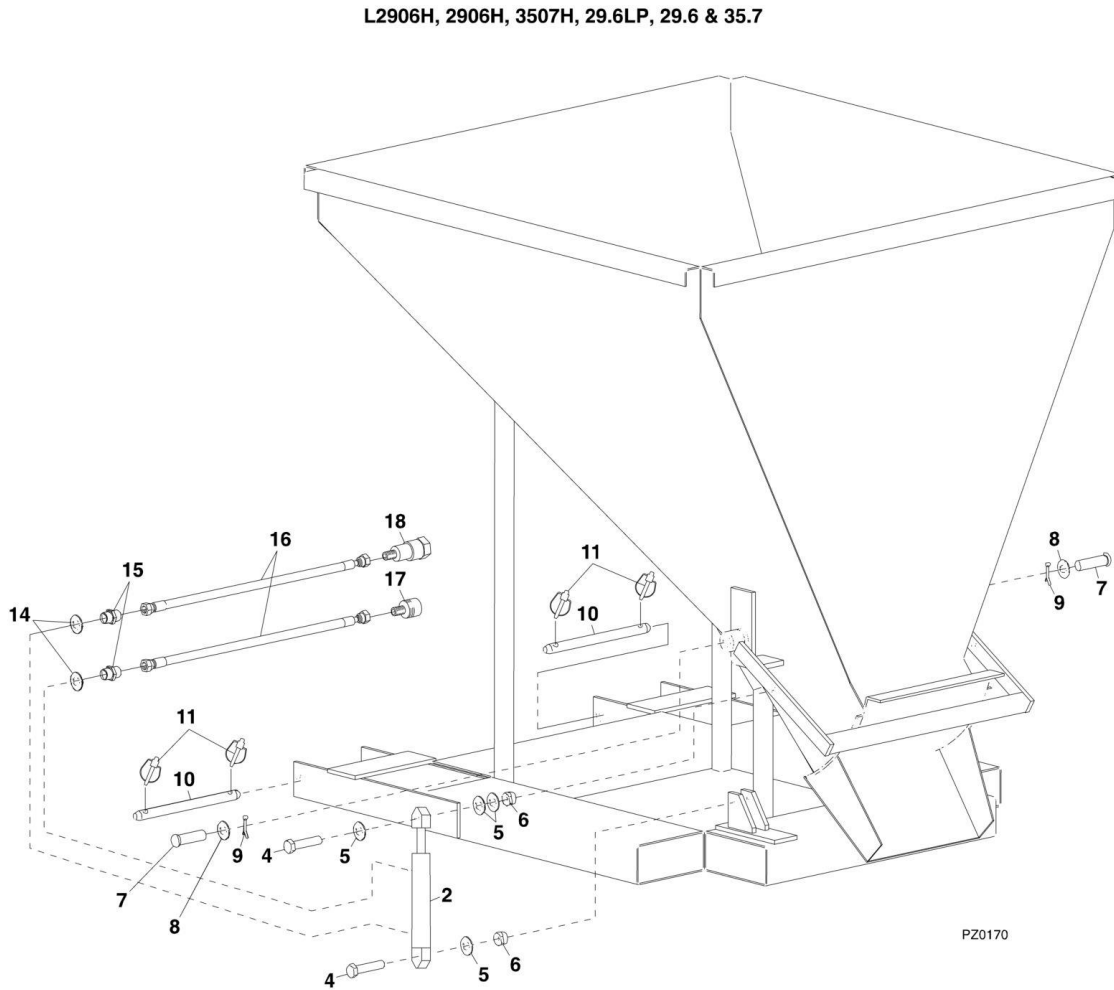
SECTION 3 - ATTACHMENTS

FIGURE 3-11. FORK MOUNTED HOOK

ITEM	PART NUMBER	QTY	DESCRIPTION	REV
	91565094	1	FORK MOUNTED HOOK, (619A & 723A), (includes items 1 thru 7)	A
1	7029520	2	COTTER PIN	
2	70020554	2	PIN	
3	70020555	1	BUSHING	
4	90554080	1	HOOK	
5	7029521	1	CHAIN	
6	N.S.S.	1	FORK MOUNTED HOOK WELDMENT	
7	N.S.S.	1	SN PLATE	
	2700118	1	FORK MOUNTED HOOK ASSY, (L2906H, 2906H, 3507H, 29.6LP, 29.6 & 35.7), (includes items 101 thru 108)	C
101	N.S.S.	1	FORK MOUNTED HOOK WELDMENT	
102	70020201	1	PIN	
103	70020202	1	HOOK	
104	70020203	2	PIN	
105	70020204	4	RETAINING RING	
106	70020205	1	BOLT	
107	70020206	1	SELF LOCKING NUT	
108	N.S.S.	1	SN PLATE	

SECTION 3 - ATTACHMENTS

FIGURE 3-12. CONCRETE LADLE L2906H, 2906H, 3507H, 29.6LP, 29.6 & 35.7



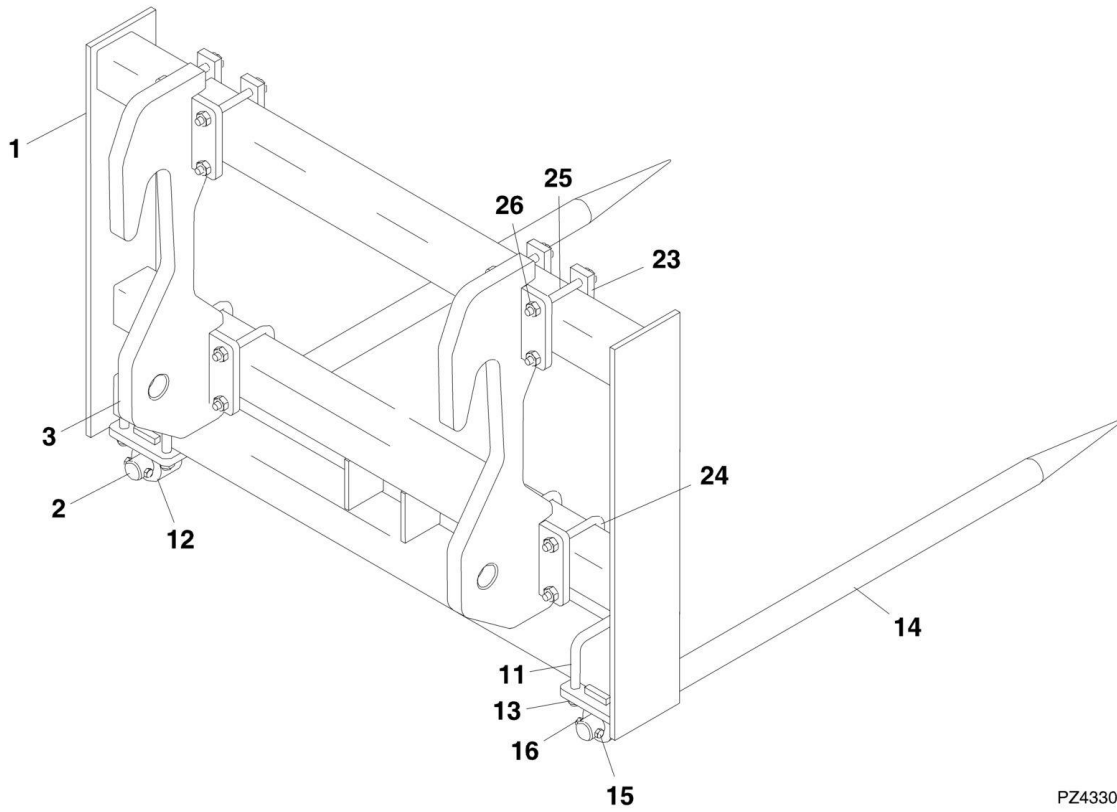
SECTION 3 - ATTACHMENTS

FIGURE 3-12. CONCRETE LADLE L2906H, 2906H, 3507H, 29.6LP, 29.6 & 35.7

ITEM	PART NUMBER	QTY	DESCRIPTION	REV
	0240158	1	CONCRETE LADLE, (L2906H, 2906H, 3507H, 29.6LP, 29.6 & 35.7), (includes all items)	C
2	70020723	1	HYDRAULIC CYLINDER	
4	70020724	2	BOLT	
5	70020725	4	WASHER	
6	70020726	2	NUT	
7	70020727	2	PIN	
8	70020728	2	WASHER	
9	70020729	2	PIN	
10	70020203	2	SAFETY PIN	
11	70020204	4	RETAINING RING	
14	70020730	2	GASKET	
15	70020731	2	LINK	
16	70020732	2	PIPE	
17	1001094556	1	MALE QUICK DISCONNECT COUPLING	
18	1001094555	1	FEMALE QUICK DISCONNECT COUPLING	

SECTION 3 - ATTACHMENTS

FIGURE 3-13. ROUND FORK TINE



PZ4330

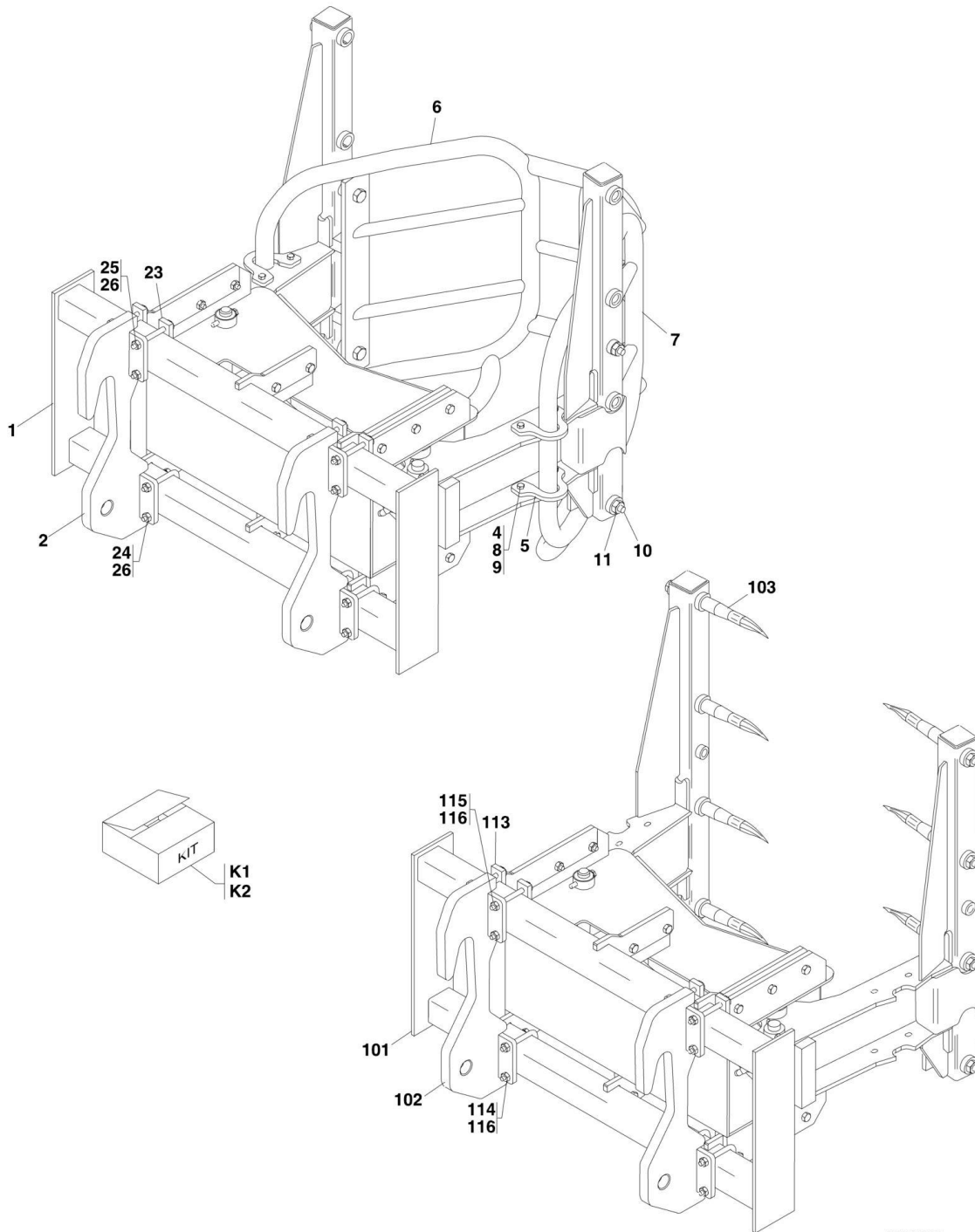
SECTION 3 - ATTACHMENTS

FIGURE 3-13. ROUND FORK TINE

ITEM	PART NUMBER	QTY	DESCRIPTION	REV
	2340035	1	ROUND TINE FORK, (includes items 1 thru 3)	B
1	N.S.S.	1	WELDMENT	
2	7029359	2	FORK KIT, (includes items 11 thru 16)	
3	N.S.S.	2	ATTACH WELDMENT, (includes items 23 thru 26)	
11	7029354	4	U-BOLT	
12	70023062	2	FORK TINE WELDMENT	
13	7029356	8	HEX LOCKNUT, M16, GR8	
14	7029361	2	FORK	
15	7029362	2	HEX HD CAPSCREW, M8X50, GR8.8	
16	7029363	2	HEX LOCKNUT, M8, GR8	
23	7029353	8	PLATE	
24	7029354	8	U-BOLT	
25	7029355	16	HEX HD CAPSCREW, M16X130, GR8.8	
26	7029356	32	HEX LOCKNUT, M16, GR8	

SECTION 3 - ATTACHMENTS

FIGURE 3-14. BALE HANDLER



PAP15920

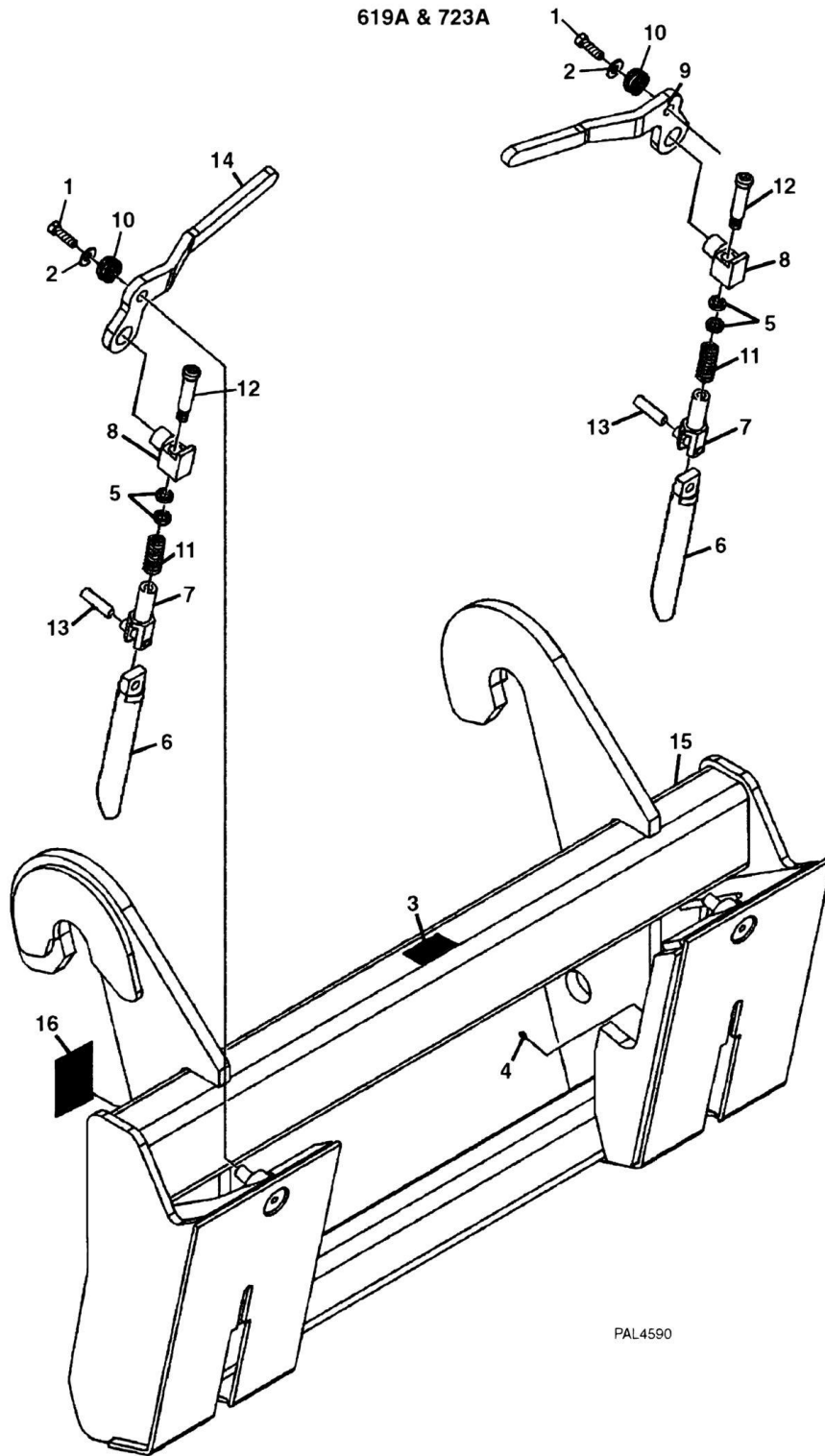
SECTION 3 - ATTACHMENTS

FIGURE 3-14. BALE HANDLER

ITEM	PART NUMBER	QTY	DESCRIPTION	REV
	0240117	1	BALE HANDLER, TUBE TYPE, (includes items 1 thru 11)	A
1	N.S.S.	1	WELDMENT	
2	7029344	1	ATTACH WELDMENT, (includes items 23 thru 26)	
4	7029345	8	HEX HD CAPSCREW, M12X45, GR8.8	
5	7029346	4	STRAP	
6	7029347	1	TUBE ARM, LEFT	
7	7029348	1	TUBE ARM, RIGHT	
8	7029349	8	FLAT WASHER, M12	
9	7029350	8	HEX LOCKNUT, M12X8	
10	7029351	4	HEX HD CAPSCREW, M22X180, GR8.8	
11	7029352	4	HEX LOCKNUT, M22X8	
23	7029353	4	PLATE	
24	7029354	4	U-BOLT	
25	7029355	8	HEX HD CAPSCREW, M16X130, GR8.8	
26	7029356	16	HEX LOCKNUT, M16X8	
	0240118	1	BALE HANDLER, SPIKE TYPE, (includes items 101 thru 103)	A
101	N.S.S.	1	WELDMENT	
102	7029344	1	ATTACH WELDMENT, (includes items 113 thru 116)	
103	7029357	8	SPIKE	
113	7029353	4	PLATE	
114	7029354	4	U-BOLT	
115	7029355	8	HEX HD CAPSCREW, M16X130, GR8.8	
116	7029356	16	HEX LOCKNUT, M16X8	
K1	2902440	1	SPIKE TYPE TO TUBE TYPE CONVERSION KIT, (includes items 4 thru 11)	A
K2	2902441	1	TUBE TYPE TO SPIKE TYPE CONVERSION KIT, (includes item 103)	A

SECTION 3 - ATTACHMENTS

FIGURE 3-15. UNIVERSAL HITCH ATTACH 619A & 723A



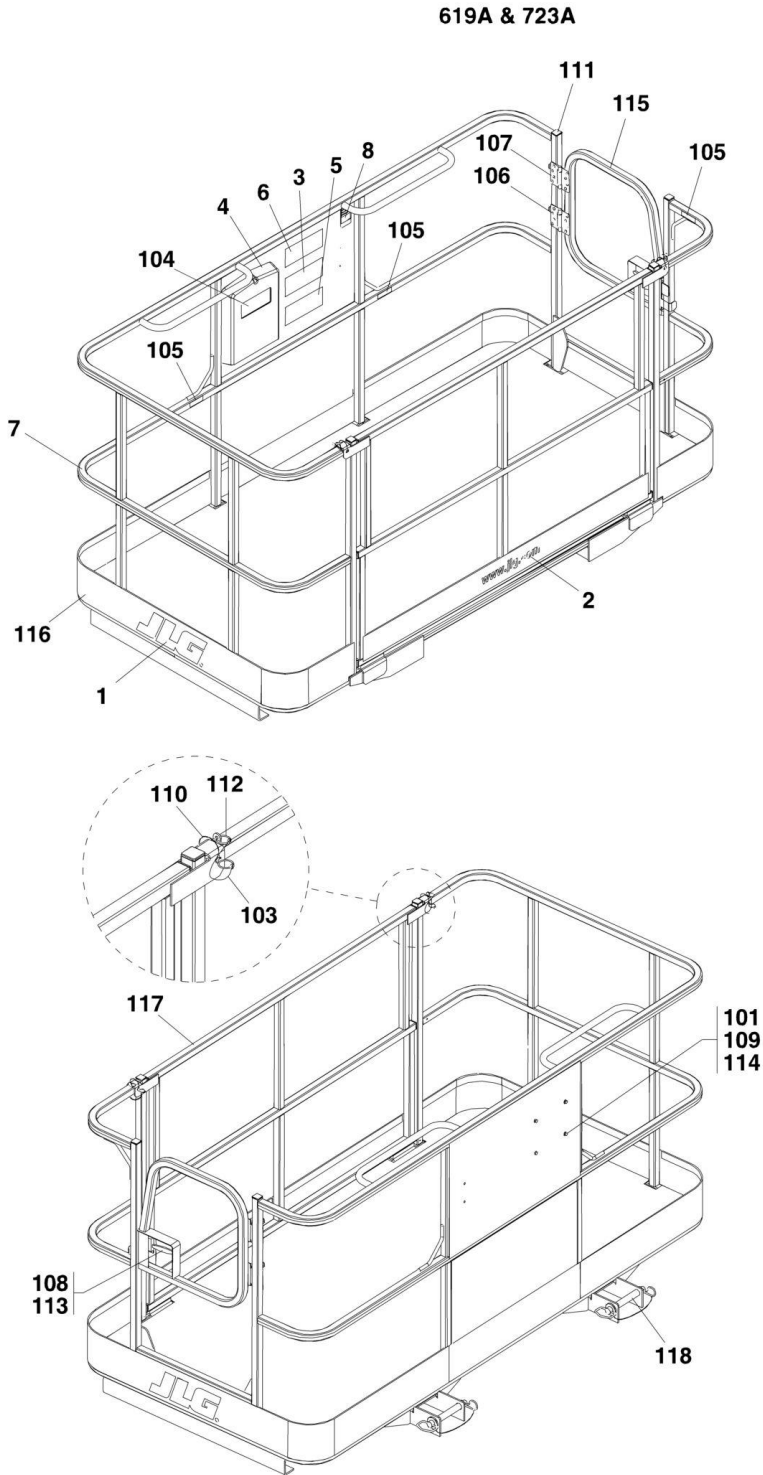
SECTION 3 - ATTACHMENTS

FIGURE 3-15. UNIVERSAL HITCH ATTACH 619A & 723A

ITEM	PART NUMBER	QTY	DESCRIPTION	REV
	1001099425	1	UNIVERSAL HITCH ATTACH, (619A & 723A), (includes all items)	A
1	70021429	2	HEX HD CAPSCREW, 0.38X1.25	
2	70021350	2	FLAT WASHER, 0.38	
3	N.S.S.	1	USA DECAL	
4	90554045	2	GREASE FITTING	
5	70021430	4	SPACER	
6	70021431	2	LOCKING PIN	
7	70021432	2	CLEVIS	
8	70021433	2	BEARING	
9	70021434	1	LEFT LOCK HANDLE	
10	70021384	2	SPRING LOCK HANDLE	
11	70021435	2	CLEVIS SPRING	
12	70021436	2	BOLT	
13	70021437	2	PIN	
14	70021438	1	RIGHT LOCK HANDLE	
15	N.S.S.	1	UNIVERSAL ATTACH WELDMENT	
16	N.S.S.	1	SN PLATE	

SECTION 3 - ATTACHMENTS

FIGURE 3-16. FORK MOUNTED PLATFORM 619A & 723A



PAP16070

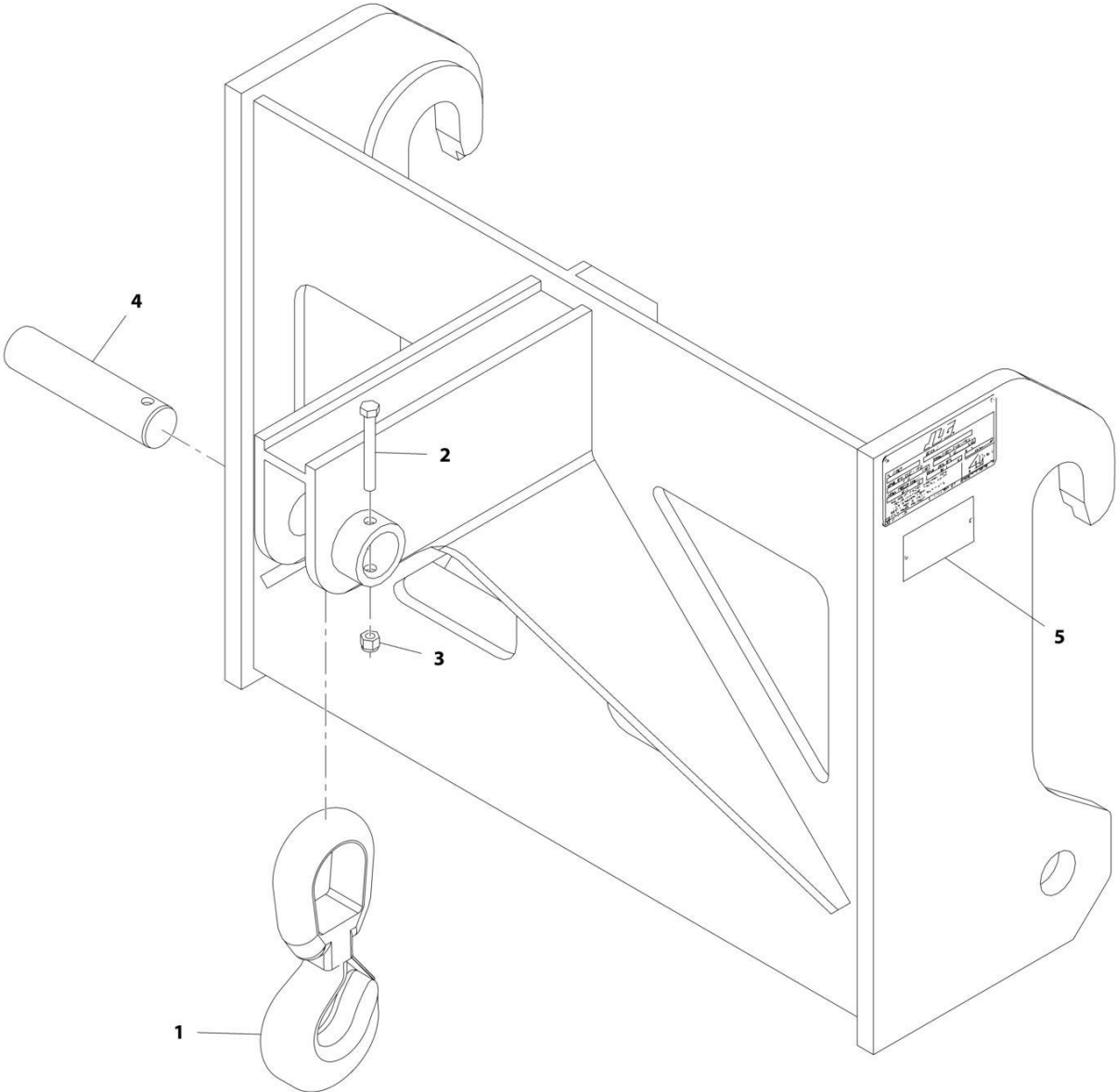
SECTION 3 - ATTACHMENTS

FIGURE 3-16. FORK MOUNTED PLATFORM 619A & 723A

ITEM	PART NUMBER	QTY	DESCRIPTION	REV
	1001103637	1	FORK MOUNTED PLATFORM, (619A, 723A), (ASME), (includes items 1 thru 8)	D
	1001103730	1	FORK MOUNTED PLATFORM, (619A & 723A), (ISO), (includes items 1 thru 8)	D
	1001103736	1	FORK MOUNTED PLATFORM, (619A & 723A), (FRENCH), (includes items 1 thru 8)	D
1	1702773	2	JLG DECAL	
2	1704885	1	WEBSITE DECAL	
3	1706892	1	PLATFORM WARNING DECAL, (ASME)	
3	1001096025	1	PLATFORM WARNING DECAL, (ISO)	
3	1001096024	1	PLATFORM WARNING DECAL, (FRENCH)	
5	1001092481	1	WARNING DECAL, (ASME)	
5	1001096021	1	WARNING DECAL, (ISO)	
5	1001096019	1	WARNING DECAL, (FRENCH)	
6	1001092482	1	CAPACITY DECAL, (ASME)	
6	1001096023	1	CAPACITY DECAL, (ISO)	
6	1001096020	1	CAPACITY DECAL, (FRENCH)	
7	1001096162	1	FORK MOUNTED PLATFORM, (includes items 101 thru 118)	J
8	N.S.S.	1	SN PLATE	
101	0641405	4	HEX HD CAPSCREW, 1/4-20X5/8	
102	0860520	1	MANUAL STORAGE BOX, (not shown)	
103	1060379	2	LANYARD CABLE	
104	1701509	1	MANUAL DECAL	
105	1704277	3	LANYARD ATTACH DECAL	
106	2080040	16	FASTENER	
107	2600281	2	HINGE	
108	2940074	1	LATCH	
109	3311405	4	HEX NUT, 1/4-20	
110	3421453	2	PIN	
111	3520072	10	PLUG	
112	3760170	4	RING	
113	3820020	4	RIVET	
114	4711400	8	WASHER, 1/4	
115	4846452	1	GATE WELDMENT	
116	N.S.S.	1	PLATFORM	
117	1001095810	1	GATE WELDMENT	
118	1001102813	2	HITCH PIN	

SECTION 3 - ATTACHMENTS

FIGURE 3-17. CARRIAGE, CRANE HOOK L2906H, 2906H, 3507H



ART_1170058-C

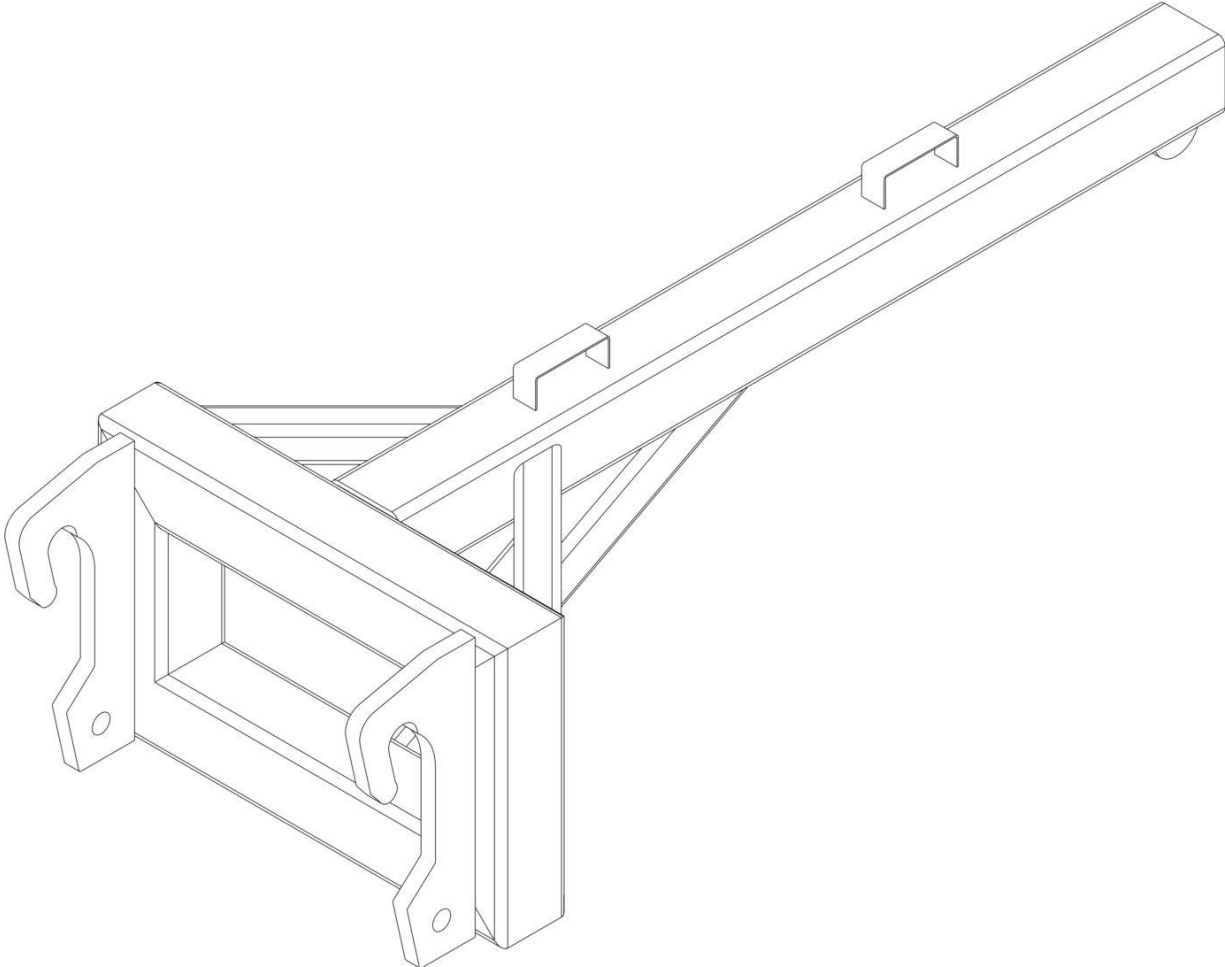
SECTION 3 - ATTACHMENTS

FIGURE 3-17. CARRIAGE, CRANE HOOK L2906H, 2906H, 3507H

ITEM	PART NUMBER	QTY	DESCRIPTION	REV
	1170058	1	CARRIAGE, CRANE HOOK (L2906H, 2906H, 3507H)	C
1	70020417	1	HOOK	
2	70020205	1	BOLT	
3	70020206	1	NUT	
4	70020201	1	PIN	
5	N.S.S.	1	SN PLATE, CRANE HOOK, 4000KG CAP	

SECTION 3 - ATTACHMENTS

FIGURE 3-18. CARRIAGE, JIB



ART_1001175721-A

SECTION 3 - ATTACHMENTS

FIGURE 3-18. CARRIAGE, JIB

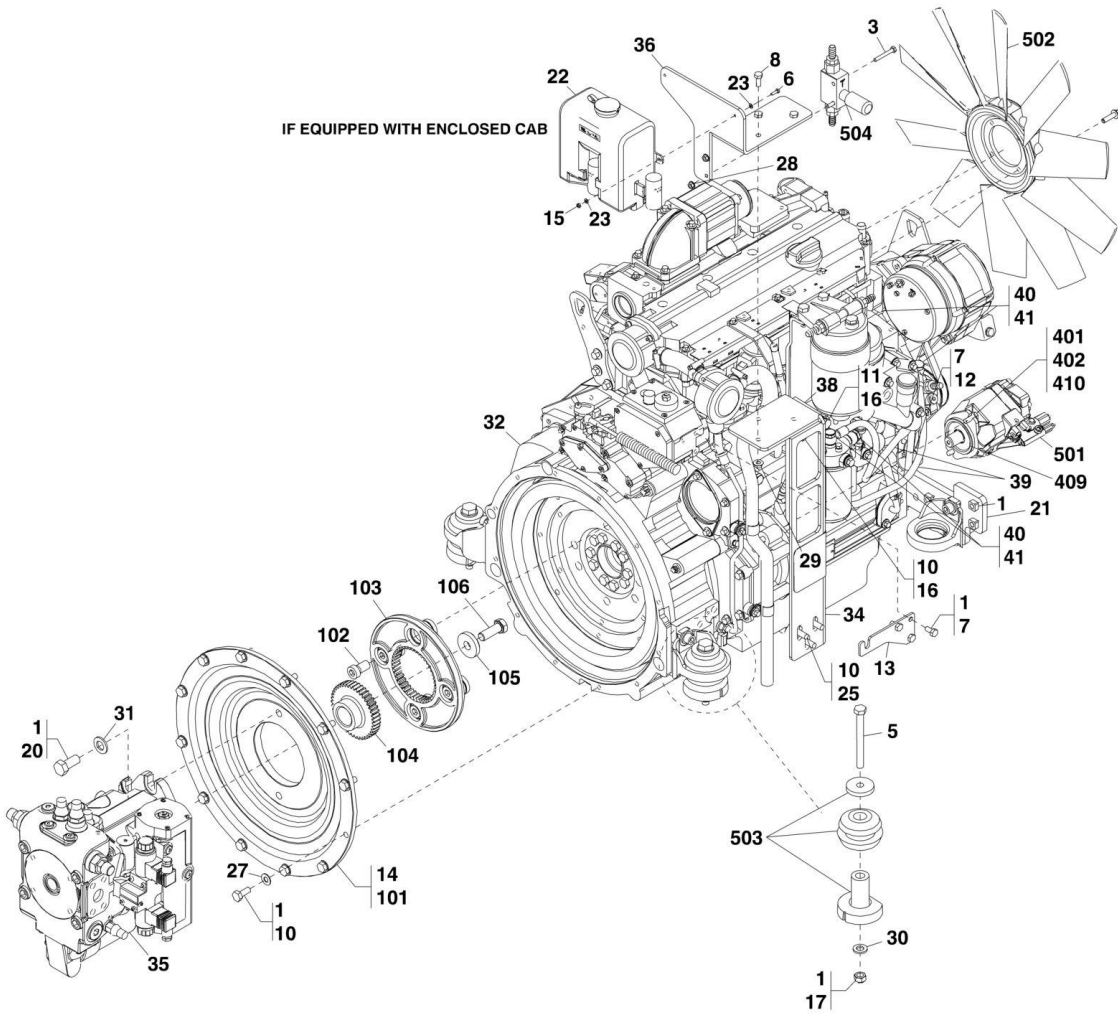
ITEM	PART NUMBER	QTY	DESCRIPTION	REV
	1001175721	1	CARRIAGE, JIB	A

SECTION 4 - ENGINE AND ATTACHING PARTS

SECTION 4 - ENGINE AND ATTACHING PARTS

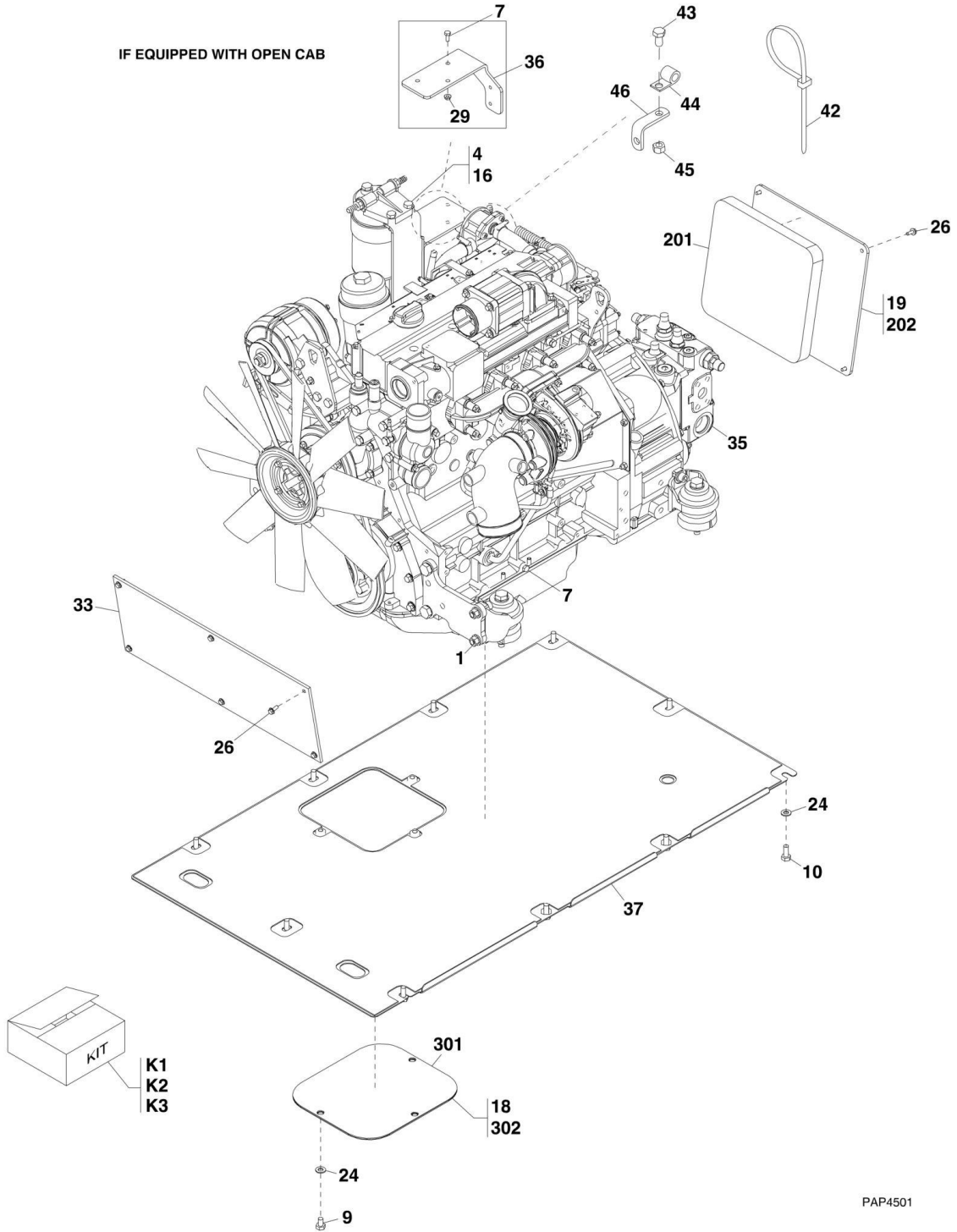
SECTION 4 - ENGINE AND ATTACHING PARTS

FIGURE 4-1. ENGINE INSTALLATION



ART_PZ2910-B

SECTION 4 - ENGINE AND ATTACHING PARTS



SECTION 4 - ENGINE AND ATTACHING PARTS

FIGURE 4-1. ENGINE INSTALLATION

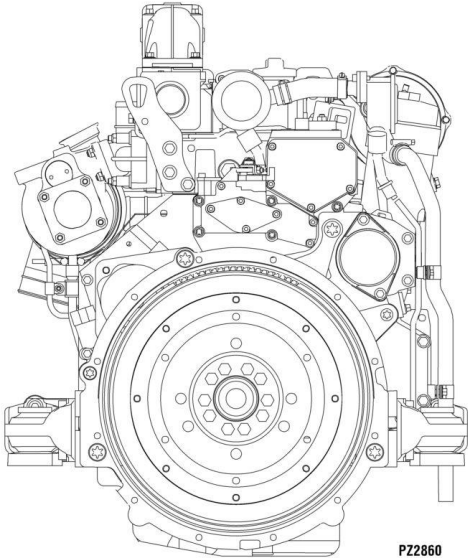
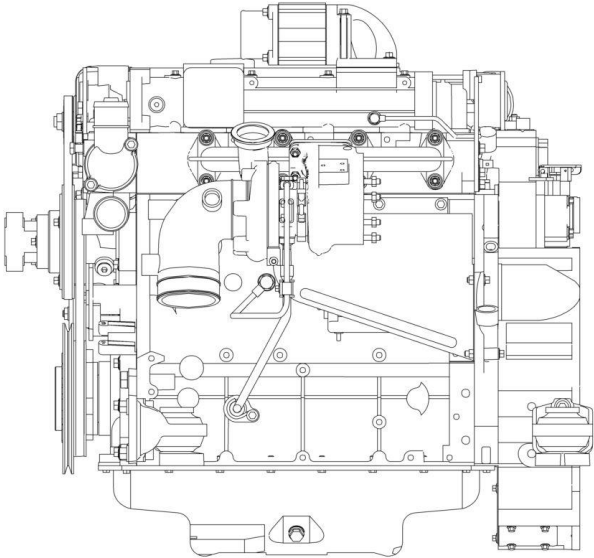
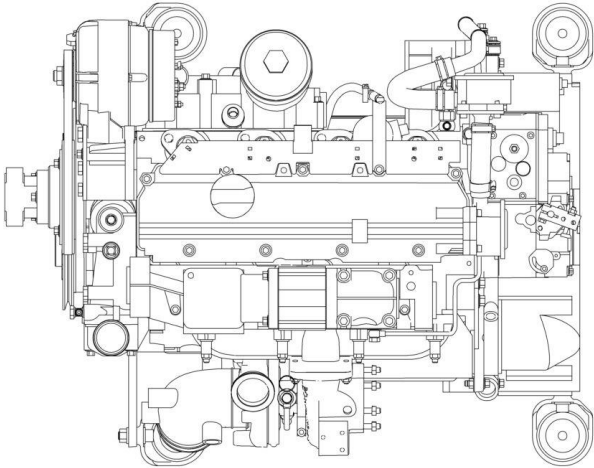
ITEM	PART NUMBER	QTY	DESCRIPTION	REV
	1001102957	Ref	ENGINE INSTALLATION, (619A & 723A), (if equipped with open cab), (not available to order, see items 1 thru 11, 13 thru 14, 16 thru 21, 24 thru 46 for service)	E
	1001097382	Ref	ENGINE INSTALLATION, (if equipped with an enclosed cab), (not available to order, see items 1 thru 46 for service)	H
	1001172555	Ref	ENGINE INSTALLATION, (LRC) (not available to order, see items 1 thru 46 for service)	A
1	1001095650	AR	LOCTITE 243	
2	466104	1	ANGLE JOINT	
3	0700617	2	HEX HD CAPSCREW, M6X45, GR8.8	
4	0701015	2	HEX HD CAPSCREW, M10X35, GR8.8	
5	0701229	4	HEX HD CAPSCREW, M12X120, GR8.8	
6	0760410	2	HEX HD CAPSCREW, M4X20, GR8.8, (if equipped with enclosed cab)	
7	0760808	4	HEX HD CAPSCREW, M8X16, GR8.8	
8	0760810	3	HEX HD CAPSCREW, M8X20, GR8.8	
9	0761008	3	HEX HD CAPSCREW, M10X16, GR8.8	
10	0761012	28	HEX HD CAPSCREW, M10X25, GR8.8	
11	0761014	2	HEX HD CAPSCREW, M10X30, GR8.8	
13	1001108186	1	BRACKET	
14	1001103772	1	FLYWHEEL COUPLING, (includes items 101 thru 106)	A
15	3290405	2	HEX NUT, M4X0.7, (if equipped with enclosed cab)	
16	3291005	7	HEX LOCKNUT, M10X1.5	
17	3291205	4	HEX LOCKNUT, M12X1.75	
18	3576005	1	ENGINE DRAIN ACCESS PLATE, (includes items 301 & 302)	A
19	3576006	1	MOTOR ACCESS PLATE, (includes items 201 & 202)	A
20	0761615	2	HEX HD CAPSCREW, M16X35, GR8.8, (torque to 210 Nm)	
21	4340966	1	ENGINE BRACKET	
22	4400493	1	WASHER TANK, (if equipped with enclosed cab)	
22	70022874	1	PUMP MOTOR	
23	1001091102	4	WASHER, 4mm, (if equipped with enclosed cab)	
24	4812000	13	WASHER, 10mm	
25	4812002	3	WASHER, 10mm	
26	5200608	10	RIPP BOLT, M6X16	
27	5212000	12	RIPP WASHER, 10mm	
28	5220600	2	RIPP NUT, 6mm	
29	5220800	3	RIPP NUT, 8mm	
30	5241200	4	WASHER, 12mm	
31	5241600	2	WASHER, 16mm	
32		Ref	DEUTZ ENGINE, TIER III, (See DEUTZ ENGINE for Breakdown)	
33	1001097241	1	COVER	
34	1001097799	1	BRACKET	
35		Ref	HYDROSTATIC TRANSMISSION, (See HYDRAULIC COMPONENTS SECTION for Breakdown)	
36	1001102956	1	BRACKET, (if equipped with open cab)	
36	1001099564	1	BRACKET, (619A & 723A), (if equipped with enclosed cab)	
37	1001102564	1	BELLY PAN PANEL, (L2906H, 2906H, 3507H, 619A & 723A)	
38	1001102687	1	FUEL FILTER BRACKET	
39	1001102926	2	HOSE ASSY	
40	1001102931	4	BOLT	
41	1001102933	10	SEAL	

SECTION 4 - ENGINE AND ATTACHING PARTS

ITEM	PART NUMBER	QTY	DESCRIPTION	REV
42	471678	2	BAND, CLAMP, 4.8X204mm	
43	0760606	1	HEX HD CAPSCREW, CLS 8.8 FULLTHD, M6 X 12LG	
44	1321293	1	CLAMP, CABLE	
45	3290605	1	PREV TORQ HEX LOCK NUT, M6 X 1	
46	1001115759	1	BRACKET, THROTTLE CABLE	
101	70022385	1	MOUNTING PLATE	
102		Ref	SOCKET HD CAPSCREW, M16X30, (torque to 210 Nm)	
103	7029256	1	FLANGE, (includes item 102)	
104	70022386	1	HUB, (includes item 106)	
105	7029259	1	END DISK	
106		Ref	BOLT, (torque to 210 Nm)	
201	2820202	1	INSULATION	
202	3575650	1	COVER PLATE	
301	2820201	1	INSULATION	
302	3575671	1	PLATE COVER	
401	1001095650	AR	LOCTITE 243	
402	0761214	2	HEX HD CAPSCREW, M12X30, GR8.8	
409	3760497	1	O-RING	
410	4812100	2	WASHER, 12mm	
501		Ref	PISTON PUMP/GEAR PUMP, (See HYDRAULIC COMPONENTS SECTION for Breakdown)	
502		Ref	FAN, (See RADIATOR INSTALLATION for Breakdown)	
503		Ref	ENGINE MOUNT, (See DEUTZ ENGINE for Breakdown)	
504		Ref	FUEL PRIMING PUMP, (See DEUTZ ENGINE for Breakdown)	
K1	1001125702	1	FUEL/ENGINE OIL FILTER KIT, (includes fuel filter, pre-fuel filter and oil filter)	
K2	1001125703	1	HYDRAULIC/AIR FILTER KIT, (includes hydraulic return filter, hydrostatic transmission filter, main air filter and secondary air filter)	
K3	1001125704	1	COMBINED FILTER KIT, (includes fuel filter, pre-fuel filter, oil filter, hydraulic return filter, hydrostatic transmission filter, main air filter and secondary air filter)	

SECTION 4 - ENGINE AND ATTACHING PARTS

FIGURE 4-2. DEUTZ ENGINE



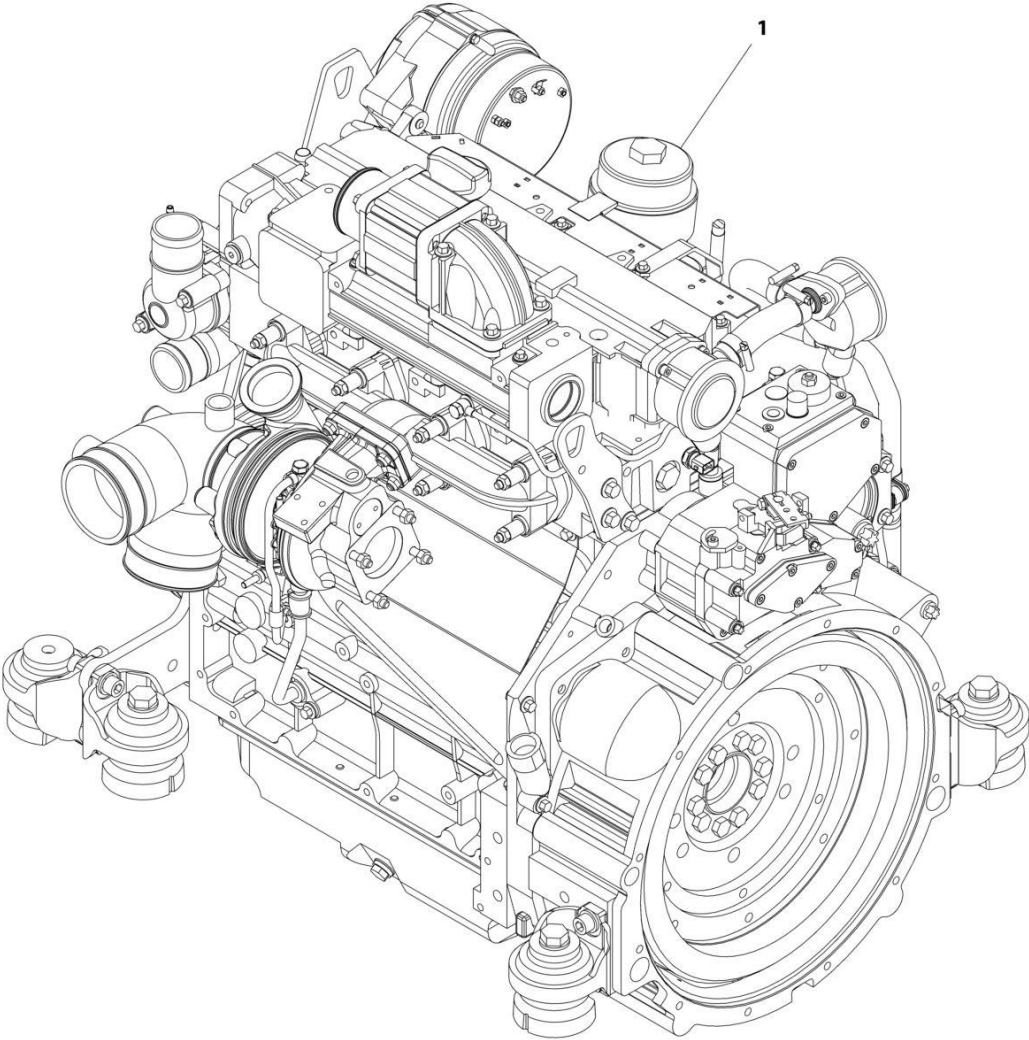
SECTION 4 - ENGINE AND ATTACHING PARTS

FIGURE 4-2. DEUTZ ENGINE

ITEM	PART NUMBER	QTY	DESCRIPTION	REV
	1001094508	1	DEUTZ ENGINE, TIER III, (includes all items)	F
	7029274	1	FUEL FILTER SPIN-ON CARTRIDGE	
	70022399	1	FUEL FILTER BRACKET	
	70022397	1	95-AMP ALTERNATOR, (Prior to Deutz SN 10795955), (includes hardware)	
	7029376	1	VOLTAGE REGULATOR	
	70024667	1	150-AMP ALTERNATOR, (Deutz SN 10795955 to Present), (includes hardware)	
	70024668	1	VOLTAGE REGULATOR	
	70022398	1	DIPSTICK	
	7020487	1	DIPSTICK O-RING	
	70022400	1	FUEL NON-RETURN VALVE	
	7029447	1	FUEL PRE-FILTER ASSY, (includes mounting hardware)	
	7029370	1	DRAIN PLUG	
	7029275	1	FUEL PRE-FILTER INSERT, (includes o-rings)	
	7029384	1	FUEL PRIMING PUMP, (includes fuel hand pump and o-ring)	
	70000919	1	FUEL HAND PUMP	
	70022401	1	OIL FILTER ELEMENT	
	70022402	1	O-RING	
	70022403	1	OIL FILTER COVER	
	7029392	1	STARTER	
	7029374	1	ALTERNATOR BELT	
	7029402	1	FAN BELT	
	70023242	1	CYLINDER HEAD	
	70023243	1	GASKET, CYL HEAD, 1 NOTCH	
	70023244	1	GASKET, CYL HEAD, 2 NOTCH	
	70023245	1	GASKET, CYL HEAD, 3 NOTCH	
	70023246	1	TURBOCHARGER ASSY	
	70023247	1	GASKET, TURBOCHARGER EXHAUST	
	70023248	1	OIL PAN	
	70023249	1	GASKET, OIL PAN	
	70023250	1	OIL PUMP	
	70023251	1	WATER PUMP	
	70023252	1	FUEL INJECTOR	
	70023253	1	PULLEY, CRANKSHAFT	
	70023254	1	PULLEY, COOLANT PUMP	
	70023255	1	PULLEY, ALTERNATOR DRIVE	
	7029387	1	GASKET SET, COMPLETE ENGINE	
	7029388	1	BLOCK HEATER	
	7029395	1	THERMOSTAT, ENGINE COOLANT	
	7029394	1	GASKET, THERMOSTAT	
	7029386	1	FUEL LIFT PUMP	
	7024565	1	SPEED SENSOR	
	70023917	1	SHUTDOWN SOLENOID, (includes o-ring)	

SECTION 4 - ENGINE AND ATTACHING PARTS

FIGURE 4-3. DEUTZ ENGINE, (LRC)



ART_1001171773-A

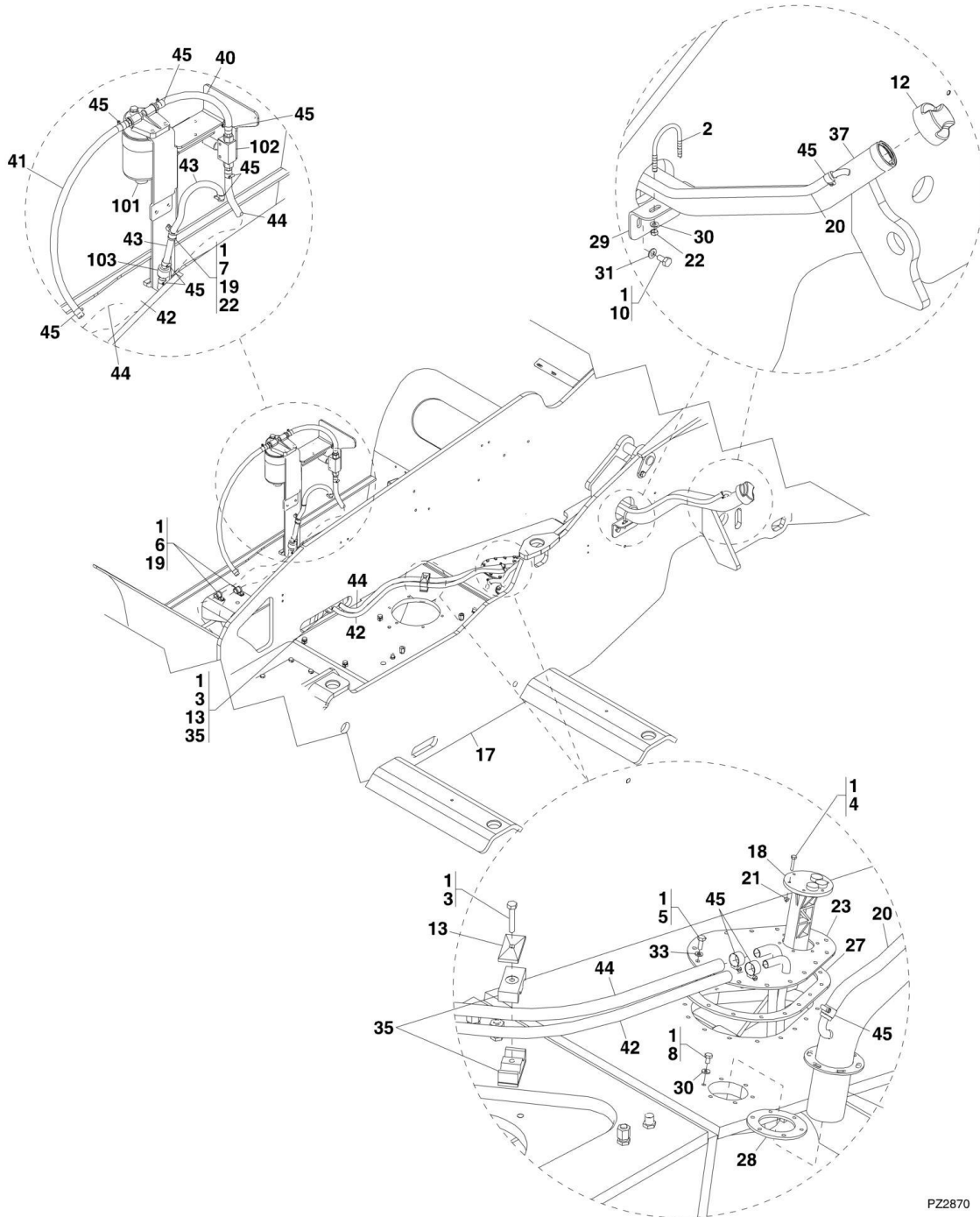
SECTION 4 - ENGINE AND ATTACHING PARTS

FIGURE 4-3. DEUTZ ENGINE, (LRC)

ITEM	PART NUMBER	QTY	DESCRIPTION	REV
	1001171773	Ref	DEUTZ ENGINE, TIER III, (LRC) (includes all items)	A
	7029274	1	FUEL FILTER SPIN-ON CARTRIDGE	
	70022399	1	FUEL FILTER BRACKET	
	70024667	1	150-AMP ALTERNATOR, (includes hardware)	
	70024668	1	VOLTAGE REGULATOR	
	70022398	1	DIPSTICK	
	7020487	1	DIPSTICK O-RING	
	70022400	1	FUEL NON-RETURN VALVE	
	7029447	1	FUEL PRE-FILTER ASSEMBLY, (includes mounting hardware)	
	7029370	1	DRAIN PLUG	
	7029275	1	FUEL PRE-FILTER INSERT, (includes o-rings)	
	70000919	1	FUEL HAND PUMP	
	70022401	1	OIL FILTER ELEMENT	
	70022402	1	O-RING	
	70022403	1	OIL FILTER COVER	
	70111538	1	STARTER	
	7029374	1	ALTERNATOR BELT	
	7029402	1	FAN BELT	
	70023242	1	CYLINDER HEAD	
	70023243	1	GASKET, CYLINDER HEAD, 1 NOTCH	
	70023244	1	GASKET, CYLINDER HEAD, 2 NOTCH	
	70023245	1	GASKET, CYLINDER HEAD, 3 NOTCH	
	70023246	1	TURBOCHARGER ASSEMBLY	
	70135723	1	GASKET, TURBOCHARGER EXHAUST	
	70128735	1	OIL PAN	
	70023249	1	GASKET, OIL PAN	
	70023252	1	FUEL INJECTOR	
	70023253	1	PULLEY, CRANKSHAFT	
	70023254	1	PULLEY, COOLANT PUMP	
	70024131	1	PULLEY, ALTERNATOR DRIVE	
	7029387	1	GASKET SET, COMPLETE ENGINE	
	7029388	1	BLOCK HEATER	
	7029395	1	THERMOSTAT, ENGINE COOLANT	
	7029394	1	GASKET, THERMOSTAT	
	7029386	1	FUEL LIFT PUMP	

SECTION 4 - ENGINE AND ATTACHING PARTS

FIGURE 4-4. FUEL TANK AND LINES



PZ2870

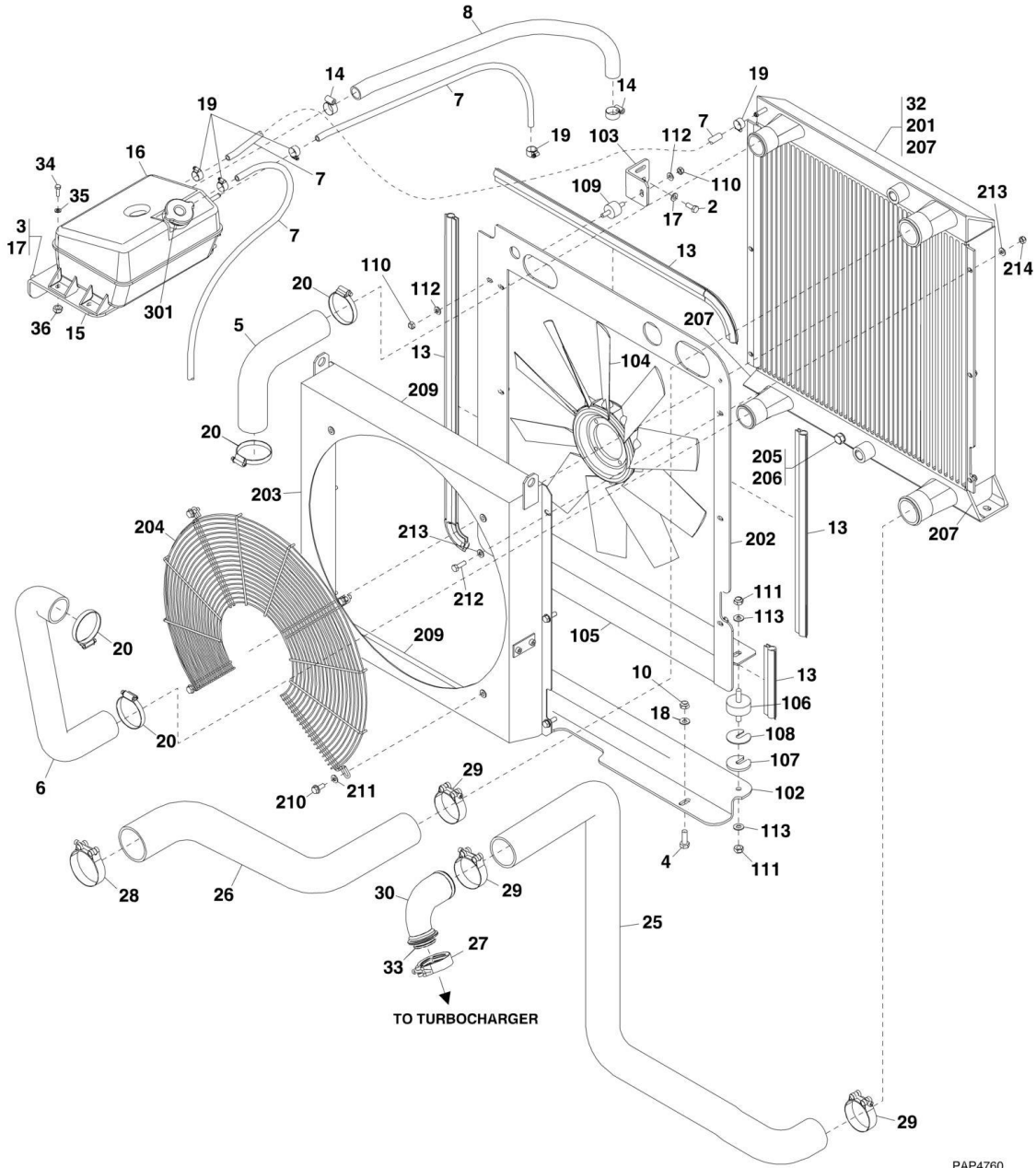
SECTION 4 - ENGINE AND ATTACHING PARTS

FIGURE 4-4. FUEL TANK AND LINES

ITEM	PART NUMBER	QTY	DESCRIPTION	REV
1	1001095650	AR	LOCTITE 243	
2	0630583	1	U-BOLT	
3	0700817	2	HEX HD CAPSCREW, M8X45, GR8.8	
4	0760410	6	HEX HD CAPSCREW, M4X20, GR8.8	
5	0760608	15	HEX HD CAPSCREW, M6X16, GR8.8	
6	0760806	3	HEX HD CAPSCREW, M8X12, GR8.8	
7	0760808	1	HEX HD CAPSCREW, M8X16, GR8.8	
8	0760810	4	HEX HD CAPSCREW, M8X20, GR8.8	
10	0761010	2	HEX HD CAPSCREW, M10X20, GR8.8	
12	1120576	1	FUEL CAP	
13	1309435	2	CLAMP COVER PLATE	
17		Ref	PLUG, (See FRAME AND ATTACHING PARTS SECTION for Breakdown)	
18	2420205	1	FUEL GAUGE	
19	2443576	1	HOSE CLAMP	
20	2720613	1	FUEL VENT HOSE, (L2906H & 29.6LP)	
20	2720558	1	FUEL VENT HOSE, (2906H, 619A & 29.6)	
20	2720556	1	FUEL VENT HOSE, (3507H, 723A & 35.7)	
21	3290405	6	HEX LOCKNUT, M4X0.7	
22	3290805	3	HEX LOCKNUT, M8X1.25	
23	3380577	1	FUEL TANK COVER PANEL	
27	3960589	1	FUEL TANK COVER SEAL	
28	3960603	1	FUEL FILL SEAL	
29	4341033	1	FUEL FILL SUPPORT	
30	4811900	6	WASHER, 8mm	
31	4812000	15	WASHER, 10mm, (L2906H, 29.6LP, 2906H, 619A, 29.6, 723A & 35.7)	
31	4812000	11	WASHER, 10mm, (3507H)	
33	4831700	15	LOCKWASHER, 6mm	
35	8002781	3	CLAMP	
37	3460567	1	FUEL PIPE, (L2906H & 29.6LP)	
37	1001099779	1	FUEL PIPE, (2906H, 619A & 29.6)	
37	1001099761	1	FUEL PIPE, (3507H, 723A & 35.7)	
40	1001103164	1	HOSE ASSY	
41	1001103165	1	HOSE ASSY	
42	1001103166	1	HOSE ASSY	
43	1001103167	1	HOSE ASSY	
44	1001103168	1	HOSE ASSY	
45	1320032	12	HOSE CLAMP	
101		Ref	FUEL PRE-FILTER, (See DEUTZ ENGINE for Breakdown)	
102		Ref	FUEL PRE-FILTER PUMP, (See DEUTZ ENGINE for Breakdown)	
103		Ref	FUEL NON-RETURN VALVE, (See DEUTZ ENGINE for Breakdown)	

SECTION 4 - ENGINE AND ATTACHING PARTS

FIGURE 4-5. RADIATOR INSTALLATION



PAP4760

SECTION 4 - ENGINE AND ATTACHING PARTS

FIGURE 4-5. RADIATOR INSTALLATION

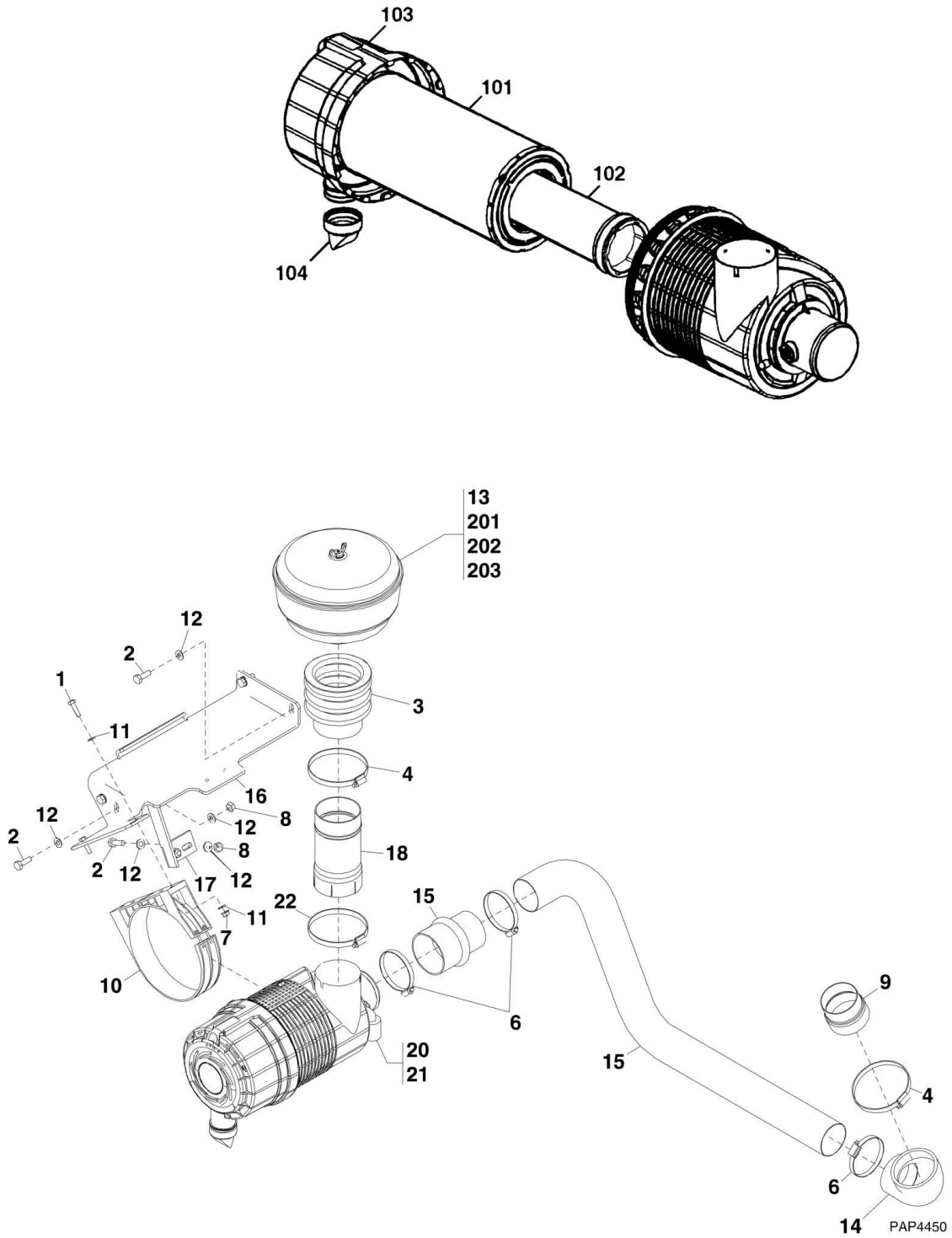
ITEM	PART NUMBER	QTY	DESCRIPTION	REV
	1001098510	Ref	RADIATOR INSTALLATION, (not available to order, see items 2 thru 36 for service)	F
2	0760810	2	HEX HD CAPSCREW, M8X20, GR8.8	
3	0760812	2	HEX HD CAPSCREW, M8X25, GR8.8	
4	0761014	2	HEX HD CAPSCREW, M10X30, GR8.8	
5	1001099528	1	HOSE	
6	1001099529	1	HOSE	
7	2720535	2.75 m	HOSE ASSY	
8	2720536	NLA	HOSE ASSY, (no longer available, use 1001114701 for replacement)	
8	1001114701	1	HOSE ASSY	
10	3291005	2	HEX LOCKNUT, M10X1.5	
13	3960927	2.6 m	SEAL	
14	3961951	2	CLIP	
15	1001108148	1	BRACKET	
16	4400470	1	EXPANSION TANK, (includes item 301)	A
17	4811900	4	WASHER, 8mm	
18	4812000	2	WASHER, 10mm	
19	1321301	5	HOSE CLAMP	
20	8005376	4	HOSE CLAMP	
25	1001099536	1	HOSE	
26	1001099537	1	HOSE	
27	1001100731	1	HOSE CLAMP	
28	1001104442	1	T-BOLT CLAMP, 80-87mm	
29	1001104441	3	T-BOLT CLAMP, 70-77mm	
30	1001101020	1	PIPE	
32	1001104457	1	RADIATOR ASSY, (includes items 101 thru 113)	D
33	1001105478	1	O-RING	
34	0760610	4	HEX HD CAPSCREW, M6X20, GR8.8	
35	4811700	4	WASHER, 6mm	
36	3290605	4	HEX NUT, M6X1	
101	1001098623	1	RADIATOR, (includes items 201 thru 214), (not shown)	E
102	1001098504	1	RADIATOR SUPPORT PLATE	
103	1001104469	1	RADIATOR SUPPORT BRACKET	
104	1001102670	1	FAN	
105	1001098505	1	SEAL	
106	429063	2	RADIATOR MOUNT	
107	8005741	2	SPACER, 5mm	
108	8005743	2	SPACER, 2mm	
109	2969548	1	RADIATOR MOUNT	
110	3290805	2	HEX LOCKNUT, M8X1.25	
111	3291005	4	HEX LOCKNUT, M10X1.5	
112	4811900	2	WASHER, 8mm	
113	4812000	4	WASHER, 10mm	
201	70022389	1	RADIATOR COOLER	
202	70022390	1	RADIATOR PANEL	
203	70022291	NLA	FAN SHROUDING, (no longer available, use 1001102177 for replacement)	
203	1001102177	1	FAN SHROUD	
204	70022392	1	FAN GUARD	

SECTION 4 - ENGINE AND ATTACHING PARTS

ITEM	PART NUMBER	QTY	DESCRIPTION	REV
205	70022393	1	O-RING	
206	70022394	1	PLUG	
207	70022395	0.78 m	SEAL	
209	70022396	0.51 m	SEAL	
210	N.S.S.	4	HEX HD CAPSCREW, M8X20	
211	N.S.S.	4	WASHER, 8mm	
212	N.S.S.	6	HEX HD CAPSCREW, M8X25	
213	N.S.S.	14	WASHER, 8mm	
214	N.S.S.	8	HEX NUT, M8	
301	70020433	1	RADIATOR CAP, 13PSI	

SECTION 4 - ENGINE AND ATTACHING PARTS

FIGURE 4-6. AIR CLEANER INSTALLATION



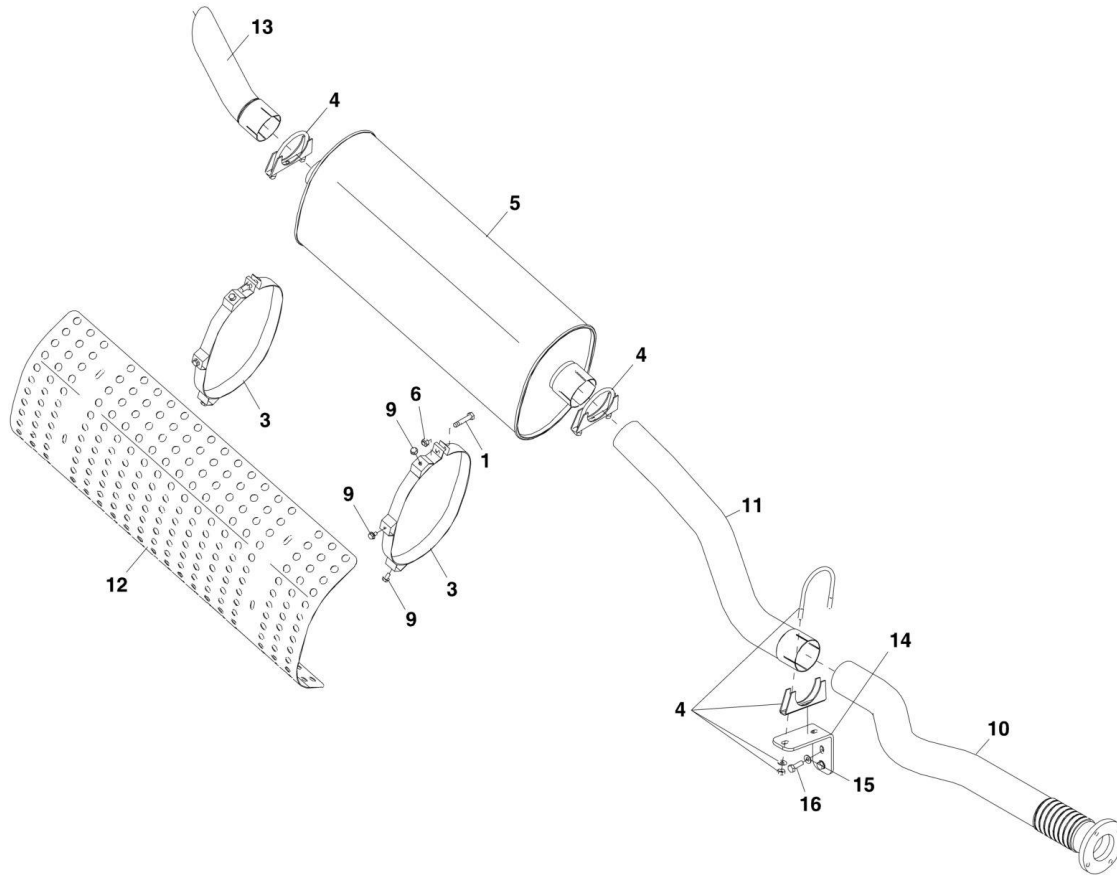
SECTION 4 - ENGINE AND ATTACHING PARTS

FIGURE 4-6. AIR CLEANER INSTALLATION

ITEM	PART NUMBER	QTY	DESCRIPTION	REV
	1001098009	Ref	AIR CLEANER INSTALLATION, (not available to order, see items 1 thru 22 for service)	E
1	0700814	2	HEX HD CAPSCREW, M8X30, GR8.8	
2	0701014	6	HEX HD CAPSCREW, M10X30, GR8.8	
3	0840066	1	AIR FILTER INTAKE BOOT	
4	1380161	2	TUBE CLAMP	
5	2120212	1	AIR FILTER ASSY, (includes items 101 thru 104)	B
6	2991568	3	HOSE CLAMP	
7	3290801	2	HEX NUT, M8X1.25	
8	3291001	4	HEX NUT, M10X1.5	
9	3460421	1	AIR INTAKE PIPE	
10	3929780	1	MOUNTING CLAMP	
11	4811900	4	WASHER, 8mm	
12	4812000	10	WASHER, 10mm	
13	8002927	1	PRECLEANER, (includes items 201 thru 203)	
14	91083129	1	REDUCING ELBOW	
15	91403239	1	STRAIGHT HOSE REDUCER	
16	1001098105	1	AIR CLEANER SUPPORT	
17	1001109483	1	BRACKET	
18	1001099604	1	AIR INTAKE PIPE	
19	1001099757	1	AIR INTAKE PIPE	
20	2988212	1	ELBOW, 90	
21	8004981	1	LOW PRESSURE INDICATOR	
22	1001009154	1	HOSE CLAMP	
101	7021080	1	MAIN FILTER ELEMENT	
102	7021081	1	SECONDARY FILTER ELEMENT	
103	7028118	1	PROTECTION CAP	
104	10733183	1	VACUATOR VALVE	
201	7028097	1	WING NUT	
202	7028095	1	COVER	
203	7028096	1	BOWL	

SECTION 4 - ENGINE AND ATTACHING PARTS

FIGURE 4-7. EXHAUST INSTALLATION



PZ2890

SECTION 4 - ENGINE AND ATTACHING PARTS

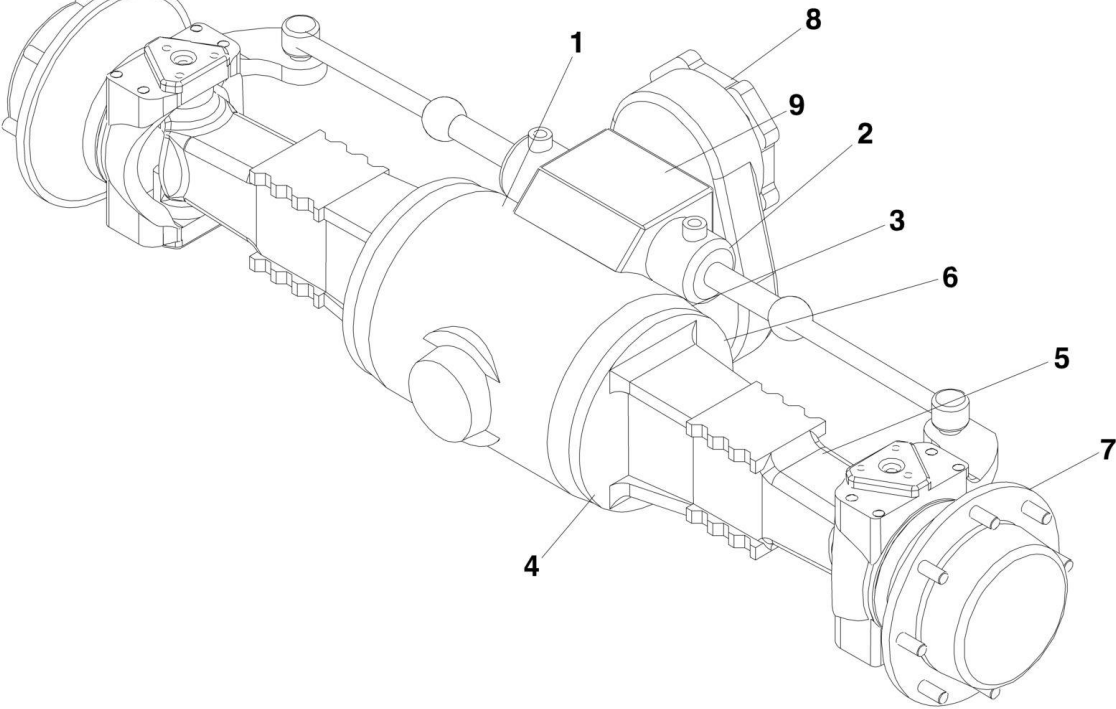
FIGURE 4-7. EXHAUST INSTALLATION

ITEM	PART NUMBER	QTY	DESCRIPTION	REV
	1001100017	Ref	EXHAUST INSTALLATION, (not available to order, see items 1 thru 16 for service)	D
1	0700816	2	HEX HD CAPSCREW, M8X40, GR8.8	
3	1321367	2	HEAT SHIELD CLAMP	
4	1686997	3	MUFFLER CLAMP	
5	3220140	1	MUFFLER	
6	3290805	2	HEX LOCKNUT, M8X1.25	
9	5200605	6	RIPP BOLT, M6X10	
10	1001099750	1	EXHAUST PIPE	
11	1001100042	1	EXHAUST PIPE	
12	1001100081	1	HEAT SHIELD	
13	1001100114	1	EXHAUST PIPE TIP	
14	1001104409	1	BRACKET	
15	4811900	2	WASHER, 8mm	
16	0700812	2	HEX HD CAPSCREW, M8X25, GR8.8	

SECTION 5 - DRIVE TRAIN

SECTION 5 - DRIVE TRAIN

FIGURE 5-1. FRONT AXLE



PZ3040

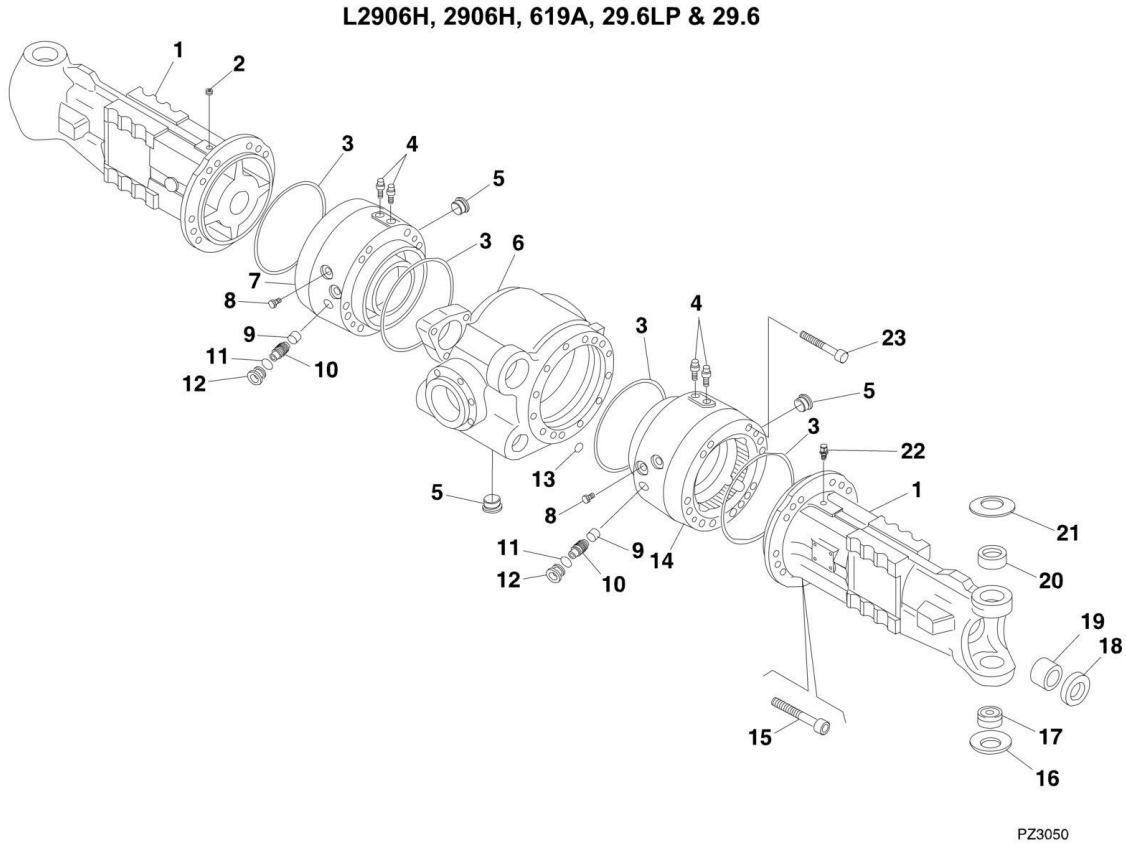
SECTION 5 - DRIVE TRAIN

FIGURE 5-1. FRONT AXLE

ITEM	PART NUMBER	QTY	DESCRIPTION	REV
	1001100330	1	FRONT AXLE, (L2906H, 2906H, 619A, 29.6LP & 29.6), (includes items 1 thru 9)	A
1	1001100334	1	FRONT AXLE, (3507H, 723A & 35.7), (includes items 1 thru 9)	A
2		Ref	CENTRAL HOUSING, (See FRONT AXLE – HOUSING for Breakdown)	
3		Ref	STEERING COMPONENTS, (See FRONT AXLE - HOUSING AND STEERING CYLINDER for Breakdown)	
4		Ref	BEVEL GEAR SET, (See FRONT AXLE - BEVEL GEAR SET for Breakdown)	
5		Ref	DIFFERENTIAL, (See FRONT AXLE – DIFFERENTIAL for Breakdown)	
6		Ref	DOUBLE JOINT, (See FRONT AXLE - DOUBLE U-JOINT for Breakdown)	
7		Ref	BRAKES, (See FRONT AXLE – BRAKES for Breakdown)	
8		Ref	HUB REDUCTION, (See FRONT AXLE - WHEEL HUB AND FINAL REDUCTION for Breakdown)	
9		Ref	TRANSMISSION HOUSING, (See FRONT AXLE - TRANSMISSION HOUSING for Breakdown)	
		Ref	LOWER AND UPPER SHAFT, (See FRONT AXLE - LOWER AND UPPER SHAFT for Breakdown)	

SECTION 5 - DRIVE TRAIN

FIGURE 5-2. FRONT AXLE - HOUSING L2906, 2906H, 619A, 29.6LP & 29.6



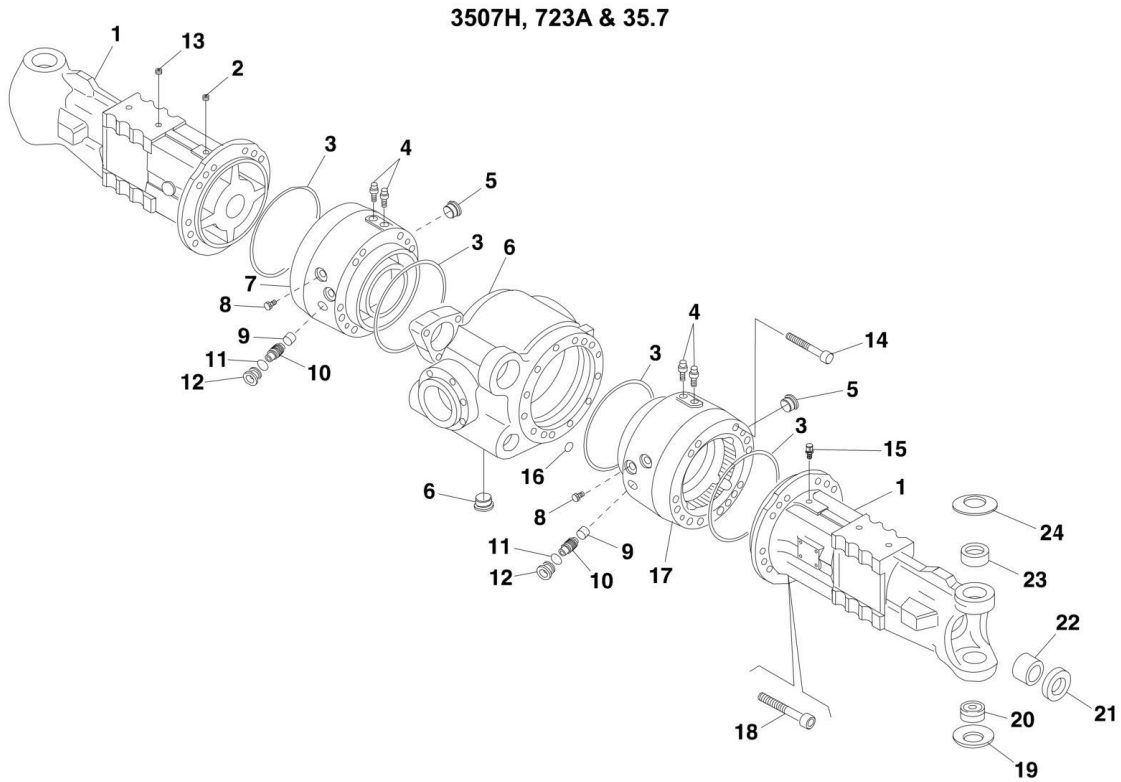
SECTION 5 - DRIVE TRAIN

FIGURE 5-2. FRONT AXLE - HOUSING L2906, 2906H, 619A, 29.6LP & 29.6

ITEM	PART NUMBER	QTY	DESCRIPTION	REV
		Ref	FRONT AXLE - HOUSING, (L2906, 2906H, 619A, 29.6LP & 29.6), (not available to order, see items 1 thru 23 for service)	
1	7028372	2	HOUSING	
2	91474041	1	PLUG	
3	91474038	4	O-RING	
4	91474039	4	BREATHER	
5	91474037	3	PLUG	
6	7028373	1	CENTRAL HOUSING	
7	91474040	1	LH BRAKE CYLINDER	
8	91474063	4	PLUG	
9	91474067	6	PIN	
10	91474066	6	BOLT, M16X1.5	
11	91474065	6	O-RING	
12	91474064	6	SCREW	
13	91474068	2	O-RING	
14	91474062	1	RH BRAKE CYLINDER	
15	91474059	22	BOLT, M16X150	
16	7028377	2	WASHER	
17	7028378	2	JOINT	
18	7028379	2	SEAL RING	
19	7028380	2	BUSHING	
20	7028381	2	BUSHING	
21	7028382	2	WASHER	
22	91474058	1	BREATHER	
23	91474050	2	BOLT, M12X110	

SECTION 5 - DRIVE TRAIN

FIGURE 5-3. FRONT AXLE - HOUSING 3507H, 723A & 35.7



PZ3350

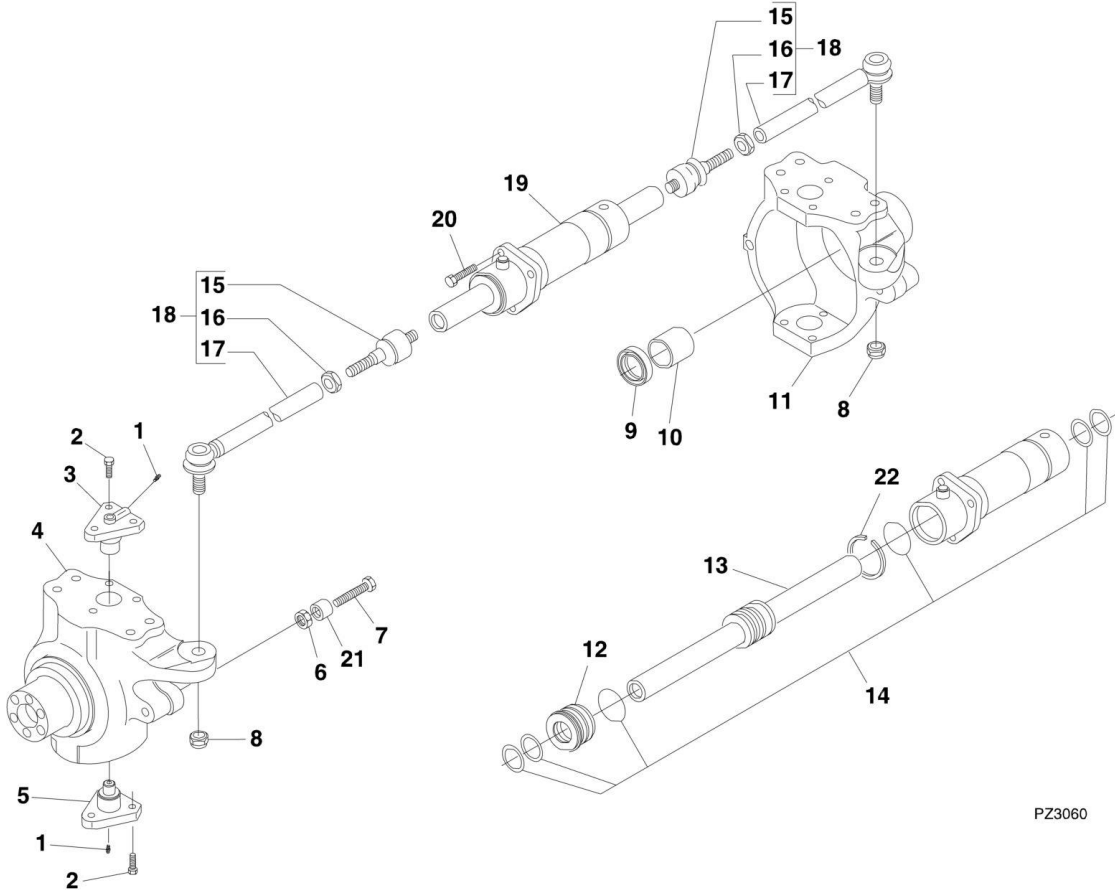
SECTION 5 - DRIVE TRAIN

FIGURE 5-3. FRONT AXLE - HOUSING 3507H, 723A & 35.7

ITEM	PART NUMBER	QTY	DESCRIPTION	REV
		Ref	FRONT AXLE - HOUSING, (3507H, 723A & 35.7), (not available to order, see items 1 thru 24 for service)	
1	7028512	2	HOUSING	
2	91474041	1	PLUG	
3	91474038	4	O-RING	
4	91474039	4	BREATHER	
5	91474037	3	PLUG	
6	7028373	1	CENTRAL HOUSING	
7	91474040	1	LH BRAKE CYLINDER	
8	91474063	4	PLUG	
9	91474067	6	PIN	
10	91474066	6	BOLT, M16X1.5	
11	91474065	6	O-RING	
12	91474064	6	SCREW	
13	7028513	4	PLUG	
14	91474050	2	BOLT, M12X110	
15	91474058	2	BREATHER	
16	91474068	2	O-RING	
17	91474062	1	RH BRAKE CYLINDER	
18	91474059	24	BOLT, M16X150	
19	7028377	2	WASHER	
20	7028378	2	JOINT	
21	7028379	2	SEAL RING	
22	7028380	2	BUSHING	
23	7028381	2	BUSHING	
24	7028382	2	WASHER	

SECTION 5 - DRIVE TRAIN

FIGURE 5-4. FRONT AXLE - HOUSING AND STEERING CYLINDER



PZ3060

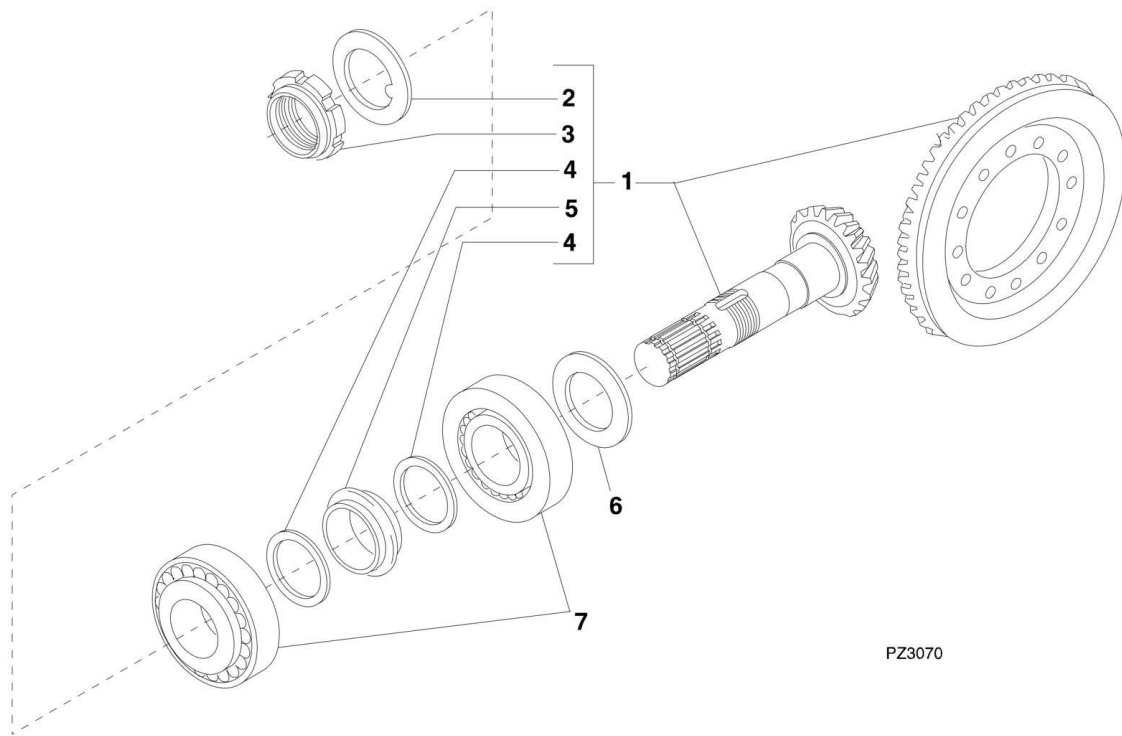
SECTION 5 - DRIVE TRAIN

FIGURE 5-4. FRONT AXLE - HOUSING AND STEERING CYLINDER

ITEM	PART NUMBER	QTY	DESCRIPTION	REV
		Ref	FRONT AXLE - HOUSING AND STEERING CYLINDER, (not available to order, see items 1 thru 21 for service)	
1	91474095	4	GREASE FITTING	
2	7028400	12	SCREW	
3	7028383	2	KING PIN	
4	70022376	1	LH SWIVEL HOUSING, (L2906H, 2906H, 619A, 29.6LP & 29.6)	
4	70022404	1	LH SWIVEL HOUSING, (3507H, 723A & 35.7)	
5	7028385	2	KING PIN	
6	91474092	4	NUT	
7	91474091	4	SCREW	
8	7028401	2	NUT	
9	7028386	2	SEAL	
10	7028387	2	BUSHING	
11	70022377	1	RH SWIVEL HOUSING, (L2906H, 2906H, 619A, 29.6LP & 29.6)	
11	70022499	1	RH SWIVEL HOUSING, (3507H, 723A & 35.7)	
12	7028389	1	CYLINDER HEAD	
13	7028390	1	ROD, (L2906H, 2906H, 619A, 29.6LP & 29.6)	
13	70022440	1	ROD, (3507H, 723A & 35.7)	
14	70022441	1	SEAL KIT	
15	7028392	2	BALL JOINT	
16	91474078	2	NUT	
17	7028393	2	TIE ROD, (L2906H, 2906H, 619A, 29.6LP & 29.6)	
17	7028514	2	TIE ROD, (3507H, 723A & 35.7)	
18	7028394	2	STEERING ARM, (L2906H, 2906H, 619A, 29.6LP & 29.6)	
18	7028496	2	STEERING ARM, (3507H, 723A & 35.7)	
19	70022379	1	STEERING CYLINDER	
20	7028396	3	SCREW	
21	7028399	4	BUSHING	

SECTION 5 - DRIVE TRAIN

FIGURE 5-5. FRONT AXLE - BEVEL GEAR SET



PZ3070

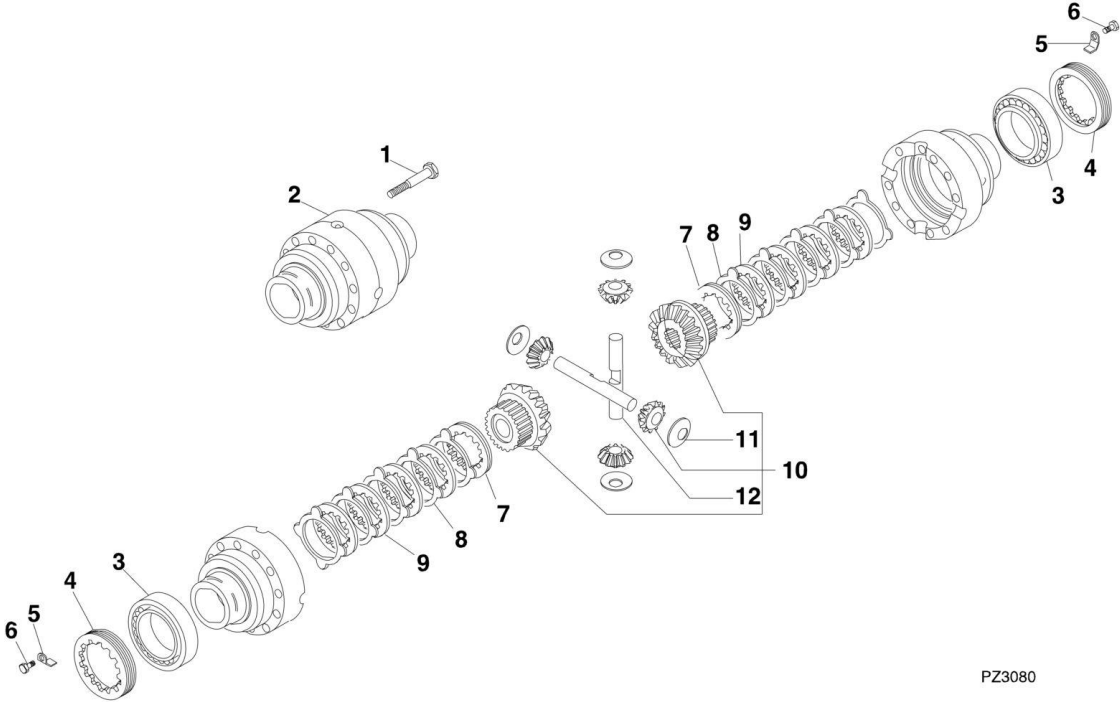
SECTION 5 - DRIVE TRAIN

FIGURE 5-5. FRONT AXLE - BEVEL GEAR SET

ITEM	PART NUMBER	QTY	DESCRIPTION	REV
		Ref	FRONT AXLE - BEVEL GEAR SET, (not available to order, see items 1 thru 7 for service)	
1	7028402	1	BEVEL GEAR SET, (includes items 2 thru 5)	
2	91474100	1	WASHER	
3	91474101	1	RING NUT	
4	91474102	2	WASHER	
5	91474103	1	SPACER	
6	8035160	AR	SHIM, 2.50mm	
6	91474105	AR	SHIM, 2.60mm	
6	91474106	AR	SHIM, 2.70mm	
6	91474107	AR	SHIM, 2.80mm	
6	91474108	AR	SHIM, 2.90mm	
6	91474109	AR	SHIM, 3.00mm	
6	91474110	AR	SHIM, 3.10mm	
6	91474111	AR	SHIM, 3.20mm	
6	91474112	AR	SHIM, 3.30mm	
6	91474113	AR	SHIM, 3.40mm	
7	7028403	2	BEARING	

SECTION 5 - DRIVE TRAIN

FIGURE 5-6. FRONT AXLE - DIFFERENTIAL



PZ3080

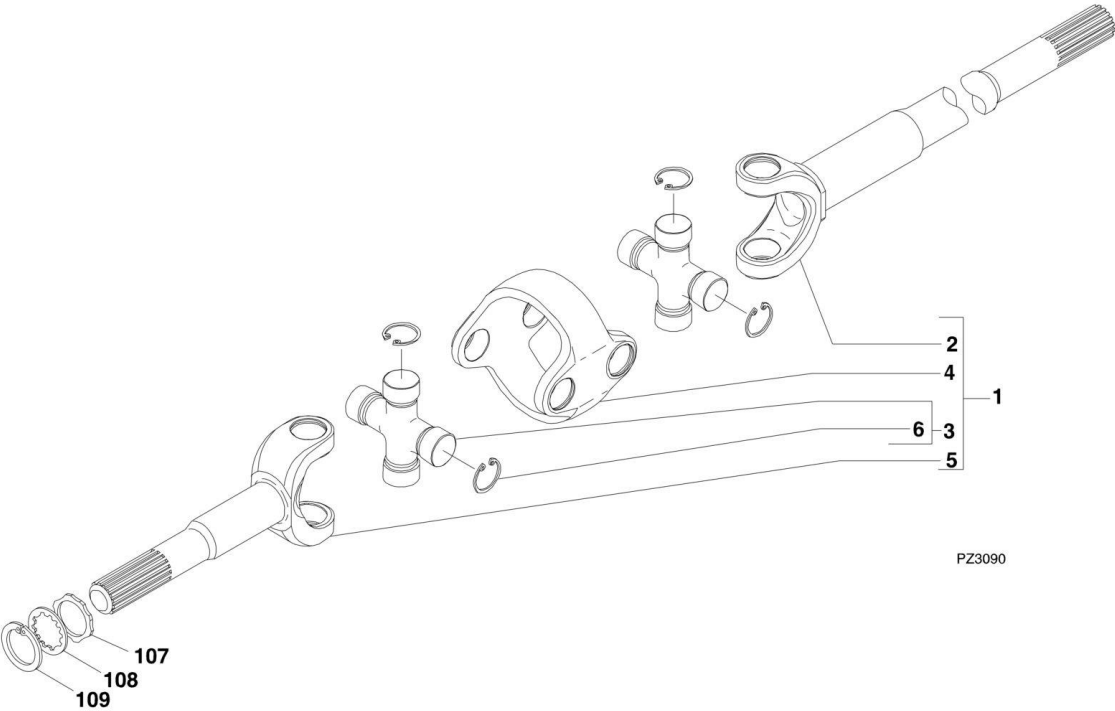
SECTION 5 - DRIVE TRAIN

FIGURE 5-6. FRONT AXLE - DIFFERENTIAL

ITEM	PART NUMBER	QTY	DESCRIPTION	REV
		Ref	FRONT AXLE - DIFFERENTIAL, (not available to order, see items 1 thru 12 for service)	
1	8033544	12	SCREW	
2	7028404	1	DIFFERENTIAL HOUSING	
3	91474129	2	BEARING	
4	91474128	2	RING NUT	
5	91474126	2	LOCK NUT	
6	8035180	2	SCREW	
7	91474123	2	DIFFERENTIAL LOCK DISC	
8	91474124	10	DIFFERENTIAL LOCK PLATE	
9	91474125	8	DIFFERENTIAL LOCK DISC	
10	7028405	1	DIFFERENTIAL GEAR KIT, (includes items 11 & 12)	
11	91474121	4	THRUST WASHER	
12	91474122	2	SHAFT	

SECTION 5 - DRIVE TRAIN

FIGURE 5-7. FRONT AXLE - DOUBLE U-JOINT



PZ3090

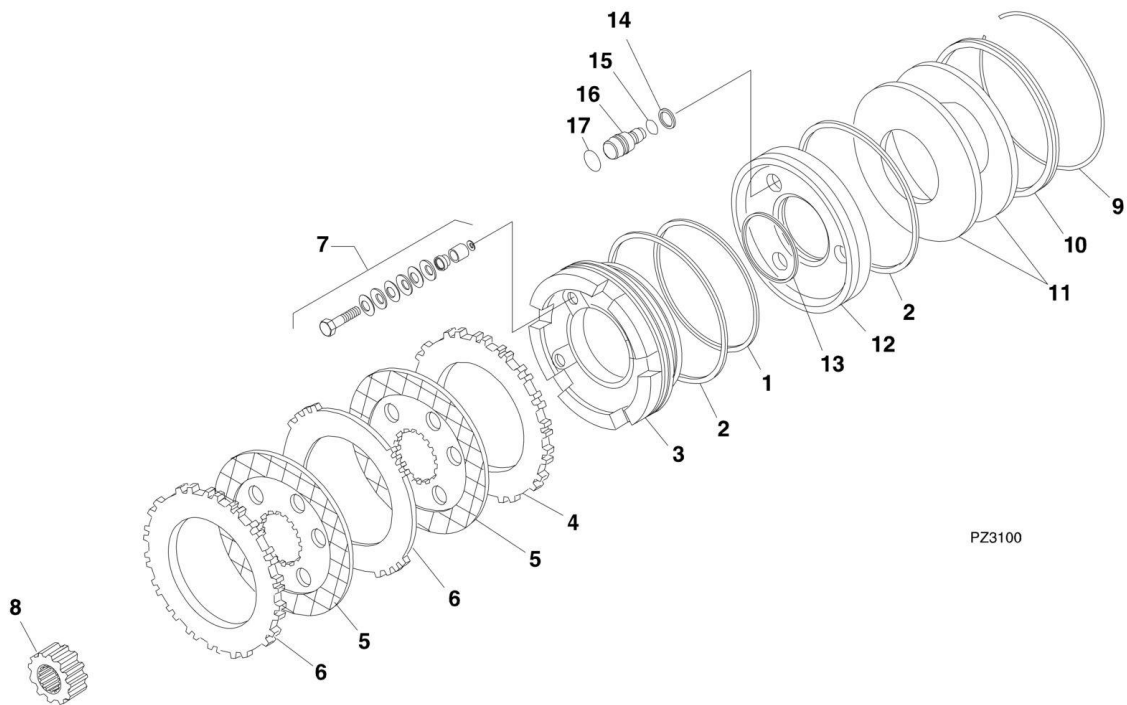
SECTION 5 - DRIVE TRAIN

FIGURE 5-7. FRONT AXLE - DOUBLE U-JOINT

ITEM	PART NUMBER	QTY	DESCRIPTION	REV
		Ref	FRONT AXLE - DOUBLE U-JOINT, (not available to order, see items 1 thru 6 & 107 thru 109 for service)	
1	7028406	2	DOUBLE JOINT, (L2906H, 2906H, 619A, 29.6LP & 29.6), (includes items 2 thru 6)	
1	7028498	2	DOUBLE JOINT, (3507H, 723A & 35.7), (includes items 2 thru 6)	
2	7028407	2	FORK, (L2906H, 2906H, 619A, 29.6LP & 29.6)	
2	7028499	2	FORK, (3507H, 723A & 35.7)	
3	7028408	4	SPIDER, (L2906H, 2906H, 619A, 29.6LP & 29.6), (includes item 6)	
3	7028501	4	SPIDER, (3507H, 723A & 35.7), (includes item 6)	
4	7028409	2	CENTRAL BODY, (L2906H, 2906H, 619A, 29.6LP & 29.6)	
4	7028500	2	CENTRAL BODY, (3507H, 723A & 35.7)	
5	7028410	2	FORK, (L2906H, 2906H, 619A, 29.6LP & 29.6)	
5	7028502	2	FORK, (3507H, 723A & 35.7)	
6	7028411	16	SNAP RING, (L2906H, 2906H, 619A, 29.6LP & 29.6)	
6	7028503	16	SNAP RING, (3507H, 723A & 35.7)	
107	7028424	2	WASHER, (3507H, 723A & 35.7)	
108	7028504	2	WASHER, (3507H, 723A & 35.7)	
109	7028505	2	SNAP RING, (3507H, 723A & 35.7)	

SECTION 5 - DRIVE TRAIN

FIGURE 5-8. FRONT AXLE - BRAKES



PZ3100

SECTION 5 - DRIVE TRAIN

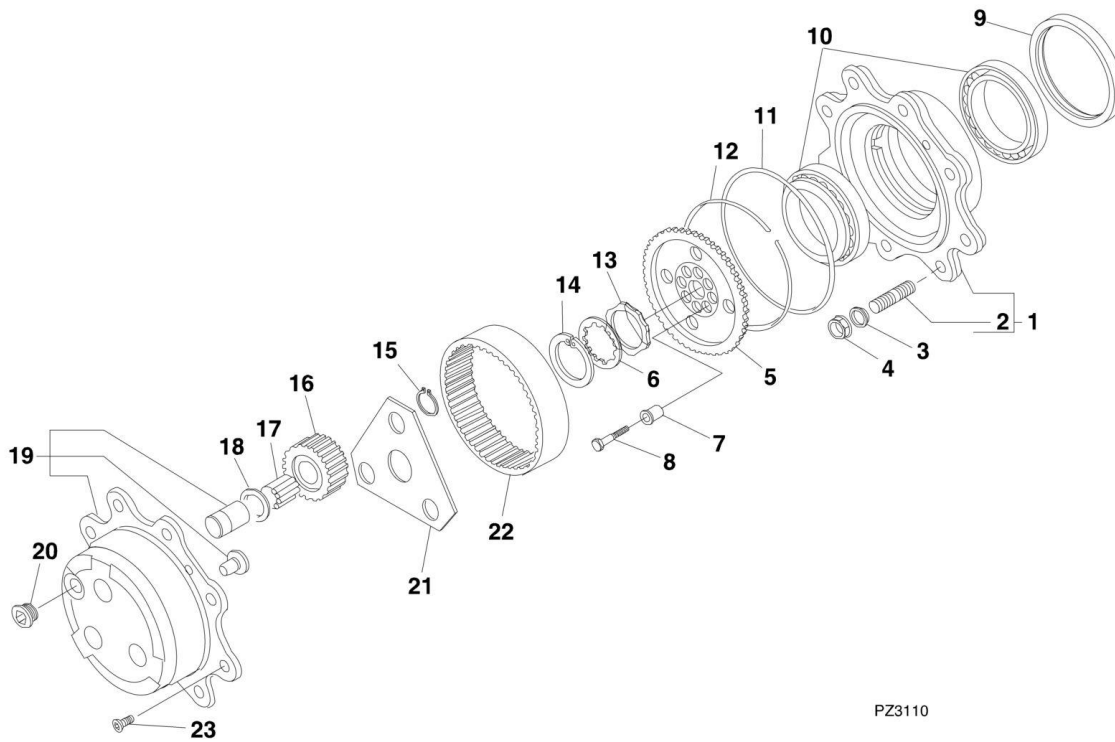
FIGURE 5-8. FRONT AXLE - BRAKES

ITEM	PART NUMBER	QTY	DESCRIPTION	REV
		Ref	FRONT AXLE - BRAKES, (not available to order, see items 1 thru 17 for service)	
1	91474136	2	O-RING	
2	91474137	4	O-RING	
3	91474138	2	BRAKE PISTON	
4	91474139	2	COUNTER PLATE	
5	70022082	4	BRAKE DISC, (L2906H, 2906H, 619A, 29.6LP & 29.6)	
5	70022082	6	BRAKE DISC, (3507H, 723A & 35.7)	
6	91474141	4	COUNTER PLATE, (L2906H, 2906H, 619A, 29.6LP & 29.6)	
6	91474141	6	COUNTER PLATE, (3507H, 723A & 35.7)	
7	91474152	2	SELF ADJUSTING KIT	
8	91474142	2	SLEEVE	
9	91474143	2	RING	
10	91474144	2	SLEEVE	
11	91474145	4	WASHER	
12	91474146	2	PISTON	
13	91474147	4	O-RING, (L2906H, 2906H, 619A, 29.6LP & 29.6)	
13	91474147	2	O-RING, (3507H, 723A & 35.7)	
14	91364041	6	SNAP RING	
15	91474149	6	O-RING	
16	91364042	6	PIN	
17	91474151	6	O-RING	

SECTION 5 - DRIVE TRAIN

FIGURE 5-9. FRONT AXLE - WHEEL HUB AND FINAL REDUCTION L2906, 2906H, 619A, 29.6LP & 29.6

L2906H, 2906H, 619A, 29.6LP & 29.6



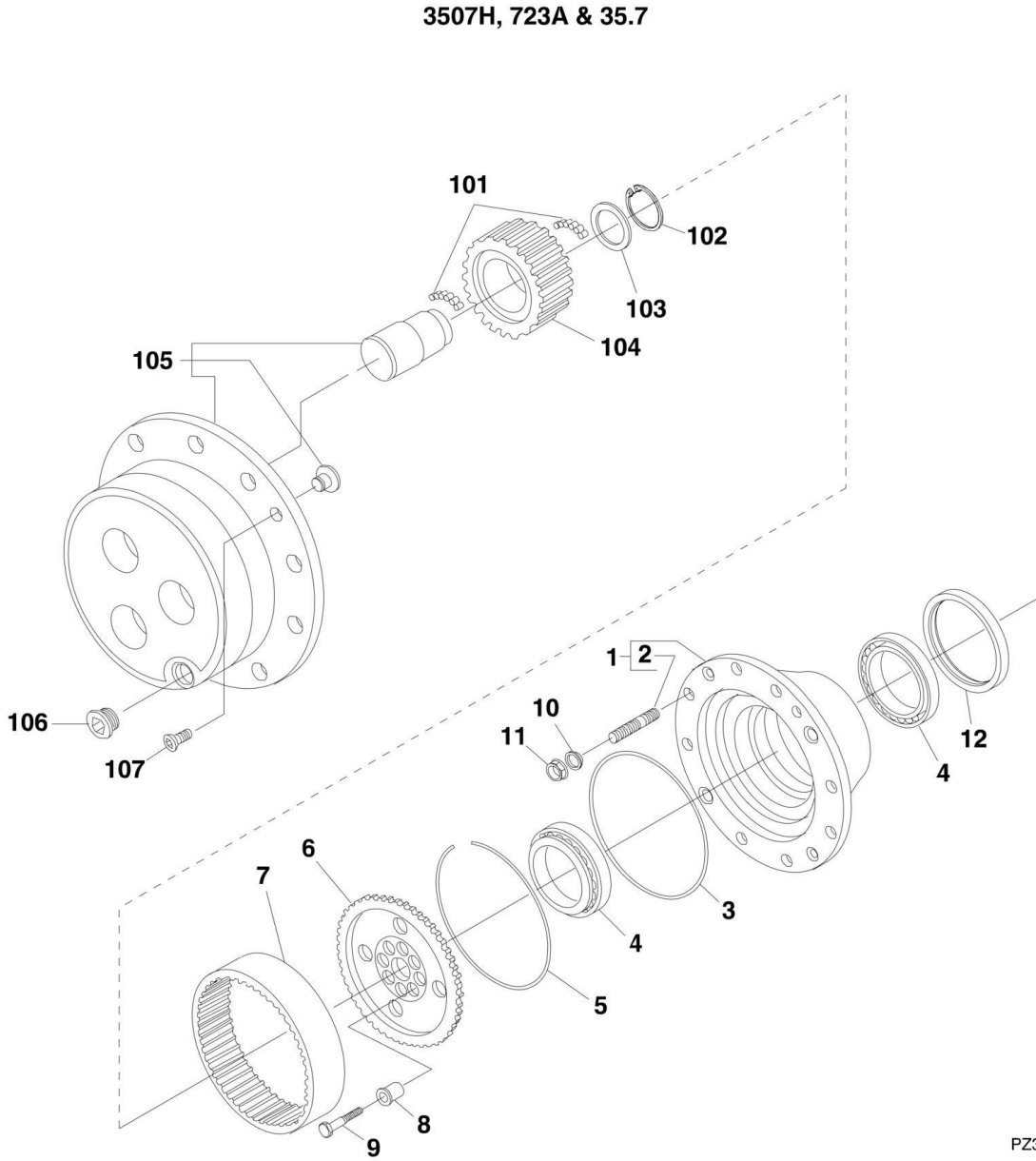
SECTION 5 - DRIVE TRAIN

FIGURE 5-9. FRONT AXLE - WHEEL HUB AND FINAL REDUCTION L2906, 2906H, 619A, 29.6LP & 29.6

ITEM	PART NUMBER	QTY	DESCRIPTION	REV
		Ref	FRONT AXLE - WHEEL HUB AND FINAL REDUCTION, (L2906, 2906H, 619A, 29.6LP & 29.6), (not available to order, see items 1 thru 23 for service)	
1	7028413	2	WHEEL HUB KIT, (includes item 2)	
2	7028414	16	STUD	
3	7028415	16	WASHER	
4	7028416	16	NUT	
5	7028417	2	WHEEL CARRIER	
6	7028418	2	WASHER	
7	7028419	12	BUSHING	
8	7028420	12	SCREW	
9	91474161	2	SEAL	
10	7028421	4	BEARING	
11	7028487	2	O-RING	
12	7028423	2	SNAP RING	
13	7028424	2	WASHER	
14	7028488	2	SNAP RING	
15	91474119	6	SNAP RING	
16	7028426	6	GEAR	
17	7028490	180	NEEDLE BEARING	
18	7028428	6	WASHER	
19	7028491	2	PLANETARY CARRIER	
20	91474037	2	PLUG	
21	7028430	2	WASHER	
22	7028431	6	RING GEAR	
23	8035235	4	BOLT, M8X20	

SECTION 5 - DRIVE TRAIN

FIGURE 5-10. FRONT AXLE - WHEEL HUB AND FINAL REDUCTION 3507H, 723A & 35.7



PZ3360

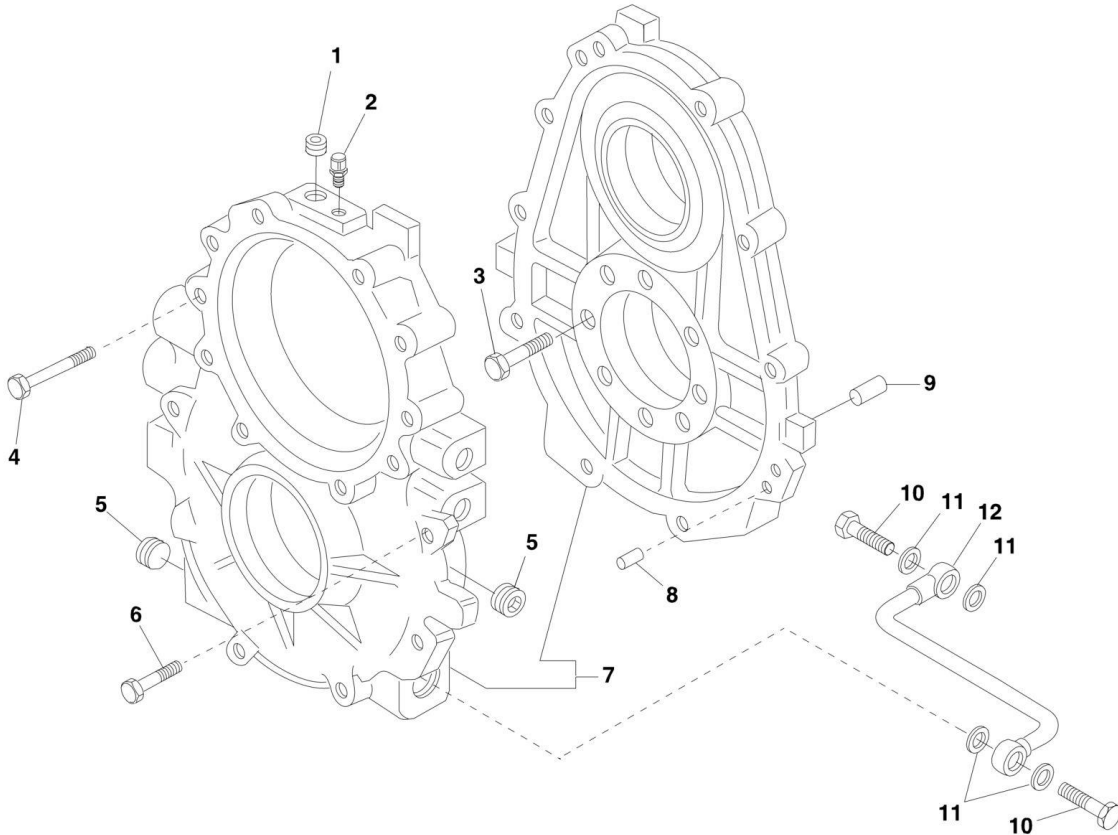
SECTION 5 - DRIVE TRAIN

FIGURE 5-10. FRONT AXLE - WHEEL HUB AND FINAL REDUCTION 3507H, 723A & 35.7

ITEM	PART NUMBER	QTY	DESCRIPTION	REV
		Ref	FRONT AXLE - WHEEL HUB AND FINAL REDUCTION, (3507H, 723A & 35.7), (not available to order see items 1 thru 12 & 101 thru 107 for service)	
1	70022443	2	WHEEL HUB KIT, (includes item 2)	
2	7028414	16	STUD	
3	7028487	2	O-RING	
4	7028421	4	BEARING	
5	7028423	2	SNAP RING	
6	7028417	2	WHEEL CARRIER	
7	7028507	2	RING GEAR	
8	7028419	16	BUSHING	
9	7028420	16	SCREW	
10	7028415	16	WASHER	
11	7028416	16	NUT	
12	91474161	2	SEAL	
101	91474163	336	PIN	
102	7028508	6	SNAP RING	
103	7028509	6	WASHER	
104	7028510	6	GEAR	
105	7028511	2	PLANETARY CARRIER KIT	
106	91474037	2	OIL PLUG	
107	8035235	4	BOLT, M8X20	

SECTION 5 - DRIVE TRAIN

FIGURE 5-11. FRONT AXLE - TRANSMISSION HOUSING



PZ3120

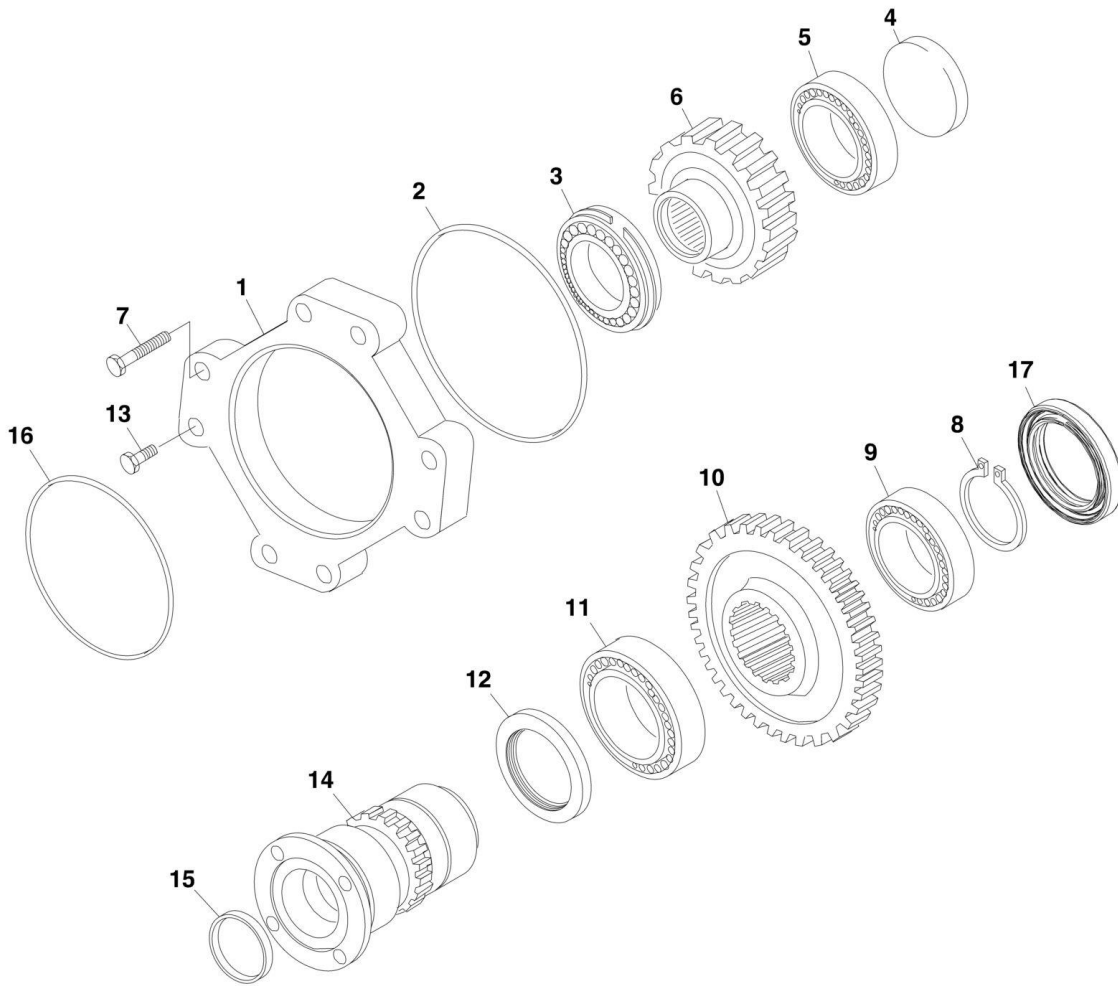
SECTION 5 - DRIVE TRAIN

FIGURE 5-11. FRONT AXLE - TRANSMISSION HOUSING

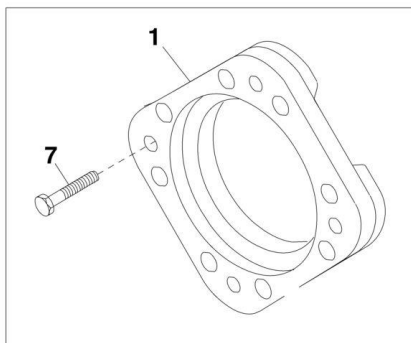
ITEM	PART NUMBER	QTY	DESCRIPTION	REV
		Ref	FRONT AXLE - TRANSMISSION HOUSING, (not available to order, see items 1 thru 12 for service)	
1	91474075	1	PLUG	
2	91474058	1	BREATHER	
3	7028432	8	SCREW	
4	7028433	2	SCREW	
5	7028434	2	PLUG, (L2906H, 2906H, 619A, 29.6LP & 29.6)	
5	7028434	3	PLUG, (3507H, 723A & 35.7)	
6	7028435	6	PLUG	
7	70022383	1	HOUSING	
8	7028437	2	PIN	
9	91364078	1	PIN	
10	7028438	2	SCREW, (3507H, 723A & 35.7)	
11	7028439	4	WASHER, (3507H, 723A & 35.7)	
12	7028440	1	OIL PIPE, (3507H, 723A & 35.7)	

SECTION 5 - DRIVE TRAIN

FIGURE 5-12. FRONT AXLE - LOWER AND UPPER SHAFT



3507H, 723A & 35.7



PZ3130

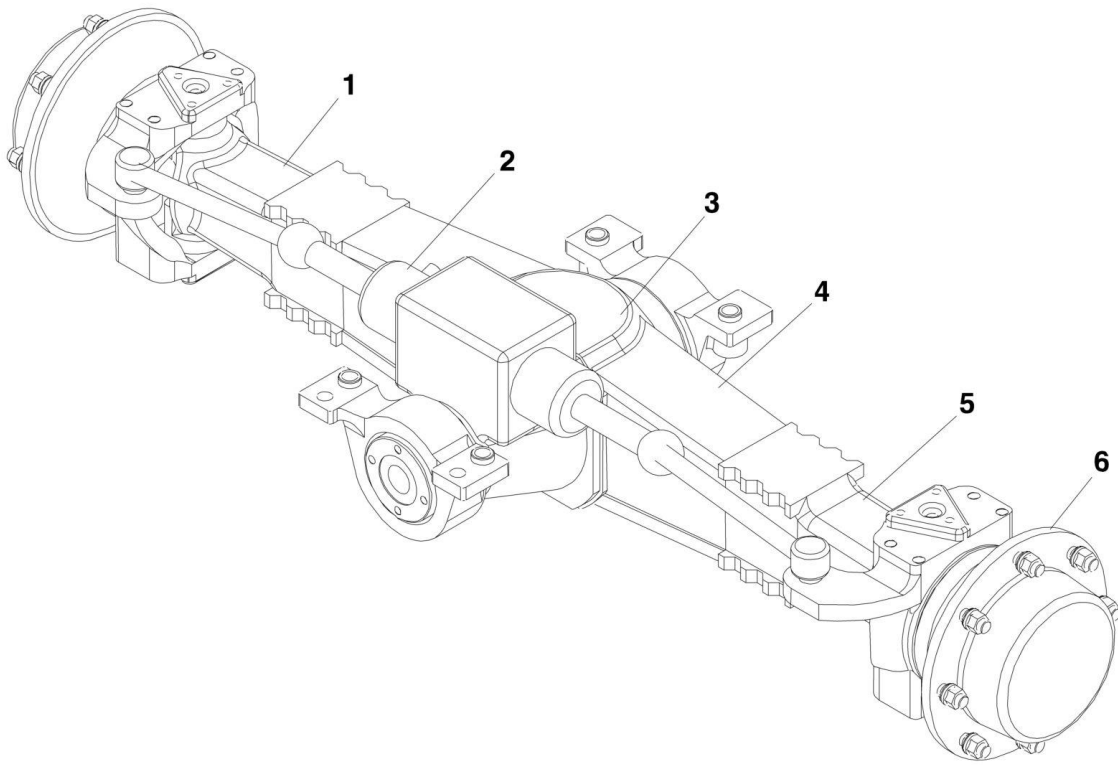
SECTION 5 - DRIVE TRAIN

FIGURE 5-12. FRONT AXLE - LOWER AND UPPER SHAFT

ITEM	PART NUMBER	QTY	DESCRIPTION	REV
		Ref	FRONT AXLE - LOWER AND UPPER SHAFT, (not available to order, see items 1 thru 17 for service)	
1	7028441	1	FLANGE, (L2906H, 2906H, 619A, 29.6LP & 29.6)	
1	7028517	1	FLANGE, (3507H, 723A & 35.7)	
2	7028442	1	O-RING	
3	7028443	1	BEARING	
4	7028444	1	PLUG	
5	7028445	1	BEARING	
6	70022380	1	GEAR	
7	7028447	2	SCREW	
8	7028448	1	SNAP RING	
9	7028449	1	BEARING	
10	70022381	1	GEAR	
11	7028451	1	BEARING	
12	7028452	1	SEAL	
13	7028453	6	SCREW, (L2906H, 2906H, 619A, 29.6LP & 29.6)	
13	7028521	6	SCREW, (3507H, 723A & 35.7)	
14	7028454	1	LOWER SHAFT	
15	7028455	1	PLUG	
16	7028456	1	O-RING, (L2906H, 2906H, 619A, 29.6LP & 29.6)	
16	7028442	1	O-RING, (3507H, 723A & 35.7)	
17	70022642	1	SEAL	

SECTION 5 - DRIVE TRAIN

FIGURE 5-13. REAR AXLE



PZ3370

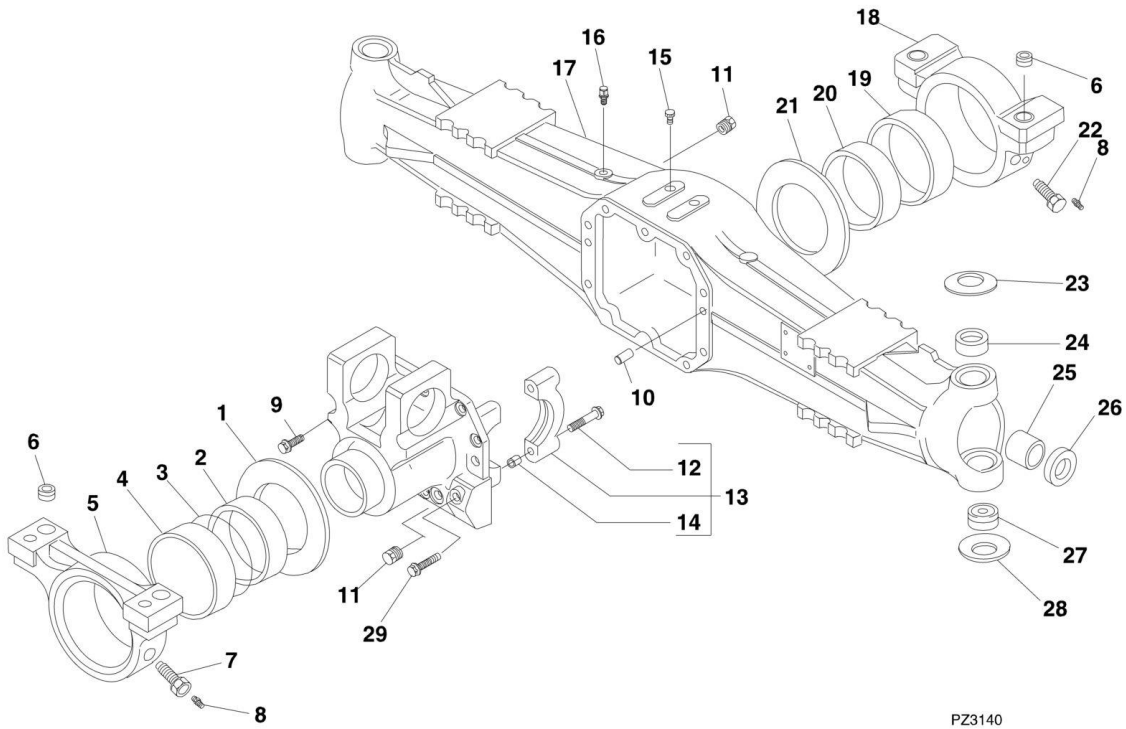
SECTION 5 - DRIVE TRAIN

FIGURE 5-13. REAR AXLE

ITEM	PART NUMBER	QTY	DESCRIPTION	REV
	1001100332	1	REAR AXLE, (L2906H, 2906H, 619A, 29.6LP & 29.6), (includes items 1 thru 6)	C
	1001100335	1	REAR AXLE, (3507H, 723A & 35.7), (includes items 1 thru 6)	C
1		Ref	AXLE HOUSING, (See REAR AXLE HOUSING for Breakdown)	
2		Ref	STEERING COMPONENTS, (See REAR AXLE - STEERING COMPONENTS for Breakdown)	
3		Ref	BEVEL GEAR SET, (See REAR AXLE - BEVEL GEAR SET for Breakdown)	
4		Ref	DIFFERENTIAL, (See REAR AXLE – DIFFERENTIAL for Breakdown)	
5		Ref	DOUBLE U-JOINT, (See REAR AXLE - DOUBLE U-JOINT for Breakdown)	
6		Ref	WHEEL HUB AND FINAL REDUCTION, (See REAR AXLE - WHEEL HUB AND FINAL REDUCTION for Breakdown)	

SECTION 5 - DRIVE TRAIN

FIGURE 5-14. REAR AXLE HOUSING



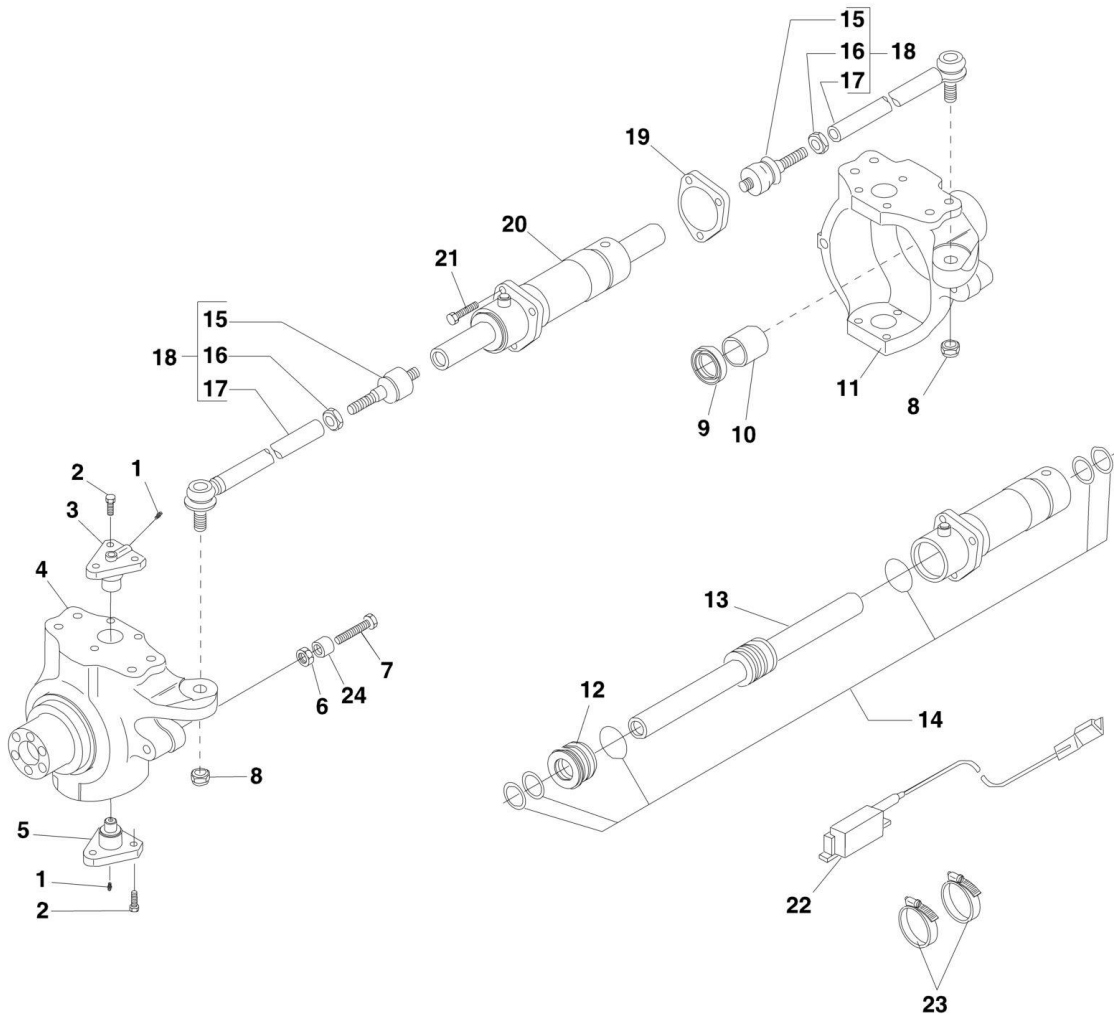
SECTION 5 - DRIVE TRAIN

FIGURE 5-14. REAR AXLE HOUSING

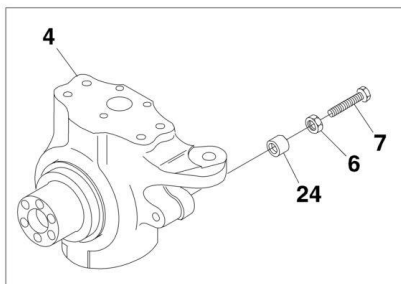
ITEM	PART NUMBER	QTY	DESCRIPTION	REV
		Ref	REAR AXLE - AXLE HOUSING, (not available to order, see items 1 thru 29 for service)	
1	91474069	1	THRUST WASHER	
2	8035118	1	BUSHING	
3	91474071	1	O-RING	
4	91474072	1	BUSHING	
5	7028457	1	REAR SUPPORT	
6	91474043	4	BUSHING	
7	91474073	1	SCREW	
8	91474045	2	GREASE FITTING	
9	7028458	5	SCREW	
10	7028459	2	PIN	
11	7028460	2	PLUG	
12	7028461	4	SCREW	
13	7028462	1	DIFFERENTIAL SUPPORT, (includes items 12 & 14)	
14	7028463	4	BUSHING	
15	91474063	2	PLUG	
16	91474058	1	BREATHER	
17	7028464	1	AXLE BEAM, (L2906H, 2906H, 619A, 29.6LP & 29.6)	
17	7028493	1	AXLE BEAM, (3507H, 723A & 35.7)	
18	7028465	1	FRONT SUPPORT	
19	91474047	1	BUSHING	
20	91474048	1	BUSHING	
21	7028466	1	THRUST WASHER	
22	7028467	1	SCREW	
23	7028382	2	WASHER	
24	7028381	2	BUSHING	
25	7028380	2	BUSHING	
26	7028379	2	SEAL RING	
27	7028378	2	JOINT	
28	7028377	2	WASHER	
29	7028468	5	SCREW	

SECTION 5 - DRIVE TRAIN

FIGURE 5-15. REAR AXLE - STEERING COMPONENTS



3507H, 723A & 35.7



PZ3150

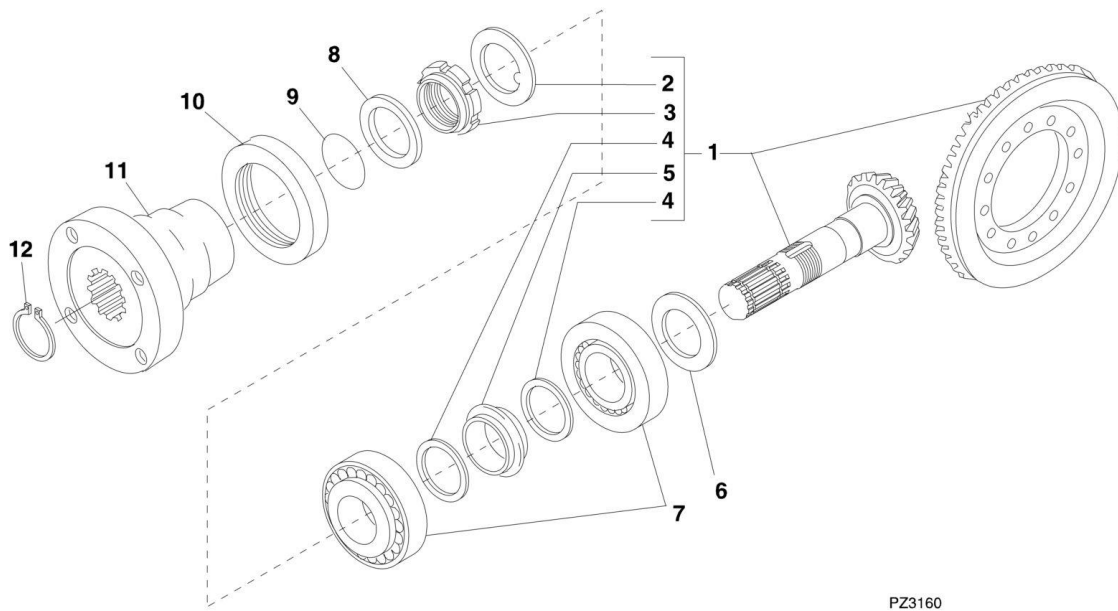
SECTION 5 - DRIVE TRAIN

FIGURE 5-15. REAR AXLE - STEERING COMPONENTS

ITEM	PART NUMBER	QTY	DESCRIPTION	REV
		Ref	REAR AXLE - STEERING COMPONENTS, (not available to order, see items 1 thru 24 for service)	
1	91474095	4	GREASE FITTING	
2	7028400	12	SCREW	
3	7028383	2	KING PIN	
4	70022376	1	RH SWIVEL HOUSING, (L2906H, 2906H, 619A, 29.6LP & 29.6)	
4	70022404	1	RH SWIVEL HOUSING, (3507H, 723A & 35.7)	
5	7028385	2	KING PIN	
6	91474092	4	NUT	
7	91474091	4	SCREW	
8	7028401	2	NUT	
9	7028386	1	SEAL, (L2906H, 2906H, 619A, 29.6LP & 29.6)	
9	7028386	2	SEAL, (3507H, 723A & 35.7)	
10	7028387	2	BUSHING	
11	70022377	1	LH SWIVEL HOUSING, (L2906H, 2906H, 619A, 29.6LP & 29.6)	
11	70022499	1	LH SWIVEL HOUSING, (3507H, 723A & 35.7)	
12	7028389	1	CYLINDER HEAD	
13	7028390	1	ROD, (L2906H, 2906H, 619A, 29.6LP & 29.6)	
13	70022440	1	ROD, (3507H, 723A & 35.7)	
14	7028391	1	SEAL KIT, (L2906H, 2906H, 619A, 29.6LP & 29.6)	
14	70022441	1	SEAL KIT, (3507H, 723A & 35.7)	
15	7028392	2	BALL JOINT	
16	91474078	2	NUT	
17	7028393	2	TIE ROD, (L2906H, 2906H, 619A, 29.6LP & 29.6)	
17	7028514	2	TIE ROD, (3507H, 723A & 35.7)	
18	7028394	2	STEERING ARM, (L2906H, 2906H, 619A, 29.6LP & 29.6), (includes items 15 thru 17)	
18	7028496	2	STEERING ARM, (3507H, 723A & 35.7), (includes items 15 thru 17)	
19	7028472	1	FLANGE	
20	70022379	1	STEERING CYLINDER, (includes items 12, 13, 14 & 24)	
21	7028432	3	SCREW	
22	70022504	1	SENSOR	
23	7028475	2	BAND	
24	7028399	4	BUSHING	

SECTION 5 - DRIVE TRAIN

FIGURE 5-16. REAR AXLE - BEVEL GEAR SET



PZ3160

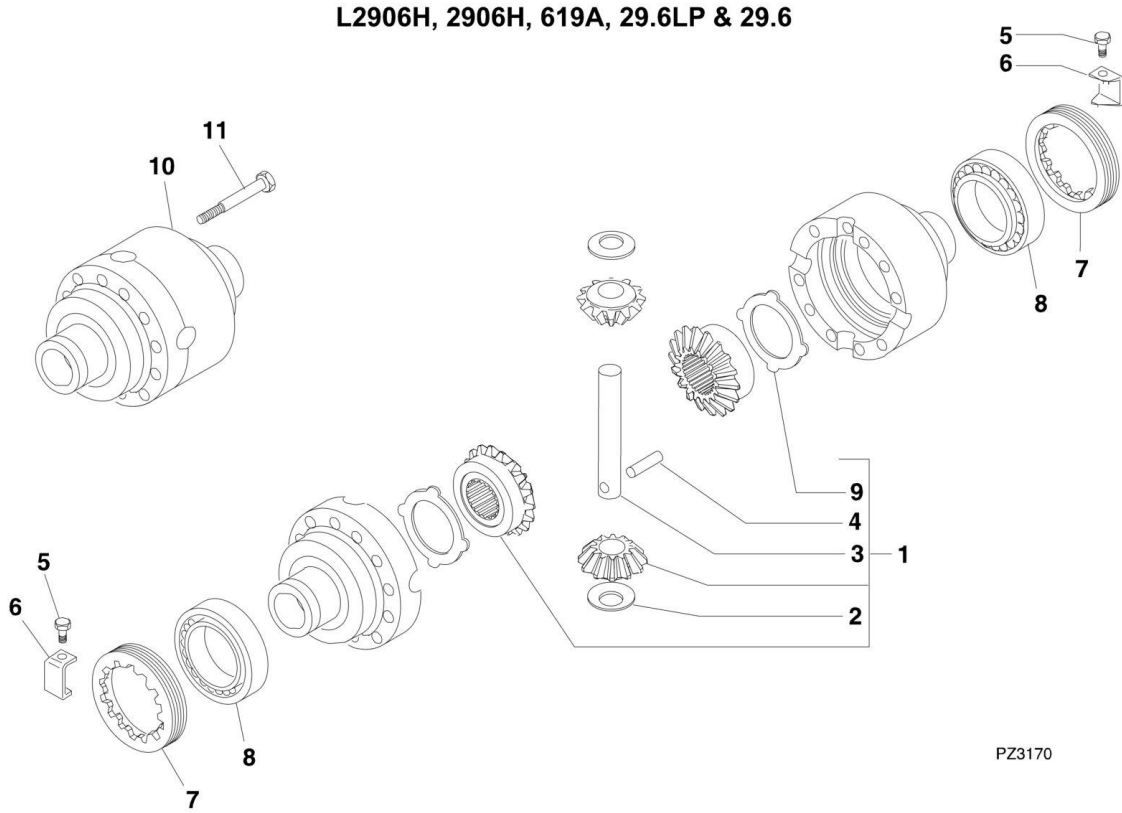
SECTION 5 - DRIVE TRAIN

FIGURE 5-16. REAR AXLE - BEVEL GEAR SET

ITEM	PART NUMBER	QTY	DESCRIPTION	REV
		Ref	REAR AXLE - BEVEL GEAR SET, (not available to order, see items 1 thru 12 for service)	
1	7028477	1	BEVEL GEAR SET, (L2906H, 2906H, 619A, 29.6LP & 29.6), (includes items 2 thru 5)	
1	7028477	1	BEVEL GEAR SET, (3507H, 723A & 35.7)	
2	91474100	1	WASHER	
3	91474101	1	RING NUT	
4	91474102	2	WASHER	
5	91474103	1	SPACER	
6	8035160	AR	SHIM, 2.50mm	
6	91474105	AR	SHIM, 2.60mm	
6	91474106	AR	SHIM, 2.70mm	
6	91474107	AR	SHIM, 2.80mm	
6	91474108	AR	SHIM, 2.90mm	
6	91474109	AR	SHIM, 3.00mm	
6	91474110	AR	SHIM, 3.10mm	
6	91474111	AR	SHIM, 3.20mm	
6	91474112	AR	SHIM, 3.30mm	
6	91474113	AR	SHIM, 3.40mm	
7	7028403	2	BEARING	
8	91474115	1	WASHER	
9	91474116	1	O-RING	
10	7028478	1	SEAL RING	
11	7028479	1	FLANGE	
12	91474119	1	SNAP RING	

SECTION 5 - DRIVE TRAIN

FIGURE 5-17. REAR AXLE - DIFFERENTIAL L2906H, 2906H, 619A, 29.6LP & 29.6



PZ3170

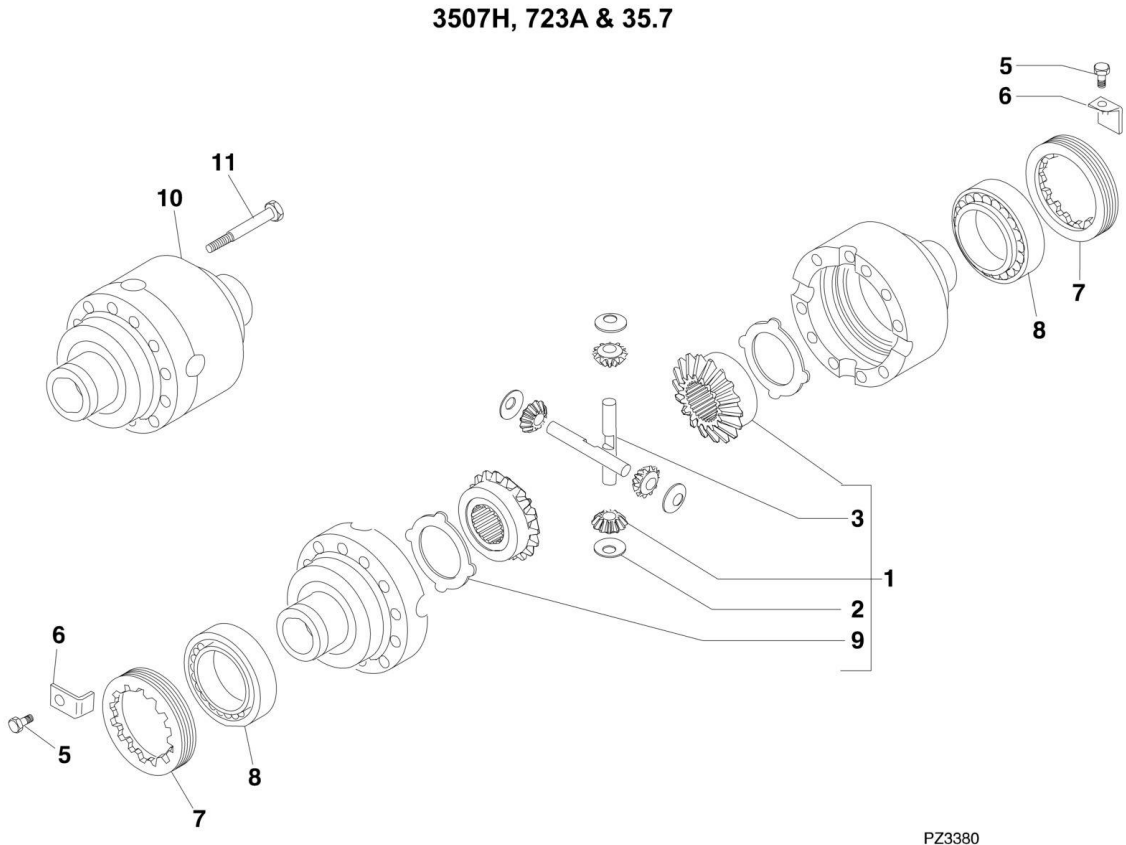
SECTION 5 - DRIVE TRAIN

FIGURE 5-17. REAR AXLE - DIFFERENTIAL L2906H, 2906H, 619A, 29.6LP & 29.6

ITEM	PART NUMBER	QTY	DESCRIPTION	REV
		Ref	REAR AXLE - DIFFERENTIAL, (L2906H, 2906H, 619A, 29.6LP & 29.6), (not available to order, see items 1 thru 11 for service)	
1	7028480	1	DIFFERENTIAL GEAR KIT, (includes 2, 3, 4 & 9)	
2	91474121	2	THRUST WASHER	
3	7028481	1	SHAFT	
4	7028482	1	PIN	
5	8035180	2	SCREW	
6	7028483	2	LOCK NUT	
7	91474128	2	RING NUT	
8	91474129	2	BEARING	
9	91474176	2	COUNTER PLATE	
10	7028404	1	DIFFERENTIAL HOUSING	
11	8033544	12	SCREW	

SECTION 5 - DRIVE TRAIN

FIGURE 5-18. REAR AXLE - DIFFERENTIAL 3507H, 723A & 35.7



PZ3380

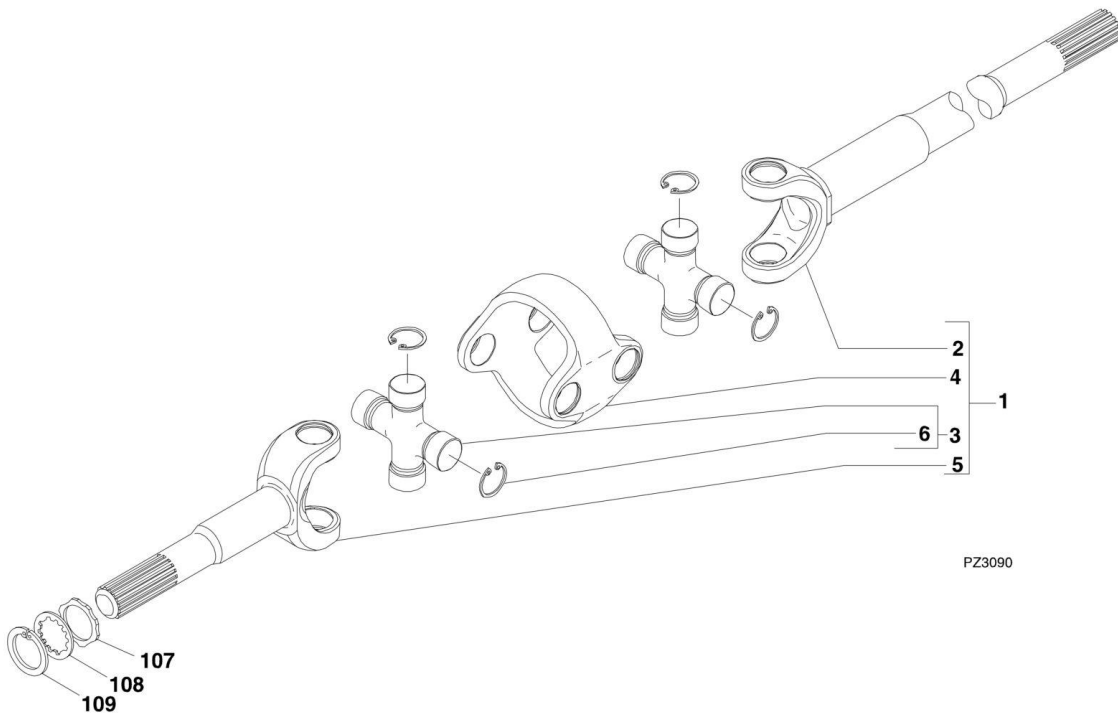
SECTION 5 - DRIVE TRAIN

FIGURE 5-18. REAR AXLE - DIFFERENTIAL 3507H, 723A & 35.7

ITEM	PART NUMBER	QTY	DESCRIPTION	REV
		Ref	REAR AXLE - DIFFERENTIAL, (3507H, 723A & 35.7), (not available to order, see items 1 thru 11 for service)	
1	8034679	1	DIFFERENTIAL GEAR KIT, (includes 2, 3 & 9)	
2	91474121	4	THRUST WASHER	
3	91474122	2	SHAFT	
5	8035180	2	SCREW	
6	7028483	2	LOCK NUT	
7	91474128	2	RING NUT	
8	91474129	2	BEARING	
9	91474176	2	COUNTER PLATE	
10	7028404	1	DIFFERENTIAL HOUSING	
11	8033544	12	SCREW	

SECTION 5 - DRIVE TRAIN

FIGURE 5-19. REAR AXLE - DOUBLE U-JOINT



PZ3090

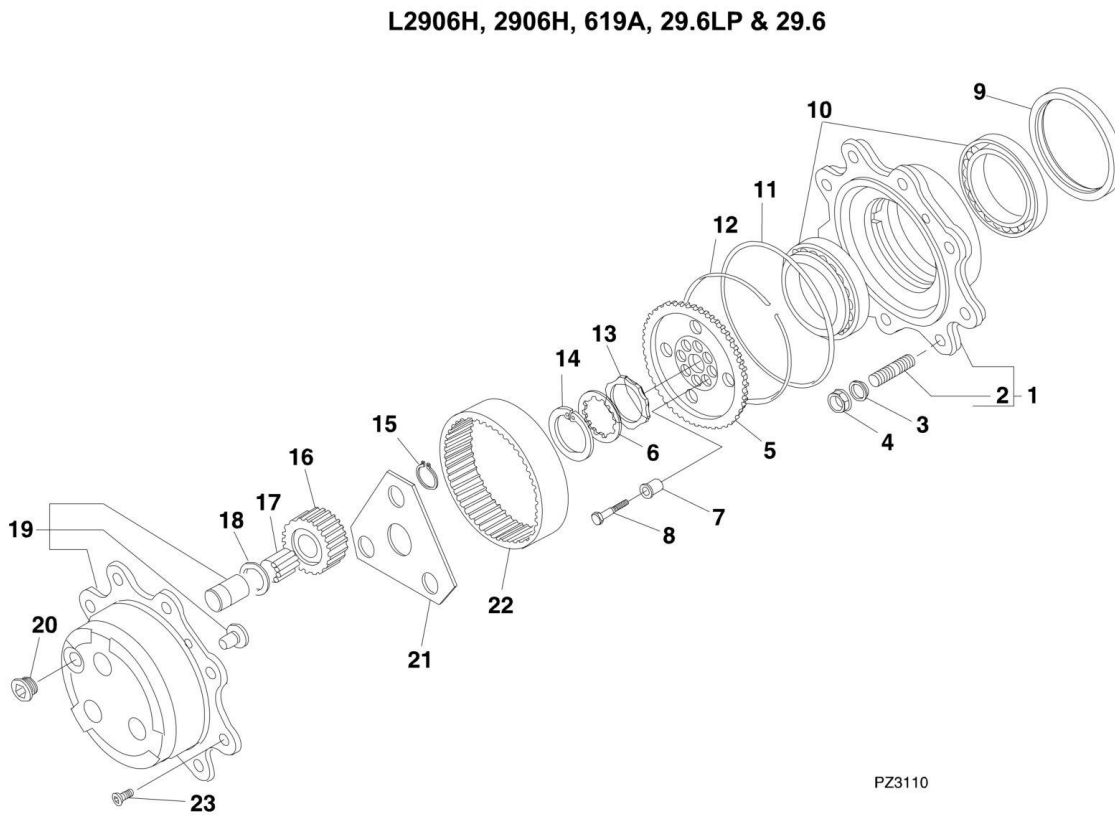
SECTION 5 - DRIVE TRAIN

FIGURE 5-19. REAR AXLE - DOUBLE U-JOINT

ITEM	PART NUMBER	QTY	DESCRIPTION	REV
		Ref	FRONT AXLE - DOUBLE U-JOINT,(not available to order, see items 1 thru 6 & 107 thru 109 for service)	
1	7028484	2	DOUBLE JOINT, (L2906H, 2906H, 619A, 29.6LP & 29.6), (includes items 2 thru 6)	
1	7028498	2	DOUBLE JOINT, (3507H, 723A & 35.7), (includes items 2 thru 6)	
2	7028485	2	FORK, (L2906H, 2906H, 619A, 29.6LP & 29.6)	
2	7028499	2	FORK, (3507H, 723A & 35.7)	
3	7028408	4	SPIDER, (L2906H, 2906H, 619A, 29.6LP & 29.6), (includes item 6)	
3	7028501	4	SPIDER, (3507H, 723A & 35.7), (includes items 6)	
4	7028409	2	CENTRAL BODY, (L2906H, 2906H, 619A, 29.6LP & 29.6)	
4	7028500	2	CENTRAL BODY, (3507H, 723A & 35.7)	
5	7028410	2	FORK, (L2906H, 2906H, 619A, 29.6LP & 29.6)	
5	7028502	2	FORK, (3507H, 723A & 35.7)	
6	7028411	16	SNAP RING, (L2906H, 2906H, 619A, 29.6LP & 29.6)	
6	7028503	16	SNAP RING, (3507H, 723A & 35.7)	
107	7028424	2	WASHER, (3507H, 723A & 35.7)	
108	7028504	2	WASHER, (3507H, 723A & 35.7)	
109	7028505	2	SNAP RING, (3507H, 723A & 35.7)	

SECTION 5 - DRIVE TRAIN

FIGURE 5-20. REAR AXLE - WHEEL HUB AND FINAL REDUCTION L2906H, 2906H, 619A, 29.6LP & 29.6



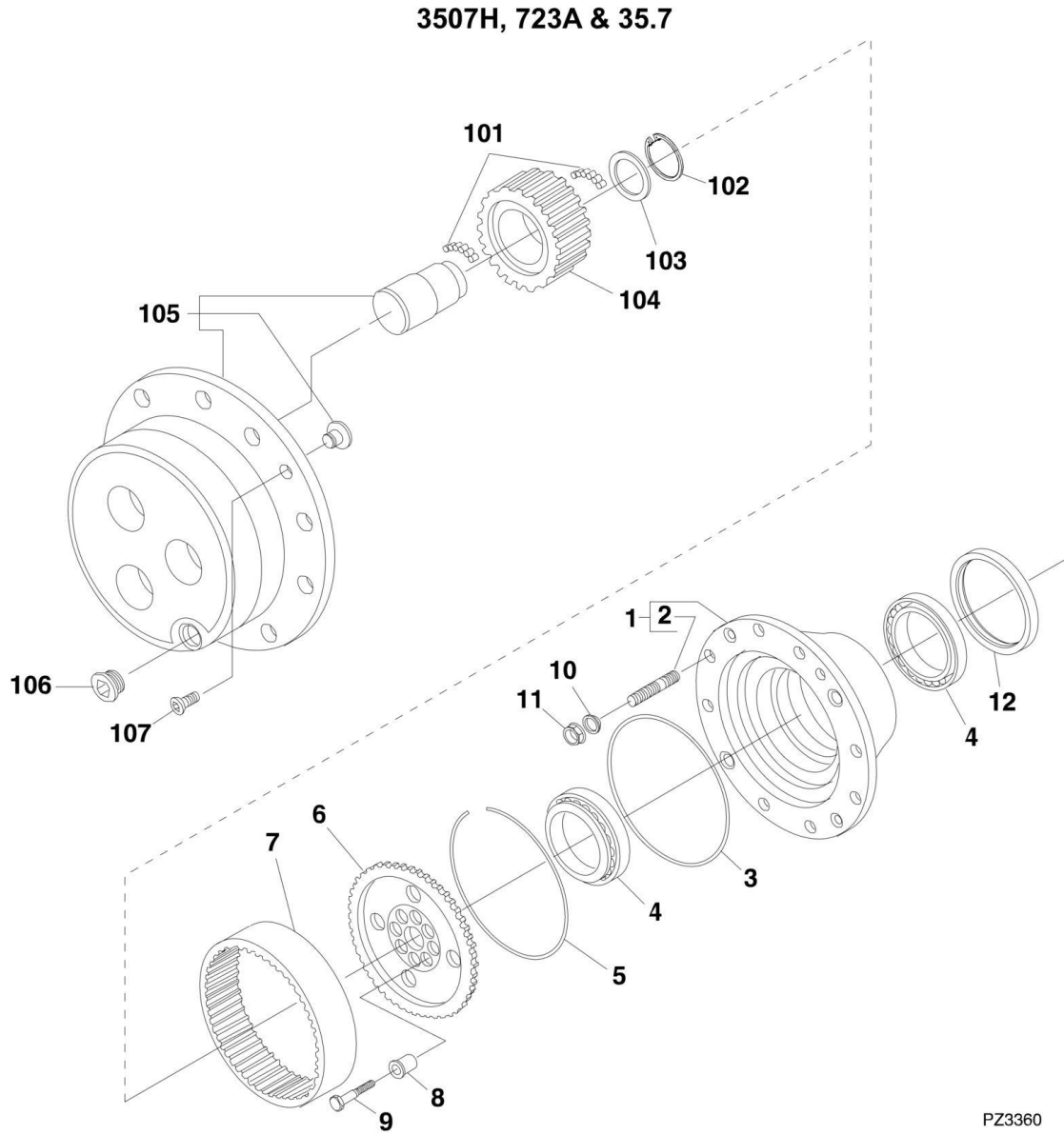
SECTION 5 - DRIVE TRAIN

FIGURE 5-20. REAR AXLE - WHEEL HUB AND FINAL REDUCTION L2906H, 2906H, 619A, 29.6LP & 29.6

ITEM	PART NUMBER	QTY	DESCRIPTION	REV
		Ref	FRONT AXLE - WHEEL HUB AND FINAL REDUCTION, (L2906H, 2906H, 619A, 29.6LP & 29.6), (not available to order, see items 1 thru 23 for service)	
1	7028413	2	WHEEL HUB KIT, (includes item 2)	
2	7028414	16	STUD	
3	7028415	16	WASHER	
4	7028416	16	NUT	
5	7028417	2	WHEEL CARRIER	
6	7028418	2	WASHER	
7	7028419	12	BUSHING	
8	7028420	12	SCREW	
9	91474161	2	SEAL	
10	7028421	4	BEARING	
11	7028487	2	O-RING	
12	7028423	2	SNAP RING	
13	7028424	2	WASHER	
14	7028488	2	SNAP RING	
15	91474119	6	SNAP RING	
16	7028426	6	GEAR	
17	7028490	180	NEEDLE BEARING	
18	7028428	6	WASHER	
19	7028491	2	PLANETARY CARRIER	
20	91474037	2	PLUG	
21	7028430	2	WASHER	
22	7028431	6	RING GEAR	
23	8035235	4	BOLT, M8X20	

SECTION 5 - DRIVE TRAIN

FIGURE 5-21. REAR AXLE - WHEEL HUB AND FINAL REDUCTION 3507H, 723A & 35.7



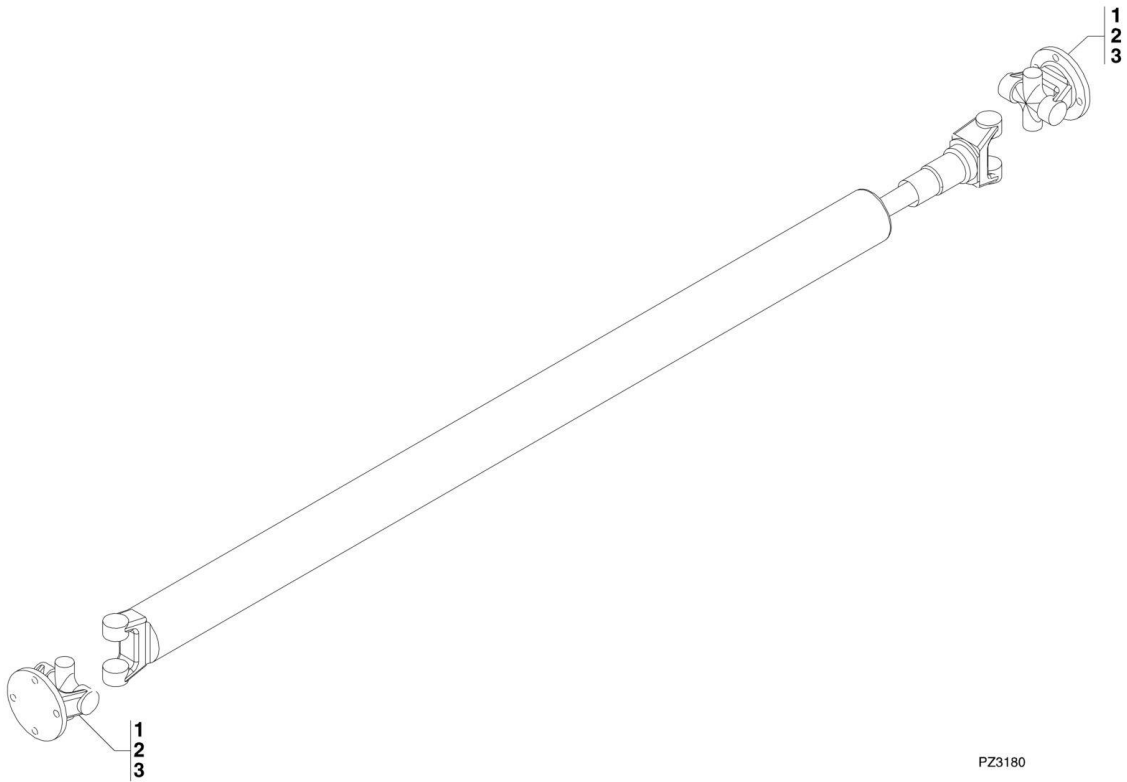
SECTION 5 - DRIVE TRAIN

FIGURE 5-21. REAR AXLE - WHEEL HUB AND FINAL REDUCTION 3507H, 723A & 35.7

ITEM	PART NUMBER	QTY	DESCRIPTION	REV
		Ref	FRONT AXLE - WHEEL HUB AND FINAL REDUCTION, (3507H, 723A & 35.7), (not available to order see items 1 thru 12 & 101 thru 107 for service)	
1	70022443	2	WHEEL HUB KIT, (includes item 2)	
2	7028414	16	STUD	
3	7028487	2	O-RING	
4	7028421	4	BEARING	
5	7028423	2	SNAP RING	
6	7028417	2	WHEEL CARRIER	
7	7028507	2	RING GEAR	
8	7028419	16	BUSHING	
9	7028420	16	SCREW	
10	7028415	16	WASHER	
11	7028416	16	NUT	
12	91474161	2	SEAL	
101	91474163	336	PIN	
102	7028508	6	SNAP RING	
103	7028509	6	WASHER	
104	7028510	6	GEAR	
105	7028511	2	PLANETARY CARRIER KIT	
106	91474037	2	OIL PLUG	
107	8035235	4	BOLT, M8X20	

SECTION 5 - DRIVE TRAIN

FIGURE 5-22. DRIVE SHAFT ASSEMBLY



PZ3180

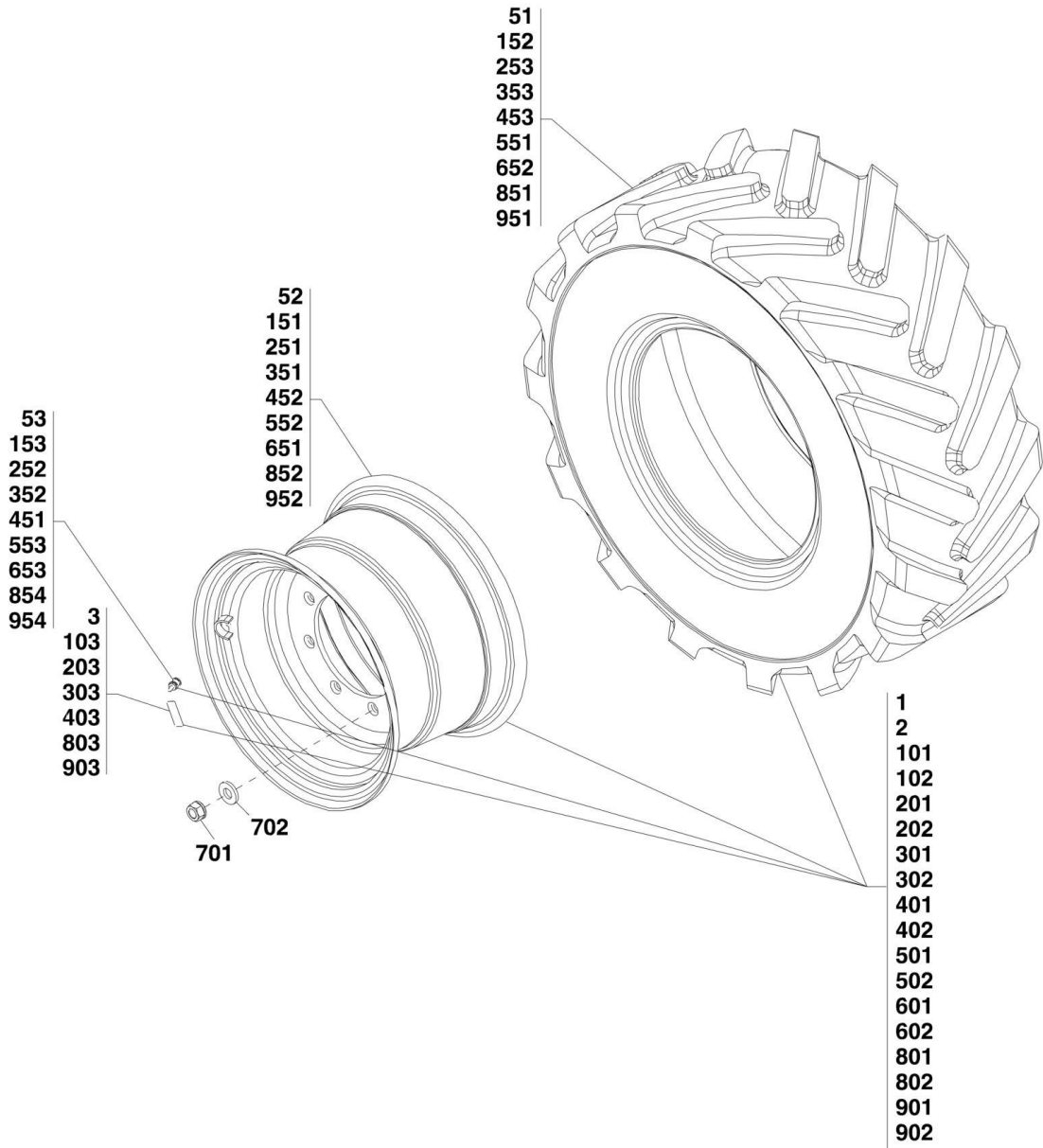
SECTION 5 - DRIVE TRAIN

FIGURE 5-22. DRIVE SHAFT ASSEMBLY

ITEM	PART NUMBER	QTY	DESCRIPTION	REV
	1001102286	1	DRIVE SHAFT ASSY, (L2906H, 2906H, 619A, 29.6LP & 29.6), (includes items 1 thru 3)	A
	1001102287	1	DRIVE SHAFT ASSY, (3507H, 723A & 35.7), (includes items 1 thru 3)	A
1	7028929	2	UNIVERSAL JOINT KIT	
2	70022548	2	FLANGE YOKE	
3	8035622	8	SNAP RING	

SECTION 5 - DRIVE TRAIN

FIGURE 5-23. TIRES AND WHEEL INSTALLATION



PAP16000

SECTION 5 - DRIVE TRAIN

FIGURE 5-23. TIRES AND WHEEL INSTALLATION

ITEM	PART NUMBER	QTY	DESCRIPTION	REV
	0274769	Ref	TIRE AND WHEEL INSTALLATION, 405/70-20, (Construction), (L2906H, 2906H, 3507H, 619A, 29.6LP, 29.6 & 35.7), (if equipped), (not available to order, see items 1 thru 3 for service)	C
1	4520566	2	RH TIRE ASSY, 405/70-20, (MPT-04 construction), (includes items 51 thru 53)	A
2	4520567	2	LH TIRE ASSY, 405/70-20, (MPT-04 construction), (includes items 51 thru 53)	A
3	1707148	4	LABEL	
51	3767057	4	TIRE, 405/70-20	
52	4520297	4	WHEEL, 13X20	
53	8008675	4	VALVE	
	0274770	Ref	TIRE AND WHEEL INSTALLATION, 405/70-24, (Construction), (2906H, 3507H, 723A, 29.6 & 35.7), (if equipped), (not available to order, see items 101 thru 103 for service)	C
101	4520568	2	RH TIRE ASSY, 405/70-24, (MPT-04 construction), (includes items 151 thru 153)	C
102	4520569	2	LH TIRE ASSY, 405/70-24, (MPT-04 construction), (includes items 151 thru 153)	C
103	1707149	4	LABEL	
151	1001096917	4	WHEEL, 13X24	
152	8002778	4	TIRE, 405/70-24	
153	8008675	4	VALVE	
	1001110896	Ref	TIRE AND WHEEL INSTALLATION, 460/70R24, (3507H, 723A & 35.7), (if equipped), (not available to order, see items 201 thru 203 for service)	B
201	1001110894	2	LH TIRE ASSY, 460/70R24, (includes items 251 thru 253)	A
202	1001110895	2	RH TIRE ASSY, 460/70R24, (includes items 251 thru 253)	A
203	1707149	4	LABEL	
251	4520299	4	WHEEL, 15X24	
252	8008675	4	VALVE	
253	1001092008	4	TIRE, 460/70R24	
	1001110962	Ref	TIRE AND WHEEL INSTALLATION, 400/70R20, (if equipped), (not available to order, see items 301 thru 303 for service)	B
301	1001110960	2	LH TIRE ASSY, 400/70R20, (includes items 351 thru 353)	A
302	1001110961	2	RH TIRE ASSY, 400/70R20, (includes items 351 thru 353)	A
303	1707149	4	LABEL	
351	4520297	4	WHEEL, 13X20	
352	8008675	4	VALVE	
353	1001110893	4	TIRE, 400/70R20	
	1001111060	Ref	TIRE AND WHEEL INSTALLATION, 445/70R24, (3507H, 723A & 35.7), (if equipped), (not available to order, see items 401 thru 403 for service)	B
401	1001111058	2	LH TIRE ASSY, 445/70R24, (includes items 451 thru 453)	B
402	1001111059	2	RH TIRE ASSY, 445/70R24, (includes items 451 thru 453)	B
403	1001113383	4	LABEL	
451	8008675	4	VALVE	
452	1001111056	4	WHEEL, 15X24	
453	1001111057	4	TIRE, 445/70R24	
	1001094495	Ref	FOAM FILLED TIRE AND WHEEL INSTALLATION, (619A), (if equipped), (not available to order, see items 501 & 502 for service)	B
501	1001094496	2	RH TIRE ASSY, 405/70-20, (MPT-04 construction), (619A), (includes items 551 thru 554)	A
502	1001094497	2	LH TIRE ASSY, 405/70-20, (MPT-04 construction), (619A),	A

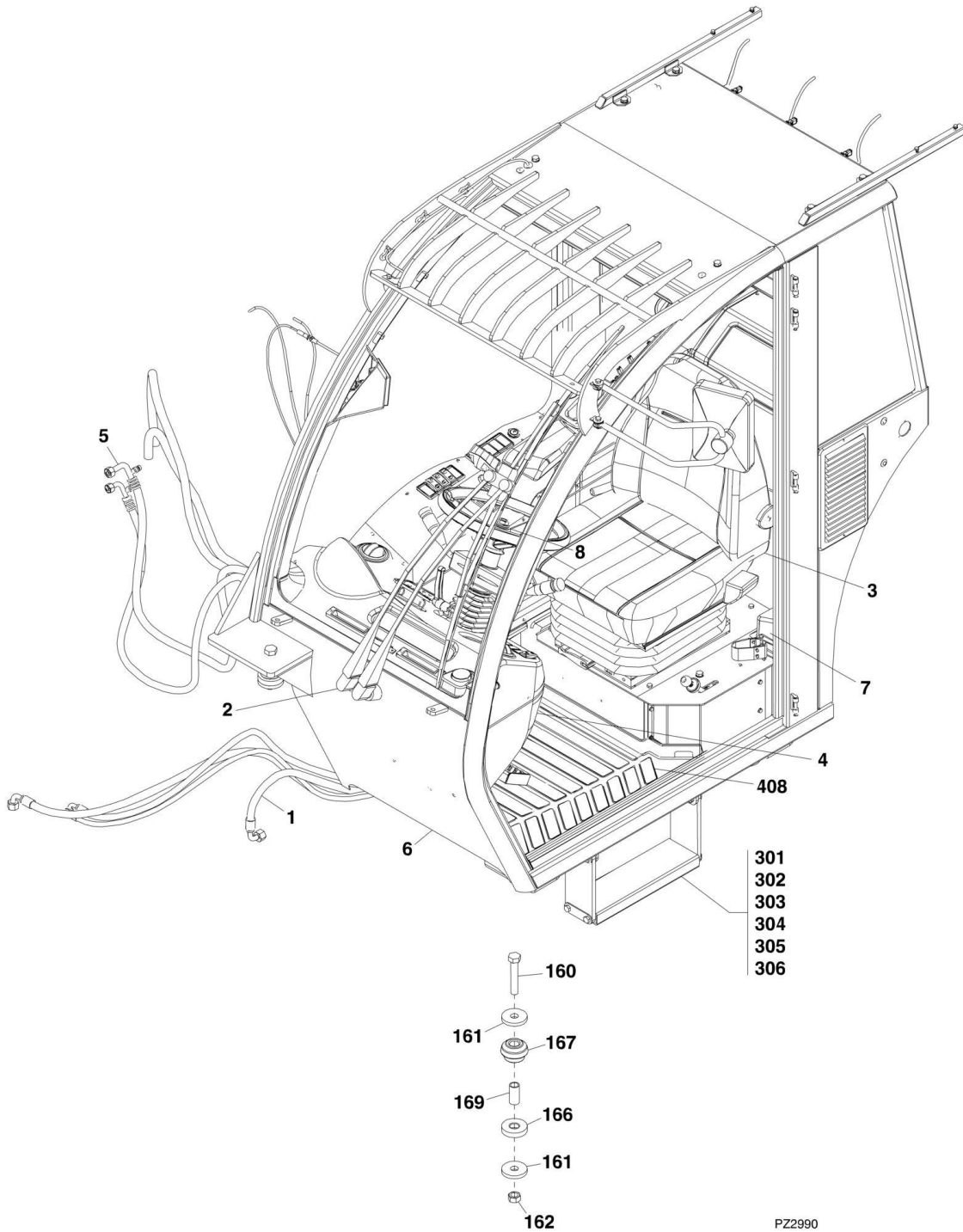
SECTION 5 - DRIVE TRAIN

ITEM	PART NUMBER	QTY	DESCRIPTION	REV
			(includes items 551 thru 554)	
551	3760757	1	TIRE, 405/70-20	
552	4520297	1	WHEEL, 13X20	
553	8008675	1	VALVE	
554	1001094512	AR	FOAM FILL, (not shown)	
	1001094486	Ref	FOAM FILLED TIRE AND WHEEL INSTALLATION, (723A), (if equipped), (not available to order, see items 601 & 602 for service)	B
601	1001094487	2	RH TIRE ASSY, 405/70-24, (MPT-04 construction), (723A), (includes items 651 thru 654)	B
602	1001094488	2	LH TIRE ASSY, 405/70-24, (MPT-04 constructions), (723A), (includes items 651 thru 654)	B
651	1001096917	1	WHEEL, 13X24	
652	4520390	1	TIRE, 405/70-24	
653	8008675	1	VALVE	
654	1001094512	AR	FOAM FILL, (not shown)	
701	3300493	32	LUG NUT	
702	4740549	32	SPRING WASHER	
	0273808	Ref	TIRE AND WHEEL INSTALLATION, 405/70-20, (Agricultural), (not available to order, see items 801 thru 803)	E
801	4520300	2	LH TIRE ASSY, 405/70-20, (Agricultural), (includes items 851 thru 854)	C
802	4520301	2	RH TIRE ASSY, 405/70-20, (Agricultural), (includes items 851 thru 854)	C
803	8005825	4	3.5 BAR LABEL	
851	3767853	1	TIRE, 405/70-20	
852	4520297	1	WHEEL, 13X24	
854	8008675	1	RIM VALVE	
	0273809	Ref	TIRE AND WHEEL INSTALLATION, 405/70-24, (Agricultural), (not available to order, see items 901 thru 903)	E
901	4520302	2	LH TIRE ASSY, 405/70-24, (Agricultural), (includes items 951 thru 954)	E
902	4520303	2	RH TIRE ASSY, 405/70-24, (Agricultural), (includes items 951 thru 954)	E
903	8005827	4	4.0 BAR LABEL	
951	3767864	1	TIRE, 405/70-24	
952	1001096917	1	WHEEL, 13X24	
954	8008675	1	RIM VALVE	

SECTION 6 - CAB

SECTION 6 - CAB

FIGURE 6-1. CAB INSTALLATION (Prior to SN 1160005989, Excluding 1160005189, 1160005314 and 1160005414)



SECTION 6 - CAB

FIGURE 6-1. CAB INSTALLATION (Prior to SN 1160005989, Excluding 1160005189, 1160005314 and 1160005414)

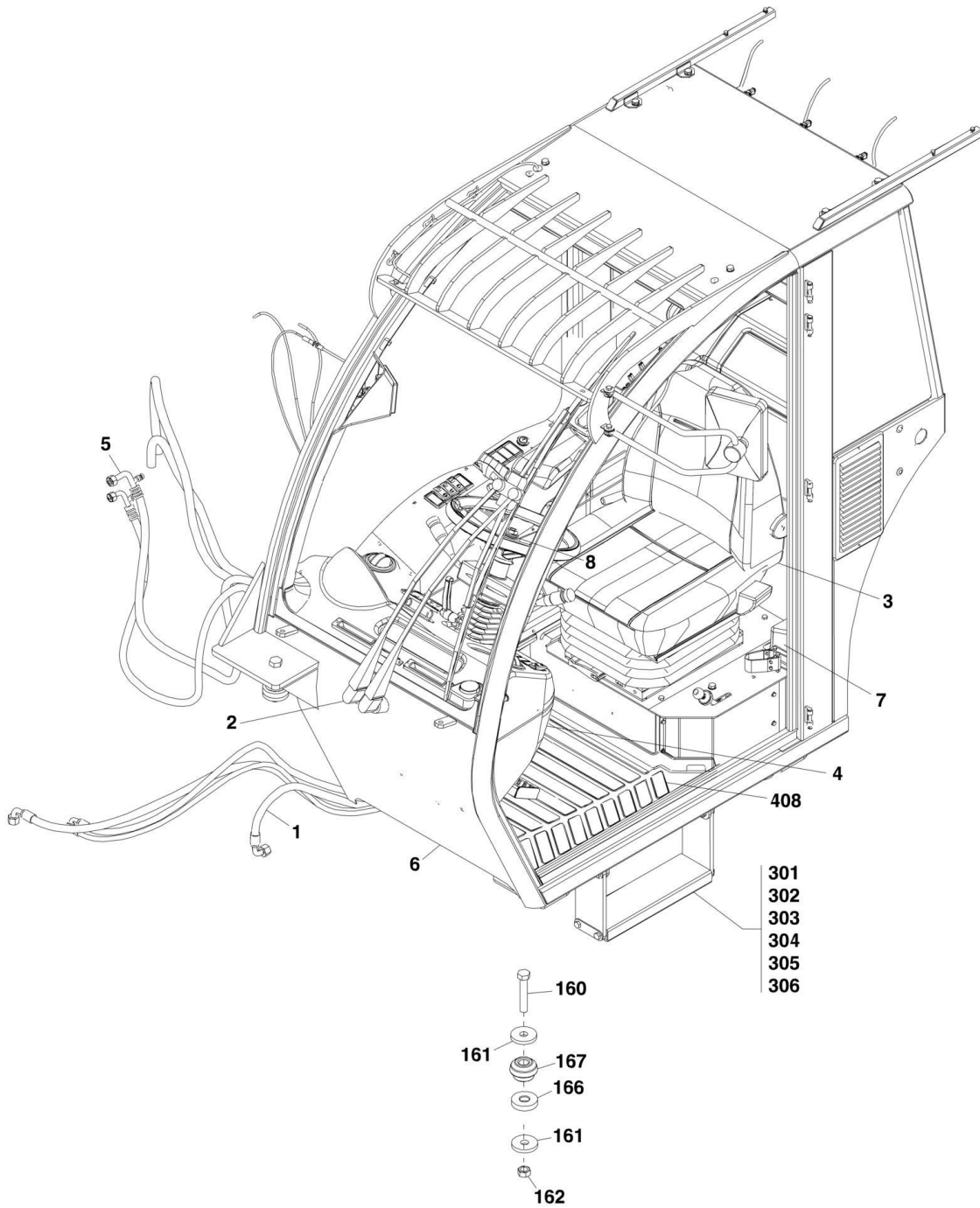
ITEM	PART NUMBER	QTY	DESCRIPTION	REV
	1001105946	Ref	OPEN CAB INSTALLATION, (619A & 723A), (if equipped), (not available to order, see items 1 thru 4, 7 & 8 for service)	J
	1001106368	Ref	OPEN CAB INSTALLATION WITH PNEUMATIC SEAT, (619A & 723A), (if equipped), (not available to order, see items 1 thru 4, 7 & 8 for service)	J
	1001105953	Ref	ENCLOSED CAB INSTALLATION WITH HEAT AND A/C, (619A & 723A), (if equipped), (not available to order, see items 1 thru 8 for service)	M
	1001106372	Ref	ENCLOSED CAB INSTALLATION WITH HEAT AND PNEUMATIC SEAT, (619A & 723A), (if equipped), (not available to order, see items 1 thru 8 for service)	K
	1001106374	Ref	ENCLOSED CAB INSTALLATION WITH HEAT, A/C AND PNEUMATIC SEAT, (619A & 723A), (if equipped), (not available to order, see items 1 thru 8 for service)	M
	1001105950	Ref	ENCLOSED CAB INSTALLATION WITH HEAT, (619A & 723A), (if equipped), (not available to order, see items 1 thru 8 for service)	M
	1001102696	Ref	ENCLOSED CAB INSTALLATION WITH HEAT, AND A/C, (L2906H), (if equipped), (not available to order, see items 1 thru 8 for service)	J
	1001104679	Ref	ENCLOSED CAB INSTALLATION WITH HEAT, (L2906H), (if equipped), (not available to order, see items 1 thru 8 for service)	H
	1001104680	Ref	ENCLOSED CAB INSTALLATION WITH HEAT, A/C AND PNEUMATIC SEAT, (2906H & 3507H), (if equipped), (not available to order, see items 1 thru 8 for service)	J
	1001104682	Ref	ENCLOSED CAB INSTALLATION WITH HEAT AND PNEUMATIC SEAT, (2906H & 3507H), (if equipped), (not available to order, see items 1 thru 8 for service)	H
	1001104683	Ref	ENCLOSED CAB INSTALLATION WITH HEAT, A/C AND PNEUMATIC SEAT, (L2906H), (if equipped), (not available to order, see items 1 thru 8 for service)	J
	1001104684	Ref	ENCLOSED CAB INSTALLATION WITH HEAT AND PNEUMATIC SEAT, (L2906H), (if equipped), (not available to order, see items 1 thru 8 for service)	H
	1001100868	Ref	ENCLOSED CAB INSTALLATION WITH HEAT, (2906H & 3507H), (if equipped), (not available to order, see items 1 thru 8 for service)	J
	1001100867	Ref	ENCLOSED CAB INSTALLATION WITH HEAT AND A/C, (2906H & 3507H), (if equipped), (not available to order, see items 1 thru 8 for service)	K
1		Ref	CAB HYDRAULIC INSTALLATIONS, (See HYDRAULIC CIRCUITS SECTION for Breakdown)	
2		Ref	CAB COMMON ASSY, (See CAB COMMON ASSEMBLY for Breakdown)	
3		Ref	CAB SEAT INSTALLATIONS, (See SEAT ASSEMBLIES for Breakdown)	
4		Ref	CAB INTERIOR INSTALLATIONS, (See INTERIOR INSTALLATION for Breakdown)	
5		Ref	AIR CIRCULATION INSTALLATIONS, (See HEATER INSTALLATION for Breakdown)	
6	N.S.S.	1	CAB WELDMENT	
7		Ref	AIR INTAKE COVER, (See INTERIOR INSTALLATION for Breakdown)	
8		Ref	STEERING WHEEL COVER, (See CONTROLS SECTION for Breakdown)	
160	0712030	4	HEX HD CAPSCREW, M20X130, GR10.9, (torque to 150 Nm)	
161	1781813	8	DISK	

SECTION 6 - CAB

ITEM	PART NUMBER	QTY	DESCRIPTION	REV
162	3292001	4	HEX NUT, M20X2.5	
166	8000565	4	RUBBER WASHER	
167	8000567	4	RUBBER MOUNT	
169	4806626	4	BUSHING	
206	1001095650	AR	LOCTITE 243	
	0273866	Ref	CAB STEP INSTALLATION, (2906H, 3507H, 723A, 29.6 & 35.7), (not available to order, see items 301 thru 306 for service)	A
301	80383311	1	STAIR TRED, (2906H, 3507H & 723A)	
302	4240168	2	STEP STRAP, (2906H, 3507H & 723A)	
303	3575424	4	STRAP COVER PLATE, (2906H, 3507H & 723A)	
304	0701015	8	HEX HD CAPSCREW, M10X35, GR8.8	
305	3291007	8	HEX LOCKNUT, M10X1.5	
306	4812000	4	WASHER, 10mm	
408	1001101147	1	INSULATED FLOOR MAT	

SECTION 6 - CAB

FIGURE 6-2. CAB INSTALLATION (SN 1160005989 to Present, Including 1160005189, 1160005314 and 1160005414)



PAP4470

SECTION 6 - CAB

FIGURE 6-2. CAB INSTALLATION (SN 1160005989 to Present, Including 1160005189, 1160005314 and 1160005414)

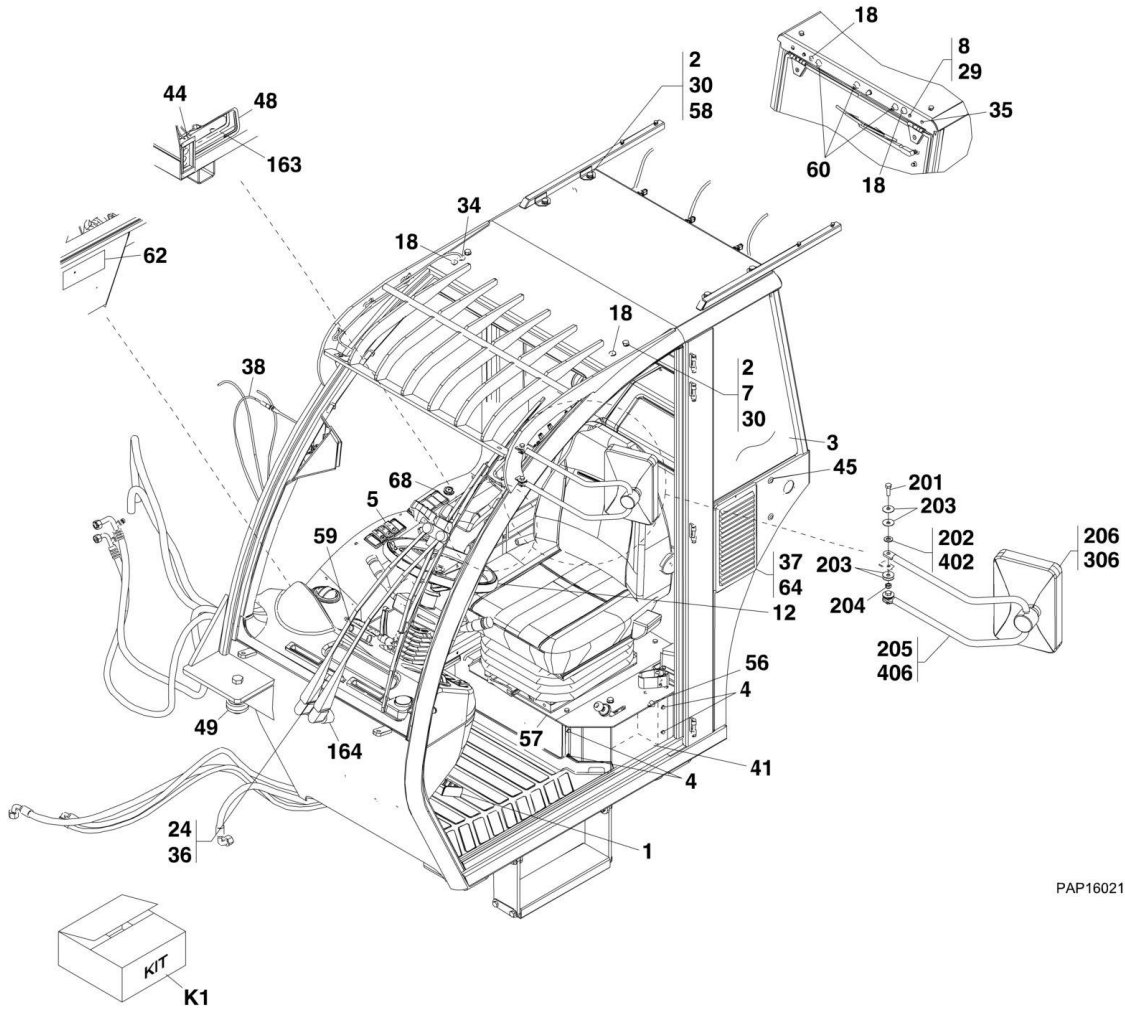
ITEM	PART NUMBER	QTY	DESCRIPTION	REV
	1001105946	Ref	OPEN CAB INSTALLATION, (619A & 723A), (if equipped), (not available to order, see items 1 thru 4, 6 thru 8 for service)	J
	1001106368	Ref	OPEN CAB INSTALLATION WITH PNEUMATIC SEAT, (619A & 723A), (if equipped), (not available to order, see items 1 thru 4, 6 thru 8 for service)	J
	1001105953	Ref	ENCLOSED CAB INSTALLATION WITH HEAT AND A/C, (619A & 723A), (if equipped), (not available to order, see items 1 thru 8 for service)	M
	1001106372	Ref	ENCLOSED CAB INSTALLATION WITH HEAT AND PNEUMATIC SEAT, (619A & 723A), (if equipped), (not available to order, see items 1 thru 8 for service)	K
	1001106374	Ref	ENCLOSED CAB INSTALLATION WITH HEAT, A/C AND PNEUMATIC SEAT, (619A & 723A), (if equipped), (not available to order, see items 1 thru 8 for service)	M
	1001105950	Ref	ENCLOSED CAB INSTALLATION WITH HEAT, (619A & 723A), (if equipped), (not available to order, see items 1 thru 8 for service)	M
	1001122533	Ref	ENCLOSED CAB INSTALLATION WITH HEAT, AND A/C, (L2906H), (if equipped), (not available to order, see items 1 thru 8 for service)	I
	1001122534	Ref	ENCLOSED CAB INSTALLATION WITH HEAT, (L2906H), (if equipped), (not available to order, see items 1 thru 8 for service)	H
	1001122535	Ref	ENCLOSED CAB INSTALLATION WITH HEAT, A/C AND PNEUMATIC SEAT, (2906H & 3507H), (if equipped), (not available to order, see items 1 thru 8 for service)	I
	1001122536	Ref	ENCLOSED CAB INSTALLATION WITH HEAT AND PNEUMATIC SEAT, (2906H & 3507H), (if equipped), (not available to order, see items 1 thru 8 for service)	I
	1001122537	Ref	ENCLOSED CAB INSTALLATION WITH HEAT, A/C AND PNEUMATIC SEAT, (L2906H), (if equipped), (not available to order, see items 1 thru 8 for service)	H
	1001122538	Ref	ENCLOSED CAB INSTALLATION WITH HEAT AND PNEUMATIC SEAT, (L2906H), (if equipped), (not available to order, see items 1 thru 8 for service)	H
	1001122532	Ref	ENCLOSED CAB INSTALLATION WITH HEAT, (2906H & 3507H), (if equipped), (not available to order, see items 1 thru 8 for service)	H
	1001122531	Ref	ENCLOSED CAB INSTALLATION WITH HEAT AND A/C, (2906H & 3507H), (if equipped), (not available to order, see items 1 thru 8 for service)	H
1		Ref	CAB HYDRAULIC INSTALLATIONS, (See HYDRAULIC CIRCUITS SECTION for Breakdown)	
2		Ref	CAB COMMON ASSY, (See CAB COMMON ASSEMBLY for Breakdown)	
3		Ref	CAB SEAT INSTALLATIONS, (See SEAT ASSEMBLIES for Breakdown)	
4		Ref	CAB INTERIOR INSTALLATIONS, (See INTERIOR INSTALLATION for Breakdown)	
5		Ref	AIR CIRCULATION INSTALLATIONS, (See HEATER INSTALLATION for Breakdown)	
6	N.S.S.	1	CAB WELDMENT	
7		Ref	AIR INTAKE COVER, (See INTERIOR INSTALLATION for Breakdown)	
8		Ref	STEERING WHEEL COVER, (See CONTROLS SECTION for Breakdown)	
160	0712030	4	HEX HD CAPSCREW, M20X130, GR10.9, (torque to 150 Nm)	
161	1781813	8	DISK	

SECTION 6 - CAB

ITEM	PART NUMBER	QTY	DESCRIPTION	REV
162	3292001	4	HEX NUT, M20X2.5	
166	8000565	4	RUBBER WASHER	
167	8000567	4	RUBBER MOUNT	
206	1001095650	AR	LOCTITE 243, (not shown)	
	0273866	Ref	CAB STEP INSTALLATION, (2906H, 3507H, 723A, 29.6 & 35.7), (not available to order, see items 301 thru 306 for service)	A
301	80383311	1	STAIR TRED, (2906H, 3507H & 723A)	
302	4240168	2	STEP STRAP, (2906H, 3507H & 723A)	
303	3575424	4	STRAP COVER PLATE, (2906H, 3507H & 723A)	
304	0701015	8	HEX HD CAPSCREW, M10X35, GR8.8	
305	3291007	8	HEX LOCKNUT, M10X1.5	
306	4812000	4	WASHER, 10mm	
408	1001101147	1	INSULATED FLOOR MAT	

SECTION 6 - CAB

FIGURE 6-3. CAB COMMON ASSEMBLY



PAP16021

FIGURE 6-3. CAB COMMON ASSEMBLY

ITEM	PART NUMBER	QTY	DESCRIPTION	REV
	1001106548	Ref	OPEN CAB COMMON ASSY, (619A & 723A), (if equipped), (not available to order, see items 1 thru 48, 56 & 58 thru 64 for service)	L
	1001107394	Ref	ENCLOSED CAB COMMON ASSY WITHOUT A/C , (619A & 723A), (if equipped), (not available to order, see items 1 thru 48, 56 thru 64, 163 & 164 for service) (Prior to SN 1160005989, Excluding 1160005189, 1160005314 and 1160005414)	H
	1001106666	Ref	ENCLOSED CAB COMMON ASSY WITH A/C , (619A & 723A), (if equipped), (not available to order, see items 1 thru 48, 56 thru 64, 163 & 164 for service) (Prior to SN 1160005989, Excluding 1160005189, 1160005314 and 1160005414)	H
	1001118966	Ref	ENCLOSED CAB COMMON ASSY , (619A & 723A), (if equipped), (not available to order, see items 1 thru 48, 56 & 58 thru 64, 163 & 164 for service) (SN 1160005989 to Present, Including 1160005189, 1160005314 and 1160005414)	F
	1001097349	Ref	ENCLOSED CAB COMMON ASSY , (2906H & 3507H), (if equipped), (not available to order, see items 1 thru 48, 56 thru 64, 163 & 164 for service) (Prior to SN 1160005989, Excluding 1160005189, 1160005314 and 1160005414)	K
	1001119006	Ref	ENCLOSED CAB COMMON ASSY , (2906H & 3507H), (if equipped), (not available to order, see items 1 thru 41, 45, 48, 56 & 58 thru 64, 68, 163 & 164 for service) (SN 1160005989 to Present, Including 1160005189, 1160005314 and 1160005414)	K
	1001102697	Ref	ENCLOSED CAB COMMON ASSY , (L2906H), (if equipped), (not available to order, see items 1 thru 48, 56 thru 64, 163 & 164 for service) (Prior to SN 1160005989, Excluding 1160005189, 1160005314 and 1160005414)	J
	1001119007	Ref	ENCLOSED CAB COMMON ASSY , (L2906H), (if equipped), (not available to order, see items 1 thru 41,45, 48, 56 & 58 thru 64, 68, 163 & 164 for service) (SN 1160005989 to Present, Including 1160005189, 1160005314 and 1160005414)	K
1		Ref	BRAKE COMPONENTS, (See CONTROLS SECTION for Breakdown)	
2	321779	6	RING	
3		Ref	CAB WINDOWS AND DOOR ASSY, (See CAB DOOR AND WINDOW INSTALLATION for Breakdown)	
4	0760607	4	HEX HD CAPSCREW, M6X14, GR8.8	
5		Ref	CAB ELECTRICAL COMPONENTS, (See ELECTRICAL SECTION for Breakdown)	
7	0761008	2	HEX HD CAPSCREW, M10X16, GR8.8	
8	0760608	2	HEX HD CAPSCREW M6X16, GR8.8	
12		Ref	STEERING WHEEL AND COLUMN, (See CONTROLS SECTION for Breakdown)	
18	2540051	4	GROMMET	
19	2902506	1	REAR VIEW MIRROR INSTALLATION, (619A & 723A), (includes items 201 thru 206) (Excluding 1160005189, 1160005314 and 1160005414)	A
19	1001131176	1	REAR VIEW MIRROR INSTALLATION, (includes items 201, 202, qty 4 of 203, 204, 205 & 306) (Including 1160005189, 1160005314 and 1160005414)	A
19	1001130839	1	REAR VIEW MIRROR INSTALLATION, (includes items 201, qty 4 of 203, 204, 306, 402 & 406) (Including 1160005189, 1160005314 and 1160005414)	A
24	3934378	2	LENS HD CAPSCREW, 4.8X16mm	
29	4811700	2	WASHER, 6mm	
30	4812000	6	WASHER, 10mm	
34		Ref	GROMMET, (See WIPER INSTALLATIONS for Breakdown)	
35	8009464	1	CAP	

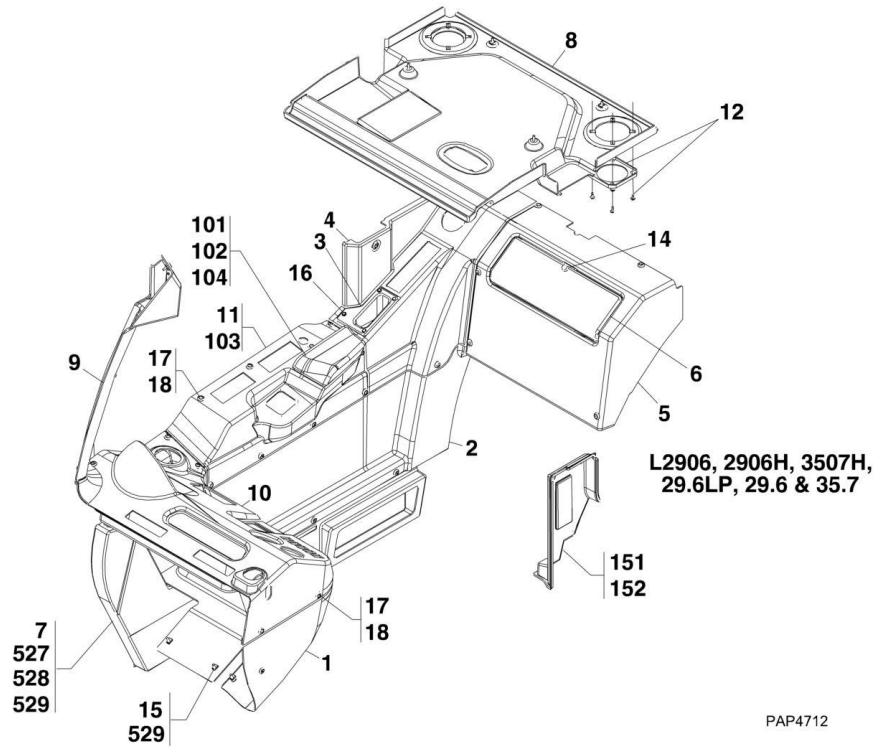
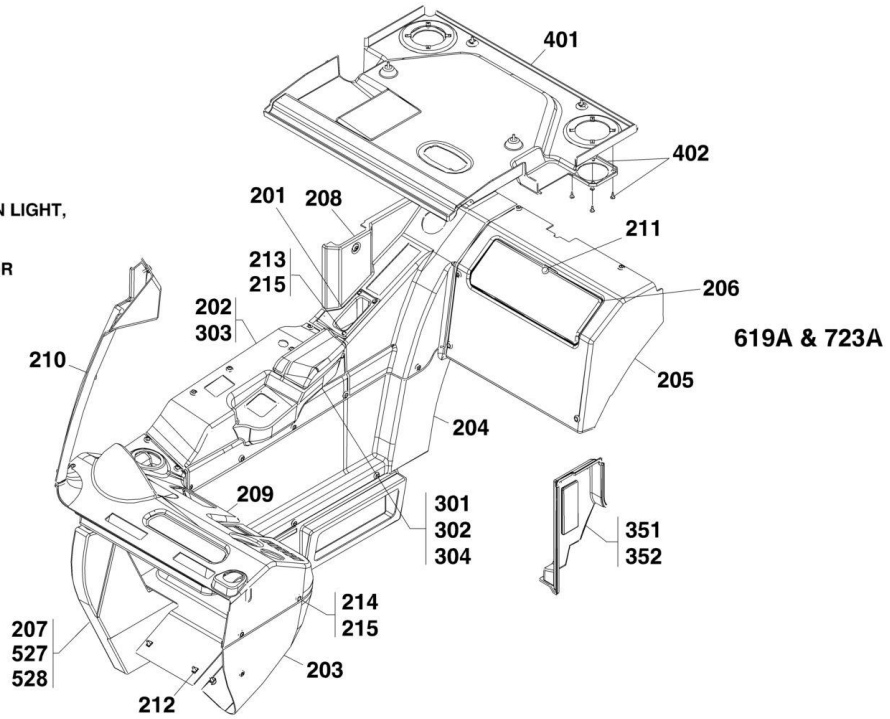
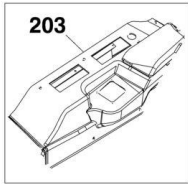
SECTION 6 - CAB

ITEM	PART NUMBER	QTY	DESCRIPTION	REV
36	1001093344	1	LEVELING INDICATOR BRACKET	
37	1001094373	1	CABIN AIR FILTER COVER	
38		Ref	THROTTLE ASSY, (not shown), (See CONTROLS SECTION for Breakdown)	
41	1001097809	1	PARK BRAKE COVER, (L2906H, 2906H, 3507H, 619A & 723A)	
44	1001102429	1	HOSE SUPPORT PLATE	
45	1001102444	2	PLUG	
48	1001113702	1	SIDE SEAL	
49		Ref	CAB MOUNTS AND HARDWARE, (See CAB INSTALLATION for Breakdown)	
56	1001096089	1	GROMMET	
57		Ref	SEAT PLATE ASSY, (See SEAT ASSEMBLIES for Breakdown)	
58	0761012	4	HEX HD CAPSCREW, M10X25, GR8.8	
59	1001005960	1	HOLDER	
60	1001107897	3	GROMMET	
61		Ref	CAB DECAL INSTALLATION, (not shown), (See DECALS SECTION for Breakdown)	
62	1001112561	1	BLACK DECAL	
64	1001116129	1	AIR FILTER	
68		Ref	SEAT SWITCH INSTALLATION, (L2906H,2906H, 3507H, 29.6, 29.6LP & 35.7), (See ELECTRICAL SECTION for Breakdown)	
163	1001102787	1	SEAL, (enclosed cab)	
164		Ref	FRONT AND REAR WIPER ASSY COMPONENTS, (See WIPER INSTALLATIONS for Breakdown)	
201	0760812	2	HEX HD CAPSCREW, M8X25, GR8.8	
202	848120	2	WASHER, 10mm	
203	885849	8	SPRING	
204	3290805	2	HEX LOCKNUT, M8X1.25	
205	3945575	1	MIRROR ROD	
206	3949091	1	MIRROR	
306	1001004242	1	MIRROR ASSY	
402	4812000	2	WASHER, 10mm	
406	1001130402	1	LH MIRROR BRACKET	
K1	70022851	1	REPLACEMENT CAB, (L2906H), (includes cab weldment and item 3)	
K1	70022850	1	REPLACEMENT CAB, (2906H & 3507H), (includes cab weldment and item 3)	
K1	70022870	1	REPLACEMENT CAB, (619A & 723A), (includes cab weldment and item 3)	

SECTION 6 - CAB

FIGURE 6-4. INTERIOR INSTALLATION

IF EQUIPPED WITH BEACON LIGHT,
BOOM WORKLIGHTS,
CAB WORKLIGHTS,
AUXILIARY ELECTRIC OR
REAR AUXILLARY



PAP4712

FIGURE 6-4. INTERIOR INSTALLATION

ITEM	PART NUMBER	QTY	DESCRIPTION	REV
	1001102699	Ref	ENCLOSED CAB INTERIOR INSTALLATION , (L2906H & 29.6LP), (not available to order, see items 1 thru 18 for service) (Prior to SN 1160005989, Excluding 1160005189, 1160005314 and 1160005414)	F
	1001118941	Ref	ENCLOSED CAB INTERIOR INSTALLATION , (L2906H & 29.6LP), (not available to order, see items 1 thru 18 & 527 thru 529 for service on INTERIOR INSTALLATION and items 5 thru 8, 16, 17, 21 & 22 on HEAT AND A/C INSTALLATION) (SN 1160005989 to Present, Including 1160005189, 1160005314 and 1160005414)	C
	1001098589	Ref	ENCLOSED CAB INTERIOR INSTALLATION , (2906H, 3507H, 29.6 & 35.7), (not available to order, see items 1 thru 18 for service) (Prior to SN 1160005989, Excluding 1160005189, 1160005314 and 1160005414)	E
	1001118940	Ref	ENCLOSED CAB INTERIOR INSTALLATION , (2906H, 3507H, 29.6 & 35.7), (not available to order, see items 1 thru 18 & 527 thru 529 for service on INTERIOR INSTALLATION and items 101, 107 thru 110, 123, 124 & 126 on HEATER INSTALLATION) (SN 1160005989 to Present, Including 1160005189, 1160005314 and 1160005414)	C
1	1001101650	1	LOWER DASH COVER	
2	1001101652	1	LOWER SWITCH PANEL COVER	
3	1001101653	1	COMPARTMENT SECTION COVER	
4	1001102999	1	AIR CONTROL COVER, (L2906H & 29.6LP)	
4	1001101654	1	AIR CONTROL COVER, (2906H, 3507H, 29.6 & 35.7)	
5	1001103000	1	REAR PANEL COVER, (L2906H & 29.6LP)	
5	1001101655	1	REAR PANEL COVER, (2906H, 3507H, 29.6 & 35.7)	
6	1001101656	1	FUSE PANEL COVER	
7	1001101657	1	SIDE COVER ASSY	
8	1001107172	1	ROOF PANEL COVER, (L2906H & 29.6LP)	
8	1001101659	1	ROOF PANEL COVER, (2906H, 3507H, 29.6 & 35.7)	
9	1001101660	Ref	LSI PILLAR COVER (Prior to SN 1160005989, Excluding 1160005189, 1160005314 and 1160005414)	
9	1001128065	1	LSI PILLAR COVER INSTALLATION (SN 1160005989 to Present, Including 1160005189, 1160005314 and 1160005414)	
10	1001101667	1	UPPER DASH COVER	
11	1001107273	1	ARMREST ASSY, (includes items 101 thru 104)	A
12		Ref	RADIO PREP INSTALLATION, (See RADIO PREP INSTALLATION for Breakdown)	
14	2080092	1	THUMB SCREW, 5X20mm	
15	3933468	31	STAMPED CLIP , (L2906H & 29.6LP) (Prior to SN 1160005989, Excluding 1160005189, 1160005314 and 1160005414)	
15	3933468	29	STAMPED CLIP , (2906H, 3507H, 29.6 & 35.7) (Prior to SN 1160005989, Excluding 1160005189, 1160005314 and 1160005414)	
15	3933468	8	STAMPED CLIP , (L2906H, 29.6LP, 2906H, 3507H, 29.6 & 35.7) (SN 1160005989 to Present, Including 1160005189, 1160005314 and 1160005414)	
16	3934378	15	LENS HD CAPSCREW, 4.8X16mm (Prior to SN 1160005989, Excluding 1160005189, 1160005314 and 1160005414)	
16	3934378	8	LENS HD CAPSCREW, 4.8X16mm (SN 1160005989 to Present, Including 1160005189, 1160005314 and 1160005414)	
17	1001098150	44	NYLON WASHER, 6mm, (L2906H & 29.6LP)	
17	1001098150	40	NYLON WASHER, 6mm, (2906H, 3507H, 29.6 & 35.7)	
18	1001098151	44	SCREW, M6X12 , (L2906H & 29.6LP) (Prior to SN 1160005989, Excluding 1160005189, 1160005314 and 1160005414)	

SECTION 6 - CAB

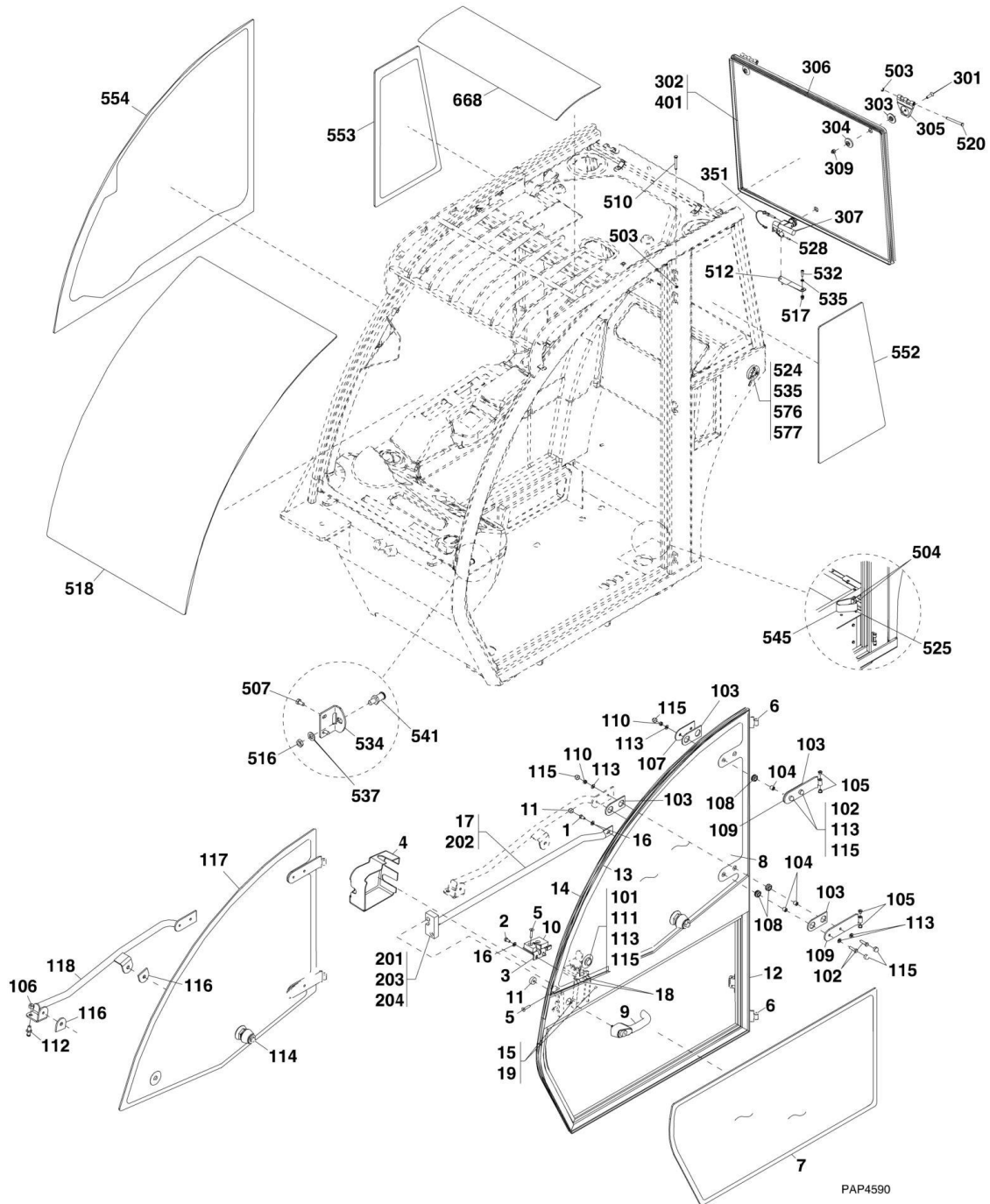
ITEM	PART NUMBER	QTY	DESCRIPTION	REV
18	1001132564	48	SCREW, M6X20 , (L2906H & 29.6LP) (SN 1160005989 to Present, Including 1160005189, 1160005314 and 1160005414)	
18	1001098151	40	SCREW, M6X12 , (2906H, 3507H, 29.6 & 35.7) (Prior to SN 1160005989, Excluding 1160005189, 1160005314 and 1160005414)	
18	1001132564	44	SCREW, M6X20 , (2906H, 3507H, 29.6 & 35.7) (SN 1160005989 to Present, Including 1160005189, 1160005314 and 1160005414)	
101	0760810	3	HEX HD CAPSCREW, M8X20, GR8.8	
102	4811900	3	WASHER, 8mm	
103	1001101651	1	SWITCH PANEL COVER	
104	1001107274	1	ARMREST	
	1001103607	1	AIR INTAKE COVER ASSY, (L2906H & 29.6LP - Heat Only), (includes items 151 & 152)	A
	1001102996	1	AIR INTAKE COVER ASSY, (L2906H & 29.6LP - Heat and A/C), (includes items 151 & 152)	A
	1001103080	1	AIR INTAKE COVER ASSY, (2906H, 3507H, 29.6 & 35.7 - Heat Only), (includes items 151 & 152)	A
	1001101658	1	AIR INTAKE COVER ASSY, (2906H, 3507H, 29.6 & 35.7 - Heat and A/C), (includes items 151 & 152)	B
151	1001103608	1	AIR INTAKE COVER, (L2906H & 29.6LP - Heat Only)	
151	1001102997	1	AIR INTAKE COVER, (L2906H & 29.6LP - Heat and A/C)	
151	1001103081	1	AIR INTAKE COVER, (2906H, 3507H, 29.6 & 35.7 - Heat Only)	
151	1001102790	1	AIR INTAKE COVER, (2906H, 3507H, 29.6 & 35.7 - Heat and A/C)	
152	1001102998	1	SEAL, (L2906H & 29.6LP)	
152	1001102789	1	SEAL, (2906H, 3507H, 29.6 & 35.7)	
	1001104601	Ref	OPEN CAB INTERIOR INSTALLATION, (619A & 723A), (if equipped), (not available to order, see items 201 thru 215, 527 & 528 for service)	E
	1001104602	Ref	ENCLOSED CAB INTERIOR INSTALLATION , (619A & 723A), (if equipped), (not available to order, see items 201 thru 215 for service) (Prior to SN 1160005989, Excluding 1160005189, 1160005314 and 1160005414)	E
	1001118942	Ref	ENCLOSED CAB INTERIOR INSTALLATION , (619A & 723A), (if equipped), (not available to order, see items 201 thru 215, 527 & 528 for service on INTERIOR INSTALLATION and items 6 thru 8, 16, 17, 21 & 22 on HEAT AND A/C INSTALLATION) (SN 1160005989 to Present, Including 1160005189, 1160005314 and 1160005414)	B
201	1001103052	1	COMPARTMENT SECTION COVER, (Open Cab)	
201	1001101653	1	COMPARTMENT SECTION COVER, (Enclosed Cab)	
202	1001107606	1	ARMREST ASSY, (includes items 301 thru 304)	A
203	1001101650	1	LOWER DASH COVER	
204	1001101652	1	LOWER SWITCH PANEL COVER	
205	1001101655	1	REAR PANEL COVER	
206	1001101656	1	FUSE PANEL COVER	
207	1001101657	1	SIDE COVER ASSY	
208	1001103053	1	AIR CONTROL COVER, (Open Cab)	
208	1001101654	1	AIR CONTROL COVER, (Enclosed Cab)	
209	1001103092	1	UPPER DASH COVER, (Open Cab)	
209	1001101667	1	UPPER DASH COVER, (Enclosed Cab)	
210	1001106949	1	LSI PILLAR COVER	
211	2080092	1	THUMB SCREW, 5X20mm	
212	3933468	19	STAMPED CLIP (Prior to SN 1160005989, Excluding 1160005189, 1160005314 and 1160005414)	
212	8305919	19	STAMPED CLIP, (Open Cab), (Enclosed Cab - SN 1160005989 to	

SECTION 6 - CAB

ITEM	PART NUMBER	QTY	DESCRIPTION	REV
213	3934378	7	Present including 1160005189, 1160005314 & 1160005414) LENS HD CAPSCREW, 4.8X16mm (Prior to SN 1160005989, Excluding 1160005189, 1160005314 and 1160005414)	
214	1001098150	36	NYLON WASHER, 6mm	
215	1001098151	36	SCREW, M6X12, (Prior to SN 1160005989, Excluding 1160005189, 1160005314 and 1160005414)	
215	1001132564	40	SCREW, M6X12, (Open Cab), (Enclosed Cab - SN 1160005989 to Present including 1160005189, 1160005314 & 1160005414)	
301	0760810	3	HEX HD CAPSCREW, M8X20, GR8.8	
302	4811900	3	WASHER, 8mm	
303	1001103050	1	SWITCH PANEL COVER, (if equipped without options or with hydraulic quick attach)	
303		Ref	SWITCH PANEL COVER, (if equipped with beacon light or boom worklights or cab worklights or auxiliary electric or rear auxiliary), (See ELECTRICAL SECTION for Breakdown)	
304	1001107274	1	ARMREST	
304	1001103080	1	AIR INTAKE COVER ASSY, (619A & 723A), (Open Cab and Enclosed Cab - Heat Only), (includes items 351 & 352)	A
304	1001101658	1	AIR INTAKE COVER ASSY, (619A & 723A), (Enclosed Cab - Heat and A/C), (includes items 351 & 352)	B
351	1001103081	1	AIR INTAKE COVER, (Open Cab and Enclosed Cab - Heat Only)	
351	1001102790	1	AIR INTAKE COVER, (Enclosed Cab - Heat and A/C)	
352	1001102789	1	SEAL	
401	1001103051	1	ROOF PANEL COVER, (619A & 723A), (if equipped)	
402		Ref	RADIO PREP INSTALLATION, (See RADIO PREP INSTALLATION for Breakdown)	
527	0760605	3	HEX HD CAPSCREW, 6X10mm, GR8.8	
528	4811700	3	WASHER, 6mm	
529	8305919	23	RETAINER NUT, 6X1mm, (L2906H & 29.6LP)	
529	8305919	21	RETAINER NUT, 6X1mm, (2906H, 3507H, 29.6 & 35.7)	

SECTION 6 - CAB

FIGURE 6-5. CAB DOOR AND WINDOW INSTALLATION



SECTION 6 - CAB

FIGURE 6-5. CAB DOOR AND WINDOW INSTALLATION

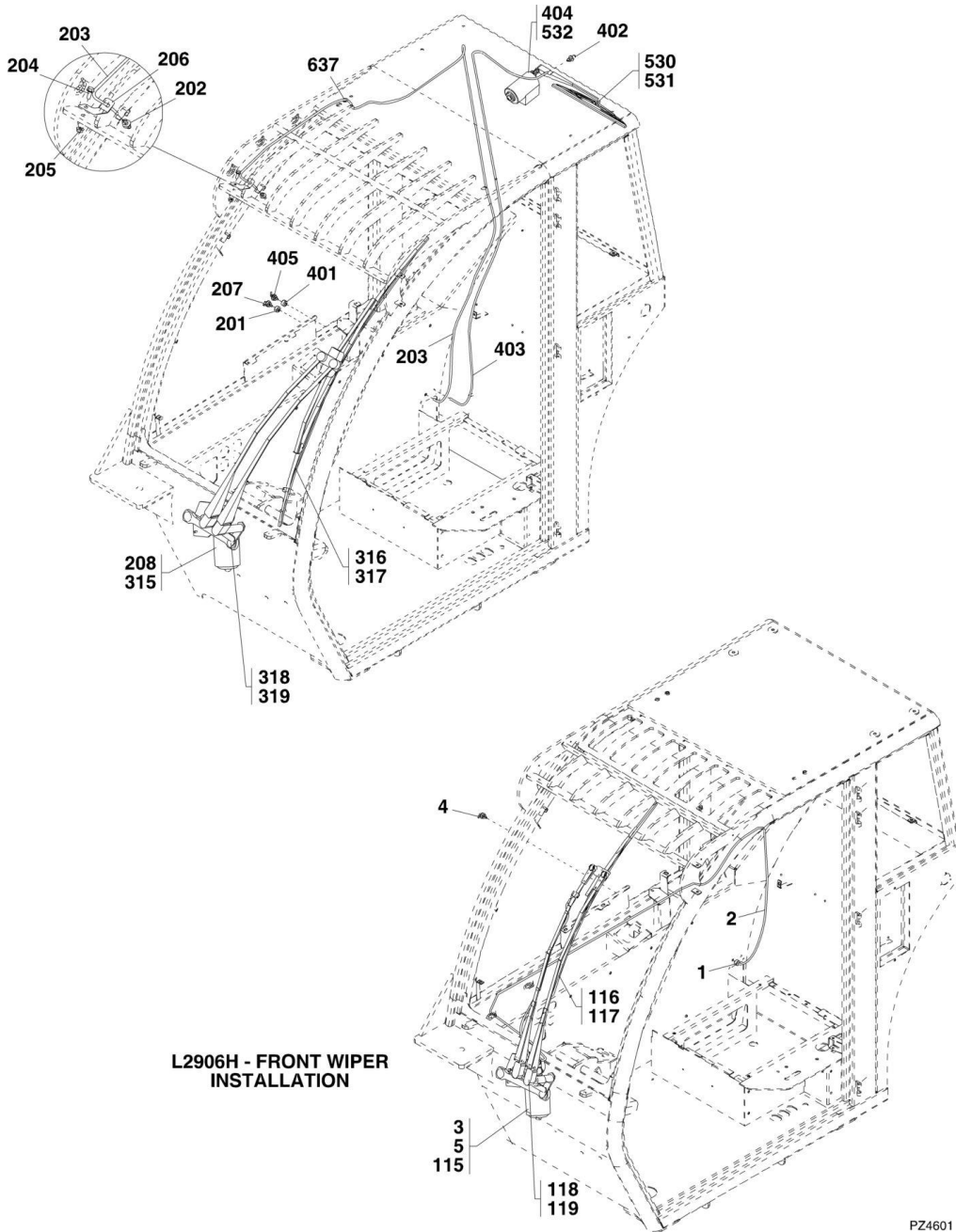
ITEM	PART NUMBER	QTY	DESCRIPTION	REV
	1001111586	1	CAB DOOR ASSY, (L2906H), (includes items 1 thru 19)	B
	1001112569	1	CAB DOOR ASSY, (2906H & 3507H), (includes items 1 thru 19)	B
	1001112764	1	CAB DOOR ASSY, (619A & 723A), (if equipped), (includes items 1 thru 19)	C
1	0760808	1	HEX HD CAPSCREW, M6X16	
2	5200808	2	RIPP BOLT, M8X16	
3	8001833	1	STRIKER	
4	0903653	1	DOOR BRACKET	
5	1398374	4	FLAT HD SOCKET SCREW, 8X35mm	
6	1749733	4	BUSHING	
7	2480066	1	GLASS, LOWER DOOR, (L2906H, 2906H, 3507H, 29.6LP, 29.6 & 35.7)	
7	1001110938	1	STEEL PANEL, (619A & 723A)	
8	1001111976	1	TOP SWING DOOR GLASS, (L2906H & 29.6LP), (includes items 101 thru 118)	B
8	1001112574	1	TOP SWING DOOR GLASS, (2906H, 3507H, 29.6 & 35.7), (619A & 723A - if equipped), (includes items 101 thru 118)	B
9	1001108830	1	DOOR HANDLE ASSY	
10	8001144	1	STRIKER MECHANISM	
11	1001096365	1	NUT COVER	
12	N.S.S.	1	DOOR FRAME	
13	3960608	1	UPPER WINDOW SEAL, (2906H, 3507H, 29.6 & 35.7), (619A & 723A- if equipped)	
13	1001111868	1	UPPER WINDOW SEAL, (L2906H & 29.6LP)	
14	1001112043	1	DOOR SEAL, (L2906H & 29.6LP)	
14	3960609	1	DOOR SEAL, (2906H, 3507H, 29.6 & 35.7), (619A & 723A - if equipped)	
15	4811700	2	WASHER, 6mm	
16	4811900	3	WASHER, 8mm	
17	1001096790	1	LATCH HANDLE ASSY, (includes items 201 thru 204)	C
18	5220800	2	RIPP NUT, 8mm	
19	4010608	2	PAN HD CAPSCREW, M6X16	
101	0760808	1	HEX HD CAPSCREW, M8X16, GR8.8	
102	0760815	4	HEX HD CAPSCREW, M8X30, GR8.8	
103	0903395	4	SPACER	
104	0903397	4	HINGE SPACER	
105	1749733	4	BUSHING	
106	2440675	1	RIPP NUT, 12mm	
107	2480069	1	HINGE PLATE	
108	2540050	4	GROMMET	
109	1001117206	2	HINGE, UPPER DOOR STRAP	
110	3290801	3	HEX NUT, M8X1.25	
111	3300504	1	NUT	
112	3423260	1	PIN	
113	4811900	8	WASHER, 8mm	
114	1001002955	1	STRIKER	
115	1001096365	8	HEX HD CAP, M8	
116	1001110798	2	DOOR HANDLE BRACKET	
117	1001111974	1	UPPER DOOR GLASS, (L2906H & 29.6LP)	
117	2480068	1	UPPER DOOR GLASS, (2906H, 3507H, 29.6 & 35.7), (619A & 723A - if equipped)	

SECTION 6 - CAB

ITEM	PART NUMBER	QTY	DESCRIPTION	REV
118	1001111975	1	WINDOW HANDLE, (L2906H & 29.6LP)	
118	2560199	1	WINDOW HANDLE, (2906H, 3507H, 29.6 & 35.7), (619A & 723A - if equipped)	
201	0903391	1	STRIKER BLOCK	
202	1001096789	1	HANDLE	
203	1001110874	1	PAN HD CAPSCREW, M8X16	
204	1001110875	1	FLAT WASHER, 8mm	
	2480074	1	REAR WINDOW ASSY, (2906H, 3507H, 619A, 723A, 29.6 & 35.7), (includes items 301 thru 309)	C
301	2080078	2	FLAT HEX HD SCREW, 8X1.25mm	
302	2480075	1	REAR WINDOW GLASS	
303	8004398	2	SPACER	
304	8000759	2	SPACER	
305	8000344	2	HINGE	
306	2480079	1	REAR WINDOW SEAL	
307	2480080	1	LATCH ASSY, (includes screw shackle)	C
309	3290806	2	HEX CAP NUT, 8X1.25mm	
351	1001112579	1	LATCH CABLE	
401	1001106771	1	REAR WINDOW ASSY, (L2906H & 29.6LP)	A
503	0498748	6	LOCKWASHER, 7mm, (L2906H, 2906H & 3507H)	
503	0498748	2	LOCKWASHER, 7mm, (619A & 723A)	
504	0700619	2	HEX HD CAPSCREW, M6X55, GR8.8	
507	0760808	2	HEX HD CAPSCREW, M8X16, GR8.8	
510	0879192	4	PIN	
512	0903398	1	WINDOW BRACKET	
516	2440675	1	RIPP NUT, 12mm	
517	2080086	2	RIVNUT, M6X1.25	
518	1001102882	1	FRONT WINDOW, (L2906H & 29.6LP)	
518	2480070	1	FRONT WINDOW, (2906H, 3507H, 29.6 & 35.7), (619A & 723A - if equipped)	
520	2480082	2	WINDOW PIN	
524	3290605	3	HEX LOCKNUT, M6X1	
525	3290607	2	HEX LOCKNUT, M6X1	
528	3423262	1	LATCH PIN	
532	4031708	2	HEX SOCKET HD CAPSCREW, M6X20	
534	4807616	1	STRIKER PLATE	
535	4811700	8	WASHER, 6mm	
537	4812100	1	WASHER, 12mm	
541	8000803	1	DOOR STRIKER PIN	
545	1001111153	1	DOOR STRAP	
552	1001102880	1	LH REAR SIDE WINDOW, (L2906H & 29.6LP)	
552	1001101152	1	LH REAR SIDE WINDOW, (2906H, 3507H, 29.6 & 35.7), (619A & 723A - if equipped)	
553	1001102881	1	RH REAR SIDE WINDOW, (L2906H & 29.6LP)	
553	1001101153	1	RH REAR SIDE WINDOW, (2906H, 3507H, 29.6 & 35.7), (619A & 723A - if equipped)	
554	1001102879	1	RH SIDE WINDOW, (L2906H & 29.6LP)	
554	1001101154	1	RH SIDE WINDOW, (2906H, 3507H, 29.6 & 35.7), (619A & 723A - if equipped)	
576	0760614	3	HEX HD CAPSCREW, M6X30, GR8.8	
577	1001002958	1	DOOR RETAINER	
668	1001107286	1	FRONT WINDOW, TOP, (L2906H & 29.6LP)	

SECTION 6 - CAB

FIGURE 6-6. WIPER INSTALLATIONS



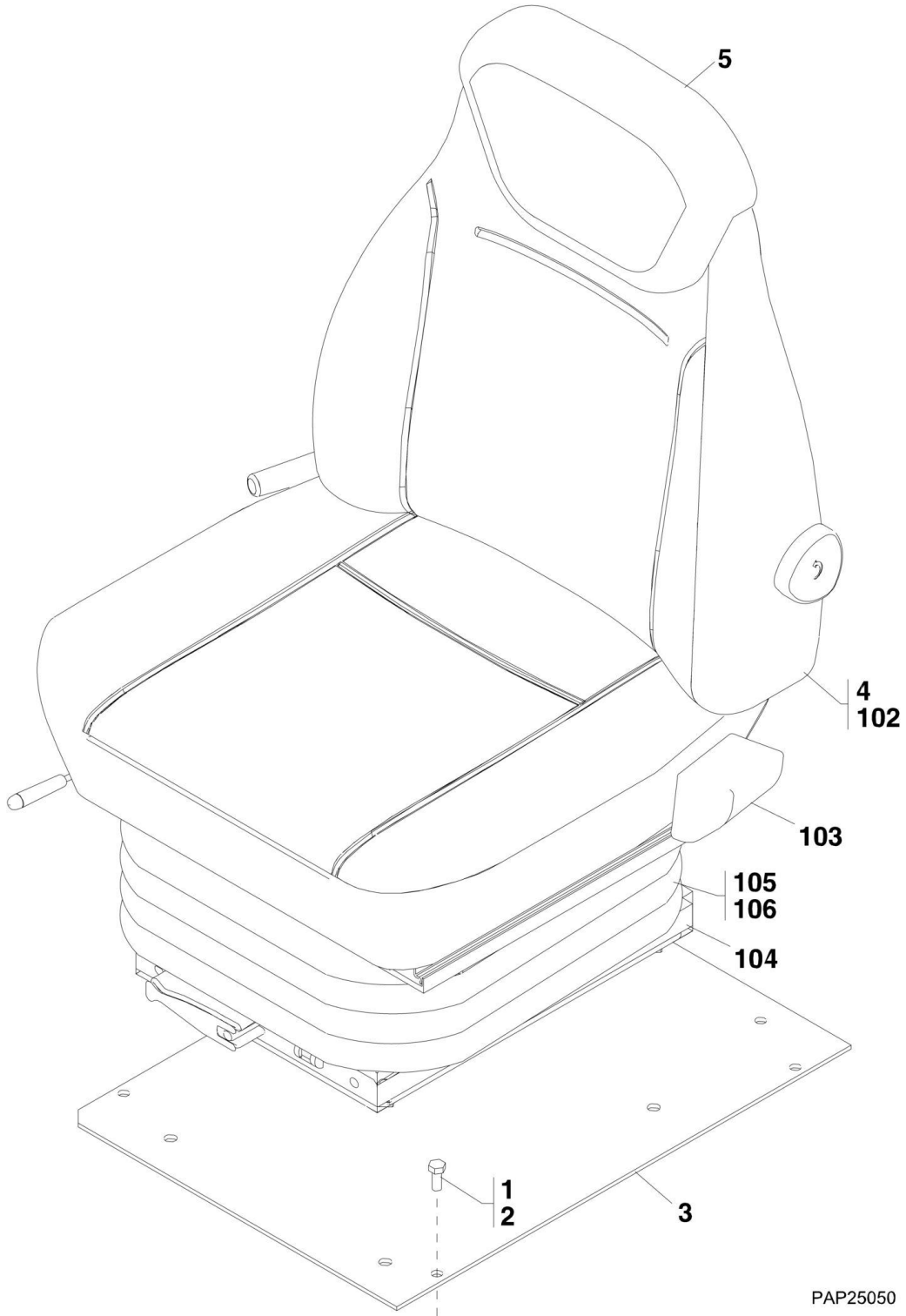
PZ4601

FIGURE 6-6. WIPER INSTALLATIONS

ITEM	PART NUMBER	QTY	DESCRIPTION	REV
	1001115091	1	FRONT WIPER ASSY, (L2906H & 29.6LP), (includes items 1 thru 5)	A
1	1366865	1	CHECK VALVE	
2	3746405	6 m	HOSE	
3	3260100	1	GROMMET	
4	1001104288	1	WIPER HOSE FITTING	
5	1001114080	1	FRONT WIPER ASSY, (includes items 115 thru 119)	2
115	1001114006	1	WIPER MOTOR	
116	1001105042	2	WIPER BLADE	
117	1001105041	1	WIPER ARM	
118	4807741	1	WIPER DRIVE ARM ASSY, (includes wiper mounting hardware)	
119	5200608	3	RIPP BOLT, 6X16mm	
	1001115115	1	FRONT WIPER INSTALLATION, (2906H, 3507H, 29.6 & 35.7), (619A & 723A - if equipped), (includes items 201 thru 208)	A
201	1366865	1	CHECK VALVE	
202	3746392	1	DOUBLE NOZZLE	
203	3746405	6 m	HOSE	
204	5200810	1	RIPP BOLT, 8X20mm	
205	5220800	1	RIPP NUT, 8mm	
206	8005447	1	ANGLE	
207	1001104288	1	WIPER HOSE FITTING	
208	1001114007	1	FRONT WIPER ASSY, (includes items 315 thru 319)	2
315	1001114006	1	WIPER MOTOR - 24Volt	
315	1001104478	1	WIPER MOTOR - 12Volt	
316	4807729	2	WIPER BLADE	
317	4807730	1	WIPER ARM	
318	4807741	1	WIPER DRIVE ARM ASSY, (includes wiper mounting hardware)	
319	5200608	3	RIPP BOLT, 6X16mm	
	1001104674	1	REAR WIPER INSTALLATION, (includes items 401 thru 405)	A
401	1366865	1	CHECK VALVE	
402	3746392	1	DOUBLE NOZZLE	
403	3746405	6 m	HOSE	
404	4807661	1	REAR WIPER ASSY, (includes items 530 thru 532)	1
405	1001104288	1	WIPER HOSE FITTING	
530	4807694	1	WIPER ARM	
531	4807718	1	WIPER BLADE	
532	4807763	1	WIPER MOTOR	
637	8002985	1	GROMMET	

SECTION 6 - CAB

FIGURE 6-7. SEAT ASSEMBLIES



PAP25050

FIGURE 6-7. SEAT ASSEMBLIES

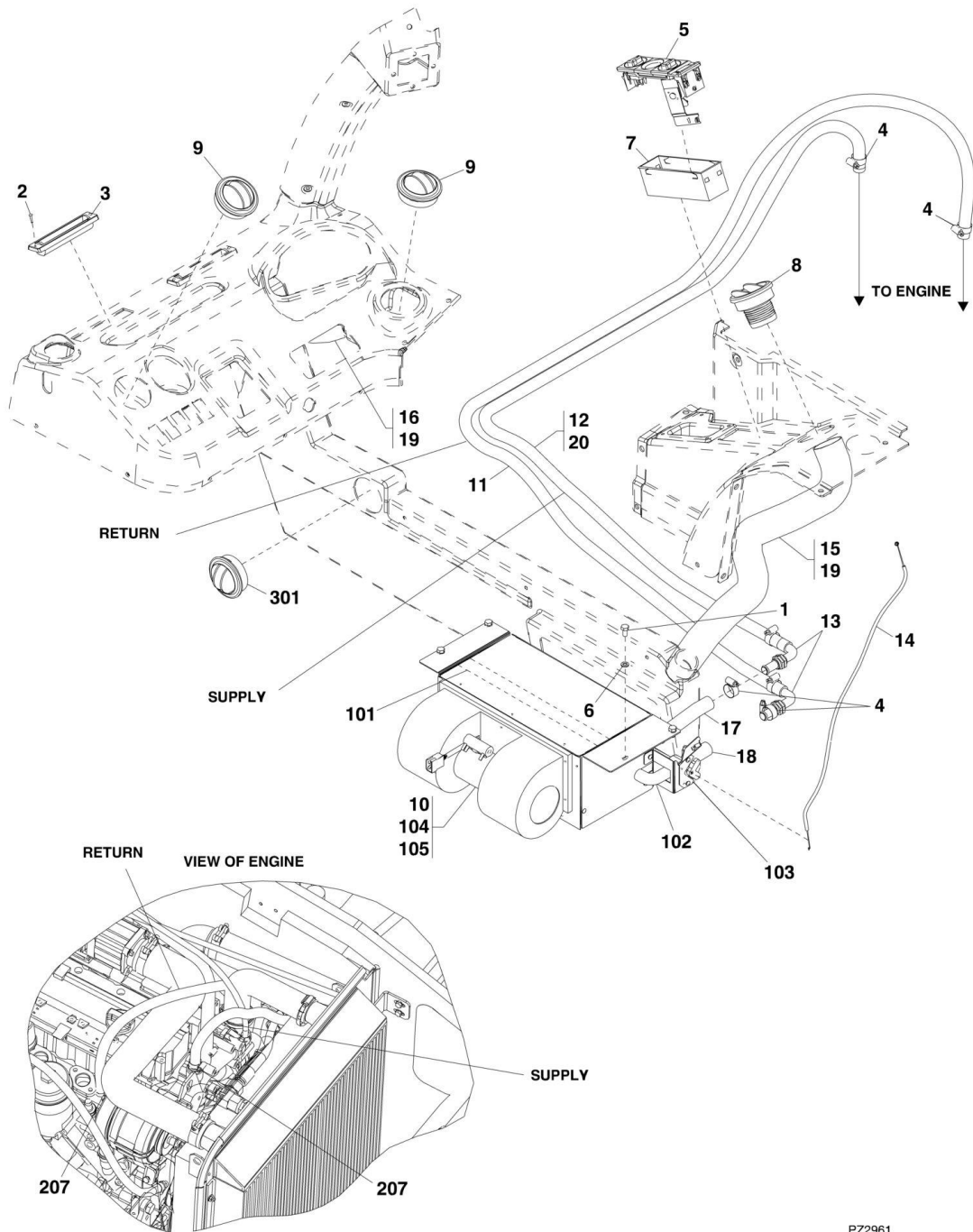
ITEM	PART NUMBER	QTY	DESCRIPTION	REV
	1001118946	Ref	CLOTH MECHANICAL SEAT INSTALLATION, (L2906H), (if equipped), (includes items 1 thru 5)	B
	1001118948	Ref	CLOTH PNEUMATIC SEAT INSTALLATION, (L2906H), (if equipped), (includes items 1 thru 5)	B
	1001118943	Ref	PVC MECHANICAL SEAT INSTALLATION, (L2906H, 619A & 723A), (if equipped), (includes items 1 thru 5)	A
	1001118945	Ref	CLOTH MECHANICAL SEAT INSTALLATION, (2906H & 3507H), (if equipped), (includes items 1 thru 5)	B
	1001118947	Ref	CLOTH PNEUMATIC SEAT INSTALLATION, (2906H & 3507H), (if equipped), (includes items 1 thru 5)	C
	1001118944	Ref	PVC PNEUMATIC SEAT INSTALLATION, (619A & 723A), (if equipped), (includes items 1 thru 5)	A
1	0760810	5	HEX HD CAPSCREW, M8X20, GR8.8	
2	1001095650	AR	LOCTITE 243	
3	1001097291	1	SEAT MOUNTING PLATE	
4	1001119463	1	CLOTH MECHANICAL SEAT ASSY, (L2906H) & (29.6LP), (if equipped), (includes items 102 thru 106) (Prior to SN 1160006886)	B
4	1001152509	1	CLOTH MECHANICAL SEAT ASSY, (L2906H) & (29.6LP), (if equipped) (SN 1160006886 to Present)	A
4	1001119462	1	CLOTH PNEUMATIC SEAT ASSY, (2906H & 3507H) & (29.6 & 35.7), (if equipped), (includes items 102 thru 106) (Prior to SN 1160006886)	B
4	1001152508	1	CLOTH PNEUMATIC SEAT ASSY, (2906H & 3507H) & (29.6 & 35.7), (if equipped) (SN 1160006886 to Present)	B
4	1001119464	1	CLOTH PNEUMATIC SEAT ASSY, (L2906H) & (29.6LP), (if equipped), (includes items 102 thru 106) (Prior to SN 1160006886)	B
4	1001152510	1	CLOTH PNEUMATIC SEAT ASSY, (L2906H) & (29.6LP), (if equipped) (SN 1160006886 to Present)	A
4	1001119461	1	CLOTH MECHANICAL SEAT ASSY, (2906H & 3507H) & (29.6 & 35.7), (if equipped), (includes items 102 thru 106) (Prior to SN 1160006886)	B
4	1001152507	1	CLOTH MECHANICAL SEAT ASSY, (2906H & 3507H) & (29.6 & 35.7), (if equipped) (SN 1160006886 to Present)	A
4	1001119465	1	CLOTH MECHANICAL SEAT ASSY, (619A & 723A) (if equipped), (includes items 102 thru 106)	A
4	1001119466	1	CLOTH PNEUMATIC SEAT ASSY, (619A & 723A) (if equipped), (includes items 102 thru 106)	A
5	1001119467	1	CLOTH HEADREST, JLG LOGO, (L2906H), (2906H & 3507H)	
5	1001119469	1	PVC HEADREST, (L2906H, 619A & 723A)	
102	70022033	1	CLOTH SEAT, (L2906H), (2906H & 3507H - Mechanical), (29.6LP), (29.6 & 35.7)	
102	70022517	1	PVC SEAT, (L2906H, 619A & 723A), (2906H, 3507H, 619A & 723A - Pneumatic)	
103	7029767	1	SEAT BELT KIT	
104	70021252	1	SLIDE RAIL KIT	
105	70022518	1	COMPLETE SUSPENSION KIT, (L2906H - Mechanical) & (29.6LP - Mechanical)	
105	70022519	1	COMPLETE SUSPENSION KIT, (L2906H - Pneumatic) & (29.6LP - Pneumatic)	
105	70021251	1	COMPLETE SUSPENSION KIT, MECHANICAL, (L2906H, 619A & 723A), (2906H & 3507H - Mechanical) & (29.6 & 35.7 - Mechanical)	
105	70023468	1	COMPLETE SUSPENSION KIT, (2906H, 3507H, 619A & 723A - Pneumatic) & (29.6 & 35.7 - Pneumatic)	

SECTION 6 - CAB

ITEM	PART NUMBER	QTY	DESCRIPTION	REV
106	70022034	1	SUSPENSION COVER KIT	

SECTION 6 - CAB

FIGURE 6-8. HEATER INSTALLATION (Prior to SN 1160005989, Excluding 1160005189, 1160005314 and 1160005414)



NOTE: PARTS OF THE CAB INTERIOR ARE REMOVED FOR CLARITY

PZ2961

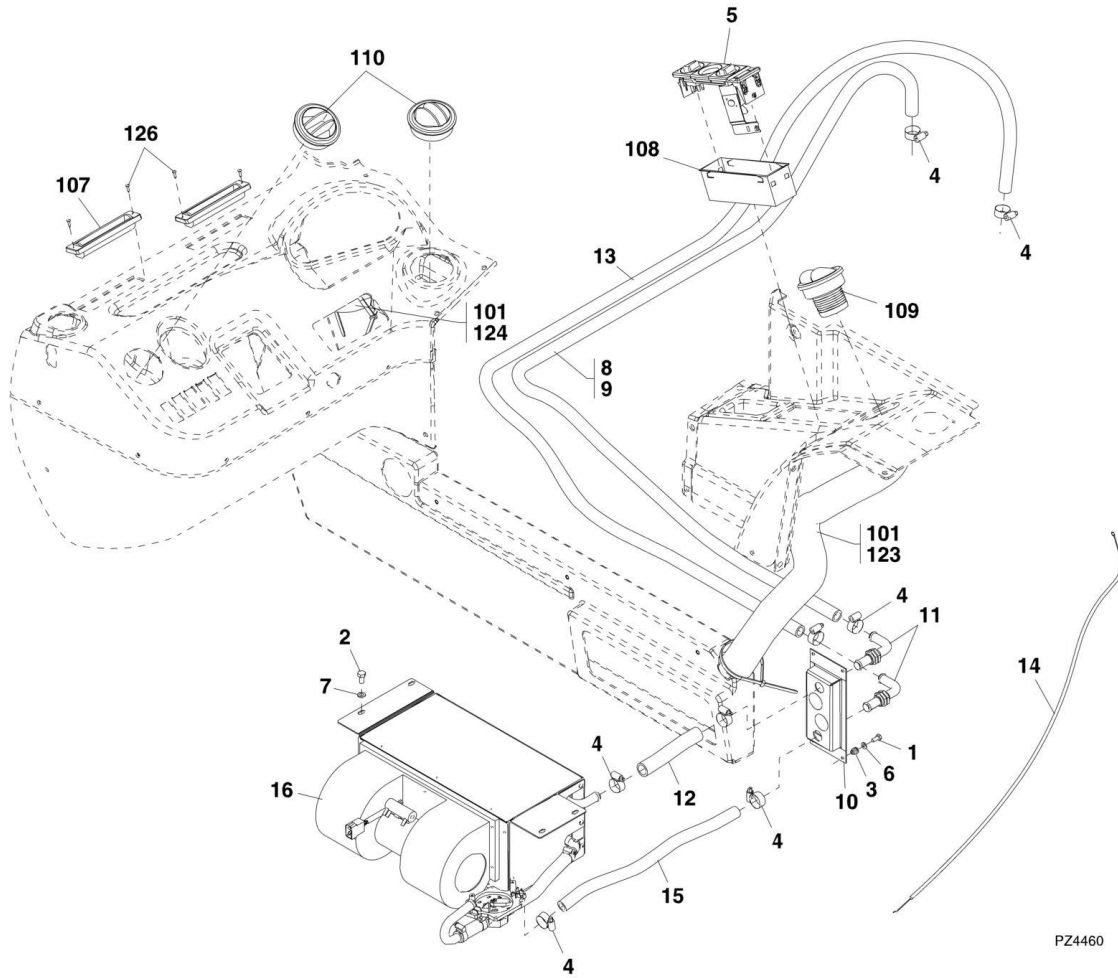
SECTION 6 - CAB

FIGURE 6-8. HEATER INSTALLATION (Prior to SN 1160005989, Excluding 1160005189, 1160005314 and 1160005414)

ITEM	PART NUMBER	QTY	DESCRIPTION	REV
	1001104042	Ref	HEATER INSTALLATION, (if equipped), (not available to order, see items 1 thru 20 for service)	D
1	0760808	4	HEX HD CAPSCREW, M8X16, GR8.8	
2	1001112828	4	SCREW, 3.5X13mm	
3	3953973	2	NOZZLE	
4	3961951	8	CLIP	
5	4360708	1	HEAT AND AIR CONTROL SWITCH	
6	4831900	4	LOCKWASHER, 8mm	
7	1001091871	1	BRACKET	
8	1001096169	1	ROUND NOZZLE	
9	1001096170	2	ROUND NOZZLE	
10	1001100155	1	HEATER, (includes items 101 thru 105)	C
11	1001112278	1	HOSE	
12	1001102377	1	HOSE	
13	1001104081	2	ELBOW, 90	
14	1001104092	1	WATER VALVE CABLE	
15	1001104367	1	TUBE	
16	1001104373	1	HOSE	
17	1001104460	1	HOSE	
18	1001104461	1	HOSE	
19	8005376	4	HOSE CLAMP CLIP	
20	1001102376	1	HOSE GUARD	
101	70022520	1	HEAT EXCHANGER	
102	70022521	1	ELBOW, 90	
103	70022524	1	WATER VALVE	
104	70022525	NLA	3-SPEED BLOWER, 12V, (no longer available, use 1001118231 for replacement or see item 105 for service)	
105	70021125	1	RESISTOR	
207	3961951	2	CLIP	
301	1001096170	1	ROUND NOZZLE	

SECTION 6 - CAB

FIGURE 6-9. HEATER INSTALLATION (SN 1160005989 to Present, Including 1160005189, 1160005314 and 1160005414)



PZ4460

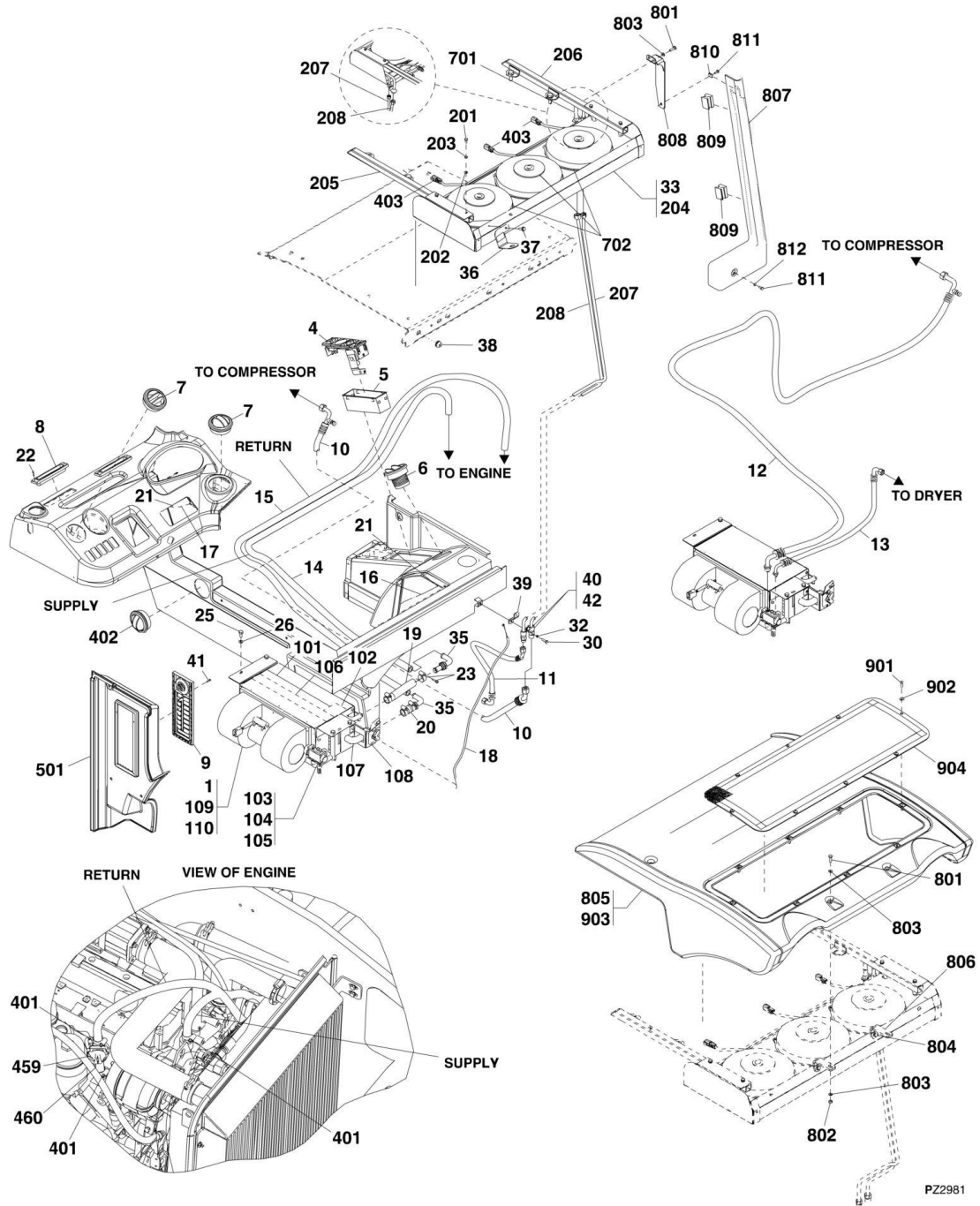
SECTION 6 - CAB

FIGURE 6-9. HEATER INSTALLATION (SN 1160005989 to Present, Including 1160005189, 1160005314 and 1160005414)

ITEM	PART NUMBER	QTY	DESCRIPTION	REV
	1001118979	Ref	HEATER INSTALLATION, (if equipped), (not available to order, see items 1 thru 17 for service)	B
1	0760607	4	HEX HD CAPSCREW, 6X14mm, GR8.8	
2	0760808	4	HEX HD CAPSCREW, 8X16mm, GR8.8	
3	2080086	4	ROUND BODY RIVNUT, 6X1.25mm	
4	3961951	8	CLIP	
5	4360708	1	HVAC CONTROL PANEL SWITCH	
6	4811700	4	WASHER, 6mm	
7	4831900	4	SPRING LOCKWASHER, 8mm	
8	1001102376	1	HOT WATER RETURN HOSE	
9	1001102377	1	HOT WATER SUPPLY HOSE	
10	1001102429	1	SUPPORT PLATE	
11	1001104081	2	BULKHEAD FITTING	
12	1001104460	1	HOSE	
13	1001112278	1	HOSE ASSY	
14	1001120291	1	WATER VALVE CONTROL CABLE	
15	1001120292	1	HOSE ASSY	
16	1001120558	1	HEATER ASSY	A
17		Ref	MAIN CAB HARNESS, (See ELECTRICAL SECTION for Breakdown), (not shown)	
101	1062255	4	TIE STRAP	
107	3953973	2	LINEAR NOZZLE	
108	1001091871	1	HVAC MOUNT BRACKET	
109	1001096169	1	VENT	
110	1001096170	2	VENT	
123	1001104367	1	REAR SUPPLY HOSE	
124	1001104373	1	SIDE SUPPLY HOSE	
126	1001112828	4	PAN HD SCREW, 3.5X14mm	

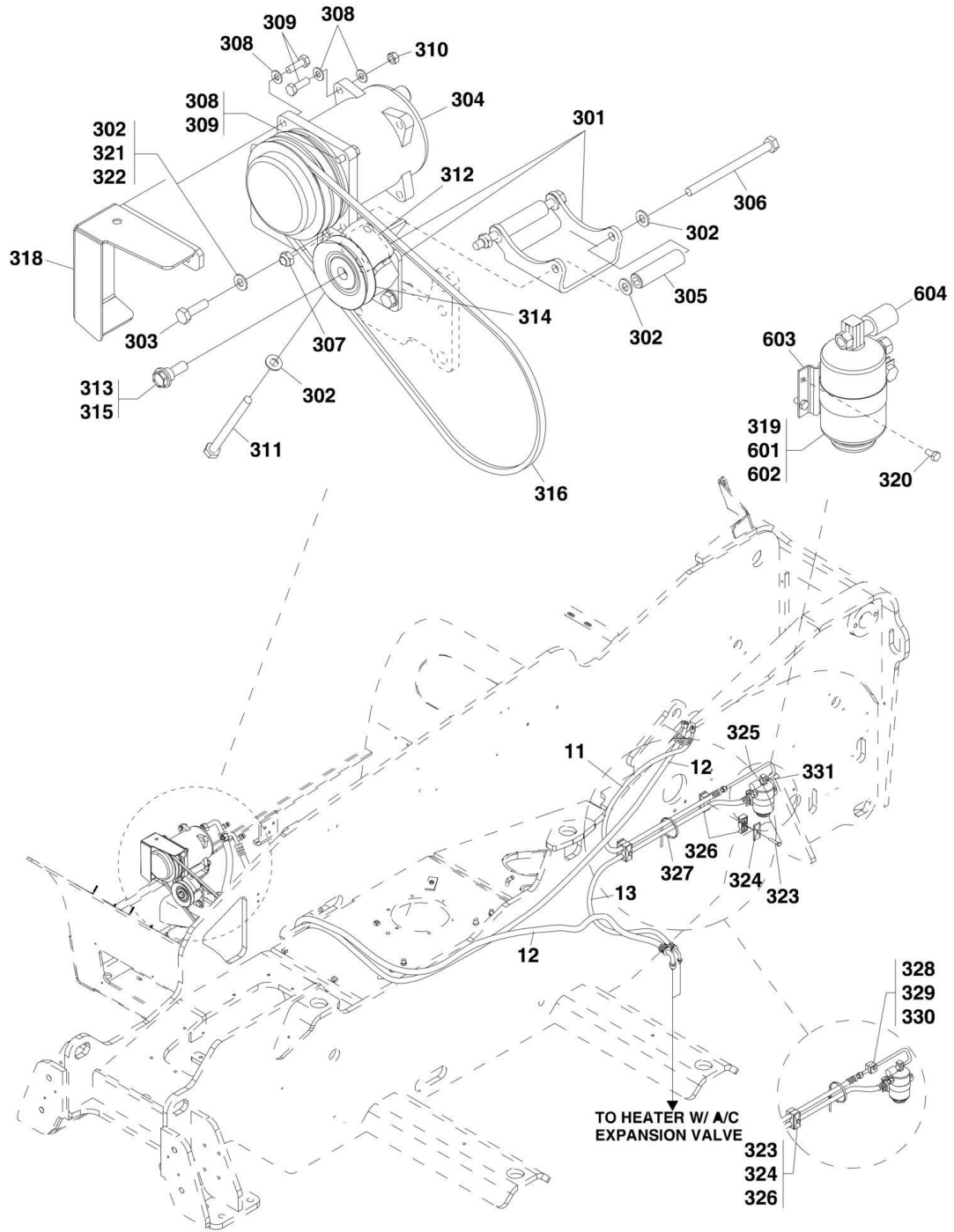
SECTION 6 - CAB

FIGURE 6-10. HEAT AND A/C INSTALLATION (Prior to SN 1160005989, Excluding 1160005189, 1160005314 and 1160005414)



NOTE: PARTS OF THE CAB INTERIOR ARE REMOVED FOR CLARITY

SECTION 6 - CAB



NOTE: ITEM 301 IS BROKEN APART FOR ILLUSTRATION PURPOSE

PAP4540

SECTION 6 - CAB

FIGURE 6-10. HEAT AND A/C INSTALLATION (Prior to SN 1160005989, Excluding 1160005189, 1160005314 and 1160005414)

ITEM	PART NUMBER	QTY	DESCRIPTION	REV
	1001107298	Ref	HEAT AND A/C INSTALLATION, (L2906H & 29.6LP), (if equipped), (not available to order, see items 1 thru 42 for service)	F
	1001102848	Ref	HEAT AND A/C INSTALLATION, (2906H, 3507H, 619A, 723A, 29.6 & 35.7), (if equipped), (not available to order, see items 1 thru 42 for service)	H
1	1001099016	1	HEATER WITH A/C ASSY, (includes items 101 thru 110)	D
4	1001102620	1	HEAT, AIR AND A/C CONTROL SWITCH	
5	1001091871	1	BRACKET	
6	1001096169	1	ROUND NOZZLE	
7	1001096170	2	ROUND NOZZLE	
8	3953973	2	NOZZLE	
9	1001102889	1	VENT	
10	1001102392	1	HOSE ASSY	
11	1001114964	1	HOSE ASSY	
12	1001104304	1	HOSE ASSY	
13	1001114965	1	HOSE ASSY	
14	1001112278	1	HOSE	
15	1001102377	1	HOSE	
16	1001104367	1	HOSE	
17	1001104373	1	HOSE	
18	1001104092	1	WATER VALVE CABLE	
19	1001104460	1	HOSE	
20	1001104461	1	HOSE	
21	1062255	4	TIE STRAP	
22	1001112828	4	SCREW, 3.5X13mm	
23	3961951	8	CLIP	
25	0760808	4	HEX HD CAPSCREW, M8X16, GR8.8	
26	4831900	4	LOCKWASHER, 8mm	
30	4010510	1	MACHINE SCREW, 5X20mm	
32	4831600	1	LOCKWASER, 5mm	
33	1001107288	1	HEATER AND A/C CONDENSOR, (includes items 201 thru 208), (L2906H & 29.6LP)	B
33	1001107106	1	HEATER AND A/C CONDENSOR, (includes items 201 thru 208), (2906H, 3507H, 619A, 723A, 29.6 & 35.7)	B
35	1001104081	2	ELBOW, 90	
36	1001114169	1	ELECTRICAL SOCKET BRACKET	
37	5200610	1	RIPP BOLT, 6X20mm	
38	2540051	1	GROMMET	
39	1001114984	1	COVER BRACKET	
40	1001115587	1	TUBE CLAMP	
41	1001110864	4	SELF TAPPING SCREW	
42	1001115620	1	TUBE CLAMP	
101	70022522	1	EVAPORATOR	
102	70021137	1	THERMOSTAT	
103	70022523	1	EXPANSION VALVE	
104	70021130	1	O-RING	
105	1001118308	1	O-RING	
106	70022520	1	HEAT EXCHANGER	
107	70022521	1	ELBOW, 90	
108	70022524	1	WATER VALVE	

SECTION 6 - CAB

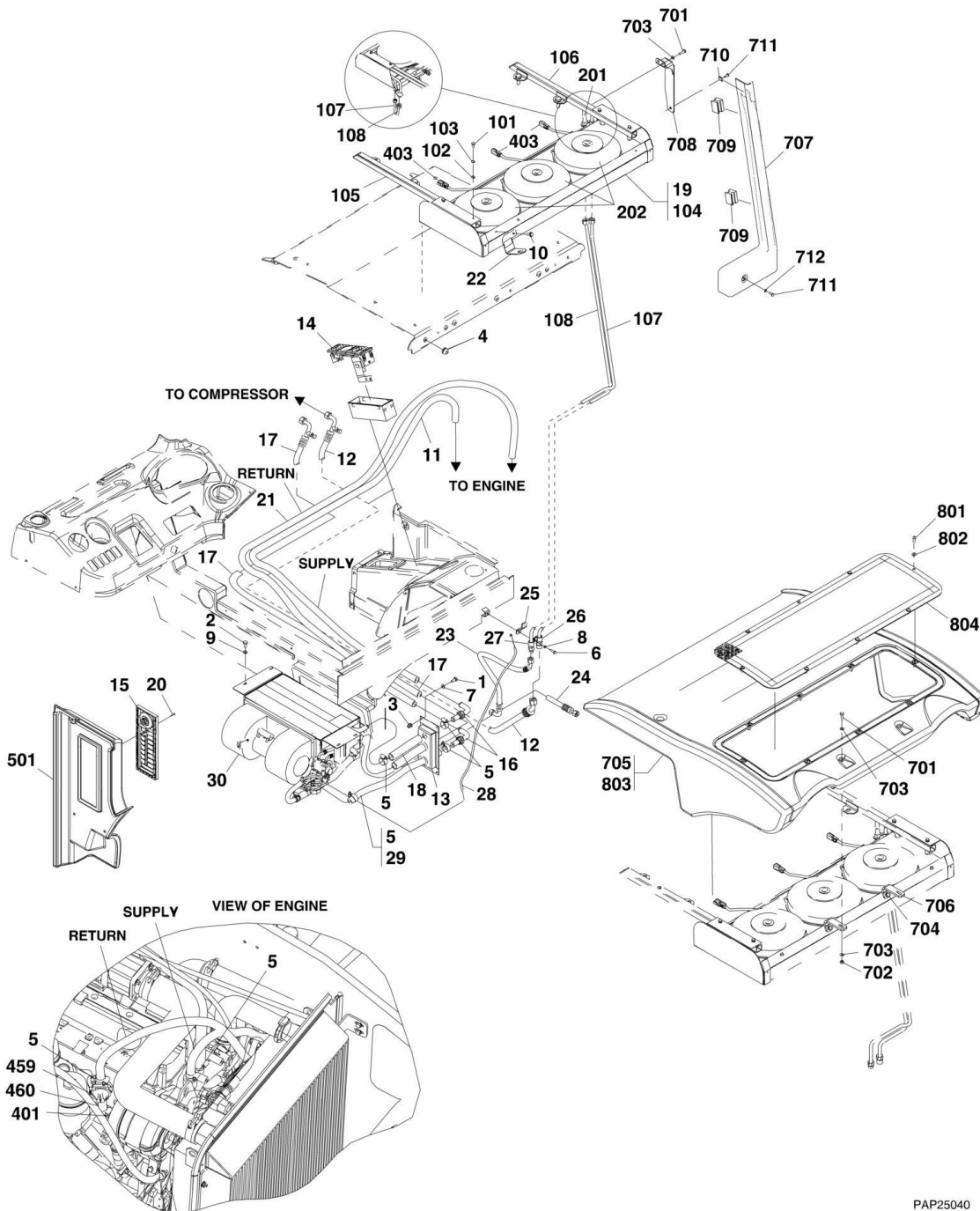
ITEM	PART NUMBER	QTY	DESCRIPTION	REV
109	70022525	1	3-SPEED BLOWER, 12V	
110	70022125	1	RESISTOR	
201	0760608	4	HEX HD CAPSCREW, M6X16, GR8.8	
202	4811700	4	WASHER, 6mm	
203	4831700	4	LOCKWASHER, 6mm	
204	1001105647	1	CONDENSOR ASSY, (includes items 701 & 702)	C
205	1001106799	1	LH SUPPORT TUBE	
206	1001106800	1	RH SUPPORT TUBE	
207	1001107366	1	PIPE, (L2906H & 29.6LP)	
207	1001106855	1	PIPE, (2906H, 3507H, 619A, 723A, 29.6 & 35.7)	
208	1001107367	1	PIPE, (L2906H & 29.6LP)	
208	1001106856	1	PIPE, (2906H, 3507H, 619A, 723A, 29.6 & 35.7)	
	1001115100	Ref	ENGINE A/C COMPONENT INSTALLATION, (L2906H & 29.6LP), (if equipped), (not available to order, see items 301 thru 331 for service)	B
	1001104380	Ref	ENGINE A/C COMPONENT INSTALLATION, (2906H, 3507H, 619A, 723A, 29.6 & 35.7), (if equipped), (not available to order, see items 301 thru 327 & 331 for service)	F
301	1001096644	1	BRACKET	
302	4812000	8	WASHER, 10mm	
303	0701015	3	HEX HD CAPSCREW, M10X35, GR8.8	
304	8003167	1	COMPRESSOR	
305	1001093785	2	SPACER	
306	0701031	2	HEX HD CAPSCREW, M10X140, GR8.8, (torque to 50 Nm / 35 lb-ft)	
307	3291005	2	HEX LOCKNUT, M10X1.5	
308	4811900	4	WASHER, 8mm	
309	0760812	3	HEX HD CAPSCREW, M8X25, GR8.8	
310	3290801	1	HEX NUT, M8X1.25	
311	0761029	1	HEX HD CAPSCREW, M10X120, GR8.8	
312	4220262	1	BLOCK IDLER	
313	4812100	2	WASHER, 12mm	
314	3580345	1	PULLY IDLER	
315	0630604	1	A/C PULLY BOLT	
316	0480139	1	BELT	
318	1001096701	1	A/C PULLY COVER	
319	1001096032	1	A/C DRYER ASSY, (includes items 601 thru 604)	B
320	0760606	2	HEX HD CAPSCREW, M6X12, GR8.8	
321	1001104686	AR	SHIM	
322	1001104687	AR	SHIM	
323	0700817	1	HEX HD CAPSCREW, 8X45mm, GR8.8, (L2906H & 29.6LP)	
323	0700817	2	HEX HD CAPSCREW, 8X45mm, GR8.8, (2906H, 3507H, 619A, 723A, 29.6 & 35.7)	
324	1309435	1	CLAMP COVER PLATE, (L2906H & 29.6LP)	
324	1309435	2	CLAMP COVER PLATE, (2906H, 3507H, 619A, 723A, 29.6 & 35.7)	
325	2754993	1	A/C PIPE	
326	8002781	1	CLAMP, (L2906H & 29.6LP)	
326	8002781	2	CLAMP, (2906H, 3507H, 619A, 723A, 29.6 & 35.7)	
327	1062255	1	TIE STRAP	
328	1321125	1	CLAMP	
329	1001114989	1	COVER PLATE CLAMP	
330	0760613	1	HEX HD CAPSCREW, 6X28mm, GR8.8	

SECTION 6 - CAB

ITEM	PART NUMBER	QTY	DESCRIPTION	REV
331	1001093371	1	O-RING, HVAC DRYER	
401	3961951	4	CLIP	
402	1001096170	1	ROUND NOZZLE	
403	7028909	3	CONNECTOR	
459	1001112094	1	WATER VALVE	
459	70022817	1	KNOB	
460	1001112277	1	HOSE ASSY	
501		Ref	AIR INTAKE COVER, (See INTERIOR INSTALLATION for Breakdown)	
601	70021482	1	DRYER	
602	70021483	1	CLAMP	
603	70022548	1	BRACKET	
604	70020721	1	PRESSURE SWITCH	
701	70022550	1	CONDENSOR	
702	70022551	3	12V BLOWER	
	1001114983	Ref	A/C COVER INSTALLATION, (L2906H & 29.6LP), (if equipped), (not available to order, see items 801 thru 812 for service)	A
	1001113373	Ref	A/C COVER INSTALLATION, (2906H, 3507H, 619A, 723A, 29.6 & 35.7), (if equipped), (not available to order, see items 801 thru 812 for service)	B
801	0760610	6	HEX HD CAPSCREW, M6X20, GR8.8	
802	3290605	2	HEX LOCKNUT, M6X1	
803	4811700	8	WASHER, 6mm	
804	5200610	2	BOLT, M6X20	
805	1001113430	1	A/C COVER ASSY, (includes items 901 thru 904)	A
806	1001113431	2	BRACKET	
807	1001114975	1	A/C TUBES COVER, (L2906H & 29.6LP)	
807	1001114974	1	A/C TUBES COVER, (2906H, 3507H, 619A, 723A, 29.6 & 35.7)	
808	1001114981	1	A/C TUBES COVER BRACKET	
809	1001115013	2	A/C COVER SUPPORT	
810	3933468	1	STAMPED CLIP	
811	4010506	2	POZI-DRIVE PAN HD SCREW, 5X12mm	
812	4811600	1	WASHER, 5mm	
901	3900364	8	BUTTON HD CAPSCREW, M6X20	
902	4811702	8	WASHER, 6mm	
903	1001113371	1	A/C COVER, (L2906H, 2906H, 3507H, 619A & 723A)	
904	1001113372	1	A/C GRILL, (L2906H, 2906H, 3507H, 619A & 723A)	

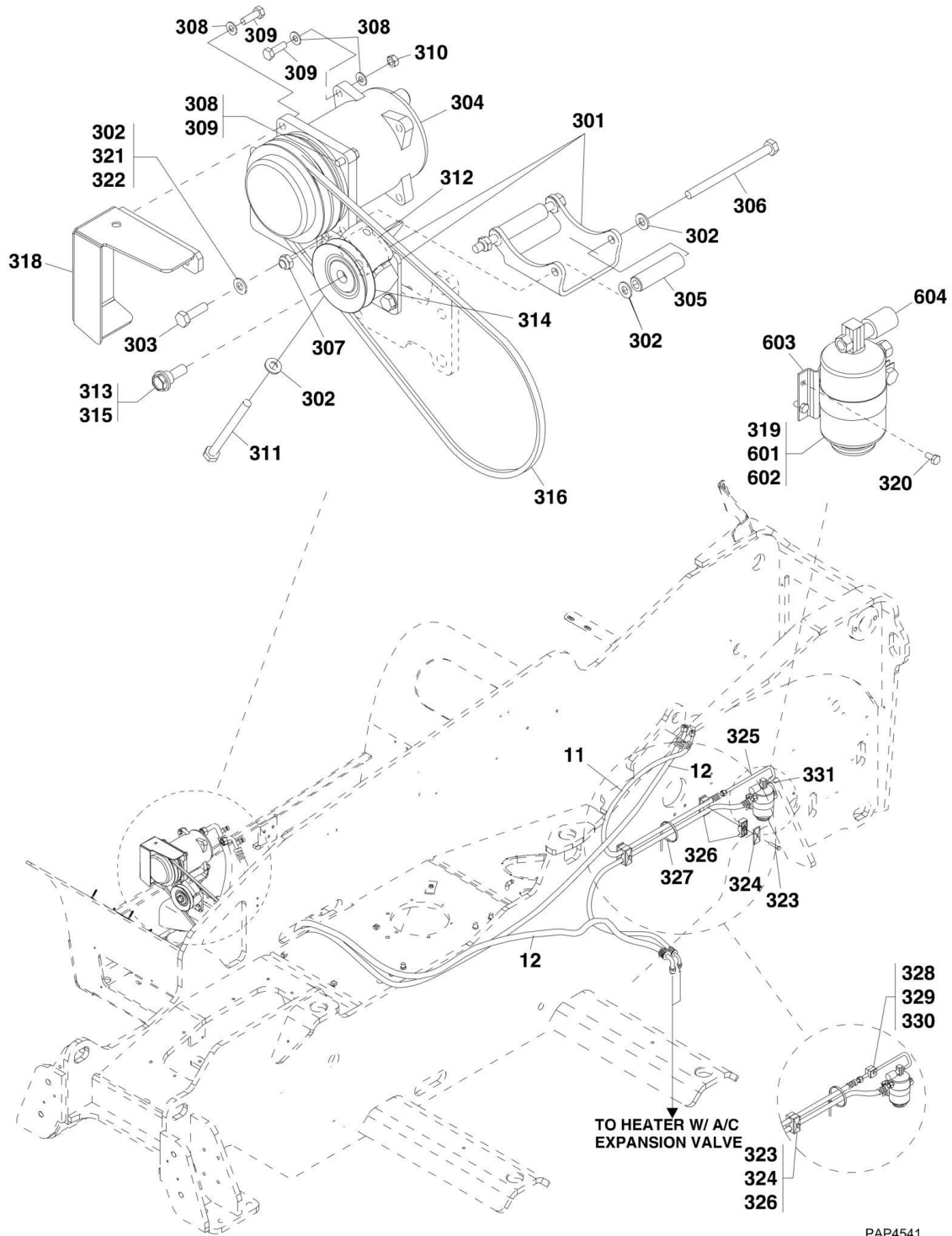
SECTION 6 - CAB

FIGURE 6-11. HEAT AND A/C INSTALLATION (SN 1160005989 to Present, Including 1160005189, 1160005314 and 1160005414)



PAP25040

SECTION 6 - CAB



PAP4541

SECTION 6 - CAB

FIGURE 6-11. HEAT AND A/C INSTALLATION (SN 1160005989 to Present, Including 1160005189, 1160005314 and 1160005414)

ITEM	PART NUMBER	QTY	DESCRIPTION	REV
	1001118978	Ref	HEAT AND A/C INSTALLATION, (L2906H & 29.6LP), (if equipped), (not available to order, see items 1 thru 30 for service)	A
	1001118977	Ref	HEAT AND A/C INSTALLATION, (2906H, 3507H, 619A, 723A, 29.6 & 35.7), (if equipped), (not available to order, see items 1 thru 30 for service)	A
1	0760607	4	HEX HD CAPSCREW, 6X14mm, GR8.8	
2	0760808	4	HEX HD CAPSCREW, 8X16mm, GR8.8	
3	2080086	4	ROUND BODY RIVNUT, 6X1.25mm	
4	2540051	1	GROMMET	
5	3961951	8	CLIP	
6	4010510	1	POZI-DRIVE PAN HD SCREW, 5X20mm	
7	4811700	4	WASHER, 6mm	
8	4831600	1	SPRING LOCKWASHER, 5mm	
9	4831900	4	SPRING LOCKWASHER, 8mm	
10	5200610	1	RIPP BOLT, 6X20mm	
11	1001102377	1	HOSE ASSY	
12	1001102392	1	HOSE ASSY	
13	1001102429	1	HOSE SUPPORT PLATE	
14	1001102620	1	CONTROL PANEL	
15	1001102889	1	AIR INTAKE VENT	
16	1001104081	2	BULKHEAD FITTING	
17	1001104304	1	HOSE ASSY	
18	1001104460	1	HOSE ASSY	
19	1001107288	1	HEATER AND A/C CONDENSOR, (includes items 101 thru 108), (L2906H & 29.6LP)	B
19	1001107106	1	HEATER AND A/C CONDENSOR, (includes items 101 thru 108), (2906H, 3507H, 619A, 723A, 29.6 & 35.7)	B
20	1001110864	4	SELF TAPPING SCREW	
21	1001112278	1	HOSE ASSY	
22	1001114169	1	ELECTRICAL SOCKET BRACKET	
23	1001114964	1	HOSE ASSY	
24	1001114965	1	HOSE ASSY	
25	1001114984	1	COVER BRACKET	
26	1001115587	1	TUBE CLAMP	
27	1001115620	1	TUBE CLAMP	
28	1001120291	1	WATER VALVE CABLE CONTROL	
29	1001120292	1	HOSE ASSY	
30	1001120557	1	HEATER WITH A/C ASSY	A
101	0760608	4	HEX HD CAPSCREW, M6X16, GR8.8	
102	4811700	4	WASHER, 6mm	
103	4831700	4	LOCKWASHER, 6mm	
104	1001105647	1	CONDENSOR ASSY, (includes items 201 & 202)	C
105	1001106799	1	LH SUPPORT TUBE	
106	1001106800	1	RH SUPPORT TUBE	
107	1001107366	1	PIPE, (L2906H & 29.6LP)	
107	1001106855	1	PIPE, (2906H, 3507H, 619A, 723A, 29.6 & 35.7)	
108	1001107367	1	PIPE, (L2906H & 29.6LP)	
108	1001106856	1	PIPE, (2906H, 3507H, 619A, 723A, 29.6 & 35.7)	
201	70022550	1	CONDENSOR	
202	70022551	3	12V BLOWER	

SECTION 6 - CAB

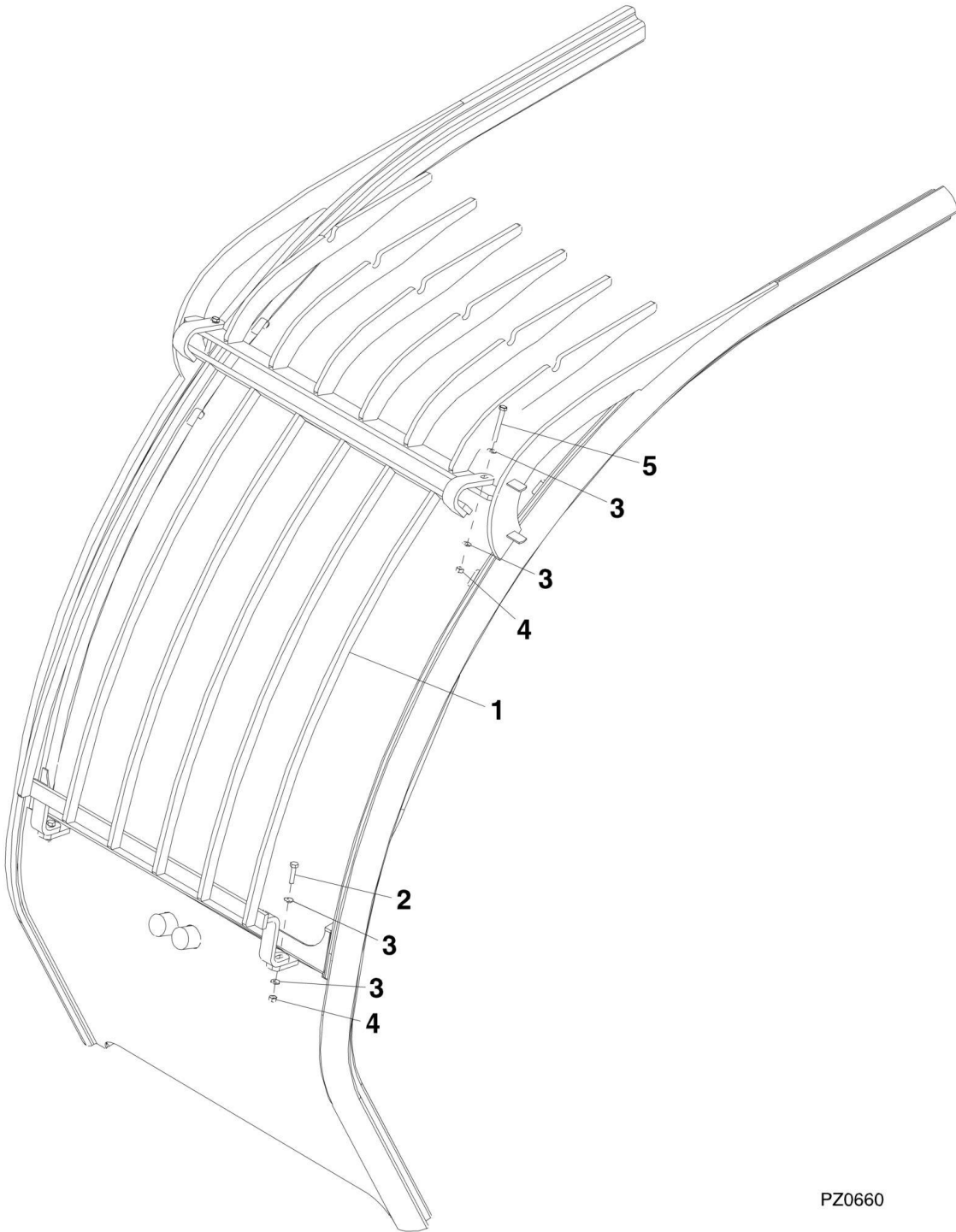
ITEM	PART NUMBER	QTY	DESCRIPTION	REV
	1001115100	Ref	ENGINE A/C COMPONENT INSTALLATION, (L2906H & 29.6LP), (if equipped), (not available to order, see items 301 thru 331 for service)	B
	1001104380	Ref	ENGINE A/C COMPONENT INSTALLATION, (2906H, 3507H, 619A, 723A, 29.6 & 35.7), (if equipped), (not available to order, see items 301 thru 327 & 331 for service)	F
301	1001096644	1	BRACKET	
302	4812000	8	WASHER, 10mm	
303	0701015	3	HEX HD CAPSCREW, M10X35, GR8.8	
304	8003167	1	COMPRESSOR	
305	1001093785	2	SPACER	
306	0701031	2	HEX HD CAPSCREW, M10X140, GR8.8, (torque to 50 Nm / 35 lb-ft)	
307	3291005	2	HEX LOCKNUT, M10X1.5	
308	4811900	4	WASHER, 8mm	
309	0760812	3	HEX HD CAPSCREW, M8X25, GR8.8	
310	3290801	1	HEX NUT, M8X1.25	
311	0761029	1	HEX HD CAPSCREW, M10X120, GR8.8	
312	4220262	1	BLOCK IDLER	
313	4812100	2	WASHER, 12mm	
314	3580345	1	PULLY IDLER	
315	0630604	1	A/C PULLY BOLT	
316	0480139	1	BELT	
318	1001096701	1	A/C PULLY COVER	
319	1001096032	1	A/C DRYER ASSY, (includes items 601 thru 604)	B
320	0760606	2	HEX HD CAPSCREW, M6X12, GR8.8	
321	1001104686	AR	SHIM	
322	1001104687	AR	SHIM	
323	0700817	1	HEX HD CAPSCREW, 8X45mm, GR8.8, (L2906H & 29.6LP)	
323	0700817	2	HEX HD CAPSCREW, 8X45mm, GR8.8, (2906H, 3507H, 619A, 723A, 29.6 & 35.7)	
324	1309435	1	CLAMP COVER PLATE, (L2906H & 29.6LP)	
324	1309435	2	CLAMP COVER PLATE, (2906H, 3507H, 619A, 723A, 29.6 & 35.7)	
325	2754993	1	A/C PIPE	
326	8002781	1	CLAMP, (L2906H & 29.6LP)	
326	8002781	2	CLAMP, (2906H, 3507H, 619A, 723A, 29.6 & 35.7)	
327	1062255	1	TIE STRAP	
328	1321125	1	CLAMP	
329	1001114989	1	COVER PLATE CLAMP	
330	0760613	1	HEX HD CAPSCREW, 6X28mm, GR8.8	
331	1001093371	1	O-RING, HVAC DRYER	
401	3961951	4	CLIP	
402	1001096170	1	ROUND NOZZLE	
403	7028909	3	CONNECTOR	
459	1001112094	1	WATER VALVE	
459	70022817	1	KNOB	
460	1001112277	1	HOSE ASSY	
501		Ref	AIR INTAKE COVER, (See INTERIOR INSTALLTION for Breakdown)	
601	70021482	1	DRYER	
602	70021483	1	CLAMP	
603	70022548	1	BRACKET	

SECTION 6 - CAB

ITEM	PART NUMBER	QTY	DESCRIPTION	REV
604	70020721	1	PRESSURE SWITCH	
	1001114983	Ref	A/C COVER INSTALLATION, (L2906H & 29.6LP), (if equipped), (not available to order, see items 701 thru 712 for service)	A
	1001113373	Ref	A/C COVER INSTALLATION, (2906H, 3507H, 619A, 723A, 29.6 & 35.7), (if equipped), (not available to order, see items 701 thru 712 for service)	B
701	0760610	6	HEX HD CAPSCREW, M6X20, GR8.8	
702	3290605	2	HEX LOCKNUT, M6X1	
703	4811700	8	WASHER, 6mm	
704	5200610	2	BOLT, M6X20	
705	1001113430	1	A/C COVER ASSY, (includes items 801 thru 804)	A
706	1001113431	2	BRACKET	
707	1001114975	1	A/C TUBES COVER, (L2906H & 29.6LP)	
707	1001114974	1	A/C TUBES COVER, (2906H, 3507H, 619A, 723A, 29.6 & 35.7)	
708	1001114981	1	A/C TUBES COVER BRACKET	
709	1001115013	2	A/C COVER SUPPORT	
710	3933468	1	STAMPED CLIP	
711	4010506	2	POZI-DRIVE PAN HD SCREW, 5X12mm	
712	4811600	1	WASHER, 5mm	
801	3900364	8	BUTTON HD CAPSCREW, M6X20	
802	4811702	8	WASHER, 6mm	
803	1001113371	1	A/C COVER, (L2906H, 2906H, 3507H, 619A & 723A)	
804	1001113372	1	A/C GRILL, (L2906H, 2906H, 3507H, 619A & 723A)	

SECTION 6 - CAB

FIGURE 6-12. FRONT CAB GLASS SHIELD



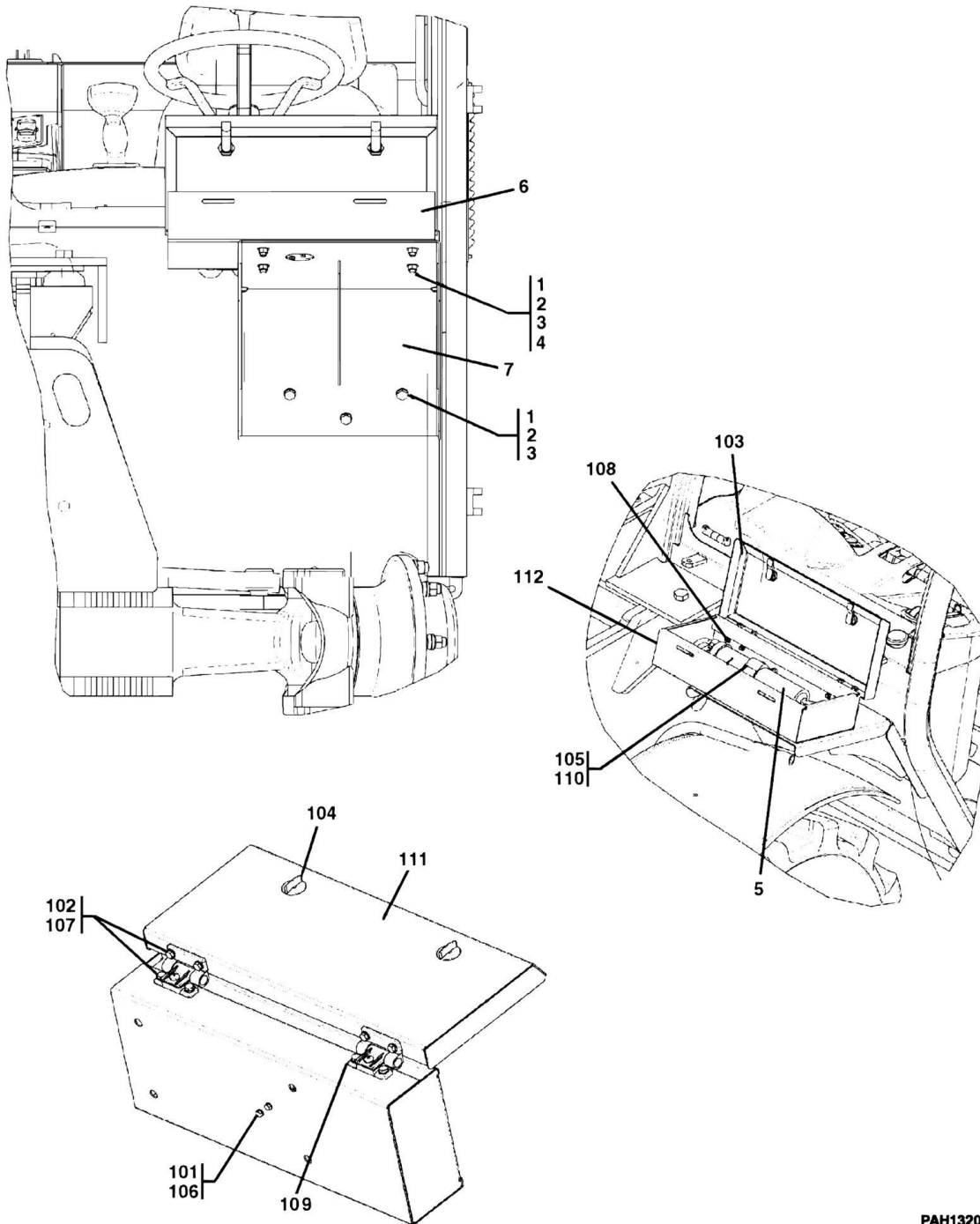
PZ0660

FIGURE 6-12. FRONT CAB GLASS SHIELD

ITEM	PART NUMBER	QTY	DESCRIPTION	REV
	0275382	Ref	FRONT CAB GLASS SHIELD, (L2906H & 29.6LP), (if equipped), (not available to order, see items 1 thru 5 for service)	A
	8009532	Ref	FRONT CAB GLASS SHIELD, (2906H, 3507H, 619A, 723A, 29.6 & 35.7), (if equipped), (not available to order, see items 1 thru 5 for service)	B
1	2520148	1	SHIELD WELDMENT, (L2906H)	
1	8009533	1	SHIELD WELDMENT, (2906H, 3507H, 619A & 723A)	
2	0700815	2	HEX HD CAPSCRW, M8X35, GR8.8	
3	4811900	8	WASHER, 8mm	
4	3290807	4	HEX LOCKNUT, M8X1.25	
5	1391297	2	HEX HD CAPSCREW, 8X65mm	

SECTION 6 - CAB

FIGURE 6-13. GREASE GUN TOOL KIT INSTALLATION 619A & 723A



PAH1320

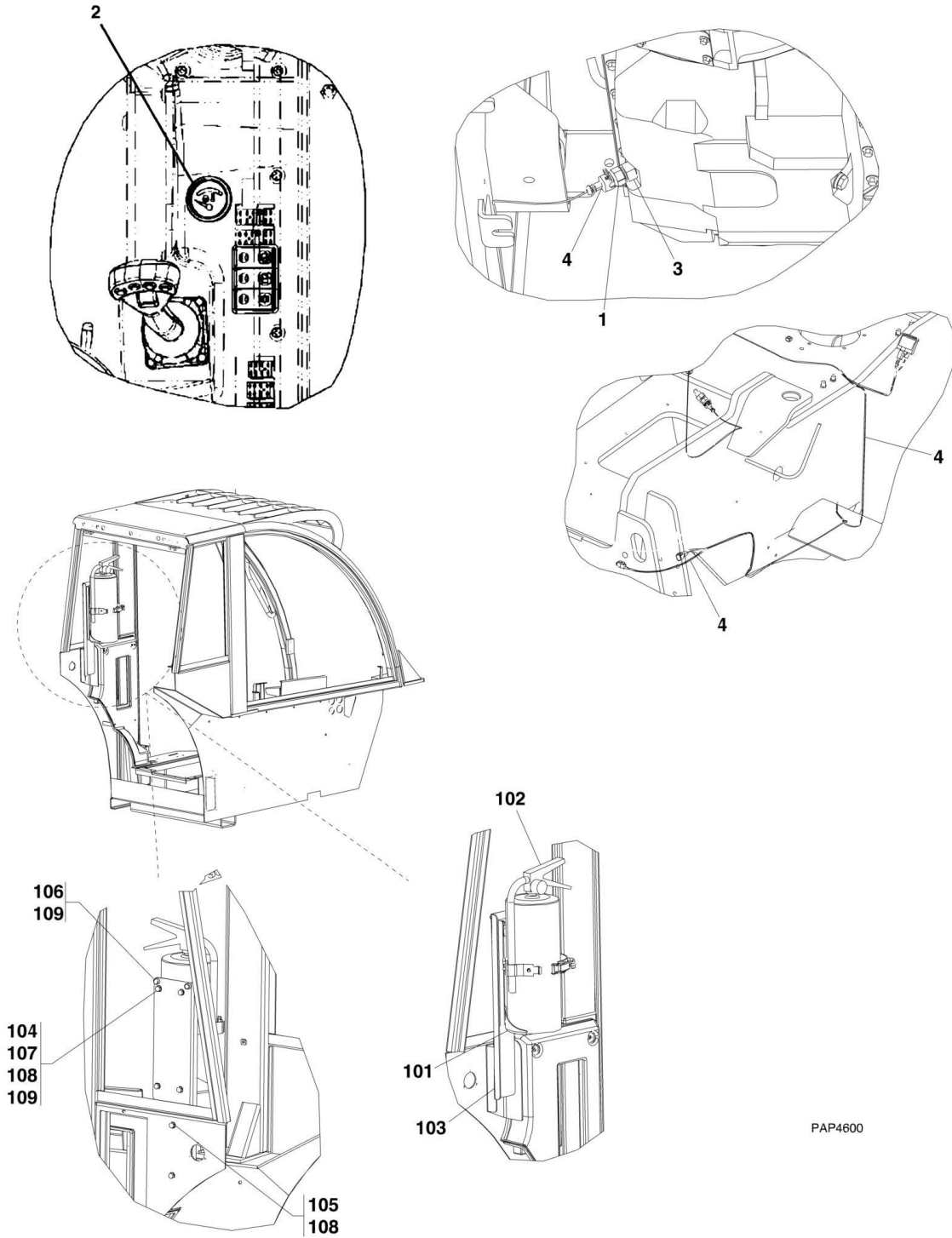
SECTION 6 - CAB

FIGURE 6-13. GREASE GUN TOOL KIT INSTALLATION 619A & 723A

ITEM	PART NUMBER	QTY	DESCRIPTION	REV
	1001108667	Ref	GREASE GUN TOOL KIT INSTALLATION, (619A & 723A), (if equipped) (not available to order, see items 1 thru 7 for service)	A
1	0100011	AR	LOCTITE 242	
2	0761010	7	HEX HD CAPSCREW, M10X20, GR8.8	
3	4812000	7	WASHER, 10mm	
4	5221000	4	RIPP NUT, 10mm	
5	1001093429	1	GREASE GUN	
6	1001093949	1	TOOL BOX, (includes items 101 thru 112)	A
7	1001108626	1	FENDER	
101	0760508	2	HEX HD CAPSCREW, M5X16, GR8.8	
102	0760608	8	HEX HD CAPSCREW, M6X16, GR8.8	
103	909304	1.2 m	TRIM	
104	2940119	2	LATCH	
105	3290505	2	HEX LOCKNUT, M5X0.8	
106	4811600	2	WASHER, 5mm	
107	4811700	8	WASHER, 6mm	
108	5220600	4	RIPP NUT, 6mm	
109	8344010	2	ADJUSTABLE HINGE	
110	1001093696	1	GREASE GUN BRACKET	
111	1001093950	1	TOOL BOX LID	
112	1001093951	1	TOOL BOX BASE	

SECTION 6 - CAB

FIGURE 6-14. OIL TEMP GAUGE INSTALLATION AND FIRE EXTINGUISHER INSTALLATION 723A



PAP4600

SECTION 6 - CAB

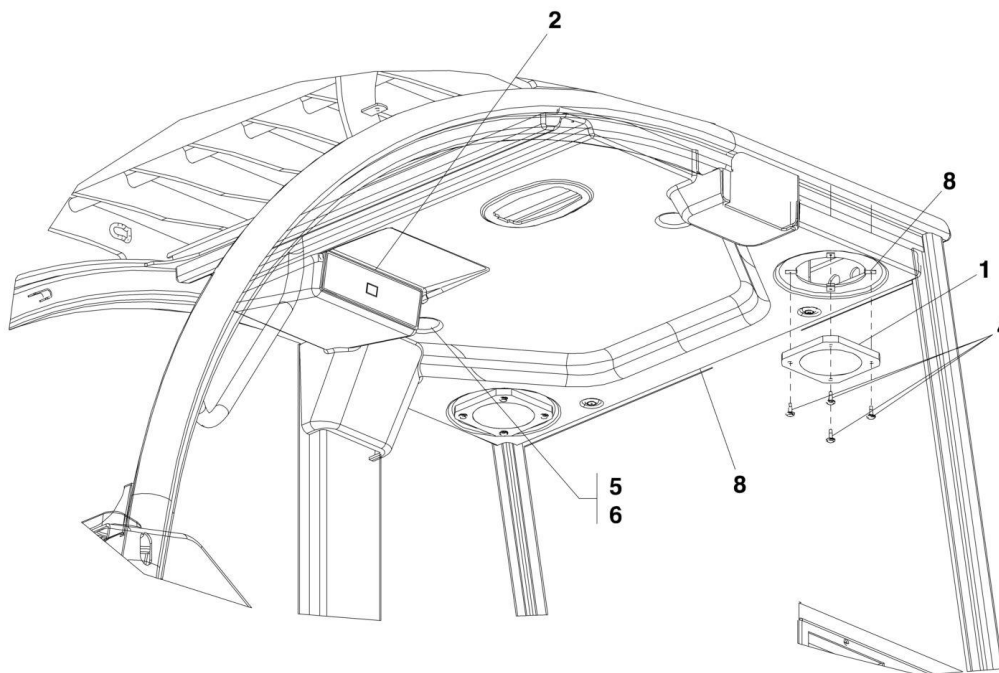
FIGURE 6-14. OIL TEMP GAUGE INSTALLATION AND FIRE EXTINGUISHER INSTALLATION 723A

ITEM	PART NUMBER	QTY	DESCRIPTION	REV
	1001113611	Ref	OIL TEMP GAUGE INSTALLATION, (723A), (if equipped), (not available to order, see items 1 thru 4 for service)	B
1	1001093084	1	OIL TEMPERATURE SENSOR	
2	1001093085	1	TEMPERATURE OIL GAUGE	
3	1001093089	1	SENSOR CONNECTOR COUPLING	
4		Ref	OIL TEMPERATURE HARNESS, (See ELECTRICAL SECTION for Breakdown)	
	1001113162	Ref	FIRE EXTINGUISHER INSTALLATION, (723A), (if equipped), (not available to order, see items 101 thru 109)	B
101	1001092377	1	EXTINGUISHER BRACKET	
102	1001092385	1	10LB FIRE EXTINGUISHER	
103	1001113288	1	BRACKET	
104	0760808	4	HEX HD CAPSCREW, M8X16, GR8.8	
105	0760810	2	HEX HD CAPSCREW, M8X20, GR8.8	
106	0940036	2	DOOR BUMPER	
107	3290801	4	HEX NUT, M8X1.25	
108	4811900	6	WASHER, 8mm	
109	0100011	AR	LOCTITE 242	

SECTION 6 - CAB

FIGURE 6-15. RADIO PREP INSTALLATION

2906H, 3507H, 619A, 723A, 29.6 & 35.7



L2906H & 29.6LP

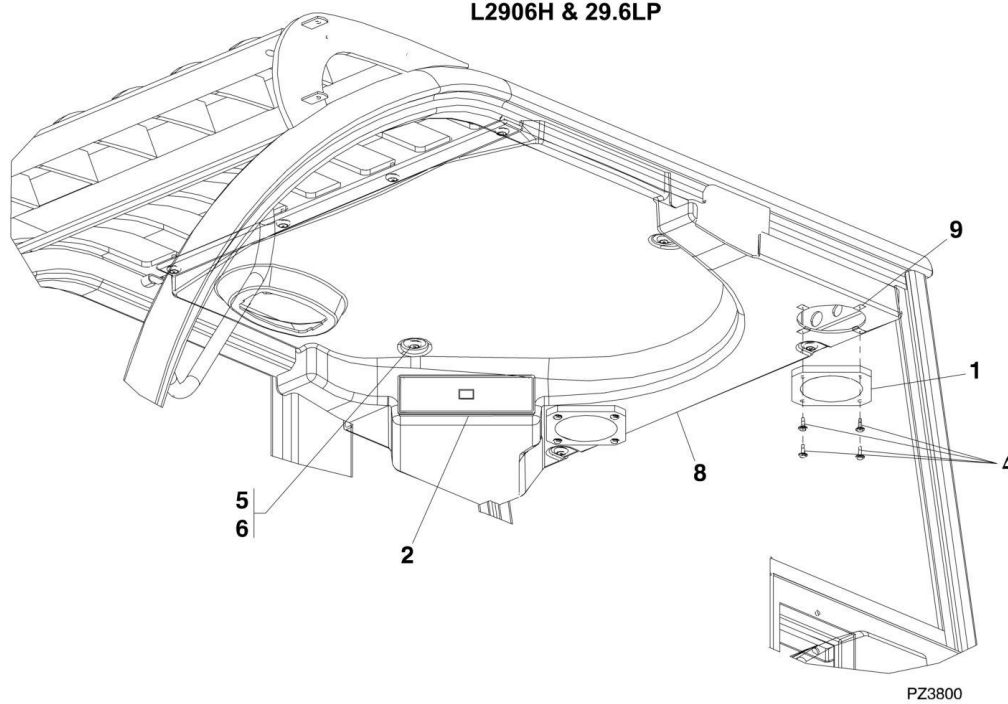


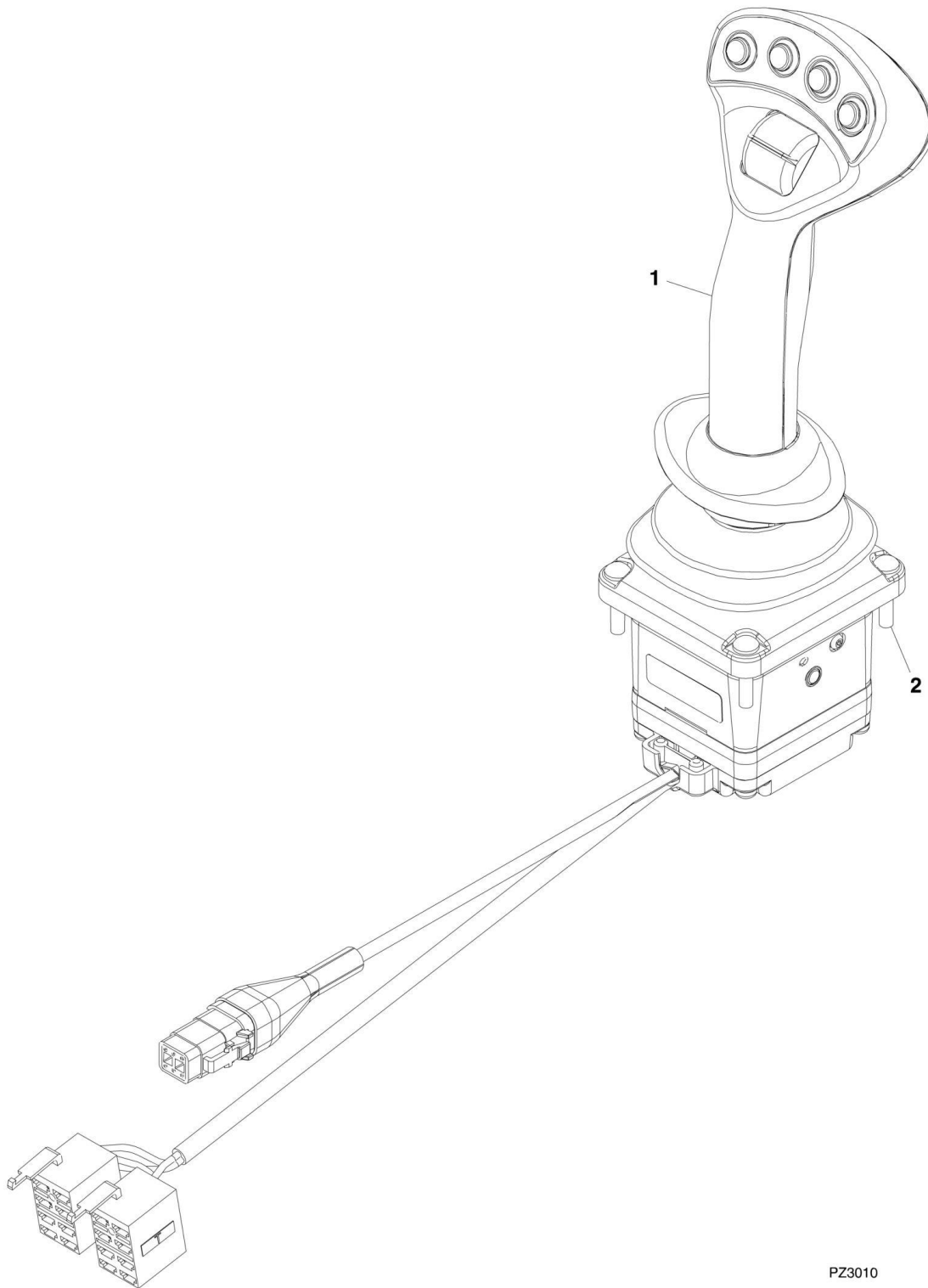
FIGURE 6-15. RADIO PREP INSTALLATION

ITEM	PART NUMBER	QTY	DESCRIPTION	REV
1	1671326	2	SPEAKER COVER	
2	1671327	1	RADIO COVER	
3		Ref	12V POWER SUPPLY TERMINAL, (not shown), (See ELECTRICAL SECTION for Breakdown)	
4	3934378	8	LENS HD CAPSCREW, 4.8X16mm	
5	1001098150	4	WASHER, M6	
6	1001132564	4	SCREW, M6X12	
7		Ref	CAB ROOF HARNESS, (not shown), (See ELECTRICAL SECTION for Breakdown)	
8		Ref	ROOF PANEL COVER, (See INTERIOR INSTALLATION for Breakdown)	
9	3933468	8	STAMPED CLIP	

SECTION 7 - CONTROLS

SECTION 7 - CONTROLS

FIGURE 7-1. JOYSTICK



PZ3010

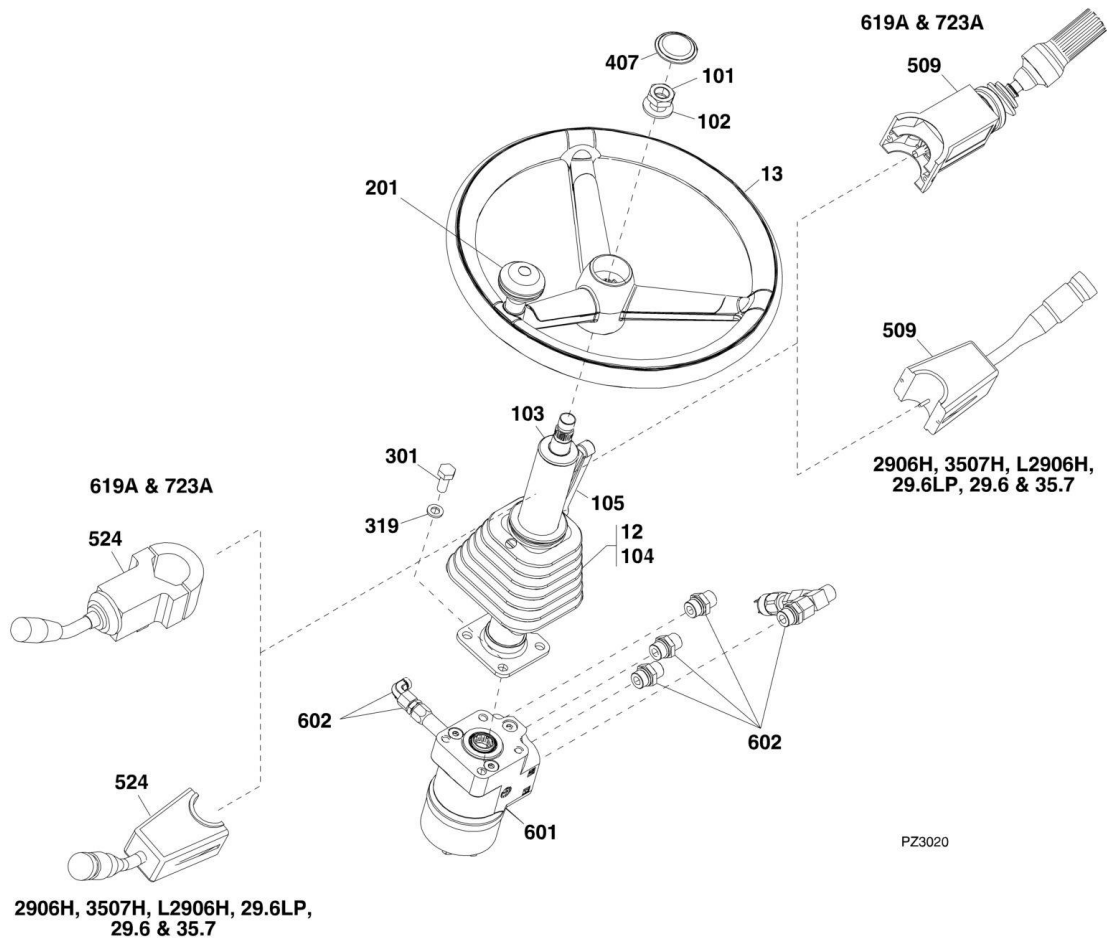
SECTION 7 - CONTROLS

FIGURE 7-1. JOYSTICK

ITEM	PART NUMBER	QTY	DESCRIPTION	REV
1	1001105960	1	JOYSTICK	
2	1001103984	4	MACHINE HD CAPSCREW, M5X25	

SECTION 7 - CONTROLS

FIGURE 7-2. STEERING COLUMN



NOTE: IF 619A & 723A EQUIPPED WITH LIGHT PACKAGE, REMOVE "C" CLAMP ON ITEM 524, THEN ATTACH ITEM 509.

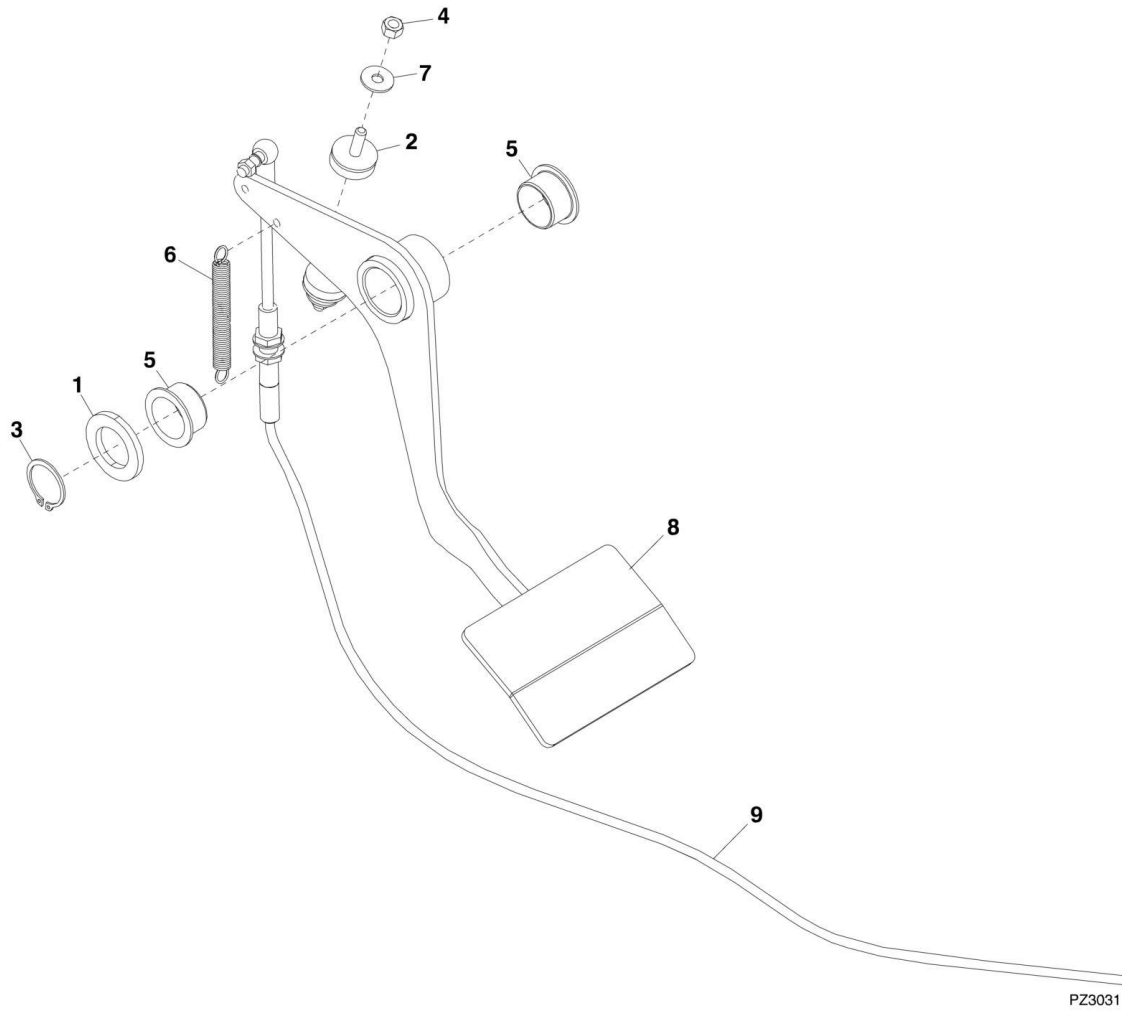
SECTION 7 - CONTROLS

FIGURE 7-2. STEERING COLUMN

ITEM	PART NUMBER	QTY	DESCRIPTION	REV
12	1001112160	1	STEERING COLUMN ASSY, (includes items 101 thru 105)	B
13	1001106366	1	STEERING WHEEL, (includes item 201)	A
101	70020923	1	NUT, M18X1.5, (torque to 35-45 Nm)	
102	70020791	1	FLAT WASHER, 19X34X3mm	
103	70020792	1	RUBBER CAP	
104	70020793	1	BELLOWS	
105	70020794	1	LOCKING HANDLE	
201	70022547	1	STEERING WHEEL KNOB KIT, (includes mounting hardware)	
301	0761012	4	HEX HD CAPSCREW, M10X25, GR8.8	
319	4832000	4	LOCKWASHER, 10mm	
407	1001106434	1	STEERING WHEEL COVER, (L2906H, 2906H, 3507H, 619A & 723A)	
509	4360631	1	TURN/WIPER/HORN SWITCH, (L2906H, 2906H, 3507H, 29.6LP, 29.6 & 35.7)	
509	8223073	1	TURN SIGNAL SELECTOR, (619A & 723A - if equipped)	
524	1001097682	1	F-N-R SWITCH, (L2906H, 2906H, 3507H, 29.6LP, 29.6 & 35.7)	
524	1001104634	1	F-N-R / HORN SWITCH, (619A & 723A)	
601	4641521	1	ORBITAL STEERING VALVE	
602		Ref	STEERING CIRCUIT HYDRAULICS, (See HYDRAULIC CIRCUITS SECTION for Breakdown)	

SECTION 7 - CONTROLS

FIGURE 7-3. THROTTLE ASSEMBLY



PZ3031

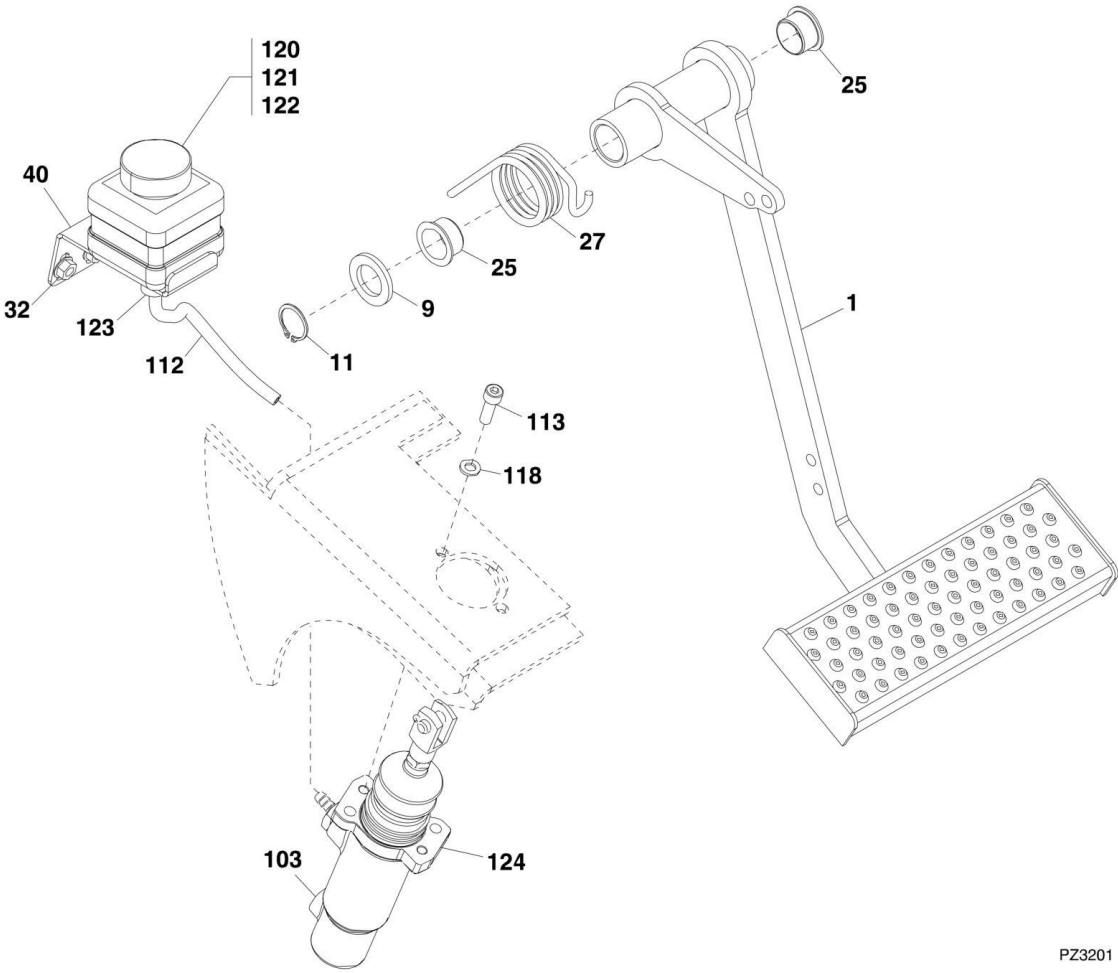
SECTION 7 - CONTROLS

FIGURE 7-3. THROTTLE ASSEMBLY

ITEM	PART NUMBER	QTY	DESCRIPTION	REV
	1001097352	1	THROTTLE ASSY, (includes items 1 thru 9)	C
1	899276	1	WASHER, 25mm	
2	1000331	2	RUBBER STOP	
3	1398443	1	SNAP RING	
4	3290605	2	HEX LOCKNUT, M6X1	
5	3976436	2	BUSHING	
6	4160221	1	SPRING	
7	5211702	2	WASHER, 6mm	
8	1001098540	1	THROTTLE WELDMENT	
9	1001108208	1	THROTTLE CABLE	

SECTION 7 - CONTROLS

FIGURE 7-4. BRAKE PEDAL COMPONENTS



PZ3201

SECTION 7 - CONTROLS

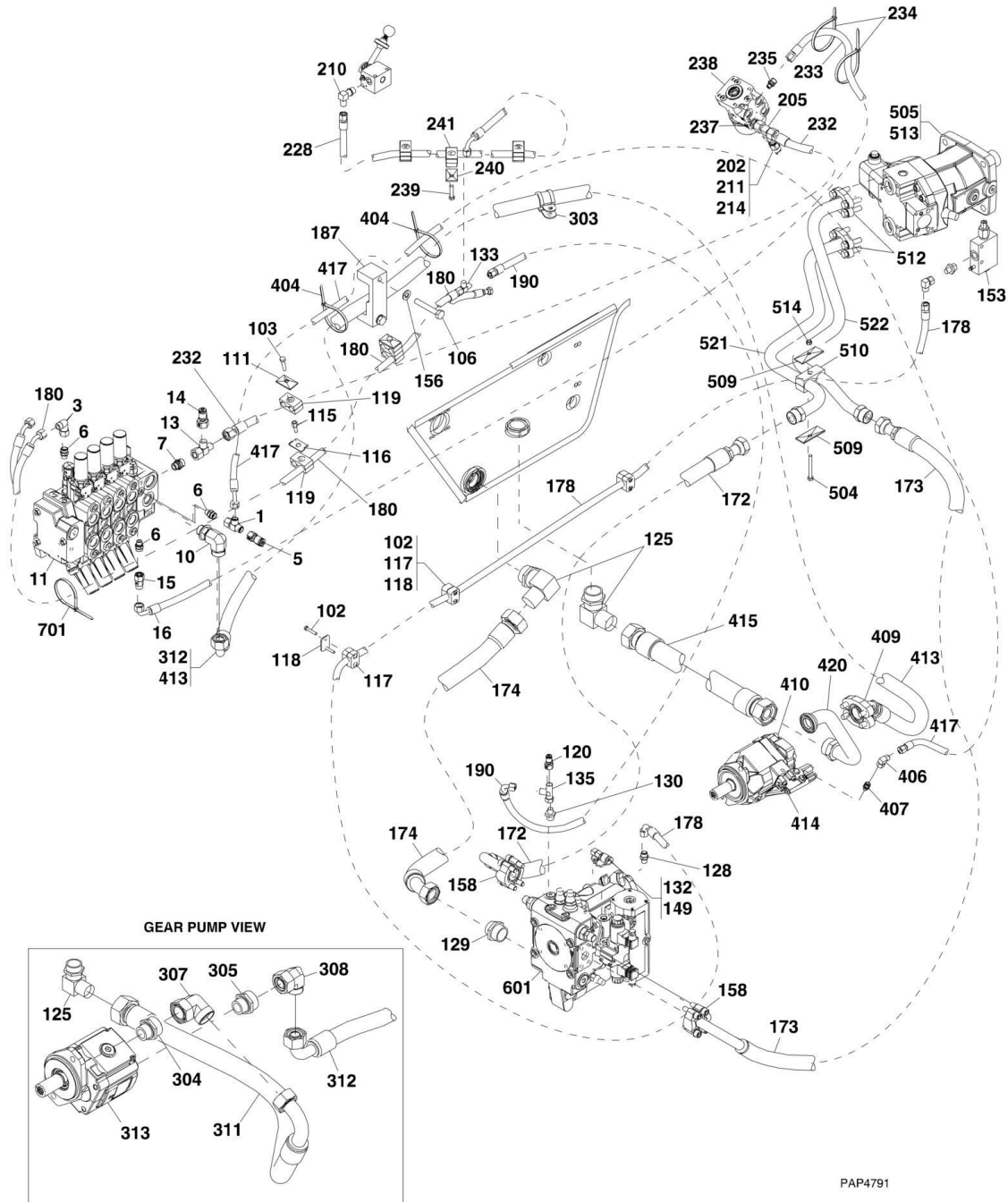
FIGURE 7-4. BRAKE PEDAL COMPONENTS

ITEM	PART NUMBER	QTY	DESCRIPTION	REV
1	0200837	1	BRAKE PEDAL WELDMENT	
9	899276	1	WASHER, 25mm	
11	1398443	1	SNAP RING	
25	3976436	2	BUSHING	
27	4160212	1	RETURN SPRING	
32	5220800	2	RIPP NUT, 8mm	
40	1001097717	1	BRAKE RESERVOIR BRACKET	
103		Ref	BRAKE HYDRAULIC COMPONENTS, (See HYDRAULIC CIRCUITS SECTION for Breakdown)	
112	2754739	1	HOSE ASSY	
113	4031909	2	HEX SOCKET HD CAPSCREW, M8X25	
118	4831900	2	LOCKWASHER, 8mm	
120	8002321	1	BRAKE RESERVOIR	
121	8006515	1	FLUID DECAL, (MIN)	
122	8006516	1	FLUID DECAL, (MAX)	
123	8009974	2	HOSE CLAMP	
124		Ref	SERVICE BRAKE VALVE, (See HYDRAULIC COMPONENTS SECTION for Breakdown)	

SECTION 8 - HYDRAULIC CIRCUITS

SECTION 8 - HYDRAULIC CIRCUITS

FIGURE 8-1. SUPPLY CIRCUIT



SECTION 8 - HYDRAULIC CIRCUITS

FIGURE 8-1. SUPPLY CIRCUIT

ITEM	PART NUMBER	QTY	DESCRIPTION	REV
1	2142204	1	TEE FITTING, (if equipped with piston pump)	
3	2143404	1	ELBOW, 90	
5	2144104	2	TEST PORT	
6	2144803	4	STRAIGHT FITTING	
7	2144806	1	FITTING	
10	2221293	1	ELBOW, 90	
11		Ref	MAIN CONTROL VALVE, (See HYDRAULIC COMPONENTS SECTION for Breakdown)	
13	2142205	1	TEE FITTING	
14	2144105	1	TEST PORT	
15	2144904	1	STRAIGHT FITTING	
16	1001114927	1	HOSE ASSY	
102	0700615	6	HEX HD CAPSCREW, M6X35, GR8.8	
103	0700815	2	HEX HD CAPSCREW, M8X35, GR8.8 (Prior to SN 1160005777)	
106	0701021	2	HEX HD CAPSCREW, M10X65, GR8.8	
111	874960	2	COVER PLATE (Prior to SN 1160005777)	
115	1321133	2	STACKING BOLT (Prior to SN 1160005777)	
116	1321134	2	CLAMP (Prior to SN 1160005777)	
117	1321141	3	CLAMP SET	
118	1321675	3	CLAMP TOP PLATE	
119	1321748	2	CLAMP SET (Prior to SN 1160005777)	
120	1616551	1	TEST PORT	
125	2140423	2	ELBOW, 90	
128	2140803	1	STRAIGHT FITTING	
129	2140812	1	STRAIGHT FITTING	
130	2140826	2	STRAIGHT FITTING	
132	2141102	1	ELBOW, 90	
133	2141908	1	UNION TEE	
135	2142203	1	TEE FITTING	
149	2988632	1	TEST PORT	
153		Ref	BRAKE VALVE, (See HYDRAULIC COMPONENTS SECTION for Breakdown)	
156	4812000	2	WASHER, 10mm	
158	1001093076	2	FLANGE KIT, (includes mounting hardware and o-ring)	
172	1001099485	NLA	HOSE ASSY, (no longer available, use 1001094467 for replacement)	
172	1001094467	1	HOSE ASSY	
173	1001099486	1	HOSE ASSY	
174	2754250	1	HOSE ASSY	
178	1001099590	1	HOSE ASSY	
180	1001099702	1	HOSE ASSY (Prior to SN 1160005777)	
180		Ref	TWIN HOSE ASSY, (See DUMP CIRCUIT for Breakdown) (SN 1160005777 to Present)	
187	1001101224	1	CLAMP	
190	2754257	NLA	HOSE ASSY, (2906H & 619A), (no longer available, use 1001115630 for replacement)	
190	1001115630	1	HOSE ASSY, (2906H & 619A)	
190	1001102175	1	HOSE ASSY, (3507H, 723A & 35.7)	
202	1074306	1	O-RING	
205	2142205	1	TEE FITTING	
210	2143005	1	ELBOW, 90	

SECTION 8 - HYDRAULIC CIRCUITS

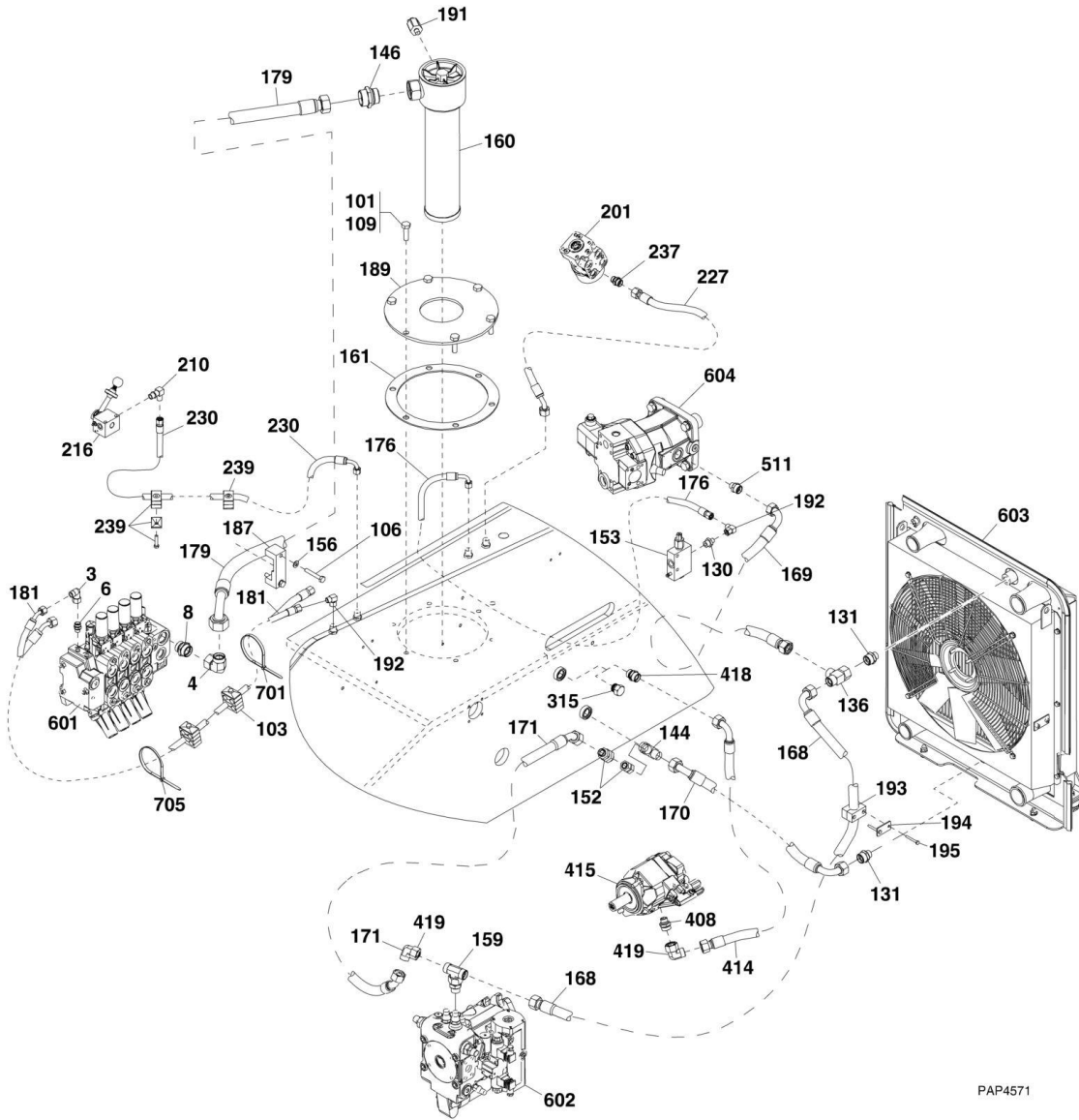
ITEM	PART NUMBER	QTY	DESCRIPTION	REV
211	1001107492	1	STRAIGHT FITTING	
214	4360585	1	PRESSURE SWITCH	
228	1001099594	1	HOSE ASSY	
232	1001099851	1	HOSE ASSY	
233	1001114926	1	HOSE ASSY	
234	1062255	2	TIE STRAP	
235	2144802	1	STRAIGHT FITTING	
237	2144806	1	FITTING	
238		Ref	ORBITAL STEERING VALVE, (See CONTROLS SECTION for Breakdown)	
239	0760815	2	HEX HD CAPSCREW, M8X35, GR8.8	
240	874960	2	CLAMP PLATE	
241	2912085	2	CLAMP SET	
303	816186	1	CLAMP	
304	2142741	1	STRAIGHT FITTING, (if equipped with gear pump)	
305	2142750	1	STRAIGHT FITTING, (if equipped with gear pump)	
307	2143409	1	ELBOW, 90, (if equipped with gear pump)	
308	2143418	1	ELBOW, 90, (if equipped with gear pump)	
311	1001099488	1	HOSE ASSY, (if equipped with gear pump)	
312	1001100470	1	HOSE ASSY, (L2906H, 2906H, 619A, 29.6LP & 29.6), (if equipped with gear pump)	
312	1001102206	1	HOSE ASSY, (3507H, 723A & 35.7), (if equipped with gear pump)	
313		Ref	GEAR PUMP, (See HYDRAULIC COMPONENTS SECTION for Breakdown), (if equipped with gear pump)	
404	1062255	2	TIE STRAP, (if equipped with piston pump)	
406	2143403	1	ELBOW, 90, (if equipped with piston pump)	
407	2144802	1	STRAIGHT FITTING, (if equipped with piston pump)	
409	2171816	1	FLANGE KIT, (includes mounting hardware and o-ring), (if equipped with piston pump)	
410	2171824	1	FLANGE KIT, (includes mounting hardware and o-ring), (if equipped with piston pump)	
413	1001103681	1	HOSE ASSY, (L2906H, 2906H, 619A, 29.6LP & 29.6), (if equipped with piston pump)	
413	1001106712	1	HOSE ASSY, (3507H, 723A & 35.7), (if equipped with piston pump)	
414		Ref	PISTON PUMP, (See HYDRAULIC COMPONENTS SECTION for Breakdown), (if equipped with piston pump)	
415	1001158450	Ref	HOSE ASSY, (if equipped with piston pump)	
417	1001105714	1	HOSE ASSY, (L2906H, 2906H, 619A, 29.6LP & 29.6), (if equipped with piston pump)	
417	1001103729	1	HOSE ASSY, (3507H, 723A & 35.7), (if equipped with piston pump)	
420	1001109726	NLA	PIPE, (if equipped with piston pump), (no longer available, use 1001158451 for replacement)	
420	1001158451	1	PIPE, (if equipped with piston pump)	
504	0700822	1	HEX HD CAPSCREW, M8X70, GR8.8	
505		Ref	HYDRAULIC MOTOR MOUNTING HARDWARE, (See HYDRAULIC COMPONENTS SECTION for Breakdown)	
509	1321143	2	COVER PLATE	
510	1321320	1	CLAMP	
512	2171716	2	FLANGE KIT, (includes mounting hardware and o-ring)	
513		Ref	HYDRAULIC DRIVE MOTOR, (See HYDRAULIC COMPONENTS SECTION for Breakdown)	
514	3290805	1	HEX LOCKNUT, M8X1.25	
521	1001101814	1	HOSE ASSY, (L2906H, 2906H, 619A, 29.6LP & 29.6)	
521	1001102226	1	HOSE ASSY, (3507H, 723A & 35.7)	

SECTION 8 - HYDRAULIC CIRCUITS

ITEM	PART NUMBER	QTY	DESCRIPTION	REV
522	1001101815	1	HOSE ASSY, (L2906H, 2906H, 619A, 29.6LP & 29.6)	
522	1001102227	1	HOSE ASSY, (3507H, 723A & 35.7)	
601		Ref	HYDROSTATIC TRANSMISSION, (See HYDRAULIC COMPONENTS SECTION for Breakdown)	
701		Ref	TIE STRAP, (See DUMP CIRCUIT for Breakdown) (SN 1160005777 to Present)	

SECTION 8 - HYDRAULIC CIRCUITS

FIGURE 8-2. DUMP CIRCUIT



PAP4571

SECTION 8 - HYDRAULIC CIRCUITS

FIGURE 8-2. DUMP CIRCUIT

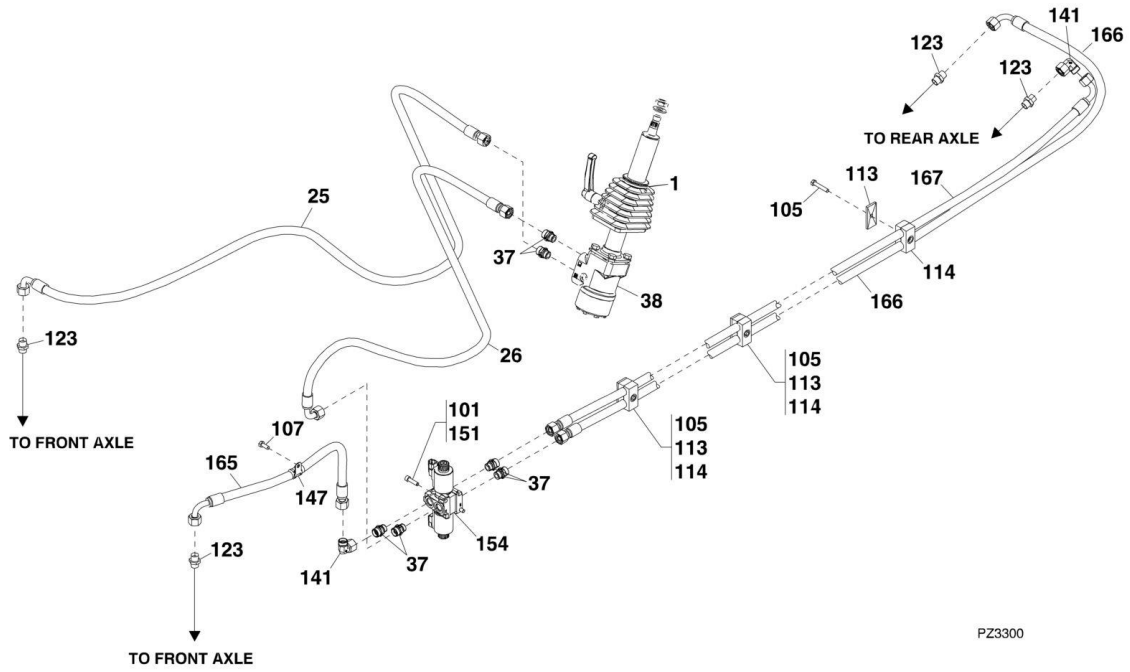
ITEM	PART NUMBER	QTY	DESCRIPTION	REV
3	2143404	1	ELBOW, 90	
4	2143408	1	ELBOW, 90	
6	2144803	1	STRAIGHT FITTING	
8	2144814	1	STRAIGHT FITTING	
101	1001095650	AR	LOCTITE 243	
103		Ref	CLAMP SET, (See SUPPLY CIRCUIT for Breakdown)	
106		Ref	HEX HD CAPSCREW, M10X65, GR8.8, (See SUPPLY CIRCUIT for Breakdown)	
109	0761015	6	HEX HD CAPSCREW, M10X35, GR8.8	
130	2140826	1	STRAIGHT FITTING	
131	2140827	2	STRAIGHT FITTING	
136	2142207	1	TEE FITTING	
144	2143607	1	SWIVEL UNION	
146	2144814	1	STRAIGHT FITTING	
152	4641389	1	CHECK VALVE	
153		Ref	BRAKE VALVE, (See HYDRAULIC COMPONENTS SECTION for Breakdown)	
156		Ref	WASHER, 10mm, (See SUPPLY CIRCUIT for Breakdown)	
159	1001094414	1	TEE FITTING	
160	1001097732	1	FILTER	
161	1001097768	1	SEAL	
168	1001099444	1	HOSE ASSY	
169	1001099446	1	HOSE ASSY, (L2906H, 2906H, 619A, 29.6LP & 29.6)	
169	1001102173	1	HOSE ASSY, (3507H, 723A & 35.7)	
170	1001099453	1	HOSE ASSY	
171	1001099455	NLA	HOSE ASSY, (no longer available, use 2754253 for replacement)	
171	2754253	1	HOSE ASSY	
176	1001099588	1	HOSE ASSY, (L2906H, 2906H, 619A, 29.6LP & 29.6)	
176	1001102135	1	HOSE ASSY, (3507H, 723A & 35.7)	
179	1001099677	1	HOSE ASSY, (L2906H, 2906H, 619A, 29.6LP & 29.6)	
179	1001102179	1	HOSE ASSY, (3507H, 723A & 35.7)	
181	1001099716	1	HOSE ASSY, (L2906H, 2906H, 619A, 29.6LP & 29.6) (Prior to SN 1160005777)	
181	1001114377	1	TWIN-LINE HOSE ASSY, (L2906H, 2906H, 619A, 29.6LP & 29.6) (SN 1160005777 to Present)	
181	1001102192	1	HOSE ASSY, (3507H, 723A & 35.7) (Prior to SN 1160005777)	
181	1001114376	1	TWIN-LINE HOSE ASSY, (3507H, 723A & 35.7) (SN 1160005777 to Present)	
187		Ref	CLAMP, (See SUPPLY CIRCUIT for Breakdown)	
189	1001101543	1	FLANGE, TANK FILTER	
191	1001112605	1	PRESSURE SWITCH	
192	2143403	2	ELBOW, 90	
193	1321372	1	CLAMP	
194	3576203	1	COVER PLATE	
195	0700617	2	HEX HD CAPSCREW, M6X45, GR8.8	
201		Ref	STEERING COLUMN AND HARDWARE, (See CONTROLS SECTION for Breakdown)	
210	2143005	1	ELBOW, 90	
216		Ref	PARK BRAKE, (See HYDRAULIC COMPONENTS SECTION for Breakdown)	
227	1001107422	1	HOSE ASSY, (L2906H & 29.6LP)	

SECTION 8 - HYDRAULIC CIRCUITS

ITEM	PART NUMBER	QTY	DESCRIPTION	REV
227	1001099593	1	HOSE ASSY, (2906H, 3507H, 619A, 723A, 29.6 & 35.7)	
230	1001099596	1	HOSE ASSY	
237	2144806	1	FITTING	
238		Ref	ORBITAL STEERING VALVE, (See CONTROLS SECTION for Breakdown)	
239		Ref	CLAMP AND HARDWARE, (See SUPPLY CIRCUIT for Breakdown)	
315	2171927	1	PLUG, (if equipped with gear pump)	
408	2144810	1	STRAIGHT FITTING, (if equipped with piston pump)	
414	1001105713	1	HOSE ASSY, (if equipped with piston pump)	
415		Ref	PISTON PUMP, (See HYDRAULIC COMPONENTS SECTION for Breakdown)	
415		Ref	GEAR PUMP, (See HYDRAULIC COMPONENTS SECTION for Breakdown)	
418	2140210	1	STRAIGHT FITTING, (if equipped with piston pump)	
419	2143407	1	ELBOW, 90, (if equipped with piston pump)	
511	2140829	1	STRAIGHT FITTING, (L2906H, 2906H, 619A, 29.6LP & 29.6)	
511	2140810	1	STRAIGHT FITTING, (3507H, 723A & 35.7)	
601		Ref	MAIN CONTROL VALVE, (See HYDRAULIC COMPONENTS SECTION for Breakdown)	
602		Ref	HYDROSTATIC TRANSMISSION, (See HYDRAULIC COMPONENTS SECTION for Breakdown)	
603		Ref	RADIATOR ASSY, (See ENGINE AND ATTACHING PARTS SECTION for Breakdown)	
604		Ref	HYDRAULIC DRIVE MOTOR, (See HYDRAULIC COMPONENTS SECTION for Breakdown)	
705	1062255	2	TIE STRAP (SN 1160005777 to Present)	

SECTION 8 - HYDRAULIC CIRCUITS

FIGURE 8-3. ORBITAL STEERING AND STEERING SELECT CIRCUIT



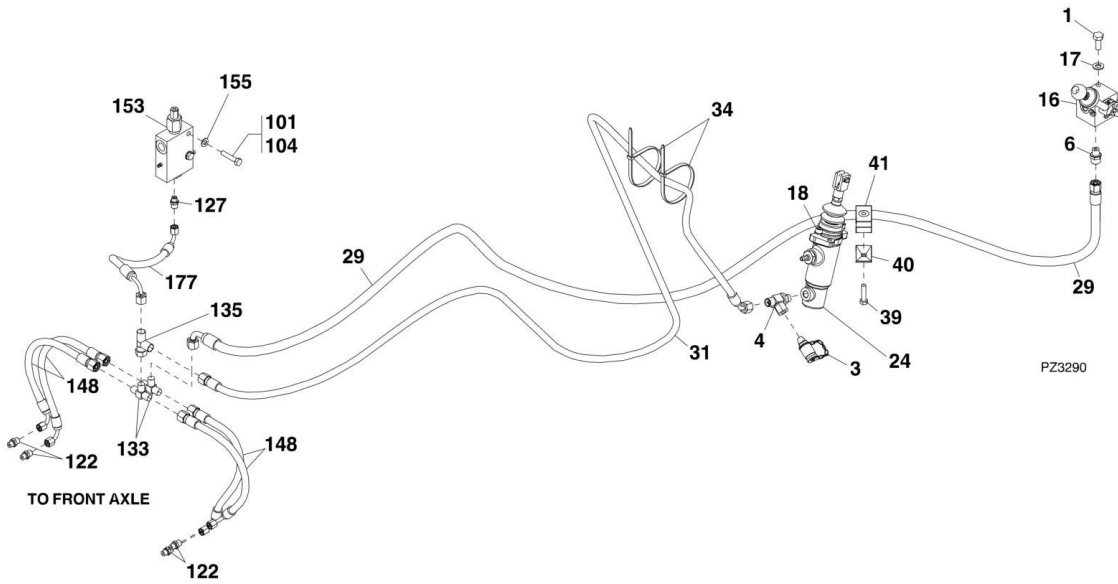
SECTION 8 - HYDRAULIC CIRCUITS

FIGURE 8-3. ORBITAL STEERING AND STEERING SELECT CIRCUIT

ITEM	PART NUMBER	QTY	DESCRIPTION	REV
1		Ref	STEERING COLUMN AND MOUNTING HARDWARE, (See CONTROLS SECTION for Breakdown)	
25	1001099591	1	HOSE ASSY	
26	1001099592	1	HOSE ASSY	
37	2144806	6	FITTING	
38		Ref	ORBITAL STEERING VALVE, (See CONTROLS SECTION for Breakdown)	
101	1001095650	AR	LOCTITE 243	
105	0700817	3	HEX HD CAPSCREW, M8X45, GR8.8	
107	0760810	1	HEX HD CAPSCREW, M8X20, GR8.8	
113	1309435	3	COVER PLATE	
114	1321086	3	CLAMP	
123	2140208	4	FITTING	
141	2143405	2	ELBOW, 90	
147	2443576	1	HOSE CLAMP	
151	4031910	2	HEX SOCKET HD CAPSCREW, M8X30	
154		Ref	STEERING SELECT VALVE, (See HYDRAULIC COMPONENTS SECTION for Breakdown)	
165	1001098637	1	HOSE ASSY, (L2906H, 2906H, 619A, 29.6LP & 29.6)	
165	1001098725	1	HOSE ASSY, (3507H, 723A & 35.7)	
166	1001098645	1	HOSE ASSY, (L2906H, 2906H, 619A, 29.6LP & 29.6)	
166	1001098706	1	HOSE ASSY, (3507H, 723A & 35.7)	
167	1001098650	1	HOSE ASSY, (L2906H, 2906H, 619A, 29.6LP & 29.6)	
167	1001098707	1	HOSE ASSY, (3507H, 723A & 35.7)	

SECTION 8 - HYDRAULIC CIRCUITS

FIGURE 8-4. SERVICE AND PARK BRAKE CIRCUIT



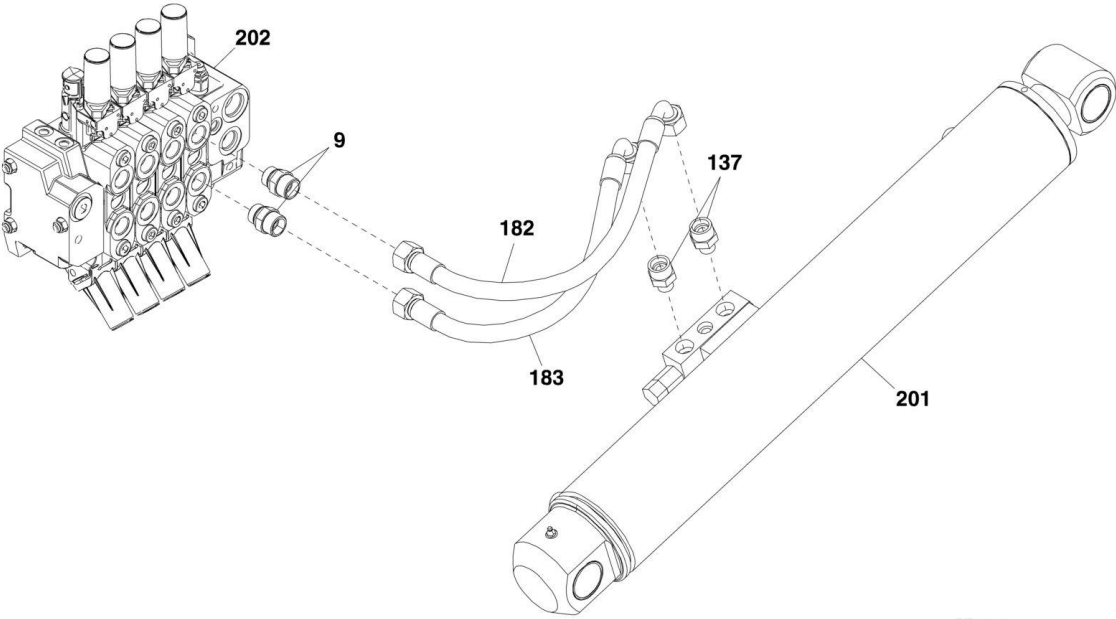
SECTION 8 - HYDRAULIC CIRCUITS

FIGURE 8-4. SERVICE AND PARK BRAKE CIRCUIT

ITEM	PART NUMBER	QTY	DESCRIPTION	REV
1	0761012	2	HEX HD CAPSCREW, M10X25, GR8.8	
3	1616551	1	TEST PORT	
4	2141303	1	TEE FITTING	
6	2142708	1	STRAIGHT FITTING	
16		Ref	PARK BRAKE, (See HYDRAULIC COMPONENTS SECTION for Breakdown)	
17	4812000	2	WASHER, 10mm	
18		Ref	SERVICE BRAKE MOUNTING HARDWARE, (See CONTROLS SECTION for Breakdown)	
24		Ref	SERVICE BRAKE VALVE, (See HYDRAULIC COMPONENTS SECTION for Breakdown)	
29	1001099595	1	HOSE ASSY	
31	1001099597	1	HOSE ASSY	
34		Ref	TIE STRAP, (See ORBITAL STEERING AND STEERING SELECT CIRCUIT for Breakdown)	
39	0760815	1	HEX HD CAPSCREW, M8X35, GR8.8	
40	874960	1	COVER PLATE	
41	2912085	1	CLAMP SET	
101	1001095650	AR	LOCTITE 243	
104	0700816	2	HEX HD CAPSCREW, M8X40, GR8.8	
122	2140204	4	FITTING	
127	2140801	1	FITTING	
133	2141908	2	UNION TEE	
135	2142203	1	TEE FITTING	
148	2754319	4	HOSE ASSY	
153		Ref	BRAKE VALVE, (See HYDRAULIC COMPONENTS SECTION for Breakdown)	
155	4811900	4	WASHER, 8mm	
177	1001099589	1	HOSE ASSY	

SECTION 8 - HYDRAULIC CIRCUITS

FIGURE 8-5. LIFT CYLINDER CIRCUIT



PZ3250

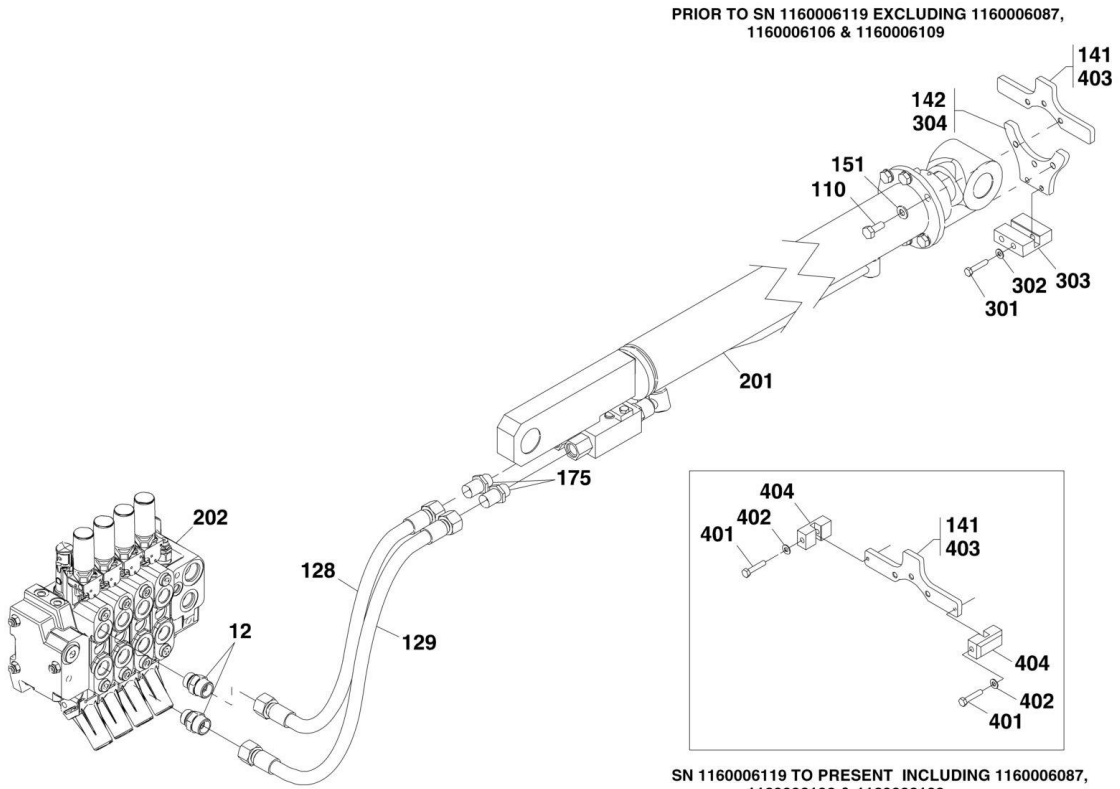
SECTION 8 - HYDRAULIC CIRCUITS

FIGURE 8-5. LIFT CYLINDER CIRCUIT

ITEM	PART NUMBER	QTY	DESCRIPTION	REV
9	2144826	2	STRAIGHT FITTING	
137	2142740	2	STRAIGHT FITTING	
182	1001099724	1	HOSE ASSY, (L2906H, 2906H, 619A, 29.6LP & 29.6)	
182	2754083	1	HOSE ASSY, (3507H, 723A & 35.7)	
183	1001099725	1	HOSE ASSY, (L2906H, 2906H, 619A, 29.6LP & 29.6)	
183	2754084	1	HOSE ASSY, (3507H, 723A & 35.7)	
201		Ref	LIFT CYLINDER, (See HYDRAULIC COMPONENTS SECTION for Breakdown)	
202		Ref	MAIN CONTROL VALVE, (See HYDRAULIC COMPONENTS SECTION for Breakdown)	

SECTION 8 - HYDRAULIC CIRCUITS

FIGURE 8-6. EXTEND/RETRACT CYLINDER CIRCUIT



PAP25070

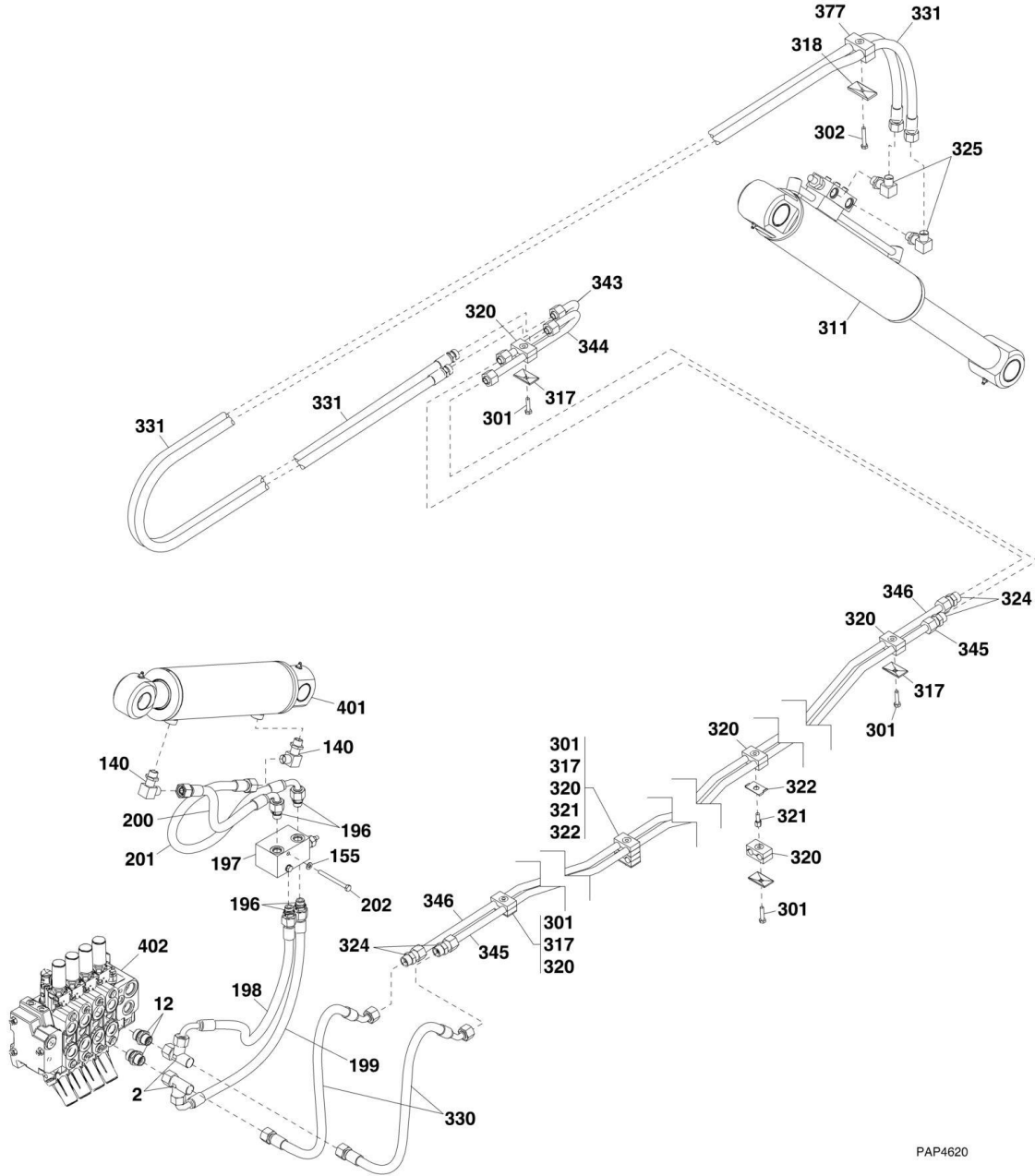
SECTION 8 - HYDRAULIC CIRCUITS

FIGURE 8-6. EXTEND/RETRACT CYLINDER CIRCUIT

ITEM	PART NUMBER	QTY	DESCRIPTION	REV
12	1001101407	2	STRAIGHT FITTING	
110	0761012	6	HEX HD CAPSCREW, M10X25, GR8.8	
128	1001099742	1	HOSE ASSY, (L2906H, 2906H, 619A, 29.6LP & 29.6)	
128	1001100003	1	HOSE ASSY, (3507H, 723A & 35.7)	
129	1001099743	1	HOSE ASSY, (L2906H, 2906H, 619A, 29.6LP & 29.6)	
129	1001100004	1	HOSE ASSY, (3507H, 723A & 35.7)	
141	4340826	1	BRACKET, (L2906H, 2906H, 619A, 29.6LP & 29.6)	
141	4340828	1	BRACKET, (3507H, 723A & 35.7) (Prior to SN 1160006119, Excluding 1160006087, 1160006106 and 1160006109)	
141	1001129527	1	BRACKET, (3507H, 723A & 35.7), (includes items 401 thru 404) (SN 1160006119 to Present, Including 1160006087, 1160006106 and 1160006109)	
142	1001120262	1	EXTEND/RETRACT CYLINDER BRACKET ASSY, (L2906H, 2906H, 619A, 29.6LP & 29.6), (includes items 301 thru 304)	A
142	1001117644	1	EXTEND/RETRACT CYLINDER BRACKET ASSY, (3507H, 723A & 35.7), (includes items 301 thru 304)	B
151	4812000	6	WASHER, 10mm	
175	2142733	2	STRAIGHT FITTING	
201		Ref	EXTEND/RETRACT CYLINDER, (See HYDRAULIC COMPONENTS SECTION for Breakdown)	
202		Ref	MAIN CONTROL VALVE, (See HYDRAULIC COMPONENTS SECTION for Breakdown)	
301	0700815	2	HEX HD CAPSCREW, 8X35mm, GR8.8, (L2906H, 2906H, 619A, 29.6LP & 29.6)	
301	0700815	2	HEX HD CAPSCREW, 8X40mm, GR8.8, (3507H, 723A & 35.7)	
302	4811900	2	WASHER, 8mm	
303	1001117511	1	EXTEND/RETRACT CYLINDER BOTTOM PAD	
304	1001120263	1	EXTEND/RETRACT CYLINDER BOTTOM MOUNT, (L2906H, 2906H, 619A, 29.6LP & 29.6)	
304	1001117510	1	EXTEND/RETRACT CYLINDER BOTTOM MOUNT, (3507H, 723A & 35.7)	
401	0700816	2	HEX HD CAPSCREW, M8x40, GR8.8	
402	4811902	2	WASHER, 8mm	
403	1001129528	1	BRACKET	
404	1001129529	2	TOP PAD	

SECTION 8 - HYDRAULIC CIRCUITS

FIGURE 8-7. TILT AND TILT COMPENSATION CYLINDER CIRCUIT



PAP4620

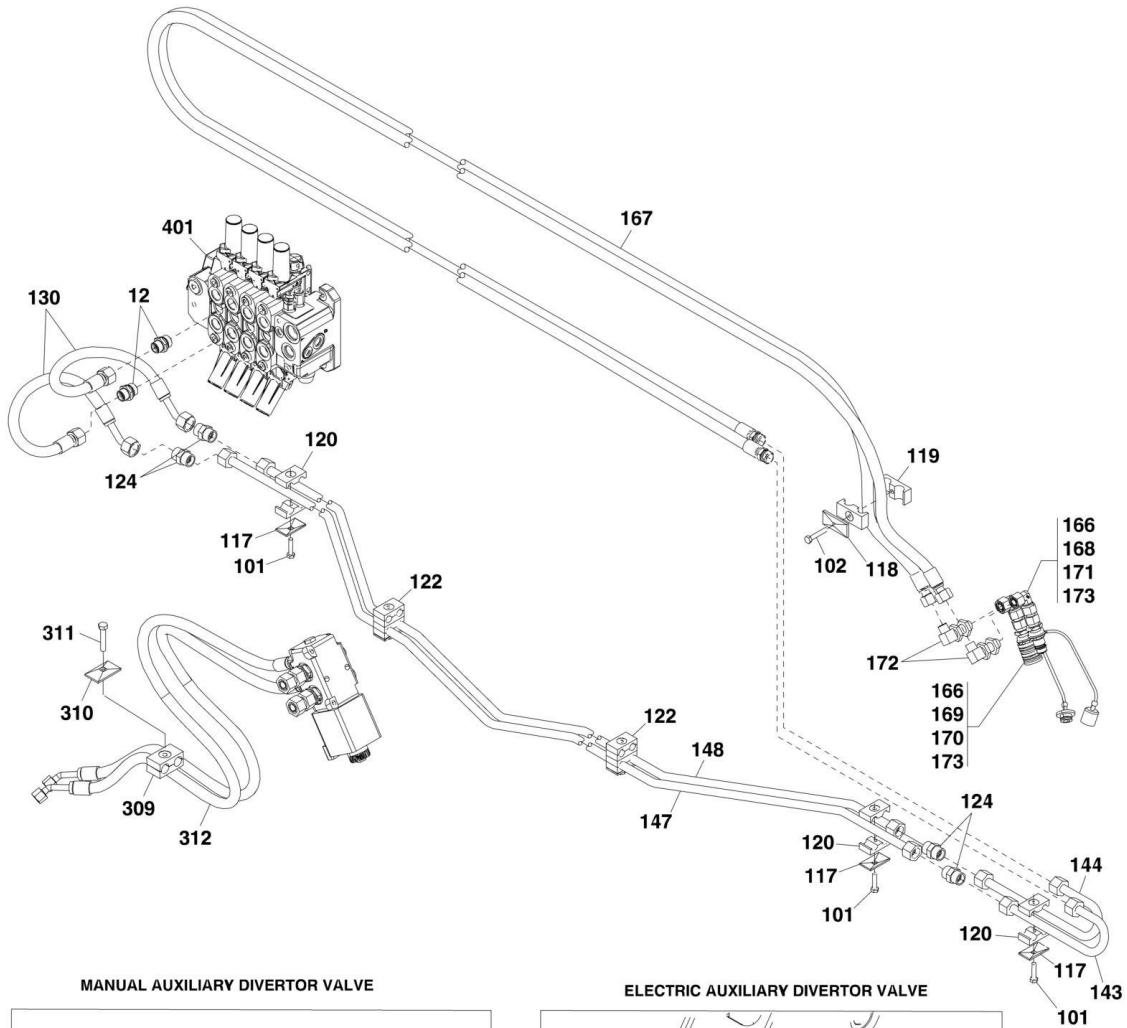
SECTION 8 - HYDRAULIC CIRCUITS

FIGURE 8-7. TILT AND TILT COMPENSATION CYLINDER CIRCUIT

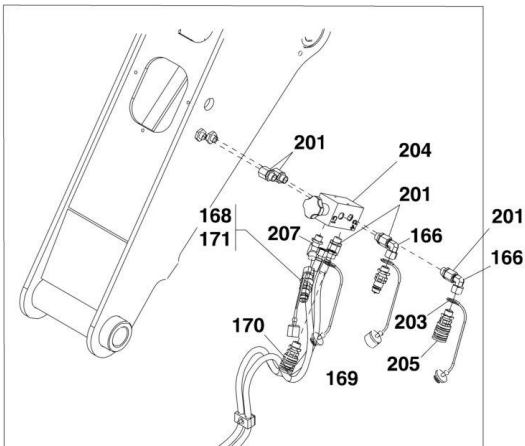
ITEM	PART NUMBER	QTY	DESCRIPTION	REV
2	2142216	2	TEE FITTING	
12	1001101407	2	STRAIGHT FITTING	
140	2143017	2	ELBOW, 90	
155	4811900	2	WASHER, 8mm	
196	2144822	4	STRAIGHT FITTING	
197	1001108529	1	ANTI-KICK VALVE	
198	1001108606	1	HOSE ASSY, (L2906H, 2906H, 619A, 29.6LP & 29.6)	
198	1001108554	1	HOSE ASSY, (3507H, 723A & 35.7)	
199	1001108607	1	HOSE ASSY, (L2906H, 2906H, 619A, 29.6LP & 29.6)	
199	1001108556	1	HOSE ASSY, (3507H, 723A & 35.7)	
200	1001108608	1	HOSE ASSY, (L2906H, 2906H, 619A, 29.6LP & 29.6)	
200	1001108555	1	HOSE ASSY, (3507H, 723A & 35.7)	
201	1001108609	1	HOSE ASSY, (L2906H, 2906H, 619A, 29.6LP & 29.6)	
201	1001108557	1	HOSE ASSY, (3507H, 723A & 35.7)	
202	0700826	2	HEX HD CAPSCREW, M8X90, GR8.8	
301	0700815	5	HEX HD CAPSCREW, M8X35, GR8.8	
302	0700818	1	HEX HD CAPSCREW, M8X50, GR8.8	
311		Ref	TILT CYLINDER, (See HYDRAULIC COMPONENTS SECTION for Breakdown)	
317	874960	5	COVER PLATE	
318	1309435	1	COVER PLATE	
320	1321128	7	CLAMP	
321	1321133	2	STACKING BOLT	
322	1321134	2	CLAMP	
324	2141621	4	FITTING	
325	2143017	2	ELBOW, 90	
330	1001099737	2	HOSE ASSY, (L2906H, 2906H, 619A, 29.6LP & 29.6)	
330	1001099999	2	HOSE ASSY, (3507H, 723A & 35.7)	
331	1001111491	1	TWIN HOSE ASSY (L2906H, 2906H, 619A, 29.6LP & 29.6)	
331	1001111490	1	TWIN HOSE ASSY, (3507H, 723A & 35.7)	
343	4569029	1	TUBE ASSY	
344	4569042	1	TUBE ASSY	
345	4569047	1	TUBE ASSY, (L2906H, 2906H, 619A, 29.6LP & 29.6)	
345	4568870	1	TUBE ASSY, (3507H, 723A & 35.7)	
346	4569053	1	TUBE ASSY, (L2906H, 2906H, 619A, 29.6LP & 29.6)	
346	4569036	1	TUBE ASSY, (3507H, 723A & 35.7)	
377	1321086	1	CLAMP	
401		Ref	TILT COMPENSATION CYLINDER, (See HYDRAULIC COMPONENTS SECTION for Breakdown)	
402		Ref	MAIN CONTROL VALVE, (See HYDRAULIC COMPONENTS SECTION for Breakdown)	

SECTION 8 - HYDRAULIC CIRCUITS

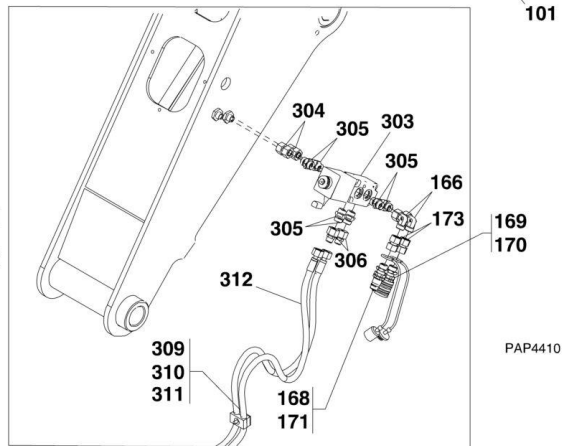
FIGURE 8-8. AUXILIARY HYDRAULIC CIRCUIT



MANUAL AUXILIARY DIVERTOR VALVE



ELECTRIC AUXILIARY DIVERTOR VALVE



PAP4410

SECTION 8 - HYDRAULIC CIRCUITS

FIGURE 8-8. AUXILIARY HYDRAULIC CIRCUIT

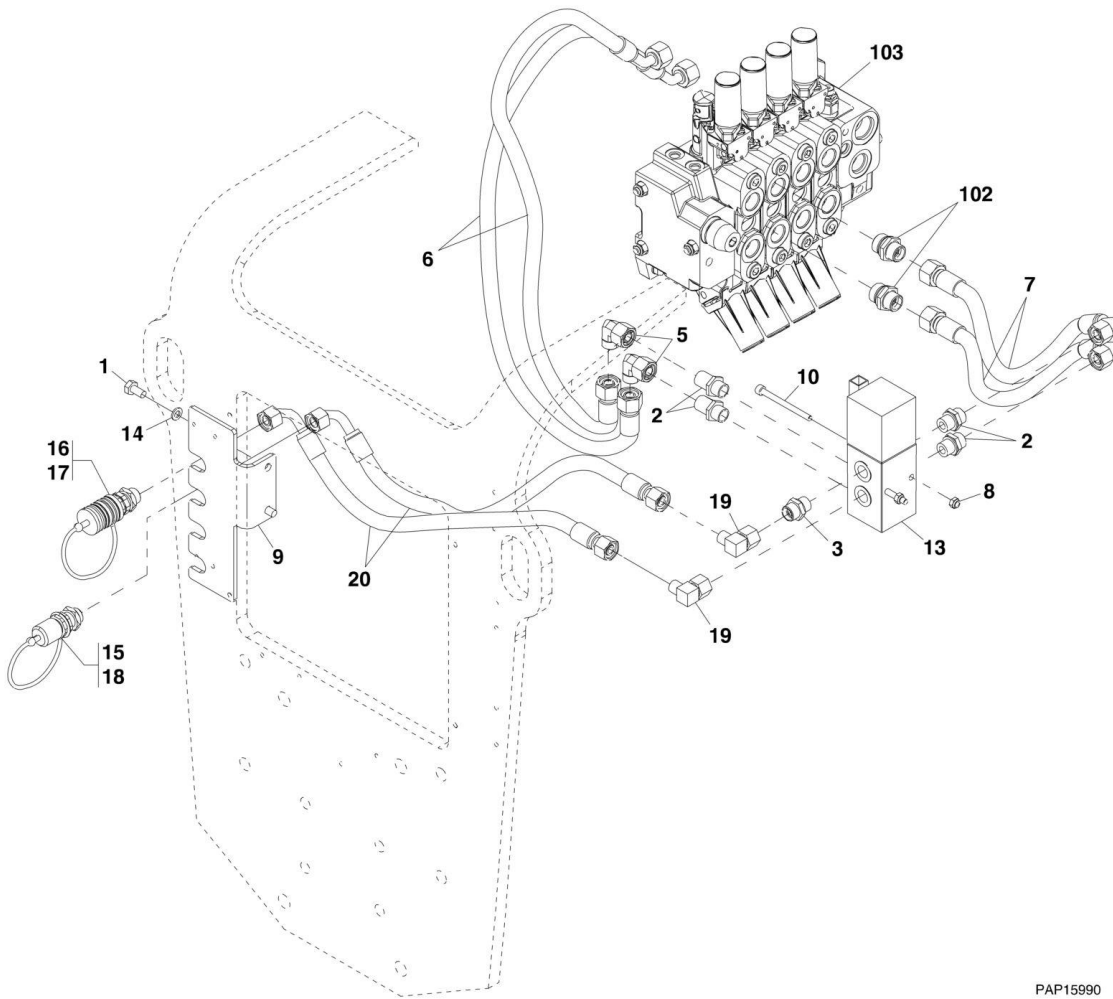
ITEM	PART NUMBER	QTY	DESCRIPTION	REV
12	1001101407	2	STRAIGHT FITTING	
101	0700815	3	HEX HD CAPSCREW, M8X35, GR8.8	
102	0700818	1	HEX HD CAPSCREW, M8X50, GR8.8	
117	874960	3	COVER PLATE	
118	1309435	1	COVER PLATE	
119	1317515	1	CLAMP	
120	1321128	3	CLAMP	
122		Ref	CLAMP AND HARDWARE, (See TILT AND TILT COMPENSATION CYLINDER CIRCUIT for Breakdown)	
124	2141621	4	FITTING	
130	1001099737	2	HOSE ASSY, (L2906H, 2906H, 619A, 29.6LP & 29.6)	
130	1001099999	2	HOSE ASSY, (3507H, 723A & 35.7)	
143	4569029	1	TUBE ASSY	
144	4569042	1	TUBE ASSY	
147	4569056	1	TUBE ASSY, (L2906H, 2906H, 619A, 29.6LP & 29.6)	
147	4569038	1	TUBE ASSY, (3507H, 723A & 35.7)	
148	4569057	1	TUBE ASSY, (L2906H, 2906H, 619A, 29.6LP & 29.6)	
148	4569037	1	TUBE ASSY, (3507H, 723A & 35.7)	
166	2143405	2	ELBOW, 90	
167	2754153	1	TWIN HOSE ASSY, (L2906H, 2906H, 619A, 29.6LP & 29.6)	
167	2754121	1	TWIN HOSE ASSY, (3507H, 723A & 35.7)	
168	1001093826	1	DUST CAP	
169	1001093827	1	DUST PLUG	
170	1001094555	1	FEMALE QUICK DISCONNECT COUPLING	
171	1001094556	1	MALE QUICK DISCONNECT COUPLING	
172	2143305	2	ELBOW, 90	
173	2143605	2	SWIVEL FITTING	
	0273814	Ref	MANUAL AUXILIARY DIVERTER VALVE INSTALLATION, (if equipped), (not available to order, see items 201 thru 207 for service)	D
201	2142805	5	SWIVEL FITTING	
202	1001093826	1	DUST CAP	
203	1001093827	1	DUST PLUG	
204		Ref	MANUAL DIVERTER VALVE, (See HYDRAULIC COMPONENTS SECTION for Breakdown)	
205	1001094555	1	FEMALE QUICK DISCONNECT COUPLING	
206	1001094556	1	MALE QUICK DISCONNECT COUPLING	
207	2142905	1	ELBOW, 45	
	1001100898	Ref	ELECTRIC AUXILIARY DIVERTER VALVE INSTALLATION, (if equipped), (not available to order, see items 303 thru 312 for service)	C
303		Ref	ELECTRIC DIVERTER VALVE, (See HYDRAULIC COMPONENTS SECTION for Breakdown)	
304	2143605	2	SWIVEL UNION FITTING	
305	2144807	6	ADAPTER	
306	2143511	2	REDUCING FITTING	
307		Ref	CAB SWITCHES, (See ELECTRICAL SECTION for Breakdown)	
309	1321748	1	CLAMP	
310	874960	1	CLAMP GROUP 2D COVER PLATE	
311	0700817	1	HEX HD CAPSCREW, M8X45, GR8.8	
312	1001100902	2	HOSE ASSY	

SECTION 8 - HYDRAULIC CIRCUITS

ITEM	PART NUMBER	QTY	DESCRIPTION	REV
401		Ref	MAIN CONTROL VALVE, (See HYDRAULIC COMPONENTS SECTION for Breakdown)	

SECTION 8 - HYDRAULIC CIRCUITS

FIGURE 8-9. REAR AUXILIARY HYDRAULIC INSTALLATION



PAP15990

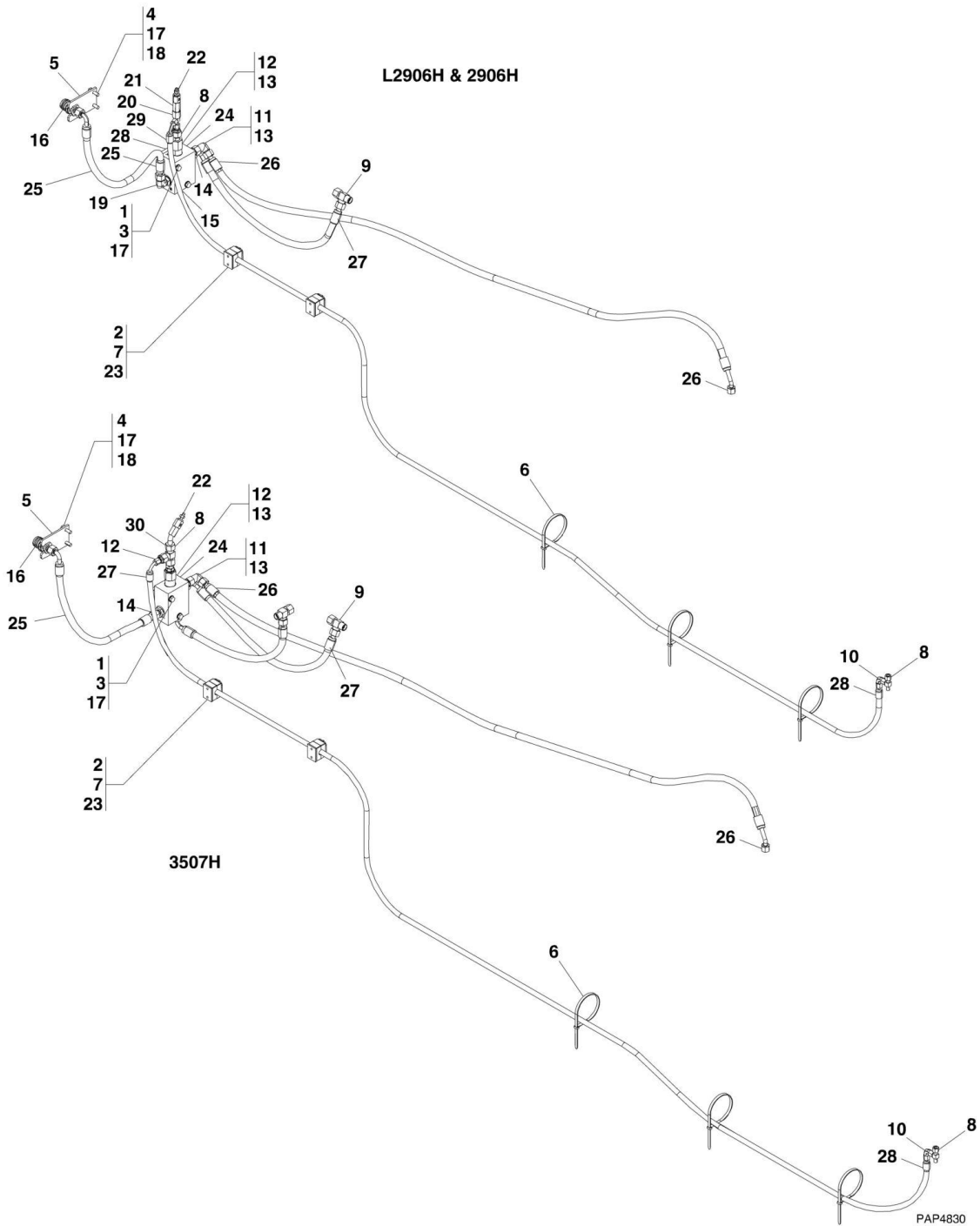
SECTION 8 - HYDRAULIC CIRCUITS

FIGURE 8-9. REAR AUXILIARY HYDRAULIC INSTALLATION

ITEM	PART NUMBER	QTY	DESCRIPTION	REV
	1001105723	Ref	REAR AUXILIARY HYDRAULIC INSTALLATION, (L2906H, 2906H, 619A, 29.6LP & 29.6), (if equipped), (not available to order, see items 1 thru 20 for service)	C
	1001105724	Ref	REAR AUXILIARY HYDRAULIC INSTALLATION, (3507H, 723A & 35.7), (if equipped), (not available to order, see items 1 thru 20 for service)	D
1	0761010	2	HEX HD CAPSCREW, M10X20, GR8.8	
2	2142715	4	STRAIGHT FITTING	
3	2142733	2	STRAIGHT FITTING	
5	2143405	2	ELBOW, 90, (L2906H, 2906H, 619A, 29.6LP & 29.6)	
6	2754127	2	HOSE ASSY	
7	1001114993	2	HOSE ASSY	
8	3290805	2	HEX LOCKNUT, M8X1.25	
9	3574521	1	PLATE	
10	4031922	2	HEX SOCKET HD CAPSCREW, M8X90	
11		Ref	SWITCH BODY, (not shown), (See ELECTRICAL SECTION for Breakdown)	
12		Ref	FRONT/REAR AUXILIARY SWITCH KEY, (not shown), (See ELECTRICAL SECTION for Breakdown)	
13		Ref	ELECTRIC AUXILIARY DIVERTER VALVE, (See HYDRAULIC COMPONENTS SECTION for Breakdown)	
14	4832000	2	LOCKWASHER, 10mm	
15	1001093826	1	DUST CAP	
16	1001093827	1	DUST PLUG	
17	1001094555	1	FEMALE QUICK DISCONNECT COUPLING	
18	1001094556	1	MALE QUICK DISCONNECT COUPLING	
19	2143416	2	ELBOW, 90	
20	1001115865	2	HOSE ASSY, (L2906H, 2906H, 619A, 29.6LP & 29.6)	
20	1001115866	2	HOSE ASSY, (3507H, 723A & 35.7)	
102		Ref	STRAIGHT FITTING, (See AUXILIARY HYDRAULIC CIRCUIT for Breakdown)	
103		Ref	MAIN CONTROL VALVE, (See HYDRAULIC COMPONENTS SECTION for Breakdown)	

SECTION 8 - HYDRAULIC CIRCUITS

FIGURE 8-10. TRAILER BRAKES L2906H, 2906H & 3507H (Prior to SN 1160005189)



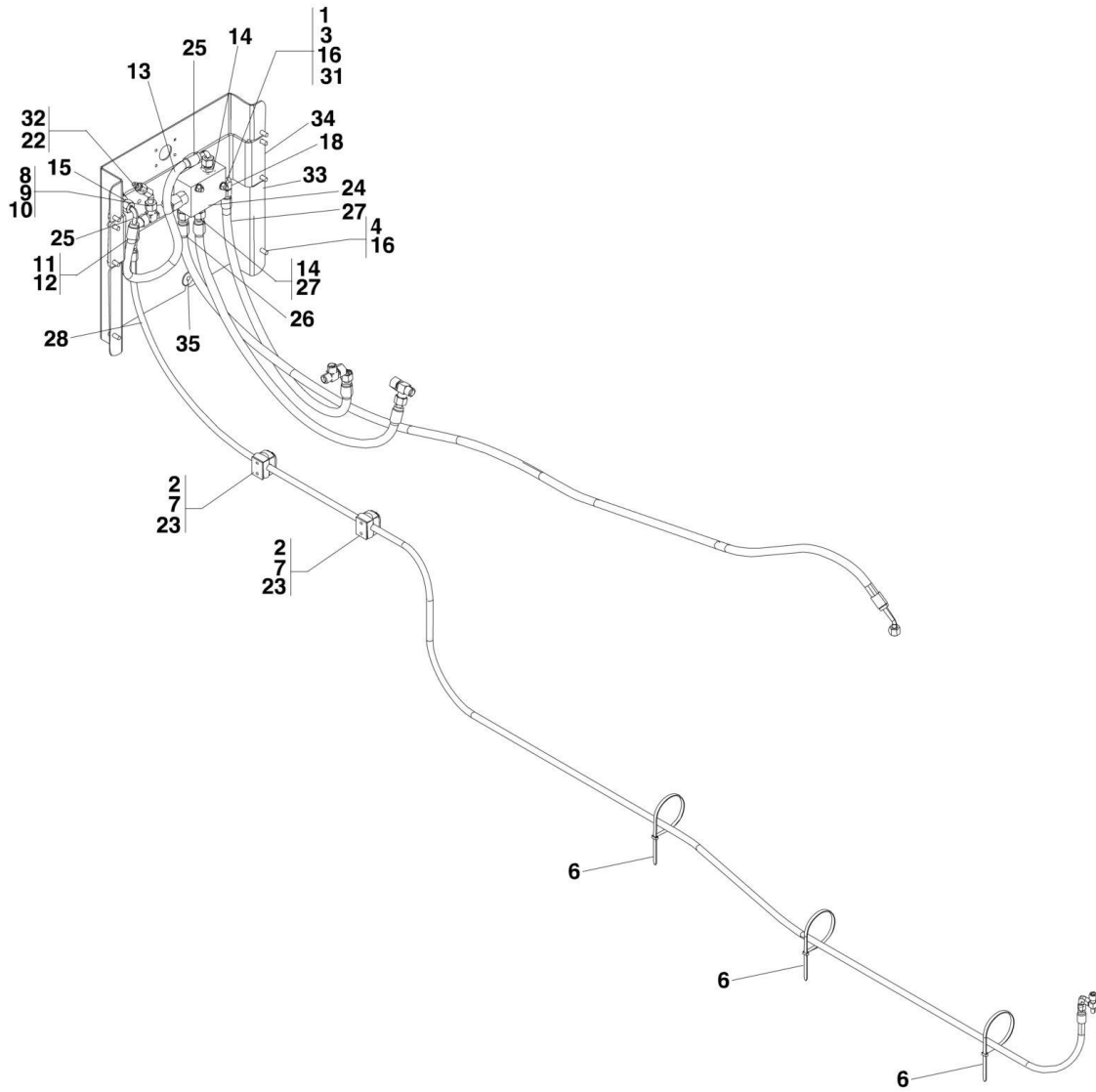
SECTION 8 - HYDRAULIC CIRCUITS

FIGURE 8-10. TRAILER BRAKES L2906H, 2906H & 3507H (Prior to SN 1160005189)

ITEM	PART NUMBER	QTY	DESCRIPTION	REV
	1001114155	Ref	TRAILER BRAKE INSTALLATION, (L2906H & 2906H), (not available to order, see items 1 thru 29 for service)	C
	1001114333	Ref	TRAILER BRAKE INSTALLATION, (3507H), (not available to order, see items 1 thru 14, 16 thru 18, 22 thru 28 & 30 for service)	C
1	1001095650	AR	LOCTITE 243	
2	0700615	4	HEX HD SCREW CLS 8.8, M6 X 35 LG	
3	0700824	2	HEX HD SCREW CLS 8.8, M8 X 80 LG, (L2906H & 2906H)	
3	0700821	2	HEX HD SCREW CLS 8.8, M8 X 65 LG, (3507H)	
4	0760812	2	HEX HD SCREW CLS 8.8 FULL THD, M8 X 25 LG	
5	0903533	1	TRAILER BRAKE HYD CONNECTOR BRACKET	
6	1062255	3	STRAP TIE	
7	3121675	2	TOP PLATE CLAMP	
8	2142201	2	FTG-EO, 6L SWIVEL RUN TEE, (L2906H & 2906H)	
8	2142201	1	FTG-EO, 6L SWIVEL RUN TEE, (3507H)	
9	2142204	1	FTG-EO, 12L SWIVEL RUN TEE, (L2906H & 2906H)	
9	2142204	3	FTG-EO, 12L SWIVEL RUN TEE, (3507H)	
10	2143401	1	SWIVEL NUT ELBOW FITTING	
11	2143404	1	EW12LA3C FITTING	
12	2143505	1	FTG-EO, MALE 8L-M18X1.5, FM SW REDUCER	
13	2144803	2	FTG-EO, 12L-9/16-18 UNF MALE CONN SAE-ORB, (L2906H & 2906H)	
13	2144803	3	FTG-EO, 12L-9/16-18 UNF MALE CONN SAE-ORB, (3507H)	
14	2144804	1	FTG-EO, 12L-3/4-16 UNF MALE CONN SAE-ORB, (L2906H & 2906H)	
14	2144804	2	FTG-EO, 12L-3/4-16 UNF MALE CONN SAE-ORB, (3507H)	
15	2220237	1	ADPT, PLUG HX ORB 6 FG	
16	2221193	1	FTG-HYD, TRAILER BRAKE QD	
17	4811900	4	WASHER, 8mm	
18	4831900	2	LOCKWASHER SPRING, 8mm	
19	1001099124	1	FTG-EO, 12L, 3/4-16 UNF, ADJ LOCKNUT ELBOW	
20	1001104019	1	FTG, M12X7/16 CONVERSION ADAPTER	
21	1001104027	1	FTG, STR THRD COUPLER, 7/16 X 7/16	
22	1001104083	1	FTG, BLEED SCREW/ BLEED ADAPTER	
23	1001104934	2	CLAMP ASSY, TH514 BOOM	
24	1001112197	1	VALVE, (L2906H & 2906H)	
24	1001111754	1	VALVE, (3507H)	
25	1001114157	1	HOSE ASSY, (L2906H & 2906H)	
25	1001114268	1	HOSE ASSY, (3507H)	
26	1001114161	1	HOSE ASSY, (L2906H & 2906H)	
26	1001114281	1	HOSE ASSY, (3507H)	
27	1001114171	1	HOSE ASSY, (L2906H & 2906H)	
27	1001114171	2	HOSE ASSY, (3507H)	
28	1001114172	1	HOSE ASSY	
28	1001114285	1	HOSE ASSY	
29	1001115869	1	VALVE PLATE	
30	1001116891	1	FEMALE SW REDUCER 45IN, 12L -7/16-20UNF	

SECTION 8 - HYDRAULIC CIRCUITS

FIGURE 8-11. TRAILER BRAKES 2906H & 3507H (SN 1160005189 through 1160006365)



PAP4820

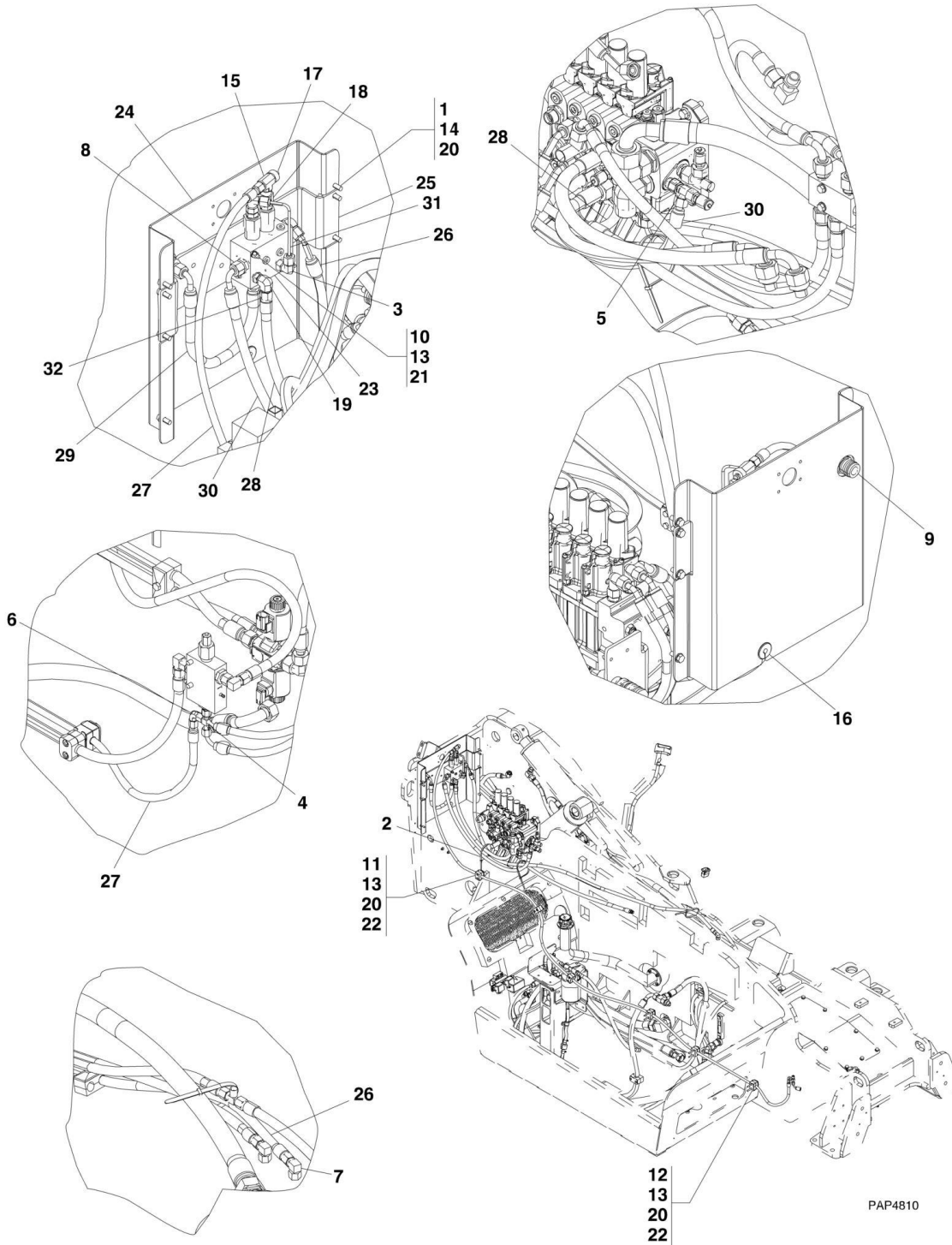
SECTION 8 - HYDRAULIC CIRCUITS

FIGURE 8-11. TRAILER BRAKES 2906H & 3507H (SN 1160005189 through 1160006365)

ITEM	PART NUMBER	QTY	DESCRIPTION	REV
	1001114332	Ref	TRAILER BRAKE INSTALLATION, (2906H & 3507H), (not available to order, see items 1 thru 35 for service)	C
1	1001095650	AR	LOCTITE 243	
2	0700615	4	HCX HD SCR CLS 8.8, M6 X 35 LG	
3	0700822	2	HCX HD SCR CLS 8.8, M8 X 70 LG	B
4	0760810	8	HCX HD SCR CLS 8.8 FULL THD, M8 X 20 LG	B
6	1062255	3	STRAP TIE	
7	1321675	2	TOP PLATE CLAMP	
8	2142201	1	FTG-EO, 6L SWIVEL RUN TEE	B
9	2142204	3	FTG-EO, 12L SWIVEL RUN TEE	B
10	2143401	1	FITTING, SWIVEL NUT ELBOW	
11	2143404	1	FITTING, EWI2LA3C	
12	2143505	1	FTG-EO, MALE 8L-M18XI.5, FM SW REDUCER	
13	2144803	2	FTG-EO, 12L-9/16-18 UNF MALE CONN SAE-ORB	
14	2144804	2	FTG-EO, 12L-3/4-16 UNF MALE CONN SAE-ORB	B
15	2221193	1	FTG-HYD, TRAILER BRAKE OD	
16	4811900	12	WASHER, 8mm	B
18	1001092584	1	ADPT-EO, 10L 9/16 UNF LKNUT 90 ELBOW	
22	1001104083	1	FTG, BLEED, SCREW/ BLEED ADAPTER	
23	1001104934	2	CLAMP ASSY	
24	1001111754	1	TRAILER BRAKE VALVE, 3:1 RATIO	B
25	1001120295	1	HOSE ASSY, BRAKE VALVE PRIMARY	B
26	1001120296	1	HOSE ASSY, BRAKE VALVE TO TANK	B
27	1001120297	2	HOSE ASSY, BRAKE VALVE TO BRAKE LINE	B
28	1001120298	1	HOSE ASSY, BRAKE VALVE, X TO INCH VALVE	B
31	3290805	2	PREV TORQ HEX LOCK NUT, M8 X 1.25	B
32	1001116891	1	ADPT-STL-12L	B
33	1001118298	1	TRAILER SERVICE PANEL	B
34	1001118306	1	TRAILER BRAKE VALVE SUPPORT	B
35	1001008469	1	GROMMET	B

SECTION 8 - HYDRAULIC CIRCUITS

FIGURE 8-12. TRAILER BRAKES L2906H, 2906H & 3507H (SN 1160006366 to Present)



SECTION 8 - HYDRAULIC CIRCUITS

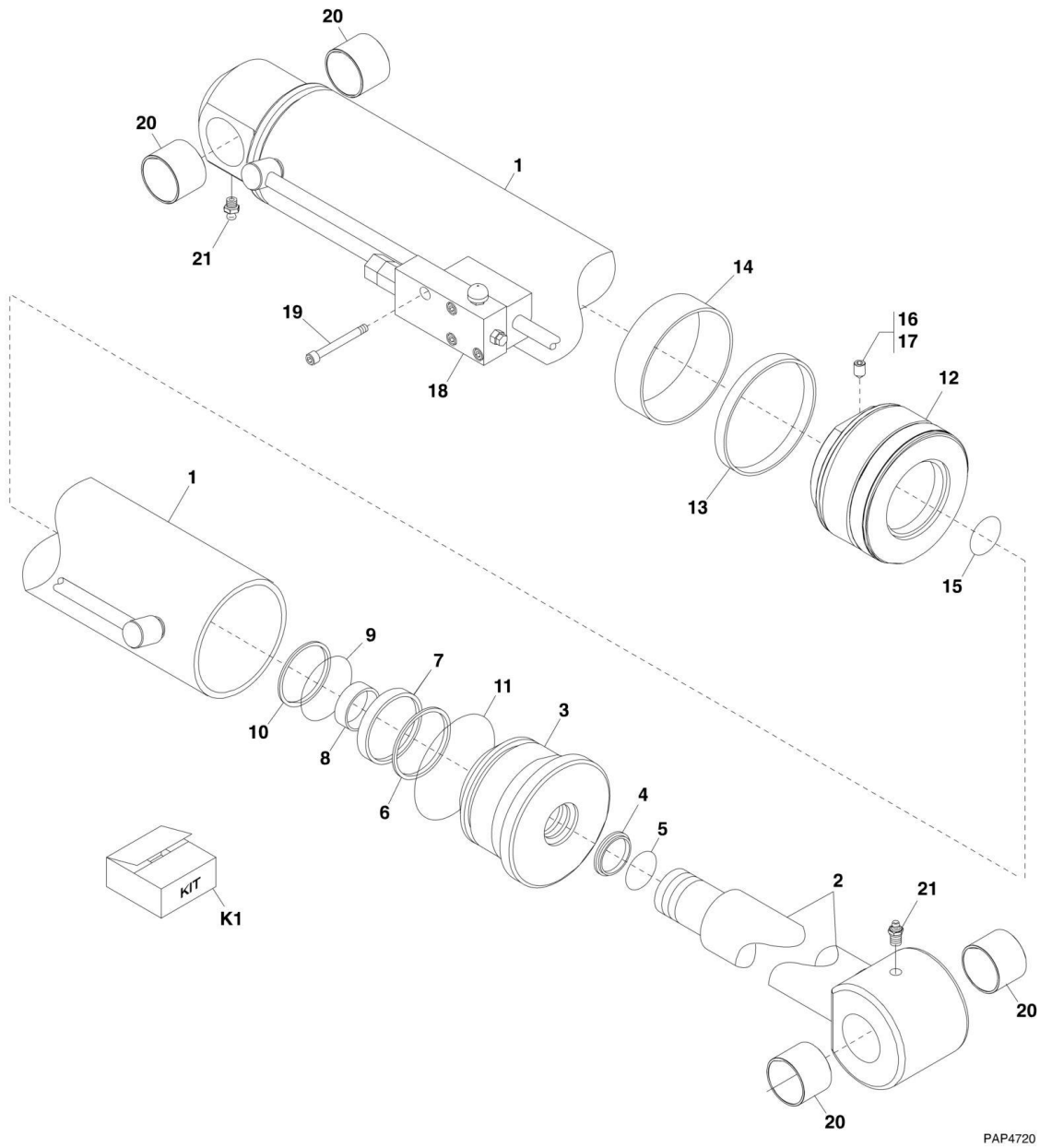
FIGURE 8-12. TRAILER BRAKES L2906H, 2906H & 3507H (SN 1160006366 to Present)

ITEM	PART NUMBER	QTY	DESCRIPTION	REV
	1001120683	1	TRAILER BRAKE WITH GEAR PUMP INSTALLATION, (L2906H & 2906H), (includes all items)	A
	1001132324	1	TRAILER BRAKE WITH PISTON PUMP INSTALLATION, (L2906H & 2906H), (includes all items)	A
	1001120821	1	TRAILER BRAKE WITH GEAR PUMP INSTALLATION, (3507H), (includes all items)	A
	1001132325	1	TRAILER BRAKE WITH PISTON PUMP INSTALLATION, (3507H), (includes all items)	A
1	0760810	8	HEX HD SCR CLS 8.8 FULLTHD, M8X20 LG	
2	1062255	3	TIE, STRAP	
3	2130406	2	ADPT, 90 S ORFS/RB 4-6 FG	
4	2142201	1	FTG-EO, 6L SWIVEL RUN TEE	
5	2142204	2	FTG-EO, 12L SWIVEL RUN TEE	
6	2143401	1	FITTING, SWIVEL NUT ELBOW	
7	2143403	1	FTG-EO, 10L SWIVEL 90 ELBOW	
8	2144804	2	FTG-EO, 12L-3/4-16 UNF MALE CONN SAE-ORB	
9	2221193	1	FTG-HYD, TRAILER BRAKE QD	
10	3290605	2	PREV TORQ HEX LOCK NUT, M6 X I	
11	4031709	6	HEXHD SOC SCR, M6X25 LG	
12	4031716	6	HEX HD SOC SCR, M6X25 LG	
13	4811700	16	WASHER, 6mm	
14	4811900	8	WASHER, 8mm	
15	1001006376	1	ADPT, SP, TB ORFS/ORB 6-6 W/BLD	
16	1001008469	1	GROMMET	
17	1001009196	1	SCREW-BLEEDER	
18	1001013239	1	ADAPTER-STR THD, O-RING TO O-RING	
19	1001092584	2	ADPT-EO, 10L 9/16 UNF LKNUT 90 ELBOW	
20	1001095650	AR	LOCTITE 243	
21	1001096653	2	HEX HD SCR CLS 8.8, M6X70 LG	
22	1001104934	6	CLAMP ASSY, TH514 BOOM	
23	1001118025	1	TRAILER BRAKE VALVE, 6:1 RATIO	
24	1001118298	1	TRAILER SERVICE PANEL	
25	1001118306	1	TRAILER BRAKE VALVE SUPPORT	
26	1001128022	1	HOSE ASSY, (L2906H & 2906H)	
26	1001120829	1	HOSE ASSY, (3507H)	
27	1001120823	1	HOSE ASSY, (L2906H & 2906H)	
27	1001120830	1	HOSE ASSY, (3507H)	
28	1001120824	1	HOSE ASSY, (L2906H & 2906H)	
28	1001120831	1	HOSE ASSY, (3507H)	
29	1001120825	1	HOSE ASSY	
30	1001120826	1	HOSE ASSY, (L2906H & 2906H)	
30	1001120832	1	HOSE ASSY, (3507H)	
31	1001120827	1	BRAKE VALVE CROSSOVER PIPE	
32	1001131843	1	ADPT, ORIFICE 0.7MM M10L FM10L, (if equipped with gear pump)	
32	1001132283	1	ADPT, ORIFICE 1.0MM M10L FM10L, (if equipped with piston pump)	

SECTION 9 - HYDRAULIC COMPONENTS

SECTION 9 - HYDRAULIC COMPONENTS

FIGURE 9-1. LIFT CYLINDER



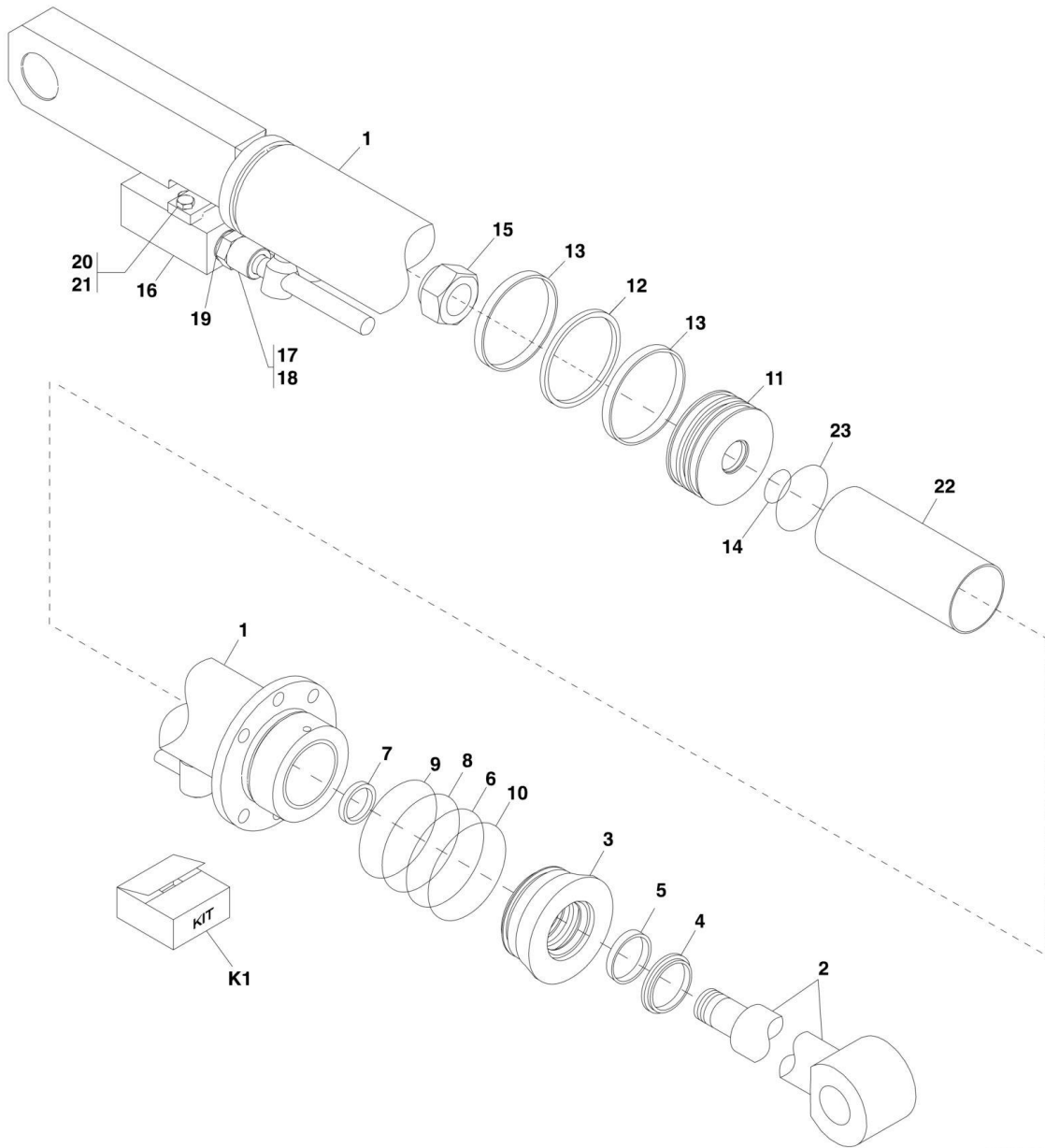
SECTION 9 - HYDRAULIC COMPONENTS

FIGURE 9-1. LIFT CYLINDER

ITEM	PART NUMBER	QTY	DESCRIPTION	REV
	1001102136	1	LIFT CYLINDER, (L2906H, 2906H, 619A, 29.6LP & 29.6), (includes all items)	C
	1001102140	1	LIFT CYLINDER, (3507H, 723A & 35.7), (includes all items)	C
1	70022560	1	BARREL ASSY, (L2906H, 2906H, 619A, 29.6LP & 29.6)	
1	70022572	1	BARREL ASSY, (3507H, 723A & 35.7)	
2	70022561	1	ROD ASSY, (L2906H, 2906H, 619A, 29.6LP & 29.6)	
2	70022573	1	ROD ASSY, (3507H, 723A & 35.7)	
3	70022562	1	GLAND, (L2906H, 2906H, 619A, 29.6LP & 29.6)	
3	70022574	1	GLAND, (3507H, 723A & 35.7)	
4	Kit	1	DUST WIPER	
5	Kit	1	RETAINING RING	
6	Kit	1	ROD SEAL	
7	Kit	1	BACK-UP RING	
8	70022570	1	BUSHING	
9	Kit	1	O-RING	
10	Kit	1	BACK-UP RING	
11	Kit	1	O-RING	
12	70022571	1	PISTON, (L2906H, 2906H, 619A, 29.6LP & 29.6)	
12	70022575	1	PISTON, (3507H, 723A & 35.7)	
13	Kit	1	GUIDE RING	
14	Kit	1	WEAR RING	
15	Kit	1	O-RING	
16	70022563	1	SET SCREW	
17	70022564	1	STEEL BALL	
18	70022602	1	LOAD CONTROL VALVE	
19	Not Available	4	HEX SOCKET HD CAPSCREW, M8X50	
20	70022565	4	BUSHING	
21	70022566	2	GREASE FITTING	
K1	70022569	1	SEAL KIT, (L2906H, 2906H, 619A, 29.6LP & 29.6), (includes items 4 thru 7, 9 thru 11 & 13 thru 15)	
K1	70022576	1	SEAL KIT, (3507H, 723A & 35.7), (includes items 4 thru 7, 9 thru 11 & 13 thru 15)	

SECTION 9 - HYDRAULIC COMPONENTS

FIGURE 9-2. EXTEND/RETRACT CYLINDER



PAP4750

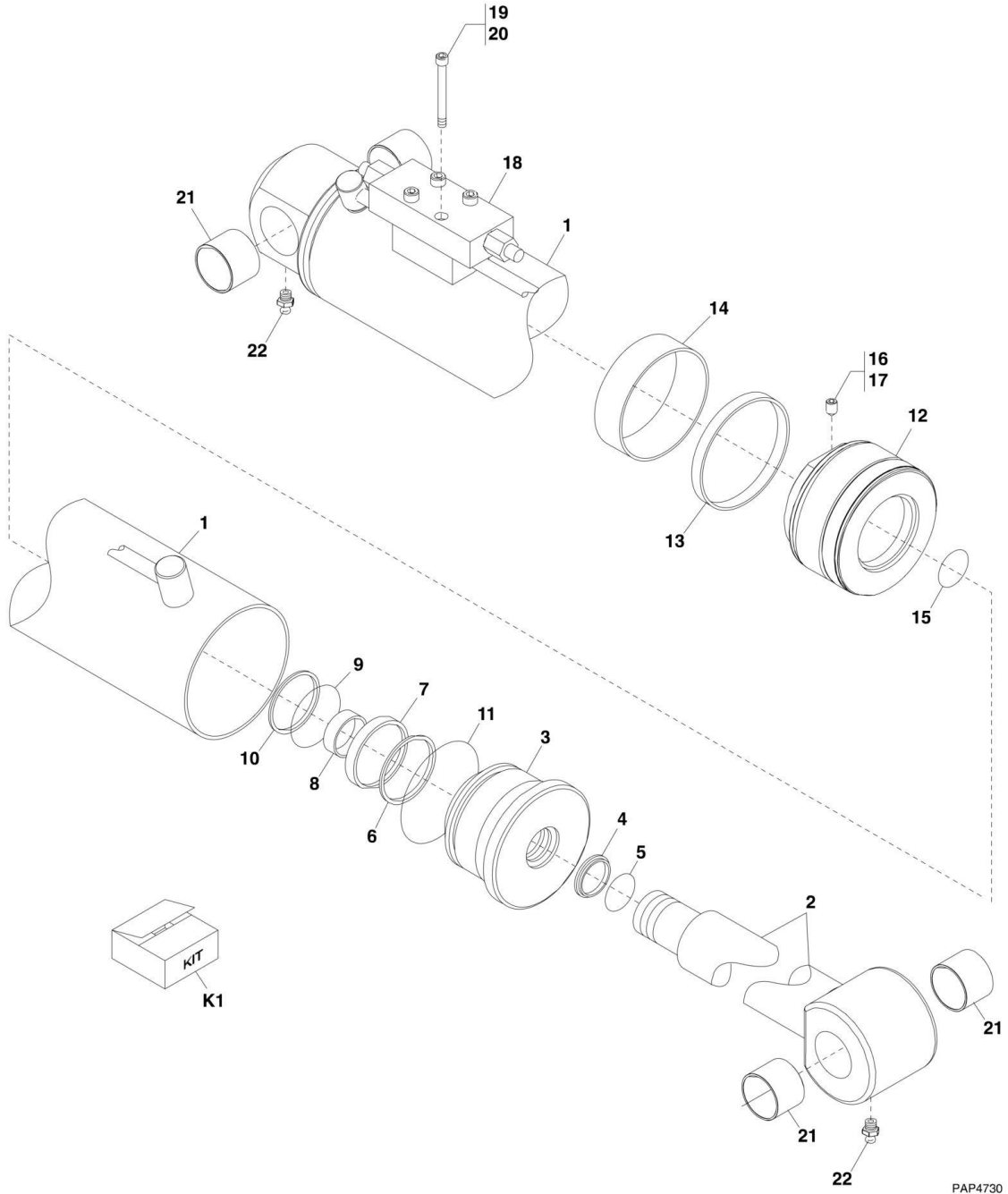
SECTION 9 - HYDRAULIC COMPONENTS

FIGURE 9-2. EXTEND/RETRACT CYLINDER

ITEM	PART NUMBER	QTY	DESCRIPTION	REV
	1001102139	1	EXTEND/RETRACT CYLINDER, (L2906H, 2906H, 619A, 29.6LP & 29.6), (includes all items)	B
	1001102143	1	EXTEND/RETRACT CYLINDER, (3507H, 723A & 35.7), (includes all items)	B
1	70022591	1	BARREL ASSY, (L2906H, 2906H, 619A, 29.6LP & 29.6)	
1	70022598	1	BARREL ASSY, (3507H, 723A & 35.7)	
2	70022592	1	ROD ASSY, (L2906H, 2906H, 619A, 29.6LP & 29.6)	
2	70022599	1	ROD ASSY, (3507H, 723A & 35.7)	
3	70022600	1	GLAND	
4	Kit	1	DUST WIPER	
5	Kit	1	ROD SEAL	
6	Kit	1	BACK-UP RING	
7	70022593	1	BUSHING	
8	Kit	1	O-RING	
9	Kit	1	BACK-UP RING	
10	Kit	1	O-RING	
11	70022594	1	PISTON	
12	Kit	1	GUIDE RING	
13	Kit	2	WEAR RING	
14	Kit	1	O-RING	
15	70022595	1	HEX NUT	
16	70020366	1	LOAD CONTROL VALVE	
17	Kit	2	O-RING	
18	Kit	2	BACK-UP RING	
19	Kit	4	WASHER SEAL	
20	Not Available	2	HEX SOCKET HD CAPSCREW, M8X25	
21	Not Available	2	WASHER	
22	70022596	1	SPACER	
23	Kit	1	O-RING	
K1	70022597	1	SEAL KIT, (L2906H, 2906H, 619A, 29.6LP & 29.6), (includes items 4 thru 6, 8 thru 10, 12 thru 14, 17, 18, 19 & 23)	
K1	70022601	1	SEAL KIT, (3507H, 723A & 35.7), (includes items 4 thru 6, 8 thru 10, 12 thru 14, 17, 18, 19 & 23)	

SECTION 9 - HYDRAULIC COMPONENTS

FIGURE 9-3. TILT CYLINDER



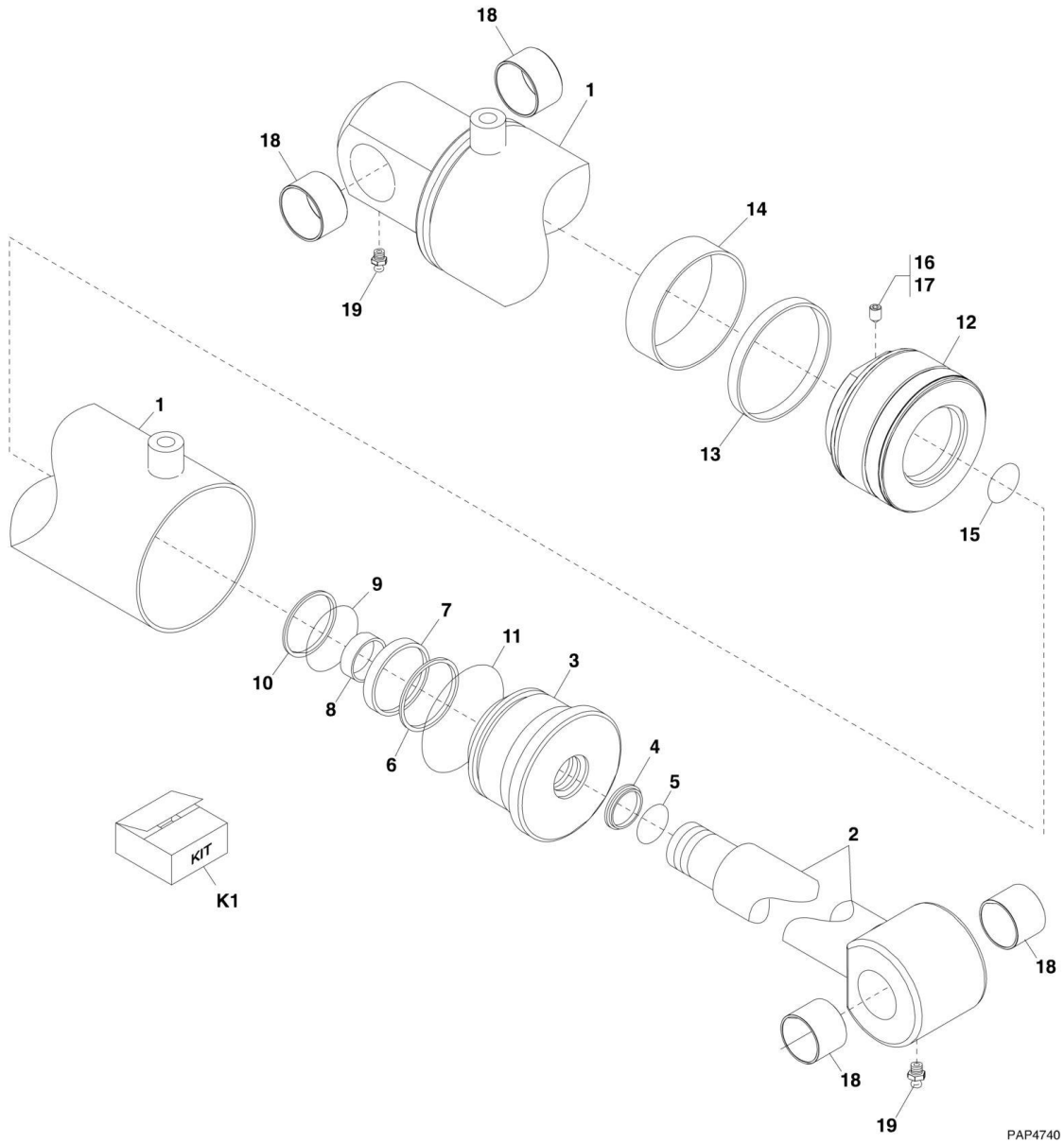
SECTION 9 - HYDRAULIC COMPONENTS

FIGURE 9-3. TILT CYLINDER

ITEM	PART NUMBER	QTY	DESCRIPTION	REV
	1001102137	1	TILT CYLINDER, (L2906H, 2906H, 619A, 29.6LP & 29.6), (includes all items)	B
	1001102141	1	TILY CYLINDER, (3507H, 723A & 35.7), (includes all items)	C
1	70022577	1	BARREL ASSY, (L2906H, 2906H, 619A, 29.6LP & 29.6)	
1	70022568	1	BARREL ASSY, (3507H, 723A & 35.7)	
2	70022578	1	ROD ASSY, (L2906H, 2906H, 619A, 29.6LP & 29.6)	
2	70022582	1	ROD ASSY, (3507H, 723A & 35.7)	
3	70022579	1	GLAND, (L2906H, 2906H, 619A, 29.6LP & 29.6)	
3	70022574	1	GLAND, (3507H, 723A & 35.7)	
4	Kit	1	DUST WIPER	
5	Kit	1	RETAINING RING	
6	Kit	1	ROD SEAL	
7	Kit	1	BACK-UP RING	
8	70022580	1	BUSHING, (L2906H, 2906H, 619A, 29.6LP & 29.6)	
8	70022570	1	BUSHING, (3507H, 723A & 35.7)	
9	Kit	1	O-RING	
10	Kit	1	BACK-UP RING	
11	Kit	1	O-RING	
12	70022581	1	PISTON, (L2906H, 2906H, 619A, 29.6LP & 29.6)	
12	70022575	1	PISTON, (3507H, 723A & 35.7)	
13	Kit	1	GUIDE RING	
14	Kit	1	WEAR RING	
15	Kit	1	O-RING	
16	70022563	1	SET SCREW	
17	70022564	1	STEEL BALL	
18	7029241	1	LOAD CONTROL VALVE	
19	Not Available	4	HEX SOCKET HD CAPSCREW, M8X50	
20	Not Available	4	WASHER	
21	70022565	4	BUSHING	
22	70022566	2	GREASE FITTING	
K1	70022567	1	SEAL KIT, (L2906H, 2906H, 619A, 29.6LP & 29.6), (includes items 4 thru 7, 9 thru 11 & 13 thru 15)	
K1	70022583	1	SEAL KIT, (3507H, 723A & 35.7), (includes items 4 thru 7, 9 thru 11 & 13 thru 15)	

SECTION 9 - HYDRAULIC COMPONENTS

FIGURE 9-4. TILT COMPENSATION CYLINDER



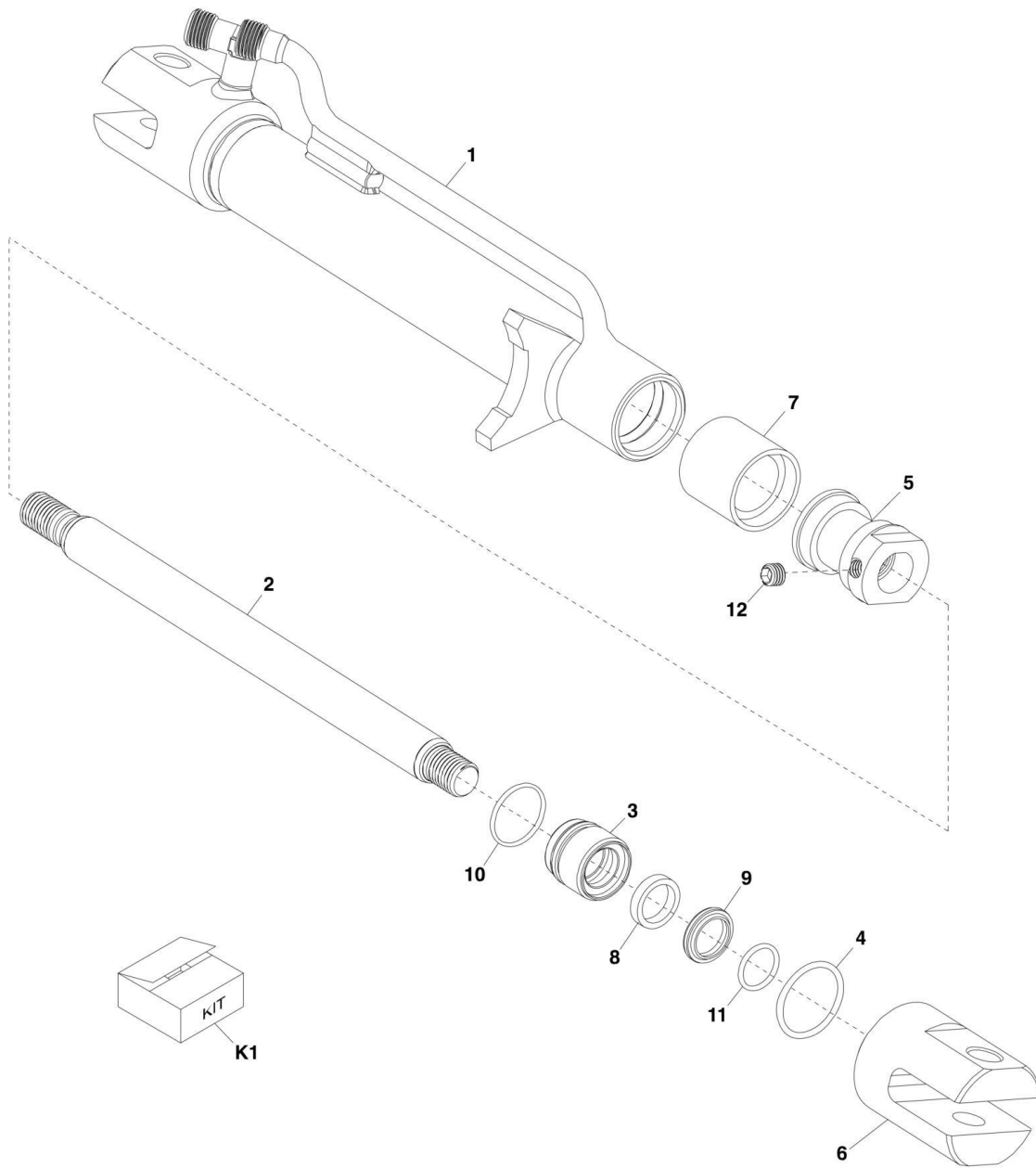
SECTION 9 - HYDRAULIC COMPONENTS

FIGURE 9-4. TILT COMPENSATION CYLINDER

ITEM	PART NUMBER	QTY	DESCRIPTION	REV
	1001102138	NLA	TILT COMPENSATION CYLINDER, (L2906H, 2906H, 619A, 29.6LP & 29.6), (no longer available use 1001115927), (includes all items)	C
	1001115927	1	TILT COMPENSATION CYLINDER, (L2906H, 2906H, 619A, 29.6LP & 29.6), (includes all items)	A
	1001102142	NLA	TILT COMPENSATION CYLINDER, (3507H, 723A & 35.7), (no longer available use 1001115928), (includes all items)	D
	1001115928	1	TILT COMPENSATION CYLINDER, (3507H, 723A & 35.7), (includes all items)	B
1	70022584	1	BARREL ASSY, (L2906H, 2906H, 619A, 29.6LP & 29.6)	
1	70022588	1	BARREL ASSY, (3507H, 723A & 35.7)	
2	70022585	1	ROD ASSY, (L2906H, 2906H, 619A, 29.6LP & 29.6)	
2	70022589	1	ROD ASSY, (3507H, 723A & 35.7)	
3	70022579	1	GLAND, (L2906H, 2906H, 619A, 29.6LP & 29.6)	
3	70022574	1	GLAND, (3507H, 723A & 35.7)	
4	Kit	1	DUST WIPER	
5	Kit	1	RETAINING RING	
6	Kit	1	ROD SEAL	
7	Kit	1	BACK-UP RING	
8	70022580	1	BUSHING, (L2906H, 2906H, 619A, 29.6LP & 29.6)	
8	70022570	1	BUSHING, (3507H, 723A & 35.7)	
9	Kit	1	O-RING	
10	Kit	1	BACK-UP RING	
11	Kit	1	O-RING	
12	70022581	1	PISTON, (L2906H, 2906H, 619A, 29.6LP & 29.6)	
12	70022575	1	PISTON, (3507H, 723A & 35.7)	
13	Kit	1	GUIDE RING	
14	Kit	1	WEAR RING	
15	Kit	1	O-RING	
16	70022563	1	SET SCREW	
17	70022564	1	STEEL BALL	
18	70022586	4	BUSHING, (L2906H, 2906H, 619A, 29.6LP & 29.6)	
18	70022565	4	BUSHING, (3507H, 723A & 35.7)	
19	70022566	2	GREASE FITTING	
K1	70022587	1	SEAL KIT, (L2906H, 2906H, 619A, 29.6LP & 29.6), (includes items 4 thru 7, 9 thru 11 & 13 thru 15)	
K1	70022590	1	SEAL KIT, (3507H, 723A & 35.7), (includes items 4 thru 7, 9 thru 11 & 13 thru 15)	

SECTION 9 - HYDRAULIC COMPONENTS

FIGURE 9-5. FORK LOCKING CYLINDER



PAP15930

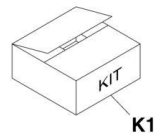
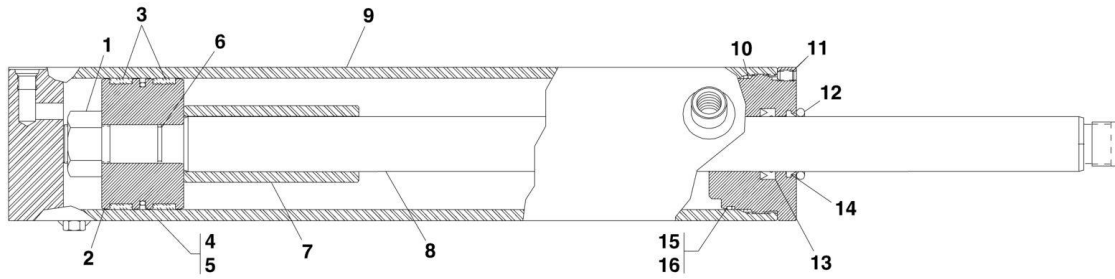
SECTION 9 - HYDRAULIC COMPONENTS

FIGURE 9-5. FORK LOCKING CYLINDER

ITEM	PART NUMBER	QTY	DESCRIPTION	REV
	1001100821	1	FORK LOCKING CYLINDER, (includes all items)	C
1	70022698	1	BARREL ASSY	
2	70022699	1	ROD	
3	70022704	1	GLAND	
4	70022700	1	WIRE RING	
5	70022703	1	PISTON	
6	70022701	1	SCREW CLEVIS	
7	Kit	1	SEAL	
8	Kit	1	SEAL	
9	Kit	1	SEAL	
10	Kit	1	O-RING	
11	Kit	1	O-RING	
12	70022702	1	SET SCREW	
K1	70022705	1	SEAL KIT, (includes items 7 thru 11)	

SECTION 9 - HYDRAULIC COMPONENTS

FIGURE 9-6. FORK SIDE SHIFT CYLINDER



PAP15940

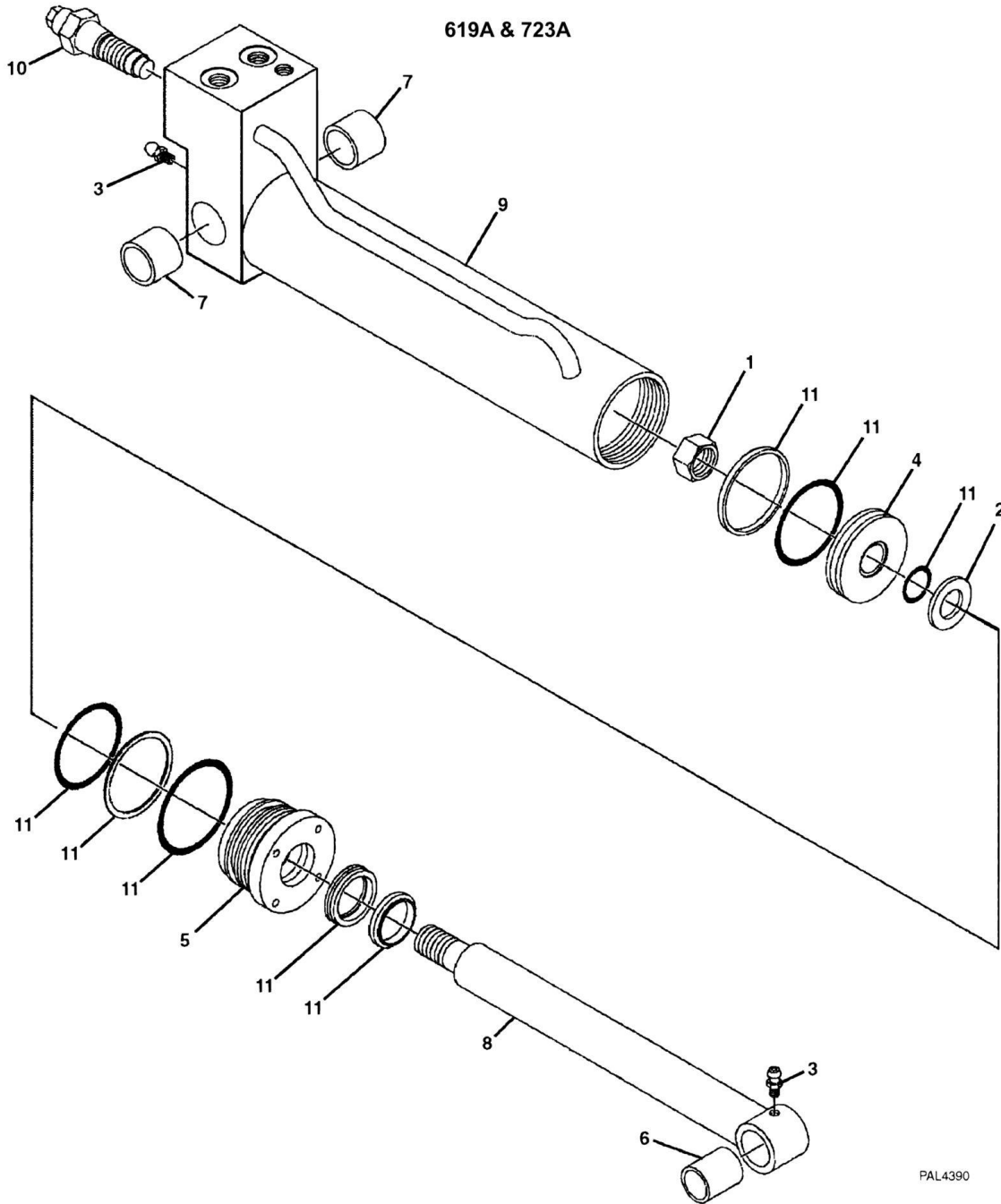
SECTION 9 - HYDRAULIC COMPONENTS

FIGURE 9-6. FORK SIDE SHIFT CYLINDER

ITEM	PART NUMBER	QTY	DESCRIPTION	REV
	1001091550	1	FORK SIDE SHIFT CYLINDER, (includes all items)	B
1	7001626	1	LOCKNUT	
2	70022644	1	PISTON	
3	Kit	2	WEAR RING	
4	Kit	1	O-RING	
5	Kit	1	PISTON RING	
6	Kit	1	O-RING	
7	70022645	1	STOP TUBE	
8	70022646	1	ROD	
9	70022647	1	BARREL	
10	70022648	1	GUIDE	
11	8036811	1	SET SCREW	
12	70022649	1	O-RING	
13	Kit	1	RING	
14	Kit	1	WIPER RING	
15	Kit	1	O-RING	
16	Kit	1	BACK-UP RING	
K1	70022643	1	SEAL KIT, (includes items 3 thru 6 & 13 thru 16)	

SECTION 9 - HYDRAULIC COMPONENTS

FIGURE 9-7. FORK SIDE TILT CYLINDER 619A & 723A



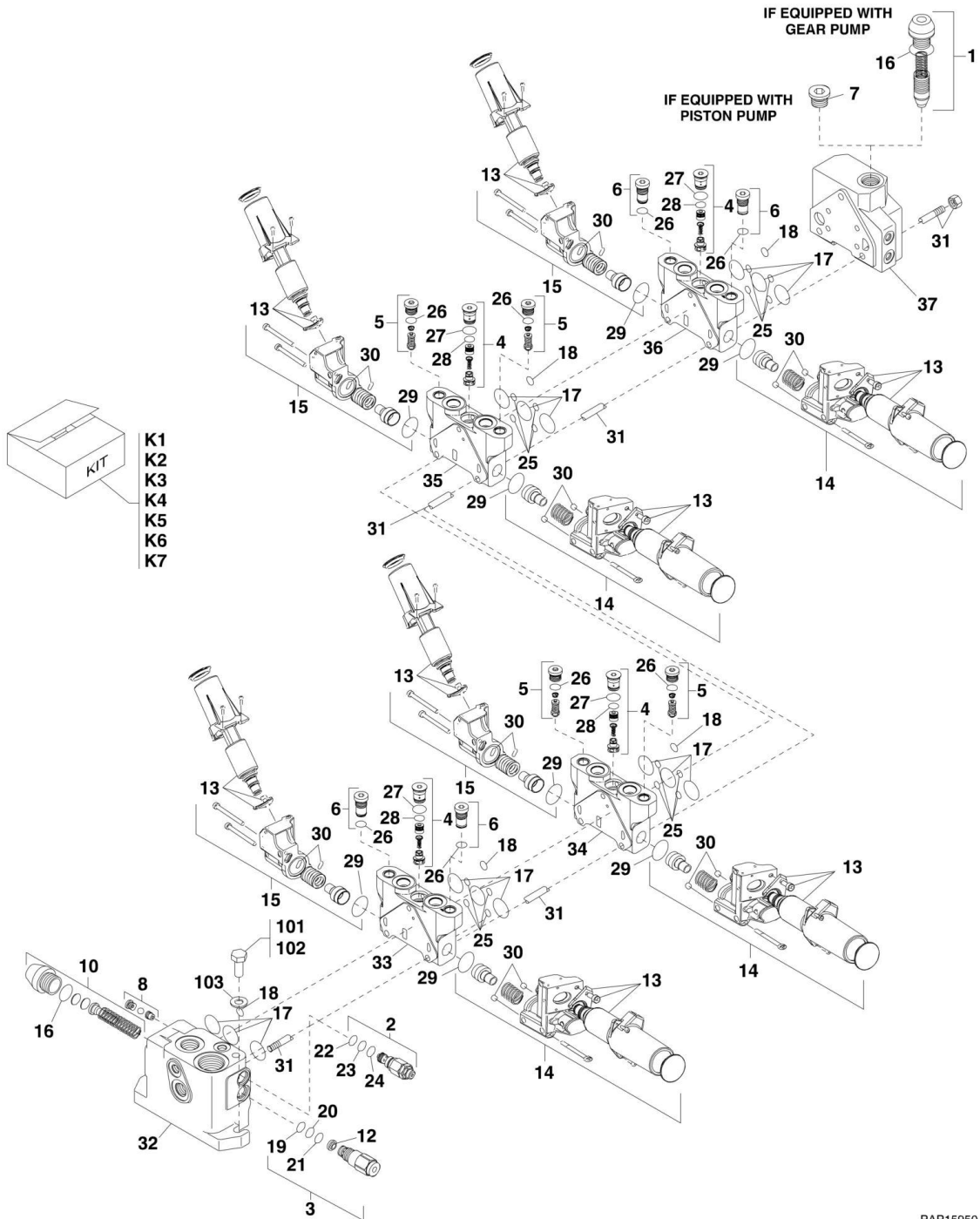
SECTION 9 - HYDRAULIC COMPONENTS

FIGURE 9-7. FORK SIDE TILT CYLINDER 619A & 723A

ITEM	PART NUMBER	QTY	DESCRIPTION	REV
	70021363	1	FORK SIDE TILT CYLINDER ASSY, (619A & 723A), (48in), (7000lbs), (includes all items)	A
1	70021440	1	HEX NUT	
2	70021444	1	WASHER	
3	90554045	2	GREASE FITTING	
4	70021451	1	PISTON	
5	70021446	1	GLAND	
6	70021447	1	BUSHING	
7	70021448	2	BUSHING	
8	70021462	1	ROD	
9	70021463	1	CYLINDER BARREL W/ VALVE	
10	70021464	2	VALVE CARTRIDGE	
11	70021452	1	SEAL KIT	

SECTION 9 - HYDRAULIC COMPONENTS

FIGURE 9-8. MAIN CONTROL VALVE



SECTION 9 - HYDRAULIC COMPONENTS

FIGURE 9-8. MAIN CONTROL VALVE

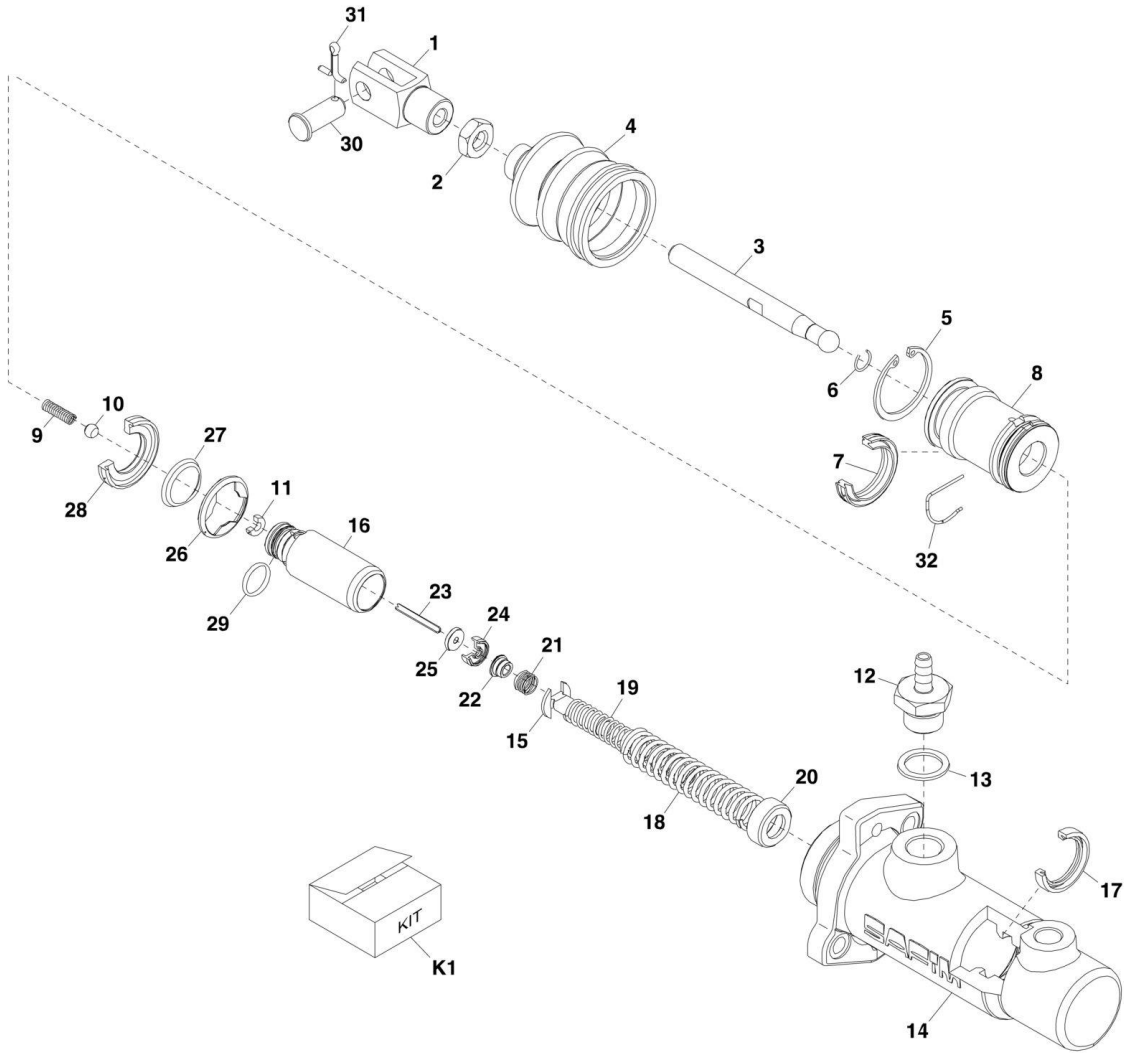
ITEM	PART NUMBER	QTY	DESCRIPTION	REV
	1001099621	1	MAIN CONTROL VALVE, (if equipped with gear pump), (includes items 1 thru 6 & 8 thru 37)	C
	1001100314	1	MAIN CONTROL VALVE, (if equipped with piston pump), (includes items 2 thru 37)	C
1	70022671	1	REGULATION KIT, (if equipped with gear pump), (includes one of item 16)	
2	70020693	1	PRESSURE RELIEF VALVE, (includes items 22 thru 24)	
3	70020695	1	FLOW REGULATOR, (includes items 12 & 19 thru 21)	
4	70022672	4	COMPENSATOR KIT, (includes one of items 27 & 28)	
5	70022673	2	RELIEF VALVE, (includes one of item 26)	
6	70022674	2	PLUG, (includes one of item 26)	
7	70022675	1	PLUG, (if equipped with piston pump)	
8	70022676	1	SHUTTLE VALVE KIT	
10	70022678	1	PLUG KIT, (includes one of item 16)	
12	70021874	1	FLOW REGULATOR FILTER	
13	70022680	8	SOLENOID KIT, (includes mounting hardware)	
14	70022681	4	SOLENOID KIT, (includes one of items 13 & 29 and two of item 30)	
15	70022682	4	SOLENOID KIT, (includes one of items 13 & 29 and two of item 30)	
16	Kit	2	O-RING	
17	Kit	18	O-RING	
18	Kit	6	O-RING	
19	Kit	1	O-RING	
20	Kit	1	O-RING	
21	Kit	1	O-RING	
22	Kit	1	O-RING	
23	Kit	1	O-RING	
24	Kit	1	O-RING	
25	Kit	20	O-RING	
26	Kit	8	O-RING	
27	Kit	4	O-RING	
28	Kit	4	O-RING	
29	Kit	8	O-RING	
30	Kit	16	O-RING	
31	70022715	3	STUD ASSY, (includes hex nut)	
32	70022708	1	INLET SECTION ASSY, (includes items 2, 3, 8, 10, 19, 24, one of items 16 & 18 and three of item 17)	
33	70022709	1	LIFT SECTION ASSY, (includes one of items 4, 6, 14, 15, 18, 27 & 28, two of items 13, 26 & 29, three of item 17 and four of items 25 & 30)	
34	70022710	1	TILT SECTION ASSY, (includes one of items 4, 5, 14, 15, 18, 27 & 28, two of items 13, 26 & 29, three of item 17 and four of items 25 & 30)	
35	70022711	1	AUXILIARY SECTION ASSY, (includes one of items 4, 5, 14, 15, 18, 27 & 28, two of items 13, 26 & 29, three of item 17 and four of items 25 & 30)	
36	70022712	1	EXTEND/RETRACT SECTION ASSY, (includes one of items 4, 6, 14, 15, 18, 27 & 28, two of items 13, 26 & 29, three of item 17 and four of items 25 & 30)	
37	70022713	1	OUTLET SECTION ASSY, (if equipped with gear pump), (includes item 1 & 31 and one of item 16)	
37	70022714	1	OUTLET SECTION ASSY, (if equipped with piston pump),	

SECTION 9 - HYDRAULIC COMPONENTS

ITEM	PART NUMBER	QTY	DESCRIPTION	REV
			(includes items 7 & 31)	
101	0100011	AR	LOCTITE 242	
102	0761015	3	HEX HD CAPSCREW, M10X35, GR8.8	
103	4812000	3	WASHER, 10mm	
K1	70022683	1	INLET SEAL KIT, (includes one of items 16 & 18 and 3 of item 17)	
K2	70022684	1	OUTLET SEAL KIT, (if equipped with gear pump), (includes one of items 16 & 18, three of item 17 and four of item 25)	
K3	70020711	1	FLOW REGULATOR SEAL KIT, (includes items 19 thru 21)	
K4	70020712	1	PRESSURE RELIEF SEAL KIT, (includes items 22 thru 24)	
K5	70022686	4	ELEMENT SEAL KIT, (if equipped with gear pump), (includes one of item 18, three of item 17 and four of item 25)	
K6	70022686	5	ELEMENT SEAL KIT, (if equipped with piston pump), (includes one of item 18, three of item 17 and four of item 25)	
K7	70022687	4	COMPLETE ELEMENT SEAL KIT, (includes one of items 18, 27 & 28, two of items 26 & 29, three of item 17 and four of items 25 & 30)	

SECTION 9 - HYDRAULIC COMPONENTS

FIGURE 9-9. SERVICE BRAKE VALVE



PAP15960

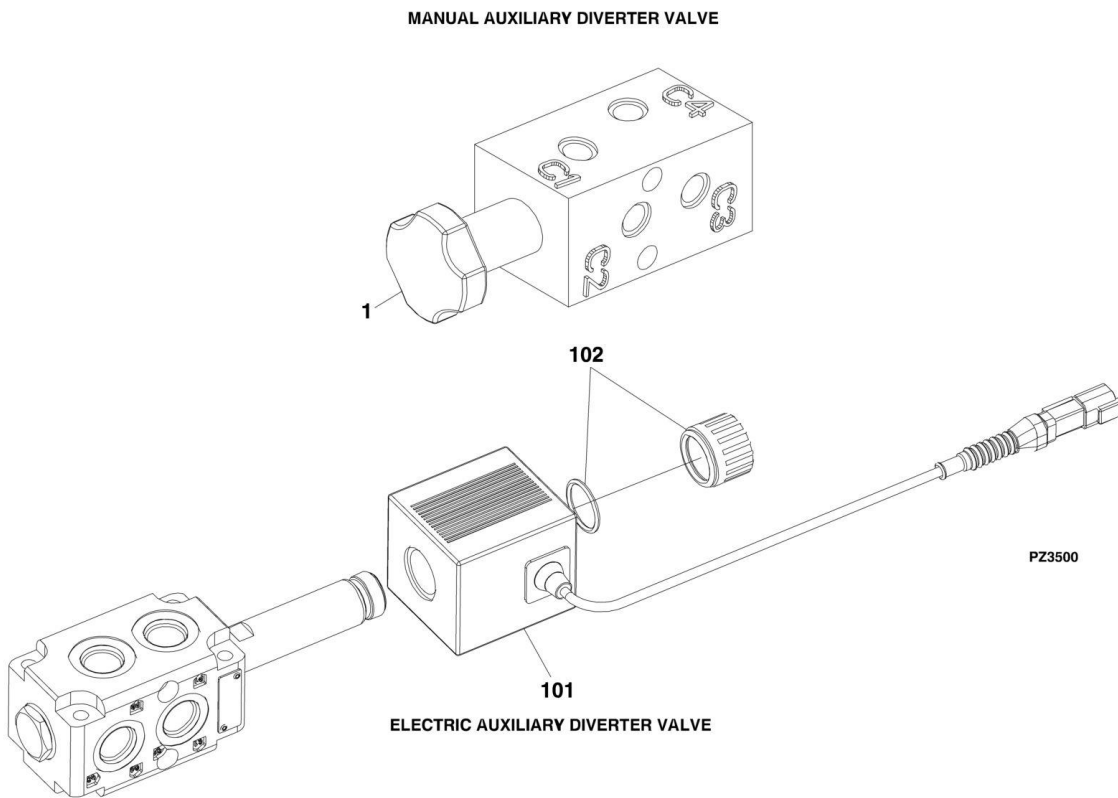
SECTION 9 - HYDRAULIC COMPONENTS

FIGURE 9-9. SERVICE BRAKE VALVE

ITEM	PART NUMBER	QTY	DESCRIPTION	REV
	1001098515	1	SERVICE BRAKE VALVE, (includes all items)	B
1	70022650	1	YOKE	
2	70020742	1	NUT	
3	70020741	1	PUSH ROD	
4	70020740	1	SEAL	
5	70022651	1	STOP RING	
6	70020739	1	STOP RING	
7	Kit	1	SEAL	
8	70022652	1	PISTON	
9	70022653	1	SPRING	
10	70020747	1	BALL	
11	Kit	1	SEAL	
12	70022654	1	RESERVOIR JOINT	
13	70022655	1	SPECIAL WASHER	
14	70022656	1	CYLINDER HOUSING	
15	70022657	1	SPRING GUIDE	
16	70022658	1	PISTON	
17	Kit	1	SEAL	
18	70020757	1	SPRING	
19	70022659	1	SPRING	
20	70022660	1	SPRING CAP	
21	70020755	1	SPRING	
22	70020754	1	SPRING GUIDE	
23	70020751	1	SPOOL	
24	Kit	1	SEAL	
25	70020752	1	WASHER	
26	70022661	1	WASHER	
27	70022662	1	CONICAL SPRING	
28	Kit	1	SEAL	
29	Kit	1	SEAL	
30	70020743	1	YOKE	
31	70020745	1	YOKE RING	
32	70020737	1	STOP RING	
K1	70022663	1	SEAL KIT, (includes items 7, 11, 17, 24, 28 & 29)	

SECTION 9 - HYDRAULIC COMPONENTS

FIGURE 9-10. BOOM AUXILIARY DIVERTER VALVES



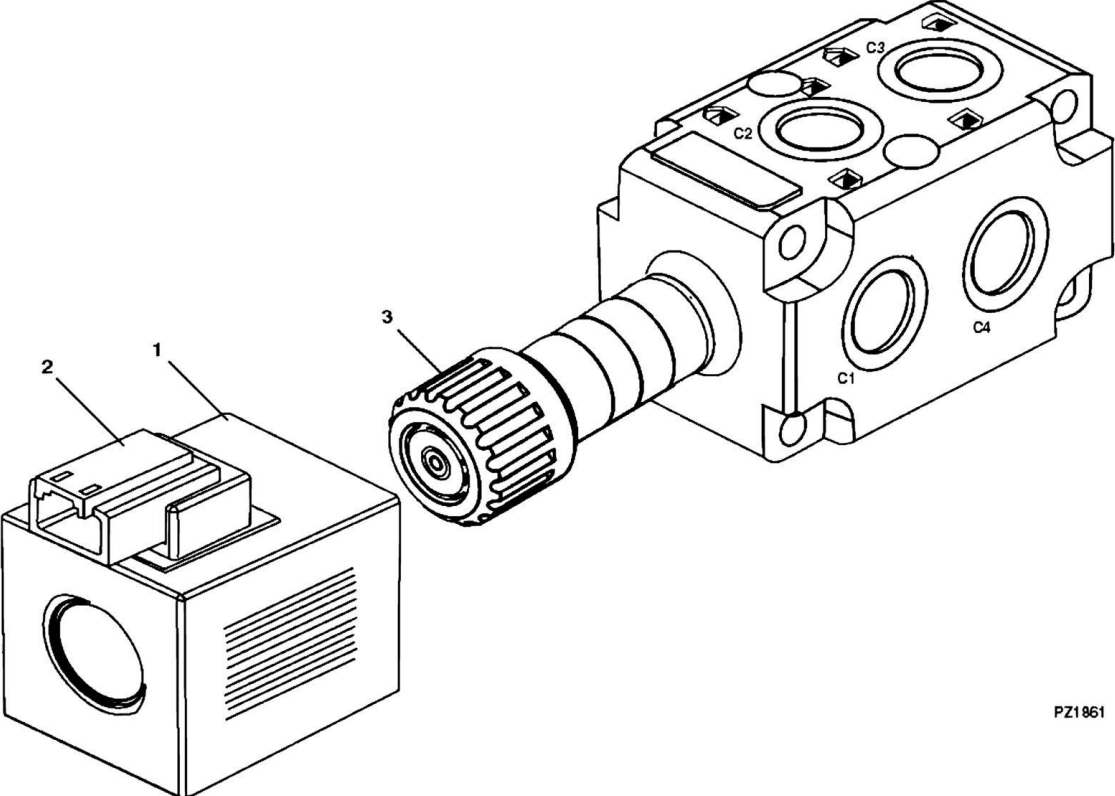
SECTION 9 - HYDRAULIC COMPONENTS

FIGURE 9-10. BOOM AUXILIARY DIVERTER VALVES

ITEM	PART NUMBER	QTY	DESCRIPTION	REV
1	4641357	1	MANUAL AUXILIARY DIVERTER VALVE, (includes item 1)	C
	70021532	1	ADJUSTMENT ASSY	
	1001104477	1	ELECTRIC AUXILIARY DIVERTER VALVE, (boom), (includes items 101 & 102)	D
101	70020764	1	COIL	
102	70021531	1	RETAINER KIT, (includes o-rings and nut)	

SECTION 9 - HYDRAULIC COMPONENTS

FIGURE 9-11. REAR ELECTRIC AUXILIARY DIVERter VALVE



PZ1861

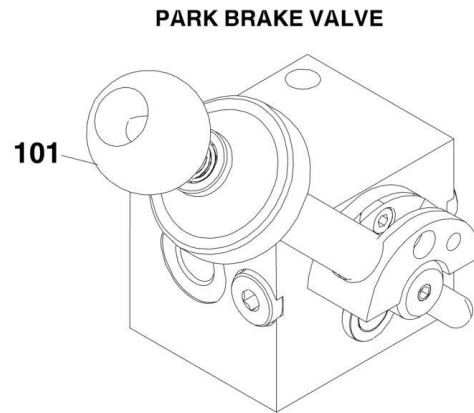
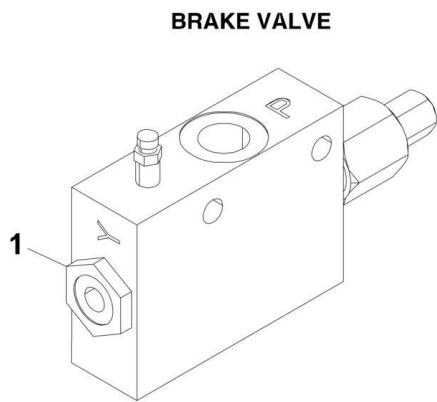
SECTION 9 - HYDRAULIC COMPONENTS

FIGURE 9-11. REAR ELECTRIC AUXILIARY DIVERter VALVE

ITEM	PART NUMBER	QTY	DESCRIPTION	REV
	4641404	1	ELECTRIC AUXILIARY DIVERter VALVE, (REAR), (if equipped), (includes all items)	B
1	70021530	1	COIL, (includes item 2)	
2	7028909	1	CONNECTOR	
3	70021531	1	RETAINER KIT, (includes o-rings and nut)	

SECTION 9 - HYDRAULIC COMPONENTS

FIGURE 9-12. BRAKE VALVES



PAP25020

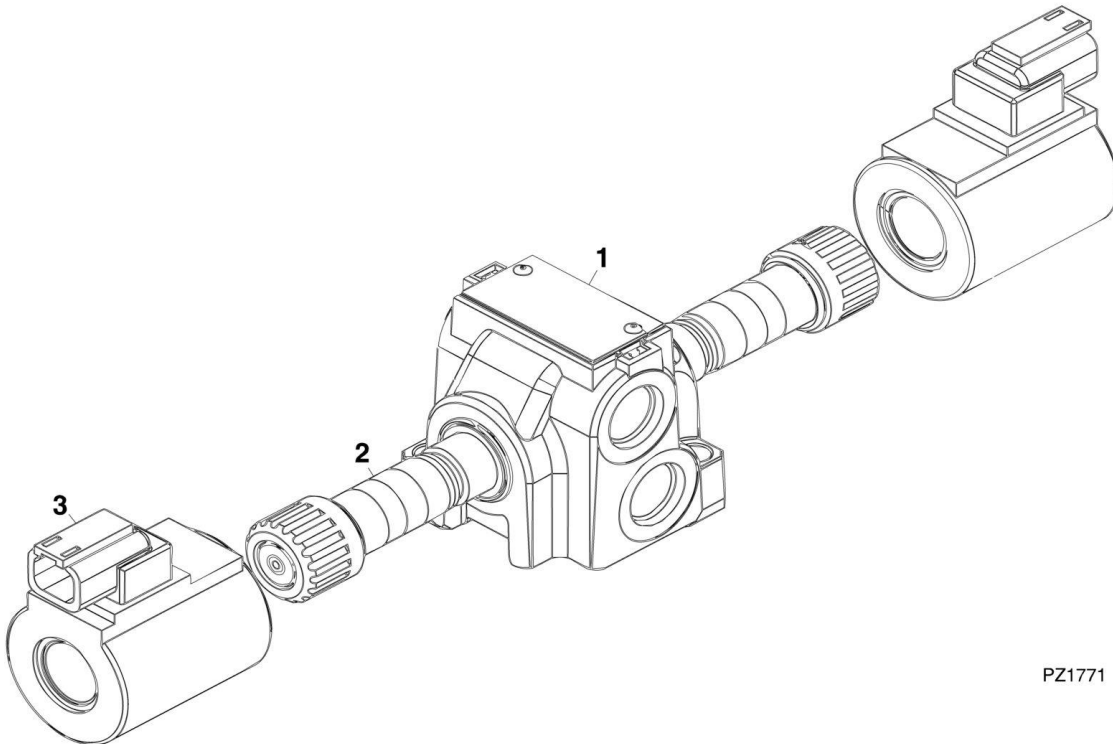
SECTION 9 - HYDRAULIC COMPONENTS

FIGURE 9-12. BRAKE VALVES

ITEM	PART NUMBER	QTY	DESCRIPTION	REV
1	4641474	1	BRAKE VALVE, (INCHING VALVE), (includes item 1)	D
	70020921	1	SEAL KIT	
101	4641401	1	PARK BRAKE VALVE, (includes item 101)	A
	70020800	1	BALL KNOB	

SECTION 9 - HYDRAULIC COMPONENTS

FIGURE 9-13. STEERING SELECT VALVE



PZ1771

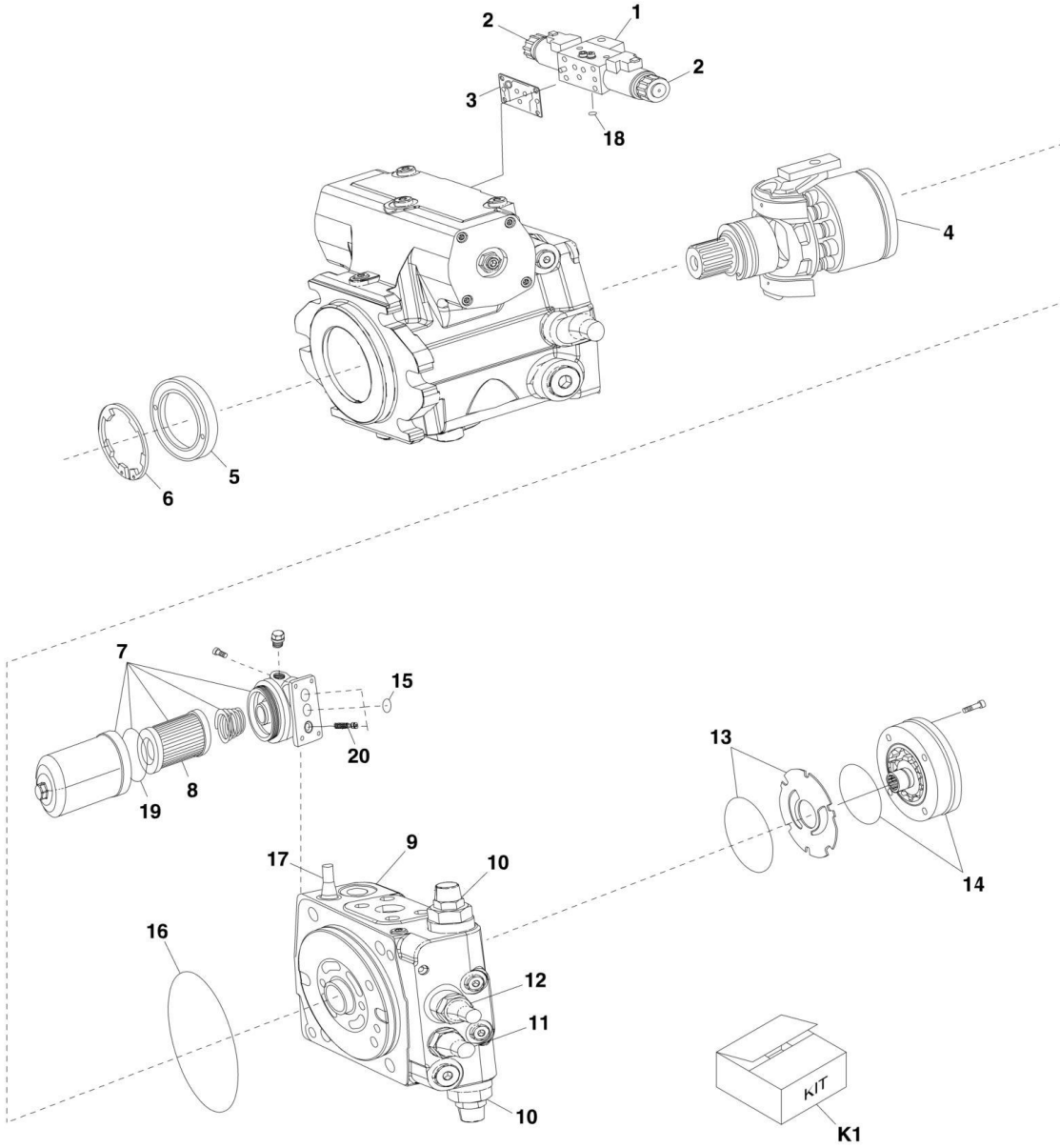
SECTION 9 - HYDRAULIC COMPONENTS

FIGURE 9-13. STEERING SELECT VALVE

ITEM	PART NUMBER	QTY	DESCRIPTION	REV
	4641519	1	STEERING SELECT VALVE, (includes all items)	A
1	70020866	1	VALVE BODY	
2	70020867	1	SEAL KIT	
3	70020868	1	COIL	

SECTION 9 - HYDRAULIC COMPONENTS

FIGURE 9-14. HYDROSTATIC TRANSMISSION



PAP15970

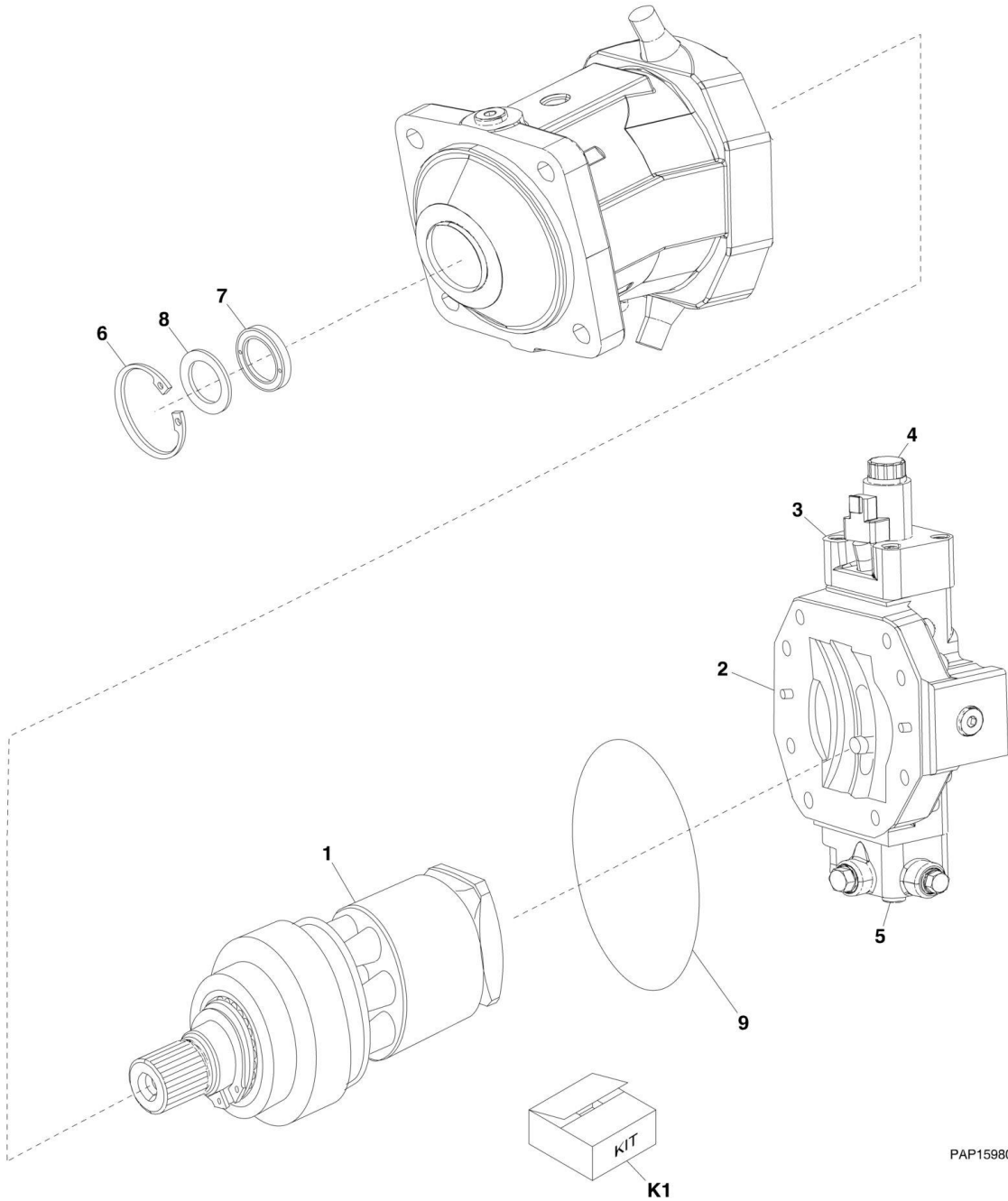
SECTION 9 - HYDRAULIC COMPONENTS

FIGURE 9-14. HYDROSTATIC TRANSMISSION

ITEM	PART NUMBER	QTY	DESCRIPTION	REV
	1001099179	1	HYDROSTATIC TRANSMISSION, (includes all items)	B
1	70022725	1	CONTROL ASSY, (includes item 2)	
2	70022726	2	12V SOLENOID	
3	Kit	1	GASKET	
4	7028878	1	ROTARY GROUP	
5	Kit	1	SHAFT SEAL	
6	Kit	1	RETAINING RING	
7	70022727	1	FILTER ASSY, (includes items 8, 15, 19, 20 and mounting hardware)	
8	70022728	1	FILTER ELEMENT	
9	7028879	1	PORT BLOCK W/ VALVES, (includes items 10 thru 12 & 17)	
10	70022729	2	HIGH PRESSURE RELIEF VALVE	
11	7028881	1	PRESSURE RELIEF VALVE	
12	91144099	1	CONTROL CARGRIDGE	
13	Kit	1	WEAR PLATE W/ O-RING	
14	70022730	1	CHARGE PUMP, (includes o-ring)	
15	70022731	1	O-RING KIT, (includes 3 o-rings)	
16	Kit	1	O-RING	
17	7028880	1	PRESSURE OVER-RIDE VALVE	
18	Kit	1	O-RING	
19	70022732	1	O-RING	
20	70022733	1	COLD START VALVE	
K1	7029534	1	SEAL KIT, (includes items 3, 5, 6, 13, 16 & 18)	

SECTION 9 - HYDRAULIC COMPONENTS

FIGURE 9-15. HYDRAULIC DRIVE MOTOR



PAP15980

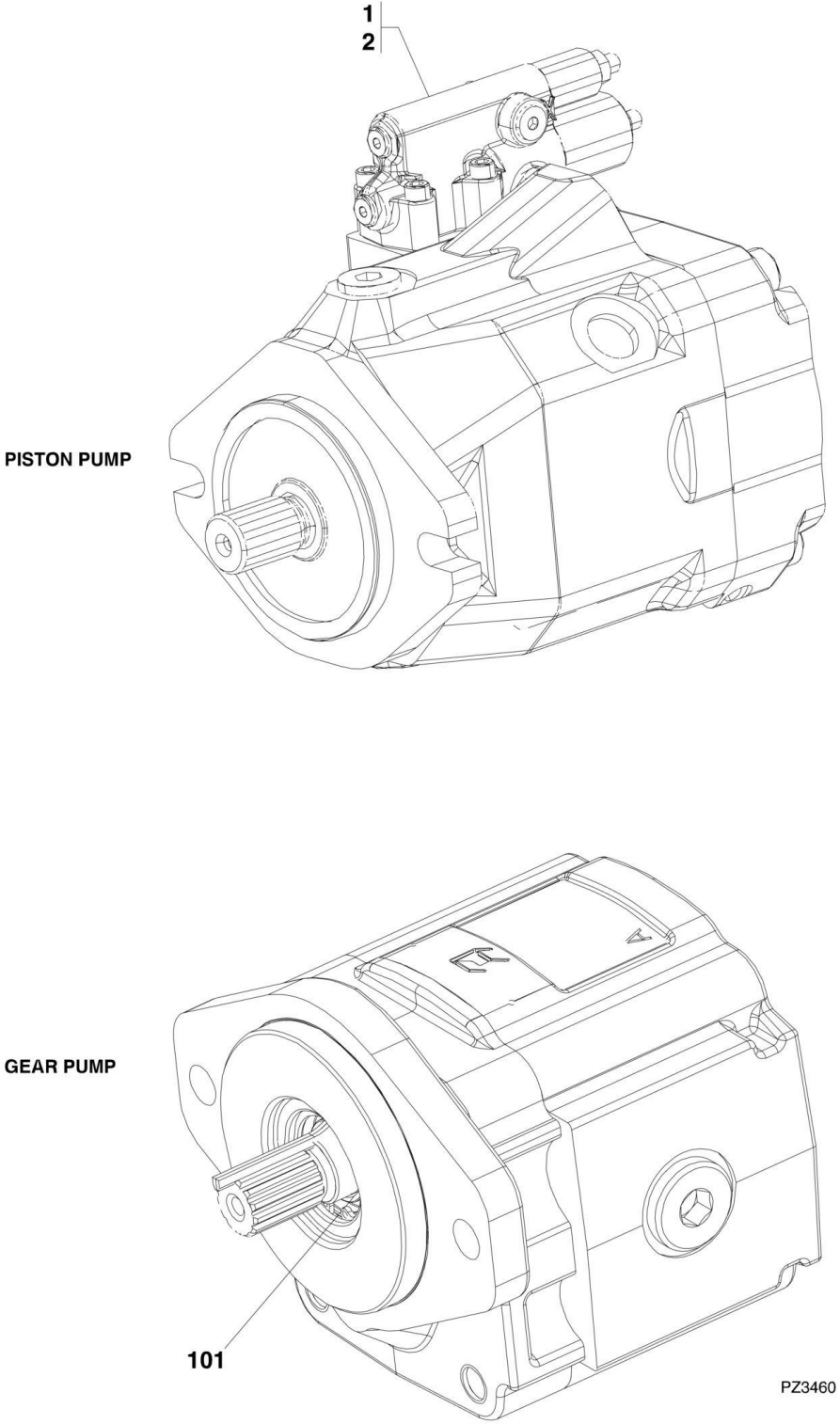
SECTION 9 - HYDRAULIC COMPONENTS

FIGURE 9-15. HYDRAULIC DRIVE MOTOR

ITEM	PART NUMBER	QTY	DESCRIPTION	REV
	1001099180	1	HYDRAULIC MOTOR, (L2906H, 2906H, 619A, 29.6LP & 29.6), (includes all items)	B
	1001099181	1	HYDRAULIC MOTOR, (3507H, 723A & 35.7), (includes all items)	B
1	7028798	1	ROTARY GROUP, (L2906H, 2906H, 619A, 29.6LP & 29.6)	
1	7028825	1	ROTARY GROUP, (3507H, 723A & 35.7)	
2	70022666	1	CONTROL ASSY, (L2906H, 2906H, 619A, 29.6LP & 29.6)	
2	70022668	1	CONTROL ASSY, (3507H, 723A & 35.7)	
3	70022667	1	CONTROL, (L2906H, 2906H, 619A, 29.6LP & 29.6)	
3	70022669	1	CONTROL, (3507H, 723A & 35.7)	
4	70022670	1	SOLENOID	
5	7028818	1	FLUSH VALVE, (L2906H, 2906H, 619A, 29.6LP & 29.6)	
5	7028834	1	FLUSH VALVE, (3507H, 723A & 35.7)	
6	80934052	1	SNAP RING, (L2906H, 2906H, 619A, 29.6LP & 29.6)	
6	7028821	1	SNAP RING, (3507H, 723A & 35.7)	
7	Kit	1	SHAFT SEAL RING	
8	7028802	1	SHIM, (L2906H, 2906H, 619A, 29.6LP & 29.6)	
8	7028822	1	SHIM, (3507H, 723A & 35.7)	
9	Kit	1	O-RING	
K1	7028803	1	SEAL KIT, (L2906H, 2906H, 619A, 29.6LP & 29.6), (includes items 7 & 9)	
K1	7028820	1	SEAL KIT, (3507H, 723A & 35.7), (includes item 7 & 9)	

SECTION 9 - HYDRAULIC COMPONENTS

FIGURE 9-16. PISTON PUMP AND GEAR PUMP



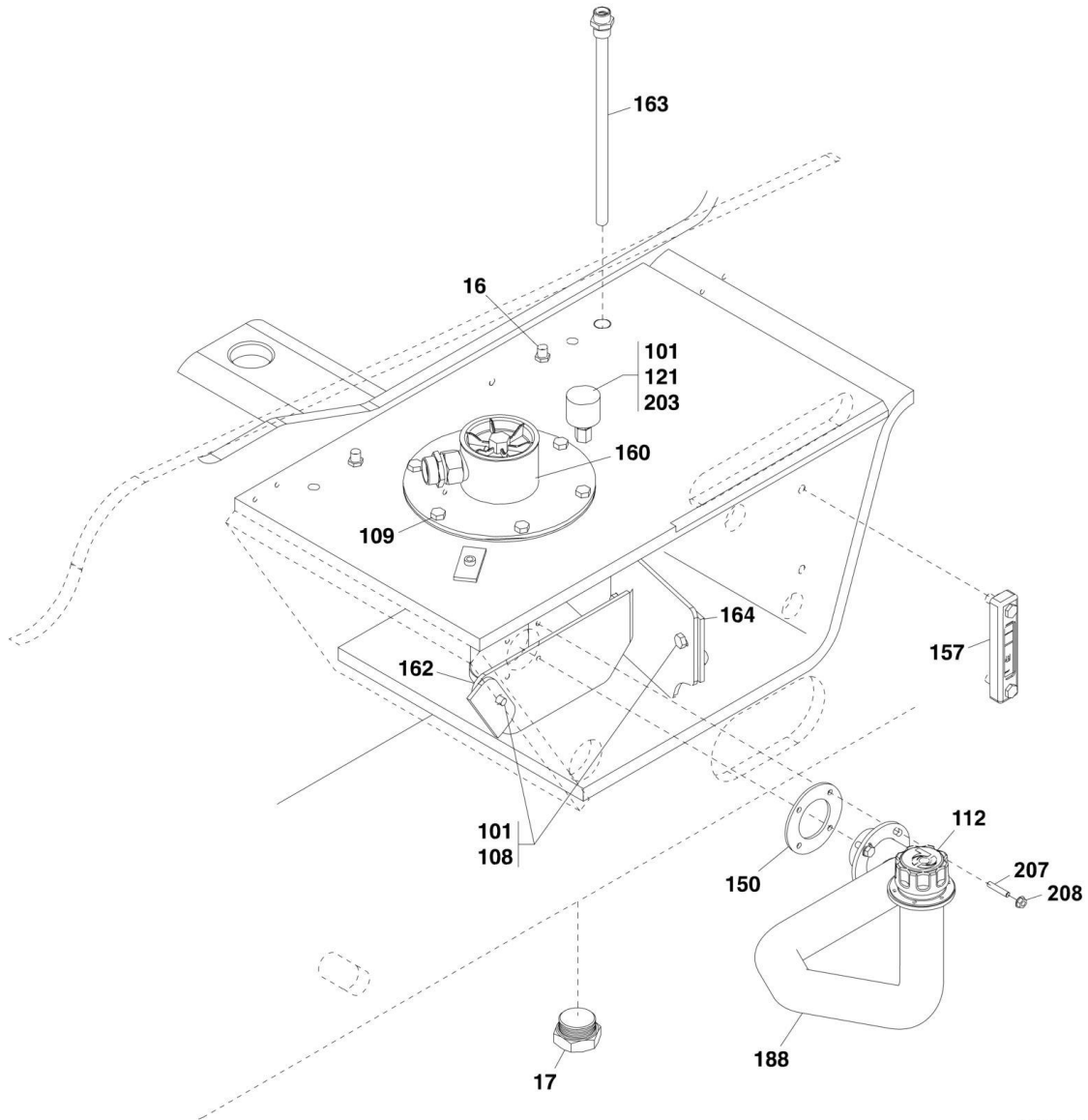
SECTION 9 - HYDRAULIC COMPONENTS

FIGURE 9-16. PISTON PUMP AND GEAR PUMP

ITEM	PART NUMBER	QTY	DESCRIPTION	REV
	1001105074	1	PISTON PUMP, (if equipped), (includes items 1 thru 3)	B
1	70020797	1	CONTROL VALVE	
2	Kit	1	GASKET	
3	70022665	1	SEAL KIT, (includes item 2 and o-rings), (not shown)	
	1001101150	1	GEAR PUMP, (if equipped), (includes item 101)	C
101	70022546	1	SEAL KIT	

SECTION 9 - HYDRAULIC COMPONENTS

FIGURE 9-17. HYDRAULIC TANK



PAP25010

SECTION 9 - HYDRAULIC COMPONENTS

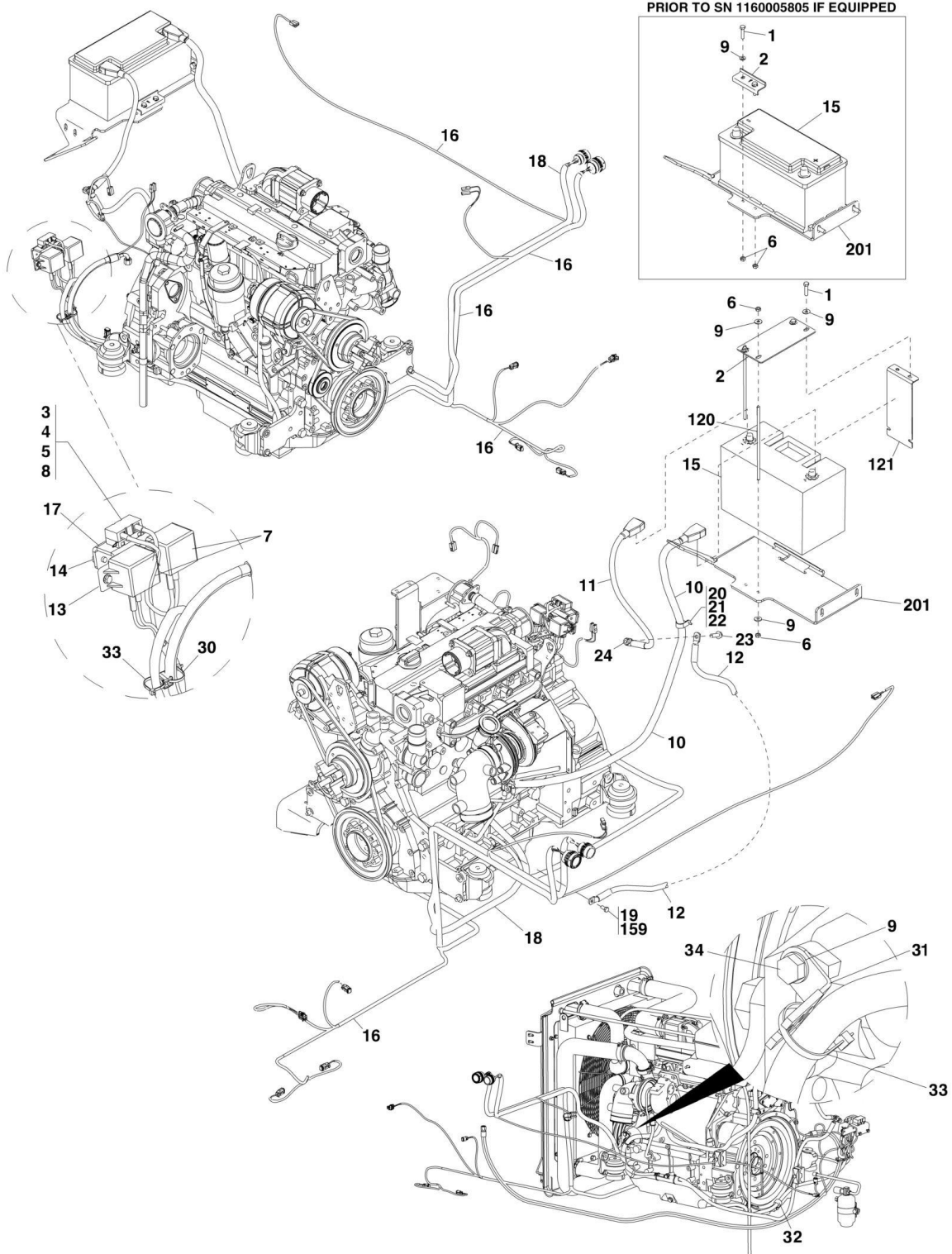
FIGURE 9-17. HYDRAULIC TANK

ITEM	PART NUMBER	QTY	DESCRIPTION	REV
16	2142503	1	FITTING CAP	
17		Ref	PLUG, (See FRAME AND ATTACHING PARTS SECTION for Breakdown)	
101	1001095650	AR	LOCTITE 243	
108	0761010	4	HEX HD CAPSCREW, M10X20, GR8.8	
109		Ref	PLATES AND MOUNTING HARDWARE, (See HYDRAULIC CIRCUITS SECTION for Breakdown)	
112	1120597	1	FILL CAP	
121	2120206	1	BREATHER	
150	3960603	1	SEAL	
157	8005248	1	SIGHT GLASS	
160		Ref	FILTER, (See HYDRAULIC CIRCUITS SECTION for Breakdown)	
162	1001097806	1	PLATE	
163	1001097976	1	DRAIN TUBE	
164	1001098104	1	PLATE	
188	1001101381	1	HYDRAULIC FILL PIPE	
203	2180874	1	SPACER	
207	1001115482	4	STUD, M8X40	
208	5220800	4	RIPP NUT, 8mm	

SECTION 10 - ELECTRICAL

SECTION 10 - ELECTRICAL

FIGURE 10-1. ENGINE ELECTRICAL INSTALLATION



ART_PAP4840-B

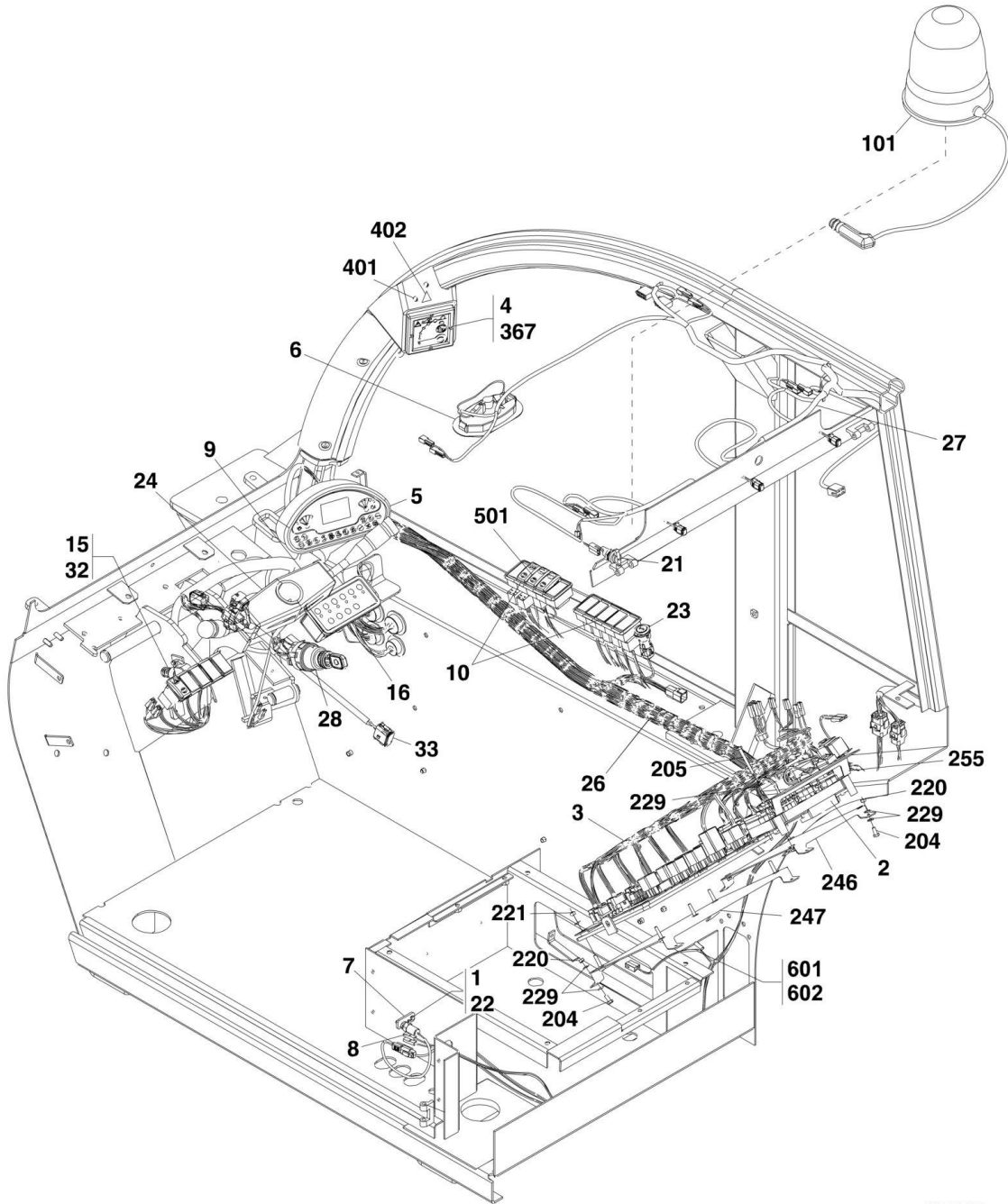
SECTION 10 - ELECTRICAL

FIGURE 10-1. ENGINE ELECTRICAL INSTALLATION

ITEM	PART NUMBER	QTY	DESCRIPTION	REV
	1001103735	Ref	BASIC ENGINE ELECTRICAL INSTALLATION, (L2906H, 2906H, 3507H, 29.6LP, 29.6 & 35.7), (619A & 723A - if equipped), (not available to order, see items 1 thru 34, 120 & 121 for service)	G
	1001112841	Ref	HEAVY DUTY ENGINE ELECTRICAL INSTALLATION, (619A & 723A - if equipped), (not available to order, see items 1 thru 24, 120 & 121 for service)	A
1	0700815	2	HEX HD CAPSCREW, M8X35, GR8.8	
2	1787217	NLA	CLAMP, (no longer available, use 1001092201, 1001092197 & 1001115676 for replacement) (Prior to SN 1160005805)	
2	1001092201	1	PLATE	
3	2400073	1	FUSE HOLDER	
4	2400074	1	50 AMP FUSE	
5	3290305	2	HEX LOCKNUT, M3X0.5	
6	3290805	NLA	HEX LOCKNUT, M8X1.25, (no longer available, use 3290801 for replacement) (Prior to SN 1160005805)	
6	3290801	4	HEX LOCKNUT, M8X1.25	
7	3740112	2	75 AMP RELAY	
8	4010308	2	PAN HD CAPSCREW, M3X16	
9	4811900	NLA	WASHER, 8mm, (no longer available, use 4811902 for replacement) (Prior to SN 1160005805)	
9	4811902	6	WASHER, 6mm	
10	4923207	1	POSITIVE BATTERY CABLE	
11	4923208	1	NEGATIVE BATTERY CABLE	
12	4923209	1	NEGATIVE BATTERY WIRE	
13	5200605	4	BOLT, M6X10	
14	5200608	2	BOLT, M6X16	
15	8008750	1	12V BATTERY, (BASIC)	
15	1001091683	1	12V BATTERY, (HEAVY DUTY)	
16		Ref	ENGINE HARNESS, (See ENGINE HARNESS for Breakdown)	
17	1001103104	1	BRACKET	
18		Ref	POWER/GROUND HARNESS, (See POWER/GROUND HARNESS for Breakdown)	
19	0760808	1	HEX HD CAPSCREW, M8X16, GR8.8	
20	0760610	1	HEX HD CAPSCREW, M6X16, GR8.8	
21	4811700	1	WASHER, 6mm	
22	1009352	1	CLIP	
23	3291001	1	HEX NUT, M10 X 1.5	
24	5201014	1	RIPP BOLT, M10 X 30	
30	1001004723	1	SADDLE	
31	1001025753	1	CLIP	
32	1001100319	2	CLIP	
33	1001008559	AR	STRAP CABLE	
34	0760810	1	HEX HD CAPSCREW, M8X20	
120	1001092197	2	THREADED ROD	
121	1001115676	1	BRACKET, (BASIC) (SN 1160005805 to Present)	
121	1001109843	1	BRACKET, (HEAVY)	
159	4811900	1	WASHER, 8mm, (BASIC)	
201		Ref	AIR INTAKE SUPPORT, (See ENGINE AND ATTACHING PARTS SECTION for Breakdown)	

SECTION 10 - ELECTRICAL

FIGURE 10-2. CAB ELECTRICAL INSTALLATION



PAP4481

SECTION 10 - ELECTRICAL

FIGURE 10-2. CAB ELECTRICAL INSTALLATION

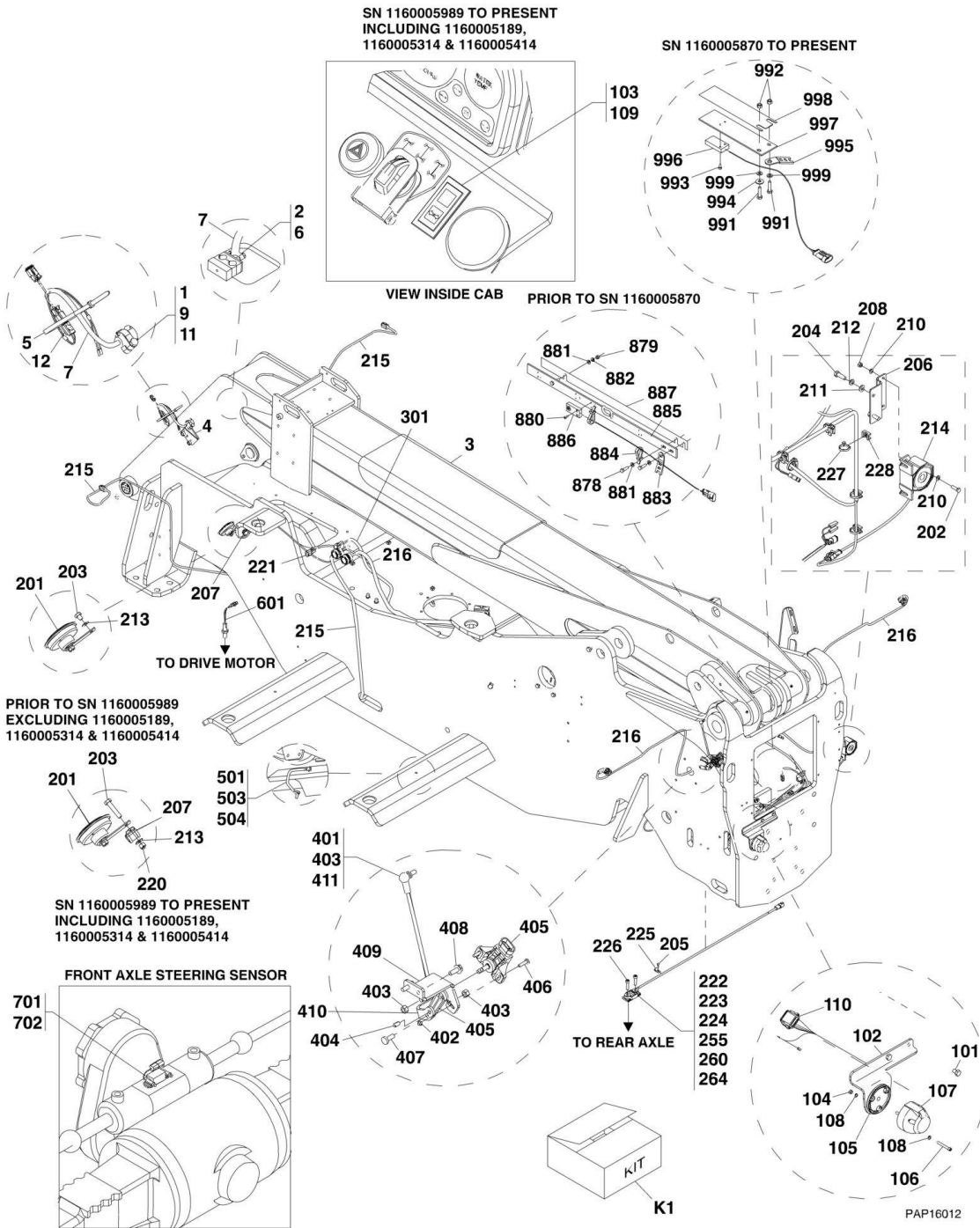
ITEM	PART NUMBER	QTY	DESCRIPTION	REV
	1001097465	Ref	CAB ELECTRICAL INSTALLATION, (L2906H, 2906H & 3507H), (not available to order, see items 1 thru 32 & 401 for service)	P
	1001114110	Ref	CAB ELECTRICAL INSTALLATION, (619A & 723A - Open Cab), (not available to order, see items 1 thru 3, 5, 7, 8, 10, 16, 22 thru 26, 28, 31 & 33 for service)	H
	1001106543	Ref	CAB ELECTRICAL INSTALLATION, (619A & 723A - Enclosed Cab), (not available to order, see items 1 thru 3, 5, 7, 8, 10, 16, 22 thru 26, 28, 31 & 33 for service)	K
	1001102698	Ref	CAB ELECTRICAL INSTALLATION, (619A & 723A - if equipped with A/C),(not available to order, see items 1 thru 3, 5, 7, 8, 10 16 thru 33 & 77 for service)	J
1	0760405	2	HEX HD CAPSCREW, M4X10, GR8.8	
2	1001102954	1	GROUND CONTROLLER ASSY	
3	1001134580	1	POWER DISTRIBUTION ASSY	
3	8229233	7	7.5 AMP FUSE	
3	8229234	2	10 AMP FUSE	
3	8229237	18	15 AMP FUSE	
3	8229235	2	20 AMP FUSE	
3	8229262	1	25 AMP FUSE	
3	1001100781	1	FOUR PIN FLASHER RELAY	
3	8225119	7	30 AMP FUSE	
4	1001113165	1	LSI DISPLAY, (L2906H, 2906H, 3507H, 29.6LP, 29.6 & 35.7) (Prior to SN 1160005993, Excluding 1160005189, 1160005314 and 1160005414)	
4	1001127308	1	LSI DISPLAY, (L2906H, 2906H, 3507H, 29.6LP, 29.6 & 35.7) (SN 1160005993 through 1160007082, Including 1160005189, 1160005314 and 1160005414, Excluding 1160007074)	
4	1001157440	1	LSI DISPLAY, (L2906H, 2906H, 3507H, 29.6LP, 29.6 & 35.7) (SN 1160007083 through 1160007306, Including 1160007074, Excluding 1160005832, 1160007285 and 1160007287)	
4	1001173661	1	LSI DISPLAY, (L2906H, 2906H, 3507H, 29.6LP, 29.6 & 35.7) (SN 1160007307 through 1160007787, Including 1160005832, 1160007285 and 1160007287)	
4	1001192979	1	LSI DISPLAY, (L2906H, 2906H, 3507H, 29.6LP, 29.6 & 35.7) (SN 1160007788 to Present)	
5	1001105676	1	GAUGE CLUSTER, (L2906H, 2906H, 3507H, 619A & 723A)	
6	2920209	1	DOME LIGHT, (L2906H, 2906H, 3507H, 29.6LP, 29.6 & 35.7)	
6	70020795	1	LIGHT BULB, (L2906H, 2906H, 3507H, 29.6LP, 29.6 & 35.7)	
7	4340970	1	MICRO SWITCH BRACKET	
8	4360580	1	WATER PROOF SWITCH	
9		Ref	TURN/WIPER/HORN SWITCH, (See CONTROLS SECTION for Breakdown)	
10		Ref	CAB SWITCHES, (See CAB SWITCHES for Breakdown)	
15	4360658	1	BRAKE LIGHT SWITCH	
16	4360660	1	KEYPAD SWITCH, (L2906H, 2906H, 3507H, 619A & 723A)	
21	1001112674	5	12V POWER SUPPLY TERMINAL, (L2906H, 2906H, 3507H, 29.6LP, 29.6 & 35.7), (619A & 723A - if equipped)	
22	4811400	2	WASHER, 4mm	
23	1001095804	1	12V POWER SOCKET CONNECTOR	
24		Ref	F-N-R SWITCH, (See CONTROLS SECTION for Breakdown)	
25		Ref	JOYSTICK, (not shown), (See CONTROLS SECTION for Breakdown)	
26		Ref	CAB MAIN HARNESS, (See CAB MAIN HARNESS for Breakdown)	

SECTION 10 - ELECTRICAL

ITEM	PART NUMBER	QTY	DESCRIPTION	REV
27		Ref	CAB ROOF HARNESS, (L2906H, 2906H, 3507H, 29.6LP, 29.6 & 35.7),(619A & 723A - if equipped with A/C), (See CAB ROOF HARNESS for Breakdown)	
28	1001102502	1	IGNITION SWITCH	
28	70022765	1	REPLACEMENT KEY	
31		Ref	MACHINE HD CAPSCREW, M5X25 (not shown), (See CONTROLS SECTION for Breakdown)	
32	4010408	2	POZI-DRIVE PAN HD SCREW, 4X16mm	
33		Ref	LIGHT SHIFTER HARNESS, (See LIGHT SHIFTER HARNESS for Breakdown)	
77		Ref	ROOF PANEL COVER, (619A & 723A - if equipped with A/C), (not shown), (See CAB SECTION for Breakdown)	
101	1001091573	NLA	YELLOW WARNING LIGHT, (BEACON), (no longer available, use 1001217623 for replacement)	
101	1001217623	1	YELLOW WARNING LIGHT, (BEACON), (if equipped)	
204	0760607	8	HEX HD CAPSCREW, 6X14mm, GR8.8	
205	0760619	4	HEX HD CAPSCREW, 6X55mm, GR8.8	
220	3290601	8	HEX NUT, 6X1mm	
221	3290605	5	HEX LOCKNUT, 6X1mm	
229	4811700	29	WASHER, 6mm	
246	1001102725	1	GROUND CONTROLLER BRACKET	
247	1001102738	1	POWER DISTRIBUTION BRACKET	
255	1001105529	1	RELAY MOUNT BRACKET	
367	4031506	4	SOCKET HD CAPSCREW, 4X12mm	
401	1001127394	1	LSI CUT OUT LAMP HARNESS (Prior to SN 1160006454)	
401	1001128537	1	LSI CUT OUT LAMP HARNESS (SN 1160006454 to Present)	
402	1001127546	1	LSI WARNING DECAL (SN 1160005989 to Present)	
501	1001115879	1	LIGHTS JUMPER WIRE, (619A & 723A)	
	1001154054	Ref	SEAT SWITCH INSTALLATION (includes items 601 & 602)	A
601	471678	AR	CABLE BAND	
602		Ref	SEAT SWITCH WIRE, (See SEAT SWITCH WIRE for Breakdown)	

SECTION 10 - ELECTRICAL

FIGURE 10-3. BOOM AND FRAME ELECTRICAL INSTALLATION



SECTION 10 - ELECTRICAL

FIGURE 10-3. BOOM AND FRAME ELECTRICAL INSTALLATION

ITEM	PART NUMBER	QTY	DESCRIPTION	REV
	1001111782	Ref	AUXILIARY BOOM ELECTRICAL INSTALLATION, (L2906H, 2906H, 619A, 29.6LP & 29.6), (if equipped), (not available to order, see items 1 thru 12 for service) (Prior to SN 1160005870)	H
	1001102989	Ref	AUXILIARY BOOM ELECTRICAL INSTALLATION, (L2906H, 2906H, 619A, 29.6LP & 29.6), (if equipped), (includes items 1 thru 12) (SN 1160005870 to Present)	J
	1001111783	Ref	AUXILIARY BOOM ELECTRICAL INSTALLATION, (3507H, 723A & 35.7), (if equipped), (not available to order, see items 1 thru 12 for service) (Prior to SN 1160005870)	H
	1001102990	Ref	AUXILIARY BOOM ELECTRICAL INSTALLATION, (3507H, 723A & 35.7), (if equipped), (includes items 1 thru 12) (SN 1160005870 to Present)	H
1	0700818	1	HEX HD CAPSCREW, M8X50, GR8.8	
2	0700826	1	HEX HD CAPSCREW, M8X90, GR8.8	
3		Ref	BOOM ASSY, (See BOOM SECTION for Breakdown)	
4	0903637	1	CLAMP MOUNT BRACKET	
5	1062255	1	TIE STRAP	
6	1321264	2	TUBE CLAMP	
7		Ref	AUXILIARY ELECTRICAL HARNESS, (See BOOM AUXILIARY ELECTRIC HARNESS for Breakdown)	
8	2997586	1	CLAMP	
9	3290801	1	HEX NUT, M8X1.25	
10	4010616	2	PAN HD CAPSCREW, M6X40	
11	4811900	1	WASHER, 8mm	
12	4923633	1	ADAPTER HARNESS	
	2902377	1	TRAILER PLUG KIT, (if equipped), (includes items 101 thru 110)	C
101	0760806	2	HEX HD CAPSCREW, M8X12, GR8.8	
102	0903094	1	TRAILER PLUG BRACKET	
103	1719204	1	LIGHT INDICATOR	
104	3290507	3	HEX LOCKNUT, M5X0.8	
105	3960600	1	GASKET TRAILER PLUG	
106	4031612	3	SOCKET HD CAPSCREW, M5X40	
107	4461021	1	TRAILER PLUG	
108	4811600	6	WASHER, 5mm	
109	8002826	1	TRAILER DIRECTION INDICATOR	
110	4923122	1	ELECTRICAL HARNESS	
	1001106465	Ref	FRAME ELECTRICAL INSTALLATION, (619A & 723A), (not available to order, see items 201 thru 204, 206 thru 208 & 210 thru 216 for service)	C
	1001103737	Ref	FRAME ELECTRICAL INSTALLATION, (L2906H, 2906H, 3507H, 29.6LP, 29.6 & 35.7), (not available to order, see items 201 thru 260 for service)	J
201	0140046	1	HORN	
202	0700610	2	HEX HD CAPSCREW, M6X20, GR8.8	
203	0760805	2	HEX HD CAPSCREW, M8X10, GR8.8, (L2906H, 2906H, 3507H, 29.6LP, 29.6 & 35.7), (619A & 723A) (Prior to SN 1160005989, Excluding 1160005189, 1160005314 and 1160005414)	
203	0760816	1	HEX HD CAPSCREW, M8X40, GR8.8, (L2906H, 2906H, 3507H, 29.6LP, 29.6 & 35.7) (SN 1160005989 to Present, Including 1160005189, 1160005314 and 1160005414)	
204	0760812	2	HEX HD CAPSCREW, M8X25, GR8.8	
205	0700605	1	HEX HD CAPSCREW, M6X10, GR8.8	
206	0903624	1	BRACKET	

SECTION 10 - ELECTRICAL

ITEM	PART NUMBER	QTY	DESCRIPTION	REV
207	1320061	1	CLAMP	
208	3290605	2	HEX LOCKNUT, M6X1	
210	4811700	4	WASHER, 6mm	
211	4811900	2	WASHER, 8mm	
212	4831900	2	LOCKWASHER, 8mm	
213	5211900	2	LOCKWASHER, 8mm	
214	1001099810	1	BACK-UP ALARM	
215		Ref	FRONT FRAME HARNESS, (See FRONT FRAME HARNESS for Breakdown)	
216		Ref	REAR FRAME HARNESS, (See REAR FRAME HARNESS for Breakdown)	
220	3290805	1	HEX LOCKNUT, 8X1.25mm	
221	1001121398	1	LSI SENSOR HARNESS, (L2906H, 2906H, 3507H, 29.6LP, 29.6 & 35.7) (SN 1160005989 to Present, Including 1160005189, 1160005314 and 1160005414)	
222	1001125465	AR	LOCTITE 7063	
223	1001129425	AR	LOCTITE 246	
224	1001125467	AR	LOCTITE 7471 (Prior to SN 1160006153)	
225	1001129392	1	CLIP	
226	5272012	2	HEX HD CAPSCREW, M10X40	
227	471678	10	BAND CLAMP, 4.8X204mm	
228	8007986	10	MOUNTING CLIP	
255	0771016	2	HEX HD CAPSCREW, M10X40, GR10.9, (L2906H, 2906H, 3507H, 29.6LP, 29.6 & 35.7) (Prior to SN 1160005989, Excluding 1160005189, 1160005314 and 1160005414)	
255	5272011	2	SOCKET HD SCREW, 10X35mm, (L2906H, 2906H, 3507H, 29.6LP, 29.6 & 35.7) (SN 1160005989 to Present, Including 1160005189, 1160005314 and 1160005414)	
260	1001113164	1	REAR AXLE LSI SENSOR, (L2906H, 2906H, 3507H, 29.6LP, 29.6 & 35.7) (Prior to SN 1160005989, Excluding 1160005189, 1160005314 and 1160005414)	
260	1001121515	NLA	REAR AXLE LSI SENSOR, (L2906H, 2906H, 3507H, 29.6LP, 29.6 & 35.7), (no longer available, use 1001129371 for replacement) (SN 1160005989 through 1160006152, Including 1160005189, 1160005314 and 1160005414)	
260	1001129371	1	REAR AXLE LSI SENSOR, (L2906H, 2906H, 3507H, 29.6LP, 29.6 & 35.7)	
260	70030342	1	CONNECTOR	
260	1001160730	1	REAR AXLE LSI SENSOR, (L2906H, 2906H, 3507H, 29.6LP, 29.6 & 35.7) (SN 1160006153 to Present)	
301	1001104993	1	FRAME OPTIONS HARNESS, (if equipped)	B
	1001105871	Ref	BOOM ANGLE SENSOR INSTALLATION, (L2906H, 2906H, 619A, 29.6LP & 29.6), (not available to order, see items 401 thru 411 for service)	C
	1001105973	Ref	BOOM ANGLE SENSOR INSTALLATION, (3507H, 723A & 35.7), (not available to order, see items 401 thru 411 for service)	C
401	466104	2	ANGLE JOINT	
402	3290405	2	HEX LOCKNUT, M4X0.7	
403	3290607	4	HEX LOCKNUT, M6X1	
404	3371705	1	PIN	
405	4000015	1	90, ANGLE SENSOR	
406	4010408	2	PAN HD CAPSCREW, M4X16	
407	4010608	1	PAN HD CAPSCREW, M6X16	
408	4031707	2	HEX HD CAPSCREW, M6X16, (L2906H, 2906H, 619A, 29.6LP & 29.6)	

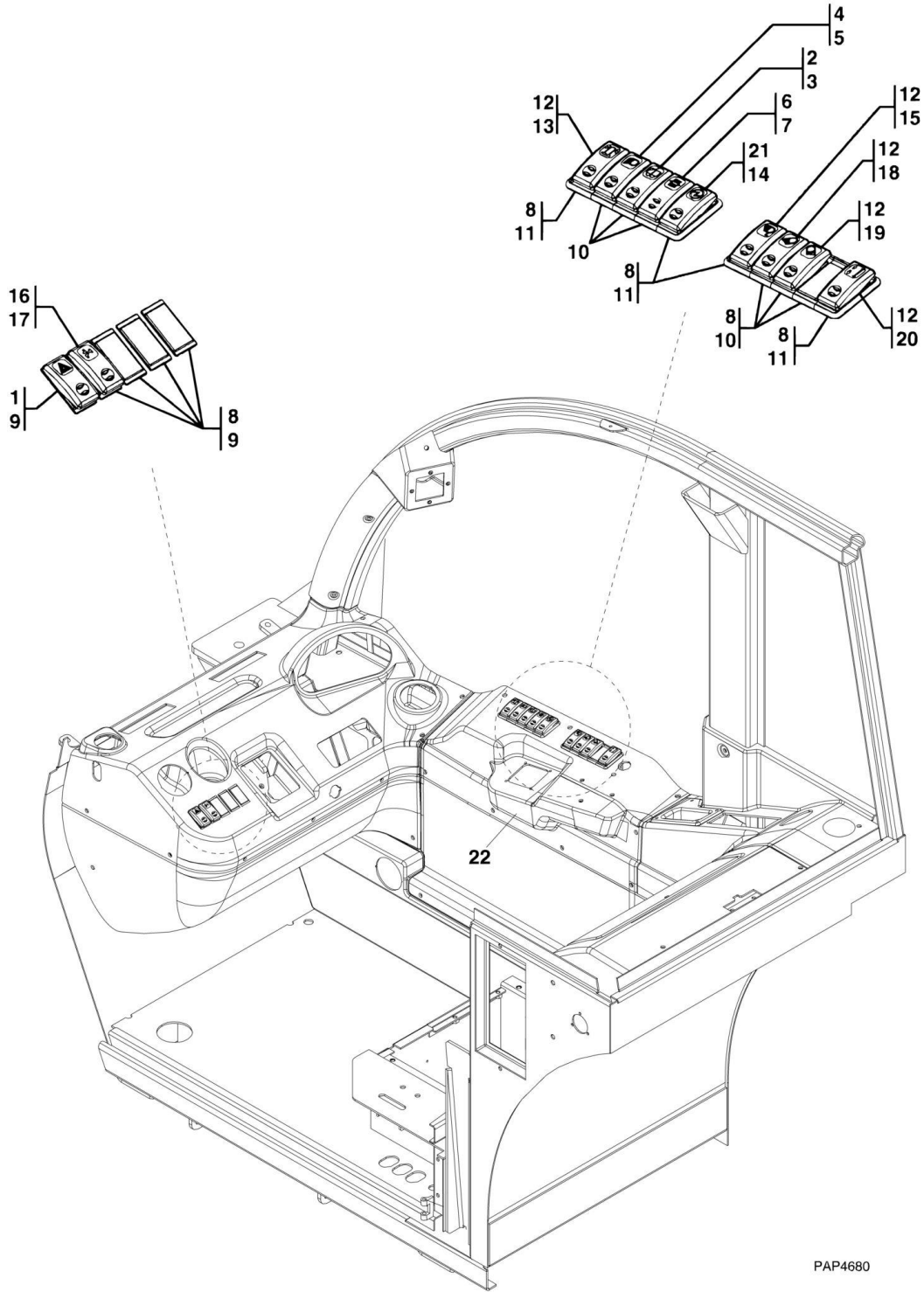
SECTION 10 - ELECTRICAL

ITEM	PART NUMBER	QTY	DESCRIPTION	REV
408	5200608	2	BOLT, M6X16, (3507H, 723A & 35.7)	
409	1001105879	1	BOOM ANGLE BRACKET	
410	1001105890	1	BOOM ANGLE SENSOR LINK	
411	1001105896	1	ROD LINK, (L2906H, 2906H, 619A, 29.6LP & 29.6)	
411	1001105974	1	ROD LINK, (3507H, 723A & 35.7)	
501	0761012	2	HEX HD CAPSCREW, M10X25, GR8.8	
503	4812000	2	WASHER, 10mm	
504	8003392	1	GROUND CABLE	
601	1810010	1	SPEED SENSOR	
	1001106683	Ref	FRONT STEERING SENSOR INSTALLATION, (if equipped), (not available to order, see items 701 & 702 for service)	C
701	1001113287	1	STEERING SENSOR	
702	1380161	2	TUBE CLAMP	
878	0700610	2	HEX HD CAPSCREW, 6X20mm, GR8.8 (Prior to SN 1160005870)	
879	3290601	1	HEX NUT, 6X1mm (Prior to SN 1160005870)	
880	4031505	2	SOCKET HD CAPSCREW, 4X10mm (Prior to SN 1160005870)	
881	4811700	3	WASHER, 6mm	
882	4831700	1	LOCKWASHER, 6mm (Prior to SN 1160005870)	
883	1001008593	1	CLIP (Prior to SN 1160005870)	
884	1001008923	2	STRAP-CABLE	
885	1001120889	NLA	PROX SWITCH PLATE, (no longer available, use 1001126015 for replacement)	
885	1001126015	1	PROX SWITCH PLATE (Prior to SN 1160005870)	
886	1001121021	1	PROXIMITY SENSOR (Prior to SN 1160005870)	
887	1001121311	AR	PLATFORM SENSOR SHIM (Prior to SN 1160005870)	
991	0700612	2	HEX HD CAPSCREW, M6X25 LG, GR8.8 (SN 1160005870 to Present)	
992	3290605	2	LOCK NUT (SN 1160005870 to Present)	
993	4031504	2	HEX HD SCREW, M4X8 LG (SN 1160005870 to Present)	
994	4811702	2	WASHER, 6mm (SN 1160005870 to Present)	
995	1001008593	1	CLIP (SN 1160005870 to Present)	
996	1001121021	1	PROXIMITY SENSOR (SN 1160005870 to Present)	
997	1001129902	1	PROXIMITY SENSOR PLATE (SN 1160005870 to Present)	
998	1001130032	AR	SHIM (SN 1160005870 to Present)	
999	48117000	2	WASHER, 6mm	
K1	1001122400	1	REAR AXLE LSI SERVICE KIT, (includes Rear Axle LSI Sensor, Hex HD Capscrew, Washer, Sensor Installation Spec, LOCTITE 246 and LOCTITE 7063) (SN 1160005989 to Present)	2

SECTION 10 - ELECTRICAL

FIGURE 10-4. CAB SWITCHES L2906H, 2906H, 3507H, 29.6LP, 29.6 & 35.7

L2906H, 2906H, 3507H, 29.6LP, 29.6 & 35.7



PAP4680

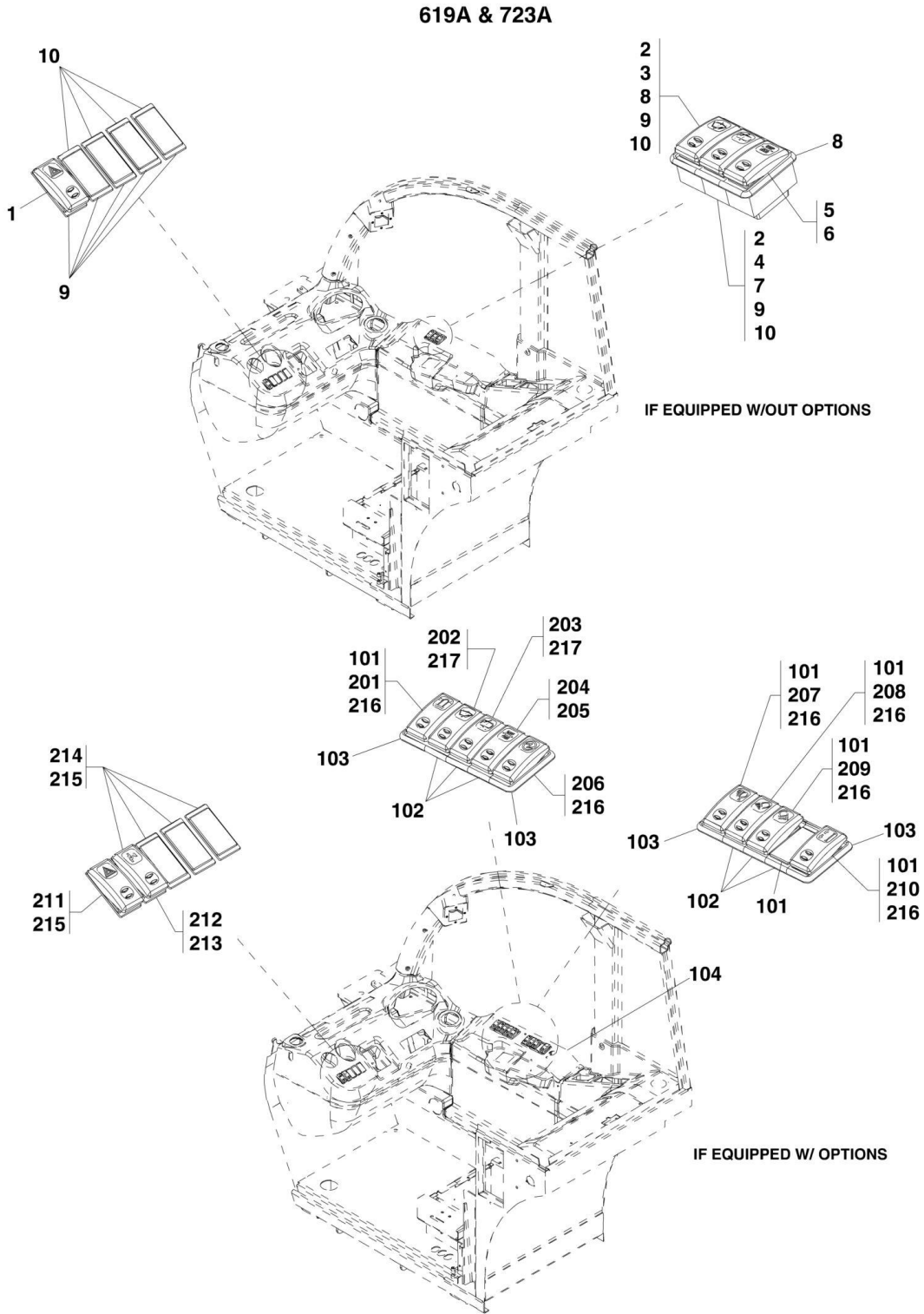
SECTION 10 - ELECTRICAL

FIGURE 10-4. CAB SWITCHES L2906H, 2906H, 3507H, 29.6LP, 29.6 & 35.7

ITEM	PART NUMBER	QTY	DESCRIPTION	REV
1	4360640	1	HAZARD SWITCH ASSY	
2	4360642	1	SWITCH BODY	
3	4360643	1	REAR WIPER SWITCH KEY	
4	4360653	1	DRIVING LIGHTS SWITCH BODY	
5	4360654	1	DRIVING LIGHTS SWITCH KEY	
6	4360665	1	AUXILIARY HYDRAULICS SWITCH BODY	
7	4360666	1	AUXILIARY HYDRAULICS SWITCH KEY	
8	4360669	11	BLANK SWITCH ASSY	
9	4360688	5	SWITCH ADAPTER RING	
10	1001090606	6	SINGLE SWITCH HOLDER	
11	1001090607	4	END PIECE SWITCH HOLDER	
12	4360644	6	SWITCH BODY, (if equipped)	
13	4360649	1	BEACON LIGHT SWITCH KEY, (if equipped)	
14	1001092862	1	AUXILIARY ELECTRIC SWITCH KEY, (if equipped)	
15	4360650	1	BOOM LIGHTS SWITCH KEY, (if equipped)	
16	1001092861	1	HYDRAULIC QUICK ATTACH SWITCH BODY, (if equipped)	
17	1001092863	1	HYDRAULIC QUICK ATTACH SWITCH KEY, (if equipped)	
18	4360651	1	FRONT WORKLIGHTS SWITCH KEY, (if equipped)	
19	4360652	1	REAR WORKLIGHTS SWITCH KEY, (if equipped)	
20	4360646	1	FRONT/REAR AUXILIARY HYDARULIC SWITCH KEY, (if equipped)	
21	4360664	1	SWITCH BODY, (if equipped)	
22	1001115129	1	SWITCH PANEL COVER	

SECTION 10 - ELECTRICAL

FIGURE 10-5. CAB SWITCHES 619A & 723A



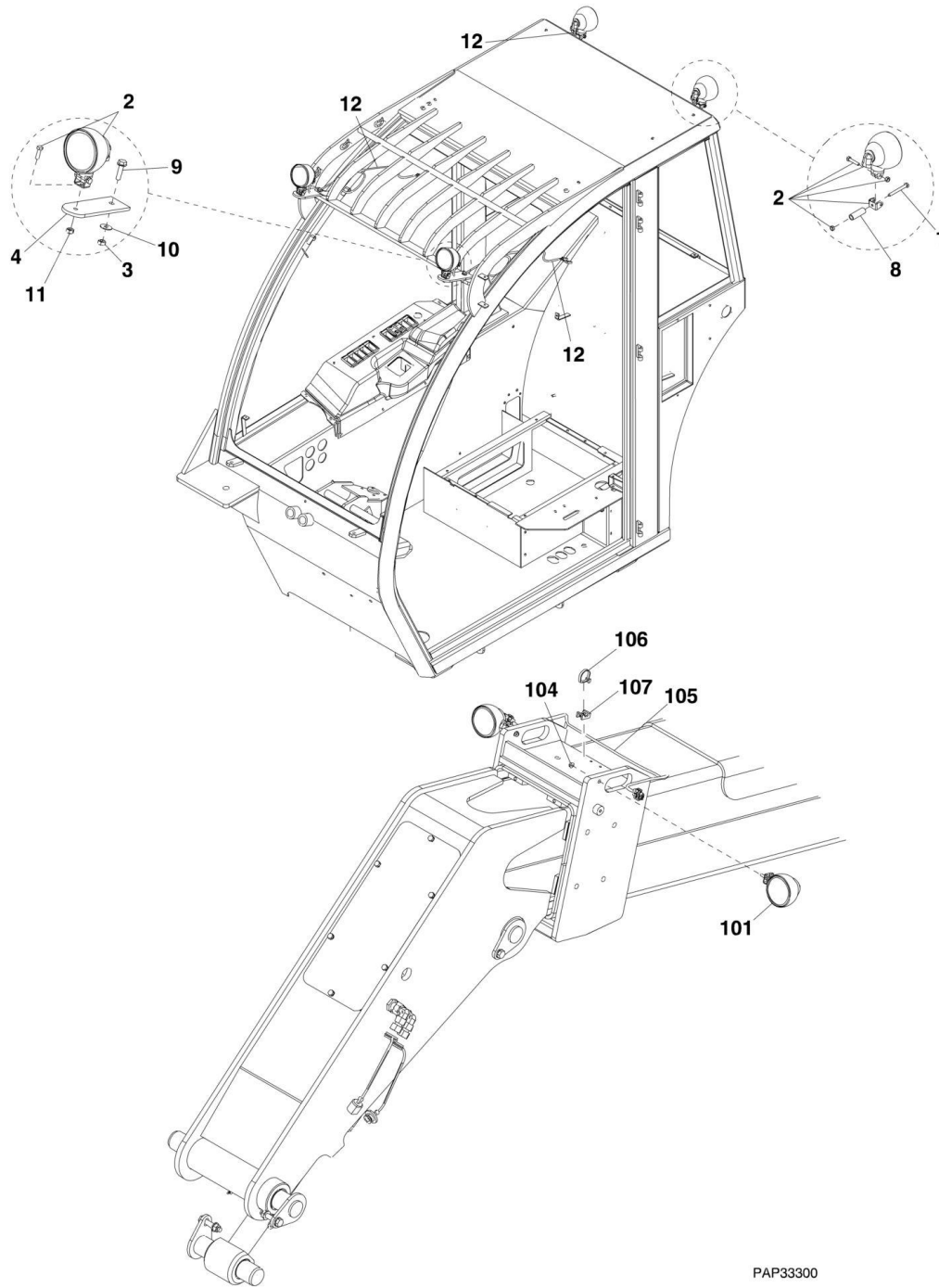
SECTION 10 - ELECTRICAL

FIGURE 10-5. CAB SWITCHES 619A & 723A

ITEM	PART NUMBER	QTY	DESCRIPTION	REV
		Ref	CAB SWITCHES, (if equipped w/out options), (includes items 1 thru 10)	
1	4360640	1	HAZARD SWITCH ASSY	
2	4360642	2	SWITCH BODY, (if equipped)	
3	1001106536	1	FRONT WIPER SWITCH KEY, (if equipped)	
4	4360643	1	REAR WIPER SWITCH KEY, (if equipped)	
5	4360665	1	AUXILIARY HYDRAULICS SWITCH BODY	
6	4360666	1	AUXILIARY HYDRAULICS SWITCH KEY	
7	1001090606	1	SINGLE SWITCH HOLDER	
8	1001090607	2	END PIECE SWITCH HOLDER	
9	4360688	5	SWITCH ADAPTER RING, (if equipped w/ enclosed cab)	
9	4360688	7	SWITCH ADAPTER RING, (if equipped w/ open cab)	
10	4360669	4	BLANK SWITCH ASSY, (if equipped w/ enclosed cab)	
10	4360669	6	BLANK SWITCH ASSY, (if equipped w/ open cab)	
		Ref	CAB SWITCHES, (if equipped w/ options), (includes items 101 thru 217)	
	1001108338	Ref	OPTIONAL SWITCH PANEL INSTALLATION, (not available to order, see items 101 thru 104 for service)	C
101	4360669	6	BLANK SWITCH ASSY	
102	1001090606	6	SINGLE SWITCH HOLDER	
103	1001090607	4	END PIECE SWITCH HOLDER	
104	1001101651	1	SWITCH PANEL COVER	
201	4360649	1	BEACON LIGHT SWITCH KEY, (if equipped)	
202	1001106536	1	FRONT WIPER SWITCH KEY, (if equipped)	
203	4360643	1	REAR WIPER SWITCH KEY, (if equipped)	
204	4360665	1	AUXILIARY HYDRAULIC SWITCH BODY, (if equipped)	
205	4360666	1	AUXILIARY HYDRAULIC SWITCH KEY, (if equipped)	
206	1001092862	1	AUXILIARY ELECTRIC SWITCH KEY, (if equipped)	
207	4360650	1	BOOM LIGHTS SWITCH KEY, (if equipped)	
208	4360651	1	FRONT WORKLIGHTS SWITCH KEY, (if equipped)	
209	4360652	1	REAR WORKLIGHTS SWITCH KEY, (if equipped)	
210	4360646	1	FRONT/REAR AUXILIARY HYDRAULIC SWITCH KEY, (if equipped)	
211	4360640	1	HAZARD SWITCH ASSY	
212	1001092863	1	HYDRAULIC QUICK ATTACH SWITCH KEY, (if equipped)	
213	1001092861	1	HYDRAULIC QUICK ATTACH SWITCH BODY, (if equipped)	
214	4360669	4	BLANK SWITCH ASSY	
215	4360688	5	SWITCH ADAPTER RING	
216	4360644	6	SWITCH BODY, (if equipped)	
217	4360642	2	SWITCH BODY, (if equipped)	

SECTION 10 - ELECTRICAL

FIGURE 10-6. WORK LIGHT INSTALLATIONS



PAP33300

NOTE: ON REAR CAB WORKLIGHTS, REMOVE ATTACHING BOLT PROVIDED WITH WORKLIGHT AND REPLACE WITH ITEM 1.

SECTION 10 - ELECTRICAL

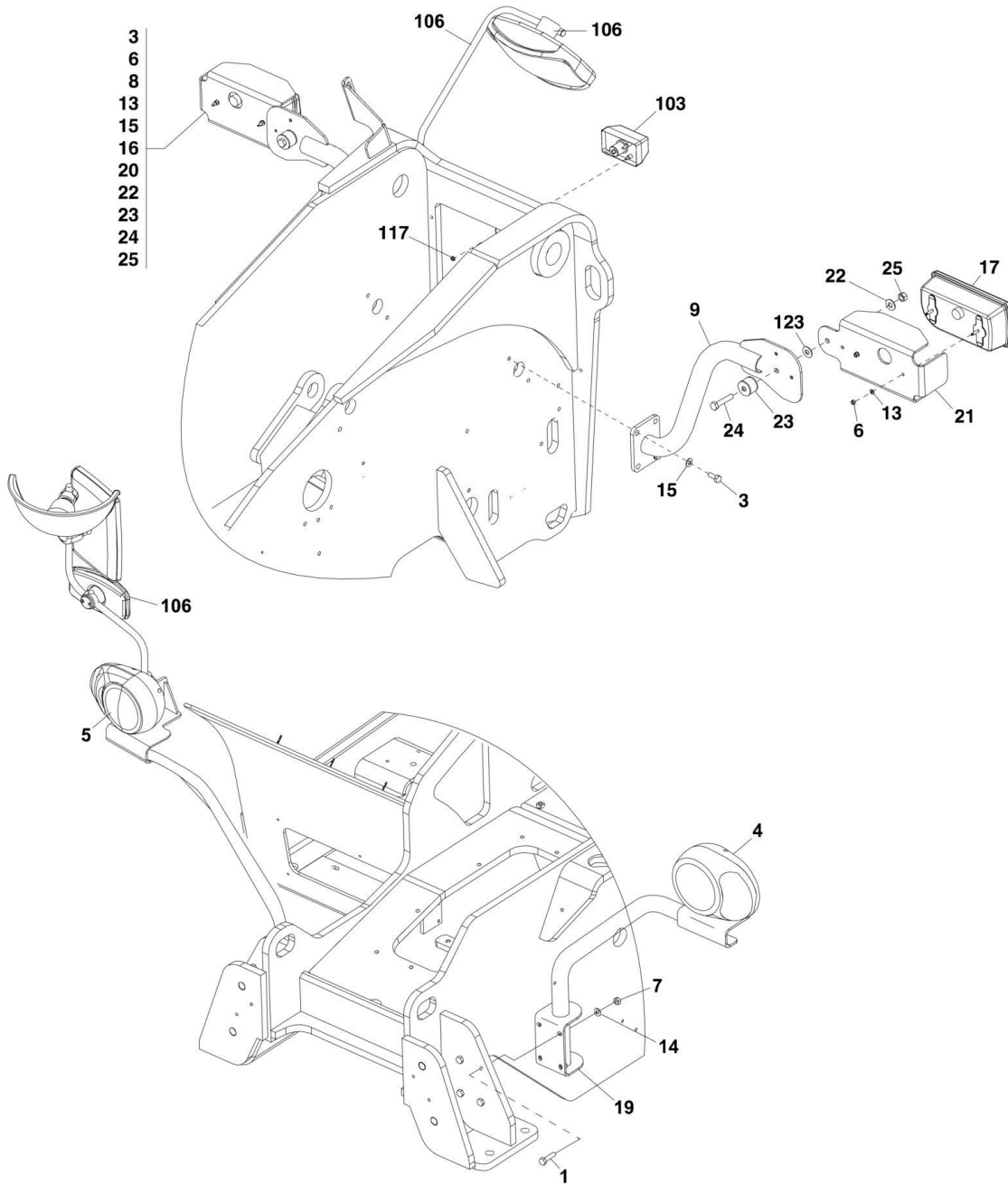
FIGURE 10-6. WORK LIGHT INSTALLATIONS

ITEM	PART NUMBER	QTY	DESCRIPTION	REV
	1001103121	Ref	CAB WORKLIGHT INSTALLATION, (if equipped), (not available to order, see items 1 thru 12 for service)	B
1	0760619	2	HEX HD CAPSCREW, M6X55, GR8.8	
2	2920206	4	WORKLIGHT	
2	70020796	4	REPLACEMENT BULB, 12V-50W	
3	3290801	2	HEX NUT, M8X1.25	
4	3577226	2	PLATE	
5		Ref	CAB SWITCHES, (See CAB SWITCHES for Breakdown)	
8	4569509	2	MOUNTING TUBE	
9	5200814	2	RIPP BOLT, M8X30	
10	5211902	2	FLAT WASHER, 8mm	
11	5220600	2	NUT, 6mm	
12	1001105650	4	CAB WORKLIGHT HARNESS	
	1001103705	1	BOOM WORKLIGHT INSTALLATION, (if equipped), (not available to order, see items 101 thru 107 for service)	C
101	2920206	2	WORKLIGHT	
101	70020796	2	REPLACEMENT BULB, 12V-50W	
102		Ref	CAB SWITCH, (not shown), (See CAB SWITCHES for Breakdown)	
103		Ref	BOOM LIGHTS SWITCH KEY, (not shown), (See CAB SWITCHES for Breakdown)	
104	5220600	2	NUT, 6mm	
105		Ref	BOOM LIGHT HARNESS, (See BOOM LIGHT HARNESS for Breakdown)	
106	471678	7	BAND, CLAMP, 4.8X204mm	
107	8007986	7	MOUNTING CLIP	

SECTION 10 - ELECTRICAL

FIGURE 10-7. DRIVING LIGHT INSTALLATIONS AND LICENSE PLATE LIGHT INSTALLATION L2906H, 2906H, 3507H, 29.6LP, 29.6 & 35.7

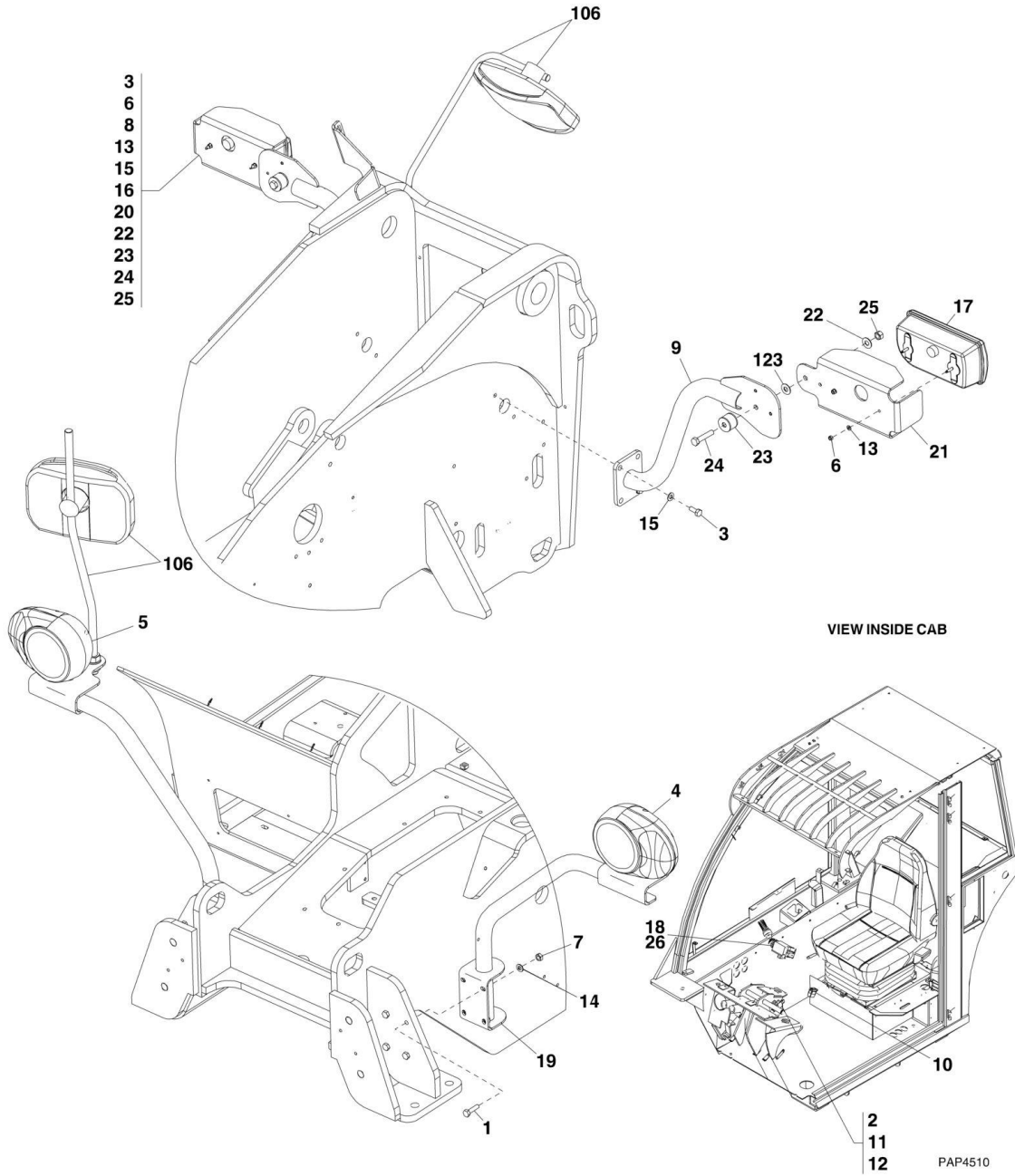
L2906H, 2906H, 3507H, 29.6LP, 29.6 & 35.7



PAP16040

SECTION 10 - ELECTRICAL

619A & 723A



SECTION 10 - ELECTRICAL

FIGURE 10-7. DRIVING LIGHT INSTALLATIONS AND LICENSE PLATE LIGHT INSTALLATION 619A & 723A

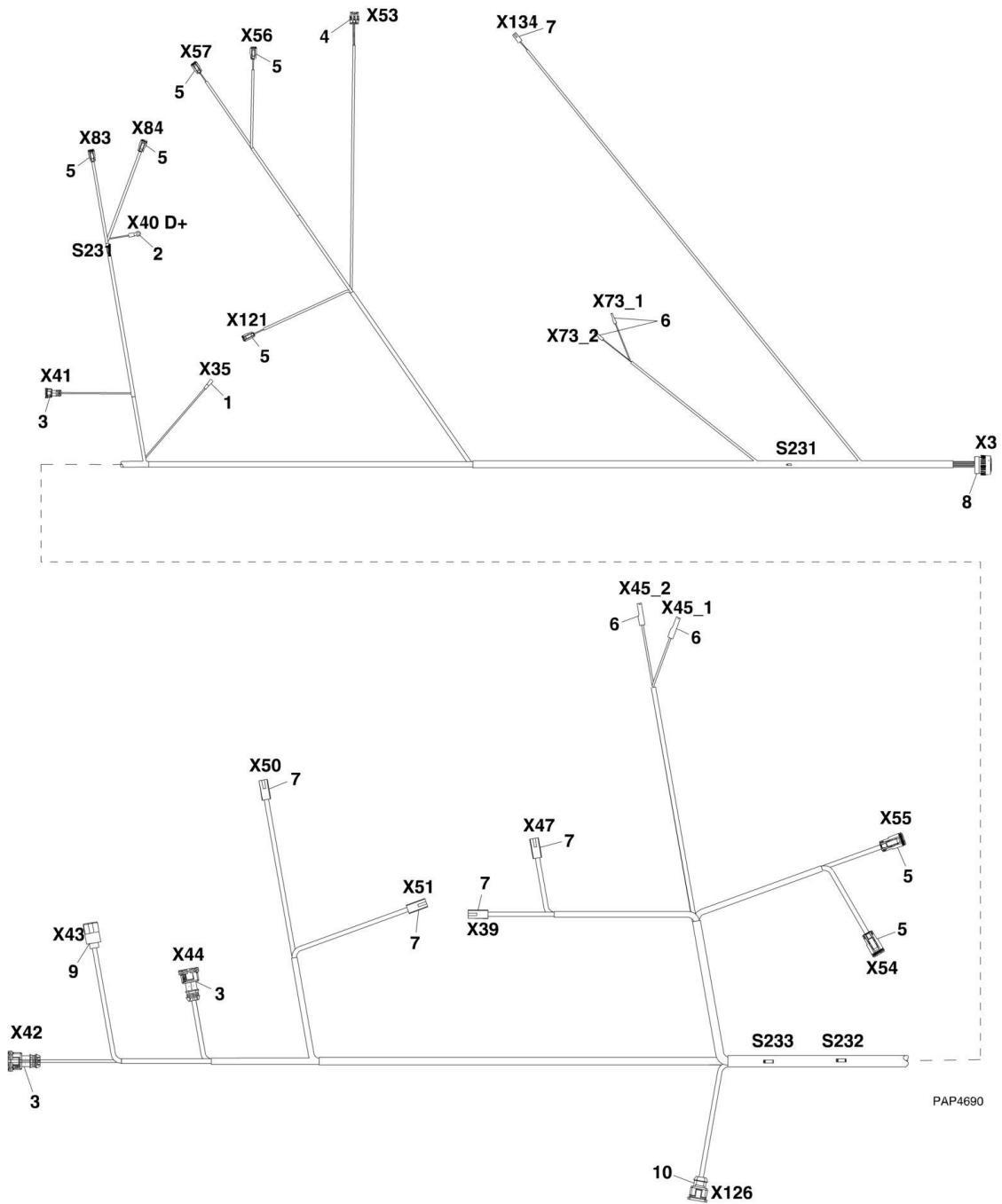
ITEM	PART NUMBER	QTY	DESCRIPTION	REV
	1001099950	Ref	DRIVING LIGHT INSTALLATION, (L2906H & 29.6LP), (not available to order, see items 1, 3 thru 9, 13 thru 17, 19 thru 25 & 29 thru 117 for service)	F
	1001099917	Ref	DRIVING LIGHT INSTALLATION, (2906H & 29.6), (not available to order, see items 1, 3 thru 9, 13 thru 17, 19 thru 25 & 29 thru 117 for service)	G
	1001099880	Ref	DRIVING LIGHT INSTALLATION, (3507H & 35.7), (not available to order, see items 1, 3 thru 9, 13 thru 17, 19 thru 25 29 thru 117 for service)	F
	1001108356	Ref	DRIVING LIGHT INSTALLATION, (619A), (not available to order, see items 1 thru 26 for service)	D
	1001108352	Ref	DRIVING LIGHT INSTALLATION, (723A), (not available to order, see items 1 thru 26 for service)	D
1	0701016	8	HEX HD CAPSCREW, M10X40, GR8.8, (L2906H, 29.6LP, 2906H, 3507H, 35.7 & 29.6)	
1	0701016	4	HEX HD CAPSCREW, M10X40, GR8.8, (619A & 723A)	
2		Ref	HEX HD CAPSCREW, M4X16, GR8.8, (See CAB ELECTRICAL INSTALLTION for Breakdown)	
3	0761012	4	HEX HD CAPSCREW, M10X25, GR8.8	
4	2920207	1	LH DRIVING LIGHT, (includes mounting hardware)	
4	7029969	1	REPLACEMENT BULB, 12V-4W	
4	7029970	1	REPLACEMENT BULB, 12V-55W	
4	7029971	1	REPLACEMENT BULB, 12V-21W	
5	2920208	1	RH DRIVING LIGHT, (includes mounting hardware)	
5	7029969	1	REPLACEMENT BULB, 12V-4W	
5	7029970	1	REPLACEMENT BULB, 12V-55W	
5	7029971	1	REPLACEMENT BULB, 12V-21W	
6	3290607	4	HEX LOCKNUT, M6X1	
7	3291001	8	HEX NUT, M10X1.5, (L2906H, 29.6LP, 2906H, 3507H, 35.7 & 29.6)	
7	3291001	4	HEX NUT, M10X1.5, (619A & 723A)	
8	1001109590	1	RH TAIL LIGHT BRACKET, (L2906H, 2906H, 619A, 29.6LP & 29.6)	
8	1001108594	1	RH TAIL LIGHT BRACKET, (3507H, 723A & 35.7)	
9	1001109591	1	LH TAIL LIGHT BRACKET, (L2906H & 2906H, 619A, 29.6LP & 29.6)	
9	1001108595	1	LH TAIL LIGHT BRACKET, (3507H, 723A & 35.7)	
10		Ref	HAZARD SWITCH, (See CAB SWITCH for Breakdown)	
11		Ref	BRAKE LIGHT SWITCH, (See CAB ELECTRICAL INSTALLTION for Breakdown)	
12		Ref	WASHER, 4mm, (See CAB ELECTRICAL INSTALLTION for Breakdown)	
13	4811700	6	WASHER, 6mm, (L2906H, 29.6LP, 2906H & 29.6)	
13	4811700	4	WASHER, 6mm, (3507H, 35.7, 619A & 723A)	
14	4812000	8	WASHER, 10mm, (L2906H, 29.6LP, 2906H, 3507H, 35.7 & 29.6)	
14	4812000	4	WASHER, 10mm, (619A & 723A)	
15	5212000	4	WASHER, 10mm	
16	1001091716	1	RH TAIL LIGHT	
17	1001091715	1	LH TAIL LIGHT	
18		Ref	TURN SIGNAL SELECTOR, (See CONTROLS SECTION for Breakdown)	
19	1001099892	1	LH HEADLIGHT BRACKET	

SECTION 10 - ELECTRICAL

ITEM	PART NUMBER	QTY	DESCRIPTION	REV
20	1001108545	1	RH TAIL LIGHT BRACKET	
21	1001108546	1	LH TAIL LIGHT BRACKET	
22	1356294	4	WASHER, 13mm	
23	8009517	2	BUFFER	
24	0701220	2	HEX HD CAPSCREW, M12X60, GR8.8	
25	3291207	2	HEX LOCKNUT, M12X1.75	
26	1001104029	2	SOCKET HD CAPSCREW, M5X.8X30mm, PC 12.9	
29		Ref	MIRROR ASSY, (L2906H, 29.6LP, 2906H, 29.6, 3507H & 35.7), (See FRAME AND ATTACHING PARTS for Breakdown), (not shown)	
30		Ref	MIRROR, (L2906H, 29.6LP, 2906H, 29.6, 3507H & 35.7), (See FRAME AND ATTACHING PARTS for Breakdown), (not shown)	
103	2920204	1	LICENSE PLATE LIGHT, (L2906H, 2906H, 3507H, 29.6LP, 29.6 & 35.7)	
103	70021341	1	LIGHT BULB, (L2906H, 2906H, 3507H, 29.6LP, 29.6 & 35.7)	
106		Ref	MIRRORS, RH HEADLIGHT BRACKET, HARDWARE, REAR MIRROR AND HARDWARE, (See FRAME AND ATTACHING PARTS for Breakdown)	
117	5220500	2	NUT, 5mm, (L2906H, 2906H, 3507H, 29.6LP, 29.6 & 35.7)	

SECTION 10 - ELECTRICAL

FIGURE 10-8. ENGINE HARNESS



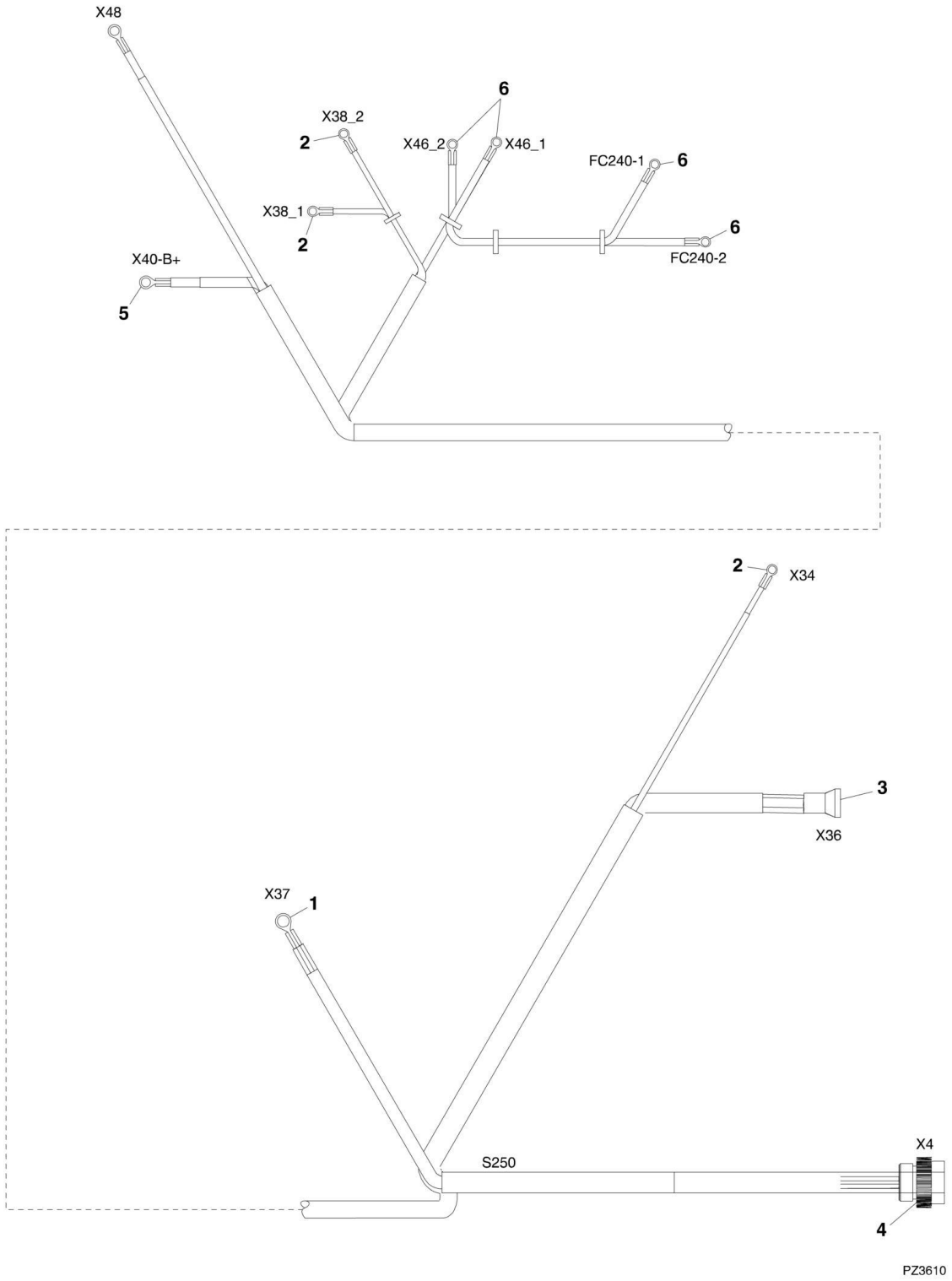
SECTION 10 - ELECTRICAL

FIGURE 10-8. ENGINE HARNESS

ITEM	PART NUMBER	QTY	DESCRIPTION	REV
	1001100126	1	ENGINE HARNESS, (includes all items)	H
1	1001116722	1	TERMINAL	
2	4460043	1	TERMINAL	
3	1001116983	3	CONNECTOR	
4	4461262	1	CONNECTOR	
5	4460891	7	CONNECTOR	
5	80604018	7	WEDGE LOCK	
6	1001116995	4	CONNECTOR	
7	1001116981	NLA	2-WAY CONNECTOR, 90, (no longer available, use 4460994 for replacement)	
7	4460994	5	2-WAY CONNECTOR, 90	
8	1001116938	1	CONNECTOR	
9	7029001	1	CONNECTOR	
10	4460890	1	CONNECTOR	

SECTION 10 - ELECTRICAL

FIGURE 10-9. POWER/GROUND HARNESS



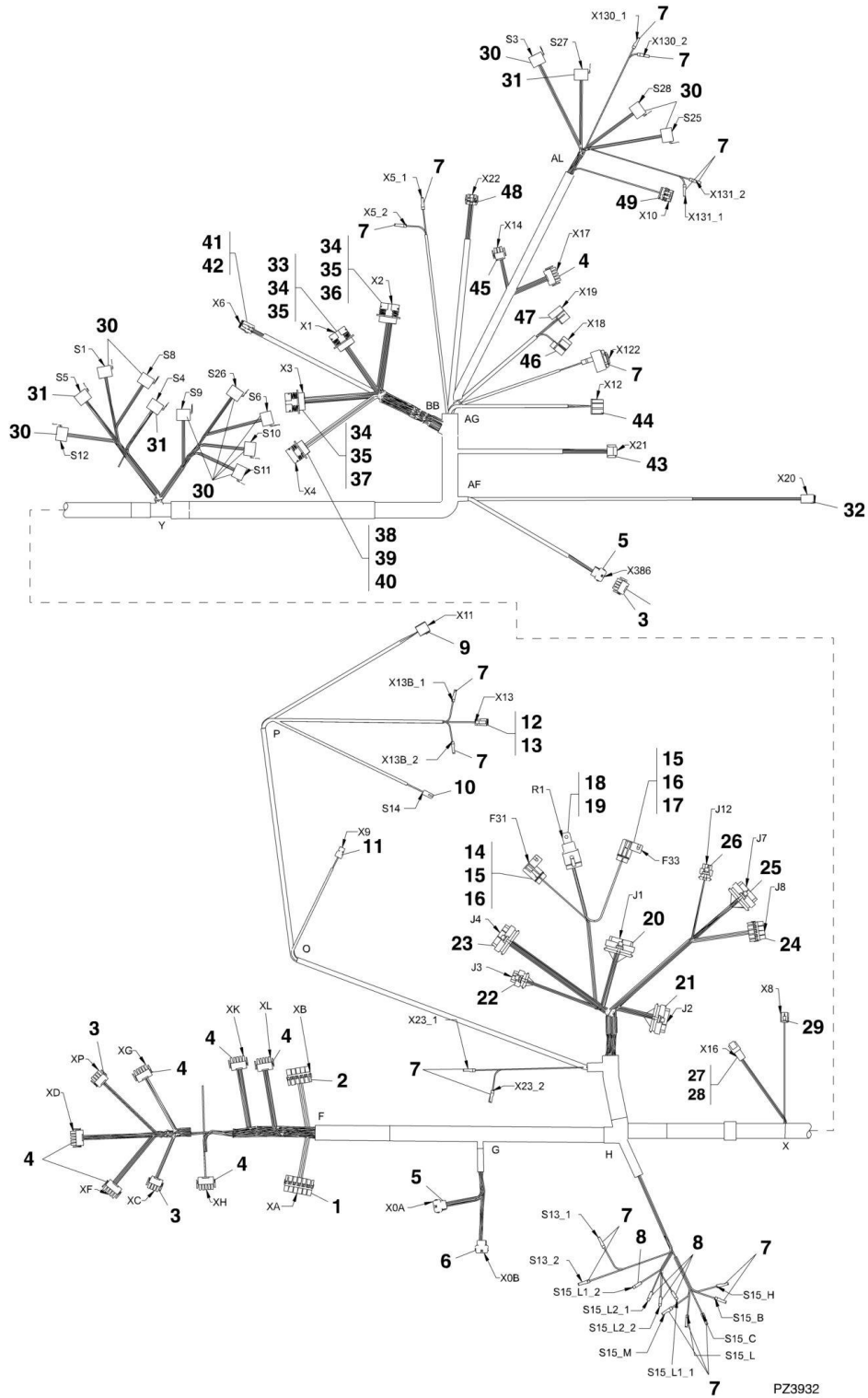
SECTION 10 - ELECTRICAL

FIGURE 10-9. POWER/GROUND HARNESS

ITEM	PART NUMBER	QTY	DESCRIPTION	REV
	1001103595	1	POWER/GROUND HARNESS, (includes all items)	E
1	70022766	1	TERMINAL	
2	4460142	3	TERMINAL	
3	1001063268	1	CONNECTOR	
4	1001116940	1	CONNECTOR	
5	8220115	1	RING TERMINAL	
6	8220022	4	TERMINAL	

SECTION 10 - ELECTRICAL

FIGURE 10-10. CAB MAIN HARNESS (Prior to SN 1160005989, Excluding 1160005189, 1160005314 and 1160005414)



SECTION 10 - ELECTRICAL

FIGURE 10-10. CAB MAIN HARNESS (Prior to SN 1160005989, Excluding 1160005189, 1160005314 and 1160005414)

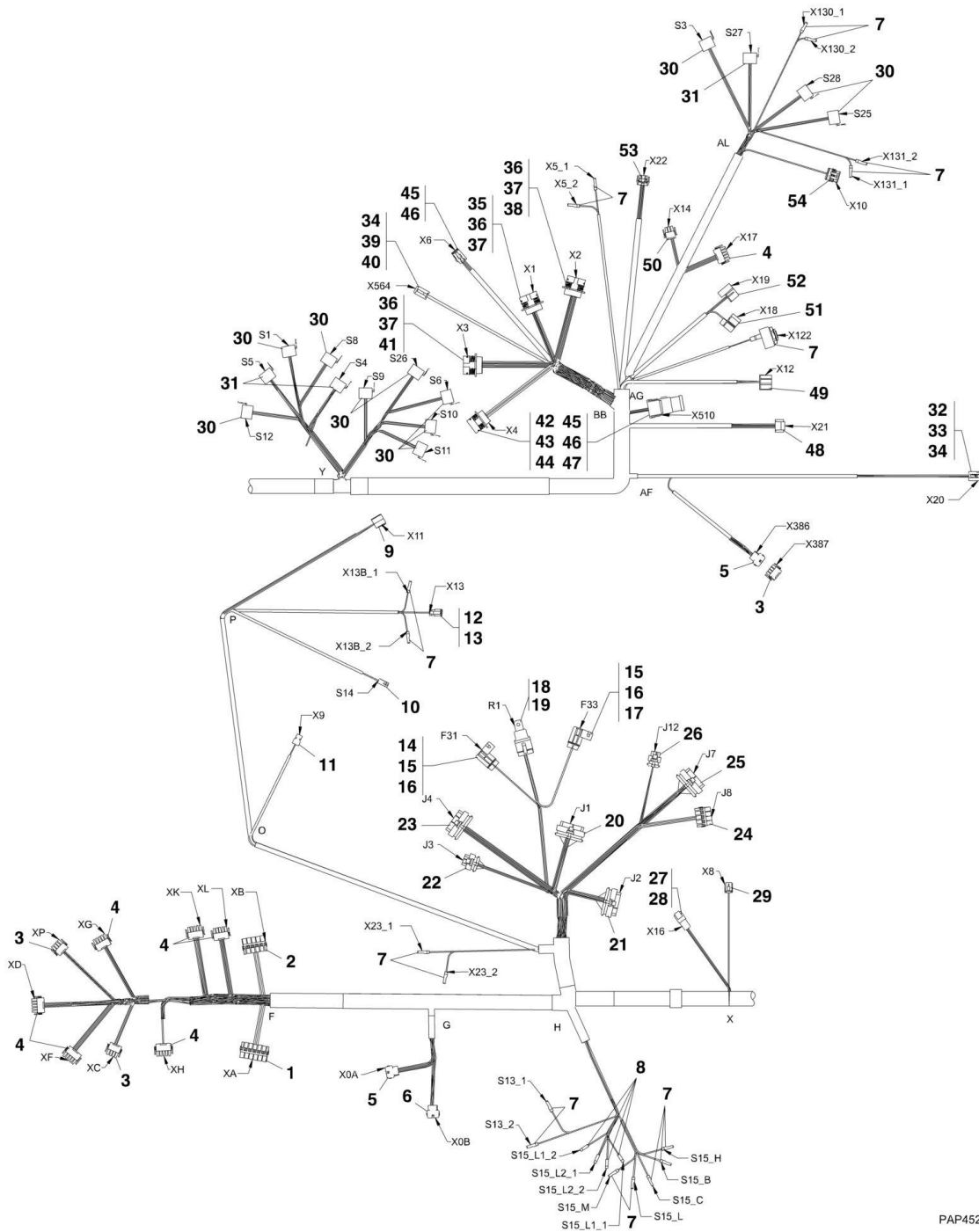
ITEM	PART NUMBER	QTY	DESCRIPTION	REV
	1001100124	1	CAB MAIN HARNESS, (INCLUDES ALL ITEMS)	L
1	1001117012	1	CONNECTOR	
2	1001117013	1	CONNECTOR	
3	4460343	3	CONNECTOR	
4	4460434	7	CONNECTOR	
5	4460367	2	CONNECTOR	
6	4460266	1	CONNECTOR	
7	1001116995	18	CONNECTOR	
8	1001116998	4	CONNECTOR	
9	1001116986	1	CONNECTOR	
10	4460994	1	CONNECTOR	
11	1001116991	1	CONNECTOR	
12	4460891	1	CONNECTOR, (includes item 13)	
13	80604018	1	WEDGE LOCK	
14	1001117023	1	CONNECTOR, (includes item 15)	
15	7029771	2	CAP, (includes 10 amp auto fuse)	
16	1001117018	2	CONNECTOR, (includes 25 amp auto fuse)	
17	1001117070	1	CONNECTOR, (includes 30 amp auto fuse)	
18	1001117025	1	CONNECTOR	
19	3740080	1	RELAY	
20	4460874	1	CONNECTOR	
21	4460875	1	CONNECTOR	
22	4460872	1	CONNECTOR	
23	4460876	1	CONNECTOR	
24	4460878	1	CONNECTOR	
25	4460873	1	CONNECTOR	
26	1001113961	1	CONNECTOR	
27	4461217	1	CONNECTOR, (includes item 28)	
28	70020823	1	SECONDARY WEDGE LOCK	
29	1001118684	1	CONNECTOR	
30	4461164	11	CONNECTOR	
31	8220904	3	CONNECTOR	
32	4460894	1	CONNECTOR	
33	1001116936	1	CONNECTOR	
34	83481286	3	NUT	
35	83481285	3	LOCKWASHER	
36	1001116935	1	CONNECTOR	
37	1001116934	1	CONNECTOR	
38	1001116941	1	CONNECTOR	
39	4460497	1	NUT	
40	77363263	1	LOCKWASHER	
41	4460933	1	CONNECTOR, (includes item 42)	
42	80604016	1	SECONDARY WEDGE LOCK	
43	1001116999	1	CONNECTOR	
44	4461172	1	CONNECTOR	
45	4460265	1	CONNECTOR	
46	1001118685	1	CONNECTOR	
47	1001117121	1	CONNECTOR	
48	1001116934	1	CONNECTOR	

SECTION 10 - ELECTRICAL

ITEM	PART NUMBER	QTY	DESCRIPTION	REV
49	1001103012	1	CONNECTOR	

SECTION 10 - ELECTRICAL

FIGURE 10-11. CAB MAIN HARNESS (SN 1160005993 to Present, Including 1160005189, 1160005314 and 1160005414)



PAP4520

SECTION 10 - ELECTRICAL

FIGURE 10-11. CAB MAIN HARNESS (SN 1160005993 to Present, Including 1160005189, 1160005314 and 1160005414)

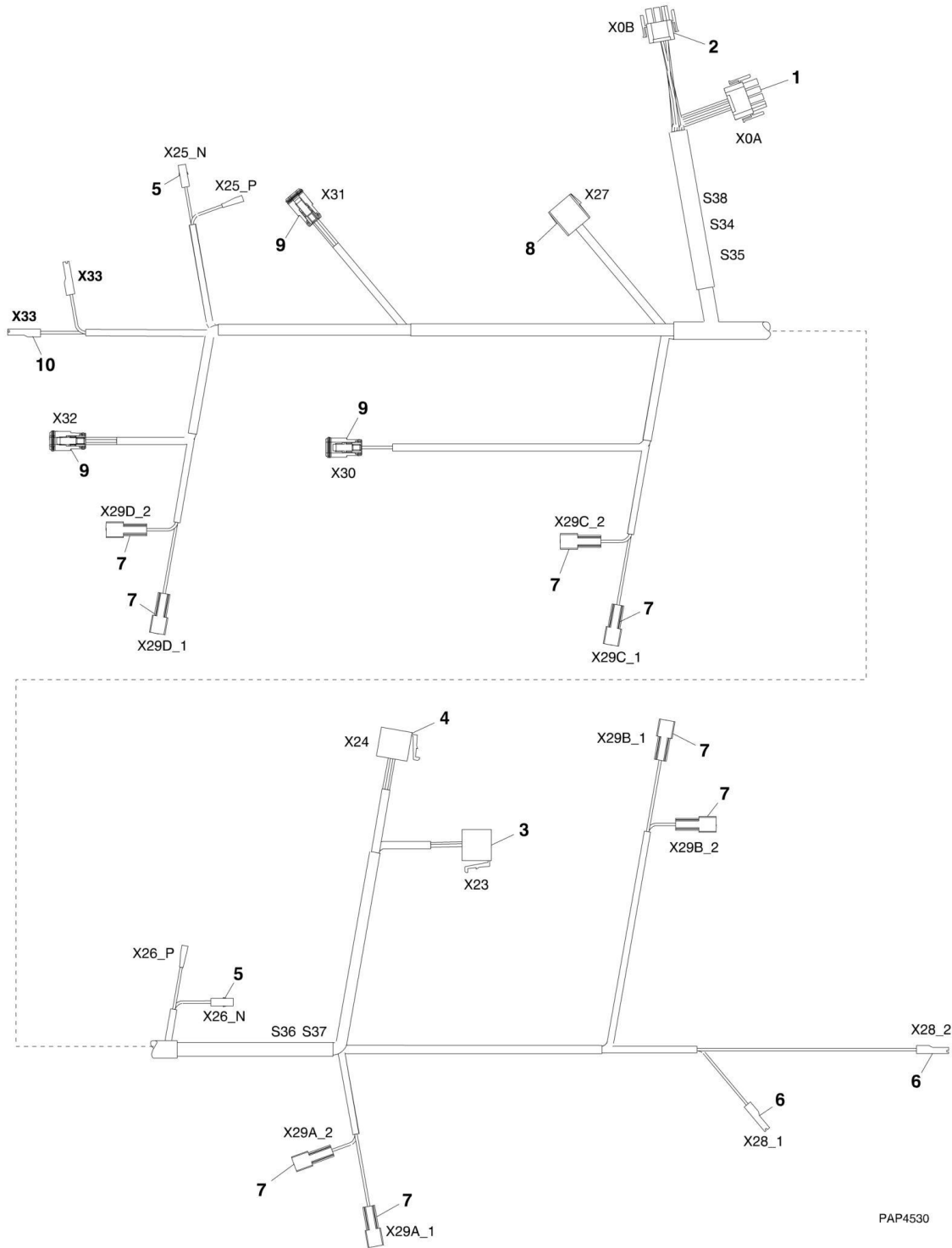
ITEM	PART NUMBER	QTY	DESCRIPTION	REV
	1001121505	1	CAB MAIN HARNESS, (includes all items)	B
1	1001117012	1	CONNECTOR	
2	1001117013	1	CONNECTOR	
3	4460343	3	CONNECTOR	
4	4460434	7	CONNECTOR	
5	4460367	2	CONNECTOR	
6	4460266	1	CONNECTOR	
7	1001116995	18	CONNECTOR	
8	1001116998	4	CONNECTOR	
9	1001116986	1	CONNECTOR	
10	4460994	1	CONNECTOR	
11	1001116991	1	CONNECTOR	
12	4460891	1	CONNECTOR, (includes item 13)	
13	80604018	1	WEDGE LOCK	
14	1001117023	1	CONNECTOR, (includes item 16)	
15	1001117018	2	CONNECTOR, (includes 25 amp auto fuse)	
16	7029771	2	CAP, (includes 10 amp auto fuse)	
17	1001117070	1	CONNECTOR, (includes item 16 & 30 amp auto fuse)	
18	1001117025	1	CONNECTOR, (includes item 19)	
19	3740080	1	RELAY	
20	4460874	1	CONNECTOR	
21	4460875	1	CONNECTOR	
22	4460872	1	CONNECTOR	
23	4460876	1	CONNECTOR	
24	4460878	1	CONNECTOR	
25	4460873	1	CONNECTOR	
26	1001113961	1	CONNECTOR	
27	4461217	1	CONNECTOR, (includes item 28)	
28	70020823	1	SECONDARY WEDGE LOCK	
29	1001118684	1	CONNECTOR	
30	4461164	11	CONNECTOR	
31	8220904	3	CONNECTOR	
32	4460930	1	CONNECTOR	
33	80604025	1	SECONDARY WEDGE LOCK	
34	1060975	2	SHIELDED CABLE	
35	1001116936	1	CONNECTOR	
36	83481286	3	NUT	
37	83481285	3	LOCKWASHER	
38	1001116935	1	CONNECTOR	
39	4460894	1	CONNECTOR	
40	80604023	1	SECONDARY WEDGE LOCK	
41	1001116934	1	CONNECTOR	
42	1001116941	1	CONNECTOR	
43	4460497	1	NUT	
44	77363263	1	LOCKWASHER	
45	4460933	2	CONNECTOR, (includes item 46)	
46	80604016	2	SECONDARY WEDGE LOCK	
47	1001119020	1	CONNECTOR	
48	1001116993	1	CONNECTOR	

SECTION 10 - ELECTRICAL

ITEM	PART NUMBER	QTY	DESCRIPTION	REV
49	4461172	1	CONNECTOR	
50	4460265	1	CONNECTOR	
51	1001118685	1	CONNECTOR	
52	1001117121	1	CONNECTOR	
53	1001116992	1	CONNECTOR	
54	1001103012	1	CONNECTOR	

SECTION 10 - ELECTRICAL

FIGURE 10-12. CAB ROOF HARNESS



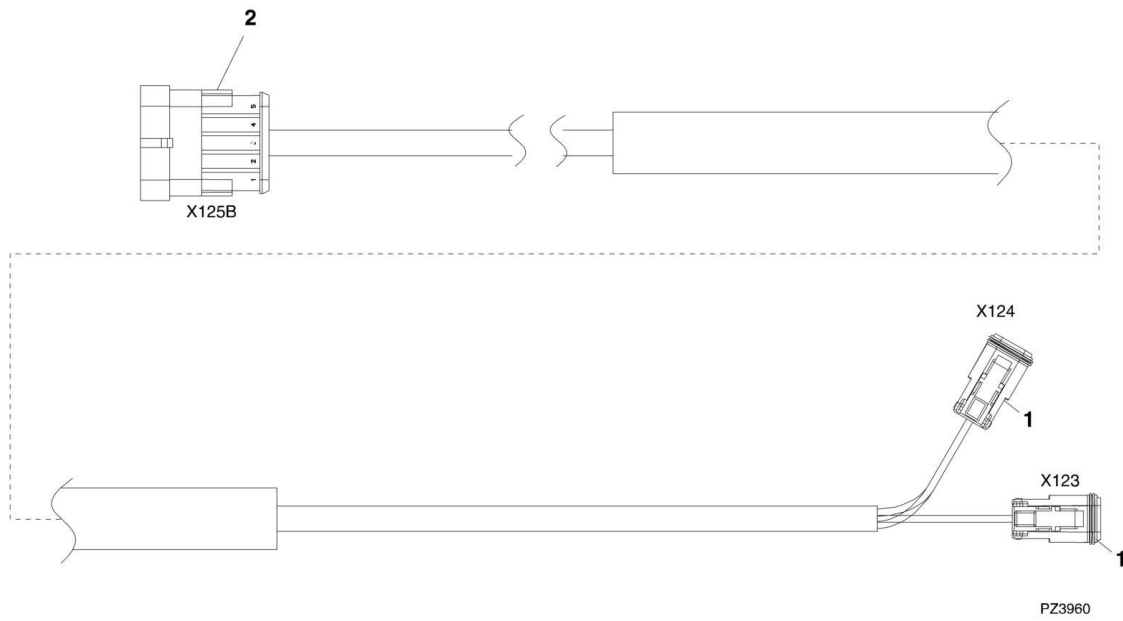
SECTION 10 - ELECTRICAL

FIGURE 10-12. CAB ROOF HARNESS

ITEM	PART NUMBER	QTY	DESCRIPTION	REV
	1001100125	1	CAB ROOF HARNESS, (if equipped), (includes all items)	F
1	4460343	1	CONNECTOR	
2	4460265	1	CONNECTOR	
3	1001116985	1	CONNECTOR	
4	1001116984	1	CONNECTOR	
5	1001116998	2	CONNECTOR	
6	1001116995	2	CONNECTOR	
7	1001117004	8	CONNECTOR	
8	1001116986	1	4-WAY CONNECTOR	
9	4460891	3	CONNECTOR	
9	80604018	3	WEDGE LOCK	
10	1001116995	2	CONNECTOR	

SECTION 10 - ELECTRICAL

FIGURE 10-13. BOOM AUXILIARY ELECTRIC HARNESS



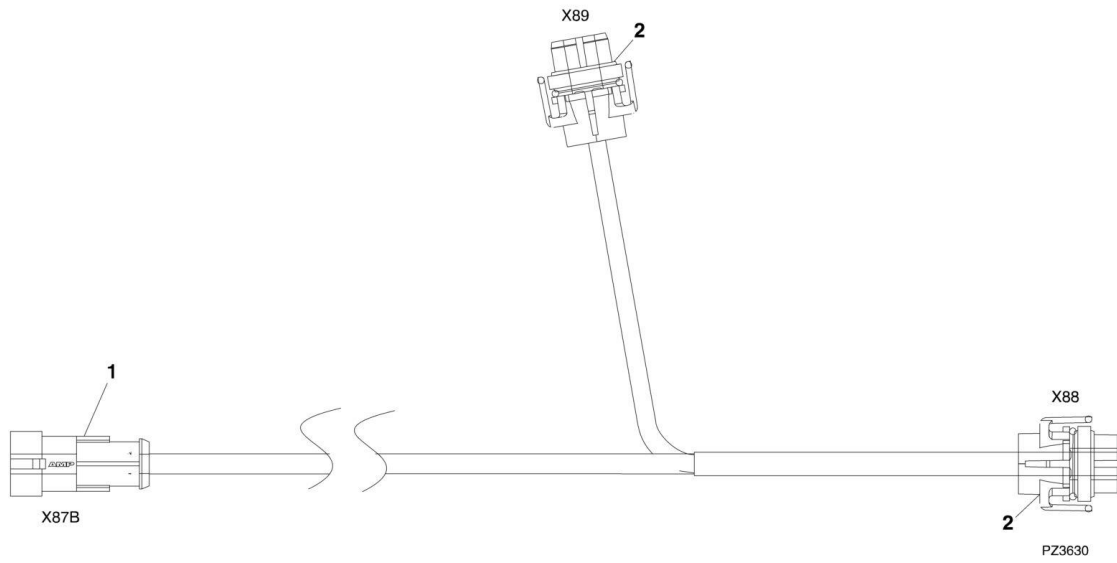
SECTION 10 - ELECTRICAL

FIGURE 10-13. BOOM AUXILIARY ELECTRIC HARNESS

ITEM	PART NUMBER	QTY	DESCRIPTION	REV
	1001104995	1	BOOM AUXILIARY ELECTRIC HARNESS, (L2906H, 2906H, 619A, 29.6LP & 29.6 - if equipped), (includes all items)	C
	1001104996	1	BOOM AUXILIARY ELECTRIC HARNESS, (3507H, 723A & 35.7 - if equipped), (includes all items)	C
1	4460891	2	CONNECTOR	
1	80604018	2	WEDGE LOCK	
2	4461229	1	CONNECTOR	

SECTION 10 - ELECTRICAL

FIGURE 10-14. BOOM LIGHT HARNESS



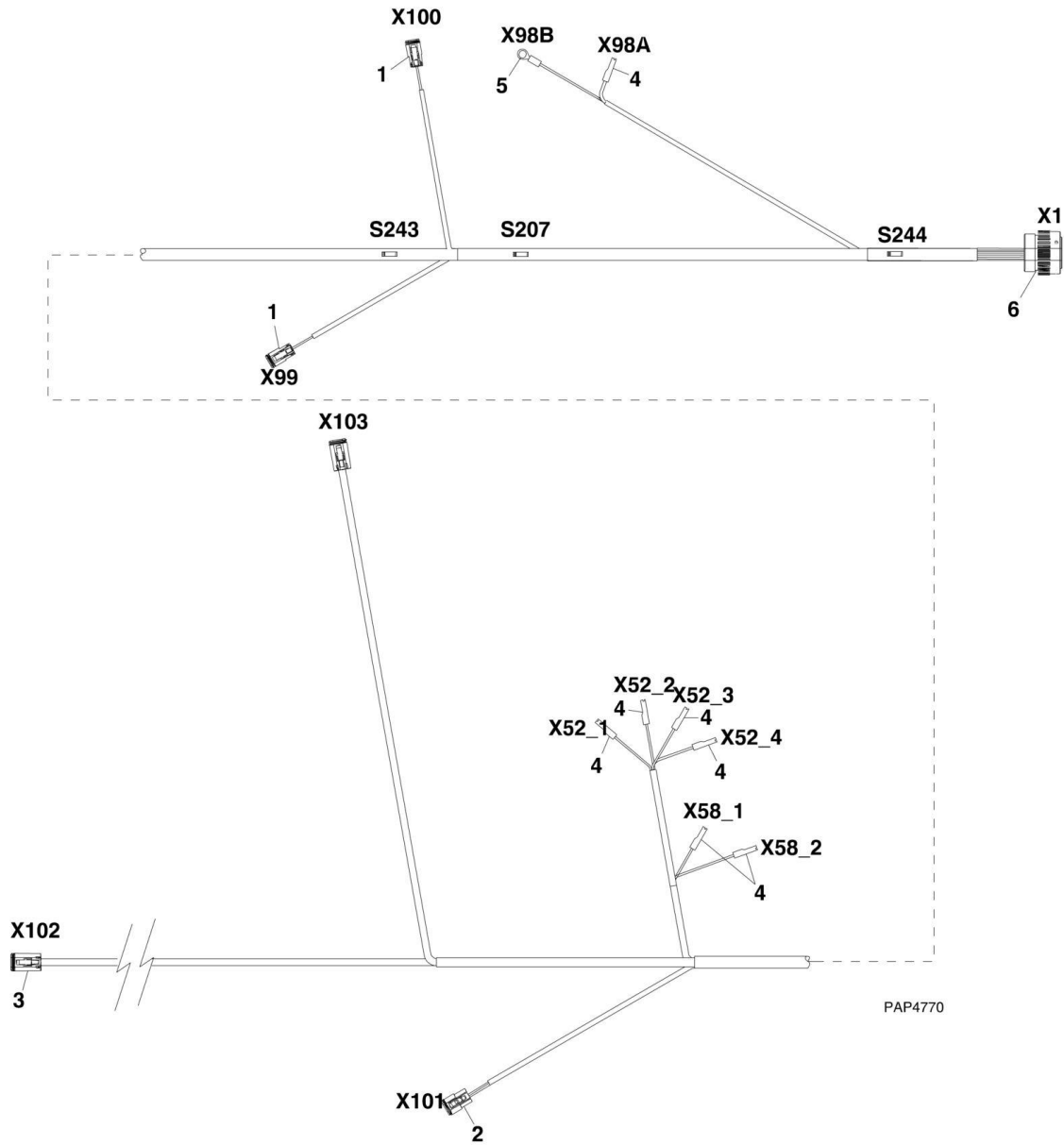
SECTION 10 - ELECTRICAL

FIGURE 10-14. BOOM LIGHT HARNESS

ITEM	PART NUMBER	QTY	DESCRIPTION	REV
	1001104994	1	BOOM HARNESS, (if equipped), (includes all items)	C
1	4461227	1	CONNECTOR	
2	4461115	2	CONNECTOR	

SECTION 10 - ELECTRICAL

FIGURE 10-15. FRONT FRAME HARNESS



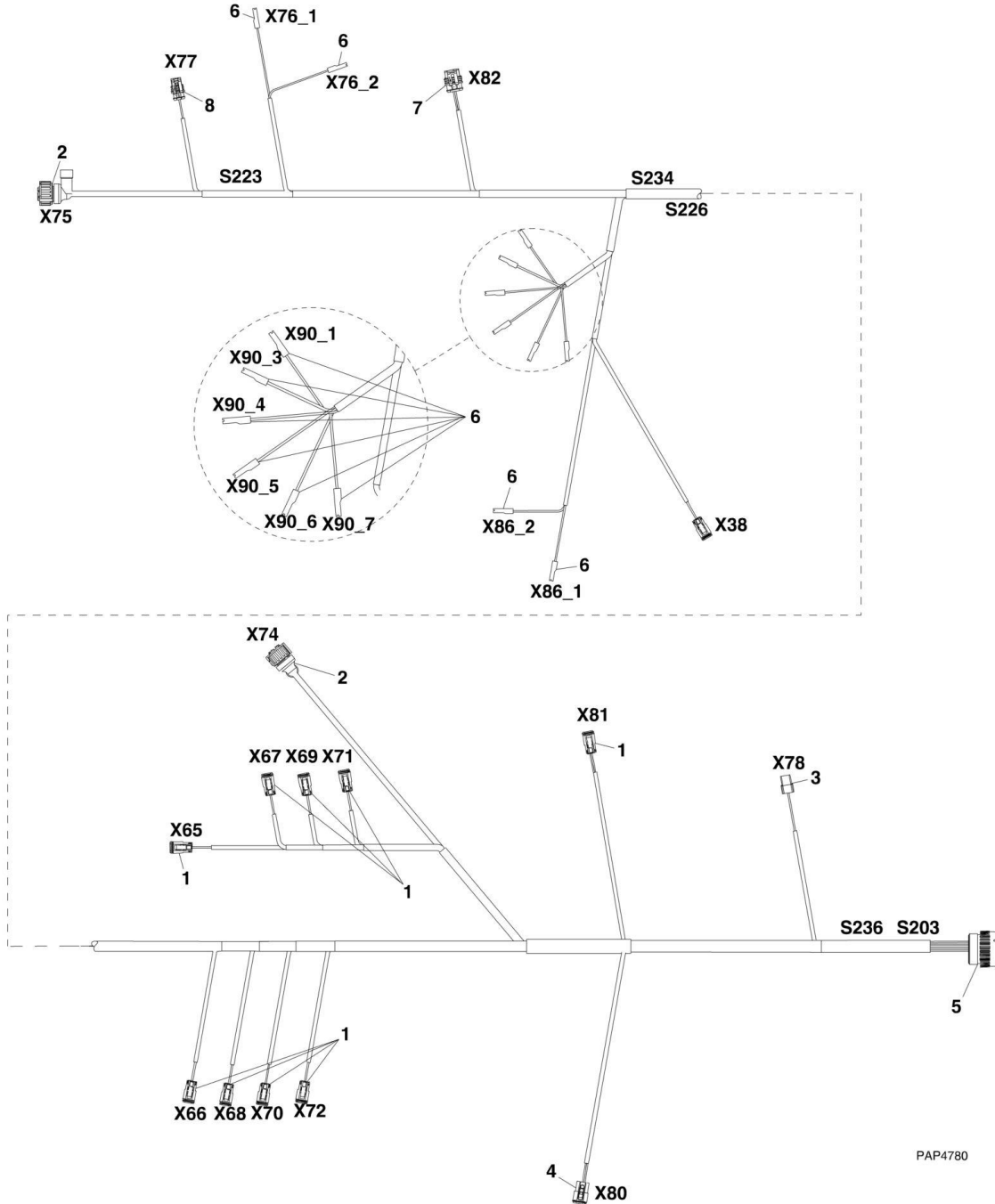
SECTION 10 - ELECTRICAL

FIGURE 10-15. FRONT FRAME HARNESS

ITEM	PART NUMBER	QTY	DESCRIPTION	REV
	1001100127	1	FRONT FRAME HARNESS, (includes all items)	E
1	4460891	2	CONNECTOR	
1	80604018	2	WEDGE LOCK	
2	4460539	1	CONNECTOR	
2	77363244	1	WEDGE LOCK	
3	4460894	2	CONNECTOR	
3	80604023	2	WEDGE LOCK	
4	1001116995	7	CONNECTOR	
5	4460670	1	TERMINAL RING	
6	1001116939	1	CONNECTOR	

SECTION 10 - ELECTRICAL

FIGURE 10-16. REAR FRAME HARNESS (Prior to SN 1160005989, Excluding 1160005189, 1160005314 and 1160005414)



PAP4780

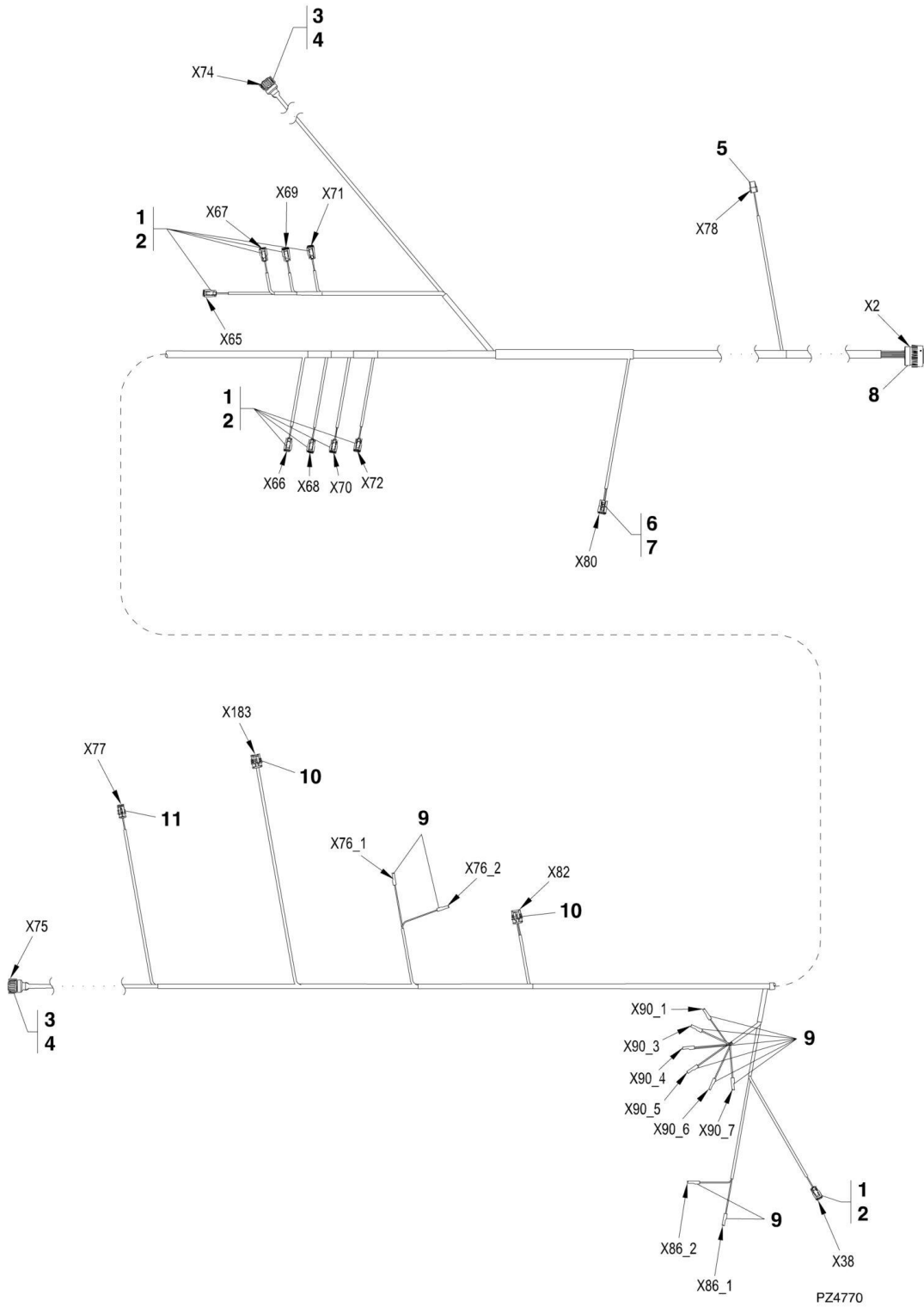
SECTION 10 - ELECTRICAL

FIGURE 10-16. REAR FRAME HARNESS (Prior to SN 1160005989, Excluding 1160005189, 1160005314 and 1160005414)

ITEM	PART NUMBER	QTY	DESCRIPTION	REV
	1001100128	1	REAR FRAME HARNESS, (includes all items)	G
1	4460891	10	CONNECTOR	
1	80604018	10	WEDGE LOCK	
2	4461134	2	CONNECTOR	
2	7028639	2	CAP	
3	250176	1	CONNECTOR	
4	4460539	1	CONNECTOR	
4	77363244	1	WEDGE LOCK	
5	1001116937	1	CONNECTOR	
6	1001116995	10	CONNECTOR	
7	4461262	1	CONNECTOR	
8	4461118	1	CONNECTOR	

SECTION 10 - ELECTRICAL

FIGURE 10-17. REAR FRAME HARNESS (SN 1160005989 to Present, Including 1160005189, 1160005314 and 1160005414)



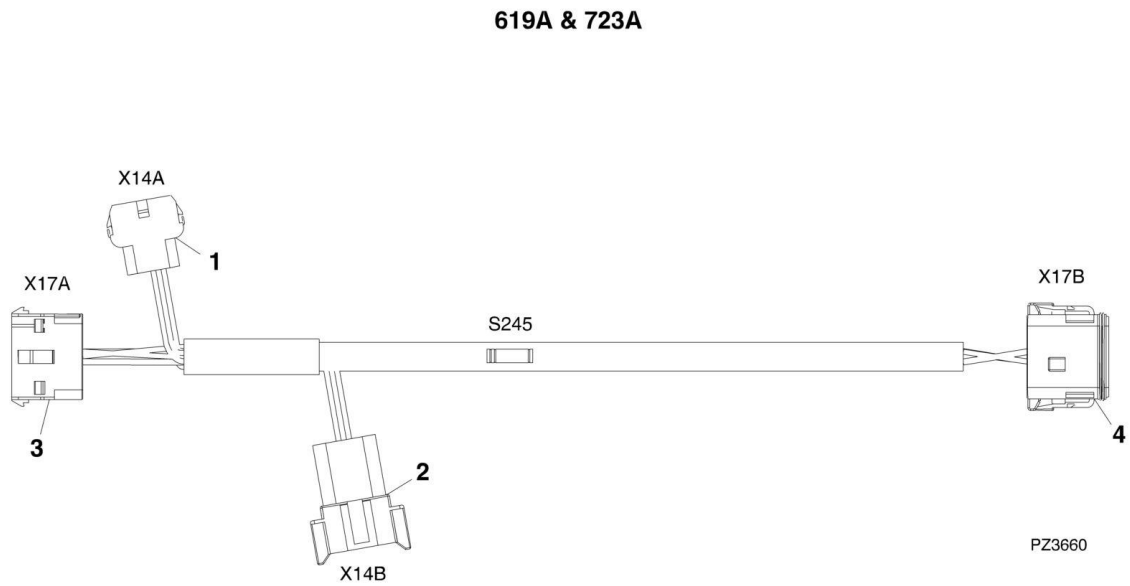
SECTION 10 - ELECTRICAL

FIGURE 10-17. REAR FRAME HARNESS (SN 1160005989 to Present, Including 1160005189, 1160005314 and 1160005414)

ITEM	PART NUMBER	QTY	DESCRIPTION	REV
	1001121433	1	REAR FRAME HARNESS, (includes all items)	A
1	4460891	9	PLUG CONNECTOR	
2	80604018	9	SECONDARY WEDGE LOCK	
3	1001116996	2	CONNECTOR W/ CAP	
4	7028639	2	CAP	
5	250176	1	CONNECTOR	
6	4460539	1	PLUG CONNECTOR	
7	77363244	1	SECONDARY WEDGE LOCK	
8	1001116937	1	PLUG CONNECTOR	
9	1001116995	10	CONNECTOR	
10	4461262	2	CONNECTOR	
11	4461118	1	CONNECTOR	

SECTION 10 - ELECTRICAL

FIGURE 10-18. LIGHT SHIFTER HARNESS 619A & 723A



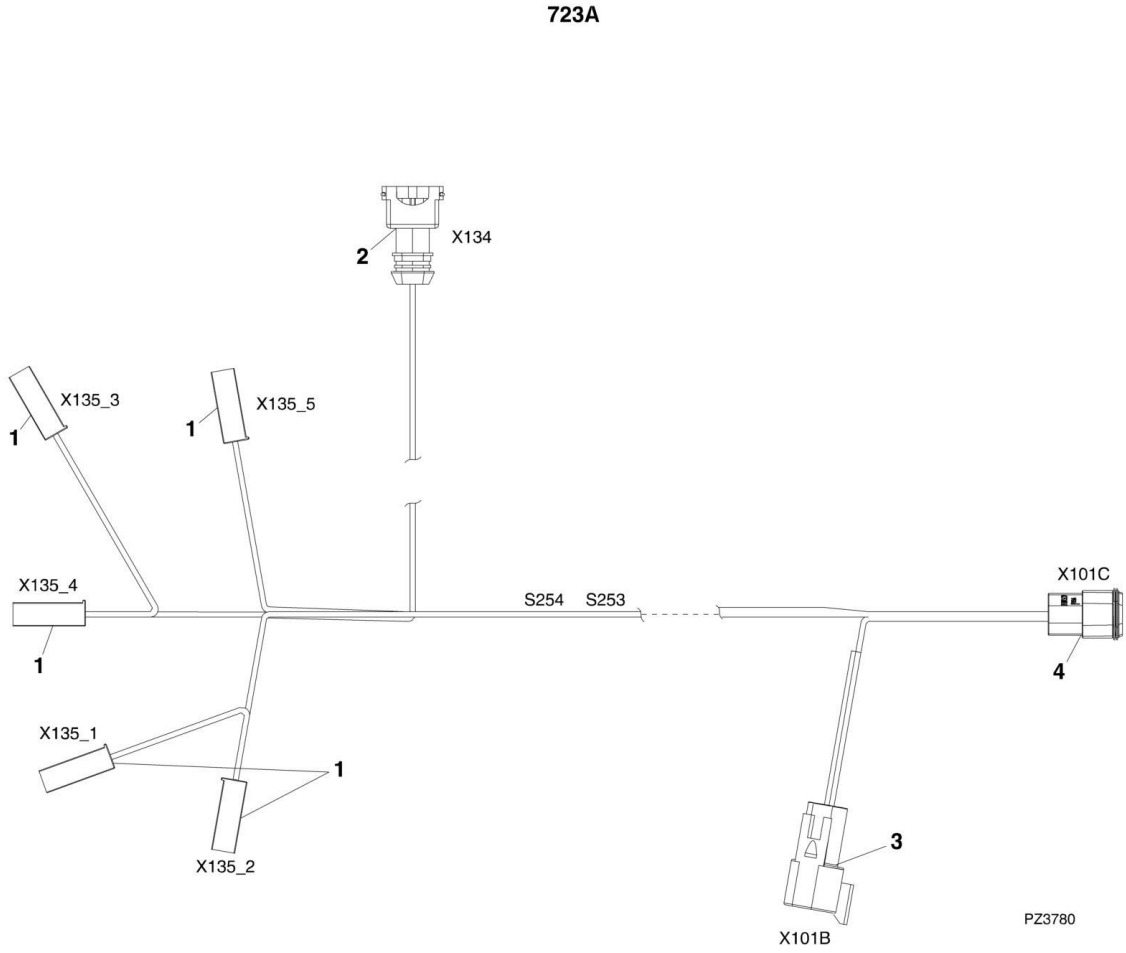
SECTION 10 - ELECTRICAL

FIGURE 10-18. LIGHT SHIFTER HARNESS 619A & 723A

ITEM	PART NUMBER	QTY	DESCRIPTION	REV
	1001102736	1	LIGHT SHIFTER HARNESS, (619A & 723A), (includes all items)	D
1	4460266	1	CONNECTOR	
2	4460931	1	CONNECTOR	
2	91503106	1	WEDGE LOCK	
3	4460708	1	CONNECTOR	
4	4460933	1	CONNECTOR	
4	80604016	1	WEDGE LOCK	

SECTION 10 - ELECTRICAL

FIGURE 10-19. OIL TEMPERATURE HARNESS 723A



SECTION 10 - ELECTRICAL

FIGURE 10-19. OIL TEMPERATURE HARNESS 723A

ITEM	PART NUMBER	QTY	DESCRIPTION	REV
	1001113671	1	OIL TEMPERATURE HARNESS, (723A), (if equipped), (includes items 1 thru 4)	A
1	4460260	5	TERMINAL LOCK	
2	1001116983	1	CONNECTOR	
3	4460536	1	CONNECTOR	
3	80604019	1	WEDGE LOCK	
4	4460539	1	CONNECTOR	
4	77363244	1	WEDGE LOCK	

SECTION 10 - ELECTRICAL

FIGURE 10-20. SEAT SWITCH WIRE



X02

CONN POS	WIRE COLOR	WIRE LABEL	GAUGE	JACKET
1	WTH	DIGITAL INPUT	1 mm ²	FLRY-B
2	YEL	VBATT	1 mm ²	FLRY-B
3	WTH	DIGITAL INPUT	1 mm ²	FLRY-B
4	YEL	VBATT	1 mm ²	FLRY-B

X03

CONN POS	WIRE COLOR	WIRE LABEL	GAUGE	JACKET
1	WTH	DIGITAL INPUT	1 mm ²	FLRY-B

X05

CONN POS	WIRE COLOR	WIRE LABEL	GAUGE	JACKET
1	WTH	DIGITAL INPUT	1 mm ²	FLRY-B

X06

CONN POS	WIRE COLOR	WIRE LABEL	GAUGE	JACKET
1	YEL	VBATT	1 mm ²	FLRY-B

X12

CONN POS	WIRE COLOR	WIRE LABEL	GAUGE	JACKET
1	YEL	VBATT	1 mm ²	FLRY-B

PAP25060

SECTION 10 - ELECTRICAL

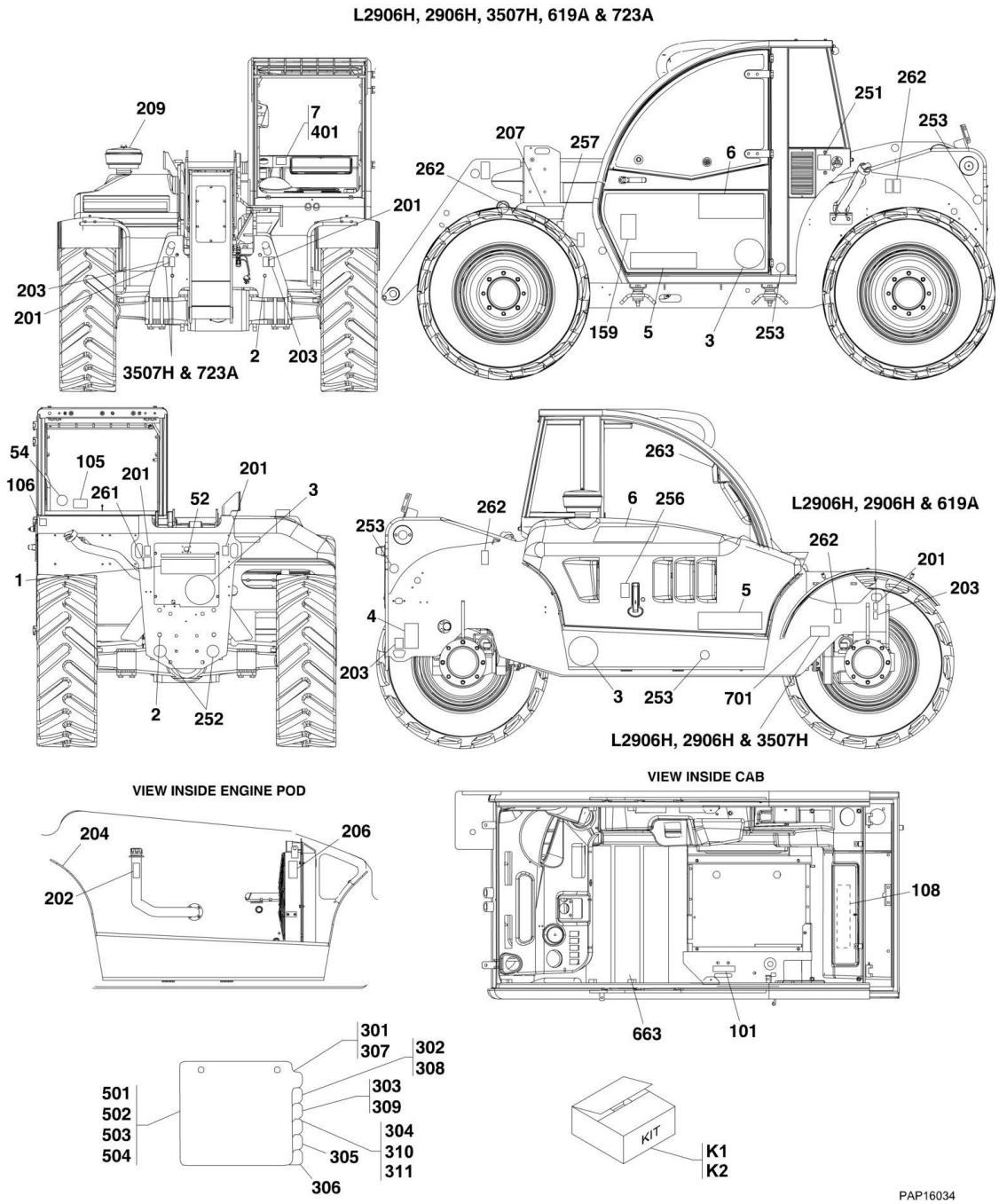
FIGURE 10-20. SEAT SWITCH WIRE

ITEM	PART NUMBER	QTY	DESCRIPTION	REV
	1001153251	1	SEAT SWITCH WIRE, (includes all items)	C
1	1001104519	1	CONNECTOR	
2	4460871	4	TERMINAL	

SECTION 11 - DECALS

SECTION 11 - DECALS

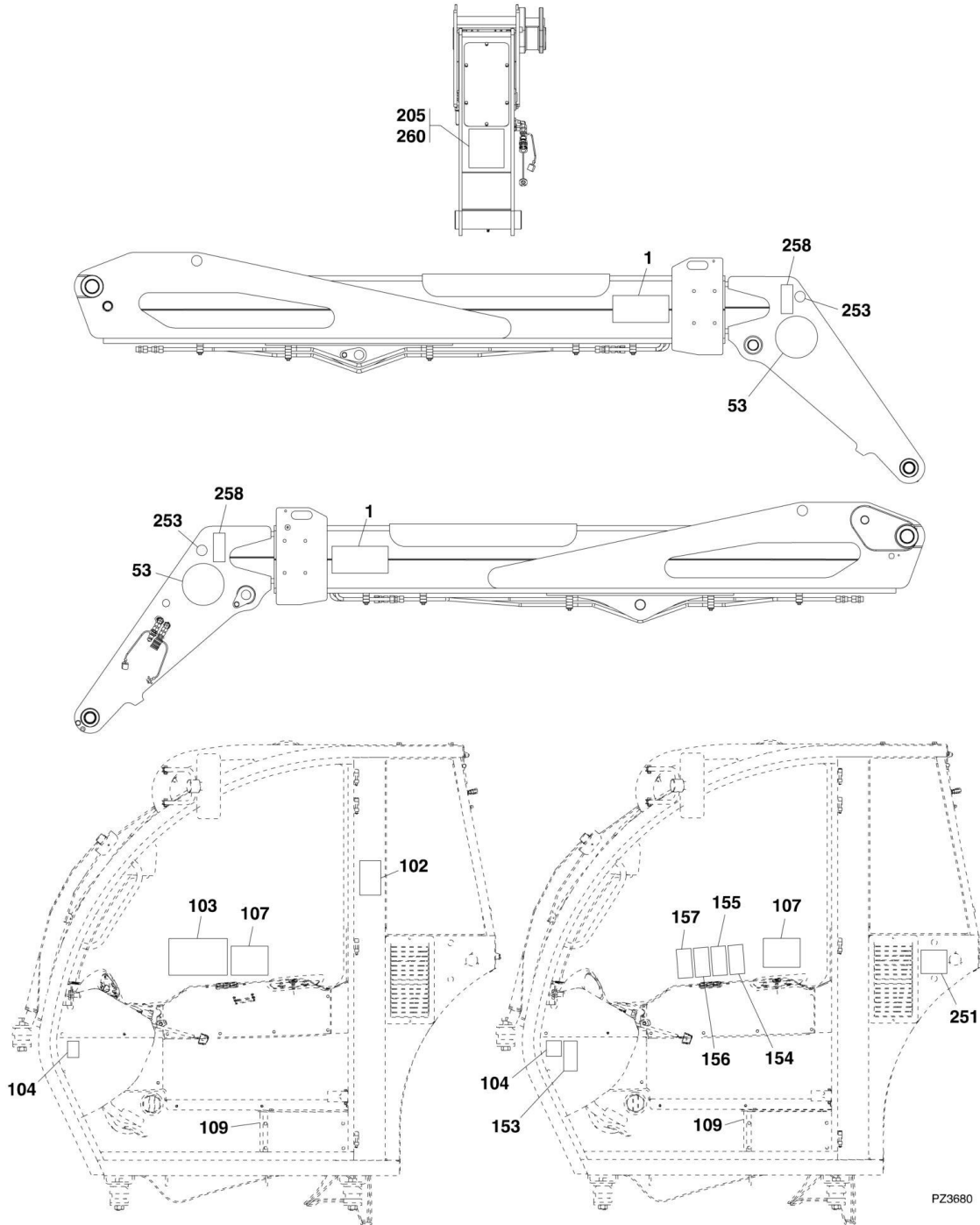
FIGURE 11-1. DECALS AND LOAD CHARTS L2906H, 2906H, 3507H, 619A & 723A



PAP16034

SECTION 11 - DECALS

L2906H, 2906H, 3507H, 619A & 723A



SECTION 11 - DECALS

FIGURE 11-1. DECALS AND LOAD CHARTS L2906H, 2906H, 3507H, 619A & 723A

ITEM	PART NUMBER	QTY	DESCRIPTION	REV
	1001113008	Ref	DECAL INSTALLATION, (L2906H - if equipped with JD Quick Attach), (not available to order, see items 1 thru 7 for service)	B
	1001113007	Ref	DECAL INSTALLATION, (2906H - if equipped with JD Quick Attach), (not available to order, see items 1 thru 7 for service)	B
	1001113009	Ref	DECAL INSTALLATION, (3507H - if equipped with JD Quick Attach), (not available to order, see items 1 thru 7 for service)	B
	1001113008	Ref	DECAL INSTALLATION, (619A - if equipped with JD Quick Attach), (not available to order, see items 1 thru 6 for service)	
	1001113007	Ref	DECAL INSTALLATION, (723A - if equipped with JD Quick Attach), (not available to order, see items 1 thru 6 for service)	
	1001115499	Ref	DECAL INSTALLATION, (619A - if equipped with JD Quick Attach), (not available to order, see items 1 thru 6 for service)	A
	1001115498	Ref	DECAL INSTALLATION, (723A - if equipped with JD Quick Attach), (not available to order, see items 1 thru 6 for service)	A
	1001111960	Ref	DECAL INSTALLATION, (L2906H), (not available to order, see items 1 thru 6 & Kit K1 for service)	C
	1001111959	Ref	DECAL INSTALLATION, (2906H), (not available to order see items 1 thru 6 for service)	B
	1001111961	Ref	DECAL INSTALLATION, (3507H), (not available to order, see items 1 thru 6 for service)	B
	1001112625	Ref	DECAL INSTALLATION, (619A), (not available to order, see items 1, 2, 4 thru 6, 52 & 53 for service)	B
	1001112626	Ref	DECAL INSTALLATION, (723A), (not available to order, see items 1, 2, 4 thru 6, 52 & 53 for service)	B
1	1702773	3	JLG DECAL, (L2906H, 2906H & 3507H)	
1	1702773	2	JLG DECAL, (619A & 723A)	
2	8008721	8	PLASTIC CAP	
3	8009377	3	35 KPH DECAL, (L2906H, 2906H & 3507H)	
4	1001094795	1	LUBE CHART DECAL	
5	1001111897	2	MODEL DECAL, (L2906H)	
5	1001111895	2	MODEL DECAL, (2906H)	
5	1001111896	2	MODEL DECAL, (3507H)	
5	1001111898	2	MODEL DECAL, (619A)	
5	1001111899	2	MODEL DECAL, (723A)	
6	1001112624	2	JLG DECAL	
7	1001113916	1	LOAD CHART JD, (L2906H & 2906H)	
7	1001113437	1	LOAD CHART JD, (3507H)	
7	1001133377	1	LOAD CHART, (AUS) (L2906H & 2906H)	
7	1001133378	1	LOAD CHART, (AUS) (3507H)	
52	1704885	1	WEBSITE DECAL, (619A & 723A)	
53	1706170	2	GOOSENECK DECAL, 6, (619A)	
53	1001112371	2	GOOSENECK DECAL, 7, (723A)	
54	2999964	1	40 KPH DECAL, (2906H, L2906H, 3507H, 619A & 723A)	
	1001111616	Ref	CAB DECAL INSTALLATION, (619A & 723A), (not available to order, see items 101 thru 109 for service)	B
	1001111871	Ref	CAB DECAL INSTALLATION, (L2906H), (not available to order, see items 101, 104 thru 109, 153 thru 157 & 159 for service)	B
	1001111615	Ref	CAB DECAL INSTALLATION, (2906H & 3507H), (not available to order, see items 101, 104 thru 109, 153 thru 157 & 159 for service)	B
101	1706209	1	PARK BRAKE DECAL	
102	1706835	1	NO RIDERS DECAL, (619A & 723A)	
103	1707078	1	CAB WARNING/DANGER DECAL, (619A & 723A)	
104	2447967	1	OIL DECAL	

SECTION 11 - DECALS

ITEM	PART NUMBER	QTY	DESCRIPTION	REV
105	8005870	1	EMERGENCY EXIT DECAL	
106	8009815	1	DIESEL FUEL DECAL	
107	1001111863	1	JOYSTICK DECAL	
108	1001112333	1	FUSE DECAL	
109	N.S.S.	1	SN PLATE	
153	8005670	1	INSTRUCTION AND SAFETY DECAL, (L2906H, 2906H & 3507H)	
154	8005671	1	WARNING DECAL, (L2906H, 2906H & 3507H)	
155	8005672	1	WARNING DECAL, (L2906H, 2906H & 3507H)	
156	8005673	1	WARNING DECAL, (L2906H, 2906H & 3507H)	
157	8005674	1	WARNING DECAL, (L2906H, 2906H & 3507H)	
159	8008651	1	WARNING DECAL, (L2906H, 2906H & 3507H)	
	1001112692	Ref	COMMON DECAL INSTALLATION, (619A), (not available to order, see items 201 thru 209 for service)	A
	1001112693	Ref	COMMON DECAL INSTALLATION, (723A), (not available to order, see items 201 thru 209 for service)	A
	1001111869	Ref	COMMON DECAL INSTALLATION, (L2906H & 2906H), (not available to order, see items 251 thru 254)	D
	1001111870	Ref	COMMON DECAL INSTALLATION, (3507H), (not available to order, see items 251 thru 254)	D
201	1701500	4	LIFT DECAL, (619A & 723A)	
201	8005616	4	LIFT DECAL, (L2906H, 2906H & 3507H)	
202	1701504	1	HYDRAULIC OIL DECAL, (619A & 723A)	
202	8009816	1	HYDRAULIC OIL DECAL, (L2906H, 2906H & 3507H)	
203	1702300	4	TIE DOWN DECAL, (619A & 723A)	
203	8005617	4	TIE DOWN DECAL, (L2906H, 2906H & 3507H)	
204	1706297	1	EXPLOSIVE GASES WARNING DECAL, (619A & 723A)	
205	1706298	1	ATTACHMENT FALLING OFF WARNING DECAL, (619A & 723A)	
206	1706301	1	ROTATING PART WARNING DECAL, (619A & 723A)	
206	8005869	1	ENGINE RUNNING WARNING DECAL, (L2906H, 2906H & 3507H)	
207	N.S.S.	1	SN PLATE, (619A & 723A)	
209	1704972	1	EXPLOSION/FIRE WARNING DECAL, (619A & 723A)	
251	1705980	1	106dB SOUND DECAL, (L2906H, 2906H & 3507H)	
252	3931579	2	REAR REFLECTOR, (L2906H, 2906H & 3507H)	
253	8003198	6	SIDE REFLECTOR, (L2906H, 2906H & 3507H)	
254	1001177394	1	DECAL, GROUP (includes items 201 thru 203, 206 & 256 thru 263)	
256	8005670	1	INSTRUCTION AND SAFETY DECAL, (L2906H, 2906H & 3507H)	
257	8005671	1	CYLINDER LOCK WARNING DECAL, (L2906H, 2906H & 3507H)	
258	8005675	2	WARNING DECAL, (L2906H, 2906H & 3507H)	
260	8006038	1	WARNING DECAL, (L2906H, 2906H & 3507H)	
261	8006612	1	STAY CLEAR WARNING DECAL, (L2906H, 2906H & 3507H)	
262	8008657	4	WARNING DECAL, (L2906H, 2906H & 3507H)	
263	1001127546	1	LSI WARNING DECAL, (L2906H, 2906H & 3507H)	
K1	1001113927	1	LOAD CHART KIT, (619A - if equipped with JD Quick Attach), (includes item 301)	A
K1	1001113941	1	LOAD CHART KIT, (723A - if equipped with JD Quick Attach), (includes item 301)	A
K1	1001113916	1	LOAD CHART KIT, (L2906H & 2906H - if equipped with JD Quick Attach), (includes item 301)	A
K1	1001113942	1	LOAD CHART KIT, (3507H - if equipped with JD Quick Attach), (includes item 301)	A
K1	1001113436	1	LOAD CHART KIT, (619A), (includes items 301 thru 303, 305 & 307 thru 309)	B

SECTION 11 - DECALS

ITEM	PART NUMBER	QTY	DESCRIPTION	REV
K1	1001113435	1	LOAD CHART KIT, (723A), (includes items 301 thru 303 & 305 thru 310)	B
K1	1001113438	1	LOAD CHART KIT, (2906H), (includes items 301 thru 309 & 311)	B
K1	1001151780	1	LOAD CHART KIT, (L2906H), (includes items 301 thru 309 & 311)	A
K1	1001113437	1	LOAD CHART KIT, (3507H), (includes items 301 thru 309)	D
301	1001112915	1	FORKS LOAD CHART, (619A)	
301	1001112914	1	FORKS LOAD CHART, (723A)	
301	1001113362	1	FORKS LOAD CHART, (L2906H & 2906H)	
301	1001113361	1	FORKS LOAD CHART, (3507H)	
302	1001113918	1	BUCKETS LOAD CHART, (619A)	
302	1001113943	1	BUCKETS LOAD CHART, (723A)	
302	1001113865	1	BUCKETS LOAD CHART, (L2906H & 2906H)	
302	1001113931	1	BUCKETS LOAD CHART, (3507H)	
303	1001113919	1	FORK HOOK LOAD CHART, (619A)	
303	1001113944	1	FORK HOOK LOAD CHART, (723A)	
303	1001113867	1	FORK HOOK LOAD CHART, (L2906 & 2906H)	
303	1001113932	1	FORK HOOK LOAD CHART, (3507H)	
304	1001113871	1	SIDE SHIFT CARRIAGE LOAD CHART, (L2906H & 2906H)	
304	1001113936	1	SIDE SHIFT CARRIAGE LOAD CHART, (3507H)	
304	1001113946	1	SIDE SHIFT CARRIAGE LOAD CHART, (723A)	
304	1001113921	1	SIDE SHIFT CARRIAGE LOAD CHART, (619A)	
305	1001113920	1	3.6M TRUSS BOOM LOAD CHART, (619A)	
305	1001113945	1	3.6M TRUSS BOOM LOAD CHART, (723A)	
305	1001113870	1	3.6M TRUSS BOOM LOAD CHART, (L2906H & 2906H)	
305	1001113934	1	3.6M TRUSS BOOM LOAD CHART, (3507H)	
306	1001113947	1	SIDE TILT CARRIAGE LOAD CHART, (723A)	
306	1001113869	1	3.4M TRUSS BOOM LOAD CHART, (L2906H & 2906H)	
306	1001113933	1	3.4M TRUSS BOOM LOAD CHART, (3507H)	
306	1001113922	1	SIDE TILT CARRIAGE LOAD CHART, (619A)	
307	1001113923	1	TUBE BALE HANDLER LOAD CHART, (619A)	
307	1001113949	1	TUBE BALE HANDLER LOAD CHART, (723A)	
307	1001113872	1	TUBE BALE HANDLER LOAD CHART, (L2906H & 2906H)	
307	1001113937	1	TUBE BALE HANDLER LOAD CHART, (3507H)	
308	1001113924	1	SPIKE BALE HANDLER LOAD CHART, (619A)	
308	1001113950	1	SPIKE BALE HANDLER LOAD CHART, (723A)	
308	1001113873	1	SPIKE BALE HANDLER LOAD CHART, (L2906H & 2906H)	
308	1001113938	1	SPIKE BALE HANDLER LOAD CHART, (3507H)	
309	1001113925	1	ROUND FORK LOAD CHART, (619A)	
309	1001113951	1	ROUND FORK LOAD CHART, (723A)	
309	1001113874	1	ROUND FORK LOAD CHART, (L2906H & 2906H)	
309	1001113939	1	ROUND FORK LOAD CHART, (3507H)	
310	1001113948	1	6.6K FORK POSITION LOAD CHART, (723A)	
311	1001151695	1	VISIBILITY CHART, (2906H)	
311	1001151694	1	VISIBILITY CHART, (L2906H)	
311	1001151696	1	VISIBILITY CHART, (3507H)	
K2	1001113916	1	JD CARRIAGE LOAD CHART KIT, (L2906H & 2906H), (includes item 401)	A
K2	1001113942	1	JD CARRIAGE LOAD CHART KIT, (3507H), (includes item 401)	A
401	1001113875	1	JD CARRIAGE LOAD CHART, (L2906H & 2906H)	
401	1001113940	1	JD CARRIAGE LOAD CHART, (3507H)	
501	1001113921	1	SIDESHIFT CARRIAGE LOAD CHART, (619A)	
501	1001113946	1	SIDESHIFT CARRIAGE LOAD CHART, (723A)	

SECTION 11 - DECALS

ITEM	PART NUMBER	QTY	DESCRIPTION	REV
502	1001113928	1	ASME PLATFORM LOAD CHART, (619A)	
502	1001113953	1	ASME PLATFORM LOAD CHART, (723A)	
503	1001113929	1	ISO PLATFORM LOAD CHART, (619A)	
503	1001113954	1	ISO PLATFORM LOAD CHART, (723A)	
504	1001113930	1	FRENCH PLATFORM LOAD CHART, (619A)	
504	1001113955	1	FRENCH PLATFORM LOAD CHART, (723A)	
663	4420081	AR	ANTI-SKID TAPE, (619A & 723A)	
701	N.S.S.	1	SN PLATE	

SECTION 12 - RECOMMENDED SPARE PARTS

SECTION 12 - RECOMMENDED SPARE PARTS

SECTION 12 - RECOMMENDED SPARE PARTS

FIGURE 12-1. RECOMMENDED SPARE PARTS

ITEM	PART NUMBER	QTY	DESCRIPTION	REV
	Note	Ref	Note: The following list will service fleets of machines (built to current production per date on the front cover) with repair parts which can be installed in the field. Parts from the list should be replaced when inventory is depleted to keep service parts stock supplied. For further information, contact your JLG dealer or the JLG Industries Parts Department.	
		Ref	Boom	
	1001111491	1	Twin Hose Assy, (L2906H, 2906H, 619A, 29.6LP & 29.6)	
	1001111490	1	Twin Hose Assy, (3507H, 723A & 35.7)	
	2754153	1	Twin Hose Assy, (L2906H, 2906H, 619A, 29.6LP & 29.6)	
	2754121	1	Twin Hose Assy, (3507H, 723A & 35.7)	
	4700026	1	Wear Pad	
	4700027	8	Wear Pad, (L2906H, 2906H, 619A, 29.6LP & 29.6)	
	8002200	4	Wear Pad, (L2906H, 2906H, 619A, 29.6LP & 29.6)	
	8002200	12	Wear Pad, (3507H, 723A & 35.7)	
	8002199	2	Wear Pad	
	3574821	2	Spacer	
	8002901	10	Spacer	
	8003242	2	Spacer	
	8008069	AR	Shim, 2.0x70x200mm	
	8008070	AR	Shim, 2.0x50x200mm	
	8008634	AR	Shim, 0.5x70x200mm	
	8008640	AR	Shim, 0.5x50x200mm	
	8008641	AR	Shim, 1.0x50x200mm	
	8008642	AR	Shim, 1.5x50x200mm	
	8008644	AR	Shim, 1.0x70x200mm	
	8008645	AR	Shim, 1.5x70x200mm	
	1001131873	1	Quick Attach Pivot Pin	
	1001131874	1	Quick Attach Pin	
		Ref	Engine	
	7029274	1	Fuel Filter Spin-on Cartridge	
	70022397	1	95-Amp Alternator, (Prior to Deutz SN 10795955)	
	70024667	1	150-Amp Alternator, (Deutz SN 10795955 to Present)	
	70022398	1	Dipstick	
	7029447	1	Fuel Pre-filter Assy	
	70022401	1	Oil Filter Element	
	7029392	1	Starter	
	7029374	1	Alternator Belt	
	7029402	1	Fan Belt	
	1120576	1	Fuel Cap	
	1001102670	1	Fan	
	70020433	1	Radiator Cap	
	7021081	1	Air Cleaner Secondary Filter Element	
	7028118	1	Air Cleaner Protection Cap	
	7029387	1	Gasket Set, Complete Engine	
		Ref	Drive Train	
	1001104634	1	F-N-R / Horn Switch, (619A & 723A)	
	1001097682	1	F-N-R, (L2906H, 2906H, 3507H, 29.6LP, 29.6 & 35.7)	
	7028405	1	Differential Gear Kit	

SECTION 12 - RECOMMENDED SPARE PARTS

ITEM	PART NUMBER	QTY	DESCRIPTION	REV
	7028406	2	Double Joint, (L2906H, 2906H, 619A, 29.6LP & 29.6)	
	7028498	2	Double Joint, (3507H, 723A & 35.7)	
	7028929	1	Universal Joint Kit	
	3300493		Lug Nut	
		Ref	Hydraulic System	
	70022569	1	Lift Cylinder Seal Kit, (L2906H, 2906H, 619A, 29.6LP & 29.6)	
	70022576	1	Lift Cylinder Seal Kit, (3507H, 723A & 35.7)	
	70022597	1	Extend/Retract Cylinder Seal Kit, (L2906H, 2906H, 619A, 29.6LP & 29.6)	
	70022601	1	Extend/Retract Cylinder Seal Kit, (3507H, 723A & 35.7)	
	70022567	1	Tilt Cylinder Seal Kit, (L2906H, 2906H, 619A, 29.6LP & 29.6)	
	70022583	1	Tilt Cylinder Seal Kit, (3507H, 723A & 35.7)	
	70022587	1	Tilt Compensating Cylinder Seal Kit, (L2906H, 2906H, 619A, 29.6LP & 29.6)	
	70022590	1	Tilt Compensating Cylinder Seal Kit, (3507H, 723A & 35.7)	
	70022643	1	Service Brake Seal Kit	
	7029534	1	Hydrostatic Transmission Seal Kit	
	7028803	1	Hydraulic Drive Motor Seal Kit, (L2906H, 2906H, 619A, 29.6LP & 29.6)	
	7028820	1	Hydraulic Drive Motor Seal Kit, (3507H, 723A & 35.7)	
	70022665	1	Piston Pump Seal Kit	
	70022546	1	Gear Pump Seal Kit	
	1120597	1	Hydraulic Tank Fill Cap	
	8005248	1	Hydraulic Tank Sight Glass	
	1001097732	1	Hydraulic Tank Filter	
	2120206	1	Breather, Hydraulic Tank	
		Ref	Electrical	
	8008750	1	12-V Battery	
	1001091683	1	12-V Battery	
	8229233	4	7.5 Amp Fuse	
	8229234	2	10 Amp Fuse	
	8229237	9	15 Amp Fuse	
	8229235	2	20 Amp Fuse	
	8229262	1	25 Amp Fuse	
	1001100781	1	Four Pin Flasher Relay	
	8225119	4	30 Amp Fuse	
	70020795	1	Dome Light Replacement Bulb, (if equipped)	
	1001099810	1	Back-up Alarm	
	0140046	1	Horn	
	70020796	1	Replacement Bulb	
	7029970	1	Replacement Bulb	
	7029971	1	Replacement Bulb	
	70021341	1	Replacement Bulb	
		Ref	Miscellaneous	
	1001111129	1	Mirror, (619A & 723A)	
	1001005981	1	Mirror, (L2906H, 29.6LP, 2906H, 29.6, 3507H & 35.7)	
	1001004242	1	Mirror, (L2906H, 29.6LP, 2906H, 29.6, 3507H & 35.7)	
	1001004242	1	Mirror, (L2906H, 29.6LP, 2906H, 29.6, 3507H & 35.7)	
	3140007	1	Mirror, (L2906H, 29.6LP - if equipped), (Italy)	
	3949091	1	Cab Mirror	
	1001105042	2	Wiper Blade, (L2906H & 29.6LP)	
	4807729	2	Wiper Blade, (2906H, 3507H, 29.6 & 35.7)	

SECTION 12 - RECOMMENDED SPARE PARTS

ITEM	PART NUMBER	QTY	DESCRIPTION	REV
	1001105960	1	Joystick	
	70022765	1	Replacement Key	
	31200567	1	Operation and Safety Manual, (L2906H, 2906H, 3507H, 619A & 723A)	
	31200568	1	Service Manual	
		Ref	Special Tools	
	8035818	1	Wrench, Front and Rear Axle	
	70020309	1	Handle, Front and Rear Axle	
	91474605	1	Driver, Front and Rear Axle	
	8035820	1	Driver, Front and Rear Axle	
	7027856	1	Wrench, Front and Rear Axle	
	8035822	1	Driver, Front and Rear Axle	
	8035817	1	False Pinion, Front Axle	
	8035828	1	False Differential Box, Front Axle	
	8035819	1	Piston Insertion Kit, Front Axle, (3507H, 723A & 35.7)	

SECTION 12 - RECOMMENDED SPARE PARTS

PART NUMBER INDEX

SECTION 12 - RECOMMENDED SPARE PARTS

0100011.....201, 203, 266	0712028..... 19	0930004..... 67	1001093826....29, 56, 65,
0100019..... 19	0712030..... 157, 161	0930005..... 67	237, 241
0140046.....295, 349	0712040..... 19	0930006..... 65	1001093827....29, 56, 65,
0200837.....215	0712445..... 19	0930008..... 63	237, 241
0240063.....61	0760405..... 291	0930009..... 63	1001093949.....201
0240110.....61	0760410..... 90, 97	0930015..... 63	1001093950.....201
0240117.....77	0760508..... 201	0930016..... 63	1001093951.....201
0240118.....77	0760605..... 41, 171	0940036.....203	1001094373.....166
0240143.....47	0760606..... 91, 189, 195	1000331..... 213	1001094414.....223
0240158.....73	0760607... 165, 185, 194,	1001002955..... 173	1001094467.....219
0273808.....154	292	1001002958..... 174	1001094486.....154
0273809.....154	0760608.... 97, 165, 189,	1001004242 13, 166, 349	1001094487.....154
0273811.....19	194, 201	1001004723..... 289	1001094488.....154
0273812.....19	076061029, 99, 190, 196,	1001005960..... 166	1001094495.....153
0273814.....237	289	1001005981..... 12, 349	1001094496.....153
0273866..... 158, 162	0760613..... 189, 195	1001006141..... 47	1001094497.....153
0274535..... 13	0760614..... 174	1001006376..... 247	1001094508..... 93
0274769.....153	0760619..... 292, 303	1001008436..... 14	1001094512.....154
0274770.....153	0760805..... 295	1001008469..... 245, 247	1001094555....29, 51, 56,
0274812..... 19	0760806..... 13, 97, 295	1001008559..... 289	65, 67, 73, 237, 241
0274850.....13	0760808... 13, 36, 41, 90,	1001008593..... 297	1001094556....29, 51, 56,
0275382.....199	97, 173, 174, 183, 185,	1001008923..... 297	65, 67, 73, 237, 241
0275752..... 14	188, 194, 203, 289	1001009154..... 103	1001094611..... 63
0480139..... 189, 195	0760810... 14, 17, 90, 97,	1001009196..... 247	1001094612..... 63
0498748.....174	99, 170, 171, 179, 203,	1001013239..... 247	1001094615..... 63
0630583.....97	227, 245, 247, 289	1001025753..... 289	1001094616..... 63
0630604..... 189, 195	0760812 13, 99, 166, 189,	1001063268..... 311	1001094795.....342
0641405.....81	195, 243, 295	1001090606..... 299, 301	1001095650.... 12, 13, 19,
0642032.....47	0760815... 173, 220, 229	1001090607..... 299, 301	25, 27, 29, 31, 35, 39,
0700605.....295	0760816..... 295	1001091102..... 90	41, 90, 91, 97, 158,
0700610.....295, 297	0761006..... 12	1001091316..... 56	162, 179, 223, 227,
0700612.....297	0761007..... 12	1001091550..... 261	229, 243, 245, 247, 285
0700614..... 13, 29	0761008..... 39, 90, 165	1001091573..... 292	1001095804.....291
0700615....219, 243, 245	0761010... 17, 20, 39, 97,	1001091683..... 289, 349	1001095810..... 81
0700617.....90, 223	201, 241, 285	1001091715..... 306	1001096019..... 81
0700619.....174	0761012 39, 90, 166, 211,	1001091716..... 306	1001096020..... 81
0700812..... 13, 105	229, 233, 297, 306	1001091871 183, 185,	1001096021..... 81
0700814.....103	0761014..... 39, 90, 99	188	1001096023..... 81
0700815.... 199, 219, 233,	0761015..... 223, 266	1001092008..... 153	1001096024..... 81
235, 237, 289	0761029..... 189, 195	1001092144..... 31	1001096025..... 81
0700816.... 105, 229, 233	0761210..... 39	1001092197..... 289	1001096032.... 189, 195
0700817 43, 97, 189, 195,	0761212..... 39	1001092201..... 289	1001096089..... 166
227, 237	0761214... 35, 39, 59, 91	1001092377..... 203	1001096127..... 19
0700818.... 235, 237, 295	0761215..... 35	1001092385..... 203	1001096162..... 81
0700821.....243	0761216..... 47	1001092465..... 56	1001096169.... 183, 185,
0700822..... 220, 245	0761612..... 59	1001092481..... 81	188
0700824.....243	0761615..... 90	1001092482..... 81	1001096170.... 183, 185,
0700826.....235, 295	0761617..... 19	1001092584..... 245, 247	188, 190, 195
0700827.....47	0771016..... 296	1001092764..... 56	1001096345..... 19
0701014..... 103	0771212..... 19	1001092861..... 299, 301	1001096365..... 173
0701015.... 90, 158, 162,	0771619..... 23	1001092862..... 299, 301	1001096569..... 19
189, 195	0840066..... 103	1001092863..... 299, 301	1001096644.... 189, 195
0701016..... 12, 39, 306	0860520..... 81	1001093076..... 219	1001096653..... 247
0701017.....39	0879192..... 174	1001093084..... 203	1001096701..... 189, 195
0701018..... 19, 39	0903094..... 295	1001093085..... 203	1001096789..... 174
0701021.....219	0903366..... 47	1001093089..... 203	1001096790..... 173
0701029.....49	0903391..... 174	1001093306..... 31	1001096917.... 153, 154
0701031..... 189, 195	0903395..... 173	1001093344..... 166	1001097159..... 17
0701215.....35	0903397..... 173	1001093371 190, 195	1001097241..... 90
0701217.....35, 36, 47	0903398..... 174	1001093411..... 56	1001097283..... 47
0701220.....35, 307	0903533..... 243	1001093412..... 56	1001097287..... 57, 65
0701229.....90	0903624..... 295	1001093413..... 56	1001097291..... 179
0701619.... 19, 25, 27, 29,	0903629..... 14	1001093414..... 56	1001097349..... 165
31	0903637..... 295	1001093429..... 201	1001097350..... 43
0701620.....27	0903653..... 173	1001093696..... 201	1001097352..... 213
0711215..... 19	0930003..... 65	1001093785..... 189, 195	1001097382..... 90

SECTION 12 - RECOMMENDED SPARE PARTS

1001097465.....	291	1001099537.....	99	1001100902.....	237	1001102699.....	169
1001097661.....	43	1001099564.....	90	1001100911.....	59	1001102725.....	292
1001097662.....	43	1001099588.....	223	1001101020.....	99	1001102736.....	333
1001097663.....	43	1001099589.....	229	1001101147.....	158, 162	1001102738.....	292
1001097664.....	43	1001099590.....	219	1001101150.....	283	1001102787.....	166
1001097682.....	211, 348	1001099591.....	227	1001101152.....	174	1001102789.....	170, 171
1001097717.....	215	1001099592.....	227	1001101153.....	174	1001102790.....	170, 171
1001097732.....	223, 349	1001099593.....	224	1001101154.....	174	1001102813.....	81
1001097768.....	223	1001099594.....	220	1001101224.....	219	1001102848.....	188
1001097799.....	90	1001099595.....	229	1001101356.....	43	1001102879.....	174
1001097806.....	285	1001099596.....	224	1001101381.....	285	1001102880.....	174
1001097809.....	166	1001099597.....	229	1001101407.....	233, 235, 237	1001102881.....	174
1001097976.....	285	1001099604.....	103	1001101425.....	43	1001102882.....	174
1001098009.....	103	1001099613.....	53	1001101543.....	223	1001102889.....	188, 194
1001098104.....	285	1001099621.....	265	1001101587.....	43	1001102926.....	90
1001098105.....	103	1001099677.....	223	1001101590.....	43	1001102931.....	90
1001098150.....	169, 171, 205	1001099702.....	219	1001101650.....	169, 170	1001102933.....	90
1001098151.....	169, 170, 171	1001099716.....	223	1001101651.....	170, 301	1001102954.....	291
1001098263.....	19	1001099724.....	231	1001101652.....	169, 170	1001102956.....	90
1001098504.....	99	1001099725.....	231	1001101653.....	169, 170	1001102957.....	90
1001098505.....	99	1001099737.....	235, 237	1001101654.....	169, 170	1001102989.....	295
1001098510.....	99	1001099742.....	233	1001101655.....	169, 170	1001102990.....	295
1001098515.....	269	1001099743.....	233	1001101656.....	169, 170	1001102996.....	170
1001098540.....	213	1001099750.....	105	1001101657.....	169, 170	1001102997.....	170
1001098589.....	169	1001099757.....	103	1001101658.....	170, 171	1001102998.....	170
1001098623.....	99	1001099761.....	97	1001101659.....	169	1001102999.....	169
1001098629.....	27	1001099779.....	97	1001101660.....	169	1001103000.....	169
1001098630.....	27	1001099810.....	296, 349	1001101667.....	169, 170	1001103012.....	314, 318
1001098631.....	25	1001099851.....	220	1001101668.....	170, 171	1001103014.....	289
1001098632.....	25	1001099880.....	306	1001101677.....	99	1001103016.....	97
1001098636.....	25	1001099892.....	306	1001101719.....	223	1001103165.....	97
1001098637.....	227	1001099899.....	13	1001102137.....	255	1001103166.....	97
1001098645.....	227	1001099917.....	306	1001102138.....	257	1001103167.....	97
1001098650.....	227	1001099950.....	306	1001102139.....	253	1001103168.....	97
1001098696.....	35	1001099999.....	235, 237	1001102140.....	251	1001103369.....	17
1001098698.....	39	1001100003.....	233	1001102141.....	255	1001103480.....	12
1001098706.....	227	1001100004.....	233	1001102142.....	257	1001103481.....	12
1001098707.....	227	1001100017.....	105	1001102143.....	253	1001103533.....	43
1001098725.....	227	1001100042.....	105	1001102173.....	223	1001103595.....	311
1001098986.....	39	1001100081.....	105	1001102175.....	219	1001103597.....	25, 27
1001098988.....	35	1001100114.....	105	1001102177.....	99	1001103607.....	170
1001099016.....	188	1001100124.....	313	1001102179.....	223	1001103608.....	170
1001099018.....	188	1001100125.....	321	1001102192.....	223	1001103637.....	81
1001099124.....	243	1001100126.....	309	1001102206.....	220	1001103641.....	41
1001099179.....	279	1001100127.....	327	1001102226.....	220	1001103681.....	220
1001099180.....	281	1001100128.....	329	1001102227.....	221	1001103705.....	303
1001099181.....	281	1001100155.....	183	1001102286.....	151	1001103729.....	220
1001099252.....	39	1001100262.....	47	1001102287.....	151	1001103730.....	81
1001099264.....	39	1001100314.....	265	1001102310.....	41	1001103735.....	289
1001099411.....	17	1001100319.....	289	1001102376.....	183, 185	1001103736.....	81
1001099412.....	17	1001100330.....	109	1001102377.....	183, 185, 188, 194	1001103737.....	295
1001099425.....	79	1001100332.....	133	1001102444.....	166	1001103772.....	90
1001099431.....	41	1001100334.....	109	1001102502.....	292	1001103984.....	209
1001099444.....	223	1001100335.....	133	1001102554.....	47		
1001099446.....	223	1001100339.....	19	1001102564.....	90		
1001099453.....	223	1001100339.....	19	1001102620.....	188, 194		
1001099455.....	223	1001100340.....	19	1001102670.....	99, 348		
1001099457.....	59	1001100470.....	220	1001102687.....	90		
1001099485.....	219	1001100731.....	99	1001102696.....	157		
1001099486.....	219	1001100781.....	291, 349	1001102697.....	165		
1001099488.....	220	1001100821.....	259	1001102698.....	291		
1001099528.....	99	1001100827.....	41				
1001099529.....	99	1001100836.....	20				
1001099531.....	12	1001100859.....	17				
1001099536.....	99	1001100867.....	157				
		1001100868.....	157				
		1001100898.....	237				
		1001100900.....	41				

SECTION 12 - RECOMMENDED SPARE PARTS

1001104019.....243	1001105974..... 297	1001109054..... 35	1001111871..... 342
1001104027.....243	1001105985..... 13	1001109055..... 36	1001111895..... 342
1001104029.....307	1001105986..... 13	1001109056..... 35	1001111896..... 342
1001104042.....183	1001106366..... 211	1001109057..... 36	1001111897..... 342
1001104081.....183, 185, 188, 194	1001106368..... 157, 161	1001109058..... 36	1001111898..... 342
1001104083.....243, 245	1001106372..... 157, 161	1001109059..... 36	1001111899..... 342
1001104092.....183, 188	1001106374..... 157, 161	1001109061..... 35	1001111900..... 13, 29
1001104288.....177	1001106434..... 211	1001109071..... 35	1001111959..... 342
1001104302.....27	1001106453..... 13	1001109072..... 36	1001111960..... 342
1001104304.....188, 194	1001106454..... 13	1001109073..... 36	1001111961..... 342
1001104367.....183, 185, 188	1001106465..... 295	1001109074..... 36	1001111974..... 173
1001104373.....183, 185, 188	1001106536..... 301	1001109109..... 17	1001111975..... 174
1001104380.....189, 195	1001106540..... 17	1001109110..... 17	1001111976..... 173
1001104409.....105	1001106543..... 291	1001109111..... 17	1001112043..... 173
1001104441.....99	1001106548..... 165	1001109112..... 17	1001112094..... 190, 195
1001104442.....99	1001106666..... 165	1001109144..... 17	1001112160..... 211
1001104457.....99	1001106683..... 297	1001109180..... 17	1001112161..... 20
1001104460.....183, 185, 188, 194	1001106712..... 220	1001109240..... 29	1001112197..... 243
1001104461.....183, 188	1001106771..... 174	1001109266..... 17	1001112277..... 190, 195
1001104469.....99	1001106799..... 189, 194	1001109267..... 17	1001112278.....183, 185, 188, 194
1001104477.....271	1001106800..... 189, 194	1001109269..... 17	1001112333..... 343
1001104478.....177	1001106855..... 189, 194	1001109483..... 103	1001112371..... 342
1001104519.....337	1001106856..... 189, 194	1001109590..... 306	1001112559..... 59
1001104601.....170	1001106949..... 170	1001109591..... 306	1001112560..... 59
1001104602.....170	1001107106..... 188, 194	1001109624..... 17	1001112561..... 166
1001104634.....211, 348	1001107172..... 169	1001109726..... 220	1001112569..... 173
1001104674.....177	1001107273..... 169	1001109843..... 289	1001112574..... 173
1001104679.....157	1001107274..... 170, 171	1001110008..... 43	1001112579..... 174
1001104680.....157	1001107286..... 174	1001110009..... 43	1001112605..... 223
1001104682.....157	1001107288..... 188, 194	1001110798..... 173	1001112618..... 47
1001104683.....157	1001107298..... 188	1001110864..... 188, 194	1001112624..... 342
1001104684.....157	1001107333..... 47	1001110874..... 174	1001112625..... 342
1001104686.....189, 195	1001107336..... 47	1001110875..... 174	1001112626..... 342
1001104687.....189, 195	1001107338..... 47	1001110893..... 153	1001112674..... 291
1001104933.....43	1001107366..... 189, 194	1001110894..... 153	1001112692..... 343
1001104934.....243, 245, 247	1001107367..... 189, 194	1001110895..... 153	1001112693..... 343
1001104993.....296	1001107394..... 165	1001110896..... 153	1001112764..... 173
1001104994.....325	1001107422..... 223	1001110922..... 35	1001112828.....183, 185, 188
1001104995.....323	1001107492..... 220	1001110938..... 173	1001112841..... 289
1001104996.....323	1001107581..... 47	1001110960..... 153	1001112914..... 344
1001105041.....177	1001107586..... 59	1001110961..... 153	1001112915..... 344
1001105042.....177, 349	1001107606..... 170	1001110962..... 153	1001113007..... 342
1001105074.....283	1001107897..... 166	1001111056..... 153	1001113008..... 342
1001105436.....17	1001108148..... 99	1001111057..... 153	1001113009..... 342
1001105478.....99	1001108186..... 90	1001111058..... 153	1001113162..... 203
1001105529.....292	1001108208..... 213	1001111059..... 153	1001113164..... 296
1001105647.....189, 194	1001108338..... 301	1001111060..... 153	1001113165..... 291
1001105650.....303	1001108352..... 306	1001111129..... 13, 29, 349	1001113287..... 297
1001105676.....291	1001108356..... 306	1001111153..... 174	1001113288..... 203
1001105713.....224	1001108529..... 235	1001111440..... 17	1001113361..... 344
1001105714.....220	1001108545..... 307	1001111490..... 235, 348	1001113362..... 344
1001105723.....241	1001108546..... 307	1001111491..... 235, 348	1001113371..... 190, 196
1001105724.....241	1001108554..... 235	1001111535..... 39	1001113372..... 190, 196
1001105871.....296	1001108555..... 235	1001111536..... 39	1001113373..... 190, 196
1001105879.....297	1001108556..... 235	1001111582..... 39	1001113383..... 153
1001105890.....297	1001108557..... 235	1001111583..... 39	1001113430..... 190, 196
1001105896.....297	1001108594..... 306	1001111586..... 173	1001113431..... 190, 196
1001105946.....157, 161	1001108595..... 306	1001111615..... 342	1001113435..... 344
1001105950.....157, 161	1001108606..... 235	1001111616..... 342	1001113436..... 343
1001105953.....157, 161	1001108607..... 235	1001111754..... 243, 245	1001113437..... 342, 344
1001105960.....209, 350	1001108608..... 235	1001111782..... 295	1001113438..... 344
1001105973.....296	1001108609..... 235	1001111783..... 295	1001113439..... 12
	1001108610..... 20	1001111847..... 43	1001113611..... 203
	1001108626..... 201	1001111863..... 343	1001113659..... 27
	1001108667..... 201	1001111868..... 173	1001113660..... 27
	1001108830..... 173	1001111869..... 343	
	1001109047..... 35	1001111870..... 343	

SECTION 12 - RECOMMENDED SPARE PARTS

1001113661 29	1001114285.....243	1001117012.....313, 317	1001120829 247
1001113662 25	1001114332.....245	1001117013.....313, 317	1001120830 247
1001113663 25	1001114333.....243	1001117018.....313, 317	1001120831 247
1001113665 27	1001114376.....223	1001117023.....313, 317	1001120832 247
1001113671 335	1001114377.....223	1001117025.....313, 317	1001120889 297
1001113702 166	1001114476.....31	1001117070.....313, 317	1001121021 297
1001113764 29	1001114477.....31	1001117121.....313, 318	1001121311 297
1001113777 29	1001114701.....99	1001117206.....173	1001121398 296
1001113865 344	1001114926.....220	1001117382.....35	1001121433 331
1001113867 344	1001114927.....219	1001117383.....35	1001121505 317
1001113869 344	1001114964..... 188, 194	1001117510.....233	1001121515 296
1001113870 344	1001114965..... 188, 194	1001117511.....233	1001122400 297
1001113871 344	1001114974..... 190, 196	1001117644.....233	1001122531 161
1001113872 344	1001114975..... 190, 196	1001117945.....59	1001122532 161
1001113873 344	1001114981..... 190, 196	1001118025.....247	1001122533 161
1001113874 344	1001114983..... 190, 196	1001118096.....29	1001122534 161
1001113875 344	1001114984..... 188, 194	1001118298.....245, 247	1001122535 161
1001113916 342, 343, 344	1001114989..... 189, 195	1001118306.....245, 247	1001122536 161
1001113918 344	1001114993.....241	1001118308.....188	1001122537 161
1001113919 344	1001115013..... 190, 196	1001118684.....313, 317	1001122538 161
1001113920 344	1001115091.....177	1001118685.....313, 318	1001125465 296
1001113921 344	1001115100..... 189, 195	1001118940.....169	1001125467 296
1001113922 344	1001115115.....177	1001118941.....169	1001125702 91
1001113923 344	1001115129.....299	1001118942.....170	1001125703 91
1001113924 344	1001115278.....13	1001118943.....179	1001125704 91
1001113925 344	1001115279.....13	1001118944.....179	1001126015 297
1001113927 343	1001115482.....285	1001118945.....179	1001127308 291
1001113928 345	1001115498.....342	1001118946.....179	1001127394 292
1001113929 345	1001115499.....342	1001118947.....179	1001127546 292, 343
1001113930 345	1001115587..... 188, 194	1001118948.....179	1001128022 247
1001113931 344	1001115620..... 188, 194	1001118966.....165	1001128065 169
1001113932 344	1001115630.....219	1001118977.....194	1001128537 292
1001113933 344	1001115676.....289	1001118978.....194	1001129371 296
1001113934 344	1001115759.....91	1001118979.....185	1001129392 296
1001113936 344	1001115865.....241	1001119006.....165	1001129425 296
1001113937 344	1001115866.....241	1001119007.....165	1001129527 233
1001113938 344	1001115869.....243	1001119020.....317	1001129528 233
1001113939 344	1001115879.....292	1001119461.....179	1001129529 233
1001113940 344	1001115927.....257	1001119462.....179	1001129902 297
1001113941 343	1001115928.....257	1001119463.....179	1001130032 297
1001113942 343, 344	1001116129.....166	1001119464.....179	1001130402 166
1001113943 344	1001116722.....309	1001119465.....179	1001130572 36
1001113944 344	1001116891..... 243, 245	1001119466.....179	1001130575 36
1001113945 344	1001116934..... 313, 317	1001119467.....179	1001130822 47
1001113946 344	1001116935..... 313, 317	1001119469.....179	1001130839 165
1001113947 344	1001116936..... 313, 317	1001120182.....47	1001131176 165
1001113948 344	1001116937..... 329, 331	1001120262.....233	1001131843 247
1001113949 344	1001116938.....309	1001120263.....233	1001131867 35
1001113950 344	1001116939.....327	1001120291..... 185, 194	1001131868 35
1001113951 344	1001116940.....311	1001120292..... 185, 194	1001131869 36
1001113953 345	1001116941..... 313, 317	1001120295.....245	1001131870 36
1001113954 345	1001116981.....309	1001120296.....245	1001131871 35
1001113955 345	1001116983..... 309, 335	1001120297.....245	1001131872 35
1001113961 313, 317	1001116984.....321	1001120298.....245	1001131873 35, 348
1001114006 177	1001116985.....321	1001120557.....194	1001131874 35, 348
1001114007 177	1001116986..... 313, 317, 321	1001120558.....185	1001132283 247
1001114080 177	1001116991..... 313, 317	1001120683.....247	1001132324 247
1001114110 291	1001116992.....318	1001120710.....35	1001132325 247
1001114155 243	1001116993.....317	1001120711.....35	1001132564 170, 171, 205
1001114157 243	1001116995..... 309, 313, 317, 321, 327, 329, 331	1001120761.....35	1001133377 342
1001114161 243	1001116996.....331	1001120764.....35	1001133378 342
1001114169 188, 194	1001116998..... 313, 317, 321	1001120821.....247	1001134580 291
1001114171 243	1001116999.....313	1001120823.....247	1001136873 29
1001114172 243	1001117004.....321	1001120824.....247	1001137976 29
1001114268 243		1001120825.....247	1001142726 14
1001114281 243		1001120826.....247	1001143339 14
		1001120827247	

SECTION 12 - RECOMMENDED SPARE PARTS

1001147929.....	13	1398374.....	173	2142733.....	233, 241	2480075.....	174
1001148082.....	14	1398443.....	213, 215	2142740.....	231	2480079.....	174
1001148083.....	14	1616551.....	219, 229	2142741.....	220	2480080.....	174
1001151694.....	344	1671326.....	205	2142750.....	220	2480082.....	174
1001151695.....	344	1671327.....	205	2142805.....	237	250176.....	329, 331
1001151696.....	344	1686997.....	105	2142905.....	237	2520148.....	199
1001151780.....	344	1701500.....	343	2143005.....	219, 223	2540050.....	173
1001152507.....	179	1701504.....	343	2143017.....	235	2540051.....	165, 188, 194
1001152508.....	179	1701509.....	81	2143305.....	237	2560199.....	174
1001152509.....	179	1702300.....	343	2143401.....	243, 245, 247	2600281.....	81
1001152510.....	179	1702773.....	81, 342	2143403.....	220, 223, 247	2620060.....	31
1001153251.....	337	1704277.....	81	2143404.....	219, 223, 243, 245	2700118.....	70
1001154054.....	292	1704885.....	81, 342	2143405.....	227, 237, 241	2720535.....	99
1001157440.....	291	1704972.....	343	2143407.....	224	2720536.....	99
1001158450.....	220	1705980.....	343	2143408.....	223	2720556.....	97
1001158451.....	220	1706170.....	342	2143409.....	220	2720558.....	97
1001160730.....	296	1706209.....	342	2143416.....	241	2720613.....	97
1001161673.....	41	1706297.....	343	2143418.....	220	2754083.....	231
1001162636.....	41	1706298.....	343	2143505.....	243, 245	2754084.....	231
1001171773.....	95	1706301.....	343	2143511.....	43, 237	2754121.....	237, 348
1001172555.....	90	1706835.....	342	2143605.....	237	2754127.....	241
1001173661.....	291	1706892.....	81	2143607.....	223	2754153.....	237, 348
1001175721.....	85	1707078.....	342	2144104.....	219	2754250.....	219
1001177394.....	343	1707148.....	153	2144105.....	219	2754253.....	223
1001192979.....	291	1707149.....	153	2144802.....	220	2754257.....	219
1001217623.....	292	1719204.....	295	2144803.....	219, 223, 243, 245	2754319.....	229
1009352.....	289	1749733.....	173	2144804.....	243, 245, 247	2754739.....	215
1060379.....	81	1781813.....	157, 161	2144806.....	219, 220, 224, 227	2754993.....	189, 195
1060975.....	317	1784861.....	14	2144807.....	237	2820201.....	91
1062255.....	185, 188, 189, 195, 220, 224, 243, 245, 247, 295	1787217.....	289	2144810.....	224	2820202.....	91
10733183.....	103	1810010.....	297	2144814.....	223	2902377.....	295
1074306.....	219	2080040.....	81	2144822.....	235	2902440.....	77
1120576.....	97, 348	2080078.....	174	2144826.....	231	2902441.....	77
1120597.....	285, 349	2080086.....	174, 185, 194	2144904.....	219	2902506.....	165
1170002.....	49	2080092.....	169, 170	2160016.....	36	2912085.....	220, 229
1170028.....	47	2110606.....	56	2160018.....	36	2920204.....	29, 307
1170046.....	51	2120206.....	285, 349	2170506.....	56	2920206.....	303
1170058.....	83	2120212.....	103	2170706.....	56	2920207.....	306
1271599.....	14	2130404.....	56	2171716.....	220	2920208.....	306
1309435.....	97, 189, 195, 227, 235, 237	2130406.....	247	2171816.....	220	2920209.....	291
1317515.....	237	2130606.....	56	2171824.....	220	2940074.....	81
1320032.....	97	2140204.....	229	2171927.....	224	2940119.....	201
1320061.....	296	2140208.....	227	2171948.....	12	2969548.....	99
1321086.....	227, 235	2140210.....	224	2180874.....	285	2988212.....	103
1321125.....	189, 195	2140210.....	224	2220237.....	243	2988632.....	219
1321128.....	235, 237	2140423.....	219	2221193.....	243, 245, 247	2991568.....	103
1321133.....	219, 235	2140801.....	229	2221293.....	219	2997586.....	295
1321134.....	219, 235	2140803.....	219	2340029.....	59	2999964.....	342
1321141.....	219	2140810.....	224	2340030.....	59	31200567.....	350
1321143.....	220	2140812.....	219	2340035.....	75	31200568.....	350
1321264.....	295	2140826.....	219, 223	2340037.....	59	3121675.....	243
1321291.....	17	2140827.....	223	2340040.....	59	3140007.....	14, 349
1321293.....	91	2140829.....	224	2340041.....	59	321779.....	165
1321301.....	99	2141102.....	219	2400073.....	289	3220140.....	105
1321320.....	220	2141303.....	229	2400074.....	289	3260100.....	177
1321321.....	43	2141621.....	235, 237	2420205.....	97	328027.....	19
1321367.....	105	2141908.....	219, 229	2440675.....	173, 174	3290305.....	289
1321372.....	223	2142201.....	243, 245, 247	2443576.....	97, 227	3290405.....	90, 97, 296
1321675.....	219, 245	2142202.....	219, 229	2447967.....	342	3290505.....	201
1321748.....	219, 237	2142204.....	219, 243, 245, 247	2480066.....	173	3290507.....	295
1356294.....	307	2142205.....	219	2480068.....	173	3290601.....	292, 297
1366865.....	177	2142207.....	223	2480069.....	173	3290605.....	17, 29, 91, 99, 174, 190, 196, 213, 247, 292, 296, 297
1380161.....	103, 297	2142216.....	235	2480070.....	174	3290607.....	174, 296, 306
1391297.....	199	2142503.....	285	2480074.....	174	3290801.....	103, 173, 189, 195, 203, 289, 295, 303
		2142505.....	29				
		2142708.....	229				
		2142715.....	241				

SECTION 12 - RECOMMENDED SPARE PARTS

3290805 ... 47, 51, 97, 99, 105, 166, 220, 241, 245, 289, 296	3290806 174	3290807 199	3291001 13, 103, 289, 306	3291005 . 49, 90, 99, 189, 195	3291007 158, 162	3291201 19, 36, 47	3291205 35, 47, 90	3291207 307	3291601 ... 25, 27, 29, 31	3292001 13, 14, 158, 162	3300240 47	3300493 154, 349	3300504 173	3311405 81	3332011 19	3332411 19	3371705 296	3380577 12, 97	3391410 41	3421453 81	3423075 36	3423149 36	3423152 36	3423258 47	3423260 173	3423262 174	3423275 47	3460421 103	3460567 97	3520072 81	3574521 241	3574798 36	3574821 39, 348	3574829 19	3575386 19	3575424 158, 162	3575650 91	3575671 91	3575706 19	3575850 36	3575922 17	3576005 90	3576006 90	3576164 13	3576203 223	3577226 303	3580345 189, 195	3740080 313, 317	3740112 289	3746392 177	3746405 177	3760170 81	3760491 36	3760492 36	3760497 91	3760508 47, 51	3760757 154	3767057 153	3767853 154	3767864 154	3820020 81	3900364 190, 196	3929780 103	3931579 343	3933468 ... 169, 170, 190, 196, 205	3934378 ... 165, 169, 171, 205	3944574 23	3945575 166	3949091 166, 349	3953973 ... 183, 185, 188	3960589 12, 97	3960600 295	3960603 97, 285	3960608 173	3960609 173	3960927 99	3961951 99, 183, 185, 188, 190, 194, 195	3964987 47	3976436 213, 215	4000015 296	4010308 289	4010408 292, 296	4010506 190, 196	4010510 188, 194	4010608 173, 296	4010616 295	4031504 297	4031505 297	4031506 292	4031612 295	4031707 296	4031708 174	4031709 247	4031716 247	4031909 215	4031910 227	4031922 241	4032109 47	4040283 47, 51	4100076 36	4100078 36	4160212 215	4160213 17	4160221 213	4220262 189, 195	4240168 158, 162	429063 99	4300159 17	4340826 233	4340828 233	4340882 19	4340883 19	4340966 90	4340970 291	4341033 97	4360580 291	4360585 220	4360631 211	4360640 299, 301	4360642 299, 301	4360643 299, 301	4360644 299, 301	4360646 299, 301	4360649 299, 301	4360650 299, 301	4360651 299, 301	4360652 299, 301	4360653 299	4360654 299	4360658 291	4360660 291	4360664 299	4360665 299, 301	4360666 299, 301	4360669 299, 301	4360688 299, 301	4360708 183, 185	4400470 99	4400493 90	4420081 345	443630 13	4460043 309	4460142 311	4460260 335	4460265 313, 318, 321	4460266 313, 317, 333	4460343 313, 317, 321	4460367 313, 317	4460434 313, 317	4460497 313, 317	4460536 335	4460539 327, 329, 331, 335	4460670 327	4460708 333	4460871 337	4460872 313, 317	4460873 313, 317	4460874 313, 317	4460875 313, 317	4460876 313, 317	4460878 313, 317	4460890 309	4460891 ... 309, 313, 317, 321, 323, 327, 329, 331	4460894 313, 317, 327	4460930 317	4460931 333	4460933 313, 317, 333	4460994 309, 313, 317	4461021 295	4461115 325	4461118 329, 331	4461134 329	4461164 313, 317	4461172 313, 318	4461217 313, 317	4461227 325	4461229 323	4461262 309, 329, 331	4520297 153, 154	4520299 153	4520300 154	4520301 154	4520302 154	4520303 154	4520390 154	4520566 153	4520567 153	4520568 153	4520569 153	4568870 235	4569029 235, 237	4569036 235	4569037 237	4569038 237	4569042 235, 237	4569047 235	4569053 235	4569056 237	4569057 237	4569509 303	4641357 271	4641389 223	4641401 275	4641404 273	4641474 275	4641519 277	4641521 211	466104 90, 296	4700026 39, 348	4700027 39, 348	4711400 81	471678 . 29, 91, 292, 296, 303	4740549 154	4802100 63	4804533 23	4805670 63	4805921 23	4805932 23	4806433 17	4806444 17	4806626 158	4806693 13	4807616 174	4807661 177	4807694 177	4807718 177	4807729 177, 349	4807730 177	4807741 177	4807763 177	4811400 291	4811600 ... 190, 196, 201, 295	4811700 ... 12, 13, 17, 29, 99, 165, 171, 173, 174, 185, 189, 190, 194, 196, 201, 247, 289, 292, 296, 297, 306	48117000 297	4811702 ... 190, 196, 297	4811900 ... 13, 14, 17, 43, 97, 99, 103, 105, 170, 171, 173, 189, 195, 199, 203, 229, 233, 235, 243, 245, 247, 289, 295, 296	4811902 233, 289	4812000 ... 12, 17, 19, 39, 90, 97, 99, 103, 158, 162, 165, 166, 189, 195, 201, 219, 229, 233, 266, 297, 306	4812002 90	4812100 ... 35, 36, 39, 91, 174, 189, 195	4812300 ... 19, 20, 23, 25, 27, 29, 31, 35
---	-------------------	-------------------	-----------------------------------	-----------------------------------	------------------------	--------------------------	--------------------------	-------------------	----------------------------	--------------------------	------------------	------------------------	-------------------	------------------	------------------	------------------	-------------------	----------------------	------------------	------------------	------------------	------------------	------------------	------------------	-------------------	-------------------	------------------	-------------------	------------------	------------------	-------------------	------------------	-----------------------	------------------	------------------	------------------------	------------------	------------------	------------------	------------------	------------------	------------------	------------------	------------------	-------------------	-------------------	------------------------	------------------------	-------------------	-------------------	-------------------	------------------	------------------	------------------	------------------	----------------------	-------------------	-------------------	-------------------	-------------------	------------------	------------------------	-------------------	-------------------	--	-----------------------------------	------------------	-------------------	------------------------	---------------------------	----------------------	-------------------	-----------------------	-------------------	-------------------	------------------	--	------------------	------------------------	-------------------	-------------------	------------------------	------------------------	------------------------	------------------------	-------------------	-------------------	-------------------	-------------------	-------------------	-------------------	-------------------	-------------------	-------------------	-------------------	-------------------	-------------------	------------------	----------------------	------------------	------------------	-------------------	------------------	-------------------	------------------------	------------------------	-----------------	------------------	-------------------	-------------------	------------------	------------------	------------------	-------------------	------------------	-------------------	-------------------	-------------------	------------------------	------------------------	------------------------	------------------------	------------------------	------------------------	------------------------	------------------------	------------------------	-------------------	-------------------	-------------------	-------------------	-------------------	------------------------	------------------------	------------------------	------------------------	------------------------	------------------	------------------	-------------------	-----------------	-------------------	-------------------	-------------------	-----------------------------	-----------------------------	-----------------------------	------------------------	------------------------	------------------------	-------------------	-------------------------------------	-------------------	-------------------	-------------------	------------------------	------------------------	------------------------	------------------------	------------------------	------------------------	-------------------	---	-----------------------------	-------------------	-------------------	-----------------------------	-----------------------------	-------------------	-------------------	------------------------	-------------------	------------------------	------------------------	------------------------	-------------------	-------------------	-----------------------------	------------------------	-------------------	-------------------	-------------------	-------------------	-------------------	-------------------	-------------------	-------------------	-------------------	-------------------	-------------------	------------------------	-------------------	-------------------	-------------------	------------------------	-------------------	-------------------	-------------------	-------------------	-------------------	-------------------	-------------------	-------------------	-------------------	-------------------	-------------------	-------------------	----------------------	-----------------------	-----------------------	------------------	-----------------------------------	-------------------	------------------	------------------	------------------	------------------	------------------	------------------	------------------	-------------------	------------------	-------------------	-------------------	-------------------	-------------------	------------------------	-------------------	-------------------	-------------------	-------------------	-----------------------------------	--	--------------------	---------------------------	---	------------------------	--	------------------	--	---

SECTION 12 - RECOMMENDED SPARE PARTS

4812500.....13, 14	70020554 70	70021343 53	70022402.....93, 95
4831600.....188, 194	70020555 70	70021345 53	70022403.....93, 95
4831700.....97, 189, 194, 297	70020693 265	70021346 53	70022404.....115, 137
4831900.....36, 183, 185, 188, 194, 215, 243, 296	70020695 265	70021347 53	70022440.....115, 137
4832000.....20, 211, 241	70020711 266	70021348 53	70022441.....115, 137
4832100.....36	70020712 266	70021349 53	70022443.....127, 149
4846452.....81	70020721 190, 196	70021350 53, 79	70022499.....115, 137
4923122.....295	70020723 73	70021351 53	70022504.....137
4923207.....289	70020724 73	70021363 263	70022517.....179
4923208.....289	70020725 73	70021384 79	70022518.....179
4923209.....289	70020726 73	70021429 79	70022519.....179
4923633.....295	70020727 73	70021430 79	70022520.....183, 188
5200605.....105, 289	70020728 73	70021431 79	70022521.....183, 188
5200608.....90, 177, 289, 297	70020729 73	70021432 79	70022522.....188
5200610.....188, 190, 194, 196	70020730 51, 73	70021433 79	70022523.....188
5200808.....173	70020731 51, 73	70021434 79	70022524.....183, 188
5200810.....177	70020732 73	70021435 79	70022525.....183, 189
5200814.....303	70020737 269	70021436 79	70022546.....283, 349
5201014.....289	70020739 269	70021437 79	70022547.....211
5211702.....213	70020740 269	70021438 79	70022548...151, 190, 195
5211900.....296	70020741 269	70021440 263	70022550.....190, 194
5211902.....303	70020742 269	70021444 263	70022551.....190, 194
5212000.....90, 306	70020743 269	70021446 263	70022559.....43
5220500.....29, 307	70020745 269	70021447 263	70022560.....251
5220600.....90, 201, 303	70020747 269	70021448 263	70022561.....251
5220800...17, 19, 90, 173, 177, 215, 285	70020751 269	70021451 263	70022562.....251
5221000.....19, 201	70020752 269	70021452 263	70022563...251, 255, 257
5241200.....47, 90	70020754 269	70021462 263	70022564...251, 255, 257
5241600.....90	70020755 269	70021463 263	70022565...251, 255, 257
5272011.....296	70020757 269	70021464 263	70022566...251, 255, 257
5272012.....296	70020764 271	70021482 190, 195	70022567.....255, 349
6616072.....56	70020768 63	70021483 190, 195	70022568.....255
6616152.....56	70020791 211	70021530 273	70022569.....251, 349
6616313.....56	70020792 211	70021531 271, 273	70022570...251, 255, 257
6616372.....56	70020793 211	70021532 271	70022571.....251
6616553.....56	70020794 211	70021558 49	70022572.....251
6617012.....56	70020795 291, 349	70021559 49	70022573.....251
6618622.....56	70020796 303, 349	70021560 49	70022574...251, 255, 257
6618632.....56	70020797 283	70021561 49	70022575...251, 255, 257
6619882.....56	70020800 275	70021562 49	70022576.....251, 349
6621863.....56	70020823 313, 317	70021563 49	70022577.....255
70000919.....93, 95	70020866 277	70021874 265	70022578.....255
70007289.....17	70020867 277	70022033 179	70022579.....255, 257
7001626.....261	70020868 277	70022034 180	70022580.....255, 257
70020201.....70, 83	70020921 275	70022082 123	70022581.....255, 257
70020202.....70	70020923 211	70022125 189	70022582.....255
70020203.....70, 73	70021125 183	70022291 99	70022583.....255, 349
70020204.....70, 73	70021130 188	70022376 115, 137	70022584.....257
70020205.....70, 83	70021137 188	70022377 115, 137	70022585.....257
70020206.....70, 83	70021236 51	70022379 115, 137	70022586.....257
70020309.....350	70021238 51	70022380 131	70022587.....257, 349
70020366.....253	70021239 51	70022381 131	70022588.....257
70020392.....63	70021240 51	70022383 129	70022589.....257
70020417.....83	70021241 51	70022385 91	70022590.....257, 349
70020421.....61	70021242 51	70022386 91	70022591.....253
70020422.....61	70021243 51	70022389 99	70022592.....253
70020423.....61	70021244 51	70022390 99	70022593.....253
70020424.....61	70021245 51	70022392 99	70022594.....253
70020433.....100, 348	70021246 51	70022393 100	70022595.....253
70020506.....51	70021247 51	70022394 100	70022596.....253
70020507.....51	70021248 51	70022395 100	70022597.....253, 349
70020508.....51	70021251 179	70022396 100	70022598.....253
	70021252 179	70022397 93, 348	70022599.....253
	70021338 53	70022398 93, 95, 348	70022600.....253
	70021339 53	70022399 93, 95	70022601.....253, 349
	70021341 307, 349	70022400 93, 95	70022602.....251
	70021342 53	70022401 93, 95, 348	70022642.....131

SECTION 12 - RECOMMENDED SPARE PARTS

70022643 261, 349	70022733 279	7028096.....103	7028424 ... 121, 125, 145, 147
70022644 261	70022752 29	7028097.....103	7028426 125, 147
70022645 261	70022753 29	7028118.....103, 348	7028428 125, 147
70022646 261	70022754 29	7028124.....67	7028430 125, 147
70022647 261	70022755 29	7028125.....67	7028431 125, 147
70022648 261	70022756 29	7028126.....67	7028432 129, 137
70022649 261	70022757 29	7028127.....67	7028433 129
70022650 269	70022758 29	7028128.....67	7028434 129
70022651 269	70022759 29	7028129.....67	7028435 129
70022652 269	70022760 29	7028130.....67	7028437 129
70022653 269	70022761 29	7028131.....65, 67	7028438 129
70022654 269	70022762 29	7028132.....67	7028439 129
70022655 269	70022765 292, 350	7028133.....67	7028440 129
70022656 269	70022766 311	7028134.....67	7028441 131
70022657 269	70022817 190, 195	7028135.....67	7028442 131
70022658 269	70022818 25	7028136.....49	7028443 131
70022659 269	70022819 25	7028137.....49	7028444 131
70022660 269	70022820 25	7028372.....111	7028445 131
70022661 269	70022821 27	7028373.....111, 113	7028447 131
70022662 269	70022822 27	7028377.....111, 113, 135	7028448 131
70022663 269	70022823 25, 27	7028378.....111, 113, 135	7028449 131
70022664 56	70022824 27	7028379.....111, 113, 135	7028451 131
70022665 283, 349	70022825 27	7028380.....111, 113, 135	7028452 131
70022666 281	70022826 27	7028381.....111, 113, 135	7028453 131
70022667 281	70022827 25	7028382.....111, 113, 135	7028454 131
70022668 281	70022831 59	7028383.....115, 137	7028455 131
70022669 281	70022850 166	7028385.....115, 137	7028456 131
70022670 281	70022851 166	7028386.....115, 137	7028457 135
70022671 265	70022870 166	7028387.....115, 137	7028458 135
70022672 265	70022874 90	7028389.....115, 137	7028459 135
70022673 265	70023062 75	7028390.....115, 137	7028460 135
70022674 265	70023242 93, 95	7028391.....137	7028461 135
70022675 265	70023243 93, 95	7028392.....115, 137	7028462 135
70022676 265	70023244 93, 95	7028393.....115, 137	7028463 135
70022678 265	70023245 93, 95	7028394.....115, 137	7028464 135
70022680 265	70023246 93, 95	7028396.....115	7028465 135
70022681 265	70023247 93	7028399.....115, 137	7028466 135
70022682 265	70023248 93	7028400.....115, 137	7028467 135
70022683 266	70023249 93, 95	7028401.....115, 137	7028468 135
70022684 266	70023250 93	7028402.....117	7028472 137
70022686 266	70023251 93	7028403.....117, 139	7028475 137
70022687 266	70023252 93, 95	7028404.....119, 141, 143	7028477 139
70022697 51	70023253 93, 95	7028405.....119, 348	7028478 139
70022698 259	70023254 93, 95	7028406.....121, 349	7028479 139
70022699 259	70023255 93	7028407.....121	7028480 141
70022700 259	70023271 51	7028408.....121, 145	7028481 141
70022701 259	70023272 51	7028409.....121, 145	7028482 141
70022702 259	70023348 27	7028410.....121, 145	7028483 141, 143
70022703 259	70023468 179	7028411.....121, 145	7028484 145
70022704 259	70023484 67	7028413.....125, 147	7028485 145
70022705 259	70023917 93	7028414.... 125, 127, 147, 149	7028487 ... 125, 127, 147, 149
70022708 265	70024131 95	7028415.... 125, 127, 147, 149	7028488 125, 147
70022709 265	70024667 93, 95, 348	7028416.... 125, 127, 147, 149	7028490 125, 147
70022710 265	70024668 93, 95	7028417.... 125, 127, 147, 149	7028491 125, 147
70022711 265	70030342 296	7028418.....125, 147	7028493 135
70022712 265	70111538 95	7028419.... 125, 127, 147, 149	7028496 115, 137
70022713 265	70128735 95	7028420.... 125, 127, 147, 149	7028498 121, 145, 349
70022714 265	70135723 95	7028421 125, 127, 147, 149	7028499 121, 145
70022715 265	7020487 93, 95	7028423.... 125, 127, 147, 149	7028500 121, 145
70022725 279	7021080 103		7028501 121, 145
70022726 279	7021081 103, 348		7028502 121, 145
70022727 279	7024565 93		7028503 121, 145
70022728 279	7027856 350		7028504 121, 145
70022729 279	7028092 63		7028505 121, 145
70022730 279	7028093 63		7028507 127, 149
70022731 279	7028094 63		
70022732 279	7028095 103		

SECTION 12 - RECOMMENDED SPARE PARTS

7028508.....	127, 149	7029353.....	75, 77	8005248.....	285, 349	80604023.....	317, 327
7028509.....	127, 149	7029354.....	75, 77	8005376.....	99, 183	80604025.....	317
7028510.....	127, 149	7029355.....	75, 77	8005447.....	177	806253.....	13
7028511.....	127, 149	7029356.....	67, 75, 77	8005616.....	343	806264.....	13
7028512.....	113	7029357.....	77	8005617.....	343	80934052.....	281
7028513.....	113	7029359.....	75	8005670.....	343	816186.....	220
7028514.....	115, 137	7029361.....	75	8005671.....	343	8220022.....	311
7028517.....	131	7029362.....	75	8005672.....	343	8220115.....	311
7028521.....	131	7029363.....	75	8005673.....	343	8220904.....	313, 317
7028626.....	59	7029370.....	93, 95	8005674.....	343	8223073.....	211
7028628.....	59	7029374.....	93, 95, 348	8005675.....	343	8225119.....	291, 349
7028639.....	329, 331	7029376.....	93	8005741.....	99	8229233.....	291, 349
7028798.....	281	7029384.....	93	8005743.....	99	8229234.....	291, 349
7028802.....	281	7029386.....	93, 95	8005825.....	154	8229235.....	291, 349
7028803.....	281, 349	7029387.....	93, 95, 348	8005827.....	154	8229237.....	291, 349
7028818.....	281	7029388.....	93, 95	8005869.....	343	8229262.....	291, 349
7028820.....	281, 349	7029392.....	93, 348	8005870.....	343	8301428.....	56
7028821.....	281	7029394.....	93, 95	8006038.....	343	8303702.....	56
7028822.....	281	7029395.....	93, 95	8006515.....	215	8303757.....	56
7028825.....	281	7029402.....	93, 95, 348	8006516.....	215	8305006.....	56
7028834.....	281	7029447.....	93, 95, 348	8006580.....	19	8305624.....	56
7028878.....	279	7029520.....	70	8006612.....	343	8305644.....	56
7028879.....	279	7029521.....	70	8007986.....	296, 303	8305645.....	56
7028880.....	279	7029534.....	279, 349	8008069.....	39, 348	8305919.....	170, 171
7028881.....	279	7029690.....	53	8008070.....	39, 348	8307004.....	56
7028909.....	190, 195, 273	7029691.....	53	8008424.....	63	8307109.....	56
7028910.....	65, 67	7029692.....	53	8008634.....	39, 348	8307110.....	56
7028911.....	65	7029700.....	53	8008640.....	39, 348	8310261.....	56
7028912.....	65	7029705.....	53	8008641.....	39, 348	8310264.....	56
7028913.....	65	7029711.....	53	8008642.....	39, 348	8310341.....	56
7028914.....	65	7029713.....	53	8008644.....	39, 348	8344010.....	201
7028915.....	65	7029767.....	179	8008645.....	39, 348	83481285.....	313, 317
7028916.....	65	7029771.....	313, 317	8008651.....	343	83481286.....	313, 317
7028917.....	65	7029969.....	306	8008657.....	343	8406105.....	56
7028918.....	65	7029970.....	306, 349	8008675.....	153, 154	8406109.....	56
7028919.....	65	7029971.....	306, 349	8008721.....	342	848120.....	166
7028920.....	65	7115372.....	56	8008750.....	289, 349	87496043, 219, 220, 229, 235, 237	
7028923.....	65	7116171.....	56	8009377.....	342	885849.....	166
7028929.....	151, 349	77363244.....	327, 329, 331, 335	8009464.....	165	899276.....	213, 215
7028982.....	65	77363263.....	313, 317	8009517.....	307	90200003.....	47
7028983.....	65	8000344.....	174	8009532.....	199	90554017.....	53
7028984.....	65, 67	8000382.....	17	8009533.....	199	90554020.....	53
7028985.....	65	8000565.....	158, 162	8009815.....	343	90554020.....	53
7028986.....	67	8000567.....	158, 162	8009816.....	343	90554045.....	53, 79, 263
7028987.....	67	8000759.....	174	8009974.....	215	90554062.....	53
7028988.....	67	8000801.....	17	8010524.....	19	90554065.....	53
7028989.....	67	8000803.....	174	8033544.....	119, 141, 143	90554076.....	53
7028990.....	65	8000803.....	174	8034679.....	143	90554080.....	70
7028991.....	65	8001144.....	173	8035118.....	135	909304.....	13, 201
7029001.....	309	8001833.....	173	8035160.....	117, 139	91083129.....	103
7029241.....	255	8001888.....	41	8035180.....	119, 141, 143	91144099.....	279
7029256.....	91	8002110.....	41	8035235.....	125, 127, 147, 149	91364041.....	123
7029259.....	91	8002199.....	39, 348	8035622.....	151	91364042.....	123
7029274.....	93, 95, 348	8002200.....	39, 348	8035817.....	350	91364078.....	129
7029275.....	93, 95	8002321.....	215	8035818.....	350	91403239.....	103
7029321.....	67	8002778.....	153	8035819.....	350	91474037.....	111, 113, 125, 127, 147, 149
7029322.....	67	8002781.....	97, 189, 195	8035820.....	350	91474038.....	111, 113
7029323.....	67	8002826.....	295	8035822.....	350	91474039.....	111, 113
7029344.....	77	8002901.....	39, 348	8035828.....	350	91474040.....	111, 113
7029345.....	77	8002927.....	103	80363195.....	12	91474041.....	111, 113
7029346.....	77	8002985.....	177	8036811.....	261	91474043.....	135
7029347.....	77	8003167.....	189, 195	80383311.....	158, 162	91474045.....	135
7029348.....	77	8003198.....	343	80604016.....	313, 317, 333	91474047.....	135
7029349.....	77	8003242.....	39, 348	80604018.....	309, 313, 317, 321, 323, 327, 329, 331	91474048.....	135
7029350.....	77	8003392.....	297	80604019.....	335	91474050.....	111, 113
7029351.....	77	8004398.....	174				
7029352.....	77	8004981.....	103				

SECTION 12 - RECOMMENDED SPARE PARTS

91474058 . 111, 113, 129, 135	91474092 115, 137	91474119... 125, 139, 147	91474145 123
91474059 111, 113	91474095 115, 137	91474121... 119, 141, 143	91474146 123
91474062 111, 113	91474100 117, 139	91474122..... 119, 143	91474147 123
91474063 .. 111, 113, 135	91474101 117, 139	91474123..... 119	91474149..... 123
91474064 111, 113	91474102 117, 139	91474124..... 119	91474151 123
91474065 111, 113	91474103 117, 139	91474125..... 119	91474152 123
91474066 111, 113	91474105 117, 139	91474126..... 119	91474161 . 125, 127, 147, 149
91474067 111, 113	91474106 117, 139	91474128... 119, 141, 143	91474163 127, 149
91474068 111, 113	91474107 117, 139	91474129... 119, 141, 143	91474176 141, 143
91474069 135	91474108 117, 139	91474136..... 123	91474605 350
91474071 135	91474109 117, 139	91474137..... 123	91503106 333
91474072 135	91474110 117, 139	91474138..... 123	91565094 70
91474073 135	91474111 117, 139	91474139..... 123	935113 29
91474075 129	91474112 117, 139	91474141..... 123	
91474078 115, 137	91474113 117, 139	91474142..... 123	
91474091 115, 137	91474115 139	91474143..... 123	
	91474116 139	91474144..... 123	



31200566



An Oshkosh Corporation Company

Corporate Office
JLG Industries, Inc.
1 JLG Drive
McConnellsburg, PA 17233-9533
USA

+1-717-485-5161 (Corporate)
+1-877-554-5438 (Customer Support Toll Free)
+1-717-485-6417

JLG Worldwide Locations

JLG Industries
358 Park Road
Regents Park
NSW 2143
Sydney 2143
Australia
+6 (12) 87186300
+6 (12) 65813058
Email: techservicesaus@jlg.com

JLG Ground Support Oude
Bunders 1034
Breitwaterstraat 12A
3630 Maasmechelen
Belgium
+32 (0)89 84 82 26
Email: emeaservice@jlg.com

JLG Latino Americana LTDA
Rua Antonia Martins Luiz, 580
Distrito Industrial Joao Narezzi
Indaiatuba-SP 13347-404
Brasil
+55 (19) 3936 7664 (Parts)
+55 (19) 3936 9049 (Service)
Email: comercialpecas@jlg.com
Email: servicios@jlg.com

Oshkosh-JLG (Tianjin)
Equipment Technology LTD
Shanghai Branch
No 465 Xiao Nan Road
Feng Xian District
Shanghai 201204
China
+86 (21) 800 819 0050

JLG Industries Dubai
Jafza View
PO Box 262728, LB 19
20th Floor, Office 05
Jebel Ali, Dubai
+971 (0) 4 884 1131
+971 (0) 4 884 7683
Email: emeaservice@jlg.com

JLG France SAS
Z.I. Guillaume Mon Amy
30204 Fauillet
47400 Tonniens
France
+33 (0) 553 84 85 86
+33 (0) 553 84 85 74
Email: pieces@jlg.com

JLG Deutschland GmbH
Max Planck Str. 21
27721 Ritterhude-Ihlpohl
Germany
+49 (0) 421 69350-0
+49 (0) 421 69350-45
Email: german-parts@jlg.com

JLG Equipment Services Ltd.
Rm 1107 Landmark North
39 Lung Sum Avenue
Sheung Shui N. T.
Hong Kong
+(852) 2639 5783
+(852) 2639 5797

JLG Industries (Italia) S. R. L.
Via Po, 22
IT-20010 Pregnana Milanese (MI)
Italy
+39 (0) 2 9359 5210
+39 (0) 2 9359 5211
Email: ricambi@jlg.com

JLG EMEA B.V.
Polaris Avenue 63
2132 JH Hoofdorf
The Netherlands
+31 (0) 23 565 5665
Email: emeaservice@jlg.com

JLG NZ Access Equipment & Services
2B Fisher Crescent
Mt Wellington 1060
Auckland, New Zealand
+6 (12) 87186300
+6 (12) 65813058
Email: techservicesaus@jlg.com

JLG Industries
Vahutinskoe shosse 24B
Khimki,
Moscow Region 141400
Russia Federation
+7 (499) 922 06 99
+7 (499) 922 06 99

Oshkosh-JLG Singapore
Technology Equipment P te Ltd.
35 Tuas Avenue 2
Jurong Industrial Estate
Singapore 639454
+65 6591 9030
+65 6591 9045
Email: SEA@jlg.com

JLG Iberica S. L.
Trapadella, 2
Pol. Ind. Castellbisbal Sur
08755 Castellbisbal
Barcelona
Spain
+34 (0) 93 772 47 00
+34 (0) 93 77 117 62
Email: parts_iberica@jlg.com

JLG Sverige AB
Enkopingsvagen 150
17627 Jarfalla
Sweden
+46 (0) 8 506 595 00
+46 (0) 8 506 595 27
Email: nordicsupport@jlg.com

JLG Industries (UK) Ltd.
Bentley House
Bentley Avenue
Middleton, Greater Manchester
M24 2GP
United Kingdom
+44 (0) 161 654 1000
+44 (0) 161 654 1003
Email: ukparts@jlg.com

www.jlg.com