



Illustrated Parts Manual

Models

3507, 3508

3509, 3512,

3513, 4007

4008, 4009

4012, 4013

3121853

*Revised
April 3, 2014*



EFFECTIVITY PAGE

August 30, 2002 - Original Issue Of Manual

December 4, 2003 - A - Revised Manual

February 14, 2005 - B - Revised Manual (Edited to BOM 0010590 Revision 29)

November 23, 2005 - C - Revised Manual (Edited to BOM 0010593 Revision 38)

March 28, 2006 - D - Revised Manual (Edited to BOM 0010593 Revision 40)

January 2, 2007 - E - Revised Manual (Edited to BOM 0010593 Revision 51)

April 25, 2008 - F - Revised Manual

July 15, 2009 - G - Revised Manual

April 3, 2014 - H - Revised Manual

TABLE OF CONTENTS

| | |
|--|----|
| SECTION 1 - FRAME AND ATTACHING PARTS..... | 11 |
| FIGURE 1-1. BASIC COMPONENTS INSTALLATION | 12 |
| FIGURE 1-2. ENGINE HOOD INSTALLATION | 16 |
| FIGURE 1-3. ENGINE COVER INSTALLATION (Prior to SN 1160000358) | 18 |
| FIGURE 1-4. ENGINE COVER INSTALLATION (SN 1160000358 to Present)..... | 20 |
| FIGURE 1-5. TOOLBOX INSTALLATION | 22 |
| FIGURE 1-6. COUNTERWEIGHT ASSEMBLY..... | 24 |
| FIGURE 1-7. HEADLIGHT AND MIRROR BRACKET..... | 26 |
| FIGURE 1-8. REAR BOOM COVER INSTALLATION | 28 |
| FIGURE 1-9. AXLE INSTALLATION FIXED (Prior to SN 1160000798) | 30 |
| FIGURE 1-10. AXLE INSTALLATION FIXED (SN 1160000798 to Present) | 32 |
| FIGURE 1-11. AXLE INSTALLATION OSCILLATING (Prior to SN 1160000798) | 34 |
| FIGURE 1-12. AXLE INSTALLATION (SN 1160000798 to Present)..... | 36 |
| FIGURE 1-13. FENDERS INSTALLATION | 38 |
| FIGURE 1-14. STABILIZER INSTALLATION (12 & 13M MACHINES ONLY)..... | 40 |
| FIGURE 1-15. STABILIZER INSTALLATION FOR PLATFORM (13M MACHINES ONLY) | 42 |
| FIGURE 1-16. STABILIZER INSTALLATION EQUIPPED W/LMIS (13M ONLY)..... | 44 |
| SECTION 2 - BOOM | 47 |
| FIGURE 2-1. BOOM ASSEMBLY (7, 8 & 9M)..... | 48 |
| FIGURE 2-2. BOOM ASSEMBLY (12 & 13M)..... | 50 |
| FIGURE 2-3. FIRST BOOM SECTION ASSEMBLY (7, 8 & 9M)..... | 52 |
| FIGURE 2-4. FIRST BOOM SECTION ASSEMBLY (12 & 13M)..... | 54 |
| FIGURE 2-5. SECOND BOOM SECTION ASSEMBLY (7, 8 & 9M)..... | 56 |
| FIGURE 2-6. SECOND BOOM SECTION ASSEMBLY (12 & 13M)..... | 58 |
| FIGURE 2-7. THIRD BOOM SECTION ASSEMBLY (12 & 13M) | 60 |
| FIGURE 2-8. QUICK SWITCH ASSEMBLY MECHANICAL..... | 62 |
| FIGURE 2-9. QUICK SWITCH ASSEMBLY HYDRAULIC..... | 64 |
| SECTION 3 - ATTACHMENTS | 67 |
| FIGURE 3-1. MANURE BUCKET (7, 8 & 9M MACHINES) | 68 |
| FIGURE 3-2. 4 IN 1 BUCKET..... | 70 |
| FIGURE 3-3. FORK MOUNTED HOOK | 72 |
| FIGURE 3-4. BUCKETS | 74 |
| FIGURE 3-5. CARRIAGE ASSEMBLY W/LOADGUARD | 76 |
| FIGURE 3-6. SIDE SHIFT CARRIAGE ASSEMBLY | 78 |
| FIGURE 3-7. FORK POSITIONING CARRIAGE ASSEMBLY..... | 80 |
| FIGURE 3-8. FORK TINES | 82 |
| FIGURE 3-9. FORK TINE EXTENSION | 84 |
| FIGURE 3-10. TRUSS BOOM..... | 86 |
| FIGURE 3-11. PLATFORM ASSEMBLY, ADAPTER AND PEDESTAL (13M MODELS ONLY) | 88 |
| FIGURE 3-12. PLATFORM ASSEMBLY, BASE AND RAILINGS (13M MODELS ONLY) | 90 |
| FIGURE 3-13. PLATFORM ASSEMBLY, ELECTRICAL (13M MODELS ONLY) | 92 |
| FIGURE 3-14. PLATFORM ASSEMBLY, MISCELLANEOUS (13M MODELS ONLY)..... | 96 |
| FIGURE 3-15. CONCRETE LADLE (9M & 13M MODELS ONLY) | 98 |

TABLE OF CONTENTS

| | |
|---|-----|
| FIGURE 3-16. CRANE HOOK (9M & 13M MODELS ONLY) | 100 |
| FIGURE 3-17. EXTENDING JIB (AUSTRALIA) (9M & 13M MACHINES ONLY) | 102 |
| FIGURE 3-18. ADJUSTABLE BOOM TRUSS (AUSTRALIA) (9M & 13M MACHINES ONLY) | 104 |
| SECTION 4 - ENGINE AND ATTACHING PARTS | 107 |
| FIGURE 4-1. ENGINE INSTALLATION (Prior to SN 1160000358)..... | 108 |
| FIGURE 4-2. ENGINE INSTALLATION (SN 1160000358 to Present) | 112 |
| FIGURE 4-3. ENGINE ASSEMBLY (Prior to SN 1160000358)..... | 116 |
| FIGURE 4-4. ENGINE ASSEMBLY (SN 1160000358 to Present) | 118 |
| FIGURE 4-5. TANK AND FUEL SUPPLY INSTALLATION (Prior to SN 1160000358) | 122 |
| FIGURE 4-6. TANK AND FUEL SUPPLY INSTALLATION (SN 1160000358 to Present) | 124 |
| FIGURE 4-7. COOLING SYSTEM INSTALLATION | 126 |
| FIGURE 4-8. AIR CLEANER INSTALLATION (Prior to SN 1160000358)..... | 128 |
| FIGURE 4-9. AIR CLEANER INSTALLATION (SN 1160000358 to Present) | 130 |
| FIGURE 4-10. AIR CLEANER INSTALLATION (SN 1160000358 to Present)..... | 132 |
| FIGURE 4-11. MUFFLER INSTALLATION (Prior to SN 1160000358)..... | 134 |
| FIGURE 4-12. MUFFLER INSTALLATION (SN 1160000358 to Present)..... | 136 |
| FIGURE 4-13. AIR COLLECTOR, CONDENSER AND RADIATOR (Prior to SN 1160000358) | 138 |
| FIGURE 4-14. AIR COLLECTOR, CONDENSER AND RADIATOR (SN 1160000358 to Present) | 140 |
| FIGURE 4-15. TRANSMISSION ASSEMBLY | 142 |
| FIGURE 4-16. TRANSMISSION ASSEMBLY - CONVERTER HOUSING | 144 |
| FIGURE 4-17. TRANSMISSION ASSEMBLY - CASE AND PLATE | 146 |
| FIGURE 4-18. TRANSMISSION ASSEMBLY - TORQUE CONVERTER | 148 |
| FIGURE 4-19. TRANSMISSION ASSEMBLY - GEAR GROUP | 150 |
| FIGURE 4-20. TRANSMISSION ASSEMBLY - GEAR GROUP | 152 |
| FIGURE 4-21. TRANSMISSION ASSEMBLY - PUMP DRIVE GROUP | 154 |
| FIGURE 4-22. TRANSMISSION ASSEMBLY - CHARGE PUMP | 156 |
| FIGURE 4-23. TRANSMISSION ASSEMBLY - REVERSE IDLER | 158 |
| FIGURE 4-24. TRANSMISSION ASSEMBLY - FORWARD AND REVERSE SHAFT | 160 |
| FIGURE 4-25. TRANSMISSION ASSEMBLY - HIGH 4TH AND 3RD SHAFT | 162 |
| FIGURE 4-26. TRANSMISSION ASSEMBLY - HIGH 4TH AND 3RD SHAFT | 164 |
| FIGURE 4-27. TRANSMISSION ASSEMBLY - 1ST AND 2ND SHAFT | 166 |
| FIGURE 4-28. TRANSMISSION ASSEMBLY - OUTPUT SHAFT | 168 |
| FIGURE 4-29. TRANSMISSION ASSEMBLY - CONTROL AND MODULATION VALVE ASSEMBLY (Prior to SN 1160000533, Except SN 1160000223 through 1160000531, Excluding 1160000516, 1160000517 and 1160000520) | 170 |
| FIGURE 4-30. TRANSMISSION ASSEMBLY - CONTROL AND MODULATION VALVE ASSEMBLY (SN 1160000533 to Present, SN 1160000223 through 1160000531, Including 1160000516, 1160000517 and 1160000520) | 172 |
| FIGURE 4-31. TRANSMISSION ASSEMBLY - CONTROL AND MODULATION VALVE ASSEMBLY (Prior to SN 1160000533, Except SN 1160000223 through 1160000531, Excluding 1160000516, 1160000517 and 1160000520) | 174 |
| FIGURE 4-32. TRANSMISSION ASSEMBLY - CONTROL AND MODULATION VALVE ASSEMBLY (SN 1160000533 to Present, SN 1160000223 through 1160000531, Including 1160000516, 1160000517 and 1160000520) | 176 |
| FIGURE 4-33. TRANSMISSION ASSEMBLY - DRIVE PLATE | 178 |
| FIGURE 4-34. TRANSMISSION ASSEMBLY - DROP BOX | 180 |
| SECTION 5 - DRIVE TRAIN | 183 |
| FIGURE 5-1. FRONT AXLE ASSEMBLY | 184 |
| FIGURE 5-2. FRONT AXLE ASSEMBLY - DIFFERENTIAL HOUSING COMPONENTS | 186 |

TABLE OF CONTENTS

| | |
|---|-----|
| FIGURE 5-3. FRONT AXLE ASSEMBLY - INTERNAL DIFFERENTIAL HOUSING COMPONENTS..... | 188 |
| FIGURE 5-4. FRONT AXLE ASSEMBLY - EXTERNAL AXLE COMPONENTS | 190 |
| FIGURE 5-5. FRONT AXLE ASSEMBLY - BRAKE COMPONENTS | 194 |
| FIGURE 5-6. FRONT AXLE ASSEMBLY - STEERING COMPONENTS | 196 |
| FIGURE 5-7. FRONT AXLE ASSEMBLY - OSCILLATION SUPPORT COMPONENTS..... | 198 |
| FIGURE 5-8. REAR AXLE ASSEMBLY..... | 200 |
| FIGURE 5-9. REAR AXLE ASSEMBLY - DIFFERENTIAL HOUSING COMPONENTS | 202 |
| FIGURE 5-10. REAR AXLE ASSEMBLY - INTERNAL DIFFERENTIAL COMPONENTS..... | 204 |
| FIGURE 5-11. REAR AXLE ASSEMBLY - EXTERNAL AXLE COMPONENTS..... | 206 |
| FIGURE 5-12. REAR AXLE ASSEMBLY - BRAKE COMPONENTS..... | 210 |
| FIGURE 5-13. REAR AXLE ASSEMBLY - STEERING COMPONENTS..... | 212 |
| FIGURE 5-14. REAR AXLE ASSEMBLY - OSCILLATION SUPPORT COMPONENTS..... | 214 |
| FIGURE 5-15. TIRE AND WHEEL ASSEMBLY | 216 |
| SECTION 6 - CAB..... | 219 |
| FIGURE 6-1. CAB INSTALLATION | 220 |
| FIGURE 6-2. INTERIOR INSTALLATION | 224 |
| FIGURE 6-3. CAB DOOR INSTALLATION | 226 |
| FIGURE 6-4. CAB WINDOWS INSTALLATION | 228 |
| FIGURE 6-5. WIPER SYSTEM INSTALLATION | 230 |
| FIGURE 6-6. DRIVER SEAT ASSEMBLY (Prior to SN 1160000514) | 232 |
| FIGURE 6-7. MECHANICAL SEAT INSTALLATION (SN 1160000514 to Present) | 234 |
| FIGURE 6-8. MECHANICAL SUSPENSION SEAT ASSEMBLY | 236 |
| FIGURE 6-9. AIR DUCT INSTALLATION..... | 238 |
| FIGURE 6-10. AIR CIRCULATION INSTALLATION | 240 |
| FIGURE 6-11. AIR CONDITIONING UNIT INSTALLATION..... | 242 |
| SECTION 7 - CONTROLS | 245 |
| FIGURE 7-1. STEERING COLUMN ASSEMBLY AND ATTACHING PARTS..... | 246 |
| FIGURE 7-2. CONSOLE BOX ASSEMBLY..... | 248 |
| FIGURE 7-3. ACCELERATOR PEDAL ASSEMBLY | 250 |
| FIGURE 7-4. PARKING BRAKE INSTALLATION | 252 |
| SECTION 8 - HYDRAULIC CIRCUITS..... | 255 |
| FIGURE 8-1. FRAME AND CAB..... | 256 |
| FIGURE 8-2. DRIVE PUMP TO MAIN VALVE | 260 |
| FIGURE 8-3. LIFTING HYDRAULICS | 262 |
| FIGURE 8-4. WORKING HYDRAULICS 7, 8 AND 9M..... | 266 |
| FIGURE 8-5. WORKING HYDRAULICS 12 AND 13M..... | 270 |
| FIGURE 8-6. HYDRAULIC SYSTEM W/AUXILIARY 7, 8 AND 9M | 274 |
| FIGURE 8-7. HYDRAULIC SYSTEM W/AUXILIARY 12 AND 13M | 278 |
| FIGURE 8-8. LEVELING HYDRAULICS | 282 |
| FIGURE 8-9. STABILIZING HYDRAULICS | 284 |
| FIGURE 8-10. LIFT SYSTEM EQUIPPED FOR PLATFORM | 286 |
| FIGURE 8-11. DRIVE PUMP TO MAIN VALVE EQUIPPED FOR PLATFORM..... | 290 |
| FIGURE 8-12. DRIVE PUMP TO MAIN VALVE EQUIPPED FOR PLATFORM (AUSTRALIA)..... | 294 |

TABLE OF CONTENTS

| | |
|---|-----|
| SECTION 9 - HYDRAULIC COMPONENTS | 297 |
| FIGURE 9-1. LIFT CYLINDER ASSEMBLY 7M (Prior to SN 1160000863) | 298 |
| FIGURE 9-2. LIFT CYLINDER ASSEMBLY 7M (SN 1160000863 to Present) | 300 |
| FIGURE 9-3. LIFT CYLINDER ASSEMBLY 8M (Prior to SN 1160000863) | 302 |
| FIGURE 9-4. LIFT CYLINDER ASSEMBLY 8M (SN 1160000863 to Present) | 304 |
| FIGURE 9-5. LIFT CYLINDER ASSEMBLY 12M (Prior to SN 1160000863) | 306 |
| FIGURE 9-6. LIFT CYLINDER ASSEMBLY 12M (SN 1160000863 to Present) | 308 |
| FIGURE 9-7. LIFT CYLINDER ASSEMBLY 9 AND 13M (Prior to SN 1160000863)..... | 310 |
| FIGURE 9-8. LIFT CYLINDER ASSEMBLY 9 AND 13M (SN 1160000863 to Present) | 312 |
| FIGURE 9-9. EXTEND/RETRACT CYLINDER ASSEMBLY 7 AND 8M (Prior to SN 1160000863)..... | 314 |
| FIGURE 9-10. EXTEND/RETRACT CYLINDER ASSEMBLY 7 AND 8M (SN 1160000863 to Present)..... | 316 |
| FIGURE 9-11. EXTEND/RETRACT CYLINDER ASSEMBLY 9M (Prior to SN 1160000863) | 318 |
| FIGURE 9-12. EXTEND/RETRACT CYLINDER ASSEMBLY 9M (SN 1160000358 to Present) | 320 |
| FIGURE 9-13. EXTEND/RETRACT CYLINDER ASSEMBLY 12M (Prior to SN 1160000863) | 322 |
| FIGURE 9-14. EXTEND/RETRACT CYLINDER ASSEMBLY 12M (SN 1160000863 to Present) | 326 |
| FIGURE 9-15. EXTEND/RETRACT CYLINDER ASSEMBLY 13M (Prior to SN 1160000863) | 328 |
| FIGURE 9-16. EXTEND/RETRACT CYLINDER ASSEMBLY 13M (SN 1160000863 to Present) | 332 |
| FIGURE 9-17. TILT CYLINDER ASSEMBLY (Prior to SN 1160000863) | 334 |
| FIGURE 9-18. TILT CYLINDER ASSEMBLY (SN 1160000863 to Present) | 336 |
| FIGURE 9-19. COMPENSATION CYLINDER ASSEMBLY (Prior to SN 1160000863) | 338 |
| FIGURE 9-20. COMPENSATION CYLINDER ASSEMBLY (SN 1160000863 to Present)..... | 340 |
| FIGURE 9-21. COMPENSATION CYLINDER ASSEMBLY (SN 1160000863 to Present)..... | 342 |
| FIGURE 9-22. SWAY CYLINDER ASSEMBLY (Prior to SN 1160000335) | 344 |
| FIGURE 9-23. SWAY CYLINDER ASSEMBLY (SN 1160000335 to Present) | 346 |
| FIGURE 9-24. SWAY CYLINDER ASSEMBLY (SN 1160000335 to Present) | 348 |
| FIGURE 9-25. STABILIZER CYLINDER ASSEMBLY (Prior to SN 1160000863) | 350 |
| FIGURE 9-26. STABILIZER CYLINDER ASSEMBLY (SN 1160000863 to Present) | 352 |
| FIGURE 9-27. STABILIZER CYLINDER ASSEMBLY (SN 1160000863 to Present) | 354 |
| FIGURE 9-28. ATTACHMENT LOCK CYLINDER ASSEMBLY (Prior to SN 1160003272) | 356 |
| FIGURE 9-29. ATTACHMENT LOCK CYLINDER ASSEMBLY (SN 1160003272 to Present)..... | 358 |
| FIGURE 9-30. MAIN CONTROL VALVE ASSEMBLY | 360 |
| FIGURE 9-31. ENGINE DRIVE PUMP ASSEMBLY (SN 1160000477 to Present, Prior to SN 1160000384)..... | 364 |
| FIGURE 9-32. ENGINE DRIVE PUMP ASSEMBLY (SN 1160000384 through 1160000476) | 366 |
| FIGURE 9-33. HYDRAULIC TANK ASSEMBLY | 368 |
| FIGURE 9-34. RETURN FILTER ASSEMBLY | 370 |
| FIGURE 9-35. ERS CONTROL VALVE ASSEMBLY | 372 |
| FIGURE 9-36. AUXILIARY POWER PUMP | 374 |
| SECTION 10 - ELECTRICAL..... | 377 |
| FIGURE 10-1. INSTRUMENT PANEL ASSEMBLY | 378 |
| FIGURE 10-2. ACCESSORIES PANEL ASSEMBLY | 382 |
| FIGURE 10-3. GEAR AND VALVE | 384 |
| FIGURE 10-4. REAR OF MACHINE | 386 |
| FIGURE 10-5. ENGINE (Prior to SN 1160000358) | 388 |
| FIGURE 10-6. ENGINE (SN 1160000358 to Present) | 390 |

TABLE OF CONTENTS

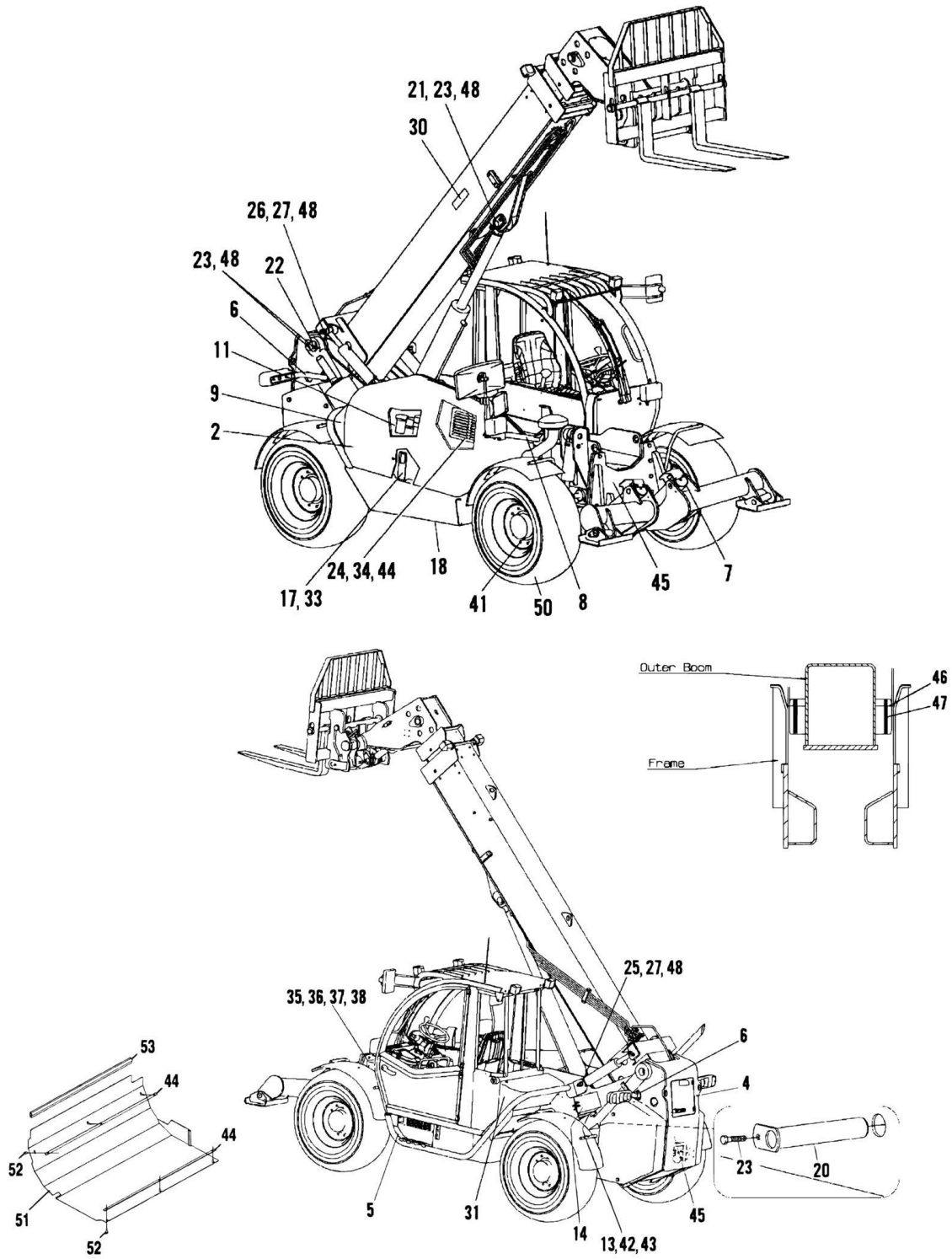
| | |
|--|-----|
| FIGURE 10-7. DISPLAY PANEL | 392 |
| FIGURE 10-8. TAIL LIGHT AND BRACKET INSTALLATION | 394 |
| FIGURE 10-9. TAIL LIGHT AND BRACKET INSTALLATION | 396 |
| FIGURE 10-10. SENSOR ASSEMBLY 7, 8 AND 12M (Prior to SN 1160000138) | 398 |
| FIGURE 10-11. SENSOR ASSEMBLY 9 AND 13M (Prior to SN 1160000138) | 400 |
| FIGURE 10-12. SENSOR ASSEMBLY (SN 1160000138 to Present) | 402 |
| FIGURE 10-13. TIER II FUEL SOLENOID WIRE (SN 1160000358 to Present) | 404 |
| FIGURE 10-14. TIER II ENGINE HARNESS WIRE (SN 1160000358 to Present) | 406 |
| FIGURE 10-15. CAB ELECTRICAL INSTALLATION WITH PLATFORM..... | 408 |
| FIGURE 10-16. ELECTRICAL INSTALLATION ON BOOM WITH PLATFORM..... | 412 |
| FIGURE 10-17. ERS SYSTEM INSTALLATION..... | 416 |
| FIGURE 10-18. REAR HARNESS..... | 420 |
| FIGURE 10-19. SENSOR ASSEMBLY WITH PLATFORM | 422 |
| FIGURE 10-20. LMIS INSTALLATION | 424 |
| FIGURE 10-21. LMIS AUDIBLE TOWER/BEACON INSTALLATION..... | 426 |
| FIGURE 10-22. LMIS HARNESS | 428 |
| FIGURE 10-23. STABILIZER HARNESS EQUIPPED W/LMIS | 430 |
| SECTION 11 - DECALS..... | 433 |
| FIGURE 11-1. DECALS - MAIN..... | 434 |
| FIGURE 11-2. DECALS - CAB..... | 438 |
| SECTION 12 - OPTIONS..... | 445 |
| FIGURE 12-1. HYDRAULIC HITCH KIT | 446 |
| FIGURE 12-2. FIELD HITCH ASSEMBLY..... | 448 |
| FIGURE 12-3. TRAILER COUPLING ASSEMBLY | 450 |
| FIGURE 12-4. FRONT CAB GLASS SHIELD | 452 |
| FIGURE 12-5. AIR SUSPENSION SEAT INSTALLATION..... | 454 |
| FIGURE 12-6. AIR SUSPENSION SEAT | 456 |
| FIGURE 12-7. DRAW BAR COUPLING | 458 |
| FIGURE 12-8. LICENSE PLATE LIGHT AND TOWING PLATE INSTALLATION, (7/8M ONLY) (Prior to SN 1160003018) | 460 |
| FIGURE 12-9. REAR ACCESS DOOR KIT | 462 |
| FIGURE 12-10. KNURL FUNCTION KIT | 464 |
| FIGURE 12-11. AGRICULTURAL KIT..... | 466 |
| FIGURE 12-12. HYDRAULIC AGRICULTURAL KIT | 468 |
| FIGURE 12-13. BATTERY SWITCH | 470 |
| FIGURE 12-14. BOOM STOP INSTALLATION..... | 472 |
| FIGURE 12-15. GROUND WIRE INSTALLATION | 474 |
| FIGURE 12-16. 7-PIN TRAILER SOCKET INSTALLATION, (7/8M ONLY) (SN 1160003018 to Present) | 476 |
| FIGURE 12-17. TWINLINE HOSE ASSEMBLY RETROFIT KIT | 478 |
| SECTION 13 - RECOMMENDED SPARE PARTS | 481 |
| FIGURE 13-1. RECOMMENDED SPARE PARTS | 482 |
| PART NUMBER INDEX | 485 |

SECTION 1 - FRAME AND ATTACHING PARTS

SECTION 1 - FRAME AND ATTACHING PARTS

SECTION 1 - FRAME AND ATTACHING PARTS

FIGURE 1-1. BASIC COMPONENTS INSTALLATION



SECTION 1 - FRAME AND ATTACHING PARTS

FIGURE 1-1. BASIC COMPONENTS INSTALLATION

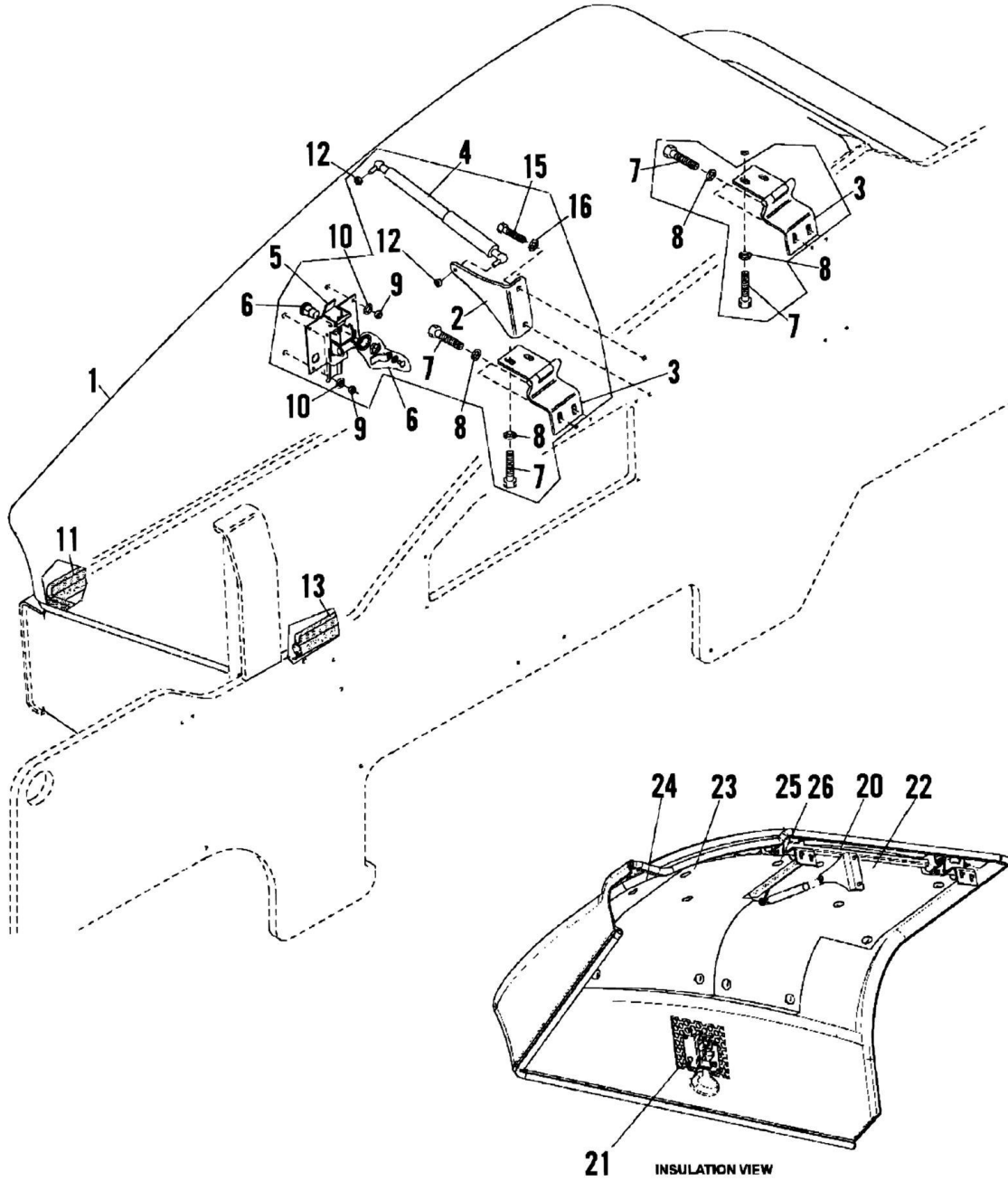
| ITEM | PART NUMBER | QTY | DESCRIPTION | REV |
|------|-------------|-----|---|-----|
| | 8002757 | Ref | BASIC COMPONENTS INSTALLATION | I |
| 2 | | Ref | ENGINE HOOD INSTALLATION, (See ENGINE HOOD INSTALLATION for Breakdown) | |
| 4 | | Ref | REAR BOOM COVER INSTALLATION, (See REAR BOOM COVER INSTALLATION for Breakdown) | |
| 5 | 8000782 | 1 | GUARD, CABIN, (includes items 44, 51, 52 & 53) | |
| 6 | | Ref | TAIL LIGHT AND BRACKET INSTALLATION, (See ELECTRICAL SECTION for Breakdown) | |
| 7 | | Ref | STABILIZER ASSY, (See STABILIZER INSTALLATION for Breakdown) | |
| 8 | | Ref | HEADLIGHT AND BRACKET INSTALLATION, (See HEADLIGHT AND MIRROR BRACKET for Breakdown) | |
| 9 | | Ref | AIR DUCT INSTALLATION, (See CAB SECTION for Breakdown) | |
| 11 | | Ref | ENGINE INSTALLATION, (See ENGINE AND ATTACHING PARTS SECTION for Breakdown) | |
| 13 | 806264 | 1 | BRACKET, WEDGE | |
| 14 | 0806253 | 1 | WEDGE, (includes items 13, 42 & 43), (required in germany) | |
| 17 | 8001626 | 1 | PLATE | |
| 18 | | Ref | ENGINE COVER INSTALLATION, (belly pan), (See ENGINE COVER INSTALLATION for Breakdown) | |
| 20 | 4803941 | 1 | PIN | |
| 21 | 4801654 | 1 | PIN | |
| 22 | 4803929 | 1 | PIN | |
| 23 | 5201612 | 4 | BOLT, 16X25mm | |
| 24 | 8002591 | 1 | PLATE WITH LOUVERS, (if used), (also uses items 34 & 44) | |
| 24 | 3380533 | 1 | PLATE WITHOUT LOUVERS, (if used), (also uses items 34 & 44) | |
| 25 | 4804566 | 2 | PIN | |
| 26 | 4803076 | 2 | PIN | |
| 27 | 5201210 | 4 | BOLT, 12X20mm | |
| 30 | | Ref | DECAL INSTALLATION, (See DECALS SECTION for Breakdown) | |
| 31 | | Ref | TOOL BOX ASSY, (See TOOLBOX INSTALLATION for Breakdown) | |
| 33 | 5201012 | 2 | BOLT, 10X25mm | |
| 34 | 5200605 | 5 | BOLT, 6X10mm, (used with item 24) | |
| 35 | 8005472 | 1 | CHANNEL SECTION | |
| 36 | 909304 | AR | PROFILE RUBBER | |
| 37 | 1784861 | 2 | GASKET | |
| 38 | 443630 | 2 | WINGED SCREW | |
| 41 | 2478782 | 40 | LUGNUT, (torque to 500 Nm) | |
| 42 | 5200814 | 4 | BOLT, (models 3509, 3512, 4009 & 4013 only) | |
| 43 | 2976912 | 4 | PIPE, (models 3509, 3512, 4009 & 4013 only) | |
| 44 | 1898686 | AR | TRIM, (used with item 24) | |
| 45 | 8008721 | 8 | PLASTIC CAP | |
| 46 | 8009983 | 2 | SHIM, 1X50X160mm, (only if required) | |
| 46 | 8009986 | 2 | SHIM, 1.5X50X160mm, (only if required) | |
| 46 | 8009987 | 2 | SHIM, 2X50X160mm, (only if required) | |
| 46 | 8009988 | 2 | SHIM, 2.99X50X160mm, (only if required) | |
| 47 | 4031909 | 4 | SOCKET HD CAPSCREW, M8-25, GR8.8, (only if required) | |
| 47 | 4031911 | 4 | SOCKET HD CAPSCREW, M8-35, GR8.8, (only if required) | |
| 47 | 4031912 | 4 | SOCKET HD CAPSCREW, M8-40, GR8.8, (only if required) | |
| 48 | 0100011 | AR | LOCTITE, #242 | |

SECTION 1 - FRAME AND ATTACHING PARTS

| ITEM | PART NUMBER | QTY | DESCRIPTION | REV |
|------|-------------|-----|--|-----|
| 50 | | Ref | TIRE AND WHEEL ASSEMBLY, (See DRIVE TRAIN SECTION for Breakdown) | |
| 51 | 3380567 | 1 | CAB BOTTOM SHIELD | |
| 52 | 5200608 | 6 | RIPP BOLT, 6-36X16mm | |
| 53 | 3960927 | AR | TRIM | |
| | | Ref | NOTE: ITEM NUMBERS NOT LISTED ARE NOT USED ON THIS FIGURE | |

SECTION 1 - FRAME AND ATTACHING PARTS

FIGURE 1-2. ENGINE HOOD INSTALLATION



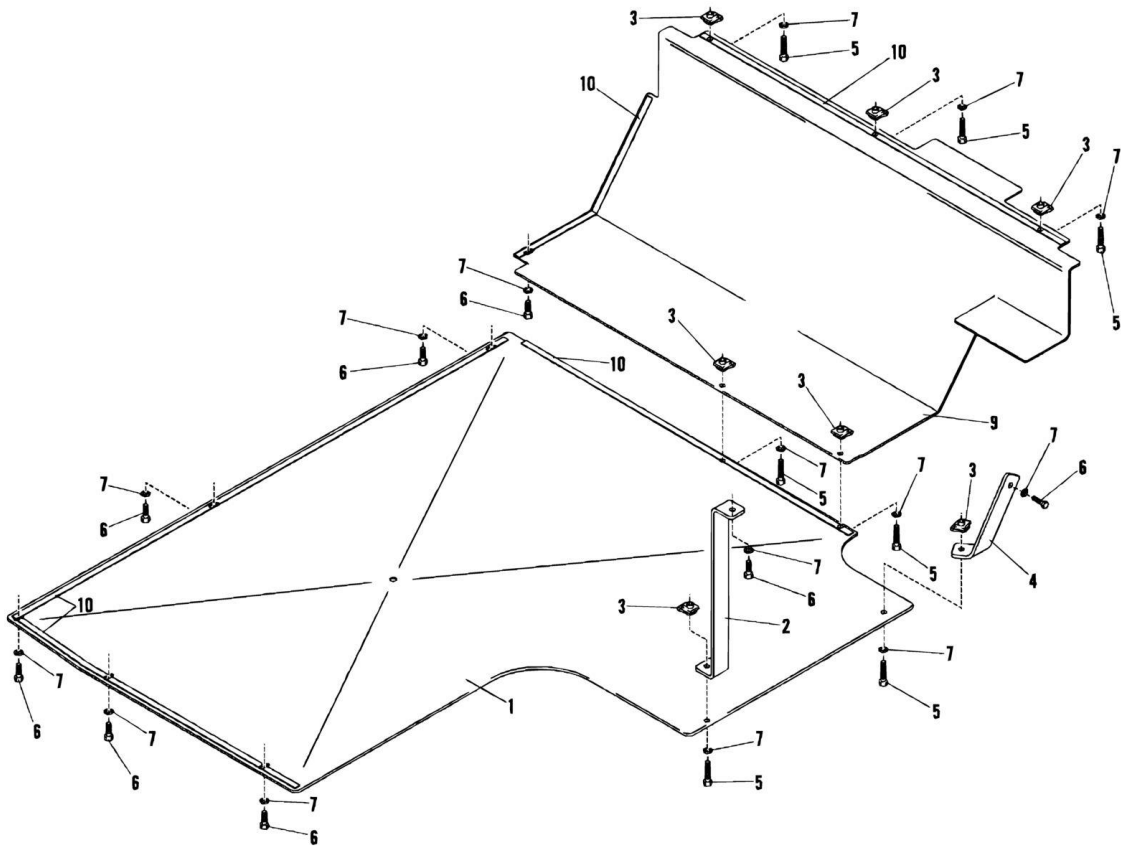
SECTION 1 - FRAME AND ATTACHING PARTS

FIGURE 1-2. ENGINE HOOD INSTALLATION

| ITEM | PART NUMBER | QTY | DESCRIPTION | REV |
|------|-------------|------|--|-----|
| | 4806400 | Ref | ENGINE HOOD INSTALLATION, TURBO ENGINE, (includes items 1 thru 21) | E |
| | 0273835 | Ref | ENGINE HOOD INSTALLATION, NA ENGINE, (includes all items) (SN 1160000481 to Present) | D |
| 1 | 4807149 | 1 | ENGINE HOOD, TURBO ENGINE, (includes items 20 & 21) | |
| 1 | 1671174 | 1 | ENGINE HOOD, NATURALLY ASPIRATED ENGINE, (includes items 20 thru 26) | |
| 2 | 4806308 | 1 | BRACKET | |
| 3 | 4806433 | 2 | HINGE | |
| 4 | 8000420 | 1 | GAS SPRING | |
| 5 | 8000382 | 1 | LATCH | |
| 6 | 8000801 | 1 | LOCK | |
| 6 | 70007289 | 1 st | KEY | |
| 7 | 0760810 | 8 | HEX HD CAPSCREW, M8X20, GR8.8 | |
| 8 | 4811900 | 8 | FLAT WASHER, 8mm | |
| 9 | 3290607 | 3 | HEX NUT, M6X1 | |
| 10 | 4811700 | 3 | FLAT WASHER, 6mm | |
| 11 | 2014226 | AR | TRIM | |
| 12 | 5220800 | 2 | NUT, 8mm | |
| 13 | 2014226 | AR | TRIM | |
| 15 | 0761010 | 2 | HEX HD CAPSCREW, 10X20mm, GR8.8 | |
| 16 | 4812000 | 2 | FLAT WASHER, 10mm | |
| 20 | 4806422 | 1 | REINFORCEMENT | |
| 21 | 4806444 | 1 | PLATE | |
| 22 | 2820166 | 1 | SOUND ABSORBING INSULATION | |
| 23 | 2820167 | 1 | SOUND ABSORBING INSULATION | |
| 24 | 2820168 | 1 | SOUND ABSORBING INSULATION | |
| 25 | 4300159 | 14 | MOUNTING STUDS | |
| 26 | 1321291 | 14 | CAP | |
| | | Ref | NOTE: ITEM NUMBERS NOT LISTED ARE NOT USED ON THIS FIGURE | |

SECTION 1 - FRAME AND ATTACHING PARTS

FIGURE 1-3. ENGINE COVER INSTALLATION (Prior to SN 1160000358)



SECTION 1 - FRAME AND ATTACHING PARTS

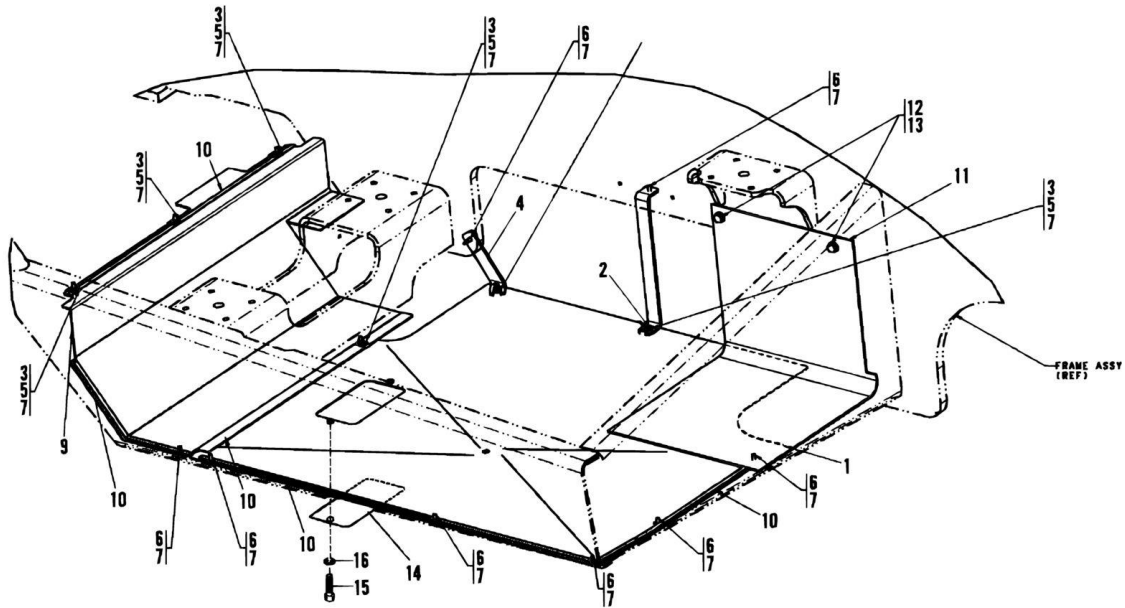
FIGURE 1-3. ENGINE COVER INSTALLATION (Prior to SN 1160000358)

| ITEM | PART NUMBER | QTY | DESCRIPTION | REV |
|------|-------------|-----|---|-----|
| | 4806615 | Ref | BELLY PAN INSTALLATION, (includes all items) | B |
| 1 | 4805830 | 1 | PROTECTING PLATE | |
| 2 | 4805896 | 1 | ANGLE | |
| 3 | 2966421 | 7 | NUT HOLDER | |
| 4 | 8002423 | 1 | HOLDER | |
| 5 | 0760612 | 7 | HEX HD CAPSCREW, M6-25, GR8.8 | |
| 6 | 0760608 | 8 | HEX HD CAPSCREW, M6-16, GR8.8 | |
| 7 | 5211702 | 15 | WASHER, 6X18.2X1.4mm | |
| 9 | 8004879 | 1 | RADIATOR GUARD PLATE | |
| 10 | 1898686 | AR | TRIM | |
| | | Ref | NOTE: ITEM NUMBERS NOT LISTED ARE NOT USED ON THIS FIGURE | |

SECTION 1 - FRAME AND ATTACHING PARTS

FIGURE 1-4. ENGINE COVER INSTALLATION (SN 1160000358 to Present)

NOTE: OIL DRAIN ACCESS HOLE WAS
LOCATED ON OPPOSITE SIDE OF
PAN PRIOR TO SN 1160000498.



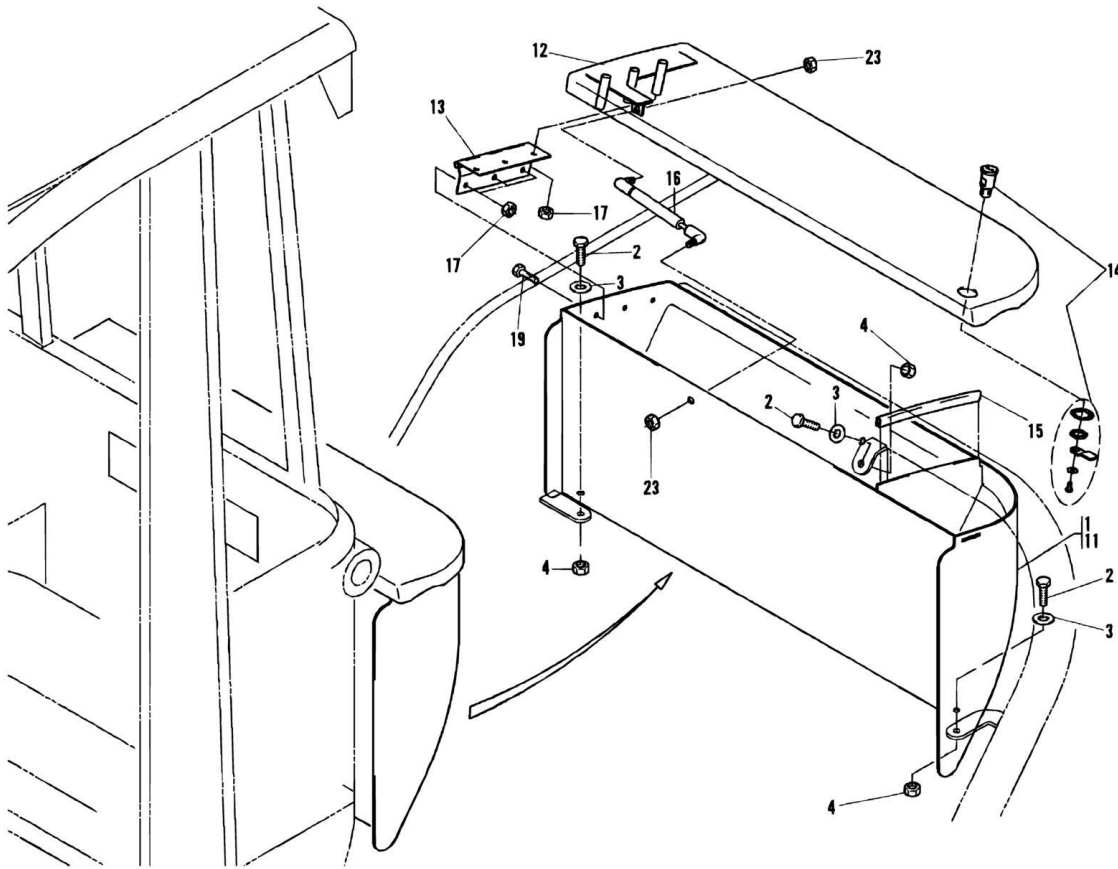
SECTION 1 - FRAME AND ATTACHING PARTS

FIGURE 1-4. ENGINE COVER INSTALLATION (SN 1160000358 to Present)

| ITEM | PART NUMBER | QTY | DESCRIPTION | REV |
|------|-------------|-----|--|-----|
| | 4806615 | Ref | BELLY PAN INSTALLATION, NATURALLY ASPIRATED ENGINE, (includes all items) | E |
| | 0273981 | Ref | BELLY PAN INSTALLATION, TURBO ENGINE, (includes items 1 thru 10 & 14, 15 & 16) | |
| 1 | 3380538 | 1 | PROTECTING PLATE, (includes items 14, 15 & 16) | |
| 2 | 4805896 | 1 | ANGLE | |
| 3 | 2966421 | 6 | NUT HOLDER | |
| 4 | 8002423 | 1 | HOLDER | |
| 5 | 0760612 | 6 | HEX HD CAPSCREW, M6-25, GR8.8 | |
| 6 | 0760608 | 8 | HEX HD CAPSCREW, M6-16, GR8.8 | |
| 7 | 5211702 | 14 | WASHER, 6X18.2X1.4mm | |
| 9 | 8004879 | 1 | RADIATOR GUARD PLATE | |
| 10 | 1898686 | AR | TRIM | |
| 11 | 1671157 | 1 | RUBBER ENGINE COVER, (for use with NA engine only) | |
| 12 | 5212000 | 2 | WASHER, 10X22mm, (for use with NA engine only) | |
| 13 | 0761012 | 2 | HEX HD CAPSCREW, 10-1.5X25mm, GR8.8, (for use with NA engine only) | |
| 14 | 3380534 | 1 | OIL DRAIN PANEL | |
| 15 | 0700507 | 2 | HEX HD CAPSCREW, 5-0.8X14mm, GR8.8 | |
| 16 | 4811600 | 2 | FLAT WASHER, M5 | |
| | | Ref | NOTE: ITEM NUMBERS NOT LISTED ARE NOT USED ON THIS FIGURE | |

SECTION 1 - FRAME AND ATTACHING PARTS

FIGURE 1-5. TOOLBOX INSTALLATION



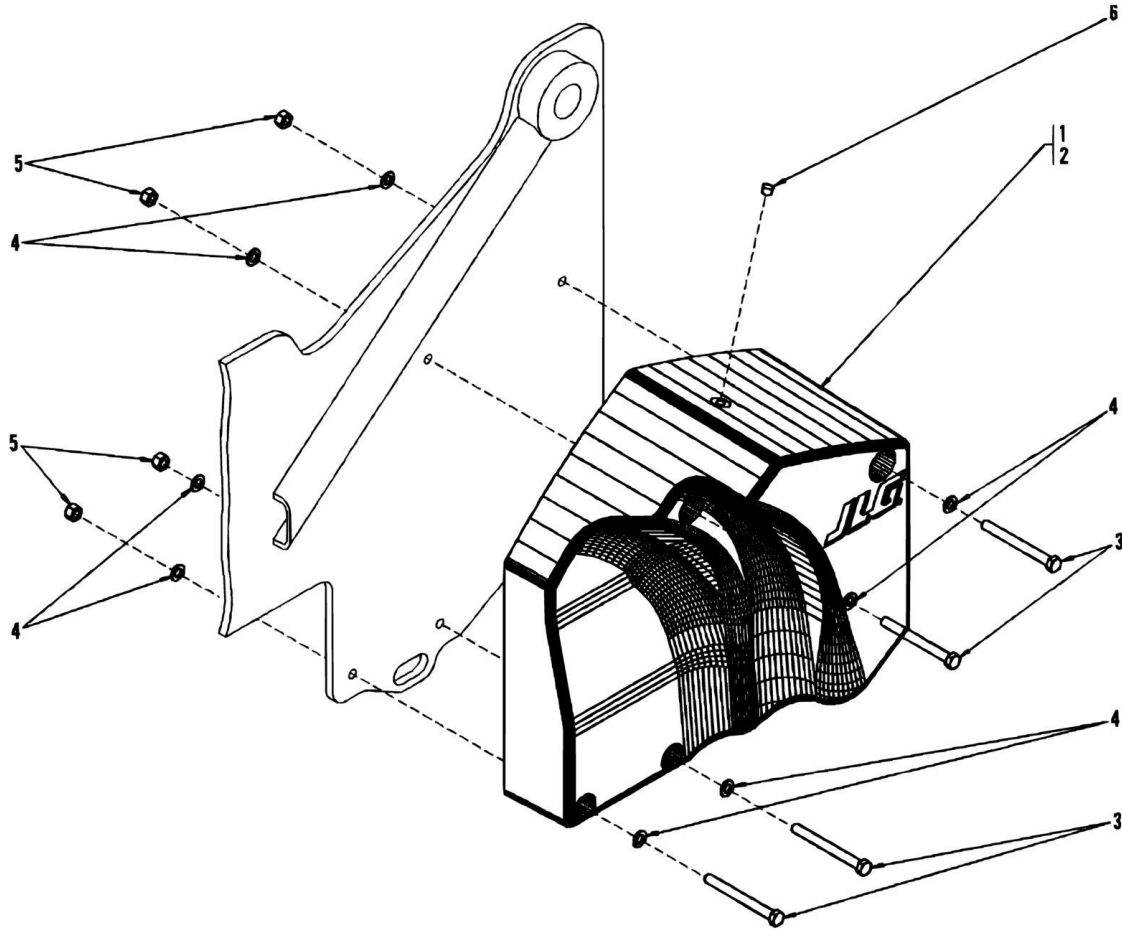
SECTION 1 - FRAME AND ATTACHING PARTS

FIGURE 1-5. TOOLBOX INSTALLATION

| ITEM | PART NUMBER | QTY | DESCRIPTION | REV |
|------|-------------|-----|---|-----|
| | 0274131 | Ref | TOOLBOX INSTALLATION, (includes all items except item 24) | A |
| 1 | 8001935 | 1 | TOOLBOX ASSY, (includes items 11 thru 23) | G |
| 2 | 0760810 | 3 | HEX HD CAPSCREW, M8X20, GR8.8 | |
| 3 | 5211900 | 3 | LOCKWASHER, 8-18.2X1.4mm | |
| 4 | 5220800 | 3 | NUT, 8mm | |
| 11 | 8002319 | 1 | TOOLBOX | |
| 12 | 3380559 | 1 | COVER, TOOLBOX | |
| 13 | 8002332 | 1 | HINGE | |
| 14 | 8008701 | 1 | LOCK | |
| 14 | 8008049 | 1 | KEY | |
| 15 | 914210 | AR | TRIM | |
| 16 | 1001097296 | 1 | GAS SPRING | |
| 17 | 5220600 | 6 | RIPP NUT, 6mm | |
| 19 | 5200608 | 3 | BOLT, 6X16mm | |
| 23 | 5220800 | 2 | NUT, 8mm | |
| 24 | 0240064 | 1 | WRENCH, DOUBLE ENDED OPEN JAW, (not illustrated) | |
| | | Ref | NOTE: ITEM NUMBERS NOT LISTED ARE NOT USED ON THIS FIGURE | |

SECTION 1 - FRAME AND ATTACHING PARTS

FIGURE 1-6. COUNTERWEIGHT ASSEMBLY



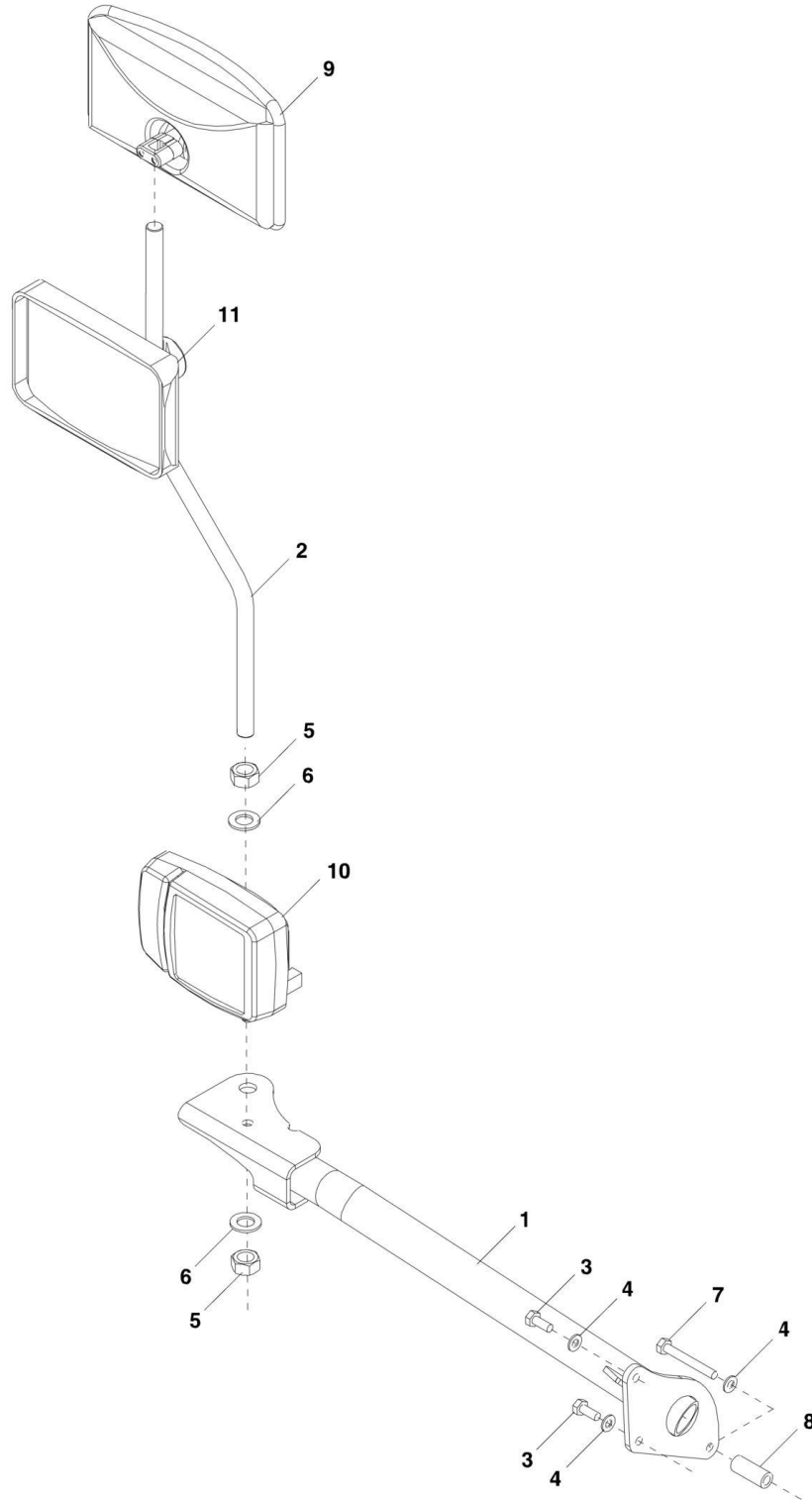
SECTION 1 - FRAME AND ATTACHING PARTS

FIGURE 1-6. COUNTERWEIGHT ASSEMBLY

| ITEM | PART NUMBER | QTY | DESCRIPTION | REV |
|------|-------------|-----|--|-----|
| | | Ref | COUNTERWEIGHT ASSY | B |
| | 8008971 | 1 | 375 KG, (models 4007, 3509, 4008, 3512) | |
| 1 | 8008963 | 1 | COUNTERWEIGHT (Prior to SN 1160002172) | |
| 1 | 8005317 | 1 | COUNTERWEIGHT (SN 1160002172 to Present) | |
| 2 | 8008964 | 1 | COUNTERWEIGHT (Prior to SN 1160002172) | |
| 2 | 8005318 | 1 | COUNTERWEIGHT (SN 1160002172 to Present) | |
| 3 | 0702037 | 8 | HEX HD CAPSCREW, 20-200mm, GR8.8, (torque to 480 Nm) | |
| 4 | 4812500 | 16 | FLAT WASHER, 20mm | |
| 5 | 3292007 | 8 | LOCKNUT, M20 | |
| 6 | 8009883 | 2 | PROTECTING CAP | |
| | 8008969 | 1 | 750 KG, (models 3513, 4009, 4012) | |
| 1 | 8008961 | 1 | COUNTERWEIGHT, (left) (Prior to SN 1160002172) | |
| 1 | 8005315 | 1 | COUNTERWEIGHT, (left) (SN 1160002172 to Present) | |
| 2 | 8008962 | 1 | COUNTERWEIGHT, (right) (Prior to SN 1160002172) | |
| 2 | 8005316 | 1 | COUNTERWEIGHT, (right) (SN 1160002172 to Present) | |
| 3 | 0702037 | 8 | HEX HD CAPSCREW, 20-200mm, GR8.8, (torque to 480 Nm) | |
| 4 | 4812500 | 16 | FLAT WASHER, 20mm | |
| 5 | 3292007 | 8 | LOCKNUT, M20 | |
| 6 | 8009883 | 2 | PROTECTING CAP | |
| | 8009078 | 1 | 1170 KG, (model 4013 only) | |
| | 8009078 | | 1140 KG | |
| 1 | 8009124 | 1 | COUNTERWEIGHT | |
| 2 | 8009125 | 1 | COUNTERWEIGHT | |
| 3 | 0702037 | 8 | HEX HD CAPSCREW, 20-200mm, GR8.8, (torque to 480 Nm) | |
| 4 | 4812500 | 16 | FLAT WASHER, 20mm | |
| 5 | 3292007 | 8 | LOCKNUT, M20 | |
| 6 | 8009883 | 2 | PROTECTING CAP | |

SECTION 1 - FRAME AND ATTACHING PARTS

FIGURE 1-7. HEADLIGHT AND MIRROR BRACKET



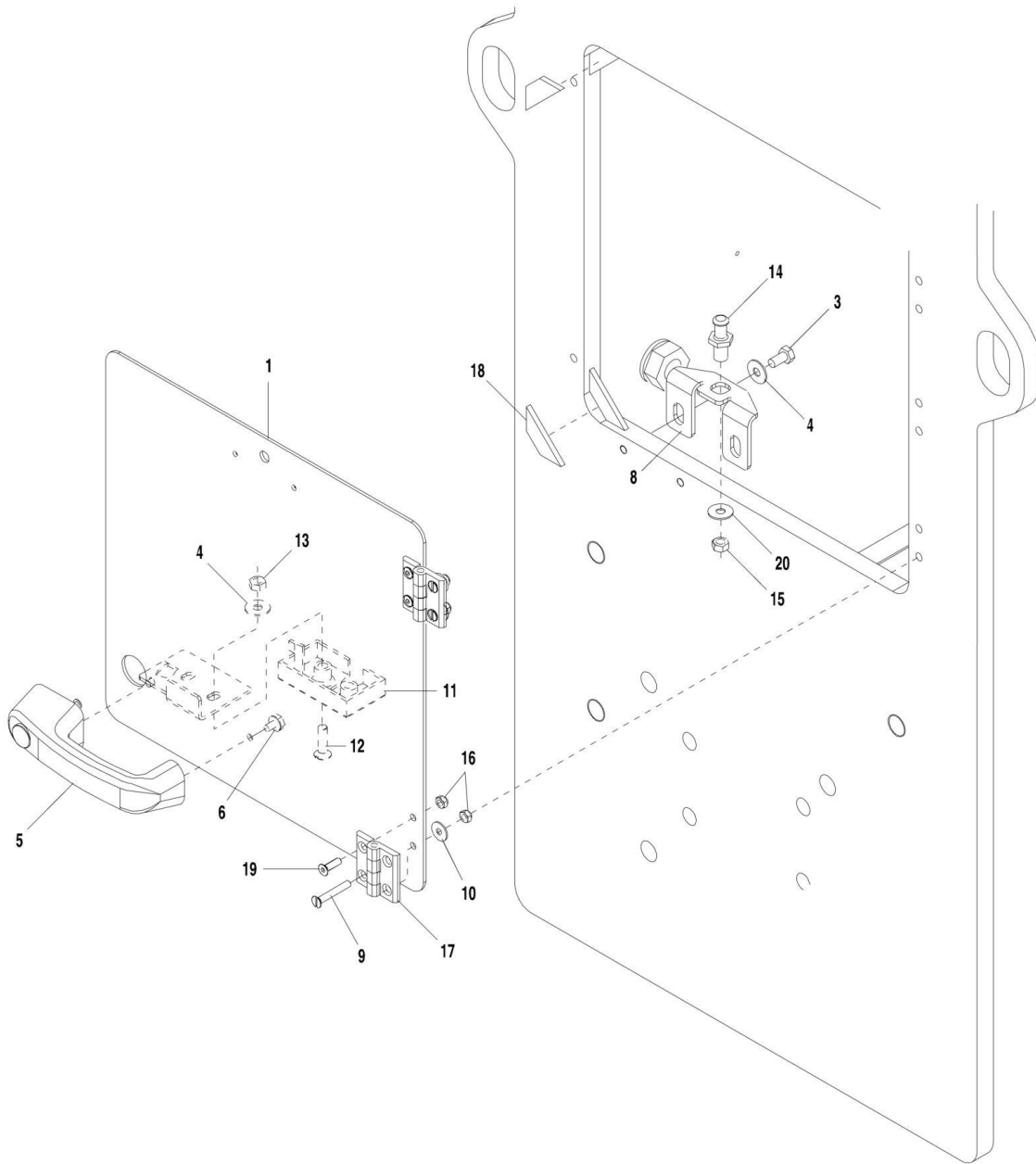
SECTION 1 - FRAME AND ATTACHING PARTS

FIGURE 1-7. HEADLIGHT AND MIRROR BRACKET

| ITEM | PART NUMBER | QTY | DESCRIPTION | REV |
|------|-------------|-----|---|-----|
| | 4806808 | Ref | LAMP AND MIRROR BRACKET INSTALLATION, (front), (includes all items) | B |
| 1 | 4806659 | 1 | BRACKET | |
| 2 | 4806693 | 1 | ROD | |
| 3 | 0761012 | 2 | HEX HD CAPSCREW, M10-25, GR8.8 | |
| 4 | 4812000 | 3 | FLAT WASHER, 10mm | |
| 5 | 3292001 | 2 | NUT, 20mm | |
| 6 | 4812500 | 2 | FLAT WASHER, 20mm | |
| 7 | 0701024 | 1 | HEX HD CAPSCREW, M10-80, GR8.8 | |
| 8 | 8000704 | 1 | PIPE | |
| 9 | 3140008 | 1 | MIRROR, OUTSIDE REAR VIEW, (was p/n 8002803) | |
| 10 | 3928790 | 1 | HEADLIGHT ASSY, (right) (See ELECTRICAL SECTION for left headlight) | |
| 10 | 7028000 | 1 | LENS RETAINING RIM WITHOUT INDICATOR | |
| 10 | 7028001 | 1 | LENS RETAINING RIM WITH INDICATOR | |
| 10 | 7028002 | 1 | LENS FOR INDICATOR FRONT | |
| 10 | 7028003 | 1 | LENS FOR INDICATOR REAR | |
| 10 | 7028004 | 1 | SOCKET FOR BLADE RECEPTACLES 6 POLE | |
| 10 | 7028005 | 1 | RUBBER CAP FOR AMP PLUG CONNECTOR | |
| 10 | 7028006 | 1 | TERMINALS | |
| 10 | 0409672 | 1 | INCANDESCENT LAMP (12V 55W) | |
| 10 | 0377300 | 1 | INCANDESCENT LAMP (12V 4W) | |
| 10 | 3981604 | 1 | INCANDESCENT LAMP (12V 55W) | |
| 10 | 0388450 | 1 | INCANDESCENT LAMP (12V 21W) | |
| 11 | 3140007 | 1 | MIRROR, RECTANGULAR | |

SECTION 1 - FRAME AND ATTACHING PARTS

FIGURE 1-8. REAR BOOM COVER INSTALLATION



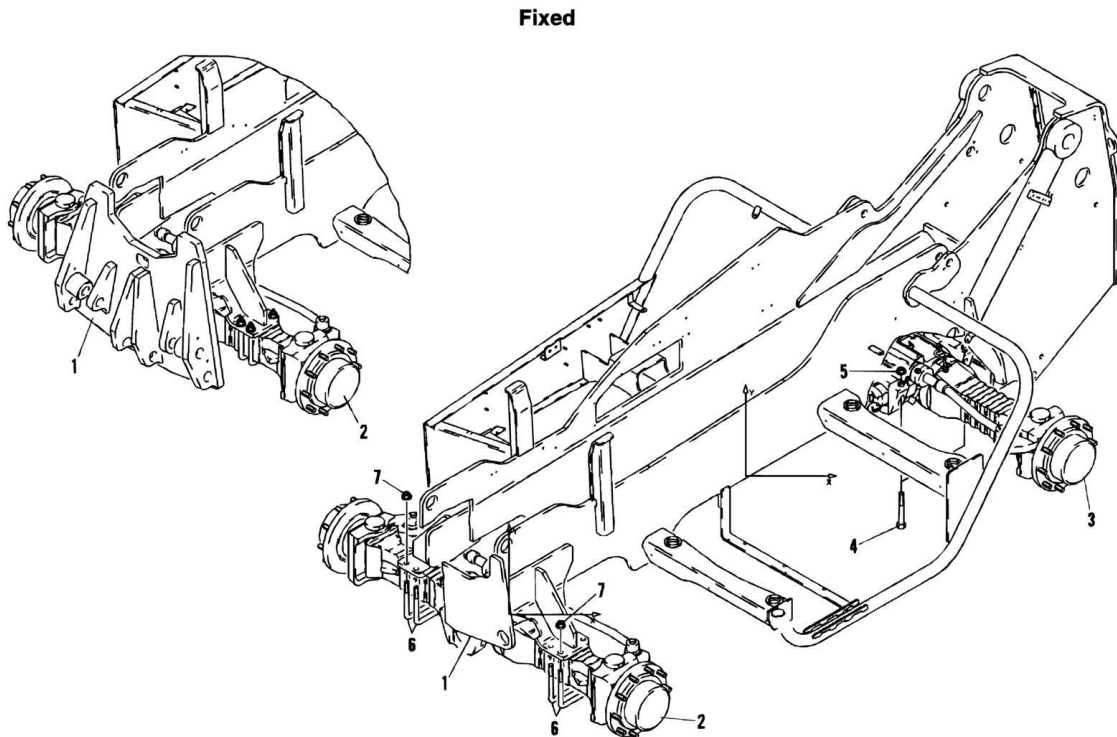
SECTION 1 - FRAME AND ATTACHING PARTS

FIGURE 1-8. REAR BOOM COVER INSTALLATION

| ITEM | PART NUMBER | QTY | DESCRIPTION | REV |
|------|-------------|-----|---|-----|
| | 8002263 | Ref | REAR BOOM COVER INSTALLATION, (includes all items) | H |
| 1 | 8004853 | 1 | COVER | |
| 3 | 0760808 | 2 | HEX HD CAPSCREW, M8X16 | |
| 4 | 5211902 | 4 | LOCKWASHER, 8mm | |
| 5 | 8006491 | 1 | HANDLE, PUSH BUTTON | |
| 5 | | Ref | KEY, (same key used for ignition), (See ELECTRICAL SECTION for Breakdown) | |
| 6 | 5200605 | 2 | BOLT, 6X10mm | |
| 8 | 8004847 | 1 | BRACKET (Prior to SN 116000358) | |
| 8 | 8007430 | 1 | BRACKET (SN 116000358 to Present) | |
| 9 | 8006242 | 4 | COUNTERSUNK SCREW, 6X40mm | |
| 10 | 5211702 | 4 | WASHER, 6X18.2X1.4mm | |
| 11 | 8004882 | 1 | LOCK, LATCH | |
| 12 | 1398385 | 2 | COUNTERSUNK SCREW, 6X40mm | |
| 13 | 3290801 | 2 | HEX NUT, M8X1.25 | |
| 14 | 8003293 | 1 | PIN | |
| 15 | 3300497 | 1 | HEX NUT, M12-1 | |
| 16 | 3290605 | 8 | HEX LOCKNUT, M6X1 | |
| 17 | 8006105 | 2 | HINGE | |
| 18 | 909304 | AR | TRIM | |
| 19 | 0630576 | 4 | FLAT HD CAPSCREW, 6X20mm | |
| 20 | 4812100 | 1 | WASHER, 12mm | |
| | | Ref | NOTE: ITEM NUMBERS NOT LISTED ARE NOT USED ON THIS FIGURE | |

SECTION 1 - FRAME AND ATTACHING PARTS

FIGURE 1-9. AXLE INSTALLATION FIXED (Prior to SN 1160000798)



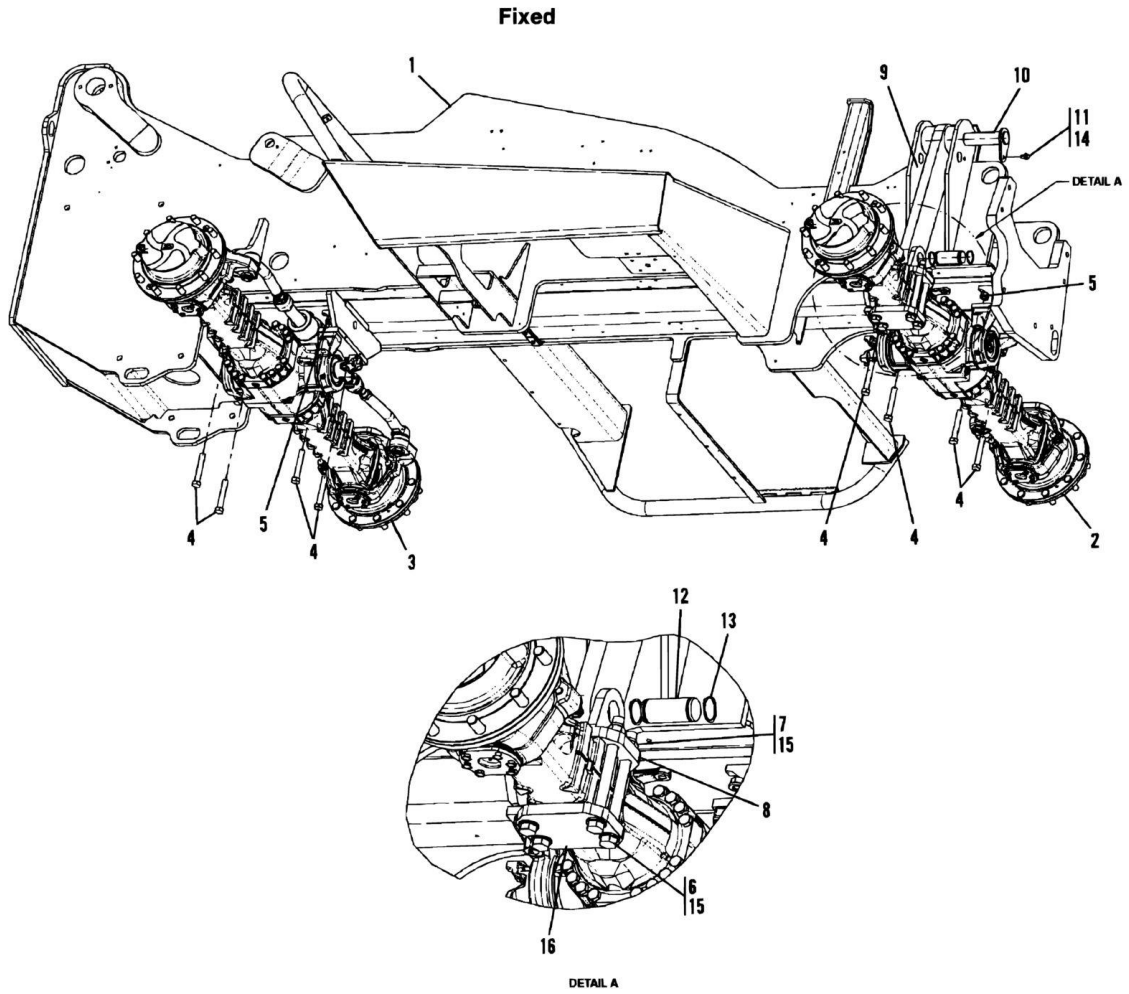
SECTION 1 - FRAME AND ATTACHING PARTS

FIGURE 1-9. AXLE INSTALLATION FIXED (Prior to SN 1160000798)

| ITEM | PART NUMBER | QTY | DESCRIPTION | REV |
|------|-------------|-----|--|-----|
| | 8002758 | Ref | AXLE INSTALLATION, (fixed), (includes all items) | B |
| 1 | 8008160 | 1 | FRAME RIGID COMPLETE, 7M & 8M MACHINES | |
| 1 | 8008159 | 1 | FRAME RIGID COMPLETE, 12M MACHINES | |
| 2 | | Ref | FRONT AXLE ASSY, (See DRIVE TRAIN SECTION for Breakdown) | |
| 3 | | Ref | REAR AXLE ASSY, (See DRIVE TRAIN SECTION for Breakdown) | |
| 4 | 0630574 | 4 | HEX HD CAPSCREW, M20X1.5-130 | |
| 5 | 3300478 | 4 | NUT, M20X1.5, (torque to 650 Nm) | |
| 6 | 0630589 | 2 | U-BOLT | |
| 7 | 3300479 | 4 | NUT, M22X1.5, (torque to 550 Nm) | |

SECTION 1 - FRAME AND ATTACHING PARTS

FIGURE 1-10. AXLE INSTALLATION FIXED (SN 1160000798 to Present)



SECTION 1 - FRAME AND ATTACHING PARTS

FIGURE 1-10. AXLE INSTALLATION FIXED (SN 1160000798 to Present)

| ITEM | PART NUMBER | QTY | DESCRIPTION | REV |
|------|-------------|-----|--|-----|
| | | Ref | AXLE INSTALLATION, (fixed) | |
| | 0274367 | | AXLE INSTALLATION, (fixed), 7M, 8M & 9M MACHINES | F |
| | 0274369 | | AXLE INSTALLATION, (fixed), 12M & 13M MACHINES | F |
| 1 | 2360714 | 1 | FRAME RIGID COMPLETE, 7M, 8M & 9M MACHINES | |
| 1 | 2360715 | 1 | FRAME RIGID COMPLETE, 12M & 13M MACHINES | |
| 2 | | Ref | FRONT AXLE ASSY, (See DRIVE TRAIN SECTION for Breakdown) | |
| 3 | | Ref | REAR AXLE ASSY, (See DRIVE TRAIN SECTION for Breakdown) | |
| 4 | 0630574 | 8 | HEX HD CAPSCREW, M20X1.5-130 | |
| 5 | 3300478 | 8 | NUT, M20X1.5, (torque to 650 Nm) | |
| 6 | 0630589 | 2 | U-BOLT (Prior to SN 1160001168) | |
| 6 | 0712242 | 4 | HEX HD CAPSCREW, M22X250, GR10.9 (SN 1160001168 through 1160002092) | |
| 6 | 0630589 | 2 | U-BOLT (SN 1160002093 to Present) | |
| 7 | 3300479 | 4 | NUT, M22X1.5, (torque to 550 Nm) (Prior to SN 1160001168) | |
| 7 | 3300500 | 4 | NUT, M22, (torque to 550 Nm) (SN 1160001168 through 1160002092) | |
| 7 | 3300479 | 4 | NUT, M22X1.5, (torque to 550 Nm) (SN 1160002093 to Present) | |
| 8 | 4341221 | 1 | AXLE BRACKET | |
| 9 | 0903159 | 1 | BRACKET, NON-LEVELING | |
| 10 | 4802122 | 1 | PIN | |
| 11 | 5201210 | 1 | BOLT, M12X20mm | |
| 12 | 4802008 | 1 | PIN | |
| 13 | 3760493 | 2 | CIRCLIP | |
| 14 | 0100011 | AR | LOCTITE, 242 | |
| 15 | 4740555 | 8 | WASHER, M22 (SN 1160001168 through 1160002093) | |
| 16 | 3576026 | 1 | PLATE, AXLE LEVEL (SN 1160001168 through 1160002093) | |

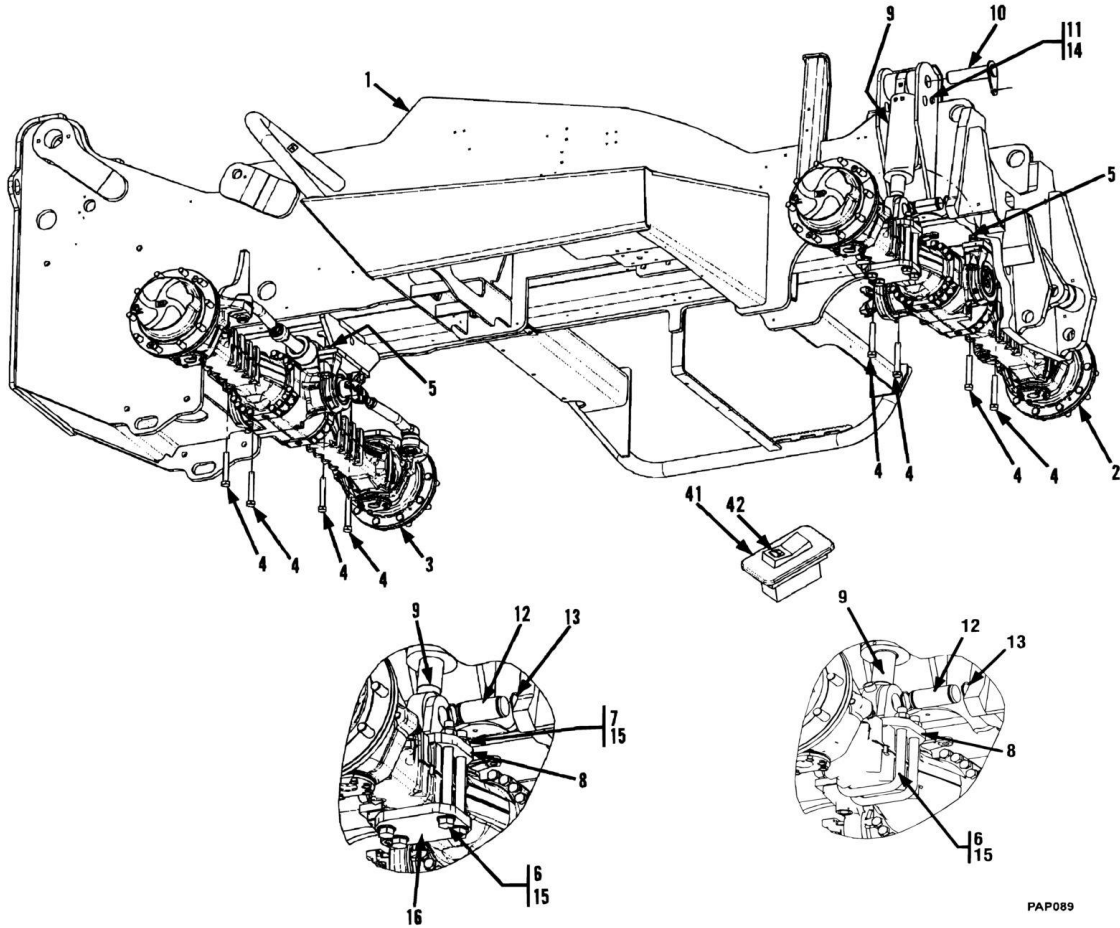
SECTION 1 - FRAME AND ATTACHING PARTS

FIGURE 1-11. AXLE INSTALLATION OSCILLATING (Prior to SN 1160000798)

| ITEM | PART NUMBER | QTY | DESCRIPTION | REV |
|------|-------------|-----|---|-----|
| | 8002758 | Ref | AXLE INSTALLATION, (oscillating), (includes all items) | B |
| 1 | 8008199 | 1 | FRAME LEVELING COMPLETE, 7M & 8M MACHINES | |
| 1 | 8008157 | 1 | FRAME LEVELING COMPLETE, 9M MACHINES | |
| 1 | 8008201 | 1 | FRAME LEVELING COMPLETE, 12M MACHINES | |
| 1 | 8008200 | 1 | FRAME LEVELING COMPLETE, 13M MACHINES | |
| 2 | | Ref | FRONT AXLE ASSY, (See DRIVE TRAIN SECTION for Breakdown) | |
| 3 | | Ref | REAR AXLE ASSY, (See DRIVE TRAIN SECTION for Breakdown) | |
| 4 | 0630574 | 8 | HEX HD CAPSCREW, M20X1.5-130 | |
| 5 | 3300478 | 8 | NUT, M20X1.5, (torque to 650 Nm) | |
| 6 | 0630589 | 2 | U-BOLT | |
| 7 | 3300479 | 4 | NUT, M22X1.5, (torque to 550 Nm) | |
| 8 | 4341221 | 1 | BRACKET | |
| 9 | | Ref | SWAY CYLINDER ASSY, (See HYDRAULIC COMPONENTS SECTION for Breakdown) | |
| 10 | 4802122 | 1 | PIN, CYLINDER TOP | |
| 11 | 1783337 | 1 | BOLT, 12X20mm | |
| 12 | 4802008 | 1 | PIN, CYLINDER BOTTOM | |
| 13 | 1302552 | 2 | CIRCLECLIP | |
| 14 | | Ref | SWITCH, (not illustrated), (See ELECTRICAL SECTION , Item 41 for Breakdown) | |
| 15 | | Ref | DECAL, (not illustrated), (See ELECTRICAL SECTION , Item 42 for Breakdown) | |

SECTION 1 - FRAME AND ATTACHING PARTS

FIGURE 1-12. AXLE INSTALLATION (SN 1160000798 to Present)



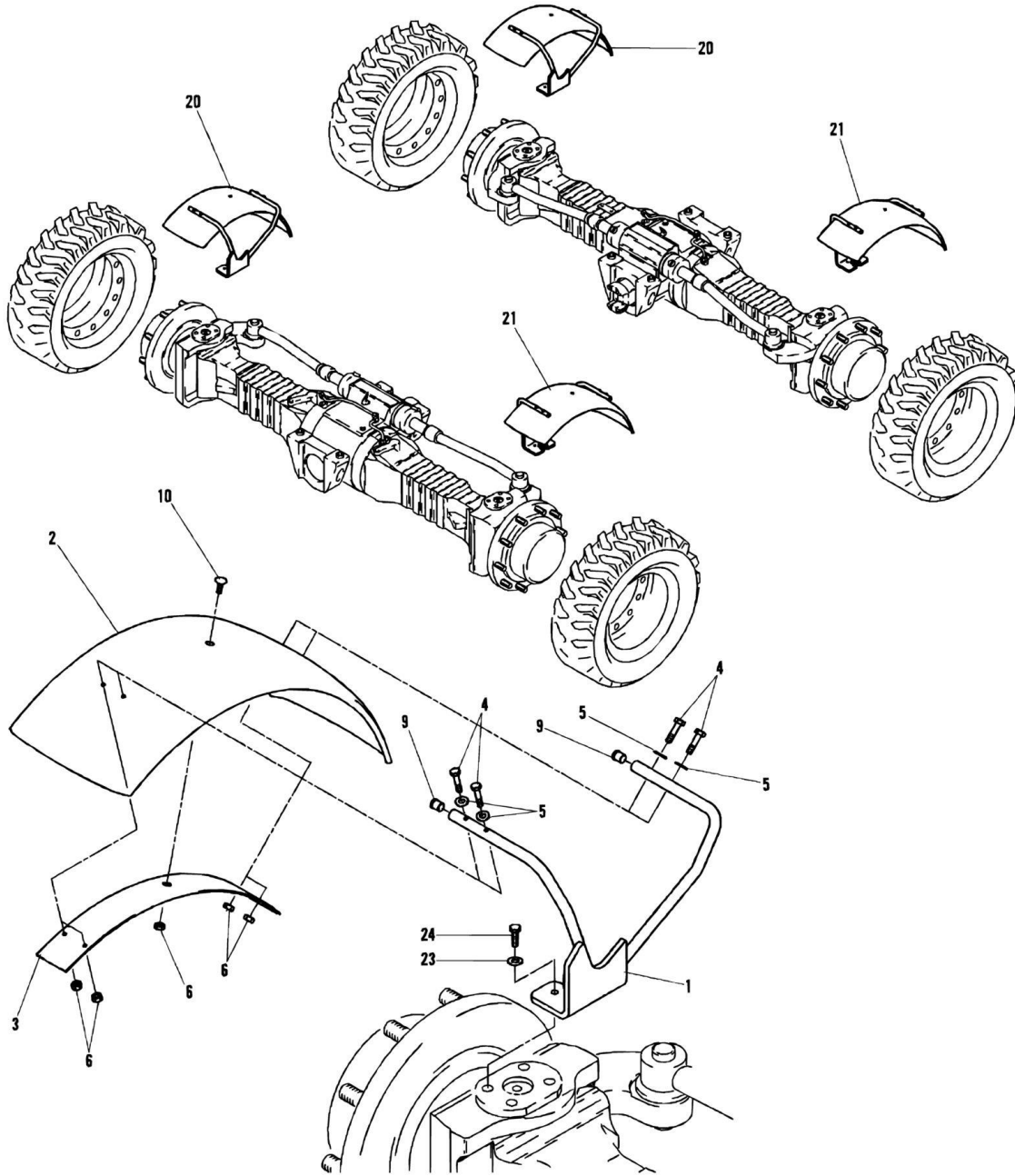
SECTION 1 - FRAME AND ATTACHING PARTS

FIGURE 1-12. AXLE INSTALLATION (SN 116000798 to Present)

| ITEM | PART NUMBER | QTY | DESCRIPTION | REV |
|------|-------------|-----|---|-----|
| | 0274366 | Ref | AXLE INSTALLATION, (oscillating), 7M, 8M & 9M MACHINES | F |
| | 0274368 | Ref | AXLE INSTALLATION, (oscillating), 12M & 13M MACHINES, (standard assembly) | G |
| | 0275381 | Ref | AXLE INSTALLATION, (oscillating), 12M & 13M MACHINES, (smart basket assembly) | A |
| 1 | 2360714 | 1 | FRAME LEVELING COMPLETE, 7M, 8M & 9M MACHINES | |
| 1 | 2360715 | 1 | FRAME LEVELING COMPLETE, 12M & 13M MACHINES, (standard assembly) | |
| 1 | 2360768 | 1 | FRAME LEVELING COMPLETE, 12M & 13M MACHINES, (smart basket assembly) | |
| 2 | | Ref | FRONT AXLE ASSY, (See DRIVE TRAIN SECTION for Breakdown) | |
| 3 | | Ref | REAR AXLE ASSY, (See DRIVE TRAIN SECTION for Breakdown) | |
| 4 | 0630574 | 8 | HEX HD CAPSCREW, M20X1.5-130 | |
| 5 | 3300478 | 8 | NUT, M20X1.5, (torque to 650 Nm) | |
| 6 | 0630589 | 2 | U-BOLT (Prior to SN 1160001168) | |
| 6 | 0712242 | 4 | HEX HD CAPSCREW, M22X250, GR10.9 (SN 1160001168 through 1160002092) | |
| 6 | 0630589 | 2 | U-BOLT (SN 1160002093 to Present) | |
| 7 | 3300479 | 4 | NUT, M22X1.5, (torque to 550 Nm) (Prior to SN 1160001168) | |
| 7 | 3300500 | 4 | NUT, M22, (torque to 550 Nm) (SN 1160001168 through 1160002092) | |
| 7 | 3300479 | 4 | NUT, M22X1.5, (torque to 550 Nm) (SN 1160002093 to Present) | |
| 8 | 4341221 | 1 | BRACKET | |
| 9 | | Ref | SWAY CYLINDER ASSY, (See HYDRAULIC COMPONENTS SECTION for Breakdown) | |
| 10 | 4802122 | 1 | PIN, CYLINDER TOP | |
| 11 | 5201210 | 1 | BOLT, 12X20mm | |
| 12 | 4802008 | 1 | PIN, CYLINDER BOTTOM | |
| 13 | 3760493 | 2 | CIRCLECLIP | |
| 14 | 0100011 | AR | LOCTITE, 242 | |
| 15 | 4740555 | 8 | WASHER, M22 (SN 1160001168 through 1160002093) | |
| 16 | 3576026 | 1 | PLATE, AXLE LEVEL (SN 1160001168 through 1160002093) | |
| 41 | | Ref | SWITCH, (See ELECTRICAL SECTION , Item 41 for Breakdown) | |
| 42 | | Ref | DECAL, (See ELECTRICAL SECTION , Item 42 for Breakdown) | |
| | | Ref | NOTE: ITEM NUMBERS NOT LISTED ARE NOT USED ON THIS FIGURE | |

SECTION 1 - FRAME AND ATTACHING PARTS

FIGURE 1-13. FENDERS INSTALLATION



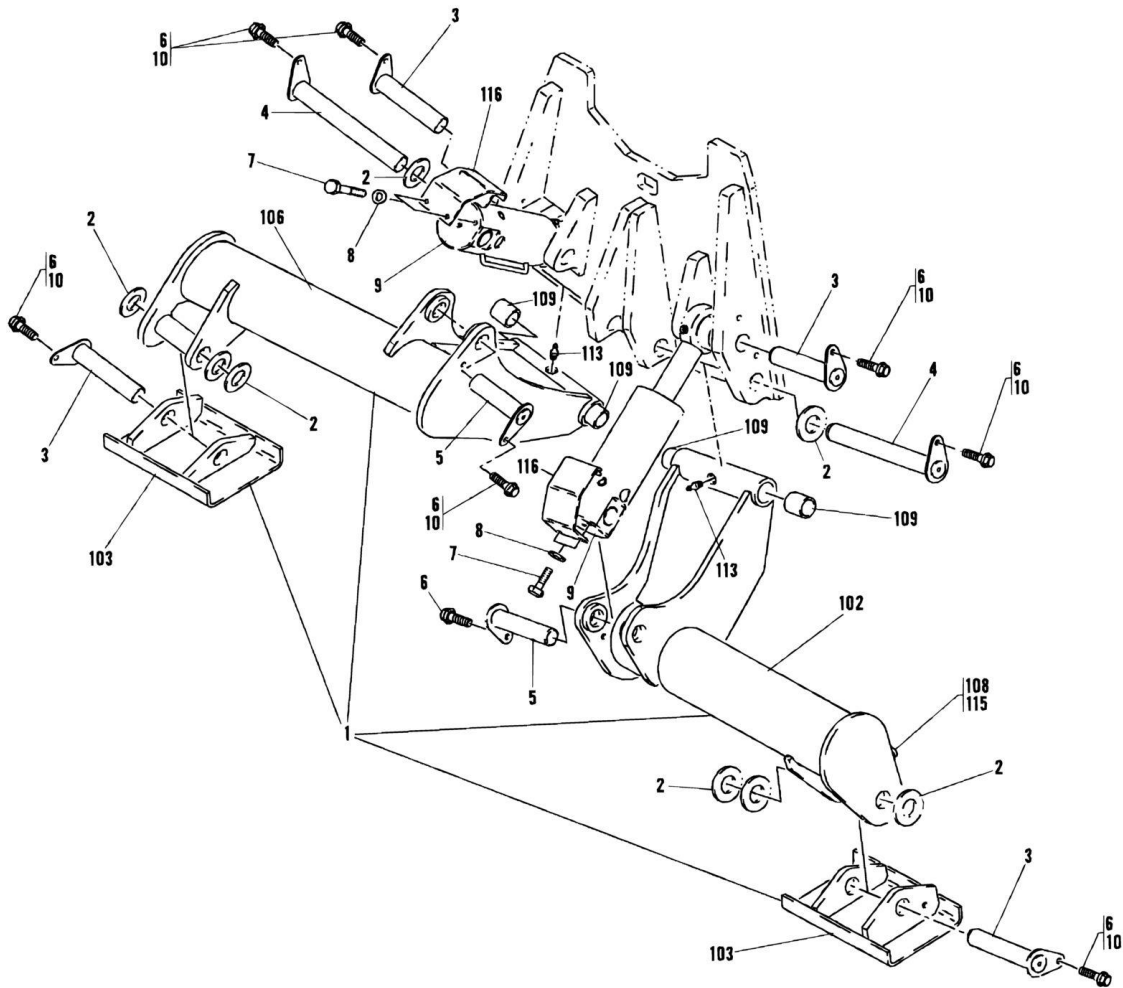
SECTION 1 - FRAME AND ATTACHING PARTS

FIGURE 1-13. FENDERS INSTALLATION

| ITEM | PART NUMBER | QTY | DESCRIPTION | REV |
|------|-------------|-----|---|-----|
| | 8007736 | Ref | FENDER INSTALLATION, (optional), (includes all items) | F |
| 1 | 8010526 | 1 | RIGHT BRACKET | |
| 1 | 8010525 | 1 | LEFT BRACKET | |
| 2 | 8010519 | 1 | FENDER | |
| 3 | 8010524 | 1 | SUPPORTING PLATE | |
| 4 | 0700818 | 4 | HEX HD CAPSCREW, 8X50mm, GR8.8 | |
| 5 | 4811900 | 4 | FLAT WASHER, 8mm | |
| 6 | 5220800 | 5 | NUT, 8mm | |
| 9 | 8006580 | 2 | PLUG | |
| 10 | 328027 | 1 | BOLT, MUSHROOM HD, 8X20mm | |
| 20 | 4804522 | 2 | RIGHT ASSY, (includes items 1 thru 10) | |
| 21 | 4804511 | 2 | LEFT ASSY, (includes items 1 thru 10) | |
| 23 | 4740532 | 16 | WASHER, 12mm | |
| 24 | 0630571 | 16 | HEX HD CAPSCREW, 12-1.25X50, (torque to 135 Nm) | |
| | | Ref | NOTE: ITEM NUMBERS NOT LISTED ARE NOT USED ON THIS FIGURE | |

SECTION 1 - FRAME AND ATTACHING PARTS

FIGURE 1-14. STABILIZER INSTALLATION (12 & 13M MACHINES ONLY)



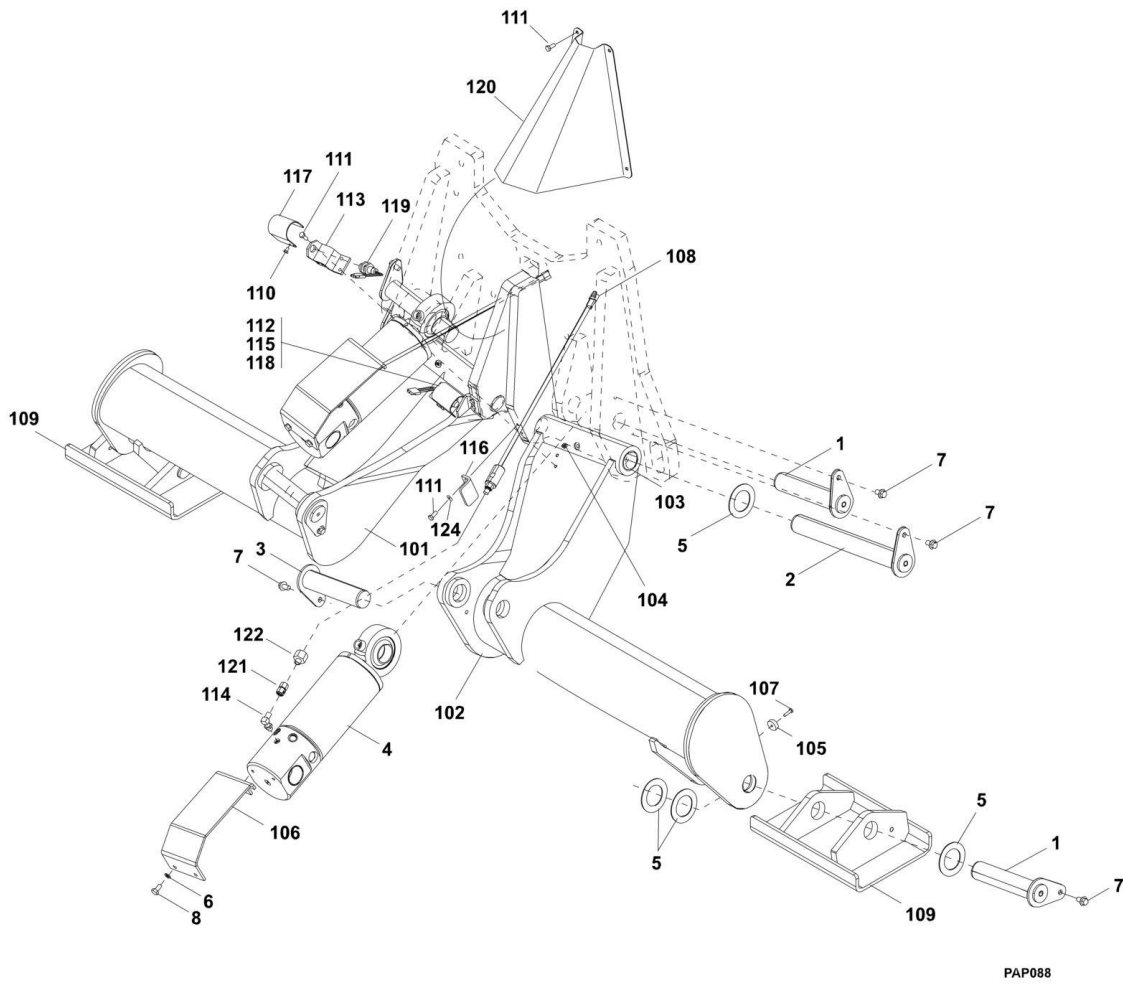
SECTION 1 - FRAME AND ATTACHING PARTS

FIGURE 1-14. STABILIZER INSTALLATION (12 & 13M MACHINES ONLY)

| ITEM | PART NUMBER | QTY | DESCRIPTION | REV |
|------|-------------|-----|---|-----|
| | 0273241 | Ref | STABILIZER INSTALLATION, (12 & 13M machines only), (includes items 2 thru 10) | G |
| 1 | 4800539 | 1 | STABILIZER, (includes items 102 thru 116) | |
| 2 | 3760652 | 8 | SPACER | |
| 3 | 4800482 | 4 | PIN | |
| 4 | 4800493 | 2 | PIN | |
| 5 | 4800562 | 2 | PIN | |
| 6 | 5201210 | 8 | BOLT, 12X20mm | |
| 7 | 0761010 | 4 | HEX HD CAPSCREW, 10X20mm, GR8.8 | |
| 8 | 4832000 | 4 | SPRING LOCKWASHER, 10mm | |
| 9 | | Ref | STABILIZER CYLINDER ASSY, (See HYDRAULIC COMPONENTS SECTION for Breakdown) | |
| 10 | 0100011 | AR | LOCTITE, #242 | |
| 102 | 8009085 | 1 | LEVER, CLAW, (left) | |
| 103 | 8009087 | 2 | PAD | |
| 106 | 8009086 | 1 | LEVER, CLAW, (right) | |
| 108 | 466364 | 2 | BUFFER, ROUND | |
| 109 | 8008051 | 4 | BUSHING | |
| 113 | 324590 | 2 | FITTING, GREASE | |
| 115 | 4010612 | 2 | SCREW | |
| 116 | 8009089 | 2 | PLATE, PROTECTOR | |
| | | Ref | NOTE: ITEM NUMBERS NOT LISTED ARE NOT USED ON THIS FIGURE | |

SECTION 1 - FRAME AND ATTACHING PARTS

FIGURE 1-15. STABILIZER INSTALLATION FOR PLATFORM (13M MACHINES ONLY)



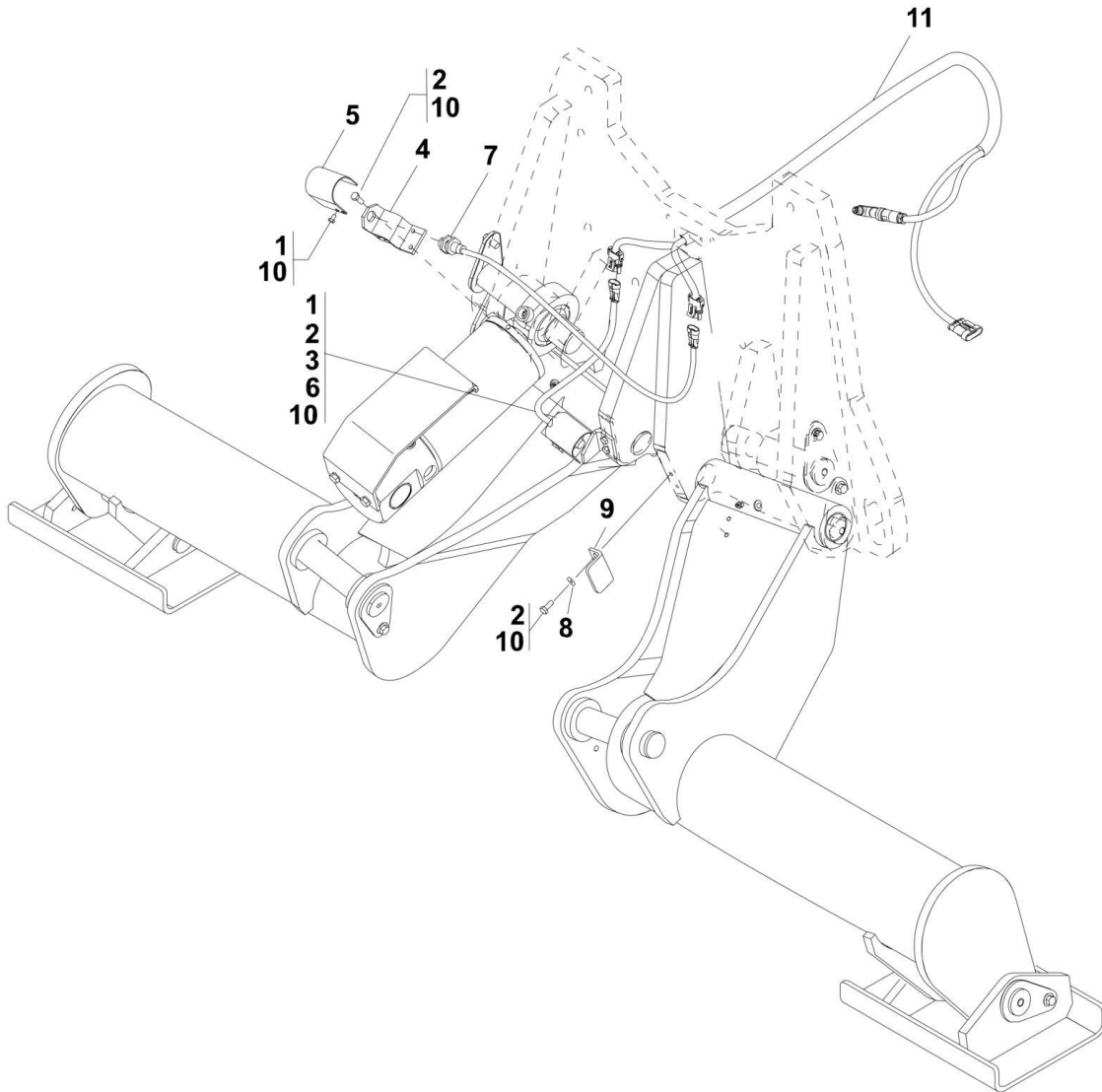
SECTION 1 - FRAME AND ATTACHING PARTS

FIGURE 1-15. STABILIZER INSTALLATION FOR PLATFORM (13M MACHINES ONLY)

| ITEM | PART NUMBER | QTY | DESCRIPTION | REV |
|------|-------------|-----|--|-----|
| | 0274744 | Ref | STABILIZER INSTALLATION FOR PLATFORM, (13M machines only), (includes items 103 thru 124) | F |
| | 0274747 | 1 | STABILIZER ASSY, (includes items 1 thru 8) | C |
| | 4210041 | Ref | STABILIZER CLAW SET, (includes items 101, 102 & 109) | A |
| 1 | 4800482 | 4 | PIN | |
| 2 | 4800493 | 2 | PIN | |
| 3 | 4800562 | 2 | PIN | |
| 4 | | Ref | STABILIZER CYLINDER ASSY, (See HYDRAULIC COMPONENTS SECTION for Breakdown) | |
| 5 | 3760652 | 8 | SPACER | |
| 6 | 4832000 | 4 | SPRING LOCKWASHER, 10mm | |
| 7 | 1783337 | 8 | BOLT, 12X20mm | |
| 8 | 0761010 | 4 | HEX HD CAPSCREW, 10X20mm, GR8.8 | |
| 101 | 8009086 | 1 | LEVER, CLAW, (right) (Prior to SN 1160002093) | |
| 101 | 4210033 | 1 | LEVER, CLAW, (right) (SN 1160002093 to Present) | |
| 102 | 8009085 | 1 | LEVER, CLAW, (left) (Prior to SN 1160002093) | |
| 102 | 4210034 | 1 | LEVER, CLAW, (left) (SN 1160002093 to Present) | |
| 103 | 8008051 | 4 | BUSHING | |
| 104 | 324590 | 2 | GREASE FITTING | |
| 105 | 466364 | 2 | BUFFER, ROUND | |
| 106 | 3380608 | 2 | PRESSURE SWITCH SHIELD PANEL | |
| 107 | 4010612 | 2 | PAN HD SCREW, 6X25mm | |
| 108 | 4360606 | 2 | PRESSURE SWITCH | |
| 109 | 8009087 | 2 | CLAW PLATE WELDMENT | |
| 110 | 0760605 | 4 | HEX HD CAPSCREW, 6X10mm | |
| 111 | 0760810 | 12 | HEX HD CAPSCREW, 6X20mm | |
| 112 | 0903295 | 1 | RIGHT PROXIMITY WELDMENT BRACKET | |
| 113 | 0903296 | 1 | LEFT PROXIMITY WELDMENT BRACKET | |
| 114 | 2143401 | 2 | SWIVEL NUT ELBOW FITTING (Prior to SN 1160002093) | |
| 114 | 2141102 | 2 | SWIVEL NUT ELBOW FITTING (SN 1160002093 to Present) | |
| 115 | 1001094268 | 1 | RIGHT STRIKER PLATE, (was P/N 3576151) | |
| 116 | 1001094268 | 1 | LEFT STRIKER PLATE, (was P/N 3576152) | |
| 117 | 3576193 | 1 | LEFT PROXIMITY GUARD PLATE | |
| 118 | 3576194 | 1 | RIGHT PROXIMITY GUARD PLATE | |
| 119 | 80363166 | 2 | PROXIMITY SENSOR (Prior to SN 1160002093) | |
| 119 | 4000017 | 2 | PROXIMITY SENSOR (SN 1160002093 to Present) | |
| 120 | 3380688 | 1 | COVER (SN 1160002093 to Present) | |
| 121 | 2143602 | 2 | SWIVEL UNION FITTING (SN 1160002093 to Present) | |
| 122 | 2221242 | 2 | CONNECTOR (SN 1160002093 through 1160003198) | |
| 122 | 1001092224 | 2 | CONNECTOR (SN 1160003199 to Present) | |
| 124 | 5211900 | 4 | WASHER, 8mm | |
| | | Ref | NOTE: ITEM NUMBERS NOT LISTED ARE NOT USED ON THIS FIGURE | |

SECTION 1 - FRAME AND ATTACHING PARTS

FIGURE 1-16. STABILIZER INSTALLATION EQUIPPED W/LMIS (13M ONLY)



PAP179

SECTION 1 - FRAME AND ATTACHING PARTS

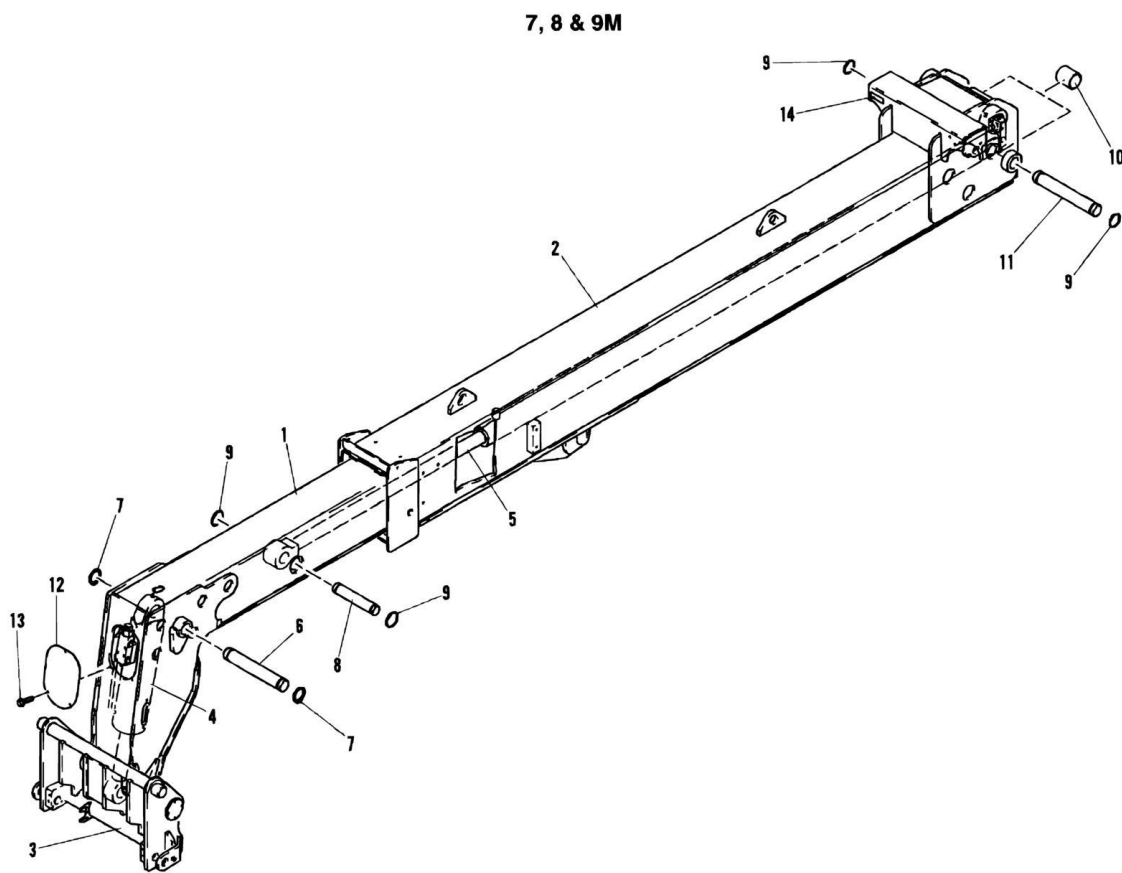
FIGURE 1-16. STABILIZER INSTALLATION EQUIPPED W/LMIS (13M ONLY)

| ITEM | PART NUMBER | QTY | DESCRIPTION | REV |
|------|-------------|-----|---|-----|
| | 1001106349 | Ref | STABILIZER INSTALLATION EQUIPPED WITH LMIS, (13M only), (includes items 1 thru 12) | A |
| 1 | 0760605 | 4 | HEX HD CAPSCREW, 6X10mm | |
| 2 | 0760810 | 8 | HEX HD CAPSCREW, 8X20mm | |
| 3 | 0903295 | 1 | RIGHT PROXIMITY WELDMENT BRACKET | |
| 4 | 0903296 | 1 | LEFT PROXIMITY WELDMENT BRACKET | |
| 5 | 3576193 | 1 | LEFT PROXIMITY GUARD PLATE | |
| 6 | 3576194 | 1 | RIGHT PROXIMITY GUARD PLATE | |
| 7 | 4000017 | 2 | PROXIMITY SENSOR | |
| 8 | 5211900 | 4 | WASHER, 8mm | |
| 9 | 1001094268 | 2 | LEFT STRIKER PLATE | |
| 10 | 1001095650 | AR | LOCTITE, #243 | |
| 11 | 1001107855 | 1 | HARNESS, STABILIZER, (See ELECTRICAL SECTION for Breakdown) | |
| 12 | 1001109467 | 1 | PLATE, STABILIZER LAYOUT TOOL, (not shown) | |

SECTION 2 - BOOM

SECTION 2 - BOOM

FIGURE 2-1. BOOM ASSEMBLY (7, 8 & 9M)



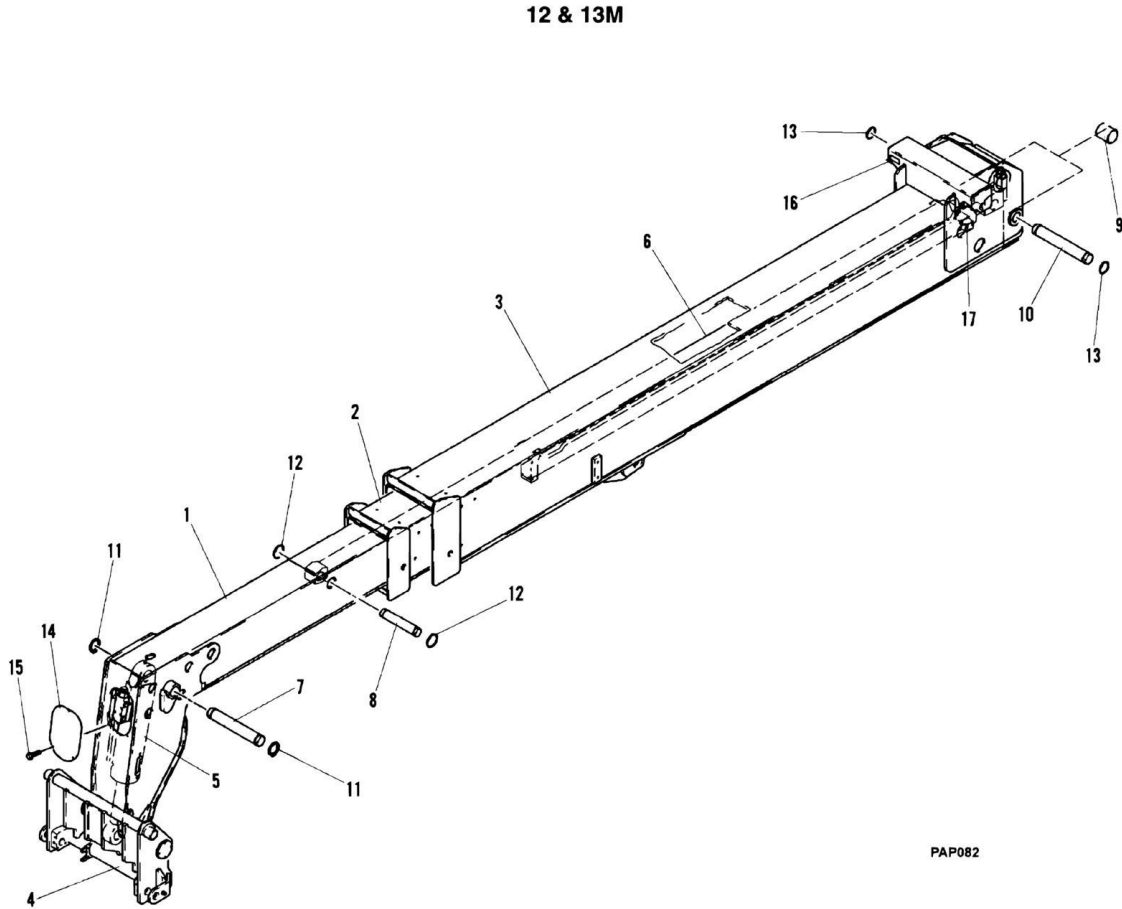
SECTION 2 - BOOM

FIGURE 2-1. BOOM ASSEMBLY (7, 8 & 9M)

| ITEM | PART NUMBER | QTY | DESCRIPTION | REV |
|------|-------------|-----|--|-----|
| | | Ref | BOOM ASSEMBLY, 7, 8 & 9M | |
| | 8002780 | Ref | 7 & 8M MACHINES, (includes all items) (Prior to SN 1160000798) | E |
| | 0273113 | Ref | 7 & 8M MACHINES, (includes all items) (SN 1160000798 to Present) | B |
| | 8007281 | Ref | 9M MACHINES, (includes all items) | D |
| 1 | | Ref | FLY SECTION ASSY, (See SECOND BOOM SECTION ASSEMBLY for Breakdown) | |
| 2 | | Ref | BASE SECTION ASSY, (See FIRST BOOM SECTION ASSEMBLY for Breakdown) | |
| 3 | | Ref | QUICK RELEASE ASSY, (See QUICK SWITCH ASSEMBLY for Breakdown) | |
| 4 | | Ref | TILT CYLINDER ASSY, (See HYDRAULIC COMPONENTS SECTION for Breakdown) | |
| 5 | | Ref | EXTEND/RETRACT CYLINDER ASSY, (See HYDRAULIC COMPONENTS SECTION for Breakdown) | |
| 6 | 8002640 | 1 | PIN | |
| 7 | 3760463 | 2 | CIRCLECLIP | |
| 8 | 4805590 | 1 | PIN | |
| 9 | 8006258 | 4 | CIRCLECLIP | |
| 10 | 8002320 | 2 | SPACER | |
| 11 | 8002331 | 1 | PIN | |
| 12 | 8002641 | 1 | COVER PLATE | |
| 13 | 0760807 | 3 | BOLT, 8X14mm | |
| 14 | 8009939 | 1 | SERIAL NUMBER PLATE | |

SECTION 2 - BOOM

FIGURE 2-2. BOOM ASSEMBLY (12 & 13M)



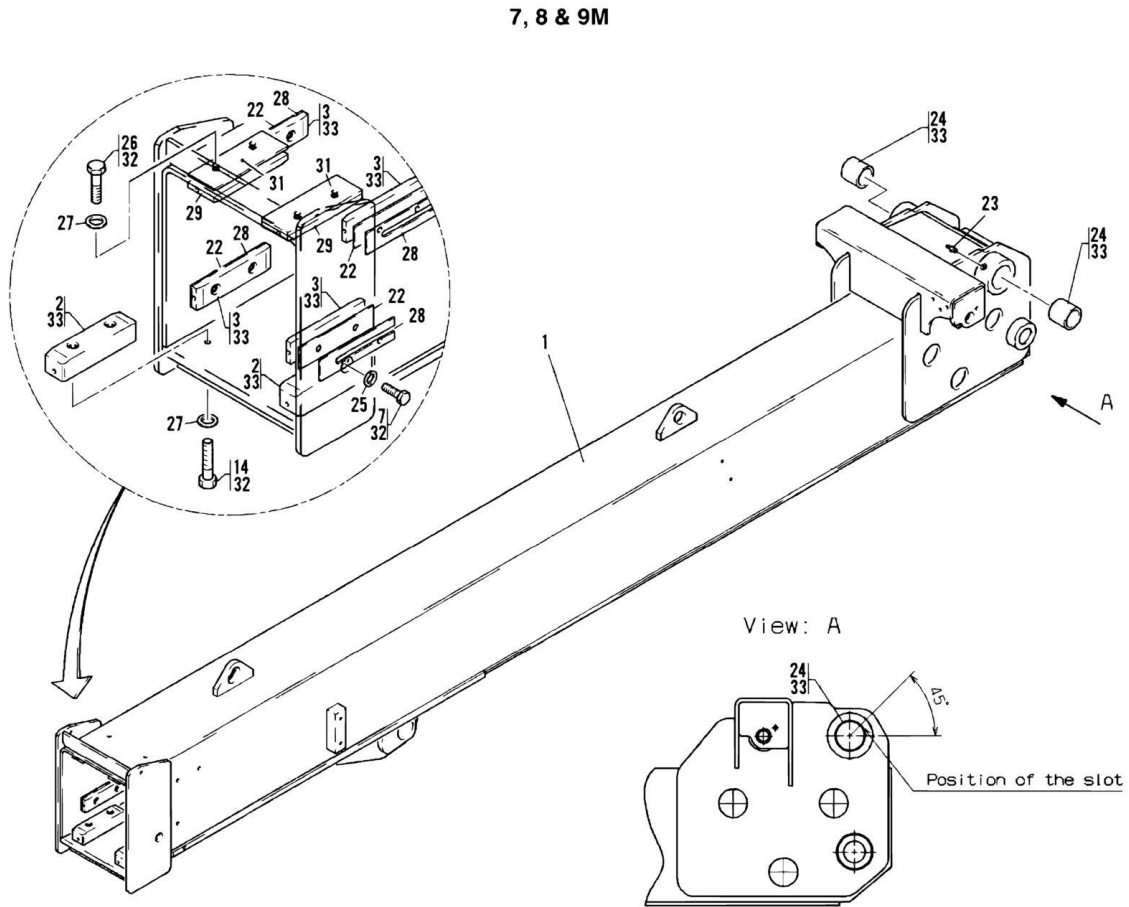
SECTION 2 - BOOM

FIGURE 2-2. BOOM ASSEMBLY (12 & 13M)

| ITEM | PART NUMBER | QTY | DESCRIPTION | REV |
|------|-------------|-----|--|-----|
| | | Ref | BOOM ASSEMBLY, 12 & 13M | |
| | 8002779 | Ref | 12M MACHINES, (includes items 1 thru 16) (Prior to SN 1160000798) | E |
| | 0273117 | Ref | 12M MACHINES, (includes all items) (SN 1160000798 to Present) | E |
| | 8007271 | Ref | 13M MACHINES, (includes items 1 thru 16) | E |
| 1 | | Ref | FLY SECTION ASSY, (See THIRD BOOM SECTION ASSEMBLY for Breakdown) | |
| 2 | | Ref | MID SECTION ASSY, (See SECOND BOOM SECTION ASSEMBLY for Breakdown) | |
| 3 | | Ref | BASE SECTION ASSY, (See FIRST BOOM SECTION ASSEMBLY for Breakdown) | |
| 4 | | Ref | QUICK RELEASE ASSY, (See QUICK SWITCH ASSEMBLY for Breakdown) | |
| 5 | | Ref | TILT CYLINDER ASSY, (See HYDRAULIC COMPONENTS SECTION for Breakdown) | |
| 6 | | Ref | EXTEND/RETRACT CYLINDER ASSY, (See HYDRAULIC COMPONENTS SECTION for Breakdown) | |
| 7 | 8002640 | 1 | PIN | |
| 8 | 8002639 | 1 | PIN | |
| 9 | 8002320 | 2 | SPACER | |
| 10 | 8002331 | 1 | PIN | |
| 11 | 3760463 | 2 | CIRCLECLIP | |
| 12 | 314689 | 2 | CIRCLECLIP | |
| 13 | 8006258 | 2 | CIRCLECLIP | |
| 14 | 8002641 | 1 | COVER PLATE | |
| 15 | 0760807 | 3 | BOLT, 8X14mm | |
| 16 | 8009939 | 1 | SERIAL NUMBER PLATE | |
| 17 | 4220272 | 2 | BAR, CYLINDER GUIDE | |

SECTION 2 - BOOM

FIGURE 2-3. FIRST BOOM SECTION ASSEMBLY (7, 8 & 9M)



PAP118

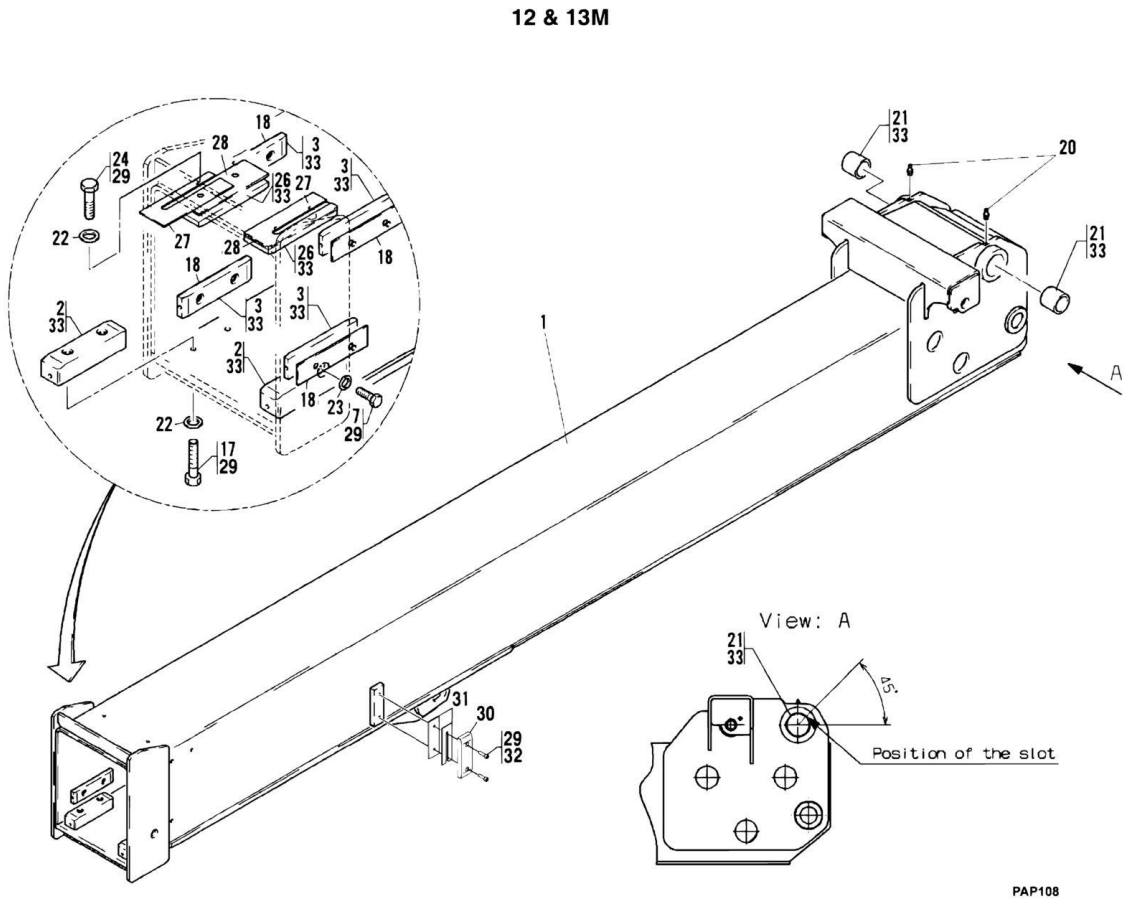
SECTION 2 - BOOM

FIGURE 2-3. FIRST BOOM SECTION ASSEMBLY (7, 8 & 9M)

| ITEM | PART NUMBER | QTY | DESCRIPTION | REV |
|------|-------------|-----|---|-----|
| | 8002970 | Ref | BASE SECTION, 7 & 8M MACHINES, (includes all items) (Prior to SN 1160000798) | F |
| | 0273115 | Ref | BASE SECTION, 7 & 8M MACHINES, (includes all items) (SN 1160000798 to Present) | C |
| | 8007260 | Ref | BASE SECTION, 9M MACHINES, (includes all items) | A |
| 1 | 8004375 | 1 | BASE SECTION, 7 & 8M MACHINES (Prior to SN 1160000798) | |
| 1 | 8009103 | 1 | BASE SECTION, 7 & 8M MACHINES (SN 1160000798 to Present) | |
| 1 | 8007283 | 1 | BASE SECTION, 9M MACHINES | |
| 2 | 8002201 | 2 | PAD | |
| 3 | 8002200 | 4 | PAD | |
| 7 | 0761010 | 8 | HEX HD CAPSCREW, M10X20, (as required), (torque to 50 Nm) | |
| 7 | 0761012 | 8 | HEX HD CAPSCREW, M10X25, (as required), (torque to 50 Nm) | |
| 14 | 0761215 | 4 | HEX HD CAPSCREW, M12-35, GR8.8, (torque to 90 Nm) | |
| 22 | 8002907 | 4 | SHIM | |
| 23 | 324590 | 2 | GREASE FITTING | |
| 24 | 8008047 | 2 | BUSHING | |
| 25 | 4812000 | 8 | FLAT WASHER, 10mm | |
| 26 | 0761212 | 4 | HEX HD CAPSCREW, M12X25, (as required), (torque to 90 Nm) | |
| 26 | 0761210 | 4 | HEX HD CAPSCREW, M12X20, (as required), (torque to 90 Nm) | |
| 27 | 4740532 | 8 | WASHER, 12mm | |
| 28 | 8008070 | 8 | SHIM, 2X50X200mm | |
| 28 | 8008640 | 1 | SHIM, 0.5X50X200mm, (as required) | |
| 28 | 8008641 | 1 | SHIM, 1X50X200mm, (as required) | |
| 28 | 8008642 | 1 | SHIM, 1.5X50X200mm, (as required) | |
| 29 | 8002199 | 2 | PAD | |
| 31 | 8003242 | 2 | SHIM, 1X70X200mm, (7 & 8M machines) | |
| 31 | 8008069 | 4 | SHIM, 2X70X200mm, (9M machines) | |
| 31 | 8008634 | 1 | SHIM, 0.5X70X200mm, (as required) | |
| 31 | 8008644 | 1 | SHIM, 1X70X200mm, (as required) | |
| 31 | 8008645 | 1 | SHIM, 1.5X70X200mm, (as required) | |
| 32 | 0100011 | AR | LOCTITE, #242, (apply to items 7, 14 & 26) | |
| 33 | 1001099193 | AR | LUBE, ALL PURPOSE, (apply to items 2, 3 & 24) | |

SECTION 2 - BOOM

FIGURE 2-4. FIRST BOOM SECTION ASSEMBLY (12 & 13M)



SECTION 2 - BOOM

FIGURE 2-4. FIRST BOOM SECTION ASSEMBLY (12 & 13M)

| ITEM | PART NUMBER | QTY | DESCRIPTION | REV |
|------|-------------|-----|--|-----|
| | 8002650 | Ref | BASE SECTION, 12M MACHINES, (includes all items) (Prior to SN 1160000798) | F |
| | 0273120 | Ref | BASE SECTION, 12M MACHINES, (includes all items) (SN 1160000798 to Present) | C |
| | 8007269 | Ref | BASE SECTION, 13M MACHINES, (includes all items) | A |
| 1 | 8002345 | 1 | BASE SECTION, 12M MACHINES (Prior to SN 1160000798) | |
| 1 | 8009099 | 1 | BASE SECTION, 12M MACHINES (SN 1160000798 to Present) | |
| 1 | 8007159 | 1 | BASE SECTION, 13M MACHINES | |
| 2 | 8002201 | 2 | PAD | |
| 3 | 8002200 | 4 | PAD | |
| 7 | 0761010 | 8 | HEX HD CAPSCREW, M10X20, (torque to 50 Nm) | |
| 7 | 0761012 | 8 | HEX HD CAPSCREW, M10X25, (torque to 50 Nm) | |
| 17 | 0761215 | 4 | HEX HD CAPSCREW, M12-35, GR8.8, (torque to 90 Nm) | |
| 18 | 8002914 | 4 | SHIM, 2X50X200mm | |
| 18 | 8008640 | 1 | SHIM, 0.5X50X200mm, (as required) | |
| 18 | 8008641 | 1 | SHIM, 1X50X200mm, (as required) | |
| 18 | 8008642 | 1 | SHIM, 1.5X50X200mm, (as required) | |
| 20 | 324590 | 2 | GREASE FITTING | |
| 21 | 8008047 | 2 | BUSHING | |
| 22 | 4740532 | 8 | WASHER, 12mm | |
| 23 | 4812000 | 8 | FLAT WASHER, 10mm | |
| 24 | 0761212 | 4 | HEX HD CAPSCREW, M12X25, (torque to 90 Nm) | |
| 24 | 0761210 | 4 | HEX HD CAPSCREW, M12X20, (torque to 90 Nm) | |
| 25 | 8008070 | 2 | SHIM | |
| 26 | 8002199 | 2 | PAD | |
| 27 | 8008069 | 4 | SHIM, 2X70X200mm | |
| 27 | 8008634 | 1 | SHIM, 0.5X70X200mm, (as required) | |
| 27 | 8008644 | 1 | SHIM, 1X70X200mm, (as required) | |
| 27 | 8008645 | 1 | SHIM, 1.5X70X200mm, (as required) | |
| 28 | 8003242 | 2 | SHIM | |
| 29 | 0100011 | AR | LOCTITE, #242, (apply to items 3, 19, 20 & 22) | |
| 30 | 8010148 | 2 | SLIDE, 20X50X160mm | |
| 31 | 8002972 | 2 | SHIM, 5X50X160mm | |
| 31 | 8009987 | 1 | SHIM, 2X50X160mm, (as required) | |
| 31 | 8009988 | 1 | SHIM, 3X50X160mm, (as required) | |
| 32 | 8010123 | 4 | HEX SOCKET HD CAPSCREW, 8X30mm | |
| 32 | 5271809 | 4 | HEX SOCKET HD CAPSCREW, 8X25mm | |
| 33 | 1001099193 | AR | LUBE, ALL PURPOSE, (apply to items 2, 3, 21 & 26) | |

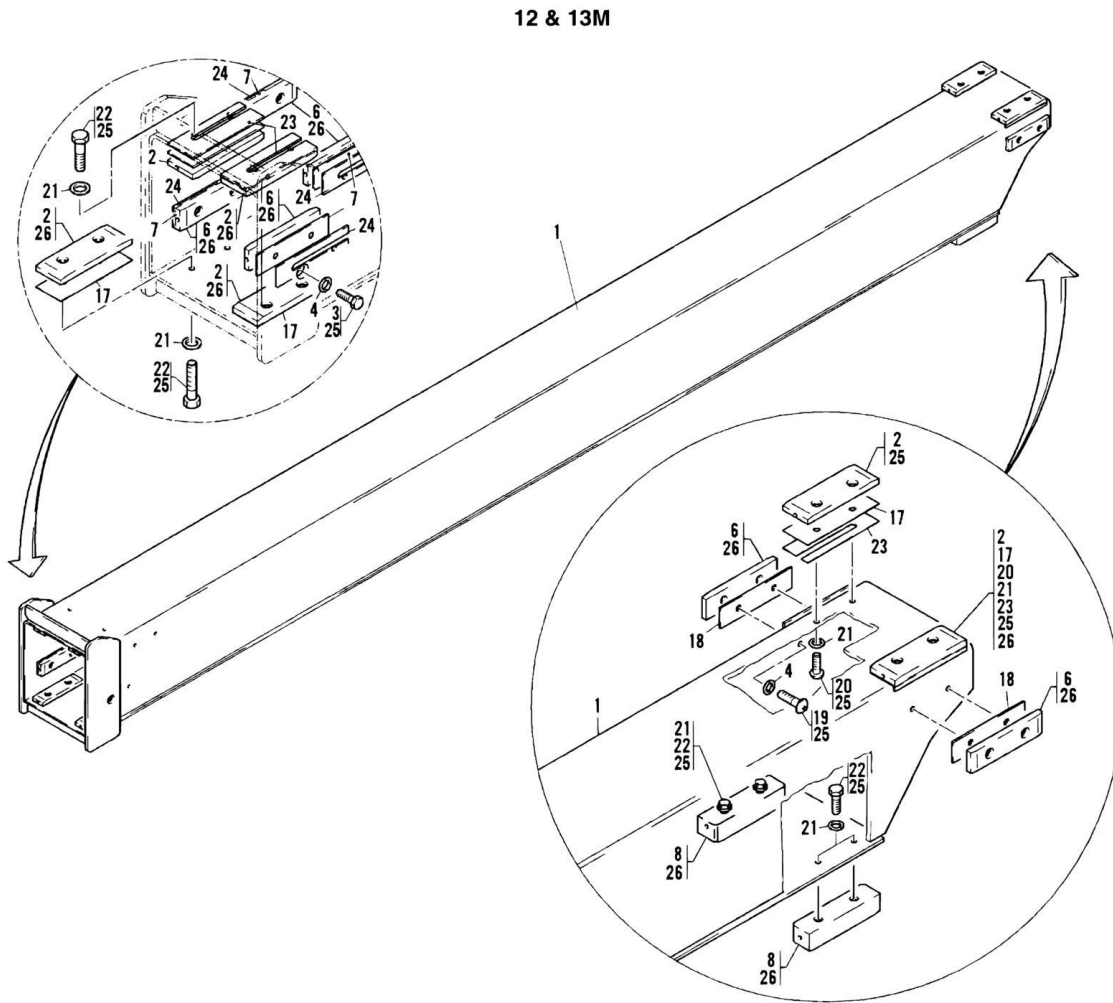
SECTION 2 - BOOM

FIGURE 2-5. SECOND BOOM SECTION ASSEMBLY (7, 8 & 9M)

| ITEM | PART NUMBER | QTY | DESCRIPTION | REV |
|------|-------------|-----|--|-----|
| | 8002969 | Ref | FLY SECTION, 7 & 8M MACHINES, (includes all items) (Prior to SN 1160000798) | F |
| | 0273114 | Ref | FLY SECTION, 7 & 8M MACHINES, (includes all items) (SN 1160000798 to Present) | A |
| | 8007259 | Ref | FLY SECTION, 9M MACHINES, (includes all items) | D |
| 1 | 8004310 | 1 | FLY SECTION, 7 & 8M MACHINES (Prior to SN 1160000798) | |
| 1 | 8009101 | 1 | FLY SECTION, 7 & 8M MACHINES (SN 1160000798 to Present) | |
| 1 | 8007282 | 1 | FLY SECTION, 9M MACHINES | |
| 4 | 8002199 | 2 | PAD | |
| 5 | 8002200 | 2 | PAD | |
| 8 | 0761010 | 4 | HEX HD CAPSCREW, M10X20, (as required), (torque to 50 Nm) | |
| 8 | 0761012 | 4 | HEX HD CAPSCREW, M10X25, (as required), (torque to 50 Nm) | |
| 10 | 8002637 | 2 | SHIM | |
| 11 | 8002907 | 2 | SHIM | |
| 15 | 8002201 | 1 | PAD | |
| 21 | 8008046 | 2 | BUSHING | |
| 24 | 324590 | 1 | GREASE FITTING | |
| 25 | 4812000 | 4 | FLAT WASHER, 10mm | |
| 26 | 8004444 | 1 | STABILIZER | |
| 27 | 0761212 | 8 | HEX HD CAPSCREW, M12X25, (as required), (torque to 90 Nm) | |
| 27 | 0761210 | 8 | HEX HD CAPSCREW, M12X20, (as required), (torque to 90 Nm) | |
| 28 | 4740532 | 8 | WASHER, 12mm | |
| 29 | 8008069 | 2 | SHIM, 2X70X200mm | |
| 29 | 8008634 | 1 | SHIM, 0.5X70X200mm, (as required) | |
| 29 | 8008644 | 1 | SHIM, 1X70X200mm, (as required) | |
| 29 | 8008645 | 1 | SHIM, 1.5X70X200mm, (as required) | |
| 30 | 8008070 | 2 | SHIM, 2X50X200mm | |
| 30 | 8008640 | 1 | SHIM, 0.5X50X200mm, (as required) | |
| 30 | 8008641 | 1 | SHIM, 1X50X200mm, (as required) | |
| 30 | 8008642 | 1 | SHIM, 1.5X50X200mm, (as required) | |
| 31 | 0760812 | 4 | HEX HD CAPSCREW, M8-25 (Prior to SN 1160000798) | |
| 31 | 0760814 | 4 | HEX HD CAPSCREW, M8-30 (SN 1160000798 to Present) | |
| 32 | 0100011 | AR | LOCTITE, #242, (apply to items 8, 27 & 31) | |
| 33 | 1001099193 | AR | LUBE, ALL PURPOSE, (apply to items 4, 5 & 21) | |

SECTION 2 - BOOM

FIGURE 2-6. SECOND BOOM SECTION ASSEMBLY (12 & 13M)



PAP107

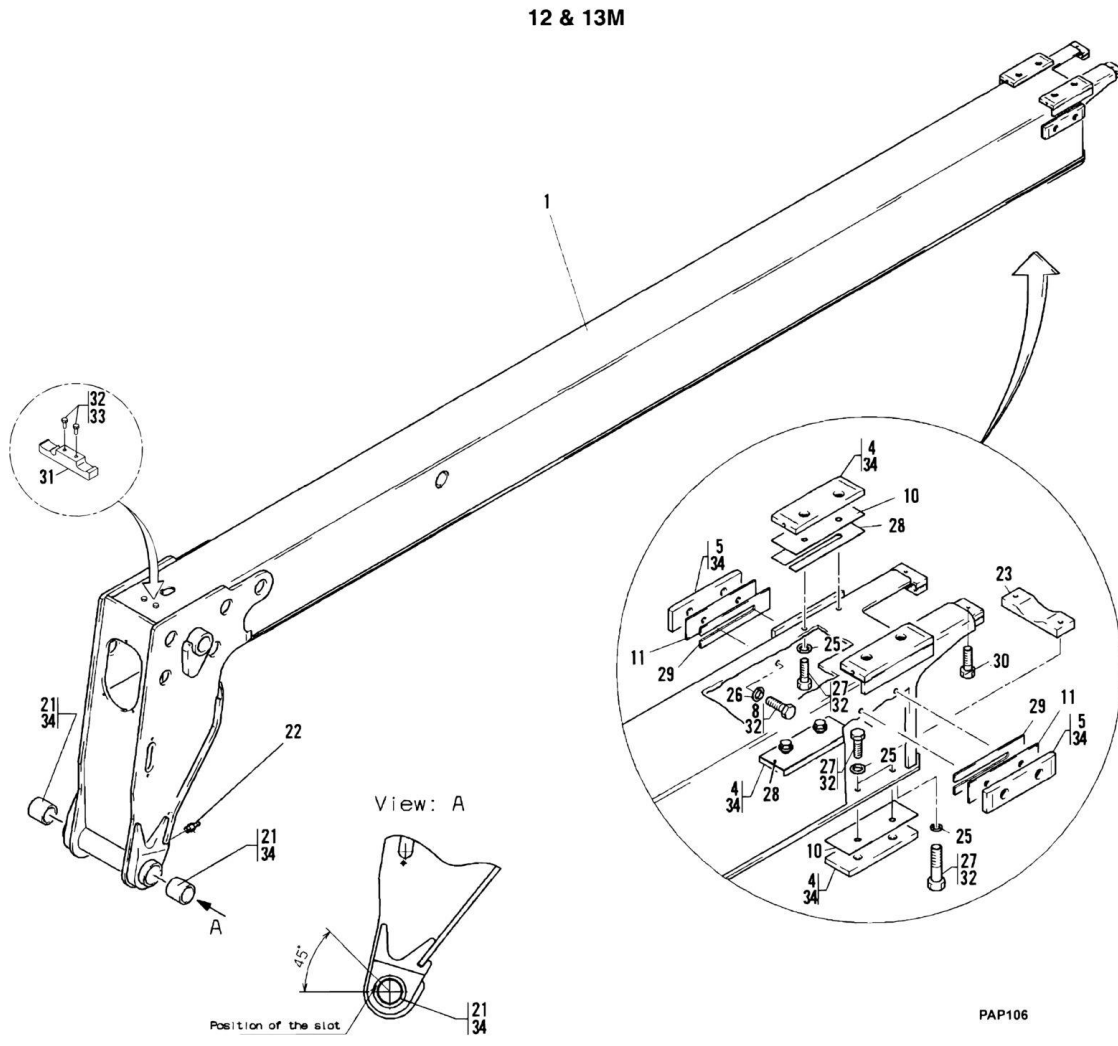
SECTION 2 - BOOM

FIGURE 2-6. SECOND BOOM SECTION ASSEMBLY (12 & 13M)

| ITEM | PART NUMBER | QTY | DESCRIPTION | REV |
|------|-------------|-----|---|-----|
| | 8002649 | Ref | FLY SECTION, 12M MACHINES, (includes all items) (Prior to SN 1160000798) | E |
| | 0273119 | Ref | FLY SECTION, 12M MACHINES, (includes all items) (SN 1160000798 to Present) | B |
| | 8007268 | Ref | FLY SECTION, 13M MACHINES, (includes all items) | B |
| 1 | 8002476 | 1 | MID SECTION, 12M MACHINES (Prior to SN 1160000798) | |
| 1 | 8009097 | 1 | MID SECTION, 12M MACHINES (SN 1160000798 to Present) | |
| 1 | 8007152 | 1 | MID SECTION, 13M MACHINES | |
| 2 | 8002199 | 6 | PAD | |
| 3 | 0761010 | 8 | HEX HD CAPSCREW, M10X20, (as required) | |
| 3 | 0761012 | 8 | HEX HD CAPSCREW, M10X25, (as required) | |
| 4 | 4812000 | 12 | FLAT WASHER, 10mm | |
| 6 | 8002200 | 6 | PAD | |
| 7 | 8002907 | 4 | SHIM | |
| 8 | 8002201 | 2 | PAD | |
| 17 | 8002637 | 6 | SHIM | |
| 18 | 8002914 | 2 | SHIM | |
| 19 | 8004285 | 4 | LENS HD SCREW, M10X20, (as required), (loctite and torque to 50 Nm) | |
| 19 | 8008054 | 4 | LENS HD SCREW, M10X25, (as required), (loctite and torque to 50 Nm) | |
| 20 | 8008009 | 4 | LENS HD SCREW, M12X25, (as required), (loctite and torque to 90 Nm) | |
| 20 | 8008055 | 4 | LENS HD SCREW, M12X20, (as required), (loctite and torque to 90 Nm) | |
| 21 | 4740532 | 16 | WASHER, 12mm | |
| 22 | 0761212 | 12 | HEX HD CAPSCREW, M12X25, (as required), (loctite and torque to 90 Nm) | |
| 22 | 0761210 | 12 | HEX HD CAPSCREW, M12X20, (as required), (loctite and torque to 90 Nm) | |
| 23 | 8008069 | 4 | HEX HD CAPSCREW, SHIM, 2X70X200mm | |
| 23 | 8008634 | 1 | SHIM, 0.5X70X200mm, (as required) | |
| 23 | 8008644 | 1 | SHIM, 1X70X200mm, (as required) | |
| 23 | 8008645 | 1 | SHIM, 1.5X70X200mm, (as required) | |
| 24 | 8008070 | 4 | SHIM, 2X50X200mm | |
| 24 | 8008640 | 1 | SHIM, 0.5X50X200mm, (as required) | |
| 24 | 8008641 | 1 | SHIM, 1X50X200mm, (as required) | |
| 24 | 8008642 | 1 | SHIM, 1.5X50X200mm, (as required) | |
| 25 | 0100011 | AR | LOCTITE, #242, (apply to items 3, 19, 20 & 22) | |
| 26 | 1001099193 | AR | LUBE, ALL PURPOSE, (apply to items 2, 6 & 8) | |

SECTION 2 - BOOM

FIGURE 2-7. THIRD BOOM SECTION ASSEMBLY (12 & 13M)



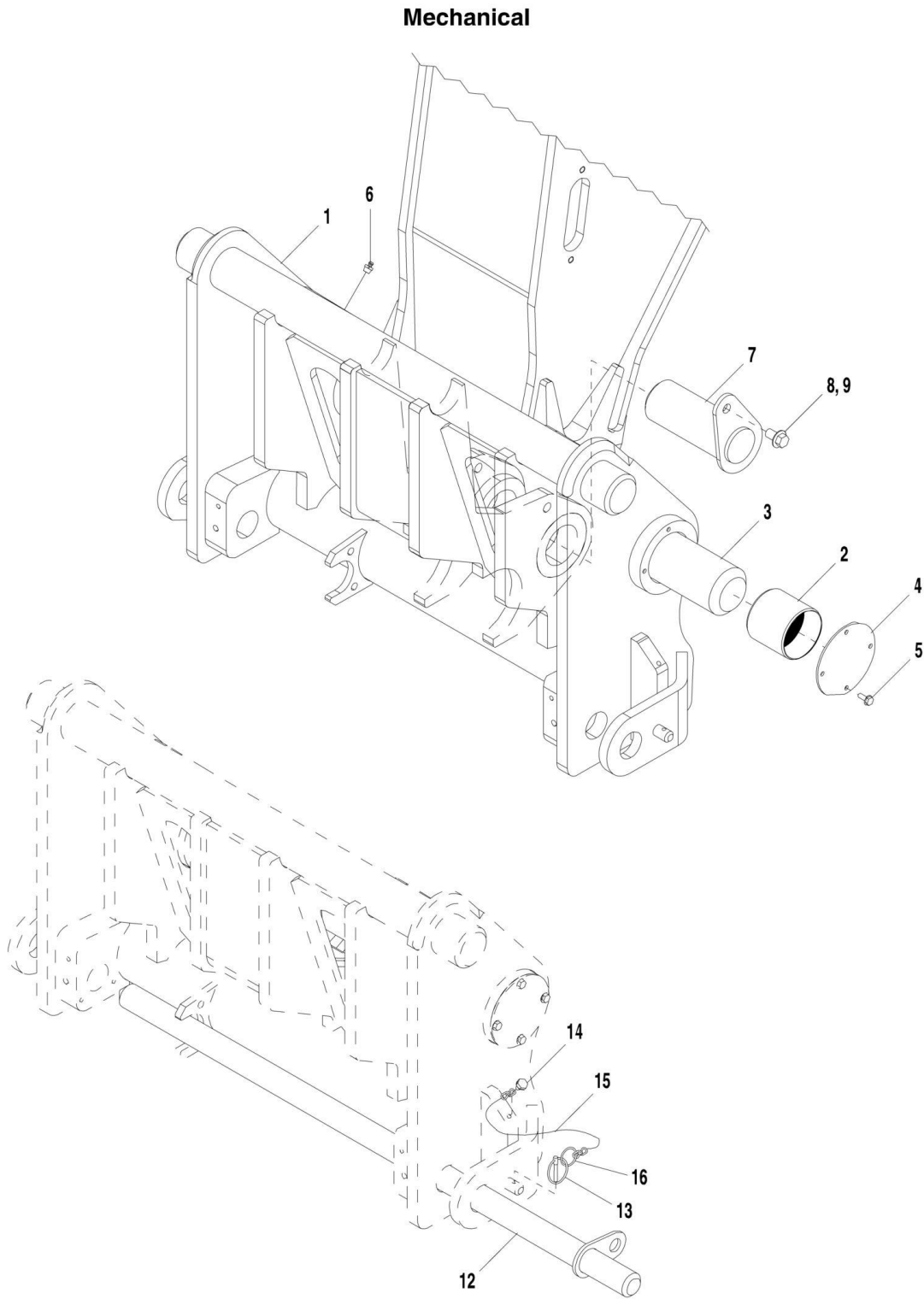
SECTION 2 - BOOM

FIGURE 2-7. THIRD BOOM SECTION ASSEMBLY (12 & 13M)

| ITEM | PART NUMBER | QTY | DESCRIPTION | REV |
|------|-------------|-----|---|-----|
| | 8002648 | Ref | FLY SECTION, 12M MACHINES, (includes all items) (Prior to SN 1160000798) | G |
| | 0273118 | Ref | FLY SECTION, 12M MACHINES, (includes all items) (SN 1160000798 to Present) | B |
| | 8007267 | Ref | FLY SECTION, 13M MACHINES, (includes all items) | B |
| 1 | 8002214 | 1 | FLY SECTION, 12M MACHINES (Prior to SN 1160000798) | |
| 1 | 8009095 | 1 | FLY SECTION, 12M MACHINES (SN 1160000798 to Present) | |
| 1 | 0801465 | 1 | FLY SECTION, 13M MACHINES | |
| 4 | 8002199 | 4 | PAD | |
| 5 | 8002200 | 2 | PAD | |
| 8 | 0761010 | 4 | HEX HD CAPSCREW, M10X20, (as required), (loctite and torque to 50 Nm) | |
| 8 | 0761012 | 4 | HEX HD CAPSCREW, M10X25, (as required), (loctite and torque to 50 Nm) | |
| 10 | 8002637 | 2 | SHIM, 2X70X200mm | |
| 10 | 8008633 | 1 | SHIM, 0.5X70X200mm, (as required) | |
| 10 | 8003242 | 1 | SHIM, 1X70X200mm, (as required) | |
| 10 | 8003243 | 1 | SHIM, 1.5X70X200mm, (as required) | |
| 11 | 8002907 | 2 | SHIM | |
| 21 | 8008046 | 2 | BUSHING | |
| 22 | 324590 | 1 | GREASE FITTING | |
| 23 | 8002197 | 1 | STABILIZER | |
| 25 | 4740532 | 10 | WASHER, 12mm | |
| 26 | 4812000 | 4 | FLAT WASHER, 10mm | |
| 27 | 0761212 | 10 | HEX HD CAPSCREW, M12X25, (as required), (loctite and torque to 90 Nm) | |
| 27 | 0761210 | 10 | HEX HD CAPSCREW, M12X20, (as required), (loctite and torque to 90 Nm) | |
| 28 | 8008069 | 4 | SHIM, 2X70X200mm | |
| 28 | 8008634 | 1 | SHIM, 0.5X70X200mm, (as required) | |
| 28 | 8008644 | 1 | SHIM, 1X70X200mm, (as required) | |
| 28 | 8008645 | 1 | SHIM, 1.5X70X200mm, (as required) | |
| 29 | 8008070 | 2 | SHIM, 2X50X200mm | |
| 29 | 8008640 | 1 | SHIM, 0.5X50X200mm, (as required) | |
| 29 | 8008641 | 1 | SHIM, 1X50X200mm, (as required) | |
| 29 | 8008642 | 1 | SHIM, 1.5X50X200mm, (as required) | |
| 30 | 0760812 | 4 | HEX HD CAPSCREW, M8-25 (Prior to SN 1160002932) | |
| 31 | 1321681 | 1 | CLAMP (SN 1160002932 to Present) | |
| 32 | 0100011 | AR | LOCTITE, #242, (apply to items 8, 27 & 33) | |
| 33 | 0761018 | 2 | HEX HD CAPSCREW, M10 X 50 (SN 1160002932 to Present) | |
| 34 | 1001099193 | AR | LUBE, ALL PURPOSE, (apply to items 4, 5 & 21) | |

SECTION 2 - BOOM

FIGURE 2-8. QUICK SWITCH ASSEMBLY MECHANICAL



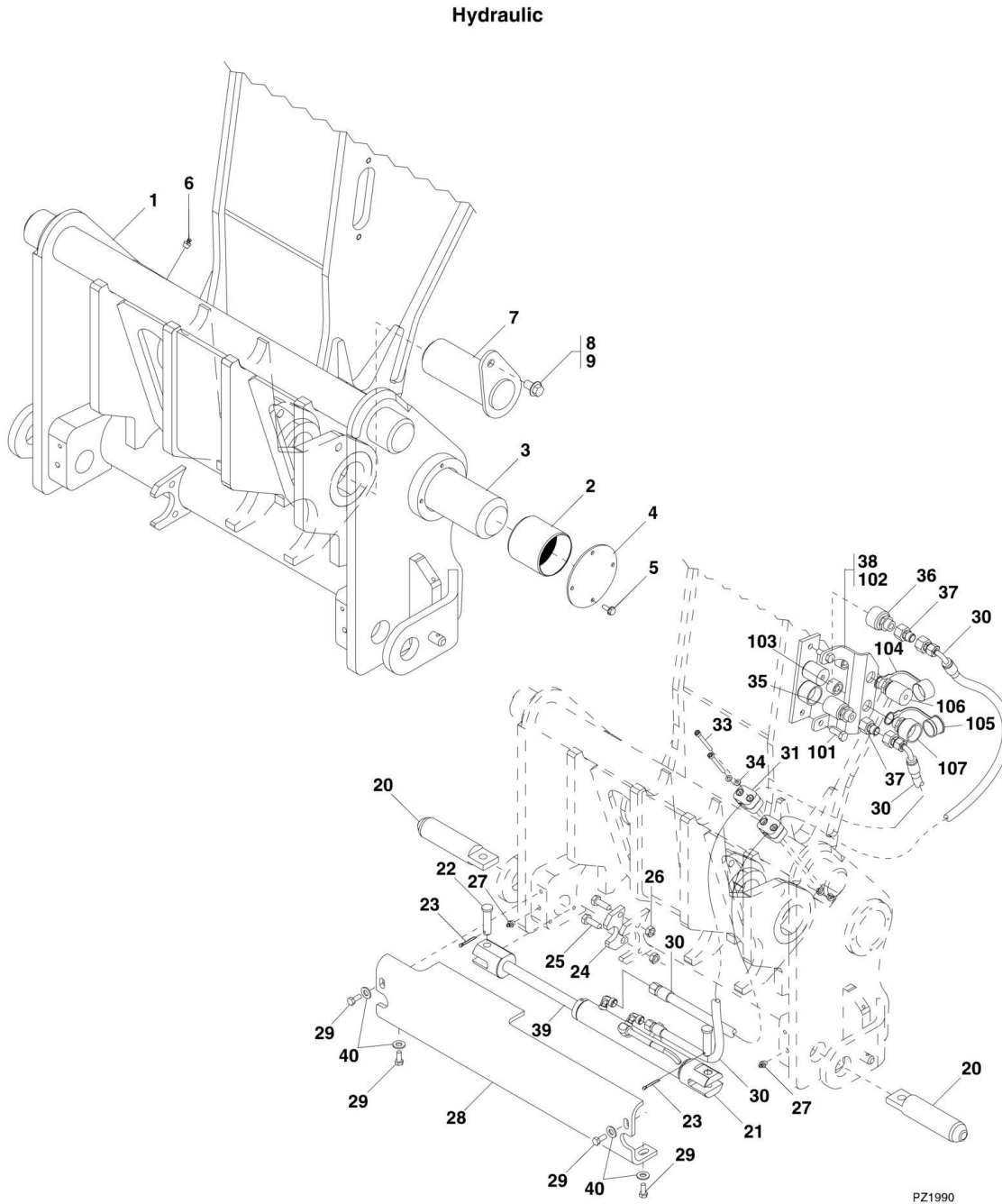
SECTION 2 - BOOM

FIGURE 2-8. QUICK SWITCH ASSEMBLY MECHANICAL

| ITEM | PART NUMBER | QTY | DESCRIPTION | REV |
|------|-------------|-----|---|-----|
| | 8002072 | Ref | MECHANICAL QUICK SWITCH ASSY, (includes items 12 thru 16) | G |
| | 8002145 | Ref | QUICK RELEASE ASSY, (includes items 1 thru 9) | L |
| 1 | 8002005 | 1 | QUICK RELEASE WELDMENT | |
| 2 | 8008046 | 4 | BUSHING | |
| 3 | 4800948 | 1 | PIN | |
| 4 | 4800959 | 2 | PLATE | |
| 5 | 2982603 | 8 | BOLT, SELF-LOCKING, 6X16mm | |
| 6 | 324590 | 2 | GREASE FITTING | |
| 7 | 4800788 | 1 | PIN | |
| 8 | 5201210 | 1 | BOLT, 12X20mm | |
| 9 | 0100011 | AR | LOCTITE, #242 | |
| 12 | 8002027 | 1 | ROD | |
| 13 | 3964987 | 1 | PIN | |
| 14 | 5200605 | 1 | BOLT, 6X10mm | |
| 15 | 933940 | AR | CHAIN | |
| 16 | 463929 | 1 | KEY RING | |

SECTION 2 - BOOM

FIGURE 2-9. QUICK SWITCH ASSEMBLY HYDRAULIC



SECTION 2 - BOOM

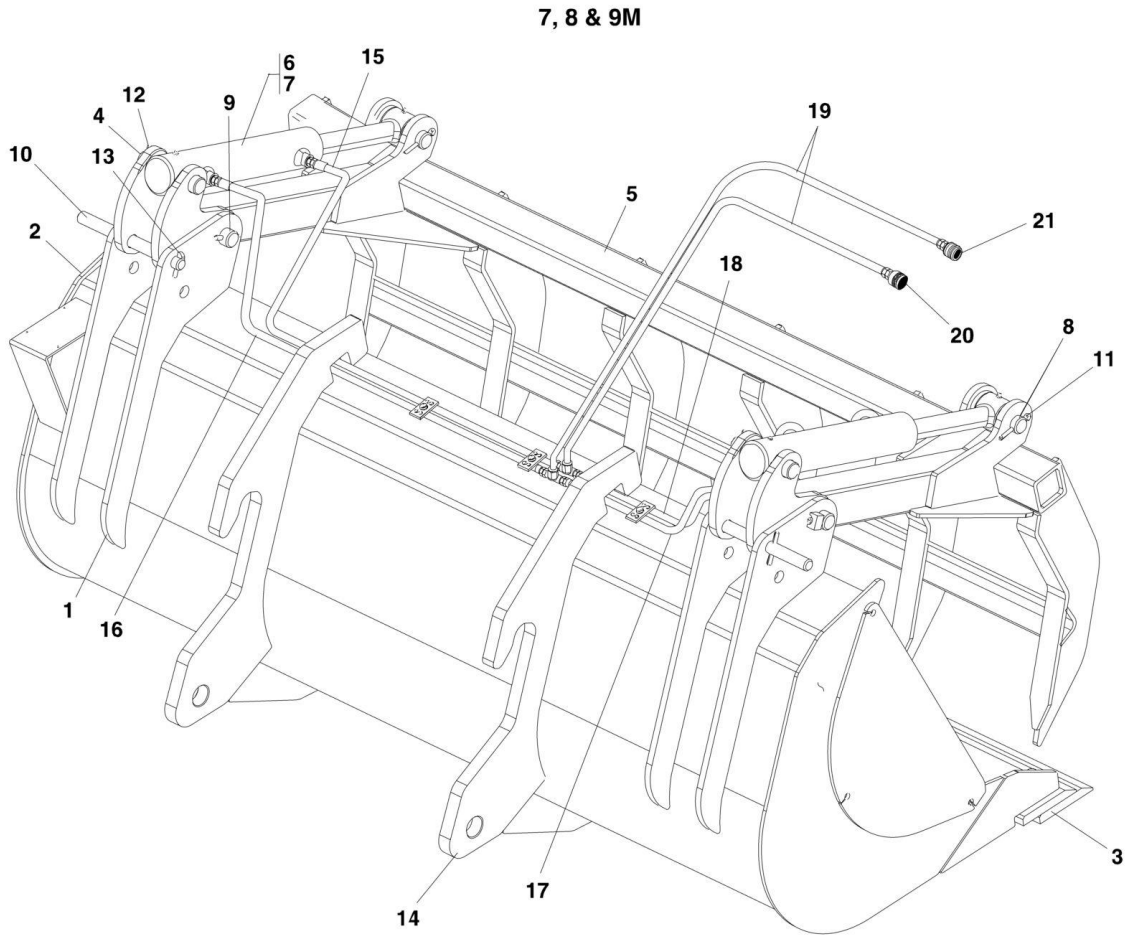
FIGURE 2-9. QUICK SWITCH ASSEMBLY HYDRAULIC

| ITEM | PART NUMBER | QTY | DESCRIPTION | REV |
|------|-------------|-----|---|-----|
| | 8002021 | Ref | HYDRAULIC QUICK SWITCH ASSY, (includes items 20 thru 40) | G |
| | 8002145 | Ref | QUICK RELEASE ASSY, (includes items 1 thru 9) | M |
| 1 | 8002005 | 1 | QUICK RELEASE WELDMENT | |
| 2 | 8008046 | 4 | BUSHING | |
| 3 | 4800948 | 1 | PIN | |
| 4 | 4800959 | 2 | PLATE | |
| 5 | 2982603 | 8 | BOLT, SELF-LOCKING, 6X16mm | |
| 6 | 324590 | 2 | GREASE FITTING | |
| 7 | 4800788 | 1 | PIN | |
| 8 | 5201210 | 1 | BOLT, 12X20mm | |
| 9 | 0100011 | AR | LOCTITE, #242 | |
| 20 | 8001888 | 2 | PIN | |
| 21 | | Ref | ATTACHMENT LOCK CYLINDER ASSY, (See HYDRAULIC COMPONENTS SECTION for Breakdown) | |
| 22 | 8002110 | 2 | EYE BOLT | |
| 23 | 3391410 | 2 | COTTER PIN | |
| 24 | 8002045 | 1 | PLATE | |
| 25 | 0761014 | 2 | HEX HD CAPSCREW, M10X30, G8.8 | |
| 26 | 3291001 | 2 | HEX NUT, 10mm | |
| 27 | 324590 | 2 | GREASE FITTING | |
| 28 | 8001918 | 1 | COVER | |
| 29 | 0760810 | 4 | HEX HD CAPSCREW, M8X20, GR8.8 | |
| 30 | 2754151 | 2 | HOSE | |
| 31 | 1321141 | 2 | CLAMP | |
| 33 | 4031716 | 2 | MACHINE SCREW, 6X60mm | |
| 34 | 1302325 | 2 | WASHER, 6X1mm | |
| 35 | | Ref | SCREW COUPLING, FEMALE, (no longer available, order 1001097287 kit) | |
| 35 | 1001094555 | 1 | FEMALE QUICK DISCONNECT COUPLING | |
| 36 | | Ref | SCREW COUPLING, MALE, (no longer available, order 1001097287 kit) | |
| 36 | 1001094556 | 1 | MALE QUICK DISCONNECT COUPLING | |
| 37 | 2143511 | 2 | REDUCING FITTING | |
| 38 | 2902399 | 1 | FRONT AUX FITTING KIT, (includes items 101 thru 107) | |
| 39 | 2902438 | 1 | FORK LOCKING CYLINDER KIT, (includes items 20 thru 23) | C |
| 40 | 4811902 | 4 | WASHER, 8mm | |
| 101 | 0761014 | 2 | HEX HD CAPSCREW, M10X30, GR8.8 | |
| 102 | 0903109 | 1 | MOUNTING BRACKET | |
| 103 | 2142505 | 2 | CAP | |
| 104 | 3977459 | 1 | DUST CAP, (use with screw type coupling) | |
| 104 | 1001093826 | 1 | DUST CAP, (use with quick disconnect type coupling) | |
| 105 | 3977460 | 1 | DUST PLUG, (use with screw type coupling) | |
| 105 | 1001093827 | 1 | DUST PLUG, (use with quick disconnect type coupling) | |
| 106 | Kit | NLA | SCREW COUPLING, MALE, (no longer available, order 1001097287 kit) | |
| 106 | 1001094556 | 1 | MALE QUICK DISCONNECT COUPLING | |
| 107 | Kit | NLA | SCREW COUPLING, FEMALE, (no longer available, order 1001097287 kit) | |
| 107 | 1001094555 | 1 | FEMALE QUICK DISCONNECT COUPLING | |
| | 1001097287 | 1 | QUICK DISCONNECT ADAPTER KIT, (includes items 104 thru 107) | |

SECTION 3 - ATTACHMENTS

SECTION 3 - ATTACHMENTS

FIGURE 3-1. MANURE BUCKET (7, 8 & 9M MACHINES)



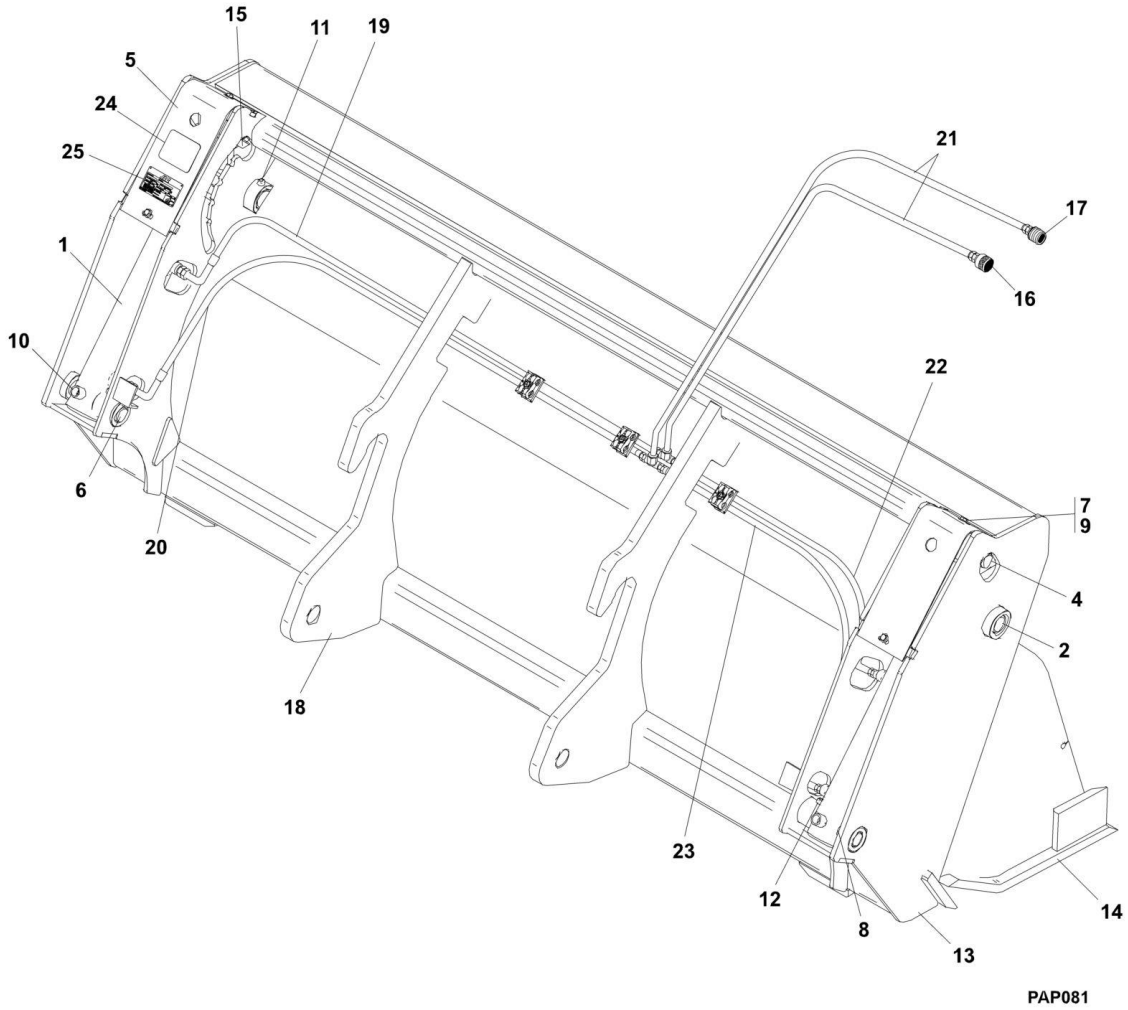
SECTION 3 - ATTACHMENTS

FIGURE 3-1. MANURE BUCKET (7, 8 & 9M MACHINES)

| ITEM | PART NUMBER | QTY | DESCRIPTION | REV |
|------|-------------|-----|---|-----|
| | 0930004 | Ref | MANURE BUCKET, 1.0m ³ , (7, 8 & 9M machines), (includes all items) (SN 1160000358 to Present) | D |
| 1 | | Ref | BUCKET ASSY | |
| 2 | 7028133 | 1 | SIDE PLATE ASSY | |
| 3 | 7028132 | 1 | BLADE ASSY, (includes blade and the following hardware) | |
| 3 | 7029356 | 8 | HEX LOCKNUT, M16-8 | |
| 3 | 70023484 | 8 | BOLT, M16X60, GR10.9 | |
| 4 | 7028126 | 2 | ADJUSTING BRACKET | |
| 5 | 7028125 | 1 | GRAPPLE | |
| 6 | 7028127 | 2 | TILT CYLINDER | |
| 7 | 7028131 | 6 | BUSHING | |
| 8 | 7028128 | 2 | PIN | |
| 9 | 7028129 | 2 | LOCKING PIN | |
| 10 | 7028130 | 2 | PIN | |
| 11 | 7028135 | 4 | ROLL PIN | |
| 12 | 7028134 | 8 | ROLL PIN | |
| 13 | 7028124 | 2 | CIRCLIP | |
| 14 | 7029749 | 1 | CONNECTING ASSY | |
| 15 | 7028986 | 1 | HOSE ASSY | |
| 16 | 7028987 | 1 | HOSE ASSY | |
| 17 | 7028988 | 1 | HOSE ASSY | |
| 18 | 7028989 | 1 | HOSE ASSY | |
| 19 | 7028984 | 2 | HOSE ASSY | |
| 20 | Kit | NLA | FEMALE SCREW COUPLER, (no longer available, order 1001097287 kit) | |
| 20 | 1001094555 | 1 | FEMALE QUICK DISCONNECT COUPLING | |
| 21 | Kit | NLA | MALE SCREW COUPLER, (no longer available, order 1001097287 kit) | |
| 21 | 1001094556 | 1 | MALE QUICK DISCONNECT COUPLER | |
| | 7028910 | AR | CYLINDER SEAL KIT | |
| | 1001097287 | 1 | QUICK DISCONNECT ADAPTER KIT, (includes items 20 & 21) | |

SECTION 3 - ATTACHMENTS

FIGURE 3-2. 4 IN 1 BUCKET



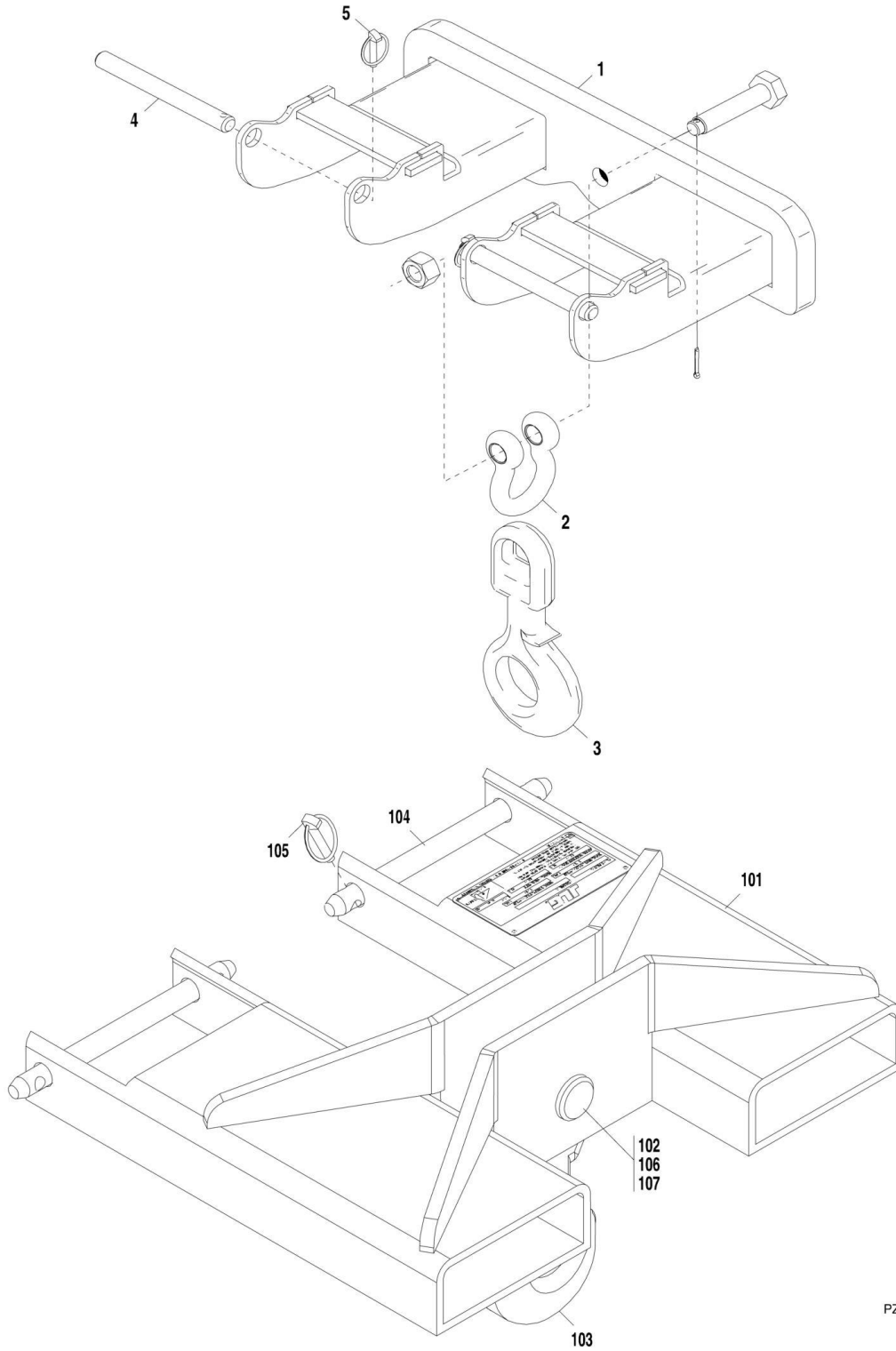
SECTION 3 - ATTACHMENTS

FIGURE 3-2. 4 IN 1 BUCKET

| ITEM | PART NUMBER | QTY | DESCRIPTION | REV |
|------|-------------|-----|---|-----|
| | 0930003 | | 4 IN 1 BUCKET, (includes all items) (SN 1160000358 to Present) | C |
| 1 | 7028990 | 2 | TILT CYLINDER | |
| 1 | 7028910 | AR | CYLINDER SEAL KIT | |
| 2 | 7028911 | 2 | PIN | |
| 3 | 7028912 | 6 | NUT, (not illustrated) | |
| 4 | 7028913 | 2 | PIN | |
| 5 | 7028914 | 2 | PROTECTIVE PLATE | |
| 6 | 7028915 | 2 | PIN | |
| 7 | 7028916 | 4 | HEX HD SCREW | |
| 8 | 7028131 | 6 | BUSHING | |
| 9 | 7028917 | 4 | WASHER | |
| 10 | 7028918 | 6 | GREASE NIPPLE | |
| 11 | 7028920 | 2 | SCREW | |
| 12 | 7028919 | 4 | SCREW | |
| 13 | 7028921 | 1 | WELDMENT | |
| 14 | 7028922 | 1 | WELDMENT | |
| 15 | 7028923 | 1 | GAUGE | |
| 16 | Kit | NLA | FEMALE SCREW COUPLER, (no longer available, order 1001097287 kit) | |
| 16 | 1001094555 | 1 | FEMALE QUICK DISCONNECT COUPLING | |
| 17 | Kit | NLA | MALE SCREW COUPLER, (no longer available, order 1001097287 kit) | |
| 17 | 1001094556 | 1 | MALE QUICK DISCONNECT COUPLER | |
| 18 | 7029748 | 1 | CONNECTING ASSY | |
| 19 | 7028982 | 1 | HOSE ASSY | |
| 20 | 7028983 | 1 | HOSE ASSY | |
| 21 | 7028984 | 2 | HOSE ASSY | |
| 22 | 7028985 | 1 | HOSE ASSY | |
| 23 | 7028991 | 1 | HOSE ASSY | |
| 24 | | Ref | BUCKET NAME PLATE | |
| 25 | | Ref | SERIAL NUMBER PLATE | |
| | 1001097287 | 1 | QUICK DISCONNECT ADAPTER KIT, (includes items 16 & 17) | |

SECTION 3 - ATTACHMENTS

FIGURE 3-3. FORK MOUNTED HOOK



PZ4260

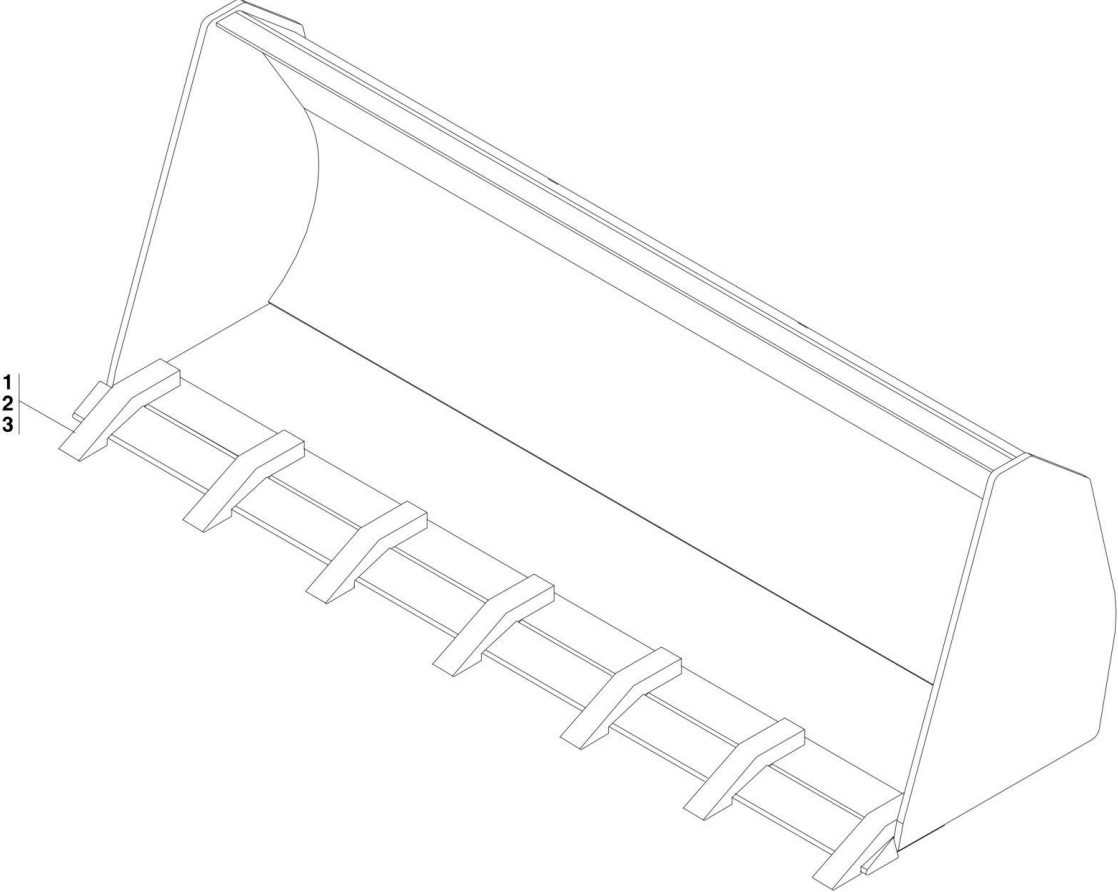
SECTION 3 - ATTACHMENTS

FIGURE 3-3. FORK MOUNTED HOOK

| ITEM | PART NUMBER | QTY | DESCRIPTION | REV |
|------|-------------|-----|---|-----|
| | 8008423 | 1 | HOOK, FORK LIFT (Prior to SN 1160000358) | |
| | | Ref | FORK MOUNTED HOOK, (CE), (LAMY), (includes items 1 thru 5), (2700097 is no longer available, order 2700118) | B |
| 1 | | Ref | WELDMENT | |
| 2 | 7028123 | 1 | CLEVIS | |
| 3 | 7028122 | 1 | HOOK | |
| 4 | 7028121 | 2 | AXLE | |
| 5 | 7028124 | 2 | PIN | |
| | 2700118 | 1 | FORK MOUNTED HOOK, (CE), (BENNE), (includes items 101 thru 107) | A |
| 101 | | Ref | WELDMENT | |
| 102 | 70020201 | 1 | PIN | |
| 103 | 70020202 | 1 | HOOK | |
| 104 | 70020203 | 2 | PIN | |
| 105 | 70020204 | 4 | RETAINING PIN | |
| 106 | 70020205 | 1 | BOLT | |
| 107 | 70020206 | 1 | SELF LOCKING NUT | |
| | | Ref | NOTE: ITEM NUMBERS NOT LISTED ARE NOT USED ON THIS FIGURE | |

SECTION 3 - ATTACHMENTS

FIGURE 3-4. BUCKETS



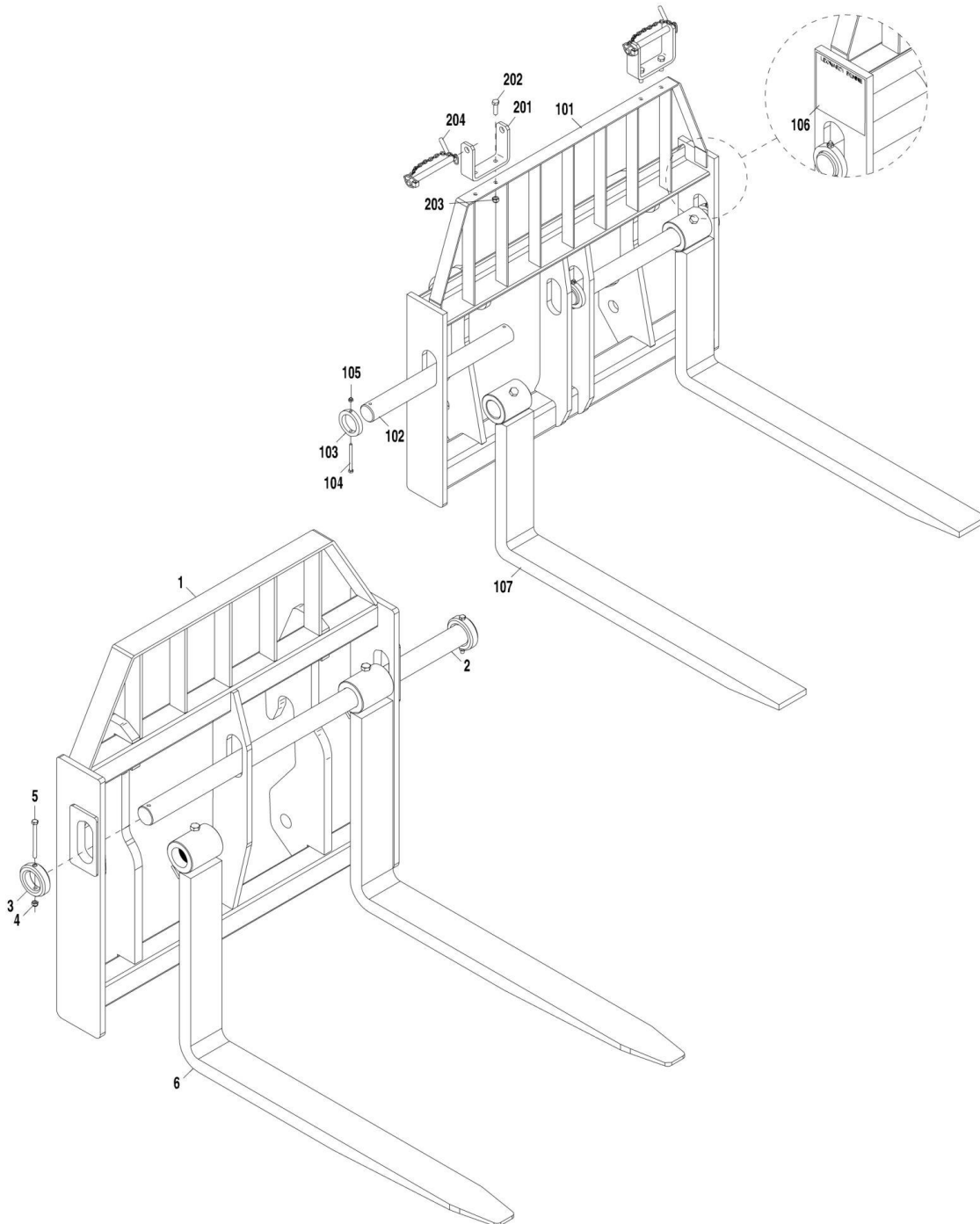
SECTION 3 - ATTACHMENTS

FIGURE 3-4. BUCKETS

| ITEM | PART NUMBER | QTY | DESCRIPTION | REV |
|------|-------------|-----|--|-----|
| | 8008420 | 1 | DIG BUCKET W/CUTTING EDGE, 1.0m (Prior to SN 1160000358) | |
| | 8008421 | 1 | DIG BUCKET W/BOLTED CUTTING EDGE, 2.0m (Prior to SN 1160000358) | |
| | 8000873 | 1 | BUCKET W/WELDED CUTTING EDGE, 2.0m (Prior to SN 1160000358) | |
| | 4805670 | 1 | DIG BUCKET, W/TEETH, 0.8m (Prior to SN 1160000358) | |
| | 8009217 | 1 | 4 IN 1 BUCKET | |
| | 4802100 | 1 | DIG BUCKET, W/TEETH, 1.0m ³ , (includes items 1-3) | |
| 1 | 7028092 | 7 | TOOTH | |
| 2 | 7028093 | 7 | SECURING PIN | |
| 3 | 7028094 | 7 | TOOTH MOUNT | |
| 3 | 8008424 | 1 | TOOTH PROTECTION FOR 1.0m ³ | |
| | 0240053 | 1 | DIG BUCKET W/WELDED CUTTING EDGE, 1.0m (Prior to SN 1160000358) | |
| | 0930015 | 1 | DIG BUCKET, 0.9m (SN 1160000358 to Present) | |
| | 70020392 | 1 | BLADE KIT, (includes mounting hardware) | |
| | 1001094612 | 1 | BUCKET TEETH KIT, (includes mounting hardware) | |
| | 0930016 | 1 | DIG BUCKET, 1.8m (SN 1160000358 to Present) | |
| | 70020392 | 1 | BLADE KIT, (includes mounting hardware) | |
| | 1001094612 | 1 | BUCKET TEETH KIT, (includes mounting hardware) | |

SECTION 3 - ATTACHMENTS

FIGURE 3-5. CARRIAGE ASSEMBLY W/LOADGUARD



SECTION 3 - ATTACHMENTS

FIGURE 3-5. CARRIAGE ASSEMBLY W/LOADGUARD

| ITEM | PART NUMBER | QTY | DESCRIPTION | REV |
|------|-------------|-----|--|-----|
| | 4802111 | 1 | CARRIAGE ASSY WITH LOADGUARD, (Flotzinger), (4000kg) (Prior to SN 1160000382) | |
| | 7028098 | 1 | BAR, FORK CARRIER | |
| | 8008422 | 1 | LOADGUARD | |
| | 1170001 | 1 | CARRIAGE ASSY WITH LOADGUARD, (Lamy), (4000kg), (includes items 1 thru 5) (SN 1160000382 through 1160001465) | |
| 1 | | Ref | WELDMENT | |
| 2 | 7028136 | 1 | BAR, FORK CARRIER | |
| 3 | 7028137 | 2 | COLLAR | |
| 4 | 3291005 | 2 | NUT | |
| 5 | 0701029 | 2 | CAPSCREW | |
| 6 | | Ref | FORK, (See FORK TINES for Breakdown) | |
| | 1170028 | 1 | CARRIAGE ASSEMBLY, (Benne), (includes items 101 thru 106) (SN 1160001466 to Present) | A |
| 101 | 1170029 | 1 | CARRIAGE WELDMENT | |
| 102 | 4040283 | 2 | CARRIAGE SHAFT | |
| 103 | 3760508 | 4 | SHAFT COLLAR | |
| 104 | 0700827 | 4 | HEX HD CAPSCREW, 8-1.25X100mm, GR 8.8 | |
| 105 | 3290805 | 4 | HEX LOCKNUT, 8mm | |
| 106 | 1706702 | 1 | NAME PLATE | |
| 107 | | Ref | FORK, (See FORK TINES for Breakdown) | |
| | 0240143 | 1 | FORK TRANSPORT LATCH, (Benne), (includes items 201 thru 204) | A |
| 201 | 0903366 | 2 | LOCKING BRACKET | |
| 202 | 0761216 | 4 | HEX HD CAPSCREW, 12X40 | |
| 203 | 3291205 | 4 | HEX LOCKNUT, 12mm | |
| 204 | 3423258 | 2 | LOCKING PIN | |

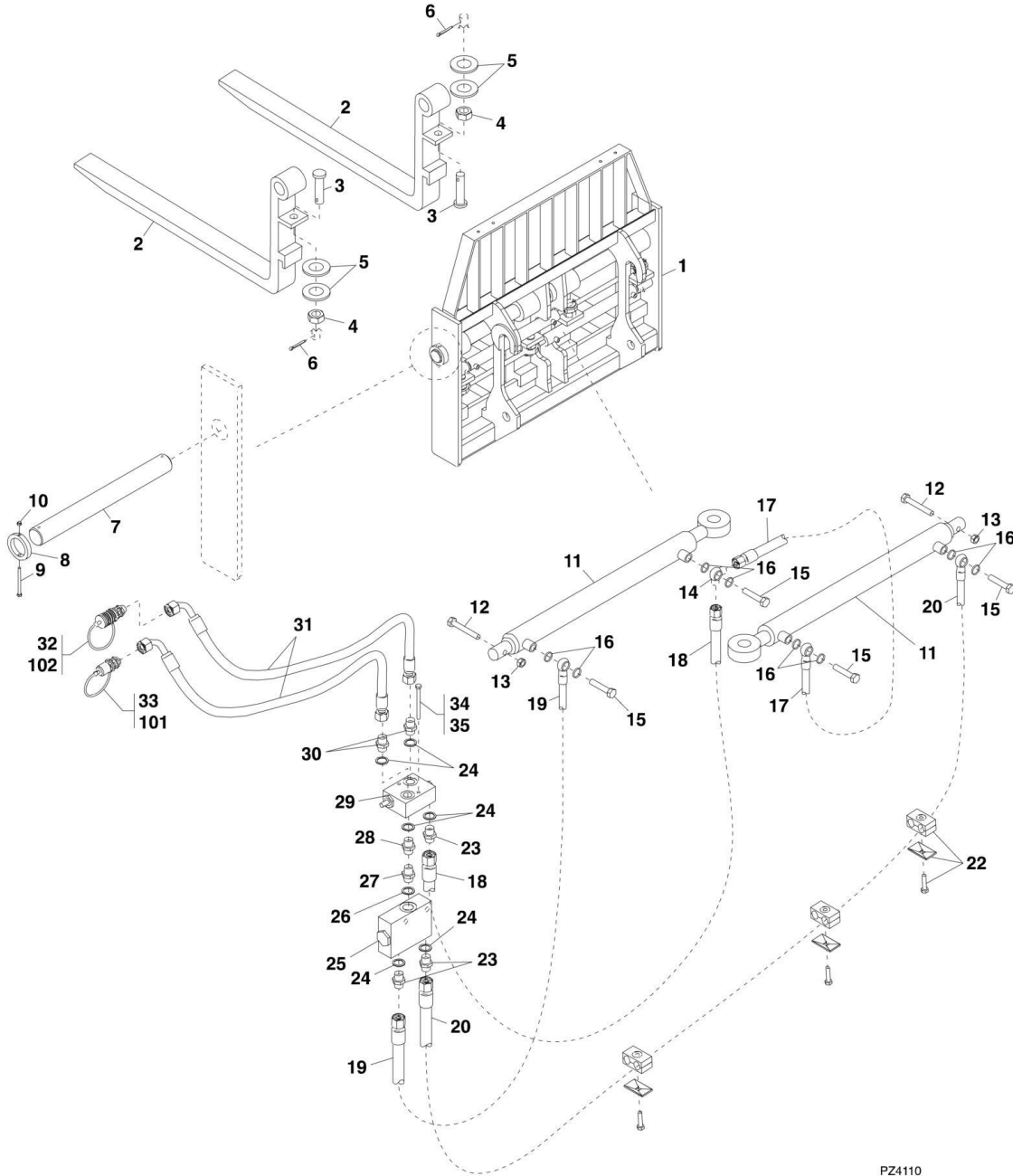
SECTION 3 - ATTACHMENTS

FIGURE 3-6. SIDE SHIFT CARRIAGE ASSEMBLY

| ITEM | PART NUMBER | QTY | DESCRIPTION | REV |
|------|-------------|-----|---|-----|
| | 1170002 | 1 | SIDE SHIFT CARRIAGE ASSY, (Lamy), (includes items 1 thru 5 & 7 thru 13) | E |
| 1 | | Ref | WELDMENT | |
| 2 | 7028136 | 1 | BAR, FORK CARRIER | |
| 3 | 7028137 | 2 | COLLAR | |
| 4 | 3291005 | 2 | NUT | |
| 5 | 0701029 | 2 | CAPSCREW | |
| 6 | | Ref | FORK TINE, (See FORK TINES for Breakdown) | |
| 7 | 70021558 | 1 | CYLINDER | |
| 8 | 70021559 | 2 | BOLT | |
| 9 | 70021560 | 1 | PIN | |
| 10 | 70021561 | 1 | PIN | |
| 11 | 70021562 | 2 | WASHER | |
| 12 | 70021563 | 2 | ROLL PIN | |
| 13 | | Ref | SERIAL NUMBER PLATE | |

SECTION 3 - ATTACHMENTS

FIGURE 3-7. FORK POSITIONING CARRIAGE ASSEMBLY



PZ4110

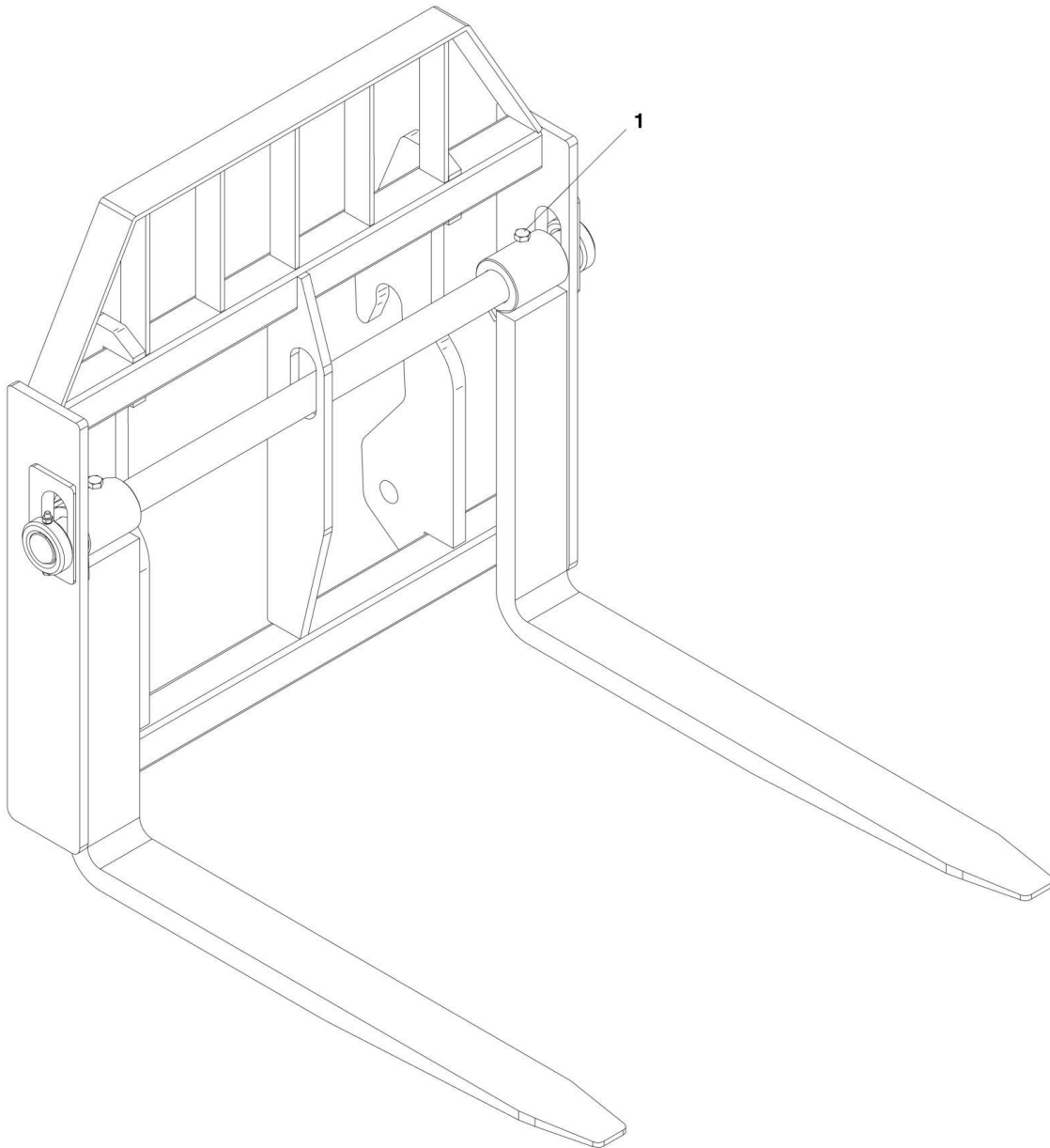
SECTION 3 - ATTACHMENTS

FIGURE 3-7. FORK POSITIONING CARRIAGE ASSEMBLY

| ITEM | PART NUMBER | QTY | DESCRIPTION | REV |
|------|-------------|-----|---|-----|
| | 1001091313 | 1 | FORK POSITIONING CARRIAGE W/FORKS, (CE), (13M), (includes items 1 thru 35) | A |
| 1 | | Ref | WELDMENT | |
| 2 | 70022922 | 2 | FORKS, (100X50X1200), (2000kg per fork) | |
| 3 | 70021835 | 2 | ROD PIN | |
| 4 | 70026018 | 2 | Nut | |
| 5 | 70028978 | 4 | Washer | |
| 6 | 70021836 | 2 | SPLIT PIN | |
| 7 | 70022923 | 2 | CARRIAGE SHAFT | |
| 8 | 70022924 | 4 | SHAFT COLLAR | |
| 9 | 70028979 | 4 | Bolt | |
| 10 | 70021241 | 4 | HEX LOCKNUT, M12 | |
| 11 | 70023276 | 2 | CYLINDER | |
| 11 | 70023278 | AR | SEAL KIT, (USE WITH CYLINDERS MARKED 1.3351.01C.02.01) | |
| 11 | 70023277 | AR | SEAL KIT, (USE WITH CYLINDERS MARKED 1.3351.01C.02.02) | |
| 12 | 70028028 | 2 | Bolt | |
| 13 | 70028031 | 2 | Locknut | |
| 14 | 70022925 | 1 | ELBOW, 90 | |
| 15 | 1001103530 | 4 | BOLT | |
| 16 | 70020730 | 8 | O-RING | |
| 17 | 70021838 | 1 | HOSE ASSY | |
| 18 | 70021839 | 1 | HOSE ASSY | |
| 19 | 70021840 | 1 | HOSE ASSY | |
| 20 | 70021841 | 1 | HOSE ASSY | |
| 22 | 1001103533 | 3 | CLAMP SET, (includes screw and plate) | |
| 23 | 70020731 | 3 | FITTING | |
| 24 | 70022907 | 6 | O-RING | |
| 25 | 70021842 | 1 | COUNTER VALVE | |
| 26 | 70022927 | 1 | O-RING | |
| 27 | 70022928 | 1 | FITTING | |
| 28 | 70022929 | 1 | FITTING | |
| 29 | 70021843 | 1 | PRESSURE VALVE | |
| 30 | 70022906 | 2 | ADAPTER | |
| 31 | 70022930 | 2 | PIPE ASSY | |
| 32 | 1001094555 | 1 | FEMALE QUICK DISCONNECT COUPLING | |
| 33 | 1001094556 | 1 | MALE QUICK DISCONNECT COUPLING | |
| 34 | 70028980 | 2 | Bolt | |
| 35 | 70022912 | 2 | Nut | |
| 101 | 1001093826 | 1 | DUST CAP | |
| 102 | 1001093827 | 1 | DUST PLUG | |

SECTION 3 - ATTACHMENTS

FIGURE 3-8. FORK TINES



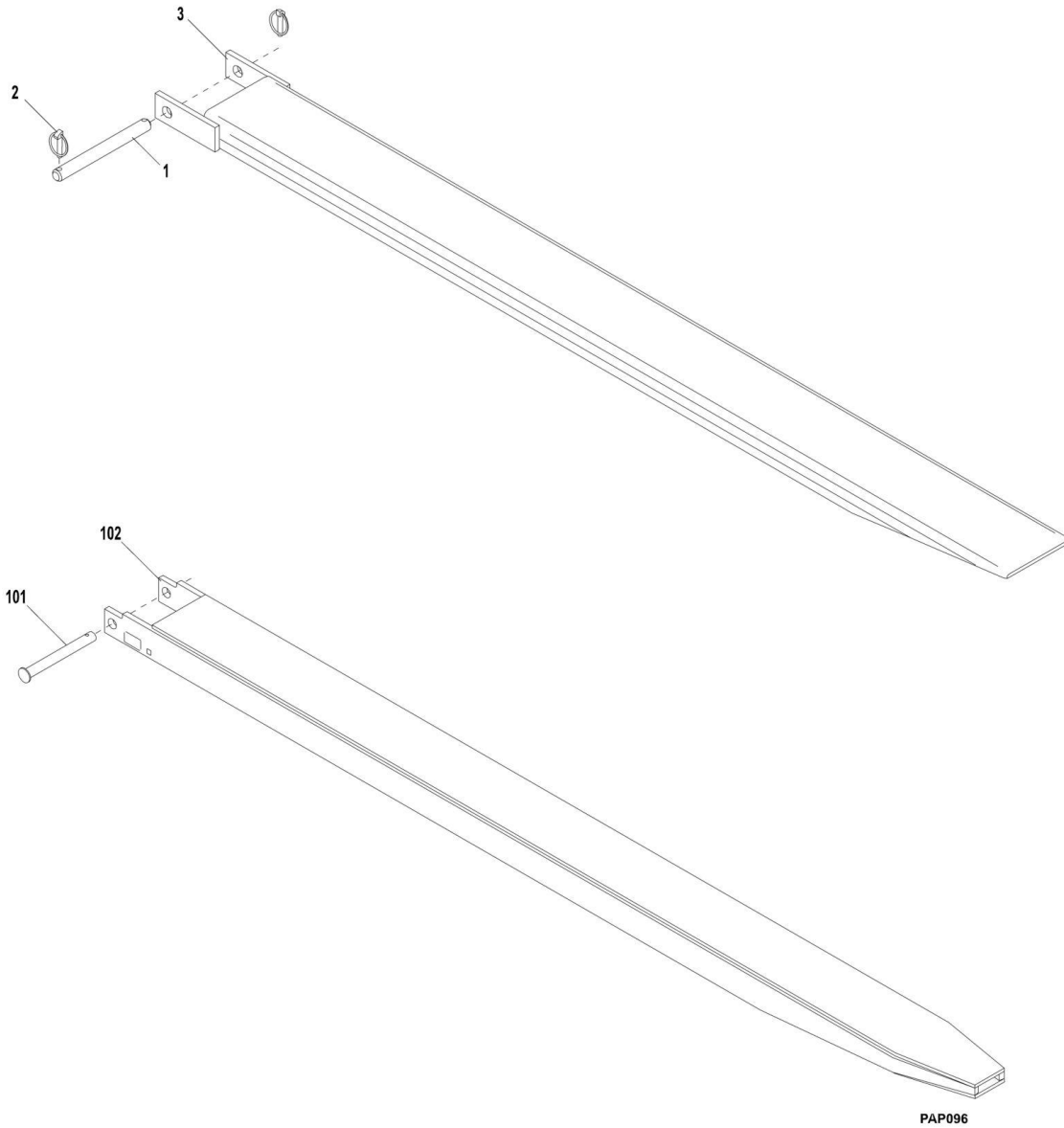
SECTION 3 - ATTACHMENTS

FIGURE 3-8. FORK TINES

| ITEM | PART NUMBER | QTY | DESCRIPTION | REV |
|------|-------------|-----|---|-----|
| | 8008014 | 1 | FORK TINE ASSY, (Flotzinger), (1 pair, complete assy), (4500kg) (Prior to SN 1160000382) | C |
| | 8009653 | 1 | FORK TINE ASSY, (Flotzinger), (1 pair, complete assy), (3500kg) (Prior to SN 1160000382) | C |
| | 2340029 | 2 | FORK TINE ASSY, (Lamy), (4000kg), (125X45X1200X660mm) (SN 1160000382 to Present) | B |
| 1 | 7028626 | 2 | HEX HD CAPSCREW | |
| | 2340030 | 1 | FORK TINE ASSY, (Lamy), (1 pair, complete assy), (4000kg per pair), (100X50X1200X710mm) (SN 1160000382 to Present) | C |
| 1 | 7028628 | 2 | HEX HD CAPSCREW | |
| | 2340040 | 1 | FORK, (Benne), (1 pair, complete assy), 120X50, (4000kg per pair) | A |
| 1 | 0761612 | 2 | HEX HD CAPSCREW, 16X25 | |
| | 2340041 | 1 | FORK, (Benne), (1 pair, complete assy), 100X50, (4000kg per pair) | A |
| 1 | 0761612 | 2 | HEX HD CAPSCREW, 16X25 | |
| | 1001100694 | 1 | FORK, (Vetter), (1 pair, complete assy), 100X50X1520, (2000kg per pair), (4013M Australian machines only) | A |
| 1 | 0761612 | 2 | HEX HD CAPSCREW, 16X25 | |

SECTION 3 - ATTACHMENTS

FIGURE 3-9. FORK TINE EXTENSION



PAP096

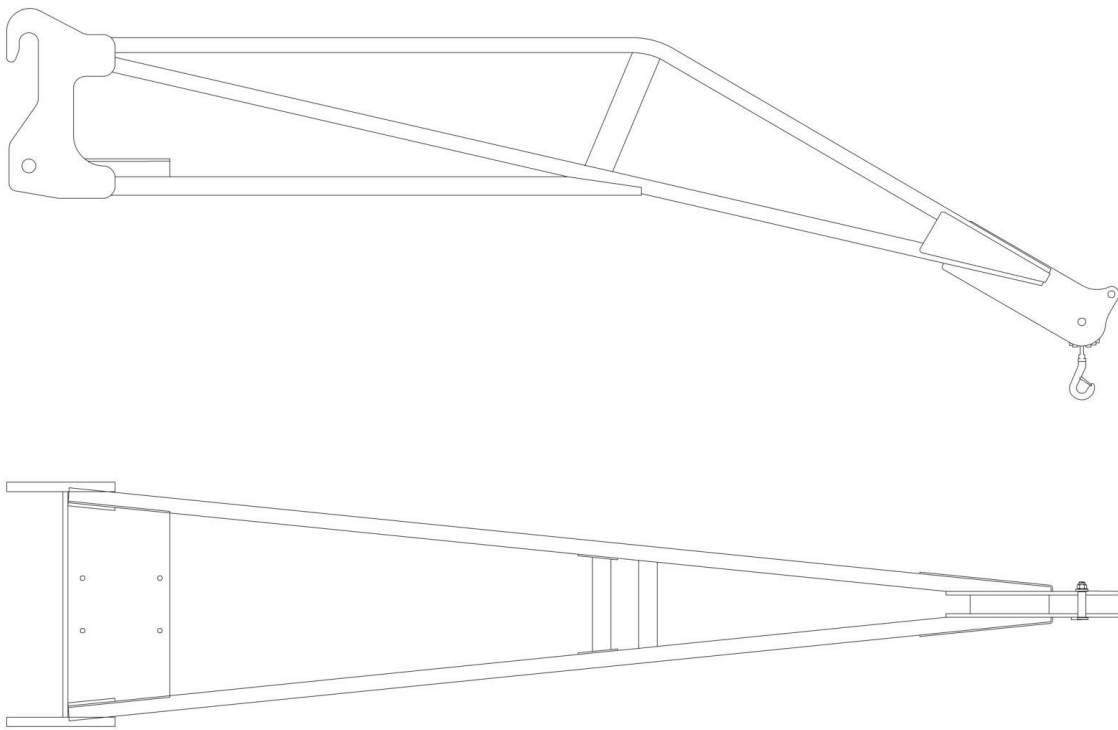
SECTION 3 - ATTACHMENTS

FIGURE 3-9. FORK TINE EXTENSION

| ITEM | PART NUMBER | QTY | DESCRIPTION | REV |
|------|-------------|-----|---|-----|
| | 2340034 | NLA | FORK EXTENSION, (166.5mmX2000mm), (includes all items), (no longer available; order 1001112559 for service replacement) | |
| 1 | 7028863 | 1 | PIN | |
| 2 | 7028864 | 2 | CIRCLIP | |
| 3 | | Ref | EXTENSION WELDMENT | |
| | 1001112559 | 1 | FORK EXTENSION, (100mmX50mm), (includes all items) | |
| 101 | 70022831 | 1 | PIN | |
| 102 | | Ref | EXTENSION WELDMENT | |

SECTION 3 - ATTACHMENTS

FIGURE 3-10. TRUSS BOOM



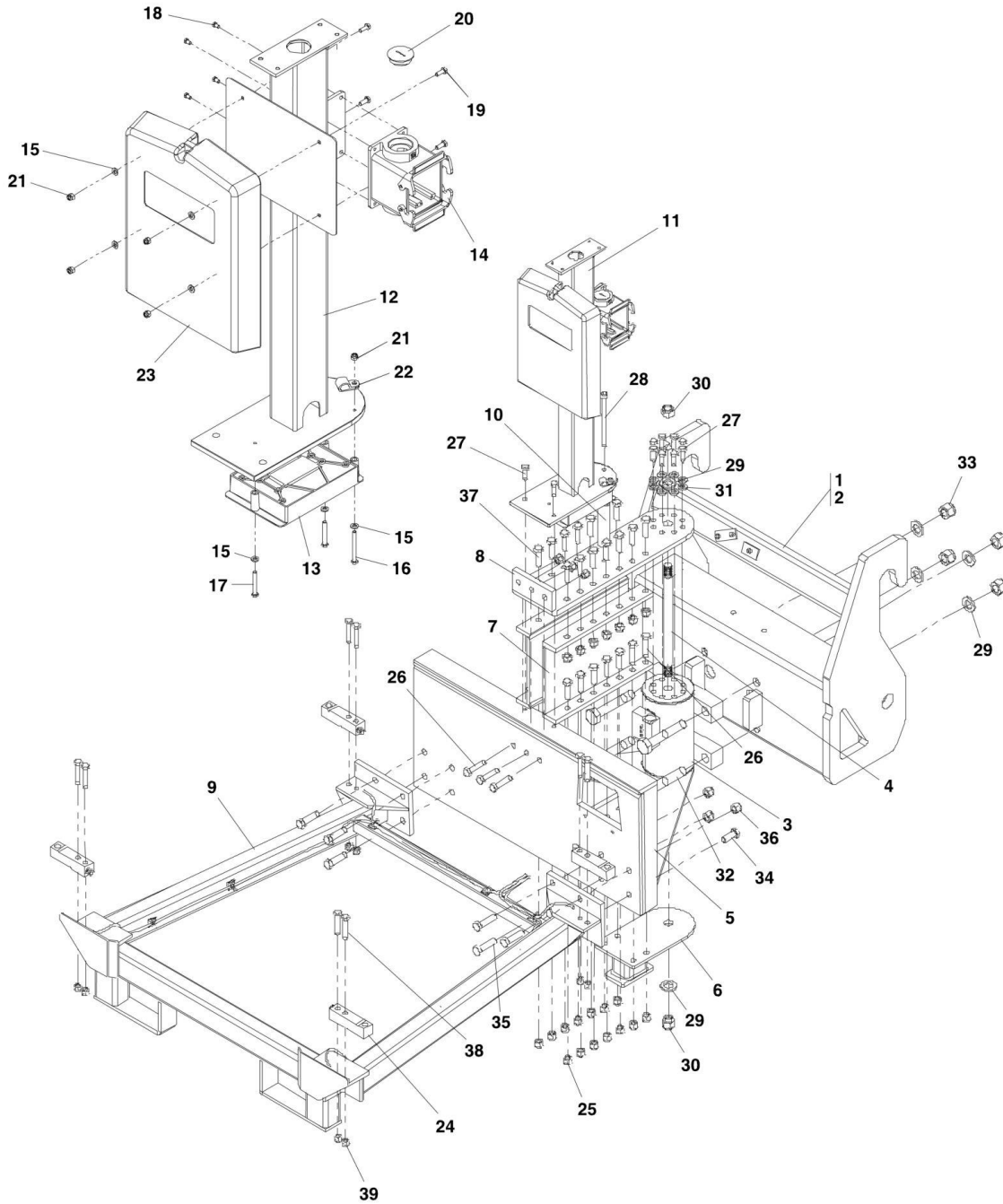
SECTION 3 - ATTACHMENTS

FIGURE 3-10. TRUSS BOOM

| ITEM | PART NUMBER | QTY | DESCRIPTION | REV |
|------|-------------|-----|---|-----|
| | 8007324 | 1 | 3,4m TRUSS BOOM, (1000kg) (Prior to SN 1160000358) | |
| | 0240063 | 1 | 3,4m TRUSS BOOM, (1000kg), (includes items 1 & 2) (SN 1160000358 to Present) | C |
| 1 | 70020421 | 1 | HOOK | |
| 2 | 70020422 | 1 | BOLT | |
| | 0240110 | 1 | 3,6m TRUSS BOOM, (650kg), (includes items 101 & 102) | D |
| 101 | 70020423 | 1 | HOOK | |
| 102 | 70020424 | 1 | BOLT | |
| | | Ref | NOTE: ITEM NUMBERS NOT LISTED ARE NOT USED ON THIS FIGURE | |

SECTION 3 - ATTACHMENTS

FIGURE 3-11. PLATFORM ASSEMBLY, ADAPTER AND PEDESTAL (13M MODELS ONLY)



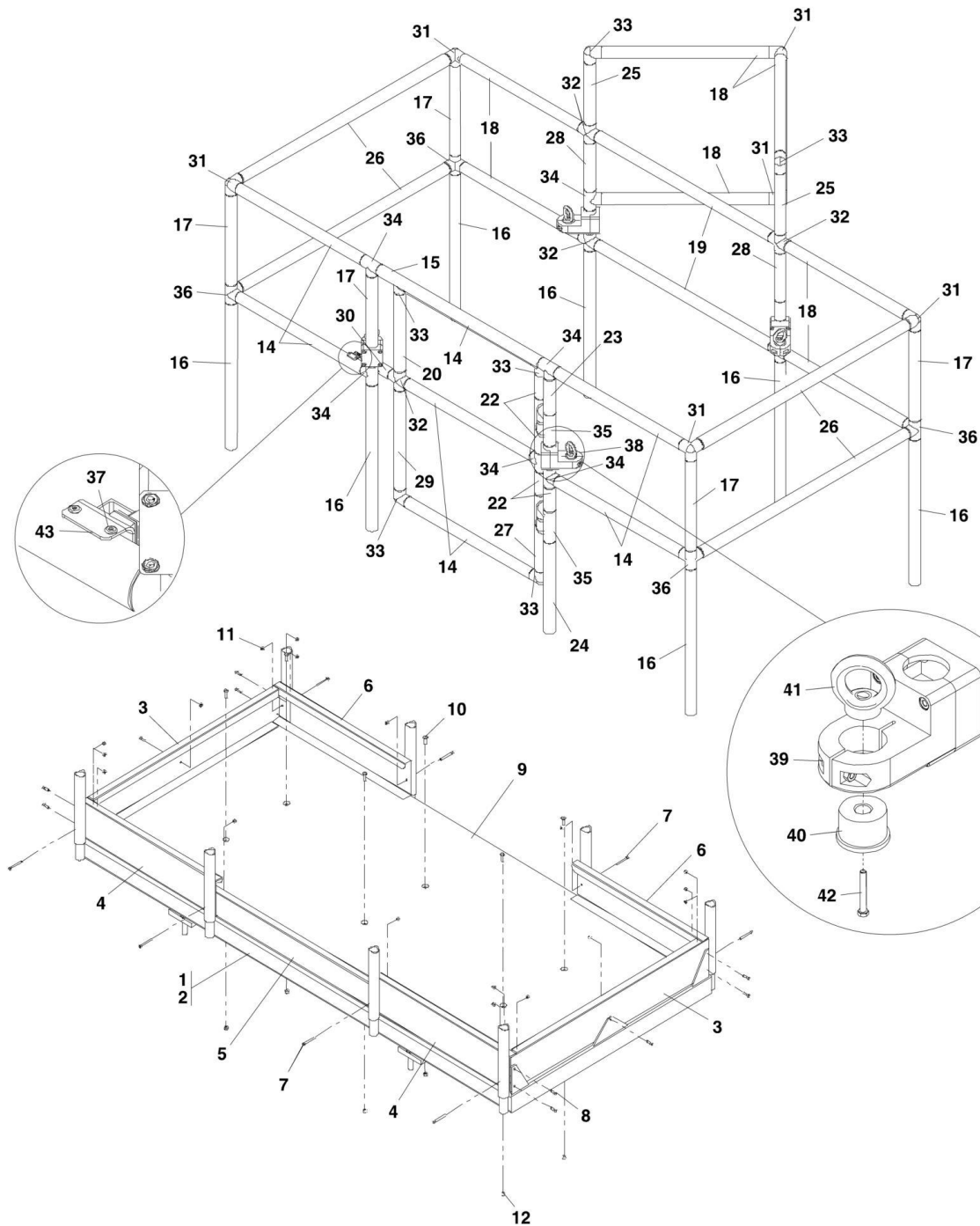
SECTION 3 - ATTACHMENTS

FIGURE 3-11. PLATFORM ASSEMBLY, ADAPTER AND PEDESTAL (13M MODELS ONLY)

| ITEM | PART NUMBER | QTY | DESCRIPTION | REV |
|------|-------------|-----|---|-----|
| | 3510871 | 1 | PLATFORM ASSY, (13M models only), (includes all items on PLATFORM ASSEMBLY, ADAPTER AND PEDESTAL, PLATFORM ASSEMBLY, BASE AND RAILINGS, PLATFORM ASSEMBLY, ELECTRICAL and PLATFORM ASSEMBLY, MISCELLANEOUS) | D |
| 1 | 70020143 | 1 | PLATFORM ADAPTER ASSY, (includes all items) | |
| 2 | 70020038 | 1 | ADAPTER | |
| 3 | 70020304 | 1 | ACTUATOR, (includes counterbalance valve) | |
| 3 | 7017165 | 1 | SEAL KIT, ACTUATOR | |
| 3 | 7017172 | 1 | COUNTERBALANCE VALVE | |
| 3 | 7017192 | 1 | CARTRIDGE | |
| 4 | 70020039 | 1 | ACTUATOR PIN | |
| 5 | 70020040 | 1 | LOWER FIXING SUPPORT | |
| 6 | 70020041 | 1 | FOOT | |
| 7 | 70020042 | 2 | BAFFLE | |
| 8 | 70020043 | 1 | UPPER PLATE | |
| 9 | 70020044 | 1 | FRAME | |
| 10 | 70020045 | 1 | SPACER | |
| 11 | 70020046 | 1 | CONTROL BOX PEDESTAL ASSY, (includes items 12 thru 23) | |
| 12 | 70020047 | 1 | CONTROL BOX PEDESTAL | |
| 13 | 1600387 | 1 | LOAD SENSE CONTROLLER | |
| 14 | 0861794 | 1 | ELECTRICAL BOX | |
| 15 | 70020048 | 7 | PLAIN WASHER | |
| 16 | 70020049 | 1 | HEX HD SCREW, M6X1X60 | |
| 17 | 70020050 | 2 | HEX HD SCREW, M6X1X45 | |
| 18 | 70020051 | 4 | HEX HD SCREW, M6X1X12 | |
| 19 | 70020052 | 4 | HEX HD SCREW, M6X1X16 | |
| 20 | 70020053 | 1 | PLUG | |
| 21 | 70020054 | 5 | HEX SELF LOCKING NUT, M6X1 | |
| 22 | 70020055 | 1 | HOSE CLAMP | |
| 23 | 0860520 | 1 | MANUAL STORAGE BOX | |
| 24 | | Ref | LOAD CELL, (See PLATFORM ASSEMBLY, ELECTRICAL for Breakdown) | |
| 25 | 70020057 | 31 | HEX SELF LOCKING NUT, M14 | |
| 26 | 70020058 | 7 | HEX HD SCREW, M14X2X60 | |
| 27 | 70020059 | 10 | HEX HD SCREW, M12X1.75X35 | |
| 28 | 70020060 | 1 | HEX HD SCREW, M12X1.75X160 | |
| 29 | 70020061 | 6 | PLAIN WASHER | |
| 30 | 70020062 | 2 | HEX SELF LOCKING NUT, M22X1.5 | |
| 31 | 70020063 | 8 | PLAIN WASHER | |
| 32 | 70020064 | 4 | HEX HD SCREW, M24X3X140 | |
| 33 | 70020065 | 4 | HEX SELF LOCKING NUT, M24 | |
| 34 | 70020066 | 2 | HEX SELF LOCKING NUT, M16X2X40 | |
| 35 | 70020067 | 6 | HEX HD SCREW, M16X2X60 | |
| 36 | 70020068 | 6 | HEX SELF LOCKING NUT, M16 | |
| 37 | 70020069 | 24 | HEX HD SCREW, M14X2X50 | |
| 38 | 70020070 | 8 | HEX HD SCREW, M12X1.75X65 | |
| 39 | 70020071 | 8 | HEX SELF LOCKING NUT, M12 | |

SECTION 3 - ATTACHMENTS

FIGURE 3-12. PLATFORM ASSEMBLY, BASE AND RAILINGS (13M MODELS ONLY)



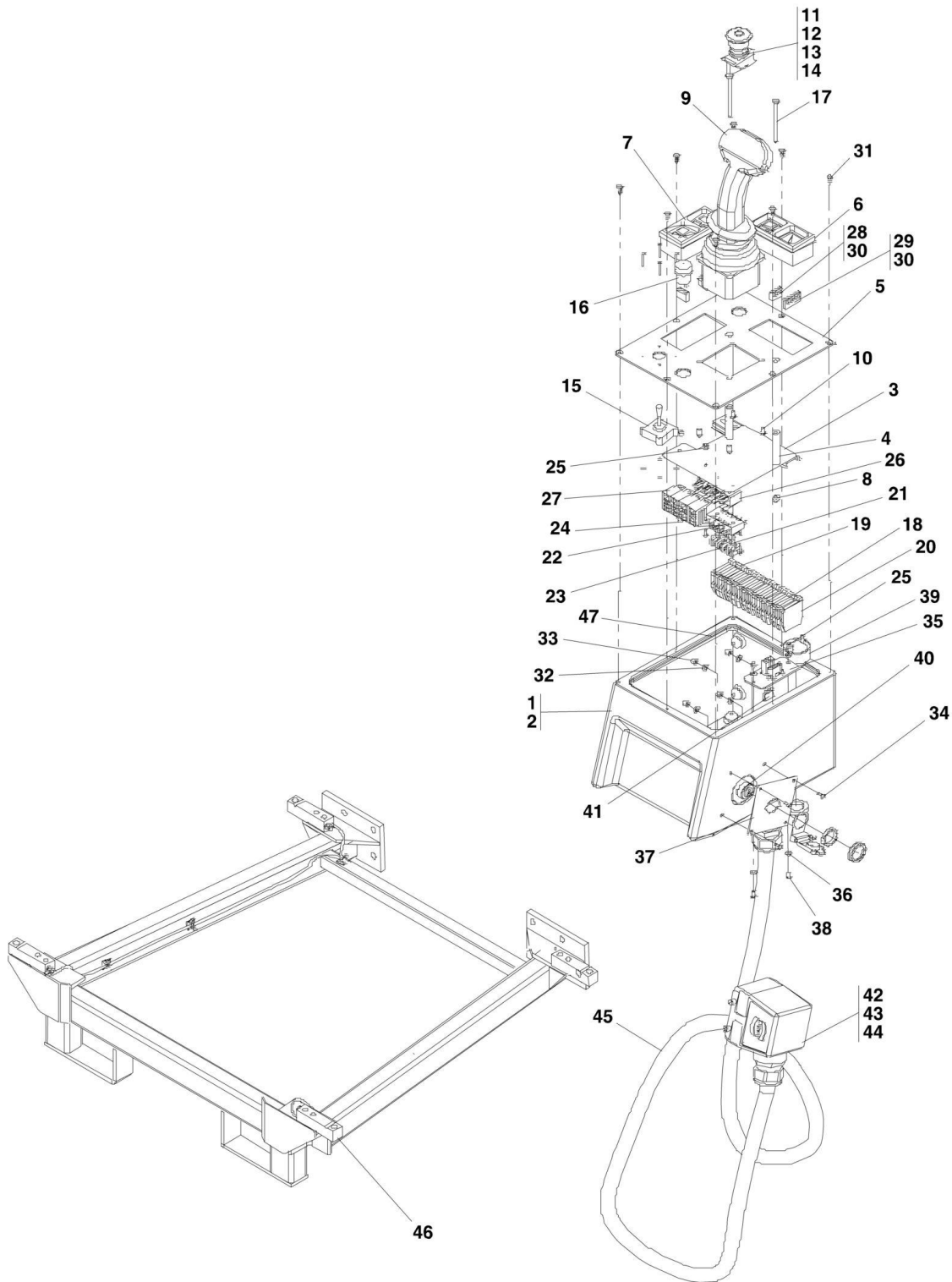
SECTION 3 - ATTACHMENTS

FIGURE 3-12. PLATFORM ASSEMBLY, BASE AND RAILINGS (13M MODELS ONLY)

| ITEM | PART NUMBER | QTY | DESCRIPTION | REV |
|------|-------------|-----|---|-----|
| | 3510871 | 1 | PLATFORM ASSY, (13M models only), (includes all items on PLATFORM ASSEMBLY, ADAPTER AND PEDESTAL, PLATFORM ASSEMBLY, BASE AND RAILINGS, PLATFORM ASSEMBLY, ELECTRICAL and PLATFORM ASSEMBLY, MISCELLANEOUS) | D |
| 1 | 70020144 | 1 | COMPLETE BASE ASSY, (includes items 2 thru 12) | |
| 2 | 70020072 | 1 | PLATFORM BASE | |
| 3 | 7029888 | 2 | LATERAL TOEGUARD | |
| 4 | 70020073 | 2 | FRONT LATERAL TOEGUARD | |
| 5 | 70020074 | 1 | FRONT MIDDLE TOEGUARD | |
| 6 | 70020075 | 2 | REAR TOEGUARD | |
| 7 | 70020076 | 8 | CHEESE HD SOCKET SCREW, M6X1X55 | |
| 8 | 70020077 | 10 | CHEESE HD SOCKET SCREW, M6X1X20 | |
| 9 | 70020078 | 1 | METAL GRATING | |
| 10 | 70020079 | 6 | FLAT HD SCREW, M8X1.25X30 | |
| 11 | 70020054 | 18 | HEX SELF LOCKING NUT, M6X1 | |
| 12 | 70020080 | 6 | HEX SELF LOCKING NUT, M8X1.25 | |
| 13 | 70020145 | 1 | COMPLETE RAILING ASSY, (includes items 14 thru 43) | |
| 14 | 70020081 | 7 | TUBULAR FRAME | |
| 15 | 70020082 | 1 | TUBULAR FRAME | |
| 16 | 70020083 | 7 | TUBULAR FRAME | |
| 17 | 70020084 | 5 | TUBULAR FRAME | |
| 18 | 70020085 | 8 | TUBULAR FRAME | |
| 19 | 70020086 | 2 | TUBULAR FRAME | |
| 20 | 70020087 | 1 | TUBULAR FRAME | |
| 21 | 70020088 | 1 | TUBULAR FRAME, (rear vertical), (not shown) | |
| 22 | 70020089 | 7 | TUBULAR FRAME | |
| 23 | 70020090 | 1 | TUBULAR FRAME | |
| 24 | 70020091 | 1 | TUBULAR FRAME | |
| 25 | 70020092 | 1 | TUBULAR FRAME | |
| 26 | 70020093 | 4 | TUBULAR FRAME | |
| 27 | 70020094 | 1 | TUBULAR FRAME | |
| 28 | 70020095 | 2 | TUBULAR FRAME | |
| 29 | 70020096 | 1 | TUBULAR FRAME | |
| 30 | 70020097 | 1 | TUBULAR FRAME | |
| 31 | 70020098 | 6 | CORNER TEE FITTING | |
| 32 | 70020099 | 5 | CROSS FITTING | |
| 33 | 70020100 | 6 | CORNER TEE FITTING, 90 | |
| 34 | 70020101 | 7 | TEE FITTING, 90 | |
| 35 | 70020102 | 2 | HINGE FITTING, RIGHT HAND | |
| 36 | 70020103 | 4 | CORNER TEE FITTING, 90 | |
| 37 | 70020104 | 4 | RIVET | |
| 38 | 70020105 | 4 | LANYARD KEEPER ASSY, (includes items 39 thru 42) | |
| 39 | 70020106 | 1 | CLAMP | |
| 40 | 70020107 | 1 | BUSHING | |
| 41 | 70020108 | 1 | EYEBOLT | |
| 42 | 70020109 | 1 | HEX HD SCREW, M12X1.75X45 | |
| 43 | 7029962 | 1 | DOOR LOCK | |

SECTION 3 - ATTACHMENTS

FIGURE 3-13. PLATFORM ASSEMBLY, ELECTRICAL (13M MODELS ONLY)



SECTION 3 - ATTACHMENTS

FIGURE 3-13. PLATFORM ASSEMBLY, ELECTRICAL (13M MODELS ONLY)

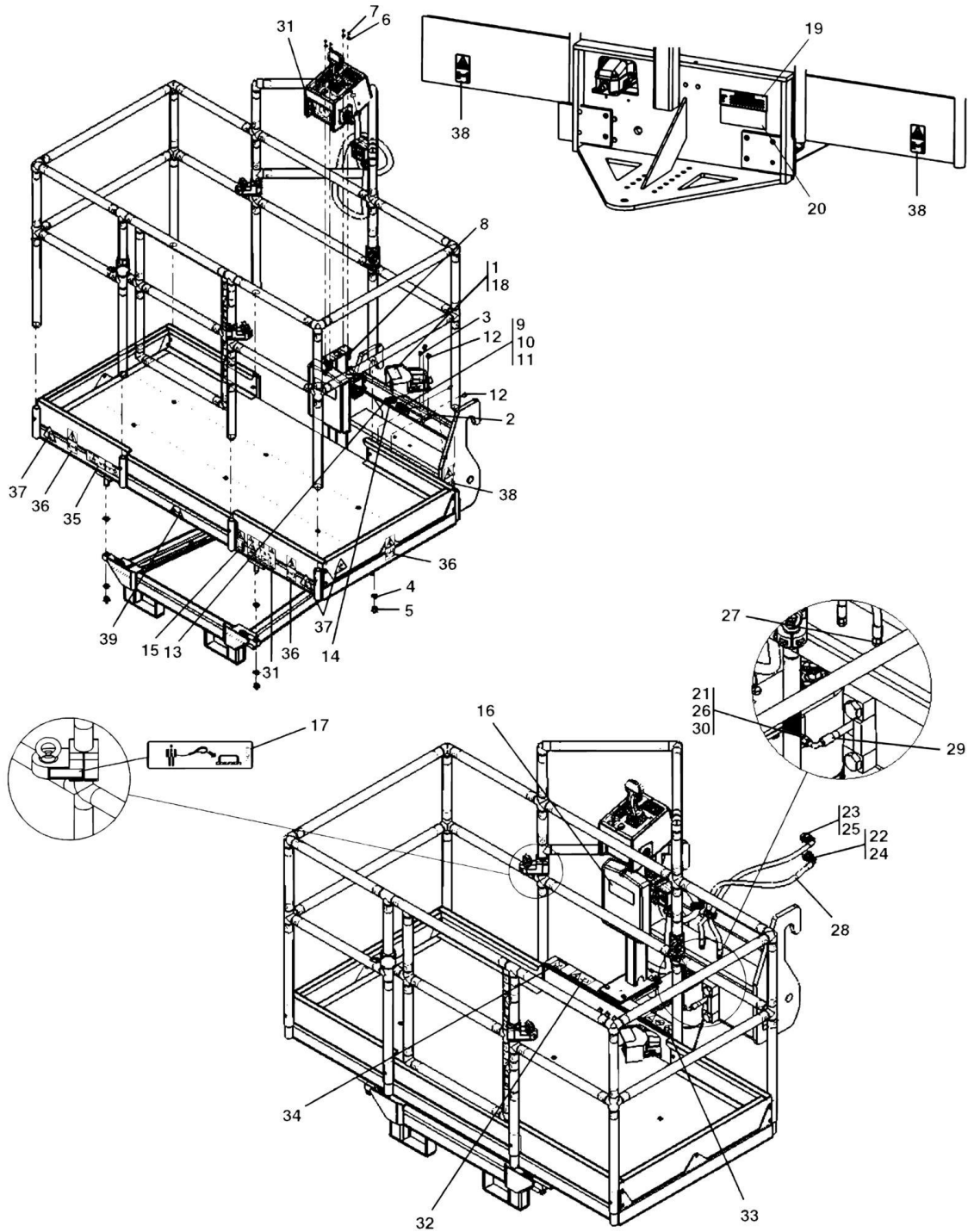
| ITEM | PART NUMBER | QTY | DESCRIPTION | REV |
|------|-------------|-----|---|-----|
| | 3510871 | 1 | PLATFORM ASSY, (13M models only), (includes all items on PLATFORM ASSEMBLY, ADAPTER AND PEDESTAL, PLATFORM ASSEMBLY, BASE AND RAILINGS, PLATFORM ASSEMBLY, ELECTRICAL and PLATFORM ASSEMBLY, MISCELLANEOUS) | D |
| 1 | 70020147 | 1 | CONTROL BOX ASSY, (includes items 1 thru 15) | |
| 2 | 70020110 | 1 | CONTROL BOX | |
| 3 | 70020111 | 1 | INTERMEDIATE PLATE | |
| 4 | 70020112 | 2 | SPACER | |
| 5 | 70020113 | 1 | DASHBOARD PANEL | |
| 6 | 7029926 | 1 | LIGHTS AND FUEL GAUGE ASSY | |
| 7 | 7029927 | 1 | LIGHTS ASSY | |
| 8 | 70020054 | 2 | HEX SELF LOCKING NUT, M6X1 | |
| 9 | 8002822 | 1 | JOYSTICK | |
| 10 | 70020114 | 4 | RD HD CROSS SLOTTED SCREW, M5X0.8X10 | |
| 11 | 70020115 | 1 | EMERGENCY STOP BUTTON | |
| 12 | 70020116 | 1 | EMERGENCY STOP BUTTON SUPPORT w/CONTACT | |
| 13 | 70020117 | 1 | EMERGENCY STOP BUTTON CONTACT | |
| 14 | 70020118 | 1 | EMERGENCY STOP BUTTON RING | |
| 15 | 7029928 | 1 | LITTLE JOYSTICK | |
| 16 | 7029929 | 1 | HORN BUTTON | |
| 17 | 70020119 | 2 | FLAT HD SOCKET SCREW, M6X1X80 | |
| 18 | 70020120 | 28 | TERMINAL | |
| 19 | 70020121 | 2 | TERMINAL | |
| 20 | 70020122 | 1 | PLATE | |
| 21 | 70020123 | 2 | RD HD CROSS SLOTTED SCREW, M3X0.5X16 | |
| 22 | 70020124 | 1 | FUSE BOX | |
| 23 | 70020125 | 5 | DIODE | |
| 24 | 70020126 | 2 | RD HD SOCKET SCREW, M4X0.7X10 | |
| 25 | 70021027 | 4 | HEX SELF LOCKING NUT, M4X0.7 | |
| 26 | 7029930 | 4 | RELAY, 12V 20A | |
| 27 | 70020128 | 4 | RELAY SUPPORT | |
| 28 | 70020129 | 3 | CONNECTOR | |
| 29 | 70020130 | 1 | CONNECTOR | |
| 30 | 70020131 | 22 | CONTACT FOR CONNECTOR | |
| 31 | 70020132 | 8 | SELF TAPPING FLAT HD SCREW, M4.8X2X16 | |
| 32 | 70020133 | 4 | PLAIN WASHER | |
| 33 | 70020134 | 4 | HEX SELF LOCKING NUT, M5X0.8 | |
| 34 | 70020135 | 4 | RD HD SOCKET SCREW, M5X0.8X16 | |
| 35 | 70020136 | 1 | FUSE ASSY | |
| 36 | 70020137 | 4 | FLAT WASHER | |
| 37 | 70020138 | 1 | PLATE | |
| 38 | 70020139 | 2 | RD HD SOCKET SCREW, M4X0.7X20 | |
| 39 | 70020140 | 1 | ALARM | |
| 40 | 4360583 | 1 | SWITCH | |
| 41 | 70020141 | 1 | FUSE, 15A | |
| 42 | 7029931 | 1 | FLYING BOX | |
| 43 | 7029932 | 1 | MALE CONTACT, 16 PIN, (1-16) | |
| 44 | 7029933 | 1 | MALE CONTACT, 16 PIN, (17-32) | |
| 45 | 7029935 | 1 | CABLE ASSY | |
| 46 | 2420202 | 4 | LOAD CELL | |

SECTION 3 - ATTACHMENTS

| ITEM | PART NUMBER | QTY | DESCRIPTION | REV |
|------|-------------|--------|---|-----|
| 47 | 4420008 | 3.4 ft | INSULATION TAPE | |
| | 70020142 | 1 | COMPLETE CABLE AND FLYBOX, (includes items 42 & 45) | |

SECTION 3 - ATTACHMENTS

FIGURE 3-14. PLATFORM ASSEMBLY, MISCELLANEOUS (13M MODELS ONLY)



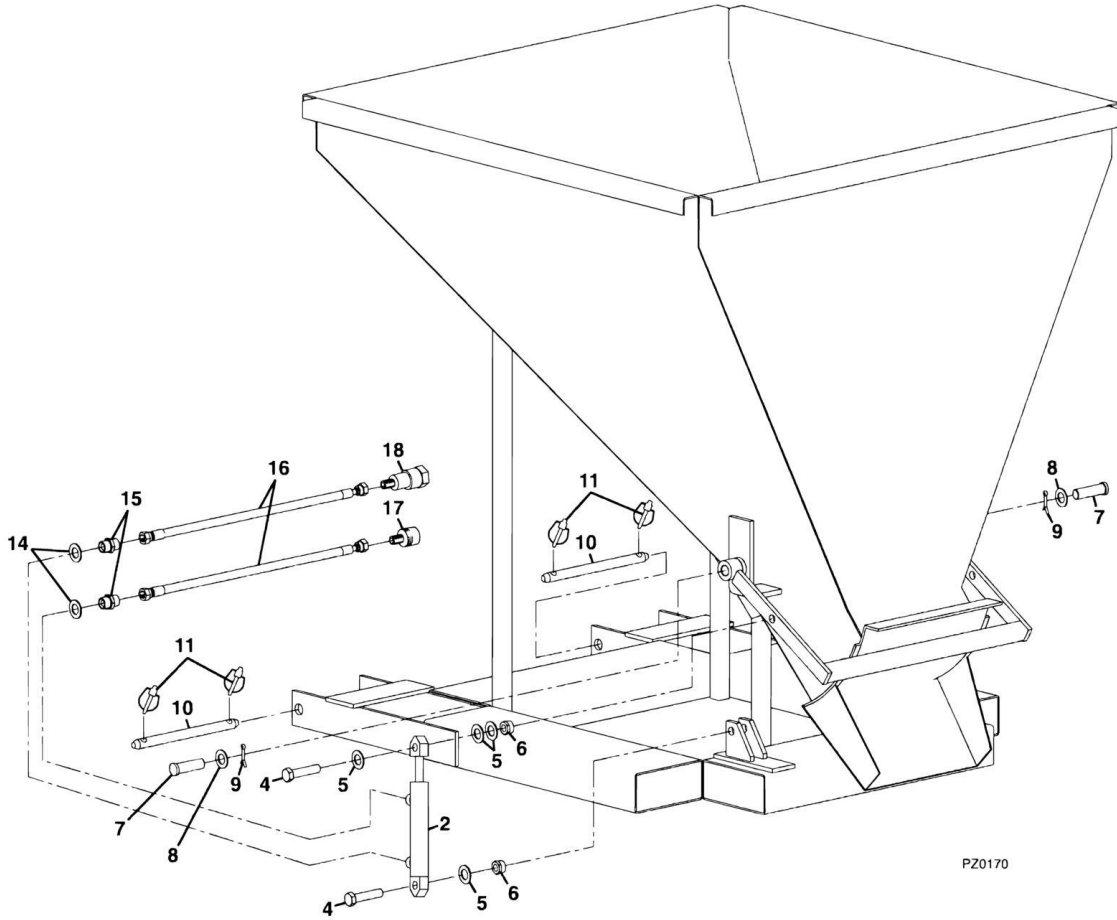
SECTION 3 - ATTACHMENTS

FIGURE 3-14. PLATFORM ASSEMBLY, MISCELLANEOUS (13M MODELS ONLY)

| ITEM | PART NUMBER | QTY | DESCRIPTION | REV |
|------|-------------|-----|---|-----|
| | 3510871 | 1 | PLATFORM ASSY, (13M models only), (includes all items on PLATFORM ASSEMBLY, ADAPTER AND PEDESTAL, PLATFORM ASSEMBLY, BASE AND RAILINGS, PLATFORM ASSEMBLY, ELECTRICAL and PLATFORM ASSEMBLY, MISCELLANEOUS) | D |
| 1 | 4360031 | 1 | FOOT SWITCH | |
| 2 | 70020146 | 1 | FOOT SWITCH SUPPORT PLATE | |
| 3 | 70020148 | 1 | HEX HD SCREW, M6X1X20 | |
| 4 | 70020149 | 8 | PLAIN WASHER | |
| 5 | 70020068 | 4 | HEX SELF LOCKING NUT, M16 | |
| 6 | 70020133 | 8 | PLAIN WASHER | |
| 7 | 70020150 | 4 | HEX NUT, M5X0.8 | |
| 8 | 70020151 | 4 | HEX HD SCREW, M5X0.8X25 | |
| 9 | 70020152 | 1 | DOUBLE CLAMP | |
| 10 | 70020153 | 1 | UPPER DOUBLE CLAMP | |
| 11 | 70020154 | 1 | DOUBLE CLAMP SCREW | |
| 12 | 70020155 | 4 | CHEESE HD SOCKET SCREW, M8X1.25X20 | |
| 13 | 70020156 | 2 | CHEESE HD SOCKET SCREW, M6X1X30 | |
| 14 | 70020157 | 2 | CLAMP | |
| 15 | 8006612 | 1 | ATTENTION DECAL | |
| 16 | 1701509 | 1 | MANUAL BOX DECAL | |
| 17 | 1704277 | 4 | LANYARD DECAL | |
| 18 | 1705828 | 1 | FOOT SWITCH DECAL | |
| 19 | 3252801 | 1 | NAMEPLATE, MANUFACTURING SPECIFICATIONS | |
| 20 | 70020159 | 1 | PLATFORM NAMEPLATE | |
| 21 | 70020160 | 2 | COPPER WASHER | |
| 22 | 70020161 | 1 | FEMALE QUICK CONNECTION | |
| 23 | 70020162 | 1 | MALE QUICK CONNECTION | |
| 24 | 70020163 | 1 | FEMALE QUICK CONNECTION PLUG | |
| 25 | 70020164 | 1 | MALE QUICK CONNECTION PLUG | |
| 26 | 70020165 | 2 | O-RING | |
| 27 | 70020166 | 2 | FITTING, 1/4 | |
| 28 | 70020167 | 2 | HOSE ASSY | |
| 29 | 70020168 | 2 | HOSE ASSY | |
| 30 | 70020169 | 2 | SPECIAL FITTING | |
| 31 | 1706323 | 2 | 450 KG CAPACITY WARNING DECAL | |
| 32 | 1706595 | 1 | STABILITY WARNING DECAL | |
| 33 | 1706596 | 1 | FALL HAZARD WARNING DECAL | |
| 34 | 1706600 | 1 | OUTRIGGER LOAD DECAL | |
| 35 | 1706601 | 1 | PLATFORM LOAD CAPACITY DECAL | |
| 36 | 1706602 | 3 | CRUSHING HAZARD DECAL | |
| 37 | 1706603 | 3 | FOOT CRUSHING HAZARD DECAL | |
| 38 | 1706604 | 3 | CRUSHING HAZARD WARNING DECAL | |
| 39 | 1706605 | 1 | FOOT CRUSHING HAZARD DECAL | |
| | 70020158 | 1 | DECAL KIT, (includes items 31 thru 39) | |

SECTION 3 - ATTACHMENTS

FIGURE 3-15. CONCRETE LADLE (9M & 13M MODELS ONLY)



PZ0170

SECTION 3 - ATTACHMENTS

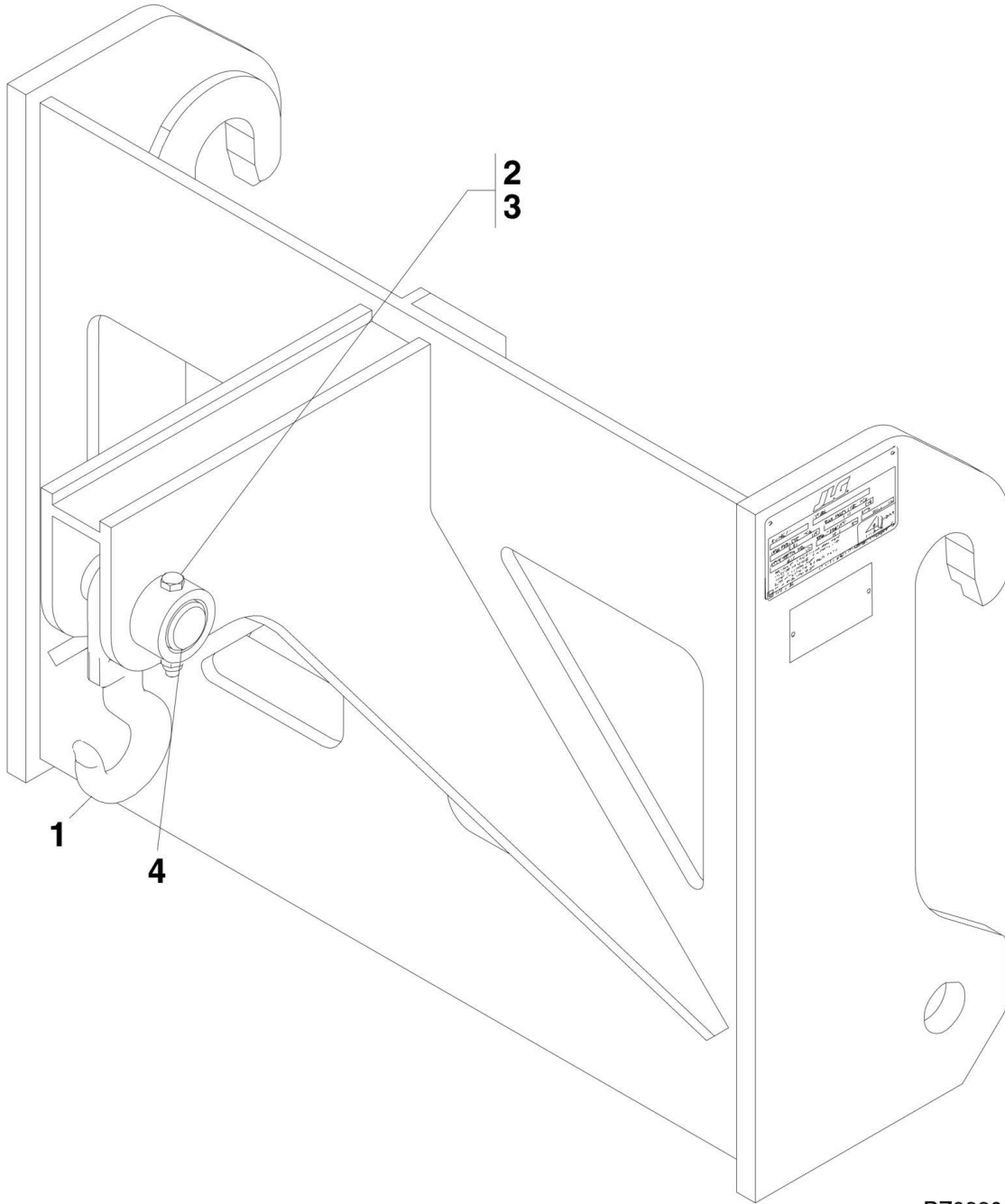
FIGURE 3-15. CONCRETE LADLE (9M & 13M MODELS ONLY)

| ITEM | PART NUMBER | QTY | DESCRIPTION | REV |
|------|-------------|-----|--|-----|
| | 0240158 | 1 | CONCRETE LADLE, (9M & 13M models only), (includes all items) | B |
| 2 | 70020723 | 1 | HYDRAULIC CYLINDER | |
| 4 | 70020724 | 2 | BOLT | |
| 5 | 70020725 | 4 | WASHER | |
| 6 | 70020726 | 2 | NUT | |
| 7 | 70020727 | 2 | PIN | |
| 8 | 70020728 | 2 | WASHER | |
| 9 | 70020729 | 2 | PIN | |
| 10 | 70020203 | 2 | SAFETY PIN | |
| 11 | 70020204 | 4 | RETAINING RING | |
| 14 | 70020730 | 2 | GASKET | |
| 15 | 70020731 | 2 | LINK | |
| 16 | 70020732 | 2 | PIPE | |
| 17 | 70020733 | 1 | QUICK COUPLING, MALE | |
| 18 | 70020734 | 1 | QUICK COUPLING, FEMALE | |

SECTION 3 - ATTACHMENTS

FIGURE 3-16. CRANE HOOK (9M & 13M MODELS ONLY)

9M & 13M



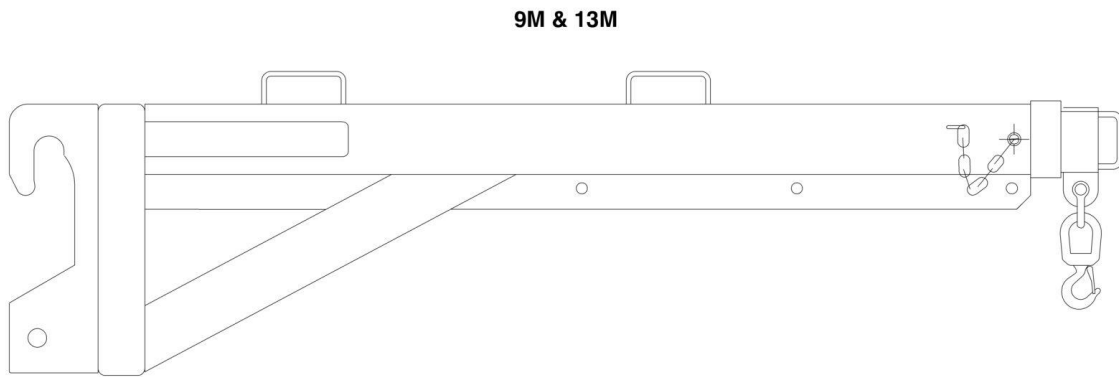
SECTION 3 - ATTACHMENTS

FIGURE 3-16. CRANE HOOK (9M & 13M MODELS ONLY)

| ITEM | PART NUMBER | QTY | DESCRIPTION | REV |
|------|-------------|-----|--|-----|
| | 1170058 | 1 | CRANE HOOK, (9M & 13M machines only), (includes all items) | A |
| 1 | 70020417 | 1 | HOOK | |
| 2 | 70020205 | 1 | BOLT | |
| 3 | 70020206 | 1 | NUT | |
| 4 | 70020201 | 1 | PIN | |

SECTION 3 - ATTACHMENTS

FIGURE 3-17. EXTENDING JIB (AUSTRALIA) (9M & 13M MACHINES ONLY)



PAP098

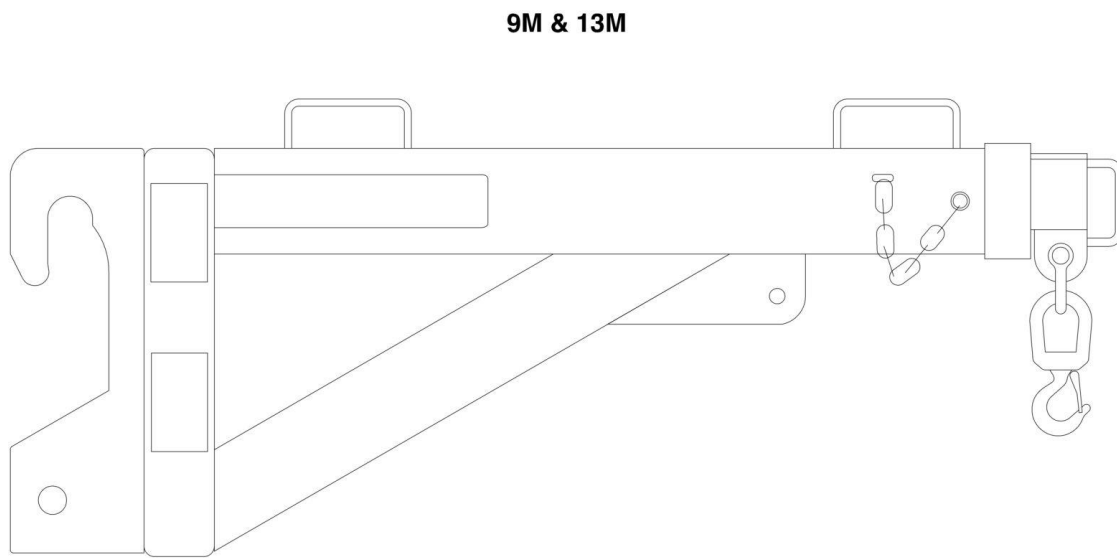
SECTION 3 - ATTACHMENTS

FIGURE 3-17. EXTENDING JIB (AUSTRALIA) (9M & 13M MACHINES ONLY)

| ITEM | PART NUMBER | QTY | DESCRIPTION | REV |
|------|-------------|-----|---|-----|
| | 1733787 | 1 | EXTENDING JIB, (9M & 13M machines only) | A |

SECTION 3 - ATTACHMENTS

FIGURE 3-18. ADJUSTABLE BOOM TRUSS (AUSTRALIA) (9M & 13M MACHINES ONLY)



PAP099

SECTION 3 - ATTACHMENTS

FIGURE 3-18. ADJUSTABLE BOOM TRUSS (AUSTRALIA) (9M & 13M MACHINES ONLY)

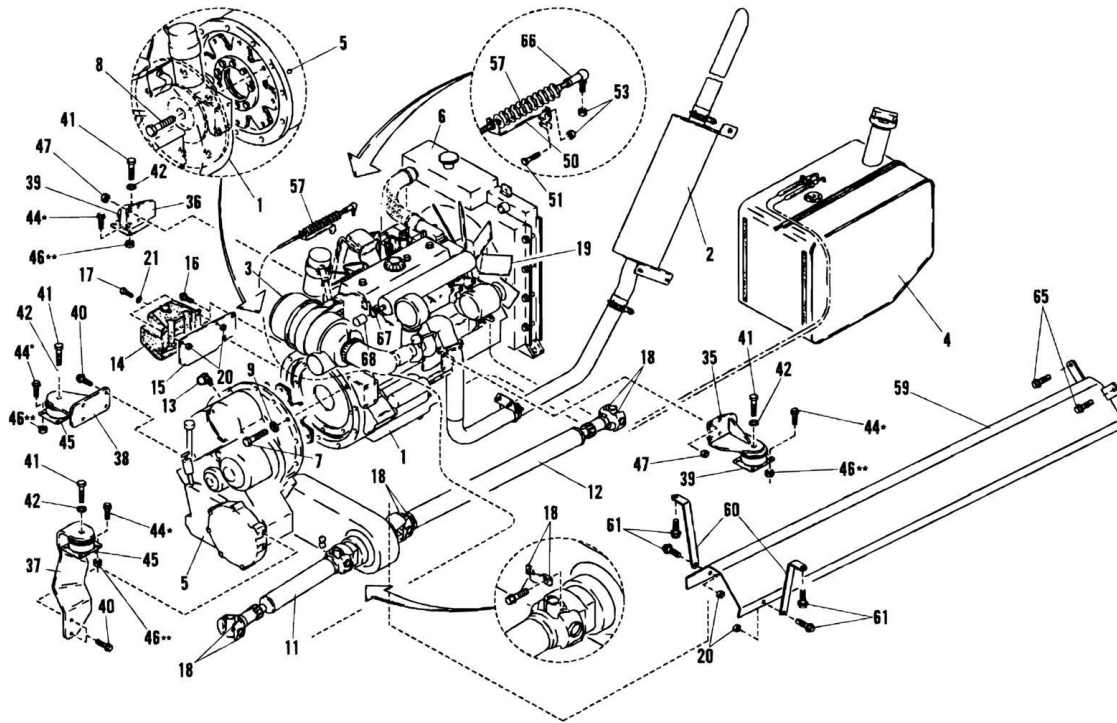
| ITEM | PART NUMBER | QTY | DESCRIPTION | REV |
|------|-------------|-----|---|-----|
| | 0240145 | 1 | ADJUSTABLE BOOM TRUSS, (9M & 13M machines only) | B |

SECTION 4 - ENGINE AND ATTACHING PARTS

SECTION 4 - ENGINE AND ATTACHING PARTS

SECTION 4 - ENGINE AND ATTACHING PARTS

FIGURE 4-1. ENGINE INSTALLATION (Prior to SN 116000358)



* Was item 43 Prior to SN 116000348.
** Prior to SN 116000348, this item was not used.

SECTION 4 - ENGINE AND ATTACHING PARTS

FIGURE 4-1. ENGINE INSTALLATION (Prior to SN 1160000358)

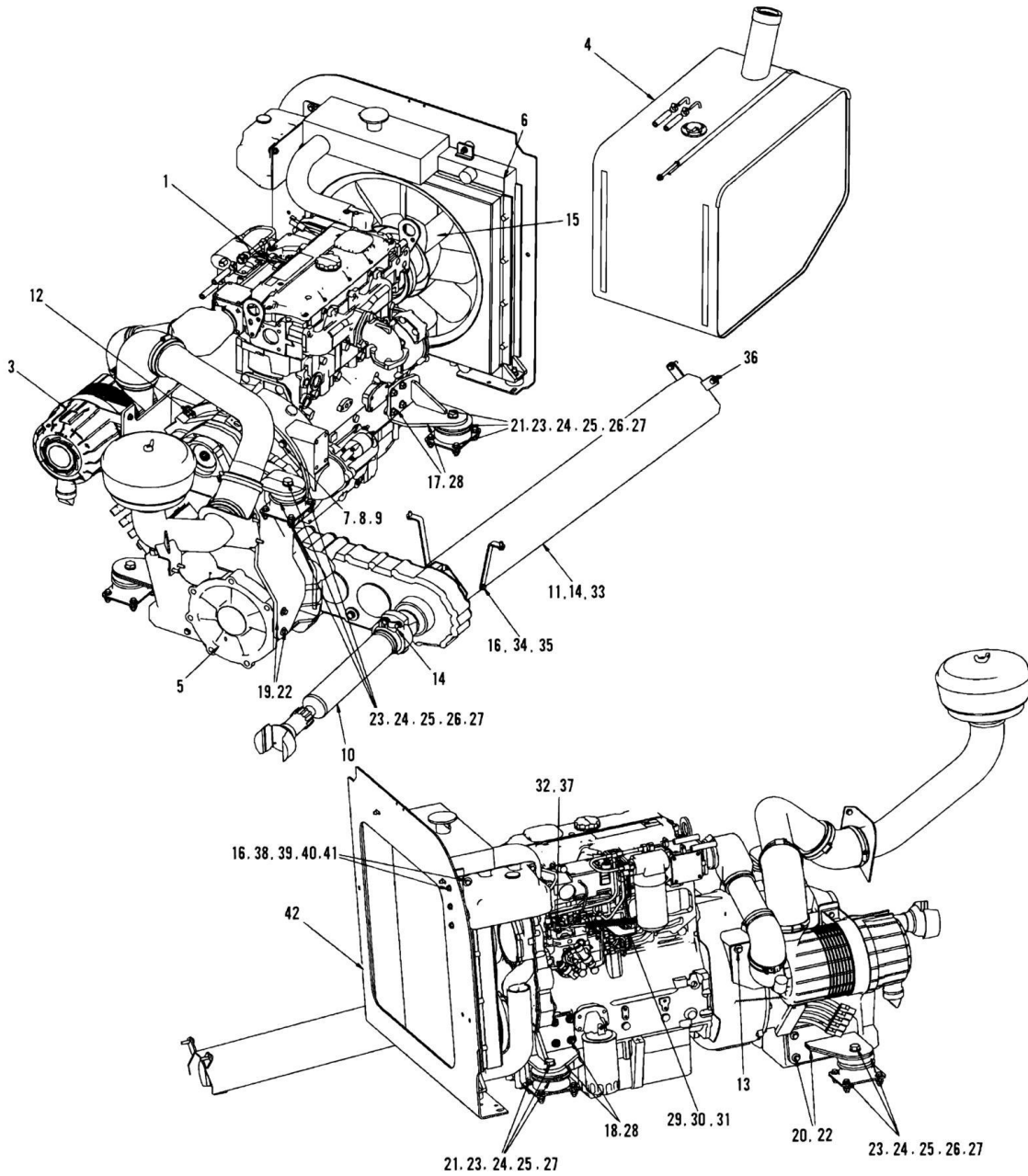
| ITEM | PART NUMBER | QTY | DESCRIPTION | REV |
|------|-------------|-----|---|-----|
| 1 | 8002785 | Ref | ENGINE INSTALLATION, (includes all items) | G |
| | | Ref | ENGINE PERKINS D 12V, (See ENGINE ASSEMBLY for Breakdown) | |
| | | Ref | MUFFLER INSTALLATION, (See MUFFLER INSTALLATION for Breakdown) | |
| | | Ref | AIR CLEANER INSTALLATION, (See AIR CLEANER INSTALLATION for Breakdown) | |
| | | Ref | FUEL SUPPLY INSTALLATION, (See TANK AND FUEL SUPPLY INSTALLATION for Breakdown) | |
| | | Ref | TRANSMISSION ASSY OPTIONS, (See TRANSMISSION ASSEMBLY for Breakdown) | |
| 6 | | Ref | COOLING SYSTEM INSTALLATION, (See COOLING SYSTEM INSTALLATION for Breakdown) | |
| 7 | 0771014 | 10 | HEX HD CAPSCREW, M10X30, (torque to 63 Nm) | |
| 8 | 8003320 | 8 | BOLT, 10-1.25X50, GR8.8, (torque to 37 Nm) | |
| 9 | 5212000 | 10 | WASHER, 10X22mm | |
| 11 | 8004069 | 1 | DRIVESHAFT | |
| 11 | 7028929 | 2 | UNIVERSAL JOINT | |
| 12 | 8004070 | 1 | DRIVESHAFT | |
| 12 | 7028929 | 2 | UNIVERSAL JOINT | |
| 13 | 8004982 | 1 | FITTING | |
| 14 | 2995299 | 1 | WASHER BOTTLE WITH PUMP | |
| 14 | 70021576 | 1 | CAP | |
| 15 | 4806126 | 1 | BRACKET | |
| 16 | 1783337 | 2 | BOLT, 12X20mm | |
| 17 | 0760810 | 2 | HEX HD CAPSCREW, M8X20, GR8.8 | |
| 18 | 8005079 | 8 | DRIVESHAFT ATTACHMENT KIT, (includes strap and bolts), (torque to 38 Nm) | |
| 19 | 8004872 | 1 | FAN | |
| 20 | 5220800 | 4 | NUT, 8mm | |
| 21 | 1356341 | 4 | WASHER, 8.4mm | |
| 35 | 4801154 | 1 | BRACKET, MOUNTING, (rear left) | |
| 36 | 4801176 | 1 | BRACKET, MOUNTING, (rear right) | |
| 37 | 4804715 | 1 | BRACKET, MOUNTING, (front left) | |
| 38 | 4804135 | 1 | BRACKET, MOUNTING, (front right) | |
| 39 | 4806397 | 2 | MOUNT, (rear) | |
| 40 | 5201215 | 6 | BOLT, 12X35mm, (torque to 120 Nm) | |
| 41 | 398929 | 4 | BOLT, 16X1.5X30mm, GR8.8, (torque to 210 Nm) | |
| 42 | 4812300 | 4 | FLAT WASHER, M16 | |
| 43 | 5201010 | 12 | BOLT, M10X20, (see note on illustration) (Prior to SN 1160000348) | |
| 44 | 5201014 | 16 | BOLT, M10X30, (torque to 120 Nm), (see note on illustration) | |
| 45 | 4806386 | 2 | MOUNT, (front) | |
| 46 | 5221000 | 16 | NUT, M10, (see note on illustration) | |
| 47 | 5221200 | 8 | NUT, M12 | |
| 50 | 8000515 | 1 | BRACKET, SPRING | |
| 51 | 0760608 | 2 | HEX HD CAPSCREW, M6X16, GR8.8 | |
| 53 | 3290605 | 4 | HEX LOCKNUT, 6mm | |
| 57 | 8002599 | 1 | CABLE, THROTTLE | |
| 59 | 8002584 | 1 | GUARD | |
| 60 | 8002585 | 2 | BRACKET, GUARD | |

SECTION 4 - ENGINE AND ATTACHING PARTS

| ITEM | PART NUMBER | QTY | DESCRIPTION | REV |
|------|-------------|-----|---|-----|
| 61 | 5200808 | 4 | BOLT, 8X16mm | |
| 65 | 5200813 | 2 | BOLT, 8X25mm | |
| 66 | 466104 | 1 | ANGLE JOINT | |
| 67 | 8009974 | 1 | CLAMP, USED ONLY WITH NA ENGINE 4800164 | |
| 68 | 8009975 | 1 | CAP, USED ONLY WITH NA ENGINE 4800164 | |

SECTION 4 - ENGINE AND ATTACHING PARTS

FIGURE 4-2. ENGINE INSTALLATION (SN 116000358 to Present)



SECTION 4 - ENGINE AND ATTACHING PARTS

FIGURE 4-2. ENGINE INSTALLATION (SN 1160000358 to Present)

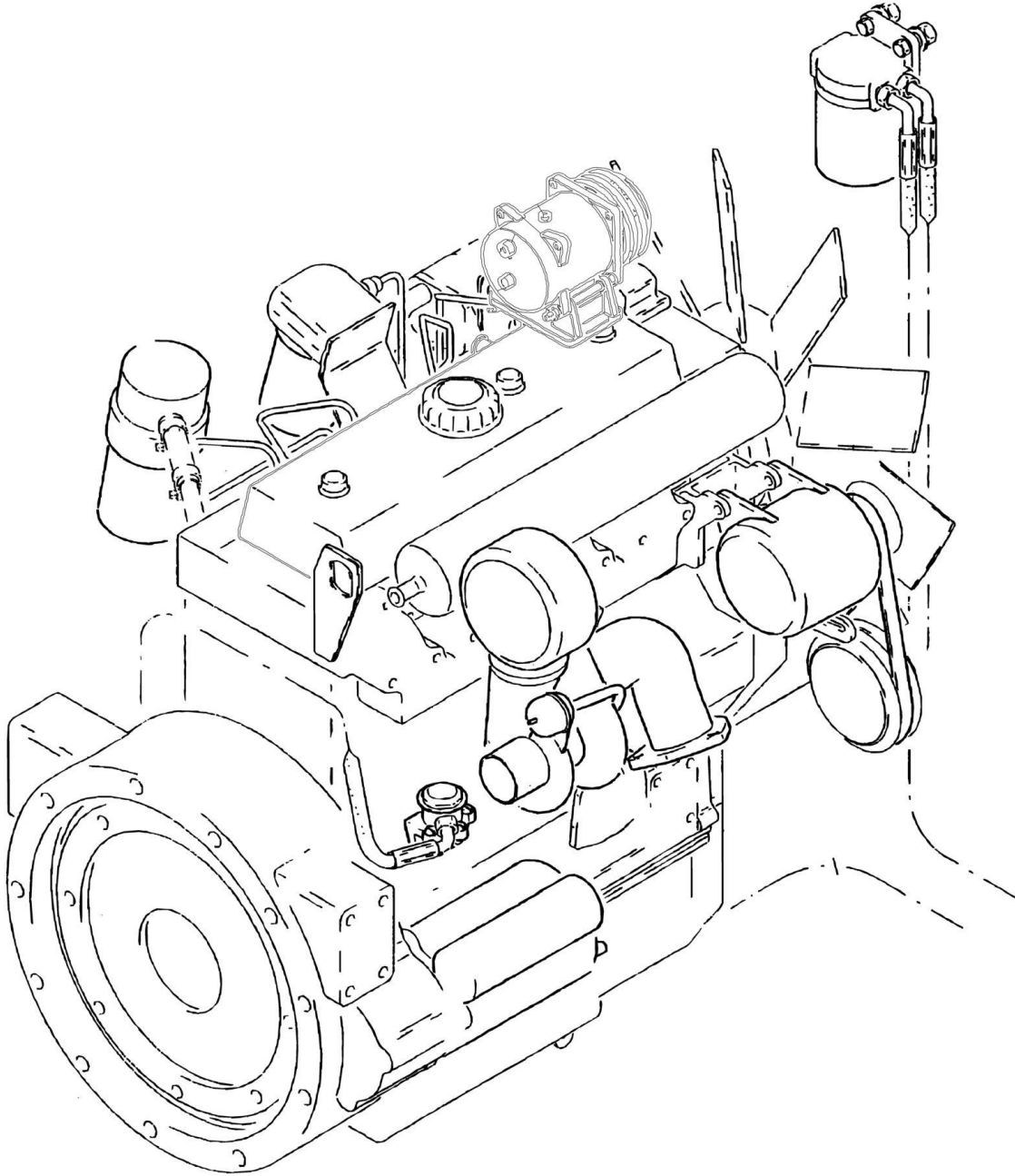
| ITEM | PART NUMBER | QTY | DESCRIPTION | REV |
|------|-------------|-----|---|-----|
| | 2000227 | Ref | ENGINE INSTALLATION, NA, (includes all items) | F |
| | 2000231 | Ref | ENGINE INSTALLATION, 3 SPEED TURBO | F |
| | 2000226 | Ref | ENGINE INSTALLATION, 4 SPEED TURBO | F |
| 1 | | Ref | ENGINE PERKINS D 12V OPTIONS, (See ENGINE ASSEMBLY for Breakdown) | |
| 3 | | Ref | AIR CLEANER INSTALLATION, (See AIR CLEANER INSTALLATION for Breakdown) | |
| 4 | | Ref | FUEL SUPPLY INSTALLATION, (See TANK AND FUEL SUPPLY INSTALLATION for Breakdown) | |
| 5 | | Ref | TRANSMISSION ASSY OPTIONS, (See TRANSMISSION ASSEMBLY for Breakdown) | |
| 6 | | Ref | COOLING SYSTEM INSTALLATION, (See COOLING SYSTEM INSTALLATION for Breakdown) | |
| 7 | 0771014 | 10 | HEX HD CAPSCREW, M10X30, (torque to 63 Nm) | |
| 8 | 8003320 | 8 | BOLT, 10-1.25X50, GR8.8, (torque to 37 Nm) | |
| 9 | 5212000 | 10 | WASHER, 10X22mm | |
| 10 | 8004069 | 1 | DRIVESHAFT | |
| 10 | 7028929 | 2 | UNIVERSAL JOINT | |
| 11 | 8004070 | 1 | DRIVESHAFT | |
| 11 | 7028929 | 2 | UNIVERSAL JOINT | |
| 12 | 8004982 | 1 | FITTING | |
| 13 | 5201210 | 3 | BOLT | |
| 14 | 8005079 | 8 | DRIVESHAFT ATTACHMENT KIT, (includes strap and bolts), (torque to 38 Nm) | |
| 15 | 2060033 | 1 | FAN, 20 INCH | |
| 16 | 5220800 | 6 | NUT, 8mm | |
| 17 | 4801154 | 1 | BRACKET, MOUNTING, (rear left) | |
| 18 | 4801176 | 1 | BRACKET, MOUNTING, (rear right) | |
| 19 | 4804715 | 1 | BRACKET, MOUNTING, (front left) | |
| 20 | 4804135 | 1 | BRACKET, MOUNTING, (front right) | |
| 21 | 4806397 | 2 | MOUNT, (rear) | |
| 22 | 5201215 | 6 | BOLT, 12X35mm, (torque to 120 Nm) | |
| 23 | 398929 | 4 | BOLT, 16X1.5X30mm, GR8.8, (torque to 210 Nm) | |
| 24 | 4812300 | 4 | FLAT WASHER, M16 | |
| 25 | 5201014 | 16 | BOLT, M10X30, (torque to 120 Nm) | |
| 26 | 4806386 | 2 | MOUNT, (front) | |
| 27 | 5221000 | 16 | NUT, M10 | |
| 28 | 5221200 | 8 | NUT, M12, (torque to 78 Nm) | |
| 29 | 0902986 | 1 | THROTTLE BRACKET, NATURALLY ASPIRATED ENGINES ONLY | |
| 29 | 0902954 | 1 | THROTTLE BRACKET, TURBO ENGINES ONLY | |
| 30 | 0760608 | 3 | HEX HD CAPSCREW, M6X16, GR8.8 | |
| 31 | 3290605 | 4 | HEX LOCKNUT, 6mm | |
| 32 | 8002599 | 1 | CABLE, THROTTLE | |
| 33 | 8002584 | 1 | GUARD | |
| 34 | 8002585 | 2 | BRACKET, GUARD | |
| 35 | 5200808 | 4 | BOLT, 8X16mm | |
| 36 | 5200810 | 2 | BOLT | |
| 37 | 466104 | 1 | ANGLE JOINT | |
| 38 | 2995299 | 1 | WASHER BOTTLE WITH PUMP | |
| 38 | 70021576 | 1 | CAP | |

SECTION 4 - ENGINE AND ATTACHING PARTS

| ITEM | PART NUMBER | QTY | DESCRIPTION | REV |
|------|-------------|-----|---|-----|
| 39 | 0760810 | 4 | HEX HD CAPSCREW, M8X20, GR8.8 | |
| 40 | 1356341 | 4 | WASHER, 8.4mm | |
| 41 | 0902957 | 1 | WASHER BOTTLE BRACKET | |
| 42 | | Ref | RADIATOR MOUNTING SEAT, (See CAB SECTION for Breakdown) | |

SECTION 4 - ENGINE AND ATTACHING PARTS

FIGURE 4-3. ENGINE ASSEMBLY (Prior to SN 1160000358)



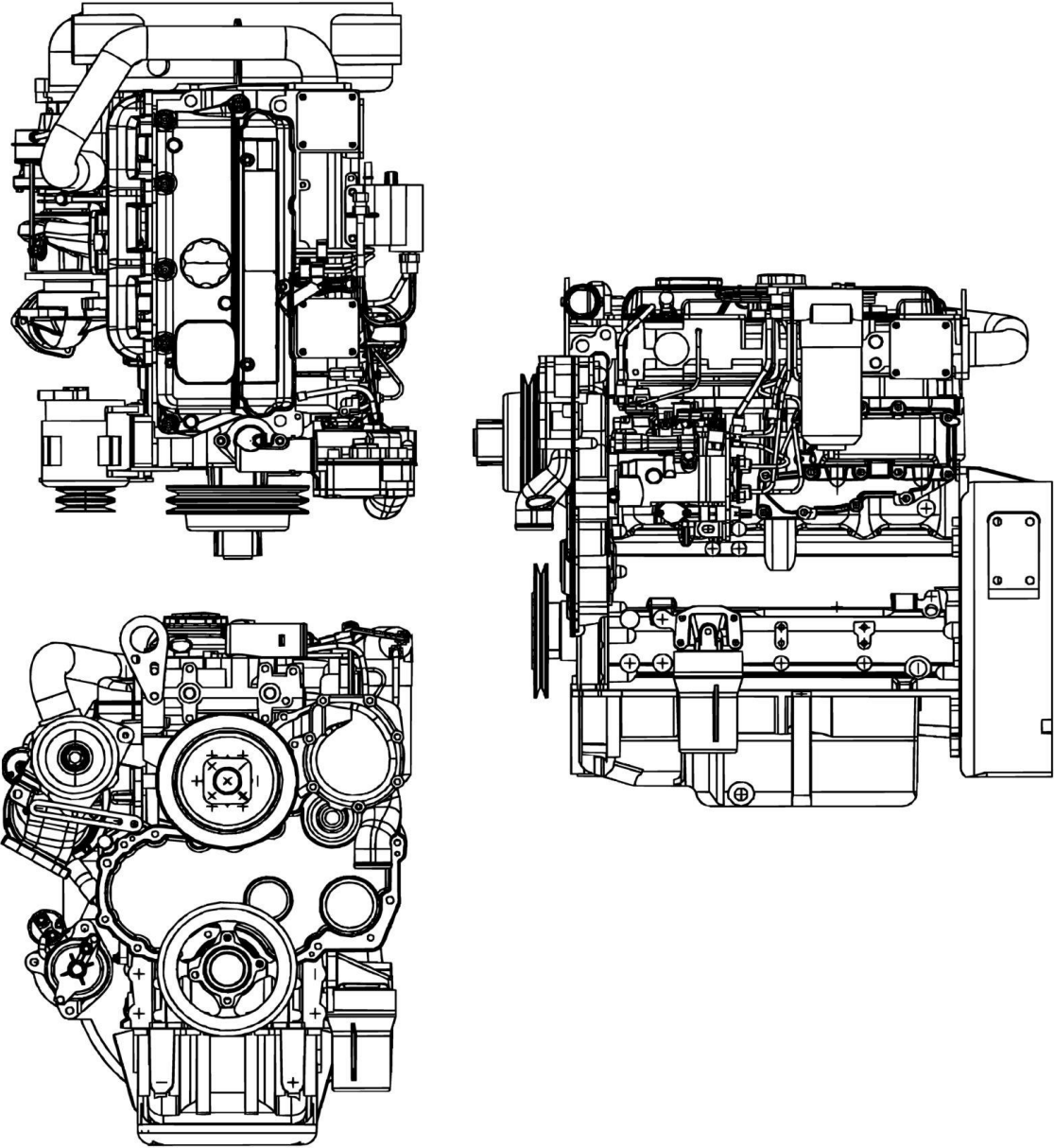
SECTION 4 - ENGINE AND ATTACHING PARTS

FIGURE 4-3. ENGINE ASSEMBLY (Prior to SN 1160000358)

| ITEM | PART NUMBER | QTY | DESCRIPTION | REV |
|------|-------------|-----|--|-----|
| | 4800164 | | STANDARD ENGINE, (all models except 4013) (Prior to SN 1160000358) | |
| | 4800006 | | STANDARD ENGINE, (model 4013) (Prior to SN 1160000358) | |
| | 4800006 | | OPTIONAL ENGINE, (all models except 4013) (Prior to SN 1160000358) | |
| | 91034006 | 1 | OIL FILTER, (3 speed engine, naturally aspirated) | |
| | 8006013 | 1 | OIL FILTER, (4 speed engine, turbo) | |
| | 8006012 | 1 | FUEL PRE-FILTER, (used on 4 speed Turbo engine) | |
| | 7028009 | 1 | FUEL FILTER | |
| | 8006014 | 1 | FAN BELT | |
| | 8003167 | 1 | COMPRESSOR | |
| | 7028108 | 1 | ALTERNATOR, 85A | |
| | 8006016 | 1 | GOVERNOR | |
| | 8006019 | 1 | STARTER | |
| | 8008080 | 1 | OIL DRAIN PLUG | |
| | 8008083 | 1 | O-RING | |
| | 8006017 | 1 | FUEL LIFT PUMP | |
| | 8006018 | 1 | FUEL LIFT PUMP REPAIRING KIT | |
| | 8008091 | 1 | MOTOR - VENTILATION | |
| | 8008072 | 1 | WATER PUMP | |
| | 8008074 | 1 | WATER PUMP REPAIRING KIT | |
| | 8008075 | 1 | THERMOSTAT | |
| | 8003568 | 1 | WATER SEPARATOR | |
| | 8008076 | 1 | TURBOCHARGER, (used on 4 speed Turbo engine) | |
| | 7029938 | 1 | DIPSTICK | |
| | 7029939 | 1 | DIPSTICK TUBE | |
| | 7028141 | 1 | OIL PRESSURE SWITCH | |
| | 7028687 | 1 | FUEL INJECTION PUMP | |
| | 8277095 | 1 | GLOW PLUG | |
| | 8008077 | 1 | REPAIRING KIT | |
| | 8008078 | 1 | REPAIRING KIT | |
| | 7028033 | 1 | FUEL INJECTION PUMP KIT, (includes 7028687, mounting gasket and shut off solenoid) | |
| | 1001108810 | 1 | ENGINE FILTER KIT, (3 speed engine), (includes fuel filter and oil filter) | |
| | 1001108811 | 1 | ENGINE FILTER KIT, (4 speed engine), (includes fuel filter, fuel pre-filter and oil filter) | |
| | 1001108815 | 1 | COMBINED FILTER KIT, (3 speed engine), (includes fuel filter, oil filter, return filter, transmission filter, primary and safety element) | |
| | 1001108816 | 1 | COMBINED FILTER KIT, (4 speed engine), (includes fuel filter, fuel pre-filter, oil filter, return filter, transmission filter, primary and safety element) | |
| | 1001108798 | 1 | HYDRAULIC/AIR FILTER KIT, (includes return filter, transmission filter, primary and safety element) | |

SECTION 4 - ENGINE AND ATTACHING PARTS

FIGURE 4-4. ENGINE ASSEMBLY (SN 1160000358 to Present)



SECTION 4 - ENGINE AND ATTACHING PARTS

FIGURE 4-4. ENGINE ASSEMBLY (SN 1160000358 to Present)

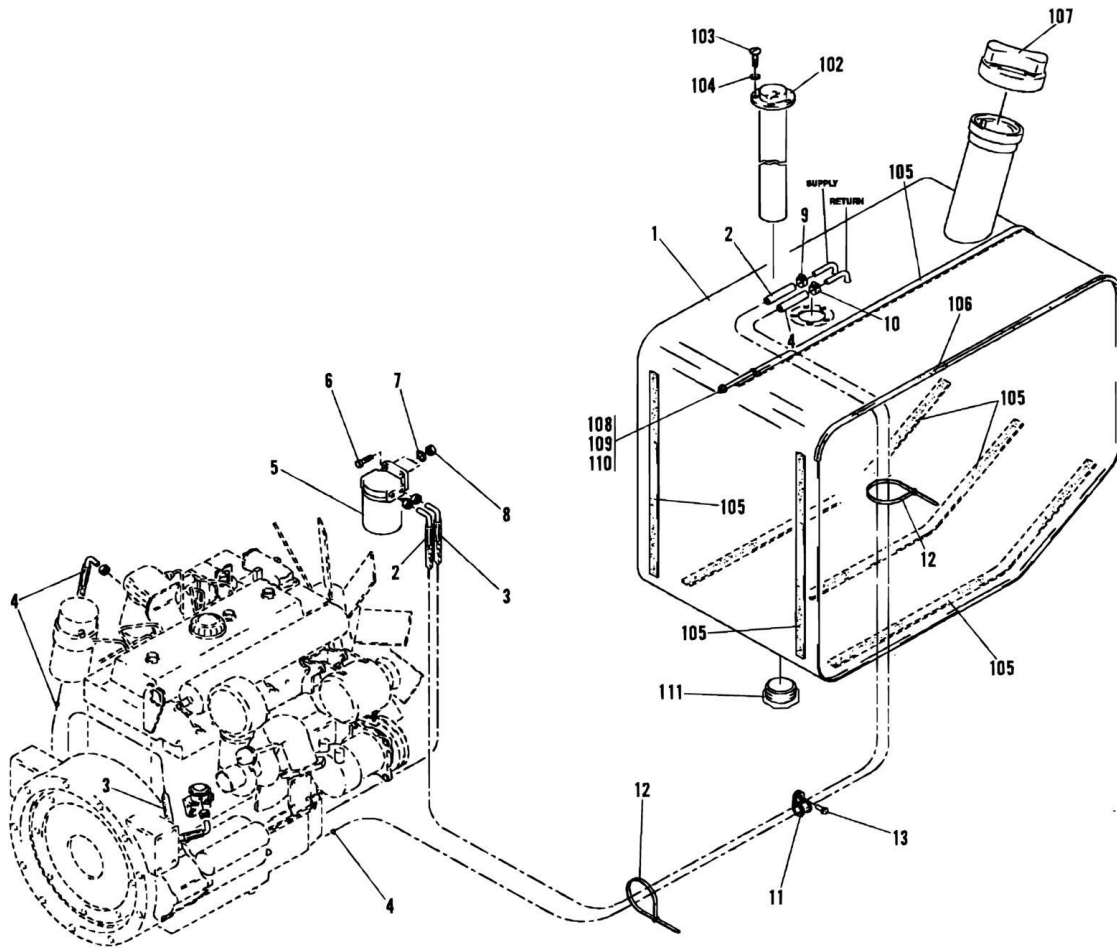
| ITEM | PART NUMBER | QTY | DESCRIPTION | REV |
|------|-------------|-----|--|-----|
| | 2000201 | Ref | NATURALLY ASPIRATED ENGINE ASSY | |
| | 2000200 | Ref | TURBO ENGINE ASSY | |
| | 7028661 | 1 | FUEL PUMP, (used on Naturally Aspirated engine) | |
| | 7028687 | 1 | FUEL PUMP, (used on Turbo engine) | |
| | 7028662 | 1 | O-RING, (used on Naturally Aspirated engine) | |
| | 7028688 | 1 | O-RING, (used on Turbo engine) | |
| | 7028689 | 1 | FUEL SHUT-OFF SOLENOID, (used on Turbo engine) | |
| | 7028677 | 1 | COLD START TEMPERATURE SENDER | |
| | 7028678 | 1 | COLD START CABLE | |
| | 7028679 | 1 | FLYWHEEL ASSY | |
| | 7028680 | 1 | STARTER RING GEAR | |
| | 70021786 | 1 | STARTER MOTOR | |
| | 7028656 | 1 | FAN BELT, (used on Naturally Aspirated engine) | |
| | 7028686 | 1 | FAN BELT, (used on Turbo engine) | |
| | 7028669 | 1 | OIL PAN GASKET | |
| | 7028659 | 2 | OIL DRAIN PLUG | |
| | 7028660 | 2 | O-RING | |
| | 7028672 | 1 | DIPSTICK | |
| | 7028681 | 1 | OIL CAP | |
| | 7028682 | 1 | O-RING | |
| | 7028683 | 1 | OIL COOLER, (used on Naturally Aspirated engine) | |
| | 7028692 | 1 | OIL COOLER, (used on Turbo engine) | |
| | 7028684 | 2 | GASKET | |
| | 7028685 | 1 | GASKET | |
| | 8006013 | 1 | OIL FILTER | |
| | 7028654 | 1 | OIL FILTER GASKET | |
| | 7028663 | 1 | WATER PUMP ASSY | |
| | 7028665 | 1 | GASKET | |
| | 7028666 | 1 | WATER PUMP GASKET | |
| | 70020209 | 1 | THERMOSTAT | |
| | 7028668 | 1 | O-RING, THERMOSTAT | |
| | 1001090078 | 1 | ALTERNATOR, 85A | |
| | 70021487 | 1 | ALTERNATOR BRACKET | |
| | 70021488 | 1 | ADJUSTING BAR, ALTERNATOR | |
| | 70021489 | 1 | PULLEY, ALTERNATOR, (used on Naturally Aspirated engine) | |
| | 70021490 | 1 | PULLEY, ALTERNATOR, (used on Turbo engine) | |
| | 7028673 | 1 | OIL PUMP | |
| | 7028690 | 1 | TURBOCHARGER, (used on Turbo engine) | |
| | 7028691 | 1 | GASKET, (used on Turbo engine) | |
| | 7028674 | 1 | EXHAUST MANIFOLD GASKET | |
| | 7028655 | 1 | FUEL FILTER | |
| | 7028675 | 4 | EXHAUST GASKET, (used on Naturally Aspirated engine) | |
| | 7028676 | 4 | GLOW PLUG | |
| | 7028141 | 1 | OIL PRESSURE SWITCH | |
| | 7029717 | 1 | LIFT PUMP, FUEL, (includes fuel filter) | |
| | 70021142 | 1 | INLET MANIFOLD PIPE, (used on Turbo engine) | |
| | 70021143 | 2 | HOSE CLAMP, (used on Turbo engine) | |
| | 70021144 | 1 | HOSE, (used on Turbo engine) | |
| | 70021145 | 1 | GASKET, (used on Turbo engine) | |
| | 70021502 | 1 | FUEL FEED PIPE, (used on Naturally Aspirated engine) | |

SECTION 4 - ENGINE AND ATTACHING PARTS

| ITEM | PART NUMBER | QTY | DESCRIPTION | REV |
|------|-------------|-----|---|-----|
| | 70021501 | 1 | FUEL FEED PIPE, (used on Turbo engine) | |
| | 7028664 | 1 | WATER PUMP REPAIRING KIT | |
| | 1001108812 | 1 | ENGINE FILTER KIT, (includes fuel filter and oil filter) | |
| | 1001108818 | 1 | COMBINED FILTER KIT, (includes fuel filter, oil filter, return filter, transmission filter, primary and safety element) | |
| | 1001108800 | 1 | HYDRAULIC/AIR FILTER KIT, (includes return filter, transmission filter, primary and safety element) | |

SECTION 4 - ENGINE AND ATTACHING PARTS

FIGURE 4-5. TANK AND FUEL SUPPLY INSTALLATION (Prior to SN 116000358)



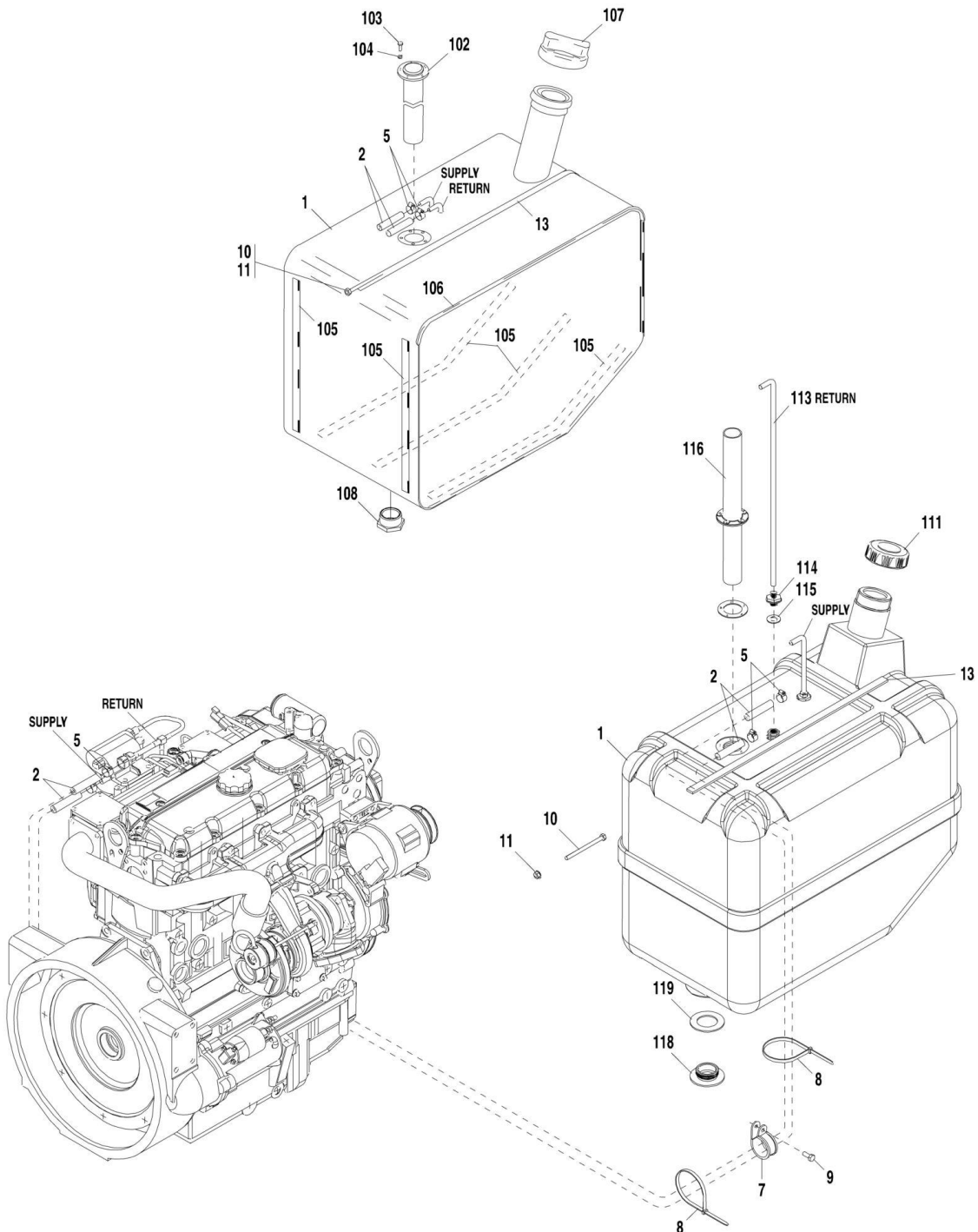
SECTION 4 - ENGINE AND ATTACHING PARTS

FIGURE 4-5. TANK AND FUEL SUPPLY INSTALLATION (Prior to SN 1160000358)

| ITEM | PART NUMBER | QTY | DESCRIPTION | REV |
|------|-------------|-----|--|-----|
| | 8005154 | Ref | FUEL SUPPLY INSTALLATION, (includes all items) | B |
| 1 | | Ref | FUEL TANK ASSY, (includes items 102 thru 111), (4805371 is no longer available; order 2915127 kit for replacement) | |
| 2 | 8003301 | 1 | LINE, FUEL | |
| 3 | 8003302 | 1 | LINE, FUEL | |
| 4 | 8003303 | 1 | LINE, FUEL | |
| 5 | 8003568 | 1 | WATER SEPARATOR | |
| 6 | 0761014 | 2 | HEX HD CAPSCREW, 10X30mm, GR8.8 | |
| 7 | 4812000 | 2 | FLAT WASHER, 10mm | |
| 8 | 3291007 | 2 | LOCKNUT, 10mm | |
| 9 | 8005197 | 1 | CLAMP | |
| 10 | 2985617 | 1 | CLAMP | |
| 11 | 1003721 | 1 | CLAMP | |
| 12 | 1062255 | 10 | TIE-STRAP | |
| 13 | 0760810 | 1 | HEX HD CAPSCREW, M8X20, GR8.8 | |
| 102 | 8002019 | 1 | SENDER, FUEL GAUGE | |
| 103 | 4010508 | 5 | MACHINE SCREW, 5X16mm | |
| 104 | 4811600 | 5 | FLAT WASHER, M5 | |
| 105 | 909304 | AR | TRIM, RUBBER | |
| 106 | 935113 | AR | TRIM, RUBBER | |
| 107 | 8003285 | 1 | CAP, TANK | |
| 108 | 0700828 | 1 | BOLT, 8X110mm | |
| 109 | 5220800 | 1 | NUT, 8mm | |
| 110 | 4811900 | 1 | FLAT WASHER, 8mm | |
| 111 | 7028782 | 1 | PLUG | |

SECTION 4 - ENGINE AND ATTACHING PARTS

FIGURE 4-6. TANK AND FUEL SUPPLY INSTALLATION (SN 1160000358 to Present)



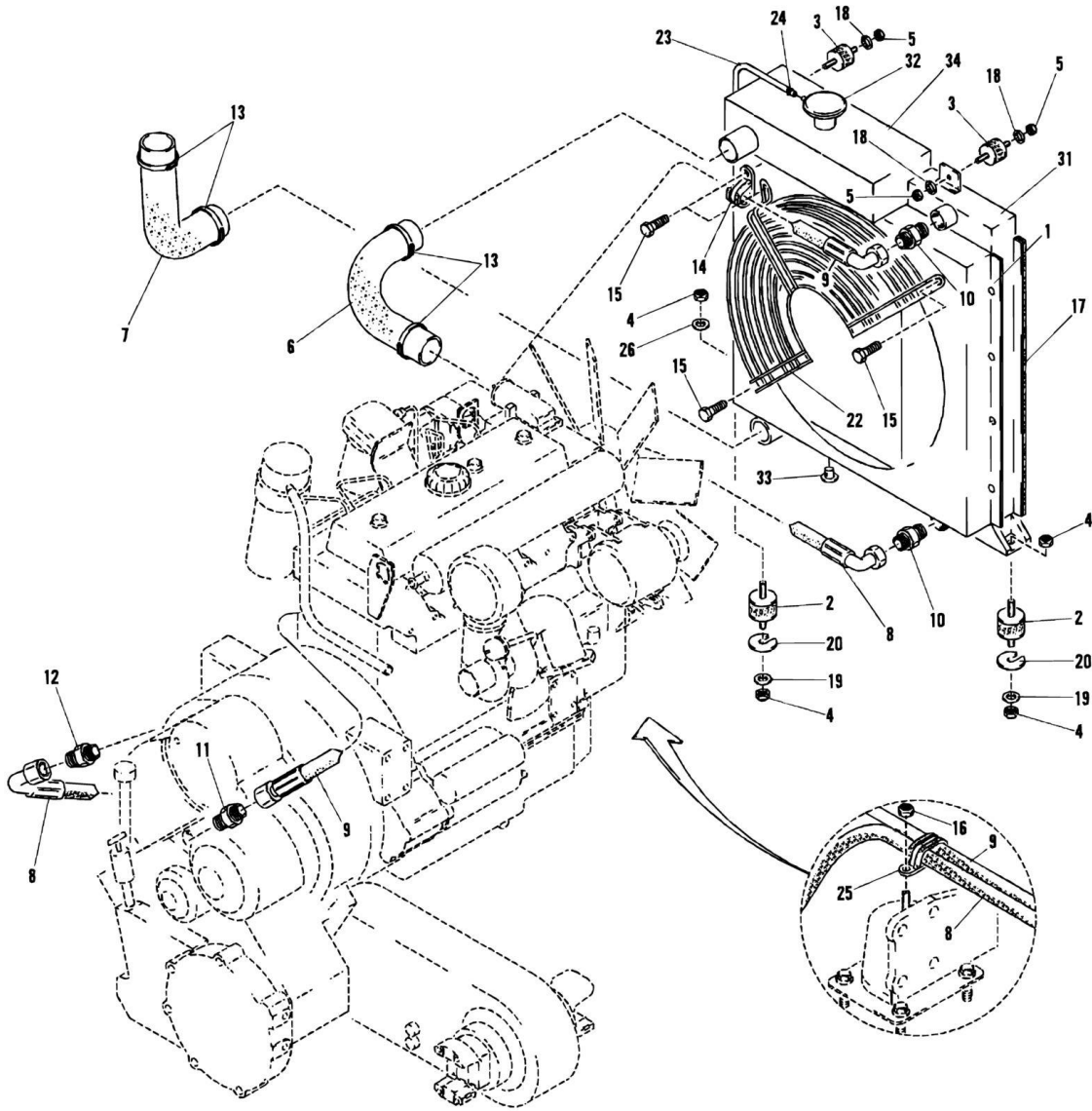
SECTION 4 - ENGINE AND ATTACHING PARTS

FIGURE 4-6. TANK AND FUEL SUPPLY INSTALLATION (SN 1160000358 to Present)

| ITEM | PART NUMBER | QTY | DESCRIPTION | REV |
|------|-------------|-----|--|-----|
| 1 | 4400464 | Ref | FUEL SUPPLY INSTALLATION, (includes items 1 thru 13) | E |
| | | Ref | FUEL TANK ASSY, (includes items 102 thru 108), (4805374 is no longer available; order 2915127 kit for replacement) (Prior to SN 1160000822) | |
| 1 | 4400471 | 1 | FUEL TANK ASSY, (includes items 111 thru 119) (SN 1160000822 to Present) | |
| 2 | 2720519 | 2 | LINE, FUEL | |
| 5 | 1321301 | 4 | CLAMP | |
| 7 | 1003721 | 1 | CLAMP | |
| 8 | 1062255 | 10 | TIE-STRAP | |
| 9 | 0760810 | 1 | HEX HD CAPSCREW, M8X20, GR8.8 | |
| 10 | 0760827 | 1 | BOLT, 8X100mm | |
| 11 | 5220800 | 1 | NUT, 8mm | |
| 13 | 909304 | AR | TRIM, RUBBER | |
| 102 | 8002019 | 1 | SENDER, FUEL GAUGE | |
| 103 | 4010508 | 5 | MACHINE SCREW, 5X16mm | |
| 104 | 4811600 | 5 | FLAT WASHER, M5 | |
| 105 | 909304 | AR | TRIM, RUBBER | |
| 106 | 935113 | AR | TRIM, RUBBER | |
| 107 | 8003285 | 1 | CAP, TANK | |
| 108 | 7028782 | 1 | PLUG | |
| 111 | 7029215 | 1 | CAP, BREATHER VALVE | |
| 113 | 7029216 | 2 | PIPE | |
| 114 | 7029217 | 2 | COUPLER | |
| 115 | 7029218 | 2 | O-RING | |
| 116 | 8002019 | 1 | SENDER, FUEL GAUGE | |
| 118 | 7029220 | 1 | PLUG | |
| 119 | 7029221 | 1 | O-RING | |

SECTION 4 - ENGINE AND ATTACHING PARTS

FIGURE 4-7. COOLING SYSTEM INSTALLATION



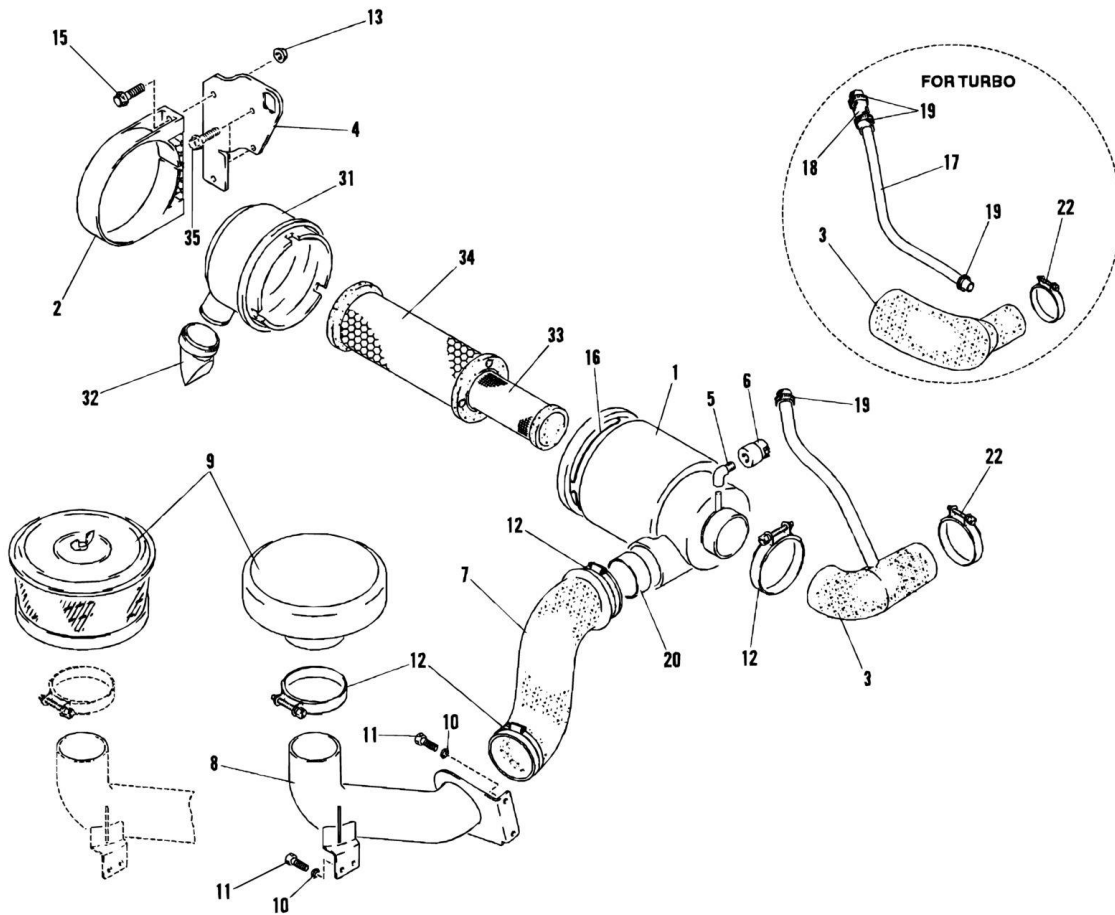
SECTION 4 - ENGINE AND ATTACHING PARTS

FIGURE 4-7. COOLING SYSTEM INSTALLATION

| ITEM | PART NUMBER | QTY | DESCRIPTION | REV |
|------|-------------|--------|--|-----|
| | 8004980 | Ref | COOLING SYSTEM INSTALLATION | E |
| 1 | 4803178 | 1 | RADIATOR ASSY, (includes items 31, 32, 33 & 34) | |
| 2 | 429063 | 2 | MOUNT, RADIATOR | |
| 3 | 2969548 | 2 | MOUNT, RADIATOR | |
| 4 | 3291005 | 4 | LOCKNUT, 10mm | |
| 5 | 3290805 | 4 | LOCKNUT, 8mm | |
| 6 | 4806046 | 1 | RADIATOR HOSE, (upper) | |
| 7 | 4806057 | 1 | RADIATOR HOSE, (lower) | |
| 8 | 8002374 | 1 | HOSE | |
| 9 | 8002375 | 1 | HOSE | |
| 10 | 2140810 | 2 | FITTING, STRAIGHT | |
| 11 | 8004603 | 1 | FITTING, STRAIGHT | |
| 12 | 8001908 | 1 | FITTING, STRAIGHT | |
| 13 | 8005376 | 4 | CLAMP | |
| 14 | 816186 | 1 | CLAMP | |
| 15 | 5200808 | 3 | BOLT, 8X16mm | |
| 16 | 5220800 | 1 | NUT, 8mm | |
| 17 | 909304 | AR | TRIM, RUBBER | |
| 18 | 1356341 | 4 | WASHER, 8.4mm | |
| 19 | 1629567 | 2 | FLAT WASHER, 10mm | |
| 20 | 8005741 | 2 | SHIM, 5mm | |
| 20 | 8005743 | 2 | SHIM, 3mm | |
| 22 | 8007733 | 1 | SCREEN GRID | |
| 23 | 8009666 | 1.05 m | HOSE | |
| 24 | 8005197 | 1 | CLAMP | |
| 25 | 1003721 | 1 | CLAMP | |
| 26 | 4812000 | 2 | WASHER, 10mm | |
| 31 | 7029723 | 1 | FAN HOUSING (SN 1160000545 to Present) | |
| 32 | 3971793 | 1 | RADIATOR CAP, METAL PUSH LOCK (Prior to SN 1160000545) | |
| 32 | 7029722 | 1 | RADIATOR CAP, PLASTIC THREADED, 1 BAR (SN 1160000545 to Present) | |
| 33 | 0314725 | 1 | PLUG (Prior to SN 1160000545) | |
| 34 | 7029724 | 1 | OIL/WATER COOLER (SN 1160000545 to Present) | |
| | | Ref | NOTE: FAN HOUSING, PLUG, OIL/WATER COOLER FOR MACHINES NO LONGER AVAILABLE; ORDER 4803178. (Prior to SN 1160000545) | |

SECTION 4 - ENGINE AND ATTACHING PARTS

FIGURE 4-8. AIR CLEANER INSTALLATION (Prior to SN 116000358)



SECTION 4 - ENGINE AND ATTACHING PARTS

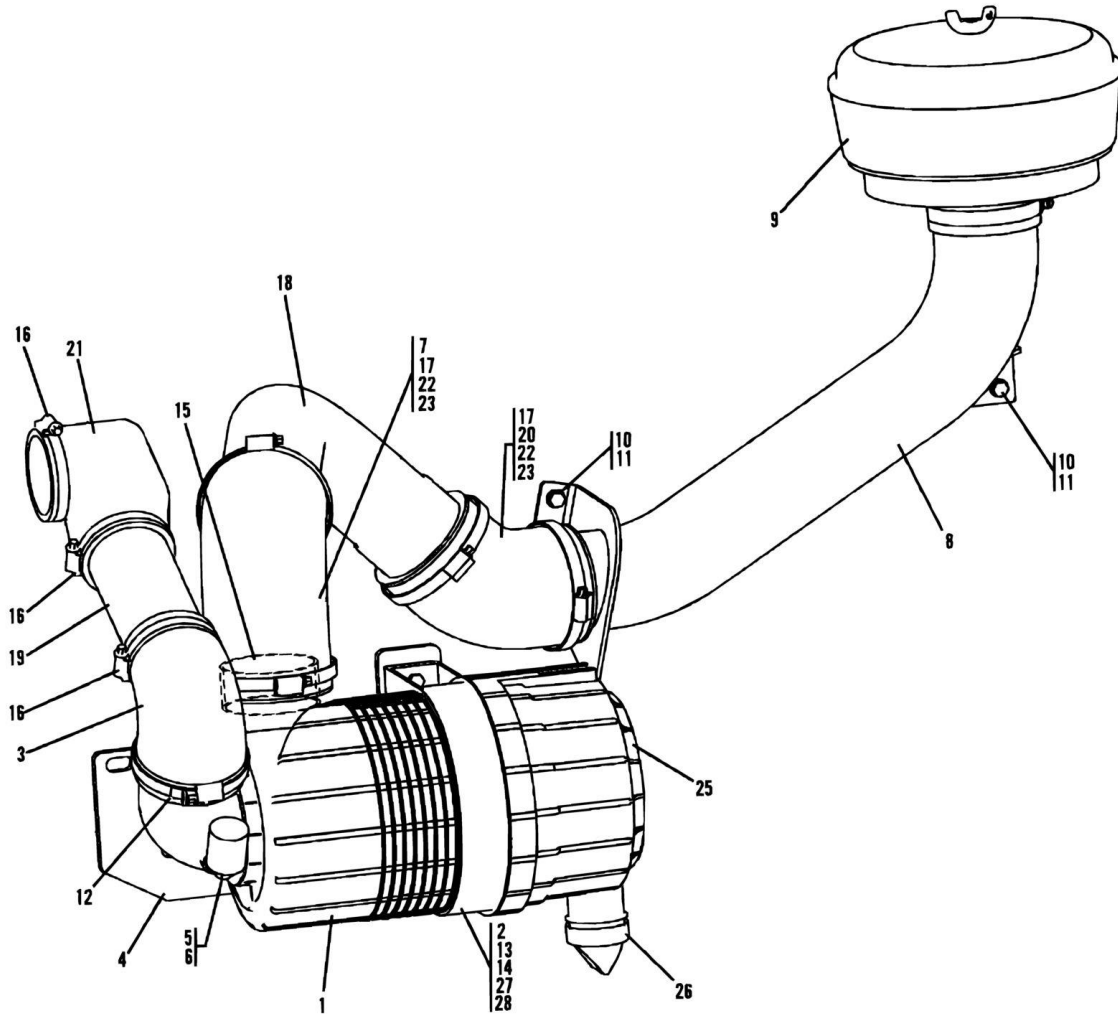
FIGURE 4-8. AIR CLEANER INSTALLATION (Prior to SN 1160000358)

| ITEM | PART NUMBER | QTY | DESCRIPTION | REV |
|------|-------------|--------|--|-----|
| | 4805625 | Ref | AIR CLEANER INSTALLATION, (includes all items) | G |
| 1 | 2981099 | 1 | AIR CLEANER ASSY, (includes item 31-34) | |
| 2 | 3929780 | 1 | CLAMP, MOUNTING | |
| 3 | 4805818 | 1 | ELBOW, (standard) | |
| 3 | 4805829 | 1 | ELBOW, (optional), (required with Turbo engine) | |
| 4 | 4805614 | 1 | BRACKET | |
| 5 | 2988212 | 1 | ELBOW FITTING | |
| 6 | 2913166 | 1 | LOW PRESSURE INDICATOR, (NA engine only) | |
| 6 | 8004981 | 1 | LOW PRESSURE INDICATOR, (Turbo engine only) | |
| 7 | 4805807 | 1 | TUBE | |
| 8 | 4805794 | 1 | PIPE, SUCTION | |
| 9 | 2981146 | 1 | RAIN CAP, (standard) | |
| 9 | 8002927 | 1 | PRECLEANER, (optional) | |
| 9 | 7028095 | 1 | COVER | |
| 9 | 7028096 | 1 | BOWL | |
| 9 | 7028097 | 1 | CLAMP | |
| 10 | 4811900 | 4 | FLAT WASHER, 8mm | |
| 11 | 0760812 | 4 | HEX HD CAPSCREW, M8X25, GR8.8 | |
| 12 | 1349717 | 4 | CLAMP | |
| 13 | 5220800 | 2 | NUT, 8mm | |
| 15 | 0760814 | 2 | HEX HD CAPSCREW, M8X30, GR8.8 | |
| 16 | 2997326 | 3 | CLAMP | |
| 17 | 8004078 | 1 | PIPE, (optional), (required with Turbo engine) | |
| 18 | 2002006 | 100 mm | HOSE, (optional), (required with Turbo engine), (sold by the mm) | |
| 19 | 3961951 | AR | CLAMP | |
| 20 | 2973384 | 1 | REINFORCEMENT RING | |
| 22 | 2991568 | 1 | CLAMP, (standard) | |
| 22 | 8005376 | 1 | CLAMP, (optional), (required with Turbo engine) | |
| 31 | 2984649 | 1 | COVER | |
| 32 | 2981135 | 1 | VALVE FOR AIR CLEANER | |
| 33 | 2981124 | 1 | SAFETY ELEMENT, FILTER, (inner) | |
| 34 | 2981113 | 1 | PRIMARY ELEMENT, FILTER, (outer) | |
| 35 | | Ref | BOLT, (supplied with engine) | |

SECTION 4 - ENGINE AND ATTACHING PARTS

FIGURE 4-9. AIR CLEANER INSTALLATION (SN 116000358 to Present)

Naturally Aspirated



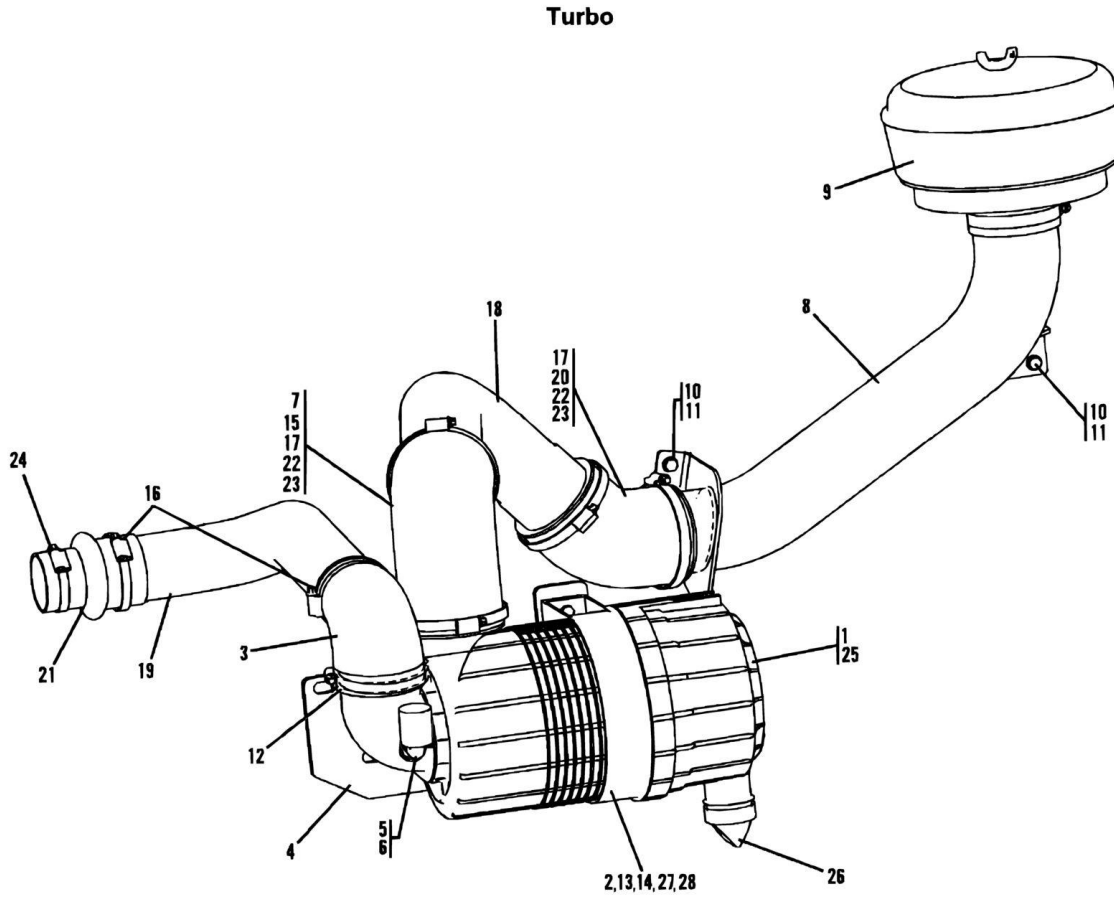
SECTION 4 - ENGINE AND ATTACHING PARTS

FIGURE 4-9. AIR CLEANER INSTALLATION (SN 1160000358 to Present)

| ITEM | PART NUMBER | QTY | DESCRIPTION | REV |
|------|-------------|-----|---|-----|
| | 2120188 | Ref | NATURALLY ASPIRATED AIR CLEANER INSTALLATION, (includes all items) | B |
| 1 | 2120186 | 1 | AIR CLEANER ASSY, (includes item 25 thru 28) | |
| 2 | 3929780 | 1 | CLAMP, MOUNTING | |
| 3 | 91083129 | 1 | REDUCING ELBOW | |
| 4 | 3574617 | 1 | MOUNT PLATE | |
| 5 | 2988212 | 1 | ELBOW FITTING | |
| 6 | 2913166 | 1 | LOW PRESSURE INDICATOR | |
| 7 | 09523572 | 1 | ELBOW, 90 | |
| 8 | 4805794 | 1 | PIPE, SUCTION | |
| 9 | 8002927 | 1 | PRECLEANER | |
| 9 | 7028095 | 1 | COVER | |
| 9 | 7028096 | 1 | BOWL | |
| 9 | 7028097 | 1 | CLAMP | |
| 10 | 4811900 | 4 | FLAT WASHER, 8mm | |
| 11 | 0760812 | 4 | HEX HD CAPSCREW, M8X25, GR8.8 | |
| 12 | 1349717 | 1 | CLAMP | |
| 13 | 5220800 | 2 | NUT, 8mm | |
| 14 | 0760814 | 2 | HEX HD CAPSCREW, M8X30, GR8.8 | |
| 15 | 2973384 | 1 | REINFORCEMENT RING | |
| 16 | 2991568 | 3 | CLAMP | |
| 17 | 1380161 | 4 | CLAMP | |
| 18 | 4568860 | 1 | INTAKE TUBE | |
| 19 | 4568905 | 1 | TUBE | |
| 20 | 77383126 | 1 | ELBOW, 45 | |
| 21 | 91083126 | 1 | AIR INTAKE ELBOW | |
| 22 | 4100083 | 4 | REDUCING INSERT SLEEVE | |
| 23 | 0100085 | AR | GLUE ADHESIVE | |
| 25 | 7028118 | 1 | COVER | |
| 26 | 10733183 | 1 | VACUATOR | |
| 27 | 80273010 | 1 | PRIMARY ELEMENT, (outer) | |
| 28 | 80273042 | 1 | SAFETY ELEMENT, (inner) | |

SECTION 4 - ENGINE AND ATTACHING PARTS

FIGURE 4-10. AIR CLEANER INSTALLATION (SN 1160000358 to Present)



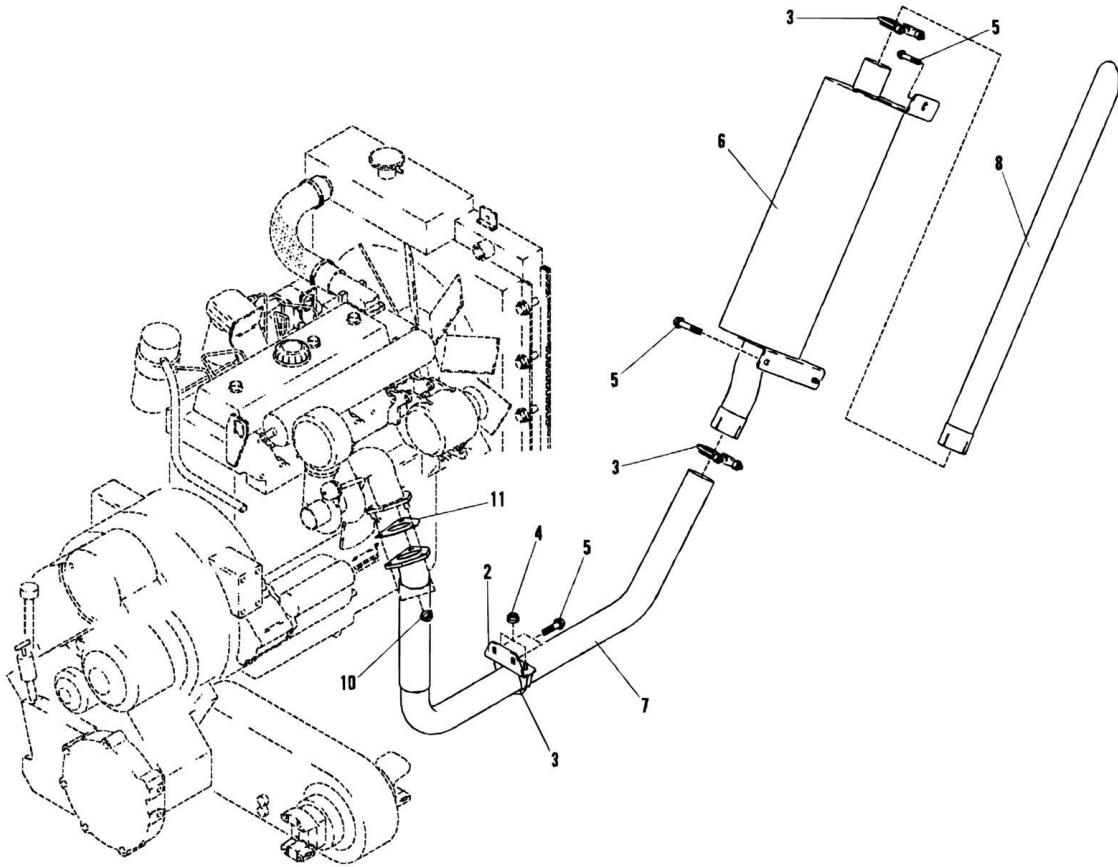
SECTION 4 - ENGINE AND ATTACHING PARTS

FIGURE 4-10. AIR CLEANER INSTALLATION (SN 1160000358 to Present)

| ITEM | PART NUMBER | QTY | DESCRIPTION | REV |
|------|-------------|-----|--|-----|
| | 2120187 | Ref | TURBO AIR CLEANER INSTALLATION, (includes items 1 thru 24) | C |
| 1 | 2120186 | 1 | AIR CLEANER ASSY, (includes item 25-28) | |
| 2 | 3929780 | 1 | CLAMP, MOUNTING | |
| 3 | 91083129 | 1 | REDUCING ELBOW | |
| 4 | 3574617 | 1 | MOUNT PLATE | |
| 5 | 2988212 | 1 | ELBOW FITTING | |
| 6 | 8004981 | 1 | LOW PRESSURE INDICATOR | |
| 7 | 09523572 | 1 | ELBOW, 90 | |
| 8 | 4805794 | 1 | PIPE, SUCTION | |
| 9 | 8002927 | 1 | PRECLEANER | |
| 9 | 7028095 | 1 | COVER | |
| 9 | 7028096 | 1 | BOWL | |
| 9 | 7028097 | 1 | CLAMP | |
| 10 | 4811900 | 4 | FLAT WASHER, 8mm | |
| 11 | 0760812 | 4 | HEX HD CAPSCREW, M8X25, GR8.8 | |
| 12 | 1349717 | 1 | CLAMP | |
| 13 | 5220800 | 2 | NUT, 8mm | |
| 14 | 0760814 | 2 | HEX HD CAPSCREW, M8X30, GR8.8 | |
| 15 | 2973384 | 1 | REINFORCEMENT RING | |
| 16 | 2991568 | 2 | CLAMP | |
| 17 | 1380161 | 4 | CLAMP | |
| 18 | 4568860 | 1 | INTAKE TUBE | |
| 19 | 4568838 | 1 | TURBO TUBE | |
| 20 | 77383126 | 1 | ELBOW, 45 | |
| 21 | 4100072 | 1 | REDUCER SLEEVE | |
| 22 | 4100083 | 4 | REDUCING INSERT SLEEVE | |
| 23 | 0100085 | AR | GLUE ADHESIVE | |
| 24 | 8005376 | 1 | CLAMP | |
| 25 | 7028118 | 1 | COVER | |
| 26 | 10733183 | 1 | VACUATOR | |
| 27 | 80273010 | 1 | PRIMARY ELEMENT, (outer) | |
| 28 | 80273042 | 1 | SAFETY ELEMENT, (inner) | |

SECTION 4 - ENGINE AND ATTACHING PARTS

FIGURE 4-11. MUFFLER INSTALLATION (Prior to SN 1160000358)



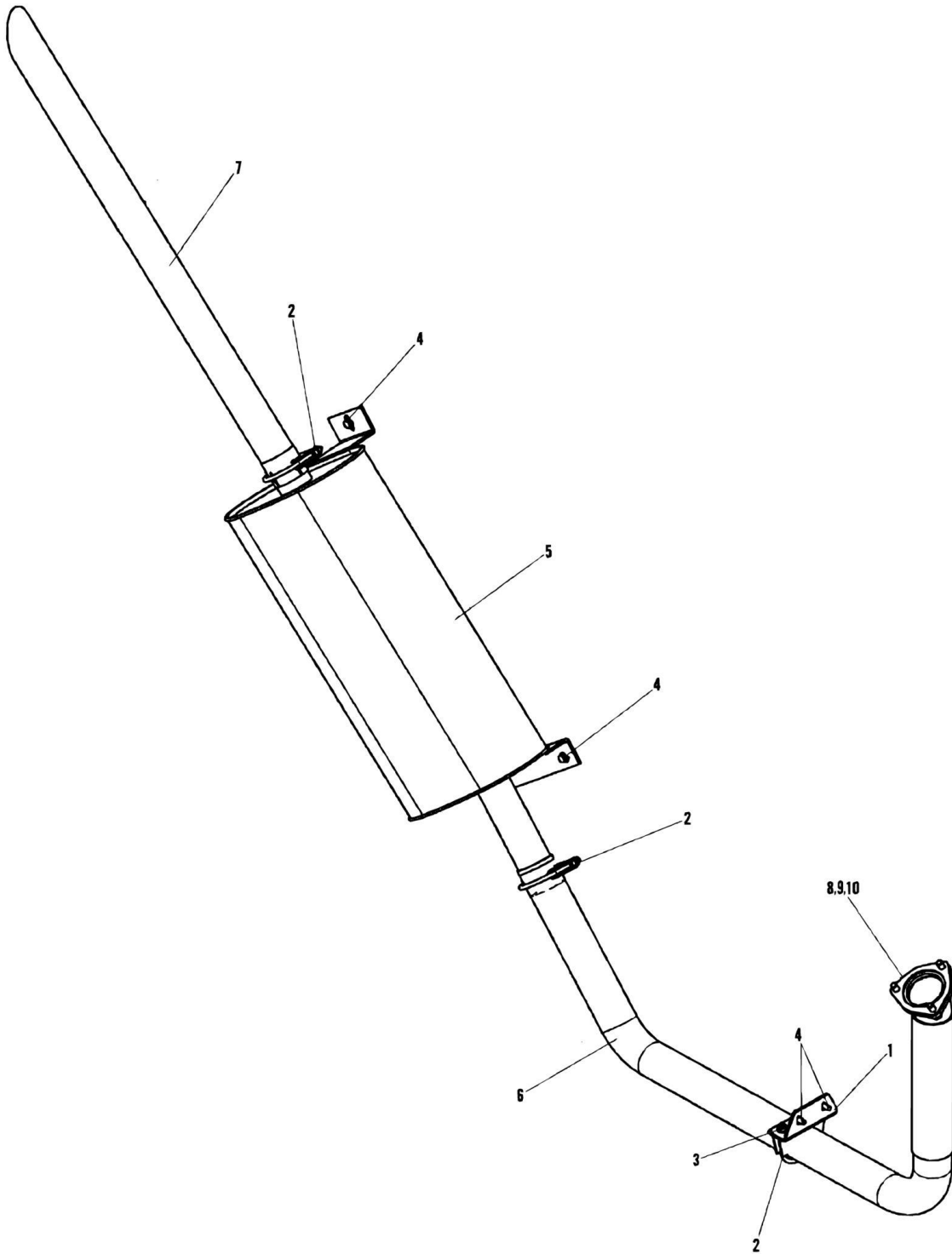
SECTION 4 - ENGINE AND ATTACHING PARTS

FIGURE 4-11. MUFFLER INSTALLATION (Prior to SN 1160000358)

| ITEM | PART NUMBER | QTY | DESCRIPTION | REV |
|------|-------------|-----|---|-----|
| | 8001557 | Ref | MUFFLER INSTALLATION, (includes all items) | B |
| 2 | 4806580 | 1 | BRACKET | |
| 3 | 1686997 | 3 | CLAMP, MUFFLER | |
| 4 | 1722787 | 2 | NUT, 8mm | |
| 5 | 5200808 | 5 | BOLT, 8X16mm | |
| 6 | 8001550 | 1 | SOUND ABSORBER | |
| 7 | 4804986 | 1 | EXHAUST PIPE, NATURALLY ASPIRATED ENGINE FOR 7, 8 & 12M | |
| 7 | 8001551 | 1 | EXHAUST PIPE, TURBO ENGINE FOR 7, 8 & 12M | |
| 7 | 8007491 | 1 | EXHAUST PIPE, NATURALLY ASPIRATED ENGINE FOR 9 & 13M | |
| 7 | 8007734 | 1 | EXHAUST PIPE, TURBO ENGINE FOR 9 & 13M | |
| 8 | 8002693 | 1 | TAILPIPE | |
| 10 | | Ref | NUT, (supplied with engine) | |
| 11 | | Ref | GASKET, (supplied with engine) | |

SECTION 4 - ENGINE AND ATTACHING PARTS

FIGURE 4-12. MUFFLER INSTALLATION (SN 1160000358 to Present)



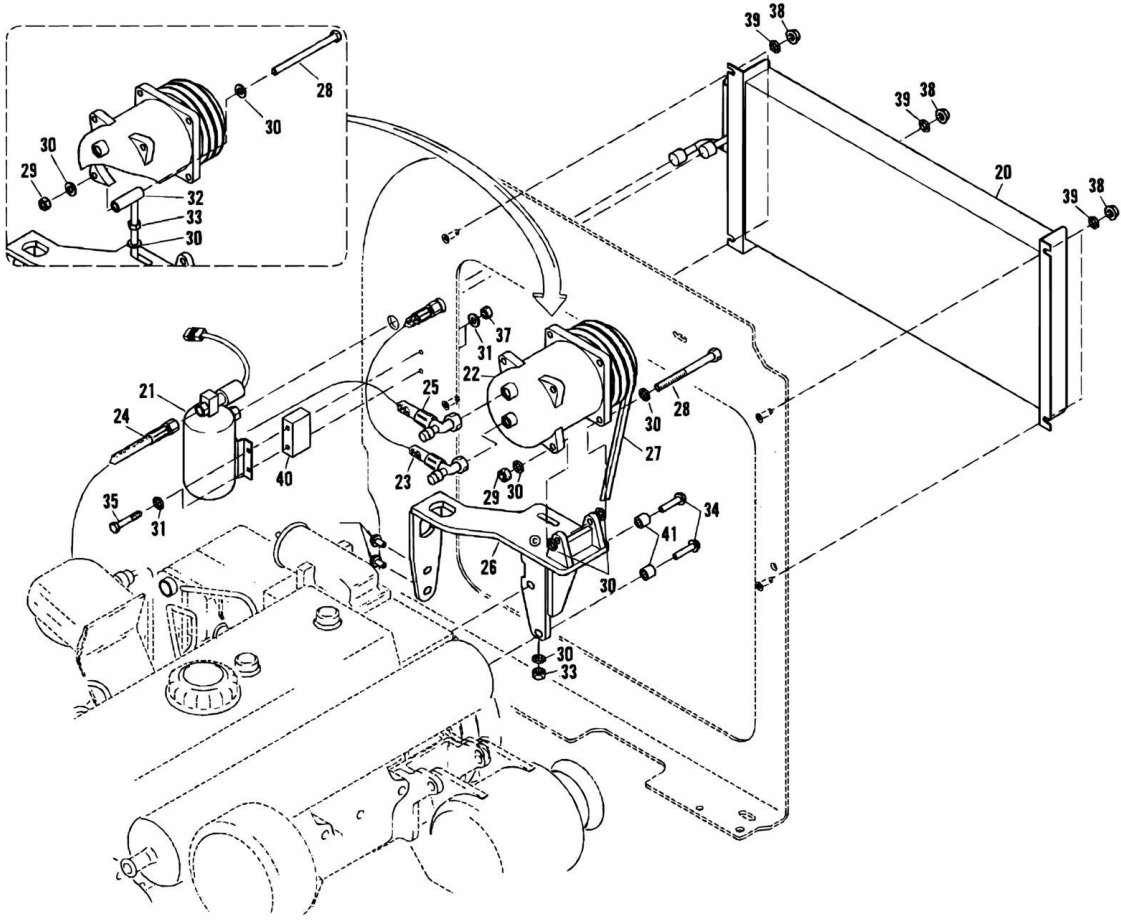
SECTION 4 - ENGINE AND ATTACHING PARTS

FIGURE 4-12. MUFFLER INSTALLATION (SN 1160000358 to Present)

| ITEM | PART NUMBER | QTY | DESCRIPTION | REV |
|------|-------------|-----|---|-----|
| | 3220135 | Ref | MUFFLER INSTALLATION, TURBO, 7, 8 & 12M, (includes all items) | B |
| | 3220138 | Ref | MUFFLER INSTALLATION, TURBO, 9 & 13M, (includes all items) | B |
| | 3220136 | Ref | MUFFLER INSTALLATION, NA, 7, 8 & 12M, (includes all items) | |
| | 3220139 | Ref | MUFFLER INSTALLATION, NA, 9 & 13M, (includes all items) | |
| 1 | 4806580 | 1 | BRACKET | |
| 2 | 1686997 | 3 | CLAMP, MUFFLER | |
| 3 | 5220800 | 2 | NUT, 8mm | |
| 4 | 5200808 | 5 | BOLT, 8X16mm | |
| 5 | 3220137 | 1 | SOUND ABSORBER | |
| 6 | 8001551 | 1 | EXHAUST PIPE, TURBO ENGINE FOR 7, 8 & 12M | |
| 6 | 8007734 | 1 | EXHAUST PIPE, TURBO ENGINE FOR 9 & 13M | |
| 6 | 3460342 | 1 | EXHAUST PIPE, NA ENGINE FOR 7, 8 & 12M | |
| 6 | 3460343 | 1 | EXHAUST PIPE, NA ENGINE FOR 9 & 13M | |
| 7 | 3460346 | 1 | TAILPIPE | |
| 8 | 0630582 | 3 | ENGINE EXHAUST BOLT | |
| 9 | 3960586 | 1 | ENGINE EXHAUST SEAL | |
| 10 | 3300486 | 3 | HEX NUT, M10X1.5 | |

SECTION 4 - ENGINE AND ATTACHING PARTS

FIGURE 4-13. AIR COLLECTOR, CONDENSER AND RADIATOR (Prior to SN 1160000358)



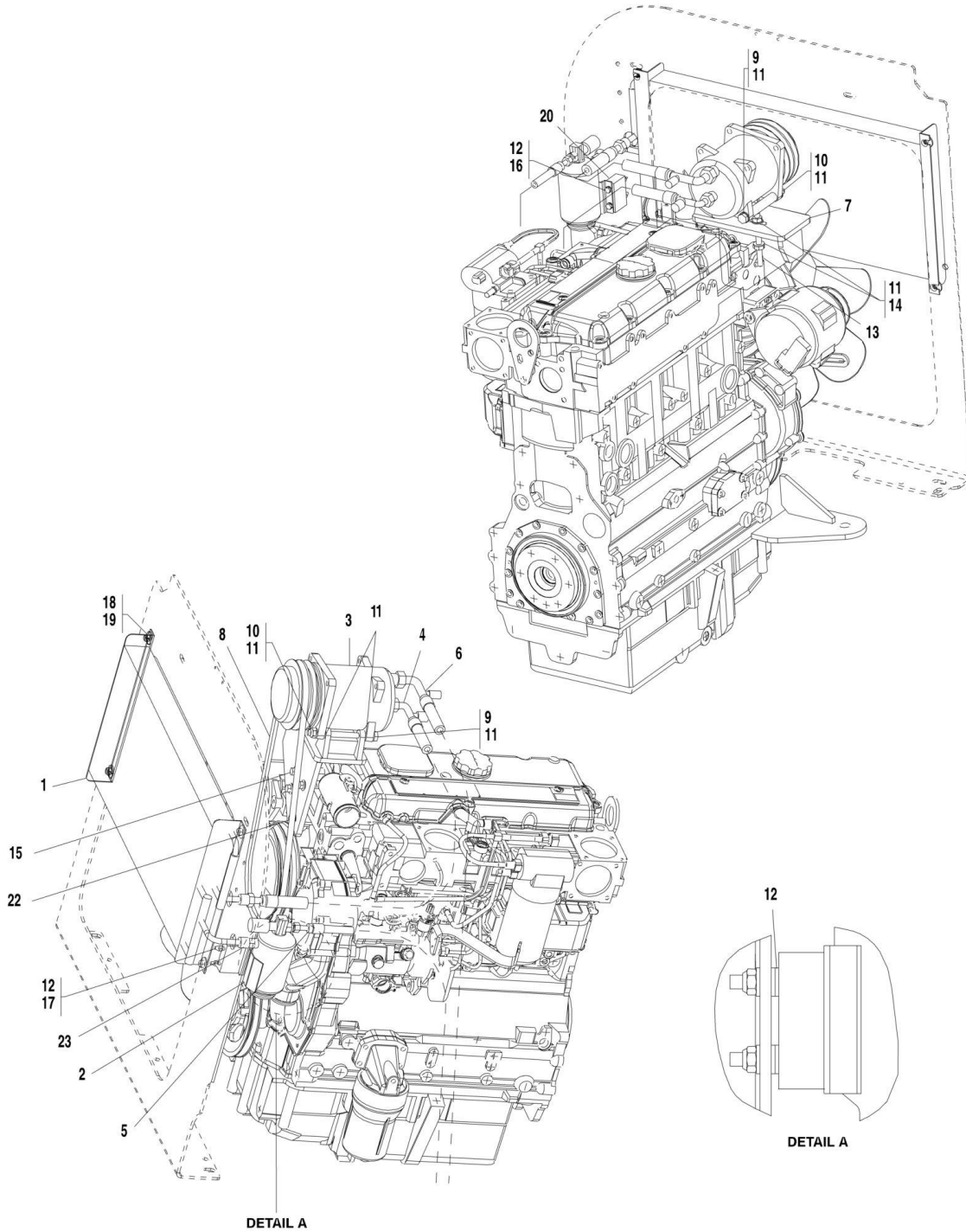
SECTION 4 - ENGINE AND ATTACHING PARTS

FIGURE 4-13. AIR COLLECTOR, CONDENSER AND RADIATOR (Prior to SN 1160000358)

| ITEM | PART NUMBER | QTY | DESCRIPTION | REV |
|------|-------------|-----|---|-----|
| | 8006358 | Ref | AIR CONDITIONING CONDENSOR, COLLECTOR AND RADIATOR INSTALLATION, (includes all items) | D |
| 20 | 8003165 | 1 | RADIATOR | |
| 21 | 8003166 | 1 | COLLECTOR DRYER ASSY | |
| 21 | 70021482 | 1 | DRYER | |
| 21 | 70021483 | 1 | CLAMP | |
| 21 | 70021484 | 1 | DRYER CLAMP | |
| 21 | 70020721 | 1 | PRESSURE SWITCH | |
| 22 | 8003167 | 1 | COMPRESSOR | |
| 23 | 8005786 | 1 | HOSE | |
| 24 | 8005787 | 1 | HOSE | |
| 25 | 8005788 | 1 | HOSE | |
| 26 | 8006117 | 1 | BRACKET | |
| 27 | 8006115 | 1 | V-BELT | |
| 28 | 0701030 | 2 | BOLT, M10X130, GR8.8 | |
| 29 | 3291007 | 2 | LOCKNUT, 10mm | |
| 30 | 4812000 | 8 | FLAT WASHER, 10mm | |
| 31 | 4811700 | 4 | FLAT WASHER,6mm | |
| 32 | 0120008 | 1 | ADJUSTER | |
| 33 | 3291001 | 2 | HEX NUT, 10mm | |
| 34 | 5201017 | 4 | BOLT, M10X45 | |
| 35 | 0700618 | 2 | HEX HD SCREW, M6X50 | |
| 37 | 3290607 | 2 | HEX NUT, 6mm | |
| 38 | 3290807 | 4 | NUT, 8mm | |
| 39 | 1356341 | 4 | WASHER, 8.4mm | |
| 40 | 8006450 | 1 | SPACER | |
| 41 | 2976912 | 4 | PIPE | |

SECTION 4 - ENGINE AND ATTACHING PARTS

FIGURE 4-14. AIR COLLECTOR, CONDENSER AND RADIATOR (SN 1160000358 to Present)



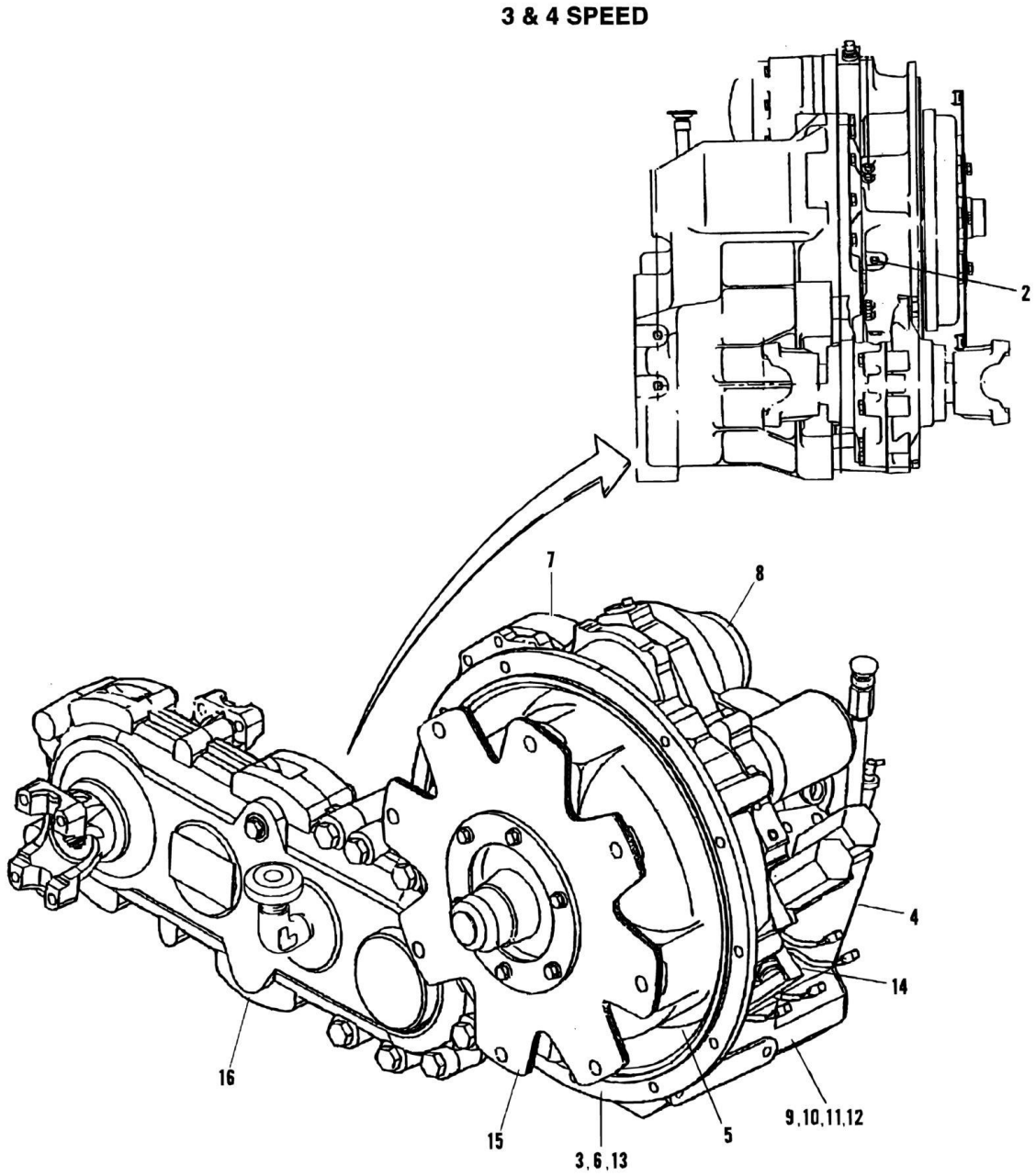
SECTION 4 - ENGINE AND ATTACHING PARTS

FIGURE 4-14. AIR COLLECTOR, CONDENSER AND RADIATOR (SN 1160000358 to Present)

| ITEM | PART NUMBER | QTY | DESCRIPTION | REV |
|------|-------------|-----|---|-----|
| | 3600402 | Ref | AIR CONDITIONING CONDENSOR, COLLECTOR AND RADIATOR INSTALLATION, (includes all items) | D |
| 1 | 8003165 | 1 | CONDENSER | |
| 2 | 8003166 | 1 | COLLECTOR DRYER ASSY | |
| 2 | 70021482 | 1 | DRYER | |
| 2 | 70021483 | 1 | CLAMP | |
| 2 | 70021484 | 1 | DRYER CLAMP | |
| 2 | 70020721 | 1 | PRESSURE SWITCH | |
| 3 | 8003167 | 1 | COMPRESSOR | |
| 4 | 8005786 | 1 | HOSE | |
| 5 | 8005787 | 1 | HOSE | |
| 6 | 8005788 | 1 | HOSE | |
| 7 | 0902966 | 1 | BRACKET | |
| 8 | 0480138 | 1 | V-BELT | |
| 9 | 0701030 | 2 | BOLT, M10X130, GR8.8 | |
| 10 | 3291005 | 2 | LOCKNUT, 10mm | |
| 11 | 4812000 | 8 | FLAT WASHER, 10mm | |
| 12 | 4811700 | 8 | FLAT WASHER, 6mm | |
| 13 | 0120008 | 1 | ADJUSTER | |
| 14 | 3291001 | 2 | HEX NUT, 10mm | |
| 15 | 5201012 | 3 | BOLT, M10X25, (torque to 85 Nm) | |
| 16 | 0700617 | 2 | BOLT, M6X45 | |
| 17 | 3290605 | 2 | HEX LOCKNUT, 6mm | |
| 18 | 3290805 | 4 | LOCKNUT, 8mm | |
| 19 | 1356341 | 4 | WASHER, 8.4mm | |
| 20 | 8006450 | 1 | SPACER | |
| 22 | 5201010 | 1 | BOLT, M10X20 | |
| 23 | 3780202 | 1 | O-RING | |

SECTION 4 - ENGINE AND ATTACHING PARTS

FIGURE 4-15. TRANSMISSION ASSEMBLY



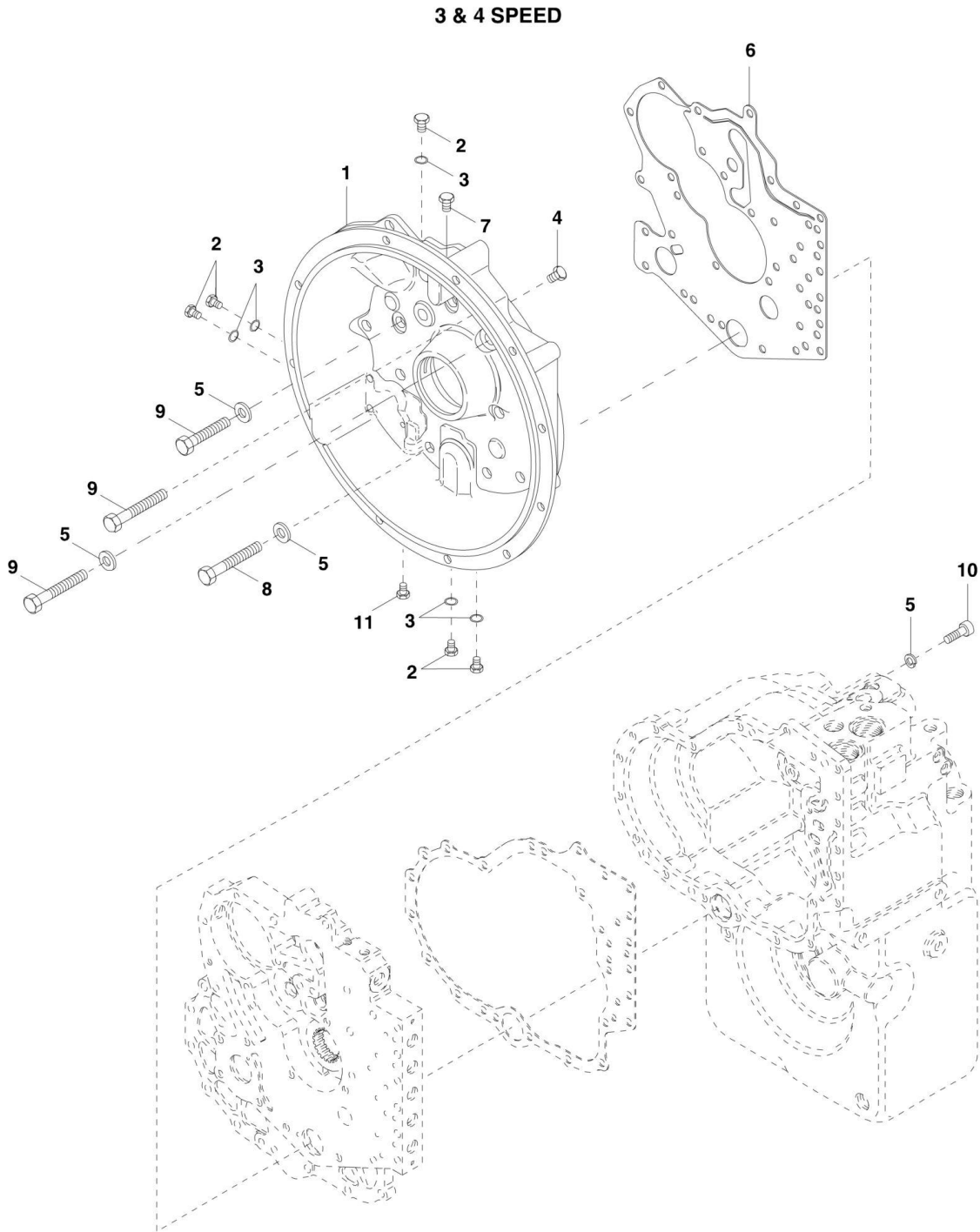
SECTION 4 - ENGINE AND ATTACHING PARTS

FIGURE 4-15. TRANSMISSION ASSEMBLY

| ITEM | PART NUMBER | QTY | DESCRIPTION | REV |
|------|-------------|-----|--|-----|
| | 8007257 | Ref | TRANSMISSION ASSY, (3 speed), (includes items 1 thru 16) (Prior to SN 1160000533, Except SN 1160000523 through 1160000531, Excluding 1160000516, 1160000517 and 1160000520) | B |
| | 4803361 | Ref | TRANSMISSION ASSY, (4 speed), (includes items 1 thru 16) (Prior to SN 1160000533, Except SN 1160000523 through 1160000531, Excluding 1160000516, 1160000517 and 1160000520) | B |
| | 4540015 | Ref | TRANSMISSION ASSY, (3 speed), (includes items 1 thru 16) (SN 1160000533 to Present, SN 1160000523 through 1160000531, Including 1160000516, 1160000517 and 1160000520) | A |
| | 4540016 | Ref | TRANSMISSION ASSY, (4 speed), (includes items 1 thru 16) (SN 1160000533 to Present, SN 1160000523 through 1160000531, Including 1160000516, 1160000517 and 1160000520) | A |
| 2 | 8006318 | 1 | TEMPERATURE SWITCH | |
| 3 | | Ref | CONVERTER HOUSING, (See TRANSMISSION ASSEMBLY - CONVERTER HOUSING for Breakdown) | |
| 4 | | Ref | CASE AND PLATE, (See TRANSMISSION ASSEMBLY - CASE AND PLATE for Breakdown) | |
| 5 | | Ref | TORQUE CONVERTER, (See TRANSMISSION ASSEMBLY - TORQUE CONVERTER for Breakdown) | |
| 6 | | Ref | GEAR GROUP, (See TRANSMISSION ASSEMBLY - GEAR GROUP for Breakdown) | |
| 7 | | Ref | PUMP DRIVE GROUP, (See TRANSMISSION ASSEMBLY - PUMP DRIVE GROUP for Breakdown) | |
| 8 | | Ref | CHARGE PUMP, (See TRANSMISSION ASSEMBLY - CHARGE PUMP for Breakdown) | |
| 9 | | Ref | REVERSE IDLER, (See TRANSMISSION ASSEMBLY - REVERSE IDLER for Breakdown) | |
| 10 | | Ref | FORWARD AND REVERSE SHAFT, (See TRANSMISSION ASSEMBLY - FORWARD AND REVERSE SHAFT for Breakdown) | |
| 11 | | Ref | HIGH 4TH AND 3RD SHAFT, (See TRANSMISSION ASSEMBLY - HIGH 4TH & 3RD SHAFT for Breakdown) | |
| 12 | | Ref | 1ST AND 2ND SHAFT, (See TRANSMISSION ASSEMBLY - 1ST & 2ND SHAFT for Breakdown) | |
| 13 | | Ref | OUTPUT SHAFT, (See TRANSMISSION ASSEMBLY - OUTPUT SHAFT for Breakdown) | |
| 14 | | Ref | CONTROL AND MODULATION VALVE ASSY, (See TRANSMISSION ASSEMBLY - CONTROL AND MODULATION VALVE ASSEMBLY for Breakdown) | |
| 15 | | Ref | DRIVE PLATE, (See TRANSMISSION ASSEMBLY - DRIVE PLATE for Breakdown) | |
| 16 | | Ref | DROP BOX, (See TRANSMISSION ASSEMBLY - DROP BOX for Breakdown) | |
| | 7028110 | | GASKET AND SEAL KIT, (contains gaskets and seals for entire transmission with the exception of the Drop Box) | |
| | | Ref | DROP BOX GASKET AND SEAL KIT, (See TRANSMISSION ASSEMBLY - DROP BOX for Breakdown) | |

SECTION 4 - ENGINE AND ATTACHING PARTS

FIGURE 4-16. TRANSMISSION ASSEMBLY - CONVERTER HOUSING



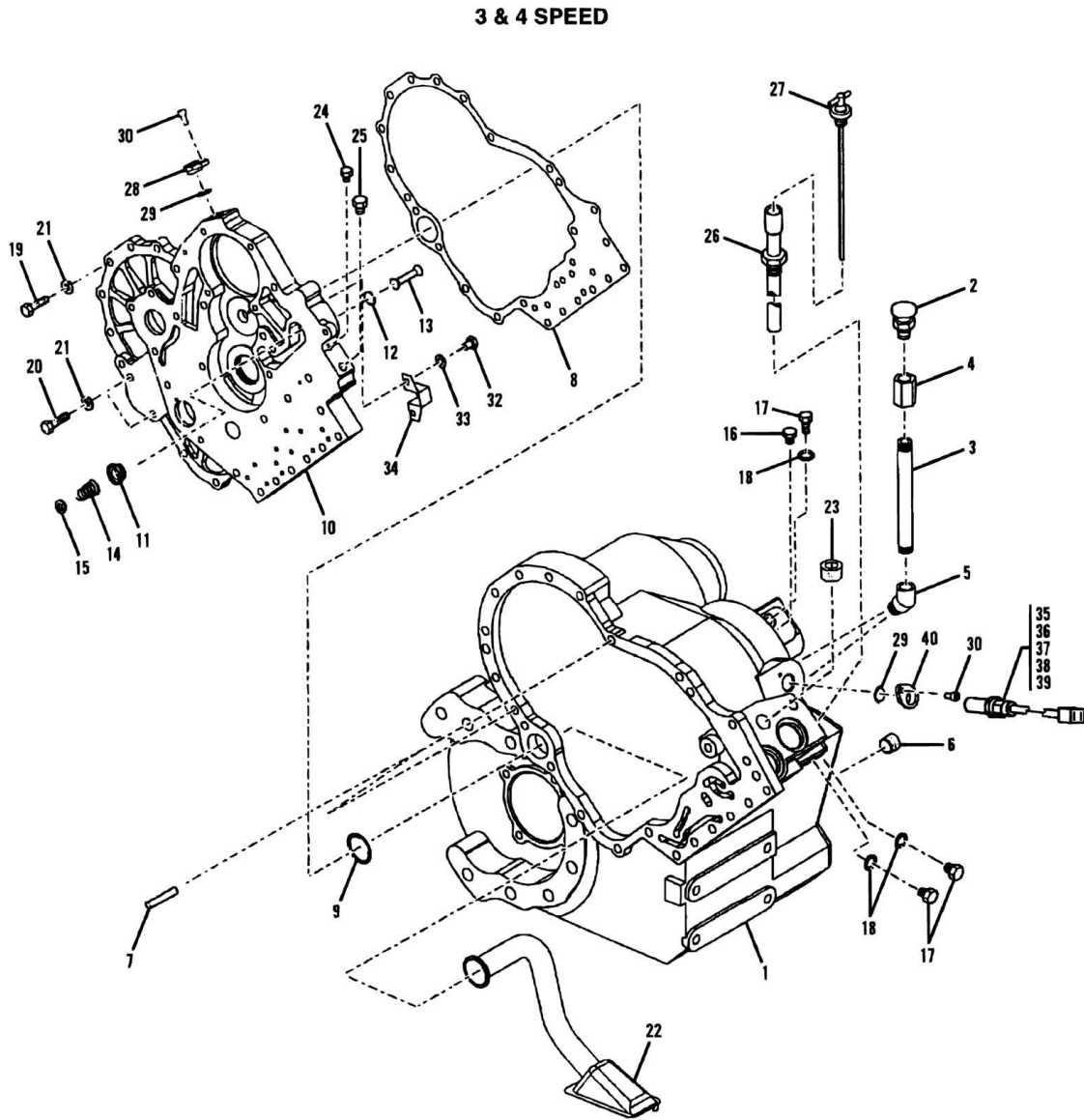
SECTION 4 - ENGINE AND ATTACHING PARTS

FIGURE 4-16. TRANSMISSION ASSEMBLY - CONVERTER HOUSING

| ITEM | PART NUMBER | QTY | DESCRIPTION | REV |
|------|-------------|-----|-------------------------|-----|
| 1 | 91474186 | 1 | HOUSING, CONVERTER | |
| 2 | 8032526 | 5 | PLUG, (includes item 3) | |
| 3 | | Ref | O-RING | |
| 4 | 91474189 | 1 | PLUG | |
| 5 | 91474265 | 23 | LOCKWASHER | |
| 6 | 91474191 | 1 | GASKET | |
| 7 | 91474192 | 1 | PLUG, CHECK VALVE | |
| 8 | 91474193 | 6 | SCREW | |
| 9 | 91474194 | 16 | SCREW | |
| 10 | 91474195 | 1 | SCREW | |
| 11 | 8035092 | 1 | PLUG | |

SECTION 4 - ENGINE AND ATTACHING PARTS

FIGURE 4-17. TRANSMISSION ASSEMBLY - CASE AND PLATE



SECTION 4 - ENGINE AND ATTACHING PARTS

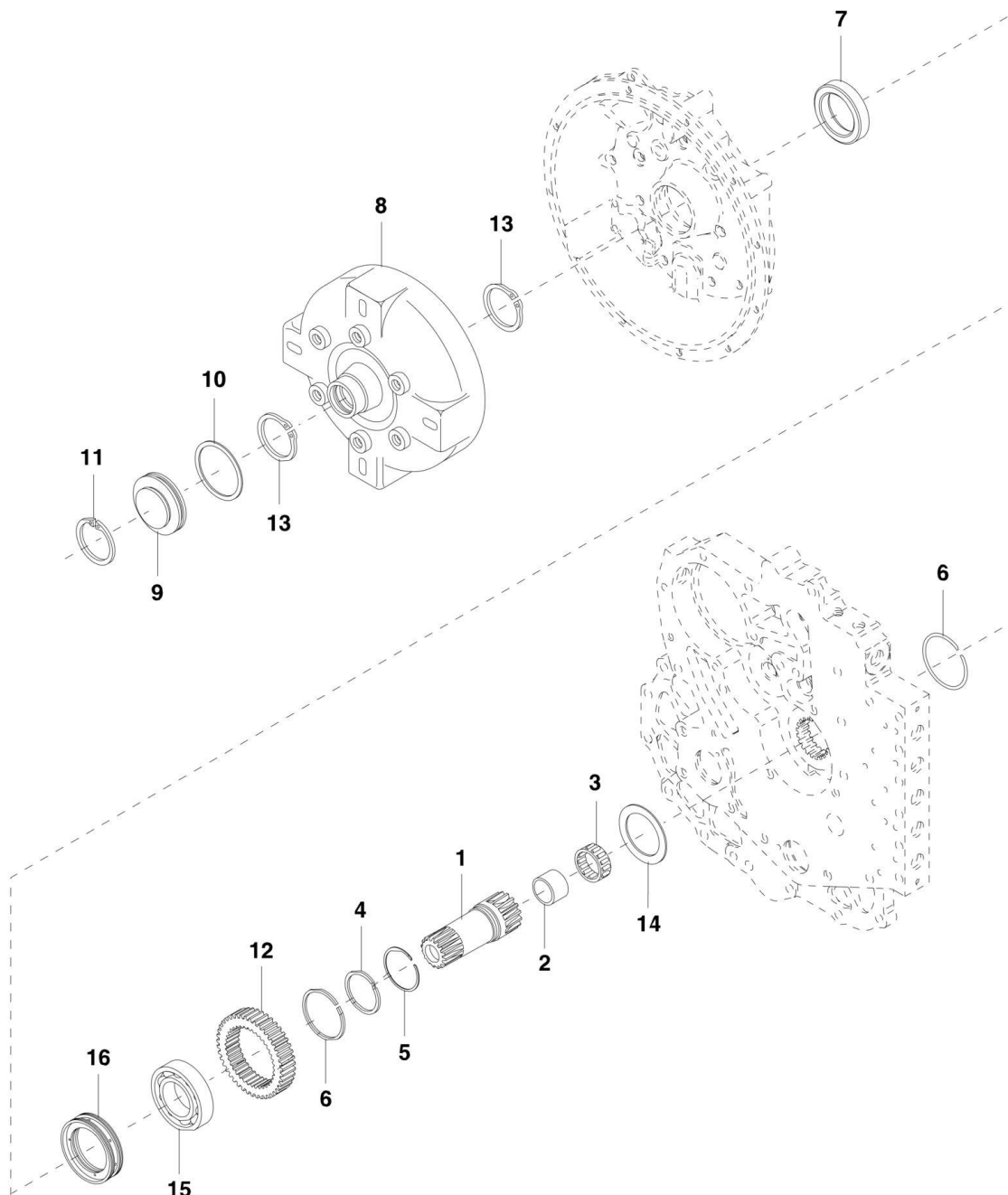
FIGURE 4-17. TRANSMISSION ASSEMBLY - CASE AND PLATE

| ITEM | PART NUMBER | QTY | DESCRIPTION | REV |
|------|-------------|-----|--|-----|
| 1 | 70020402 | 1 | TRANSMISSION CASE | |
| 2 | 8032509 | 1 | BREATHER | |
| 3 | 7028058 | 1 | NIPPLE, PIPE | |
| 4 | 91474198 | 1 | COUPLING, PIPE | |
| 5 | 91474199 | 1 | FITTING, ELBOW | |
| 6 | 8032528 | 2 | PLUG, MAGNETIC DRAIN | |
| 7 | 91474200 | 2 | DOWEL PIN | |
| 8 | 91474201 | 1 | GASKET | |
| 9 | 10837074 | 1 | RING, OIL SUPPLY TUBE SEAL | |
| 10 | | Ref | PLATE | |
| 11 | 91474204 | 1 | SEAT, SAFETY VALVE | |
| 12 | 91474205 | 1 | SNAP RING, SEAT | |
| 13 | 91474206 | 1 | POPPET, CONVERTER SAFETY VALVE | |
| 14 | 77104056 | 1 | SPRING, CONVERTER SAFETY VALVE | |
| 15 | 91474207 | 1 | WASHER, POPPET RETAINING | |
| 16 | 91474189 | 1 | PLUG | |
| 17 | 8032526 | 3 | PLUG, (incudes item 18) | |
| 18 | | Ref | O-RING | |
| 19 | 91474208 | 7 | SCREW | |
| 20 | 91474209 | 2 | SCREW | |
| 21 | 91474265 | 9 | LOCKWASHER | |
| 22 | 91474210 | 1 | SUCTION TUBE ASSY | |
| 23 | 91474211 | 1 | PLUG, FILLER | |
| 24 | 91474189 | 1 | PLUG | |
| 25 | 91474192 | 1 | PLUG | |
| 26 | 90204823 | 1 | DIPSTICK TUBE ASSY | |
| 27 | 91474212 | 1 | DIPSTICK | |
| 28 | 91474213 | 1 | PLUG | |
| 29 | 91474214 | 2 | O-RING | |
| 30 | 8034940 | 2 | SCREW | |
| 32 | | Ref | CAPSCREW | |
| 33 | | Ref | WASHER | |
| 34 | | Ref | BAFFLE, SAFETY VALVE | |
| 35 | 8007875 | 1 | SPEED SENSOR ASSY, (includes one of items 29, 30 & items 36 thru 40) | C |
| 36 | 4461118 | 1 | CONNECTOR | |
| 37 | 1001107854 | 2 | CONTACT | |
| 38 | 1001104498 | 1 | SEAL | |
| 39 | | Ref | SENSOR | |
| 40 | 7028927 | 1 | CLIP | |

SECTION 4 - ENGINE AND ATTACHING PARTS

FIGURE 4-18. TRANSMISSION ASSEMBLY - TORQUE CONVERTER

3 & 4 SPEED



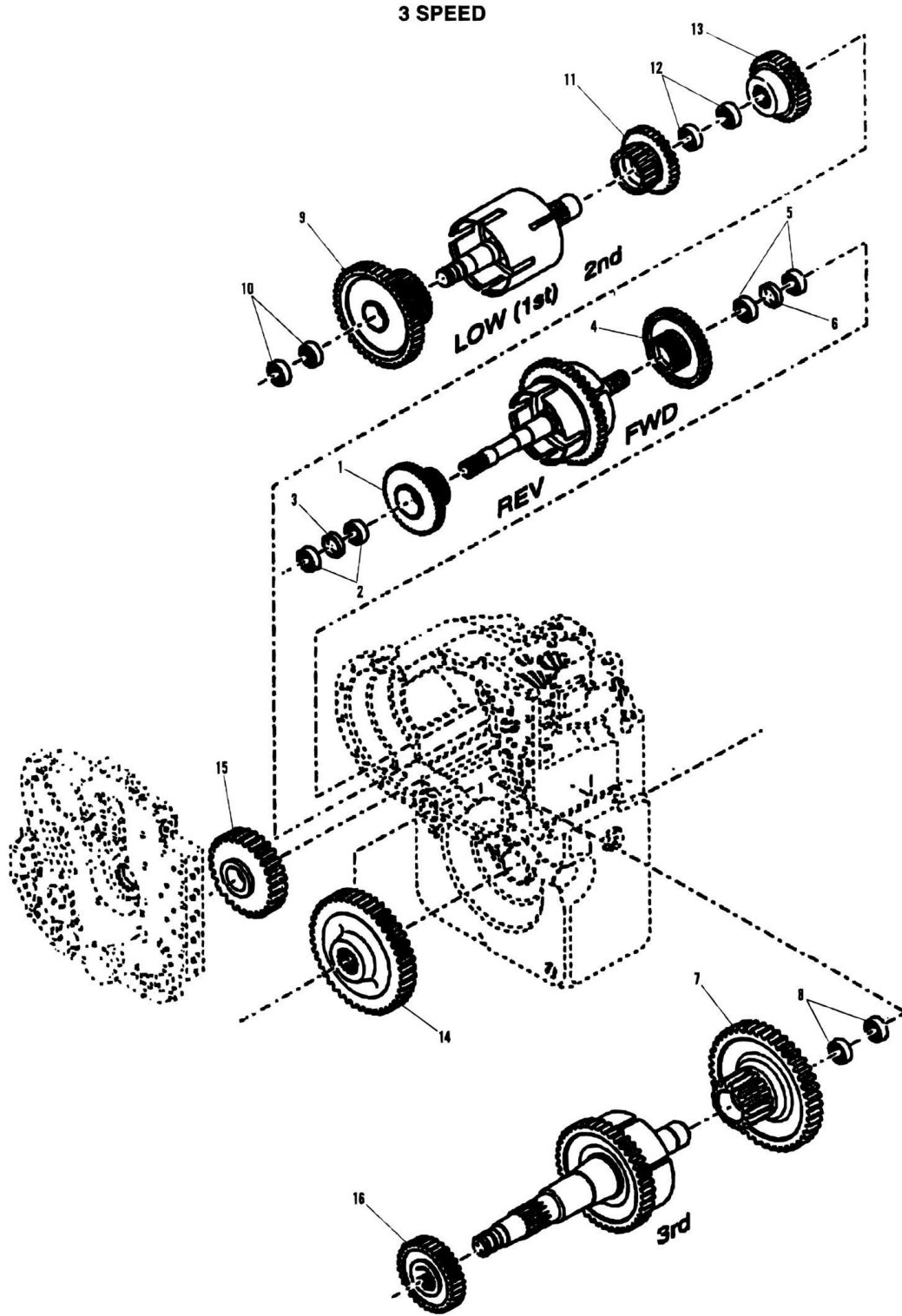
SECTION 4 - ENGINE AND ATTACHING PARTS

FIGURE 4-18. TRANSMISSION ASSEMBLY - TORQUE CONVERTER

| ITEM | PART NUMBER | QTY | DESCRIPTION | REV |
|------|-------------|-----|---|-----|
| 1 | 91474216 | 1 | STATOR SUPPORT ASSY, (includes items 2 & 3) | |
| 2 | 91474217 | 1 | BUSHING | |
| 3 | 91474218 | 1 | BEARING | |
| 4 | 91474219 | 1 | RING, STATOR SUPPORT PISTON | |
| 5 | 91474220 | 1 | EXPANDER, STATOR SUPPORT PISTON RING | |
| 6 | 91474221 | 2 | SNAP RING, STATOR SUPPORT | |
| 7 | 10837072 | 1 | SEAL, OIL | |
| 8 | 7028055 | 1 | TORQUE CONVERTER ASSY | |
| 9 | 90204781 | 1 | PLUG, TORQUE CONVERTER | |
| 10 | 77104039 | 1 | O-RING, TORQUE CONVERTER PLUG | |
| 11 | 77104041 | 1 | SNAP RING, TORQUE CONVERTER PLUG | |
| 12 | 91474224 | 1 | GEAR, IMPELLER HUB | |
| 13 | 8034968 | 2 | SNAP RING, IMPELLER HUB | |
| 14 | 91474226 | 1 | WASHER, IMPELLER HUB GEAR | |
| 15 | 10868235 | 1 | BEARING, TORQUE CONVERTER | |
| 16 | 91474228 | 1 | RING, OIL DISTRIBUTOR | |

SECTION 4 - ENGINE AND ATTACHING PARTS

FIGURE 4-19. TRANSMISSION ASSEMBLY - GEAR GROUP



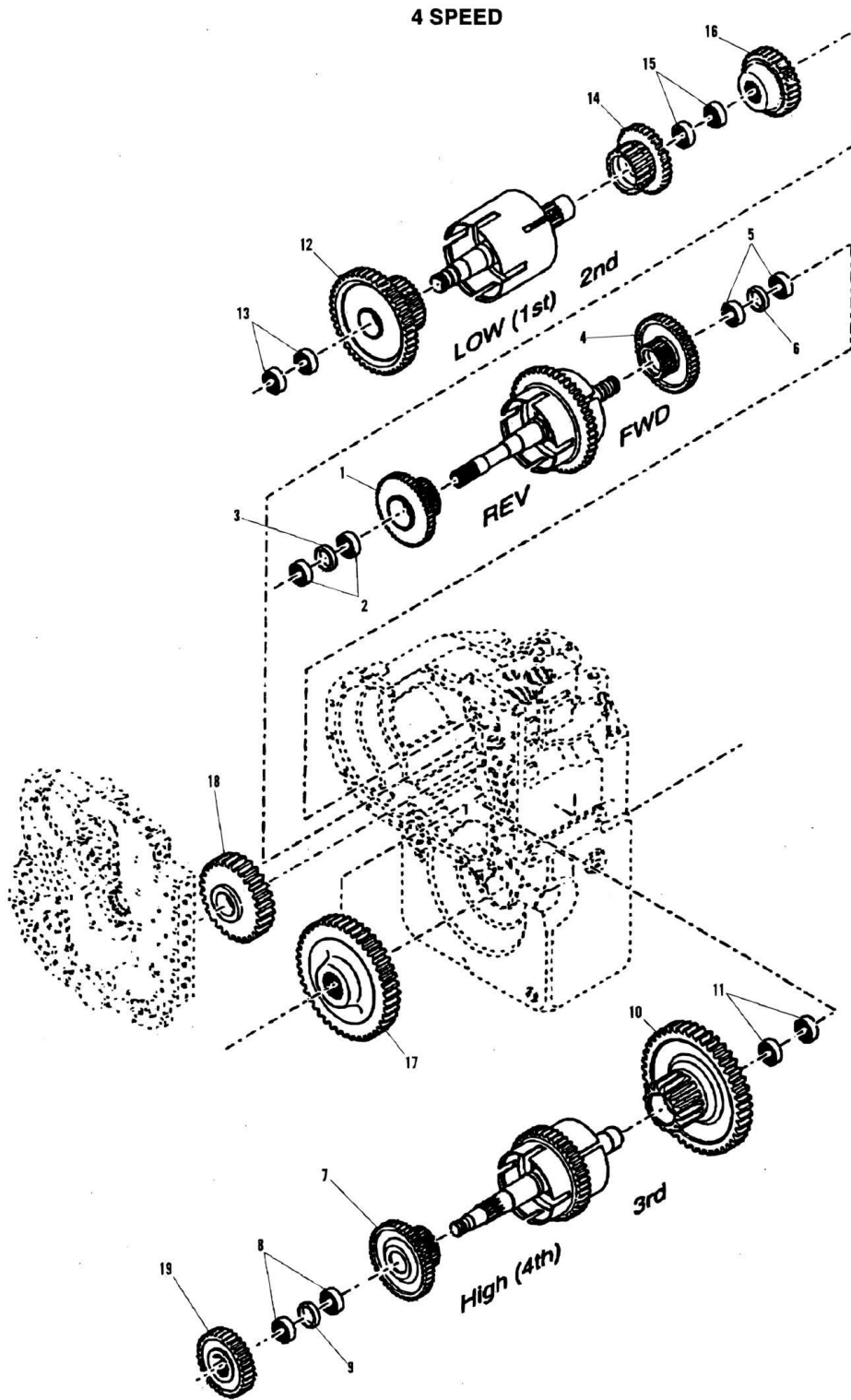
SECTION 4 - ENGINE AND ATTACHING PARTS

FIGURE 4-19. TRANSMISSION ASSEMBLY - GEAR GROUP

| ITEM | PART NUMBER | QTY | DESCRIPTION | REV |
|------|-------------|-----|--|-----|
| 1 | 7028060 | 1 | REVERSE GEAR AND BEARING ASSY, (includes items 2 & 3) | |
| 2 | 91474230 | 2 | BEARING, REVERSE CLUTCH GEAR | |
| 3 | 91474231 | 1 | SPACER, REVERSE CLUTCH GEAR BEARING | |
| 4 | 91474232 | 1 | FORWARD CLUTCH GEAR AND BEARING ASSY, (includes items 5 & 6) | |
| 5 | 91474230 | 2 | BEARING, FORWARD CLUTCH GEAR | |
| 6 | 91474231 | 1 | SPACER, FORWARD CLUTCH GEAR BEARING | |
| 7 | 91474389 | 1 | 3RD CLUTCH GEAR AND BEARING ASSY, (includes item 8) | |
| 8 | 91474236 | 2 | BEARING, NEEDLE | |
| 9 | 91474390 | 1 | 1ST CLUTCH GEAR AND BEARING ASSY, (includes item 10) | |
| 10 | 91474230 | 2 | BEARING, 1ST GEAR | |
| 11 | 91474239 | 1 | 2ND CLUTCH GEAR AND BEARING ASSY, (includes item 12) | |
| 12 | 91474230 | 2 | BEARING, 2ND GEAR | |
| 13 | 91474393 | 1 | GEAR, 3RD DRIVEN | |
| 14 | 91474394 | 1 | GEAR, OUTPUT SHAFT | |
| 15 | 91474395 | 1 | GEAR, REVERSE IDLER | |
| 16 | 91474396 | 1 | GEAR, FIRST DRIVE | |

SECTION 4 - ENGINE AND ATTACHING PARTS

FIGURE 4-20. TRANSMISSION ASSEMBLY - GEAR GROUP



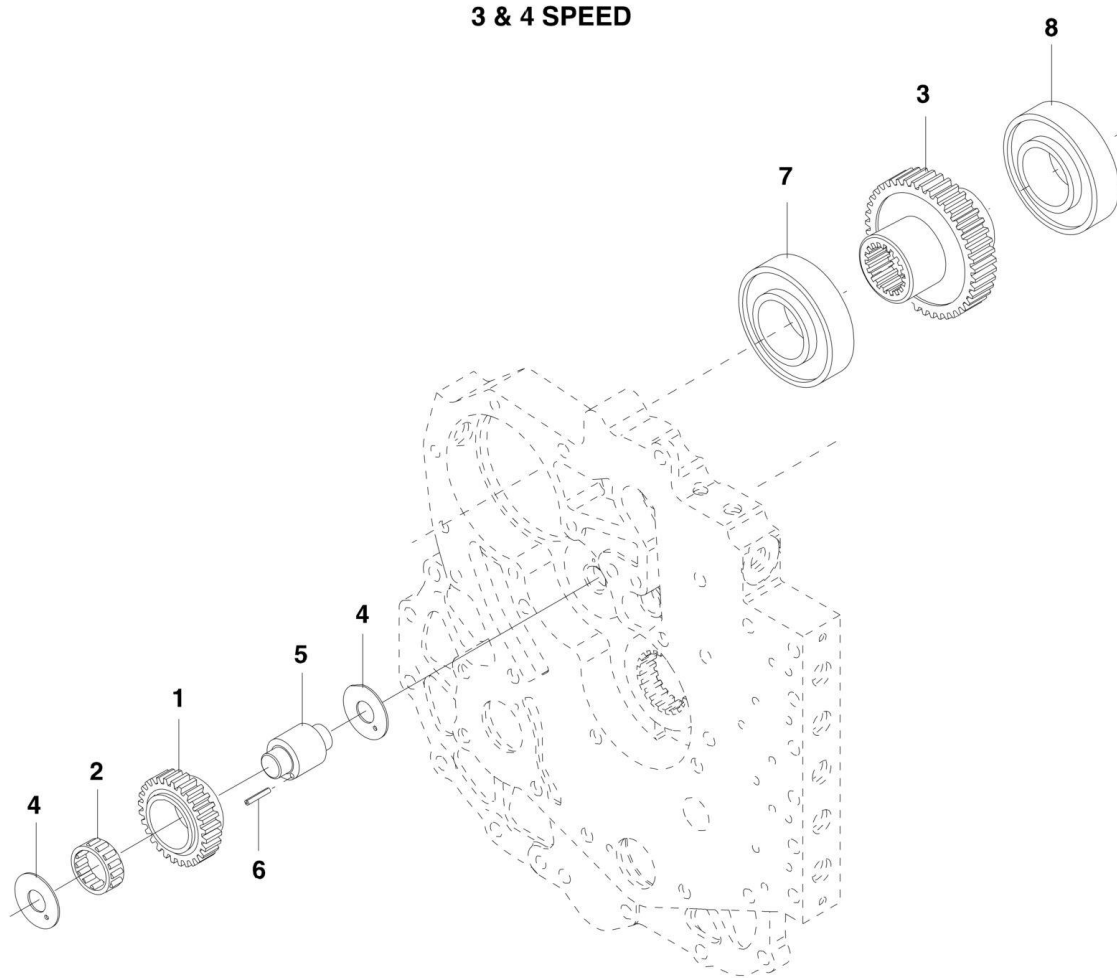
SECTION 4 - ENGINE AND ATTACHING PARTS

FIGURE 4-20. TRANSMISSION ASSEMBLY - GEAR GROUP

| ITEM | PART NUMBER | QTY | DESCRIPTION | REV |
|------|-------------|-----|--|-----|
| 1 | 7028060 | 1 | REVERSE GEAR AND BEARING ASSY, (includes items 2 & 3) | |
| 2 | 91474230 | 2 | BEARING, REVERSE CLUTCH GEAR | |
| 3 | 91474231 | 1 | SPACER, REVERSE CLUTCH GEAR BEARING | |
| 4 | 91474232 | 1 | FORWARD CLUTCH GEAR AND BEARING ASSY, (includes items 5 & 6) | |
| 5 | 91474230 | 2 | BEARING, FORWARD CLUTCH GEAR | |
| 6 | 91474231 | 1 | SPACER, FORWARD CLUTCH GEAR BEARING | |
| 7 | 7028061 | 1 | 4TH CLUTCH GEAR AND BEARING ASSY, (includes items 8 & 9) | |
| 8 | 91474387 | 2 | BEARING, NEEDLE | |
| 9 | 91474388 | 1 | SPACER, HIGH CLUTCH GEAR BEARING | |
| 10 | 91474389 | 1 | 3RD CLUTCH GEAR AND BEARING ASSY, (includes item 11) | |
| 11 | 91474236 | 2 | BEARING, NEEDLE | |
| 12 | 91474390 | 1 | 1ST CLUTCH GEAR AND BEARING ASSY, (includes item 13) | |
| 13 | 91474230 | 2 | BEARING, 1ST GEAR | |
| 14 | 91474239 | 1 | 2ND CLUTCH GEAR AND BEARING ASSY, (includes item 15) | |
| 15 | 91474230 | 2 | BEARING, 2ND GEAR | |
| 16 | 91474393 | 1 | GEAR, 3RD DRIVEN | |
| 17 | 91474394 | 1 | GEAR, OUTPUT SHAFT | |
| 18 | 91474395 | 1 | GEAR, REVERSE IDLER | |
| 19 | 91474396 | 1 | GEAR, FIRST DRIVE | |

SECTION 4 - ENGINE AND ATTACHING PARTS

FIGURE 4-21. TRANSMISSION ASSEMBLY - PUMP DRIVE GROUP



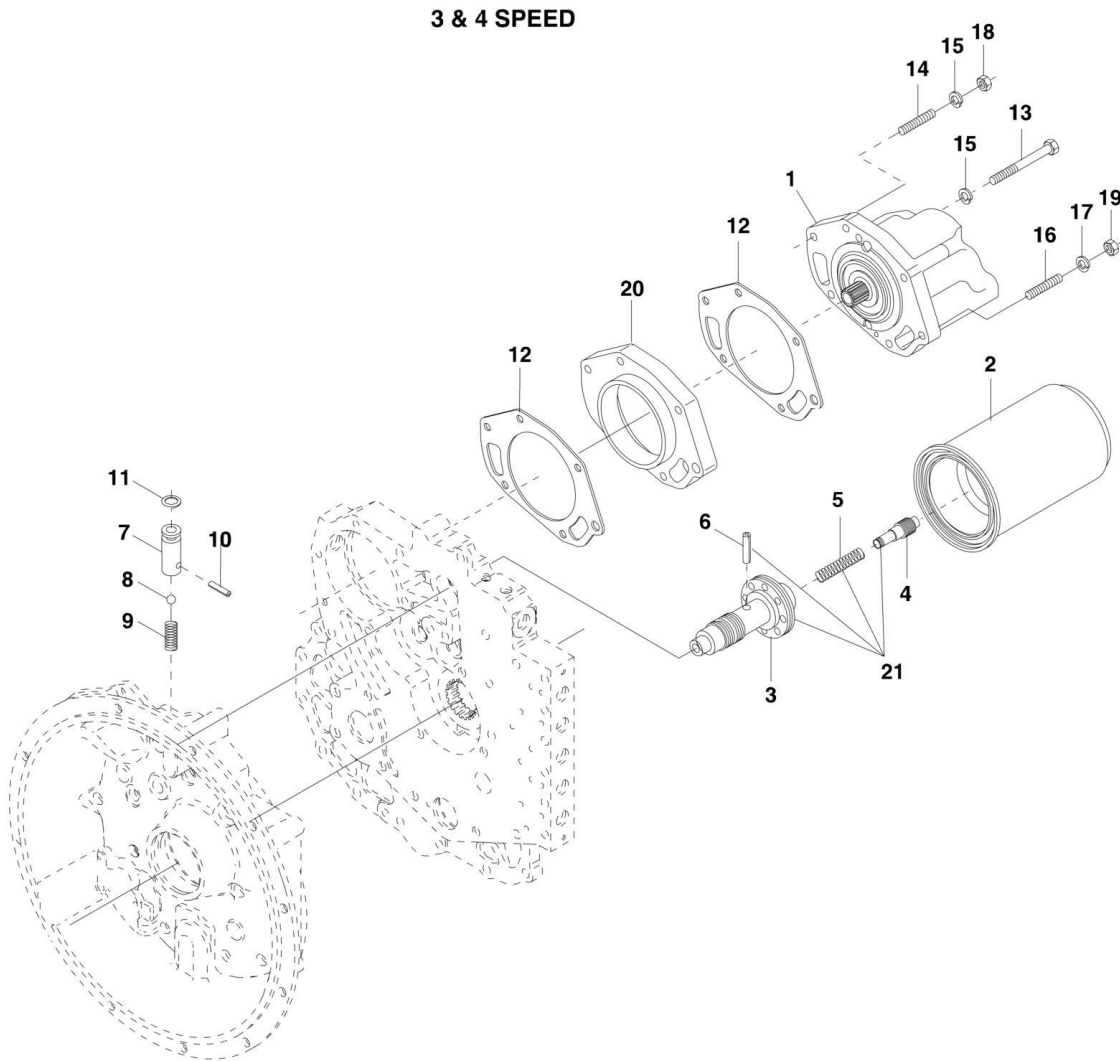
SECTION 4 - ENGINE AND ATTACHING PARTS

FIGURE 4-21. TRANSMISSION ASSEMBLY - PUMP DRIVE GROUP

| ITEM | PART NUMBER | QTY | DESCRIPTION | REV |
|------|-------------|-----|--|-----|
| 1 | 91474241 | 1 | GEAR, PUMP DRIVE IDLER | |
| 2 | 91474242 | 1 | BEARING, IDLER GEAR | |
| 3 | 91474243 | 1 | GEAR, PUMP DRIVE | |
| 4 | 10868243 | 2 | WASHER, PUMP DRIVE IDLER THRUST | |
| 5 | 91474245 | 1 | PUMP DRIVE SHAFT AND PIN ASSY, (includes item 6) | |
| 6 | | Ref | PIN, ROLL | |
| 7 | 91474247 | 1 | BEARING, PUMP DRIVE GEAR | |
| 8 | 91474248 | 1 | BEARING, PUMP DRIVE GEAR | |

SECTION 4 - ENGINE AND ATTACHING PARTS

FIGURE 4-22. TRANSMISSION ASSEMBLY - CHARGE PUMP



SECTION 4 - ENGINE AND ATTACHING PARTS

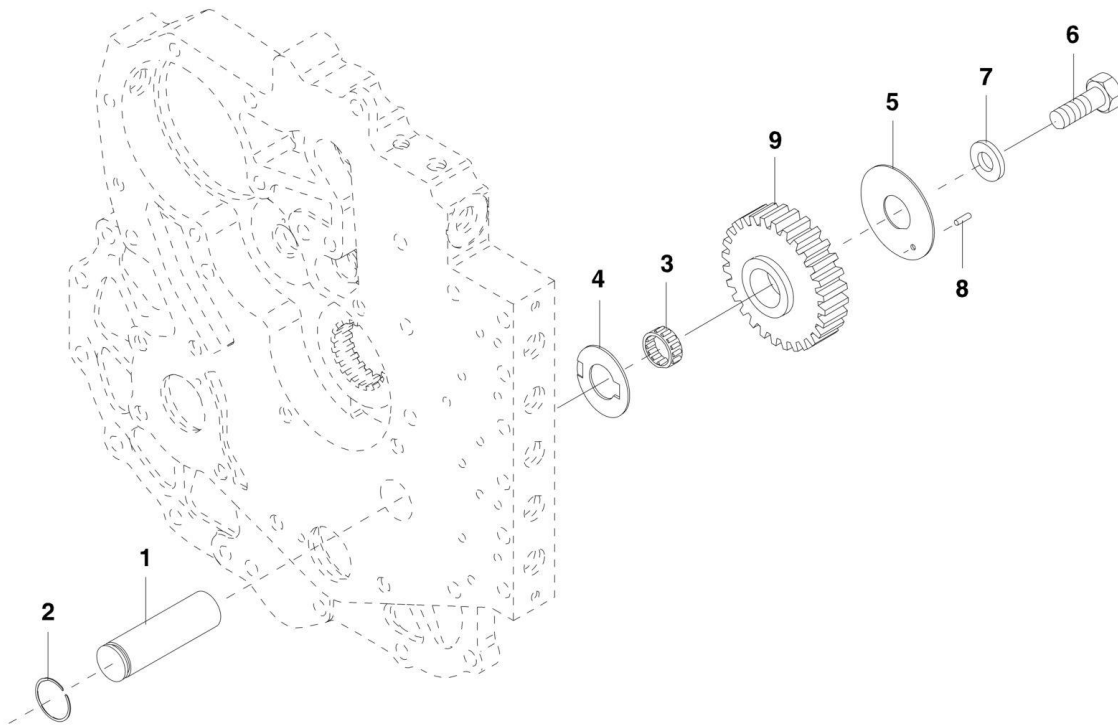
FIGURE 4-22. TRANSMISSION ASSEMBLY - CHARGE PUMP

| ITEM | PART NUMBER | QTY | DESCRIPTION | REV |
|------|-------------|-----|---|-----|
| 1 | 70020407 | 1 | CHARGE PUMP ASSY | |
| 1 | 70021830 | 1 | O-RING, (located between two halves of charge pump) | |
| 2 | 8008101 | 1 | HYDRAULIC SPIN FILTER ASSY | |
| 3 | 91474251 | 1 | SLEEVE, REGULATOR VALVE | |
| 4 | 91474252 | 1 | PISTON, REGULATOR VALVE | |
| 5 | 91474253 | 1 | SPRING, REGULATOR VALVE | |
| 6 | 91474254 | 1 | PIN | |
| 7 | 91474255 | 1 | BALL CHECK VALVE ASSY, (includes items 8 thru 11) | |
| 8 | 91474256 | 1 | BALL | |
| 9 | 91474257 | 1 | SPRING, CHECK VALVE | |
| 10 | 91474258 | 1 | PIN, CHECK VALVE | |
| 11 | 91474259 | 1 | O-RING | |
| 12 | 10868254 | 2 | GASKET, PUMP AND ADAPTER | |
| 13 | 7028063 | 4 | SCREW | |
| 14 | 91474262 | 1 | STUD | |
| 15 | 91474263 | 5 | LOCKWASHER | |
| 16 | 91474264 | 1 | STUD | |
| 17 | 91474265 | 1 | LOCKWASHER | |
| 18 | 91474266 | 1 | NUT | |
| 19 | 91474274 | 1 | NUT | |
| 20 | 91474268 | 1 | ADAPTER | |
| 21 | 91474273 | 1 | REGULATOR VALVE ASSY, (includes items 3 thru 6) | |

SECTION 4 - ENGINE AND ATTACHING PARTS

FIGURE 4-23. TRANSMISSION ASSEMBLY - REVERSE IDLER

3 & 4 SPEED



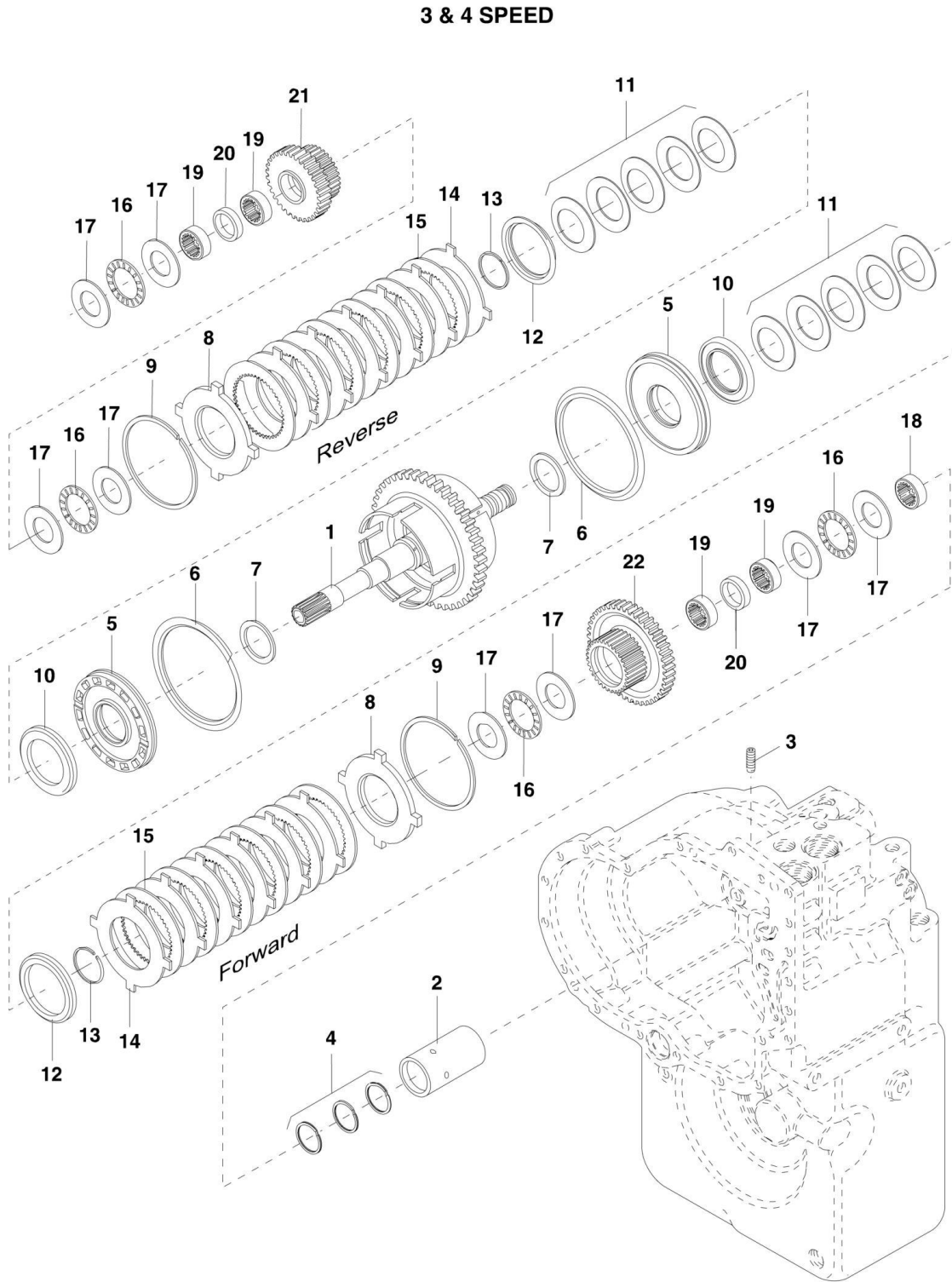
SECTION 4 - ENGINE AND ATTACHING PARTS

FIGURE 4-23. TRANSMISSION ASSEMBLY - REVERSE IDLER

| ITEM | PART NUMBER | QTY | DESCRIPTION | REV |
|------|-------------|-----|--|-----|
| 1 | 91474275 | 1 | SHAFT, IDLER AND PILOT | |
| 2 | 91474276 | 1 | SNAP RING, IDLER SHAFT | |
| 3 | 91474277 | 1 | BEARING, REVERSE IDLER GEAR | |
| 4 | 91474278 | 1 | WASHER, THRUST | |
| 5 | 91474279 | 1 | PLATE, END | |
| 6 | 91474280 | 1 | CAPSCREW | |
| 7 | 91474281 | 1 | WASHER | |
| 8 | 91474282 | 1 | ROLL PIN | |
| 9 | | Ref | REVERSE IDLER GEAR, (See TRANSMISSION ASSEMBLY - GEAR GROUP for Breakdown) | |

SECTION 4 - ENGINE AND ATTACHING PARTS

FIGURE 4-24. TRANSMISSION ASSEMBLY - FORWARD AND REVERSE SHAFT



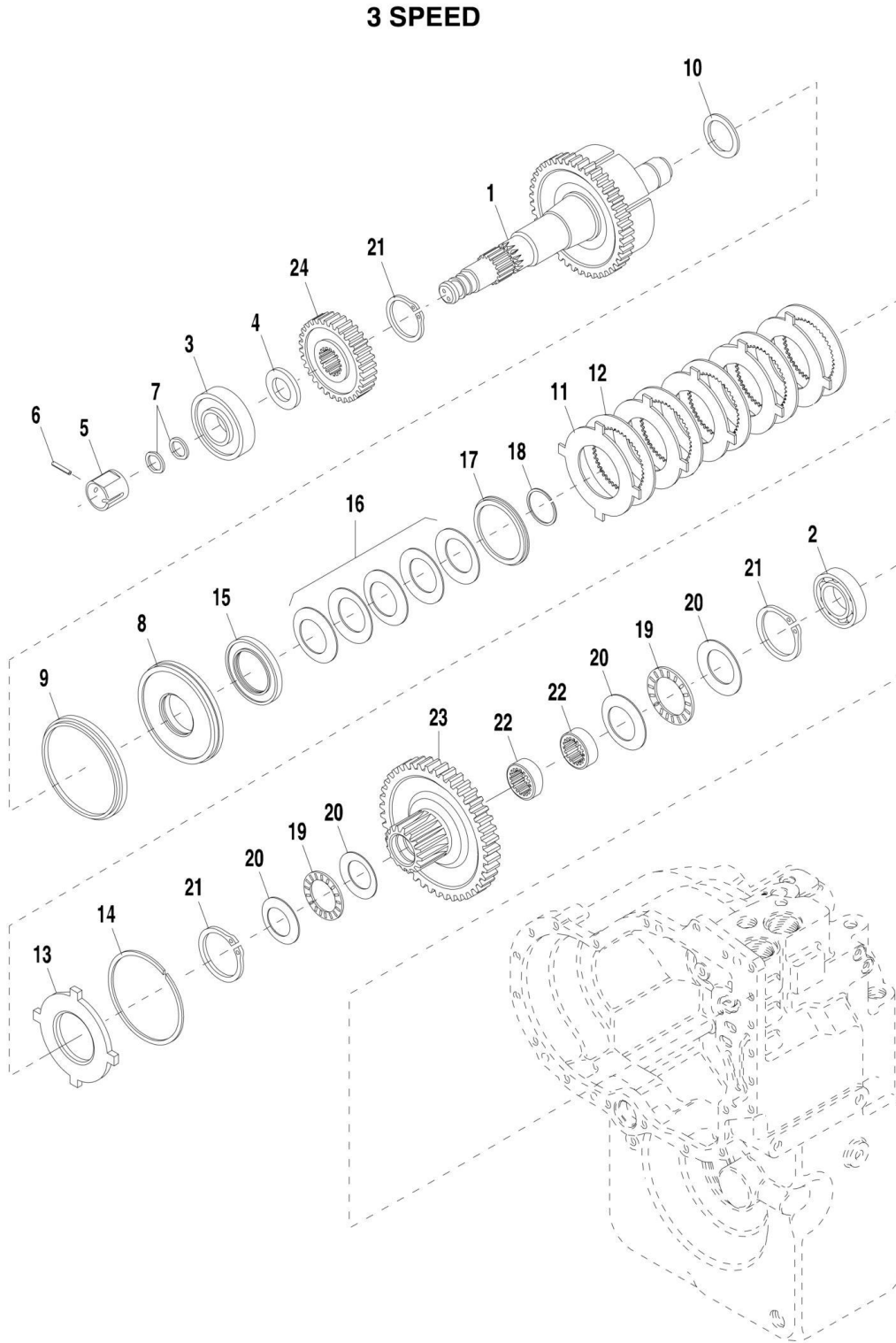
SECTION 4 - ENGINE AND ATTACHING PARTS

FIGURE 4-24. TRANSMISSION ASSEMBLY - FORWARD AND REVERSE SHAFT

| ITEM | PART NUMBER | QTY | DESCRIPTION | REV |
|------|-------------|-----|--|-----|
| 1 | | Ref | TURBINE SHAFT, DRUM AND PLUG ASSY | |
| 1 | 91474283 | 1 | 3 SPEED | |
| 1 | 8035031 | 1 | 4 SPEED | |
| 2 | 91474284 | 1 | SLEEVE, OIL DISTRIBUTOR | |
| 3 | 91474285 | 1 | SCREW, RETAINER | |
| 4 | 10837060 | 3 | RING, PISTON | |
| 5 | 91474287 | 2 | PISTON AND SEALS ASSY, (includes items 6 & 7) | |
| 6 | 91474288 | 2 | SEAL, CLUTCH PISTON, (outer) | |
| 7 | 91474289 | 2 | SEAL, CLUTCH PISTON, (inner) | |
| 8 | 91474308 | 2 | PLATE, END | |
| 9 | 91474309 | 2 | SNAP RING | |
| 10 | 10868277 | 2 | PLATE, CLUTCH PISTON WEAR | |
| 11 | 91474310 | 2 | DISC SPRING ASSY, (includes 5 washers) | |
| 12 | 91474294 | 2 | RETAINER, SNAP RING | |
| 13 | 91474295 | 2 | SNAP RING, RETAINER | |
| 14 | 91474296 | 12 | DISC, OUTER, (6 forward, 6 reverse) | |
| 15 | 91474297 | 12 | DISC, INNER, (6 forward, 6 reverse) | |
| 16 | 91474298 | 4 | BEARING, CLUTCH GEAR THRUST | |
| 17 | 91474299 | 8 | WASHER, CLUTCH GEAR THRUST | |
| 18 | 91474300 | 1 | BEARING, TURBINE SHAFT REAR | |
| 19 | | Ref | BEARING, CLUTCH GEAR, (See TRANSMISSION ASSEMBLY - GEAR GROUP for Breakdown) | |
| 20 | | Ref | SPACER, CLUTCH GEAR, (See TRANSMISSION ASSEMBLY - GEAR GROUP for Breakdown) | |
| 21 | | Ref | GEAR, REVERSE CLUTCH, (See TRANSMISSION ASSEMBLY - GEAR GROUP for Breakdown) | |
| 22 | | Ref | GEAR, FORWARD CLUTCH, (See TRANSMISSION ASSEMBLY - GEAR GROUP for Breakdown) | |

SECTION 4 - ENGINE AND ATTACHING PARTS

FIGURE 4-25. TRANSMISSION ASSEMBLY - HIGH 4TH AND 3RD SHAFT



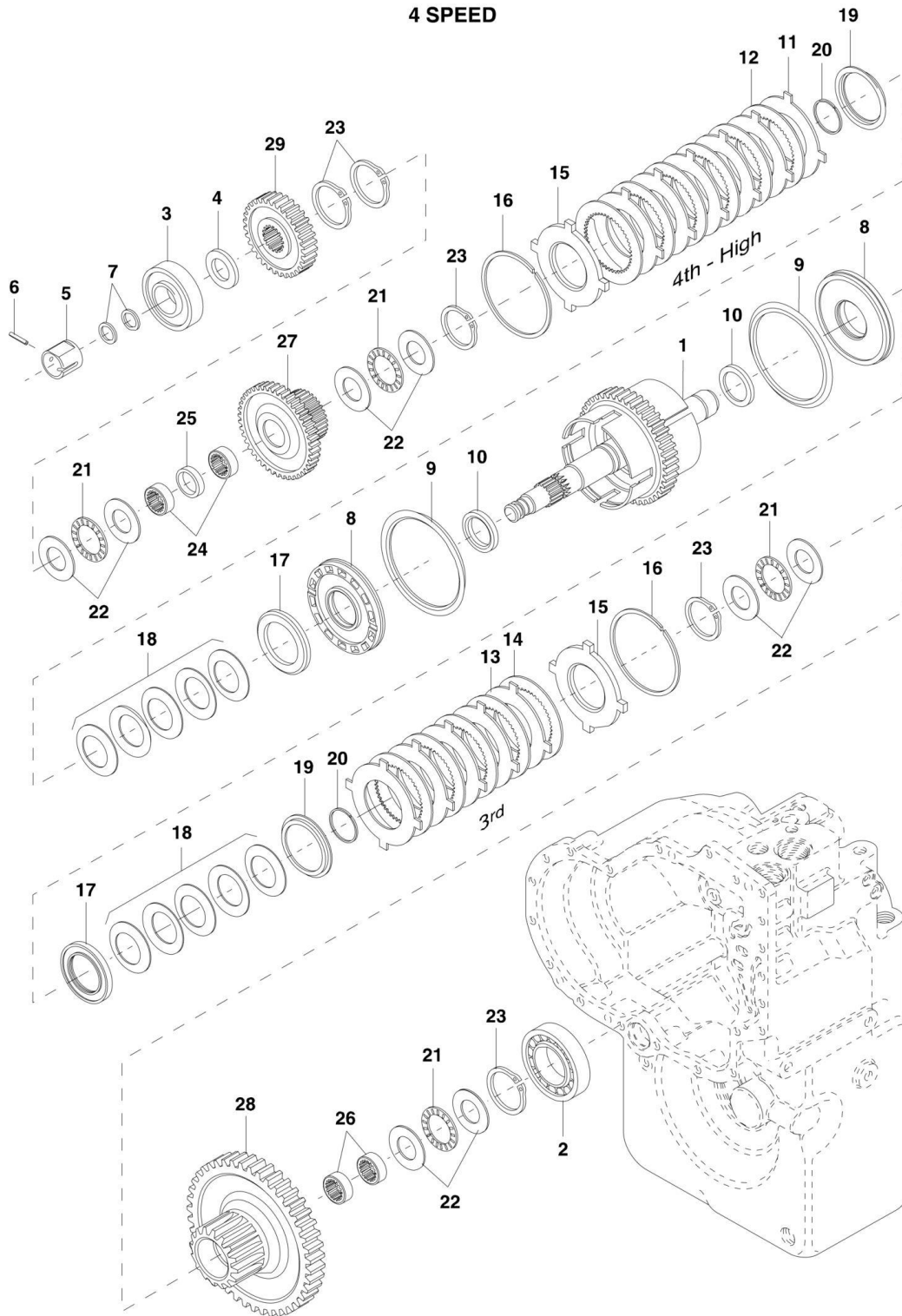
SECTION 4 - ENGINE AND ATTACHING PARTS

FIGURE 4-25. TRANSMISSION ASSEMBLY - HIGH 4TH AND 3RD SHAFT

| ITEM | PART NUMBER | QTY | DESCRIPTION | REV |
|------|-------------|-----|--|-----|
| 1 | 91474301 | 1 | 3RD SHAFT ASSY | |
| 2 | 91474302 | 1 | BEARING, ROLLER | |
| 3 | 91474303 | 1 | BEARING AND SEAL ASSY | |
| 4 | 91474304 | 1 | WASHER, BEARING SUPPORT | |
| 5 | 10868284 | 1 | SLEEVE, OIL DISTRIBUTOR | |
| 6 | 91474306 | 1 | SCREW, SLEEVE RETAINING | |
| 7 | 10837060 | 2 | RING, PISTON | |
| 8 | 91474307 | 1 | PISTON AND SEALS ASSY, (includes items 9 & 10) | |
| 9 | 91474288 | 1 | SEAL, CLUTCH PISTON, (outer) | |
| 10 | 91474289 | 1 | SEAL, CLUTCH PISTON, (inner) | |
| 11 | 91474296 | 5 | DISC, OUTER, (3rd) | |
| 12 | 91474297 | 5 | DISC, INNER, (3rd) | |
| 13 | 91474308 | 1 | PLATE, END | |
| 14 | 91474309 | 1 | SNAP RING, END PLATE | |
| 15 | 10868277 | 1 | PLATE, CLUTCH PISTON WEAR | |
| 16 | 91474310 | 1 | DISC SPRING ASSY, (3rd) | |
| 17 | 91474294 | 1 | RETAINER, SNAP RING | |
| 18 | 91474295 | 1 | SNAP RING, RETAINER | |
| 19 | 91474311 | 2 | BEARING, THRUST NEEDLE ROLLER | |
| 20 | 91474312 | 4 | WASHER, CLUTCH GEAR THRUST | |
| 21 | 91474313 | 3 | SNAP RING, GEAR HUB | |
| 22 | | Ref | BEARING, 3RD CLUTCH GEAR, (See TRANSMISSION ASSEMBLY - GEAR GROUP for Breakdown) | |
| 23 | | Ref | GEAR, 3RD CLUTCH, (See TRANSMISSION ASSEMBLY - GEAR GROUP for Breakdown) | |
| 24 | | Ref | GEAR, 1ST DRIVE, (See TRANSMISSION ASSEMBLY - GEAR GROUP for Breakdown) | |

SECTION 4 - ENGINE AND ATTACHING PARTS

FIGURE 4-26. TRANSMISSION ASSEMBLY - HIGH 4TH AND 3RD SHAFT



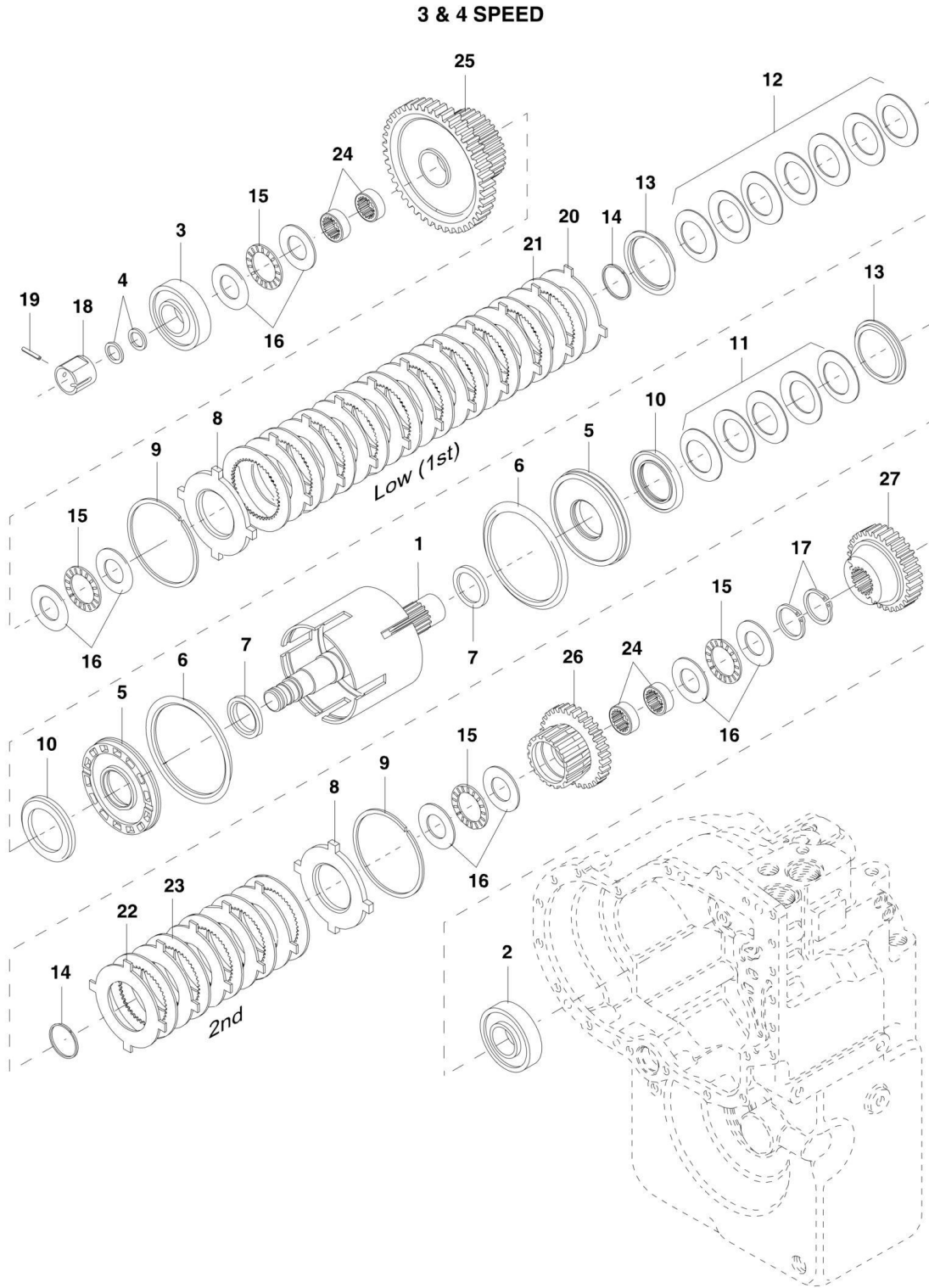
SECTION 4 - ENGINE AND ATTACHING PARTS

FIGURE 4-26. TRANSMISSION ASSEMBLY - HIGH 4TH AND 3RD SHAFT

| ITEM | PART NUMBER | QTY | DESCRIPTION | REV |
|------|-------------|-----|---|-----|
| 1 | 91474399 | 1 | HIGH AND 3RD SHAFT ASSY | |
| 2 | 91474302 | 1 | BEARING, ROLLER | |
| 3 | 91474303 | 1 | BEARING AND SEAL ASSY | |
| 4 | 91474304 | 1 | WASHER, BEARING SUPPORT | |
| 5 | 10868284 | 1 | SLEEVE, OIL DISTRIBUTOR | |
| 6 | 91474306 | 1 | SCREW, SLEEVE RETAINING | |
| 7 | 10837060 | 2 | RING, PISTON | |
| 8 | 91474307 | 2 | PISTON AND SEALS ASSY, (includes items 9 & 10) | |
| 9 | 91474288 | 2 | SEAL, CLUTCH PISTON, (outer) | |
| 10 | 91474289 | 2 | SEAL, CLUTCH PISTON, (inner) | |
| 11 | 91474296 | 6 | DISC, OUTER, (high) | |
| 12 | 91474297 | 6 | DISC, INNER, (high) | |
| 13 | 91474296 | 5 | DISC, OUTER,(3rd) | |
| 14 | 91474297 | 5 | DISC, INNER, (3rd) | |
| 15 | 91474308 | 2 | PLATE, END | |
| 16 | 91474309 | 2 | SNAP RING, END PLATE | |
| 17 | 10868277 | 2 | PLATE, CLUTCH PISTON WEAR | |
| 18 | 91474310 | 2 | DISC SPRING ASSY, (high and 3rd), (includes 5 washers) | |
| 19 | 91474294 | 2 | RETAINER, SNAP RING | |
| 20 | 91474295 | 2 | SNAP RING, RETAINER | |
| 21 | 91474311 | 4 | BEARING, THRUST NEEDLE ROLLER | |
| 22 | 91474312 | 8 | WASHER, CLUTCH GEAR THRUST | |
| 23 | 91474313 | 5 | SNAP RING, GEAR HUB | |
| 24 | | Ref | BEARING, 4TH CLUTCH GEAR, (See TRANSMISSION ASSEMBLY - GEAR GROUP for Breakdown) | |
| 25 | | Ref | SPACER, CLUTCH GEAR BEARING, (See TRANSMISSION ASSEMBLY - GEAR GROUP for Breakdown) | |
| 26 | | Ref | BEARING, 3RD CLUTCH GEAR, (See TRANSMISSION ASSEMBLY - GEAR GROUP for Breakdown) | |
| 27 | | Ref | GEAR, 4TH CLUTCH, (See TRANSMISSION ASSEMBLY - GEAR GROUP for Breakdown) | |
| 28 | | Ref | GEAR, 3RD CLUTCH, (See TRANSMISSION ASSEMBLY - GEAR GROUP for Breakdown) | |
| 29 | | Ref | GEAR, 1ST DRIVE, (See TRANSMISSION ASSEMBLY - GEAR GROUP for Breakdown) | |

SECTION 4 - ENGINE AND ATTACHING PARTS

FIGURE 4-27. TRANSMISSION ASSEMBLY - 1ST AND 2ND SHAFT



SECTION 4 - ENGINE AND ATTACHING PARTS

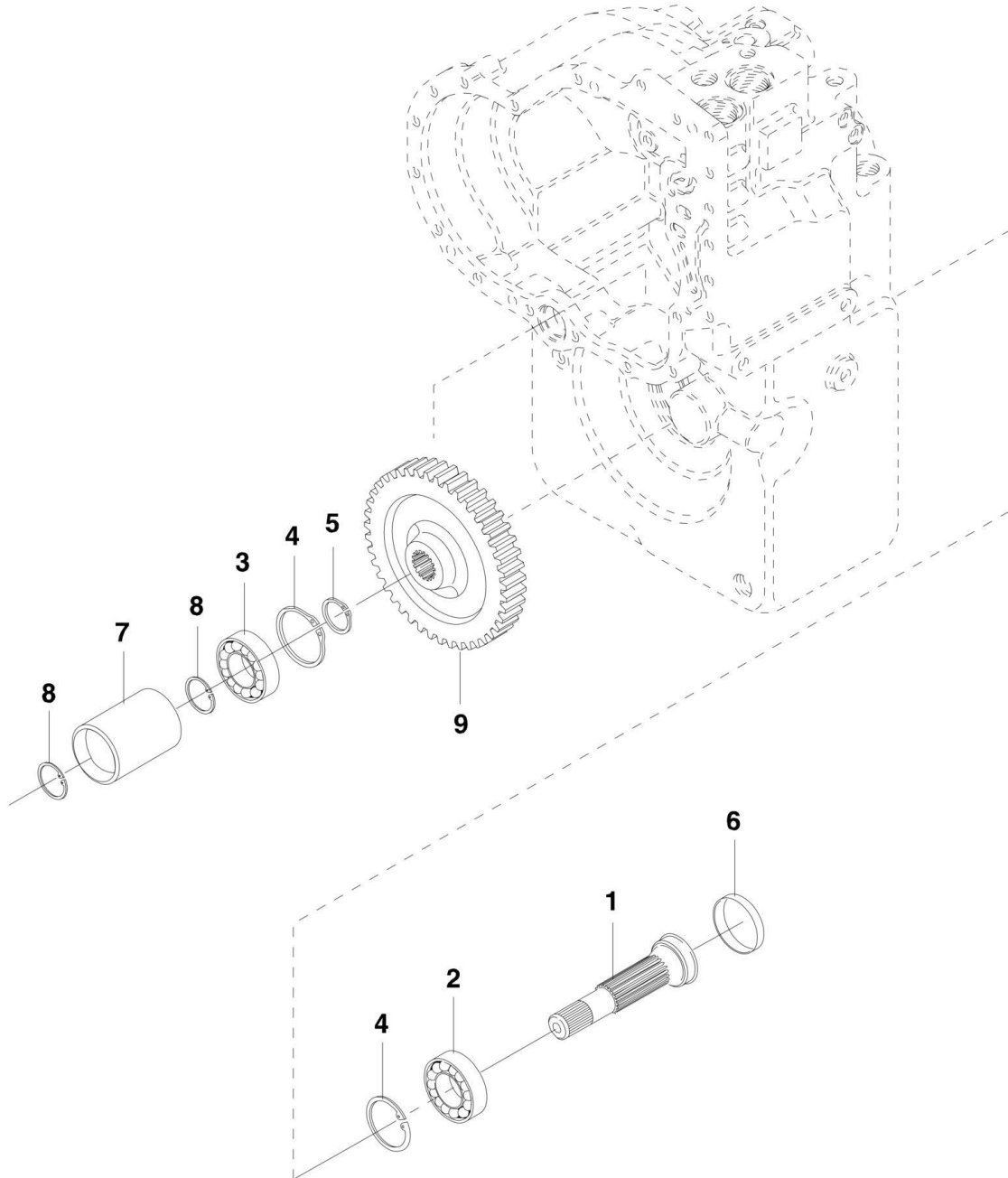
FIGURE 4-27. TRANSMISSION ASSEMBLY - 1ST AND 2ND SHAFT

| ITEM | PART NUMBER | QTY | DESCRIPTION | REV |
|------|-------------|-----|--|-----|
| 1 | 91474314 | 1 | 1ST AND 2ND SHAFT ASSY | |
| 2 | 91474315 | 1 | BEARING, ROLLER | |
| 3 | 91474303 | 1 | BEARING AND SEAL ASSY | |
| 4 | 10837060 | 2 | RING, PISTON | |
| 5 | 91474316 | 2 | PISTON AND SEALS ASSY, (includes items 6 & 7) | |
| 6 | 91474288 | 2 | SEAL, CLUTCH PISTON, (outer) | |
| 7 | 91474289 | 2 | SEAL, CLUTCH PISTON, (inner) | |
| 8 | 91474308 | 2 | PLATE, END | |
| 9 | 91474309 | 2 | SNAP RING, END PLATE | |
| 10 | 10868277 | 2 | PLATE, CLUTCH PISTON WEAR | |
| 11 | 91474310 | 1 | DISC SPRING ASSY, (2nd), (includes 5 washers) | |
| 12 | 91474317 | 1 | DISC SPRING ASSY, (1st), (includes 7 washers) | |
| 13 | 91474294 | 2 | RETAINER, SNAP RING | |
| 14 | 91474295 | 2 | SNAP RING, RETAINER | |
| 15 | 91474298 | 4 | BEARING, CLUTCH GEAR THRUST | |
| 16 | 91474299 | 8 | WASHER, CLUTCH GEAR THRUST | |
| 17 | 91474318 | 2 | SNAP RING, 2ND CLUTCH GEAR HUB | |
| 18 | 91474319 | 1 | SLEEVE, OIL DISTRIBUTOR | |
| 19 | 91474306 | 1 | SCREW, SLEEVE RETAINING | |
| 20 | 91474296 | 10 | DISC, OUTER, (1st) | |
| 21 | 91474297 | 10 | DISC, INNER, (1st) | |
| 22 | 91474296 | 5 | DISC, OUTER, (2nd) | |
| 23 | 91474297 | 5 | DISC, INNER, (2nd) | |
| 24 | | Ref | BEARING, CLUTCH, (See TRANSMISSION ASSEMBLY - GEAR GROUP for Breakdown) | |
| 25 | | Ref | GEAR, 1ST CLUTCH, (See TRANSMISSION ASSEMBLY - GEAR GROUP for Breakdown) | |
| 26 | | Ref | GEAR, 2ND CLUTCH, (See TRANSMISSION ASSEMBLY - GEAR GROUP for Breakdown) | |
| 27 | | Ref | GEAR, 3RD DRIVEN, (See TRANSMISSION ASSEMBLY - GEAR GROUP for Breakdown) | |

SECTION 4 - ENGINE AND ATTACHING PARTS

FIGURE 4-28. TRANSMISSION ASSEMBLY - OUTPUT SHAFT

3 & 4 SPEED



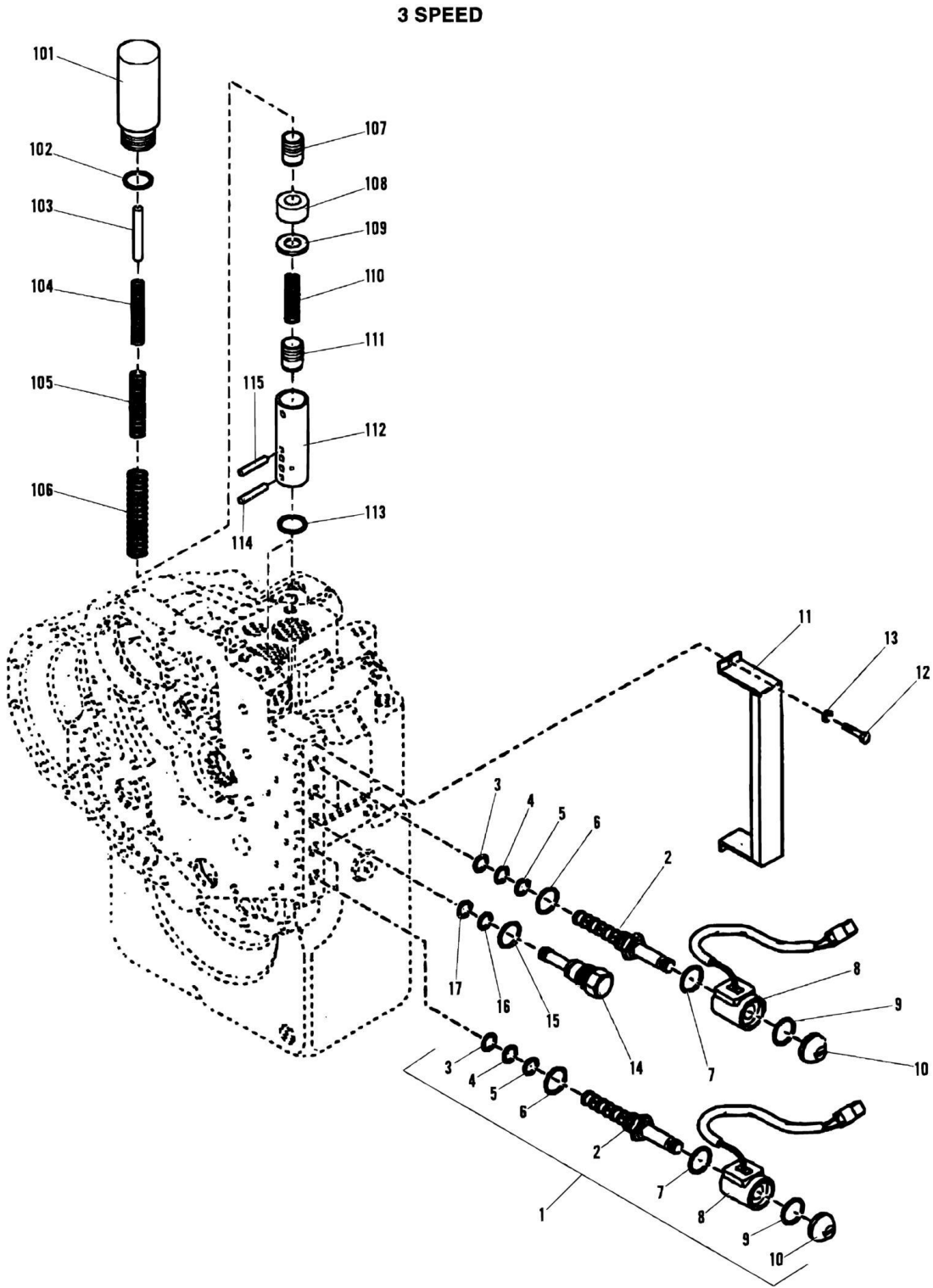
SECTION 4 - ENGINE AND ATTACHING PARTS

FIGURE 4-28. TRANSMISSION ASSEMBLY - OUTPUT SHAFT

| ITEM | PART NUMBER | QTY | DESCRIPTION | REV |
|------|-------------|-----|--|-----|
| 1 | 91474320 | 1 | SHAFT, OUTPUT | |
| 2 | 77104140 | 1 | BALL BEARING | |
| 3 | 77104081 | 1 | BEARING | |
| 4 | 91474321 | 2 | RING, SNAP | |
| 5 | 91474322 | 1 | SNAP RING | |
| 6 | 91474323 | 1 | PLUG, END | |
| 7 | 91474324 | 1 | COUPLING, DRIVE | |
| 8 | 91474313 | 2 | SNAP RING, EXTERNAL | |
| 9 | | Ref | GEAR, OUTPUT SHAFT, (See TRANSMISSION ASSEMBLY - GEAR GROUP for Breakdown) | |

SECTION 4 - ENGINE AND ATTACHING PARTS

FIGURE 4-29. TRANSMISSION ASSEMBLY - CONTROL AND MODULATION VALVE ASSEMBLY
(Prior to SN 116000533, Except SN 116000223 through 116000531, Excluding 116000516, 116000517 and 116000520)



SECTION 4 - ENGINE AND ATTACHING PARTS

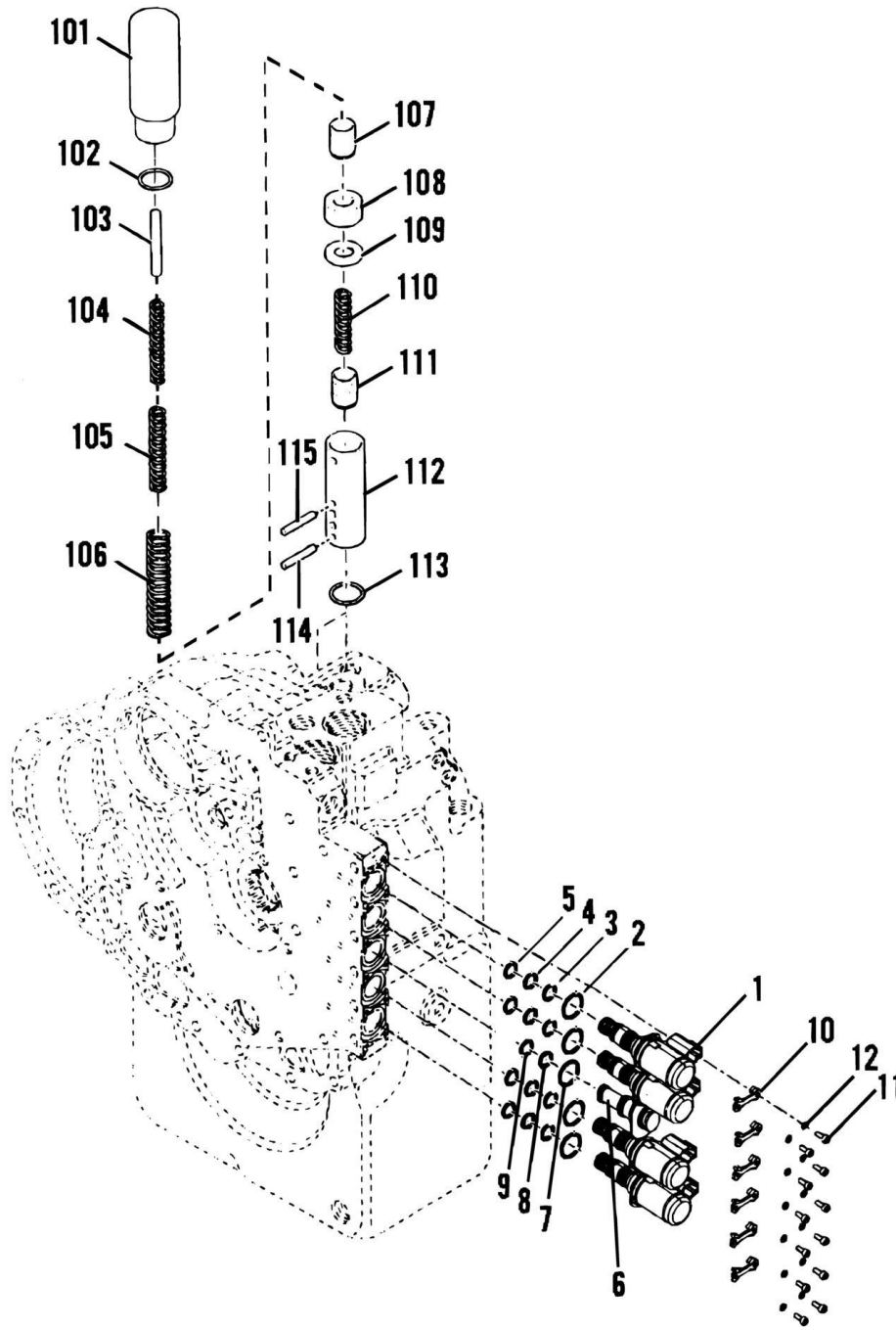
**FIGURE 4-29. TRANSMISSION ASSEMBLY - CONTROL AND MODULATION VALVE ASSEMBLY
(Prior to SN 1160000533, Except SN 1160000223 through 1160000531, Excluding 1160000516,
1160000517 and 1160000520)**

| ITEM | PART NUMBER | QTY | DESCRIPTION | REV |
|------|-------------|-----|--|-----|
| | | Ref | CONTROL GROUP, (includes items 1 thru 17) | |
| 1 | 8007821 | 4 | SOLENOID ASSY, (includes items 2 thru 10) | |
| 2 | 91474326 | 4 | CARTRIDGE, VALVE 4-WAY, (includes items 3 thru 6) | |
| 3 | | Ref | O-RING, CARTRIDGE | |
| 4 | | Ref | O-RING, CARTRIDGE | |
| 5 | | Ref | O-RING, CARTRIDGE | |
| 6 | | Ref | O-RING, CARTRIDGE | |
| 7 | 91474331 | 4 | O-RING, COIL TO CARTRIDGE | |
| 8 | 7028067 | 4 | COIL, SOLENOID 12V | |
| 9 | 91474331 | 4 | O-RING, NUT TO COIL | |
| 10 | 91474334 | 4 | NUT, SOLENOID | |
| 11 | 91474335 | 1 | COVER, PROTECTIVE | |
| 12 | 91474336 | 2 | SCREW | |
| 13 | 8035075 | 2 | LOCKWASHER | |
| 14 | 91474353 | 1 | PLUG | |
| 15 | 10868330 | 1 | O-RING | |
| 16 | 10868329 | 1 | O-RING | |
| 17 | 8035081 | 1 | O-RING | |
| | 7028056 | 2 | MODULATION VALVE ASSY, (includes items 101 thru 115) | |
| 101 | 91474338 | 1 | HOUSING, MODULATION VALVE | |
| 102 | 91474339 | 1 | O-RING, MODULATION HOUSING | |
| 103 | 91474345 | 1 | PIN, STOP | |
| 104 | 91474340 | 1 | SPRING, INNER | |
| 105 | 91474341 | 1 | SPRING, MIDDLE | |
| 106 | 91474342 | 1 | SPRING, OUTER | |
| 107 | 91474346 | 1 | SPOOL, ACCUMULATOR | |
| 108 | 91474349 | 1 | RETAINER, SPRING | |
| 109 | 91474350 | 1 | SPACER, SPRING | |
| 110 | 91474348 | 1 | SPRING, MODULATION VALVE | |
| 111 | 91474347 | 1 | SPOOL, REGULATOR | |
| 112 | 91474343 | 1 | SLEEVE, MODULATION VALVE | |
| 113 | 91474344 | 1 | O-RING, SLEEVE | |
| 114 | 91474351 | 1 | PIN, UPPER | |
| 115 | 91474352 | 1 | PIN, LOWER | |

SECTION 4 - ENGINE AND ATTACHING PARTS

FIGURE 4-30. TRANSMISSION ASSEMBLY - CONTROL AND MODULATION VALVE ASSEMBLY (SN 1160000533 to Present, SN 1160000223 through 1160000531, Including 1160000516, 1160000517 and 1160000520)

3 SPEED



SECTION 4 - ENGINE AND ATTACHING PARTS

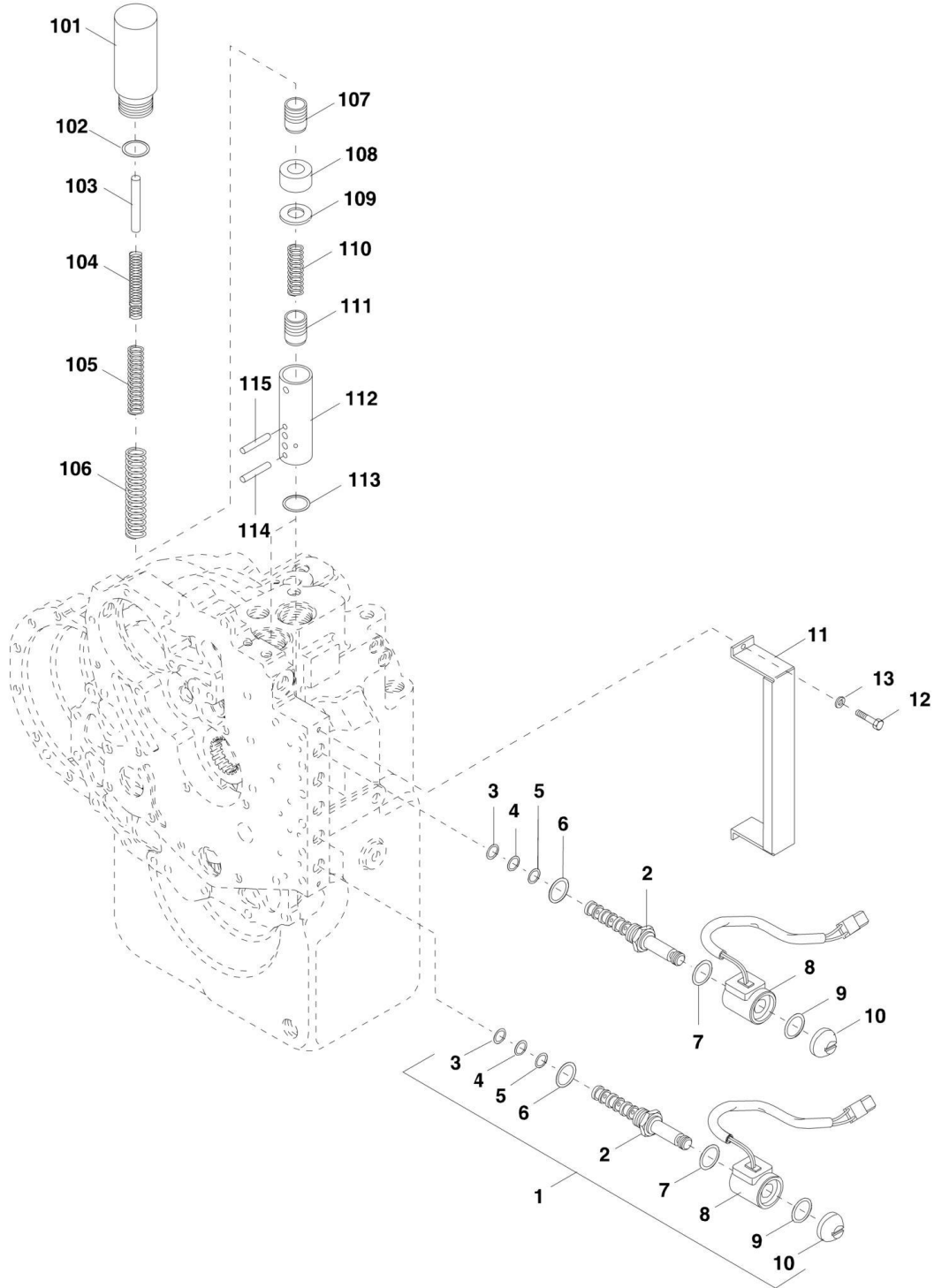
FIGURE 4-30. TRANSMISSION ASSEMBLY - CONTROL AND MODULATION VALVE ASSEMBLY (SN 1160000533 to Present, SN 1160000223 through 1160000531, Including 1160000516, 1160000517 and 1160000520)

| ITEM | PART NUMBER | QTY | DESCRIPTION | REV |
|------|-------------|-----|--|-----|
| | | Ref | CONTROL GROUP, (includes items 1 thru 12) | |
| 1 | 91514287 | 4 | DROP IN w/AMP SOLENOID ASSY, (includes items 2 thru 5) | |
| 2 | | Ref | O-RING | |
| 3 | | Ref | O-RING | |
| 4 | | Ref | O-RING | |
| 5 | | Ref | O-RING | |
| 6 | 7029459 | 1 | SOLENOID BORE PLUG, (includes items 7, 8 & 9) | |
| 7 | | Ref | O-RING | |
| 8 | | Ref | O-RING | |
| 9 | | Ref | O-RING | |
| 10 | 91514292 | 6 | SOLENOID CLAMP | |
| 11 | 91514293 | 12 | CAPSCREW | |
| 12 | 91514294 | 12 | PLAIN WASHER | |
| | 7028056 | 2 | MODULATION VALVE ASSY, (includes items 101 thru 115) | |
| 101 | 91474338 | 1 | HOUSING, MODULATION VALVE | |
| 102 | 91474339 | 1 | O-RING, MODULATION HOUSING | |
| 103 | 91474345 | 1 | PIN, STOP | |
| 104 | 91474340 | 1 | SPRING, INNER | |
| 105 | 91474341 | 1 | SPRING, MIDDLE | |
| 106 | 91474342 | 1 | SPRING, OUTER | |
| 107 | 91474346 | 1 | SPOOL, ACCUMULATOR | |
| 108 | 91474349 | 1 | RETAINER, SPRING | |
| 109 | 91474350 | 1 | SPACER, SPRING | |
| 110 | 91474348 | 1 | SPRING, MODULATION VALVE | |
| 111 | 91474347 | 1 | SPOOL, REGULATOR | |
| 112 | 91474343 | 1 | SLEEVE, MODULATION VALVE | |
| 113 | 91474344 | 1 | O-RING, SLEEVE | |
| 114 | 91474351 | 1 | PIN, UPPER | |
| 115 | 91474352 | 1 | PIN, LOWER | |

SECTION 4 - ENGINE AND ATTACHING PARTS

FIGURE 4-31. TRANSMISSION ASSEMBLY - CONTROL AND MODULATION VALVE ASSEMBLY
(Prior to SN 1160000533, Except SN 1160000223 through 1160000531, Excluding 1160000516, 1160000517 and 1160000520)

4 SPEED



SECTION 4 - ENGINE AND ATTACHING PARTS

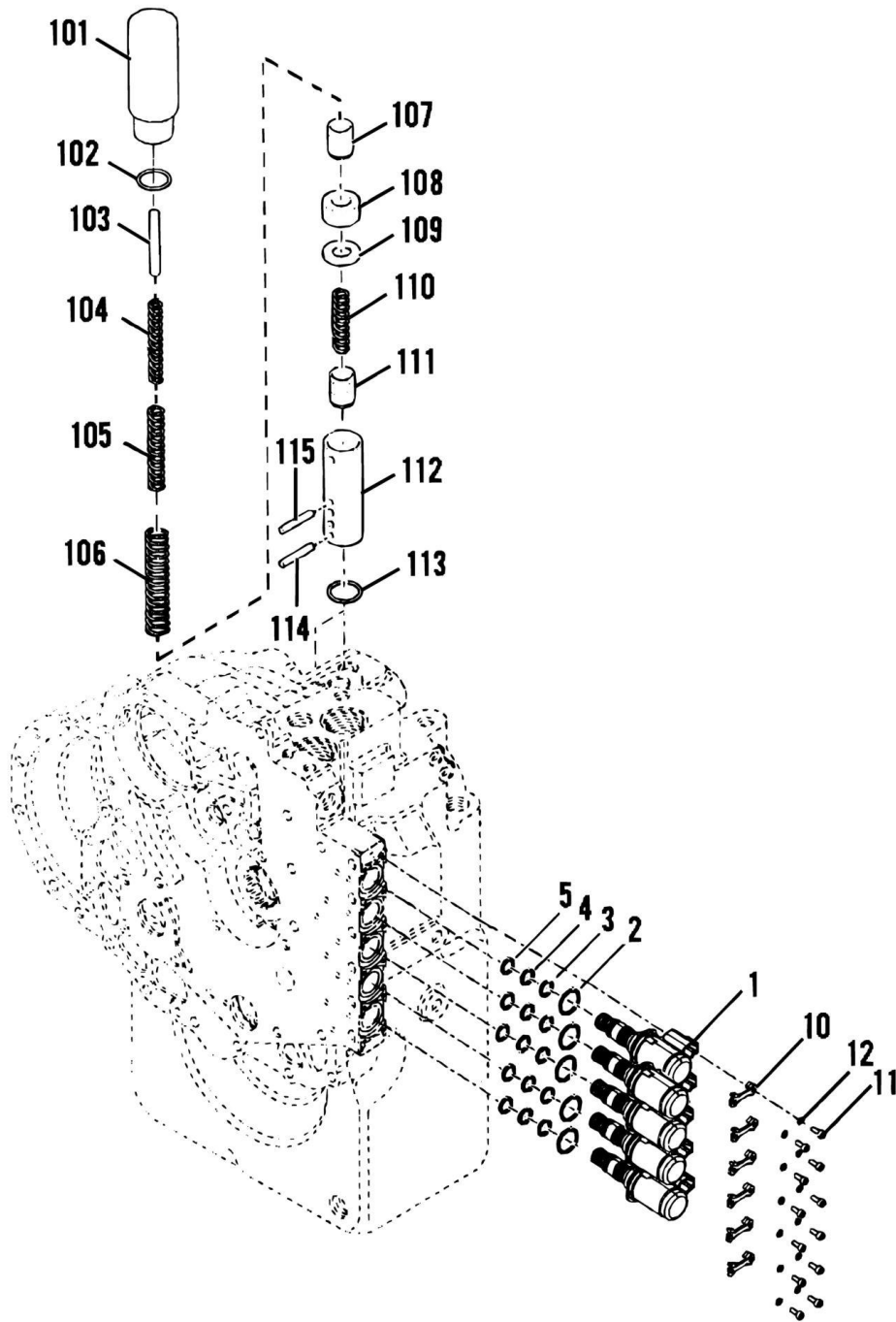
**FIGURE 4-31. TRANSMISSION ASSEMBLY - CONTROL AND MODULATION VALVE ASSEMBLY
(Prior to SN 1160000533, Except SN 1160000223 through 1160000531, Excluding 1160000516,
1160000517 and 1160000520)**

| ITEM | PART NUMBER | QTY | DESCRIPTION | REV |
|------|-------------|-----|--|-----|
| | | Ref | CONTROL GROUP, (includes items 1 thru 13) | |
| 1 | 8007821 | 5 | SOLENOID ASSY, (includes items 2 thru 10) | |
| 2 | 91474326 | 5 | CARTRIDGE, VALVE 4-WAY, (includes items 3 thru 6) | |
| 3 | | Ref | O-RING, CARTRIDGE | |
| 4 | | Ref | O-RING, CARTRIDGE | |
| 5 | | Ref | O-RING, CARTRIDGE | |
| 6 | | Ref | O-RING, CARTRIDGE | |
| 7 | 91474331 | 5 | O-RING, COIL TO CARTRIDGE | |
| 8 | 7028067 | 5 | COIL, SOLENOID 12V | |
| 9 | 91474331 | 5 | O-RING, NUT TO COIL | |
| 10 | 91474334 | 5 | NUT, SOLENOID | |
| 11 | 10868323 | 1 | COVER, PROTECTIVE | |
| 12 | 91474336 | 2 | SCREW | |
| 13 | 91474337 | 2 | LOCKWASHER | |
| | 7028056 | 2 | MODULATION VALVE ASSY, (includes items 101 thru 115) | |
| 101 | 91474338 | 1 | HOUSING, MODULATION VALVE | |
| 102 | 91474339 | 1 | O-RING, MODULATION HOUSING | |
| 103 | 91474345 | 1 | PIN, STOP | |
| 104 | 91474340 | 1 | SPRING, INNER | |
| 105 | 91474341 | 1 | SPRING, MIDDLE | |
| 106 | 91474342 | 1 | SPRING, OUTER | |
| 107 | 91474346 | 1 | SPOOL, ACCUMULATOR | |
| 108 | 91474349 | 1 | RETAINER, SPRING | |
| 109 | 91474350 | 1 | SPACER, SPRING | |
| 110 | 91474348 | 1 | SPRING, MODULATION VALVE | |
| 111 | 91474347 | 1 | SPOOL, REGULATOR | |
| 112 | 91474343 | 1 | SLEEVE, MODULATION VALVE | |
| 113 | 91474344 | 1 | O-RING, SLEEVE | |
| 114 | 91474351 | 1 | PIN, UPPER | |
| 115 | 91474352 | 1 | PIN, LOWER | |

SECTION 4 - ENGINE AND ATTACHING PARTS

FIGURE 4-32. TRANSMISSION ASSEMBLY - CONTROL AND MODULATION VALVE ASSEMBLY (SN 1160000533 to Present, SN 1160000223 through 1160000531, Including 1160000516, 1160000517 and 1160000520)

4 SPEED



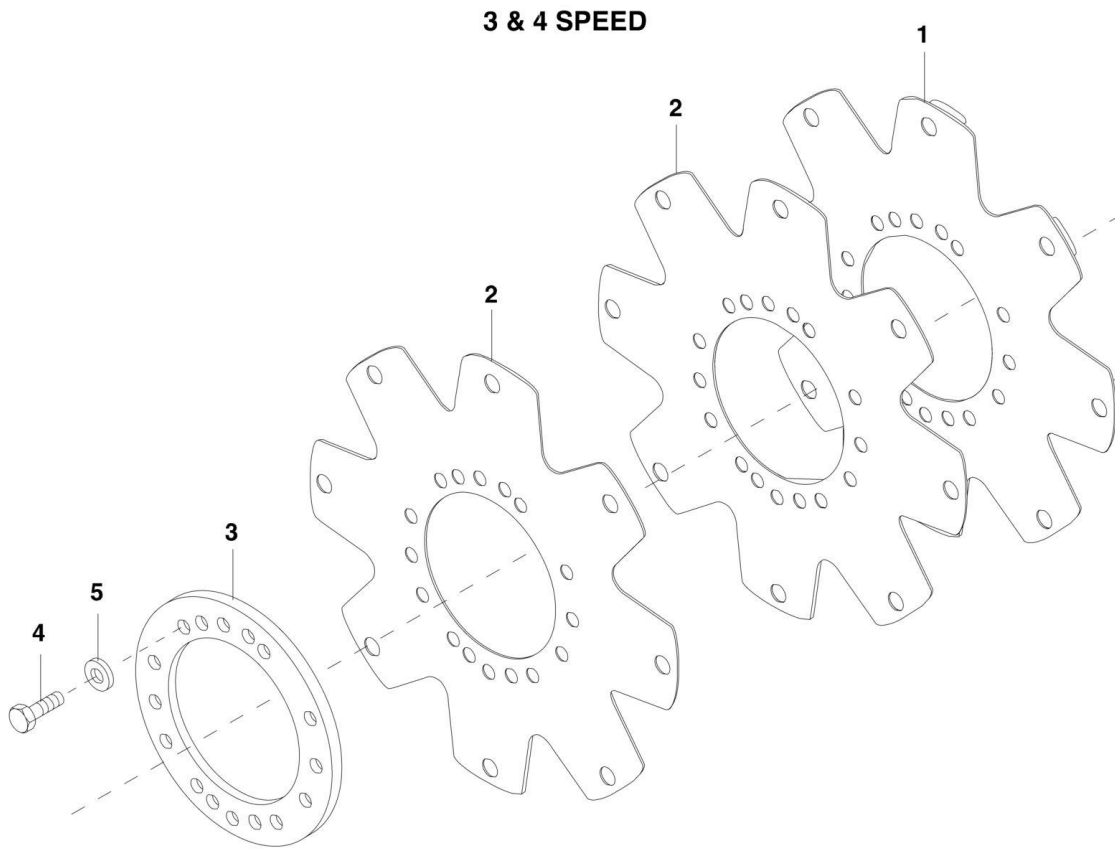
SECTION 4 - ENGINE AND ATTACHING PARTS

FIGURE 4-32. TRANSMISSION ASSEMBLY - CONTROL AND MODULATION VALVE ASSEMBLY (SN 1160000533 to Present, SN 1160000223 through 1160000531, Including 1160000516, 1160000517 and 1160000520)

| ITEM | PART NUMBER | QTY | DESCRIPTION | REV |
|------|-------------|-----|--|-----|
| | | Ref | CONTROL GROUP, (includes items 1 thru 12) | |
| 1 | 91514287 | 5 | DROP IN w/AMP SOLENOID ASSY, (includes items 2 thru 5) | |
| 2 | | Ref | O-RING | |
| 3 | | Ref | O-RING | |
| 4 | | Ref | O-RING | |
| 5 | | Ref | O-RING | |
| 10 | 91514292 | 6 | SOLENOID CLAMP | |
| 11 | 91514293 | 12 | CAPSCREW | |
| 12 | 91514294 | 12 | PLAIN WASHER | |
| | 7028056 | 2 | MODULATION VALVE ASSY, (includes items 101 thru 115) | |
| 101 | 91474338 | 1 | HOUSING, MODULATION VALVE | |
| 102 | 91474339 | 1 | O-RING, MODULATION HOUSING | |
| 103 | 91474345 | 1 | PIN, STOP | |
| 104 | 91474340 | 1 | SPRING, INNER | |
| 105 | 91474341 | 1 | SPRING, MIDDLE | |
| 106 | 91474342 | 1 | SPRING, OUTER | |
| 107 | 91474346 | 1 | SPOOL, ACCUMULATOR | |
| 108 | 91474349 | 1 | RETAINER, SPRING | |
| 109 | 91474350 | 1 | SPACER, SPRING | |
| 110 | 91474348 | 1 | SPRING, MODULATION VALVE | |
| 111 | 91474347 | 1 | SPOOL, REGULATOR | |
| 112 | 91474343 | 1 | SLEEVE, MODULATION VALVE | |
| 113 | 91474344 | 1 | O-RING, SLEEVE | |
| 114 | 91474351 | 1 | PIN, UPPER | |
| 115 | 91474352 | 1 | PIN, LOWER | |

SECTION 4 - ENGINE AND ATTACHING PARTS

FIGURE 4-33. TRANSMISSION ASSEMBLY - DRIVE PLATE



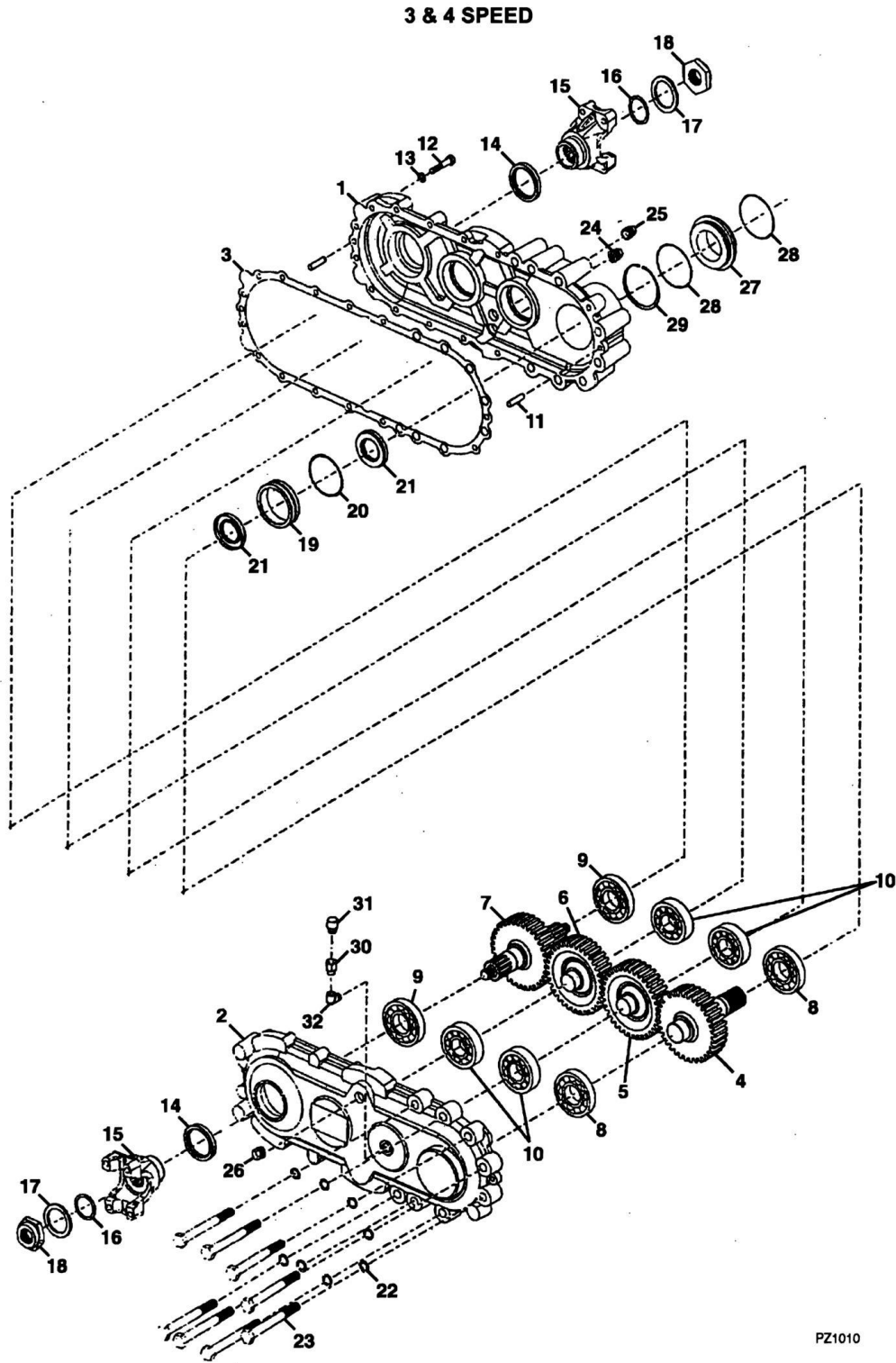
SECTION 4 - ENGINE AND ATTACHING PARTS

FIGURE 4-33. TRANSMISSION ASSEMBLY - DRIVE PLATE

| ITEM | PART NUMBER | QTY | DESCRIPTION | REV |
|------|-------------|-----|--|-----|
| 1 | Kit | 1 | DRIVE PLATE ASSY | |
| 2 | Kit | 2 | PLATE, DRIVE | |
| 3 | 77104044 | 1 | RING, BACKING | |
| 4 | 91474356 | 6 | CAPSCREW | |
| 5 | 77104007 | 6 | LOCKWASHER | |
| | 7028057 | 1 | DRIVE PLATE KIT, (includes items 1 thru 5) | |

SECTION 4 - ENGINE AND ATTACHING PARTS

FIGURE 4-34. TRANSMISSION ASSEMBLY - DROP BOX



SECTION 4 - ENGINE AND ATTACHING PARTS

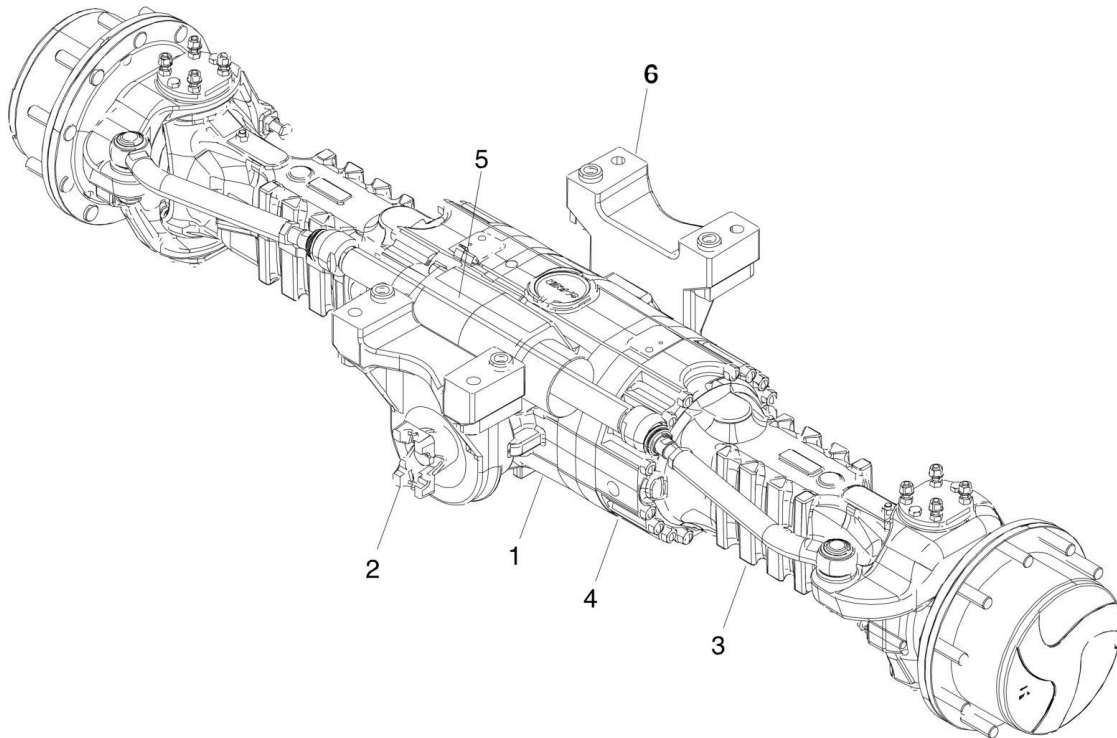
FIGURE 4-34. TRANSMISSION ASSEMBLY - DROP BOX

| ITEM | PART NUMBER | QTY | DESCRIPTION | REV |
|------|-------------|-----|---|-----|
| | 70020869 | 1 | DROP BOX ASSY, (includes all items) | |
| 1 | 70023065 | 1 | COVER, REAR | |
| 2 | 70023066 | 1 | COVER, FRONT | |
| 3 | 7028069 | 1 | GASKET | |
| 4 | 7028070 | 1 | SHAFT, INPUT | |
| 5 | 7028071 | 1 | GEAR, IDLER | |
| 6 | 91474362 | 1 | GEAR, IDLER | |
| 7 | 7028085 | 1 | SHAFT, OUTPUT | |
| 8 | 91474364 | 2 | BEARING | |
| 9 | 91474365 | 2 | REAR BEARING | |
| 10 | 91474366 | 4 | BEARING, ROLLER | |
| 11 | 91474200 | 2 | PIN, ROLL | |
| 12 | 91474209 | 13 | CAPSCREW | |
| 13 | 91474265 | 13 | LOCKWASHER | |
| 14 | 91474367 | 2 | OIL SEAL | |
| 15 | 7028086 | 2 | FLANGE, YOKE | |
| 16 | 91474369 | 2 | O-RING | |
| 17 | 91474370 | 2 | WASHER | |
| 18 | 91474371 | 2 | NUT, IDLER SHAFT | |
| 19 | 91474372 | 1 | SLEEVE, OIL SEAL | |
| 20 | 91474373 | 1 | O-RING | |
| 21 | 91474374 | 2 | SEAL, OIL | |
| 22 | 91474375 | 8 | LOCKWASHER | |
| 23 | 91474376 | 8 | SCREW | |
| 24 | 8007824 | 1 | PLUG, MAGNETIC DRAIN | |
| 25 | 91474377 | 1 | OIL LEVEL GLASS | |
| 26 | 8007822 | 1 | PLUG | |
| 27 | 91474381 | 1 | SLEEVE PILOT | |
| 28 | 91474382 | 2 | O-RING | |
| 29 | 91474321 | 1 | RING, SNAP | |
| 30 | 91474600 | 1 | ADAPTER | |
| 31 | 91474601 | 1 | BREATHER | |
| 32 | 91474383 | 1 | FITTING, ELBOW 90, STREET | |
| | 70020412 | 1 | SEAL KIT, (includes items 3, 14, 16, 20, 21 & 28) | |

SECTION 5 - DRIVE TRAIN

SECTION 5 - DRIVE TRAIN

FIGURE 5-1. FRONT AXLE ASSEMBLY



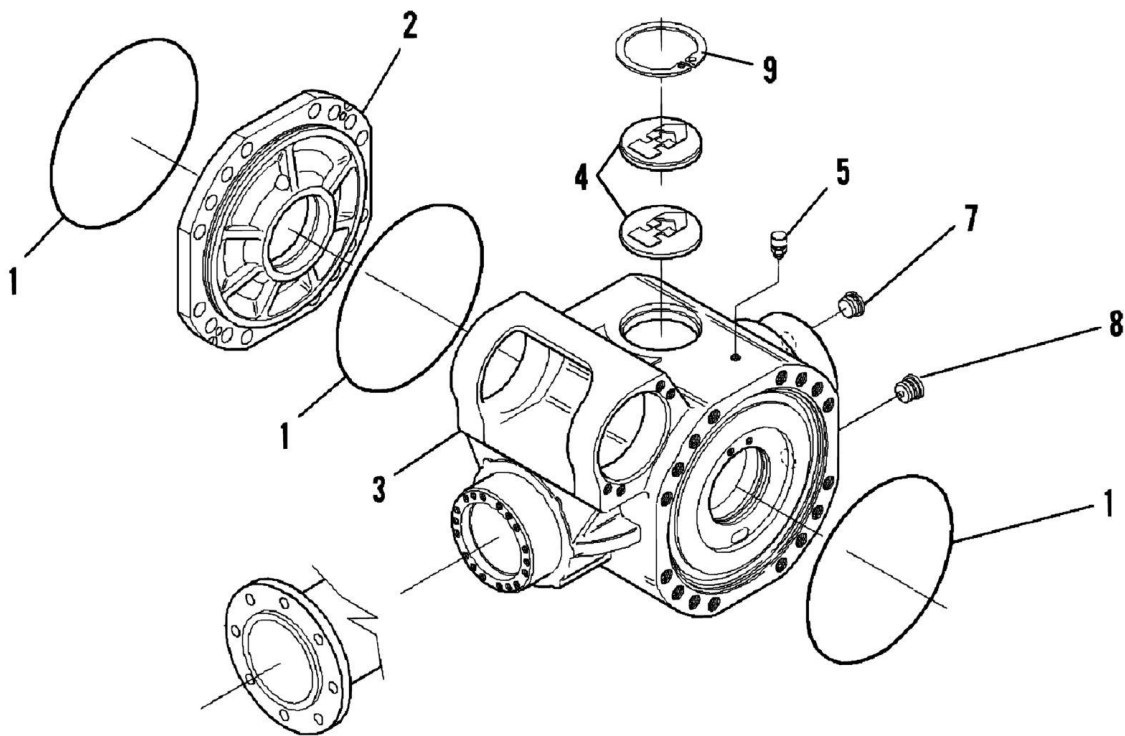
SECTION 5 - DRIVE TRAIN

FIGURE 5-1. FRONT AXLE ASSEMBLY

| ITEM | PART NUMBER | QTY | DESCRIPTION | REV |
|------|-------------|-----|--|-----|
| 1 | 8004521 | Ref | FRONT AXLE, (fixed), (includes items 1 thru 5) | |
| | 4803372 | Ref | FRONT AXLE, (oscillating), (includes all items) | |
| | | Ref | DIFFERENTIAL HOUSING COMPONENTS, (See FRONT AXLE ASSEMBLY - DIFFERENTIAL HOUSING COMPONENTS for Breakdown) | |
| 2 | | Ref | INTERNAL DIFFERENTIAL COMPONENTS, (See FRONT AXLE ASSEMBLY - INTERNAL DIFFERENTIAL HOUSING COMPONENTS for Breakdown) | |
| 3 | | Ref | EXTERNAL AXLE COMPONENTS, (See FRONT AXLE ASSEMBLY - EXTERNAL AXLE COMPONENTS for Breakdown) | |
| 4 | | Ref | BRAKE COMPONENTS, (See FRONT AXLE ASSEMBLY - BRAKE COMPONENTS for Breakdown) | |
| 5 | | Ref | STEERING COMPONENTS, (See FRONT AXLE ASSEMBLY - STEERING COMPONENTS for Breakdown) | |
| 6 | | Ref | OSCILLATION SUPPORT COMPONENTS, (See FRONT AXLE ASSEMBLY - OSCILLATION SUPPORT COMPONENTS for Breakdown) | |

SECTION 5 - DRIVE TRAIN

FIGURE 5-2. FRONT AXLE ASSEMBLY - DIFFERENTIAL HOUSING COMPONENTS



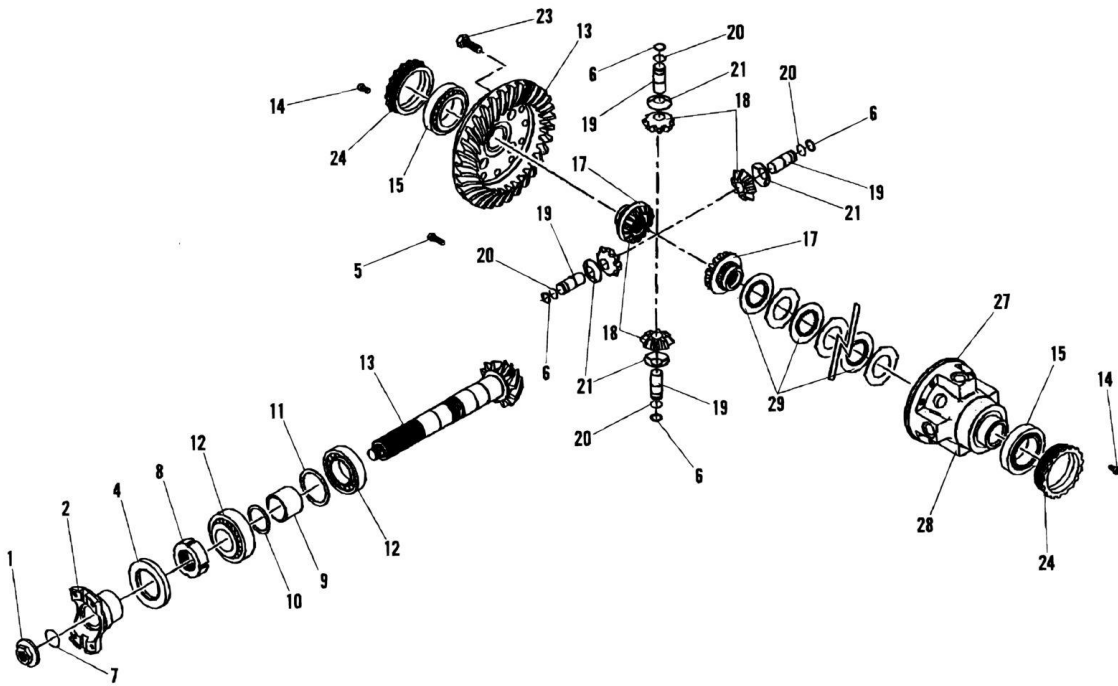
SECTION 5 - DRIVE TRAIN

FIGURE 5-2. FRONT AXLE ASSEMBLY - DIFFERENTIAL HOUSING COMPONENTS

| ITEM | PART NUMBER | QTY | DESCRIPTION | REV |
|------|-------------|-----|---|-----|
| | 8004521 | Ref | FRONT AXLE ASSY, (fixed) | B |
| | 4803372 | Ref | FRONT AXLE ASSY, (oscillating) | B |
| | | Ref | DIFFERENTIAL HOUSING COMPONENTS, (includes all items) | |
| 1 | 91474507 | 3 | O-RING | |
| 2 | 91474509 | 1 | INTERMEDIATE COVER | |
| 3 | | Ref | HOUSING, (Prior to Axle SN GITA745764), (8007744 is no longer available; order 7029426 housing, 91514098 plug & 80204005 circlip) | |
| 3 | 7029426 | 1 | HOUSING, (Axle SN GITA745764 to Present) | |
| 4 | 91514098 | 1 | PLUG | |
| 5 | 91474512 | 1 | AIR VENT | |
| 7 | 3968856 | 1 | PLUG | |
| 8 | 91474513 | 1 | PLUG, (includes seal) | |
| 9 | 80204005 | 1 | CIRCLIP, (Axle SN GITA745764 to Present) | |

SECTION 5 - DRIVE TRAIN

FIGURE 5-3. FRONT AXLE ASSEMBLY - INTERNAL DIFFERENTIAL HOUSING COMPONENTS



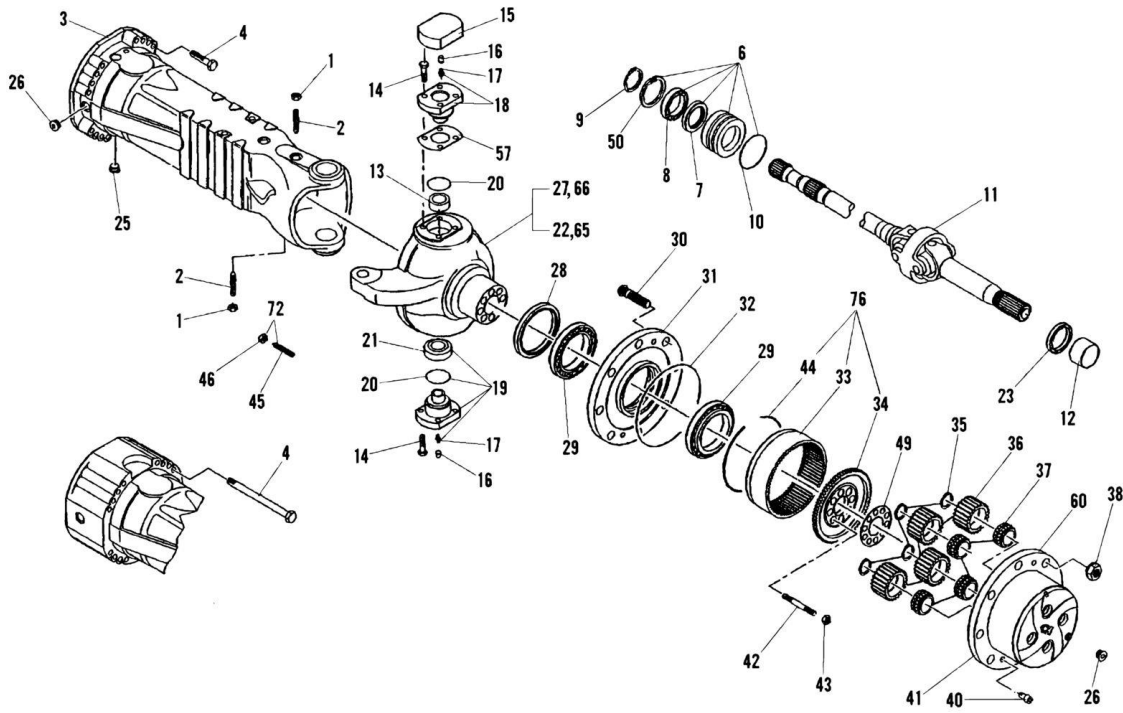
SECTION 5 - DRIVE TRAIN

FIGURE 5-3. FRONT AXLE ASSEMBLY - INTERNAL DIFFERENTIAL HOUSING COMPONENTS

| ITEM | PART NUMBER | QTY | DESCRIPTION | REV |
|------|-------------|-----|--|-----|
| | 8004521 | Ref | FRONT AXLE ASSY, (fixed) | B |
| | 4803372 | Ref | FRONT AXLE ASSY, (oscillating) | B |
| | | Ref | INTERNAL DIFFERENTIAL COMPONENTS, (includes all items) | |
| 1 | 91474528 | 1 | NUT | |
| 2 | 8007745 | 1 | FLANGE, (Prior to Axle SN GITA738344) | |
| 2 | 7029427 | 1 | FLANGE, (Axle SN GITA738344 to Present) | |
| 4 | 91474531 | 1 | COVER PLATE, (Prior to Axle SN GITA738344) | |
| 5 | 91474591 | 4 | FILLISTER HD SCREW | |
| 6 | 91474550 | 4 | CIRCLECLIP | |
| 7 | 91474529 | 1 | O-RING | |
| 8 | 91474533 | 1 | NUT | |
| 9 | 91474539 | 1 | SPACER | |
| 10 | 91474535 | 1 | SHIM | |
| 10 | 91474536 | 1 | SHIM, 20mm | |
| 10 | 91474537 | 1 | SHIM, 40mm | |
| 10 | 91474538 | 1 | SHIM | |
| 11 | 91474540 | 1 | SHIM, 20mm | |
| 11 | 91474541 | 1 | SHIM, 30mm | |
| 11 | 91474542 | 1 | SHIM, 15mm | |
| 11 | 91474543 | 1 | SHIM, 10mm | |
| 12 | 3968141 | 2 | BEARING, ROLLER | |
| 13 | 8007749 | 1 | BEVEL GEAR SET | |
| 14 | 91474134 | 2 | CYLINDER BOLT | |
| 15 | 91474548 | 2 | ROLLER BEARING | |
| 17 | 91474549 | 2 | GEAR, SIDE SHAFT | |
| 18 | 91474554 | 4 | DIFFERENTIAL PINION, (Prior to Fixed Axle SN GITA738344; Prior to Oscillating Axle SN FITA730584) | |
| 18 | 7028709 | 4 | DIFFERENTIAL PINION, (Fixed Axle SN GITA738344; Oscillating Axle SN FITA730584 thru FITA779149) | |
| 18 | 7029129 | 4 | DIFFERENTIAL PINION, (Fixed Axle SN GITA738344 to Present, Oscillating Axle SN FITA779150 to Present) | |
| 19 | 3983537 | 4 | PIN, (Prior to Fixed Axle SN GITA738344; Prior to Oscillating Axle SN FITA779150) | |
| 19 | 7029131 | 4 | PIN, (Fixed Axle SN GITA738344 to Present, Oscillating Axle SN FITA779150 to Present) | |
| 20 | 91474551 | 4 | CIRCLECLIP | |
| 21 | 91474553 | 4 | DISK | |
| 23 | 91514123 | 12 | BOLT | |
| 24 | 91474547 | 2 | RING NUT | |
| 27 | 8007751 | 1 | HOUSING, DIFFERENTIAL | |
| 28 | 8007752 | 1 | LIMITED SLIP DIFFERENTIAL KIT, (Prior to Fixed Axle SN FITA730584; Prior to Oscillating Axle SN GITA738344), (includes items 6, 17 thru 21, 27 & 29) | |
| 28 | 7028710 | | LIMITED SLIP DIFFERENTIAL KIT, (Fixed Axle SN FITA730584 to Present, Oscillating Axle SN GITA738344 to Present), (includes items 6, 17 thru 21, 27 & 29) | |
| 29 | 8007755 | 2 | DISC KIT | |

SECTION 5 - DRIVE TRAIN

FIGURE 5-4. FRONT AXLE ASSEMBLY - EXTERNAL AXLE COMPONENTS



PZ4390

SECTION 5 - DRIVE TRAIN

FIGURE 5-4. FRONT AXLE ASSEMBLY - EXTERNAL AXLE COMPONENTS

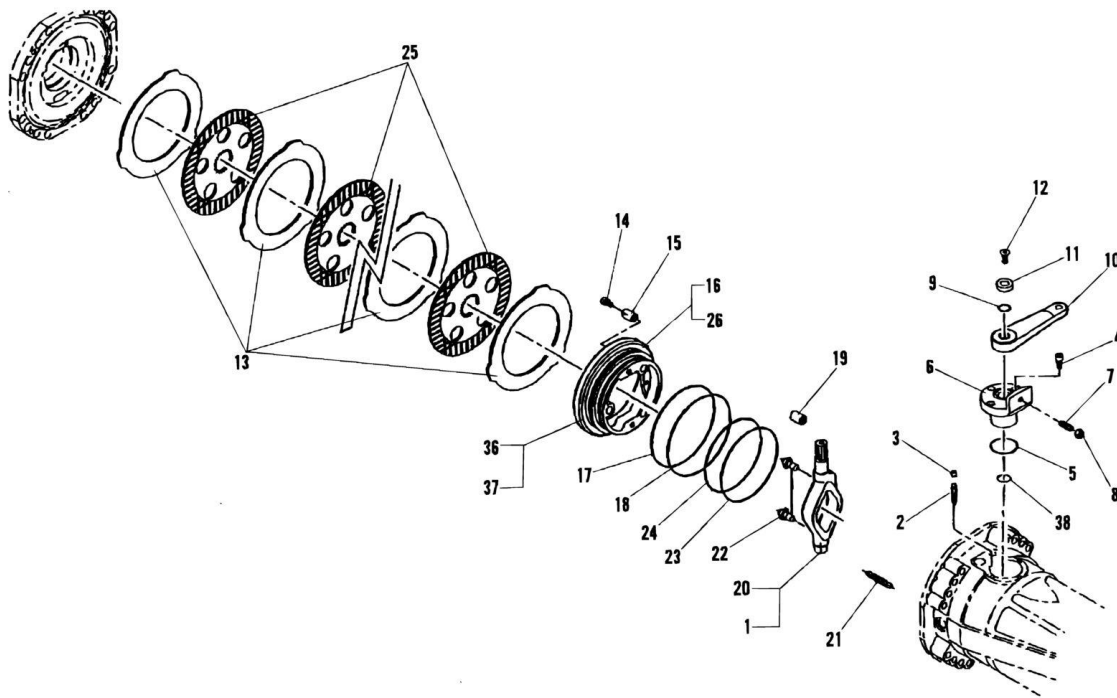
| ITEM | PART NUMBER | QTY | DESCRIPTION | REV |
|------|-------------|-----|---|-----|
| | 8004521 | Ref | FRONT AXLE ASSY, (fixed) | B |
| | 4803372 | Ref | FRONT AXLE ASSY, (oscillating) | B |
| 1 | 91514082 | 2 | NUT | |
| 2 | 2400600 | 2 | THREADED PIN | |
| 3 | 8007758 | 2 | AXLE HOUSING | |
| 4 | 7029428 | 32 | BOLT | |
| 6 | 8007759 | 2 | REDUCTION BUSHING, (includes items 7, 8, 10 & 50) | |
| 7 | 91514147 | 2 | OIL SEAL | |
| 8 | 91514146 | 2 | BALL BEARING | |
| 9 | 80204071 | 2 | CIRCLIP | |
| 10 | 91514148 | 2 | O-RING | |
| 11 | 8007770 | 2 | JOINT, (Prior to axle SN KITA786982) | |
| 11 | 7029811 | AR | CROSS KIT, (includes cross for double joint, circlips and needle bearings), (Prior to axle SN KITA786982) | |
| 11 | 70023105 | 2 | JOINT, (Axle SN KITA786982 to Present) | |
| 11 | 70021898 | AR | CROSS KIT, (includes cross for double joint, circlips, bearings and grease seal), (Axle SN KITA786982 to Present) | |
| 12 | 8004468 | 1 | BUSHING | |
| 13 | 70020173 | 2 | BUSHING | |
| 14 | 8006604 | 20 | BOLT | |
| 15 | 91474524 | 2 | COVER | |
| 16 | 80204117 | 4 | PLUG | |
| 17 | 7028115 | 2 | GREASE FITTING | |
| 18 | 8006603 | 2 | KINGPIN, (top), (includes item 17) | |
| 19 | 8006605 | 2 | KINGPIN, (bottom), (includes items 17, 20 & 21) | |
| 20 | 2401043 | 2 | GASKET | |
| 21 | 2401258 | 2 | BUSHING | |
| 22 | 7028049 | 1 | SPINDLE, (right), (Prior to Fixed Axle SN CITA711908; Prior to Oscillating Axle SN CITA703949) | |
| 22 | 8007775 | 1 | SPINDLE, (right), (Fixed Axle SN CITA711908 to Present; Oscillating Axle SN CITA703949 to Present) | |
| 23 | 8007771 | 2 | GASKET | |
| 25 | 91474513 | 2 | PLUG, (includes seal) | |
| 26 | 91514188 | 4 | PLUG, (includes seal) | |
| 27 | 7028036 | 1 | SPINDLE, (left), (Prior to Fixed Axle SN CITA711908; Prior to Oscillating Axle SN CITA703949) | |
| 27 | 7029429 | 1 | SPINDLE, (left), (Fixed Axle SN CITA711908 to Present; Oscillating Axle SN CITA703949 to Present) | |
| 28 | 7029430 | 2 | OIL SEAL | |
| 29 | 3984301 | 4 | BALL BEARING | |
| 30 | 8000877 | 20 | WHEEL STUD | |
| 31 | 8005801 | 2 | WHEEL HUB | |
| 32 | 80204002 | 2 | O-RING | |
| 33 | 91474580 | 2 | RING GEAR | |
| 34 | 3983720 | 2 | RING GEAR SUPPORT | |
| 35 | 91474585 | 8 | CIRCLIP | |
| 36 | 91474586 | 8 | GEAR, PLANET | |
| 37 | 91474587 | 8 | BEARING, NEEDLE | |
| 38 | | Ref | LUGNUT, (See FRAME AND ATTACHING PARTS SECTION, item 41 for Breakdown) | |
| 40 | 91514189 | 4 | COUNTERSUNK SCREW | |

SECTION 5 - DRIVE TRAIN

| ITEM | PART NUMBER | QTY | DESCRIPTION | REV |
|------|-------------|-----|--|-----|
| 41 | 7029286 | 2 | HOUSING, PLANETARY, (was p/n 8005802) | |
| 42 | 91474583 | 16 | STUD | |
| 43 | 91474584 | 16 | NUT | |
| 44 | 91474579 | 2 | SNAP RING | |
| 45 | 91514117 | 4 | SETSCREW, (Prior to Fixed Axle SN GITA738344; Prior to Oscillating Axle SN FITA706669) | |
| 45 | 7028733 | 4 | SETSCREW, (Fixed Axle SN GITA738344 to Present; Oscillating Axle SN FITA706669 to Present) | |
| 46 | 80204065 | 4 | NUT, (Prior to Fixed Axle SN GITA738344; Prior to Oscillating Axle SN FITA706669) | |
| 49 | 3983731 | 2 | PLATE, LOCKING | |
| 50 | 80204005 | 2 | CIRCLECLIP | |
| 57 | 8007779 | 2 | SHIM | |
| 57 | 8007780 | 2 | SHIM | |
| 57 | 8007782 | 2 | SHIM | |
| 60 | 8007783 | 2 | PLANETARY HOUSING ASSY, (includes items 33 thru 37, 41 & 44), (Prior to fixed axle SN GITA738344; Prior to Oscillating axle SN GITA706731) | |
| 60 | 7029431 | 2 | PLANETARY HOUSING ASSY, (includes items 35, 36, 37 & 41), (Fixed axle SN GITA738344 to Present; Oscillating axle SN GITA706731 to Present) | |
| 65 | 8007774 | 1 | SPINDLE ASSY, (right), (includes items 12 & 22) | |
| 66 | 8007777 | 1 | SPINDLE ASSY, (left), (includes items 12 & 27) | |
| 72 | 7028733 | 4 | STEERING ADJUST BOLT,(includes items 45 & 46) | |
| 76 | 7029432 | 2 | RING GEAR SUPPORT KIT, (includes items 33, 34 & 44), (Fixed axle SN GITA738344 to Present; Oscillating axle SN GITA706731 to Present) | |

SECTION 5 - DRIVE TRAIN

FIGURE 5-5. FRONT AXLE ASSEMBLY - BRAKE COMPONENTS



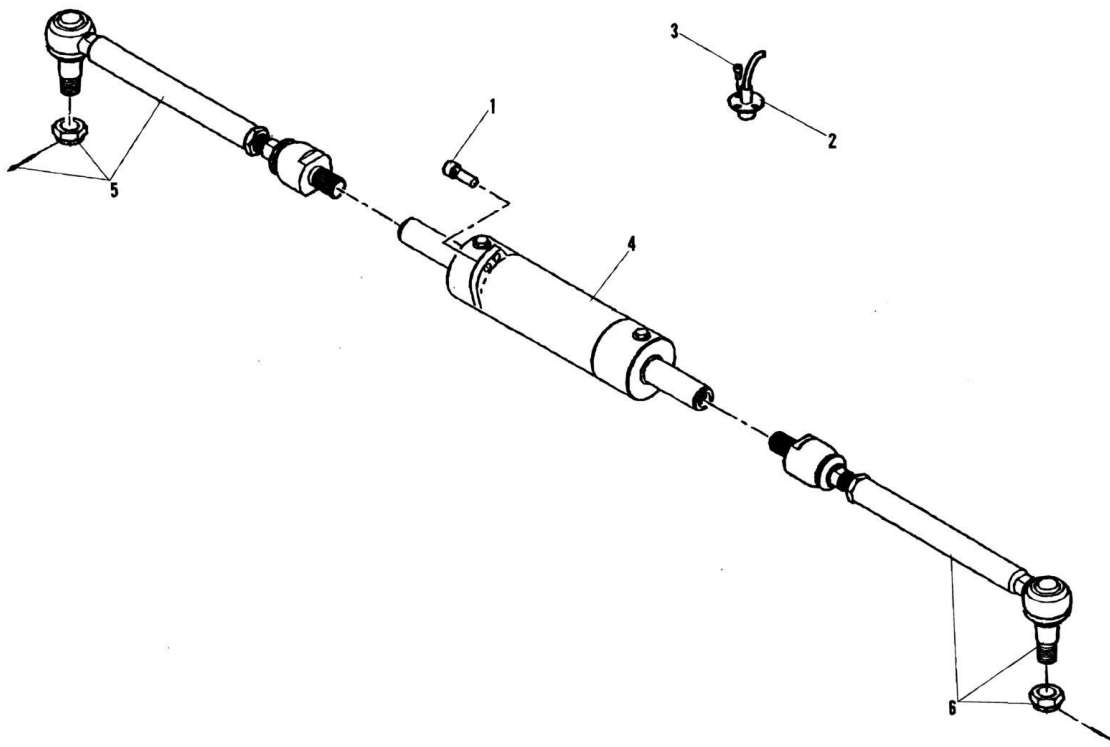
SECTION 5 - DRIVE TRAIN

FIGURE 5-5. FRONT AXLE ASSEMBLY - BRAKE COMPONENTS

| ITEM | PART NUMBER | QTY | DESCRIPTION | REV |
|------|-------------|-----|--|-----|
| | 8004521 | Ref | FRONT AXLE ASSY, (fixed) | B |
| | 4803372 | Ref | FRONT AXLE ASSY, (oscillating) | B |
| | | Ref | BRAKE COMPONENTS, (includes all items) | |
| 1 | 8007785 | 1 | LEVER, (left) | |
| 2 | 80204281 | 2 | BLEEDER | |
| 3 | 80204117 | 2 | DUST CAP | |
| 4 | 2401736 | 6 | SCREW | |
| 5 | 3986405 | 2 | O-RING | |
| 6 | 8007788 | 2 | INTERMEDIATE BUSHING | |
| 7 | 8002798 | 2 | SETSCREW | |
| 8 | 8008168 | 2 | NUT | |
| 9 | 7028038 | 2 | O-RING | |
| 10 | 8006699 | 2 | LEVER | |
| 11 | 2902969 | 2 | SPACER, (Prior to Oscillating Axle SN GITA754614) | |
| 11 | 7028039 | 2 | WASHER, (Oscillating axle SN GITA754614 to Present; all Fixed Axles) | |
| 12 | 8008169 | 2 | COUNTERSUNK SCREW | |
| 13 | 91474569 | 10 | DISK PLATE | |
| 14 | 8008171 | 6 | SCREW | |
| 15 | 91514165 | 3 | TUBE | |
| 16 | 8007794 | 1 | PISTON, (right) | |
| 17 | 3984436 | 1 | BACK-UP RING | |
| 18 | 3984458 | 1 | O-RING | |
| 19 | 7029433 | 2 | DOWEL | |
| 20 | 8007786 | 1 | LEVER, (right) | |
| 21 | 3984425 | 6 | SPRING | |
| 22 | 2903197 | 2 | THRUST PIN | |
| 23 | 3984447 | 1 | BACK-UP RING | |
| 24 | 3984469 | 1 | O-RING | |
| 25 | 91474568 | 8 | BRAKE DISC | |
| 26 | 8007798 | 1 | PISTON, (left) | |
| 36 | 8007800 | 1 | PISTON KIT, (right), (includes items 15 thru 18, 22, 23 & 24) | |
| 37 | 8007801 | 1 | PISTON KIT, (left), (includes items 15, 17, 18, 22, 23, 24 & 26) | |
| 38 | 8007802 | 2 | O-RING, OSCILLATING AXLE, (Prior to axle SN GITA754614) | |
| 38 | 7028038 | 2 | O-RING, OSCILLATING AXLE (SN GITA754614 to Present; all Fixed Axles) | |

SECTION 5 - DRIVE TRAIN

FIGURE 5-6. FRONT AXLE ASSEMBLY - STEERING COMPONENTS



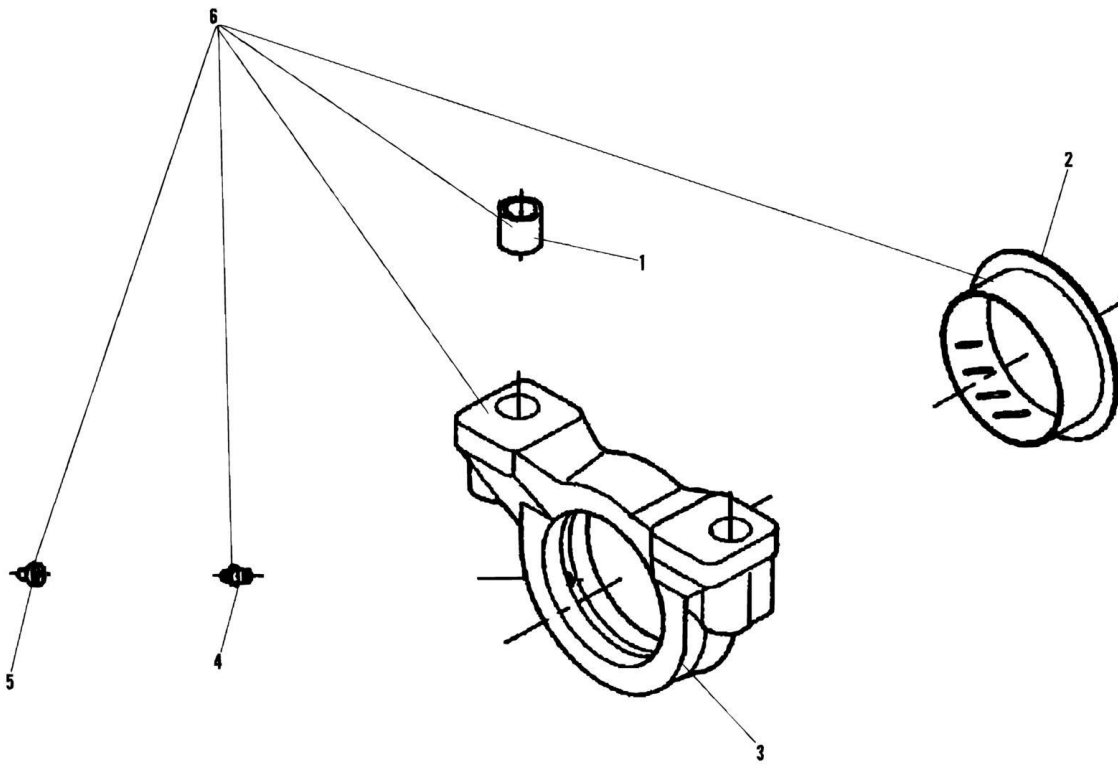
SECTION 5 - DRIVE TRAIN

FIGURE 5-6. FRONT AXLE ASSEMBLY - STEERING COMPONENTS

| ITEM | PART NUMBER | QTY | DESCRIPTION | REV |
|------|-------------|-----|---|-----|
| | 8004521 | Ref | FRONT AXLE ASSY, (fixed) | B |
| | 4803372 | Ref | FRONT AXLE ASSY, (oscillating) | B |
| | | Ref | STEERING COMPONENTS, (includes all items) | |
| 1 | 91474522 | 4 | ALLEN SCREW | |
| 2 | 7028707 | 1 | SENSOR | |
| 3 | 8008175 | 3 | ALLEN SCREW | |
| 4 | 7028079 | 1 | STEER CYLINDER ASSY, (From Fixed Axle SN CITA711908 through Axle SN GITA738343; From Oscillating Axle SN CITA703949 through FITA719585) | |
| 4 | 7029527 | 1 | SEAL KIT | |
| 4 | 8007805 | 1 | STEER CYLINDER ASSY, (Prior to Fixed Axle SN GITA738344; Prior to Oscillating Axle SN FITA719586) | |
| 4 | 7028885 | 1 | SEAL KIT | |
| 4 | 7028708 | 1 | STEER CYLINDER ASSY, (Fixed Axle SN GITA738344 to Present; Oscillating Axle SN FITA719586 to Present) | |
| 4 | 7029920 | 1 | SEAL KIT | |
| 5 | 7028081 | 1 | TIE ROD, (left), (Prior to Fixed Axle SN CITA711908; Prior to Oscillating Axle SN CITA703949) | |
| 5 | 8007803 | 1 | TIE ROD, (left), (Fixed Axle SN CITA711908 to Present; Oscillating Axle SN CITA703949 to Present) | |
| 6 | 7028080 | 1 | TIE ROD, (right), (Prior to Fixed Axle SN CITA711908; Prior to Oscillating Axle SN CITA703949) | |
| 6 | 8007804 | 1 | TIE ROD, (right), (Fixed Axle SN CITA711908 to Present; Oscillating Axle SN CITA703949 to Present) | |
| | 91514275 | 1 | NUT AND COTTER PIN KIT | |

SECTION 5 - DRIVE TRAIN

FIGURE 5-7. FRONT AXLE ASSEMBLY - OSCILLATION SUPPORT COMPONENTS



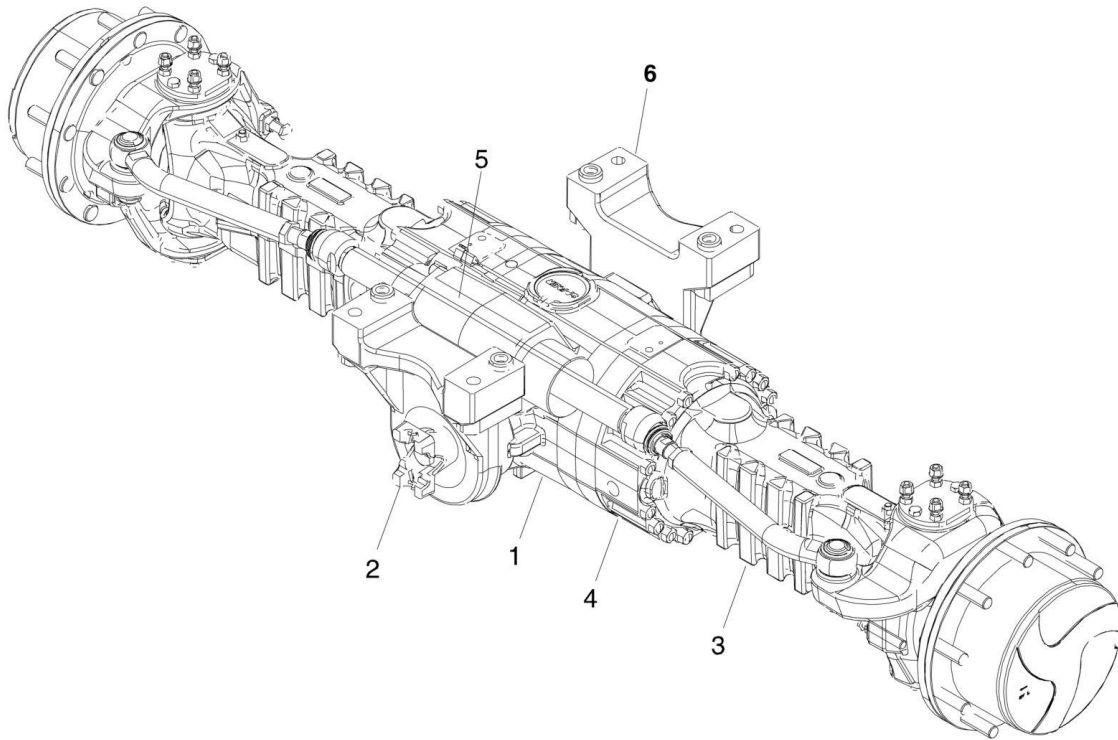
SECTION 5 - DRIVE TRAIN

FIGURE 5-7. FRONT AXLE ASSEMBLY - OSCILLATION SUPPORT COMPONENTS

| ITEM | PART NUMBER | QTY | DESCRIPTION | REV |
|------|-------------|-----|--|-----|
| | 4803372 | Ref | FRONT AXLE ASSY, (oscillating) | |
| | | Ref | OSCILLATION SUPPORT COMPONENTS, (includes all items) | |
| 1 | 91474516 | 4 | BUSHING | |
| 2 | 91474515 | 2 | THRUST BUSHING | |
| 3 | 7028083 | 2 | SUPPORT | |
| 4 | 7028115 | 2 | GREASE FITTING | |
| 5 | 80204117 | 2 | PLUG | |
| 6 | 7028084 | 2 | SUPPORT, (includes items 1 thru 5) | |

SECTION 5 - DRIVE TRAIN

FIGURE 5-8. REAR AXLE ASSEMBLY



SECTION 5 - DRIVE TRAIN

FIGURE 5-8. REAR AXLE ASSEMBLY

| ITEM | PART NUMBER | QTY | DESCRIPTION | REV |
|------|-------------|-----|---|-----|
| 1 | 4803383 | Ref | REAR AXLE ASSY, (includes all items) | |
| | | Ref | DIFFERENTIAL HOUSING COMPONENTS, (See REAR AXLE ASSEMBLY - DIFFERENTIAL HOUSING COMPONENTS for Breakdown) | |
| 2 | | Ref | INTERNAL DIFFERENTIAL COMPONENTS, (See REAR AXLE ASSEMBLY - INTERNAL DIFFERENTIAL COMPONENTS for Breakdown) | |
| 3 | | Ref | EXTERNAL AXLE COMPONENTS, (See REAR AXLE ASSEMBLY - EXTERNAL AXLE COMPONENTS for Breakdown) | |
| 4 | | Ref | BRAKE COMPONENTS, (See REAR AXLE ASSEMBLY - BRAKE COMPONENTS for Breakdown) | |
| 5 | | Ref | STEERING COMPONENTS, (See REAR AXLE ASSEMBLY - STEERING COMPONENTS for Breakdown) | |
| 6 | | Ref | OSCILLATION SUPPORT COMPONENTS, (See REAR AXLE ASSEMBLY - OSCILLATION SUPPORT COMPONENTS for Breakdown) | |

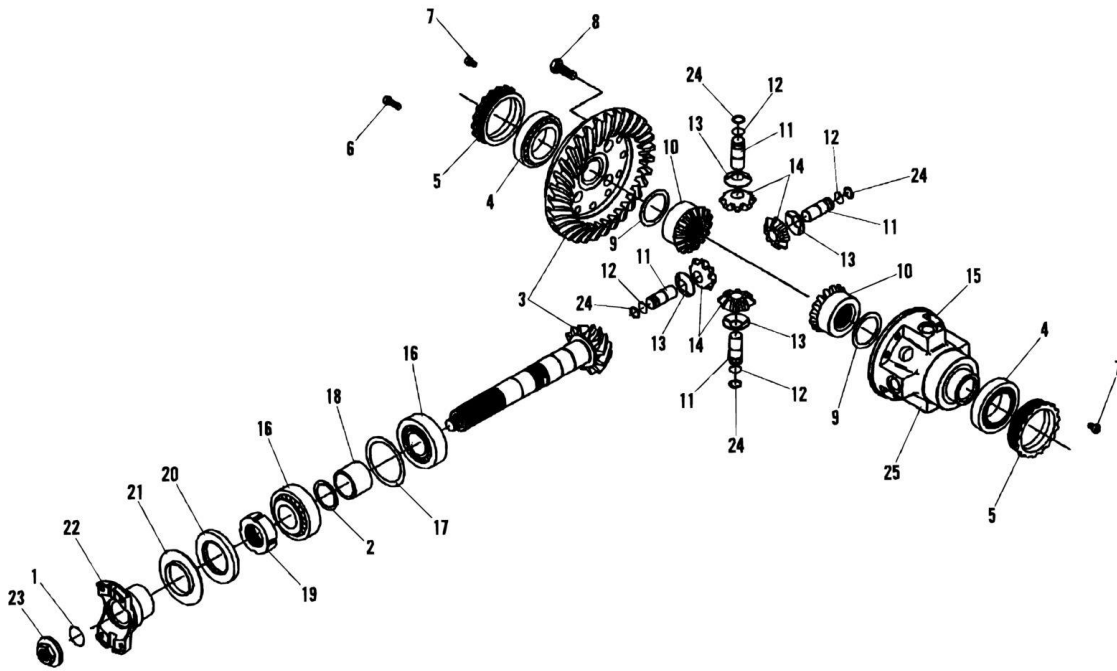
SECTION 5 - DRIVE TRAIN

FIGURE 5-9. REAR AXLE ASSEMBLY - DIFFERENTIAL HOUSING COMPONENTS

| ITEM | PART NUMBER | QTY | DESCRIPTION | REV |
|------|-------------|-----|---|-----|
| | 4803383 | Ref | REAR AXLE ASSY | C |
| | | Ref | DIFFERENTIAL HOUSING COMPONENTS, (includes all items) | |
| 1 | 91474507 | 3 | O-RING | |
| 2 | 91474509 | 1 | INTERMEDIATE COVER | |
| 3 | | Ref | HOUSING, (Prior to axle SN GITA741822), (8007744 is no longer available; order 7029426 housing, 91514098 plug & 80204005 circlip) | |
| 3 | 7029426 | 1 | HOUSING, (Axle SN GITA741822 to Present) | |
| 4 | 91514098 | 1 | PLUG | |
| 5 | 91474512 | 1 | AIR VENT | |
| 6 | | Ref | SEAL | |
| 7 | 91514188 | 1 | PLUG, (includes item 6) | |
| 8 | 91474513 | 1 | PLUG, (includes seal) | |
| 9 | 80204005 | 1 | CIRCLIP, (Axle SN GITA741822 to Present) | |

SECTION 5 - DRIVE TRAIN

FIGURE 5-10. REAR AXLE ASSEMBLY - INTERNAL DIFFERENTIAL COMPONENTS



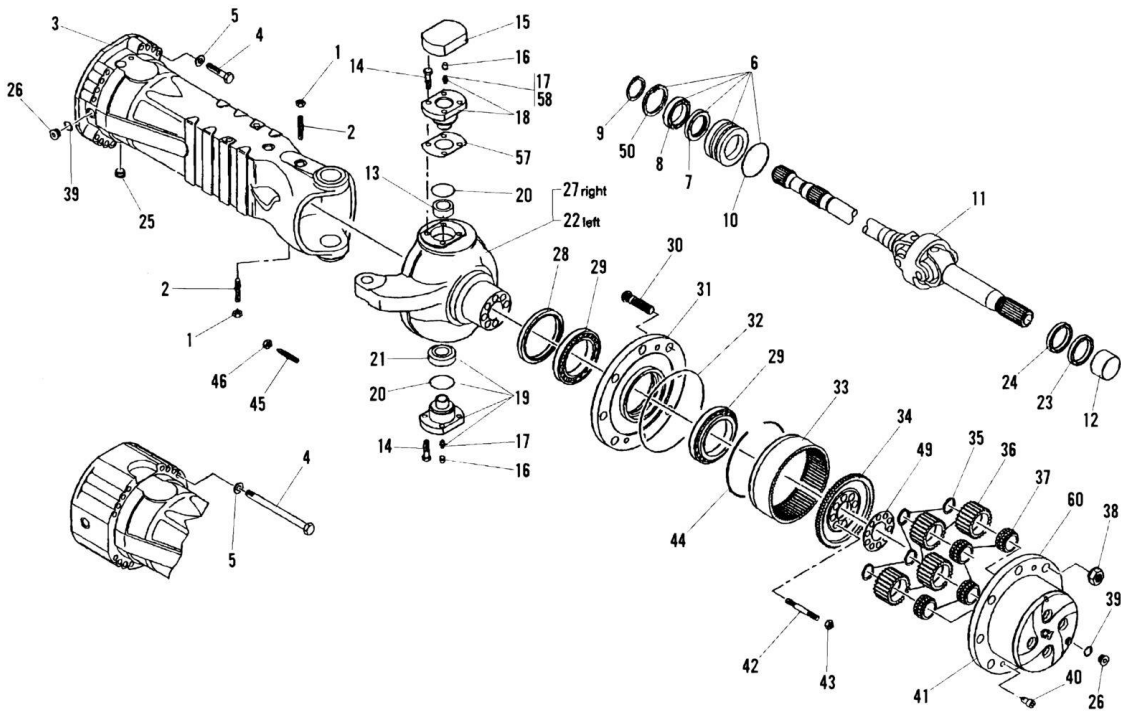
SECTION 5 - DRIVE TRAIN

FIGURE 5-10. REAR AXLE ASSEMBLY - INTERNAL DIFFERENTIAL COMPONENTS

| ITEM | PART NUMBER | QTY | DESCRIPTION | REV |
|------|-------------|-----|---|-----|
| | 4803383 | Ref | REAR AXLE ASSY | C |
| | | Ref | INTERNAL DIFFERENTIAL COMPONENTS, (includes all items) | |
| 1 | 91474529 | 1 | O-RING | |
| 2 | 91474535 | 1 | SHIM | |
| 2 | 91474536 | 1 | SHIM, 20mm | |
| 2 | 91474537 | 1 | SHIM, 40mm | |
| 2 | 91474538 | 1 | SHIM | |
| 3 | 7028043 | 1 | BEVEL GEAR SET | |
| 4 | 91474548 | 2 | BEARING, ROLLER | |
| 5 | 91474547 | 2 | RING NUT | |
| 6 | 91474591 | 4 | CYLINDER BOLT | |
| 7 | 91474134 | 2 | CYLINDER BOLT | |
| 8 | 91514123 | 12 | BOLT | |
| 9 | Kit | 2 | WASHER | |
| 10 | Kit | 2 | GEAR, SIDE SHIFT | |
| 11 | Kit | 4 | PIN | |
| 12 | 91474551 | 4 | CIRCLIP | |
| 13 | Kit | 4 | DISC | |
| 14 | Kit | 4 | DIFFERENTIAL PINION | |
| 15 | Kit | 1 | HOUSING, DIFFERENTIAL | |
| 16 | 3968141 | 2 | BEARING, ROLLER | |
| 17 | 91474540 | 1 | SHIM, 20mm | |
| 17 | 91474541 | 1 | SHIM, 30mm | |
| 17 | 91474542 | 1 | SHIM, 15mm | |
| 17 | 91474543 | 1 | SHIM, 10mm | |
| 18 | 91474539 | 1 | SPACER | |
| 19 | 91474533 | 1 | NUT | |
| 20 | 91474532 | 1 | SEAL, OIL | |
| 21 | 91474531 | 1 | COVERPLATE, (Prior to axle SN GITA738344) | |
| 22 | 7029427 | 1 | FLANGE | |
| 23 | 91474528 | 1 | NUT | |
| 24 | Kit | 4 | CIRCLIP | |
| 25 | 91474596 | 1 | LIMITED SLIP DIFFERENTIAL KIT, (includes items 9 thru 15 & 24) | |
| | 70021140 | 1 | DIFFERENTIAL ASSY, (Axle SN IITA776942 to Present), (includes items 9, 10, 11, 13, 14, 15 & 24) | |

SECTION 5 - DRIVE TRAIN

FIGURE 5-11. REAR AXLE ASSEMBLY - EXTERNAL AXLE COMPONENTS



SECTION 5 - DRIVE TRAIN

FIGURE 5-11. REAR AXLE ASSEMBLY - EXTERNAL AXLE COMPONENTS

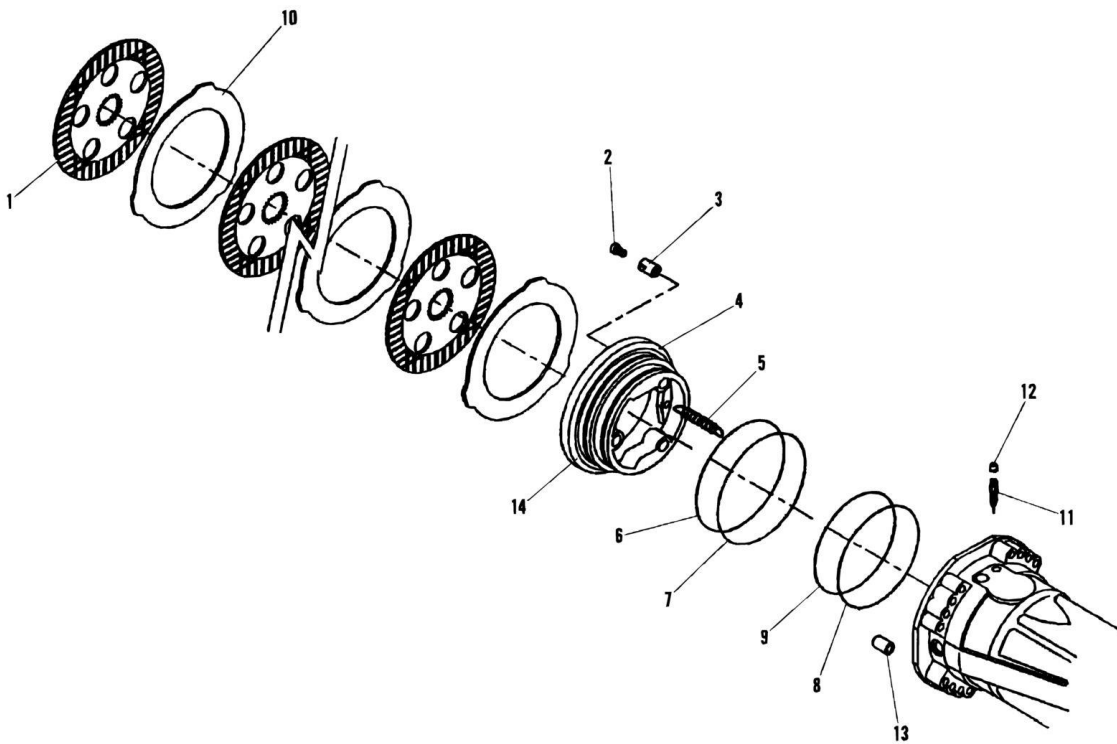
| ITEM | PART NUMBER | QTY | DESCRIPTION | REV |
|------|-------------|-----|---|-----|
| | 4803383 | Ref | REAR AXLE ASSY | C |
| 1 | 91514082 | 2 | NUT | |
| 2 | 2400600 | 2 | THREADED PIN | |
| 3 | 7028048 | 2 | AXLE HOUSING | |
| 4 | 7029428 | 32 | BOLT | |
| 5 | 91514084 | 32 | WASHER | |
| 6 | 91514149 | 2 | REDUCTION BUSHING, (includes items 7, 8, 9, 10 & 50) | |
| 7 | 91514147 | 2 | OIL SEAL | |
| 8 | 91514146 | 2 | BALL BEARING | |
| 9 | 80204071 | 2 | CIRCLECLIP | |
| 10 | 91514148 | 2 | O-RING | |
| 11 | 8007770 | 2 | JOINT, (Prior to axle SN KITA783471) | |
| 11 | 7029811 | AR | CROSS KIT, (includes cross for double joint, circlips and needle bearings) | |
| 11 | 70023105 | 2 | JOINT, (Axle SN KITA783471 to Present) | |
| 11 | 70021898 | AR | CROSS KIT, (includes cross for double joint, circlips, bearings and grease seal), (Axle SN KITA783471 to Present) | |
| 12 | 8004468 | 1 | BUSHING | |
| 13 | 70020173 | 2 | BUSHING | |
| 14 | 8006604 | 20 | BOLT | |
| 15 | 91474524 | 2 | COVER | |
| 16 | 80204117 | 4 | PLUG | |
| 17 | 91514099 | 2 | GREASE FITTING | |
| 18 | 8006603 | 2 | KINGPIN, (top), (includes item 17) | |
| 19 | 8006605 | 2 | KINGPIN, (bottom), (includes items 17, 20 & 21) | |
| 20 | 2401043 | 2 | GASKET | |
| 21 | 2401258 | 2 | BUSHING | |
| 22 | 7028049 | 1 | STEERING CASE, (left), (Prior to axle SN CITA703951) | |
| 22 | 8007775 | 1 | STEERING CASE, (left), (Axle SN CITA703951 to Present) | |
| 23 | 7028076 | 2 | GASKET | |
| 24 | 7028035 | 2 | DUST SEAL | |
| 25 | 91474513 | 2 | MAGNETIC PLUG | |
| 26 | 91514188 | 4 | PLUG, (includes item 39) | |
| 27 | 7028036 | 1 | STEERING CASE, (right), (Prior to axle SN CITA703951) | |
| 27 | 7029429 | 1 | STEERING CASE, (right), (Axle SN CITA703951 to Present) | |
| 28 | 7029430 | 2 | OIL SEAL | |
| 29 | 3984301 | 4 | BALL BEARING | |
| 30 | 8000877 | 20 | WHEEL STUD | |
| 31 | 8005801 | 2 | WHEEL HUB | |
| 32 | 80204002 | 2 | O-RING | |
| 33 | 91474580 | 2 | RING GEAR | |
| 34 | 3983720 | 2 | RING GEAR SUPPORT | |
| 35 | 91474585 | 8 | CIRCLIP | |
| 36 | 91474586 | 8 | PLANET GEAR | |
| 37 | 91474587 | 8 | NEEDLE BEARING | |
| 38 | | Ref | LUGNUT, (See FRAME AND ATTACHING PARTS SECTION for Breakdown) | |
| 39 | | Ref | SEAL | |
| 40 | 91514189 | 4 | COUNTERSUNK SCREW | |
| 41 | 7029286 | 2 | PLANET GEAR | |

SECTION 5 - DRIVE TRAIN

| ITEM | PART NUMBER | QTY | DESCRIPTION | REV |
|------|-------------|-----|--|-----|
| 42 | 91474583 | 16 | STUD | |
| 43 | 91474584 | 16 | NUT | |
| 44 | 91474579 | 2 | CIRCLIP | |
| 45 | 91514117 | 4 | SETSCREW, (Prior to axle SN FITA706681) | |
| 45 | 7028733 | 4 | BOLT, (Axle SN FITA 706681 to Present) | |
| 46 | 80204065 | 4 | NUT, (Prior to axle SN FITA706681) | |
| 49 | 3983731 | 2 | PLATE, LOCKING | |
| 50 | 80204005 | 2 | CIRCLIP | |
| 57 | 8007779 | 2 | SHIM | |
| 57 | 8007780 | 2 | SHIM | |
| 57 | 8007782 | 2 | SHIM | |
| 58 | 7028115 | 2 | GREASE FITTING | |
| 60 | 7029431 | | PLANET GEAR CARRIER ASSY, (includes items 35, 36, 37 & 41) | |
| | 8007774 | 1 | STEERING CASE ASSY, (left), (includes items 12 & 22) | |
| | 8007777 | 1 | STEERING CASE ASSY, (right), (includes items 12 & 27) | |
| | 7028733 | 4 | STEERING ADJUST BOLT ASSY, (Axle SN FITA706681 to Present), (includes items 45 & 46) | |
| | 7029432 | 2 | RING GEAR SUPPORT ASSY, (includes items 33, 34 & 44) | |

SECTION 5 - DRIVE TRAIN

FIGURE 5-12. REAR AXLE ASSEMBLY - BRAKE COMPONENTS



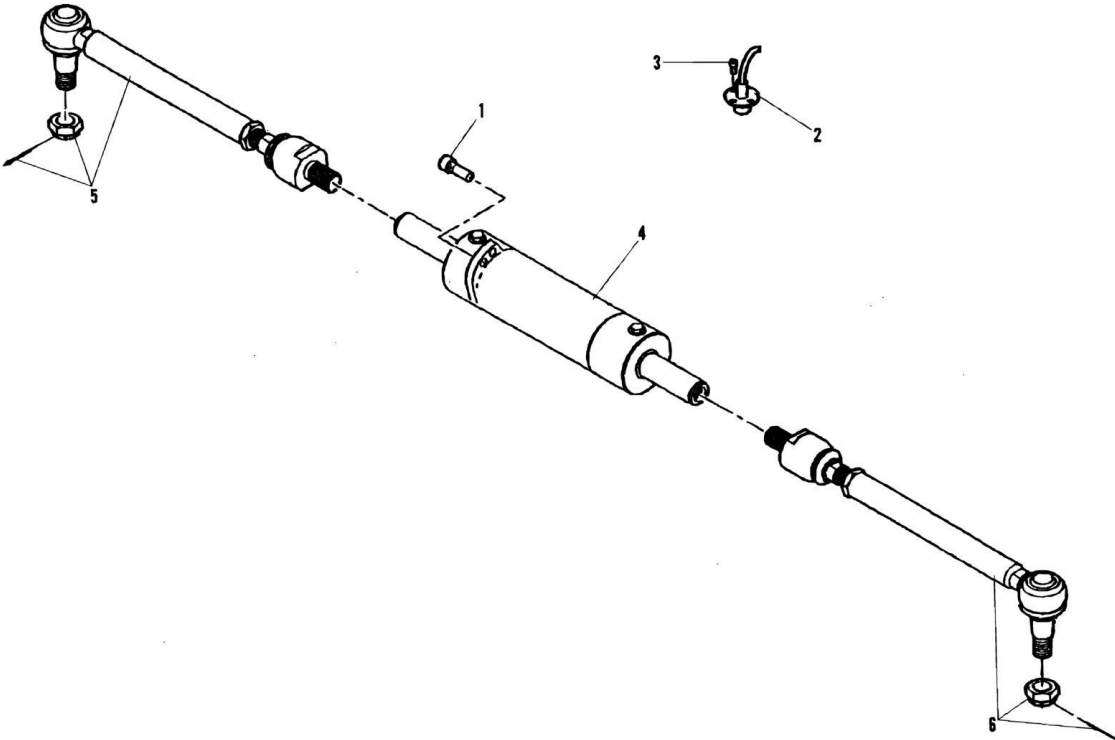
SECTION 5 - DRIVE TRAIN

FIGURE 5-12. REAR AXLE ASSEMBLY - BRAKE COMPONENTS

| ITEM | PART NUMBER | QTY | DESCRIPTION | REV |
|------|-------------|-----|--|-----|
| | 4803383 | Ref | REAR AXLE ASSY | |
| | | Ref | BRAKE COMPONENTS, (includes all items) | |
| 1 | 91474568 | 6 | BRAKE DISC | |
| 2 | 7029786 | 6 | ADJUSTING BOLT | |
| 3 | 91514165 | 6 | SPRING | |
| 4 | 7028052 | 2 | PISTON | |
| 5 | 3984425 | 6 | SPRING | |
| 6 | 3984436 | 2 | BACK-UP RING | |
| 7 | 3984458 | 2 | O-RING | |
| 8 | 3984447 | 2 | BACK-UP RING | |
| 9 | 3984469 | 2 | O-RING | |
| 10 | 91474569 | 8 | DISC PLATE | |
| 11 | 80204281 | 2 | BLEEDING BOLT | |
| 12 | 80204117 | 2 | PLUG | |
| 13 | 7029433 | 2 | DOWEL | |
| 14 | 7028053 | 2 | PISTON KIT, (includes items 4 thru 9) | |

SECTION 5 - DRIVE TRAIN

FIGURE 5-13. REAR AXLE ASSEMBLY - STEERING COMPONENTS



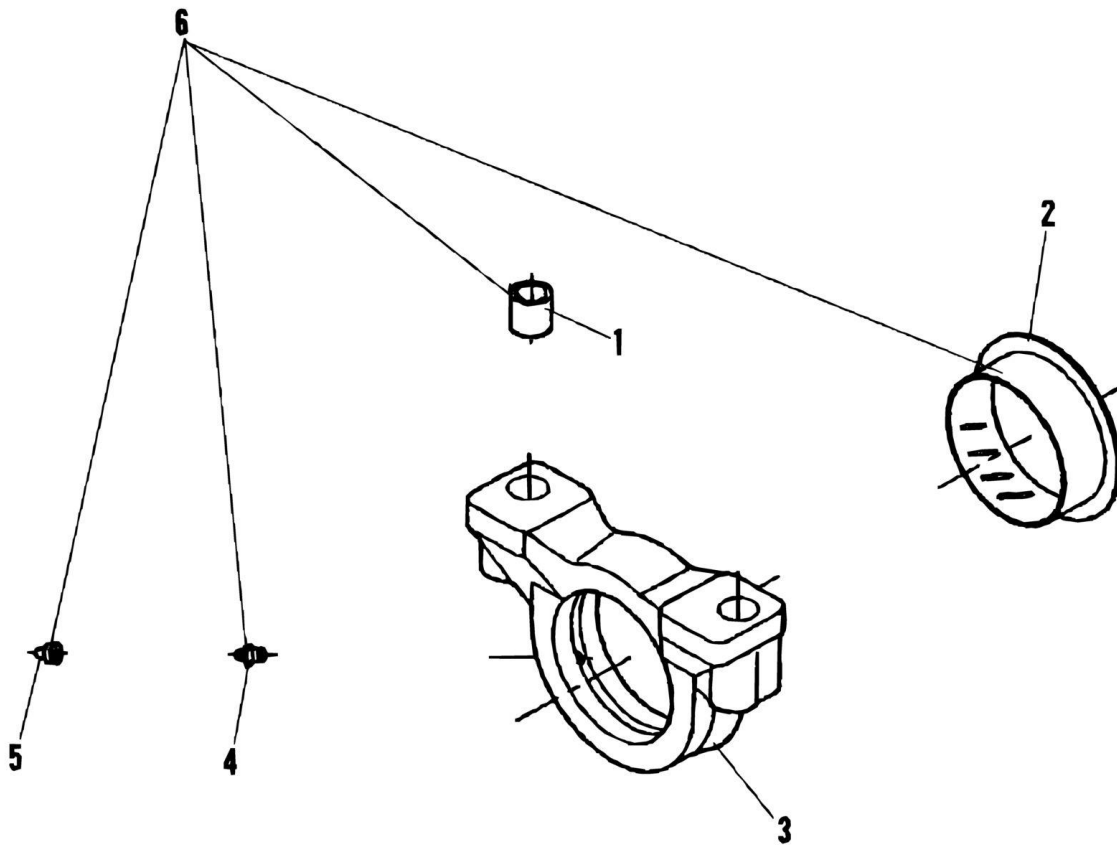
SECTION 5 - DRIVE TRAIN

FIGURE 5-13. REAR AXLE ASSEMBLY - STEERING COMPONENTS

| ITEM | PART NUMBER | QTY | DESCRIPTION | REV |
|------|-------------|-----|---|-----|
| | 4803383 | Ref | REAR AXLE ASSY | C |
| | | Ref | STEERING COMPONENTS, (includes all items) | |
| 1 | 91474522 | 4 | CYLINDER BOLT | |
| 2 | 7028707 | 1 | ELECTRIC SENSOR | |
| 3 | 8008175 | 3 | BOLT | |
| 4 | 7028079 | 1 | STEER CYLINDER ASSY, (Prior to Axle SN CITA703951) | |
| 4 | 7029527 | 1 | SEAL KIT | |
| 4 | | Ref | STEER CYLINDER ASSY, (Axle SN CITA703951 thru FITA719610), (no longer available, order 7028708) | |
| 4 | 7028885 | 1 | SEAL KIT | |
| 4 | 7028708 | 1 | STEER CYLINDER ASSY, (Axle SN CITA703951 to Present) | |
| 4 | 7029920 | 1 | SEAL KIT | |
| 5 | 7028081 | 1 | TIE ROD, (right), (Prior to Axle SN CITA703951) | |
| 5 | 8007803 | 1 | TIE ROD, (right), (Axle SN CITA703951 to Present) | |
| 6 | 7028080 | 1 | TIE ROD, (left), (Prior to Axle SN CITA703951) | |
| 6 | 8007804 | 1 | TIE ROD, (left), (Axle SN CITA703951 to Present) | |
| | 91514275 | 1 | NUT AND COTTER PIN KIT | |

SECTION 5 - DRIVE TRAIN

FIGURE 5-14. REAR AXLE ASSEMBLY - OSCILLATION SUPPORT COMPONENTS



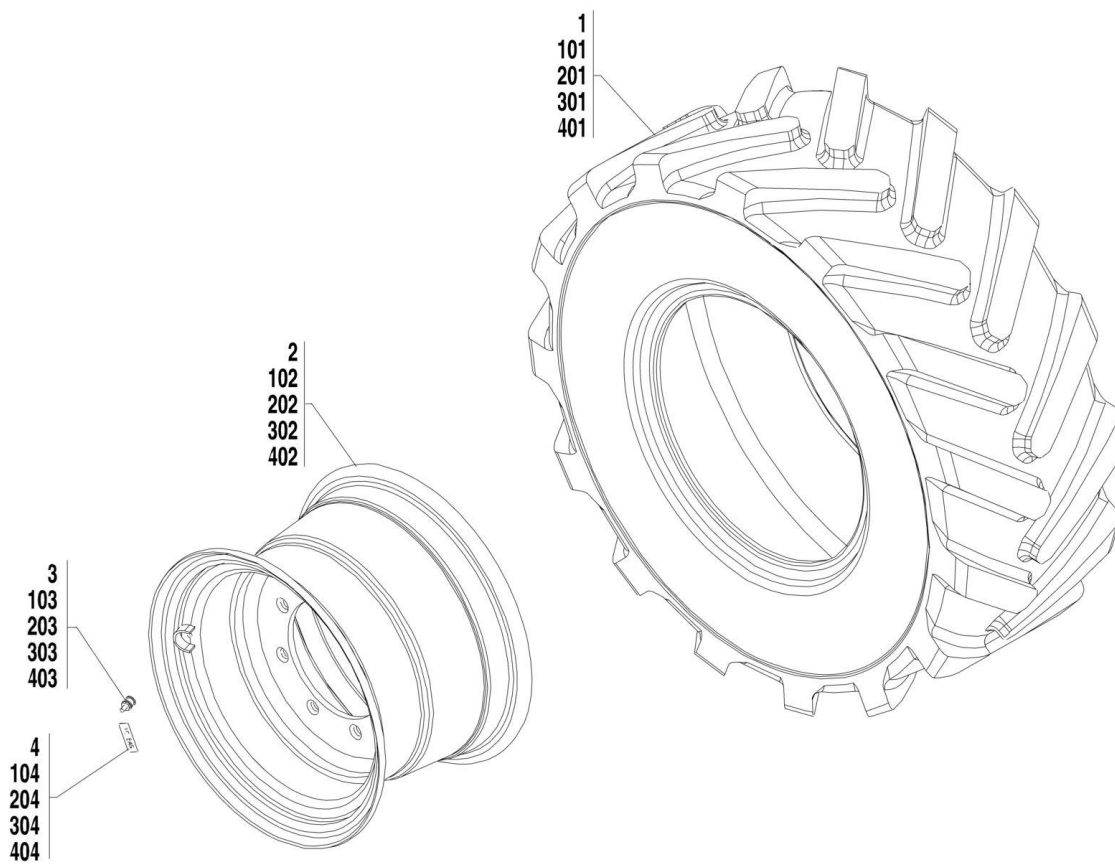
SECTION 5 - DRIVE TRAIN

FIGURE 5-14. REAR AXLE ASSEMBLY - OSCILLATION SUPPORT COMPONENTS

| ITEM | PART NUMBER | QTY | DESCRIPTION | REV |
|------|-------------|-----|--|-----|
| | 4803383 | Ref | REAR AXLE ASSY | |
| | | Ref | OSCILLATION SUPPORT COMPONENTS, (includes all items) | |
| 1 | 91474516 | 4 | REDUCTION BUSHING | |
| 2 | 91474515 | 2 | THRUST BUSHING | |
| 3 | 7028083 | 2 | SUPPORT | |
| 4 | 91514099 | 2 | GREASE FITTING | |
| 5 | 80204117 | 2 | PLUG | |
| 6 | 7028084 | 2 | SUPPORT, (includes items 1 thru 5) | |

SECTION 5 - DRIVE TRAIN

FIGURE 5-15. TIRE AND WHEEL ASSEMBLY



SECTION 5 - DRIVE TRAIN

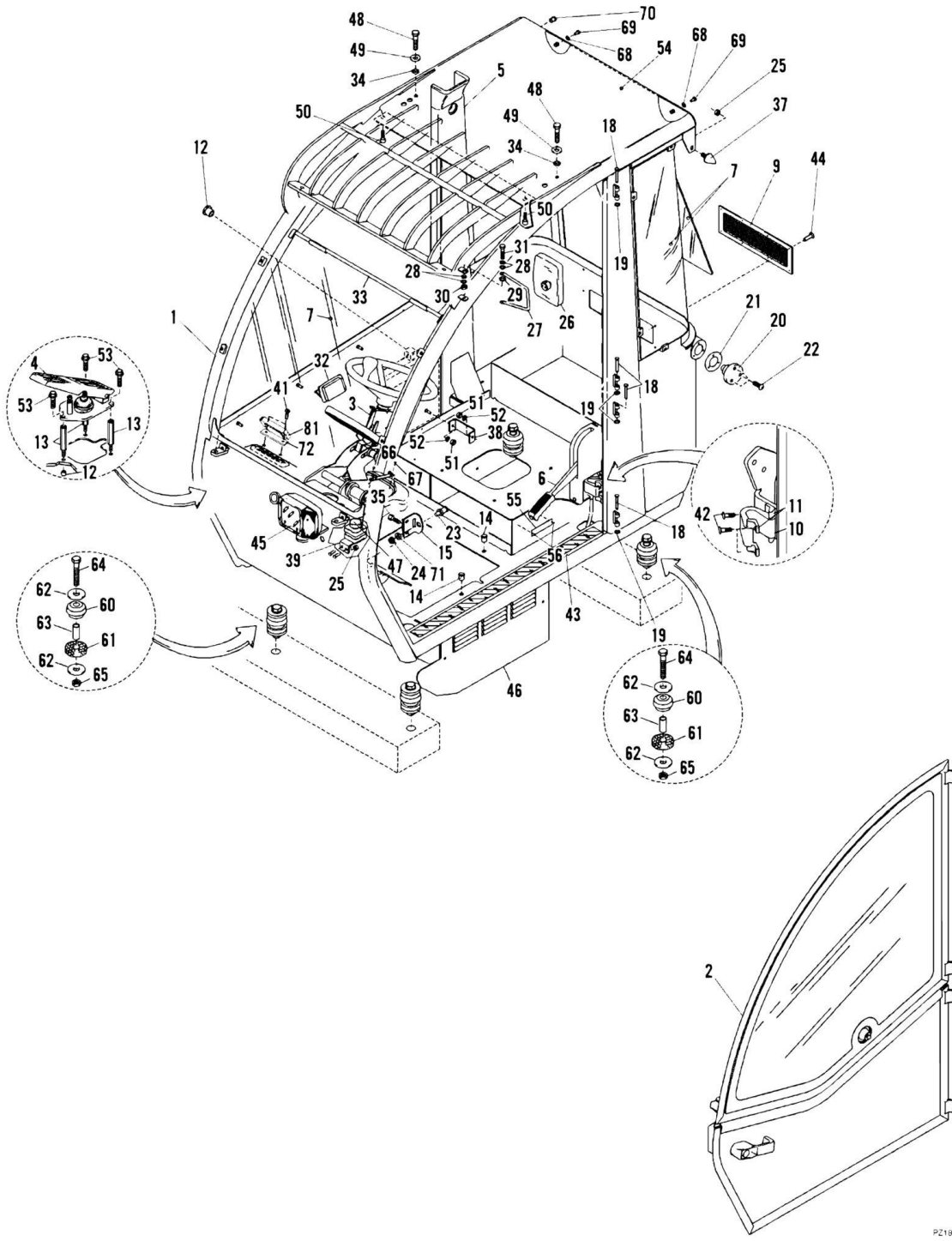
FIGURE 5-15. TIRE AND WHEEL ASSEMBLY

| ITEM | PART NUMBER | QTY | DESCRIPTION | REV |
|------|-------------|-----|--|-----|
| | 8002770 | Ref | TIRE ASSY, 16/70-20 MITAS TIRE | |
| | 8002762 | 2 | L.H. TIRE ASSY, (7, 8 & 9M), (includes items 1 thru 4) | |
| | 4520331 | 2 | R.H. TIRE ASSY, (7, 8 & 9M), (includes items 1 thru 4) | |
| 1 | 3767057 | 1 | TIRE, CONSTRUCTION, (inflate to 3.5 BAR) | |
| 2 | 8000809 | 1 | RIM | |
| 3 | 8008675 | 1 | VALVE | |
| 4 | 8005825 | 1 | DECAL, 3.5 BAR | |
| | 8002771 | Ref | TIRE ASSY, 405/70-20 MITAS TIRE | 5 |
| | 4520332 | 2 | L.H. TIRE ASSY, (7, 8 & 9M), (includes items 101 thru 104) | |
| | 4520333 | 2 | R.H. TIRE ASSY, (7, 8 & 9M), (includes items 101 thru 104) | |
| 101 | 3767853 | 1 | TIRE, AGRICULTURAL, (inflate to 3.5 BAR) | |
| 102 | 8000809 | 1 | RIM | |
| 103 | 8008675 | 1 | VALVE | |
| 104 | 8005825 | 1 | DECAL, 3.5 BAR | |
| | 8002772 | Ref | TIRE ASSY, 405/70-24 MITAS TIRE | 4 |
| | 4520334 | 2 | L.H. TIRE ASSY, (includes items 201 thru 204) | |
| | 4520335 | 2 | R.H. TIRE ASSY, (includes items 201 thru 204) | |
| 201 | 3767864 | 1 | TIRE, AGRICULTURAL, (inflate to 4.0 BAR) | |
| 202 | 8001143 | 1 | RIM | |
| 203 | 8008675 | 1 | VALVE | |
| 204 | 8005827 | 1 | DECAL, 4.0 BAR | |
| | 8002777 | Ref | TIRE ASSY, 405/70-24 MITAS TIRE | 4 |
| | 4520336 | 2 | L.H. TIRE ASSY, (includes items 301 thru 304) | |
| | 4520337 | 2 | R.H. TIRE ASSY, (includes items 301 thru 304) | |
| 301 | 8002778 | 1 | TIRE, CONSTRUCTION, (inflate to 4.0 BAR) | |
| 302 | 8001143 | 1 | RIM | |
| 303 | 8008675 | 1 | VALVE | |
| 304 | 8005827 | 1 | DECAL, 4.0 BAR | |
| | 8002774 | Ref | TIRE ASSY, 16/70-20 DUNLOP TIRE | 5 |
| | 4520383 | 2 | L.H. TIRE ASSY, (7, 8 & 9M), (includes items 401 thru 404) | |
| | 4520350 | 2 | R.H. TIRE ASSY, (7, 8 & 9M), (includes items 401 thru 404) | |
| 401 | 2987959 | 1 | TIRE, RADIAL, (inflate to 6.0 BAR) | |
| 402 | 8000809 | 1 | RIM | |
| 403 | 8008675 | 1 | VALVE | |
| 404 | 8005828 | 1 | DECAL, 6.0 BAR | |

SECTION 6 - CAB

SECTION 6 - CAB

FIGURE 6-1. CAB INSTALLATION



PZ1990

FIGURE 6-1. CAB INSTALLATION

| ITEM | PART NUMBER | QTY | DESCRIPTION | REV |
|------|-------------|-----|--|-------|
| | 8000336 | Ref | CAB INSTALLATION, (includes items 1 thru 72) | K, 10 |
| 1 | 8009703 | | CAB | |
| 2 | | Ref | CAB DOOR ASSY, (See CAB DOOR INSTALLATION for Breakdown) | |
| 3 | | Ref | STEERING COLUMN ASSY, (See CONTROLS SECTION for Breakdown) | |
| 4 | | Ref | ACCELERATOR PEDAL ASSY, (See CONTROLS SECTION for Breakdown) | |
| 5 | | Ref | INTERIOR INSTALLATION, (See CONTROLS SECTION for Breakdown) | |
| 6 | | Ref | PARKING BRAKE ASSY, (See CONTROLS SECTION for Breakdown) | |
| 7 | | Ref | CAB WINDOWS INSTALLATION, (See CAB WINDOWS INSTALLATION for Breakdown) | |
| 9 | 8001330 | 1 | VENTILATOR | |
| 10 | 8001331 | 1 | DOOR HOLDER, (Not Illustrated) | |
| 11 | 8001332 | 2 | DOOR HOLDER CRANK | |
| 12 | 3939475 | 9 | RIVET | |
| 13 | 8000337 | 3 | SPACER | |
| 14 | 3939486 | 4 | BLIND RIVET, 8mm | |
| 15 | 4807616 | 1 | ANGLE | |
| 18 | 879192 | 4 | PIN | |
| 19 | 498748 | 4 | LOCKWASHER, 7mm | |
| 20 | 3975855 | 1 | DOOR SHIFT LOCK | |
| 21 | 3975833 | 1 | DISC | |
| 22 | 4010612 | 3 | MACHINE SCREW, 6X25mm | |
| 23 | 8000803 | 1 | PIN | |
| 24 | 3300497 | 1 | HEX NUT, M12-1 | |
| 25 | 5220800 | 3 | NUT, 8mm | |
| 26 | 3949091 | 1 | MIRROR, OUTSIDE REARVIEW | |
| 27 | 3945575 | 1 | ROD, MIRROR MOUNTING | |
| 28 | 885849 | 8 | CUP, SPRING | |
| 29 | 1042977 | 4 | CUP, SPRING | |
| 30 | 3290805 | 2 | LOCKNUT, M8 | |
| 31 | 0760812 | 2 | HEX HD CAPSCREW, M8-16, GR8.8 | |
| 32 | 1780754 | 1 | ASH-TRAY | |
| 33 | 8003009 | 1 | SUNVISORS | |
| 34 | 321779 | 2 | RING | |
| 35 | 0760808 | 2 | HEX HD CAPSCREW, M8X16, GR8.8 | |
| 37 | 8005276 | 1 | STOP, RUBBER | |
| 38 | 8003140 | 1 | BRACKET | |
| 39 | 1001093893 | 1 | BRACKET | |
| 41 | 1001094077 | 2 | SCREW | |
| 42 | 3978381 | 4 | SCREW, 5X16mm | |
| 43 | 3986530 | AR | TAPE, NONSKID | |
| 44 | 2983091 | 8 | SELF-TAPPING SCREW, 5X12mm | |
| 45 | | Ref | ELECTRIC SYSTEM INSTRUMENT, (See ELECTRICAL SECTION for Breakdown) | |
| 46 | | Ref | HVAC SYSTEM INSTALLATION, (See AIR CIRCULATION INSTALLATION for Breakdown) | |
| 47 | | Ref | HYDRAULIC SYSTEM, (CABIN), (See HYDRAULIC CIRCUITS SECTION for Breakdown) | |

SECTION 6 - CAB

| ITEM | PART NUMBER | QTY | DESCRIPTION | REV |
|------|-------------|-----|--|-----|
| 48 | 0761008 | 2 | HEX HD CAPSCREW, M10X16, GR8.8 | |
| 49 | 4812000 | 2 | FLAT WASHER, 10mm | |
| 50 | 4010408 | 2 | MACHINE SCREW, 4X16mm | |
| 51 | 3290601 | 2 | HEX NUT, 6mm | |
| 52 | 4811700 | 2 | FLAT WASHER, 6mm | |
| 53 | 5200608 | 3 | BOLT, 6X16mm | |
| 54 | | Ref | ELECTRIC SYSTEM CABIN ROOF, (See ELECTRICAL SECTION for Breakdown) | |
| 55 | 8004990 | 1 | CABIN NAME PLATE | |
| 56 | 845749 | 2 | RIVET | |
| 60 | 8000567 | 4 | ELEMENT, RUBBER | |
| 61 | 8000565 | 4 | WASHER, RUBBER, 70X15mm | |
| 62 | 1781813 | 8 | DISK | |
| 63 | 4806626 | 4 | BUSHING | |
| 64 | 0712030 | 4 | HEX HD CAPSCREW, M20X130, GR10.9, (torque to 150 Nm) | |
| 65 | 8005205 | 4 | NUT, 20mm, (torque to 150 Nm) | |
| 66 | 1001005960 | 1 | BINDER FOR LIFTCHARTS | |
| 67 | 8008862 | 2 | RIVET | |
| 68 | 4811900 | 2 | FLAT WASHER, 8mm | |
| 69 | 0760808 | 2 | HEX HD CAPSCREW, M8X16, GR8.8 | |
| 70 | 8009464 | 1 | PROTECTING CAP | |
| 71 | 4812100 | 1 | FLAT WASHER, M12 | |
| 72 | 1001093344 | 1 | LEVEL INDICATOR BRACKET | |
| 81 | 1001094094 | 1 | LEVEL INDICATOR GAUGE | |

SECTION 6 - CAB

FIGURE 6-2. INTERIOR INSTALLATION

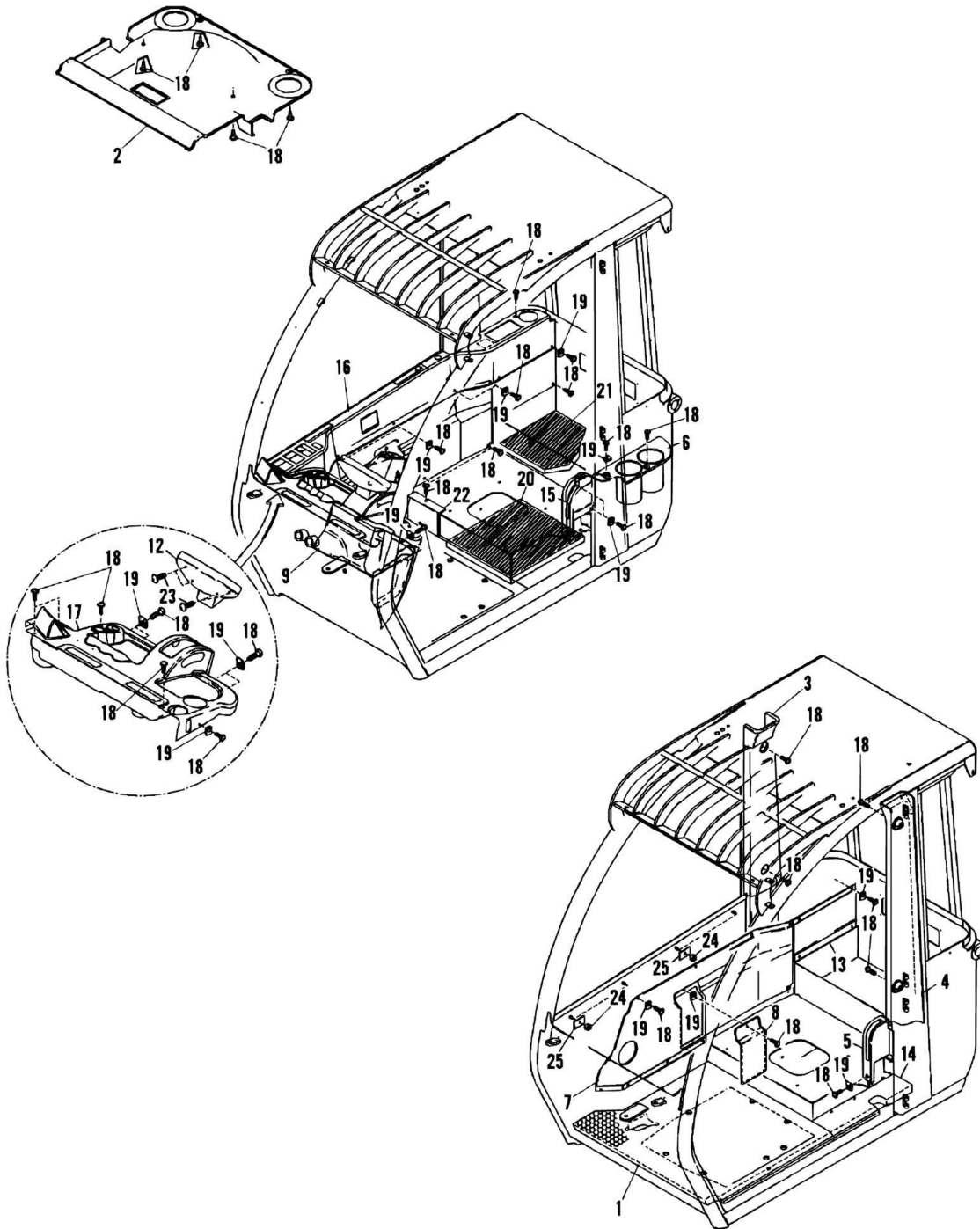


FIGURE 6-2. INTERIOR INSTALLATION

| ITEM | PART NUMBER | QTY | DESCRIPTION | REV |
|------|-------------|-----|---|-----|
| | 8000346 | Ref | INTERIOR INSTALLATION, (includes all items) | B |
| 1 | 8000078 | 1 | MAT | |
| 2 | 8003026 | 1 | INSIDE ROOF LINING | |
| 3 | 8003027 | 1 | COVERING, PILLAR, (left) | |
| 4 | 8003028 | 1 | COVERING, PILLAR, (right) | |
| 5 | 8003029 | 1 | COVER | |
| 6 | 8003309 | 1 | CUPHOLDER | |
| 7 | 8003032 | 1 | COVER | |
| 8 | 8003033 | 1 | COVER | |
| 9 | 8003035 | 1 | COVER, FRONT BOTTOM | |
| 12 | 8003038 | 1 | COVER, DISPLAY | |
| 13 | 8003191 | 1 | COVER | |
| 14 | 8003281 | 1 | MAT | |
| 15 | 8004253 | 1 | COVER | |
| 16 | | Ref | COVER | |
| 16 | 8004887 | 1 | WITHOUT AC | |
| 16 | 8007811 | 1 | WITH AC | |
| 17 | 8004886 | 1 | COVER, DASH | |
| 18 | 3934378 | 47 | LENS HD SCREW, 4.8X16mm | |
| 19 | 3933468 | 18 | CLIP | |
| 20 | 8006261 | 1 | MAT, RUBBER | |
| 21 | 8006262 | 1 | MAT, RUBBER | |
| 22 | 8005408 | 1 | PLATE, COVER | |
| 23 | 3978370 | 4 | LENS HD SCREW, 5X20mm | |
| 24 | 1722787 | 4 | NUT, 8mm | |
| 25 | 8007568 | 4 | PLATE | |

SECTION 6 - CAB

FIGURE 6-3. CAB DOOR INSTALLATION

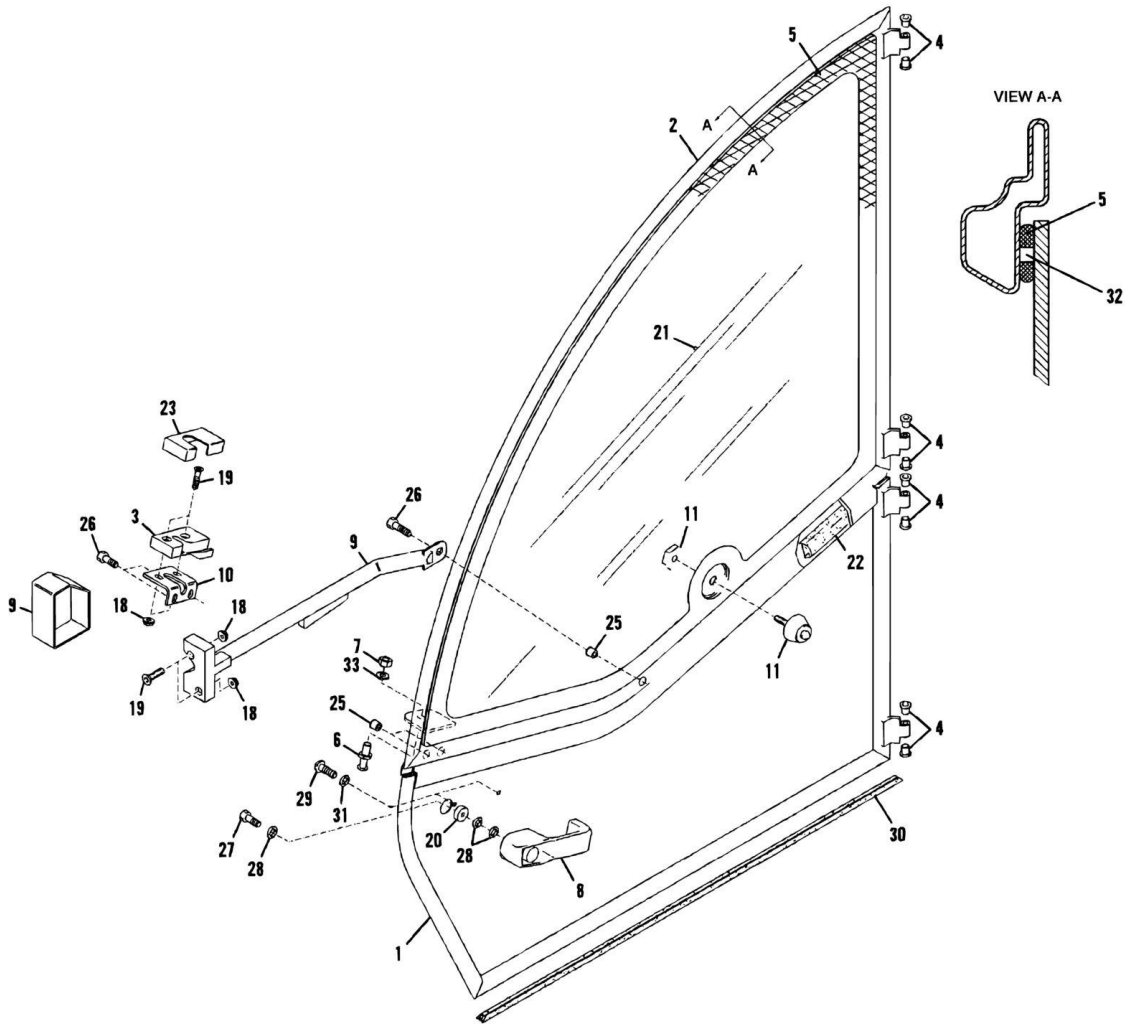


FIGURE 6-3. CAB DOOR INSTALLATION

| ITEM | PART NUMBER | QTY | DESCRIPTION | REV |
|------|-------------|-----|---|-----|
| | 8000339 | Ref | CAB DOOR INSTALLATION, (includes all items) | D |
| 1 | 8009784 | 1 | LOWER DOOR | |
| 2 | 8009783 | 1 | UPPER DOOR | |
| 3 | 8001144 | 1 | LATCH | |
| 4 | 1749733 | 8 | BUSHING | |
| 5 | 3976925 | AR | GLUE | |
| 6 | 8003293 | 1 | PIN | |
| 7 | 3300497 | 1 | HEX NUT, M12-1 | |
| 8 | 8000799 | 1 | Push-Button Handle | |
| 8 | | Ref | KEY, (same key used for ignition), (See ELECTRICAL SECTION for Breakdown) | |
| 9 | 8000802 | 1 | LATCH | |
| 10 | 8001833 | 1 | ANGLE | |
| 11 | 3975866 | 1 | PIN | |
| 18 | 5220800 | 4 | NUT, 8mm | |
| 19 | 1398374 | 4 | COUNTERSUNK SCREW, 8X35mm | |
| 20 | 3946123 | 1 | SPACER | |
| 21 | 8002022 | 1 | WINDOW, DOOR | |
| 22 | 8000871 | AR | TRIM | |
| 23 | 8005553 | 1 | COVER | |
| 25 | 3939486 | 3 | BLIND RIVET, 8mm | |
| 26 | 5200808 | 3 | BOLT, 8X16mm | |
| 27 | 4010510 | 1 | MACHINE SCREW, 5X20mm | |
| 28 | 1356352 | 3 | WASHER, 5.3mm | |
| 29 | 4010608 | 2 | MACHINE SCREW, 6X16mm | |
| 30 | 8000797 | AR | TRIM | |
| 31 | 447985 | 2 | WASHER, 6.4mm | |
| 32 | 3942436 | 8 | SPACER | |
| 33 | 4812100 | 1 | FLAT WASHER, M12 | |

SECTION 6 - CAB

FIGURE 6-4. CAB WINDOWS INSTALLATION

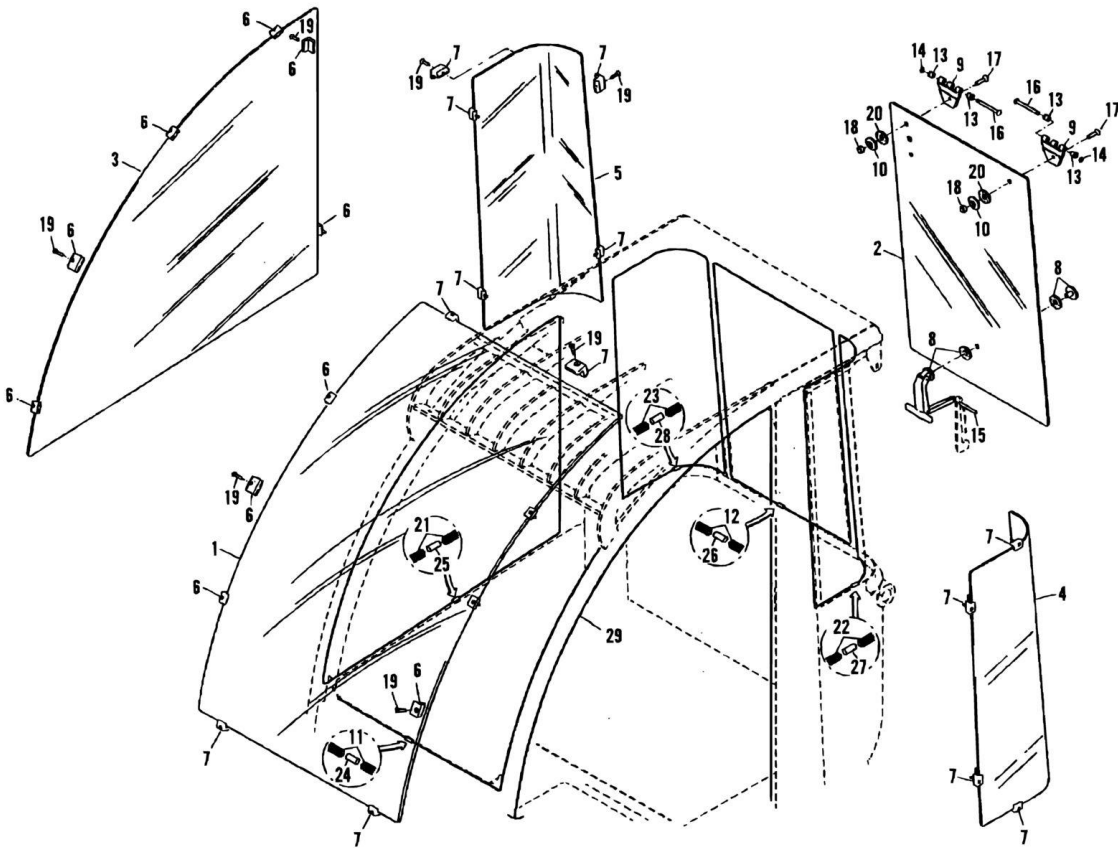


FIGURE 6-4. CAB WINDOWS INSTALLATION

| ITEM | PART NUMBER | QTY | DESCRIPTION | REV |
|------|-------------|-----|--|-----|
| | 8000424 | Ref | CAB WINDOWS COMPLETE, (includes all items) | A |
| 1 | 4805954 | 1 | WINDOW, (front) | |
| 2 | 4805998 | 1 | WINDOW, (rear) | |
| 3 | 4805965 | 1 | WINDOW, (side) | |
| 4 | 4805976 | 1 | WINDOW, (corner left) | |
| 5 | 4805987 | 1 | WINDOW, (corner right) | |
| 6 | 4806024 | 15 | CLAMP | |
| 7 | 4806035 | 16 | CLAMP | |
| 8 | 8000343 | 1 | LATCH ASSY | |
| 9 | 8000344 | 2 | HINGE | |
| 10 | 8000759 | 2 | WASHER, NYLON | |
| 11 | 8000797 | AR | TRIM | |
| 12 | 8000798 | AR | TRIM | |
| 13 | 1749733 | 4 | BUSHING | |
| 14 | 498748 | 2 | LOCKWASHER, 7mm | |
| 15 | 8004392 | 1 | PIN | |
| 16 | 8004393 | 2 | PIN | |
| 17 | 1398385 | 2 | COUNTERSUNK SCREW, 8X30mm, GR8.8 | |
| 18 | 3290805 | 2 | LOCKNUT, M8 | |
| 19 | 8004876 | 31 | COUNTERSUNK SCREW, 5X25mm, GR8.8 | |
| 20 | 8004398 | 2 | WASHER, NYLON | |
| 21 | 8000797 | AR | TRIM | |
| 22 | 8000798 | AR | TRIM | |
| 23 | 8000798 | AR | TRIM | |
| 24 | 2099716 | AR | TRIM | |
| 25 | 2099716 | AR | TRIM | |
| 26 | 3935835 | AR | TRIM | |
| 27 | 3935835 | AR | TRIM | |
| 28 | 3935835 | AR | TRIM | |
| 29 | 8000797 | AR | TRIM | |

SECTION 6 - CAB

FIGURE 6-5. WIPER SYSTEM INSTALLATION

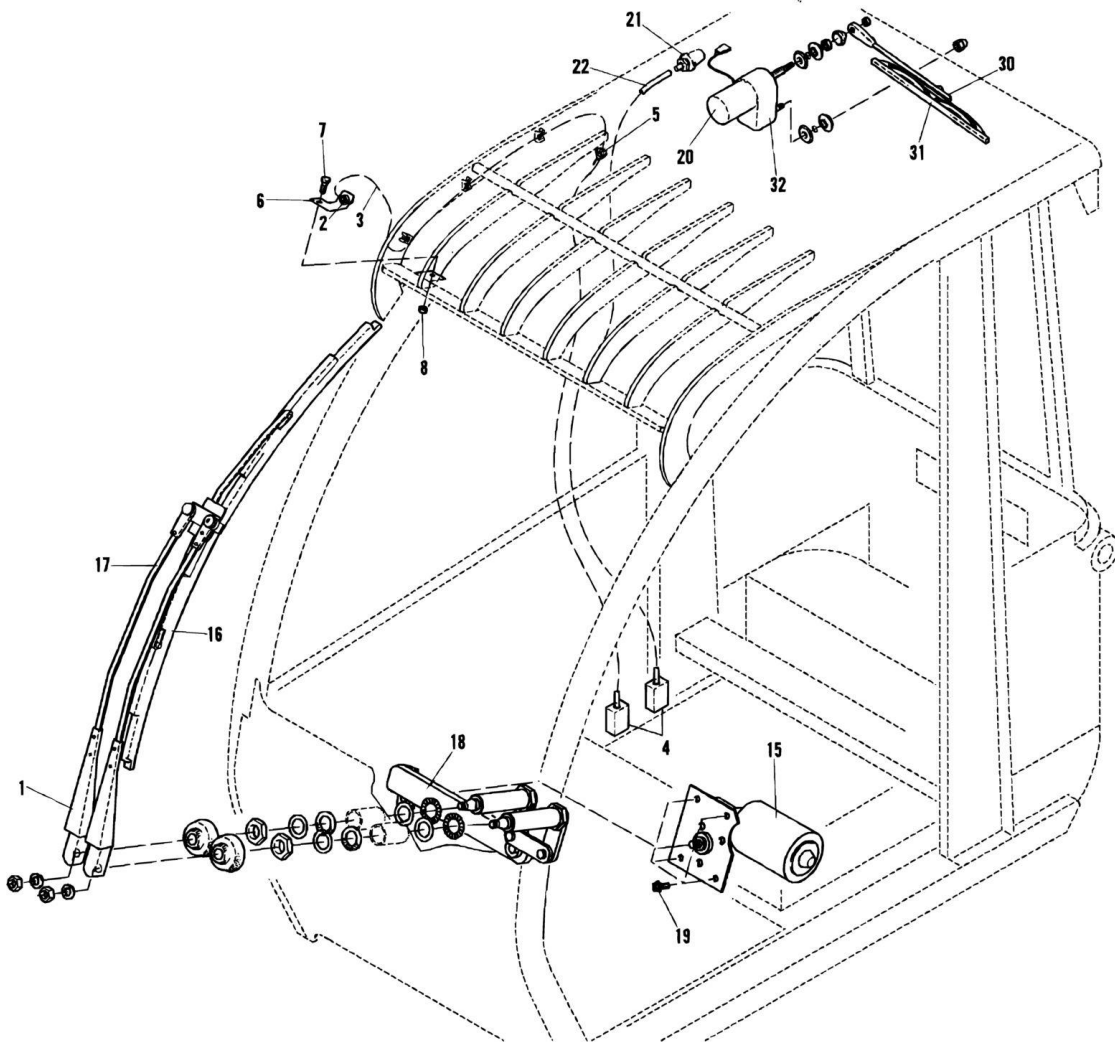
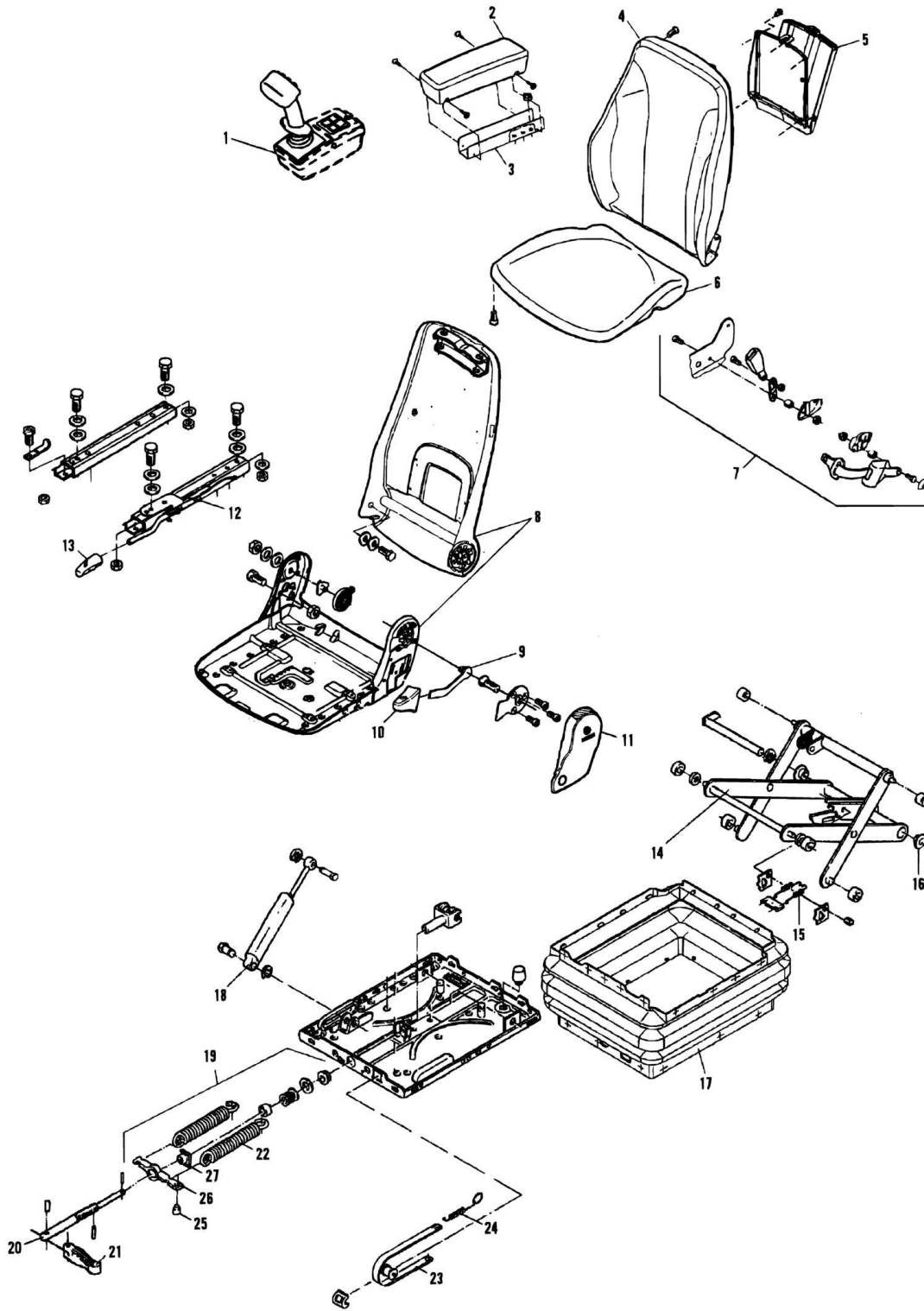


FIGURE 6-5. WIPER SYSTEM INSTALLATION

| ITEM | PART NUMBER | QTY | DESCRIPTION | REV |
|------|-------------|-----|--|-----|
| | 8007808 | Ref | WIPER SYSTEM INSTALLATIONS, (includes all items) | C |
| | 8000340 | Ref | WIPER SYSTEM FRONT, (includes items 1, 2, 3, one of item 4 & 5 thru 8) | |
| | 8000341 | Ref | WIPER SYSTEM REAR, (includes one of item 4 & items 20 thru 22) | |
| 1 | 4807707 | 1 | FRONT WIPER ASSY, (includes items 15 thru 19) | |
| 2 | 3746392 | 1 | DOUBLE NOZZLE | |
| 3 | 3746405 | 6 | HOSE | |
| 4 | 1366865 | 2 | NON RETURN VALVE | |
| 5 | 8002985 | 1 | DUCT SOCKET | |
| 6 | 8005447 | 1 | ANGLE | |
| 7 | 5200810 | 1 | BOLT, 8X20mm | |
| 8 | 5220800 | 1 | NUT, 8mm | |
| 15 | 4807752 | 1 | WIPER MOTOR | |
| 16 | 4807729 | 2 | WIPER BLADE | |
| 17 | 4807730 | 1 | WIPER ARM | |
| 18 | 4807741 | 1 | WIPER DRIVE ARM ASSY | |
| 19 | 5200608 | 4 | BOLT, 6X16mm | |
| 20 | 4807661 | 1 | REAR WIPER ASSY, (includes items 30 thru 32) | |
| 21 | 3746392 | 1 | DOUBLE NOZZLE | |
| 22 | 3746405 | 6 | HOSE | |
| 30 | 4807694 | 1 | WIPER ARM | |
| 31 | 4807718 | 1 | WIPER BLADE | |
| 32 | 4807763 | 1 | WIPER MOTOR | |

SECTION 6 - CAB

FIGURE 6-6. DRIVER SEAT ASSEMBLY (Prior to SN 1160000514)



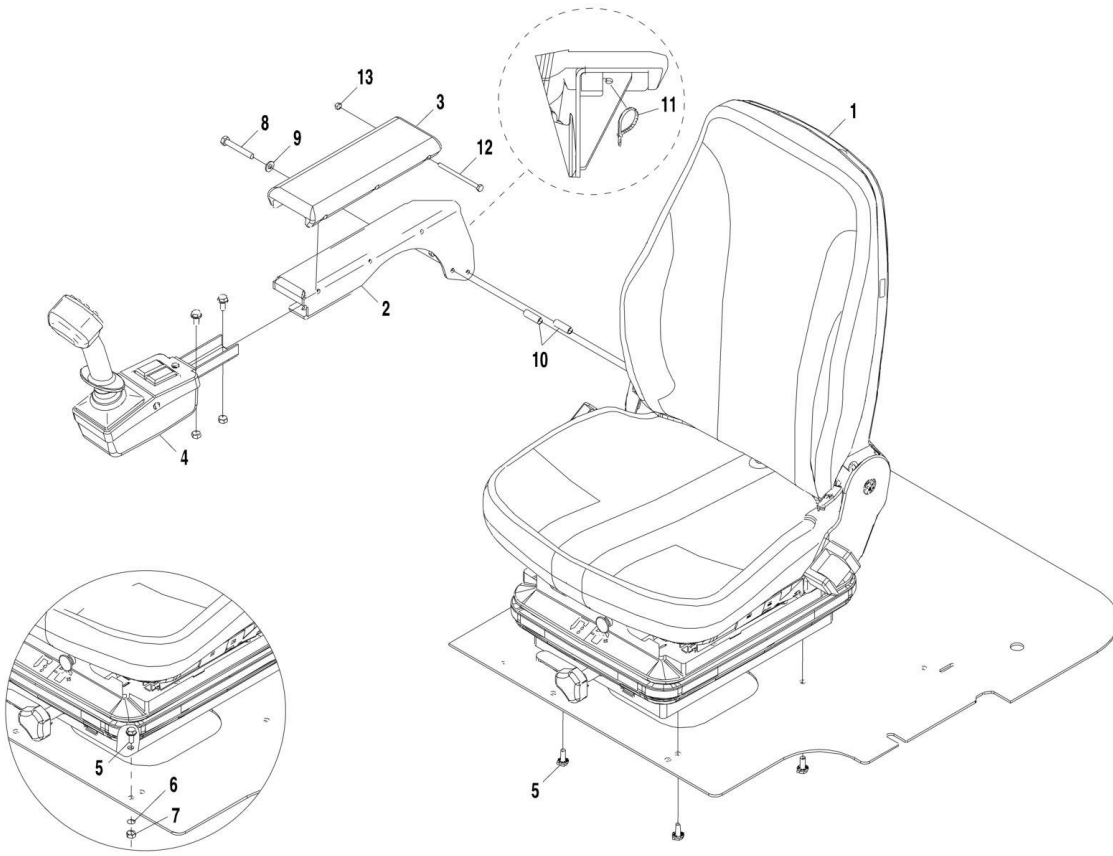
SECTION 6 - CAB

FIGURE 6-6. DRIVER SEAT ASSEMBLY (Prior to SN 1160000514)

| ITEM | PART NUMBER | QTY | DESCRIPTION | REV |
|------|-------------|-----|--|-----|
| | 8000364 | 1 | DRIVER SEAT ASSY, (includes all items except item 1) | |
| 1 | | Ref | CONSOLE ASSY, (See CONTROLS SECTION for Breakdown) | |
| 2 | 8007741 | 1 | ARMREST, (includes item 3) | |
| 3 | 8007739 | 1 | BRACKET, ARMREST | |
| 4 | 3986654 | 1 | CUSHION, BACKREST | |
| 5 | 8007737 | 1 | LITERATURE BOX | |
| 6 | 3986676 | 1 | CUSHION, SEAT | |
| 7 | 8007345 | 1 | SAFETY BELT ASSY | |
| 8 | 3990343 | 1 | SEAT FRAME ASSY, (includes items 9 & 10) | |
| 9 | 7028620 | 1 | LEVER | |
| 10 | 7028621 | 1 | HANDLE | |
| 11 | 3986621 | 1 | COVER | |
| 12 | 3986643 | 1 | ADJUSTING RAIL SET, (includes item 13) | |
| 13 | 3986610 | 1 | HANDLE | |
| 14 | 3981820 | 1 | ROCKER ARM ASSY, (includes items 15 & 16) | |
| 15 | 3981853 | 2 | SPRING | |
| 16 | 3966956 | 2 | BUSHING | |
| 17 | 3986632 | 1 | BELLOWS | |
| 18 | 3981842 | 1 | SHOCK ABSORBER | |
| 19 | 3981808 | 1 | WEIGHT ADJUSTMENT, (includes items 22, 25, 26 & 27) | |
| 20 | 3981819 | 1 | ADJUSTING PIVOT ASSY, (includes item 21) | |
| 21 | 4623976 | 1 | LEVER | |
| 22 | 3981831 | 2 | LEVER | |
| 23 | 7028617 | 1 | WEIGHT ADJUSTMENT, (includes item 24) | |
| 24 | 7028619 | 1 | SPRING | |
| 25 | 7029477 | 1 | RETAINER PLUG | |
| 26 | 7029478 | 1 | SPRING BRACKET | |
| 27 | 7029479 | 1 | NUT, M12 | |

SECTION 6 - CAB

FIGURE 6-7. MECHANICAL SEAT INSTALLATION (SN 116000514 to Present)



SECTION 6 - CAB

FIGURE 6-7. MECHANICAL SEAT INSTALLATION (SN 1160000514 to Present)

| ITEM | PART NUMBER | QTY | DESCRIPTION | REV |
|------|-------------|-----|---|-----|
| | 8009724 | Ref | MECHANICAL SEAT INSTALLATION, (includes all items) | C |
| 1 | 8009667 | 1 | MECHANICAL SUSPENSION SEAT, (See MECHANICAL SUSPENSION SEAT ASSEMBLY for Breakdown) | |
| 2 | 3980038 | 1 | BRACKET | |
| 3 | 8010452 | 1 | PLASTIC FOAM PROFILE | |
| 4 | | Ref | CONSOLE ASSY, (See CONTROLS SECTION for Breakdown) | |
| 5 | 5200810 | 4 | BOLT, M8X20 | |
| 6 | 4811900 | 4 | FLAT WASHER, 8mm, (used) (Prior to SN 1160000365) | |
| 7 | 3290807 | 4 | NUT, 8mm, (used) (Prior to SN 1160000365) | |
| 8 | 0700818 | 2 | HEX HD CAPSCREW, 8X50mm, GR8.8 | |
| 9 | 5211902 | 2 | FLAT WASHER, 8mm | |
| 10 | 4569078 | 2 | SPACER | |
| 11 | 471678 | 1 | CABLE BAND | |
| 12 | 0700626 | 3 | HEX HD CAPSCREW, 6X90mm, GR8.8 | |
| 13 | 3290605 | 3 | HEX LOCKNUT, 6mm | |

SECTION 6 - CAB

FIGURE 6-8. MECHANICAL SUSPENSION SEAT ASSEMBLY

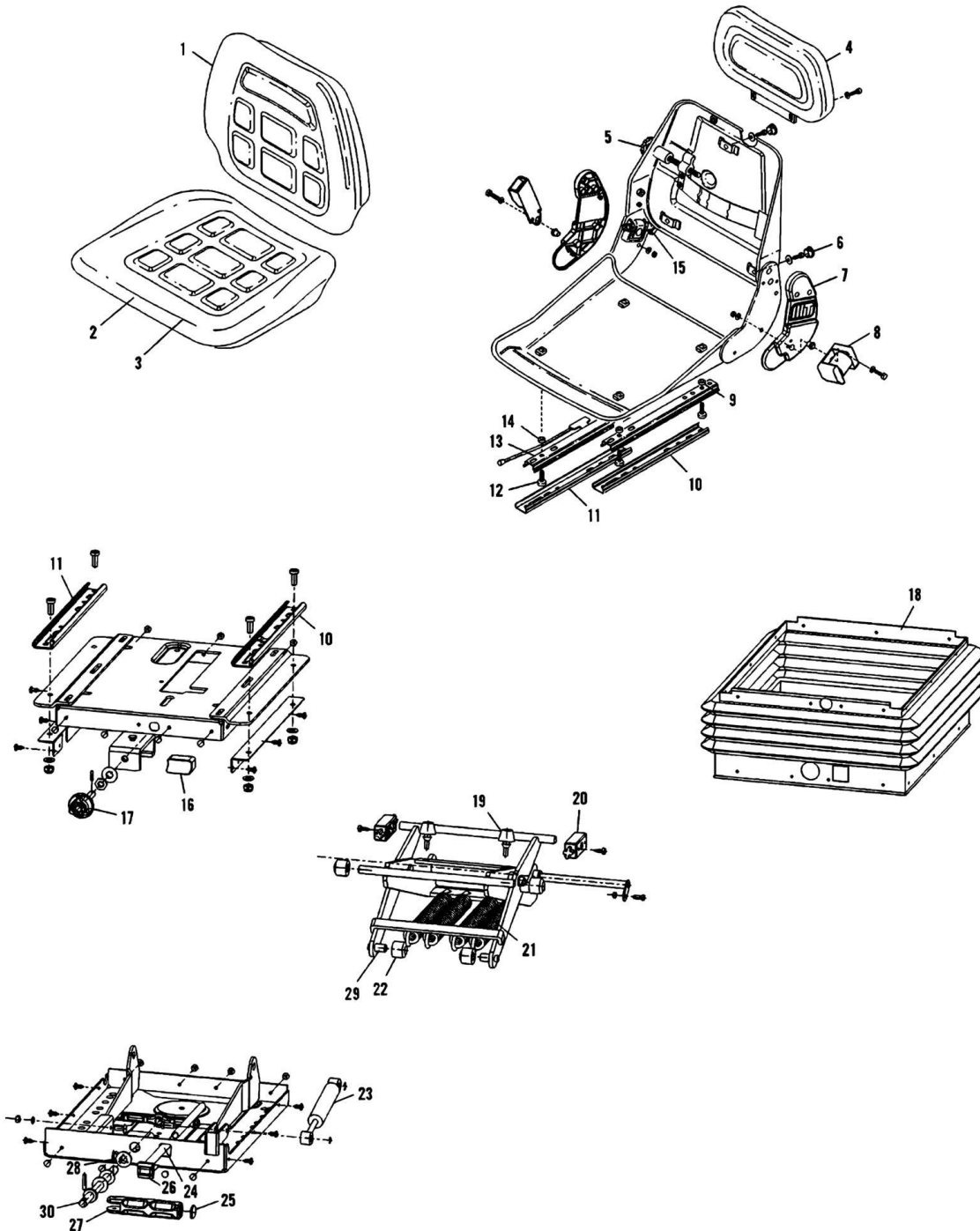
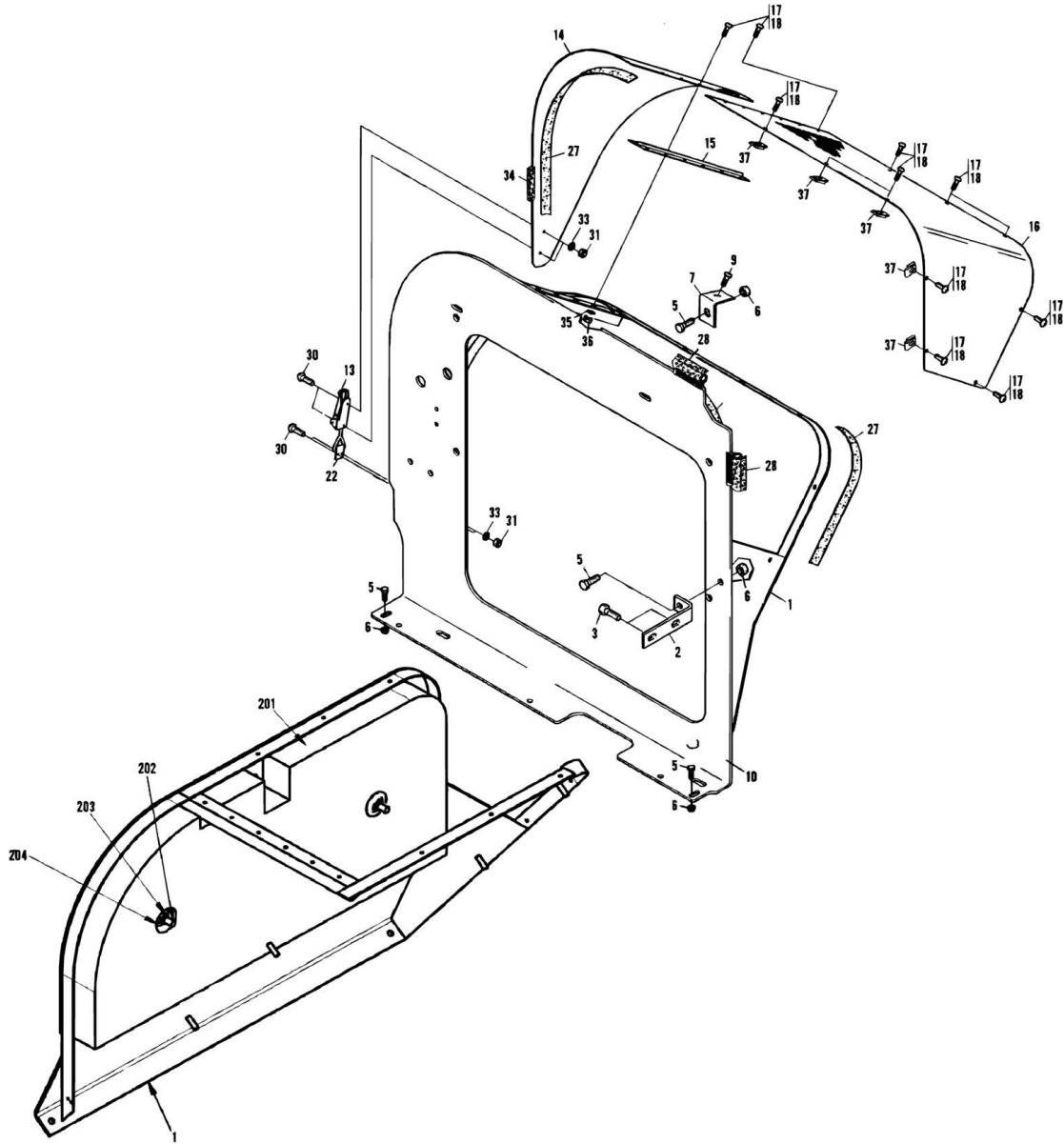


FIGURE 6-8. MECHANICAL SUSPENSION SEAT ASSEMBLY

| ITEM | PART NUMBER | QTY | DESCRIPTION | REV |
|------|-------------|-----|---|-----|
| | 8009667 | Ref | MECHANICAL SUSPENSION SEAT ASSY, (includes all items) | B |
| 1 | 7028742 | 1 | BACKREST | |
| 2 | 7028743 | 1 | CUSHION | |
| 3 | 7028744 | 1 | SPRING | |
| 4 | 7028745 | 1 | BACKREST EXTENSION, (optional) | |
| 5 | 7028746 | 1 | KNOB | |
| 6 | 7028747 | 3 | CAP | |
| 7 | 7028748 | 1 | COVERING, RIGHT SIDE | |
| 7 | 7028749 | 1 | COVERING, LEFT SIDE | |
| 8 | 7028750 | 1 | RETRACTABLE SEAT BELT | |
| 9 | 7028751 | 1 | INTERNAL SLIDE | |
| 10 | 7028752 | 1 | EXTERNAL SLIDE | |
| 11 | 7028753 | 1 | EXTERNAL SLIDE | |
| 12 | 7028754 | 4 | SCREW | |
| 13 | 7028755 | 1 | SLIDE ASSY | |
| 14 | 7028756 | 4 | SLIDE SPACER | |
| 15 | 7028757 | 1 | TILT ADJUSTER HANDLE | |
| 16 | 7028758 | 1 | HEIGHT ADJUSTING BUMPER | |
| 17 | 7028759 | 1 | HEIGHT ADJUSTING KNOB KIT | |
| 18 | 7028760 | 1 | RUBBER BODY | |
| 19 | 7028761 | 2 | BUMPER STOP | |
| 20 | 7028762 | 2 | SUSPENSION RUNNER | |
| 21 | 7028763 | 4 | SPRING | |
| 22 | 7028764 | 4 | SUSPENSION WHEEL | |
| 23 | 7028765 | 1 | SHOCK ABSORBER | |
| 24 | 7028766 | 1 | WEIGHT ADJUST STRIP | |
| 25 | 7028767 | 1 | WEIGHT INDICATOR DISPLAY | |
| 26 | 7028768 | 1 | HANDLE CAP | |
| 27 | 7028769 | 1 | ADJUSTING HANDLE | |
| 28 | 7028770 | 1 | WASHER | |
| 29 | 7029827 | 1 | SPRING SHAFT | |
| 30 | 7029828 | 1 | SHAFT | |

SECTION 6 - CAB

FIGURE 6-9. AIR DUCT INSTALLATION



PZ4426

FIGURE 6-9. AIR DUCT INSTALLATION

| ITEM | PART NUMBER | QTY | DESCRIPTION | REV |
|------|-------------|-----|---|-----|
| | 0274108 | Ref | AIR DUCT INSTALLATION, (heat only), (includes items 1 thru 38) | E |
| | 0274125 | Ref | AIR DUCT INSTALLATION, (heat and air conditioning), (includes items 1 thru 38) | D |
| 1 | 4805432 | 1 | AIR DUCT ASSY, (heat only), (includes items 13 thru 38) | G |
| 1 | 1560015 | 1 | AIR DUCT ASSY, (heat and air conditioning), (includes items 13 thru 38) | C |
| 2 | 4806477 | 1 | ANGLE | |
| 3 | 5200810 | 2 | BOLT, 8X20mm | |
| 5 | 5201010 | 4 | BOLT, M10X20 | |
| 6 | 5221000 | 4 | NUT, M10 | |
| 7 | 8007467 | 1 | BRACKET | |
| 9 | 0761008 | 1 | HEX HD CAPSCREW, M10X16 | |
| 10 | 8006452 | 1 | RADIATOR MOUNTING SEAT, (heat only) | |
| 10 | 4806604 | 1 | RADIATOR MOUNTING SEAT, (heat and air conditioning only) | |
| 13 | 8003294 | 1 | LATCH | |
| 14 | 4803394 | 1 | COVER | |
| 15 | 4806568 | 1 | HINGE | |
| 16 | 4802837 | 1 | COVER | |
| 17 | 8002211 | 22 | SOCKET HD SCREW, 5X16mm (Prior to SN 1160000375) | |
| 18 | 3820019 | 22 | RIVET (SN 1160000375 to Present) | |
| 22 | 8003295 | 1 | HOOK, LATCH | |
| 27 | 1898686 | AR | TRIM | |
| 28 | 3960927 | AR | TRIM | |
| 30 | 4010405 | 4 | MACHINE SCREW, M4X10 | |
| 31 | 3290405 | 4 | HEX NUT, 4X0.7mm | |
| 33 | 4811400 | 4 | WASHER, 4mm | |
| 34 | 935113 | AR | TRIM | |
| 35 | 1335675 | 6 | WASHER (Prior to SN 1160000375) | |
| 36 | 327286 | 6 | NUT (Prior to SN 1160000375) | |
| 37 | 3976618 | 16 | NUT HOLDER (Prior to SN 1160000375) | |
| 37 | | Ref | RADIATOR MOUNTING SEAT | |
| | 0273836 | Ref | AIR INTAKE SOUND ABSORBING INSTALLATION, (includes items 201-204) (SN 1160000358 to Present) | |
| 201 | 2820169 | 1 | INSULATION | |
| 202 | 0701024 | 2 | HEX HD CAPSCREW, M10-80, GR8.8 | |
| 203 | 3291005 | 2 | LOCKNUT, 10mm | |
| 204 | 1629567 | 2 | FLAT WASHER, 10mm | |

SECTION 6 - CAB

FIGURE 6-10. AIR CIRCULATION INSTALLATION

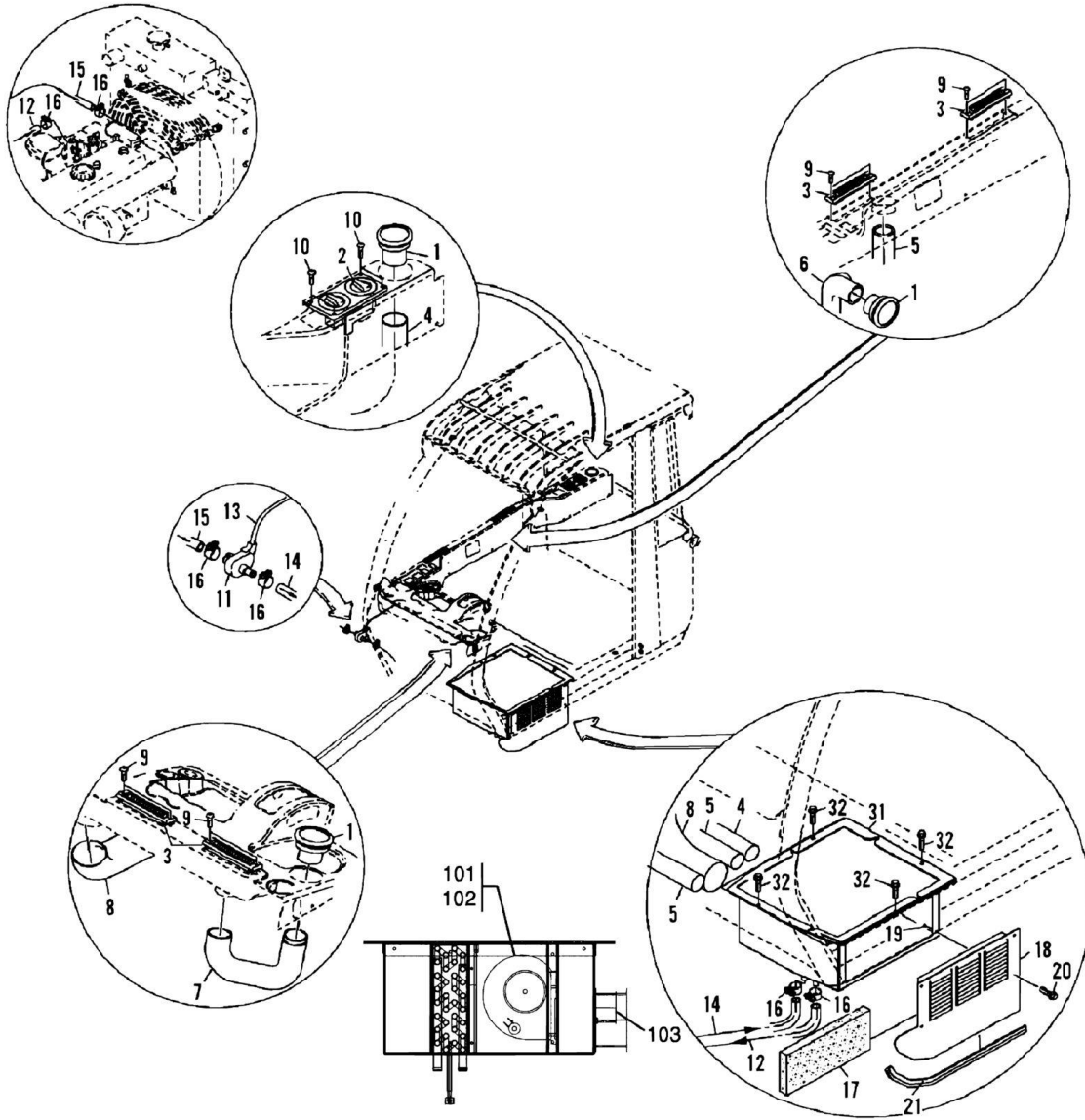


FIGURE 6-10. AIR CIRCULATION INSTALLATION

| ITEM | PART NUMBER | QTY | DESCRIPTION | REV |
|------|-------------|-----|---|-----|
| | 8002765 | Ref | HEATING/AIR CONDITIONING UNIT INSTALLATION, (includes all items on AIR CIRCULATION INSTALLATION and AIR CONDITIONING UNIT INSTALLATION) | C |
| | 8003161 | Ref | AIR DIFFUSER, (for heat or air conditioning), (includes items 1 thru 21) | |
| 1 | 8003008 | 3 | NOZZLE | |
| 2 | 8003163 | 1 | CONTROL, HEAT | |
| 3 | 3953973 | 4 | NOZZLE | |
| 4 | 8003171 | AR | HOSE, HEAT DUCT | |
| 5 | 8003171 | AR | HOSE, HEAT DUCT | |
| 6 | 8003171 | AR | HOSE, HEAT DUCT | |
| 7 | 8003171 | AR | HOSE, HEAT DUCT | |
| 8 | 8003172 | AR | HOSE, HEAT DUCT | |
| 9 | 885236 | 8 | SCREW, 3.5X16mm | |
| 10 | 2686762 | 4 | SCREW, 3.5X13mm | |
| 11 | 8003164 | 1 | VALVE, WATER | |
| 12 | 8003173 | AR | HOSE, HEATER | |
| 13 | 8003174 | 1 | CABLE PULL | |
| 14 | 8003173 | AR | HOSE, HEATER | |
| 15 | 8003173 | AR | HOSE, HEATER | |
| 16 | 3759535 | 6 | CLAMP | |
| 17 | 3929100 | 1 | FILTER, AIR | |
| 18 | 8001236 | 1 | COVER | |
| 19 | 8003524 | 4 | NUT HOLDER | |
| 20 | 2982534 | 4 | BOLT, 6X16mm | |
| 21 | 8001565 | AR | TRIM | |
| 31 | 8009295 | 1 | HEATING UNIT ASSY, (includes items 101 thru 103) | B |
| 32 | 5200808 | 4 | BOLT, 8X16mm | |
| 101 | 8008218 | 1 | VENTILATOR | |
| 102 | 70021125 | 1 | RESISTOR | |
| 103 | 1001091537 | 1 | HOSE ADAPTER | |

SECTION 6 - CAB

FIGURE 6-11. AIR CONDITIONING UNIT INSTALLATION

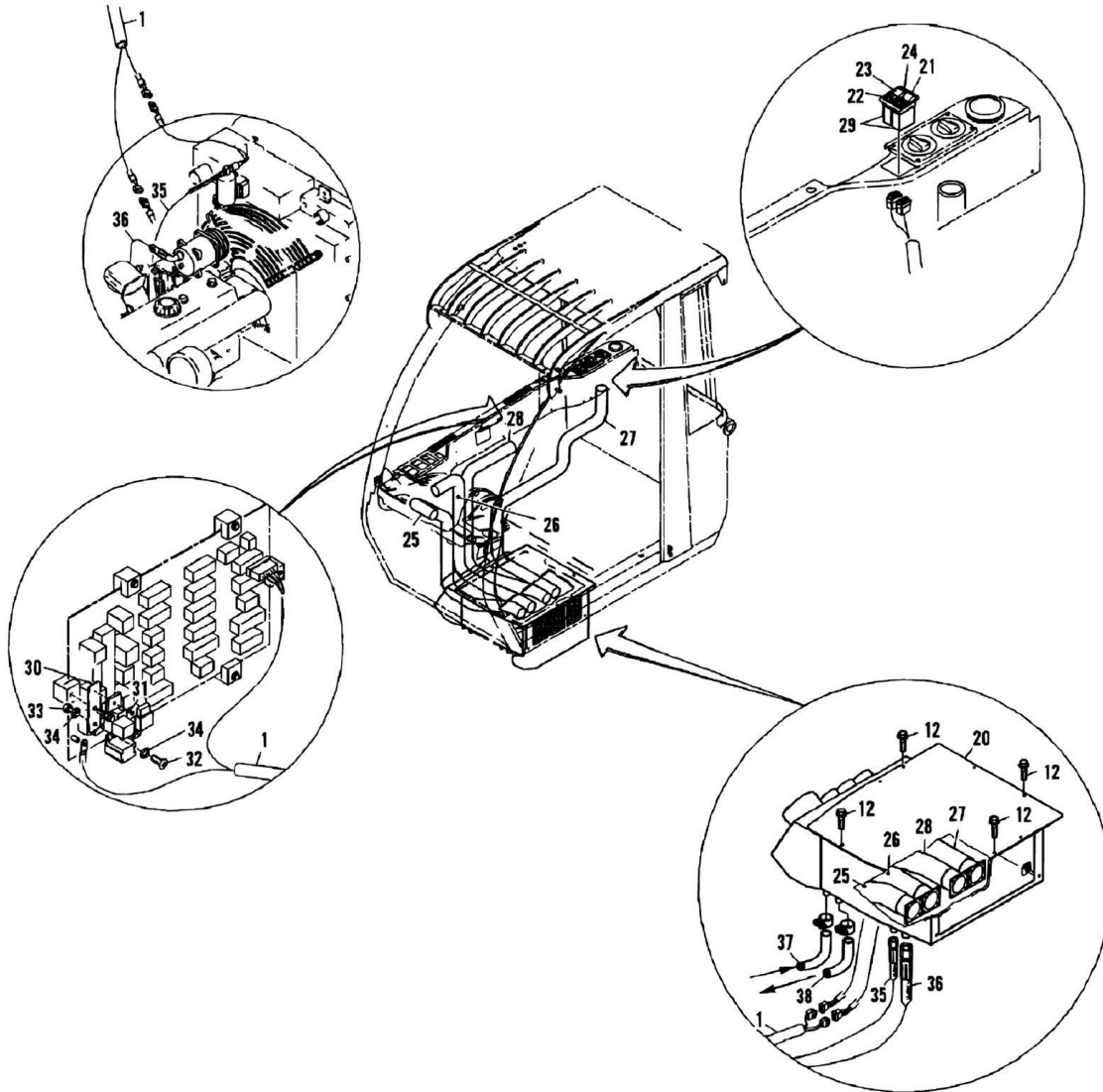


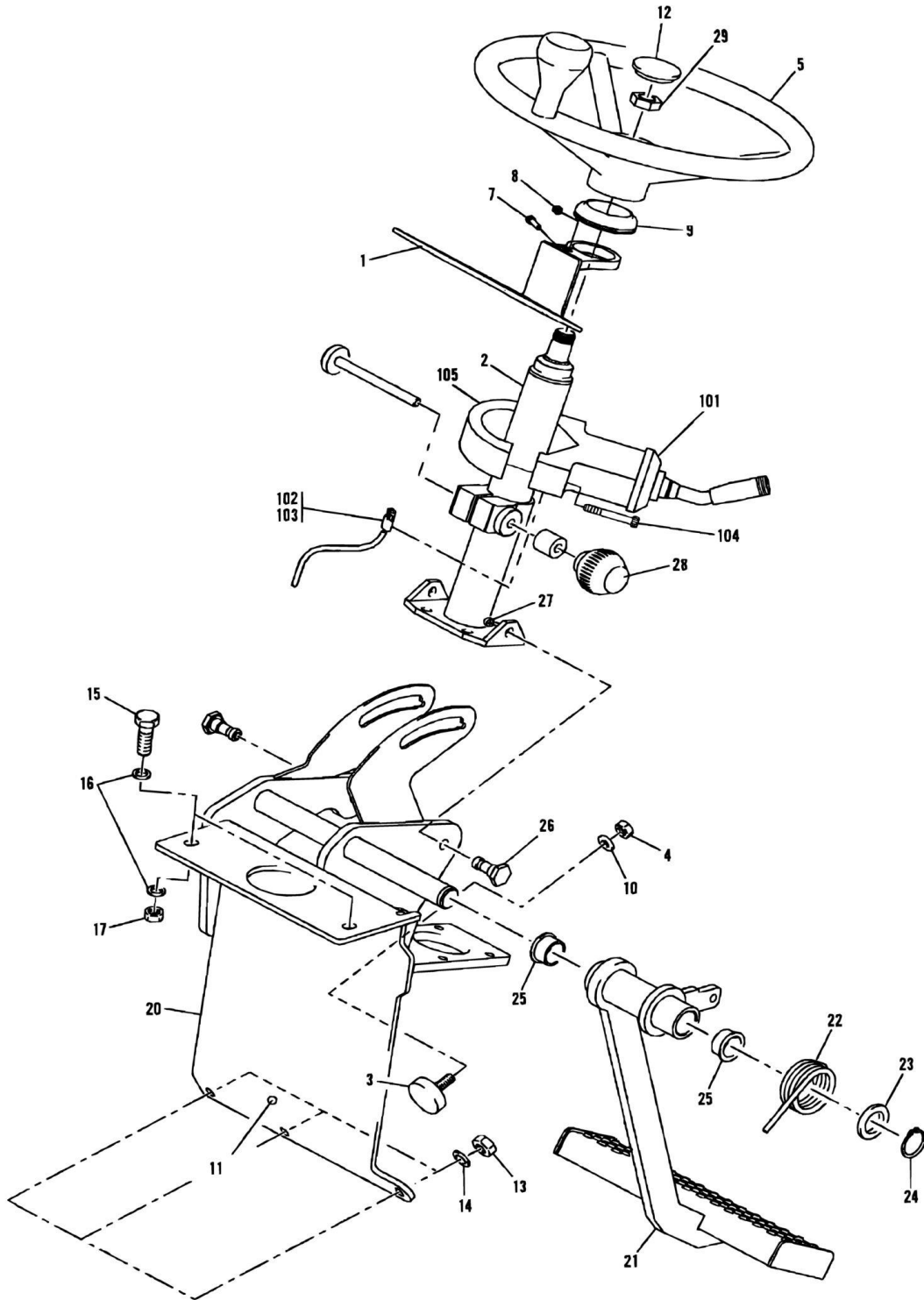
FIGURE 6-11. AIR CONDITIONING UNIT INSTALLATION

| ITEM | PART NUMBER | QTY | DESCRIPTION | REV |
|------|-------------|-----|--|-----|
| | 8006357 | Ref | AIR CONDITIONING UNIT INSTALLATION, (includes all items) | A |
| 1 | 8004600 | 1 | HARNES | |
| 12 | 5200810 | 4 | BOLT, M8X20 | |
| 20 | 8009296 | 1 | AIR CONDITIONING UNIT ASSY | |
| 20 | 8008237 | 1 | HEAT EXCHANGER | |
| 20 | 8008218 | 1 | VENTILATOR | |
| 20 | 8008238 | 1 | EVAPORATING UNIT | |
| 20 | 8008239 | 1 | THERMOSTAT | |
| 20 | 8008236 | 1 | ELECTRIC MOTOR | |
| 21 | 4674353 | 1 | SWITCH | |
| 22 | 3951006 | 1 | DECAL - AC | |
| 23 | 8006599 | 1 | SWITCH | |
| 24 | 8006658 | 1 | DECAL - FRESH AIR | |
| 25 | 8003171 | AR | HOSE, AC DUCT | |
| 26 | 8003171 | AR | HOSE, AC DUCT | |
| 27 | 8003171 | AR | HOSE, AC DUCT | |
| 28 | 8003171 | AR | HOSE, AC DUCT | |
| 29 | 8004763 | 2 | COVER, SWITCH | |
| 30 | 8007985 | 1 | BRACKET | |
| 31 | 876406 | 1 | SCREW, 3.5X13mm | |
| 32 | 4010506 | 1 | MACHINE SCREW, 5X12mm | |
| 33 | 3290501 | 1 | HEX NUT, M5 | |
| 34 | 4811600 | 2 | FLAT WASHER, M5 | |
| 35 | | Ref | HOSE, (See ENGINE AND ATTACHING PARTS SECTION , item 24 for Breakdown) | |
| 36 | | Ref | HOSE, (See ENGINE AND ATTACHING PARTS SECTION, item 25 for Breakdown) | |
| 37 | | Ref | HOSE, (See AIR CIRCULATION INSTALLATION , item 14 for Breakdown) | |
| 38 | | Ref | HOSE, (See AIR CIRCULATION INSTALLATION, item 12 for Breakdown) | |

SECTION 7 - CONTROLS

SECTION 7 - CONTROLS

FIGURE 7-1. STEERING COLUMN ASSEMBLY AND ATTACHING PARTS



PZ4780

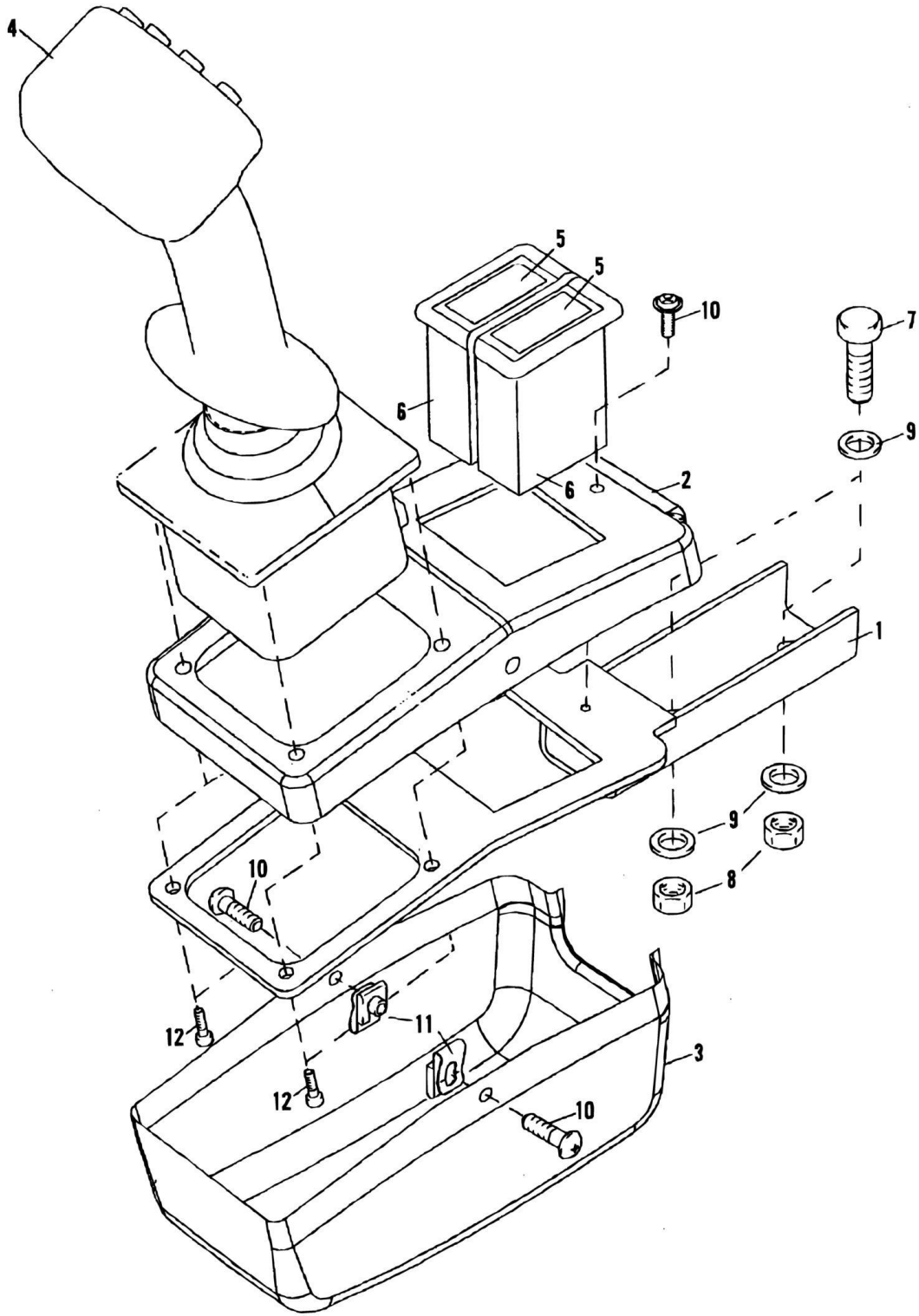
SECTION 7 - CONTROLS

FIGURE 7-1. STEERING COLUMN ASSEMBLY AND ATTACHING PARTS

| ITEM | PART NUMBER | QTY | DESCRIPTION | REV |
|------|-------------|-----|--|-----|
| | 8003739 | Ref | STEERING COLUMN ASSY, (includes items 1 thru 29) | E |
| 1 | 8008663 | 1 | BRACKET | |
| 2 | 8001885 | 1 | STEERING COLUMN ASSY, (includes bracket and hardware items 28 & 29) | |
| 3 | 1000331 | 1 | STOP, RUBBER | |
| 4 | 3290605 | 1 | HEX LOCKNUT, 6mm | |
| 5 | 8007753 | 1 | STEERING WHEEL | |
| 5 | 7028091 | 1 | SPINNER KNOB | |
| 7 | 4031608 | 1 | SOCKET HD CAPSCREW, M5X20, GR8.8 | |
| 8 | 3290501 | 1 | HEX NUT, M5 | |
| 9 | 8009046 | 1 | RING | |
| 10 | 5211702 | 1 | WASHER, 6X18.2X1.4mm | |
| 11 | 4805534 | 1 | BRACKET ASSY, (includes items 20 thru 25) | |
| 12 | 2912132 | 1 | COVER CAP | |
| 13 | 3290805 | 3 | LOCKNUT, 8mm | |
| 14 | 5211902 | 3 | FLAT WASHER, 8mm | |
| 15 | 0761014 | 2 | HEX HD CAPSCREW, 10X30mm, GR8.8 | |
| 16 | 4812000 | 4 | FLAT WASHER, 10mm | |
| 17 | 3291005 | 2 | LOCKNUT, 10mm | |
| 20 | 4805250 | 1 | BRACKET | |
| 21 | 4807321 | 1 | PEDAL, BRAKE | |
| 22 | 4160212 | 1 | SPRING, RETURN | |
| 23 | 899276 | 1 | WASHER, 25mm | |
| 24 | 1398443 | 1 | CIRCLECLIP | |
| 25 | 3976436 | 2 | BUSHING | |
| 26 | N.S.S. | 2 | PIN | |
| 27 | N.S.S. | 2 | NUT | |
| 28 | 8007965 | 1 | KNOB, ROTARY | |
| 29 | 1630253 | 1 | NUT, (torque to 25 Nm) | |
| 101 | 8007862 | 1 | SHIFTER KIT, 3 SPEED, (includes 91473061 shifter and items 102 thru 105) | |
| 101 | 91473031 | 1 | SHIFTER, 4 SPEED, (includes items 104 & 105) | |
| 102 | 2892808 | 1 | CABLE | |
| 103 | 3853176 | 1 | CONTACT | |
| 104 | 83191059 | 2 | SOCKET HD CAPSCREW, M5X0.8, (torque to 41-47 Nm) | |
| 105 | N.S.S. | 1 | CLAMP SET | |

SECTION 7 - CONTROLS

FIGURE 7-2. CONSOLE BOX ASSEMBLY



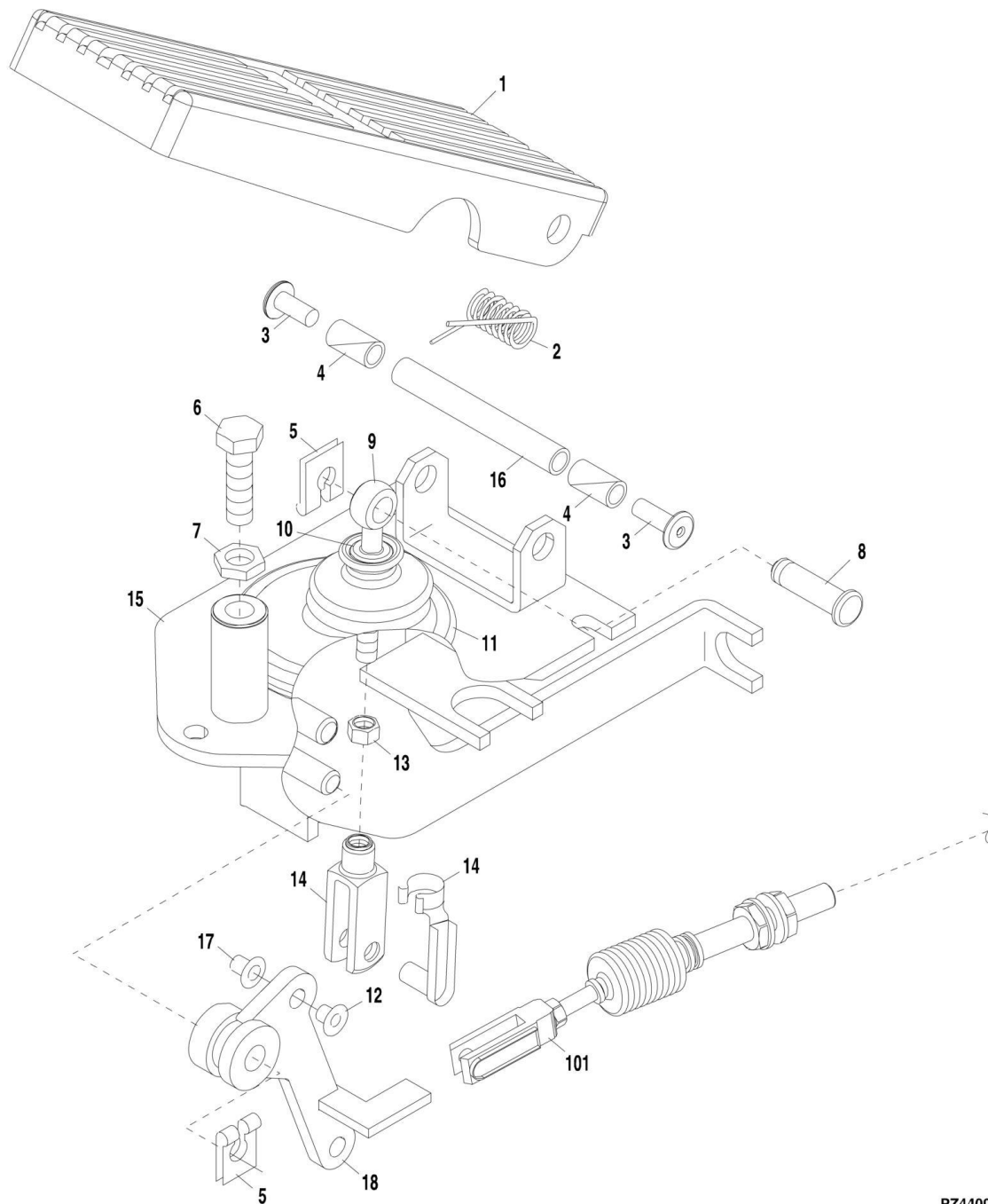
SECTION 7 - CONTROLS

FIGURE 7-2. CONSOLE BOX ASSEMBLY

| ITEM | PART NUMBER | QTY | DESCRIPTION | REV |
|------|-------------|-----|--|-----|
| | 8002407 | Ref | CONSOLE BOX ASSY, (includes all items except item 4) | |
| 1 | 8000796 | 1 | SUPPORT | |
| 2 | 8004762 | 1 | LID | |
| 3 | 8004672 | 1 | BOX | |
| 4 | 8002822 | 1 | JOYSTICK | |
| 5 | 1359720 | 2 | COVERING | |
| 6 | 8004763 | 2 | END PIECE | |
| 7 | 0760810 | 2 | HEX HD CAPSCREW, M8X20, GR8.8 | |
| 8 | 3290801 | 2 | HEX NUT, M8X1.25 | |
| 9 | 5211902 | 4 | FLAT WASHER, 8mm | |
| 10 | 3934378 | 3 | LENS HD SCREW, 4.8X16mm | |
| 11 | 3933468 | 2 | CLIP | |
| 12 | 2983091 | 4 | SELF-TAPPING SCREW, 5X12mm | |

SECTION 7 - CONTROLS

FIGURE 7-3. ACCELERATOR PEDAL ASSEMBLY



PZ4400

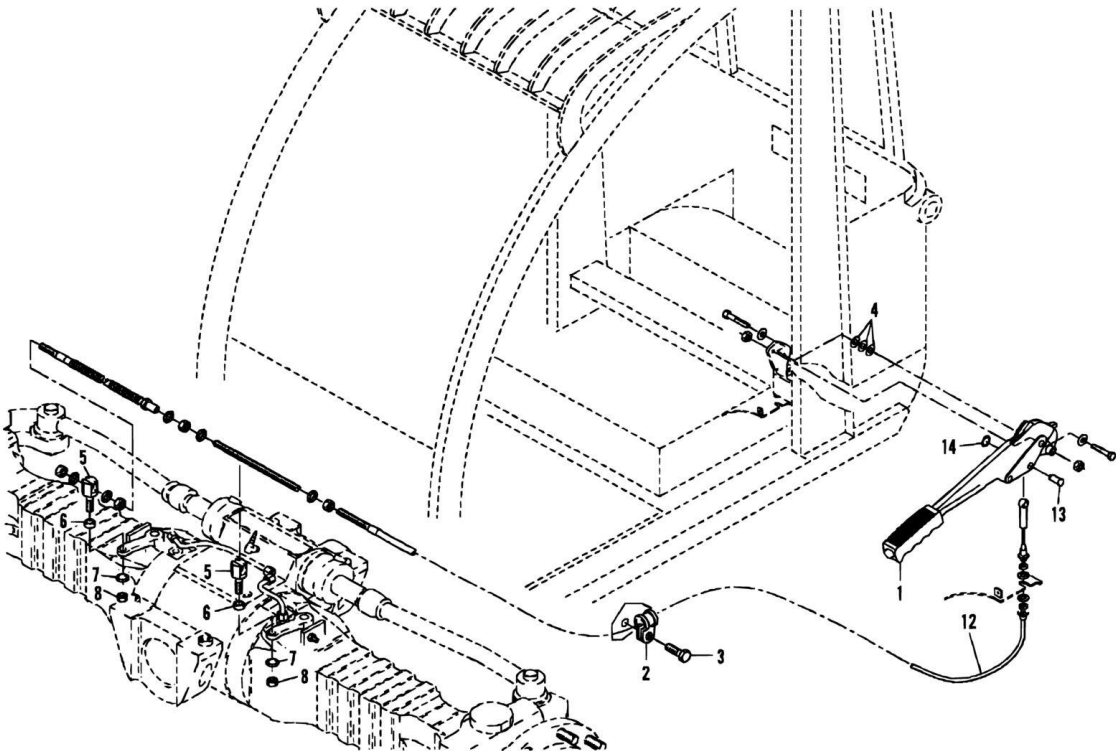
SECTION 7 - CONTROLS

FIGURE 7-3. ACCELERATOR PEDAL ASSEMBLY

| ITEM | PART NUMBER | QTY | DESCRIPTION | REV |
|------|-------------|-----|--|-----|
| | 8000345 | 1 | ACCELERATOR PEDAL ASSEMBLY, (includes items 1 thru 18) | B |
| 1 | 7028526 | 1 | GAS PEDAL | |
| 2 | 7028527 | 1 | SPRING | |
| 3 | 7028528 | 2 | BLIND RIVIT WITH FLAT ROUND HEAD | |
| 4 | 7028529 | 2 | SLIDING BEARING | |
| 5 | 7028530 | 2 | SAFETY DEVICE | |
| 6 | 7028531 | 1 | HEX SCREW | |
| 7 | 7028532 | 1 | HEX NUT | |
| 8 | 7028533 | 1 | PIN | |
| 9 | 7028534 | 1 | EYE BOLT | |
| 10 | 7028535 | 1 | RING | |
| 11 | 7028536 | 1 | BOOT | |
| 12 | 7028537 | 1 | BUSHING | |
| 13 | 7028538 | 1 | HEX NUT | |
| 14 | 7028539 | 1 | FORK LINK AND CLIP | |
| 15 | 7029137 | 1 | BRACKET WELDMENT | |
| 16 | 7029138 | 1 | SHAFT | |
| 17 | 7028540 | 1 | FRICTION BEARING | |
| 18 | 7028541 | 1 | LEVER | |
| 101 | | Ref | THROTTLE CABLE, (See ENGINE AND ATTACHING PARTS SECTION for Breakdown) | |

SECTION 7 - CONTROLS

FIGURE 7-4. PARKING BRAKE INSTALLATION



SECTION 7 - CONTROLS

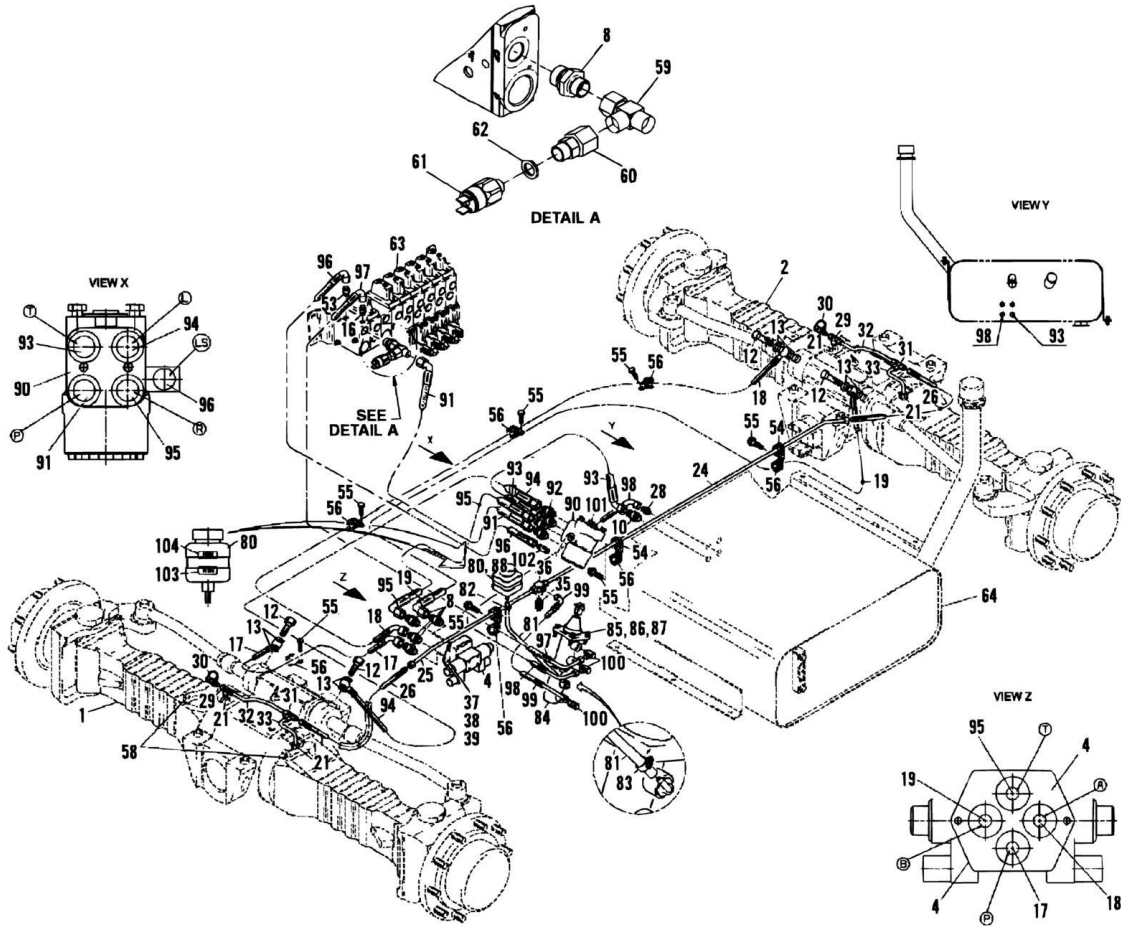
FIGURE 7-4. PARKING BRAKE INSTALLATION

| ITEM | PART NUMBER | QTY | DESCRIPTION | REV |
|------|-------------|-----|--|-----|
| | 8008365 | Ref | PARKING BRAKE INSTALLATION, (includes all items) | C |
| | 8005106 | Ref | PARKING BRAKE ASSY, (includes items 1 & 4) | |
| 1 | 8000347 | 1 | LEVER, HAND BRAKE, (includes items 12 thru 14) | |
| 2 | 2443576 | 1 | CLAMP | |
| 3 | 5200808 | 1 | BOLT, 8X16mm | |
| 4 | 4811900 | 10 | FLAT WASHER, 8mm | |
| 5 | 2454999 | 2 | SPECIAL SCREW | |
| 6 | 2905871 | 2 | BUSHING | |
| 7 | 4812000 | 2 | FLAT WASHER, 10mm | |
| 8 | 3291007 | 2 | LOCKNUT, 10mm | |
| 12 | 8008251 | 1 | CABLE, PULL | |
| 13 | | Ref | PIN | |
| 14 | | Ref | LOCKWASHER | |
| 15 | 8008252 | 1 | SWITCH, (supplied with cab), (not illustrated) | |

SECTION 8 - HYDRAULIC CIRCUITS

SECTION 8 - HYDRAULIC CIRCUITS

FIGURE 8-1. FRAME AND CAB



SECTION 8 - HYDRAULIC CIRCUITS

FIGURE 8-1. FRAME AND CAB

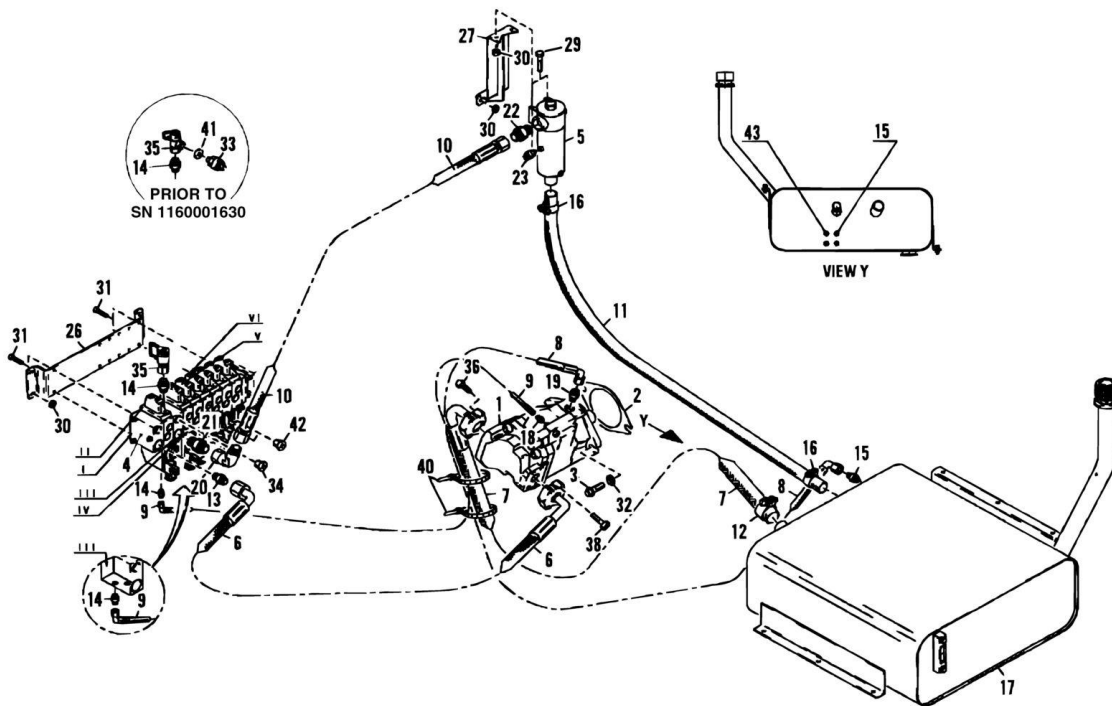
| ITEM | PART NUMBER | QTY | DESCRIPTION | REV |
|------|-------------|-----|--|-----|
| | 8001852 | Ref | HYDRAULIC SYSTEM, (frame and cab), (includes items 1 thru 58) | O |
| 1 | | Ref | FRONT AXLE, (See DRIVE TRAIN SECTION for Breakdown) | |
| 2 | | Ref | REAR AXLE, (See DRIVE TRAIN SECTION for Breakdown) | |
| 4 | 8001645 | 1 | DIRECTIONAL VALVE ASSY | |
| 4 | 8007879 | 2 | COIL | |
| 4 | 7024014 | 2 | POLE TUBE | |
| 4 | 8007877 | 2 | SEAL KIT | |
| 8 | 2142713 | 5 | FITTING | |
| 10 | 2140224 | 1 | FITTING | |
| 12 | 2471354 | 4 | FEMALE SCREW, 18X1.5X32mm | |
| 13 | 462780 | 8 | SEAL RING | |
| 16 | 2656664 | 1 | FITTING | |
| 17 | 8001629 | 1 | HOSE | |
| 18 | 8001631 | 1 | HOSE | |
| 19 | 8001632 | 1 | HOSE | |
| 21 | 2902527 | 4 | FITTING | |
| 24 | 8002096 | 1 | TUBE | |
| 25 | 8002097 | 1 | TUBE | |
| 26 | 2477156 | 2 | HOSE | |
| 28 | 2140223 | 1 | FITTING | |
| 29 | 2142103 | 2 | FITTING | |
| 30 | 1616551 | 2 | FITTING, PRESSURE CHECK | |
| 31 | 1631629 | 2 | FITTING | |
| 32 | 8002323 | 2 | TUBE | |
| 33 | 8002324 | 2 | TUBE | |
| 35 | 8005789 | 1 | PRESSURE SWITCH | |
| 36 | 8002838 | 1 | FITTING, BULKHEAD | |
| 37 | 0760614 | 2 | HEX HD CAPSCREW, 6X30mm, GR8.8 | |
| 38 | 3290601 | 2 | HEX NUT, 6mm | |
| 39 | 4811700 | 2 | FLAT WASHER, 6mm | |
| 53 | 3970214 | 1 | FITTING | |
| 54 | 2966454 | 4 | CLIP | |
| 55 | 5200810 | 8 | BOLT, 8X20mm | |
| 56 | 2443576 | 8 | CLIP | |
| 58 | | Ref | PARKING BRAKE, (See CONTROLS SECTION for Breakdown) | |
| 59 | 2142204 | 1 | SWIVEL NUT RUN TEE, (See DRIVE PUMP TO MAIN VALVE for Breakdown) (SN 1160001630 to Present, Prior to SN 1160001630) | |
| 60 | 2131216 | 1 | PRESSURE GAUGE ADAPTER, (See DRIVE PUMP TO MAIN VALVE for Breakdown) (SN 1160001630 to Present, Prior to SN 1160001630) | |
| 61 | 4360585 | 1 | PRESSURE SWITCH, (See DRIVE PUMP TO MAIN VALVE for Breakdown) (SN 1160001630 to Present, Prior to SN 1160001630) | |
| 62 | 1074306 | 1 | O-RING, (See DRIVE PUMP TO MAIN VALVE for Breakdown) (SN 1160001630 to Present, Prior to SN 1160001630) | |
| 63 | | Ref | MAIN VALVE ASSY, (See HYDRAULIC COMPONENTS SECTION for Breakdown) | |
| 64 | | Ref | HYDRAULIC TANK, (See HYDRAULIC COMPONENTS SECTION for Breakdown) | |
| 75 | 8006329 | Ref | HYDRAULIC SYSTEM, (cab), (includes items 80 thru 104) | |
| 80 | 8002321 | 1 | RESERVOIR, COMPENSATOR | |

SECTION 8 - HYDRAULIC CIRCUITS

| ITEM | PART NUMBER | QTY | DESCRIPTION | REV |
|------|-------------|-----|---|-----|
| 81 | 8007622 | 1 | BRAKE HOSE | |
| 82 | 2985639 | 1 | CLIP | |
| 83 | 2985617 | 1 | CLIP | |
| 84 | 0920120 | 1 | MAIN BRAKE CYLINDER, (includes following two items) | |
| 84 | 7028112 | 1 | BOOSTER | |
| 84 | 7028113 | | MASTER CYLINDER | |
| 85 | 0700816 | 4 | BOLT, 8X40mm | |
| 86 | 3290805 | 4 | LOCKNUT, 8mm | |
| 87 | 4811900 | 4 | FLAT WASHER, 8mm | |
| 88 | 2974454 | 1 | CLAMP | |
| 90 | 8007258 | 1 | STEERING VALVE | |
| 91 | 8001702 | 1 | HOSE | |
| 92 | 2142713 | 4 | FITTING | |
| 93 | 8001699 | 1 | HOSE | |
| 94 | 8001693 | 1 | HOSE | |
| 95 | 8001694 | 1 | HOSE | |
| 96 | 8001692 | 1 | HOSE | |
| 97 | 8001837 | 1 | HOSE | |
| 98 | 8001838 | 1 | HOSE | |
| 99 | 8002095 | 1 | HOSE | |
| 100 | 8003047 | 3 | FITTING | |
| 101 | 0761008 | 4 | HEX HD CAPSCREW, M10X16, (torque to 35 Nm) | |
| 102 | 8004777 | 1 | FITTING | |
| 103 | 8006515 | 1 | DECAL | |
| 104 | 8006516 | 1 | DECAL | |

SECTION 8 - HYDRAULIC CIRCUITS

FIGURE 8-2. DRIVE PUMP TO MAIN VALVE



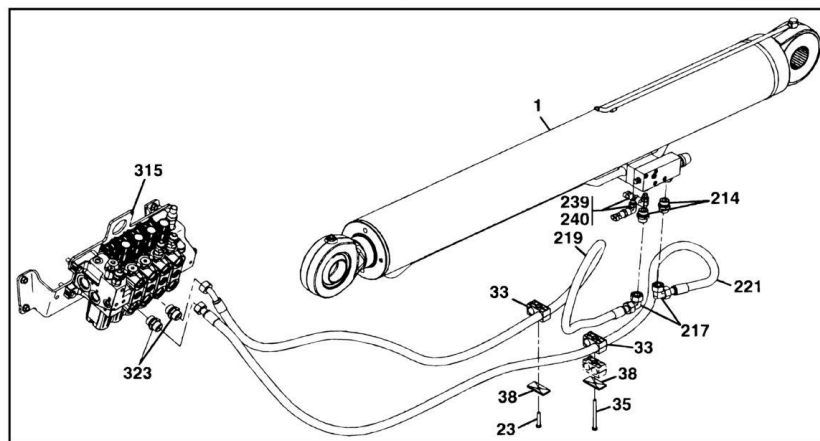
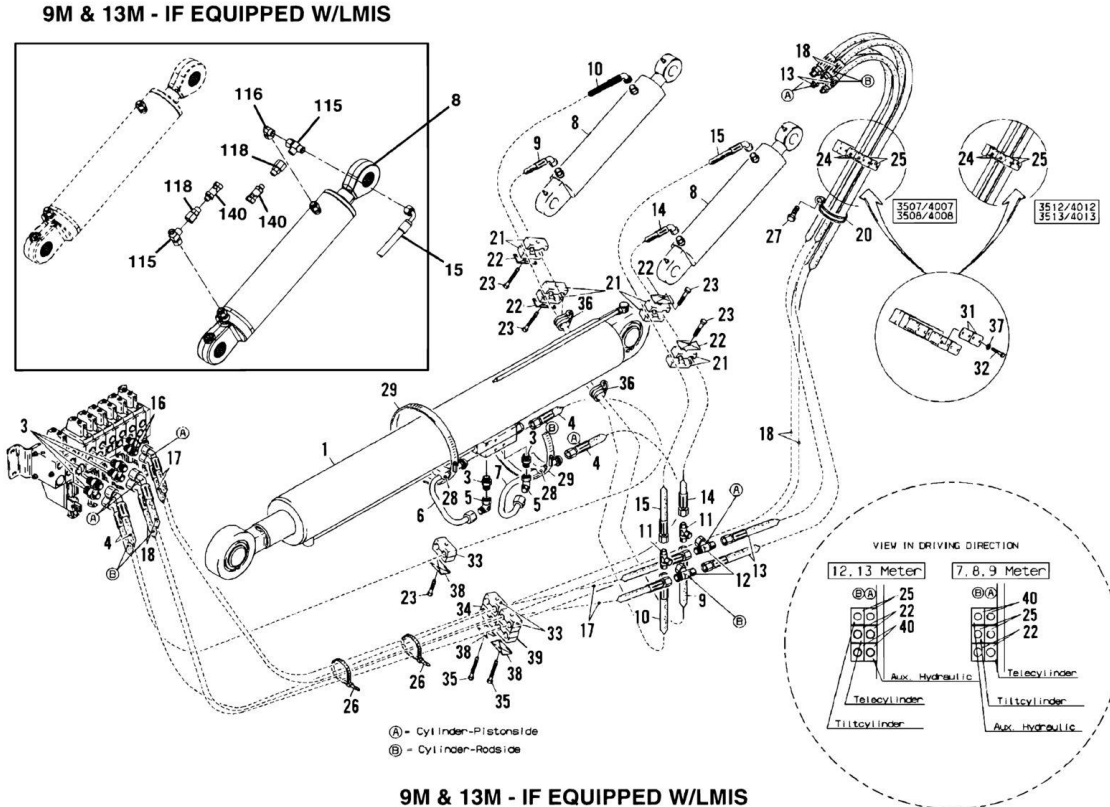
SECTION 8 - HYDRAULIC CIRCUITS

FIGURE 8-2. DRIVE PUMP TO MAIN VALVE

| ITEM | PART NUMBER | QTY | DESCRIPTION | REV |
|------|-------------|-----|--|-----|
| | | Ref | HYDRAULIC SYSTEM, (drive pump to main valve), (includes all items) | J |
| 1 | | Ref | ENGINE DRIVE PUMP ASSY, (See HYDRAULIC COMPONENTS SECTION for Breakdown) | |
| 2 | 4804306 | 1 | SHIM | |
| 3 | 0681812 | 2 | HEX HD CAPSCREW, 0.5-13X1.5, GR8 | |
| 4 | | Ref | MAIN VALVE ASSY, (See HYDRAULIC COMPONENTS SECTION for Breakdown) | |
| 5 | | Ref | RETURN FILTER ASSY, (See HYDRAULIC COMPONENTS SECTION for Breakdown) | |
| 6 | 8001641 | 1 | HOSE (SN 1160000476 to Present, Prior to SN 1160000384) | |
| 6 | 2720530 | 1 | HOSE (SN 1160000384 through 1160000475) | |
| 7 | 8001635 | 1 | HOSE (SN 1160000476 to Present, Prior to SN 1160000384) | |
| 7 | 2720529 | 1 | HOSE (SN 1160000384 through 1160000475) | |
| 8 | 8001642 | 1 | HOSE | |
| 9 | 2754320 | 1 | HOSE | |
| 10 | 8001627 | 1 | HOSE | |
| 11 | 8001628 | 1 | HOSE | |
| 12 | 3625158 | 1 | CLIP | |
| 13 | 2904676 | 1 | FITTING | |
| 14 | 3970214 | 2 | FITTING | |
| 15 | 2140225 | 1 | FITTING | |
| 16 | 3737879 | 2 | CLIP | |
| 17 | | Ref | HYDRAULIC TANK, (See HYDRAULIC COMPONENTS SECTION for Breakdown) | |
| 18 | 2142755 | 1 | FITTING | |
| 19 | 8001908 | 1 | FITTING | |
| 20 | 2143409 | 1 | FITTING | |
| 21 | 8001905 | 1 | FITTING | |
| 22 | 8001906 | 1 | FITTING | |
| 23 | 8005174 | 1 | PRESSURE SWITCH | |
| 26 | 4805852 | 1 | BRACKET | |
| 27 | 8004631 | 1 | BRACKET, FILTER | |
| 29 | 0700826 | 2 | SOCKET HD CAPSCREW, 8X1.25X90mm | |
| 30 | 5220800 | 8 | NUT, 8mm, (torque to 30 Nm) | |
| 31 | 5200808 | 4 | BOLT, 8X16mm | |
| 32 | 4740532 | 2 | WASHER, 12mm | |
| 33 | 8004908 | 1 | PRESSURE SWITCH, (See FRAME AND CAB for Breakdown) (SN 1160001630 to Present, Prior to SN 1160001630) | |
| 34 | 2985515 | 1 | PLUG | |
| 35 | 8006090 | 1 | FITTING (Prior to SN 1160001630) | |
| 35 | 2988632 | 1 | FITTING (SN 1160001630 to Present) | |
| 36 | 5201215 | 4 | BOLT | |
| 38 | 5201014 | 4 | BOLT | |
| 40 | 1062255 | 20 | CABLE BAND | |
| 41 | 1074306 | 1 | O-RING, (See FRAME AND CAB for Breakdown) (SN 1160001630 to Present, Prior to SN 1160001630) | |
| 42 | 1309275 | 2 | PLUG, (models without auxiliary hydraulics) | |
| 43 | 2180840 | 1 | PLUG, (models without auxiliary hydraulics) | |
| 44 | | Ref | LEVELING HYDRAULICS SYSTEM, MODELS WITH OSCILLATING AXLE, (See DRIVE PUMP TO MAIN VALVE for Breakdown) | |

SECTION 8 - HYDRAULIC CIRCUITS

FIGURE 8-3. LIFTING HYDRAULICS



PAP167

SECTION 8 - HYDRAULIC CIRCUITS

FIGURE 8-3. LIFTING HYDRAULICS

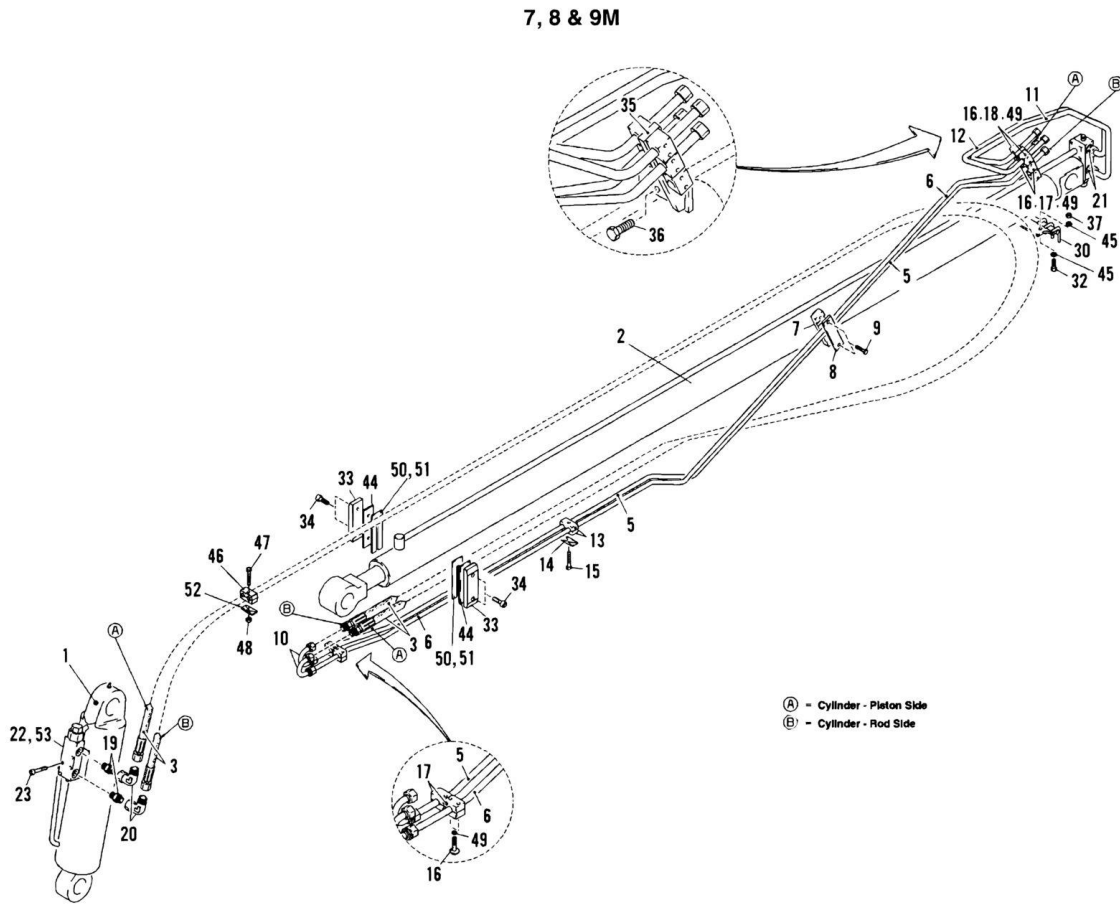
| ITEM | PART NUMBER | QTY | DESCRIPTION | REV |
|------|-------------|-----|--|-----|
| | | Ref | HYDRAULIC SYSTEM, (lifting hydraulics), (includes items 1 thru 38) | 1 |
| 1 | | Ref | LIFT CYLINDER ASSY, (See HYDRAULIC COMPONENTS SECTION for Breakdown) | |
| 3 | 1686475 | 6 | FITTING | |
| 4 | 8002353 | 2 | HOSE | |
| 5 | 2143406 | 2 | FITTING | |
| 6 | 8002716 | 1 | TUBE | |
| 7 | 8002718 | 1 | TUBE | |
| 8 | | Ref | COMPENSATING CYLINDER ASSY, (See HYDRAULIC COMPONENTS SECTION for Breakdown) | |
| 9 | 8002372 | 1 | HOSE | |
| 10 | 8002373 | 1 | HOSE | |
| 11 | 2904789 | 2 | FITTING | |
| 12 | 2980565 | 2 | FITTING | |
| 13 | 8002360 | 2 | HOSE, MODELS 7M, 8M & 12M | |
| 13 | 8008278 | 2 | HOSE, MODELS 9M & 13M | |
| 14 | 8002359 | 1 | HOSE | |
| 15 | 8002371 | 1 | HOSE | |
| 16 | 2481696 | 2 | FITTING | |
| 17 | 8002355 | 2 | HOSE | |
| 18 | 8002354 | 2 | HOSE, MODELS 7M, 8M & 12M | |
| 18 | 8008279 | 2 | HOSE, MODELS 9M & 13M | |
| 20 | 3962930 | 1 | CLIP | |
| 21 | 2912085 | 4 | CLIP BODY | |
| 22 | 874960 | 4 | COVER | |
| 23 | 0700817 | 5 | HEX HD CAPSCREW, 8X45mm, GR8.8 | |
| 24 | 1321285 | 2 | CLAMP | |
| 25 | 1321323 | 2 | CLAMP | |
| 26 | | Ref | TIE-STRAP | |
| 27 | 5200812 | 1 | BOLT, 8X25mm | |
| 28 | 3924730 | 3 | CLIP | |
| 29 | 8009759 | 2 | CLIP | |
| 31 | 1377299 | 2 | COVER, CLAMP | |
| 32 | 0700626 | 4 | HEX HD CAPSCREW, 6X90mm, GR8.8 | |
| 33 | 1321329 | 3 | CLAMP | |
| 34 | 1321324 | 2 | CLAMP | |
| 35 | 0700826 | 2 | SOCKET HD CAPSCREW, 8X1.25X90mm (Prior to SN 1160000348) | |
| 35 | 0700827 | 2 | SOCKET HD CAPSCREW, 8X1.25X100mm (SN 1160000348 to Present) | |
| 36 | 1009352 | 2 | CLIP | |
| 37 | 4811700 | 4 | FLAT WASHER, 6mm | |
| 38 | 1309435 | 3 | COVER | |
| 39 | | Ref | CLAMP, (See HYDRAULIC SYSTEM W/AUXILIARY, item 29, for Breakdown) | |
| 40 | | Ref | CLAMP, (See HYDRAULIC SYSTEM W/AUXILIARY, item 24, for Breakdown) | |
| 105 | 2142204 | 2 | TEE FITTING, (if equipped with LMIS) | |
| 106 | 2143404 | 1 | ELBOW, 90, (if equipped with LMIS) | |
| 107 | 2180864 | 2 | SWIVEL GAUGE ADAPTER, (if equipped with LMIS) | |
| 116 | 1001101954 | 2 | PRESSURE SENSOR, (if equipped with LMIS) | |

SECTION 8 - HYDRAULIC CIRCUITS

| ITEM | PART NUMBER | QTY | DESCRIPTION | REV |
|------|-------------|-----|--|-----|
| 214 | 1001092511 | 2 | CONNECTOR, (includes o-ring), (if equipped with LMIS) | |
| 217 | 2143406 | 2 | ELBOW, 90, (swivel nut), (if equipped with LMIS) | |
| 219 | 2754619 | 1 | HOSE ASSY, (if equipped with LMIS) | |
| 221 | 2754620 | 1 | HOSE ASSY, (if equipped with LMIS) | |
| 239 | 1001101855 | 2 | ELBOW, 90, (if equipped with LMIS) | |
| 240 | 1001101954 | 2 | PRESSURE SENSOR, (if equipped with LMIS) | |
| 315 | | Ref | MAIN CONTROL VALVE, (See HYDRAULIC COMPONENTS SECTION for Breakdown) | |
| 323 | 1001092511 | 2 | CONNECTOR, (includes o-ring), (if equipped with LMIS) | |

SECTION 8 - HYDRAULIC CIRCUITS

FIGURE 8-4. WORKING HYDRAULICS 7, 8 AND 9M



SECTION 8 - HYDRAULIC CIRCUITS

FIGURE 8-4. WORKING HYDRAULICS 7, 8 AND 9M

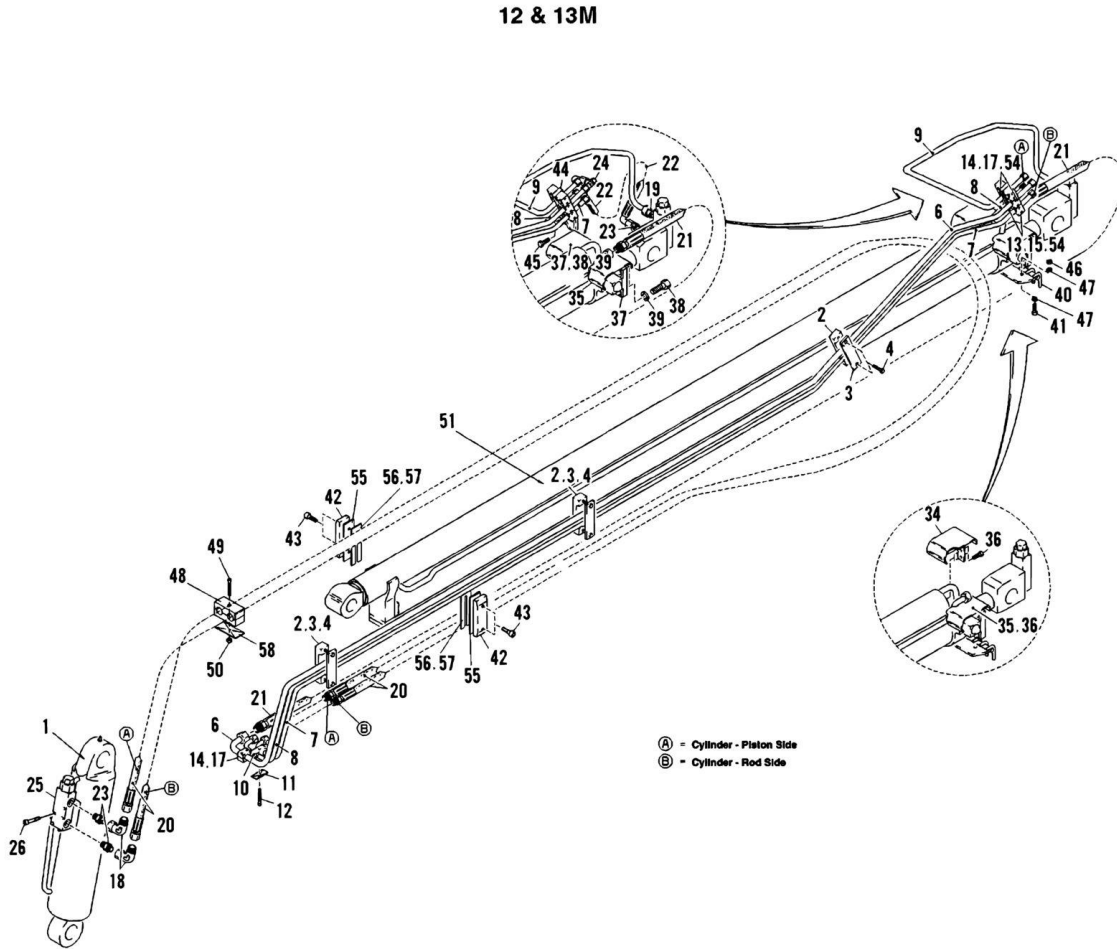
| ITEM | PART NUMBER | QTY | DESCRIPTION | REV |
|------|-------------|-----|--|-----|
| | 8001855 | Ref | HYDRAULIC SYSTEM, (working hydraulics) 7 & 8M) (Prior to SN 1160000798) | H |
| | 0273112 | Ref | HYDRAULIC SYSTEM, (working hydraulics) 7 & 8M) (SN 1160000798 to Present) | D |
| | 8007284 | Ref | HYDRAULIC SYSTEM, (working hydraulics) 9M | C |
| 1 | | Ref | TILT CYLINDER ASSY, (See HYDRAULIC COMPONENTS SECTION for Breakdown) | |
| 2 | | Ref | EXTEND/RETRACT CYLINDER ASSY, (See HYDRAULIC COMPONENTS SECTION for Breakdown) | |
| 3 | | Ref | HOSE ASSY, (7/8M), (no longer available; order kit 1001097996 See OPTIONS SECTION) (Prior to SN 1160001692) | |
| 3 | 1001111730 | 1 | TWINLINE HOSE ASSY, 7M & 8M MACHINES (SN 1160001692 to Present) | |
| 3 | | Ref | HOSE ASSY, (9M), (no longer available; order kit 1001097997 See OPTIONS SECTION) (Prior to SN 1160001692) | |
| 3 | 1001111731 | 1 | TWINLINE HOSE ASSY, 9M MACHINES (SN 11600001692 to Present) | |
| 5 | 8000999 | | TUBE, 7M & 8M MACHINES (Prior to SN 1160000798) | |
| 5 | 8009358 | | TUBE, 7M & 8M MACHINES (SN 1160000798 to Present) | |
| 5 | 8007355 | | TUBE, 9M MACHINES | |
| 6 | 8000995 | | TUBE, 7M & 8M MACHINES (Prior to SN 1160000798) | |
| 6 | 8009359 | | TUBE, 7M & 8M MACHINES (SN 1160000798 to Present) | |
| 6 | 8007352 | | TUBE, 9M MACHINES | |
| 7 | 8005639 | 1 | BLOCK | |
| 8 | 8005640 | 1 | PRESSURE PLATE | |
| 9 | 8005252 | 2 | COUNTERSUNK SCREW, 8X50mm | |
| 10 | 8000778 | 2 | U PIPE | |
| 11 | 8000997 | | TUBE, 7M & 8M MACHINES (Prior to SN 1160000798) | |
| 11 | 8007353 | | TUBE, ALL 9M MACHINES; 7M & 8M MACHINES WITH (SN 1160000798 to Present) | |
| 12 | 8000998 | | TUBE, 7M & 8M MACHINES (Prior to SN 1160000798) | |
| 12 | 8007354 | | TUBE, ALL 9M MACHINES; 7M & 8M MACHINES WITH (SN 1160000798 to Present) | |
| 13 | 874993 | 1 | CLAMP | |
| 14 | 874960 | 1 | COVER, CLAMP | |
| 15 | 0700816 | 1 | BOLT, 8X40mm | |
| 16 | 4010615 | 4 | MACHINE SCREW, 6X35mm | |
| 16 | 4010614 | 8 | MACHINE SCREW, 6X30mm | |
| 17 | 877203 | 4 | CLAMP | |
| 18 | 1024044 | 2 | CLAMP | |
| 19 | 2481696 | 2 | FITTING | |
| 20 | 2903062 | 2 | FITTING | |
| 21 | 2990158 | 2 | FITTING | |
| 22 | 8005222 | 1 | LOAD HOLDING VALVE | |
| 23 | 4031913 | 4 | SOCKET HD CAPSCREW, 8X45mm, GR8.8 | |
| 30 | 8004449 | 1 | PLATE, SHIM (Prior to SN 1160001692) | |
| 30 | 0903601 | 1 | HOSE GUIDE BRACKET (SN 1160001692 to Present) | |
| 32 | 0761214 | 4 | HEX HD CAPSCREW, 12X30mm, GR8.8, (torque to 90 Nm) | |
| 33 | 8010148 | 2 | GUIDE | |
| 34 | 8010123 | 4 | HEX SOCKET HD CAPSCREW, 8X30mm | |
| 35 | 8005792 | 1 | BRACKET | |
| 36 | 0761010 | 3 | HEX HD CAPSCREW, 10X20mm, GR8.8 | |

SECTION 8 - HYDRAULIC CIRCUITS

| ITEM | PART NUMBER | QTY | DESCRIPTION | REV |
|------|-------------|-----|--|-----|
| 37 | 3291201 | 4 | HEX NUT, 12mm, 7M & 8M MACHINES | |
| 37 | 3291201 | 2 | HEX NUT, 12mm, 9M MACHINES | |
| 44 | 8002972 | 4 | SHIM | |
| 45 | 4740532 | 8 | WASHER, 12mm | |
| 46 | 1686282 | 1 | CLAMP (Prior to SN 1160001692) | |
| 46 | 1321324 | 1 | DOUBLE CLAMP (SN 1160001692 to Present) | |
| 47 | 0700819 | 1 | HEX HD CAPSCREW, 8-1.25X55mm, GR8.8 (Prior to SN 1160001692) | |
| 47 | 0700820 | 1 | HEX HD CAPSCREW, 8-1.25X60mm, GR8.8 (SN 1160001692 to Present) | |
| 48 | 3290807 | 1 | NUT, 8mm | |
| 49 | 1302325 | 12 | WASHER, 6X1mm | |
| 50 | 8009987 | 2 | SHIM | |
| 51 | 8009988 | 2 | SHIM | |
| 52 | 874960 | 1 | COVER, CLAMP (Prior to SN 1160001692) | |
| 52 | 1309345 | 1 | COVER, CLAMP (SN 1160001692 to Present) | |
| 53 | 1001102080 | 4 | O-RING | |

SECTION 8 - HYDRAULIC CIRCUITS

FIGURE 8-5. WORKING HYDRAULICS 12 AND 13M



SECTION 8 - HYDRAULIC CIRCUITS

FIGURE 8-5. WORKING HYDRAULICS 12 AND 13M

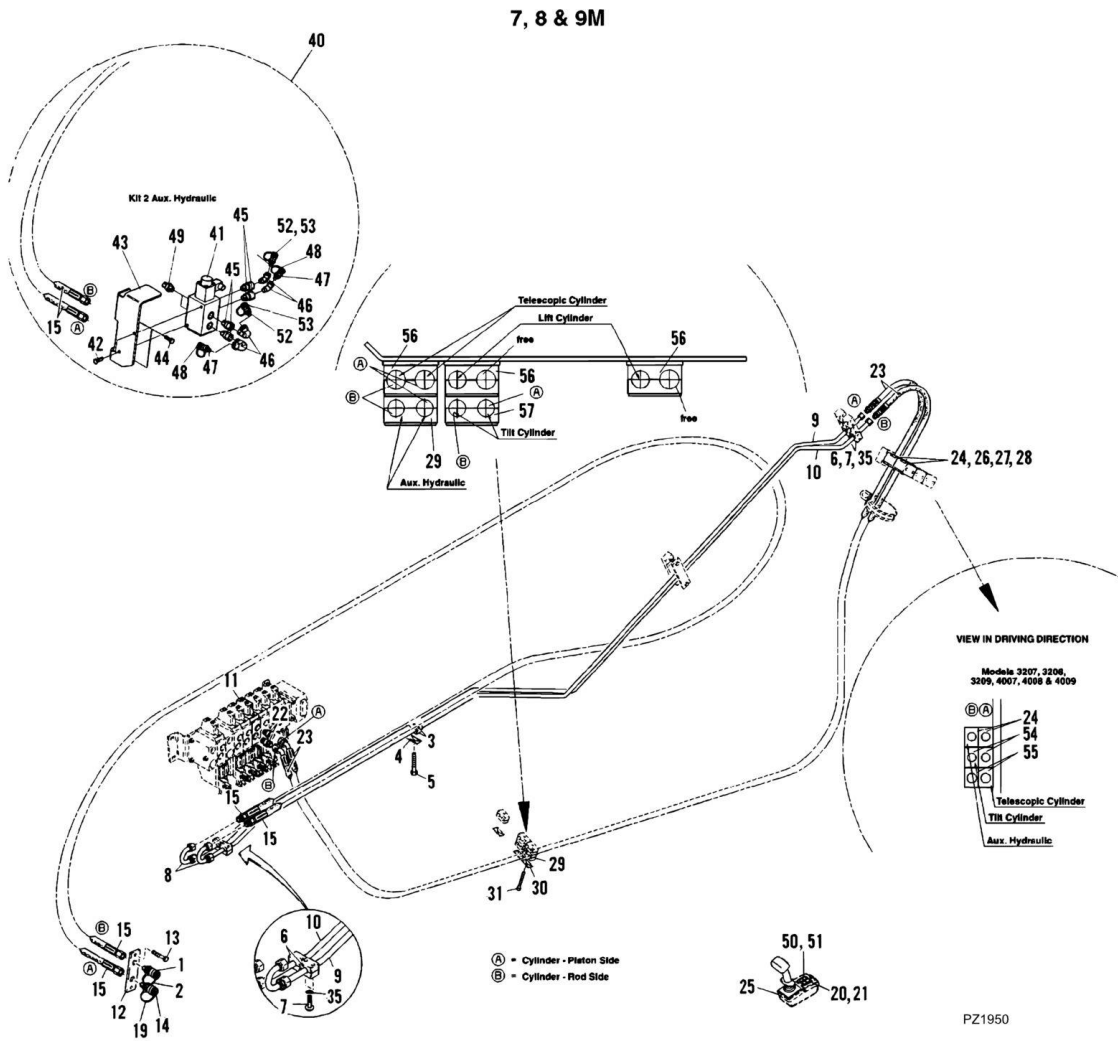
| ITEM | PART NUMBER | QTY | DESCRIPTION | REV |
|------|-------------|-----|---|-----|
| | 8002965 | Ref | HYDRAULIC SYSTEM, (working hydraulics) 12M) (Prior to SN 1160000798) | H |
| | 0273116 | Ref | HYDRAULIC SYSTEM, (working hydraulics) 12M) (SN 1160000798 to Present) | D |
| | 8007277 | Ref | HYDRAULIC SYSTEM, (working hydraulics) 13M | C |
| 1 | | Ref | TILT CYLINDER ASSY, (See HYDRAULIC COMPONENTS SECTION for Breakdown) | |
| 2 | 8002581 | 3 | BLOCK | |
| 3 | 8002794 | 3 | PRESSURE PLATE | |
| 4 | 8005252 | 6 | COUNTERSUNK SCREW, 8X50mm | |
| 6 | 8005624 | | TUBE ASSY, (12M) (Prior to SN 1160000798) | |
| 6 | 8009353 | | TUBE ASSY, (12M) (SN 1160000798 to Present) | |
| 6 | 8007162 | | TUBE ASSY, (13M) | |
| 7 | 8005626 | | TUBE ASSY, (12M) (Prior to SN 1160000798) | |
| 7 | 8009355 | | TUBE ASSY, (12M) (SN 1160000798 to Present) | |
| 7 | 8007164 | | TUBE ASSY, (13M) | |
| 8 | 8005625 | | TUBE ASSY, (12M) (Prior to SN 1160000798) | |
| 8 | 8009354 | | TUBE ASSY, (12M) (SN 1160000798 to Present) | |
| 8 | 8007163 | | TUBE ASSY, (13M) | |
| 9 | 8005627 | | TUBE ASSY, (12M) (Prior to SN 1160000798) | |
| 9 | 8007165 | | TUBE ASSY, (12M, 13M) (SN 1160000798 to Present) | |
| 10 | 874993 | 1 | CLAMP | |
| 11 | 874960 | 1 | COVER, CLAMP | |
| 12 | 0700816 | 1 | BOLT, 8X40mm | |
| 13 | 4010614 | 4 | MACHINE SCREW, 6X30mm | |
| 14 | 1024044 | 3 | CLAMP | |
| 15 | 877203 | 2 | CLAMP | |
| 17 | 4010615 | 6 | MACHINE SCREW, 6X35mm | |
| 18 | 2903062 | 2 | FITTING | |
| 19 | 2990158 | 1 | FITTING | |
| 20 | | Ref | HOSE ASSY, (12M), (no longer available; order kit 1001097998 See OPTIONS SECTION) (Prior to SN 1160001692) | |
| 20 | 2754700 | 1 | TWINLINE HOSE ASSY, (12M) (SN 1160001692 to Present) | |
| 20 | | Ref | HOSE ASSY, (13M), (no longer available; order kit 2915209 See OPTIONS SECTION) (Prior to SN 1160001692) | |
| 20 | 2754342 | 1 | TWINLINE HOSE ASSY, (13M) (SN 1160001692 to Present) | |
| 21 | 1001100799 | | HOSE ASSY, (12M) | |
| 21 | 1001100754 | | HOSE ASSY, (13M) | |
| 22 | 8003001 | 1 | HOSE | |
| 23 | 2481696 | 3 | FITTING | |
| 24 | 2904472 | 1 | FITTING | |
| 25 | 8005222 | 1 | LOAD HOLDING VALVE | |
| 26 | 4031913 | 4 | SOCKET HD CAPSCREW, 8X45mm, GR8.8 | |
| 34 | 4804806 | 1 | SHIELD RIGHT | |
| 35 | 4804760 | 1 | SHIELD LEFT | |
| 36 | 0760810 | 4 | HEX HD CAPSCREW, M8X20, GR8.8 | |
| 37 | 8002627 | 2 | PRESSURE PLATE | |
| 38 | 0712020 | 4 | HEX HD CAPSCREW, M20X60 | |
| 39 | 4812500 | 4 | FLAT WASHER, 20MM | |
| 40 | 8002626 | 1 | PLATE, SHIM (Prior to SN 1160001692) | |
| 40 | 0903602 | 1 | HOSE GUIDE BRACKET (SN 1160001692 to Present) | |

SECTION 8 - HYDRAULIC CIRCUITS

| ITEM | PART NUMBER | QTY | DESCRIPTION | REV |
|------|-------------|-----|--|-----|
| 41 | 0761214 | 4 | HEX HD CAPSCREW, 12X30mm, GR8.8, (torque to 90 Nm) | |
| 42 | 8010148 | 2 | GUIDE | |
| 43 | 8010123 | 4 | HEX SOCKET HD CAPSCREW, 8X30mm | |
| 44 | 8002570 | 1 | BRACKET | |
| 45 | 0761010 | 3 | HEX HD CAPSCREW, 10X20mm, GR8.8 | |
| 46 | 3291201 | 4 | HEX NUT, 12mm | |
| 47 | 4740532 | 8 | WASHER, 12mm | |
| 48 | 1686282 | 1 | CLAMP (Prior to SN 1160001692) | |
| 48 | 1321324 | 1 | DOUBLE CLAMP (SN 1160001692 to Present) | |
| 49 | 0700819 | 1 | HEX HD CAPSCREW, 8-1.25X55mm, GR8.8 (Prior to SN 1160001692) | |
| 49 | 0700820 | 1 | HEX HD CAPSCREW, 8-1.25X60mm, GR8.8 (SN 1160001692 to Present) | |
| 50 | 3290807 | 1 | NUT, 8mm | |
| 51 | | Ref | EXTEND/RETRACT CYLINDER ASSY, (See HYDRAULIC COMPONENTS SECTION for Breakdown) | |
| 54 | 1302325 | 10 | WASHER, 6X1mm | |
| 55 | 8002972 | 4 | SHIM | |
| 56 | 8009987 | 2 | SHIM | |
| 57 | 8009988 | 2 | SHIM | |
| 58 | 874960 | 1 | COVER, CLAMP (Prior to SN 1160001692) | |
| 58 | 1309435 | 1 | COVER, CLAMP (SN 1160001692 to Present) | |

SECTION 8 - HYDRAULIC CIRCUITS

FIGURE 8-6. HYDRAULIC SYSTEM W/AUXILIARY 7, 8 AND 9M



SECTION 8 - HYDRAULIC CIRCUITS

FIGURE 8-6. HYDRAULIC SYSTEM W/AUXILIARY 7, 8 AND 9M

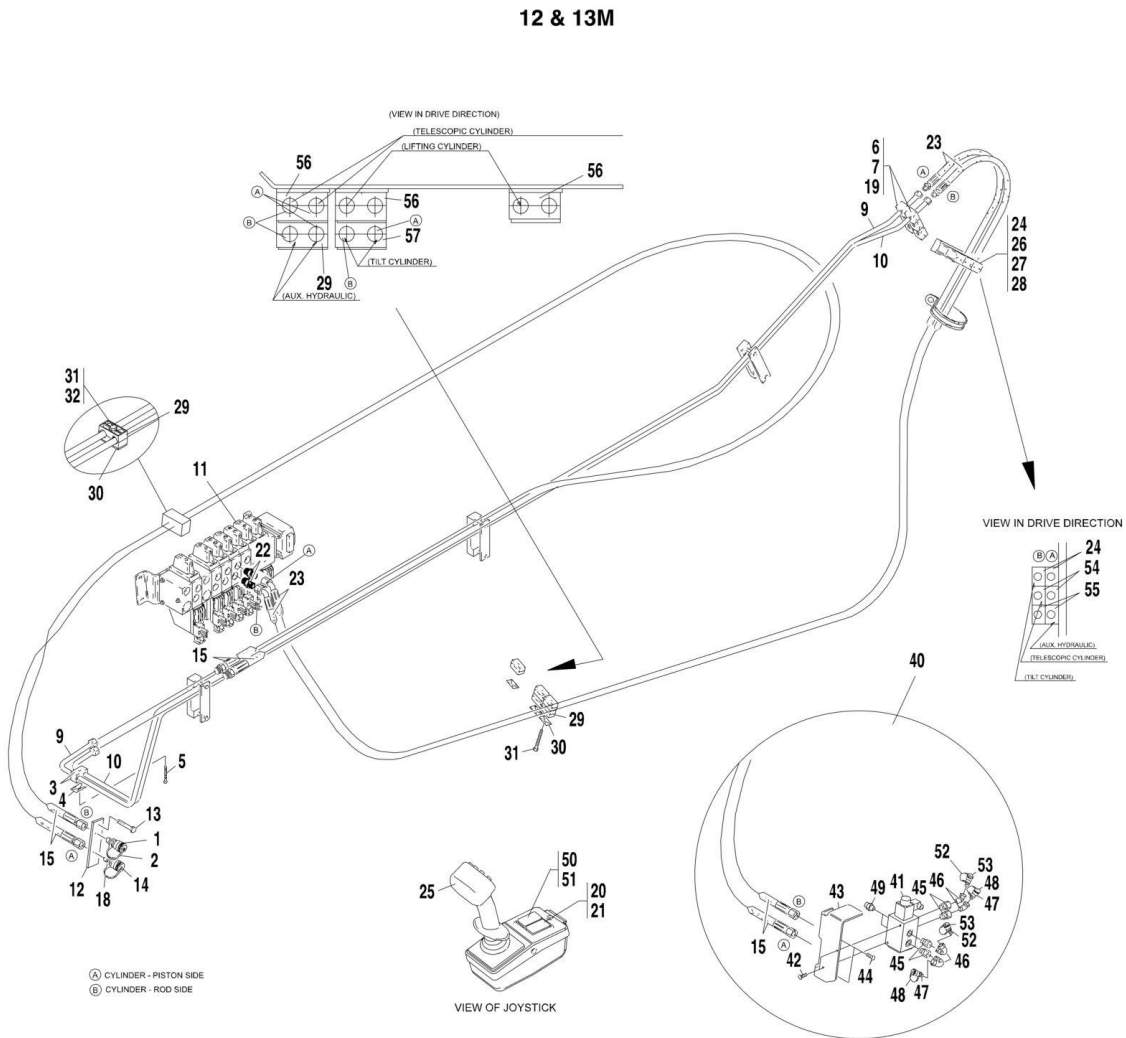
| ITEM | PART NUMBER | QTY | DESCRIPTION | REV |
|------|-------------|-----|--|------|
| | 8002836 | Ref | 7M & 8M HYDRAULIC SYSTEM w/AUX (Prior to SN 1160000798) | G |
| | 0274075 | Ref | 7M & 8M HYDRAULIC SYSTEM w/AUX (SN 1160000798 to Present) | D, 5 |
| | 8007285 | Ref | 9M HYDRAULIC SYSTEM w/AUX | D, 7 |
| 1 | Kit | NLA | FEMALE SCREW COUPLING, (no longer available, order 1001097287 kit) | |
| 1 | 1001094555 | 1 | FEMALE QUICK DISCONNECT FITTING | |
| 2 | 3977460 | 1 | DUST PLUG, (use with female screw type coupling) | |
| 2 | 1001093827 | 1 | DUST PLUG, (use with female quick disconnect type coupling) | |
| 3 | 874993 | 1 | CLAMP | |
| 4 | 874960 | 1 | COVER, CLAMP | |
| 5 | 0700817 | 1 | HEX HD CAPSCREW, 8X45mm, GR8.8 | |
| 6 | 877203 | 4 | CLAMP | |
| 7 | 4010614 | 8 | MACHINE SCREW, 6X30mm | |
| 8 | 8000778 | 2 | U-PIPE | |
| 9 | 8000993 | 1 | TUBE, 7M & 8M MACHINES (Prior to SN 1160000798) | |
| 9 | 8009360 | 1 | TUBE, 7M & 8M MACHINES (SN 1160000798 to Present) | |
| 9 | 8007351 | 1 | TUBE, 9M MACHINES | |
| 10 | 8000992 | 1 | TUBE, 7M & 8M MACHINES (Prior to SN 1160000798) | |
| 10 | 8009361 | 1 | TUBE, 7M & 8M MACHINES (SN 1160000798 to Present) | |
| 10 | 8007350 | 1 | TUBE, 9M MACHINES | |
| 11 | | Ref | MAIN CONTROL VALVE ASSY, (See HYDRAULIC COMPONENTS SECTION for Breakdown) | |
| 12 | 8001275 | 1 | BRACKET | |
| 13 | 0761010 | 2 | HEX HD CAPSCREW, 10X20mm, GR8.8 | |
| 14 | Kit | NLA | MALE SCREW COUPLING, (no longer available, order 1001097287 kit) | |
| 14 | 1001094556 | 1 | MALE QUICK DISCONNECT FITTING | |
| 15 | | Ref | HOSE ASSY, (7/8M), (no longer available; order kit 1001097996 See OPTIONS SECTION) (Prior to SN 1160001692) | |
| 15 | 2754348 | 1 | TWINLINE HOSE ASSY, (7/8M) (SN 1160001692 to Present) | |
| 15 | | Ref | HOSE ASSY, (9M), (no longer available; order kit 1001097997 See OPTIONS SECTION) (Prior to SN 1160001692) | |
| 15 | 2754346 | 1 | HOSE ASSY, (9M) (SN 1160001692 to Present) | |
| 19 | 3977459 | 1 | DUST CAP, (use with male screw type coupling) | |
| 19 | 1001093826 | 1 | DUST CAP, (use with male quick disconnect type coupling) | |
| 20 | 8002834 | 1 | SENSOR 12V | |
| 21 | 8002832 | 1 | DECAL | |
| 22 | 2481696 | 2 | FITTING | |
| 23 | 8002356 | 2 | HOSE, ALL 7M & 8M MACHINES; 9M WITH (SN 1160000798 to Present) | |
| 23 | 8008004 | 2 | HOSE, 9M MACHINES (Prior to SN 1160000798) | |
| 24 | 1321323 | 2 | CLAMP | |
| 25 | | Ref | JOYSTICK, (See CONTROLS SECTION for Breakdown) | |
| 26 | 1377299 | 1 | COVER, CLAMP | |
| 27 | 0700626 | 2 | HEX HD CAPSCREW, 6X90mm, GR8.8 | |
| 28 | 4811700 | 2 | FLAT WASHER, 6MM | |
| 29 | 1321324 | 1 | CLAMP | |
| 30 | 1309435 | 1 | COVER, CLAMP | |
| 31 | 0700826 | 1 | SOCKET HD CAPSCREW, 8X1.25X90mm | |
| 35 | 1302325 | 8 | WASHER, 6X1mm | |

SECTION 8 - HYDRAULIC CIRCUITS

| ITEM | PART NUMBER | QTY | DESCRIPTION | REV |
|------|-------------|-----|--|-----|
| 40 | 8006211 | 1 | ADDITIONAL HYDRAULIC KIT FOR HYDRAULIC MOUNTING UNITS, (optional), (includes items 41 thru 53) | |
| 41 | 3759579 | 1 | FLOW CONTROL VALVE ASSY | |
| 42 | 1614979 | 2 | BOLT, 8X12mm | |
| 43 | 8003199 | 1 | BRACKET | |
| 44 | 0761010 | 2 | HEX HD CAPSCREW, 10X20mm, GR8.8 | |
| 45 | 8003065 | 4 | FITTING | |
| 46 | 2903062 | 4 | FITTING | |
| 47 | Kit | NLA | MALE SCREW COUPLING, (no longer available, order 1001097287 kit) | |
| 47 | 1001094556 | 2 | MALE QUICK DISCONNECT FITTING | |
| 48 | 3977459 | 2 | DUST CAP, (use with male screw type coupling) | |
| 48 | 1001093826 | 2 | DUST CAP, (use with male quick disconnect type coupling) | |
| 49 | 2481696 | 2 | FITTING | |
| 50 | 4674353 | 1 | SWITCH 12V | |
| 51 | 8002833 | 1 | DECAL | |
| | Kit | NLA | FEMALE SCREW COUPLING, (no longer available, order 1001097287 kit), (9M machines require qty. 1) | |
| 52 | 1001094555 | 2 | FEMALE QUICK DISCONNECT FITTING, (9M machines require qty. 1) | |
| 53 | 3977460 | 2 | DUST PLUG, (use with female screw type coupling), (9M machines require qty. 1) | |
| 53 | 1001093827 | 2 | DUST PLUG, (use with female quick disconnect type coupling), (9M machines require qty. 1) | |
| 54 | | Ref | CLAMP, (See LIFTING HYDRAULICS, item 25, for Breakdown) | |
| 55 | | Ref | COVER, (See LIFTING HYDRAULICS, item 22, for Breakdown) | |
| 56 | | Ref | CLAMP, (See LIFTING HYDRAULICS, item 34, for Breakdown) | |
| 57 | | Ref | CLAMP, (See LIFTING HYDRAULICS, item 33, for Breakdown) | |
| | 1001097287 | 1 | QUICK DISCONNECT ADAPTER KIT, (includes items 1, 14, dust plug and dust cap) | |

SECTION 8 - HYDRAULIC CIRCUITS

FIGURE 8-7. HYDRAULIC SYSTEM W/AUXILIARY 12 AND 13M



SECTION 8 - HYDRAULIC CIRCUITS

FIGURE 8-7. HYDRAULIC SYSTEM W/AUXILIARY 12 AND 13M

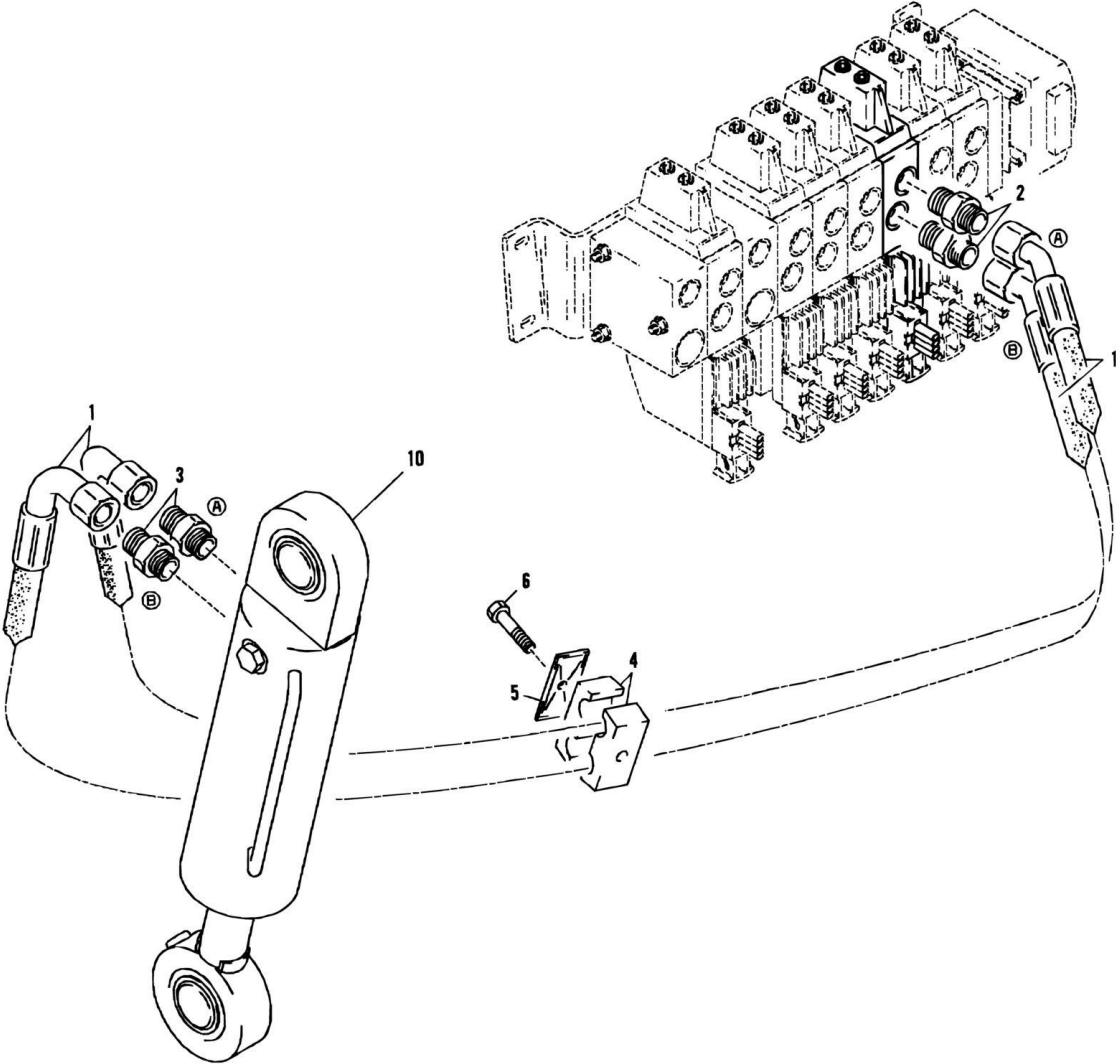
| ITEM | PART NUMBER | QTY | DESCRIPTION | REV |
|------|-------------|-----|---|-----|
| | 8002922 | Ref | 12M HYDRAULIC SYSTEM w/AUX | K,9 |
| | 8007278 | Ref | 13M HYDRAULIC SYSTEM w/AUX | C |
| 1 | Kit | NLA | FEMALE SCREW COUPLING, (no longer available, order 1001097287 kit) | |
| 1 | 1001094555 | 1 | FEMALE QUICK DISCONNECT FITTING | |
| 2 | 3977460 | 1 | DUST PLUG, (use with female screw type coupling) | |
| 2 | 1001093827 | 1 | DUST PLUG, (use with female quick disconnect type coupling) | |
| 3 | 874993 | 1 | CLAMP | |
| 4 | 874960 | 1 | COVER, CLAMP | |
| 5 | 0700817 | 1 | HEX HD CAPSCREW, 8X45mm, GR8.8 | |
| 6 | 877203 | 2 | CLAMP | |
| 7 | 4010614 | 4 | MACHINE SCREW, 6X30mm | |
| 9 | 8005621 | 1 | TUBE ASSY, (12M) (Prior to SN 1160000798) | |
| 9 | 8009356 | 1 | TUBE ASSY, (12M) (SN 1160000798 to Present) | |
| 9 | 8007160 | 1 | TUBE ASSY, (13M) | |
| 10 | 8005622 | 1 | TUBE ASSY, (13M) (Prior to SN 1160000798) | |
| 10 | 8009357 | 1 | TUBE ASSY, (12M) (SN 1160000798 to Present) | |
| 10 | 8007161 | 1 | TUBE ASSY, (13M) | |
| 11 | | Ref | MAIN CONTROL VALVE ASSY, (See HYDRAULIC COMPONENTS SECTION for Breakdown) | |
| 12 | 8001275 | 1 | BRACKET | |
| 13 | 0761010 | 2 | HEX HD CAPSCREW, 10X20mm, GR8.8 | |
| 14 | Kit | NLA | MALE SCREW COUPLING, (no longer available, order 1001097287 kit) | |
| 14 | 1001094556 | 1 | MALE QUICK DISCONNECT FITTING | |
| 15 | | Ref | HOSE ASSY, (12M), (no longer available; order kit 1001097998 See OPTIONS SECTION) (Prior to SN 1160001692) | |
| 15 | 2754701 | 1 | HOSE ASSY, (12M) (SN 1160001692 to Present) | |
| 15 | | Ref | HOSE ASSY, (13M), (no longer available; order kit 2915209 See OPTIONS SECTION) (Prior to SN 1160001692) | |
| 15 | 2754343 | 1 | HOSE ASSY, (13M) (SN 1160001692 to Present) | |
| 18 | 3977459 | 1 | DUST CAP, (use with male screw type coupling) | |
| 18 | 1001093826 | 1 | DUST CAP, (use with male quick disconnect type coupling) | |
| 19 | 1302325 | 4 | WASHER, 12X6X1mm | |
| 20 | | Ref | SENSOR 12V | |
| 21 | | Ref | DECAL | |
| 22 | 2481696 | 2 | FITTING | |
| 23 | 8008004 | 2 | HOSE, 12M MACHINES, (used on 13M) (SN 1160000798 to Present) | |
| 23 | 8002356 | 2 | HOSE, 13M MACHINES (Prior to SN 1160000798) | |
| 24 | 1321323 | 2 | CLAMP | |
| 25 | | Ref | JOYSTICK, (See CONTROLS SECTION for Breakdown) | |
| 26 | 1377299 | 1 | COVER, CLAMP | |
| 27 | 0700626 | 2 | HEX HD CAPSCREW, 6X90mm, GR8.8 | |
| 28 | 4811700 | 2 | FLAT WASHER, 6mm | |
| 29 | 1321324 | 2 | DOUBLE CLAMP | |
| 30 | 1309435 | 2 | COVER, CLAMP | |
| 31 | 0700820 | 2 | HEX HD CAPSCREW, 8X60mm | |
| 32 | 3290807 | 1 | HEX LOCKNUT, 8X1.25mm | |
| 40 | 8006211 | 1 | HYDRAULIC KIT SET FOR HYDRAULIC MOUNTING UNITS, (optional), (includes items 41 thru 53) | |

SECTION 8 - HYDRAULIC CIRCUITS

| ITEM | PART NUMBER | QTY | DESCRIPTION | REV |
|------|-------------|-----|--|-----|
| 41 | 3759579 | 1 | FLOW CONTROL VALVE ASSY | |
| 42 | 1614979 | 2 | BOLT, 8X12mm | |
| 43 | 8003199 | 1 | BRACKET | |
| 44 | 0761010 | 2 | HEX HD CAPSCREW, 10X20mm, GR8.8 | |
| 45 | 8003065 | 4 | FITTING | |
| 46 | 2903062 | 4 | FITTING | |
| 47 | Kit | NLA | MALE SCREW COUPLING, (no longer available, order 1001097287 kit) | |
| 47 | 1001094556 | 2 | MALE QUICK DISCONNECT FITTING | |
| 48 | 3977459 | 2 | DUST CAP, (use with male screw type coupling) | |
| 48 | 1001093826 | 2 | DUST CAP, (use with male quick disconnect type coupling) | |
| 49 | 2481696 | 2 | FITTING | |
| 50 | 4674353 | 1 | SWITCH 12V | |
| 51 | 8002833 | 1 | DECAL | |
| 52 | Kit | NLA | FEMALE SCREW COUPLING, (no longer available, order 1001097287 kit) | |
| 52 | 1001094555 | 2 | FEMALE QUICK DISCONNECT FITTING | |
| 53 | 3977460 | 2 | DUST PLUG, (use with female screw type coupling) | |
| 53 | 1001093827 | 2 | DUST PLUG, (use with female quick disconnect type coupling) | |
| 54 | | Ref | CLAMP, (See LIFTING HYDRAULICS, item 22, for Breakdown) | |
| 55 | | Ref | COVER, (See LIFTING HYDRAULICS, item 24, for Breakdown) | |
| 56 | | Ref | CLAMP, (See LIFTING HYDRAULICS, item 34, for Breakdown) | |
| 57 | | Ref | CLAMP, (See LIFTING HYDRAULICS, item 33, for Breakdown) | |
| | 1001097287 | 1 | QUICK DISCONNECT ADAPTER KIT, (includes items 1, 14, dust plug and dust cap) | |

SECTION 8 - HYDRAULIC CIRCUITS

FIGURE 8-8. LEVELING HYDRAULICS



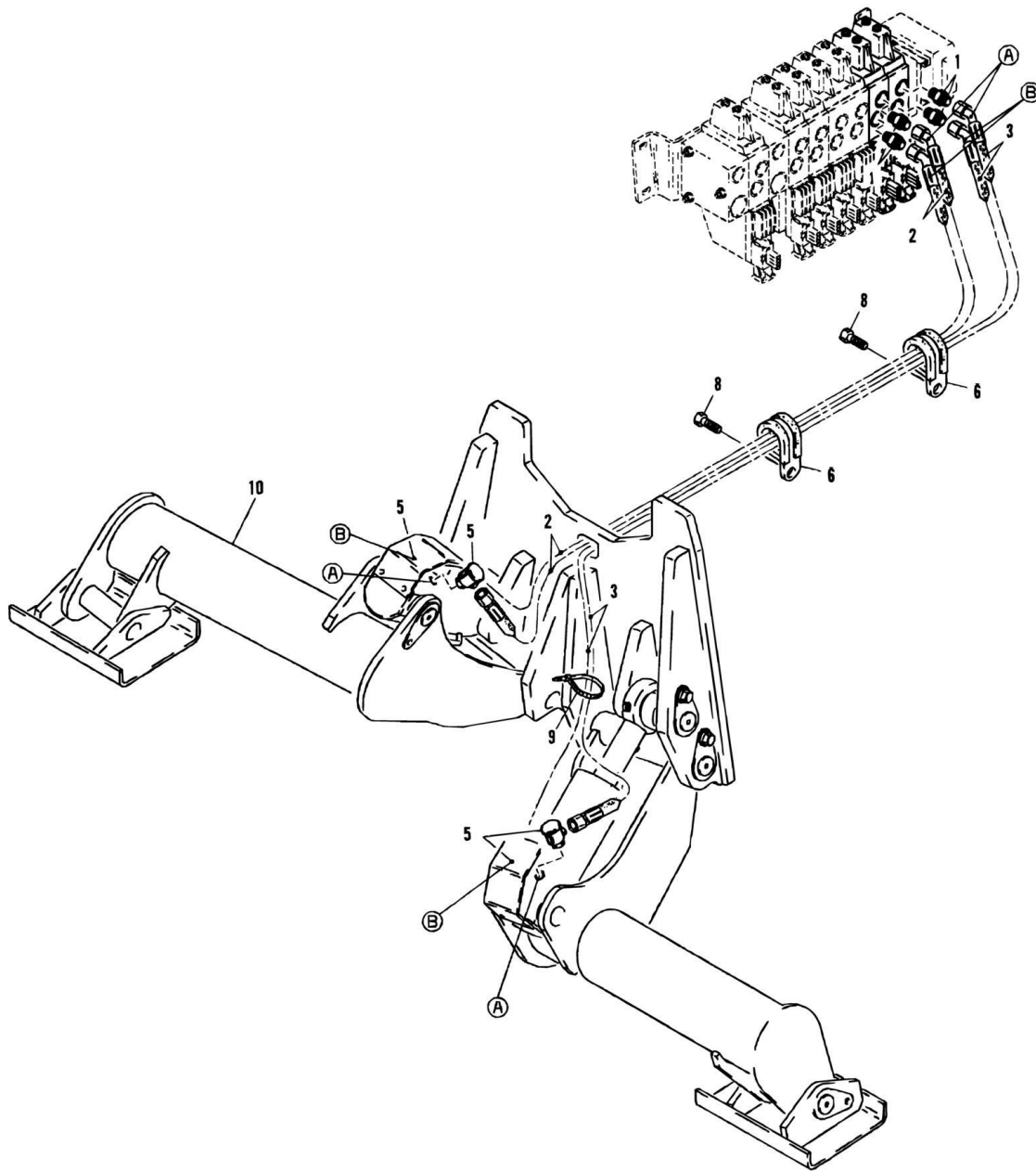
SECTION 8 - HYDRAULIC CIRCUITS

FIGURE 8-8. LEVELING HYDRAULICS

| ITEM | PART NUMBER | QTY | DESCRIPTION | REV |
|------|-------------|-----|--|-----|
| | 8001854 | Ref | HYDRAULIC SYSTEM, (includes all items) | A |
| 1 | 8003045 | 2 | HOSE | |
| 2 | 2142713 | 2 | FITTING | |
| 3 | 1689207 | 2 | FITTING | |
| 4 | 2912085 | 1 | CLAMP | |
| 5 | 874960 | 1 | COVER, CLAMP | |
| 6 | 0700817 | 1 | HEX HD CAPSCREW, 8X45mm, GR8.8 | |
| 10 | | Ref | SWAY CYLINDER ASSY, (See HYDRAULIC COMPONENTS SECTION for Breakdown) | |

SECTION 8 - HYDRAULIC CIRCUITS

FIGURE 8-9. STABILIZING HYDRAULICS



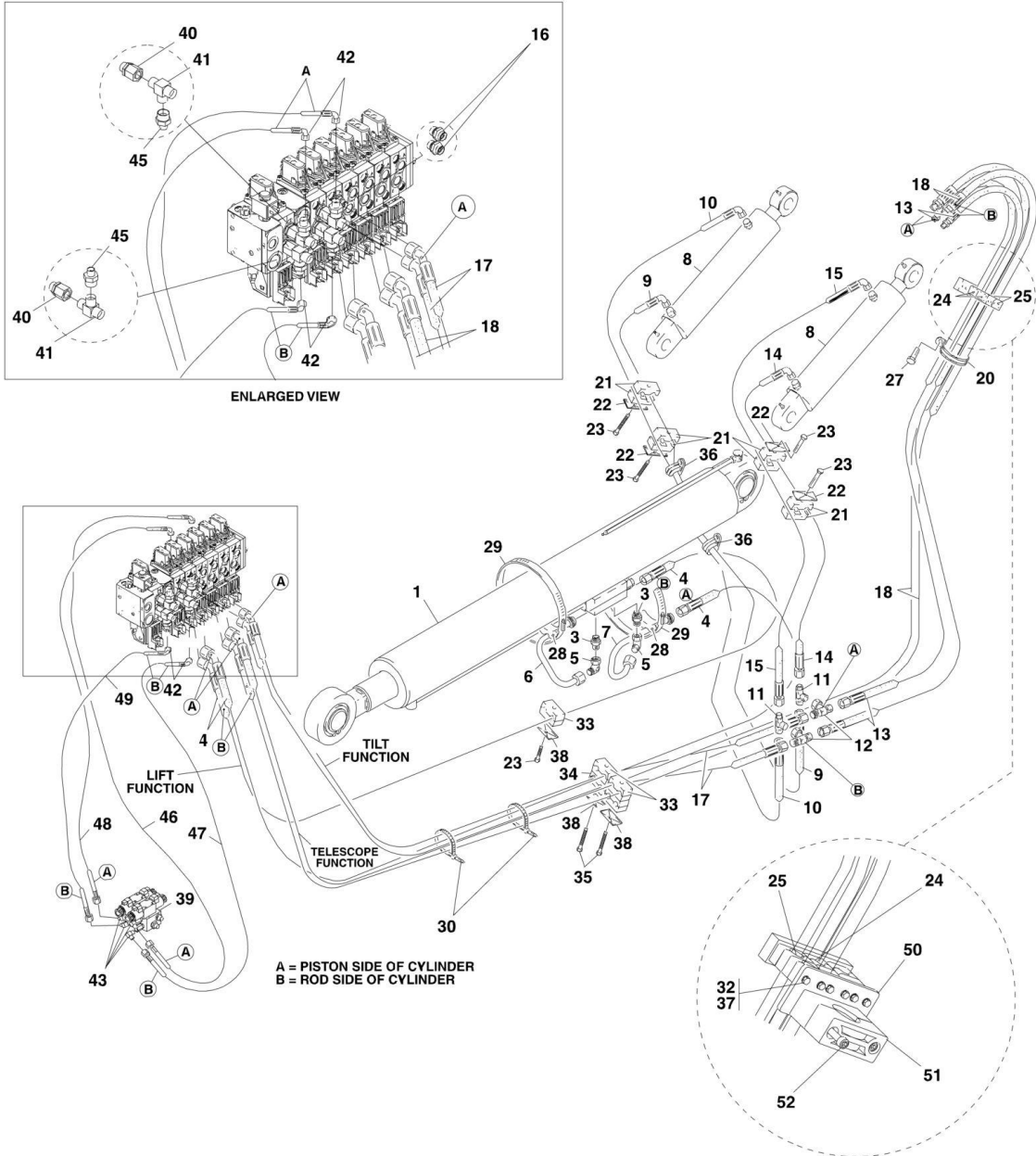
SECTION 8 - HYDRAULIC CIRCUITS

FIGURE 8-9. STABILIZING HYDRAULICS

| ITEM | PART NUMBER | QTY | DESCRIPTION | REV |
|------|-------------|-----|--|-----|
| | 8002710 | 1 | HYDRAULIC SYSTEM, (includes all items) | B |
| 1 | 2142713 | 4 | FITTING | |
| 2 | 8003024 | 2 | HOSE | |
| 3 | 8003025 | 2 | HOSE | |
| 5 | 2141105 | 4 | FITTING | |
| 6 | 1003721 | 2 | CLIP | |
| 8 | 5200810 | 2 | BOLT, 8X20mm | |
| 9 | 1062255 | 10 | TIE-STRAP | |
| 10 | | Ref | STABILIZER ASSY, (See FRAME AND ATTACHING PARTS SECTION for Breakdown) | |

SECTION 8 - HYDRAULIC CIRCUITS

FIGURE 8-10. LIFT SYSTEM EQUIPPED FOR PLATFORM



SECTION 8 - HYDRAULIC CIRCUITS

FIGURE 8-10. LIFT SYSTEM EQUIPPED FOR PLATFORM

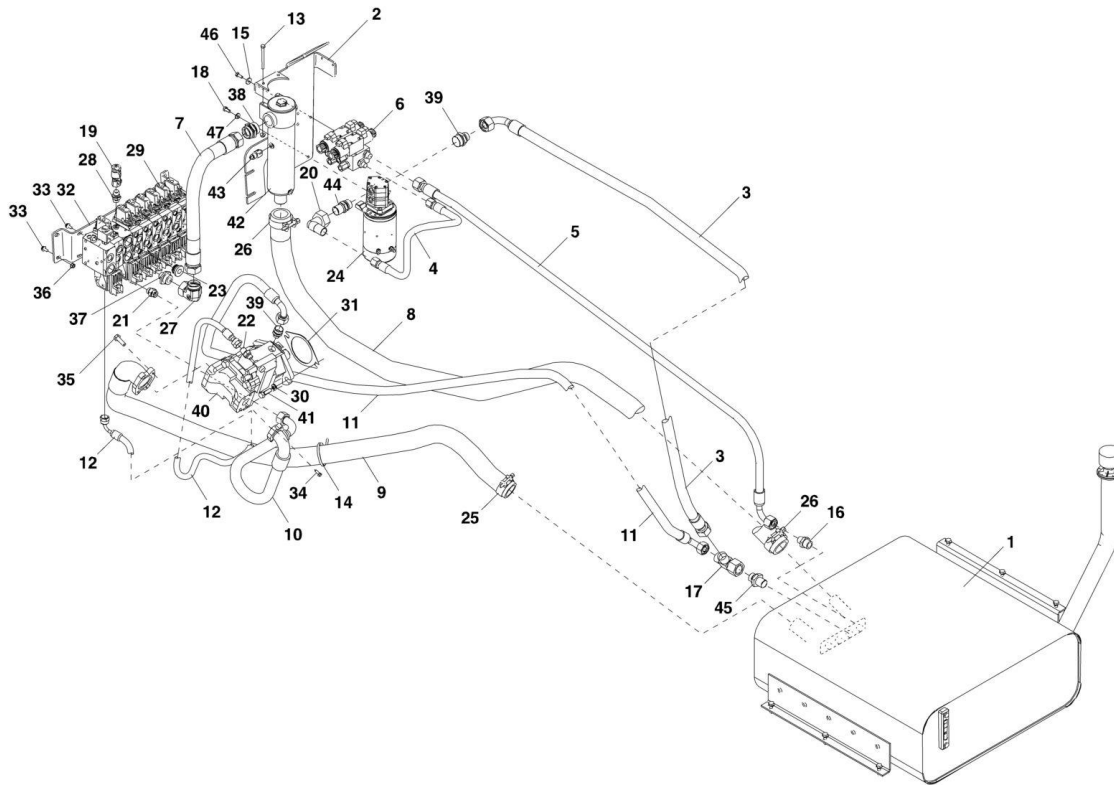
| ITEM | PART NUMBER | QTY | DESCRIPTION | REV |
|------|-------------|-----|--|-----|
| | 0274376 | 1 | PLATFORM HYDRAULIC LIFT SYSTEM | C |
| 1 | | Ref | LIFT CYLINDER ASSY, (See HYDRAULIC COMPONENTS SECTION for Breakdown) | |
| 3 | 1686475 | 6 | MALE CONNECTOR | |
| 4 | 8002353 | 2 | HOSE ASSY | |
| 5 | 2143406 | 2 | SWIVEL NUT FITTING | |
| 6 | 8002716 | 1 | TUBE ASSY | |
| 7 | 8002718 | 1 | TUBE ASSY | |
| 8 | | Ref | COMPENSATION CYLINDER ASSY, (See HYDRAULIC COMPONENTS SECTION for Breakdown) | |
| 9 | 8002372 | 1 | HOSE ASSY | |
| 10 | 8002373 | 1 | HOSE ASSY | |
| 11 | 2904789 | 2 | REDUCING TEE | |
| 12 | 2980565 | 2 | SWIVEL NUT TEE FITTING | |
| 13 | 8008278 | 2 | HOSE ASSY | |
| 14 | 8002359 | 1 | HOSE ASSY | |
| 15 | 8002371 | 1 | HOSE ASSY | |
| 16 | 2481696 | 2 | MALE CONNECTOR | |
| 17 | 8002355 | 2 | HOSE ASSY | |
| 18 | 8008279 | 2 | HOSE ASSY | |
| 20 | 3962930 | 1 | CLIP | |
| 21 | 2912085 | 4 | CLAMP | |
| 22 | 874960 | 4 | COVER PLATE | |
| 23 | 0700817 | 5 | HEX HD CAPSCREW, M8-45, GR8.8 | |
| 24 | 1321285 | 2 | CLAMP | |
| 25 | 1321323 | 2 | CLAMP | |
| 27 | 5200812 | 1 | BOLT, 8X25mm | |
| 28 | 3924730 | 3 | CLIP | |
| 29 | 8009759 | 2 | HOSE CLAMP | |
| 30 | | Ref | TIE STRAP | |
| 32 | 0700626 | 4 | HEX HD CAPSCREW, 6X90mm, GR8.8 | |
| 33 | 1321329 | 3 | DOUBLE CLAMP | |
| 34 | 1321324 | 1 | DOUBLE CLAMP | |
| 35 | 0700827 | 2 | HEX HD CAPSCREW, 8-1.25X100mm, GR8.8 | |
| 36 | 1009352 | 2 | CLIP | |
| 37 | 4811700 | 4 | FLAT WASHER, 6mm | |
| 38 | 1309435 | 3 | COVER PLATE | |
| 39 | | Ref | ERS VALVE ASSY, (See HYDRAULIC COMPONENTS SECTION for Breakdown) | |
| 40 | 2142806 | 4 | SWIVEL CONNECTOR | |
| 41 | 2141911 | 4 | UNION TEE | |
| 42 | 2141712 | 4 | REDUCING CONNECTOR | |
| 43 | 2142712 | 4 | ELBOW CONNECTOR | |
| 45 | 2143606 | 4 | SWIVEL UNION | |
| 46 | 2754505 | 1 | HOSE ASSY | |
| 47 | 2754506 | 1 | HOSE ASSY | |
| 48 | 2754507 | 1 | HOSE ASSY | |
| 49 | 2754508 | 1 | HOSE ASSY | |
| 50 | 4341233 | 1 | PLATE SUPPORT, LIQUID CONDUIT | |
| 51 | 1321620 | 1 | CLAMP, PIPE HANGER | |

SECTION 8 - HYDRAULIC CIRCUITS

| ITEM | PART NUMBER | QTY | DESCRIPTION | REV |
|------|-------------|-----|------------------------------------|-----|
| 52 | 4032020 | 2 | SOCKET HED CAPSCREW, M10X80, GR8.8 | |

SECTION 8 - HYDRAULIC CIRCUITS

FIGURE 8-11. DRIVE PUMP TO MAIN VALVE EQUIPPED FOR PLATFORM



SECTION 8 - HYDRAULIC CIRCUITS

FIGURE 8-11. DRIVE PUMP TO MAIN VALVE EQUIPPED FOR PLATFORM

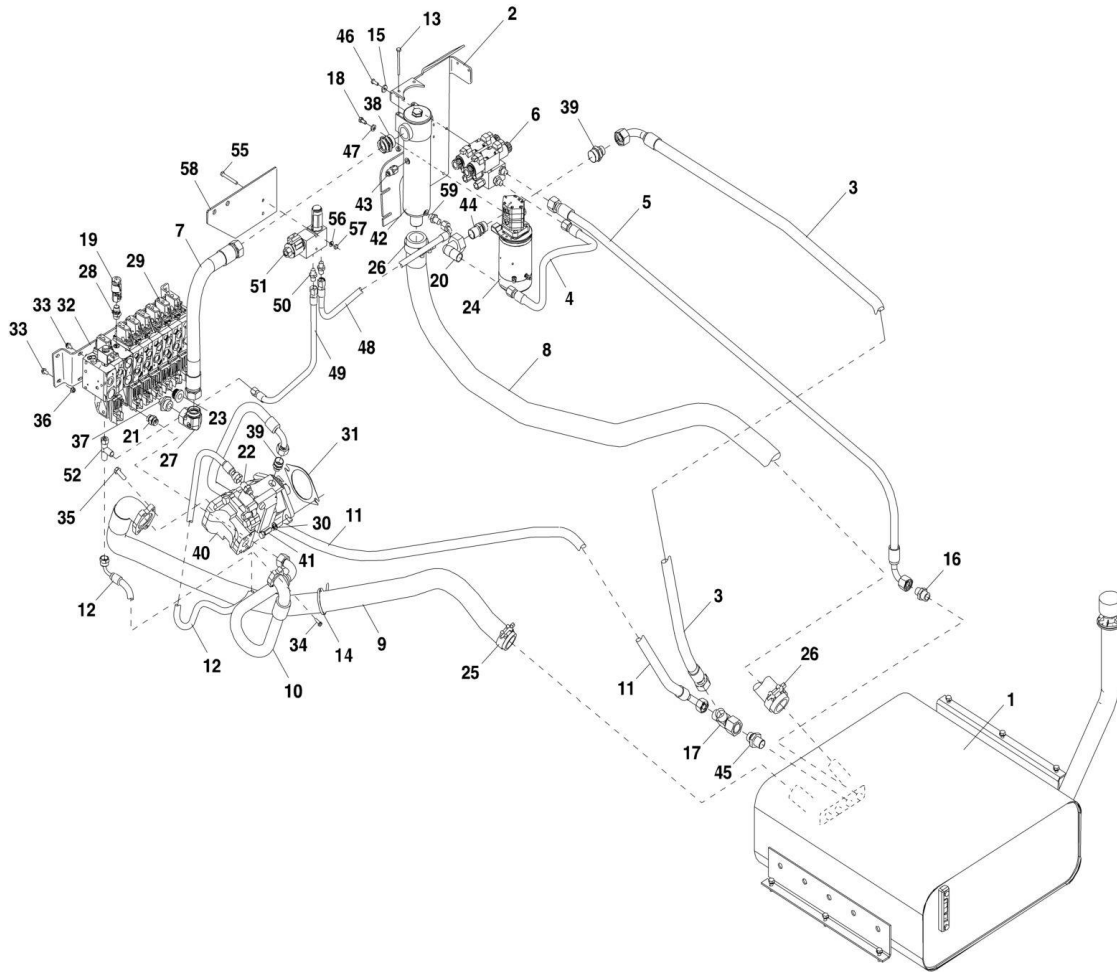
| ITEM | PART NUMBER | QTY | DESCRIPTION | REV |
|------|-------------|-----|---|-----|
| | 0274377 | Ref | PLATFORM HYDRAULIC INSTALLATION with LEVELING AND STABILIZER OPTION | E |
| 1 | | Ref | HYDRAULIC TANK, (See HYDRAULIC COMPONENTS SECTION for Breakdown) | |
| 2 | 0903122 | 1 | WELDMENT BRACKET | |
| 3 | 2754315 | 1 | HOSE ASSY | |
| 4 | 2754316 | 1 | HOSE ASSY | |
| 5 | 2754502 | 1 | HOSE ASSY | |
| 6 | | Ref | ERS CONTROL VALVE ASSY, (See HYDRAULIC COMPONENTS SECTION for Breakdown) | |
| 7 | 8001627 | 1 | HOSE ASSY | |
| 8 | 8001628 | 1 | HOSE ASSY | |
| 9 | 8001635 | 1 | HOSE ASSY | |
| 10 | 8001641 | 1 | HOSE ASSY | |
| 11 | 8001642 | 1 | HOSE ASSY | |
| 12 | 2754320 | 1 | HOSE ASSY | |
| 13 | 0700826 | 2 | HEX HD CAPSCREW, 8X90mm | |
| 14 | 1062255 | 1 | TIE STRAP | |
| 15 | 4740557 | 3 | WASHER, 4X23X4 | |
| 16 | 2140808 | 1 | CONNECTOR, 22X1.5mm | |
| 17 | 2142207 | 1 | SWIVEL RUN TEE | |
| 18 | 0641606 | 2 | HEX HD CAPSCREW, 3/8-16X3/4 | |
| 19 | 2988632 | 1 | FITTING | |
| 20 | 2143404 | 1 | FITTING | |
| 21 | 2904676 | 1 | FITTING | |
| 22 | 2142755 | 1 | MALE CONNECTOR | |
| 23 | 2985515 | 1 | PLUG | |
| 24 | | Ref | AUXILIARY POWER PUMP, (See HYDRAULIC COMPONENTS SECTION for Breakdown) | |
| 25 | 3625158 | 1 | CLIP | |
| 26 | 3737879 | 2 | CLIP | |
| 27 | 2143409 | 1 | SWIVEL NUT ELBOW FITTING | |
| 28 | 3970214 | 2 | METRIC TUBE FITTING | |
| 29 | | Ref | MAIN CONTROL VALVE ASSY, (See HYDRAULIC COMPONENTS SECTION for Breakdown) | |
| 30 | 4740532 | 2 | WASHER, 12mm | |
| 31 | 4804306 | 1 | SPACER | |
| 32 | 4805852 | 1 | BRACKET | |
| 33 | 5200808 | 4 | RIPP BOLT, 8X16mm | |
| 34 | 5201014 | 4 | RIPP BOLT, 10X30mm | |
| 35 | 5201215 | 4 | RIPP BOLT, 12X35mm | |
| 36 | 5220800 | 8 | RIPP NUT, 8mm | |
| 37 | 8001905 | 1 | MALE CONNECTOR | |
| 38 | 8001906 | 1 | METRIC TUBE FITTING | |
| 39 | 8001908 | 2 | MALE CONNECTOR | |
| 40 | | Ref | ENGINE DRIVE PUMP ASSY, (See HYDRAULIC COMPONENTS SECTION for Breakdown) | |
| 41 | 0681812 | 2 | HEX HD CAPSCREW, 1/2-13X1-1/2 | |
| 42 | | Ref | RETURN FILTER, (See HYDRAULIC COMPONENTS SECTION for Breakdown) | |
| 43 | 8005174 | 1 | PRESSURE SWITCH | |

SECTION 8 - HYDRAULIC CIRCUITS

| ITEM | PART NUMBER | QTY | DESCRIPTION | REV |
|------|-------------|-----|-------------------------------|-----|
| 44 | 2180855 | 1 | SPECIAL FITTING | |
| 45 | 2140225 | 1 | MALE STUD CONNECTOR, 22X1.5mm | |
| 46 | 0760810 | 3 | HEX HD CAPSCREW, 8X20mm | |
| 47 | 4891600 | 2 | WASHER | |

SECTION 8 - HYDRAULIC CIRCUITS

FIGURE 8-12. DRIVE PUMP TO MAIN VALVE EQUIPPED FOR PLATFORM (AUSTRALIA)



SECTION 8 - HYDRAULIC CIRCUITS

FIGURE 8-12. DRIVE PUMP TO MAIN VALVE EQUIPPED FOR PLATFORM (AUSTRALIA)

| ITEM | PART NUMBER | QTY | DESCRIPTION | REV |
|------|-------------|-----|---|-----|
| | 0274838 | Ref | PLATFORM HYDRAULIC INSTALLATION with LEVELING AND STABILIZER OPTION FOR AUSTRALIA | B |
| 1 | | Ref | HYDRAULIC TANK, (See HYDRAULIC COMPONENTS SECTION for Breakdown) | |
| 2 | 0903122 | 1 | WELDMENT BRACKET | |
| 3 | 2754315 | 1 | HOSE ASSY | |
| 4 | 2754316 | 1 | HOSE ASSY | |
| 5 | 2754502 | 1 | HOSE ASSY | |
| 6 | | Ref | ERS CONTROL VALVE ASSY, (See HYDRAULIC COMPONENTS SECTION for Breakdown) | |
| 7 | 8001627 | 1 | HOSE ASSY | |
| 8 | 8001628 | 1 | HOSE ASSY | |
| 9 | 8001635 | 1 | HOSE ASSY | |
| 10 | 8001641 | 1 | HOSE ASSY | |
| 11 | 8001642 | 1 | HOSE ASSY | |
| 12 | 2754320 | 1 | HOSE ASSY | |
| 13 | 0700826 | 2 | HEX HD CAPSCREW, 8X90mm | |
| 14 | 1062255 | AR | TIE STRAP | |
| 15 | 4740557 | 3 | WASHER, 4X23X4 | |
| 16 | 2140808 | 1 | CONNECTOR, 22X1.5mm | |
| 17 | 2142207 | 1 | SWIVEL RUN TEE | |
| 18 | 0641606 | 2 | HEX HD CAPSCREW, 3/8-16X3/4 | |
| 19 | 2988632 | 1 | FITTING | |
| 20 | 2143404 | 1 | FITTING | |
| 21 | 2904676 | 1 | FITTING | |
| 22 | 2142755 | 1 | MALE CONNECTOR | |
| 23 | 2985515 | 1 | PLUG | |
| 24 | | Ref | AUXILIARY POWER PUMP, (See HYDRAULIC COMPONENTS SECTION for Breakdown) | |
| 25 | 3625158 | 1 | CLIP | |
| 26 | 3737879 | 2 | CLIP | |
| 27 | 2143409 | 1 | SWIVEL NUT ELBOW FITTING | |
| 28 | 3970214 | 2 | METRIC TUBE FITTING | |
| 29 | | Ref | MAIN CONTROL VALVE ASSY, (See HYDRAULIC COMPONENTS SECTION for Breakdown) | |
| 30 | 4740532 | 2 | WASHER, 12mm | |
| 31 | 4804306 | 1 | SPACER | |
| 32 | 4805852 | 1 | BRACKET | |
| 33 | 5200808 | 4 | RIPP BOLT, 8X16mm | |
| 34 | 5201014 | 4 | RIPP BOLT, 10X30mm | |
| 35 | 5201215 | 4 | RIPP BOLT, 12X35mm | |
| 36 | 5220800 | 8 | RIPP NUT, 8mm | |
| 37 | 8001905 | 1 | MALE CONNECTOR | |
| 38 | 8001906 | 1 | METRIC TUBE FITTING | |
| 39 | 8001908 | 2 | MALE CONNECTOR | |
| 40 | | Ref | ENGINE DRIVE PUMP ASSY, (See HYDRAULIC COMPONENTS SECTION for Breakdown) | |
| 41 | 0681812 | 2 | HEX HD CAPSCREW, 1/2-13X1-1/2 | |
| 42 | | Ref | RETURN FILTER, (See HYDRAULIC COMPONENTS SECTION for Breakdown) | |
| 43 | 8005174 | 1 | PRESSURE SWITCH | |

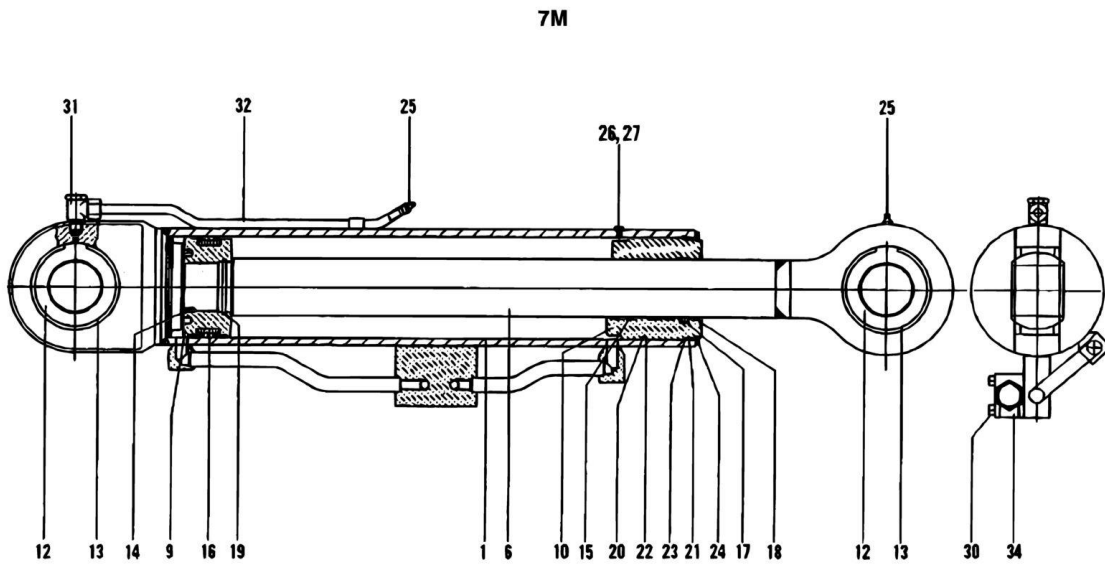
SECTION 8 - HYDRAULIC CIRCUITS

| ITEM | PART NUMBER | QTY | DESCRIPTION | REV |
|------|-------------|-----|-------------------------------|-----|
| 44 | 2180855 | 1 | SPECIAL FITTING | |
| 45 | 2140225 | 1 | MALE STUD CONNECTOR, 22X1.5mm | |
| 46 | 0760810 | 3 | HEX HD CAPSCREW, 8X20mm | |
| 47 | 4891600 | 2 | WASHER | |
| 48 | 2754617 | 1 | HOSE ASSY | |
| 49 | 2754616 | 1 | HOSE ASSY | |
| 50 | 2140802 | 2 | CONNECTOR | |
| 51 | 4641425 | 1 | VALVE | |
| 52 | 2142202 | 1 | SWIVEL RUN TEE | |
| 55 | 0700618 | 2 | HEX HD CAPSCREW, 6X50mm | |
| 56 | 4811700 | 2 | WASHER, 6mm | |
| 57 | 3290601 | 2 | HEX NUT, 6X1mm | |
| 58 | 3576270 | 1 | SOLENOID VALVE PLATE | |
| 59 | 2142706 | 1 | MALE CONNECTOR | |

SECTION 9 - HYDRAULIC COMPONENTS

SECTION 9 - HYDRAULIC COMPONENTS

FIGURE 9-1. LIFT CYLINDER ASSEMBLY 7M (Prior to SN 1160000863)



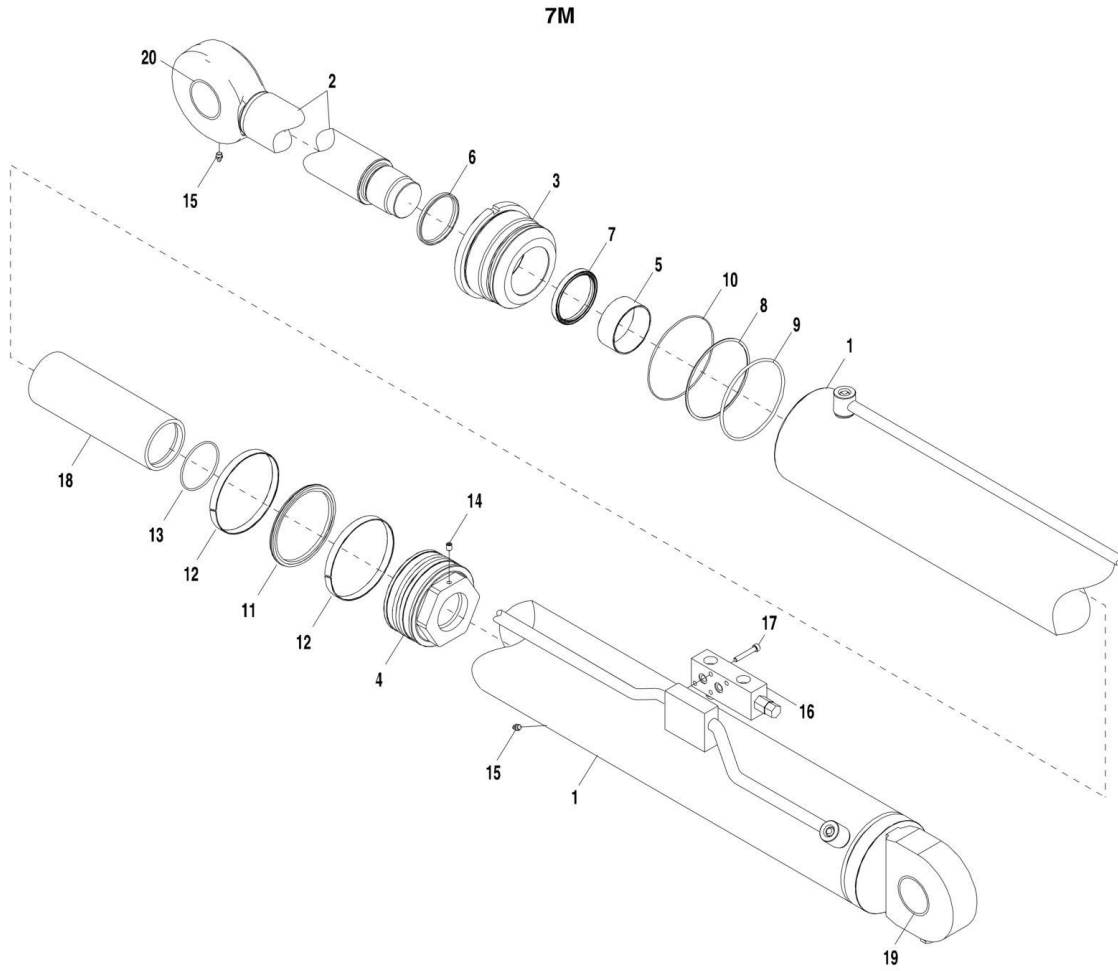
SECTION 9 - HYDRAULIC COMPONENTS

FIGURE 9-1. LIFT CYLINDER ASSEMBLY 7M (Prior to SN 1160000863)

| ITEM | PART NUMBER | QTY | DESCRIPTION | REV |
|------|-------------|-----|---|-----|
| | 8004602 | Ref | LIFT CYLINDER ASSY, (7M machines), (includes all items) | |
| 1 | 8007695 | 1 | BARREL | |
| 6 | 8007696 | 1 | ROD | |
| 9 | 8007697 | 1 | PISTON | |
| 10 | 8007698 | 1 | HEAD | |
| 12 | 1360370 | 2 | SPHERICAL BEARING | |
| 13 | 1630855 | 4 | CIRCLECLIP | |
| 14 | Kit | 2 | ADAPTOR SLEEVE | |
| 15 | Kit | 4 | THRUST RING | |
| 16 | Kit | 1 | PACKING SET | |
| 17 | Kit | 1 | U-RING | |
| 18 | Kit | 1 | WIPER SEAL | |
| 19 | Kit | 1 | O-RING | |
| 20 | Kit | 1 | O-RING | |
| 21 | Kit | 1 | O-RING | |
| 23 | 8007705 | 1 | SNAP RING | |
| 24 | 8007706 | 1 | CIRCLECLIP | |
| 25 | 324590 | 2 | GREASE FITTING | |
| 26 | 0342650 | 2 | BOLT | |
| 27 | 1051843 | 2 | PACKING | |
| 30 | 8007707 | 1 | LOWERING BRAKE VALVE | |
| 31 | 1631083 | 1 | FITTING | |
| 32 | 8007708 | 1 | PIPE | |
| 34 | 2601272 | 4 | ALLEN SCREW | |
| | 8007709 | 1 | SEAL KIT, (includes items 14 thru 22) | |

SECTION 9 - HYDRAULIC COMPONENTS

FIGURE 9-2. LIFT CYLINDER ASSEMBLY 7M (SN 1160000863 to Present)



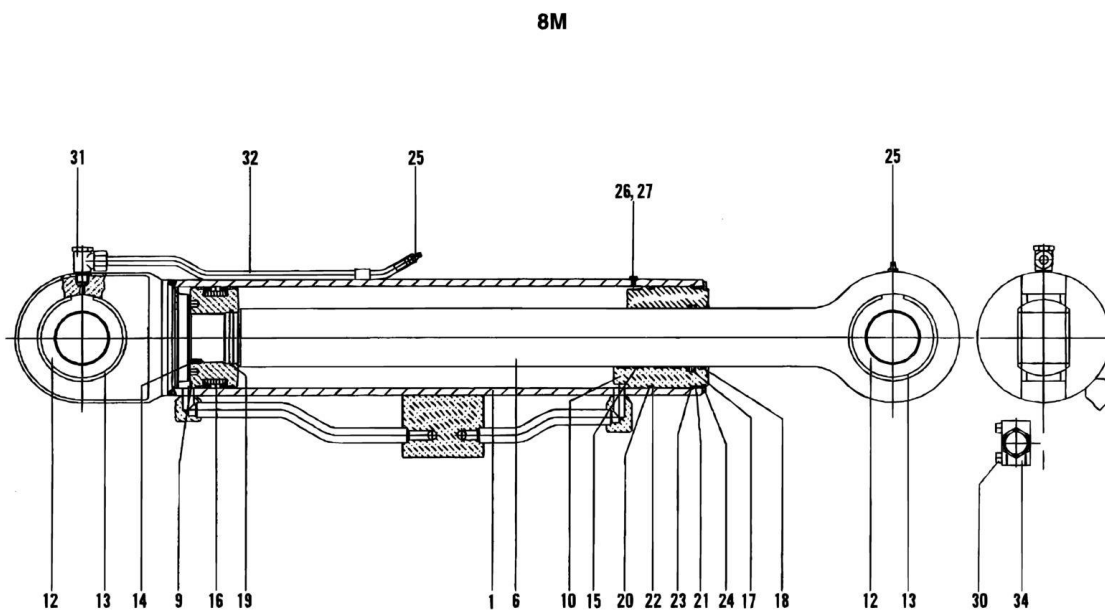
SECTION 9 - HYDRAULIC COMPONENTS

FIGURE 9-2. LIFT CYLINDER ASSEMBLY 7M (SN 1160000863 to Present)

| ITEM | PART NUMBER | QTY | DESCRIPTION | REV |
|------|-------------|-----|---|-----|
| | 8009342 | Ref | LIFT CYLINDER ASSY, (7M machines), (includes all items) | |
| 1 | 7029434 | 1 | CYLINDER HOUSING | |
| 2 | 7028547 | 1 | PISTON ROD ASSY | |
| 3 | | Ref | GLAND | |
| 4 | 7029435 | 1 | PISTON | |
| 5 | | Ref | BEARING | |
| 6 | Kit | 1 | WIPER | |
| 7 | Kit | 1 | ROD SEAL | |
| 8 | Kit | 1 | BACK-UP RING | |
| 9 | Kit | 1 | O-RING | |
| 10 | Kit | 1 | O-RING | |
| 11 | Kit | 1 | PISTON SEAL | |
| 12 | Kit | 2 | PISTON GUIDE RING | |
| 13 | Kit | 2 | O-RING | |
| 14 | Kit | 1 | SET SCREW | |
| 15 | 7028314 | 2 | GREASE NIPPLE | |
| 16 | 8007707 | 1 | LOAD CONTROL VALVE | |
| 17 | 7028584 | 4 | HEX SOCKET HD SCREW | |
| 18 | 7029436 | 1 | SPACER | |
| 19 | 7029231 | 1 | BUSHING | |
| 20 | 7029439 | 1 | BUSHING | |
| | 7029437 | 1 | SEAL KIT, (includes items 6 thru 14) | |
| | 7029438 | 1 | GLAND ASSY, (includes items 3 & 5) | |

SECTION 9 - HYDRAULIC COMPONENTS

FIGURE 9-3. LIFT CYLINDER ASSEMBLY 8M (Prior to SN 1160000863)



SECTION 9 - HYDRAULIC COMPONENTS

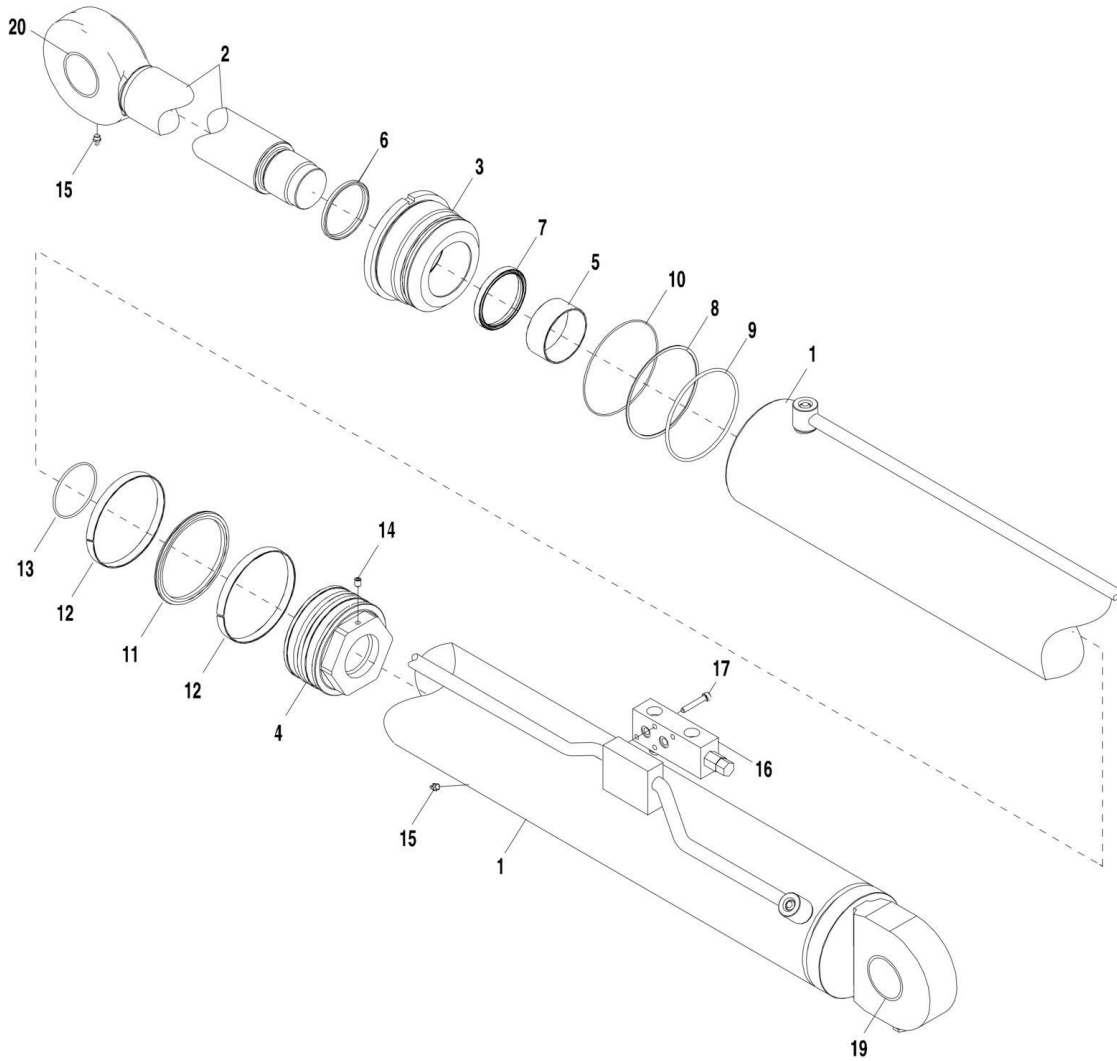
FIGURE 9-3. LIFT CYLINDER ASSEMBLY 8M (Prior to SN 1160000863)

| ITEM | PART NUMBER | QTY | DESCRIPTION | REV |
|------|-------------|-----|---|-----|
| | 8005266 | Ref | LIFT CYLINDER ASSY, (8M machines), (includes all items) | |
| 1 | 8007712 | 1 | BARREL | |
| 6 | 8007696 | 1 | ROD | |
| 9 | 8007697 | 1 | PISTON | |
| 10 | 8007698 | 1 | HEAD | |
| 12 | 1360370 | 2 | SPHERICAL BEARING | |
| 13 | 1630855 | 4 | CIRCLECLIP | |
| 14 | Kit | 2 | ADAPTOR SLEEVE | |
| 15 | Kit | 4 | THRUST RING | |
| 16 | Kit | 1 | PACKING SET | |
| 17 | Kit | 1 | U-RING | |
| 18 | Kit | 1 | WIPER SEAL | |
| 19 | Kit | 1 | O-RING | |
| 20 | Kit | 1 | O-RING | |
| 21 | Kit | 1 | O-RING | |
| 22 | Kit | 1 | THRUST RING | |
| 23 | 8007705 | 1 | SNAP RING | |
| 24 | 8007706 | 1 | CIRCLECLIP | |
| 25 | 324590 | 2 | GREASE FITTING | |
| 26 | 0342650 | 2 | BOLT | |
| 27 | 1051843 | 2 | PACKING | |
| 30 | 8007707 | 1 | LOWERING BRAKE VALVE | |
| 31 | 1631083 | 1 | FITTING | |
| 32 | 8007708 | 1 | PIPE | |
| 34 | 2601272 | 4 | ALLEN SCREW | |
| | 8007709 | 1 | SEAL KIT, (includes items 14 thru 22) | |

SECTION 9 - HYDRAULIC COMPONENTS

FIGURE 9-4. LIFT CYLINDER ASSEMBLY 8M (SN 1160000863 to Present)

8M



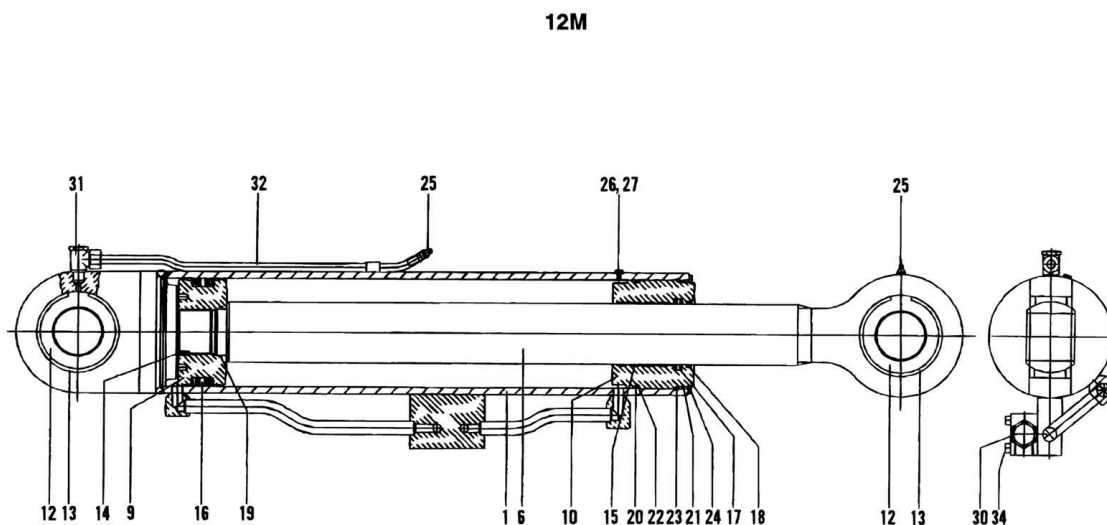
SECTION 9 - HYDRAULIC COMPONENTS

FIGURE 9-4. LIFT CYLINDER ASSEMBLY 8M (SN 1160000863 to Present)

| ITEM | PART NUMBER | QTY | DESCRIPTION | REV |
|------|-------------|-----|---|-----|
| | 8009343 | Ref | LIFT CYLINDER ASSY, (8M machines), (includes all items) | |
| 1 | 7029434 | 1 | CYLINDER HOUSING | |
| 2 | 7028547 | 1 | PISTON ROD ASSY | |
| 3 | | Ref | GLAND | |
| 4 | 7029435 | 1 | PISTON | |
| 5 | | Ref | BEARING | |
| 6 | Kit | 1 | WIPER | |
| 7 | Kit | 1 | ROD SEAL | |
| 8 | Kit | 1 | BACK-UP RING | |
| 9 | Kit | 1 | O-RING | |
| 10 | Kit | 1 | O-RING | |
| 11 | Kit | 1 | PISTON SEAL | |
| 12 | Kit | 2 | PISTON GUIDE RING | |
| 13 | Kit | 1 | O-RING | |
| 14 | Kit | 1 | SET SCREW | |
| 15 | 7028314 | 2 | GREASE NIPPLE | |
| 16 | 8007707 | 1 | LOAD CONTROL VALVE | |
| 17 | 7028584 | 4 | HEX SOCKET HD SCREW | |
| 19 | 7029231 | 1 | BUSHING | |
| 20 | 7029439 | 1 | BUSHING | |
| | 7029437 | 1 | SEAL KIT, (includes items 6 thru 14) | |
| | 7029438 | 1 | GLAND ASSY, (includes items 3 & 5) | |

SECTION 9 - HYDRAULIC COMPONENTS

FIGURE 9-5. LIFT CYLINDER ASSEMBLY 12M (Prior to SN 1160000863)



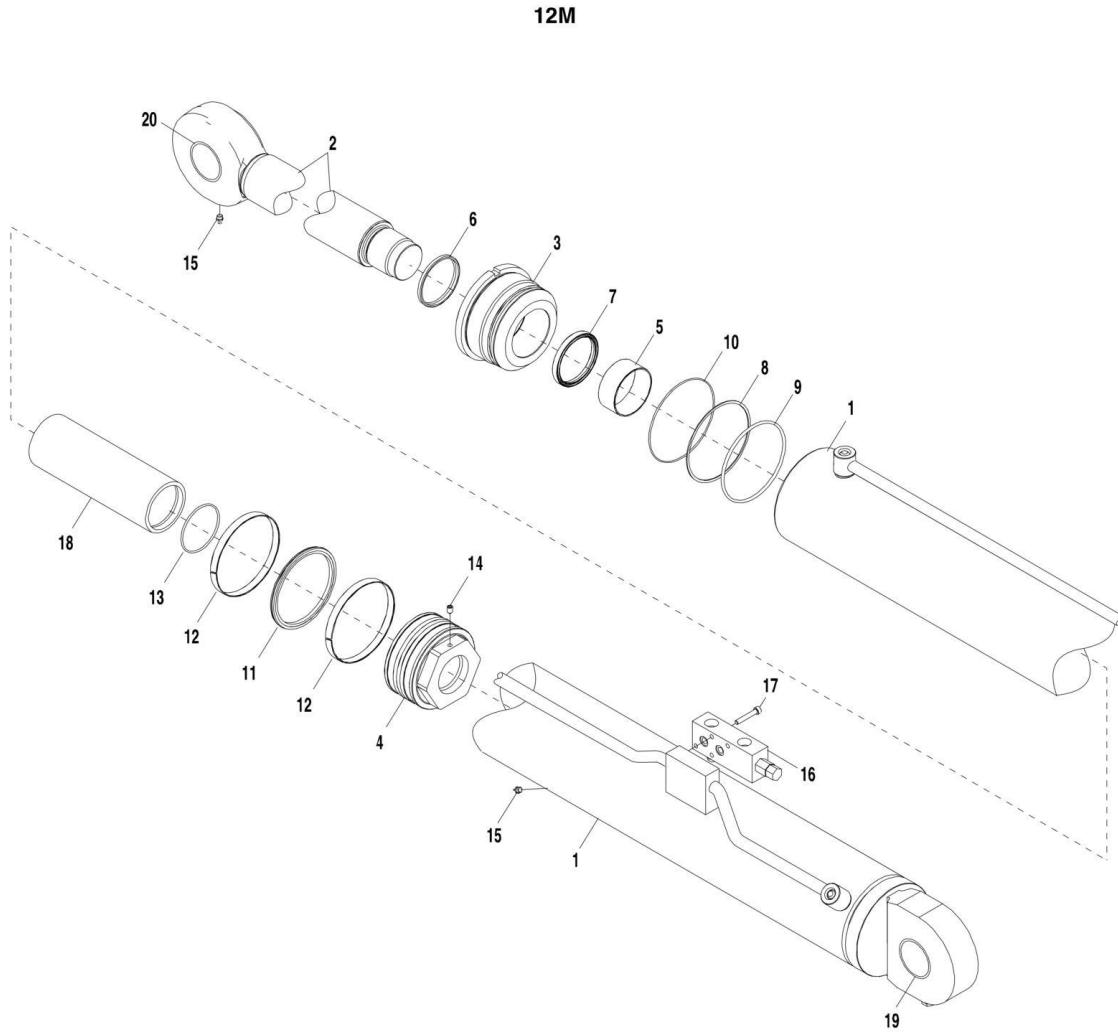
SECTION 9 - HYDRAULIC COMPONENTS

FIGURE 9-5. LIFT CYLINDER ASSEMBLY 12M (Prior to SN 1160000863)

| ITEM | PART NUMBER | QTY | DESCRIPTION | REV |
|------|-------------|-----|--|-----|
| | 4803032 | Ref | LIFT CYLINDER ASSY, (12M machines), (includes all items) | |
| 1 | 8007713 | 1 | BARREL | |
| 6 | 8007715 | 1 | ROD | |
| 9 | 8007716 | 1 | PISTON | |
| 10 | 8007717 | 1 | HEAD | |
| 12 | 1360370 | 2 | SPHERICAL BEARING | |
| 13 | 1630855 | 4 | CIRCLECLIP | |
| 14 | Kit | 1 | ADAPTOR SLEEVE | |
| 15 | Kit | 4 | THRUST RING | |
| 16 | Kit | 1 | PACKING SET | |
| 17 | Kit | 1 | U-RING | |
| 18 | Kit | 1 | WIPER SEAL | |
| 19 | Kit | 1 | O-RING | |
| 20 | Kit | 1 | O-RING | |
| 21 | Kit | 1 | O-RING | |
| 22 | Kit | 1 | BACK UP RING | |
| 23 | 8007724 | 1 | SNAP RING | |
| 24 | 1386701 | 1 | CIRCLECLIP | |
| 25 | 324590 | 2 | GREASE FITTING | |
| 26 | 0342650 | 2 | BOLT | |
| 27 | 1051843 | 2 | PACKING | |
| 30 | 8007707 | 1 | LOWERING BRAKE VALVE | |
| 31 | 1631083 | 1 | FITTING | |
| 32 | 8007708 | 1 | PIPE | |
| 34 | 2601272 | 4 | ALLEN SCREW | |
| | 8007711 | 1 | SEAL KIT, (includes items 14 thru 22) | |

SECTION 9 - HYDRAULIC COMPONENTS

FIGURE 9-6. LIFT CYLINDER ASSEMBLY 12M (SN 1160000863 to Present)



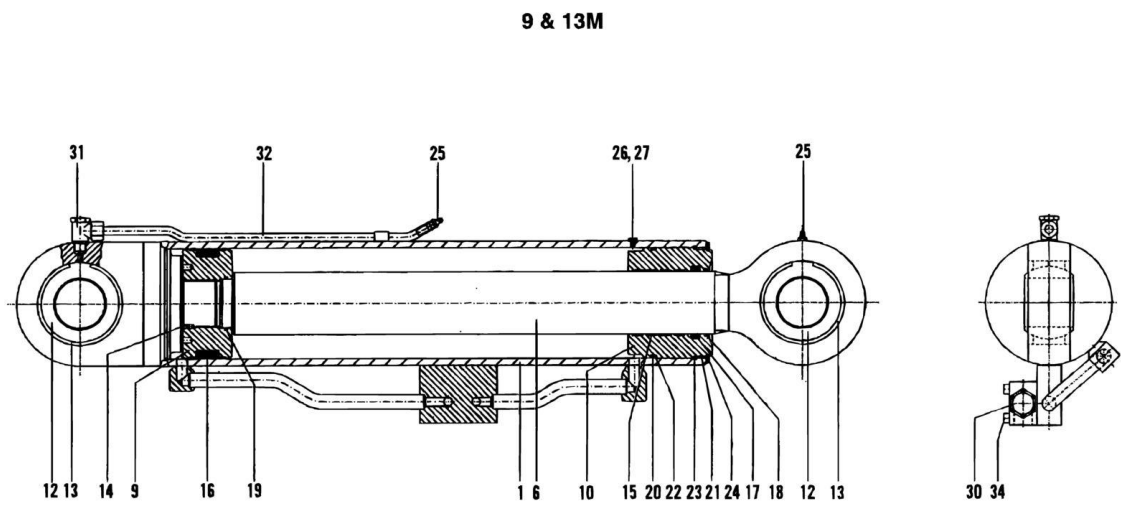
SECTION 9 - HYDRAULIC COMPONENTS

FIGURE 9-6. LIFT CYLINDER ASSEMBLY 12M (SN 1160000863 to Present)

| ITEM | PART NUMBER | QTY | DESCRIPTION | REV |
|------|-------------|-----|--|-----|
| | 8009344 | Ref | LIFT CYLINDER ASSY, (12M machines), (includes all items) | |
| 1 | 7029442 | 1 | CYLINDER HOUSING | |
| 2 | 7028547 | 1 | PISTON ROD | |
| 3 | | Ref | GLAND | |
| 4 | 7028549 | 1 | PISTON | |
| 5 | | Ref | BEARING | |
| 6 | Kit | 1 | WIPER | |
| 7 | Kit | 1 | ROD SEAL | |
| 8 | Kit | 1 | BACK-UP RING | |
| 9 | Kit | 1 | O-RING | |
| 10 | Kit | 1 | O-RING | |
| 11 | Kit | 1 | PISTON SEAL | |
| 12 | Kit | 2 | WEAR RING | |
| 13 | Kit | 2 | O-RING | |
| 14 | Kit | 1 | SET SCREW | |
| 15 | 7028314 | 2 | GREASE NIPPLE | |
| 16 | 8007707 | 1 | LOAD CONTROL VALVE | |
| 17 | 7028584 | 4 | HEX SOCKET HD SCREW | |
| 18 | 7029444 | 1 | SPACER | |
| 19 | 7029231 | 1 | BUSHING | |
| 20 | 7029439 | 1 | BUSHING | |
| | 7028545 | 1 | SEAL KIT, (includes items 6 thru 14) | |
| | 7029443 | 1 | GLAND ASSY, (includes items 3 & 5) | |

SECTION 9 - HYDRAULIC COMPONENTS

FIGURE 9-7. LIFT CYLINDER ASSEMBLY 9 AND 13M (Prior to SN 1160000863)



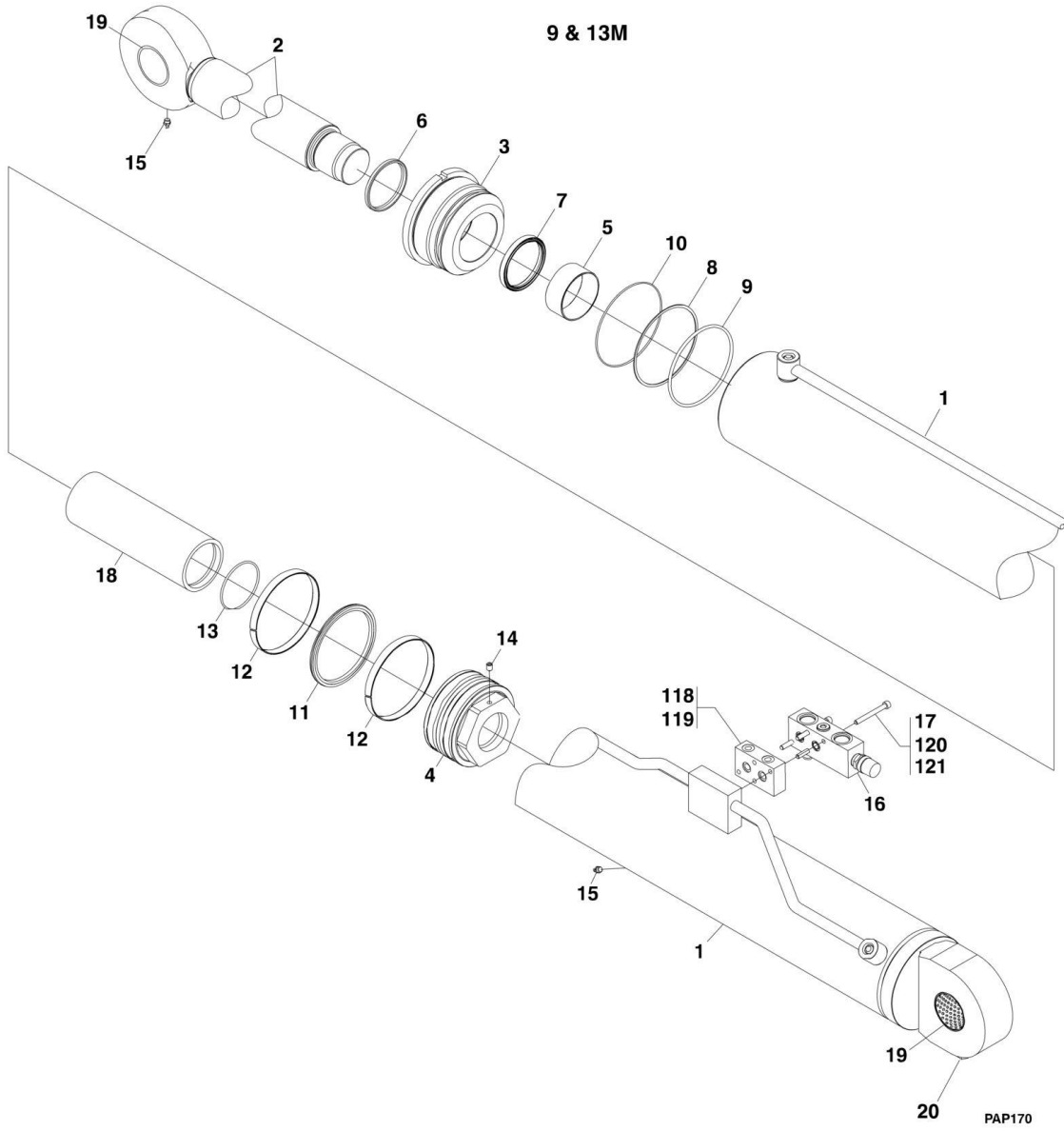
SECTION 9 - HYDRAULIC COMPONENTS

FIGURE 9-7. LIFT CYLINDER ASSEMBLY 9 AND 13M (Prior to SN 1160000863)

| ITEM | PART NUMBER | QTY | DESCRIPTION | REV |
|------|-------------|-----|---|-----|
| | 8007200 | Ref | LIFT CYLINDER ASSY, (9M & 13M machines), (includes all items) | |
| 1 | 8007728 | 1 | BARREL | |
| 6 | 8007729 | 1 | ROD | |
| 9 | 8007716 | 1 | PISTON | |
| 10 | 8007717 | 1 | HEAD | |
| 12 | 1360370 | 2 | SPHERICAL BEARING | |
| 13 | 1630855 | 4 | CIRCLECLIP | |
| 14 | Kit | 1 | ADAPTOR SLEEVE | |
| 15 | Kit | 4 | THRUST RING | |
| 16 | Kit | 1 | PACKING SET | |
| 17 | Kit | 1 | U-RING | |
| 18 | Kit | 1 | WIPER SEAL | |
| 19 | Kit | 1 | O-RING | |
| 20 | Kit | 1 | O-RING | |
| 21 | Kit | 1 | O-RING | |
| 22 | Kit | 1 | BACK UP RING | |
| 23 | 8007724 | 1 | SNAP RING | |
| 24 | 1386701 | 1 | CIRCLECLIP | |
| 25 | 324590 | 2 | GREASE FITTING | |
| 26 | 0342650 | 2 | BOLT | |
| 27 | 1051843 | 2 | PACKING | |
| 30 | 8007707 | 1 | LOWERING BRAKE VALVE | |
| 31 | 1631083 | 1 | FITTING | |
| 32 | 8007708 | 1 | PIPE | |
| 34 | 2601272 | 4 | ALLEN SCREW | |
| | 8007711 | 1 | SEAL KIT, (includes items 14 thru 22) | |

SECTION 9 - HYDRAULIC COMPONENTS

FIGURE 9-8. LIFT CYLINDER ASSEMBLY 9 AND 13M (SN 1160000863 to Present)



SECTION 9 - HYDRAULIC COMPONENTS

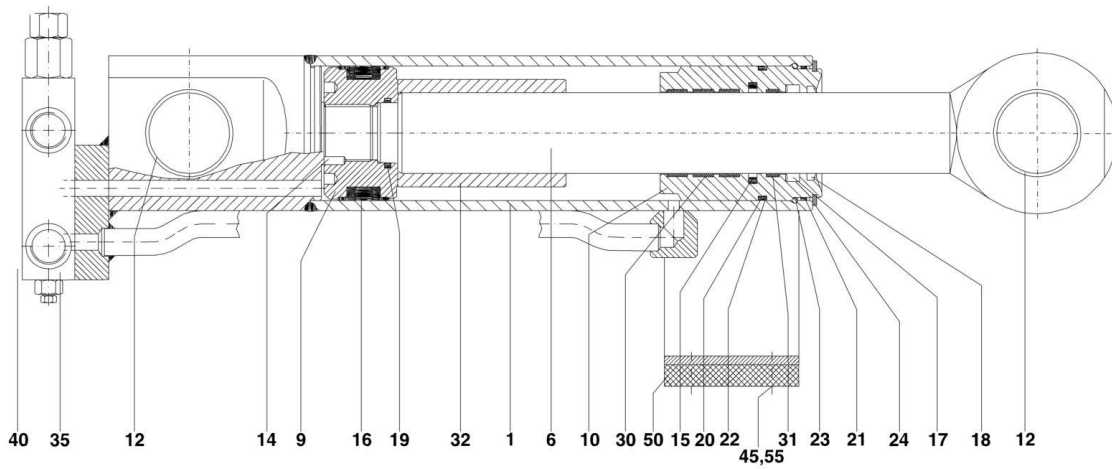
FIGURE 9-8. LIFT CYLINDER ASSEMBLY 9 AND 13M (SN 1160000863 to Present)

| ITEM | PART NUMBER | QTY | DESCRIPTION | REV |
|------|-------------|-----|---|-----|
| | 1684384 | Ref | LIFT CYLINDER ASSY, (9M & 13M), (includes items 1 thru 20) | |
| | 1001106760 | Ref | LIFT CYLINDER ASSY, (9M & 13M - if equipped with LMIS), (includes all items) | B |
| 1 | 7029442 | 1 | CYLINDER HOUSING | |
| 2 | 7028547 | 1 | PISTON ROD | |
| 3 | | Ref | GLAND | |
| 4 | 7028549 | 1 | PISTON | |
| 5 | | Ref | BEARING | |
| 6 | Kit | 1 | WIPER | |
| 7 | Kit | 1 | ROD SEAL | |
| 8 | Kit | 1 | BACK-UP RING | |
| 9 | Kit | 1 | O-RING | |
| 10 | Kit | 1 | O-RING | |
| 11 | Kit | 1 | PISTON SEAL | |
| 12 | Kit | 2 | WEAR RING | |
| 13 | Kit | 1 | O-RING | |
| 14 | Kit | 1 | SET SCREW | |
| 15 | 7028314 | 2 | GREASE NIPPLE | |
| 16 | 8007707 | 1 | LOAD CONTROL VALVE | |
| 17 | 7028584 | 4 | HEX SOCKET HD SCREW | |
| 19 | 7029231 | 2 | BUSHING | |
| 20 | 70022791 | 1 | BANJO BOLT | |
| 118 | 1001101830 | 1 | LMIS MANIFOLD VALVE, (if equipped with LMIS) | |
| 119 | 1001102080 | 2 | O-RING, (if equipped with LMIS) | |
| 120 | 1001095650 | AR | LOCTITE, #243, (if equipped with LMIS) | |
| 121 | 4031919 | 4 | HEX SOCKET HD SCREW, M8X75, (if equipped with LMIS) | |
| | 7028545 | 1 | SEAL KIT, (includes items 6 thru 14) | |
| | 7029443 | 1 | GLAND ASSY, (includes items 3 & 5) | |

SECTION 9 - HYDRAULIC COMPONENTS

FIGURE 9-9. EXTEND/RETRACT CYLINDER ASSEMBLY 7 AND 8M (Prior to SN 1160000863)

7 & 8M



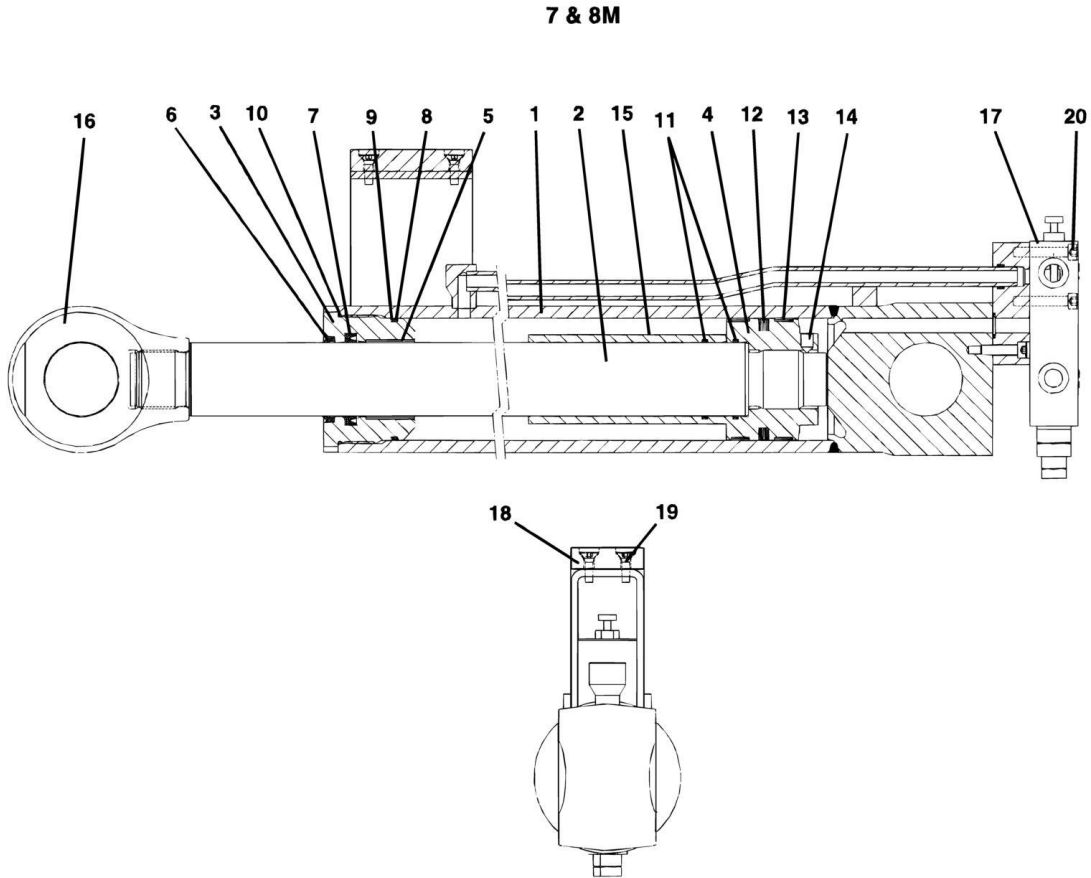
SECTION 9 - HYDRAULIC COMPONENTS

FIGURE 9-9. EXTEND/RETRACT CYLINDER ASSEMBLY 7 AND 8M (Prior to SN 1160000863)

| ITEM | PART NUMBER | QTY | DESCRIPTION | REV |
|------|-------------|-----|---|-----|
| | 4802815 | Ref | EXTEND/RETRACT CYLINDER ASSY, (7M & 8M machines), (includes all items) | B |
| 1 | 8007968 | 1 | BARREL | |
| 6 | 8007969 | 1 | ROD | |
| 9 | 8007676 | 1 | PISTON | |
| 10 | 8007678 | 1 | HEAD | |
| 12 | 8007679 | 4 | BUSHING | |
| 14 | Kit | 1 | ADAPTOR SLEEVE | |
| 15 | Kit | 1 | TURCON GLYD RING | |
| 16 | Kit | 1 | PACKING SET | |
| 17 | Kit | 1 | U-RING | |
| 18 | Kit | 1 | WIPER SEAL | |
| 19 | Kit | 1 | O-RING | |
| 20 | Kit | 1 | O-RING | |
| 21 | Kit | 1 | O-RING | |
| 22 | Kit | 1 | BACK UP RING | |
| 23 | 8007689 | 1 | SNAP RING | |
| 24 | 1618713 | 1 | RETAINING RING | |
| 30 | Kit | 3 | THRUST RING | |
| 31 | Kit | 1 | THRUST RING | |
| 32 | 8007693 | 1 | SPACER | |
| 35 | 8007655 | 1 | LOWERING BRAKE VALVE | |
| 40 | 0857390 | 4 | ALLEN SCREW | |
| 45 | 7028116 | 4 | COUNTERSUNK SCREW | |
| 50 | 7028117 | 1 | GUIDE PLATE | |
| 55 | 7028114 | 2 | WASHER | |
| | 8007694 | 1 | SEAL KIT, (includes items 14 thru 22, 30 & 31) | |

SECTION 9 - HYDRAULIC COMPONENTS

FIGURE 9-10. EXTEND/RETRACT CYLINDER ASSEMBLY 7 AND 8M (SN 1160000863 to Present)



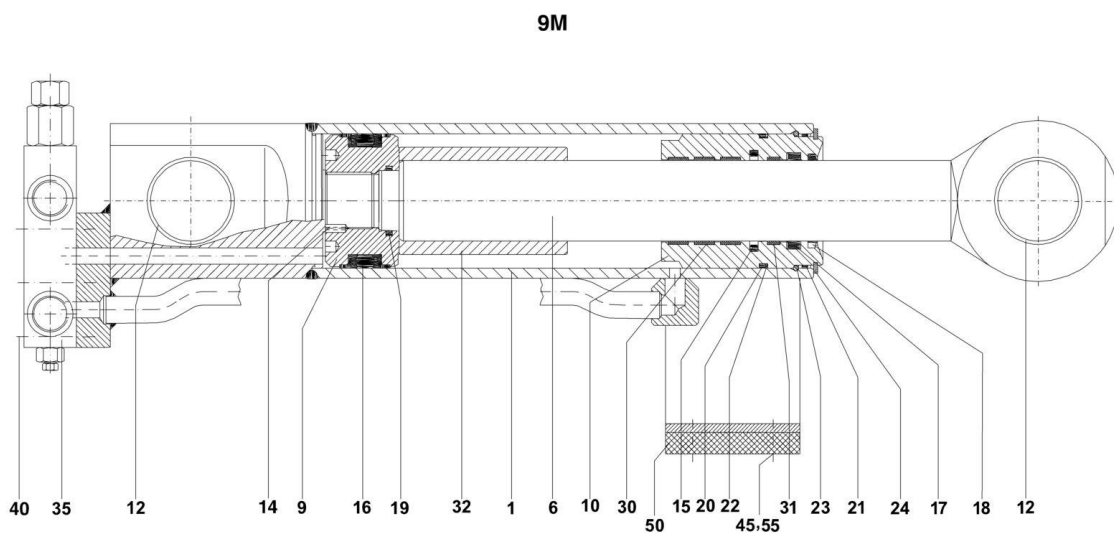
SECTION 9 - HYDRAULIC COMPONENTS

FIGURE 9-10. EXTEND/RETRACT CYLINDER ASSEMBLY 7 AND 8M (SN 1160000863 to Present)

| ITEM | PART NUMBER | QTY | DESCRIPTION | REV |
|------|-------------|-----|---|-----|
| | 1684441 | Ref | EXTEND/RETRACT CYLINDER ASSY, (7M & 8M machines), (includes all items) | |
| 1 | 7029729 | 1 | CYLINDER HOUSING ASSY | |
| 2 | 7029730 | 1 | PISTON ROD | |
| 3 | 7028355 | 1 | GLAND | |
| 4 | 7028356 | 1 | PISTON | |
| 5 | 7028357 | 1 | BEARING | |
| 6 | Kit | 1 | WIPER | |
| 7 | Kit | 1 | ROD SEAL | |
| 8 | Kit | 1 | O-RING | |
| 9 | Kit | 1 | BACK-UP RING | |
| 10 | Kit | 1 | O-RING | |
| 11 | Kit | 2 | O-RING | |
| 12 | Kit | 1 | PISTON SEAL | |
| 13 | Kit | 2 | WEAR RING | |
| 14 | Kit | 1 | SET SCREW | |
| 15 | | Ref | SPACER | |
| 16 | | Ref | ROD HEAD | |
| 17 | 8007655 | 1 | LOAD CONTROL VALVE | |
| 18 | 7029728 | 1 | BUFFER DISC | |
| 19 | 7029626 | 4 | COUNTERSUNK SCREW | |
| 20 | 7028584 | 4 | HEX SOCKET HD SCREW | |
| | 7028352 | AR | SEAL KIT, (includes items 6 thru 14) | |

SECTION 9 - HYDRAULIC COMPONENTS

FIGURE 9-11. EXTEND/RETRACT CYLINDER ASSEMBLY 9M (Prior to SN 1160000863)



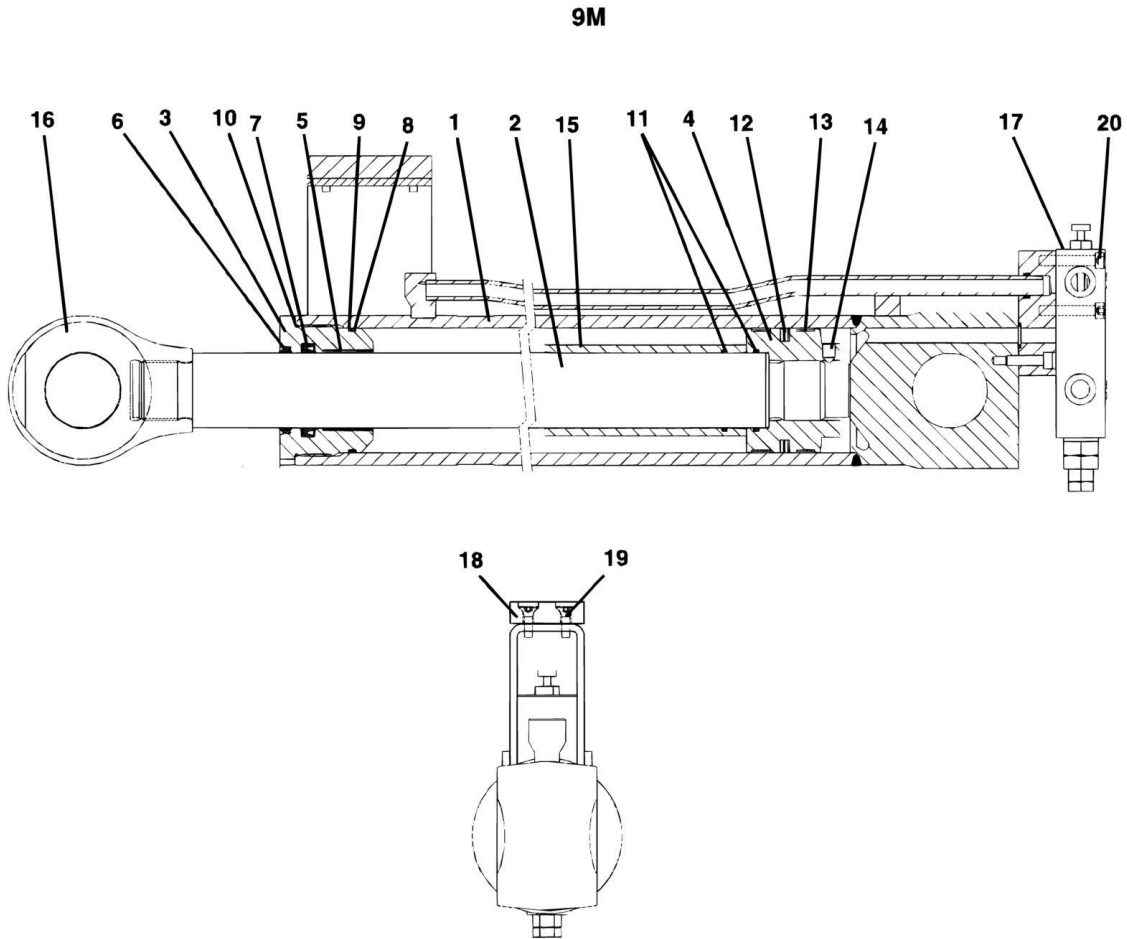
SECTION 9 - HYDRAULIC COMPONENTS

FIGURE 9-11. EXTEND/RETRACT CYLINDER ASSEMBLY 9M (Prior to SN 1160000863)

| ITEM | PART NUMBER | QTY | DESCRIPTION | REV |
|------|-------------|-----|---|-----|
| | 8007326 | Ref | EXTEND/RETRACT CYLINDER ASSY, (9M machines), (includes all items) | B |
| 1 | 8007674 | 1 | BARREL | |
| 6 | 8007675 | 1 | ROD | |
| 9 | 8007676 | 1 | PISTON | |
| 10 | 8007678 | 1 | HEAD | |
| 12 | 8007679 | 4 | BUSHING | |
| 14 | Kit | 1 | ADAPTOR SLEEVE | |
| 15 | Kit | 1 | TURCON GLYD RING | |
| 16 | Kit | 1 | PACKING SET | |
| 17 | Kit | 1 | U-RING | |
| 18 | Kit | 1 | WIPER SEAL | |
| 19 | Kit | 1 | O-RING | |
| 20 | Kit | 1 | O-RING | |
| 21 | Kit | 1 | O-RING | |
| 22 | Kit | 1 | BACK UP RING | |
| 23 | 8007689 | 1 | SNAP RING | |
| 24 | 1618713 | 1 | RETAINING RING | |
| 30 | Kit | 3 | THRUST RING | |
| 31 | Kit | 1 | THRUST RING | |
| 32 | 8007693 | 1 | SPACER | |
| 35 | 8007655 | 1 | LOWERING BRAKE VALVE | |
| 40 | 0857390 | 4 | ALLEN SCREW | |
| 45 | 7028116 | 4 | COUNTERSUNK SCREW | |
| 50 | 7028117 | 1 | GUIDE PLATE | |
| 55 | 7028114 | 2 | WASHER | |
| | 8007694 | 1 | SEAL KIT - 8007326 CYLINDER, (includes items 14 thru 22, 30 & 31) | |

SECTION 9 - HYDRAULIC COMPONENTS

FIGURE 9-12. EXTEND/RETRACT CYLINDER ASSEMBLY 9M (SN 1160000358 to Present)



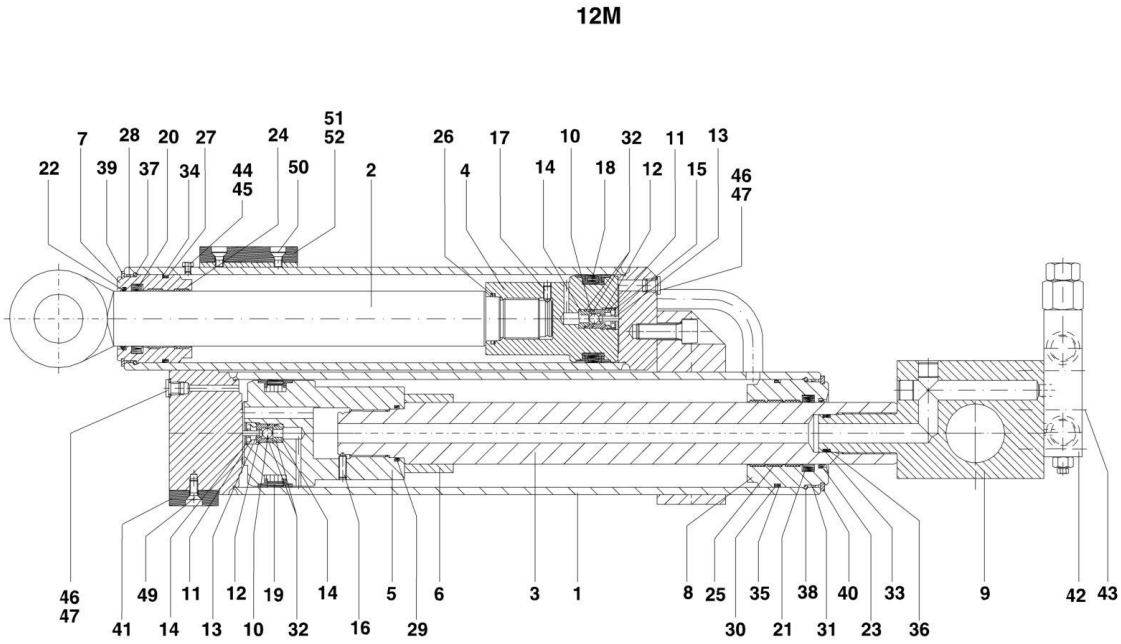
SECTION 9 - HYDRAULIC COMPONENTS

FIGURE 9-12. EXTEND/RETRACT CYLINDER ASSEMBLY 9M (SN 1160000358 to Present)

| ITEM | PART NUMBER | QTY | DESCRIPTION | REV |
|------|-------------|-----|---|-----|
| | 1684440 | Ref | EXTEND/RETRACT CYLINDER ASSY, (9M machines), (includes all items) | |
| 1 | 7029725 | 1 | CYLINDER HOUSING ASSY | |
| 2 | 7029726 | 1 | PISTON ROD | |
| 3 | 7028355 | 1 | GLAND | |
| 4 | 7028356 | 1 | PISTON | |
| 5 | 7028357 | 1 | BEARING | |
| 6 | Kit | 1 | WIPER | |
| 7 | Kit | 1 | ROD SEAL | |
| 8 | Kit | 1 | O-RING | |
| 9 | Kit | 1 | BACK-UP RING | |
| 10 | Kit | 1 | O-RING | |
| 11 | Kit | 2 | O-RING | |
| 12 | Kit | 1 | PISTON SEAL | |
| 13 | Kit | 2 | WEAR RING | |
| 14 | Kit | 1 | SET SCREW | |
| 15 | 7029727 | 1 | SPACER | |
| 16 | | Ref | ROD EYE | |
| 17 | 8007655 | 1 | LOAD CONTROL VALVE | |
| 18 | 7029728 | 1 | BUFFER DISC | |
| 19 | 7029626 | 4 | COUNTERSUNK SCREW | |
| 20 | 7028584 | 4 | HEX SOCKET HD SCREW | |
| | 7028352 | AR | SEAL KIT, (includes items 6 thru 14) | |

SECTION 9 - HYDRAULIC COMPONENTS

FIGURE 9-13. EXTEND/RETRACT CYLINDER ASSEMBLY 12M (Prior to SN 1160000863)



SECTION 9 - HYDRAULIC COMPONENTS

FIGURE 9-13. EXTEND/RETRACT CYLINDER ASSEMBLY 12M (Prior to SN 1160000863)

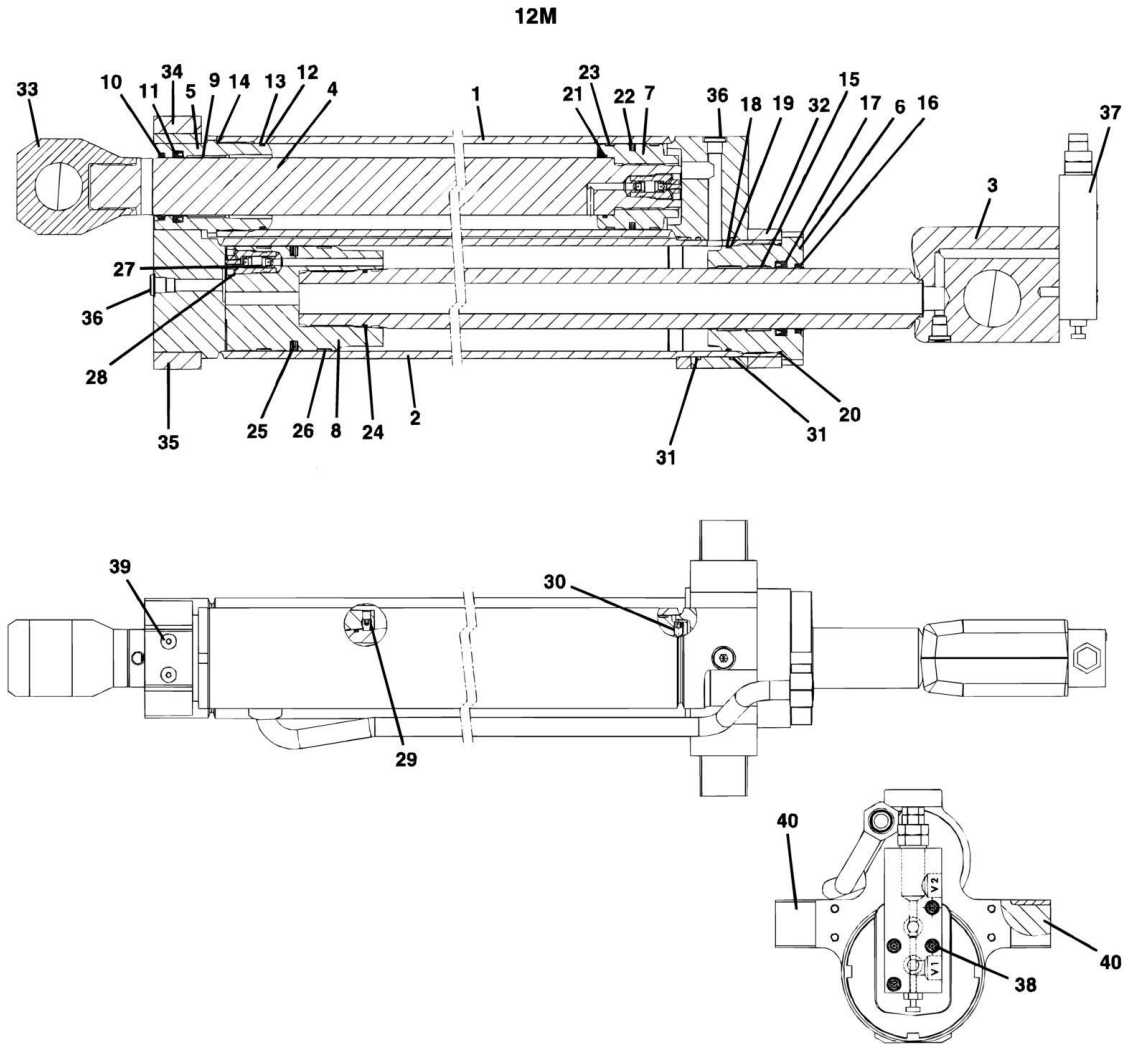
| ITEM | PART NUMBER | QTY | DESCRIPTION | REV |
|------|-------------|-----|--|-----|
| | 4803281 | Ref | ETEND/RETRACT CYLINDER ASSY, (12M machine), (includes all items) | B |
| 1 | 8007623 | 1 | BARREL | |
| 2 | 8007625 | 1 | ROD | |
| 3 | 8007624 | 1 | ROD | |
| 4 | 8007626 | 1 | PISTON | |
| 5 | 8007627 | 1 | PISTON | |
| 6 | 8007628 | 1 | SPACER | |
| 7 | 8007629 | 1 | HEAD | |
| 8 | 8007630 | 1 | HEAD | |
| 9 | 8007631 | 1 | BLOCK | |
| 10 | 0422931 | 2 | BALL | |
| 11 | 8007632 | 2 | THROTTLE | |
| 12 | 8007633 | 2 | VALVE HOUSING | |
| 13 | 8007634 | 2 | POPPET | |
| 14 | 8007635 | 2 | VALVE SEAT | |
| 15 | 1379951 | 2 | RETAINING RING | |
| 16 | 1620853 | 1 | THREADED PIN, (secure with loctite # 242) | |
| 17 | 3830022 | 1 | THREADED PIN, (secure with loctite #242) | |
| 18 | Kit | 1 | PISTON PACKING | |
| 19 | Kit | 1 | PACKING SET | |
| 20 | Kit | 1 | U-RING | |
| 21 | Kit | 1 | U-RING | |
| 22 | Kit | 1 | WIPER SEAL | |
| 23 | Kit | 1 | WIPER SEAL | |
| 24 | Kit | 2 | GUIDE RING | |
| 25 | Kit | 3 | GUIDE RING | |
| 26 | Kit | 1 | O-RING | |
| 27 | Kit | 1 | O-RING | |
| 28 | Kit | 1 | O-RING | |
| 29 | Kit | 1 | O-RING | |
| 30 | Kit | 1 | O-RING | |
| 31 | Kit | 1 | O-RING | |
| 32 | Kit | 4 | O-RING | |
| 33 | Kit | 1 | O-RING | |
| 34 | Kit | 1 | BACK UP RING | |
| 35 | Kit | 1 | BACK UP RING | |
| 36 | Kit | 1 | BACK UP RING | |
| 37 | 8007651 | 1 | SNAP RING | |
| 38 | 8007652 | 1 | SNAP RING | |
| 39 | 1398034 | 1 | RETAINING RING | |
| 40 | 1630640 | 1 | RETAINING RING | |
| 41 | 8007653 | 1 | GUIDE PLATE | |
| 42 | 8007655 | 1 | LOWERING BRAKE VALVE | |
| 43 | 0857390 | 4 | ALLEN SCREW | |
| 44 | 0342650 | 1 | BOLT | |
| 45 | 1051843 | 1 | PACKING | |
| 46 | 1631856 | 2 | PLUG | |
| 47 | 2675009 | 2 | GASKET | |
| 48 | 8007658 | 2 | SPACER, (not illustrated) | |

SECTION 9 - HYDRAULIC COMPONENTS

| ITEM | PART NUMBER | QTY | DESCRIPTION | REV |
|------|-------------|-----|--|-----|
| 49 | 1305033 | 2 | COUNTERSUNK SCREW, (secure with loctite #242) | |
| 50 | 7028116 | 4 | COUNTERSUNK SCREW | |
| 51 | 7028117 | 1 | GUIDE PLATE | |
| 52 | 7028114 | 2 | WASHER | |
| | 8007671 | 1 | SEAL KIT - 4803281 CYLINDER, (includes items 18 thru 36) | |

SECTION 9 - HYDRAULIC COMPONENTS

FIGURE 9-14. EXTEND/RETRACT CYLINDER ASSEMBLY 12M (SN 1160000863 to Present)



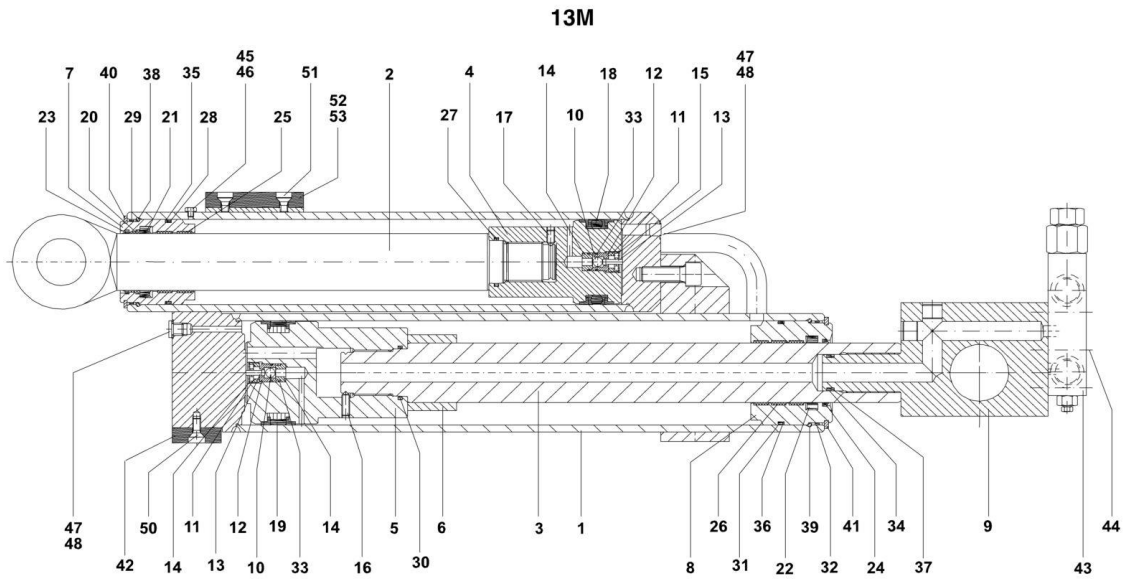
SECTION 9 - HYDRAULIC COMPONENTS

FIGURE 9-14. EXTEND/RETRACT CYLINDER ASSEMBLY 12M (SN 1160000863 to Present)

| ITEM | PART NUMBER | QTY | DESCRIPTION | REV |
|------|-------------|-----|--|-----|
| | 1684438 | Ref | EXTEND/RETRACT CYLINDER ASSY, (12M machines), (includes all items) | |
| 1 | 7029628 | 1 | CYLINDER HOUSING ASSY | |
| 2 | 7029629 | 1 | CYLINDER HOUSING ASSY | |
| 3 | 7029630 | 1 | PISTON ROD ASSY | |
| 4 | 7029631 | 1 | PISTON ROD ASSY | |
| 6 | 7029615 | 1 | GLAND | |
| 7 | 7029616 | 1 | PISTON | |
| 8 | 7029617 | 1 | PISTON | |
| 10 | Kit | 1 | WIPER | |
| 11 | Kit | 1 | ROD SEAL | |
| 12 | Kit | 1 | O-RING | |
| 13 | Kit | 1 | BACK-UP RING | |
| 14 | Kit | 1 | O-RING | |
| 15 | Kit | 2 | ROD GUIDE RING | |
| 16 | Kit | 1 | WIPER RING | |
| 17 | Kit | 1 | ROD SEAL | |
| 18 | Kit | 1 | O-RING | |
| 19 | Kit | 1 | BACK-UP RING | |
| 20 | Kit | 1 | O-RING | |
| 21 | Kit | 1 | O-RING | |
| 22 | Kit | 1 | PISTON SEAL | |
| 23 | Kit | 2 | WEAR RING | |
| 24 | Kit | 1 | O-RING | |
| 25 | Kit | 1 | PISTON SEAL | |
| 26 | Kit | 2 | WEAR RING | |
| 27 | 7029618 | 1 | CHECK VALVE | |
| 28 | 7029619 | 1 | SNAP RING | |
| 29 | Kit | 1 | SET SCREW | |
| 30 | Kit | 1 | SET SCREW | |
| 31 | Kit | 2 | DUAL SEAL | |
| 32 | 7029620 | 1 | SPACER | |
| 33 | | Ref | ROD EYE | |
| 34 | 7029622 | 1 | BUFFER DISC | |
| 35 | 7029623 | 1 | BUFFER DISC | |
| 36 | 7029624 | 2 | PLUG | |
| 37 | 8007655 | 1 | LOAD CONTROL VALVE | |
| 38 | 7028584 | 4 | HEX SOCKET HD SCREW | |
| 39 | 7029626 | 4 | COUNTERSUNK SCREW | |
| 40 | 7029627 | 2 | BEARING | |
| | 7029632 | AR | SEAL KIT, (includes items 10 thru 26 & 29 thru 31) | |
| | 7029614 | AR | GLAND ASSY, (includes items 5 & 9) | |

SECTION 9 - HYDRAULIC COMPONENTS

FIGURE 9-15. EXTEND/RETRACT CYLINDER ASSEMBLY 13M (Prior to SN 1160000863)



SECTION 9 - HYDRAULIC COMPONENTS

FIGURE 9-15. EXTEND/RETRACT CYLINDER ASSEMBLY 13M (Prior to SN 1160000863)

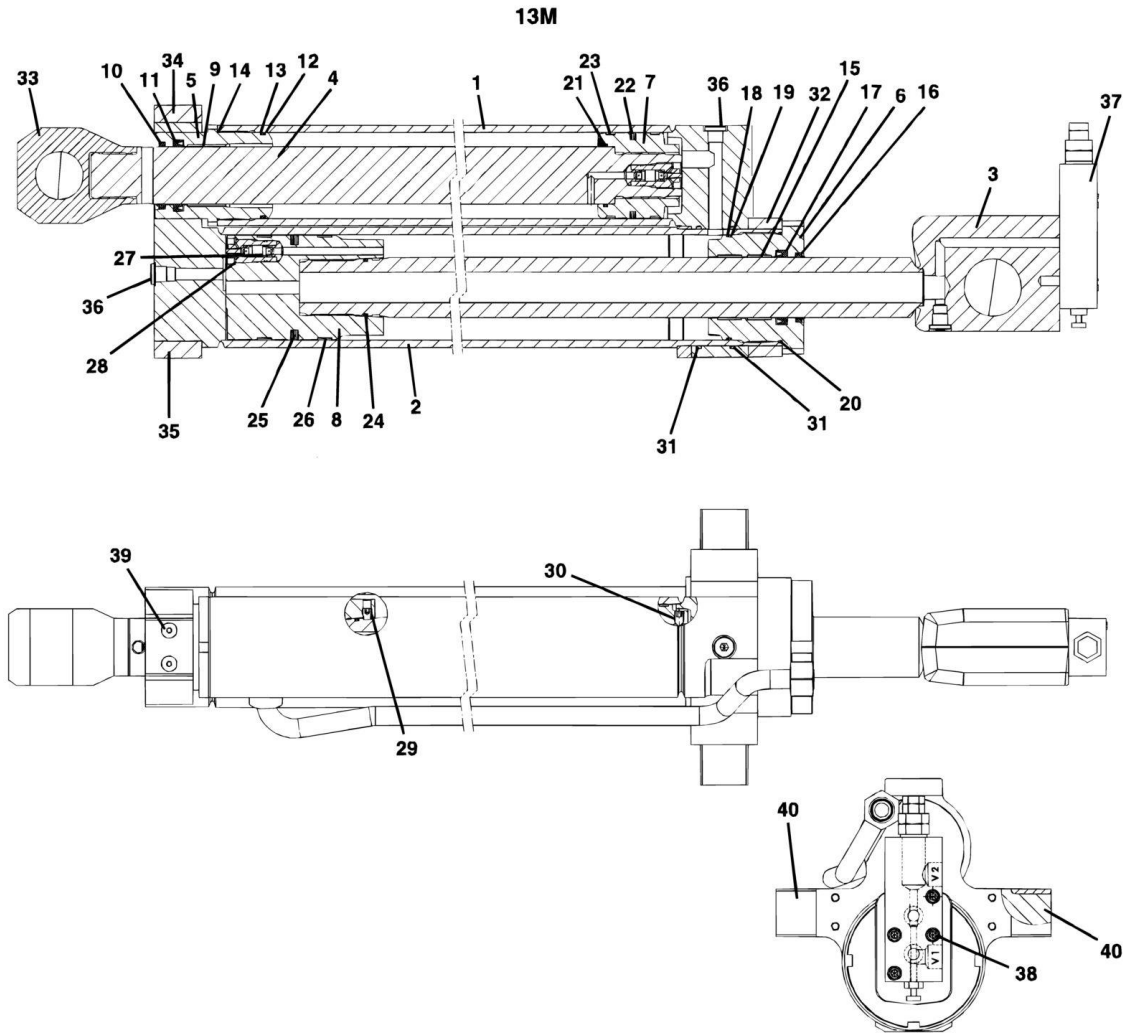
| ITEM | PART NUMBER | QTY | DESCRIPTION | REV |
|------|-------------|-----|--|-----|
| | 8007201 | Ref | EXTEND/RETRACT CYLINDER ASSY, (13M machines), (includes all items) | B |
| 1 | 8007661 | 1 | BARREL | |
| 2 | 8007662 | 1 | ROD | |
| 3 | 7028583 | 1 | ROD | |
| 4 | 8007626 | 1 | PISTON | |
| 5 | 8007627 | 1 | PISTON | |
| 6 | 8007628 | 1 | SPACER | |
| 7 | 8007665 | 1 | HEAD | |
| 8 | 8007630 | 1 | HEAD | |
| 9 | 8007631 | 1 | BLOCK | |
| 10 | 0422931 | 2 | BALL | |
| 11 | 8007632 | 2 | THROTTLE | |
| 12 | 8007633 | 2 | VALVE HOUSING | |
| 13 | 8007634 | 2 | POPPET | |
| 14 | 8007635 | 2 | VALVE SEAT | |
| 15 | 1379951 | 2 | RETAINING RING | |
| 16 | 1620853 | 1 | THREADED PIN, (secure with loctite #242) | |
| 17 | 3830022 | 1 | THREADED PIN, (secure with loctite #242) | |
| 18 | Kit | 1 | PISTON PACKING | |
| 19 | Kit | 1 | PACKING SET | |
| 20 | Kit | 1 | THRUST RING | |
| 21 | Kit | 1 | U-RING | |
| 22 | Kit | 1 | U-RING | |
| 23 | Kit | 1 | WIPER SEAL | |
| 24 | Kit | 1 | WIPER SEAL | |
| 25 | Kit | 2 | GUIDE RING | |
| 26 | Kit | 3 | GUIDE RING | |
| 27 | Kit | 1 | O-RING | |
| 28 | Kit | 1 | O-RING | |
| 29 | Kit | 1 | O-RING | |
| 30 | Kit | 1 | O-RING | |
| 31 | Kit | 1 | O-RING | |
| 32 | Kit | 1 | O-RING | |
| 33 | Kit | 4 | O-RING | |
| 34 | Kit | 1 | O-RING | |
| 35 | Kit | 1 | BACK UP RING | |
| 36 | Kit | 1 | BACK UP RING | |
| 37 | Kit | 1 | BACK UP RING | |
| 38 | 8007651 | 1 | SNAP RING | |
| 39 | 8007652 | 1 | SNAP RING | |
| 40 | 1398034 | 1 | RETAINING RING | |
| 41 | 1630640 | 1 | RETAINING RING | |
| 42 | 8007653 | 1 | GUIDE PLATE | |
| 43 | 8007655 | 1 | LOWERING BRAKE VALVE | |
| 44 | 0857390 | 4 | ALLEN SCREW | |
| 45 | 0342650 | 1 | BOLT | |
| 46 | 1051843 | 1 | PACKING | |
| 47 | 1631856 | 2 | PLUG | |
| 48 | 2675009 | 2 | GASKET | |

SECTION 9 - HYDRAULIC COMPONENTS

| ITEM | PART NUMBER | QTY | DESCRIPTION | REV |
|------|-------------|-----|--|-----|
| 49 | 8007658 | 2 | SPACER, (not illustrated) | |
| 50 | 1305033 | 2 | COUNTERSUNK SCREW, (secure with loctite #242) | |
| 51 | 7028116 | 4 | COUNTERSUNK SCREW | |
| 52 | 7028117 | 1 | GUIDE PLATE | |
| 53 | 7028114 | 2 | WASHER | |
| | 8007673 | 1 | SEAL KIT - 8007201 CYLINDER, (includes items 18 thru 37) | |

SECTION 9 - HYDRAULIC COMPONENTS

FIGURE 9-16. EXTEND/RETRACT CYLINDER ASSEMBLY 13M (SN 1160000863 to Present)



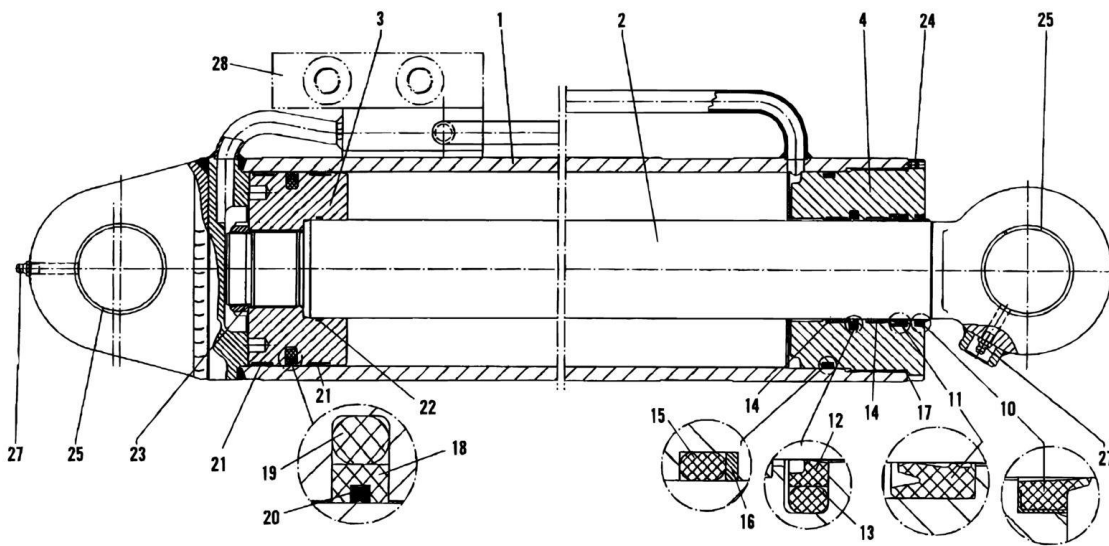
SECTION 9 - HYDRAULIC COMPONENTS

FIGURE 9-16. EXTEND/RETRACT CYLINDER ASSEMBLY 13M (SN 1160000863 to Present)

| ITEM | PART NUMBER | QTY | DESCRIPTION | REV |
|------|-------------|-----|--|-----|
| | 1684409 | Ref | EXTEND/RETRACT CYLINDER ASSY, (13M machines), (includes all items) | |
| 1 | 7029610 | 1 | CYLINDER HOUSING ASSY | |
| 2 | 7029611 | 1 | CYLINDER HOUSING ASSY | |
| 3 | 7029612 | 1 | PISTON ROD ASSY | |
| 4 | 7029613 | 1 | PISTON ROD ASSY | |
| 5 | | Ref | GLAND | |
| 6 | 7029615 | 1 | GLAND | |
| 7 | 7029616 | 1 | PISTON | |
| 8 | 7029617 | 1 | PISTON | |
| 9 | | Ref | BEARING | |
| 10 | Kit | 1 | WIPER | |
| 11 | Kit | 1 | ROD SEAL | |
| 12 | Kit | 1 | O-RING | |
| 13 | Kit | 1 | BACK-UP RING | |
| 14 | Kit | 1 | O-RING | |
| 15 | Kit | 2 | ROD GUIDE RING | |
| 16 | Kit | 1 | WIPER RING | |
| 17 | Kit | 1 | ROD SEAL | |
| 18 | Kit | 1 | O-RING | |
| 19 | Kit | 1 | BACK-UP RING | |
| 20 | Kit | 1 | O-RING | |
| 21 | Kit | 1 | O-RING | |
| 22 | Kit | 1 | PISTON SEAL | |
| 23 | Kit | 2 | WEAR RING | |
| 24 | Kit | 1 | O-RING | |
| 25 | Kit | 1 | PISTON SEAL | |
| 26 | Kit | 2 | WEAR RING | |
| 27 | 7029618 | 1 | CHECK VALVE | |
| 28 | 7029619 | 1 | SNAP RING | |
| 29 | Kit | 1 | SET SCREW | |
| 30 | Kit | 1 | SET SCREW | |
| 31 | Kit | 2 | DUAL SEAL | |
| 32 | 7029620 | 1 | SPACER | |
| 33 | | Ref | ROD EYE | |
| 34 | 7029622 | 1 | BUFFER DISC | |
| 35 | 7029623 | 1 | BUFFER DISC | |
| 36 | 7029624 | 2 | PLUG | |
| 37 | 8007655 | 1 | LOAD CONTROL VALVE | |
| 38 | 7028584 | 4 | HEX SOCKET HD SCREW | |
| 39 | 7029626 | 4 | COUNTERSUNK SCREW | |
| 40 | 7029627 | 2 | BEARING | |
| | 7029632 | AR | SEAL KIT, (includes items 10 thru 26 & 29 thru 31) | |
| | 7029614 | AR | GLAND ASSY, (includes items 5 & 9) | |

SECTION 9 - HYDRAULIC COMPONENTS

FIGURE 9-17. TILT CYLINDER ASSEMBLY (Prior to SN 1160000863)



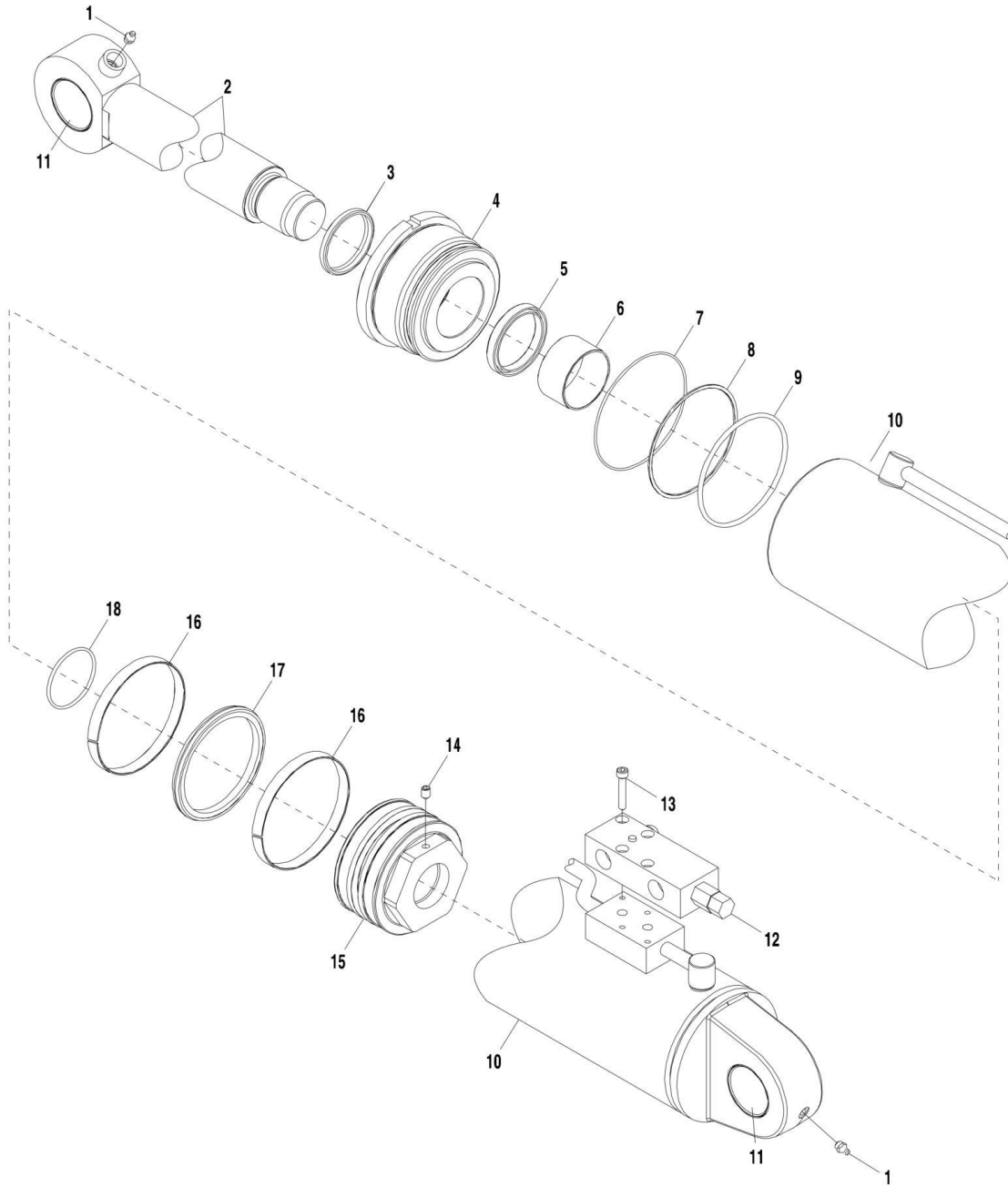
SECTION 9 - HYDRAULIC COMPONENTS

FIGURE 9-17. TILT CYLINDER ASSEMBLY (Prior to SN 1160000863)

| ITEM | PART NUMBER | QTY | DESCRIPTION | REV |
|------|-------------|-----|--|-----|
| | 4802768 | Ref | TILT CYLINDER ASSY, (includes items 1 thru 27) | |
| 1 | 8007377 | 1 | BARREL | |
| 2 | 8007379 | 1 | ROD | |
| 3 | 8007381 | 1 | PISTON | |
| 4 | 8007382 | 1 | HEAD | |
| 10 | Kit | 1 | WIPER | |
| 11 | Kit | 1 | U-RING | |
| 12 | Kit | 1 | TURCON STEPSEAL | |
| 13 | Kit | 1 | O-RING | |
| 14 | Kit | 2 | ROD WEAR RING | |
| 15 | Kit | 1 | O-RING | |
| 16 | Kit | 1 | BACK-UP RING | |
| 17 | Kit | 1 | O-RING | |
| 18 | Kit | 1 | SEAL | |
| 19 | Kit | 1 | O-RING | |
| 20 | Kit | 1 | QUAD RING | |
| 21 | Kit | 2 | PISTON WEAR RING | |
| 22 | Kit | 1 | O-RING | |
| 23 | 8007479 | 1 | NUT | |
| 24 | 0442902 | 1 | THREADED PIN | |
| 25 | 8007376 | 2 | BUSHING | |
| 27 | 7029473 | 2 | GREASE FITTING | |
| 28 | | Ref | LOAD HOLDING VALVE, (See HYDRAULIC CIRCUITS SECTION for Breakdown) | |
| | 8007375 | 1 | SEAL KIT - 4802768 CYLINDER, (includes items 10 thru 22) | |

SECTION 9 - HYDRAULIC COMPONENTS

FIGURE 9-18. TILT CYLINDER ASSEMBLY (SN 1160000863 to Present)



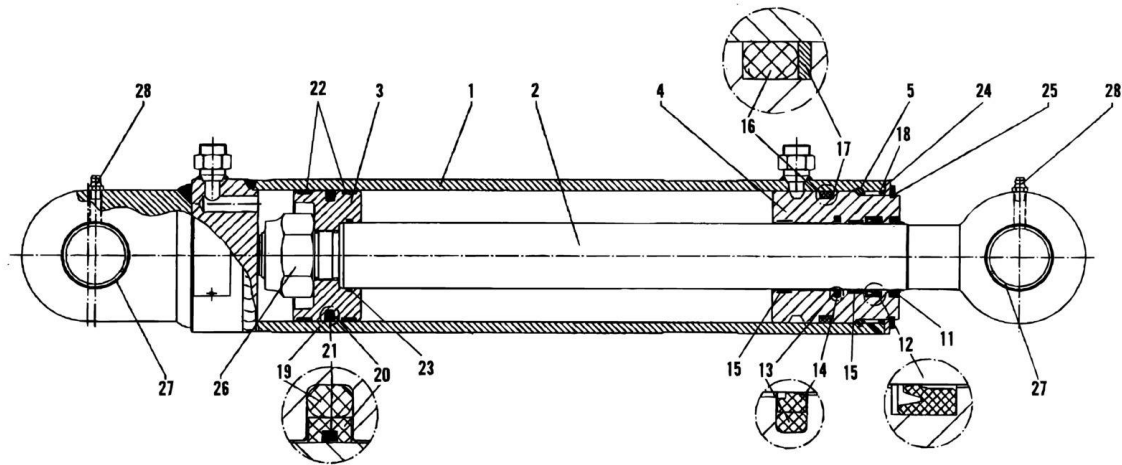
SECTION 9 - HYDRAULIC COMPONENTS

FIGURE 9-18. TILT CYLINDER ASSEMBLY (SN 1160000863 to Present)

| ITEM | PART NUMBER | QTY | DESCRIPTION | REV |
|------|-------------|-----|--|-----|
| | 1684396 | 1 | TILT CYLINDER, (includes all items) | |
| 1 | 7028314 | 2 | GREASE NIPPLE | |
| 2 | 7028574 | 1 | PISTON ROD ASSY | |
| 3 | Kit | 1 | WIPER RING | |
| 4 | 7028575 | 1 | GLAND | |
| 5 | Kit | 1 | ROD SEAL | |
| 6 | 7028856 | 2 | BEARING | |
| 7 | Kit | 1 | O-RING | |
| 8 | Kit | 1 | BACKRING | |
| 9 | Kit | 1 | O-RING | |
| 10 | 7028573 | 1 | CYLINDER HOUSING | |
| 11 | 7028840 | 2 | BUSHING | |
| 12 | 7028558 | 1 | LOAD CONTROL VALVE | |
| 13 | 7028584 | 4 | HEX HD SOCKET SCREW | |
| 14 | Kit | 1 | SET SCREW | |
| 15 | 7028576 | 1 | PISTON | |
| 16 | Kit | 2 | PISTON GUIDE | |
| 17 | Kit | 1 | PISTON SEAL | |
| 18 | Kit | 1 | O-RING | |
| | 7028572 | 1 | SEAL KIT, (includes items 3, 5, 7 thru 9, 14 & 16 thru 18) | |

SECTION 9 - HYDRAULIC COMPONENTS

FIGURE 9-19. COMPENSATION CYLINDER ASSEMBLY (Prior to SN 1160000863)



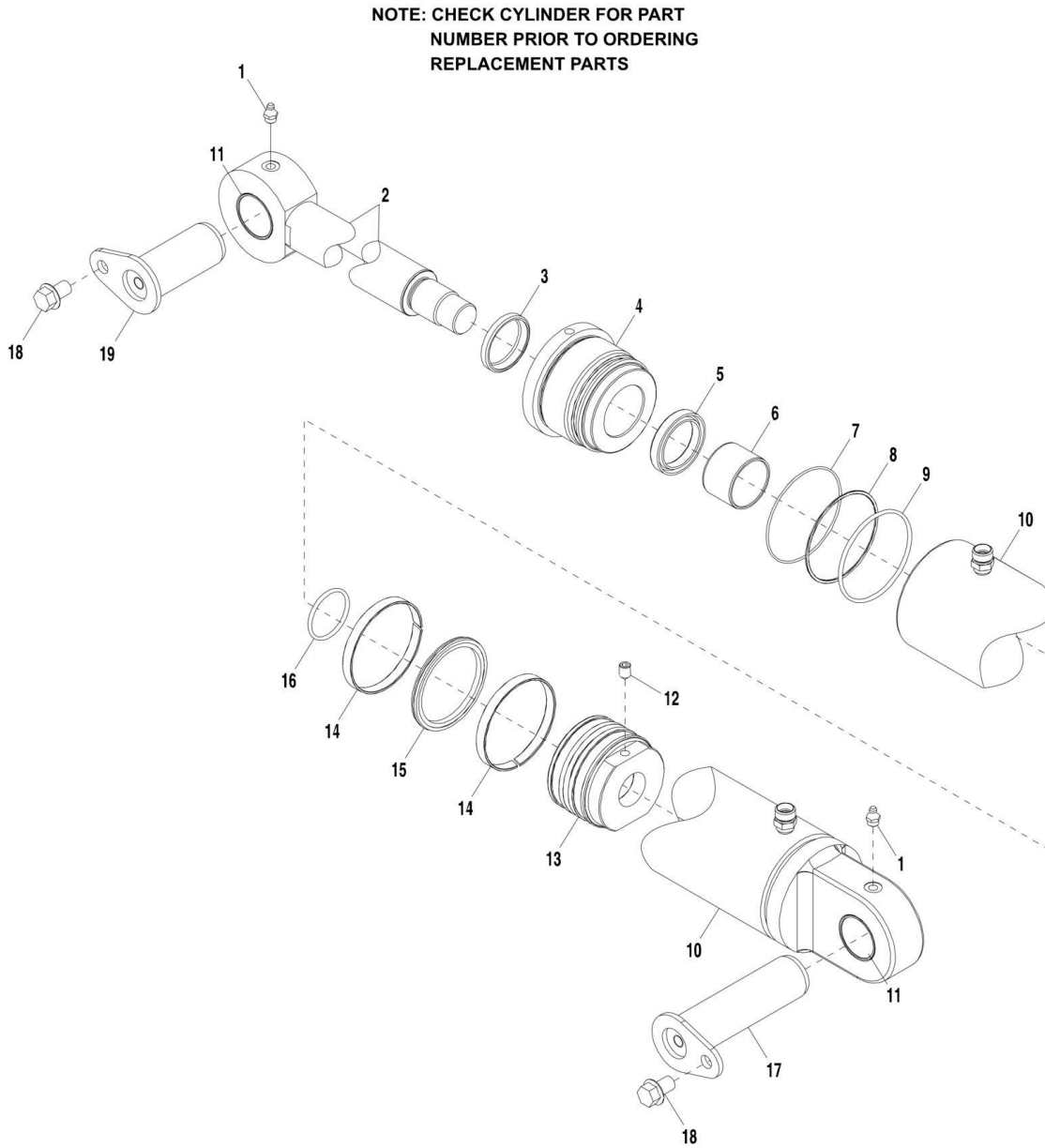
SECTION 9 - HYDRAULIC COMPONENTS

FIGURE 9-19. COMPENSATION CYLINDER ASSEMBLY (Prior to SN 1160000863)

| ITEM | PART NUMBER | QTY | DESCRIPTION | REV |
|------|-------------|-----|--|-----|
| | 4802780 | Ref | COMPENSATION CYLINDER ASSY, (includes all items) | |
| 1 | 8007384 | 1 | BARREL | |
| 2 | 8007385 | 1 | ROD | |
| 3 | 8007386 | 1 | PISTON | |
| 4 | 8007387 | 1 | HEAD | |
| 5 | 8007486 | 1 | SNAP RING | |
| 11 | Kit | 1 | WIPER | |
| 12 | Kit | 1 | U-RING | |
| 13 | Kit | 1 | TURCON STEPSEAL | |
| 14 | Kit | 1 | O-RING | |
| 15 | Kit | 2 | ROD WEAR RING | |
| 16 | Kit | 1 | O-RING | |
| 17 | Kit | 1 | BACK-UP RING | |
| 18 | Kit | 1 | O-RING | |
| 19 | Kit | 1 | SEAL | |
| 20 | Kit | 1 | O-RING | |
| 21 | Kit | 1 | QUAD SEAL | |
| 22 | Kit | 2 | PISTON WEAR RING | |
| 23 | Kit | 1 | O-RING | |
| 24 | 8007388 | 1 | SUPPORTING PLATE | |
| 25 | 1398034 | 1 | CIRCLECLIP | |
| 26 | 8007484 | 1 | NUT | |
| 27 | 8007389 | 2 | BUSHING | |
| 28 | 7029473 | 2 | GREASE FITTING | |
| | 8007390 | 1 | SEAL KIT, (includes items 11 thru 23) | |

SECTION 9 - HYDRAULIC COMPONENTS

FIGURE 9-20. COMPENSATION CYLINDER ASSEMBLY (SN 1160000863 to Present)



SECTION 9 - HYDRAULIC COMPONENTS

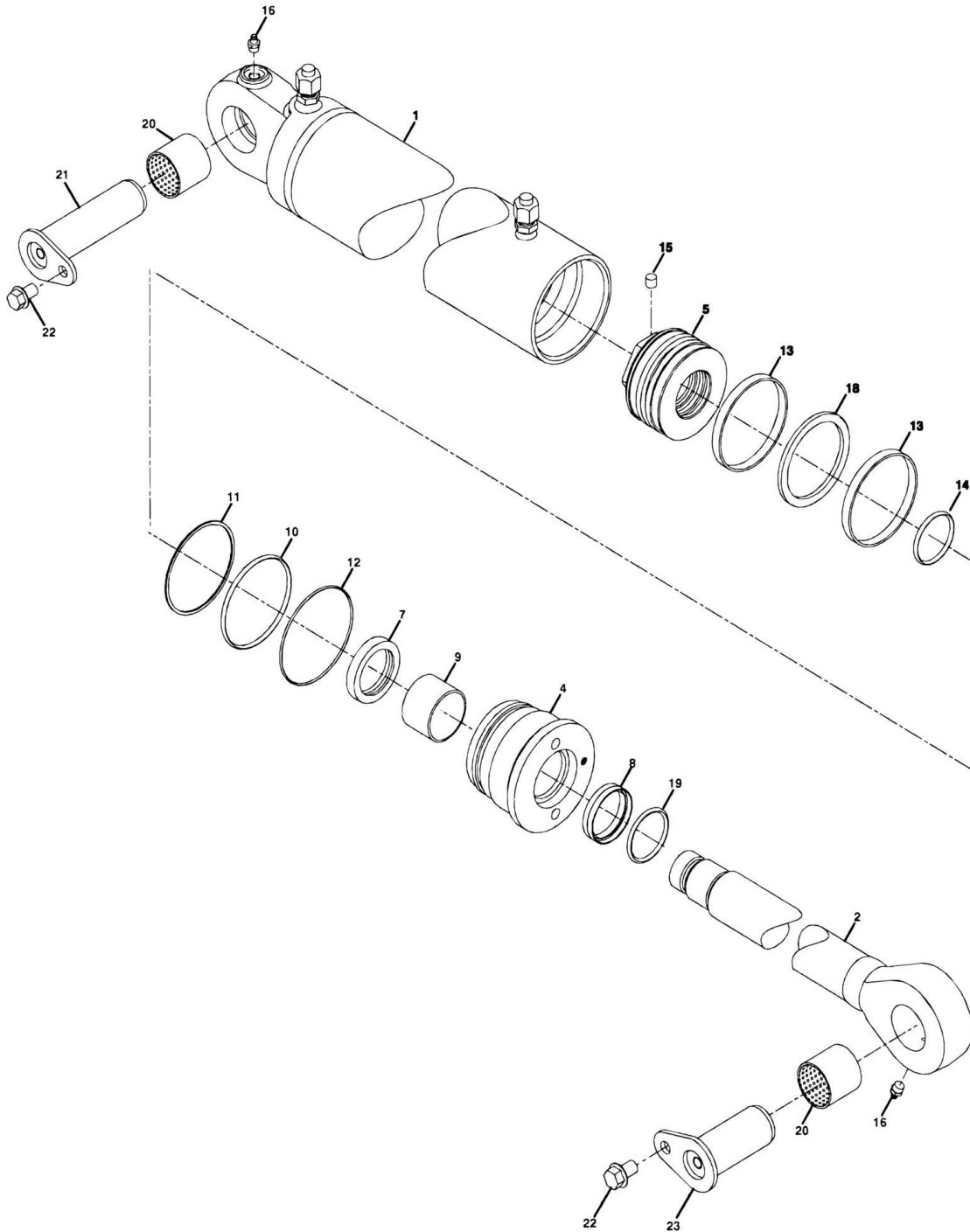
FIGURE 9-20. COMPENSATION CYLINDER ASSEMBLY (SN 1160000863 to Present)

| ITEM | PART NUMBER | QTY | DESCRIPTION | REV |
|------|-------------|-----|---|-----|
| | | Ref | COMPENSATION CYLINDER, (includes items 1 thru 16), (1684383 is no longer available; order 1001107508 for service replacement) | D |
| 1 | 7028314 | 2 | GREASE NIPPLE | |
| 2 | 7029445 | 1 | PISTON ROD ASSY | |
| 3 | Kit | 1 | WIPER RING | |
| 4 | | Ref | GLAND | |
| 5 | Kit | 1 | ROD SEAL | |
| 6 | | Ref | BEARING | |
| 7 | Kit | 1 | O-RING | |
| 8 | Kit | 1 | BACK-UP RING | |
| 9 | Kit | 1 | O-RING | |
| 10 | 7028586 | 1 | CYLINDER HOUSING | |
| 11 | 7028857 | 2 | BUSHING | |
| 12 | Kit | 1 | SET SCREW | |
| 13 | 7028589 | 1 | PISTON | |
| 14 | Kit | 2 | PISTON GUIDE | |
| 15 | Kit | 1 | PISTON SEAL | |
| 16 | Kit | 1 | O-RING | |
| 17 | Kit | 1 | PIN, (See FRAME AND ATTACHING PARTS SECTION for Breakdown) | |
| 18 | Kit | 1 | BOLT, 12X20mm, (See FRAME AND ATTACHING PARTS SECTION for Breakdown) | |
| 19 | Kit | 1 | PIN, (See FRAME AND ATTACHING PARTS SECTION for Breakdown) | |
| | 7028585 | 1 | SEAL KIT, (includes items 3, 5, 7 thru 9, 12 & 14 thru 16) | |
| | 7029446 | 1 | GLAND ASSY, (includes items 4 & 6) | |

SECTION 9 - HYDRAULIC COMPONENTS

FIGURE 9-21. COMPENSATION CYLINDER ASSEMBLY (SN 1160000863 to Present)

NOTE: CHECK CYLINDER FOR PART NUMBER PRIOR TO ORDERING REPLACEMENT PARTS



PAP1010

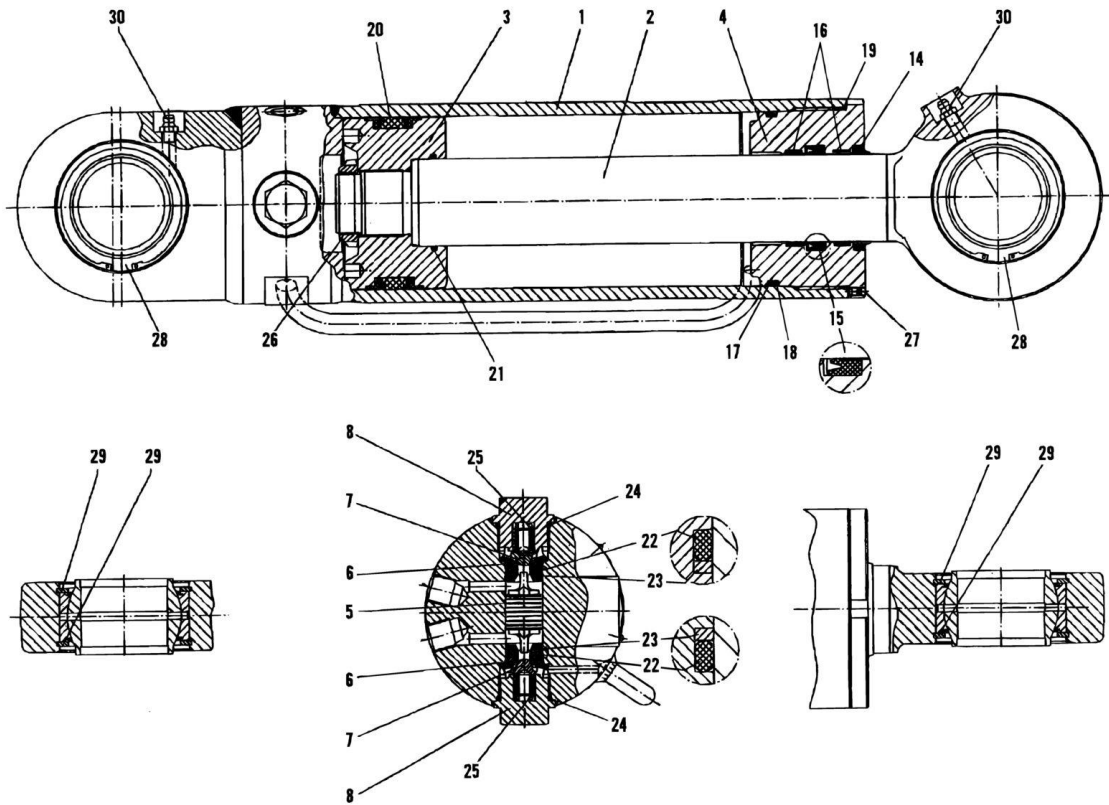
SECTION 9 - HYDRAULIC COMPONENTS

FIGURE 9-21. COMPENSATION CYLINDER ASSEMBLY (SN 1160000863 to Present)

| ITEM | PART NUMBER | QTY | DESCRIPTION | REV |
|------|-------------|-----|--|-----|
| | 1001107508 | 2 | COMPENSATION CYLINDER, (includes items 1 thru 20) | A |
| 1 | 70029943 | 1 | CYLINDER HOUSING | |
| 2 | 70029944 | 1 | PISTON ROD ASSY | |
| 4 | 70029937 | 1 | GLAND | |
| 5 | 70029938 | 1 | PISTON | |
| 7 | Kit | 1 | ROD SEAL | |
| 8 | Kit | 1 | WIPER SEAL | |
| 9 | Kit | 1 | BEARING | |
| 10 | Kit | 1 | BACK-UP RING | |
| 11 | Kit | 1 | O-RING | |
| 12 | Kit | 1 | O-RING | |
| 13 | Kit | 2 | PISTON GUIDE | |
| 14 | Kit | 1 | O-RING | |
| 15 | 70029940 | 1 | SET SCREW | |
| 16 | 70029941 | 2 | GREASE NIPPLE | |
| 18 | Kit | 1 | PISTON SEAL | |
| 19 | Kit | 1 | O-RING | |
| 20 | 70029942 | 2 | BUSHING | |
| 21 | | Ref | PIN, (See FRAME AND ATTACHING PARTS SECTION for Breakdown) | |
| 22 | | Ref | BOLT, 12X20mm, (See FRAME AND ATTACHING PARTS SECTION for Breakdown) | |
| 23 | | Ref | PIN, (See FRAME AND ATTACHING PARTS SECTION for Breakdown) | |
| | 70029972 | 1 | SEAL KIT, (includes items 7 thru 14, 18 & 19) | |

SECTION 9 - HYDRAULIC COMPONENTS

FIGURE 9-22. SWAY CYLINDER ASSEMBLY (Prior to SN 1160000335)



SECTION 9 - HYDRAULIC COMPONENTS

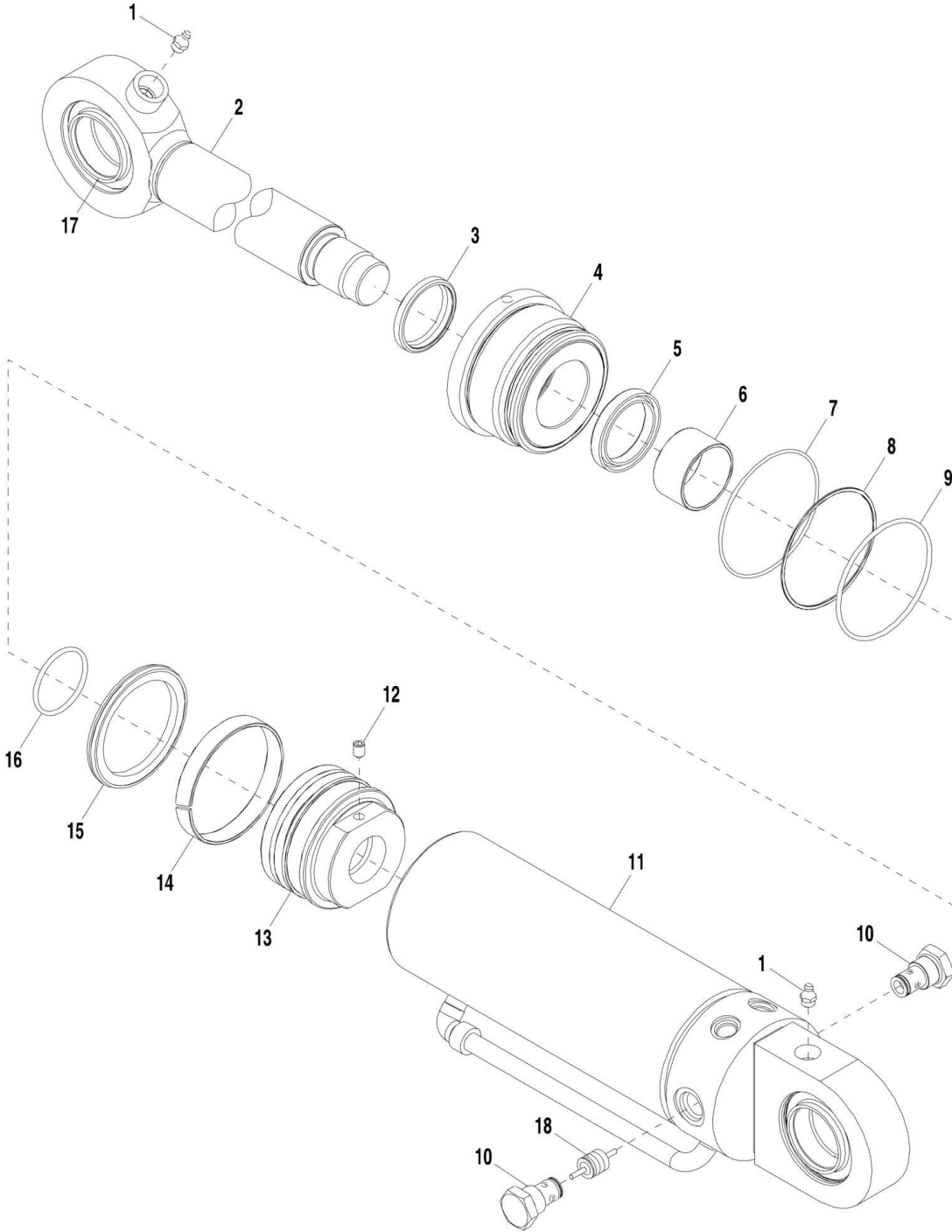
FIGURE 9-22. SWAY CYLINDER ASSEMBLY (Prior to SN 1160000335)

| ITEM | PART NUMBER | QTY | DESCRIPTION | REV |
|------|-------------|-----|--|-----|
| | 4802791 | Ref | SWAY CYLINDER ASSY, (includes all items) | |
| 1 | 8007394 | 1 | BARREL | |
| 2 | 8007395 | 1 | ROD | |
| 3 | 8007396 | 1 | PISTON | |
| 4 | 8007397 | 1 | HEAD | |
| 5 | 8007363 | 1 | CONTROL VALVE PISTON | |
| 6 | 8007398 | 2 | CONTROL VALVE SEAT | |
| 7 | 8007367 | 2 | CONTROL VALVE CONE | |
| 8 | 8007481 | 2 | CONTROL VALVE PLUG | |
| 14 | Kit | 1 | WIPER | |
| 15 | Kit | 1 | U-RING | |
| 16 | Kit | 2 | ROD WEAR RING | |
| 17 | Kit | 1 | O-RING | |
| 18 | Kit | 1 | BACK-UP RING | |
| 19 | Kit | 1 | O-RING | |
| 20 | Kit | 1 | PISTON WEAR RING | |
| 21 | Kit | 1 | O-RING | |
| 22 | Kit | 2 | O-RING | |
| 23 | Kit | 2 | BACK-UP RING | |
| 24 | Kit | 2 | O-RING | |
| 25 | 8007365 | 2 | CONTROL VALVE COMPRESSION SPRING | |
| 26 | 8007476 | 1 | NUT | |
| 27 | 0442902 | 1 | THREADED PIN | |
| 28 | 8007399 | 2 | SPHERICAL BEARING | |
| 29 | 1399251 | 4 | CIRCLECLIP | |
| 30 | 7029473 | 4 | GREASE FITTING | |
| | 8007400 | 1 | SEAL KIT - 4802791 CYLINDER, (includes items 14 thru 24) | |

SECTION 9 - HYDRAULIC COMPONENTS

FIGURE 9-23. SWAY CYLINDER ASSEMBLY (SN 116000335 to Present)

NOTE: CHECK CYLINDER FOR PART NUMBER PRIOR TO ORDERING REPLACEMENT PARTS



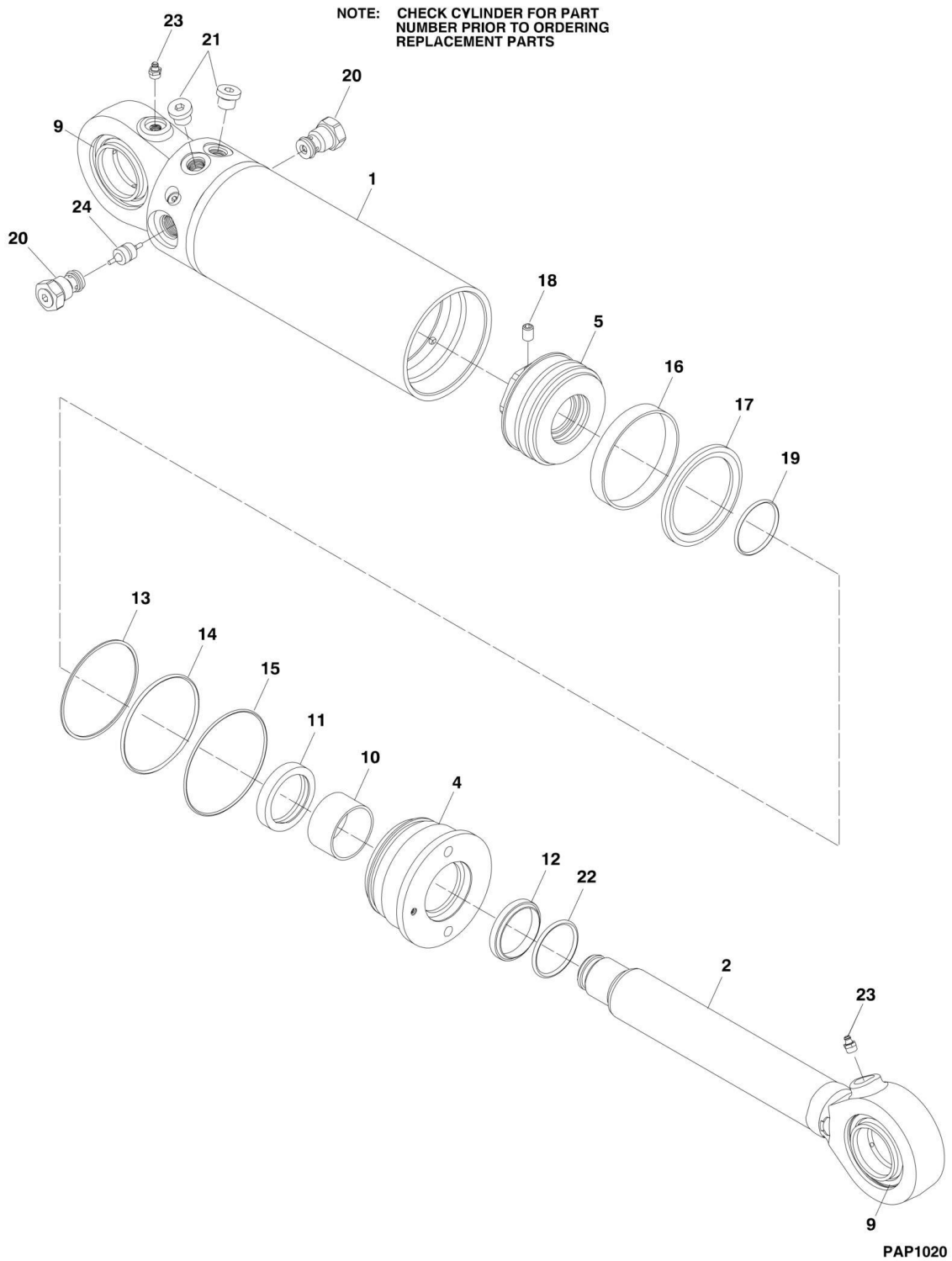
SECTION 9 - HYDRAULIC COMPONENTS

FIGURE 9-23. SWAY CYLINDER ASSEMBLY (SN 116000335 to Present)

| ITEM | PART NUMBER | QTY | DESCRIPTION | REV |
|------|-------------|-----|---|-----|
| | | Ref | SWAY CYLINDER, (includes items 1 thru 17), (1684405 is no longer available; order 1001107511 for service replacement) | E |
| 1 | 7028314 | 2 | GREASE NIPPLE | |
| 2 | 7028601 | 1 | PISTON ROD ASSY | |
| 3 | Kit | 1 | WIPER RING | |
| 4 | | Ref | GLAND | |
| 5 | Kit | 1 | ROD SEAL | |
| 6 | | Ref | BEARING | |
| 7 | Kit | 1 | O-RING | |
| 8 | Kit | 1 | BACK-UP RING | |
| 9 | Kit | 1 | O-RING | |
| 10 | 7028606 | 2 | CHECK VALVE, USE WITH CYLINDER 500531M91 | |
| 10 | 7029845 | 2 | CHECK VALVE, USE WITH CYLINDER 500531M92 | |
| 11 | 7028600 | 1 | CYLINDER HOUSING ASSY | |
| 12 | Kit | 1 | SET SCREW | |
| 13 | 7028858 | 1 | PISTON | |
| 14 | Kit | 1 | WEAR RING | |
| 15 | Kit | 1 | PISTON SEAL | |
| 16 | Kit | 1 | O-RING | |
| 17 | 7028860 | 2 | BUSHING | |
| 18 | 7028605 | 1 | VALVE PISTON, USE WITH CYLINDER 500531M91 | |
| 18 | 7029847 | 1 | VALVE PISTON, USE WITH CYLINDER 500531M92 | |
| | 7028599 | 1 | SEAL KIT, (includes items 3, 5, 7 thru 9, 12 & 14 thru 16) | |
| | 7028602 | 1 | GLAND ASSY, (includes items 4 & 6) | |

SECTION 9 - HYDRAULIC COMPONENTS

FIGURE 9-24. SWAY CYLINDER ASSEMBLY (SN 1160000335 to Present)



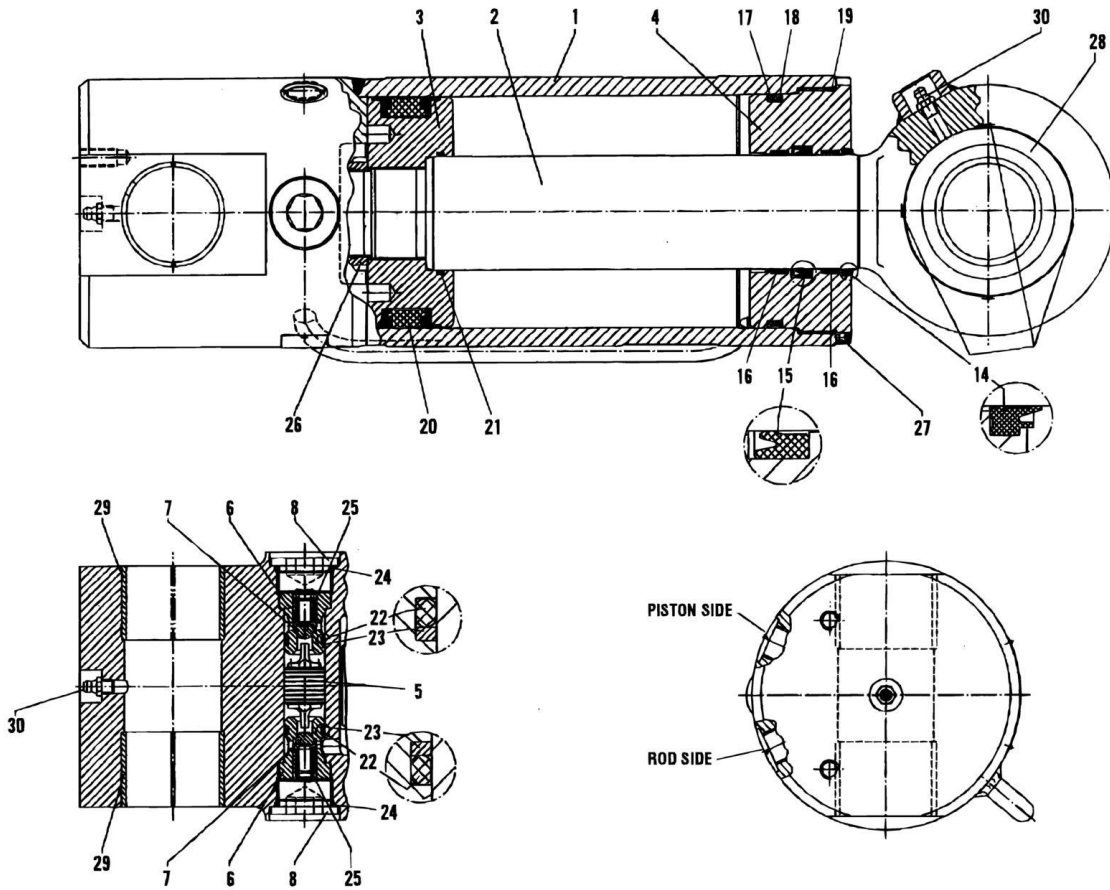
SECTION 9 - HYDRAULIC COMPONENTS

FIGURE 9-24. SWAY CYLINDER ASSEMBLY (SN 1160000335 to Present)

| ITEM | PART NUMBER | QTY | DESCRIPTION | REV |
|------|-------------|-----|--|-----|
| | 1001107511 | 1 | SWAY CYLINDER, (includes items 1 thru 17) | A |
| 1 | 70029960 | 1 | CYLINDER HOUSING ASSY | |
| 2 | 70029961 | 1 | PISTON ROD ASSY | |
| 4 | 70029956 | 1 | GLAND | |
| 5 | 70029957 | 1 | PISTON | |
| 9 | 70002222 | 4 | SNAP RING | |
| 10 | 70029958 | 1 | BEARING | |
| 11 | Kit | 1 | ROD SEAL | |
| 12 | Kit | 1 | WIPER RING | |
| 13 | Kit | 1 | O-RING | |
| 14 | Kit | 1 | BACK-UP RING | |
| 15 | Kit | 1 | O-RING | |
| 16 | Kit | 1 | WEAR RING | |
| 17 | Kit | 1 | PISTON SEAL | |
| 18 | 70029940 | 1 | SET SCREW | |
| 19 | Kit | 1 | O-RING | |
| 20 | 70029948 | 2 | CHECK VALVE | |
| 21 | | Ref | PLUG | |
| 22 | Kit | 1 | O-RING | |
| 23 | 70029941 | 2 | GREASE NIPPLE | |
| 24 | 70029949 | 1 | VALVE PISTON | |
| | 70029959 | 1 | SEAL KIT, (includes items 11 thru 17, 19 & 22) | |

SECTION 9 - HYDRAULIC COMPONENTS

FIGURE 9-25. STABILIZER CYLINDER ASSEMBLY (Prior to SN 1160000863)



SECTION 9 - HYDRAULIC COMPONENTS

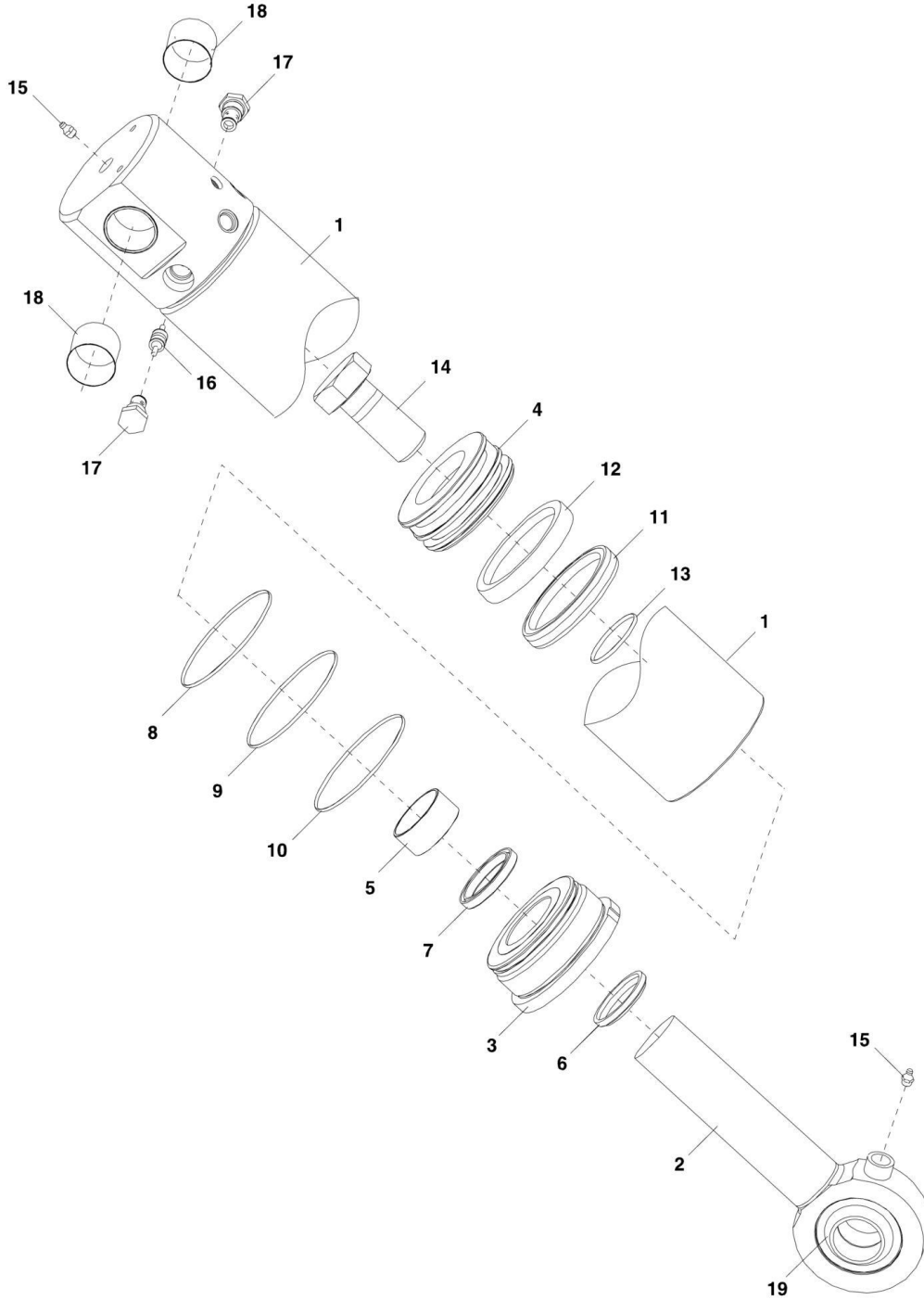
FIGURE 9-25. STABILIZER CYLINDER ASSEMBLY (Prior to SN 1160000863)

| ITEM | PART NUMBER | QTY | DESCRIPTION | REV |
|------|-------------|-----|--|-----|
| | 4802757 | Ref | STABILIZER CYLINDER ASSY, (includes all items) | |
| 1 | 8007359 | 1 | BARREL | |
| 2 | 8007358 | 1 | ROD | |
| 3 | 8007360 | 1 | PISTON | |
| 4 | 8007362 | 1 | HEAD | |
| 5 | 8007363 | 1 | CONTROL VALVE PISTON | |
| 6 | 8007369 | 2 | CONTROL VALVE SEAT | |
| 7 | 8007367 | 2 | CONTROL VALVE CONE | |
| 8 | 8007480 | 2 | CONTROL VALVE PLUG | |
| 14 | Kit | 1 | WIPER | |
| 15 | Kit | 1 | U-RING | |
| 16 | Kit | 2 | ROD WEAR RING | |
| 17 | Kit | 1 | O-RING | |
| 18 | Kit | 1 | BACK-UP RING | |
| 19 | Kit | 1 | O-RING | |
| 20 | Kit | 1 | PISTON O-RING | |
| 21 | Kit | 1 | O-RING | |
| 22 | Kit | 2 | O-RING | |
| 23 | Kit | 2 | BACK-UP RING | |
| 24 | Kit | 2 | O-RING | |
| 25 | 8007365 | 2 | CONTROL VALVE COMPRESSION SPRING | |
| 26 | 8007478 | 1 | NUT | |
| 27 | 0442902 | 1 | THREADED PIN | |
| 28 | 8007361 | 1 | SPHERICAL BEARING | |
| 29 | 8007364 | 2 | BUSHING | |
| 30 | 7029473 | 2 | GREASE FITTING | |
| | 8007357 | 1 | SEAL KIT - 4802757 CYLINDER, (includes items 14 thru 24) | |

SECTION 9 - HYDRAULIC COMPONENTS

FIGURE 9-26. STABILIZER CYLINDER ASSEMBLY (SN 1160000863 to Present)

NOTE: CHECK CYLINDER FOR PART NUMBER PRIOR TO ORDERING REPLACEMENT PARTS



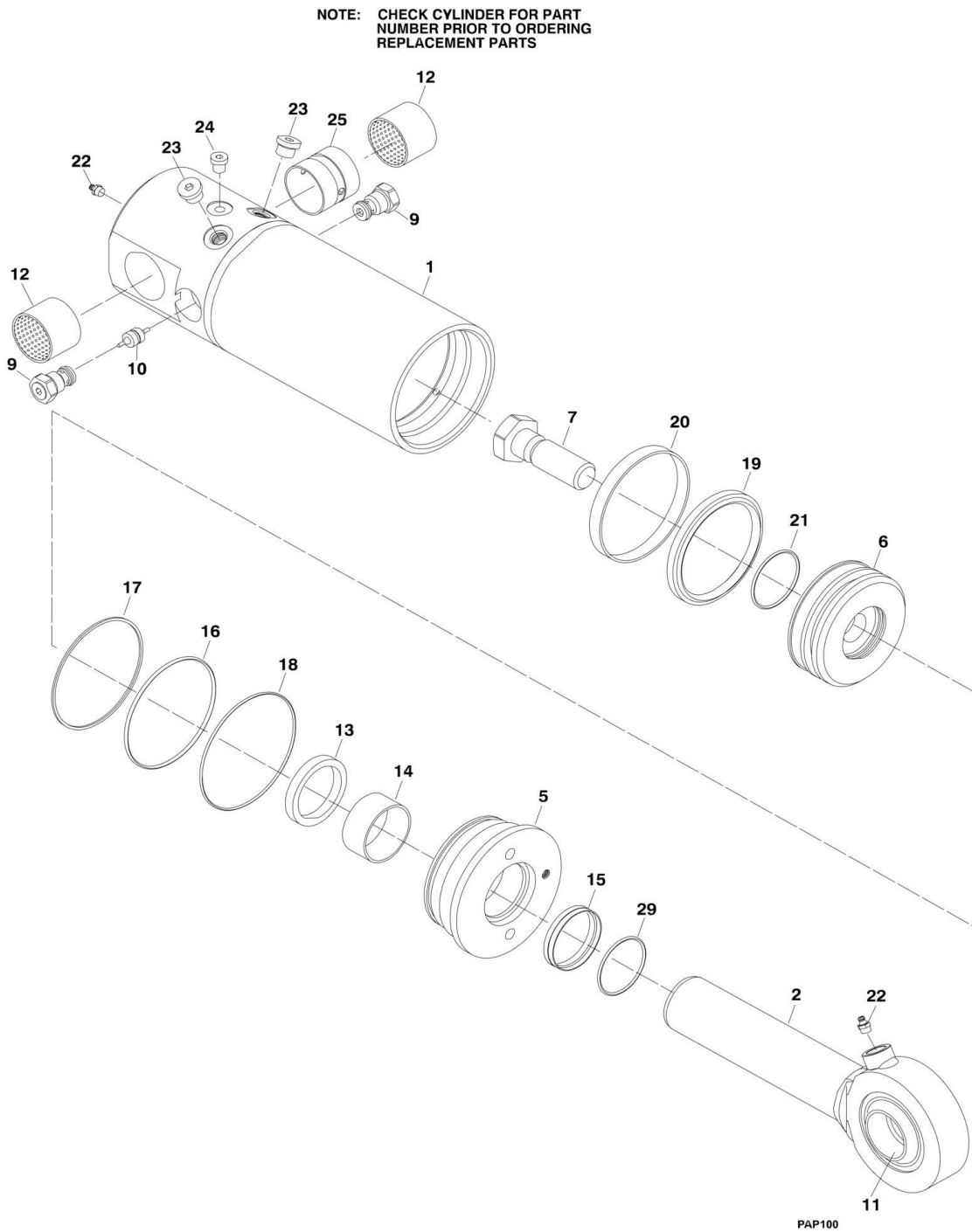
SECTION 9 - HYDRAULIC COMPONENTS

FIGURE 9-26. STABILIZER CYLINDER ASSEMBLY (SN 1160000863 to Present)

| ITEM | PART NUMBER | QTY | DESCRIPTION | REV |
|------|-------------|-----|--|-----|
| | | Ref | STABILIZER CYLINDER ASSY, (includes all items), (1684411 is no longer available; order 1001107516 for service replacement) | C |
| 1 | 7028895 | 1 | CYLINDER HOUSING ASSY | |
| 2 | 7028896 | 1 | PISTON ROD ASSY | |
| 3 | | Ref | GLAND | |
| 4 | 7028898 | 1 | PISTON | |
| 5 | Kit | 1 | BEARING | |
| 6 | Kit | 1 | WIPER | |
| 7 | Kit | 1 | ROD SEAL | |
| 8 | Kit | 1 | O-RING | |
| 9 | Kit | 1 | BACK-UP RING | |
| 10 | Kit | 1 | O-RING | |
| 11 | Kit | 1 | PISTON SEAL | |
| 12 | Kit | 1 | PISTON GUIDE RING | |
| 13 | Kit | 1 | O-RING | |
| 14 | 7028902 | 1 | HEXAGON SCREW | |
| 15 | 7028314 | 2 | GREASE NIPPLE | |
| 16 | 7028605 | 1 | VALVE PISTON, USE WITH CYLINDER 5000524M91 | |
| 16 | 7029847 | 1 | VALVE PISTON, USE WITH CYLINDER 5000524M92 | |
| 17 | 7028606 | 2 | CHECK VALVE, USE WITH CYLINDER 5000524M91 | |
| 17 | 7029845 | 2 | CHECK VALVE, USE WITH CYLINDER 5000524M92 | |
| 18 | 7028899 | 2 | BEARING | |
| 19 | 7028900 | 1 | SPHERICAL BEARING | |
| | 7028901 | 1 | SEAL KIT, (includes items 5 thru 13) | |
| | 7028897 | 1 | GLAND ASSY, (includes items 3 & 5) | |

SECTION 9 - HYDRAULIC COMPONENTS

FIGURE 9-27. STABILIZER CYLINDER ASSEMBLY (SN 1160000863 to Present)



SECTION 9 - HYDRAULIC COMPONENTS

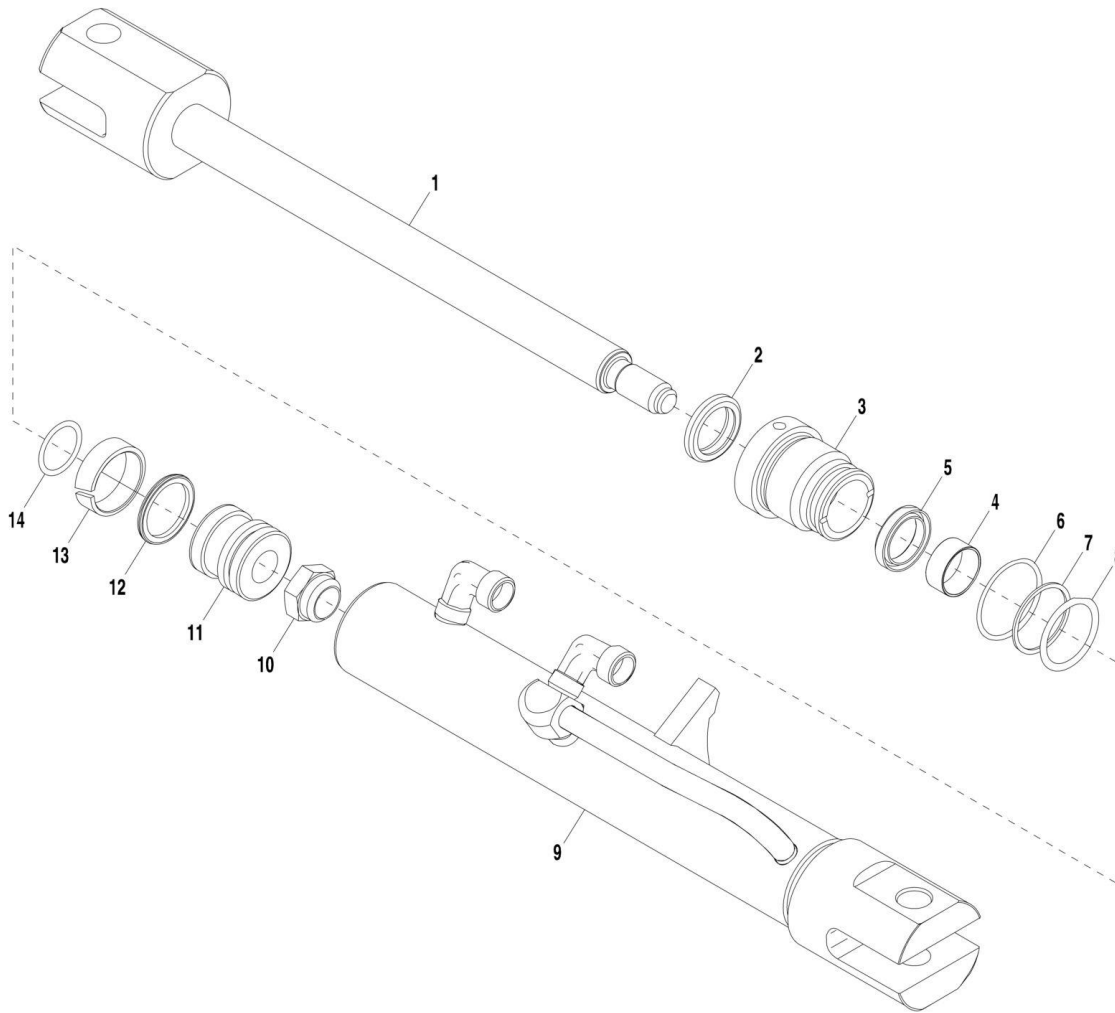
FIGURE 9-27. STABILIZER CYLINDER ASSEMBLY (SN 1160000863 to Present)

| ITEM | PART NUMBER | QTY | DESCRIPTION | REV |
|------|-------------|------|--|-----|
| | 1001107516 | Ref. | STABILIZER CYLINDER ASSY, (includes all items) | C |
| 1 | 70029954 | 1 | CYLINDER HOUSING ASSY | |
| 2 | 70029955 | 1 | PISTON ROD ASSY | |
| 5 | 70029945 | 1 | GLAND | |
| 6 | 70029946 | 1 | PISTON | |
| 7 | 70029947 | 1 | HEXAGON SCREW | |
| 9 | 70029948 | 2 | CHECK VALVE | |
| 10 | 70029949 | 1 | VALVE PISTON | |
| 11 | | Ref | BEARING | |
| 12 | 70029950 | 2 | BEARING | |
| 13 | Kit | 1 | ROD SEAL | |
| 14 | 70029952 | 1 | BEARING | |
| 15 | Kit | 1 | WIPER | |
| 16 | Kit | 1 | BACK-UP RING | |
| 17 | Kit | 1 | O-RING | |
| 18 | Kit | 1 | O-RING | |
| 19 | Kit | 1 | PISTON SEAL | |
| 20 | Kit | 1 | PISTON GUIDE RING | |
| 21 | Kit | 1 | O-RING | |
| 22 | 70029941 | 2 | GREASE NIPPLE | |
| 23 | | Ref | PLUG | |
| 24 | | Ref | PLUG | |
| 25 | 70029951 | 1 | SPACER | |
| 29 | Kit | 1 | O-RING | |
| | 70029953 | 1 | SEAL KIT, (includes items 13, 15 thru 21 & 29) | |

SECTION 9 - HYDRAULIC COMPONENTS

FIGURE 9-28. ATTACHMENT LOCK CYLINDER ASSEMBLY (Prior to SN 1160003272)

NOTE: CHECK CYLINDER FOR PART NUMBER PRIOR TO ORDERING REPLACEMENT PARTS



SECTION 9 - HYDRAULIC COMPONENTS

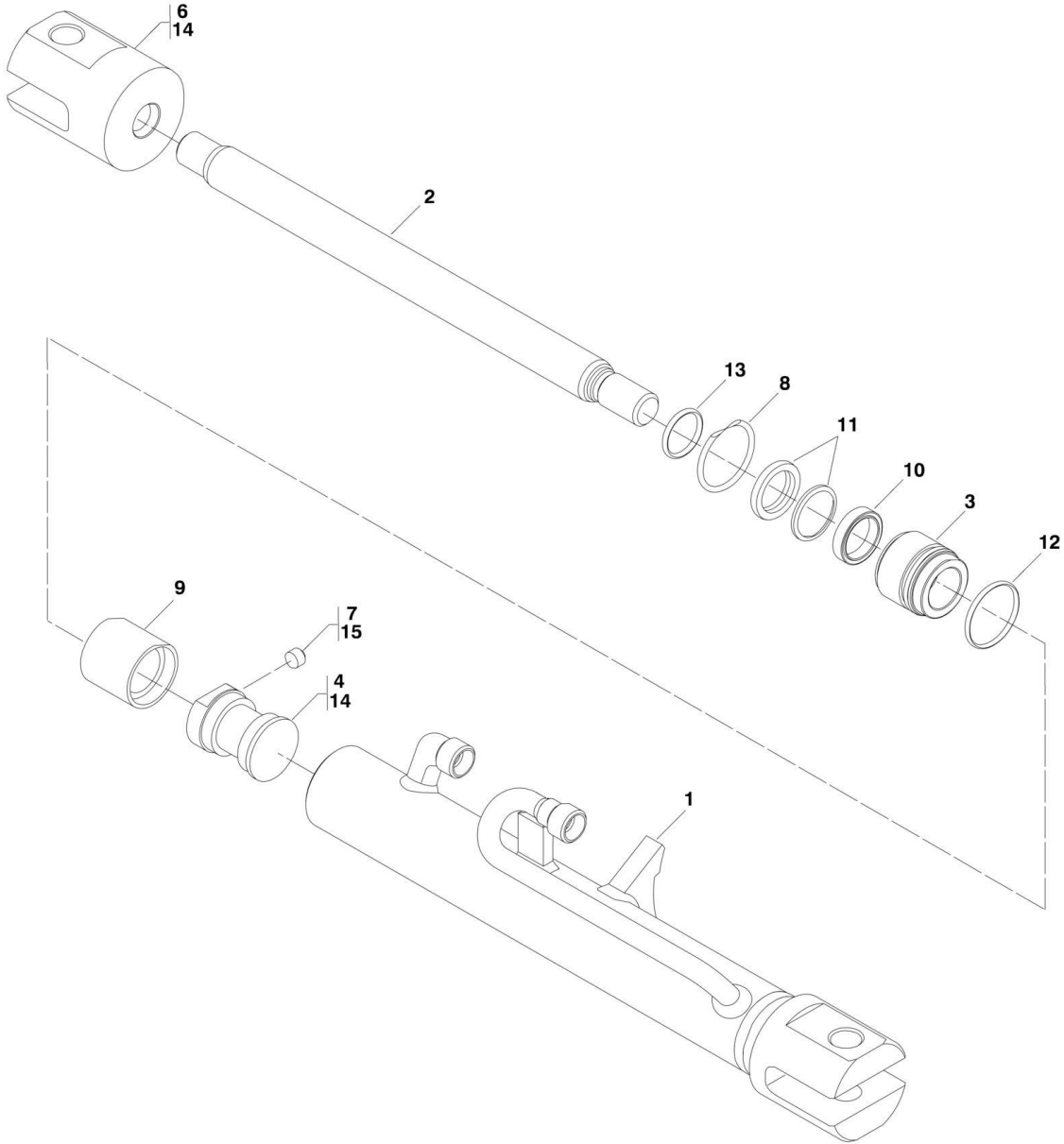
FIGURE 9-28. ATTACHMENT LOCK CYLINDER ASSEMBLY (Prior to SN 1160003272)

| ITEM | PART NUMBER | QTY | DESCRIPTION | REV |
|------|-------------|-----|---|-----|
| | | Ref | FORK LOCKING CYLINDER, (includes items 1 thru 14), (1684404 is no longer available; order 1001107513 for service replacement) | |
| 1 | 7028784 | 1 | PISTON ROD | |
| 2 | Kit | 1 | WIPER | |
| 3 | 7028786 | 1 | GLAND | |
| 4 | 7028787 | 1 | BEARING | |
| 5 | Kit | 1 | ROD SEAL | |
| 6 | Kit | 1 | O-RING | |
| 7 | Kit | 1 | BACK-UP RING | |
| 8 | Kit | 1 | O-RING | |
| 9 | 7028792 | 1 | CYLINDER HOUSING | |
| 10 | Kit | 1 | LOCKNUT | |
| 11 | 7028794 | 1 | PISTON | |
| 12 | Kit | 1 | PISTON SEAL | |
| 13 | Kit | 1 | WEAR RING | |
| 14 | Kit | 1 | O-RING | |
| | 7029225 | 1 | SEAL KIT, (includes items 2, 5 thru 8, 10 & 12 thru 14) | |

SECTION 9 - HYDRAULIC COMPONENTS

FIGURE 9-29. ATTACHMENT LOCK CYLINDER ASSEMBLY (SN 1160003272 to Present)

NOTE: CHECK CYLINDER FOR PART NUMBER PRIOR TO ORDERING REPLACEMENT PARTS



PAP0950

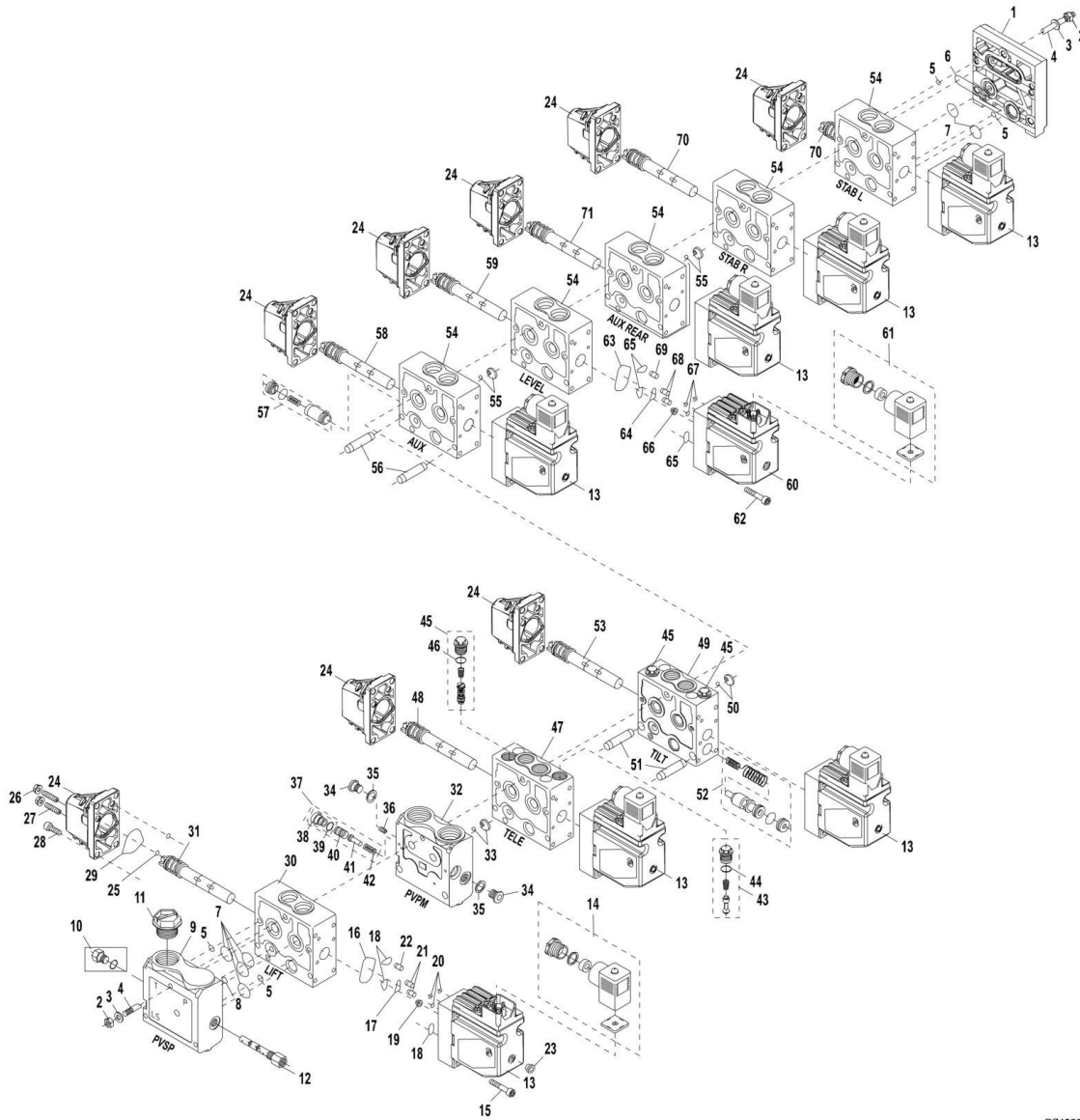
SECTION 9 - HYDRAULIC COMPONENTS

FIGURE 9-29. ATTACHMENT LOCK CYLINDER ASSEMBLY (SN 1160003272 to Present)

| ITEM | PART NUMBER | QTY | DESCRIPTION | REV |
|------|-------------|-----|---|-----|
| | 1001107513 | 1 | FORK LOCKING CYLINDER, (includes items 1 thru 13) | A |
| 1 | 70022698 | 1 | CYLINDER HOUSING | |
| 2 | 70022690 | 1 | PISTON ROD | |
| 3 | 70022704 | 1 | GLAND | |
| 4 | 70022703 | 1 | PISTON, (torque to 36Nm) | |
| 6 | 70022701 | 1 | CLEVIS, (torque to 36Nm) | |
| 7 | 70022702 | 1 | SETSCREW, (torque to 20Nm) | |
| 8 | 70022700 | 1 | RETAINER RING | |
| 9 | Kit | 1 | PISTON SEAL | |
| 10 | Kit | 1 | ROD SEAL | |
| 11 | Kit | 1 | 2 PIECE SEAL | |
| 12 | Kit | 1 | O-RING | |
| 13 | Kit | 1 | O-RING | |
| 14 | 0100011 | AR | LOCTITE, #242, (apply to items 4 & 6) | |
| 15 | 0100035 | AR | LOCTITE, #222, (apply to item 7) | |
| | 70022705 | 1 | SEAL KIT, (includes items 9 thru 13) | |

SECTION 9 - HYDRAULIC COMPONENTS

FIGURE 9-30. MAIN CONTROL VALVE ASSEMBLY



PZ4350

SECTION 9 - HYDRAULIC COMPONENTS

FIGURE 9-30. MAIN CONTROL VALVE ASSEMBLY

| ITEM | PART NUMBER | QTY | DESCRIPTION | REV |
|------|-------------|-----|--|-----|
| | 4641375 | Ref | 4 SECTION VALVE, (includes items 1 thru 13 & 15 thru 58) | |
| | 4641376 | Ref | 5 SECTION VALVE, (includes items 1 thru 13 & 15 thru 69) | E |
| | 4641377 | Ref | 6 SECTION VALVE, (includes all items except items 14, 59 thru 69 & 71) | E |
| | 4641378 | Ref | 7 SECTION VALVE, (includes all items except items 14 & 71) | F |
| | 4641308 | Ref | 5 SECTION VALVE, AGRICULTURAL, (includes items 1 thru 13, 15 thru 58 & 71) | D |
| | 4641309 | Ref | 6 SECTION VALVE, AGRICULTURAL, (includes all items except item 14) | D |
| | 4641382 | Ref | 7 SECTION VALVE, PLATFORM, (includes all items except items 14 & 71) | B |
| | 8003062 | Ref | TIE ROD ASSY, 4 SECTION, (includes section seal kit and items 2 thru 4) | |
| | 8003063 | Ref | TIE ROD ASSY, 5 SECTION, (includes section seal kit and items 2 thru 4) | |
| | 8003064 | Ref | TIE ROD ASSY, 6 SECTION, (includes section seal kit and items 2 thru 4) | |
| | 8007925 | Ref | TIE ROD ASSY, 7 SECTION, (includes section seal kit and items 2 thru 4) | |
| | 7028848 | AR | SECTION SEAL KIT, (includes items 5 thru 8) | |
| 1 | 8007924 | 1 | END SECTION | |
| 2 | 0443549 | 6 | NUT | |
| 3 | 1380625 | 6 | WASHER | |
| 4 | 8007926 | 3 | STAY BOLT, 4 SECTION | |
| 4 | 8007927 | 3 | STAY BOLT, 5 SECTION | |
| 4 | 8007928 | 3 | STAY BOLT, 6 SECTION | |
| 4 | 8007929 | 3 | STAY BOLT, 7 SECTION | |
| 5 | N.S.S. | 14 | O-RING, 4 SECTION | |
| 5 | N.S.S. | 16 | O-RING, 5 SECTION | |
| 5 | N.S.S. | 18 | O-RING, 6 SECTION | |
| 5 | N.S.S. | 20 | O-RING, 7 SECTION | |
| 6 | N.S.S. | 1 | O-RING | |
| 7 | N.S.S. | 28 | O-RING, 4 SECTION | |
| 7 | N.S.S. | 1 | O-RING, 5 SECTION | |
| 7 | N.S.S. | 1 | O-RING, 6 SECTION | |
| 7 | N.S.S. | 1 | O-RING, 7 SECTION | |
| 8 | N.S.S. | 1 | O-RING, 4 SECTION | |
| 8 | N.S.S. | 1 | O-RING, 5 SECTION | |
| 8 | N.S.S. | 1 | O-RING, 6 & 7 SECTION | |
| | | Ref | PRIORITY INLET SECTION, (PVSP), (includes items 9 & 12) | |
| 9 | 8007959 | 1 | INLET MODULE, USED WITH ALL VALVES EXCEPT PLATFORM, (includes items 10 & 11) | |
| 9 | 7029531 | 1 | INLET MODULE, 7 SECTION PLATFORM VALVE ONLY | |
| 9 | 8007935 | AR | SEAL KIT BETWEEN SECTIONS | |
| 10 | 7028861 | 1 | PLUG | |
| | N.S.S. | 1 | PLUG | |
| 12 | 7028862 | 1 | INLET COMPENSATOR | |
| 12 | | Ref | LIFT SECTION, (includes items 13 thru 31) | |
| 13 | 1001105362 | 1 | PROPORTIONAL SOLENOID MODULE COIL, (includes items 16 thru 23) | |
| 13 | 7028629 | NLA | PROPORTIONAL SOLENOID MODULE COIL, (includes items 14 & 15), (no longer available, use valve 1001105362 for service) | |

SECTION 9 - HYDRAULIC COMPONENTS

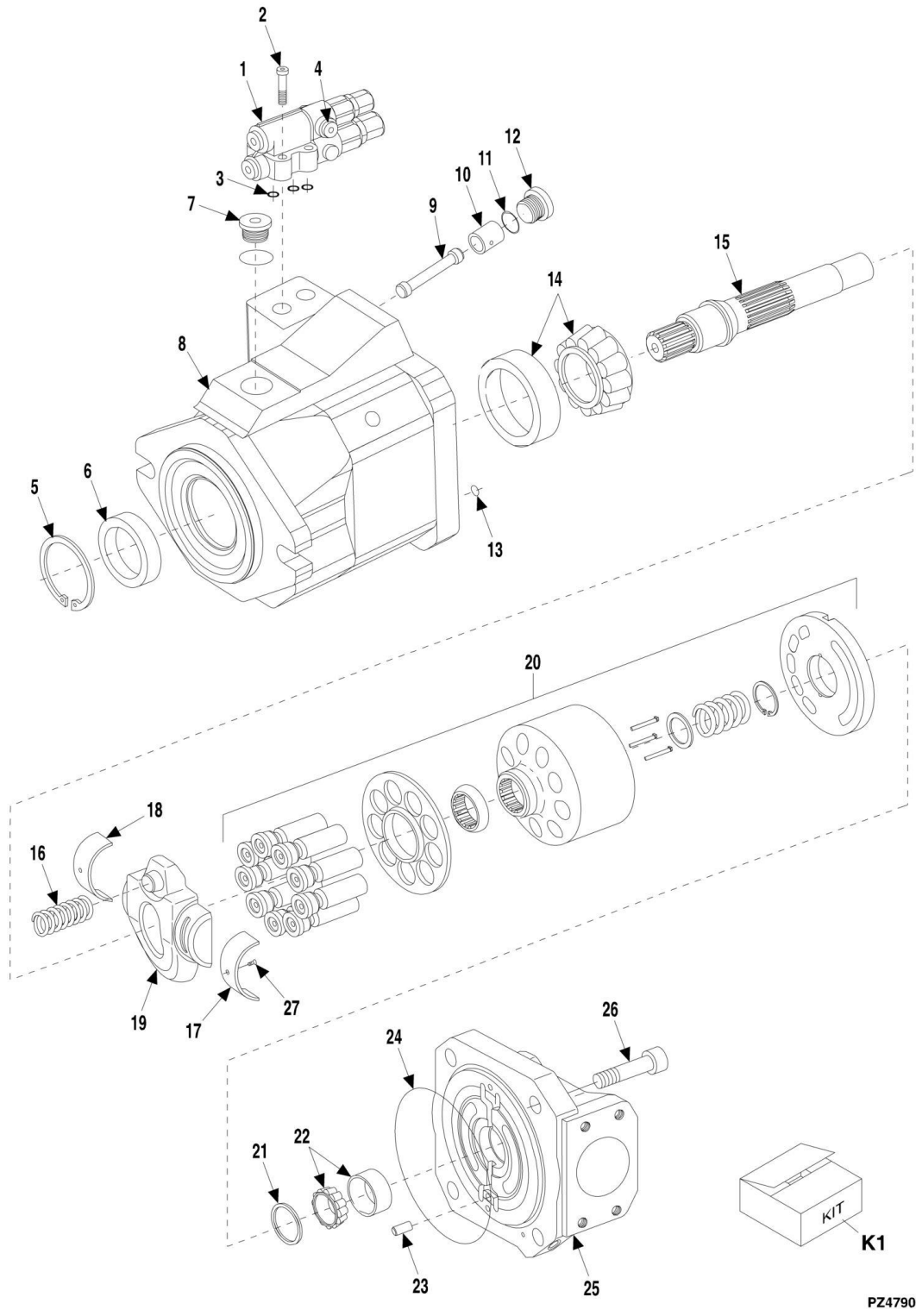
| ITEM | PART NUMBER | QTY | DESCRIPTION | REV |
|------|-------------|-----|--|-----|
| 13 | 8007954 | AR | PROPORTIONAL SOLENOID SEAL KIT, (includes items 16, 17, 18 & 20) | |
| 14 | 7028849 | 1 | CONNECTOR | |
| 15 | 7028846 | 4 | MOUNTING SCREW | |
| 16 | N.S.S. | 1 | O-RING | |
| 17 | N.S.S. | 1 | O-RING | |
| 18 | N.S.S. | 1 | O-RING | |
| 19 | N.S.S. | 1 | FILTER | |
| 20 | N.S.S. | 1 | O-RING | |
| 21 | N.S.S. | 1 | CHECK VALVE | |
| 22 | N.S.S. | 1 | ORIFICE | |
| 23 | N.S.S. | 1 | PLUG | |
| 24 | 8007899 | 1 | ACTUATOR MODULE, (includes items 25 thru 29) | |
| 24 | 8007894 | AR | ACTUATOR SEAL KIT, (includes items 25, 26 & 29) | |
| 25 | N.S.S. | 1 | O-RING | |
| 26 | N.S.S. | 1 | SEAL NUT | |
| 27 | 8007915 | 2 | THREADED PIN | |
| 28 | 0318854 | 4 | SCREW | |
| 29 | N.S.S. | 1 | PROFILE O-RING | |
| 30 | 8007917 | 1 | PRESSURE COMPENSATOR VALVE | |
| 31 | 7028894 | 1 | CONTROL SPOOL MODULE | |
| 31 | | Ref | MID-INLET SECTION, (PVPM), (includes items 32 thru 42) | |
| 32 | 8007936 | 1 | VALVE, (includes items 33 thru 42) | |
| 32 | 8007939 | AR | VALVE SEAL KIT | |
| 33 | N.S.S. | 1 | SHUTTLE ASSY | |
| 34 | 7028630 | 2 | PLUG | |
| 35 | 8007941 | 2 | WASHER | |
| 36 | 8007942 | 1 | ORIFICE | |
| 37 | 8007944 | 1 | PILOT SUPPLY, (includes items 38 thru 42) | |
| 38 | 8007943 | 1 | PLUG, (includes item 39) | |
| 39 | N.S.S. | 1 | O-RING | |
| 40 | N.S.S. | 1 | SPOOL | |
| 41 | N.S.S. | 1 | CONE | |
| 42 | N.S.S. | 1 | SPRING | |
| | | Ref | TELESCOPE SECTION, (includes items 13, 24 & 43 thru 48) | |
| 43 | 8007919 | 1 | ANTI-CAVITATION VALVE, (includes item 44) | |
| 44 | N.S.S. | 1 | O-RING | |
| 45 | 8007918 | 1 | SHOCK VALVE, (includes item 46) | |
| 46 | N.S.S. | 1 | O-RING | |
| 47 | 8007920 | 1 | PRESSURE COMPENSATOR VALVE | |
| 48 | 70022769 | 1 | MODIFIED CONTROL SPOOL MODULE | |
| | | Ref | TILT SECTION, (includes items 13, 24, 2 of 45 & 49 thru 53) | |
| 49 | 7028847 | 1 | PRESSURE COMPENSATOR VALVE, (includes items 50, 51 & 52) | |
| 50 | N.S.S. | 1 | SHUTTLE ASSY | |
| 51 | N.S.S. | 1 | PIPE | |
| 52 | N.S.S. | 1 | COMPENSATOR VALVE ASSY | |
| 53 | 8007956 | 1 | CONTROL SPOOL MODULE | |
| | | Ref | AUXILIARY SECTION, (includes items 13, 24 & 54 thru 58) | |
| 54 | 8007922 | 1 | VALVE, (includes items 55, 56 & 57) | |
| 55 | N.S.S. | 1 | SHUTTLE ASSY | |
| 56 | N.S.S. | 1 | PIPE | |

SECTION 9 - HYDRAULIC COMPONENTS

| ITEM | PART NUMBER | QTY | DESCRIPTION | REV |
|------|-------------|-----|---|-----|
| 57 | N.S.S. | 1 | CHECK VALVE ASSY | |
| 58 | 8007947 | 1 | CONTROL SPOOL MODULE | |
| | | Ref | LEVEL CONTROL SECTION, (includes items 24, 54 & 59 thru 69) | |
| 59 | 8007946 | 1 | CONTROL SPOOL MODULE | |
| 60 | 7028845 | 1 | ON/OFF SOLENOID MODULE VALVE, (includes items 61 thru 69) | |
| 60 | 8007954 | AR | ON/OFF SOLENOID SEAL KIT, (includes items 63, 64, 65 & 67) | |
| 61 | 7028849 | 1 | CONNECTOR | |
| 62 | 7028846 | 4 | MOUNTING SCREW | |
| 63 | N.S.S. | 1 | O-RING | |
| 64 | N.S.S. | 1 | O-RING | |
| 65 | N.S.S. | 1 | O-RING | |
| 66 | N.S.S. | 1 | FILTER | |
| 67 | N.S.S. | 1 | O-RING | |
| 68 | N.S.S. | 1 | CHECK VALVE | |
| 69 | N.S.S. | 1 | ORIFICE | |
| 70 | 8007945 | 1 | CONTROL SPOOL MODULE | |
| 71 | 7029208 | 1 | CONTROL SPOOL MODULE | |
| | | Ref | STABILIZER RIGHT SECTION, (standard 6 and both 7 section valves only), (includes items 13, 24, 54 & 70) | |
| | | Ref | STABILIZER LEFT SECTION, (standard 6 and both 7 section valves only), (includes items 13, 24, 54 & 70) | |
| | | Ref | AUXILIARY SECTION, REAR, (for both agricultural valves), (includes items 13, 24, 54 & 71) | |

SECTION 9 - HYDRAULIC COMPONENTS

FIGURE 9-31. ENGINE DRIVE PUMP ASSEMBLY (SN 1160000477 to Present, Prior to SN 1160000384)



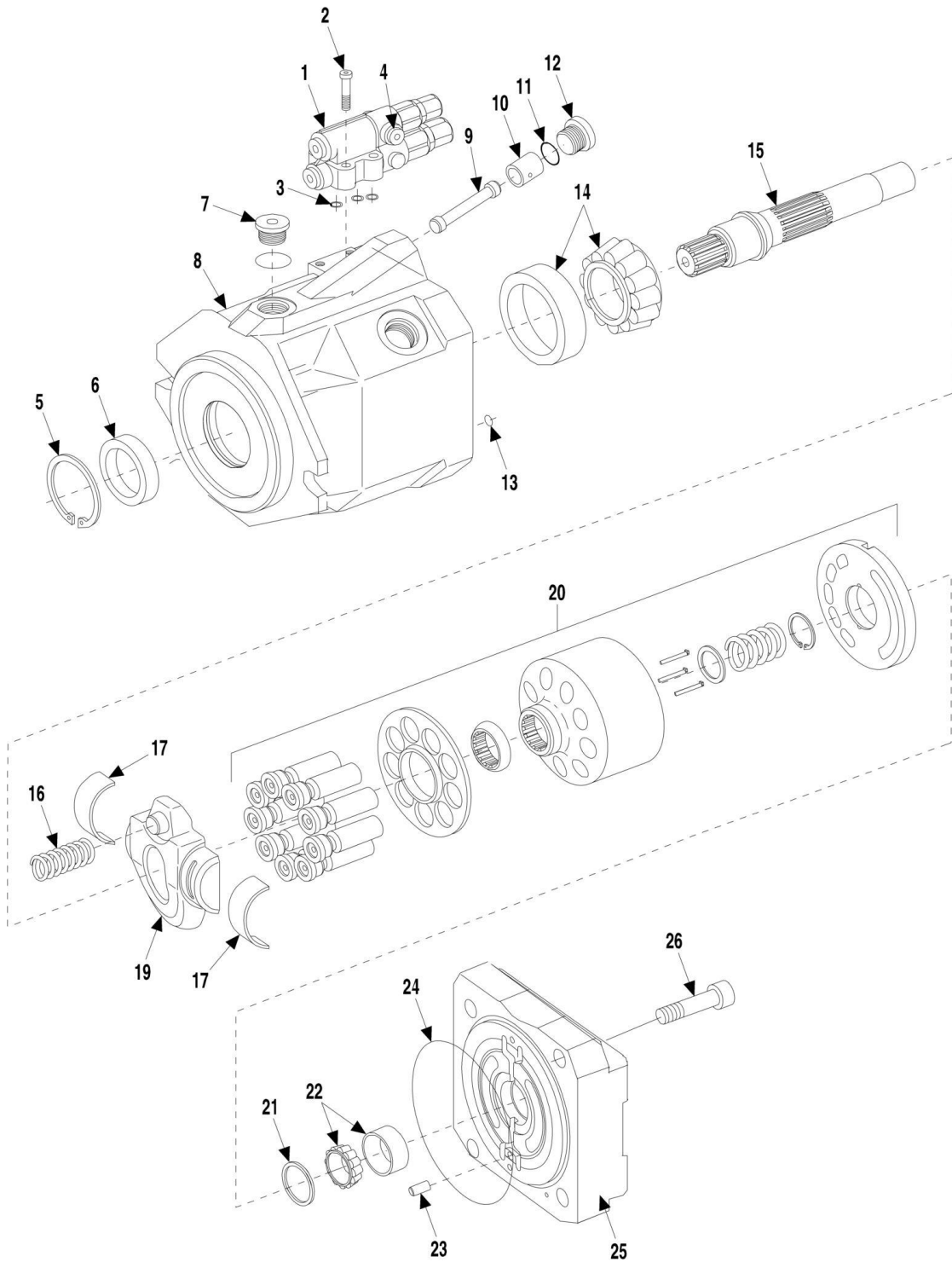
SECTION 9 - HYDRAULIC COMPONENTS

FIGURE 9-31. ENGINE DRIVE PUMP ASSEMBLY (SN 1160000477 to Present, Prior to SN 1160000384)

| ITEM | PART NUMBER | QTY | DESCRIPTION | REV |
|------|-------------|-----|--|-----|
| | 8001912 | Ref | ENGINE DRIVE PUMP ASSY, 60cc, (includes all items) | |
| 1 | 8007838 | 1 | PILOT VALVE, (includes items 2, 3 & 4) | |
| 2 | 7024954 | 4 | SOCKET SCREW, M6X30, GR10.9 | |
| 3 | 7028670 | 3 | O-RING | |
| 4 | Kit K1 | 1 | PLUG | |
| 5 | 80334277 | 1 | SAFETY RING | |
| 6 | 7024947 | 1 | SHAFT SEAL | |
| 7 | N.S.S. | 1 | PLUG | |
| 8 | 7028647 | 1 | PUMP HOUSING | |
| 9 | 7024935 | 1 | PISTON ROD | |
| 10 | 7024934 | 1 | CONTROL PISTON | |
| 11 | 7024949 | 1 | O-RING | |
| 12 | 7024940 | 1 | SCREW PLUG | |
| 13 | 7024950 | 1 | O-RING | |
| 14 | 7024943 | 1 | TAPERED ROLLER BEARING | |
| 15 | 7028648 | 1 | DRIVE SHAFT | |
| 16 | 7024941 | 1 | SPRING | |
| 17 | 7024945 | 1 | CRADLE SHELL, RH | |
| 18 | 7024946 | 1 | CRADLE SHELL, LH | |
| 19 | 7028649 | 1 | SWASH PLATE | |
| 20 | 7028650 | 1 | ROTARY GROUP | |
| 21 | 7024942 | 1 | SHIM | |
| 22 | 7024944 | 1 | TAPERED ROLLER BEARING | |
| 23 | 7024952 | 1 | DOWEL PIN | |
| 24 | 7024948 | 1 | O-RING | |
| 25 | 7028651 | 1 | PORT PLATE | |
| 26 | 7024951 | 4 | SOCKET SCREW, M14X35, GR10.9 | |
| 27 | 7024953 | 2 | COUNTERSUNK SCREW, M5X16 | |
| K1 | 7029165 | 1 | SEAL KIT, (includes items 2 thru 6, 11, 12, 13 & 24) | |

SECTION 9 - HYDRAULIC COMPONENTS

FIGURE 9-32. ENGINE DRIVE PUMP ASSEMBLY (SN 116000384 through 116000476)



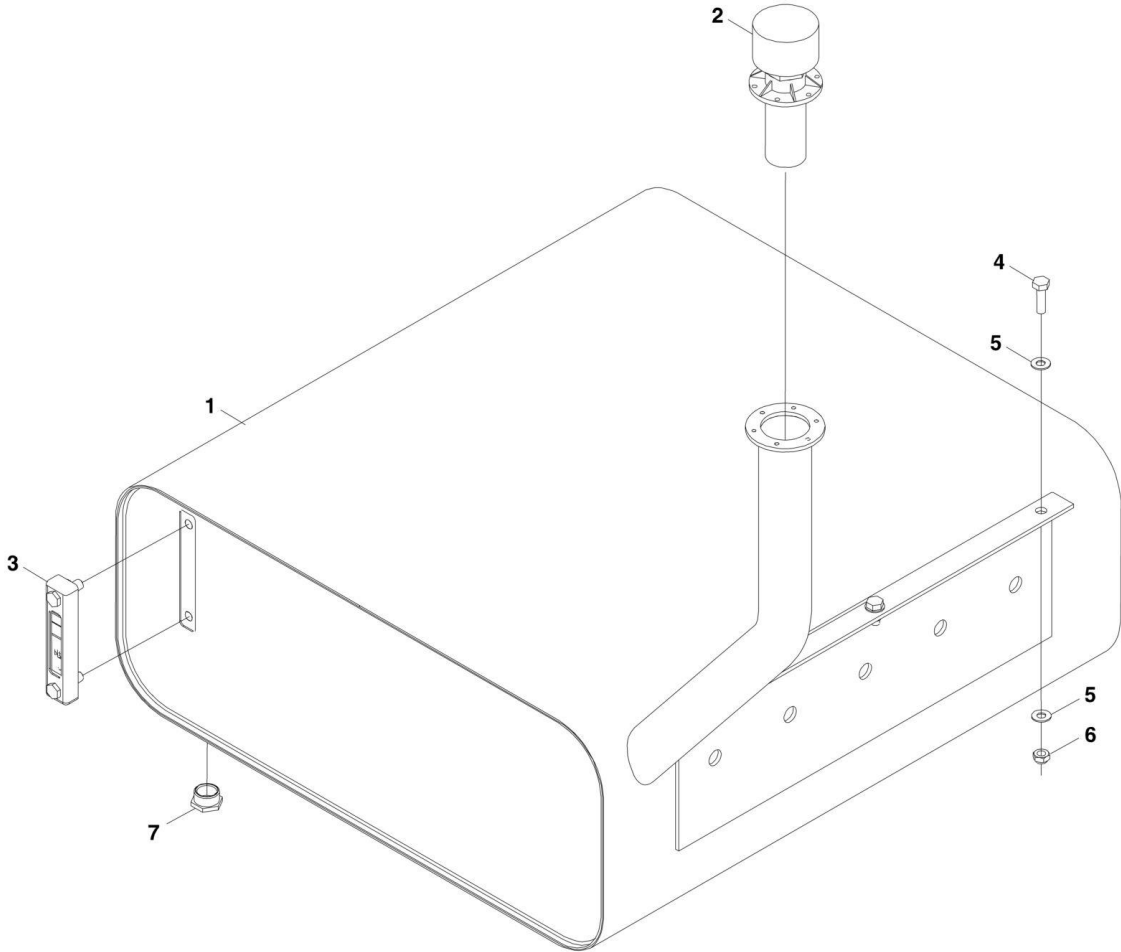
SECTION 9 - HYDRAULIC COMPONENTS

FIGURE 9-32. ENGINE DRIVE PUMP ASSEMBLY (SN 1160000384 through 1160000476)

| ITEM | PART NUMBER | QTY | DESCRIPTION | REV |
|------|-------------|-----|--|-----|
| | 3600419 | Ref | ENGINE DRIVE PUMP ASSY, 45cc, (includes all items) | |
| 1 | 7028671 | 1 | PILOT VALVE, (includes items 2, 3 & 4) | |
| 2 | 7024954 | 4 | SOCKET SCREW, M6X30, GR10.9 | |
| 3 | 7024922 | 3 | O-RING | |
| 4 | | Ref | PLUG | |
| 5 | 7012715 | 1 | V-RING | |
| 6 | 7024918 | 1 | SHAFT SEAL | |
| 7 | Kit | 1 | PLUG | |
| 8 | 7028699 | 1 | PUMP HOUSING | |
| 9 | 7024935 | 1 | PISTON ROD | |
| 10 | 7028700 | 1 | CONTROL PISTON | |
| 11 | 7024920 | 1 | O-RING | |
| 12 | 7028701 | 1 | SCREW PLUG | |
| 13 | 7024921 | 1 | O-RING | |
| 14 | 7024038 | 1 | TAPERED ROLLER BEARING | |
| 15 | 7028702 | 1 | DRIVE SHAFT | |
| 16 | 7028703 | 1 | SPRING | |
| 17 | 7024917 | 2 | CRADLE SHELL | |
| 19 | 7024915 | 1 | SWASH PLATE | |
| 20 | 7024914 | 1 | ROTARY GROUP | |
| 21 | 7012709 | 1 | SHIM | |
| 22 | 7012706 | 1 | TAPERED ROLLER BEARING | |
| 23 | 7024952 | 1 | DOWEL PIN | |
| 24 | 7024919 | 1 | O-RING | |
| 25 | 7028704 | 1 | PORT PLATE | |
| 26 | 7028705 | 4 | SOCKET SCREW, M12X45, GR10.9 | |
| | 7029166 | 1 | SEAL KIT, (includes items 2 thru 6, 11, 12, 13 & 24) | |

SECTION 9 - HYDRAULIC COMPONENTS

FIGURE 9-33. HYDRAULIC TANK ASSEMBLY



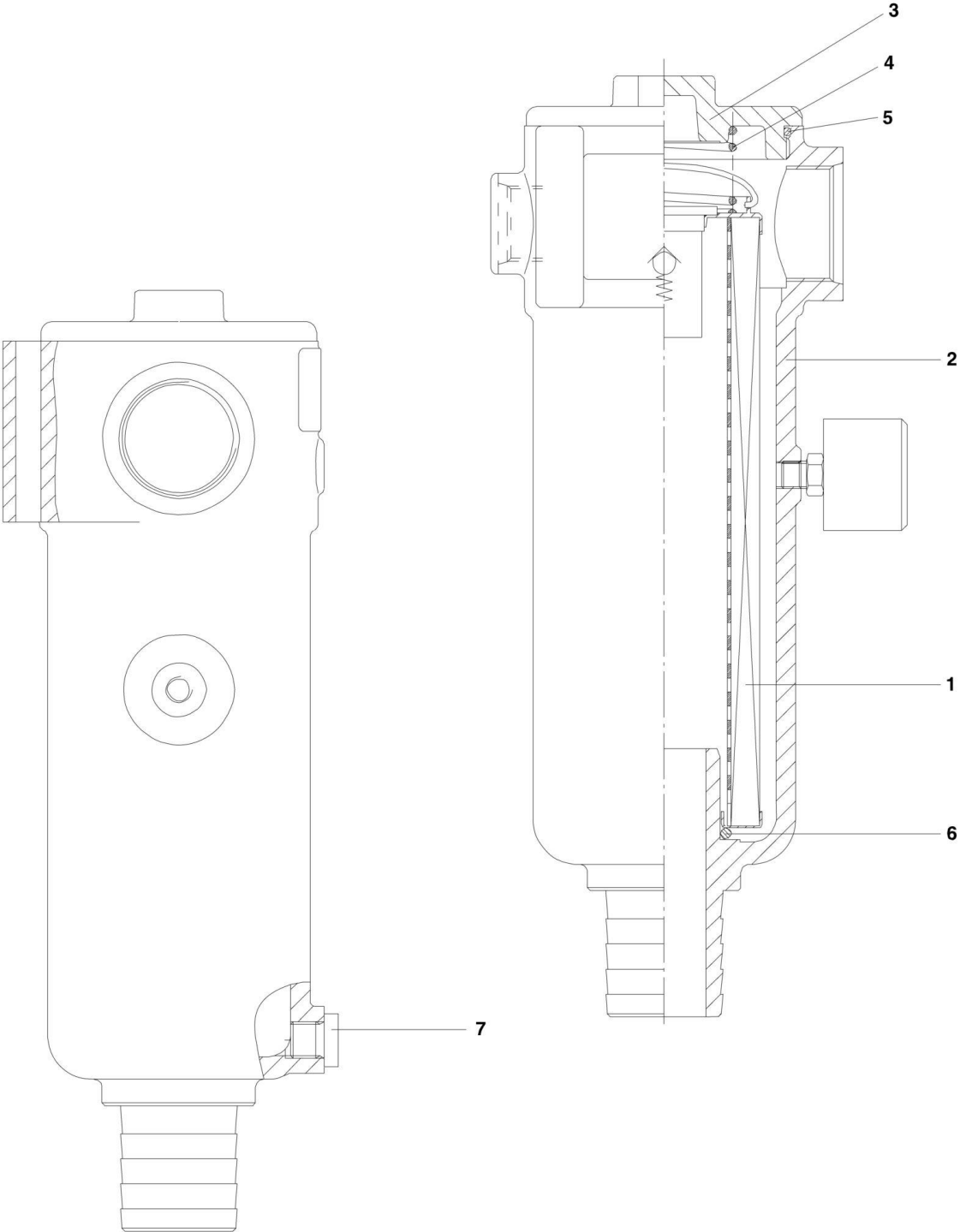
SECTION 9 - HYDRAULIC COMPONENTS

FIGURE 9-33. HYDRAULIC TANK ASSEMBLY

| ITEM | PART NUMBER | QTY | DESCRIPTION | REV |
|------|-------------|-----|--|-----|
| | 0273825 | Ref | HYDRAULIC TANK INSTALLATION, (includes all items) | C |
| 1 | 4400465 | 1 | HYDRAULIC TANK, (includes item 7) | |
| 2 | 1120586 | 1 | FILLING VENT FILTER, MACHINES WITHOUT TOOLBOX (Prior to SN 116000486) | |
| 2 | 1120587 | 1 | FILLING VENT FILTER, MACHINES WITH TOOLBOX (Prior to SN 116000486) | |
| 3 | 8005248 | 1 | SIGHT GLASS | |
| 4 | 0761015 | 6 | HEX HD CAPSCREW, M10X35 | |
| 5 | 5212000 | 12 | WASHER, 10X22mm | |
| 6 | 3291005 | 6 | LOCKNUT, 10mm | |
| 7 | 7028782 | 1 | PLUG | |

SECTION 9 - HYDRAULIC COMPONENTS

FIGURE 9-34. RETURN FILTER ASSEMBLY



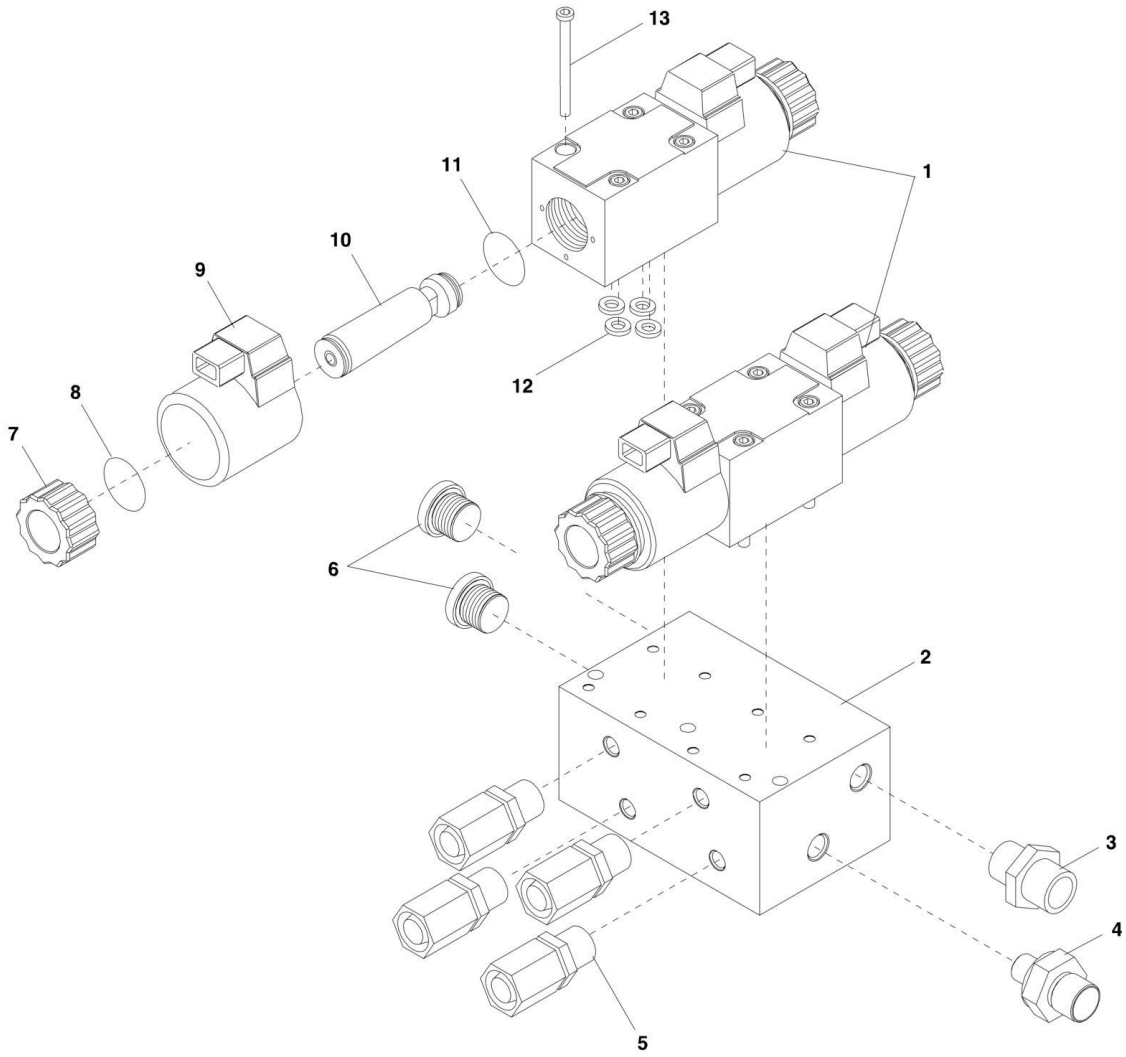
SECTION 9 - HYDRAULIC COMPONENTS

FIGURE 9-34. RETURN FILTER ASSEMBLY

| ITEM | PART NUMBER | QTY | DESCRIPTION | REV |
|------|-------------|-----|--|-----|
| | 8004054 | Ref | RETURN FILTER ASSY, (includes all items) | |
| 1 | 8007563 | 1 | FILTER ELEMENT | |
| 2 | 8007554 | 1 | FILTER HOUSING | |
| 3 | 8007564 | 1 | COVER | |
| 4 | 8007555 | 1 | COMPRESSION SPRING | |
| 5 | 8007562 | 1 | O-RING | |
| 6 | 0330101 | 1 | O-RING | |
| 7 | 2904687 | 1 | PLUG | |

SECTION 9 - HYDRAULIC COMPONENTS

FIGURE 9-35. ERS CONTROL VALVE ASSEMBLY



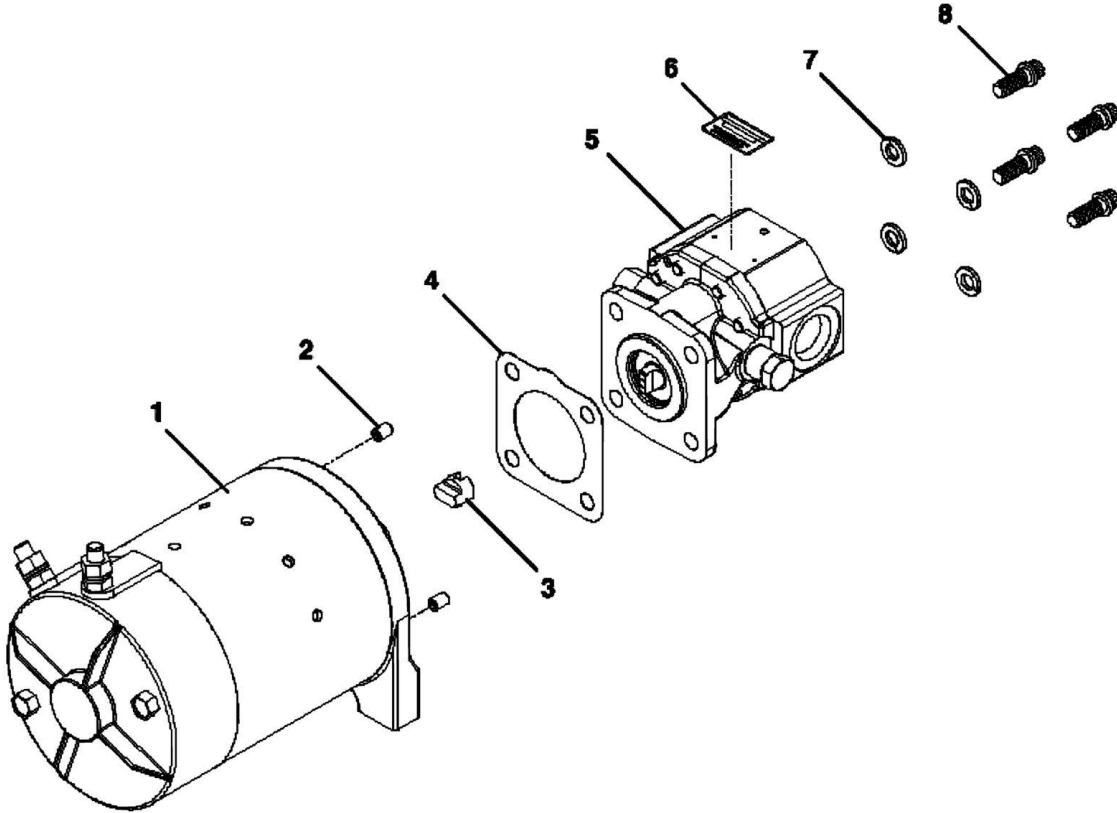
SECTION 9 - HYDRAULIC COMPONENTS

FIGURE 9-35. ERS CONTROL VALVE ASSEMBLY

| ITEM | PART NUMBER | QTY | DESCRIPTION | REV |
|------|-------------|-----|--|-----|
| | 4641363 | 1 | ERS CONTROL VALVE ASSEMBLY, (includes all items) | C |
| 1 | 7029519 | 2 | DIRECTIONAL VALVE, (includes items 7 thru 12) | |
| 2 | | Ref | MANIFOLD BLOCK | |
| 3 | 2142715 | 1 | MALE CONNECTOR | |
| 4 | 2142713 | 1 | MALE CONNECTOR | |
| 5 | 2142804 | 4 | SWIVEL CONNECTOR | |
| 6 | 1309275 | 2 | PLUG | |
| 7 | 91504035 | 2 | NUT | |
| 8 | Kit | 2 | O-RING | |
| 9 | 7029515 | 2 | COIL, 12V | |
| 10 | 7024014 | 2 | POLE TUBE | |
| 11 | Kit | 2 | O-RING | |
| 12 | Kit | 4 | O-RING | |
| 13 | 4031614 | 4 | SOCKET HD CAPSCREW, M5X50, GR8.8 | |
| | 91504041 | 1 | SEAL KIT, (includes items 8, 11 & 12) | |

SECTION 9 - HYDRAULIC COMPONENTS

FIGURE 9-36. AUXILIARY POWER PUMP



SECTION 9 - HYDRAULIC COMPONENTS

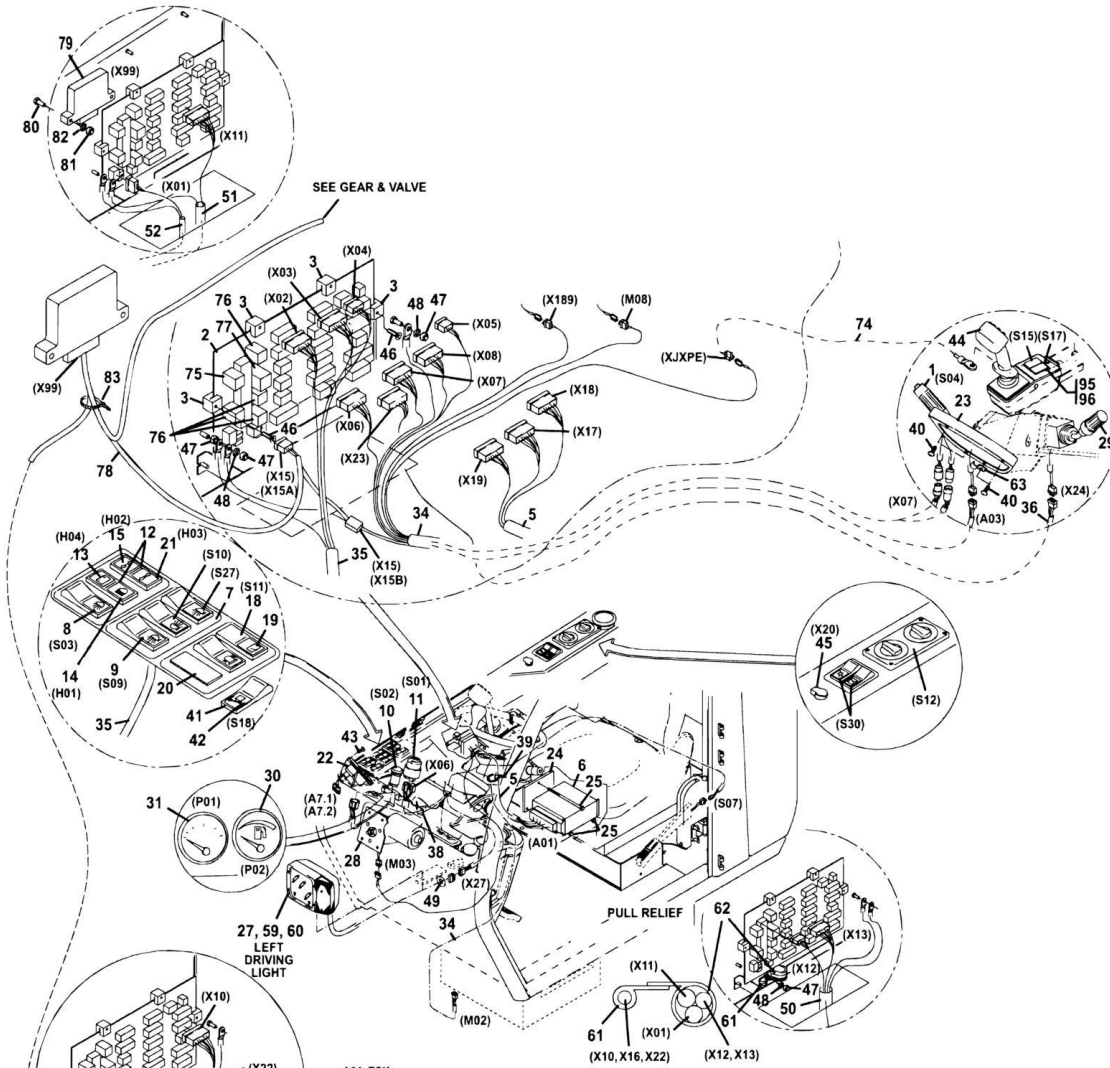
FIGURE 9-36. AUXILIARY POWER PUMP

| ITEM | PART NUMBER | QTY | DESCRIPTION | REV |
|------|-------------|-----|--|-----|
| | 3600422 | 1 | AUXILIARY POWER PUMP, (includes all items) | C |
| 1 | 7011067 | 1 | MOTOR w/END HEAD | |
| 2 | 7029592 | 2 | SET SCREW | |
| 3 | 7011016 | 1 | COUPLING | |
| 4 | 7011044 | 1 | GASKET | |
| 5 | 7029593 | 1 | PUMP ASSY | |
| 6 | NS | 1 | LABEL | |
| 7 | 7011048 | 4 | WASHER | |
| 8 | 7011043 | 4 | SCREW | |

SECTION 10 - ELECTRICAL

SECTION 10 - ELECTRICAL

FIGURE 10-1. INSTRUMENT PANEL ASSEMBLY



- A01 ESX
- A03 DISPLAY
- A7.1, 7.2 LMI
- H01 HIGH BEAM PILOT LIGHT
- H02 DIRECTION INDICATOR PILOT LIGHT
- H03 INDICATOR PILOT LIGHT TRAILER, (TOW PLUG KIT)
- H04 CHARGING WARNING LIGHT
- M02 HEATER FAN (FOR HEATER & AIR CONDITIONER)
- M03 WIPER FRONT
- M06 AIR SUSPENSION SEAT OPTION
- P01 TEMPERATURE DISPLAY ENGINE
- P02 FUEL GAUGE
- S01 SWITCH IGNITION
- S02 WARNING FLASHER SWITCH
- S03 DRIVING LIGHT SWITCH
- S04 SIGNAL and WIPER CONTROL
- S07 SWITCH PARKING BRAKE
- S09 SWITCH WORK LIGHTS FRONT
- S10 SWITCH WORK LIGHTS REAR
- S11 SWITCH WIPER REAR
- S12 SWITCH HEATER FAN (FOR HEATER & AIR CONDITIONER)
- S14 SWITCH WARNING LIGHT
- S15 SWITCH 2, ONLY USED WITH AUXILIARY HYDRAULIC OPERATION
- S17 SWITCH 1, ONLY USED WITH AUXILIARY HYDRAULIC OPERATION
- S18 SWITCH LEVELING
- S27 SWITCH WORK FLASHER BOOM (WORKLIGHT BOOM KIT)
- S30 SWITCH AIR CONDITIONING
- X01 POWER SUPPLYS
- X02-04 CABLE INSTRUMENT PANEL
- X05-08 CABLE STEAR COLUMN CABIN BOTTOM
- X10,16, 16.1, 22 CABLE FRONT END GEAR UNIT
- X11 CABLE ENGINE
- X12, 13 CABLE REAR
- X15 JOYSTICK
- X15A SDO CAN BUS
- X15B TEE'D INTO JOYSTICK CONNECTION
- X16.1, 17-19 CABLE ESX
- X20 12V POWER OUTLET IN CAB
- X23, 24 CABLE FNR GEAR SHIFT CONTROL
- X27 LEFT DRIVING LIGHT
- X39 SDO MODULE
- X189 AIR CONDITIONING OPTION
- XJXPE JOYSTICK CASE GROUND

PAP072

SECTION 10 - ELECTRICAL

FIGURE 10-1. INSTRUMENT PANEL ASSEMBLY

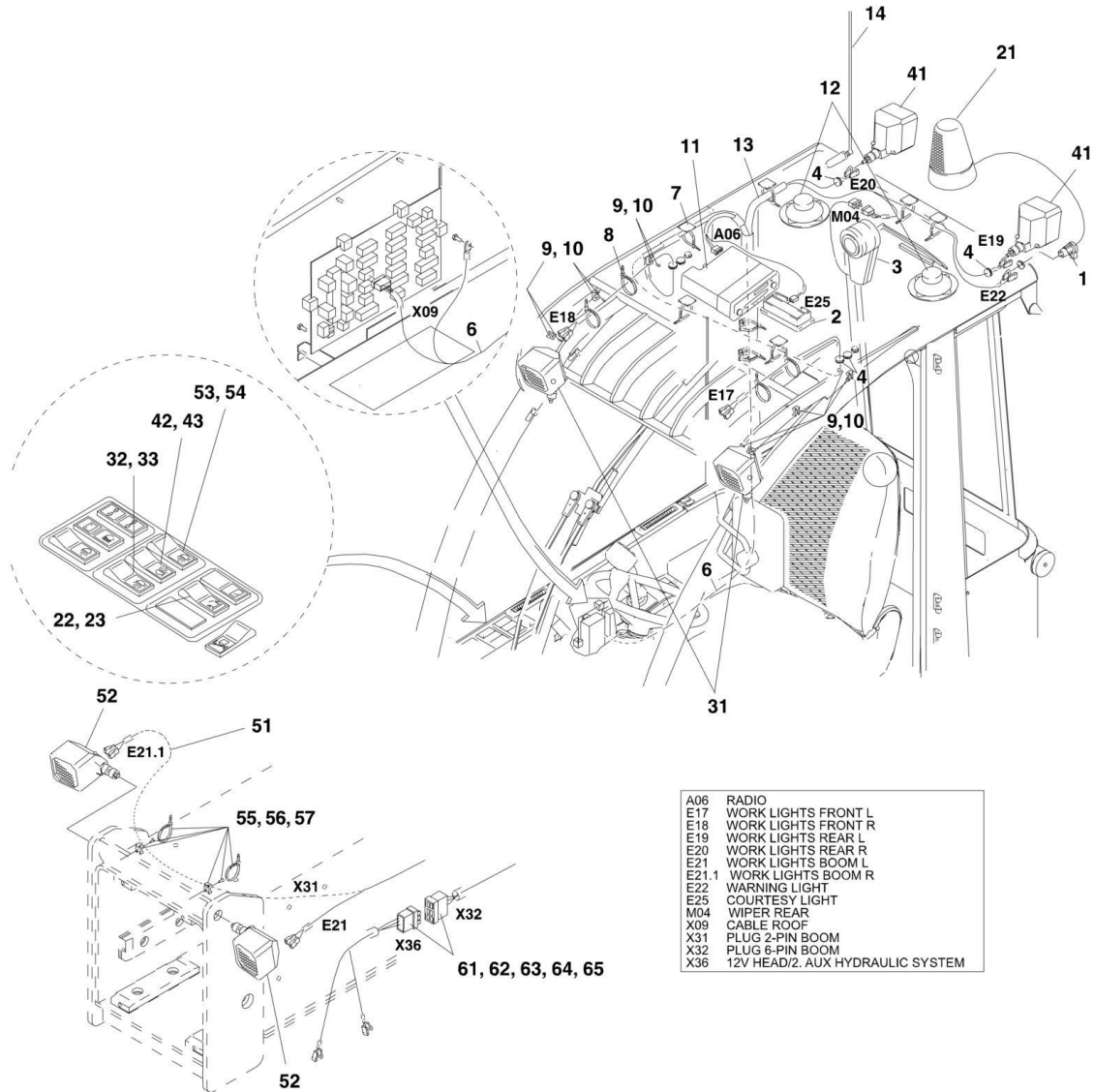
| ITEM | PART NUMBER | QTY | DESCRIPTION | REV |
|------|-------------|-----|---|-----|
| | 8006348 | Ref | ELECTRIC SYSTEM, (instrument panel assy) (Prior to SN 1160000354) | D |
| | 0273756 | Ref | ELECTRIC SYSTEM, (instrument panel assy) (SN 1160000354 to Present) | L |
| 1 | 3749975 | 1 | SWITCH | |
| 2 | 8000926 | 1 | PRINTED CIRCUIT MODULE (Prior to SN 116000089) | |
| 2 | 8009328 | 1 | PRINTED CIRCUIT MODULE (SN 116000089 to Present) | |
| 3 | 8000924 | 6 | HOLDER | |
| 5 | 8003394 | 1 | HARNESS (Prior to SN 116000089) | |
| 5 | 8009326 | 1 | HARNESS (SN 116000089 to Present) | |
| 6 | 8008173 | 1 | CONTROLLER, ESX | |
| 6 | 4170090 | 1 | STANDARD COMPATIBLE ESX VERSION | |
| 6 | 7029813 | 1 | HARDWARE PACKET, X-FLASH CORD, (not illustrated) | |
| 6 | 7002845 | 1 | POWERCORD FOR ESX, (not illustrated) | |
| 7 | 1663821 | 3 | MOUNTING FRAME | |
| 8 | 3972909 | 1 | SWITCH | |
| 9 | 1719033 | 1 | DECAL | |
| 10 | 3933128 | 1 | SWITCH 12V | |
| 11 | 8002820 | 1 | KEYSWITCH | |
| 11 | 8008049 | 1 | IGNITION KEY, (also for cab door, rear cover and engine cover) | |
| 12 | 1719204 | 2 | CONTROL LIGHT INDICATOR | |
| 13 | 1719088 | 1 | DECAL | |
| 14 | 1719113 | 1 | DECAL | |
| 15 | 1719124 | 1 | DECAL | |
| 18 | 8005424 | 1 | SWITCH | |
| 19 | 1718985 | 1 | DECAL | |
| 20 | 1359720 | 7 | COVER | |
| 21 | 1663796 | 1 | INSET | |
| 22 | 8002819 | 1 | WEIGHT INDICATOR | |
| 22 | 7029105 | 1 | REPLACEMENT SYMBOL PLATE | |
| 23 | 8002954 | 1 | DISPLAY, (See DISPLAY PANEL for Breakdown) | |
| 24 | 8000984 | 1 | PLATE | |
| 25 | 0700836 | 3 | BOLT, 8X190mm | |
| 27 | 3928789 | 1 | HEADLIGHT ASSY, (left), (See FRAME AND ATTACHING PARTS for right headlight) | |
| 27 | 7028000 | 1 | LENS RETAINING RIM WITHOUT INDICATOR | |
| 27 | 7028001 | 1 | LENS RETAINING RIM WITH INDICATOR | |
| 27 | 7028002 | 1 | LENS FOR INDICATOR FRONT | |
| 27 | 7028003 | 1 | LENS FOR INDICATOR REAR | |
| 27 | 7028004 | 1 | SOCKET FOR BLADE RECEPTACLES 6 POLE | |
| 27 | 7028005 | 1 | RUBBER CAP FOR AMP PLUG CONNECTOR | |
| 27 | 7028006 | 1 | TERMINALS | |
| 27 | 0409672 | 1 | INCANDESCENT LAMP, (12V 55W) | |
| 27 | 0377300 | 1 | INCANDESCENT LAMP, (12V 4W) | |
| 27 | 3981604 | 1 | INCANDESCENT LAMP, (12V 55W) | |
| 27 | 0388450 | 1 | INCANDESCENT LAMP, (12V 21W) | |
| 28 | | Ref | WIPER MOTOR, (front), (See CAB SECTION for Breakdown) | |
| 29 | | Ref | SHIFTER, (See CONTROLS SECTION for Breakdown) | |
| 30 | 8005257 | 1 | FUEL GAUGE | |
| 31 | 8005258 | 1 | TEMPERATURE GAUGE | |

SECTION 10 - ELECTRICAL

| ITEM | PART NUMBER | QTY | DESCRIPTION | REV |
|------|-------------|-----|--|-----|
| 34 | 8005556 | 1 | HARNESS | |
| 35 | 8003388 | 1 | HARNESS, (instrument panel (Prior to SN 116000089)) | |
| 35 | 8009324 | 1 | HARNESS, (instrument panel (SN 116000089 to Present)) | |
| 36 | 8003738 | 1 | CABLE, STEERING GEAR (Prior to SN 116000089) | |
| 36 | 8009327 | 1 | CABLE, STEERING GEAR (SN 116000089 to Present) | |
| 38 | 471678 | 30 | TIE-STRAP | |
| 39 | 1062255 | 20 | TIE-STRAP | |
| 40 | 8002211 | 4 | SOCKET HD SCREW, 5X16mm | |
| 41 | 8008007 | 1 | SWITCH, (optional) | |
| 42 | 8002831 | 1 | DECAL, (optional) | |
| 43 | 2686762 | 4 | SCREW, 3.5X13mm | |
| 44 | | Ref | CONSOLE BOX ASSY, (See CONTROLS SECTION for Breakdown) | |
| 45 | 1719419 | 1 | SOCKET | |
| 46 | 4010614 | 6 | MACHINE SCREW, 6X30mm | |
| 47 | 3290805 | 4 | LOCKNUT, 8mm | |
| 48 | 5211702 | 7 | WASHER, 6X18.2X1.4mm | |
| 49 | 8003385 | 1 | HARNESS | |
| 50 | 8009329 | 1 | HARNESS | |
| 51 | 8003384 | 1 | ENGINE HARNESS, (used on machines with 65a alternator and without start relay) (Prior to SN 1160000164) | |
| 51 | 8009330 | 1 | ENGINE HARNESS, (used on machines with 65a alternator and start relay) (SN 1160000138 through 1160000209) | |
| 51 | 8009835 | 1 | ENGINE HARNESS (SN 1160000210 through 1160000357) | |
| 51 | 4923002 | 1 | ENGINE HARNESS, (See TIER II ENGINE HARNESS WIRE for Breakdown) (SN 1160000358 to Present) | |
| 52 | 8003387 | 1 | HARNESS | |
| 55 | 8003392 | 1 | GROUND CABLE | |
| 56 | 492935 | 1 | LOCKWASHER, 10mm | |
| 57 | 5212000 | 1 | WASHER, 10X22mm | |
| 58 | 3291005 | 1 | LOCKNUT, 10mm | |
| 59 | 3933082 | 1 | CAP | |
| 60 | 2685181 | 1 | SOCKET HOUSING | |
| 61 | 2906123 | 1 | CLIP | |
| 62 | 8000103 | 1 | CLIP | |
| 63 | 1320324 | 1 | CLAMP | |
| 74 | 4923262 | 1 | GROUND CABLE, JOYSTICK CASE | |
| 75 | 7029903 | 1 | RELAY, 12V, 40-60A, K01 | |
| 76 | 7029904 | 4 | RELAY, 12V 20-30A, K02, K04, K05, K06 | |
| 77 | 7029905 | 1 | RELAY, 12V, BLINKING, K03 | |
| 78 | 1001105098 | 1 | HARNESS, PVG | |
| 79 | 1001105097 | 1 | MODULE, SD10 | |
| 80 | 1001096653 | 2 | BOLT, 6mm X 70mm | |
| 81 | 3290605 | 2 | LOCKNUT, 6mm | |
| 82 | 4811700 | 2 | WASHER, 6mm | |
| 83 | 4240099S | AR | CABLE TIE | |
| 95 | 8002834 | 1 | SWITCH, 12V | |
| 96 | 8002832 | 1 | SYMBOL | |

SECTION 10 - ELECTRICAL

FIGURE 10-2. ACCESSORIES PANEL ASSEMBLY



SECTION 10 - ELECTRICAL

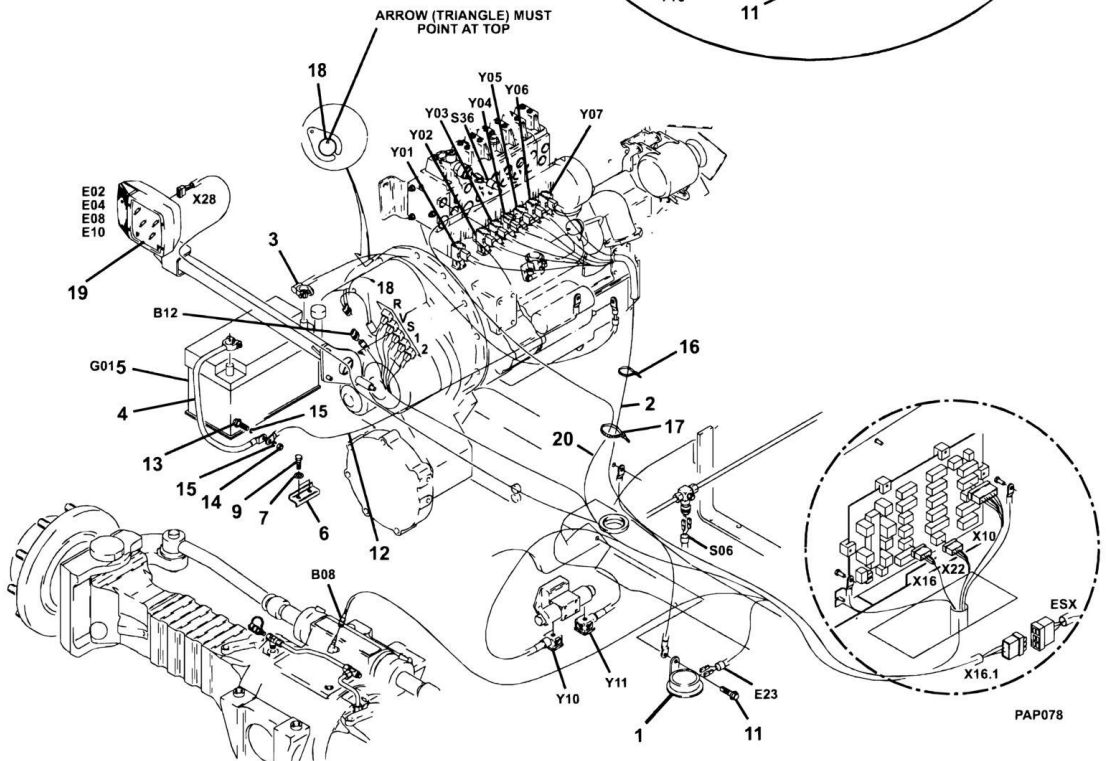
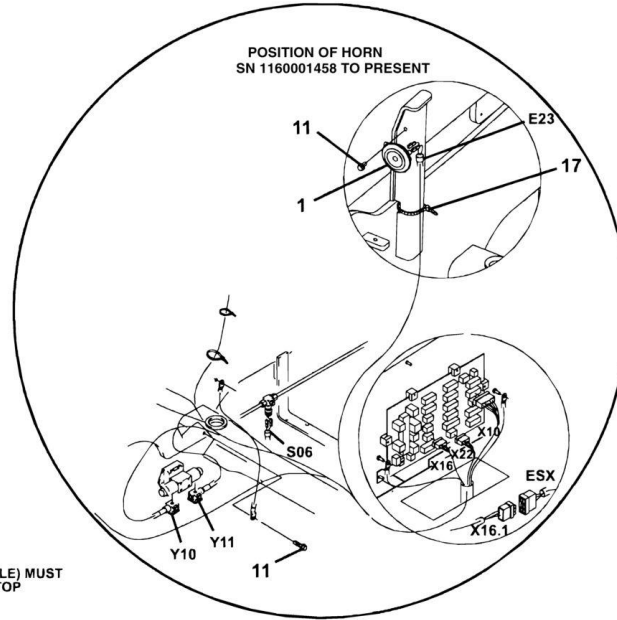
FIGURE 10-2. ACCESSORIES PANEL ASSEMBLY

| ITEM | PART NUMBER | QTY | DESCRIPTION | REV |
|------|-------------|-----|---|-----|
| | 8006347 | Ref | ELECTRIC SYSTEM, (accessories installation), (includes all items) | E |
| 1 | 1719419 | 1 | SOCKET | |
| 2 | 3927186 | 1 | INSIDE LIGHT 12V | |
| 3 | | Ref | WIPER SYSTEM, (rear), (See CAB SECTION for Breakdown) | |
| 4 | 8002985 | 6 | DUCT SOCKET | |
| 6 | 8003382 | 1 | HARNESS | |
| 7 | 3977119 | 20 | PLATE TIE-STRAP | |
| 8 | 471678 | 40 | TIE-STRAP | |
| 9 | 8008862 | 6 | RIVET | |
| 10 | 8007986 | 6 | MOUNTING PLATE | |
| 11 | 2913406 | 1 | RADIO STERERO CASSETTE | |
| 12 | 3938394 | 2 | SPEAKER | |
| 13 | 3938407 | 1 | HARNESS | |
| 14 | 8005901 | 1 | ANTENNA | |
| | 8100074 | 1 | WARNING LIGHT KIT, (optional), (includes items 21 thru 23) | |
| 21 | 3963146 | 1 | WARNING LIGHT, YELLOW | |
| 21 | 7028090 | 1 | BULB, 12V-55W | |
| 22 | 4674353 | 1 | SWITCH 12V | |
| 23 | 1360585 | 1 | DECAL - WARNING LIGHT | |
| 31 | 8002787 | 2 | WORKING HEADLIGHT | |
| 32 | 4674353 | 1 | SWITCH 12V | |
| 33 | 1718996 | 1 | DECAL - HEADLIGHT | |
| 41 | 8002787 | 2 | WORKING HEADLIGHT | |
| 42 | 4674353 | 1 | SWITCH 12V | |
| 43 | 1719000 | 1 | DECAL - CAB REAR WORKLIGHT | |
| 51 | 8005249 | 1 | HARNESS | |
| 52 | 8002787 | 2 | WORKING HEADLIGHT | |
| 53 | 4674353 | 1 | SWITCH 12V | |
| 54 | 1718996 | 1 | DECAL - BOOM MOUNTED WORKLIGHT | |
| 55 | 471678 | 20 | TIE-STRAP | |
| 56 | 8008862 | 2 | RIVET | |
| 57 | 8007986 | 2 | MOUNTING PLATE | |
| 61 | 8005295 | 1 | ADDITIONAL HYDRAULIC KIT, (includes items 64, 65 and item 40 from HYDRAULIC SYSTEM W/AUXILIARY) | |
| 62 | 8005296 | 1 | HYDRAULIC SYSTEM KIT, (includes items 64 & 65) | |
| 63 | 8005297 | 1 | HYDRAULIC ADDITIONAL KIT, (includes items 64, 65 and item 40 from HYDRAULIC SYSTEM W/AUXILIARY) | |
| 64 | 8005293 | 1 | HARNESS | |
| 65 | 8006212 | 1 | KIT SET 12V COMPLETE, (includes items 1, 22 & 66) | |
| 66 | 8005294 | 1 | DECAL, (not illustrated) | |
| | 8002790 | 1 | RADIO KIT, (includes items 11-14) | |
| | 8005277 | 1 | WORKLIGHT KIT, CAB - FRONT MOUNTED, (optional), (includes items 31 thru 33) | |
| | 8005280 | 1 | WORKLIGHT KIT, CAB - REAR MOUNTED, (optional), (includes items 41 thru 43) | |
| | 8005251 | 1 | WORKLIGHT KIT, BOOM MOUNTED, (optional), (includes items 51 thru 57) | |

SECTION 10 - ELECTRICAL

FIGURE 10-3. GEAR AND VALVE

| ENGLISH | GERMAN |
|---------|-------------------------|
| B08 | Winkel Vorderachse |
| B12 | Getriebedrehza |
| G01 | Batterie |
| E02 | Abblendlicht |
| E04 | Fernlicht |
| E08 | Standlicht |
| E10 | Blinklicht vorne |
| E23 | Hupe |
| S06 | Bremstlichtschalt |
| S36 | Hydraulikdru |
| X10 | Kabel Beleuchtung vorne |
| X16 | Stecker |
| X16.1 | Stecker |
| X22 | Magnete Getriebe |
| X28 | Stecker Fahrlicht |
| Y01 | Heben |
| Y02 | Teleskopieren |
| Y03 | Kippe |
| Y04 | Zusatzhydraul |
| Y05 | Niveausausgleich |
| Y06 | Pratze rechts |
| Y07 | Pratze links |
| Y10 | Lenkart |
| Y11 | Lenkart |



SECTION 10 - ELECTRICAL

FIGURE 10-3. GEAR AND VALVE

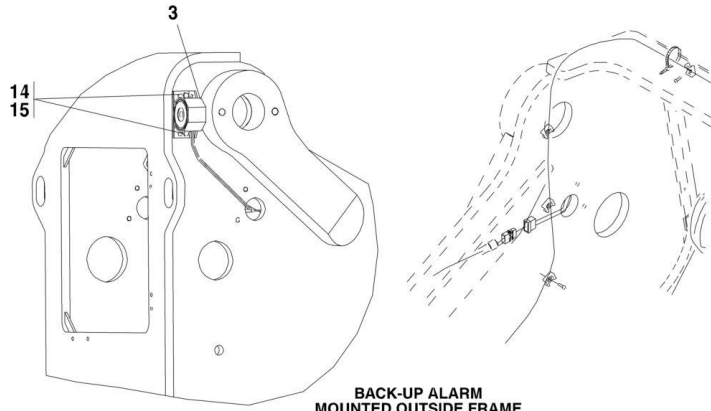
| ITEM | PART NUMBER | QTY | DESCRIPTION | REV |
|------|-------------|-----|---|-----|
| | 8006356 | Ref | ELECTRIC SYSTEM, (gear and valve), (includes items 1 & 3 thru 18) | F |
| 1 | 8009766 | 1 | SIGNAL HORN 12V | |
| 2 | | Ref | HARNESS, (See INSTRUMENT PANEL ASSEMBLY for Breakdown) | |
| 3 | 8003391 | 1 | BATTERY CABLE, POSITIVE | |
| 4 | 8003389 | 1 | BATTERY CABLE, NEGATIVE | |
| 5 | 8008750 | 1 | BATTERY | |
| 6 | 1787217 | 1 | BATTERY HOLDER | |
| 7 | 4811900 | 2 | FLAT WASHER, 8mm | |
| 9 | 0760814 | 2 | BOLT, 8X30mm, GR8.8 | |
| 11 | 5201010 | 2 | BOLT, 10X20mm | |
| 12 | 8003393 | 1 | HARNESS, (ground) | |
| 13 | 5201014 | 1 | BOLT, 10X30mm | |
| 14 | 3291001 | 1 | NUT, 10mm | |
| 15 | 4812000 | 1 | FLAT WASHER, 10mm | |
| 16 | 471678 | 20 | TIE-STRAP | |
| 17 | 1062255 | 21 | TIE-STRAP | |
| 18 | | Ref | SPEED SENSOR ASSY, (See ENGINE AND ATTACHING PARTS for Breakdown) | |
| 19 | | Ref | LAMP INSTALLATION, (front), (See FRAME AND ATTACHING PARTS for Breakdown) | |
| 20 | | Ref | HARNESS, (See INSTRUMENT PANEL ASSEMBLY for Breakdown) | |

SECTION 10 - ELECTRICAL

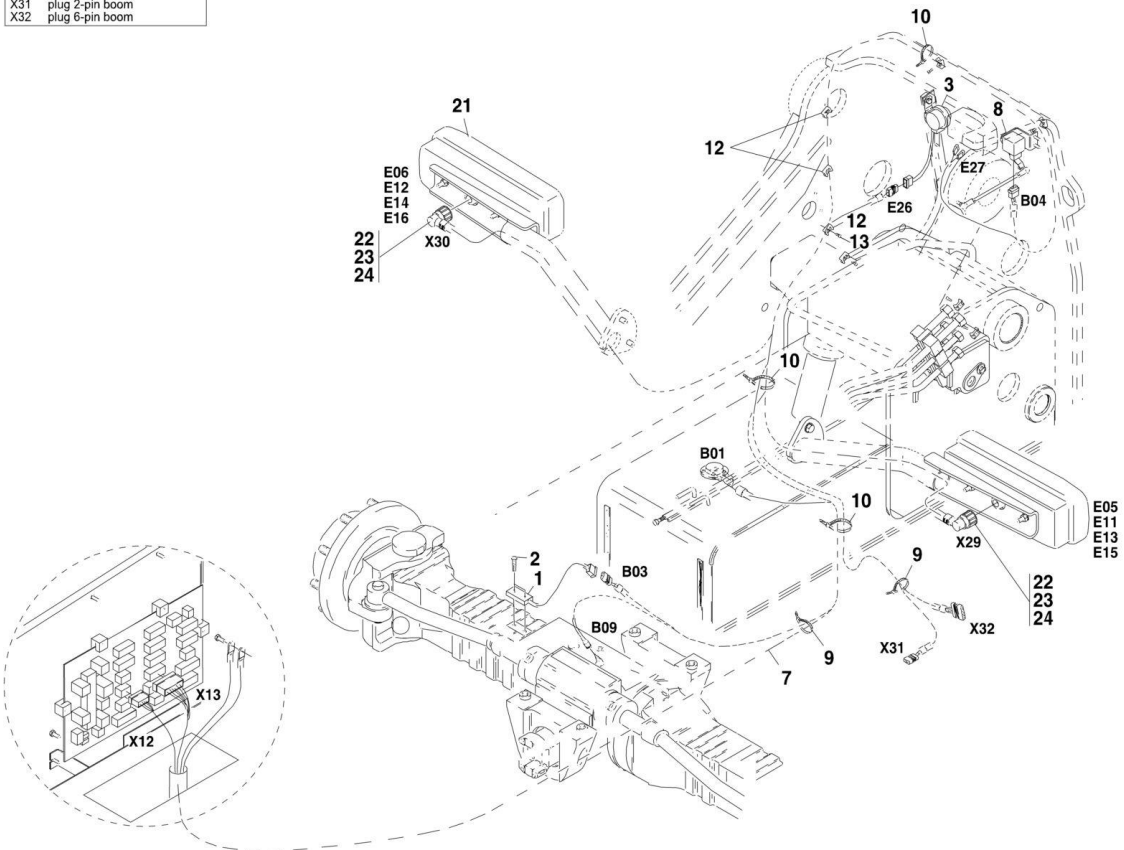
FIGURE 10-4. REAR OF MACHINE

| | |
|-----|-----------------------------|
| B01 | Tauchrohrgeber |
| B03 | Biegesensor |
| B04 | Winkelsensor Hubarm |
| B09 | Winkel Hinterachse induktiv |
| E05 | Rücklicht links |
| E06 | Rücklicht rechts |
| E11 | Blinklicht hinten links |
| E12 | Blinklicht hinten rechts |
| E13 | Bremslicht links |
| E14 | Bremslicht rechts |
| E15 | Rückfahrcheinwerfer links |
| E16 | Rückfahrcheinwerfer rechts |
| E26 | Rückfahrsummer |
| E27 | Kennzeichenbeleuchtung |
| X12 | Kabel Beleuchtung hinten |
| X13 | Kabel Teleskop |
| X29 | Stecker Rücklicht links |
| X30 | Stecker Rücklicht rechts |
| X31 | Stecker 2-polig Hubarm |
| X32 | Stecker 6-polig Hubarm |

| | |
|-----|-----------------------------|
| B01 | immers tube contact |
| B03 | transducer |
| E04 | angle-sensor boom |
| B09 | angle rear-axle inductively |
| E05 | tail-light left |
| E06 | tail-light right |
| E11 | indicator tail left |
| E12 | indicator tail right |
| E13 | brake-light left |
| E14 | brake-light right |
| E15 | back-up light left |
| E16 | back-up light right |
| E26 | back-driving-buzzer |
| E27 | registration-plate light |
| X12 | cable lights tail |
| X13 | cable teleskop |
| X29 | plug tail-light left |
| X30 | plug tail-light right |
| X31 | plug 2-pin boom |
| X32 | plug 6-pin boom |



BACK-UP ALARM
MOUNTED OUTSIDE FRAME



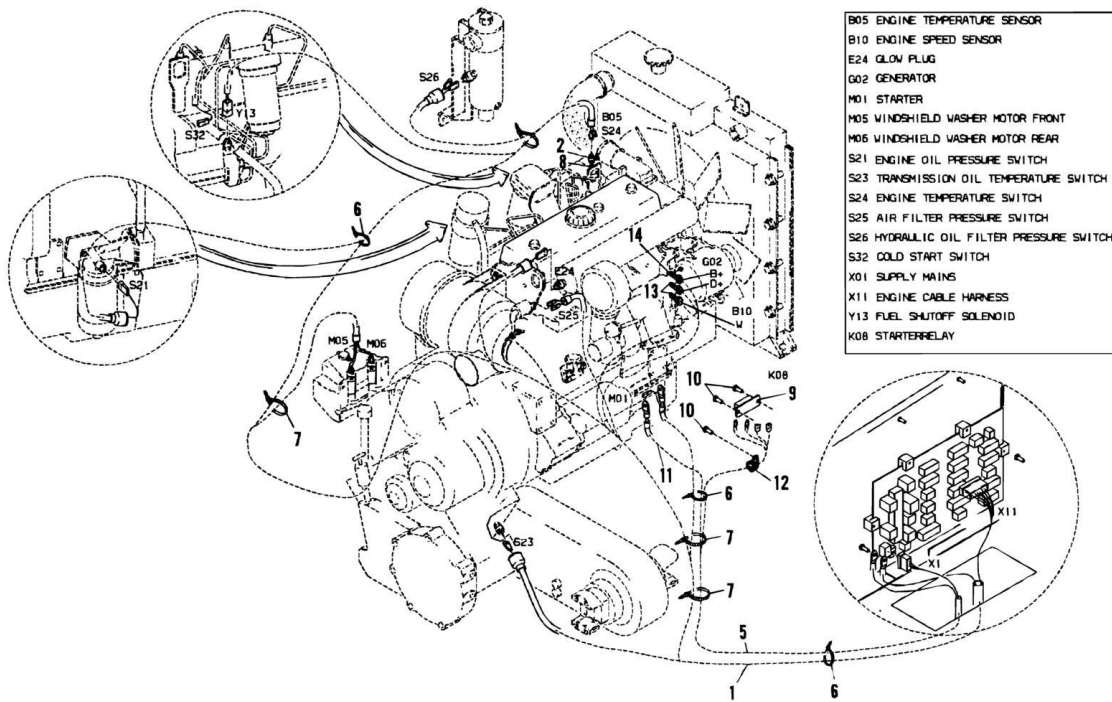
SECTION 10 - ELECTRICAL

FIGURE 10-4. REAR OF MACHINE

| ITEM | PART NUMBER | QTY | DESCRIPTION | REV |
|------|-------------|-----|--|------|
| | 0274440 | Ref | ELECTRIC SYSTEM, (rear), (7, 8 & 9M), (includes items 1 thru 15) | H |
| | 8006382 | Ref | ELECTRIC SYSTEM, (rear), (12 & 13M), (includes items 1 thru 15) | H |
| | 1001094566 | Ref | ELECTRICAL SYSTEM, (rear), (12 & 13M), W/PLATFORM, (includes items 1 thru 15) | A, 1 |
| 1 | 8002843 | 1 | SENSOR | |
| 2 | 0771016 | 2 | BOLT, (torque to 70 Nm) | |
| 3 | 8002859 | | ALARM, BACK-UP, (mounted inside frame) | |
| 3 | 0140047 | 1 | ALARM, BACK-UP, (mounted outside frame) | |
| 7 | 8003386 | 1 | HARNESS, (includes items 22, 23 & 24) | |
| 8 | | Ref | SENSOR ASSY, (See SENSOR ASSEMBLY for Breakdown) | |
| 9 | 471678 | 20 | TIE-STRAP | |
| 10 | 1062255 | 20 | TIE-STRAP | |
| 12 | 8007986 | 8 | MOUNTING PLATE | |
| 13 | 845749 | 6 | RIVET | |
| 14 | 0760614 | 2 | HEX HD CAPSCREW, M30X1 | |
| 15 | 4811700 | 2 | FLAT WASHER, 6mm | |
| 21 | | Ref | LAMP INSTALLATION, (rear), (See TAIL LIGHT AND BRACKET INSTALLATION for Breakdown) | |
| 22 | 4461134 | 2 | CONNECTOR | |
| 23 | 4461006 | 10 | SEAL | |
| 24 | 7029636 | 4 | PLUG | |

SECTION 10 - ELECTRICAL

FIGURE 10-5. ENGINE (Prior to SN 1160000358)



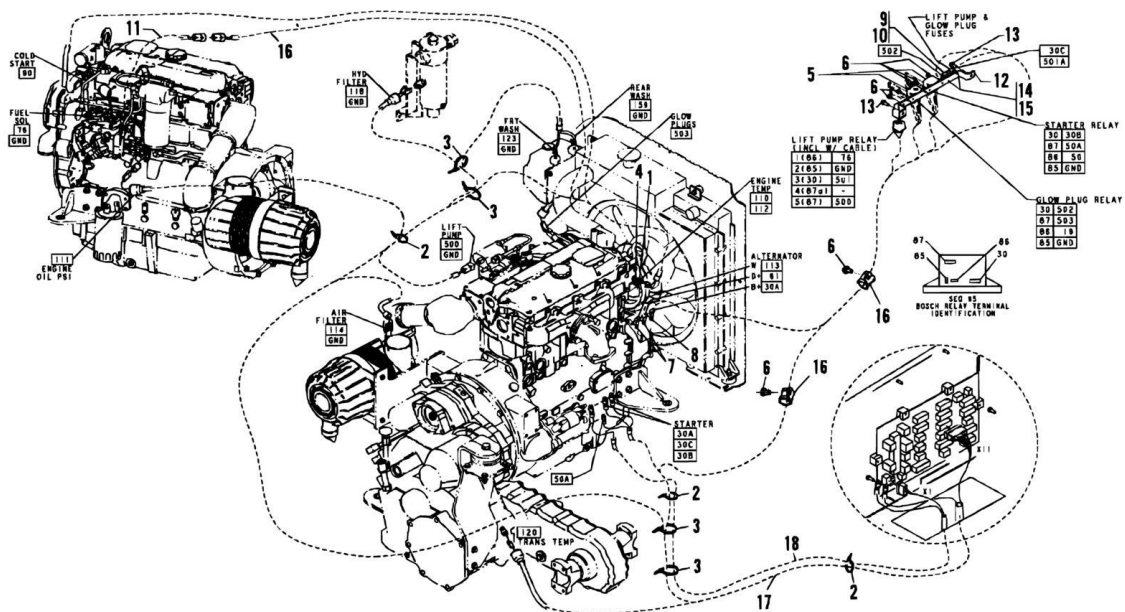
SECTION 10 - ELECTRICAL

FIGURE 10-5. ENGINE (Prior to SN 1160000358)

| ITEM | PART NUMBER | QTY | DESCRIPTION | REV |
|------|-------------|-----|--|-----|
| 1 | 8006388 | Ref | ELECTRIC SYSTEM, (includes all items) | E |
| | | Ref | HARNESS, ENGINE, (See INSTRUMENT PANEL ASSEMBLY, item 51 for Breakdown) | |
| 2 | 8002846 | 1 | SWITCH, TEMPERATURE | |
| 5 | | Ref | HARNESS, (See INSTRUMENT PANEL ASSEMBLY, item 52 for Breakdown) | |
| 6 | 471678 | 20 | CABLE BAND | |
| 7 | 1062255 | 20 | CABLE BAND | |
| 8 | 300172 | 1 | GASKET | |
| 9 | 8009323 | 1 | STARTER RELAY | |
| 10 | 5200605 | 3 | BOLT, 6X10mm | |
| 11 | 8009652 | 1 | STARTER RELAY CABLE SET, used with 8003384 (Prior to SN 1160000164) | |
| 12 | 2966454 | 1 | CLAMP (SN 1160000150 to Present) | |
| 13 | 3300480 | 2 | HEX NUT, 5mm | |
| 14 | 3300481 | 1 | HEX NUT, 6mm | |

SECTION 10 - ELECTRICAL

FIGURE 10-6. ENGINE (SN 1160000358 to Present)



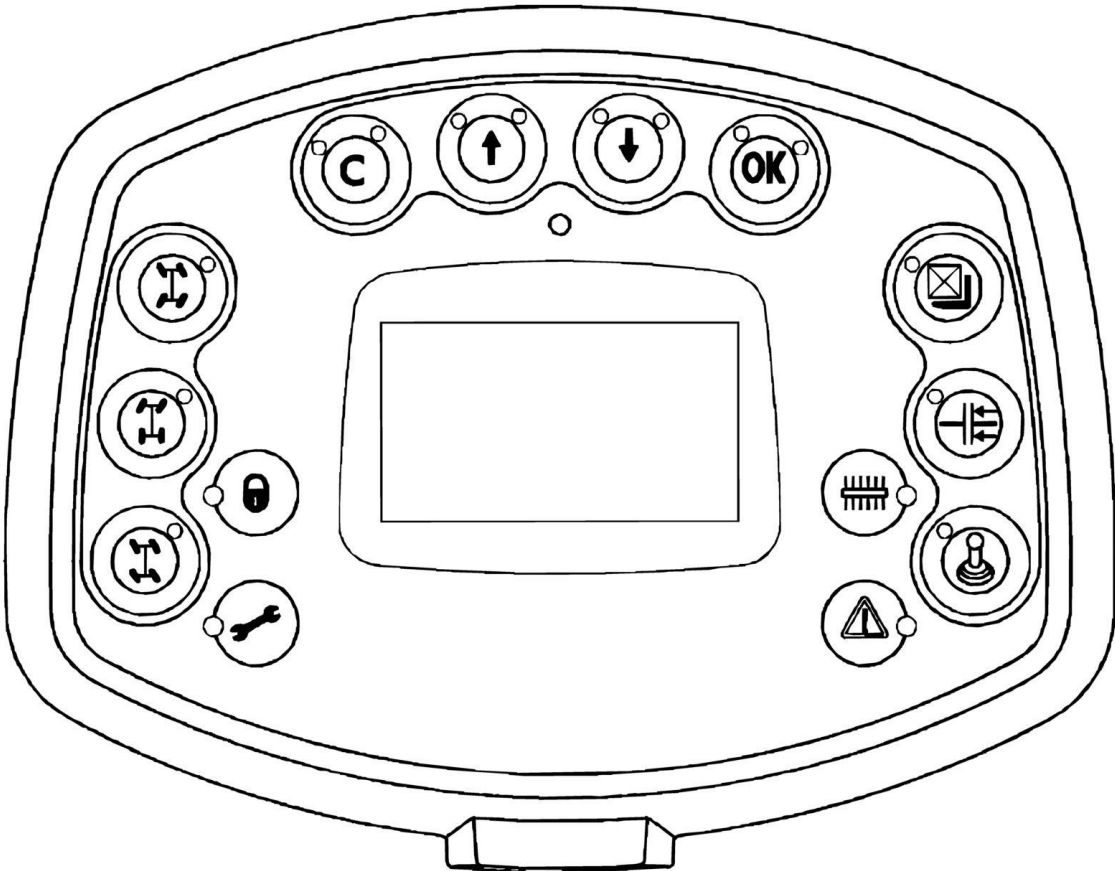
SECTION 10 - ELECTRICAL

FIGURE 10-6. ENGINE (SN 1160000358 to Present)

| ITEM | PART NUMBER | QTY | DESCRIPTION | REV |
|------|-------------|-----|--|-----|
| | 4923031 | Ref | ELECTRIC SYSTEM FOR NA ENGINE, (includes items 1 thru 16) | D |
| | 4923032 | Ref | ELECTRIC SYSTEM FOR TURBO ENGINE, (includes items 1 thru 16) (SN 1160000358 to Present) | D |
| 1 | 4360560 | 1 | SWITCH, TEMPERATURE | |
| 2 | 471678 | 20 | CABLE BAND | |
| 3 | 1062255 | 20 | CABLE BAND | |
| 4 | 4740534 | 1 | SPECIAL WASHER | |
| 5 | 3740112 | 2 | STARTER RELAY, 75 AMP | |
| 6 | 5200605 | 7 | BOLT | |
| 7 | 3300480 | 2 | HEX NUT, 5mm | |
| 8 | 3300481 | 1 | HEX NUT, 6mm | |
| 9 | 2400073 | 1 | HOLDER FUSE | |
| 10 | 2400074 | 1 | FUSE, 50 AMP | |
| 11 | 4923004 | 1 | TIER II FUEL SOLENOID WIRE, NA ENGINE, (See TIER II FUEL SOLENOID WIRE for Breakdown) | |
| 11 | 4923003 | 1 | TIER II FUEL SOLENOID WIRE, TURBO ENGINE, (See TIER II FUEL SOLENOID WIRE for Breakdown) | |
| 12 | 0902991 | 1 | BRACKET | |
| 13 | 5200810 | 2 | BOLT, 8X20mm | |
| 14 | 4010308 | 2 | SCREW | |
| 15 | 3290305 | 2 | LOCKNUT | |
| 16 | 2443576 | 2 | HOSE CLAMP (SN 1160000593 to Present) | |
| 17 | | Ref | HARNESS, (See INSTRUMENT PANEL ASSEMBLY, item 52) | |
| 18 | | Ref | ENGINE HARNESS, (See INSTRUMENT PANEL ASSEMBLY, item 51) | |

SECTION 10 - ELECTRICAL

FIGURE 10-7. DISPLAY PANEL



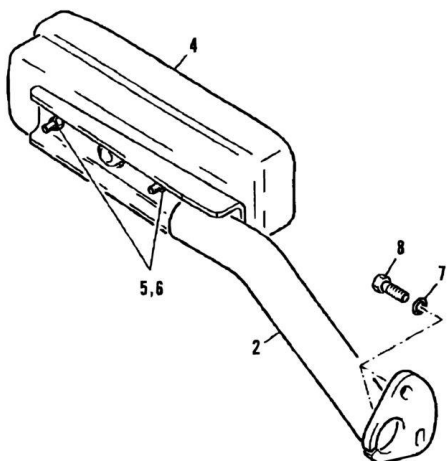
SECTION 10 - ELECTRICAL

FIGURE 10-7. DISPLAY PANEL

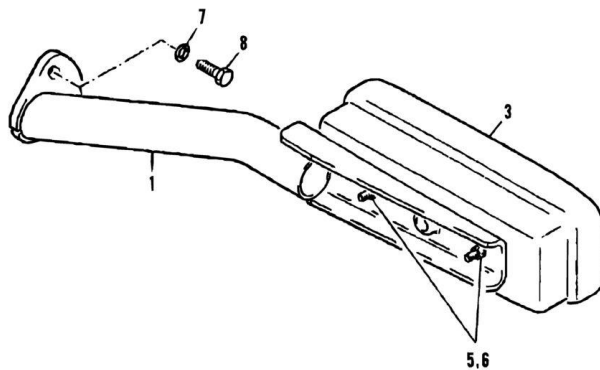
| ITEM | PART NUMBER | QTY | DESCRIPTION | REV |
|------|-------------|-----|---|-----|
| | 8002954 | Ref | DISPLAY PANEL, (includes standard e-prom) | A,9 |
| | 1001112126 | 1 | STANDARD E-PROM, NORTH VERSION 17, (includes German, English, Dutch, Swedish, Norwegian, Belgian and Danish) | |
| | 1001112127 | 1 | OPTIONAL E-PROM, SOUTH VERSION 17, (includes German, English, Dutch, Portuguese, Spanish, French and Italian) | |
| | 1001112128 | 1 | PLATFORM E-PROM, NORTH VERSION 03-004, (includes German, English, Dutch, Swedish, Norwegian, Belgian and Danish) | |
| | 1001112129 | 1 | PLATFORM E-PROM, SOUTH VERSION 03-004, (includes German, English, Dutch, Portuguese, Spanish, French and Italian) | |

SECTION 10 - ELECTRICAL

FIGURE 10-8. TAIL LIGHT AND BRACKET INSTALLATION



THERE ARE TWO TYPES OF
TAILLIGHT AND BRACKET
INSTALLATIONS. IF THE TAILLIGHTS
ON YOUR MACHINE FOLD, SEE
TAIL LIGHT AND BRACKET INSTALLATION
FOR CORRECT INSTALLATION.



SECTION 10 - ELECTRICAL

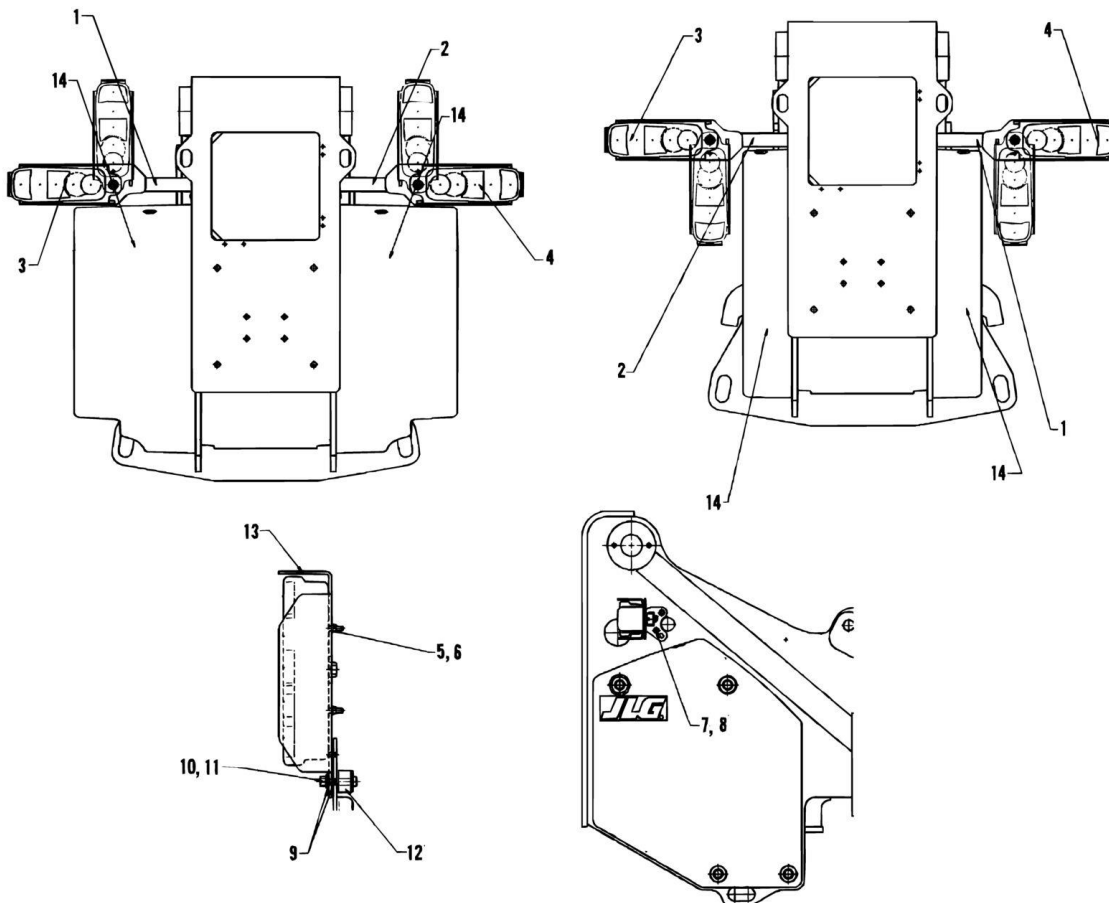
FIGURE 10-8. TAIL LIGHT AND BRACKET INSTALLATION

| ITEM | PART NUMBER | QTY | DESCRIPTION | REV |
|------|-------------|-----|--|-----|
| | 8002003 | Ref | LAMP BRACKET, (rear), (includes all items) | A |
| 1 | 8001992 | 1 | BRACKET, (rear left) | |
| 2 | 8002000 | 1 | BRACKET, (rear right) | |
| 3 | 8001991 | 1 | TAILLIGHT, (left) | |
| 3 | 0313279 | 2 | REPLACEMENT BULB 12V-10W | |
| 3 | 0388450 | 4 | REPLACEMENT BULB 12V-21W | |
| 4 | 8001989 | 1 | TAILLIGHT, (right) | |
| 4 | 0313279 | 2 | REPLACEMENT BULB 12V-10W | |
| 4 | 0388450 | 4 | REPLACEMENT BULB 12V-21W | |
| 5 | 4811900 | 4 | FLAT WASHER, 8mm | |
| 6 | 3290805 | 4 | LOCKNUT, 8mm | |
| 7 | 5212000 | 4 | WASHER, 10X22mm | |
| 8 | 0761012 | 4 | HEX HD CAPSCREW, 10X25mm, GR8.8 | |

SECTION 10 - ELECTRICAL

FIGURE 10-9. TAIL LIGHT AND BRACKET INSTALLATION

THERE ARE TWO TYPES OF TAILLIGHT AND BRACKET INSTALLATIONS. IF THE TAILLIGHTS ON YOUR MACHINE DO NOT FOLD, SEE PREVIOUS FIGURE TAIL LIGHT AND BRACKET INSTALLATION FOR CORRECT INSTALLATION.



SECTION 10 - ELECTRICAL

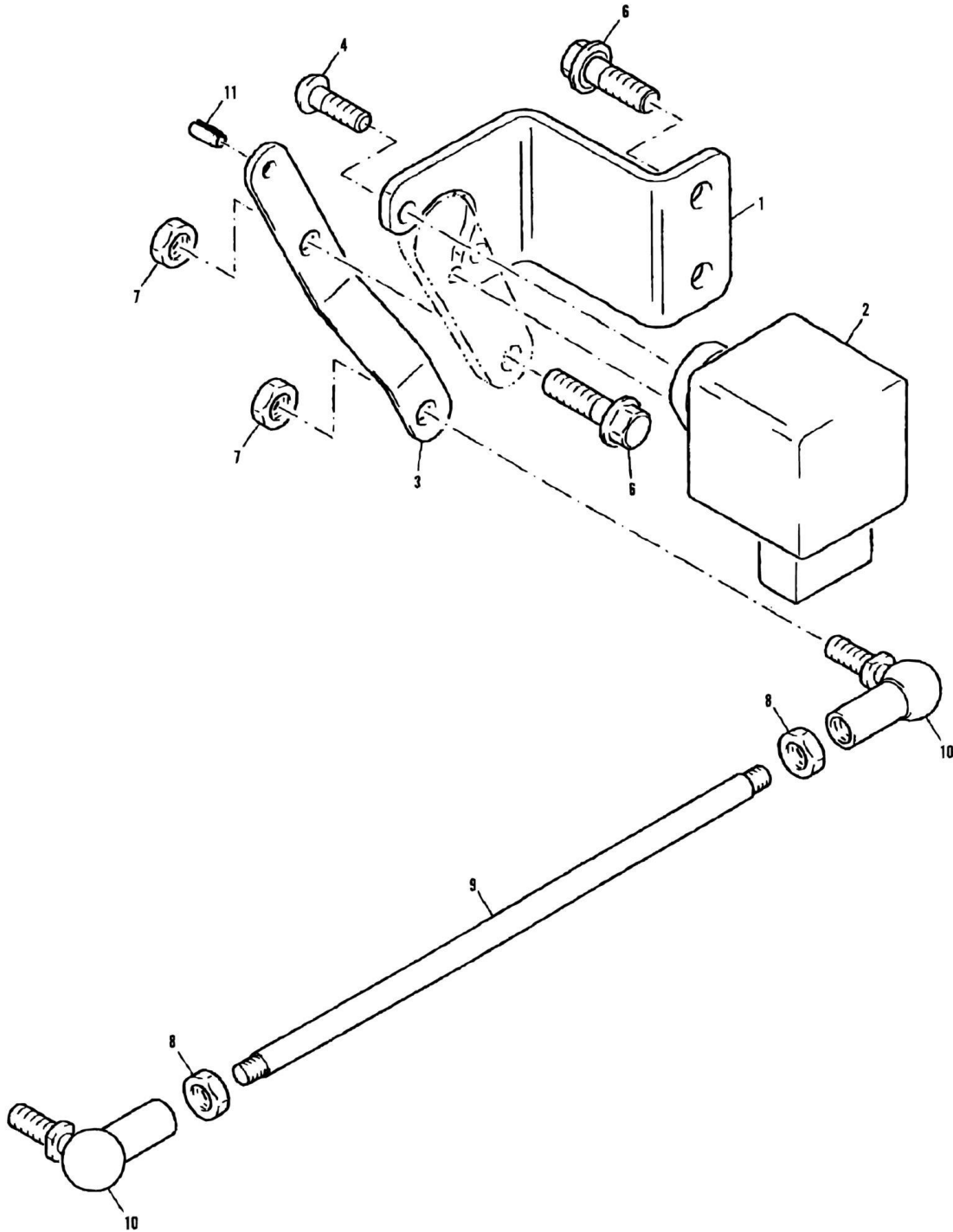
FIGURE 10-9. TAIL LIGHT AND BRACKET INSTALLATION

| ITEM | PART NUMBER | QTY | DESCRIPTION | REV |
|------|-------------|-----|--|-----|
| | 8009366 | Ref | LAMP BRACKET, (rear), (includes all items) (Prior to SN 1160002610) | B |
| | 2920210 | Ref | LAMP BRACKET, (rear), (includes all items) (SN 1160002610 to Present) | B |
| 1 | 8009228 | 1 | BRACKET, (rear left) (Prior to SN 1160002610) | |
| 1 | 0903501 | 1 | BRACKET, (rear left) (SN 1160002610 to Present) | |
| 2 | 8009230 | 1 | BRACKET, (rear right) (Prior to SN 1160002610) | |
| 2 | 0903502 | 1 | BRACKET, (rear right) (SN 1160002610 to Present) | |
| 3 | 8001991 | 1 | TAILLIGHT, (left) | |
| 3 | 0313279 | 2 | REPLACEMENT BULB 12V-10W | |
| 3 | 0388450 | 4 | REPLACEMENT BULB 12V-21W | |
| 4 | 8001989 | 1 | TAILLIGHT, (right) | |
| 4 | 0313279 | 2 | REPLACEMENT BULB 12V-10W | |
| 4 | 0388450 | 4 | REPLACEMENT BULB 12V-21W | |
| 5 | 4811900 | 4 | FLAT WASHER, 8mm | |
| 6 | 3290807 | 4 | NUT, 8mm | |
| 7 | 5212000 | 4 | WASHER, 10X22mm | |
| 8 | 0761012 | 4 | HEX HD CAPSCREW, 10X25mm, GR8.8 | |
| 9 | 1356294 | 4 | WASHER, 13mm | |
| 10 | 0701219 | 2 | HEX HD CAPSCREW, 12X55mm, GR8.8 | |
| 11 | 3291207 | 2 | NUT, 12X8mm | |
| 12 | 8009517 | 2 | RUBBER METAL BUFFER | |
| 13 | 8009226 | 2 | PLATE | |
| 14 | | Ref | COUNTERWEIGHT ASSEMBLIES, (See FRAME AND ATTACHING PARTS for Breakdown) | |

SECTION 10 - ELECTRICAL

FIGURE 10-10. SENSOR ASSEMBLY 7, 8 AND 12M (Prior to SN 1160000138)

7, 8 & 12M



SECTION 10 - ELECTRICAL

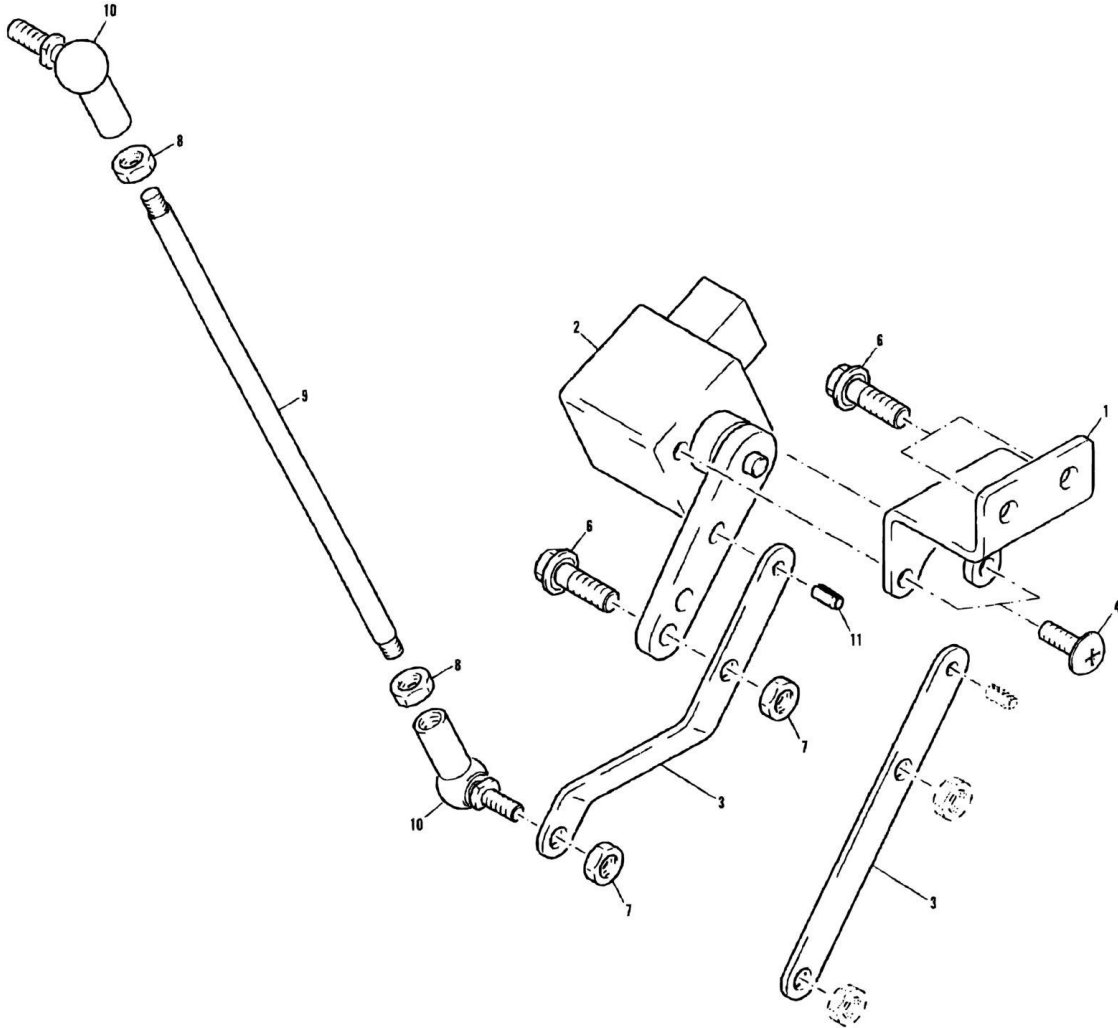
FIGURE 10-10. SENSOR ASSEMBLY 7, 8 AND 12M (Prior to SN 1160000138)

| ITEM | PART NUMBER | QTY | DESCRIPTION | REV |
|------|-------------|-----|--|-----|
| | 4807263 | Ref | SENSOR ASSY, (models 7, 8 & 12M), (includes all items) | B |
| 1 | 4806944 | 1 | SEAT | |
| 2 | 4806922 | 1 | SENSOR | |
| 3 | 4806955 | 1 | EXTENSION, (12M machines) | |
| 4 | 1039369 | 2 | LENS HD SCREW, 5X12mm | |
| 6 | 2982534 | 3 | BOLT, 6X16mm | |
| 7 | 487336 | 2 | NUT | |
| 8 | 893178 | 2 | NUT | |
| 9 | 8005267 | 1 | THREADED ROD | |
| 10 | 466104 | 2 | ANGLE JOINT | |
| 11 | 1620784 | 1 | ADAPTOR SLEEVE | |

SECTION 10 - ELECTRICAL

FIGURE 10-11. SENSOR ASSEMBLY 9 AND 13M (Prior to SN 1160000138)

9 & 13M



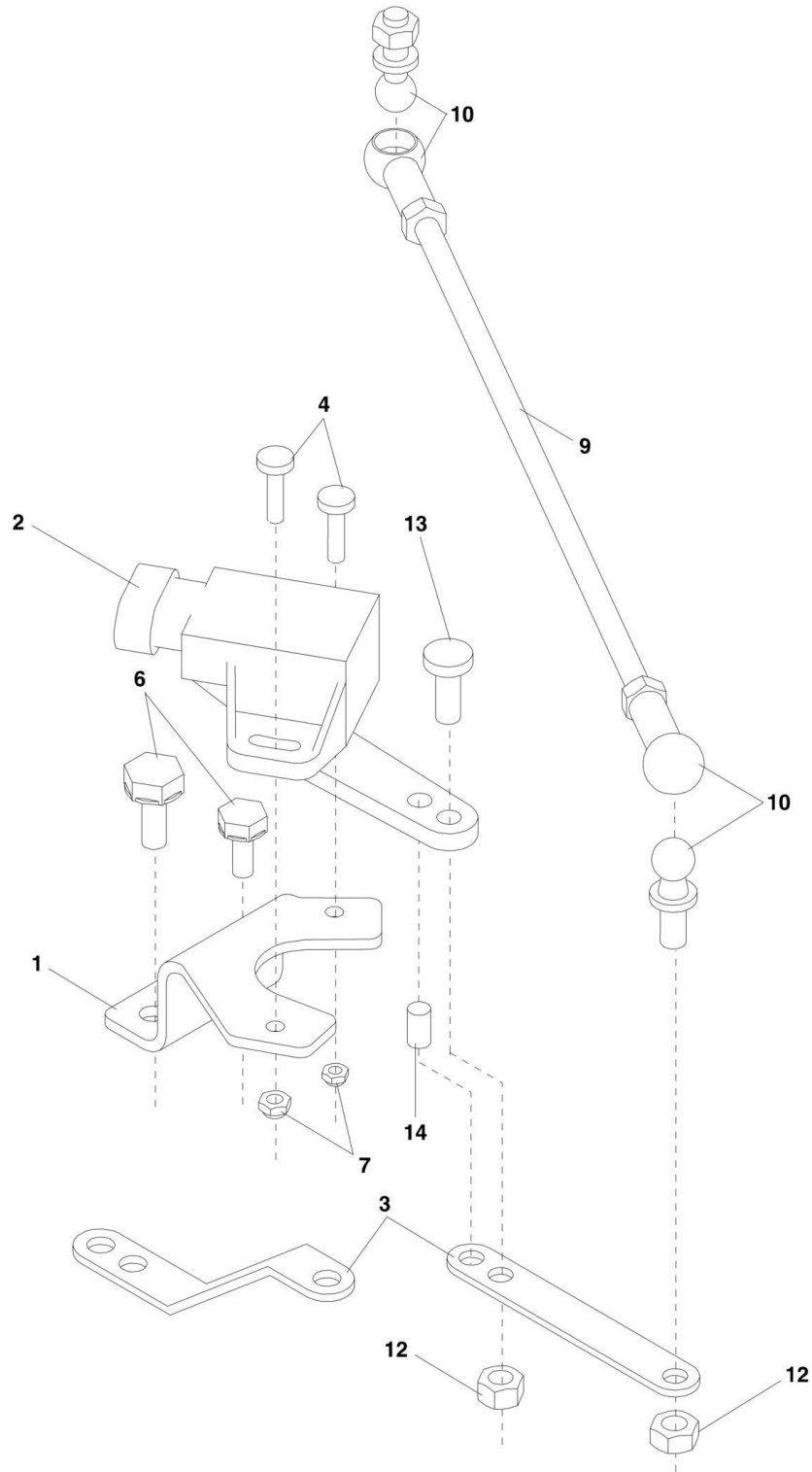
SECTION 10 - ELECTRICAL

FIGURE 10-11. SENSOR ASSEMBLY 9 AND 13M (Prior to SN 1160000138)

| ITEM | PART NUMBER | QTY | DESCRIPTION | REV |
|------|-------------|-----|---|-----|
| | 8007710 | Ref | SENSOR ASSY, (models 9 & 13M), (includes all items) | B |
| 1 | 8007618 | 1 | SENSOR SEAT | |
| 2 | 4806922 | 1 | SENSOR | |
| 3 | 8007619 | 1 | EXTENSION, FLAT BAR, (13M) | |
| 3 | 8007620 | 1 | EXTENSION, BEND BAR, (9M) | |
| 4 | 1039369 | 2 | LENS HD SCREW, 5X12mm | |
| 6 | 2982534 | 3 | BOLT, 6X16mm | |
| 7 | 487336 | 2 | NUT | |
| 8 | 893178 | 2 | NUT | |
| 9 | 8005267 | 1 | THREADED ROD | |
| 10 | 466104 | 2 | ANGLE JOINT | |
| 11 | 1620784 | 1 | ADAPTOR SLEEVE | |

SECTION 10 - ELECTRICAL

FIGURE 10-12. SENSOR ASSEMBLY (SN 116000138 to Present)



SECTION 10 - ELECTRICAL

FIGURE 10-12. SENSOR ASSEMBLY (SN 1160000138 to Present)

| ITEM | PART NUMBER | QTY | DESCRIPTION | REV |
|------|-------------|-----|---|-----|
| | 8008863 | Ref | SENSOR ASSY, (models 12 & 13M), (includes all items) | C |
| | 1810004 | Ref | SENSOR ASSY, (models 7, 8 & 9M), (includes all items) | |
| 1 | 8008890 | 1 | SENSOR SEAT | |
| 2 | 8008893 | 1 | SENSOR | |
| 3 | 8008883 | 1 | EXTENSION, FLAT BAR, (12 & 13M) | |
| 3 | 8008884 | 1 | EXTENSION, BEND BAR, (7, 8 & 9M) | |
| 4 | 4010408 | 2 | SCREW, 4X16mm | |
| 6 | 5200608 | 2 | BOLT, 6X16mm | |
| 7 | 3290405 | 2 | HEX NUT, 4X0.7mm | |
| 9 | 8008885 | 1 | THREADED ROD | |
| 10 | 466104 | 2 | ANGLE JOINT | |
| 12 | 3290607 | 2 | HEX NUT, 6mm | |
| 13 | 4010608 | 1 | MACHINE SCREW, 6X16mm | |
| 14 | 3370610 | 1 | PIN | |

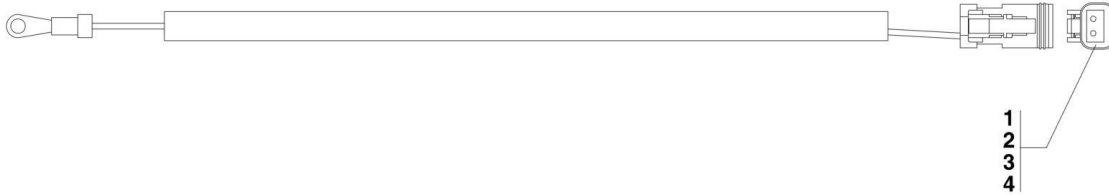
SECTION 10 - ELECTRICAL

FIGURE 10-13. TIER II FUEL SOLENOID WIRE (SN 1160000358 to Present)

Tier II Naturally Aspirated

| | | |
|----|-----------------|-------|
| 76 | 5 RING TERMINAL | WHITE |
|----|-----------------|-------|

| CONN POS | WIRE DESIGNATION | WIRE COLOR |
|----------|------------------|------------|
| 1 | 76 | WHITE |
| 2 | PLUGGED | - |



Tier II Turbo

| CONN POS | WIRE DESIGNATION | WIRE COLOR |
|----------|------------------|------------|
| 1 | 76 | WHITE |
| 2 | GND | BROWN |

| CONN POS | WIRE DESIGNATION | WIRE COLOR |
|----------|------------------|------------|
| 1 | 76 | WHITE |
| 2 | GND | BROWN |



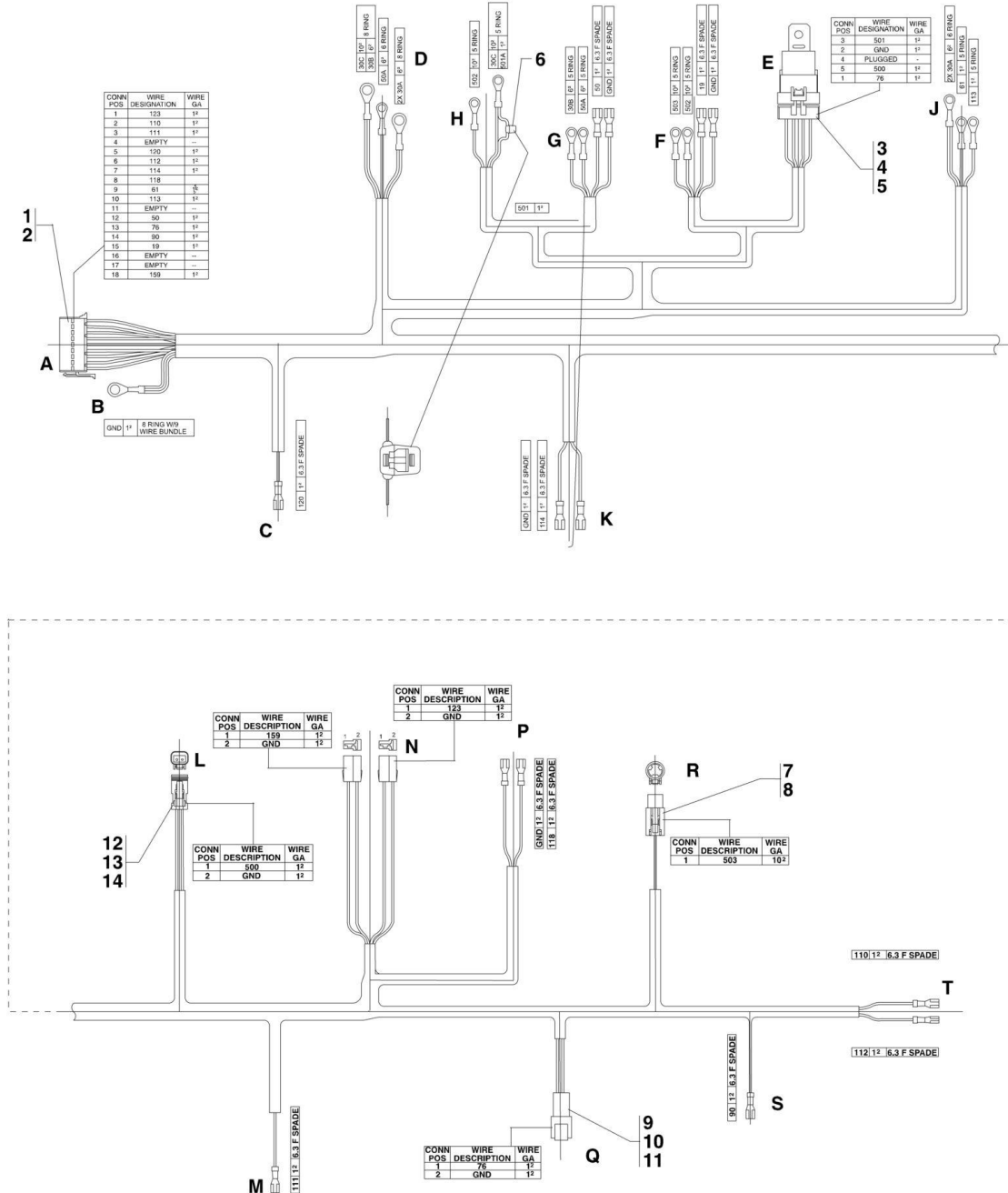
SECTION 10 - ELECTRICAL

FIGURE 10-13. TIER II FUEL SOLENOID WIRE (SN 1160000358 to Present)

| ITEM | PART NUMBER | QTY | DESCRIPTION | REV |
|------|-------------|-----|---|-----|
| | 4923004 | Ref | TIER II FUEL SOLENOID WIRE, NATURALLY ASPIRATED ENGINE, (includes items 1 thru 4) | A |
| | 4923003 | Ref | TIER II FUEL SOLENOID WIRE, TURBO ENGINE, (includes all items except 4) | |
| 1 | 7026408 | 1 | CONNECTOR | |
| 2 | 80604018 | 1 | CONNECTOR LOCK | |
| 3 | 77363229 | 1 | CONTACT | |
| 4 | 4460466 | 1 | PLUG | |
| 5 | 91474468 | 1 | CONNECTOR, (turbo engine only) | |
| 6 | 91474469 | 1 | TERMINAL, (turbo engine only) | |

SECTION 10 - ELECTRICAL

FIGURE 10-14. TIER II ENGINE HARNESS WIRE (SN 116000358 to Present)



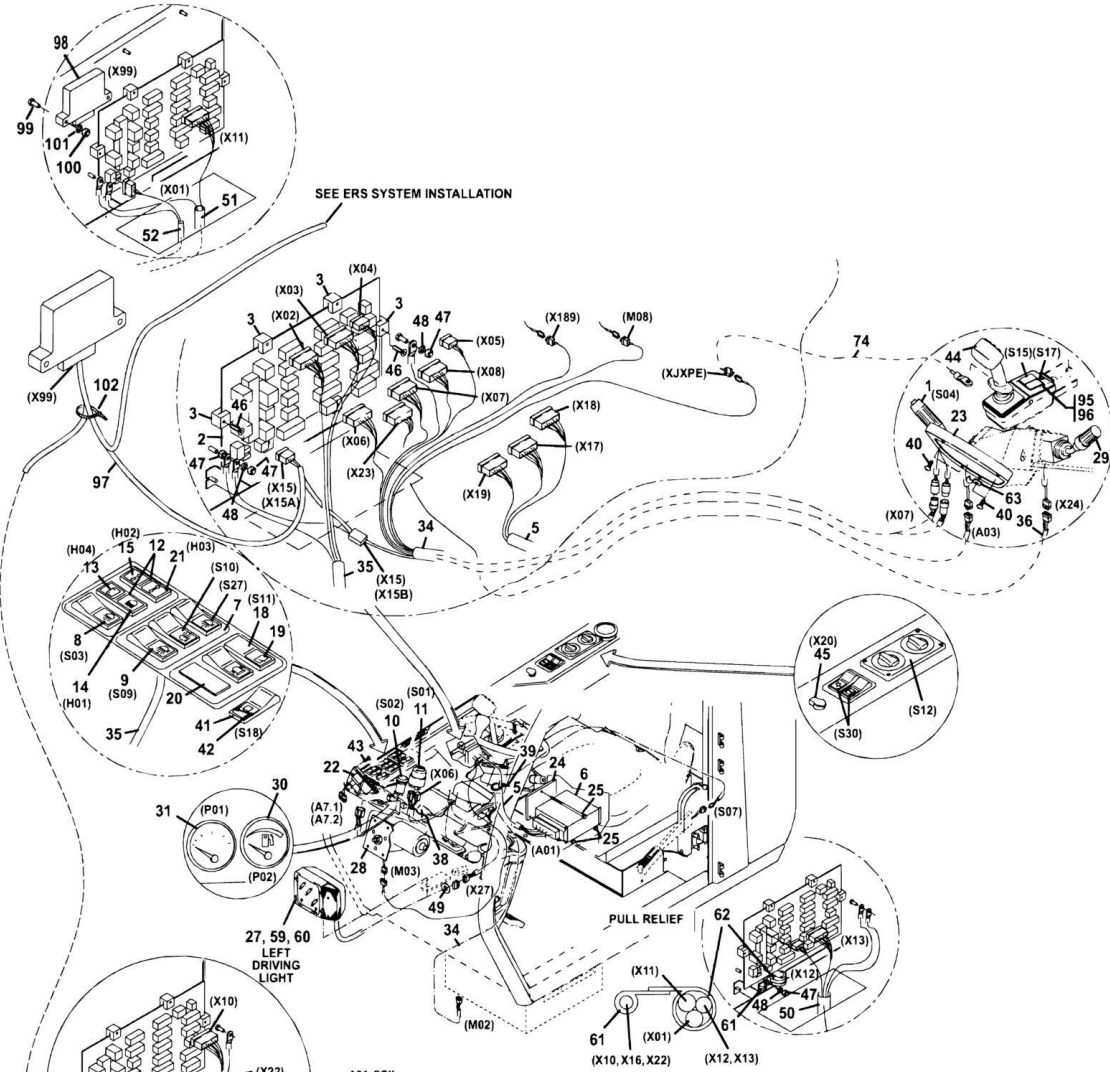
SECTION 10 - ELECTRICAL

FIGURE 10-14. TIER II ENGINE HARNESS WIRE (SN 1160000358 to Present)

| ITEM | PART NUMBER | QTY | DESCRIPTION | REV |
|------|-------------|-----|---|-----|
| | 4923002 | Ref | TIER II ENGINE HARNESS WIRE, (includes all items) | B |
| 1 | 1001117009 | 1 | CONNECTOR | |
| 2 | 7028904 | 1 | TERMINAL | |
| 3 | 7028905 | 1 | RELAY, LIFT PUMP | |
| 4 | 7028906 | 1 | RELAY SOCKET | |
| 5 | 7029139 | 1 | FEMALE TERMINAL | |
| 6 | 7028907 | 1 | FUSE HOLDER | |
| 7 | 1001116707 | 1 | PLUG | |
| 8 | 91143340 | 1 | #8 SOCKET CONTACT | |
| 9 | 7028909 | 1 | CONNECTOR | |
| 10 | 80604017 | 1 | WEDGELOCK | |
| 11 | 77363228 | 1 | TERMINAL | |
| 12 | 7026408 | 1 | CONNECTOR | |
| 13 | 80604018 | 1 | CONNECTOR LOCK | |
| 14 | 77363229 | 1 | CONTACT | |

SECTION 10 - ELECTRICAL

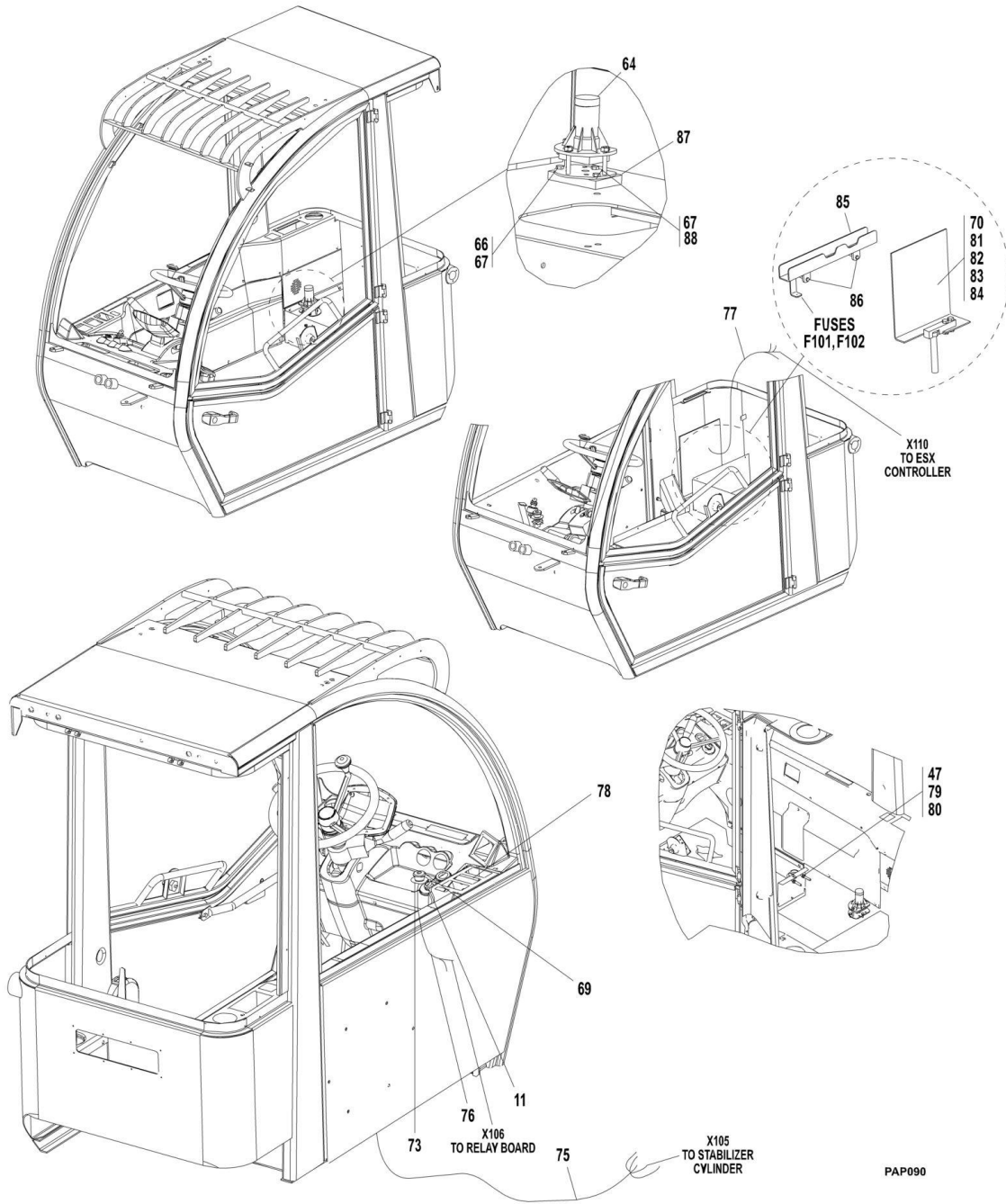
FIGURE 10-15. CAB ELECTRICAL INSTALLATION WITH PLATFORM



- | | |
|---|---|
| A01 ESX | S12 SWITCH HEATER FAN (FOR HEATER & AIR CONDITIONER) |
| A03 DISPLAY | S14 SWITCH WARNING LIGHT |
| A7.1, 7.2 LMI | S15 SWITCH 2. ONLY USED WITH AUXILIARY HYDRAULIC |
| H01 HIGH BEAM PILOT LIGHT | S17 SWITCH 1. ONLY USED WITH AUXILIARY HYDRAULIC CONTINUOUS OPERATION |
| H02 DIRECTION INDICATOR PILOT LIGHT | S18 SWITCH LEVELING |
| H03 INDICATOR PILOT LIGHT TRAILER, (TOW PLUG KIT) | S27 SWITCH WORK FLASHER BOOM (WORKLIGHT BOOM KIT) |
| H04 CHARGING WARNING LIGHT | S30 SWITCH AIR CONDITIONING |
| M02 HEATER FAN (FOR HEATER & AIR CONDITIONER) | X01 POWER SUPPLYS |
| M03 WIPER FRONT | X02-04 CABLE INSTRUMENT PANEL |
| M08 AIR SUSPENSION SEAT OPTION | X05-08 CABLE STEAR COLUMN CABIN BOTTOM |
| P01 TEMPERATURE DISPLAY ENGINE | X10,16, 16.1, 22 CABLE FRONT END GEAR UNIT |
| P02 FUEL GAUGE | X11 CABLE ENGINE |
| S01 SWITCH IGNITION | X12, 13 CABLE REAR |
| S02 WARNING FLASHER SWITCH | X15 JOYSTICK |
| S03 DRIVING LIGHT SWITCH | X15A SDO CAN BUS |
| S04 SIGNAL and WIPER CONTROL | X15B TEE'D INTO JOYSTICK CONNECTION |
| S07 SWITCH PARKING BRAKE | X16.1, 17-19 CABLE ESX |
| S09 SWITCH WORK LIGHTS FRONT | X20 12V POWER OUTLET IN CAB |
| S10 SWITCH WORK LIGHTS REAR | X23, 24 CABLE FNR GEAR SHIFT CONTROL |
| S11 SWITCH WIPER REAR | X27 LEFT DRIVING LIGHT |
| | X99 SDO MODULE |
| | X189 AIR CONDITIONING OPTION |
| | XJXPE JOYSTICK CASE GROUND |

PAP079

SECTION 10 - ELECTRICAL



SECTION 10 - ELECTRICAL

FIGURE 10-15. CAB ELECTRICAL INSTALLATION WITH PLATFORM

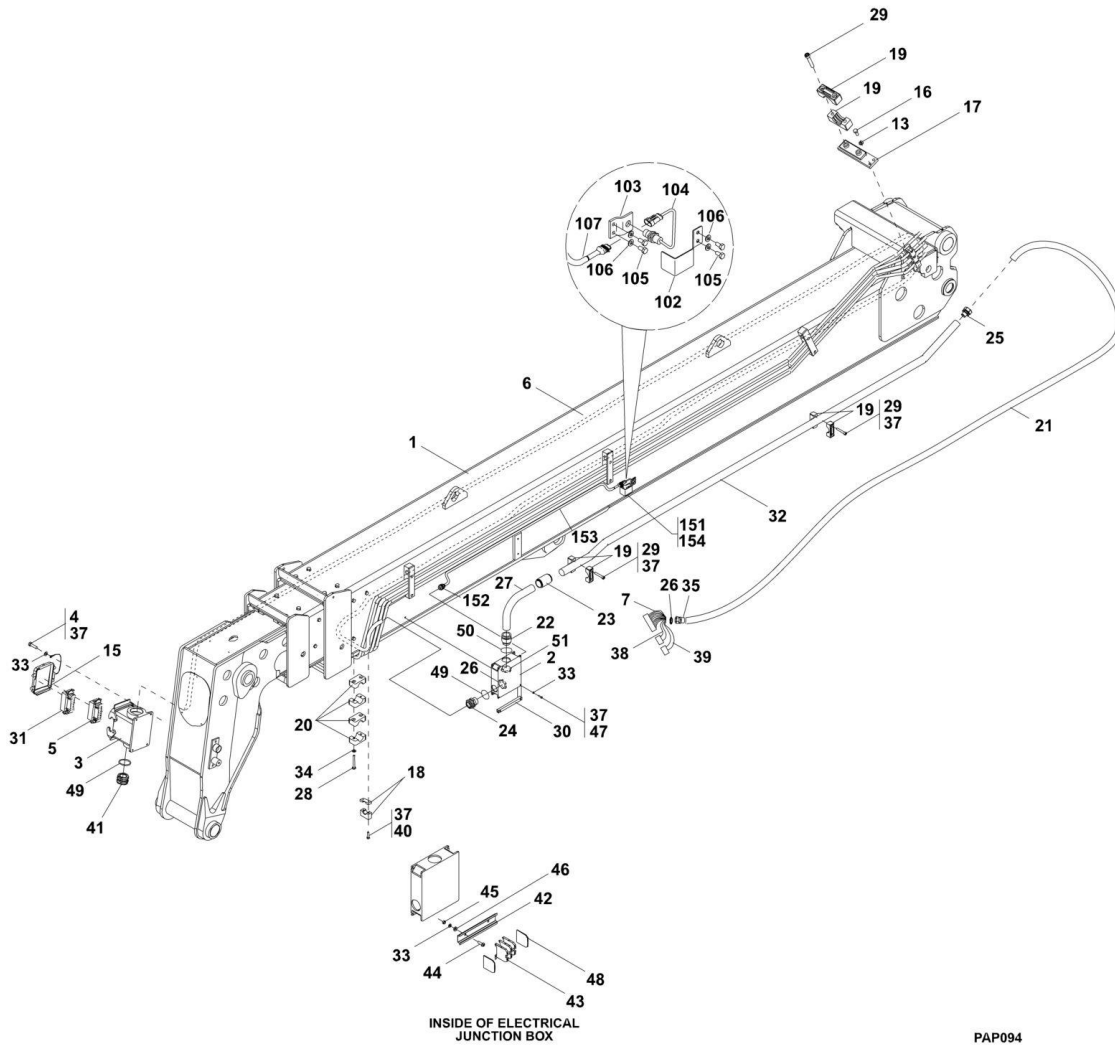
| ITEM | PART NUMBER | QTY | DESCRIPTION | REV |
|------|-------------|-----|---|-----|
| | 0274274 | 1 | PLATFORM CAB ELECTRICAL INSTALLATION, (includes items 1 thru 96) | L,6 |
| 1 | 3749975 | 1 | SWITCH | |
| 2 | 0610175 | 1 | PRINTED CIRCUIT MODULE | |
| 3 | 8000924 | 6 | HOLDER | |
| 5 | 8009326 | 1 | HARNESS | |
| 6 | 1600399 | 1 | CONTROLLER, ESX-SAFETY | |
| 6 | 4170100 | 1 | PLATFORM EQUIPPED COMPATIBLE ESX VERSION | |
| 6 | 7002844 | 1 | HARDWARE PACKET, X-FLASH CORD, (not illustrated) | |
| 6 | 7002845 | 1 | POWERCORD FOR ESX, (not illustrated) | |
| 7 | 1663821 | 3 | MOUNTING FRAME | |
| 8 | 3972909 | 1 | SWITCH | |
| 9 | 1719033 | 1 | DECAL | |
| 10 | 3933128 | 1 | SWITCH 12V | |
| 11 | 4360583 | 1 | IGNITION | |
| 11 | 8008049 | 1 | IGNITION KEY, (also for cab door, rear cover and engine cover) | |
| 12 | 1719204 | 2 | CONTROL LIGHT INDICATOR | |
| 13 | 1719088 | 1 | DECAL | |
| 14 | 1719113 | 1 | DECAL | |
| 15 | 1719124 | 1 | DECAL | |
| 18 | 8005424 | 1 | SWITCH | |
| 19 | 1718985 | 1 | DECAL | |
| 20 | 1359720 | 6 | COVER | |
| 21 | 1663796 | 1 | INSET | |
| 22 | 8002819 | 1 | WEIGHT INDICATOR | |
| 23 | | Ref | DISPLAY, (See DISPLAY PANEL for Breakdown) | |
| 24 | 8000984 | 1 | PLATE | |
| 25 | 0700836 | 3 | BOLT, 8X190mm | |
| 27 | | Ref | HEADLIGHT ASSEMBLY, (left), (See INSTRUMENT PANEL ASSEMBLY for Breakdown) | |
| 28 | | Ref | WIPER MOTOR, (front), (See CAB SECTION for Breakdown) | |
| 29 | | Ref | SHIFTER, (See CONTROLS SECTION for Breakdown) | |
| 30 | 8005257 | 1 | FUEL GAUGE | |
| 31 | 8005258 | 1 | TEMPERATURE GAUGE | |
| 34 | 8005556 | 1 | HARNESS | |
| 35 | 8009324 | 1 | HARNESS, (instrument panel) | |
| 36 | 8009327 | 1 | CABLE, STEERING GEAR | |
| 38 | 471678 | 30 | TIE-STRAP | |
| 39 | 1062255 | 20 | TIE-STRAP | |
| 40 | 8002211 | 4 | SOCKET HD CAPSCREW, 5X16mm | |
| 41 | 8008007 | 1 | SWITCH, (leveling) | |
| 42 | 8002831 | 1 | DECAL, (leveling) | |
| 43 | 2686762 | 4 | SCREW, 3.5X16mm | |
| 44 | | Ref | CONSOLE BOX ASSEMBLY, (See CONTROLS SECTION for Breakdown) | |
| 45 | 1719419 | 1 | SOCKET | |
| 46 | 4010614 | 6 | MACHINE SCREW, 6X30mm | |
| 47 | 3290805 | 6 | LOCKNUT, 8mm | |
| 48 | 5211702 | 7 | WASHER, 6X18.2X1.4mm | |
| 49 | 8003385 | 1 | HARNESS | |

SECTION 10 - ELECTRICAL

| ITEM | PART NUMBER | QTY | DESCRIPTION | REV |
|------|-------------|-----|---|-----|
| 50 | 8009329 | 1 | HARNESS | |
| 51 | | Ref | ENGINE HARNESS, TIER II, (See TIER II ENGINE HARNESS WIRE for Breakdown) | |
| 52 | 8003387 | 1 | HARNESS | |
| 53 | | Ref | WARNING LIGHT KIT, (optional), (See ACCESSORIES PANEL ASSEMBLY for Breakdown) | |
| 54 | | Ref | DECAL, (optional), (See ACCESSORIES PANEL ASSEMBLY for Breakdown) | |
| 55 | 8003392 | 1 | Ground Cable | |
| 56 | 492935 | 1 | LOCKWASHER, 10mm | |
| 57 | 5212000 | 1 | WASHER, 10X22mm | |
| 58 | 3291005 | 1 | LOCKNUT, 10mm | |
| 59 | 3933082 | 1 | CAP | |
| 60 | 2685181 | 1 | SOCKET HOUSING | |
| 61 | 2906123 | 1 | CLIP | |
| 62 | 8000103 | 1 | CLIP | |
| 63 | 1320324 | 1 | CLAMP | |
| 64 | 1001107789 | 1 | LEVEL SENSING SWITCH | |
| 66 | 0760608 | 4 | HEX HD CAPSCREW, M6X1X16 | |
| 67 | 4831700 | 7 | LOCKWASHER, M6 | |
| 69 | 4360475 | 1 | EMERGENCY STOP SWITCH | |
| 70 | | Ref | PLATFORM ELECTRICAL ASSY | |
| 73 | 1704260 | 1 | EMERGENCY STOP DECAL | |
| 74 | 4923262 | 1 | HARNESS, JOYSTICK CASE GROUND | |
| 75 | 4923313 | 1 | CABLE | |
| 76 | 4923314 | 1 | CABLE | |
| 77 | 4923312 | 1 | CABLE | |
| 78 | 2920193 | 1 | INDICATOR LIGHT, PLATFORM READY | |
| 79 | 4811900 | 2 | WASHER, 8mm | |
| 80 | 0630601 | 1 | U-BOLT, 8mm | |
| 81 | 4220298 | 1 | BOLT BLOCK | |
| 82 | 0761016 | 2 | HEX HD CAPSCREW, M10X40 | |
| 83 | 4832000 | 2 | LOCKWASHER, M10 | |
| 84 | 3291001 | 2 | NUT, M10 | |
| 85 | 4341392 | 1 | HARNESS SUPPORT (SN 1160002452 to Present) | |
| 86 | 0700615 | 2 | HEX HD CAPSCREW, M6X1 X 35 (SN 1160002452 to Present) | |
| 87 | 1001093700 | 1 | LEVELING PAD | |
| 88 | 4031707 | 3 | BOLT, M6X1 X 16mm | |
| 95 | 8002834 | 1 | SWITCH, 12V (SN 1160001978 to Present) | |
| 96 | 8002832 | 1 | SYMBOL (SN 1160001978 to Present) | |
| 97 | 1001105098 | 1 | HARNESS, PVG | |
| 98 | 1001105097 | 1 | MODULE, SD10 | |
| 99 | 1001096653 | 2 | BOLT, 6mm X 70mm | |
| 100 | 3290605 | 2 | LOCKNUT, 6mm | |
| 101 | 4811700 | 2 | WASHER, 6mm | |
| 102 | 4240099S | AR | CABLE TIE | |

SECTION 10 - ELECTRICAL

FIGURE 10-16. ELECTRICAL INSTALLATION ON BOOM WITH PLATFORM



PAP094

SECTION 10 - ELECTRICAL

FIGURE 10-16. ELECTRICAL INSTALLATION ON BOOM WITH PLATFORM

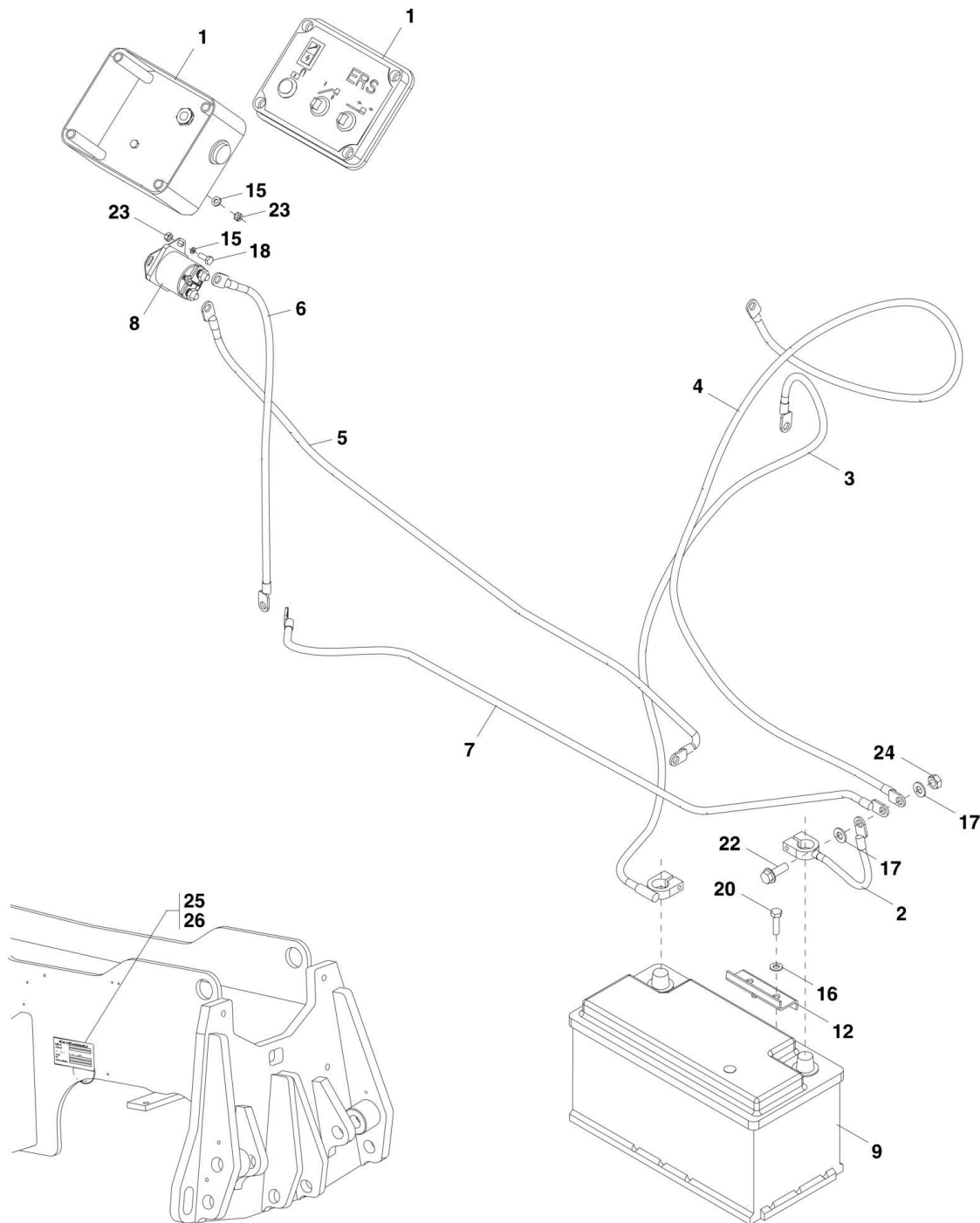
| ITEM | PART NUMBER | QTY | DESCRIPTION | REV |
|------|-------------|-----|--|-----|
| | 0801466 | 1 | ELECTRICAL INSTALLATION ON BOOM WITH PLATFORM | L |
| 1 | | Ref | BOOM ASSEMBLY, 13M, (See BOOM SECTION for Breakdown) | |
| 2 | 0861679 | 1 | ELECTRICAL JUNCTION BOX | |
| 3 | 0861794 | 1 | BOOM ELECTRICAL BOX | |
| 4 | 0700510 | 4 | HEX HD CAPSCREW, 5X20mm | |
| 5 | 4461045 | 1 | BOOM HEAD PLATFORM TERMINAL | |
| 6 | 4923167 | 1 | CABLE, (inside boom) | |
| 7 | 4923168 | 1 | CABLE, (outside boom) | |
| 13 | 4831900 | 2 | LOCKWASHER, 8mm | |
| 15 | 1671183 | 1 | ELECTRICAL BOX COVER | |
| 16 | 0760810 | 2 | HEX HD CAPSCREW, 8X20mm | |
| 17 | 0903280 | 1 | BRACKET, CLAMP MOUNT WELDMENT | |
| 18 | 1321343 | 1 | WIRE CLAMP ASSY | |
| 19 | 1321344 | 6 | PIPE HANGER CLAMP | |
| 20 | 1321366 | 4 | BOOM BOTTOM CLAMP | |
| 21 | 1560021 | 1 | FLEXIBLE SHEATH | |
| 22 | 2180850 | 1 | PIPE BOX SPECIAL FITTING | |
| 23 | 2180851 | 1 | PIPE FITTING | |
| 24 | 2180852 | 1 | BOX SPECIAL FITTING | |
| 25 | 2221219 | 1 | SHEATH HYDRAULIC FITTING | |
| 26 | 3300499 | 2 | NUT RING | |
| 27 | 3460477 | 1 | QUARTER BEND PIPE | |
| 28 | 4031718 | 2 | SOCKET HD CAPSCREW, 6X70mm | |
| 29 | 4032016 | 6 | SOCKET HD CAPSCREW, 10X60mm | |
| 30 | 4341096 | 4 | SUPPORT SPACER | |
| 31 | 4461096 | 1 | PLATFORM BOOM TERMINAL | |
| 32 | 4569239 | 1 | TUBE | |
| 33 | 4811600 | 10 | WASHER, 5mm | |
| 34 | 4811700 | 2 | WASHER, 6mm | |
| 35 | 2132020 | 1 | CONDUIT CONNECTOR | |
| 37 | 0100011 | AR | LOCTITE, 242 | |
| 38 | 4923513 | 1 | CABLE, (outside boom) | |
| 39 | 4923514 | 1 | CABLE, (outside boom) | |
| 40 | 4031914 | 2 | SOCKET HD CAPSCREW, M8X50 | |
| 41 | 2180875 | 1 | CABLE CONNECTOR FITTING | |
| 42 | 4341263 | 1 | RAIL SUPPORT | |
| 43 | 4461235 | 27 | BLOCK TERMINAL | |
| 44 | 3900381 | 2 | PAN HD SCREW, 5X16mm | |
| 45 | 3290501 | 2 | HEX NUT, M5X0.8 | |
| 46 | 4740565 | 2 | SPECIAL WASHER | |
| 47 | 0760514 | 4 | HEX HD CAPSCREW, M5X30 | |
| 48 | 4461236 | 2 | END CAP TERMINAL | |
| 49 | 3960618 | 2 | O-RING SEAL | |
| 50 | 3960619 | 1 | O-RING SEAL | |
| 51 | 3300498 | 1 | NUT RING | |
| | 0274809 | 1 | ELECTRICAL INSTALLATION ON BOOM WITH PLATFORM, (Australian machines only) | D |
| 102 | 0903335 | 1 | BRACKET, PROXIMITY GUARD | |
| 103 | 3576278 | 1 | PLATE, PROXIMITY SUPPORT | |
| 104 | 80363166 | 1 | SENSOR, PROXIMITY (Prior to SN 1160001979) | |

SECTION 10 - ELECTRICAL

| ITEM | PART NUMBER | QTY | DESCRIPTION | REV |
|------|-------------|-----|--|-----|
| 104 | 4000017 | 1 | SENSOR, PROXIMITY (SN 1160001979 to Present) | |
| 105 | 0760808 | 4 | HEX HD CAPSCREW, M8X16 | |
| 106 | 4811900 | 2 | WASHER, 8mm | |
| 107 | 4923534 | 1 | BOOM CABLE, (includes items 151 thru 154) | |
| 108 | 471678 | 5 | TIE STRAP | |
| 151 | 0840065 | 1 | BOOT | |
| 152 | 2180891 | 1 | FITTING | |
| 153 | 2820251 | 1 | SHEATH, CABLE | |
| 154 | 4461262 | 1 | CONNECTOR | |

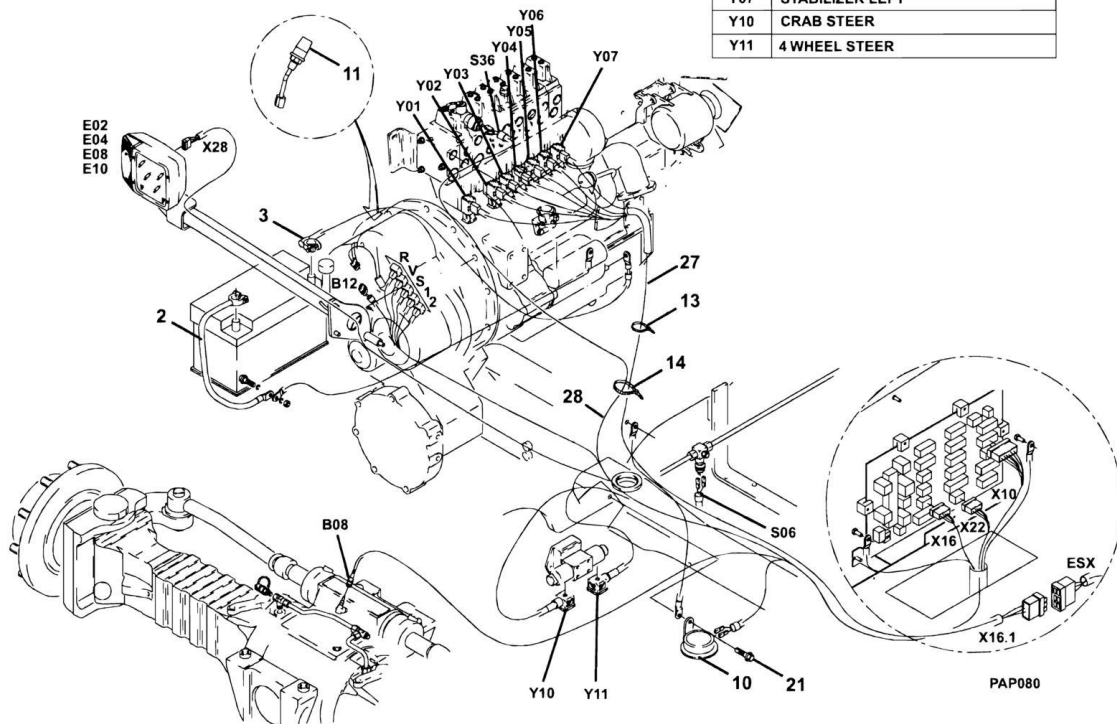
SECTION 10 - ELECTRICAL

FIGURE 10-17. ERS SYSTEM INSTALLATION



SECTION 10 - ELECTRICAL

| WIRE DESIGNATIONS | |
|-------------------|------------------------------|
| B08 | ANGLE FRONT AXLE (INDUCTIVE) |
| B12 | TRANSMISSION SPEED |
| G01 | BATTERY |
| E02 | LOW BEAM LIGHT RIGHT |
| E04 | DRIVING LIGHT RIGHT |
| E08 | PARKING LIGHT RIGHT |
| E10 | INDICATOR FRONT RIGHT |
| E23 | SIGNAL HORN |
| S06 | STOP LIGHT SWITCH |
| S36 | HYDRAULIC PRESSURE |
| X10 | CABLE LIGHTING FRONT RIGHT |
| X16 | CONNECTOR STEERING |
| X16.1 | CONNECTOR HYDRAULIC BLOCK |
| X22 | MAGNETS TRANSMISSION |
| X28 | CONNECTOR LIGHTING RIGHT |
| Y01 | LIFTING |
| Y02 | TELESCOPE |
| Y03 | TILT |
| Y04 | AUXILIARY HYDRAULIC |
| Y05 | LEVELING |
| Y06 | STABILIZER RIGHT |
| Y07 | STABILIZER LEFT |
| Y10 | CRAB STEER |
| Y11 | 4 WHEEL STEER |



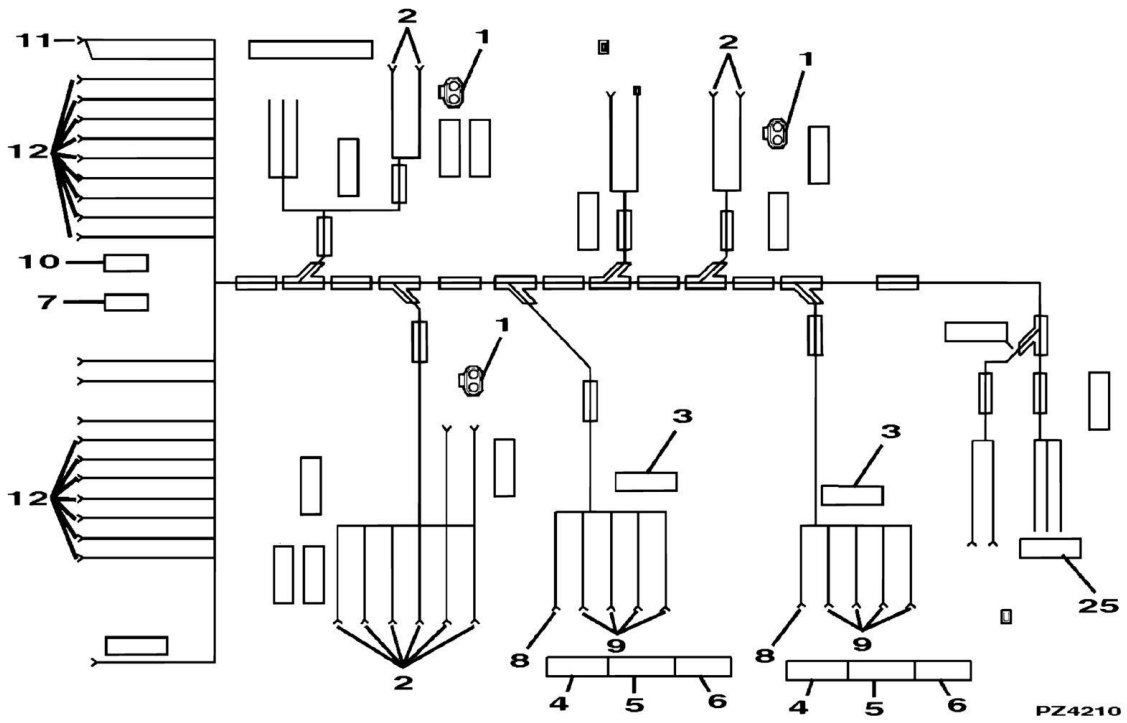
SECTION 10 - ELECTRICAL

FIGURE 10-17. ERS SYSTEM INSTALLATION

| ITEM | PART NUMBER | QTY | DESCRIPTION | REV |
|------|-------------|-----|--|-----|
| | 0274304 | Ref | ERS SYSTEM INSTALLATION | D |
| 1 | 1810024 | 1 | ERS SYSTEM ELECTRICAL ASSY | |
| 2 | 8003389 | 1 | NEGATIVE BATTERY CABLE SET | |
| 3 | 8003391 | 1 | CABLE SET | |
| 4 | 8003393 | 1 | CABLE SET | |
| 5 | 4923319 | 1 | ERS RELAY CABLE | |
| 6 | 4923320 | 1 | ERS RELAY CABLE | |
| 7 | 4923321 | 1 | ERS RELAY CABLE | |
| 8 | 3740067 | 1 | SOLENOID RELAY ASSY | |
| 8 | 100111424 | 2 | WASHER, COPPER | |
| 9 | 0400229 | 1 | MAGIC EYE BATTERY | |
| 10 | 8009766 | 1 | HORN, 12V | |
| 11 | 8007875 | 1 | SPEED CONTACT | |
| 12 | 1787217 | 1 | BATTERY HOLD DOWN CLAMP | |
| 13 | 471678 | 20 | CABLE BAND | |
| 14 | 1062255 | 20 | TIE STRAP | |
| 15 | 4811700 | 4 | WASHER, 6mm | |
| 16 | 4811900 | 2 | WASHER, 8mm | |
| 17 | 4812000 | 2 | WASHER, 10mm | |
| 18 | 0760608 | 2 | HEX HD CAPSCREW, M6X16 | |
| 20 | 0760814 | 2 | HEX HD CAPSCREW, M8X30 | |
| 21 | 5201010 | 1 | RIPP BOLT, 10X20mm | |
| 22 | 5201014 | 1 | RIPP BOLT, 10X30mm | |
| 23 | 3290601 | 4 | HEX NUT, M6X1 | |
| 24 | 3291001 | 1 | HEX NUT, M10X1.5 | |
| 25 | 1706628 | 1 | PLATFORM MACHINE NAMEPLATE | |
| 26 | 2080057 | 4 | FASTENER | |
| 27 | | Ref | HARNESS, (See CAB ELECTRICAL INSTALLATION WITH PLATFORM for Breakdown) | |
| 28 | | Ref | HARNESS, (See CAB ELECTRICAL INSTALLATION WITH PLATFORM for Breakdown) | |

SECTION 10 - ELECTRICAL

FIGURE 10-18. REAR HARNESS



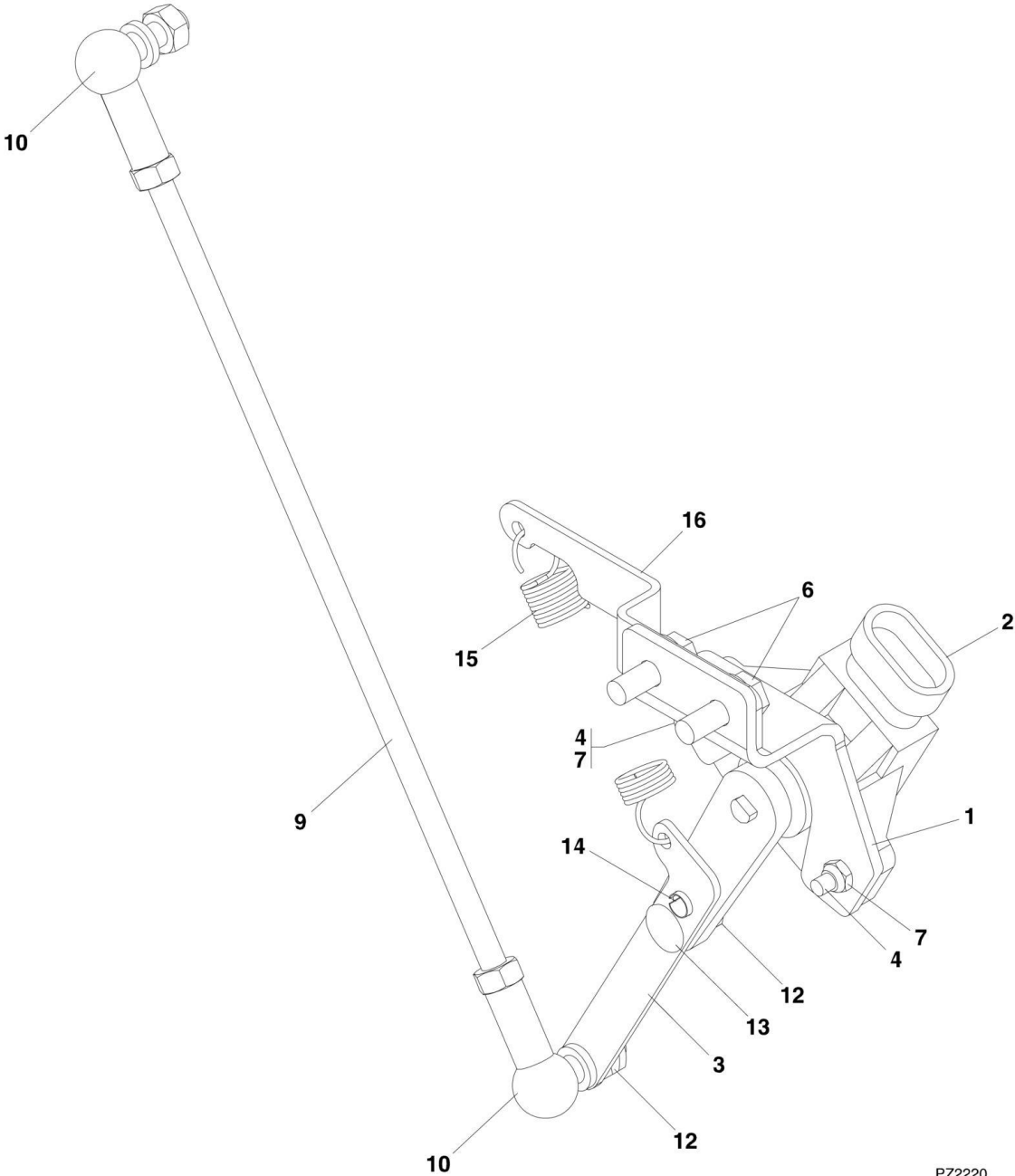
SECTION 10 - ELECTRICAL

FIGURE 10-18. REAR HARNESS

| ITEM | PART NUMBER | QTY | DESCRIPTION | REV |
|------|-------------|-----|---|-----|
| | 8003386 | 1 | REAR HARNESS, (includes all items) | B |
| 1 | 4461118 | 2 | CONNECTOR | |
| 2 | 1001107854 | 12 | CONTACT | |
| 3 | 7028639 | 2 | CAP | |
| 4 | 4461134 | 2 | CONNECTOR | |
| 5 | 4461006 | 2 | SEAL | |
| 6 | 4461008 | 2 | PLUG | |
| 7 | 1001117009 | 10 | CONNECTOR | |
| 8 | 1001118392 | 2 | TERMINAL | |
| 9 | 1001118393 | 8 | TERMINAL | |
| 10 | 7029319 | 1 | CONNECTOR, 10 POSITION | |
| 11 | 70021925 | 1 | TIMER CONTACT | |
| 12 | 70021926 | 17 | TIMER CONTACT | |
| 25 | 70021230 | 1 | CONNECTOR | |
| | 7029008 | AR | PLUG KIT, (includes quantity of one each of items 3, 4 & 8; two of item 6; four of item 9 and five of item 5) | |

SECTION 10 - ELECTRICAL

FIGURE 10-19. SENSOR ASSEMBLY WITH PLATFORM



PZ2220

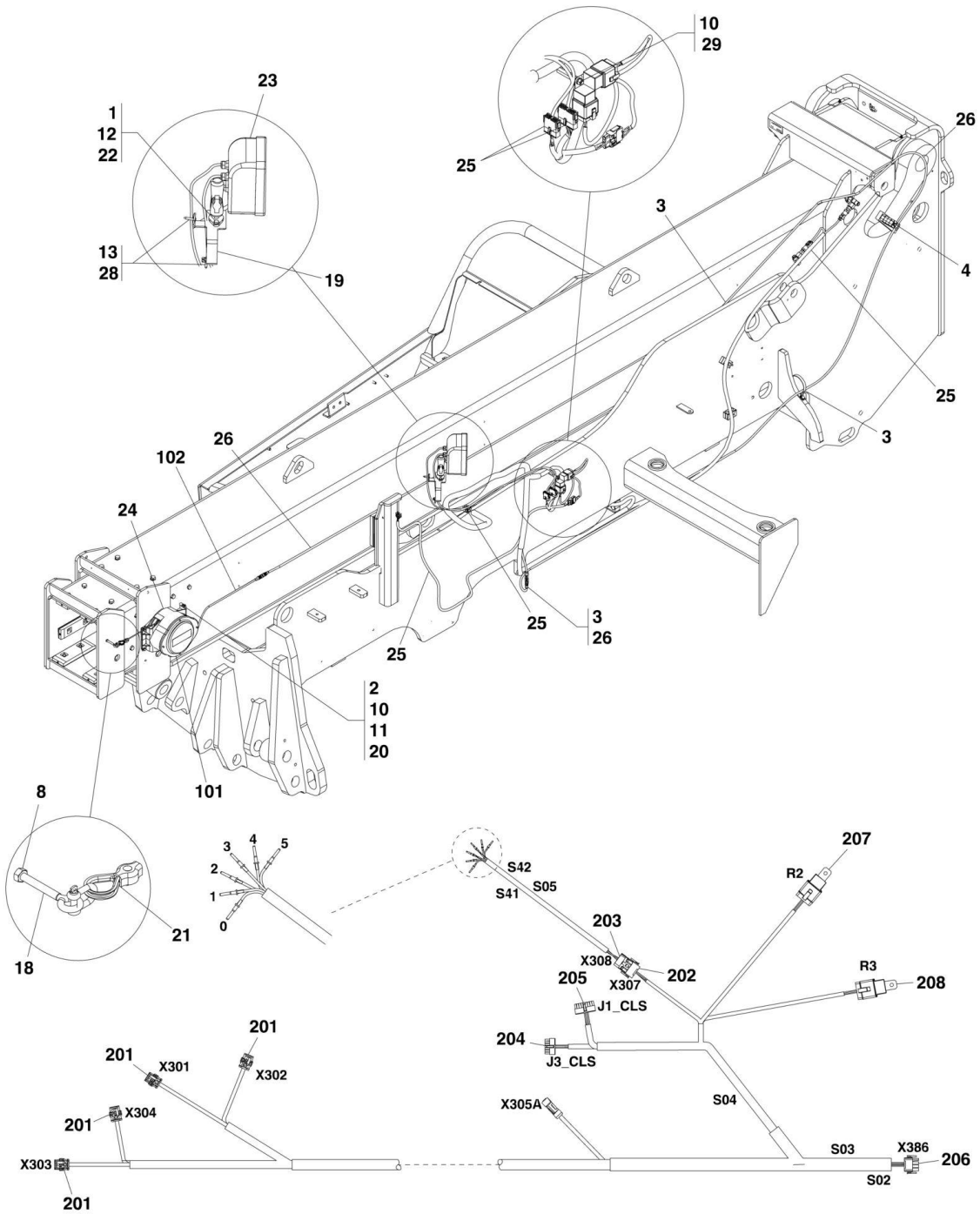
SECTION 10 - ELECTRICAL

FIGURE 10-19. SENSOR ASSEMBLY WITH PLATFORM

| ITEM | PART NUMBER | QTY | DESCRIPTION | REV |
|------|-------------|-----|--|-----|
| | 1001094565 | 1 | SENSOR ASSEMBLY W/PLATFORM, (includes all items) | A |
| 1 | 8008890 | 1 | SENSOR SEAT | |
| 2 | 8008893 | 1 | SENSOR | |
| 3 | 1001093947 | 1 | EXTENSION BAR | |
| 4 | 4010408 | 2 | LENS HD SCREW | |
| 6 | 5200608 | 2 | BOLT | |
| 7 | 3290405 | 2 | NUT | |
| 9 | 8008885 | 1 | THREADED BOLT | |
| 10 | 466104 | 2 | ANGLE JOINT | |
| 12 | 3290607 | 2 | NUT | |
| 13 | 4010608 | 1 | SCREW | |
| 14 | 3370610 | 1 | PIN | |
| 15 | 1001093875 | 1 | SPRING | |
| 16 | 1001093946 | 1 | SPRING SUPPORT BRACKET | |

SECTION 10 - ELECTRICAL

FIGURE 10-20. LMIS INSTALLATION



NOTE: PORTIONS OF THE FRAME & CAB HIDDEN OR REMOVED FOR CLAIRITY

PAP174

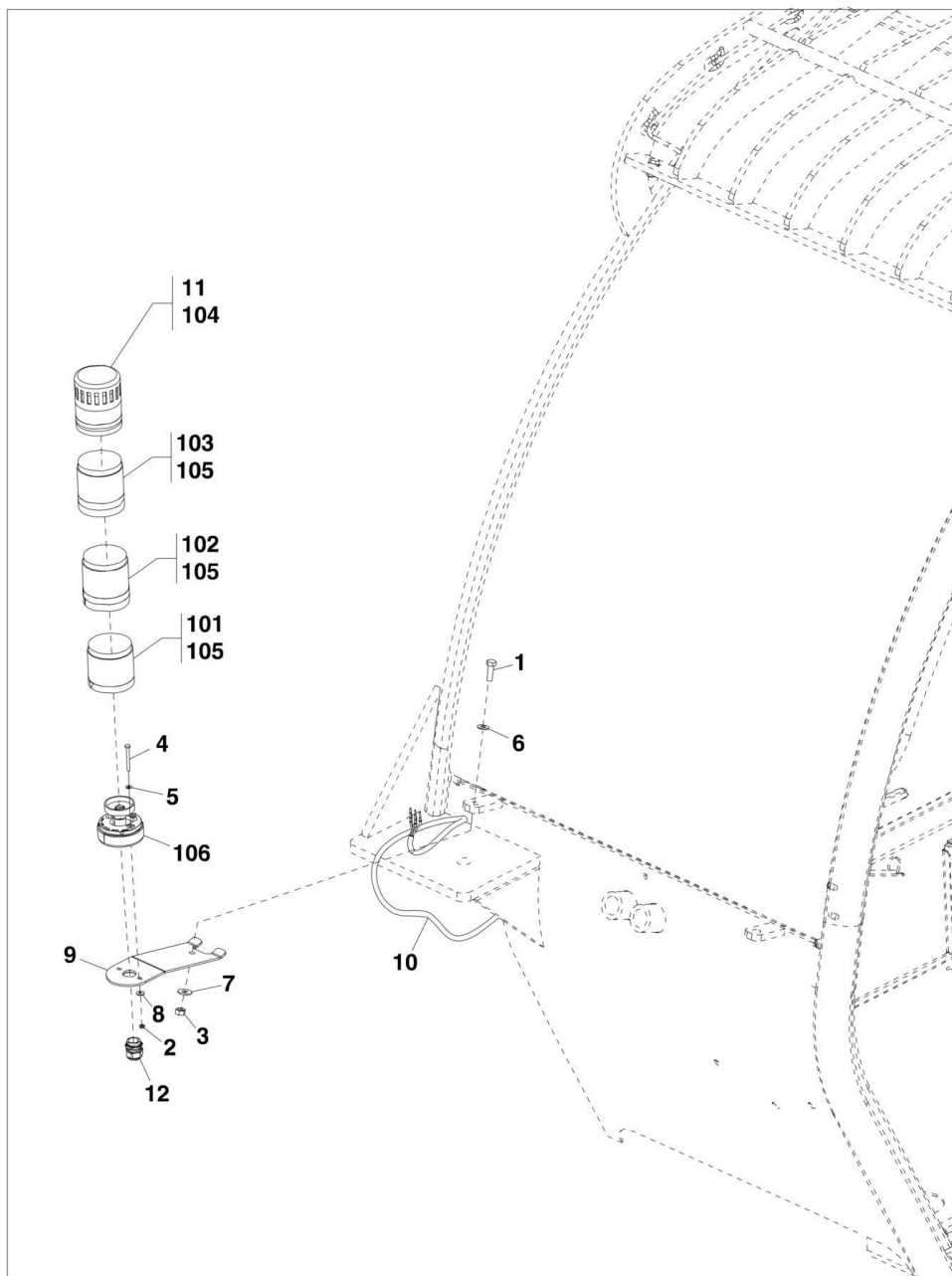
SECTION 10 - ELECTRICAL

FIGURE 10-20. LMIS INSTALLATION

| ITEM | PART NUMBER | QTY | DESCRIPTION | REV |
|------|-------------|-----|---|-----|
| | 1001107647 | Ref | LMIS INSTALLATION, (if equipped), (not available to order, see items 1 thru 29 for service) | B |
| 1 | 0760508 | 2 | BOLT, M5X16 | |
| 2 | 0760615 | 4 | HEX HD CAPSCREW, M6X35, GR8.8 | |
| 3 | 1062255 | AR | TIR STRAP | |
| 4 | 2966454 | 1 | HOSE CLAMP | |
| 8 | 3290601 | 1 | HEX NUT, M6X1 | |
| 10 | 4811700 | 5 | WASHER, 6mm | |
| 11 | 4831700 | 4 | LOCKWASHER, 6mm | |
| 12 | 5220500 | 2 | NUT, 5mm | |
| 13 | 1001095650 | AR | LOCTITE, #243 | |
| 18 | 1001102633 | 1 | SPECIAL SCREW, M6X60 | |
| 19 | 1001103180 | 1 | BRACKET | |
| 20 | 1001103807 | 2 | SPACER | |
| 21 | 1001104341 | 1 | LMIS CABLE REEL KIT | |
| 22 | 1001104344 | 1 | PIVOT ARM SUPPORT | |
| 23 | 1001104415 | 1 | LMIS DISPLAY GUAGE | |
| 24 | 1001106385 | 1 | LMIS CABLE REEL ASSY, (includes items 101 & 102) | A |
| 25 | 1001106805 | 1 | LMIS TRANSDUCER HARNESS, (includes items 201 thru 208) | D |
| 26 | 1001107622 | 1 | LMIS EXTENSION HARNESS | B |
| 28 | 1001107982 | 2 | SCREW, 4.8X25 | |
| 29 | 1001113432 | 1 | STANDOFF, M6 | |
| 101 | 1001104342 | 1 | LMIS BOOM CABLE REEL | |
| 102 | 1001106386 | 1 | LMIS REEL PIGTAIL HARNESS | |
| 201 | 4461262 | 4 | CONNECTOR | |
| 202 | 4460321 | 1 | CONNECTOR | |
| 203 | 4460761 | 1 | CONNECTOR | |
| 204 | 4460920 | 1 | CONNECTOR | |
| 205 | 250216 | 1 | CONNECTOR | |
| 206 | 4460343 | 1 | CONNECTOR | |
| 207 | 1001117057 | 1 | CONNECTOR | |
| 208 | 4460374 | 1 | CONNECTOR | |
| 208 | 3740080 | 1 | RELAY | |
| 301 | | Ref | LMIS BOOM HYDRAULICS, (not shown), (See HYDRAULIC CIRCUITS SECTION for Breakdown) | |
| 302 | | Ref | LMIS AUDIBLE TOWER BEACON, (not shown), (See 17 LMIS AUDIBLE TOWER/BEACON INSTALLATION for Breakdown) | |

SECTION 10 - ELECTRICAL

FIGURE 10-21. LMIS AUDIBLE TOWER/BEACON INSTALLATION



BEACON ALARM WIRING CONFIGURATION

PAP175

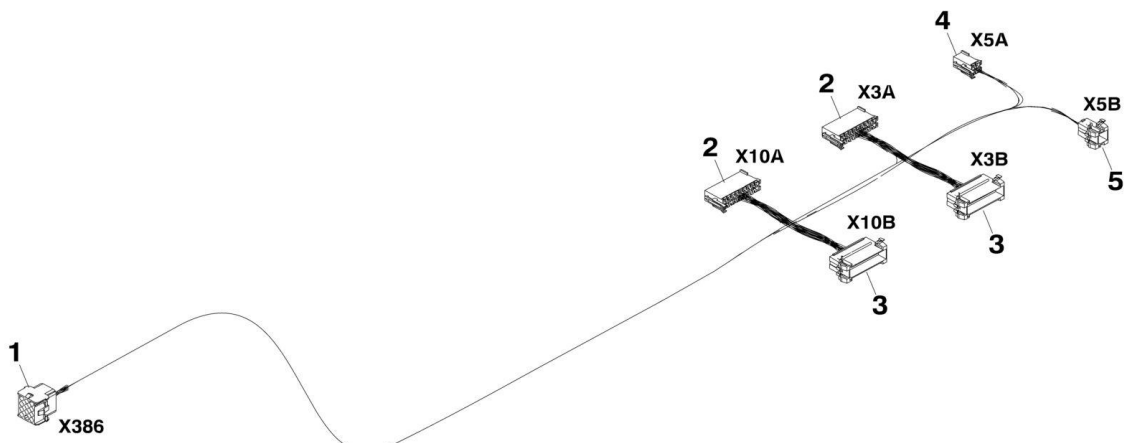
SECTION 10 - ELECTRICAL

FIGURE 10-21. LMIS AUDIBLE TOWER/BEACON INSTALLATION

| ITEM | PART NUMBER | QTY | DESCRIPTION | REV |
|------|-------------|-----|---|-----|
| | 1001108700 | Ref | LMIS AUDIBLE TOWER/BEACON INSTALLATION, (if equipped), (not available to order, see items 1 thru 12 for service) | B |
| 1 | 0760812 | 1 | HEX HD CAPSCREW, M8X25, GR8.8 | |
| 2 | 3290405 | 2 | HEX LOCKNUT, M4X0.7 | |
| 3 | 3290807 | 1 | HEX LOCKNUT, M8X1.25 | |
| 4 | 4010416 | 2 | PAN HD CAPSCREW, M4X40 | |
| 5 | 4811400 | 2 | WASHER, 4mm | |
| 6 | 4811900 | 1 | WASHER, 8mm | |
| 7 | 4811902 | 1 | WASHER, 8mm | |
| 8 | 1001091102 | 2 | WASHER, 4mm | |
| 9 | 1001106464 | 1 | BEACON BRACKET | |
| 10 | | Ref | LMIS TRANSDUCER HARNESS, (See LMIS INSTALLATION for Breakdown) | |
| 11 | 1001108661 | 1 | LMIS WARNING BEACON ASSY, (includes items 101 thru 106) | A |
| 12 | E000269 | 1 | CABLE GLAND, M20X1.5 | |
| 101 | 1001108683 | 1 | GREEN LIGHT GLOBE SECTION, (includes o-ring) | |
| 102 | 1001108684 | 1 | YELLOW LIGHT GLOBE SECTION, (includes o-ring) | |
| 103 | 1001108685 | 1 | REG LIGHT GLOBE SECTION, (includes o-ring) | |
| 104 | 1001108686 | 1 | BUZZER ALARM | |
| 105 | 1001108687 | 3 | LIGHT BULB, 5W-12V | |
| 106 | 1001108689 | 1 | BUZZER ALARM BASE | |

SECTION 10 - ELECTRICAL

FIGURE 10-22. LMIS HARNESS



PAP177

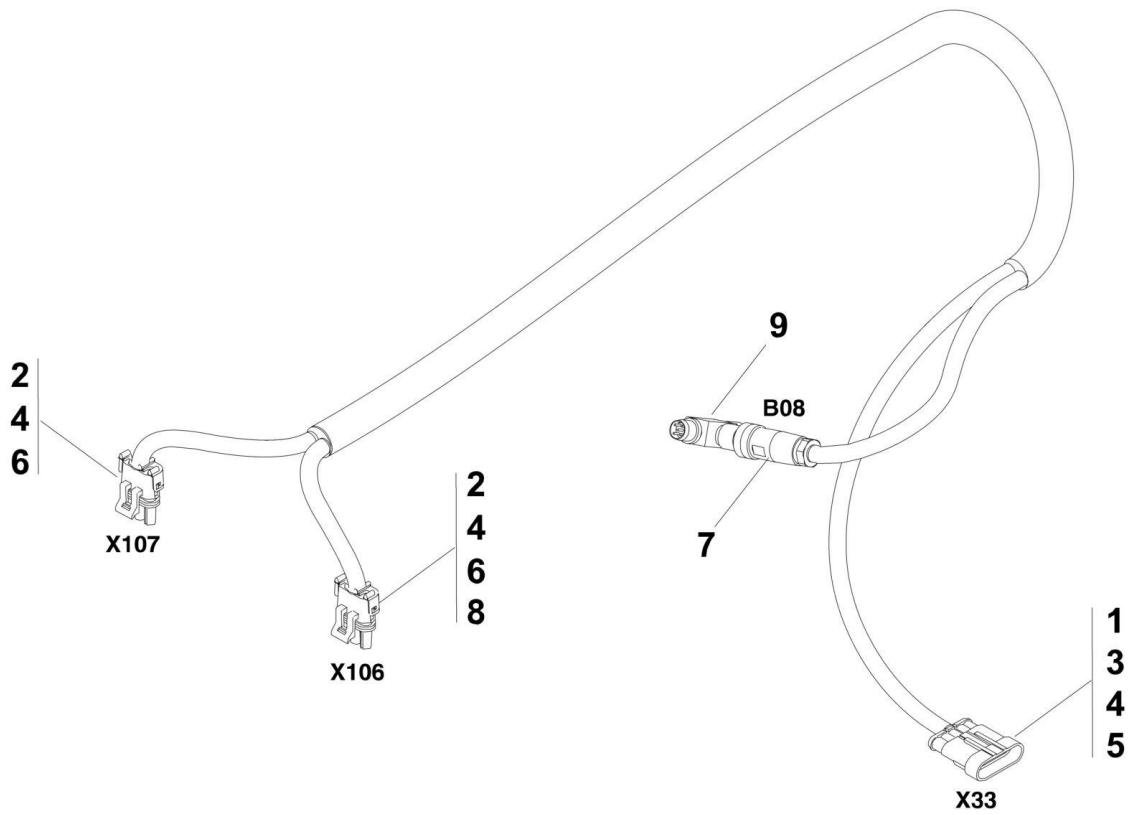
SECTION 10 - ELECTRICAL

FIGURE 10-22. LMIS HARNESS

| ITEM | PART NUMBER | QTY | DESCRIPTION | REV |
|------|-------------|-----|-----------------------------|-----|
| | 1001108472 | 1 | LMIS HARNESS, (if equipped) | A |
| 1 | 4460367 | 1 | CONNECTOR - 12 PIN | |
| 2 | | Ref | CONNECTOR - 18 PIN | |
| 3 | 1001117009 | 2 | CONNECTOR - 18 PIN | |
| 4 | | Ref | CONNECTOR - 4 PIN | |
| 5 | | Ref | CONNECTOR - 4 PIN | |

SECTION 10 - ELECTRICAL

FIGURE 10-23. STABILIZER HARNESS EQUIPPED W/LMIS



PAP180

SECTION 10 - ELECTRICAL

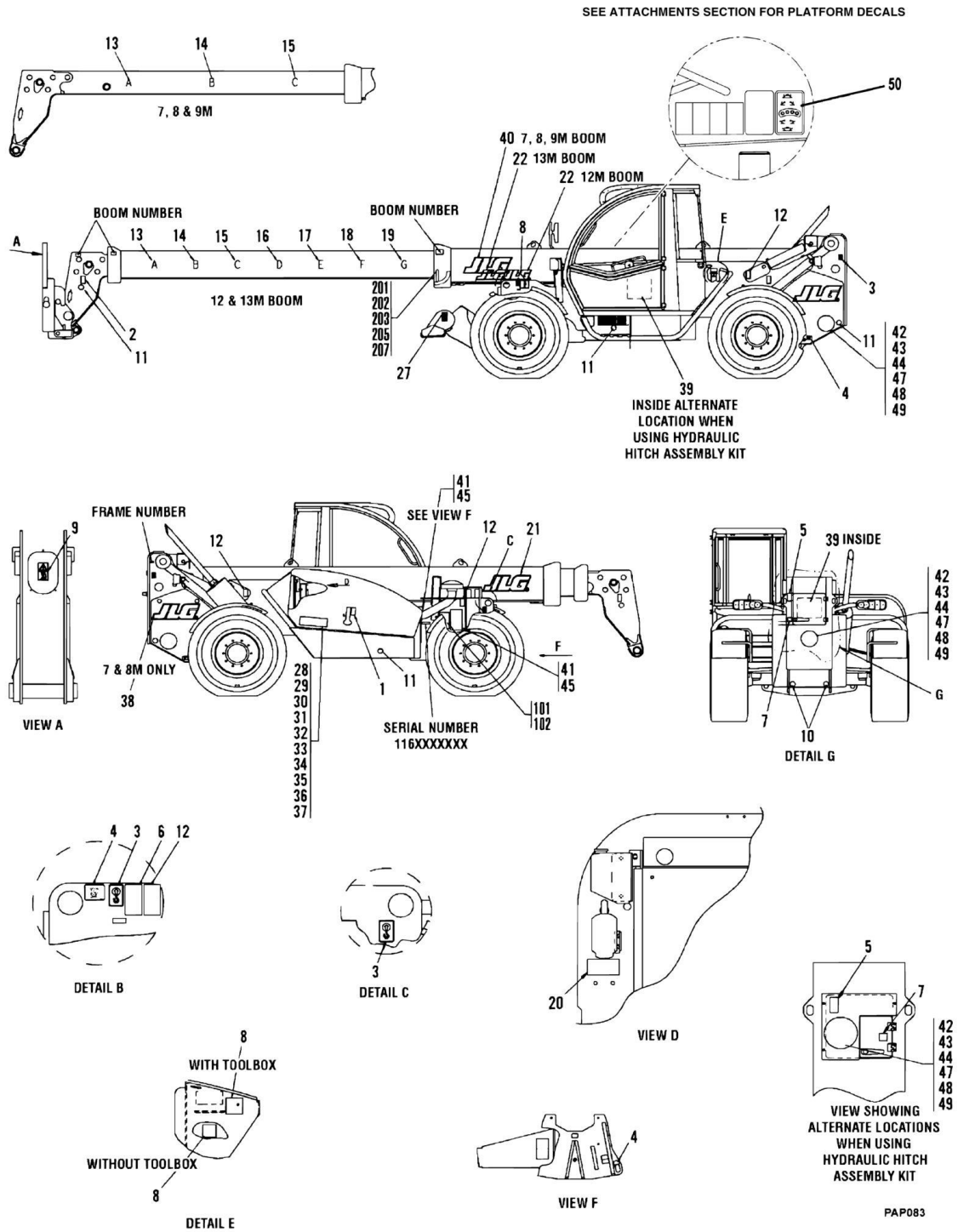
FIGURE 10-23. STABILIZER HARNESS EQUIPPED W/LMIS

| ITEM | PART NUMBER | QTY | DESCRIPTION | REV |
|------|-------------|-----|---|-----|
| | 1001107855 | 1 | OUTRIGGER HARNESS, (13M, if equipped), (includes all items) | B |
| 1 | 4461229 | 1 | CONNECTOR | |
| 2 | 4461262 | 2 | CONNECTOR | |
| 3 | 1001104497 | 2 | TERMINAL | |
| 4 | 1001104498 | 7 | SEAL | |
| 5 | 1001104499 | 4 | TERMINAL, CAVITY PLUG | |
| 6 | 1001107854 | 6 | TERMINAL | |
| 7 | 1001107894 | 1 | CONNECTOR | |
| 8 | 1001107906 | 1 | RESISTOR, 150 OHM | |
| 9 | 1001108122 | 1 | CONNECTOR | |

SECTION 11 - DECALS

SECTION 11 - DECALS

FIGURE 11-1. DECALS - MAIN



SECTION 11 - DECALS

FIGURE 11-1. DECALS - MAIN

| ITEM | PART NUMBER | QTY | DESCRIPTION | REV |
|------|-------------|-----|--|-----|
| | 8003341 | Ref | DECAL INSTALLATION, (includes items 1 thru 49) | M |
| 1 | 8005670 | 1 | DECAL | |
| 2 | 8005675 | 2 | DECAL | |
| 3 | 8005616 | 4 | DECAL - LIFT | |
| 4 | 8005617 | 4 | DECAL - ATTACHMENTS | |
| 5 | 8006612 | 1 | DECAL | |
| 6 | 8005671 | 1 | DECAL | |
| 7 | 8009815 | 1 | DECAL - DIESEL | |
| 8 | 8009816 | 1 | DECAL - HYDRAULIC OIL | |
| 9 | 8006038 | 2 | DECAL - FORK CARRIER | |
| 10 | 3931579 | 2 | REAR REFLECTOR - RED | |
| 11 | 8003198 | 6 | SIDE REFLECTOR - YELLOW | |
| 12 | 8008657 | 4 | DECAL | |
| 13 | 1706753 | 1 | DECAL A | |
| 14 | 1706754 | 1 | DECAL B | |
| 15 | 1706755 | 1 | DECAL C | |
| 16 | 1706756 | 1 | DECAL D | |
| 17 | 1706757 | 1 | DECAL E | |
| 18 | 1706758 | 1 | DECAL F | |
| 19 | 1706759 | 1 | DECAL G | |
| 20 | 8005869 | 1 | DECAL | |
| 21 | 8008629 | 1 | LARGE JLG DECAL | |
| 22 | 1702773 | 1 | SMALL JLG DECAL, (12 & 13M only) | |
| 27 | 8008195 | 2 | DECAL - STABILIZER | |
| 28 | 8008533 | 1 | MODEL DECAL 4013 | |
| 29 | 8008523 | 1 | MODEL DECAL 3507 | |
| 30 | 8008525 | 1 | MODEL DECAL 3508 | |
| 31 | 8008526 | 1 | MODEL DECAL 3509 | |
| 32 | 8008527 | 1 | MODEL DECAL 3512 | |
| 33 | 8008528 | 1 | MODEL DECAL 3513 | |
| 34 | 8008529 | 1 | MODEL DECAL 4007 | |
| 35 | 8008530 | 1 | MODEL DECAL 4008 | |
| 36 | 8008531 | 1 | MODEL DECAL 4009 | |
| 37 | 8008532 | 1 | MODEL DECAL 4012 | |
| 38 | 8008629 | 2 | LARGE JLG DECAL, (3507 & 3508 only) | |
| 39 | 8008793 | 1 | LUBRICATION CHART | |
| 40 | 8008629 | 1 | LARGE JLG DECAL, (7, 8 & 9M only) | |
| 41 | 1706227 | 1 | NAMEPLATE | |
| 42 | 2603207 | 3 | DECAL, (20 kph) | |
| 43 | 2999964 | 3 | DECAL, (40 kph), (7, 8 & 9M only) | |
| 44 | 8004165 | 3 | DECAL, (25 kph), (Ireland and UK), (7, 8 & 9M) | |
| 45 | 2080057 | 4 | FASTENER | |
| 47 | 8009377 | 3 | DECAL, (35 kph), (Ireland and UK), (12 & 13M only) | |
| 48 | 8009885 | 3 | DECAL, (12 kph), (Ireland and UK) | |
| 49 | 8009890 | 3 | DECAL, (22 kph), (Ireland and UK) | |
| 50 | 8005609 | 1 | DECAL, STABILIZER OPERATION, (12 & 13M only) | |
| | | Ref | DECAL - BOOM EXTENSION INSTALLATION | |
| | 0275145 | 1 | DECAL - BOOM EXTENSION INSTALLATION MODEL 3507, 4007, 3508, 4008, 3509 & 4009, DECAL INSTALLATION, (includes items 13 thru 15) | A |

SECTION 11 - DECALS

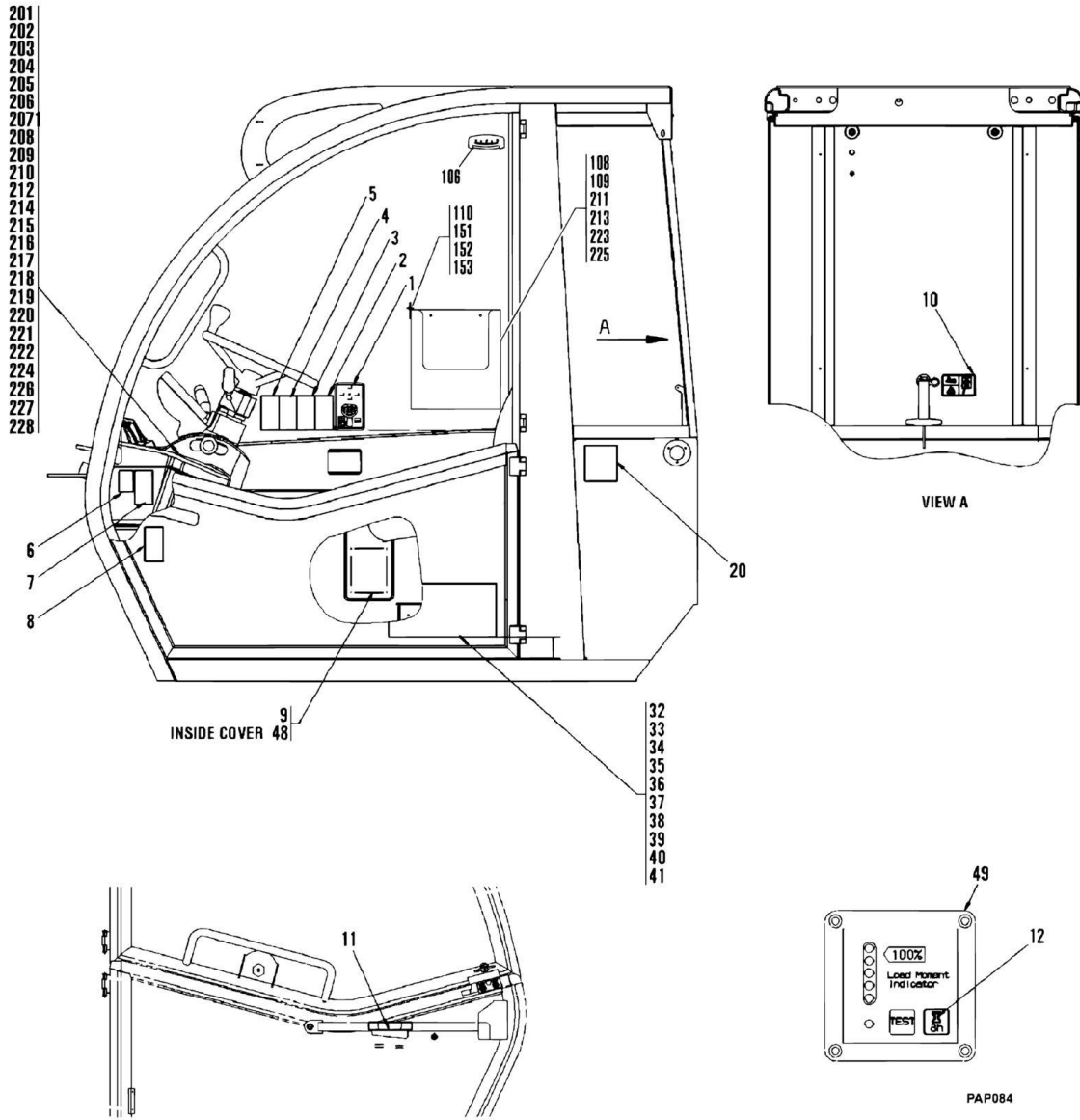
| ITEM | PART NUMBER | QTY | DESCRIPTION | REV |
|------|-------------|-----|---|-----|
| | 0275144 | 1 | DECAL - BOOM EXTENSION INSTALLATION MODEL 3512 & 4012, DECAL INSTALLATION, (includes items 13 thru 18) | A |
| | 0275143 | 1 | DECAL - BOOM EXTENSION INSTALLATION MODEL 3513 & 4013, DECAL INSTALLATION, (includes items 13 thru 19) | A |
| | | Ref | DECAL KIT OPTIONS | |
| | 8100076 | 1 | CE - MODEL 3507, OSCILLATING AXLE, (includes items 1 thru 12, 20, 21, 29, 38 thru 41, 45 & also items 32 & 47 from DECALS - CAB) | 4 |
| | 8100077 | 1 | CE - MODEL 3508, OSCILLATING AXLE, (includes items 1 thru 12, 20, 21, 30, 38 thru 41, 45 & also items 33 & 43 from DECALS - CAB) | 4 |
| | 8100078 | 1 | AUS AND CE - MODEL 3509, OSCILLATING AXLE, (includes items 1 thru 12, 20, 21, 31, 39, 40, 41, 45 & also items 29 & 34 from DECALS - CAB) | 4 |
| | 1001096762 | 1 | AUS - MODEL 3509, DERATED, OSCILLATING AXLE, (includes items 1 thru 12, 20, 21, 31, 39, 40, 41, 45 & also items 29 & 34 from DECALS - CAB) | 1 |
| | 8100079 | 1 | CE - MODEL 3512, OSCILLATING AXLE, (includes items 1 thru 12, 20, 21, 22, 27, 32, 39, 41, 45 & items 27 & 35 from DECALS - CAB) | 5 |
| | 1001092503 | 1 | AUS - MODEL 3512, OSCILLATING AXLE, (includes items 1 thru 12, 20, 21, 22, 27, 32, 39, 41, 45 & items 21, 27 & 35 from DECALS - CAB) | 1 |
| | 8100080 | 1 | CE - MODEL 3513, OSCILLATING AXLE, (includes items 1 thru 12, 20, 21, 22, 27, 33, 39, 41, 45 & items 23 & 36 from DECALS - CAB) | 5 |
| | 1001092502 | 1 | AUS - MODEL 3513, OSCILLATING AXLE, (includes items 1 thru 12, 20, 21, 22, 23, 27, 33, 39, 41, 45 & items 21, 23 & 36 from DECALS - CAB) | 1 |
| | 1001096763 | 1 | AUS - MODEL 3513, DERATED, OSCILLATING AXLE, (includes items 1 thru 12, 20, 21, 22, 23, 27, 33, 39, 41, 45 & items 21, 23 & 36 from DECALS - CAB) | 1 |
| | 8100081 | 1 | CE - MODEL 4007, OSCILLATING AXLE, (includes items 1 thru 12, 20, 21, 34, 39 thru 41, 45 & items 37 & 45 from DECALS - CAB) | 4 |
| | 8100082 | 1 | CE - MODEL 4008, OSCILLATING AXLE, (includes items 1 thru 12, 20, 21, 35, 39 thru 41, 45 & items 31 & 38 from DECALS - CAB) | 4 |
| | 8100083 | 1 | AUS AND CE - MODEL 4009, OSCILLATING AXLE, (includes items 1 thru 12, 20, 21, 36, 39 thru 41, 45 & items 28 & 39 from DECALS - CAB) | 4 |
| | 8100084 | 1 | AUS AND CE - MODEL 4012, OSCILLATING AXLE, (includes items 1 thru 12, 20, 21, 22, 27, 37, 39, 41, 45 & items 25 & 40 from DECALS - CAB) | 5 |
| | 8100085 | 1 | AUS AND CE - MODEL 4013, OSCILLATING AXLE, (includes items 1 thru 12, 20, 21, 22, 27, 28, 39, 41, 45, 50 & items 22 & 41 from DECALS - CAB) | 5 |
| | 1001099759 | 1 | AUS - MODEL 4013, 3B6, OSCILLATING AXLE, (includes items 1 thru 12, 20, 21, 22, 27, 28, 39, 41, 45, 50 & items 22 & 41 from DECALS - CAB) | 1 |
| | 1001100795 | 1 | AUS - MODEL 4013, OSCILLATING AXLE, (includes items 1 thru 12, 20, 21, 22, 27, 28, 39, 41, 45, 50 & items 22 & 41 from DECALS - CAB) | 1 |
| | 8100086 | 1 | CE - MODEL 3507, FIXED AXLE, (includes items 1 thru 12, 20, 21, 29, 38 thru 41, 45 & items 32 & 46 from DECALS - CAB) | 4 |
| | 8100087 | 1 | CE - MODEL 3508, FIXED AXLE, (includes items 1 thru 12, 20, 21, 30, 38 thru 41, 45 & items 33 & 42 from DECALS - CAB) | 4 |
| | 8100088 | 1 | CE - MODEL 3512, FIXED AXLE, (includes items 1 thru 12, 20, 21, 22, 27, 32, 39, 41, 45 & items 26 & 35 from DECALS - CAB) | 5 |

SECTION 11 - DECALS

| ITEM | PART NUMBER | QTY | DESCRIPTION | REV |
|------|-------------|-----|---|-----|
| | 8100089 | 1 | CE - MODEL 4007, FIXED AXLE, (includes items 1 thru 12, 20, 21, 34, 39 thru 41, 45 & items 37 & 44 from DECALS - CAB) | 4 |
| | 8100090 | 1 | CE - MODEL 4008, FIXED AXLE, (includes items 1 thru 12, 20, 21, 35, 39 thru 41, 45 & items 30 & 38 from DECALS - CAB) | 4 |
| | 8100091 | 1 | AUS AND CE - MODEL 4012, FIXED AXLE, (includes items 1 thru 12, 20, 21, 22, 27, 37, 39, 41, 45 & items 24 & 40 from DECALS - CAB) | 5 |
| | 1001091697 | Ref | IDENTIFICATION PLATE INSTALLATION, (GER AND ITA) | E |
| 101 | 1001009178 | 4 | FASTENER | |
| 102 | 1001003536 | 1 | NAME PLATE | |
| | 1001109161 | Ref | BOOM ANGLE INDICATOR, (13M), (AUS) | B |
| 201 | 4811900 | 2 | WASHER, 8mm, (AUS) | |
| 202 | 1001094171 | 1 | BOOM ANGLE INDICATOR DECAL, (AUS) | |
| 203 | 1001094172 | 1 | BOOM ANGLE PENDULUM, (AUS) | |
| 205 | 063585 | 1 | SHOULDER BOLT, M8X16, (AUS) | |
| 207 | 0100011 | AR | LOCTITE, #242, (AUS) | |

SECTION 11 - DECALS

FIGURE 11-2. DECALS - CAB



SECTION 11 - DECALS

FIGURE 11-2. DECALS - CAB

| ITEM | PART NUMBER | QTY | DESCRIPTION | REV |
|------|-------------|-------|--|-----|
| | 8008178 | Ref | DECAL INSTALLATION, (cab), (includes items 1 thru 47) | B |
| 1 | 8005608 | 1 | DECAL JOYSTICK | |
| 2 | 8005671 | 2 | DECAL | |
| 3 | 8005672 | 1 | DECAL | |
| 4 | 8005673 | 1 | DECAL | |
| 5 | 8005674 | 1 | DECAL | |
| 6 | 2447967 | 1 | DECAL - OIL | |
| 7 | 8005670 | 1 | DECAL | |
| 8 | 8008651 | 1 | DECAL | |
| 9 | 8008196 | 1 | DECAL - FUSE | |
| 10 | 8005870 | 1 | DECAL - ESCAPE HATCH | |
| 11 | 8008804 | 1 | DECAL | |
| 12 | 8008805 | 1 | DECAL | |
| 20 | 1705979 | 1 | DECAL, 105 DB | |
| 20 | 1705980 | 1 | DECAL, 106 DB | |
| | | Ref | DECAL - MODEL OPTIONS, (includes items 32-41) | |
| 32 | 8008523 | 1 | DECAL MODEL 3507 | |
| 33 | 8008525 | 1 | DECAL MODEL 3508 | |
| 34 | 8008526 | 1 | DECAL MODEL 3509 | |
| 35 | 8008527 | 1 | DECAL MODEL 3512 | |
| 36 | 8008528 | 1 | DECAL MODEL 3513 | |
| 37 | 8008529 | 1 | DECAL MODEL 4007 | |
| 38 | 8008530 | 1 | DECAL MODEL 4008 | |
| 39 | 8008531 | 1 | DECAL MODEL 4009 | |
| 40 | 8008532 | 1 | DECAL MODEL 4012 | |
| 41 | 8008533 | 1 | DECAL MODEL 4013 | |
| 48 | | Ref | COVER, RIGHT SIDE, (See CAB SECTION for Breakdown) | |
| 49 | | Ref | WEIGHT INDICATOR, (See ELECTRICAL SECTION for Breakdown) | |
| 106 | 8466306 | 1 | LEVEL INDICATOR GAUGE, (AUS) | |
| 108 | 1001095303 | 1 | WALL MOUNT CONTAINER, (AUS) | |
| 109 | 1001104090 | 0.4 m | TAPE, (AUS) | |
| 110 | 1001110729 | 1 | LANYARD ASSEMBLY, (AUS) (includes items 251 thru 253) | |
| 151 | 1001104090 | AR | TAPE, (AUS) | |
| 152 | 1001104541 | 1 | KEY RING, (AUS) | |
| 153 | 1001110722 | 1 | WIRE LANYARD, (AUS) | |
| 201 | 8009119 | 1 | CAPACITY CHART BOOKLET, (CE - 3507, FIXED AXLE) | 7 |
| 201 | 8008822 | 1 | FORKS CAPACITY CHART | |
| 201 | 8008853 | 1 | 1m3 BUCKET CAPACITY CHART | |
| 201 | 8008854 | 1 | 2m3 BUCKET CAPACITY CHART | |
| 201 | 8009160 | 1 | 3,4m & 3,9m TRUSS BOOM CAPACITY CHART | |
| 201 | 8009515 | 1 | FORK MOUNTED HOOK CAPACITY CHART | |
| 201 | 1706275 | 1 | 3,6m TRUSS BOOM CAPACITY CHART | |
| 201 | 1706420 | 1 | SIDE SHIFT CARRIAGE CAPACITY CHART | |
| 202 | 8009120 | 1 | CAPACITY CHART BOOKLET, (CE - 3507, OSCILLATING AXLE) | 7 |
| 202 | 8003342 | 1 | FORKS CAPACITY CHART | |
| 202 | 8008855 | 1 | 1m3 BUCKET CAPACITY CHART | |
| 202 | 8008856 | 1 | 2m3 BUCKET CAPACITY CHART | |
| 202 | 8009161 | 1 | 3,4m & 3,9m TRUSS BOOM CAPACITY CHART | |
| 202 | 8009516 | 1 | FORK MOUNTED HOOK CAPACITY CHART | |

SECTION 11 - DECALS

| ITEM | PART NUMBER | QTY | DESCRIPTION | REV |
|------|-------------|-----|---|-----|
| 202 | 1706276 | 1 | 3,6m TRUSS BOOM CAPACITY CHART | |
| 202 | 1706393 | 1 | SIDE SHIFT CARRIAGE CAPACITY CHART | |
| 203 | 8009117 | 1 | CAPACITY CHART BOOKLET, (CE - 4007, FIXED AXLE) | 7 |
| 203 | 8003345 | 1 | FORKS CAPACITY CHART | |
| 203 | 8008849 | 1 | 1m3 BUCKET CAPACITY CHART | |
| 203 | 8008850 | 1 | 2m3 BUCKET CAPACITY CHART | |
| 203 | 8009158 | 1 | 3,4m & 3,9m TRUSS BOOM CAPACITY CHART | |
| 203 | 8009513 | 1 | FORK MOUNTED HOOK CAPACITY CHART | |
| 203 | 1706273 | 1 | 3,6m TRUSS BOOM CAPACITY CHART | |
| 203 | 1706421 | 1 | SIDE SHIFT CARRIAGE CAPACITY CHART | |
| 204 | 8009118 | 1 | CAPACITY CHART BOOKLET, (CE - 4007, OSCILLATING AXLE) | 7 |
| 204 | 8008821 | 1 | FORKS CAPACITY CHART | |
| 204 | 8008851 | 1 | 1m3 BUCKET CAPACITY CHART | |
| 204 | 8008852 | 1 | 2m3 BUCKET CAPACITY CHART | |
| 204 | 8009159 | 1 | 3,4m & 3,9m TRUSS BOOM CAPACITY CHART | |
| 204 | 8009514 | 1 | FORK MOUNTED HOOK CAPACITY CHART | |
| 204 | 1706274 | 1 | 3,6m TRUSS BOOM CAPACITY CHART | |
| 204 | 1706394 | 1 | SIDE SHIFT CARRIAGE CAPACITY CHART | |
| 205 | 8009115 | 1 | CAPACITY CHART BOOKLET, (CE - 3508, FIXED AXLE) | 7 |
| 205 | 8003346 | 1 | FORKS CAPACITY CHART | |
| 205 | 8008844 | 1 | 1m3 BUCKET CAPACITY CHART | |
| 205 | 8008845 | 1 | 2m3 BUCKET CAPACITY CHART | |
| 205 | 8009156 | 1 | 3,4m & 3,9m TRUSS BOOM CAPACITY CHART | |
| 205 | 8009511 | 1 | FORK MOUNTED HOOK CAPACITY CHART | |
| 205 | 1706271 | 1 | 3,6m TRUSS BOOM CAPACITY CHART | |
| 205 | 1706422 | 1 | SIDE SHIFT CARRIAGE CAPACITY CHART | |
| 206 | 8009116 | 1 | CAPACITY CHART BOOKLET, (CE - 3508, OSCILLATING AXLE) | 7 |
| 206 | 8003343 | 1 | FORKS CAPACITY CHART | |
| 206 | 8008846 | 1 | 1m3 BUCKET CAPACITY CHART | |
| 206 | 8008848 | 1 | 2m3 BUCKET CAPACITY CHART | |
| 206 | 8009157 | 1 | 3,4m & 3,9m TRUSS BOOM CAPACITY CHART | |
| 206 | 8009512 | 1 | FORK MOUNTED HOOK CAPACITY CHART | |
| 206 | 1706272 | 1 | 3,6m TRUSS BOOM CAPACITY CHART | |
| 206 | 1706395 | 1 | SIDE SHIFT CARRIAGE CAPACITY CHART | |
| 207 | 8009113 | 1 | CAPACITY CHART BOOKLET, (CE - 4008, FIXED AXLE) | 7 |
| 207 | 8003349 | 1 | FORKS CAPACITY CHART | |
| 207 | 8008839 | 1 | 1m3 BUCKET CAPACITY CHART | |
| 207 | 8008840 | 1 | 2m3 BUCKET CAPACITY CHART | |
| 207 | 8009154 | 1 | 3,4m & 3,9m TRUSS BOOM CAPACITY CHART | |
| 207 | 8009509 | 1 | FORK MOUNTED HOOK CAPACITY CHART | |
| 207 | 1706269 | 1 | 3,6m TRUSS BOOM CAPACITY CHART | |
| 207 | 1706423 | 1 | SIDE SHIFT CARRIAGE CAPACITY CHART | |
| 208 | 8009114 | 1 | CAPACITY CHART BOOKLET, (CE - 4008, OSCILLATING AXLE) | 7 |
| 208 | 8008820 | 1 | FORKS CAPACITY CHART | |
| 208 | 8008841 | 1 | 1m3 BUCKET CAPACITY CHART | |
| 208 | 8008843 | 1 | 2m3 BUCKET CAPACITY CHART | |
| 208 | 8009155 | 1 | 3,4m & 3,9m TRUSS BOOM CAPACITY CHART | |
| 208 | 8009510 | 1 | FORK MOUNTED HOOK CAPACITY CHART | |
| 208 | 1706270 | 1 | 3,6m TRUSS BOOM CAPACITY CHART | |
| 208 | 1706396 | 1 | SIDE SHIFT CARRIAGE CAPACITY CHART | |
| 209 | 8009112 | 1 | CAPACITY CHART BOOKLET, (AUS AND CE - 3509, OSCILLATING AXLE) | 8 |

SECTION 11 - DECALS

| ITEM | PART NUMBER | QTY | DESCRIPTION | REV |
|------|-------------|-----|---|-----|
| 209 | 8003347 | 1 | FORKS CAPACITY CHART | |
| 209 | 8008837 | 1 | 1m3 BUCKET CAPACITY CHART | |
| 209 | 8008838 | 1 | 2m3 BUCKET CAPACITY CHART | |
| 209 | 8009153 | 1 | 3,4m & 3,9m TRUSS BOOM CAPACITY CHART | |
| 209 | 8009508 | 1 | FORK MOUNTED HOOK CAPACITY CHART | |
| 209 | 1706268 | 1 | 3,6m TRUSS BOOM CAPACITY CHART | |
| 209 | 1706397 | 1 | SIDE SHIFT CARRIAGE CAPACITY CHART | |
| 209 | 1706715 | 1 | ADJUSTABLE TRUSS BOOM CAPACITY CHART | |
| 210 | 1001096764 | 1 | CAPACITY CHART BOOKLET, (AUS - 3509, DERATED, OSCILLATING AXLE) | 3 |
| 210 | 1001094978 | 1 | FORKS CAPACITY CHART | |
| 210 | 1001095163 | 1 | EXTENDING TRUSS BOOM CAPACITY CHART | |
| 210 | 1001099415 | 1 | 1m3 BUCKET CAPACITY CHART | |
| 210 | 1001100937 | 1 | FORK MOUNTED HOOK CAPACITY CHART | |
| 211 | 1001105131 | 1 | CAPACITY CHART BOOKLET, (AUS - 3509, if equipped with LMIS) | 5 |
| 211 | 1001104953 | 1 | TRUSS BOOM CAPACITY CHART | |
| 211 | 1001109966 | 1 | CAPACITY CHART COVER | |
| 212 | 8009111 | 1 | CAPACITY CHART BOOKLET, (AUS AND CE - 4009, OSCILLATING AXLE) | 7 |
| 212 | 8003344 | 1 | FORKS CAPACITY CHART | |
| 212 | 8008835 | 1 | 1m3 BUCKET CAPACITY CHART | |
| 212 | 8008836 | 1 | 2m3 BUCKET CAPACITY CHART | |
| 212 | 8009152 | 1 | 3,4m & 3,9m TRUSS BOOM CAPACITY CHART | |
| 212 | 8009507 | 1 | FORK MOUNTED HOOK CAPACITY CHART | |
| 212 | 1706267 | 1 | 3,6m TRUSS BOOM CAPACITY CHART | |
| 212 | 1706398 | 1 | SIDE SHIFT CARRIAGE CAPACITY CHART | |
| 213 | 1001109278 | 1 | CAPACITY CHART BOOKLET, (AUS - 4009, if equipped with LMIS) | 4 |
| 213 | 1001108406 | 1 | TRUSS BOOM CAPACITY CHART | |
| 213 | 1001109966 | 1 | CAPACITY CHART COVER | |
| 214 | 8009109 | 1 | CAPACITY CHART BOOKLET, (CE - 3512, FIXED AXLE) | 8 |
| 214 | 8003350 | 1 | FORKS CAPACITY CHART | |
| 214 | 8008828 | 1 | 1m3 BUCKET CAPACITY CHART | |
| 214 | 8008832 | 1 | 2m3 BUCKET CAPACITY CHART | |
| 214 | 8009577 | 1 | 0.8m3 BUCKET CAPACITY CHART | |
| 214 | 1705845 | 1 | FORK MOUNTED HOOK CAPACITY CHART | |
| 214 | 1705876 | 1 | 3,4m TRUSS BOOM CAPACITY CHART | |
| 214 | 1706250 | 1 | 3,6m TRUSS BOOM CAPACITY CHART | |
| 214 | 1706424 | 1 | SIDE SHIFT CARRIAGE CAPACITY CHART | |
| 215 | 8009110 | 1 | CAPACITY CHART BOOKLET, (CE - 3512, OSCILLATING AXLE) | 9 |
| 215 | 8008819 | 1 | FORKS CAPACITY CHART | |
| 215 | 8008829 | 1 | 1m3 BUCKET CAPACITY CHART | |
| 215 | 8008831 | 1 | 2m3 BUCKET CAPACITY CHART | |
| 215 | 8009578 | 1 | 0.8m3 BUCKET CAPACITY CHART | |
| 215 | 1705846 | 1 | FORK MOUNTED HOOK CAPACITY CHART | |
| 215 | 1705877 | 1 | 3,4m TRUSS BOOM CAPACITY CHART | |
| 215 | 1706249 | 1 | 3,6m TRUSS BOOM CAPACITY CHART | |
| 215 | 1706321 | 1 | SIDE SHIFT CARRIAGE CAPACITY CHART | |
| 216 | 1001092450 | 1 | CAPACITY CHART BOOKLET, (AUS - 3512, OSCILLATING AXLE) | 1 |
| 216 | 1001092443 | 1 | FORKS CAPACITY CHART | |
| 216 | 8008829 | 1 | 1m3 BUCKET CAPACITY CHART | |
| 216 | 8008831 | 1 | 2m3 BUCKET CAPACITY CHART | |
| 216 | 8009578 | 1 | 0.8m3 BUCKET CAPACITY CHART | |

SECTION 11 - DECALS

| ITEM | PART NUMBER | QTY | DESCRIPTION | REV |
|------|-------------|-----|---|-----|
| 216 | 1001092445 | 1 | FORK MOUNTED HOOK CAPACITY CHART | |
| 216 | 1705877 | 1 | 3,4m TRUSS BOOM CAPACITY CHART | |
| 216 | 1706249 | 1 | 3,6m TRUSS BOOM CAPACITY CHART | |
| 216 | 1001092447 | 1 | SIDE SHIFT CARRIAGE CAPACITY CHART | |
| 217 | 8009107 | 1 | CAPACITY CHART BOOKLET, (CE - 4012, FIXED AXLE) | 9 |
| 217 | 8008744 | 1 | FORKS CAPACITY CHART | |
| 217 | 8008825 | 1 | 1m3 BUCKET CAPACITY CHART | |
| 217 | 8008834 | 1 | 2m3 BUCKET CAPACITY CHART | |
| 217 | 8009575 | 1 | 0.8m3 BUCKET CAPACITY CHART | |
| 217 | 1705843 | 1 | FORK MOUNTED HOOK CAPACITY CHART | |
| 217 | 1705872 | 1 | 3,4m TRUSS BOOM CAPACITY CHART | |
| 217 | 1706252 | 1 | 3,6m TRUSS BOOM CAPACITY CHART | |
| 217 | 1706425 | 1 | SIDE SHIFT CARRIAGE CAPACITY CHART | |
| 218 | 8009108 | 1 | CAPACITY CHART BOOKLET, (CE - 4012, OSCILLATING AXLE) | 8 |
| 218 | 8003348 | 1 | FORKS CAPACITY CHART | |
| 218 | 8008827 | 1 | 1m3 BUCKET CAPACITY CHART | |
| 218 | 8008833 | 1 | 2m3 BUCKET CAPACITY CHART | |
| 218 | 8009576 | 1 | 0.8m3 BUCKET CAPACITY CHART | |
| 218 | 1705844 | 1 | FORK MOUNTED HOOK CAPACITY CHART | |
| 218 | 1705873 | 1 | 3,4m TRUSS BOOM CAPACITY CHART | |
| 218 | 1706251 | 1 | 3,6m TRUSS BOOM CAPACITY CHART | |
| 218 | 1706399 | 1 | SIDE SHIFT CARRIAGE CAPACITY CHART | |
| 219 | 8009106 | 1 | CAPACITY CHART BOOKLET, (CE - 3513, OSCILLATING AXLE) | 12 |
| 219 | 8008627 | 1 | FORKS CAPACITY CHART | |
| 219 | 8008628 | 1 | 1m3 BUCKET CAPACITY CHART | |
| 219 | 8008745 | 1 | 2m3 BUCKET CAPACITY CHART | |
| 219 | 8009574 | 1 | 0.8m3 BUCKET CAPACITY CHART | |
| 219 | 1705842 | 1 | FORK MOUNTED HOOK CAPACITY CHART | |
| 219 | 1705875 | 1 | 3,4m TRUSS BOOM CAPACITY CHART | |
| 219 | 1706207 | 1 | SIDE SHIFT CARRIAGE CAPACITY CHART | |
| 219 | 1706233 | 1 | 3,6m TRUSS BOOM CAPACITY CHART | |
| 219 | 1706714 | 1 | ADJUSTABLE TRUSS BOOM CAPACITY CHART | |
| 219 | 1707166 | 1 | CRANE HOOK CAPACITY CHART | |
| 219 | 1707171 | 1 | EXTENDING BOOM CAPACITY CHART | |
| 219 | 1001098890 | 1 | FORK POSITIONING CARRIAGE CAPACITY CHART | |
| 220 | 1001092451 | 1 | CAPACITY CHART BOOKLET, (AUS - 3513, OSCILLATING AXLE) | 1 |
| 220 | 1001092444 | 1 | FORKS CAPACITY CHART | |
| 220 | 8008628 | 1 | 1m3 BUCKET CAPACITY CHART | |
| 220 | 8008745 | 1 | 2m3 BUCKET CAPACITY CHART | |
| 220 | 8009574 | 1 | 0.8m3 BUCKET CAPACITY CHART | |
| 220 | 1001092446 | 1 | FORK MOUNTED HOOK CAPACITY CHART | |
| 220 | 1705875 | 1 | 3,4m TRUSS BOOM CAPACITY CHART | |
| 220 | 1001092448 | 1 | SIDE SHIFT CARRIAGE CAPACITY CHART | |
| 220 | 1706233 | 1 | 3,6m TRUSS BOOM CAPACITY CHART | |
| 220 | 1706714 | 1 | ADJUSTABLE TRUSS BOOM CAPACITY CHART | |
| 221 | 1001096765 | 1 | CAPACITY CHART BOOKLET, (AUS - 3513, DERATED, OSCILLATING AXLE) | 1 |
| 221 | 1001096179 | 1 | FORKS CAPACITY CHART | |
| 221 | 1001095503 | 1 | EXTENDING TRUSS BOOM CAPACITY CHART | |
| 222 | 8009105 | 1 | CAPACITY CHART BOOKLET, (CE - 4013, OSCILLATING AXLE) | |
| 222 | 8008746 | 1 | FORKS CAPACITY CHART | |
| 222 | 8008747 | 1 | 1m3 BUCKET CAPACITY CHART | |

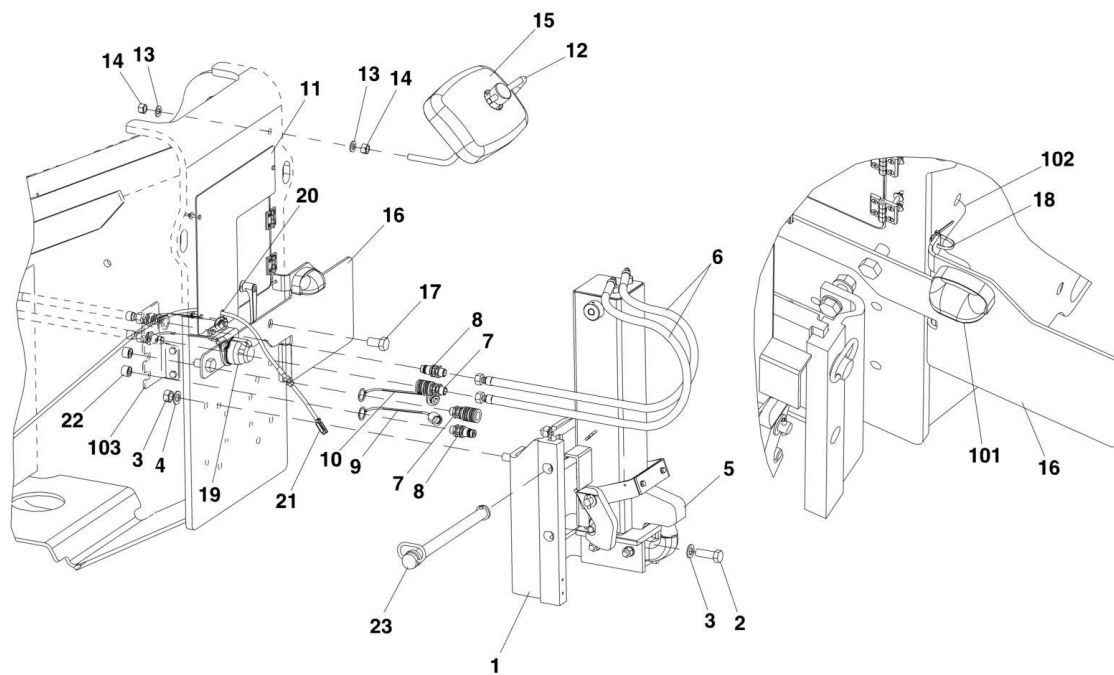
SECTION 11 - DECALS

| ITEM | PART NUMBER | QTY | DESCRIPTION | REV |
|------|-------------|-----|---|-----|
| 222 | 8003351 | 1 | 2m3 BUCKET CAPACITY CHART | |
| 222 | 8009573 | 1 | 0.8m3 BUCKET CAPACITY CHART | |
| 222 | 1705841 | 1 | FORK MOUNTED HOOK CAPACITY CHART | |
| 222 | 1705874 | 1 | 3,4m TRUSS BOOM CAPACITY CHART | |
| 222 | 1706132 | 1 | SIDE SHIFT CARRIAGE CAPACITY CHART | |
| 222 | 1706234 | 1 | 3,6m TRUSS BOOM CAPACITY CHART | |
| 222 | 1706713 | 1 | ADJUSTABLE TRUSS BOOM CAPACITY CHART | |
| 222 | 1707165 | 1 | CRANE HOOK CAPACITY CHART | |
| 222 | 1707170 | 1 | EXTENDING BOOM CAPACITY CHART | |
| 222 | 1001098889 | 1 | FORK POSITIONING CARRIAGE CAPACITY CHART | |
| 223 | 1001109276 | 1 | CAPACITY CHART BOOKLET, (AUS - 3513, if equipped with LMIS) | 4 |
| 223 | 1001108403 | 1 | TRUSS BOOM CAPACITY CHART | |
| 223 | 1001109966 | 1 | CAPACITY CHART COVER | |
| 224 | 1001099758 | 1 | CAPACITY CHART BOOKLET, (AUS - 4013, OSCILLATING AXLE), (if equipped with LMIS) | 1 |
| 224 | 1001099583 | 1 | FORKS CAPACITY CHART | |
| 224 | 1001099584 | 1 | 2m3 BUCKET CAPACITY CHART | |
| 224 | 1001099581 | 1 | FORK MOUNTED HOOK CAPACITY CHART | |
| 224 | 1001099582 | 1 | 3,4m TRUSS BOOM CAPACITY CHART | |
| 225 | 1001109274 | 1 | CAPACITY CHART BOOKLET, (AUS - 4013, if equipped with LMIS) | 4 |
| 225 | 1001108400 | 1 | TRUSS BOOM CAPACITY CHART | |
| 225 | 1001109966 | 1 | CAPACITY CHART COVER | |
| 226 | 1001100797 | 1 | CAPACITY CHART BOOKLET, (AUS - 4013, OSCILLATING AXLE) | 1 |
| 226 | 1001100693 | 1 | FORKS CAPACITY CHART | |
| 227 | 1706266 | 1 | CAPACITY CHART BOOKLET, (AUS AND CE - 3513 & 4013, (if equipped with platform) | |
| 228 | 1001094196 | 1 | CAPACITY CHART BOOKLET, (AUS - 3513 & 4013, (if equipped with platform) | |
| | | Ref | DECAL KIT, (See DECALS - MAIN for Breakdown) | |

SECTION 12 - OPTIONS

SECTION 12 - OPTIONS

FIGURE 12-1. HYDRAULIC HITCH KIT



PZ1931

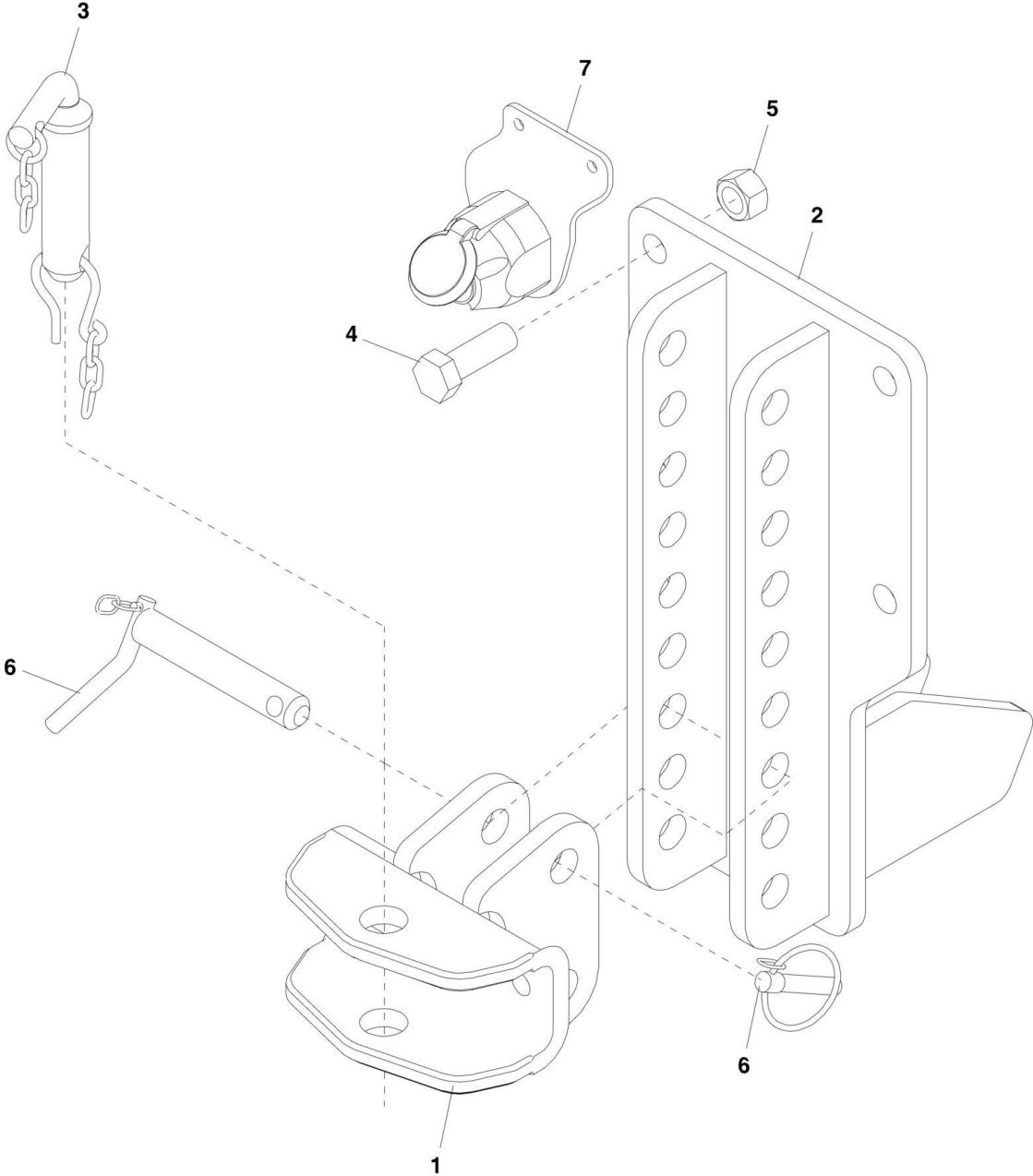
SECTION 12 - OPTIONS

FIGURE 12-1. HYDRAULIC HITCH KIT

| ITEM | PART NUMBER | QTY | DESCRIPTION | REV |
|------|-------------|--------|---|------|
| | 0273601 | 1 | HYDRAULIC HITCH KIT, (for use with agriculture hydraulic system kit), (includes all items) | F, 6 |
| 1 | 0902987 | 1 | MOUNTING BRACKET | |
| 2 | 0762020 | 4 | HEX HD SCREW, M20X60, GR8.8 | |
| 3 | 4812500 | 8 | FLAT WASHER, 20MM | |
| 4 | 3292001 | 4 | HEX NUT, M20, GR8.8 | |
| 5 | 2620048 | 1 | TRAILER COUPLING HITCH, (includes item 23) | |
| 6 | 2754009 | 2 | HOSE ASSY | |
| 7 | Kit | NLA | FEMALE SCREW COUPLING, (no longer available, order 1001097287 kit) | |
| 7 | 1001094555 | 1 | FEMALE QUICK DISCONNECT FITTING | |
| 8 | Kit | NLA | MALE SCREW COUPLING, (no longer available, order 1001097287 kit) | |
| 8 | 1001094556 | 1 | MALE QUICK DISCONNECT FITTING | |
| 9 | 3977459 | 1 | DUST CAP, (use with male screw type coupling) | |
| 9 | 1001093826 | 1 | DUST CAP, (use with male quick disconnect type coupling) | |
| 10 | 3977460 | 1 | DUST PLUG, (use with female screw type coupling) | |
| 10 | 1001093827 | 1 | DUST PLUG, (use with female quick disconnect type coupling) | |
| 11 | | Ref | REAR ACCESS COVER, (See REAR ACCESS DOOR KIT for Breakdown) | |
| 12 | 3841634 | 1 | MIRROR ATTACHMENT ROD | |
| 13 | 4812300 | 2 | FLAT WASHER, M16 | |
| 14 | 3291607 | 2 | HEX NUT, M16, GR8.8 | |
| 15 | 80363195 | 1 | MIRROR | |
| 16 | 0903051 | 1 | LICENSE PLATE BRACKET | |
| 17 | 0762216 | 2 | HEX HD SCREW, M22X40, GR8.8 | |
| 18 | 471678 | 1 | TIE-STRAP | |
| 19 | | Ref | TOW PLUG INSTALLATION KIT, (See LICENSE PLATE LIGHT AND TOWING PLATE INSTALLATION for Breakdown) (Prior to SN 1160003018) | |
| 19 | | Ref | 7-PIN TRAILER SOCKET INSTALLATION, (See 7-PIN TRAILER SOCKET INSTALLATION for Breakdown) (SN 1160003018 to Present) | |
| 20 | 935113 | 0.07 m | TRIM | |
| 21 | 3890067 | 1 | CABLE | |
| 22 | 2142505 | 2 | CAP | |
| 23 | 1001005240 | 1 | PIN ASSY | |
| 101 | | Ref | LICENSE PLATE LIGHT INSTALLATION, (See LICENSE PLATE LIGHT AND TOWING PLATE INSTALLATION for Breakdown) (Prior to SN 1160003018) | |
| 102 | | Ref | LICENSE PLATE LIGHT CABLE | |
| 103 | | Ref | AGRICULTURAL KIT, (See AGRICULTURAL KIT for Breakdown) | |
| | 1001097287 | 1 | QUICK DISCONNECT ADAPTOR KIT, (includes items 5, 6, dust cap and dust plug) | |

SECTION 12 - OPTIONS

FIGURE 12-2. FIELD HITCH ASSEMBLY



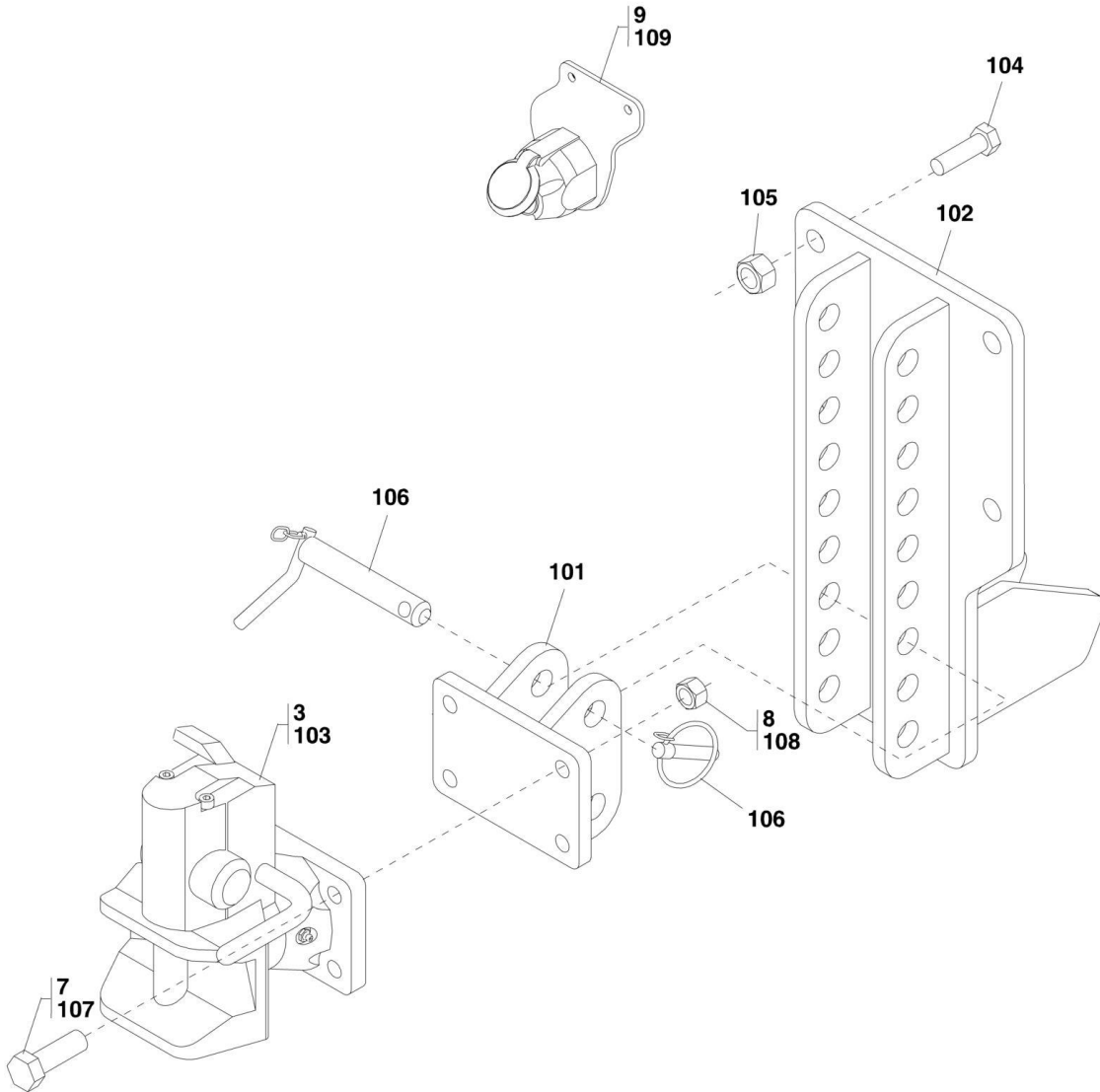
SECTION 12 - OPTIONS

FIGURE 12-2. FIELD HITCH ASSEMBLY

| ITEM | PART NUMBER | QTY | DESCRIPTION | REV |
|------|-------------|-----|--|-----|
| | 8010199 | 1 | FIELD HITCH ASSY, (includes all items) | B |
| 1 | 8010200 | 1 | TOWING ATTACHMENT | |
| 2 | 8010228 | 1 | BRACKET | |
| 3 | 3944574 | 1 | PIN | |
| 4 | 0712020 | 4 | HEX HD CAPSCREW, M20-60 | |
| 5 | 3332017 | 4 | NUT, M20-10 | |
| 6 | 8010204 | 2 | PIN | |
| 7 | | Ref | TOW PLUG INSTALLATION KIT, (See LICENSE PLATE LIGHT AND TOWING PLATE INSTALLATION for Breakdown) | |

SECTION 12 - OPTIONS

FIGURE 12-3. TRAILER COUPLING ASSEMBLY



SECTION 12 - OPTIONS

FIGURE 12-3. TRAILER COUPLING ASSEMBLY

| ITEM | PART NUMBER | QTY | DESCRIPTION | REV |
|------|-------------|-----|--|-----|
| | 8002824 | 1 | TRAILER COUPLING ASSY, (includes items 1 thru 9) (Prior to SN 1160000353) | A |
| 3 | 8002789 | 1 | TRAILER COUPLING | |
| 7 | 1655490 | 4 | CAPSCREW, 16X60mm | |
| 8 | 327311 | 4 | NUT, 16mm | |
| 9 | | Ref | TOW PLUG INSTALLATION KIT, (See LICENSE PLATE LIGHT AND TOWING PLATE INSTALLATION for Breakdown) | |
| | 8010198 | 1 | TRAILER COUPLING ASSY, (includes items 101 thru 109) (SN 1160000353 to Present) | B |
| 101 | 8010234 | 1 | CONNECTOR | |
| 102 | 8010228 | 1 | BRACKET | |
| 103 | 8002789 | 1 | TRAILER COUPLING | |
| 104 | 0712020 | 4 | HEX HD CAPSCREW, M20-60 | |
| 105 | 3332017 | 4 | NUT, M20-10 | |
| 106 | 8010204 | 2 | PIN | |
| 107 | 0711619 | 4 | HEX HD CAPSCREW, M16-55 | |
| 108 | 3331607 | 4 | NUT, M16-12 | |
| 109 | | Ref | TOW PLUG INSTALLATION KIT, (See LICENSE PLATE LIGHT AND TOWING PLATE INSTALLATION for Breakdown) | |

SECTION 12 - OPTIONS

FIGURE 12-4. FRONT CAB GLASS SHIELD

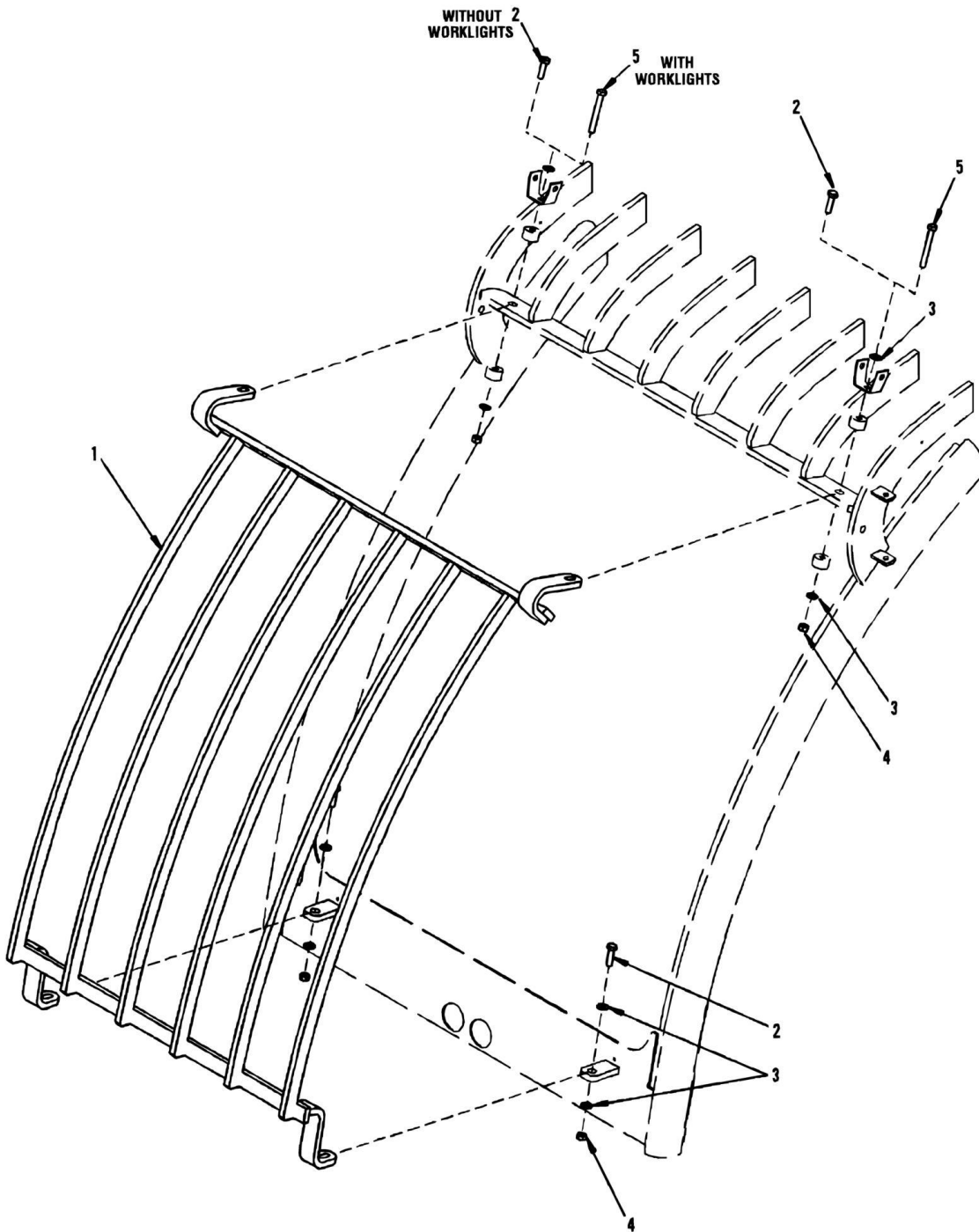
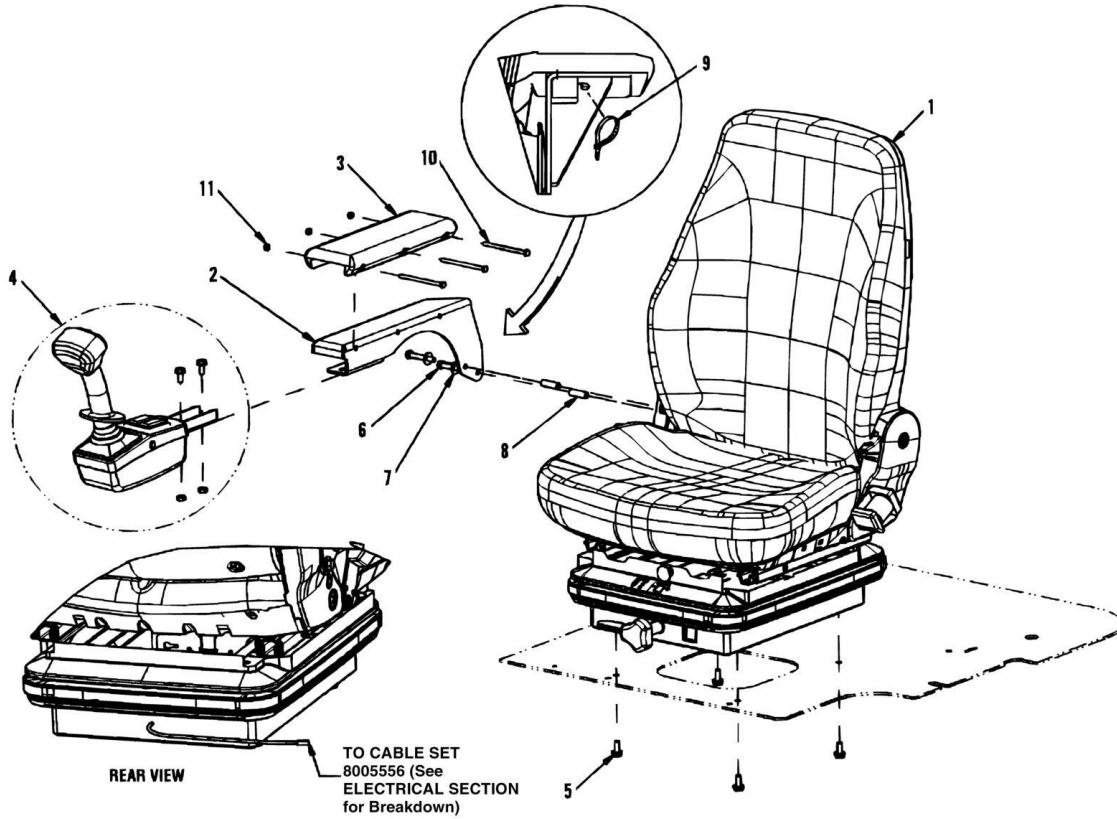


FIGURE 12-4. FRONT CAB GLASS SHIELD

| ITEM | PART NUMBER | QTY | DESCRIPTION | REV |
|------|-------------|-----|--|-----|
| | 8009532 | 1 | FRONT CAB GLASS SHIELD, (includes all items) | A |
| 1 | 8009533 | 1 | SCREEN GRID | |
| 2 | 0700815 | 4 | BOLT, M8-1.25X35, GR8.8 | |
| 3 | 4811900 | 8 | FLAT WASHER, 8mm | |
| 4 | 3290807 | 4 | NUT, 8mm | |
| 5 | 1391297 | 2 | BOLT, M8X65 | |

SECTION 12 - OPTIONS

FIGURE 12-5. AIR SUSPENSION SEAT INSTALLATION



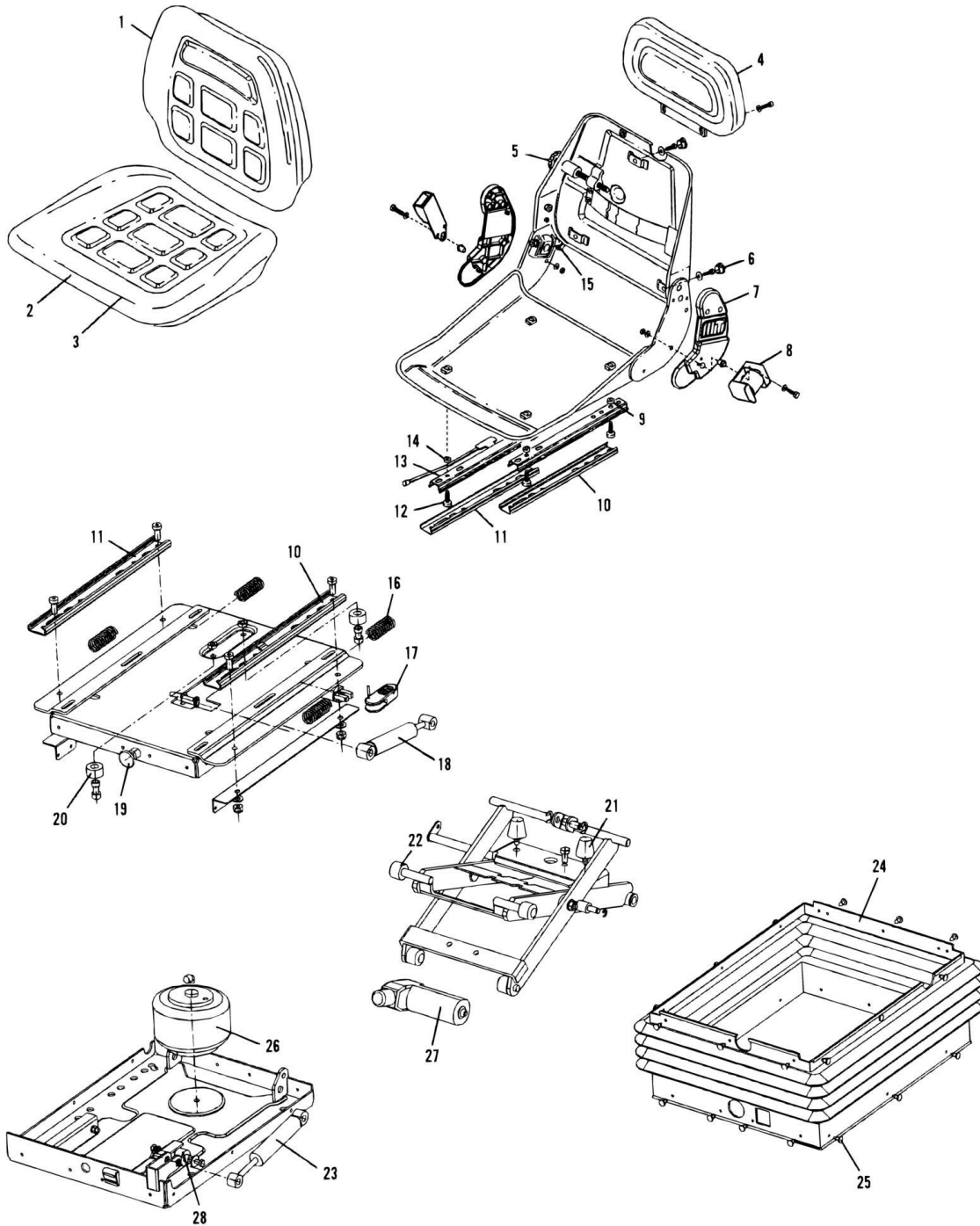
SECTION 12 - OPTIONS

FIGURE 12-5. AIR SUSPENSION SEAT INSTALLATION

| ITEM | PART NUMBER | QTY | DESCRIPTION | REV |
|------|-------------|-----|--|-----|
| | 0273519 | 1 | AIR SUSPENSION SEAT INSTALLATION, (includes all items) | B |
| 1 | 3980036 | 1 | AIR SUSPENSION SEAT, (See AIR SUSPENSION SEAT for Breakdown) | |
| 2 | 3980038 | 1 | BRACKET | |
| 3 | 8010452 | 1 | PLASTIC FOAM PROFILE | |
| 4 | | Ref | CONSOLE BOX ASSY, (See CONTROLS SECTION for Breakdown) | |
| 5 | 5200810 | 4 | BOLT, M8X20 | |
| 6 | 0700818 | 2 | HEX HD CAPSCREW, 8X50mm, GR8.8 | |
| 7 | 2481254 | 2 | WASHER, 8X22.3X1.4mm | |
| 8 | 4569078 | 2 | SPACER | |
| 9 | 471678 | 1 | CABLE BAND | |
| 10 | 0700626 | 3 | HEX HD CAPSCREW, 6X90mm, GR8.8 | |
| 11 | 3290605 | 3 | HEX LOCKNUT, 6mm | |

SECTION 12 - OPTIONS

FIGURE 12-6. AIR SUSPENSION SEAT



SECTION 12 - OPTIONS

FIGURE 12-6. AIR SUSPENSION SEAT

| ITEM | PART NUMBER | QTY | DESCRIPTION | REV |
|------|-------------|-----|---|-----|
| | 3980036 | 1 | AIR SUSPENSION SEAT, (includes all items) | |
| 1 | 7028742 | 1 | BACKREST | |
| 2 | 7028743 | 1 | CUSHION | |
| 3 | 7028744 | 1 | SPRING | |
| 4 | 7028745 | 1 | BACKREST EXTENSION, (optional) | |
| 5 | 7028746 | 1 | KNOB | |
| 6 | 7028747 | 3 | CAP | |
| 7 | 7028748 | 1 | COVERING, RIGHT SIDE | |
| 7 | 7028749 | 1 | COVERING, LEFT SIDE | |
| 8 | 7028750 | 1 | RETRACTABLE SEAT BELT | |
| 9 | 7028751 | 1 | INTERNAL SLIDE | |
| 10 | 7028752 | 1 | EXTERNAL SLIDE | |
| 11 | 7028753 | 1 | EXTERNAL SLIDE | |
| 12 | 7028754 | 4 | SCREW | |
| 13 | 7028755 | 1 | SLIDE ASSY | |
| 14 | 7028756 | 4 | SLIDE SPACER | |
| 15 | 7028757 | 1 | TILT ADJUSTER HANDLE | |
| 16 | 7028771 | 4 | SPRING | |
| 17 | 7028772 | 1 | LEVER KIT | |
| 18 | 7028773 | 1 | SHOCK ASBORBER | |
| 19 | 7028774 | 1 | SWITCH | |
| 20 | 7028775 | 2 | BUMPER | |
| 21 | 7028763 | 2 | BUMPER STOP | |
| 22 | 7028764 | 4 | SUSPENSION WHEEL | |
| 23 | 7028765 | 1 | SHOCK ABSORBER | |
| 24 | 7028777 | 1 | RUBBER BODY | |
| 25 | 7028778 | 29 | SNAP FASTENER | |
| 26 | 7028779 | 1 | AIR SPRING | |
| 27 | 7028780 | 1 | COMPRESSOR, 12 VOLT | |
| 28 | 7028781 | 2 | BUMPER | |

SECTION 12 - OPTIONS

FIGURE 12-7. DRAW BAR COUPLING

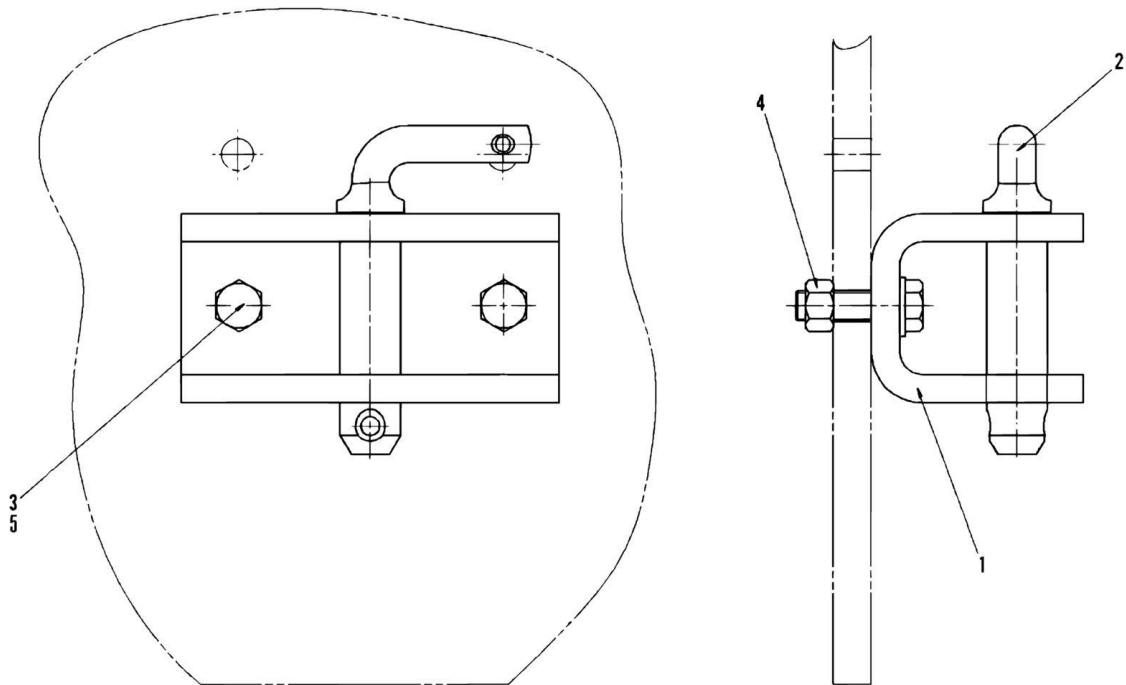


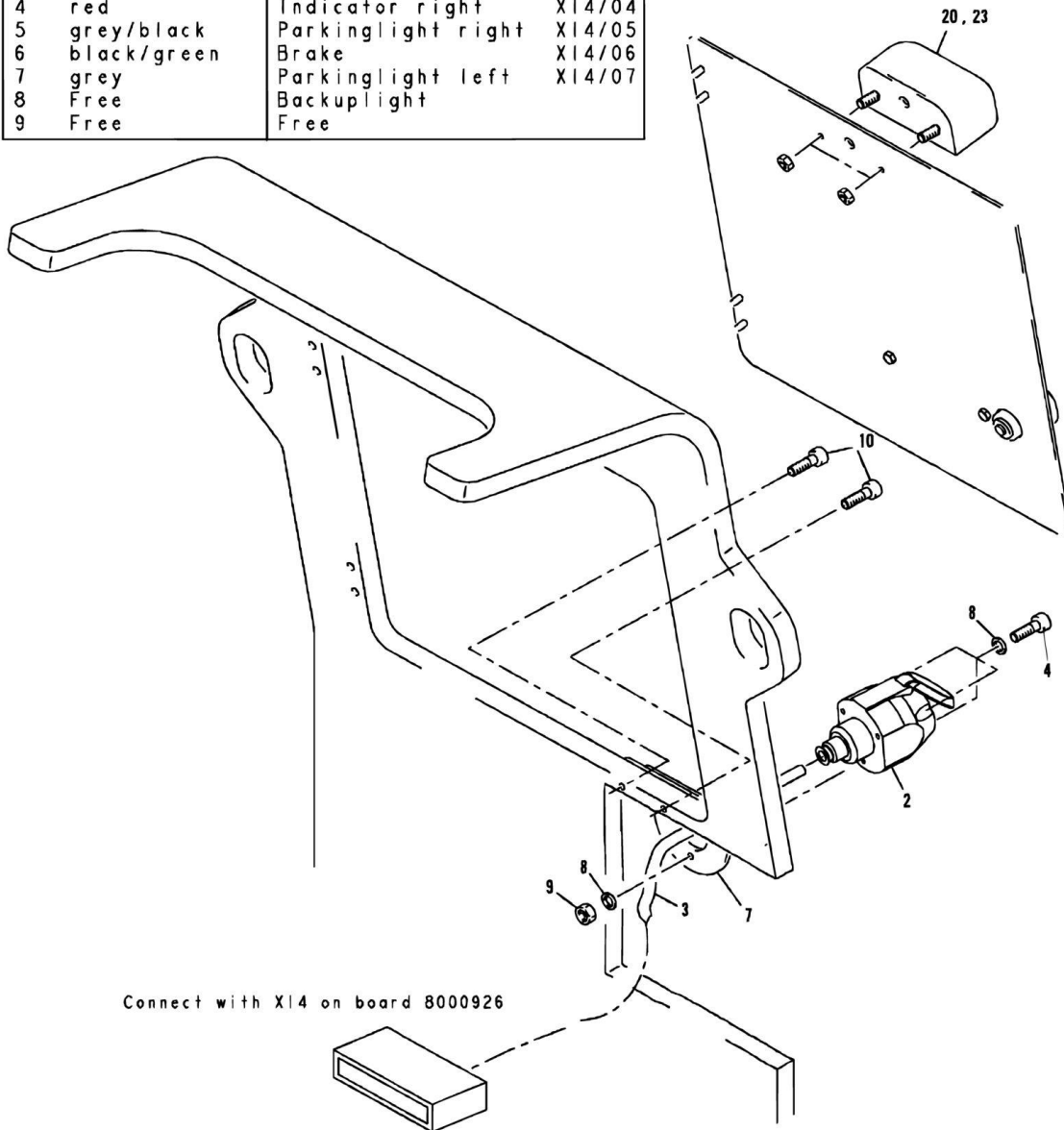
FIGURE 12-7. DRAW BAR COUPLING

| ITEM | PART NUMBER | QTY | DESCRIPTION | REV |
|------|-------------|-----|---|-----|
| | 4805932 | 1 | DRAW BAR COUPLING, (includes all items) | B |
| 1 | 4804533 | 1 | TOWING ATTACHMENT | |
| 2 | 3944574 | 1 | PIN | |
| 3 | 0771619 | 2 | HEX HD CAPSCREW, 16X55mm | |
| 4 | 4805921 | 2 | NUT, 16mm | |
| 5 | 4812300 | 2 | WASHER, 16mm | |

SECTION 12 - OPTIONS

FIGURE 12-8. LICENSE PLATE LIGHT AND TOWING PLATE INSTALLATION, (7/8M ONLY) (Prior to SN 1160003018)

| SOCKET | 13 PINS | CONNECTOR IN THE CABINE | |
|--------|-------------|-------------------------|--------|
| 1 | green | Indicator left | X14/01 |
| 2 | Free | Free | Free |
| 3 | brown | Ground | X14/03 |
| 4 | red | Indicator right | X14/04 |
| 5 | grey/black | Parkinglight right | X14/05 |
| 6 | black/green | Brake | X14/06 |
| 7 | grey | Parkinglight left | X14/07 |
| 8 | Free | Backuplight | |
| 9 | Free | Free | |



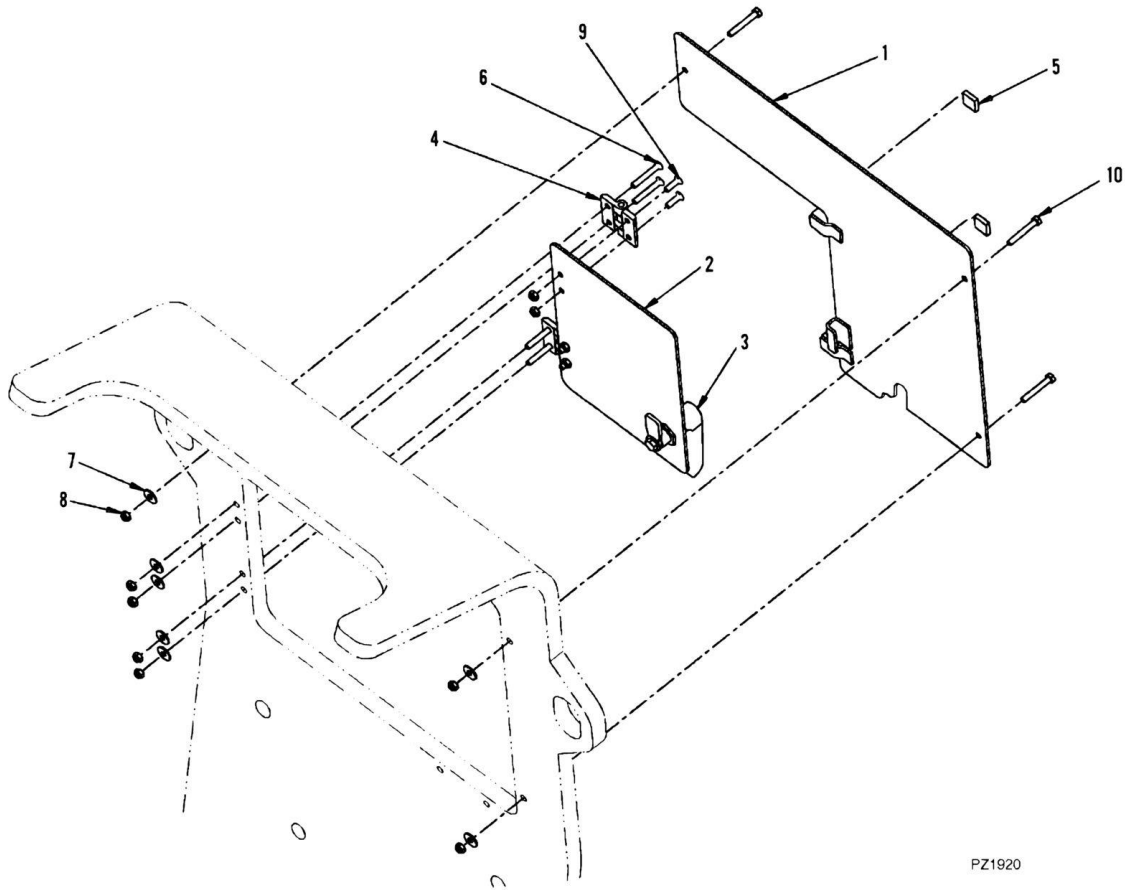
SECTION 12 - OPTIONS

FIGURE 12-8. LICENSE PLATE LIGHT AND TOWING PLATE INSTALLATION, (7/8M ONLY) (Prior to SN 1160003018)

| ITEM | PART NUMBER | QTY | DESCRIPTION | REV |
|------|-------------|-----|--|------|
| | 8005289 | 1 | TOW PLUG INSTALLATION, (includes items 1 thru 10) | E, 3 |
| 2 | 4461021 | 1 | PLUG, TOW | |
| 3 | 8005288 | 1 | HARNESS | |
| 4 | 4031612 | 3 | SOCKET HD CAPSCREW, 5X40mm, GR8.8 | |
| 5 | 1719204 | 1 | INDICATOR, (not illustrated), (See ELECTRICAL SECTION for Breakdown) | |
| 6 | 8002826 | 1 | DECAL, (not illustrated) | |
| 7 | 8007433 | 1 | BRACKET, PLUG | |
| 8 | 4811600 | 6 | FLAT WASHER, M5 | |
| 9 | 3290501 | 3 | HEX NUT, M5 | |
| 10 | 0760806 | 2 | HEX HD CAPSCREW, 8X12mm, GR8.8 | |
| | 8006309 | 1 | LICENSE PLATE LIGHT INSTALLATION, (includes items 20 & 23) | |
| 20 | 448920 | 1 | LICENSE PLATE LIGHT, (includes mounting hardware) | |
| 23 | 2920164 | 1 | BULB, 12V-5W | |

SECTION 12 - OPTIONS

FIGURE 12-9. REAR ACCESS DOOR KIT



PZ1920

SECTION 12 - OPTIONS

FIGURE 12-9. REAR ACCESS DOOR KIT

| ITEM | PART NUMBER | QTY | DESCRIPTION | REV |
|------|-------------|-----|---|-----|
| | 2902295 | 1 | REAR ACCESS DOOR KIT, (for use with agriculture hydraulic system kit), (includes all items) | B |
| 1 | 3380506 | 1 | PANEL ASSY | |
| 2 | 3380509 | 1 | ACCESS DOOR | |
| 3 | 2940155 | 1 | HANDLE | |
| 4 | 8006105 | 2 | HINGE | |
| 5 | 909304 | AR | TRIM | |
| 6 | 8006242 | 4 | COUNTERSUNK SCREW, 6X40mm | |
| 7 | 5211702 | 7 | WASHER, 6X18.2X1.4mm | |
| 8 | 3290605 | 11 | HEX LOCKNUT, 6mm | |
| 9 | 0630576 | 4 | COUNTERSUNK SCREW, 6X20mm | |
| 10 | 0700616 | 3 | HEX HD CAPSCREW, 6X40mm, GR8.8 | |

SECTION 12 - OPTIONS

FIGURE 12-10. KNURL FUNCTION KIT

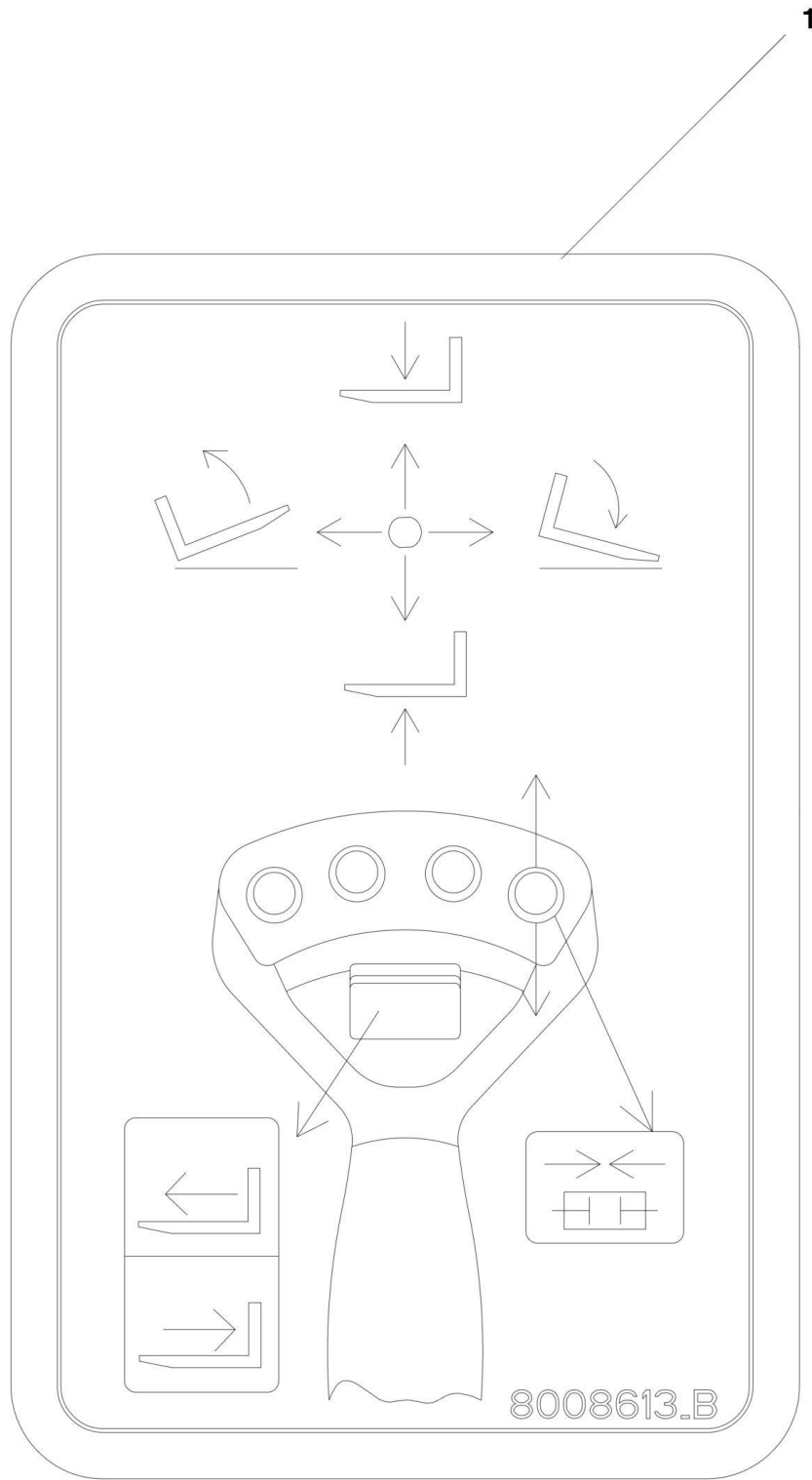
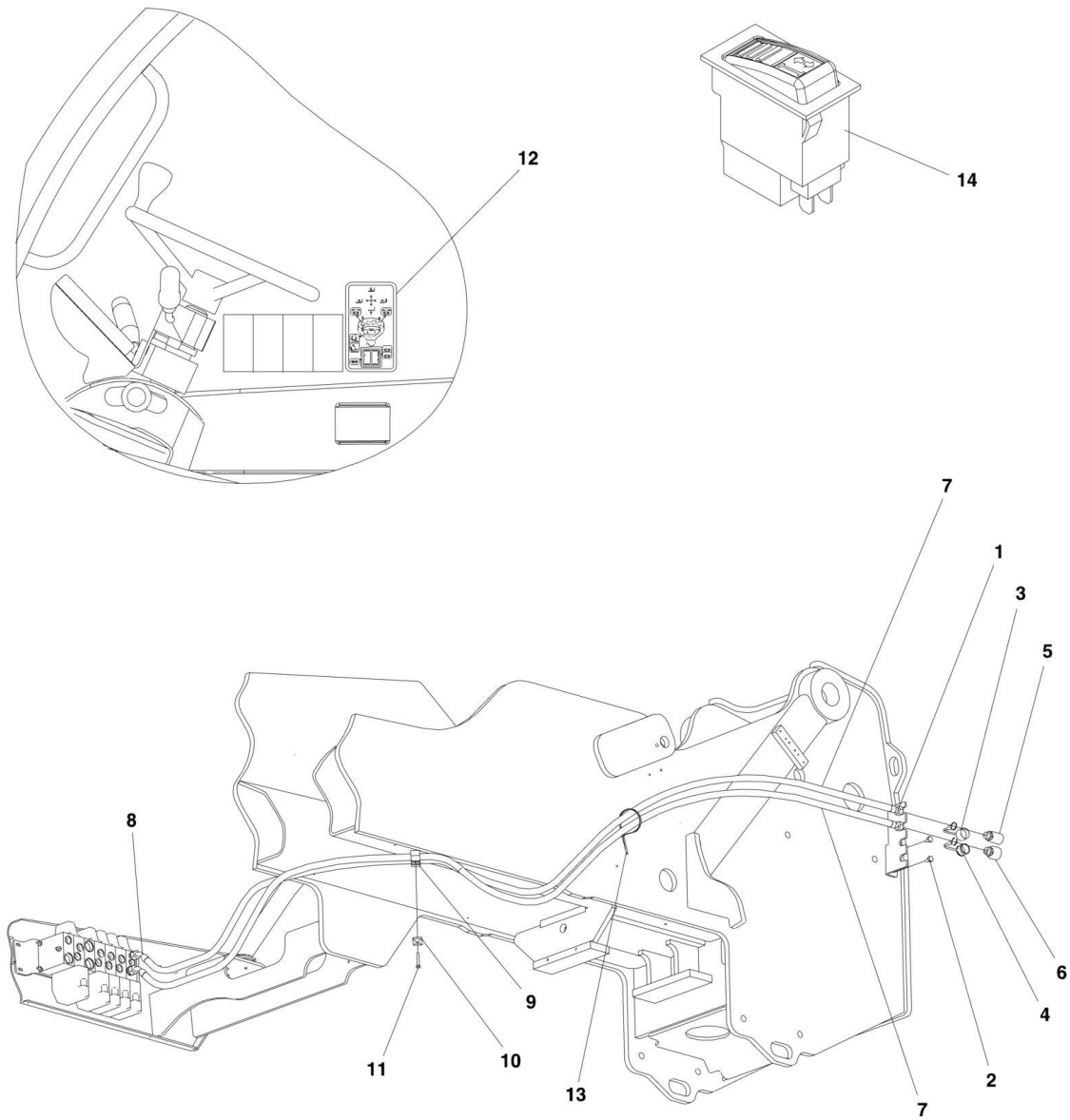


FIGURE 12-10. KNURL FUNCTION KIT

| ITEM | PART NUMBER | QTY | DESCRIPTION | REV |
|-------------|--------------------|------------|---------------------------------------|------------|
| 1 | 8010351 | 1 | KNURL FUNCTION KIT, (includes item 1) | |
| | 8008613 | 1 | DECAL | |

SECTION 12 - OPTIONS

FIGURE 12-11. AGRICULTURAL KIT



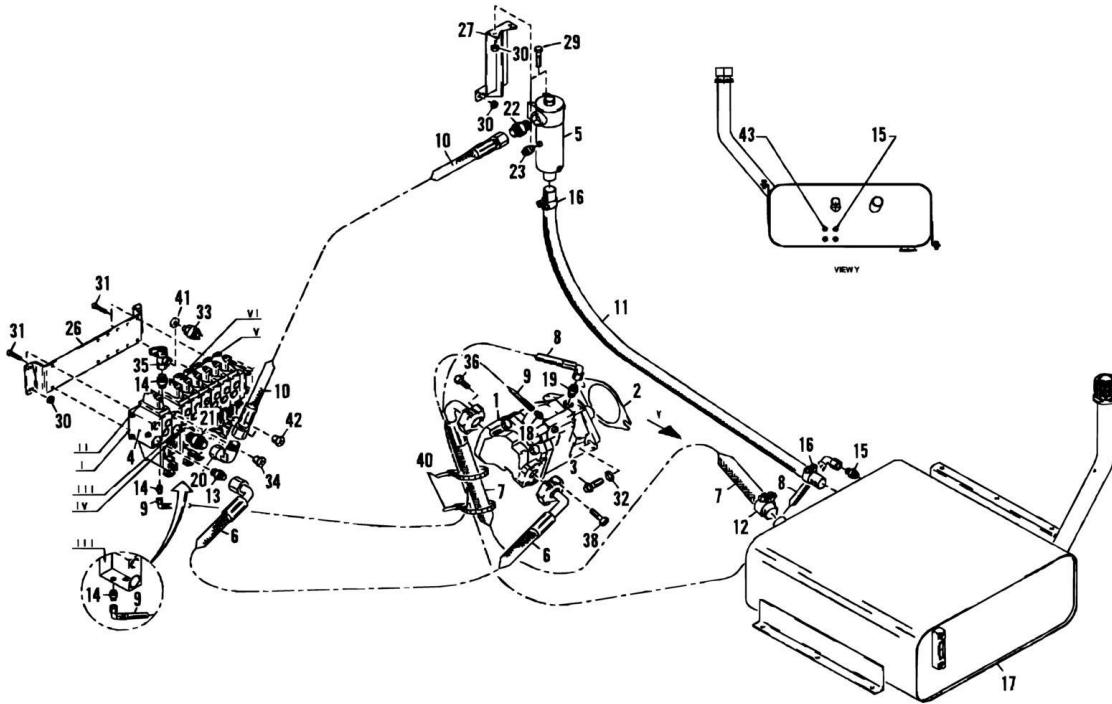
SECTION 12 - OPTIONS

FIGURE 12-11. AGRICULTURAL KIT

| ITEM | PART NUMBER | QTY | DESCRIPTION | REV |
|------|-------------|-----|---|-----|
| | 0273602 | 1 | AGRICULTURAL KIT, (includes all items) | C,5 |
| 1 | 3574521 | 1 | REAR BULKHEAD PLATE | |
| 2 | 0761008 | 2 | HEX HD CAPSCREW, 10X16mm, GR8.8 | |
| 3 | 3977460 | 1 | DUST PLUG, (use with female screw type coupling) | |
| 3 | 1001093827 | 1 | DUST PLUG, (use with female quick disconnect type coupling) | |
| 4 | 3977459 | 1 | DUST CAP, (use with male screw type coupling) | |
| 4 | 1001093826 | 1 | DUST CAP, (use with male quick disconnect type coupling) | |
| 5 | Kit | NLA | FEMALE SCREW COUPLING, (no longer available, order 1001097287 kit) | |
| 5 | 1001094555 | 1 | FEMALE QUICK DISCONNECT FITTING | |
| 6 | Kit | NLA | MALE SCREW COUPLING, (no longer available, order 1001097287 kit) | |
| 6 | 1001094556 | 1 | MALE QUICK DISCONNECT FITTING | |
| 7 | 2754008 | 2 | HOSE ASSY | |
| 8 | 2481696 | 2 | COUPLING | |
| 9 | 1321324 | 1 | HOSE CLAMP | |
| 10 | 1309435 | 1 | COVER PLATE | |
| 11 | 0700817 | 1 | HEX HD CAPSCREW, 8X45mm, GR8.8 | |
| 12 | 1705871 | 1 | OPERATORS DECAL | |
| 13 | 1062255 | 1 | TIE WRAP | |
| 14 | 4360605 | 1 | SWITCH ASSY | |
| | 1001097287 | 1 | QUICK DISCONNECT ADAPTOR KIT, (includes items 5, 6, dust cap and dust plug) | |

SECTION 12 - OPTIONS

FIGURE 12-12. HYDRAULIC AGRICULTURAL KIT



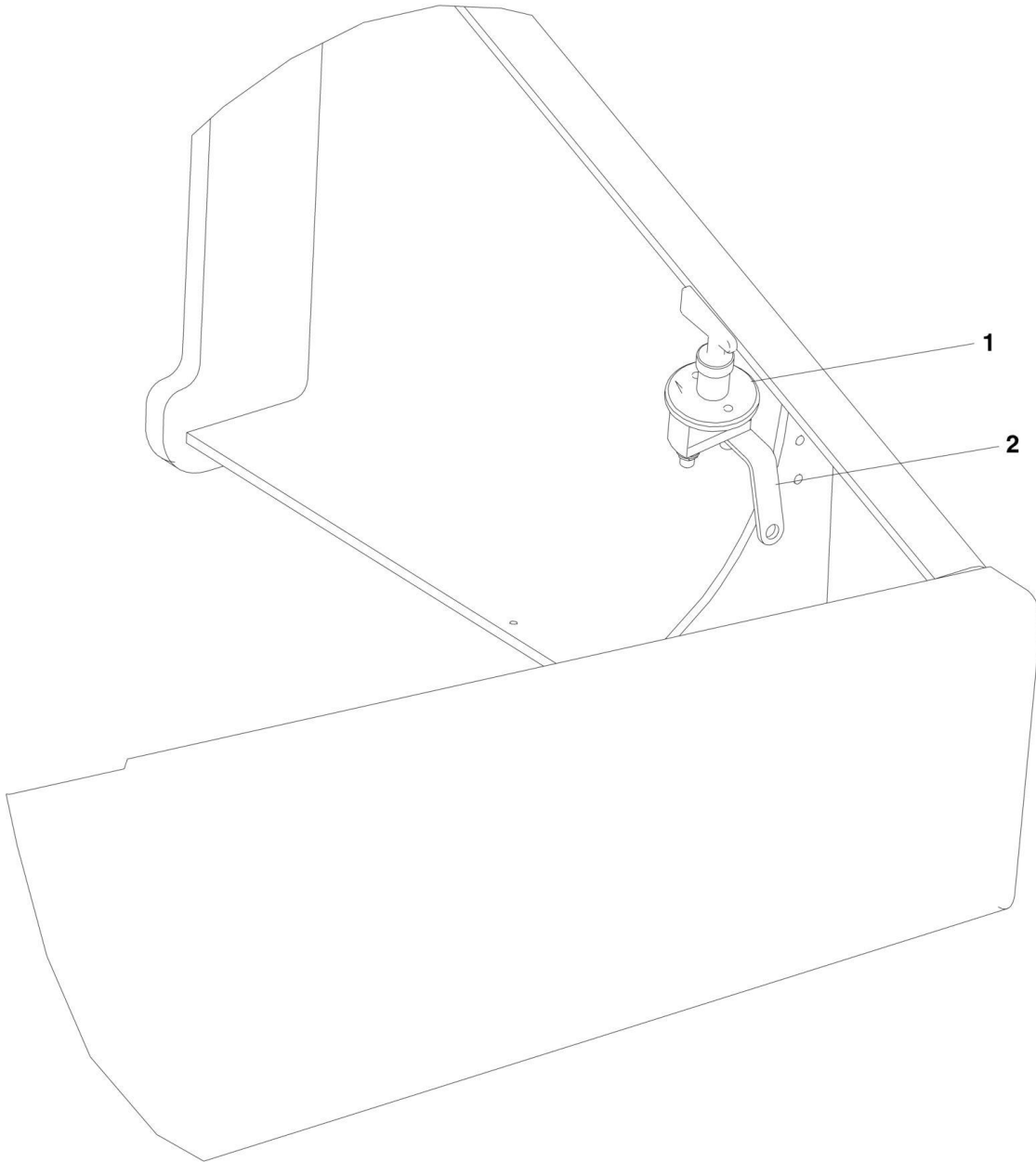
SECTION 12 - OPTIONS

FIGURE 12-12. HYDRAULIC AGRICULTURAL KIT

| ITEM | PART NUMBER | QTY | DESCRIPTION | REV |
|------|-------------|-----|---|-----|
| | 7772433 | 1 | HYDRAULIC AGRICULTURAL KIT, (fixed axle), (includes all items) | |
| | 7772434 | 1 | HYDRAULIC AGRICULTURAL KIT, (oscillating axle), (includes all items plus all items on HYDRAULIC CIRCUITS SECTION) | |
| 1 | | Ref | ENGINE DRIVE PUMP ASSY, (See HYDRAULIC COMPONENTS SECTION for Breakdown) | |
| 2 | 4804306 | 1 | SHIM | |
| 3 | 0681812 | 2 | HEX HD CAPSCREW, 0.5-13X1.5, GR8 | |
| 4 | | Ref | MAIN VALVE ASSY, (See HYDRAULIC COMPONENTS SECTION for Breakdown) | |
| 5 | | Ref | RETURN FILTER ASSY, (See HYDRAULIC COMPONENTS SECTION for Breakdown) | |
| 6 | 8001641 | 1 | HOSE | |
| 7 | 8001635 | 1 | HOSE | |
| 8 | 8001642 | 1 | HOSE | |
| 9 | 2754320 | 1 | HOSE | |
| 10 | 8001627 | 1 | HOSE | |
| 11 | 8001628 | 1 | HOSE | |
| 12 | 3625158 | 1 | CLIP | |
| 13 | 2904676 | 1 | FITTING | |
| 14 | 3970214 | 2 | FITTING | |
| 15 | 2140225 | 1 | FITTING | |
| 16 | 3737879 | 2 | CLIP | |
| 17 | | Ref | HYDRAULIC TANK, (See HYDRAULIC COMPONENTS SECTION for Breakdown) | |
| 18 | 2142755 | 1 | FITTING | |
| 19 | 8001908 | 1 | FITTING | |
| 20 | 2143409 | 1 | FITTING | |
| 21 | 8001905 | 1 | FITTING | |
| 22 | 8001906 | 1 | FITTING | |
| 23 | 8005174 | 1 | PRESSURE SWITCH | |
| 26 | 4805852 | 1 | BRACKET | |
| 27 | 8004631 | 1 | BRACKET, FILTER | |
| 29 | 0700826 | 2 | SOCKET HD CAPSCREW, 8X1.25X90mm | |
| 30 | 5220800 | 8 | NUT, 8mm, (torque to 30 Nm) | |
| 31 | 5200808 | 4 | BOLT, 8X16mm | |
| 32 | 4740532 | 2 | WASHER, 12mm | |
| 33 | 8004908 | 1 | PRESSURE SWITCH | |
| 34 | 2985515 | 1 | PLUG | |
| 35 | 8006090 | 1 | FITTING | |
| 36 | 5201215 | 4 | BOLT, 12X35mm | |
| 38 | 5201014 | 4 | BOLT, 10X30mm | |
| 40 | 1062255 | 20 | CABLE BAND | |
| 41 | 1074306 | 1 | SEAL RING | |
| 42 | 1309275 | 2 | PLUG | |
| 43 | 2180840 | 1 | PLUG | |

SECTION 12 - OPTIONS

FIGURE 12-13. BATTERY SWITCH



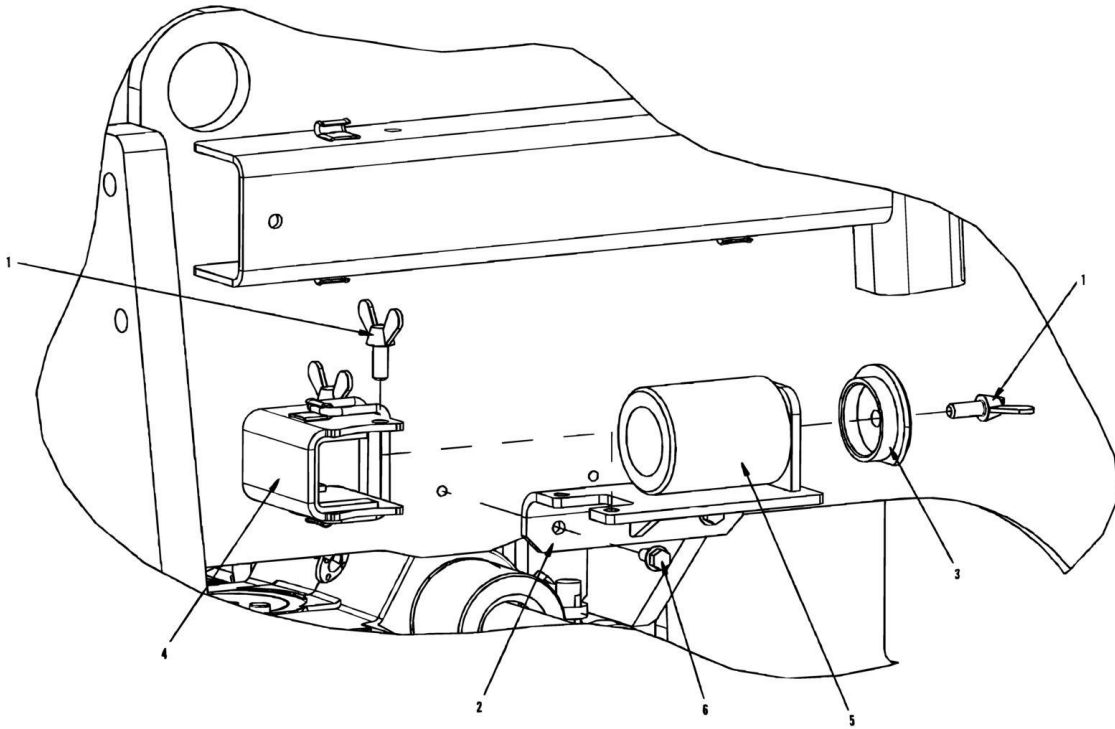
SECTION 12 - OPTIONS

FIGURE 12-13. BATTERY SWITCH

| ITEM | PART NUMBER | QTY | DESCRIPTION | REV |
|------|-------------|-----|-----------------------|-----|
| | 8002791 | 1 | BATTERY SWITCH OPTION | |
| 1 | 1786385 | 1 | BATTERY SWITCH | |
| 2 | 8006680 | 1 | PLATE | |

SECTION 12 - OPTIONS

FIGURE 12-14. BOOM STOP INSTALLATION



SECTION 12 - OPTIONS

FIGURE 12-14. BOOM STOP INSTALLATION

| ITEM | PART NUMBER | QTY | DESCRIPTION | REV |
|------|-------------|-----|---|-----|
| | 0274498 | 1 | BOOM STOP INSTALLATION OPTION, (used in Italy only) | A |
| 1 | 443630 | 3 | WING SCREW, M12X30 | |
| 2 | 0903232 | 1 | BOOM STOP MOUNT BRACKET | |
| 3 | 1321370 | 1 | BOOM STOP CLAMP | |
| 4 | 2902424 | 1 | LEVEL CYLINDER STOP KIT | |
| 5 | 4220251 | 1 | BOOM LEVEL STOP | |
| 6 | 5201010 | 2 | BOLT, 10X20mm | |

SECTION 12 - OPTIONS

FIGURE 12-15. GROUND WIRE INSTALLATION

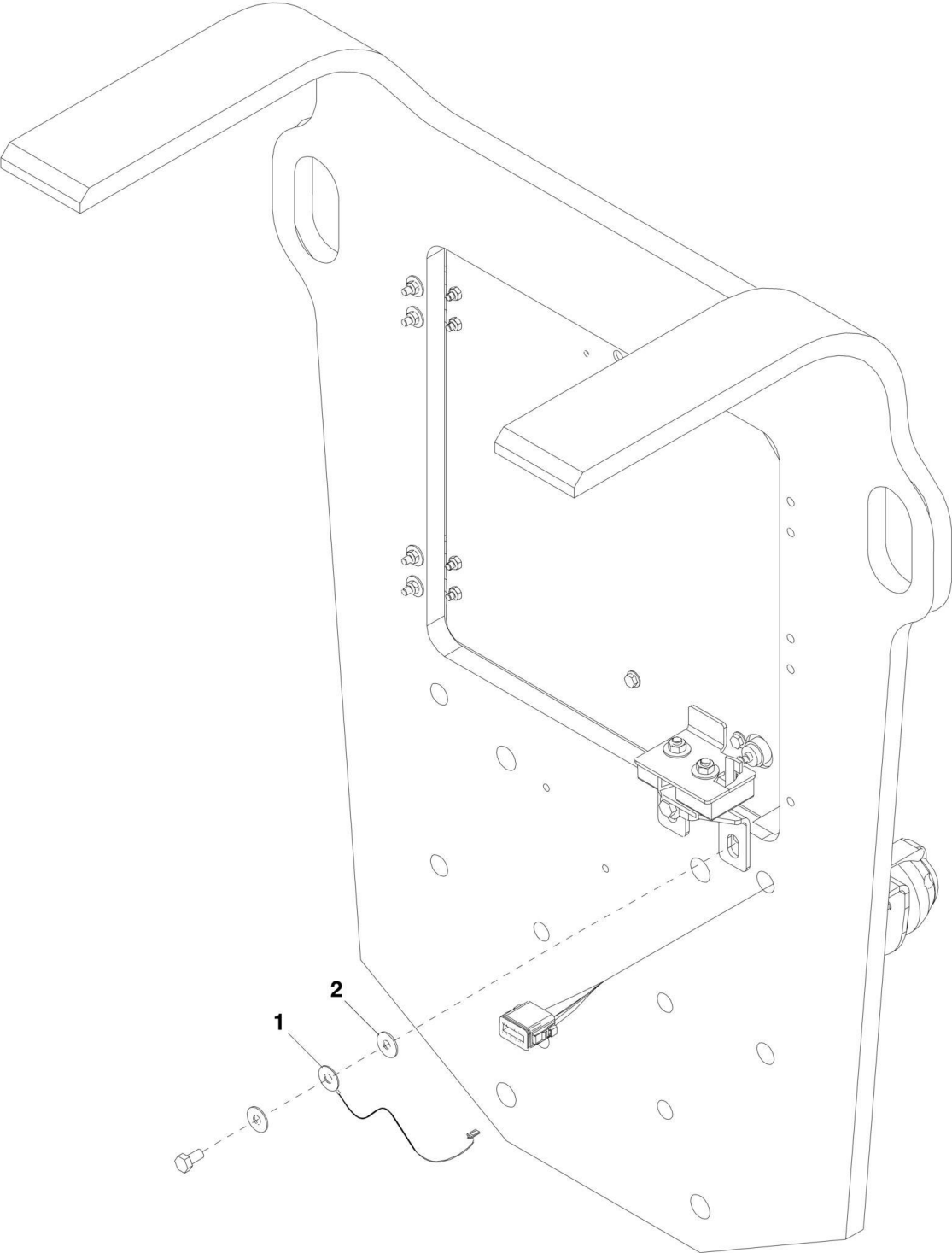


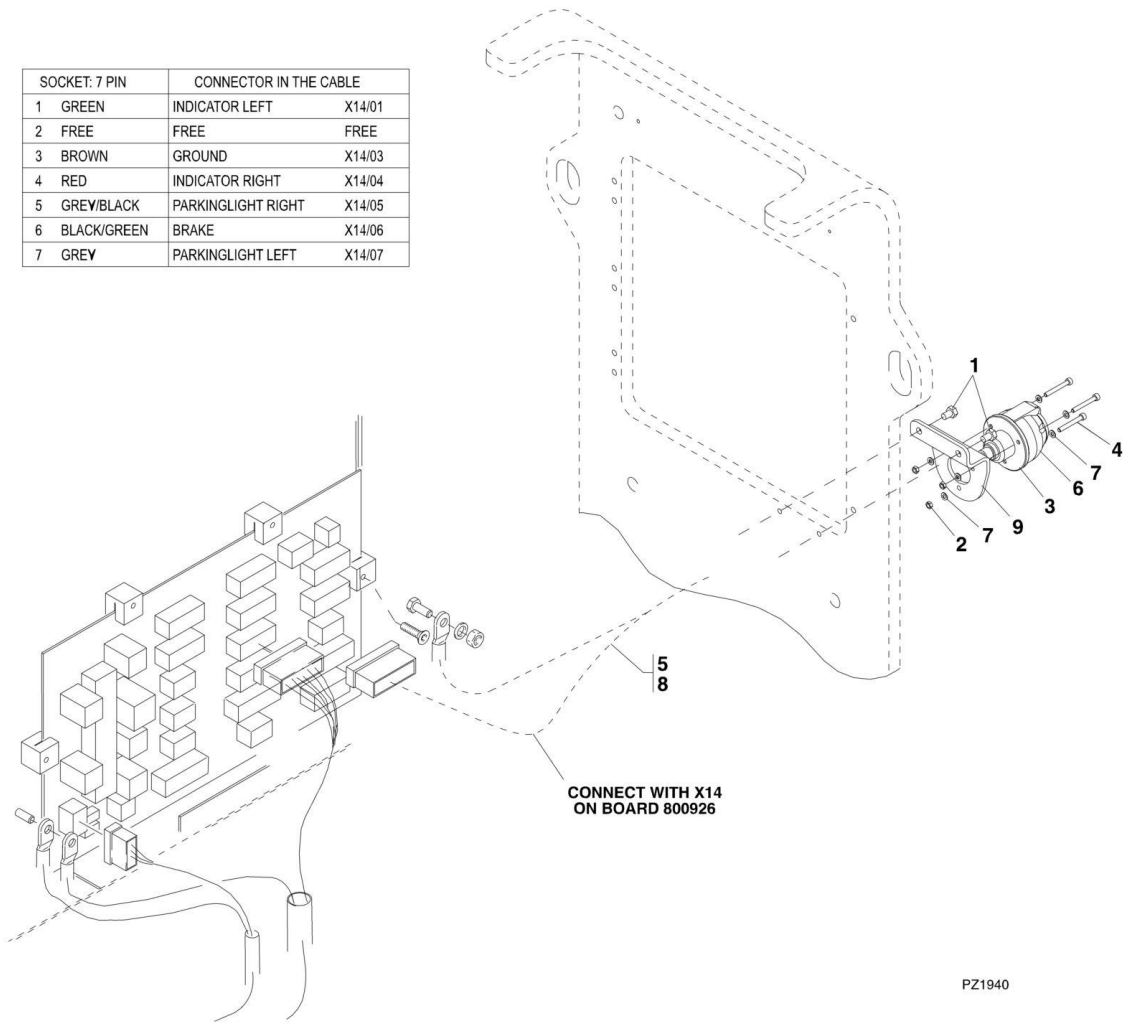
FIGURE 12-15. GROUND WIRE INSTALLATION

| ITEM | PART NUMBER | QTY | DESCRIPTION | REV |
|------|-------------|-----|--|-----|
| | 0275345 | 1 | GROUND WIRE INSTALLATION, (includes all items) | |
| 1 | 4923512 | 1 | GROUND WIRE | |
| 2 | 5211902 | 1 | LOCKWASHER, 8mm | |

SECTION 12 - OPTIONS

FIGURE 12-16. 7-PIN TRAILER SOCKET INSTALLATION, (7/8M ONLY) (SN 1160003018 to Present)

| SOCKET: 7 PIN | CONNECTOR IN THE CABLE | |
|---------------|------------------------|--------|
| 1 GREEN | INDICATOR LEFT | X14/01 |
| 2 FREE | FREE | FREE |
| 3 BROWN | GROUND | X14/03 |
| 4 RED | INDICATOR RIGHT | X14/04 |
| 5 GREY/BLACK | PARKINGLIGHT RIGHT | X14/05 |
| 6 BLACK/GREEN | BRAKE | X14/06 |
| 7 GREY | PARKINGLIGHT LEFT | X14/07 |



PZ1940

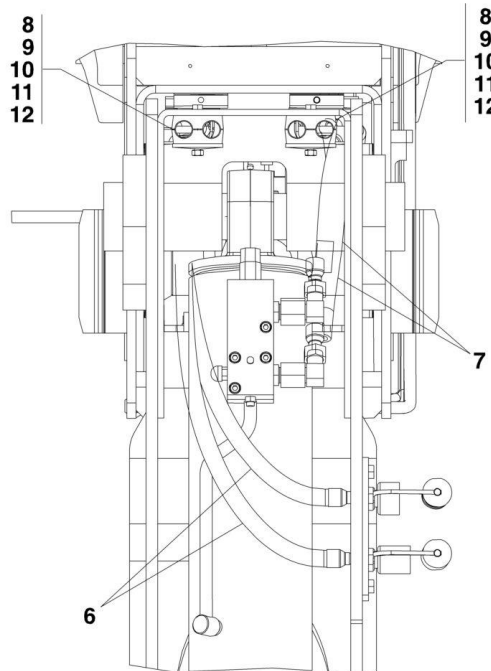
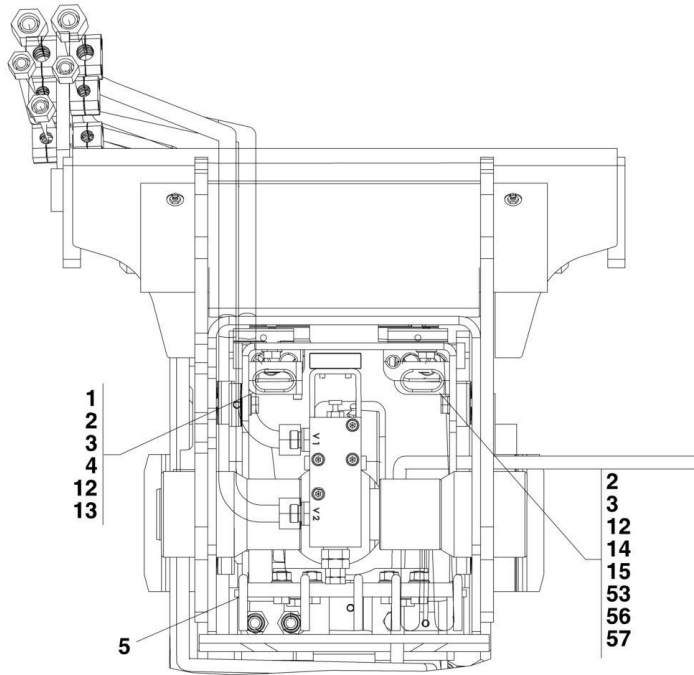
SECTION 12 - OPTIONS

FIGURE 12-16. 7-PIN TRAILER SOCKET INSTALLATION, (7/8M ONLY) (SN 1160003018 to Present)

| ITEM | PART NUMBER | QTY | DESCRIPTION | REV |
|------|-------------|-----|---|-----|
| | 1001093945 | 1 | 7-PIN TRAILER SOCKET INSTALLATION, (Includes all items) | A |
| 1 | 0760806 | 2 | HEX HD CAPSCEW, M8X12 | |
| 2 | 3290501 | 3 | HEX NUT, M5X0.8 | |
| 3 | 3960600 | 1 | GASKET | |
| 4 | 4031612 | 3 | SOCKET HD CAPSCREW, M5X40 | |
| 5 | 4460185 | 6 | TERMINAL | |
| 6 | 4461021 | 1 | PLUG | |
| 7 | 4811600 | 6 | FLAT WASHER, 5mm | |
| 8 | 8005288 | 1 | CABLE | |
| 9 | 8007433 | 1 | BRACKET | |

SECTION 12 - OPTIONS

FIGURE 12-17. TWINLINE HOSE ASSEMBLY RETROFIT KIT



PZ2290

SECTION 12 - OPTIONS

FIGURE 12-17. TWINLINE HOSE ASSEMBLY RETROFIT KIT

| ITEM | PART NUMBER | QTY | DESCRIPTION | REV |
|------|-------------|-----|--|-----|
| | 1001097996 | 1 | TWINLINE HOSE ASSY RETROFIT KIT, (7/8M), (includes items 1 thru 15) | A |
| | 1001097997 | 1 | TWINLINE HOSE ASSY RETROFIT KIT, (9M), (includes items 1 thru 15) | A |
| | 1001097998 | 1 | TWINLINE HOSE ASSY RETROFIT KIT, (12M), (includes items 1 thru 15) | A |
| | 2915209 | 1 | TWINLINE HOSE ASSY RETROFIT KIT, (13M), (includes items 1 thru 15 & 53, 56 & 57) | C |
| 1 | 1321641 | 1 | CLAMP | |
| 2 | 4031908 | 4 | HEX SOCKET HD CAPSCREW, M8X20 | |
| 3 | 4031709 | 3 | HEX SOCKET HD CAPSCREW, M6X25 | |
| 4 | 4031710 | 1 | HEX SOCKET HD CAPSCREW, M6X30 | |
| 5 | 0903601 | 1 | HOSE GUIDE BRACKET, (7/8M & 9M) | |
| 5 | 0903602 | 1 | HOSE GUIDE BRACKET, (12M & 13M) | |
| 6 | 1001111730 | 1 | TWINLINE HOSE ASSY, (7/8M) | |
| 6 | 1001111731 | 1 | TWINLINE HOSE ASSY, (9M) | |
| 6 | 2754700 | 1 | TWINLINE HOSE ASSY, (12M) | |
| 6 | 2754342 | 1 | TWINLINE HOSE ASSY, (13M) | |
| 7 | 2754348 | 1 | TWINLINE HOSE ASSY, (7/8M) | |
| 7 | 2754346 | 1 | TWINLINE HOSE ASSY, (9M) | |
| 7 | 2754701 | 1 | TWINLINE HOSE ASSY, (12M) | |
| 7 | 2754343 | 1 | TWINLINE HOSE ASSY, (13M) | |
| 8 | 0700820 | 2 | HEX HD CAPSCREW, M8X60, GR8.8 | |
| 9 | 1309435 | 2 | CLAMP COVER PLATE | |
| 10 | 1321324 | 2 | DOUBLE CLAMP | |
| 11 | 3290807 | 2 | HEX LOCKNUT, M8X1.25 | |
| 12 | 0100011 | AR | LOCTITE, #242 | |
| 13 | 1001094665 | 1 | CLAMP | |
| 14 | 1001094668 | 1 | CLAMP | |
| 15 | 1001094669 | 1 | CLAMP | |
| 53 | 1321697 | 1 | CLAMP, (13M) | |
| 56 | 4031708 | 1 | HEX SOCKET HD CAPSCREW, M6X20, (13M) | |
| 57 | 4031714 | 1 | HEX SOCKET HD CAPSCREW, M6X50, (13M) | |

SECTION 13 - RECOMMENDED SPARE PARTS

SECTION 13 - RECOMMENDED SPARE PARTS

SECTION 13 - RECOMMENDED SPARE PARTS

FIGURE 13-1. RECOMMENDED SPARE PARTS

| ITEM | PART NUMBER | QTY | DESCRIPTION | REV |
|------|-------------|-----|---|-----|
| | Note | Ref | Note: The following list will service fleets of machines (built to current production per date on the front cover) with repair parts which can be installed in the field. Parts from the list should be replaced when inventory is depleted to keep service parts stock supplied. For further information, contact your JLG dealer or the JLG Industries Parts Department. | |
| | | Ref | BOOM ASSEMBLY | |
| | 1001111730 | 2 | Tilt Cylinder Hoses (7 & 8M) | |
| | 1001111731 | 2 | Tilt Cylinder Hoses (9) | |
| | 2754700 | 2 | Tilt Cylinder Hoses (12M) | |
| | 2754342 | 2 | Tilt Cylinder Hoses (13M) | |
| | 8002201 | 3 | Pad | |
| | 8002200 | 8 | Pad | |
| | 8002199 | 8 | Pad | |
| | 8002907 | 8 | Shim | |
| | 8008070 | 12 | Shim | |
| | 8003242 | 3 | Shim | |
| | 8008069 | 3 | Shim | |
| | 8002637 | AR | Shim | |
| | 8002914 | 6 | Shim, (12 & 13M) | |
| | 3964987 | 1 | Quick Release Pin | |
| | | Ref | ENGINE | |
| | 91034006 | 1 | Oil Filter, (3 speed engine) (Prior to SN 1160000358) | |
| | 8006013 | 2 | Oil Filter, (4 speed engine) (Prior to SN 1160000358) | |
| | 7028009 | 1 | Fuel Filter (Prior to SN 1160000358) | |
| | 7028655 | 1 | Fuel Filter (SN 1160000358 to Present) | |
| | 2981124 | 1 | Air Filter Element (Prior to SN 1160000358) | |
| | 2981113 | 1 | Air Filter Element (Prior to SN 1160000358) | |
| | 80273010 | 1 | Primary Element, (outer) (SN 1160000358 to Present) | |
| | 80273042 | 1 | Safety Element, (inner) (SN 1160000358 to Present) | |
| | 7028681 | 1 | Oil Cap | |
| | 8003285 | 1 | Fuel Tank Cap (Prior to SN 1160000822) | |
| | 7029215 | 1 | Fuel Tank Cap (SN 1160000822 to Present) | |
| | 3971793 | 1 | Radiator Cap (Prior to SN 1160000545) | |
| | 7029722 | 1 | Radiator Cap (SN 1160000545 to Present) | |
| | 8004872 | 1 | Fan | |
| | 2060033 | 1 | Fan, 20 inch | |
| | 8006014 | 1 | Alternator Belt (Prior to SN 1160000358) | |
| | 7028656 | 1 | Alternator Belt (Prior to SN 1160000358) | |
| | 7028686 | 1 | Alternator Belt, (4 speed) (SN 1160000358 to Present) | |
| | 7028672 | 1 | Dipstick (SN 160000358 to Present) | |
| | 91474212 | 1 | Transmission Dipstick | |
| | 1001108810 | 1 | Engine Filter Kit, (3 speed engine) (Prior to SN 1160000358) | |
| | 1001108811 | 1 | Engine Filter Kit, (4 speed engine) (Prior to SN 1160000358) | |
| | 1001108812 | 1 | Engine Filter Kit (SN 160000358 to Present) | |
| | 1001108815 | 1 | Combined Filter Kit, (3 speed engine) (Prior to SN 1160000358) | |
| | 1001108816 | 1 | Combined Filter Kit, (4 speed engine) (Prior to SN 1160000358) | |
| | 1001108818 | 1 | Combined Filter Kit (SN 160000358 to Present) | |
| | | Ref | DRIVE TRAIN | |

SECTION 13 - RECOMMENDED SPARE PARTS

| ITEM | PART NUMBER | QTY | DESCRIPTION | REV |
|------|-------------|-----|--|-----|
| | 91473061 | 1 | FNR Shifter, (3 speed) | |
| | 91473031 | 1 | FNR Shifter, (4 speed) | |
| | 8002599 | 1 | Pull Cable | |
| | 8008101 | 1 | Transmission Filter | |
| | 8004468 | 2 | Bushing | |
| | 7029430 | 4 | Oil Seal | |
| | 91514147 | 4 | Oil Seal | |
| | 7028076 | 4 | Gasket | |
| | 7028110 | 1 | Gasket and Seal Kit | |
| | 70020412 | 1 | Drop Box Seal Kit | |
| | 8005079 | 8 | Driveshaft Attachment Kit | |
| | | Ref | HYDRAULIC SYSTEM | |
| | 7029437 | 1 | Lift Cylinder Seal Kit | |
| | 7028545 | 1 | Lift Cylinder Seal Kit | |
| | 8007707 | 1 | Lowering Brake Valve | |
| | 7028352 | 1 | Extend/Retract Cylinder Seal Kit, (7, 8 & 9M) | |
| | 7029632 | 1 | Extend/Retract Cylinder Seal Kit | |
| | 8007655 | 1 | Lowering Brake Valve | |
| | 7028572 | 1 | Tilt Cylinder Seal Kit | |
| | 70029972 | 1 | Comp Cylinder Seal Kit, (13M) | |
| | 70029959 | 1 | Sway Cylinder Seal Kit | |
| | 70029953 | 1 | Stabilizing Cylinder Seal Kit | |
| | 8007894 | 1 | Actuator Seal Kit | |
| | 8007939 | 1 | Mid-Inlet Section Valve Seal Kit | |
| | 7029166 | 1 | Drive Pump Seal Kit | |
| | 8007935 | AR | Seal Kit Between Inlet, Solenoid Coil, and Actuator Sections | |
| | 8007563 | 1 | Hydraulic Filter Element | |
| | 8005248 | 1 | Sight Glass | |
| | 8007877 | 2 | Directional Valve Seal Kit | |
| | 8007879 | 2 | Directional Valve Coil | |
| | 8005174 | 2 | Drive Pump to Main Valve Pressure Switch | |
| | 4360585 | 2 | Drive Pump to Main Valve Pressure Switch | |
| | 8004908 | 2 | Drive Pump to Main Valve Pressure Switch | |
| | 8005222 | 2 | Load Holding Valve | |
| | 1001108798 | 1 | Hydraulic/Air Filter Kit (Prior to SN 1160000358) | |
| | 1001108800 | 1 | Hydraulic/Air Filter Kit (SN 1160000358 to Present) | |
| | | Ref | ELECTRICAL | |
| | 8002822 | 1 | Boom Joystick | |
| | 7028141 | 1 | Oil Pressure Switch | |
| | 8002019 | 1 | Fuel Gauge Sender | |
| | 0140047 | 1 | Backup Alarm | |
| | 8002820 | 1 | Keyswitch | |
| | 7028108 | | Alternator, 85A (Prior to SN 1160000358) | |
| | 1001090078 | 1 | Alternator, 85A (SN 1160000358 to Present) | |
| | 8006019 | | Starter Motor (Prior to SN 1160000358) | |
| | 70021786 | 1 | Starter Motor (SN 1160000358 to Present) | |
| | 8009766 | 1 | Signal Horn, 12V | |
| | 8006318 | 1 | Temperature Switch | |
| | 91514287 | 4 | Solenoid Assy | |
| | 3749975 | 1 | Switch | |
| | 3972909 | 1 | Switch | |

SECTION 13 - RECOMMENDED SPARE PARTS

| ITEM | PART NUMBER | QTY | DESCRIPTION | REV |
|------|-------------|-----|--|-----|
| | 3933128 | 1 | Switch | |
| | 8005424 | 1 | Switch | |
| | 8008007 | 1 | Switch | |
| | 8007875 | 1 | Speed Sensor Assy | |
| | 8002843 | 1 | Sensor | |
| | 8002846 | 1 | Temperature Switch (Prior to SN 1160000358) | |
| | 4360560 | 1 | Temperature Switch (SN 1160000358 to Present) | |
| | 4674353 | 6 | Switch | |
| | 8002834 | 1 | Sensor, 12V | |
| | 8005789 | 1 | Frame and Cab Pressure Switch | |
| | | Ref | MISC. | |
| | 8008049 | 1 | Ignition Key, (also for cab door, rear cover and engine cover) | |
| | 8008049 | 1 | Toolbox Key Replacement | |
| | 8002836 | 1 | Hydraulic Test Kit, (7 & 8M) | |
| | 8007285 | 1 | Hydraulic Test Kit, (9M) | |
| | 8002922 | 1 | Hydraulic Test Kit, (12M) | |
| | 8007278 | 1 | Hydraulic Test Kit, (13M) | |
| | 3121851 | 1 | Operating and Safety Manual | |
| | 3121852 | 1 | Service Manual | |

SECTION 13 - RECOMMENDED SPARE PARTS

PART NUMBER INDEX

SECTION 13 - RECOMMENDED SPARE PARTS

| | | | |
|---|---|--|---------------------|
| 0100011 13, 33, 37, 41, 53, 55, 57, 59, 61, 63, 65, 359, 413, 437, 479 | 0442902 335, 345, 351 | 0761010 ... 17, 41, 43, 53, 55, 57, 59, 61, 267, 272, 275, 276, 279, 280 | 1001092224..... 43 |
| 0100035..... 359 | 0443549..... 361 | 0761012 ... 21, 27, 53, 55, 57, 59, 61, 395, 397 | 1001092443..... 441 |
| 0100085..... 131, 133 | 0480138..... 141 | 0761014 65, 123, 247 | 1001092444..... 442 |
| 0120008..... 139, 141 | 0610175 410 | 0761015 369 | 1001092445..... 442 |
| 0140047..... 387, 483 | 0630571 39 | 0761016 411 | 1001092446..... 442 |
| 0240053..... 75 | 0630574 31, 33, 35, 37 | 0761018 61 | 1001092447..... 442 |
| 0240063..... 87 | 0630576 29, 463 | 0761210 ... 53, 55, 57, 59, 61 | 1001092448..... 442 |
| 0240064..... 23 | 0630582 137 | 0761212 ... 53, 55, 57, 59, 61 | 1001092450..... 441 |
| 0240110..... 87 | 0630589 31, 33, 35, 37 | 0761214 267, 272 | 1001092451..... 442 |
| 0240143..... 77 | 0630601 411 | 0761215 53, 55 | 1001092452..... 442 |
| 0240145..... 105 | 063585 437 | 0761216 77 | 1001092453..... 442 |
| 0240158..... 99 | 0641606 291, 295 | 0761612 83 | 1001092454..... 442 |
| 0273112..... 267 | 0681812 ... 261, 291, 295, 469 | 0762020 447 | 1001092455..... 442 |
| 0273113..... 49 | 0700507 21 | 0762216 447 | 1001092456..... 442 |
| 0273114..... 57 | 0700510 413 | 0771014 109, 113 | 1001092457..... 442 |
| 0273115..... 53 | 0700615 411 | 0771016 387 | 1001092458..... 442 |
| 0273116..... 271 | 0700616 463 | 0771619 459 | 1001092459..... 442 |
| 0273117..... 51 | 0700617 141 | 0801465 61 | 1001092460..... 442 |
| 0273118..... 61 | 0700618 139, 296 | 0801466 413 | 1001092461..... 442 |
| 0273119..... 59 | 0700626 ... 235, 263, 275, 279, 287, 455 | 0806253 13 | 1001092462..... 442 |
| 0273120..... 55 | 0700815 453 | 0840065 414 | 1001092463..... 442 |
| 0273241..... 41 | 0700816 258, 267, 271 | 0857390 ... 315, 319, 323, 329 | 1001092464..... 442 |
| 0273519..... 455 | 0700817 ... 263, 275, 279, 283, 287, 467 | 0860520 89 | 1001092465..... 442 |
| 0273601..... 447 | 0700818 39, 235, 455 | 0861679 413 | 1001092466..... 442 |
| 0273602..... 467 | 0700819 268, 272 | 0861794 89, 413 | 1001092467..... 442 |
| 0273756..... 379 | 0700820 ... 268, 272, 279, 479 | 0902954 113 | 1001092468..... 442 |
| 0273825..... 369 | 0700826 ... 261, 263, 275, 291, 295, 469 | 0902957 114 | 1001092469..... 442 |
| 0273835..... 17 | 0700827 77, 263, 287 | 0902966 141 | 1001092470..... 442 |
| 0273836..... 239 | 0700828 123 | 0902986 113 | 1001092471..... 442 |
| 0273981..... 21 | 0700836 379, 410 | 0902987 447 | 1001092472..... 442 |
| 0274075..... 275 | 0701024 27, 239 | 0902991 391 | 1001092473..... 442 |
| 0274108..... 239 | 0701029 77, 79 | 0903051 447 | 1001092474..... 442 |
| 0274125..... 239 | 0701030 139, 141 | 0903109 65 | 1001092475..... 442 |
| 0274131..... 23 | 0701219 397 | 0903122 291, 295 | 1001092476..... 442 |
| 0274274..... 410 | 0702037 25 | 0903159 33 | 1001092477..... 442 |
| 0274304..... 418 | 0711619 451 | 0903232 473 | 1001092478..... 442 |
| 0274366..... 37 | 0712020 ... 271, 449, 451 | 0903280 413 | 1001092479..... 442 |
| 0274367..... 33 | 0712030 222 | 0903295 43, 45 | 1001092480..... 442 |
| 0274368..... 37 | 0712242 33, 37 | 0903296 43, 45 | 1001092481..... 442 |
| 0274369..... 33 | 0760508 425 | 0903335 413 | 1001092482..... 442 |
| 0274376..... 287 | 0760514 413 | 0903366 77 | 1001092483..... 442 |
| 0274377..... 291 | 0760605 43, 45 | 0903501 397 | 1001092484..... 442 |
| 0274440..... 387 | 0760608 19, 21, 109, 113, 411, 418 | 0903502 397 | 1001092485..... 442 |
| 0274498..... 473 | 0760612 19, 21 | 0903601 267, 479 | 1001092486..... 442 |
| 0274744..... 43 | 0760614 257, 387 | 0903602 271, 479 | 1001092487..... 442 |
| 0274747..... 43 | 0760615 425 | 0920120 258 | 1001092488..... 442 |
| 0274809..... 413 | 0760806 461, 477 | 0930003 71 | 1001092489..... 442 |
| 0274838..... 295 | 0760807 49, 51 | 0930004 69 | 1001092490..... 442 |
| 0275143..... 436 | 0760808 29, 221, 222, 414 | 0930015 75 | 1001092491..... 442 |
| 0275144..... 436 | 0760810 ... 17, 23, 43, 45, 65, 109, 114, 123, 125, 249, 271, 292, 296, 413 | 0930016 75 | 1001092492..... 442 |
| 0275145..... 435 | 0760812 57, 61, 129, 131, 133, 221, 427 | 09523572 131, 133 | 1001092493..... 442 |
| 0275345..... 475 | 0760814 57, 129, 131, 133, 385, 418 | 1000331 247 | 1001092494..... 442 |
| 0275381..... 37 | 0760827 125 | 1001003536 437 | 1001092495..... 442 |
| 0313279..... 395, 397 | 0761008 ... 222, 239, 258, 467 | 1001005240 447 | 1001092496..... 442 |
| 0314725..... 127 | | 1001005960 222 | 1001092497..... 442 |
| 0318854..... 362 | | 1001009178 437 | 1001092498..... 442 |
| 0330101..... 371 | | 1001090078 119, 483 | 1001092499..... 442 |
| 0342650.... 299, 303, 307, 311, 323, 329 | | 1001091102 427 | 1001092500..... 442 |
| 0377300..... 27, 379 | | 1001091313 81 | 1001092501..... 442 |
| 0388450..... 27, 379, 395, 397 | | 1001091537 241 | 1001092502..... 442 |
| 0400229..... 418 | | 1001091697 437 | 1001092503..... 442 |
| 0409672..... 27, 379 | | | 1001092504..... 442 |
| 0422931..... 323, 329 | | | 1001092505..... 442 |

SECTION 13 - RECOMMENDED SPARE PARTS

| | | | |
|-----------------------------------|---|---|-----------------------|
| 1001099758 443 | 1001108811..... 117, 482 | 1305033.....324, 330 | 1671174..... 17 |
| 1001099759 436 | 1001108812..... 120, 482 | 1309275.....261, 373, 469 | 1671183..... 413 |
| 1001100693 443 | 1001108815..... 117, 482 | 1309345.....268 | 1684384..... 313 |
| 1001100694 83 | 1001108816..... 117, 482 | 1309435.....263, 272, 275, 279, 287, 467, 479 | 1684396..... 337 |
| 1001100754 271 | 1001108818..... 120, 482 | 1320324.....380, 411 | 1684409..... 333 |
| 1001100795 436 | 1001109161.....437 | 1321141.....65 | 1684438..... 327 |
| 1001100797 443 | 1001109274.....443 | 1321285.....263, 287 | 1684440..... 321 |
| 1001100799 271 | 1001109276.....443 | 1321291.....17 | 1684441..... 317 |
| 1001100937 441 | 1001109278.....441 | 1321301.....125 | 1686282..... 268, 272 |
| 1001101830 313 | 1001109467.....45 | 1321323.....263, 275, 279, 287 | 1686475..... 263, 287 |
| 1001101855 264 | 1001109966.....441, 443 | 1321324.....263, 268, 272, 275, 279, 287, 467, 479 | 1686997..... 135, 137 |
| 1001101954 263, 264 | 1001110722.....439 | 1321329.....263, 287 | 1689207..... 283 |
| 1001102080 268, 313 | 1001110729.....439 | 1321343.....413 | 1701509..... 97 |
| 1001102633 425 | 1001111730.....267, 479, 482 | 1321344.....413 | 1702773..... 435 |
| 1001103180 425 | 1001111731.....267, 479, 482 | 1321366.....413 | 1704260..... 411 |
| 1001103530 81 | 1001112126.....393 | 1321370.....473 | 1704277..... 97 |
| 1001103533 81 | 1001112127.....393 | 1321620.....287 | 1705828..... 97 |
| 1001103807 425 | 1001112128.....393 | 1321641.....479 | 1705841..... 443 |
| 1001104090 439 | 1001112129.....393 | 1321681.....61 | 1705842..... 442 |
| 1001104341 425 | 1001112559.....85 | 1321697.....479 | 1705843..... 442 |
| 1001104342 425 | 1001113432.....425 | 1335675.....239 | 1705844..... 442 |
| 1001104344 425 | 100111424.....418 | 1349717.....129, 131, 133 | 1705845..... 441 |
| 1001104415 425 | 1001116707.....407 | 1356294.....397 | 1705846..... 441 |
| 1001104497 431 | 1001117009.....407, 421, 429 | 1356341.....109, 114, 127, 139, 141 | 1705871..... 467 |
| 1001104498 147, 431 | 1001117057.....425 | 1356352.....227 | 1705872..... 442 |
| 1001104499 431 | 1001118392.....421 | 1359720.....249, 379, 410 | 1705873..... 442 |
| 1001104541 439 | 1001118393.....421 | 1360370.....299, 303, 307, 311 | 1705874..... 443 |
| 1001104953 441 | 1003721 ... 123, 125, 127, 285 | 1360585.....383 | 1705875..... 442 |
| 1001105097 380, 411 | 1009352 263, 287 | 1366865.....231 | 1705876..... 441 |
| 1001105098 380, 411 | 1024044 267, 271 | 1377299.....263, 275, 279 | 1705877..... 441, 442 |
| 1001105131 441 | 1039369 399, 401 | 1379951.....323, 329 | 1705979..... 439 |
| 1001105362 361 | 1042977 221 | 1380161.....131, 133 | 1705980..... 439 |
| 1001106349 45 | 1051843 ... 299, 303, 307, 311, 323, 329 | 1380625.....361 | 1706132..... 443 |
| 1001106385 425 | 1062255 ... 123, 125, 261, 285, 291, 295, 380, 385, 387, 389, 391, 410, 418, 425, 467, 469 | 1386701.....307, 311 | 1706207..... 442 |
| 1001106386 425 | 10733183 131, 133 | 1391297.....453 | 1706227..... 435 |
| 1001106464 427 | 1074306 257, 261, 469 | 1398034.....323, 329, 339 | 1706233..... 442 |
| 1001106760 313 | 10837060 . 161, 163, 165, 167 | 1398374.....227 | 1706234..... 443 |
| 1001106805 425 | 10837072 149 | 1398385.....29, 229 | 1706249..... 441, 442 |
| 1001107508 343 | 10837074 147 | 1398443.....247 | 1706250..... 441 |
| 1001107511 349 | 10868235 149 | 1399251.....345 | 1706251..... 442 |
| 1001107513 359 | 10868243 155 | 1560015.....239 | 1706252..... 442 |
| 1001107516 355 | 10868254 157 | 1560021.....413 | 1706255..... 443 |
| 1001107622 425 | 10868277 . 161, 163, 165, 167 | 1600387.....89 | 1706266..... 443 |
| 1001107647 425 | 10868284 163, 165 | 1600399.....410 | 1706267..... 441 |
| 1001107789 411 | 10868323 175 | 1614979.....276, 280 | 1706268..... 441 |
| 1001107854 147, 421, 431 | 10868329 171 | 1616551.....257 | 1706269..... 440 |
| 1001107855 45, 431 | 10868330 171 | 1618713.....315, 319 | 1706270..... 440 |
| 1001107894 431 | 1120586 369 | 1620784.....399, 401 | 1706271..... 440 |
| 1001107906 431 | 1120587 369 | 1620853.....323, 329 | 1706272..... 440 |
| 1001107982 425 | 1170001 77 | 1629567.....127, 239 | 1706273..... 440 |
| 1001108122 431 | 1170002 79 | 1630253.....247 | 1706274..... 440 |
| 1001108400 443 | 1170028 77 | 1630640.....323, 329 | 1706275..... 439 |
| 1001108403 443 | 1170029 77 | 1630855.....299, 303, 307, 311 | 1706276..... 440 |
| 1001108406 441 | 1170058 101 | 1631083.....299, 303, 307, 311 | 1706321..... 441 |
| 1001108472 429 | 1302325 65, 268, 272, 275, 279 | 1631629.....257 | 1706323..... 97 |
| 1001108661 427 | 1302552 35 | 1631856.....323, 329 | 1706393..... 440 |
| 1001108683 427 | | 1655490.....451 | 1706394..... 440 |
| 1001108684 427 | | 1663796.....379, 410 | 1706395..... 440 |
| 1001108685 427 | | 1663821.....379, 410 | 1706396..... 440 |
| 1001108686 427 | | 1671157.....21 | 1706397..... 441 |
| 1001108687 427 | | | 1706398..... 441 |
| 1001108689 427 | | | 1706399..... 442 |
| 1001108700 427 | | | 1706420..... 439 |
| 1001108798 117, 483 | | | 1706421..... 440 |
| 1001108800 120, 483 | | | 1706422..... 440 |
| 1001108810 117, 482 | | | 1706423..... 440 |
| | | | 1706424..... 441 |
| | | | 1706425..... 442 |

SECTION 13 - RECOMMENDED SPARE PARTS

| | | | |
|-----------------------------------|---|-----------------------------------|---|
| 1706595.....97 | 2141102..... 43 | 2675009..... 323, 329 | 2981099.....129 |
| 1706596.....97 | 2141105..... 285 | 2685181..... 380, 411 | 2981113.....129, 482 |
| 1706600.....97 | 2141712..... 287 | 2686762 241, 380, 410 | 2981124.....129, 482 |
| 1706601.....97 | 2141911..... 287 | 2700118..... 73 | 2981135.....129 |
| 1706602.....97 | 2142103..... 257 | 2720519..... 125 | 2981146.....129 |
| 1706603.....97 | 2142202..... 296 | 2720529..... 261 | 2982534..... 241, 399, 401 |
| 1706604.....97 | 2142204..... 257, 263 | 2720530..... 261 | 2982603..... 63, 65 |
| 1706605.....97 | 2142207..... 291, 295 | 2754008..... 467 | 2983091.....221, 249 |
| 1706628.....418 | 2142505..... 65, 447 | 2754009..... 447 | 2984649.....129 |
| 1706702.....77 | 2142706..... 296 | 2754151..... 65 | 2985515.... 261, 291, 295, 469 |
| 1706713.....443 | 2142712..... 287 | 2754315..... 291, 295 | 2985617.....123, 258 |
| 1706714.....442 | 2142713 ... 257, 258, 283, 285, 373 | 2754316..... 291, 295 | 2985639.....258 |
| 1706715.....441 | 2142715..... 373 | 2754320 ... 261, 291, 295, 469 | 2987959.....217 |
| 1706753.....435 | 2142755 ... 261, 291, 295, 469 | 2754342 271, 479, 482 | 2988212.... 129, 131, 133 |
| 1706754.....435 | 2142804..... 373 | 2754343..... 279, 479 | 2988632..... 261, 291, 295 |
| 1706755.....435 | 2142806..... 287 | 2754346..... 275, 479 | 2990158.....267, 271 |
| 1706756.....435 | 2143401..... 43 | 2754348..... 275, 479 | 2991568.... 129, 131, 133 |
| 1706757.....435 | 2143404 ... 263, 291, 295 | 2754502..... 291, 295 | 2995299..... 109, 113 |
| 1706758.....435 | 2143404 ... 263, 264, 287 | 2754505..... 287 | 2997326.....129 |
| 1706759.....435 | 2143409 ... 261, 291, 295, 469 | 2754506..... 287 | 2999964.....435 |
| 1707165.....443 | 2143511..... 65 | 2754507..... 287 | 300172.....389 |
| 1707166.....442 | 2143602..... 43 | 2754508..... 287 | 3121851.....484 |
| 1707170.....443 | 2143606..... 287 | 2754616..... 296 | 3121852.....484 |
| 1707171.....442 | 2180840..... 261, 469 | 2754617..... 296 | 3140007.....27 |
| 1718985.....379, 410 | 2180850..... 413 | 2754619..... 264 | 3140008.....27 |
| 1718996.....383 | 2180851..... 413 | 2754620..... 264 | 314689.....51 |
| 1719000.....383 | 2180852..... 413 | 2754700 271, 479, 482 | 321779.....221 |
| 1719033.....379, 410 | 2180855..... 292, 296 | 2754701..... 279, 479 | 3220135.....137 |
| 1719088.....379, 410 | 2180864..... 263 | 2820166..... 17 | 3220136.....137 |
| 1719113.....379, 410 | 2180875..... 413 | 2820167..... 17 | 3220137.....137 |
| 1719124.....379, 410 | 2180891..... 414 | 2820168..... 17 | 3220138.....137 |
| 1719204.... 379, 410, 461 | 2221219..... 413 | 2820169..... 239 | 3220139.....137 |
| 1719419.... 380, 383, 410 | 2221242..... 43 | 2820251..... 414 | 32459041, 43, 53, 55, 57, 61, 63, 65, 299, 303, 307, 311 |
| 1722787..... 135, 225 | 2340029..... 83 | 2892808..... 247 | 3252801.....97 |
| 1733787..... 103 | 2340030..... 83 | 2902295..... 463 | 327286.....239 |
| 1749733..... 227, 229 | 2340034..... 85 | 2902399..... 65 | 327311.....451 |
| 1780754.....221 | 2340040..... 83 | 2902424..... 473 | 327311.....451 |
| 1781813.....222 | 2340041..... 83 | 2902438..... 65 | 328027.....39 |
| 1783337..... 35, 43, 109 | 2360714..... 33, 37 | 2902527..... 257 | 3290305.....391 |
| 1784861..... 13 | 2360715..... 33, 37 | 2902969..... 195 | 3290405.... 239, 403, 423, 427 |
| 1786385.....471 | 2360768..... 37 | 2903062 ... 267, 271, 276, 280 | 3290501.... 243, 247, 413, 461, 477 |
| 1787217..... 385, 418 | 2400073..... 391 | 2903197..... 195 | 3290601.... 222, 257, 296, 418, 425 |
| 1810004.....403 | 2400074..... 391 | 2904472..... 271 | 3290605.... 29, 109, 113, 141, 235, 247, 380, 411, 455, 463 |
| 1810024.....418 | 2400600..... 191, 207 | 2904676 ... 261, 291, 295, 469 | 3290607.... 17, 139, 403, 423 |
| 1898686... 13, 19, 21, 239 | 2401043..... 191, 207 | 2904687..... 371 | 3290801.....29, 249 |
| 2000200.....119 | 2401258..... 191, 207 | 2904789..... 263, 287 | 3290805.... 77, 127, 141, 221, 229, 247, 258, 380, 395, 410 |
| 2000201.....119 | 2401736..... 195 | 2905871..... 253 | 3290807.... 139, 235, 268, 272, 279, 397, 427, 453, 479 |
| 2000226.....113 | 2420202..... 93 | 2906123..... 380, 411 | 3291001.....65, 139, 141, 385, 411, 418 |
| 2000227.....113 | 2443576 ... 253, 257, 391 | 2912085 263, 283, 287 | 3291005 77, 79, 127, 141, 239, 247, 369, 380, 411 |
| 2000231.....113 | 2447967..... 439 | 2912132..... 247 | 3291007.... 123, 139, 253 |
| 2002006.....129 | 2454999..... 253 | 2913166..... 129, 131 | 3291201.....268, 272 |
| 2014226.....17 | 2471354..... 257 | 2913406..... 383 | 3291205.....77 |
| 2060033..... 113, 482 | 2477156..... 257 | 2915209..... 479 | 3291207.....397 |
| 2080057.....418, 435 | 2478782..... 13 | 2920164..... 461 | |
| 2099716.....229 | 2481254..... 455 | 2920193..... 411 | |
| 2120186..... 131, 133 | 2481696 ... 263, 267, 271, 275, 276, 279, 280, 287, 467 | 2920210..... 397 | |
| 2120187.....133 | 250216..... 425 | 2940155..... 463 | |
| 2120188.....131 | 2601272 ... 299, 303, 307, 311 | 2966421..... 19, 21 | |
| 2131216.....257 | 2603207..... 435 | 2966454 257, 389, 425 | |
| 2132020.....413 | 2620048..... 447 | 2969548..... 127 | |
| 2140223.....257 | 2656664..... 257 | 2973384 129, 131, 133 | |
| 2140224.....257 | | 2974454..... 258 | |
| 2140225.... 261, 292, 296, 469 | | 2976912..... 13, 139 | |
| 2140802.....296 | | 2980565..... 263, 287 | |
| 2140808.....291, 295 | | | |
| 2140810.....127 | | | |

SECTION 13 - RECOMMENDED SPARE PARTS

| | | | | | | | |
|---------------|----------------|--------------------|----------------|----------------|----------------|-------------------------|----------------|
| 3291607 | 447 | 3924730 | 263, 287 | 3984447 | 195, 211 | 4360560 | 391, 484 |
| 3292001 | 27, 447 | 3927186 | 383 | 3984458 | 195, 211 | 4360583 | 93, 410 |
| 3292007 | 25 | 3928789 | 379 | 3984469 | 195, 211 | 4360585 | 257, 483 |
| 3300478 | 31, 33, 35, 37 | 3928790 | 27 | 3986405 | 195 | 4360605 | 467 |
| 3300479 | 31, 33, 35, 37 | 3929100 | 241 | 3986530 | 221 | 4360606 | 43 |
| 3300480 | 389, 391 | 3929780 | 129, 131, 133 | 3986610 | 233 | 4400464 | 125 |
| 3300481 | 389, 391 | 3931579 | 435 | 3986621 | 233 | 4400465 | 369 |
| 3300486 | 137 | 3933082 | 380, 411 | 3986632 | 233 | 4400471 | 125 |
| 3300497 | 29, 221, 227 | 3933128 | 379, 410, 484 | 3986643 | 233 | 4420008 | 94 |
| 3300498 | 413 | 3933468 | 225, 249 | 3986654 | 233 | 443630 | 13, 473 |
| 3300499 | 413 | 3934378 | 225, 249 | 3986676 | 233 | 4460185 | 477 |
| 3300500 | 33, 37 | 3935835 | 229 | 398929 | 109, 113 | 4460321 | 425 |
| 3331607 | 451 | 3938394 | 383 | 3990343 | 233 | 4460343 | 425 |
| 3332017 | 449, 451 | 3938407 | 383 | 4000017 | 43, 45, 414 | 4460367 | 429 |
| 3370610 | 403, 423 | 3939475 | 221 | 4010308 | 391 | 4460374 | 425 |
| 3380506 | 463 | 3939486 | 221, 227 | 4010405 | 239 | 4460466 | 405 |
| 3380509 | 463 | 3942436 | 227 | 4010408 | 222, 403, 423 | 4460761 | 425 |
| 3380533 | 13 | 3944574 | 449, 459 | 4010416 | 427 | 4460920 | 425 |
| 3380534 | 21 | 3945575 | 221 | 4010506 | 243 | 4461006 | 387, 421 |
| 3380538 | 21 | 3946123 | 227 | 4010508 | 123, 125 | 4461008 | 421 |
| 3380559 | 23 | 3949091 | 221 | 4010510 | 227 | 4461021 | 461, 477 |
| 3380567 | 14 | 3951006 | 243 | 4010608 | 227, 403, 423 | 4461045 | 413 |
| 3380608 | 43 | 3953973 | 241 | 4010612 | 41, 43, 221 | 4461096 | 413 |
| 3380688 | 43 | 3960586 | 137 | 4010614 | 267, 271, 275, | 4461118 | 147, 421 |
| 3391410 | 65 | 3960600 | 477 | 279, 380, 410 | | 4461134 | 387, 421 |
| 3423258 | 77 | 3960618 | 413 | 4010615 | 267, 271 | 4461229 | 431 |
| 3460342 | 137 | 3960619 | 413 | 4031608 | 247 | 4461235 | 413 |
| 3460343 | 137 | 3960927 | 14, 239 | 4031612 | 461, 477 | 4461236 | 413 |
| 3460346 | 137 | 3961951 | 129 | 4031614 | 373 | 4461262 | 414, 425, 431 |
| 3460477 | 413 | 3962930 | 263, 287 | 4031707 | 411 | 447985 | 227 |
| 3510871 | 89, 91, 93, 97 | 3963146 | 383 | 4031708 | 479 | 448920 | 461 |
| 3574521 | 467 | 3964987 | 63, 482 | 4031709 | 479 | 4520331 | 217 |
| 3574617 | 131, 133 | 3966956 | 233 | 4031710 | 479 | 4520332 | 217 |
| 3576026 | 33, 37 | 3968141 | 189, 205 | 4031714 | 479 | 4520333 | 217 |
| 3576193 | 43, 45 | 3968856 | 187 | 4031716 | 65 | 4520334 | 217 |
| 3576194 | 43, 45 | 3970214 ... | 257, 261, 291, | 4031718 | 413 | 4520335 | 217 |
| 3576270 | 296 | 295, 469 | | 4031908 | 479 | 4520336 | 217 |
| 3576278 | 413 | 3971793 | 127, 482 | 4031909 | 13 | 4520337 | 217 |
| 3600402 | 141 | 3972909 | 379, 410, 483 | 4031911 | 13 | 4520350 | 217 |
| 3600419 | 367 | 3975833 | 221 | 4031912 | 13 | 4520383 | 217 |
| 3600422 | 375 | 3975855 | 221 | 4031913 | 267, 271 | 4540015 | 143 |
| 3625158 ... | 261, 291, 295, | 3975866 | 227 | 4031914 | 413 | 4540016 | 143 |
| 469 | | 3976436 | 247 | 4031919 | 313 | 4568838 | 133 |
| 3737879 ... | 261, 291, 295, | 3976618 | 239 | 4032016 | 413 | 4568860 | 131, 133 |
| 469 | | 3976925 | 227 | 4032020 | 288 | 4568905 | 131 |
| 3740067 | 418 | 3977119 | 383 | 4040283 | 77 | 4569078 | 235, 455 |
| 3740080 | 425 | 3977459 | 65, 275, 276, | 4100072 | 133 | 4569239 | 413 |
| 3740112 | 391 | 279, 280, 447, 467 | | 4100083 | 131, 133 | 4623976 | 233 |
| 3746392 | 231 | 3977460 | 65, 275, 276, | 4160212 | 247 | 462780 | 257 |
| 3746405 | 231 | 279, 280, 447, 467 | | 4170090 | 379 | 463929 | 63 |
| 3749975 | 379, 410, 483 | 3978370 | 225 | 4170100 | 410 | 4641308 | 361 |
| 3759535 | 241 | 3978381 | 221 | 4210033 | 43 | 4641309 | 361 |
| 3759579 | 276, 280 | 3980036 | 455, 457 | 4210034 | 43 | 4641363 | 373 |
| 3760463 | 49, 51 | 3980038 | 235, 455 | 4210041 | 43 | 4641375 | 361 |
| 3760493 | 33, 37 | 3981604 | 27, 379 | 4220251 | 473 | 4641376 | 361 |
| 3760508 | 77 | 3981808 | 233 | 4220272 | 51 | 4641377 | 361 |
| 3760652 | 41, 43 | 3981819 | 233 | 4220298 | 411 | 4641378 | 361 |
| 3767057 | 217 | 3981820 | 233 | 4240099S | 380, 411 | 4641382 | 361 |
| 3767853 | 217 | 3981831 | 233 | 429063 | 127 | 4641425 | 296 |
| 3767864 | 217 | 3981842 | 233 | 4300159 | 17 | 466104 | 110, 113, 399, |
| 3780202 | 141 | 3981853 | 233 | 4341096 | 413 | 401, 403, 423 | |
| 3820019 | 239 | 3983537 | 189 | 4341221 | 33, 35, 37 | 466364 | 41, 43 |
| 3830022 | 323, 329 | 3983720 | 191, 207 | 4341233 | 287 | 4674353 ... | 243, 276, 280, |
| 3841634 | 447 | 3983731 | 192, 208 | 4341263 | 413 | 383, 484 | |
| 3853176 | 247 | 3984301 | 191, 207 | 4341392 | 411 | 471678 | 235, 380, 383, |
| 3890067 | 447 | 3984425 | 195, 211 | 4360031 | 97 | 385, 387, 389, 391, | |
| 3900381 | 413 | 3984436 | 195, 211 | 4360475 | 411 | 410, 414, 418, 447, 455 | |

SECTION 13 - RECOMMENDED SPARE PARTS

| | | | |
|--|---|--|--------------------------|
| 4740532.....39, 53, 55, 57, 59, 61, 261, 268, 272, 291, 295, 469 | 4805921 459 | 4832000 41, 43, 411 | 70020039..... 89 |
| 4740534.....391 | 4805932 459 | 487336 399, 401 | 70020040..... 89 |
| 4740555.....33, 37 | 4805954 229 | 4891600 292, 296 | 70020041..... 89 |
| 4740557.....291, 295 | 4805965 229 | 4923002 380, 407 | 70020042..... 89 |
| 4740565.....413 | 4805976 229 | 4923003 391, 405 | 70020043..... 89 |
| 4800006.....117 | 4805987 229 | 4923004 391, 405 | 70020044..... 89 |
| 4800164.....117 | 4805998 229 | 4923031 391 | 70020045..... 89 |
| 4800482.....41, 43 | 4806024 229 | 4923032 391 | 70020046..... 89 |
| 4800493.....41, 43 | 4806035 229 | 4923167 413 | 70020047..... 89 |
| 4800539.....41 | 4806046 127 | 4923168 413 | 70020048..... 89 |
| 4800562.....41, 43 | 4806057 127 | 4923262 380, 411 | 70020049..... 89 |
| 4800788.....63, 65 | 4806126 109 | 4923312 411 | 70020050..... 89 |
| 4800948.....63, 65 | 4806308 17 | 4923313 411 | 70020051..... 89 |
| 4800959.....63, 65 | 4806386 109, 113 | 4923314 411 | 70020052..... 89 |
| 4801154.....109, 113 | 4806397 109, 113 | 4923319 418 | 70020053..... 89 |
| 4801176.....109, 113 | 4806400 17 | 4923320 418 | 70020054..... 89, 91, 93 |
| 4801654.....13 | 4806422 17 | 4923321 418 | 70020055..... 89 |
| 4802008.....33, 35, 37 | 4806433 17 | 4923512 475 | 70020057..... 89 |
| 4802100.....75 | 4806444 17 | 4923513 413 | 70020058..... 89 |
| 4802111.....77 | 4806477 239 | 4923514 413 | 70020059..... 89 |
| 4802122.....33, 35, 37 | 4806568 239 | 4923534 414 | 70020060..... 89 |
| 4802757 351 | 4806580 135, 137 | 492935 380, 411 | 70020061..... 89 |
| 4802768.....335 | 4806604 239 | 498748 221, 229 | 70020062..... 89 |
| 4802780.....339 | 4806615 19, 21 | 5200605 . 13, 29, 63, 389, 391 | 70020063..... 89 |
| 4802791.....345 | 4806626 222 | 5200608 14, 23, 222, 231, 403, 423 | 70020064..... 89 |
| 4802815.....315 | 4806659 27 | 5200808 ... 110, 113, 127, 135, 137, 227, 241, 253, 261, 291, 295, 469 | 70020065..... 89 |
| 4802837.....239 | 4806693 27 | 5200810 ... 113, 231, 235, 239, 243, 257, 285, 391, 455 | 70020066..... 89 |
| 4803032.....307 | 4806808 27 | 5200812 263, 287 | 70020067..... 89 |
| 4803076.....13 | 4806922 399, 401 | 5200813 110 | 70020068..... 89, 97 |
| 4803178.....127 | 4806944 399 | 5200814 13 | 70020069..... 89 |
| 4803281.....323 | 4806955 399 | 5201010 ... 109, 141, 239, 385, 418, 473 | 70020070..... 89 |
| 4803361.....143 | 4807149 17 | 5201012 13, 141 | 70020071..... 89 |
| 4803372.....185, 187, 189, 191, 195, 197, 199 | 4807263 399 | 5201014 ... 109, 113, 261, 291, 295, 385, 418, 469 | 70020072..... 91 |
| 4803383.....201, 203, 205, 207, 211, 213, 215 | 4807321 247 | 5201017 139 | 70020073..... 91 |
| 4803394.....239 | 4807616 221 | 5201210 ... 13, 33, 37, 41, 63, 65, 113 | 70020074..... 91 |
| 4803929.....13 | 4807661 231 | 5201215 ... 109, 113, 261, 291, 295, 469 | 70020075..... 91 |
| 4803941.....13 | 4807694 231 | 5201612 13 | 70020076..... 91 |
| 4804135.....109, 113 | 4807707 231 | 5211702 . 19, 21, 29, 247, 380, 410, 463 | 70020077..... 91 |
| 4804306.....261, 291, 295, 469 | 4807718 231 | 5211900 23, 43, 45 | 70020078..... 91 |
| 4804511.....39 | 4807729 231 | 5211902 29, 235, 247, 249, 475 | 70020079..... 91 |
| 4804522.....39 | 4807730 231 | 5212000 21, 109, 113, 369, 380, 395, 397, 411 | 70020080..... 91 |
| 4804533.....459 | 4807741 231 | 5220500 425 | 70020081..... 91 |
| 4804566.....13 | 4807752 231 | 5220600 23 | 70020082..... 91 |
| 4804715.....109, 113 | 4807763 231 | 5220800 . 17, 23, 39, 109, 113, 123, 125, 127, 129, 131, 133, 137, 221, 227, 231, 261, 291, 295, 469 | 70020083..... 91 |
| 4804760.....271 | 4811400 239, 427 | 5221000 21, 109, 113, 369, 380, 395, 397, 411 | 70020084..... 91 |
| 4804806.....271 | 4811600 21, 123, 125, 243, 413, 461, 477 | 5220500 425 | 70020085..... 91 |
| 4804986.....135 | 4811700 17, 139, 141, 222, 257, 263, 275, 279, 287, 296, 380, 387, 411, 413, 418, 425 | 5220600 23 | 70020086..... 91 |
| 4805250.....247 | 4811900 17, 39, 123, 129, 131, 133, 222, 235, 253, 258, 385, 395, 397, 411, 414, 418, 427, 437, 453 | 5220600 23 | 70020087..... 91 |
| 4805432.....239 | 4811902 65, 427 | 5220800 . 17, 23, 39, 109, 113, 123, 125, 127, 129, 131, 133, 137, 221, 227, 231, 261, 291, 295, 469 | 70020088..... 91 |
| 4805534.....247 | 4812000 ... 17, 27, 53, 55, 57, 59, 61, 123, 127, 139, 141, 222, 247, 253, 385, 418 | 5221000 109, 113, 239 | 70020089..... 91 |
| 4805590.....49 | 4812100 29, 222, 227 | 5221200 109, 113 | 70020090..... 91 |
| 4805614.....129 | 4812300 ... 109, 113, 447, 459 | 5271809 55 | 70020091..... 91 |
| 4805625.....129 | 4812500 .25, 27, 271, 447 | 70002222 349 | 70020092..... 91 |
| 4805670.....75 | 4831700 411, 425 | 70007289 17 | 70020093..... 91 |
| 4805794.....129, 131, 133 | 4831900 413 | 70020038 89 | 70020094..... 91 |
| 4805807.....129 | | | 70020095..... 91 |
| 4805818.....129 | | | 70020096..... 91 |
| 4805829.....129 | | | 70020097..... 91 |
| 4805830.....19 | | | 70020098..... 91 |
| 4805852.....261, 291, 295, 469 | | | 70020099..... 91 |
| 4805896.....19, 21 | | | 70020100..... 91 |
| | | | 70020101..... 91 |
| | | | 70020102..... 91 |
| | | | 70020103..... 91 |
| | | | 70020104..... 91 |
| | | | 70020105..... 91 |
| | | | 70020106..... 91 |

SECTION 13 - RECOMMENDED SPARE PARTS

| | | | | | | | |
|----------|----------|----------|----------|----------|---------------|---------|--------------------|
| 70020107 | 91 | 70020205 | 73, 101 | 70022700 | 359 | 7012715 | 367 |
| 70020108 | 91 | 70020206 | 73, 101 | 70022701 | 359 | 7017165 | 89 |
| 70020109 | 91 | 70020209 | 119 | 70022702 | 359 | 7017172 | 89 |
| 70020110 | 93 | 70020304 | 89 | 70022703 | 359 | 7017192 | 89 |
| 70020111 | 93 | 70020392 | 75 | 70022704 | 359 | 7024014 | 257, 373 |
| 70020112 | 93 | 70020402 | 147 | 70022705 | 359 | 7024038 | 367 |
| 70020113 | 93 | 70020407 | 157 | 70022769 | 362 | 7024914 | 367 |
| 70020114 | 93 | 70020412 | 181, 483 | 70022791 | 313 | 7024915 | 367 |
| 70020115 | 93 | 70020417 | 101 | 70022831 | 85 | 7024917 | 367 |
| 70020116 | 93 | 70020421 | 87 | 70022906 | 81 | 7024918 | 367 |
| 70020117 | 93 | 70020422 | 87 | 70022907 | 81 | 7024919 | 367 |
| 70020118 | 93 | 70020423 | 87 | 70022912 | 81 | 7024920 | 367 |
| 70020119 | 93 | 70020424 | 87 | 70022922 | 81 | 7024921 | 367 |
| 70020120 | 93 | 70020721 | 139, 141 | 70022923 | 81 | 7024922 | 367 |
| 70020121 | 93 | 70020723 | 99 | 70022924 | 81 | 7024934 | 365 |
| 70020122 | 93 | 70020724 | 99 | 70022925 | 81 | 7024935 | 365, 367 |
| 70020123 | 93 | 70020725 | 99 | 70022927 | 81 | 7024940 | 365 |
| 70020124 | 93 | 70020726 | 99 | 70022928 | 81 | 7024941 | 365 |
| 70020125 | 93 | 70020727 | 99 | 70022929 | 81 | 7024942 | 365 |
| 70020126 | 93 | 70020728 | 99 | 70022930 | 81 | 7024943 | 365 |
| 70020128 | 93 | 70020729 | 99 | 70023065 | 181 | 7024944 | 365 |
| 70020129 | 93 | 70020730 | 81, 99 | 70023066 | 181 | 7024945 | 365 |
| 70020130 | 93 | 70020731 | 81, 99 | 70023105 | 191, 207 | 7024946 | 365 |
| 70020131 | 93 | 70020732 | 99 | 70023276 | 81 | 7024947 | 365 |
| 70020132 | 93 | 70020733 | 99 | 70023277 | 81 | 7024948 | 365 |
| 70020133 | 93, 97 | 70020734 | 99 | 70023278 | 81 | 7024949 | 365 |
| 70020134 | 93 | 70020869 | 181 | 70023484 | 69 | 7024950 | 365 |
| 70020135 | 93 | 70021027 | 93 | 70026018 | 81 | 7024951 | 365 |
| 70020136 | 93 | 70021125 | 241 | 70028028 | 81 | 7024952 | 365, 367 |
| 70020137 | 93 | 70021140 | 205 | 70028031 | 81 | 7024953 | 365 |
| 70020138 | 93 | 70021142 | 119 | 7002844 | 410 | 7024954 | 365, 367 |
| 70020139 | 93 | 70021143 | 119 | 7002845 | 379, 410 | 7026408 | 405, 407 |
| 70020140 | 93 | 70021144 | 119 | 70028978 | 81 | 7028000 | 27, 379 |
| 70020141 | 93 | 70021145 | 119 | 70028979 | 81 | 7028001 | 27, 379 |
| 70020142 | 94 | 70021230 | 421 | 70028980 | 81 | 7028002 | 27, 379 |
| 70020143 | 89 | 70021241 | 81 | 70029937 | 343 | 7028003 | 27, 379 |
| 70020144 | 91 | 70021482 | 139, 141 | 70029938 | 343 | 7028004 | 27, 379 |
| 70020145 | 91 | 70021483 | 139, 141 | 70029940 | 343, 349 | 7028005 | 27, 379 |
| 70020146 | 97 | 70021484 | 139, 141 | 70029941 | 343, 349, 355 | 7028006 | 27, 379 |
| 70020147 | 93 | 70021487 | 119 | 70029942 | 343 | 7028009 | 117, 482 |
| 70020148 | 97 | 70021488 | 119 | 70029943 | 343 | 7028033 | 117 |
| 70020149 | 97 | 70021489 | 119 | 70029944 | 343 | 7028035 | 207 |
| 70020150 | 97 | 70021490 | 119 | 70029945 | 355 | 7028036 | 191, 207 |
| 70020151 | 97 | 70021501 | 120 | 70029946 | 355 | 7028038 | 195 |
| 70020152 | 97 | 70021502 | 119 | 70029947 | 355 | 7028039 | 195 |
| 70020153 | 97 | 70021558 | 79 | 70029948 | 349, 355 | 7028043 | 205 |
| 70020154 | 97 | 70021559 | 79 | 70029949 | 349, 355 | 7028048 | 207 |
| 70020155 | 97 | 70021560 | 79 | 70029950 | 355 | 7028049 | 191, 207 |
| 70020156 | 97 | 70021561 | 79 | 70029951 | 355 | 7028052 | 211 |
| 70020157 | 97 | 70021562 | 79 | 70029952 | 355 | 7028053 | 211 |
| 70020158 | 97 | 70021563 | 79 | 70029953 | 355, 483 | 7028055 | 149 |
| 70020159 | 97 | 70021576 | 109, 113 | 70029954 | 355 | 7028056 | 171, 173, 175, 177 |
| 70020160 | 97 | 70021786 | 119, 483 | 70029955 | 355 | 7028057 | 179 |
| 70020161 | 97 | 70021830 | 157 | 70029956 | 349 | 7028058 | 147 |
| 70020162 | 97 | 70021835 | 81 | 70029957 | 349 | 7028060 | 151, 153 |
| 70020163 | 97 | 70021836 | 81 | 70029958 | 349 | 7028061 | 153 |
| 70020164 | 97 | 70021838 | 81 | 70029959 | 349, 483 | 7028063 | 157 |
| 70020165 | 97 | 70021839 | 81 | 70029960 | 349 | 7028067 | 171, 175 |
| 70020166 | 97 | 70021840 | 81 | 70029961 | 349 | 7028069 | 181 |
| 70020167 | 97 | 70021841 | 81 | 70029972 | 343, 483 | 7028070 | 181 |
| 70020168 | 97 | 70021842 | 81 | 7011016 | 375 | 7028071 | 181 |
| 70020169 | 97 | 70021843 | 81 | 7011043 | 375 | 7028076 | 207, 483 |
| 70020173 | 191, 207 | 70021898 | 191, 207 | 7011044 | 375 | 7028079 | 197, 213 |
| 70020201 | 73, 101 | 70021925 | 421 | 7011048 | 375 | 7028080 | 197, 213 |
| 70020202 | 73 | 70021926 | 421 | 7011067 | 375 | 7028081 | 197, 213 |
| 70020203 | 73, 99 | 70022690 | 359 | 7012706 | 367 | 7028083 | 199, 215 |
| 70020204 | 73, 99 | 70022698 | 359 | 7012709 | 367 | | |

SECTION 13 - RECOMMENDED SPARE PARTS

| | | | |
|---|--|--------------------------|----------------------------------|
| 7028084.....199, 215 | 7028549..... 309, 313 | 7028690..... 119 | 7028857.....341 |
| 7028085.....181 | 7028558..... 337 | 7028691..... 119 | 7028858.....347 |
| 7028086.....181 | 7028572..... 337, 483 | 7028692..... 119 | 7028860.....347 |
| 7028090.....383 | 7028573..... 337 | 7028699..... 367 | 7028861.....361 |
| 7028091.....247 | 7028574..... 337 | 7028700..... 367 | 7028862.....361 |
| 7028092.....75 | 7028575..... 337 | 7028701..... 367 | 7028863.....85 |
| 7028093.....75 | 7028576..... 337 | 7028702..... 367 | 7028864.....85 |
| 7028094.....75 | 7028583..... 329 | 7028703..... 367 | 7028885..... 197, 213 |
| 7028095.....129, 131, 133 | 7028584... 301, 305, 309, 313, 317, 321, 327, 333, 337 | 7028704..... 367 | 7028894.....362 |
| 7028096.....129, 131, 133 | | 7028705..... 367 | 7028895.....353 |
| 7028097.....129, 131, 133 | | 7028707..... 197, 213 | 7028896.....353 |
| 7028098.....77 | 7028585..... 341 | 7028708..... 197, 213 | 7028897.....353 |
| 7028108.....117, 483 | 7028586..... 341 | 7028709..... 189 | 7028898.....353 |
| 7028110.....143, 483 | 7028589..... 341 | 7028710..... 189 | 7028899.....353 |
| 7028112.....258 | 7028599..... 347 | 7028733..... 192, 208 | 7028900.....353 |
| 7028113.....258 | 7028600..... 347 | 7028742..... 237, 457 | 7028901.....353 |
| 7028114.....315, 319, 324, 330 | 7028601..... 347 | 7028743..... 237, 457 | 7028902.....353 |
| 7028115..... 191, 199, 208 | 7028602..... 347 | 7028744..... 237, 457 | 7028904.....407 |
| 7028116.....315, 319, 324, 330 | 7028605..... 347, 353 | 7028745..... 237, 457 | 7028905.....407 |
| 7028117.....315, 319, 324, 330 | 7028606..... 347, 353 | 7028746..... 237, 457 | 7028906.....407 |
| 7028118..... 131, 133 | 7028617..... 233 | 7028747..... 237, 457 | 7028907.....407 |
| 7028121.....73 | 7028619..... 233 | 7028748..... 237, 457 | 7028909.....407 |
| 7028122.....73 | 7028620..... 233 | 7028749..... 237, 457 | 7028910..... 69, 71 |
| 7028123.....73 | 7028621..... 233 | 7028750..... 237, 457 | 7028911.....71 |
| 7028124.....69, 73 | 7028626..... 83 | 7028751..... 237, 457 | 7028912.....71 |
| 7028125.....69 | 7028628..... 83 | 7028752..... 237, 457 | 7028913.....71 |
| 7028126.....69 | 7028629..... 361 | 7028753..... 237, 457 | 7028914.....71 |
| 7028127.....69 | 7028630..... 362 | 7028754..... 237, 457 | 7028915.....71 |
| 7028128.....69 | 7028639..... 421 | 7028755..... 237, 457 | 7028916.....71 |
| 7028129.....69 | 7028647..... 365 | 7028756..... 237, 457 | 7028917.....71 |
| 7028130.....69 | 7028648..... 365 | 7028757..... 237, 457 | 7028918.....71 |
| 7028131.....69, 71 | 7028649..... 365 | 7028758..... 237 | 7028919.....71 |
| 7028132.....69 | 7028650..... 365 | 7028759..... 237 | 7028920.....71 |
| 7028133.....69 | 7028651..... 365 | 7028760..... 237 | 7028921.....71 |
| 7028134.....69 | 7028654..... 119 | 7028761..... 237 | 7028922.....71 |
| 7028135.....69 | 7028655..... 119, 482 | 7028762..... 237 | 7028923.....71 |
| 7028136.....77, 79 | 7028656..... 119, 482 | 7028763..... 237, 457 | 7028927.....147 |
| 7028137.....77, 79 | 7028659..... 119 | 7028764..... 237, 457 | 7028929..... 109, 113 |
| 7028141.....117, 119, 483 | 7028660..... 119 | 7028765..... 237, 457 | 7028982.....71 |
| 7028314.....301, 305, 309, 313, 337, 341, 347, 353 | 7028661..... 119 | 7028766..... 237 | 7028983.....71 |
| 7028352.....317, 321, 483 | 7028662..... 119 | 7028767..... 237 | 7028984..... 69, 71 |
| 7028355.....317, 321 | 7028663..... 119 | 7028768..... 237 | 7028985.....71 |
| 7028356.....317, 321 | 7028664..... 120 | 7028769..... 237 | 7028986.....69 |
| 7028357.....317, 321 | 7028665..... 119 | 7028770..... 237 | 7028987.....69 |
| 7028526.....251 | 7028666..... 119 | 7028771..... 457 | 7028988.....69 |
| 7028527.....251 | 7028668..... 119 | 7028772..... 457 | 7028989.....69 |
| 7028528.....251 | 7028669..... 119 | 7028773..... 457 | 7028990.....71 |
| 7028529.....251 | 7028670..... 365 | 7028774..... 457 | 7028991.....71 |
| 7028530.....251 | 7028671..... 367 | 7028775..... 457 | 7029008.....421 |
| 7028531.....251 | 7028672..... 119, 482 | 7028777..... 457 | 7029105.....379 |
| 7028532.....251 | 7028673..... 119 | 7028778..... 457 | 7029129.....189 |
| 7028533.....251 | 7028674..... 119 | 7028779..... 457 | 7029131.....189 |
| 7028534.....251 | 7028675..... 119 | 7028780..... 457 | 7029137.....251 |
| 7028535.....251 | 7028676..... 119 | 7028781..... 457 | 7029138.....251 |
| 7028536.....251 | 7028677..... 119 | 7028782... 123, 125, 369 | 7029139.....407 |
| 7028537.....251 | 7028678..... 119 | 7028784..... 357 | 7029165.....365 |
| 7028538.....251 | 7028679..... 119 | 7028786..... 357 | 7029166.....367, 483 |
| 7028539.....251 | 7028680..... 119 | 7028787..... 357 | 7029208.....363 |
| 7028540.....251 | 7028681..... 119, 482 | 7028792..... 357 | 7029215..... 125, 482 |
| 7028541.....251 | 7028682..... 119 | 7028794..... 357 | 7029216.....125 |
| 7028545.....309, 313, 483 | 7028683..... 119 | 7028840..... 337 | 7029217.....125 |
| 7028547... 301, 305, 309, 313 | 7028684..... 119 | 7028845..... 363 | 7029218.....125 |
| | 7028685..... 119 | 7028846..... 362, 363 | 7029220.....125 |
| | 7028686..... 119, 482 | 7028847..... 362 | 7029221.....125 |
| | 7028687..... 117, 119 | 7028848..... 361 | 7029225.....357 |
| | 7028688..... 119 | 7028849..... 362, 363 | 7029231... 301, 305, 309, 313 |
| | 7028689..... 119 | 7028856..... 337 | |

SECTION 13 - RECOMMENDED SPARE PARTS

| | | | |
|----------------------------|-------------------------|----------------------------|----------------------------|
| 7029286 192, 207 | 7029748 71 | 8000803.....221 | 8002005..... 63, 65 |
| 7029319 421 | 7029749 69 | 8000809.....217 | 8002019 123, 125, 483 |
| 7029356 69 | 7029786 211 | 8000871.....227 | 8002021 65 |
| 7029426 187, 203 | 7029811 191, 207 | 8000873.....75 | 8002022 227 |
| 7029427 189, 205 | 7029813 379 | 8000877..... 191, 207 | 8002027 63 |
| 7029428 191, 207 | 7029827 237 | 8000924.....379, 410 | 8002045 65 |
| 7029429 191, 207 | 7029828 237 | 8000926.....379 | 8002072 63 |
| 7029430 191, 207, 483 | 7029845 347, 353 | 8000984.....379, 410 | 8002095 258 |
| 7029431 192, 208 | 7029847 347, 353 | 8000992.....275 | 8002096 257 |
| 7029432 192, 208 | 7029888 91 | 8000993.....275 | 8002097 257 |
| 7029433 195, 211 | 7029903 380 | 8000995.....267 | 8002110 65 |
| 7029434 301, 305 | 7029904 380 | 8000997.....267 | 8002145 63, 65 |
| 7029435 301, 305 | 7029905 380 | 8000998.....267 | 8002197 61 |
| 7029436 301 | 7029920 197, 213 | 8000999.....267 | 8002199... 53, 55, 57, 59, |
| 7029437 301, 305, 483 | 7029926 93 | 8001143.....217 | 61, 482 |
| 7029438 301, 305 | 7029927 93 | 8001144.....227 | 8002200... 53, 55, 57, 59, |
| 7029439 301, 305, 309 | 7029928 93 | 8001236.....241 | 61, 482 |
| 7029442 309, 313 | 7029929 93 | 8001275.....275, 279 | 8002201... 53, 55, 57, 59, |
| 7029443 309, 313 | 7029930 93 | 8001330.....221 | 482 |
| 7029444 309 | 7029931 93 | 8001331.....221 | 8002211 239, 380, 410 |
| 7029445 341 | 7029932 93 | 8001332.....221 | 8002214 61 |
| 7029446 341 | 7029933 93 | 8001550.....135 | 8002263 29 |
| 7029459 173 | 7029935 93 | 8001551..... 135, 137 | 8002319 23 |
| 7029473 ... 335, 339, 345, | 7029938 117 | 8001557.....135 | 8002320 49, 51 |
| 351 | 7029939 117 | 8001565.....241 | 8002321 257 |
| 7029477 233 | 7029962 91 | 8001626.....13 | 8002323 257 |
| 7029478 233 | 77104007 179 | 8001627261, 291, 295, | 8002324 257 |
| 7029479 233 | 77104039 149 | 469 | 8002331 49, 51 |
| 7029515 373 | 77104041 149 | 8001628....261, 291, 295, | 8002332 23 |
| 7029519 373 | 77104044 179 | 469 | 8002345 55 |
| 7029527 197, 213 | 77104056 147 | 8001629.....257 | 8002353 263, 287 |
| 7029531 361 | 77104081 169 | 8001631.....257 | 8002354 263 |
| 7029592 375 | 77104140 169 | 8001632.....257 | 8002355 263, 287 |
| 7029593 375 | 77363228 407 | 8001635....261, 291, 295, | 8002356 275, 279 |
| 7029610 333 | 77363229 405, 407 | 469 | 8002359 263, 287 |
| 7029611 333 | 77383126 131, 133 | 8001641....261, 291, 295, | 8002360 263 |
| 7029612 333 | 7772433 469 | 469 | 8002371 263, 287 |
| 7029613 333 | 7772434 469 | 8001642....261, 291, 295, | 8002372 263, 287 |
| 7029614 327, 333 | 8000078 225 | 469 | 8002373 263, 287 |
| 7029615 327, 333 | 8000103 380, 411 | 8001645.....257 | 8002374 127 |
| 7029616 327, 333 | 8000336 221 | 8001692.....258 | 8002375 127 |
| 7029617 327, 333 | 8000337 221 | 8001693.....258 | 8002407 249 |
| 7029618 327, 333 | 8000339 227 | 8001694.....258 | 8002423 19, 21 |
| 7029619 327, 333 | 8000340 231 | 8001699.....258 | 8002476 59 |
| 7029620 327, 333 | 8000341 231 | 8001702.....258 | 8002570 272 |
| 7029622 327, 333 | 8000343 229 | 8001833.....227 | 8002581 271 |
| 7029623 327, 333 | 8000344 229 | 8001837.....258 | 8002584 109, 113 |
| 7029624 327, 333 | 8000345 251 | 8001838.....258 | 8002585 109, 113 |
| 7029626 ... 317, 321, 327, | 8000346 225 | 8001852.....257 | 8002591 13 |
| 333 | 8000347 253 | 8001854.....283 | 8002599 109, 113, 483 |
| 7029627 327, 333 | 8000364 233 | 8001855.....267 | 8002626 271 |
| 7029628 327 | 8000382 17 | 8001885.....247 | 8002627 271 |
| 7029629 327 | 8000420 17 | 8001888.....65 | 8002637 ...57, 59, 61, 482 |
| 7029630 327 | 8000424 229 | 8001905....261, 291, 295, | 8002639 51 |
| 7029631 327 | 8000515 109 | 469 | 8002640 49, 51 |
| 7029632 327, 333, 483 | 8000565 222 | 8001906....261, 291, 295, | 8002641 49, 51 |
| 7029636 387 | 8000567 222 | 469 | 8002648 61 |
| 7029717 119 | 8000704 27 | 8001908.... 127, 261, 291, | 8002649 59 |
| 7029722 127, 482 | 8000759 229 | 295, 469 | 8002650 55 |
| 7029723 127 | 8000778 267, 275 | 8001912.....365 | 8002693 135 |
| 7029724 127 | 8000782 13 | 8001918.....65 | 8002710 285 |
| 7029725 321 | 8000796 249 | 8001935.....23 | 8002716 263, 287 |
| 7029726 321 | 8000797 227, 229 | 8001989.....395, 397 | 8002718 263, 287 |
| 7029727 321 | 8000798 229 | 8001991.....395, 397 | 8002757 13 |
| 7029728 317, 321 | 8000799 227 | 8001992.....395 | 8002758 31, 35 |
| 7029729 317 | 8000801 17 | 8002000.....395 | 8002762 217 |
| 7029730 317 | 8000802 227 | 8002003.....395 | 8002765 241 |

SECTION 13 - RECOMMENDED SPARE PARTS

| | | | | | | | |
|--------------|---------------------|--------------|------------------------------|--------------|-------------------------|--------------|---------------|
| 8002770..... | 217 | 8003171..... | 241, 243 | 8004762..... | 249 | 8005672..... | 439 |
| 8002771..... | 217 | 8003172..... | 241 | 8004763..... | 243, 249 | 8005673..... | 439 |
| 8002772..... | 217 | 8003173..... | 241 | 8004777..... | 258 | 8005674..... | 439 |
| 8002774..... | 217 | 8003174..... | 241 | 8004847..... | 29 | 8005675..... | 435 |
| 8002777..... | 217 | 8003191..... | 225 | 8004853..... | 29 | 8005741..... | 127 |
| 8002778..... | 217 | 8003198..... | 435 | 8004872..... | 109, 482 | 8005743..... | 127 |
| 8002779..... | 51 | 8003199..... | 276, 280 | 8004876..... | 229 | 8005786..... | 139, 141 |
| 8002780..... | 49 | 8003242..... | 53, 55, 61, 482 | 8004879..... | 19, 21 | 8005787..... | 139, 141 |
| 8002785..... | 109 | 8003243..... | 61 | 8004882..... | 29 | 8005788..... | 139, 141 |
| 8002787..... | 383 | 8003281..... | 225 | 8004886..... | 225 | 8005789..... | 257, 484 |
| 8002789..... | 451 | 8003285..... | 123, 125, 482 | 8004887..... | 225 | 8005792..... | 267 |
| 8002790..... | 383 | 8003293..... | 29, 227 | 8004908..... | 261, 469, 483 | 8005801..... | 191, 207 |
| 8002791..... | 471 | 8003294..... | 239 | 8004980..... | 127 | 8005825..... | 217 |
| 8002794..... | 271 | 8003295..... | 239 | 8004981..... | 129, 133 | 8005827..... | 217 |
| 8002798..... | 195 | 8003301..... | 123 | 8004982..... | 109, 113 | 8005828..... | 217 |
| 8002819..... | 379, 410 | 8003302..... | 123 | 8004990..... | 222 | 8005869..... | 435 |
| 8002820..... | 379, 483 | 8003303..... | 123 | 8005079..... | 109, 113, 483 | 8005870..... | 439 |
| 8002822..... | 93, 249, 483 | 8003309..... | 225 | 8005106..... | 253 | 8005901..... | 383 |
| 8002824..... | 451 | 8003320..... | 109, 113 | 8005154..... | 123 | 8006012..... | 117 |
| 8002826..... | 461 | 8003341..... | 435 | 8005174..... | 261, 291, 295, 469, 483 | 8006013..... | 117, 119, 482 |
| 8002831..... | 380, 410 | 8003342..... | 439 | 8005197..... | 123, 127 | 8006014..... | 117, 482 |
| 8002832..... | 275, 380, 411 | 8003343..... | 440 | 8005205..... | 222 | 8006016..... | 117 |
| 8002833..... | 276, 280 | 8003344..... | 441 | 8005222..... | 267, 271, 483 | 8006018..... | 117 |
| 8002834..... | 275, 380, 411, 484 | 8003345..... | 440 | 8005248..... | 369, 483 | 8006019..... | 117, 483 |
| 8002836..... | 275, 484 | 8003346..... | 440 | 8005249..... | 383 | 8006038..... | 435 |
| 8002838..... | 257 | 8003347..... | 441 | 8005251..... | 383 | 8006090..... | 261, 469 |
| 8002843..... | 387, 484 | 8003348..... | 442 | 8005252..... | 267, 271 | 8006105..... | 29, 463 |
| 8002846..... | 389, 484 | 8003349..... | 440 | 8005257..... | 379, 410 | 8006115..... | 139 |
| 8002859..... | 387 | 8003350..... | 441 | 8005257..... | 379, 410 | 8006117..... | 139 |
| 8002907..... | 53, 57, 59, 61, 482 | 8003351..... | 443 | 8005258..... | 379, 410 | 8006211..... | 276, 279 |
| 8002914..... | 55, 59, 482 | 8003382..... | 383 | 8005266..... | 303 | 8006212..... | 383 |
| 8002922..... | 279, 484 | 8003384..... | 380 | 8005267..... | 399, 401 | 8006242..... | 29, 463 |
| 8002927..... | 129, 131, 133 | 8003385..... | 380, 410 | 8005276..... | 221 | 8006258..... | 49, 51 |
| 8002954..... | 379, 393 | 8003386..... | 387, 421 | 8005277..... | 383 | 8006261..... | 225 |
| 8002965..... | 271 | 8003387..... | 380, 411 | 8005280..... | 383 | 8006262..... | 225 |
| 8002969..... | 57 | 8003388..... | 380 | 8005288..... | 461, 477 | 8006309..... | 461 |
| 8002970..... | 53 | 8003389..... | 385, 418 | 8005289..... | 461 | 8006318..... | 143, 483 |
| 8002972..... | 55, 268, 272 | 8003391..... | 385, 418 | 8005293..... | 383 | 8006329..... | 257 |
| 8002985..... | 231, 383 | 8003392..... | 380, 411 | 8005294..... | 383 | 8006347..... | 383 |
| 8003001..... | 271 | 8003393..... | 385, 418 | 8005295..... | 383 | 8006348..... | 379 |
| 8003008..... | 241 | 8003394..... | 379 | 8005296..... | 383 | 8006356..... | 385 |
| 8003009..... | 221 | 8003399..... | 241 | 8005297..... | 383 | 8006357..... | 243 |
| 8003024..... | 285 | 8003524..... | 241 | 8005315..... | 25 | 8006358..... | 139 |
| 8003025..... | 285 | 8003568..... | 117, 123 | 8005316..... | 25 | 8006382..... | 387 |
| 8003026..... | 225 | 8003738..... | 380 | 8005317..... | 25 | 8006388..... | 389 |
| 8003027..... | 225 | 8003739..... | 247 | 8005318..... | 25 | 8006450..... | 139, 141 |
| 8003028..... | 225 | 8004054..... | 371 | 8005376..... | 127, 129, 133 | 8006452..... | 239 |
| 8003029..... | 225 | 8004069..... | 109, 113 | 8005408..... | 225 | 8006491..... | 29 |
| 8003032..... | 225 | 8004070..... | 109, 113 | 8005424..... | 379, 410, 484 | 8006515..... | 258 |
| 8003033..... | 225 | 8004078..... | 129 | 8005447..... | 231 | 8006516..... | 258 |
| 8003035..... | 225 | 8004165..... | 435 | 8005472..... | 13 | 8006580..... | 39 |
| 8003038..... | 225 | 8004253..... | 225 | 8005553..... | 227 | 8006599..... | 243 |
| 8003045..... | 283 | 8004285..... | 59 | 8005556..... | 380, 410 | 8006603..... | 191, 207 |
| 8003047..... | 258 | 8004310..... | 57 | 8005608..... | 439 | 8006604..... | 191, 207 |
| 8003062..... | 361 | 8004375..... | 53 | 8005609..... | 435 | 8006605..... | 191, 207 |
| 8003063..... | 361 | 8004392..... | 229 | 8005616..... | 435 | 8006612..... | 97, 435 |
| 8003064..... | 361 | 8004393..... | 229 | 8005617..... | 435 | 8006658..... | 243 |
| 8003065..... | 276, 280 | 8004398..... | 229 | 8005621..... | 279 | 8006680..... | 471 |
| 8003140..... | 221 | 8004444..... | 57 | 8005622..... | 279 | 8006699..... | 195 |
| 8003161..... | 241 | 8004449..... | 267 | 8005624..... | 271 | 8007152..... | 59 |
| 8003163..... | 241 | 8004468..... | 191, 207, 483 | 8005625..... | 271 | 8007159..... | 55 |
| 8003164..... | 241 | 8004521..... | 185, 187, 189, 191, 195, 197 | 8005626..... | 271 | 8007160..... | 279 |
| 8003165..... | 139, 141 | 8004600..... | 243 | 8005627..... | 271 | 8007161..... | 279 |
| 8003166..... | 139, 141 | 8004602..... | 299 | 8005639..... | 267 | 8007162..... | 271 |
| 8003167..... | 117, 139, 141 | 8004603..... | 127 | 8005640..... | 267 | 8007163..... | 271 |
| | | 8004631..... | 261, 469 | 8005670..... | 435, 439 | 8007164..... | 271 |
| | | 8004672..... | 249 | 8005671..... | 435, 439 | | |

SECTION 13 - RECOMMENDED SPARE PARTS

| | | | | | | | |
|--------------|----------|---------------|---|---------------|---------------|---------------|-------------------------|
| 8007165..... | 271 | 8007486..... | 339 | 8007733..... | 127 | 8007947..... | 363 |
| 8007200..... | 311 | 8007491..... | 135 | 8007734..... | 135, 137 | 8007954..... | 362, 363 |
| 8007201..... | 329 | 8007554..... | 371 | 8007736..... | 39 | 8007956..... | 362 |
| 8007257..... | 143 | 8007555..... | 371 | 8007737..... | 233 | 8007959..... | 361 |
| 8007258..... | 258 | 8007562..... | 371 | 8007739..... | 233 | 8007965..... | 247 |
| 8007259..... | 57 | 8007563..... | 371, 483 | 8007741..... | 233 | 8007968..... | 315 |
| 8007260..... | 53 | 8007564..... | 371 | 8007745..... | 189 | 8007969..... | 315 |
| 8007267..... | 61 | 8007568..... | 225 | 8007749..... | 189 | 8007985..... | 243 |
| 8007268..... | 59 | 8007618..... | 401 | 8007751..... | 189 | 8007986..... | 383, 387 |
| 8007269..... | 55 | 8007619..... | 401 | 8007752..... | 189 | 8008004..... | 275, 279 |
| 8007271..... | 51 | 8007620..... | 401 | 8007753..... | 247 | 8008007... .. | 380, 410, 484 |
| 8007277..... | 271 | 8007622..... | 258 | 8007755..... | 189 | 8008009..... | 59 |
| 8007278..... | 279, 484 | 8007623..... | 323 | 8007758..... | 191 | 8008014..... | 83 |
| 8007281..... | 49 | 8007624..... | 323 | 8007759..... | 191 | 8008046... .. | 57, 61, 63, 65 |
| 8007282..... | 57 | 8007625..... | 323 | 8007770..... | 191, 207 | 8008047..... | 53, 55 |
| 8007283..... | 53 | 8007626..... | 323, 329 | 8007771..... | 191 | 8008049... .. | 23, 379, 410, 484 |
| 8007284..... | 267 | 8007627..... | 323, 329 | 8007774..... | 192, 208 | 8008051..... | 41, 43 |
| 8007285..... | 275, 484 | 8007628..... | 323, 329 | 8007775..... | 191, 207 | 8008054..... | 59 |
| 8007324..... | 87 | 8007629..... | 323 | 8007777..... | 192, 208 | 8008055..... | 59 |
| 8007326..... | 319 | 8007630..... | 323, 329 | 8007779..... | 192, 208 | 8008069... .. | 53, 55, 57, 59, 61, 482 |
| 8007345..... | 233 | 8007631..... | 323, 329 | 8007780..... | 192, 208 | 8008070... .. | 53, 55, 57, 59, 61, 482 |
| 8007350..... | 275 | 8007632..... | 323, 329 | 8007782..... | 192, 208 | 8008072..... | 117 |
| 8007351..... | 275 | 8007633..... | 323, 329 | 8007783..... | 192 | 8008074..... | 117 |
| 8007352..... | 267 | 8007634..... | 323, 329 | 8007785..... | 195 | 8008075..... | 117 |
| 8007353..... | 267 | 8007635..... | 323, 329 | 8007786..... | 195 | 8008076..... | 117 |
| 8007354..... | 267 | 8007651..... | 323, 329 | 8007788..... | 195 | 8008077..... | 117 |
| 8007355..... | 267 | 8007652..... | 323, 329 | 8007794..... | 195 | 8008078..... | 117 |
| 8007357..... | 351 | 8007653..... | 323, 329 | 8007798..... | 195 | 8008080..... | 117 |
| 8007358..... | 351 | 8007655... .. | 315, 317, 319, 321, 323, 327, 329, 333, 483 | 8007800..... | 195 | 8008083..... | 117 |
| 8007359..... | 351 | 8007658..... | 323, 330 | 8007801..... | 195 | 8008091..... | 117 |
| 8007360..... | 351 | 8007661..... | 329 | 8007802..... | 195 | 8008101..... | 157, 483 |
| 8007361..... | 351 | 8007662..... | 329 | 8007803..... | 197, 213 | 8008157..... | 35 |
| 8007362..... | 351 | 8007665..... | 329 | 8007804..... | 197, 213 | 8008159..... | 31 |
| 8007363..... | 345, 351 | 8007671..... | 324 | 8007805..... | 197 | 8008160..... | 31 |
| 8007364..... | 351 | 8007673..... | 330 | 8007808..... | 231 | 8008168..... | 195 |
| 8007365..... | 345, 351 | 8007674..... | 319 | 8007811..... | 225 | 8008169..... | 195 |
| 8007367..... | 345, 351 | 8007675..... | 319 | 8007821..... | 171, 175 | 8008171..... | 195 |
| 8007369..... | 351 | 8007676..... | 315, 319 | 8007822..... | 181 | 8008173..... | 379 |
| 8007375..... | 335 | 8007677..... | 319 | 8007824..... | 181 | 8008175..... | 197, 213 |
| 8007376..... | 335 | 8007678..... | 315, 319 | 8007838..... | 365 | 8008178..... | 439 |
| 8007377..... | 335 | 8007679..... | 315, 319 | 8007862..... | 247 | 8008195..... | 435 |
| 8007379..... | 335 | 8007689..... | 315, 319 | 8007875... .. | 147, 418, 484 | 8008196..... | 439 |
| 8007381..... | 335 | 8007693..... | 315, 319 | 8007877..... | 257, 483 | 8008199..... | 35 |
| 8007382..... | 335 | 8007694..... | 315, 319 | 8007879..... | 257, 483 | 8008200..... | 35 |
| 8007384..... | 339 | 8007695..... | 299 | 8007894..... | 362, 483 | 8008201..... | 35 |
| 8007385..... | 339 | 8007696..... | 299, 303 | 8007899..... | 362 | 8008218..... | 241, 243 |
| 8007386..... | 339 | 8007697..... | 299, 303 | 8007915..... | 362 | 8008236..... | 243 |
| 8007387..... | 339 | 8007698..... | 299, 303 | 8007917..... | 362 | 8008237..... | 243 |
| 8007388..... | 339 | 8007699..... | 299, 303 | 8007918..... | 362 | 8008238..... | 243 |
| 8007389..... | 339 | 8007705..... | 299, 303 | 8007919..... | 362 | 8008239..... | 243 |
| 8007390..... | 339 | 8007706..... | 299, 303 | 8007920..... | 362 | 8008251..... | 253 |
| 8007394..... | 345 | 8007707... .. | 299, 301, 303, 305, 307, 309, 311, 313, 483 | 8007922..... | 362 | 8008252..... | 253 |
| 8007395..... | 345 | 8007708... .. | 299, 303, 307, 311 | 8007924..... | 361 | 8008278..... | 263, 287 |
| 8007396..... | 345 | 8007709..... | 299, 303 | 8007925..... | 361 | 8008279..... | 263, 287 |
| 8007397..... | 345 | 8007710..... | 401 | 8007926..... | 361 | 8008365..... | 253 |
| 8007398..... | 345 | 8007711..... | 307, 311 | 8007927..... | 361 | 8008420..... | 75 |
| 8007399..... | 345 | 8007712..... | 303 | 8007928..... | 361 | 8008421..... | 75 |
| 8007400..... | 345 | 8007713..... | 307 | 8007929..... | 361 | 8008422..... | 77 |
| 8007430..... | 29 | 8007715..... | 307 | 8007935..... | 361, 483 | 8008423..... | 73 |
| 8007433..... | 461, 477 | 8007716..... | 307, 311 | 8007936..... | 362 | 8008424..... | 75 |
| 8007467..... | 239 | 8007717..... | 307, 311 | 8007939..... | 362, 483 | 8008523..... | 435, 439 |
| 8007476..... | 345 | 8007724..... | 307, 311 | 8007941..... | 362 | 8008525..... | 435, 439 |
| 8007478..... | 351 | 8007728..... | 311 | 8007942..... | 362 | 8008526..... | 435, 439 |
| 8007479..... | 335 | 8007729..... | 311 | 8007943..... | 362 | 8008527..... | 435, 439 |
| 8007480..... | 351 | | | 8007944..... | 362 | | |
| 8007481..... | 345 | | | 8007945..... | 363 | | |
| 8007484..... | 339 | | | 8007946..... | 363 | | |

SECTION 13 - RECOMMENDED SPARE PARTS

| | | | | | | | |
|--------------|--------------------|--------------|----------|---------------------------|----------|---------------------------|---|
| 8008528..... | 435, 439 | 8008855..... | 439 | 8009342..... | 301 | 8010519..... | 39 |
| 8008529..... | 435, 439 | 8008856..... | 439 | 8009343..... | 305 | 8010524..... | 39 |
| 8008530..... | 435, 439 | 8008862..... | 222, 383 | 8009344..... | 309 | 8010525..... | 39 |
| 8008531..... | 435, 439 | 8008863..... | 403 | 8009353..... | 271 | 8010526..... | 39 |
| 8008532..... | 435, 439 | 8008883..... | 403 | 8009354..... | 271 | 80204002..... | 191, 207 |
| 8008533..... | 435, 439 | 8008884..... | 403 | 8009355..... | 271 | 80204005.. | 187, 192, 203, 208 |
| 8008613..... | 465 | 8008885..... | 403, 423 | 8009356..... | 279 | 80204065..... | 192, 208 |
| 8008627..... | 442 | 8008890..... | 403, 423 | 8009357..... | 279 | 80204071..... | 191, 207 |
| 8008628..... | 442 | 8008893..... | 403, 423 | 8009358..... | 267 | 80204117.. | 191, 195, 199, 207, 211, 215 |
| 8008629..... | 435 | 8008961..... | 25 | 8009359..... | 267 | 80204281..... | 195, 211 |
| 8008633..... | 61 | 8008962..... | 25 | 8009360..... | 275 | 80273010... 131, 133, 482 | |
| 8008634.... | 53, 55, 57, 59, 61 | 8008963..... | 25 | 8009361..... | 275 | 80273042... 131, 133, 482 | |
| 8008640.... | 53, 55, 57, 59, 61 | 8008964..... | 25 | 8009366..... | 397 | 8032509..... | 147 |
| 8008641.... | 53, 55, 57, 59, 61 | 8008969..... | 25 | 8009377..... | 435 | 8032526..... | 145, 147 |
| 8008642.... | 53, 55, 57, 59, 61 | 8008971..... | 25 | 8009464..... | 222 | 8032528..... | 147 |
| 8008644.... | 53, 55, 57, 59, 61 | 8009046..... | 247 | 8009507..... | 441 | 80334277..... | 365 |
| 8008645.... | 53, 55, 57, 59, 61 | 8009078..... | 25 | 8009508..... | 441 | 8034940..... | 147 |
| 8008651..... | 439 | 8009085..... | 41, 43 | 8009509..... | 440 | 8034968..... | 149 |
| 8008657..... | 435 | 8009086..... | 41, 43 | 8009510..... | 440 | 8035031..... | 161 |
| 8008663..... | 247 | 8009087..... | 41, 43 | 8009511..... | 440 | 8035075..... | 171 |
| 8008675..... | 217 | 8009089..... | 41 | 8009512..... | 440 | 8035081..... | 171 |
| 8008701..... | 23 | 8009095..... | 61 | 8009513..... | 440 | 8035092..... | 145 |
| 8008721..... | 13 | 8009097..... | 59 | 8009514..... | 440 | 80363166..... | 43, 413 |
| 8008744..... | 442 | 8009099..... | 55 | 8009515..... | 439 | 80363195..... | 447 |
| 8008745..... | 442 | 8009101..... | 57 | 8009516..... | 439 | 80604017..... | 407 |
| 8008746..... | 442 | 8009103..... | 53 | 8009517..... | 397 | 80604018..... | 405, 407 |
| 8008747..... | 442 | 8009105..... | 442 | 8009532..... | 453 | 806264..... | 13 |
| 8008750..... | 385 | 8009106..... | 442 | 8009533..... | 453 | 8100074..... | 383 |
| 8008793..... | 435 | 8009107..... | 442 | 8009573..... | 443 | 8100076..... | 436 |
| 8008804..... | 439 | 8009108..... | 442 | 8009574..... | 442 | 8100077..... | 436 |
| 8008805..... | 439 | 8009109..... | 441 | 8009575..... | 442 | 8100078..... | 436 |
| 8008819..... | 441 | 8009110..... | 441 | 8009576..... | 442 | 8100079..... | 436 |
| 8008820..... | 440 | 8009111..... | 441 | 8009577..... | 441 | 8100080..... | 436 |
| 8008821..... | 440 | 8009112..... | 440 | 8009578..... | 441 | 8100081..... | 436 |
| 8008822..... | 439 | 8009113..... | 440 | 8009652..... | 389 | 8100082..... | 436 |
| 8008825..... | 442 | 8009114..... | 440 | 8009653..... | 83 | 8100083..... | 436 |
| 8008827..... | 442 | 8009115..... | 440 | 8009666..... | 127 | 8100084..... | 436 |
| 8008828..... | 441 | 8009116..... | 440 | 8009667..... | 235, 237 | 8100085..... | 436 |
| 8008829..... | 441 | 8009117..... | 440 | 8009703..... | 221 | 8100086..... | 436 |
| 8008831..... | 441 | 8009118..... | 440 | 8009724..... | 235 | 8100087..... | 436 |
| 8008832..... | 441 | 8009119..... | 439 | 8009759..... | 263, 287 | 8100088..... | 436 |
| 8008833..... | 442 | 8009120..... | 439 | 8009766... 385, 418, 483 | | 8100089..... | 437 |
| 8008834..... | 442 | 8009124..... | 25 | 8009783..... | 227 | 8100090..... | 437 |
| 8008835..... | 441 | 8009125..... | 25 | 8009784..... | 227 | 8100091..... | 437 |
| 8008836..... | 441 | 8009152..... | 441 | 8009815..... | 435 | 816186..... | 127 |
| 8008837..... | 441 | 8009153..... | 441 | 8009816..... | 435 | 8277095..... | 117 |
| 8008838..... | 441 | 8009154..... | 440 | 8009835..... | 380 | 83191059..... | 247 |
| 8008839..... | 440 | 8009155..... | 440 | 8009883..... | 25 | 845749..... | 222, 387 |
| 8008840..... | 440 | 8009156..... | 440 | 8009885..... | 435 | 8466306..... | 439 |
| 8008841..... | 440 | 8009157..... | 440 | 8009890..... | 435 | 874960..... | 263, 267, 268, 271, 272, 275, 279, 283, 287 |
| 8008843..... | 440 | 8009158..... | 440 | 8009939..... | 49, 51 | 874993..... | 267, 271, 275, 279 |
| 8008844..... | 440 | 8009159..... | 440 | 8009974..... | 110 | 876406..... | 243 |
| 8008845..... | 440 | 8009160..... | 439 | 8009975..... | 110 | 877203..... | 267, 271, 275, 279 |
| 8008846..... | 440 | 8009161..... | 439 | 8009983..... | 13 | 879192..... | 221 |
| 8008848..... | 440 | 8009217..... | 75 | 8009986..... | 13 | 885236..... | 241 |
| 8008849..... | 440 | 8009226..... | 397 | 8009987 13, 55, 268, 272 | | 885849..... | 221 |
| 8008850..... | 440 | 8009228..... | 397 | 8009988 13, 55, 268, 272 | | 893178..... | 399, 401 |
| 8008851..... | 440 | 8009230..... | 397 | 8010123..... 55, 267, 272 | | 899276..... | 247 |
| 8008852..... | 440 | 8009234..... | 380, 410 | 8010124..... 55, 267, 272 | | 90204781..... | 149 |
| 8008853..... | 440 | 8009295..... | 241 | 8010148..... 55, 267, 272 | | 90204823..... | 147 |
| 8008854..... | 439 | 8009296..... | 243 | 8010198..... | 451 | | |
| | | 8009323..... | 389 | 8010199..... | 449 | | |
| | | 8009324..... | 380, 410 | 8010200..... | 449 | | |
| | | 8009326..... | 379, 410 | 8010204..... | 449, 451 | | |
| | | 8009327..... | 380, 410 | 8010228..... | 449, 451 | | |
| | | 8009328..... | 379 | 8010234..... | 451 | | |
| | | 8009329..... | 380, 411 | 8010351..... | 465 | | |
| | | 8009330..... | 380 | 8010452..... | 235, 455 | | |

SECTION 13 - RECOMMENDED SPARE PARTS

| | | | |
|--|----------------------------------|---------------------------------|-----------------------------------|
| 909304 . 13, 29, 123, 125, 127, 463 | 91474265 . 145, 147, 157, 181 | 91474337.....175 | 91474513. 187, 191, 203, 207 |
| 91034006 117, 482 | 91474266 157 | 91474338..171, 173, 175, 177 | 91474515..... 199, 215 |
| 91083126 131 | 91474268 157 | 91474339..171, 173, 175, 177 | 91474516..... 199, 215 |
| 91083129 131, 133 | 91474273 157 | 91474340..171, 173, 175, 177 | 91474522..... 197, 213 |
| 91143340 407 | 91474274 157 | 91474341..171, 173, 175, 177 | 91474524..... 191, 207 |
| 914210 23 | 91474275 159 | 91474342..171, 173, 175, 177 | 91474528..... 189, 205 |
| 91473031 247, 483 | 91474276 159 | 91474343..171, 173, 175, 177 | 91474529..... 189, 205 |
| 91473061 483 | 91474277 159 | 91474344..171, 173, 175, 177 | 91474531..... 189, 205 |
| 91474134 189, 205 | 91474278 159 | 91474345..171, 173, 175, 177 | 91474532..... 205 |
| 91474186 145 | 91474279 159 | 91474346..171, 173, 175, 177 | 91474533..... 189, 205 |
| 91474189 145, 147 | 91474280 159 | 91474347..171, 173, 175, 177 | 91474535..... 189, 205 |
| 91474191 145 | 91474281 159 | 91474348..171, 173, 175, 177 | 91474536..... 189, 205 |
| 91474192 145, 147 | 91474282 159 | 91474349..171, 173, 175, 177 | 91474537..... 189, 205 |
| 91474193 145 | 91474283 161 | 91474350..171, 173, 175, 177 | 91474538..... 189, 205 |
| 91474194 145 | 91474284 161 | 91474351..171, 173, 175, 177 | 91474539..... 189, 205 |
| 91474195 145 | 91474285 161 | 91474352..171, 173, 175, 177 | 91474540..... 189, 205 |
| 91474198 147 | 91474287 161 | 91474353.....171 | 91474541..... 189, 205 |
| 91474199 147 | 91474288 . 161, 163, 165, 167 | 91474356.....179 | 91474542..... 189, 205 |
| 91474200 147, 181 | 91474289 . 161, 163, 165, 167 | 91474362.....181 | 91474543..... 189, 205 |
| 91474201 147 | 91474294 . 161, 163, 165, 167 | 91474364.....181 | 91474547..... 189, 205 |
| 91474204 147 | 91474295 . 161, 163, 165, 167 | 91474365.....181 | 91474548..... 189, 205 |
| 91474205 147 | 91474296 . 161, 163, 165, 167 | 91474366.....181 | 91474549..... 189 |
| 91474206 147 | 91474297 . 161, 163, 165, 167 | 91474367.....181 | 91474550..... 189 |
| 91474207 147 | 91474298 161, 167 | 91474369.....181 | 91474551..... 189, 205 |
| 91474208 147 | 91474299 161, 167 | 91474370.....181 | 91474553..... 189 |
| 91474209 147, 181 | 91474300 161 | 91474371.....181 | 91474554..... 189 |
| 91474210 147 | 91474301 163 | 91474372.....181 | 91474568..... 195, 211 |
| 91474211 147 | 91474302 163, 165 | 91474373.....181 | 91474569..... 195, 211 |
| 91474212 147, 482 | 91474303 .. 163, 165, 167 | 91474374.....181 | 91474579..... 192, 208 |
| 91474213 147 | 91474304 163, 165 | 91474375.....181 | 91474580..... 191, 207 |
| 91474214 147 | 91474306 .. 163, 165, 167 | 91474376.....181 | 91474583..... 192, 208 |
| 91474216 149 | 91474307 163, 165 | 91474377.....181 | 91474584..... 192, 208 |
| 91474217 149 | 91474308 . 161, 163, 165, 167 | 91474381.....181 | 91474585..... 191, 207 |
| 91474218 149 | 91474309 . 161, 163, 165, 167 | 91474382.....181 | 91474586..... 191, 207 |
| 91474219 149 | 91474310 . 161, 163, 165, 167 | 91474383.....181 | 91474587..... 191, 207 |
| 91474220 149 | 91474311 163, 165 | 91474387.....153 | 91474591..... 189, 205 |
| 91474221 149 | 91474312 163, 165 | 91474389..... 151, 153 | 91474596..... 205 |
| 91474222 149 | 91474313 .. 163, 165, 169 | 91474390..... 151, 153 | 91474600..... 181 |
| 91474224 149 | 91474314 167 | 91474393..... 151, 153 | 91474601..... 181 |
| 91474226 149 | 91474315 167 | 91474394..... 151, 153 | 91504035..... 373 |
| 91474228 149 | 91474316 167 | 91474395..... 151, 153 | 91504041..... 373 |
| 91474230 151, 153 | 91474317 167 | 91474396..... 151, 153 | 91514082..... 191, 207 |
| 91474231 151, 153 | 91474318 167 | 91474399..... 165 | 91514084..... 207 |
| 91474232 151, 153 | 91474319 167 | 91474468..... 405 | 91514098..... 187, 203 |
| 91474236 151, 153 | 91474320 169 | 91474469..... 405 | 91514099..... 207, 215 |
| 91474239 151, 153 | 91474321 169, 181 | 91474507..... 187, 203 | 91514117..... 192, 208 |
| 91474241 155 | 91474322 169 | 91474509..... 187, 203 | 91514123..... 189, 205 |
| 91474242 155 | 91474323 169 | 91474512..... 187, 203 | 91514146..... 191, 207 |
| 91474243 155 | 91474324 169 | | 91514147.. 191, 207, 483 |
| 91474244 155 | 91474326 171, 175 | | 91514148..... 191, 207 |
| 91474245 155 | 91474331 171, 175 | | 91514149..... 207 |
| 91474247 155 | 91474334 171, 175 | | 91514165..... 195, 211 |
| 91474248 155 | 91474335 171 | | 91514188.. 191, 203, 207 |
| 91474251 157 | 91474336 171, 175 | | 91514189..... 191, 207 |
| 91474252 157 | | | 91514275..... 197, 213 |
| 91474253 157 | | | 91514287.. 173, 177, 483 |
| 91474254 157 | | | 91514292..... 173, 177 |
| 91474255 157 | | | 91514293..... 173, 177 |
| 91474256 157 | | | 91514294..... 173, 177 |
| 91474257 157 | | | 933940..... 63 |
| 91474258 157 | | | 935113..... 123, 125, 239, 447 |
| 91474259 157 | | | E000269..... 427 |
| 91474262 157 | | | |
| 91474263 157 | | | |
| 91474264 157 | | | |



**Corporate Office
JLG Industries, Inc.
1 JLG Drive
McConnellsburg, PA 17233-9533 USA
☎ (717) 485-5161 (Corporate)
☎ (877) 554-5438 (Customer Support)
📠 (717) 485-6417**

**Visit our website for JLG Worldwide Locations.
www.jlg.com**



OSHKOSH™