

GRADALL

Illustrated Parts Manual

Models
532C-6
534C-6

SN 0188002

P/N - 91124051

Revised July 6, 2007



JLG

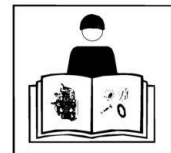


TABLE OF CONTENTS

SECTION 1 - CHASSIS AND ATTACHING PARTS	11
FIGURE 1-1. FRAME SHROUDING AND TRIM (SN 0188002 to Present).....	12
FIGURE 1-2. FRAME WELDMENT/SHROUDING AND TRIM (SN 0288777 to Present)	16
FIGURE 1-3. FRAME WELDMENT/SHROUDING AND TRIM (SN 0488238 to Present)	20
FIGURE 1-4. FRAME SHROUDING AND TRIM (534C-6 TURBO) (SN 0388043 to Present)	24
FIGURE 1-5. FRAME SHROUDING AND TRIM (534C-6 TURBO) (SN 0488238 to Present)	28
FIGURE 1-6. REAR AXLE AND ATTACHING PARTS (SN 0188002 to Present)	32
FIGURE 1-7. REAR AXLE AND ATTACHING PARTS (SN 0188214 to Present)	36
FIGURE 1-8. FRONT AXLE MOUNTING (SN 0188002 to Present).....	40
FIGURE 1-9. FRONT AXLE MOUNTING (SN 0388247 to Present).....	42
FIGURE 1-10. CAB GLASS (SN 0288301 to Present)	44
FIGURE 1-11. CAB GLASS (SN 0288777 to Present)	46
SECTION 2 - BOOM	47
FIGURE 2-1. FIRST BOOM SECTION (SN 0188002 to Present)	48
FIGURE 2-2. SECOND BOOM SECTION (SN 0188002 to Present)	50
FIGURE 2-3. THIRD BOOM SECTION (SN 0188002 to Present).....	52
FIGURE 2-4. EXTENSION AND RETRACTION CABLES (SN 0188002 to Present).....	54
FIGURE 2-5. (91085049) QUICK SWITCH OPTION (SN 0188002 through 0288482)	58
FIGURE 2-6. (91085049) QUICK SWITCH OPTION (SN 0288483 to Present)	60
SECTION 3 - ATTACHMENTS	63
FIGURE 3-1. (91085033) CARRIAGE ASSEMBLY (SN 0188002 to Present)	64
FIGURE 3-2. (90455007) Q.S. CARRIAGE ASSEMBLIES (SN 0188002 to Present).....	66
FIGURE 3-3. (90455008) Q.S. CARRIAGE ASSEMBLIES (SN 0188002 to Present).....	68
FIGURE 3-4. (90455051) Q.S. CARRIAGE ASSEMBLIES (SN 0188002 to Present).....	70
FIGURE 3-5. (90455052) Q.S. CARRIAGE ASSEMBLIES (SN 0188002 to Present).....	72
FIGURE 3-6. BUCKETS (SN 0188002 to Present).....	74
FIGURE 3-7. BUCKETS (SN 0188002 to Present).....	76
FIGURE 3-8. (91305016) 66IN SLOPE PILER CARRIAGE (SN 0188002 to Present).....	78
FIGURE 3-9. FORK INFORMATION	80
FIGURE 3-10. FORK INFORMATION	82
SECTION 4 - ENGINE AND ATTACHING PARTS	85
FIGURE 4-1. ENGINE LEFT SIDE VIEW (532C-6) (SN 0188002 to Present)	86
FIGURE 4-2. (91135007) ENGINE LEFT SIDE VIEW (532) (SN 0388256 to Present)	90
FIGURE 4-3. ENGINE RIGHT SIDE VIEW (532C-6) (SN 0188002 to Present)	94
FIGURE 4-4. (91135007) ENGINE RIGHT SIDE VIEW (532) (SN 0388256 to Present).....	96
FIGURE 4-5. ENGINE LEFT SIDE VIEW (534C-6) (SN 0188002 to Present)	100
FIGURE 4-6. (91125026) ENGINE LEFT SIDE VIEW (534C-6) (SN 0188251 to Present)	104
FIGURE 4-7. (91125049) ENGINE LEFT SIDE VIEW (534C-6) (SN 0388256 to Present)	108
FIGURE 4-8. (91125099) ENGINE LEFT SIDE VIEW (SN 0488238 to Present)	112
FIGURE 4-9. (91325007) ENGINE LEFT SIDE VIEW (534C-6 TURBO) (SN 0388256 to Present).....	116
FIGURE 4-10. (91125099) ENGINE LEFT SIDE VIEW (SN 0488238 to Present)	120
FIGURE 4-11. (91325031) ENGINE LEFT SIDE VIEW (534C-6 TURBO) (SN 0488238 to Present).....	124

TABLE OF CONTENTS

FIGURE 4-12. ENGINE RIGHT SIDE VIEW (534C-6) (SN 0188002 to Present).....	128
FIGURE 4-13. (91125026) ENGINE RIGHT SIDE VIEW (534C-6) (SN 0188251 to Present)	130
FIGURE 4-14. (91125049) ENGINE RIGHT SIDE VIEW (SN 0388256 to Present)	134
FIGURE 4-15. (91125099) ENGINE RIGHT SIDE VIEW (SN 0488238 to Present)	138
FIGURE 4-16. (91325001) ENGINE RIGHT SIDE VIEW (534C-6 TURBO) (SN 0388043 to Present).....	142
FIGURE 4-17. (91325007) ENGINE RIGHT SIDE VIEW (534C-6 TURBO) (SN 0388256 to Present).....	146
FIGURE 4-18. (91325031) ENGINE RIGHT SIDE VIEW (534C-6 TURBO) (SN 0488238 to Present).....	150
FIGURE 4-19. FUEL TANK AND LINES (SN 0188002 to Present).....	154
FIGURE 4-20. (91085016) FUEL TANK AND LINES (SN 0388012 to Present)	156
FIGURE 4-21. (91125104) FUEL TANK AND LINES (SN 0488238 to Present)	158
FIGURE 4-22. (91155016) FUEL TANK AND LINES (534C-6 TURBO) (SN 0488238 to Present).....	160
FIGURE 4-23. (91085013) RADIATOR ASSEMBLY (SN 0188002 to Present)	162
FIGURE 4-24. (91325004) RADIATOR ASSEMBLY (534C-6 TURBO) (SN 0388043 to Present)	164
FIGURE 4-25. (91085139) RADIATOR ASSEMBLY - 534C-6 (SN 0488238 to Present)	166
FIGURE 4-26. (91325023) RADIATOR ASSEMBLY (534C-6 TURBO) (SN 0488238 to Present)	168
FIGURE 4-27. AIR CLEANER PIPING (SN 0188002 to Present)	170
FIGURE 4-28. AIR CLEANER PIPING (SN 0288777 to Present)	172
FIGURE 4-29. AIR CLEANER PIPING (534C-6 TURBO) (SN 0388043 to Present)	174
FIGURE 4-30. AIR CLEANER PIPING (534C-6 TURBO) (SN 0488238 to Present)	176
FIGURE 4-31. AIR CLEANER (SN 0188002 to Present)	178
FIGURE 4-32. EXHAUST SYSTEM (SN 0188002 to Present)	180
FIGURE 4-33. EXHAUST SYSTEM (534C-6 TURBO) (SN 0388043 to Present).....	182
SECTION 5 - DRIVE TRAIN	185
FIGURE 5-1. (91083267) FRONT AXLE ASSEMBLY (SN 0188002 to Present)	186
FIGURE 5-2. (91095023) FRONT AXLE ASSEMBLY - 532C-6 & (91125047) FRONT AXLE ASSEMBLY - 534C-6 (SN 0388247 to Present).....	188
FIGURE 5-3. (91095020) FRONT AXLE ASSEMBLY - 532C-6 & (91085110) FRONT AXLE ASSEMBLY - 534C-6 (SN 0388349 to Present).....	190
FIGURE 5-4. (91084044) FRONT AXLE ASSEMBLY (SN 0188002 to Present)	192
FIGURE 5-5. (91123119) FRONT AXLE (SN 0388247 to Present)	194
FIGURE 5-6. (91084163) FRONT AXLE DIFFERENTIAL CARRIER (SN 0188002 to Present).....	196
FIGURE 5-7. CARRIER ASSEMBLY (SN 0388247 to Present).....	200
FIGURE 5-8. (91084055) BRAKE ASSEMBLY (SN 0188002 to Present)	204
FIGURE 5-9. BRAKE ASSEMBLY (Including 0388247).....	206
FIGURE 5-10. (91084164) FRONT AXLE SHAFT AND PLANETARY WHEEL END (SN 0188002 to Present).....	208
FIGURE 5-11. (91144339) (91144337) LEFT/RIGHT HOUSING ASSEMBLY & (91144333) (91144335) AXLE SHAFT AND WHEEL FLANGE ASSEMBLY (SN 0388247 to Present)	210
FIGURE 5-12. (91123024) REAR STEERING AXLE DRIVE HUB (534C-6) (SN 0188002 to Present).....	212
FIGURE 5-13. (91083462) REAR STEERING AXLE DRIVE HUB (534C-6) (SN 0288568 to Present).....	214
FIGURE 5-14. (91123145) REAR STEERING AXLE DRIVE HUB (SN 0488332 to Present).....	216
FIGURE 5-15. (91093006) REAR STEERING AXLE NON-DRIVE HUB (532C-6) (SN 0188002 to Present).....	218
FIGURE 5-16. WHEELS AND TIRES (SN 0188002 to Present).....	220
SECTION 6 - CONTROLS.....	223
FIGURE 6-1. TILT AND SWAY (SN 0188002 to Present).....	224
FIGURE 6-2. LIFT AND CROWD (SN 0188002 to Present)	226

TABLE OF CONTENTS

FIGURE 6-3. ACCELERATOR LINKAGE (SN 0188002 to Present)	228
FIGURE 6-4. (91143118) ACCELERATOR PEDAL ASSEMBLY (SN 0288777 to Present)	230
FIGURE 6-5. (91143342) ACCELERATOR PEDAL ASSEMBLY (SN 0488238 to Present)	232
FIGURE 6-6. STEERING COLUMN (SN 0188002 through 0288776)	234
FIGURE 6-7. STEERING COLUMN (SN 0288777 to Present)	236
FIGURE 6-8. STEERING COLUMN AND ATTACHING PARTS (SN 0488238 to Present)	238
FIGURE 6-9. STEERING COLUMN (SN 0188002 through 0388420)	240
FIGURE 6-10. STEERING COLUMN (SN 0388421 to Present)	242
FIGURE 6-11. (91125040) FLOORPLATE ASSEMBLY (SN 0288777 to Present)	244
FIGURE 6-12. (91095022) FLOORPLATE ASSEMBLY - 532C-6; (91125053) FLOORPLATE ASSEMBLY - 534C-6; (91325006) FLOORPLATE ASSEMBLY - 534C-6 (TURBO) (SN 0388247 to Present)	246
FIGURE 6-13. (91095024) FLOORPLATE ASSEMBLY - 532C-6; (91085111) FLOORPLATE ASSEMBLY - 534C-6; (91325008) FLOORPLATE ASSEMBLY - 534C-6 (TURBO) (SN 0388349 to Present)	248
FIGURE 6-14. BRAKE AND INCHING LINKAGE (SN 0188002 to Present)	250
FIGURE 6-15. BRAKE AND INCHING LINKAGE (SN 0288777 to Present)	252
FIGURE 6-16. BRAKE AND INCHING LINKAGE (SN 0388247 to Present)	254
FIGURE 6-17. BRAKE AND INCHING LINKAGE (SN 0488238 to Present)	256
SECTION 7 - BRAKES	259
FIGURE 7-1. SERVICE BRAKE LINES (SN 0188002 to Present)	260
FIGURE 7-2. SERVICE/PARK BRAKE LINES (SN 0388247 to Present)	262
FIGURE 7-3. SERVICE BRAKE (SN 0188002 through 0388246)	264
FIGURE 7-4. INCHING AND PARKING BRAKE LINES (532C-6) (SN 0188002 to Present)	266
FIGURE 7-5. INCHING AND PARKING BRAKE LINES (532C-6) (SN 0188166 to Present)	268
FIGURE 7-6. INCHING AND PARKING BRAKE LINES (532C-6) (SN 0388247 to Present)	270
FIGURE 7-7. INCHING AND PARKING BRAKE LINES (532C-6) (SN 0388349 to Present)	272
FIGURE 7-8. INCHING AND PARKING BRAKE LINES (534C-6) (SN 0188002 to Present)	274
FIGURE 7-9. INCHING AND PARKING BRAKE LINES (534C-6) (SN 0188166 to Present)	276
FIGURE 7-10. INCHING AND PARKING BRAKE LINES (534C-6) (SN 0188251 to Present)	278
FIGURE 7-11. INCHING AND PARKING BRAKE LINES (534C-6) (SN 0288777 to Present)	280
FIGURE 7-12. INCHING AND PARKING BRAKE LINES (534C-6) (SN 0388247 to Present)	282
FIGURE 7-13. INCHING AND PARKING BRAKE LINES (534C-6) (SN 0388349 to Present)	284
SECTION 8 - HYDRAULIC CIRCUITS	287
FIGURE 8-1. OIL SUPPLY AND PRESSURE LINES (SN 0188002 to Present)	288
FIGURE 8-2. OIL SUPPLY AND PRESSURE LINES (SN 0388349 to Present)	292
FIGURE 8-3. OIL SUPPLY AND PRESSURE LINES (534C-6 TURBO) (SN 0488238 to Present)	296
FIGURE 8-4. DUMP CIRCUIT (534C-6) (SN 0188002 to Present)	300
FIGURE 8-5. DUMP CIRCUIT (534C-6) (SN 0388349 to Present)	302
FIGURE 8-6. DUMP CIRCUIT (534C-6) (SN 0488238 to Present)	304
FIGURE 8-7. DUMP CIRCUIT (534C-6 TURBO) (SN 0388043 to Present)	306
FIGURE 8-8. DUMP CIRCUIT (534C-6 TURBO) (SN 0388349 to Present)	308
FIGURE 8-9. DUMP CIRCUIT (534C-6 TURBO) (SN 0388549 to Present)	310
FIGURE 8-10. DUMP CIRCUIT (534C-6 TURBO) (SN 0488238 to Present)	314
FIGURE 8-11. DUMP CIRCUIT (532C-6) (SN 0188002 to Present)	318
FIGURE 8-12. DUMP CIRCUIT (532C-6) (SN 0388349 to Present)	320
FIGURE 8-13. DRIVE CIRCUIT (532C-6) (SN 0188002 to Present)	322

TABLE OF CONTENTS

FIGURE 8-14. DRIVE CIRCUIT (532C-6) (SN 0188256 to Present).....	324
FIGURE 8-15. DRIVE CIRCUIT (532C-6) (SN 0388247 to Present).....	326
FIGURE 8-16. DRIVE CIRCUIT (532C-6) (SN 0388349 to Present).....	328
FIGURE 8-17. (534C-6) DRIVE CIRCUIT - FRONT (SN 0188002 to Present).....	330
FIGURE 8-18. (534C-6) DRIVE CIRCUIT - FRONT (SN 0188251 to Present).....	332
FIGURE 8-19. (534C-6) DRIVE CIRCUIT - FRONT (SN 0388247 to Present).....	334
FIGURE 8-20. (534C-6) DRIVE CIRCUIT - FRONT (SN 0388349 to Present).....	336
FIGURE 8-21. (534C-6) DRIVE CIRCUIT - REAR (SN 0188002 to Present).....	338
FIGURE 8-22. (534C-6) DRIVE CIRCUIT - REAR (SN 0188251 to Present).....	342
FIGURE 8-23. (534C-6) DRIVE CIRCUIT - REAR (SN 0388349 to Present).....	346
FIGURE 8-24. (TURBO) DRIVE CIRCUIT - FRONT (SN 0488238 to Present).....	350
FIGURE 8-25. REAR DRIVE CIRCUIT (534C-6 TURBO) (SN 0388043 to Present).....	352
FIGURE 8-26. REAR DRIVE CIRCUIT (534C-6 TURBO) (SN 0388349 to Present).....	356
FIGURE 8-27. REAR DRIVE CIRCUIT (534C-6 TURBO) (SN 0488238 to Present).....	360
FIGURE 8-28. LIFT CYLINDER (SN 0188002 to Present).....	364
FIGURE 8-29. CROWD CYLINDER (SN 0188002 to Present).....	366
FIGURE 8-30. TILT AND TILT COMPENSATING CYLINDER (SN 0188002 to Present).....	368
FIGURE 8-31. SWAY CYLINDER (SN 0188002 to Present).....	372
FIGURE 8-32. SWAY CYLINDER (SN 0388247 to Present).....	374
FIGURE 8-33. SWAY CYLINDER (534C-6 TURBO) (SN 0388043 to Present).....	376
FIGURE 8-34. SWAY CYLINDER (534C-6 TURBO) (SN 0388247 to Present).....	378
FIGURE 8-35. STEERING CYLINDER (SN 0188002 to Present).....	380
FIGURE 8-36. STEERING CYLINDER (SN 0288032 to Present).....	382
FIGURE 8-37. JOYSTICK CIRCUIT (SN 0188166 to Present).....	384
FIGURE 8-38. JOYSTICK CIRCUIT (SN 0288777 to Present).....	386
SECTION 9 - HYDRAULIC COMPONENTS	389
FIGURE 9-1. (91123010) LIFT CYLINDER - SEITZ (SN 0188002 through 0288586, SN 0288588 through 0288691, SN 0288716 through 0288939, SN 0388021 through 0388087, Including 0288693 and 0288694).....	390
FIGURE 9-2. (91123111) LIFT CYLINDER - IOWA (SN 0288695 through 0288715, SN 288940H through 0388020H, SN 0388088H to Present, Including 0288587 and 0288692).....	392
FIGURE 9-3. CROWD CYLINDER (SN 0188002 to Present).....	394
FIGURE 9-4. (91125024) CROWD CYLINDER (SN 0188153 to Present).....	396
FIGURE 9-5. (91335019) CROWD CYLINDER FOR SERVICE ONLY	398
FIGURE 9-6. (91083379) TILT CYLINDER - SEITZ (SN 0188002 through 0288586, SN 0288588 through 0288691, SN 0288716 through 0288939, SN 0388021 through 0388053, Including 0288693 and 0288694).....	400
FIGURE 9-7. (91083472) TILT CYLINDER - IOWA (SN 0288695 through 0288715, SN 0288940H through 0388020H, Including 0288587 and 0288692).....	402
FIGURE 9-8. (91083513) TILT CYLINDER - IOWA (SN 0388054 to Present).....	404
FIGURE 9-9. TILT CYLINDER (532) (SN 0188002 to Present).....	406
FIGURE 9-10. (91083285) COMPENSATING CYLINDER - SEITZ (SN 0188002 through 0288586, SN 0288588 through 0288691, SN 0288716 through 0288939, SN 0388021 through 0388087, Including 0288693 and 0288694).....	408
FIGURE 9-11. (91083470) COMPENSATING CYLINDER - IOWA (SN 0288695 through 0288715, SN 0288940H through 0388020H, SN 0388088H to Present, Including 0288587 and 0288692).....	410
FIGURE 9-12. COMPENSATING CYLINDER (532) (SN 0188002 to Present).....	412
FIGURE 9-13. (91083286) SWAY CYLINDER - SEITZ (SN 0188002 through 0288586, SN 0288588 through 0288691, SN 0288716 through 0288939, SN 0388021 through 0388087, Including 0288693 and 0288694).....	414

TABLE OF CONTENTS

FIGURE 9-14. (91083471) SWAY CYLINDER - IOWA (SN 0288695 through 0288715, SN 0288940H through 0388020H, SN 0388088H to Present, Including 0288587 and 0288692).....	416
FIGURE 9-15. (91123133) SWAY CYLINDER - IOWA (SN 0388247 to Present)	418
FIGURE 9-16. (91083281) STEERING CYLINDER - SEITZ (SN 0188002 through 0288586, SN 0288588 through 0288691, SN 0288716 through 0288939, SN 0388021 through 0388087, Including 0288693 and 0288694).....	420
FIGURE 9-17. (91083467) STEERING CYLINDER - IOWA (SN 0288695 through 0288715, SN 0288940H through 0388020H, SN 0388088H to Present, Including 0288587 and 0288692).....	422
FIGURE 9-18. (91083532) STEERING CYLINDER - IOWA (SN 0388496 to Present)	424
FIGURE 9-19. (91083056) MAIN HYDRAULIC CONTROL VALVE (SN 0188002 to Present).....	426
FIGURE 9-20. (91083420) MAIN HYDRAULIC CONTROL VALVE ASSEMBLY (SN 0188166 to Present)	428
FIGURE 9-21. (91083420) MAIN CONTROL VALVE (SN 0288568 to Present)	432
FIGURE 9-22. (91083401) REAR DRIVE MOTOR (SN 0188002 to Present)	436
FIGURE 9-23. (91033240) PRIORITY FLOW CONTROL VALVE (SN 0188002 to Present)	438
FIGURE 9-24. (91083292) FLOW DIVIDER VALVE (SN 0188002 to Present).....	440
FIGURE 9-25. (91083521) FLOW DIVIDER VALVE (SN 0388247 to Present).....	442
FIGURE 9-26. (91123131) BRAKE VALVE (SN 0188002 to Present).....	444
FIGURE 9-27. (91143201) BRAKE VALVE (SN 0388247 to Present).....	446
FIGURE 9-28. (90206739) SOLENOID VALVE (SN 0188002 to Present)	448
FIGURE 9-29. (91043446) SOLENOID VALVE (SN 0288777 to Present)	450
FIGURE 9-30. (91083262) DUAL P.O. CHECK VALVE (SN 0188002 to Present)	452
FIGURE 9-31. (91033096) INCHING VALVE (SN 0188002 to Present).....	454
FIGURE 9-32. (91143140) INCHING VALVE (SN 0388349 to Present).....	456
FIGURE 9-33. (91083296) MAIN HYDRAULIC PUMP (SN 0188002 to Present)	458
FIGURE 9-34. (91083013) HYDROSTATIC TRANSMISSION PUMP (SN 0188002 to Present)	460
FIGURE 9-35. (91083461) HYDROSTATIC TRANSMISSION PUMP (SN 0288568 to Present)	464
FIGURE 9-36. (91083499) HYDROSTATIC TRANSMISSION PUMP (SN 0388349 to Present)	468
FIGURE 9-37. (91093002) FRONT DRIVE MOTOR (532C-6) (SN 0188002 to Present).....	470
FIGURE 9-38. (91093016) FRONT DRIVE MOTOR (532C-6) (SN 0388349 to Present).....	472
FIGURE 9-39. (91083044) FRONT DRIVE MOTOR (534C-6) (SN 0188002 to Present).....	474
FIGURE 9-40. (91163044) FRONT DRIVE MOTOR (534C-6) (SN 0388349 to Present).....	476
FIGURE 9-41. (91085051) MANIFOLD ASSEMBLY (SN 0188002 to Present)	478
FIGURE 9-42. (91085015) HYDRAULIC RESERVOIR AND FILTER (SN 0188002 to Present).....	480
FIGURE 9-43. (91085015) HYDRAULIC RESERVOIR AND FILTER (SN 0388243 to Present).....	482
FIGURE 9-44. (91083053) STEERING ORBITROL (Including 0188002).....	484
FIGURE 9-45. (91123126) STEERING ORBITROL (SN 0288032 to Present).....	486
FIGURE 9-46. (91303037) JOYSTICK ASSEMBLY (SN 0188166 to Present)	488
FIGURE 9-47. (91083424) TRACTION LOCK VALVE (534C-6) (SN 0188251 to Present).....	490
FIGURE 9-48. (91083459) TRACTION LOCK VALVE (534C-6) (SN 0288568 to Present).....	492
FIGURE 9-49. (91325012) THERMAL BYPASS VALVE ASSY (534C-6 TURBO) (SN 0388549 to Present)	494
SECTION 10 - ELECTRICAL	497
FIGURE 10-1. ENGINE WIRING (532C-6).....	498
FIGURE 10-2. (91143192) ENGINE WIRING (SN 0288777 to Present)	500
FIGURE 10-3. ENGINE WIRING (534C-6) (SN 0188002 to Present)	502
FIGURE 10-4. (91143192) ENGINE WIRING (SN 0288777 to Present)	504
FIGURE 10-5. (91123166) ENGINE WIRING (SN 0488238 to Present)	506
FIGURE 10-6. (91085035) GAUGE PANEL ASSY (532C-6) (SN 0188002 to Present).....	508

TABLE OF CONTENTS

FIGURE 10-7. DASH PANEL (SN 0288777 to Present)	510
FIGURE 10-8. (91085034) GAUGE PANEL ASSY (534C-6) (SN 0188002 to Present)	512
FIGURE 10-9. DASH PANEL (SN 0288777 to Present)	514
FIGURE 10-10. DASH PANEL (SN 0488238 to Present)	516
FIGURE 10-11. BATTERY AND CABLES (SN 0188002 to Present).....	518
FIGURE 10-12. BATTERY AND CABLES (Including 0288636).....	520
FIGURE 10-13. (91145031) GAUGE PANEL ASSEMBLY (SN 0188122 to Present).....	522
FIGURE 10-14. (91145031) GAUGE PANEL ASSEMBLY (SN 0288777 to Present).....	526
FIGURE 10-15. (91143331) GAUGE PANEL ASSEMBLY (SN 0488238 to Present).....	530
FIGURE 10-16. (91143193) DASH HARNESS (SN 0288777 to Present).....	532
FIGURE 10-17. (91143193) DASH HARNESS (SN 0288777 to Present).....	534
FIGURE 10-18. (91143349) DASH HARNESS (SN 0488238 to Present).....	536
SECTION 11 - MISCELLANEOUS	539
FIGURE 11-1. DECAL LISTS BY MODEL FOR SERVICE ONLY MODEL 532C-6.....	540
FIGURE 11-2. DECAL LISTS BY MODEL FOR SERVICE ONLY MODEL 534C-6.....	542
FIGURE 11-3. DECAL LISTS BY MODEL FOR SERVICE ONLY MODEL 534C-6 TURBO (SN 0188002 through 0488237)	544
FIGURE 11-4. FRAME DECALS (SN 0188002 through 0288776)	546
FIGURE 11-5. CAB AND FRAME DECALS (SN 0288777 through 0388246).....	548
FIGURE 11-6. FRAME DECALS (534C-6 TURBO) (SN 0388043 through 0388246).....	550
FIGURE 11-7. CAB AND FRAME DECALS (SN 0388247 through 0488237).....	552
FIGURE 11-8. FRAME DECALS (534C-6 TURBO) (SN 0388247 through 0488237).....	554
FIGURE 11-9. CAB AND FRAME DECALS (SN 0488238 to Present)	556
FIGURE 11-10. FRAME DECALS (534C-6 TURBO) (SN 0488238 to Present).....	558
FIGURE 11-11. BOOM DECALS (SN 0188002 through 0488237)	560
FIGURE 11-12. BOOM DECALS (534C-6 TURBO) (SN 0388043 through 0488237)	562
FIGURE 11-13. BOOM DECALS (SN 0488238 to Present).....	564
FIGURE 11-14. BOOM DECALS (534C-6 TURBO) (SN 0488238 to Present)	566
SECTION 12 - OPTIONAL EQUIPMENT	569
FIGURE 12-1. (91085054) ETHER STARTING KIT.....	570
FIGURE 12-2. (91085105) ETHER STARTING KIT (SN 0288777 to Present).....	574
FIGURE 12-3. (91325003) ETHER START - 534C-6 TURBO (SN 0388043 to Present).....	578
FIGURE 12-4. (91325034) ETHER START (SN 0488238 to Present)	580
FIGURE 12-5. (91085046) L.H. TILT/ SWAY CONTROL	582
FIGURE 12-6. (91085059) GLOW PLUG INSTALLATION	584
FIGURE 12-7. (91145033) GLOW PLUG INSTALLATION (SN 0288777 to Present).....	586
FIGURE 12-8. (91125101) GLOW PLUG INSTALLATION (SN 0488238 to Present).....	588
FIGURE 12-9. (91125016) VANDAL COVER	590
FIGURE 12-10. (91085102) VANDAL KIT (SN 0288777 to Present).....	592
FIGURE 12-11. (91125018) WORK LIGHT PACKAGE	594
FIGURE 12-12. (91145021) WORK LIGHT PACKAGE (SN 0288777 to Present).....	598
FIGURE 12-13. (91145098) WORK LIGHT PACKAGE (SN 0488238 to Present).....	602
FIGURE 12-14. (91085056) QUICK HOOK ASSEMBLY	606
FIGURE 12-15. (91125011) AUXILIARY HYDRAULICS.....	608
FIGURE 12-16. (91125043) AUXILIARY HYDRAULIC ASSEMBLY W/ELECTRIC (SN 0288777 to Present)	612

TABLE OF CONTENTS

FIGURE 12-17. (91125043) AUXILIARY HYDRAULIC ASSEMBLY W/ELECTRIC (SN 0288777 to Present).....	614
FIGURE 12-18. (91085050) CAB ENCLOSURE	618
FIGURE 12-19. (91145050) CAB ENCLOSURE (SN 0288777 to Present).....	622
FIGURE 12-20. (91145096) CAB ENCLOSURE (532C-6 SN 0488238 to Present; 534C-6 SN 0488238 to Present)	626
FIGURE 12-21. (91085058) 48IN SLOPE PILER CARRIAGE	630
FIGURE 12-22. (91083286) SWAY CYLINDER (SN 0188002 through 0388190).....	632
FIGURE 12-23. (91083471) SWAY CYLINDER (SN 0388191 to Present).....	634
FIGURE 12-24. (91083262) DUAL P.O. CHECK VALVE	636
FIGURE 12-25. (90455035) & (90455037) 6FT MAST ASSEMBLIES	638
FIGURE 12-26. (90555013) 100 DRYWALL SWING FORK ASSEMBLY	640
FIGURE 12-27. (91033366) CYLINDER ASSEMBLY	644
FIGURE 12-28. (90453034) CYLINDER ASSEMBLY	646
FIGURE 12-29. (90455044) 100 SWING FORK ASSEMBLY	648
FIGURE 12-30. (91085062) DELUXE LIGHT PACKAGE (SN 0188002 through 0288776)	652
FIGURE 12-31. (91085104) DELUXE LIGHT PACKAGE (SN 0288777 to Present)	656
FIGURE 12-32. (91125021) BEACON LIGHT PACKAGE	662
FIGURE 12-33. (91125042) BEACON LIGHT PACKAGE (SN 0288777 to Present)	664
FIGURE 12-34. (91125103) BEACON LIGHT PACKAGE (SN 0488238 to Present)	666
FIGURE 12-35. (90455043) DRYWALL CARRIAGE ASSEMBLY.....	668
FIGURE 12-36. (91125007) STABILIZER OPTION.....	670
FIGURE 12-37. (91125089) STABILIZER OPTION 534C-6 36 FT BOOM (SN 0488238 to Present)	672
FIGURE 12-38. (91325035) STABILIZER OPTION (534C-6 TURBO) 36 FT BOOM (SN 0488238 to Present)	674
FIGURE 12-39. (91125097) STABILIZER OPTION 534C-6 42 FT BOOM (SN 0488238 to Present)	676
FIGURE 12-40. (91043303) STABILIZER CYLINDER	678
FIGURE 12-41. (91125023) JOYSTICK INSTALLATION ASSEMBLY.....	680
FIGURE 12-42. (91123078) JOYSTICK	682
FIGURE 12-43. (91035101) PINTLE HOOK INSTALLATION	684
FIGURE 12-44. (91085072) TILT ON JOYSTICK.....	686
FIGURE 12-45. (91085107) JOYSTICK INSTALLATION (TILT ON JOYSTICK) (SN 0288777 to Present).....	690
FIGURE 12-46. (91085107) JOYSTICK INSTALLATION (TILT ON JOYSTICK) (SN 0288777 to Present).....	692
FIGURE 12-47. (91125022) WINCH INSTALLATION	694
FIGURE 12-48. (91043353) ENGINE BLOCK HEATER	698
FIGURE 12-49. (91125044) L. H. SWAY CONTROL	700
FIGURE 12-50. (91125054) THERMAL BYPASS	702
FIGURE 12-51. (91125056) INLINE BYPASS.....	704
FIGURE 12-52. (91325011) INLINE BYPASS - 534C-6 TURBO (SN 0388043 to Present)	706
FIGURE 12-53. (91085073) HYDRAULIC RESERVOIR HEATER INSTALLATION	708
FIGURE 12-54. (91125072) 42FT BOOM OPTION.....	710
FIGURE 12-55. (91325019) 42FT BOOM OPTION (TURBO).....	714
FIGURE 12-56. (91125058) 42FT BOOM ASSEMBLY	718
FIGURE 12-57. (91125058) 42FT BOOM ASSEMBLY	720
FIGURE 12-58. (91125058) 42FT BOOM ASSEMBLY	722
FIGURE 12-59. (91125058) 42FT BOOM ASSEMBLY	724
FIGURE 12-60. (91123141) LIFT CYLINDER 42FT BOOM ONLY (SN 0188002 through 0488365)	726
FIGURE 12-61. (91123183) LIFT CYLINDER 42FT BOOM ONLY (SN 0488366 to Present).....	728

TABLE OF CONTENTS

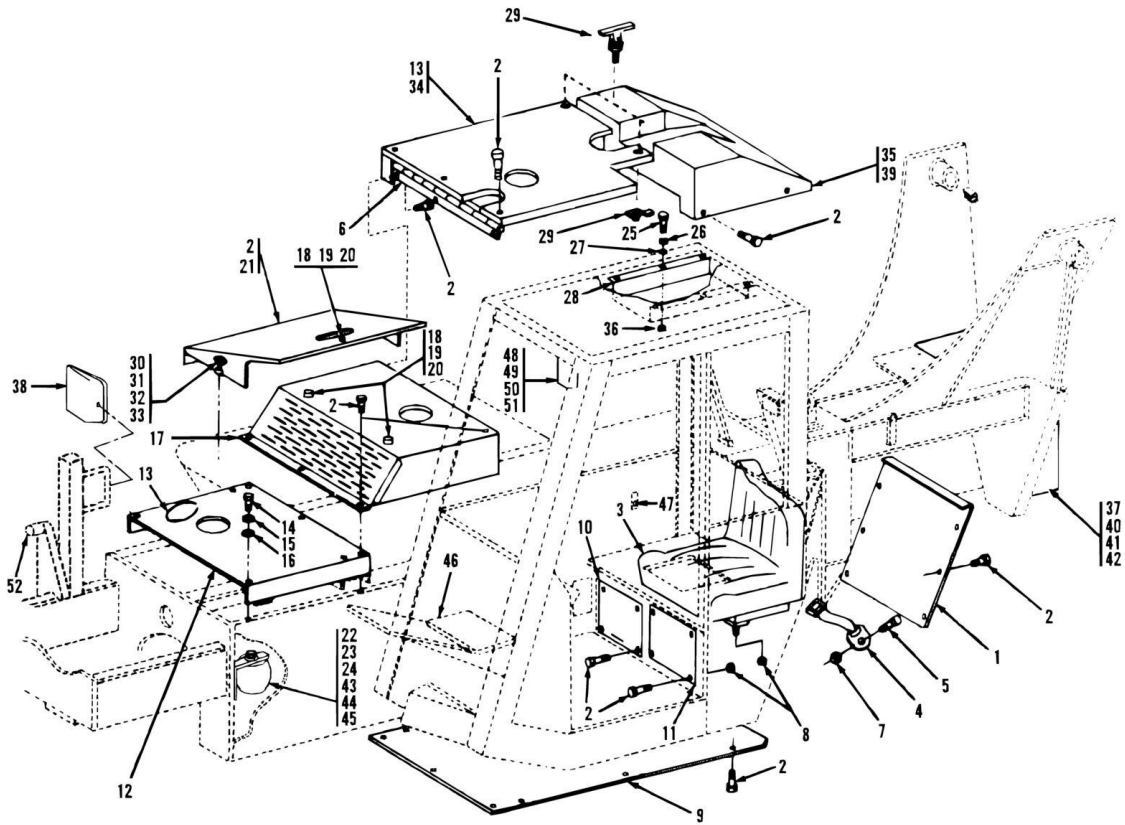
FIGURE 12-62. (91163045) STABILIZER CYLINDER.....	730
FIGURE 12-63. (91123143) COMPENSATING CYLINDER 42FT BOOM ONLY	732
FIGURE 12-64. (91163164) STABILIZER VALVE ASSY 42FT BOOM ONLY	734
FIGURE 12-65. (91165006) STABILIZER PROXIMITY SENSOR ASSEMBLY 42FT BOOM ONLY	736
FIGURE 12-66. (91125082) AUXILIARY HYDRAULICS ASSEMBLY 42FT BOOM ONLY	738
FIGURE 12-67. (91125082) AUXILIARY HYDRAULICS ASSEMBLY 42FT BOOM ONLY	740
FIGURE 12-68. (91125092) WINCH INSTALLATION 42FT BOOM ONLY (SN 0488238 to Present)	742
FIGURE 12-69. (91125105) FOAM TIRE 42FT BOOM OPTION ONLY	746
FIGURE 12-70. (91145136) REAR AXLE REWORK KIT FOR SERVICE ONLY.....	748
FIGURE 12-71. (91335026) REAR AXLE ADVANTAGE KIT FOR SERVICE ONLY.....	750
FIGURE 12-72. (91033387) 5-BUTTON HANDLE (SN 0355001 to Present)	754
FIGURE 12-73. (91125055) STOP LIGHT INSTALLATION (SN 0188002 to Present)	756
PART NUMBER INDEX.....	759

SECTION 1 - CHASSIS AND ATTACHING PARTS

SECTION 1 - CHASSIS AND ATTACHING PARTS

SECTION 1 - CHASSIS AND ATTACHING PARTS

FIGURE 1-1. FRAME SHROUDING AND TRIM (SN 0188002 to Present)



SECTION 1 - CHASSIS AND ATTACHING PARTS

FIGURE 1-1. FRAME SHROUDING AND TRIM (SN 0188002 to Present)

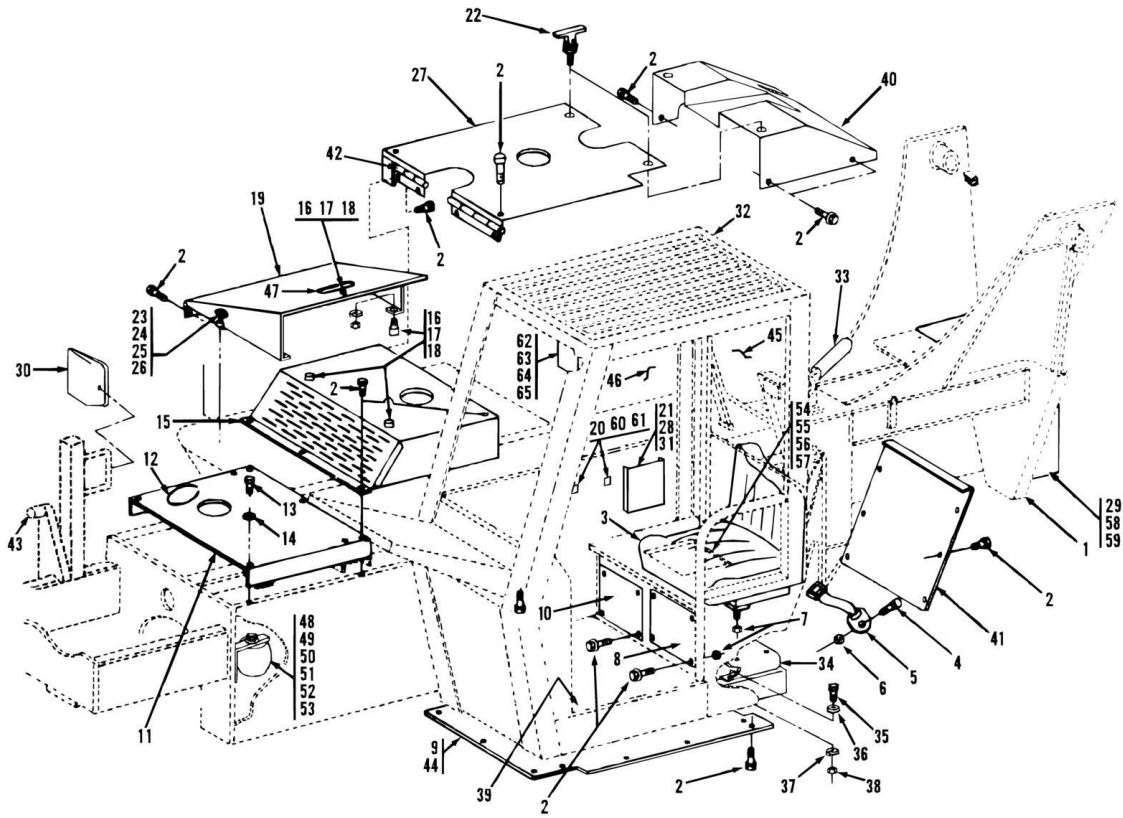
ITEM	PART NUMBER	QTY	DESCRIPTION	REV
	91126001	Ref	FRAME WELDMENT (532C-6)	
	91126048	Ref	FRAME WELDMENT (534C-6)	
	91086040	Ref	CAB WELDMENT	
1	91081259	1	REAR CAB COVER	
2	77143003	37	WHIZ-LOK SCREW, 5/16-18X5/8	
3	91033485	1	SEAT (standard)	
3	91124107	1	SLIDE ADJ KIT (use with std seat)	
3	91043237	1	GRAMMER SEAT (OPTIONAL)	
3	88201020	4	HEX HD CAPSCREW, 5/16-18X1, GR5 (use with optional seat)	
4	91033029	1	SEAT BELT	
5	88201050	2	HEX HD CAPSCREW, 7/16-14X1, GR5	
6	91121102	1	HINGE	
7	88501007	2	HEX NUT, 7/16-14	
8	77143006	8	WHIZ-LOCK NUT	
9	91081258	1	BELLY PAN	
10	91081210	1	VALVE ACCESS COVER	
11	91081475	1	HEATER COVER PLATE	
12	91081681	1	MAINTENANCE DECK	
13	90206194	25 in	TRIM-LOK	
13	14402248	AR	3M ADHESIVE	
14	88201017	4	HEX HD CAPSCREW, 5/16-18X5/8, GR5	
15	88551010	4	LOCKWASHER, 5/16	
16	88561003	4	FLAT WASHER, 5/16	
17	91086060	1	FRONT ENGINE COVER	
18	91083173	3	RUBBER HD SCREW BUMPER	
19	88551007	3	LOCKWASHER, #10	
20	88501612	3	HEX NUT, #10-24	
21	91086088	1	TANK COVER WELDMENT	
22	24921393	1	HORN	
23	24921394	1	HORN BRACKET	
24	88201017	1	HEX HD CAPSCREW, 5/16-18X5/8, GR5	
25	88301093	4	ROUND HD MACHINE SCREW, #10-24X3/4	
26	88554900	4	INTERNAL TOOTH WASHER	
27	88591200	4	O-RING	
28	91033102	1	MANUAL HOLDER	
29	91303021	2	"T" HANDLE	
30	90207458	2	DRAW LATCH	
31	88301193	8	ROUND HD MACHINE SCREW, #10-32X1/2	
32	88551007	8	LOCKWASHER, #10	
33	88501613	4	HEX NUT, #10-32	
34	91121089	1	REAR ENGINE COVER	
35	91126022	1	REAR COVER WELDMENT	
36	88501612	4	HEX NUT, #10-24	
37	91140001	1	COUNTERWEIGHT	
38	83683291	1	MIRROR (For earlier models use service kit 91085099) (SN 0288572 to Present)	
39	90200755	1	WEATHERSTRIP (24in long)	
40	91121209	1	COUNTERWEIGHT PLATE	
41	88201142	2	HEX HD CAPSCREW, 1-8X4-1/2, GR5	
42	88561011	4	WASHER, 1IN	

SECTION 1 - CHASSIS AND ATTACHING PARTS

ITEM	PART NUMBER	QTY	DESCRIPTION	REV
43	88551010	1	LOCKWASHER, 5/16	
44	88561003	1	FLAT WASHER, 5/16	
45	24921395	1	NUT	
46	91081202	1	FORMED FENDER	
47	85211040	1	PLUG BUTTON	
48	91033320	1	TILT GAGE	
49	88204912	1	HEX HD CAPSCREW, 1/4-20X1, GR5	
50	88561107	1	FLAT WASHER, 1/4	
51	88521204	1	LOCKNUT, 1/4-20	
52	91143051	1	BUSHING	

SECTION 1 - CHASSIS AND ATTACHING PARTS

FIGURE 1-2. FRAME WELDMENT/SIROUDING AND TRIM (SN 0288777 to Present)



SECTION 1 - CHASSIS AND ATTACHING PARTS

FIGURE 1-2. FRAME WELDMENT/SHROUDING AND TRIM (SN 0288777 to Present)

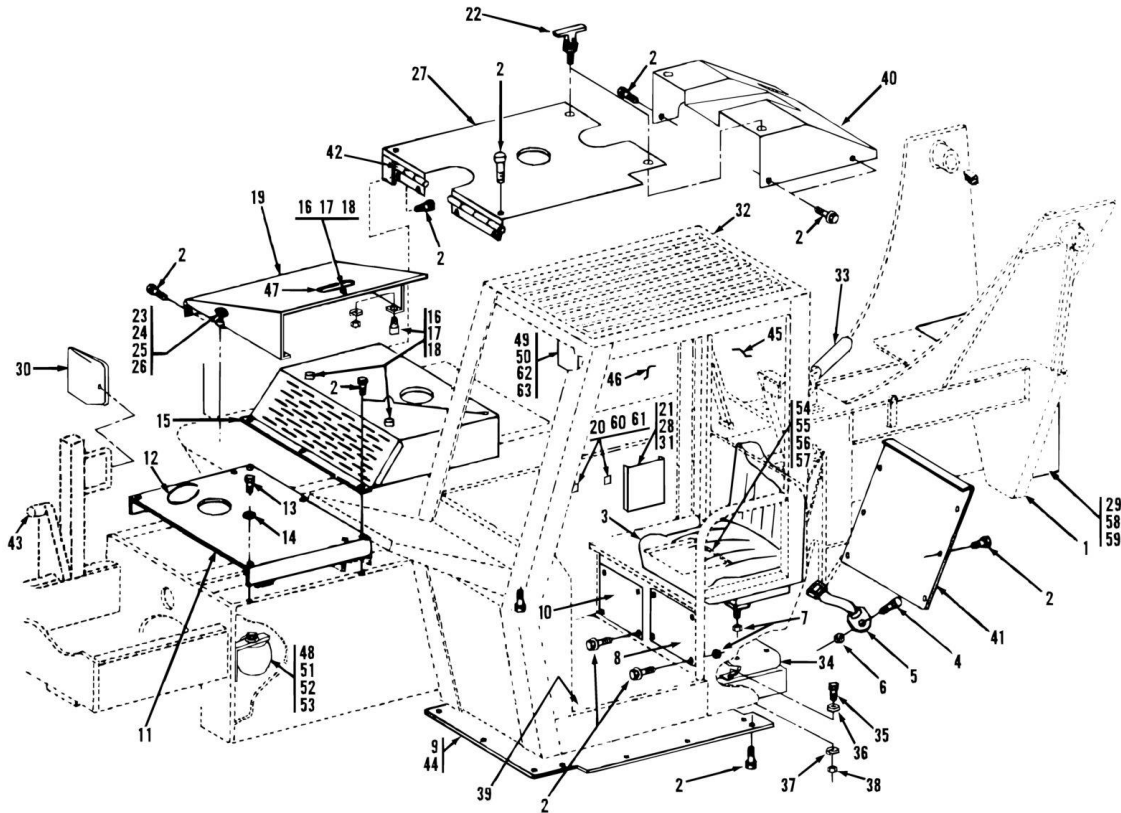
ITEM	PART NUMBER	QTY	DESCRIPTION	REV
1	91126048	1	FRAME WELDMENT(534C-6)	
1	91126001	1	FRAME WELDMENT (532C-6)	
2	77143003	42	WHIZ-LOK SCREW	
3	91033485	1	SEAT (w/armrest)	
3	91124107	1	SLIDE ADJ KIT	
4	88201050	2	HEX HD CAPSCREW, 7/16-14 x 1	
5	91033029	1	SEAT BELT	
6	88501007	2	HEX NUT, 7/16-14	
7	77143006	8	WHIZ-LOK NUT	
8	91081475	1	HEATER COVER PLATE	
9	91081709	1	BELLY PAN	
10	91141329	1	VALVE ACCESS COVER	
11	91081681	1	DECK COVER	
12	90206194	AR	TRIM-LOK	
13	91123124	4	WHIZ-LOC SCREW, 5/16-18 x 5/8	
14	88561003	4	FLATWASHER, 5/16	
15	91086060	1	FRONT ENGINE COVER	
16	91083173	5	RUBBER HD SCREW BUMPER	
17	88551007	5	LOCKWASHER, #10	
18	88501612	5	HEX NUT, #10-24	
19	91086162	1	TANK COVER WELD	
20	91146071	1	COVER WELDMENT (route dip stick through cab wall)	
21	91033102	1	MANUAL HOLDER	
22	91303021	1	T-HANDLE	
23	90207458	2	DRAW LATCH	
24	88301193	12	ROUND HD MACHINE SCREW, #10-32 x 1/2	
25	88551007	15	LOCKWASHER, #10	
26	88501613	6	HEX NUT, #10	
27	91121089	1	REAR ENGINE COVER	
28	88321030	4	SELF-TAP SCREW	
29	91140001	1	COUNTERWEIGHT	
30	83683291	1	MIRROR	
31	88554900	4	INTERNAL TOOTH WASHER	
32	91146012	1	CAB WELDMENT	
33	71492134	AR	SPLIT LOOM, 3/4	
34	91121219	1	VALVE SUPPORT	
35	88201020	4	HEX HD CAPSCREW, 5/16-18 x 1, GR5	
36	88561003	4	FLAT WASHER, 5/16	
37	88551010	4	LOCKWASHER, 5/16	
38	88501005	4	HEX NUT, 5/16-18	
39		Ref	FLOOR PLATE ASSY (See CONTROLS SECTION for Breakdown)	
40	91126022	1	REAR COVER WELDMENT	
41	91141198	1	REAR CAB COVER	
42	91121102	1	HINGE	
43	91143051	1	BUSHING	
44	91083533	10	FENDER WASHER	
45	91083159	1	WEATHERSTRIP (not shown, rear window)	
46	91083161	1	WEATHERSTRIP (not shown, right side window)	
47	14402248	AR	3-M ADHESIVE	
48	24921393	1	HORN	

SECTION 1 - CHASSIS AND ATTACHING PARTS

ITEM	PART NUMBER	QTY	DESCRIPTION	REV
49	24921394	1	HORN BRACKET	
50	24921395	1	NUT	
51	88561003	1	FLAT WASHER, 5/16	
52	88551010	1	LOCKWASHER, 5/16	
53	88201017	1	HEX HD CAPSCREW, 5/16-18X5/8, GR5	
54	88501008	2	HEX NUT (items 54 through 57 are used on seat mount plate)	
55	88551013	1	LOCKWASHER, 1/2	
56	88561111	2	WASHER	
57	88201067	1	HEX HDCAPSCREW, 1/2-13X1-1/2, GR5	
58	88561011	4	PUNCHED WASHER	
59	88201142	4	HEX HD CAPSCREW, 1-8X4-1/2, GR5	
60	91146072	1	COVER WELDMENT	
61	88201001	4	HEX HD CAPSCREW, 1/4-20X1/2, GR5	
62	91033320	1	TILT GAGE	
63	88204912	1	HEX HD CAPSCREW, 1/4-20X1, GR5	
64	88561107	1	FLAT WASHER, 1/4	
65	88521204	1	LOCKNUT, 1/4-20	

SECTION 1 - CHASSIS AND ATTACHING PARTS

FIGURE 1-3. FRAME WELDMENT/SIROUDING AND TRIM (SN 0488238 to Present)



SECTION 1 - CHASSIS AND ATTACHING PARTS

FIGURE 1-3. FRAME WELDMENT/SHROUDING AND TRIM (SN 0488238 to Present)

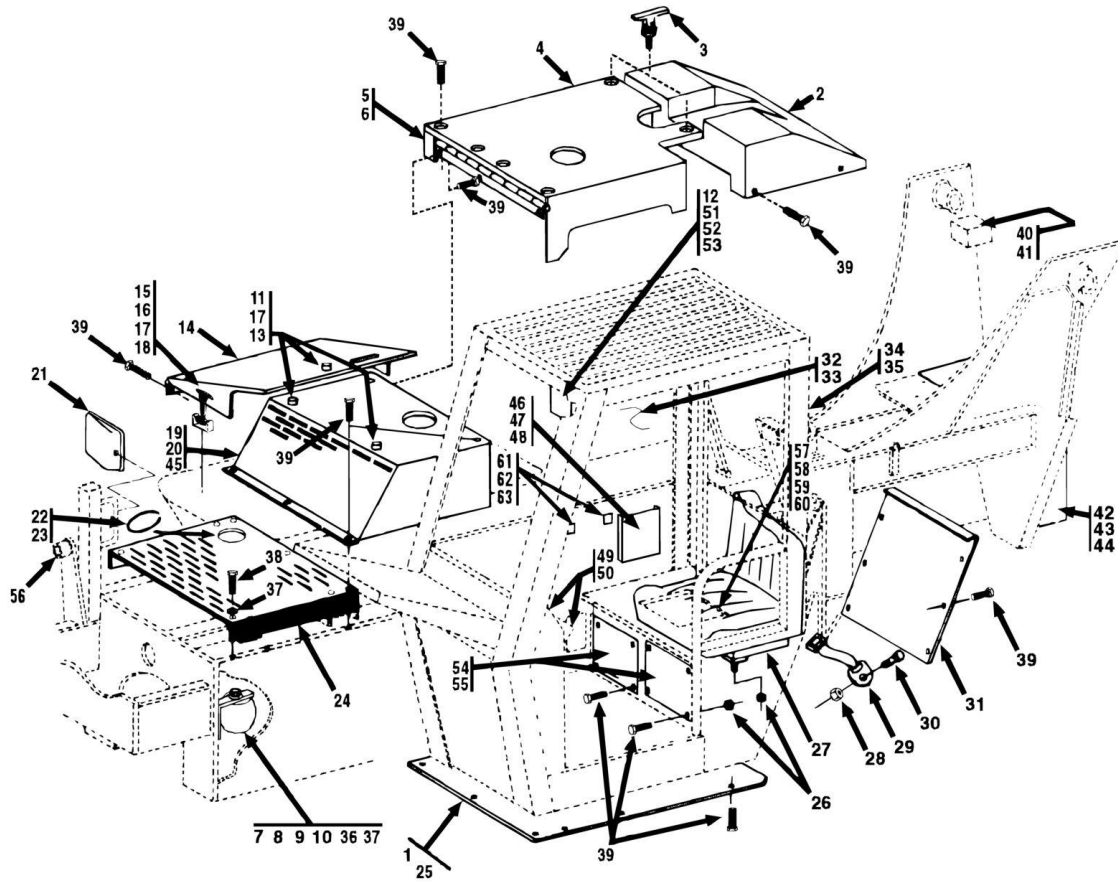
ITEM	PART NUMBER	QTY	DESCRIPTION	REV
1	91126048	1	FRAMEWELDMENT (534C-6)	
2	77143003	42	WHIZ-LOK SCREW	
3	91033485	1	SEAT (w/armrest)	
3	91124107	1	SLIDE ADJ KIT	
4	88201050	2	HEX HD CAPSCREW, 7/16-14x 1	
5	91033029	1	SEAT BELT	
6	88501007	2	HEXNUT,7/16-14	
7	77143006	8	WHIZ-LOK NUT	
8	91081475	1	HEATER COVER PLATE	
9	91081709	1	BELLY PAN	
10	91141329	1	VALVE ACCESS COVER	
11	91081681	1	DECK COVER	
12	90206194	AR	TRIM-LOK	
13	91123124	4	WHIZ-LOC SCREW, 5/16-18x5/8	
14	88561003	4	FLATWASHER, 5/16	
15	91086060	1	FRONT ENGINE COVER	
16	91083173	6	RUBBER HD SCREW BUMPER	
17	88551007	5	LOCKWASHER, #10	
18	88501612	6	HEXNUT,#10-24	
19	91086175	1	TANK COVER WELD	
20	91146071	1	COVER WELDMENT(route dip stick through cab wall)	
21	91033102	1	MANUAL HOLDER	
22	91303021	2	T-HANDLE	
23	90207458	2	DRAW LATCH	
24	88301193	12	ROUND HD MACHINE SCREW, #10- 32 x 1/2	
25	88551007	15	LOCKWASHER, #10	
26	88501613	6	HEX NUT, #10	
27	91121089	1	REAR ENGINE COVER	
28	88321030	4	SELF-TAP SCREW	
29	91140001	1	COUNTERWEIGHT	
30	83683291	1	MIRROR	
31	88554900	4	INTERNAL TOOTHWASHER	
32	91146012	1	CAB WELDMENT	
33	71492134	AR	SPLIT LOOM, 3/4	
34	91121219	1	VALVE SUPPORT	
35	88201020	4	HEX HD CAPSCREW, 5/16-18X1, GR5	
36	88561003	4	FLAT WASHER, 5/16	
37	88551010	4	LOCKWASHER, 5/16	
38	88501005	4	HEX NUT, 5/16-18	
39		Ref	FLOOR PLATE ASSY (See CONTROLS SECTION for Breakdown)	
40	91126022	1	REAR COVER WELDMENT	
41	91141198	1	REAR CAB COVER	
42	91121102	1	HINGE	
43	91143051	1	BUSHING	
44	91083533	10	FENDER WASHER	
45	91083159	1	WEATHERSTRIP (not shown, rear window)	
46	91083161	1	WEATHERSTRIP (not shown, right side window)	
47	14402248	AR	3-M ADHESIVE	
48	91143357	1	HORN	
49	88561107	1	FLATWASHER,1/4	

SECTION 1 - CHASSIS AND ATTACHING PARTS

ITEM	PART NUMBER	QTY	DESCRIPTION	REV
50	88521204	1	LOCKNUT, 1/4-20	
51	88561003	1	FLATWASHER, 5/16	
52	88551010	1	LOCKWASHER, 5/16	
53	88201017	1	HEX HD CAPSCREW, 5/16-18X5/8, GR5	
54	88501008	2	HEX NUT (items 54 through 57 are used on seat mount plate)	
55	88551013	1	LOCKWASHER, 1/2	
56	88561111	2	WASHER	
57	88201067	1	HEX HD CAPSCREW, 1/2-13X1-1/2, GR5	
58	88561011	4	PUNCHED WASHER	
59	88201142	4	HEX HD CAPSCREW, 1-8X4-1/2, GR5	
60	91146072	1	COVER WELDMENT	
61	88201001	4	HEX HD CAPSCREW, 1/4-20X1/2, GR5	
62	91033320	1	TILT GAGE	
63	88204912	1	HEX HD CAPSCREW, 1/4-20X1, GR5	

SECTION 1 - CHASSIS AND ATTACHING PARTS

FIGURE 1-4. FRAME SHROUDING AND TRIM (534C-6 TURBO) (SN 0388043 to Present)



SECTION 1 - CHASSIS AND ATTACHING PARTS

FIGURE 1-4. FRAME SHROUDING AND TRIM (534C-6 TURBO) (SN 0388043 to Present)

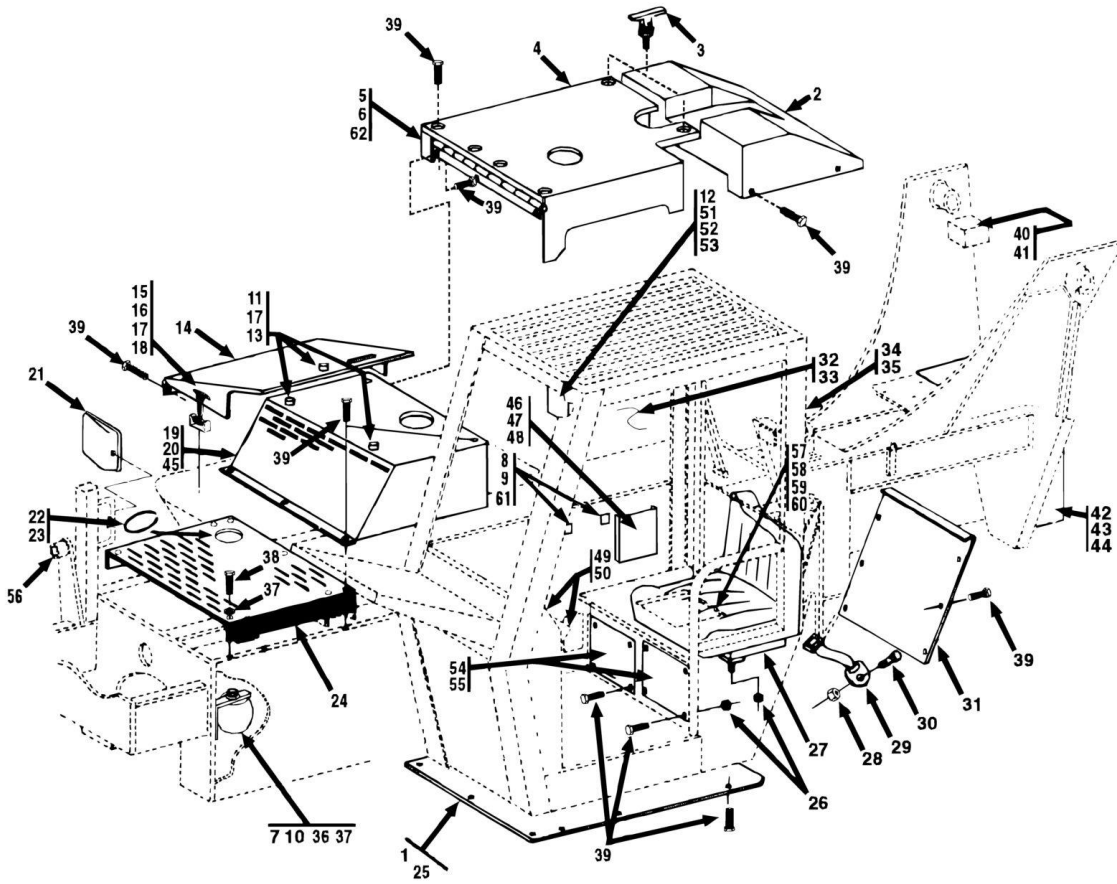
ITEM	PART NUMBER	QTY	DESCRIPTION	REV
	91326001	Ref	FRAME WELDMENT	
	91146012	Ref	CAB WELDMENT	
1	91083533	10	FENDER WASHER	
2	91326004	1	REAR COVER WELDMENT	
3	91303021	2	T-HANDLE	
4	91326003	1	REAR ENGINE COVER	
5	91141218	1	HINGE	
6	91141253	1	SPACER BAR	
7	24921393	1	HORN	
8	24921394	1	HORN BRACKET	
9	24921395	1	NUT	
10	88201017	1	HEX HD CAPSCREW, 5/16-18X5/8, GR5	
11	91083173	5	RUBBER HD SCREW BUMPER	
12	91033320	1	TILT GAGE	
13	88501612	5	HEX NUT, #10-24	
14	91086162	1	TANK COVER WELDMENT	
15	90207458	2	DRAW LATCH	
16	88301193	8	RD HD MACHINESCREW, #10-32X1/2	
17	88551007	13	LOCK WASHER, #10	
18	88501613	4	HEX NUT, #10-32	
19	91326005	1	FRONT ENGINE COVER	
20	91143148	1	RUBBER AIR DAM	
21	83683291	1	MIRROR	
22	90206194	41 in	TRIM-LOK	
23	14402248	AR	ADHESIVE	
24	91081681	1	DECK COVER	
25	91081709	1	BELLY PAN	
26	77143006	8	WHIZ-LOK NUT, 5/16-18	
27	91033485	1	SEAT W/ARMREST (STD)	
27	91124107	1	SLIDE ADJ KIT (use with std seat)	
27	91043237	1	GRAMMER SEAT (OPTIONAL)	
28	88501007	2	HEX NUT, 7/16-14	
29	91033029	1	SEAT BELT (not used with optional seat)	
30	88201050	2	HEX HD CAPSCREW, 7/16-14X1, GR5	
30	88201020	4	HEX HD CAPSCREW, 5/16-18X1, GR5 (use with optional seat only)	
31	91141198	1	REAR CAB COVER	
32		Ref	RIGHT SIDE WINDOW (See CAB GLASS for Breakdown)	
33	91083161	1	WEATHER STRIPPING	
34		Ref	REAR WINDOW (See CAB GLASS for Breakdown)	
35	91083159	1	WEATHER STRIPPING	
36	88551010	1	LOCKWASHER, 5/16	
37	88561003	4	FLAT WASHER, 5/16	
38	91123124	4	WHIZ-LOC SCREW, 5/16-18X1/2	
39	77143003	52	WHIZ-LOC SCREW, 5/16-18X5/8	
40	91233012	1	BACKUP ALARM	
41	88212224	2	SOCKET HD CAPSCREW, 5/16-18X5/8	
42	91140001	1	COUNTERWEIGHT	
43	88201142	4	HEX HD CAPSCREW, 1-8X4-1/2, (hand torque to 545-595 ft lb)	
44	88561011	4	WASHER, 1	
45	90200755	24 in	WEATHER STRIPPING	

SECTION 1 - CHASSIS AND ATTACHING PARTS

ITEM	PART NUMBER	QTY	DESCRIPTION	REV
46	91033102	1	MANUAL HOLDER	
47	88321030	4	SELF TAPPING SCREW	
48	88554900	4	INTERNAL TOOTH WASHER	
49	91123153	1	SERIAL NUMBER AND ATTACH PLATE	
50	88341022	4	DRIVE SCREW	
51	88204912	1	HEX HD CAPSCREW, 1/4-20X1, GR5	
52	88561107	1	FLATWASHER	
53	88521204	1	LOCK NUT, 1/4-20	
54	91081475	1	HEATER COVER PLATE	
55	91141329	1	VALVE ACCESS COVER	
56	91143051	1	BUSHING	
57	88501008	2	HEX NUT, 1/2 (items 57 thru 60 are used on seat mount plate)	
58	88551013	1	LOCKWASHER, 1/2	
59	88561111	2	WASHER, 1/2	
60	88201067	1	HEX HD CAPSCREW, 1/2-13X1-1/2, GR5	
61	91146071	1	COVER WELDMENT (route dipstick through cab wall)	
62	91146072	1	COVER WELDMENT	
63	88201001	4	HEX HD CAPSCREW, 1/4-20X1/2, GR5	

SECTION 1 - CHASSIS AND ATTACHING PARTS

FIGURE 1-5. FRAME SHROUDING AND TRIM (534C-6 TURBO) (SN 0488238 to Present)



SECTION 1 - CHASSIS AND ATTACHING PARTS

FIGURE 1-5. FRAME SHROUDING AND TRIM (534C-6 TURBO) (SN 0488238 to Present)

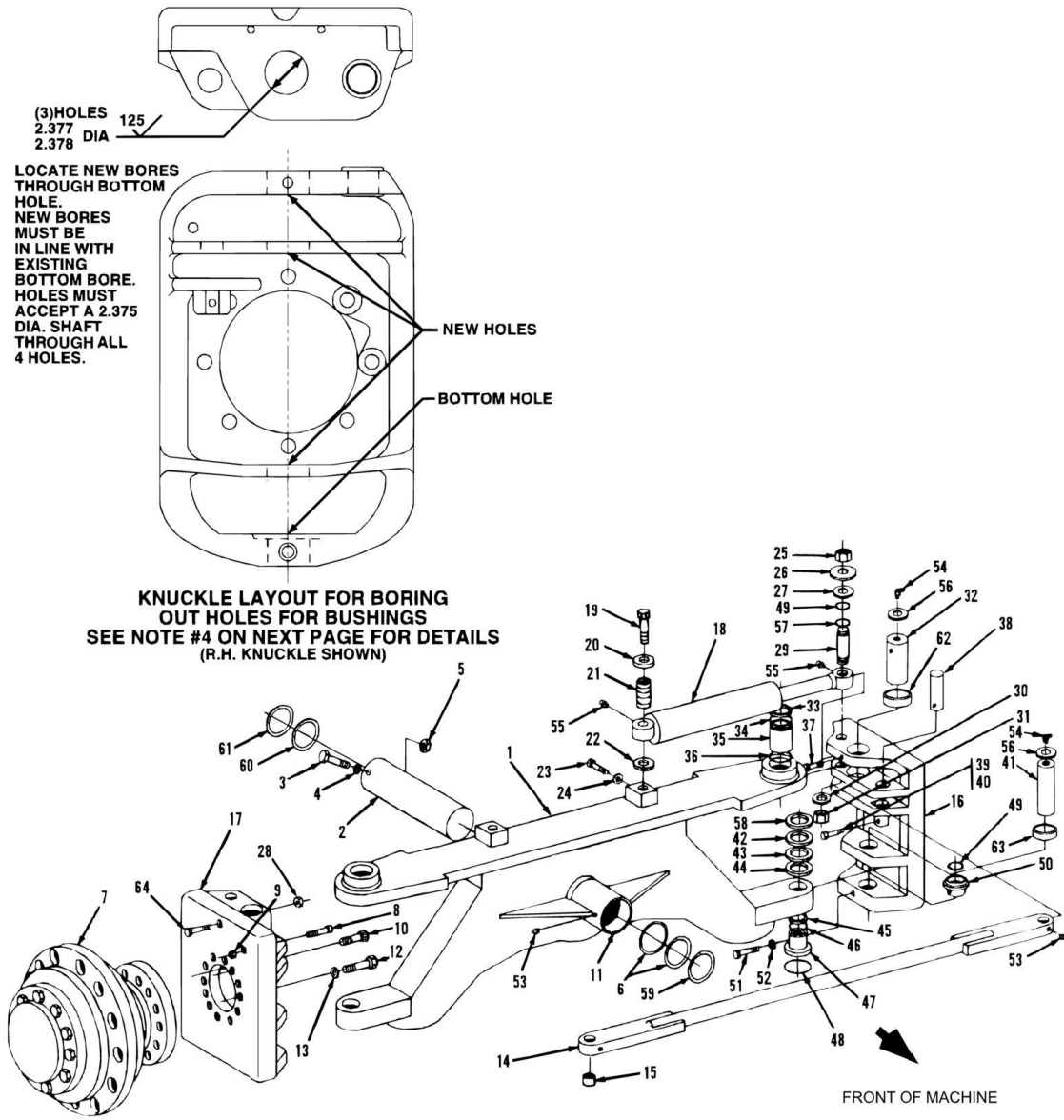
ITEM	PART NUMBER	QTY	DESCRIPTION	REV
	91326001	Ref	FRAME WELDMENT	
	91146012	Ref	CAB WELDMENT	
1	91083533	10	FENDER WASHER	
2	91326019	1	REAR COVER WELDMENT	
3	91303021	2	T-HANDLE	
4	91326025	1	REAR ENGINE COVER	
5	91141218	1	HINGE	
6	91141253	1	SPACER BAR	
7	91143357	1	HORN	
8	91146072	1	COVER WELDMENT	
9	88201001	4	HEX HD CAPSCREW, 1/4-20X1/2, GR5	
10	88201017	1	HEX HD CAPSCREW,5/16-18X5/8, GR5	
11	91083173	6	RUBBER HD SCREW BUMPER	
12	91033320	1	TILT GAGE	
13	88501612	6	HEX NUT,#10-24	
14	91086175	1	TANK COVER WELDMENT	
15	90207458	2	DRAW LATCH	
16	88301193	8	RD HD MACHINE SCREW, #10-32X1/2	
17	88551007	14	LOCKWASHER, #10	
18	88501613	4	HEX NUT, #10-32	
19	91326024	1	FRONT ENGINE COVER	
20	91143346	1	RUBBER AIR DAM	
21	83683291	1	MIRROR	
22	90206194	67 in	TRIM-LOK	
23	14402248	AR	ADHESIVE	
24	91081681	1	DECK COVER	
25	91081709	1	BELLY PAN	
26	77143006	8	WHIZ-LOK NUT, 5/16-18	
27	91033485	1	SEAT W/ARMREST (STD)	
27	91124107	1	SLIDE ADJ KIT (use with std seat)	
27	91043237	1	GRAMMER SEAT (OPTIONAL)	
28	88501007	2	HEX NUT, 7/16-14	
29	91033029	1	SEATBELT (not used with optional seat)	
30	88201050	2	HEX HD CAPSCREW, 7/16-14X1, GR5	
30	88201020	4	HEX HD CAPSCREW, 5/16-18X1, GR5 (use with optional seat only)	
31	91141198	1	REAR CAB COVER	
32		Ref	RIGHT SIDE WINDOW (See CAB GLASS for Breakdown)	
33	91083161	1	WEATHER STRIPPING	
34		Ref	REAR WINDOW (See CAB GLASS for Breakdown)	
35	91083159	1	WEATHER STRIPPING	
36	88551010	1	LOCKWASHER, 5/16	
37	88561003	4	FLAT WASHER, 5/16	
38	91123124	4	WHIZ-LOC SCREW, 5/16-18X1/2	
39	77143003	53	WHIZ-LOC SCREW, 5/16-18X5/8	
40	91233012	1	BACKUP ALARM	
41	88212224	2	SOCKET HD CAPSCREW, 5/16-18X5/8	
42	91140001	1	COUNTERWEIGHT	
43	88201142	4	HEX HD CAPSCREW, 1-8X4-1/2, (hand torqueto 545-595 ft lb)	
44	88561011	4	WASHER, 1	
45	90200755	24 in	WEATHER STRIPPING	

SECTION 1 - CHASSIS AND ATTACHING PARTS

ITEM	PART NUMBER	QTY	DESCRIPTION	REV
46	91033102	1	MANUAL HOLDER	
47	88321030	4	SELF TAPPING SCREW	
48	88554900	4	INTERNAL TOOTH WASHER	
49	91123153	1	SERIAL NUMBER AND ATTACH PLATE	
50	88341022	4	DRIVE SCREW	
51	88204912	1	HEX HD CAPSCREW,1/4-20X1, GR5	
52	88561107	1	FLAT WASHER	
53	88521204	1	LOCK NUT, 1/4-20	
54	91081475	1	HEATER COVER PLATE	
55	91141329	1	VALVE ACCESS COVER	
56	91143051	1	BUSHING	
57	88501008	2	HEX NUT, 1/2 (items 57 thru 60 are used on seat mount plate)	
58	88551013	1	LOCKWASHER,1/2	
59	88561111	2	WASHER,1/2	
60	88201067	1	HEX HD CAPSCREW,1/2-13X1-1/2, GR5	
61	91146071	1	COVER WELDMENT (route dipstick through cab wall)	
62	91143348	2	CLAMP BAR	

SECTION 1 - CHASSIS AND ATTACHING PARTS

FIGURE 1-6. REAR AXLE AND ATTACHING PARTS (SN 0188002 to Present)



SECTION 1 - CHASSIS AND ATTACHING PARTS

FIGURE 1-6. REAR AXLE AND ATTACHING PARTS (SN 0188002 to Present)

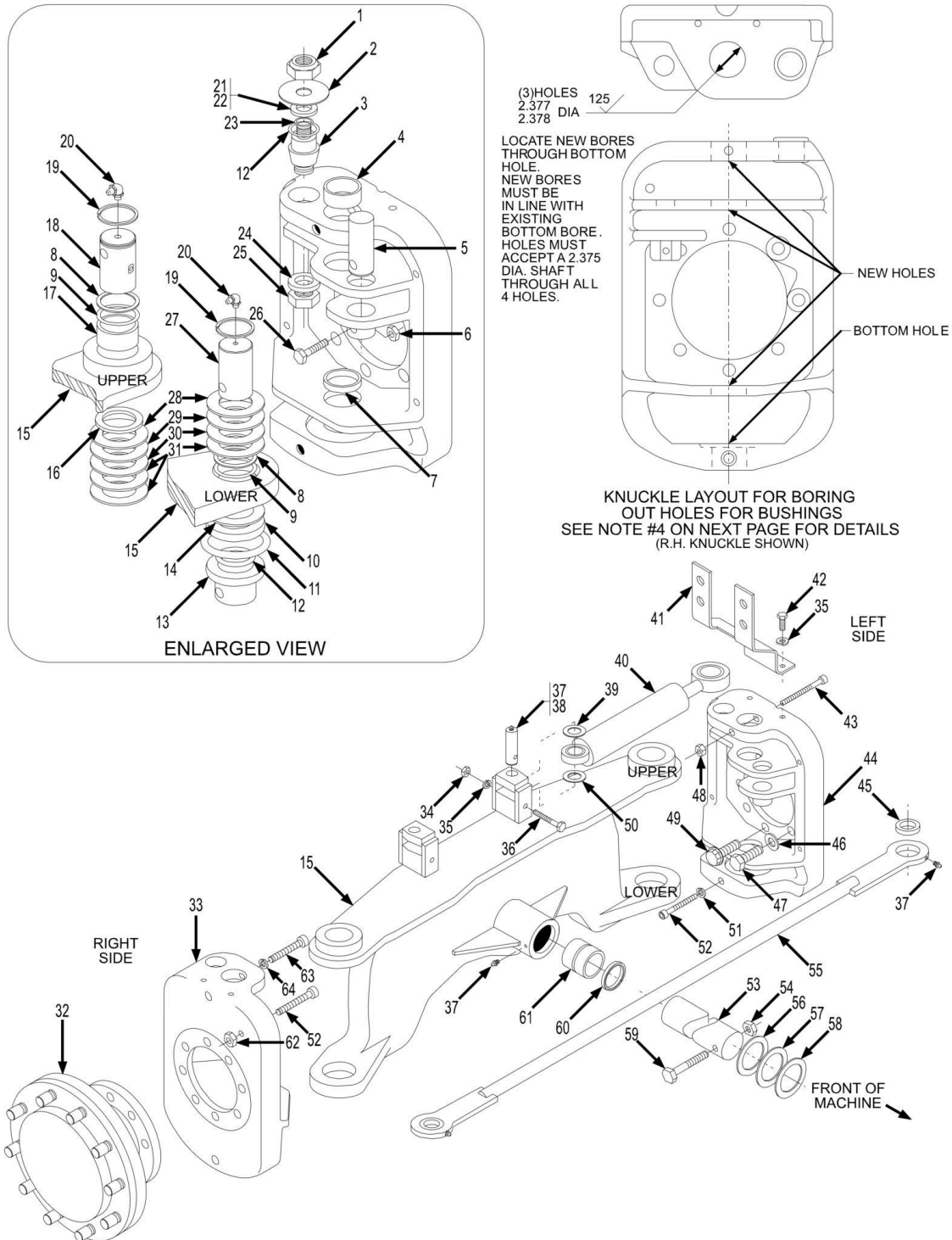
ITEM	PART NUMBER	QTY	DESCRIPTION	REV
	91035240	Ref	STEERING KNUCKLE KIT (includes items 26 thru 28; 32 thru 37; 41 thru 44; 47 thru 52; four of item 54; 56 thru 58, 62, 63 & 64 - one kit does both sides)	
	91045152	Ref	STEERING CYLINDER PIN KIT (includes one each of items 25, 26, 27, 29, 30, 31, 49 & 57 - one kit needed for each side)	
1	91166012	1	REAR AXLE, (includes items 11, 35 & 47)	
2	91081177	1	REAR AXLE PIN	
3	90020247	1	HEX HD CAPSCREW, 1-1/4-7X6	
4	88561119	1	FLAT WASHER,1-1/4	
5	85101098	1	HEX NUT, 1-1/4-7	
6	24601570	2	LIP SEAL	
7		Ref	DRIVE HUB, 534 ONLY, (See DRIVE TRAIN SECTION for Breakdown)	
7		Ref	NON DRIVING HUB, 532 ONLY, (See DRIVE TRAIN SECTION for Breakdown)	
8	88212321	2	SOCKET HEAD CAPSCREW, 5/8-11X3-3/4, GR8	
9	88501110	2	HEX NUT, 5/8-11	
10	91043222	4	12 PT SCREW, 3/4-10X2,(torque to 270-290 ft lbs)	
11	91123031	2	BUSHING	
12	83201006	12	HEX HD CAPSCREW, 3/4-10X2, (torque to 270-290 ft lbs)	
13	86681572	12	HARDENED WASHER, 3/4	
14	91166063	1	TIE ROD, (includes item 15)	
15	91043247	2	SELF ALIGNING BUSHING	
16	91120003	1	L.H. STEERING KNUCKLE, (see note #4)	
17	91120004	1	R.H. STEERING KNUCKLE, (see note #4)	
18		Ref	STEERING CYLINDER ASSY,(See HYDRAULIC COMPONENTS SECTION for Breakdown)	
19	88201065	2	HEX HD CAPSCREW, 1/2-13X1, GR5	
20	91081461	2	WASHER, 3/16IN	
21	91081384	2	STEERING CYLINDER PIVOT PIN, (see note # 1)	
22	90201918	2	SHIM, (10 gauge, see note #2)	
23	88221701	2	SET SCREW, 3/8-16X1/2IN	
24	88551013	2	LOCKWASHER, 1/2	
25	88521312	2	HEX LOCKNUT,3/4-10, (torque to 160-175 ft lbs)	
26	91081415	2	DIRT SHIELD	
27	91041732	2	SPACER	
28	88521208	2	HEX LOCKNUT, 1/2-13, (see note #5)	
29	91041481	2	STEERING CYLINDER PIN	
30	91041459	2	WASHER	
31	88501416	2	HEX JAM NUT, 1-14, (torque to 225-250 ft lbs)	
32	91081693	2	UPPER KING PIN	
33	91123030	2	BACK-UP RING	
34	88591032	2	O-RING	
35	91123028	2	BUSHING	
36	86921268	2	LIP SEAL	
37	88211117	2	SOCKET HD CAPSCREW, 1/2-13X4-1/2,GR8	
37	88551109	2	LOCKWASHER, 1/2, (see note #5)	
38	91041439	2	TIE ROD PIN	
39	83201140	2	HEX HD CAPSCREW, 3/8-16X2-3/4, GR8	
40	88521306	2	LOCKNUT, 3/8-16	
41	91141424	2	LOWER KING PIN	

SECTION 1 - CHASSIS AND ATTACHING PARTS

ITEM	PART NUMBER	QTY	DESCRIPTION	REV
42	91041449	2	SHIM, (.060 thick, see note #2)	
43	91041450	2	SHIM, (.0478 thick, see note #2)	
44	91041451	6	SHIM, (.106 thick, see note #2)	
45	91123030	2	BACK-UP RING	
46	88591032	2	O-RING	
47	91123027	2	BUSHING	
48	91123029	2	O-RING	
49	88591104	4	O-RING	
50	91121091	2	THRUST BUSHING	
51	88212321	2	SOCKET HD CAPSCREW, 5/8-11X3-3/4,GR8	
52	88551153	2	LOCKWASHER,5/8	
53	88671001	4	LUBE FITTING, STRAIGHT, 1/8	
54	88671022	6	LUBE FITTING, 30, 1/8	
55	88671033	4	LUBE FITTING, STRAIGHT, 1/4-28	
56	88581323	4	RETAINING RING	
57	88591019	2	O-RING	
58	91041596	4	SHIM, (20 gauge, see note #2)	
59	91031009	1	SHIM, (.0500 thick)	
60	91081691	1	SHIM, (.1046 thick)	
61	90206846	1	SHIM, (.1345 thick)	
62	91121239	2	BUSHING, (see note #4)	
63	91121240	4	BUSHING, (see note #4)	
64	88211121	2	SOCKET HD CAPSCREW, 1/2-13X6-1/2, (see note #5)	

SECTION 1 - CHASSIS AND ATTACHING PARTS

FIGURE 1-7. REAR AXLE AND ATTACHING PARTS (SN 0188214 to Present)



SECTION 1 - CHASSIS AND ATTACHING PARTS

FIGURE 1-7. REAR AXLE AND ATTACHING PARTS (SN 0188214 to Present)

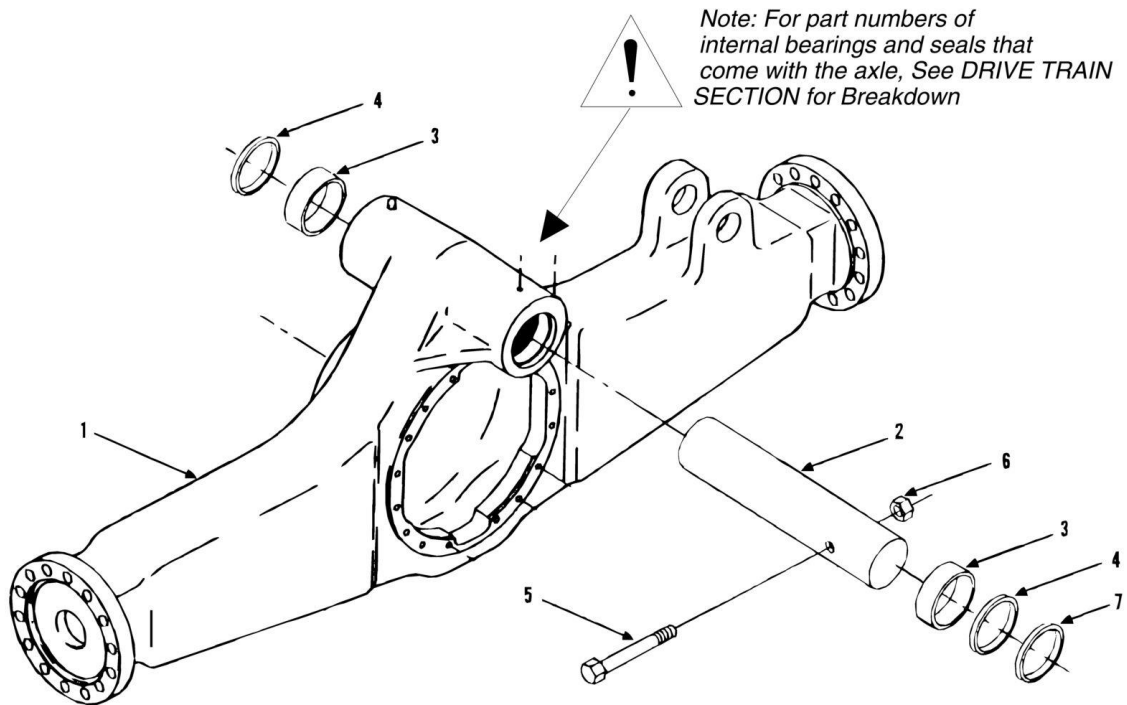
ITEM	PART NUMBER	QTY	DESCRIPTION	REV
	91035240	1	STEERING KNUCKLE KIT (includes items 2, 4, 7 thru 14, 16 thru 23, 27 thru 31, 43, 48, 51, two of item 52 63 & 64, one kit does both sides)	
	91045152	AR	STEERING CYLINDER PIN KIT (includes one each of items 1, 2, 3, 12 21 thru 25, one kit needed for each side)	
1	88521312	2	HEX LOCK NUT, 3/4-10, (torque to 160-175 ft lbs)	
2	91081415	2	DIRT SHIELD	
3	91041481	2	STEERING CYLINDER PIN	
4	91121239	2	BUSHING	
5	91041439	2	TIE ROD PIN	
6	88521306	2	LOCK NUT, 3/8-16	
7	91121240	4	BUSHING	
8	91123030	4	BACK-UP RING	
9	88591032	4	O-RING	
10	91123027	2	BUSHING	
11	91123029	2	O-RING	
12	88591104	4	O-RING	
13	91121091	2	THRUST BUSHING	
14	91041733	AR	SHIM, (.032 thick)	
15	91166012	1	REAR AXLE WELDMENT,(includes items 10, 17 & 61)	
16	86921268	2	LIP SEAL	
17	91123028	2	BUSHING	
18	91081693	2	UPPER KING PIN	
19	88581323	4	RETAINING RING	
20	88671022	4	LUBE FITTING, 90, 1/8	
21	91041732	2	SPACER	
22	91041438	AR	SPACER	
23	88591019	2	O-RING	
24	91041459	2	WASHER	
25	88501416	2	HEX JAM NUT, 1-14, (torque to 225-250 ft lbs)	
26	83201140	2	HEX HD CAPSCREW, 3/8-16X2-3/4, GR8	
27	91141424	2	LOWER KING PIN	
28	91041449	AR	SHIM, (.060 thick, see note #2)	
29	91041450	AR	SHIM, (.0478 thick, see note #2)	
30	91041451	AR	SHIM, (.106 thick, see note #2)	
31	91041596	AR	SHIM,(.0359 thick, see note #2)	
32		Ref	DRIVE HUB, (See DRIVE TRAIN SECTION for Breakdown)	
33	91120004	1	R.H.STEERING KNUCKLE, (see note #4)	
34	88501006	2	HEX NUT, 3/8-16	
35	88551011	6	LOCK WASHER, 3/8	
36	83201144	2	HEX HD CAPSCREW, 3/8-16X5-3/4, GR8	
37	88671001	6	LUBE FITTING, STRAIGHT, 1/8	
38	91081695	2	STEERING CYLINDER PIVOT PIN	
39	91403066	AR	SHIM, (.060 thick, see note #1)	
40		Ref	STEERING CYLINDER ASSY,(See HYDRAULIC COMPONENTS SECTION for Breakdown)	
41	91081523	1	L.H. TUBE SUPPORT	
41	91081522	1	R.H. TUBE SUPPORT	
42	88201035	4	HEX HD CAPSCREW, 3/8-16X1, GR5	
43	88211121	2	SOCKET HD CAPSCREW, 1/2-13X6-1/2, GR8, (see note #5)	

SECTION 1 - CHASSIS AND ATTACHING PARTS

ITEM	PART NUMBER	QTY	DESCRIPTION	REV
44	91120003	1	L.H.STEERING KNUCKLE, (see note #4)	
45	91043247	2	SELF-ALIGNING BUSHING	
46	86681572	12	HARDENED WASHER, 3/4	
47	83201006	12	HEX HD CAPSCREW, 3/4-10X2, GR8, (torque to 270-290 ft lbs)	
48	88521208	2	HEX LOCKNUT, 1/2-13, (see note #5)	
49	91043222	4	CAPSCREW 12PT, 3/410X2, GR8 (torque to 270-290 ft lbs)	
50	91403065	AR	SHIM, (10 gauge, see note #1)	
51	88551153	2	LOCK WASHER, 5/8	
52	88212321	4	SOCKET HD CAPSCREW, 5/8-11X3-3/4, GR8	
53	91081177	1	REAR AXLE MOUNTING PIN	
54	85101098	1	HEX NUT, 1-1/4-7	
55	91166063	1	TIE ROD, (includes item 45)	
56	91161066	AR	SHIM, (.0598 thick)	
57	91161067	AR	SHIM, (.1046 thick)	
58	91161068	AR	SHIM, (.1345 thick)	
59	90020247	1	HEX HD CAPSCREW, 1-1/4-7X6, GR5	
60	24601570	2	LIP SEAL	
61	91123031	2	BUSHING	
62	88501110	2	HEX NUT, 5/8-11	
63	88211117	2	SOCKET HD CAPSCREW, 1/2-13X4-1/2, GR8, (see note #5)	
64	88551109	2	LOCKWASHER, (hi collar), 1/2, (see note #5)	

SECTION 1 - CHASSIS AND ATTACHING PARTS

FIGURE 1-8. FRONT AXLE MOUNTING (SN 0188002 to Present)



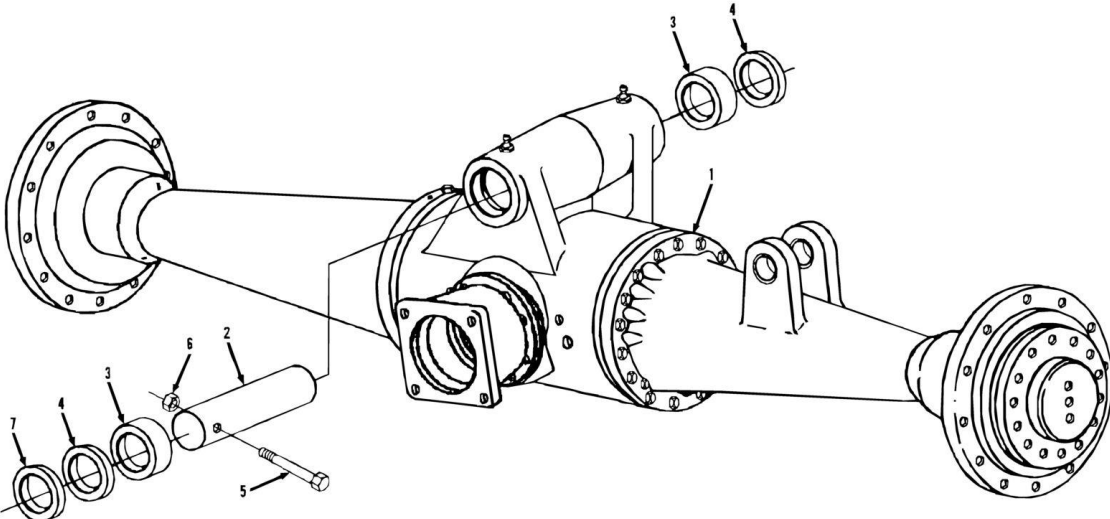
SECTION 1 - CHASSIS AND ATTACHING PARTS

FIGURE 1-8. FRONT AXLE MOUNTING (SN 0188002 to Present)

ITEM	PART NUMBER	QTY	DESCRIPTION	REV
1		Ref	FRONT AXLE HOUSING ASSEMBLY (See DRIVE TRAIN SECTION for Breakdown)	
2	91081176	1	FRONT SWAY PIN	
3	90205891	2	SPACER	
4	91031014	2	SHIM WASHER	
5	83201031	1	HEX HD CAPSCREW,1IN-8X5IN	
6	88521016	1	HEX LOCKNUT,1IN-8IN	
7	91083480	1	SHIM WASHER	

SECTION 1 - CHASSIS AND ATTACHING PARTS

FIGURE 1-9. FRONT AXLE MOUNTING (SN 0388247 to Present)



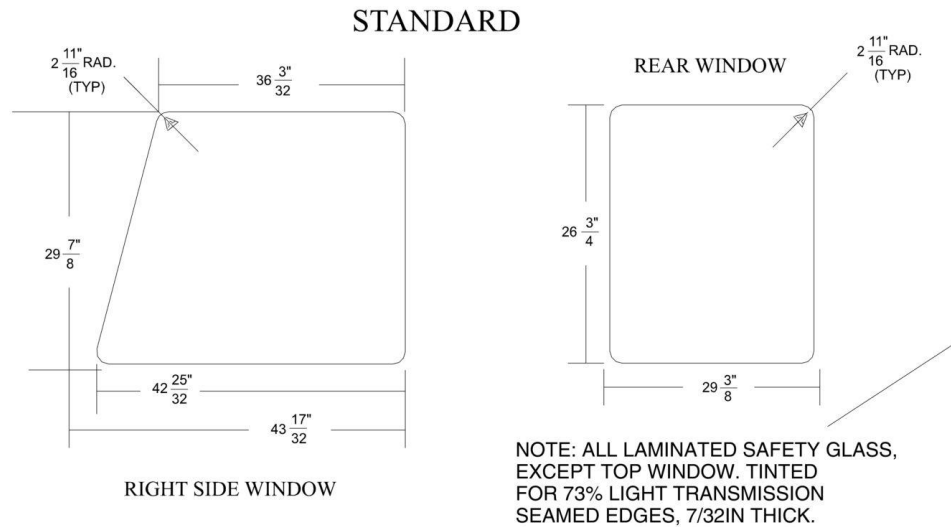
SECTION 1 - CHASSIS AND ATTACHING PARTS

FIGURE 1-9. FRONT AXLE MOUNTING (SN 0388247 to Present)

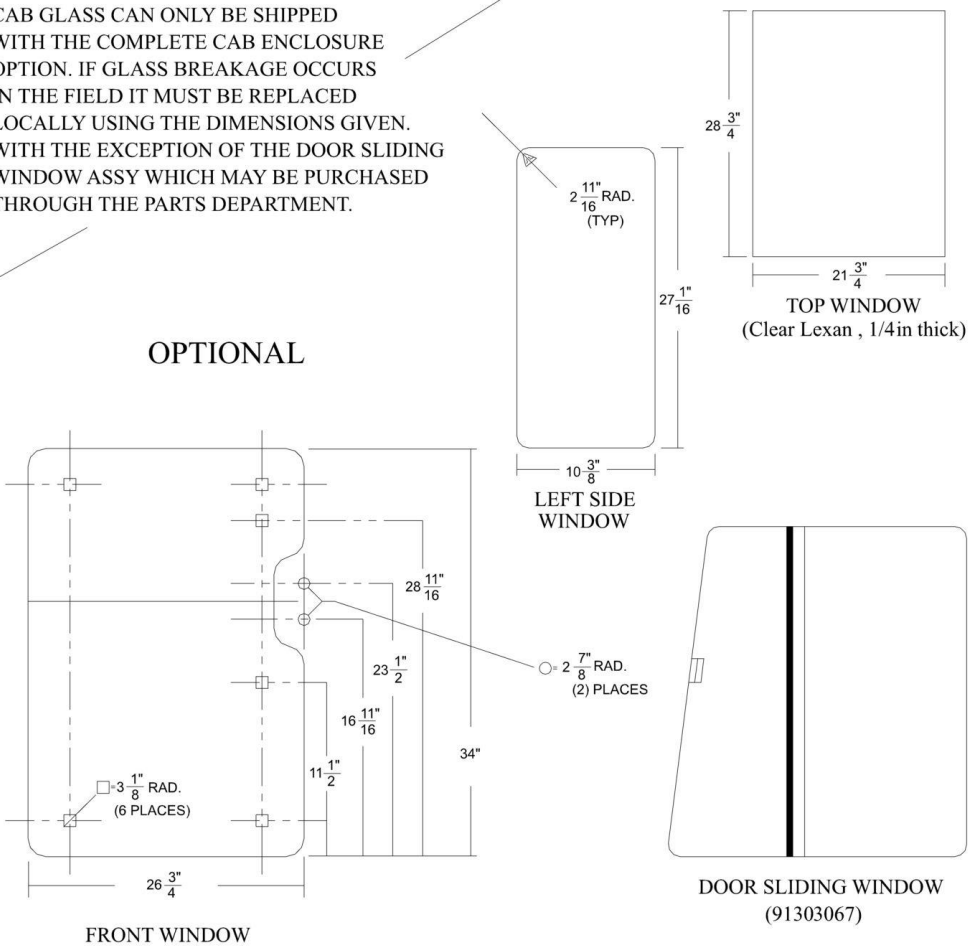
ITEM	PART NUMBER	QTY	DESCRIPTION	REV
1		Ref	FRONT AXLE (See DRIVE TRAIN SECTION for Breakdown)	
2	91081176	1	FRONT SWAY PIN	
3	90205891	2	SPACER	
4	91031014	2	SHIM WASHER	
5	83201031	1	HEX HD CAPSCREW, 1IN-8X5IN	
6	88521016	1	HEX LOCKNUT, 1IN-8IN	
7	91083480	1	SHIM WASHER	

SECTION 1 - CHASSIS AND ATTACHING PARTS

FIGURE 1-10. CAB GLASS (SN 0288301 to Present)

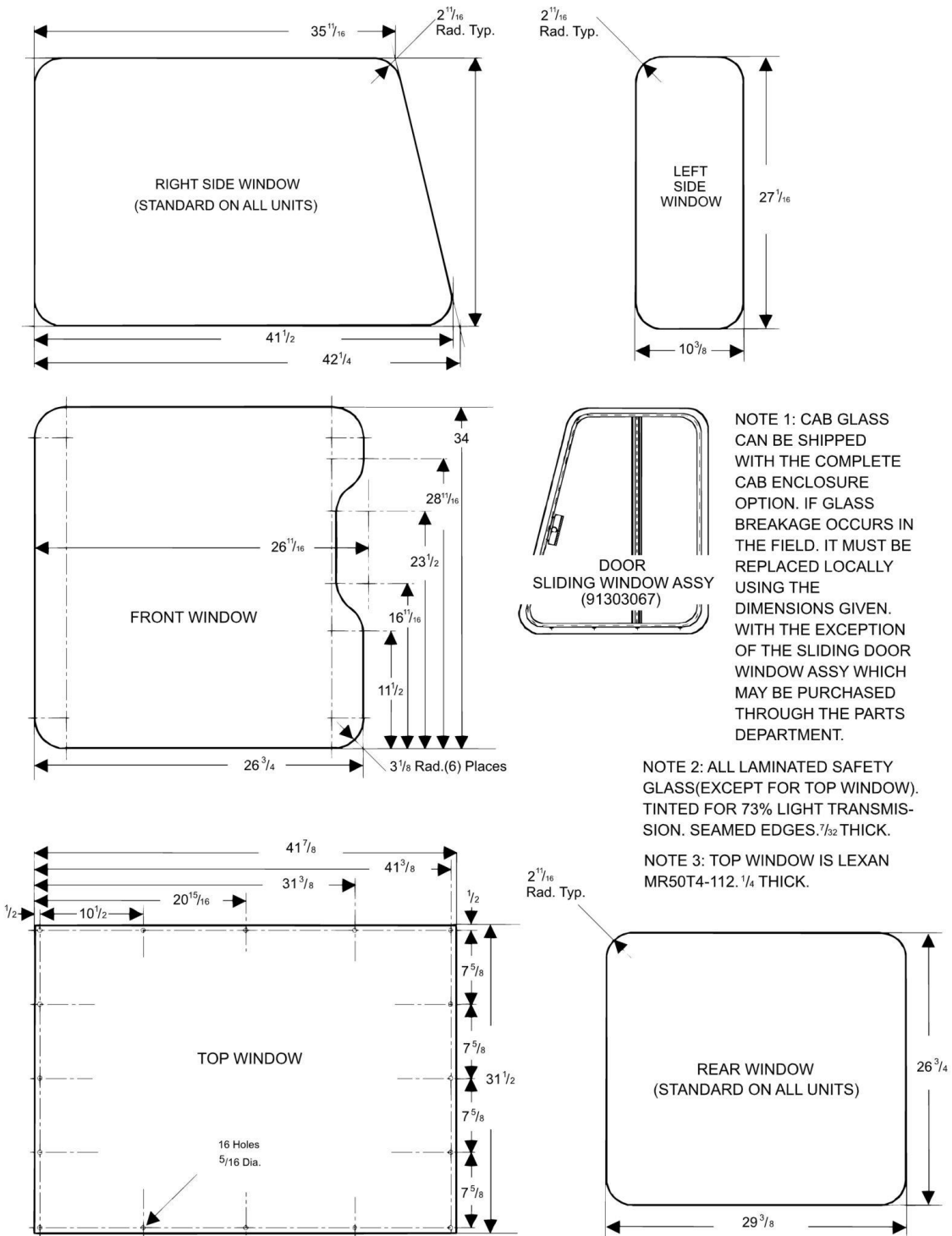


CAB GLASS CAN ONLY BE SHIPPED WITH THE COMPLETE CAB ENCLOSURE OPTION. IF GLASS BREAKAGE OCCURS IN THE FIELD IT MUST BE REPLACED LOCALLY USING THE DIMENSIONS GIVEN. WITH THE EXCEPTION OF THE DOOR SLIDING WINDOW ASSY WHICH MAY BE PURCHASED THROUGH THE PARTS DEPARTMENT.



SECTION 1 - CHASSIS AND ATTACHING PARTS

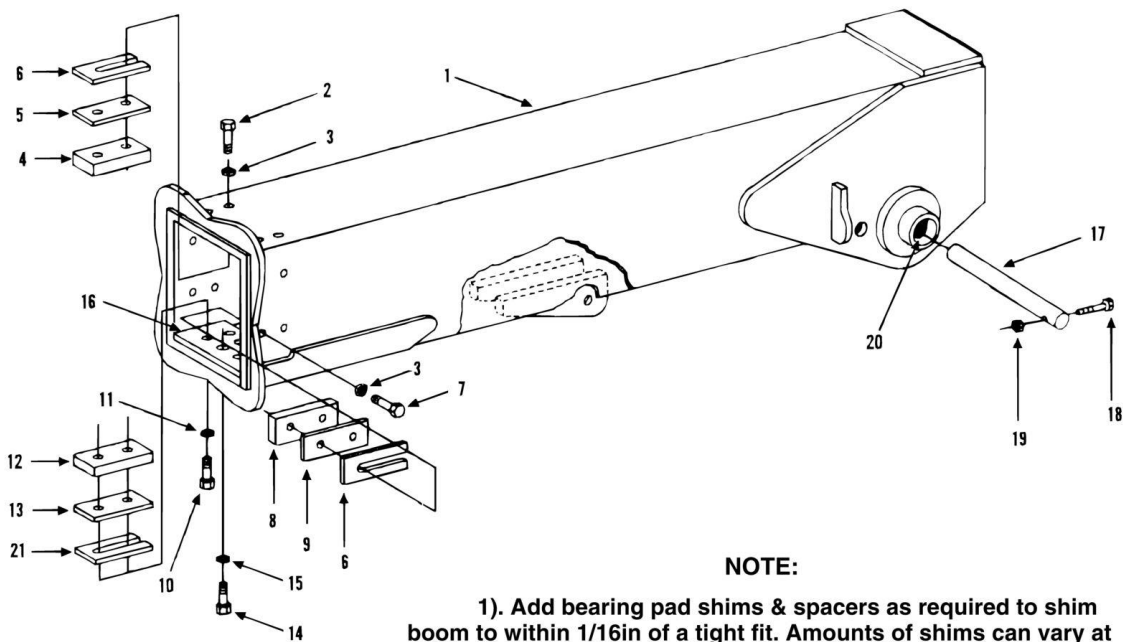
FIGURE 1-11. CAB GLASS (SN 0288777 to Present)



SECTION 2 - BOOM

SECTION 2 - BOOM

FIGURE 2-1. FIRST BOOM SECTION (SN 0188002 to Present)



NOTE:

1). Add bearing pad shims & spacers as required to shim boom to within 1/16in of a tight fit. Amounts of shims can vary at each shim point. When a shim is used with a pad, a spacer must be inserted between pad & shim. No pads shall sit directly on slotted surface of shims.

2). The length of pad bolts depend on the amount of shims used. Bolt cannot extend past chamfer on bearing.

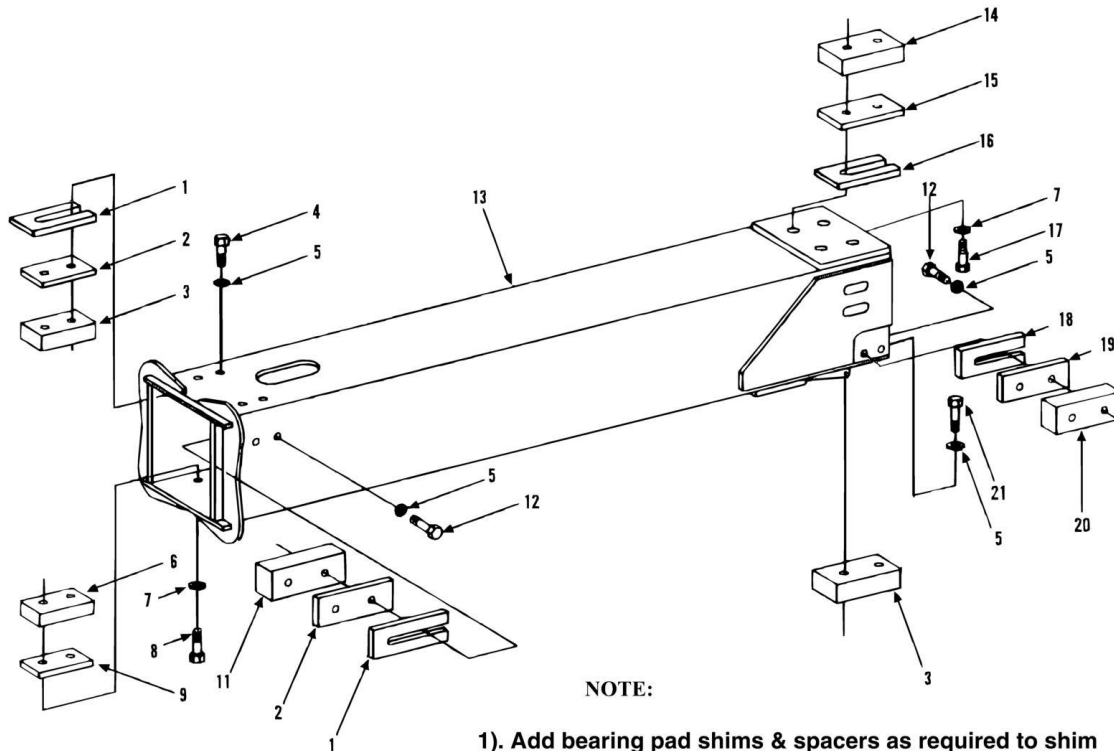
SECTION 2 - BOOM

FIGURE 2-1. FIRST BOOM SECTION (SN 0188002 to Present)

ITEM	PART NUMBER	QTY	DESCRIPTION	REV
1	91126011	1	BOOM, FIRST SECTION	
2	88201535	4	HEX HD CAPSCREW, 3/8-24X1-1/4, GR5 (torque to 32-37 ft lbs)	
2	88201536	AR	HEX HD CAPSCREW, 3/8-24X1-1/2, GR5 (torque to 32-37 ft lbs)	
3	88561109	8	FLAT WASHER, 3/8	
4	91033185	2	BEARING PAD	
5	91031236	2	SPACER	
6	90205870	AR	SHIM	
7	88201532	8	HEX HD CAPSCREW, 3/8-24X3/4, GR5 (torque to 32-37 ft lbs)	
7	88201534	AR	HEX HD CAPSCREW, 3/8-24X1, GR5 (torque to 32-37 ft lbs)	
8	91033186	4	BEARING PAD	
9	91031236	4	SPACER	
10	88201568	4	HEX HD CAPSCREW, 1/2-20X2, GR5 (torque to 68-78 ft lbs)	
10	88201564	AR	HEX HD CAPSCREW, 1/2-20X1, GR5 (torque to 68-78 ft lbs)	
11	90027471	4	HARDENED FLATWASHER, 1/2	
12	91083063	2	BEARING PAD	
13	91081172	2	SPACER	
14	88201608	2	HEX HD CAPSCREW 3/4-16X1-1/2, GR5	
15	90027473	2	HARDENED WASHER, 3/4	
16	91121022	1	BEARING PLATE	
17	91081148	1	BOOM BASE PIN	
18	88201107	1	HEX HD CAPSCREW, 5/8-11X5, GR5 NUT, 5/8-11	
19	88501010	1	HEX NUT, 5/8-11	
20	91083298	2	BUSHING	
21	91081171	2	SHIM	

SECTION 2 - BOOM

FIGURE 2-2. SECOND BOOM SECTION (SN 0188002 to Present)



NOTE:

1). Add bearing pad shims & spacers as required to shim boom to within 1/16in of a tight fit. Amounts of shims can vary at each shim point. When a shim is used with a pad, a spacer must be inserted between pad & shim. No pads shall sit directly on slotted surface of shims.

2). The length of pad bolts depend on the amount of shims used. Bolt cannot extend past chamfer on bearing.

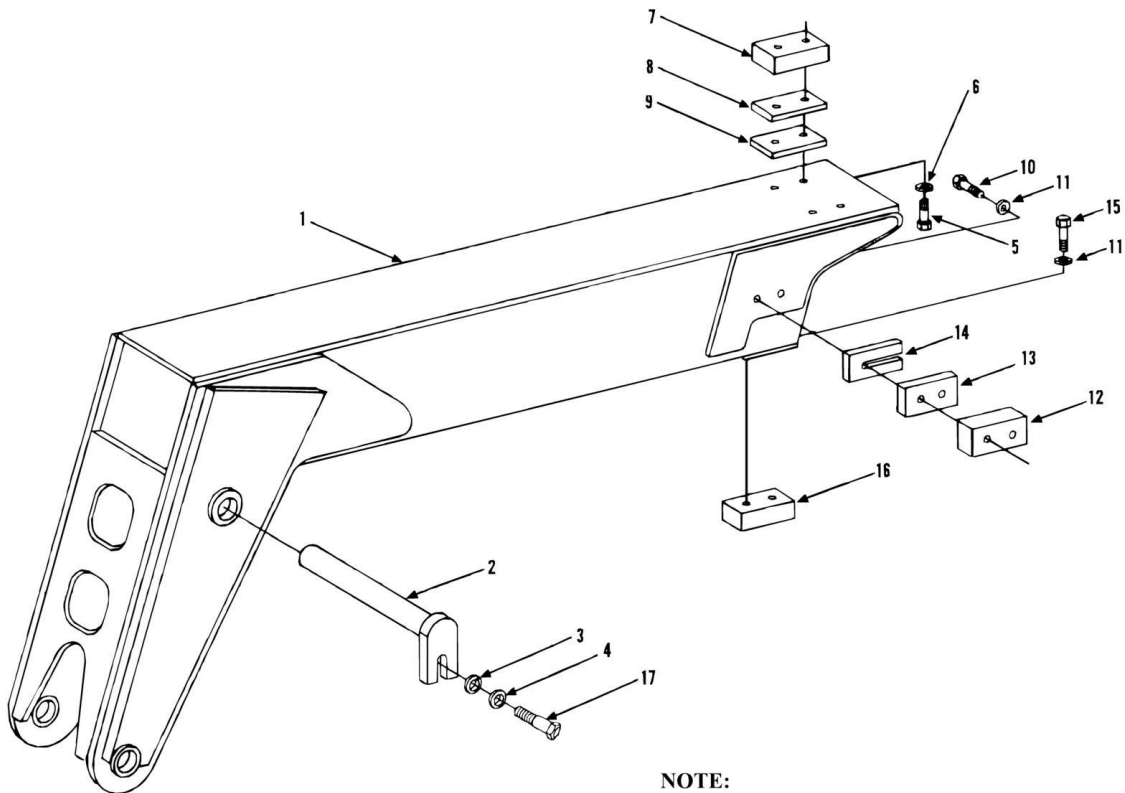
SECTION 2 - BOOM

FIGURE 2-2. SECOND BOOM SECTION (SN 0188002 to Present)

ITEM	PART NUMBER	QTY	DESCRIPTION	REV
1	91121082	8	SHIM (.06 thick)	
2	91121083	4	SPACER (.06 thick)	
3	91123019	4	BEARING PAD	
4	88201534	4	HEX HD CAPSCREW, 3/8-24X1, GR5 (torque to 32-37 ft lbs)	
4	88201535	AR	HEX HD CAPSCREW, 3/8-24X1-1/4 GR5 (torque to 32-37 ft lbs)	
5	88561109	16	FLAT WASHER, 3/8	
6	91083063	2	BEARING PAD	
7	90027471	6	HARDENED WASHER, 1/2	
8	88201562	6	HEX HD CAPSCREW, 1/2-20X3/4, GR5 (torque to 68-78 ft lbs)	
8	88201564	AR	HEX HD CAPSCREW, 1/2-20X1, GR5 (torque to 68-78 ft lbs)	
9	91081172	2	SPACER (.132 thick)	
11	91123021	2	BEARING PAD	
12	88201532	8	HEX HD CAPSCREW, 3/8-24X3/4, GR5 (torque to 32-37 ft lbs)	
12	88201534	AR	HEX HD CAPSCREW, 3/8-24X1 GR5 (torque to 32-37 ft lbs)	
13	91126012	1	BOOM, SECOND SECTION	
14	91083297	2	BEARING PAD	
15	91081447	2	SPACING (.132 thick)	
16	91121081	2	SHIM (.06 thick)	
17	88201565	4	HEX HD CAPSCREW, 1/2-20X1-1/4, GR5, (torque to 68-78 ft lbs)	
17	88201566	AR	HEX HD CAPSCREW, 1/2-20X1-1/2, GR5, (torque to 68-78 ft lbs)	
18	90205870	4	SHIM (.06 thick)	
19	91031236	2	SPACER (.06 thick)	
20	91033186	2	BEARING PAD	
21	88201538	4	HEX HD CAPSCREW, 3/8-24X2, GR5 (torque to 32-37 ft lbs)	

SECTION 2 - BOOM

FIGURE 2-3. THIRD BOOM SECTION (SN 0188002 to Present)



NOTE:

1). Add bearing pad shims & spacers as required to shim boom to within 1/16in of a tight fit. Amounts of shims can vary at each shim point. When a shim is used with a pad, a spacer must be inserted between pad & shim. No pads shall sit directly on slotted surface of shims.

2). The length of pad bolts depend on the amount of shims used. Bolt cannot extend past chamfer on bearing.

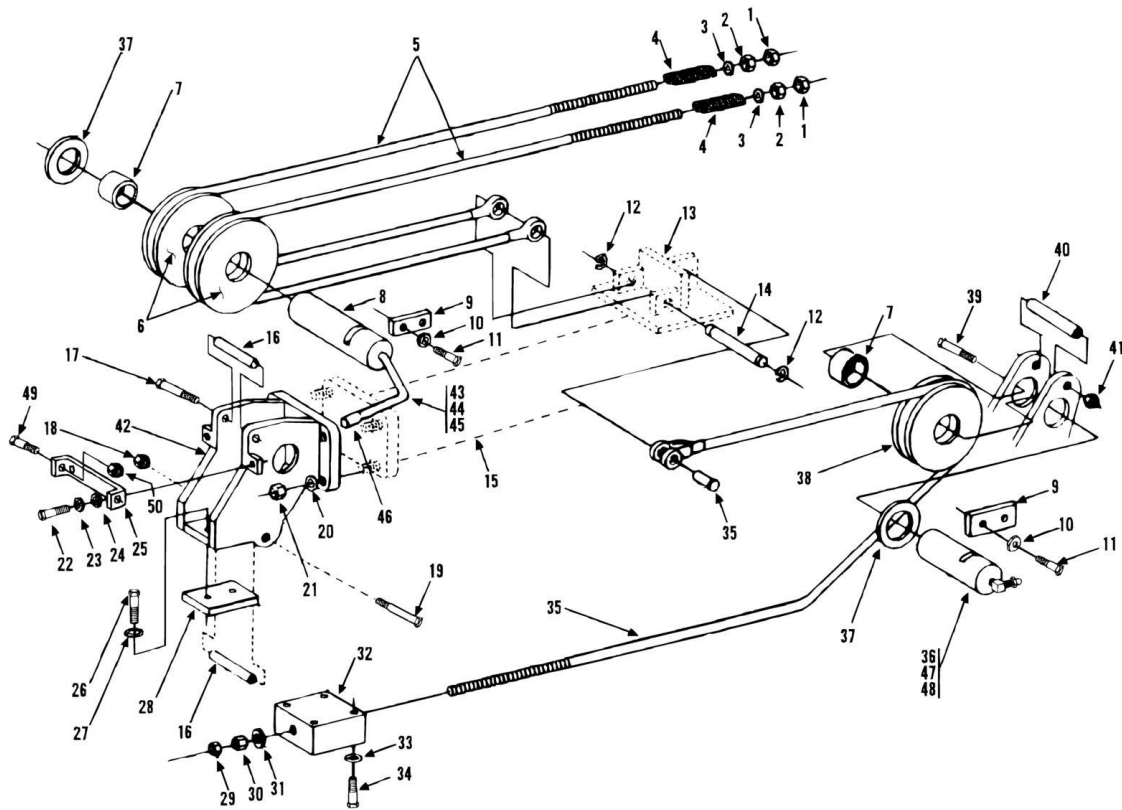
SECTION 2 - BOOM

FIGURE 2-3. THIRD BOOM SECTION (SN 0188002 to Present)

ITEM	PART NUMBER	QTY	DESCRIPTION	REV
1	91126013	1	BOOM, THIRD SECTION	
2	91146052	1	PIN WELDMENT	
3	88551013	1	LOCKWASHER, 1/2IN	
4	83621283	1	WASHER	
5	88201565	4	HEX HD CAPSCREW, 1/2-20X1-1/4, GR5 (torque to 68-78 ft lbs)	
5	88201566	AR	HEX HD CAPSCREW, 1/2-20X1-1/2, GR5 (torque to 68-78 ft lbs)	
6	90027471	4	HARDENED FLATWASHER, 1/2	
7	91083297	2	BEARING PAD	
8	91081447	2	SPACER	
9	91121081	AR	SHIM	
10	88201532	4	HEX HD CAPSCREW, 3/8-24X3/4, GR5 (torque to 32-37 ft lbs)	
10	88201534	AR	HEX HD CAPSCREW, 3/8-24X1, GR5 (torque to 32-37 ft lbs)	
11	88561109	8	FLATWASHER, 3/8	
12	91033186	2	BEARING PAD	
13	91031236	2	SPACER	
14	90205870	AR	SHIM	
15	88201535	4	HEX HD CAPSCREW, 3/8-24X1-1/4, GR5 (torque to 32-37 ft lbs)	
16	91123019	2	BEARING PAD	
17	88201065	1	HEX HD CAPSCREW, 1/2-13X1, GR5	

SECTION 2 - BOOM

FIGURE 2-4. EXTENSION AND RETRACTION CABLES (SN 0188002 to Present)



SECTION 2 - BOOM

FIGURE 2-4. EXTENSION AND RETRACTION CABLES (SN 0188002 to Present)

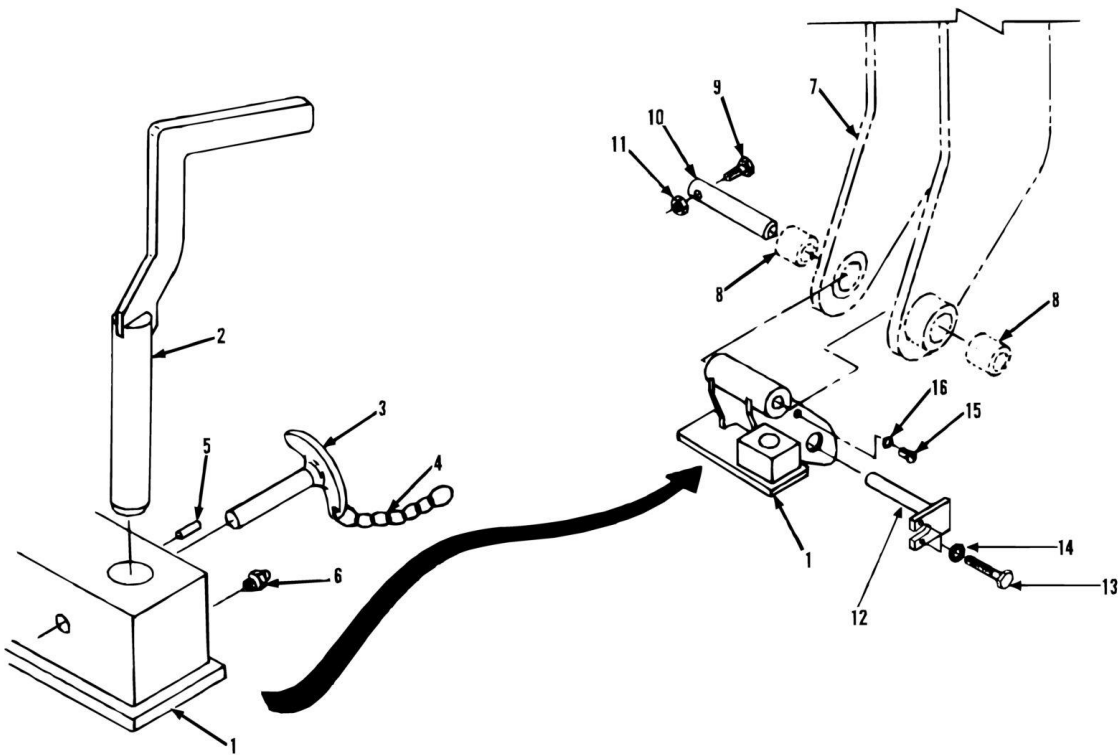
ITEM	PART NUMBER	QTY	DESCRIPTION	REV
	91125032	Ref	BUSHING KIT (includes items 7, 8, 36, 43 thru 48, and two of P/N 91121200 tapped block)	
1	88501414	2	HEX JAM NUT, 7/8-14 (torque to 175-215 ft lbs)	
2	88501314	2	HEX NUT, 7/8-14 (torque to 15 ft lbs)	
3	91121079	2	SPECIAL WASHER	
4	91123018	2	SPRING	
5	91123012	2	EXTENSION CABLE	
6	91125030	2	EXTEND SHEAVE ASSY (includes item 7)	
7	91123102	3	BUSHING	
8	91121196	1	EXTENSION CABLE PIN	
9	86641158	2	PIN KEEPER	
10	88551011	4	LOCKWASHER, 3/8	
11	88201034	4	HEX HD CAPSCREW, 3/8-16X7/8, GR5	
12	88581310	2	RETAINING RING, EXTERNAL	
13	91126015	1	CABLE ANCHOR WELDMENT	
14	91121080	1	EXTENSION CABLE PIN	
15		Ref	CROWD CYLINDER ASSY (See HYDRAULIC COMPONENTS SECTION for Breakdown)	
16	91121045	2	RETAINER ROLLER	
17	88201046	1	HEX HD CAPSCREW, 3/8-16X3-3/4, GR5	
18	88521306	1	THIN LOCKNUT, 3/8-16	
19	83201073	1	HEX HD CAPSCREW, 3/8-16X4-1/2, GR5	
20	88561111	4	WASHER, 1/2IN	
21	88521208	4	HEX LOCKNUT, 1/2IN-13	
22	88201034	2	HEX HD CAPSCREW, 3/8-16X7/8, GR5	
23	88551011	2	LOCKWASHER, 3/8	
24	88551109	2	FLATWASHER, 3/8	
25	91121122	1	GUIDE BAR	
26	88201532	2	HEX HD CAPSCREW, 3/8-24X3/4, GR5 (torque to 32-37 ft lbs)	
27	88561109	2	FLAT WASHER, 3/8	
28	91033187	1	BEARING PAD	
29	88501112	1	HEAVY HEX JAM NUT, 3/4-10	
30	88501012	1	HEX NUT, 3/4-10	
31	90027473	1	HARDENED WASHER	
32	91081087	1	CABLE ADJUSTMENT BLOCK	
33	90027471	4	WASHER	
34	83201026	4	HEX HD CAPSCREW, 1/2-13X1-1/8, GR8	
35	91123013	1	RETRACTION CABLE (includes pin)	
36	91121197	1	RETRACTION SHEAVE PIN	
37	91041451	5	THRUST WASHER	
38	91125031	1	RETRACTION SHEAVE ASSY (includes item 7)	
39	88201043	2	HEX HD CAPSCREW, 3/8-16x3,GR5	
40	91121056	2	RETAINER ROLLER	
41	88521306	2	HEX LOCKNUT, 3/8-18 (nylok)	
42	91126009	1	EXTEND CABLE BRACKET	
43	86881276	2	TUBE FITTING, 90	
44	86881273	2	STRAIGHT TUBE FITTING	
45	Bulk	20 in	NYLON TUBING, 1/4IN	
46	88671002	2	LUBE FITTING, STRAIGHT, 1/8	
47	91033445	1	LUBE FITTING, STRAIGHT, 1/8	

SECTION 2 - BOOM

ITEM	PART NUMBER	QTY	DESCRIPTION	REV
48	88712011	1	STREET ELBOW, 90, 1/8	
49	91123136	2	BRASS HEX HD CAPSCREW, 3/8-16X1	
50	88501006	2	HEX NUT, 3/8-16	
		Ref	NOTE: ONLY ITEMS WITH PART NUMBERS ARE AVAILABLE FOR SERVICE.	

SECTION 2 - BOOM

FIGURE 2-5. (91085049) QUICK SWITCH OPTION (SN 0188002 through 0288482)



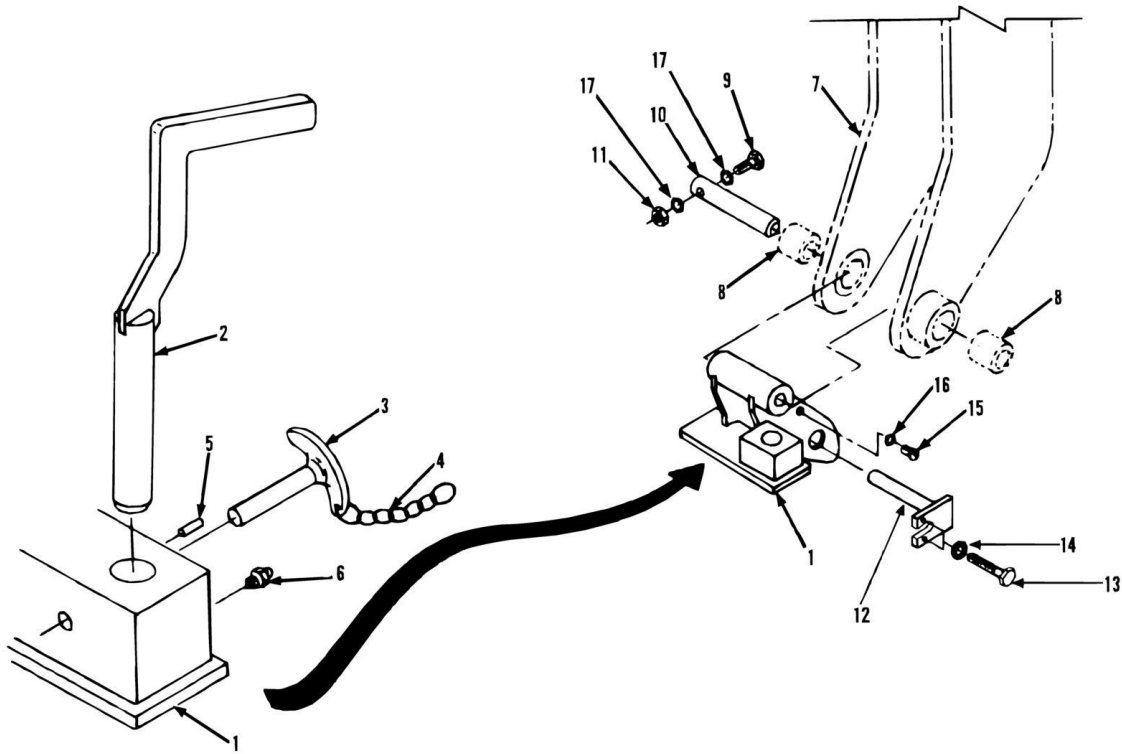
SECTION 2 - BOOM

FIGURE 2-5. (91085049) QUICK SWITCH OPTION (SN 0188002 through 0288482)

ITEM	PART NUMBER	QTY	DESCRIPTION	REV
	91085049	Ref	QUICK SWITCH OPTION (includes 91045095 plus items 9, 10 & 11)	
	91045095	1	QUICK SWITCH ASSY (includes items 1 thru 6, 15 & 16)	
1	91046074	1	QUICK SWITCH WELDMENT	
2	91086073	1	PLUNGER WELDMENT	
3	90207902	1	QUICK RELEASE PIN	
4	91033038	1	JACK CHAIN, 8IN LONG, SIZE 12	
5	88631509	1	ROLL PIN, 1/4INX2	
6	88671008	1	LUBE FITTING, STRAIGHT, 1/4-28	
7		Ref	THIRD BOOM SECTION (See THIRD BOOM SECTION)	
8	91031136	2	BUSHING	
9	88201107	1	HEX HD CAPSCREW, 5/8-11X5, GR5	
10	91081324	1	PIN	
11	88501010	1	HEX NUT, 5/8-11	
12	90207046	1	TILT CYLINDER PIN	
13	88201065	2	HEX HD CAPSCREW, 1/2-13X1, GR5	
14	88551013	2	LOCKWASHER, 1/2	
15	88301193	1	ROUND HD MACHINE SCREW, #10-32X1/2	
16	88561105	1	FLAT WASHER, #10	

SECTION 2 - BOOM

FIGURE 2-6. (91085049) QUICK SWITCH OPTION (SN 0288483 to Present)



SECTION 2 - BOOM

FIGURE 2-6. (91085049) QUICK SWITCH OPTION (SN 0288483 to Present)

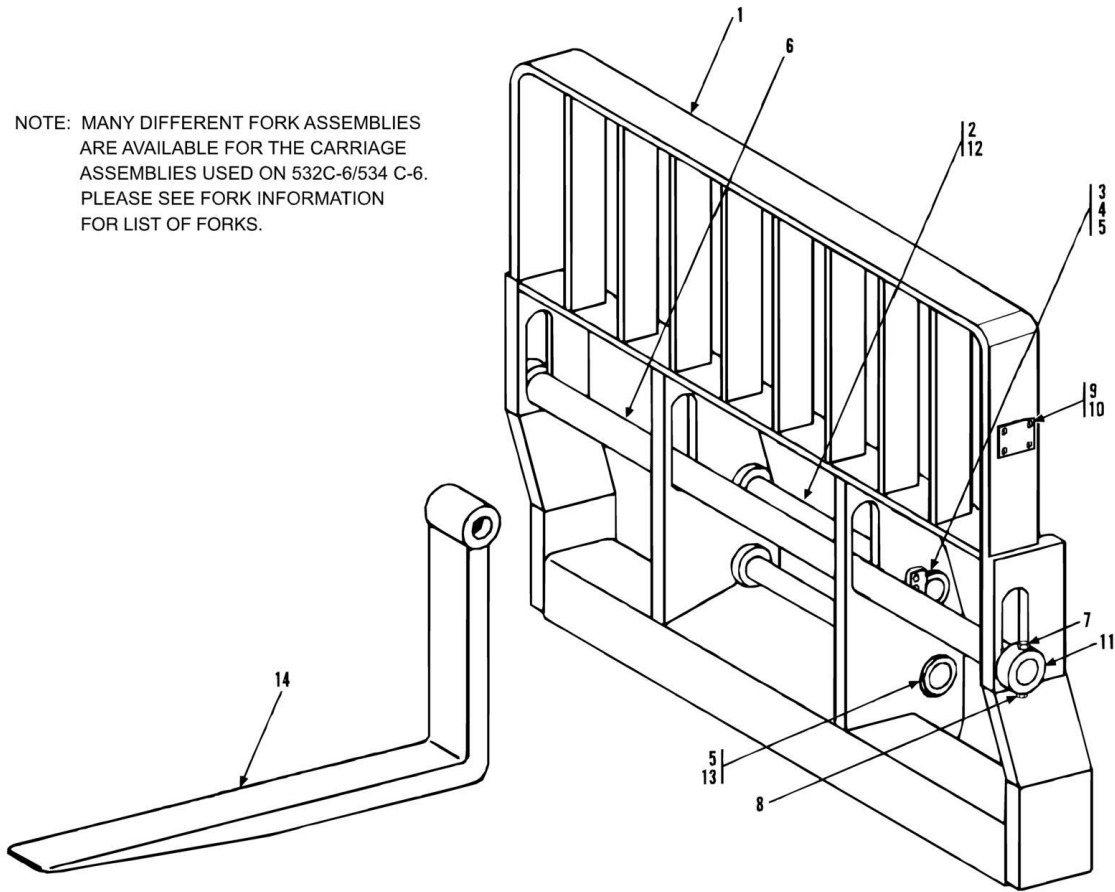
ITEM	PART NUMBER	QTY	DESCRIPTION	REV
	91085049	Ref	QUICK SWITCH OPTION (includes 91085091 plus items 9, 10 & 11)	
	91085091	1	QUICK SWITCH ASSY (includes items 1 thru 6, 15 & 16)	
1	91086152	1	QUICK SWITCH WELDMENT	
2	91086151	1	PLUNGER WELDMENT	
3	90207902	1	QUICK RELEASE PIN	
4	91033038	1	JACK CHAIN, 5IN LONG, SIZE 12	
5	88631509	1	ROLL PIN, 1/4INX2	
6	88671008	1	LUBE FITTING, STRAIGHT, 1/4-28	
7		Ref	THIRD BOOM SECTION (See THIRD BOOM SECTION)	
8	91031136	2	BUSHING	
9	91121308	1	HEX HD CAPSCREW, 5/8-11X5, GR5	
10	91041365	1	PIN	
11	91121309	1	HEX NUT, 5/8-11 (torque to 185-200 ft lbs)	
12	91166062	1	TILT CYLINDER PIN	
13	83201123	2	HEX HD CAPSCREW, 1/2-13X1, GR8	
14	88561111	2	WASHER, 1/2	
15	88301193	1	ROUND HD MACHINE SCREW, #10-32X1/2	
16	88561105	1	FLAT WASHER, #10	
17	91121310	2	WASHER, 5/8	

SECTION 3 - ATTACHMENTS

SECTION 3 - ATTACHMENTS

FIGURE 3-1. (91085033) CARRIAGE ASSEMBLY (SN 0188002 to Present)

NOTE: MANY DIFFERENT FORK ASSEMBLIES ARE AVAILABLE FOR THE CARRIAGE ASSEMBLIES USED ON 532C-6/534 C-6. PLEASE SEE FORK INFORMATION FOR LIST OF FORKS.



SECTION 3 - ATTACHMENTS

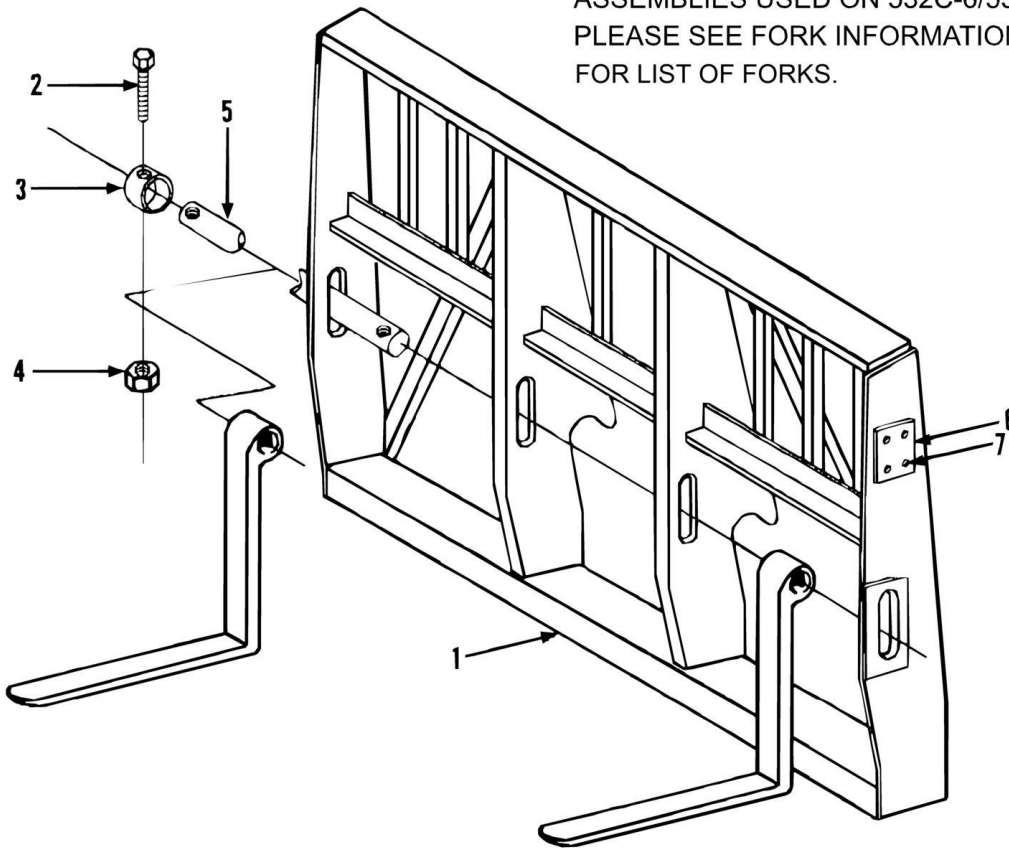
FIGURE 3-1. (91085033) CARRIAGE ASSEMBLY (SN 0188002 to Present)

ITEM	PART NUMBER	QTY	DESCRIPTION	REV
	91085033	Ref	48IN CARRIAGE ASSY, (includes items 1 thru 13)	
1	91086116	1	48IN CARRIAGE WELDMENT	
2	91081369	1	HEAD PIN	
3	91081368	1	RETAINER BAR	
4	88201066	2	HEX HD CAPSCREW, 1/2-13X1-1/4, GR5	
5	88551013	2	LOCKWASHER, 1/2	
6	90451058	1	FORK PIN	
7	88201105	2	HEX HD CAPSCREW, 5/8-11X4, GR5	
8	88521310	2	HEX LOCKNUT, 5/8-11	
9	90153001	1	SERIAL NUMBER PLATE	
10	88341022	4	DRIVE SCREW, #10X3/8	
11	90200003	2	COLLAR	
12	91121124	1	SLEEVE	
13	90207046	Ref	TILT PIN	
14	90453002	2	FORK	
14	90600390		CUBING FORK	

SECTION 3 - ATTACHMENTS

FIGURE 3-2. (90455007) Q.S. CARRIAGE ASSEMBLIES (SN 0188002 to Present)

NOTE: MANY DIFFERENT FORK ASSEMBLIES ARE AVAILABLE FOR THE CARRIAGE ASSEMBLIES USED ON 532C-6/534 C-6. PLEASE SEE FORK INFORMATION FOR LIST OF FORKS.



SECTION 3 - ATTACHMENTS

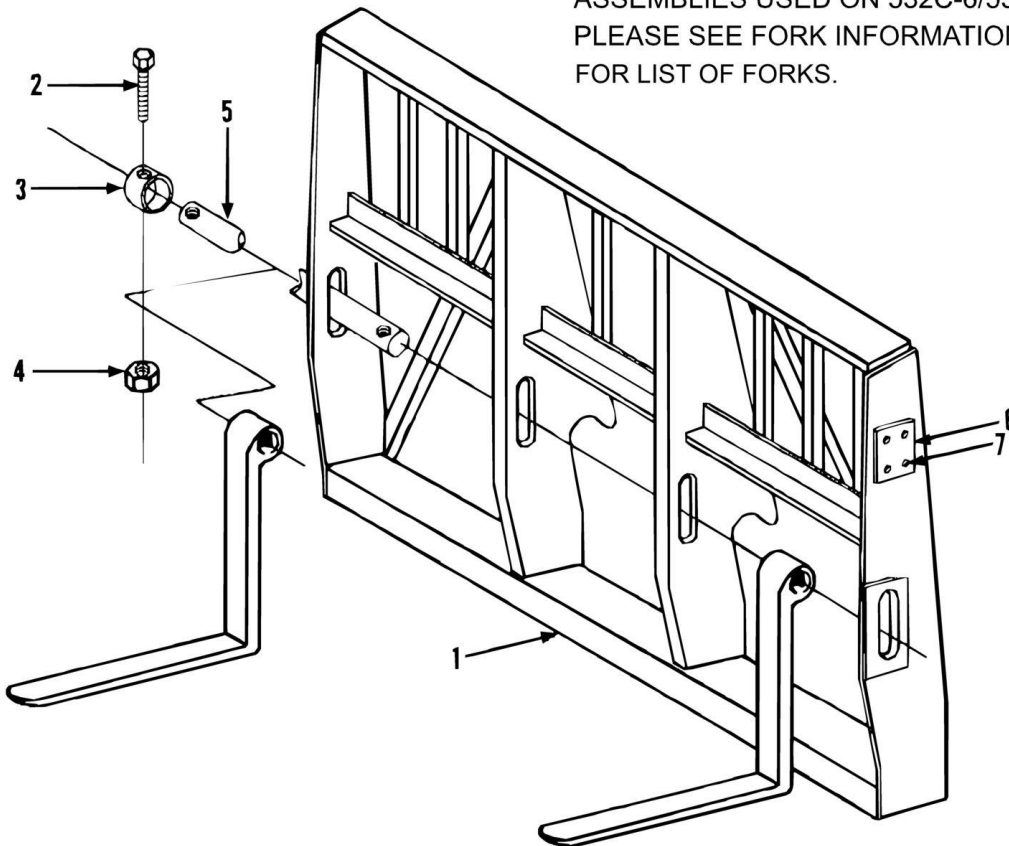
FIGURE 3-2. (90455007) Q.S. CARRIAGE ASSEMBLIES (SN 0188002 to Present)

ITEM	PART NUMBER	QTY	DESCRIPTION	REV
	90455007	1	48IN CARRIAGE ASSY, (Includes all items)	
1	90801315	1	48IN CARRIAGE WELDMENT	
2	88201105	2	HEX HD CAPSCREW, 5/8-11X4, GR5	
3	90200003	2	COLLAR	
4	88521310	2	HEX LOCKNUT, 5/8-11	
5	90402477	1	FORK PIN	
6	90153001	1	SERIAL NUMBER PLATE	
7	88341022	4	DRIVE SCREW, #10X3/8	

SECTION 3 - ATTACHMENTS

FIGURE 3-3. (90455008) Q.S. CARRIAGE ASSEMBLIES (SN 0188002 to Present)

NOTE: MANY DIFFERENT FORK ASSEMBLIES ARE AVAILABLE FOR THE CARRIAGE ASSEMBLIES USED ON 532C-6/534 C-6. PLEASE SEE FORK INFORMATION FOR LIST OF FORKS.



SECTION 3 - ATTACHMENTS

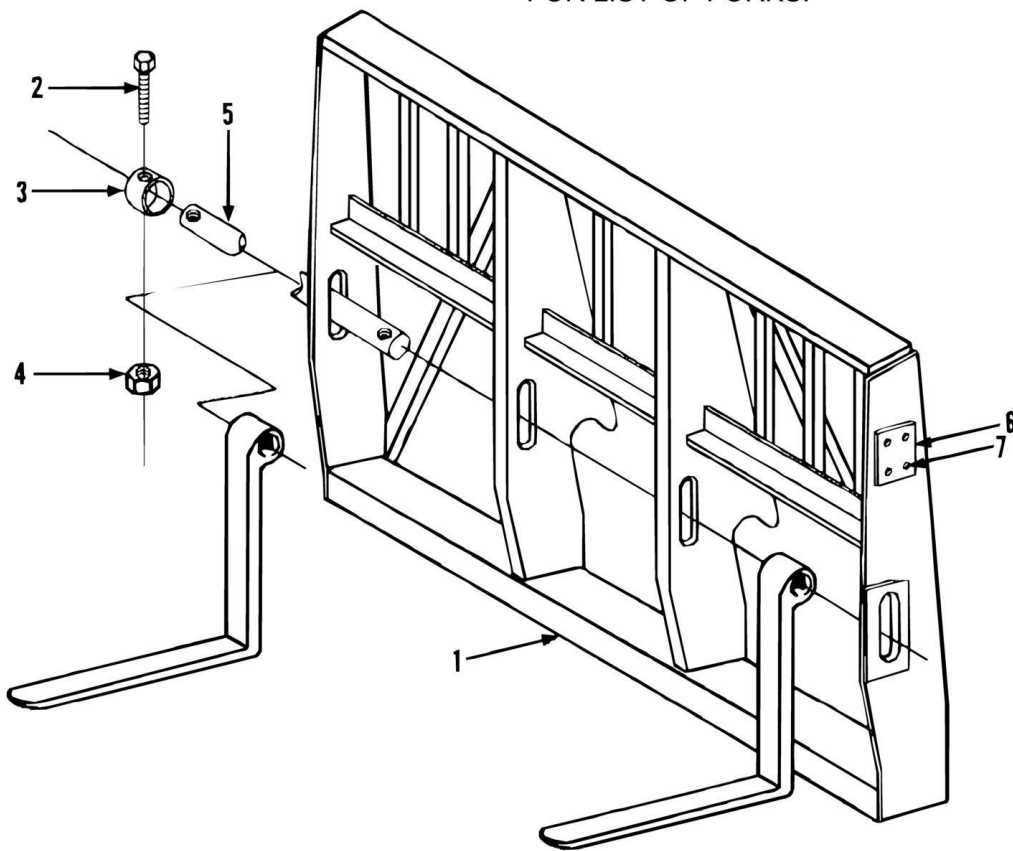
FIGURE 3-3. (90455008) Q.S. CARRIAGE ASSEMBLIES (SN 0188002 to Present)

ITEM	PART NUMBER	QTY	DESCRIPTION	REV
	90455008	1	66IN CARRIAGE ASSY, (includes all items)	
1	90801314	1	66IN CARRIAGE WELDMENT	
2	88201105	2	HEX HD CAPSCREW, 5/8-11X4, GR5	
3	90200003	2	COLLAR	
4	88521310	2	HEX LOCKNUT, 5/8-11	
5	90402478	1	FORK PIN	
6	90153001	1	SERIAL NUMBER PLATE	
7	88341022	4	DRIVE SCREW, #10X3/8	

SECTION 3 - ATTACHMENTS

FIGURE 3-4. (90455051) Q.S. CARRIAGE ASSEMBLIES (SN 0188002 to Present)

NOTE: MANY DIFFERENT FORK ASSEMBLIES ARE AVAILABLE FOR THE CARRIAGE ASSEMBLIES USED ON 532C-6/534 C-6. PLEASE SEE FORK INFORMATION FOR LIST OF FORKS.



SECTION 3 - ATTACHMENTS

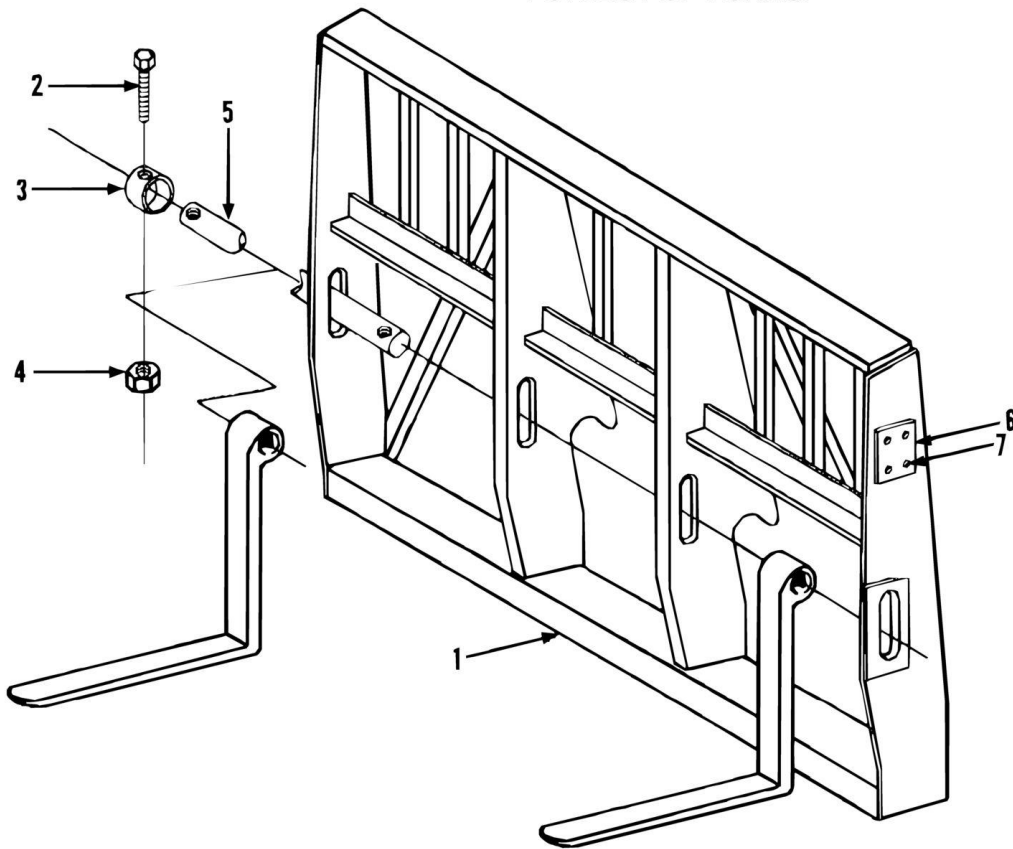
FIGURE 3-4. (90455051) Q.S. CARRIAGE ASSEMBLIES (SN 0188002 to Present)

ITEM	PART NUMBER	QTY	DESCRIPTION	REV
	90455051	1	48IN CARRIAGE ASSY, (Includes all items)	
1	90456009	1	48IN CARRIAGE WELDMENT	
2	88201105	2	HEX HD CAPSCREW, 5/8-11X4, GR5	
3	90200003	2	COLLAR	
4	88521310	2	HEX LOCKNUT, 5/8-11	
5	90451058	1	FORK PIN	
6	90153001	1	SERIAL NUMBER PLATE	
7	88341022	4	DRIVE SCREW, #10X3/8	

SECTION 3 - ATTACHMENTS

FIGURE 3-5. (90455052) Q.S. CARRIAGE ASSEMBLIES (SN 0188002 to Present)

NOTE: MANY DIFFERENT FORK ASSEMBLIES ARE AVAILABLE FOR THE CARRIAGE ASSEMBLIES USED ON 532C-6/534 C-6. PLEASE SEE FORK INFORMATION FOR LIST OF FORKS.



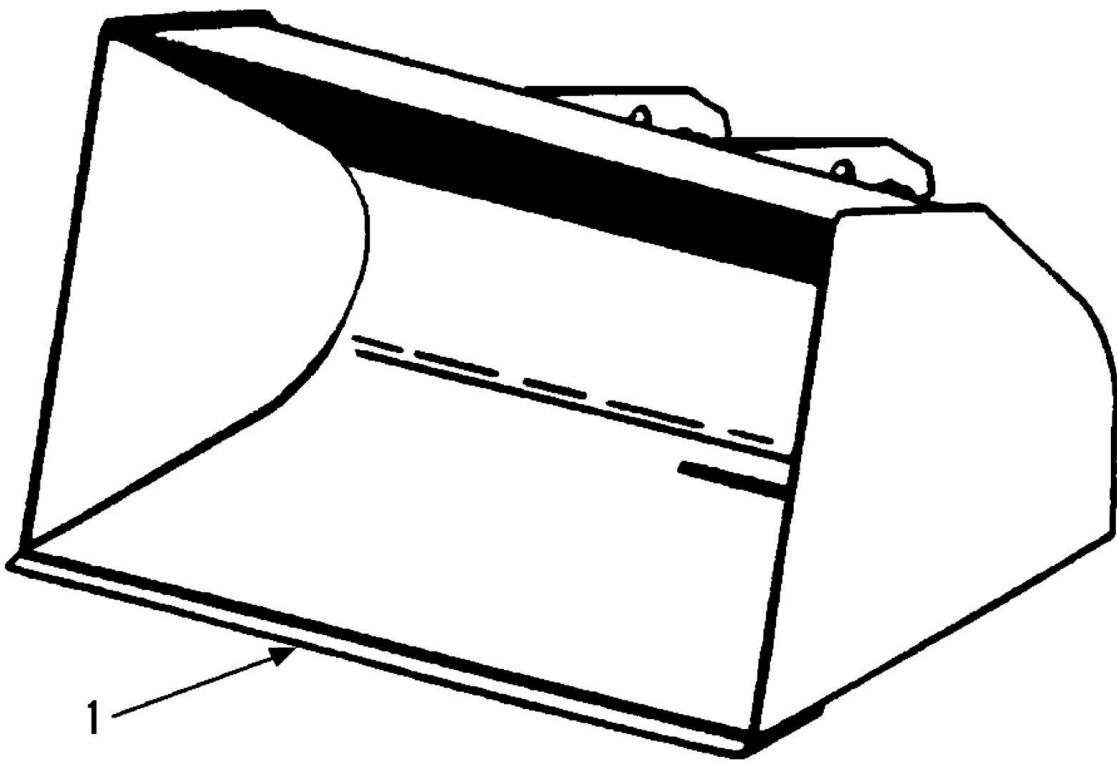
SECTION 3 - ATTACHMENTS

FIGURE 3-5. (90455052) Q.S. CARRIAGE ASSEMBLIES (SN 0188002 to Present)

ITEM	PART NUMBER	QTY	DESCRIPTION	REV
	90455052	1	66IN CARRIAGE ASSY, (includes all items)	
1	90456010	1	66IN CARRIAGE WELDMENT	
2	88201105	2	HEX HD CAPSCREW, 5/8-11X4, GR5	
3	90200003	2	COLLAR	
4	88521310	2	HEX LOCKNUT, 5/8-11	
5	90402478	1	FORK PIN	
6	90153001	1	SERIAL NUMBER PLATE	
7	88341022	4	DRIVE SCREW, #10X3/8	

SECTION 3 - ATTACHMENTS

FIGURE 3-6. BUCKETS (SN 0188002 to Present)



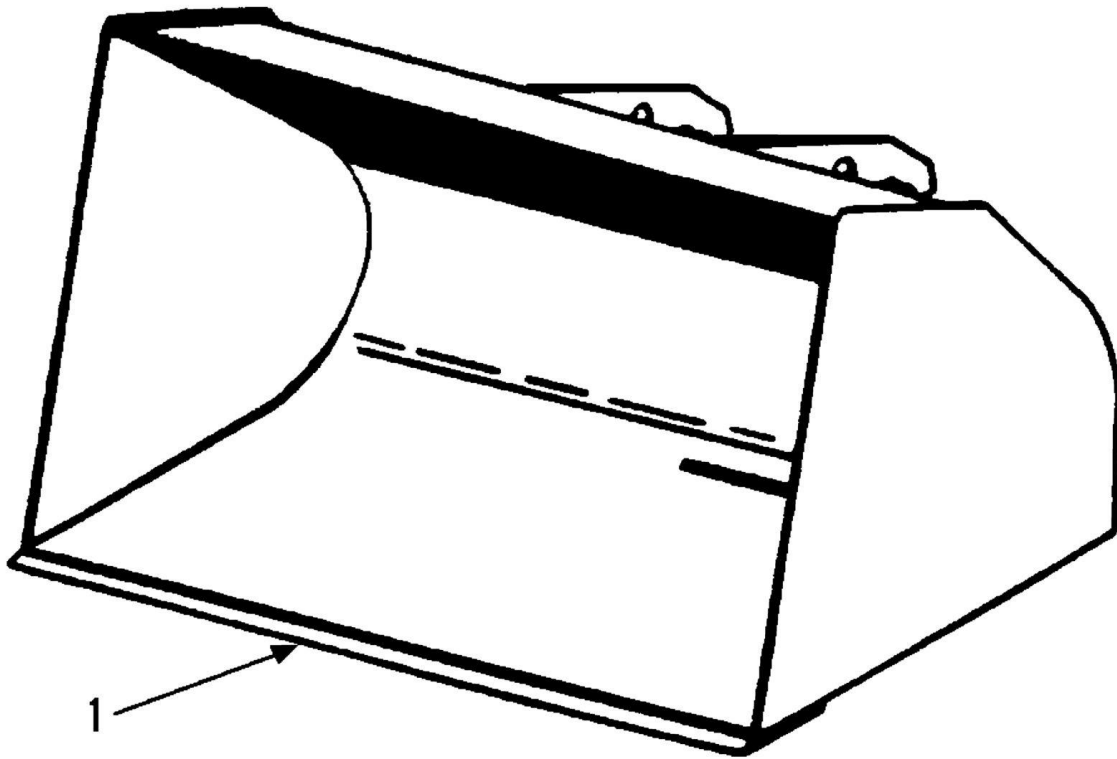
SECTION 3 - ATTACHMENTS

FIGURE 3-6. BUCKETS (SN 0188002 to Present)

ITEM	PART NUMBER	QTY	DESCRIPTION	REV
1	90455049	1	60IN BUCKET (3/4 yard capacity)	

SECTION 3 - ATTACHMENTS

FIGURE 3-7. BUCKETS (SN 0188002 to Present)



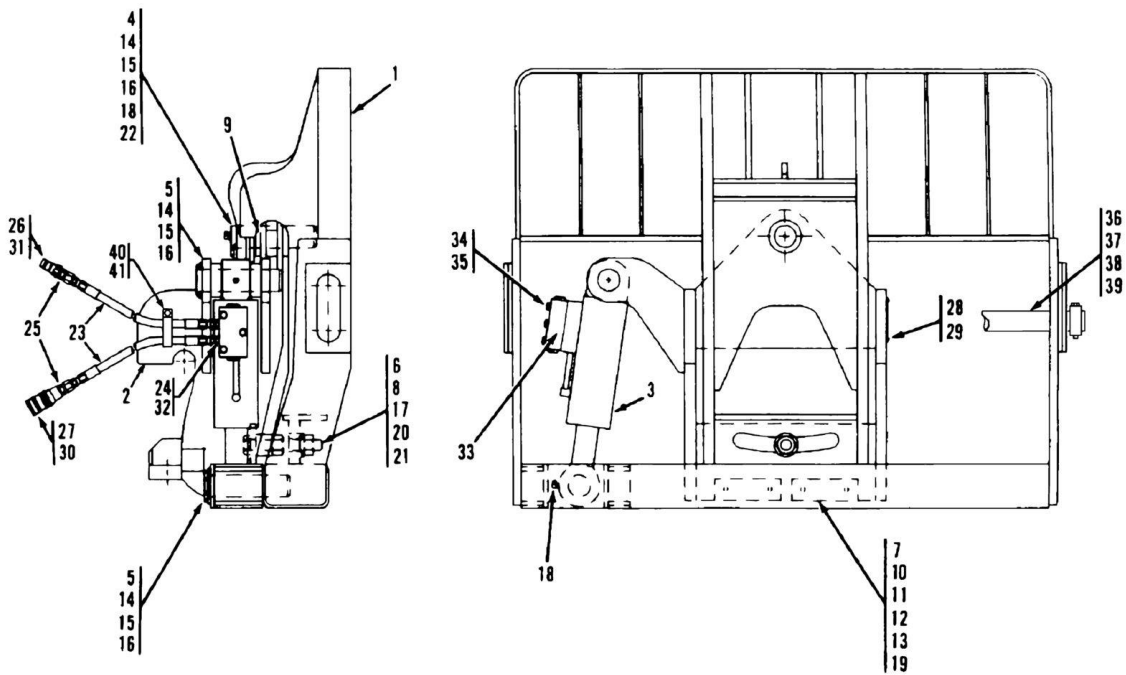
SECTION 3 - ATTACHMENTS

FIGURE 3-7. BUCKETS (SN 0188002 to Present)

ITEM	PART NUMBER	QTY	DESCRIPTION	REV
1	90555020	1	74IN BUCKET (1-1/4 yard capacity)	

SECTION 3 - ATTACHMENTS

FIGURE 3-8. (91305016) 66IN SLOPE PILER CARRIAGE (SN 0188002 to Present)



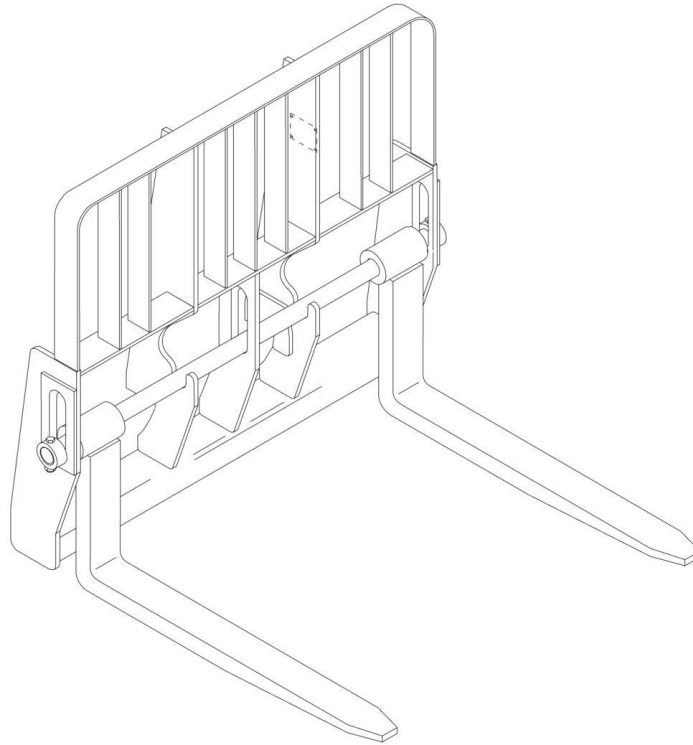
SECTION 3 - ATTACHMENTS

FIGURE 3-8. (91305016) 66IN SLOPE PILER CARRIAGE (SN 0188002 to Present)

ITEM	PART NUMBER	QTY	DESCRIPTION	REV
	91305016	Ref	66IN SLOPE PILER CARRIAGE, (includes all items)	
	91123077	1	CAPACITY DECAL, (not shown)	
1	91306030	1	CARRIAGE WELDMENT	
2	91086122	1	ADAPTER WELDMENT	
3		Ref	SWAY CYLINDER, (See OPTIONAL EQUIPMENT SECTION for Breakdown)	
4	91083248	1	BUSHING	
5	3423263	2	PIN	
6	90204007	1	TUBE	
7	91033186	2	BEARING PAD	
8	91081577	1	TAP BOLT	
9	91081594	1	THRUST WASHER	
10	90205870	AR	SHIM	
11	91031236	2	SPACER	
12	88201535	4	HEX HD CAPSCREW, 3/8-24X1-1/4, GR5	
13	88201534	4	HEX HD CAPSCREW, 3/8-24X1, GR5	
14	91081313	3	KEEPER PLATE	
15	88201065	6	HEX HD CAPSCREW, 1/2-13X1, GR5	
16	88551013	6	LOCKWASHER, 1/2	
17	88521016	1	HEX LOCKNUT, 1-8	
18	88671022	2	LUBE FITTING, 90, 1/8	
19	88561109	4	FLAT WASHER, 3/8	
20	88501016	1	HEX NUT, 1-8	
21	05101441	1	WASHER, 1-1/16	
22	91081622	1	PIN	
23	84716434	2	HOSE ASSY	
24	83661316	2	CONNECTOR	
25	88661010		CONNECTOR, (Prior to SN 2005283-01)	
25	88662018	2	CONNECTOR, (SN 2005283-01 to Present)	
26	91163138	1	MALE QUICK DISCONNECT, (Prior to SN 2005283-01)	
26	91403414	1	MALE QUICK DISCONNECT, (SN 2005283-01 to Present)	
27	91163139	1	FEMALE QUICK DISCONNECT, (Prior to SN 2005283-01)	
27	91403413	1	FEMALE QUICK DISCONNECT, (SN 2005283-01 to Present)	
28	88341022	4	DRIVE SCREW, #10X3/8	
29	90153001	1	SERIAL NUMBER PLATE	
30	91043125	1	DUST PLUG	
31	91043126	1	DUST CAP	
32	88662105	2	ELBOW, 90, (swivel nut)	
33		Ref	DUAL P.O. CHECK VALVE, (See OPTIONAL EQUIPMENT SECTION for Breakdown)	
34	88201040	3	HEX HD CAPSCREW, 3/8-16X2-1/4, GR5	
35	88551011	3	LOCKWASHER, 3/8	
36	91301083	1	FORK PIN	
37	90200003	2	COLLAR	
38	88201105	2	HEX HD CAPSCREW, 5/8-11X4, GR5	
39	88521310	2	LOCKNUT, 5/8-11	
40	84521062	1	SUPPORT CLAMP	
41	77143015	1	WHIZ LOCKNUT	

SECTION 3 - ATTACHMENTS

FIGURE 3-9. FORK INFORMATION



NOTE: FORKS RATED LESS THAN THE ATTACHMENT OR MACHINE'S CAPACITY DECREASE CAPACITY OF THE ATTACHMENT OR MACHINE TO THAT OF THE FORKS. FORKS RATED MORE THAN THE ATTACHMENT OR MACHINE'S CAPACITY DO NOT INCREASE ATTACHMENT OR MACHINE'S CAPACITY.

NOTE: PLEASE CONSULT THE GRADALL PARTS DEPARTMENT TO DETERMINE THE CORRECT FORKS APPLICABLE TO YOUR SPECIFIC CARRIAGE ASSEMBLY AND APPLICATION.

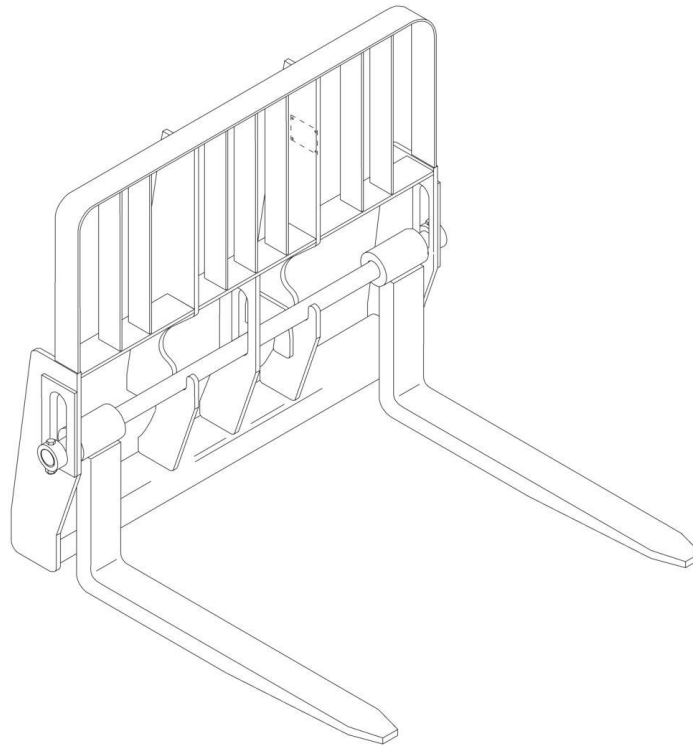
SECTION 3 - ATTACHMENTS

FIGURE 3-9. FORK INFORMATION

ITEM	PART NUMBER	QTY	DESCRIPTION	REV
	90600390	2	48IN CUBING FORK, 2X2, 3000 lbs, (B, C and D series)	
	90601819	2	48IN PALLET FORK, 1-3/4X6, 9000 lbs, (B, C and D series)	
	90453002	2	48IN PALLET FORK, 2X4, 8000 lbs, (B, C and D series)	
	90553005	2	48IN PALLET FORK, 2X6, 10,000 lbs, (B, C and D series)	
	90553008	2	48IN PALLET FORK, 1-3/4X4, 5000 lbs, (used on 6ft swing mast only, P/N 90455047)	
	90601015	2	60IN PALLET FORK, 2X6, 10,000 lbs, (B, C and D series)	
	91163269	2	60IN PALLET FORK, 2X6, 11,300 lbs, (B, C and D series)	
	90453045	2	60IN PALLET FORK, 2X6, 11,300 lbs, (used on 6ft swing mast only, P/N 90455054)	

SECTION 3 - ATTACHMENTS

FIGURE 3-10. FORK INFORMATION



NOTE: FORKS RATED LESS THAN THE ATTACHMENT OR MACHINE'S CAPACITY DECREASE CAPACITY OF THE ATTACHMENT OR MACHINE TO THAT OF THE FORKS. FORKS RATED MORE THAN THE ATTACHMENT OR MACHINE'S CAPACITY DO NOT INCREASE ATTACHMENT OR MACHINE'S CAPACITY.

NOTE: PLEASE CONSULT THE GRADALL PARTS DEPARTMENT TO DETERMINE THE CORRECT FORKS APPLICABLE TO YOUR SPECIFIC CARRIAGE ASSEMBLY AND APPLICATION.

SECTION 3 - ATTACHMENTS

FIGURE 3-10. FORK INFORMATION

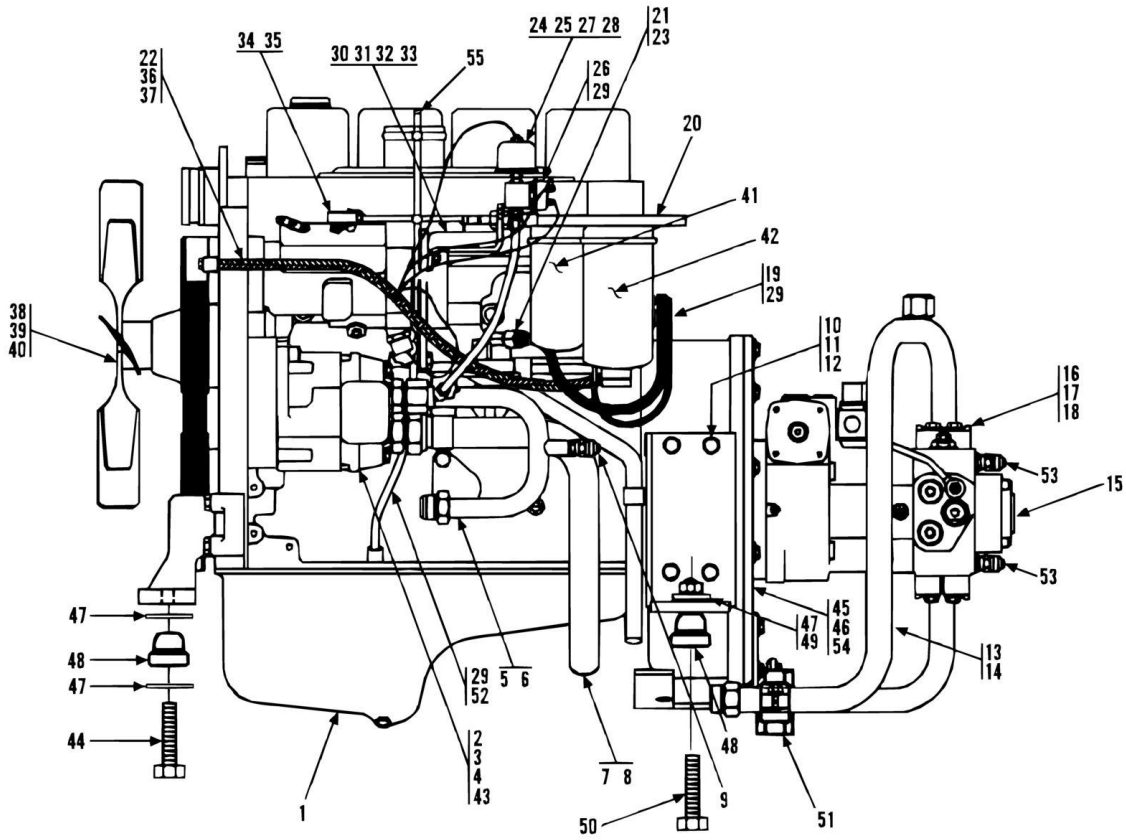
ITEM	PART NUMBER	QTY	DESCRIPTION	REV
	90553018	2	72IN PALLET FORK, 2X6, 10,000 lbs, (B, C and D series)	
	91123132	2	72IN PALLET FORK, 2X6, 10,000 lbs, (B, C and D series)	
	90600832	2	48IN PALLET FORK, 2-1/4X8, 16,000 lbs, (used on the 542, 552, & 554)	
	90601873	2	48IN PALLET FORK, 2-1/4X7, 15,000 lbs, (used on the 542, 552, & 554)	
	90600833	2	60IN PALLET FORK, 2-1/4X8, 16,000 lbs, (used on the 542, 552 & 554)	
	90601219	2	60IN PALLET FORK, 2-1/2X8, 16,000 lbs, (used on the 542, 552 & 554)	
	90601874	2	60IN PALLET FORK, 2-1/4X7, 15,000 lbs, (used on the 542, 552 & 554)	
	H0453002	2	96IN PALLET FORK, 2X6, 7500 lbs loaded center, (B, C and D series)	
	90553018	2	72IN PALLET FORK, 2X6, 10,000 lbs, (B, C and D series)	

SECTION 4 - ENGINE AND ATTACHING PARTS

SECTION 4 - ENGINE AND ATTACHING PARTS

SECTION 4 - ENGINE AND ATTACHING PARTS

FIGURE 4-1. ENGINE LEFT SIDE VIEW (532C-6) (SN 0188002 to Present)



SECTION 4 - ENGINE AND ATTACHING PARTS

FIGURE 4-1. ENGINE LEFT SIDE VIEW (532C-6) (SN 0188002 to Present)

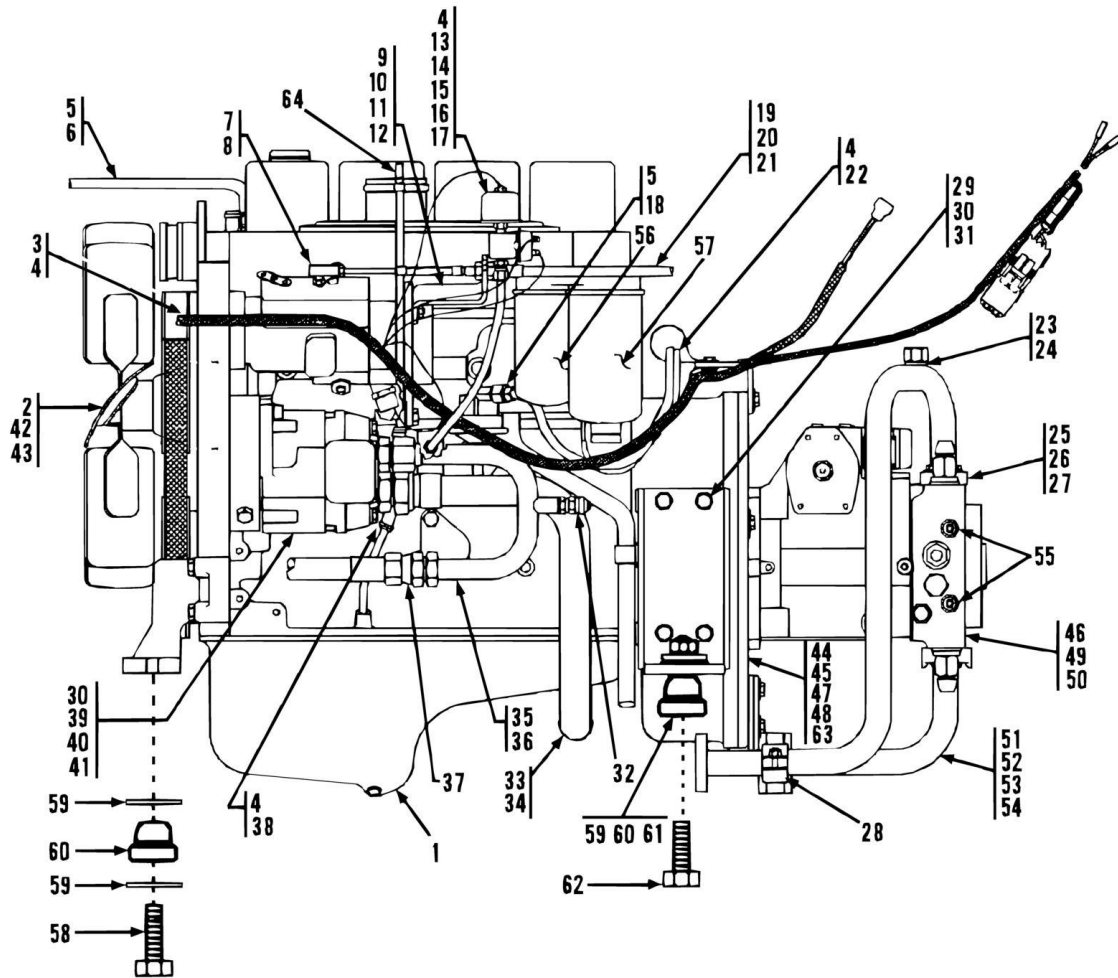
ITEM	PART NUMBER	QTY	DESCRIPTION	REV
1	91083012	1	CUMMINS ENGINE	
2		Ref	MAIN HYDRAULIC PUMP, (See HYDRAULIC COMPONENTS SECTION for Breakdown)	
3	91083143	2	HEX HD CAPSCREW, M12X1.75X75	
4	83191010	2	LOCKWASHER, M12	
5	91083233	1	TUBE ASSY	
6	88662010	1	CONNECTOR (includes o-ring)	
6	88591209	1	O-RING	
7	91083144	1	SUCTION TUBE	
8	88662011	1	CONNECTOR (includes o-ring)	
8	88591210	1	O-RING	
9	77133089	1	TEST FITTING	
10	91086034	2	REAR ENGINE MOUNT	
11	83191032	8	HEX HD CAPSCREW, M12X1.75x35, (torque to 58-68 ft lbs)	
12	83191010	8	LOCKWASHER, M12	
13	91083419	1	TUBE ASSY	
14	91083106	1	O-RING	
15		Ref	HYDROSTATIC TRANS PUMP, (See HYDRAULIC COMPONENTS SECTION for Breakdown)	
16	84712738	2	SPLIT FLANGE CLAMP	
17	83201135	4	HEX HD CAPSCREW, 7/16-14X1-1/2, GR8	
18	88551012	4	LOCKWASHER, 7/16	
19	Bulk	52 in	FUEL LINE HOSE, 7/32IN ID	
20	91083404	1	THROTTLE CABLE	
21	Bulk	56 in	FUEL LINE HOSE, 5/16" I.D.	
22	24861170	1	SUPPORT CLAMP	
23	90030271	1	HOSE NIPPLE	
24	24741047	1	OIL PRESSURE SWITCH	
25	91081388	1	TAPPED BAR	
26	91033246	1	OIL PRESSURE SENDER	
27	86883075	2	TUBE FITTING	
28	Bulk	18 in	3/8 NYLON TUBE	
29	90027187	5	TY-RAP	
30	91081243	1	THROTTLE CABLE BRACKET	
31	88201005	2	HEX HD CAPSCREW, 1/4-20X1, GR5	
32	88551009	2	LOCKWASHER, 1/4	
33	88501616	2	HEX NUT, 1/4-20	
34	90027908	1	BALL JOINT	
35	88501613	1	HEX NUT, #10-32	
36		Ref	ENGINE WIRING HARNESS, (See ELECTRICAL SECTION for Breakdown)	
37	90027187	1	TY-RAP	
38	91303056	1	FAN ASSY	
39	83191041	4	HEX HD CAPSCREW, M8X1.25X70	
40	88561108	4	FLAT WASHER, 5/16	
41	77383202	1	PRIMARY FUEL FILTER ELEMENT	
42	77383203	1	SECONDARY FUEL FILTER ELEMENT	
43	90027471	2	WASHER	
44	91083338	1	HEX HD CAPSCREW, M16X2X120	
45	91344048	1	PUMP MOUNTING PLATE	

SECTION 4 - ENGINE AND ATTACHING PARTS

ITEM	PART NUMBER	QTY	DESCRIPTION	REV
46	91084312	1	COUPLING ASSY, (bolts included)	
47	91081158	4	SPECIAL WASHER	
48	86881227	3	LORD MOUNT	
49	88521010	2	LOCKNUT, 5/8-11	
50	88201106	2	HEX HD CAPSCREW, 5/8-11X4-1/2, GR5	
51	90205792	1	CUSHION CLAMP	
52	91083493	10 in	SPLIT LOOM, 1/2IN ID	
53	91083475	2	STAUFF TEST COUPLING	
54	91083019	1	PUMP MOUNT AND FLY WHEEL COUPLING, (includes items 45 & 46)	
55	91124125	1	DIPSTICK	

SECTION 4 - ENGINE AND ATTACHING PARTS

FIGURE 4-2. (91135007) ENGINE LEFT SIDE VIEW (532) (SN 0388256 to Present)



SECTION 4 - ENGINE AND ATTACHING PARTS

FIGURE 4-2. (91135007) ENGINE LEFT SIDE VIEW (532) (SN 0388256 to Present)

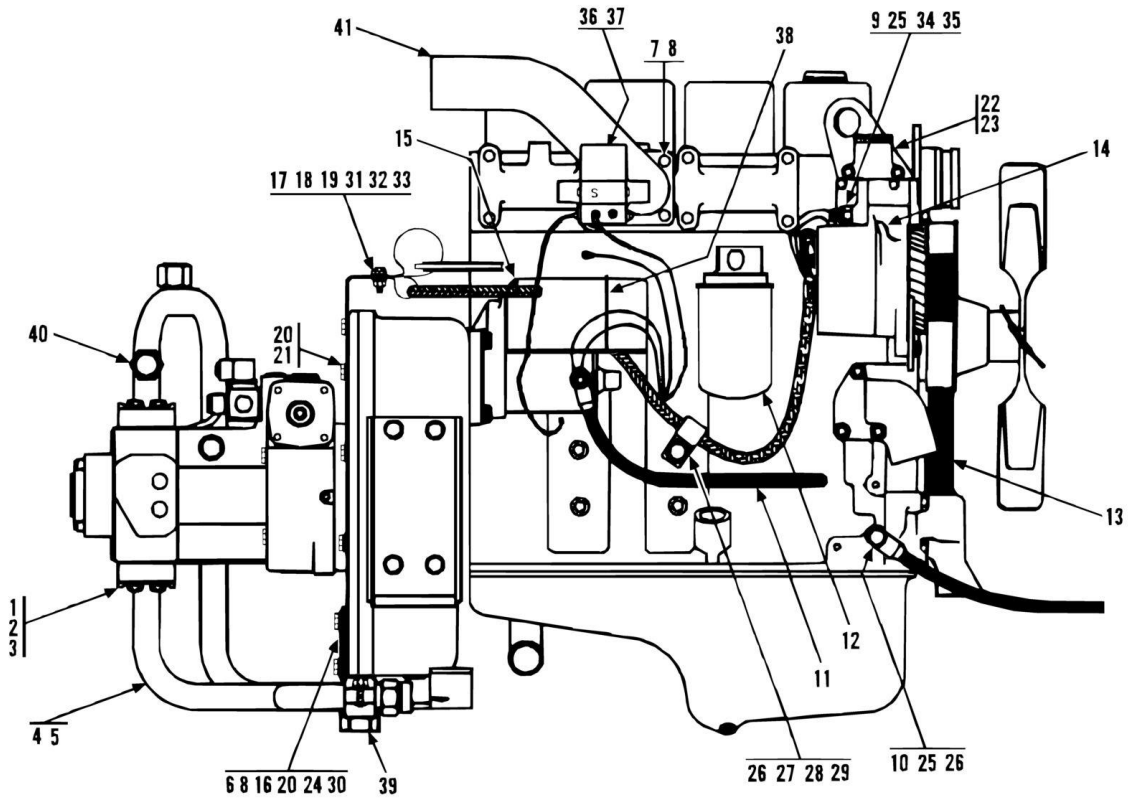
ITEM	PART NUMBER	QTY	DESCRIPTION	REV
	91135007	Ref	ENGINE ASSY, (includes items on ENGINE LEFT SIDE VIEW (532C-6) and ENGINE RIGHT SIDE VIEW (532C-6))	
1	91083012	1	CUMMINS ENGINE	
2	91303056	1	FAN ASSY	
3	91143192	1	WIRING HARNESS(engine)	
4	90027187	6	TY-RAP	
5	Bulk	78 in	FUEL LINE HOSE, 5/16	
6	86883106	2	HOSE CLAMP	
7	90027908	1	BALL JOINT	
8	88501613	1	HEX NUT, #10-32	
9	91081243	1	THROTTLE CABLE BRACKET	
10	88201005	2	HEX HD CAPSCREW, 1/4-20X1	
11	88551009	2	LOCKWASHER, 1/4	
12	88501616	2	HEX NUT 1/4-20	
13	24741047	1	PRESSURE SWITCH	
14	91033246	1	OIL PRESSURE SENDER	
15	91081388	1	TAPPED BAR	
16	86883075	2	TUBE FITTING	
17	Bulk	18 in	NYLON TUBE, 3/8	
18	90030271	1	HOSE NIPPLE	
19	91083404	1	THROTTLE CABLE	
20	90028977	1	YOKE END	
21	90021552	1	CLEVIS PIN	
22	Bulk	56 in	FUEL LINE HOSE, 7/32	
23	91143055	1	TUBE ASSY	
24	91083106	1	O-RING	
25	84712738	2	SPLIT FLANGE CLAMP	
26	83201135	4	HEX HD CAPSCREW, 7/16-14X1-1/2	
27	88551012	4	LOCKWASHER, 7/16	
28	90205792	1	CUSHION CLAMP	
29	91086034	2	REAR ENGINE MOUNTING BRACKET	
30	83191010	10	LOCKWASHER, M12	
31	83191032	8	HEX HD CAPSCREW, M12X1.75X35	
32	77133089	1	TEST FITTING	
33	91083144	1	SUCTION TUBE	
34	88662011	1	CONNECTOR, (includes o-ring)	
34	88591210	1	O-RING	
35	91083233	1	TUBE ASSY	
36	88662010	1	CONNECTOR, (includes o-ring)	
36	88591209	1	O-RING	
37	84717907	1	HOSE ASSY	
38	91083493	10 in	SPLIT FLEX LOOM, 1/2 ID	
39		Ref	MAIN PUMP, (See HYDRAULIC COMPONENTS SECTION for Breakdown)	
40	83191057	2	HEX SOCKET HD CAPSCREW, M12X1.75X80	
41	90027471	2	HARDENED WASHER	
42	83191041	4	HEX HD CAPSCREW, M8X1.25X70	
43	88561108	4	WASHER, 5/16	
44	91344048	1	PUMP MOUNT PLATE	
45	91084312	1	COUPLING ASSY, (bolts included)	

SECTION 4 - ENGINE AND ATTACHING PARTS

ITEM	PART NUMBER	QTY	DESCRIPTION	REV
46		Ref	HYDROSTATIC TRANSMISSION, (See HYDRAULIC COMPONENTS SECTION for Breakdown)	
47	88211068	8	SOCKET HD CAPSREW, 3/8-16X5/8, (torque to 40-45 ft lbs)	
48	88551011	8	LOCKWASHER, 3/8	
49	88201112	2	HEX HD CAPSCREW, 3/4-10X2-1/4, (torque to 240-265 ft lbs)	
50	88551016	2	LOCKWASHER, 3/4	
51	88662011	1	CONNECTOR, (includes o-ring)	
51	88591210	1	O-RING	
52	91083246	1	HOSE	
53	90028695	2	BAND CLAMP	
54	91143087	1	INTAKE TUBE	
55	91053020	2	TEST COUPLING	
56	77383202	1	PRIMARY FUEL FILTER ELEMENT	
57	77383203	1	SECONDARY FUEL FILTER ELEMENT	
58	91083338	1	HEX HD CAPSCREW, M16X2X120	
59	91081158	4	SPECIAL WASHER	
60	86881227	3	LORD MOUNT	
61	88521010	2	LOCKNUT, 5/8-11	
62	88201106	2	HEX HD CAPSCREW, 5/8-11X4-1/2	
63	91083019	1	PUMP MOUNT AND FLY WHEEL COUPLING, (includes items 44 & 45)	
64	91124125	1	DIPSTICK	
		Ref	NOTE: ONLY ITEMS WITH PART NUMBERS ARE AVAILABLE FOR SERVICE.	

SECTION 4 - ENGINE AND ATTACHING PARTS

FIGURE 4-3. ENGINE RIGHT SIDE VIEW (532C-6) (SN 0188002 to Present)



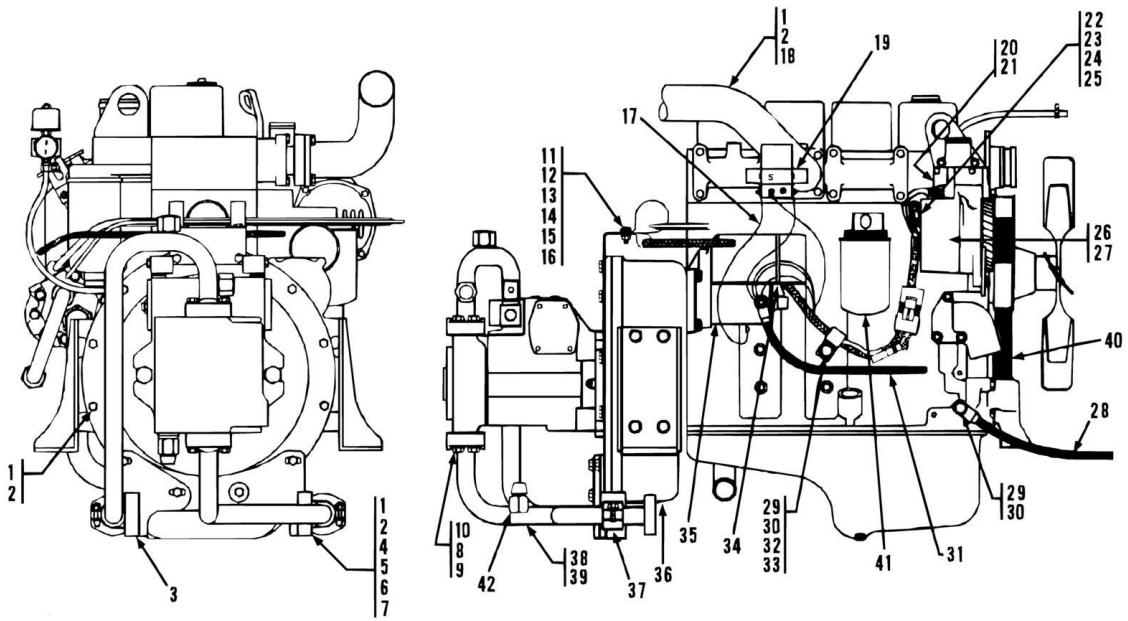
SECTION 4 - ENGINE AND ATTACHING PARTS

FIGURE 4-3. ENGINE RIGHT SIDE VIEW (532C-6) (SN 0188002 to Present)

ITEM	PART NUMBER	QTY	DESCRIPTION	REV
	91085053	1	CUMMINS ENGINE FILTER KIT, (includes all items)	
	91084001	1	OIL FILTER	
	77383202	1	PRIMARY FUEL, FILTER ELEMENT	
	77383203	1	SECONDARY FUEL, FILTER ELEMENT	
	91083218	1	FUEL FILTER	
	90206262	1	AIR FILTER ELEMENT	
1	84712738	2	SPLIT FLANGE CLAMP	
2	83201135	4	HEX HD CAPSCREW, 7/16-14X1-1/2, GR8	
3	88551012	4	LOCKWASHER, 7/16	
4	91093008	1	TUBE ASSY	
5	91083106	1	O-RING	
6	91086130	1	TUBE SUPPORT (shown)	
6	91086131	1	TUBE SUPPORT (not shown)	
7	83191021	4	HEX HD CAPSCREW, M10X1.5X30	
8	83191013	8	LOCKWASHER M10	
9	88561108	1	WASHER, 5/16	
10	91123032	1	NEG. BATTERY CABLE	
11	91123033	1	POS. BATTERY CABLE	
12	91084001	1	OIL FILTER ELEMENT	
13	91084162	1	FAN/ALT. BELT	
14	91083503	1	ALTERNATOR	
14	91083504	1	REGULATOR (supplied with alternator)	
15	91083456	1	STARTER	
16	83191006	1	HEX HD CAPSCREW, M10X1.5X40	
17	91091001	1	CLAMP SUPPORT	
18	88201018	2	HEX HD CAPSCREW, 5/16-18X3/4, GR5	
19	24861170	2	SUPPORT CLAMP	
20	83191021	9	HEX HD CAPSCREW, M10X1.5X30	
21	83191013	8	LOCKWASHER, M10	
22	90206124	1	WATER TEMP SENDER	
23	88711384	1	REDUCING BUSHING, 1/2X1/4	
24	88561109	3	FLAT WASHER, 3/8	
25	83191011	1	LOCKWASHER, M8	
26	83191004	2	HEX HD CAPSCREW, M12X1.75X30	
27	83191010	2	LOCKWASHER, M12	
28	88561111	1	FLAT WASHER, 1/2	
29	85841150	1	SUPPORT CLAMP	
30	83191005	2	HEX HD CAPSCREW, M10X1.5X45	
31	88501005	2	HEX NUT, 5/16-18	
32	90028660	2	INSULATED HOSE CLIP	
33	88551010	2	LOCKWASHER, 5/16	
34	83191007	1	HEX HD CAPSCREW, M8X1.25X16	
35	85941016	1	SUPPORT CLAMP	
36	90205205	1	JUMPER WIRE	
37	90402427	1	STARTER SOLENOID	
38	90027187	1	TIE WRAP	
39	90205792	1	CUSHION CLAMP	
40	84714006	2	ORS CAP	
41	91086055	1	EXHAUST TUBING	

SECTION 4 - ENGINE AND ATTACHING PARTS

FIGURE 4-4. (91135007) ENGINE RIGHT SIDE VIEW (532) (SN 0388256 to Present)



SECTION 4 - ENGINE AND ATTACHING PARTS

FIGURE 4-4. (91135007) ENGINE RIGHT SIDE VIEW (532) (SN 0388256 to Present)

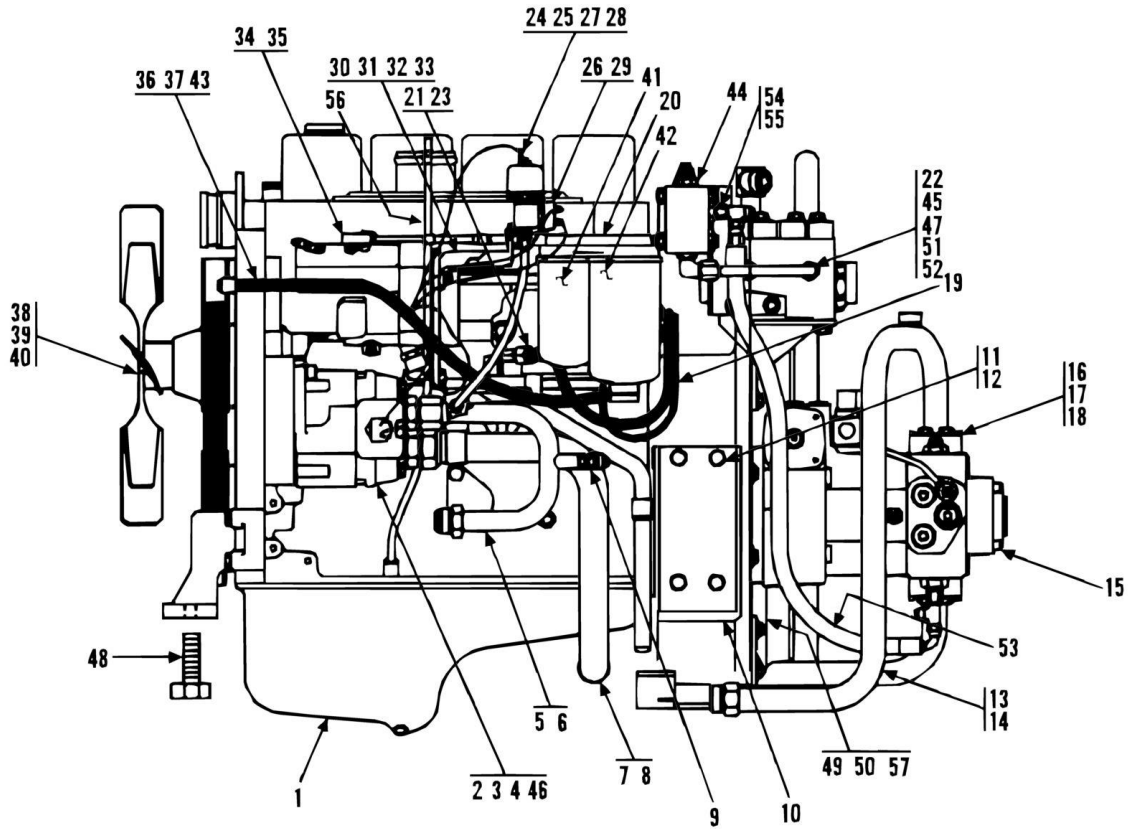
ITEM	PART NUMBER	QTY	DESCRIPTION	REV
	91085053	1	CUMMINS ENGINE FILTER KIT, (includes all items)	
	91084001	1	OIL FILTER ELEMENT	
	77383202	1	PRIMARY FUEL, FILTER ELEMENT	
	77383203	1	SECONDARY FUEL, FILTER ELEMENT	
	91083218	1	FUEL FILTER	
	90206262	1	AIR FILTER ELEMENT	
	91135007	Ref	ENGINE ASSY,(includes all items on ENGINE LEFT SIDE VIEW and ENGINE RIGHT SIDE VIEW)	
1	83191021	13	HEX HD CAPSCREW, M10X1.5X30	
2	83191013	16	LOCKWASHER, M10	
3	91086131	1	TUBE SUPPORT	
4	91086130	1	TUBE SUPPORT	
5	88561109	3	FLAT WASHER, 3/8	
6	83191006	1	HEX HD CAPSCREW, M10 x 1.5X40	
7	83191005	2	HEX HD CAPSCREW, M10 x 1.5X45	
8	84712738	2	SPLIT FLANGE CLAMP	
9	83201135	4	HEX HD CAPSCREW, 7/16-14X1-1/2	
10	88551012	4	LOCKWASHER, 7/16	
11	88551010	2	LOCKWASHER, 5/16	
12	90028660	2	INSULATED HOSE CLIP	
13	88501005	2	HEX NUT, 5/16-18	
14	24861170	2	SUPPORT CLAMP	
15	88201018	2	HEX HD CAPSCREW, 5/16-18X3/4, GR5	
16	91091001	1	CLAMP SUPPORT	
17	90205205	1	JUMPER WIRE	
18	91086055	1	EXHAUST TUBING	
19	90402427	1	STARTER RELAY	
20	90206124	1	WATER TEMPERATURE SENDER	
21	88711384	1	REDUCER BUSHING	
22	88561108	1	FLAT WASHER, 5/16	
23	83191011	1	LOCKWASHER, M8	
24	83191007	1	HEX HD CAPSCREW, M8X1.25X16	
25	85941016	1	SUPPORT CLAMP	
26	91083503	1	ALTERNATOR, (includes item 27)	
27	91083504	1	REGULATOR	
28	91123032	1	NEGATIVE BATTERY CABLE	
29	83191004	2	HEX HD CAPSCREW, M12X1.75X30	
30	83191010	2	LOCKWASHER, M12	
31	91123033	1	POSITIVE BATTERY CABLE	
32	88561111	1	FLATWASHER, 1/2	
33	91143122	1	SUPPORT CLAMP	
34	90027187	1	TIE WRAP	
35	91083456	1	STARTER	
36	88711284	1	HEX SOCKET PIPE PLUG,3/4	
37	90205792	1	CUSHION CLAMP	
38	91093017	1	TUBE ASSY	
39	91083106	1	O-RING	
40	91084162	1	FAN/ALTERNATOR BELT	
41	91084001	1	OIL FILTER ELEMENT	
42	88662064	1	ELBOW - 90, (includes o-ring)	

SECTION 4 - ENGINE AND ATTACHING PARTS

ITEM	PART NUMBER	QTY	DESCRIPTION	REV
42	88591204	1	O-RING	

SECTION 4 - ENGINE AND ATTACHING PARTS

FIGURE 4-5. ENGINE LEFT SIDE VIEW (534C-6) (SN 0188002 to Present)



SECTION 4 - ENGINE AND ATTACHING PARTS

FIGURE 4-5. ENGINE LEFT SIDE VIEW (534C-6) (SN 0188002 to Present)

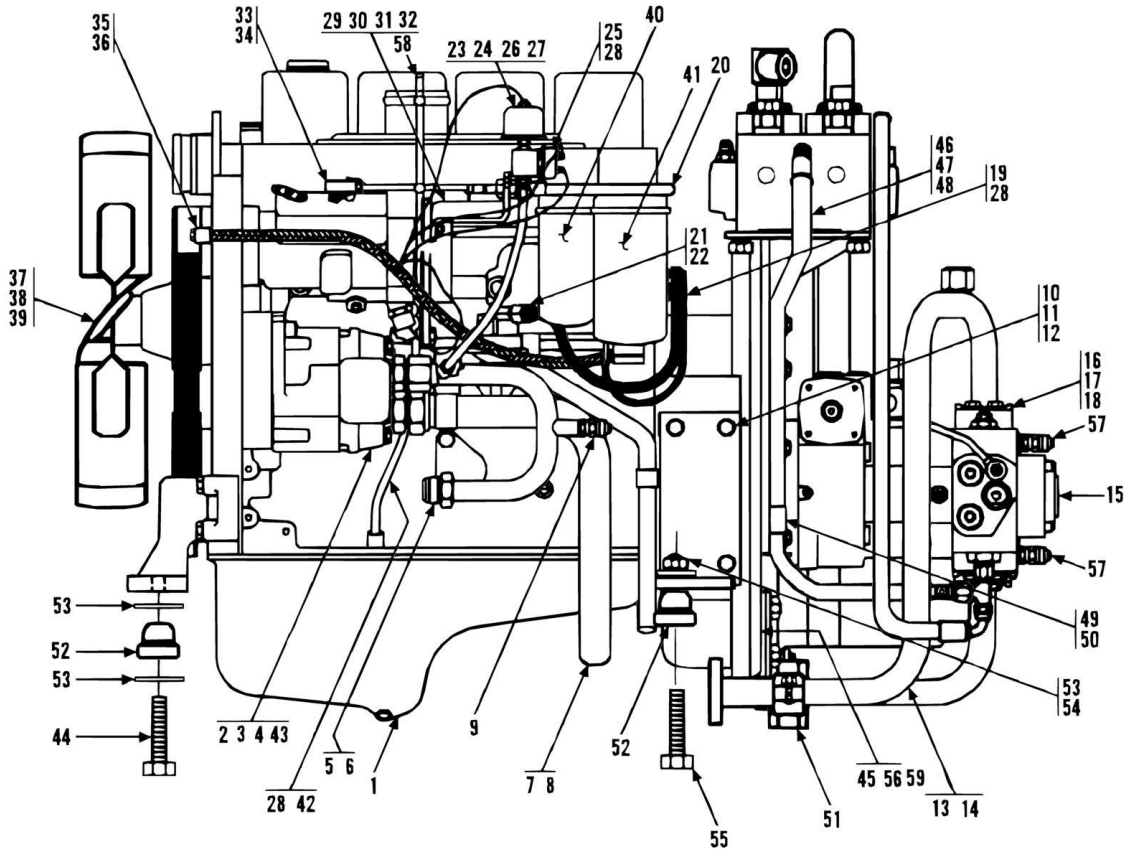
ITEM	PART NUMBER	QTY	DESCRIPTION	REV
1	91083012	1	CUMMINS ENGINE	
2		Ref	MAIN HYDRAULIC PUMP, (See HYDRAULIC COMPONENTS SECTION for Breakdown)	
3	91083143	2	HEX HD CAPSCREW, M12X1.75X75	
4	83191010	2	LOCKWASHER, M12	
5	91083233	1	TUBE ASSY	
6	88662010	1	CONNECTOR, (includes o-ring)	
6	88591209	1	O-RING	
7	91083144	1	SUCTION TUBE	
8	88662011	1	CONNECTOR, (includes o-ring)	
8	88591210	1	O-RING	
9	77133089	1	TEST FITTING	
10	91086034	2	REAR ENGINE MOUNT	
11	83191004	8	HEX HD CAPSCREW, M12X1.75X30	
12	83191010	8	LOCKWASHER, M12	
13	91083104	1	TUBE ASSY	
14	91083106	1	O-RING	
15		Ref	HYDROSTATIC TRANS PUMP, (See HYDRAULIC COMPONENTS SECTION for Breakdown)	
16	84712738	2	SPLIT FLANGE CLAMP	
17	83201135	4	HEX HD CAPSCREW, 7/16-14X1-1/2, GR8	
18	88551012	4	LOCKWASHER, 7/16	
19	Bulk	52 in	FUEL LINE HOSE, 7/32IN ID	
20	91083404	1	THROTTLE CABLE	
21	Bulk	56 in	FUEL LINE HOSE, 5/16IN ID	
22	84718129	1	HOSE ASSY	
23	90030271	1	HOSE NIPPLE	
24	24741047	1	OIL PRESSURE SWITCH	
25	91081388	1	TAPPED BAR	
26	91033246	1	OIL PRESSURE SENDER	
27	86883075	2	TUBE FITTING	
28	Bulk	18 in	3/8 NYLON TUBE	
29	90027187	1	TY-RAP	
30	91081243	1	THROTTLE CABLE BRACKET	
31	88201005	2	HEX HD CAPSCREW, 1/4-20X1, GR5	
32	88551009	2	LOCKWASHER, 1/4	
33	88501616	2	HEX NUT, 1/4-20	
34	90027908	1	BALL JOINT	
35	88501613	1	HEX NUT, #10-32	
36		Ref	ENGINE WIRING HARNESS, (See ELECTRICAL SECTION for Breakdown)	
37	90027187	1	TY-RAP	
38	91083072	1	FAN ASSY	
39	83191041	4	HEX HD CAPSCREW, M8X1.25X70	
40	88561108	4	FLAT WASHER, 5/16	
41	77383202	1	PRIMARY FUEL FILTER ELEMENT	
42	77383203	1	SECONDARY FUEL FILTER ELEMENT	
43	24861170	1	SUPPORT CLAMP	
44		Ref	MANIFOLD ASSY, (See HYDRAULIC COMPONENTS SECTION for Breakdown)	

SECTION 4 - ENGINE AND ATTACHING PARTS

ITEM	PART NUMBER	QTY	DESCRIPTION	REV
45	84718129	2	HOSE ASSY	
46	85401340	2	WASHER	
47	88591506	4	O-RING	
48	91083338	1	HEX HD CAPSCREW, M16X2X120	
49	91344048	1	PUMP MOUNT PLATE	
50	91084312	1	COUPLING ASSY, (bolts included)	
51	88662440	2	STRAIGHT THREAD CONNECTOR, (includes o-ring)	
51	88591506	2	O-RING	
52	88662330	2	ELBOW, 90, (includes o-ring)	
52	88591506	2	O-RING	
53	84717597	1	HOSE ASSY	
54	88662018	1	STRAIGHT THREAD CONNECTOR, (includes o-ring)	
54	88591205	1	O-RING	
55	88662239	1	SWIVEL NUT RUN TEE, 3/8 TUBE	
56	91124125	1	DIPSTICK	
57	91083019	1	PUMP MOUNT AND FLYWHEEL COUPLING, (includes items 49 & 50)	

SECTION 4 - ENGINE AND ATTACHING PARTS

FIGURE 4-6. (91125026) ENGINE LEFT SIDE VIEW (534C-6) (SN 0188251 to Present)



SECTION 4 - ENGINE AND ATTACHING PARTS

FIGURE 4-6. (91125026) ENGINE LEFT SIDE VIEW (534C-6) (SN 0188251 to Present)

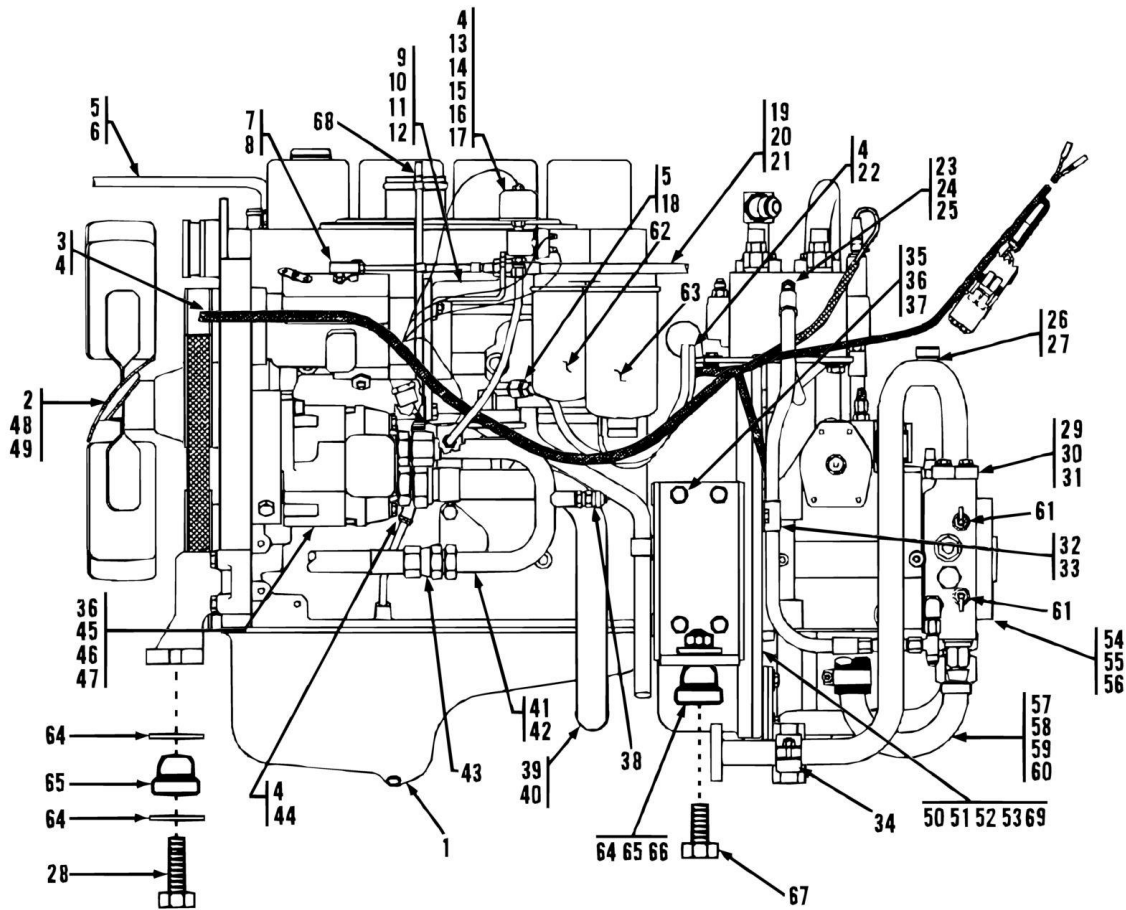
ITEM	PART NUMBER	QTY	DESCRIPTION	REV
	91125026	Ref	ENGINE ASSY, (includes all items on (91125026) ENGINE LEFT SIDE VIEW and ENGINE RIGHT SIDE VIEW)	
1	91083012	1	CUMMINS ENGINE	
2		Ref	MAIN HYDRAULIC PUMP, (See HYDRAULIC COMPONENTS SECTION for Breakdown)	
3	83191057	2	HEX SOCKET HD CAPSCREW, M12X1.75X80	
4	83191010	2	LOCKWASHER, M12	
5	91083233	1	TUBE ASSY	
6	88662010	1	CONNECTOR, (includes o-ring)	
6	88591209	1	O-RING	
7	91083144	1	SUCTION TUBE	
8	88662011	1	CONNECTOR, (includes o-ring)	
8	88591210	1	O-RING	
9	77133089	1	TEST FITTING	
10	91086034	2	REAR ENGINE MOUNT	
11	83191032	8	HEX HD CAPSCREW, M12X1.75X35	
12	83191010	8	LOCKWASHER, M12	
13	91083419	1	TUBE ASSY	
14	91083106	1	O-RING	
15		Ref	HYDROSTATIC TRANS PUMP, (See HYDRAULIC COMPONENTS SECTION for Breakdown)	
16	84712738	2	SPLIT FLANGE CLAMP	
17	83201135	4	HEX HD CAPSCREW, 7/16-14X1-1/2, GR8	
18	88551012	4	LOCKWASHER, 7/16	
19	Bulk	56 in	FUEL LINE HOSE, 7/32IN ID	
20	91083404	1	THROTTLE CABLE	
21	Bulk	60 in	FUEL LINE HOSE, 5/16IN ID	
22	90030271	1	HOSE NIPPLE	
23	24741047	1	OIL PRESSURE SWITCH	
24	91081388	1	TAPPED BAR	
25	91033246	1	OIL PRESSURE SENDER	
26	86883075	2	TUBE FITTING	
27	Bulk	18 in	3/8 NYLON TUBE	
28	90027187	5	TY-RAP	
29	91081243	1	THROTTLE CABLE BRACKET	
30	88201005	2	HEX HD CAPSCREW, 1/4-20X1, GR5	
31	88551009	2	LOCKWASHER, 1/4	
32	88501616	2	HEX NUT, 1/4-20	
33	90027908	1	BALL JOINT	
34	88501613	1	HEX NUT, #10-32	
35		Ref	ENGINE WIRING HARNESS, (See ELECTRICAL SECTION for Breakdown)	
36	90027187	1	TY-RAP	
37	91303056	1	FAN ASSY	
38	83191041	4	HEX HD CAPSCREW, M8X1.25X70	
39	88561108	4	FLAT WASHER, 5/16	
40	77383202	1	PRIMARY FUEL FILTER ELEMENT	
41	77383203	1	SECONDARY FUEL FILTER ELEMENT	
42	91083493	10 in	FLEX LOOM, 1/2IN I.D.	
43	90027471	2	WASHER	

SECTION 4 - ENGINE AND ATTACHING PARTS

ITEM	PART NUMBER	QTY	DESCRIPTION	REV
44	91083338	1	HEX HD CAPSCREW, M16X2X120	
45	91344048	1	PUMP MOUNT PLATE	
46	84718207	1	HOSE ASSY	
47	91083306	1	STRAIGHT THREAD CONNECTOR	
48	88591206	1	O-RING	
49	85941017	1	SUPPORT CLAMP	
50	88561109	1	WASHER, 3/8	
51	90205792	1	CUSHION CLAMP	
52	86881227	3	SHOCK MOUNT	
53	91081158	4	SPECIAL WASHER	
54	88521010	2	LOCKNUT	
55	88201106	2	HEX HD CAPSCREW, 5/8-11X4-1/2, GR5	
56	91084312	1	COUPLING ASSY, (bolts included)	
57	91083475	2	TEST COUPLING	
58	91124125	1	DIPSTICK	
59	91083019	1	PUMP MOUNT AND COUPLING, (includes items 45 & 56)	

SECTION 4 - ENGINE AND ATTACHING PARTS

FIGURE 4-7. (91125049) ENGINE LEFT SIDE VIEW (534C-6) (SN 0388256 to Present)



SECTION 4 - ENGINE AND ATTACHING PARTS

FIGURE 4-7. (91125049) ENGINE LEFT SIDE VIEW (534C-6) (SN 0388256 to Present)

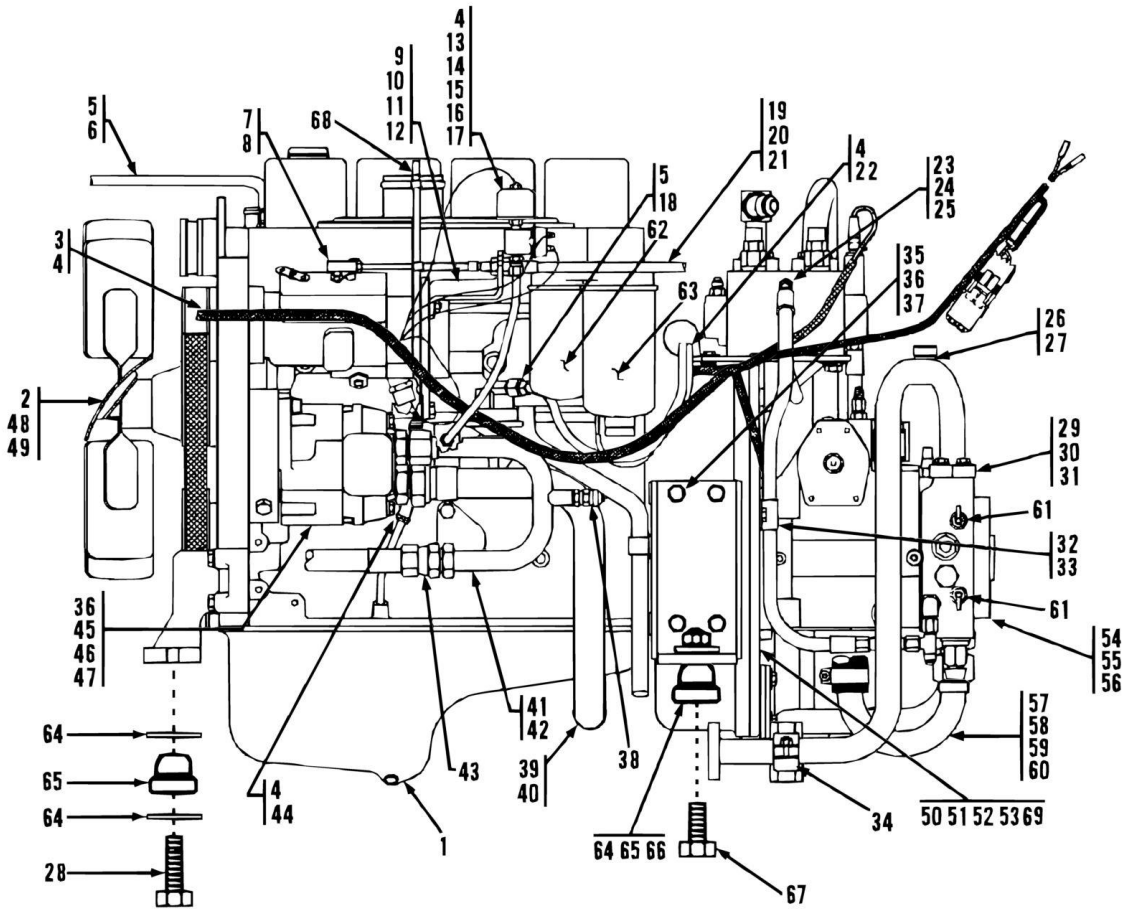
ITEM	PART NUMBER	QTY	DESCRIPTION	REV
	91125049	Ref	ENGINE ASSY, (includes items on (91125026) ENGINE LEFT SIDE VIEW and ENGINE RIGHT SIDE VIEW)	
1	91083012	1	CUMMINS ENGINE	
2	91303056	1	FAN ASSY	
3	91143192	1	WIRING HARNESS, (engine)	
4	90027187	6	TY-RAP	
5	Bulk	78 in	FUEL LINE HOSE, 5/16	
6	86883106	2	HOSE CLAMP	
7	90027908	1	BALL JOINT	
8	88501613	1	HEX NUT, #10-32	
9	91081243	1	THROTTLE CABLE BRACKET	
10	88201005	2	HEX HD CAPSCREW, 1/4-20X1,GR5	
11	88551009	2	LOCKWASHER, 1/4	
12	88501616	2	HEX NUT 1/4-20	
13	24741047	1	PRESSURE SWITCH	
14	91033246	1	OIL PRESSURE SENDER	
15	91081388	1	TAPPED BAR	
16	86883075	2	TUBE FITTING	
17	Bulk	18 in	NYLON TUBE, 3/8	
18	90030271	1	HOSE NIPPLE	
19	91083404	1	THROTTLE CABLE	
20	90028977	1	YOKE END	
21	90021552	1	CLEVIS PIN	
22	Bulk	56 in	FUEL LINE HOSE, 7/32	
23	91083306	1	CONNECTOR	
24	77133447	1	HOSE ASSY	
25	88591206	1	O-RING	
26	91143055	1	TUBE ASSY	
27	91083106	1	O-RING	
28	91083338	1	HEX HD CAPSCREW, M16X2X120	
29	84712738	2	SPLIT FLANGE CLAMP	
30	83201135	4	HEX HD CAPSCREW, 7/16-14X1-1/2	
31	88551012	4	LOCKWASHER, 7/16	
32	85941017	1	SUPPORT CLAMP	
33	88561109	1	WASHER, 3/8	
34	90205792	1	CUSHION CLAMP	
35	91086034	2	REAR ENGINE MOUNTING BRACKET	
36	83191010	10	LOCKWASHER, M12	
37	83191032	8	HEX HD CAPSCREW, M12X1.75X35	
38	77133089	1	TEST FITTING	
39	91083144	1	SUCTION TUBE	
40	88662011	1	CONNECTOR, (includes o-ring)	
40	88591210	1	O-RING	
41	91083233	1	TUBE ASSY	
42	88662010	1	CONNECTOR, (includes o-ring)	
42	88591210	1	O-RING	
43	84717907	1	HOSE ASSY	
44	91083493	10	SPLIT FLEX LOOM, 1/2 ID	
45		Ref	MAIN PUMP, (See HYDRAULIC COMPONENTS SECTION for Breakdown)	

SECTION 4 - ENGINE AND ATTACHING PARTS

ITEM	PART NUMBER	QTY	DESCRIPTION	REV
46	83191057	2	SOCKET HD CAPSCREW, M12X1.75X80	
47	90027471	2	HARDENED WASHER	
48	83191041	4	HEX HD CAPSCREW, M8X1.25X70	
49	88561108	4	WASHER, 5/16	
50	91344048	1	PUMP MOUNT PLATE	
51	91084312	1	COUPLING ASSY, (bolts included)	
52	88211068	8	SOCKET HD CAPSCREW, 3/8-16X5/8, (torque to 40-45 ft lbs)	
53	88551011	8	LOCKWASHER, 3/8	
54		Ref	HYDROSTATIC TRANSMISSION, (See HYDRAULIC COMPONENTS SECTION for Breakdown)	
55	88201112	2	HEX HD CAPSCREW, 3/4-10X2-1/4, (torque to 240-265 ft lbs)	
56	88551016	2	LOCKWASHER, 3/4	
57	88662011	1	CONNECTOR, (includes o-ring)	
57	88591210	1	O-RING	
58	91143087	1	INTAKE TUBE	
59	91083246	1	HOSE	
60	90028695	2	BAND CLAMP	
61	91053020	2	TEST COUPLING	
62	77383202	1	PRIMARY FUEL FILTER	
63	77383203	1	SECONDARY FUEL FILTER	
64	91081158	4	SPECIAL WASHER	
65	86881227	3	LORD MOUNT	
66	88521010	2	LOCKNUT, 5/8-11	
67	88201106	2	HEX HD CAPSCREW, 5/8-11X4-1/2, GR5	
68	91124125	1	DIPSTICK	
69	91083019	1	PUMP MOUNT AND FLYWHEEL COUPLING, (includes items 50 & 51)	
		Ref	NOTE: ONLY ITEMS WITH PART NUMBERS ARE AVAILABLE FOR SERVICE.	

SECTION 4 - ENGINE AND ATTACHING PARTS

FIGURE 4-8. (91125099) ENGINE LEFT SIDE VIEW (SN 0488238 to Present)



SECTION 4 - ENGINE AND ATTACHING PARTS

FIGURE 4-8. (91125099) ENGINE LEFT SIDE VIEW (SN 0488238 to Present)

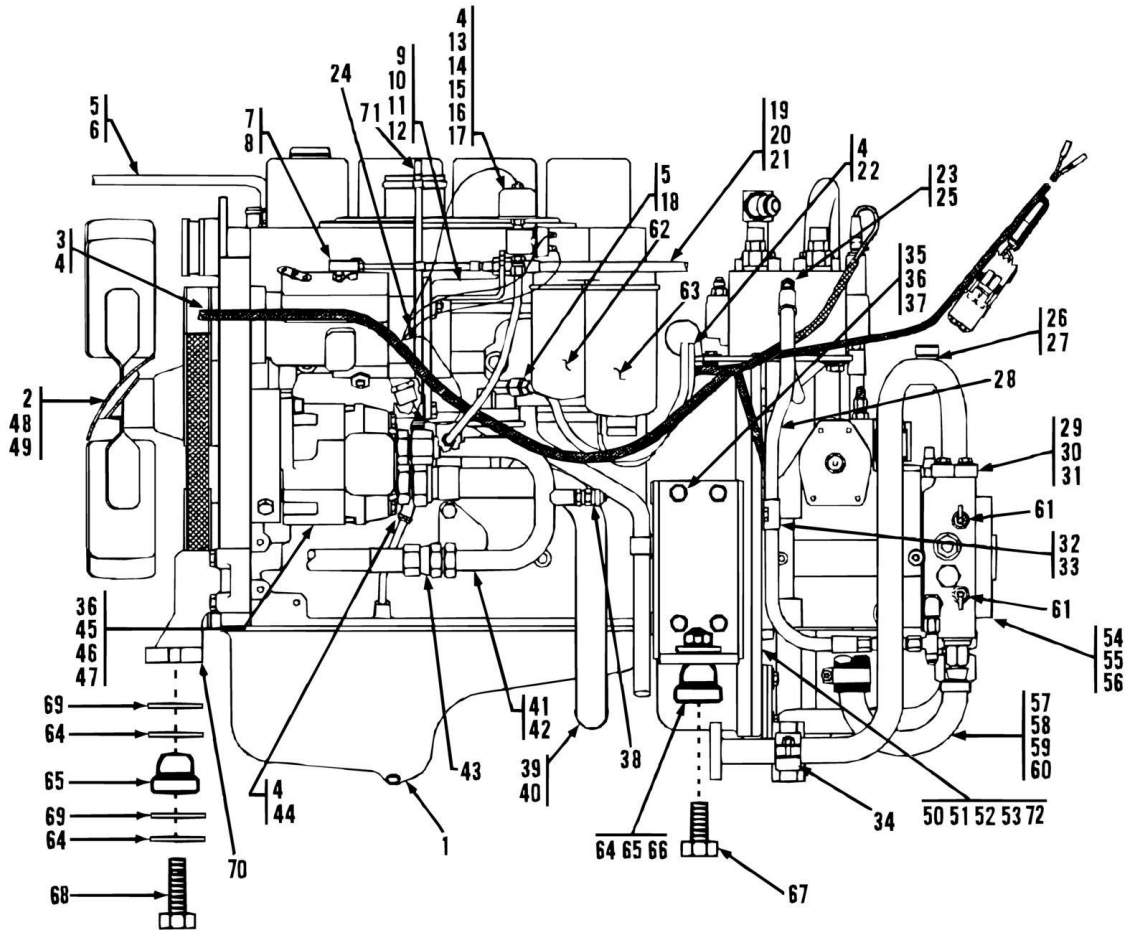
ITEM	PART NUMBER	QTY	DESCRIPTION	REV
	91125099	Ref	ENGINE ASSY, (includes items on (91125026) ENGINE LEFT SIDE VIEW and ENGINE RIGHT SIDE VIEW)	
1	91083012	1	CUMMINS ENGINE	
2	91303056	1	FAN ASSY	
3	91123166	1	WIRING HARNESS, (engine)	
4	90027187	6	TY-RAP	
5	Bulk	78 in	FUEL LINE HOSE, 5/16	
6	86883106	2	HOSE CLAMP	
7	90027908	1	BALL JOINT	
8	88501613	1	HEX NUT, #10-32	
9	91081243	1	THROTTLE CABLE BRACKET	
10	88201005	2	HEX HD CAPSCREW, 1/4-20X1, GR5	
11	88551009	2	LOCKWASHER, 1/4	
12	88501616	2	HEX NUT, 1/4-20	
13	24741047	1	PRESSURE SWITCH	
14	91143315	1	OIL PRESSURE SENDER	
15	91081388	1	TAPPED BAR	
16	86883075	2	TUBE FITTING	
17	Bulk	18 in	NYLON TUBE, 3/8	
18	90030271	1	HOSE NIPPLE	
19	91083404	1	THROTTLE CABLE	
20	90028977	1	YOKE END	
21	90021552	1	CLEVIS PIN	
22	Bulk	56 in	FUEL LINE HOSE, 7/32	
23	91083306	1	CONNECTOR	
24	77133447	1	HOSE ASSY	
25	88591206	1	O-RING	
26	91143055	1	TUBE ASSY	
27	91083106	1	O-RING	
28	91083338	1	HEX HD CAPSCREW, M16X2X120	
29	84712738	2	SPLIT FLANGE CLAMP	
30	83201135	4	HEX HD CAPSCREW, 7/16-14X1-1/2	
31	88551012	4	LOCKWASHER, 7/16	
32	85941017	1	SUPPORT CLAMP	
33	88561109	1	WASHER, 3/8	
34	90205792	1	CUSHION CLAMP	
35	91086034	2	REAR ENGINE MOUNTING BRACKET	
36	83191010	10	LOCKWASHER, M12	
37	83191032	8	HEX HD CAPSCREW, M12X1.75X35	
38	77133089	1	TEST FITTING	
39	91083144	1	SUCTION TUBE	
40	88662011	1	CONNECTOR, (includes o-ring)	
40	88591210	1	O-RING	
41	91083233	1	TUBE ASSY	
42	88662010	1	CONNECTOR, (includes o-ring)	
42	88591210	1	O-RING	
43	84717907	1	HOSE ASSY	
44	91083493	10 in	SPLIT FLEX LOOM, 1/2 ID	
45		Ref	MAIN PUMP, (See HYDRAULIC COMPONENTS SECTION for Breakdown)	

SECTION 4 - ENGINE AND ATTACHING PARTS

ITEM	PART NUMBER	QTY	DESCRIPTION	REV
46	83191057	2	SOCKET HD CAPSCREW, M12X1.75X80	
47	90027471	2	HARDENED WASHER	
48	83191041	4	HEX HD CAPSCREW, M8 x 1.25 x 70	
49	88561108	4	WASHER, 5/16	
50	91344048	1	PUMP MOUNT PLATE	
51	91084312	1	COUPLING ASSY, (bolts included)	
52	88211068	8	SOCKET HD CAPSCREW, 3/8-16X5/8 (torque to 40-45 ft lbs)	
53	88551011	8	LOCKWASHER, 3/8	
54		Ref	HYDROSTATIC TRANSMISSION, (See HYDRAULIC COMPONENTS SECTION for Breakdown)	
55	88201112	2	HEX HD CAPSCREW, 3/4-10X2-1/4, (torque to 240-265 ft lbs)	
56	88551016	2	LOCKWASHER, 3/4	
57	88662011	1	CONNECTOR, (includes o-ring)	
57	88591210	1	O-RING	
58	91143087	1	INTAKE TUBE	
59	91083246	1	HOSE	
60	90028695	2	BAND CLAMP	
61	91053020	2	TEST COUPLING	
62	77383202	1	PRIMARY FUEL FILTER	
63	77383203	1	SECONDARY FUEL FILTER	
64	91081158	4	SPECIAL WASHER	
65	86881227	3	LORD MOUNT	
66	88521010	2	LOCKNUT, 5/8-11	
67	88201106	2	HEX HD CAPSCREW, 5/8-11X4-1/2, GR5	
68	91124125	1	DIPSTICK	
69	91083019	1	PUMP MOUNT AND FLYWHEEL COUPLING (includes items 50 & 51)	
		Ref	NOTE: ONLY ITEMS WITH PART NUMBERS ARE AVAILABLE FOR SERVICE.	

SECTION 4 - ENGINE AND ATTACHING PARTS

FIGURE 4-9. (91325007) ENGINE LEFT SIDE VIEW (534C-6 TURBO) (SN 0388256 to Present)



SECTION 4 - ENGINE AND ATTACHING PARTS

FIGURE 4-9. (91325007) ENGINE LEFT SIDE VIEW (534C-6 TURBO) (SN 0388256 to Present)

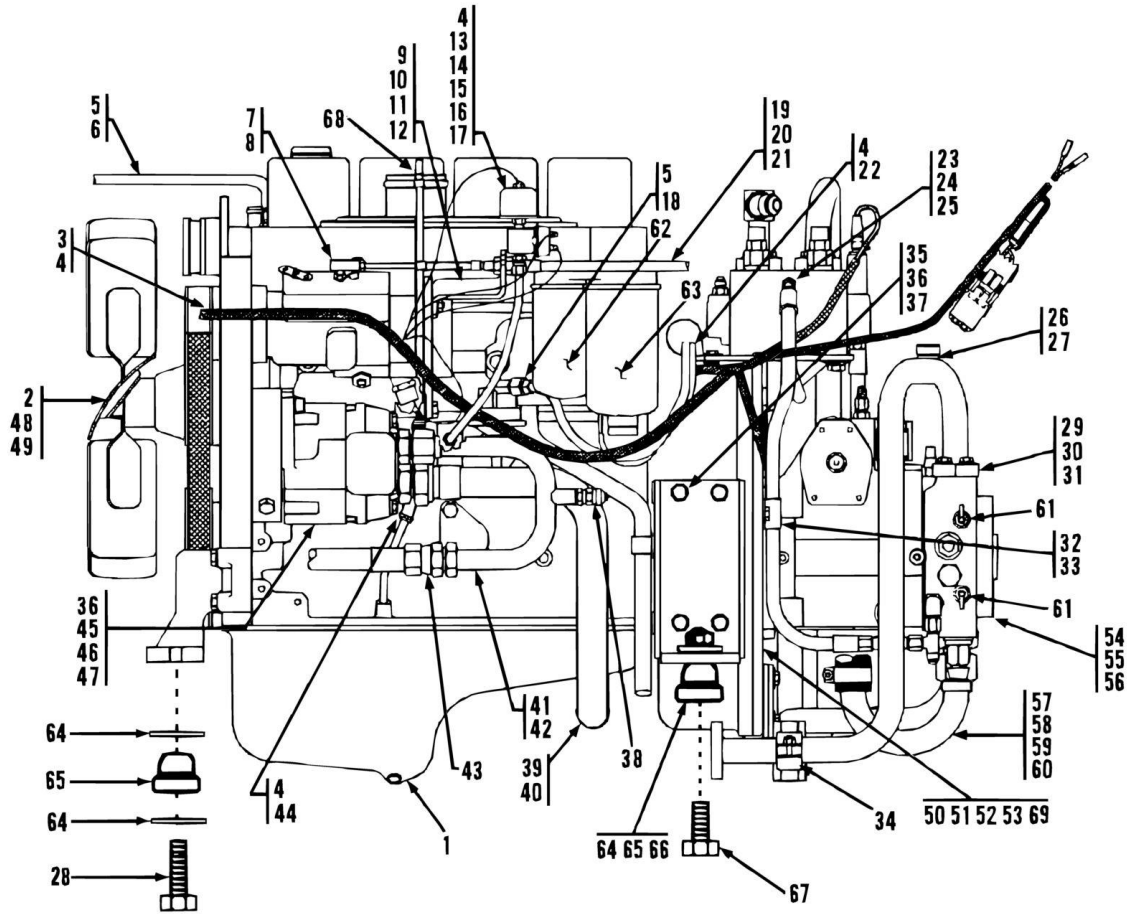
ITEM	PART NUMBER	QTY	DESCRIPTION	REV
	91085053	1	CUMMINS ENGINE FILTER KIT	
	91084001	1	OIL FILTER ELEMENT	
	77383202	1	PRIMARY FUEL, FILTER ELEMENT	
	77383203	1	SECONDARY FUEL, FILTER ELEMENT	
	91083218	1	FUEL FILTER	
	90206262	1	AIR FILTER ELEMENT	
	91325007	Ref	ENGINE ASSY (includes items on (91125026) ENGINE LEFT SIDE VIEW and ENGINE RIGHT SIDE VIEW)	
1	91323008	1	CUMMINS ENGINE	
2	91143043	1	FAN ASSY	
3	91143192	1	WIRING HARNESS (engine)	
4	90027187	6	TY-RAP	
5	Bulk	78 in	FUEL LINE HOSE, 5/16	
6	86883106	2	HOSE CLAMP	
7	90027908	1	BALL JOINT	
8	88501613	1	HEX NUT, #10-32	
9	91141317	1	THROTTLE CABLE BRACKET	
10	88201005	2	HEX HD CAPSCREW, 1/4-20 x 1	
11	88551009	2	LOCKWASHER, 1/4	
12	88501616	2	HEX NUT 1/4-20	
13	24741047	1	PRESSURE SWITCH	
14	91033246	1	OIL PRESSURE SENDER	
15	91081388	1	TAPPED BAR	
16	86883075	2	TUBE FITTING	
17	Bulk	18 in	NYLON TUBE, 3/8	
18	90030271	1	HOSE NIPPLE	
19	91143112	1	THROTTLE CABLE	
20	90028977	1	YOKE END	
21	90021552	1	CLEVIS PIN	
22	Bulk	56 in	FUEL LINE HOSE, 7/32	
23	91083306	1	CONNECTOR	
24	85841094	1	SUPPORT CLAMP	
25	88591206	1	O-RING	
26	91163122	1	TUBE ASSY	
27	91083106	1	O-RING	
28	77133447	1	HOSE ASSY	
29	84712738	2	SPLIT FLANGE CLAMP	
30	83201135	4	HEX HD CAPSCREW, 7/16-14 x 1-1/2, GR5	
31	88551012	4	LOCKWASHER, 7/16	
32	85941017	1	SUPPORT CLAMP	
33	88561109	1	WASHER, 3/8	
34	90205792	1	CUSHION CLAMP	
35	91086034	1	REAR ENGINE MOUNTING BRACKET	
35	91326006	1	R.H. REAR ENGINE MOUNTING BRACKET	
36	83191010	10	LOCKWASHER, M12	
37	83191032	8	HEX HD CAPSCREW M12 x 1.75 x 35	
38	77133089	1	TEST FITTING	
39	91083144	1	SUCTION TUBE	
40	88662011	1	CONNECTOR (includes o-ring)	
40	88591210	1	O-RING	

SECTION 4 - ENGINE AND ATTACHING PARTS

ITEM	PART NUMBER	QTY	DESCRIPTION	REV
41	91083233	1	TUBE ASSY	
42	88662010	1	CONNECTOR (includes o-ring)	
42	88591210	1	O-RING	
43	84718758	1	HOSE ASSY	
44	91083493	10	SPLIT FLEX LOOM, 1/2 ID	
45		Ref	MAIN PUMP (See HYDRAULIC COMPONENTS SECTION for Breakdown)	
46	83191057	2	SOCKET HD CAPSCREW, M12X1.75X80	
47	90027471	2	HARDENED WASHER	
48	83191039	4	HEX HD CAPSCREW, M8 x 1.25 x 80	
49	88561108	4	WASHER, 5/16	
50	91084311	1	FLEX PLATE	
51	91084312	1	COUPLER (bolts included)	
52	88211068	8	SOCKET HD CAPSCREW, 3/8-16X5/8 (torque to 40-45 ft lbs)	
53	88551011	8	LOCKWASHER, 3/8	
54		Ref	HYDROSTATIC TRANSMISSION (See HYDRAULIC COMPONENTS SECTION for Breakdown)	
55	88201112	2	HEX HD CAPSCREW, 3/4-10X2-1/4, (torque to 240-265 ft lbs)	
56	88551016	2	LOCKWASHER, 3/4	
57	88662011	1	CONNECTOR (includes o-ring)	
57	88591210	1	O-RING	
58	91143087	1	INTAKE TUBE	
59	91083246	1	HOSE	
60	90028695	2	BAND CLAMP	
61	91053020	2	TEST COUPLING	
62	77383202	1	PRIMARY FUEL FILTER	
63	77383203	1	SECONDARY FUEL FILTER	
64	91081158	4	SPECIAL WASHER	
65	86881227	3	LORD MOUNT	
66	88521010	2	LOCKNUT, 5/8-11	
67	88201106	2	HEX HD CAPSCREW, 5/8-11X4-1/2	
68	91323006	1	HEX HD CAPSCREW, M12X120	
69	91321014	2	REBOUND WASHER	
70	91321013	1	SPACER	
71	91124125	1	DIPSTICK	
72	91083019	1	PUMP MOUNT AND FLYWHEEL COUPLING (includes items 50 & 51)	
		Ref	NOTE: ONLY ITEMS WITH PART NUMBERS ARE AVAILABLE FOR SERVICE.	

SECTION 4 - ENGINE AND ATTACHING PARTS

FIGURE 4-10. (91125099) ENGINE LEFT SIDE VIEW (SN 0488238 to Present)



SECTION 4 - ENGINE AND ATTACHING PARTS

FIGURE 4-10. (91125099) ENGINE LEFT SIDE VIEW (SN 0488238 to Present)

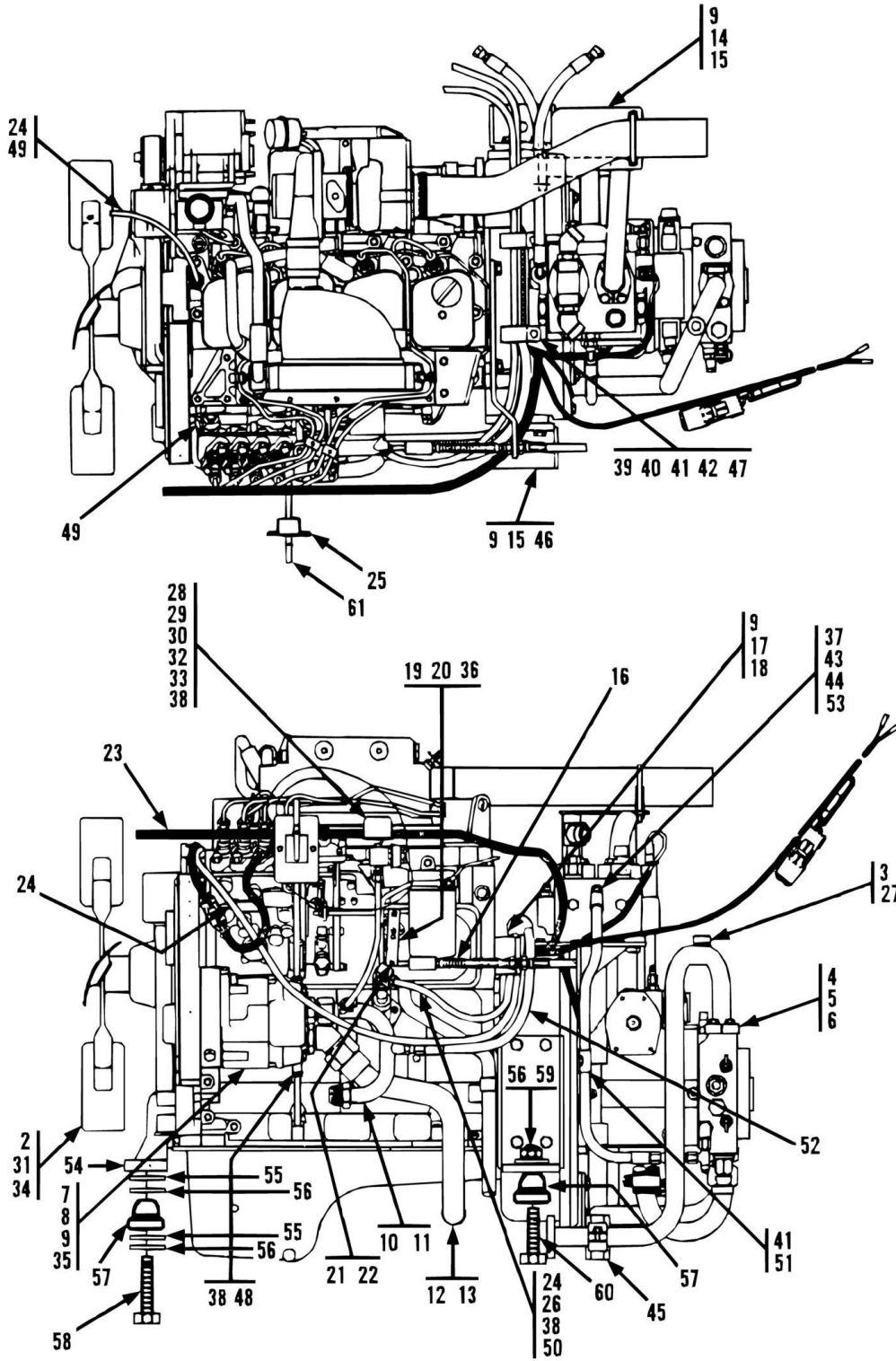
ITEM	PART NUMBER	QTY	DESCRIPTION	REV
	91125099	Ref	ENGINE ASSY (includes items on (91125026) ENGINE LEFT SIDE VIEW and ENGINE RIGHT SIDE VIEW)	
1	91083012	1	CUMMINS ENGINE	
2	91303056	1	FAN ASSY	
3	91123166	1	WIRING HARNESS (engine)	
4	90027187	6	TY-RAP	
5	Bulk	78 in	FUEL LINE HOSE, 5/16	
6	86883106	2	HOSE CLAMP	
7	90027908	1	BALL JOINT	
8	88501613	1	HEX NUT, #10-32	
9	91081243	1	THROTTLE CABLE BRACKET	
10	88201005	2	HEX HD CAPSCREW, 1/4-20X1, GR5	
11	88551009	2	LOCKWASHER, 1/4	
12	88501616	2	HEX NUT 1/4-20	
13	24741047	1	PRESSURE SWITCH	
14	91143315	1	OIL PRESSURE SENDER	
15	91081388	1	TAPPED BAR	
16	86883075	2	TUBE FITTING	
17	Bulk	18 in	NYLON TUBE, 3/8	
18	90030271	1	HOSE NIPPLE	
19	91083404	1	THROTTLE CABLE	
20	90028977	1	YOKE END	
21	90021552	1	CLEVIS PIN	
22	Bulk	56 in	FUEL LINE HOSE, 7/32	
23	91083306	1	CONNECTOR	
24	77133447	1	HOSE ASSY	
25	88591206	1	O-RING	
26	91143055	1	TUBE ASSY	
27	91083106	1	O-RING	
28	91083338	1	HEX HD CAPSCREW, M16X2X120	
29	84712738	2	SPLIT FLANGE CLAMP	
30	83201135	4	HEX HD CAPSCREW, 7/16-14X1-1/2	
31	88551012	4	LOCKWASHER, 7/16	
32	85941017	1	SUPPORT CLAMP	
33	88561109	1	WASHER, 3/8	
34	90205792	1	CUSHION CLAMP	
35	91086034	2	REAR ENGINE MOUNTING BRACKET	
36	83191010	10	LOCKWASHER, M12	
37	83191032	8	HEX HD CAPSCREW M12X1.75X35	
38	77133089	1	TEST FITTING	
39	91083144	1	SUCTION TUBE	
40	88662011	1	CONNECTOR (includes o-ring)	
40	88591210	1	O-RING	
41	91083233	1	TUBE ASSY	
42	88662010	1	CONNECTOR (includes o-ring)	
42	88591210	1	O-RING	
43	84717907	1	HOSE ASSY	
44	91083493	10 in	SPLIT FLEX LOOM, 1/2 ID	
45		Ref	MAIN PUMP (See HYDRAULIC COMPONENTS SECTION for Breakdown)	

SECTION 4 - ENGINE AND ATTACHING PARTS

ITEM	PART NUMBER	QTY	DESCRIPTION	REV
46	83191057	2	SOCKET HD CAPSCREW, M12X1.75X80	
47	90027471	2	HARDENED WASHER	
48	83191041	4	HEX HD CAPSCREW, M8 x 1.25 x 70	
49	88561108	4	WASHER, 5/16	
50	91084311	1	FLEX PLATE	
51	91084312	1	COUPLER (bolts included)	
52	88211068	8	SOCKET HD CAPSCREW, 3/8-16X5/8 (torque to 40-45 ft lbs)	
53	88551011	8	LOCKWASHER, 3/8	
54		Ref	HYDROSTATIC TRANSMISSION (See HYDRAULIC COMPONENTS SECTION for Breakdown)	
55	88201112	2	HEX HD CAPSCREW, 3/4-10X2-1/4, (torque to 240-265 ft lbs)	
56	88551016	2	LOCKWASHER, 3/4	
57	88662011	1	CONNECTOR (includes o-ring)	
57	88591210	1	O-RING	
58	91143087	1	INTAKE TUBE	
59	91083246	1	HOSE	
60	90028695	2	BAND CLAMP	
61	91053020	2	TEST COUPLING	
62	77383202	1	PRIMARY FUEL FILTER	
63	77383203	1	SECONDARY FUEL FILTER	
64	91081158	4	SPECIAL WASHER	
65	86881227	3	LORD MOUNT	
66	88521010	2	LOCKNUT, 5/8-11	
67	88201106	2	HEX HD CAPSCREW, 5/8-11X4-1/2, GR5	
68	91124125	1	DIPSTICK	
69	91083019	1	PUMP MOUNT AND FLYWHEEL COUPLING (includes items 50 & 51)	
		Ref	NOTE: ONLY ITEMS WITH PART NUMBERS ARE AVAILABLE FOR SERVICE.	

SECTION 4 - ENGINE AND ATTACHING PARTS

FIGURE 4-11. (91325031) ENGINE LEFT SIDE VIEW (534C-6 TURBO) (SN 0488238 to Present)



SECTION 4 - ENGINE AND ATTACHING PARTS

FIGURE 4-11. (91325031) ENGINE LEFT SIDE VIEW (534C-6 TURBO) (SN 0488238 to Present)

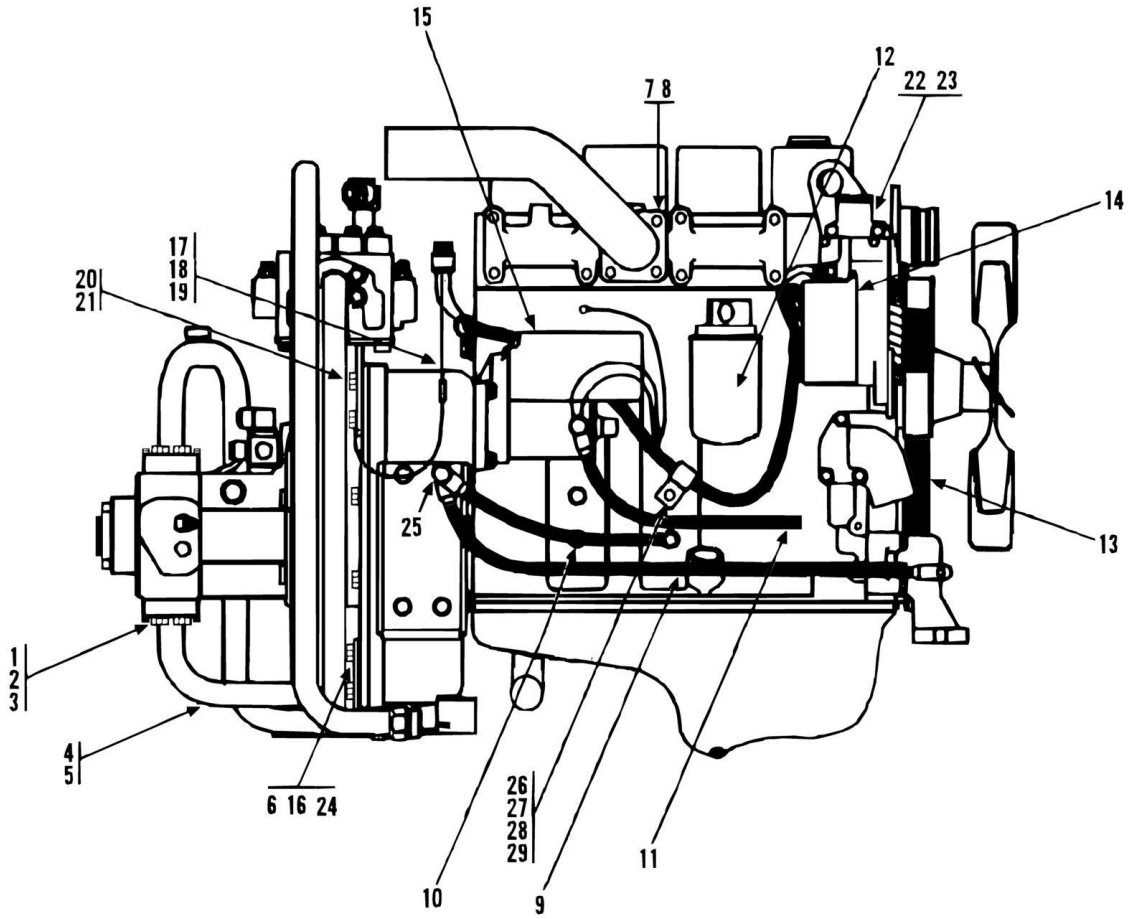
ITEM	PART NUMBER	QTY	DESCRIPTION	REV
	91375002	1	CUMMINS ENGINE FILTER KIT	
	91084001	1	OIL FILTER	
	77383303	1	FUEL FILTER	
	91083218	1	FUEL FILTER	
	90206262	1	AIR FILTER ELEMENT	
	91325031	Ref	ENGINE ASSY (includes items on (91125026) ENGINE LEFT SIDE VIEW and ENGINE RIGHT SIDE VIEW)	
1		Ref	CUMMINS B3.9 C-110-EPA ENGINE	
2	91143329	1	FAN ASSY	
3	91163122	1	TUBE ASSY	
4	84712738	2	SPLIT FLANGE CLAMP	
5	83201135	4	HEX HD CAPSCREW, 7/16-14X1-1/2	
6	88551012	4	LOCKWASHER, 7/16	
7		Ref	MAIN PUMP (See HYDRAULIC COMPONENTS SECTION for Breakdown)	
8	83191057	2	HEX HD CAPSCREW, M12X1.75X80	
9	83191010	12	LOCKWASHER, M12	
10	91323023	1	TUBE ASSY	
11	88662010	1	CONNECTOR (includes o-ring)	
11	88591209	1	O-RING	
12	91323022	1	SUCTION TUBE	
13	88662090	1	ELBOW, 45, (includes o-ring)	
13	88591210	1	O-RING	
14	91326006	1	R.H. ENGINE MOUNT	
15	83191032	8	HEX HD CAPSCREW, M12X1.75X35	
16	91163260	1	ACCELERATOR CABLE	
17	91161313	1	THROTTLE CABLE BRACKET	
18	83191004	2	HEX HD CAPSCREW, M12-1.75X30	
19	83191012	2	LOCKWASHER, M12	
20	83191035	2	SOCKET HD CAPSCREW, M6X1.00X16	
21	91143345	1	BALL SOCKET	
22	91143344	1	OVER TRAVEL	
23	91143302	1	WIRING HARNESS	
24	Bulk	157 in	FUEL LINE HOSE, 5/16	
25	91146101	1	DIPSTICK WELDMENT	
26	90030271	1	HOSE NIPPLE	
27	91083106	1	O-RING	
28	24741047	1	PRESSURE SWITCH	
29	91143315	1	OIL PRESSURE SENDER	
30	91081388	1	TAPPED BAR	
31	83191041	4	HEX HD CAPSCREW, M8X1.25X70	
32	86883075	2	TUBE FITTING	
33	Bulk	28 in	NYLON TUBE, 3/8	
34	88561108	4	WASHER, 5/16	
35	90027471	2	HARDENED WASHER	
36	91161310	1	THROTTLE BAR	
37	88591206	1	O-RING	
38	90027187	5	TY-RAP	
39	88201020	2	HEX HD CAPSCREW, 5/16-18X1, GR5	
40	24861170	2	SUPPORT CLAMP	

SECTION 4 - ENGINE AND ATTACHING PARTS

ITEM	PART NUMBER	QTY	DESCRIPTION	REV
41	85941017	3	SUPPORT CLAMP	
42	88501005	2	HEX NUT, 5/16-18	
43	77133447	1	HOSE ASSY	
44	91083306	1	CONNECTOR (includes item 37)	
45	90205792	1	CUSHION CLAMP	
46	91086034	1	L.H. ENGINE MOUNT	
47	88551010	2	LOCKWASHER, 5/16	
48	Bulk	10 in	SPLIT FLEX LOOM, 1/2 ID	
49	86883106	3	HOSE CLAMP	
50	86983649	1	ELBOW, 90, 1/4 PIPE	
51	88561109	1	STANDARD WASHER	
52	84719047	1	HOSE ASSY	
53	88662239	1	SWIVEL NUT RUN TEE, 3/8 TUBE	
54	91321013	1	SPACER	
55	91321014	2	REBOUND WASHER	
56	91081158	4	SPECIAL WASHER	
57	86881227	3	SHOCK MOUNT	
58	91323006	1	HEX HD CAPSCREW, M12X120	
59	88521010	2	LOCKNUT, 5/8-11	
60	88201106	2	HEX HD CAPSCREW, 5/8-11X4-1/2, GR5	
61	91124125	1	DIPSTICK	
		Ref	NOTE: ONLY ITEMS WITH PART NUMBERS ARE AVAILABLE FOR SERVICE.	

SECTION 4 - ENGINE AND ATTACHING PARTS

FIGURE 4-12. ENGINE RIGHT SIDE VIEW (534C-6) (SN 0188002 to Present)



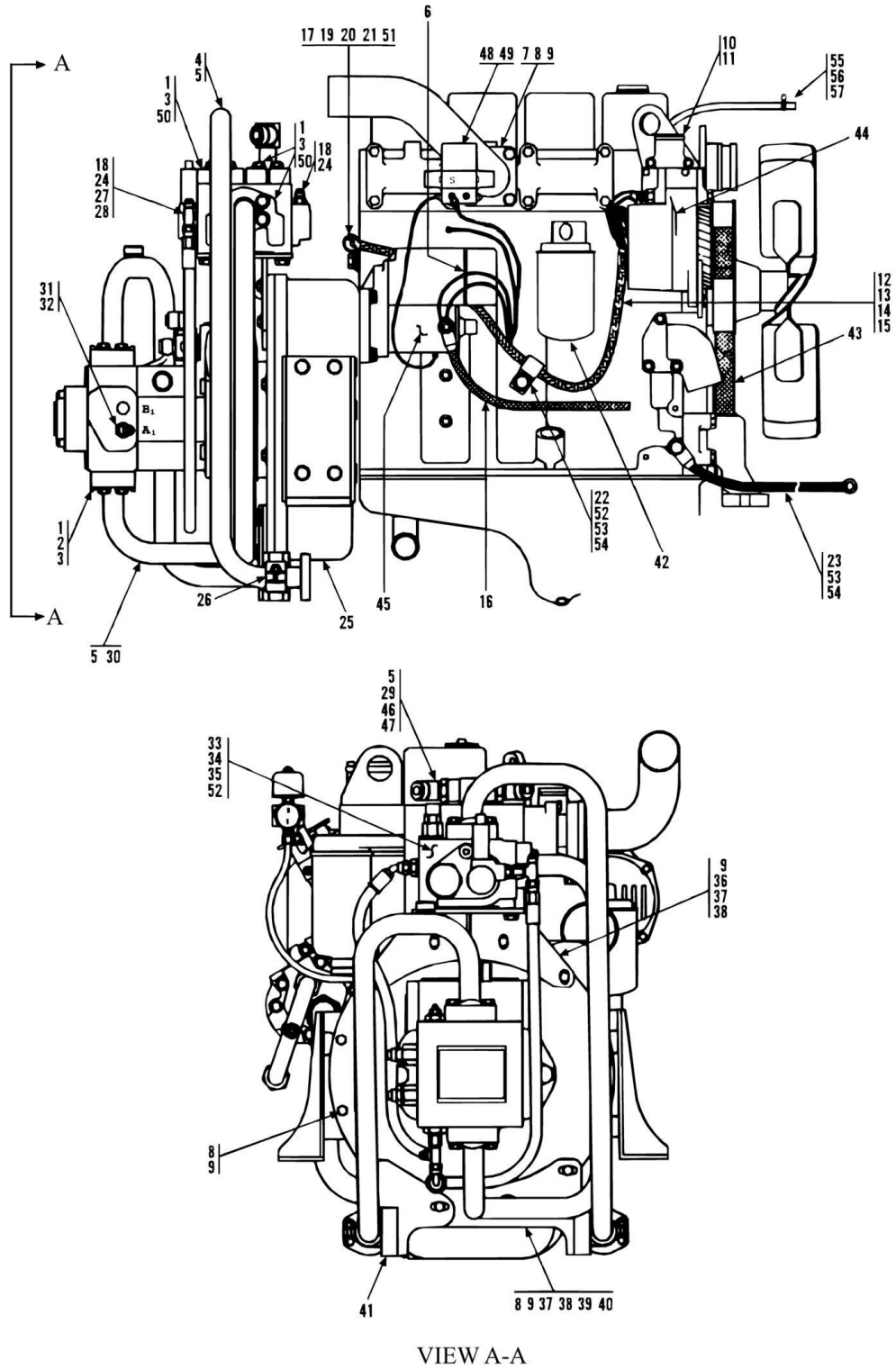
SECTION 4 - ENGINE AND ATTACHING PARTS

FIGURE 4-12. ENGINE RIGHT SIDE VIEW (534C-6) (SN 0188002 to Present)

ITEM	PART NUMBER	QTY	DESCRIPTION	REV
	91085053	1	CUMMINS ENGINE FILTER KIT	
	91084001	1	OIL FILTER	
	77383202	1	PRIMARY FUEL, FILTER ELEMENT	
	77383203	1	SECONDARY FUEL, FILTER ELEMENT	
	91083218	1	FUEL FILTER	
	90206262	1	AIR FILTER ELEMENT	
1	84712738	2	SPLIT FLANGE CLAMP	
2	83201135	4	HEX HD CAPSCREW, 7/16-14X1-1/2, GR8	
3	88551012	4	LOCKWASHER, 7/16	
4	91093001	1	TUBE ASSY	
5	91083106	1	O-RING	
6	91081285	1	TUBE SUPPORT	
7	83191021	4	HEX HD CAPSCREW, M10X1.5X30	
8	83191013	4	LOCKWASHER M10	
9	91083115	1	NEG GROUND CABLE	
10	91083113	1	NEG BATTERY CABLE	
11	91083114	1	POS BATTERY CABLE	
12	91084001	1	OIL FILTER ELEMENT	
13	91084162	1	FAN/ALT BELT	
14	91084002	1	ALTERNATOR	
15	91084003	1	STARTER	
16	83191006	4	HEX HD CAPSCREW, M10X1.5X40	
17	86683480	1	BUTT CONNECTOR	
18	86883260	1	3/8 EYELET	
19		Ref	WIRE, #16 RED	
20	83191021	8	HEX HD CAPSCREW, M10X1.5X30	
21	83191013	8	LOCKWASHER, M10	
22	90206124	1	WATER TEMP, SENDER	
23	88711384	1	REDUCING BUSHING, 1/2X1/4	
24	88561109	4	FLAT WASHER, 3/8	
25	83191032	1	HEX HD CAPSCREW, M12X1.75X35	
26	83191004	1	HEX HD CAPSCREW, M12X1.75X30	
27	83191010	1	LOCKWASHER, M12	
28	88561111	1	FLAT WASHER, 1/2	
29	85841150	1	SUPPORT CLAMP	

SECTION 4 - ENGINE AND ATTACHING PARTS

FIGURE 4-13. (91125026) ENGINE RIGHT SIDE VIEW (534C-6) (SN 0188251 to Present)



SECTION 4 - ENGINE AND ATTACHING PARTS

FIGURE 4-13. (91125026) ENGINE RIGHT SIDE VIEW (534C-6) (SN 0188251 to Present)

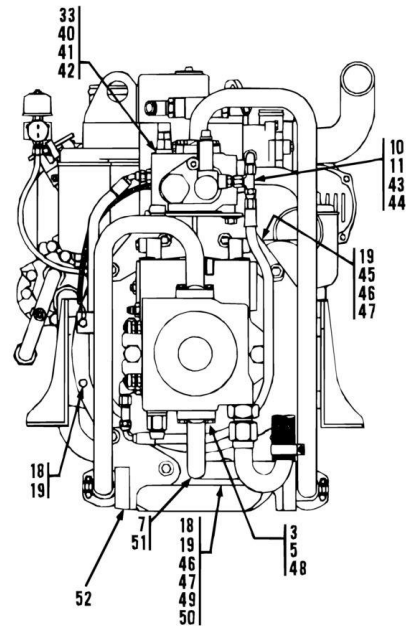
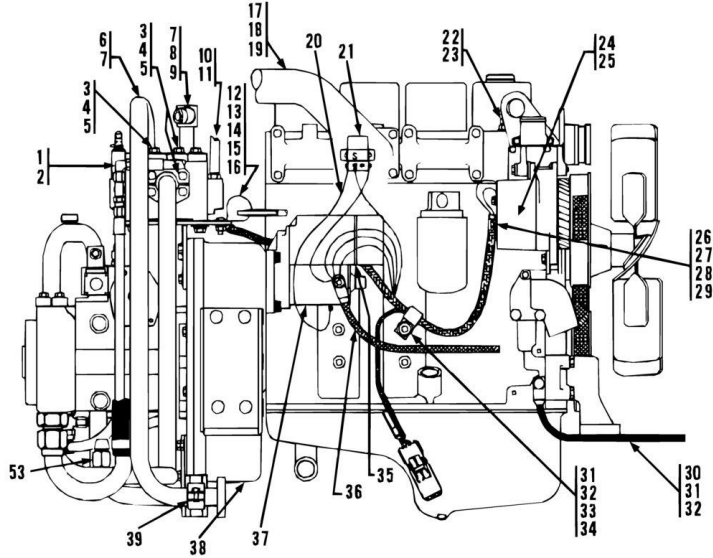
ITEM	PART NUMBER	QTY	DESCRIPTION	REV
	91085053	Ref	CUMMINS ENGINE FILTER KIT	
	91084001	1	OIL FILTER	
	77383202	1	PRIMARY FUEL FILTER ELEMENT	
	77383203	1	SECONDARY FUEL FILTER ELEMENT	
	91083218	1	FUEL FILTER	
	90206262	1	AIR FILTER ELEMENT	
	91125026	Ref	ENGINE ASSY (includes all items on (91325031) ENGINE LEFT SIDE VIEW and ENGINE RIGHT SIDE VIEW)	
1	84712738	8	SPLIT FLANGE CLAMP	
2	83201135	4	HEX HD CAPSCREW, 7/16-14X1-1/2, GR8	
3	88551012	16	LOCKWASHER, 7/16	
4	91083418	1	TUBE ASSY	
5	91083106	4	O-RING	
6	90027187	1	TY-RAP	
7	91086055	1	EXHAUST TUBING	
8	83191021	9	HEX HD CAPSCREW, M10X1.5X30	
9	83191013	16	LOCKWASHER, M10	
10	90206124	1	WATER TEMPERATURE SENDER	
11	88711384	1	REDUCING BUSHING, 1/2X1/4	
12	83191007	1	HEX HD CAPSCREW, M8X1.25X16	
13	85941016	1	SUPPORT CLAMP	
14	88561108	1	FLAT WASHER, 5/16	
15	83191011	1	LOCKWASHER, M8	
16	91143099	1	POSITIVE BATTERY CABLE	
17	90028660	2	SUPPORT CLAMP	
18	88662005	2	CONNECTOR (includes item 24)	
19	88201020	2	HEX HD CAPSCREW, 5/16-18X1, GR5	
20	88551010	2	LOCKWASHER, 5/16	
21	88501005	2	HEX NUT, 5/16-18	
22	85841150	1	SUPPORT CLAMP, 1-1/16	
23	91143124	1	NEGATIVE BATTERY CABLE	
24	88591204	2	O-RING	
25	88711284	1	PIPE PLUG, 3/4	
26	90205792	1	CUSHION CLAMP	
27	88662224	1	SWIVEL NUT BRANCH TEE	
28	84718221	1	HOSE ASSY	
29	91083266	1	TUBE ASSY	
30	91083095	1	TUBE ASSY	
31	88662018	1	STRAIGHT THREAD CONNECTOR	
32	88662119	1	ELBOW, 45, (swivel nut)	
33		Ref	TRACTION LOCK VALVE (See HYDRAULIC COMPONENTS SECTION for Breakdown) (Including 0288568)	
34	88201066	2	HEX HD CAPSCREW, 1/2-13X1-1/4, GR5	
35	88551013	2	LOCKWASHER, 1/2	
36	91146058	1	FLOW DIVIDER BRACKET	
37	83191006	5	HEX HD CAPSCREW, M10X1.50X40	
38	88561109	7	FLAT WASHER, 3/8	
39	91086130	1	TUBE SUPPORT	
40	83191005	2	HEX HD CAPSCREW, M10X1.5X45	
41	91086131	1	TUBE SUPPORT	

SECTION 4 - ENGINE AND ATTACHING PARTS

ITEM	PART NUMBER	QTY	DESCRIPTION	REV
42	91084001	1	OIL FILTER	
43	91084162	1	FAN/ALTERNATOR BELT	
44	91083503	1	ALTERNATOR	
44	91083504	1	REGULATOR (supplied with alternator)	
45	91083456	1	STARTER	
46	88662421	2	ELBOW, 45, (includes item 47)	
47	88591207	2	O-RING	
48	90402427	1	STARTER SOLENOID	
49	90205205	1	JUMPER WIRE	
50	83201155	12	HEX HD CAPSCREW, 7/16-14X1-3/4, GR5	
51	24861170	2	SUPPORT CLAMP	
52	88561111	3	WASHER, 1/2	
53	83191004	2	HEX HD CAPSCREW, M12X1.75X30	
54	83191010	2	LOCKWASHER, M12	
55	Bulk	18 in	DEAERATION HOSE, 5/16IN	
56	90030271	1	HOSE BARB	
57	86883106	2	HOSE CLAMP	

SECTION 4 - ENGINE AND ATTACHING PARTS

FIGURE 4-14. (91125049) ENGINE RIGHT SIDE VIEW (SN 0388256 to Present)



SECTION 4 - ENGINE AND ATTACHING PARTS

FIGURE 4-14. (91125049) ENGINE RIGHT SIDE VIEW (SN 0388256 to Present)

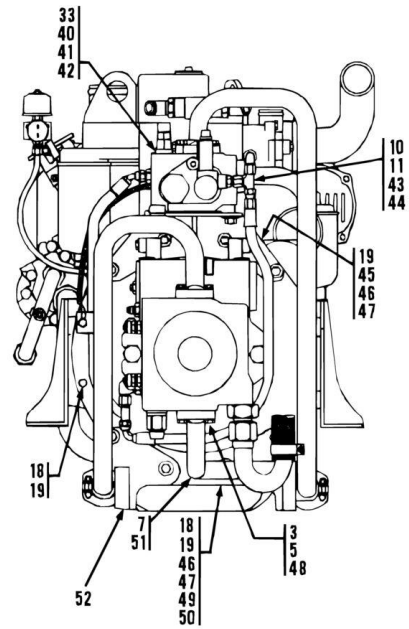
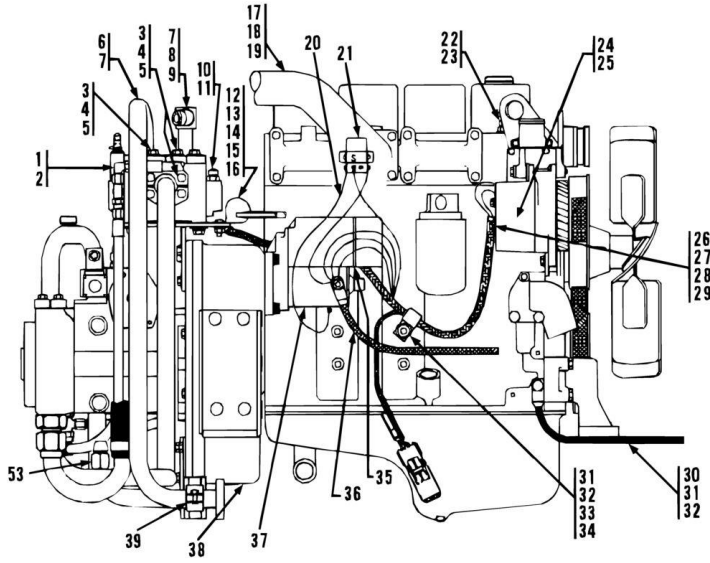
ITEM	PART NUMBER	QTY	DESCRIPTION	REV
	91085053	1	CUMMINS ENGINE FILTER KIT	
	91084001	1	OIL FILTER ELEMENT	
	77383202	1	PRIMARY FUEL, FILTER ELEMENT	
	77383203	1	SECONDARY FUEL, FILTER ELEMENT	
	91083218	1	FUEL FILTER	
	90206262	1	AIR FILTER ELEMENT	
	91125049	Ref	ENGINE ASSY(includes items on ENGINE LEFT SIDE VIEW and ENGINE RIGHT SIDE VIEW)	
1	88662105	1	ELBOW, 90, (swivel nut)	
2	84718208	1	HOSE ASSY	
3	84712738	8	SPLIT FLANGE CLAMP	
4	83201155	12	HEX HD CAPSCREW, 7/16-14 x 1-3/4	
5	88551012	16	LOCKWASHER, 7/16	
6	91083418	1	TUBE ASSY	
7	91083106	4	O-RING	
8	91083266	1	TUBE ASSY	
9	88662421	2	CONNECTOR , 45, (includes o-ring)	
9	88591207	2	O-RING	
10	88662005	2	CONNECTOR (includes item 11)	
11	88591204	2	O-RING	
12	90028660	2	SUPPORT CLAMP	
13	88501005	2	HEX NUT, 5/16-18	
14	24861170	2	SUPPORT CLAMP	
15	88201020	2	HEX HD CAPSCREW, 5/16-18 x 1	
16	88551010	2	LOCKWASHER, 5/16	
17	91086055	1	EXHAUST TUBING	
18	83191021	9	HEX HD CAPSCREW, M10 x 1.5 x 30	
19	83191013	16	LOCKWASHER, M10	
20	90205205	1	JUMPER WIRE	
21	90402427	1	STARTER SOLENOID	
22	90206124	1	WATER TEMP SENDER	
23	88711384	1	REDUCER BUSHING	
24	91083503	1	ALTERNATOR (includes item 25)	
25	91083504	1	REGULATOR	
26	85941016	1	SUPPORT CLAMP	
27	83191007	1	HEX HD CAPSCREW, M8 x 1.25 x 16	
28	88561108	1	WASHER, 5/16	
29	83191011	1	LOCKWASHER, M8	
30	91143124	1	NEGATIVE BATTERY CABLE	
31	83191004	2	HEX HD CAPSCREW, M12 x 1.75 x 30	
32	83191010	2	LOCKWASHER, M12	
33	88561111	3	WASHER, 1/2	
34	91143122	1	SUPPORT CLAMP, 5/8	
35	90027187	1	TY-RAP	
36	91143099	1	POSITIVE BATTERY CABLE	
37	91083456	1	STARTER	
38	88711284	1	PIPE PLUG, 3/4	
39	90205792	1	CUSHION CLAMP	
40		Ref	TRACTION LOCK VALVE (See HYDRAULIC COMPONENTS SECTION for Breakdown)	

SECTION 4 - ENGINE AND ATTACHING PARTS

ITEM	PART NUMBER	QTY	DESCRIPTION	REV
41	88201066	2	HEX HD CAPSCREW, 1/2-13 x 1-1/4	
42	88551013	2	LOCKWASHER, 1/2	
43	88662224	1	SWIVEL NUT BRANCH TEE	
44	84718221	1	HOSE ASSY	
45	91146058	1	FLOW DIVIDER BRACKET	
46	83191006	5	HEX HD CAPSCREW, M10 x 1.5 x 40	
47	88561109	7	WASHER, 3/8	
48	83201135	4	HEX HD CAPSCREW, 7/16-14 x 1-1/2	
49	91086130	1	TUBE SUPPORT	
50	83191005	2	HEX HD CAPSCREW, M10 x 1.5 x 45	
51	91163201	1	TUBE ASSY	
52	91086131	1	TUBE SUPPORT	
53	88662064	1	ELBOW, 90, (includes o-ring)	
53	88591209	1	O-RING	

SECTION 4 - ENGINE AND ATTACHING PARTS

FIGURE 4-15. (91125099) ENGINE RIGHT SIDE VIEW (SN 0488238 to Present)



SECTION 4 - ENGINE AND ATTACHING PARTS

FIGURE 4-15. (91125099) ENGINE RIGHT SIDE VIEW (SN 0488238 to Present)

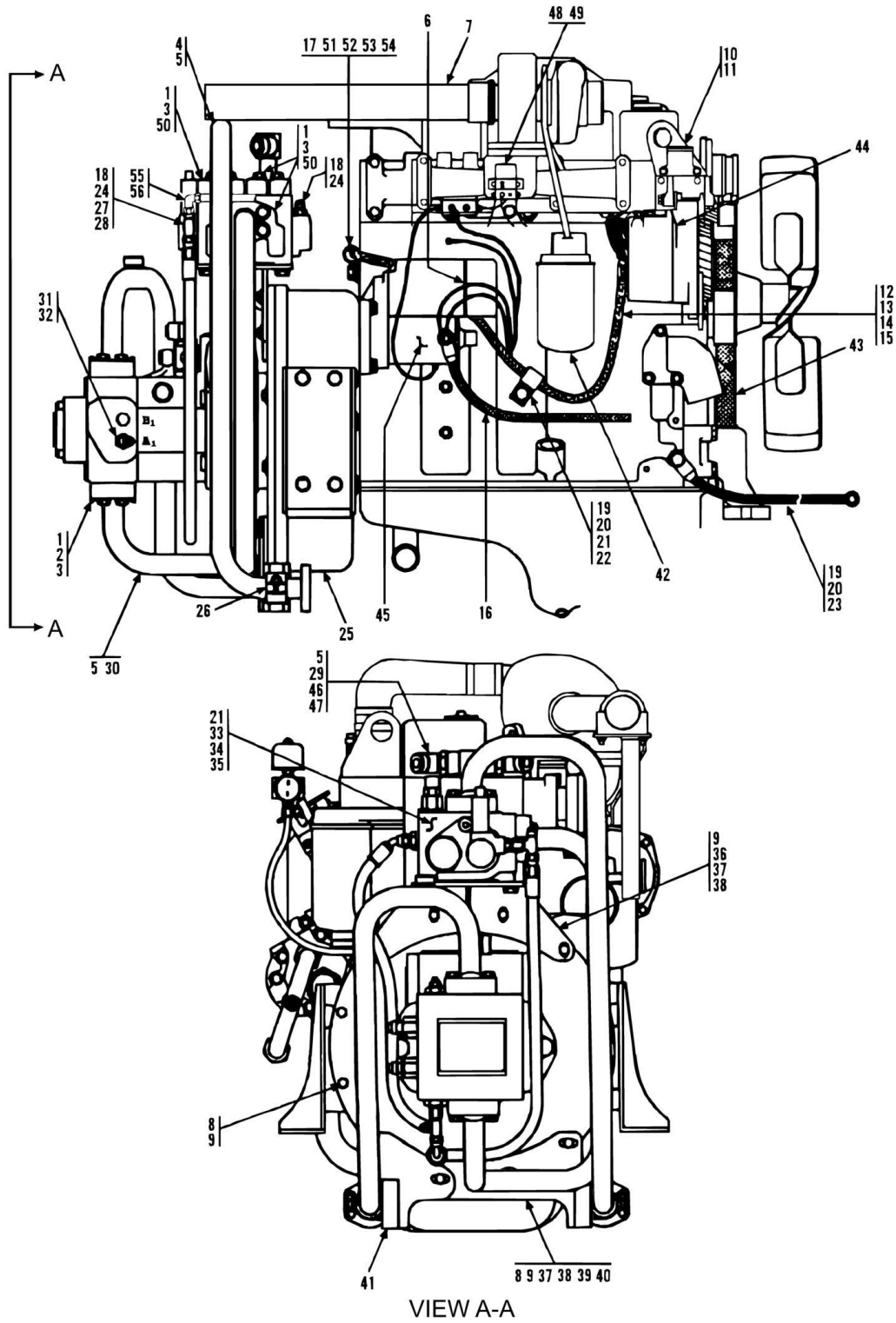
ITEM	PART NUMBER	QTY	DESCRIPTION	REV
	91085053	1	CUMMINS ENGINE FILTER KIT	
	91084001	1	OIL FILTER ELEMENT	
	77383202	1	PRIMARY FUEL, FILTER ELEMENT	
	77383203	1	SECONDARY FUEL, FILTER ELEMENT	
	91083218	1	FUEL FILTER	
	90206262	1	AIR FILTER ELEMENT	
	91125099	Ref	ENGINE ASSY (includes items on (91125026) ENGINE LEFT SIDE VIEW and ENGINE RIGHT SIDE VIEW)	
1	88662105	1	ELBOW, 90, (swivel nut)	
2	84718208	1	HOSE ASSY	
3	84712738	8	SPLIT FLANGE CLAMP	
4	83201155	12	HEX HD CAPSCREW, 7/16-14 X1-3/4	
5	88551012	16	LOCKWASHER, 7/16	
6	91083418	1	TUBE ASSY	
7	91083106	4	O-RING	
8	91083266	1	TUBE ASSY	
9	88662421	2	CONNECTOR , 45, (includes o-ring)	
9	88591207	2	O-RING	
10	88662005	2	CONNECTOR (includes item 11)	
11	88591204	2	O-RING	
12	90028660	2	SUPPORT CLAMP	
13	88501005	2	HEX NUT, 5/16-18	
14	24861170	2	SUPPORT CLAMP	
15	88201020	2	HEX HD CAPSCREW, 5/16-18X1	
16	88551010	2	LOCKWASHER, 5/16	
17	91086055	1	EXHAUST TUBING	
18	83191021	9	HEX HD CAPSCREW, M10X1.5X30	
19	83191013	16	LOCKWASHER, M10	
20	90205205	1	JUMPER WIRE	
21	90402427	1	STARTER SOLENOID	
22	91143314	1	WATER TEMP SENDER	
23	88711384	1	REDUCER BUSHING	
24	91083503	1	ALTERNATOR (includes item 25)	
25	91083504	1	REGULATOR	
26	85941016	1	SUPPORT CLAMP	
27	83191007	1	HEX HD CAPSCREW, M8X1.25X16	
28	88561108	1	WASHER, 5/16	
29	83191011	1	LOCKWASHER, M8	
30	91143124	1	NEGATIVE BATTERY CABLE	
31	83191004	2	HEX HD CAPSCREW, M12X1.75X30	
32	83191010	2	LOCKWASHER, M12	
33	88561111	3	WASHER, 1/2	
34	91143122	1	SUPPORT CLAMP, 5/8	
35	90027187	1	TY-RAP	
36	91143099	1	POSITIVE BATTERY CABLE	
37	91083456	1	STARTER	
38	88711284	1	PIPE PLUG, 3/4	
39	90205792	1	CUSHION CLAMP	
40		Ref	TRACTION LOCK VALVE (See HYDRAULIC COMPONENTS SECTION for Breakdown)	

SECTION 4 - ENGINE AND ATTACHING PARTS

ITEM	PART NUMBER	QTY	DESCRIPTION	REV
41	88201066	2	HEX HD CAPSCREW, 1/2-13X1-1/4	
42	88551013	2	LOCKWASHER, 1/2	
43	88662224	1	SWIVEL NUT BRANCH TEE	
44	84718221	1	HOSE ASSY	
45	91146058	1	FLOW DIVIDER BRACKET	
46	83191006	5	HEX HD CAPSCREW, M10X1.5X40	
47	88561109	7	WASHER, 3/8	
48	83201135	4	HEX HD CAPSCREW, 7/16-14X1-1/2	
49	91086130	1	TUBE SUPPORT	
50	83191005	2	HEX HD CAPSCREW, M10X1.5X45	
51	91163201	1	TUBE ASSY	
52	91086131	1	TUBE SUPPORT	
53	88662064	1	ELBOW, 90, (includes o-ring)	
53	88591209	1	O-RING	

SECTION 4 - ENGINE AND ATTACHING PARTS

FIGURE 4-16. (91325001) ENGINE RIGHT SIDE VIEW (534C-6 TURBO) (SN 0388043 to Present)



SECTION 4 - ENGINE AND ATTACHING PARTS

FIGURE 4-16. (91325001) ENGINE RIGHT SIDE VIEW (534C-6 TURBO) (SN 0388043 to Present)

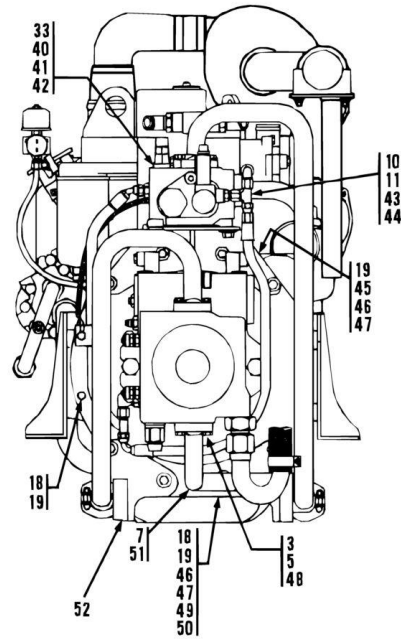
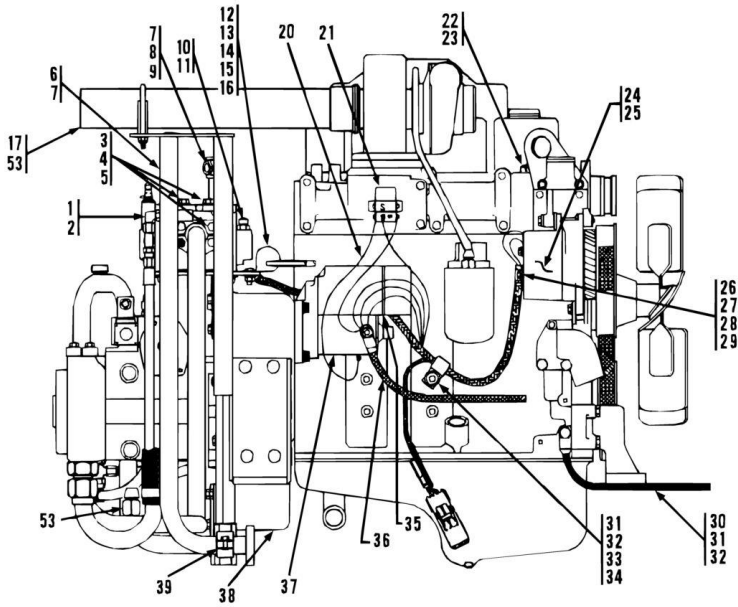
ITEM	PART NUMBER	QTY	DESCRIPTION	REV
	91085053	Ref	CUMMINS ENGINE FILTER KIT	
	91084001	1	OIL FILTER	
	77383202	1	PRIMARY FUEL FILTER ELEMENT	
	77383203	1	SECONDARY FUEL FILTER ELEMENT	
	91083218	1	FUEL FILTER	
	90206262	1	AIR FILTER ELEMENT	
	91325001	Ref	ENGINE ASSY (includes all items except 44, 52 thru 55, 58 & 59, on (91125026) ENGINE LEFT SIDE VIEW, plus all items on ENGINE RIGHT SIDE VIEW)	
1	84712738	8	SPLIT FLANGE CLAMP	
2	83201135	4	HEX HD CAPSCREW, 7/16-14X1-1/2, GR8	
3	88551012	16	LOCKWASHER, 7/16	
4	91083418	1	TUBE ASSY	
5	91083106	4	O-RING	
6	90027187	1	TY-RAP	
7	91146037	1	EXHAUST TUBING	
8	83191021	5	HEX HD CAPSCREW, M10X1.5X30	
9	83191013	12	LOCKWASHER, M10	
10	90206124	1	WATER TEMPERATURE SENDER	
11	88711384	1	REDUCING BUSHING, 1/2X1/4	
12	83191007	1	HEX HD CAPSCREW, M8X1.25X16	
13	85941016	1	SUPPORT CLAMP	
14	88561108	1	FLAT WASHER, 5/16	
15	83191011	1	LOCKWASHER, M8	
16	91143099	1	POSITIVE BATTERY CABLE	
17	90028660	2	SUPPORT CLAMP	
18	88662005	2	CONNECTOR (includes item 24)	
19	83191004	2	HEX HD CAPSCREW, M12X1.75X30	
20	83191010	2	LOCKWASHER, M12	
21	88561111	3	FLAT WASHER, 1/2	
22	85841150	1	SUPPORT CLAMP, 1-1/16	
23	91143124	1	NEGATIVE BATTERY CABLE	
24	88591204	2	O-RING	
25	88711284	1	PIPE PLUG, 3/4	
26	90205792	1	CUSHION CLAMP	
27	88662224	1	SWIVEL NUT BRANCH TEE	
28	84718221	1	HOSE ASSY	
29	91083266	1	TUBE ASSY	
30	91083095	1	TUBE ASSY	
31	88662018	1	STRAIGHT THREAD CONNECTOR	
32	88662119	1	ELBOW, 45, (swivel nut)	
33		Ref	TRACTION LOCK VALVE (See HYDRAULIC COMPONENTS SECTION for Breakdown)	
34	88201066	2	HEX HD CAPSCREW, 1/2-13X1-1/4, GR5	
35	88551013	2	LOCKWASHER, 1/2	
36	91146058	1	FLOW DIVIDER BRACKET	
37	83191006	5	HEX HD CAPSCREW, M10X1.50X40	
38	88561109	7	FLAT WASHER, 3/8	
39	91086130	1	TUBE SUPPORT	
40	83191005	2	HEX HD CAPSCREW, M10X1.5X45	

SECTION 4 - ENGINE AND ATTACHING PARTS

ITEM	PART NUMBER	QTY	DESCRIPTION	REV
41	91086131	1	TUBE SUPPORT	
42	91084001	1	OIL FILTER	
43	91084162	1	FAN/ALTERNATOR BELT	
44	91083503	1	ALTERNATOR	
44	91083504	1	REGULATOR (supplied with alternator)	
45	91083456	1	STARTER	
46	88662421	2	ELBOW, 45, (includes item 47)	
47	88591207	2	O-RING	
48	90402427	1	STARTER SOLENOID	
49	90205205	1	JUMPER WIRE	
50	83201155	12	HEX HD CAPSCREW, 7/16-14X1-3/4, GR8	
51	24861170	2	SUPPORT CLAMP	
52	88201020	2	HEX HD CAPSCREW, 5/16-18X1IN	
53	88551010	2	LOCKWASHER, 5/16	
54	88501005	2	HEX NUT, 5/16-18	
55	88662105	1	ELBOW, 90, (swivel nut)	
56	84718208	1	HOSE ASSY	

SECTION 4 - ENGINE AND ATTACHING PARTS

FIGURE 4-17. (91325007) ENGINE RIGHT SIDE VIEW (534C-6 TURBO) (SN 0388256 to Present)



SECTION 4 - ENGINE AND ATTACHING PARTS

FIGURE 4-17. (91325007) ENGINE RIGHT SIDE VIEW (534C-6 TURBO) (SN 0388256 to Present)

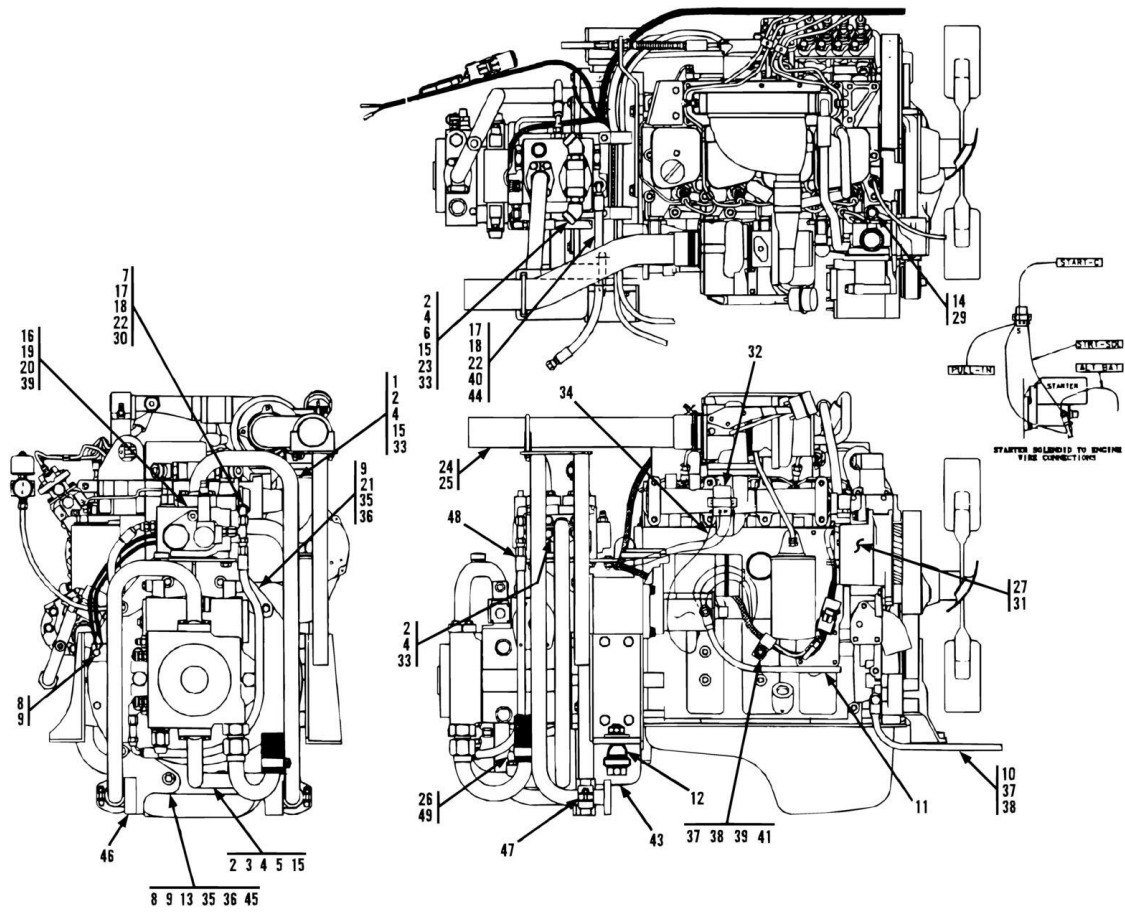
ITEM	PART NUMBER	QTY	DESCRIPTION	REV
	91085053	Ref	CUMMINS ENGINE FILTER KIT	
	91084001	1	OIL FILTER	
	77383202	1	PRIMARY FUEL FILTER ELEMENT	
	77383203	1	SECONDARY FUEL FILTER ELEMENT	
	91083218	1	FUEL FILTER	
	90206262	1	AIR FILTER ELEMENT	
	91085053	Ref	CUMMINS ENGINE FILTER KIT	
	91084001	1	OIL FILTER	
	77383202	1	PRIMARY FUEL FILTER ELEMENT	
	77383203	1	SECONDARY FUEL FILTER ELEMENT	
	91083218	1	FUEL FILTER	
	90206262	1	AIR FILTER ELEMENT	
	91325007	Ref	ENGINE ASSY (includes items on (91125026) ENGINE LEFT SIDE VIEW and ENGINE RIGHT SIDE VIEW)	
1	88662105	1	ELBOW, 90, (swivel nut)	
2	84718208	1	HOSE ASSY	
3	84712738	8	SPLIT FLANGE CLAMP	
4	83201155	12	HEX HD CAPSCREW, 7/16-14 x 1-3/4	
5	88551012	16	LOCKWASHER, 7/16	
6	91083418	1	TUBE ASSY	
7	91083106	4	O-RING	
8	91083266	1	TUBE ASSY	
9	88662421	2	CONNECTOR, 45, (includes o-ring)	
9	88591207	2	O-RING	
10	88662005	2	CONNECTOR (includes item 11)	
11	88591204	2	O-RING	
12	90028660	2	SUPPORT CLAMP	
13	88501005	2	HEX NUT, 5/16-18	
14	24861170	2	SUPPORT CLAMP	
15	88201020	2	HEX HD CAPSCREW, 5/16-18 x 1	
16	88551010	2	LOCKWASHER, 5/16	
17	91146037	1	EXHAUST TUBING	
18	83191021	5	HEX HD CAPSCREW, M10 x 1.5 x 30	
19	83191013	12	LOCKWASHER, M10	
20	90205205	1	JUMPER WIRE	
21	90402427	1	STARTER SOLENOID	
22	90206124	1	WATER TEMP SENDER	
23	88711384	1	REDUCER BUSHING	
24	91083503	1	ALTERNATOR (includes item 25)	
25	91083504	1	REGULATOR	
26	85941016	1	SUPPORT CLAMP	
27	83191007	1	HEX HD CAPSCREW, M8 x 1.25 x 16	
28	88561108	1	WASHER, 5/16	
29	83191011	1	LOCKWASHER, M8	
30	91143124	1	NEGATIVE BATTERY CABLE	
31	83191004	2	HEX HD CAPSCREW, M12 x 1.75 x 30	
32	83191010	2	LOCKWASHER, M12	
33	88561111	3	WASHER, 1/2	
34	91143122	1	SUPPORT CLAMP, 5/8	
35	90027187	1	TY-RAP	

SECTION 4 - ENGINE AND ATTACHING PARTS

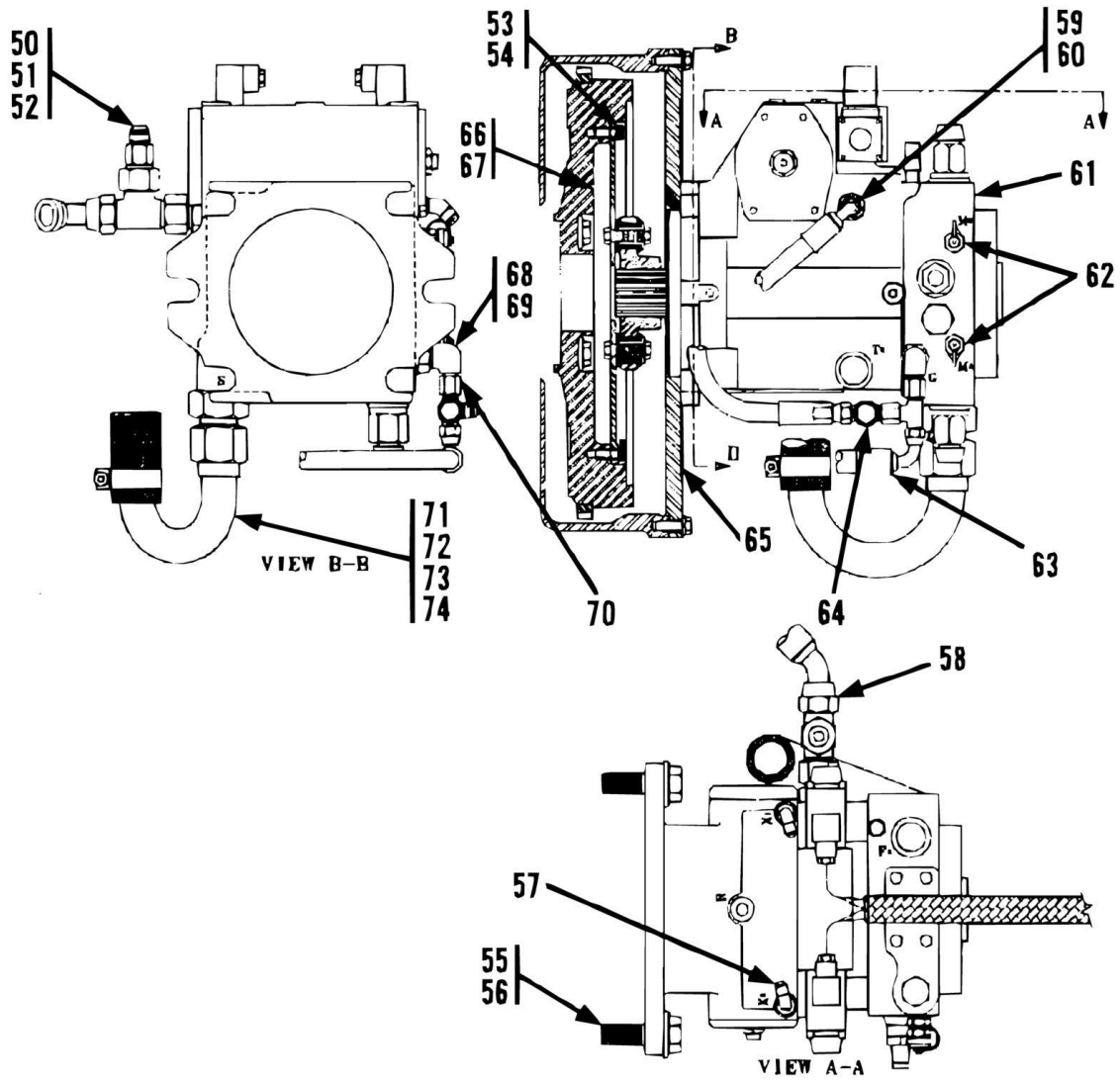
ITEM	PART NUMBER	QTY	DESCRIPTION	REV
36	91143099	1	POSITIVE BATTERY CABLE	
37	91083456	1	STARTER	
38	88711284	1	PIPE PLUG, 3/4	
39	90205792	1	CUSHION CLAMP	
40		Ref	TRACTION LOCK VALVE (See HYDRAULIC COMPONENTS SECTION for Breakdown)	
41	88201066	2	HEX HD CAPSCREW, 1/2-13 x 1-1/4	
42	88551013	2	LOCKWASHER, 1/2	
43	88662224	1	SWIVEL NUT BRANCH TEE	
44	84718221	1	HOSE ASSY	
45	91146058	1	FLOW DIVIDER BRACKET	
46	83191006	5	HEX HD CAPSCREW, M10 x 1.5 x 40	
47	88561109	7	WASHER, 3/8	
48	83201135	4	HEX HD CAPSCREW, 7/16-14 x 1-1/2	
49	91086130	1	TUBE SUPPORT	
50	83191005	2	HEX HD CAPSCREW, M10 x 1.5 x 45	
51	91163201	1	TUBE ASSY	
52	91086131	1	TUBE SUPPORT	
53	83683175	1	MUFFLER CLAMP	

SECTION 4 - ENGINE AND ATTACHING PARTS

FIGURE 4-18. (91325031) ENGINE RIGHT SIDE VIEW (534C-6 TURBO) (SN 0488238 to Present)



SECTION 4 - ENGINE AND ATTACHING PARTS



SECTION 4 - ENGINE AND ATTACHING PARTS

FIGURE 4-18. (91325031) ENGINE RIGHT SIDE VIEW (534C-6 TURBO) (SN 0488238 to Present)

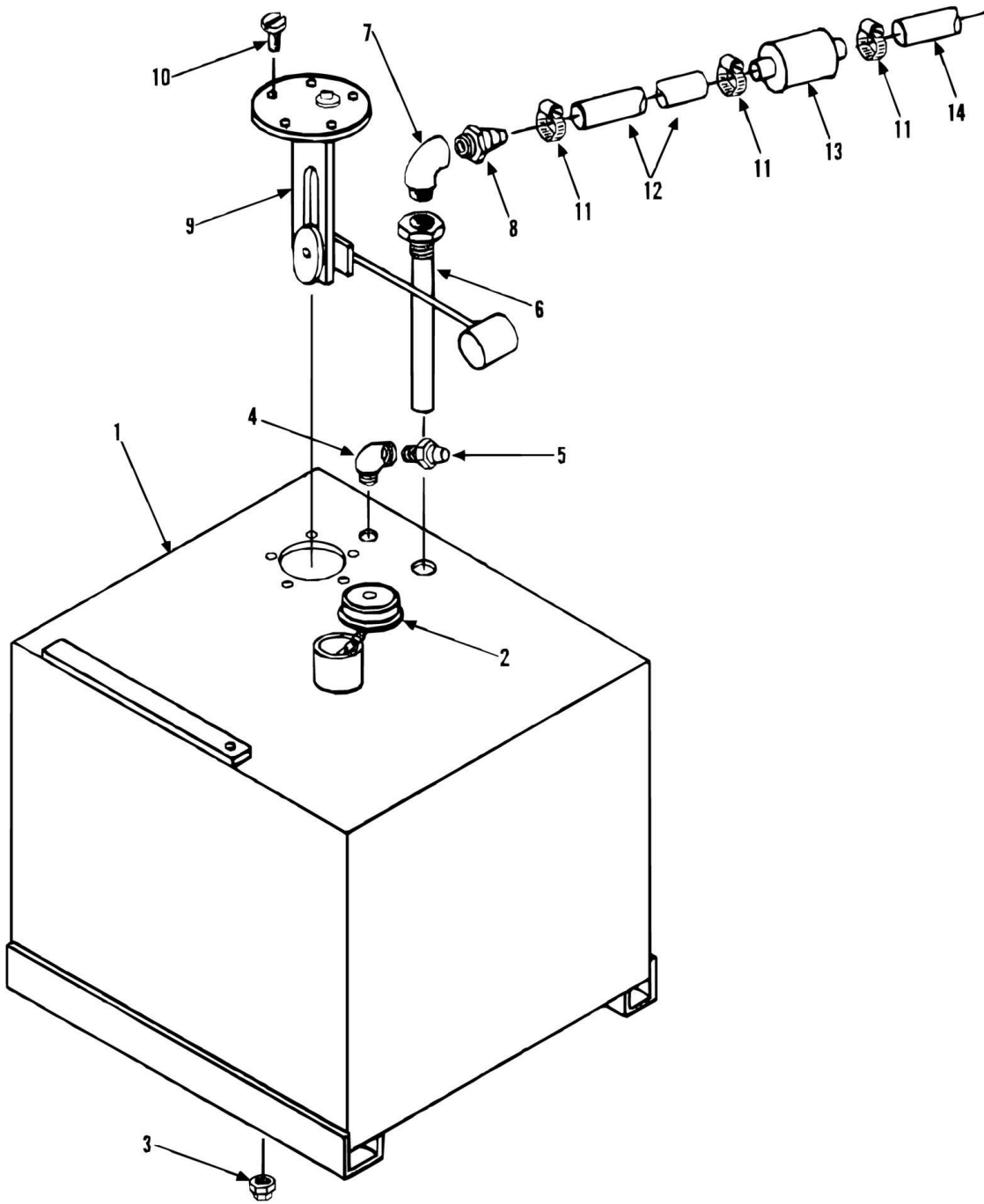
ITEM	PART NUMBER	QTY	DESCRIPTION	REV
	91375002	1	CUMMINS ENGINE FILTER KIT	
	91084001	1	OIL FILTER	
	77383203	1	FUEL FILTER	
	91083218	1	FUEL FILTER	
	90206262	1	AIR FILTER ELEMENT	
	91325031	Ref	ENGINE ASSY(includes items on (91125026) ENGINE LEFT SIDE VIEW and ENGINE RIGHT SIDE VIEW)	
1	91083418	1	TUBE ASSY	
2	84712738	8	SPLIT FLANGE CLAMP	
3	83201135	4	HEX HD CAPSCREW, 7/16-14X1-1/2	
4	88551012	16	LOCKWASHER, 7/16	
5	91163201	1	TUBE ASSY	
6	91083266	1	TUBE ASSY	
7	88662105	1	ELBOW, 90, (swivelnut)	
8	83191021	5	HEX HD CAPSCREW, M10X1.5X30	
9	83191013	12	LOCKWASHER, M10	
10	91143124	1	NEGATIVE BATTERY CABLE	
11	91143099	1	POSITIVE BATTERY CABLE	
12		Ref	ENGINE MOUNT (See (91125026) ENGINE LEFT SIDE VIEW for Breakdown)	
13	91086130	1	TUBE SUPPORT	
14	91143314	1	WATER TEMPERATURE SENDER	
15	91083106	4	O-RING	
16		Ref	TRACTION LOCK VALVE(See HYDRAULIC COMPONENTS SECTION for Breakdown)	
17	88662224	2	SWIVEL NUT BRANCH TEE, 3/8 TUBE	
18	88662005	2	CONNECTOR (includes item 22)	
19	88201066	2	HEX HD CAPSCREW, 1/2-13X1-1/4, GR5	
20	88551013	2	LOCKWASHER, 1/2	
21	91146058	1	FLOW DIVIDER BRACKET	
22	88591204	2	O-RING	
23	88662421	2	ELBOW, 45, (includes o-ring)	
23	88591212	2	O-RING	
24	91146037	1	EXHAUST TUBE	
25	83683175	1	MUFFLER CLAMP	
26	88591204	1	O-RING	
27	91083503	1	ALTERNATOR	
28	91083456	1	STARTER	
29	88711385	1	REDUCER BUSHING	
30	84718208	1	HOSE ASSY	
31	91083504	1	REGULATOR	
32	90402427	1	STARTER SOLENOID (relay), (mounts on frame)	
32	88551009	2	LOCKWASHER, 1/4	
32	88201003	2	HEX HD CAPSCREW, 1/4-20X3/4, GR5	
33	83201155	12	HEX HD CAPSCREW, 7/16-14X1-3/4	
34	90205205	1	JUMPER WIRE	
35	88561109	7	WASHER, 3/8	
36	83191006	5	HEX HD CAPSCREW, M10X1.5X40	
37	83191004	2	HEX HD CAPSCREW, M12X1.75X30	
38	83191010	2	LOCKWASHER, M12	

SECTION 4 - ENGINE AND ATTACHING PARTS

ITEM	PART NUMBER	QTY	DESCRIPTION	REV
39	88561111	3	WASHER, 1/2	
40	84717930	2	HOSE ASSY	
41	91143122	1	SUPPORT CLAMP, 5/8	
42	90027187	1	TY-RAP	
43	88711284	1	PIPE PLUG, 3/4	
44	88591204	1	O-RING	
45	83191005	2	HEX HD CAPSCREW, M10X1.5X45	
46	91086131	1	TUBE SUPPORT	
47	90205792	1	CUSHION CLAMP	
48	84718221	1	HOSE ASSY	
49	88662064	1	ELBOW, 90, (includes item 26)	
50	88662242	1	SWIVEL NUT RUN TEE, 3/4 TUBE	
51	83651133	1	REDUCER W/ADAPTER	
52	88662008	1	CONNECTOR (includes o-ring)	
52	88591207	1	O-RING	
53	88211068	8	SOCKET HD CAPSCREW, 3/8-16XX5/8	
54	88551011	4	LOCKWASHER, 3/8	
55	88201112	2	HEX HD CAPSCREW, 3/4-10X2-1/4, GR5	
56	90027473	2	HARDENED WASHER, 3/4	
57	90027906	2	ELBOW, 90	
58	84717839	1	HOSE ASSY	
59	88662018	1	CONNECTOR (includes o-ring)	
59	88591205	1	O-RING	
60	84717341	1	HOSE ASSY	
61		Ref	HYDROSTATIC TRANS PUMP(See HYDRAULIC COMPONENTS SECTION for Breakdown)	
62	91053020	2	TEST COUPLING	
63	84717524	1	HOSE ASSY	
64	84717852	1	HOSE ASSY	
65	91083019	1	PUMP MOUNT AND FLYWHEEL COUPLING (includes item 66 & 67)	
66	91084311	1	FLEX PLATE	
67	91084312	1	COUPLER (bolts included)	
68	91083222	1	STRAIGHT THREAD REDUCING CONNECTOR (includes item 69)	
69	88591207	1	O-RING	
70	88662239	2	SWIVEL NUT RUN TEE, 3/8 TUBE	
71	88662011	1	CONNECTOR (includes o-ring)	
71	88591210	1	O-RING	
72	91143087	1	INTAKE TUBE	
73	91083246	1	HOSE ASSY	
74	90028695	2	BAND CLAMP	

SECTION 4 - ENGINE AND ATTACHING PARTS

FIGURE 4-19. FUEL TANK AND LINES (SN 0188002 to Present)



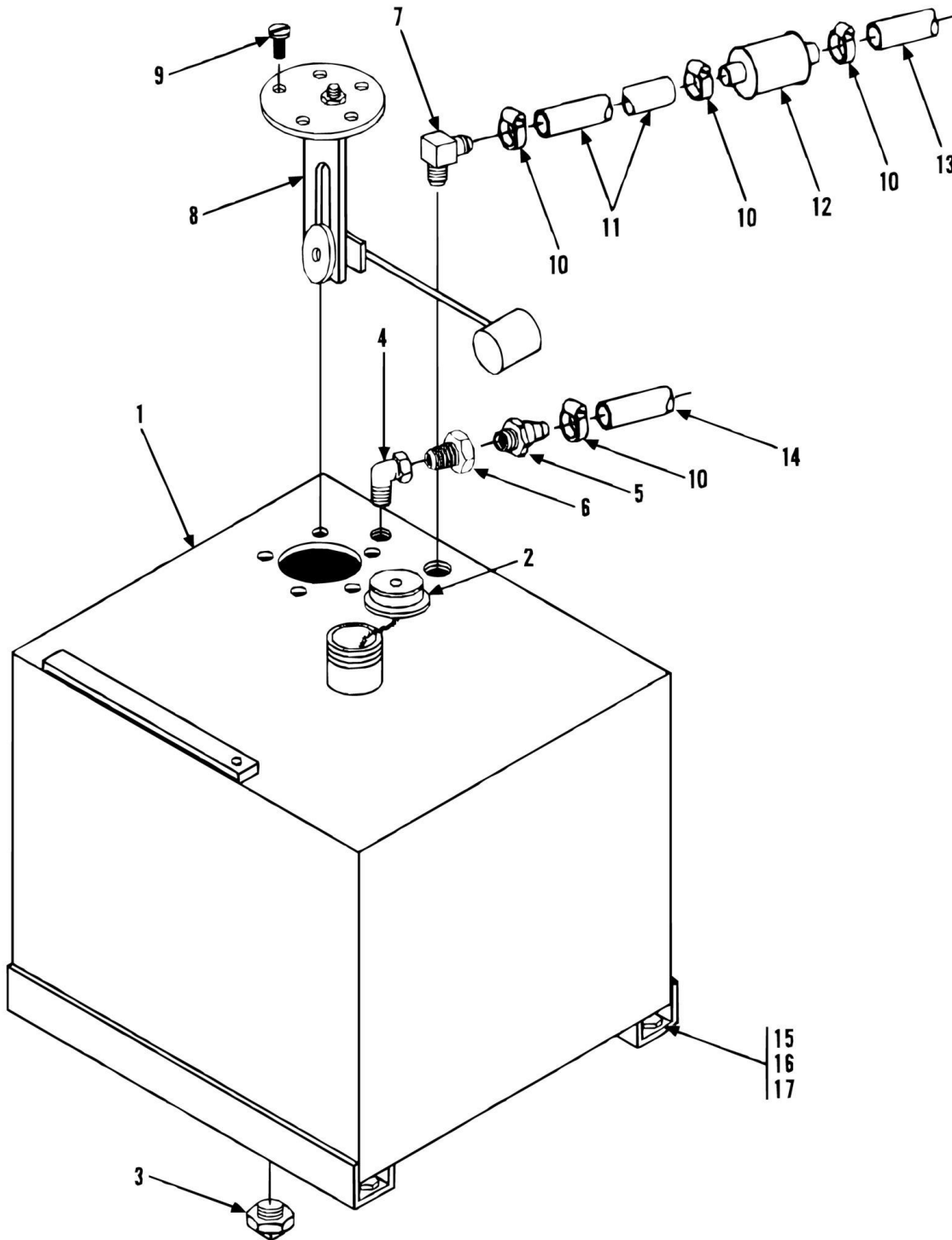
SECTION 4 - ENGINE AND ATTACHING PARTS

FIGURE 4-19. FUEL TANK AND LINES (SN 0188002 to Present)

ITEM	PART NUMBER	QTY	DESCRIPTION	REV
1	91083323	1	FUEL TANK (includes items 2 & 3)	
2	86541381	1	FUEL TANK CAP, (w/chain)	
3	88711283	1	HEX SOCKET PIPE PLUG, 1/2	
4	88712011	1	STREET ELBOW, 90, 1/8	
5	88741805	1	HOSE NIPPLE	
6	77386065	1	PICK-UP TUBE	
7	88712013	1	STREET ELBOW, 90, 3/8	
8	90027331	1	HOSE NIPPLE	
9	90400654	1	FUEL SENDER (includes item 10)	
10		Ref	SCREW	
11	83483497	3	HOSE CLAMP	
12	Bulk	11 in	FUEL LINE HOSE, 5/16IN ID	
13	91083218	1	FUEL FILTER	
14	Bulk	56 in	FUEL LINE HOSE, 5/16IN ID	

SECTION 4 - ENGINE AND ATTACHING PARTS

FIGURE 4-20. (91085016) FUEL TANK AND LINES (SN 0388012 to Present)



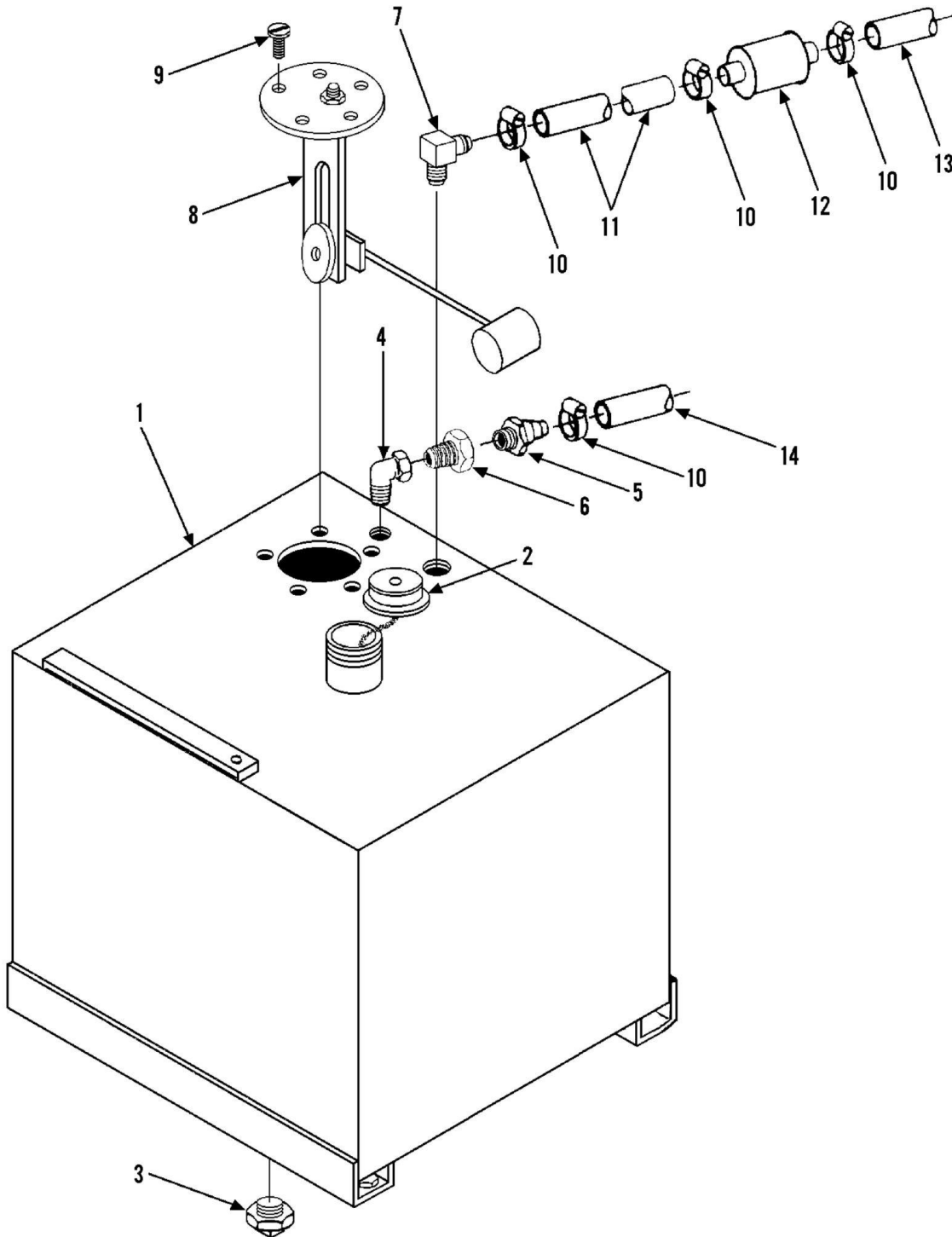
SECTION 4 - ENGINE AND ATTACHING PARTS

FIGURE 4-20. (91085016) FUEL TANK AND LINES (SN 0388012 to Present)

ITEM	PART NUMBER	QTY	DESCRIPTION	REV
	91085016	Ref	FUEL TANK ASSY,(includes items 1 thru 9)	
1	91083501	1	FUEL TANK, (includes items 2 & 3)	
2	86541381	1	FUEL TANK CAP, (w/chain)	
3	88711283	1	HEX SOCKET PIPE PLUG, 1/2	
4	88712011	1	STREET ELBOW, 90,1/8	
5	88741805	1	HOSE NIPPLE	
6	88711385	1	REDUCING BUSHING, 1/2X1/8	
7	84712746	1	HOSE NIPPLE, 90, 1/2X3/8	
8	90400654	1	FUEL SENDER, (includes item 9)	
9		Ref	SCREW	
10	83483497	4	HOSE CLAMP	
11	Bulk	11 in	FUEL LINE HOSE, 5/16IN ID	
12	91083218	1	FUEL FILTER	
13	Bulk	56 in	FUEL LINE HOSE, 5/16IN ID	
14	Bulk	56 in	FUEL LINE HOSE, 3/16IN ID	
15	88201095	4	HEX HD CAPSCREW, 5/8-11X1-1/2, GR5	
16	88561008	4	WASHER, 5/8	
17	88551015	4	LOCKWASHER, 5/8	
		Ref	NOTE: ONLY ITEMS WITH PART NUMBERS ARE AVAILABLE FOR SERVICE.	

SECTION 4 - ENGINE AND ATTACHING PARTS

FIGURE 4-21. (91125104) FUEL TANK AND LINES (SN 0488238 to Present)



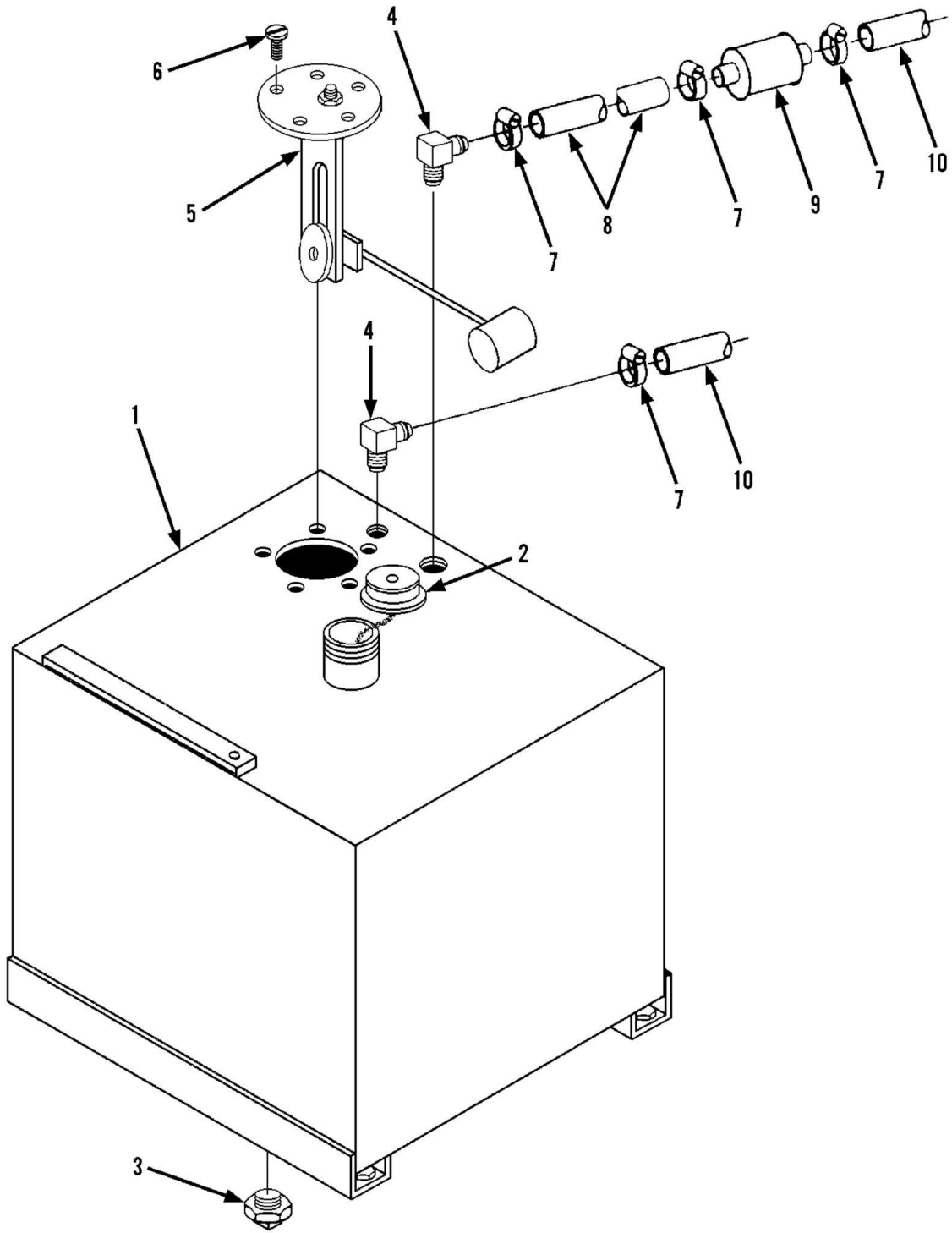
SECTION 4 - ENGINE AND ATTACHING PARTS

FIGURE 4-21. (91125104) FUEL TANK AND LINES (SN 0488238 to Present)

ITEM	PART NUMBER	QTY	DESCRIPTION	REV
	91125104	Ref	FUEL TANK ASSY (includes items 1 thru 9)	
1	91153031	1	FUEL TANK (includes items 2 & 3)	
2	86541381	1	FUEL TANK CAP, (w/chain)	
3	88711283	1	HEX SOCKET PIPE PLUG, 1/2	
4	88712011	1	STREET ELBOW, 90, 1/8	
5	88741805	1	HOSE NIPPLE, 1/8	
6	88711385	1	REDUCING BUSHING, 1/2X1/8	
7	84712746	1	HOSE NIPPLE, 90, 1/2X3/8	
8	91143316	1	FUEL SENDER	
9	91083491	5	GASKETED SCREW, 10-32	
10	83483497	4	HOSE CLAMP	
11	Bulk	11 in	FUEL LINE HOSE, 3/8IN ID	
12	91083218	1	FUEL FILTER	
13	Bulk	60 in	FUEL LINE HOSE, 5/16IN ID	
14	Bulk	56 in	FUEL LINE HOSE, 7/32IN ID	

SECTION 4 - ENGINE AND ATTACHING PARTS

FIGURE 4-22. (91155016) FUEL TANK AND LINES (534C-6 TURBO) (SN 0488238 to Present)



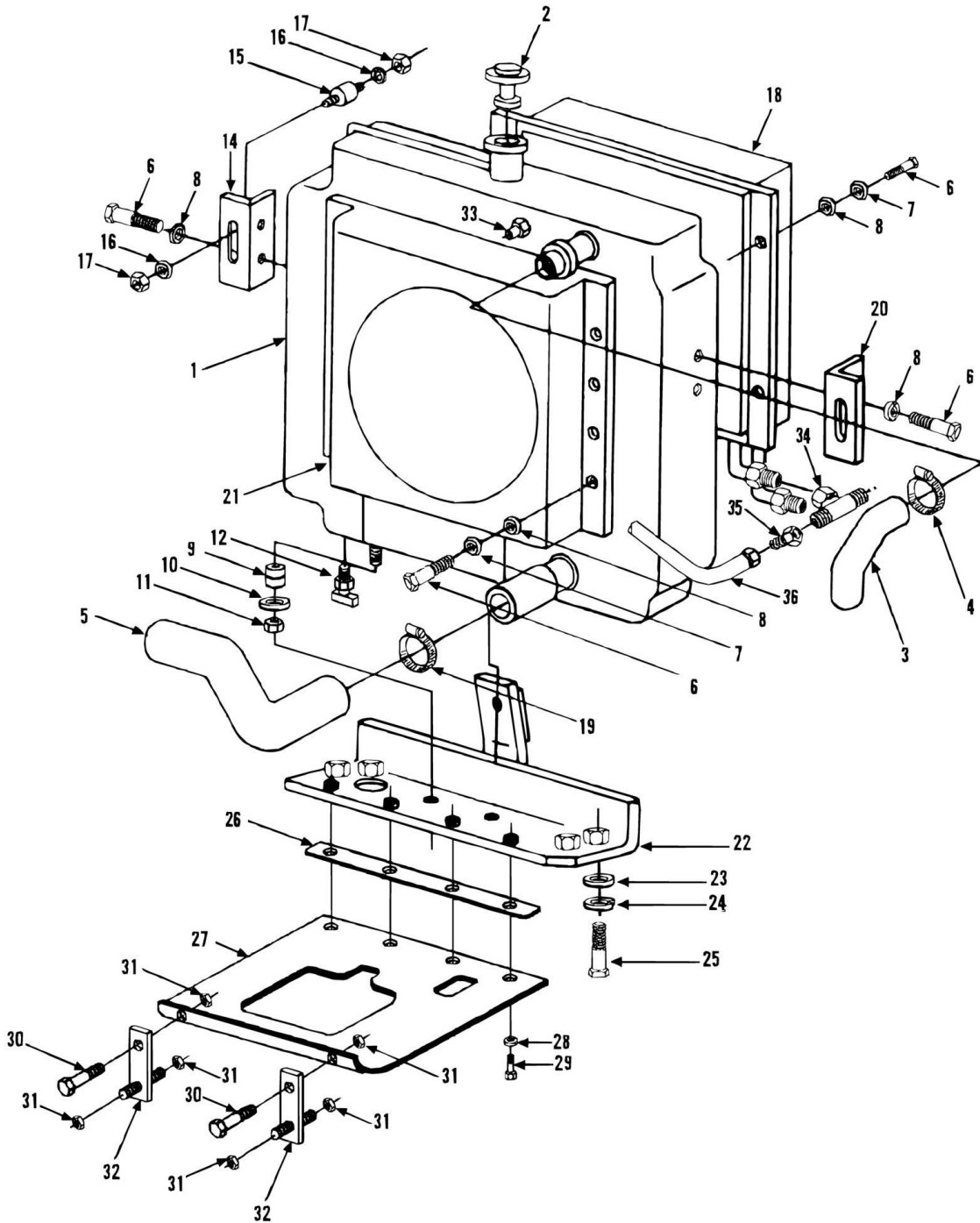
SECTION 4 - ENGINE AND ATTACHING PARTS

FIGURE 4-22. (91155016) FUEL TANK AND LINES (534C-6 TURBO) (SN 0488238 to Present)

ITEM	PART NUMBER	QTY	DESCRIPTION	REV
	91155016	1	FUEL TANK ASSY (includes items 1 thru 6)	
1	91153031	1	FUEL TANK (includes items 2 & 3)	
2	86541381	1	FUEL TANK CAP (w/chain)	
3	88711283	1	HEX SOCKET PIPE PLUG, 1/2	
4	84712746	2	HOSE NIPPLE, 90, 1/2X3/8	
5	91143316	1	FUEL SENDER	
6	91083491	5	GASKETED SCREW, 10-32	
7	83483497	4	HOSE CLAMP	
8	Bulk	11 in	FUEL LINE HOSE, 3/8IN ID	
9	91083218	1	FUEL FILTER	
10	Bulk	143 in	FUEL LINE HOSE, 5/16IN ID	

SECTION 4 - ENGINE AND ATTACHING PARTS

FIGURE 4-23. (91085013) RADIATOR ASSEMBLY (SN 0188002 to Present)



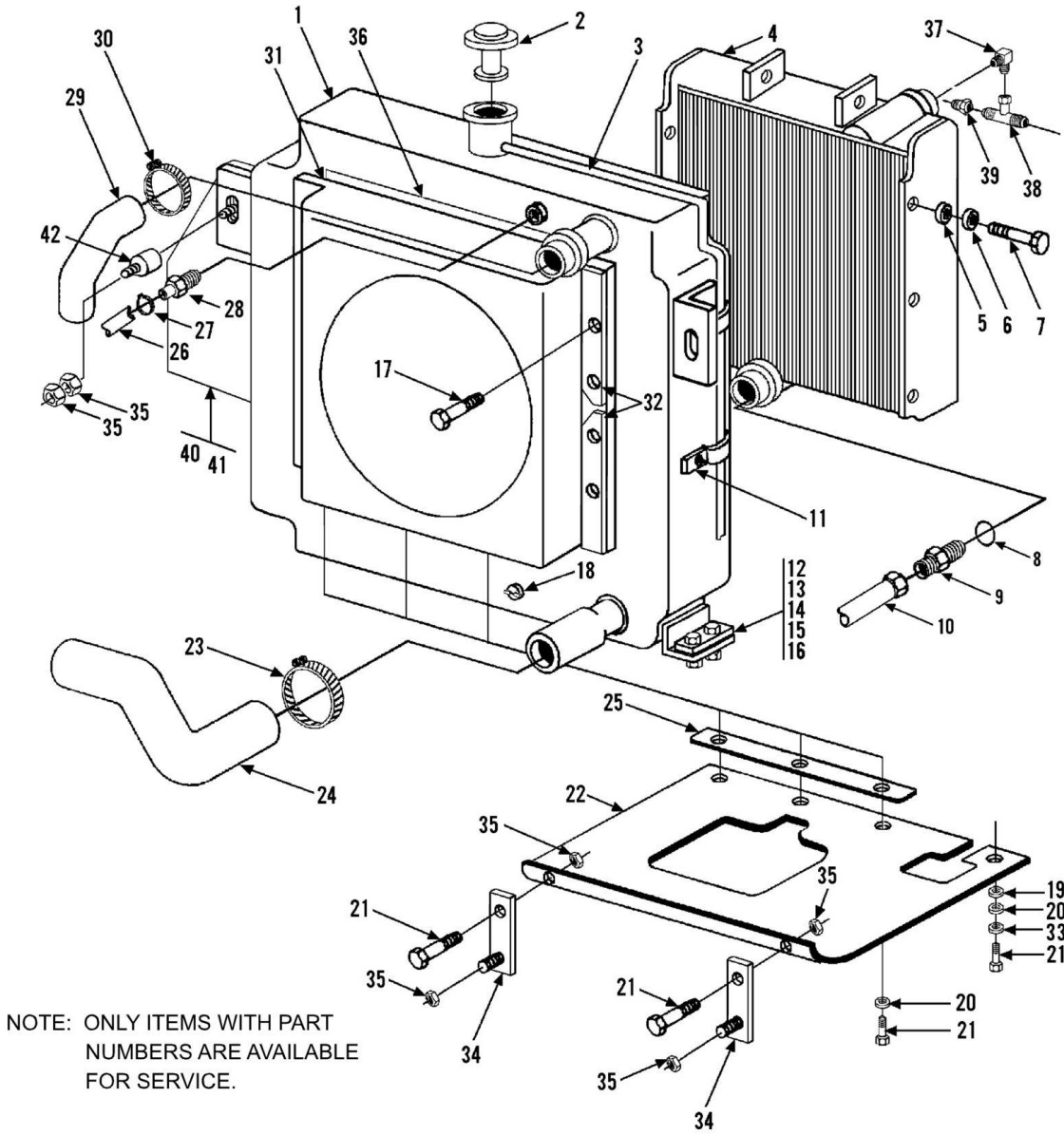
SECTION 4 - ENGINE AND ATTACHING PARTS

FIGURE 4-23. (91085013) RADIATOR ASSEMBLY (SN 0188002 to Present)

ITEM	PART NUMBER	QTY	DESCRIPTION	REV
	91085013	Ref	RADIATOR ASSY (includes items 1, 2, 6 thru 14, 18, 20, 21 & 22)	
1	91083065	1	RADIATOR (includes item 2)	
2	91084198	1	RADIATOR CAP, 15 PSI	
3	91083094	1	UPPER RADIATOR HOSE	
4	85071128	1	HOSE CLAMP	
5	91083364	1	LOWER RADIATOR HOSE	
6	88201016	16	HEX HD CAPSCREW, 5/16-18x1/2, GR5	
7	88561003	12	WASHER, 5/16	
8	88551010	16	LOCKWASHER, 5/16	
9	83683308	2	SHOCK MOUNT	
10	90205918	2	WASHER	
11	88521206	2	HEX LOCKNUT, 3/8-16	
12	84521056	1	DRAIN COCK	
14	91081181	1	MOUNTING BRACKET	
15	91033137	1	SHOCK MOUNT	
16	88561003	2	FLAT WASHER,5/16	
17	88521205	2	HEX LOCKNUT, 5/16-18	
18		Ref	OIL COOLER (no longer available)	
18	91125109	1	OIL COOLER KIT (includes one 91083573 oil cooler and one 84719110 hose assy)	
19	86883327	2	HOSE CLAMP	
20	91081541	1	MOUNTING BRACKET	
21	91083085	1	RADIATOR SHROUD	
22	91086041	1	RADIATOR MOUNT	
23	88561006	4	FLAT WASHER, 1/2	
24	88551013	4	LOCKWASHER, 1/2	
25	88201067	4	HEX HD CAPSCREW, 1/2-13X1-1/2, GR5	
26	91301086	1	FLAT BAR	
27	91303057	1	DUST SHIELD	
28	88561003	4	WASHER	
29	88201021	4	HEX HD CAPSCREW, 5/16-18X1-1/4, GR5	
30	88201020	2	HEX HD CAPSCREW, 5/16-18X1, GR5	
31	77143006	6	WHIZ LOCKNUT, 5/16-18	
32	91081654	2	BAR	
33	90030271	1	FITTING	
34	88662227	1	SWIVEL NUT BRANCH TEE	
35	88661345	1	REDUCER ADAPTER	
35	88661408	1	NUT	
36	84717872	1	HOSE ASSY	

SECTION 4 - ENGINE AND ATTACHING PARTS

FIGURE 4-24. (91325004) RADIATOR ASSEMBLY (534C-6 TURBO) (SN 0388043 to Present)



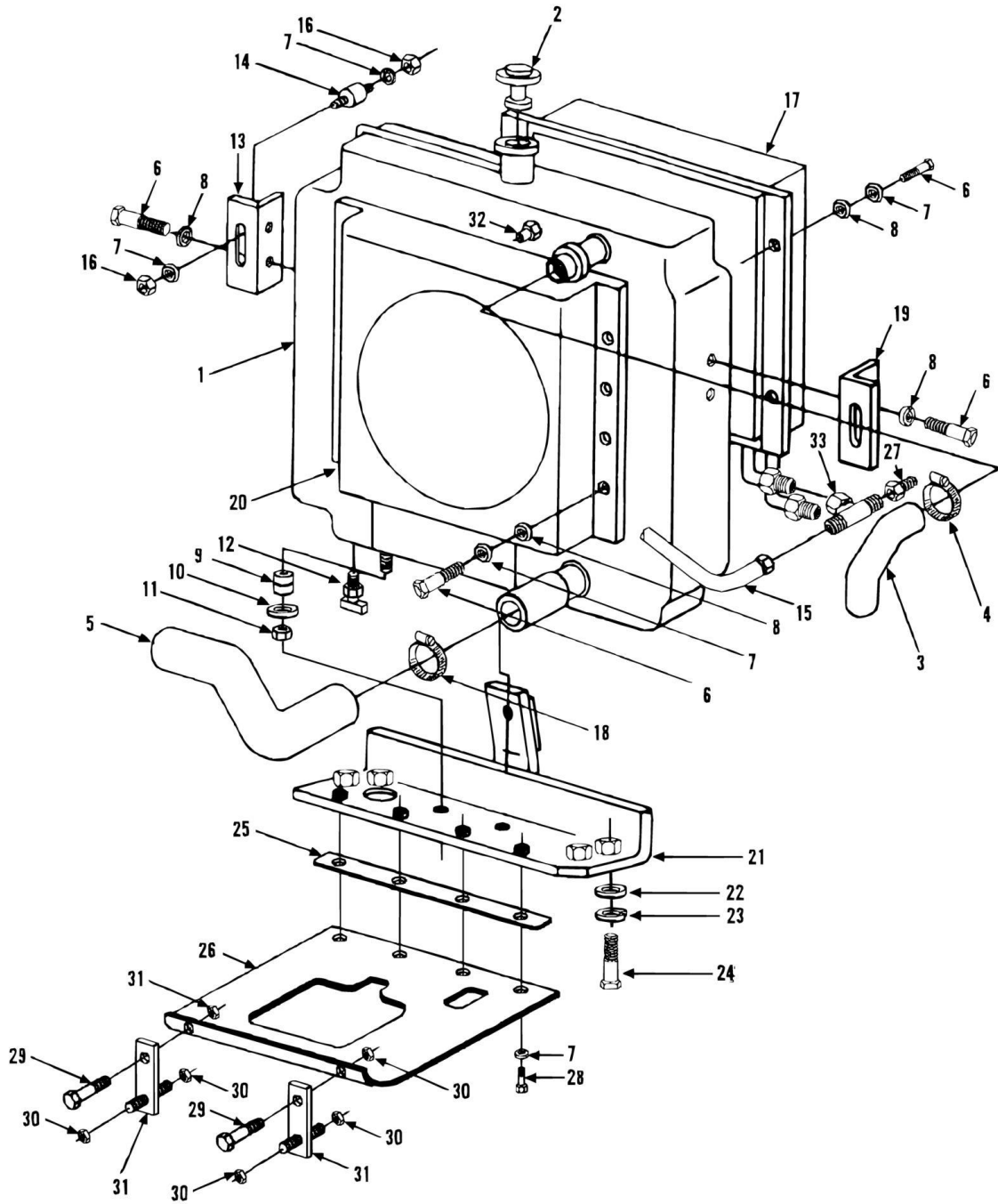
SECTION 4 - ENGINE AND ATTACHING PARTS

FIGURE 4-24. (91325004) RADIATOR ASSEMBLY (534C-6 TURBO) (SN 0388043 to Present)

ITEM	PART NUMBER	QTY	DESCRIPTION	REV
	91325004	1	RADIATOR ASSY (includes items 1 thru 7, 9, 11, 17, 18, 31, 32 & 36 thru 39)	
1	91143028	1	RADIATOR (includes item 2)	
2	91144008	1	RADIATOR CAP	
3	Bulk	38 in	HOSE, 5/16 ID	
4	91143029	1	OIL COOLER	
5	88551011	6	LOCKWASHER, 3/8	
6	88561109	4	FLAT WASHER, 3/8	
7	88201034	6	HEX HD CAPSCREW, 3/8-16X7/8, GR5	
8		Ref	O-RING (included with item 9)	
9	83251287	1	ADAPTER (includes item 8)	
10	84718643	1	HOSE ASSY	
11	85941016	2	SUPPORT CLAMP	
12	83683308	4	MOUNTING PAD	
13	90205918	4	WASHER	
14	88201037	4	HEX HD CAPSCREW, 3/8-16X1-1/2, GR5	
15	88561109	4	FLAT WASHER, 3/8	
16	88521206	4	LOCKNUT	
17	77143003	8	WHIZ-LOK SCREW, 5/16-18X5/8	
18	84521056	1	DRAIN COCK	
19	88561003	1	FLAT WASHER, 5/16	
20	88551010	4	LOCKWASHER, 5/16	
21	88201020	6	HEX HD CAPSCREW, 5/16-18X1, GR5	
22	91323010	1	DUST SHIELD	
23	86883327	2	HOSE CLAMP	
24	91143045	1	LOWER RADIATOR HOSE	
25	91141231	1	FLAT BAR	
26	Bulk	18 in	HOSE, 5/16 ID	
27	86883106	2	HOSE CLAMP	
28	90030271	1	FITTING	
29	91153012	1	UPPER RADIATOR HOSE	
30	85071128	2	HOSE CLAMP	
31	91141104	1	RADIATOR SHROUD	
32	91141322	4	CLAMP BAR	
33	88561111	1	FLAT WASHER, 1/2	
34	91081564	2	BAR	
35	77143006	6	WHIZ-LOK NUT, 5/16-18	
36	90200755	52 in	GASKA-TAPE	
37	83623032	1	ELBOW	
38	86921327	1	TEE	
39	91323007	1	REDUCER	
40	91321002	1	L.H. RADIATOR MOUNT	
40	91321001	1	R.H. RADIATOR MOUNT	
41	85611278	2	WELD STUD	
42	91033137	2	SHOCK MOUNT	

SECTION 4 - ENGINE AND ATTACHING PARTS

FIGURE 4-25. (91085139) RADIATOR ASSEMBLY - 534C-6 (SN 0488238 to Present)



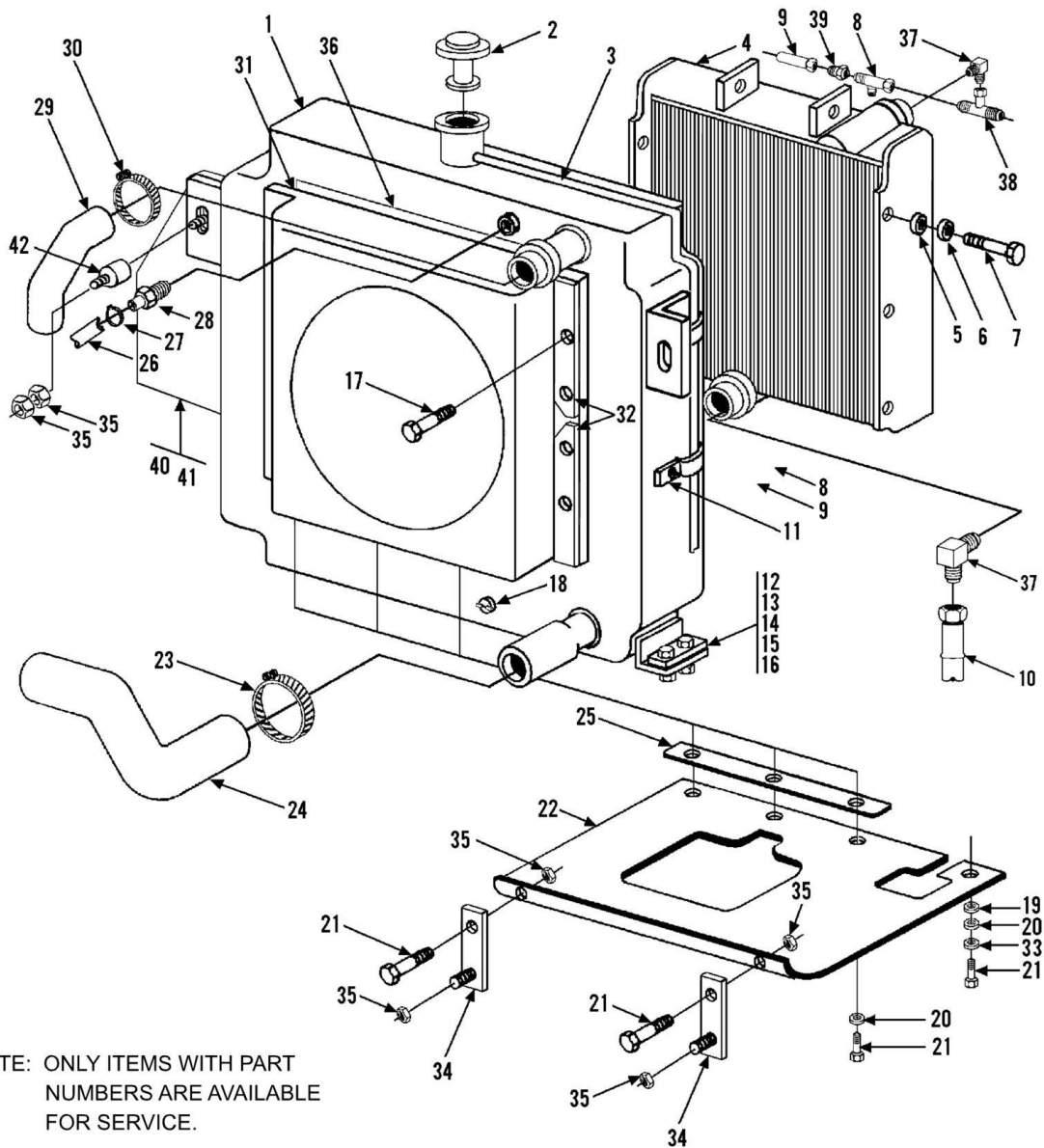
SECTION 4 - ENGINE AND ATTACHING PARTS

FIGURE 4-25. (91085139) RADIATOR ASSEMBLY - 534C-6 (SN 0488238 to Present)

ITEM	PART NUMBER	QTY	DESCRIPTION	REV
	91085139	Ref	RADIATOR ASSY, (includes items 1 thru 6, 12 of 7, 8, 12, 13, 15, 17 thru 20, 27, 32, & 33)	
1	91143269	1	RADIATOR,(includes item 2)	
2	91084198	1	RADIATOR CAP, 15 PSI	
3	91083094	1	UPPER RADIATOR HOSE	
4	85071128	1	HOSE CLAMP	
5	91083364	1	LOWER RADIATOR HOSE	
6	88201016	16	HEX HD CAPSCREW, 5/16-18x1/2, GR5	
7	88561003	18	FLATWASHER, 5/16	
8	88551010	16	LOCKWASHER, 5/16	
9	83683308	2	SHOCK MOUNT	
10	90205918	2	WASHER	
11	88521206	2	HEX LOCKNUT, 3/8-16	
12	84521056	1	DRAIN COCK	
13	91081181	1	MOUNTING BRACKET	
14	91033137	2	SHOCK MOUNT	
15	84719109	1	HOSE ASSEMBLY	
16	88521205	2	HEX LOCKNUT,5/16-18	
17	91083573	1	OIL COOLER	
18	86883327	2	HOSE CLAMP	
19	91081541	1	MOUNTING BRACKET	
20	91083085	1	RADIATOR SHROUD	
21	91086174	1	RADIATOR MOUNT	
22	88561006	4	FLATWASHER, 1/2	
23	88551013	4	LOCKWASHER, 1/2	
24	88201067	4	HEX HD CAPSCREW, 1/2-13X1-1/2, GR5	
25	91301086	1	FLAT BAR	
26	91303057	1	DUST SHIELD	
27	88661345	1	TUBE END REDUCER, 3/4X3/8, (includes nut)	
27	88661408	1	NUT	
28	88201021	4	HEX HD CAPSCREW, 5/16-18X1-1/4, GR5	
29	88201020	2	HEX HD CAPSCREW, 5/16-18X1, GR5	
30	77143006	6	WHIZ LOCKNUT, 5/16-18	
31	91081654	2	BAR	
32	90030271	1	FITTING	
33	88662227	1	SWIVEL NUT BRANCH TEE, 3/4 TUBE	

SECTION 4 - ENGINE AND ATTACHING PARTS

FIGURE 4-26. (91325023) RADIATOR ASSEMBLY (534C-6 TURBO) (SN 0488238 to Present)



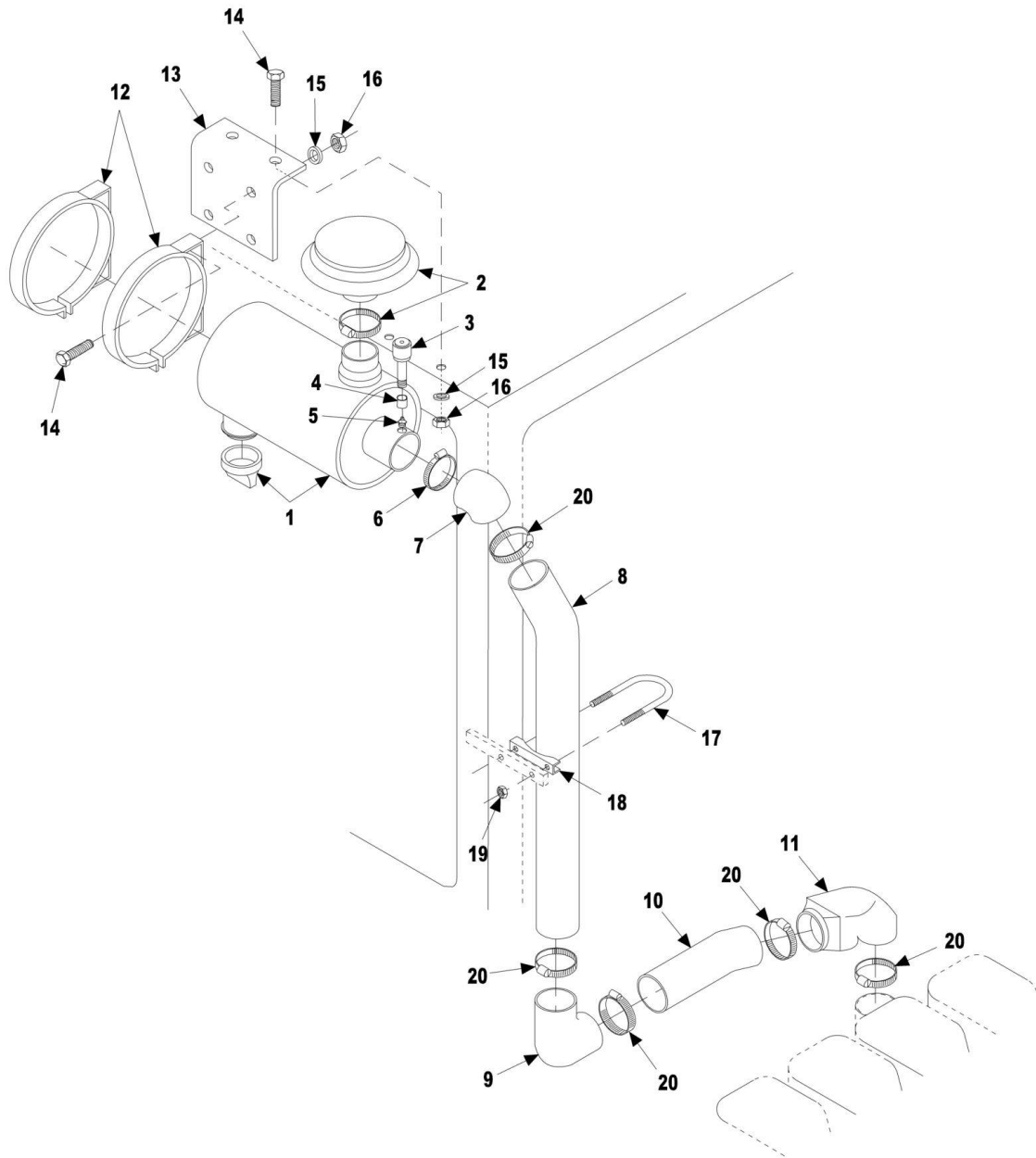
SECTION 4 - ENGINE AND ATTACHING PARTS

FIGURE 4-26. (91325023) RADIATOR ASSEMBLY (534C-6 TURBO) (SN 0488238 to Present)

ITEM	PART NUMBER	QTY	DESCRIPTION	REV
	91325023	1	RADIATOR ASSY (includes items 1 thru 8, 11, 17, 18, 28, 31, 32, 35 thru 39)	
1	91143328	1	RADIATOR (includes item 2)	
2	91144008	1	RADIATOR CAP	
3	Bulk	38 in	HOSE, 5/16 ID	
4	91143029	1	OIL COOLER	
5	88551011	6	LOCKWASHER, 3/8	
6	88561109	4	FLAT WASHER, 3/8	
7	88201034	6	HEX HD CAPSCREW, 3/8-16X7/8, GR5	
8	88662244	1	SWIVEL NUT RUN TEE, 1IN TUBE	
9	84718958	1	HOSE ASSY	
10	84718912	1	HOSE ASSY	
11	85941016	2	SUPPORT CLAMP	
12	83683308	4	MOUNTING PAD	
13	90205918	4	WASHER	
14	88201037	4	HEX HD CAPSCREW, 3/8-16X1-1/2, GR5	
15	88561109	4	FLAT WASHER, 3/8	
16	88521206	4	LOCKNUT	
17	77143003	6	WHIZ-LOKSCREW, 5/16-18X5/8	
18	84521056	1	DRAIN COCK	
19	88561003	1	FLATWASHER, 5/16	
20	88551010	4	LOCKWASHER, 5/16	
21	88201020	6	HEX HD CAPSCREW, 5/16-18X1, GR5	
22	91323010	1	DUST SHIELD	
23	86883327	2	HOSE CLAMP	
24	91143045	1	LOWER RADIATOR HOSE	
25	91141231	1	FLAT BAR	
26	Bulk	18 in	HOSE, 5/16 ID	
27	86883106	2	HOSE CLAMP	
28	90030271	1	FITTING	
29	91153012	1	UPPER RADIATOR HOSE	
30	85071128	2	HOSE CLAMP	
31	91141485	1	RADIATOR SHROUD	
32	91143348	6	CLAMP BAR	
33	88561111	1	FLAT WASHER, 1/2	
34	91081654	2	BAR	
35	77143006	6	WHIZ-LOK NUT, 5/16-18	
36	90200755	52 in	GASKA-TAPE	
37	83623032	2	ELBOW	
38	86921327	1	TEE	
39	91323007	1	REDUCER	
40	91321002	1	L.H. RADIATOR MOUNT	
40	91321001	1	R.H. RADIATOR MOUNT	
41	85611278	2	WELD STUD	
42	91033137	2	SHOCK MOUNT	

SECTION 4 - ENGINE AND ATTACHING PARTS

FIGURE 4-27. AIR CLEANER PIPING (SN 0188002 to Present)



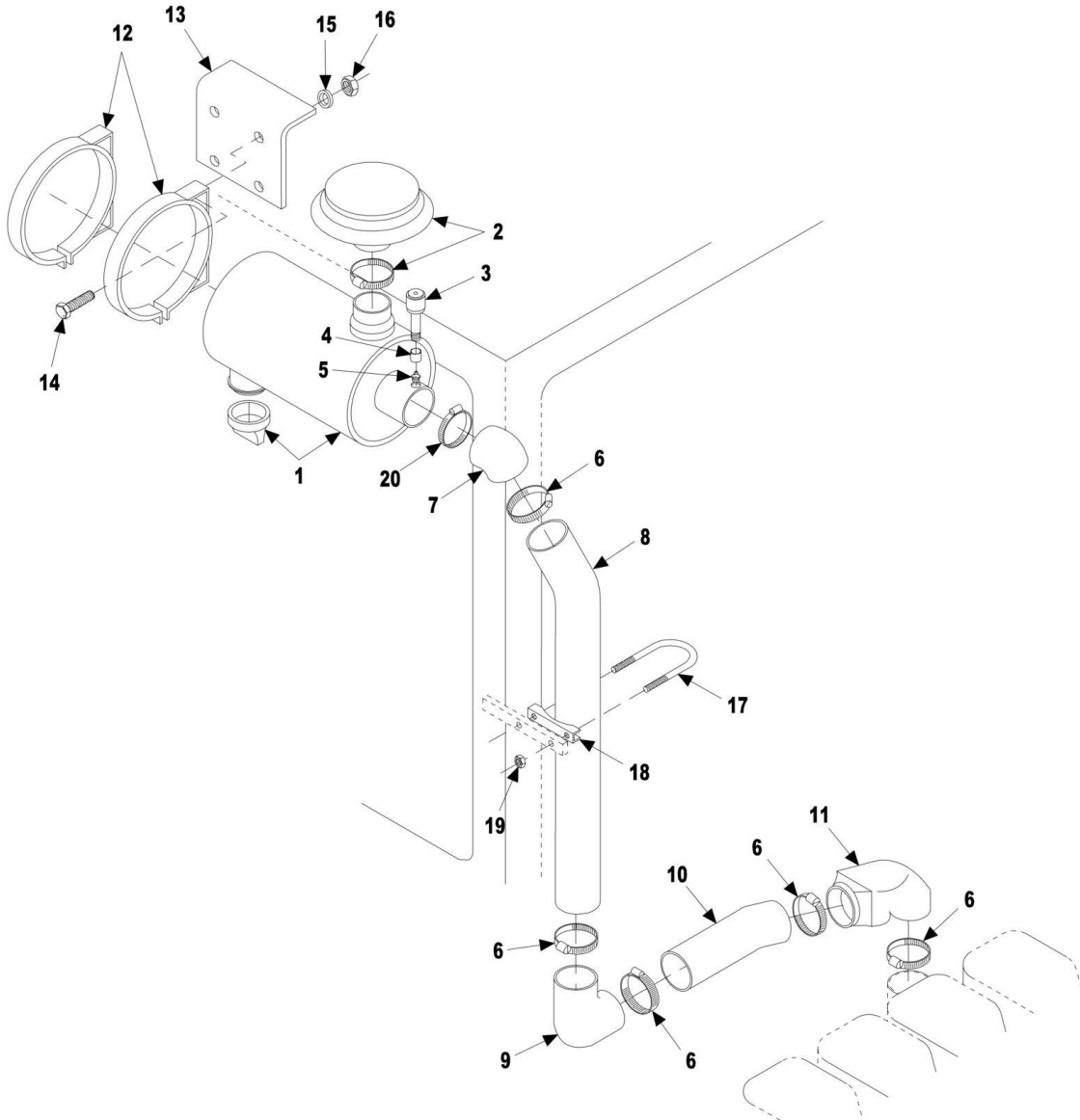
SECTION 4 - ENGINE AND ATTACHING PARTS

FIGURE 4-27. AIR CLEANER PIPING (SN 0188002 to Present)

ITEM	PART NUMBER	QTY	DESCRIPTION	REV
1		Ref	AIR CLEANER, (See AIR CLEANER for Breakdown)	
2	91473100	1	INLET CAP,(includes band clamp)	
3	77383154	1	SERVICE INDICATOR	
4	88711210	1	PIPE COUPLING, 1/8	
5	88701023	1	CLOSE NIPPLE, 1/8X3	
6	91163137	1	HOSE CLAMP	
7	91083129	1	REDUCING ELBOW	
8	91083127	1	AIR INTAKE TUBE	
9	91083128	1	AIR INTAKE ELBOW	
10	91123025	1	AIR INTAKE TUBE	
11	91083126	1	AIR INTAKE ELBOW	
12	77103138	2	MOUNTING BAND	
13	91081327	1	BRACKET	
14	88201020	6	HEX HD CAPSCREW, 5/16-18X1, GR5	
15	88561108	6	FLAT WASHER, 5/16	
16	88521305	6	HEX LOCKNUT, 5/16-18	
17	24921332	1	MUFFLER CLAMP, (includes items 18 & 19)	
18		Ref	BRIDGE	
19		Ref	NUT	
20	91163129	5	HOSE CLAMP	
		Ref	NOTE: ONLY ITEMS WITH PART NUMBERS ARE AVAILABLE FOR SERVICE.	

SECTION 4 - ENGINE AND ATTACHING PARTS

FIGURE 4-28. AIR CLEANER PIPING (SN 0288777 to Present)



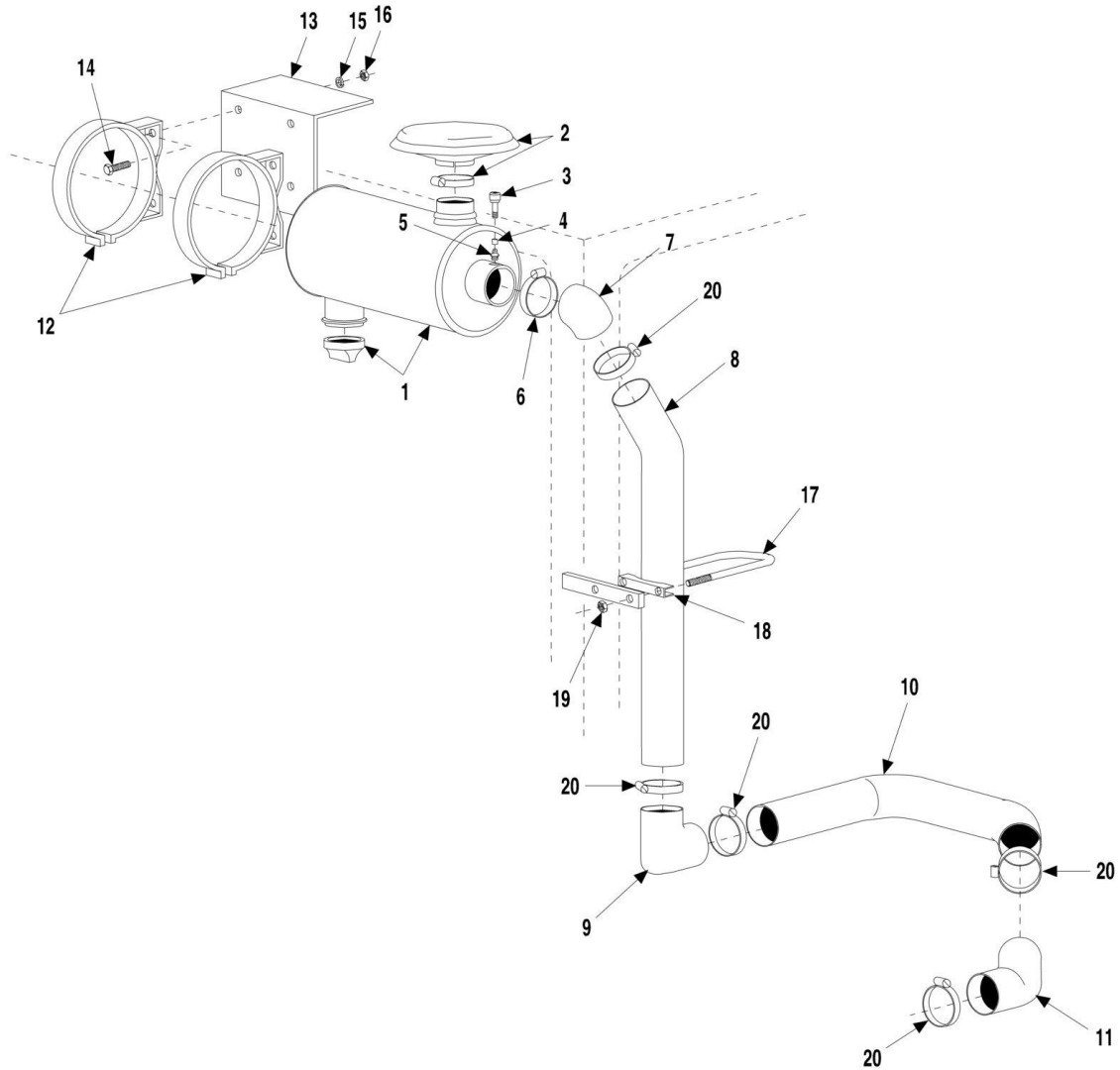
SECTION 4 - ENGINE AND ATTACHING PARTS

FIGURE 4-28. AIR CLEANER PIPING (SN 0288777 to Present)

ITEM	PART NUMBER	QTY	DESCRIPTION	REV
1		Ref	AIR CLEANER, (See AIR CLEANER for Breakdown)	
2	91473100	1	INLET CAP, (includes band clamp)	
3	77383154	1	SERVICE INDICATOR	
4	88711210	1	PIPE COUPLING, 1/8	
5	88701023	1	CLOSE NIPPLE, 1/8X3	
6	91163129	5	HOSE CLAMP	
7	91083129	1	REDUCING ELBOW	
8	91083127	1	AIR INTAKE TUBE	
9	91083128	1	AIR INTAKE ELBOW	
10	91123025	1	AIR INTAKE TUBE	
11	91083126	1	AIR INTAKE ELBOW	
12	77103138	2	MOUNTING BAND	
13	91151002	1	BRACKET	
14	88201018	4	HEX HD CAPSCREW, 5/16-18X3/4, GR5	
15	88561108	4	FLAT WASHER, 5/16	
16	88521305	4	HEX LOCKNUT, 5/16-18	
17	24921332	1	MUFFLER CLAMP, (includes items 18 & 19)	
18		Ref	BRIDGE	
19		Ref	NUT	
20	91163137	1	HOSE CLAMP	
		Ref	NOTE: ONLY ITEMS WITH PART NUMBERS ARE AVAILABLE FOR SERVICE.	

SECTION 4 - ENGINE AND ATTACHING PARTS

FIGURE 4-29. AIR CLEANER PIPING (534C-6 TURBO) (SN 0388043 to Present)



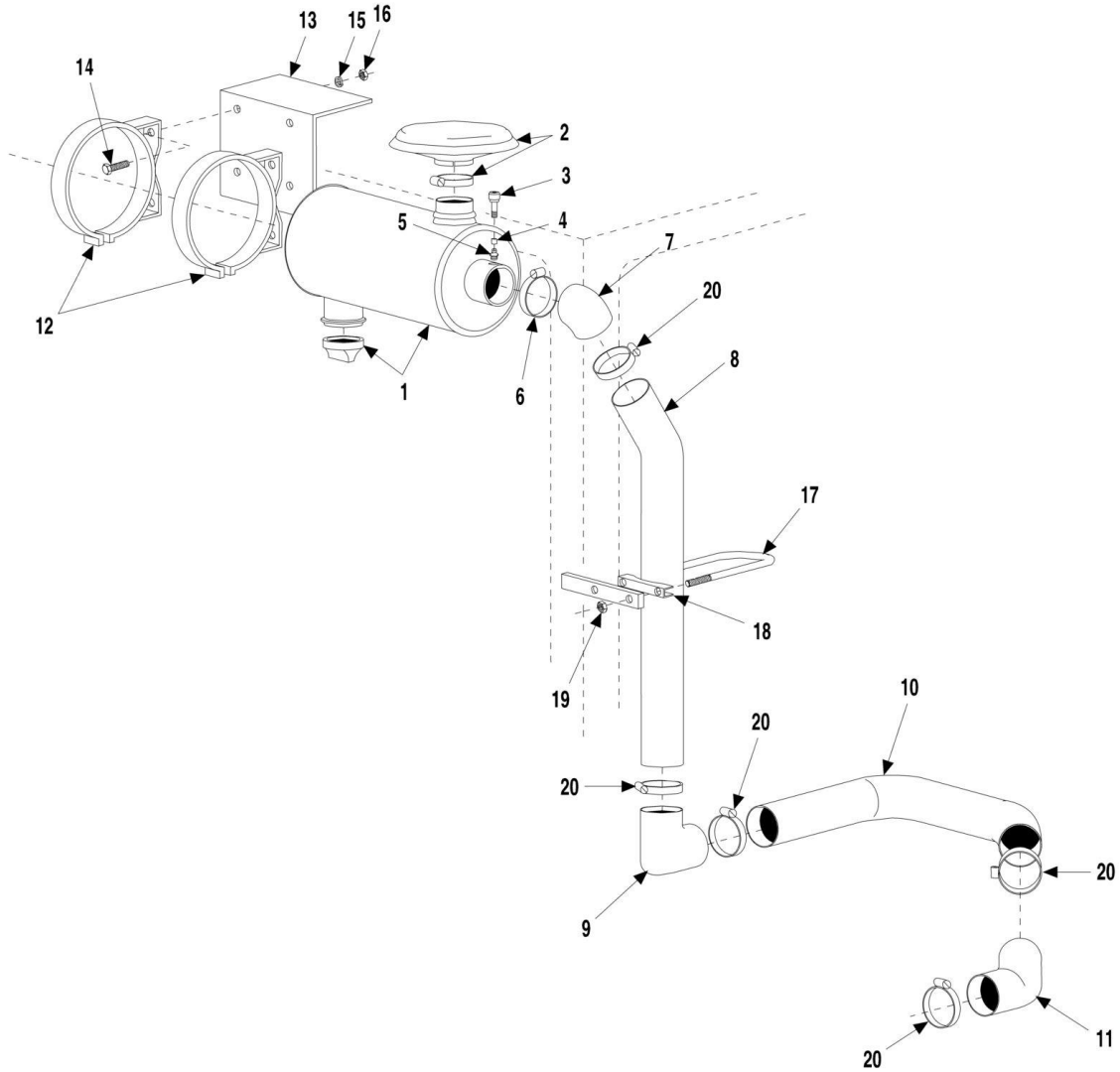
SECTION 4 - ENGINE AND ATTACHING PARTS

FIGURE 4-29. AIR CLEANER PIPING (534C-6 TURBO) (SN 0388043 to Present)

ITEM	PART NUMBER	QTY	DESCRIPTION	REV
1		Ref	AIR CLEANER, (See AIR CLEANER for Breakdown)	
2	91473100	1	INLET CAP, (includes band clamp)	
3	77383154	1	SERVICE INDICATOR	
4	88711210	1	PIPE COUPLING, 1/8	
5	88701023	1	CLOSE NIPPLE, 1/8X3	
6	91163137	1	HOSE CLAMP	
7	91083129	1	REDUCING ELBOW	
8	91143126	1	AIR INTAKE TUBE	
9	91083128	1	AIR INTAKE ELBOW	
10	91143125	1	AIR INTAKE TUBE	
11	91083126	1	AIR INTAKE ELBOW	
12	77103138	2	MOUNTING BAND	
13	91151002	1	BRACKET	
14	88201018	4	HEX HD CAPSCREW, 5/16-18X3/4, GR5	
15	88561108	4	FLAT WASHER,5/16	
16	88521305	4	HEX LOCKNUT, 5/16-18	
17	24921332	1	MUFFLER CLAMP,(includes items 18 & 19)	
18		Ref	BRIDGE	
19		Ref	NUT	
20	91163129	5	HOSE CLAMP	
		Ref	NOTE: ONLY ITEMS WITH PART NUMBERS ARE AVAILABLE FOR SERVICE.	

SECTION 4 - ENGINE AND ATTACHING PARTS

FIGURE 4-30. AIR CLEANER PIPING (534C-6 TURBO) (SN 0488238 to Present)



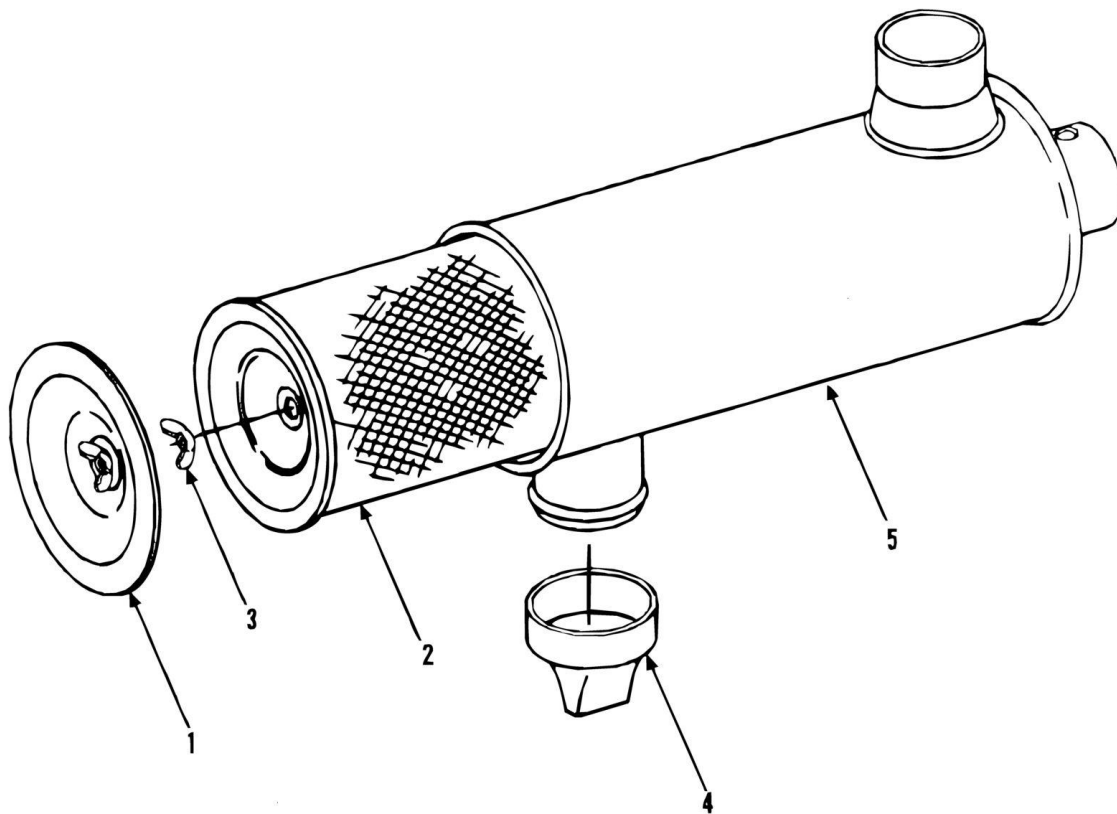
SECTION 4 - ENGINE AND ATTACHING PARTS

FIGURE 4-30. AIR CLEANER PIPING (534C-6 TURBO) (SN 0488238 to Present)

ITEM	PART NUMBER	QTY	DESCRIPTION	REV
1		Ref	AIR CLEANER, (See AIR CLEANER for Breakdown)	
2	91473100	1	INLET CAP, (includes band clamp)	
3	77383154	1	SERVICE INDICATOR	
4	88711210	1	PIPE COUPLING, 1/8	
5	88701023	1	CLOSE NIPPLE, 1/8X3	
6	91163137	1	HOSE CLAMP	
7	91083129	1	REDUCING ELBOW	
8	91143353	1	AIR INTAKE TUBE	
9	91083128	1	AIR INTAKE ELBOW	
10	91143364	1	AIR INTAKE TUBE	
11	91153021	1	AIR INTAKE ELBOW	
12	77103138	2	MOUNTING BAND	
13	91151002	1	BRACKET	
14	88201018	4	HEX HD CAPSCREW, 5/16-18X3/4, GR5	
15	88561108	4	FLAT WASHER, 5/16	
16	88521305	4	HEX LOCKNUT, 5/16-18	
17	24921332	1	MUFFLER CLAMP, (includes items 18 & 19)	
18		Ref	BRIDGE	
19		Ref	NUT	
20	91163129	5	HOSE CLAMP	
		Ref	NOTE: ONLY ITEMS WITH PART NUMBERS ARE AVAILABLE FOR SERVICE.	

SECTION 4 - ENGINE AND ATTACHING PARTS

FIGURE 4-31. AIR CLEANER (SN 0188002 to Present)



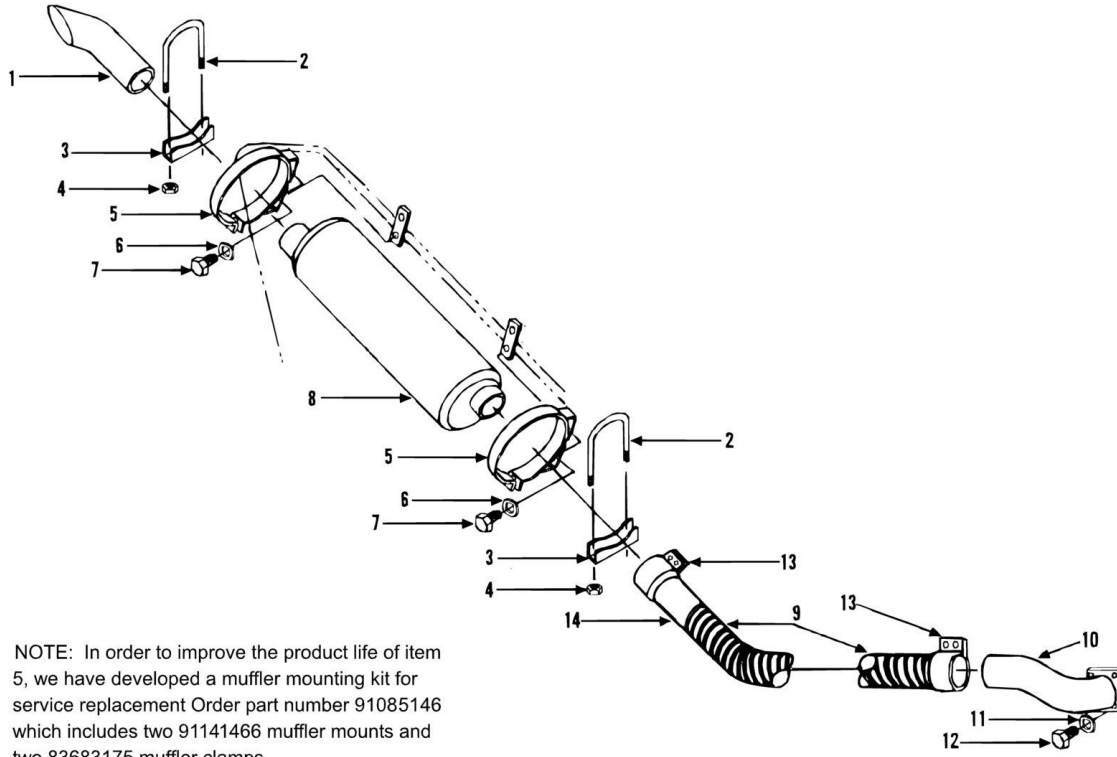
SECTION 4 - ENGINE AND ATTACHING PARTS

FIGURE 4-31. AIR CLEANER (SN 0188002 to Present)

ITEM	PART NUMBER	QTY	DESCRIPTION	REV
	90205663	1	AIR CLEANER (includes items 1 thru 5)	
1	90206606	1	COVER W/NUT	
2	90206262	1	ELEMENT	
3	90201414	1	WING NUT W/SEAL	
4	90200807	1	VACUATOR	
5	N.S.S.	1	BODY (not sold separately order P/N 90205663)	

SECTION 4 - ENGINE AND ATTACHING PARTS

FIGURE 4-32. EXHAUST SYSTEM (SN 0188002 to Present)



NOTE: In order to improve the product life of item 5, we have developed a muffler mounting kit for service replacement Order part number 91085146 which includes two 91141466 muffler mounts and two 83683175 muffler clamps.

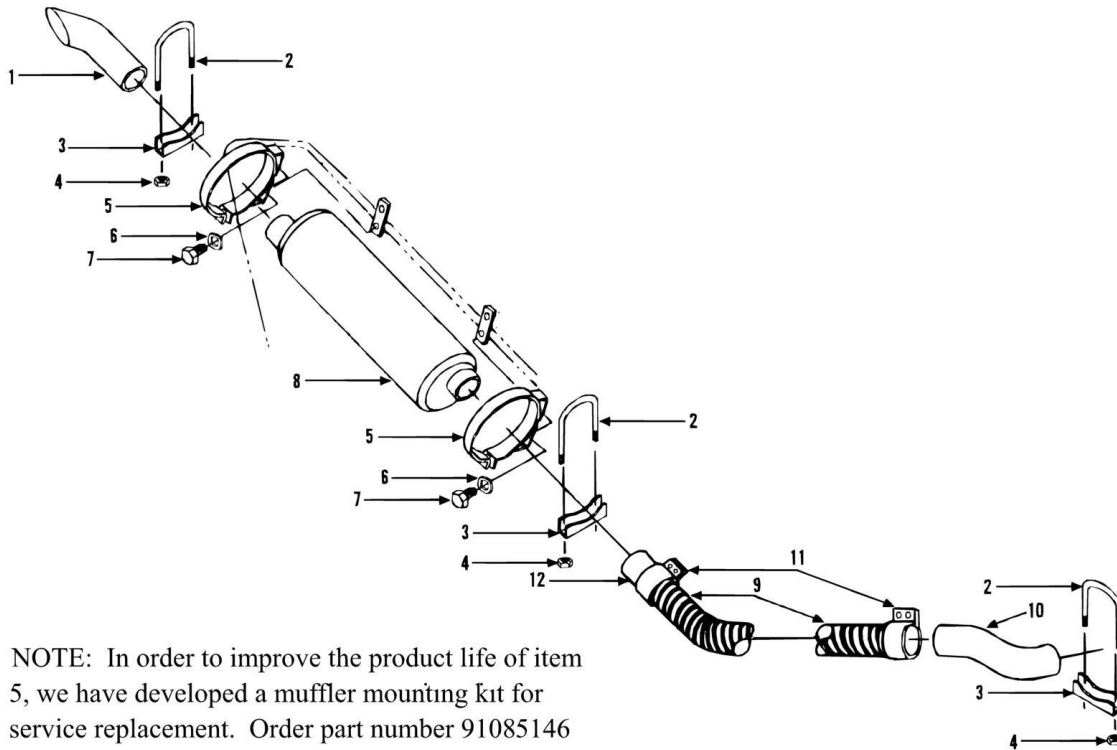
SECTION 4 - ENGINE AND ATTACHING PARTS

FIGURE 4-32. EXHAUST SYSTEM (SN 0188002 to Present)

ITEM	PART NUMBER	QTY	DESCRIPTION	REV
	91125027	Ref	EXHAUST PIPE KIT (includes items 9, 13 & 14)	
1	91083560	1	TAIL PIPE	
2	83683175	2	MUFFLER CLAMP (includes items 3 & 4)	
3		Ref	BRIDGE	
4		Ref	NUT	
5	91083253	2	MUFFLER BRACKET (see above note)	
6	88551011	4	LOCKWASHER, 3/8	
7	88201031	4	HEX HD CAPSCREW, 3/8-16X1-1/2, GR5	
8	91083250	1	MUFFLER	
9	91123090	1	FLEXIBLE CONNECTOR	
10	91086055	1	EXHAUST TUBE	
11	83191013	4	LOCKWASHER, M10	
12	83191021	4	HEX HD CAPSCREW, M10X1.5X30	
13	77213031	2	CLAMP	
14	91041016	1	EXHAUST SLEEVE	
		Ref	NOTE: ONLY ITEMS WITH PART NUMBERS ARE AVAILABLE FOR SERVICE.	

SECTION 4 - ENGINE AND ATTACHING PARTS

FIGURE 4-33. EXHAUST SYSTEM (534C-6 TURBO) (SN 0388043 to Present)



NOTE: In order to improve the product life of item 5, we have developed a muffler mounting kit for service replacement. Order part number 91085146 which includes two 91141466 muffler mounts and two 83683175 muffler clamps.

SECTION 4 - ENGINE AND ATTACHING PARTS

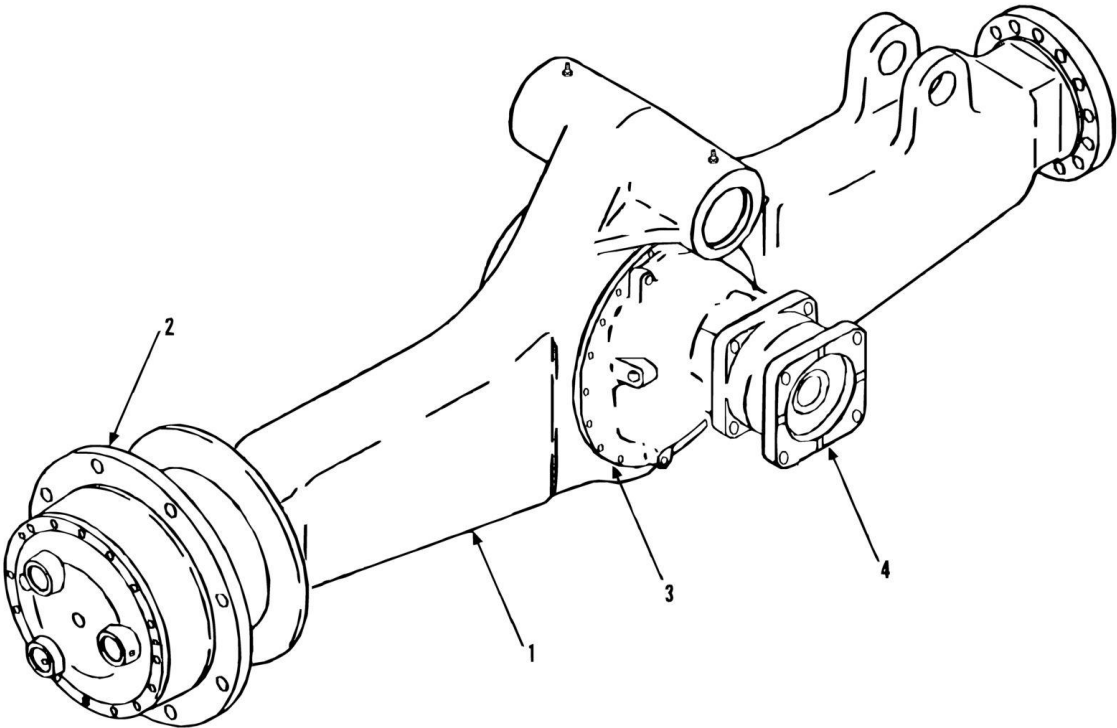
FIGURE 4-33. EXHAUST SYSTEM (534C-6 TURBO) (SN 0388043 to Present)

ITEM	PART NUMBER	QTY	DESCRIPTION	REV
1	91083560	1	TAIL PIPE	
2	83683175	3	MUFFLER CLAMP (includes items 3 & 4)	
3		Ref	BRIDGE	
4		Ref	NUT	
5	91083253	2	MUFFLER BRACKET	
6	88551011	4	LOCKWASHER 3/8	
7	88201031	4	HEX HD CAPSCREW, 3/8-16X1 1/2, GR5	
8	91083250	1	MUFFLER	
9	91083427	1	FLEXIBLE CONNECTOR	
10	91146037	1	EXHAUST TUBE	
11	77213031	2	SEAL CLAMP	
12	91041016	1	EXHAUST SLEEVE	
		Ref	NOTE: ONLY ITEMS WITH PART NUMBERS ARE AVAILABLE FOR SERVICE.	

SECTION 5 - DRIVE TRAIN

SECTION 5 - DRIVE TRAIN

FIGURE 5-1. (91083267) FRONT AXLE ASSEMBLY (SN 0188002 to Present)



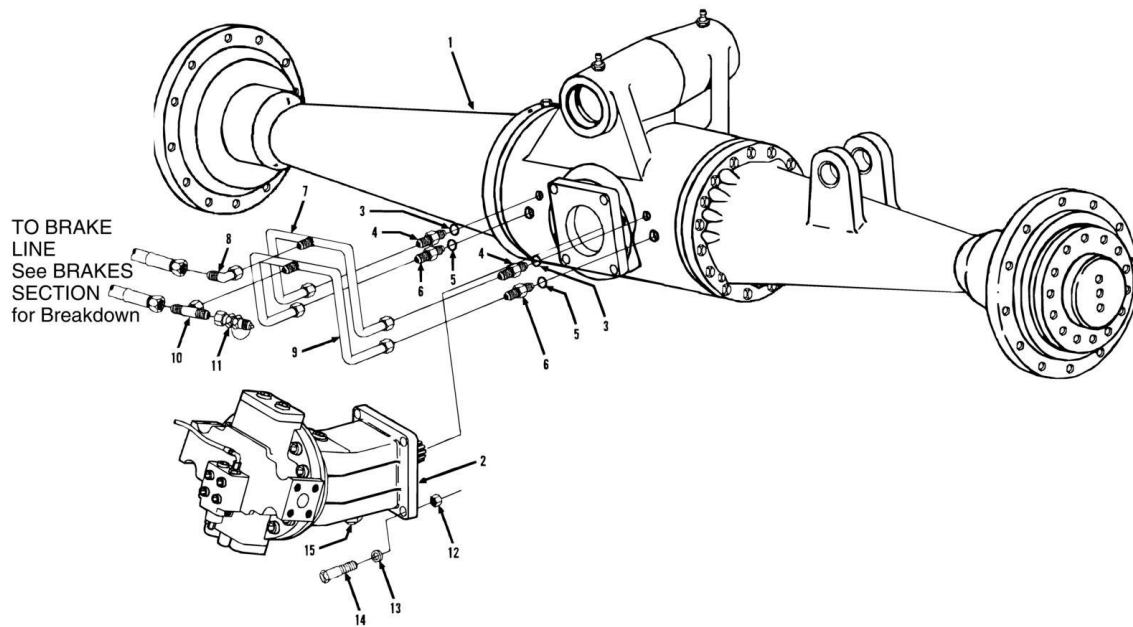
SECTION 5 - DRIVE TRAIN

FIGURE 5-1. (91083267) FRONT AXLE ASSEMBLY (SN 0188002 to Present)

ITEM	PART NUMBER	QTY	DESCRIPTION	REV
1	91083267	1	FRONT AXLE ASSY (includes items 1 thru 4)	
		Ref	AXLE HOUSING ASSY (See FRONT AXLE ASSEMBLY for Breakdown)	
2		Ref	WHEEL END ASSY (See FRONT AXLE SHAFT AND PLANETARY WHEEL END for Breakdown)	
3		Ref	CARRIER ASSY (See CARRIER ASSEMBLY for Breakdown)	
4		Ref	BRAKE ASSY (See BRAKE ASSEMBLY for Breakdown)	

SECTION 5 - DRIVE TRAIN

FIGURE 5-2. (91095023) FRONT AXLE ASSEMBLY - 532C-6 & (91125047) FRONT AXLE ASSEMBLY - 534C-6 (SN 0388247 to Present)



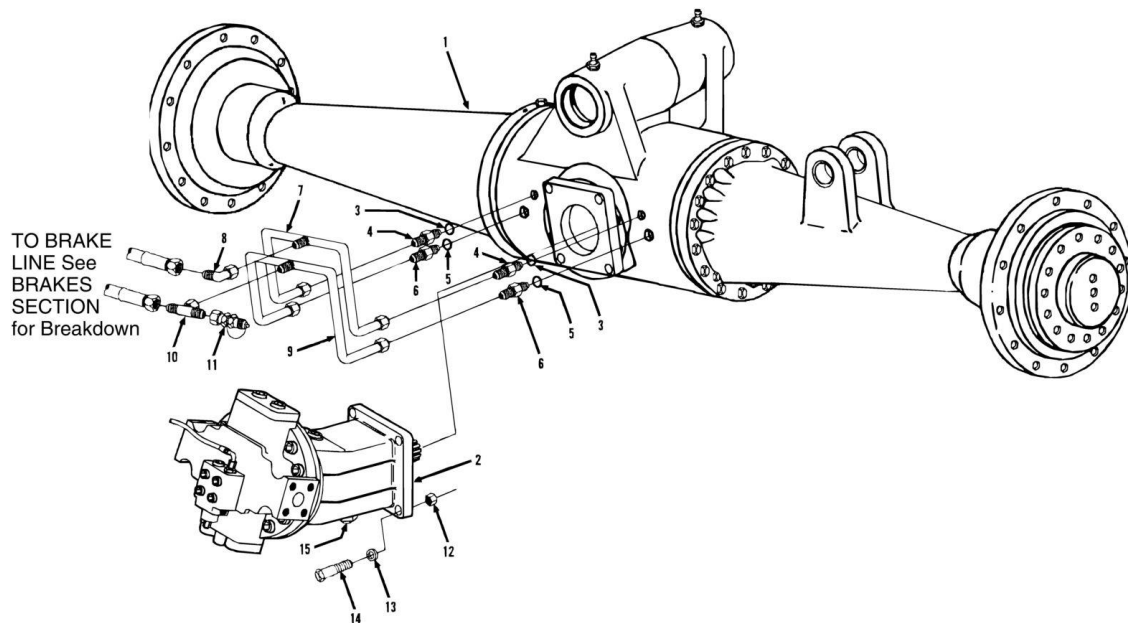
SECTION 5 - DRIVE TRAIN

FIGURE 5-2. (91095023) FRONT AXLE ASSEMBLY - 532C-6 & (91125047) FRONT AXLE ASSEMBLY - 534C-6 (SN 0388247 to Present)

ITEM	PART NUMBER	QTY	DESCRIPTION	REV
	91095023	1	FRONT AXLE ASSY - 532C-6 (includes items 1 thru 15)	
	91125047	1	FRONT AXLE ASSY - 534C-6 (includes items 1 thru 15)	
1		Ref	FRONT AXLE (See FRONT AXLE for Breakdown)	
2		Ref	FRONT DRIVE MOTOR - 532C-6 (See HYDRAULIC COMPONENTS SECTION for Breakdown)	
2		Ref	FRONT DRIVE MOTOR - 534C-6 (See HYDRAULIC COMPONENTS SECTION for Breakdown)	
3	88591205	2	O-RING	
4	88662006	2	CONNECTOR (includes item 3)	
5	88591204	2	O-RING	
6	88662005	2	CONNECTOR (includes item 5)	
7	91123130	1	PARK BRAKE TUBE LINE	
8	88662106	1	ELBOW, 90, (swivel nut)	
9	91123127	1	SERVICE BRAKE TUBE LINE	
10	88662224	1	SWIVEL NUT BRANCH TEE, 3/8 TUBE	
11	91143172	1	MINI CHECK VALVE	
12	88501012	4	HEX NUT, 3/4-10	
13	90027473	4	HARD WASHER, 3/4	
14	83201058	4	HEX HD CAPSCREW, 3/4-10X3-3/4, GR8	
15	88662194	1	HEX SOCKET HD PLUG, (includes o-ring)	
15	88591206	1	O-RING	

SECTION 5 - DRIVE TRAIN

FIGURE 5-3. (91095020) FRONT AXLE ASSEMBLY - 532C-6 & (91085110) FRONT AXLE ASSEMBLY - 534C-6 (SN 0388349 to Present)



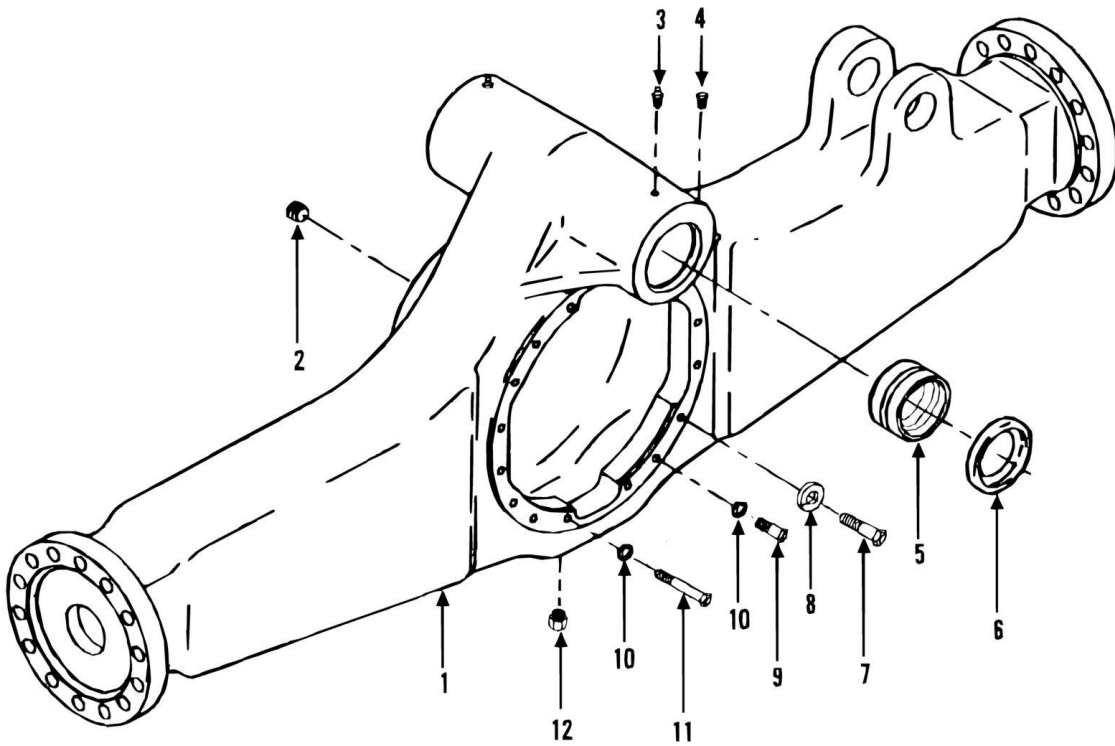
SECTION 5 - DRIVE TRAIN

FIGURE 5-3. (91095020) FRONT AXLE ASSEMBLY - 532C-6 & (91085110) FRONT AXLE ASSEMBLY - 534C-6 (SN 0388349 to Present)

ITEM	PART NUMBER	QTY	DESCRIPTION	REV
	91095020	1	FRONT AXLE ASSY - 532C-6 (includes items 1 thru 15)	
	91085110	1	FRONT AXLE ASSY - 534C-6 (includes items 1 thru 15)	
1		Ref	FRONT AXLE (See FRONT AXLE for Breakdown)	
2		Ref	FRONT DRIVE MOTOR - 532C-6 (See HYDRAULIC COMPONENTS SECTION for Breakdown)	
2		Ref	FRONT DRIVE MOTOR - 534C-6 (See HYDRAULIC COMPONENTS SECTION for Breakdown)	
3	88591205	2	O-RING	
4	88662006	2	CONNECTOR (includes item 3)	
5	88591204	2	O-RING	
6	88662005	2	CONNECTOR (includes item 5)	
7	91123130	1	PARK BRAKE TUBE LINE	
8	88662106	1	ELBOW, 90, (swivel nut)	
9	91123127	1	SERVICE BRAKE TUBE LINE	
10	88662224	1	SWIVEL NUT BRANCH TEE, 3/8 TUBE	
11	91143172	1	MINI CHECK VALVE	
12	88501012	4	HEX NUT, 3/4-10	
13	90027473	4	HARD WASHER, 3/4	
14	83201058	4	HEX HD CAPSCREW, 3/4-10X3-3/4, GR8	
15	88662194	1	HEX SOCKET HD PLUG, (includes o-ring)	
15	88591206	1	O-RING	

SECTION 5 - DRIVE TRAIN

FIGURE 5-4. (91084044) FRONT AXLE ASSEMBLY (SN 0188002 to Present)



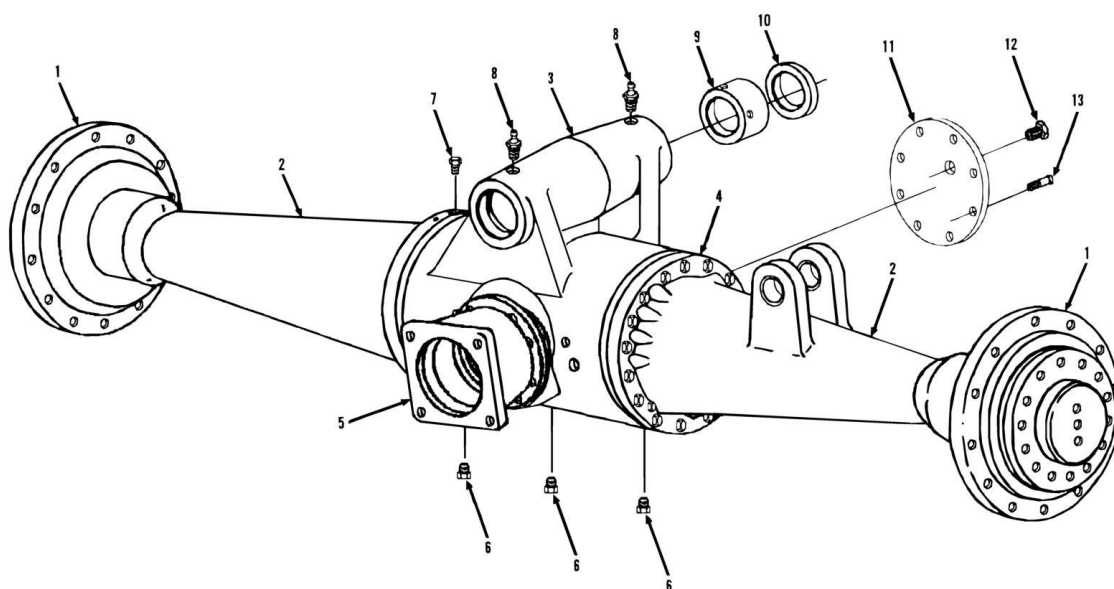
SECTION 5 - DRIVE TRAIN

FIGURE 5-4. (91084044) FRONT AXLE ASSEMBLY (SN 0188002 to Present)

ITEM	PART NUMBER	QTY	DESCRIPTION	REV
	91044044	1	AXLE HOUSING ASSY (includes items 2, 3, 5, 6 & 12)	
1		Ref	AXLE HOUSING	
2	83073699	1	FILLER PLUG	
3	91084045	2	GREASE FITTING	
4	77104289	1	BREATHER	
5	91084046	2	INNER BEARING RACE	
6	91084047	2	OIL SEAL	
7	91084048	12	CAPSCREW	
8	91084049	12	WASHER	
9	91084050	2	CAPSCREW	
10	91084051	4	WASHER	
11	91084052	2	CAPSCREW	
12	77104343	1	DRAIN PLUG	
		Ref	NOTE: ONLY ITEMS WITH PART NUMBERS ARE AVAILABLE FOR SERVICE.	

SECTION 5 - DRIVE TRAIN

FIGURE 5-5. (91123119) FRONT AXLE (SN 0388247 to Present)



SERVICE NOTE: When servicing this axle, it is recommended that on machines with starting serial numbers prior to 0488111, that you:

- 1). Replace the old style cover plate with the new cover plate kit, p/n 91145130.
- 2). Then refill the axle with 40 pints of mobil 424 fluid instead of 33 pints.

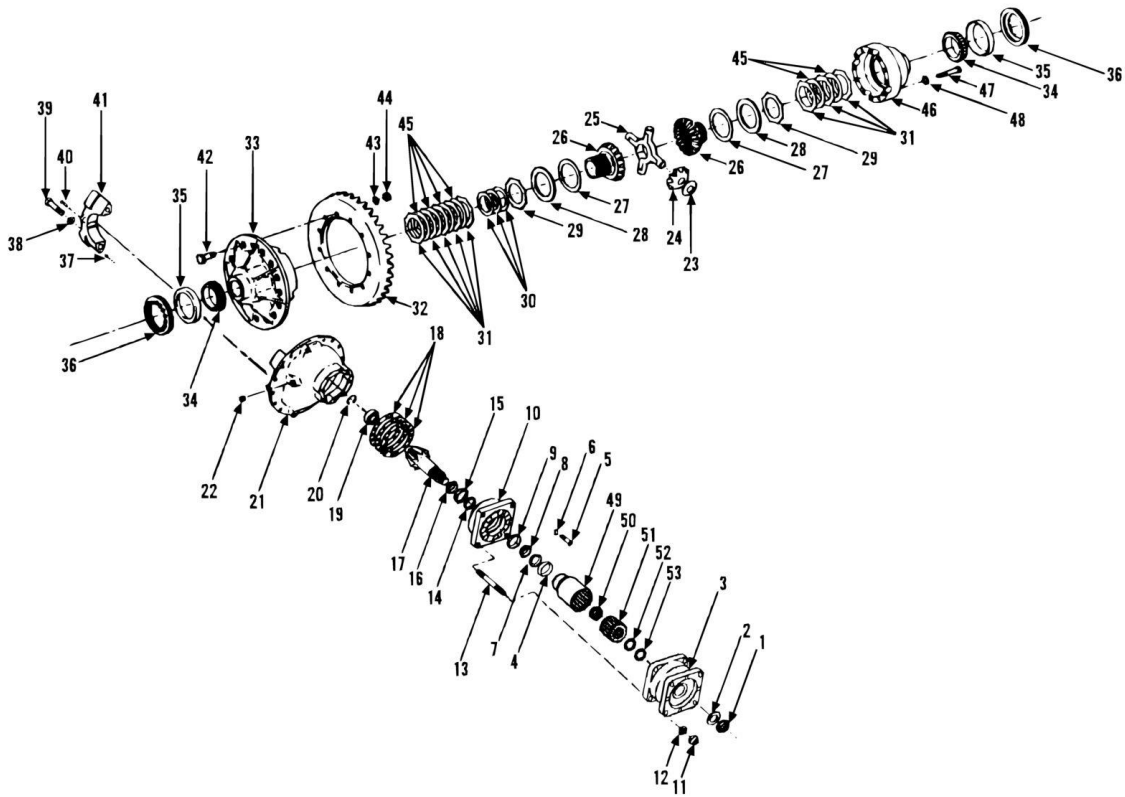
SECTION 5 - DRIVE TRAIN

FIGURE 5-5. (91123119) FRONT AXLE (SN 0388247 to Present)

ITEM	PART NUMBER	QTY	DESCRIPTION	REV
	91123119	1	FRONT AXLE,(includes all items on pages See FRONT AXLE HOUSING, FRONT AXLE DIFFERENTIAL CARRIER, BRAKE ASSEMBLY and FRONT AXLE SHAFT AND PLANETARY WHEEL END)	
1	91145130	1	COVER PLATE KIT, (includes new style items 11 & 12)	
		Ref	WHEEL FLANGE ASSY,(See AXLE SHAFT AND WHEEL FLANGE ASSEMBLY for Breakdown)	
2		Ref	LEFT AND RIGHT HOUSING ASSY, (See LEFT AND RIGHT HOUSING ASSEMBLY for Breakdown)	
3	91144326	1	CENTER HOUSING ASSY, (includes item 9)	
4		Ref	BRAKE ASSY, (See BRAKE ASSEMBLY for Breakdown)	
5		Ref	CARRIER ASSY, (See CARRIER ASSEMBLY for Breakdown)	
6	91144327	3	DRAIN PLUG	
7	91144328	1	VENT PLUG	
8	91144329	2	LUBE FITTING	
9	91084046	2	BUSHING	
10	91084047	2	TRUNNION OIL SEAL	
11		Ref	COVER-OLD STYLE, NO LONGER AVAILABLE (SN 0388247 to Present)	
11	91141511	1	COVER-NEW STYLE, (SN 0488111 to Present)	
12	91144331	1	LEVEL PLUG-OLD STYLE, (SN 0388247 to Present)	
12	88711284	1	LEVEL PLUG-NEWSTYLE, (SN 0488111 to Present)	
13	91144332	8	CAPSCREW, M8X1.25X16.0	

SECTION 5 - DRIVE TRAIN

FIGURE 5-6. (91084163) FRONT AXLE DIFFERENTIAL CARRIER (SN 0188002 to Present)



SECTION 5 - DRIVE TRAIN

FIGURE 5-6. (91084163) FRONT AXLE DIFFERENTIAL CARRIER (SN 0188002 to Present)

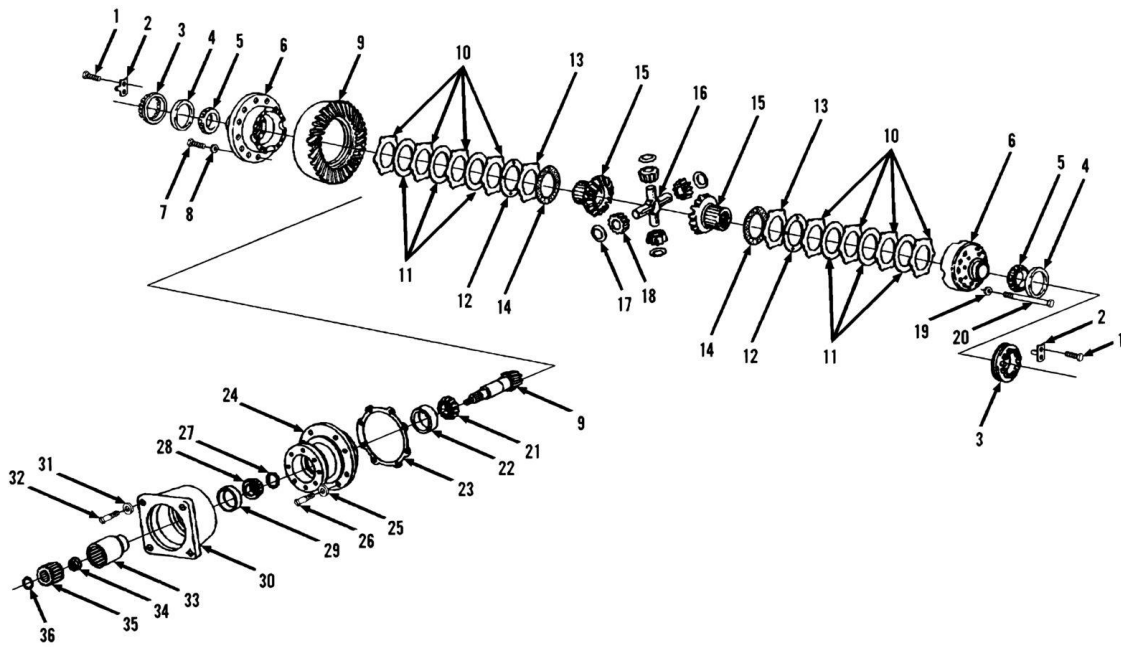
ITEM	PART NUMBER	QTY	DESCRIPTION	REV
	91084163	Ref	CARRIER ASSY, (includes all items)	
1	91084053	1	NUT	
2	91084054	1	WASHER	
3		Ref	BRAKE ASSY, (See BRAKE ASSEMBLY for Breakdown)	
4	91084056	1	OIL SEAL	
5	91084057	8	CAPSCREW	
6		Ref	WASHER	
7	91084058	1	THRUSTWASHER	
8	91084059	1	PINION BEARING CONE, (outer)	
9		Ref	PINION BEARING CAP, (outer)	
10	91084060	1	PINION BEARING CAGE, (includes items 9 & 15)	
11	91084061	4	NUT	
12	91084062	4	WASHER	
13	91084063	4	STUD	
14	91084064	AR	.125 SPACER	
14	91084065	AR	.126 SPACER	
14	91084066	AR	.127 SPACER	
14	91084067	AR	.128 SPACER	
14	91084068	AR	.129 SPACER	
14	91084069	AR	.130 SPACER	
14	91084070	AR	.136 SPACER	
14	91084071	AR	.142 SPACER	
14	91084072	AR	.148 SPACER	
14	91084073	AR	.154 SPACER	
14	91084074	AR	.158 SPACER	
15		Ref	PINION BEARING CUP	
16	91084059	1	PINION BEARING CONE	
17		Ref	PINION	
18	91084075	AR	.003 SHIM	
18	91084076	AR	.005 SHIM	
18	91084077	AR	.010 SHIM	
19	91084078	1	REAR PINION BEARING	
20	91084079	1	REAR PINION LOCKRING	
21	91084080	1	DIFFERENTIAL CARRIER ASSY	
22	83073699	1	PLUG	
23	91084081	4	THRUSTWASHER	
24	91084082	4	PINION	
25	91084083	1	SPIDER	
26	91084084	2	GEAR	
27	91084085	2	THRUSTWASHER	
28	91084086	2	CLUTCH SPACER	
29	91084087	2	CLUTCH DISC	
30	91084088	AR	.005 SHIM	
30	91084089	AR	.010 SHIM	
30	91084090	AR	.013 SHIM	
30	91084091	AR	.015 SHIM	
31	91084092	16	CLUTCH DISC	
32	91084093	1	GEAR ASSY, (includes item 17)	
33	91084094	1	FLANGE HALF DIFF.CASE ASSY (includes items 1, 19, 20, 23 thru 31, 33 & 42 thru 48)	

SECTION 5 - DRIVE TRAIN

ITEM	PART NUMBER	QTY	DESCRIPTION	REV
33	91084095	1	DIFFERENTIAL CASE ASSY, (includes items 23 thru 31, & 45 thru 48)	
34	91084097	2	BEARING CONE	
35	91084098	2	BEARING CUP	
36	91084099	2	ADJUSTING RING	
37		Ref	DOWEL PIN	
38		Ref	WASHER	
39		Ref	CAPSCREW	
40	83483441	2	COTTER PIN	
41		Ref	BEARING CAP, (includes item 37)	
42	91084101	12	CAPSCREW	
43	91084102	12	WASHER	
44	77104297	12	NUT	
45	91084103	14	CLUTCH DISC	
46		Ref	PLAIN HALF DIFF. CASE	
47	91084104	12	CAPSCREW	
48	91084102	12	WASHER	
49	91084360	1	SPLINED SHAFT	
50	91084354	1	INNER SPLINE ADAPTER	
51	91084355	1	OUTER COLLAR	
52	91084356	1	EXTERNAL SNAP RING	
53	91084357	1	INTERNAL SNAP RING	
		Ref	NOTE: ONLY ITEMS WITH PART NUMBERS ARE AVAILABLE FOR SERVICE.	

SECTION 5 - DRIVE TRAIN

FIGURE 5-7. CARRIER ASSEMBLY (SN 0388247 to Present)



SECTION 5 - DRIVE TRAIN

FIGURE 5-7. CARRIER ASSEMBLY (SN 0388247 to Present)

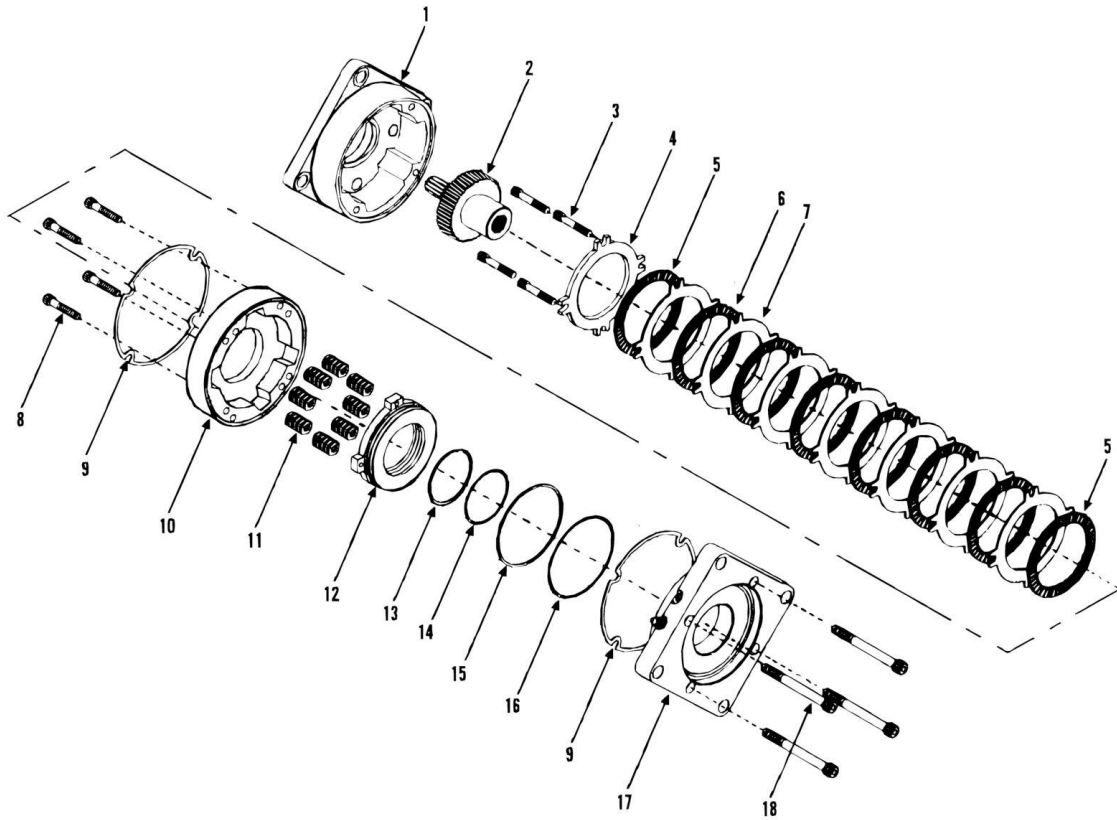
ITEM	PART NUMBER	QTY	DESCRIPTION	REV
	91144382	Ref	LIMITED SLIP PLATE STACK KIT (includes items 10, 11, 12, 13 & 14)	
	91144383	Ref	PINION CAGE SHIM KIT (includes item 23)	
	91144384	Ref	DRIVE PINION SHIM KIT (includes item 27)	
	91144385	Ref	LIMITED SLIP SHIM KIT (includes item 12)	
1	91144386	4	CAPSCREW	
2	91144387	2	ADJUSTER RING LOCK	
3	91144388	2	ADJUSTER RING	
4	83073828	2	BEARING CUP	
5	91144389	2	BEARING CONE	
6	91144390	1	DIFFERENTIAL CASE	
7	91144391	12	CAPSCREW, M10X1.0X30.0	
8	83483584	12	WASHER	
9	91144392	1	SPIRAL GEAR AND PINION	
10	Kit	8	DRIVE FRICTION DISC (included in 91144382 kit)	
11	Kit	6	DRIVEN FRICTION DISC (included 91144382 kit)	
12	Kit	2	SHIM (0.33) (included in shim kit)	
12	Kit	2	SHIM (0.38) (included in shim kit)	
12	Kit	2	SHIM (0.25) (included in shim kit)	
12	Kit	2	SHIM (0.13) (included in shim kit)	
13	Kit	2	COMPRESSION DISC (included in 91144382 kit)	
14	Kit	2	THRUSTWASHER (included in 91144382 kit)	
15	91144393	2	SIDE GEAR	
16	91144394	1	SPIDER	
17	91144395	4	THRUSTWASHER	
18	91144396	4	PINION GEAR	
19	83483584	12	WASHER	
20	91144397	12	CAPSCREW, M10X1.5X80.0	
21	90207204	1	BEARING CONE	
22	90200440	1	BEARING CUP	
23	Kit	4	SHIM (0.05) (included in shim kit)	
23	Kit	2	SHIM (0.125) (included in shim kit)	
23	Kit	3	SHIM (0.20) (included in shim kit)	
23	Kit	1	SHIM (0.50) (included in shim kit)	
24	91144398	1	PINION CAGE ASSY (includes items 22 & 29)	
25	91144399	8	WASHER	
26	91144400	8	CAPSCREW, M12X1.75X40.0	
27	Kit	1	SHIM (1.20) (included in shim kit)	
27	Kit	1	SHIM (1.25) (included in shim kit)	
27	Kit	1	SHIM (1.30) (included in shim kit)	
27	Kit	1	SHIM (1.35) (included in shim kit)	
27	Kit	1	SHIM (1.40) (included in shim kit)	
27	Kit	1	SHIM (1.45) (included in shim kit)	
27	Kit	1	SHIM (1.50) (included in shim kit)	
28	91144401	1	BEARING CONE	
29	91144402	1	BEARING CUP	
30	91144403	1	MOTOR ADAPTER FLANGE	
31	83483584	8	WASHER	
32	91144404	8	CAPSCREW, .3750-16UNC-2AX1.25	
33	91144405	1	DRIVEN SLEEVE	

SECTION 5 - DRIVE TRAIN

ITEM	PART NUMBER	QTY	DESCRIPTION	REV
34	91144406	1	PINION NUT, M24X1.5	
35	91144407	1	DRIVE SLEEVE	
36	91144408	1	SNAP RING	
		Ref	NOTE: ONLY ITEMS WITH PART NUMBERS ARE AVAILABLE FOR SERVICE.	

SECTION 5 - DRIVE TRAIN

FIGURE 5-8. (91084055) BRAKE ASSEMBLY (SN 0188002 to Present)



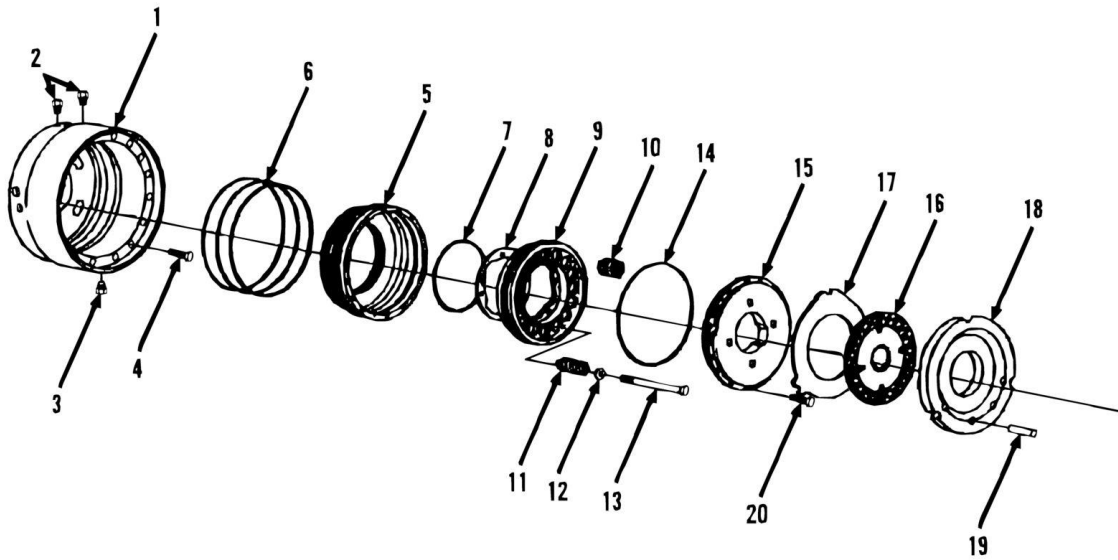
SECTION 5 - DRIVE TRAIN

FIGURE 5-8. (91084055) BRAKE ASSEMBLY (SN 0188002 to Present)

ITEM	PART NUMBER	QTY	DESCRIPTION	REV
	91084055	1	BRAKE ASSY (includes items 1 thru 18)	
	91084211	1	SPRING KIT (includes items 9 & 11)	
	91084212	1	SEAL KIT (includes items 9 & items 13 thru 16)	
	91084213	1	LINING KIT (includes items 4, 5, 6, 7 & 9)	
1		Ref	COVER PLATE	
2		Ref	SPLINED SHAFT	
3		Ref	SOCKET HD SHOULDER BOLT	
4	Kit	1	PRIMARY DISC	
5	Kit	2	ROTOR DISC (thick)	
6	Kit	6	ROTOR DISC	
7	Kit	7	STATOR DISC	
8		Ref	SOCKET HD CAPSCREW	
9	Kit	2	CASE GASKET	
10		Ref	SPRING PLATE	
11	Kit	8	SPRING	
12		Ref	PISTON	
13	Kit	1	BACK-UP RING	
14	Kit	1	O-RING	
15	Kit	1	BACK-UP RING	
16	Kit	1	O-RING	
17		Ref	PRESSURE PLATE	
18		Ref	SOCKET HD BOLT	
		Ref	NOTE: ONLY ITEMS WITH PART NUMBERS ARE AVAILABLE FOR SERVICE.	
		Ref	NOTE: ALL REPAIR KITS CONTAIN TWO TYPES OF GASKETS (ITEM 9). BE SURE TO USE THE CORRECT GASKETS FOR YOUR MODEL.	

SECTION 5 - DRIVE TRAIN

FIGURE 5-9. BRAKE ASSEMBLY (Including 0388247)



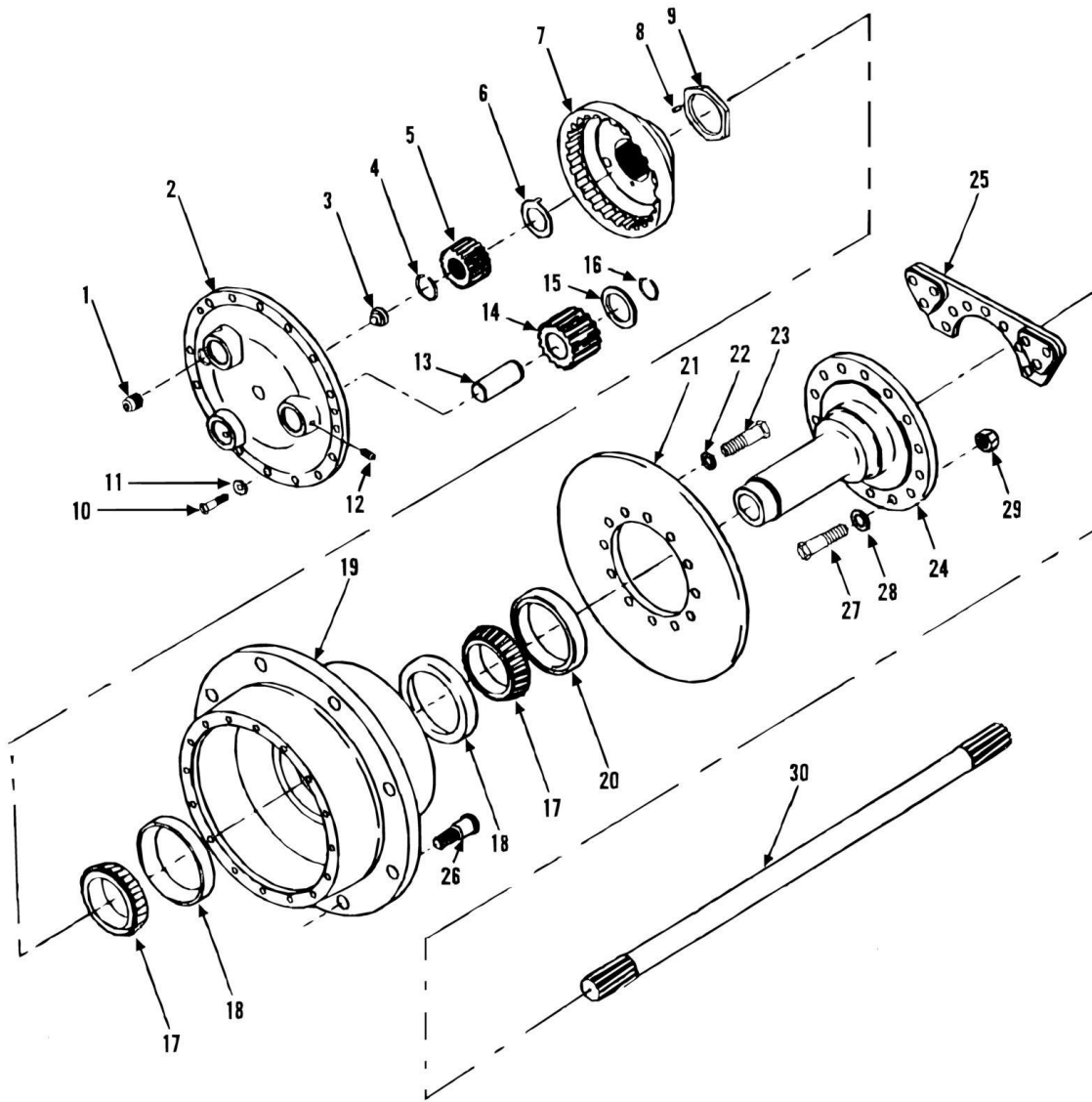
SECTION 5 - DRIVE TRAIN

FIGURE 5-9. BRAKE ASSEMBLY (Including 0388247)

ITEM	PART NUMBER	QTY	DESCRIPTION	REV
	91144442	Ref	BRAKE SEAL KIT (includes items 6, 7, & 14), (services both sides)	
	91144369	Ref	BRAKE PISTON PLATE KIT (includes items 15, 16, 17 & 18), (services one side)	
	91144370	Ref	BRAKE PLATE AND SEAL KIT (includes items 6, 7, 14, 15, 16, 17 & 18), (services one side)	
	91144371	Ref	PISTON BRAKE SHIM KIT (includes item 8), (services one side)	
1	91144372	1	BRAKE HOUSING (right side only - left side included in center housing)	
2	91144373	4	HYDRAULIC LINE BLEEDER	
3		Ref	DRAIN PLUG (See FRONT AXLE for Breakdown)	
4	91144374	3	CAPSCREW - RIGHT SIDE ONLY, M8X1.25X40.0	
5	91124094	2	BRAKE PISTON AND PLATE ASSY (includes items 6, 7, 9, 10, 14, 15, & 20)	
6	91124110	6	O-RING	
7	91124111	2	O-RING	
8	Kit	8	SHIM (0.075) (included in shim kit)	
8	Kit	8	SHIM (0.125) (included in shim kit)	
8	Kit	8	SHIM (0.255) (included in shim kit)	
8	Kit	8	SHIM (0.555) (included in shim kit)	
9	91144376	2	BRAKE PISTON	
10	91144377	24	SPRING	
11	91144378	16	SPRING	
12	86881421	16	WASHER	
13	91144379	16	RETURN SPRING BOLT	
14	91124112	2	O-RING	
15	Kit	2	BRAKE ACTUATING PLATE	
16	Kit	8	FRICITION DISC	
17	Kit	8	STATIONARY DISC	
18	Kit	2	BRAKE REACTION PLATE	
19	91144380	6	BRAKE DISC LOCKPIN	
20	91144381	42	CAPSCREW, M6X1.0X12.0 (allen)	
		Ref	NOTE: QUANTITIES SHOWN ARE FOR BOTH SIDES.	
		Ref	NOTE: ONLY ITEMS WITH PART NUMBERS ARE AVAILABLE FOR SERVICE.	

SECTION 5 - DRIVE TRAIN

FIGURE 5-10. (91084164) FRONT AXLE SHAFT AND PLANETARY WHEEL END (SN 0188002 to Present)



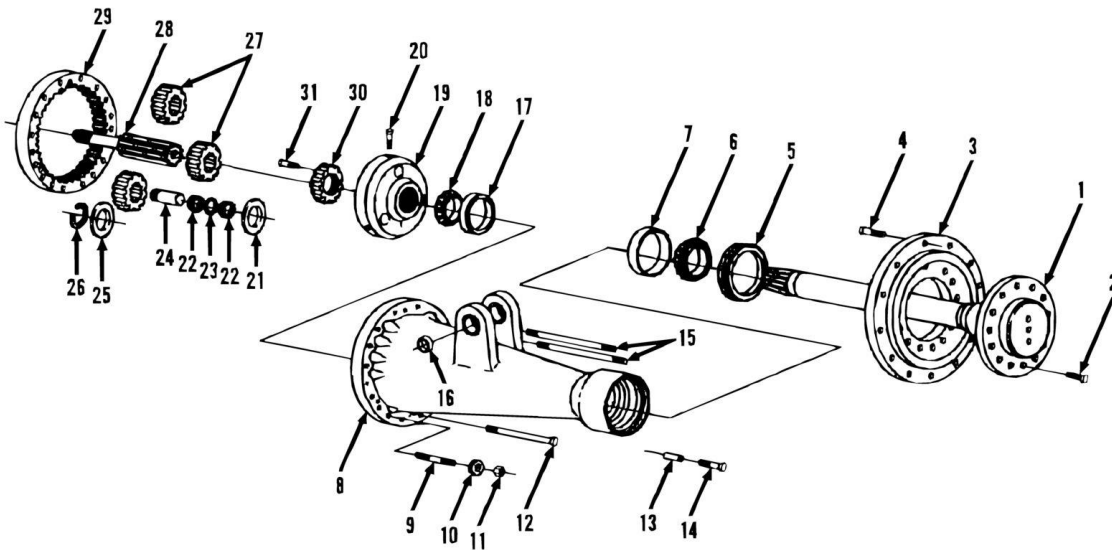
SECTION 5 - DRIVE TRAIN

FIGURE 5-10. (91084164) FRONT AXLE SHAFT AND PLANETARY WHEEL END (SN 0188002 to Present)

ITEM	PART NUMBER	QTY	DESCRIPTION	REV
	91084164	2	WHEEL END ASSY (includes all items)	
1	77104343	2	FILLER LEVEL PLUG	
2	91084105	2	PINION SPIDER	
3	91084106	2	THRUST BUTTON	
4	91084107	2	SNAP RING	
5	91084108	2	SUN GEAR	
6	91084109	2	THRUSTWASHER	
7	91084110	2	RING GEAR	
8		Ref	PIN	
9	91084111	2	ADJUSTABLE LOCKNUT (includes item 8)	
10	91084112	32	CAPSCREW	
11	91084113	32	WASHER	
12	91084114	6	SET SCREW	
13	91084115	6	PINION SHAFT	
14	91084116	6	PINION GEAR	
15	91084117	6	THRUSTWASHER	
16	91084118	6	SNAP RING	
17	91084119	2	BEARING CONE	
18	83684127	2	BEARING CUP (pressed into hub)	
19	91084120	2	WHEEL HUB (includes item 18)	
20	91084121	2	OIL SEAL	
21	91084122	2	BRAKE DISC	
22	83081152	24	WASHER	
23	91084123	24	CAPSCREW	
24	91084124	2	SPINDLE	
25	91084125	2	BRAKE ADAPTER	
26	91084126	24	WHEEL STUD	
27	91084127	14	CAPSCREW	
27	91084128	14	CAPSCREW (w/o brake adapter)	
28	91084129	28	WASHER	
29	91084130	28	NUT	
30	91084131	2	AXLE SHAFT	
		Ref	NOTE: ONLY ITEMS WITH PART NUMBERS ARE AVAILABLE FOR SERVICE.	

SECTION 5 - DRIVE TRAIN

FIGURE 5-11. (91144339) (91144337) LEFT/RIGHT HOUSING ASSEMBLY & (91144333) (91144335) AXLE SHAFT AND WHEEL FLANGE ASSEMBLY (SN 0388247 to Present)



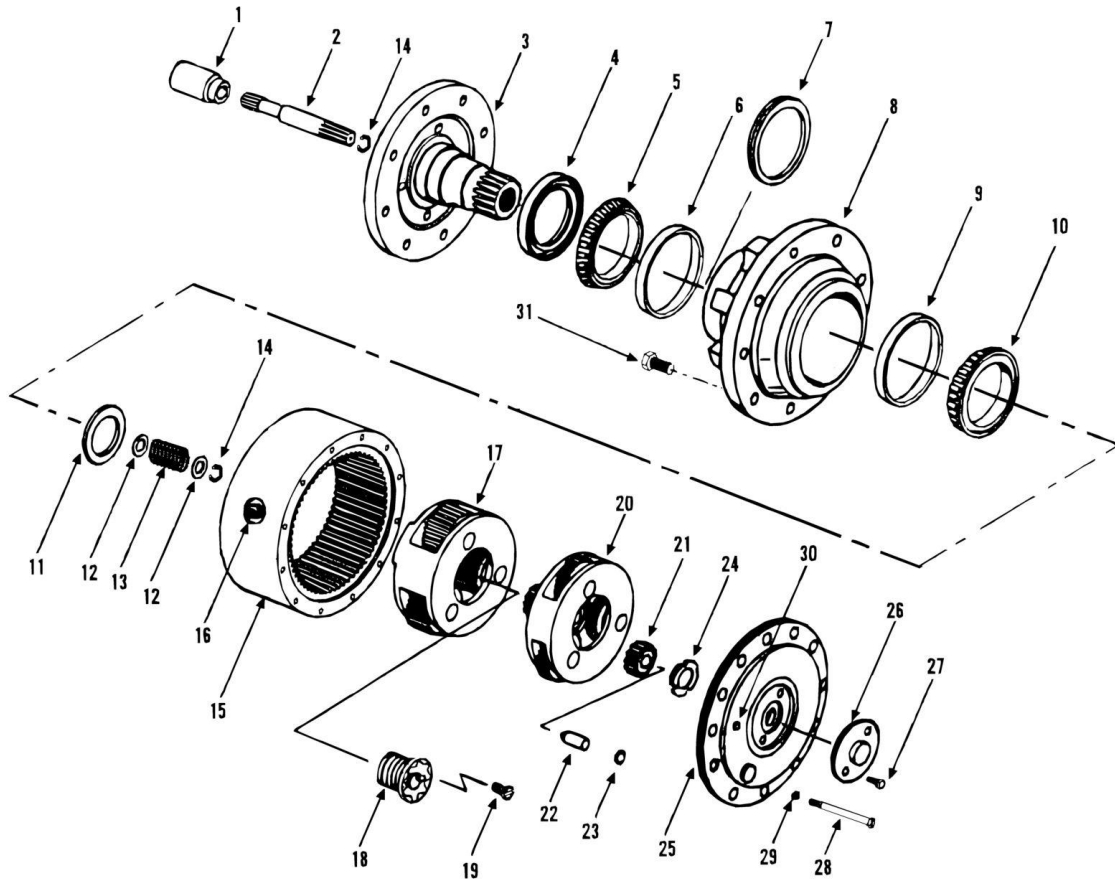
SECTION 5 - DRIVE TRAIN

FIGURE 5-11. (91144339) (91144337) LEFT/RIGHT HOUSING ASSEMBLY & (91144333) (91144335) AXLE SHAFT AND WHEEL FLANGE ASSEMBLY (SN 0388247 to Present)

ITEM	PART NUMBER	QTY	DESCRIPTION	REV
1	91144333	2	AXLE SHAFT ASSY (includes items 2, 3, 4 & 5)	
2	91144334	28	CAPSCREW, M20X1.5X50.0	
3	91144335	2	WHEEL FLANGE ASSY (includes item 4)	
4	90203543	24	WHEEL BOLT	
5	91144336	2	SHAFT OIL SEAL	
6	86984451	2	BEARING CONE	
7	86984452	2	BEARING CUP	
8	91144337	1	HOUSING ASSY - RIGHT SIDE (shown)(includes items 7, 16 & 17)	
8	91144338	Ref	RING GEAR AND HOUSING ASSY - RIGHT SIDE (shown) (includes items 7, 16, 17 & 29)	
8	91144339	1	HOUSING ASSY - LEFT SIDE (not shown) (includes items 7 & 17)	
8	91144340	Ref	RING GEAR AND HOUSING ASSY - LEFT SIDE (not shown) (includes items 7, 17 & 29)	
9	91144341	4	SET SCREW	
10	91144342	32	WASHER	
11	91144343	8	NUT, M14X1.5-6H	
12	91144344	14	CAPSCREW - RIGHT SIDE, M14X1.5X212.0	
12	91144345	14	CAPSCREW - LEFT SIDE, M14X1.5X120.0	
13	91144346	2	SPACER - 19MM	
13	91144347	4	SPACER - 26MM	
14	91144348	4	CAPSCREW - USE W/26MM SPACER, M14x1.5x85 (position at 7 & 5 o'clock)	
14	91144349	2	CAPSCREW - USE W/19MM SPACER, M14x1.5x78 (position at 12 o'clock)	
15	91144350	2	STUD - RIGHT SIDE, M14X1.5X232.0	
15	91144351	2	STUD - LEFT SIDE, M14X1.5X112.0	
16	91144352	2	BUSHING	
17	91144353	2	BEARING CUP	
18	91144354	2	BEARING CONE	
19	91144355	2	SPIDER ASSY (includes items 20 & 24)	
20	91144356	6	CAPSCREW, M10X23.0	
21	91144357	6	THRUSTWASHER	
22	91144358	6	KIT ROLLER	
23	91144359	6	SPACER	
24	91144360	6	PLANETARY PINION SHAFT	
25	91144361	6	WASHER	
26	91144362	6	SNAP RING	
27	91144363	6	PLANETARY PINION	
28	91144364	1	SUN GEAR (287.0MM) - RIGHT SIDE (shown)	
28	91144365	1	SUN GEAR (247.0MM) - LEFT SIDE (not shown)	
29	91144366	2	RING GEAR	
30	91144367	2	ADJUSTING NUT	
31	91144368	2	CAPSCREW (adjusting nut lock)	
		Ref	NOTE: QUANTITIES SHOWN ARE FOR BOTH SIDES.	

SECTION 5 - DRIVE TRAIN

FIGURE 5-12. (91123024) REAR STEERING AXLE DRIVE HUB (534C-6) (SN 0188002 to Present)



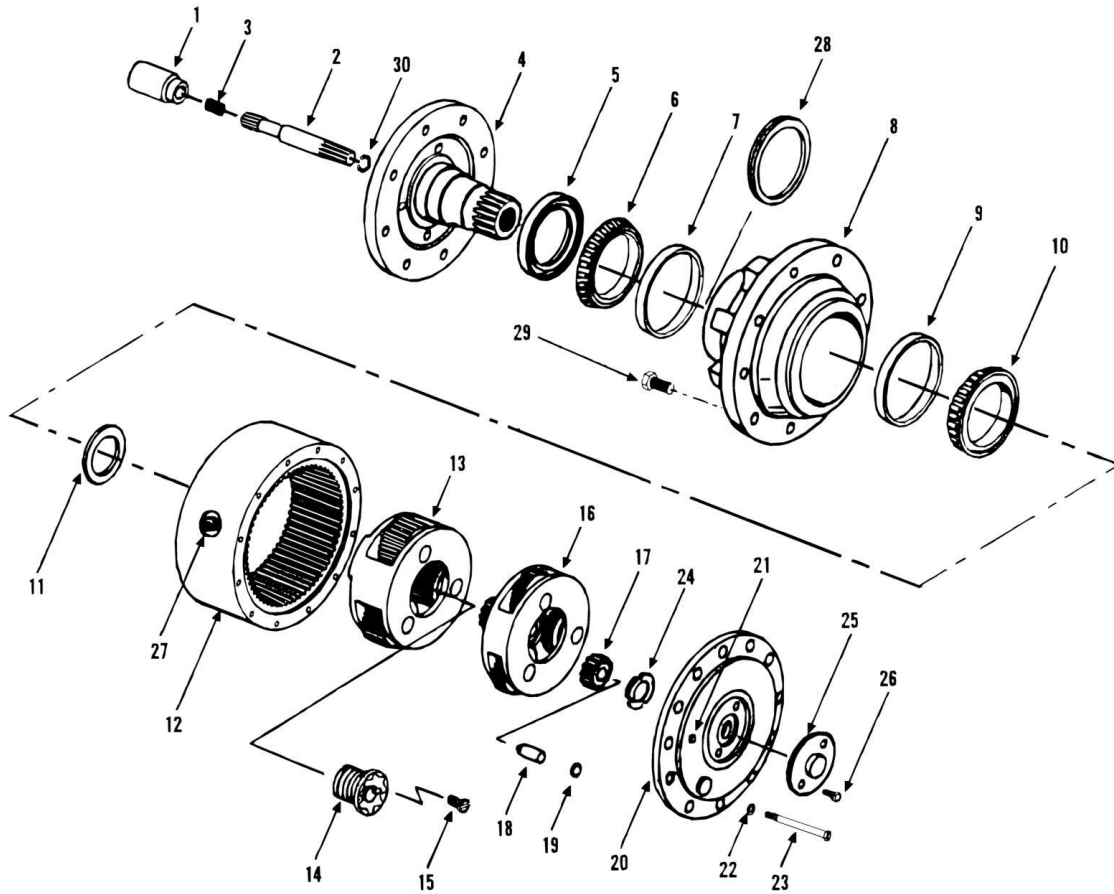
SECTION 5 - DRIVE TRAIN

FIGURE 5-12. (91123024) REAR STEERING AXLE DRIVE HUB (534C-6) (SN 0188002 to Present)

ITEM	PART NUMBER	QTY	DESCRIPTION	REV
	91123024	1	REAR DRIVE HUB (includes all items)	
	91044462	Ref	SEAL KIT (includes items 4, 7 & 19)	
1	91124001	1	COUPLING	
2	91124002	1	INPUT SHAFT	
3		Ref	SPINDLE	
4	91124004	1	OIL SEAL	
5	91124010	1	BEARING CONE	
6	91124009	1	BEARING CUP	
7	91124007	1	SEAL	
8	91124008	1	HUB	
9	91124006	1	BEARING CUP	
10	91124005	1	BEARING CONE	
11	91124011	1	THRUSTWASHER	
12	91124012	2	THRUSTWASHER	
13	91124013	1	SPRING	
14	91124014	2	RETAINING RING	
15	91124015	1	RING GEAR	
16	91124016	1	MAGNETIC PLUG	
17	91124017	1	SECONDARY CARRIER ASSY, (includes items 18 & 19)	
18	91094003	1	LOCKNUT	
19	91064010	1	LOCKSCREW	
20	91124018	1	PRIMARY CARRIER ASSY	
21	91124019	1	PRIMARY SUN GEAR	
22	91124020	1	DISENGAGE PLUNGER	
23	91124021	1	O-RING	
24	91044105	1	THRUSTWASHER	
25	91124023	1	COVER	
26	91124024	1	DISENGAGE COVER	
27	91124025	2	BOLT	
28	91124026	12	BOLT	
29	91124027	12	FLATWASHER	
30	91124028	1	PIPE PLUG	
31	91044311	12	WHEEL BOLT	
		Ref	NOTE: ONLY ITEMS WITH PART NUMBERS ARE AVAILABLE FOR SERVICE.	

SECTION 5 - DRIVE TRAIN

FIGURE 5-13. (91083462) REAR STEERING AXLE DRIVE HUB (534C-6) (SN 0288568 to Present)



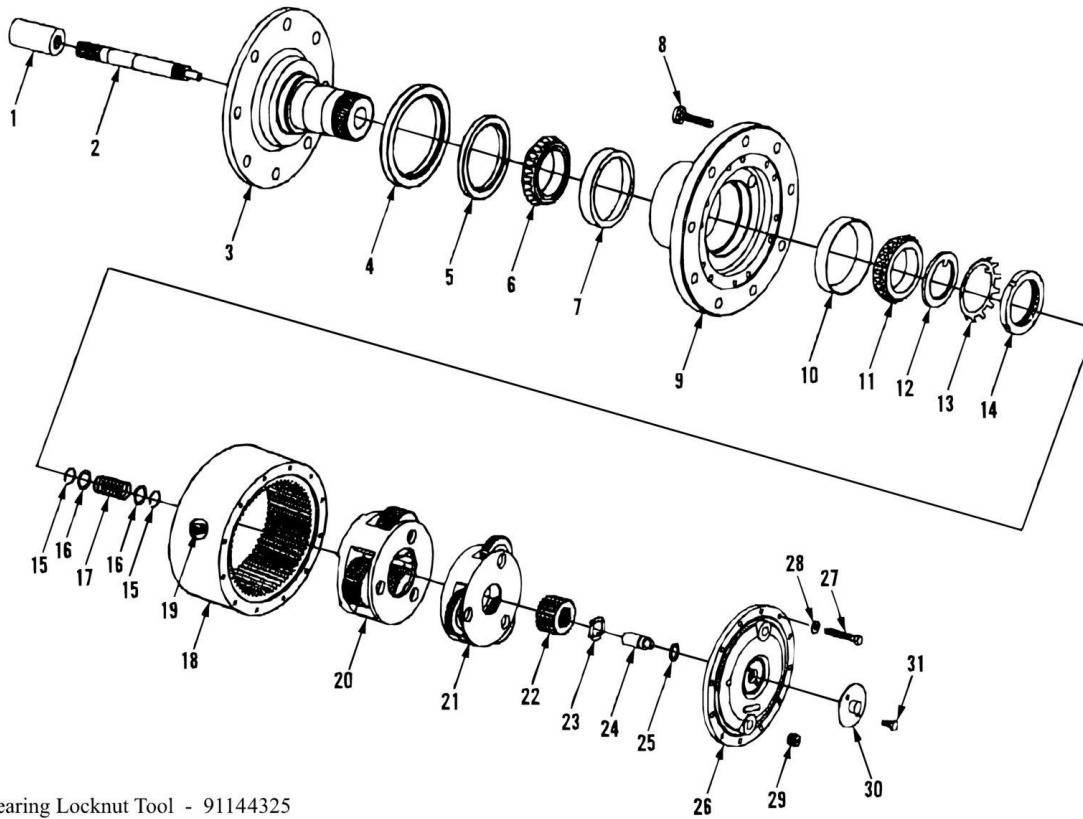
SECTION 5 - DRIVE TRAIN

FIGURE 5-13. (91083462) REAR STEERING AXLE DRIVE HUB (534C-6) (SN 0288568 to Present)

ITEM	PART NUMBER	QTY	DESCRIPTION	REV
	91083462	1	REAR DRIVE HUB, (includes all items)	
	91044462	Ref	SEAL KIT, (includes items 5, 15 & 28)	
1	91124001	1	COUPLING, 8IN	
2	91124002	1	INPUT SHAFT	
3	91044278	1	SPRING	
4		Ref	SPINDLE	
5	Kit	1	OIL SEAL	
6	90202501	1	BEARING CONE	
7	90202500	1	BEARING CUP	
8	91044360	1	HUB	
9	91064006	1	BEARING CUP	
10	91064005	1	BEARING CONE	
11	91064007	1	THRUSTWASHER	
12	91044100	1	RING GEAR	
13	91044282	1	SECONDARY CARRIER ASSY, (includes items 14 & 15)	
14	91094003	1	LOCKNUT	
15	Kit	1	LOCKSCREW	
16	91044103	1	PRIMARY CARRIER ASSY	
17	91044104	1	PRIMARY SUN GEAR	
18	91044106	1	DISENGAGE PLUNGER	
19	91044107	1	O-RING	
20	91044109	1	COVER	
21	91044361	1	PIPE PLUG	
22	91124027	12	FLAT WASHER	
23	91044111	12	HEX HD CAPSCREW, 3/8-16	
24	91044105	1	THRUSTWASHER	
25	91044112	1	DISENGAGE COVER	
26	91044113	2	HEX HD BOLT, 5/16-18X1/2	
27	91044101	1	MAGNETIC PLUG	
28	Kit	1	SEAL	
29	91044311	12	WHEEL BOLT	
30	91044099	1	RETAINING RING	
		Ref	NOTE: ONLY ITEMS WITH PART NUMBERS ARE AVAILABLE FOR SERVICE.	

SECTION 5 - DRIVE TRAIN

FIGURE 5-14. (91123145) REAR STEERING AXLE DRIVE HUB (SN 0488332 to Present)



Bearing Locknut Tool - 91144325

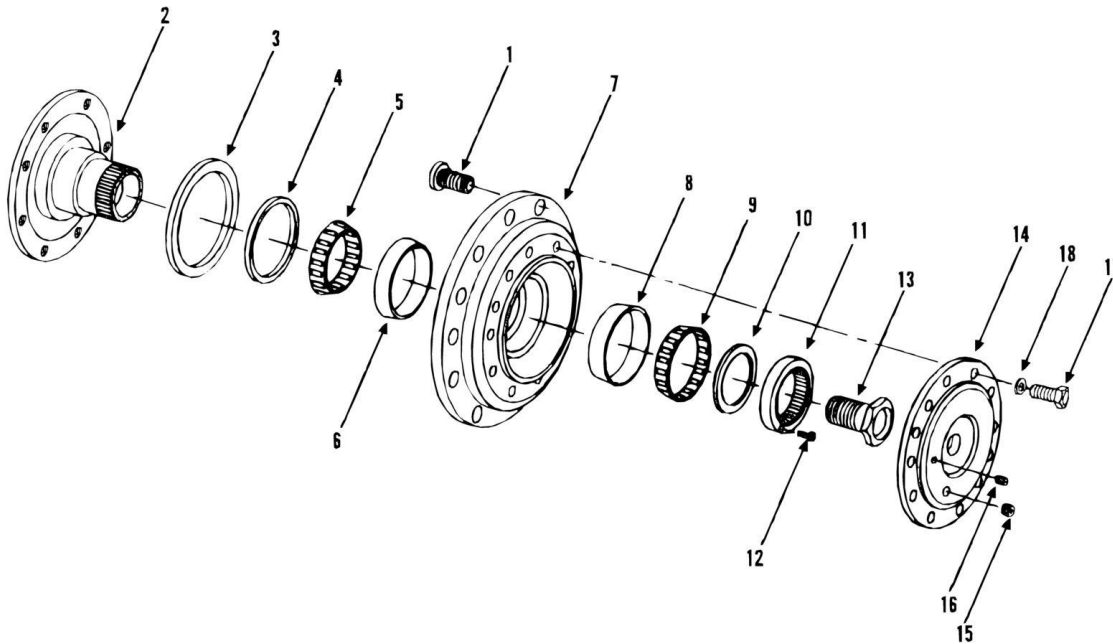
SECTION 5 - DRIVE TRAIN

FIGURE 5-14. (91123145) REAR STEERING AXLE DRIVE HUB (SN 0488332 to Present)

ITEM	PART NUMBER	QTY	DESCRIPTION	REV
	91123145	2	REAR DRIVE HUB (includes all items)	
		Ref	SEAL KIT	
1	91124001	1	COUPLING, 8IN	
2	91124113	1	INPUT SHAFT	
3	91124114	1	SPINDLE	
4	91124007	1	BOOT SEAL	
5	91124004	1	OIL SEAL	
6	91124010	1	BEARING CONE	
7	91124009	1	BEARING CUP	
8	91044311	12	WHEEL BOLT, 3/4-16	
9	91144178	1	HUB	
10	91144179	1	BEARING CUP	
11	91144180	1	BEARING CONE	
12	91144181	1	THRUSTWASHER	
13	91144182	1	LOCKWASHER	
14	91144183	1	BEARING LOCKNUT	
15	91124014	2	RETAINING RING	
16	91034390	2	THRUSTWASHER	
17	91144175	1	DISENGAGE SPRING	
18	91144184	1	RING GEAR	
19	91044101	1	MAGNETIC PLUG	
20	91144185	1	SECONDARY CARRIER ASSY	
21	91144186	1	PRIMARY CARRIER ASSY	
22	91144187	1	PRIMARY SUN GEAR	
23	91044105	1	THRUSTWASHER	
24	91044106	1	PLUNGER	
25	91044107	1	O-RING	
26	91144188	1	COVER	
27	91144189	12	HEX HD BOLT, GR8	
28	91124027	12	FLATWASHER	
29	91124028	1	PIPE PLUG	
30	91124024	1	DISENGAGE COVER	
31	91124025	2	HEX HD BOLT	
		Ref	NOTE: ONLY ITEMS WITH PART NUMBERS ARE AVAILABLE FOR SERVICE.	
		Ref	QUANTITIES SHOWN ARE FOR ONE HUB ASSEMBLY ONLY.	

SECTION 5 - DRIVE TRAIN

FIGURE 5-15. (91093006) REAR STEERING AXLE NON-DRIVE HUB (532C-6) (SN 0188002 to Present)



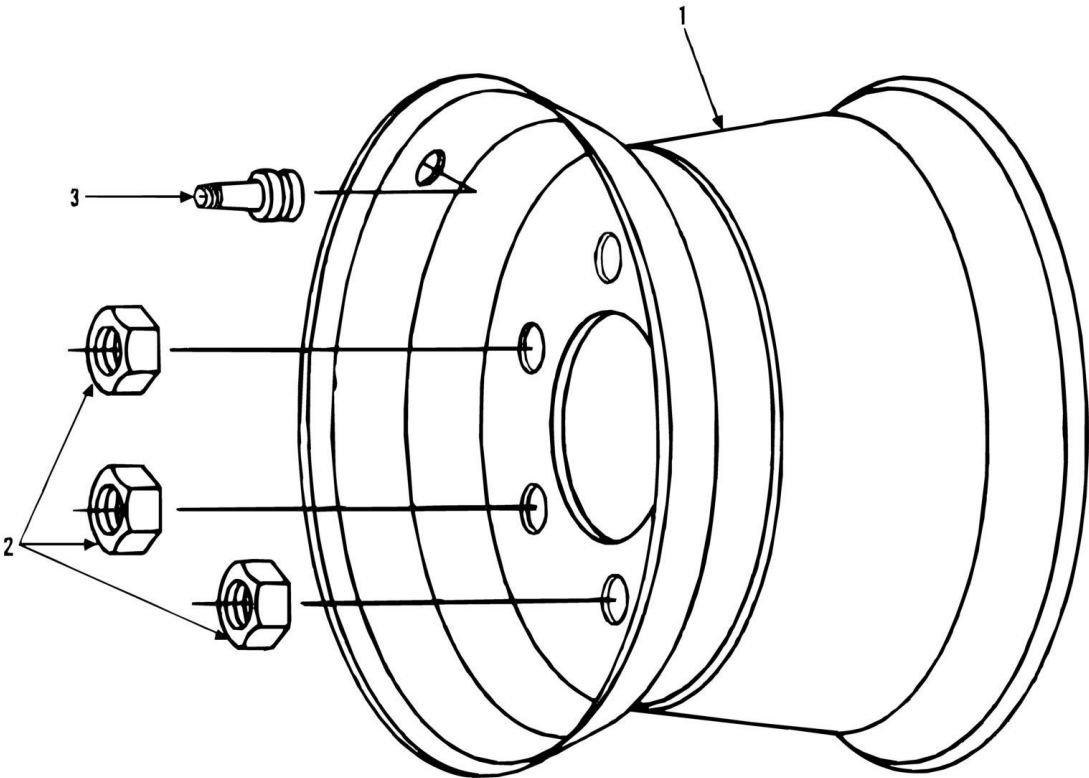
SECTION 5 - DRIVE TRAIN

FIGURE 5-15. (91093006) REAR STEERING AXLE NON-DRIVE HUB (532C-6) (SN 0188002 to Present)

ITEM	PART NUMBER	QTY	DESCRIPTION	REV
	91093006		NON-DRIVING HUB ASSY (includes all items)	
1	91044311	12	WHEEL BOLT	
2	91094008	1	OUTPUT SHAFT	
3	91124007	1	SEAL BOOT	
4	91124004	1	OIL SEAL	
5	91124010	1	BEARING CONE	
6	91124009	1	BEARING CUP	
7	91124008	1	HUB	
8	91124005	1	BEARING CONE	
9	91124006	1	BEARING CUP	
10	91124011	1	THRUSTWASHER	
11	91094004	1	SPLINED SPACER	
12	91094015	1	LOCKSCREW	
13	91094003	1	LOCKNUT	
14	91094001	1	COVER	
15	91124016	1	MAGNETIC PLUG	
16	91124028	1	PIPE PLUG	
17	91094013	12	HEX HD BOLT	
18	91124027	12	WASHER	

SECTION 5 - DRIVE TRAIN

FIGURE 5-16. WHEELS AND TIRES (SN 0188002 to Present)



SECTION 5 - DRIVE TRAIN

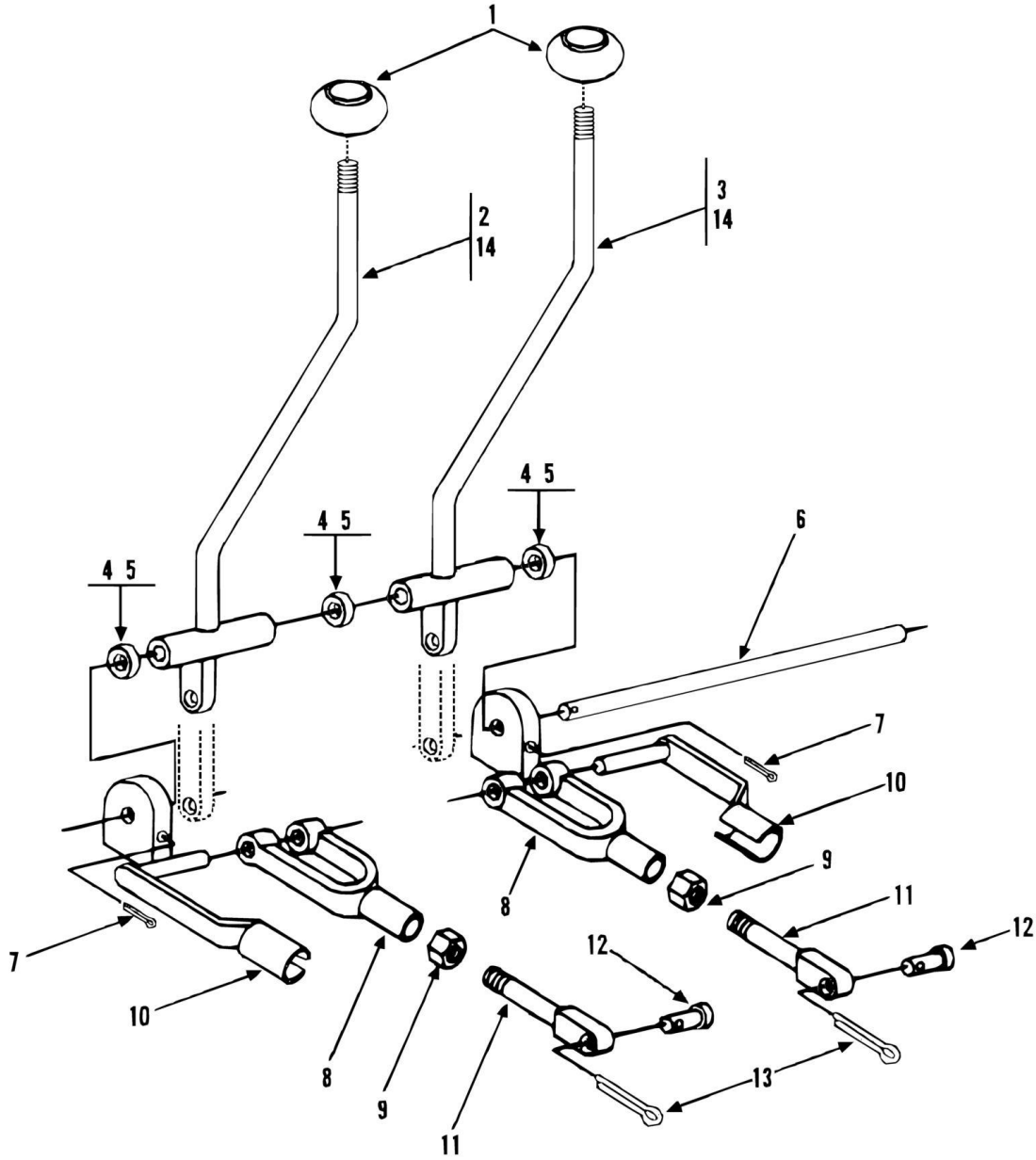
FIGURE 5-16. WHEELS AND TIRES (SN 0188002 to Present)

ITEM	PART NUMBER	QTY	DESCRIPTION	REV
	91125002	1	R.H. TIRE ASSY (includes items 1, 3 & 4)	
	91125003	1	L.H. TIRE ASSY (includes items 1, 3 & 4)	
1	91043298	1	WHEEL	
2	91043146	12	LUG NUT	
3	91083385	1	VALVE	
4	91033104	1	TUBE (not illustrated)	

SECTION 6 - CONTROLS

SECTION 6 - CONTROLS

FIGURE 6-1. TILT AND SWAY (SN 0188002 to Present)



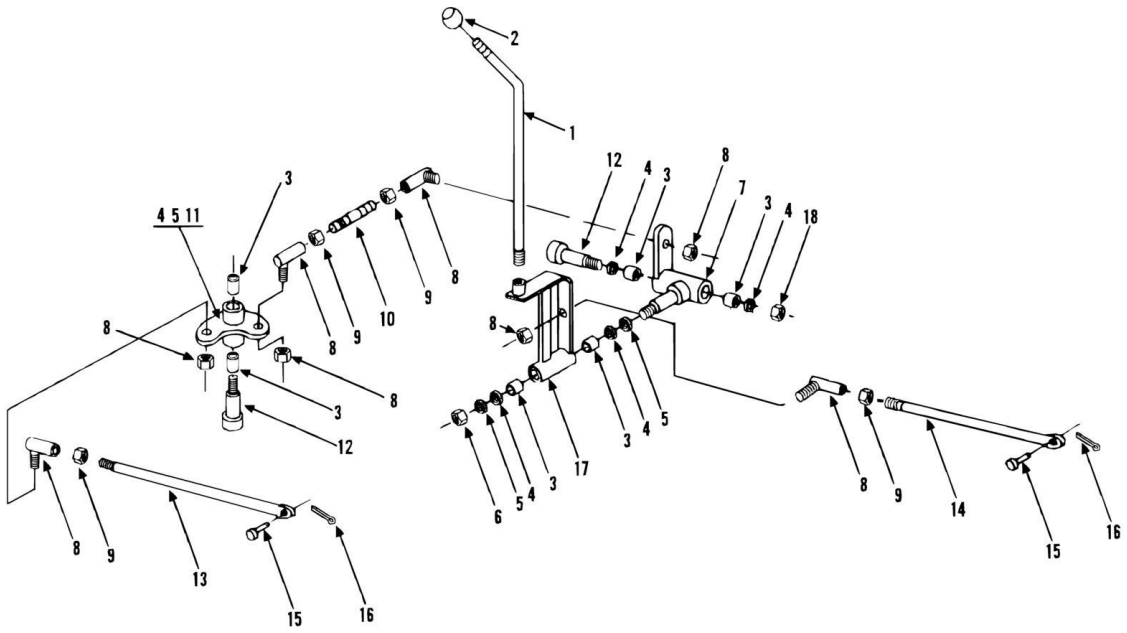
SECTION 6 - CONTROLS

FIGURE 6-1. TILT AND SWAY (SN 0188002 to Present)

ITEM	PART NUMBER	QTY	DESCRIPTION	REV
1	90200638	2	KNOB	
2	91086111	1	LEVER ASSY, SWAY	
3	91086112	1	LEVER ASSY, TILT	
4	90028662	3	WAVE BEND WASHER	
5	88561113	9	FLAT WASHER, 5/8	
6	91081354	1	SHAFT	
7	88631338	1	COTTER PIN, 3/16X1-3/4	
8	88821004	2	YOKE END	
9	88501406	2	HEX JAM NUT, 3/8-24	
10	90027987	2	SPRING CLEVIS	
11	91086081	2	ROD LINKAGE	
12	90021552	2	CLEVIS PIN	
13	88631301	2	COTTER PIN, 1/16X1/2	
14	91083136	4	BUSHING	

SECTION 6 - CONTROLS

FIGURE 6-2. LIFT AND CROWD (SN 0188002 to Present)



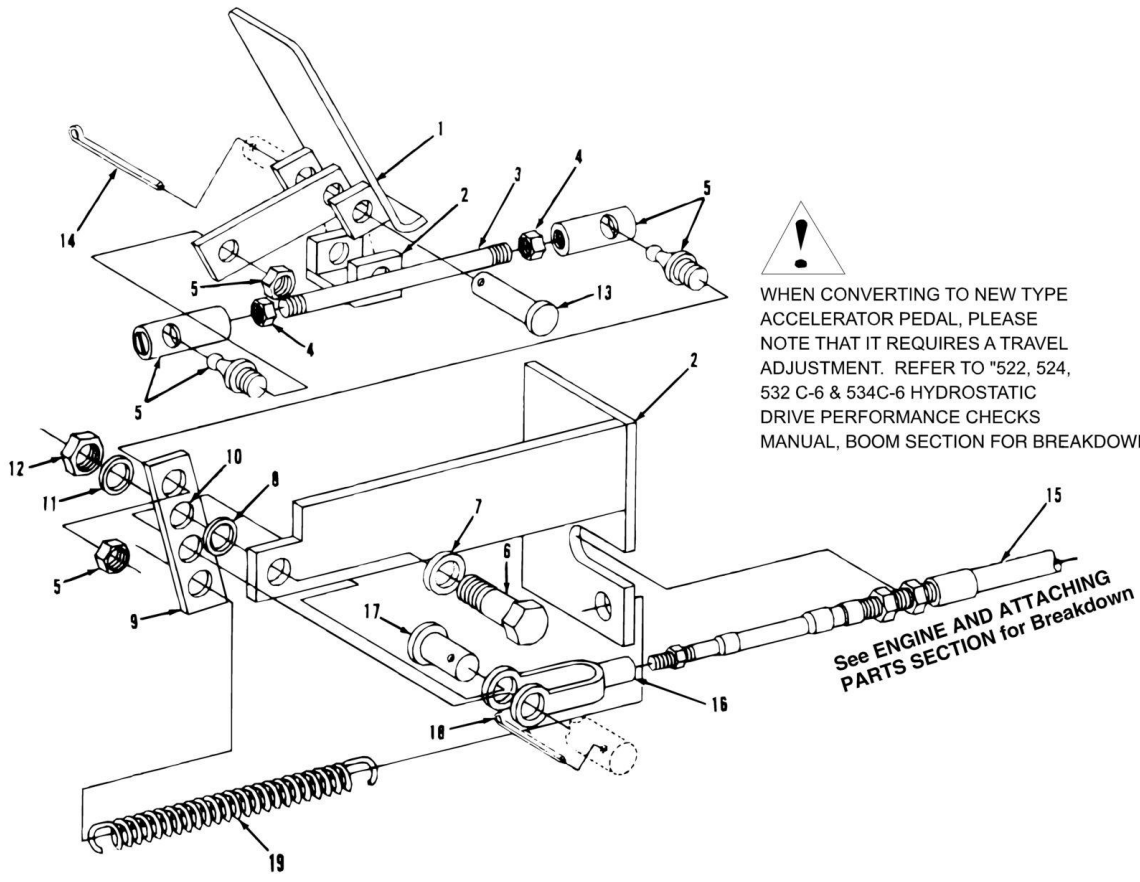
SECTION 6 - CONTROLS


FIGURE 6-2. LIFT AND CROWD (SN 0188002 to Present)

ITEM	PART NUMBER	QTY	DESCRIPTION	REV
1	91086113	1	HANDLE WELDMENT	
2	90200638	1	KNOB	
3	91083136	6	BUSHING	
4	90028662	6	WAVE BEND WASHER	
5	88561113	9	FLATWASHER, 5/8	
6	88501008	1	HEX NUT, 1/2-13	
7	91086064	1	BELLCRANK	
8	90200406	3	BALL JOINT	
9	88501406	4	HEX JAM NUT, 3/8-24	
10	90400543	1	ROD LINKAGE	
11	91086031	1	BELLCRANK	
12	90203502	2	SOCKET HD SHOULDER BOLT	
13	91066021	1	LINKAGE ROD	
14	91066020	1	LINKAGE ROD	
15	90021552	2	CLEVIS PIN	
16	88631301	2	COTTER PIN, 1/16X1/2	
17	91086063	1	BELLCRANK	
18	88501108	1	HEX JAM NUT, 1/2-13	

SECTION 6 - CONTROLS

FIGURE 6-3. ACCELERATOR LINKAGE (SN 0188002 to Present)



 PARTS LISTED IN UPPER BOX ARE PARTS THAT SHOULD BE USED IF CONVERTING TO NEW STYLE ACCELERATOR PEDAL. SEE FOLLOWING PAGE FOR MORE DETAILS.

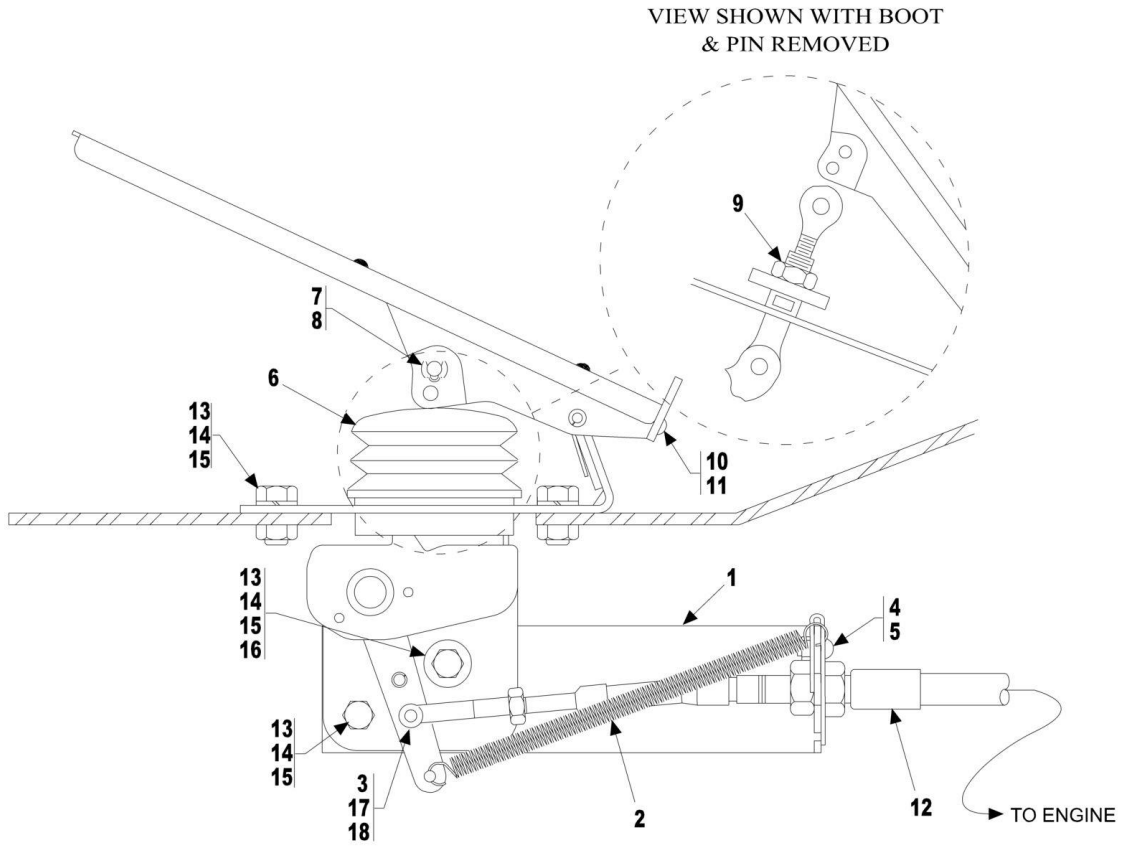
SECTION 6 - CONTROLS

FIGURE 6-3. ACCELERATOR LINKAGE (SN 0188002 to Present)

ITEM	PART NUMBER	QTY	DESCRIPTION	REV
	91143118	1	ACCELERATOR PEDAL	
	91083404	1	THROTTLE CABLE	
	91121210	1	THROTTLE CABLE SUPPORT	
	88201003	5	HEX HD CAPSCREW	
	88561107	1	FLATWASHER	
	88551009	5	LOCKWASHER	
	88501004	5	HEX NUT	
	90027908	1	BALL JOINT	
	88501613	1	HEX NUT	
	90028977	1	YOKE END	
	90021552	1	CLEVIS PIN	
1	91086146	1	ACCELERATOR PEDAL WELDMENT	
2	91086145	1	FLOOR PLATE WELDMENT	
3	91031088	1	ROD	
4	88501404	4	HEX JAM NUT, 1/4-28	
5	86683118	2	BALL JOINT	
6	88251018	1	SOCKET HD SHOULDER SCREW, 3/8X1/2	
7	90028946	2	WAVE BEND WASHER	
8	88561111	1	FLAT WASHER, 1/2	
9	91031087	1	BELLCRANK	
10	91033281	1	BEARING (not shown)	
11	88561109	1	FLATWASHER, 3/8	
12	88501105	1	HEAVY HEX JAM NUT, 5/16-18	
13	91081664	1	CLEVIS PIN	
14	88631310	1	COTTER PIN, 3/32X1	
15	91083404	1	THROTTLE CABLE	
16	90028977	1	YOKE	
17	88633001	1	YOKE PIN, 1/4	
18	88631301	1	COTTER PIN, 1/16X1/2	
19	90207801	1	SPRING	

SECTION 6 - CONTROLS

FIGURE 6-4. (91143118) ACCELERATOR PEDAL ASSEMBLY (SN 0288777 to Present)



THIS ASSEMBLY COMES WITH A DIFFERENT CABLE SUPPORT, (item 1, not shown). THE CABLE SUPPORT SHOWN IS THE PROPER REPLACEMENT AND NEEDS TO BE ORDERED SEPARATELY.

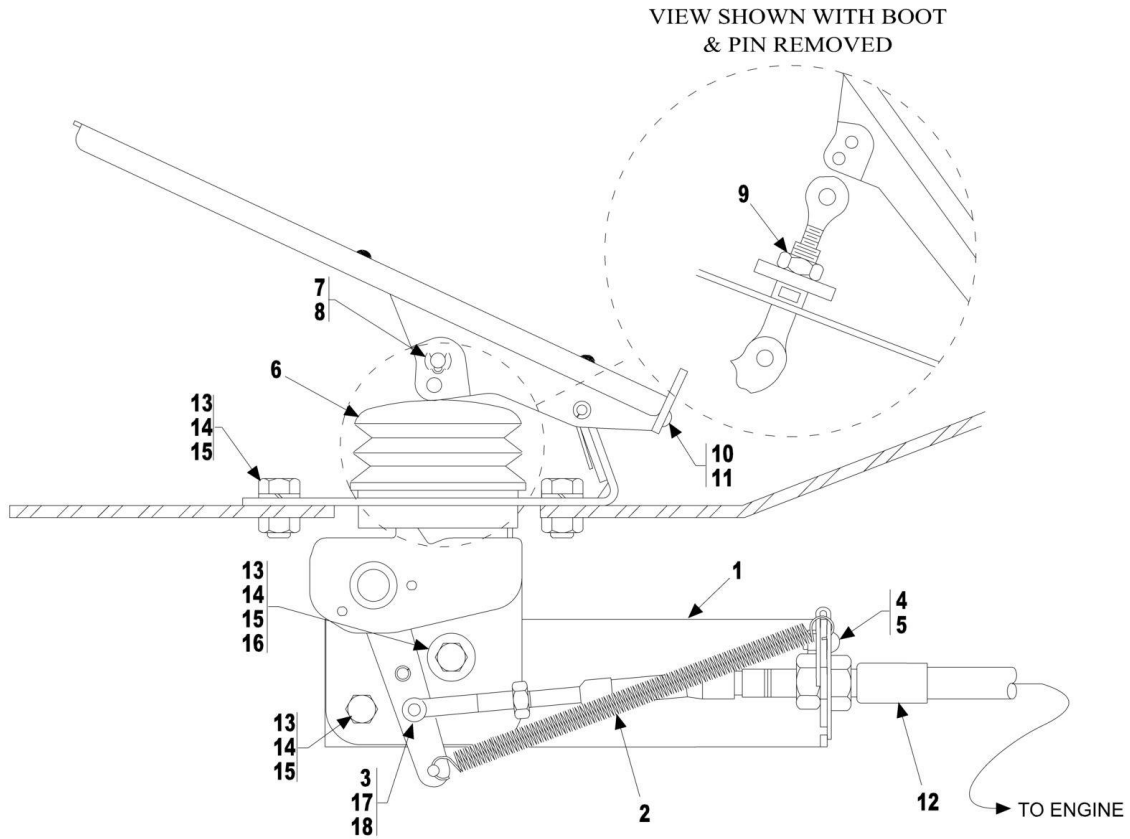
SECTION 6 - CONTROLS

FIGURE 6-4. (91143118) ACCELERATOR PEDAL ASSEMBLY (SN 0288777 to Present)

ITEM	PART NUMBER	QTY	DESCRIPTION	REV
	91143118	1	ACCELERATOR PEDAL ASSY, (includes items 3 thru 11)	
	91144196	1	CABLE ATTACH KIT, (includes items 3 thru 5), (discard clevis and clevis pin, not shown, and replace with items 17 & 18)	
	91144197	1	BOOT KIT, (includes items 6 thru 9)	
	91144198	1	HEEL REST KIT, (includes items 10 & 11)	
1	91121210	1	THROTTLE CABLE SUPPORT	
2	90207801	1	SPRING	
3	Kit	1	HAIRPIN COTTER	
4	Kit	1	LOCK PLATE	
5	Kit	1	CAPSCREW	
6	Kit	1	BOOT	
7	Kit	1	PIN	
8	Kit	1	HAIRPIN COTTER	
9	Kit	1	JAM NUT	
10	Kit	1	HEEL REST	
11	Kit	2	SCREW, (self tap)	
12		Ref	THROTTLE CABLE, (See ENGINE AND ATTACHING PARTS SECTION for Breakdown)	
13	88201003	5	HEX HD CAPSCREW, 1/4-20X3/4, GR5	
14	88551009	5	LOCKWASHER, 1/4	
15	88501004	5	HEX NUT, 1/4-20	
16	88561107	1	FLATWASHER, 1/4	
17	90028977	1	CLEVIS	
18	90021552	1	CLEVIS PIN	
		Ref	NOTE: ONLY ITEMS WITH PART NUMBERS ARE AVAILABLE FOR SERVICE.	

SECTION 6 - CONTROLS

FIGURE 6-5. (91143342) ACCELERATOR PEDAL ASSEMBLY (SN 0488238 to Present)



THIS ASSEMBLY COMES WITH A DIFFERENT CABLE SUPPORT, (item 1, not shown). THE CABLE SUPPORT SHOWN IS THE PROPER REPLACEMENT AND NEEDS TO BE ORDERED SEPARATELY.

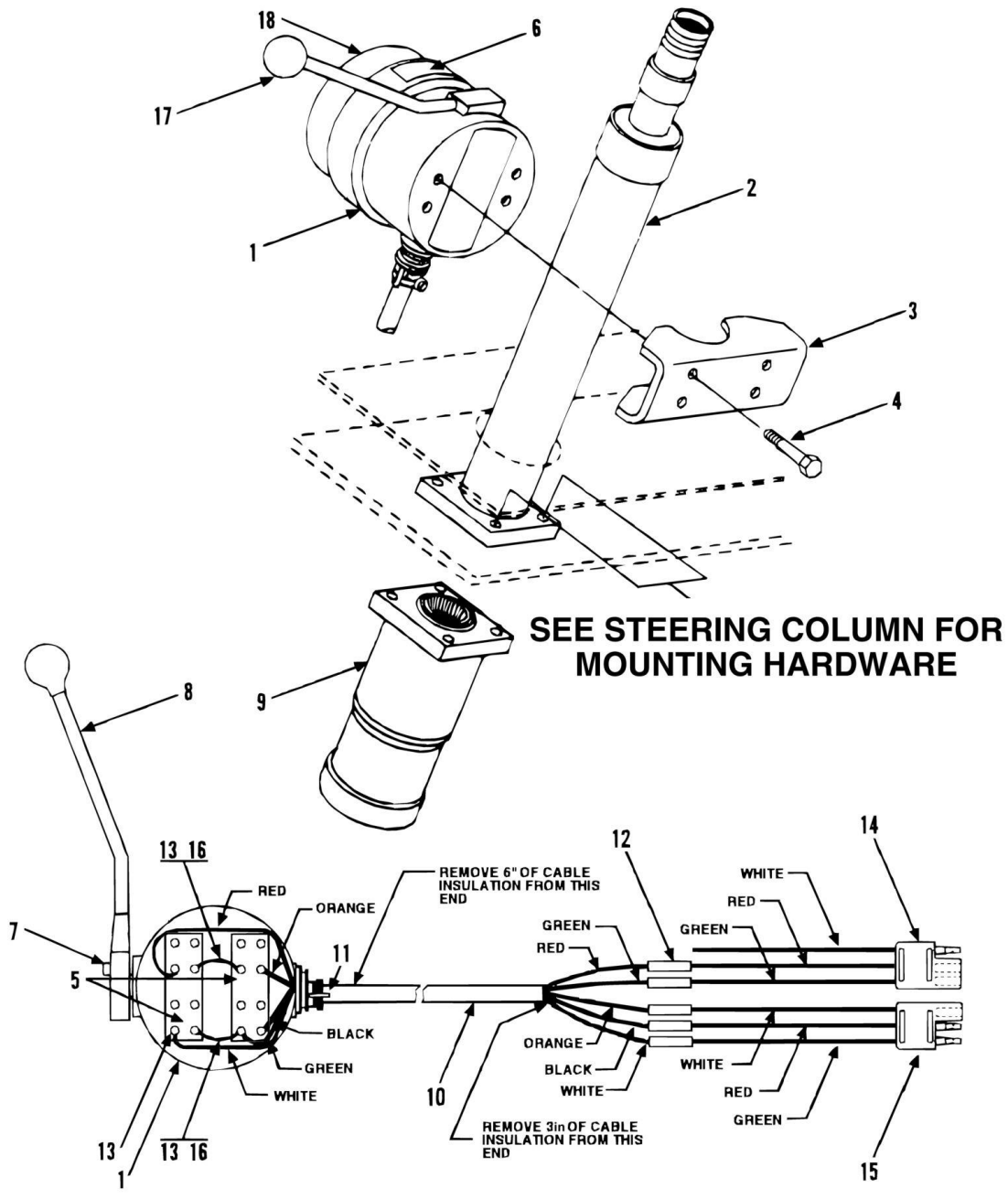
SECTION 6 - CONTROLS

FIGURE 6-5. (91143342) ACCELERATOR PEDAL ASSEMBLY (SN 0488238 to Present)

ITEM	PART NUMBER	QTY	DESCRIPTION	REV
	91143342	1	ACCELERATOR PEDAL ASSY, (includes items 3 thru 11)	
	91144432	1	CABLE ATTACH KIT, (includes items 3 thru 5), (discard clevis and clevis pin, not shown, and replace with items 17 & 18)	
	91144197	1	BOOT KIT, (includes items 6 thru 9)	
	91144433	1	HEEL REST KIT, (includes items 10 & 11)	
1	91121210	1	THROTTLE CABLE SUPPORT	
2	90207801	1	SPRING	
3	Kit	1	HAIRPIN COTTER	
4	Kit	1	LOCK PLATE	
5	Kit	1	CAPSCREW	
6	Kit	1	BOOT	
7	Kit	1	PIN	
8	Kit	1	HAIRPIN COTTER	
9	Kit	1	JAM NUT	
10	Kit	1	HEEL REST	
11	Kit	2	SCREW, (self tap)	
12		Ref	THROTTLE CABLE, (See ENGINE AND ATTACHING PARTS SECTION for Breakdown)	
13	88201003	5	HEX HD CAPSCREW, 1/4-20X3/4, GR5	
14	88551009	5	LOCKWASHER, 1/4	
15	88501004	5	HEX NUT, 1/4-20	
16	88561107	1	FLAT WASHER, 1/4	
17	90028977	1	CLEVIS	
18	90021552	1	CLEVIS PIN	
		Ref	NOTE: ONLY ITEMS WITH PART NUMBERS ARE AVAILABLE FOR SERVICE.	

SECTION 6 - CONTROLS

FIGURE 6-6. STEERING COLUMN (SN 0188002 through 0288776)



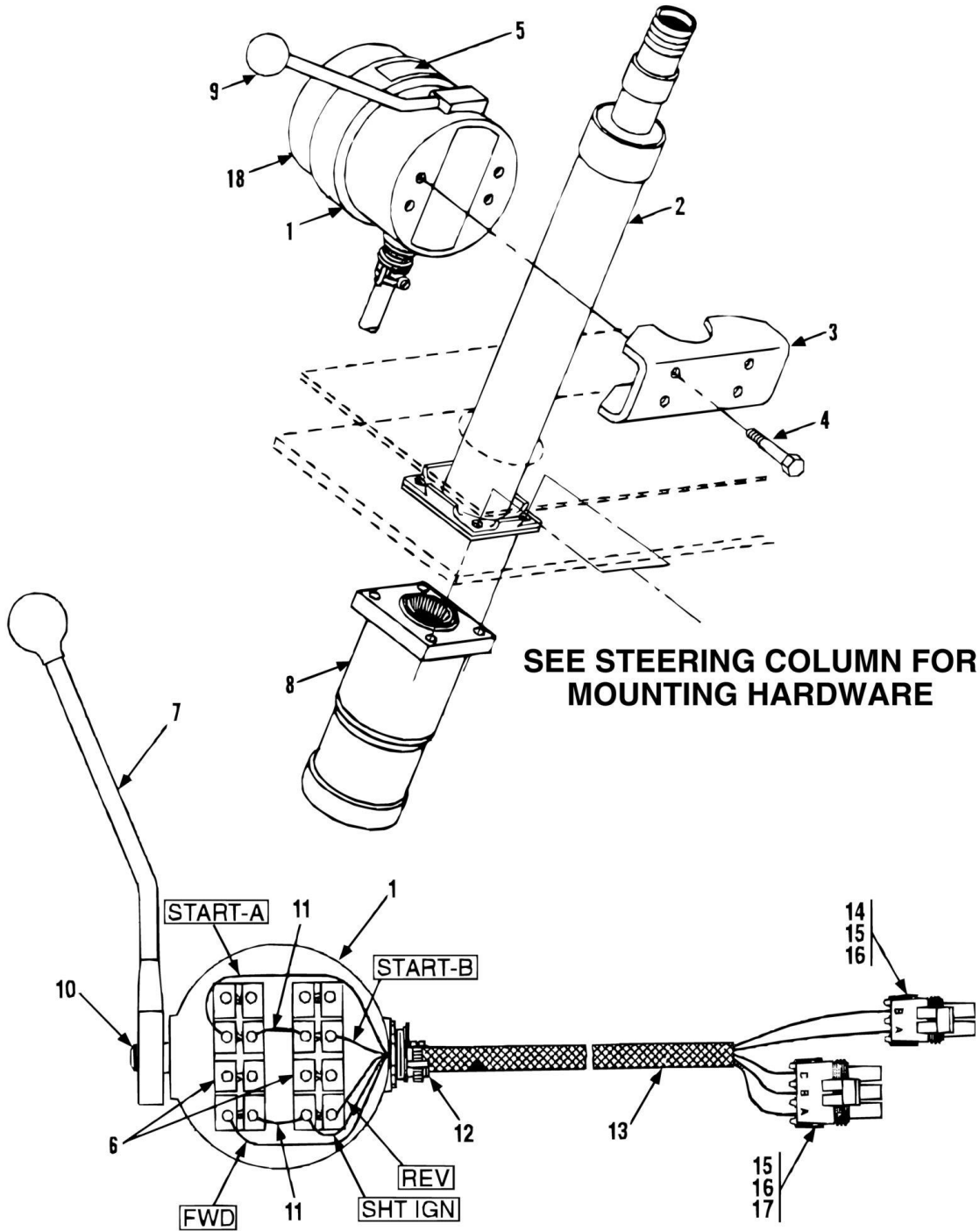
SECTION 6 - CONTROLS

FIGURE 6-6. STEERING COLUMN (SN 0188002 through 0288776)

ITEM	PART NUMBER	QTY	DESCRIPTION	REV
	91085025	1	REVERSING MASTER SWITCH ASSY (includes items 1, 5, 6, 7, 8 & 10 thru 17)	
1	91083081	1	REVERSING MASTER SWITCH (includes items 5 , 6 & 8)	
2		Ref	STEERING COLUMN (See STEERING COLUMN for Breakdown)	
3	91081264	1	SHIFT BRACKET	
4	88201008	4	HEX HD CAPSCREW, 1/4-20X1-3/4, GR5	
5	91084268	2	FORWARD/REVERSE SWITCH	
6	91083428	1	FORWARD/REVERSE DECAL	
7	91083491	1	GASKETED SCREW	
8	91084345	1	HANDLE ASSY W/KNOB	
9		Ref	STEERING ORBITROL, (See HYDRAULIC COMPONENTS SECTION for Breakdown)	
10	Bulk	30 in	MULTIPLE CONDUCTOR CABLE, 16 GAUGE, 5 WIRE	
11	91083235	1	ROMEX CONNECTOR	
12	86683480	5	BUTT CONNECTOR	
13	89031196	5	PRESSURE TERMINAL	
14	83483113	1	3-WAY CONNECTOR (female)	
15	83483114	1	3-WAY CONNECTOR (male)	
16	Bulk	4 in	BUS BAR WIRE	
17	91084240	1	KNOB	
18	91144447	1	END COVER	
		Ref	NOTE: ONLY ITEMS WITH PART NUMBERS ARE AVAILABLE FOR SERVICE.	

SECTION 6 - CONTROLS

FIGURE 6-7. STEERING COLUMN (SN 0288777 to Present)



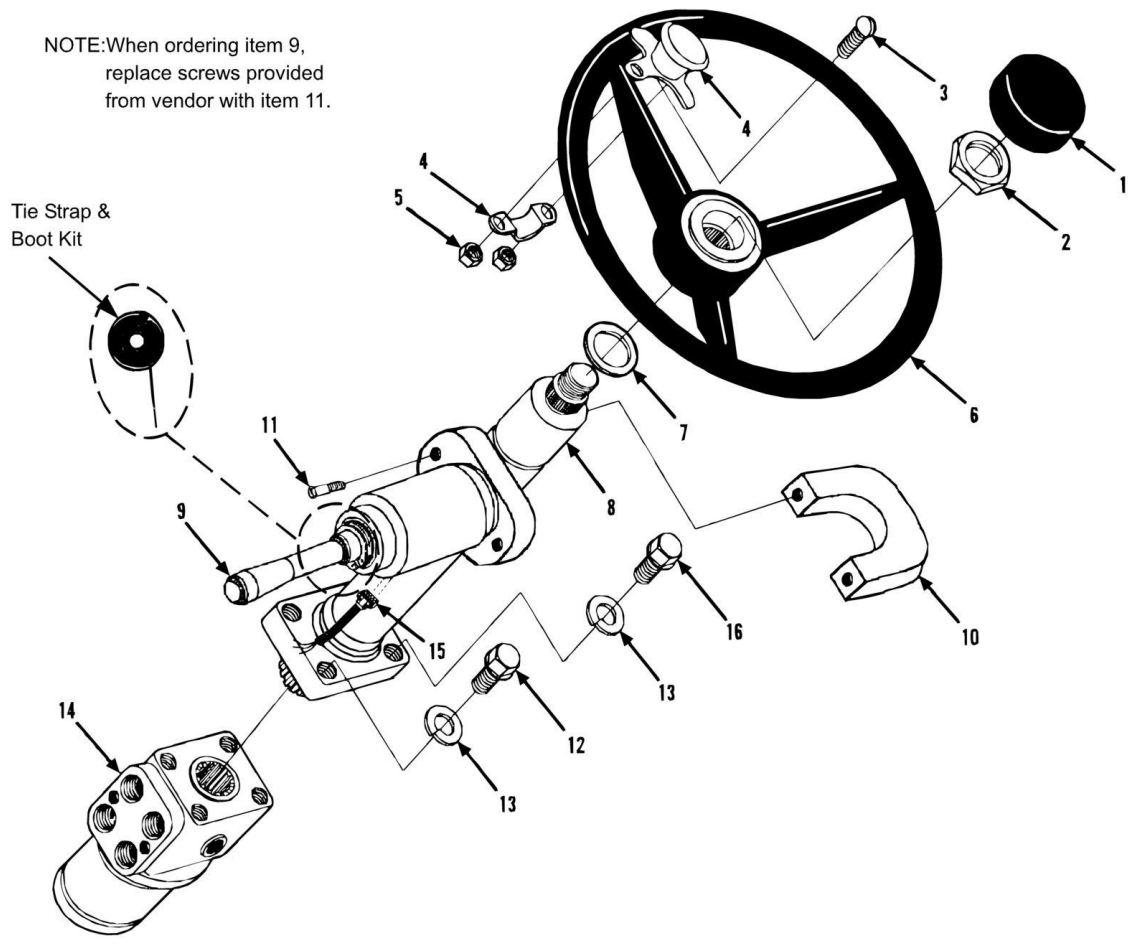
SECTION 6 - CONTROLS

FIGURE 6-7. STEERING COLUMN (SN 0288777 to Present)

ITEM	PART NUMBER	QTY	DESCRIPTION	REV
	91145030	1	REVERSING MASTER SWITCH ASSY (includes items 1, 5, 6, 7 & 9 thru 18)	
1	91083081	1	REVERSING MASTER SWITCH (includes items 5, 6 & 7)	
2		Ref	STEERING COLUMN (See STEERING COLUMN for Breakdown)	
3	91081264	1	SHIFT BRACKET	
4	88201008	4	HEX HD CAPSCREW, 1/4-20X1-3/4, GR5	
5	91083428	1	FORWARD/REVERSE DECAL	
6	91084268	2	FORWARD/REVERSE SWITCH	
7	91084345	1	HANDLE ASSY W/KNOB	
8		Ref	STEERING ORBITROL, (See HYDRAULIC COMPONENTS SECTION for Breakdown)	
9	91084240	1	KNOB	
10	91083491	1	GASKETED SCREW	
11	Bulk	4 in	BUS BAR WIRE	
12	91083235	1	ROMEX CONNECTOR	
13	91143134	1	FWD/REV HARNESS (includes items 14 thru 17)	
15	80963068	5	FEMALE PIN TERMINAL	
16	80963066	5	CABLE SEAL	
17	80963059	1	3-WAY CONNECTOR (tower end) (includes 3 of items 15 & 16)	
18	91144447	1	END COVER	
		Ref	NOTE: ONLY ITEMS WITH PART NUMBERS ARE AVAILABLE FOR SERVICE.	

SECTION 6 - CONTROLS

FIGURE 6-8. STEERING COLUMN AND ATTACHING PARTS (SN 0488238 to Present)



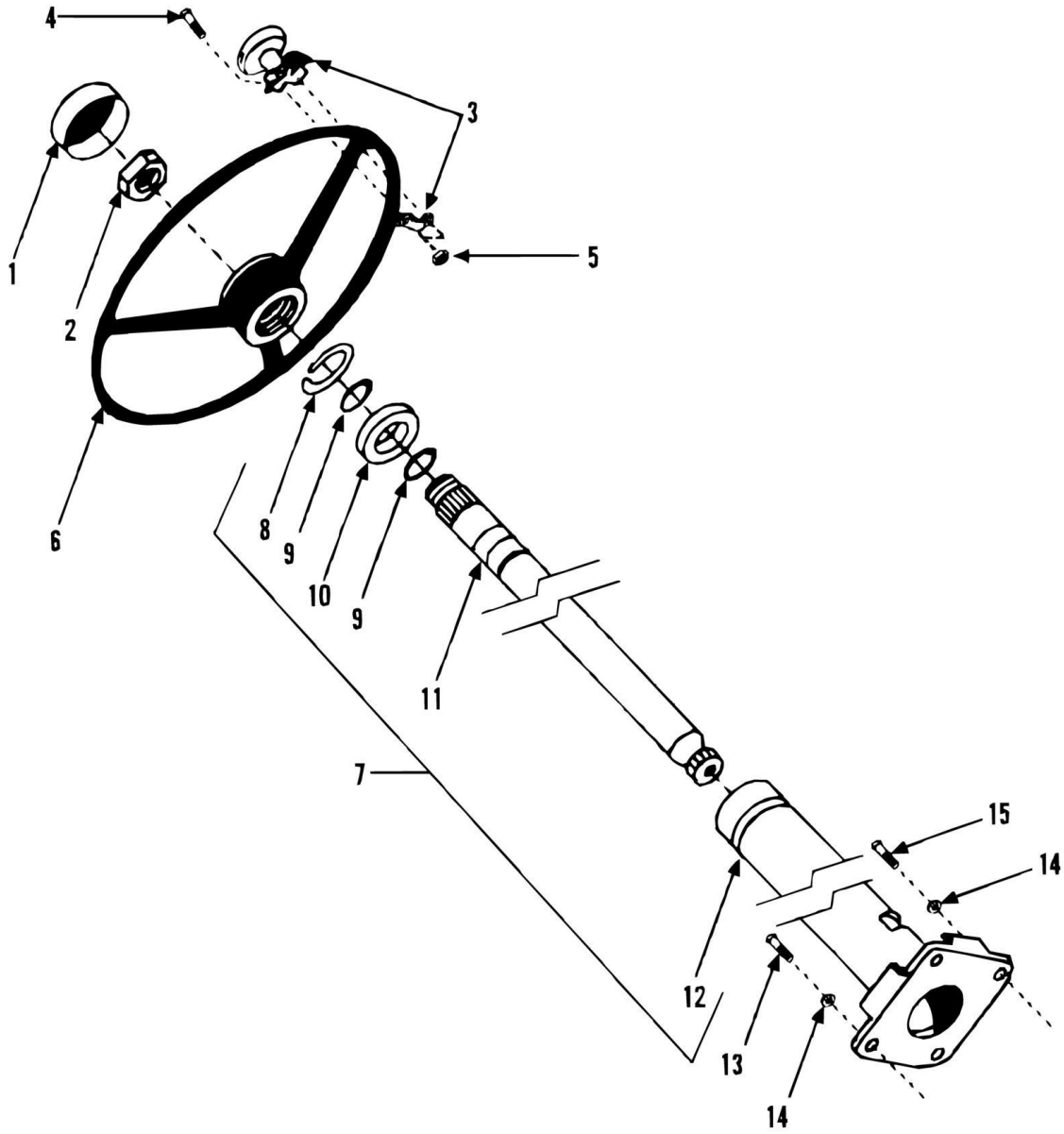
SECTION 6 - CONTROLS

FIGURE 6-8. STEERING COLUMN AND ATTACHING PARTS (SN 0488238 to Present)

ITEM	PART NUMBER	QTY	DESCRIPTION	REV
	91144190	Ref	STEERING CONTROL UNIT SEAL KIT	
	91144448	1	TIE STRAP AND BOOT KIT	
1	90600274	1	STEERING CAP	
2	91144191	1	STEERING WHEEL NUT	
3	88301311	2	FLAT HD MACHINE SCREW, 1/4-20 x 1	
4	90202230	1	SPINNER KNOB	
5	88501616	2	HEX NUT, 1/4-20	
6	90600273	1	STEERING WHEEL	
7	91144192	1	WASHER	
8	91163012	1	STEERING COLUMN (includes items 2 & 7)	
9	91363025	1	F/N/R SHIFTER (includes item 10)	
10	91144458	1	CLAMP SET	
11	83191059	2	HEX HD CAPSCREW, M5X0.8, (torqueto 30-35 in lbs)	
12	88201035	2	HEX HD CAPSCREW, 3/8-16X1, GR5	
13	88551011	4	LOCKWASHER, 3/8	
14	91123126	1	STEERING CONTROL UNIT	
15		Ref	DASH WIRING HARNESS (See ELECTRICAL SECTION for Breakdown)	
16	88201033	2	HEX HD CAPSCREW, 3/8-16X3/4, GR5	
		Ref	NOTE: ONLY ITEMS WITH PART NUMBERS ARE AVAILABLE FOR SERVICE.	

SECTION 6 - CONTROLS

FIGURE 6-9. STEERING COLUMN (SN 0188002 through 0388420)



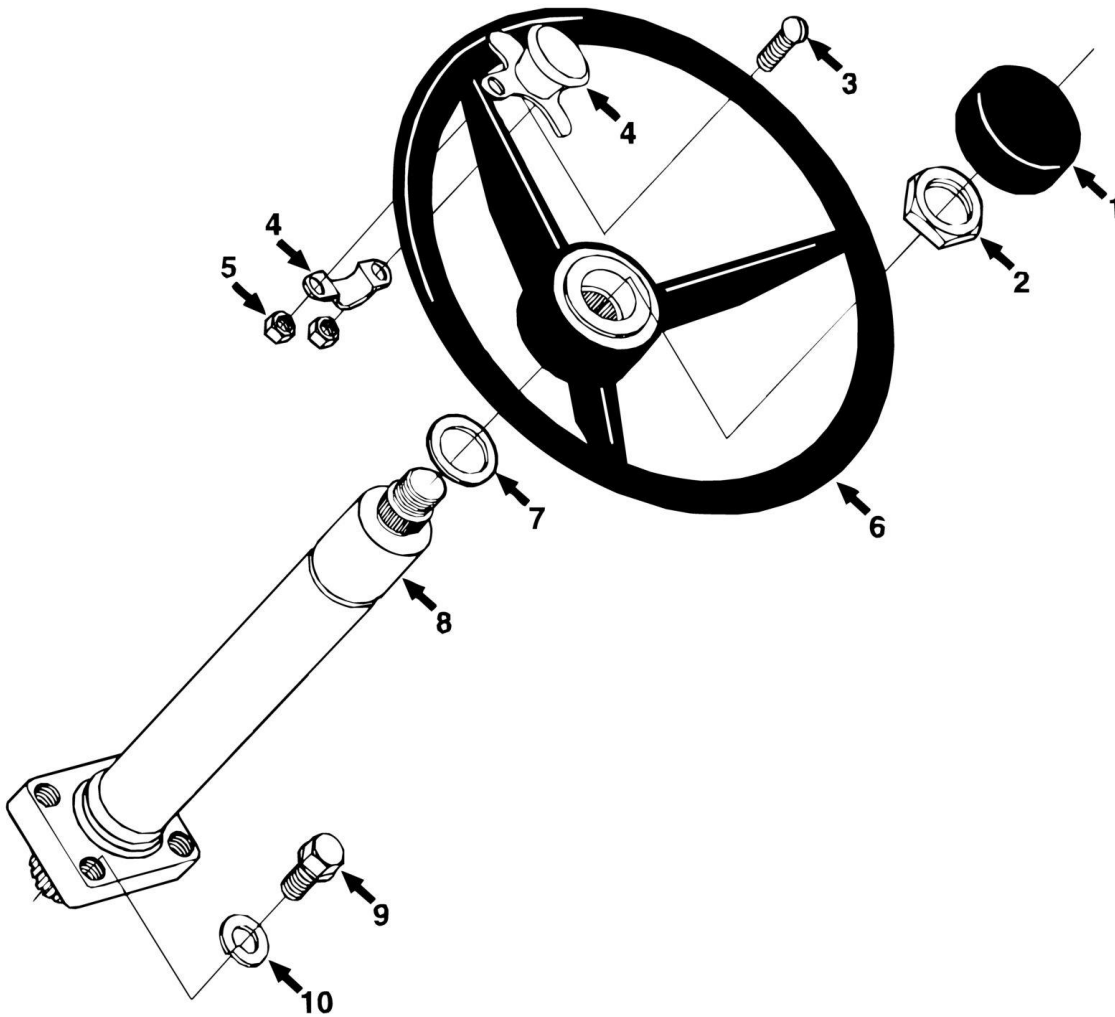
SECTION 6 - CONTROLS

FIGURE 6-9. STEERING COLUMN (SN 0188002 through 0388420)

ITEM	PART NUMBER	QTY	DESCRIPTION	REV
1	90600274	1	STEERING CAP	
2	90200266	1	STEERING WHEEL NUT	
3	90202230	1	SPINNER KNOB (includes items 4, & 5)	
4	88301311	2	FLAT HD MACHINE SCREW, 1/4-20X1	
5	88501616	2	HEX NUT, 1/4-20	
6	90600273	1	STEERING WHEEL	
7	90600267	1	STEERING COLUMN ASSY (includes items 8 thru 12)	
8		Ref	RETAINING RING	
9		Ref	RETAINING RING	
10	90201348	1	BEARING	
11		Ref	SHAFT	
12		Ref	TUBE AND FLANGE	
13	88201037	2	HEX HD CAPSCREW, 3/8-16X1-1/2, GR5	
14	88551011	4	LOCKWASHER, 3/8	
15	88201033	2	HEX HD CAPSCREW, 3/8-16X3/4, GR5	
		Ref	NOTE: ONLY ITEMS WITH PART NUMBERS ARE AVAILABLE FOR SERVICE.	

SECTION 6 - CONTROLS

FIGURE 6-10. STEERING COLUMN (SN 0388421 to Present)



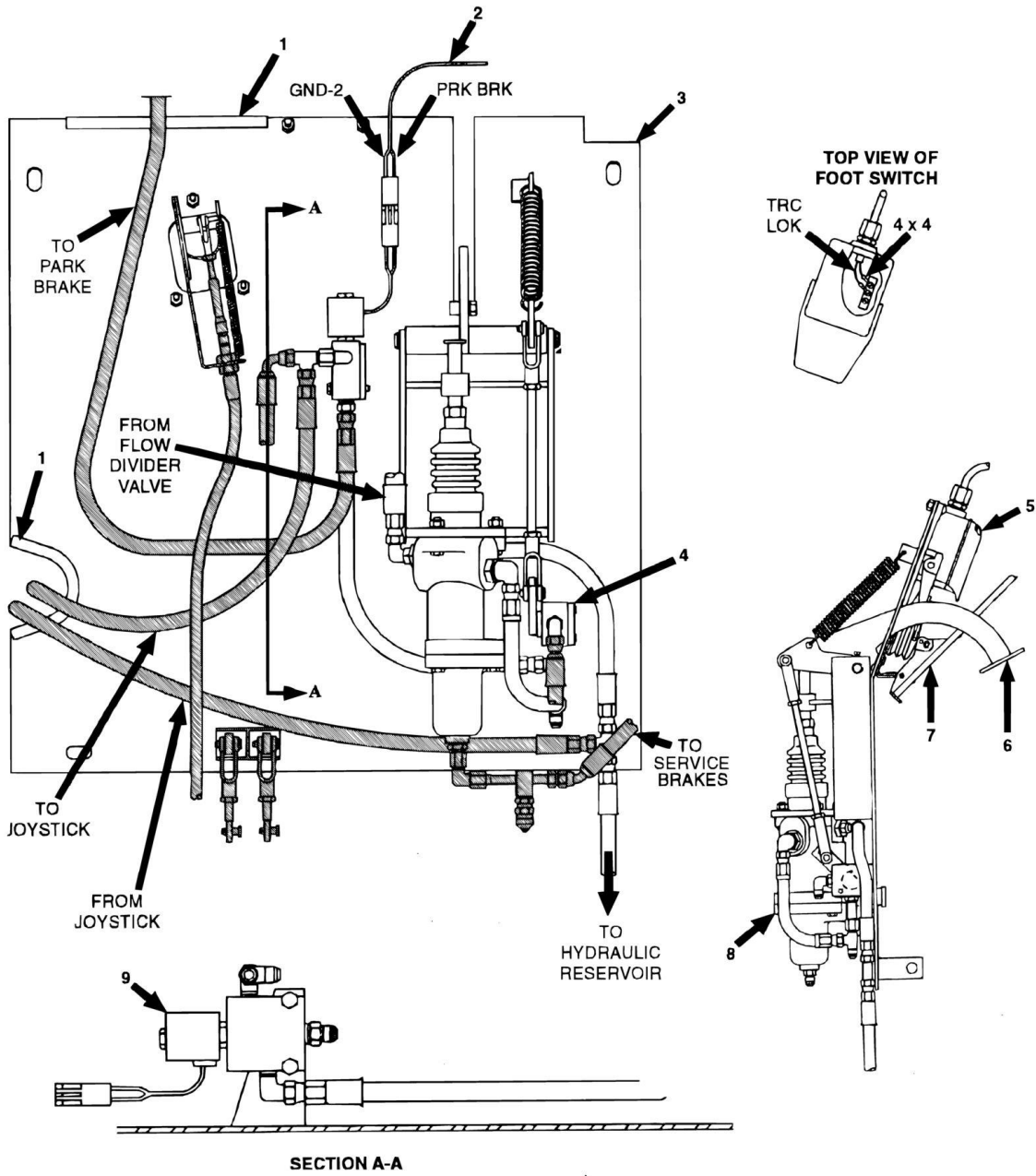
SECTION 6 - CONTROLS

FIGURE 6-10. STEERING COLUMN (SN 0388421 to Present)

ITEM	PART NUMBER	QTY	DESCRIPTION	REV
1	90600274	1	STEERING CAP	
2	91144191	1	STEERING WHEEL NUT	
3	90202230	1	SPINNER KNOB (includes items 4, & 5)	
4	88301311	2	FLAT HD MACHINE SCREW, 1/4-20X1	
5	88501616	2	HEX NUT, 1/4-20	
6	90600273	1	STEERING WHEEL	
7	91144192	1	WASHER	
8	91143022	1	STEERING COLUMN	
9	88201035	2	HEX HD CAPSCREW, 3/8-16X1, GR5	
9	88201033	2	HEX HD CAPSCREW, 3/8-16X3/4, GR5	
10	88551011	4	LOCKWASHER, 3/8	

SECTION 6 - CONTROLS

FIGURE 6-11. (91125040) FLOORPLATE ASSEMBLY (SN 0288777 to Present)



GREY ITEMS: SHOWN AS VISUAL AID ONLY.
 NOT INCLUDED IN THIS ASSEMBLY.
 FOR HOSES AND FITTINGS - See BRAKES SECTION
 for Breakdown

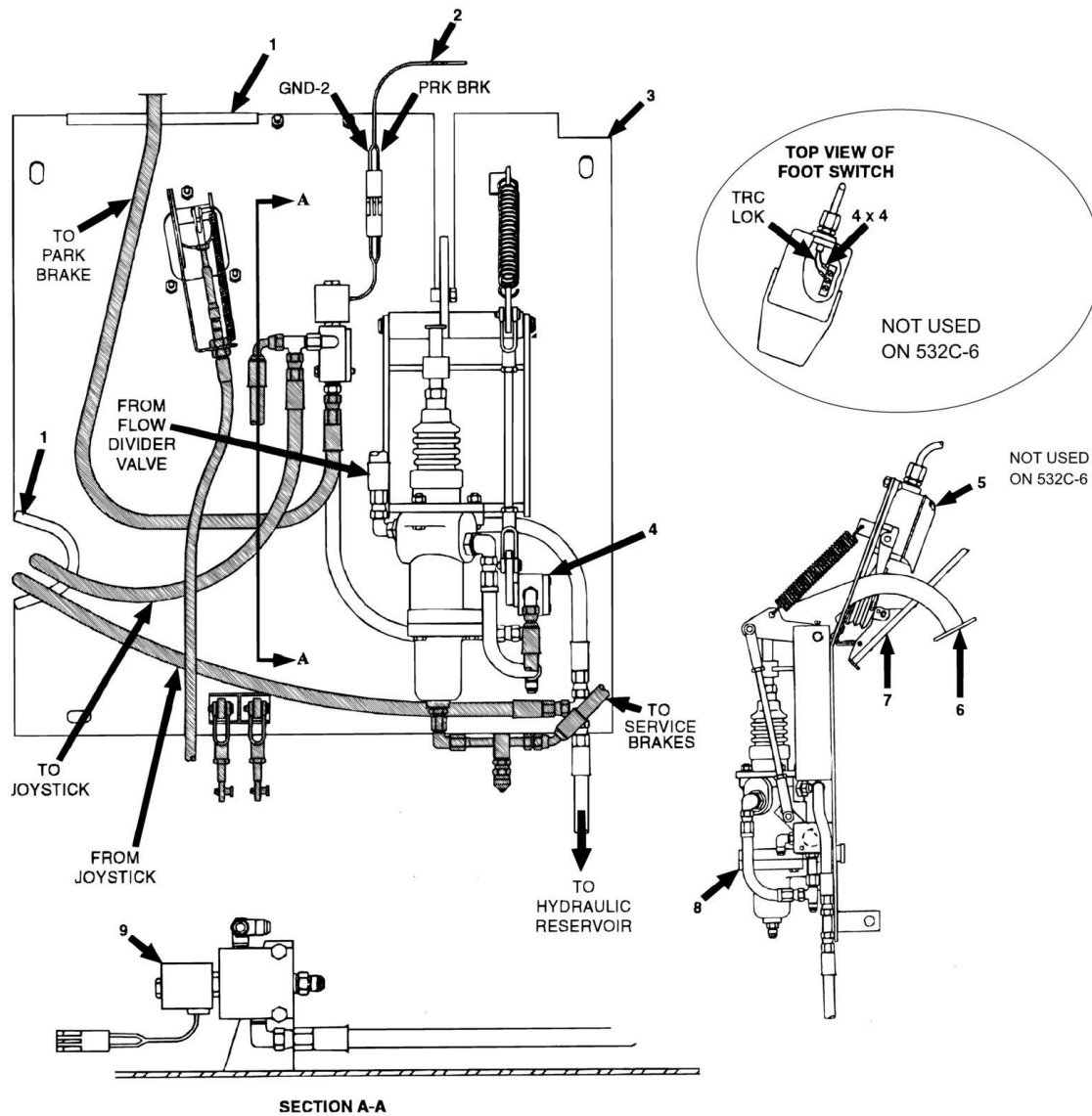
SECTION 6 - CONTROLS

FIGURE 6-11. (91125040) FLOORPLATE ASSEMBLY (SN 0288777 to Present)

ITEM	PART NUMBER	QTY	DESCRIPTION	REV
	91125040	1	FLOOR PLATE ASSY (includes items 1, 3 thru 9)	
1	90206198	AR	TRIM-LOK	
2		Ref	DASH HARNESS (See ELECTRICAL SECTION for Breakdown)	
3	91126050	1	FLOOR PLATE WELDMENT	
4		Ref	INCHING VALVE (See HYDRAULIC COMPONENTS SECTION for Breakdown)	
5		Ref	FOOT SWITCH (See BRAKES SECTION for Breakdown)	
6		Ref	BRAKE PEDAL AND LINKAGE (See BRAKES SECTION for Breakdown)	
7		Ref	ACCELERATOR ASSY (See ACCELERATOR PEDAL ASSEMBLY for Breakdown)	
8		Ref	BRAKE VALVE (see HYDRAULIC COMPONENTS SECTION for Breakdown)	
9		Ref	SOLENOID VALVE (See HYDRAULIC COMPONENTS SECTION for Breakdown)	

SECTION 6 - CONTROLS

FIGURE 6-12. (91095022) FLOORPLATE ASSEMBLY - 532C-6; (91125053) FLOORPLATE ASSEMBLY - 534C-6; (91325006) FLOORPLATE ASSEMBLY - 534C-6 (TURBO) (SN 0388247 to Present)



THIS PAGE SHOWN AS VISUAL AID ONLY.
FOR HOSES AND FITTINGS SEE ASSY
BREAKDOWN PAGES.

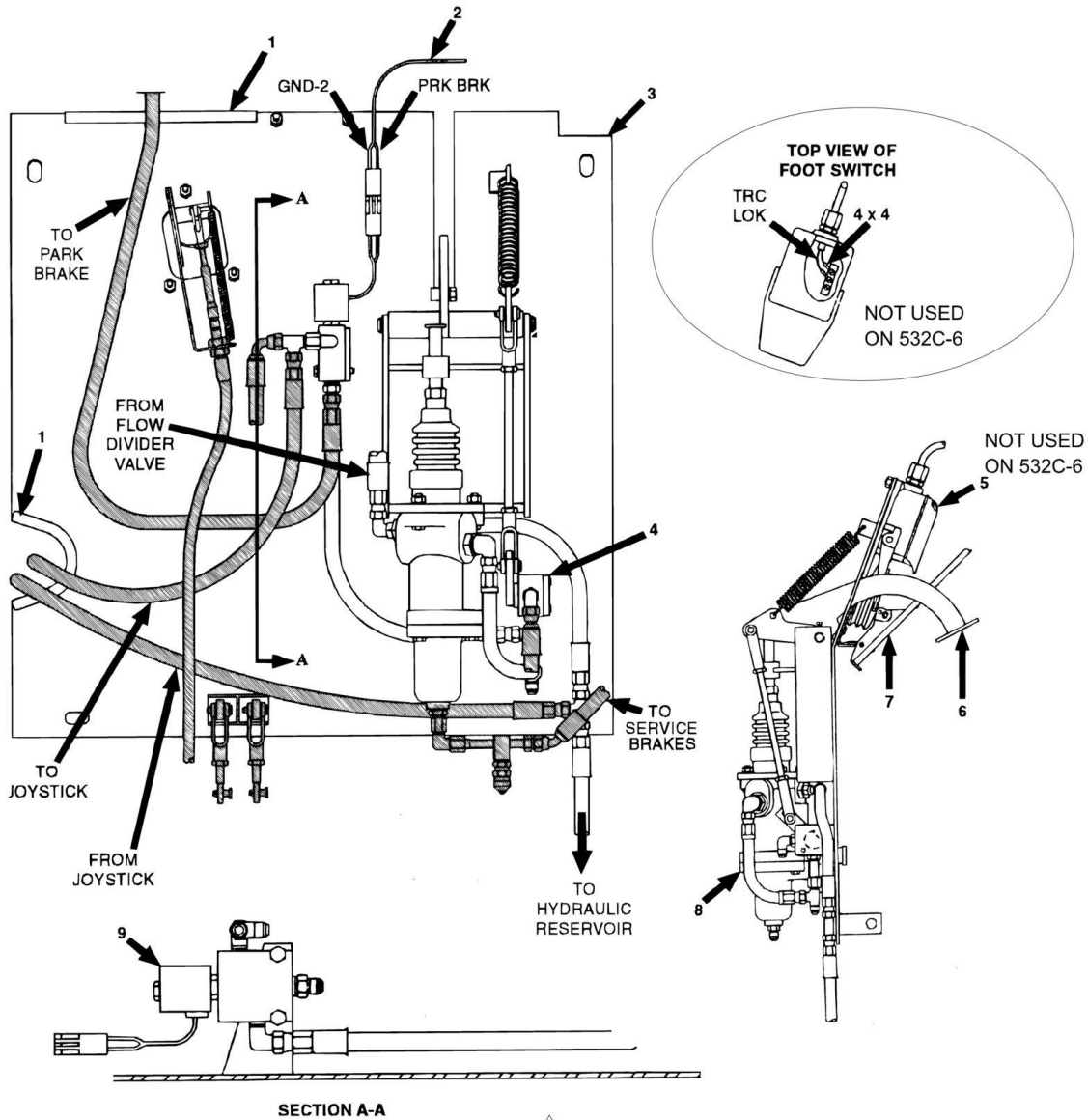
SECTION 6 - CONTROLS

FIGURE 6-12. (91095022) FLOORPLATE ASSEMBLY - 532C-6; (91125053) FLOORPLATE ASSEMBLY - 534C-6; (91325006) FLOORPLATE ASSEMBLY - 534C-6 (TURBO) (SN 0388247 to Present)

ITEM	PART NUMBER	QTY	DESCRIPTION	REV
	91095022	1	FLOORPLATE ASSY - 532C-6 (includes items 1, 2, 3, 4, 6 thru 9, plus various items on see pages)	
	91125053	1	FLOORPLATE ASSY - 534C-6 (includes items 1 thru 9, plus various items on see pages)	
	91325006	1	FLOORPLATE ASSY - 534C-6 (TURBO) (includes items 1 thru 9, plus various items on see pages)	
1	90206198	AR	TRIM-LOK	
2		Ref	DASH HARNESS (See ELECTRICAL SECTION for Breakdown)	
3	91126051	1	FLOOR PLATE WELDMENT	
4		Ref	INCHING VALVE (See HYDRAULIC COMPONENTS SECTION for Breakdown)	
5		Ref	FOOT SWITCH - NOT USED ON 532C-6 (See BRAKE AND INCHING LINKAGE for Breakdown)	
6		Ref	BRAKE PEDAL AND LINKAGE (see BRAKE AND INCHING LINKAGE for BREAKDOWN)	
7		Ref	ACCELERATOR ASSY (See ACCELERATOR PEDAL ASSEMBLY for Breakdown)	
8		Ref	BRAKE VALVE (See HYDRAULIC COMPONENTS SECTION for Breakdown)	
9		Ref	SOLENOID VALVE (See HYDRAULIC COMPONENTS SECTION for Breakdown)	

SECTION 6 - CONTROLS

FIGURE 6-13. (91095024) FLOORPLATE ASSEMBLY - 532C-6; (91085111) FLOORPLATE ASSEMBLY - 534C-6; (91325008) FLOORPLATE ASSEMBLY - 534C-6 (TURBO) (SN 0388349 to Present)



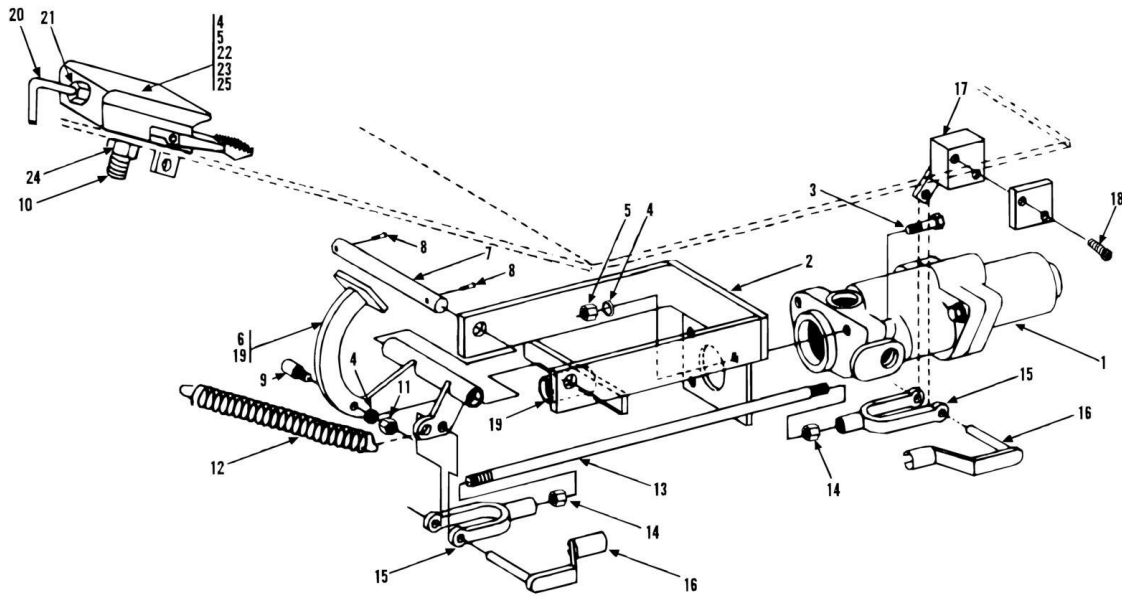
SECTION 6 - CONTROLS

FIGURE 6-13. (91095024) FLOORPLATE ASSEMBLY - 532C-6; (91085111) FLOORPLATE ASSEMBLY - 534C-6; (91325008) FLOORPLATE ASSEMBLY - 534C-6 (TURBO) (SN 0388349 to Present)

ITEM	PART NUMBER	QTY	DESCRIPTION	REV
	91095024	1	FLOORPLATE ASSY - 532C-6 (includes items 1, 2, 3, 4, 6 thru 9, plus various items on see pages)	
	91085111	1	FLOORPLATE ASSY - 534C-6 (includes items 1 thru 9, plus various items on see pages)	
	91325008	1	FLOORPLATE ASSY - 534C-6 (TURBO) (includes items 1 thru 9, plus various items on see pages)	
1	90206198	AR	TRIM-LOK	
2		Ref	DASH HARNESS (See ELECTRICAL SECTION for Breakdown)	
3	91126051	1	FLOORPLATE WELDMENT	
4		Ref	INCHING VALVE (See HYDRAULIC COMPONENTS SECTION for Breakdown)	
5		Ref	FOOT SWITCH - NOT USED ON 532C-6 (See BRAKE AND INCHING LINKAGE for Breakdown)	
6		Ref	BRAKE PEDAL AND LINKAGE (See BRAKE AND INCHING LINKAGE for Breakdown)	
7		Ref	ACCELERATOR ASSY (See ACCELERATOR PEDAL ASSEMBLY for Breakdown)	
8		Ref	BRAKE VALVE (See HYDRAULIC COMPONENTS SECTION for Breakdown)	
9		Ref	SOLENOID VALVE (See HYDRAULIC COMPONENTS SECTION for Breakdown)	

SECTION 6 - CONTROLS

FIGURE 6-14. BRAKE AND INCHING LINKAGE (SN 0188002 to Present)



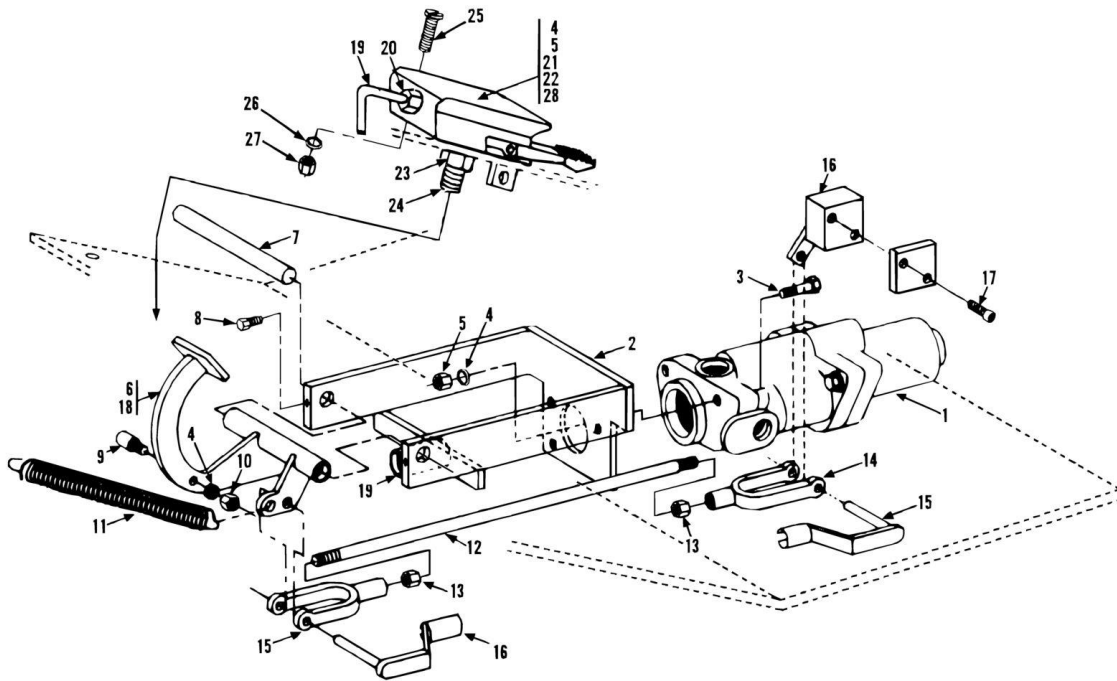
SECTION 6 - CONTROLS

FIGURE 6-14. BRAKE AND INCHING LINKAGE (SN 0188002 to Present)

ITEM	PART NUMBER	QTY	DESCRIPTION	REV
1		Ref	BRAKE VALVE, (See HYDRAULIC COMPONENTS SECTION for Breakdown)	
2	91126050	1	FLOORPLATE WELDMENT	
3	88201022	3	HEX HD CAPSCREW, 5/16-18X1-1/2, GR5	
4	88551010	7	LOCKWASHER, 5/16 (qty. of 4 used on 532C-6)	
5	88501005	6	HEX NUT 5/16-18 (qty. of 3 used on 532C-6)	
6	91086090	1	BRAKE PEDAL	
7	90200284	1	SHAFT	
8	88441001	2	SQUARE HD CAPSCREW, 1/4-20X1/2	
9	91083312	1	CAM ROLLER	
10	88201103	1	HEX HD CAPSCREW, 5/8-11X3-1/2, GR5 (534C-6 only)	
11	88501405	1	HEX JAM NUT, 5/16-24	
12	91043286	1	SPRING	
13	91081332	1	LINKAGE ROD	
14	88501406	2	HEX JAM NUT, 3/8-24	
15	88821004	2	YOKE END	
16	90027987	2	CLEVIS PIN	
17		Ref	INCHING VALVE, (See HYDRAULIC COMPONENTS SECTION for Breakdown)	
18	88212228	2	SOCKET HD CAPSCREW	
19	91083136	4	BUSHING	
20	91085045	1	SWITCH CABLE (534C-6 only) (includes item 25)	
21	91083336	1	CORD CONNECTOR (534C-6 only)	
22	91083311	1	FOOT SWITCH (534C-6 only)	
23	88201024	3	BUTTON HD CAPSCREW, 5/16-18X1, GR5 (534C-6 only)	
24	88501110	2	JAM NUT, 5/8-11 (534C-6 only)	
25	91124109	1	MICRO SWITCH (534C-6 only)	

SECTION 6 - CONTROLS

FIGURE 6-15. BRAKE AND INCHING LINKAGE (SN 0288777 to Present)



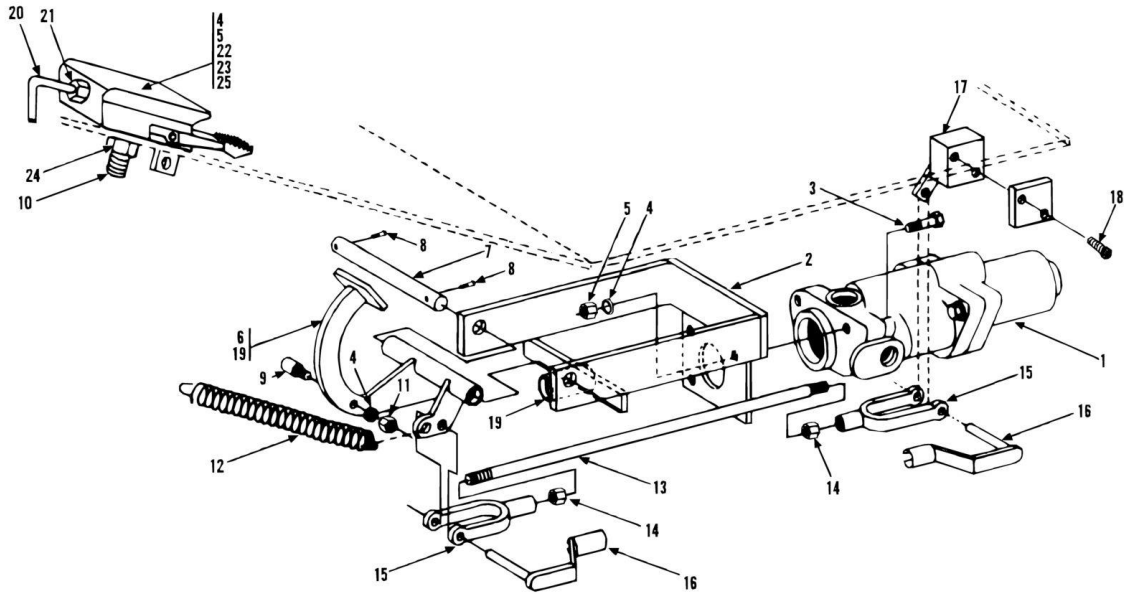
SECTION 6 - CONTROLS

FIGURE 6-15. BRAKE AND INCHING LINKAGE (SN 0288777 to Present)

ITEM	PART NUMBER	QTY	DESCRIPTION	REV
1		Ref	BRAKE VALVE, (See HYDRAULIC COMPONENTS SECTION for Breakdown)	
2	91126050	1	FLOORPLATE WELDMENT	
3	88201022	3	HEX HD CAPSCREW, 5/16-18X1-1/2, GR5	
4	88551010	4	LOCKWASHER, 5/16	
5	88501005	3	HEX NUT 5/16-18 532C-6	
6	91086090	1	BRAKE PEDAL	
7	90200284	1	SHAFT	
8	88441001	2	SQUARE HD SET SCREW, 1/4-20X1/2	
9	91083312	1	CAM ROLLER	
10	88501405	1	HEX JAM NUT, 5/16-24	
11	91043286	1	SPRING	
12	91081332	1	LINKAGE ROD	
13	88501406	2	HEX JAM NUT, 3/8-24	
14	88821004	2	YOKE END	
15	90027987	2	CLEVIS PIN	
16		Ref	INCHING VALVE, (See HYDRAULIC COMPONENTS SECTION for Breakdown)	
17	88212228	2	SOC HD CAP SCR,5/16-18 X 1 LG	
18	91083136	4	BUSHING	
19		Ref	DASH HARNESS (See ELECTRICAL SECTION for Breakdown)	
20	91143141	1	CORD CONNECTOR (534C-6 only)	
21	91083311	1	FOOT SWITCH (534C-6 only) (includes item 28)	
22	88261024	3	BUTTON HD CAPSCREW, 5/16-18X1, GR5 (534C-6 only)	
23	88501110	2	JAM NUT, 5/8-11 (534C-6 only)	
24	88201103	1	HEX HD CAPSCREW, 5/8-11X3-1/2, GR5 (534C-6 only)	
25	88261024	3	BUTTON HD CAPSCREW, 5/16-18X1 (534C-6 only)	
26	88551010	3	LOCKWASHER, 5/16 (534C-6 only)	
27	88501005	3	HEX NUT, 5/16-18 (534C-6 only)	
28	91124109	1	MICRO SWITCH (534C-6 only)	

SECTION 6 - CONTROLS

FIGURE 6-16. BRAKE AND INCHING LINKAGE (SN 0388247 to Present)



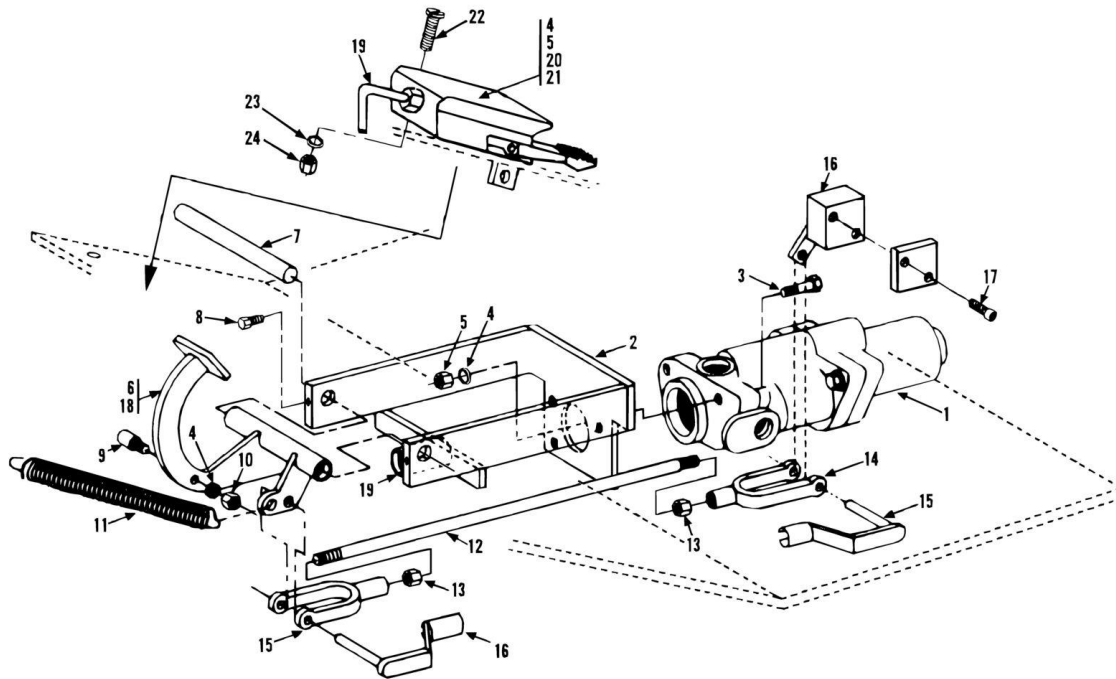
SECTION 6 - CONTROLS

FIGURE 6-16. BRAKE AND INCHING LINKAGE (SN 0388247 to Present)

ITEM	PART NUMBER	QTY	DESCRIPTION	REV
1		Ref	BRAKE VALVE, (See HYDRAULIC COMPONENTS SECTION for Breakdown)	
2	91126051	1	FLOORPLATE WELDMENT	
3	88201022	3	HEX HD CAPSCREW, 5/16-18X1-1/2, GR5	
4	88551010	7	LOCKWASHER, 5/16 (qty. of 4 used on 532C-6)	
5	88501005	6	HEX NUT 5/16-18 (qty. of 3 used on 532C-6)	
6	91146059	1	BRAKE PEDAL	
7	90200284	1	SHAFT	
8	88441001	2	SQUARE HD SET SCREW, 1/4-20X1/2	
9	91083312	1	CAM ROLLER	
10	88201103	1	HEX HD CAPSCREW, 5/8-11X3-1/2, GR5 (534C-6 only)	
11	88501405	1	HEX JAM NUT, 5/16-24	
12	91043214	1	SPRING	
13	91081332	1	LINKAGE ROD	
14	88501406	2	HEX JAM NUT, 3/8-24	
15	88821004	2	YOKE END	
16	90027987	2	CLEVIS PIN	
17		Ref	INCHING VALVE, (See HYDRAULIC COMPONENTS SECTION for Breakdown)	
18	88212228	2	SOC HD CAP SCR,5/16-18 X 1 LG	
19	91083136	4	BUSHING	
20		Ref	DASH HARNESS (See ELECTRICAL SECTION for Breakdown)	
21	91143141	1	CORD CONNECTOR (534C-6 only)	
22	91083311	1	FOOT SWITCH (534C-6 only) (includes item 25)	
23	88261024	3	BUTTON HD CAPSCREW, 5/16-18X1, GR5 (534C-6 only)	
24	88501110	2	JAM NUT, 5/8-11 (534C-6 only)	
25	91124109	1	MICRO SWITCH (534C-6 only)	

SECTION 6 - CONTROLS

FIGURE 6-17. BRAKE AND INCHING LINKAGE (SN 0488238 to Present)



SECTION 6 - CONTROLS

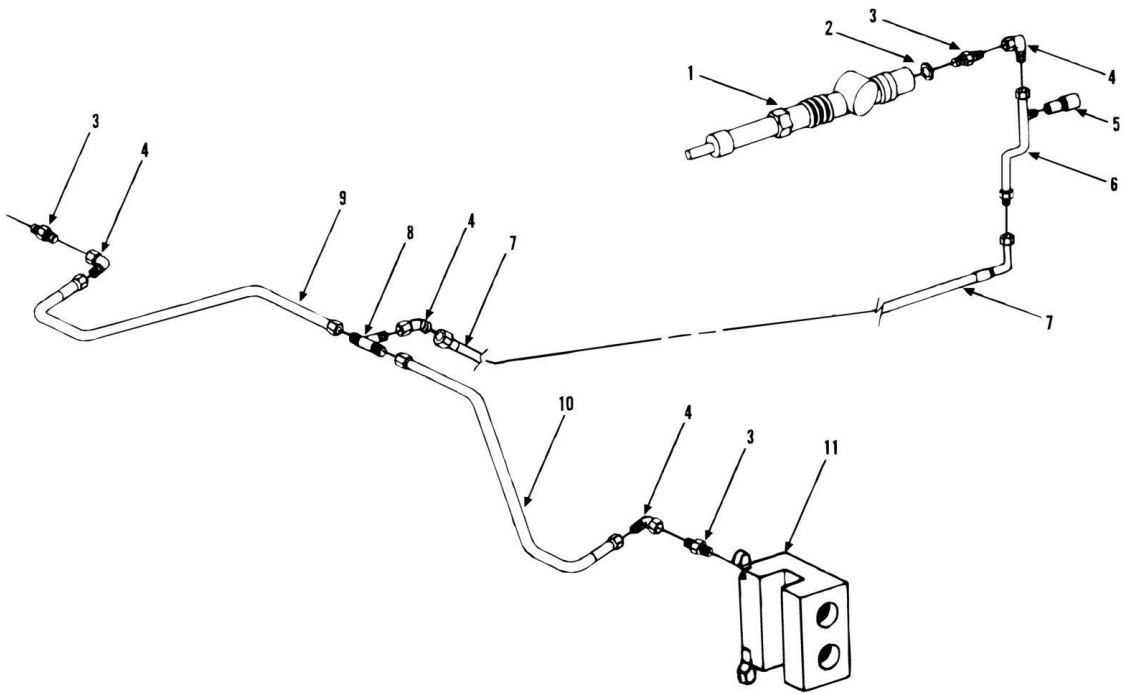
FIGURE 6-17. BRAKE AND INCHING LINKAGE (SN 0488238 to Present)

ITEM	PART NUMBER	QTY	DESCRIPTION	REV
1		Ref	BRAKE VALVE, (See HYDRAULIC COMPONENTS SECTION for Breakdown)	
2	91126051	1	FLOORPLATE WELDMENT	
3	88201022	3	HEX HD CAPSCREW, 5/16-18X1-1/2, GR5	
4	88551010	4	LOCKWASHER, 5/16	
5	88501005	3	HEX NUT 5/16-18	
6	91146059	1	BRAKE PEDAL	
7	90200284	1	SHAFT	
8	88441001	2	SQUARE HD SET SCREW, 1/4-20X1/2	
9	91083312	1	CAM ROLLER	
10	88501405	1	HEX JAM NUT, 5/16-24	
11	91043214	1	SPRING	
12	91081332	1	LINKAGE ROD	
13	88501406	2	HEX JAM NUT, 3/8-24	
14	88821004	2	YOKE END	
15	90027987	2	CLEVIS PIN	
16		Ref	INCHING VALVE (See HYDRAULIC COMPONENTS SECTION for Breakdown)	
17	88212228	2	SOCKET HD CAPSCREW	
18	91083136	4	BUSHING	
19		Ref	DASH HARNESS (See ELECTRICAL SECTION for Breakdown)	
20	91163093	1	FOOT SWITCH (includes item 21)	
21	91124109	1	MICRO SWITCH	
22	88261024	3	BUTTON HD CAPSCREW, 5/16-18X1, GR5	
23	88551010	3	LOCKWASHER, 5/16	
24	88501005	3	HEX NUT, 5/16-18	

SECTION 7 - BRAKES

SECTION 7 - BRAKES

FIGURE 7-1. SERVICE BRAKE LINES (SN 0188002 to Present)



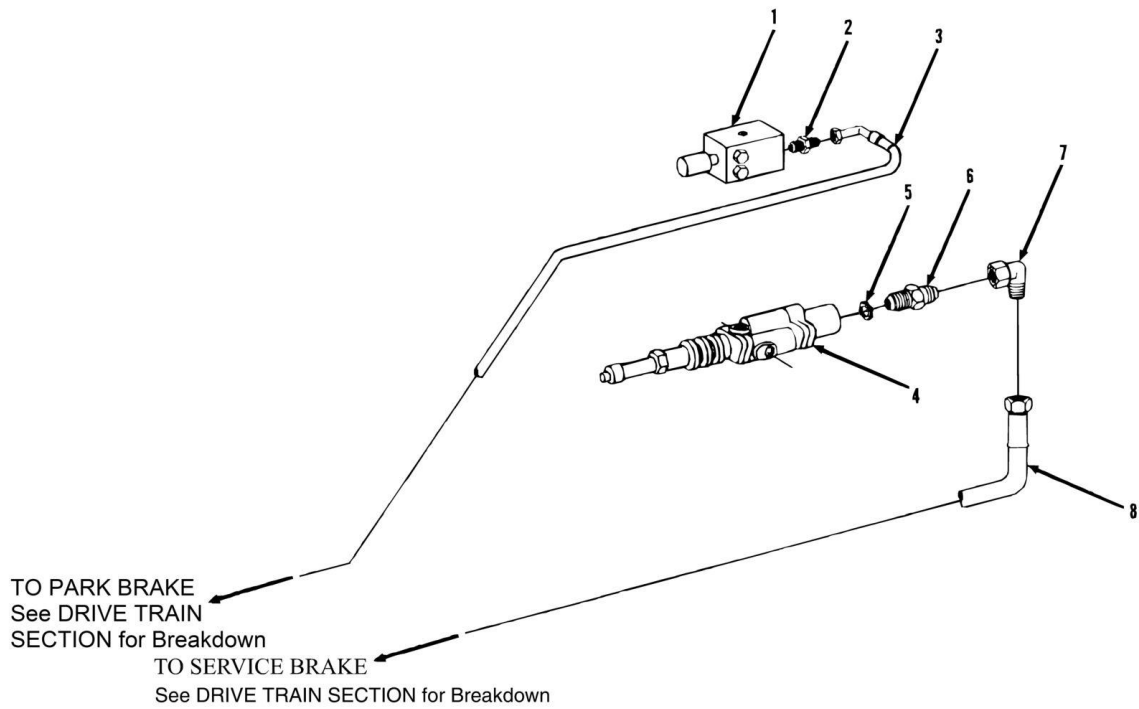
SECTION 7 - BRAKES

FIGURE 7-1. SERVICE BRAKE LINES (SN 0188002 to Present)

ITEM	PART NUMBER	QTY	DESCRIPTION	REV
1		Ref	BRAKE VALVE (See HYDRAULIC COMPONENTS SECTION for Breakdown)	
2	90207856	1	COPPER GASKET	
3	83633002	3	STRAIGHT ADAPTER	
4	88662105	3	ELBOW, 90, (swivel nut)	
5	77133089	1	TEST FITTING	
6	91043163	1	TUBE	
7	84718021	1	HOSE ASSY	
8	88661305	1	UNION TEE, 1/4 TUBE	
9	91083303	1	BRAKE LINE	
10	91083302	1	BRAKE LINE	
11		Ref	BRAKE ASSY (See SERVICE BRAKE for Breakdown)	

SECTION 7 - BRAKES

FIGURE 7-2. SERVICE/PARK BRAKE LINES (SN 0388247 to Present)



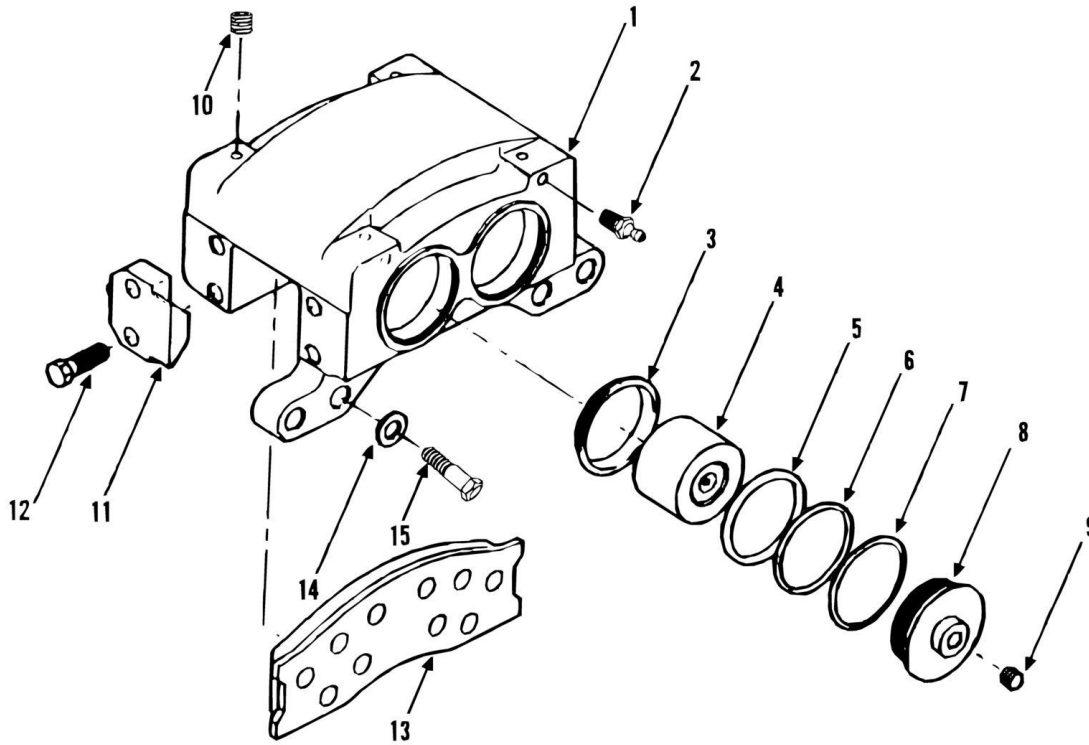
SECTION 7 - BRAKES

FIGURE 7-2. SERVICE/PARK BRAKE LINES (SN 0388247 to Present)

ITEM	PART NUMBER	QTY	DESCRIPTION	REV
1		Ref	SOLENOID VALVE (See HYDRAULIC COMPONENTS SECTION for Breakdown)	
2	88662005	1	CONNECTOR (includes o-ring)	
2	88591204	1	O-RING	
3	84718903	1	HOSE ASSY	
4		Ref	BRAKE VALVE (See HYDRAULIC COMPONENTS SECTION for Breakdown)	
5	90207856	1	COPPER GASKET	
6	83633002	1	STRAIGHT ADAPTER	
7	88662105	1	ELBOW, 90, (swivel nut)	
8	84718077	1	HOSE ASSY	

SECTION 7 - BRAKES

FIGURE 7-3. SERVICE BRAKE (SN 0188002 through 0388246)



NOTE: FOR MACHINES WITH SN 0388247 TO PRESENT, SEE DRIVE TRAIN SECTION FOR BRAKE INFORMATION.

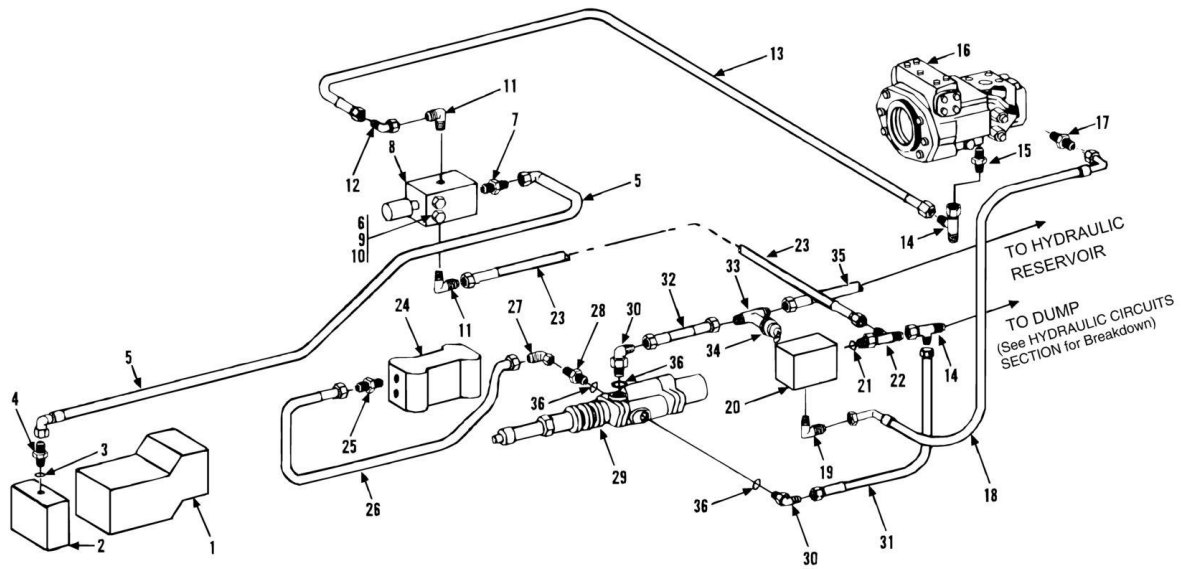
SECTION 7 - BRAKES

FIGURE 7-3. SERVICE BRAKE (SN 0188002 through 0388246)

ITEM	PART NUMBER	QTY	DESCRIPTION	REV
	91084151	Ref	BRAKE CALIPER ASSY, (includes items 1 thru 13)	
1	91084152	1	HOUSING	
2	91024051	2	BLEEDER SCREW	
3	91024052	4	DUST SEAL	
4	91024053	4	PISTON	
5	91024054	4	BACKING RING	
6	91024055	4	O-RING	
7	91024056	2	O-RING	
8	91024057	2	CAP	
9	91024058	1	PLUG	
10	91024059	4	PLUG	
11	91024060	4	HOUSING PLATE	
12	91024061	8	CAPSCREW	
13	91024062	2	LINING ASSY (includes lining compound and backing plate), (enough to service one caliper)	
14	91084153	8	WASHER	
15	91084154	8	CAPSCREW	

SECTION 7 - BRAKES

FIGURE 7-4. INCHING AND PARKING BRAKE LINES (532C-6) (SN 0188002 to Present)



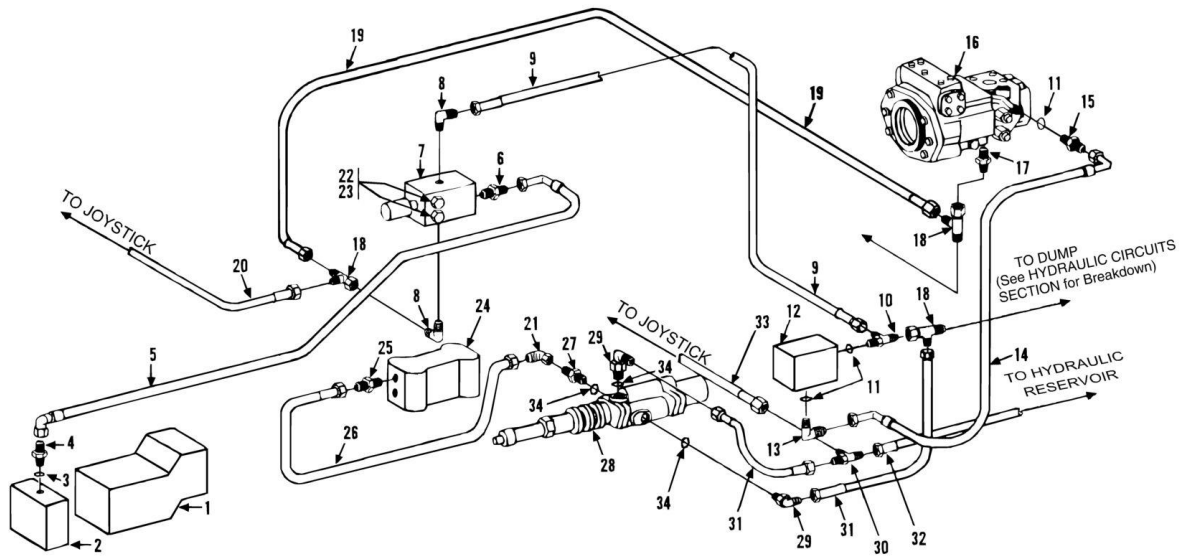
SECTION 7 - BRAKES

FIGURE 7-4. INCHING AND PARKING BRAKE LINES (532C-6) (SN 0188002 to Present)

ITEM	PART NUMBER	QTY	DESCRIPTION	REV
1		Ref	FRONT AXLE DRIVE MOTOR (See HYDRAULIC COMPONENTS SECTION for Breakdown)	
2		Ref	BRAKE ASSY (See DRIVE TRAIN SECTION for Breakdown)	
3	88591202	1	O-RING	
4	88662003	1	CONNECTOR (includes item 3)	
5	84717869	1	HOSE ASSY	
6	88561107	2	FLATWASHER	
7	91083213	1	CONNECTOR	
8		Ref	SOLENOID VALVE (See HYDRAULIC COMPONENTS SECTION for Breakdown)	
9	88201008	2	HEX HD CAPSCREW, 1/4-20X1-3/4, GR5	
10	88551009	2	LOCKWASHER, 1/4	
11	88661109	2	MALE ELBOW, 90, 3/8 TUBE	
12	88662105	2	ELBOW, 90, (swivel nut)	
13	84717852	1	HOSE ASSY	
14	88662239	2	SWIVEL NUT RUN TEE, 3/8 TUBE	
15	91053426	1	CONNECTOR (includes o-ring)	
15	88591207	1	O-RING	
16		Ref	HYDROSTATIC TRANSMISSION ASSY (See HYDRAULIC COMPONENTS SECTION for Breakdown)	
17	88662017	1	CONNECTOR (includes o-ring)	
17	88591204	1	O-RING	
18	84717817	1	HOSE ASSY	
19	88662064	1	ELBOW, 90, (includes o-ring)	
19	88591204	1	O-RING	
20		Ref	INCHING VALVE (See HYDRAULIC COMPONENTS SECTION for Breakdown)	
21	88591204	1	O-RING	
22	88662139	1	RUN TEE (includes item 21)	
23	84717889	1	HOSE ASSY	
24		Ref	FLOW DIVIDER VALVE (See HYDRAULIC COMPONENTS SECTION for Breakdown)	
25	91053426	1	CONNECTOR	
26	84717853	1	HOSE ASSY	
27	88662105	1	ELBOW, 90, (swivel nut)	
28	91083306	1	CONNECTOR (includes item 36)	
29		Ref	BRAKE VALVE ASSY (See HYDRAULIC COMPONENTS SECTION for Breakdown)	
30	91083310	2	ELBOW, 90, (includes item 36)	
31	84717892	1	HOSE ASSY	
32	84717890	1	HOSE ASSY	
33	88661305	1	UNION TEE, 3/8 TUBE	
34	88661364	1	CAP	
35	84716358	1	HOSE ASSY	
36	88591206	3	O-RING	

SECTION 7 - BRAKES

FIGURE 7-5. INCHING AND PARKING BRAKE LINES (532C-6) (SN 0188166 to Present)



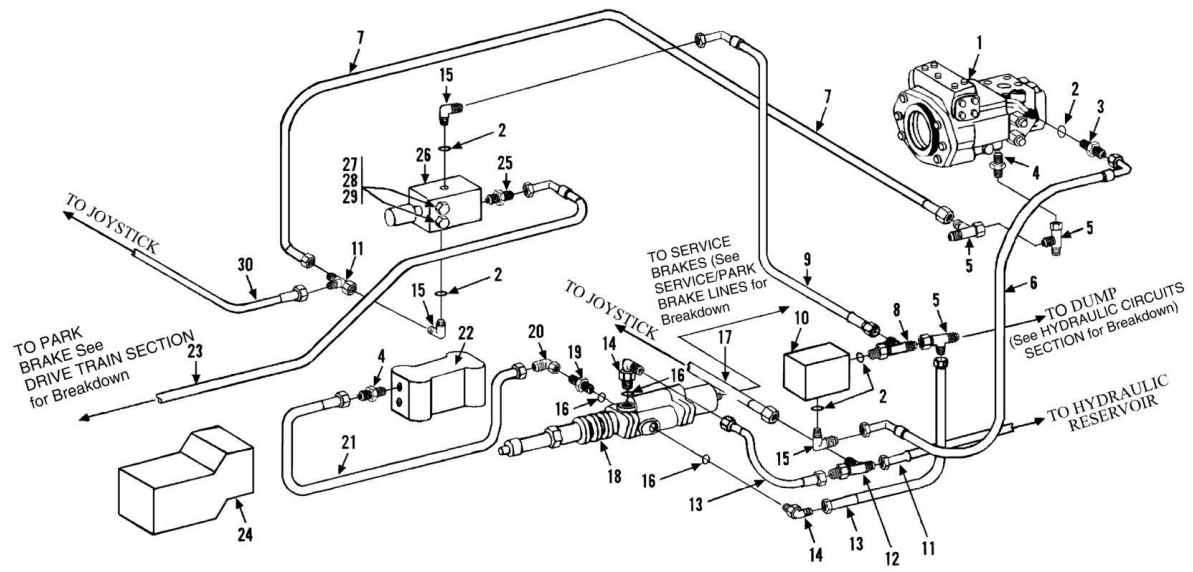
SECTION 7 - BRAKES

FIGURE 7-5. INCHING AND PARKING BRAKE LINES (532C-6) (SN 0188166 to Present)

ITEM	PART NUMBER	QTY	DESCRIPTION	REV
1		Ref	FRONT AXLE DRIVE MOTOR (See HYDRAULIC COMPONENTS SECTION for Breakdown)	
2		Ref	BRAKE ASSY (See DRIVE TRAIN SECTION for Breakdown)	
3	88591202	1	O-RING	
4	88662003	1	CONNECTOR (includes item 3)	
5	84717869	1	HOSE ASSY	
6	91083213	1	CONNECTOR	
7		Ref	SOLENOID VALVE (See HYDRAULIC COMPONENTS SECTION for Breakdown)	
8	88661109	2	MALE ELBOW, 90, 3/8 TUBE	
9	84717889	1	HOSE ASSY	
10	88662139	1	RUN TEE (includes item 11)	
11	88591204	3	O-RING	
12		Ref	INCHING VALVE (See HYDRAULIC COMPONENTS SECTION for Breakdown)	
13	88662064	1	ELBOW, 90, (includes item 11)	
14	84717905	1	HOSE ASSY	
15	88662017	1	CONNECTOR (includes item 11)	
16		Ref	HYDROSTATIC TRANSMISSION ASSY (See HYDRAULIC COMPONENTS SECTION for Breakdown)	
17	91053426	1	CONNECTOR	
18	88662239	3	SWIVEL NUT RUN TEE, 3/8 TUBE	
19	84717852	1	HOSE ASSY	
20	90204096	1	HOSE ASSY	
21	88662105	1	ELBOW, 90, (swivel nut)	
22	88201008	2	HEX HD CAPSCREW, 1/4-20X1-3/4, GR5	
23	88551009	2	LOCKWASHER, 1/4	
24		Ref	FLOW DIVIDER VALVE (See HYDRAULIC COMPONENTS SECTION for Breakdown)	
25	91053426	1	CONNECTOR	
26	84717853	1	HOSE ASSY	
27	91083306	1	CONNECTOR (includes item 34)	
28		Ref	BRAKE VALVE ASSY (See HYDRAULIC COMPONENTS SECTION for Breakdown)	
29	91083310	2	ELBOW, 90, (includes item 34)	
30	88661305	1	UNION TEE, 3/8 TUBE	
31	84717890	2	HOSE ASSY	
32	84716726	1	HOSE ASSY	
33	77133197	1	HOSE ASSY	
34	88591206	3	O-RING	

SECTION 7 - BRAKES

FIGURE 7-6. INCHING AND PARKING BRAKE LINES (532C-6) (SN 0388247 to Present)



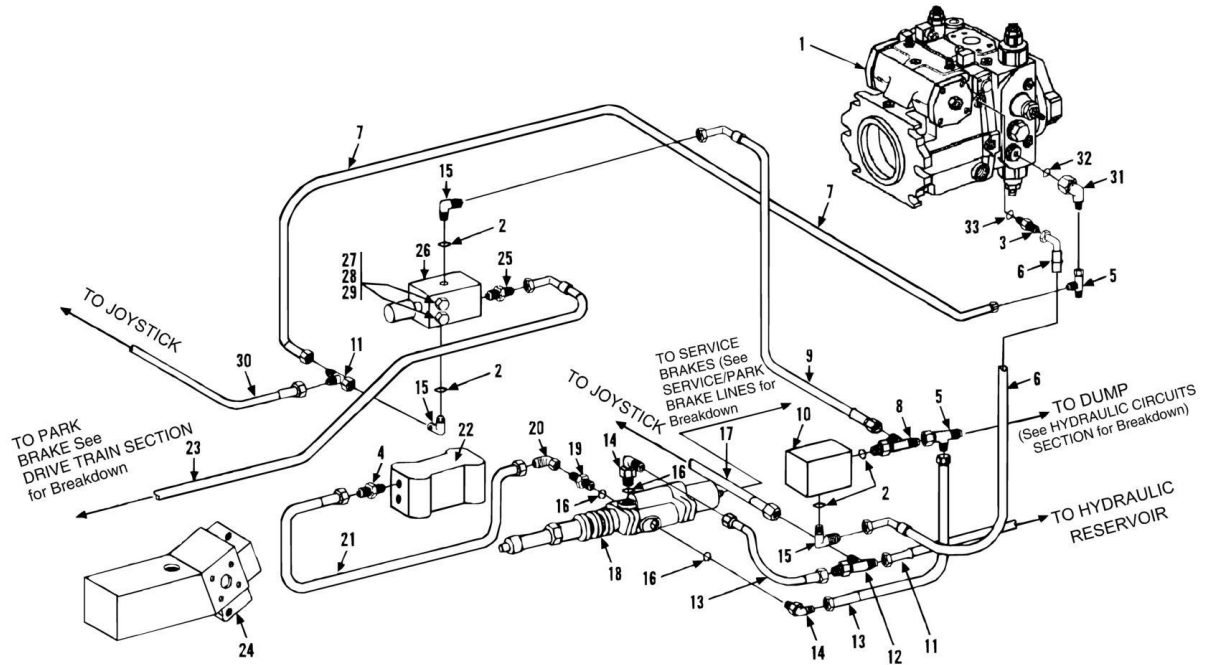
SECTION 7 - BRAKES

FIGURE 7-6. INCHING AND PARKING BRAKE LINES (532C-6) (SN 0388247 to Present)

ITEM	PART NUMBER	QTY	DESCRIPTION	REV
1		Ref	HYDROSTATIC TRANSMISSION ASSY (See HYDRAULIC COMPONENTS SECTION for Breakdown)	
2	88591204	5	O-RING	
3	88662017	1	CONNECTOR (includes item 2)	
4	91053426	2	CONNECTOR (includes o-ring)	
4	88591207	2	O-RING	
5	88662239	3	SWIVEL NUT RUN TEE, 3/8 TUBE	
6	84717905	1	HOSE ASSY	
7	84717852	1	HOSE ASSY	
8	88662139	1	RUN TEE (includes item 2)	
9	84717889	1	HOSE ASSY	
10		Ref	INCHING VALVE (See HYDRAULIC COMPONENTS SECTION for Breakdown)	
11	84716726	1	HOSE ASSY	
12	88661305	1	UNION TEE, 3/8 TUBE	
13	84717890	2	HOSE ASSY	
14	91083310	2	ELBOW, 90, (includes item 16)	
15	88662064	3	ELBOW, 90, (includes item 2)	
16	88591206	3	O-RING	
17	77133197	1	HOSE ASSY	
18		Ref	BRAKE VALVE (See HYDRAULIC COMPONENTS SECTION for Breakdown)	
19	91083306	1	CONNECTOR (includes item 16)	
20	88662105	1	ELBOW, 90, (swivel nut)	
21	84717853	1	HOSE ASSY	
22		Ref	FLOW DIVIDER VALVE (See HYDRAULIC COMPONENTS SECTION for Breakdown)	
23	84718903	1	HOSE ASSY	
24		Ref	FRONT DRIVE MOTOR (See HYDRAULIC COMPONENTS SECTION for Breakdown)	
25	88662005	1	CONNECTOR (includes o-ring)	
25	88591204	1	O-RING	
26		Ref	SOLENOID VALVE ASSY (See HYDRAULIC COMPONENTS SECTION for Breakdown)	
27	88201008	2	HEX HD CAPSCREW, 1/4-20X1-3/4, GR5	
28	88561107	2	FLAT WASHER	
29	88551009	2	LOCKWASHER, 1/4	
30	90204096	1	HOSE ASSY	

SECTION 7 - BRAKES

FIGURE 7-7. INCHING AND PARKING BRAKE LINES (532C-6) (SN 0388349 to Present)



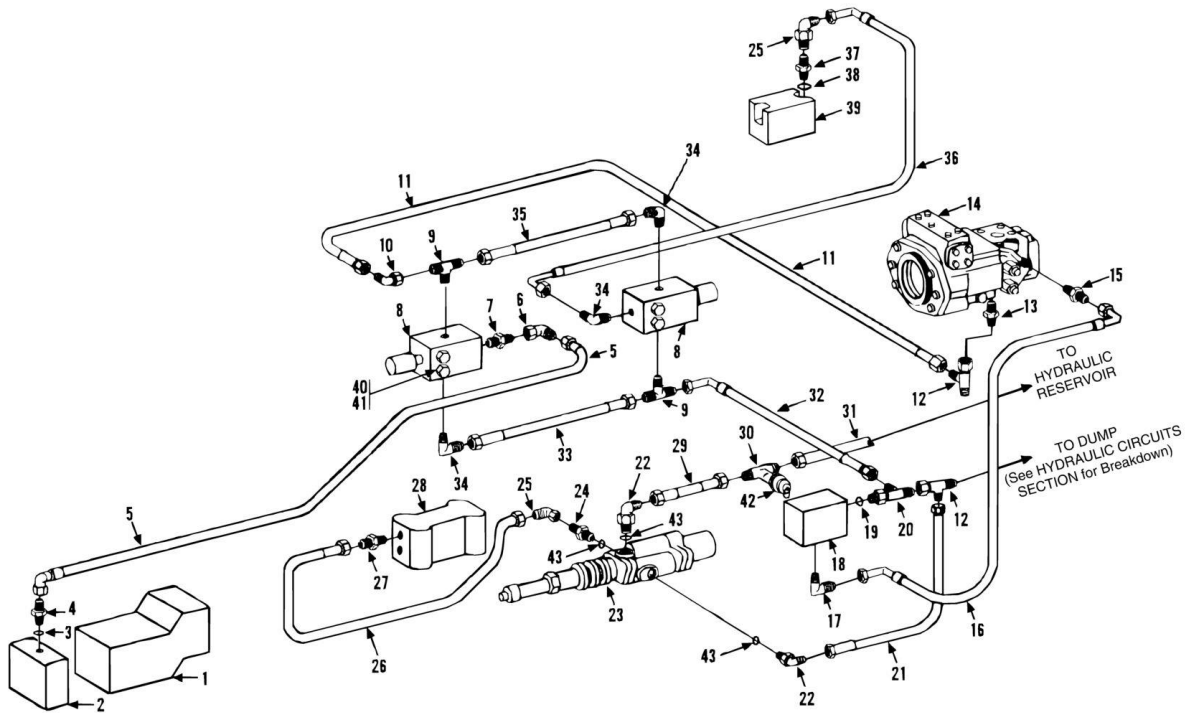
SECTION 7 - BRAKES

FIGURE 7-7. INCHING AND PARKING BRAKE LINES (532C-6) (SN 0388349 to Present)

ITEM	PART NUMBER	QTY	DESCRIPTION	REV
1		Ref	HYDROSTATIC TRANSMISSION ASSY (See HYDRAULIC COMPONENTS SECTION for Breakdown)	
2	88591204	5	O-RING	
3	88662018	1	CONNECTOR (includes item 33)	
4	91053426	2	CONNECTOR (includes o-ring)	
4	88591207	2	O-RING	
5	88662239	3	SWIVEL NUT RUN TEE, 3/8 TUBE	
6	84717341	1	HOSE ASSY	
7	84717852	1	HOSE ASSY	
8	88662139	1	RUN TEE (includes item 2)	
9	84717889	1	HOSE ASSY	
10		Ref	INCHING VALVE (See HYDRAULIC COMPONENTS SECTION for Breakdown)	
11	84716726	1	HOSE ASSY	
12	88661305	1	UNION TEE, 3/8 TUBE	
13	84717890	2	HOSE ASSY	
14	91083310	2	ELBOW, 90, (includes item 16)	
15	88662064	3	ELBOW, 90, (includes item 2)	
16	88591206	3	O-RING	
17	77133197	1	HOSE ASSY	
18		Ref	BRAKE VALVE (See HYDRAULIC COMPONENTS SECTION for Breakdown)	
19	91083306	1	CONNECTOR (includes item 16)	
20	88662105	1	ELBOW, 90, (swivel nut)	
21	84717853	1	HOSE ASSY	
22		Ref	FLOW DIVIDER VALVE (See HYDRAULIC COMPONENTS SECTION for Breakdown)	
23	84718903	1	HOSE ASSY	
24		Ref	FRONT DRIVE MOTOR (See HYDRAULIC COMPONENTS SECTION for Breakdown)	
25	88662005	1	CONNECTOR (includes o-ring)	
25	88591204	1	O-RING	
26		Ref	SOLENOID VALVE ASSY (See HYDRAULIC COMPONENTS SECTION for Breakdown)	
27	88201008	2	HEX HD CAPSCREW, 1/4-20X1-3/4, GR5	
28	88561107	2	FLAT WASHER	
29	88551009	2	LOCKWASHER, 1/4	
30	90204096	1	HOSE ASSY	
31	91083222	1	STRAIGHT THREAD REDUCING CONNECTOR (includes item 32)	
32	88591207	1	O-RING	
33	88591205	1	O-RING	

SECTION 7 - BRAKES

FIGURE 7-8. INCHING AND PARKING BRAKE LINES (534C-6) (SN 0188002 to Present)



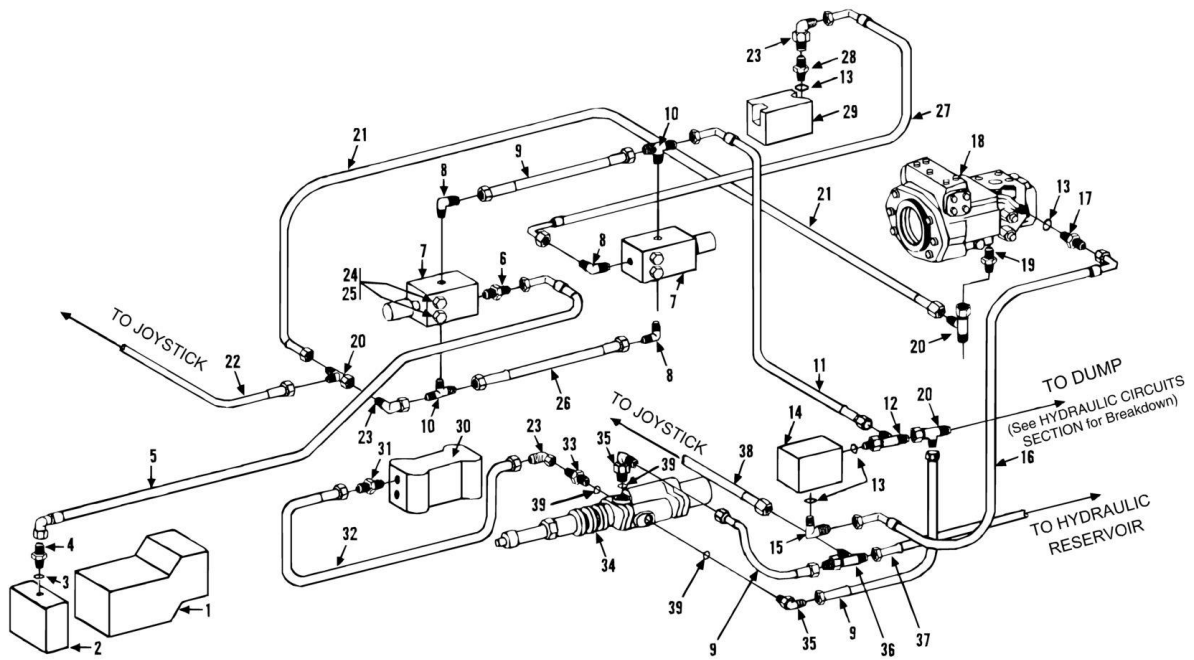
SECTION 7 - BRAKES

FIGURE 7-8. INCHING AND PARKING BRAKE LINES (534C-6) (SN 0188002 to Present)

ITEM	PART NUMBER	QTY	DESCRIPTION	REV
1		Ref	FRONT DRIVE MOTOR (See HYDRAULIC COMPONENTS SECTION for Breakdown)	
2		Ref	BRAKE ASSY (See DRIVE TRAIN SECTION for Breakdown)	
3	88591202	1	O-RING	
4	88662003	1	CONNECTOR (includes item 3)	
5	84717869	1	HOSE ASSY	
6	88662103	1	ELBOW, 90, (swivel nut)	
7	91083213	1	CONNECTOR	
8		Ref	SOLENOID VALVE (See HYDRAULIC COMPONENTS SECTION for Breakdown)	
9	91083212	2	MALE BRANCH TEE	
10	88662105	1	ELBOW, 90, (swivel nut)	
11	84717852	1	HOSE ASSY	
12	88662239	2	SWIVEL NUT RUN TEE, 3/8 TUBE	
13	91053426	1	CONNECTOR	
14		Ref	HYDROSTATIC TRANSMISSION ASSY (See HYDRAULIC COMPONENTS SECTION for Breakdown)	
15	88662017	1	CONNECTOR (includes o-ring)	
15	88591204	1	O-RING	
16	84717817	1	HOSE ASSY	
17	88662064	1	ELBOW, 90, (includes o-ring)	
17	88591204	1	O-RING	
18		Ref	INCHING VALVE (See HYDRAULIC COMPONENTS SECTION for Breakdown)	
19	88591204	1	O-RING	
20	88662139	1	RUN TEE (includes item 19)	
21	84717890	1	HOSE ASSY	
22	91083310	2	ELBOW, 90, (includes item 43)	
23		Ref	BRAKE VALVE (See HYDRAULIC COMPONENTS SECTION for Breakdown)	
24	91083306	1	CONNECTOR (includes item 43)	
25	88662105	2	ELBOW, 90, (swivel nut)	
26	84717853	1	HOSE ASSY	
27	91053426	1	CONNECTOR	
28		Ref	FLOW DIVIDER VALVE (See HYDRAULIC COMPONENTS SECTION for Breakdown)	
29	84717890	1	HOSE ASSY	
30	88661305	1	UNION TEE, 3/8 TUBE	
31	84716358	1	HOSE ASSY	
32	84717893	1	HOSE ASSY	
33	84717890	1	HOSE ASSY	
34	88661109	3	MALE ELBOW, 90, 3/8 TUBE	
35	84717537	1	HOSE ASSY	
36	77133430	1	HOSE ASSY	
37	88662005	1	CONNECTOR (includes item 38)	
38	88591204	1	O-RING	
39	91123026	1	DIFFERENTIAL LOCK VALVE	
40	88201008	4	HEX HD CAPSCREW, 1/4-20X1-3/4, GR5	
41	88551009	4	LOCKWASHER, 1/4	
42	88661364	1	CAP	
43	88591206	3	O-RING	

SECTION 7 - BRAKES

FIGURE 7-9. INCHING AND PARKING BRAKE LINES (534C-6) (SN 0188166 to Present)



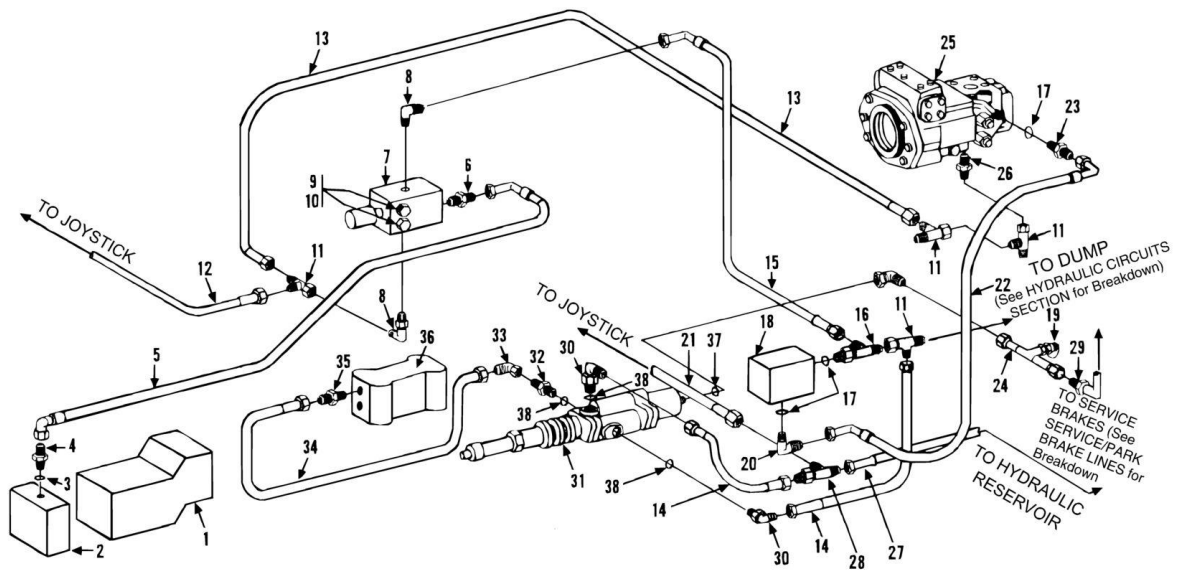
SECTION 7 - BRAKES

FIGURE 7-9. INCHING AND PARKING BRAKE LINES (534C-6) (SN 0188166 to Present)

ITEM	PART NUMBER	QTY	DESCRIPTION	REV
1		Ref	FRONT DRIVE MOTOR (See HYDRAULIC COMPONENTS SECTION for Breakdown)	
2		Ref	BRAKE ASSY (See DRIVE TRAIN SECTION for Breakdown)	
3	88591202	1	O-RING	
4	88662003	1	CONNECTOR (includes item 3)	
5	84717869	1	HOSE ASSY	
6	91083213	1	CONNECTOR	
7		Ref	SOLENOID VALVE (See HYDRAULIC COMPONENTS SECTION for Breakdown)	
8	88661109	3	MALE ELBOW, 90, 3/8 TUBE	
9	84717890	3	HOSE ASSY	
10	91083212	2	MALE BRANCH TEE	
11	84717893	1	HOSE ASSY	
12	88662139	1	RUN TEE (includes item 13)	
13	88591204	4	O-RING	
14		Ref	INCHING VALVE (See HYDRAULIC COMPONENTS SECTION for Breakdown)	
15	88662064	1	ELBOW, 90, (includes item 13)	
16	84717817	1	HOSE ASSY	
17	88662017	1	CONNECTOR (includes item 13)	
18		Ref	HYDROSTATIC TRANSMISSION ASSY (See HYDRAULIC COMPONENTS SECTION for Breakdown)	
19	91053426	1	CONNECTOR	
20	88662239	2	SWIVEL NUT RUN TEE, 3/8 TUBE	
21	84717852	1	HOSE ASSY	
22	90204096	1	HOSE ASSY	
23	88662105	3	ELBOW, 90, (swivel nut)	
24	88201008	4	HEX HD CAPSCREW, 1/4-20X1-3/4, GR5	
25	88551009	4	LOCKWASHER, 1/4	
26	84717537	1	HOSE ASSY	
27	77133430	1	HOSE ASSY	
28	88662005	1	CONNECTOR (includes item 13)	
29	91123026	1	DIFFERENTIAL LOCK VALVE	
30		Ref	FLOW DIVIDER VALVE (See HYDRAULIC COMPONENTS SECTION for Breakdown)	
31	91053426	1	CONNECTOR	
32	84717853	1	HOSE ASSY	
33	91083306	1	CONNECTOR (includes item 39)	
34		Ref	BRAKE VALVE (See HYDRAULIC COMPONENTS SECTION for Breakdown)	
35	91083310	2	ELBOW, 90, (includes item 39)	
36	88661305	1	UNION TEE, 3/8 TUBE	
37	84716358	1	HOSE ASSY	
38	77133197	1	HOSE ASSY	
39	88591206	3	O-RING	

SECTION 7 - BRAKES

FIGURE 7-10. INCHING AND PARKING BRAKE LINES (534C-6) (SN 0188251 to Present)



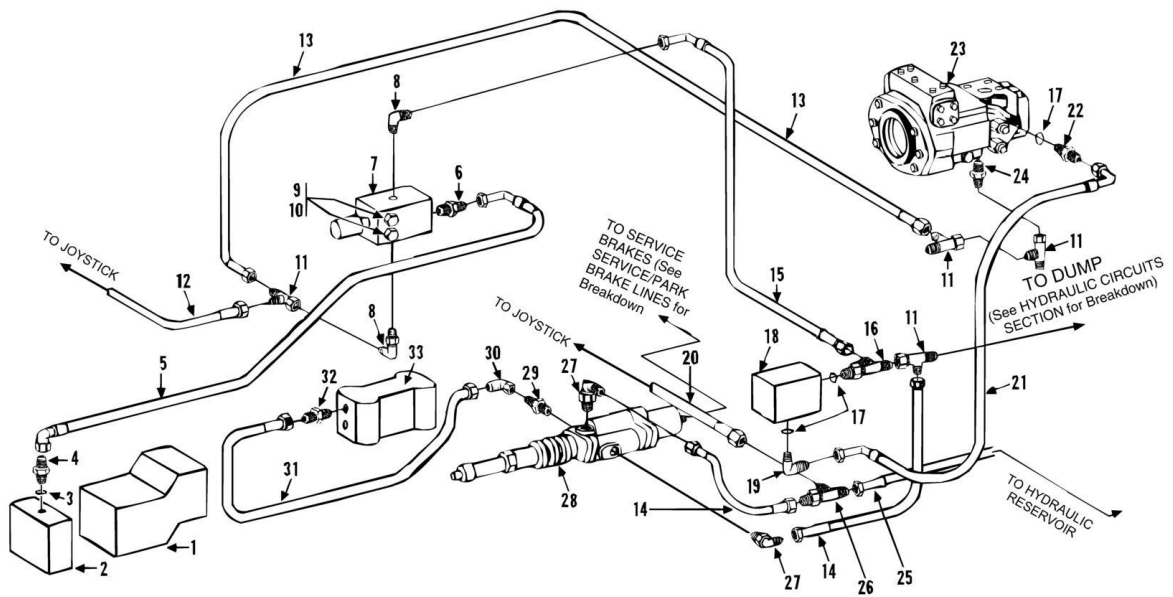
SECTION 7 - BRAKES

FIGURE 7-10. INCHING AND PARKING BRAKE LINES (534C-6) (SN 0188251 to Present)

ITEM	PART NUMBER	QTY	DESCRIPTION	REV
1		Ref	FRONT DRIVE MOTOR (See HYDRAULIC COMPONENTS SECTION for Breakdown)	
2		Ref	BRAKE ASSY (See DRIVE TRAIN SECTION for Breakdown)	
3	88591202	1	O-RING	
4	88662003	1	CONNECTOR (includes item 3)	
5	84717869	1	HOSE ASSY	
6	91083213	1	CONNECTOR	
7		Ref	SOLENOID VALVE ASSY(See HYDRAULIC COMPONENTS SECTION for Breakdown)	
8	88661109	2	MALE ELBOW, 90, 3/8 TUBE	
9	88201008	2	HEX HD CAPSCREW, 1/4-20X1-3/4, GR5	
10	88551009	2	LOCKWASHER, 1/4	
11	88662239	3	SWIVEL NUT RUN TEE, 3/8 TUBE	
12	90204096	1	HOSE ASSY	
13	84717852	1	HOSE ASSY	
14	84717890	2	HOSE ASSY	
15	84717889	1	HOSE ASSY	
16	88662139	1	RUN TEE (includes item 17)	
17	88591204	3	O-RING	
18		Ref	INCHING VALVE (See HYDRAULIC COMPONENTS SECTION for Breakdown)	
19	77133089	1	TEST FITTING	
20	88662064	1	ELBOW, 90, (includes item 17)	
21	77133197	1	HOSE ASSY	
22	84717817	1	HOSE ASSY	
23	88662017	1	CONNECTOR (includes item 17)	
24	91043163	1	TUBE ASSY	
25		Ref	HYDROSTATIC TRANSMISSION ASSY (See HYDRAULIC COMPONENTS SECTION for Breakdown)	
26	91053426	1	CONNECTOR	
27	84716726	1	HOSE ASSY	
28	88661305	1	UNION TEE, 3/8 TUBE	
29	84718021	1	HOSE ASSY	
30	91083310	2	ELBOW, 90, (includes item 38)	
31		Ref	BRAKE VALVE (See HYDRAULIC COMPONENTS SECTION for Breakdown)	
32	91083306	1	CONNECTOR (includes item 38)	
33	88662105	2	ELBOW, 90, (swivel nut)	
34	84717853	1	HOSE ASSY	
35	91053426	1	CONNECTOR	
36		Ref	FLOW DIVIDER VALVE (See HYDRAULIC COMPONENTS SECTION for Breakdown)	
37	90207856	1	COPPER GASKET	
38	88591206	3	O-RING	

SECTION 7 - BRAKES

FIGURE 7-11. INCHING AND PARKING BRAKE LINES (534C-6) (SN 0288777 to Present)



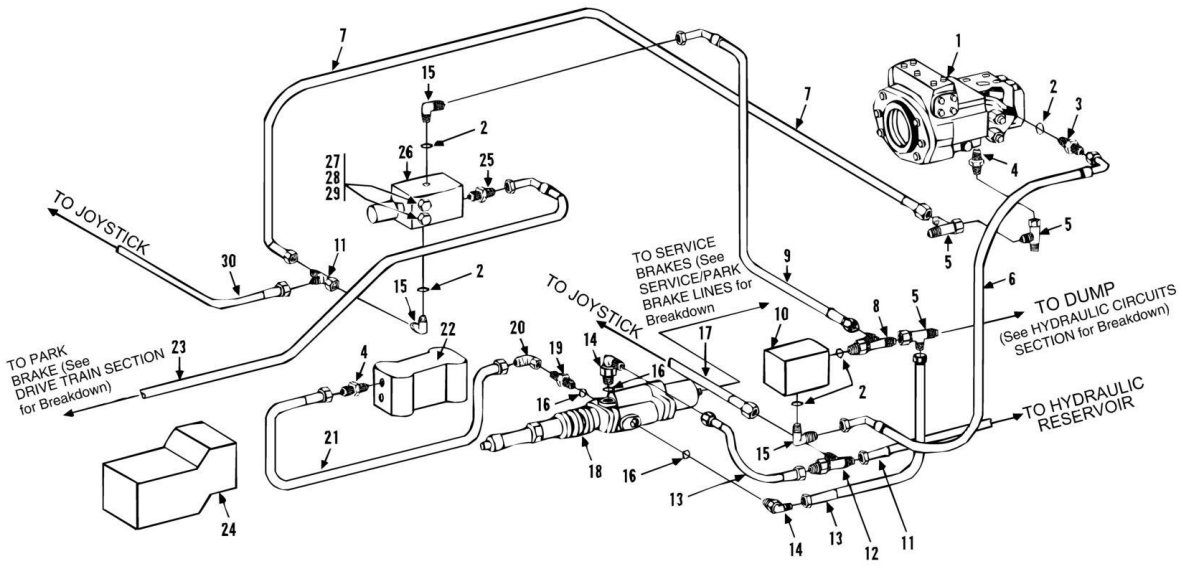
SECTION 7 - BRAKES

FIGURE 7-11. INCHING AND PARKING BRAKE LINES (534C-6) (SN 0288777 to Present)

ITEM	PART NUMBER	QTY	DESCRIPTION	REV
1		Ref	FRONT DRIVE MOTOR (See HYDRAULIC COMPONENTS SECTION for Breakdown)	
2		Ref	BRAKE ASSY (See DRIVE TRAIN SECTION for Breakdown)	
3	88591202	1	O-RING	
4	88662003	1	CONNECTOR (includes item 3)	
5	84717869	1	HOSE ASSY	
6	88662003	1	CONNECTOR	
7		Ref	SOLENOID VALVE ASSY (See HYDRAULIC COMPONENTS SECTION for Breakdown)	
8	88662064	2	MALE ELBOW, 90, (includes item 17)	
9	88201008	2	HEX HD CAPSCREW, 1/4-20X1-3/4, GR5	
10	88551009	2	LOCKWASHER, 1/4	
11	88662239	3	SWIVEL NUT RUN TEE, 3/8 TUBE	
12	84717458	1	HOSE ASSY	
13	84717852	1	HOSE ASSY	
14	84717890	2	HOSE ASSY	
15	84717889	1	HOSE ASSY	
16	88662139	1	RUN TEE (includes item 17)	
17	88591204	3	O-RING	
18		Ref	INCHING VALVE (See HYDRAULIC COMPONENTS SECTION for Breakdown)	
19	88662064	1	ELBOW, 90, (includes item 17)	
20	77133197	1	HOSE ASSY	
21	84717817	1	HOSE ASSY	
22	88662017	1	CONNECTOR (includes item 17)	
23		Ref	HYDROSTATIC TRANSMISSION ASSY (See HYDRAULIC COMPONENTS SECTION for Breakdown)	
24	91053426	1	CONNECTOR	
25	84716726	1	HOSE ASSY	
26	88661305	1	UNION TEE, 3/8 TUBE	
27	91083310	2	ELBOW, 90	
28		Ref	BRAKE VALVE (See HYDRAULIC COMPONENTS SECTION for Breakdown)	
29	91083306	1	CONNECTOR	
30	88662105	2	ELBOW, 90, (swivel nut)	
31	84717853	1	HOSE ASSY	
32	91053426	1	CONNECTOR	
33		Ref	FLOW DIVIDER VALVE (See HYDRAULIC COMPONENTS SECTION for Breakdown)	

SECTION 7 - BRAKES

FIGURE 7-12. INCHING AND PARKING BRAKE LINES (534C-6) (SN 0388247 to Present)



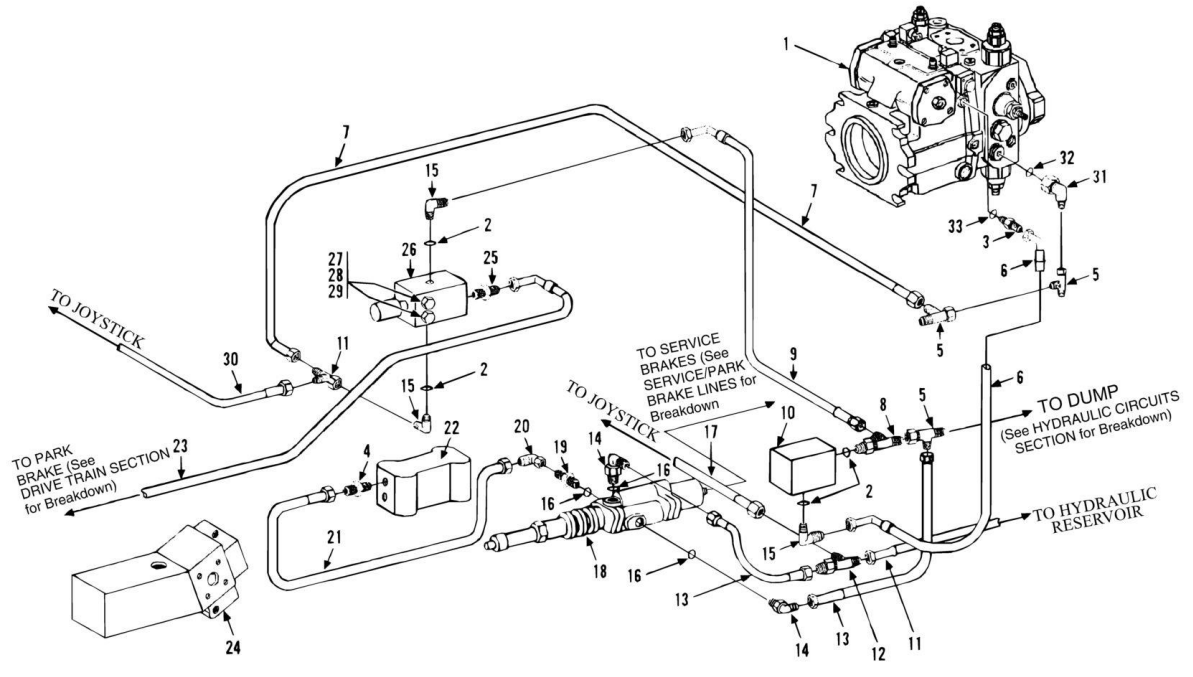
SECTION 7 - BRAKES

FIGURE 7-12. INCHING AND PARKING BRAKE LINES (534C-6) (SN 0388247 to Present)

ITEM	PART NUMBER	QTY	DESCRIPTION	REV
1		Ref	HYDROSTATIC TRANSMISSION ASSY (See HYDRAULIC COMPONENTS SECTION for Breakdown)	
2	88591204	5	O-RING	
3	88662017	1	CONNECTOR (includes item 2)	
4	91053426	2	CONNECTOR (includes o-ring)	
4	88591207	2	O-RING	
5	88662239	3	SWIVE NUT RUN TEE, 3/8 TUBE	
6	84717817	1	HOSE ASSY	
7	84717852	1	HOSE ASSY	
8	88662139	1	RUN TEE (includes item 2)	
9	84717889	1	HOSE ASSY	
10		Ref	INCHING VALVE (See HYDRAULIC COMPONENTS SECTION for Breakdown)	
11	84716726	1	HOSE ASSY	
12	88661305	1	UNION TEE, 3/8 TUBE	
13	84717890	2	HOSE ASSY	
14	91083310	2	ELBOW, 90, (includes item 16)	
15	88662064	3	ELBOW, 90, (includes item 2)	
16	88591206	3	O-RING	
17	77133197	1	HOSE ASSY	
18		Ref	BRAKE VALVE (See HYDRAULIC COMPONENTS SECTION for Breakdown)	
19	91083306	1	CONNECTOR (includes item 16)	
20	88662105	1	ELBOW, 90, (swivel nut)	
21	84717853	1	HOSE ASSY	
22		Ref	FLOW DIVIDER VALVE (See HYDRAULIC COMPONENTS SECTION for Breakdown)	
23	84718903	1	HOSE ASSY	
24		Ref	FRONT DRIVE MOTOR (See HYDRAULIC COMPONENTS SECTION for Breakdown)	
25	88662005	1	CONNECTOR (includes o-ring)	
25	88591204	1	O-RING	
26		Ref	SOLENOID VALVE ASSY (See HYDRAULIC COMPONENTS SECTION for Breakdown)	
27	88201008	2	HEX HD CAPSCREW, 1/4-20X1-3/4, GR5	
28	88561107	2	FLAT WASHER	
29	88551009	2	LOCKWASHER, 1/4	
30	90204096	1	HOSE ASSY	

SECTION 7 - BRAKES

FIGURE 7-13. INCHING AND PARKING BRAKE LINES (534C-6) (SN 0388349 to Present)



SECTION 7 - BRAKES

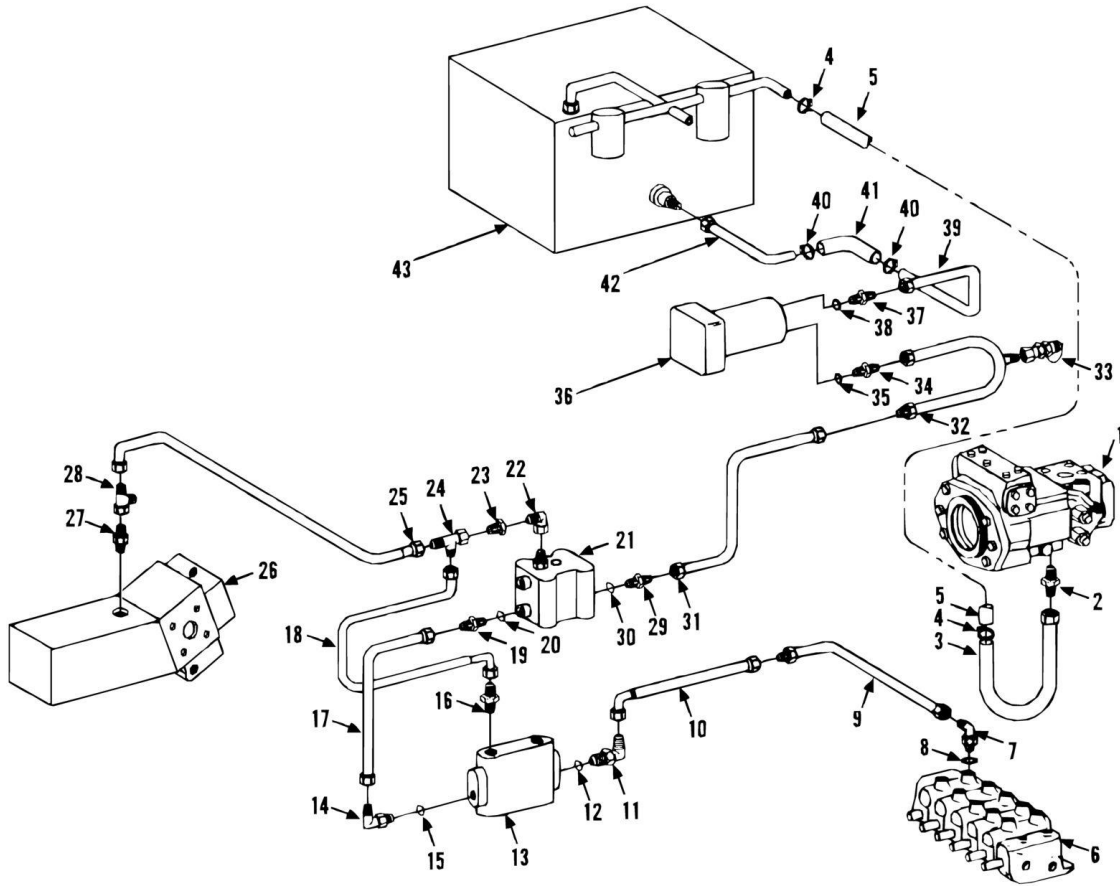
FIGURE 7-13. INCHING AND PARKING BRAKE LINES (534C-6) (SN 0388349 to Present)

ITEM	PART NUMBER	QTY	DESCRIPTION	REV
1		Ref	HYDROSTATIC TRANSMISSION ASSY (See HYDRAULIC COMPONENTS SECTION for Breakdown)	
2	88591204	5	O-RING	
3	88662018	1	CONNECTOR (includes item 33)	
4	91053426	2	CONNECTOR (includes o-ring)	
4	88591207	2	O-RING	
5	88662239	3	SWIVE NUT RUN TEE, 3/8 TUBE	
6	84717341	1	HOSE ASSY	
7	84717852	1	HOSE ASSY	
8	88662139	1	RUN TEE (includes item 2)	
9	84717889	1	HOSE ASSY	
10		Ref	INCHING VALVE (See HYDRAULIC COMPONENTS SECTION for Breakdown)	
11	84716726	1	HOSE ASSY	
12	88661305	1	UNION TEE, 3/8 TUBE	
13	84717890	2	HOSE ASSY	
14	91083310	2	ELBOW, 90, (includes item 16)	
15	88662064	3	ELBOW, 90, (includes item 2)	
16	88591206	3	O-RING	
17	77133197	1	HOSE ASSY	
18		Ref	BRAKE VALVE (See HYDRAULIC COMPONENTS SECTION for Breakdown)	
19	91083306	1	CONNECTOR (includes item 16)	
20	88662105	1	ELBOW, 90, (swivel nut)	
21	84717853	1	HOSE ASSY	
22		Ref	FLOW DIVIDER VALVE (See HYDRAULIC COMPONENTS SECTION for Breakdown)	
23	84718903	1	HOSE ASSY	
24		Ref	FRONT DRIVE MOTOR (See HYDRAULIC COMPONENTS SECTION for Breakdown)	
25	88662005	1	CONNECTOR (includes o-ring)	
25	88591204	1	O-RING	
26		Ref	SOLENOID VALVE ASSY (See HYDRAULIC COMPONENTS SECTION for Breakdown)	
27	88201008	2	HEX HD CAPSCREW, 1/4-20X1-3/4, GR5	
28	88561107	2	FLAT WASHER	
29	88551009	2	LOCKWASHER, 1/4	
30	90204096	1	HOSE ASSY	
31	91083222	1	STRAIGHT THREAD REDUCING CONNECTOR (includes item 32)	
32	88591207	1	O-RING	
33	88591205	1	O-RING	

SECTION 8 - HYDRAULIC CIRCUITS

SECTION 8 - HYDRAULIC CIRCUITS

FIGURE 8-1. OIL SUPPLY AND PRESSURE LINES (SN 0188002 to Present)



SECTION 8 - HYDRAULIC CIRCUITS

FIGURE 8-1. OIL SUPPLY AND PRESSURE LINES (SN 0188002 to Present)

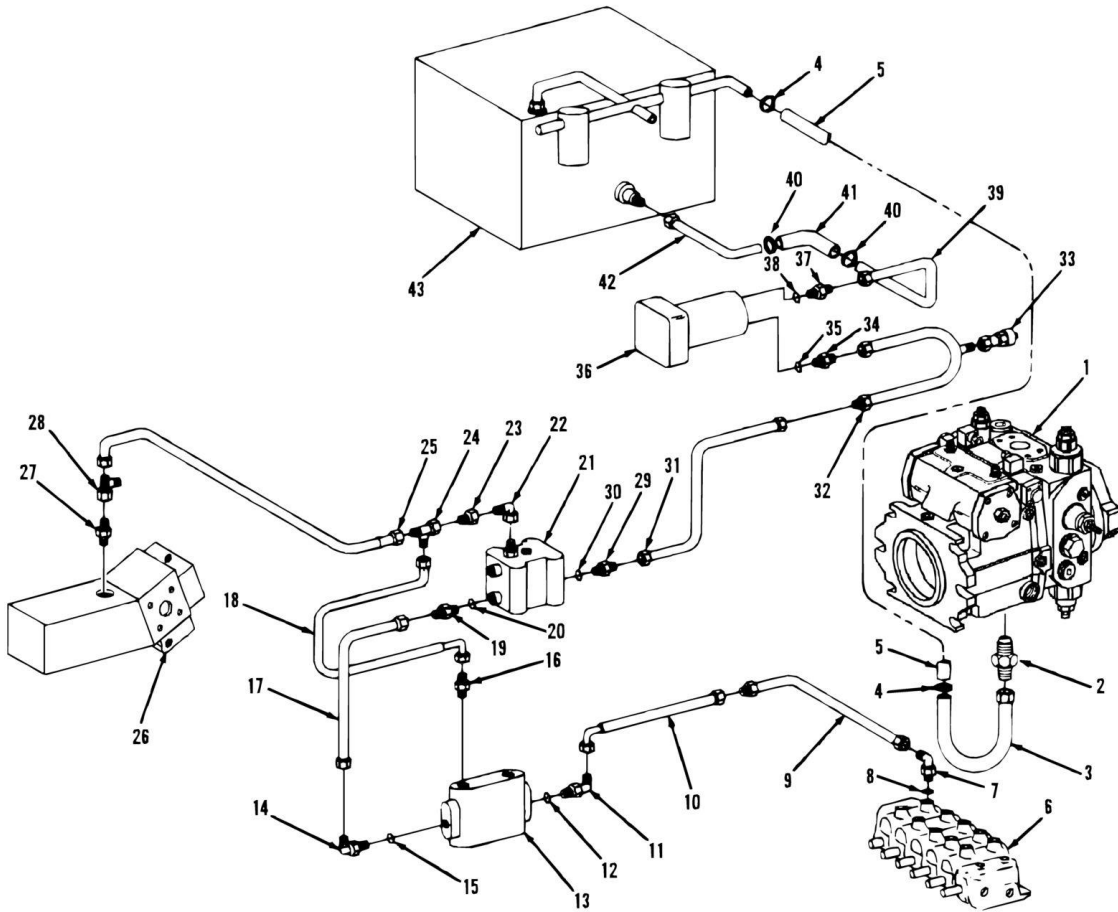
ITEM	PART NUMBER	QTY	DESCRIPTION	REV
1		Ref	HYDROSTATIC DRIVE TRANSMISSION, (See HYDRAULIC COMPONENTS SECTION for Breakdown)	
2	91083245	1	STR. THREAD CONNECTOR	
3	91083118	1	INTAKE TUBE	
4	90028695	2	BAND CLAMP	
5	91083246	1	HOSE CLAMP	
6		Ref	MAIN HYDRAULIC CONTROLVALVE - 534C-6 (See HYDRAULIC COMPONENTS SECTION for Breakdown)	
7	88662067	1	ELBOW, 90, (includes item 8)	
8	88591207	1	O-RING	
9	91083232	1	TUBE ASSY	
10	84717931	1	HOSE ASSY	
11	88662061	1	ELBOW, 90, (includes item 12)	
12	88591209	1	O-RING	
13		Ref	PRIORITY FLOW CONTROL VALVE, (See HYDRAULIC COMPONENTS SECTION for Breakdown)	
14	88662061	1	ELBOW, 90, (includes item 15)	
15	88591209	1	O-RING	
16	83661316	1	STR. THREAD CONNECTOR	
17	91083293	1	TUBE ASSY	
18	84717803	1	HOSE ASSY	
19	83662008	1	STR. THREAD CONNECTOR, (includes item 20)	
20	88591207	1	O-RING	
21		Ref	FLOW DIVIDER VALVE, (See HYDRAULIC COMPONENTS SECTION for Breakdown)	
22	88662106	1	ELBOW, 90, (swivel nut)	
23	86883469	1	REDUCER	
24	88662239	1	SWIVEL NUT RUN TEE, 3/8 TUBE	
25	84717832	1	HOSE ASSY	
26		Ref	FRT. DRIVE MOTOR ASSY - 534C-6 (See HYDRAULIC COMPONENTS SECTION for Breakdown)	
26		Ref	FRT. DRIVE MOTOR ASSY -532C-6 (See HYDRAULIC COMPONENTS SECTION for Breakdown)	
27	91083306	1	ADAPTER (includes o-ring)	
27	88591206	1	O-RING	
28	88662239	1	SWIVEL NUT RUN TEE, 3/8 TUBE	
29	88662008	1	CONNECTOR (includes item 30)	
30	88591207	1	O-RING	
31	84717907	1	HOSE ASSY	
32	91083233	1	TUBE ASSY	
33	77133089	1	TEST FITTING	
34	88662010	1	CONNECTOR (includes item 35)	
35	88591209	1	O-RING	
36		Ref	MAIN HYDRAULIC PUMP, (See HYDRAULIC COMPONENTS SECTION for Breakdown)	
37	88662011	1	CONNECTOR (includes item 38)	
38	88591210	1	O-RING	
39	91083144	1	SUCTION TUBE	
40	90028482	2	HOSE CLAMP	
41	77133166	1	HOSE ASSY	
42	91083145	1	SUCTION TUBE	

SECTION 8 - HYDRAULIC CIRCUITS

ITEM	PART NUMBER	QTY	DESCRIPTION	REV
43		Ref	HYDRAULIC RESERVOIR ASSY (See HYDRAULIC COMPONENTS SECTION for Breakdown)	

SECTION 8 - HYDRAULIC CIRCUITS

FIGURE 8-2. OIL SUPPLY AND PRESSURE LINES (SN 0388349 to Present)



SECTION 8 - HYDRAULIC CIRCUITS

FIGURE 8-2. OIL SUPPLY AND PRESSURE LINES (SN 0388349 to Present)

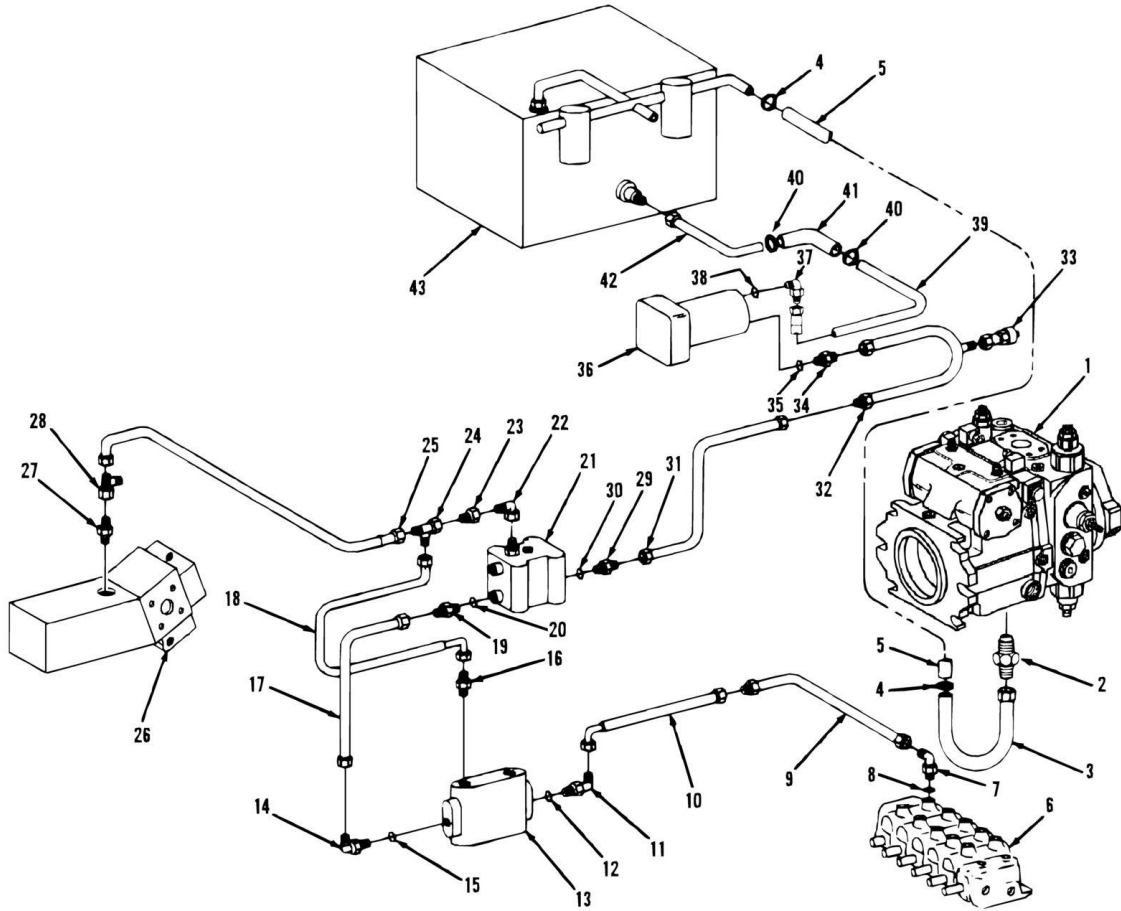
ITEM	PART NUMBER	QTY	DESCRIPTION	REV
1		Ref	HYDROSTATIC DRIVE TRANSMISSION, (See HYDRAULIC COMPONENTS SECTION for Breakdown)	
2	88662011	1	STR. THREAD CONNECTOR (includes o-ring)	
2	88591210	1	O-RING	
3	91143087	1	INTAKE TUBE	
4	90028695	2	BAND CLAMP	
5	91083246	1	HOSE CLAMP	
6		Ref	MAIN CONTROL VALVE (See HYDRAULIC COMPONENTS SECTION for Breakdown)	
7	88662067	1	ELBOW, 90, (includes item 8)	
8	88591207	1	O-RING	
9	91083232	1	TUBE ASSY	
10	84717931	1	HOSE ASSY	
11	88662061	1	ELBOW, 90, (includes item 12)	
12	88591209	1	O-RING	
13		Ref	PRIORITY FLOW CONTROL VALVE, (See HYDRAULIC COMPONENTS SECTION for Breakdown)	
14	88662061	1	ELBOW, 90, (includes item 15)	
15	88591209	1	O-RING	
16	83661316	1	STR. THREAD CONNECTOR	
17	91083293	1	TUBE ASSY	
18	84717803	1	HOSE ASSY	
19	83662008	1	STR. THREAD CONNECTOR, (includes item 20)	
20	88591207	1	O-RING	
21		Ref	FLOW DIVIDER VALVE, (See HYDRAULIC COMPONENTS SECTION for Breakdown)	
22	88662106	1	ELBOW, 90, (swivel nut)	
23	86883469	1	REDUCER	
24	88662239	1	SWIVEL NUT RUN TEE, 3/8 TUBE	
25	84717832	1	HOSE ASSY	
26		Ref	FRT. DRIVE MOTOR ASSY - 534C-6 (See HYDRAULIC COMPONENTS SECTION for Breakdown)	
26		Ref	FRT. DRIVE MOTOR ASSY -532C-6 (See HYDRAULIC COMPONENTS SECTION for Breakdown)	
27	91053426	1	ADAPTER (includes o-ring)	
27	88591207	1	O-RING	
28	88662239	1	SWIVEL NUT RUN TEE, 3/8 TUBE	
29	88662008	1	CONNECTOR (includes item 30)	
30	88591207	1	O-RING	
31	84717907	1	HOSE ASSY	
32	91083233	1	TUBE ASSY	
33	77133089	1	TEST FITTING	
34	88662010	1	CONNECTOR (includes item 35)	
35	88591209	1	O-RING	
36		Ref	MAIN HYDRAULIC PUMP, (See HYDRAULIC COMPONENTS SECTION for Breakdown)	
37	88662011	1	CONNECTOR (includes item 38)	
38	88591210	1	O-RING	
39	91083144	1	SUCTION TUBE	
40	90028482	2	HOSE CLAMP	
41	77133166	1	HOSE ASSY	

SECTION 8 - HYDRAULIC CIRCUITS

ITEM	PART NUMBER	QTY	DESCRIPTION	REV
42	91083145	1	SUCTION TUBE	
43		Ref	HYDRAULIC RESERVOIR ASSY (See HYDRAULIC COMPONENTS SECTION for Breakdown)	

SECTION 8 - HYDRAULIC CIRCUITS

FIGURE 8-3. OIL SUPPLY AND PRESSURE LINES (534C-6 TURBO) (SN 0488238 to Present)



SECTION 8 - HYDRAULIC CIRCUITS

FIGURE 8-3. OIL SUPPLY AND PRESSURE LINES (534C-6 TURBO) (SN 0488238 to Present)

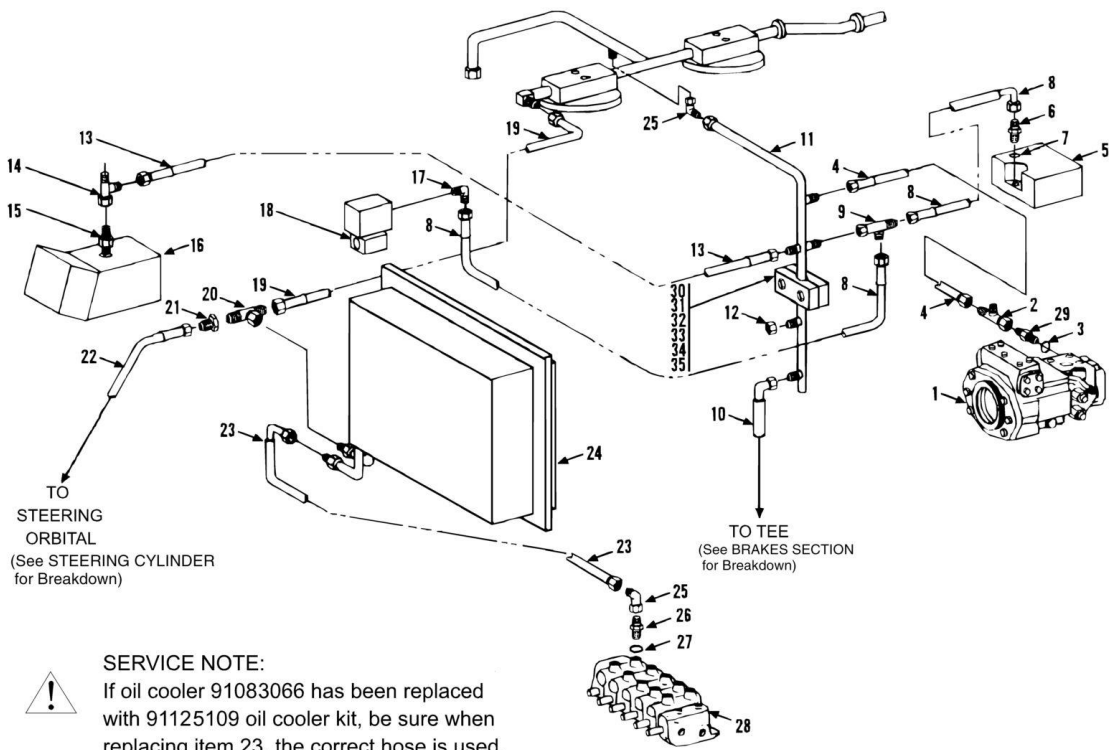
ITEM	PART NUMBER	QTY	DESCRIPTION	REV
1		Ref	HYDROSTATIC DRIVE TRANSMISSION, (See HYDRAULIC COMPONENTS SECTION for Breakdown)	
2	88662011	1	STR. THREAD CONNECTOR (includes o-ring)	
2	88591210	1	O-RING	
3	91143087	1	INTAKE TUBE	
4	90028695	2	BAND CLAMP	
5	91083246	1	HOSE CLAMP	
6		Ref	MAIN CONTROL VALVE (See HYDRAULIC COMPONENTS SECTION for Breakdown)	
7	88662067	1	ELBOW, 90, (includes item 8)	
8	88591207	1	O-RING	
9	91083232	1	TUBE ASSY	
10	84717931	1	HOSE ASSY	
11	88662061	1	ELBOW, 90, (includes item 12)	
12	88591209	1	O-RING	
13		Ref	PRIORITY FLOW CONTROL VALVE, (See HYDRAULIC COMPONENTS SECTION for Breakdown)	
14	88662061	1	ELBOW, 90, (includes item 15)	
15	88591209	1	O-RING	
16	83661316	1	STR. THREAD CONNECTOR	
17	91083293	1	TUBE ASSY	
18	84717803	1	HOSE ASSY	
19	83662008	1	STR. THREAD CONNECTOR, (includes item 20)	
20	88591207	1	O-RING	
21		Ref	FLOW DIVIDER VALVE, (See HYDRAULIC COMPONENTS SECTION for Breakdown)	
22	88662106	1	ELBOW, 90, (swivel nut)	
23	86883469	1	REDUCER	
24	88662239	1	SWIVEL NUT RUN TEE, 3/8 TUBE	
25	84717832	1	HOSE ASSY	
26		Ref	FRT. DRIVE MOTOR ASSY (See HYDRAULIC COMPONENTS SECTION for Breakdown)	
27	91053426	1	ADAPTER (includes o-ring)	
27	88591207	1	O-RING	
28	88662239	1	SWIVEL NUT RUN TEE, 3/8 TUBE	
29	88662008	1	CONNECTOR (includes item 30)	
30	88591207	1	O-RING	
31	84718758	1	HOSE ASSY	
32	91323023	1	TUBE ASSY	
33	91143172	1	TEST FITTING	
34	88662010	1	CONNECTOR (includes item 35)	
35	88591209	1	O-RING	
36		Ref	MAIN HYDRAULIC PUMP, (See HYDRAULIC COMPONENTS SECTION for Breakdown)	
37	88662090	1	CONNECTOR (includes item 38)	
38	88591210	1	O-RING	
39	91323022	1	SUCTION TUBE	
40	90028482	2	HOSE CLAMP	
41	77133166	1	HOSE ASSY	
42	91083145	1	SUCTION TUBE	

SECTION 8 - HYDRAULIC CIRCUITS

ITEM	PART NUMBER	QTY	DESCRIPTION	REV
43		Ref	HYDRAULIC RESERVOIR ASSY (See HYDRAULIC COMPONENTS SECTION for Breakdown)	

SECTION 8 - HYDRAULIC CIRCUITS

FIGURE 8-4. DUMP CIRCUIT (534C-6) (SN 0188002 to Present)



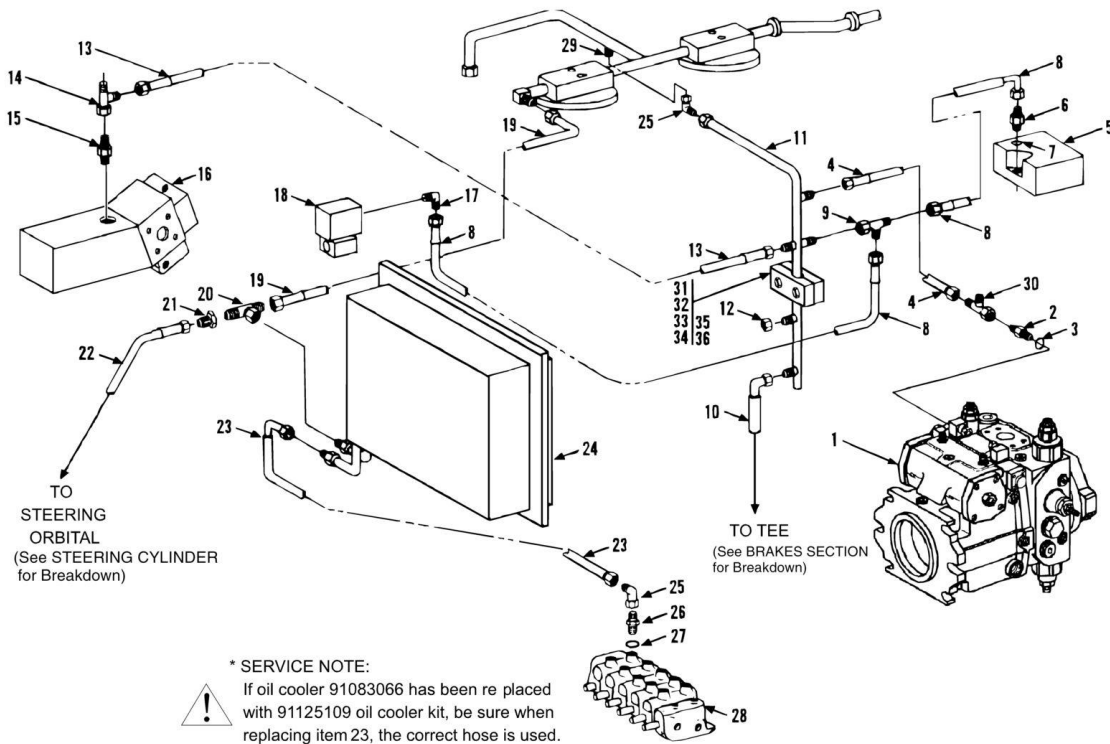
SECTION 8 - HYDRAULIC CIRCUITS

FIGURE 8-4. DUMP CIRCUIT (534C-6) (SN 0188002 to Present)

ITEM	PART NUMBER	QTY	DESCRIPTION	REV
1		Ref	HYDROSTATIC DRIVE TRANSMISSION (See HYDRAULIC COMPONENTS SECTION for Breakdown)	
2	88662240	1	SWIVEL NUT RUN TEE, 1/2IN TUBE	
3	88591207	1	O-RING	
4	84717839	1	HOSE ASSY	
5		Ref	TRACTION LOCK VALVE (See HYDRAULIC COMPONENTS SECTION for Breakdown)	
6	88662005	1	CONNECTOR (includes item 7)	
7	88591204	1	O-RING	
8	84717930	2	HOSE ASSY	
9	88662239	1	SWIVEL NUT RUN TEE, 3/8 TUBE	
10	84717908	1	HOSE ASSY	
11	91303059	1	TUBE ASSY	
12	88661362	1	HEX CAP, 1/4 TUBE	
13	84718999	1	HOSE ASSY	
14	88662239	1	SWIVEL NUT RUN TEE, 3/8 TUBE	
15	91083306	1	STR. THREAD ADAPTER (includes o-ring)	
15	88591206	1	O-RING	
16		Ref	FRONT DRIVE MOTOR ASSY (See HYDRAULIC COMPONENTS SECTION for Breakdown)	
17	88661109	1	MALE ELBOW - 90, 3/8X3/8 TUBE	
18		Ref	SOLENOID VALVE (See HYDRAULIC COMPONENTS SECTION for Breakdown)	
19	84717872	1	HOSE ASSY	
20	88662227	1	SWIVEL NUT BRANCH TEE, 3/4TUBE	
21	88661345	1	REDUCER	
21	88661408	1	NUT, 3/4 TUBE	
22	84717810	1	HOSE ASSY	
23	84717906	1	HOSE ASSY (use with 91083066)	
23	84719110	1	HOSE ASSY (use with oil cooler kit, 91125109)	
24		Ref	OIL COOLER ASSY, (See ENGINE AND ATTACHING PARTS SECTION for Breakdown)	
25	88662108	2	ELBOW, 90, (swivel nut)	
26	88662008	1	CONNECTOR(includes item 27)	
27	88591207	1	O-RING	
28		Ref	MAIN HYDRAULIC CONTROLVALVE ASSY (See HYDRAULIC COMPONENTS SECTION for Breakdown)	
29	88662008	1	STRAIGHT THREAD CONNECTOR (includes item3)	
30	77133053	1	CLAMP SET, 3/4 TUBE	
31	77133052	1	COVER PLATE	
32	88201010	2	HEX HD CAPSCREW,1/4-20X2-1/4, GR5	
33	88501004	2	HEX NUT, 1/4-20	
34	88551009	2	LOCKWASHER,1/4	
35	88561107	2	FLAT WASHER,1/4	

SECTION 8 - HYDRAULIC CIRCUITS

FIGURE 8-5. DUMP CIRCUIT (534C-6) (SN 0388349 to Present)



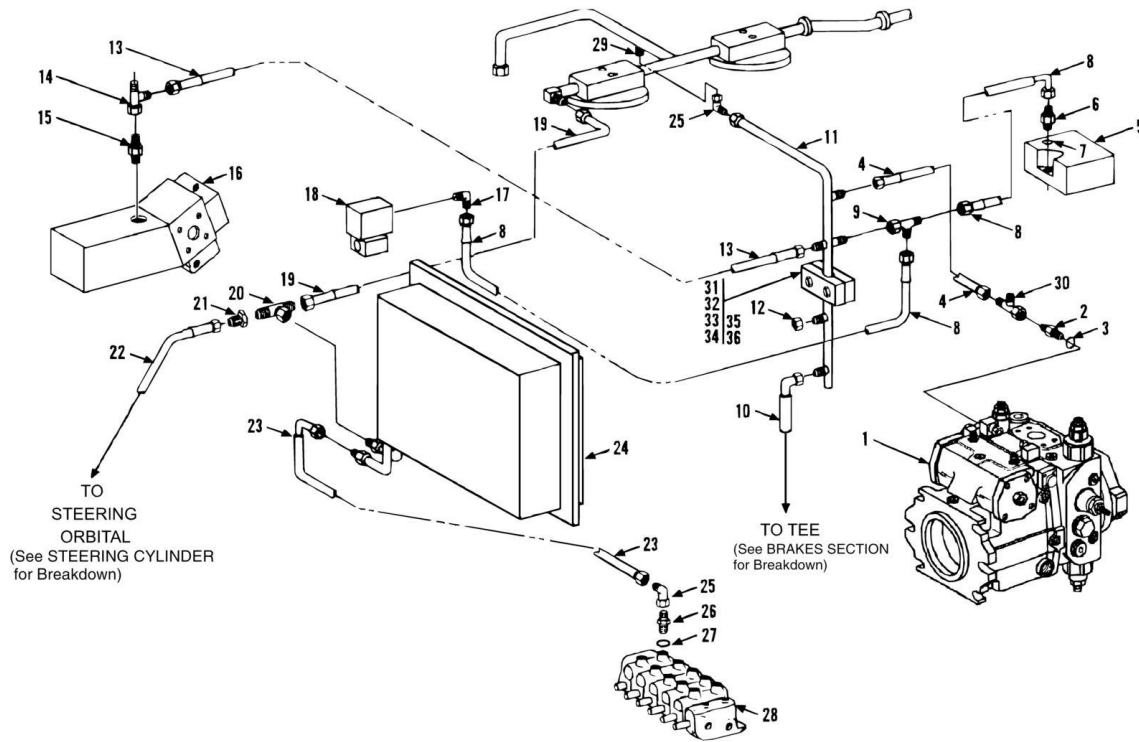
SECTION 8 - HYDRAULIC CIRCUITS

FIGURE 8-5. DUMP CIRCUIT (534C-6) (SN 0388349 to Present)

ITEM	PART NUMBER	QTY	DESCRIPTION	REV
1		Ref	HYDROSTATIC TRANSMISSION (See HYDRAULIC COMPONENTS SECTION for Breakdown)	
2	88662008	1	STRAIGHT THREAD CONNECTOR (includes item 3)	
3	88591207	1	O-RING	
4	84717839	1	HOSE ASSY	
5		Ref	TRACTION LOCK VALVE (See HYDRAULIC COMPONENTS SECTION for Breakdown)	
6	88662005	1	CONNECTOR (includes item 7)	
7	88591204	1	O-RING	
8	84717930	2	HOSE ASSY	
9	88662239	1	SWIVEL NUT RUN TEE, 3/8 TUBE	
10	84717908	1	HOSE ASSY	
11	91303059	1	TUBE ASSY	
12	88661362	1	HEX CAP, 1/4 TUBE	
13	84718999	1	HOSE ASSY	
14	88662239	1	SWIVEL NUT RUN TEE, 3/8 TUBE	
15	91053426	1	STR. THREAD ADAPTER (includes o-ring)	
15	88591207	1	O-RING	
16		Ref	FRONT DRIVE MOTOR ASSY (See HYDRAULIC COMPONENTS SECTION for Breakdown)	
17	88662064	1	ELBOW, 90, (includes o-ring)	
17	88591204	1	O-RING	
18		Ref	SOLENOID VALVE (See HYDRAULIC COMPONENTS SECTION for Breakdown)	
19	84717872	1	HOSE ASSY	
20	88662227	1	SWIVEL NUT BRANCH TEE, 3/4 TUBE	
21	88661345	1	REDUCER (includes nut)	
21	88661408	1	NUT, 3/4 TUBE	
22	84717810	1	HOSE ASSY	
23	84717906	1	HOSE ASSY(use with 91083066)	
23	84719110	1	HOSE ASSY (use with oil cooler kit, 91125109)	
24		Ref	OIL COOLER ASSY, (See ENGINE AND ATTACHING PARTS SECTION for Breakdown)	
25	88662108	2	ELBOW, 90, (swivel nut)	
26	88662008	1	CONNECTOR (includes item 27)	
27	88591207	1	O-RING	
28		Ref	MAIN HYDRAULIC CONTROL VALVE ASSY (See HYDRAULIC COMPONENTS SECTION for Breakdown)	
29	88661010	1	MALE CONNECTOR, 3/8X1/2 TUBE	
30	88662242	1	SWIVEL NUT RUN TEE, 1/2IN TUBE	
31	77133053	1	CLAMP SET, 3/4 TUBE	
32	77133052	1	COVER PLATE	
33	88201010	2	HEX HD CAPSCREW, 1/4-20X2-1/4, GR5	
34	88501004	2	HEX NUT, 1/4-20	
35	88551009	2	LOCKWASHER, 1/4	
36	88561107	2	FLATWASHER,1/4	

SECTION 8 - HYDRAULIC CIRCUITS

FIGURE 8-6. DUMP CIRCUIT (534C-6) (SN 0488238 to Present)



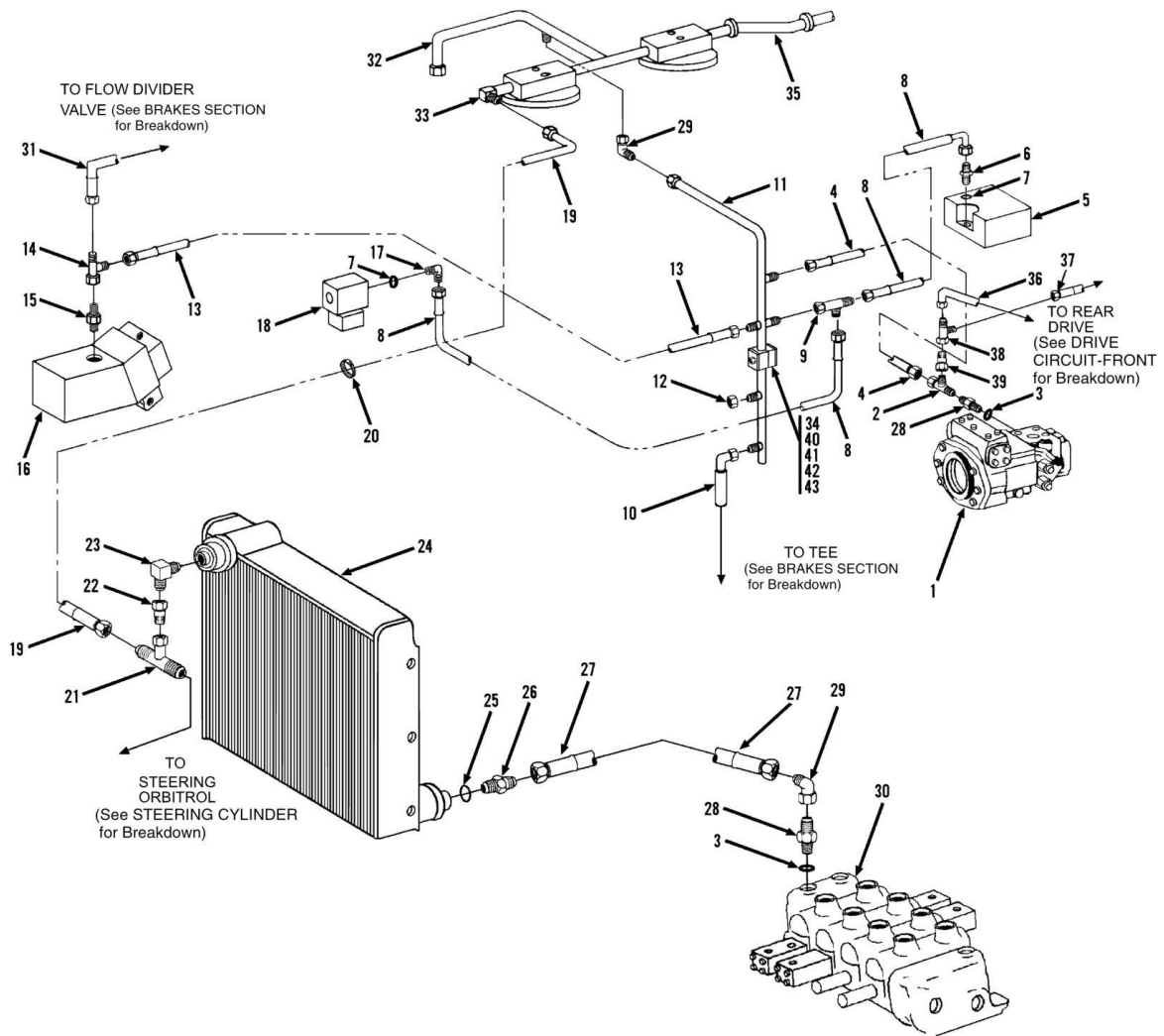
SECTION 8 - HYDRAULIC CIRCUITS

FIGURE 8-6. DUMP CIRCUIT (534C-6) (SN 0488238 to Present)

ITEM	PART NUMBER	QTY	DESCRIPTION	REV
1		Ref	HYDROSTATIC TRANSMISSION, (See HYDRAULIC COMPONENTS SECTION for Breakdown)	
2	88662008	1	STRAIGHT THREAD CONNECTOR, (includes item 3)	
3	88591207	1	O-RING	
4	84717839	1	HOSE ASSY	
5		Ref	TRACTION LOCK VALVE, (See HYDRAULIC COMPONENTS SECTION for Breakdown)	
6	88662005	1	CONNECTOR, (includes item 7)	
7	88591204	1	O-RING	
8	84717930	2	HOSE ASSY	
9	88662239	1	SWIVEL NUT RUN TEE,3/8 TUBE	
10	84717908	1	HOSE ASSY	
11	91303059	1	TUBE ASSY	
12	88661362	1	HEX CAP, 1/4 TUBE	
13	84718999	1	HOSE ASSY	
14	88662239	1	SWIVEL NUT RUN TEE,3/8 TUBE	
15	91053426	1	STRAIGHT THREAD ADAPTER, (includes o-ring)	
15	88591207	1	O-RING	
16		Ref	FRONT DRIVE MOTOR ASSY, (See HYDRAULIC COMPONENTS SECTION for Breakdown)	
17	88662064	1	ELBOW , 90, (includes o-ring)	
17	88591204	1	O-RING	
18		Ref	SOLENOID VALVE, (See HYDRAULIC COMPONENTS SECTION for Breakdown)	
19	84719109	1	HOSE ASSY	
20	88662227	1	SWIVEL NUT BRANCH TEE, 3/4 TUBE	
21	88661345	1	REDUCER, (includes nut)	
21	88661408	1	NUT, 3/4 TUBE	
22	84717810	1	HOSE ASSY	
23	84719110	1	HOSE ASSY	
24		Ref	OIL COOLER ASSY, (See ENGINE AND ATTACHING PARTS SECTION for Breakdown)	
25	88662108	2	ELBOW, 90, (swivel nut)	
26	88662008	1	CONNECTOR,(includes item 27)	
27	88591207	1	O-RING	
28		Ref	MAIN HYDRAULIC CONTROL VALVE ASSY, (See HYDRAULIC COMPONENTS SECTION for Breakdown)	
29	88661010	1	MALE CONNECTOR,3/8X1/2 TUBE	
30	88662242	1	SWIVEL NUT RUN TEE, 1/2IN TUBE	
31	77133053	1	CLAMP SET,3/4 TUBE	
32	77133052	1	COVER PLATE	
33	88201010	2	HEX HD CAPSCREW,1/4-20X2-1/4, GR5	
34	88501004	2	HEX NUT, 1/4-20	
35	88551009	2	LOCKWASHER,1/4	
36	88561107	2	FLAT WASHER, 1/4	

SECTION 8 - HYDRAULIC CIRCUITS

FIGURE 8-7. DUMP CIRCUIT (534C-6 TURBO) (SN 0388043 to Present)



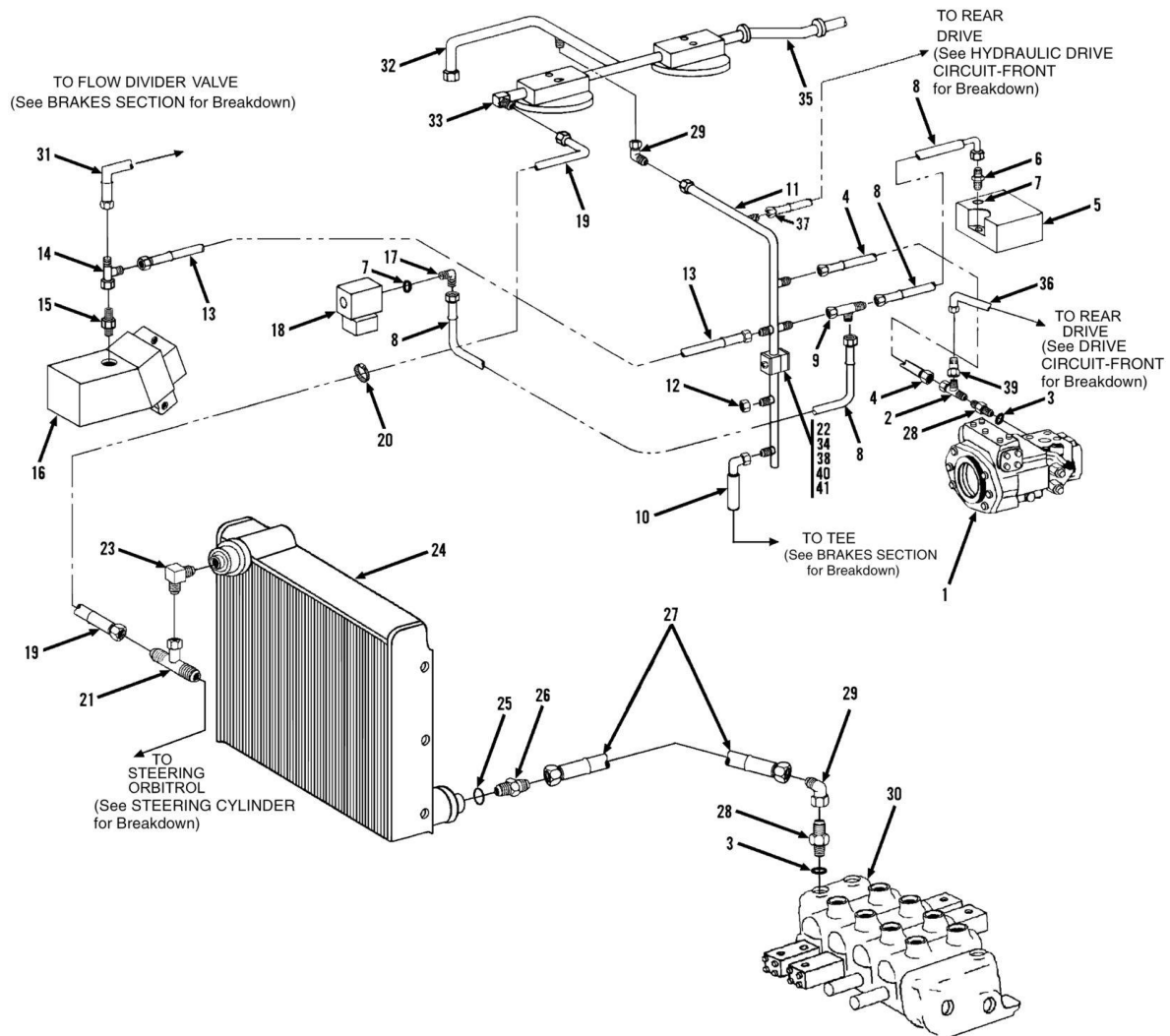
SECTION 8 - HYDRAULIC CIRCUITS

FIGURE 8-7. DUMP CIRCUIT (534C-6 TURBO) (SN 0388043 to Present)

ITEM	PART NUMBER	QTY	DESCRIPTION	REV
1		Ref	HYDROSTATIC DRIVE TRANSMISSION (See HYDRAULIC COMPONENTS SECTION for Breakdown)	
2	88662242	1	SWIVEL NUT RUN TEE, 3/4 TUBE	
3	88591207	2	O-RING (included with item 28)	
4	84717839	1	HOSE ASSY	
5		Ref	TRACTION LOCK VALVE (See HYDRAULIC COMPONENTS SECTION for Breakdown)	
6	88662005	1	CONNECTOR (includes item 7)	
7	88591204	2	O-RING	
8	84717930	2	HOSE ASSY	
9	88662239	1	SWIVEL NUT RUN TEE, 3/8 TUBE	
10	84717908	1	HOSE ASSY	
11	91303059	1	TUBE ASSY	
12	88661362	1	HEX CAP, 1/4 TUBE	
13	84718999	1	HOSE ASSY	
14	88662239	1	SWIVEL NUT RUN TEE, 3/8 TUBE	
15	91083306	1	STRAIGHT THREAD ADAPTER	
16		Ref	FRONT DRIVE MOTOR (See HYDRAULIC COMPONENTS SECTION for Breakdown)	
17	88662064	1	ELBOW, 90, (includes item 7)	
18		Ref	SOLENOID VALVE, (See HYDRAULIC COMPONENTS SECTION for Breakdown)	
19	84718644	1	HOSE ASSY	
20	85841150	1	CLAMP	
20	77143015	1	WHIZ LOCKNUT, 3/8-16	
21	86921327	1	TEE	
22	91323007	1	REDUCER	
23	83623032	1	ELBOW, 90	
24		Ref	OIL COOLER ASSY (See ENGINE AND ATTACHING PARTS SECTION for Breakdown)	
25		Ref	O-RING (included with item 26)	
26	83251287	1	ADAPTER (includes item 25)	
27	84718643	1	HOSE ASSY	
28	88662008	2	STRAIGHT THREAD ADAPTER, (includes item 3)	
29	88662108	2	ELBOW, 90, (swivel nut)	
30		Ref	MAIN CONTROL VALVE ASSY, (See HYDRAULIC COMPONENTS SECTION for Breakdown)	
31	84717832	1	HOSE ASSY	
32	91303058	1	RESERVOIR RETURN TUBE	
33	91083241	1	90, CONNECTOR	
34	88561017	2	FLAT WASHER, 1/4	
35	91083242	1	45, CONNECTOR	
36	84718183	1	HOSE ASSY	
37	84718182	1	HOSE ASSY	
38	88662240	1	SWIVEL NUT RUN TEE, 1/2 TUBE	
39	83651133	1	REDUCER	
40	77133053	1	CLAMP SET	
41	77133052	1	COVER PLATE	
42	88201010	2	HEX HD CAPSCREW, 1/4-20X2-1/4	
43	88551009	2	LOCKWASHER, 1/4	

SECTION 8 - HYDRAULIC CIRCUITS

FIGURE 8-8. DUMP CIRCUIT (534C-6 TURBO) (SN 0388349 to Present)



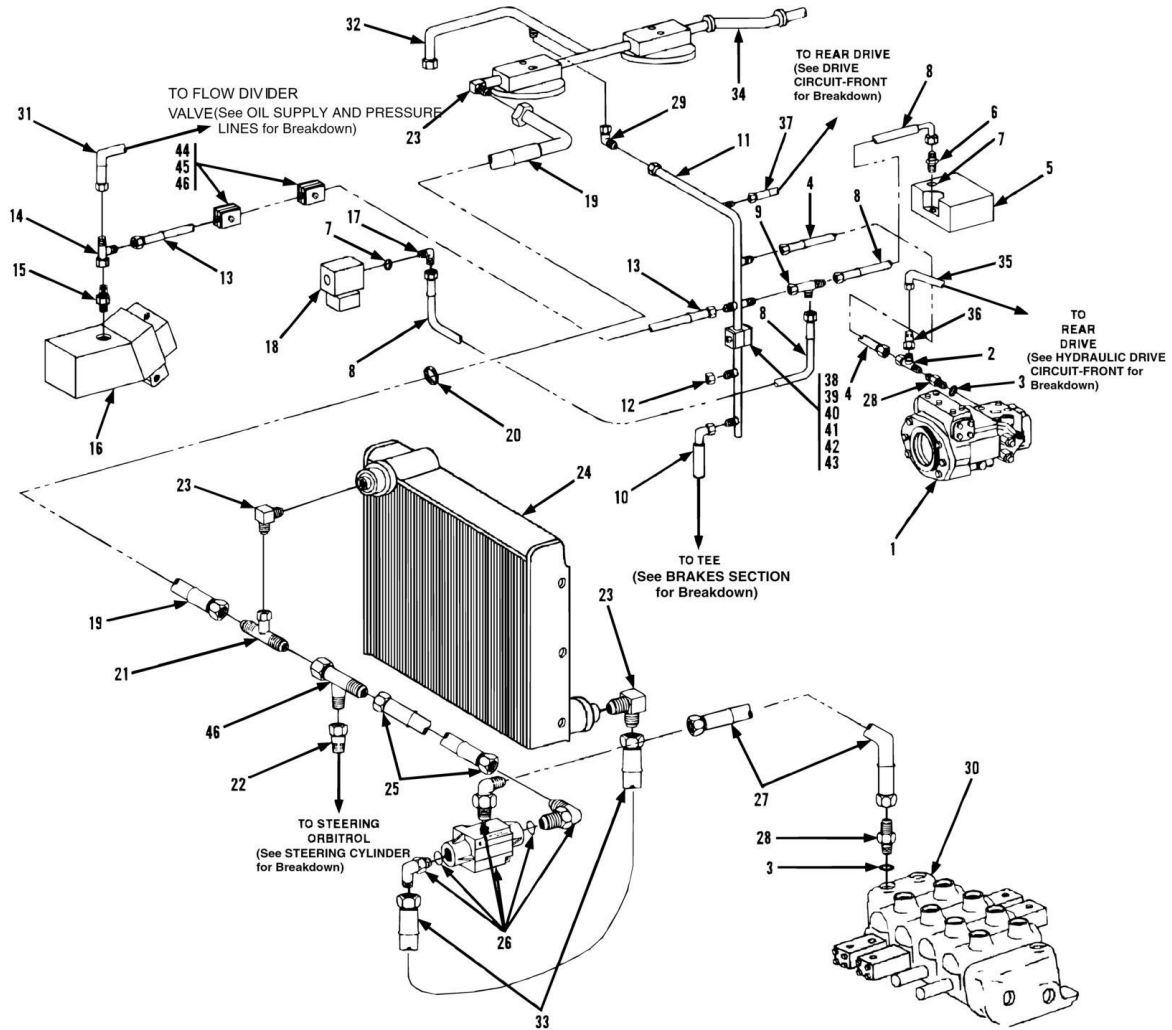
SECTION 8 - HYDRAULIC CIRCUITS

FIGURE 8-8. DUMP CIRCUIT (534C-6 TURBO) (SN 0388349 to Present)

ITEM	PART NUMBER	QTY	DESCRIPTION	REV
1		Ref	HYDROSTATIC DRIVE TRANSMISSION (See HYDRAULIC COMPONENTS SECTION for Breakdown)	
2	88662242	1	SWIVEL NUT RUN TEE, 3/4 TUBE	
3	88591207	2	O-RING (included with item 28)	
4	84717839	1	HOSE ASSY	
5		Ref	TRACTION LOCK VALVE (See HYDRAULIC COMPONENTS SECTION for Breakdown)	
6	88662005	1	CONNECTOR (includes item 7)	
7	88591204	2	O-RING	
8	84717930	2	HOSE ASSY	
9	88662239	1	SWIVEL NUT RUN TEE, 3/8 TUBE	
10	84717908	1	HOSE ASSY	
11	91323011	1	TUBE ASSY	
12	88661362	1	HEX CAP, 1/4 TUBE	
13	84718999	1	HOSE ASSY	
14	88662239	1	SWIVEL NUT RUN TEE, 3/8 TUBE	
15	91083426	1	STRAIGHT THREAD ADAPTER (includes o-ring)	
15	88591207	1	O-RING	
16		Ref	FRONT DRIVE MOTOR (See HYDRAULIC COMPONENTS SECTION for Breakdown)	
17	88662064	1	ELBOW, 90, (includes item 7)	
18		Ref	SOLENOID VALVE, (See HYDRAULIC COMPONENTS SECTION for Breakdown)	
19	84718644	1	HOSE ASSY	
20	85841150	1	CLAMP	
20	77143015	1	WHIZ LOCKNUT, 3/8-16	
21	86921327	1	TEE	
22	88551009	2	LOCKWASHER, 1/4	
23	83623032	1	ELBOW, 90	
24		Ref	OIL COOLER ASSY (See ENGINE AND ATTACHING PARTS SECTION for Breakdown)	
25		Ref	O-RING (included with item 26)	
26	83251287	1	ADAPTER (includes item 25)	
27	84718643	1	HOSE ASSY	
28	88662008	2	STRAIGHT THREAD ADAPTER, (includes item 3)	
29	88662108	2	ELBOW, 90, (swivel nut)	
30		Ref	MAIN CONTROL VALVE ASSY, (See HYDRAULIC COMPONENTS SECTION for Breakdown)	
31	84717832	1	HOSE ASSY	
32	91083516	1	RESERVOIR RETURN TUBE	
33	83623032	1	ELBOW, 90	
34	88561017	2	FLAT WASHER, 1/4	
35	91083519	1	45, CONNECTOR	
36	84718757	1	HOSE ASSY	
37	84718756	1	HOSE ASSY	
38	88201010	2	HEX HD CAPSCREW, 1/4-20X2-1/4, GR5	
39	83651133	1	REDUCER	
40	77133053	1	CLAMP SET	
41	77133052	1	COVER PLATE	

SECTION 8 - HYDRAULIC CIRCUITS

FIGURE 8-9. DUMP CIRCUIT (534C-6 TURBO) (SN 0388549 to Present)



SECTION 8 - HYDRAULIC CIRCUITS

FIGURE 8-9. DUMP CIRCUIT (534C-6 TURBO) (SN 0388549 to Present)

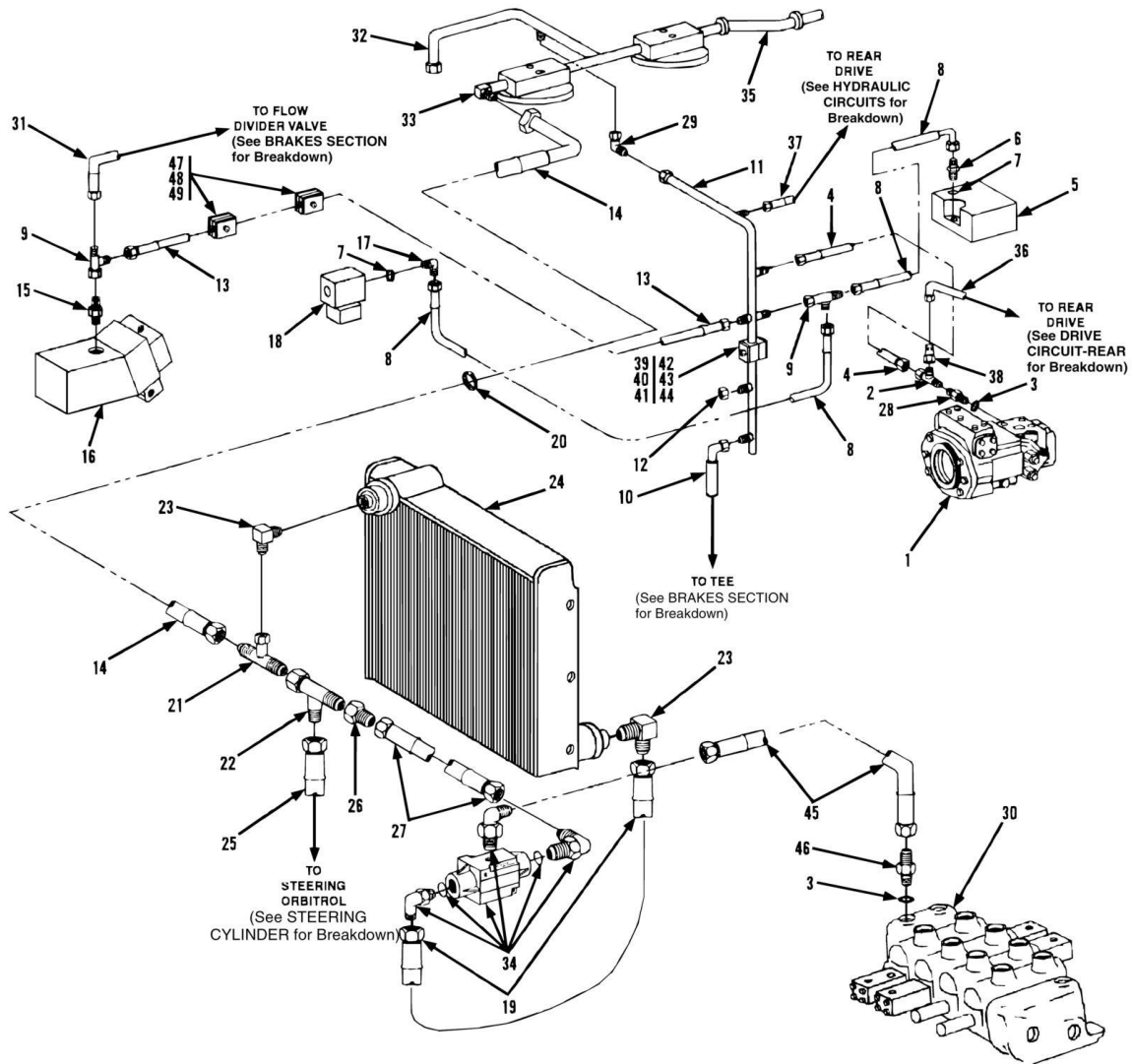
ITEM	PART NUMBER	QTY	DESCRIPTION	REV
1		Ref	HYDROSTATIC DRIVE TRANSMISSION (See HYDRAULIC COMPONENTS SECTION for Breakdown)	
2	88662242	1	SWIVEL NUT RUN TEE, 3/4 TUBE	
3	88591207	2	O-RING	
4	84717839	1	HOSE ASSY	
5		Ref	TRACTION LOCK VALVE (See HYDRAULIC COMPONENTS SECTION for Breakdown)	
6	88662005	1	CONNECTOR (includes item 7)	
7	88591204	2	O-RING	
8	84717930	2	HOSE ASSY	
9	88662239	1	SWIVEL NUT RUN TEE, 3/8 TUBE	
10	84717908	1	HOSE ASSY	
11	91323011	1	TUBE ASSY	
12	88661362	1	HEX CAP, 1/4 TUBE	
13	84718999	1	HOSE ASSY	
14	88662239	1	SWIVEL NUT RUN TEE, 3/8 TUBE	
15	91053426	1	STRAIGHT THREAD ADAPTER (includes o-ring)	
15	88591207	1	O-RING	
16		Ref	FRONT DRIVE MOTOR (See HYDRAULIC COMPONENTS SECTION for Breakdown)	
17	88662064	1	ELBOW, 90, (includes item 7)	
18		Ref	SOLENOID VALVE, (See HYDRAULIC COMPONENTS SECTION for Breakdown)	
19	84718644	1	HOSE ASSY	
20	85841150	1	CLAMP (includes nut)	
20	77143015	1	WHIZ LOCKNUT, 3/8-16	
21	86921327	1	TEE	
22	91323007	1	REDUCER	
23	83623032	3	ELBOW, 90	
24		Ref	OIL COOLER ASSY (See ENGINE AND ATTACHING PARTS for Breakdown)	
25	84718958	1	HOSE ASSY	
26		Ref	THERMAL BYPASS VALVE ASSY (See HYDRAULIC COMPONENTS SECTION for Breakdown)	
27	84718957	1	HOSE ASSY	
28	88662027	1	CONNECTOR (includes item 3)	
29	88662108	1	ELBOW, 90, (swivel nut)	
30		Ref	MAIN CONTROL VALVE ASSY (See HYDRAULIC COMPONENTS SECTION for Breakdown)	
31	84717832	1	HOSE ASSY	
32	91083516	1	RESERVOIR RETURN TUBE	
33	84718912	1	HOSE ASSY	
34	91083519	1	45, BEADED INSERT	
35	84718757	1	HOSE ASSY	
36	83651133	1	REDUCER	
37	84718756	1	HOSE ASSY	
38	77133053	1	CLAMP SET, 3/4 TUBE	
39	77133052	1	COVER PLATE	
40	88201010	2	HEX HD CAPSCREW, 1/4-20X2-1/4, GR5	
41	88501004	2	HEX NUT, 1/4-20	
42	88551009	2	LOCKWASHER, 1/4	

SECTION 8 - HYDRAULIC CIRCUITS

ITEM	PART NUMBER	QTY	DESCRIPTION	REV
43	88561107	2	FLAT WASHER, 1/4	
45	77133140	2	COVER PLATE	
46	77133177	2	HEX HD CAPSCREW, 5/16-18X1-3/8, GR5	

SECTION 8 - HYDRAULIC CIRCUITS

FIGURE 8-10. DUMP CIRCUIT (534C-6 TURBO) (SN 0488238 to Present)



SECTION 8 - HYDRAULIC CIRCUITS

FIGURE 8-10. DUMP CIRCUIT (534C-6 TURBO) (SN 0488238 to Present)

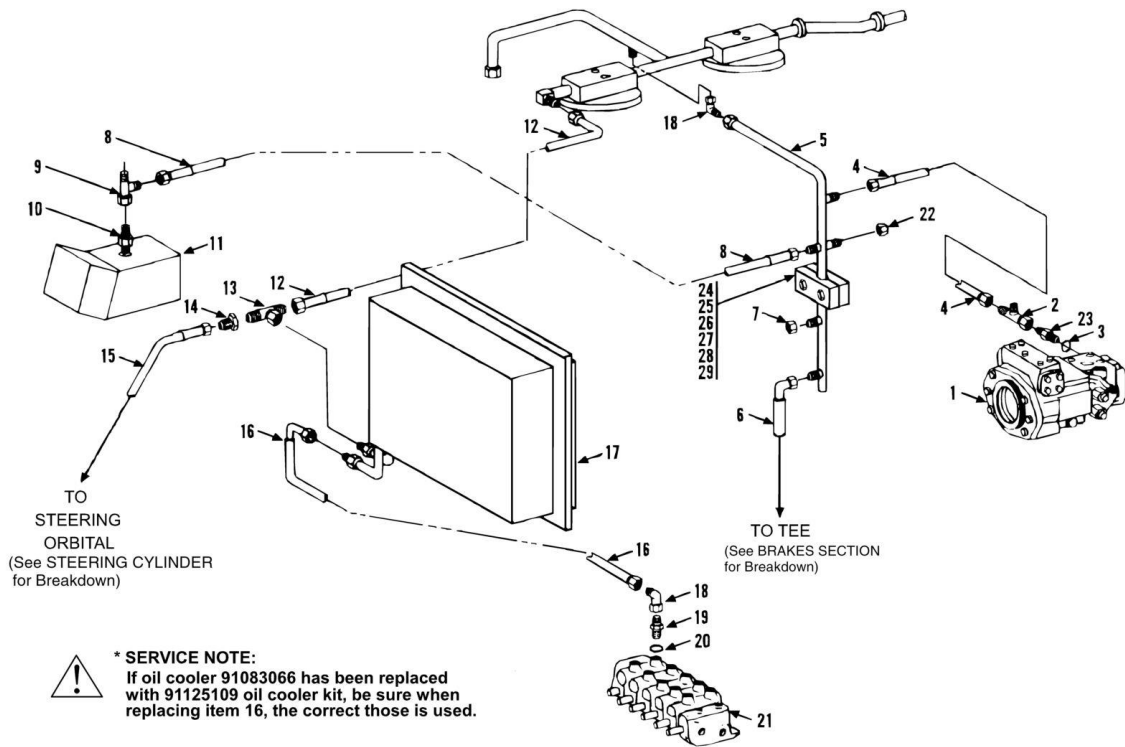
ITEM	PART NUMBER	QTY	DESCRIPTION	REV
1		Ref	HYDROSTATIC DRIVE TRANSMISSION (See HYDRAULIC COMPONENTS SECTION for Breakdown)	
2	88662242	1	SWIVEL NUT RUN TEE, 3/4 TUBE	
3	88591207	2	O-RING	
4	84717839	1	HOSE ASSY	
5		Ref	TRACTION LOCK VALVE (See HYDRAULIC COMPONENTS SECTION for Breakdown)	
6	88662005	1	CONNECTOR (includes item 7)	
7	88591204	2	O-RING	
8	84717930	2	HOSE ASSY	
9	88662239	2	SWIVEL NUT RUN TEE, 3/8 TUBE	
10	84717908	1	HOSE ASSY	
11	91323011	1	TUBE ASSY	
12	88661362	1	HEX CAP, 1/4 TUBE	
13	84718999	1	HOSE ASSY	
14	84718644	1	HOSE ASSY	
15	91053426	1	STRAIGHT THREAD ADAPTER (includes o-ring)	
15	88591207	1	O-RING	
16		Ref	FRONT DRIVE MOTOR (See HYDRAULIC COMPONENTS SECTION for Breakdown)	
17	88662064	1	ELBOW, 90, (includes item 7)	
18		Ref	SOLENOID VALVE, (See HYDRAULIC COMPONENTS SECTION for Breakdown)	
19	84718912	1	HOSE ASSY	
20	85841150	1	CLAMP (includes nut)	
20	77143015	1	WHIZ LOCKNUT, 3/8-16	
21	86921327	1	SWIVEL NUT RUN TEE	
22	88662244	1	SWIVEL NUT RUN TEE, 1IN TUBE	
23	83623032	2	ELBOW, 90	
24		Ref	OIL COOLER ASSY (See ENGINE AND ATTACHING PARTS SECTION for Breakdown)	
25	84717810	1	HOSE ASSY	
26	91323007	1	REDUCER	
27	84718958	1	HOSE ASSY	
28	88662008	1	CONNECTOR (includes item 3)	
29	88662108	1	ELBOW, 90, (swivel nut)	
30		Ref	MAIN CONTROL VALVE ASSY (See HYDRAULIC COMPONENTS SECTION for Breakdown)	
31	84717832	1	HOSE ASSY	
32	91083516	1	RESERVOIR RETURN TUBE	
33	83623032	1	ELBOW, 90	
34		Ref	THERMAL BYPASS VALVE ASSY (See HYDRAULIC COMPONENTS SECTION for Breakdown)	
35	91083519	1	45, BEADED INSERT	
36	84718757	1	HOSE ASSY	
37	84718756	1	HOSE ASSY	
38	83651133	1	REDUCER	
39	77133053	1	CLAMP SET	
40	77133052	1	COVER PLATE	
41	88551009	2	LOCKWASHER, 1/4	
42	88501004	2	HEX NUT, 1/4-20	

SECTION 8 - HYDRAULIC CIRCUITS

ITEM	PART NUMBER	QTY	DESCRIPTION	REV
43	88561107	2	FLAT WASHER, 1/4	
44	88201010	2	HEX HD CAPSCREW, 1/4-20X2-1/4, GR5	
45	84718957	1	HOSE ASSY	
46	88662027	1	CONNECTOR (includes item 3)	
48	77133140	2	COVER PLATE	
49	77133177	2	HEX HD CAPSCREW, 5/16-18X1-3/8	

SECTION 8 - HYDRAULIC CIRCUITS

FIGURE 8-11. DUMP CIRCUIT (532C-6) (SN 0188002 to Present)



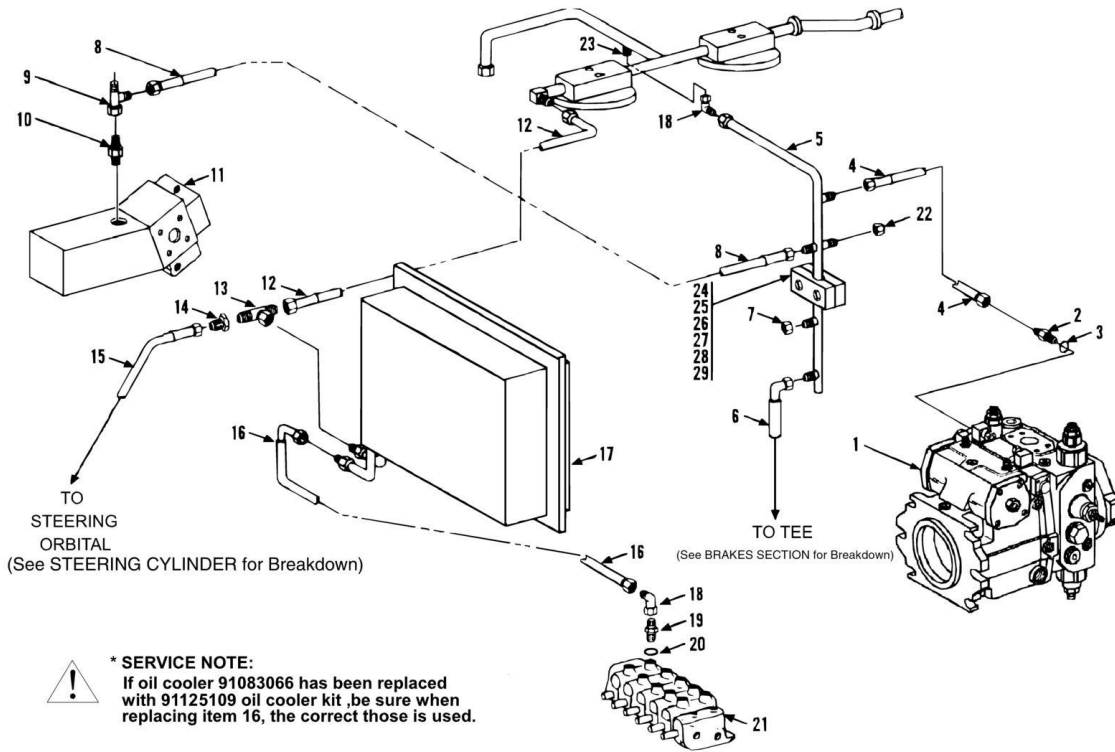
SECTION 8 - HYDRAULIC CIRCUITS

FIGURE 8-11. DUMP CIRCUIT (532C-6) (SN 0188002 to Present)

ITEM	PART NUMBER	QTY	DESCRIPTION	REV
1		Ref	HYDROSTATIC DRIVE TRANSMISSION (See HYDRAULIC COMPONENTS SECTION for Breakdown)	
2	88662240	1	SWIVEL NUT RUN TEE, 1/2 TUBE	
3	88591207	1	O-RING	
4	84717839	1	HOSE ASSY	
5	91303059	1	TUBE ASSY	
6	84717908	1	HOSE ASSY	
7	88661362	1	CAP	
8	84718999	1	HOSE ASSY	
9	88662239	1	SWIVEL NUT RUN TEE, 3/8 TUBE	
10	91083306	1	STRAIGHT THREAD ADAPTER (includes o-ring)	
10	88591206	1	O-RING	
11		Ref	FRONT DRIVE MOTOR ASSY (See HYDRAULIC COMPONENTS SECTION for Breakdown)	
12	84717872	1	HOSE ASSY	
13	88662227	1	SWIVEL NUT BRANCH TEE, 3/4 TUBE	
14	88661345	1	REDUCER	
14	88661408	1	NUT, 3/4 TUBE	
15	84717810	1	HOSE ASSY	
16	84717906	1	HOSE ASSY (use with 91083066)	
16	84719110	1	HOSE ASSY (use with oil cooler kit, 91125109)	
17		Ref	OIL COOLER ASSY (See ENGINE AND ATTACHING PARTS SECTION for Breakdown)	
18	88662108	2	ELBOW, 90, (swivel nut)	
19	88662008	1	CONNECTOR (includes item 20)	
20	88591207	1	O-RING	
21		Ref	MAIN CONTROL VALVE (See HYDRAULIC COMPONENTS SECTION for Breakdown)	
22	88661364	1	HEX CAP, 3/8 TUBE	
23	88662008	1	CONNECTOR (includes item 3)	
24	77133053	1	CLAMP SET, 3/4 TUBE	
25	77133052	1	COVER PLATE	
26	88201010	2	HEX HD CAPSCREW, 1/4-20X2-1/4, GR5	
27	88501004	2	HEX NUT, 1/4-20	
28	88551009	2	LOCKWASHER, 1/4	
29	88561107	2	FLAT WASHER, 1/4	

SECTION 8 - HYDRAULIC CIRCUITS

FIGURE 8-12. DUMP CIRCUIT (532C-6) (SN 0388349 to Present)



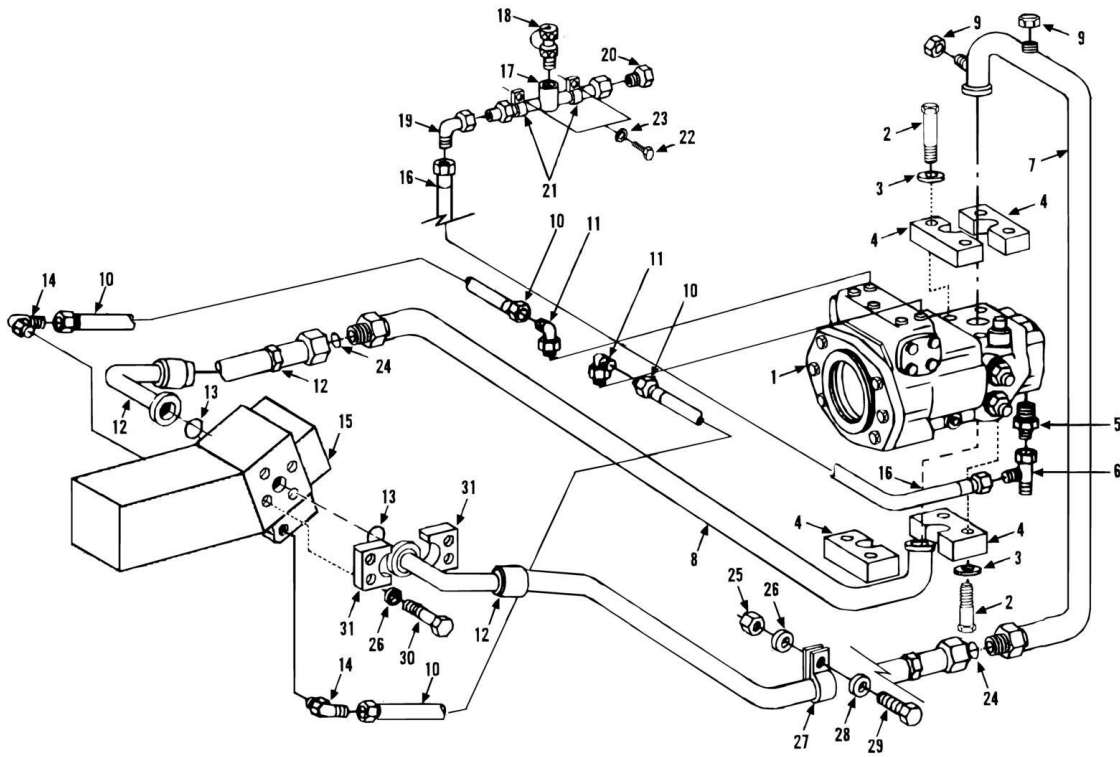
SECTION 8 - HYDRAULIC CIRCUITS

FIGURE 8-12. DUMP CIRCUIT (532C-6) (SN 0388349 to Present)

ITEM	PART NUMBER	QTY	DESCRIPTION	REV
1		Ref	HYDROSTATIC DRIVE TRANSMISSION (See HYDRAULIC COMPONENTS SECTION for Breakdown)	
2	88662008	1	CONNECTOR (includes item 3)	
3	88591207	1	O-RING	
4	84717839	1	HOSE ASSY	
5	91303059	1	TUBE ASSY	
6	84717908	1	HOSE ASSY	
7	88661362	1	CAP	
8	84718999	1	HOSE ASSY	
9	88662239	1	SWIVEL NUT RUN TEE, 3/8 TUBE	
10	91053426	1	STRAIGHT THREAD ADAPTER (includes o-ring)	
10	88591207	1	O-RING	
11		Ref	FRONT DRIVE MOTOR ASSY (See HYDRAULIC COMPONENTS SECTION for Breakdown)	
12	84717872	1	HOSE ASSY	
13	88662227	1	SWIVEL NUT BRANCH TEE, 3/4 TUBE	
14	88661345	1	REDUCER (includes nut)	
14	88661408	1	NUT, 3/4 TUBE	
15	84717810	1	HOSE ASSY	
16	84717906	1	HOSE ASSY (use with 91083066)	
16	84719110	1	HOSE ASSY (use with oil cooler kit, 91125109)	
17		Ref	OIL COOLER ASSY (See ENGINE AND ATTACHING PARTS SECTION for Breakdown)	
18	88662108	2	ELBOW, 90, (swivel nut)	
19	88662008	1	CONNECTOR (includes item 20)	
20	88591207	1	O-RING	
21		Ref	MAIN CONTROL VALVE (See HYDRAULIC COMPONENTS SECTION for Breakdown)	
22	88661364	1	HEX CAP, 3/8 TUBE	
23	88661010	1	MALE CONNECTOR, 3/8X1/2 TUBE	
24	77133053	1	CLAMP SET, 3/4 TUBE	
25	77133052	1	COVER PLATE	
26	88201010	2	HEX HD CAPSCREW, 1/4-20X2-1/4, GR5	
27	88501004	2	HEX NUT, 1/4-20	
28	88551009	2	LOCKWASHER, 1/4	
29	88561107	2	FLATWASHER, 1/4	

SECTION 8 - HYDRAULIC CIRCUITS

FIGURE 8-13. DRIVE CIRCUIT (532C-6) (SN 0188002 to Present)



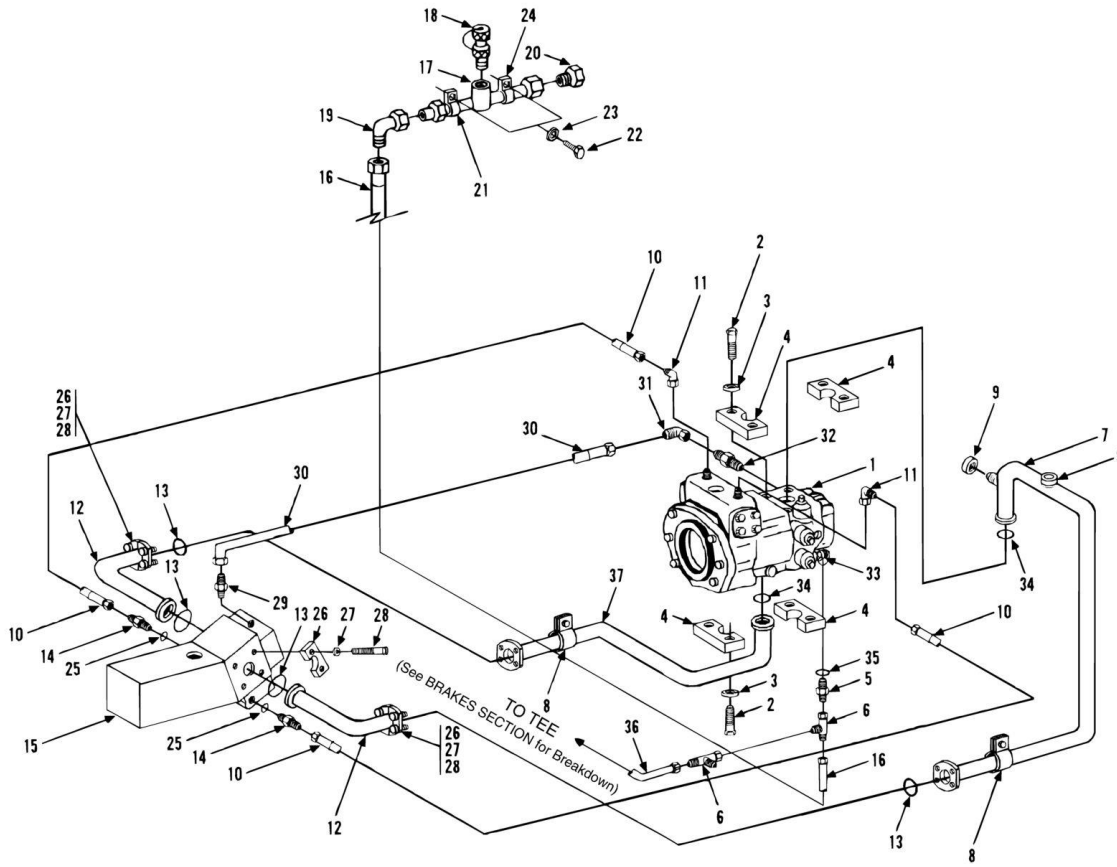
SECTION 8 - HYDRAULIC CIRCUITS

FIGURE 8-13. DRIVE CIRCUIT (532C-6) (SN 0188002 to Present)

ITEM	PART NUMBER	QTY	DESCRIPTION	REV
1		Ref	HYDROSTATIC TRANSMISSION ASSY (See HYDRAULIC COMPONENTS SECTION for Breakdown)	
2	83201135	8	HEX HD CAPSCREW, 7/16-14X1-1/2, GR8	
3	88551012	8	LOCKWASHER, 7/16	
4	84712738	4	FLANGE HALF	
5	91083426	1	CONNECTOR	
6	88662239	1	SWIVEL NUT RUN TEE, 3/8 TUBE	
7	91083104	1	TUBE ASSY	
8	91093001	1	TUBE ASSY	
9	84714006	2	CAP	
10	84717913	2	HOSE ASSY	
11	88662062	2	ELBOW, 90, (includes o-ring)	
11	88591202	2	O-RING	
12	84717897	2	HOSE ASSY	
13	91083339	2	O-RING	
14	88662062	2	ELBOW, 90, (includes o-ring)	
14	88591202	2	O-RING	
15		Ref	FRONT DRIVE MOTOR, (See HYDRAULIC COMPONENTS SECTION for Breakdown)	
16	84717830	1	HOSE ASSY	
17	91043163	1	TUBE ASSY	
18	77133089	1	TEXT COUPLING	
19	88662105	1	ELBOW, 90, (swivel nut)	
20	88661384	2	HEX CAP, 3/8 TUBE	
21	24861170	2	TUBE CLIP	
22	88201003	2	HEX HD CAPSCREW, 1/4-20X3/4, GR5	
23	88551009	2	LOCKWASHER, 1/4	
24	88591509	2	O-RING	
25	88501008	2	HEX NUT, 1/2-13	
26	88551013	10	LOCKWASHER, 1/2	
27	90028660	2	SUPPORT CLAMP	
28	88561111	2	FLAT WASHER, 1/2	
29	88201066	2	HEX HD CAPSCREW, 1/2-13X1-1/4, GR5	
30	83201120	8	HEX HD CAPSCREW 1/2-13X1-3/4, GR5	
31	84712739	4	FLANGE HALF	

SECTION 8 - HYDRAULIC CIRCUITS

FIGURE 8-14. DRIVE CIRCUIT (532C-6) (SN 0188256 to Present)



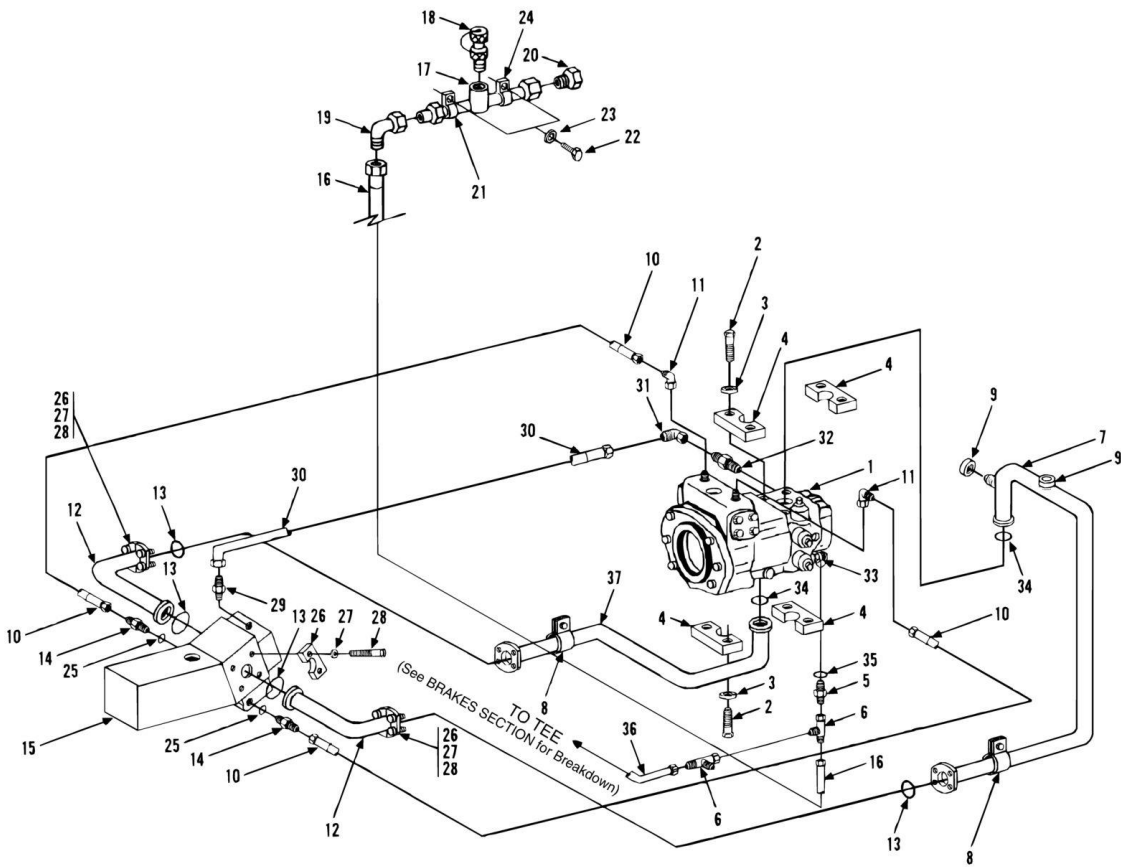
SECTION 8 - HYDRAULIC CIRCUITS

FIGURE 8-14. DRIVE CIRCUIT (532C-6) (SN 0188256 to Present)

ITEM	PART NUMBER	QTY	DESCRIPTION	REV
1		Ref	HYDROSTATIC TRANSMISSION ASSY (See HYDRAULIC COMPONENTS SECTION for Breakdown)	
2	83201135	8	HEX HD CAPSCREW, 7/16-14X1-1/2, GR8	
3	88551012	8	LOCKWASHER, 7/16	
4	84712738	4	FLANGE HALF	
5	91053426	1	CONNECTOR (includes item 35)	
6	88662239	2	SWIVEL NUT RUN TEE, 3/8 TUBE	
7	91083419	1	TUBE ASSY	
8	90205792	2	CUSHION CLAMP	
9	84714006	2	CAP	
10	84717913	2	HOSE ASSY	
11	88662062	2	ELBOW, 90, (includes o-ring)	
11	88591202	2	O-RING	
12	84718474	2	HOSE ASSY	
13	91083339	4	O-RING	
14	88662003	2	CONNECTOR (includes item 25)	
15		Ref	FRONT DRIVE MOTOR, (See HYDRAULIC COMPONENTS SECTION for Breakdown)	
16	84717830	1	HOSE ASSY	
17	91043163	1	TUBE ASSY	
18	77133089	1	TEST COUPLING	
19	88662105	1	ELBOW, 90, (swivel nut)	
20	88661384	2	HEX CAP, 3/8 TUBE	
21	24861170	2	TUBE CLIP	
22	88201003	2	HEX HD CAPSCREW, 1/4-20X3/4, GR5	
23	88551009	2	LOCKWASHER, 1/4	
24	86621230	1	TUBE CLIP	
25	88591202	2	O-RING	
26	84712739	8	FLANGE HALF	
27	88561013	16	LOCKWASHER, 1/2	
28	83201120	16	HEX HD CAPSCREW, 1/2-13X1-3/4, GR5	
29	91083342	1	STRAIGHT THREAD CONNECTOR	
30	84717983	1	HOSE ASSY	
31	88662119	1	ELBOW, 45, (swivel nut)	
32	88662018	1	CONNECTOR (includes o-ring)	
32	88591205	1	O-RING	
33	91083475	2	STAUFF TEST COUPLING	
34	91083106	2	O-RING	
35	88591207	1	O-RING	
36	84717852	1	HOSE ASSY	
37	91083095	1	TUBE ASSY	

SECTION 8 - HYDRAULIC CIRCUITS

FIGURE 8-15. DRIVE CIRCUIT (532C-6) (SN 0388247 to Present)



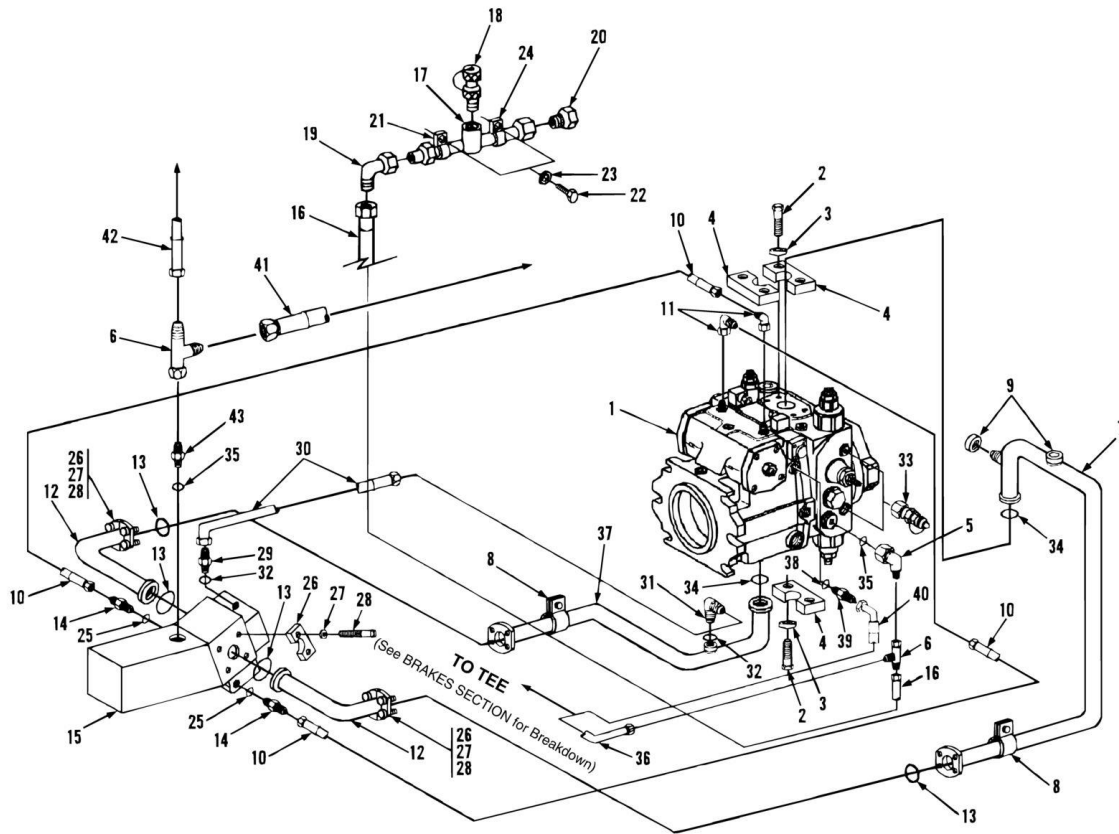
SECTION 8 - HYDRAULIC CIRCUITS

FIGURE 8-15. DRIVE CIRCUIT (532C-6) (SN 0388247 to Present)

ITEM	PART NUMBER	QTY	DESCRIPTION	REV
1		Ref	HYDROSTATIC TRANSMISSION ASSY (See HYDRAULIC COMPONENTS SECTION for Breakdown)	
2	83201135	8	HEX HD CAPSCREW, 7/16-14X1-1/2, GR8	
3	88551012	8	LOCKWASHER, 7/16	
4	84712738	4	FLANGE HALF	
5	91053426	1	CONNECTOR (includes item 35)	
6	88662239	2	SWIVEL NUT RUN TEE, 3/8 TUBE	
7	91083419	1	TUBE ASSY	
8	90205792	2	CUSHION CLAMP	
9	84714006	2	CAP	
10	84717913	2	HOSE ASSY	
11	88662062	2	ELBOW, 90, (includes o-ring)	
11	88591202	2	O-RING	
12	84718527	2	HOSE ASSY	
13	91083339	4	O-RING	
14	88662003	2	CONNECTOR (includes item 25)	
15		Ref	FRONT DRIVE MOTOR, (See HYDRAULIC COMPONENTS SECTION for Breakdown)	
16	84717830	1	HOSE ASSY	
17	91043163	1	TUBE ASSY	
18	77133089	1	TEST COUPLING	
19	88662105	1	ELBOW, 90, (swivel nut)	
20	88661384	2	HEX CAP, 3/8 TUBE	
21	24861170	2	TUBE CLIP	
22	88201003	2	HEX HD CAPSCREW, 1/4-20X3/4, GR5	
23	88551009	2	LOCKWASHER, 1/4	
24	86621230	1	TUBE CLIP	
25	88591202	2	O-RING	
26	84712739	8	FLANGE HALF	
27	88561013	16	LOCKWASHER, 1/2	
28	83201120	16	HEX HD CAPSCREW, 1/2-13X1-3/4, GR5	
29	91083342	1	STRAIGHT THREAD CONNECTOR	
30	84717983	1	HOSE ASSY	
31	88662119	1	ELBOW, 45, (swivel nut)	
32	88662018	1	CONNECTOR (includes o-ring)	
32	88591205	1	O-RING	
33	91053020	2	STAUFF TEST COUPLING	
34	91083106	2	O-RING	
35	88591207	1	O-RING	
36	84717852	1	HOSE ASSY	
37	91083095	1	TUBE ASSY	

SECTION 8 - HYDRAULIC CIRCUITS

FIGURE 8-16. DRIVE CIRCUIT (532C-6) (SN 0388349 to Present)



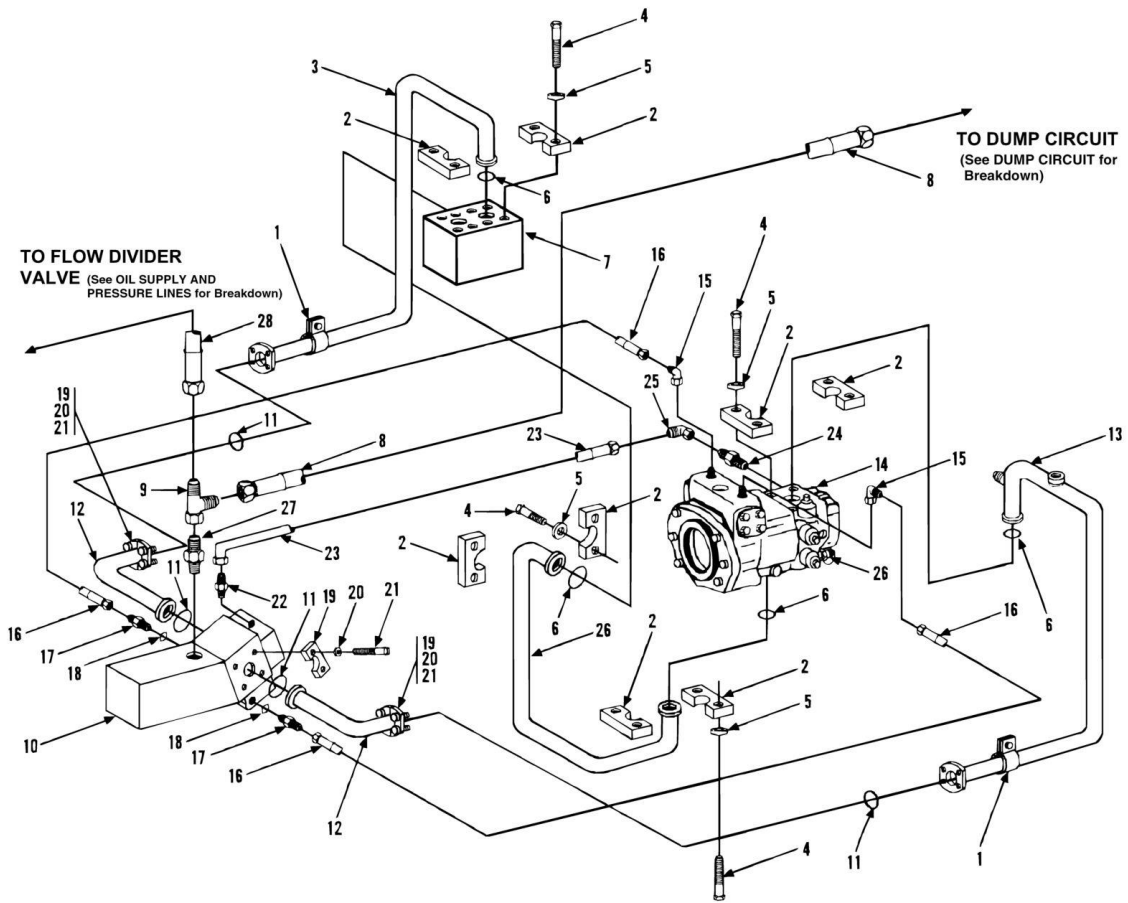
SECTION 8 - HYDRAULIC CIRCUITS

FIGURE 8-16. DRIVE CIRCUIT (532C-6) (SN 0388349 to Present)

ITEM	PART NUMBER	QTY	DESCRIPTION	REV
1		Ref	HYDROSTATIC TRANSMISSION ASSY (See HYDRAULIC COMPONENTS SECTION for Breakdown)	
2	83201135	8	HEX HD CAPSCREW, 7/16-14X1-1/2, GR8	
3	88551012	8	LOCKWASHER, 7/16	
4	84712738	4	FLANGE HALF	
5	91083222	1	CONNECTOR (includes item 35)	
6	88662239	2	SWIVEL NUT RUN TEE, 3/8 TUBE	
7	91143055	1	TUBE ASSY	
8	90205792	2	CUSHION CLAMP	
9	84714006	2	CAP	
10	84718854	2	HOSE ASSY	
11	90027906	2	ELBOW, 90, (includes o-ring)	
11	88591204	2	O-RING	
12	84718658	2	HOSE ASSY	
13	91083339	4	O-RING	
14	88662003	2	CONNECTOR (includes item 25)	
15		Ref	FRONT DRIVE MOTOR, (See HYDRAULIC COMPONENTS SECTION for Breakdown)	
16	84717830	1	HOSE ASSY	
17	91043163	1	TUBE ASSY	
18	77133089	1	TEST COUPLING	
19	88662105	1	ELBOW, 90, (swivel nut)	
20	88661384	2	HEX CAP, 3/8 TUBE	
21	24861170	2	TUBE CLIP	
22	88201003	2	HEX HD CAPSCREW, 1/4-20X3/4, GR5	
23	88551009	2	LOCKWASHER, 1/4	
24	86621230	1	TUBE CLIP	
25	88591202	2	O-RING	
26	84712739	8	FLANGE HALF	
27	88561013	16	LOCKWASHER, 1/2	
28	83201120	16	HEX HD CAPSCREW, 1/2-13X1-3/4, GR5	
29	88662017	1	STRAIGHT THREAD CONNECTOR (includes item 32)	
30	84718931	1	HOSE ASSY	
31	88662064	1	ELBOW, 90, (includes item 32)	
32	88591204	1	O-RING	
33	91053020	2	STAUFF TEST COUPLING	
34	91083106	2	O-RING	
35	88591207	1	O-RING	
36	84717852	1	HOSE ASSY	
37	91093017	1	TUBE ASSY	
38	88591205	1	O-RING	
39	88662018	1	CONNECTOR (includes item 38)	
40	84717341	1	HOSE ASSY	
41	84717911	1	HOSE ASSY	
42	84717832	1	HOSE ASSY	
43	91053426	1	STRAIGHT THREAD ADAPTER (includes item 35)	

SECTION 8 - HYDRAULIC CIRCUITS

FIGURE 8-17. (534C-6) DRIVE CIRCUIT - FRONT (SN 0188002 to Present)



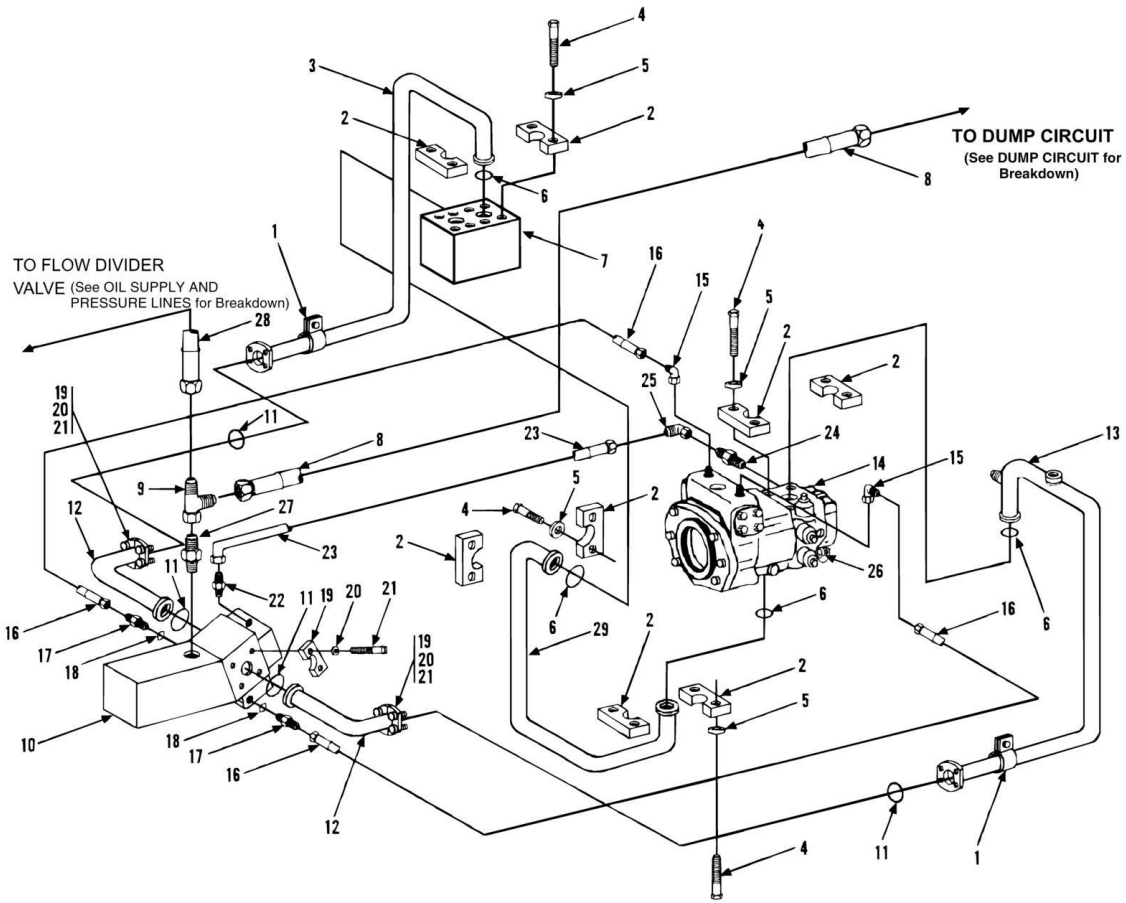
SECTION 8 - HYDRAULIC CIRCUITS

FIGURE 8-17. (534C-6) DRIVE CIRCUIT - FRONT (SN 0188002 to Present)

ITEM	PART NUMBER	QTY	DESCRIPTION	REV
1	90205792	2	CUSHION CLAMP	
2	84712738	8	SPLIT FLANGE CLAMP	
3	91083418	1	TUBE ASSY	
4	83201135	16	HEX HD CAPSCREW, 7/16-14X1-1/2, GR8	
5	88551012	16	LOCKWASHER, 7/16	
6	91083106	3	O-RING	
7		Ref	TRACTION LOCK VALVE (See HYDRAULIC COMPONENTS SECTION for Breakdown)	
8	84717911	1	HOSE ASSY	
9	88662239	1	SWIVEL NUT RUN TEE, 3/8 TUBE	
10		Ref	FRONT DRIVE MOTOR (See HYDRAULIC COMPONENTS SECTION for Breakdown)	
11	91083339	4	O-RING	
12	84717897	2	HOSE ASSY	
13	91083419	1	TUBE ASSY	
14		Ref	HYDROSTATIC TRANSMISSION PUMP (See HYDRAULIC COMPONENTS SECTION for Breakdown)	
15	88662062	2	ELBOW, 90, (includes o-ring)	
15	88591202	2	O-RING	
16	84717913	2	HOSE ASSY	
17	88662003	2	CONNECTOR (includes item 18)	
18	88591202	2	O-RING	
19	84712739	8	SPLIT FLANGE CLAMP	
20	88561013	16	LOCKWASHER, 1/2	
21	83201120	16	HEX HD CAPSCREW, 1/2-13X1-3/4, GR5	
22	91083342	1	STRAIGHT THREAD CONNECTOR	
23	84717983	1	HOSE ASSY	
24	88662018	1	CONNECTOR (includes o-ring)	
24	88591205	1	O-RING	
25	88662119	1	ELBOW, 45, (swivel nut)	
26	91083095	1	TUBE ASSY	
27	91083306	1	STRAIGHT THREAD ADAPTER	
28	84717832	1	HOSE ASSY	

SECTION 8 - HYDRAULIC CIRCUITS

FIGURE 8-18. (534C-6) DRIVE CIRCUIT - FRONT (SN 0188251 to Present)



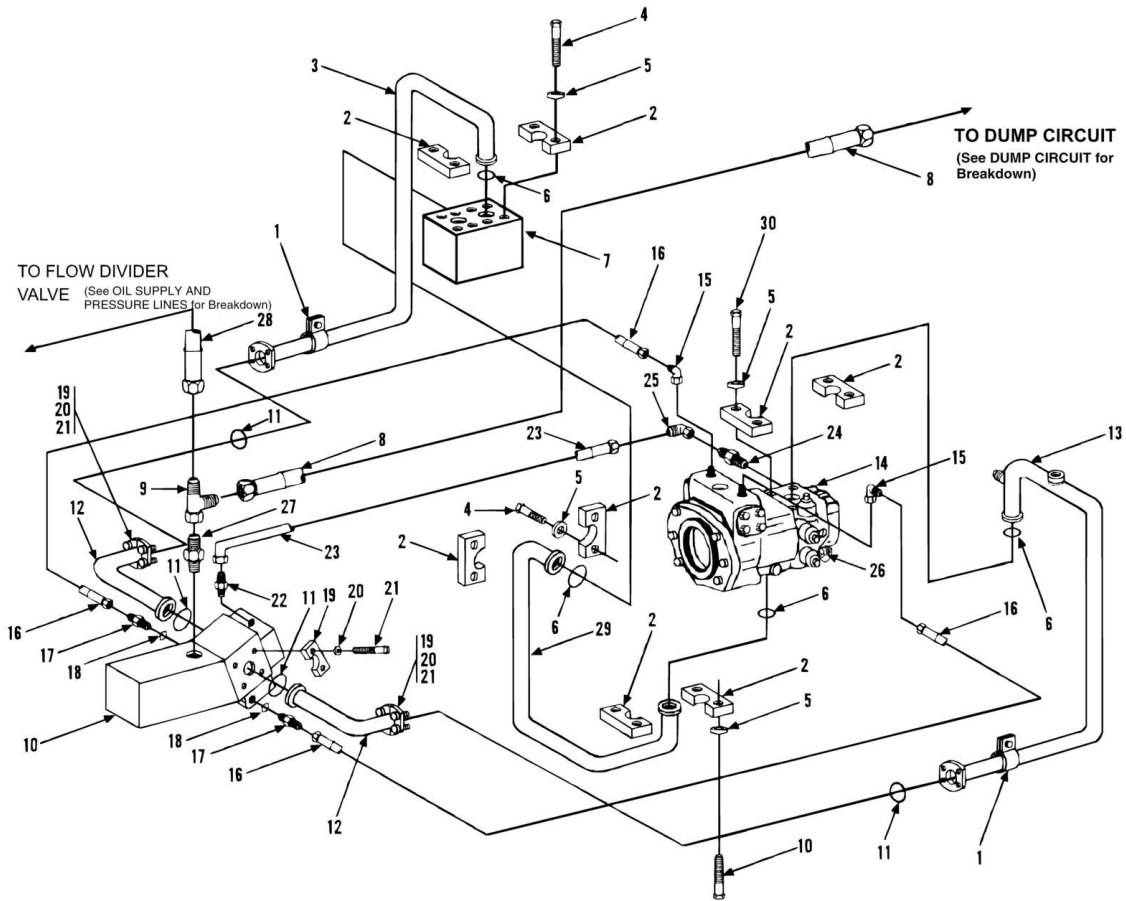
SECTION 8 - HYDRAULIC CIRCUITS

FIGURE 8-18. (534C-6) DRIVE CIRCUIT - FRONT (SN 0188251 to Present)

ITEM	PART NUMBER	QTY	DESCRIPTION	REV
1	90205792	2	CUSHION CLAMP	
2	84712738	8	SPLIT FLANGE CLAMP	
3	91083418	1	TUBE ASSY	
4	83201135	16	HEX HD CAPSCREW, 7/16-14X1-1/2, GR8	
5	88551012	16	LOCKWASHER, 7/16	
6	91083106	3	O-RING	
7		Ref	TRACTION LOCK VALVE (See HYDRAULIC COMPONENTS SECTION for Breakdown)	
8	84717911	1	HOSE ASSY	
9	88662239	1	SWIVEL NUT RUN TEE, 3/8 TUBE	
10		Ref	FRONT DRIVE MOTOR (See HYDRAULIC COMPONENTS SECTION for Breakdown)	
11	91083339	4	O-RING	
12	84718474	2	HOSE ASSY	
13	91083419	1	TUBE ASSY	
14		Ref	HYDROSTATIC TRANSMISSION PUMP (See HYDRAULIC COMPONENTS SECTION for Breakdown)	
15	88662062	2	ELBOW, 90, (includes o-ring)	
15	88591202	2	O-RING	
16	84717913	2	HOSE ASSY	
17	88662003	2	CONNECTOR (includes item 18)	
18	88591202	2	O-RING	
19	84712739	8	SPLIT FLANGE CLAMP	
20	88561013	16	LOCKWASHER, 1/2	
21	83201120	16	HEX HD CAPSCREW, 1/2-13X1-3/4, GR5	
22	91083342	1	STRAIGHT THREAD CONNECTOR	
23	84717983	1	HOSE ASSY	
24	88662018	1	CONNECTOR (includes o-ring)	
24	88591205	1	O-RING	
25	88662119	1	ELBOW, 45, (swivel nut)	
26	91083475	2	TEST COUPLING	
27	91083306	1	STRAIGHT THREAD ADAPTER	
28	84717832	1	HOSE ASSY	
29	91083095	1	TUBE ASSY	

SECTION 8 - HYDRAULIC CIRCUITS

FIGURE 8-19. (534C-6) DRIVE CIRCUIT - FRONT (SN 0388247 to Present)



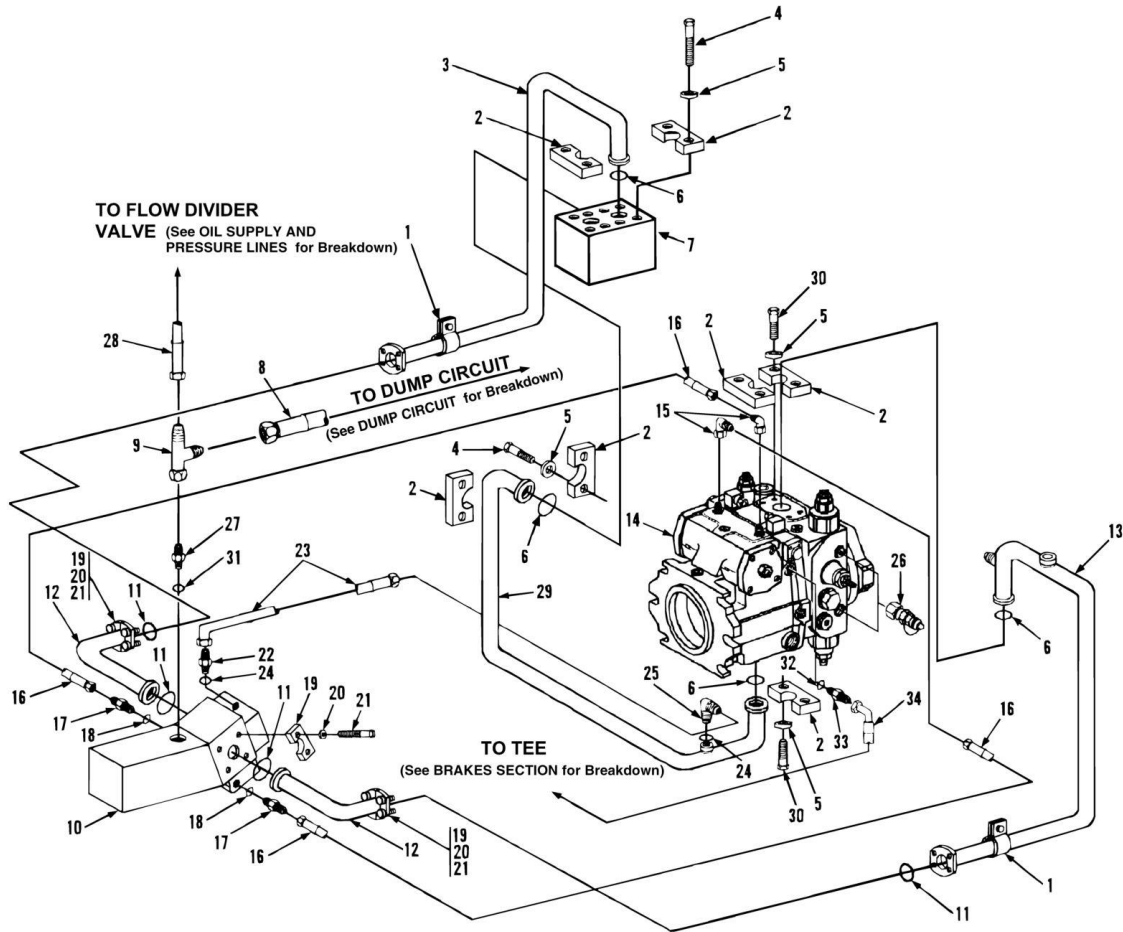
SECTION 8 - HYDRAULIC CIRCUITS

FIGURE 8-19. (534C-6) DRIVE CIRCUIT - FRONT (SN 0388247 to Present)

ITEM	PART NUMBER	QTY	DESCRIPTION	REV
1	90205792	2	CUSHION CLAMP	
2	84712738	8	SPLIT FLANGE CLAMP	
3	91083418	1	TUBE ASSY	
4	83201155	8	HEX HD CAPSCREW, 7/16-14X1-3/4, GR8	
5	88551012	16	LOCKWASHER, 7/16	
6	91083106	3	O-RING	
7		Ref	TRACTION LOCK VALVE (See HYDRAULIC COMPONENTS SECTION for Breakdown)	
8	84717911	1	HOSE ASSY	
9	88662239	1	SWIVEL NUT RUN TEE, 3/8 TUBE	
10		Ref	FRONT DRIVE MOTOR (See HYDRAULIC COMPONENTS SECTION for Breakdown)	
11	91083339	4	O-RING	
12	84718527	2	HOSE ASSY	
13	91083419	1	TUBE ASSY	
14		Ref	HYDROSTATIC TRANSMISSION PUMP (See HYDRAULIC COMPONENTS SECTION for Breakdown)	
15	88662062	2	ELBOW, 90, (includes o-ring)	
15	88591202	2	O-RING	
16	84717913	2	HOSE ASSY	
17	88662003	2	CONNECTOR (includes item 18)	
18	88591202	2	O-RING	
19	84712739	8	SPLIT FLANGE CLAMP	
20	88561013	16	LOCKWASHER, 1/2	
21	83201120	16	HEX HD CAPSCREW, 1/2-13X1-3/4, GR5	
22	91083342	1	STRAIGHT THREAD CONNECTOR	
23	84717983	1	HOSE ASSY	
24	88662018	1	CONNECTOR (includes o-ring)	
24	88591205	1	O-RING	
25	88662119	1	ELBOW, 45, (swivel nut)	
26	91053020	2	TEST COUPLING	
27	91083306	1	STRAIGHT THREAD ADAPTER	
28	84717832	1	HOSE ASSY	
29	91083095	1	TUBE ASSY	
30	83201135	8	HEX HD CAPSCREW, 7/16-14X1-1/2, GR8	

SECTION 8 - HYDRAULIC CIRCUITS

FIGURE 8-20. (534C-6) DRIVE CIRCUIT - FRONT (SN 0388349 to Present)



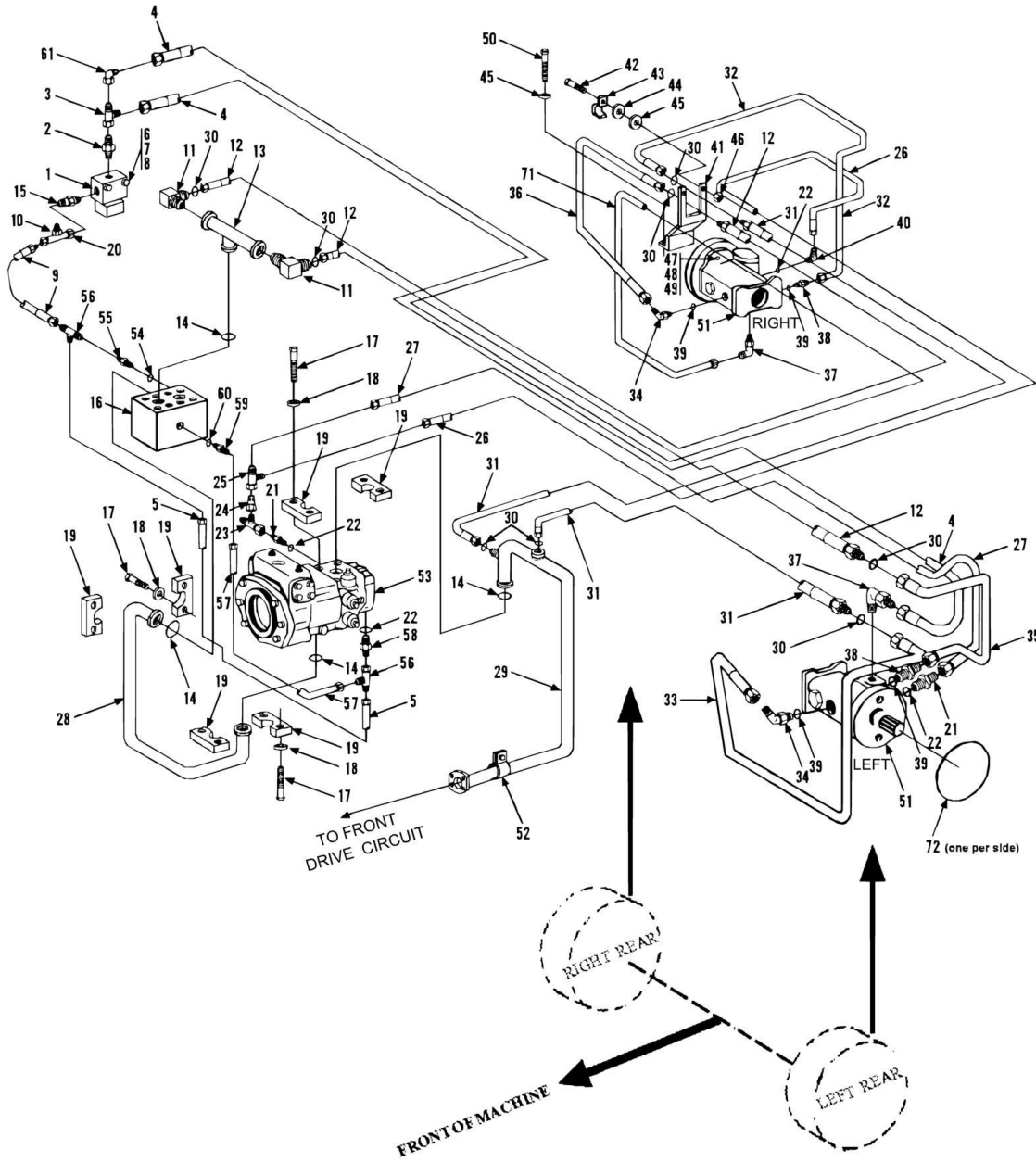
SECTION 8 - HYDRAULIC CIRCUITS

FIGURE 8-20. (534C-6) DRIVE CIRCUIT - FRONT (SN 0388349 to Present)

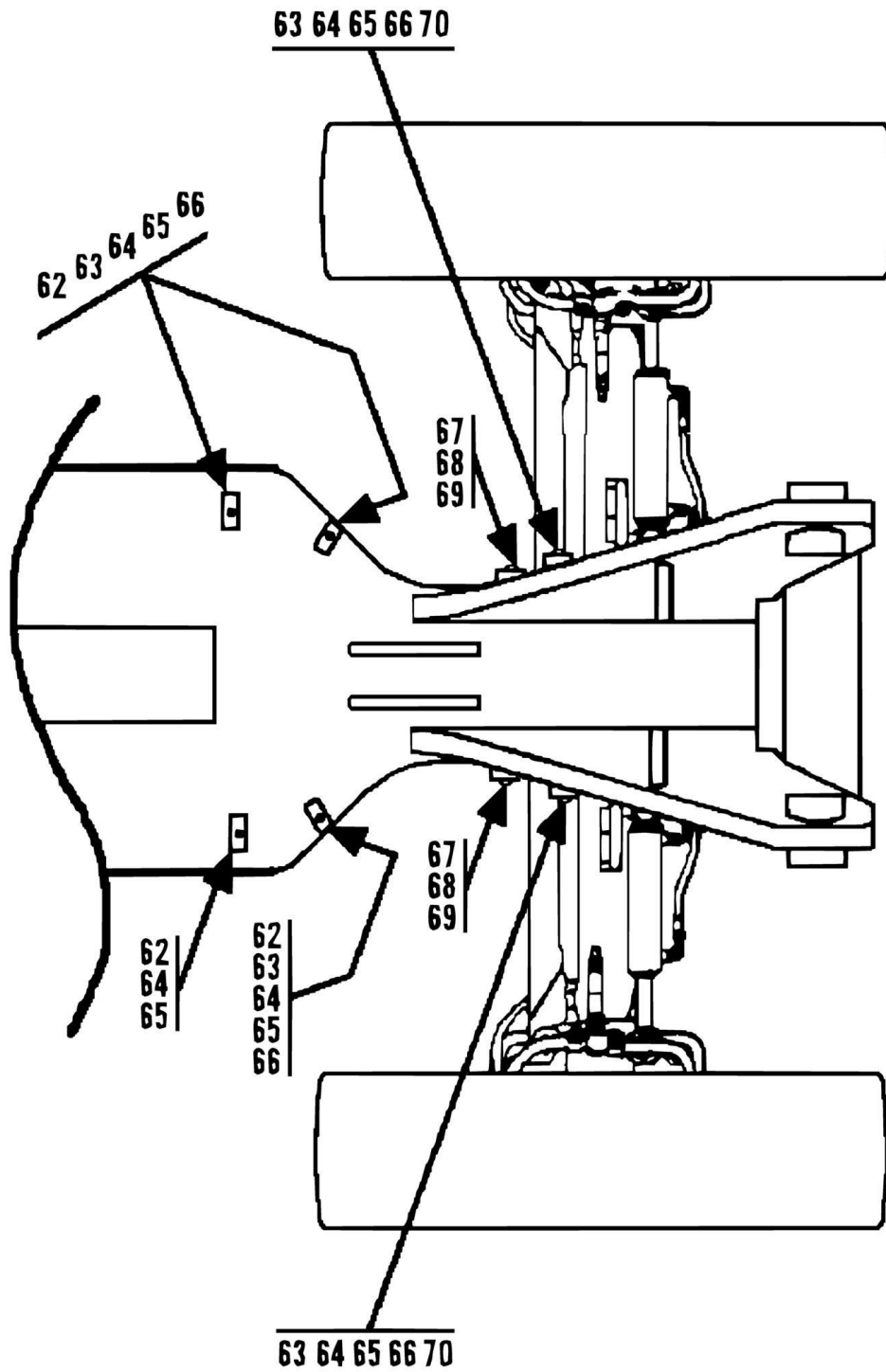
ITEM	PART NUMBER	QTY	DESCRIPTION	REV
1	90205792	2	CUSHION CLAMP	
2	84712738	8	SPLIT FLANGE CLAMP	
3	91083418	1	TUBE ASSY	
4	83201155	8	HEX HD CAPSCREW, 7/16-14X1-3/4, GR8	
5	88551012	16	LOCKWASHER, 7/16	
6	91083106	3	O-RING	
7		Ref	TRACTION LOCK VALVE (See HYDRAULIC COMPONENTS SECTION for Breakdown)	
8	84717911	1	HOSE ASSY	
9	88662239	1	SWIVEL NUT RUN TEE, 3/8 TUBE	
10		Ref	FRONT DRIVE MOTOR (See HYDRAULIC COMPONENTS SECTION for Breakdown)	
11	91083339	4	O-RING	
12	84718658	2	HOSE ASSY	
13	91143055	1	TUBE ASSY	
14		Ref	HYDROSTATIC TRANSMISSION PUMP (See HYDRAULIC COMPONENTS SECTION for Breakdown)	
15	90027906	2	ELBOW, 90, (includes o-ring)	
15	88591204	2	O-RING	
16	84718934	2	HOSE ASSY	
17	88662003	2	CONNECTOR (includes item 18)	
18	88591202	2	O-RING	
19	84712739	8	SPLIT FLANGE CLAMP	
20	88561013	16	LOCKWASHER, 1/2	
21	83201120	16	HEX HD CAPSCREW, 1/2-13X1-3/4, GR5	
22	88662017	1	CONNECTOR (includes item 24)	
23	84718931	1	HOSE ASSY	
24	88591204	1	O-RING	
25	88662064	1	ELBOW, 90, (includes item 24)	
26	91053020	2	TEST COUPLING	
27	91053426	1	STRAIGHT THREAD ADAPTER (includes item 31)	
28	84717832	1	HOSE ASSY	
29	91163201	1	TUBE ASSY	
30	83201135	8	HEX HD CAPSCREW, 7/16-14X1-1/2, GR8	
31	88591207	1	O-RING	
32	88591205	1	O-RING	
33	88662018	1	CONNECTOR (includes item 32)	
34	84717341	1	HOSE ASSY	

SECTION 8 - HYDRAULIC CIRCUITS

FIGURE 8-21. (534C-6) DRIVE CIRCUIT - REAR (SN 0188002 to Present)



REAR DRIVE HOSE CLAMP LOCATIONS



SECTION 8 - HYDRAULIC CIRCUITS

FIGURE 8-21. (534C-6) DRIVE CIRCUIT - REAR (SN 0188002 to Present)

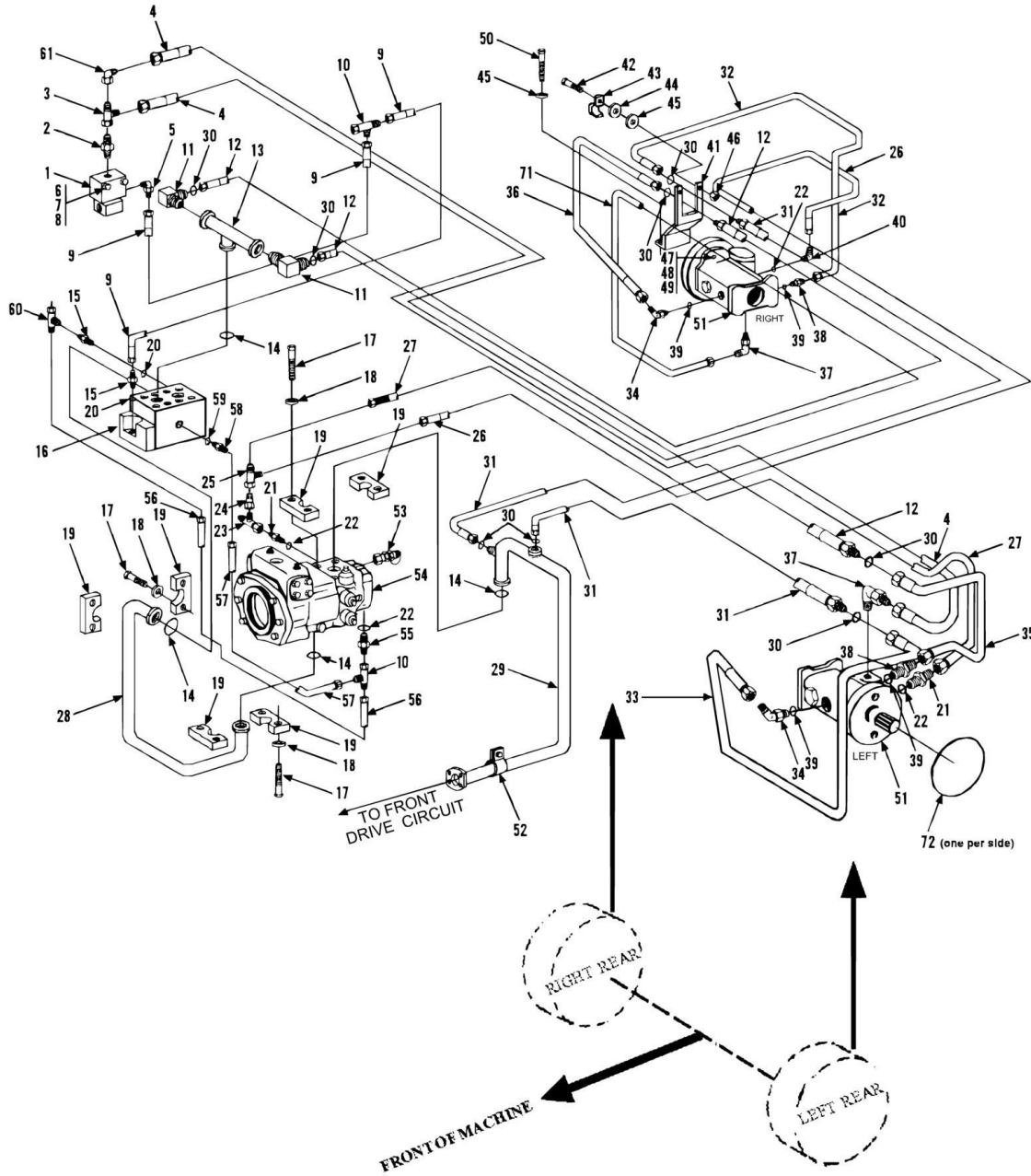
ITEM	PART NUMBER	QTY	DESCRIPTION	REV
1		Ref	SOLENOID VALVE (See HYDRAULIC COMPONENTS SECTION for Breakdown)	
2	91083213	1	ADAPTER, 1/4 TUBE	
3	88662237	1	SWIVEL NUT RUN TEE, 1/4 TUBE	
4	84718181	1	HOSE ASSY	
5	84718597	1	HOSE ASSY	
6	88201008	2	HEX HD CAPSCREW, 1/4-20X1-3/4, GR5	
7	88561001	2	PLAIN WASHER, 1/4	
8	88551009	2	LOCKWASHER, 1/4	
9	84717830	1	HOSE ASSY	
10	77133089	1	TEST FITTING	
11	88662421	2	ELBOW, 45, (includes o-ring)	
11	88591020	2	O-RING	
12	84717898	2	HOSE ASSY	
13	91083266	1	TUBE ASSY	
14	91083106	4	O-RING	
15	88661009	1	MALE CONNECTOR, 3/8X3/8 TUBE	
16		Ref	TRACTION LOCK VALVE (See HYDRAULIC COMPONENTS SECTION for Breakdown)	
17	83201135	20	HEX HD CAPSCREW, 7/16-14X1-1/2, GR8	
18	88551012	20	LOCKWASHER, 7/16	
19	84712738	10	SPLIT FLANGE CLAMP	
20	91043163	1	TUBE ASSY	
21	88662008	2	CONNECTOR (includes item 22)	
22	88591207	4	O-RING	
23	88662142	1	RUN TEE (includes item 22)	
24	83651133	1	REDUCER, W/ADAPTER	
25	88662240	1	SWIVEL NUT RUN TEE, 1/2 TUBE	
26	84718182	1	HOSE ASSY	
27	84718183	1	HOSE ASSY	
28	91083095	1	TUBE ASSY	
29	91083419	1	TUBE ASSY	
30	88591508	10	O-RING	
31	84717899	2	HOSE ASSY	
32	91083465	1	TUBE ASSY	
33	91083040	1	TUBE ASSY	
34	88662425	2	ELBOW, 45, (includes item 39)	
35	91083463	1	TUBE ASSY	
36	91083466	1	TUBE ASSY	
37	91085064	2	RESTRICTOR	
38	88662306	2	CONNECTOR (includes item 39)	
39	88591209	4	O-RING	
40	88662087	1	ELBOW, 45, (includes item 22)	
41	91081522	1	R.H. TUBE SUPPORT	
41	91081523	1	L.H. TUBE SUPPORT	
42	88201036	4	HEX HD CAPSCREW, 3/8-16X1-1/4, GR5	
43	91081201	4	TUBE CLAMP	
44	90027470	4	HARDENED WASHER, 3/8	
45	88551011	12	LOCKWASHER, 3/8	
46	88501006	4	HEX NUT, 3/8-16	

SECTION 8 - HYDRAULIC CIRCUITS

ITEM	PART NUMBER	QTY	DESCRIPTION	REV
47	91123092	4	STUD	
48	90027471	4	HARD WASHER	
49	91083449	4	HEX NUT, 1/2-13	
50	88201035	4	HEX HD CAPSCREW, 3/8-16X1, GR5	
51		Ref	REAR DRIVE MOTOR (See HYDRAULIC COMPONENTS SECTION for Breakdown)	
52	90205792	1	CUSHION CLAMP	
53		Ref	HYDROSTATIC TRANSMISSION PUMP (See HYDRAULIC COMPONENTS SECTION for Breakdown)	
54	88591205	1	O-RING	
55	88662018	1	CONNECTOR (includes item 54)	
56	88662239	2	SWIVEL NUT RUN TEE, 3/8 TUBE	
57	84717597	1	HOSE ASSY	
58	91053426	1	STRAIGHT THREAD REDUCING CONNECTOR (includes item 22)	
59	91083306	1	STRAIGHT THREAD CONNECTOR	
60	88591206	1	O-RING	
61	88662103	1	ELBOW, 90, (swivel nut)	
62	77133279	7	CLAMP SET	
63	77133306	5	STACK BOLT	
64	88201023	6	HEX BOLT	
65	77133137	6	COVER PLATE	
66	77133390	5	SAFETY CLIP	
67	77133053	2	HOSE CLAMP	
68	77133052	2	COVER PLATE	
69	77133209	4	HEX HD CAPSCREW, 1/4-20X1-3/8	
70	77323029	4	HOSE CLAMP	
71	84718946	1	HOSE ASSY	
72	90023155	2	O-RING (one each side)	

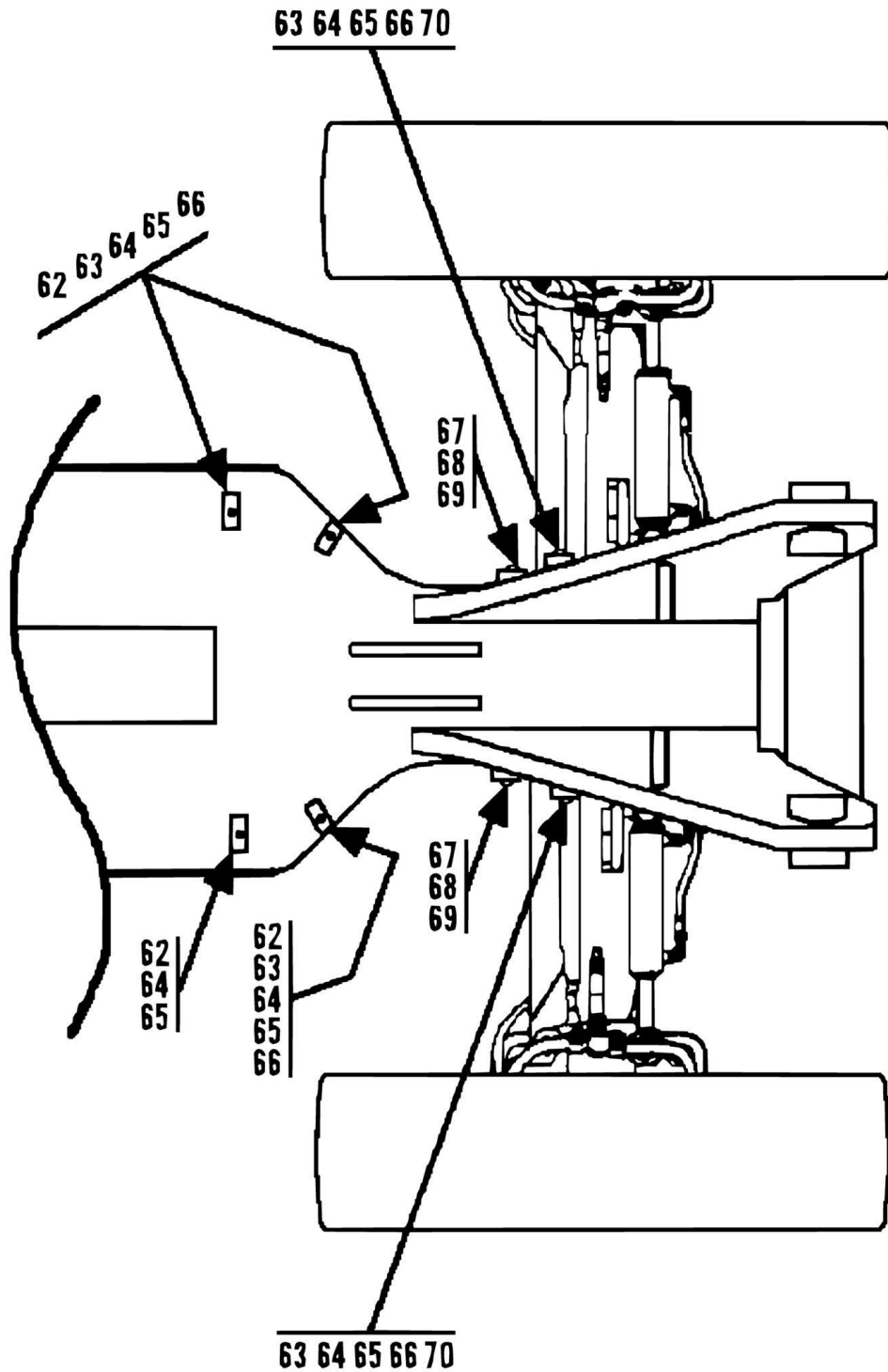
SECTION 8 - HYDRAULIC CIRCUITS

FIGURE 8-22. (534C-6) DRIVE CIRCUIT - REAR (SN 0188251 to Present)



SECTION 8 - HYDRAULIC CIRCUITS

REAR DRIVE HOSE CLAMP LOCATIONS



SECTION 8 - HYDRAULIC CIRCUITS

FIGURE 8-22. (534C-6) DRIVE CIRCUIT - REAR (SN 0188251 to Present)

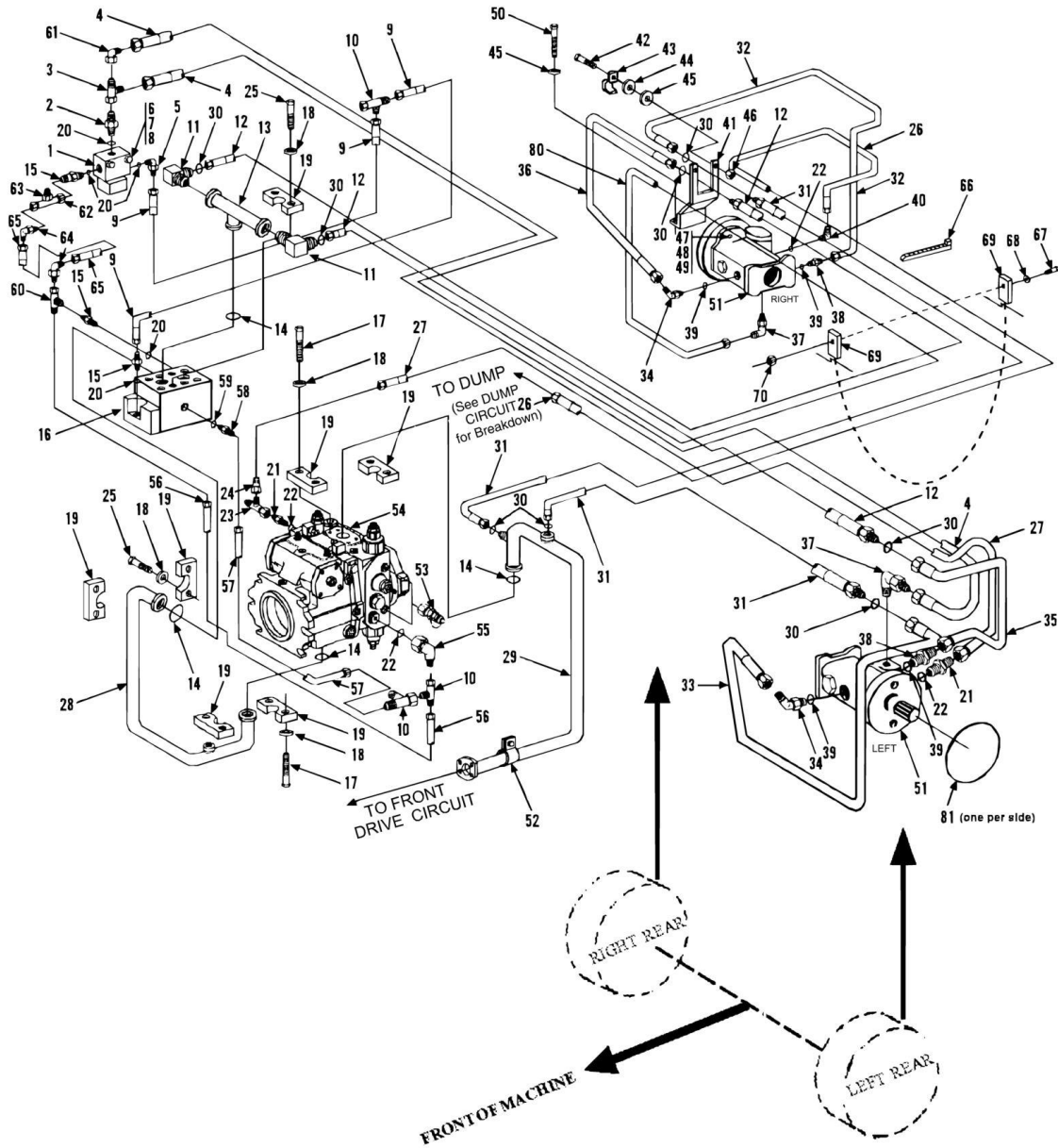
ITEM	PART NUMBER	QTY	DESCRIPTION	REV
1		Ref	SOLENOID VALVE (See HYDRAULIC COMPONENTS SECTION for Breakdown)	
2	91083213	1	ADAPTER, 1/4 TUBE	
3	88662237	1	SWIVEL NUT RUN TEE, 1/4 TUBE	
4	84718181	1	HOSE ASSY	
5	88661109	1	ELBOW, 90	
6	88201008	2	HEX HD CAPSCREW, 1/4-20X1-3/4, GR5	
7	88561001	2	PLAIN WASHER, 1/4	
8	88551009	2	LOCKWASHER, 1/4	
9	84717930	2	HOSE ASSY	
10	88662239	2	SWIVEL NUT RUN TEE, 3/8 TUBE	
11	88662421	2	ELBOW, 45, (includes o-ring)	
11	88591020	2	O-RING	
12	84717898	2	HOSE ASSY	
13	91083266	1	TUBE ASSY	
14	91083106	4	O-RING	
15	88662005	2	STRAIGHT THREAD CONNECTOR (includes item 20)	
16		Ref	TRACTION LOCK VALVE (See HYDRAULIC COMPONENTS SECTION for Breakdown)	
17	83201135	20	HEX HD CAPSCREW, 7/16-14X1-1/2, GR8	
18	88551012	20	LOCKWASHER, 7/16	
19	84712738	10	SPLIT FLANGE CLAMP	
20	88591204	2	O-RING	
21	88662008	2	CONNECTOR (includes item 22)	
22	88591207	4	O-RING	
23	88662242	1	SWIVEL NUT RUN TEE, 3/4 TUBE	
24	83651133	1	REDUCER, W/ADAPTER	
25	88662240	1	SWIVEL NUT RUN TEE, 1/2 TUBE	
26	84718182	1	HOSE ASSY	
27	84718183	1	HOSE ASSY	
28	91083095	1	TUBE ASSY	
29	91083419	1	TUBE ASSY	
30	88591508	10	O-RING	
31	84717899	2	HOSE ASSY	
32	91083465	1	TUBE ASSY	
33	91083464	1	TUBE ASSY	
34	88662425	2	ELBOW, 45, (includes item 39)	
35	91083463	1	TUBE ASSY	
36	91083466	1	TUBE ASSY	
37	91085064	2	RESTRICTOR	
38	88662306	2	CONNECTOR (includes item 39)	
39	88591209	4	O-RING	
40	88662087	1	ELBOW, 45, (includes item 22)	
41	91081522	1	R.H. TUBE SUPPORT	
41	91081523	1	L.H. TUBE SUPPORT	
42	88201036	4	HEX HD CAPSCREW, 3/8-16X1-1/4, GR5	
43	91081201	4	TUBE CLAMP	
44	90027470	4	HARDENED WASHER, 3/8	
45	88551011	12	LOCKWASHER, 3/8	
46	88501006	4	HEX NUT, 3/8-16	

SECTION 8 - HYDRAULIC CIRCUITS

ITEM	PART NUMBER	QTY	DESCRIPTION	REV
47	91123092	4	STUD	
48	90027471	4	HARD WASHER	
49	91083449	4	HEX NUT, 1/2-13	
50	88201035	4	HEX HD CAPSCREW, 3/8-16X1, GR5	
51		Ref	REAR DRIVE MOTOR (See HYDRAULIC COMPONENTS SECTION for Breakdown)	
52	90205792	1	CUSHION CLAMP	
53	91083475	2	TEST COUPLING	
54		Ref	HYDROSTATIC TRANSMISSION PUMP (See HYDRAULIC COMPONENTS SECTION for Breakdown)	
55	91053426	1	STRAIGHT THREAD REDUCING CONNECTOR (includes item 18)	
56	84718221	1	HOSE ASSY	
57	84718207	1	HOSE ASSY	
58	91083306	1	STRAIGHT THREAD CONNECTOR	
59	88591206	1	O-RING	
60	88662224	1	SWIVEL NUT BRANCH TEE, 3/8 TUBE	
61	88662103	1	ELBOW, 90, (swivel nut)	
62	77133279	7	CLAMP SET	
63	77133306	5	STACK BOLT	
64	88201023	6	HEX BOLT	
65	77133137	6	COVER PLATE	
66	77133390	5	SAFETY CLIP	
67	77133053	2	HOSE CLAMP	
68	77133052	2	COVER PLATE	
69	77133209	4	HEX HD CAPSCREW, 1/4-20X1-3/8	
70	77323029	4	HOSE CLAMP	
71	84718946	1	HOSE ASSY	
72	90023155	2	O-RING (one each side)	

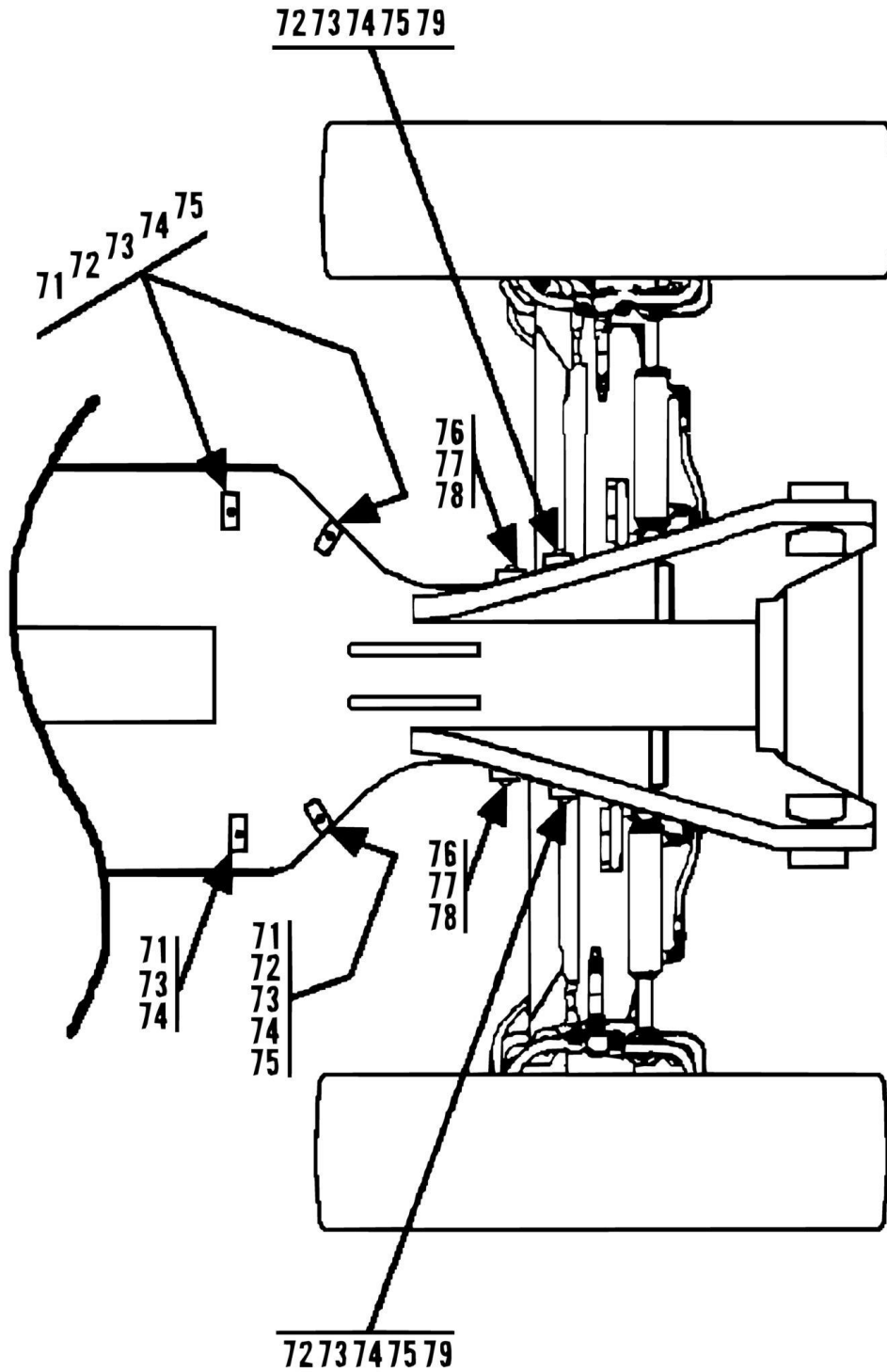
SECTION 8 - HYDRAULIC CIRCUITS

FIGURE 8-23. (534C-6) DRIVE CIRCUIT - REAR (SN 0388349 to Present)



SECTION 8 - HYDRAULIC CIRCUITS

REAR DRIVE HOSE CLAMP LOCATIONS



SECTION 8 - HYDRAULIC CIRCUITS

FIGURE 8-23. (534C-6) DRIVE CIRCUIT - REAR (SN 0388349 to Present)

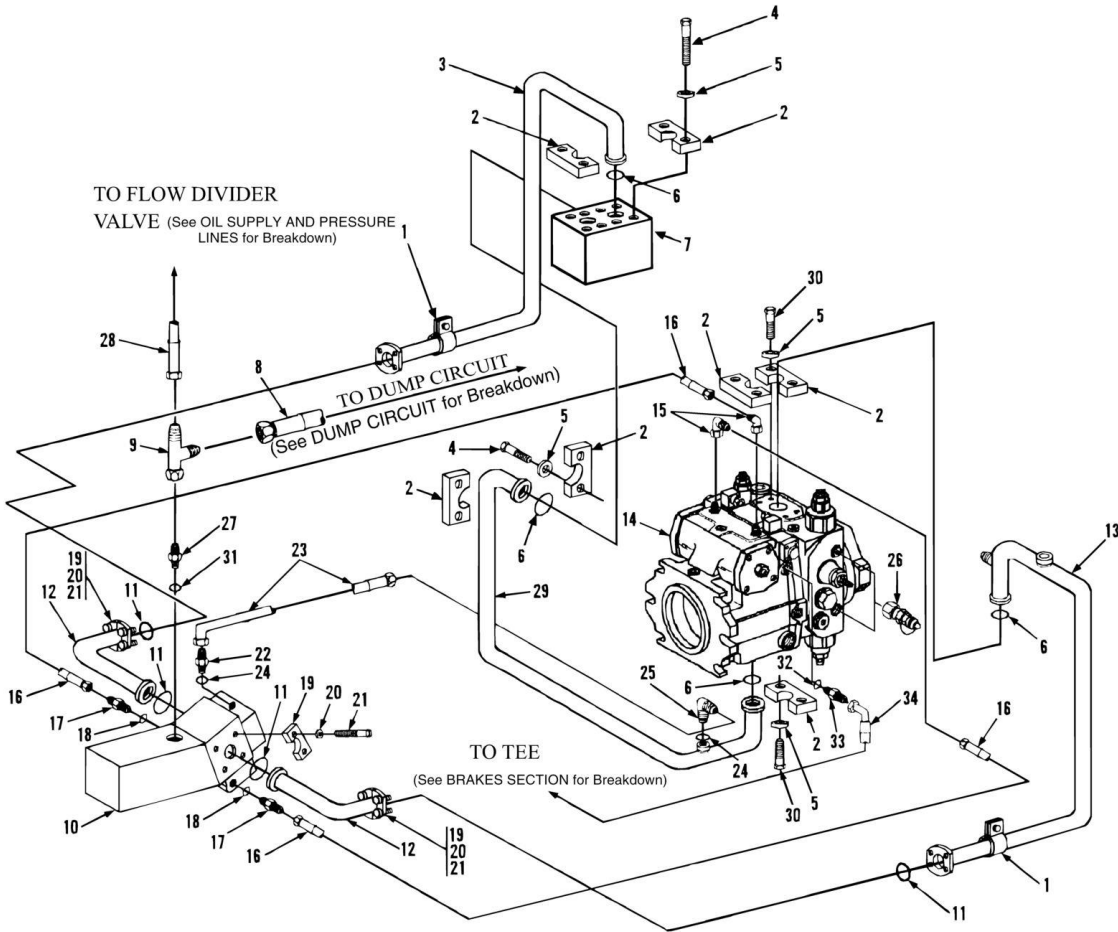
ITEM	PART NUMBER	QTY	DESCRIPTION	REV
1		Ref	SOLENOID VALVE (See HYDRAULIC COMPONENTS SECTION for Breakdown)	
2	88662017	1	CONNECTOR (includes item 20)	
3	88662237	1	SWIVEL NUT RUN TEE, 1/4 TUBE	
4	84718181	1	HOSE ASSY	
5	88662064	1	ELBOW, 90, (includes item 20)	
6	88201008	2	HEX HD CAPSCREW, 1/4-20X1-3/4, GR5	
7	88561001	2	PLAIN WASHER, 1/4	
8	88551009	2	LOCKWASHER, 1/4	
9	84717930	2	HOSE ASSY	
10	88662239	2	SWIVEL NUT RUN TEE, 3/8 TUBE	
11	88662421	2	ELBOW, 45, (includes o-ring)	
11	88591207	2	O-RING	
12	84717898	2	HOSE ASSY	
13	91083266	1	TUBE ASSY	
14	91083106	4	O-RING	
15	88662005	3	STRAIGHT THREAD CONNECTOR (includes item 20)	
16		Ref	TRACTION LOCK VALVE (See HYDRAULIC COMPONENTS SECTION for Breakdown)	
17	83201135	8	HEX HD CAPSCREW, 7/16-14X1-1/2, GR8	
18	88551012	16	LOCKWASHER, 7/16	
19	84712738	8	SPLIT FLANGE CLAMP	
20	88591204	5	O-RING	
21	88662008	2	CONNECTOR (includes item 22)	
22	88591207	4	O-RING	
23	88662242	1	SWIVEL NUT RUN TEE, 3/4 TUBE	
24	83651133	1	REDUCER, W/ADAPTER	
25	83201155	8	HEX HD CAPSCREW, 7/16-14X1-3/4, GR8	
26	84718182	1	HOSE ASSY	
27	84718183	1	HOSE ASSY	
28	91163201	1	TUBE ASSY	
29	91143055	1	TUBE ASSY	
30	88591508	10	O-RING	
31	84718882	2	HOSE ASSY	
32	91083465	1	TUBE ASSY	
33	91083464	1	TUBE ASSY	
34	88662425	2	ELBOW, 45, (includes item 39)	
35	91083463	1	TUBE ASSY	
36	91083466	1	TUBE ASSY	
37	91085064	2	RESTRICTOR	
38	88662306	2	CONNECTOR (includes item 39)	
39	88591209	4	O-RING	
40	88662087	1	ELBOW, 45, (includes item 22)	
41	91081522	1	R.H. TUBE SUPPORT	
41	91081523	1	L.H. TUBE SUPPORT	
42	88201036	4	HEX HD CAPSCREW, 3/8-16X1-1/4, GR5	
43	91081201	4	TUBE CLAMP	
44	90027470	4	HARDENED WASHER, 3/8	
45	88551011	12	LOCKWASHER, 3/8	
46	88501006	4	HEXNUT, 3/8-16	

SECTION 8 - HYDRAULIC CIRCUITS

ITEM	PART NUMBER	QTY	DESCRIPTION	REV
47	91123092	4	STUD	
48	90027471	4	HARD WASHER	
49	91083449	4	HEX NUT, 1/2-13	
50	88201035	4	HEX HD CAPSCREW, 3/8-16X1, GR5	
51		Ref	REAR DRIVE MOTOR (See HYDRAULIC COMPONENTS SECTION for Breakdown)	
52	90205792	1	CUSHION CLAMP	
53	91053020	2	TEST COUPLING	
54		Ref	HYDROSTATIC TRANSMISSION PUMP (See HYDRAULIC COMPONENTS SECTION for Breakdown)	
55	91083222	1	STRAIGHT THREAD REDUCING CONNECTOR (includes item 22)	
56	84718221	1	HOSE ASSY	
57	84718207	1	HOSE ASSY	
58	91083306	1	STRAIGHT THREAD CONNECTOR	
59	88591206	1	O-RING	
60	88662224	1	SWIVEL NUT BRANCH TEE, 3/8 TUBE	
61	88662103	1	ELBOW, 90, (swivel nut)	
62	91043163	1	TUBE ASSY	
63	77133089	1	TEST FITTING	
64	88662105	2	ELBOW, 90, (swivel nut)	
65	84718208	1	HOSE ASSY	
66	90027187	12	NYLON TIE	
67	88201018	2	HEX HD CAPSCREW, 5/16-18X3/4, GR5	
68	88561108	4	WASHER	
69	91303049	2	HOSE SUPPPORT (one each side)	
70	88501005	2	HEX NUT	
71	77133279	7	LAMP SET	
72	77133306	5	STACK BOLT	
73	88201023	6	HEX BOLT	
74	77133137	6	COVER PLATE	
75	77133390	5	SAFETY CLIP	
76	77133053	2	HOSE CLAMP	
77	77133052	2	COVER PLATE	
78	77133209	4	HEX HD CAPSCREW, 1/4-20X1-3/8	
79	77323029	4	HOSE CLAMP	
80	84718946	1	HOSE ASSY	
81	90023155	2	O-RING (one each side)	

SECTION 8 - HYDRAULIC CIRCUITS

FIGURE 8-24. (TURBO) DRIVE CIRCUIT - FRONT (SN 0488238 to Present)



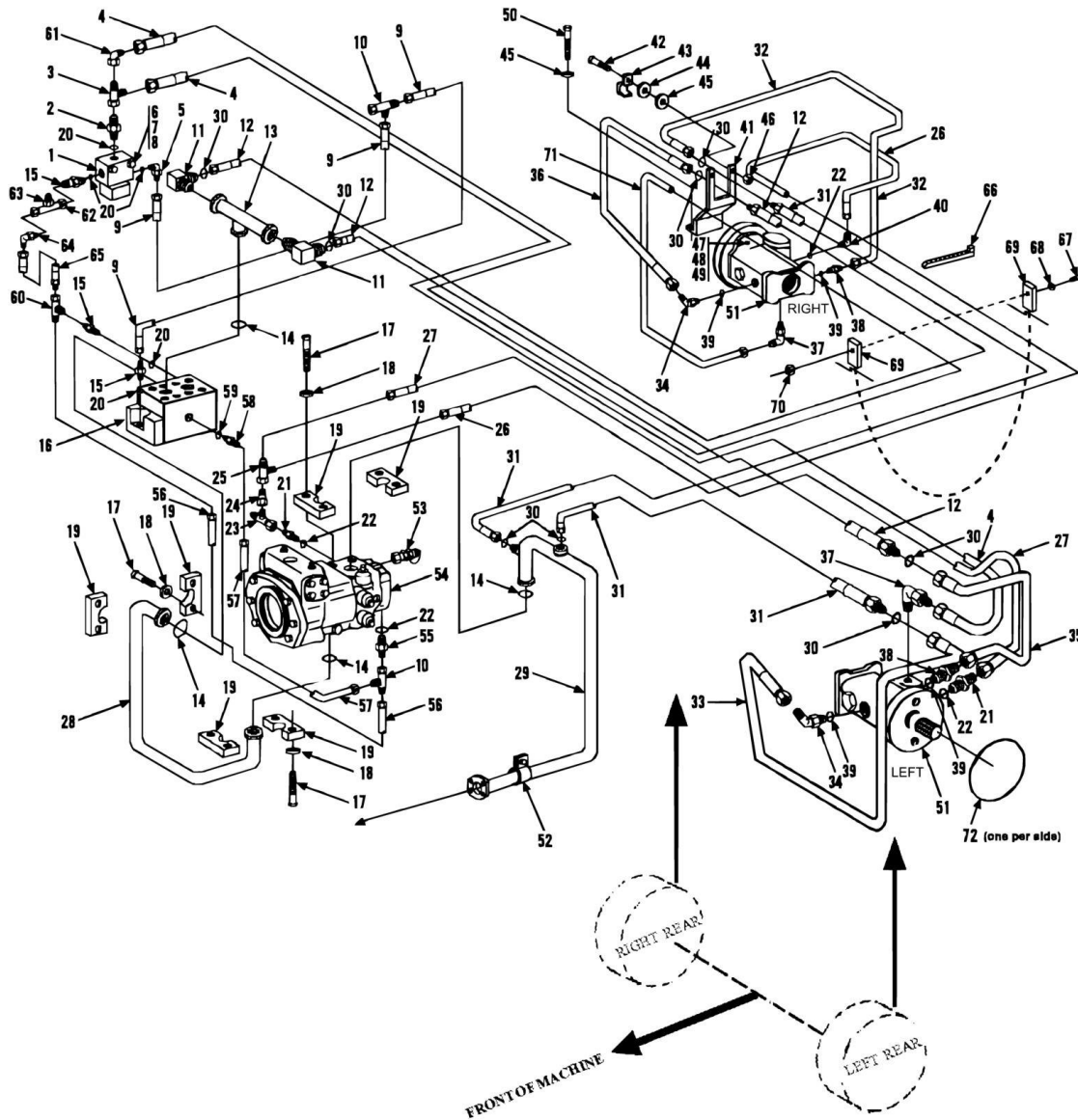
SECTION 8 - HYDRAULIC CIRCUITS

FIGURE 8-24. (TURBO) DRIVE CIRCUIT - FRONT (SN 0488238 to Present)

ITEM	PART NUMBER	QTY	DESCRIPTION	REV
1	90205792	2	CUSHION CLAMP	
2	84712738	8	SPLIT FLANGE CLAMP	
3	91083418	1	TUBE ASSY	
4	83201155	8	HEX HD CAPSCREW, 7/16-14X1-3/4, GR8	
5	88551012	16	LOCKWASHER, 7/16	
6	91083106	3	O-RING	
7		Ref	TRACTION LOCK VALVE (See HYDRAULIC COMPONENTS SECTION for Breakdown)	
8	84718999	1	HOSE ASSY	
9	88662239	1	SWIVEL NUT RUN TEE, 3/8 TUBE	
10		Ref	FRONT DRIVE MOTOR (See HYDRAULIC COMPONENTS SECTION for Breakdown)	
11	91083339	4	O-RING	
12	84718658	2	HOSE ASSY	
13	91163122	1	TUBE ASSY	
14		Ref	HYDROSTATIC TRANSMISSION PUMP (See HYDRAULIC COMPONENTS SECTION for Breakdown)	
15	90027906	2	ELBOW, 90, (includes o-ring)	
15	88591204	2	O-RING	
16	84718934	2	HOSE ASSY	
17	88662003	2	CONNECTOR (includes item 18)	
18	88591202	2	O-RING	
19	84712739	8	SPLIT FLANGE CLAMP	
20	88551013	16	LOCKWASHER, 1/2	
21	83201120	16	HEX HD CAPSCREW, 1/2-13X1-3/4, GR5	
22	91053426	1	CONNECTOR (includes item 24)	
23	84718931	1	HOSE ASSY	
24	88591204	1	O-RING	
25	88662064	1	ELBOW, 90, (includes item 24)	
26	91053020	2	TEST COUPLING	
27	91053426	1	STRAIGHT THREAD ADAPTER (includes item 31)	
28	84717832	1	HOSE ASSY	
29	91163201	1	TUBE ASSY	
30	83201135	8	HEX HD CAPSCREW, 7/16-14X1-1/2, GR8	
31	88591207	1	O-RING	
32	88591205	1	O-RING	
33	88662018	1	CONNECTOR (includes item 32)	
34	84717341	1	HOSE ASSY	

SECTION 8 - HYDRAULIC CIRCUITS

FIGURE 8-25. REAR DRIVE CIRCUIT (534C-6 TURBO) (SN 0388043 to Present)



SECTION 8 - HYDRAULIC CIRCUITS

FIGURE 8-25. REAR DRIVE CIRCUIT (534C-6 TURBO) (SN 0388043 to Present)

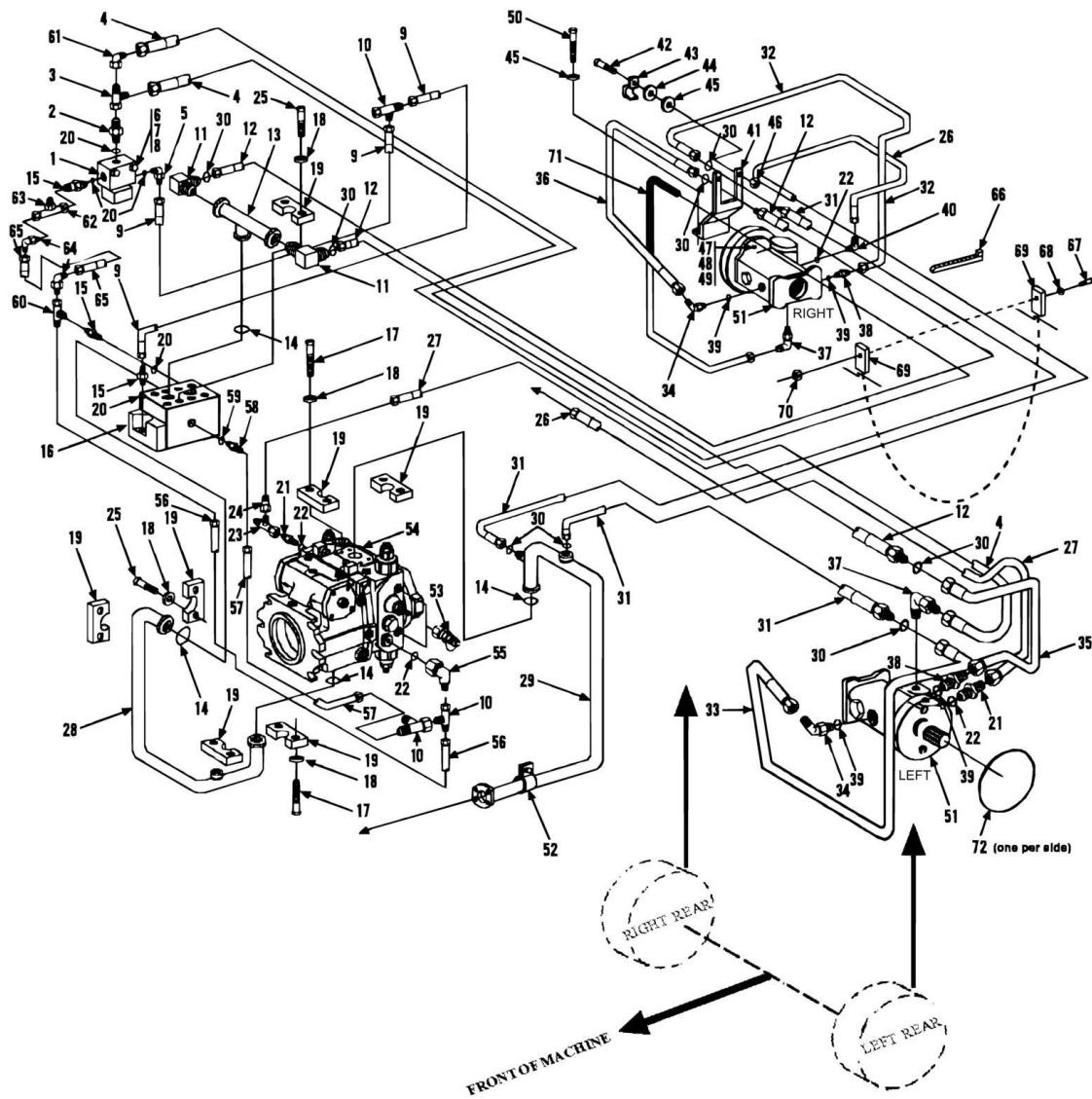
ITEM	PART NUMBER	QTY	DESCRIPTION	REV
1		Ref	SOLENOID VALVE (See HYDRAULIC COMPONENTS SECTION for Breakdown)	
2	88662017	1	CONNECTOR (includes item 20)	
3	88662237	1	SWIVEL NUT RUN TEE, 1/4 TUBE	
4	84718181	1	HOSE ASSY	
5	88662064	1	ELBOW, 90, (includes item 20)	
6	88201008	2	HEX HD CAPSCREW, 1/4-20X1-3/4, GR5	
7	88561001	2	PLAIN WASHER, 1/4	
8	88551009	2	LOCKWASHER, 1/4	
9	84717930	2	HOSE ASSY	
10	88662239	2	SWIVEL NUT RUN TEE, 3/8 TUBE	
11	88662421	2	ELBOW, 45, (includes o-ring)	
11	88591020	2	O-RING	
12	84717898	2	HOSE ASSY	
13	91083266	1	TUBE ASSY	
14	91083106	4	O-RING	
15	88662005	3	STRAIGHT THREAD CONNECTOR (includes item 20)	
16		Ref	TRACTION LOCK VALVE (See HYDRAULIC COMPONENTS SECTION for Breakdown)	
17	83201135	20	HEX HD CAPSCREW, 7/16-14X1-1/2, GR8	
18	88551012	20	LOCKWASHER, 7/16	
19	84712738	10	SPLIT FLANGE CLAMP	
20	88591204	5	O-RING	
21	88662008	2	CONNECTOR (includes item 22)	
22	88591207	4	O-RING	
23	88662242	1	SWIVEL NUT RUN TEE, 3/4 TUBE	
24	83651133	1	REDUCER, W/ADAPTER	
25	88662240	1	SWIVEL NUT RUN TEE, 1/2 TUBE	
26	84718182	1	HOSE ASSY	
27	84718183	1	HOSE ASSY	
28	91083095	1	TUBE ASSY	
29	91083419	1	TUBE ASSY	
30	88591508	10	O-RING	
31	84717899	2	HOSE ASSY	
32	91083465	1	TUBE ASSY	
33	91083464	1	TUBE ASSY	
34	88662425	2	ELBOW, 45, (includes item 39)	
35	91083463	1	TUBE ASSY	
36	91083466	1	TUBE ASSY	
37	91085064	2	RESTRICTOR	
38	88662306	2	CONNECTOR (includes item 39)	
39	88591209	4	O-RING	
40	88662087	1	ELBOW, 45, (includes item 22)	
41	91081522	1	R.H. TUBE SUPPORT	
41	91081523	1	L.H. TUBE SUPPORT	
42	88201036	4	HEX HD CAPSCREW, 3/8-16X1-1/4, GR5	
43	91081201	4	TUBE CLAMP	
44	90027470	4	HARDENED WASHER, 3/8	
45	88551011	12	LOCKWASHER, 3/8	
46	88501006	4	HEX NUT, 3/8-16	

SECTION 8 - HYDRAULIC CIRCUITS

ITEM	PART NUMBER	QTY	DESCRIPTION	REV
47	91123092	4	STUD	
48	90027471	4	HARD WASHER	
49	91083449	4	HEX NUT, 1/2-13	
50	88201035	4	HEX HD CAPSCREW, 3/8-16X1, GR5	
51		Ref	REAR DRIVE MOTOR (See HYDRAULIC COMPONENTS SECTION for Breakdown)	
52	90205792	1	CUSHION CLAMP	
53	91083475	2	TEST COUPLING	
54		Ref	HYDROSTATIC TRANSMISSION PUMP (See HYDRAULIC COMPONENTS SECTION for Breakdown)	
55	91053426	1	STRAIGHT THREAD REDICING CONNECTOR (includes item 18)	
56	84718221	1	HOSE ASSY	
57	84718207	1	HOSE ASSY	
58	91083306	1	STRAIGHT THREAD CONNECTOR	
59	88591206	1	O-RING	
60	88662224	1	SWIVEL NUT BRANCH TEE, 3/8 TUBE	
61	88662103	1	SWIVEL NUT ELBOW, 1/4 TUBE	
62	91043163	1	TUBE ASSY	
63	77133089	1	TEST FITTING	
64	88662105	1	ELBOW, 90, (swivel nut)	
65	84718208	1	HOSE ASSY	
66	90027187	12	NYLON TIE	
67	88201018	2	HEX HD CAPSCREW, 5/16-18X3/4, GR5	
68	88561108	4	WASHER	
69	91303049	2	HOSE SUPPPORT (one each side)	
70	88501005	2	HEX NUT	
71	84718946	1	HOSE ASSY	
72	90023155	2	O-RING (one each side)	

SECTION 8 - HYDRAULIC CIRCUITS

FIGURE 8-26. REAR DRIVE CIRCUIT (534C-6 TURBO) (SN 0388349 to Present)



SECTION 8 - HYDRAULIC CIRCUITS

FIGURE 8-26. REAR DRIVE CIRCUIT (534C-6 TURBO) (SN 0388349 to Present)

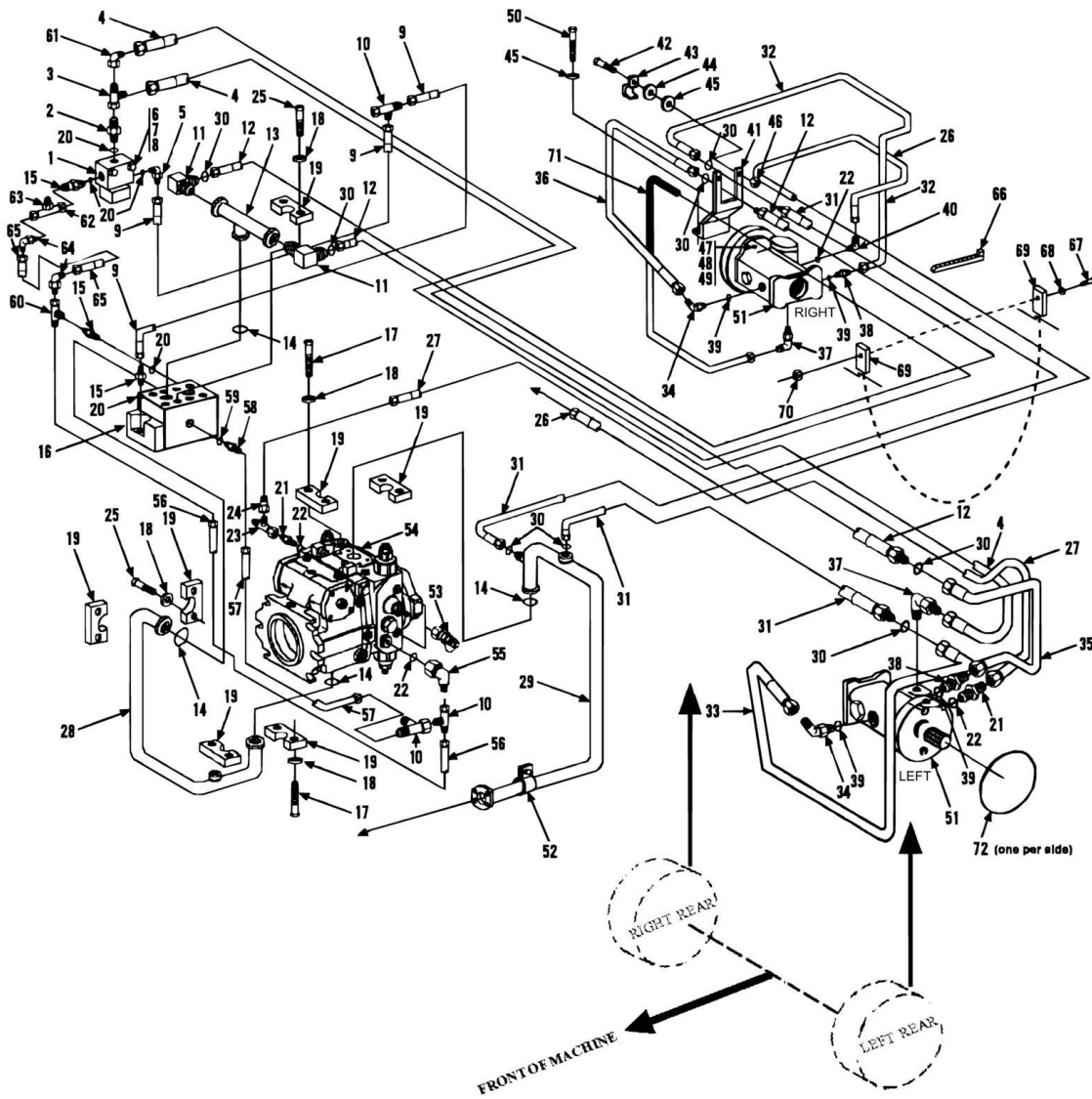
ITEM	PART NUMBER	QTY	DESCRIPTION	REV
1		Ref	SOLENOID VALVE (See HYDRAULIC COMPONENTS SECTION for Breakdown)	
2	88662017	1	CONNECTOR (includes item 20)	
3	88662237	1	SWIVEL NUT RUN TEE, 1/4 TUBE	
4	84718181	1	HOSE ASSY	
5	88662064	1	ELBOW, 90, (includes item 20)	
6	88201008	2	HEX HD CAPSCREW, 1/4-20X1-3/4, GR5	
7	88561001	2	PLAIN WASHER, 1/4	
8	88551009	2	LOCKWASHER, 1/4	
9	84717930	2	HOSE ASSY	
10	88662239	2	SWIVEL NUT RUN TEE, 3/8 TUBE	
11	88662421	2	ELBOW, 45, (includes o-ring)	
11	88591207	2	O-RING	
12	84717898	2	HOSE ASSY	
13	91083266	1	TUBE ASSY	
14	91083106	4	O-RING	
15	88662005	3	STRAIGHT THREAD CONNECTOR (includes item 20)	
16		Ref	TRACTION LOCK VALVE (See HYDRAULIC COMPONENTS SECTION for Breakdown)	
17	83201135	8	HEX HD CAPSCREW, 7/16-14X1-1/2, GR8	
18	88551012	16	LOCKWASHER, 7/16	
19	84712738	8	SPLIT FLANGE CLAMP	
20	88591204	5	O-RING	
21	88662008	2	CONNECTOR (includes item 22)	
22	88591207	4	O-RING	
23	88662242	1	SWIVEL NUT RUN TEE, 3/4 TUBE	
24	83651133	1	REDUCER, W/ADAPTER	
25	83201155	8	HEX HD CAPSCREW, 7/16-14X1-3/4, GR8	
26	84718756	1	HOSE ASSY	
27	84718757	1	HOSE ASSY	
28	91163201	1	TUBE ASSY	
29	91143055	1	TUBE ASSY	
30	88591508	10	O-RING	
31	84718882	2	HOSE ASSY	
32	91083465	1	TUBE ASSY	
33	91083464	1	TUBE ASSY	
34	88662425	2	ELBOW, 45, (includes item 39)	
35	91083463	1	TUBE ASSY	
36	91083466	1	TUBE ASSY	
37	91085064	2	RESTRICTOR	
38	88662306	2	CONNECTOR (includes item 39)	
39	88591209	4	O-RING	
40	88662087	1	ELBOW, 45, (includes item 22)	
41	91081522	1	R.H. TUBE SUPPORT	
41	91081523	1	L.H. TUBE SUPPORT	
42	88201036	4	HEX HD CAPSCREW, 3/8-16X1-1/4, GR5	
43	91081201	4	TUBE CLAMP	
44	90027470	4	HARDENED WASHER, 3/8	
45	88551011	12	LOCKWASHER, 3/8	
46	88501006	4	HEX NUT, 3/8-16	

SECTION 8 - HYDRAULIC CIRCUITS

ITEM	PART NUMBER	QTY	DESCRIPTION	REV
47	91123092	4	STUD	
48	90027471	4	HARD WASHER	
49	91083449	4	HEX NUT, 1/2-13	
50	88201035	4	HEX HD CAPSCREW, 3/8-16X1, GR5	
51		Ref	REAR DRIVE MOTOR (See HYDRAULIC COMPONENTS SECTION for Breakdown)	
52	90205792	1	CUSHION CLAMP	
53	91053020	2	TEST COUPLING	
54		Ref	HYDROSTATIC TRANSMISSION PUMP (See HYDRAULIC COMPONENTS SECTION for Breakdown)	
55	91083222	1	STRAIGHT THREAD REDUCING CONNECTOR (includes item 22)	
56	84717524	1	HOSE ASSY	
57	84718207	1	HOSE ASSY	
58	91083306	1	STRAIGHT THREAD CONNECTOR	
59	88591206	1	O-RING	
60	88662224	1	SWIVEL NUT BRANCH TEE, 3/8 TUBE	
61	88662103	1	ELBOW, 90, (swivel nut)	
62	91043163	1	TUBE ASSY	
63	77133089	1	TEST FITTING	
64	88662105	2	ELBOW, 90, (swivel nut)	
65	84718208	1	HOSE ASSY	
66	90027187	12	NYLON TIE	
67	88201018	2	HEX HD CAPSCREW, 5/16-18X3/4, GR5	
68	88561108	4	WASHER	
69	91303049	2	HOSE SUPPPORT (one each side)	
70	88501005	2	HEX NUT	
71	84718946	1	HOSE ASSY	
72	90023155	2	O-RING (one each side)	

SECTION 8 - HYDRAULIC CIRCUITS

FIGURE 8-27. REAR DRIVE CIRCUIT (534C-6 TURBO) (SN 0488238 to Present)



SECTION 8 - HYDRAULIC CIRCUITS

FIGURE 8-27. REAR DRIVE CIRCUIT (534C-6 TURBO) (SN 0488238 to Present)

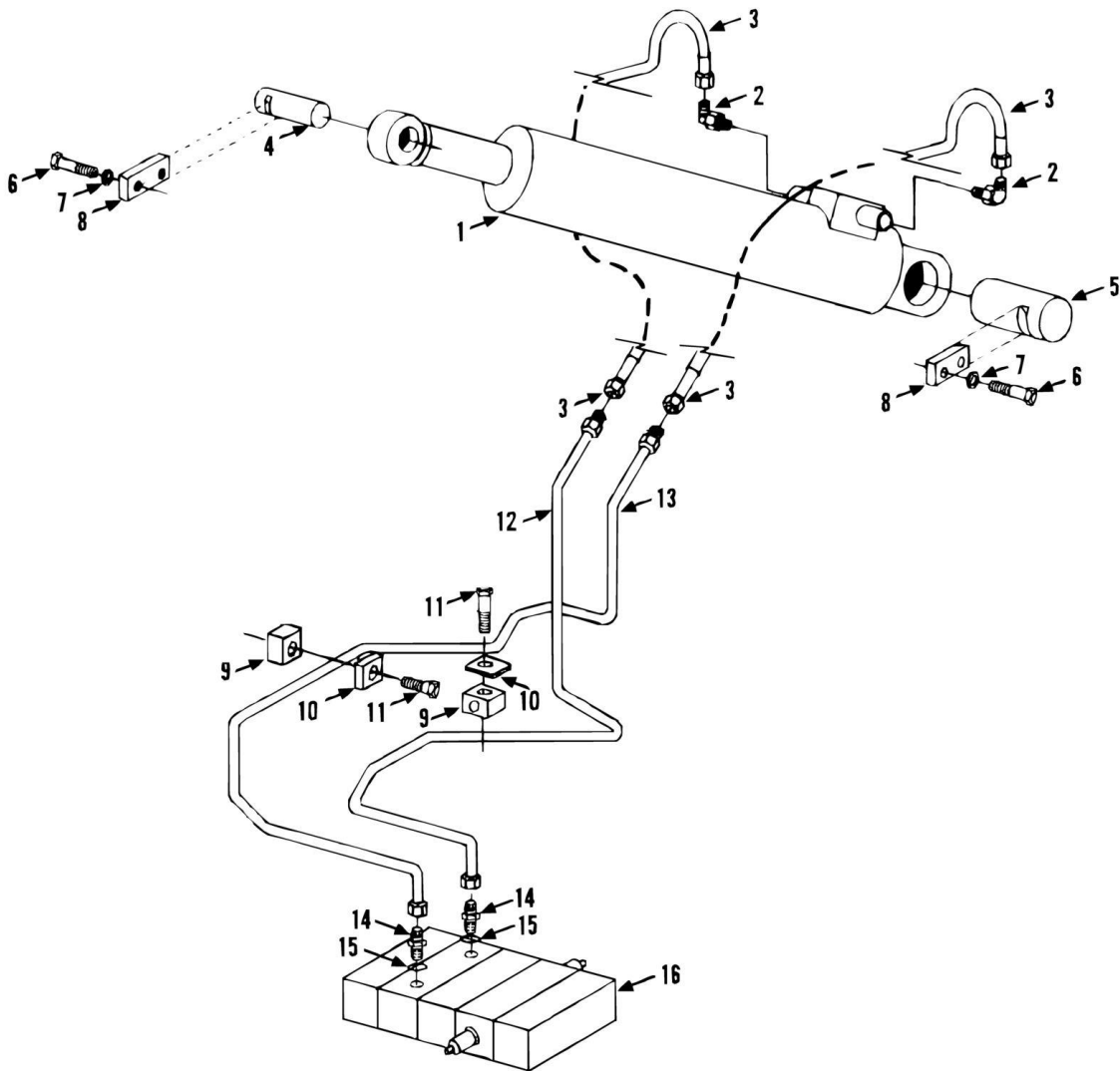
ITEM	PART NUMBER	QTY	DESCRIPTION	REV
1		Ref	SOLENOID VALVE (See HYDRAULIC COMPONENTS SECTION for Breakdown)	
2	88662017	1	CONNECTOR (includes item 20)	
3	88662237	1	SWIVEL NUT RUN TEE, 1/4 TUBE	
4	84718946	1	HOSE ASSY	
5	88662064	1	ELBOW, 90, (includes item 20)	
6	88201008	2	HEX HD CAPSCREW, 1/4-20X1-3/4, GR5	
7	88561001	2	PLAIN WASHER, 1/4	
8	88551009	2	LOCKWASHER, 1/4	
9	84717930	2	HOSE ASSY	
10	88662239	2	SWIVEL NUT RUN TEE, 3/8 TUBE	
11	88662421	2	ELBOW, 45, (includes o-ring)	
11	88591207	2	O-RING	
12	84717898	2	HOSE ASSY	
13	91083266	1	TUBE ASSY	
14	91083106	4	O-RING	
15	88662005	3	STRAIGHT THREAD CONNECTOR (includes item 20)	
16		Ref	TRACTION LOCK VALVE (See HYDRAULIC COMPONENTS SECTION for Breakdown)	
17	83201135	8	HEX HD CAPSCREW, 7/16-14X1-1/2, GR8	
18	88551012	16	LOCKWASHER, 7/16	
19	84712738	8	SPLIT FLANGE CLAMP	
20	88591204	5	O-RING	
21	88662008	2	CONNECTOR (includes item 22)	
22	88591207	4	O-RING	
23	88662242	1	SWIVEL NUT RUN TEE, 3/4 TUBE	
24	83651133	1	REDUCER, W/ADAPTER	
25	83201155	8	HEX HD CAPSCREW, 7/16-14X1-3/4, GR8	
26	84718756	1	HOSE ASSY	
27	84718757	1	HOSE ASSY	
28	91163201	1	TUBE ASSY	
29	91163122	1	TUBE ASSY	
30	88591508	10	O-RING	
31	84718882	2	HOSE ASSY	
32	91083465	1	TUBE ASSY	
33	91083464	1	TUBE ASSY	
34	88662425	2	ELBOW, 45, (includes item 39)	
35	91083463	1	TUBE ASSY	
36	91083466	1	TUBE ASSY	
37	91085064	2	RESTRICTOR	
38	88662306	2	CONNECTOR (includes item 39)	
39	88591209	4	O-RING	
40	88662087	1	ELBOW, 45, (includes item 22)	
41	91081522	1	R.H. TUBE SUPPORT	
41	91081523	1	L.H. TUBE SUPPORT	
42	88201036	4	HEX HD CAPSCREW, 3/8-16X1-1/4, GR5	
43	91081201	4	TUBE CLAMP	
44	90027470	4	HARDENED WASHER, 3/8	
45	88551011	12	LOCKWASHER, 3/8	
46	88501006	4	HEX NUT, 3/8-16	

SECTION 8 - HYDRAULIC CIRCUITS

ITEM	PART NUMBER	QTY	DESCRIPTION	REV
47	91123092	4	STUD	
48	90027471	4	HARD WASHER	
49	91083449	4	HEX NUT, 1/2-13	
50	88201035	4	HEX HD CAPSCREW, 3/8-16X1, GR5	
51		Ref	REAR DRIVE MOTOR (See HYDRAULIC COMPONENTS SECTION for Breakdown)	
52	90205792	1	CUSHION CLAMP	
53	91053020	2	TEST COUPLING	
54		Ref	HYDROSTATIC TRANSMISSION PUMP (See HYDRAULIC COMPONENTS SECTION for Breakdown)	
55	91083222	1	STRAIGHT THREAD REDUCING CONNECTOR (includes item 22)	
56	84718221	1	HOSE ASSY	
57	77133447	1	HOSE ASSY	
58	91083306	1	STRAIGHT THREAD CONNECTOR	
59	88591206	1	O-RING	
60	88662224	1	SWIVEL NUT BRANCH TEE, 3/8 TUBE	
61	88662103	1	ELBOW, 90, (swivel nut)	
62	91043163	1	TUBE ASSY	
63	77133089	1	TEST FITTING	
64	88662105	2	ELBOW, 90, (swivel nut)	
65	84718208	1	HOSE ASSY	
66	90027187	12	NYLON TIE	
67	88201018	2	HEX HD CAPSCREW, 5/16-18X3/4, GR5	
68	88561108	4	WASHER	
69	91303049	2	HOSE SUPPPORT (one each side)	
70	88501005	2	HEX NUT	
71	84718181	1	HOSE ASSY	
72	90023155	2	O-RING (one each side)	

SECTION 8 - HYDRAULIC CIRCUITS

FIGURE 8-28. LIFT CYLINDER (SN 0188002 to Present)



SECTION 8 - HYDRAULIC CIRCUITS

FIGURE 8-28. LIFT CYLINDER (SN 0188002 to Present)

ITEM	PART NUMBER	QTY	DESCRIPTION	REV
1		Ref	LIFT CYLINDER ASSY (See HYDRAULIC COMPONENTS SECTION for Breakdown)	
2	91083050	2	HYDRAULIC SWIVEL	
3	84717860	2	HOSE ASSY	
4	91081432	1	PIN	
5	91081433	1	PIN	
6	88201065	4	HEX HD CAPSCREW, 1/2-13X1, GR5	
7	88551013	4	LOCKWASHER, 1/2	
8	91081313	4	KEEPER PLATE	
9	77133139	2	CLAMP SET	
10	77133140	2	COVER PLATE	
11	77133177	2	HEX HD CAPSCREW	
12	91123004	1	TUBE ASSY	
13	91123003	1	TUBE ASSY	
14	88662007	2	CONNECTOR (includes item 15)	
15	88591206	2	O-RING	
16		Ref	MAIN HYDRAULIC CONTROL VALVE - 534C-6 (See HYDRAULIC COMPONENTS SECTION for Breakdown)	

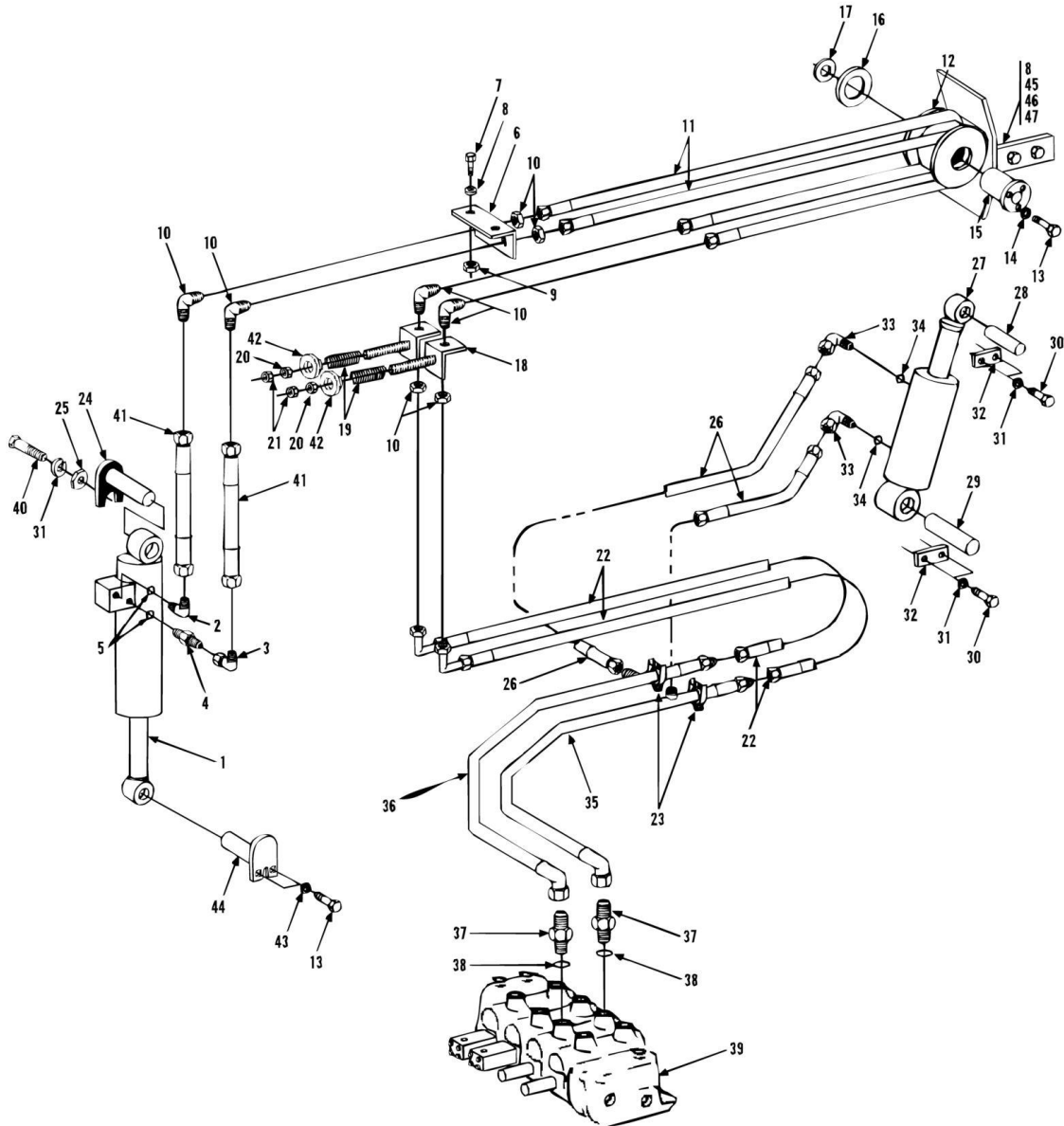
SECTION 8 - HYDRAULIC CIRCUITS

FIGURE 8-29. CROWD CYLINDER (SN 0188002 to Present)

ITEM	PART NUMBER	QTY	DESCRIPTION	REV
1		Ref	CROWD CYLINDER ASSY (See HYDRAULIC COMPONENTS SECTION for Breakdown)	
2	86561308	2	STR. THREAD ADAPTER (includes item 25)	
3	91123022	2	LONG ADAPTER, 90	
4	91121041	1	PIN	
5	88581320	2	RETAINING RING	
6	84717863	1	HOSE ASSY	
7	84717862	1	HOSE ASSY	
8	77133893	2	STAUFF CLAMP SET	
9	77133052	2	STAUFF COVER PLATE	
10	77133209	4	HEX HD CAPSCREW, 1/4-20X1-3/8	
11	91123005	1	TUBE ASSY	
12	91123008	1	TUBE ASSY	
13	88662007	2	CONNECTOR (includes item 14)	
14	88591206	2	O-RING	
15		Ref	MAIN CONTROL VALVE (See HYDRAULIC COMPONENTS SECTION for Breakdown)	
16	83201039	4	HEX HD CAPSCREW, 3/4-10X2-1/2, GR8 (torque to 340-365 ft lbs)	
17	90027473	12	HARDENED WASHER	
18	88501012	8	HEX NUT	
19	91126010	1	CROWD CYLINDER MOUNTING BRACKET	
20	91121023	AR	SHIM (.0598IN)	
21	91121024	AR	SHIM (.0359IN)	
22	91121157	AR	SHIM (.134IN)	
23	83201017	4	HEX HD CAPSCREW, 3/4-10X2-3/4, GR8 (torque to 340-365 ft lbs)	
24	91121066	2	CROWD CYLINDER RETAINER	
25	88591205	2	O-RING	
26	83201038	4	HEX HD CAPSCREW, 3/4-10X2-1/4, GR8 (torque to 340-365 ft lbs)	

SECTION 8 - HYDRAULIC CIRCUITS

FIGURE 8-30. TILT AND TILT COMPENSATING CYLINDER (SN 0188002 to Present)



SECTION 8 - HYDRAULIC CIRCUITS

FIGURE 8-30. TILT AND TILT COMPENSATING CYLINDER (SN 0188002 to Present)

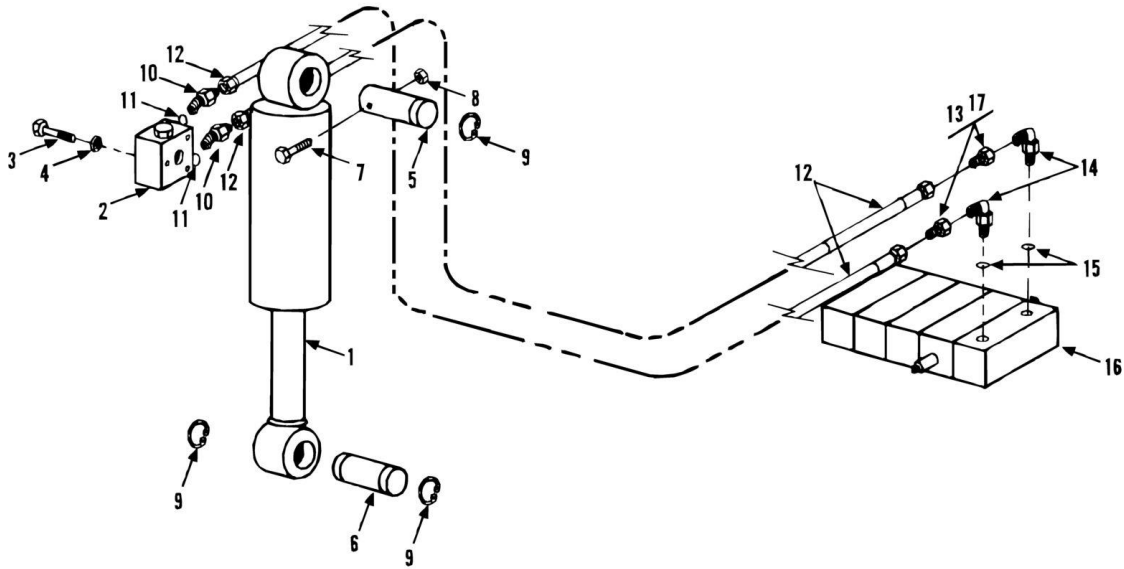
ITEM	PART NUMBER	QTY	DESCRIPTION	REV
1		Ref	TILT CYLINDER ASSY - 534 (See HYDRAULIC COMPONENTS SECTION for Breakdown)	
1		Ref	TILT CYLINDER ASSY - 532 (See HYDRAULIC COMPONENTS SECTION for Breakdown)	
2	91053450	1	STRAIGHT THREAD FITTING (includes item 5)	
3	88662105	1	ELBOW, 90, (swivel nut)	
4	91053426	1	STRAIGHT THREAD CONNECTOR (includes item 5)	
5	88591207	2	O-RING	
6	91121125	1	BULKHEAD BRACKET	
7	88201020	2	HEX HD CAPSCREW, 5/16-18X1, GR5	
8	88551010	4	LOCKWASHER, 5/16	
9	88501005	2	HEX NUT, 5/16-18	
10	90027179	4	BULKHEAD FITTING	
11	84717895	2	HOSE ASSY	
12	91123016	1	HOSE SHEAVE	
13	83201123	5	HEX HD CAPSCREW, 1/2-13X1, GR8	
14	90027471	3	FLAT WASHER	
15	91081326	1	HOSE REEL SUPPORT	
16	90203040	1	THRUST WASHER	
17	88581320	1	RETAINING RING (external)	
18	91126008	2	HOSE TAKE-UP WELDMENT	
19	91123054	2	SPRING	
20	88501008	2	HEX NUT, 1/2-13	
21	88501108	2	HEAVY HEX JAM NUT, 1/2-13	
22	84717894	2	HOSE ASSY	
23	90207463	8	CLAMP	
24	91146052	1	PIN	
25	83621283	1	WASHER	
26	84717859	2	HOSE ASSY	
27		Ref	COMPENSATING CYLINDER - 534 (See HYDRAULIC COMPONENTS SECTION for Breakdown)	
27		Ref	COMPENSATING CYLINDER - 532 (See HYDRAULIC COMPONENTS SECTION for Breakdown)	
28	91081432	1	PIN	
29	91081433	1	PIN	
30	88201065	4	HEX HD CAPSCREW 1/2-13X1, GR5	
31	88551013	5	LOCKWASHER, 1/2	
32	91081313	2	KEEPER PLATE	
33	88662065	2	ELBOW, 90, (includes item 34)	
34	88591205	2	O-RING	
35	91123006	1	TUBE ASSY	
36	91123087	1	TUBE ASSY	
37	88662019	2	CONNECTOR (includes item 38)	
38	88591206	2	O-RING	
39		Ref	MAIN HYDRAULIC CONTROL VALVE (See HYDRAULIC COMPONENTS SECTION for Breakdown)	
40	88201065	1	HEX HD CAPSCREW, 1/2-12X1IN, GR5	
41	84717896	2	HOSE ASSY	
42	91121134	2	SPRING RETAINER	
43	88561111	2	WASHER, 1/2	
44	91166062	1	PIN WELDMENT	

SECTION 8 - HYDRAULIC CIRCUITS

ITEM	PART NUMBER	QTY	DESCRIPTION	REV
45	91126071	1	HOSE GUARD	
46	88201034	2	HEX HD CAPSCREW, 3/8-16X7/8, GR5	
47	88561109	2	WASHER	

SECTION 8 - HYDRAULIC CIRCUITS

FIGURE 8-31. SWAY CYLINDER (SN 0188002 to Present)



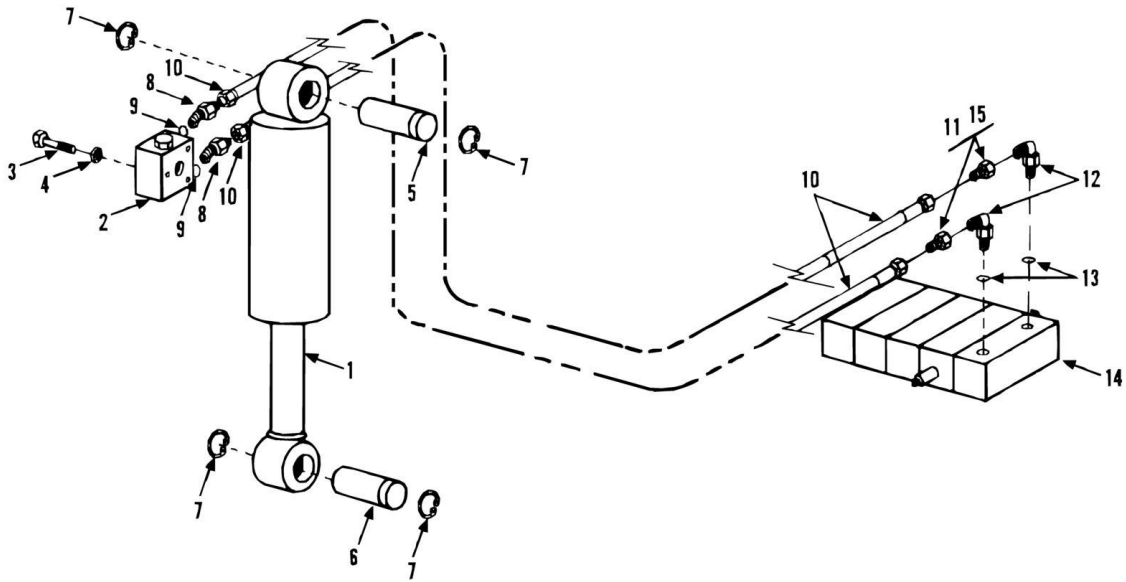
SECTION 8 - HYDRAULIC CIRCUITS

FIGURE 8-31. SWAY CYLINDER (SN 0188002 to Present)

ITEM	PART NUMBER	QTY	DESCRIPTION	REV
1		Ref	SWAY CYLINDER (See HYDRAULIC COMPONENTS SECTION for Breakdown)	
2		Ref	DUAL P.O. CHECK VALVE (See HYDRAULIC COMPONENTS SECTION for Breakdown)	
3	88201040	3	HEX HD CAPSCREW, 3/8-16X2-1/4, GR5	
4	88551011	3	LOCKWASHER, 3/8	
5	91081396	1	PIN	
6	90207352	1	PIN	
7	88201104	1	HEX HD CAPSCREW, 5/8-11X3-3/4, GR5	
8	88501010	1	HEX NUT, 5/8-11	
9	90028935	3	RETAINING RING	
10	88662082	2	ELBOW, 45, (includes item 11)	
11	88591202	2	O-RING	
12	84717861	2	HOSE ASSY	
13	88661341	2	TUBE-END REDUCER, 1/2x1/4	
14	88662059	2	ADAPTER, 90, 5/8-1/2 (includes item 15)	
15	88591206	2	O-RING	
16		Ref	MAIN HYDRAULIC CONTROL VALVE (See HYDRAULIC COMPONENTS SECTION for Breakdown)	
17	88661406	2	NUT	

SECTION 8 - HYDRAULIC CIRCUITS

FIGURE 8-32. SWAY CYLINDER (SN 0388247 to Present)



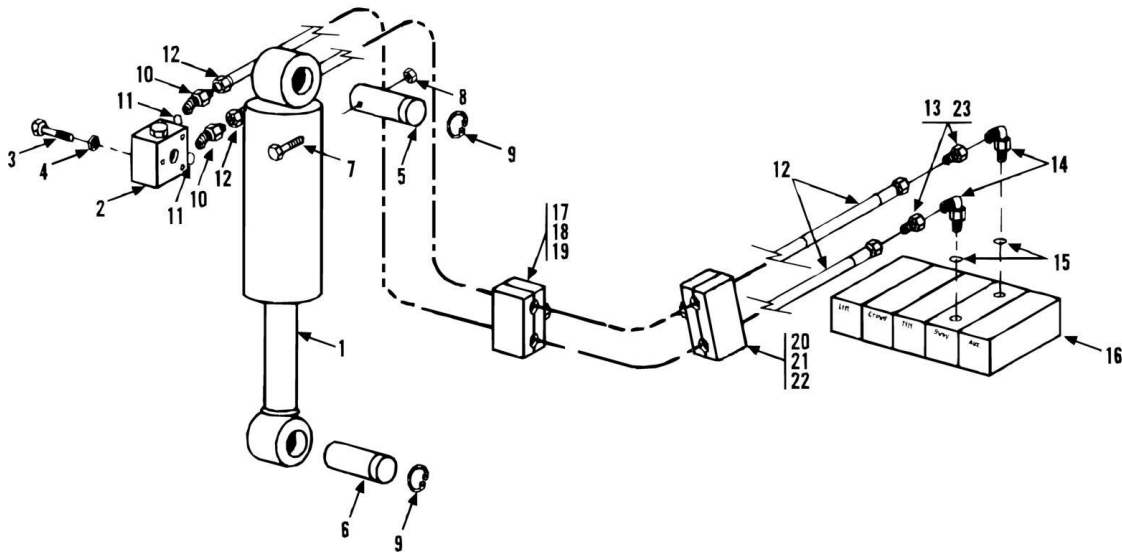
SECTION 8 - HYDRAULIC CIRCUITS

FIGURE 8-32. SWAY CYLINDER (SN 0388247 to Present)

ITEM	PART NUMBER	QTY	DESCRIPTION	REV
1		Ref	SWAY CYLINDER - IOWA (See HYDRAULIC COMPONENTS SECTION for Breakdown)	
2		Ref	DUAL P.O. CHECK VALVE (See HYDRAULIC COMPONENTS SECTION for Breakdown)	
3	88201040	3	HEX HD CAPSCREW, 3/8-16X2-1/4, GR5	
4	88551011	3	LOCKWASHER, 3/8	
5	91141316	1	PIN	
6	90207352	1	PIN	
7	90028935	4	RETAINING RING	
8	88662082	2	ELBOW, 45, (includes item 9)	
9	88591202	2	O-RING	
10	84717861	2	HOSE ASSY	
11	88661341	2	TUBE-END REDUCER, 1/2x1/4	
12	88662059	2	ADAPTER, 90, 5/8-1/2 (includes item 13)	
13	88591206	2	O-RING	
14		Ref	MAIN HYDRAULIC CONTROL VALVE (See HYDRAULIC COMPONENTS SECTION for Breakdown)	
15	88661406	2	NUT (used with item 11)	

SECTION 8 - HYDRAULIC CIRCUITS

FIGURE 8-33. SWAY CYLINDER (534C-6 TURBO) (SN 0388043 to Present)



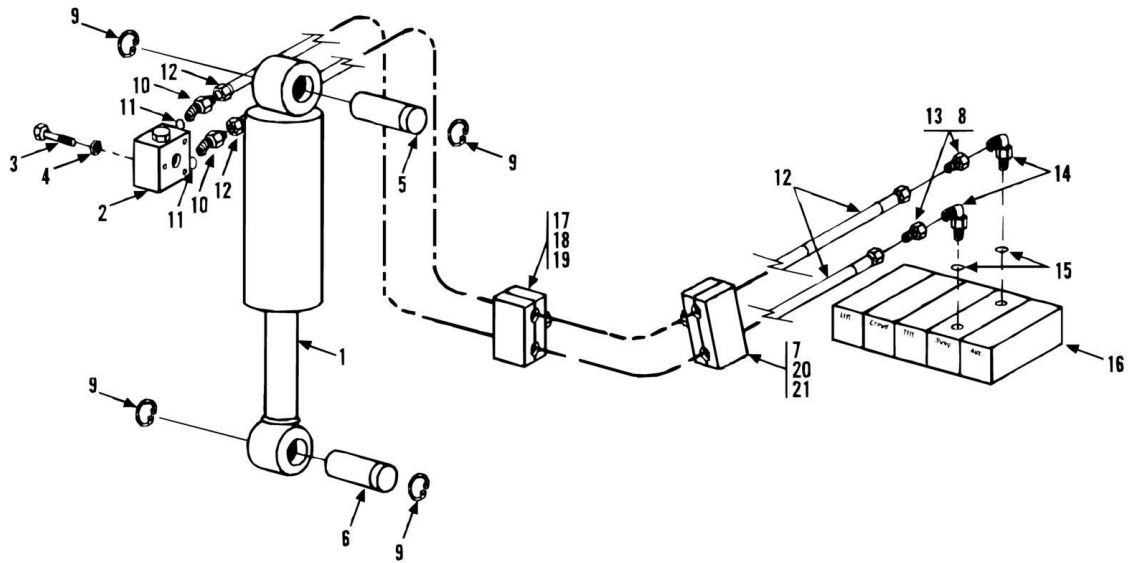
SECTION 8 - HYDRAULIC CIRCUITS

FIGURE 8-33. SWAY CYLINDER (534C-6 TURBO) (SN 0388043 to Present)

ITEM	PART NUMBER	QTY	DESCRIPTION	REV
1		Ref	SWAY CYLINDER - IOWA (See HYDRAULIC COMPONENTS SECTION for Breakdown)	
2		Ref	DUAL P.O. CHECK VALVE, (See HYDRAULIC COMPONENTS SECTION for Breakdown)	
3	88201040	3	HEX HD CAPSCREW, 3/8-16X2-1/4, GR5	
4	88551011	3	LOCKWASHER, 3/8	
5	91081396	1	PIN	
6	90207352	1	PIN	
7	88201104	1	HEX HD CAPSCREW, 5/8-11X3-3/4, GR5	
8	88501010	1	HEX NUT, 5/8-11	
9	90028935	2	RETAINING RING	
10	88662082	2	ELBOW, 45, (includes item 11)	
11	88591202	2	O-RING	
12	84718645	2	HOSE ASSY	
13	88661341	2	TUBE-END REDUCER, (1/2x1/4)	
14	88662059	2	ADAPTER, 90, 5/8-1/2 (includes item 15)	
15	88591206	2	O-RING	
16		Ref	MAIN HYDRAULIC CONTROL VALVE (See HYDRAULIC COMPONENTS SECTION for Breakdown)	
17	77133139	4	CLAMP SET	
18	77133140	4	COVER PLATE	
19	77133177	4	HEX BOLT, 5/16X1-3/8	
20	77133279	2	CLAMP SET	
21	77133137	2	COVER PLATE	
22	88201023	2	HEX BOLT, 5/16X1-3/4	
23	88661406	2	NUT (used with item 13)	

SECTION 8 - HYDRAULIC CIRCUITS

FIGURE 8-34. SWAY CYLINDER (534C-6 TURBO) (SN 0388247 to Present)



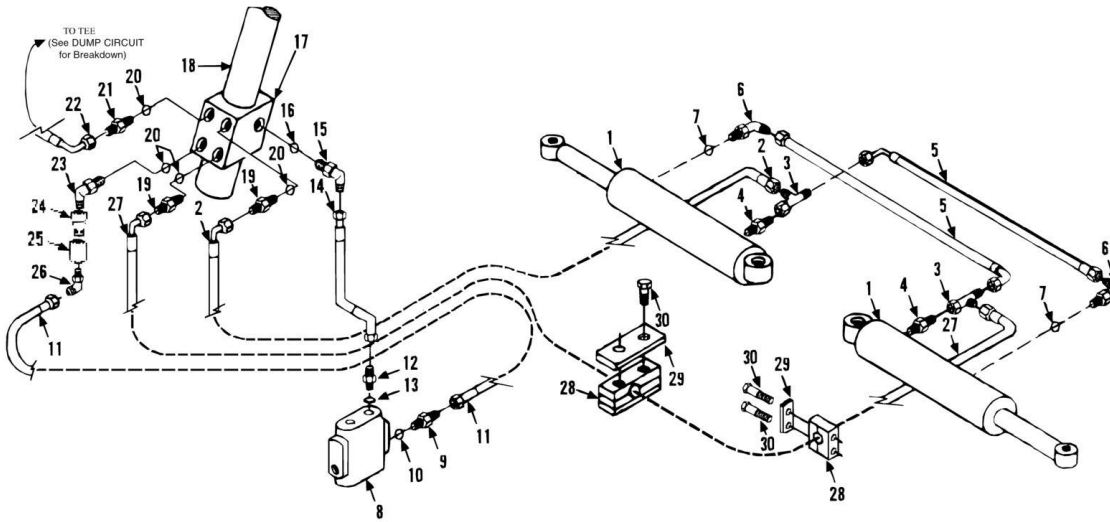
SECTION 8 - HYDRAULIC CIRCUITS

FIGURE 8-34. SWAY CYLINDER (534C-6 TURBO) (SN 0388247 to Present)

ITEM	PART NUMBER	QTY	DESCRIPTION	REV
1		Ref	SWAY CYLINDER - IOWA (See HYDRAULIC COMPONENTS SECTION for Breakdown)	
2		Ref	DUAL P.O. CHECK VALVE, (See HYDRAULIC COMPONENTS SECTION for Breakdown)	
3	88201040	3	HEX HD CAPSCREW, 3/8-16X2-1/4, GR5	
4	88551011	3	LOCKWASHER, 3/8	
5	91141316	1	PIN	
6	90207352	1	PIN	
7	88201023	2	HEX BOLT, 5/16X1-3/4	
8	88661406	2	NUT (used with item 13)	
9	90028935	4	RETAINING RING	
10	88662082	2	CONNECTOR, (includes item 11)	
11	88591202	2	O-RING	
12	84718645	2	HOSE ASSY	
13	88661341	2	TUBE-END REDUCER, (1/2x1/4)	
14	88662059	2	ADAPTER, 90, 5/8-1/2 (includes item 15)	
15	88591206	2	O-RING	
16		Ref	MAIN HYDRAULIC CONTROL VALVE (See HYDRAULIC COMPONENTS SECTION for Breakdown)	
17	77133139	4	CLAMP SET	
18	77133140	4	COVER PLATE	
19	77133177	4	HEX BOLT, 5/16X1-3/8	
20	77133279	2	CLAMP SET	
21	77133137	2	COVER PLATE	

SECTION 8 - HYDRAULIC CIRCUITS

FIGURE 8-35. STEERING CYLINDER (SN 0188002 to Present)



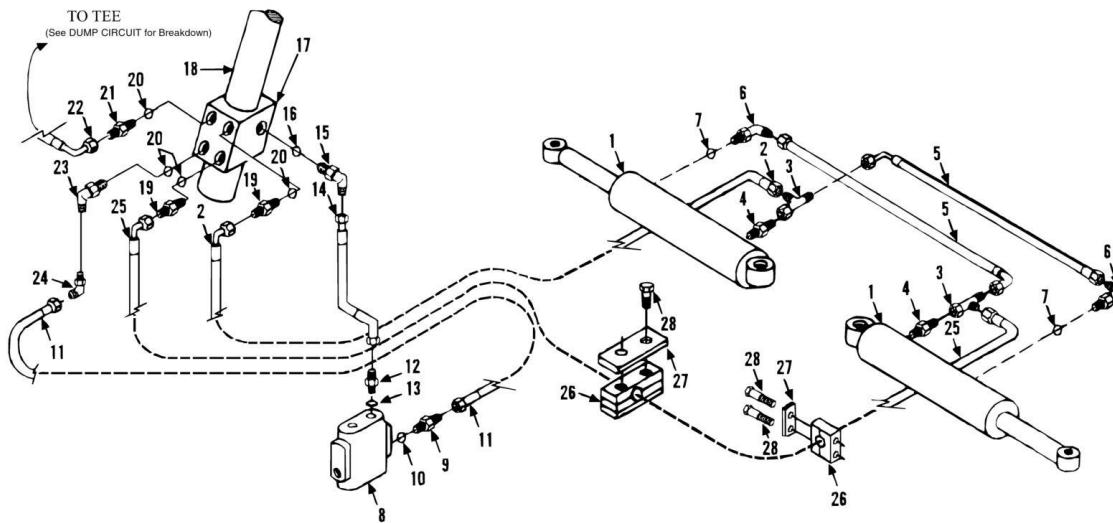
SECTION 8 - HYDRAULIC CIRCUITS

FIGURE 8-35. STEERING CYLINDER (SN 0188002 to Present)

ITEM	PART NUMBER	QTY	DESCRIPTION	REV
1		Ref	STEERING CYLINDER (See HYDRAULIC COMPONENTS SECTION for Breakdown)	
2	84718203	1	HOSE ASSY	
3	88662240	2	SWIVEL NUT RUN TEE, 1/2 TUBE	
4	88662026	2	CONNECTOR (includes o-ring)	
4	88591015	2	O-RING	
5	84718202	2	HOSE ASSY	
6	88662064	2	ELBOW, 90, (includes item 7)	
7	88591204	2	O-RING	
8		Ref	PRIORITY FLOW CONTROL VALVE, (See HYDRAULIC COMPONENTS SECTION for Breakdown)	
9	88662019	1	CONNECTOR (includes item 10)	
10	88591206	1	O-RING	
11	84717854	1	HOSE ASSY	
12	88662003	1	CONNECTOR, (includes item 13)	
13	88591202	1	O-RING	
14	84717858	1	HOSE ASSY	
15	88662062	1	ELBOW, 90, includes (item 16)	
16	88591202	1	O-RING	
17		Ref	STEERING ORBITROL (See HYDRAULIC COMPONENTS SECTION for Breakdown)	
18		Ref	STEERING COLUMN (See CONTROLS SECTION for Breakdown)	
19	88662006	2	CONNECTOR (includes item 20)	
20	88591205	5	O-RING	
21	88662018	1	CONNECTOR (includes item 20)	
22	84717810	1	HOSE ASSY	
23	88662065	1	ELBOW, 90, (includes item 20)	
24	91083335	1	STR. THREAD ADAPTER	
25	90202926	1	CHECK VALVE	
26	88662065	1	ELBOW, 90, (includes item 20)	
27	84718204	1	HOSE ASSY	
28	77133073	2	CLAMP SET	
29	77133052	2	COVER PLATE	
30	77133209	4	HEX HD CAPSCREW, 1/4-20X1-3/8	

SECTION 8 - HYDRAULIC CIRCUITS

FIGURE 8-36. STEERING CYLINDER (SN 0288032 to Present)



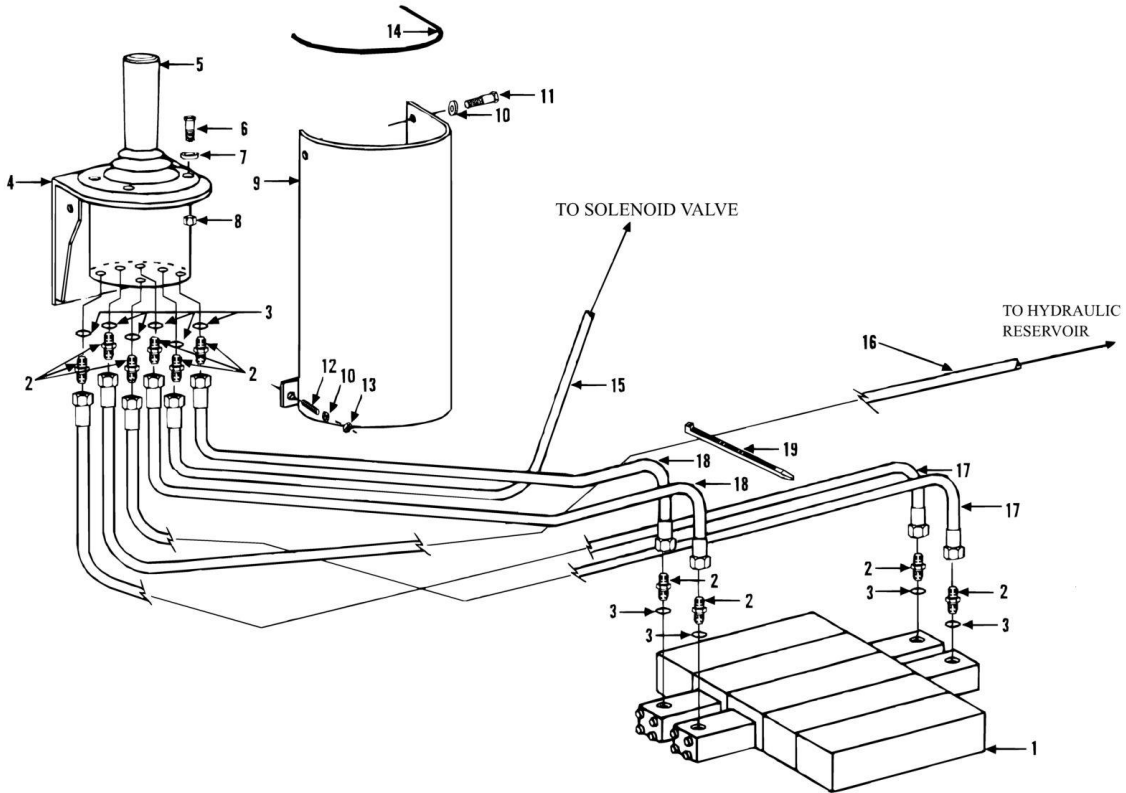
SECTION 8 - HYDRAULIC CIRCUITS

FIGURE 8-36. STEERING CYLINDER (SN 0288032 to Present)

ITEM	PART NUMBER	QTY	DESCRIPTION	REV
1		Ref	STEERING CYLINDER (See HYDRAULIC COMPONENTS SECTION for Breakdown)	
2	84718203	1	HOSE ASSY	
3	88662240	2	SWIVEL NUT RUN TEE, 1/2 TUBE	
4	88662026	2	CONNECTOR (includes o-ring)	
4	88591015	2	O-RING	
5	84718202	2	HOSE ASSY	
6	88662064	2	ELBOW, 90, (includes item 7)	
7	88591204	2	O-RING	
8		Ref	PRIORITY FLOW CONTROL VALVE, (See HYDRAULIC COMPONENTS SECTION for Breakdown)	
9	88662019	1	CONNECTOR (includes item 10)	
10	88591206	1	O-RING	
11	84717854	1	HOSE ASSY	
12	88662003	1	CONNECTOR, (includes item 13)	
13	88591202	1	O-RING	
14	84717858	1	HOSE ASSY	
15	88662062	1	ELBOW, 90, (includes item 16)	
16	88591202	1	O-RING	
17		Ref	STEERING ORBITROL (See HYDRAULIC COMPONENTS SECTION for Breakdown)	
18		Ref	STEERING COLUMN (See CONTROLS SECTION for Breakdown)	
19	88662006	2	CONNECTOR (includes item 20)	
20	88591205	5	O-RING	
21	88662018	1	CONNECTOR (includes item 20)	
22	84717810	1	HOSE ASSY	
23	88662065	1	ELBOW, 90, (includes item 20)	
24	88662065	1	ELBOW, 90, (includes item 20)	
25	84718204	1	HOSE ASSY	
26	77133073	2	CLAMP SET	
27	77133052	2	COVER PLATE	
28	77133209	4	HEX HD CAPSCREW, 1/4-20X1-3/8	

SECTION 8 - HYDRAULIC CIRCUITS

FIGURE 8-37. JOYSTICK CIRCUIT (SN 0188166 to Present)



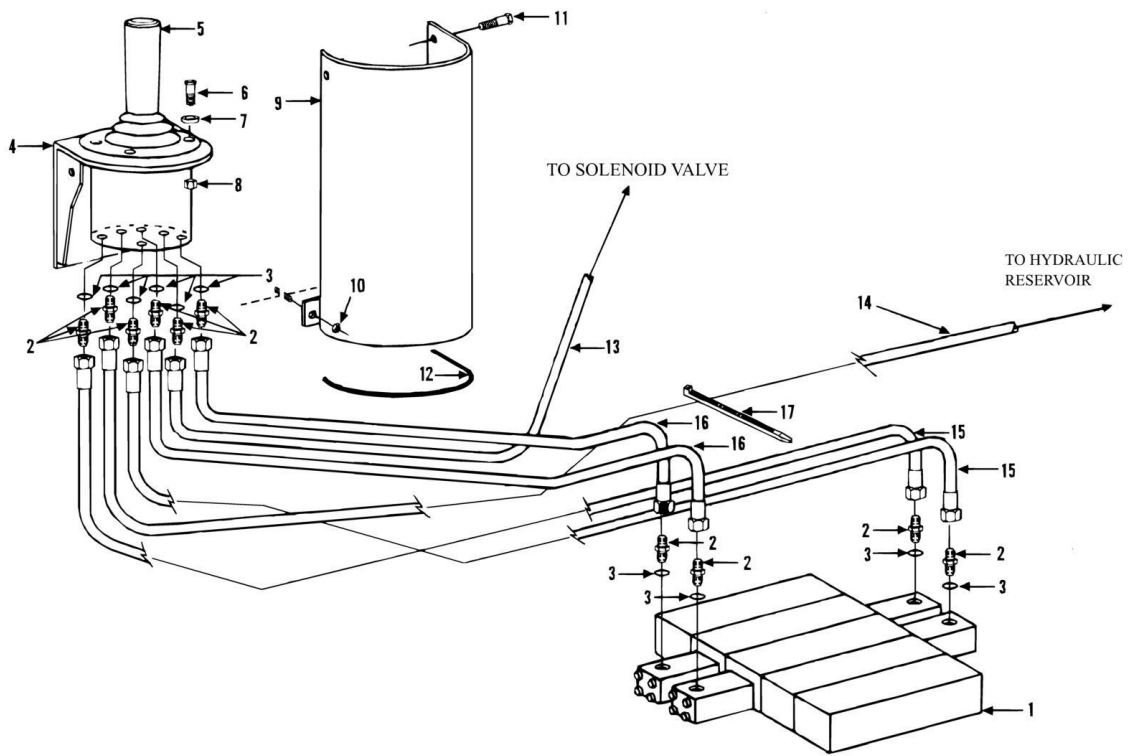
SECTION 8 - HYDRAULIC CIRCUITS

FIGURE 8-37. JOYSTICK CIRCUIT (SN 0188166 to Present)

ITEM	PART NUMBER	QTY	DESCRIPTION	REV
1		Ref	MAIN HYDRAULIC CONTROL VALVE ASSY (See HYDRAULIC COMPONENTS SECTION for Breakdown)	
2	88662005	10	CONNECTOR (includes item 3)	
3	88591204	10	O-RING	
4	91126035	1	JOYSTICK MOUNT WELDMENT	
5		Ref	JOYSTICK (See HYDRAULIC COMPONENTS SECTION for Breakdown)	
6	88261017	4	SOCKET BUTTON HD CAPSCREW, 1/4-20X7/8, GR5	
7	88551009	4	LOCKWASHER, 1/4	
8	88501004	4	HEX NUT, 1/4-20	
9	91046056	1	COVER	
10	88551010	4	LOCKWASHER, 5/16	
11	88201018	2	HEX HD CAPSCREW, 5/16-18X3/4, GR5	
12	85051384	2	WELD STUD, 5/16-18	
13	88501005	2	HEX NUT, 5/16-18	
14	90206194	AR	TRIM LOK	
15	90204096	1	HOSE ASSY	
16	77133197	1	HOSE ASSY	
17	84717458	2	HOSE ASSY	
18	84717519	2	HOSE ASSY	
19	90027187	AR	TIE WRAP	

SECTION 8 - HYDRAULIC CIRCUITS

FIGURE 8-38. JOYSTICK CIRCUIT (SN 0288777 to Present)



SECTION 8 - HYDRAULIC CIRCUITS

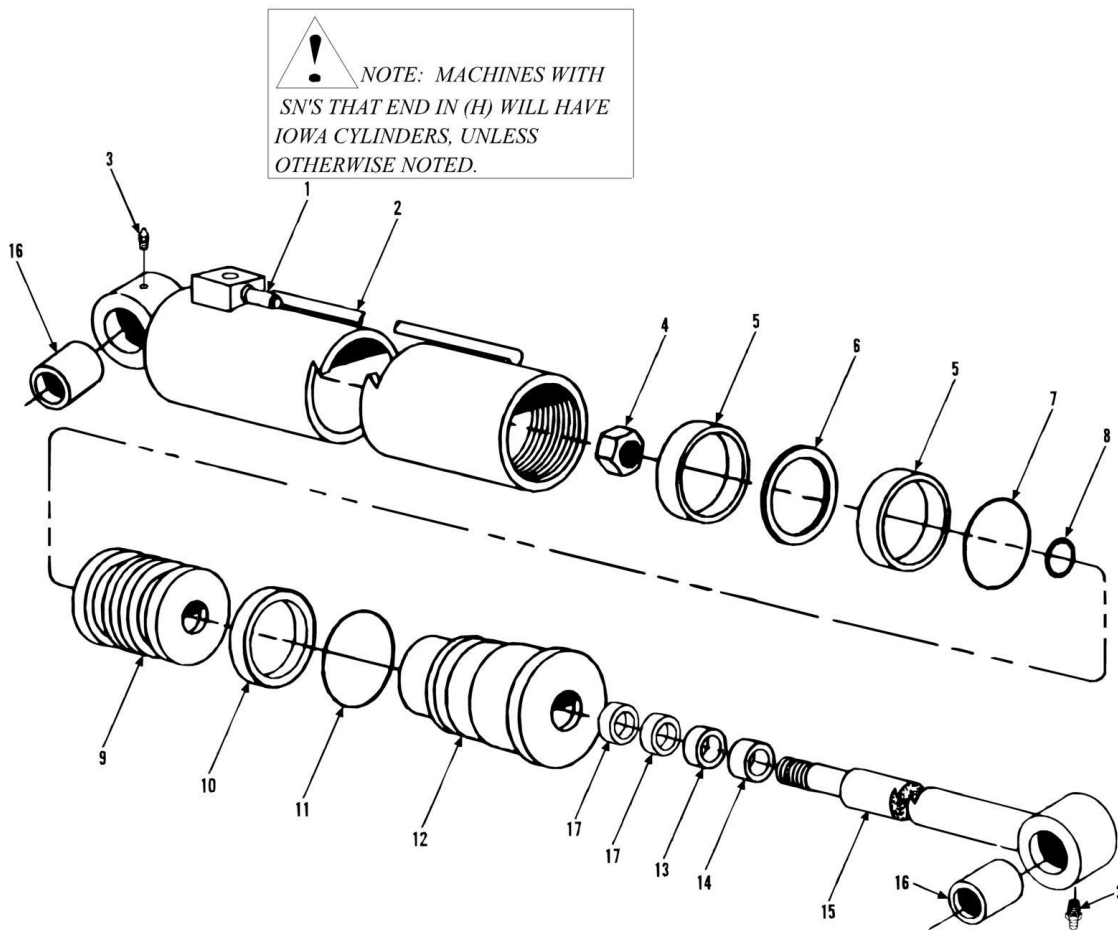
FIGURE 8-38. JOYSTICK CIRCUIT (SN 0288777 to Present)

ITEM	PART NUMBER	QTY	DESCRIPTION	REV
1		Ref	MAIN HYDRAULIC CONTROL VALVE ASSY (See HYDRAULIC COMPONENTS SECTION for Breakdown)	
2	88662005	10	CONNECTOR (includes item 3)	
3	88591204	10	O-RING	
4	91141307	1	JOYSTICK MOUNT WELDMENT	
5		Ref	JOYSTICK (See HYDRAULIC COMPONENTS SECTION for Breakdown)	
6	88261017	4	SOCKET BUTTON HD CAPSCREW, 1/4-20X7/8, GR5	
7	88551009	4	LOCKWASHER, 1/4	
8	88501004	4	HEX NUT, 1/4-20	
9	91146047	1	COVER	
10	77143006	2	WHIZ LOCKNUT, 5/16-18	
11	77143003	2	WHIZ-LOC SCREW, 5/16-18X5/8	
12	90206194	AR	TRIM LOK	
13	90204096	1	HOSE ASSY	
14	77133197	1	HOSE ASSY	
15	84717458	2	HOSE ASSY	
16	84717519	2	HOSE ASSY	
17	90027187	AR	TIE WRAP	

SECTION 9 - HYDRAULIC COMPONENTS

SECTION 9 - HYDRAULIC COMPONENTS

FIGURE 9-1. (91123010) LIFT CYLINDER - SEITZ (SN 0188002 through 0288586, SN 0288588 through 0288691, SN 0288716 through 0288939, SN 0388021 through 0388087, Including 0288693 and 0288694)



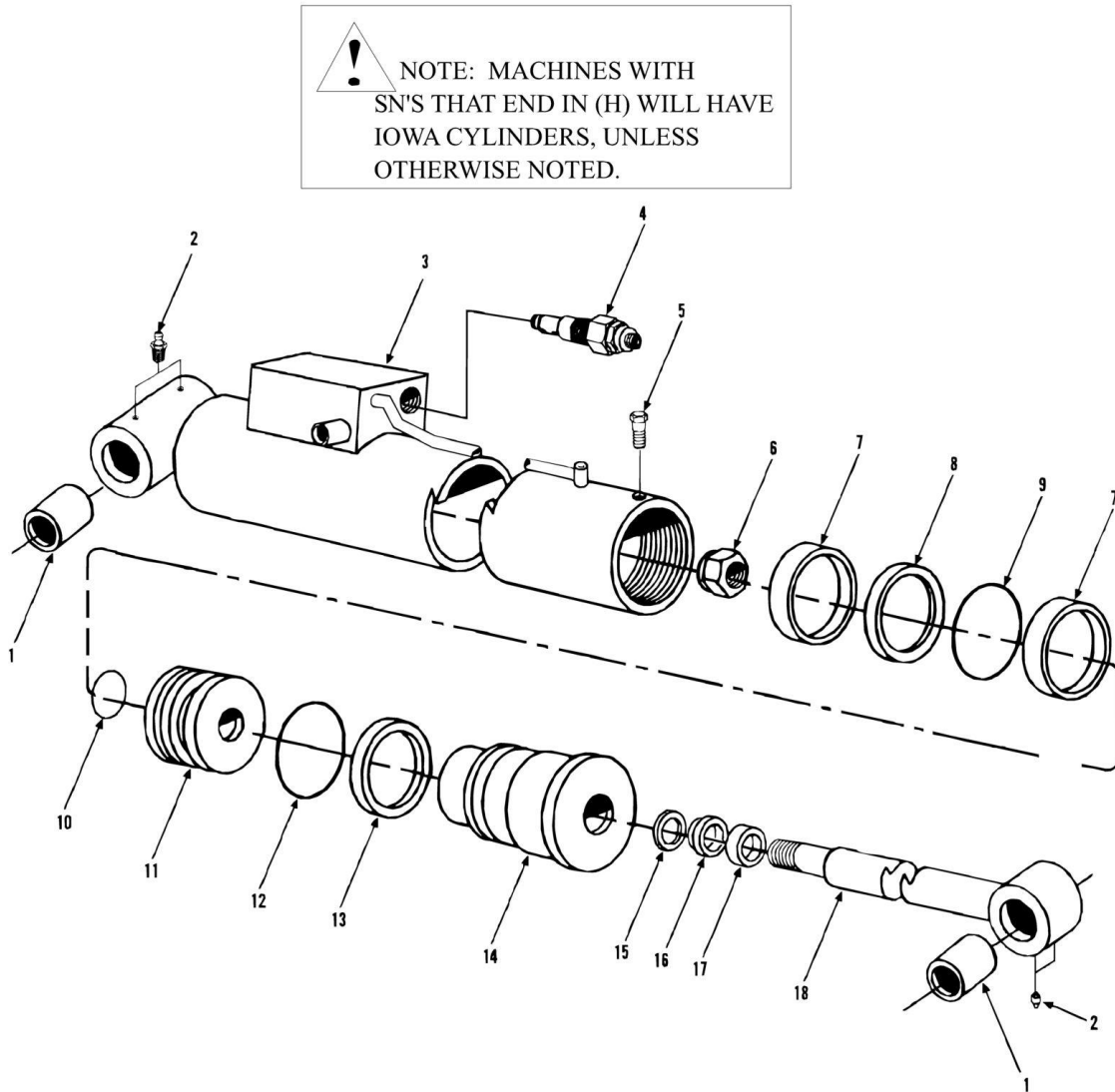
SECTION 9 - HYDRAULIC COMPONENTS

FIGURE 9-1. (91123010) LIFT CYLINDER - SEITZ (SN 0188002 through 0288586, SN 0288588 through 0288691, SN 0288716 through 0288939, SN 0388021 through 0388087, Including 0288693 and 0288694)

ITEM	PART NUMBER	QTY	DESCRIPTION	REV
	91123010	1	LIFT CYLINDER ASSY (includes all items)	
	91124036	1	SEAL KIT (includes items 5, 6, 7, 8, 10, 11, 13, 14 & 17)	
1	91033430	1	COUNTER BALANCE VALVE	
2	91124032	1	TUBE ASSY	
3	88671033	2	LUBE FITTING, STRAIGHT, 1/4-28	
4	91034280	1	NUT (lubricate and torque 940 ft lbs)	
5	Kit	2	WEAR RING	
6	Kit	1	SEAL	
7	Kit	1	O-RING	
8	Kit	1	O-RING	
9	91124033	1	PISTON	
10	Kit	1	BACK-UP RING	
11	Kit	1	O-RING	
12	91124035	1	GLAND	
13	Kit	1	SEAL	
14	Kit	1	WIPER	
15	91124034	1	ROD ASSY	
16	91084167	4	BUSHING	
17	Kit	2	WEAR RING	
		Ref	NOTE: ONLY ITEMS WITH PART NUMBERS ARE AVAILABLE FOR SERVICE.	

SECTION 9 - HYDRAULIC COMPONENTS

FIGURE 9-2. (91123111) LIFT CYLINDER - IOWA (SN 0288695 through 0288715, SN 288940H through 0388020H, SN 0388088H to Present, Including 0288587 and 0288692)



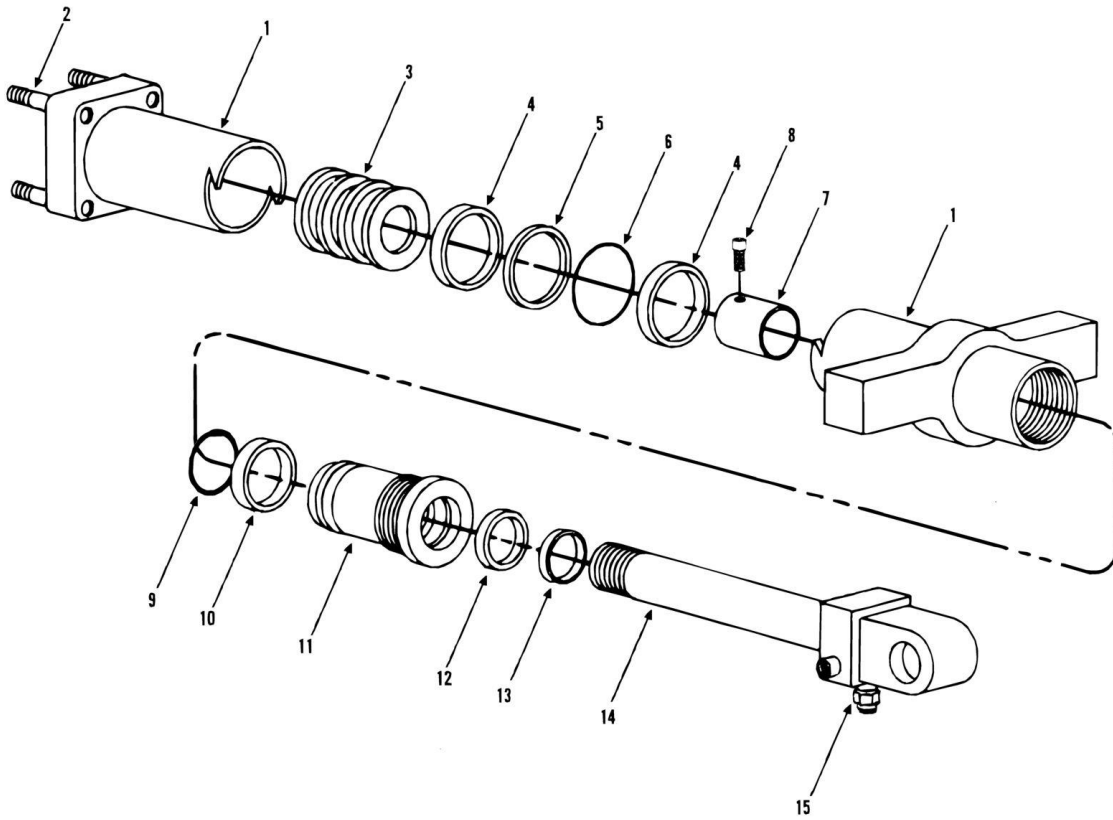
SECTION 9 - HYDRAULIC COMPONENTS

FIGURE 9-2. (91123111) LIFT CYLINDER - IOWA (SN 0288695 through 0288715, SN 288940H through 0388020H, SN 0388088H to Present, Including 0288587 and 0288692)

ITEM	PART NUMBER	QTY	DESCRIPTION	REV
	91123111	1	LIFT CYLINDER ASSY (includes all items)	
	91124071	1	SEAL KIT (includes items 7 thru 10, 12, 13 & 15 thru 17)	
1	91083304	4	BUSHING	
2	91144128	4	GREASE FITTING	
3	91124072	1	CASE ASSY	
4	91123089	1	COUNTER BALANCE VALVE	
4	91034276	1	COUNTER BALANCE VALVE SEAL KIT	
5	91144017	1	CAPSCREW, #8X32X.375	
6	91034153	1	LOCKNUT (lubricate and torque to 1400-1500 ft lbs)	
7	Kit	2	WEAR RING	
8	Kit	1	PISTON SEAL	
9	Kit	1	O-RING	
10	Kit	1	O-RING	
11	91124073	1	PISTON	
12	Kit	1	O-RING	
13	Kit	1	BACK-UP RING	
14	91124074	1	CYLINDER HEAD	
15	Kit	1	STEP SEAL	
16	Kit	1	U-CUP	
17	Kit	1	WIPER	
18	91124075	1	ROD ASSY	
		Ref	NOTE: ONLY ITEMS WITH PART NUMBERS ARE AVAILABLE FOR SERVICE.	

SECTION 9 - HYDRAULIC COMPONENTS

FIGURE 9-3. CROWD CYLINDER (SN 0188002 to Present)



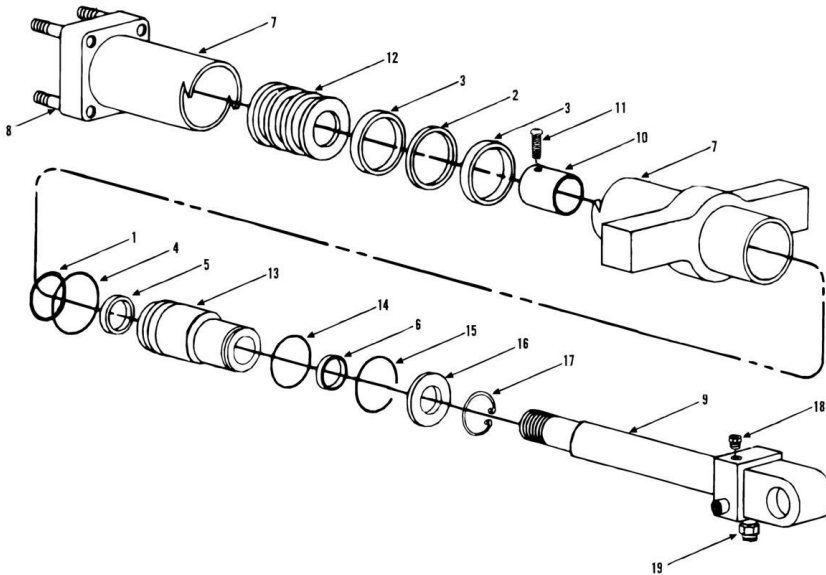
SECTION 9 - HYDRAULIC COMPONENTS

FIGURE 9-3. CROWD CYLINDER (SN 0188002 to Present)

ITEM	PART NUMBER	QTY	DESCRIPTION	REV
	91123009	Ref	CROWD CYLINDER ASSY (includes all items)	
	91124044	1	SEAL KIT (includes items 4, 5, 6, 9, 10, 12 & 13)	
1	91124040	1	TUBE ASSY	
2	91124038	1	STUD	
3	91124037	1	PISTON (torque to 400 ft lbs)	
4	Kit	2	WEAR RING	
5	Kit	1	SEAL	
6	Kit	1	O-RING	
7	91124042	1	STOP TUBE	
8	91124043	1	SET SCREW	
9	Kit	1	O-RING	
10	Kit	1	BACK-UP RING	
11	91124041	1	GLAND	
12	Kit	1	BACK-UP RING	
13	Kit	1	WIPER	
14	91124039	1	ROD ASSY	
15	91034308	1	COUNTERBALANCE VALVE	
15	91044524	1	COUNTERBALANCE VALVE SEAL KIT	
		Ref	NOTE: ONLY ITEMS WITH PART NUMBERS ARE AVAILABLE FOR SERVICE.	

SECTION 9 - HYDRAULIC COMPONENTS

FIGURE 9-4. (91125024) CROWD CYLINDER (SN 0188153 to Present)



SERVICE NOTES:

- 1) For general maintenance, if customer has old style cylinder head, they must use the old style static seal.
- 2) If customer is experiencing problems, it is recommended that a new cylinder head and packing kit be purchased.
- 3) Packing kit includes static seals for both old and new style cylinder heads. Be sure to use the correct seals for your application, as they are not interchangeable.
- 4) Old and new style cylinder heads are interchangeable, but static seals must be ordered according to starting serial numbers.
- 5) If you are ordering a new complete cylinder, please refer to the next page, Crowd Cylinder (91335019).

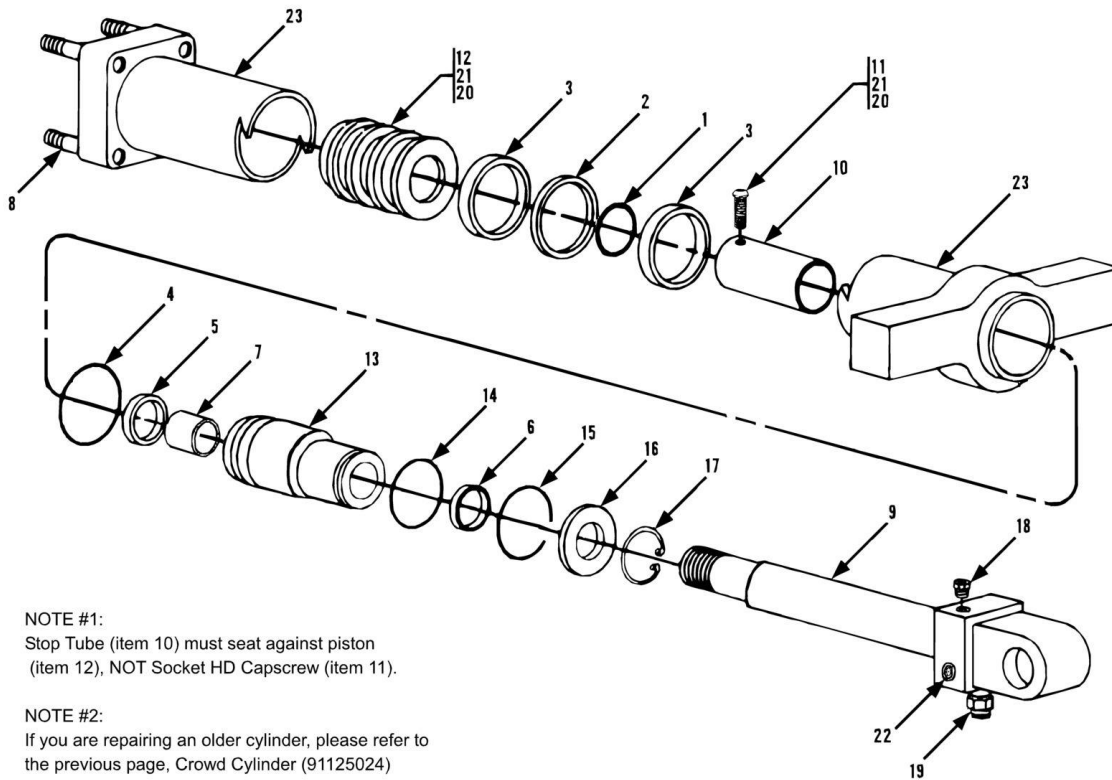
SECTION 9 - HYDRAULIC COMPONENTS

FIGURE 9-4. (91125024) CROWD CYLINDER (SN 0188153 to Present)

ITEM	PART NUMBER	QTY	DESCRIPTION	REV
	91125024	1	CROWD CYLINDER ASSY (includes all items)	
	91123080	Ref	PACKING KIT (includes items 1 thru 6)	
1	88591036	1	O-RING	
2	91123081	1	PISTON SEAL	
3	91123082	1	PISTON WEAR RING	
4	91123084	1	STATIC SEAL (old style) (SN 0188153 through 0388517)	
4	91123137	1	STATIC SEAL (new style) (SN 0388518 to Present)	
5	91123083	1	ROD SEAL	
6	80003337	1	ROD WIPER	
7	91126036	1	TUBE WELDMENT	
8	91121180	4	STUD	
9	91126037	1	ROD WELDMENT	
10	91121178	1	STOP WELDMENT	
11	88211068	1	SOCKET HD CAPSCREW, 3/8-16X5/8, GR8	
12	91121176	1	PISTON	
13	91121171	1	CYLINDER HEAD (old style) (SN 0188153 through 0388517)	
13	91121236	1	CYLINDER HEAD (new style) (SN 0388518 to Present)	
14	91123086	1	RETAINING RING	
15	80003152	12 in	NEOPRENE CORD	
16	91121179	1	SNAP RING WASHER	
17	91123085	1	SNAP RING	
18	88662193	1	HEX HD PLUG (includes o-ring)	
18	88591205	1	O-RING	
19	91123089	1	COUNTERBALANCE VALVE	
19	91034276	1	COUNTERBALANCE VALVE SEAL KIT	

SECTION 9 - HYDRAULIC COMPONENTS

FIGURE 9-5. (91335019) CROWD CYLINDER FOR SERVICE ONLY



NOTE #1:
Stop Tube (item 10) must seat against piston (item 12), NOT Socket HD Capscrew (item 11).

NOTE #2:
If you are repairing an older cylinder, please refer to the previous page, Crowd Cylinder (91125024)

SECTION 9 - HYDRAULIC COMPONENTS

FIGURE 9-5. (91335019) CROWD CYLINDER FOR SERVICE ONLY

ITEM	PART NUMBER	QTY	DESCRIPTION	REV
	91335019	1	CROWD CYLINDER ASSY (includes all items)	
	91333029	Ref	PACKING KIT (includes items 1 thru 7)	
1	88591036	1	O-RING	
2	91123081	1	PISTON SEAL	
3	91123082	2	PISTON WEAR RING	
4	91123137	1	STATIC SEAL	
5	80003082	1	ROD SEAL	
6	80003337	1	ROD WIPER	
7	80003227	1	ROD BEARING	
8	91121180	4	STUD	
9	91126037	1	ROD WELDMENT	
10	91121178	1	STOP TUBE	
11	88211068	1	SOCKET HD CAPSCREW, 3/8-16x5/8, GR8 (hand torque to 40-45 ft lbs)	
12	91121176	1	PISTON (hand torque to 450-475 ft lbs)	
13	91121307	1	CYLINDER HEAD	
14	91123086	1	RETAINING RING	
15	80003152	12 in	NEOPRENE CORD	
16	91121179	1	SNAPRING WASHER	
17	91123085	1	SNAP RING	
18	88662193	1	HEX HD PLUG (includes o-ring)	
18	88591205	1	O-RING	
19	91123089	1	COUNTERBALANCE VALVE	
19	91034276	1	COUNTERBALANCE VALVE SEAL KIT	
20	14403426	AR	LOCTITE PRIMER	
21	14404102	AR	LOCTITE 277 (red)	
22	80003447	2	THREADED CAP PLUG	
23	91126036	1	TUBE WELDMENT	


SECTION 9 - HYDRAULIC COMPONENTS

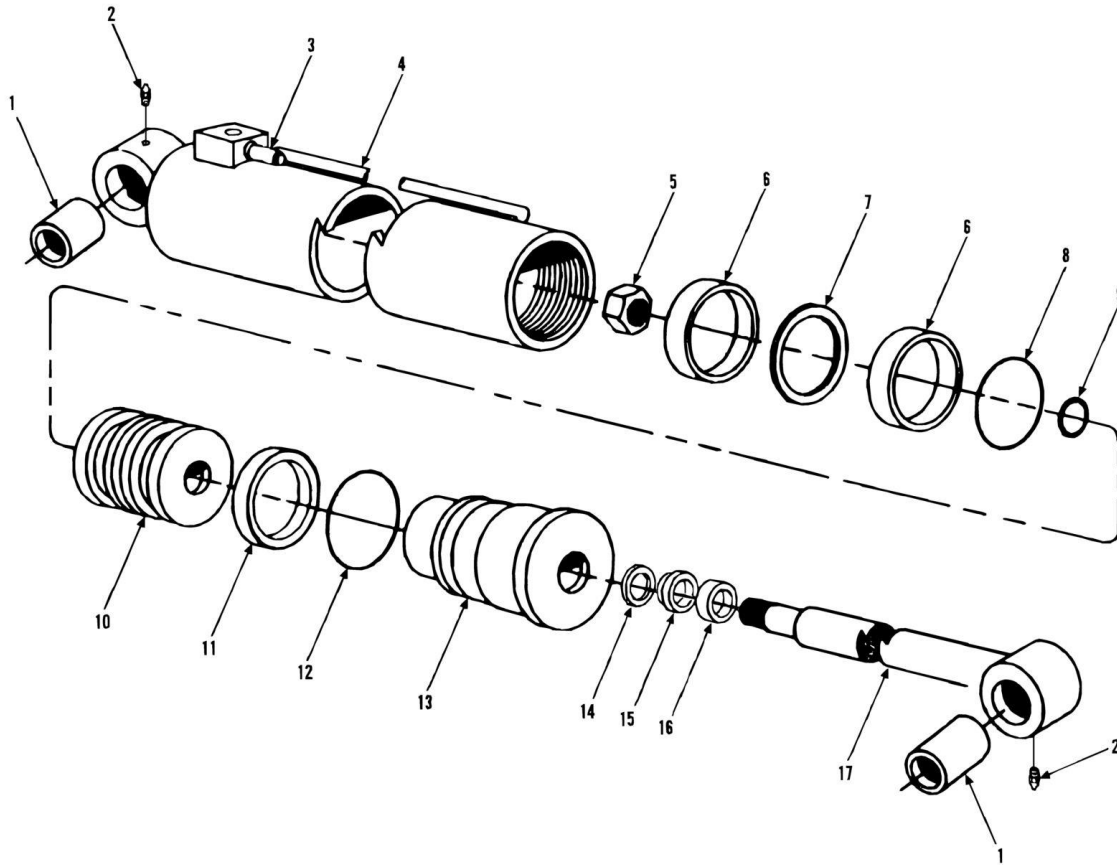
FIGURE 9-6. (91083379) TILT CYLINDER - SEITZ (SN 0188002 through 0288586, SN 0288588 through 0288691, SN 0288716 through 0288939, SN 0388021 through 0388053, Including 0288693 and 0288694)

ITEM	PART NUMBER	QTY	DESCRIPTION	REV
	91083379	1	TILT CYLINDER ASSY (includes all items)	
	91034297	1	SEAL KIT (includes items 5, 6, 7, 8, 10, 11, 13 & 14)	
1	91033430	1	COUNTERBALANCE VALVE	
2	91084216	1	TUBE ASSY	
3	88671033	2	LUBE FITTING, STRAIGHT, 1/4-28	
4	91034286	1	NUT	
5	Kit	2	WEAR RING	
6	Kit	1	SEAL	
7	Kit	1	O-RING	
8	Kit	1	O-RING	
9	91034291	1	PISTON	
10	Kit	1	BACK-UP RING	
11	Kit	1	O-RING	
12	91034299	1	GLAND	
13	Kit	1	SEAL	
14	Kit	1	WIPER	
15	91084217	1	ROD ASSY	
16	91084176	4	BUSHING	
		Ref	NOTE: ONLY ITEMS WITH PART NUMBERS ARE AVAILABLE FOR SERVICE.	

SECTION 9 - HYDRAULIC COMPONENTS

FIGURE 9-7. (91083472) TILT CYLINDER - IOWA (SN 0288695 through 0288715, SN 0288940H through 0388020H, Including 0288587 and 0288692)

 **NOTE: MACHINES WITH S N'S THAT END IN (H) WILL HAVE IOWA CYLINDERS, UNLESS OTHERWISE NOTED.**




SECTION 9 - HYDRAULIC COMPONENTS

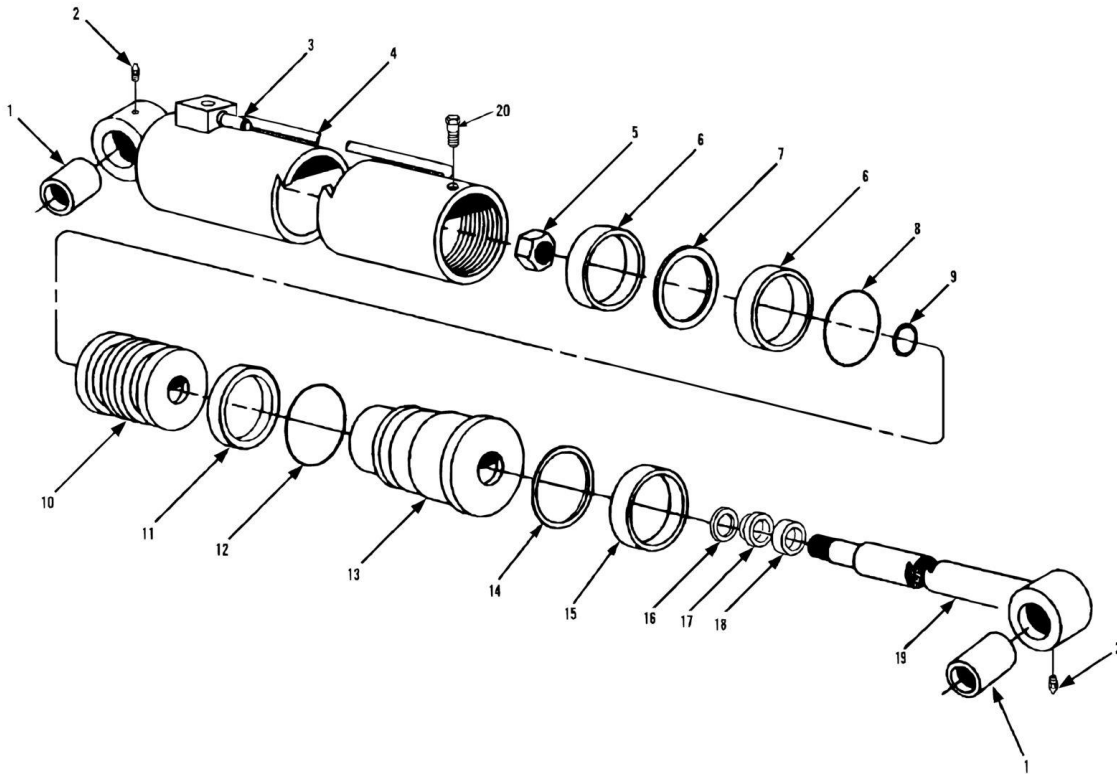
FIGURE 9-7. (91083472) TILT CYLINDER - IOWA (SN 0288695 through 0288715, SN 0288940H through 0388020H, Including 0288587 and 0288692)

ITEM	PART NUMBER	QTY	DESCRIPTION	REV
	91083472	1	TILT CYLINDER ASSY (includes all items)	
	91034337	1	SEAL KIT (includes items 6 thru 9, 11, 12 & 14 thru 16)	
1	91404352	2	BUSHING	
2	91144128	2	GREASE FITTING	
3	91083473	1	COUNTERBALANCE VALVE	
4	91124076	1	CASE ASSY	
5	91064017	1	LOCKNUT (torque to 650-750 ft lbs)	
6	Kit	2	WEAR RING	
7	Kit	1	SEAL	
8	Kit	1	O-RING	
9	Kit	1	O-RING	
10	91044274	1	PISTON	
11	Kit	1	BACK-UP RING	
12	Kit	1	O-RING	
13	91124077	1	GLAND	
14	Kit	1	STEP SEAL	
15	Kit	1	U-CUP	
16	Kit	1	WIPER	
17	91124078	1	SHAFT ASSY	
		Ref	NOTE: ONLY ITEMS WITH PART NUMBERS ARE AVAILABLE FOR SERVICE.	

SECTION 9 - HYDRAULIC COMPONENTS

FIGURE 9-8. (91083513) TILT CYLINDER - IOWA (SN 0388054 to Present)

 **NOTE: MACHINES WITH S N'S THAT END IN (H) WILL HAVE IOWA CYLINDERS, UNLESS OTHERWISE NOTED.**



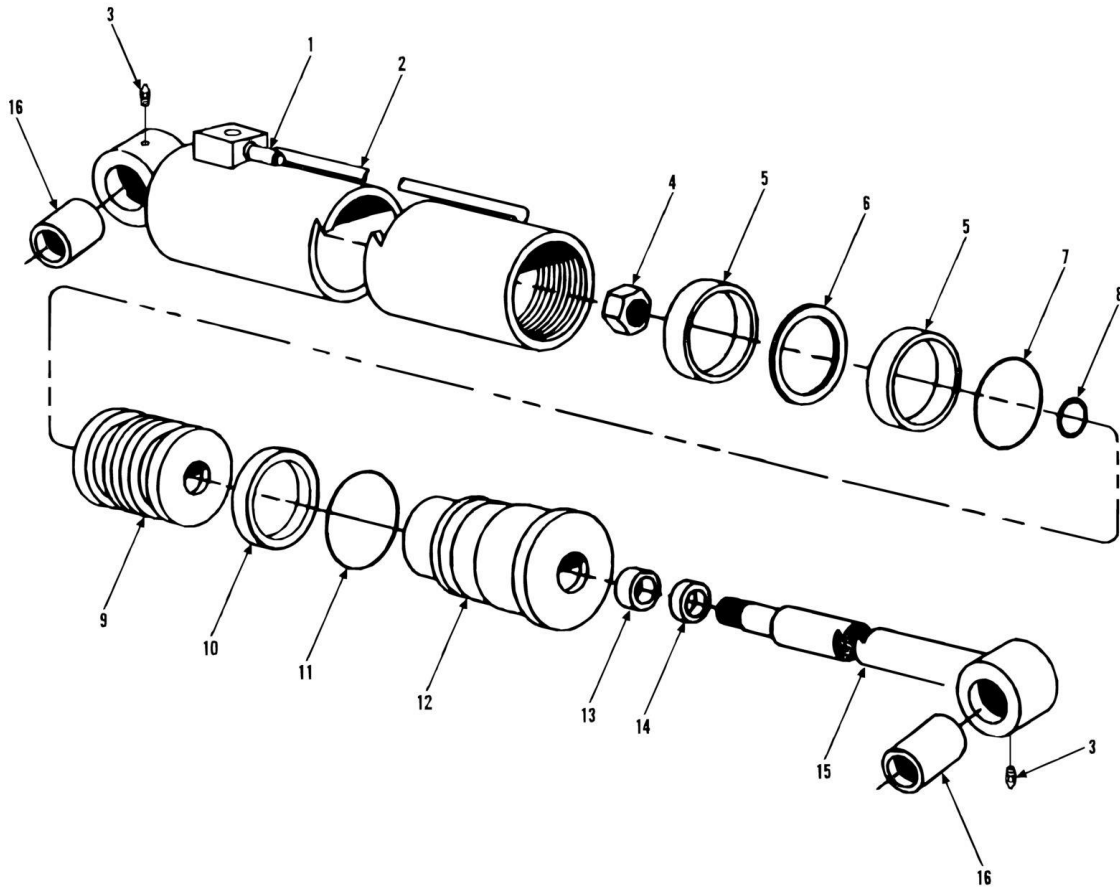
SECTION 9 - HYDRAULIC COMPONENTS

FIGURE 9-8. (91083513) TILT CYLINDER - IOWA (SN 0388054 to Present)

ITEM	PART NUMBER	QTY	DESCRIPTION	REV
	91083513	1	TILT CYLINDER ASSY (includes all items)	
	91084370	1	SEAL KIT (includes items 6 thru 9, 11, 12 & 16 thru 18)	
1	91404352	2	BUSHING	
2	91144128	2	GREASE FITTING	
3	91083473	1	COUNTERBALANCE VALVE	
3	91034276	1	COUNTERBALANCE VALVE SEAL KIT	
4	91124076	1	CASE ASSY	
5	91064017	1	LOCKNUT (torque to 650-750 ft lbs)	
6	Kit	2	WEAR RING	
7	Kit	1	SEAL	
8	Kit	1	O-RING	
9	Kit	1	O-RING	
10	91044274	1	PISTON	
11	Kit	1	BACK-UP RING	
12	Kit	1	O-RING	
13	91084371	1	GLAND	
14	91084372	1	SNAP RING	
15	91084373	1	WEAR RING	
16	Kit	1	STEP SEAL	
17	Kit	1	U-CUP	
18	Kit	1	WIPER	
19	91124078	1	SHAFT ASSY	
20	91124096	1	SELF TAPPING SCREW, #10-24	
		Ref	NOTE: ONLY ITEMS WITH PART NUMBERS ARE AVAILABLE FOR SERVICE.	

SECTION 9 - HYDRAULIC COMPONENTS

FIGURE 9-9. TILT CYLINDER (532) (SN 0188002 to Present)



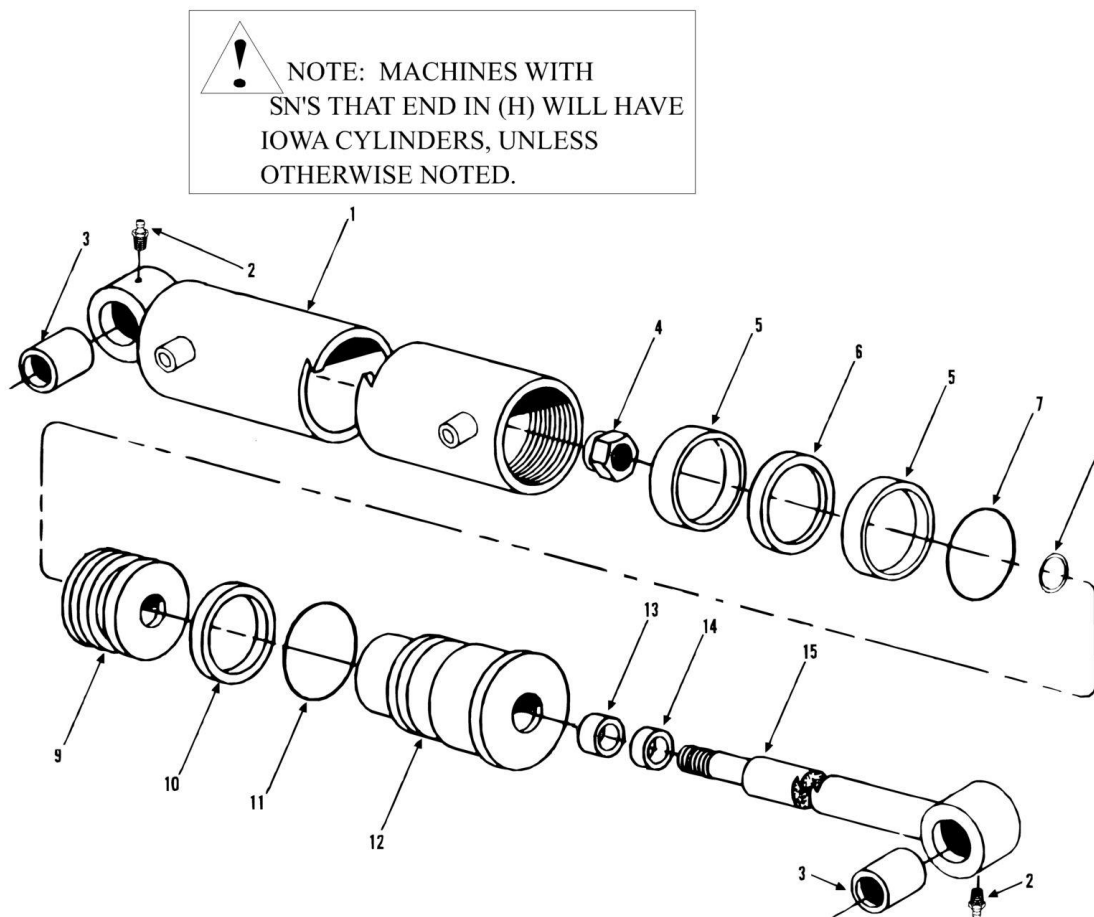
SECTION 9 - HYDRAULIC COMPONENTS

FIGURE 9-9. TILT CYLINDER (532) (SN 0188002 to Present)

ITEM	PART NUMBER	QTY	DESCRIPTION	REV
	91123067	1	TILT CYLINDER ASSY (includes all items)	
	91034278	Ref	SEAL KIT (includes items 5, 6, 7, 8, 10, 11, 13 & 14)	
1	91033430	1	COUNTERBALANCE VALVE	
2	91124053	1	TUBE ASSY	
3	88671033	2	LUBE FITTING, STRAIGHT, 1/4-28	
4	91034280	1	NUT	
5	Kit	2	WEAR RING	
6	Kit	1	SEAL	
7	Kit	1	O-RING	
8	Kit	1	O-RING	
9	91034281	1	PISTON	
10	Kit	1	BACK-UP RING	
11	Kit	1	O-RING	
12	91034282	1	GLAND	
13	Kit	1	SEAL	
14	Kit	1	WIPER	
15	91124054	1	ROD ASSY	
16	91084176	2	BUSHING	
		Ref	NOTE: ONLY ITEMS WITH PART NUMBERS ARE AVAILABLE FOR SERVICE.	

SECTION 9 - HYDRAULIC COMPONENTS

FIGURE 9-10. (91083285) COMPENSATING CYLINDER - SEITZ (SN 0188002 through 0288586, SN 0288588 through 0288691, SN 0288716 through 0288939, SN 0388021 through 0388087, Including 0288693 and 0288694)



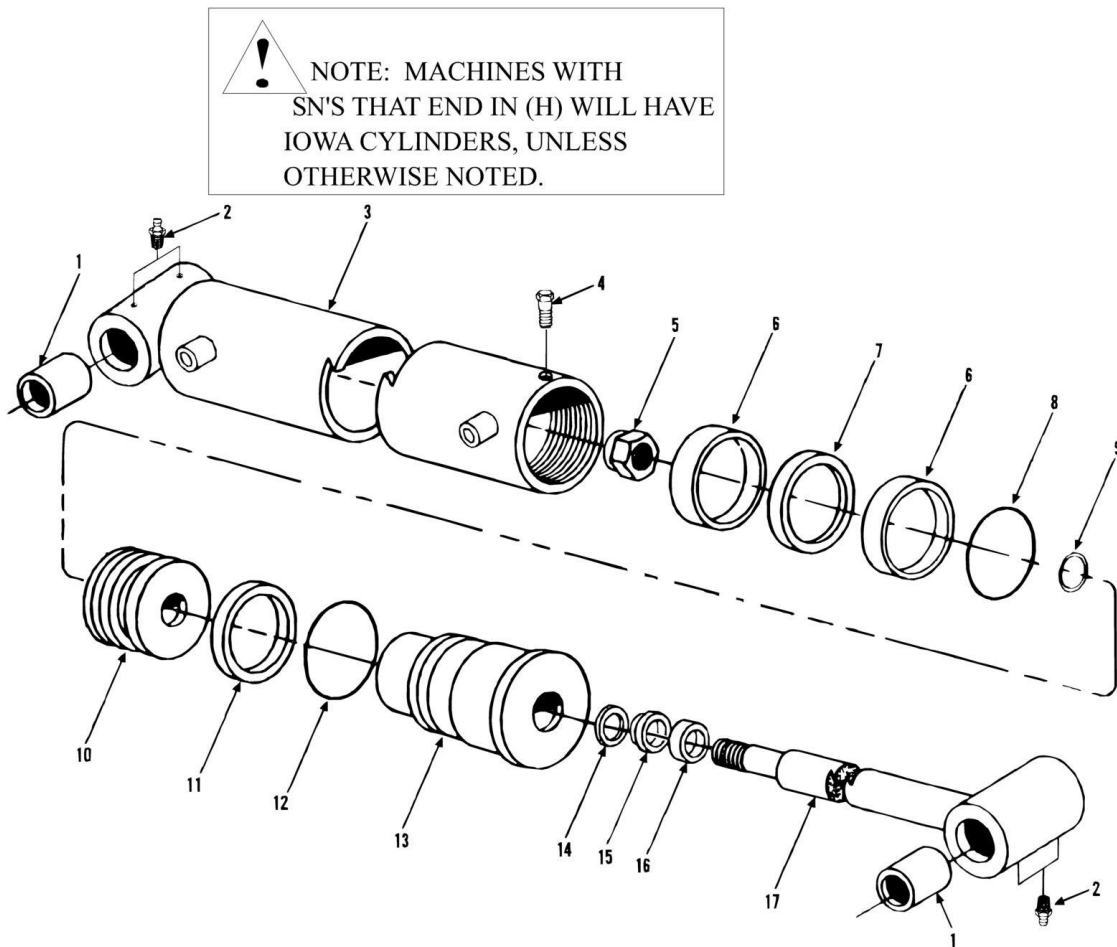
SECTION 9 - HYDRAULIC COMPONENTS

FIGURE 9-10. (91083285) COMPENSATING CYLINDER - SEITZ (SN 0188002 through 0288586, SN 0288588 through 0288691, SN 0288716 through 0288939, SN 0388021 through 0388087, Including 0288693 and 0288694)

ITEM	PART NUMBER	QTY	DESCRIPTION	REV
	91083285	1	COMPENSATING CYLINDER ASSY (includes all items)	
	91084169	Ref	SEAL KIT (includes items 5, 6, 7, 8, 10, 11, 13 & 14)	
1	91084168	1	TUBE ASSY	
2	88671033	2	LUBE FITTING-STRAIGHT, 1/4-28	
3	91084167	4	BUSHING	
4	91034280	1	NUT	
5	Kit	2	WEAR RING	
6	Kit	1	SEAL	
7	Kit	1	O-RING	
8	Kit	1	O-RING	
9	91084165	1	PISTON	
10	Kit	1	BACK-UP RING	
11	Kit	1	O-RING	
12	91034282	1	GLAND	
13	Kit	1	SEAL	
14	Kit	1	WIPER	
15	91084166	1	ROD ASSY	
		Ref	NOTE: ONLY ITEMS WITH PART NUMBERS ARE AVAILABLE FOR SERVICE.	

SECTION 9 - HYDRAULIC COMPONENTS

FIGURE 9-11. (91083470) COMPENSATING CYLINDER - IOWA (SN 0288695 through 0288715, SN 0288940H through 0388020H, SN 0388088H to Present, Including 0288587 and 0288692)



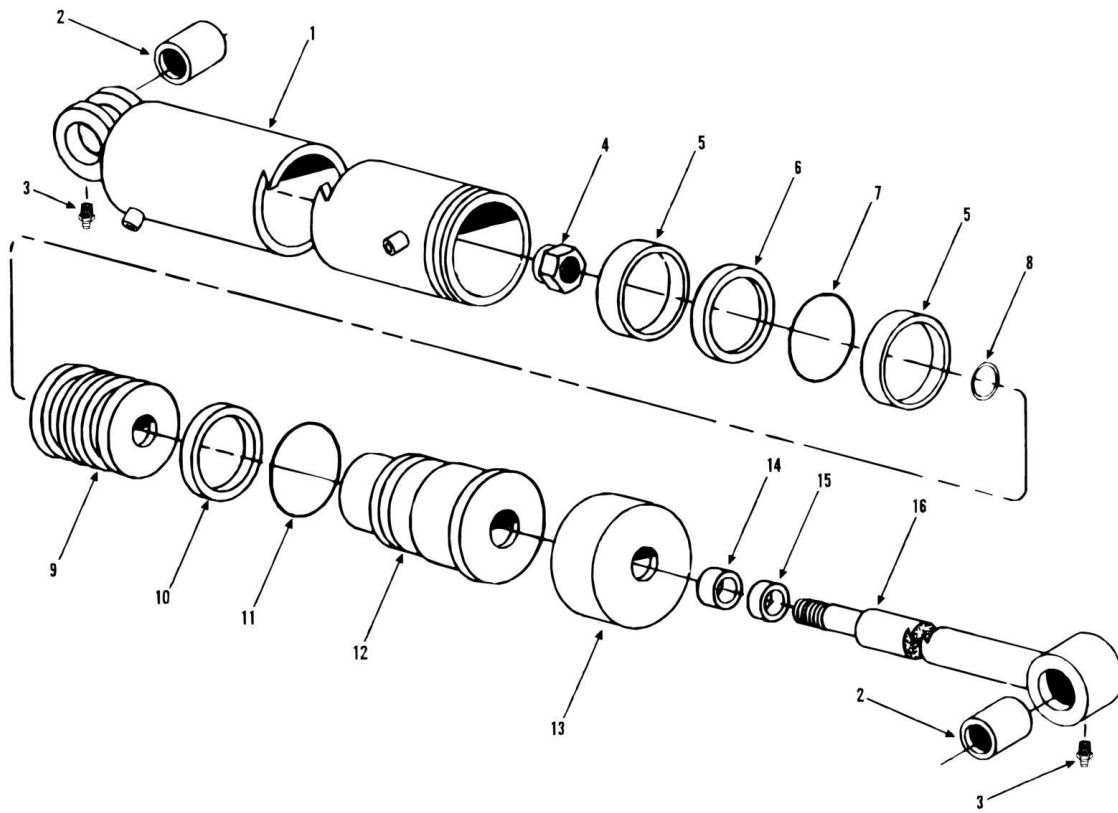
SECTION 9 - HYDRAULIC COMPONENTS

FIGURE 9-11. (91083470) COMPENSATING CYLINDER - IOWA (SN 0288695 through 0288715, SN 0288940H through 0388020H, SN 0388088H to Present, Including 0288587 and 0288692)

ITEM	PART NUMBER	QTY	DESCRIPTION	REV
	91083470	1	COMPENSATING CYLINDER ASSY (includes all items)	
	91034339	1	SEAL KIT (includes items 6 thru 9, 11, 12 & 14 thru 16)	
1	91144080	4	BUSHING	
2	91144128	4	GREASE FITTING	
3	91124079	1	CASE ASSY	
4	91144017	1	CAPSCREW, #8X32X.375	
5	91034153	1	LOCKNUT (lubricate and torque to 1175-1275 ft lbs)	
6	Kit	2	WEAR RING	
7	Kit	1	PISTON SEAL	
8	Kit	1	O-RING	
9	Kit	1	O-RING	
10	91034139	1	PISTON	
11	Kit	1	BACK-UP RING	
12	Kit	1	O-RING	
13	91124081	1	CYLINDER HEAD	
14	Kit	1	STEP SEAL	
15	Kit	1	U-CUP	
16	Kit	1	WIPER	
17	91124082	1	ROD ASSY	
		Ref	NOTE: ONLY ITEMS WITH PART NUMBERS ARE AVAILABLE FOR SERVICE.	

SECTION 9 - HYDRAULIC COMPONENTS

FIGURE 9-12. COMPENSATING CYLINDER (532) (SN 0188002 to Present)



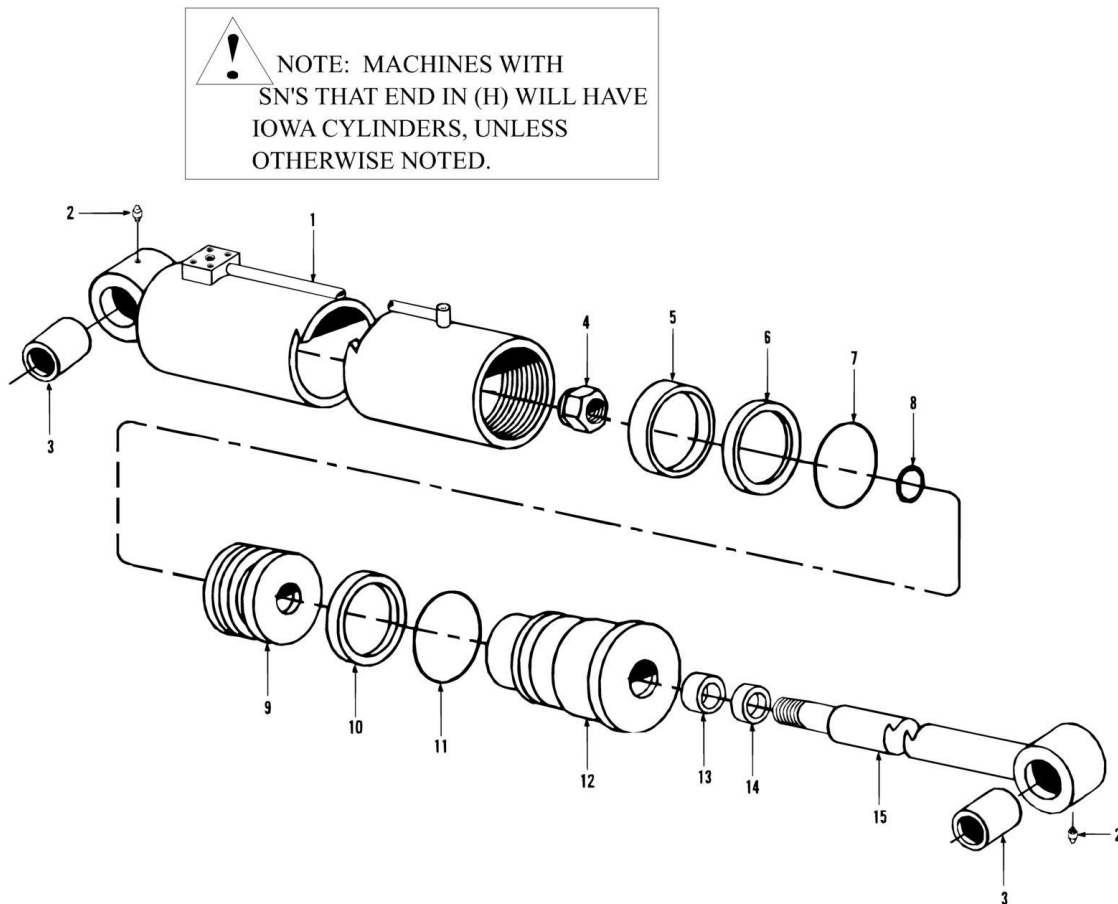
SECTION 9 - HYDRAULIC COMPONENTS

FIGURE 9-12. COMPENSATING CYLINDER (532) (SN 0188002 to Present)

ITEM	PART NUMBER	QTY	DESCRIPTION	REV
	91123049	1	TILT COMPENSATING CYLINDER ASSY (includes all items)	
	91124049	Ref	SEAL KIT (includes items 5, 6, 7, 8, 10, 11, 14 & 15)	
1	91124045	1	TUBE ASSY	
2	91084167	4	BUSHING	
3	88671033	2	LUBE FITTING-STRAIGHT, 1/4-28	
4	91034280	1	NUT	
5	Kit	2	WEAR RING	
6	Kit	1	SEAL	
7	Kit	1	O-RING	
8	Kit	1	O-RING	
9	91124046	1	PISTON	
10	Kit	1	BACK-UP RING	
11	Kit	1	O-RING	
12	91124048	1	GLAND	
13	91124050	1	HEAD NUT	
14	Kit	1	SEAL	
15	Kit	1	WIPER	
16	91124047	1	ROD ASSY	
		Ref	NOTE: ONLY ITEMS WITH PART NUMBERS ARE AVAILABLE FOR SERVICE.	

SECTION 9 - HYDRAULIC COMPONENTS

FIGURE 9-13. (91083286) SWAY CYLINDER - SEITZ (SN 0188002 through 0288586, SN 0288588 through 0288691, SN 0288716 through 0288939, SN 0388021 through 0388087, Including 0288693 and 0288694)




SECTION 9 - HYDRAULIC COMPONENTS

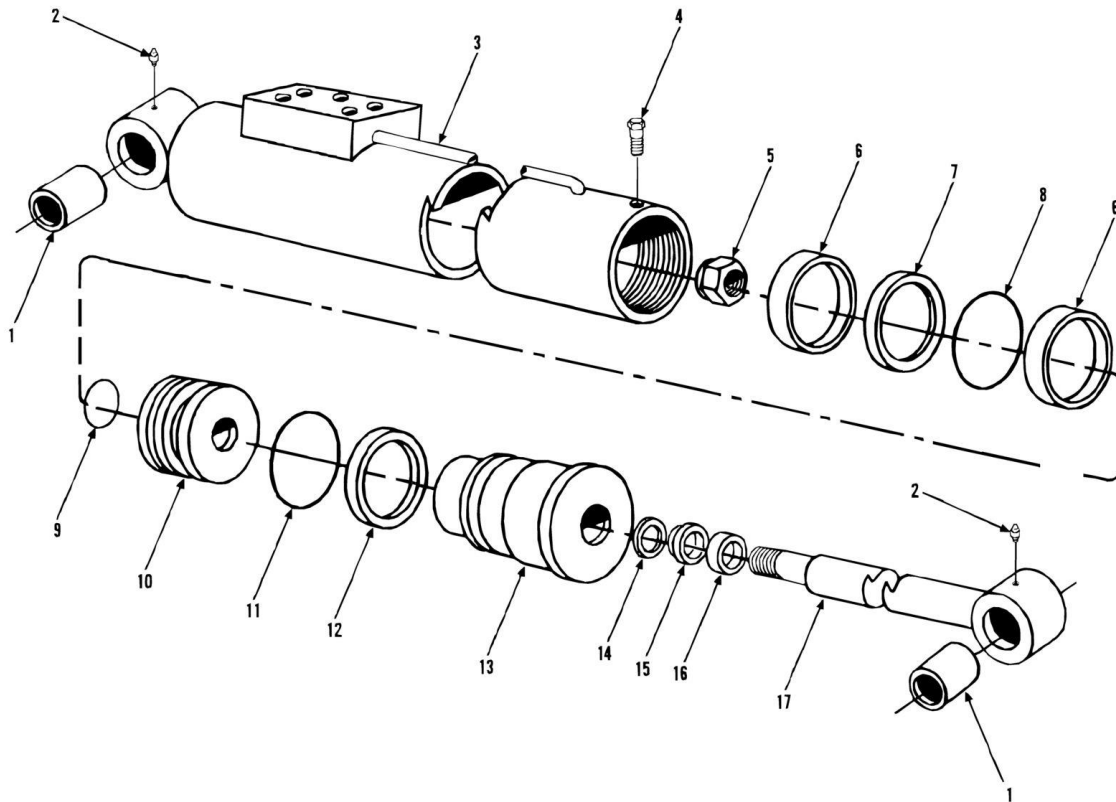
FIGURE 9-13. (91083286) SWAY CYLINDER - SEITZ (SN 0188002 through 0288586, SN 0288588 through 0288691, SN 0288716 through 0288939, SN 0388021 through 0388087, Including 0288693 and 0288694)

ITEM	PART NUMBER	QTY	DESCRIPTION	REV
	91083286	1	SWAY CYLINDER ASSY (includes all items)	
	91084189	Ref	SEAL KIT (includes items 5, 6, 7, 8, 10, 11, 13 & 14)	
1	91084185	1	TUBE ASSY	
2	88671033	2	LUBE FITTING, STRAIGHT, 1/4-28	
3	91084176	4	BUSHING	
4	91084184	1	NUT	
5	91084219	1	WEAR RING	
6	91084220	1	SEAL	
7	91084221	1	O-RING	
8	91084222	1	O-RING	
9	91084186	1	PISTON	
10	91084223	1	BACKUP RING	
11	91084224	1	O-RING	
12	91084188	1	GLAND	
13	91084225	1	SEAL	
14	91084226	1	WIPER	
15	91084187	1	ROD ASSY	

SECTION 9 - HYDRAULIC COMPONENTS

FIGURE 9-14. (91083471) SWAY CYLINDER - IOWA (SN 0288695 through 0288715, SN 0288940H through 0388020H, SN 0388088H to Present, Including 0288587 and 0288692)

 **NOTE: MACHINES WITH S N'S THAT END IN (H) WILL HAVE IOWA CYLINDERS, UNLESS OTHERWISE NOTED.**



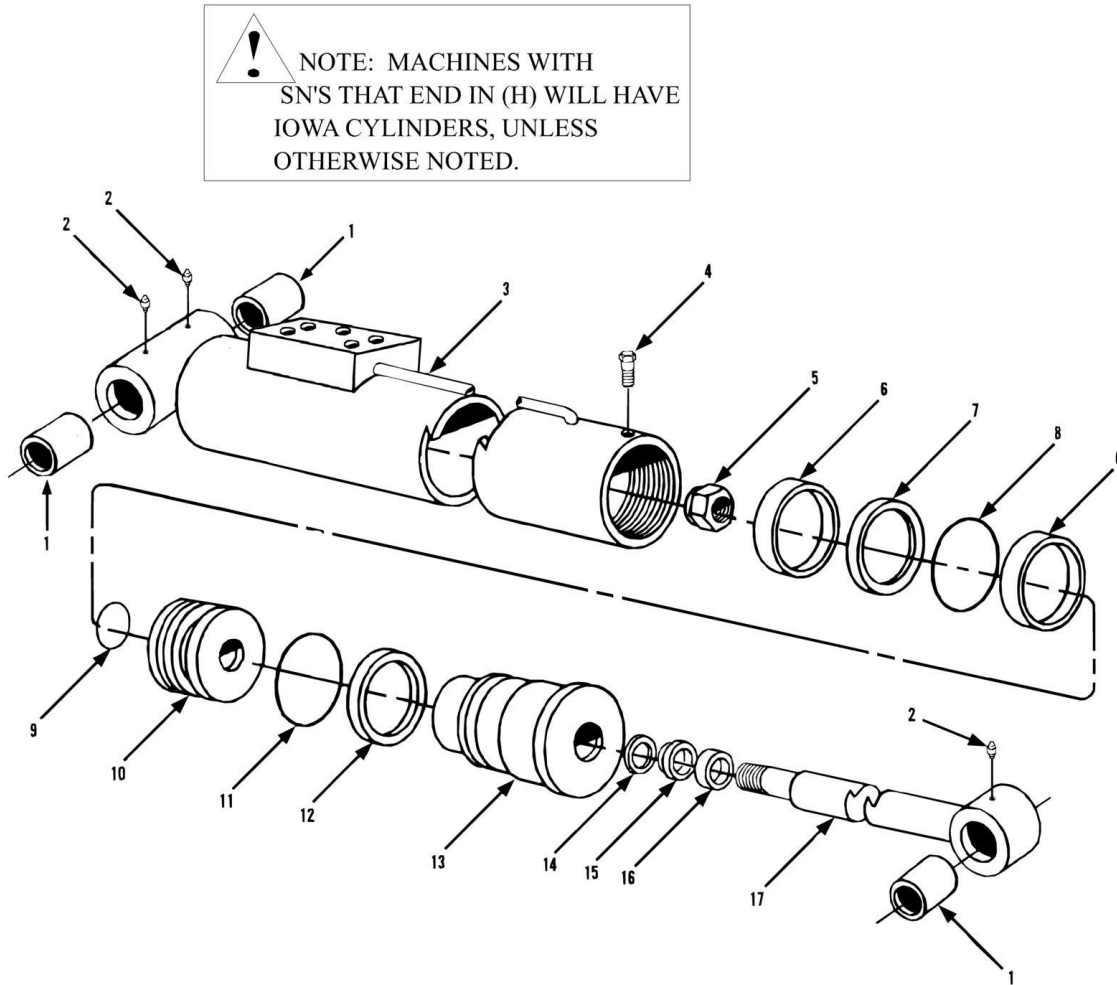
SECTION 9 - HYDRAULIC COMPONENTS

FIGURE 9-14. (91083471) SWAY CYLINDER - IOWA (SN 0288695 through 0288715, SN 0288940H through 0388020H, SN 0388088H to Present, Including 0288587 and 0288692)

ITEM	PART NUMBER	QTY	DESCRIPTION	REV
	91083471	1	SWAY CYLINDER ASSY (includes all items)	
	91084308	1	SEAL KIT (includes items 6 thru 9, 11, 12 & 14 thru 16)	
1	91404352	2	BUSHING	
2	91144128	2	GREASE FITTING	
3	91124083	1	CASE ASSY	
4	91144017	1	CAPSCREW, #8X32X.375	
5	91034156	1	LOCKNUT (lubricate and torque to 350-400 ft lbs)	
6	Kit	2	WEAR RING	
7	Kit	1	PISTON SEAL	
8	Kit	1	O-RING	
9	Kit	1	O-RING	
10	91124084	1	PISTON	
11	Kit	1	O-RING	
12	Kit	1	BACK-UP RING	
13	91124085	1	CYLINDER HEAD	
14	Kit	1	STEP SEAL	
15	Kit	1	U-CUP	
16	Kit	1	WIPER	
17	91124086	1	ROD ASSY	
		Ref	NOTE: ONLY ITEMS WITH PART NUMBERS ARE AVAILABLE FOR SERVICE.	

SECTION 9 - HYDRAULIC COMPONENTS

FIGURE 9-15. (91123133) SWAY CYLINDER - IOWA (SN 0388247 to Present)




SECTION 9 - HYDRAULIC COMPONENTS

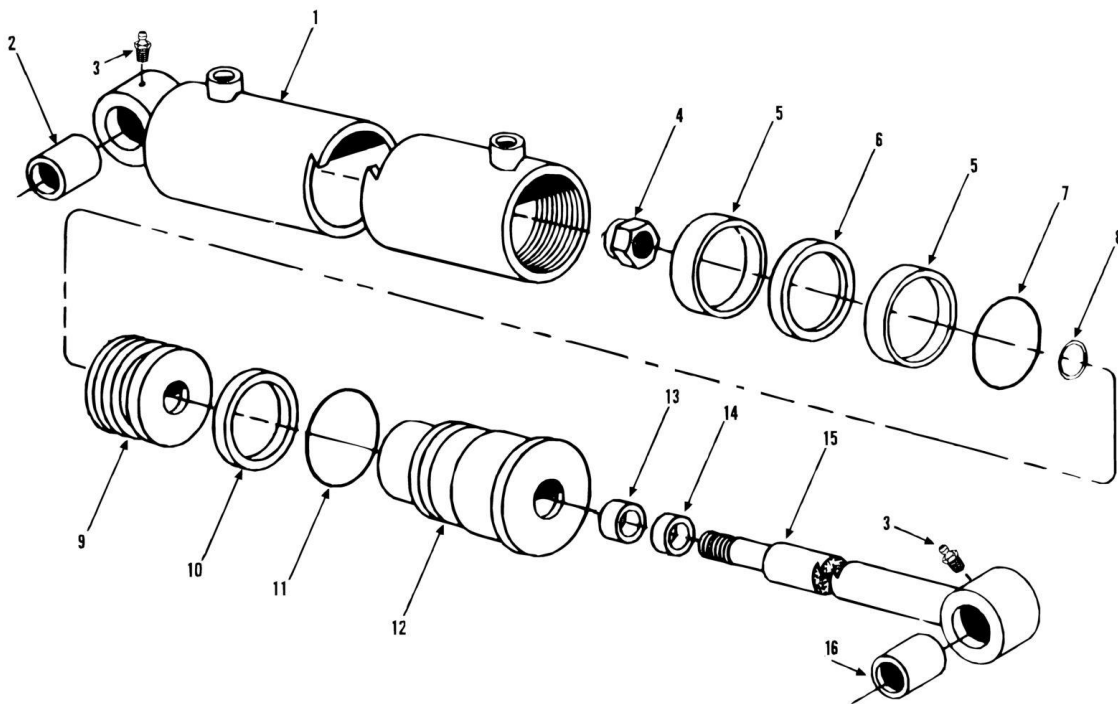
FIGURE 9-15. (91123133) SWAY CYLINDER - IOWA (SN 0388247 to Present)

ITEM	PART NUMBER	QTY	DESCRIPTION	REV
	91123133	1	SWAY CYLINDER ASSY,(includes all items)	
	91084308	1	SEAL KIT, (includes items 6 thru 9, 11, 12 & 14 thru 16)	
1	91064016	3	BUSHING	
2	91144128	3	LUBE FITTING	
3	91124095	1	CASE ASSY	
4	91124096	1	SELF-TAPPING SCREW	
5	91034156	1	LOCKNUT, (lubricate and torque to 350-400 ft lbs)	
6	91124097	2	WEAR RING	
7	91124098	1	PISTON SEAL	
8	91124099	1	O-RING	
9	91124100	1	O-RING	
10	91124084	1	PISTON	
11	91204465	1	O-RING	
12	91204466	1	BACK-UP RING	
13	91124085	1	CYLINDER HEAD	
14	91124101	1	STEP SEAL	
15	91124102	1	U-CUP	
16	91124103	1	WIPER	
17	91124104	1	ROD ASSY	
		Ref	NOTE: ONLY ITEMS WITH PART NUMBERS ARE AVAILABLE FOR SERVICE.	

SECTION 9 - HYDRAULIC COMPONENTS

FIGURE 9-16. (91083281) STEERING CYLINDER - SEITZ (SN 0188002 through 0288586, SN 0288588 through 0288691, SN 0288716 through 0288939, SN 0388021 through 0388087, Including 0288693 and 0288694)

 NOTE: MACHINES WITH SN'S THAT END IN (H) WILL HAVE IOWA CYLINDERS, UNLESS OTHERWISE NOTED.




SECTION 9 - HYDRAULIC COMPONENTS

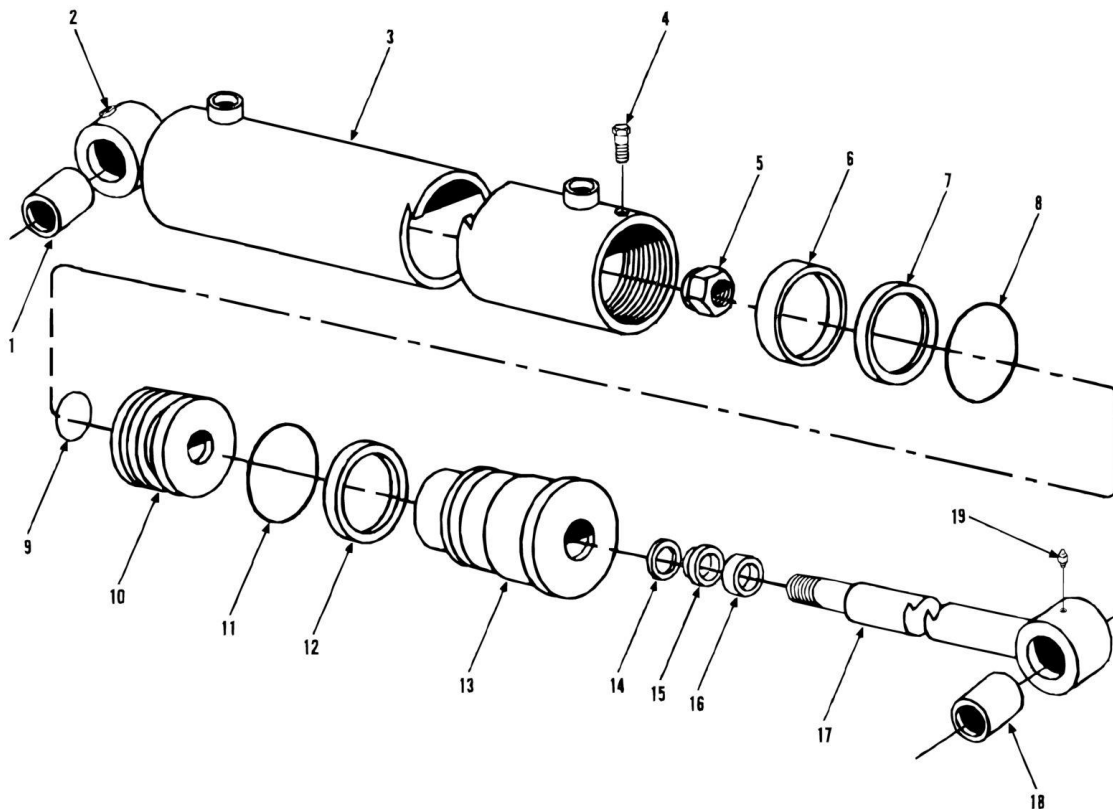
FIGURE 9-16. (91083281) STEERING CYLINDER - SEITZ (SN 0188002 through 0288586, SN 0288588 through 0288691, SN 0288716 through 0288939, SN 0388021 through 0388087, Including 0288693 and 0288694)

ITEM	PART NUMBER	QTY	DESCRIPTION	REV
	91083281	2	STEERING CYLINDER ASSY (includes all items)	
	91084183	Ref	SEAL KIT (includes items 5, 6, 7, 8, 10, 11, 13 & 14)	
1	91084178	1	TUBE ASSY	
2	91084194	1	BUSHING	
3	88671033	2	LUBE FITTING-STRAIGHT, 1/4-28	
4	91084177	1	NUT	
5	Kit	2	WEAR RING	
6	Kit	1	SEAL	
7	Kit	1	O-RING	
8	Kit	1	O-RING	
9	91084179	1	PISTON	
10	Kit	1	BACK-UP RING	
11	Kit	1	O-RING	
12	91084181	1	GLAND	
13	Kit	1	SEAL	
14	Kit	1	WIPER	
15	91084180	1	ROD ASSY	
16	91043246	1	BUSHING	
		Ref	NOTE: ONLY ITEMS WITH PART NUMBERS ARE AVAILABLE FOR SERVICE.	

SECTION 9 - HYDRAULIC COMPONENTS

FIGURE 9-17. (91083467) STEERING CYLINDER - IOWA (SN 0288695 through 0288715, SN 0288940H through 0388020H, SN 0388088H to Present, Including 0288587 and 0288692)

 NOTE: MACHINES WITH SN'S THAT END IN (H) WILL HAVE IOWA CYLINDERS, UNLESS OTHERWISE NOTED.



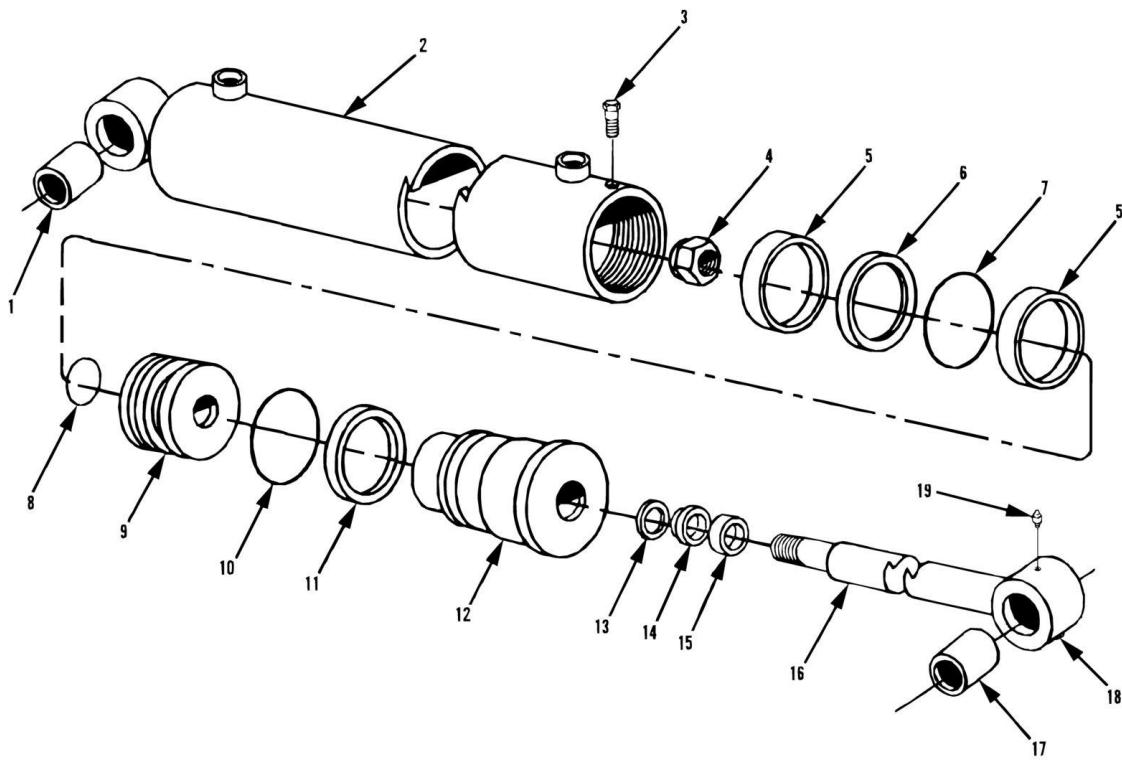
SECTION 9 - HYDRAULIC COMPONENTS

FIGURE 9-17. (91083467) STEERING CYLINDER - IOWA (SN 0288695 through 0288715, SN 0288940H through 0388020H, SN 0388088H to Present, Including 0288587 and 0288692)

ITEM	PART NUMBER	QTY	DESCRIPTION	REV
	91083467	2	STEERING CYLINDER ASSY (includes all items)	
	91084305	1	SEAL KIT (includes items 6 thru 9, 11, 12 & 14 thru 16)	
1	91124087	1	BUSHING	
2		Ref	HEX SOCKET PLUG, 9/16-18	
3	91124088	1	CASE ASSY	
4	91144017	1	CAPSCREW, #8X32X.375	
5	91204460	1	LOCKNUT (lubricate and torque to 350-370 ft lbs)	
6	Kit	1	WEAR RING	
7	Kit	1	PISTON SEAL	
8	Kit	1	O-RING	
9	Kit	1	O-RING	
10	91124089	1	PISTON	
11	Kit	1	O-RING	
12	Kit	1	BACK-UP RING	
13	91124090	1	CYLINDER HEAD	
14	Kit	1	STEP SEAL	
15	Kit	1	U-CUP	
16	Kit	1	WIPER	
17	91124091	1	ROD ASSY	
18	91043246	1	BUSHING	
19	91144128	1	GREASE FITTING	
		Ref	NOTE: ONLY ITEMS WITH PART NUMBERS ARE AVAILABLE FOR SERVICE.	

SECTION 9 - HYDRAULIC COMPONENTS

FIGURE 9-18. (91083532) STEERING CYLINDER - IOWA (SN 0388496 to Present)



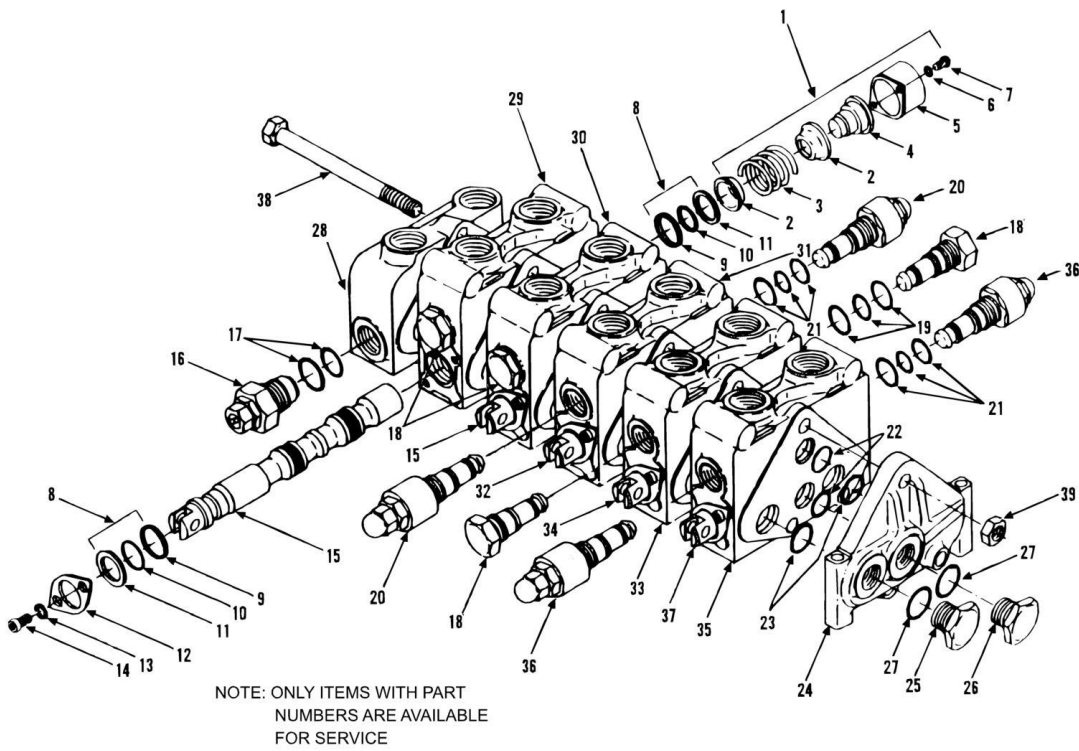
SECTION 9 - HYDRAULIC COMPONENTS

FIGURE 9-18. (91083532) STEERING CYLINDER - IOWA (SN 0388496 to Present)

ITEM	PART NUMBER	QTY	DESCRIPTION	REV
	91083532	2	STEERING CYLINDER ASSY (includes all items)	
	91084305	1	SEAL KIT (includes items 5 thru 8, 10, 11 & 13 thru 15)	
1	91124087	1	BUSHING	
2	91124088	1	CASE ASSY	
3	91124096	1	SELF-TAPPING SCREW	
4	91204460	1	LOCKNUT (lubricate and torque to 350-370 ft lbs)	
5	Kit	2	WEAR RING	
6	Kit	1	PISTON SEAL	
7	Kit	1	O-RING	
8	Kit	1	O-RING	
9	91124089	1	PISTON	
10	Kit	1	O-RING	
11	Kit	1	BACK-UP RING	
12	91124090	1	CYLINDER HEAD	
13	Kit	1	STEP SEAL	
14	Kit	1	U-CUP	
15	Kit	1	WIPER	
16	91124108	1	ROD ASSY	
17	91043246	1	BUSHING	
18	91144128	1	GREASE FITTING	
19		Ref	HEX HD PLUG, 1/8-27 NPT	
		Ref	NOTE: ONLY ITEMS WITH PART NUMBERS ARE AVAILABLE FOR SERVICE.	

SECTION 9 - HYDRAULIC COMPONENTS

FIGURE 9-19. (91083056) MAIN HYDRAULIC CONTROL VALVE (SN 0188002 to Present)



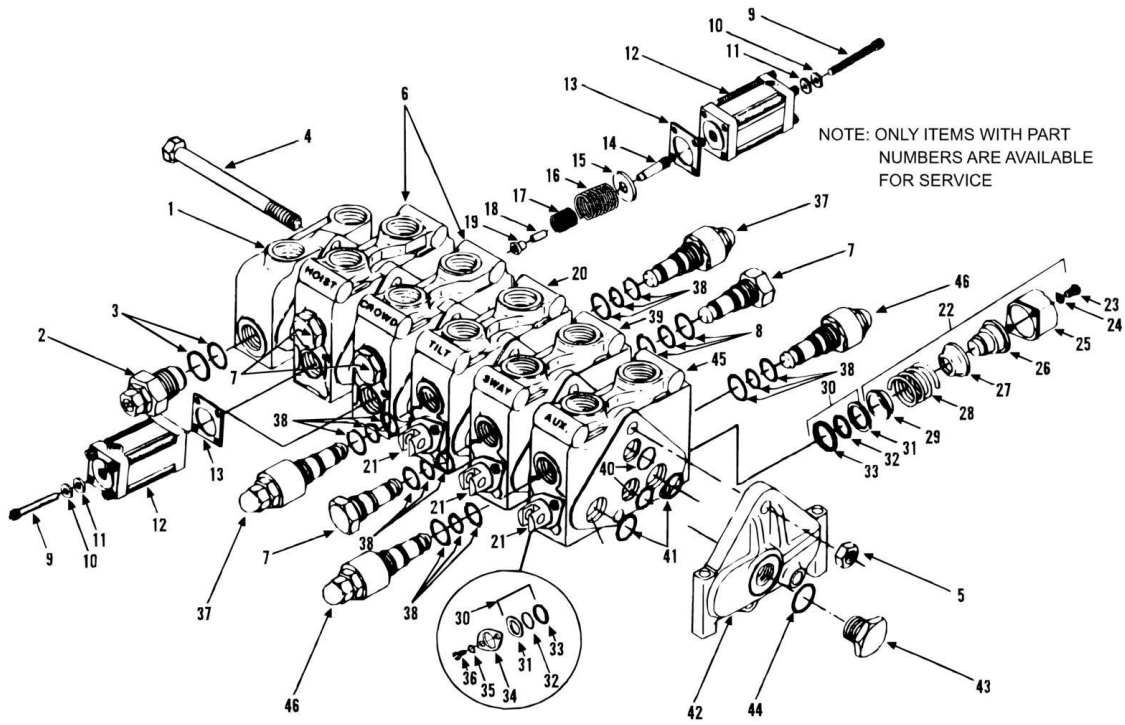
SECTION 9 - HYDRAULIC COMPONENTS

FIGURE 9-19. (91083056) MAIN HYDRAULIC CONTROL VALVE (SN 0188002 to Present)

ITEM	PART NUMBER	QTY	DESCRIPTION	REV
	91083056	Ref	MAIN HYDRAULIC CONTROL VALVE ASSY (includes all items)	
1	91084004	4	SPOOL POSITIONER (includes item 2 thru 7)	
2		Ref	COLLAR	
3		Ref	SPRING	
4		Ref	POSITIONER	
5		Ref	BONNET	
6		Ref	WASHER	
7		Ref	SCREW	
8	91084005	4	SPOOL SEAL KIT (includes items 9 thru 11)	
9	Kit	2	SEAL	
10	Kit	2	WASHER	
11	Kit	2	RETAINER	
12	91084006	4	SPOOL RETAINER (includes items 13 & 14)	
13		Ref	WASHER	
14		Ref	SCREW	
15	91084007	2	SPOOL	
16	91084009	1	MAIN RELIEF (includes item 17)	
17	91084206	1	O-RING (inner)	
17	91084207	1	O-RING (outer)	
18	91084010	6	LOAD CHECK PLUG (includes one of item 19)	
19	91084202	6	LOAD CHECK PLUG SEAL KIT (one required/check plug)	
20	91084199	2	RELIEF - 2800 PSI (includes one of item 21)	
21	91084201	2	RELIEF SEAL KIT (one required/relief)	
21	91084200	AR	RELIEF SERVICE KIT	
21	91084015	5	VALVE SECTION SEAL KIT (includes items 22 & 23)	
22	Kit	2	PRESSURE SEAL	
23	Kit	2	EXHAUST SEAL	
24	91084016	1	R.H. END COVER ASSY (includes items 25 thru 27)	
25	91084017	1	PLUG	
26	91084018	1	PLUG	
27	91084204	2	O-RING (one required/plug)	
28	91084008	1	L.H. COVER ASSY (includes items 16 & 17)	
29	91084011	1	VALVE SECTION ASSY (includes one each of items 1, 8, 12, 15, & two of item 18)	
30	91084011	1	VALVE SECTION ASSY (includes one each of items 1, 8, 12, 15, & two of item 18)	
31	91084012	1	VALVE SECTION ASSY (includes one each of items 1, 8, 12, 32, & two of item 20)	
32	91084013	1	SPOOL	
33	91084014	1	VALVE SECTION ASSY (includes one each of items 1, 8, 12, 34, & two of item 18)	
34	91084013	1	SPOOL	
35	91084012	1	VALVE SECTION ASSY	
36	91084205	2	RELIEF - 1500 PSI (includes one of item 21)	
37	91084013	1	SPOOL	
37	91084203	1	STUD KIT (INCLUDES 38 & 39)	
38	Kit	3	STUD	
39	Kit	3	NUT	

SECTION 9 - HYDRAULIC COMPONENTS

FIGURE 9-20. (91083420) MAIN HYDRAULIC CONTROL VALVE ASSEMBLY (SN 0188166 to Present)



SECTION 9 - HYDRAULIC COMPONENTS

FIGURE 9-20. (91083420) MAIN HYDRAULIC CONTROL VALVE ASSEMBLY (SN 0188166 to Present)

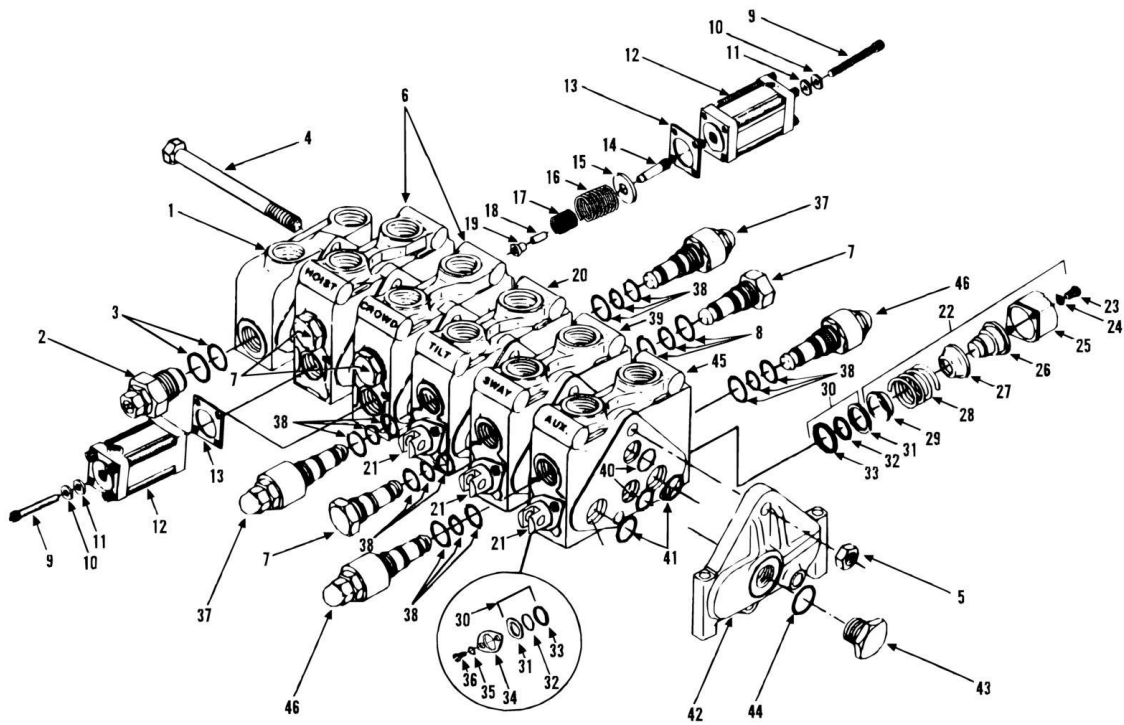
ITEM	PART NUMBER	QTY	DESCRIPTION	REV
	91083420	1	MAIN HYDRAULIC CONTROL VALVE ASSY (includes all items)	
	91123075	2	SPOOL POSITIONER KIT (includes item 9 thru 19)	
	91084203	1	STUD KIT (includes items 4 & 5)	
	91084015	5	VALVE SECTION SEAL KIT (includes items 40 & 41)	
1	91084008	1	L.H. END COVER ASSY (includes items 2 & 3)	
2	91084009	1	MAIN RELIEF (includes item 3)	
3	91084206	1	O-RING (inner)	
3	91084207	1	O-RING (outer)	
4	Kit	3	STUD	
5	Kit	3	NUT	
6	91084277	2	VALVE SECTION ASSY (includes two of item 7, plus items 9 thru 19)	
7	91084010	6	LOAD CHECK PLUG (includes item 8)	
8	91084202	6	LOAD CHECK PLUG SEAL KIT (one required per check plug)	
9	91084230	16	SOCKET HD CAPSCREW, 1/4-20X3	
10	91084231	16	LOCKWASHER, 1/4	
11	91084232	4	BEARING PLATE	
12	91084229	4	BONNET	
13	91084233	4	SEAL	
14	91084234	2	SPUD POSITIONER	
15	91084235	2	WASHER	
16	91084236	2	SPRING	
17	91084237	2	SPRING	
18	91084238	2	STOP SLEEVE	
19	91084239	2	STOP COLLAR	
20	91084012	1	VALVE SECTION ASSY (includes items 21, 22, 30 & 34, plus two of item 37)	
21	91084013	3	SPOOL	
22	91084004	3	SPOOL POSITIONER(includes items 23 thru 29)	
23		Ref	SCREW	
24		Ref	WASHER	
25		Ref	BONNET	
26		Ref	POSITIONER	
27		Ref	COLLAR	
28		Ref	SPRING	
29		Ref	COLLAR	
30	91084005	6	SPOOL SEAL KIT (includes items 31, 32 & 33)	
31	Kit	6	RETAINER	
32	Kit	6	WASHER	
33	Kit	6	SEAL	
34	91084006	3	SPOOL RETAINER (includes items 35 & 36)	
35		Ref	SCREW	
36		Ref	WASHER	
37	91084199	2	RELIEF - 2800 PSI (includes one of item 38)	
38	91084201	4	RELIEF SEAL KIT (one required per relief	
38	91084200	AR	RELIEF SERVICE KIT, NOT ILLUSTRATED (includes relief poppet and piston ring)	
39	91084014	1	VALVE SECTION ASSY (includes 2 of item 7, plus items 21, 22, 30 & 34)	
40	Kit	2	PRESSURE SEAL	

SECTION 9 - HYDRAULIC COMPONENTS

ITEM	PART NUMBER	QTY	DESCRIPTION	REV
41	Kit	2	PRESSURE SEAL	
42	91084278	1	R.H. END COVER ASSY (includes item 43)	
43	91084279	1	PLUG (includes item 44)	
44		Ref	O-RING	
45	91084280	1	VALVE SECTION ASSY (includes items 21, 22, 30, 34 & 46)	
46	91084281	2	RELIEF - 1500 PSI (includes one of item 38)	

SECTION 9 - HYDRAULIC COMPONENTS

FIGURE 9-21. (91083420) MAIN CONTROL VALVE (SN 0288568 to Present)



SECTION 9 - HYDRAULIC COMPONENTS

FIGURE 9-21. (91083420) MAIN CONTROL VALVE (SN 0288568 to Present)

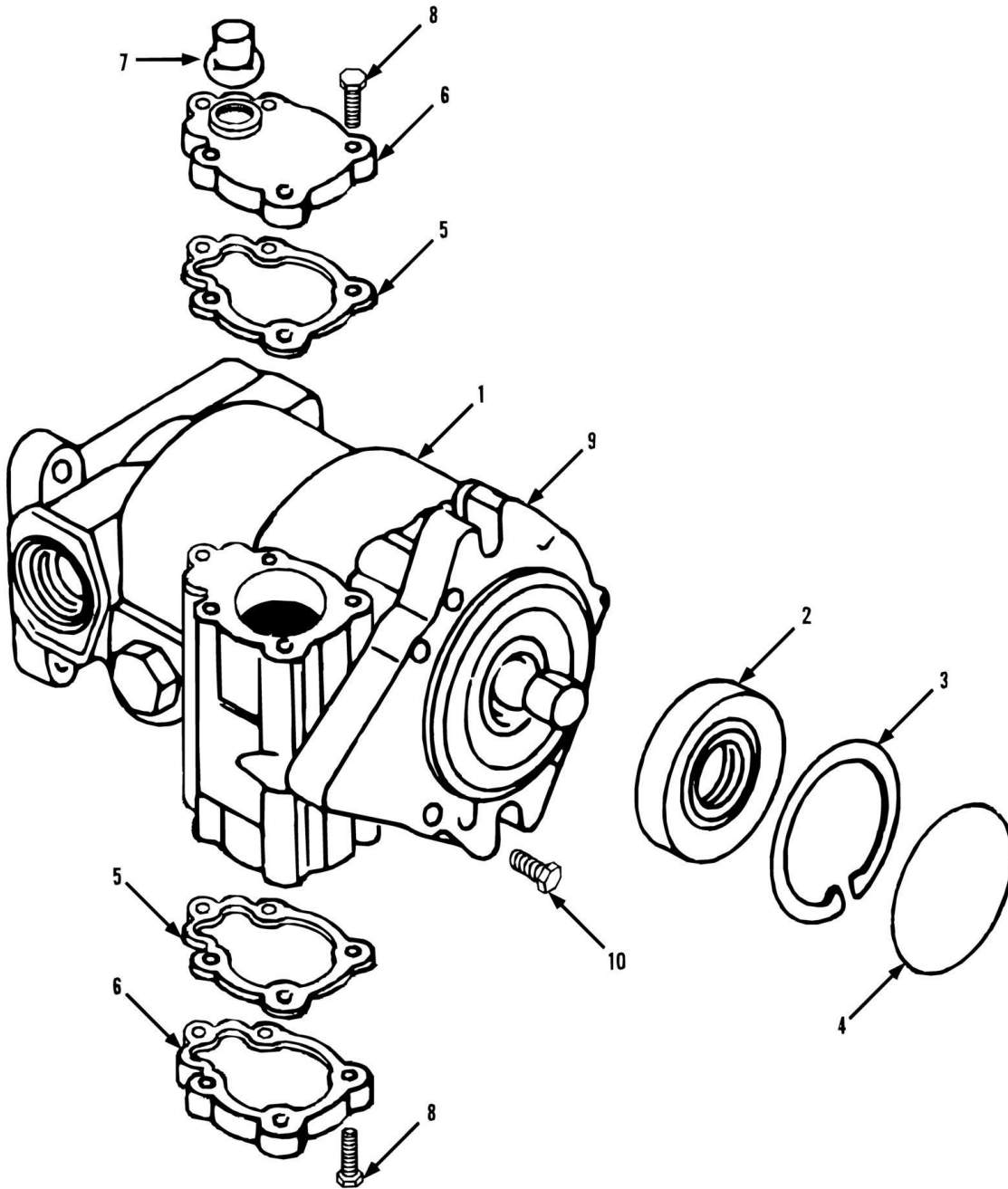
ITEM	PART NUMBER	QTY	DESCRIPTION	REV
	91083420	1	MAIN CONTROL VALVE ASSY (includes all items)	
	91123075	2	SPOOL POSITIONER KIT (includes items 9 thru 19)	
	91084203	1	STUD KIT (includes items 4 & 5)	
	91084015	5	VALVE SECTION SEAL KIT (includes items 40 & 41)	
1	91084008	1	L.H. END COVER ASSY (includes items 2 & 3)	
2	91084009	1	MAIN RELIEF (includes item 3)	
3	91084206	1	O-RING (inner)	
3	91084207	1	O-RING (outer)	
4	Kit	3	STUD	
5	Kit	3	NUT	
6	91084277	2	VALVE SECTION ASSY (includes two of item 7 & 9 thru 19)	
7	91084010	6	LOAD CHECK PLUG (includes item 8)	
8	91084202	6	LOAD CHECK PLUG SEAL KIT (one required per check plug)	
9	91084230	16	SOCKET HD CAPSCREW, 1/4-20 x 3	
10	91084231	16	LOCKWASHER, 1/4	
11	91084232	4	BEARING PLATE	
12	91084229	4	BONNET	
13	91084233	4	SEAL	
14	91084234	2	SPUD POSITIONER	
15	91084235	2	WASHER	
16	91084236	2	SPRING	
17	91084237	2	SPRING	
18	91084238	2	STOP SLEEVE	
19	91084239	2	STOP COLLAR	
20	91084012	1	VALVE SECTION ASSY (includes items 21, 22, 30 & 34, plus two of item 37)	
21	91084013	3	SPOOL	
22	91084004	3	SPOOL POSITIONER (includes items 23 thru 29)	
23		Ref	SCREW	
24		Ref	WASHER	
25		Ref	BONNET	
26		Ref	POSITIONER	
27		Ref	COLLAR	
28		Ref	SPRING	
29		Ref	COLLAR	
30	91084005	6	SPOOL SEAL KIT (includes items 31, 32 & 33)	
31	Kit	6	RETAINER	
32	Kit	6	WASHER	
33	Kit	6	SEAL	
34	91084006	3	SPOOL RETAINER (includes items 35 & 36)	
35		Ref	SCREW	
36		Ref	WASHER	
37	91084199	2	RELIEF - 2800 psi. (includes item 38)	
38	91084201	4	RELIEF SEAL KIT (one required per relief)	
38	91084200	AR	RELIEF SERVICE KIT (not illustrated)(includes relief poppet and piston ring)	
39	91084014	1	VALVE SECTION ASSY (includes two of item 7, & items 21, 22, 30 & 34)	
40	Kit	2	PRESSURE SEAL	
41	Kit	2	PRESSURE SEAL	

SECTION 9 - HYDRAULIC COMPONENTS

ITEM	PART NUMBER	QTY	DESCRIPTION	REV
42	91084278	1	R.H. END COVER ASSY (includes item 43)	
43	91084279	1	PLUG (includes item 44)	
44		Ref	O-RING	
45	91084280	1	VALVE SECTION ASSY (includes items 21, 22, 30, 34 & 44)	
46	91084281	2	RELIEF - 2000 psi. (includes item 38)	
		Ref	NOTE: ONLY ITEMS WITH PART NUMBERS ARE AVAILABLE FOR SERVICE.	

SECTION 9 - HYDRAULIC COMPONENTS

FIGURE 9-22. (91083401) REAR DRIVE MOTOR (SN 0188002 to Present)



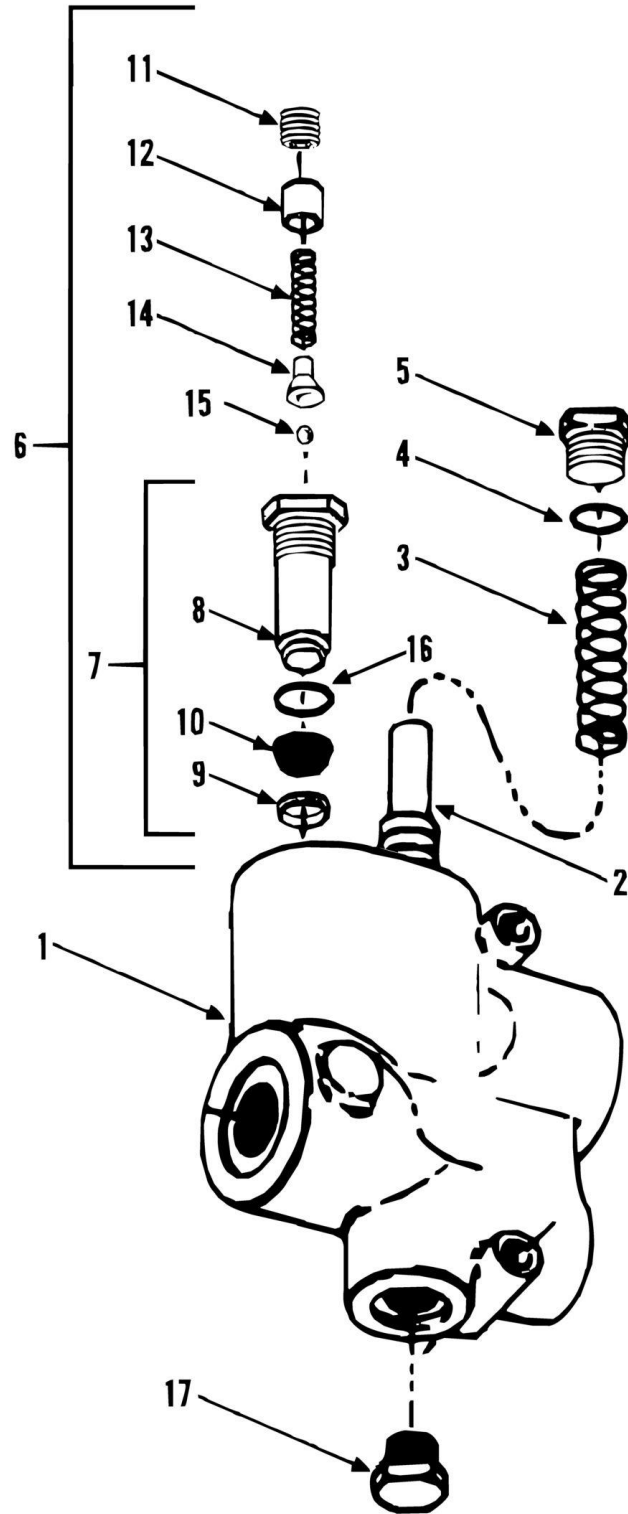
SECTION 9 - HYDRAULIC COMPONENTS

FIGURE 9-22. (91083401) REAR DRIVE MOTOR (SN 0188002 to Present)

ITEM	PART NUMBER	QTY	DESCRIPTION	REV
1	91083401	1	REAR DRIVE MOTOR, (includes all items)	
	91084358		SEAL KIT	
2	91084214	1	LIP SEAL	
3	91084215	2	RETAINING RING	
4	90023155	1	O-RING	
5	91084365	2	GASKET	
6	91084364	2	5 BOLT COVER	
7	91084366	1	PLUG	
8		Ref	BOLT, (torque to 4 ft lbs)	
9	91084367	1	7 BOLT COVER	
10		Ref	BOLT	
		Ref	NOTE: ONLY ITEMS WITH PART NUMBERS ARE AVAILABLE FOR SERVICE.	

SECTION 9 - HYDRAULIC COMPONENTS

FIGURE 9-23. (91033240) PRIORITY FLOW CONTROL VALVE (SN 0188002 to Present)



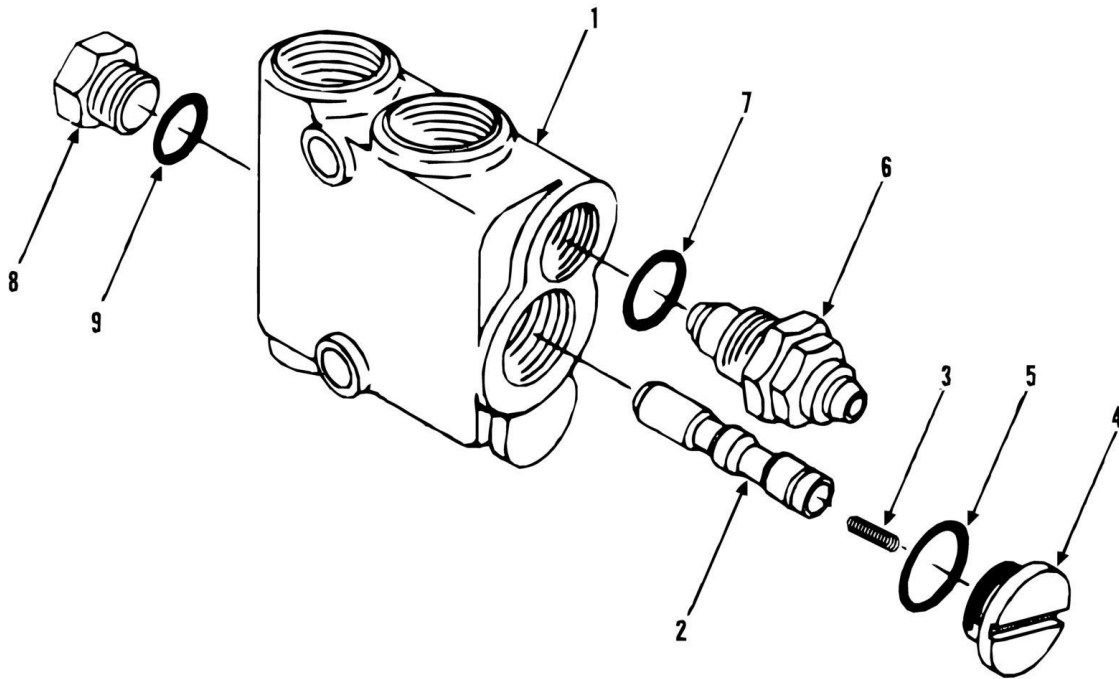
SECTION 9 - HYDRAULIC COMPONENTS

FIGURE 9-23. (91033240) PRIORITY FLOW CONTROL VALVE (SN 0188002 to Present)

ITEM	PART NUMBER	QTY	DESCRIPTION	REV
	91033240	1	PRIORITY FLOW CONTROL VALVE ASSY (includes all items) (2500 PSI relief setting)	
1	90206548	1	HOUSING (includes item 2)	
2	90206549	1	SPOOL	
3	90206550	1	SPRING	
4	88591206	1	O-RING	
5	90206552	1	PLUG	
6	90206553	1	RELIEF CARTRIDGE (includes items 7 thru 16)	
7	90206554	1	RELIEF VALVE SUB BODY (includes items 8 thru 10)	
8	90206555	1	BODY	
9	90206556	1	RING	
10	90206557	1	SCREEN	
11	90206558	1	RELIEF VALVE ADJUSTING SCREW	
12	90206559	1	SPRING GUIDE	
13	90206560	1	SPRING	
14	90206561	1	BALL HOLDER	
15	90216562	1	BALL	
16	88591205	1	O-RING	
17	90206564	1	PLUG	

SECTION 9 - HYDRAULIC COMPONENTS

FIGURE 9-24. (91083292) FLOW DIVIDER VALVE (SN 0188002 to Present)



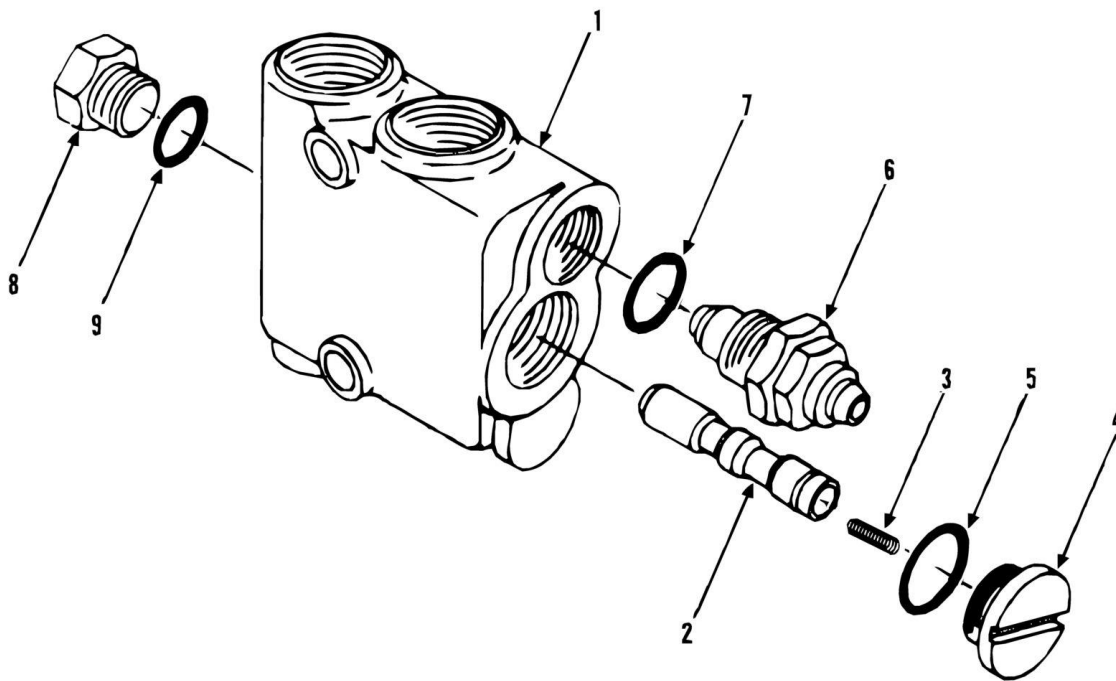
SECTION 9 - HYDRAULIC COMPONENTS

FIGURE 9-24. (91083292) FLOW DIVIDER VALVE (SN 0188002 to Present)

ITEM	PART NUMBER	QTY	DESCRIPTION	REV
1	91083292	1	FLOW DIVIDER VALVE - 850 PSI (includes all items)	
2	91084155	1	SPOOL	
3	91084156	1	SPRING	
4	91084160	1	PLUG (includes item 5)	
5	91084158	1	O-RING	
6	91084159	1	RELIEF (includes item 7)	
7		Ref	O-RING	
8	91084157	1	PLUG (includes item 9)	
9	91084161	1	O-RING	

SECTION 9 - HYDRAULIC COMPONENTS

FIGURE 9-25. (91083521) FLOW DIVIDER VALVE (SN 0388247 to Present)



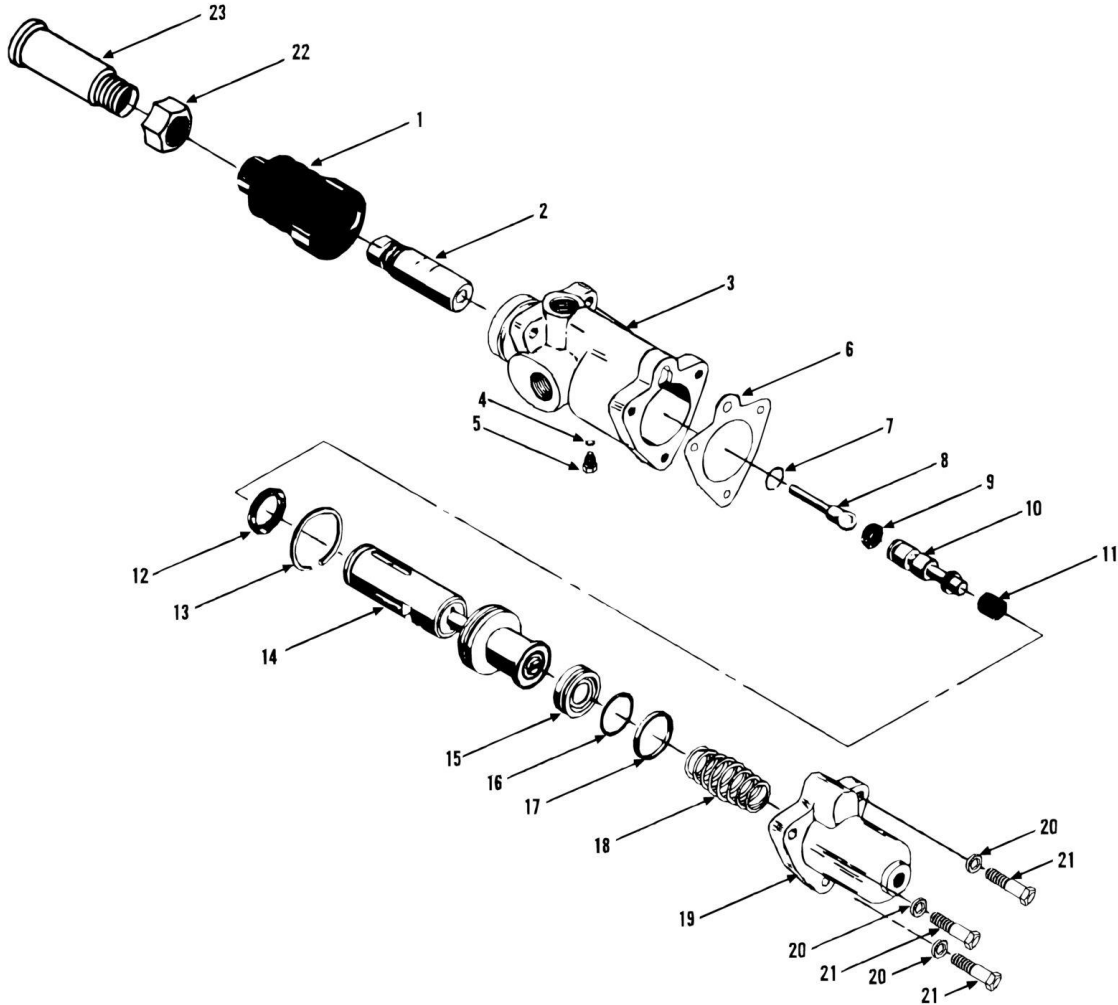
SECTION 9 - HYDRAULIC COMPONENTS

FIGURE 9-25. (91083521) FLOW DIVIDER VALVE (SN 0388247 to Present)

ITEM	PART NUMBER	QTY	DESCRIPTION	REV
1	91083521	1	FLOW DIVIDER VALVE - 625 PSI (includes all items)	
2	91084155	1	SPOOL	
3	91084156	1	SPRING	
4	91084160	1	PLUG (includes item 5)	
5	91084158	1	O-RING	
6	91084159	1	RELIEF (includes item 7)	
7		Ref	O-RING	
8	91084157	1	PLUG (includes item 9)	
9	91084161	1	O-RING	

SECTION 9 - HYDRAULIC COMPONENTS

FIGURE 9-26. (91123131) BRAKE VALVE (SN 0188002 to Present)



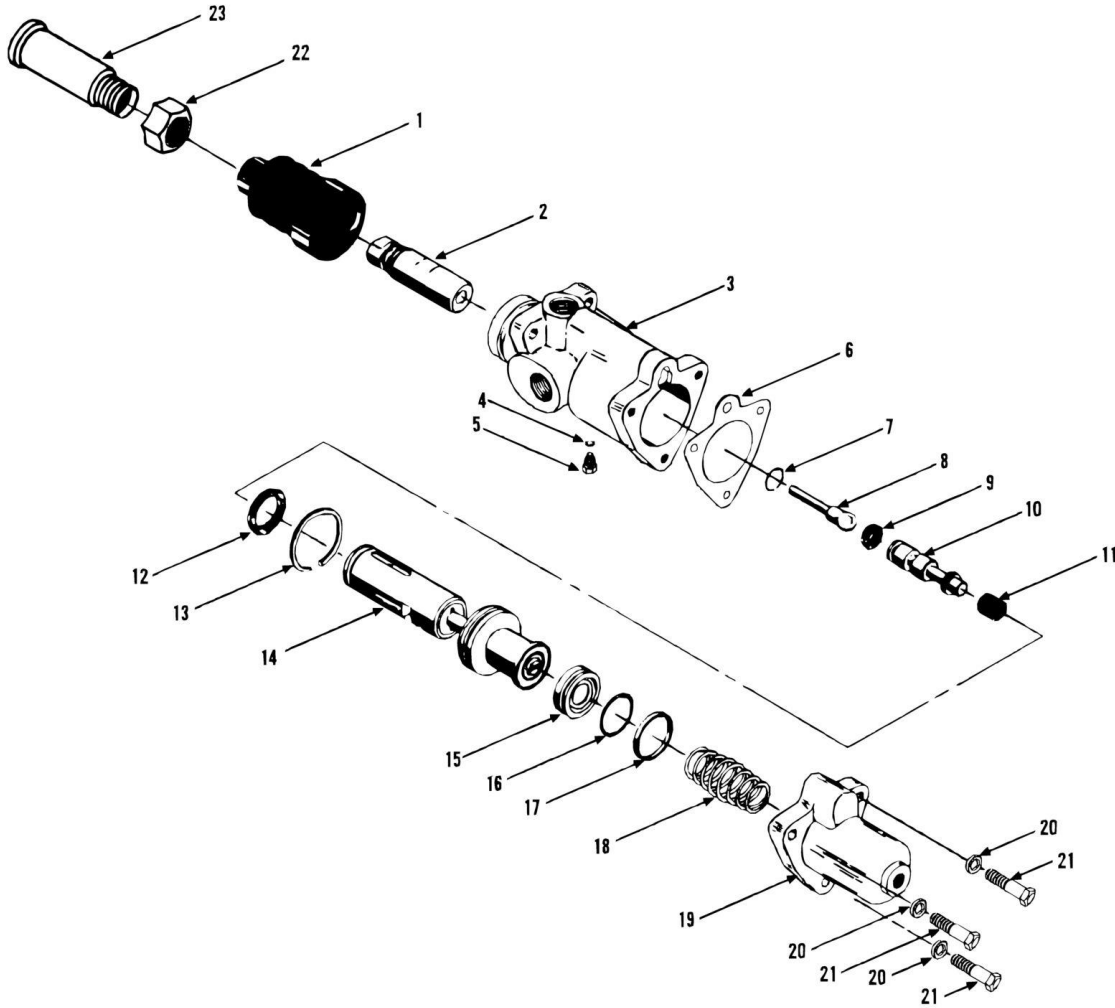
SECTION 9 - HYDRAULIC COMPONENTS

FIGURE 9-26. (91123131) BRAKE VALVE (SN 0188002 to Present)

ITEM	PART NUMBER	QTY	DESCRIPTION	REV
	91083294	1	DISCONTINUED - POWER BRAKE VALVE, ORDER P/N 91123131 (service items interchange)	
	91123131	1	POWER BRAKE VALVE (includes items 1 thru 21)	
	91084043	1	REPAIR KIT (includes items 1, 4, 6, 9, 12, 13, 15, 16 & 17)	
1	91084042	1	BOOT	
2		Ref	PRESSURE REGULATING SPRING ASSY	
3		Ref	HOUSING	
4	Kit	1	O-RING	
5		Ref	CAPSCREW	
6	Kit	1	GASKET	
7		Ref	RETAINING RING	
8		Ref	PUSH ROD	
9	Kit	1	CUP	
10		Ref	SPOOL (not available for service, order 91123131)	
11		Ref	SPRING	
12	Kit	1	CUP	
13	Kit	1	PISTON RING	
14		Ref	SLEEVE AND PISTON ASSY	
15	Kit	1	PISTON AND POPPET ASSY	
16	Kit	1	O-RING	
17	Kit	1	RING SEAL	
18		Ref	SPRING	
19		Ref	END CAP	
20		Ref	LOCKWASHER	
21		Ref	HEX HD CAPSCREW	
22	88501408	1	HEX JAM NUT, 1/2-20	
23	91081445	1	PUSH ROD	
		Ref	NOTE: ONLY ITEMS WITH PART NUMBERS ARE AVAILABLE FOR SERVICE.	

SECTION 9 - HYDRAULIC COMPONENTS

FIGURE 9-27. (91143201) BRAKE VALVE (SN 0388247 to Present)



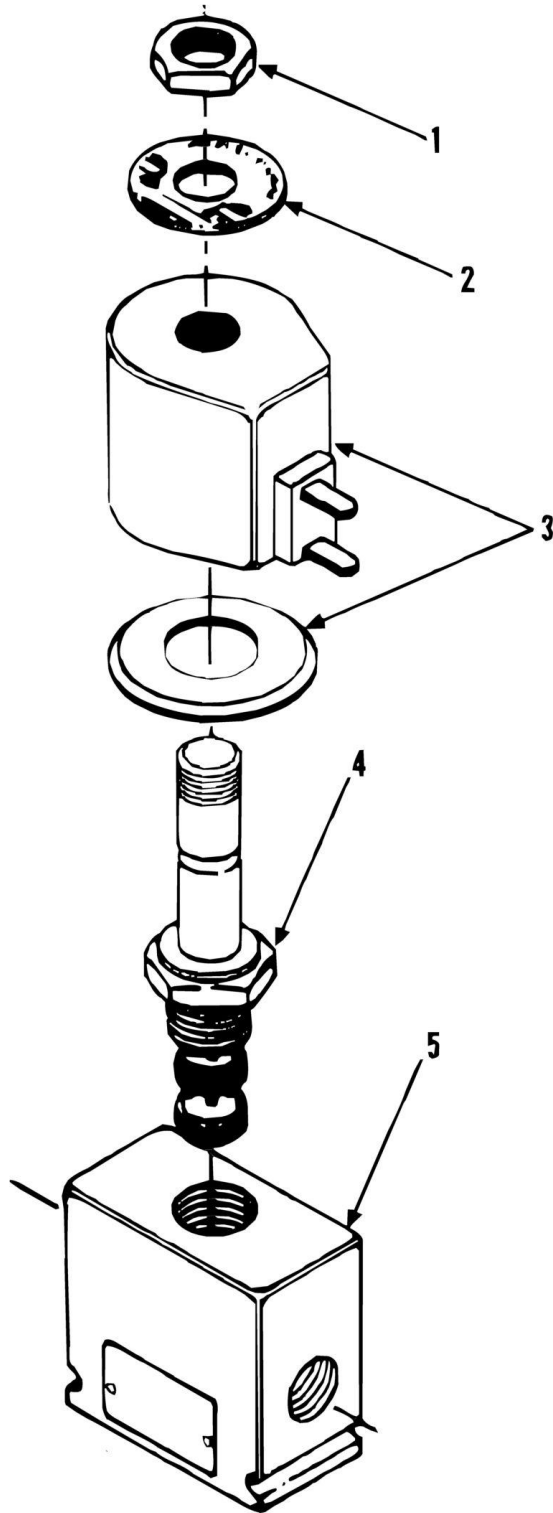
SECTION 9 - HYDRAULIC COMPONENTS

FIGURE 9-27. (91143201) BRAKE VALVE (SN 0388247 to Present)

ITEM	PART NUMBER	QTY	DESCRIPTION	REV
	91143201	1	POWER BRAKE VALVE (includes items 1 thru 21)	
	91084043	1	REPAIR KIT (includes items 1, 4, 6, 9, 12, 13, 15, 16 & 17)	
1	91084042	1	BOOT	
2		Ref	PRESSURE REGULATING SPRING ASSY	
3		Ref	HOUSING	
4	Kit	1	O-RING	
5		Ref	CAPSCREW	
6	Kit	1	GASKET	
7		Ref	RETAINING RING	
8		Ref	PUSH ROD	
9	Kit	1	CUP	
10		Ref	SPOOL (not available for service, order 91143201)	
11		Ref	SPRING	
12	Kit	1	CUP	
13	Kit	1	PISTON RING	
14		Ref	SLEEVE AND PISTON ASSY	
15	Kit	1	PISTON AND POPPET ASSY	
16	Kit	1	O-RING	
17	Kit	1	RING SEAL	
18		Ref	SPRING	
19		Ref	END CAP	
20		Ref	LOCKWASHER	
21		Ref	HEX HD CAPSCREW	
22	88501408	1	HEX JAM NUT, 1/2-20	
23	91081445	1	PUSH ROD	
		Ref	NOTE: ONLY ITEMS WITH PART NUMBERS ARE AVAILABLE FOR SERVICE.	

SECTION 9 - HYDRAULIC COMPONENTS

FIGURE 9-28. (90206739) SOLENOID VALVE (SN 0188002 to Present)



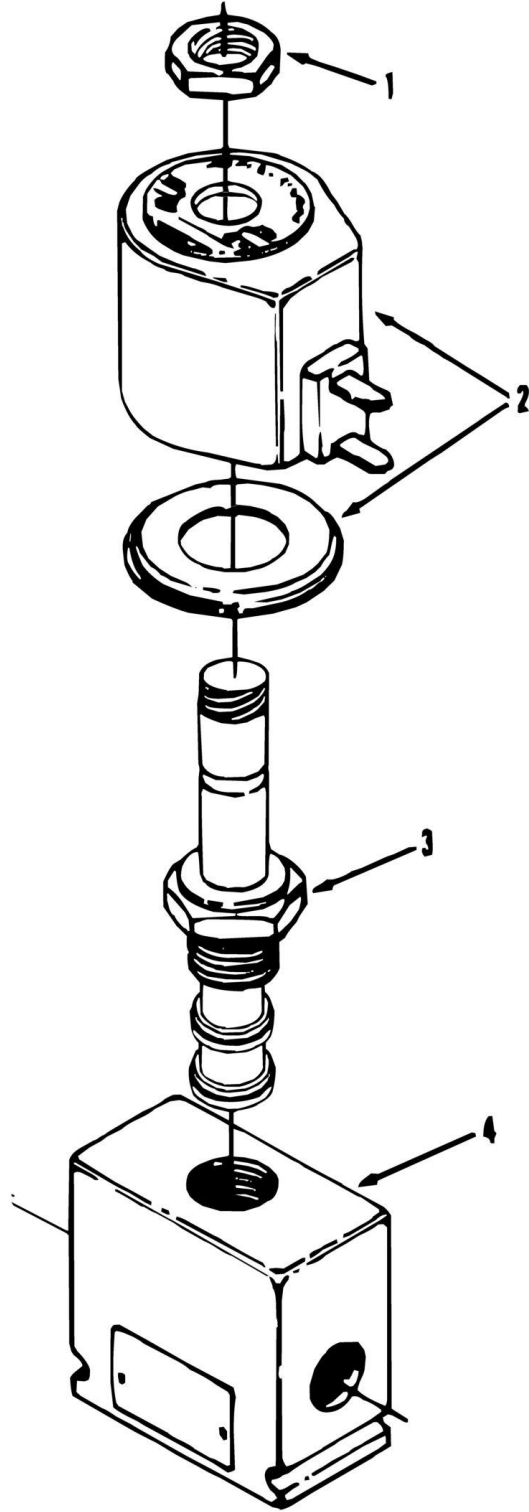
SECTION 9 - HYDRAULIC COMPONENTS

FIGURE 9-28. (90206739) SOLENOID VALVE (SN 0188002 to Present)

ITEM	PART NUMBER	QTY	DESCRIPTION	REV
	90206739	1	3 WAY SOLENOID VALVE (includes all items)	
1	90208066	1	NUT	
2	90208067	1	NAME PLATE	
3	77384267	1	COIL	
4	90208071	1	VALVE ASSY (3-way-2 pos.)	
5	90208072	1	VALVE BODY	

SECTION 9 - HYDRAULIC COMPONENTS

FIGURE 9-29. (91043446) SOLENOID VALVE (SN 0288777 to Present)



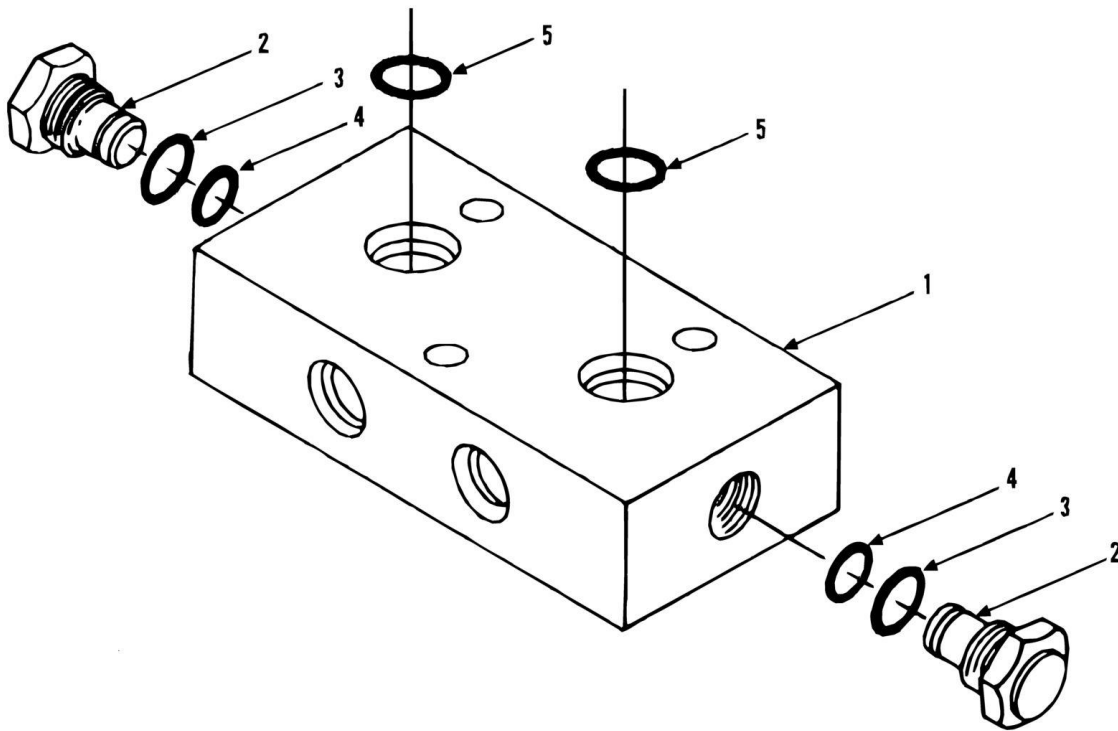
SECTION 9 - HYDRAULIC COMPONENTS

FIGURE 9-29. (91043446) SOLENOID VALVE (SN 0288777 to Present)

ITEM	PART NUMBER	QTY	DESCRIPTION	REV
	91043446	1	3-WAY SOLENOID VALVE (includes all items)	
1	90208066	1	NUT	
2	91144158	1	COIL	
3	91144159	1	CORE ASSY (3-way, 2-position)	
4	80934035	1	VALVE BODY	

SECTION 9 - HYDRAULIC COMPONENTS

FIGURE 9-30. (91083262) DUAL P.O. CHECK VALVE (SN 0188002 to Present)



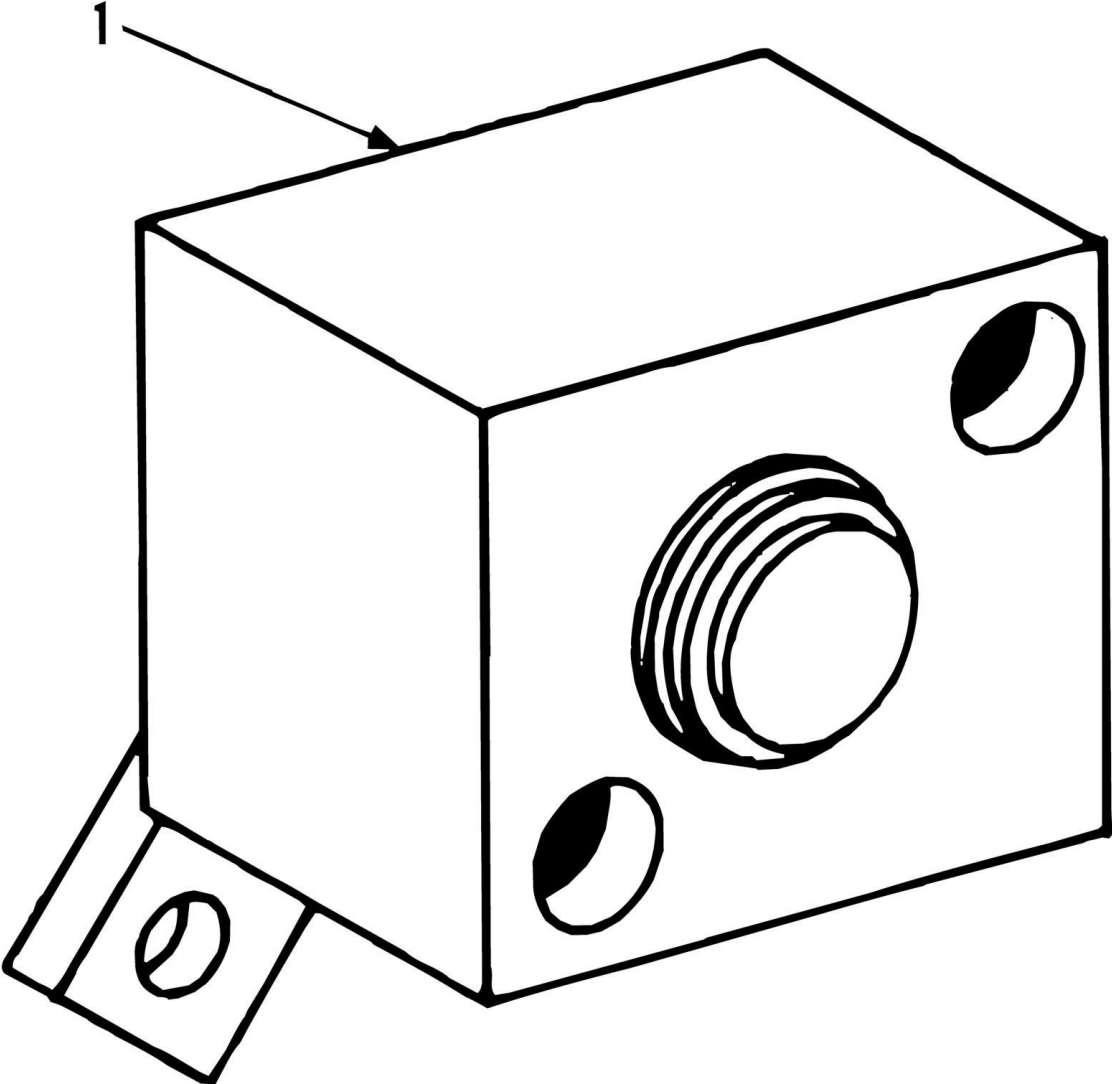
SECTION 9 - HYDRAULIC COMPONENTS

FIGURE 9-30. (91083262) DUAL P.O. CHECK VALVE (SN 0188002 to Present)

ITEM	PART NUMBER	QTY	DESCRIPTION	REV
1	91083262	1	DUAL P.O. CHECK VALVE ASSY (includes items 1 thru 4)	
	91044002	Ref	SEAL KIT (includes items 3 & 4)	
		Ref	BODY	
2	77133248	2	CHECK VALVE (includes items 3 & 4)	
3	91084227	2	O-RING	
4	91084228	2	O-RING	
5	88591009	2	O-RING	
		Ref	NOTE: ONLY ITEMS WITH PART NUMBERS ARE AVAILABLE FOR SERVICE.	

SECTION 9 - HYDRAULIC COMPONENTS

FIGURE 9-31. (91033096) INCHING VALVE (SN 0188002 to Present)



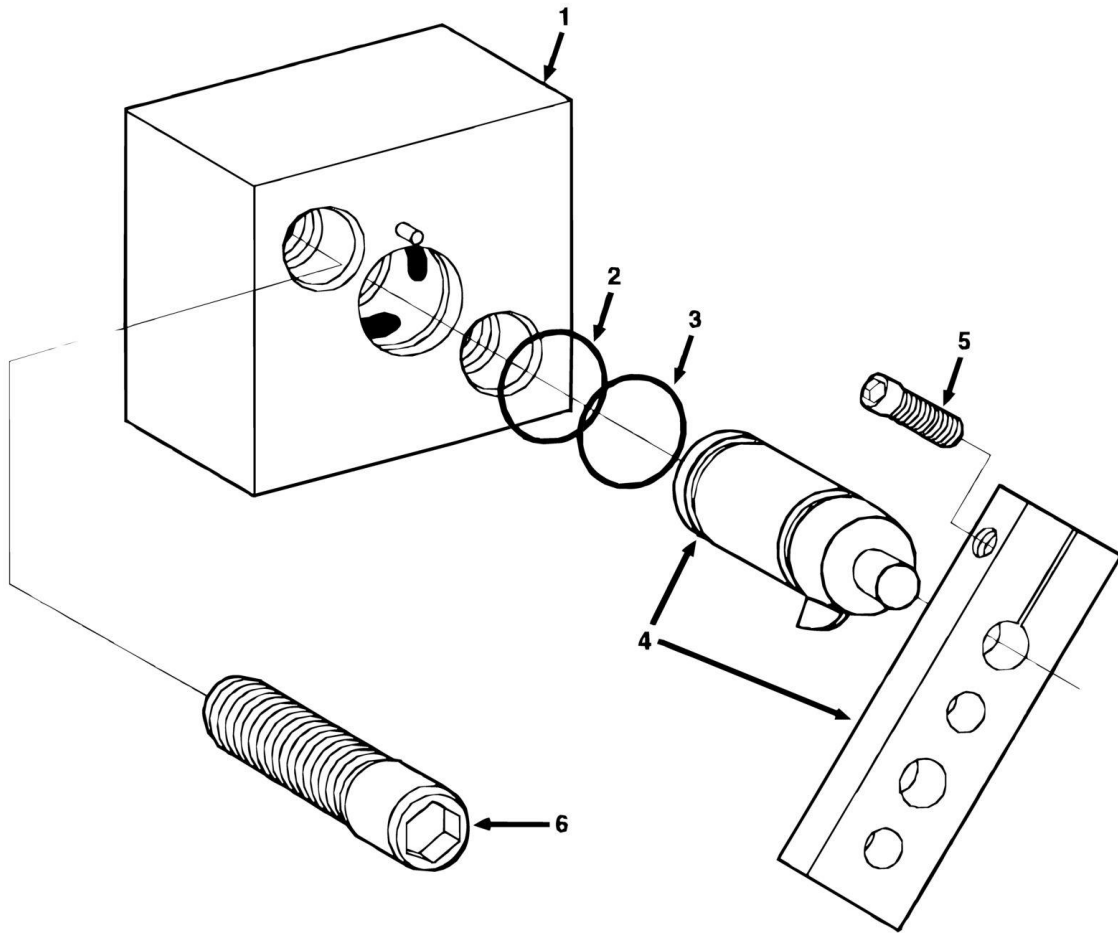
SECTION 9 - HYDRAULIC COMPONENTS

FIGURE 9-31. (91033096) INCHING VALVE (SN 0188002 to Present)

ITEM	PART NUMBER	QTY	DESCRIPTION	REV
1	91033096	1	INCHING VALVE	
1	91034018	Ref	SEAL KIT	

SECTION 9 - HYDRAULIC COMPONENTS

FIGURE 9-32. (91143140) INCHING VALVE (SN 0388349 to Present)



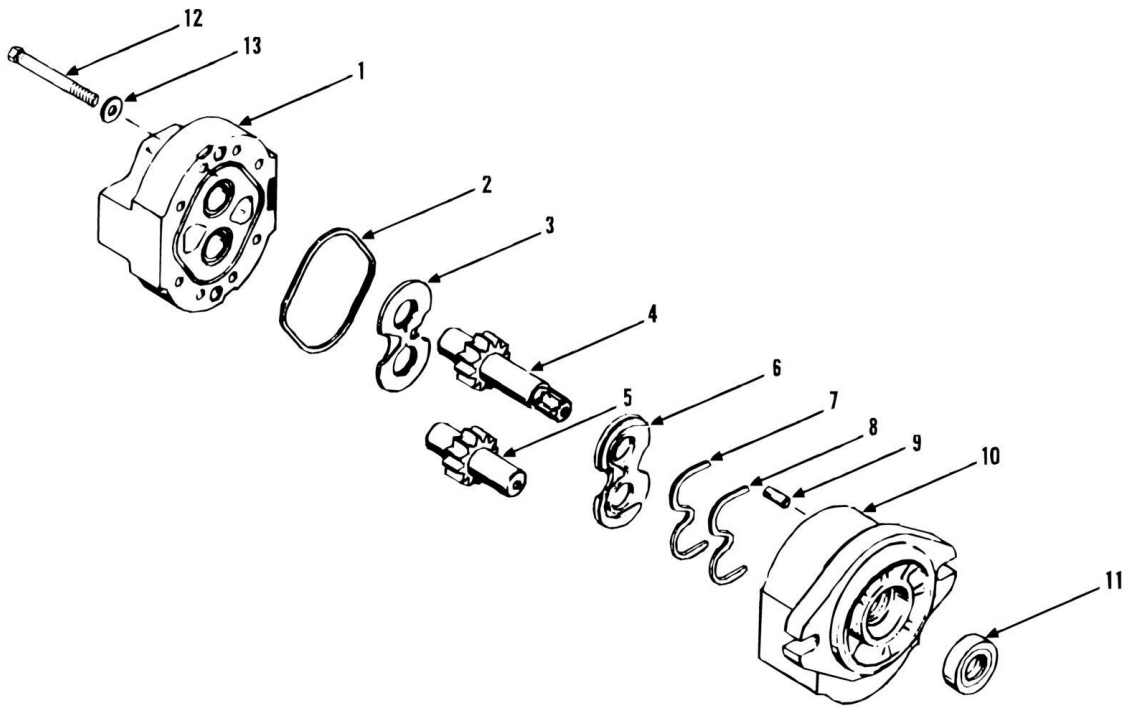
SECTION 9 - HYDRAULIC COMPONENTS

FIGURE 9-32. (91143140) INCHING VALVE (SN 0388349 to Present)

ITEM	PART NUMBER	QTY	DESCRIPTION	REV
1	91143140	1	INCHING VALVE (includes all items)	
2	80934423	1	O-RING	
3	80934202	1	O-RING	
4		Ref	ACTIVATING LEVER	
5		Ref	SOCKET HD CAPSCREW	
6	88212228	2	SOCKET HD CAPSCREW	
		Ref	NOTE: ONLY ITEMS WITH PART NUMBERS ARE AVAILABLE FOR SERVICE.	

SECTION 9 - HYDRAULIC COMPONENTS

FIGURE 9-33. (91083296) MAIN HYDRAULIC PUMP (SN 0188002 to Present)



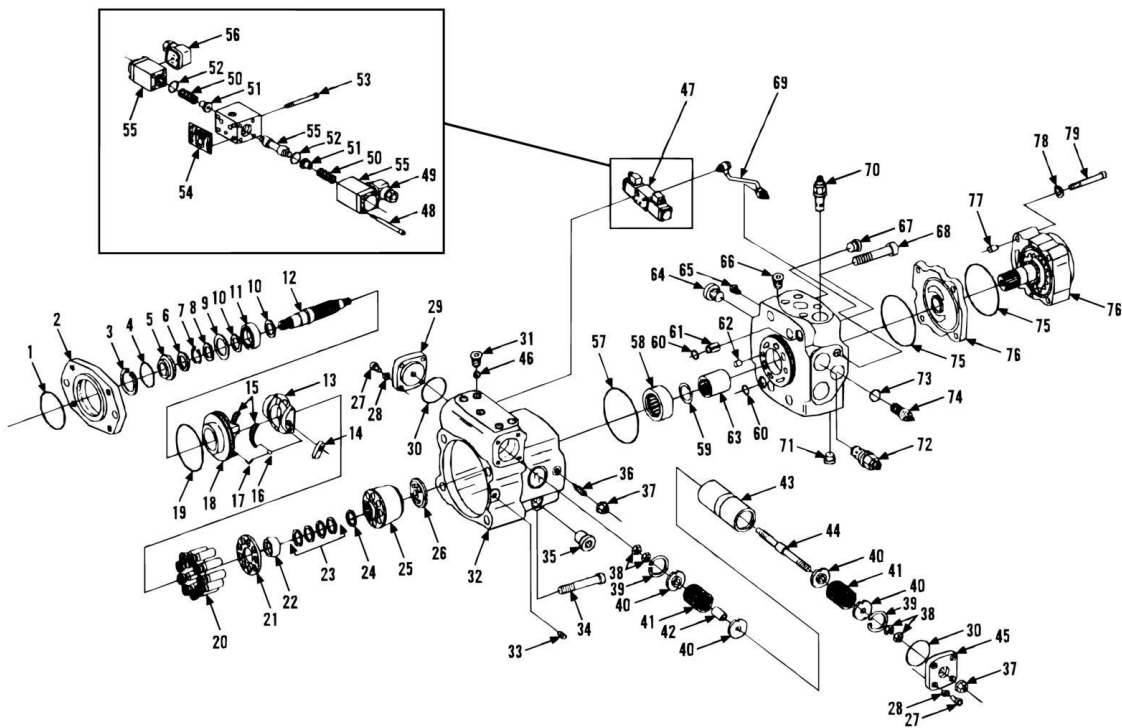
SECTION 9 - HYDRAULIC COMPONENTS

FIGURE 9-33. (91083296) MAIN HYDRAULIC PUMP (SN 0188002 to Present)

ITEM	PART NUMBER	QTY	DESCRIPTION	REV
	91083296	1	MAIN HYDRAULIC PUMP (includes all items)	
	91084218	1	SEAL KIT (includes items 2, 3, 6, 7, 8 & 11)	
1	91084144	1	REAR COVER	
2	91084137	1	SEAL	
3	91084138	1	THRUST PLATE	
4	91084146	1	DRIVE GEAR	
5	91084145	1	DRIVEN GEAR	
6	91084139	1	WEAR PLATE	
7	91084140	1	SEAL	
8	91084142	1	SEAL SPACER	
9	91084143	2	DOWEL PIN	
10	91084147	1	BODY	
11	91084141	1	SHAFT SEAL	
12	91084135	8	HEX HD CAPSCREW	
13	91084136	8	FLATWASHER	

SECTION 9 - HYDRAULIC COMPONENTS

FIGURE 9-34. (91083013) HYDROSTATIC TRANSMISSION PUMP (SN 0188002 to Present)



SECTION 9 - HYDRAULIC COMPONENTS

FIGURE 9-34. (91083013) HYDROSTATIC TRANSMISSION PUMP (SN 0188002 to Present)

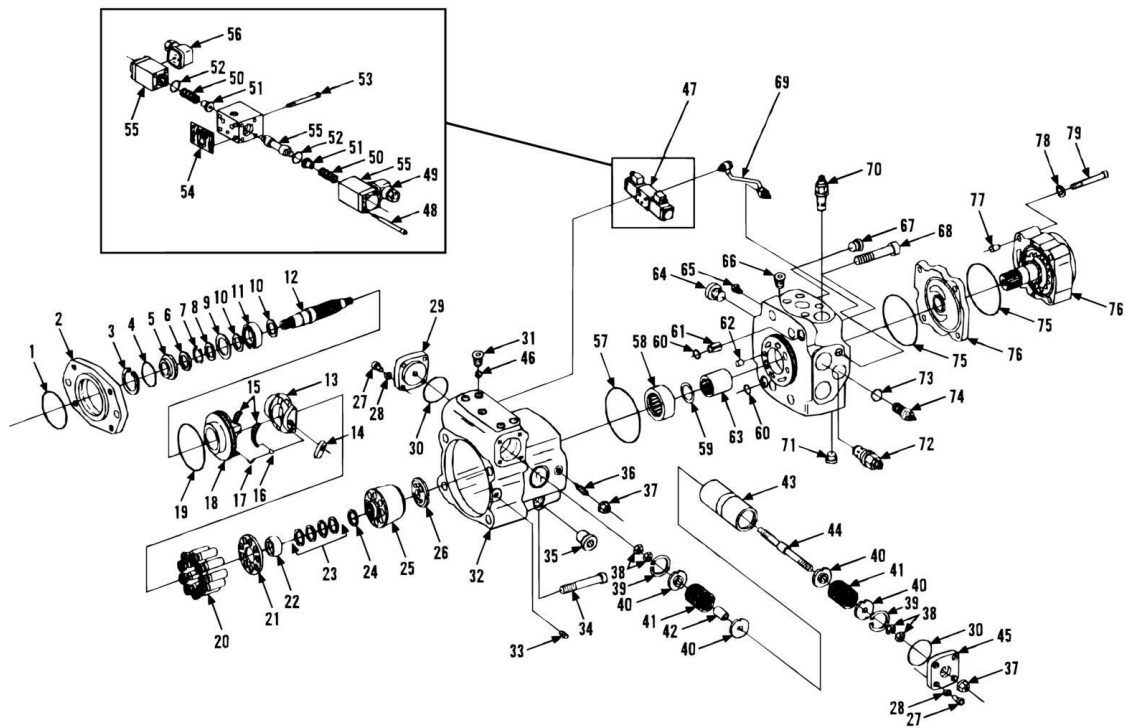
ITEM	PART NUMBER	QTY	DESCRIPTION	REV
	91083013	1	HYDROSTATIC TRANSMISSION PUMP (includes all items)	
	91084132	1	SEAL KIT (includes items 1, 4, 6, 19, 30, 37, 52, 57, 60, 73 & 75)	
	91084269	1	ROTARY GROUP KIT (includes items 13, 20, 21, 22, 23, 25 & 26)	
	91084023	1	ROTARY GROUP ASSY (includes items 3 thru 26, except item 14)	
	91084270	1	HOUSING ASSY (includes items 27 thru 45)	
	91084271	1	STROKING PISTON ASSY (includes items 38 thru 44)	
	91084272	1	PORT BLOCK ASSY (includes items 57 thru 68)	
1	Kit	1	O-RING	
2	91084024	1	FRONT FLANGE	
3		Ref	RETAINING RING	
4	Kit	1	O-RING	
5		Ref	FRONT COVER	
6	Kit	1	SHAFT SEAL	
7		Ref	RETAINING RING	
8		Ref	SHIM	
9		Ref	SHIM	
10		Ref	SUPPORTING DISK	
11		Ref	ROLLER BEARING	
12		Ref	SHAFT	
13	Kit	1	SWASH PLATE	
14	91084274	1	SLIDE BLOCK	
15		Ref	CAGE BEARING SET	
16		Ref	BEARING RETAINER BUSHING	
17		Ref	WIRE	
18		Ref	BEARING FLANGE	
19	Kit	1	O-RING	
20	Kit	9	PISTON	
21	Kit	1	RETAINING PLATE	
22	Kit	1	RETAINING BALL	
23	Kit	1	BELLEVILLE WASHER SET	
24		Ref	PRELOAD SHIM	
25	Kit	1	BARREL	
26	Kit	1	CONTROL PLATE	
27		Ref	SOCKET HD CAPSCREW, M6X12	
28		Ref	LOCKWASHER, M6	
29		Ref	STROKING PISTON COVER	
30	Kit	2	O-RING	
31		Ref	PLUG	
32		Ref	HOUSING	
33		Ref	TORSION PIN	
34		Ref	SOCKET HD CAPSCREW, M16X80	
35		Ref	PLUG	
36	91084029	1	ECCENTRIC SCREW	
37	Kit	2	SEAL LOCKNUT, M12X1.5	
38		Ref	JAM NUT, M12X1.5	
39		Ref	O-RING	
40		Ref	SPRING COLLAR W/BUSHING	
41		Ref	SPRING	
42		Ref	SPACER BUSHING	
43		Ref	PISTON	

SECTION 9 - HYDRAULIC COMPONENTS

ITEM	PART NUMBER	QTY	DESCRIPTION	REV
44		Ref	PISTON ROD	
45		Ref	STROKING PISTON COVER	
46	80934416	2	STROKING TIME ORIFICE	
47	91084036	1	CONTROL VALVE ASSY (includes items 48 thru 56)	
48		Ref	SOCKET HD CAPSCREW, M4X65	
49	91084038	1	PLUG IN CONNECTOR (solenoid B-Blk)	
50		Ref	SPRING	
51		Ref	SPRING RETAINER	
52	Kit	2	O-RING	
53		Ref	SOCKET HD CAPSCREW, M6X45	
54	91084134	1	CONTROL MODULE GASKET	
55	91084316	2	SOLENOID	
56	91084039	1	PLUG IN CONNECTOR (solenoid A-Gray)	
57	Kit	1	O-RING	
58		Ref	REAR SHAFT BEARING	
59		Ref	RETAINING RING	
60	Kit	2	O-RING	
61		Ref	SPRING PIN	
62		Ref	PIN	
63		Ref	PUMP COUPLING	
64		Ref	PLUG	
65		Ref	PRESSURE OVERRIDE VALVE	
66		Ref	PLUG	
67		Ref	PLUG	
68		Ref	SOCKET HD CAPSCREW, M16X90	
69	91084035	1	CONTROL PIPE KIT (includes fittings)	
70	91084031	1	RELIEF VALVE	
71	88662195	1	PLUG	
72	91084032	2	HIGH PRESSURE RELIEF VALVE (5000 PSI)	
73	91084276	1	O-RING	
74	91084033	1	CONTROL CARTRIDGE	
75	Kit	2	O-RING	
76	91084034	1	CHARGE PUMP ASSY (includes items 75, 77, 78 & 79)	
77		Ref	PIN	
78		Ref	LOCKWASHER, M8	
79		Ref	SOCKET HD CAPSCREW, M8X50	
		Ref	NOTE: ONLY ITEMS WITH PART NUMBERS ARE AVAILABLE FOR SERVICE.	

SECTION 9 - HYDRAULIC COMPONENTS

FIGURE 9-35. (91083461) HYDROSTATIC TRANSMISSION PUMP (SN 0288568 to Present)



SECTION 9 - HYDRAULIC COMPONENTS

FIGURE 9-35. (91083461) HYDROSTATIC TRANSMISSION PUMP (SN 0288568 to Present)

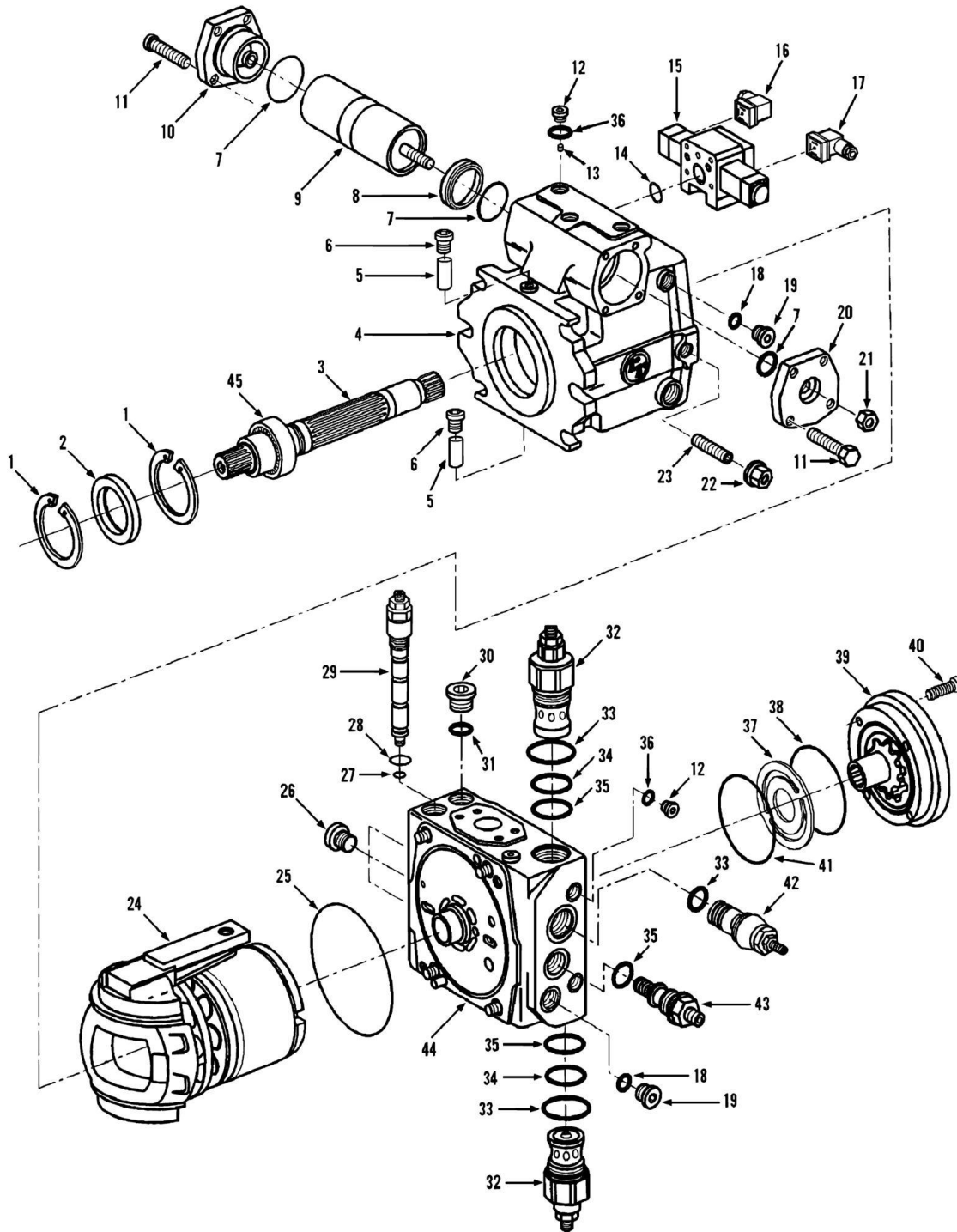
ITEM	PART NUMBER	QTY	DESCRIPTION	REV
	91083461	1	HYDROSTATIC TRANSMISSION PUMP (includes all items)	
	91084132	1	SEAL KIT (includes items 1, 4, 6, 19, 30, 37, 52, 57, 60, 73 & 75)	
	91084269	1	ROTARY GROUP KIT (includes items 13, 20, 21, 22, 23, 25 & 26)	
	91084023	1	ROTARY GROUP ASSY (includes items 3 thru 26, except item 14)	
	91084270	1	HOUSING ASSY (includes items 27 thru 45)	
	91084271	1	STROKING PISTON ASSY (includes items 38 thru 44)	
	91084272	1	PORT BLOCK ASSY (includes items 57 thru 68)	
1	Kit	1	O-RING	
2	91084024	1	FRONT FLANGE	
3		Ref	RETAINING RING	
4	Kit	1	O-RING	
5		Ref	FRONT COVER	
6	Kit	1	SHAFT SEAL	
7		Ref	RETAINING RING	
8		Ref	SHIM	
9		Ref	SHIM	
10		Ref	SUPPORTING DISK	
11		Ref	ROLLER BEARING	
12		Ref	SHAFT	
13	Kit	1	SWASH PLATE	
14	91084274	1	SLIDE BLOCK	
15		Ref	CAGE BEARING SET	
16		Ref	BEARING RETAINER BUSHING	
17		Ref	WIRE	
18		Ref	BEARING FLANGE	
19	Kit	1	O-RING	
20	Kit	9	PISTON	
21	Kit	1	RETAINING PLATE	
22	Kit	1	RETAINING BALL	
23	Kit	1	BELLEVILLE WASHER SET	
24		Ref	PRELOAD SHIM	
25	Kit	1	BARREL	
26	Kit	1	CONTROL PLATE	
27		Ref	SOCKET HD CAPSCREW, M6X12	
28		Ref	LOCKWASHER, M6	
29		Ref	STROKING PISTON COVER	
30	Kit	2	O-RING	
31		Ref	PLUG	
32		Ref	HOUSING	
33		Ref	TORSION PIN	
34		Ref	SOCKET HD CAPSCREW, M16X80	
35		Ref	PLUG	
36	91084029	1	ECCENTRIC SCREW	
37	Kit	2	SEAL LOCKNUT, M12X1.5	
38		Ref	JAM NUT, M12X1.5	
39		Ref	O-RING	
40		Ref	SPRING COLLAR W/ BUSHING	
41		Ref	SPRING	
42		Ref	SPACER BUSHING	
43		Ref	PISTON	

SECTION 9 - HYDRAULIC COMPONENTS

ITEM	PART NUMBER	QTY	DESCRIPTION	REV
44		Ref	PISTON ROD	
45		Ref	STROKING PISTON COVER	
46	80934416	2	STROKING TIME ORIFICE	
47	91084036	1	CONTROL VALVE ASSY (includes items 48 thru 56)	
48		Ref	SOCKET HD CAPSCREW, M4X65	
49	91084038	1	PLUG IN CONNECTOR (solenoid B-Blk)	
50		Ref	SPRING	
51		Ref	SPRING RETAINER	
52	Kit	2	O-RING	
53		Ref	SOCKET HD CAPSCREW, M6X45	
54	91084134	1	CONTROL MODULE GASKET	
55	91084316	2	SOLENOID	
56	91084039	1	PLUG IN CONNECTOR (solenoid A-Gray)	
57	Kit	1	O-RING	
58		Ref	REAR SHAFT BEARING	
59		Ref	RETAINING RING	
60	Kit	2	O-RING	
61		Ref	SPRING PIN	
62		Ref	PIN	
63		Ref	PUMP COUPLING	
64		Ref	PLUG	
65		Ref	PRESSURE OVERRIDE VALVE	
66		Ref	PLUG	
67		Ref	PLUG	
68		Ref	SOCKET HD CAPSCREW, M16X90	
69	91084035	1	CONTROL PIPE KIT (includes fittings)	
70	91084031	1	RELIEF VALVE	
71	88662195	1	PLUG	
72	91084032	2	HIGH PRESSURE RELIEF VALVE (5500 PSI)	
73	91084276	1	O-RING	
74	91084033	1	CONTROL CARTRIDGE	
75	Kit	2	O-RING	
76	91084034	1	CHARGE PUMP ASSY (includes items 75, 77, 78 & 79)	
77		Ref	PIN	
78		Ref	LOCKWASHER, M8	
79		Ref	SOCKET HD CAPSCREW, M8X50	
		Ref	NOTE: ONLY ITEMS WITH PART NUMBERS ARE AVAILABLE FOR SERVICE.	

SECTION 9 - HYDRAULIC COMPONENTS

FIGURE 9-36. (91083499) HYDROSTATIC TRANSMISSION PUMP (SN 0388349 to Present)



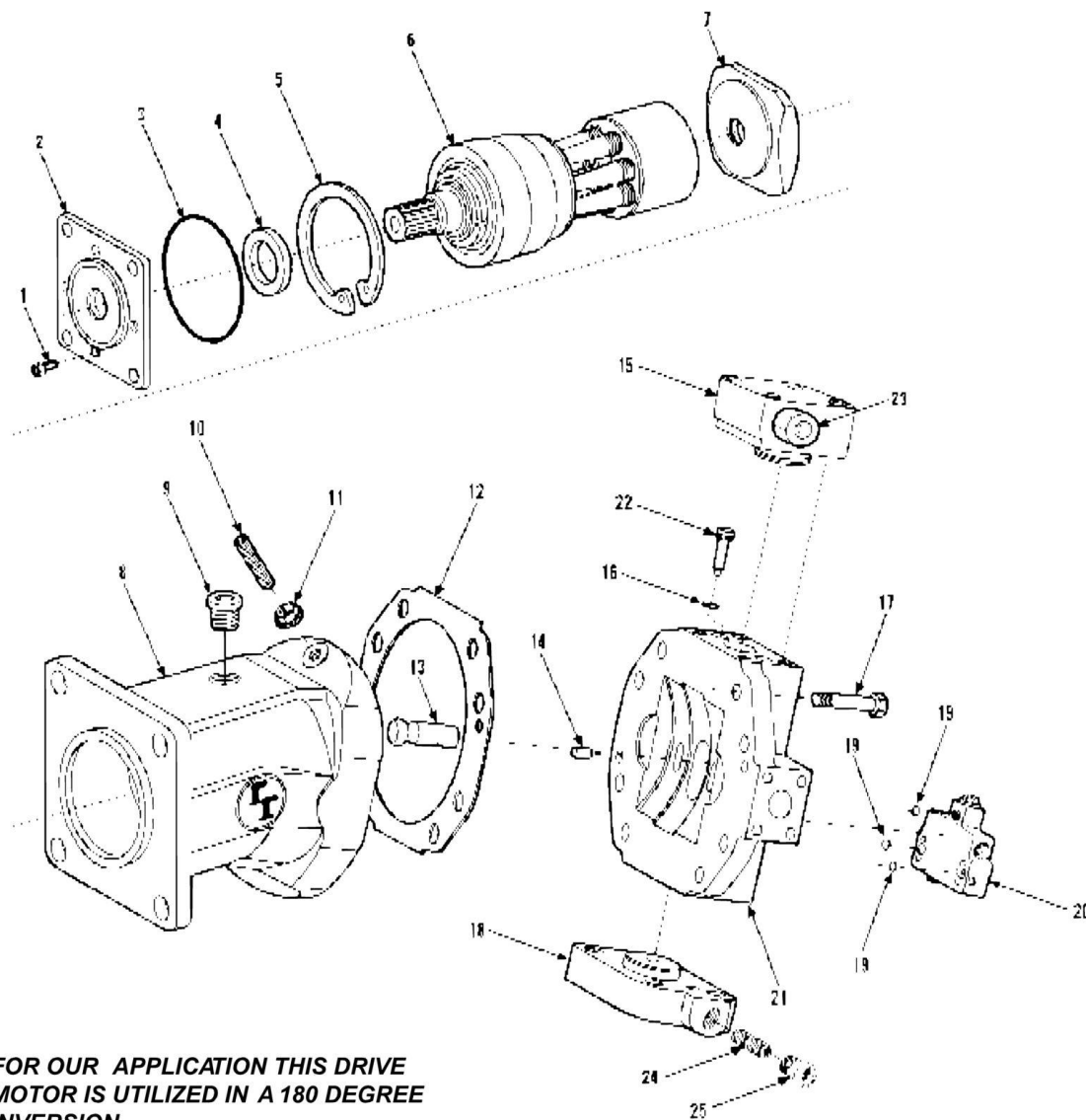
SECTION 9 - HYDRAULIC COMPONENTS

FIGURE 9-36. (91083499) HYDROSTATIC TRANSMISSION PUMP (SN 0388349 to Present)

ITEM	PART NUMBER	QTY	DESCRIPTION	REV
	91083499	1	HYDROSTATIC TRANSMISSION PUMP (includes all items)	
	91084317	AR	SEAL KIT (includes items 2, 6, 7, 14, 15, 22, 25, 27, 28, 31, 32, 33, 34, 35, 36, 38, 41 plus additional items not illustrated)	
1	80934052	2	SNAP RING	
2	91084389	1	SHAFT SEAL	
3	91084318	1	SHAFT ASSY	
4	91084319	1	HOUSING ASSY	
5	91084320	2	PIN	
6	Kit	4	PLUG	
7	Kit	4	O-RING	
8	91084321	2	BUSHING	
9	91084322	1	STROKING PISTON ASSY	
10	91084323	1	STROKING PISTON COVER KIT (includes items 7 & 11)	
11	80934077	8	CAPSCREW, M8X20	
12	80934084	5	PLUG (includes item 36)	
13	91144093	2	STROKING ORIFICE	
14	Kit	1	O-RING	
15	91084324	1	DA CONTROL ASSY (includes items 16 & 17)	
16	91084038	1	HERSHMAN CONNECTOR (black)	
17	91084039	1	HERSHMAN CONNECTOR (gray)	
18		Ref	O-RING	
19	80934082	2	PLUG (includes item 18)	
20	91084325	1	STROKING PISTON COVER KIT (includes items 7 & 11)	
21	91144094	1	JAM NUT	
22	Kit	1	SEAL NUT	
23	91144095	1	ECCENTRIC SCREW	
24	91084326	1	ROTARY GROUP ASSY	
25	Kit	1	O-RING	
26	91084327	3	PLUG	
27	Kit	1	O-RING	
28	Kit	1	O-RING	
29	91084328	1	POR ASSY (includes items 27 & 28)	
30	80934340	1	PLUG (includes item 31)	
31	Kit	1	O-RING	
32	91084032	2	RELIEF VALVE (includes one each of items 33 thru 35)	
33	Kit	3	O-RING	
34	Kit	2	O-RING	
35	Kit	3	O-RING	
36	Kit	5	O-RING	
37	91084329	1	WEAR PLATE	
38	Kit	1	O-RING	
39	91084330	1	CHARGE PUMP ASSY (includes items 37, 38, 40 & 41)	
40	91084331	4	CAPSCREW, M12X35	
41	Kit	1	O-RING	
42	91144099	1	DA CARTRIDGE ASSY	
43	91144098	1	CHARGE PRESSURE RELIEF VALVE (includes item 35)	
44	91084332	1	PORT BLOCK ASSY (includes items 25, 26, 27, 28 & 29)	
45	91084390	1	ROLLER BEARING	
		Ref	NOTE: ONLY ITEMS WITH PART NUMBERS ARE AVAILABLE FOR SERVICE.	

SECTION 9 - HYDRAULIC COMPONENTS

FIGURE 9-37. (91093002) FRONT DRIVE MOTOR (532C-6) (SN 0188002 to Present)



FOR OUR APPLICATION THIS DRIVE MOTOR IS UTILIZED IN A 180 DEGREE INVERSION.

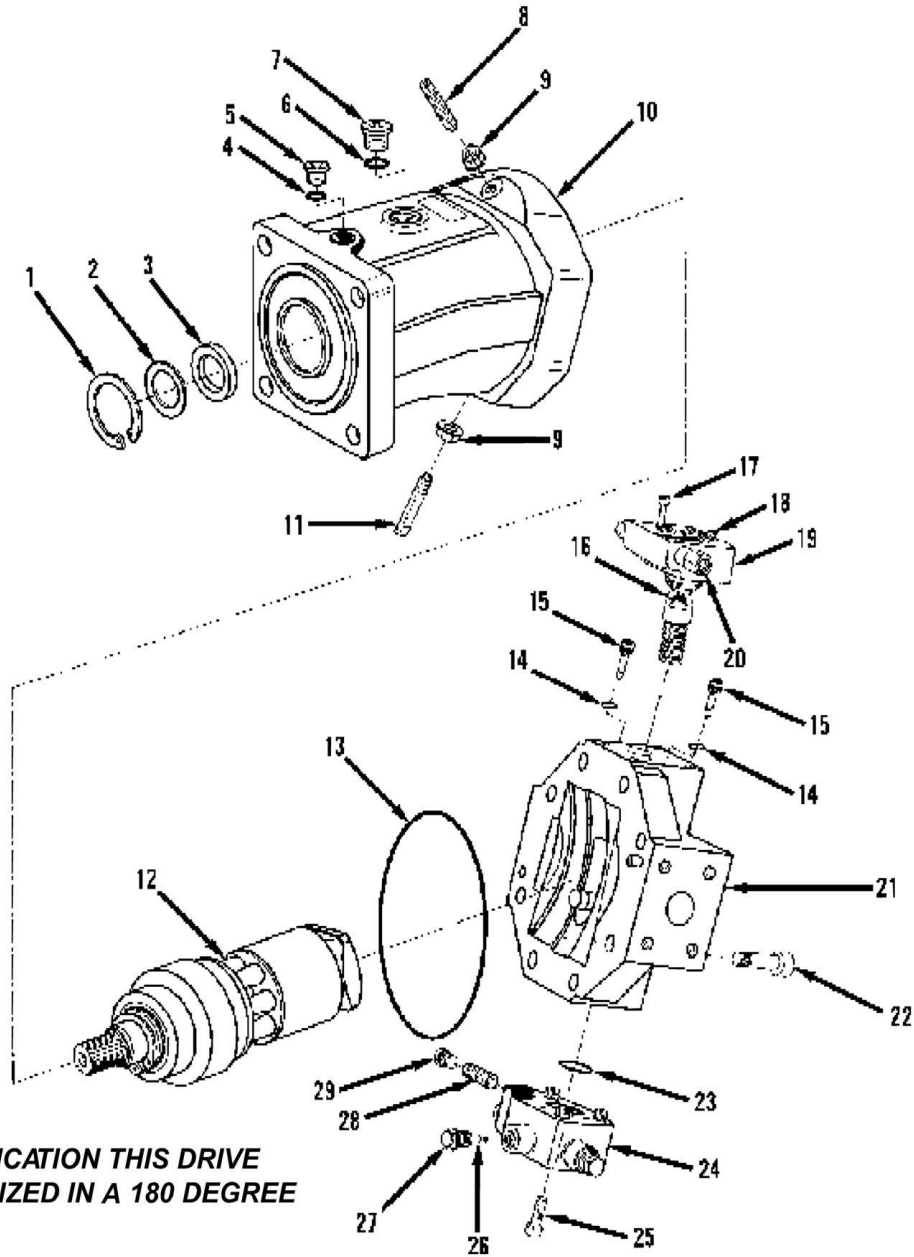
SECTION 9 - HYDRAULIC COMPONENTS

FIGURE 9-37. (91093002) FRONT DRIVE MOTOR (532C-6) (SN 0188002 to Present)

ITEM	PART NUMBER	QTY	DESCRIPTION	REV
	91093002	1	FRONT DRIVE MOTOR ASSY (includes all items)	
	91144152	1	FRONT DRIVE MOTOR SEAL KIT	
1		Ref	CAPSCREW, M8X16	
2	91084314	1	FRONT COVER	
3	Kit	1	O-RING (included in seal kit)	
4	Kit	1	SHAFT SEAL (included in seal kit)	
5		Ref	SNAP RING	
6	91144150	1	ROTARY GROUP (includes item 5)	
7	91084315	1	CONTROL LENS	
8	91144149	1	HOUSING	
9		Ref	PLUG	
10		Ref	STOP SCREW	
11	Kit	1	SEAL NUT (included in seal kit)	
12	Kit	1	GASKET (included in seal kit)	
13		Ref	SWIVEL TRUNNION (included with item 21)	
14		Ref	DOWEL PIN (included with item 21)	
15	91144153	1	DA CONTROL ASSY (includes item 23)	
16		Ref	O-RING (included with item 21)	
17		Ref	CAPSCREW (included with item 21)	
18	91144157	1	STROKING PISTON COVER (includes item 25)	
19	Kit	3	O-RING (included in seal kit)	
20	91094021	1	FLUSHING VALVE	
21	91144151	1	PORTING BLOCK ASSY (includes items 13, 14, 16 & 17)	
22	83924135	2	CHECK VALVE KIT	
23	91144248	2	FITTING	
24	83924123	1	SHUTTLE ORIFICE KIT	
25		Ref	PLUG (included with item 18)	
		Ref	NOTE: ONLY ITEMS WITH PART NUMBERS ARE AVAILABLE FOR SERVICE.	

SECTION 9 - HYDRAULIC COMPONENTS

FIGURE 9-38. (91093016) FRONT DRIVE MOTOR (532C-6) (SN 0388349 to Present)



FOR OUR APPLICATION THIS DRIVE MOTOR IS UTILIZED IN A 180 DEGREE INVERSION.

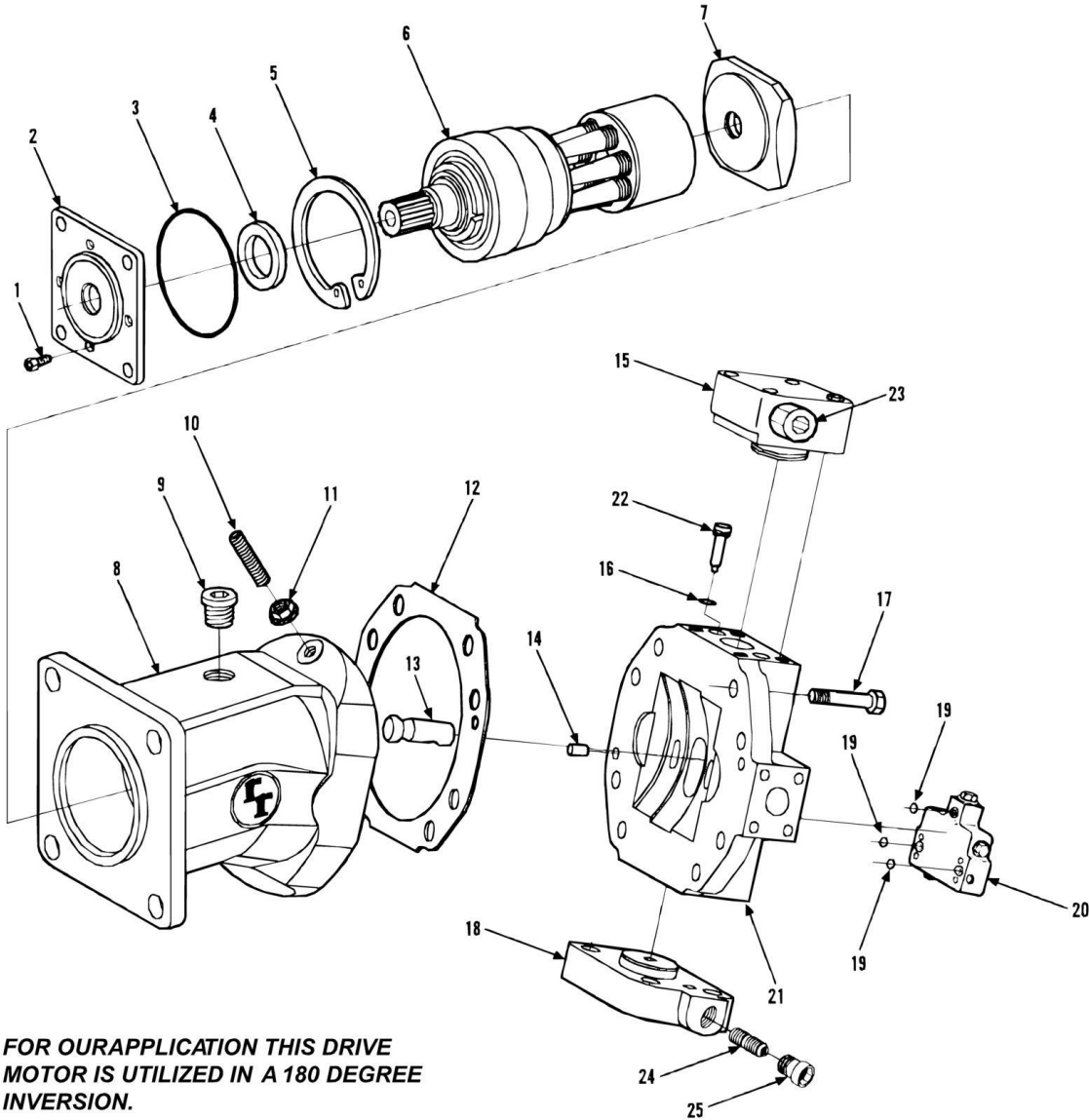
SECTION 9 - HYDRAULIC COMPONENTS

FIGURE 9-38. (91093016) FRONT DRIVE MOTOR (532C-6) (SN 0388349 to Present)

ITEM	PART NUMBER	QTY	DESCRIPTION	REV
	91093016	1	FRONT DRIVE MOTOR ASSY (includes all items)	
	91094025	AR	SEAL KIT (includes items 3,4, 6, 9, 13, 14, 16, 18, 23)	
1	91094026	1	SNAP RING	
2	91094027	1	SHIM	
3	Kit	1	SHAFT SEAL	
4	Kit	1	O-RING	
5	91094028	1	PLUG (includes item 5)	
6	Kit	1	O-RING	
7	91094029	1	PLUG (includes item 6)	
8	80914241	1	STOPSCREW, M12X90	
9	Kit	2	SEAL NUT	
10	91094030	1	HOUSING	
11	91094031	1	STOP SCREW, M12X80	
12	91094032	1	ROTARY GROUP	
13	Kit	1	O-RING	
14	Kit	6	O-RING	
15	80914235	2	CHECK VALVE KIT (includes o-rings)	
16	Kit	1	O-RING	
17	80934080	4	CAPSCREW	
18		Ref	SEAL NUT	
19	91094033	1	DA1 CONTROL KIT (includes items 16, 17, 18 & 20)	
20	91144248	2	FITTING	
21	91094034	1	REAR COVER ASSY (includes item 22)	
22	91094035	8	CAPSCREW, M16X45	
23	Kit	1	O-RING	
24	91094036	1	FLUSHING VALVE ASSY (includes items 23, 25, 27 & 29)	
25	91094037	4	CAPSCREW, M8X50	
26	91094038	1	FLUSHING ORIFICE	
27	91094039	1	PLUG	
28	83924123	1	SWIVEL TIME ORIFICE	
29	91094040	2	PLUG	
		Ref	NOTE: ONLY ITEMS WITH PART NUMBERS ARE AVAILABLE FOR SERVICE.	

SECTION 9 - HYDRAULIC COMPONENTS

FIGURE 9-39. (91083044) FRONT DRIVE MOTOR (534C-6) (SN 0188002 to Present)



FOR OUR APPLICATION THIS DRIVE MOTOR IS UTILIZED IN A 180 DEGREE INVERSION.

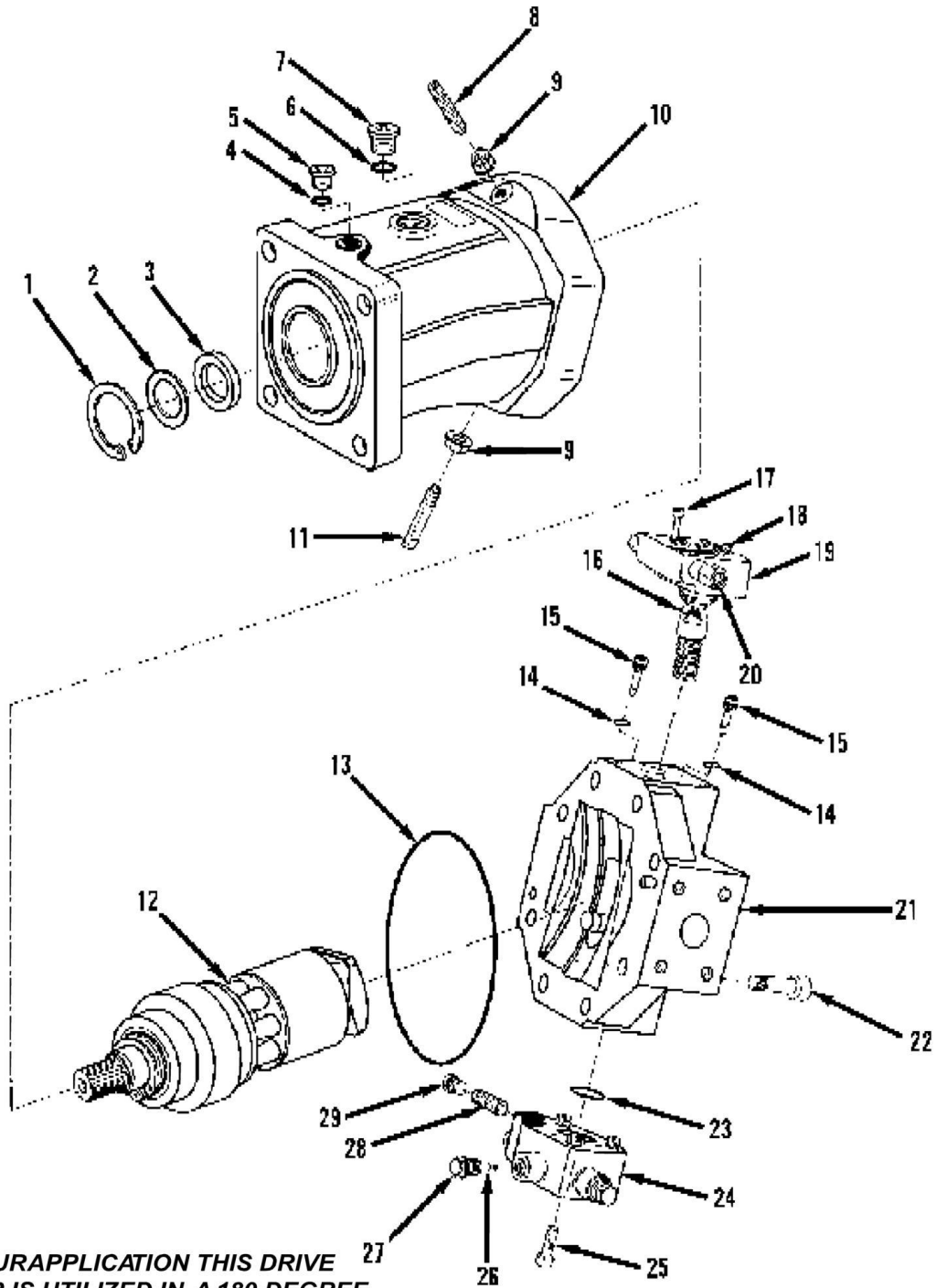
SECTION 9 - HYDRAULIC COMPONENTS

FIGURE 9-39. (91083044) FRONT DRIVE MOTOR (534C-6) (SN 0188002 to Present)

ITEM	PART NUMBER	QTY	DESCRIPTION	REV
	91083044	1	FRONT DRIVE MOTOR ASSY (includes all items)	
	91144152	1	FRONT DRIVE MOTOR SEAL KIT	
1		Ref	CAPSCREW, M8X16	
2	91084314	1	FRONT COVER	
3	Kit	1	O-RING (included in seal kit)	
4	Kit	1	SHAFT SEAL (included in seal kit)	
5		Ref	SNAP RING	
6	91144150	1	ROTARY GROUP (includes item 5)	
7	91084315	1	CONTROL LENS	
8	91144149	1	HOUSING	
9		Ref	PLUG	
10		Ref	STOP SCREW	
11	Kit	1	SEAL NUT (included in seal kit)	
12	Kit	1	GASKET (included in seal kit)	
13		Ref	SWIVEL TRUNNION (included with item 21)	
14		Ref	DOWEL PIN (included with item 21)	
15	91144153	1	DA CONTROL ASSY (includes item 23)	
16		Ref	O-RING (included with item 21)	
17		Ref	CAPSCREW (included with item 21)	
18	91144157	1	STROKING PISTON COVER (includes item 25)	
19	Kit	3	O-RING (included in seal kit)	
20	91094020	1	FLUSHING VALVE	
21	91144151	1	PORTING BLOCK ASSY (includes items 13, 14, 16 & 17)	
22	83924135	2	CHECK VALVE KIT	
23	91144248	2	FITTING	
24	83924123	1	SHUTTLE ORIFICE KIT	
25		Ref	PLUG (included with item 18)	
		Ref	NOTE: ONLY ITEMS WITH PART NUMBERS ARE AVAILABLE FOR SERVICE.	

SECTION 9 - HYDRAULIC COMPONENTS

FIGURE 9-40. (91163044) FRONT DRIVE MOTOR (534C-6) (SN 0388349 to Present)



FOR OUR APPLICATION THIS DRIVE MOTOR IS UTILIZED IN A 180 DEGREE INVERSION.

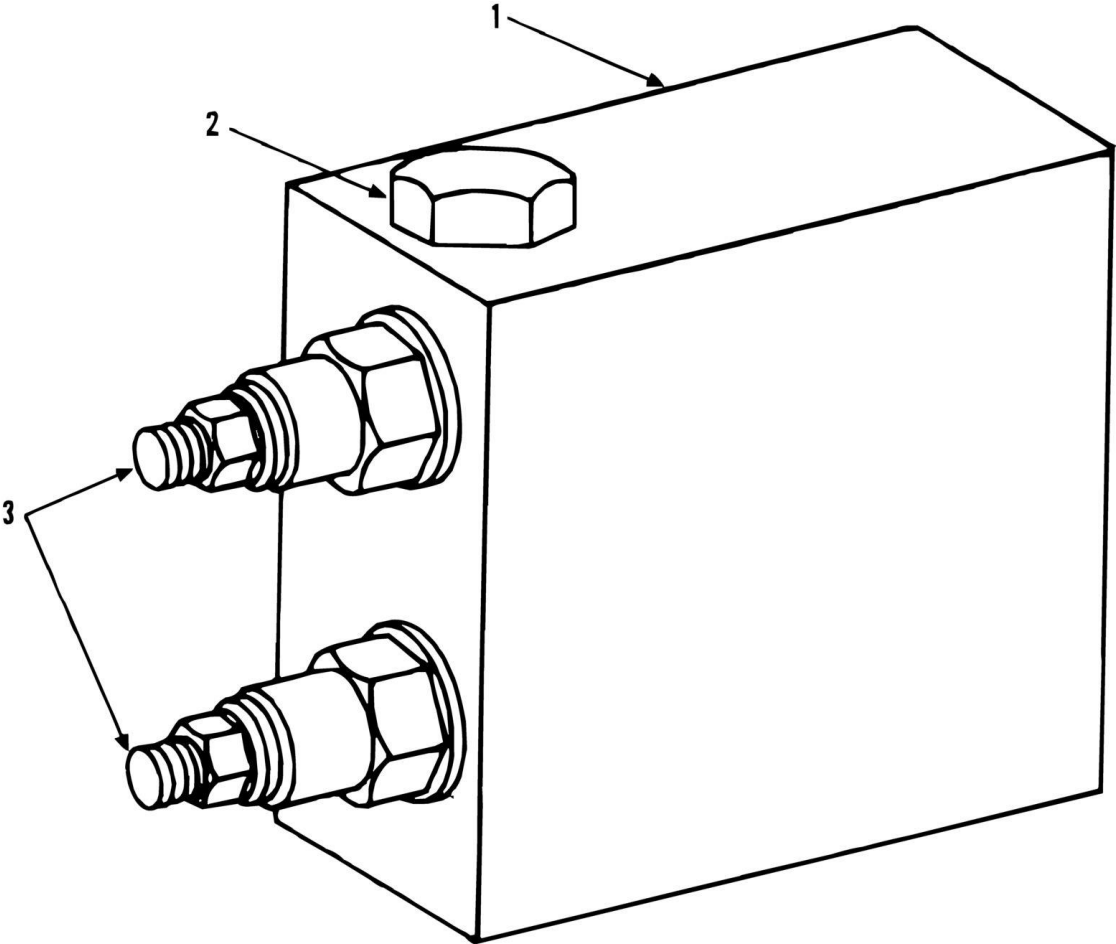
SECTION 9 - HYDRAULIC COMPONENTS

FIGURE 9-40. (91163044) FRONT DRIVE MOTOR (534C-6) (SN 0388349 to Present)

ITEM	PART NUMBER	QTY	DESCRIPTION	REV
	91163044	1	FRONT DRIVE MOTOR ASSY (includes all items)	
	91094025	AR	SEAL KIT (includes items 3,4, 6, 9, 13, 14, 16, 18, 23)	
1	91094026	1	SNAP RING	
2	91094027	1	SHIM	
3	Kit	1	SHAFT SEAL	
4	Kit	1	O-RING	
5	91094028	1	PLUG (includes item 5)	
6	Kit	1	O-RING	
7	91094029	1	PLUG (includes item 6)	
8	80914241	1	STOP SCREW, M12X90	
9	Kit	2	SEAL NUT	
10	91094030	1	HOUSING	
11	91094031	1	STOP SCREW, M12X80	
12	91094032	1	ROTARY GROUP	
13	Kit	1	O-RING	
14	Kit	1	O-RING	
15	80914235	2	CHECK VALVE KIT (includes o-rings)	
16	Kit	1	O-RING	
17	80934080	4	CAPSCREW	
18	Kit	1	SEAL NUT	
19	91094033	1	DA1 CONTROL KIT (includes items 16, 17, 18 & 20)	
20	91144248	2	FITTING	
21	91094034	1	REAR COVER ASSY (includes item 22)	
22	91094035	8	CAPSCREW, M16X45	
23	Kit	1	O-RING	
24	91164017	1	FLUSHING VALVE ASSY (includes items 23, 25, 26, 27 & 29)	
25	91094037	4	CAPSCREW, M8X50	
26	91094038	1	FLUSHING ORIFICE	
27	91094039	1	PLUG	
28	83924123	1	SWIVEL TIME ORIFICE	
29	91094040	2	PLUG	
		Ref	NOTE: ONLY ITEMS WITH PART NUMBERS ARE AVAILABLE FOR SERVICE.	

SECTION 9 - HYDRAULIC COMPONENTS

FIGURE 9-41. (91085051) MANIFOLD ASSEMBLY (SN 0188002 to Present)



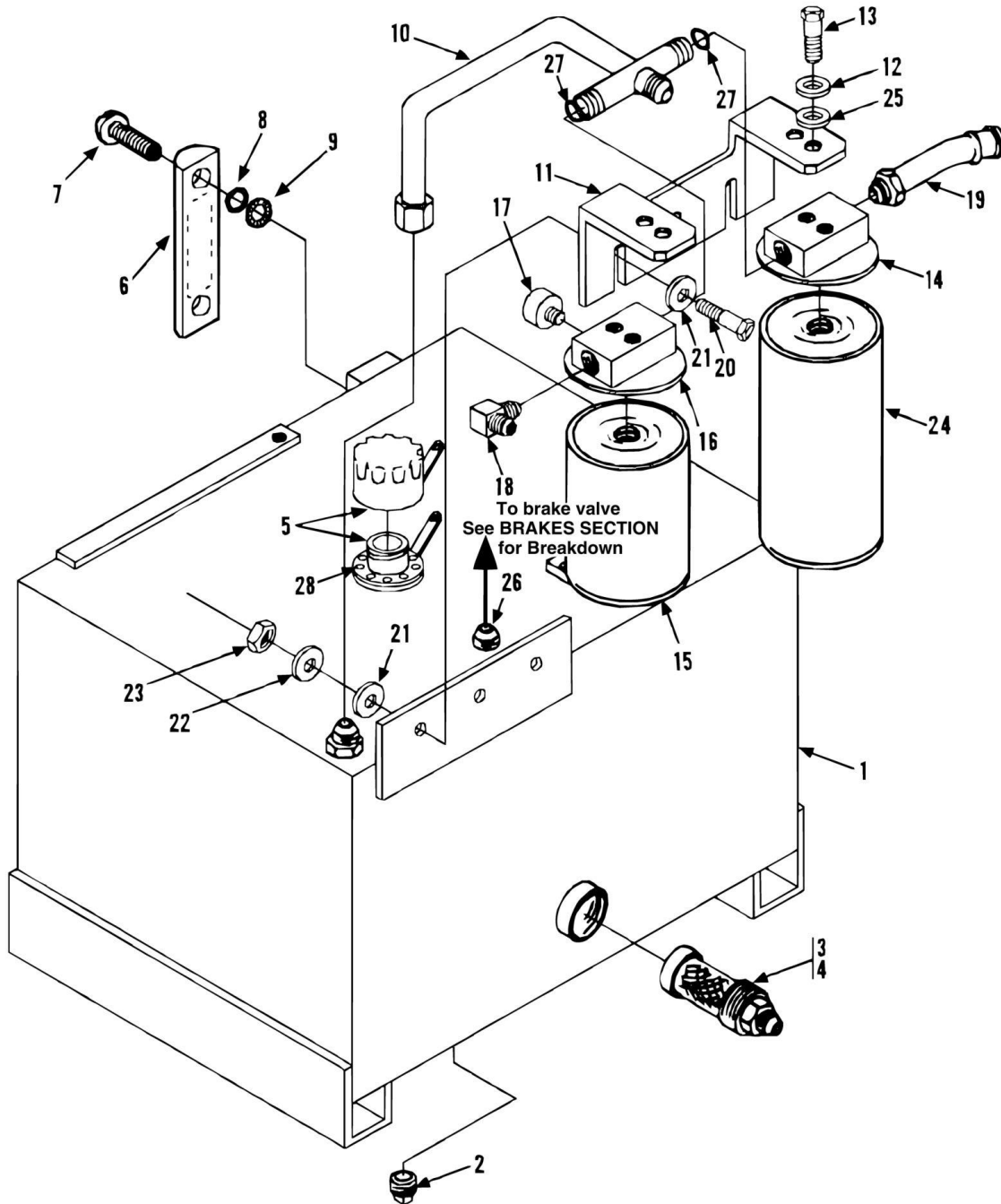
SECTION 9 - HYDRAULIC COMPONENTS

FIGURE 9-41. (91085051) MANIFOLD ASSEMBLY (SN 0188002 to Present)

ITEM	PART NUMBER	QTY	DESCRIPTION	REV
	91085051	1	MANIFOLD ASSY (includes all items)	
1	91081491	1	MANIFOLD BLOCK	
2	88662175	1	HEX HD PLUG (includes o-ring)	
2	88591205	1	O-RING	
3	91083345	2	RELIEF CARTRIDGE	

SECTION 9 - HYDRAULIC COMPONENTS

FIGURE 9-42. (91085015) HYDRAULIC RESERVOIR AND FILTER (SN 0188002 to Present)



SECTION 9 - HYDRAULIC COMPONENTS

FIGURE 9-42. (91085015) HYDRAULIC RESERVOIR AND FILTER (SN 0188002 to Present)

ITEM	PART NUMBER	QTY	DESCRIPTION	REV
	91085015	1	HYDRAULIC RESERVOIR ASSY (includes all items)	
1	91143133	1	HYDRAULIC OIL TANK,(includes item 2)	
2		Ref	PLUG	
3	91083301	1	TANK FILTER	
4	91083200	1	STRAIGHT CONNECTOR	
5	91083069	1	FILLER BREATHER	
6	91083070	1	FLUID LEVEL GAUGE, (includes items 7,8 & 9)	
7		Ref	ROUND HD SCREW, PORTED	
8		Ref	LOCKWASHER	
9		Ref	O-RING	
10	91303058	1	RESERVOIR RETURN TUBE	
11	91081679	1	FILTER SUPPORT	
12	88561003	4	FLAT WASHER, 1/2	
13	88201020	4	HEX HD CAPSCREW, 5/16-18X1,GR5	
14	91143160	1	SUCTION FILTER (includes item 24)	
15	91084021	1	FILTER ELEMENT	
15	91084021	1	FILTER ELEMENT	
16	91083077	1	RETURN FILTER (includes item 15 & item 17)	
17	91084022	1	COLOR CODED GAUGE	
18	91083241	1	90, CONNECTOR	
19	91083242	1	45, CONNECTOR	
20	88201036	2	HEX HD CAPSCREW,3/8-16X1-1/4, GR5	
21	88561004	4	FLAT WASHER,3/8	
22	88551011	2	LOCKWASHER,3/8	
23	88501006	2	HEX NUT,3/8-16	
24	91143144	1	FILTER ELEMENT	
25	88561005	4	WASHER,1/2IN	
26	88661010	1	MALE CONNECTOR	
27	88591210	2	O-RING	
28	88321039	6	SELF TAPPING SCREW # 10-32x1/2	
		Ref	NOTE: ONLY ITEMS WITH PART NUMBERS ARE AVAILABLE FOR SERVICE.	

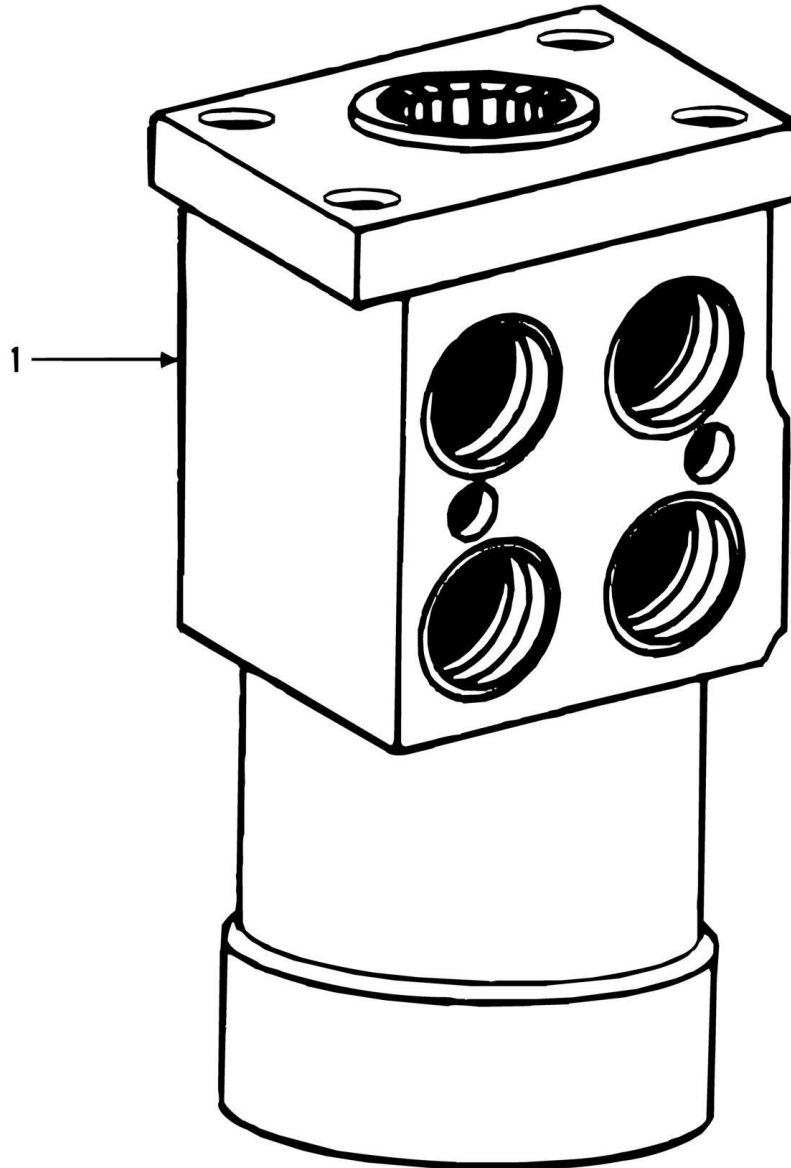
SECTION 9 - HYDRAULIC COMPONENTS

FIGURE 9-43. (91085015) HYDRAULIC RESERVOIR AND FILTER (SN 0388243 to Present)

ITEM	PART NUMBER	QTY	DESCRIPTION	REV
	91085015	1	HYDRAULIC RESERVOIR ASSY (includes all items)	
1	91143133	1	HYDRAULIC OIL TANK, (includes item 2)	
2		Ref	PLUG	
3	91083301	1	TANK FILTER	
4	91083200	1	STRAIGHT CONNECTOR	
5	91083069	1	FILLER BREATHER	
5	88321039	6	SELF TAP PAN HD SCREW, #10-32X1/2IN	
6	91083070	1	FLUID LEVEL GAUGE, (includes items 7, 8 & 9)	
7		Ref	ROUND HD SCREW, PORTED	
8		Ref	LOCKWASHER	
9		Ref	O-RING	
10	91083516	1	RESERVOIR RETURN TUBE	
11	91081679	1	FILTER SUPPORT	
12	88561003	4	FLAT WASHER, 5/16	
13	88201020	4	HEX HD CAPSCREW, 5/16-18X1, GR5	
14	91083518	1	SUCTION FILTER (includes item 24)	
15	91084021	1	FILTER ELEMENT	
16	91083517	1	RETURN FILTER (includes items 15 & 17)	
17	91084022	1	COLOR CODED GAUGE	
18	83623032	1	90, CONNECTOR	
19	91083519	1	45, BEADED INSERT	
20	88201036	2	HEX HD CAPSCREW, 3/8-16X1-1/4, GR5	
21	88561004	4	FLAT WASHER, 3/8	
22	88551011	2	LOCKWASHER, 3/8	
23	88501006	2	HEX NUT, 3/8-16	
24	91143144	1	FILTER ELEMENT	
25	88591210	2	O-RING	
26	88561005	2	WASHER, 1/2	
27	88661010	1	MALE CONNECTOR 1/2X3/8 TUBE	
		Ref	NOTE: ONLY ITEMS WITH PART NUMBERS ARE AVAILABLE FOR SERVICE.	

SECTION 9 - HYDRAULIC COMPONENTS

FIGURE 9-44. (91083053) STEERING ORBITROL (Including 0188002)



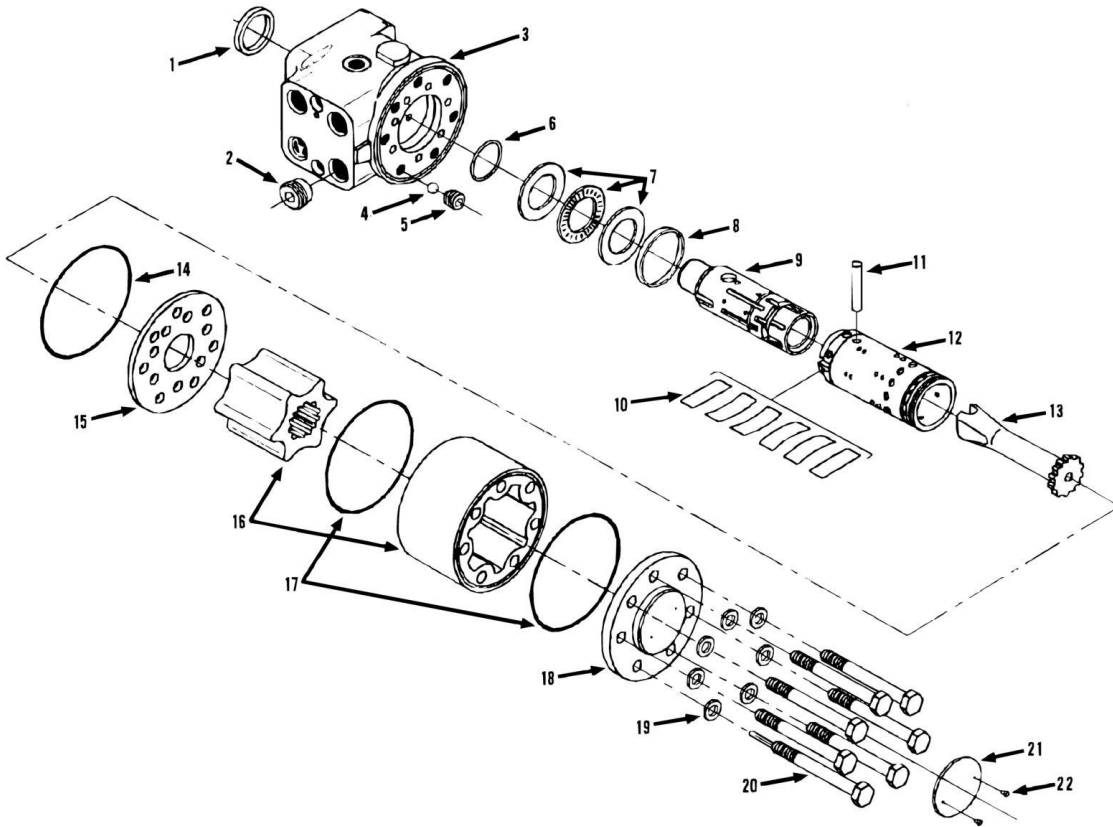
SECTION 9 - HYDRAULIC COMPONENTS

FIGURE 9-44. (91083053) STEERING ORBITROL (Including 0188002)

ITEM	PART NUMBER	QTY	DESCRIPTION	REV
1	90206567	Ref	SEAL KIT	
	91083053	Ref	STEERING ORBITROL ASSY	

SECTION 9 - HYDRAULIC COMPONENTS

FIGURE 9-45. (91123126) STEERING ORBITROL (SN 0288032 to Present)



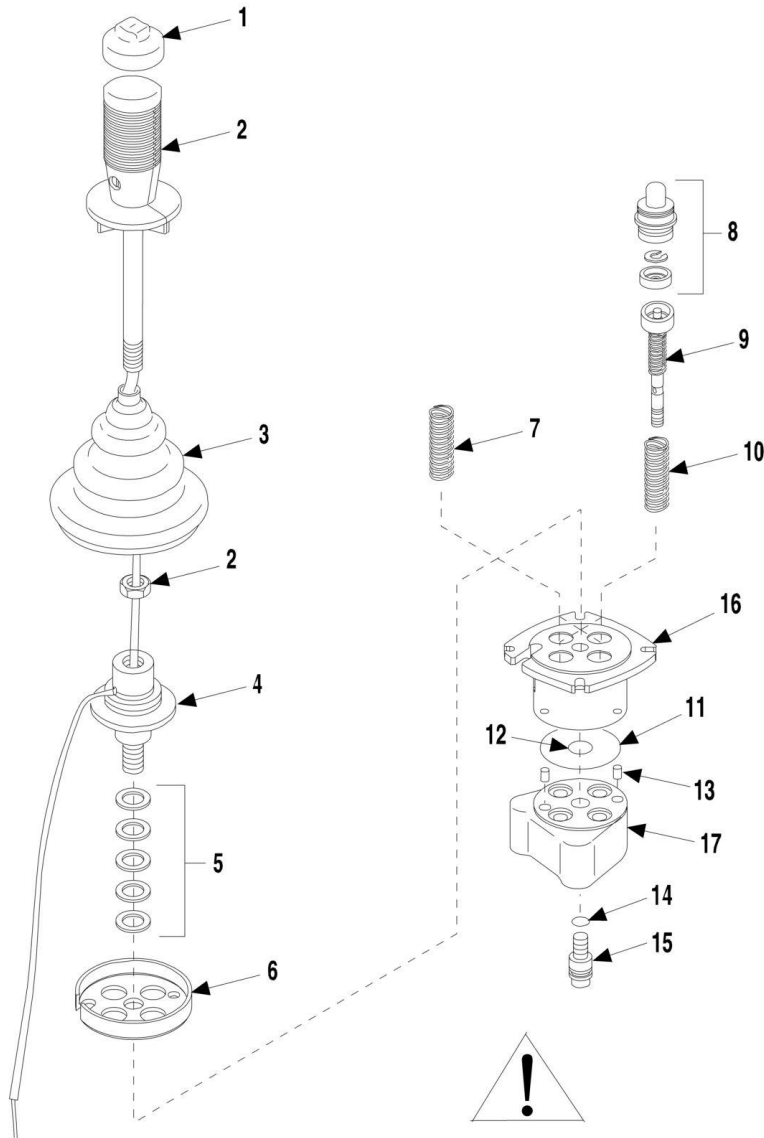
SECTION 9 - HYDRAULIC COMPONENTS

FIGURE 9-45. (91123126) STEERING ORBITROL (SN 0288032 to Present)

ITEM	PART NUMBER	QTY	DESCRIPTION	REV
	91123126	1	STEERING ORBITROL (includes all items)	
	91124092	1	SEAL KIT (includes items 1, 6, 14, 17 & 19)	
1	Kit	1	DUST SEAL RING	
2	91124093	1	CHECK VALVE	
3		Ref	HOUSING (includes items 9 & 12)	
4		Ref	BALL, 8.5mm	
5		Ref	THREAD BUSHING	
6	Kit	1	O-RING/KIN-RING, O-RING/ROTO GLYD RING	
7		Ref	BEARING ASSY	
8		Ref	RING	
9		Ref	SPOOL	
10		Ref	SPRING SET	
11		Ref	CROSS PIN	
12		Ref	SLEEVE	
13		Ref	CARDON SHAFT	
14	Kit	1	O-RING	
15		Ref	DISTRIBUTOR PLSTE	
16		Ref	GEAR WHEEL SET	
17	Kit	2	O-RING	
18		Ref	END COVER	
19	Kit	7	WASHER	
20		Ref	SCREW W/PIN	
21		Ref	SCREW	
22		Ref	NAME PLATE	
23		Ref	DRIVE SCREW	
		Ref	NOTE: ONLY ITEMS WITH PART NUMBERS ARE AVAILABLE FOR SERVICE.	

SECTION 9 - HYDRAULIC COMPONENTS

FIGURE 9-46. (91303037) JOYSTICK ASSEMBLY (SN 0188166 to Present)



NOTE: THE BOSCH REXROTH CORPORATION JOYSTICK HANDLE SWITCH IS NOT A FIELD SERVICEABLE COMPONENT. ANY ATTEMPT BY NON-FACTORY AUTHORIZED PERSONNEL TO REPAIR OR REPLACE THE SWITCH WILL VOID THE WARRANTY AND CAN RESULT IN A JOYSTICK MALFUNCTION.

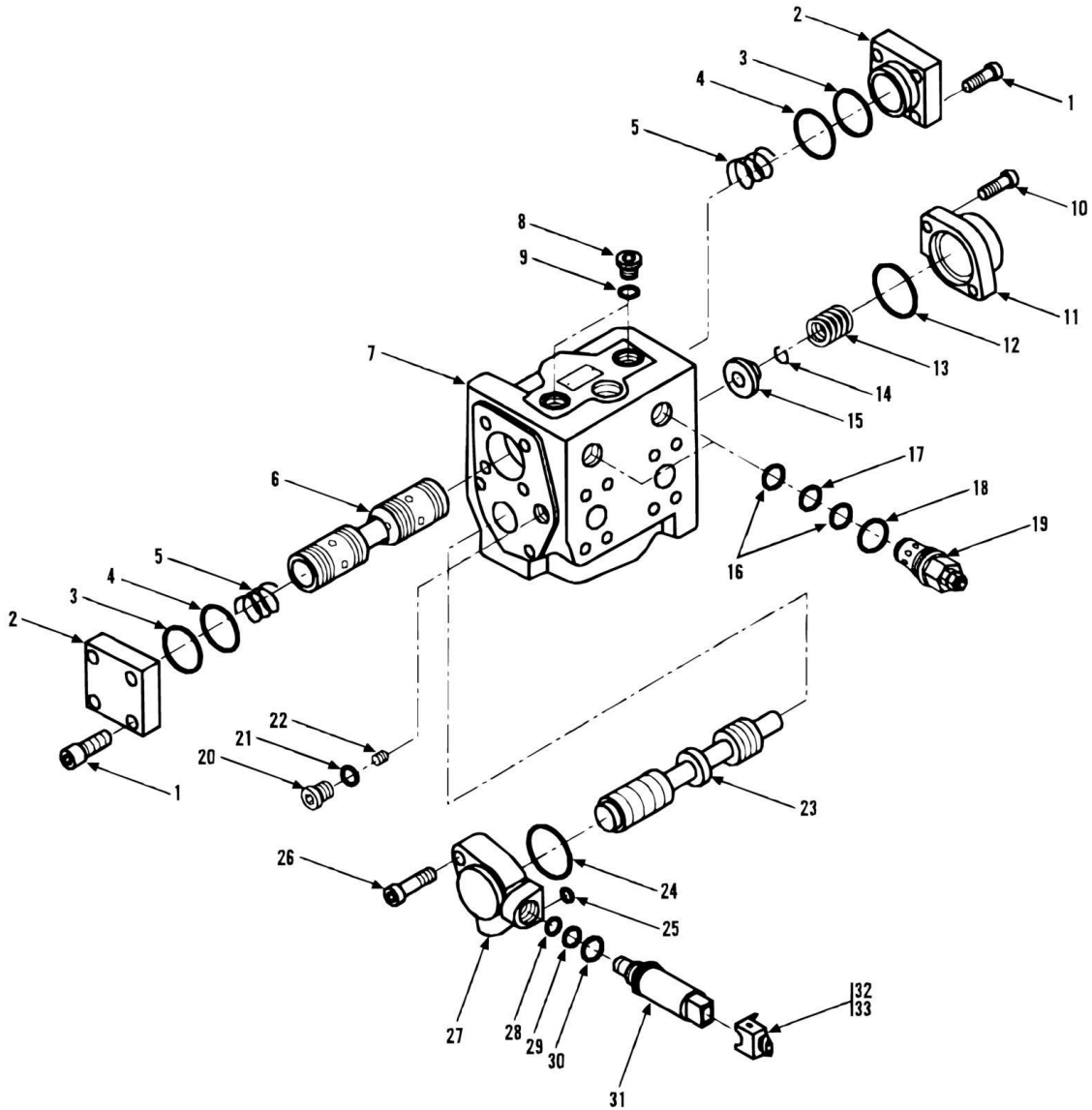
SECTION 9 - HYDRAULIC COMPONENTS

FIGURE 9-46. (91303037) JOYSTICK ASSEMBLY (SN 0188166 to Present)

ITEM	PART NUMBER	QTY	DESCRIPTION	REV
	91303037	1	JOYSTICK ASSY,(includes all items)	
	91404326	1	SEAL KIT, (includes items 11 thru 15)	
1	80934658	1	CAP	
2	80934656	1	HANDLE GRIP KIT	
3	80934241	1	BOOT	
4	80264140	1	CARDAN KIT, (includes item 5)	
5		Ref	SHIM	
6	91304026	1	RETAINING PLATE	
7	91504029	1	STANDARD SPRING, (pack of two), (ports 2 & 4)	
8	80934498	4	PLUNGER AND GUIDE KIT	
9	91404327	4	REGULATING KIT	
10	91504028	1	HEAVY SPRING, (pack of two), (ports 1 & 3)	
11	Kit	1	O-RING	
12	Kit	1	O-RING	
13	Kit	2	PIN	
14	Kit	1	O-RING	
15	Kit	1	SCREW	
16		Ref	UPPER BODY	
17		Ref	LOWER BODY	
		Ref	NOTE: ONLY ITEMS WITH PART NUMBERS ARE AVAILABLE FOR SERVICE.	

SECTION 9 - HYDRAULIC COMPONENTS

FIGURE 9-47. (91083424) TRACTION LOCK VALVE (534C-6) (SN 0188251 to Present)



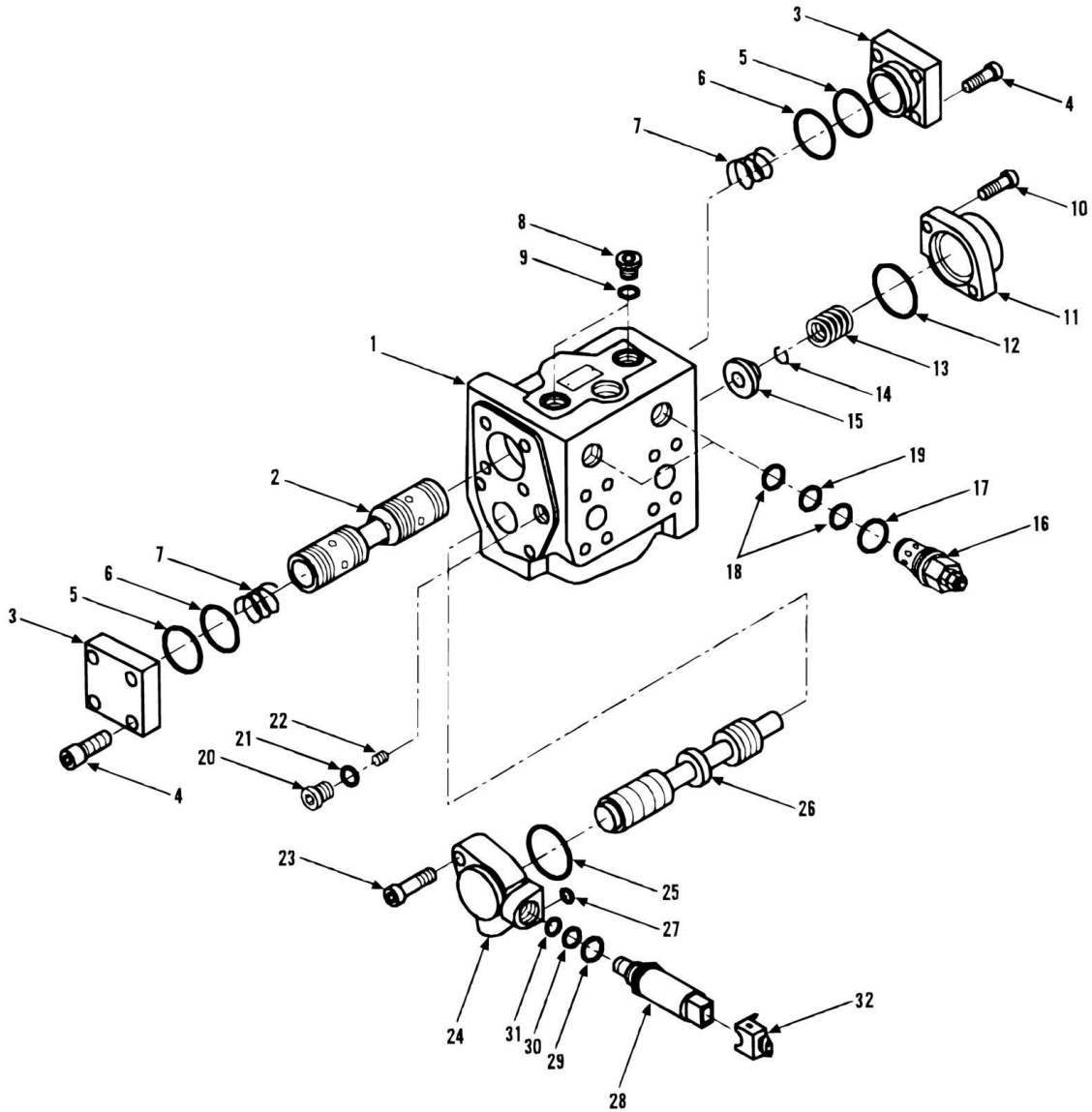
SECTION 9 - HYDRAULIC COMPONENTS

FIGURE 9-47. (91083424) TRACTION LOCK VALVE (534C-6) (SN 0188251 to Present)

ITEM	PART NUMBER	QTY	DESCRIPTION	REV
	91083424	1	TRACTION LOCK VALVE (includes all items)	
	91084284	Ref	SEAL KIT (includes items 3, 4, 9, 12, 16, 17, 18, 21, 24, 25, 28, 29 & 30)	
1	91084285	8	HEX HD CAPSCREW, M10X30	
2	91084286	2	COVER	
3	91084287	2	BACK-UP RING	
4	91084288	2	O-RING	
5	91084289	2	SPRING	
6	N.S.S.	1	SPOOL (not sold separately, order P/N 91083424)	
7	N.S.S.	1	HOUSING (not sold separately, order P/N 91083424)	
8	91084290	2	PLUG (includes item 9)	
9	Kit	2	O-RING	
10	91084291	2	HEX HD CAPSCREW, M6X16	
11	91084292	1	COVER	
12	91084293	1	O-RING	
13	91084294	1	SPRING	
14	91084295	1	RETAINING RING	
15	91084296	1	SPRING RETAINER	
16	Kit	4	BACK-UP RING	
17	Kit	2	O-RING	
18	Kit	2	O-RING	
19	91084297	2	RELIEF VALVE CARTRIDGE (includes items, 16, 17 & 18)	
20	91084298	2	PLUG (includes item 21)	
21	Kit	1	O-RING	
22	91084299	1	ORIFICE	
23	N.S.S.	1	SPOOL (not sold separately, order P/N 91083424)	
24	91084300	1	O-RING	
25	91084303	1	O-RING	
26	80934205	2	HEX HD CAPSCREW, M6X30	
27	91084301	1	COVER	
28	Kit	1	O-RING	
29	Kit	1	O-RING	
30	Kit	1	O-RING	
31	91084302	1	SOLENOID VALVE (includes items 28, 29 & 30)	
32	91083441	1	CONNECTOR	
33	91083442	2	TERMINAL	
		Ref	NOTE: ONLY ITEMS WITH PART NUMBERS ARE AVAILABLE FOR SERVICE.	

SECTION 9 - HYDRAULIC COMPONENTS

FIGURE 9-48. (91083459) TRACTION LOCK VALVE (534C-6) (SN 0288568 to Present)



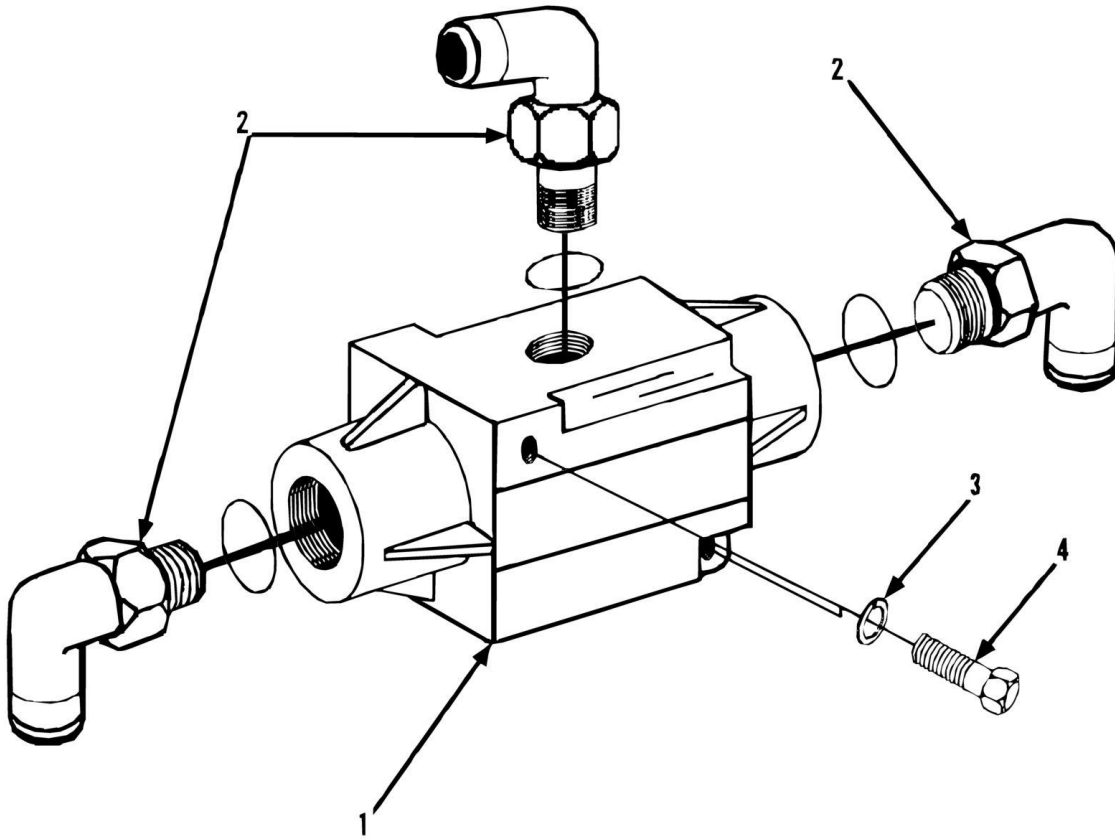
SECTION 9 - HYDRAULIC COMPONENTS

FIGURE 9-48. (91083459) TRACTION LOCK VALVE (534C-6) (SN 0288568 to Present)

ITEM	PART NUMBER	QTY	DESCRIPTION	REV
	91083459	1	TRACTION LOCK VALVE (includes all items)	
	91084284	Ref	SEAL KIT (includes items 5, 6, 9, 12, 17, 18, 19, 21, 25, 27, 29, 30 & 31)	
1	N.S.S.	1	VALVE BODY (not sold separately, order P/N 91083459)	
2	N.S.S.	1	SPOOL (not sold separately, order P/N 91083459)	
3	91084286	2	COVER	
4	91084285	8	HEX HD CAPSCREW, M10X30	
5	91084287	2	BACK-UP RING	
6	91084288	2	O-RING	
7	91084289	2	SPRING	
8	91084290	2	PLUG (includes item 9)	
9	91144009	2	O-RING	
10	91084291	2	HEX HD CAPSCREW, M6X16	
11	91084292	1	COVER	
12	91084293	1	O-RING	
13	91084294	1	SPRING	
14	91084295	1	RETAINING RING	
15	91084296	1	SPRING RETAINER	
16	91084297	2	RELIEF VALVE CARTRIDGE (set at 5800 PSI) (includes items 17, 18 & 19)	
17	83814056	2	O-RING	
18	91144010	4	BACK-UP RING	
19	83814054	2	O-RING	
20	91084298	1	PLUG (includes item 21)	
21	91144011	1	O-RING	
22	91084299	1	ORIFICE	
23	80934205	2	HEX HD CAPSCREW, M6X30	
24	91084301	1	COVER	
25	91084300	1	O-RING	
26	N.S.S.	1	SPOOL (not sold separately, order P/N 91083459)	
27	91084303	1	O-RING	
28	91084302	1	SOLENOID VALVE (include items 29, 30 & 31)	
29	91144012	1	O-RING	
30	91144013	1	O-RING	
31	91144014	1	O-RING	
32	91144015	1	CONNECTOR	

SECTION 9 - HYDRAULIC COMPONENTS

FIGURE 9-49. (91325012) THERMAL BYPASS VALVE ASSY (534C-6 TURBO) (SN 0388549 to Present)



SECTION 9 - HYDRAULIC COMPONENTS

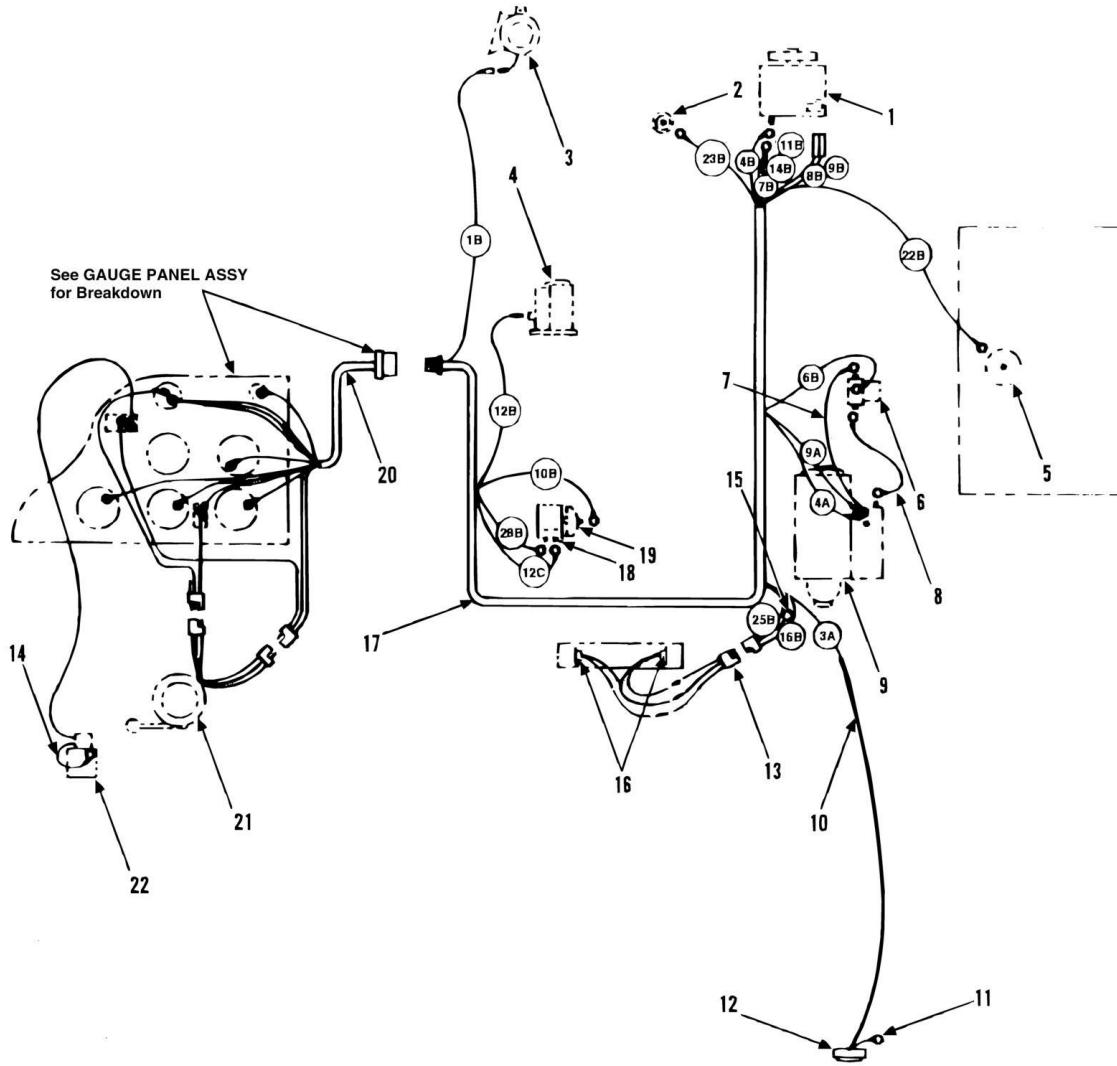
FIGURE 9-49. (91325012) THERMAL BYPASS VALVE ASSY (534C-6 TURBO) (SN 0388549 to Present)

ITEM	PART NUMBER	QTY	DESCRIPTION	REV
	91325012	1	THERMAL BYPASS VALVE ASSY (includes all items except 3 & 4)	
1	91143338	1	BYPASS VALVE	
1	80974021	1	ELEMENT KIT	
2	88662069	3	ELBOW, 90, (includes o-ring)	
2	88591209	3	O-RING	
3	88551011	2	LOCKWASHER	
4	88201043	2	HEX HD CAPSCREW, 3/8-16X3, GR5	

SECTION 10 - ELECTRICAL

SECTION 10 - ELECTRICAL

FIGURE 10-1. ENGINE WIRING (532C-6)



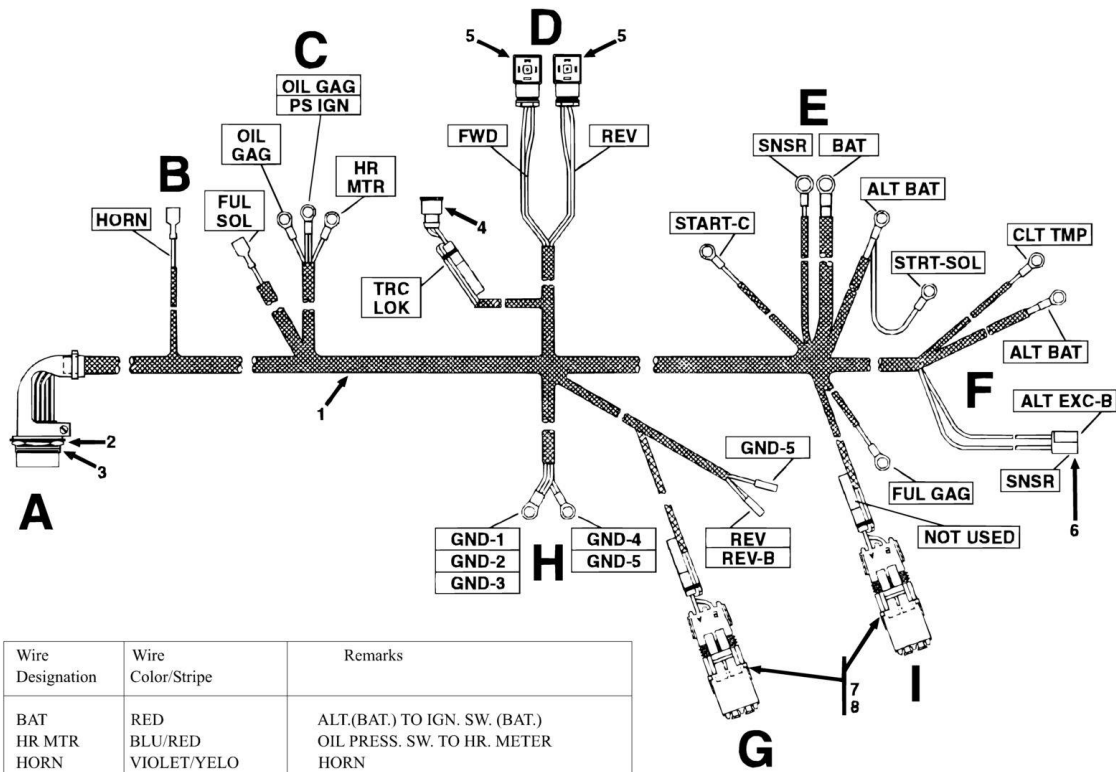
SECTION 10 - ELECTRICAL

FIGURE 10-1. ENGINE WIRING (532C-6)

ITEM	PART NUMBER	QTY	DESCRIPTION	REV
1	91084002	Ref	ALTERNATOR	
2	90206124	Ref	WATER TEMP. SENDER	
3	24921393	Ref	HORN	
4		Ref	FUEL SHUT-OFF VALVE, (included w/ engine)	
5	90400654	Ref	FUEL LEVEL SENDER	
6	90402427	Ref	STARTER SOLENOID RELAY	
7	91081462	1	JUMPER WIRE	
8	90205205	1	JUMPER WIRE	
9	91084003	Ref	STARTER	
10	82033996	57 in	WIRE LOOM	
11		Ref	TRAVEL ALARM GROUND WIRE, (included w/ travel alarm)	
12	91233012	Ref	TRAVEL ALARM	
13	91083406	1	PUMP HARNESS	
14	90207719	1	JUMPER WIRE	
15		Ref	FWD/REV. SWITCH GROUND	
16		Ref	PLUG-IN CONNECTORS	
17	91083048	1	ENGINE WIRING HARNESS, (includes item 15)	
18	24741047	Ref	PRESSURE SWITCH	
19	91033246	Ref	OIL PRESSURE SENDER	
20	91083110	1	DASH WIRING HARNESS	
21	91085025	Ref	FWD/REV. SWITCH	
22	90206739	2	SOLENOID VALVE	
		Ref	NOTE: ONLY ITEMS WITH PART NUMBERS ARE AVAILABLE FOR SERVICE.	

SECTION 10 - ELECTRICAL

FIGURE 10-2. (91143192) ENGINE WIRING (SN 0288777 to Present)



Wire Designation	Wire Color/Stripe	Remarks
BAT	RED	ALT.(BAT.) TO IGN. SW. (BAT.)
HR MTR	BLU/RED	OIL PRESS. SW. TO HR. METER
HORN	VIOLET/YELO	HORN
FUL GAG	BLU/BLK	FUEL GAUGE
START-C	VIOLET/BRN	STARTER RELAY
ALT EXC-B	VIOLET/RED	ALTERNATOR EXCITER (ALT. PLUG)
PS IGN	ORNG/YELO	OIL PRESS. SW.
OIL GAG	BLU/BRN	OIL PRESS. GAUGE
CLT TMP	BLU/VIOLET	WATER TEMP. GAUGE
REV	BRN/YELO	FWD/REV VALVE
FWD	BRN/WHITE	FWD/REV VALVE
4x4	BRN	4x4 VALVE
TRC LOK	BRN/GREY	TRACTION LOCK VALVE
FUL SOL	VIOLET	FUEL SOLENOID
REV-B	BLU	BACKUP ALARM
SNSR	RED/BLK	SNSR (ALT. PLUG)
ALT BAT	RED/WHITE	ALTRNTR TO STARTER BAT. POST
GND-1	BLK	FWD/REV VALVE TO GROUND
GND-2	BLK	FWD/REV VALVE TO GROUND
GND-3	BLK	4x4 VALVE TO GROUND
GND-4	BLK	TRACTION LOCK VLV TO GROUND
GND-5	BLK	BACKUP ALARM TO GROUND
STRT-SOL	RED/VIOLET	ALT BAT TO STARTER SOLENOID

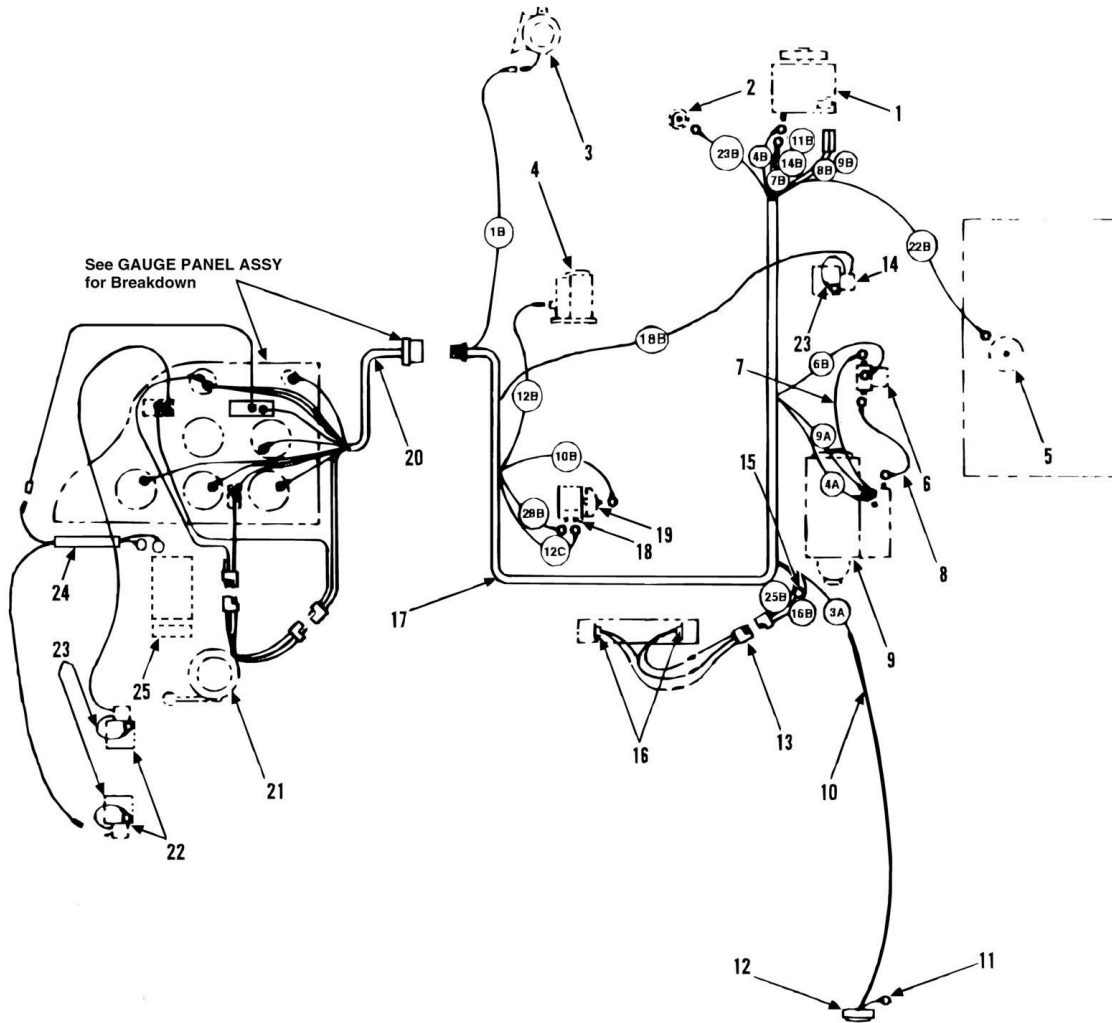
SECTION 10 - ELECTRICAL

FIGURE 10-2. (91143192) ENGINE WIRING (SN 0288777 to Present)

ITEM	PART NUMBER	QTY	DESCRIPTION	REV
1	91143192	1	ENGINE WIRING HARNESS (includes all items)	
2	83481286	1	PANEL NUT	
3	83481285	1	LOCKWASHER	
4	91083440	1	ELECTRICAL CONNECTOR	
5	91084038	2	RECEPTACLE	
6	83683254	1	3 CONTACT PLUG (includes pins)	
6	90026803	3	PIN	
7	80963057	2	TOWER	
8	80963058	2	SHROUD	
		Ref	NOTE: ONLY ITEMS WITH PART NUMBERS ARE AVAILABLE FOR SERVICE.	

SECTION 10 - ELECTRICAL

FIGURE 10-3. ENGINE WIRING (534C-6) (SN 0188002 to Present)



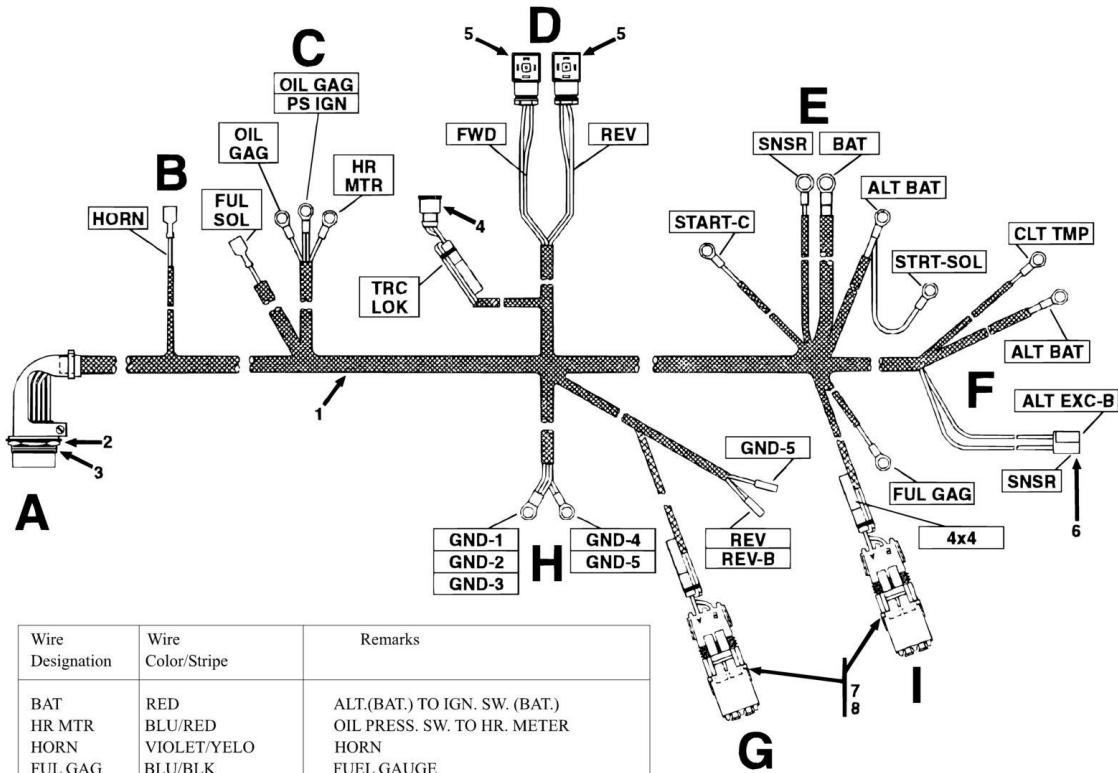
SECTION 10 - ELECTRICAL

FIGURE 10-3. ENGINE WIRING (534C-6) (SN 0188002 to Present)

ITEM	PART NUMBER	QTY	DESCRIPTION	REV
1	91084002	Ref	ALTERNATOR	
2	90206124	Ref	WATER TEMP. SENDER	
3	24921393	Ref	HORN	
4		Ref	FUEL SHUT-OFF VALVE, (included w/ engine)	
5	90400654	Ref	FUEL LEVEL SENDER	
6	90402427	Ref	STARTER SOLENOID RELAY	
7	91081462	1	JUMPER WIRE	
8	90205205	1	JUMPER WIRE	
9	91084003	Ref	STARTER	
10	82033996	57 in	WIRE LOOM	
11		Ref	TRAVEL ALARM GROUND WIRE, (included w/ travel alarm)	
12	91233012	Ref	TRAVEL ALARM	
13	91083406	1	PUMP HARNESS	
14	90206739	1	2WD/4WD VALVE	
15		Ref	FWD/REV. SWITCH GROUND	
16		Ref	PLUG-IN CONNECTORS	
17	91083048	1	ENGINE WIRING HARNESS, (includes item 15)	
18	24741047	Ref	PRESSURE SWITCH	
19	91033246	Ref	OIL PRESSURE SENDER	
20	91083110	1	DASH WIRING HARNESS	
21	91085025	Ref	FWD/REV. SWITCH	
22	90206739	2	VALVE	
23	90207719	3	JUMPER WIRE	
24	91085045	1	SWITCH CABLE	
25	91083311	1	FOOT SWITCH	
		Ref	NOTE: ONLY ITEMS WITH PART NUMBERS ARE AVAILABLE FOR SERVICE.	

SECTION 10 - ELECTRICAL

FIGURE 10-4. (91143192) ENGINE WIRING (SN 0288777 to Present)



Wire Designation	Wire Color/Stripe	Remarks
BAT	RED	ALT.(BAT.) TO IGN. SW. (BAT.)
HR MTR	BLU/RED	OIL PRESS. SW. TO HR. METER
HORN	VIOLET/YELO	HORN
FUL GAG	BLU/BLK	FUEL GAUGE
START-C	VIOLET/BRN	STARTER RELAY
ALT EXC-B	VIOLET/RED	ALTERNATOR EXCITER (ALT. PLUG)
PS IGN	ORNG/YELO	OIL PRESS. SW.
OIL GAG	BLU/BRN	OIL PRESS. GAUGE
CLT TMP	BLU/VIOLET	WATER TEMP. GAUGE
REV	BRN/YELO	FWD/REV VALVE
FWD	BRN/WHITE	FWD/REV VALVE
4x4	BRN	4x4 VALVE
TRC LOK	BRN/GREY	TRACTION LOCK VALVE
FUL SOL	VIOLET	FUEL SOLENOID
REV-B	BLU	BACKUP ALARM
SNSR	RED/BLK	SNSR (ALT. PLUG)
ALT BAT	RED/WHITE	ALTRNTR TO STARTER BAT. POST
GND-1	BLK	FWD/REV VALVE TO GROUND
GND-2	BLK	FWD/REV VALVE TO GROUND
GND-3	BLK	4x4 VALVE TO GROUND
GND-4	BLK	TRACTION LOCK VLV TO GROUND
GND-5	BLK	BACKUP ALARM TO GROUND
STRT-SOL	RED/VIOLET	ALT BAT TO STARTER SOLENOID

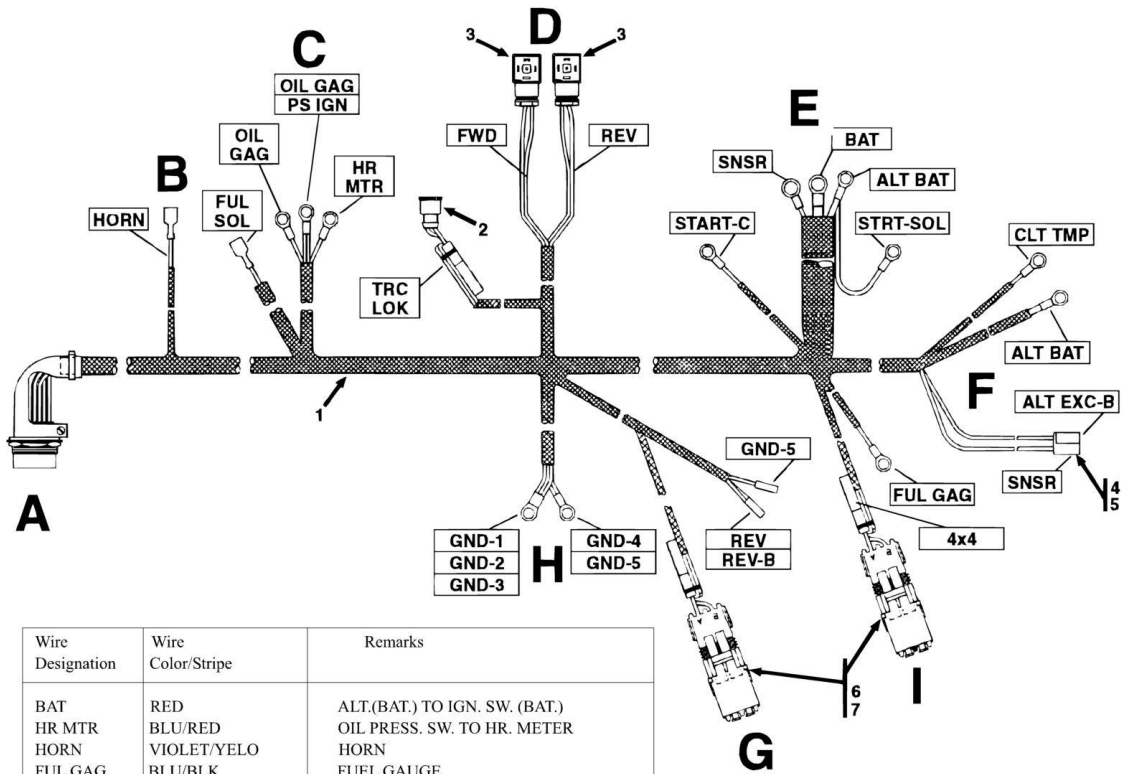
SECTION 10 - ELECTRICAL

FIGURE 10-4. (91143192) ENGINE WIRING (SN 0288777 to Present)

ITEM	PART NUMBER	QTY	DESCRIPTION	REV
1	91143192	1	ENGINE WIRING HARNESS (includes all items)	
2	83481286	1	PANEL NUT	
3	83481285	1	LOCKWASHER	
4	91083440	1	ELECTRICAL CONNECTOR	
5	91084038	2	RECEPTACLE	
6	83683254	1	3 CONTACT PLUG (includes pins)	
6	90026803	3	PIN	
7	80963057	2	TOWER	
8	80963058	2	SHROUD	
		Ref	NOTE: ONLY ITEMS WITH PART NUMBERS ARE AVAILABLE FOR SERVICE.	

SECTION 10 - ELECTRICAL

FIGURE 10-5. (91123166) ENGINE WIRING (SN 0488238 to Present)



Wire Designation	Wire Color/Stripe	Remarks
BAT	RED	ALT.(BAT.) TO IGN. SW. (BAT.)
HR MTR	BLU/RED	OIL PRESS. SW. TO HR. METER
HORN	VIOLET/YELO	HORN
FUL GAG	BLU/BLK	FUEL GAUGE
START-C	VIOLET/BRN	STARTER RELAY
ALT EXC-B	VIOLET/RED	ALTERNATOR EXCITER (ALT. PLUG)
PS IGN	ORNG/YELO	OIL PRESS. SW.
OIL GAG	BLU/BRN	OIL PRESS. GAUGE
CLT TMP	BLU/VIOLET	WATER TEMP. GAUGE
REV	BRN/YELO	FWD/REV VALVE
FWD	BRN/WHITE	FWD/REV VALVE
4x4	BRN	4x4 VALVE
TRC LOK	BRN/GREY	TRACTION LOCK VALVE
FUL SOL	VIOLET	FUEL SOLENOID
REV-B	BLU	BACKUP ALARM
SNSR	RED/BLK	SNSR (ALT. PLUG)
ALT BAT	RED/WHITE	ALTRNTR TO STARTER BAT. POST
GND-1	BLK	FWD/REV VALVE TO GROUND
GND-2	BLK	FWD/REV VALVE TO GROUND
GND-3	BLK	4x4 VALVE TO GROUND
GND-4	BLK	TRACTION LOCK VLV TO GROUND
GND-5	BLK	BACKUP ALARM TO GROUND
STRT-SOL	RED/VIOLET	ALT BAT TO STARTER SOLENOID

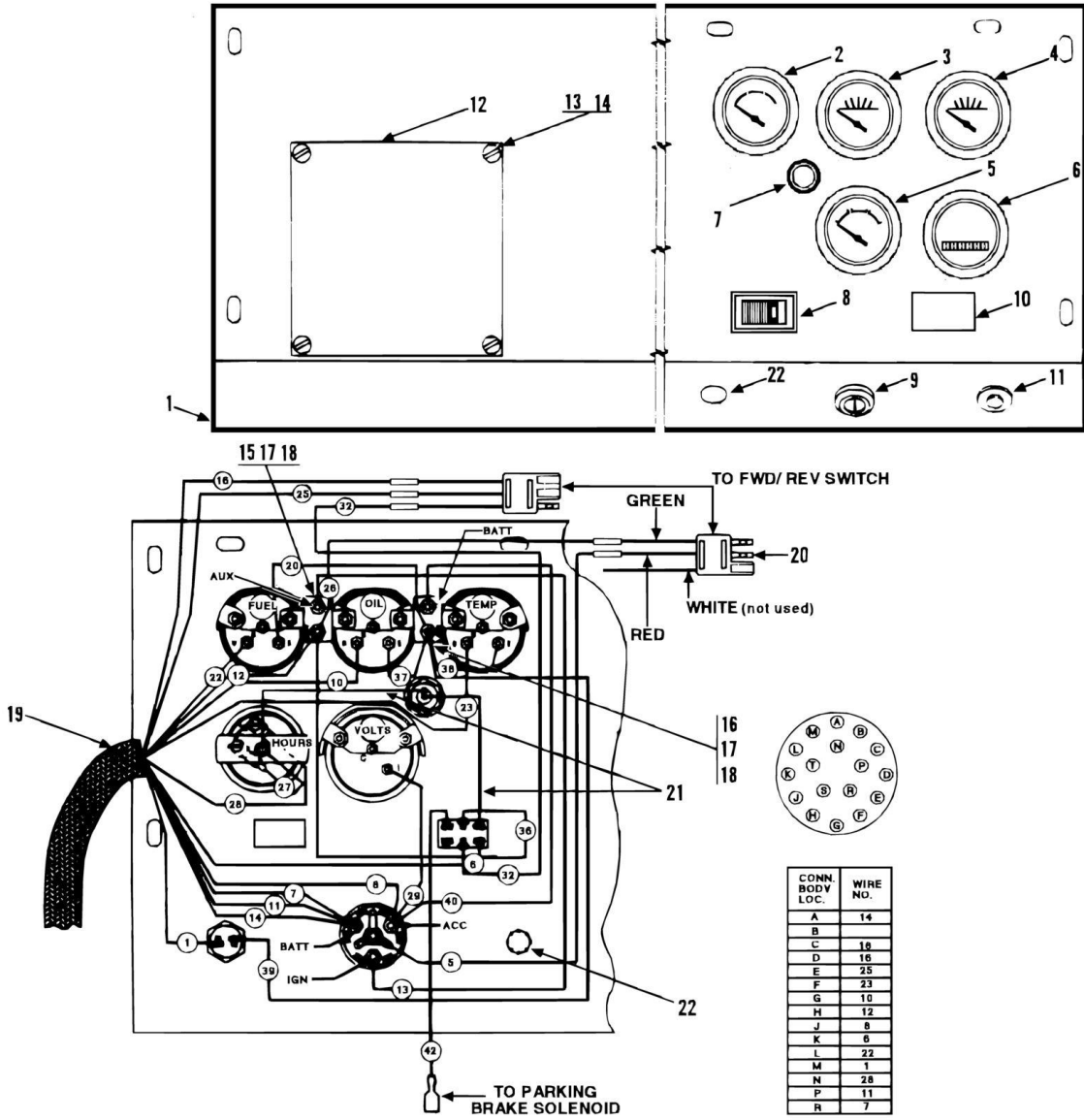
SECTION 10 - ELECTRICAL

FIGURE 10-5. (91123166) ENGINE WIRING (SN 0488238 to Present)

ITEM	PART NUMBER	QTY	DESCRIPTION	REV
1	91123166	1	ENGINE WIRING HARNESS (includes all items)	
2	91083440	1	ELECTRICAL CONNECTOR	
3	91084038	2	RECEPTACLE	
4	83683254	1	3 CONTACT PLUG (includes item 5)	
5	90026803	3	PIN	
6	80963057	2	TOWER	
7	80963058	2	SHROUD	
		Ref	NOTE: ONLY ITEMS WITH PART NUMBERS ARE AVAILABLE FOR SERVICE.	

SECTION 10 - ELECTRICAL

FIGURE 10-6. (91085035) GAUGE PANEL ASSY (532C-6) (SN 0188002 to Present)



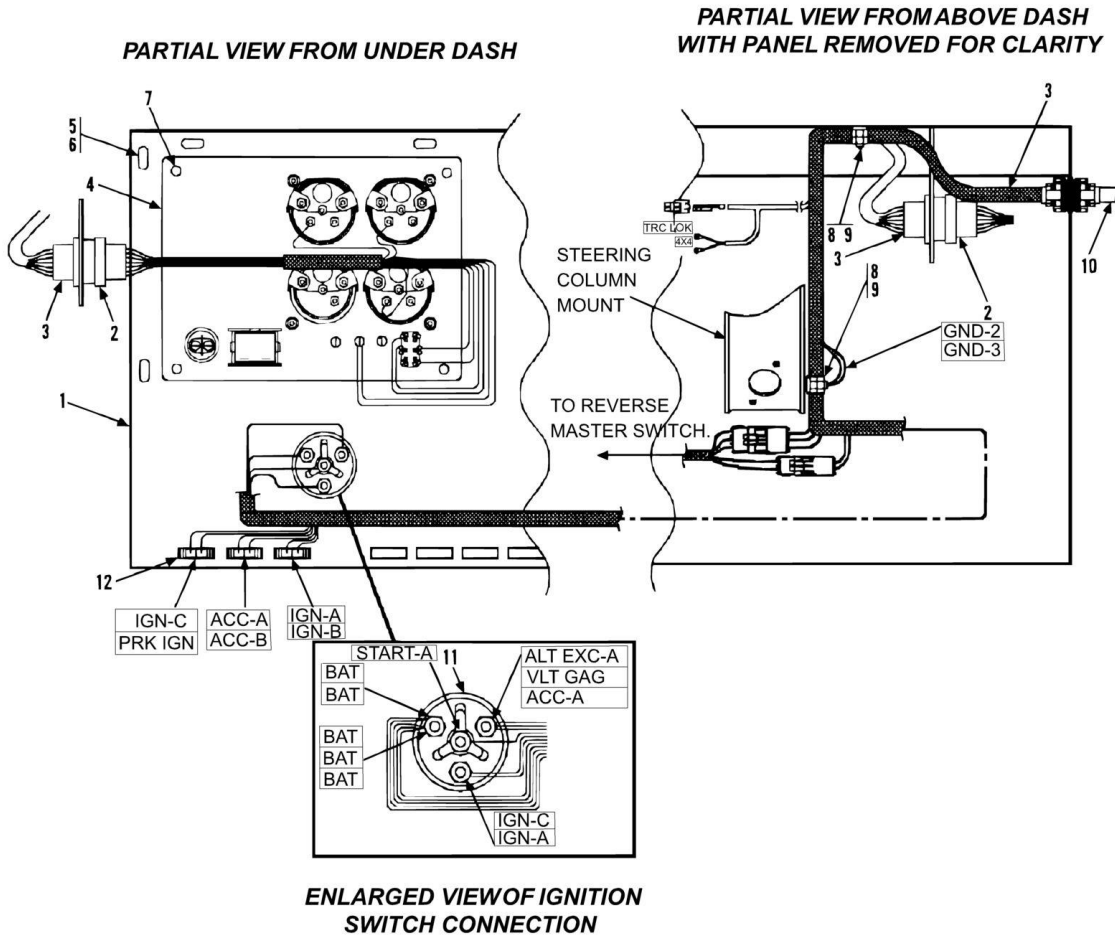
SECTION 10 - ELECTRICAL

FIGURE 10-6. (91085035) GAUGE PANEL ASSY (532C-6) (SN 0188002 to Present)

ITEM	PART NUMBER	QTY	DESCRIPTION	REV
	91085035	1	GAUGE PANEL ASSY (includes all items)	
1	91081371	1	DASH PANEL	
2	90205687	1	WATER TEMP. GAUGE	
3	91033247	1	OIL PRESSURE GAUGE	
4	90205686	1	FUEL GAUGE	
5	77383709	1	VOLTMETER	
6	90205688	1	HOURMETER	
7	91033084	1	BRAKE WARNING LIGHT	
8	91083259	1	ROCKER SWITCH	
9	91033317	1	IGNITION START SWITCH	
9	77384578	1	KEY	
10	77163144	1	BLANK PLUG	
11	90200434	1	BUTTON SWITCH	
12	91081480	1	COVER PLATE	
13	88301141	4	ROUND HD MACHINE SCREW, 5/16-18X3/4	
14	88551010	4	LOCKWASHER, 5/16	
15	91083260	1	15A CIRCUIT BREAKER	
16	91033111	1	10A CIRCUIT BREAKER	
17	88554917	4	LOCKWASHER, #10	
18	88501613	4	HEX NUT, #10-32	
19	91083110	1	DASH WIRING HARNESS	
20	83483114	1	3-WAY CONNECTOR	
21	86983188	16	EYELET #10	
22	91083221	1	BUTTON PLUG	

SECTION 10 - ELECTRICAL

FIGURE 10-7. DASH PANEL (SN 0288777 to Present)



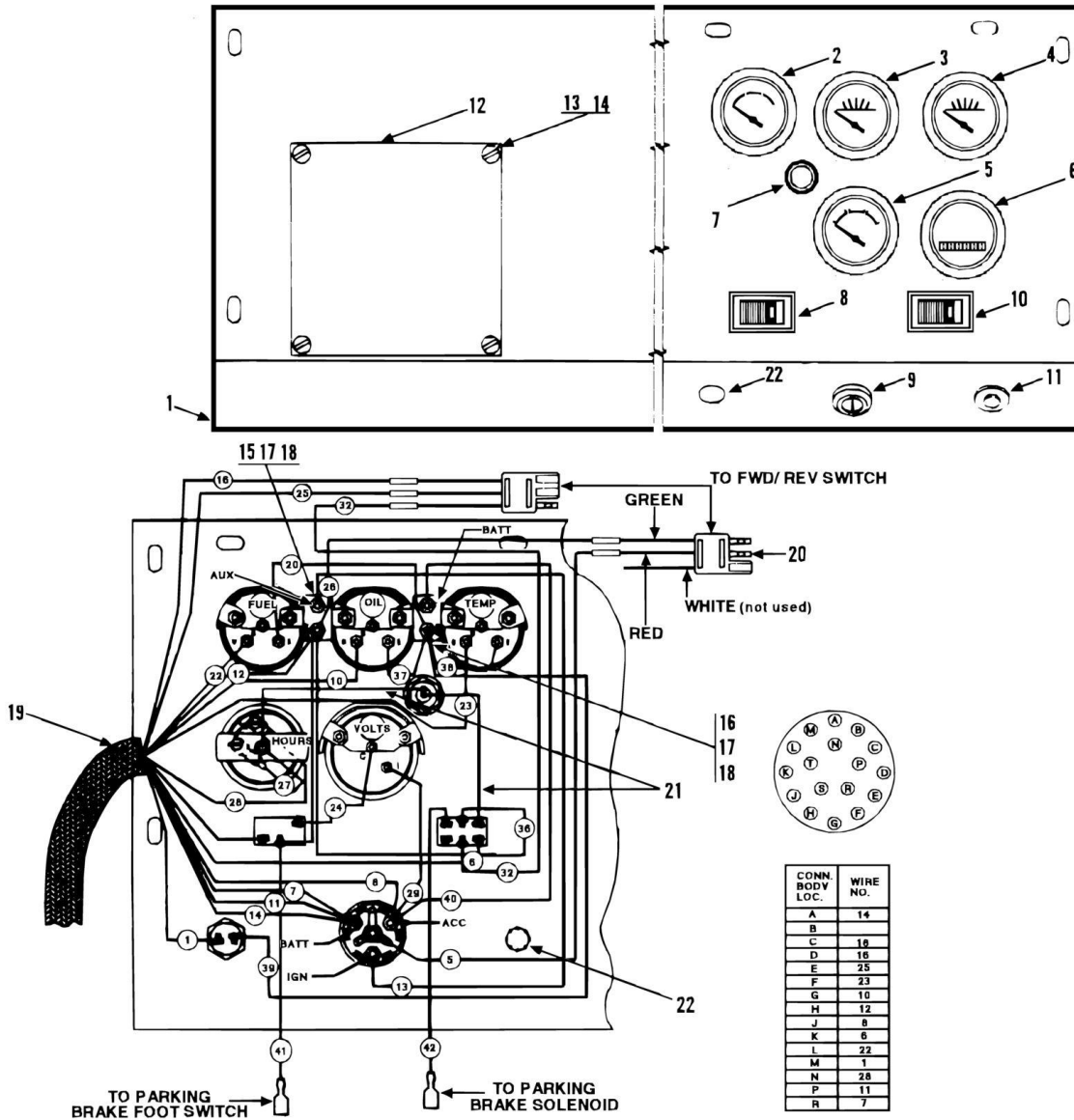
SECTION 10 - ELECTRICAL

FIGURE 10-7. DASH PANEL (SN 0288777 to Present)

ITEM	PART NUMBER	QTY	DESCRIPTION	REV
1	91141193	1	DASH PANEL	
2		Ref	GAUGE PANEL WIRING HARNESS (See ENGINE WIRING (534C-6) for Breakdown)	
3	91143193	1	DASH PANEL WIRING HARNESS	
4		Ref	GAUGE PANEL (See ENGINE WIRING for Breakdown)	
5	77143003	7	WHIZ-LOC SCREW	
6	77143006	4	WHIZ-LOC NUT	
7	88301141	4	HEX SOC BUTT HD CAPSCREW, 5/16-18 x 3/4	
8	24861120	2	CLAMP	
9	88501006	3	HEX NUT, 3/8-16	
10		Ref	ENGINE WIRING HARNESS (See ENGINE WIRING for Breakdown)	
11	91033317	1	IGNITION SWITCH	
11	77384578	1	KEY	
12	77363268	3	15 AMP FUSE	

SECTION 10 - ELECTRICAL

FIGURE 10-8. (91085034) GAUGE PANEL ASSY (534C-6) (SN 0188002 to Present)



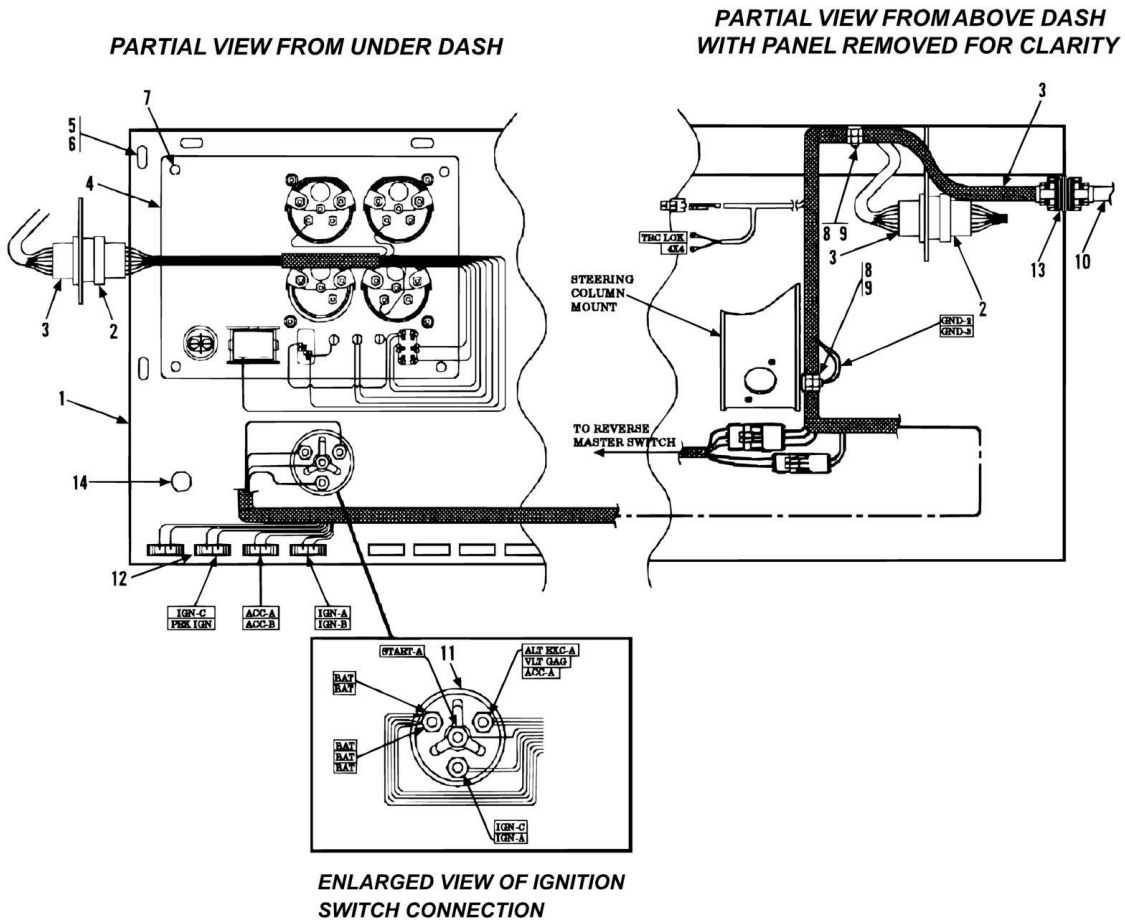
SECTION 10 - ELECTRICAL

FIGURE 10-8. (91085034) GAUGE PANEL ASSY (534C-6) (SN 0188002 to Present)

ITEM	PART NUMBER	QTY	DESCRIPTION	REV
	91085034	1	GAUGE PANEL ASSY (includes all items)	
1	91081371	1	DASH PANEL	
2	90205687	1	WATER TEMP. GAUGE	
3	91033247	1	OIL PRESSURE GAUGE	
4	90205686	1	FUEL GAUGE	
5	77383709	1	VOLTMETER	
6	90205688	1	HOURMETER	
7	91033084	1	BRAKE WARNING LIGHT	
8	91083259	1	ROCKER SWITCH	
9	91033317	1	IGN. START SWITCH	
9	77384578	1	KEY	
10	91083084	1	ROCKER SWITCH	
11	90200434	1	BUTTON SWITCH	
12	91081480	1	COVER PLATE	
13	88301141	4	ROUND HD MACHINE SCREW, 5/16-18X3/4	
14	88551010	4	LOCKWASHER, 5/16	
15	91083260	1	15A CIRCUIT BREAKER	
16	91033111	1	10A CIRCUIT BREAKER	
17	88554917	4	LOCKWASHER, #10	
18	88501613	4	HEX NUT, #10-32	
19	91083110	1	DASH WIRING HARNESS	
20	83483114	1	3-WAY	
21	86983188	16	EYELET #10	
22	91003065	1	BUTTON PLUG	

SECTION 10 - ELECTRICAL

FIGURE 10-9. DASH PANEL (SN 0288777 to Present)



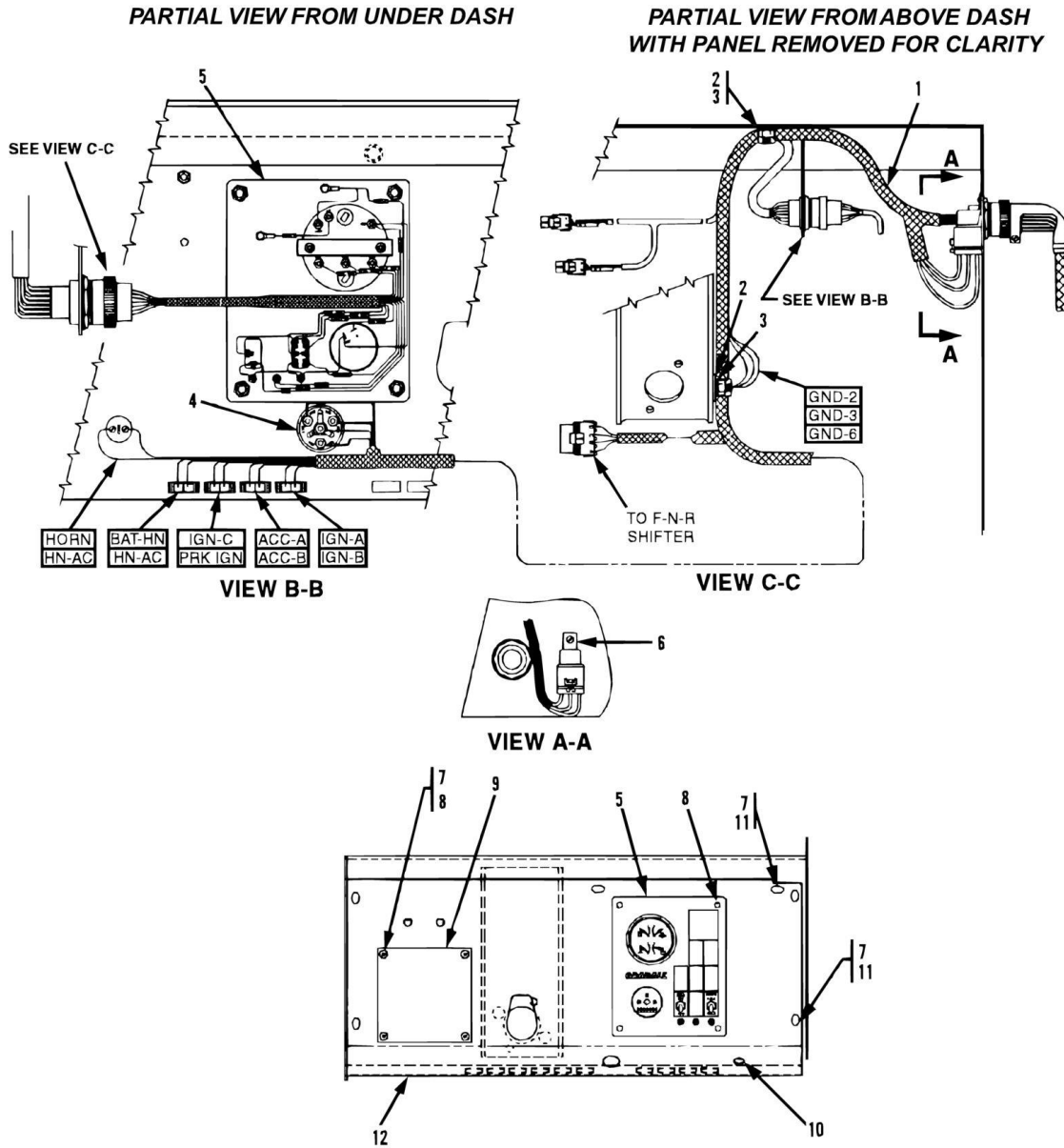
SECTION 10 - ELECTRICAL

FIGURE 10-9. DASH PANEL (SN 0288777 to Present)

ITEM	PART NUMBER	QTY	DESCRIPTION	REV
1	91141193	1	DASH PANEL	
2		Ref	GAUGE PANEL WIRING HARNESS (See ENGINE WIRING for Breakdown)	
3	91143193	1	DASH PANEL WIRING HARNESS	
4		Ref	GAUGE PANEL (See ENGINE WIRING for Breakdown)	
5	77143003	7	WHIZ-LOC SCREW	
6	77143006	4	WHIZ-LOC NUT	
7	88301141	4	HEX SOC BUTT HD CAPSCREW, 5/16-18 x 3/4	
8	24861120	2	CLAMP	
9	88501006	3	HEX NUT, 3/8-16	
10		Ref	ENGINE WIRING HARNESS (See ENGINE WIRING for Breakdown)	
11	91033317	1	IGNITION SWITCH	
11	77384578	1	KEY	
12	77363268	3	15 AMP FUSE	

SECTION 10 - ELECTRICAL

FIGURE 10-10. DASH PANEL (SN 0488238 to Present)



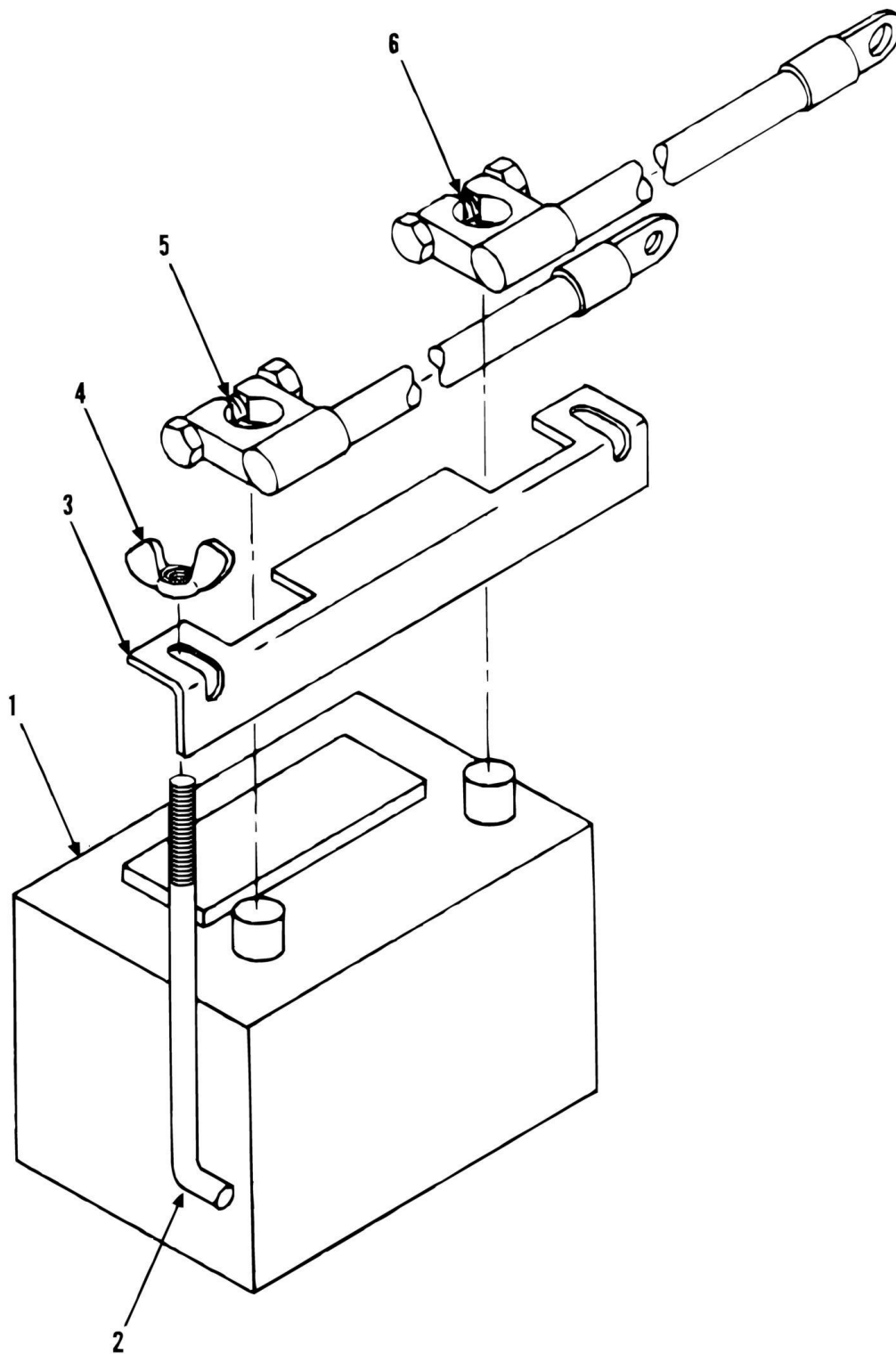
SECTION 10 - ELECTRICAL

FIGURE 10-10. DASH PANEL (SN 0488238 to Present)

ITEM	PART NUMBER	QTY	DESCRIPTION	REV
1		Ref	DASH HARNESS ASSY (See DASH HARNESS for Breakdown)	
2	88561006	3	FLAT WASHER, 1/2	
3	24861170	2	CLAMP	
4	91033317	1	IGNITION	
4	77384578	1	KEY	
5		Ref	GAUGE PANEL (See GAUGE PANEL ASSEMBLY for Breakdown)	
6	88321029	1	SELF-TAPPING SCREW, #10-24x3/8	
7	77143006	8	WHIZ-LOC NUT, 5/16-18	
8	88261022	8	SOCKET BUTTON HD CAPSCREW, 5/16-18x3/4	
9	91141480	1	COVER	
10	24771004	1	HORN BUTTON	
11	77143003	7	WHIZ-LOC SCREW, 5/16-18X5/8	
12	91141513	1	DASH PANEL	

SECTION 10 - ELECTRICAL

FIGURE 10-11. BATTERY AND CABLES (SN 0188002 to Present)



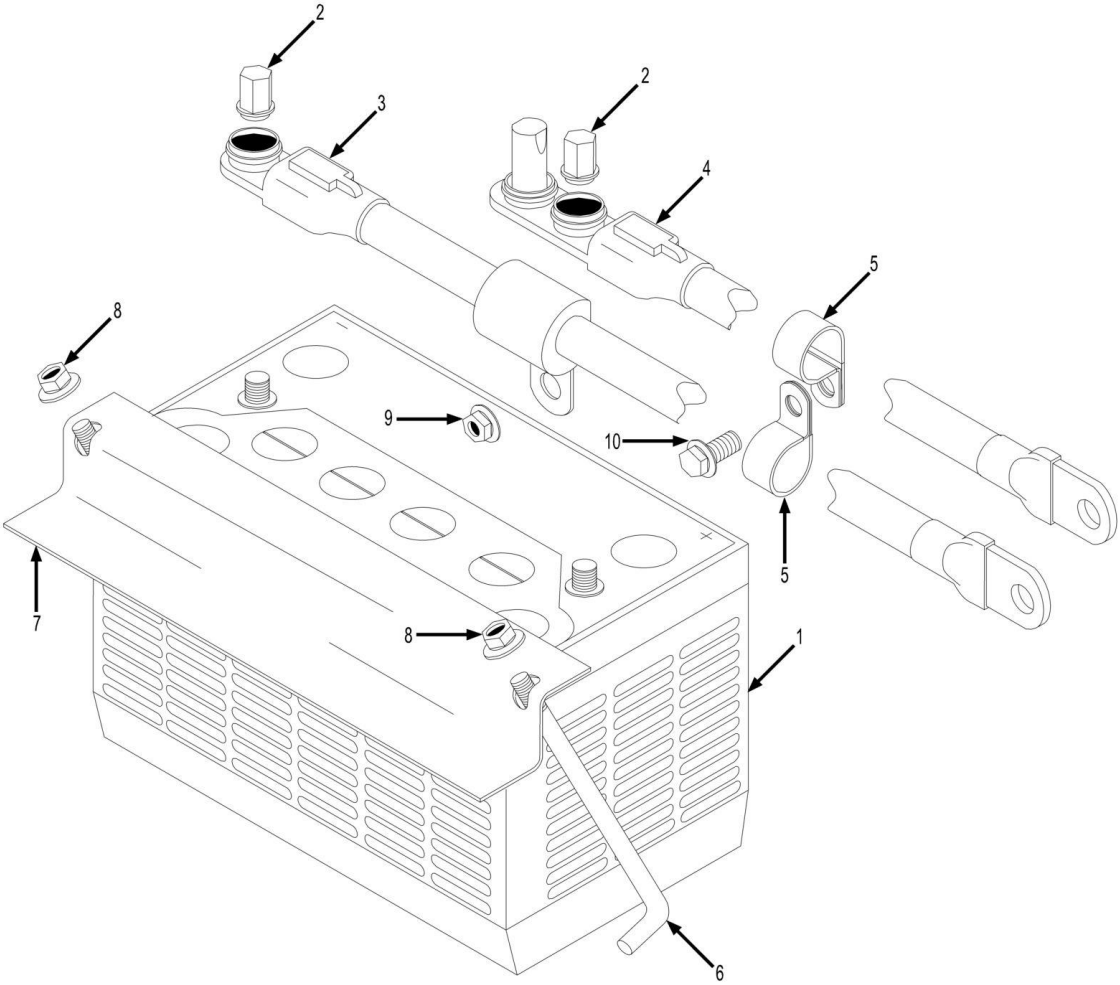
SECTION 10 - ELECTRICAL

FIGURE 10-11. BATTERY AND CABLES (SN 0188002 to Present)

ITEM	PART NUMBER	QTY	DESCRIPTION	REV
1		Ref	BATTERY (purchase locally)	
2	90200382	2	HOLD DOWN STUD	
3	91081330	1	BATTERY HOLD DOWN	
4	90027239	2	WING NUT 5/16-18	
5	91123033	1	POSITIVE BATTERY CABLE	
6	91123032	1	NEGATIVE BATTERY CABLE	

SECTION 10 - ELECTRICAL

FIGURE 10-12. BATTERY AND CABLES (Including 0288636)



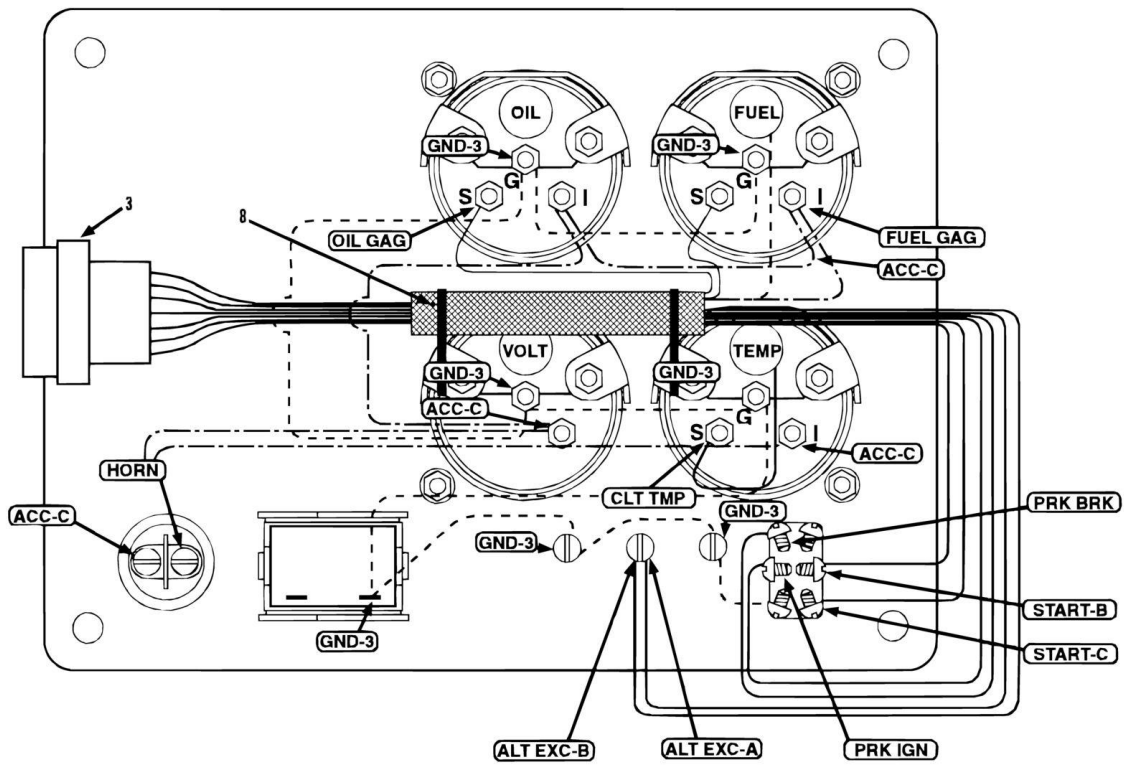
SECTION 10 - ELECTRICAL

FIGURE 10-12. BATTERY AND CABLES (Including 0288636)

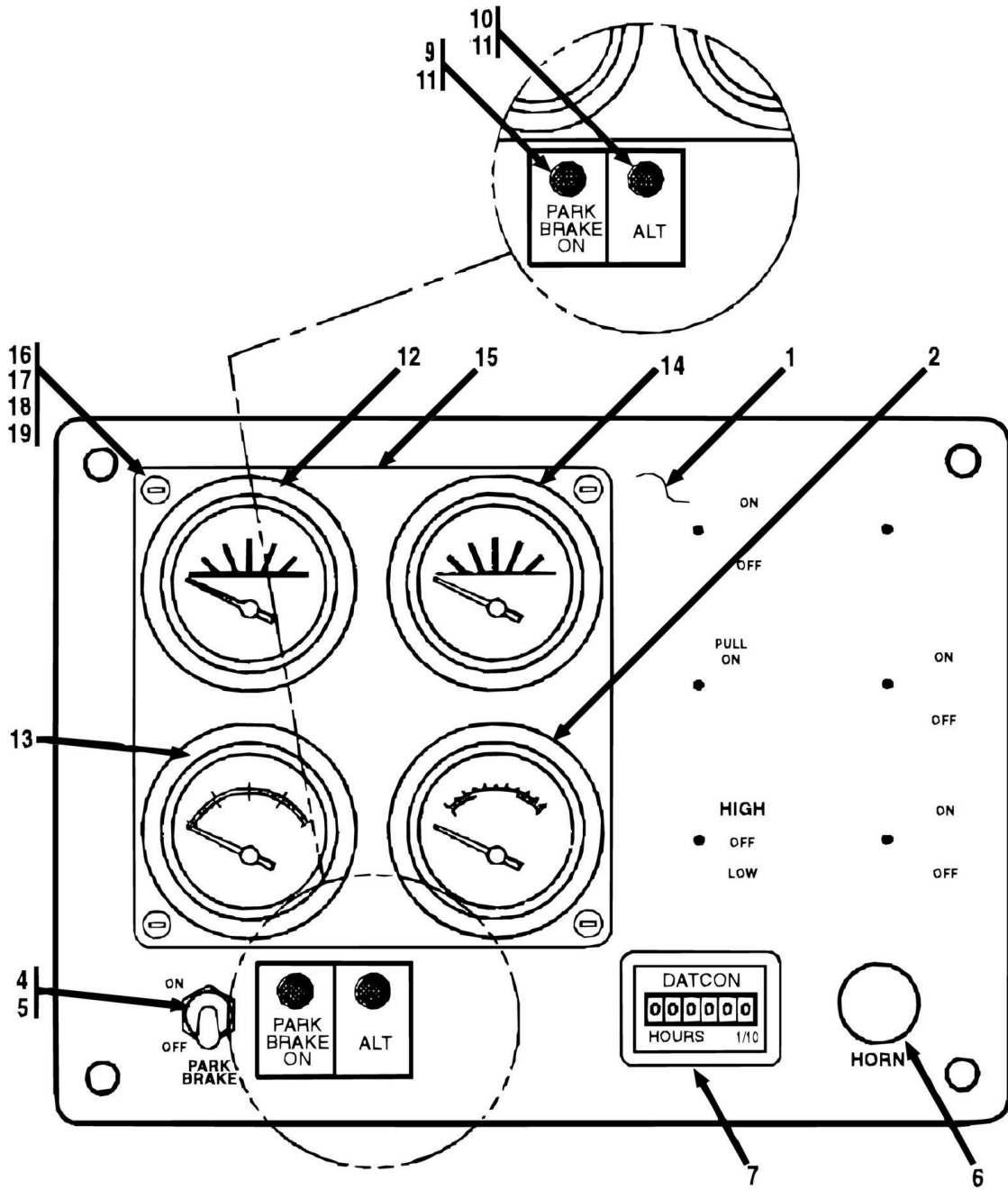
ITEM	PART NUMBER	QTY	DESCRIPTION	REV
1	80973021	1	BATTERY, (12 volt, 1000 amps), TOP STUD, 3/8-16 UNC THREAD, BCI GROUP 31	
2	77383567	2	BATTERY POST TERMINAL	
3	91143124	1	NEGATIVE BATTERY CABLE	
4	91143099	1	POSITIVE BATTERY CABLE	
5	85941017	4	SUPPORT CLAMP	
6	91081640	2	HOLD DOWN STUD	
7	91141429	1	BATTERY HOLD DOWN	
8	77143006	2	WHIZ LOCKNUT, 5/16-18	
9	77143015	1	WHIZ LOCKNUT, 3/8-16	
10	77143003	2	WHIZ LOCKSCREW, 5/1618X5/8	
10	14403416	AR	DI-ELECTRIC GREASE (add to caps of jump terminals on battery cables)	
		Ref	NOTE: ONLY ITEMS WITH PART NUMBERS ARE AVAILABLE FOR SERVICE.	

SECTION 10 - ELECTRICAL

FIGURE 10-13. (91145031) GAUGE PANEL ASSEMBLY (SN 0188122 to Present)



SECTION 10 - ELECTRICAL



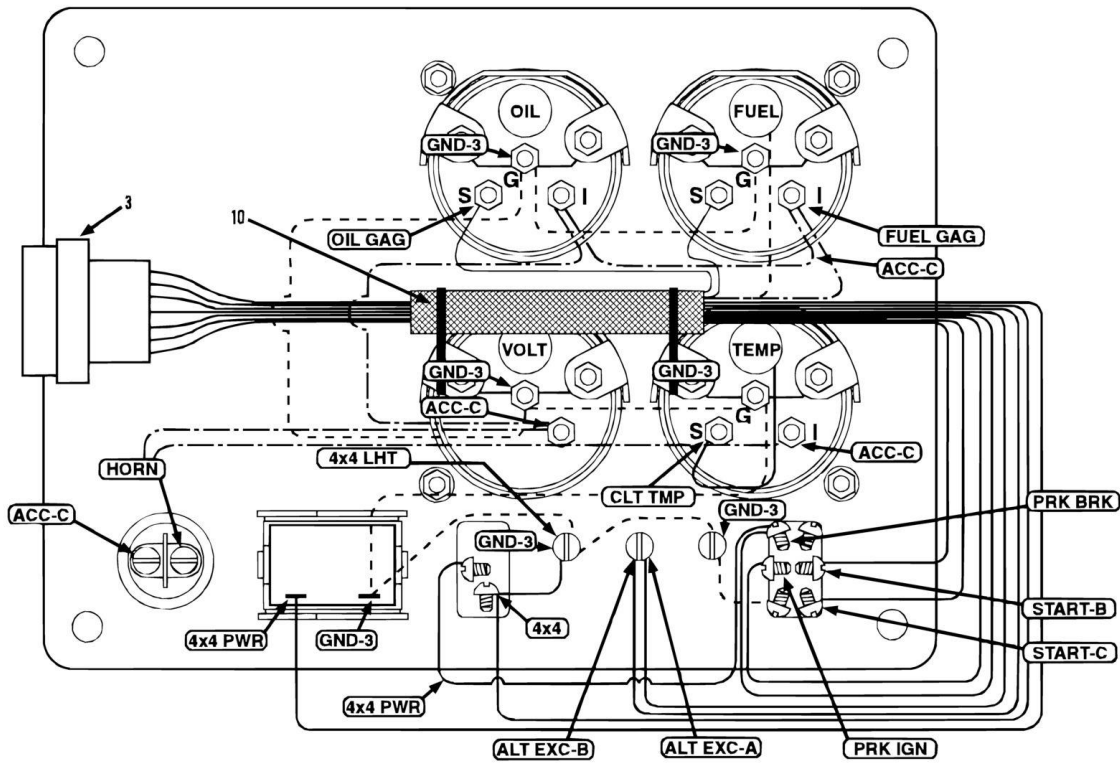
SECTION 10 - ELECTRICAL

FIGURE 10-13. (91145031) GAUGE PANEL ASSEMBLY (SN 0288777 to Present)

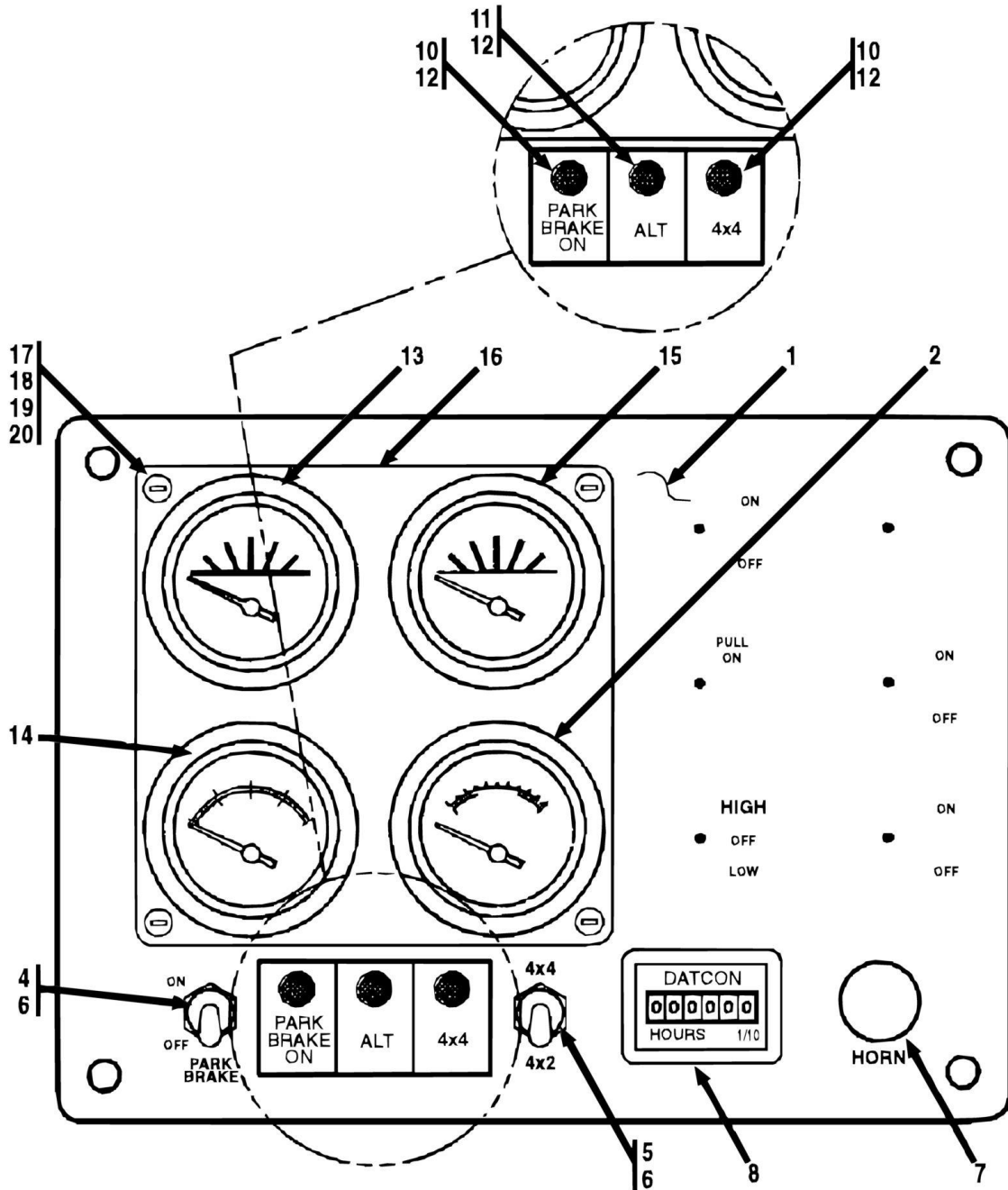
ITEM	PART NUMBER	QTY	DESCRIPTION	REV
	91145031	1	GAUGE PANEL ASSY (includes all items)	
1	91143138	1	FORMICA DASH PANEL	
1	91143137	1	PANEL WIRING HARNESS	
2	77383709	1	VOLTMETER	
3	91143137	1	PANEL WIRING HARNESS	
4	91143114	1	TOGGLE - DPDT	
5	77383470	2	BOOT	
6	24771004	1	BUTTON	
7	91143130	1	HOUR METER	
8	91053419	2	TIE WRAP	
9	91143128	2	AMBER DASH LIGHT	
10	91143127	1	RED DASH LIGHT	
11	91143129	3	TINNERMAN NUT	
12	90205686	1	FUEL GAUGE	
13	90205687	1	WATER TEMP. GAUGE	
14	91033247	1	OIL PRESSURE GAUGE	
15	91141278	1	GAUGE PROTECTOR	
16	91033277	4	RUBBER SPACER	
17	88301075	4	MACHINE SCREW, #8-32X1IN	
18	88561104	4	STEEL PUNCHED WASHER	
19	88501610	4	HEX NUT, #8-32	

SECTION 10 - ELECTRICAL

FIGURE 10-14. (91145031) GAUGE PANEL ASSEMBLY (SN 0288777 to Present)



SECTION 10 - ELECTRICAL



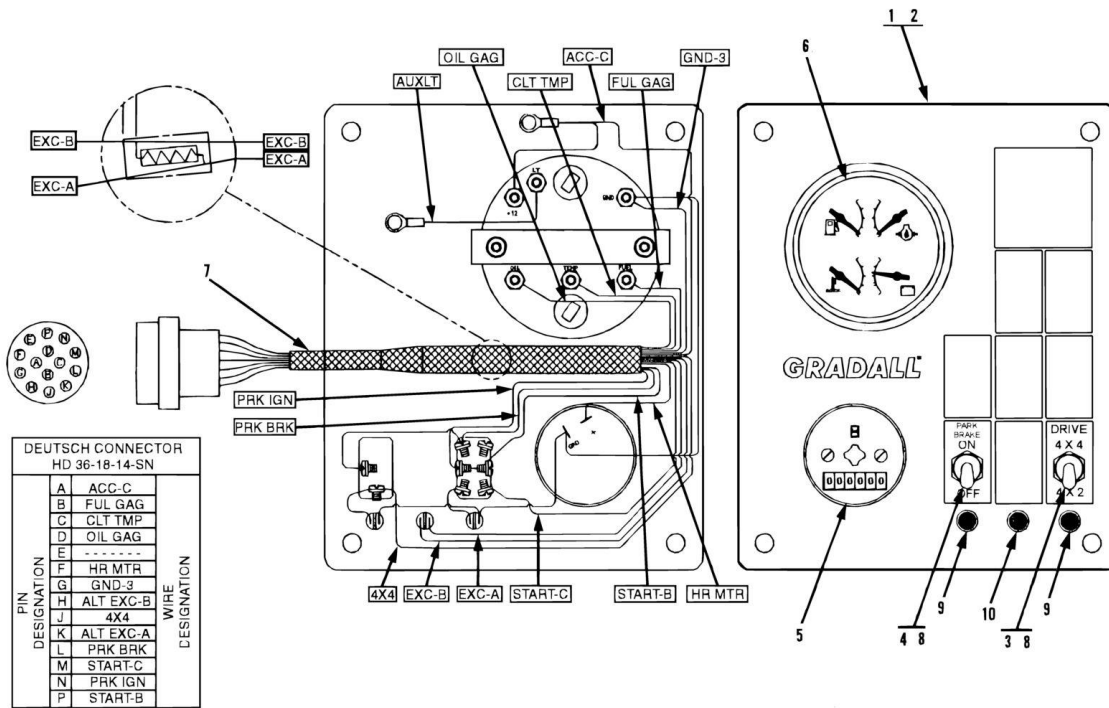
SECTION 10 - ELECTRICAL

FIGURE 10-14. (91145031) GAUGE PANEL ASSEMBLY (SN 0288777 to Present)

ITEM	PART NUMBER	QTY	DESCRIPTION	REV
	91145031	1	GAUGE PANEL ASSY (includes all items)	
1	91143138	1	FORMICA DASH PANEL	
1	91143137	1	PANEL WIRING HARNESS	
2	77383709	1	VOLTMETER	
3	91143137	1	PANEL WIRING HARNESS	
4	91143114	1	TOGGLE - DPDT	
5	77383467	1	TOGGLE - SPST	
6	77383470	2	BOOT	
7	24771004	1	BUTTON	
8	91143130	1	HOUR METER	
9	91053419	2	TIE WRAP	
10	91143128	2	AMBER DASH LIGHT	
11	91143127	1	RED DASH LIGHT	
12	91143129	3	TINNERMAN NUT	
13	90205686	1	FUEL GAUGE	
14	90205687	1	WATER TEMP. GAUGE	
15	91033247	1	OIL PRESSURE GAUGE	
16	91141278	1	GAUGE PROTECTOR	
17	91033277	4	RUBBER SPACER	
18	88301075	4	MACHINE SCREW, #8-32X1IN	
19	88561104	4	STEEL PUNCHED WASHER	
20	88501610	4	HEX NUT, #8-32	

SECTION 10 - ELECTRICAL

FIGURE 10-15. (91143331) GAUGE PANEL ASSEMBLY (SN 0488238 to Present)



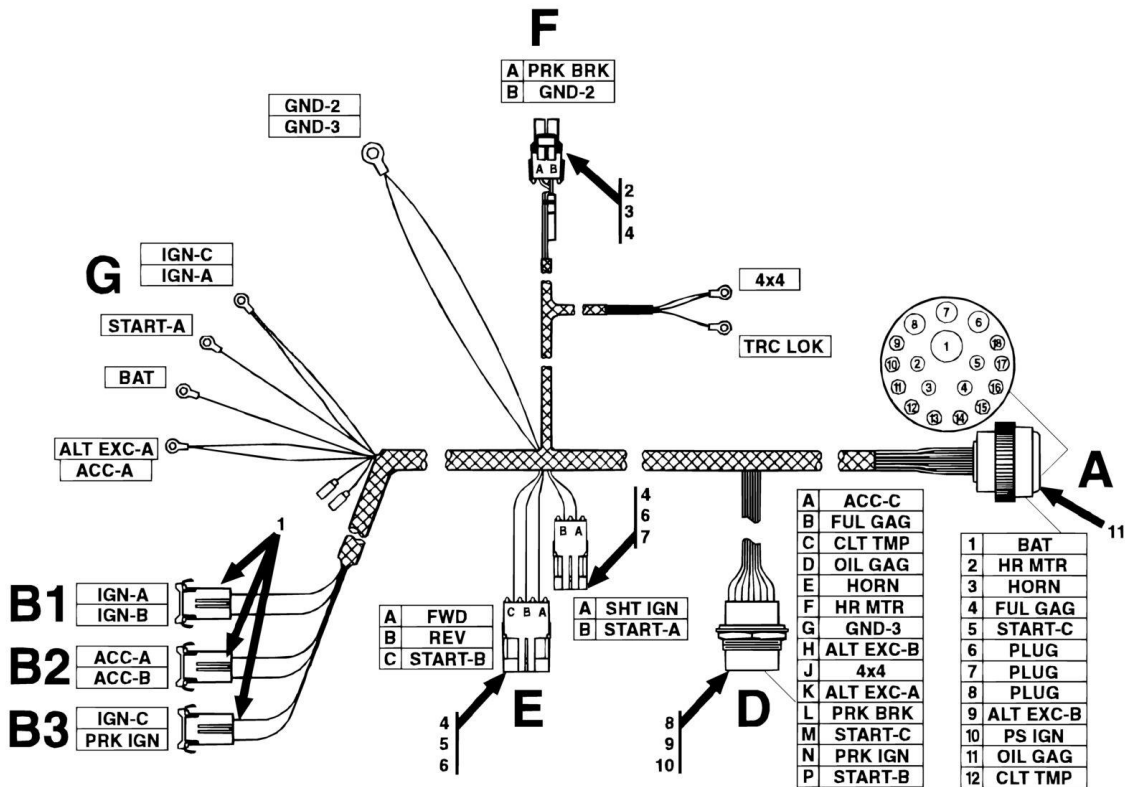
SECTION 10 - ELECTRICAL

FIGURE 10-15. (91143331) GAUGE PANEL ASSEMBLY (SN 0488238 to Present)

ITEM	PART NUMBER	QTY	DESCRIPTION	REV
	91143331	1	GAUGE PANEL (includes all items)	
1	91364004	1	PANEL ASSY (includes front and back plates, acrylic lens and std labels)	
2	91364005	1	RUBBER BOOT	
3	77383467	1	TOGGLE SWITCH	
4	91143114	1	PARK BRAKE SWITCH	
5	91364006	1	HOURMETER	
6	91364007	1	4-IN-1 GAUGE (oil, fuel, temp, volts)	
7	91364008	1	WIRE HARNESS	
8	77383470	2	SEAL	
9	91143128	2	AMBER INDICATOR LIGHT	
10	91143127	1	RED INDICATOR LIGHT	

SECTION 10 - ELECTRICAL

FIGURE 10-16. (91143193) DASH HARNESS (SN 0288777 to Present)



Wire Designation	Wire Color/Stripe	Remarks
BAT	RED	ALT.(BAT.) TO IGN. SW. (BAT.)
HR MTR	BLU/RED	OIL PRESS. SW. TO HR. METER
HORN	VIOLET/YELO	HORN
FUL GAG	BLU/BLK	FUEL GAUGE
START-C	VIOLET/BRN	STARTER RELAY
ALT EXC-B	VIOLET/RED	ALTERNATOR EXCITER (ALT.PLUG)
PS IGN	ORNG/YELO	OIL PRESS. SW.
OIL GAG	BLU/BRN	OIL PRESS. GAUGE
CLT TMP	BLU/VIOLET	WATER TEMP. GAUGE
REV	BRN/YELO	FWD/REV VALVE
FWD	BRN/WHITE	FWD/REV VALVE
4x4	BRN	4x4 VALVE
TRC LOK	BRN/GREY	TRACTION LOCK VALVE
PRK BRK	VIOLET	PARK BRAKE VALVE
GND-2	BLK	FWD/REV VALVE TO GROUND
GND-3	BLK	2/4x4 VALVE TO GROUND
SPL ACC	ORANGE	FREE, FUSED ACC
SHT IGN	ORNG/BRN	POWER TO SHIFTER
PRK IGN	ORNG/BLK	POWER TO PARK BRAKE
ACC-C	ORNG/RED	ACCESSORY POWER
ACC-A	ORNG/TAN	POWER TO ACC FUSE
ACC-B	ORNG/BLU	FUSED POWER TO ACC
IGN-A	ORNG/GREY	POWER TO IGN FUSE
IGN-B	ORNG/LT.GRN	FUSED POWER TO IGN
START-A	VIOLET/BRN	PARK BRAKE SWITCH
START-B	VIOLET/BRN	PARK BRAKE SWITCH
ALT EXC-A	VIOLET/RED	INDICATOR LIGHT
IGN-C	ORNG/DK GRN	FUSED POWER TO IGN
SFL ACC2	ORNG/VIOLET	FREE, FUSED ACC

A	ACC-C
B	FUL GAG
C	CLT TMP
D	OIL GAG
E	HORN
F	HR MTR
G	GND-3
H	ALT EXC-B
J	4x4
K	ALT EXC-A
L	PRK BRK
M	START-C
N	PRK IGN
P	START-B

1	BAT
2	HR MTR
3	HORN
4	FUL GAG
5	START-C
6	PLUG
7	PLUG
8	PLUG
9	ALT EXC-B
10	PS IGN
11	OIL GAG
12	CLT TMP
13	REV
14	FWD
15	4x4
16	TRC LOK
17	PLUG
18	PLUG

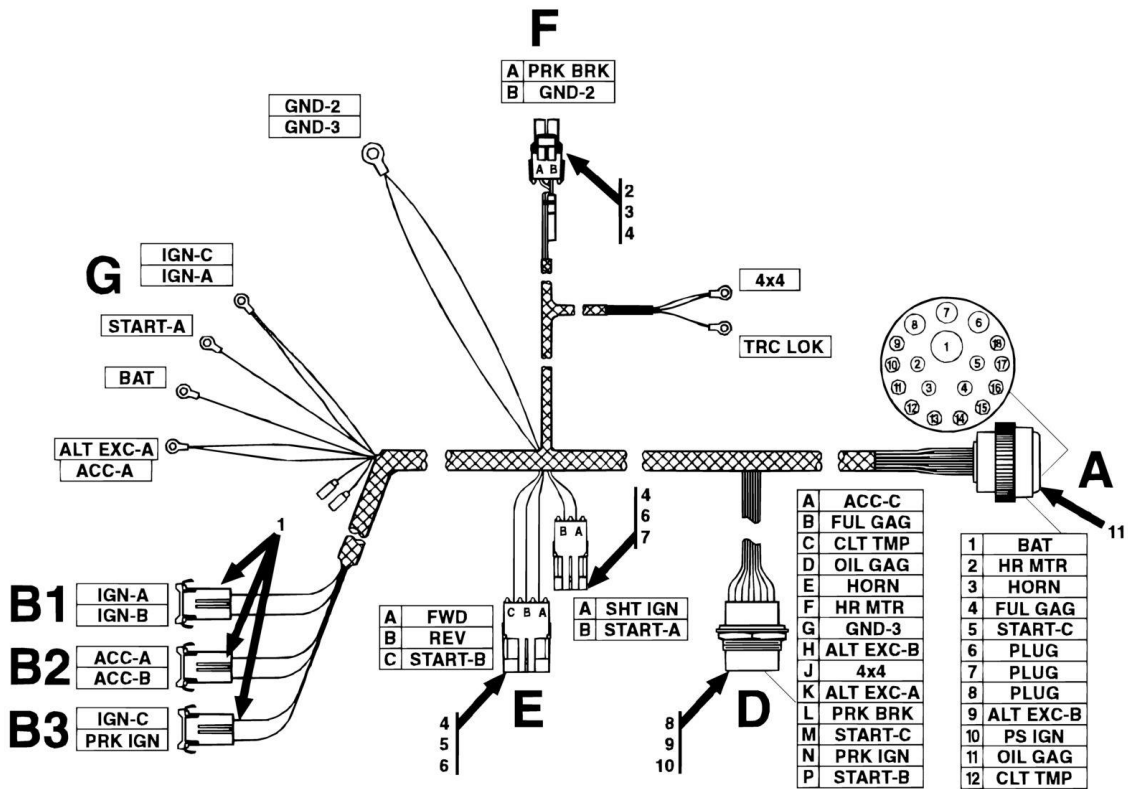
SECTION 10 - ELECTRICAL

FIGURE 10-16. (91143193) DASH HARNESS (SN 0288777 to Present)

ITEM	PART NUMBER	QTY	DESCRIPTION	REV
	91143193	1	DASH HARNESS (includes all items)	
1	91143108	3	FUSE HOLDER	
2	80963057	1	TOWER	
3	80963068	2	FEMALE PIN TERMINALS	
4	80963066	3	CABLE SEALS	
5	80963060	1	SHROUD (includes items 4 & 6)	
6	80963069	5	MALE PIN TERMINALS	
7	80963058	1	SHROUD (includes items 4 & 6)	
8	77363225	1	RECEPTACLE (includes items 9 & 10)	
9	77363264	1	PANEL NUT	
10	77363263	1	LOCKWASHER	
11	83481289	1	PLUG CONNECTOR	
		Ref	NOTE: ONLY ITEMS WITH PART NUMBERS ARE AVAILABLE FOR SERVICE.	

SECTION 10 - ELECTRICAL

FIGURE 10-17. (91143193) DASH HARNESS (SN 0288777 to Present)



Wire Designation	Wire Color/Stripe	Remarks
BAT	RED	ALT.(BAT.) TO IGN. SW. (BAT.)
HR MTR	BLU/RED	OIL PRESS. SW. TO HR. METER
HORN	VIOLET/YELO	HORN
FUL GAG	BLU/BLK	FUEL GAUGE
START-C	VIOLET/BRN	STARTER RELAY
ALT EXC-B	VIOLET/RED	ALTERNATOR EXCITER (ALT.PLUG)
PS IGN	ORNG/YELO	OIL PRESS. SW.
OIL GAG	BLU/BRN	OIL PRESS. GAUGE
CLT TMP	BLU/VIOLET	WATER TEMP. GAUGE
REV	BRN/YELO	FWD/REV VALVE
FWD	BRN/WHITE	FWD/REV VALVE
4x4	BRN	4x4 VALVE
TRC LOK	BRN/GREY	TRACTION LOCK VALVE
PRK BRK	VIOLET	PARK BRAKE VALVE
GND-2	BLK	FWD/REV VALVE TO GROUND
GND-3	BLK	2/4x4 VALVE TO GROUND
SPL ACC	ORANGE	FREE, FUSED ACC
SHT IGN	ORNG/BRN	POWER TO SHIFTER
PRK IGN	ORNG/BLK	POWER TO PARK BRAKE
ACC-C	ORNG/RED	ACCESSORY POWER
ACC-A	ORNG/TAN	POWER TO ACC FUSE
ACC-B	ORNG/BLU	FUSED POWER TO ACC
IGN-A	ORNG/GREY	POWER TO IGN FUSE
IGN-B	ORNG/LT.GRN	FUSED POWER TO IGN
START-A	VIOLET/BRN	PARK BRAKE SWITCH
START-B	VIOLET/BRN	PARK BRAKE SWITCH
ALT EXC-A	VIOLET/RED	INDICATOR LIGHT
IGN-C	ORNG/DK GRN	FUSED POWER TO IGN
SFL ACC2	ORNG/VIOLET	FREE, FUSED ACC

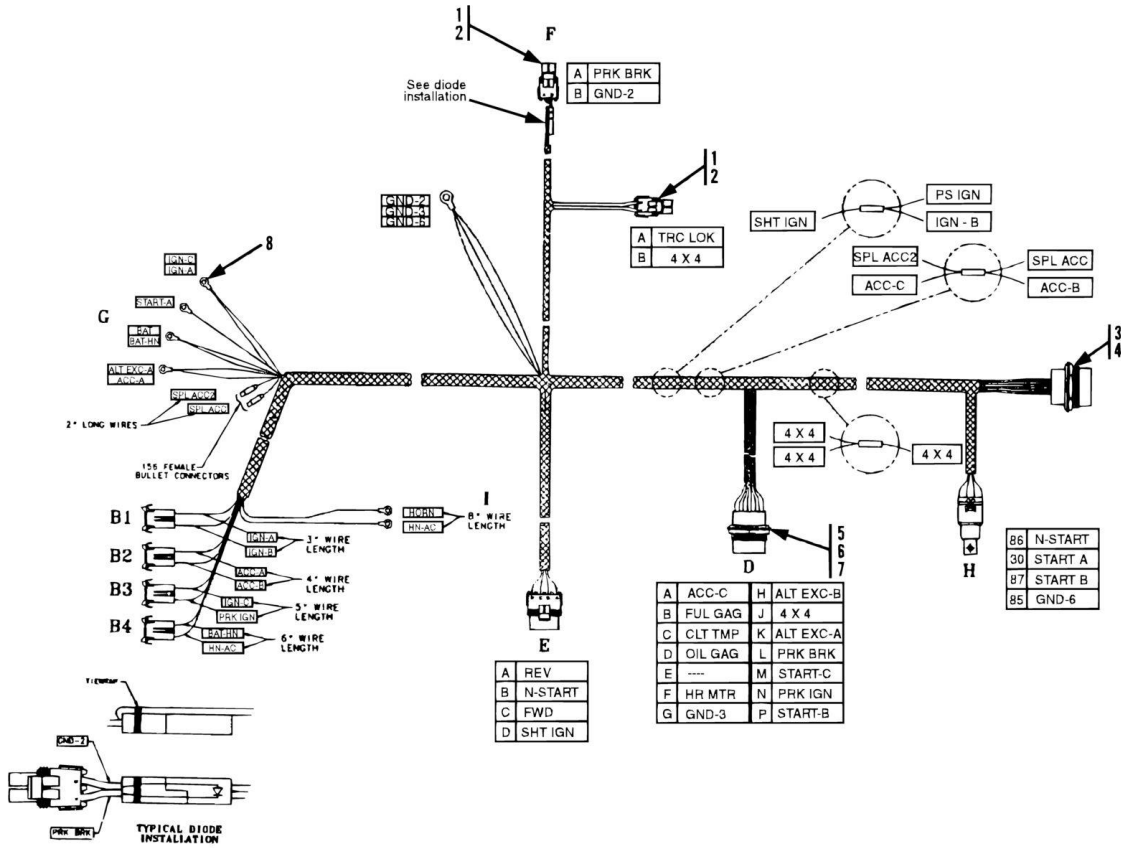
SECTION 10 - ELECTRICAL

FIGURE 10-17. (91143193) DASH HARNESS (SN 0288777 to Present)

ITEM	PART NUMBER	QTY	DESCRIPTION	REV
	91143193	1	DASH HARNESS (includes all items)	
1	91143108	3	FUSE HOLDER	
2	80963057	1	TOWER	
3	80963068	2	FEMALE PIN TERMINALS	
4	80963066	3	CABLE SEALS	
5	80963060	1	SHROUD (includes items 4 & 6)	
6	80963069	5	MALE PIN TERMINALS	
7	80963058	1	SHROUD (includes items 4 & 6)	
8	77363225	1	RECEPTACLE (includes items 9 & 10)	
9	77363264	1	PANEL NUT	
10	77363263	1	LOCKWASHER	
11	83481289	1	PLUG CONNECTOR	
		Ref	NOTE: ONLY ITEMS WITH PART NUMBERS ARE AVAILABLE FOR SERVICE.	

SECTION 10 - ELECTRICAL

FIGURE 10-18. (91143349) DASH HARNESS (SN 0488238 to Present)



SECTION 10 - ELECTRICAL

FIGURE 10-18. (91143349) DASH HARNESS (SN 0488238 to Present)

ITEM	PART NUMBER	QTY	DESCRIPTION	REV
	91143349	1	DASH HARNESS (includes all items)	
1	80963057	2	TOWER (includes item 2)	
2	80963068	4	FEMALE PIN TERMINALS	
2	80963066	6	CABLE SEALS	
3	83481286	1	PANEL NUT	
4	83481285	1	LOCKWASHER	
5	77363264	1	PANEL NUT	
6	77363263	1	LOCKWASHER	
7	77363225	1	RECEPTACLE	
8	91143108	4	SNAP-IN FUSE	

SECTION 11 - MISCELLANEOUS

SECTION 11 - MISCELLANEOUS

FIGURE 11-1. DECAL LISTS BY MODEL FOR SERVICE ONLY MODEL 532C-6

ITEM	PART NUMBER	QTY	DESCRIPTION	REV
		Ref	THE FOLLOWING ITEMS MUST BE ORDERED, ACCORDING TO MACHINE MODEL, IN ADDITION TO THE COMMON DECAL KIT TO MAKE A COMPLETE DECAL SET FOR EACH MACHINE. FOR LIST OF ITEMS INCLUDED IN COMMON KIT , SEE FRAME DECALS AND CAB AND FRAME DECALS FOR BREAKDOWN.	
	91084283	AR	COMMON DECAL KIT	
1	91123117	1	CAPACITY DECAL	
2	91133001	2	"532C"	
3	91033018	2	"6"	

SECTION 11 - MISCELLANEOUS

FIGURE 11-2. DECAL LISTS BY MODEL FOR SERVICE ONLY MODEL 534C-6

ITEM	PART NUMBER	QTY	DESCRIPTION	REV
		Ref	THE FOLLOWING ITEMS MUST BE ORDERED, ACCORDING TO MACHINE MODEL, IN ADDITION TO THE COMMON DECAL KIT TO MAKE A COMPLETE DECAL SET FOR EACH MACHINE. FOR LIST OF ITEMS INCLUDED IN COMMON KIT , SEE FRAME DECALS AND CAB AND FRAME DECALS FOR BREAKDOWN.	
	91084283	AR	COMMON DECAL KIT	
1	91123117	1	CAPACITY DECAL	
2	91123035	2	"534C"	
3	91033018	2	"6"	

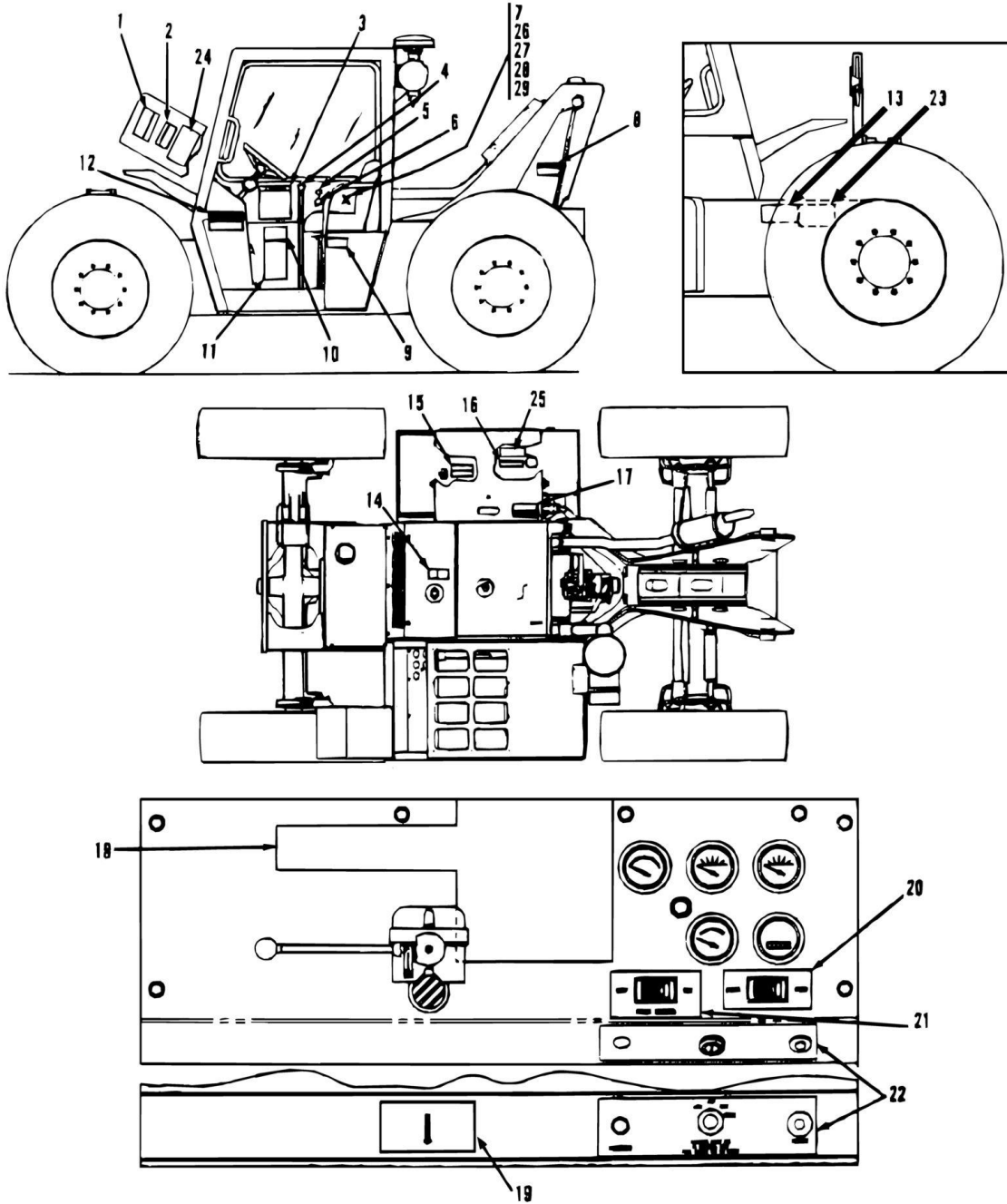
SECTION 11 - MISCELLANEOUS

FIGURE 11-3. DECAL LISTS BY MODEL FOR SERVICE ONLY MODEL 534C-6 TURBO (SN 0188002 through 0488237)

ITEM	PART NUMBER	QTY	DESCRIPTION	REV
		Ref	THE FOLLOWING ITEMS MUST BE ORDERED, ACCORDING TO MACHINE MODEL, IN ADDITION TO THE COMMON DECAL KIT TO MAKE A COMPLETE DECAL SET FOR EACH MACHINE. FOR LIST OF ITEMS INCLUDED IN COMMON KIT , SEE FRAME DECALS AND CAB AND FRAME DECALS FOR BREAKDOWN.	
	91084283	AR	COMMON DECAL KIT	
1	91123117	1	CAPACITY	
2	91123035	2	"534C"	
3	91033018	2	"6"	
4	91323001	1	INSTRUCTION	
5	91323002	1	"TURBO," L.H.	
6	91323003	1	"TURBO," R.H.	

SECTION 11 - MISCELLANEOUS

FIGURE 11-4. FRAME DECALS (SN 0188002 through 0288776)



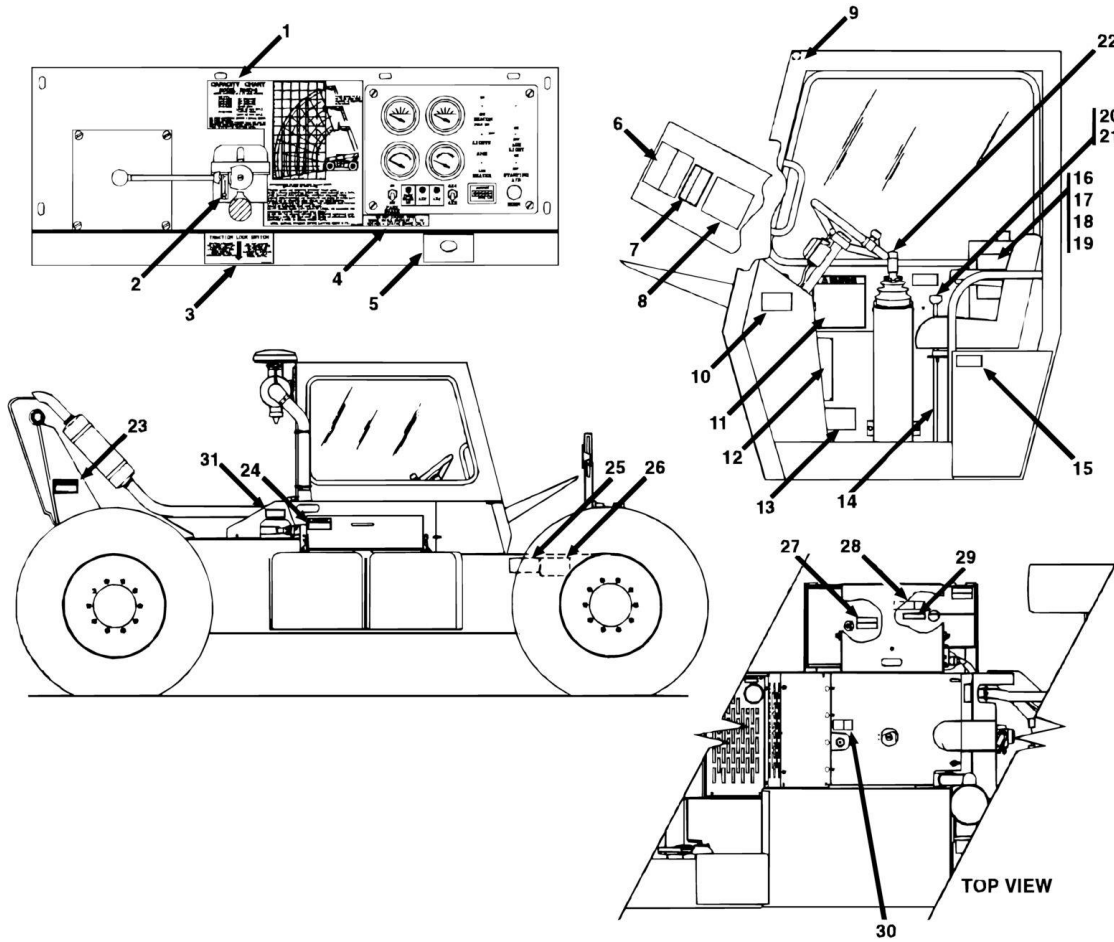
SECTION 11 - MISCELLANEOUS

FIGURE 11-4. FRAME DECALS (SN 0188002 through 0288776)

ITEM	PART NUMBER	QTY	DESCRIPTION	REV
	91084283	1	532C & 534C COMMON DECAL KIT (includes all items on FRAME DECALS except items 11, 13, 18 & 26 thru 29. Also includes all items except items 8, 9, 11 & items 13 thru 16 on BOOM DECALS)	
1	83601011	1	ACCIDENT PREVENTION DECAL	
2	91043215	1	LIFTING PERSONNEL DECAL	
3	91063047	1	WARNING DECAL	
4	91303047	1	BOOM OPERATION DECAL	
5	91083317	1	TILT DECAL	
6	91083318	1	SWAY DECAL	
7	91083324	1	SERVICE INSTRUCTION DECAL	
8	91043209	2	PINCH POINT DECAL	
9	77333027	1	MADE IN USA DECAL	
10	91003030	1	PATENT DECAL	
11	91123110	1	SERIAL NO AND ATTACH PLATE	
12	91043211	1	RIDERS WARNING DECAL	
13	91083494	1	BATTERY WARNING DECAL	
14	91043210	1	COOLING SYSTEM CAUTION DECAL	
15	91083510	1	FUEL WARNING PLATE	
16	91083509	1	HYDRAULIC OIL PLATE	
17	91033011	1	WARNING DECAL	
18	91123117	1	CAPACITY CHART	
19	91083314	1	TRACTION DECAL	
20	91083270	1	2WD-4WD DECAL	
21	91083269	1	PARK BRAKE DECAL	
22	91083268	1	INSTRUMENT PANEL DECAL	
23	91083497	1	JUMP START WARNING	
24	91083324	1	SERVICE INSTRUCTION DECAL	
25	91083492	1	OIL WARNING DECAL	
26	91033102	1	MANUAL HOLDER	
27	91031268	1	FIEI SAFETY MANUAL	
28	91034001	1	SAFETY MANUAL	
29	91084210	1	OPERATORS MANUAL	
29	14404645	AR	BOESHIELD METAL PROTECTANT, 12 OZ SPRAY CAN	
29	14404646	AR	BOESHIELD METAL PROTECTANT, 1 GAL CAN	

SECTION 11 - MISCELLANEOUS

FIGURE 11-5. CAB AND FRAME DECALS (SN 0288777 through 0388246)



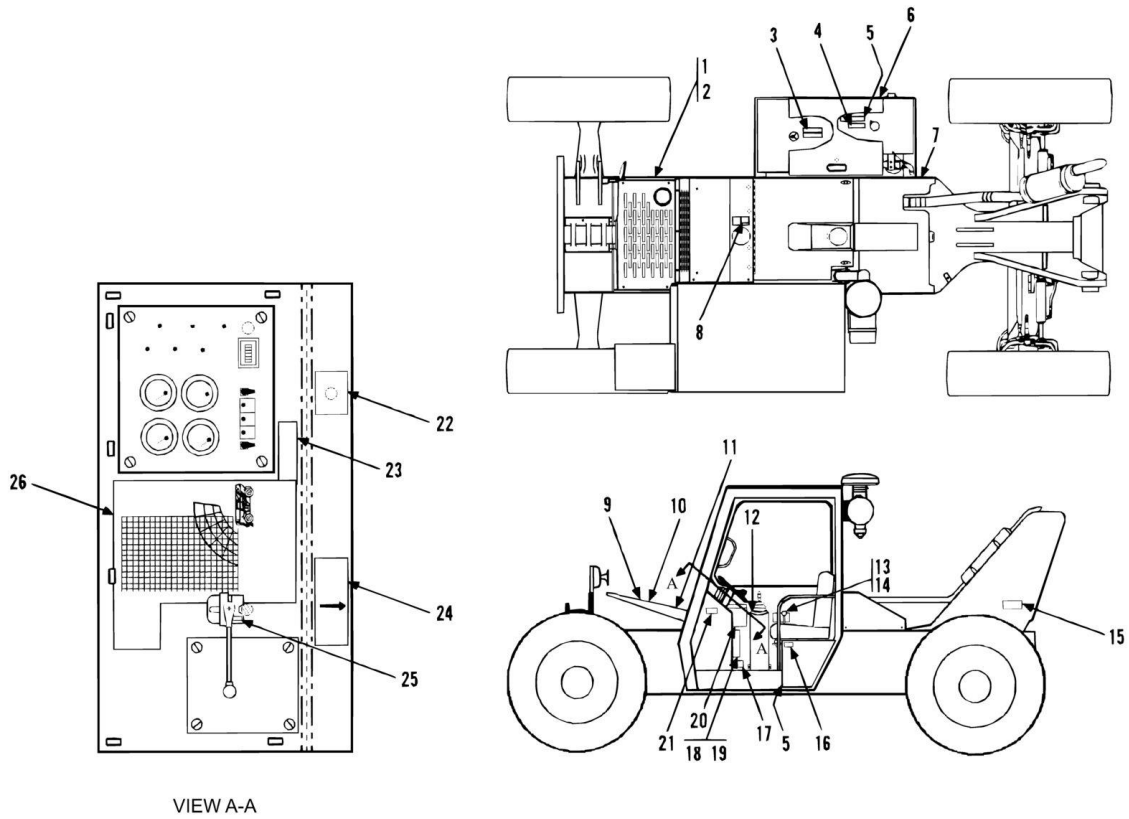
SECTION 11 - MISCELLANEOUS

FIGURE 11-5. CAB AND FRAME DECALS (SN 0288777 through 0388246)

ITEM	PART NUMBER	QTY	DESCRIPTION	REV
	91084283	1	532C & 534C COMMON DECAL KIT (includes all items DECAL LISTS BY MODEL and FRAME DECALS except items 8 & 9 on FRAME DECALS) (See BOOM DECALS for Breakdown)	
1	91123117	1	CAPACITY CHART	
2	91083428	1	FWD/REV DECAL	
3	91083314	1	TRACTION DECAL	
4	91143182	1	PARK BRAKE DECAL	
5	91143120	1	INSTRUMENT PANEL DECAL	
6	83601011	1	ACCIDENT PREVENTION DECAL	
7	91043215	1	LIFTING PERSONNEL DECAL	
8	91083324	1	SERVICE INSTRUCTION DECAL	
9	91033320	1	TILT GAUGE	
10	91043211	1	RIDERS WARNING DECAL	
11	91063047	1	WARNING DECAL	
12	91123110	1	SERIAL NO AND ATTACH PLATE	
13	91003030	1	PATENT DECAL	
14	91083492	1	OIL WARNING DECAL	
15	77333027	1	MADE IN USA DECAL	
16	91033102	1	MANUAL HOLDER	
17	91034001	1	SAFETY MANUAL	
18	91031268	1	SAFETY MANUAL	
19	91084210	1	OPERATOR MANUAL	
20	91083318	1	SWAY DECAL	
21	91083317	1	TILT DECAL	
22	91303047	1	BOOM OPERATION DECAL	
23	91043209	2	PINCH POINT DECAL	
24	91033011	1	WARNING DECAL	
25	91083494	1	BATTERY WARNING	
26	91083497	1	JUMP START WARNING	
27	91083510	1	FUEL WARNING PLATE	
28	91083492	1	OIL WARNING DECAL	
29	91083509	1	HYDRAULIC OIL PLATE	
30	91043210	1	COOLING SYSTEM CAUTION DECAL	
30	14404645	AR	BOESHIELD METAL PROTECTANT, 12 OZ SPRAY CAN	
30	14404646	AR	BOESHIELD METAL PROTECTANT, 1 GAL CAN	

SECTION 11 - MISCELLANEOUS

FIGURE 11-6. FRAME DECALS (534C-6 TURBO) (SN 0388043 through 0388246)



VIEW A-A

NOTE: USE 1440465 BOESHIELD PROTECTANT (13 OZ. SPRAY) ON ANY EXPOSED METAL

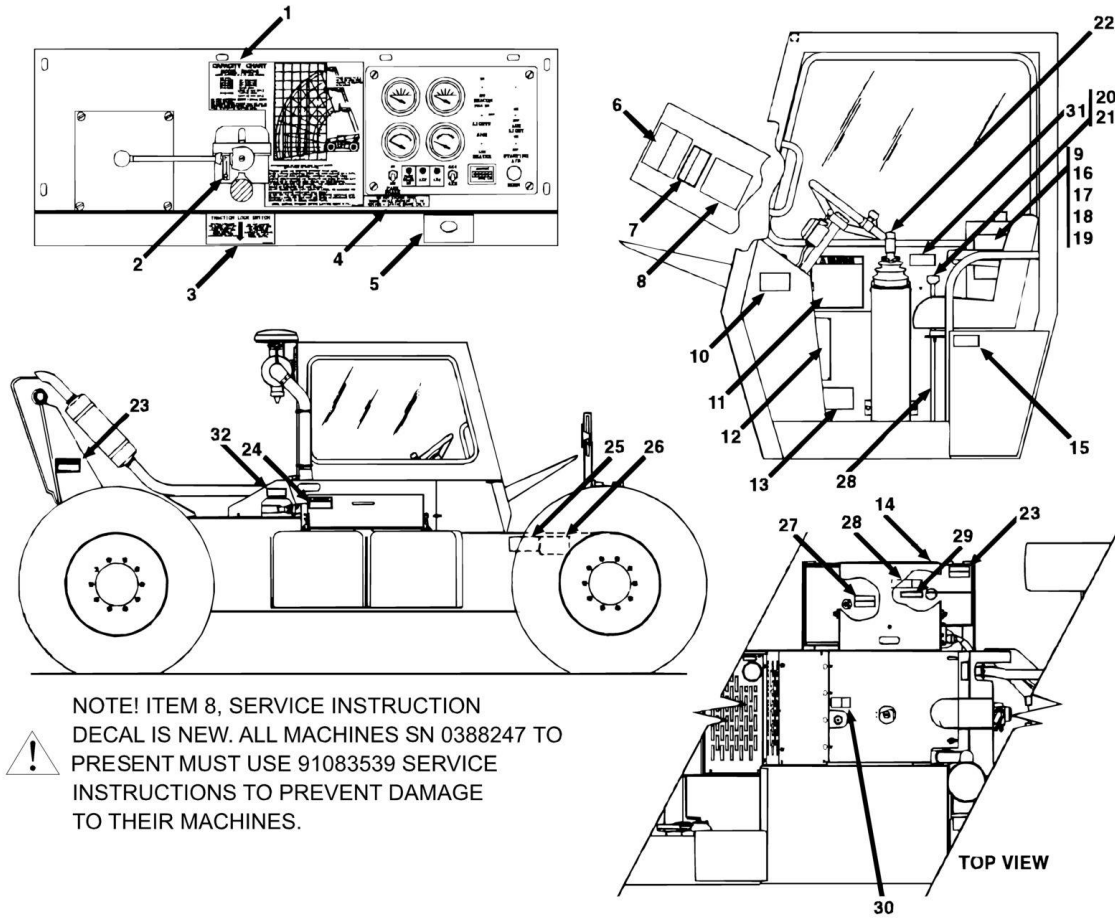
SECTION 11 - MISCELLANEOUS

FIGURE 11-6. FRAME DECALS (534C-6 TURBO) (SN 0388043 through 0388246)

ITEM	PART NUMBER	QTY	DESCRIPTION	REV
	91084283	1	COMMON DECAL KIT - WHITE (includes all items except 11, 18 & 19, on FRAME DECALS, and all standard items on BOOM DECALS, except items 8 thru 11, 13, 14, 15 & 17)	
1	91083494	1	BATTERY WARNING	
2	91083497	1	JUMP START WARNING	
3	91083510	1	FUEL WARNING PLATE	
4	91083509	1	HYDRAULIC OIL PLATE	
5	91083492	2	OIL WARNING DECAL	
6	91033011	1	WARNING DECAL (located on side of tank cover)	
7	77343018	1	WARNING DECAL (located on side of rear cover weldment)	
8	91043210	1	COOLING SYS CAUTION DECAL	
9	83601011	1	ACCIDENT PREVENTION DECAL	
10	91043215	1	LIFTING PERSONNEL DECAL	
11	91323001	1	SERVICE INSTRUCTION DECAL	
12	91303047	1	BOOM OPERATION DECAL	
13	91083317	1	TILT DECAL	
14	91083318	1	SWAY DECAL	
15	91043209	2	PINCH POINT DECAL	
16	77333027	1	MADE IN USA DECAL	
17	91003030	1	PATENT DECAL	
18	91123110	1	SERIAL NUMBER AND ATTACHMENT PLATE	
19	88341022	4	DRIVE SCREW	
20	91063047	1	WARNING DECAL	
21	91043211	1	RIDERS WARNING DECAL	
22	91143120	1	INSTRUMENT PANEL DECAL	
23	91143182	1	PARK BRAKE DECAL	
24	91083314	1	TRACTION DECAL	
25	91083428	1	FORWARD - REVERSE DECAL (supplied with reversing master switch)	
26	91123117	1	CAPACITY CHART	
27	77023007	1	BATTERY INSTRUCTION DECAL, (not shown)	
28	83641675	1	GRADALL DECAL (not shown)	
29	91083324	1	SERVICE DECAL (not shown, this decal does not apply, order 91323001 534C-6T service decal)	

SECTION 11 - MISCELLANEOUS

FIGURE 11-7. CAB AND FRAME DECALS (SN 0388247 through 0488237)



- 14404645 BOESHIELD METAL PROTECTANT, 12 OZ. SPRAY CAN
- 14404646 BOESHIELD METAL PROTECTANT, 1 GAL. CAN

SECTION 11 - MISCELLANEOUS

FIGURE 11-7. CAB AND FRAME DECALS (SN 0388247 through 0488237)

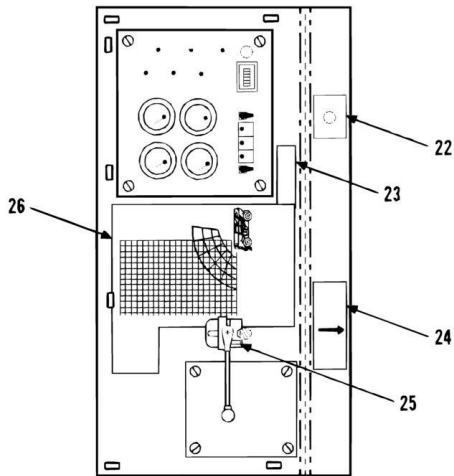
ITEM	PART NUMBER	QTY	DESCRIPTION	REV
	91084283	1	522 & 534C COMMON DECAL KIT (includes all items except 13 thru 16 on BOOM DECALS and all items except 8, 9, 12 & 16 thru 19 on FRAME DECALS)	
1	91123117	1	CAPACITY CHART (534C-6)	
1	91133005	1	CAPACITY CHART (532C-6)	
2	91083428	1	FWD/REV DECAL	
3	91083314	1	TRACTION DECAL (534C-6)	
4	91143182	1	PARK BRAKE DECAL	
5	91143120	1	INSTRUMENT PANEL DECAL	
6	83601011	1	ACCIDENT PREVENTION DECAL	
7	91043215	1	LIFTING PERSONNEL DECAL	
8	91083539	1	SERVICE INSTRUCTION DECAL	
10	91043211	1	RIDERS WARNING DECAL	
11	91063047	1	WARNING DECAL	
12	91123153	1	SN AND ATTACH PLATE (534C-6)	
12	91133006	1	SN AND ATTACH PLATE (532C-6)	
13	91003030	1	PATENT DECAL	
14	91163130	1	OIL LEVEL DECAL (align full mark with black line on sight gage)	
15	77333027	1	MADE IN USA DECAL	
16	91033102	1	MANUAL HOLDER	
17	91034001	1	SAFETY MANUAL	
18	91031268	1	SAFETY MANUAL	
19	24604126	1	OPERATOR MANUAL	
20	91083318	1	SWAY DECAL	
21	91083317	1	TILT DECAL	
22	91303047	1	BOOM OPERATION DECAL	
23	91043209	3	PINCH POINT DECAL	
24	91033011	1	WARNING DECAL	
25	91083494	1	BATTERY WARNING	
26	91083497	1	JUMP START WARNING	
27	91083510	1	FUEL WARNING PLATE	
28	91083492	2	OIL WARNING DECAL (locate (1) on valve access plate)	
29	91143288	1	HYDRAULIC OIL PLATE	
30	91043210	1	COOLING SYSTEM CAUTION DECAL	

SECTION 11 - MISCELLANEOUS

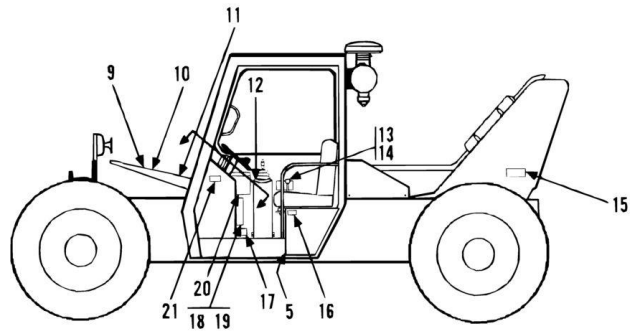
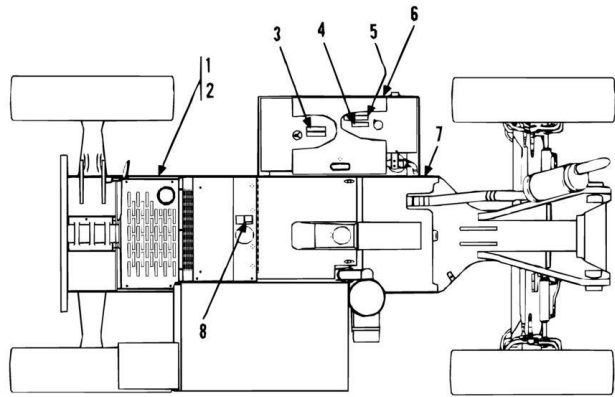
FIGURE 11-8. FRAME DECALS (534C-6 TURBO) (SN 0388247 through 0488237)



NOTE! ITEM 11, SERVICE INSTRUCTION DECAL IS NEW. ALL MACHINES SN 0388247 TO PRESENT MUST USE 91323020 SERVICE INSTRUCTIONS TO PREVENT DAMAGE TO THEIR MACHINES.



VIEW A-A



NOTE: USE 14404645 BOESHIELD PROTECTANT (12 OZ. SPRAY) ON ANY EXPOSED METAL
14404646 BOESHIELD PROTECTANT (1 GAL. CAN)

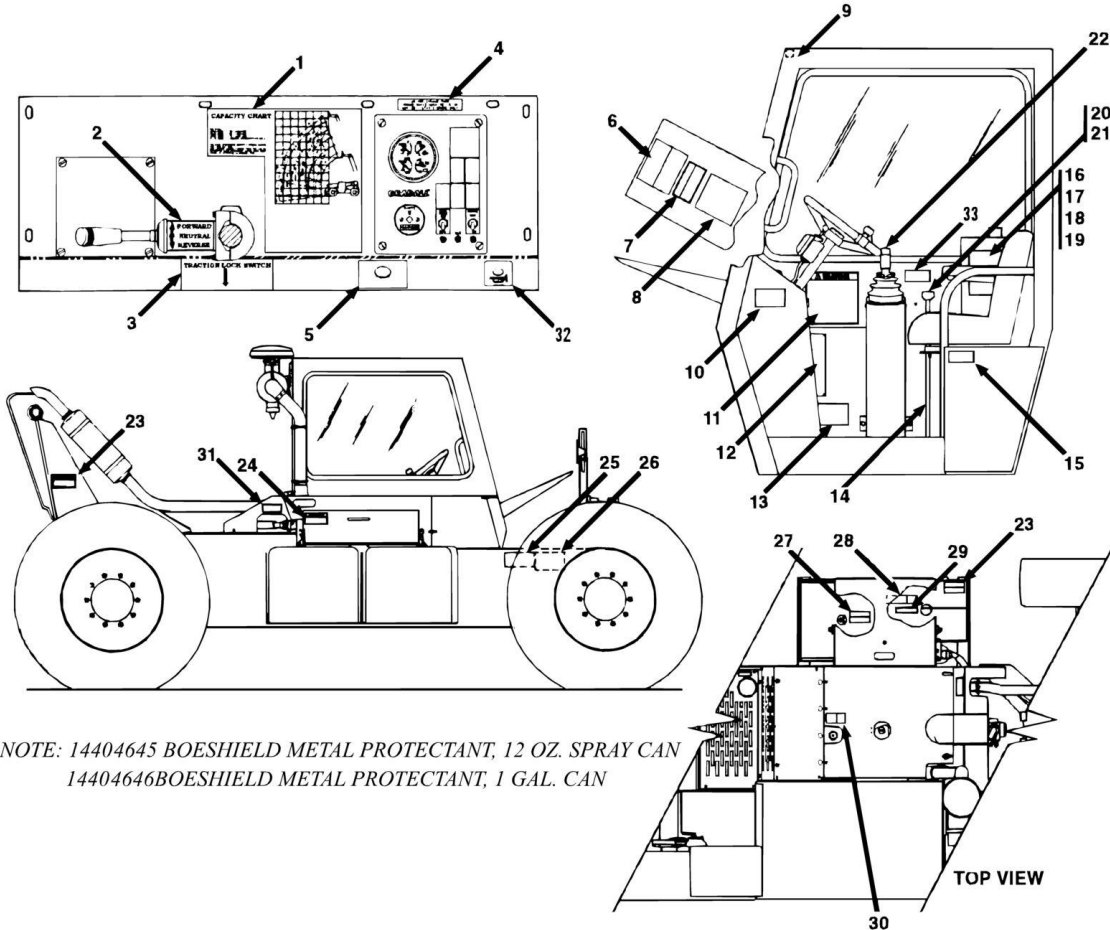
SECTION 11 - MISCELLANEOUS

FIGURE 11-8. FRAME DECALS (534C-6 TURBO) (SN 0388247 through 0488237)

ITEM	PART NUMBER	QTY	DESCRIPTION	REV
	91084283	1	COMMON DECAL KIT - WHITE (includes all items except 11, 18 & 19, on BOOM DECALS and all standard items on FRAME DECALS except items 8 thru 11, 13, 14, 15 & 17)	
1	91083494	1	BATTERY WARNING	
2	91083497	1	JUMP START WARNING	
3	91083510	1	FUEL WARNING PLATE	
4	91143288	1	HYDRAULIC OIL PLATE	
5	91083492	2	OIL WARNING DECAL	
6	91033011	1	WARNING DECAL (located on side of tank cover)	
7	77343018	1	WARNING DECAL (located on side of rear cover weldment)	
8	91043210	1	COOLING SYS CAUTION DECAL	
9	83601011	1	ACCIDENT PREVENTION DECAL	
10	91043215	1	LIFTING PERSONNEL DECAL	
11	91323020	1	SERVICE INSTRUCTION DECAL	
12	91303047	1	BOOM OPERATION DECAL	
13	91083317	1	TILT DECAL	
14	91083318	1	SWAY DECAL	
15	91043209	3	PINCH POINT DECAL	
16	77333027	1	MADE IN USA DECAL	
17	91003030	1	PATENT DECAL	
18	91123153	1	SERIAL NUMBER AND ATTACHMENT PLATE	
19	88341022	4	DRIVE SCREW	
20	91063047	1	WARNING DECAL	
21	91043211	1	RIDERS WARNING DECAL	
22	91143120	1	INSTRUMENT PANEL DECAL	
23	91143182	1	PARK BRAKE DECAL	
24	91083314	1	TRACTION DECAL	
25	91083428	1	FORWARD - REVERSE DECAL (supplied with reversing master switch)	
26	91123117	1	CAPACITY CHART	
27	77023007	1	BATTERY INSTRUCTION DECAL, (not shown)	
28	91143292	1	DIPSTICK DECAL	
28	83641675	1	GRADALL DECAL (not shown)	

SECTION 11 - MISCELLANEOUS

FIGURE 11-9. CAB AND FRAME DECALS (SN 0488238 to Present)



NOTE: 14404645 BOESHIELD METAL PROTECTANT, 12 OZ. SPRAY CAN
14404646 BOESHIELD METAL PROTECTANT, 1 GAL. CAN

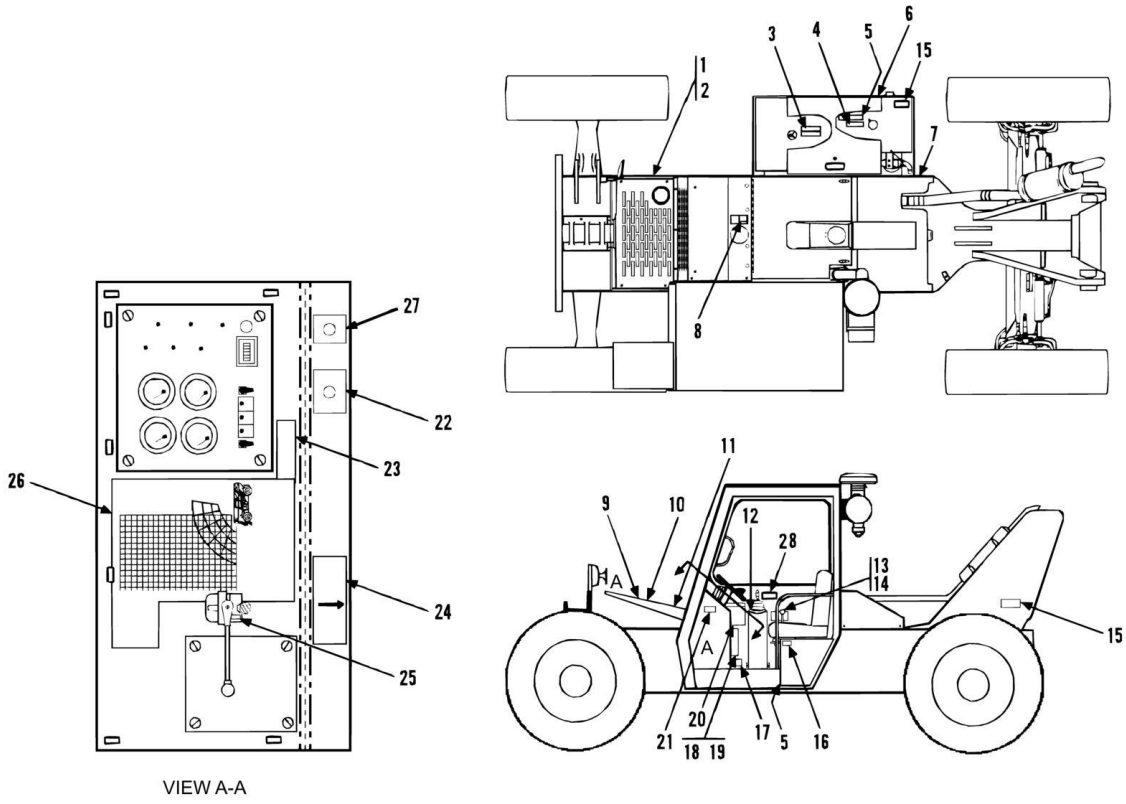
SECTION 11 - MISCELLANEOUS

FIGURE 11-9. CAB AND FRAME DECALS (SN 0488238 to Present)

ITEM	PART NUMBER	QTY	DESCRIPTION	REV
	91125100	1	534C-6 DECAL KIT (includes all decals on BOOM DECALS and all standard decals on FRAME DECALS)	
1	91123117	1	CAPACITY CHART	
2	91163028	1	SHIFTER DECAL	
3	91083314	1	TRACTION DECAL	
4	91143182	1	PARK BRAKE DECAL	
5	91143120	1	INSTRUMENT PANEL DECAL	
6	80603022	1	ACCIDENT PREVENTION DECAL	
7	91343010	1	LIFTING PERSONNEL DECAL	
8	91083539	1	SERVICE INSTRUCTION DECAL	
9	91033320	1	TILT GAUGE	
10	91143283	2	RIDERS WARNING DECAL	
11	91143287	1	WARNING DECAL	
12	91123153	1	SERIAL NO AND ATTACH PLATE	
13	91003030	1	PATENT DECAL	
14	91083492	2	OIL WARNING DECAL	
15	77333027	1	MADE IN USA DECAL	
16	91033102	1	MANUAL HOLDER	
17	91034001	1	SAFETY MANUAL	
18	91031268	1	SAFETY MANUAL	
19	24604126	1	OPERATOR MANUAL	
20	91083318	1	SWAY DECAL	
21	91083317	1	TILT DECAL	
22	91303047	1	BOOM OPERATION DECAL	
23	91143282	5	PINCH POINT DECAL	
24	91143281	1	WARNING DECAL	
25	91143284	1	BATTERY WARNING	
26	91143285	1	JUMP START WARNING	
27	91143286	1	FUEL WARNING PLATE	
28	91083492	1	OIL WARNING DECAL	
29	91143288	1	HYDRAULIC OIL PLATE	
30	80603026	1	COOLING SYSTEM CAUTION DECAL	
31	91143280	1	WARNING DECAL	
32	91033089	1	HORN DECAL	
33	91143292	1	DIPSTICK DECAL	
34	91163130	1	OIL WARNING DECAL (not shown)	

SECTION 11 - MISCELLANEOUS

FIGURE 11-10. FRAME DECALS (534C-6 TURBO) (SN 0488238 to Present)



NOTE: USE 14404645 BOESHIELD PROTECTANT (12 OZ. SPRAY) ON ANY EXPOSED METAL
14404646 BOESHIELD PROTECTANT (1 GAL. CAN)

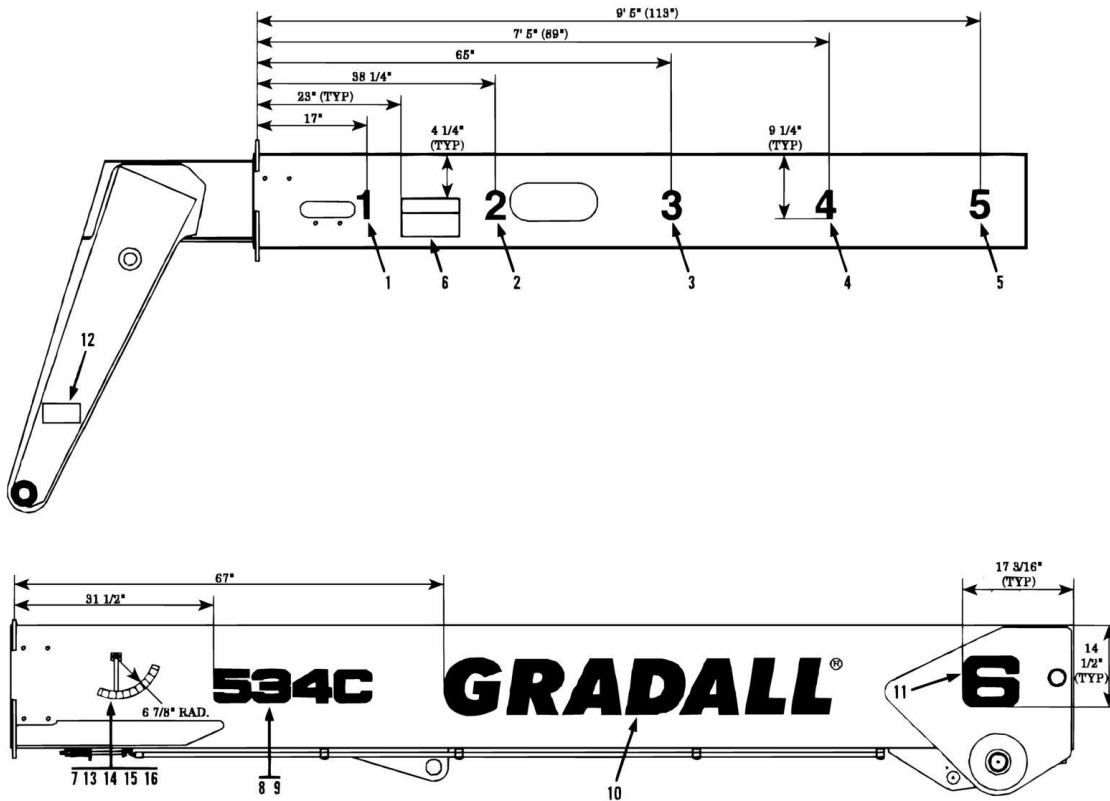
SECTION 11 - MISCELLANEOUS

FIGURE 11-10. FRAME DECALS (534C-6 TURBO) (SN 0488238 to Present)

ITEM	PART NUMBER	QTY	DESCRIPTION	REV
	91325033	1	534C-6T DECAL KIT - WHITE (includes all items except 18 & 19 on BOOM DECALS and all standard items on FRAME DECALS except items 8 thru 11, 13, 14, 15 & 17)	
1	91143284	1	BATTERY WARNING	
2	91143285	1	JUMP START WARNING	
3	91143286	1	FUEL WARNING PLATE	
4	91143288	1	HYDRAULIC OIL PLATE	
5	91083492	2	OIL WARNING DECAL	
6	91143281	1	WARNING DECAL (located on side of tank cover)	
7	91143280	1	WARNING DECAL (located on side of rear cover weldment)	
8	80603026	1	COOLING SYS CAUTION DECAL	
9	80603022	1	ACCIDENT PREVENTION DECAL	
10	91343010	1	LIFTING PERSONNEL DECAL	
11	91323020	1	SERVICE INSTRUCTION DECAL	
12	91303047	1	BOOM OPERATION DECAL	
13	91083317	1	TILT DECAL	
14	91083318	1	SWAY DECAL	
15	91143282	5	PINCH POINT DECAL	
16	77333027	1	MADE IN USA DECAL	
17	91003030	1	PATENT DECAL	
18	91123153	1	SERIAL NUMBER AND ATTACHMENT PLATE	
19	88341022	4	DRIVE SCREW	
20	91143287	1	WARNING DECAL	
21	91143283	1	RIDERS WARNING DECAL	
22	91143120	1	INSTRUMENT PANEL DECAL	
23	91143182	1	PARK BRAKE DECAL	
24	91083314	1	TRACTION DECAL	
25	91163028	1	SHIFTER DECAL	
26	91123117	1	CAPACITY CHART	
27	91033089	1	HORN DECAL	
28	91143292	1	DIPSTICK DECAL	
29	91163256	1	INSTRUCTION DECAL (located on engine, not shown)	
30	91163130	1	OIL LEVEL DECAL (not shown)	

SECTION 11 - MISCELLANEOUS

FIGURE 11-11. BOOM DECALS (SN 0188002 through 0488237)



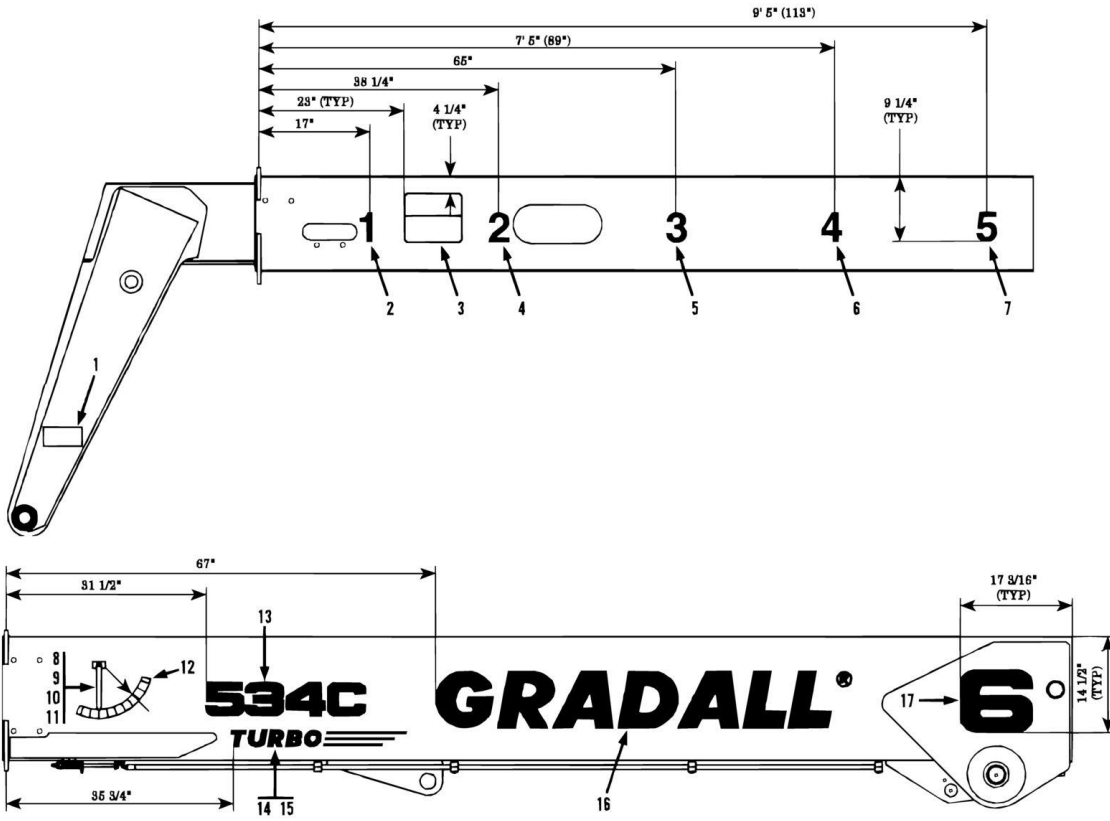
SECTION 11 - MISCELLANEOUS

FIGURE 11-11. BOOM DECALS (SN 0188002 through 0488237)

ITEM	PART NUMBER	QTY	DESCRIPTION	REV
	91084283	1	522 & 34C COMMON DECAL KIT (includes all items on BOOM DECALS except items 11, 13, 18 & 26 thru 29. Also includes all items except items 8,9,11 & items 13 thru 16 on FRAME DECALS)	
1	91003016	1	"1" DECAL, STANDARD (white)	
1	91043134	1	"1" DECAL, OPTIONAL (black)	
2	91003018	1	"2" DECAL, STANDARD (white)	
2	91043135	1	"2" DECAL, OPTIONAL (black)	
3	91123042	1	"3" DECAL, STANDARD (white)	
3	91123043	1	"3" DECAL, OPTIONAL (black)	
4	91003020	1	"4" DECAL, STANDARD (white)	
4	91043136	1	"4" DECAL, OPTIONAL (black)	
5	91123044	1	"5" DECAL, STANDARD (white)	
5	91123045	1	"5" DECAL, OPTIONAL (black)	
6	77023009	2	HOLE WARNING DECAL	
7	91003031	1	BOOM ANGLE DECAL (white)	
8	91123035	2	DECAL, STANDARD(white) 534C	
8	91123036	2	DECAL, OPTIONAL (black) 534C	
9	91133001	2	DECAL, STANDARD(white) 532C	
9	91133002	2	DECAL, OPTIONAL (black) 532C	
10	91123037	2	GRADALL DECAL, STANDARD (white)	
10	91123038	2	GRADALL DECAL, OPTIONAL (black)	
11	91033018	2	"6" DECAL, STANDARD (white)	
11	91033218	2	"6" DECAL, OPTIONAL (black)	
12	91033023	1	QUICK SWITCH DECAL	
13	90200445	1	PENDULUM	
14	90200688	1	BEARING	
15	90026491	1	SHOULDER BOLT, 1/4-20	
16	88561108	1	FLAT WASHER,5/16	

SECTION 11 - MISCELLANEOUS

FIGURE 11-12. BOOM DECALS (534C-6 TURBO) (SN 0388043 through 0488237)



NOTE: USE 14404645 BOESHIELD PROTECTANT (12 OZ. SPRAY) ON ANY EXPOSED METAL

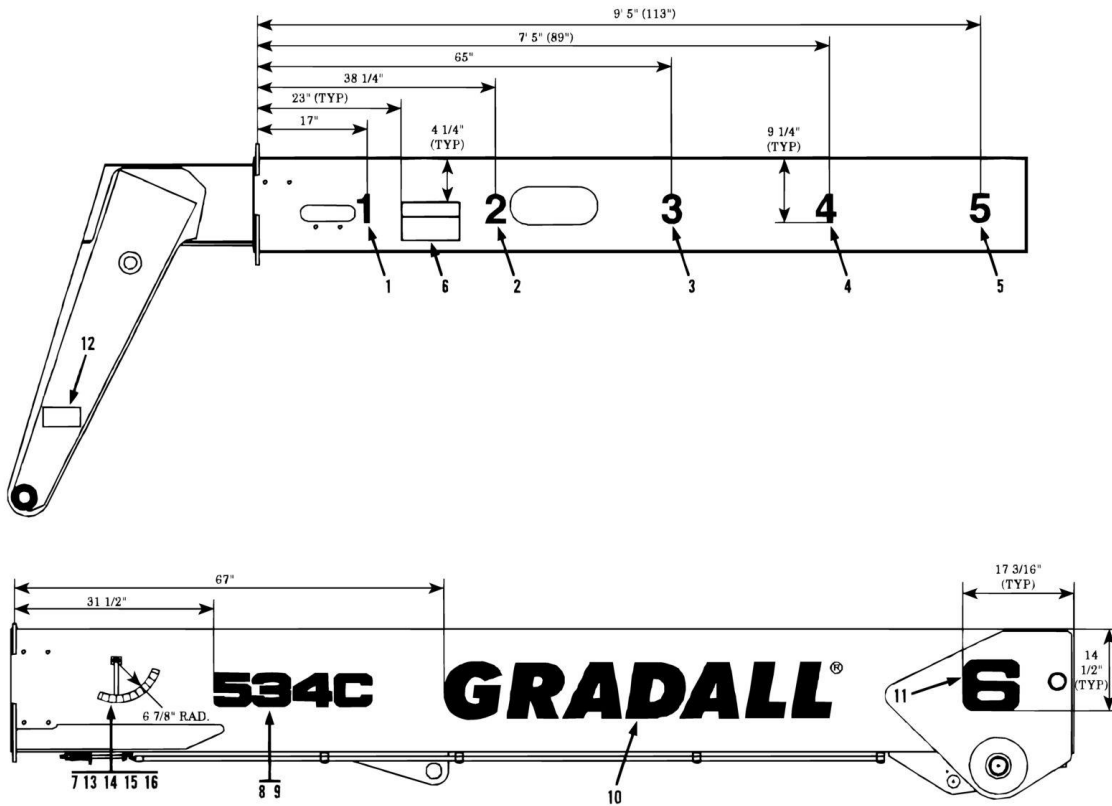
SECTION 11 - MISCELLANEOUS

FIGURE 11-12. BOOM DECALS (534C-6 TURBO) (SN 0388043 through 0488237)

ITEM	PART NUMBER	QTY	DESCRIPTION	REV
	91084283	1	COMMON DECAL KIT - WHITE (includes all items except 11, 18 & 19, on BOOM DECALS, and all standard items on FRAME DECALS, except items 8 thru 11, 13, 14, 15 & 17)	
1	91033023	1	QUICK SWITCH DECAL	
2	91003016	1	"1" DECAL, WHITE (standard)	
2	91043134	1	"1" DECAL, BLACK (optional)	
3	77023009	2	HOLE WARNING DECAL	
4	91003018	1	"2" DECAL, WHITE (standard)	
4	91043135	1	"2" DECAL, BLACK (optional)	
5	91123042	1	"3" DECAL, WHITE (standard)	
5	91123043	1	"3" DECAL, BLACK (optional)	
6	91003020	1	"4" DECAL, WHITE (standard)	
6	91043136	1	"4" DECAL, BLACK (OPTIONAL)	
7	91123044	1	"5" DECAL, WHITE (standard)	
7	91123045	1	"5" DECAL, BLACK (optional)	
8	90200445	1	PENDULUM	
9	90200688	1	BEARING	
10	90026491	1	SHOULDER BOLT, 1/4-20	
11	88561108	1	WASHER, 5/16	
12	91003031	1	BOOM ANGLE DECAL, WHITE , (standard)	
13	91123035	2	DECAL, WHITE (standard) "534C"	
13	91123036	2	DECAL, BLACK (optional) "534C"	
14	91323002	1	L.H. TURBO DECAL, WHITE, (standard)	
14	91323004	1	L.H. TURBO DECAL, BLACK, (optional)	
15	91323003	1	R.H. TURBO DECAL, WHITE, (standard)	
15	91323005	1	R.H. TURBO DECAL, BLACK, (optional)	
16	91123037	2	GRADALL DECAL, WHITE (standard)	
16	91123038	2	GRADALL DECAL, BLACK (optional)	
17	91033018	2	"6" DECAL, WHITE (standard)	
17	91033218	2	"6" DECAL, BLACK (optional)	

SECTION 11 - MISCELLANEOUS

FIGURE 11-13. BOOM DECALS (SN 0488238 to Present)



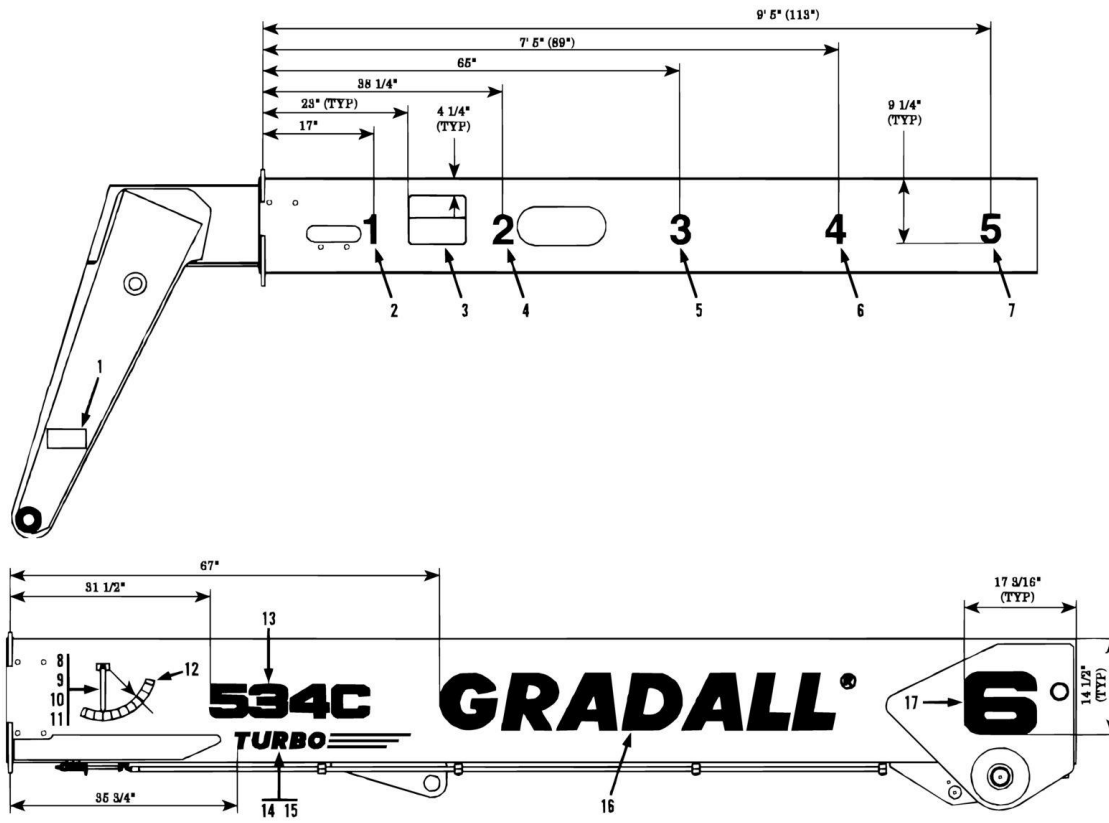
SECTION 11 - MISCELLANEOUS

FIGURE 11-13. BOOM DECALS (SN 0488238 to Present)

ITEM	PART NUMBER	QTY	DESCRIPTION	REV
1	91003016	1	"1" DECAL, STANDARD (white)	
1	91043134	1	"1" DECAL, OPTIONAL (black)	
2	91003018	1	"2" DECAL, STANDARD (white)	
2	91043135	1	"2" DECAL, OPTIONAL (black)	
3	91123042	1	"3" DECAL, STANDARD (white)	
3	91123043	1	"3" DECAL, OPTIONAL (black)	
4	91003020	1	"4" DECAL, STANDARD (white)	
4	91043136	1	"4" DECAL, OPTIONAL (black)	
5	91123044	1	"5" DECAL, STANDARD (white)	
5	91123045	1	"5" DECAL, OPTIONAL (black)	
6	80603019	2	HOLE WARNING DECAL	
7	91003031	1	BOOM ANGLE DECAL (white)	
8	91123035	2	DECAL, STANDARD (white) 534C	
8	91123036	2	DECAL, OPTIONAL (black) 534C	
10	91123037	2	GRADALL DECAL, STANDARD (white)	
10	91123038	2	GRADALL DECAL, OPTIONAL (black)	
11	91033018	2	"6" DECAL, STANDARD (white)	
11	91033218	2	"6" DECAL, OPTIONAL (black)	
12	91143290	1	QUICK SWITCH DECAL	
13	90200445	1	PENDULUM	
14	90200688	1	BEARING	
15	90026491	1	SHOULDER BOLT, 1/4-20	
16	88561108	1	FLAT WASHER, 5/16	

SECTION 11 - MISCELLANEOUS

FIGURE 11-14. BOOM DECALS (534C-6 TURBO) (SN 0488238 to Present)



NOTE: USE 14404645 BOESHIELD PROTECTANT (12 OZ. SPRAY) ON ANY EXPOSED METAL

SECTION 11 - MISCELLANEOUS

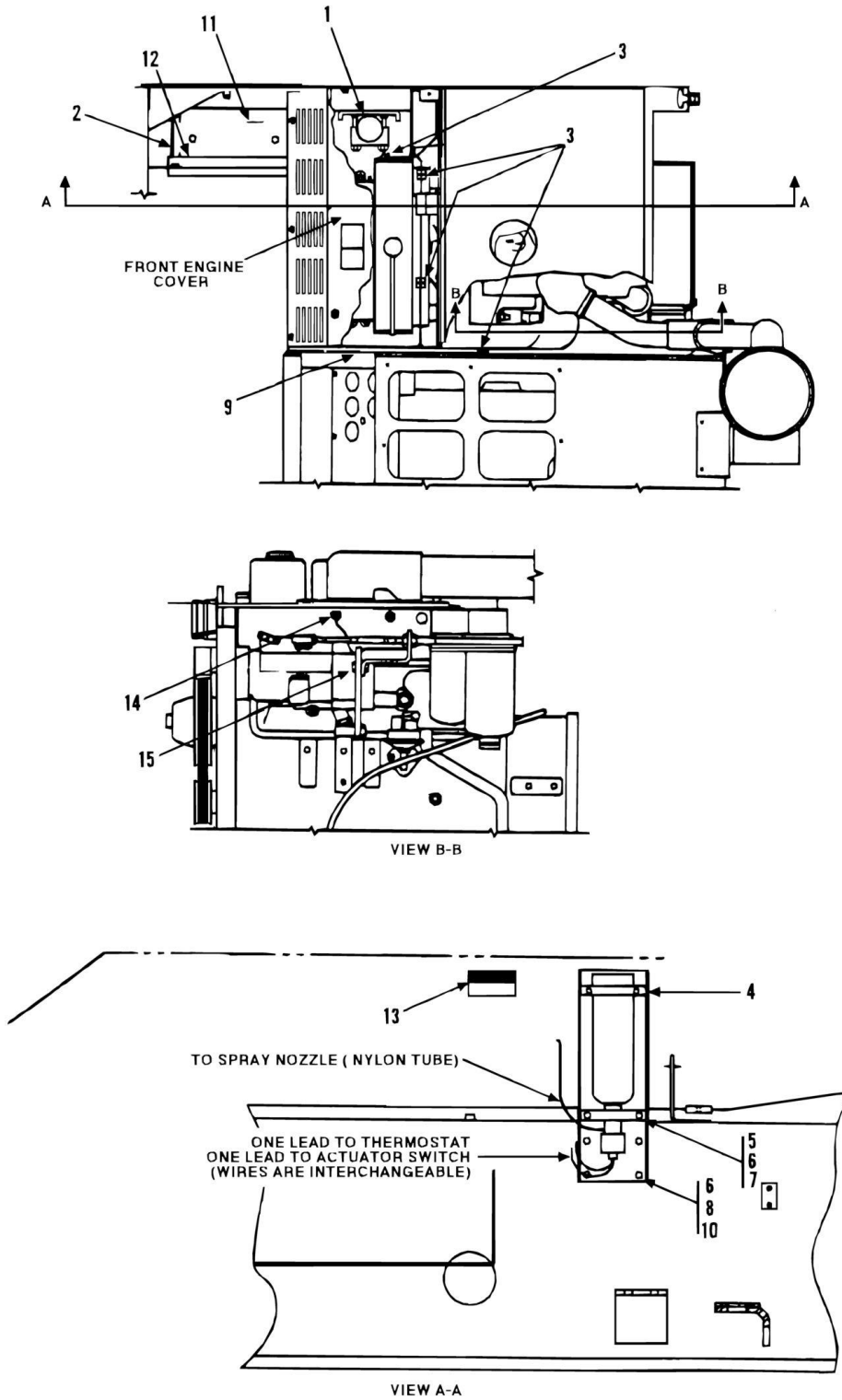
FIGURE 11-14. BOOM DECALS (534C-6 TURBO) (SN 0488238 to Present)

ITEM	PART NUMBER	QTY	DESCRIPTION	REV
	91084283	1	COMMON DECAL KIT - WHITE (includes all items except 11, 18 & 19, on BOOM DECALS, and all standard items on FRAME DECALS, except items 8 thru 11, 13, 14, 15 & 17)	
1	91143290	1	QUICK SWITCH DECAL	
2	91003016	1	"1" DECAL, WHITE (standard)	
2	91043134	1	"1" DECAL, BLACK (optional)	
3	80603019	2	HOLE WARNING DECAL	
4	91003018	1	"2" DECAL, WHITE (standard)	
4	91043135	1	"2" DECAL, BLACK (optional)	
5	91123042	1	"3" DECAL, WHITE (standard)	
5	91123043	1	"3" DECAL, BLACK (optional)	
6	91003020	1	"4" DECAL, WHITE (standard)	
6	91043136	1	"4" DECAL, BLACK (OPTIONAL)	
7	91123044	1	"5" DECAL, WHITE (standard)	
7	91123045	1	"5" DECAL, BLACK (optional)	
8	90200445	1	PENDULUM	
9	90200688	1	BEARING	
10	90026491	1	SHOULDER BOLT, 1/4-20	
11	88561108	1	WASHER, 5/16	
12	91003031	1	BOOM ANGLE DECAL, WHITE, (standard)	
13	91123035	2	DECAL, WHITE (standard) "534C"	
13	91123036	2	DECAL, BLACK (optional) "534C"	
14	91323002	1	L.H. TURBO DECAL, WHITE, (standard)	
14	91323004	1	L.H. TURBO DECAL, BLACK, (optional)	
15	91323003	1	R.H. TURBO DECAL, WHITE, (standard)	
15	91323005	1	R.H. TURBO DECAL, BLACK, (optional)	
16	91123037	2	GRADALL DECAL, WHITE (standard)	
16	91123038	2	GRADALL DECAL, BLACK (optional)	
17	91033018	2	"6" DECAL, WHITE (standard)	
17	91033218	2	"6" DECAL, BLACK (optional)	

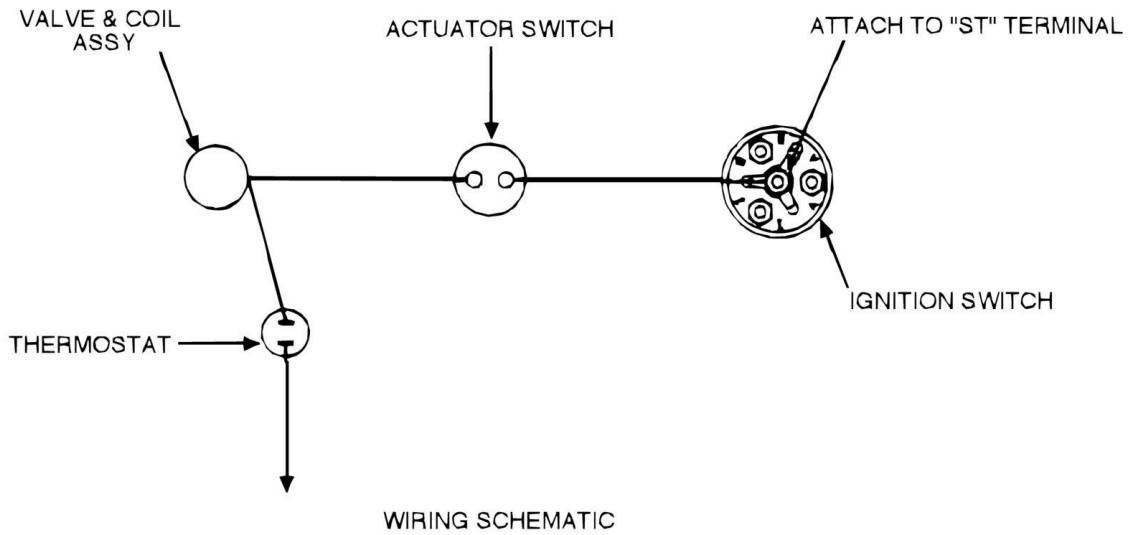
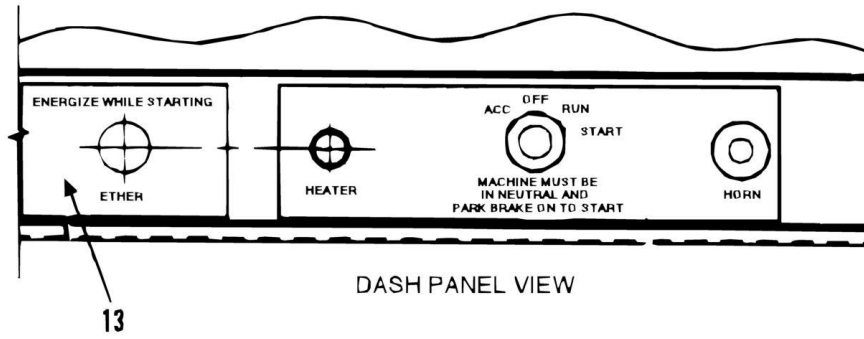
SECTION 12 - OPTIONAL EQUIPMENT

SECTION 12 - OPTIONAL EQUIPMENT

FIGURE 12-1. (91085054) ETHER STARTING KIT



SECTION 12 - OPTIONAL EQUIPMENT



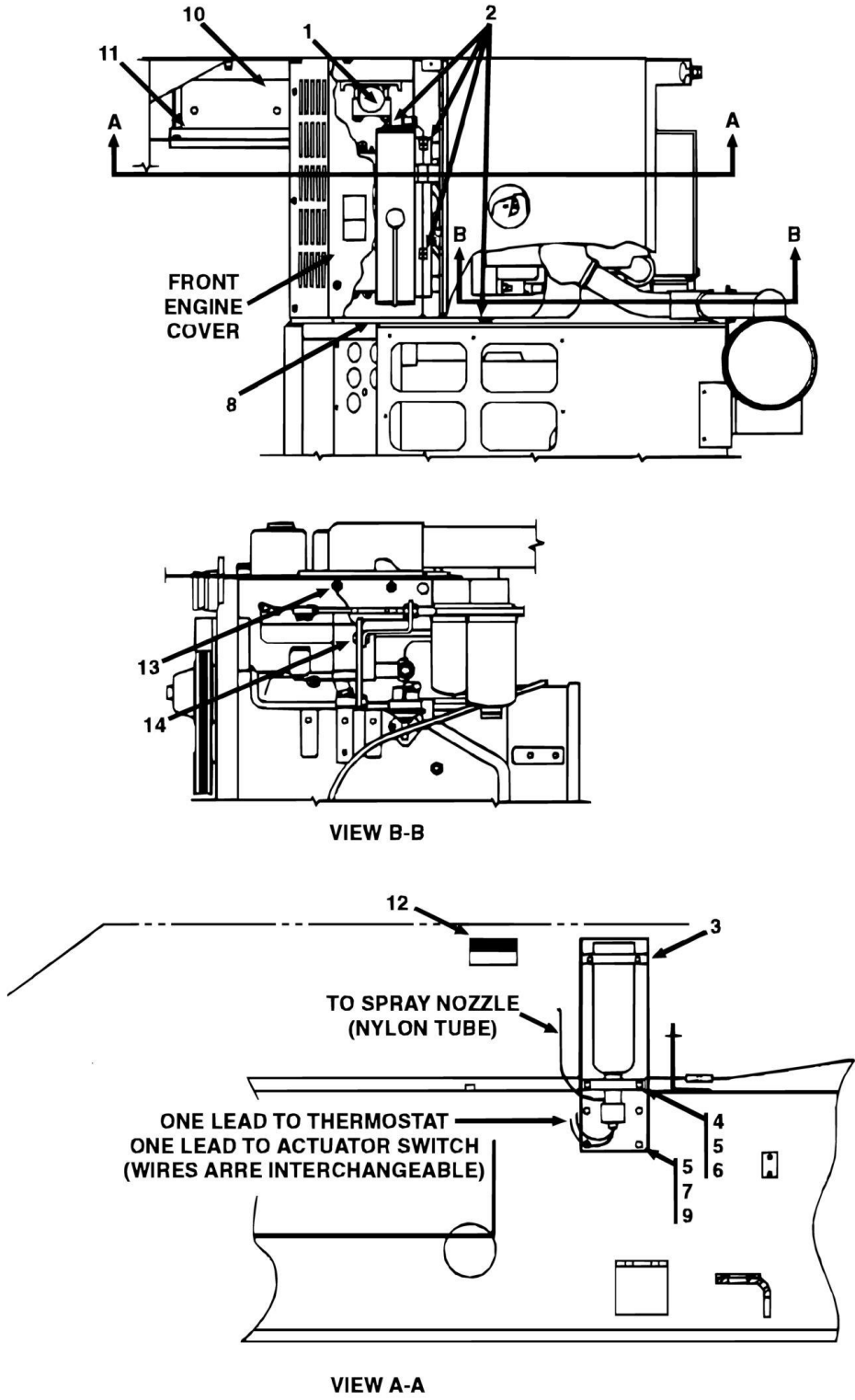
SECTION 12 - OPTIONAL EQUIPMENT

FIGURE 12-1. (91085054) ETHER STARTING KIT

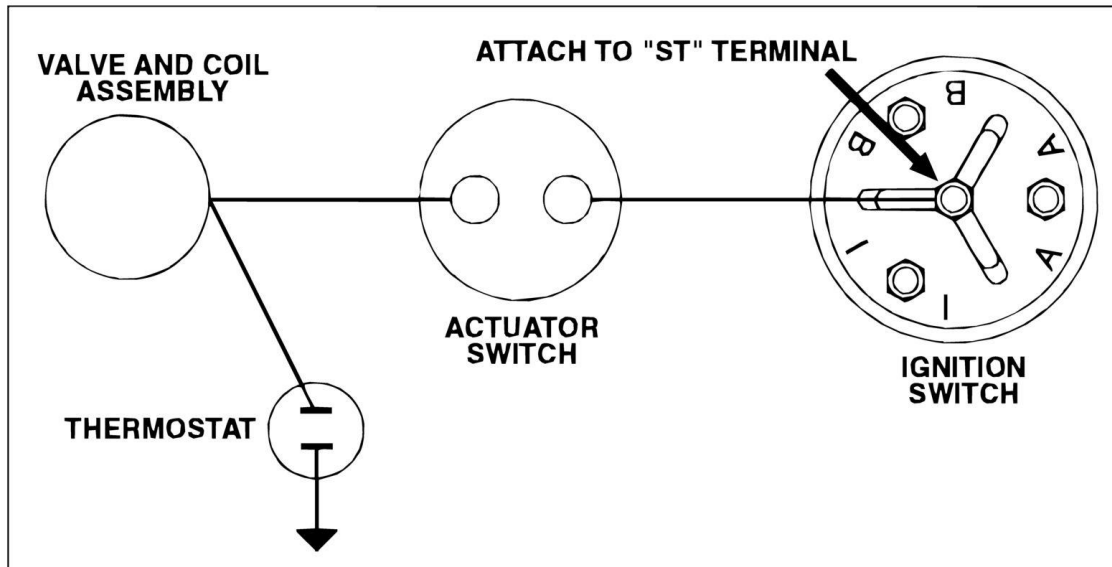
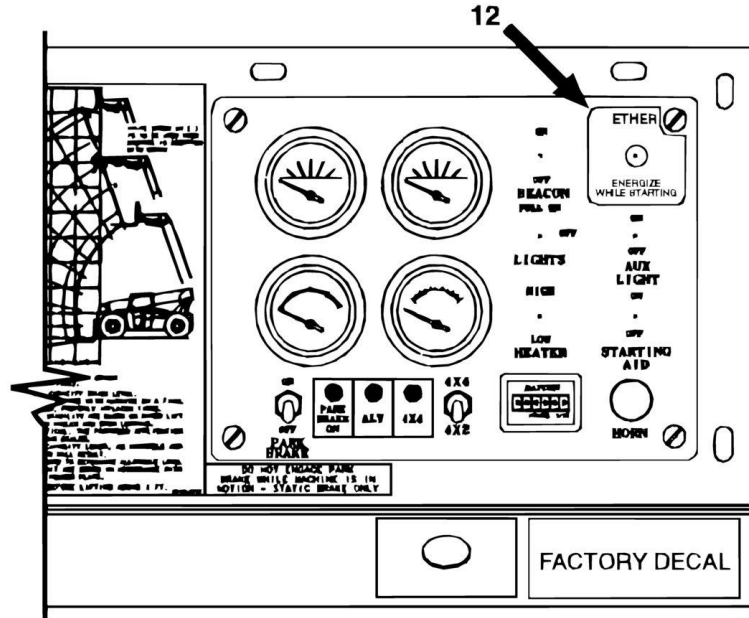
ITEM	PART NUMBER	QTY	DESCRIPTION	REV
	91085054	Ref	ETHER STARTING KIT (includes all items)	
1	91083361	1	QUICK STARTING KIT	
2	91081640	2	HOLD DOWN STUD	
3	90027187	4	TY-RAP	
4	91081601	1	MOUNTING BRACKET	
5	88201005	2	HEX HD CAPSCREW, 1/4-20X1, GR5	
6	88551009	6	LOCKWASHER, 1/4	
7	88501004	2	HEX NUT, 1/4-20	
8	88201002	4	HEX HD CAPSCREW, 1/4-20X5/8, GR5	
9	77163117	1	RUBBER GROMMET	
10	88561107	4	FLAT WASHER, 1/4	
11		Ref	BATTERY (purchase locally)	
12	91081517	1	BATTERY HOLD DOWN	
13	91083363	1	ETHER DECAL	
14	86983195	2	WIRE CONNECTOR	
15	86983202	1	WIRE CONNECTOR	

SECTION 12 - OPTIONAL EQUIPMENT

FIGURE 12-2. (91085105) ETHER STARTING KIT (SN 0288777 to Present)



SECTION 12 - OPTIONAL EQUIPMENT



WIRING SCHEMATIC

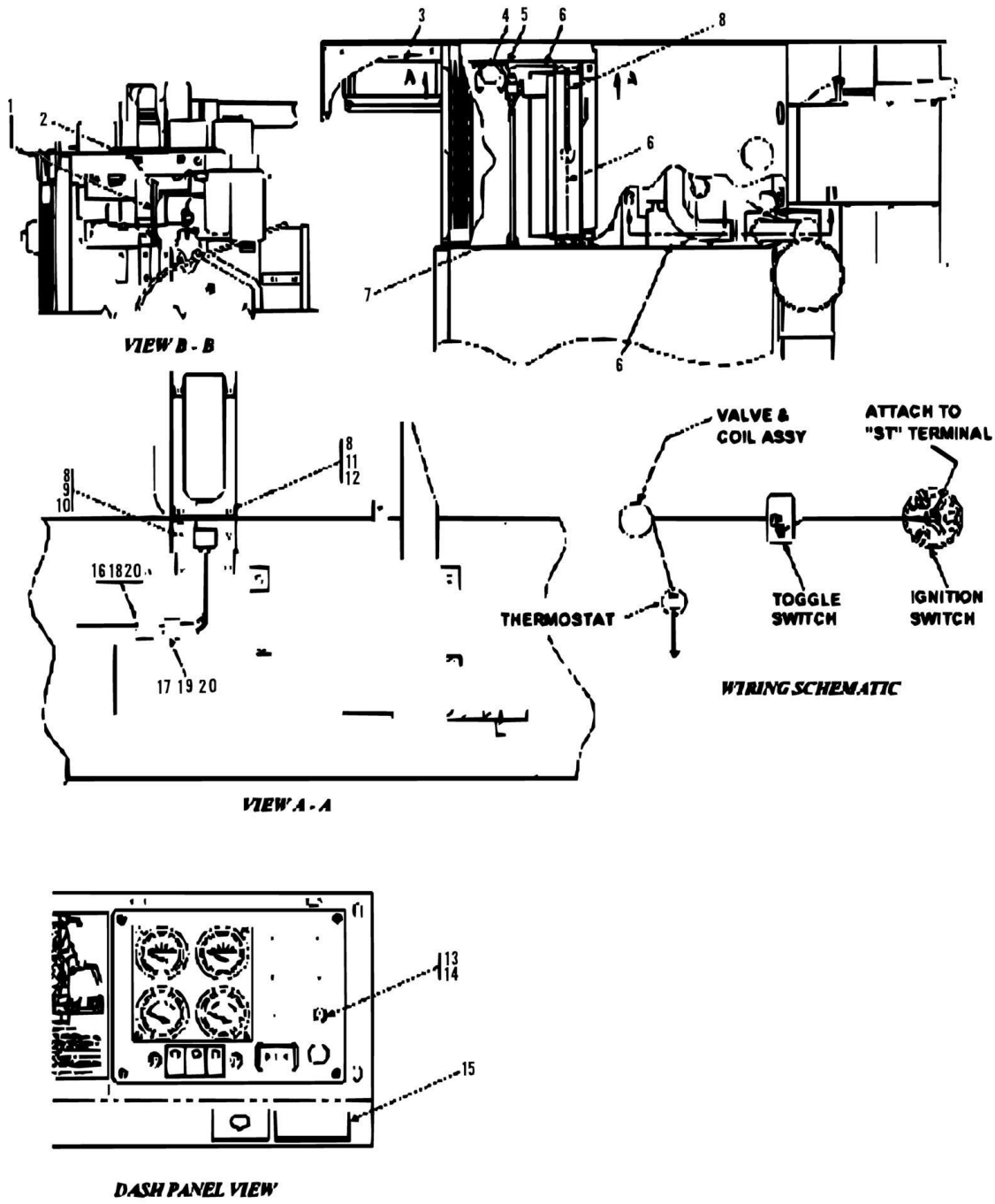
SECTION 12 - OPTIONAL EQUIPMENT

FIGURE 12-2. (91085105) ETHER STARTING KIT (SN 0288777 to Present)

ITEM	PART NUMBER	QTY	DESCRIPTION	REV
	91085105	1	ETHER STARTING KIT (includes all items)	
1	91083361	1	QUICK START KIT	
2	90027187	4	TY-WRAP	
3	91081601	1	MOUNTING BRACKET	
4	88201005	2	HEX HD CAPSCREW, 1/4-20 x 1, GR5	
5	88551009	6	LOCKWASHER, 1/4	
6	88501004	2	HEX NUT, 1/4-20	
7	88201002	4	HEX HD CAPSCREW, 1/4-20 x 5/8, GR5	
8	77163117	1	RUBBER GROMMET	
9	88561107	3	FLAT WASHER, 1/4	
10		Ref	BATTERY (purchase locally)	
11	91081517	1	BATTERY HOLDDOWN	
12	91083489	1	ETHER DECAL	
13	86983195	2	WIRE CONNECTOR	
14	86983202	1	WIRE CONNECTOR	

SECTION 12 - OPTIONAL EQUIPMENT

FIGURE 12-3. (91325003) ETHER START - 534C-6 TURBO (SN 0388043 to Present)



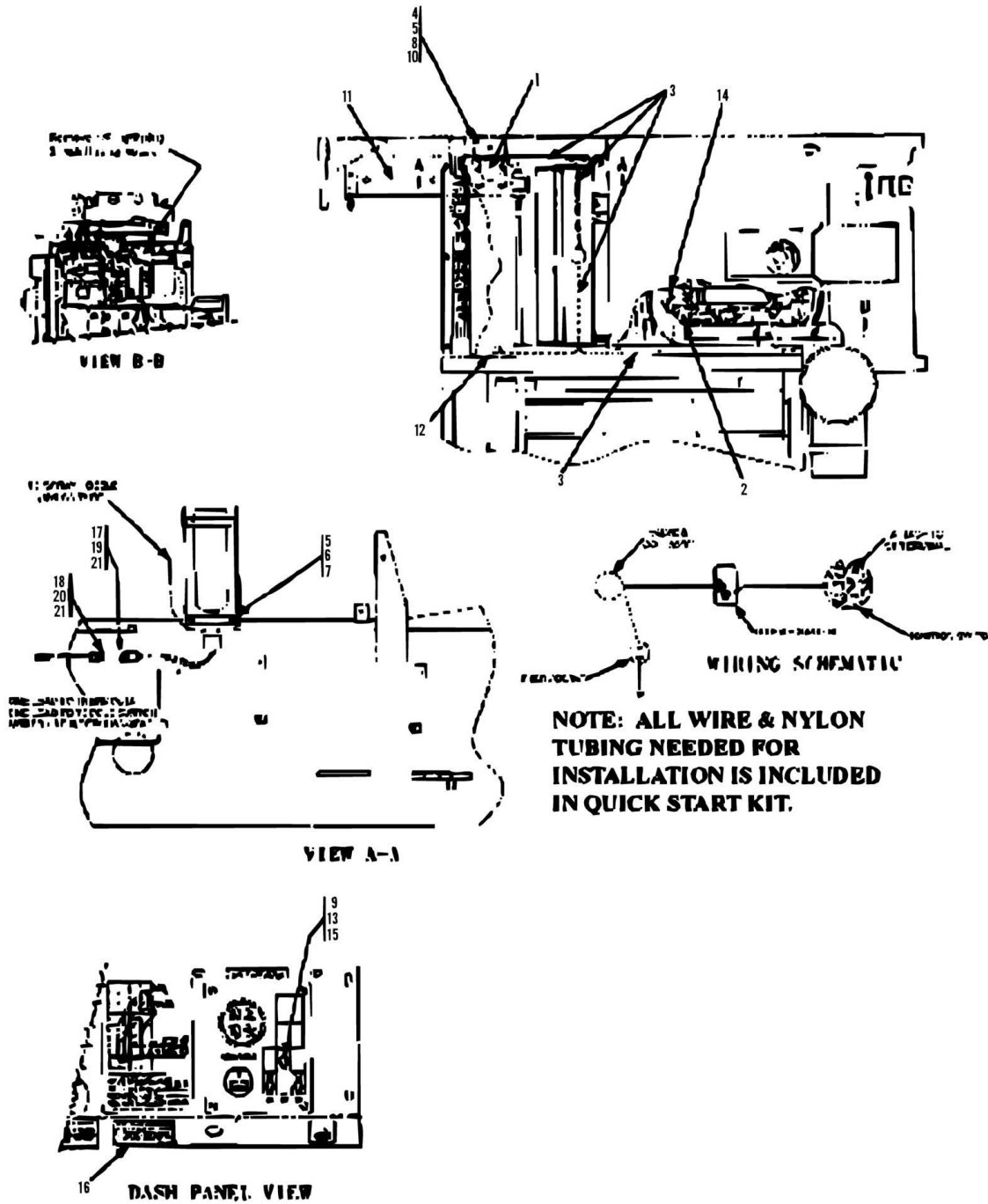
SECTION 12 - OPTIONAL EQUIPMENT

FIGURE 12-3. (91325003) ETHER START - 534C-6 TURBO (SN 0388043 to Present)

ITEM	PART NUMBER	QTY	DESCRIPTION	REV
	91325003	Ref	ETHER START OPTION (includes all items)	
1	86983202	1	WIRE CONNECTOR	
2	86983195	2	WIRE CONNECTOR	
3		Ref	BATTERY (1050 AMP) (purchase locally)	
4	91083361	1	QUICK START KIT	
5	91081601	1	MOUNTING BRACKET	
6	90027187	4	TY-RAP	
7	77163117	1	RUBBER GROMMET	
8	88551009	6	LOCKWASHER, 1/4	
9	88201002	4	HEX HD CAPSCREW, 1/4-20X5/8	
10	88561107	4	WASHER, 1/4	
11	88201005	2	HEX HD CAPSCREW, 1/4-20X1, GR5	
12	88501004	2	HEX NUT, 1/4-20	
13	91143163	1	TOGGLE SWITCH	
14	77383470	1	BOOT	
15	91143202	1	INSTRUCTION DECAL	
16	80963058	1	SHROUD CONNECTOR, 2-WAY	
18	80963069	2	MAIL PIN TERMINAL	
19	80963068	2	FEMALE PIN TERMINAL	
20	80963065	2	CABLE SEAL	

SECTION 12 - OPTIONAL EQUIPMENT

FIGURE 12-4. (91325034) ETHER START (SN 0488238 to Present)



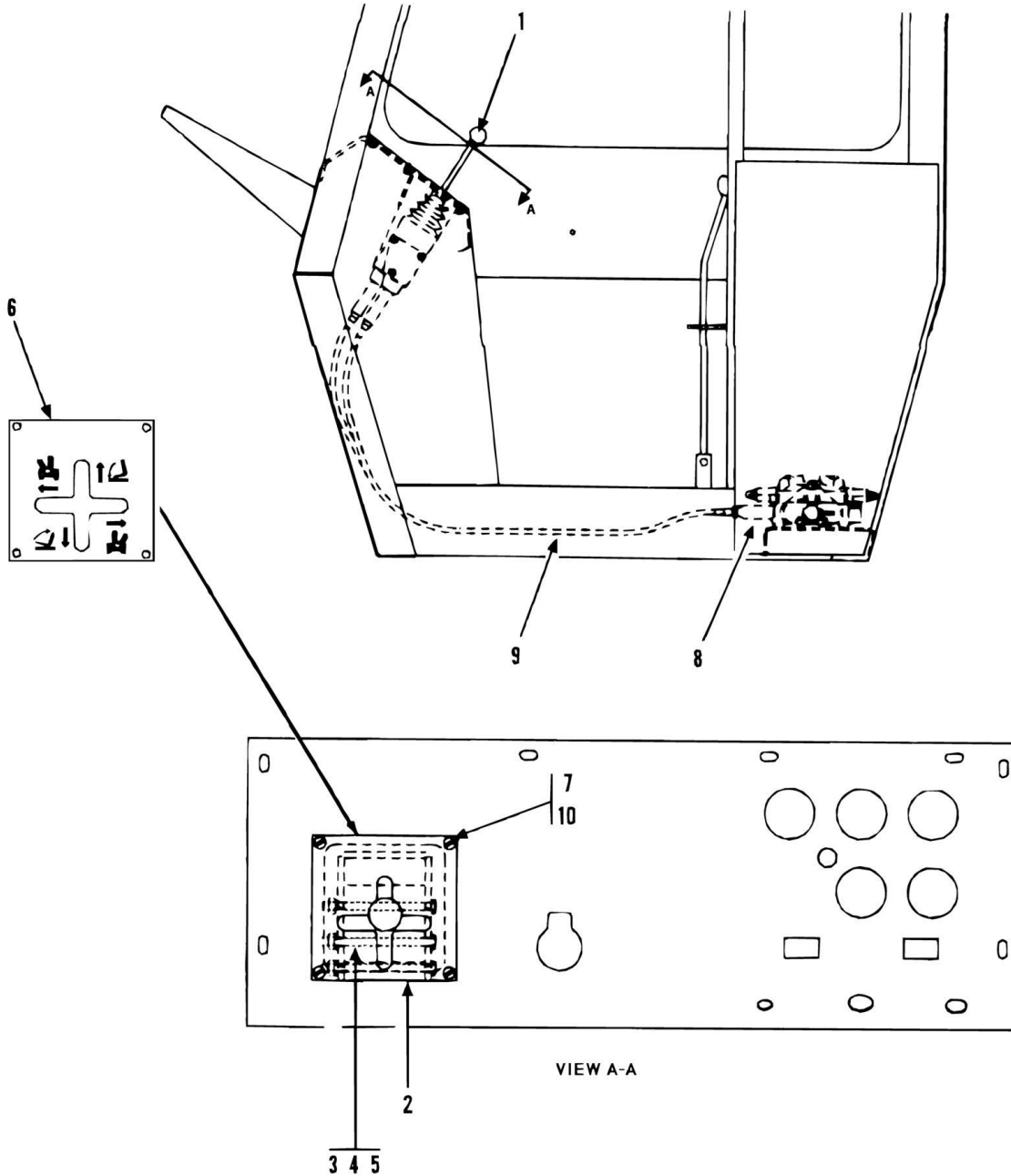
SECTION 12 - OPTIONAL EQUIPMENT

FIGURE 12-4. (91325034) ETHER START (SN 0488238 to Present)

ITEM	PART NUMBER	QTY	DESCRIPTION	REV
	91325034	Ref	ETHER START OPTION (includes all items)	
1	91143362	1	QUICK START KIT	
2	86983202	1	WIRE CONNECTOR	
3	90027187	4	TY-RAP	
4	91321017	1	MOUNTING BRACKET	
5	88201005	2	HEX HD CAPSCREW 1/4-20X1, GR5	
6	88551009	5	LOCKWASHER, 1/4	
7	88501004	2	HEX NUT, 1/4-20	
8	88201002	3	HEX HD CAPSCREW, 1/4-20X5/8, GR5	
9	91123176	1	START AID DECAL	
10	88561107	3	FLAT WASHER, 1/4	
11		Ref	BATTERY (1050 AMP) (purchase locally)	
12	77163117	1	RUBBER GROMMET	
13	77383467	1	TOGGLE SWITCH, SPST	
14	83191038	1	HEX HD CAPSCREW, M10X1.5X20	
15	77383470	1	BOOT	
16	91143202	1	INSTRUCTION DECAL	
17	80963058	1	2-WAY SHROUD CONNECTOR	
19	80963069	2	MALE PIN TERMINAL	
20	80963068	2	FEMALE PIN TERMINAL	
21	80963065	4	CABLE SEAL	

SECTION 12 - OPTIONAL EQUIPMENT

FIGURE 12-5. (91085046) L.H. TILT/ SWAY CONTROL



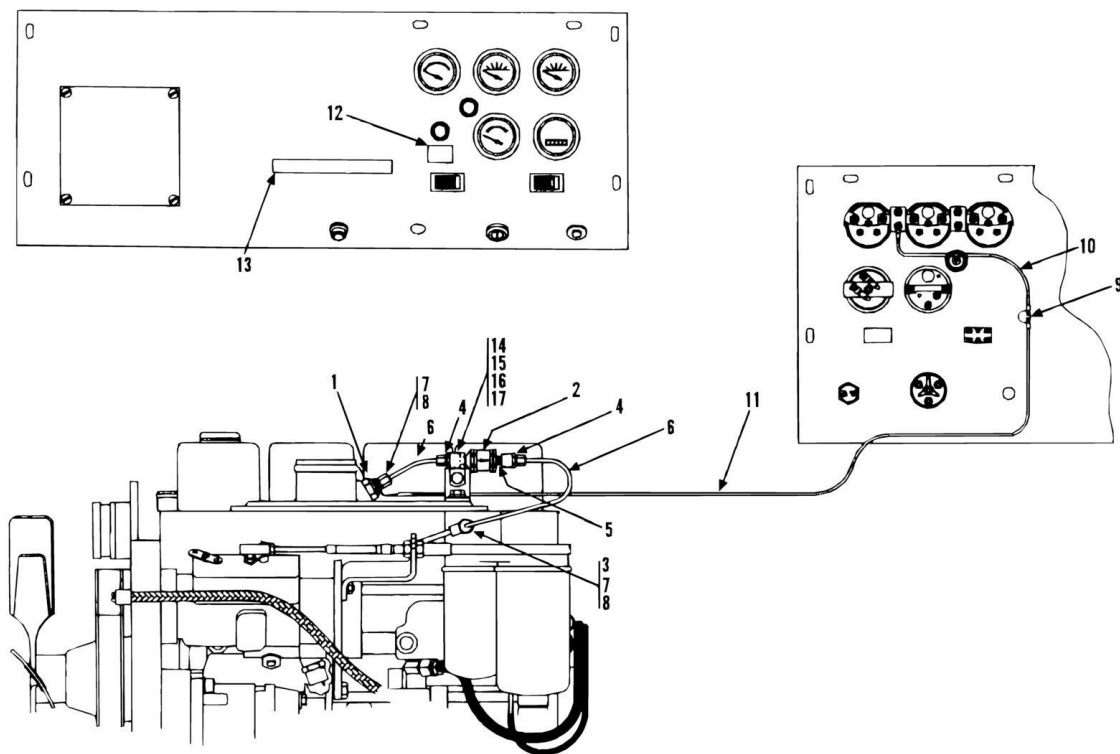
SECTION 12 - OPTIONAL EQUIPMENT

FIGURE 12-5. (91085046) L.H. TILT/ SWAY CONTROL

ITEM	PART NUMBER	QTY	DESCRIPTION	REV
	91085046	Ref	L.H. TILT/SWAY CONTROL LEVER ASSY (includes all items except four of item 4, & items 7 & 10)	
1	91083107	1	REMOTE VALVE CONTROL	
	91084282	1	KNOB	
	91084359	1	BOOT	
2	91086089	1	BRACKET	
3	11002410	3	HEX HD CAPSCREW, 1/4-28X4-1/2, GR5	
4	88551009	7	LOCKWASHER, 1/4	
6	91083341	1	TILT/SWAY CONTROL PLATE	
7	88301141	4	ROUND HD MACHINE SCREW, 5/16-18X3/4	
8	91123062	2	CABLE ADAPTER	
9	91083393	2	CONTROL CABLE	
10	88551010	4	LOCKWASHER,5/16	

SECTION 12 - OPTIONAL EQUIPMENT

FIGURE 12-6. (91085059) GLOW PLUG INSTALLATION



SECTION 12 - OPTIONAL EQUIPMENT

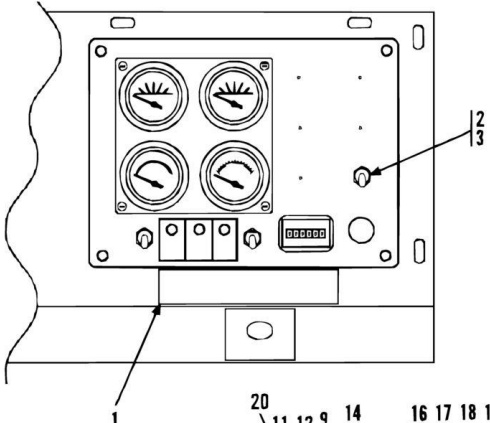
FIGURE 12-6. (91085059) GLOW PLUG INSTALLATION

ITEM	PART NUMBER	QTY	DESCRIPTION	REV
	91085059	Ref	GLOW PLUG INSTALLATION (includes all items)	
1	91083372	1	THERMOSTART	
2	86683330	1	FUEL CHECK VALVE	
3	91083374	1	BANJO CONNECTOR	
4	91083380	2	BRASS ADAPTER	
5	88701002	1	CLOSE NIPPLE, 1/4X7/8	
6	91081676	1	STEEL TUBE, 3/16IN O.D.	
7	91083375	2	OLIVE	
8	91083371	2	TUBE NUT	
9	24771004	1	PUSH BUTTON SWITCH	
10	91031495	1	JUMPER WIRE	
11	91031278	1	JUMPER WIRE	
12	91033251	1	BUTTON DECAL	
13	91033252	1	INSTRUCTION DECAL	
14	91081582	1	SUPPORT BRACKET	
15	24861170	1	CLIP	
16	88201016	1	HEX HD CAPSCREW, 5/16-18x1/2, GR5	
17	88551010	1	LOCKWASHER, 5/16	

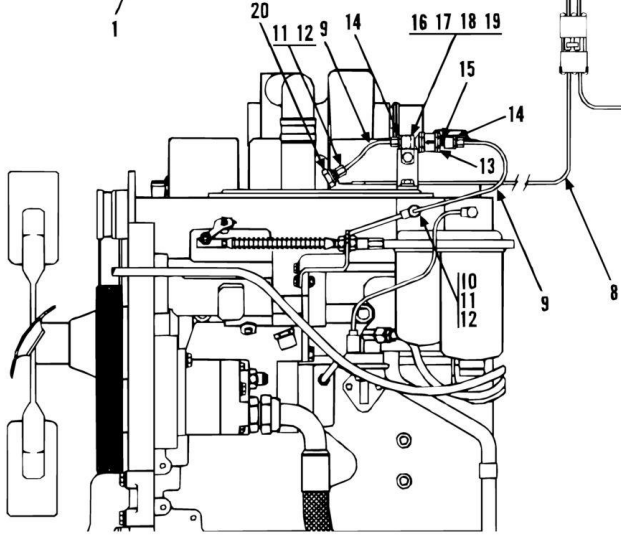
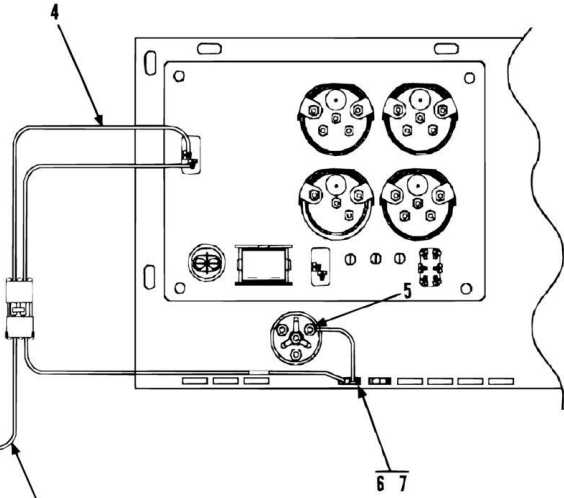
SECTION 12 - OPTIONAL EQUIPMENT

FIGURE 12-7. (91145033) GLOW PLUG INSTALLATION (SN 0288777 to Present)

PARTIAL VIEW FROM ABOVE DASH



PARTIAL VIEW FROM UNDER DASH



PARTIAL VIEW - ENGINE LEFT SIDE

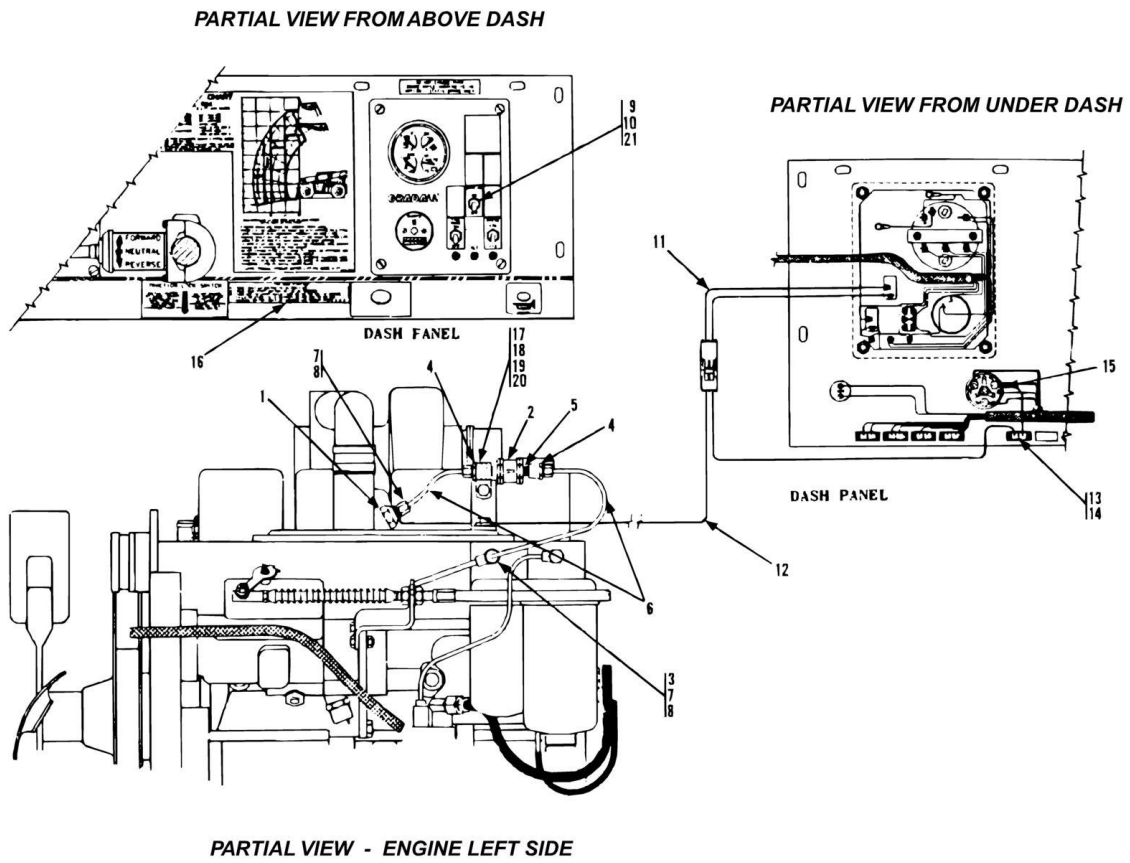
SECTION 12 - OPTIONAL EQUIPMENT

FIGURE 12-7. (91145033) GLOW PLUG INSTALLATION (SN 0288777 to Present)

ITEM	PART NUMBER	QTY	DESCRIPTION	REV
	91145033	1	GLOW PLUG INSTALLATION (includes all items)	
1	91143164	1	INSTRUCTION DECAL	
2	91143163	1	TOGGLE SWITCH	
3	77383470	1	BOOT	
4	91145034	1	WIRING HARNESS	
5	86983190	1	#10 EYELET	
6	91143108	1	FUSE HOLDER	
7	77363268	1	15 AMP FUSE	
8	91145035	1	WIRING HARNESS	
9	91081676	1	STEEL TUBE (cut and bend as req'd.)	
10	91083374	1	BANJO CONNECTOR	
11	91083375	2	OLIVE	
12	91083371	2	TUBE NUT	
13	86683330	1	FUEL CHECK VALVE	
14	91083380	2	BRASS ADAPTER (includes nut and sleeve)	
15	88701002	1	CLOSE NIPPLE	
16	91081582	1	SUPPORT BRACKET	
17	24861170	1	CLIP	
18	88201016	1	HEX HD CAPSCREW, 5/16-18 X 1/2, GR5	
19	88551010	1	LOCKWASHER, 5/16	
20	91083372	1	THERMOSTART	

SECTION 12 - OPTIONAL EQUIPMENT

FIGURE 12-8. (91125101) GLOW PLUG INSTALLATION (SN 0488238 to Present)



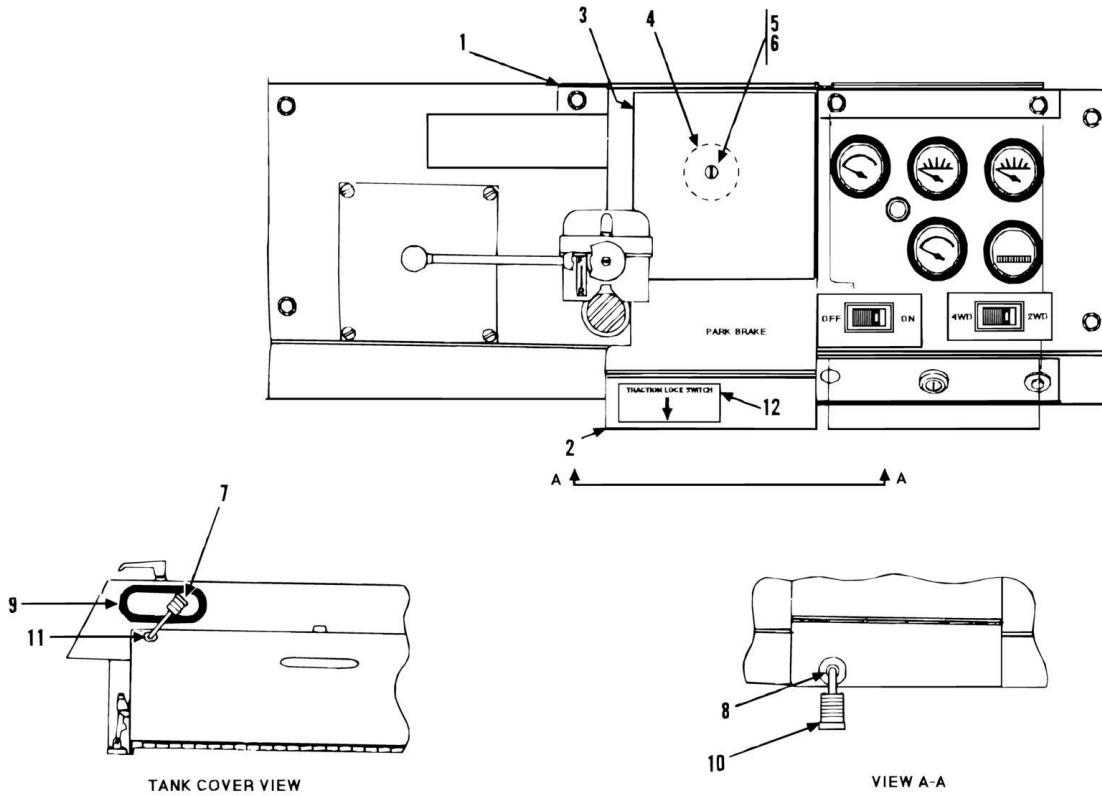
SECTION 12 - OPTIONAL EQUIPMENT

FIGURE 12-8. (91125101) GLOW PLUG INSTALLATION (SN 0488238 to Present)

ITEM	PART NUMBER	QTY	DESCRIPTION	REV
	91125101	1	GLOW PLUG INSTALLATION (includes all items)	
1	91083372	1	THERMOSTART	
2	86683330	1	FUEL CHECK VALVE	
3	91083374	1	BANJO CONNECTOR	
4	91083380	2	BRASS ADAPTER (includes nut and sleeve)	
5	88701002	1	CLOSE NIPPLE	
6	91081676	1	STEEL TUBE	
7	91083375	2	OLIVE	
8	91083371	2	TUBE NUT	
9	91143136	1	TOGGLE SWITCH	
10	77383470	1	BOOT	
11	91145034	1	WIRING HARNESS	
12	91145035	1	WIRING HARNESS	
13	91143108	1	FUSE HOLDER	
14	77363268	1	15 AMP FUSE	
15	86983190	1	#10 EYELET	
16	91143164	1	INSTRUCTION DECAL	
17	91081582	1	SUPPORT BRACKET	
18	24861170	1	CLIP	
19	88201016	1	HEX HD CAPSCREW, 5/16-18x1/2, GR5	
20	88551010	1	LOCKWASHER, 5/16	
21	91123176	1	START AID DECAL	

SECTION 12 - OPTIONAL EQUIPMENT

FIGURE 12-9. (91125016) VANDAL COVER



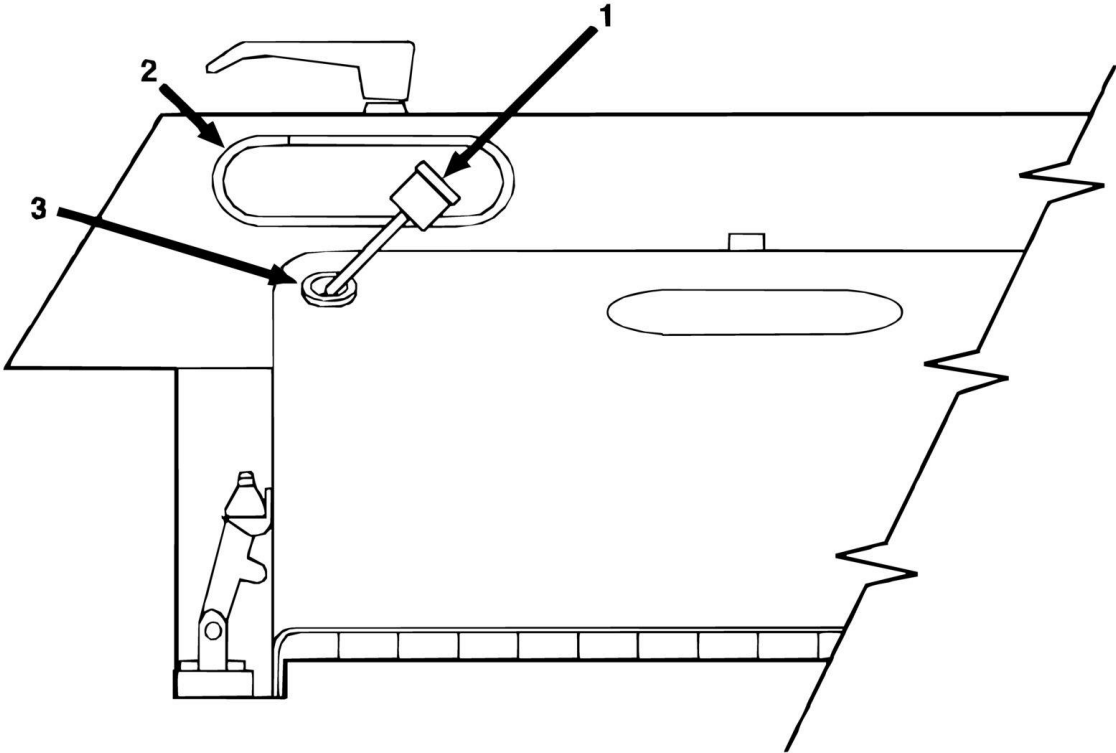
SECTION 12 - OPTIONAL EQUIPMENT

FIGURE 12-9. (91125016) VANDAL COVER

ITEM	PART NUMBER	QTY	DESCRIPTION	REV
	91125016	Ref	VANDAL COVER OPTION (includes all items)	
1	91081603	1	MOUNTING BRACKET	
2	91081602	1	COVER	
3	91123039	1	CAPACITY DECAL	
4	91083366	1	VIBRATION MOUNT	
5	88301126	1	ROUND HD MACHINE SCREW, 1/4-20X3/4	
6	88521304	1	HEX LOCKNUT, 1/4-20	
7	91083365	1	PADLOCK	
8	83641359	2	RUBBER GROMMET	
9	90206194	12 in	TRIM LOCK	
10	85641094	1	PADLOCK	
11	86961044	3	RUBBER GROMMET	
12	91083314	1	TRACTION DECAL	

SECTION 12 - OPTIONAL EQUIPMENT

FIGURE 12-10. (91085102) VANDAL KIT (SN 0288777 to Present)



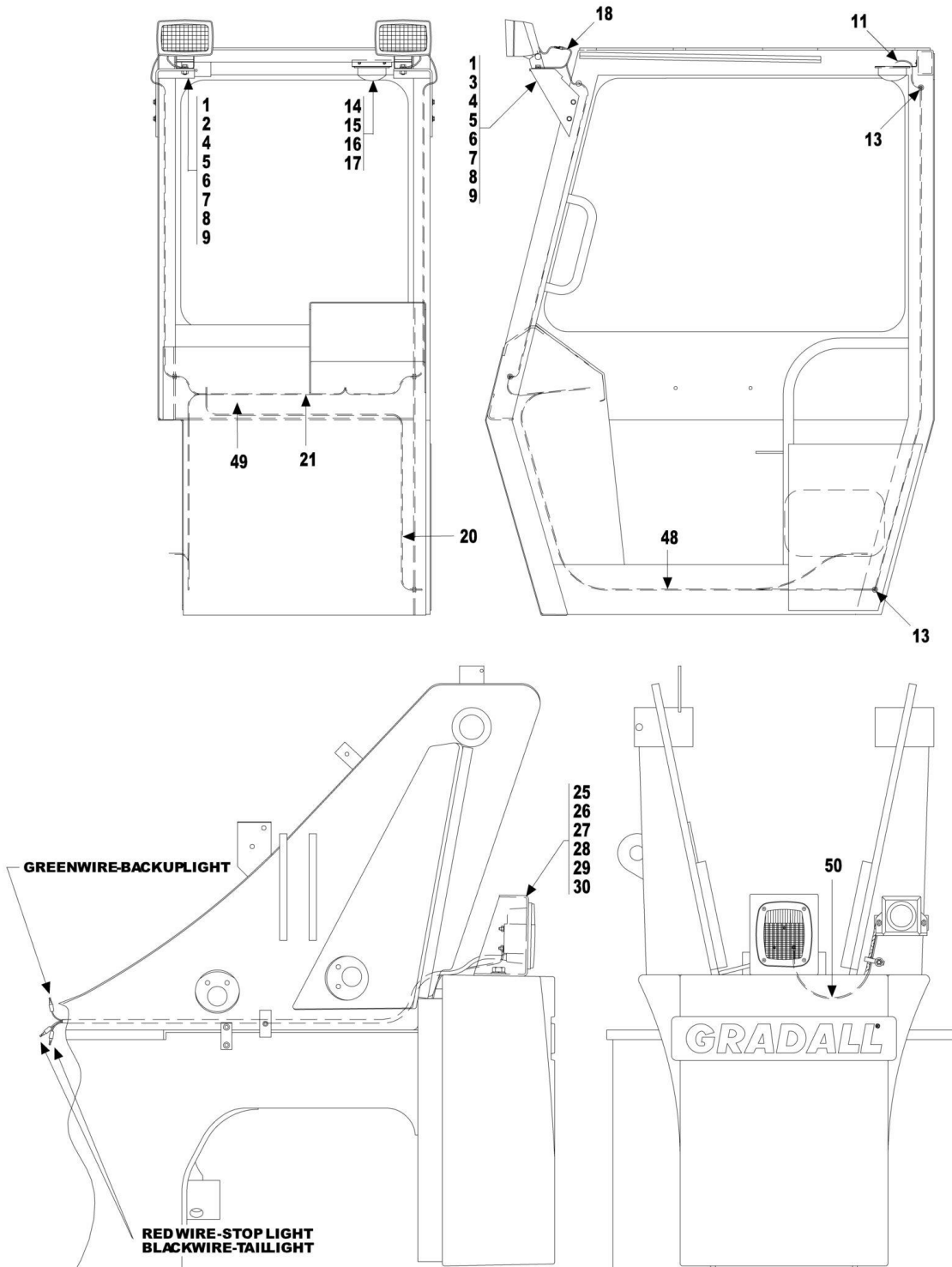
SECTION 12 - OPTIONAL EQUIPMENT

FIGURE 12-10. (91085102) VANDAL KIT (SN 0288777 to Present)

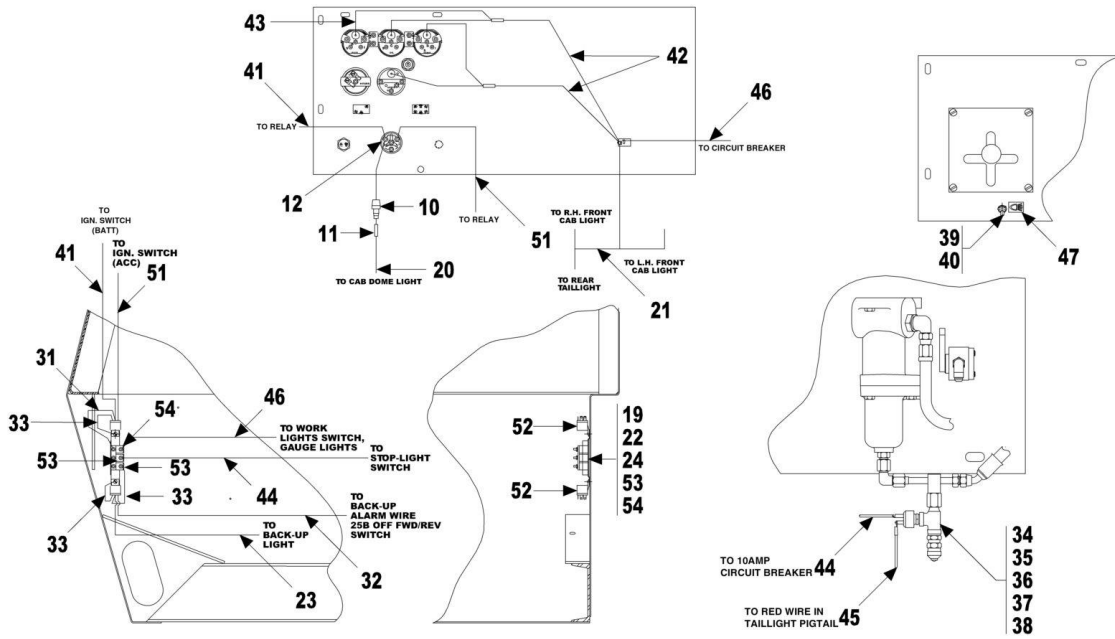
ITEM	PART NUMBER	QTY	DESCRIPTION	REV
	91085102	1	VANDAL KIT (includes all items)	
1	91083365	1	PADLOCK	
2	90206194	12 in	TRIM-LOK	
3	86961044	3	RUBBER GROMMET	

SECTION 12 - OPTIONAL EQUIPMENT

FIGURE 12-11. (91125018) WORK LIGHT PACKAGE



SECTION 12 - OPTIONAL EQUIPMENT



SECTION 12 - OPTIONAL EQUIPMENT

FIGURE 12-11. (91125018) WORK LIGHT PACKAGE

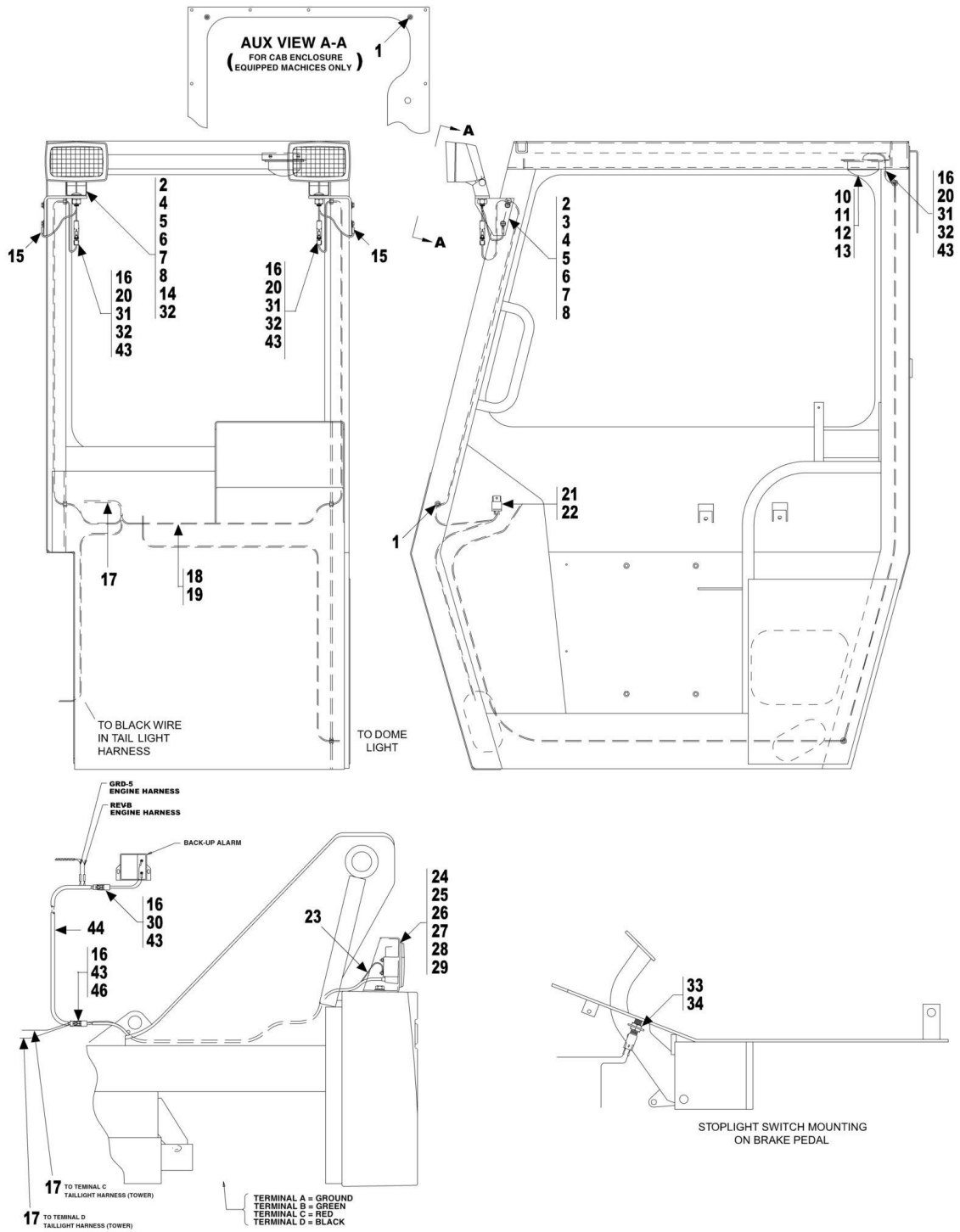
ITEM	PART NUMBER	QTY	DESCRIPTION	REV
	91125018	1	WORK LIGHT PACKAGE,(includes all items)	
1	91125110	2	HALOGEN WORKLIGHT KIT, (includes the following two items)	
1	80963050	1	UTILITY FLOOD LIGHT	
1	90028960	2	MALE TERMINAL	
2	91121148	1	R.H. LIGHT SUPPORT	
3	91121149	1	L.H. LIGHT SUPPORT	
4	91121150	2	JUMPER WIRE	
5	88201035	2	HEX HD CAPSCREW, 3/8-16X1, GR5	
6	88561109	2	FLATWASHER,3/8	
7	88551011	2	LOCKWASHER, 3/8	
8	88501006	2	HEX NUT, 3/8-16	
9	90027319	4	SELF TAPPING SCREW	
10	90203376	1	IN LINE FUSE	
11	86683480	2	BUTT CONNECTOR	
12	86983188	1	EYELET	
13	90027214	6	RUBBER GROMMET	
14	91011009	1	MOUNTING BRACKET	
15	90029955	1	RUBBER GROMMET	
16	88321022	2	SELF TAPPING SCREW, #8-32X3/8	
17	24861167	1	INTERIOR LIGHT	
18	77163102	2	SLIP-ON ELECTRICAL CONNECTOR	
19	88321039	2	SELF TAPPING SCREW, 10-32X1/2	
20	91121151	1	JUMPER WIRE	
21	91123066	1	LIGHT HARNESS	
22	86981178	1	BUSS BAR	
23	91121193	1	JUMPER WIRE	
24	77363191	1	CIRCUIT BREAKER BRACKET	
25	91121145	1	TAIL LIGHT HOUSING	
26	91121146	1	TAIL LIGHT BRACKET	
27	91365045	1	TAIL LIGHT ASSEMBLY, (includes the following seven items)	
27	91123065	1	TAIL LIGHT	
27	86661147	38 in	WIRE, 16 GAUGE, (black)	
27	86661149	38 in	WIRE, 16 GAUGE, (green)	
27	86661152	38 in	WIRE, 16 GAUGE, (red)	
27	86683480	3	BUTT CONNECTOR	
27	82033996	45 in	WIRE LOOM	
27	86683122	2	TIE WRAP	
28	88201108	1	HEX HD CAPSCREW, 3/4-10X1-1/4, GR5	
29	88561115	1	FLATWASHER,3/4	
30	88551016	1	LOCKWASHER, 3/4	
31	91121188	1	JUMPER WIRE	
32	91121192	1	JUMPER WIRE	
33	91121191	3	JUMPER WIRE	
34	86561326	1	ADAPTER,3/8 TUBEX 1/4 PIPE	
35	91033032	1	TEST COUPLING	
36	88712232	1	STREET TEE	
37	88711380	1	REDUCING BUSHING,1/4X1/8	
38	83663097	1	STOPLIGHT SWITCH	
39	77383467	1	LIGHT SWITCH	
40	77383470	1	BOOT	

SECTION 12 - OPTIONAL EQUIPMENT

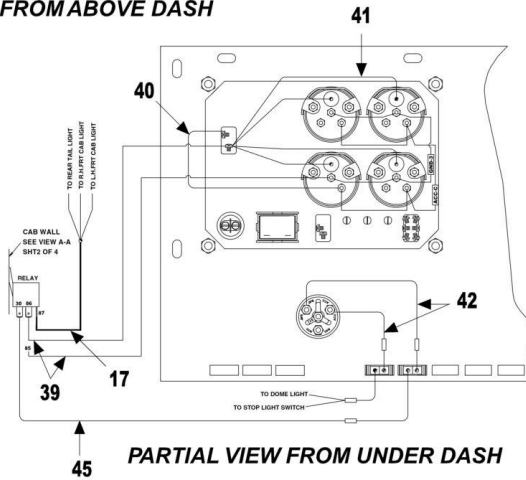
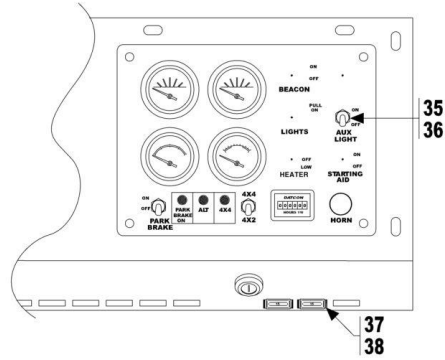
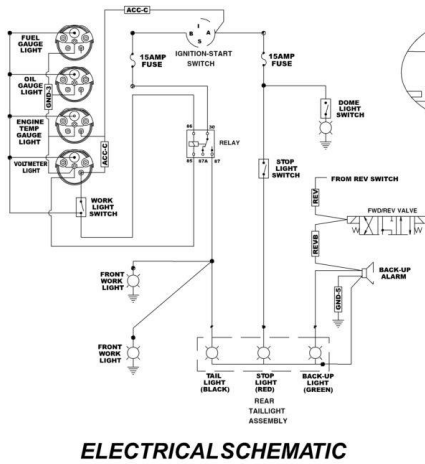
ITEM	PART NUMBER	QTY	DESCRIPTION	REV
41	91121186	1	JUMPER WIRE	
42	91121152	2	JUMPER WIRE	
43	91033360	4	GAUGE LIGHTING KIT	
44	91121190	1	JUMPER WIRE	
45	91121154	1	JUMPER WIRE	
46	91121189	1	JUMPER WIRE	
47	91003055	1	LIGHTS DECAL	
48	86683122	18	TIE WRAP, (use as needed to tie wires to hoses under floor and in frame)	
49	91053419	13	TIE WRAP, (use as needed to tie wires up under dash)	
50	91121181	1	JUMPER WIRE	
51	91121187	1	JUMPER WIRE	
52	77383410	2	RELAY	
53	86883071	2	CIRCUIT BREAKER,10 AMP	
54	86983041	1	CIRCUIT BREAKER,20 AMP	

SECTION 12 - OPTIONAL EQUIPMENT

FIGURE 12-12. (91145021) WORK LIGHT PACKAGE (SN 0288777 to Present)



SECTION 12 - OPTIONAL EQUIPMENT



SECTION 12 - OPTIONAL EQUIPMENT

FIGURE 12-12. (91145021) WORK LIGHT PACKAGE (SN 0288777 to Present)

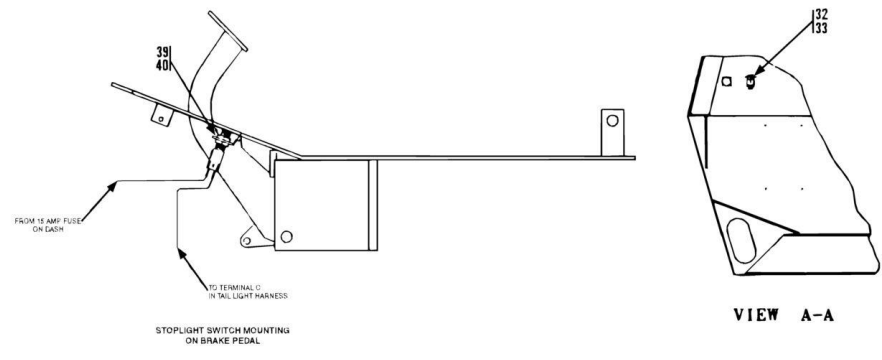
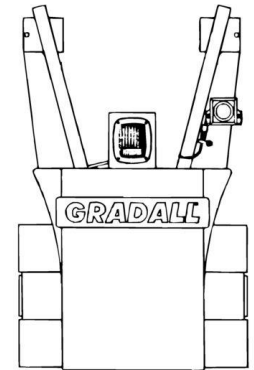
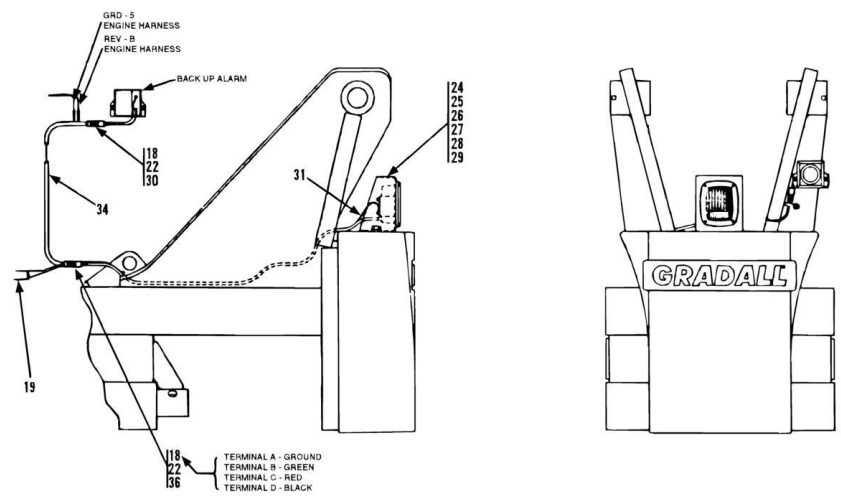
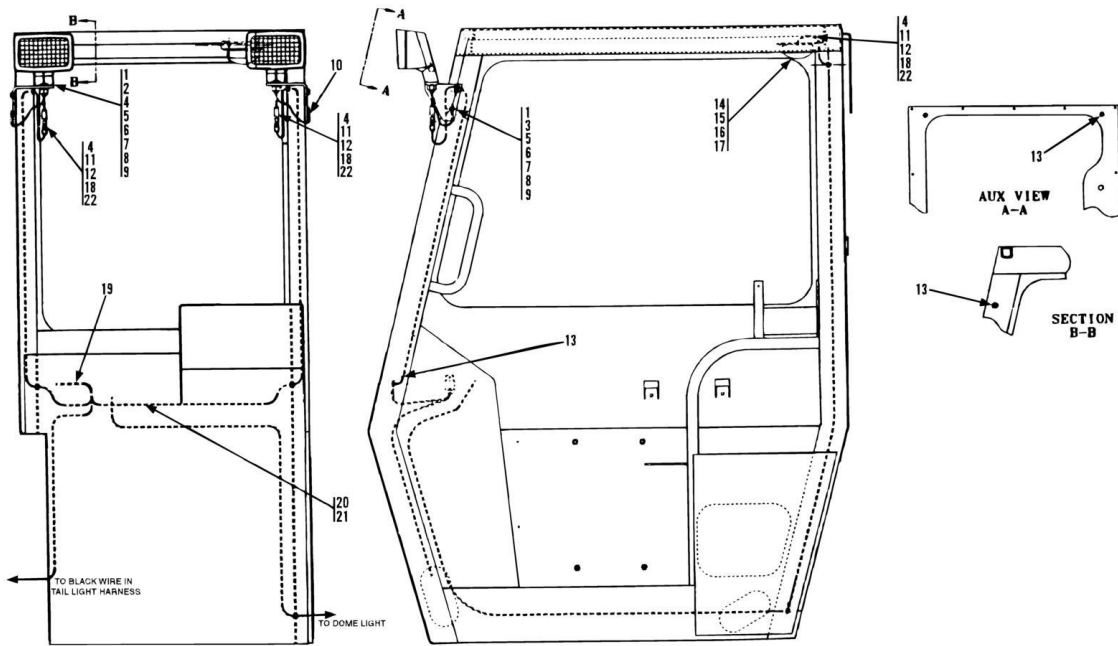
ITEM	PART NUMBER	QTY	DESCRIPTION	REV
	91145021	1	WORK LIGHT PACKAGE,(includes all items)	
1	90027214	8	RUBBER GROMMET	
2	80963050	2	UTILITY FLOOD LIGHT	
3	91141183	1	L.H. LIGHT SUPPORT	
4	88201035	2	HEX HD CAPSCREW, 3/8-16X1, GR5	
5	88561109	2	FLATWASHER,3/8	
6	88551011	2	LOCKWASHER, 3/8	
7	88501006	2	HEX NUT,3/8-16	
8	90027319	4	TAP SCREW,1/4-20X1	
9	Bulk	AR	WIRE LOOM, (use on all wires)	
10	91011009	1	MOUNTING BRACKET	
11	90029955	1	RUBBER GROMMET	
12	88321022	2	SELF TAPPING SCREW, #8-32X3/8	
13	24861167	1	INTERIOR LIGHT	
14	91141182	1	R.H. LIGHT SUPPORT	
15	86883260	2	EYELET	
16	80963069	9	W. PACK CONNECTOR,(male pin)	
17	91143270	1	LIGHT HARNESS	
18	91053419	19	TIE WRAP	
19	86683122	6	TIE WRAP	
20	80963068	3	W. PACK CONNECTOR, (female pin)	
21	77383410	1	RELAY, (located onsidewall of cab)	
22	88321039	1	SELF TAPPING SCREW, #10-32X1/2	
23	91141364	1	JUMPER WIRE	
24	88201108	1	HEX HD CAPSCREW, 3/4-10X1-1/4, GR5	
25	88561115	1	FLATWASHER,3/4	
26	88551016	1	LOCKWASHER, 3/4	
27	91121145	1	TAIL LIGHT HOUSING	
28	91121146	1	TAIL LIGHT BRACKET	
29	91365045	1	TAIL LIGHT ASSEMBLY,(includes the following seven items)	
29	91123065	1	TAIL LIGHT	
29	86661147	38 in	WIRE, 16 GAUGE, (black)	
29	86661149	38 in	WIRE, 16 GAUGE, (green)	
29	86661152	38 in	WIRE, 16 GAUGE, (red)	
29	86683480	3	BUTT CONNECTOR	
29	82033996	45 in	WIRE LOOM	
29	86683122	2	TIE WRAP	
30	80963058	1	W. PACK CONNECTOR, (shroud)	
31	80963056	3	W. PACK CONNECTOR, (shroud)	
32	80963055	3	W. PACK CONNECTOR, (tower)	
33	91143117	1	STOP LIGHT SWITCH	
34	91141197	1	MOUNTING TAB	
35	77383467	1	LIGHT SWITCH	
36	77383470	1	BOOT	
37	91143108	2	FUSE HOLDER	
38	77363268	2	FUSE, 15AMP	
39	91141265	2	JUMPER WIRE	
40	91141258	1	JUMPER WIRE	
41	91033360	4	GAUGE LIGHTING KIT	
42	91141259	7	JUMPER WIRE	

SECTION 12 - OPTIONAL EQUIPMENT

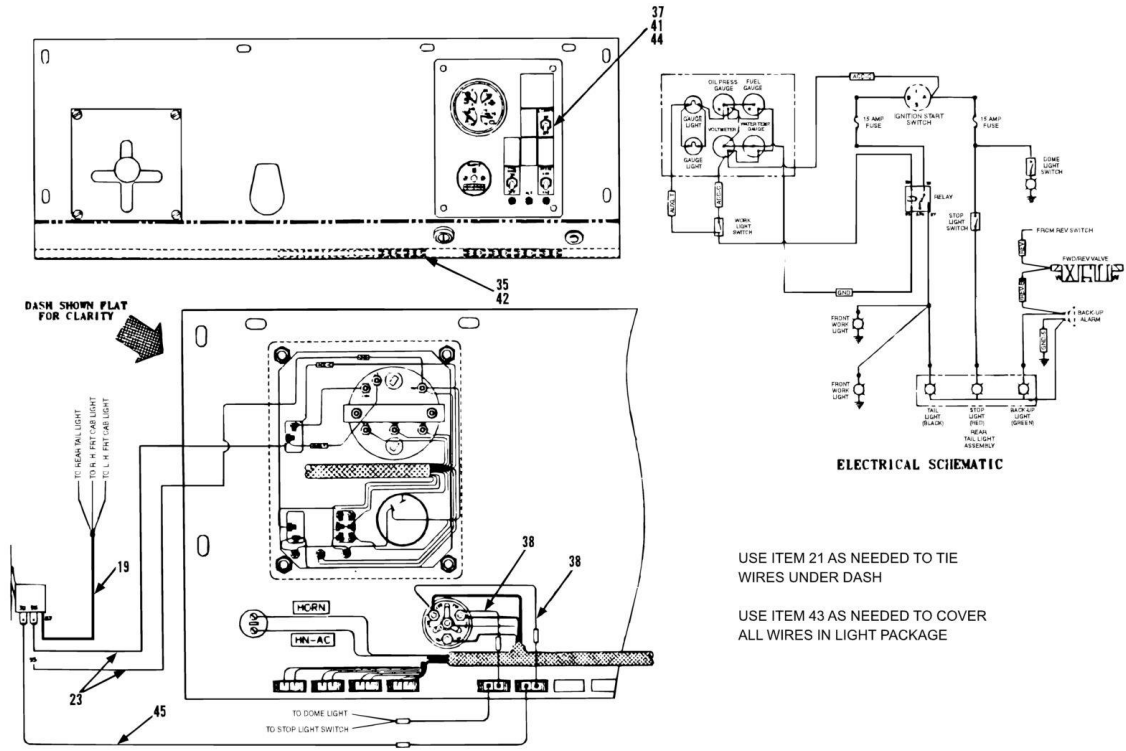
ITEM	PART NUMBER	QTY	DESCRIPTION	REV
43	80963066	12	W. PACK CONNECTOR, (cable seal)	
44	91143210	1	TAIL LIGHT HARNESS	
45	91141266	1	JUMPER WIRE	
46	80963062	1	W. PACK CONNECTOR, (shroud)	

SECTION 12 - OPTIONAL EQUIPMENT

FIGURE 12-13. (91145098) WORK LIGHT PACKAGE (SN 0488238 to Present)



SECTION 12 - OPTIONAL EQUIPMENT



SECTION 12 - OPTIONAL EQUIPMENT

FIGURE 12-13. (91145098) WORK LIGHT PACKAGE (SN 0488238 to Present)

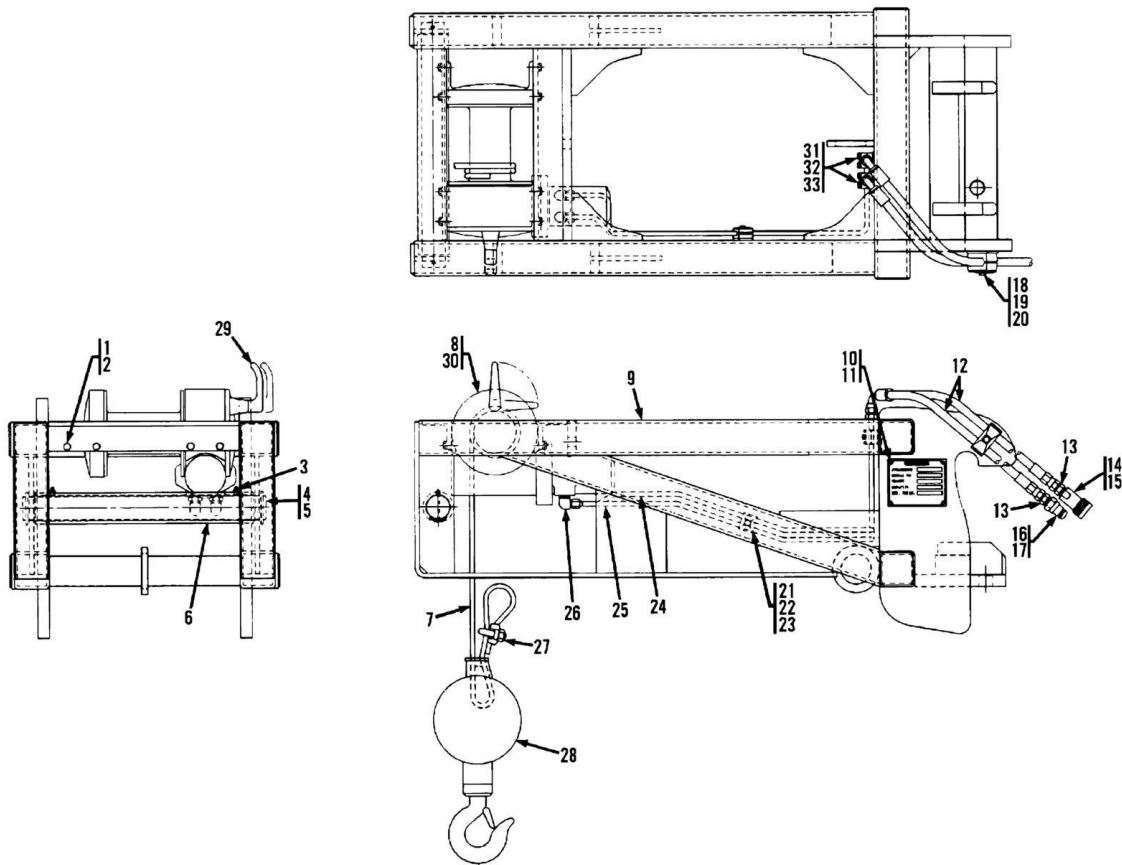
ITEM	PART NUMBER	QTY	DESCRIPTION	REV
	91145098	1	WORK LIGHT PACKAGE, (includes all items)	
1	80963050	2	UTILITY FLOOD LIGHT	
2	91141182	1	R.H. LIGHT SUPPORT	
3	91141183	1	L.H. LIGHT SUPPORT	
4	80963055	4	W. PACK CONNECTOR, (tower)	
5	88201035	2	HEX HD CAPSCREW, 3/8-16X1, GR5	
6	88561109	2	FLATWASHER,3/8	
7	88551011	2	LOCKWASHER, 3/8	
8	88501006	2	HEX NUT, 3/8-16	
9	90027319	4	TAPSCREW,1/4-20X1	
10	86883260	2	EYELET	
11	80963056	3	W. PACK CONNECTOR, (shroud)	
12	80963068	3	W. PACK CONNECTOR, (female pin)	
13	90027214	8	RUBBER GROMMET	
14	91011009	1	MOUNTING BRACKET	
15	90029955	1	RUBBER GROMMET	
16	88321022	2	SELF TAPPING SCREW, #8-32X3/8	
17	24861167	1	INTERIOR LIGHT	
18	80963069	9	W. PACK CONNECTOR, (male pin)	
19	91143270	1	LIGHT HARNESS	
20	86683122	6	TIE WRAP	
21	91053419	19	TIE WRAP	
22	80963066	12	W. PACK CONNECTOR, (cable seal)	
23	91141265	2	JUMPER WIRE	
24	91121145	1	TAIL LIGHT HOUSING	
25	91121146	1	TAIL LIGHT BRACKET	
26	91365045	2	TAIL LIGHT ASSEMBLY, (includes the following seven items)	
26	91123065	1	TAIL LIGHT	
26	86661147	38 in	WIRE, 16 GAUGE, (black)	
26	86661149	38 in	WIRE, 16 GAUGE, (green)	
26	86661152	38 in	WIRE, 16 GAUGE, (red)	
26	86683480	3	BUTT CONNECTOR	
26	82033996	45 in	WIRE LOOM	
26	86683122	2	TIE WRAP	
27	88201108	1	HEX HD CAPSCREW,3/4-10X1-1/4, GR5	
28	88561115	1	FLAT WASHER, 3/4	
29	88551016	1	LOCKWASHER,3/4	
30	80963058	1	W. PACK CONNECTOR, (shroud)	
31	91141364	1	JUMPER WIRE	
32	77383410	1	RELAY	
33	88321039	1	SELF TAP SCREW,#10-32X1/2	
34	91143210	1	TAIL LIGHT HARNESS	
35	77363268	2	FUSE, 15 AMP	
36	80963062	1	W. PACK CONNECTOR, (shroud)	
37	77383470	1	BOOT	
38	91141259	2	JUMPER WIRE	
39	91141197	1	MOUNTING TAB	
40	91143117	1	STOPLIGHT SWITCH	
41	77383467	1	LIGHT SWITCH	
42	91143108	2	FUSE HOLDER	

SECTION 12 - OPTIONAL EQUIPMENT

ITEM	PART NUMBER	QTY	DESCRIPTION	REV
	Bulk	AR	WIRE LOOM, (use on all wires)	
44	91363009	1	LIGHTS ON/OFF DECAL	
45	91141266	1	JUMPER WIRE	

SECTION 12 - OPTIONAL EQUIPMENT

FIGURE 12-14. (91085056) QUICK HOOK ASSEMBLY



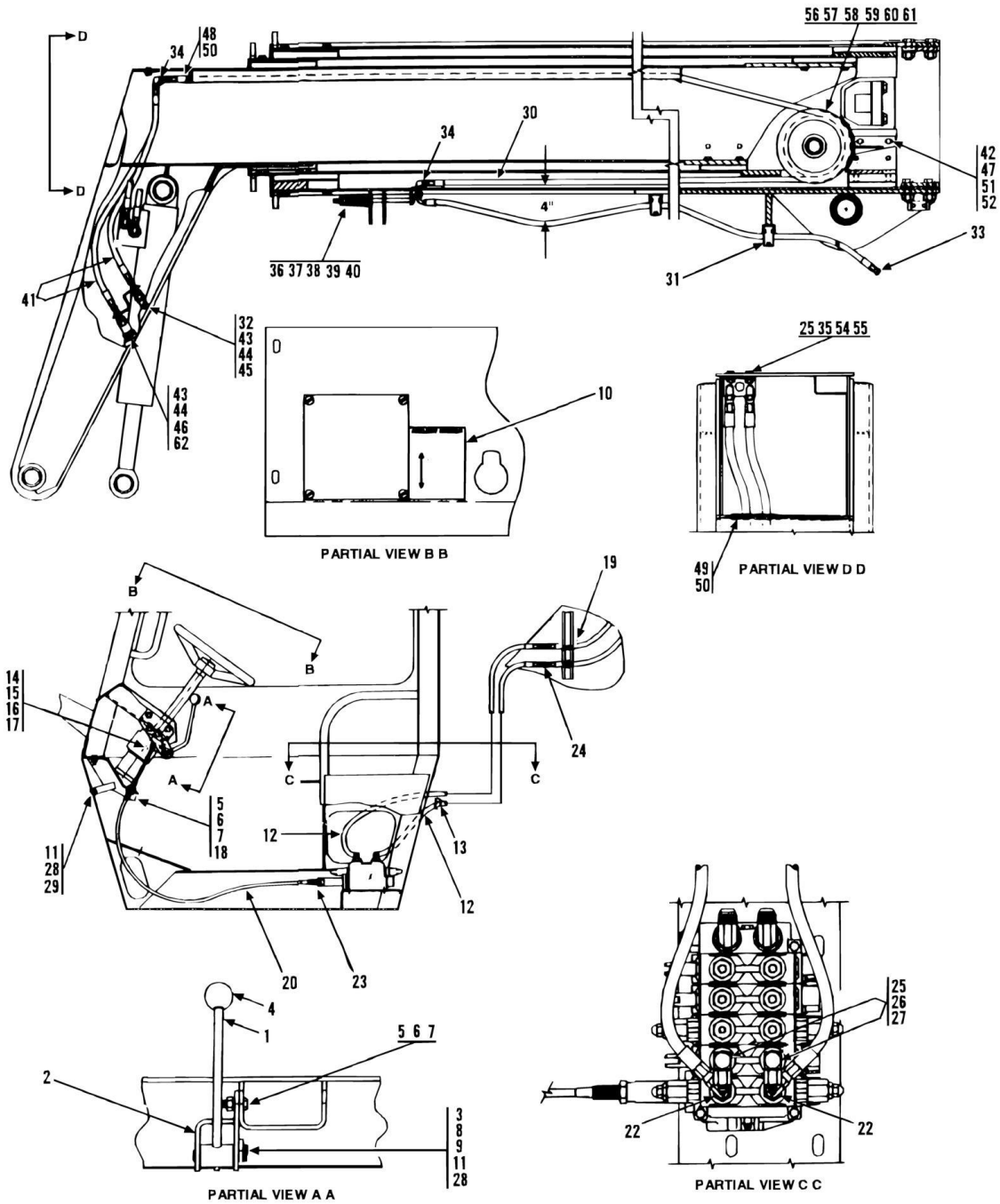
SECTION 12 - OPTIONAL EQUIPMENT

FIGURE 12-14. (91085056) QUICK HOOK ASSEMBLY

ITEM	PART NUMBER	QTY	DESCRIPTION	REV
	91085056	Ref	QUICK HOOK ASSY, (includes all items)	
1	88551011	8	LOCKWASHER, 3/8	
2	88201034	8	HEX HD CAPSCREW, 3/8-16X7/8, GR5	
3	88671001	2	LUBE FITTING, STRAIGHT, 1/8	
4	91081574	1	PIN	
5	88631343	2	COTTER PIN	
6	91081573	1	ROLLER	
7	91083368	1	WIRE ROPE, (7/16in Dia)	
8	91083367	1	WINCH	
9	91086119	1	QUICK HOOK WELDMENT	
10	90153001	1	SERIAL NUMBER PLATE	
11	88341022	4	ROUND HD DRIVE SCREW, #10X3/8	
12	90205126	2	HOSE ASSY	
13	77363079	2	STRAIGHT THREAD CONNECTOR-01 (Prior to SN 2005283-01)	
13	88662006	2	CONNECTOR, (includes 8859-1205 o-ring) (SN 2005283-01 to Present)	
14	91043125	1	DUST CAP	
15	91163139	1	FEMALE HYDRAULIC COUPLING-01 (Prior to SN 2005283-01)	
15	91403413	1	FEMALE HYDRAULIC COUPLING, (SN 2005283-01 to Present)	
16	91043126	1	DUST CAP	
17	91163138	1	MALE HYDRAULIC COUPLING-01 (Prior to SN 2005283-01)	
17	91403414	1	MALE HYDRAULIC COUPLING, (SN 2005283-01 to Present)	
18	77133136	1	STAUFF CLAMP SET	
19	77133137	1	STAUFF COVER PLATE	
20	88201023	1	HEX BOLT	
21	77133270	1	STAUFF CLAMP SET	
22	88561002	1	STAUFF COVER PLATE	
23	88201005	1	HEX BOLT	
24	91143276	1	TUBE ASSY	
25	91143275	1	TUBE ASSY	
26	88661110	2	MALE ELBOW, 90, 3/8X1/2 TUBE	
27	90029999	1	WIRE ROPE CLAMP, 7/16	
28	90201443	1	HOOK AND BALL	
29	91143277	1	L-HANDLE	
30	91081737	1	WEDGE	
31	91063040	2	CLAMP SET	
32	91063039	2	COVER PLATE	
33	88201006	4	HEX BOLT	

SECTION 12 - OPTIONAL EQUIPMENT

FIGURE 12-15. (91125011) AUXILIARY HYDRAULICS



SECTION 12 - OPTIONAL EQUIPMENT

FIGURE 12-15. (91125011) AUXILIARY HYDRAULICS

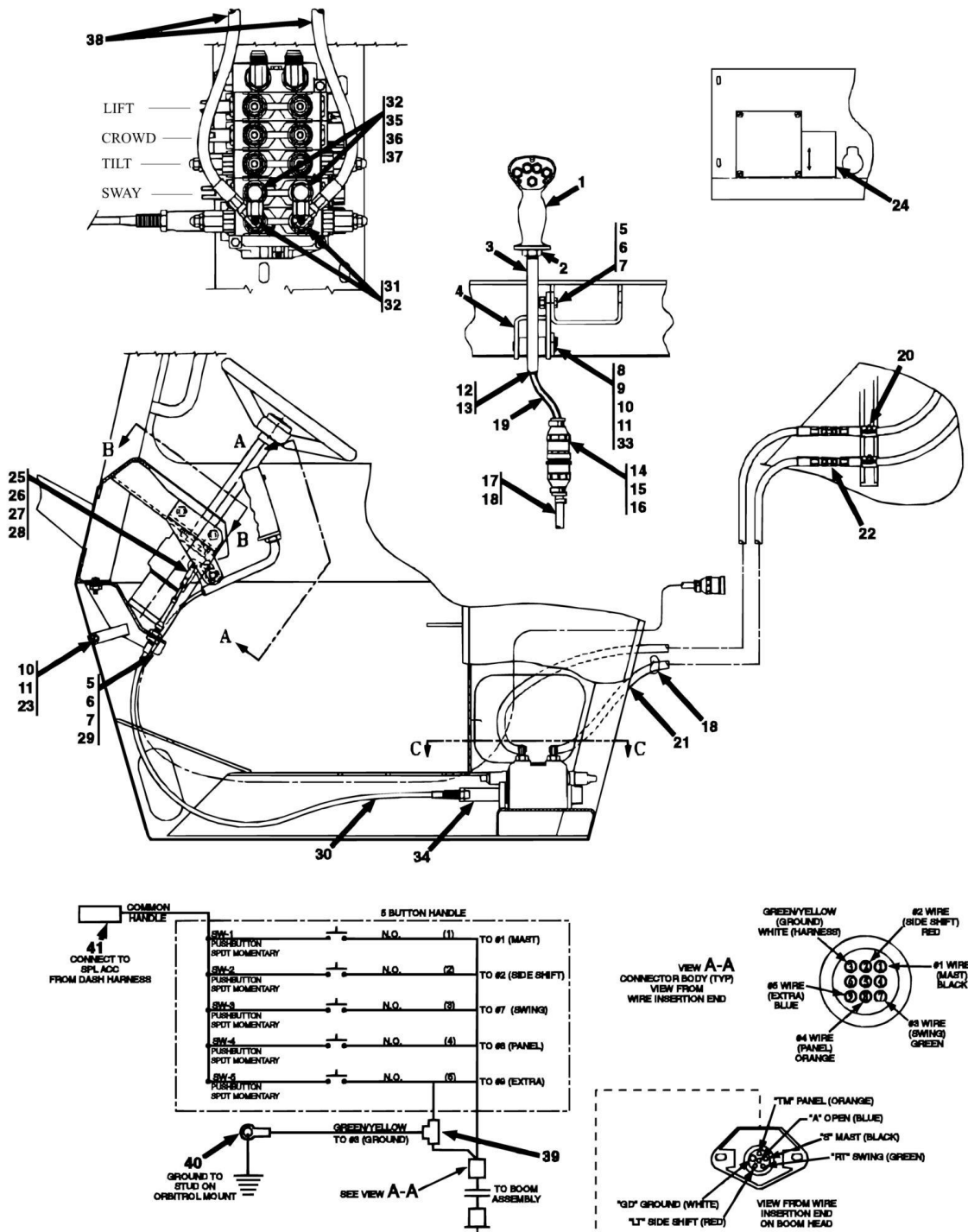
ITEM	PART NUMBER	QTY	DESCRIPTION	REV
	91125011	Ref	AUXILIARY HYDRAULIC ASSY (includes all items)	
1	91126026	1	HANDLE WELDMENT	
2	91126025	1	LEVER BRACKET	
3	91126027	1	PIN WELDMENT	
4	90200299	1	KNOB	
5	88201036	4	HEX HD CAPSCREW, 3/8-16X1-1/4, GR5	
6	88501006	4	HEX NUT, 3/8-16	
7	88551011	4	LOCKWASHER, 3/8	
8	91083136	2	BUSHING	
9	90028662	2	WAVE BEND WASHER	
10	91033417	1	AUXILIARY CONTROL DECAL	
11	88201018	2	HEX HD CAPSCREW, 5/16X3/4, GR5	
12	84718040	2	HOSE ASSY	
13	90027187	10	TIE WRAP	
14	88821002	1	ADJUSTABLE YOKE END	
15	88633001	1	YOKE PIN, 1/4	
16	88631302	1	COTTER PIN, 1/16X3/4	
17	88501404	1	HEX JAM NUT, 1/4-28	
18	91126023	1	CABLE BRACKET WELDMENT	
19	90207464	2	CUSHION CLAMP	
20	91123050	1	PUSH-PULL CABLE	
21	88591206	2	O-RING	
22	91083310	2	ELBOW, 90	
23	91123062	1	CABLE ADAPTER BONNET	
24	88661065	2	UNION, 1/2 TUBE	
25	91083343	2	ELBOW, 90	
26	88661348	2	TUBE END REDUCER, 5/8X1/4	
27	88661407	2	NUT, 5/8	
28	88551010	2	LOCKWASHER, 5/16	
29	88501005	1	HEX NUT, 5/16-18	
30	84717895	2	HOSE ASSY	
31	90207463	8	CUSHION CLAMP, 3/4 I.D.	
32	91043126	1	DUST CAP	
33	84717894	2	HOSE ASSY	
34	90027179	4	90, BULKHEAD FITTING	
35	88551010	2	LOCKWASHER, 5/16	
36	91123054	2	COMPRESSION SPRING	
37	91121134	2	SPRING RETAINER	
38	88501008	2	HEX NUT, 1/2-13	
39	88501108	2	HEX JAM NUT, 1/2-13	
40	91126008	2	HOSE TAKE-UP WELDMENT	
41	84718041	2	HOSE ASSY	
42	91126080	1	HOSE GUARD	
43	91123061	2	BULKHEAD FITTING	
44	88712305	2	REDUCING BUSHING, 1/2X1/4	
45	90204244	1	MALE HYDRAULIC COUPLER	
46	90204245	1	FEMALE HYDRAULIC COUPLER	
47	88201034	2	HEX HD CAPSCREW, 3/8-16X7/8, GR5	
48	90206194	3.5 in	TRIM-LOCK	
49	90206199	13 in	TRIM-LOCK	

SECTION 12 - OPTIONAL EQUIPMENT

ITEM	PART NUMBER	QTY	DESCRIPTION	REV
50	14402248	AR	ADHESIVE	
51	88551011	2	LOCKWASHER, 3/8	
52	88561109	2	FLAT WASHER, 3/8	
53	91121125	1	BULKHEAD BRACKET	
54	88201019	2	HEX HD CAPSCREW, 5/16-18X7/8, GR5	
55	88501005	2	HEX NUT, 5/16-18	
56	91123016	1	AUXILIARY HOSE SHEAVE	
57	91081326	1	HOSE REEL SUPPORT	
58	90203040	1	THRUST WASHER	
59	88581320	1	EXTERNAL RETAINING RING	
60	83201123	3	HEX HD CAPSCREW, 1/2-13X1	
61	90027471	3	HARDENED FLAT WASHER, 1/2	
62	91043125	1	DUST PLUG	

SECTION 12 - OPTIONAL EQUIPMENT

FIGURE 12-16. (91125043) AUXILIARY HYDRAULIC ASSEMBLY W/ELECTRIC (SN 0288777 to Present)



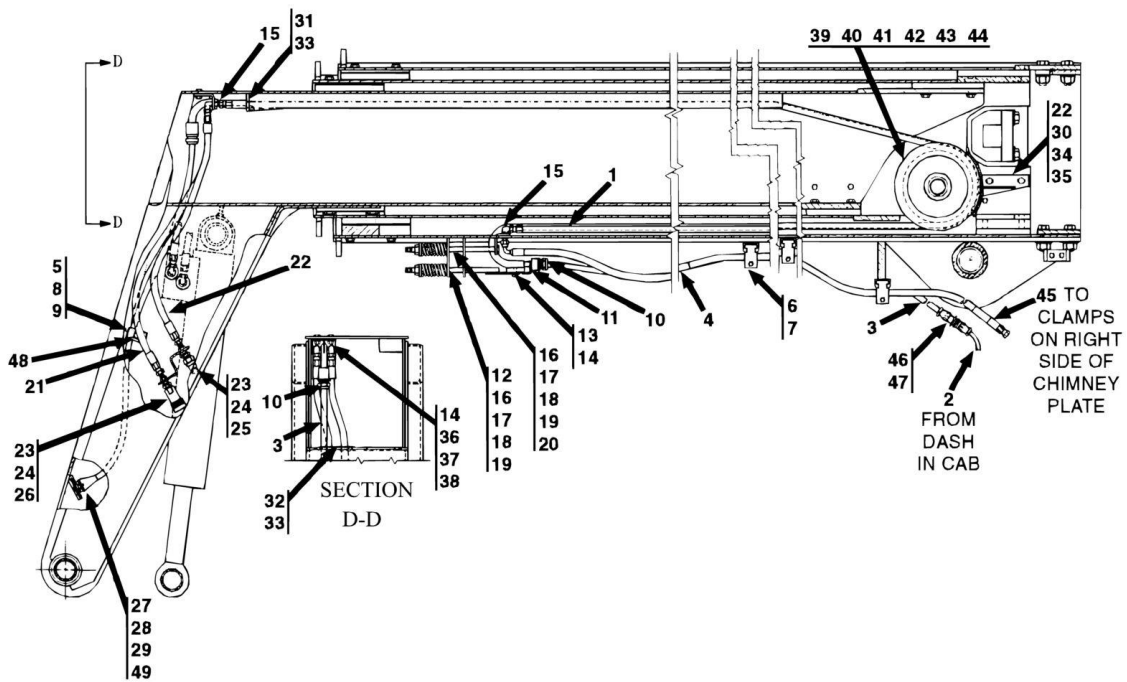
SECTION 12 - OPTIONAL EQUIPMENT

FIGURE 12-16. (91125043) AUXILIARY HYDRAULIC ASSEMBLY W/ELECTRIC (SN 0288777 to Present)

ITEM	PART NUMBER	QTY	DESCRIPTION	REV
	91125043	Ref	AUXILIARY HYDRAULICS ASSY (includes all items on both pages)	
1		Ref	5 BUTTON HANDLE (See 5-BUTTON HANDLE for Breakdown)	
2	88501112	1	HEX JAM NUT, 3/4-16	
3	91126024	1	LEVER WELDMENT	
4	91126025	1	LEVER BRACKET	
5	88201036	4	HEX HD CAPSCREW, 3/8-16 x 1 1/4	
6	88501006	4	HEX NUT, 3/8-16	
7	88551011	4	LOCKWASHER, 3/8	
8	91126027	1	PIN WELDMENT	
9	91083136	2	BUSHING	
10	88201018	2	HEX HD CAPSCREW, 5/16-18 x 3/4	
11	88551010	2	LOCKWASHER, 5/16	
12	91123051	1	MOLDED RUBBER BUSHING	
13	14402248	AR	3M ADHESIVE	
14	90028956	1	CONNECTOR BODY	
15	90028958	6	TERMINAL	
16	90028978	1	CABLE CLAMP	
17	90403396	1	AUXILIARY WIRING HARNESS	
18	90027187	14	TIE WRAP	
19	82033993	12 in	LOOM, 5/16 ID	
20	90207464	2	CUSHION CLAMP, 3/4	
21	84718040	2	HOSE ASSY	
22	88661065	2	UNION, 1/2 TUBE	
23	88501005	1	HEX NUT, 5/16	
24	91033394	1	AUXILIARY CONTROL DECAL	
25	88821002	1	YOKE END	
26	88633001	1	CLEVIS PIN	
27	88631302	1	COTTER PIN, 1/16 x 3/4	
28	88501404	1	HEX JAM NUT, 1/4-28	
29	91126023	1	CABLE BRACKET WELDMENT	
30	91123050	1	PUSH-PULL CABLE	
31	91083310	2	ELBOW, 90, (includes item 32)	
32	88591206	2	O-RING	
33	90028662	2	WAVE BEND WASHER	
34	91123062	2	CABLE ADAPTER BONNET	
35	91083343	2	ELBOW, 90	
36	88661348	2	TUBE END REDUCER, 5/8 TO 3/4	
37	88661407	2	NUT, 5/8	
38	84718040	1	HOSE ASSY	
36	90028968	1	CONNECTOR	
40	91033391	1	INSULATED RING TERMINAL	
41	86983193	1	MALE BULLET	

SECTION 12 - OPTIONAL EQUIPMENT

FIGURE 12-17. (91125043) AUXILIARY HYDRAULIC ASSEMBLY W/ELECTRIC (SN 0288777 to Present)



SECTION 12 - OPTIONAL EQUIPMENT

FIGURE 12-17. (91125043) AUXILIARY HYDRAULIC ASSEMBLY W/ELECTRIC (SN 0288777 to Present)

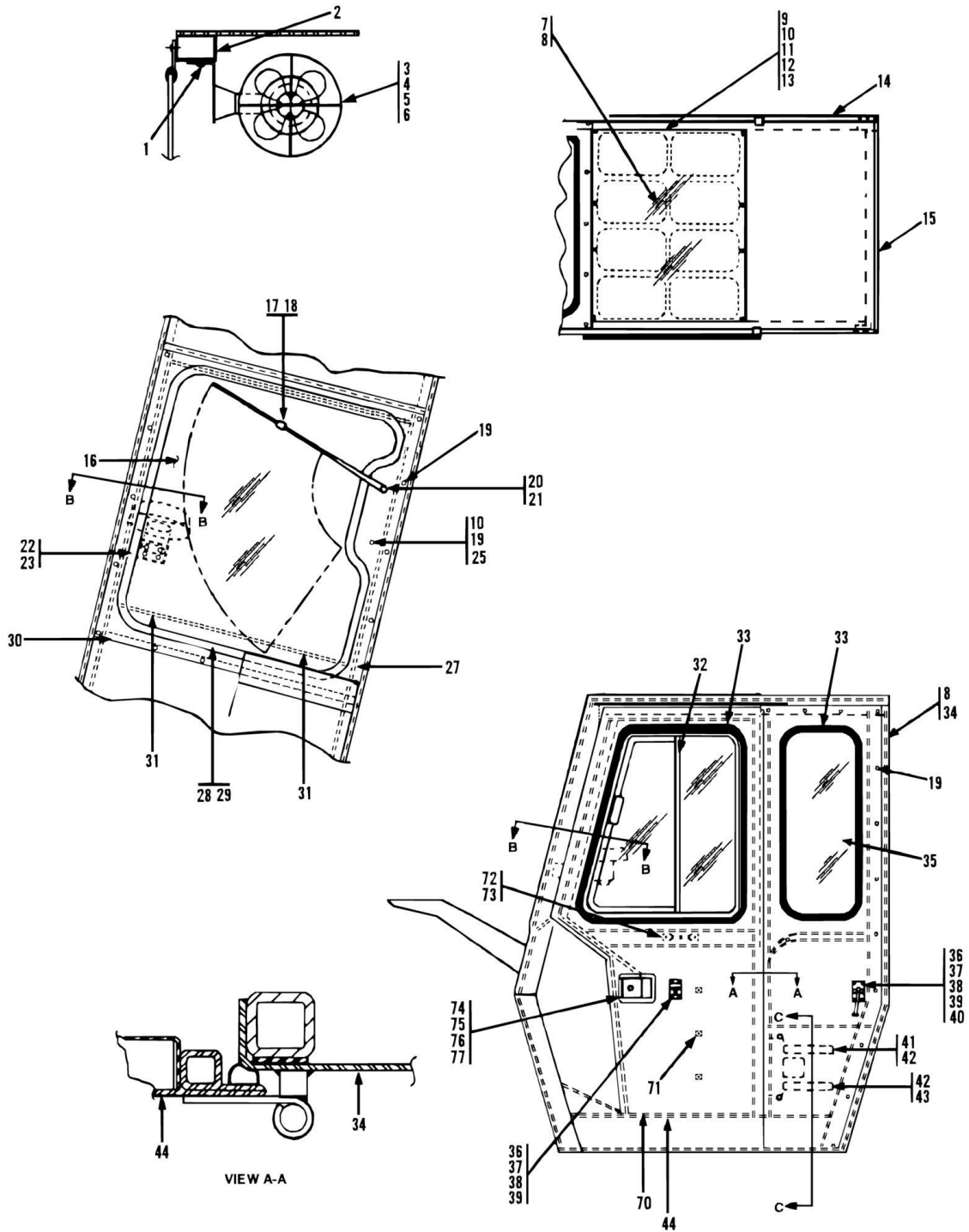
ITEM	PART NUMBER	QTY	DESCRIPTION	REV
	91125043	Ref	AUXILIARY HYDRAULICS ASSY (includes all items on both pages)	
1	84717895	2	HOSE ASSY	
2	90403396	Ref	AUXILIARY WIRING HARNESS (See QUICK HOOK ASSEMBLY for Breakdown)	
3	91123057	1	AUXILIARY WIRING HARNESS	
4	90027187	8	NYLON TIES	
5	77133168	1	STAUFF CLAMP SET	
6	91083216	4	CUSHION CLAMP, 1/2IN O.D.	
7	90207463	8	CUSHION CLAMP, 3/4 O.D.	
8	77133140	1	STAUFF COVER PLATE	
9	77133177	1	HEX BOLT	
10	91123055	2	STRAIN RELIEF FITTING	
11	91126031	1	CABLE TAKE-UP WELD	
12	91126032	1	CABLE TAKE-UP SUPPORT	
13	88201017	2	HEX HD CAPSCREW, 5/16-18 x 5/8	
14	88551010	4	LOCKWASHER, 5/16	
15	90027179	4	BULKHEAD FITTING, 90	
16	91123054	3	COMPRESSION SPRING	
17	91121134	3	SPRING RETAINER	
18	88501008	3	HEX NUT, 1/2-13	
19	88501108	3	HEX JAM NUT, 1/2-13	
20	91126008	2	HOSE TAKE-UP WELD	
21	84718041	2	HOSE ASSY	
22	91126080	1	HOSE GUARD	
23	91123061	2	BULKHEAD FITTING	
24	88712305	2	PIPE BUSHING, 1/2 x 1/4	
25	90204244	1	MALE HYDRAULIC COUPLER	
26	90204245	1	FEMALE HYDRAULIC COUPLER	
27	90207661	1	6 CONTACT SOCKET	
28	88201005	2	HEX HD CAPSCREW, 1/4-20 x 1	
29	88521304	2	FLEX-LOC NUT, 1/4-20	
30	88201034	2	HEX HD CAPSCREW, 3/8-16 x 7/8	
31	90206194	3.5 in	TRIM-LOCK	
32	90206199	13 in	TRIM-LOCK	
33	14402248	AR	3M ADHESIVE	
34	88561109	2	FLAT WASHER, 3/8	
35	88551011	2	LOCKWASHER, 3/8	
36	91126029	1	HOSE AND CABLE SUPPORT	
37	88201019	2	HEX HD CAPSCREW, 5/16-18 x 7/8	
38	88501005	2	HEX NUT, 5/16	
39	91123056	1	AUXILIARY HOSE SHEAVE	
40	91081326	1	HOSE REEL SUPPORT	
41	90203040	1	THRUST WASHER	
42	88581320	1	RETAINING RING EXTENSION	
43	83201123	3	HEX HD CAPSCREW, 1/2-13 x 1/2	
44	90027471	3	HARDENED FLAT WASHER	
45	84717894	2	HOSE ASSY	
46	90028955	1	CONNECTOR BODY	
47	90028978	1	CABLE CLAMP	

SECTION 12 - OPTIONAL EQUIPMENT

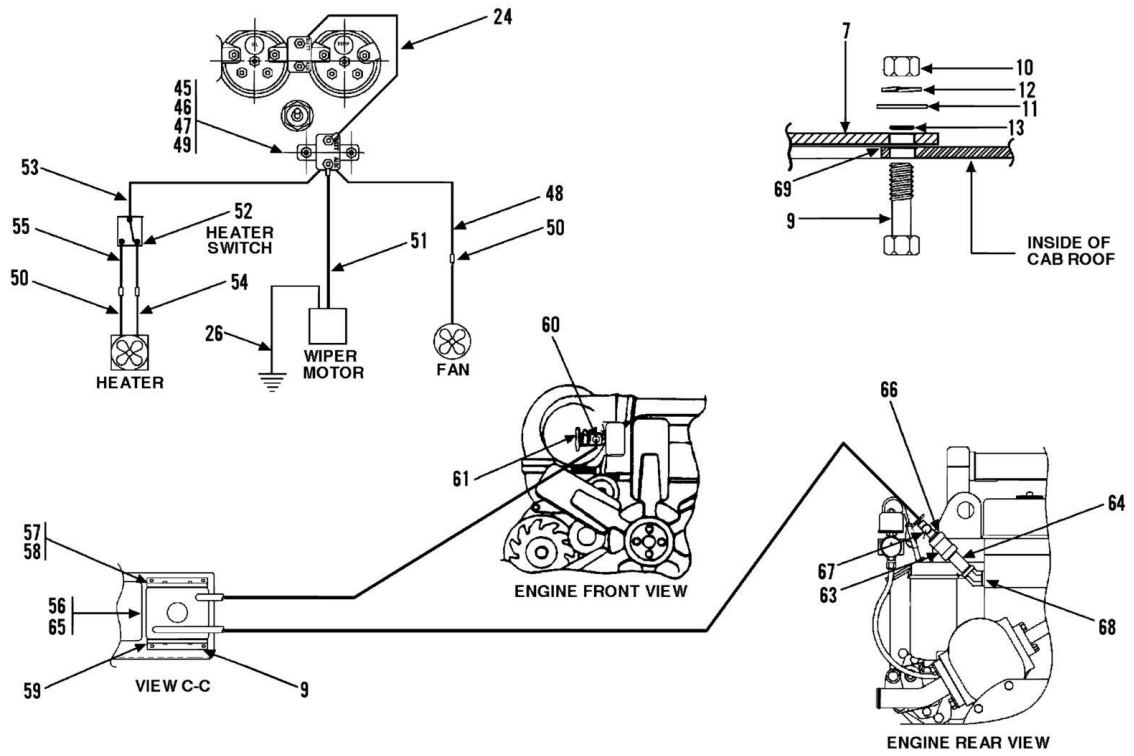
ITEM	PART NUMBER	QTY	DESCRIPTION	REV
48	77133141	1	STAUFF BASE PLATE	
49	91121139	1	RECEPTACLE BRACKET	

SECTION 12 - OPTIONAL EQUIPMENT

FIGURE 12-18. (9108505) CAB ENCLOSURE



SECTION 12 - OPTIONAL EQUIPMENT



SECTION 12 - OPTIONAL EQUIPMENT

FIGURE 12-18. (91085050) CAB ENCLOSURE

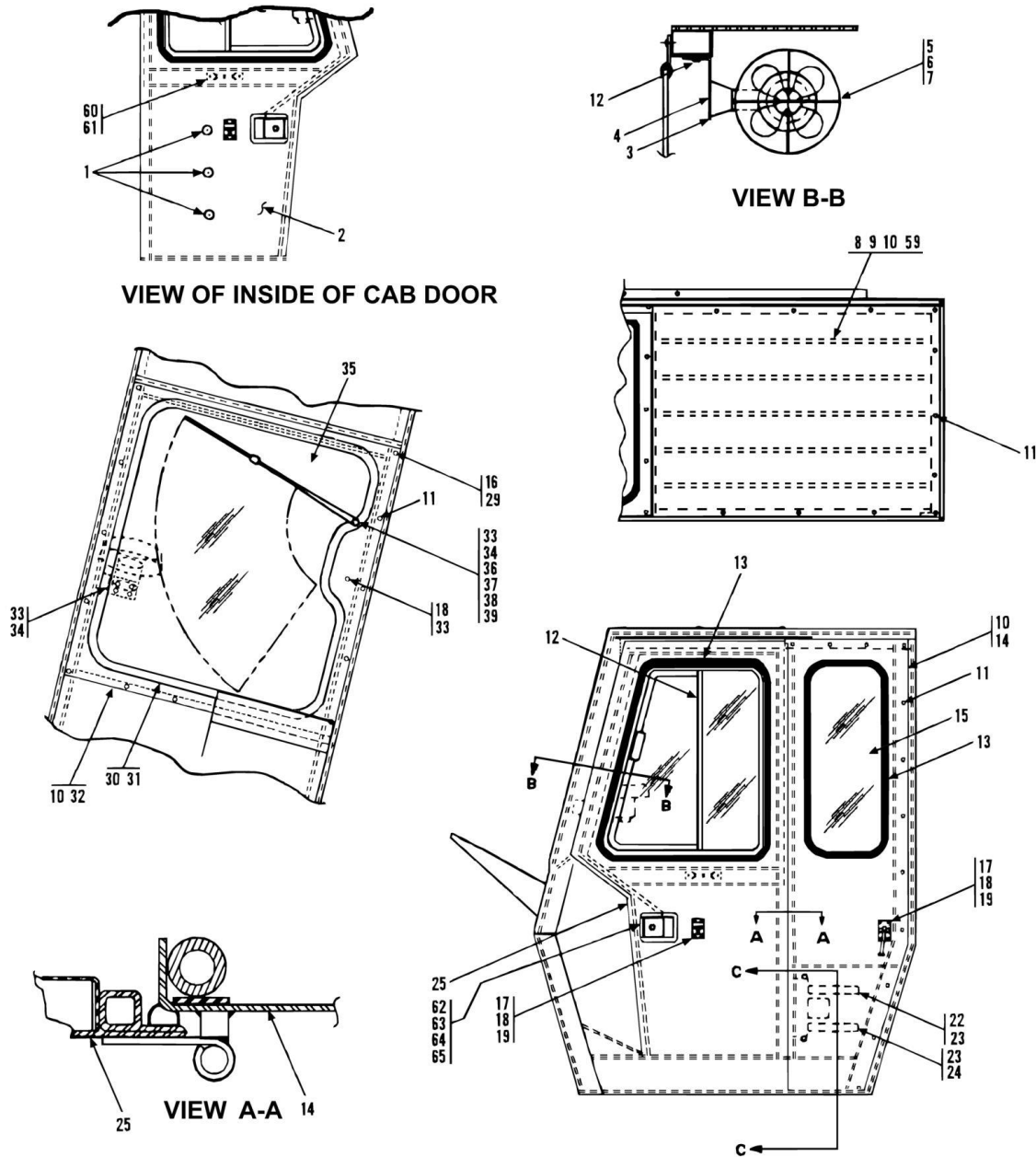
ITEM	PART NUMBER	QTY	DESCRIPTION	REV
	91085050	1	CAB ENCLOSURE (includes all items)	
1	90027319	2	SELF TAPPING SCREW, 1/4-20X1	
2	91081499	1	MOUNTING ANGLE	
3	90200680	1	DEFROSTER FAN	
4	88211510	4	SOCKET HEAD CAPSCREW, #10-32X5/8	
5	88501613	4	HEX NUT, #10-32	
6	88551007	4	LOCKWASHER, #10	
7		Ref	TOP WINDOW (See CHASSIS AND ATTACHING PARTS SECTION for Breakdown)	
8	14403190	AR	CAULKING	
9	88201005	14	HEX HD CAPSCREW, 1/4-20X1, GR5	
10	88501004	11	HEX NUT, 1/4-20	
11	88561107	10	FLAT WASHER, 1/4	
12	88551009	10	LOCKWASHER, 1/4	
13	88591005	10	O-RING	
14		Ref	RIGHT SIDE WINDOW (See CHASSIS AND ATTACHING PARTS SECTION for Breakdown)	
15		Ref	REAR WINDOW (See CHASSIS AND ATTACHING PARTS SECTION for Breakdown)	
16		Ref	FRONT WINDOW (See CHASSIS AND ATTACHING PARTS SECTION for Breakdown)	
17	91033465	1	WIPER BLADE 15IN	
18	91033464	1	WINDSHIELD WIPER ARM	
19	90027319	34	SELF-TAPPING SCREW, 1/2-20X1	
20	90206023	1	WIPER MOTOR	
21	90027214	2	BUTTON GROMMET	
22	88691387	1	SINGLE TUBE CLIP	
23	88321020	1	TAPPING SCREW, 8-32X1/4	
24	90200381	1	JUMPER WIRE	
25	88201003	1	HEX HD CAPSCREW, 1/4-20X3/4, GR5	
27	91083376	1	EMERGENCY EXIT DECAL	
28	91083348	AR	CHANNEL MOLDING	
29	91083392	AR	RELEASE FILLER STRIP	
30	91081671	1	FRONT WINDOW FRAME	
31	90029955	1	GROMMET	
32	91303067	1	DOOR SLIDING WINDOW	
33	83661145	AR	WEATHER STRIP	
34	91086115	1	LEFT SIDE WINDOW FRAME35	
35		Ref	LEFT SIDE WINDOW (See CHASSIS AND ATTACHING PARTS SECTION for Breakdown)	
36	91081545	1	DOOR HOLDER	
37	88301193	8	ROUND HD MACHINE SCREW, 10-32X1/2	
38	88501613	8	HEX NUT, #10-32	
39	88551007	8	LOCKWASHER, #10	
40	88561104	4	FLAT WASHER, #8	
41	90206169	1	HEATER HOSE	
42	86883193	4	HOSE CLAMP	
43	90206170	1	HEATER HOSE	
44	91085057	1	CAB DOOR (includes 72 thru 77)	
45	91083260	1	15 AMP CIRCUIT BREAKER	
46	88554917	2	LOCKWASHER, #10	

SECTION 12 - OPTIONAL EQUIPMENT

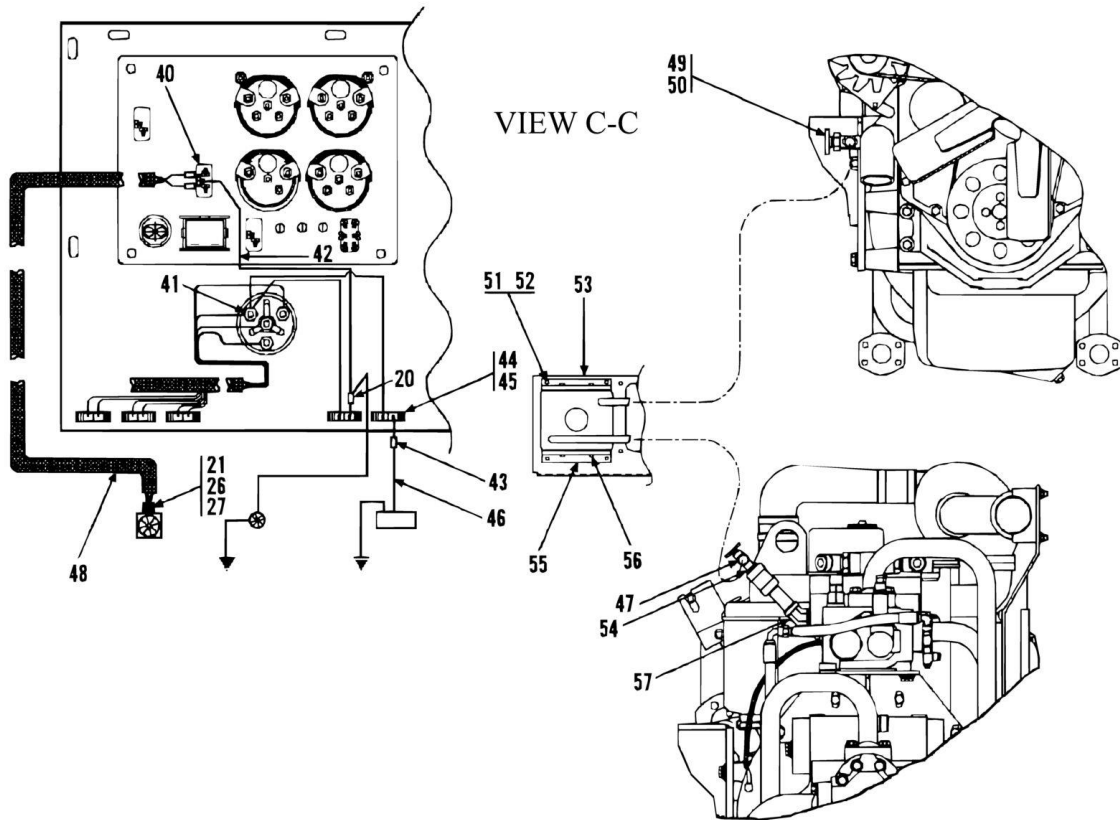
ITEM	PART NUMBER	QTY	DESCRIPTION	REV
47	88501613	2	HEX NUT, #10-32	
48	91081680	1	JUMPER WIRE	
49	88301193	2	ROUND HD MACHINE SCREW, #10-32X1/2	
50	86683480	3	CRIMP-ON CONNECTOR	
51	91081675	1	JUMPER WIRE	
52	77383744	1	HEATER SWITCH	
53	91031490	1	JUMPER WIRE	
54	90206134	1	JUMPER WIRE	
55	91031494	1	JUMPER WIRE	
56	91003053	1	HEATER DECAL	
57	77143004	4	WHIZ LOK SCREW	
58	77143006	4	WHIZ LOK NUT	
59	91031521	2	HEATER MOUNTING BRACKET	
60	77383540	1	COOLANT RESTRICTOR ORIFICE	
61	91083155	1	TRUCK VALVE	
63	88711213	1	COUPLING, 1/2IN	
64	88701070	1	PIPE NIPPLE, 1/2X2-1/2IN	
65	91043429	1	HEATER	
66	88711383	1	PIPE BUSHING, 1/2X3/8IN	
67	24641328	1	SHUT-OFF VALVE	
68	88712034	1	STREET ELBOW, 45, 1/2	
69	90200755	AR	WEATHER STRIP	
70	91083378	1	INSULATION PANEL	
71	91053559	3	PUSH ON INSULATION CAP	
72	90203840	1	PULL HANDLE (on inside of cab door)	
73	88321039	2	SELF TAPPING SCREW	
74	91083263	1	FLUSH LOCK	
75	88301070	4	RD HD MACHINE SCREW, #8-32X1/2	
76	88521604	4	LOCKNUT, #8-32	
77	88561104	4	FLAT WASHER, #8	

SECTION 12 - OPTIONAL EQUIPMENT

FIGURE 12-19. (91145050) CAB ENCLOSURE (SN 0288777 to Present)



SECTION 12 - OPTIONAL EQUIPMENT



SECTION 12 - OPTIONAL EQUIPMENT

FIGURE 12-19. (91145050) CAB ENCLOSURE (SN 0288777 to Present)

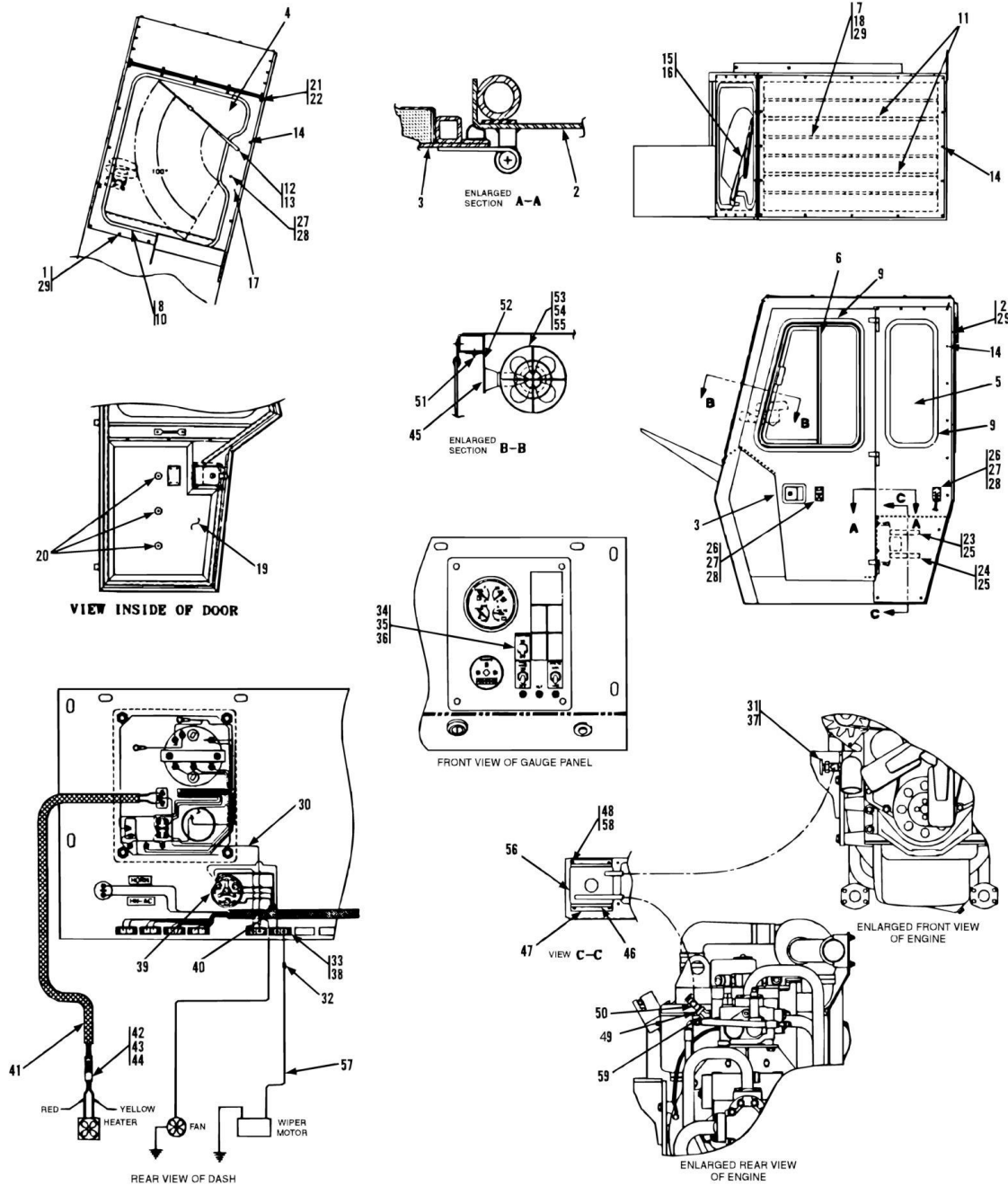
ITEM	PART NUMBER	QTY	DESCRIPTION	REV
	91145050	1	CAB ENCLOSURE, (includes all items)	
1	91053559	3	INSULATION CAP	
2	91083378	1	INSULATION PANEL	
3	90029955	1	RUBBER GROMMET	
4	91081499	1	MOUNTING ANGLE	
5	90200680	1	DEFROSTER FAN	
6	88211030	4	HEX HD CAPSCREW, 5/16-18X3-1/2 GR5	
7	77143017	4	WHIZ-LOK NUT, #10-24	
8		Ref	TOP WINDOW, (See CHASSIS AND ATTACHING PARTS SECTION for Breakdown)	
9	91143190	AR	GASKA-TAPE	
10	14403190	AR	VULKEM CAULK	
11	90027319	43	SELF-TAPPING SCREW, 1/4-20X1	
12		Ref	DOOR SLIDING WINDOW, (See CHASSIS AND ATTACHING PARTS SECTION for Breakdown)	
13	83661145	14 ft	WEATHER STRIP	
14	91086115	2	LEFT SIDE WINDOW FRAME	
15		Ref	LEFTHAND WINDOW, (See CHASSIS AND ATTACHING PARTS SECTION for Breakdown)	
16	88201001	5	HEX HD CAPSCREW, 1/4-20X1/2, GR5	
17	91081545	1	DOOR HOLDER	
18	77143016	9	WHIZ-LOKSCREW, #10-24X3/4	
19	77143017	9	HEX NUT, #10-32	
20	83483078	1	CRIMP ON CONNECTOR	
21	80963058	1	SHROUD	
22	90206169	1	HEATER HOSE	
23	86683193	4	HOSE CLAMP	
24	91141459	1	HEATER HOSE	
25	91085057	1	CAB DOOR, (includes 60 thru 65)	
26	80963069	1	MALE PIN TERMINAL	
27	80963067	2	CABLE SEAL	
29	88561107	5	WASHER, 1/4	
30	91083348	10 ft	CHANNEL MOULDING	
31	91083392	10 ft	RELEASE FILLER STRIP, (locate release cord just below wiper motor with knot located at loose end of cord)	
32	91141332	1	FRONT WINDOW FRAME	
33	91053419	3	TY-RAP	
34	83683181	3	TY-RAP BASE	
35		Ref	FRONT WINDOW, (See CHASSIS AND ATTACHING PARTS SECTION for Breakdown)	
36	90206023	1	WIPER MOTOR	
37	90027214	2	BUTTON GROMMET	
38	91033464	1	WINDSHIELD WIPER ARM	
39	91033465	1	WIPER BLADE, 15IN	
40	77383744	1	1 HEATER SWITCH	
41	86983188	1	1 RING TERMINAL	
42	91081680	1	1 JUMPER WIRE	
43	86683480	1	1 CRIMP ON CONNECTOR	
44	91143108	2	2 FUSE HOLDER	
45	77363268	2	2 AMP FUSE	
46	91141374	1	1JUMPER WIRE	

SECTION 12 - OPTIONAL EQUIPMENT

ITEM	PART NUMBER	QTY	DESCRIPTION	REV
47	24641328	1	1SHUT-OFF VALVE	
48	91123125	1	1HEATER HARNESS	
49	77383540	1	1 ORIFICE	
50	91083155	1	TRUCK VALVE	
51	77143004	4	WHIZ-LOK SCREW	
52	77143006	4	WHIZ-LOK NUT	
53	91043429	1	HEATER	
54	88711383	1	1 PIPE BUSHING, 1/2X3/8	
55	91031521	2	HEATER MOUNTING BRACKET	
56	88201005	4	HEX HD CAPSCREW, 1/4-20X1, GR5	
57	88712034	1	STREET ELBOW, 1/2X45	
58	91083376	1	EMERGENCY EXIT DECAL, (not shown)(located on corner post of cab next to emergency release cord)	
59	91143220	78 ft	TRIM - LOK	
60	90203840	1	PULL HANDLE,(on inside of door)	
61	88321039	2	SELF TAPPING SCREW	
62	91083263	1	FLUSH LOCK	
63	88301070	4	ROUND HD MACHINE SCREW, #8-32X1/2IN	
64	88521604	4	LOCKNUT, #8-32	
65	88561104	4	FLAT WASHER, #8	

SECTION 12 - OPTIONAL EQUIPMENT

FIGURE 12-20. (91145096) CAB ENCLOSURE (532C-6 SN 0488238 to Present; 534C-6 SN 0488238 to Present)



SECTION 12 - OPTIONAL EQUIPMENT

FIGURE 12-20. (91145096) CAB ENCLOSURE (532C-6 SN 0488238 to Present; 534C-6 SN 0488238 to Present)

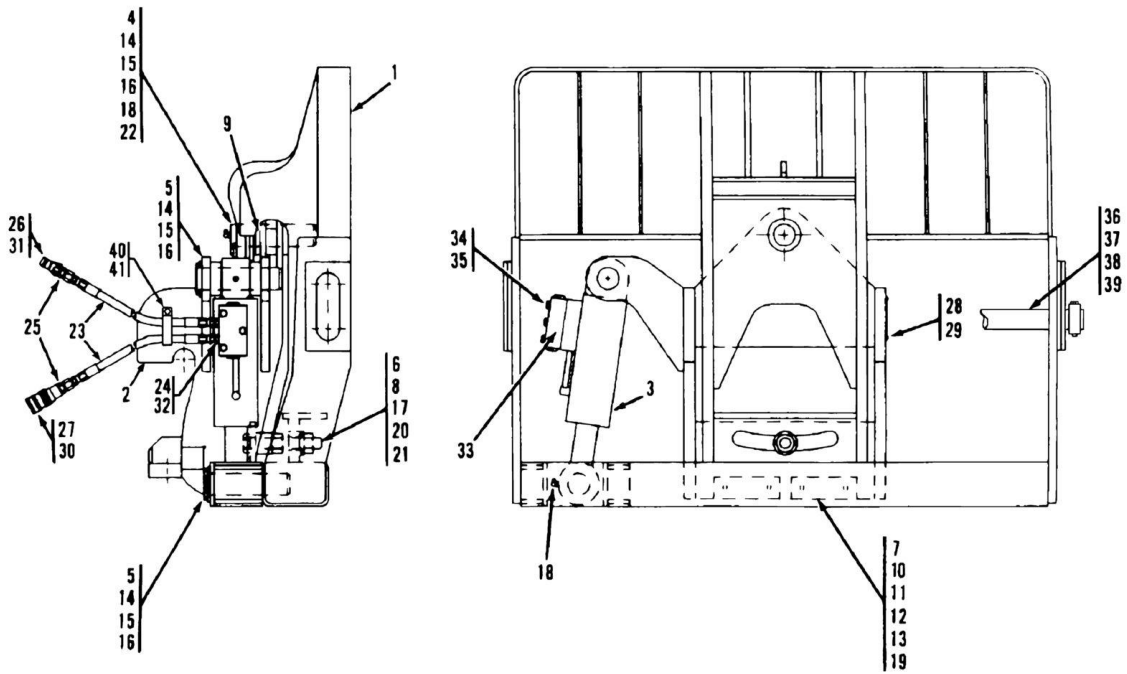
ITEM	PART NUMBER	QTY	DESCRIPTION	REV
	91145096	1	CAB ENCLOSURE (includes all items)	
1	91141332	1	FRONT WINDOW FRAME	
2	91086115	1	LEFT SIDE WINDOW FRAME	
3	91085057	1	CAB DOOR ASSY	
4	91083450	1	FRONT WINDOW	
5	91083434	1	LEFT SIDE WINDOW	
6	91303067	1	DOOR SLIDING WINDOW	
7	91143090	1	TOP WINDOW	
8	91083392	10 ft	RELEASE FILLER STRIP	
9	83661145	14 ft	WEATHER STRIP	
10	91083348	10 ft	CHANNEL MOLDING	
11	91143220	78 in	TRIM-LOK	
12	90206023	1	WIPER MOTOR	
13	90027214	2	BUTTON GROMMET	
14	90027319	41	SELF TAPPING SCREW, 1/4-20X1	
15	91033464	1	WINDSHIELD WIPER ARM	
16	91033465	1	15IN WIPER BLADE	
17	91083376	1	EMERGENCY EXIT DECAL	
18	91143190	12.2 ft	GASKA-TAPE	
19	91083378	1	INSULATION PANEL	
20	91053559	3	PUSH ON INSULATION CAP	
21	88201001	5	HEX HD CAPSCREW, 1/4-20X1/2, GR5	
22	88561107	5	FLAT WASHER, 1/4	
23	90206169	1	HEATER HOSE	
24	91141459	1	HEATER HOSE	
25	86683193	4	HOSE CLAMP	
26	91081545	1	DOOR HOLDER	
27	77143016	9	WHIZ LOCK SCREW, #10-24X3/4	
28	77143017	9	WHIZ LOCK NUT, #10-24	
29	14403190	AR	VULKEM CAULK	
30	91081680	1	JUMPER WIRE	
31	91083155	1	TRUCK VALVE	
32	86683480	1	CRIMP-ON CONNECTOR	
33	91143108	2	FUSE HOLDER	
34	91143361	2	HEATER DECAL	
35	77383470	2	BOOT	
36	77383744	2	TOGGLE SWITCH	
37	77383540	1	COOLANT RESTRICTOR ORIFICE	
38	77363268	2	15-AMP FUSE	
39	86983188	1	RING TERMINAL	
40	83483078	1	CRIMP-ON CONNECTOR	
41	91123125	1	HEATER HARNESS	
42	80963058	1	SHROUD	
43	80963069	2	MALE PIN TERMINAL	
44	80963067	2	CABLE SEAL	
45	90029955	1	RUBBER GROMMET	
46	88201005	4	HEX HD CAPSCREW, 1/4-20X1, GR5	
47	91031521	2	HEATER MTG. BRACKET	
48	77143006	4	WHIZ LOCK NUT	

SECTION 12 - OPTIONAL EQUIPMENT

ITEM	PART NUMBER	QTY	DESCRIPTION	REV
49	88711383	1	REDUCING BUSHING, 1/2X3/8	
50	24641328	1	SHUT OFF VALVE	
51	90027319	2	SELF TAPPING SCREW, 1/4-20X1	
52	91081499	1	MOUNTING ANGLE	
53	90200680	1	FAN	
54	88211030	4	SOCKET HD CAPSCREW, #10-24X3/4, GR8	
55	77143017	4	WHIZ LOCK NUT, #10-24	
56	91043429	1	HEATER	
57	91141374	1	JUMPER WIRE	
58	77143004	4	WHIZ LOCK SCREW	
59	88712034	1	STREET ELBOW 45, 1/2	

SECTION 12 - OPTIONAL EQUIPMENT

FIGURE 12-21. (91085058) 48IN SLOPE PILER CARRIAGE



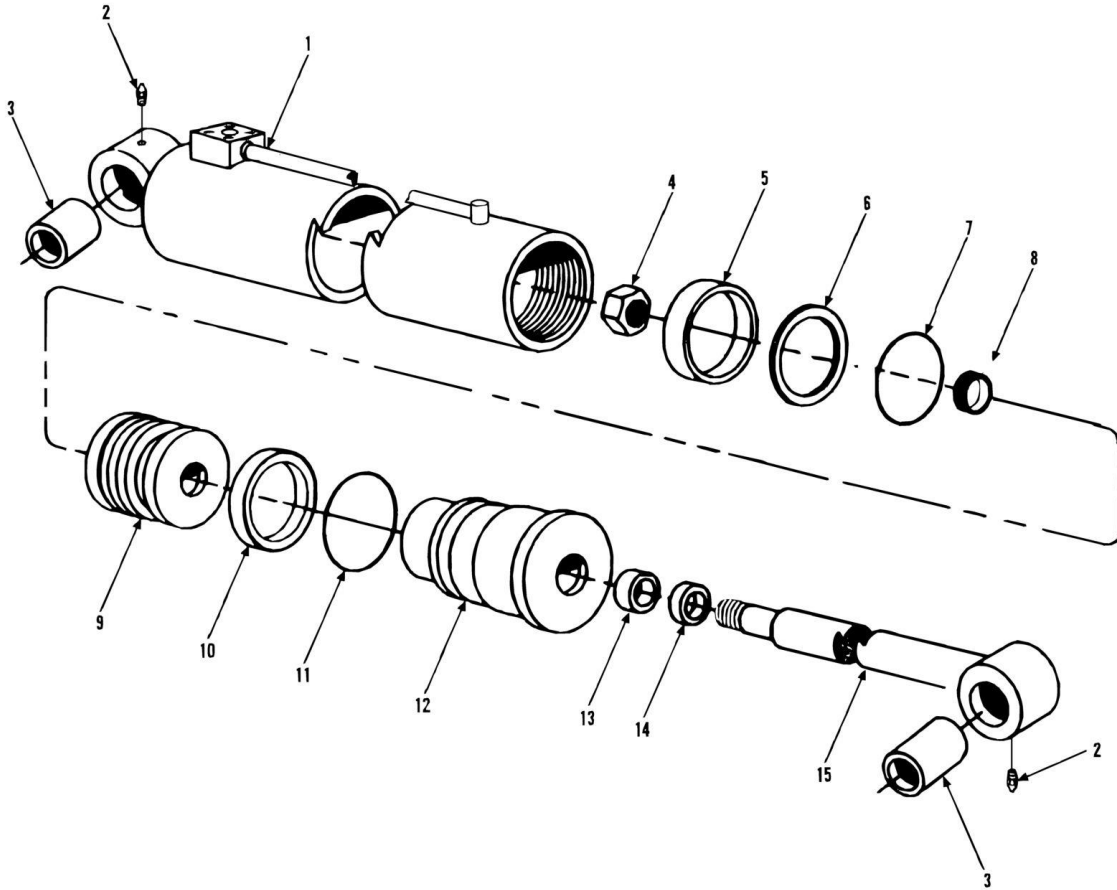
SECTION 12 - OPTIONAL EQUIPMENT

FIGURE 12-21. (91085058) 48IN SLOPE PILER CARRIAGE

ITEM	PART NUMBER	QTY	DESCRIPTION	REV
	91085058	Ref	SLOPE PILER CARRIAGE, (includes all items)	
	91123077	1	CAPACITY DECAL (not shown)	
1	91086121	1	CARRIAGE WELDMENT, 48IN	
2	91086122	1	ADAPTER WELDMENT	
3		Ref	SWAY CYLINDER, (See SWAY CYLINDER for Breakdown)	
4	91083248	1	BUSHING	
5	3423263	2	PIN	
6	90204007	1	TUBE	
7	91033186	2	BEARING PAD	
8	91081577	1	TAP BOLT	
9	91081594	1	THRUST WASHER	
10	90205870	AR	SHIM	
11	91031236	2	SPACER	
12	88201535	4	HEX HD CAPSCREW, 3/8-24X1-1/4, GR5	
13	88201534	4	HEX HD CAPSCREW, 3/8-24X1, GR5	
14	91081313	3	KEEPER PLATE	
15	88201065	6	HEX HD CAPSCREW, 1/2-13X1, GR5	
16	88551013	6	LOCKWASHER, 1/2	
17	88521016	1	HEX LOCKNUT, 1-8	
18	88671022	2	LUBE FITTING, 90, 1/8	
19	88561109	4	FLAT WASHER, 3/8	
20	88501016	1	HEX NUT, 1-8	
21	05101441	1	WASHER, 1-1/16	
22	91081622	1	PIN	
23	84716434	2	HOSE ASSY	
24	83661316	2	CONNECTOR	
25	88661010	2	CONNECTOR-01 (Prior to SN 2005283-01)	
25	88662018	2	CONNECTOR, (SN 2005283-01 to Present)	
26	91163138	1	MALE QUICK DISCONNECT-01 (Prior to SN 2005283-01)	
26	91403414	1	MALE QUICK DISCONNECT, (SN 2005283-01 to Present)	
27	91163139	1	FEMALE QUICK DISCONNECT-01 (Prior to SN 2005283-01)	
27	91403413	1	FEMALE QUICK DISCONNECT, (SN 2005283-01 to Present)	
28	88341022	4	DRIVE SCREW, #10X3/8	
29	90153001	1	SERIAL NUMBER PLATE	
30	91043125	1	DUST PLUG	
31	91043126	1	DUST CAP	
32	88662105	2	ELBOW, 90, (swivel nut)	
33		Ref	DUAL P.O. CHECK VALVE, (See DUAL P.O. CHECK VALVE for Breakdown)	
34	88201040	3	HEX HD CAPSCREW, 3/8-16X2-1/4, GR5	
35	88551011	3	LOCKWASHER, 3/8	
36	90451058	1	FORK PIN	
37	90200003	2	COLLAR	
38	88201105	2	HEX HD CAPSCREW, 5/8-11X4, GR5	
39	88521310	2	LOCKNUT, 5/8-11	
40	84521062	1	SUPPORT CLAMP	
41	77143015	1	WHIZ-LOK NUT, 3/8-16	

SECTION 12 - OPTIONAL EQUIPMENT

FIGURE 12-22. (91083286) SWAY CYLINDER (SN 0188002 through 0388190)



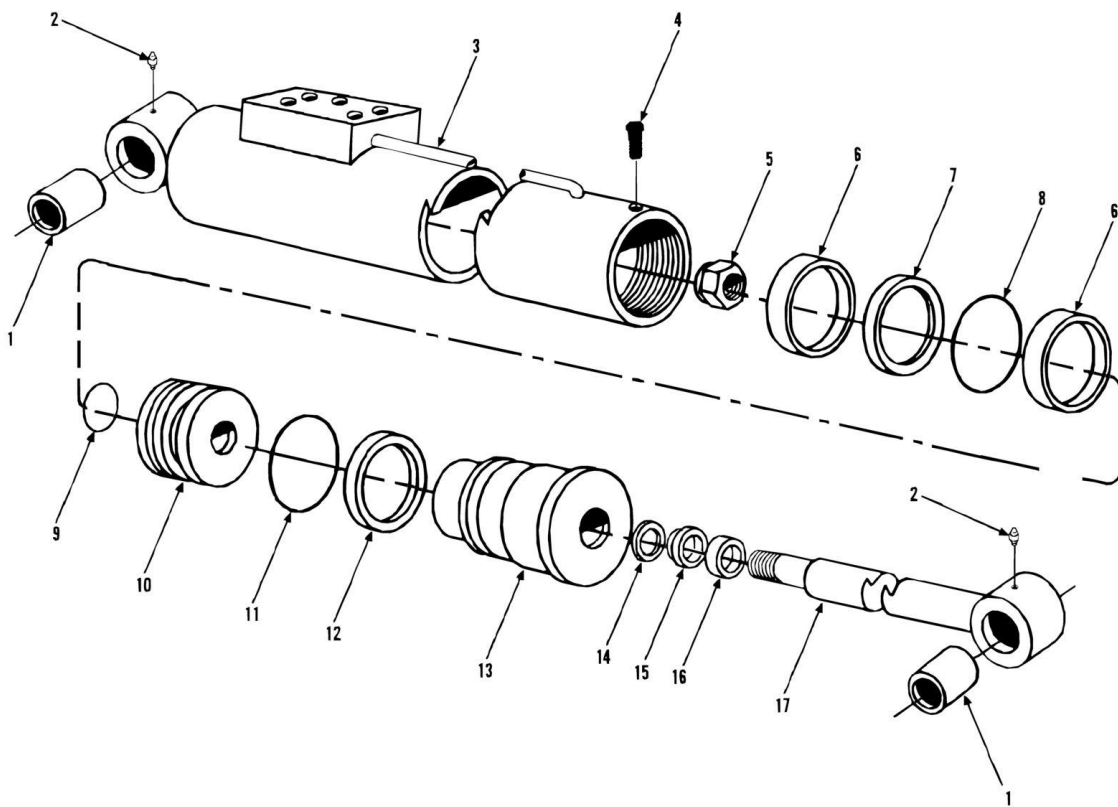
SECTION 12 - OPTIONAL EQUIPMENT

FIGURE 12-22. (91083286) SWAY CYLINDER (SN 0188002 through 0388190)

ITEM	PART NUMBER	QTY	DESCRIPTION	REV
	91083286	1	SWAY CYLINDER ASSY (includes all items)	
	91084189	Ref	SEAL KIT (includes items 5, 6, 7, 8, 10, 11, 13, & 14)	
1	91084185	1	TUBE ASSY	
2	88671033	2	LUBE FITTING, STRAIGHT, 1/4-28	
3	91084176	2	BUSHING	
4	91084184	1	NUT	
5	91084219	1	WEAR RING	
6	91084220	1	SEAL	
7	91084221	1	O-RING	
8	91084222	1	O-RING	
9	91084186	1	PISTON	
10	91084223	1	BACK-UP RING	
11	91084224	1	O-RING	
12	91084188	1	GLAND	
13	91084225	1	SEAL	
14	91084226	1	WIPER	
15	91084187	1	ROD ASSY	

SECTION 12 - OPTIONAL EQUIPMENT

FIGURE 12-23. (91083471) SWAY CYLINDER (SN 0388191 to Present)



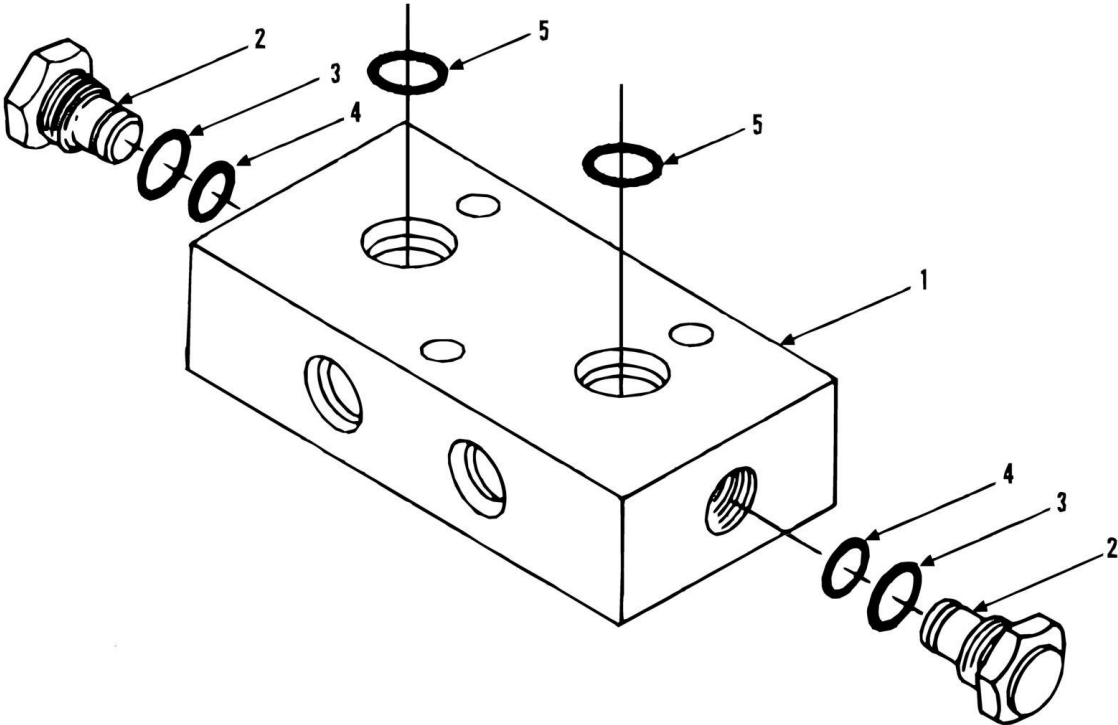
SECTION 12 - OPTIONAL EQUIPMENT

FIGURE 12-23. (91083471) SWAY CYLINDER (SN 0388191 to Present)

ITEM	PART NUMBER	QTY	DESCRIPTION	REV
	91083471	1	SLOPE PILER CARRIAGE SWAY CYLINDER ASSY (includes all items)	
	91084308	1	SEAL KIT (includes items 6 thru 9, 11, 12 & 14 thru 16)	
1	91404352	2	BUSHING	
2	91144128	2	GREASE FITTING	
3	91124083	1	CASE ASSY	
4	91144017	1	CAPSCREW, #8X32X.375	
5	91034156	1	LOCKNUT (lubricate and torque to 350-400 ft lbs)	
6	Kit	2	WEAR RING	
7	Kit	1	PISTON SEAL	
8	Kit	1	O-RING	
9	Kit	1	O-RING	
10	91124084	1	PISTON	
11	Kit	1	O-RING	
12	Kit	1	BACK-UP RING	
13	91124085	1	CYLINDER HEAD	
14	Kit	1	STEP SEAL	
15	Kit	1	U-CUP	
16	Kit	1	WIPER	
17	91124086	1	ROD ASSY	
		Ref	NOTE: ONLY ITEMS WITH PART NUMBERS ARE AVAILABLE FOR SERVICE.	

SECTION 12 - OPTIONAL EQUIPMENT

FIGURE 12-24. (91083262) DUAL P.O. CHECK VALVE



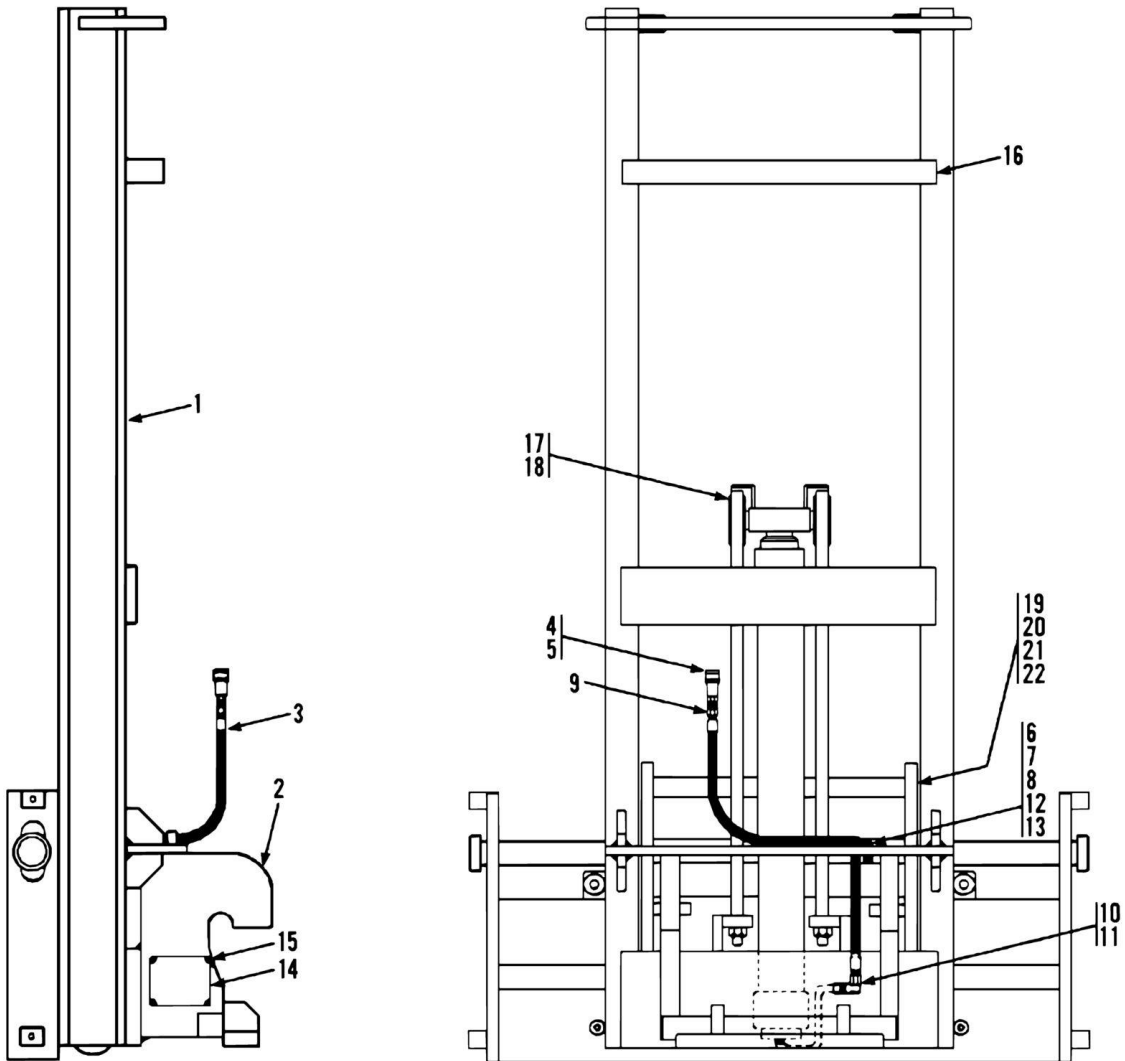
SECTION 12 - OPTIONAL EQUIPMENT

FIGURE 12-24. (91083262) DUAL P.O. CHECK VALVE

ITEM	PART NUMBER	QTY	DESCRIPTION	REV
1	91083262	1	DUALP.O.CHECK VALVE ASSY (includes items 1 thru 4)	
	91044002	Ref	SEAL KIT (includes items 3 & 4)	
		Ref	BODY	
2	77133248	2	CHECK VALVE (includes items 3 & 4)	
3	91084227	2	O-RING	
4	91084228	2	O-RING	
5	88591009	2	O-RING	
		Ref	NOTE: ONLY ITEMS WITH PART NUMBERS ARE AVAILABLE FOR SERVICE.	

SECTION 12 - OPTIONAL EQUIPMENT

FIGURE 12-25. (90455035) & (90455037) 6FT MAST ASSEMBLIES



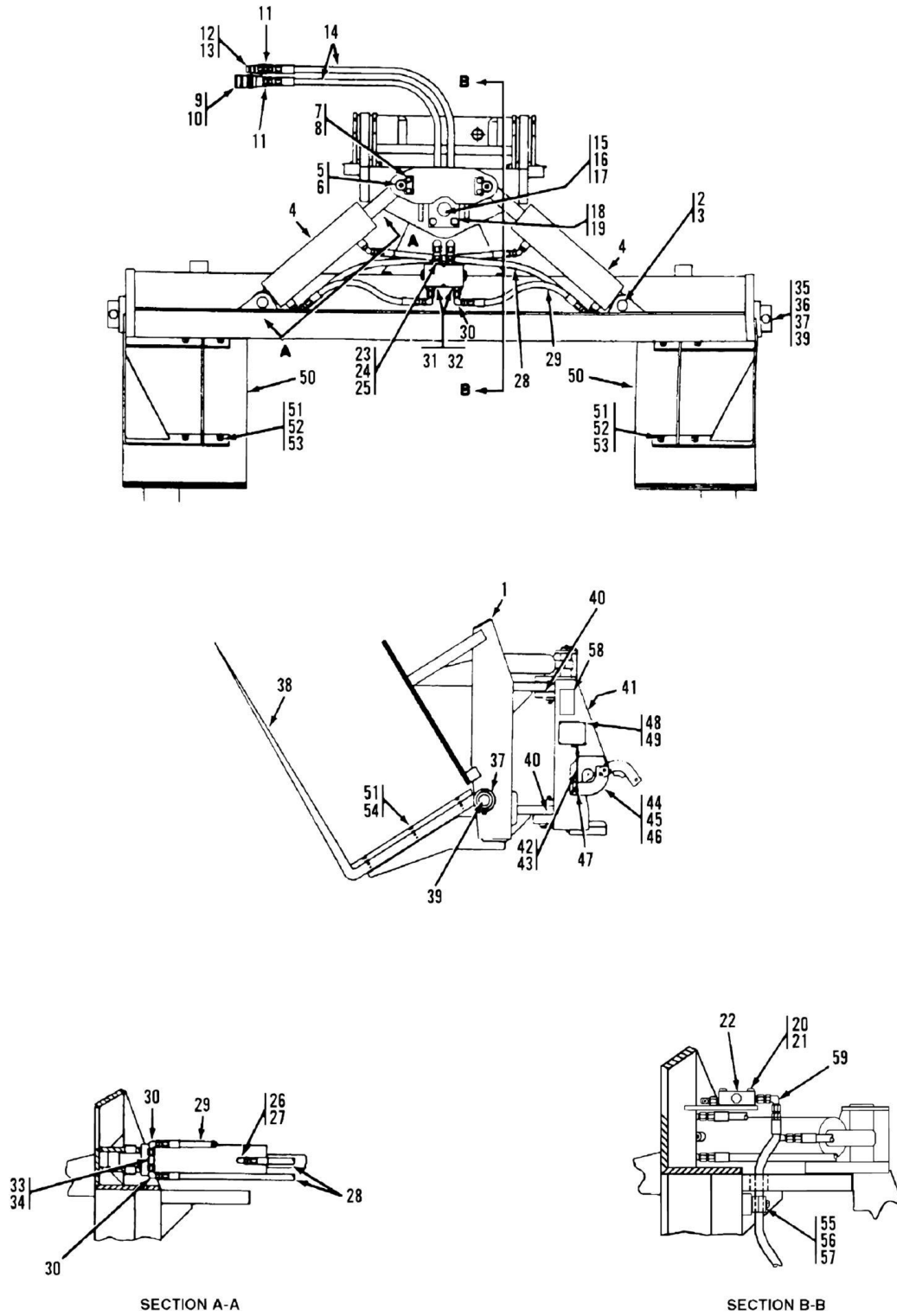
SECTION 12 - OPTIONAL EQUIPMENT

FIGURE 12-25. (90455035) & (90455037) 6FT MAST ASSEMBLIES

ITEM	PART NUMBER	QTY	DESCRIPTION	REV
	90455035	1	6 FT MAST ASSY, (48in carriage), (includes all items)	
	90455037	1	6 FT MAST ASSY, (66in carriage), (includes all items)	
	91033400	1	532C/534C-6 CAPACITY CHART, (located in cab)	
1	90453031	1	CARRIAGE WELDMENT - 48IN	
1	90453032	1	CARRIAGE WELDMENT - 66IN	
2	90456002	1	ADAPTER WELDMENT	
3	84717640	1	HOSE ASSY	
4	91163138	1	MALE HYDRAULIC COUPLING (Prior to SN 2005283-01)	
4	91403414	1	MALE HYDRAULIC COUPLING, (SN 2005283-01 to Present)	
5	91043126	1	DUST CAP	
6	24431386	2	CLAMP	
7	88201037	2	HEX HD CAPSCREW, 3/8-16X1-1/2, GR5	
8	88561004	2	FLAT WASHER, 3/8	
9	88661013	1	MALE CONNECTOR, 1/2X1/2 TUBE (Prior to SN 2005283-01)	
9	88662006	1	CONNECTOR, (includes 8859-1205 o-ring), (SN 2005283-01 to Present)	
10	88661016	1	MALE CONNECTOR, 5/8X1/2 TUBE	
11	88661180	1	FEMALE ELBOW, 90 , 1/2X1/2 TUBE	
12	88501006	2	HEX NUT, 3/8-16	
13	88551011	2	LOCKWASHER, 3/8	
14	90153001	1	SERIAL NUMBER PLATE	
15	88341022	4	DRIVE SCREW, #10X3/8	
16	90451039	1	STOP TUBE	
17	91034372	2	RETAINING RING	
18	91034373	2	CHAIN ROLLER	
19	91034374	6	LOAD ROLLER, (inside carriage frame)	
20	91034375	AR	SHIM	
21	91034376	4	SIDE THRUST ROLLER, (small outside roller)	
22	91034377	2	SCREW	

SECTION 12 - OPTIONAL EQUIPMENT

FIGURE 12-26. (90555013) 100 DRYWALL SWING FORK ASSEMBLY



SECTION 12 - OPTIONAL EQUIPMENT

FIGURE 12-26. (90555013) 100 DRYWALL SWING FORK ASSEMBLY

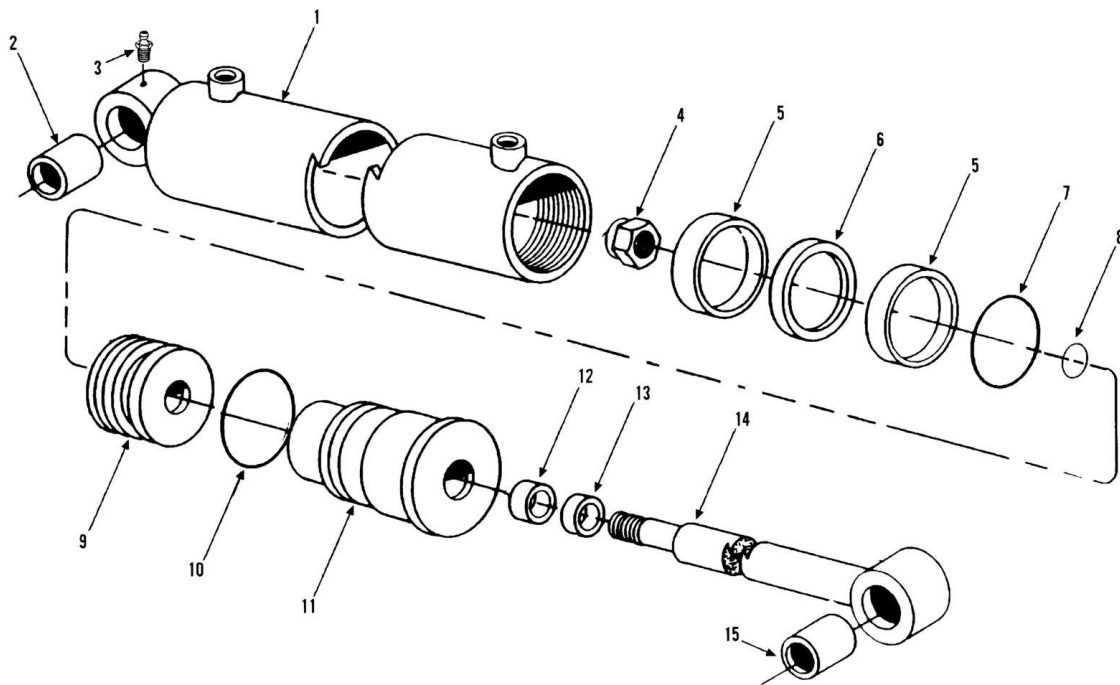
ITEM	PART NUMBER	QTY	DESCRIPTION	REV
	90555013	1	100, DRYWALL SWING FORK ASSY, (includes all items)	
1	90556004	1	DRYWALL CARRIAGE WELDMENT	
2	91041326	2	PIVOT PIN	
3	88581136	4	EXTERNAL RETAINING RING	
4		Ref	HYDRAULIC CYLINDER ASSY, (See CYLINDER ASSEMBLY for Breakdown)	
5	91041324	2	PIVOT PIN	
6	88671008	2	LUBE FITTING, STRAIGHT, 1/4-28	
7	91411073	2	LOCKING PLATE	
8	83201024	4	HEX HD CAPSCREW, 3/8-16X1, GR8	
9	91043125	1	DUST CAP	
10	91163139	1	HYDRAULIC COUPLER, FEMALE, (Prior to SN 2005283-01)	
10	91403413	1	HYDRAULIC COUPLER, FEMALE, (SN 2005283-01 to Present)	
11	88661013	2	MALE CONNECTOR, 1/2X1/2 TUBE, (Prior to SN 2005283-01)	
11	88662006	2	CONNECTOR, (includes 8859-1205 o-ring), (SN 2005283-01 to Present)	
12	91043126	1	DUST CAP	
13	91163138	1	HYDRAULIC COUPLER, MALE, (Prior to SN 2005283-01)	
13	91403414	1	HYDRAULIC COUPLER, MALE, (SN 2005283-01 to Present)	
14	84718067	2	HOSE ASSY	
15	91041325	2	PIVOT PIN	
16	91041327	2	BUSHING	
17	88671022	2	LUBE FITTING, 90, 1/8	
18	91041322	2	LOCKING PLATE	
19	83201026	4	HEX HD CAPSCREW, 1/2-13X1-1/2, GR8	
20	88201008	2	HEX HD CAPSCREW, 1/4-20X1-3/4, GR5	
21	88561002	2	FLAT WASHER, 1/4	
22	91043186	1	DOUBLE PILOT CHECK VALVE	
23	91041361	2	FITTING	
24	91041362	2	ORIFICE FITTING	
25	88591205	2	O-RING	
26	88662084	2	ELBOW, 45, (includes item 27)	
27	88591204	2	O-RING	
28	90204097	2	HOSE ASSY	
29	77133201	2	HOSE ASSY	
30	88662105	6	ELBOW, 90, (swivel nut)	
31	88662018	2	CONNECTOR, (includes item 32)	
32	88591205	2	O-RING	
33	88662152	2	BRANCH TEE, (includes item 34)	
34	88591204	2	O-RING	
35	88201105	4	HEX HD CAPSCREW, 5/8-11X4, GR5	
36	88521310	4	HEX LOCKNUT, 5/8-11	
37	90200003	4	COLLAR	
38	90453013	2	DRYWALL FORK	
39	90451020	2	FORK PIN	
40	91041356	6	SPACER	
41	91046062	1	PIVOT WELDMENT	
42	91033038	1	CHAIN, 24IN	
43	91033039	2	CHAIN CONNECTION	
44	88631449	2	ROLL PIN, 1/8X1-1/2	

SECTION 12 - OPTIONAL EQUIPMENT

ITEM	PART NUMBER	QTY	DESCRIPTION	REV
45	91141350	2	PIN	
46	91146053	1	SUPPORT BRACKET, L.H.	
46	91146054	1	SUPPORT BRACKET, R.H.	
47	91043221	2	DETENT PIN	
48	90153001	1	SERIAL NUMBER PLATE	
49	88341022	4	DRIVE SCREW, #10X3/8	
50	90553012	2	SIDE DRYWALL GUARD	
51	88241053	14	SOCKET FLAT HD CAPSCREW, 3/8-16X1-1/2	
52	88551011	8	LOCKWASHER, 3/8	
53	88501006	8	HEX NUT, 3/8-16	
54	90553013	2	BOTTOM DRYWALL GUARD	
55	91083249	1	CLAMP SET	
56	77133140	1	COVER PLATE	
57	77133177	1	HEX HD CAPSCREW, 5/16-18X1-3/8	
58	91143282	2	PINCH POINT DECAL	
59	88662106	2	ELBOW, 90, (swivel nut)	

SECTION 12 - OPTIONAL EQUIPMENT

FIGURE 12-27. (91033366) CYLINDER ASSEMBLY



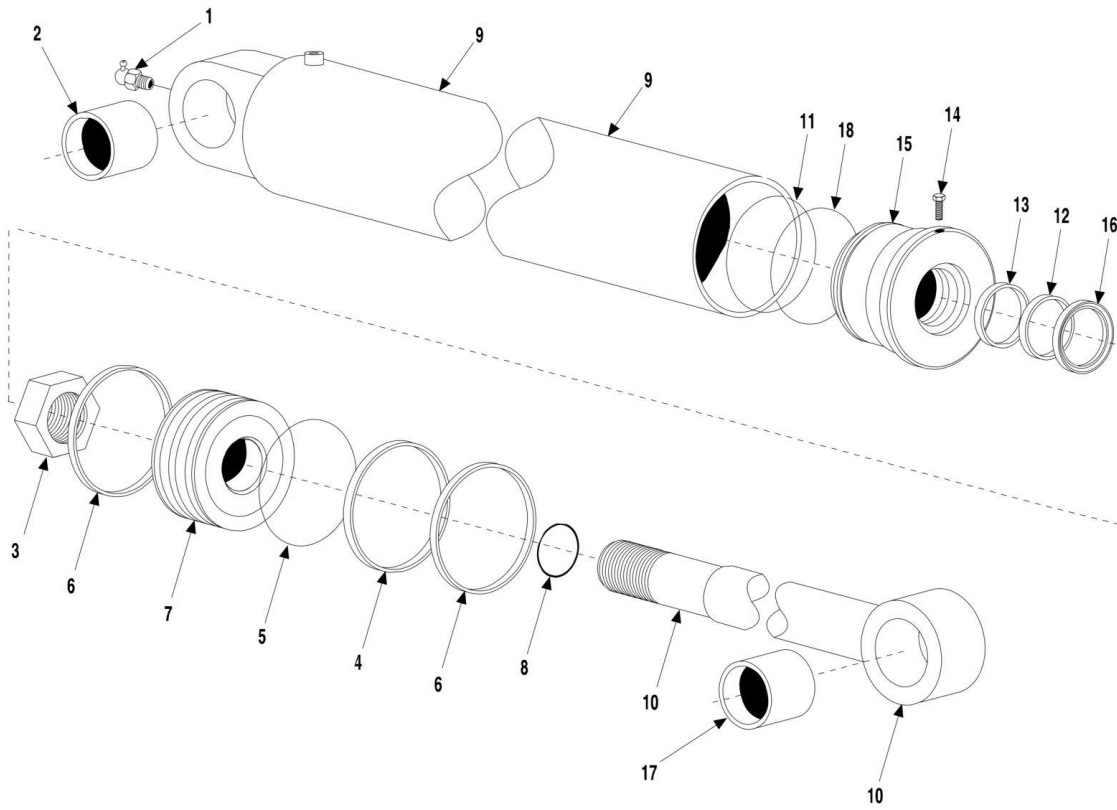
SECTION 12 - OPTIONAL EQUIPMENT

FIGURE 12-27. (91033366) CYLINDER ASSEMBLY

ITEM	PART NUMBER	QTY	DESCRIPTION	REV
	91033366	2	CYLINDER ASSY (includes all items)	
	91034301	1	SEAL KIT (includes items 5, 6, 7, 8, 10, 12 & 13)	
1	91034302	1	TUBE ASSY	
2	91084194	1	BUSHING	
3	88671033	1	LUBE FITTING - STRAIGHT, 1/4-28	
4	91034303	1	LOCKNUT (torque to 235 ft lbs)	
5	91044463	2	WEAR RING	
6	91044464	1	SEAL	
7	91044465	1	O-RING	
8	91044466	1	O-RING	
9	91034304	1	PISTON	
10	91044467	1	O-RING	
11	91034305	1	GLAND	
12	91044468	1	SEAL	
13	91044469	1	WIPER	
14	91034306	1	ROD ASSY	
15	91044470	1	BUSHING	

SECTION 12 - OPTIONAL EQUIPMENT

FIGURE 12-28. (90453034) CYLINDER ASSEMBLY



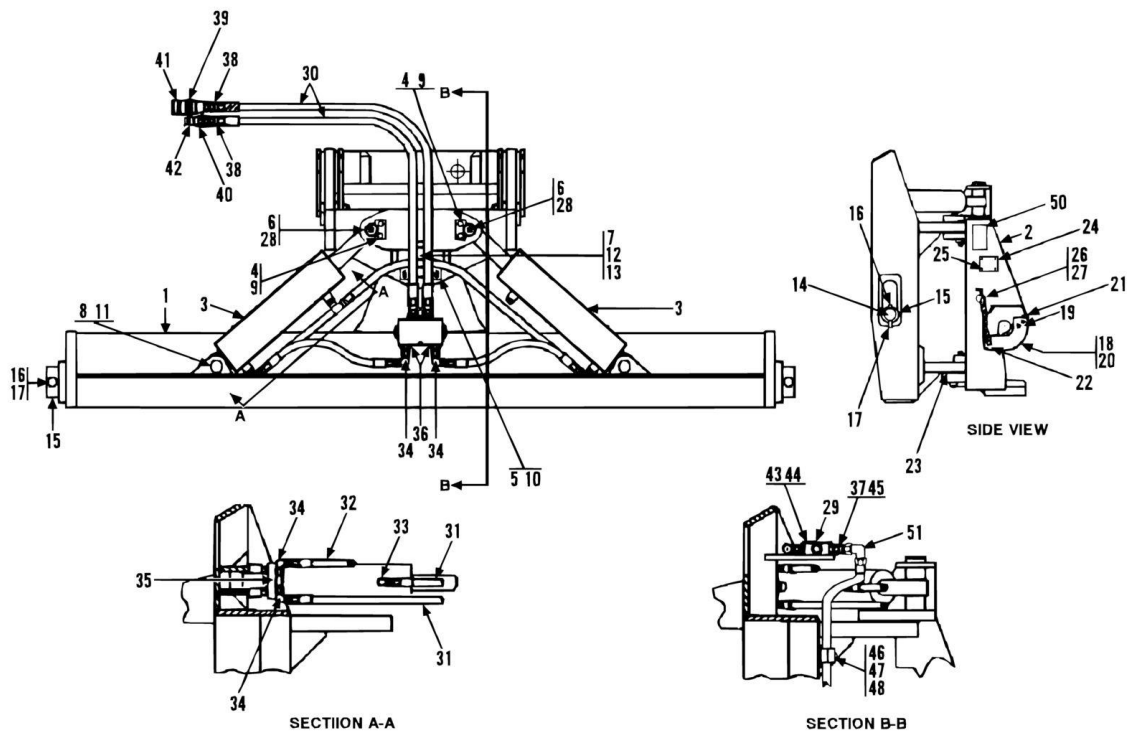
SECTION 12 - OPTIONAL EQUIPMENT

FIGURE 12-28. (90453034) CYLINDER ASSEMBLY

ITEM	PART NUMBER	QTY	DESCRIPTION	REV
	90453034	1	CYLINDER ASSY, (includes all items)	
	91144006	1	SEAL KIT, (includes items 4 thru 6, 8, 11 thru 13, 16 & 18)	
1	91144125	1	GREASE FITTING	
2	91034157	1	BUSHING	
3	91144038	1	LOCKNUT	
4	91164020	1	PISTON SEAL	
5	91164021	1	O-RING	
6	91164019	2	WEAR RING	
7	91144039	1	PISTON	
8	91164022	1	O-RING	
9	91034435	1	BARREL	
10	91034436	1	PISTON ROD	
11	91164024	1	BACK-UP RING	
12	91204468	1	U-CUP	
13	91164025	1	STEP SEAL	
14	91124096	1	SELF TAPPING SCREW	
15	91144040	1	CYLINDER HEAD	
16	91204469	1	WIPER	
17	91124087	1	BUSHING	
18	91034437	1	O-RING	
		Ref	NOTE: ONLY ITEMS WITH PART NUMBERS ARE AVAILABLE FOR SERVICE.	

SECTION 12 - OPTIONAL EQUIPMENT

FIGURE 12-29. (90455044) 100 SWING FORK ASSEMBLY



SECTION 12 - OPTIONAL EQUIPMENT

FIGURE 12-29. (90455044) 100 SWING FORK ASSEMBLY

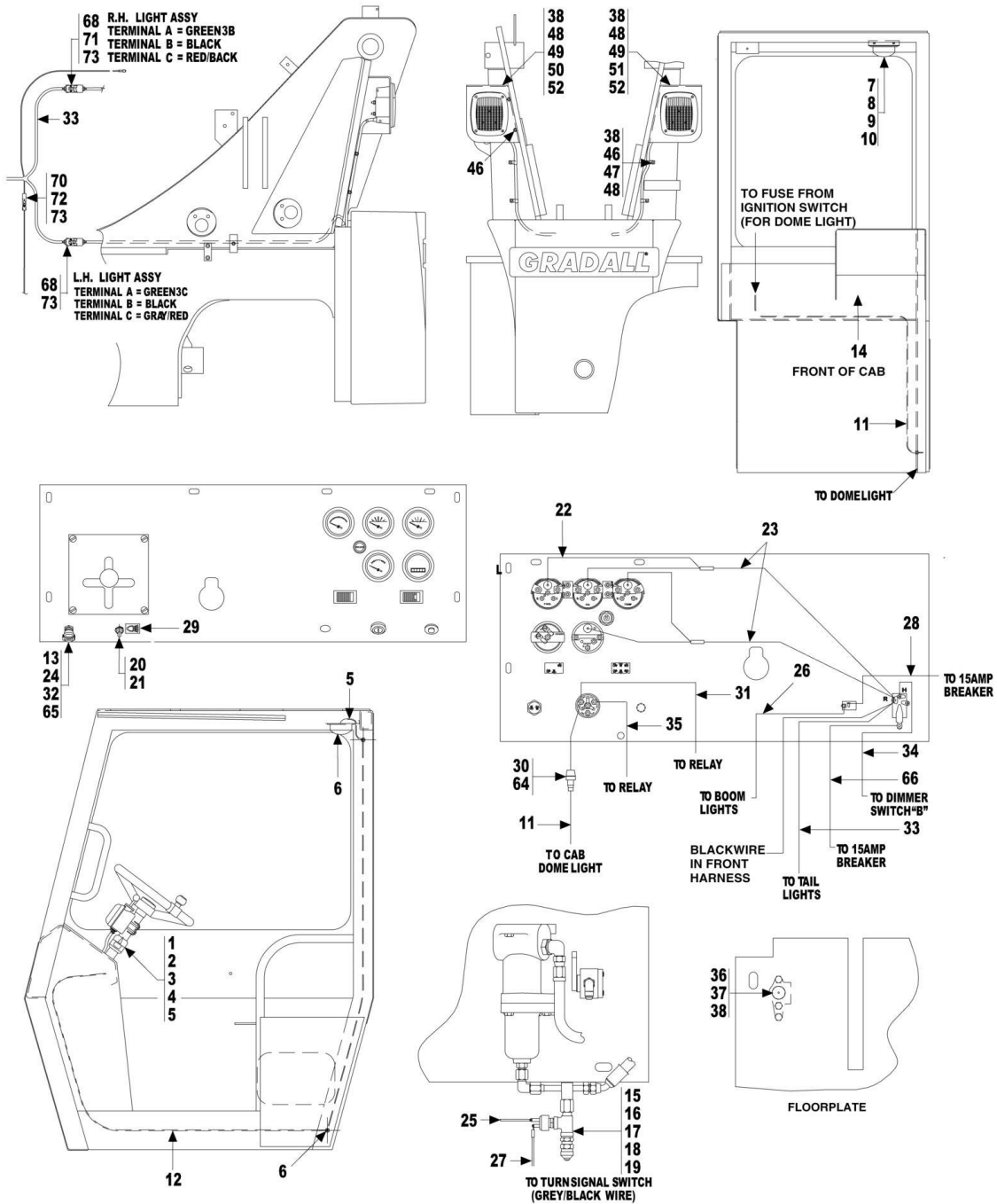
ITEM	PART NUMBER	QTY	DESCRIPTION	REV
	90455044	Ref	100, SWING FORK ASSY, (includes all items)	
1	91046061	1	CARRIAGE WELDMENT	
2	91046062	1	PIVOT PIN	
3		Ref	CYLINDER ASSY, (See CYLINDER ASSEMBLY for Breakdown)	
4	91041322	2	LOCKING PLATE	
5	91411073	2	LOCKING PLATE	
6	91041324	2	PIVOT PIN	
7	91041325	2	PIVOT PIN	
8	91041326	2	PIVOT PIN	
9	83201024	4	HEX HD CAPSCREW, 3/8-16X1, GR8	
10	83201026	4	HEX HD CAPSCREW, 1/2-13X1-1/2, GR8	
11	88581136	4	SNAP RING	
12	88671022	2	LUBE FITTING, 90, 1/8	
13	91041327	2	BUSHING	
14	90551013	1	FORK PIN	
15	90200003	2	COLLAR	
16	88201105	2	HEX HD CASCREW, 5/8-11X4, GR5	
17	88521310	2	HEX LOCKNUT, 5/8-11	
18	91146053	1	L.H. SUPPORT BRACKET	
19	91141350	2	PIN	
20	91146054	1	R.H. SUPPORT BRACKET	
21	88631449	2	ROLL PIN, 1/8X1-1/2	
22	91043221	2	DETENT PIN	
23	91041356	6	SPACER	
24	90153001	1	SERIAL NUMBER PLATE	
25	88341022	4	DRIVE SCREW, #10X3/8	
26	91033039	2	CHAIN CONNECTION	
27	91033038	24 IN	CHAIN	
28	88671008	2	LUBE FITTING, STRAIGHT, 1/4-28	
29	91043186	1	DOUBLE PILOT CHECK VALVE	
30	84718067	2	HOSE ASSY	
31	90204097	2	HOSE ASSY	
32	77133201	2	HOSE ASSY	
33	88662084	2	ELBOW, 45, (includes o-ring)	
33	88591204	2	O-RING	
34	88662105	6	ELBOW, 90, (swivel nut)	
35	88662152	2	BRANCH TEE, (includes o-ring)	
35	88591204	2	O-RING	
36	88662018	2	CONNECTOR, (includes o-ring)	
36	88591205	2	O-RING	
37	91041361	2	FITTING	
38	88661013	2	MALE CONNECTOR, 1/2X1/2 TUBE (Prior to SN 2005283-01)	
38	88662006	2	CONNECTOR, (includes 8859-1205 o-ring), (SN 2005283-01 to Present)	
39	91163139	1	FEMALE QUICK DISCONNECT (Prior to SN 2005283-01)	
39	91403413	1	FEMALE QUICK DISCONNECT, (SN 2005283-01 to Present)	
40	91163138	1	MALE QUICK DISCONNECT (Prior to SN 2005283-01)	
40	91403414	1	MALE QUICK DISCONNECT, (SN 2005283-01 to Present)	
41	91043125	1	DUST CAP	
42	91043126	1	DUST CAP	

SECTION 12 - OPTIONAL EQUIPMENT

ITEM	PART NUMBER	QTY	DESCRIPTION	REV
43	88201008	2	HEX HD CAPSCREW, 1/4-20X1-3/4, GR5	
44	88561002	2	FLAT WASHER, 1/4	
45	91041362	2	ORIFICE FITTING	
46	91083249	1	CLAMP SET	
47	77133140	1	COVER PLATE	
48	77133177	1	HEX HD CAPSCREW	
49	91123134	1	CAPACITY DECAL, (not shown)	
50	91043209	2	PINCH POINT DECAL	
51	88662106	2	ELBOW, 90, (swivel nut)	

SECTION 12 - OPTIONAL EQUIPMENT

FIGURE 12-30. (91085062) DELUXE LIGHT PACKAGE (SN 0188002 through 0288776)



SECTION 12 - OPTIONAL EQUIPMENT

FIGURE 12-30. (91085062) DELUXE LIGHT PACKAGE (SN 0188002 through 0288776)

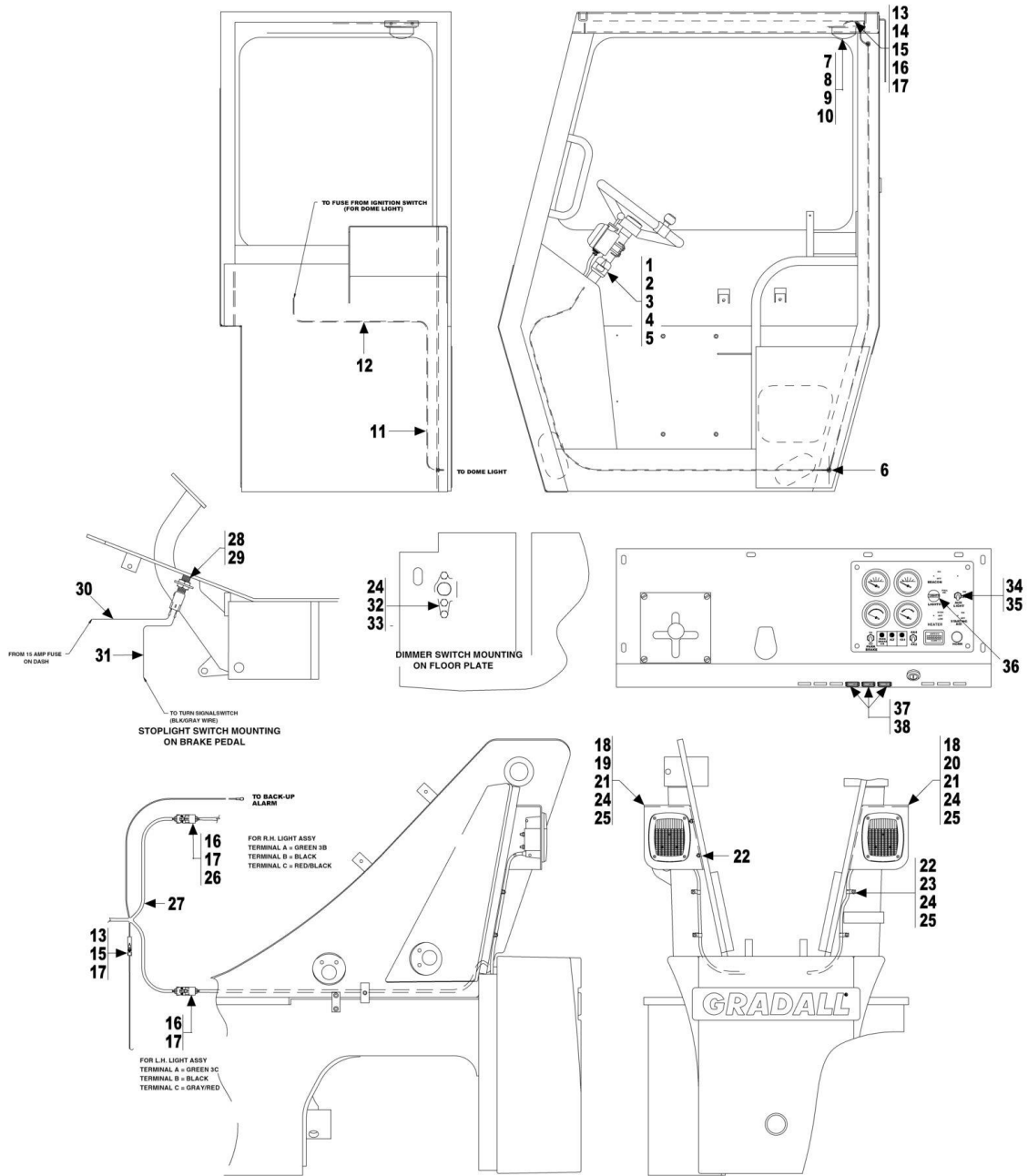
ITEM	PART NUMBER	QTY	DESCRIPTION	REV
	91085062	1	DELUXE LIGHT PACKAGE,(includes all items)	
1	90200999	1	TURN SIGNAL SWITCH	
2	80983168	1	FLASHER SWITCH	
3	91013026	1	PIG TAIL CONNECTOR	
4	86983193	14	BULLET CONNECTOR	
5	86683480	4	BUTT CONNECTOR	
6	90027214	2	RUBBER GROMMET	
7	91011009	1	MOUNTING BRACKET	
8	90029955	1	RUBBER GROMMET	
9	88321022	2	SELF TAPPING SCREW, #8-32X3/8	
10	24861167	1	INTERIOR LIGHT	
11	91121151	1	JUMPER WIRE	
12	86683122	18	TIE-RAP	
13	88301191	1	RD HD MACH SCREW, #10-32X3/8	
14	91053419	13	TIE-RAP	
15	86561326	1	ADAPTER	
16	91033032	1	TEST COUPLING	
17	88712232	1	STREET TEE, 1/4	
18	88711380	1	REDUCING BUSHING, 1/4X1/8	
19	83663097	1	STOPLIGHT SWITCH	
20	77383467	1	LIGHT SWITCH	
21	77383470	1	BOOT	
22	91033360	4	GAUGE LIGHTING KIT	
23	91121152	2	JUMPER WIRE	
24	88551007	1	LOCKWASHER, #10	
25	91121190	1	JUMPER WIRE	
26	91081613	1	JUMPER WIRE	
27	91121154	1	JUMPER WIRE	
28	91121189	1	JUMPER WIRE	
29	91003055	1	LIGHTS DECAL	
30	90203376	1	IN-LINE FUSE, 6 AMP	
31	91121186	1	JUMPER WIRE	
32	86683127	1	HEADLAMP SWITCH	
33	91083400	1	REAR WIRING HARNESS	
34	91081614	1	JUMPER WIRE	
35	91121187	1	JUMPER WIRE	
36	86683136	1	DIMMER SWITCH	
37	88201002	3	HEX HD CAPSCREW, 1/4-20X5/8, GR5	
38	88551009	30	LOCKWASHER, 1/4	
39	91083398	1	LAMP KIT	
40	91081610	1	L.H. FRONT BRACKET	
41	91081612	1	R.H. FRONT BRACKET	
42	88201036	6	HEX HD CAPSCREW, 3/8-16X1-1/4, GR5	
43	88561004	6	FLAT WASHER, 3/8	
44	88551011	10	LOCKWASHER, 3/8	
45	91083399	1	FRONT WIRING HARNESS	
46	83661336	27	WELD STUD, 1/4-20X5/8	
47	86621230	21	SUPPORT CLAMP	
48	88501004	27	HEX NUT, 1/4-20	
49	91365045	2	TAIL LIGHT ASSEMBLY, (includes the following seven items)	

SECTION 12 - OPTIONAL EQUIPMENT

ITEM	PART NUMBER	QTY	DESCRIPTION	REV
49	91123065	1	TAIL LIGHT	
49	86661147	38 IN	WIRE, 16 GAUGE, (black)	
49	86661149	38 IN	WIRE, 16 GAUGE, (green)	
49	86661152	38 IN	WIRE, 16 GAUGE, (red)	
49	86683480	3	BUTT CONNECTOR	
49	82033996	45 IN	WIRE LOOM	
49	86683122	2	TIE WRAP	
50	91081608	1	L.H. REARLIGHT BRACKET	
51	91081609	1	R.H. REARLIGHT BRACKET	
52	91121146	2	TAIL LIGHT BRACKET	
53	91121193	1	JUMPER WIRE	
54	91081606	1	L.H. LIGHT BRACKET	
55	91081607	1	R.H. LIGHTBRACKET	
56	88201037	2	HEX HD CAPSCREW, 3/8-16X1-1/2, GR5	
57	88561109	4	FLATWASHER, 3/8	
58	88501006	4	HEX NUT, 3/8-16	
59	91125110	2	HALOGEN WORK LIGHT KIT, (includes the following two items)	
59	80963050	1	UTILITY FLOOD LIGHT	
59	90028960	2	MALE TERMINAL	
60	88201035	2	HEX HD CAPSCREW, 3/8-16X1, GR5	
61	91121150	2	JUMPER WIRE	
62	91083397	1	WIRING HARNESS	
63	91081661	1	JUMPER WIRE	
64	86983188	1	EYELET	
65	88501613	1	HEX NUT, #10-32	
66	91081660	1	JUMPER WIRE	
67	80963062	2	W. PACK CONNECTOR, (shroud)	
68	80963069	14	W. PACK CONNECTOR, (male pin)	
69	80963067	8	W. PACK CONNECTOR, (cable seal)	
70	80963055	1	W. PACK CONNECTOR, (tower)	
71	80963060	2	W. PACK CONNECTOR, (shroud)	
72	80963068	1	W. PACK CONNECTOR, (female pin)	
73	80963066	7	W. PACK CONNECTOR, (cable seal)	
74	91033462	3	CIRCUIT BREAKER, 15 AMP	
75	77363191	1	CIRCUIT BREAKER BRACKET	
76	86981178	1	BUSS BAR	
77	88321039	2	SELF TAPPING SCREW, #10-32X1/2	
78	77383410	2	RELAY	
79	91121188	1	JUMPER WIRE	
80	91121191	3	JUMPER WIRE	
81	91081665	1	JUMPER WIRE	

SECTION 12 - OPTIONAL EQUIPMENT

FIGURE 12-31. (91085104) DELUXE LIGHT PACKAGE (SN 0288777 to Present)



SECTION 12 - OPTIONAL EQUIPMENT

FIGURE 12-31. (91085104) DELUXE LIGHT PACKAGE (SN 0288777 to Present)

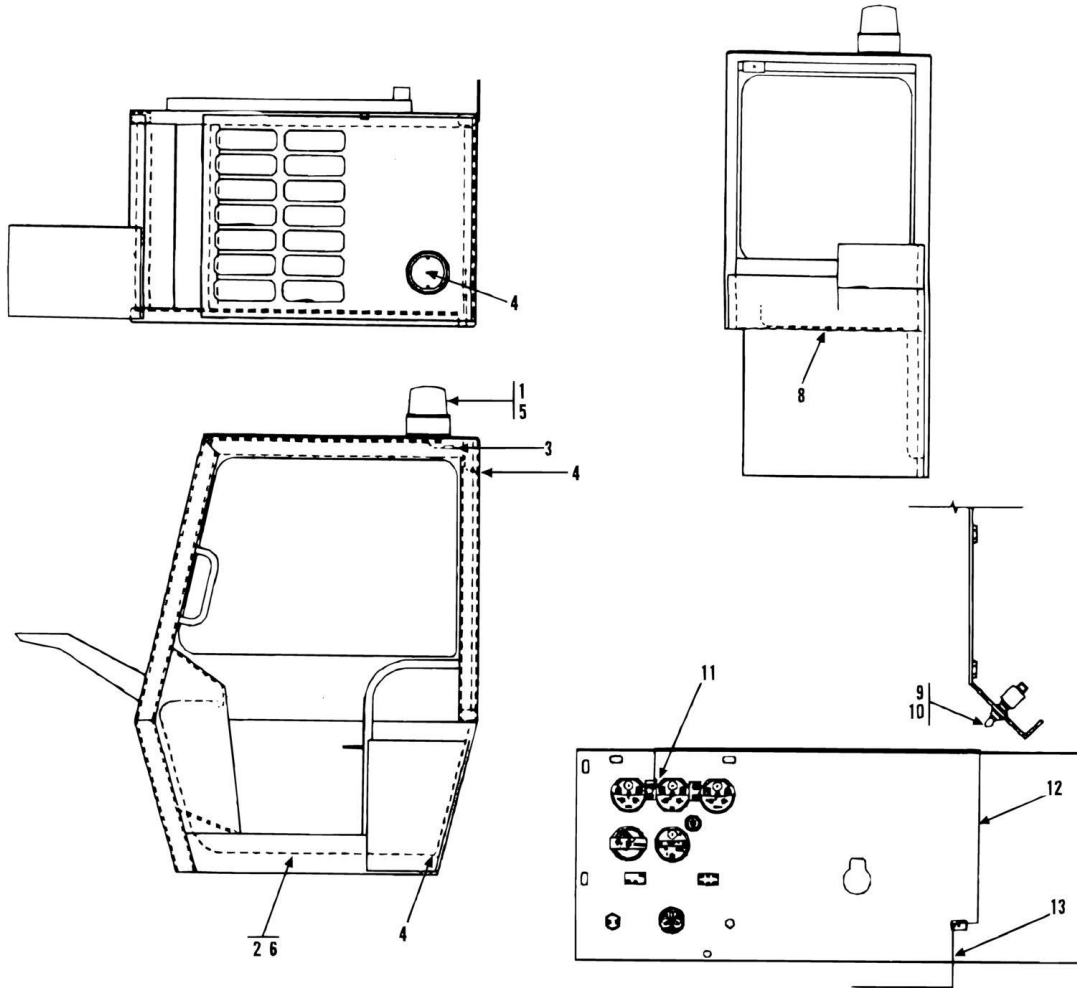
ITEM	PART NUMBER	QTY	DESCRIPTION	REV
	91085104	1	DELUXE LIGHT PACKAGE,(includes all items)	
1	90200999	1	TRUN SIGNAL SWITCH	
2	86683381	1	FLASHER SWITCH	
3	91013026	1	PIG TAIL CONNECTOR	
4	86983193	14	BULLET CONNECTOR	
5	86683480	3	BUTT CONNECTOR	
6	90027214	2	RUBBER GROMMET	
7	91011009	1	MOUNTING BRACKET	
8	90029955	1	RUBBER GROMMET	
9	88321022	2	SELF TAPPING SCREW,#8-32X3/8	
10	24861167	1	INTERIOR LIGHT	
11	91121151	1	JUMPER WIRE	
12	91053419	7	TIE WRAP	
13	80963055	3	W. PACK CONNECTOR, (tower)	
14	80963056	1	W. PACK CONNECTOR, (shroud)	
15	80963068	3	W. PACK CONNECTOR, (female pin)	
16	80963069	17	W. PACK CONNECTOR, (male pin)	
17	80963066	12	W. PACK CONNECTOR, (cable seal)	
18	91365045	2	TAIL LIGHT ASSEMBLY, (includes the following seven items)	
18	91123065	1	TAIL LIGHT	
18	86661147	38 IN	WIRE, 16 GAUGE, (black)	
18	86661149	38 IN	WIRE, 16 GAUGE, (green)	
18	86661152	38 IN	WIRE, 16 GAUGE, (red)	
18	86683480	3	BUTT CONNECTOR	
18	82033996	45 IN	WIRE LOOM	
18	86683122	2	TIE WRAP	
19	91081608	1	L.H. REAR LIGHT BRACKET	
20	91081609	1	R.H. REAR LIGHT BRACKET	
21	91121146	1	TAIL LIGHT BRACKET	
22	83661336	27	WELD STUD, 1/4-20X5/8	
23	86621230	21	SUPPORT CLAMP	
24	88551009	30	LOCKWASHER,1/4	
25	88501004	27	HEXNUT, 1/4-20	
26	80963060	2	W. PACK CONNECTOR, (shroud)	
27	91083400	1	REAR WIRING HARNESS	
28	91141197	1	MOUNTING TAB	
29	91143117	1	STOPLIGHT SWITCH	
30	91141256	1	JUMPER WIRE	
31	91141257	1	JUMPER WIRE	
32	86683136	1	DIMMER SWITCH	
33	88201002	3	HEX HD CAPSCREW, 1/4-20X5/8, GR5	
34	77383467	1	LIGHT SWITCH	
35	77383470	1	BOOT	
36	86683127	1	HEAD LAMP SWITCH	
37	91143108	3	FUSE HOLDER	
38	77363268	3	FUSE,15 AMP	
39	77383410	2	RELAY	
40	88321039	2	SELF-TAPPING SCREW, #10-32X1/2	
41	91033360	4	GAUGE LIGHTING KIT	
42	91121186	1	JUMPER WIRE	

SECTION 12 - OPTIONAL EQUIPMENT

ITEM	PART NUMBER	QTY	DESCRIPTION	REV
43	91121187	1	JUMPER WIRE	
44	91081686	1	JUMPER WIRE	
45	91141265	2	JUMPER WIRE	
46	91081687	1	JUMPER WIRE	
47	91081688	1	JUMPER WIRE	
48	91081689	1	JUMPER WIRE	
49	91121216	1	JUMPER WIRE	
50	91083400	1	REAR WIRING HARNESS	
51	91081614	1	JUMPER WIRE	
52	91081613	1	JUMPER WIRE	
53	91081665	1	JUMPER WIRE	
54	91121193	1	JUMPER WIRE	
55	91083398	1	HEAD/TURN/PARK/LAMP KIT	
56	91081610	1	L.H. FRONT BRACKET	
57	91081612	1	R.H. FRONT BRACKET	
58	88201036	6	HEX HD CAPSCREW, 3/8-16X1-1/4, GR5	
59	88561004	6	FLATWASHER, 3/8	
60	88551011	8	LOCKWASHER, 3/8	
61	91083399	1	FRONT WIRING HARNESS	
62	80963062	2	W. PACK CONNECTOR, (shroud)	
63	80963067	8	W. PACK CONNECTOR, (cable seal)	
64	91081606	1	L.H. LIGHT BRACKET	
65	91081607	1	R.H. LIGHTBRACKCET	
66	88201037	2	HEX HD CAPSCREW, 3/8-16X1-1/2, GR5	
67	88561109	2	FLATWASHER, 3/8	
68	88501006	2	HEX NUT, 3/8-16	
69	80963050	2	UTILITY FLOOD LIGHT	
70	80963058	2	W. PACK CONNECTOR, (shroud)	
71	91083397	1	WIRING HARNESS	

SECTION 12 - OPTIONAL EQUIPMENT

FIGURE 12-32. (91125021) BEACON LIGHT PACKAGE



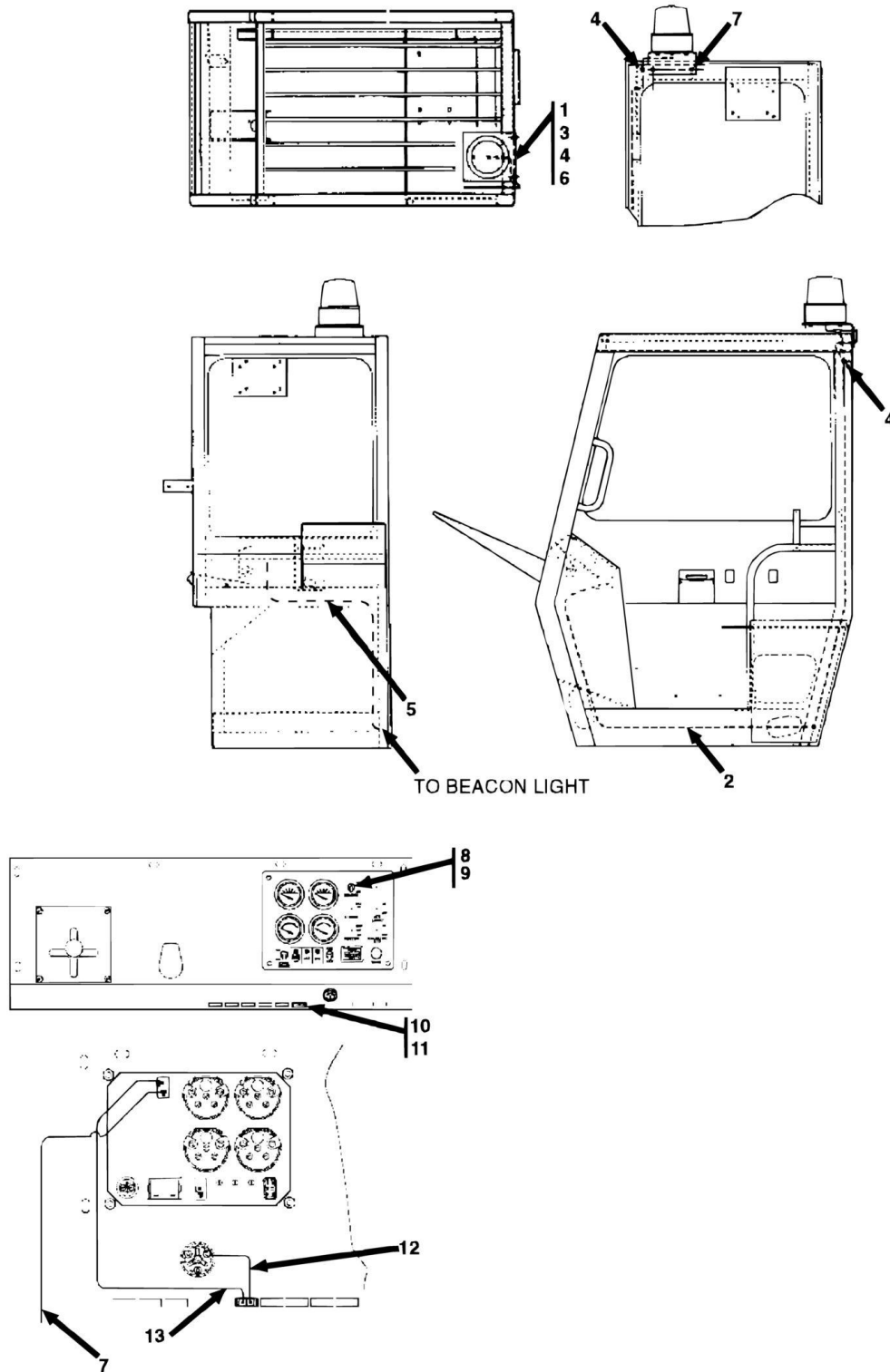
SECTION 12 - OPTIONAL EQUIPMENT

FIGURE 12-32. (91125021) BEACON LIGHT PACKAGE

ITEM	PART NUMBER	QTY	DESCRIPTION	REV
	91125021	Ref	BEACON LIGHT PACKAGE (includes all items)	
1	90200685	1	ROTATING BEACON	
2	91121151	1	JUMPER WIRE	
3	86683480	1	BUTT CONNECTOR	
4	90027214	3	RUBBER GROMMET	
5	88501004	2	HEX NUT, 1/4-20	
6	86683122	6	TY-WRAP	
8	91053419	6	TY-WRAP	
9	90200170	1	LIGHT SWITCH	
10	91003056	1	BEACON DECAL	
11	90200506	1	CIRCUIT BREAKER (30 AMP)	
12	91121153	1	JUMPER WIRE	

SECTION 12 - OPTIONAL EQUIPMENT

FIGURE 12-33. (91125042) BEACON LIGHT PACKAGE (SN 0288777 to Present)



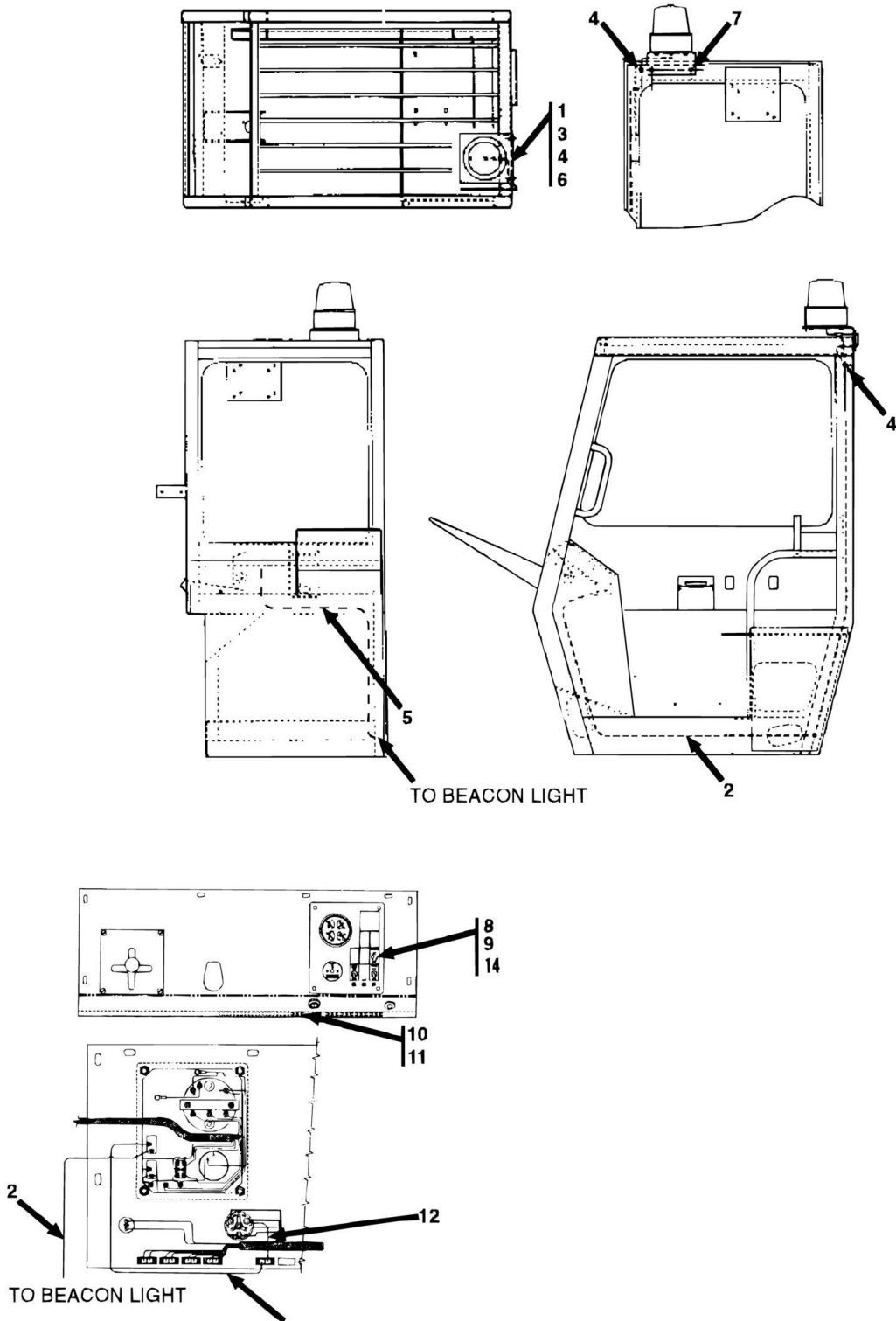
SECTION 12 - OPTIONAL EQUIPMENT

FIGURE 12-33. (91125042) BEACON LIGHT PACKAGE (SN 0288777 to Present)

ITEM	PART NUMBER	QTY	DESCRIPTION	REV
	91125042	Ref	BEACON LIGHT PACKAGE (includes all items)	
1	90200685	1	ROTATING BEACON	
2	91121151	1	JUMPER WIRE	
3	86683480	1	BUTT CONNECTOR	
4	90027214	5	RUBBER GROMMET	
5	91053419	6	TIE WRAP	
6	91121215	1	BRACKET	
7	90027319	2	DRILL AND TAP SCREW, 1/4-20 x 1	
8	77383467	1	TOGGLE-SPST	
9	77383470	1	BOOT	
10	91143108	1	FUSE HOLDER	
11	77363268	1	15 AMP FUSE	
12	91141259	1	JUMPER WIRE	
13	91121216	1	JUMPER WIRE	

SECTION 12 - OPTIONAL EQUIPMENT

FIGURE 12-34. (91125103) BEACON LIGHT PACKAGE (SN 0488238 to Present)



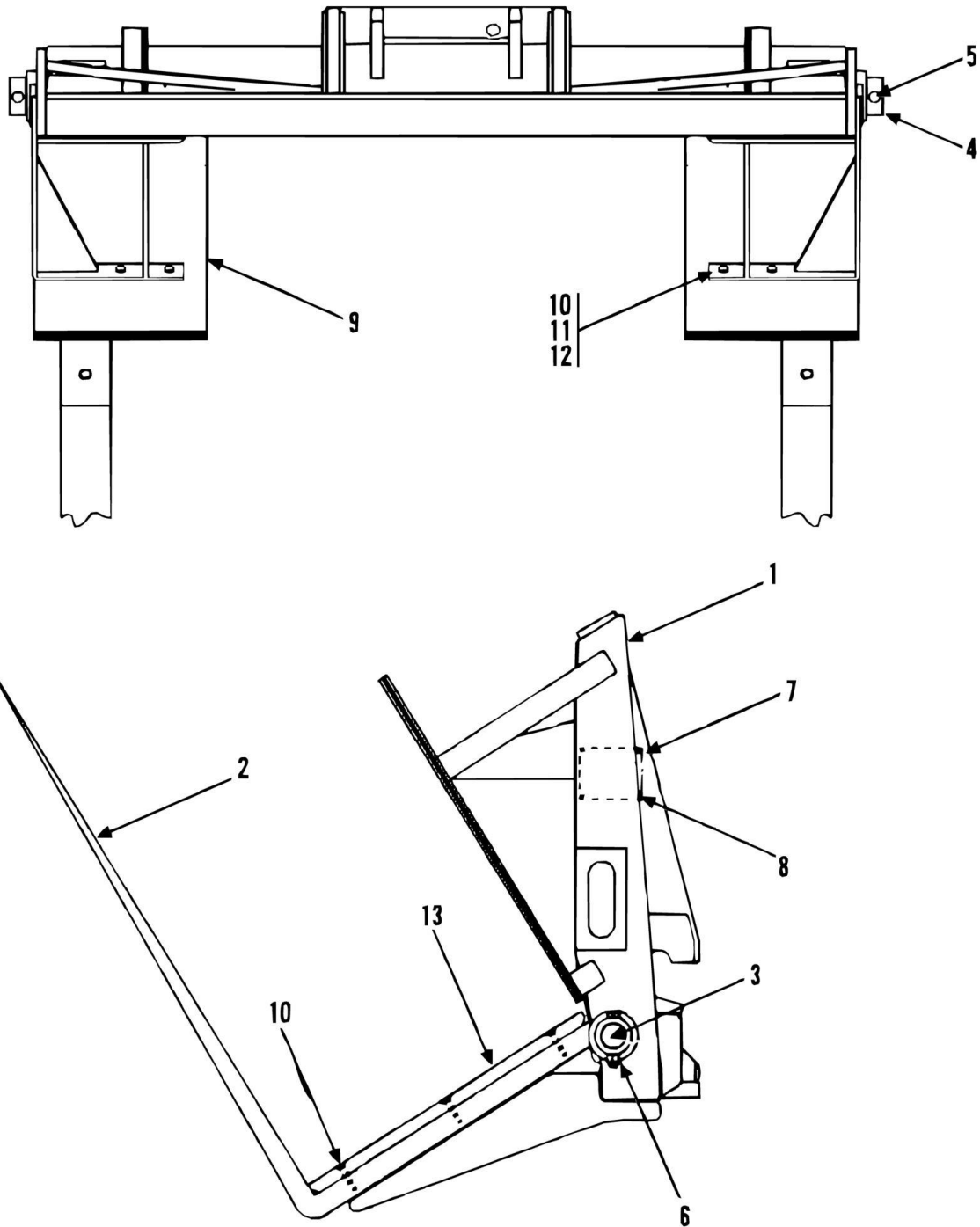
SECTION 12 - OPTIONAL EQUIPMENT

FIGURE 12-34. (91125103) BEACON LIGHT PACKAGE (SN 0488238 to Present)

ITEM	PART NUMBER	QTY	DESCRIPTION	REV
	91125103	Ref	BEACON LIGHT PACKAGE (includes all items)	
1	90200685	1	ROTATING BEACON	
2	91121151	1	JUMPER WIRE	
3	86683480	1	BUTT CONNECTOR	
4	90027214	5	RUBBER GROMMET	
5	91053419	6	TIE WRAP	
6	91121215	1	BRACKET	
7	90027319	2	DRILL AND TAP SCREW, 1/4-20 x 1	
8	77383467	1	TOGGLE-SPST	
9	77383470	1	BOOT	
10	91143108	1	FUSE HOLDER	
11	77363268	1	15 AMP FUSE	
12	91141259	1	JUMPER WIRE	
13	91121216	1	JUMPER WIRE	
14	91123177	1	BEACON DECAL	

SECTION 12 - OPTIONAL EQUIPMENT

FIGURE 12-35. (90455043) DRYWALL CARRIAGE ASSEMBLY



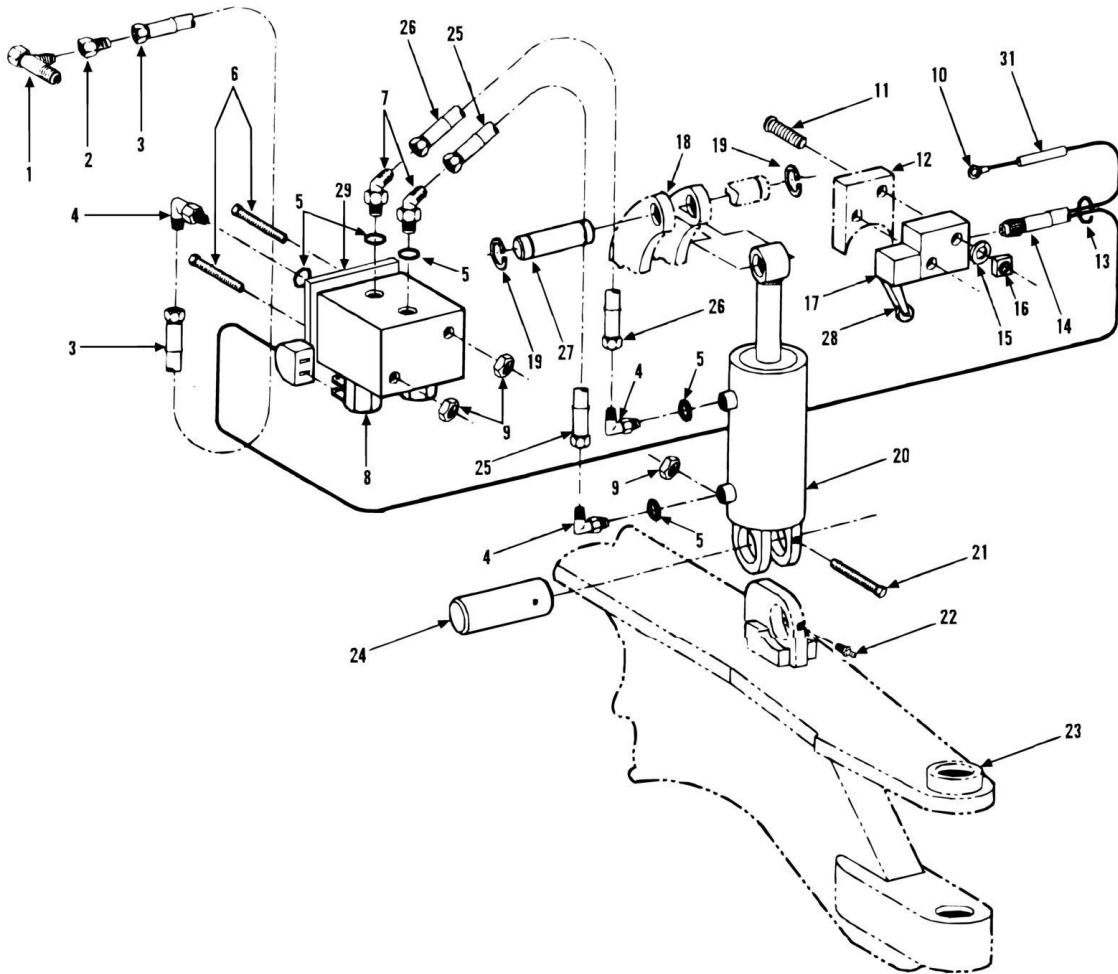
SECTION 12 - OPTIONAL EQUIPMENT

FIGURE 12-35. (90455043) DRYWALL CARRIAGE ASSEMBLY

ITEM	PART NUMBER	QTY	DESCRIPTION	REV
	90455043	Ref	DRYWALL CARRIAGE ASSY (includes all items)	
1	90456004	1	DRYWALL CARRIAGE WELDMENT	
2	90453013	2	DRYWALL FORK	
3	90451020	2	FORK PIN	
4	90200003	1	COLLAR TUBE	
5	88201105	4	HEX HD CAPSCREW 5/8-11X4, GR5	
6	88521310	4	HEX LOCKNUT, 5/8-11	
7	90153001	1	ATTACHMENT SERIAL NUMBER PLATE	
8	88341022	4	DRIVE SCREW, #10X3/8	
9	90553012	2	SIDE DRYWALL GUARD	
10	88241053	14	SOCKET FLAT HD CAPSCREW, 3/8-16X1-1/2	
11	88551011	8	LOCKWASHER, 3/8	
12	88501006	8	HEX NUT, 3/8-16	
13	90553013	2	BOTTOM DRYWALL GUARD	

SECTION 12 - OPTIONAL EQUIPMENT

FIGURE 12-36. (91125007) STABILIZER OPTION



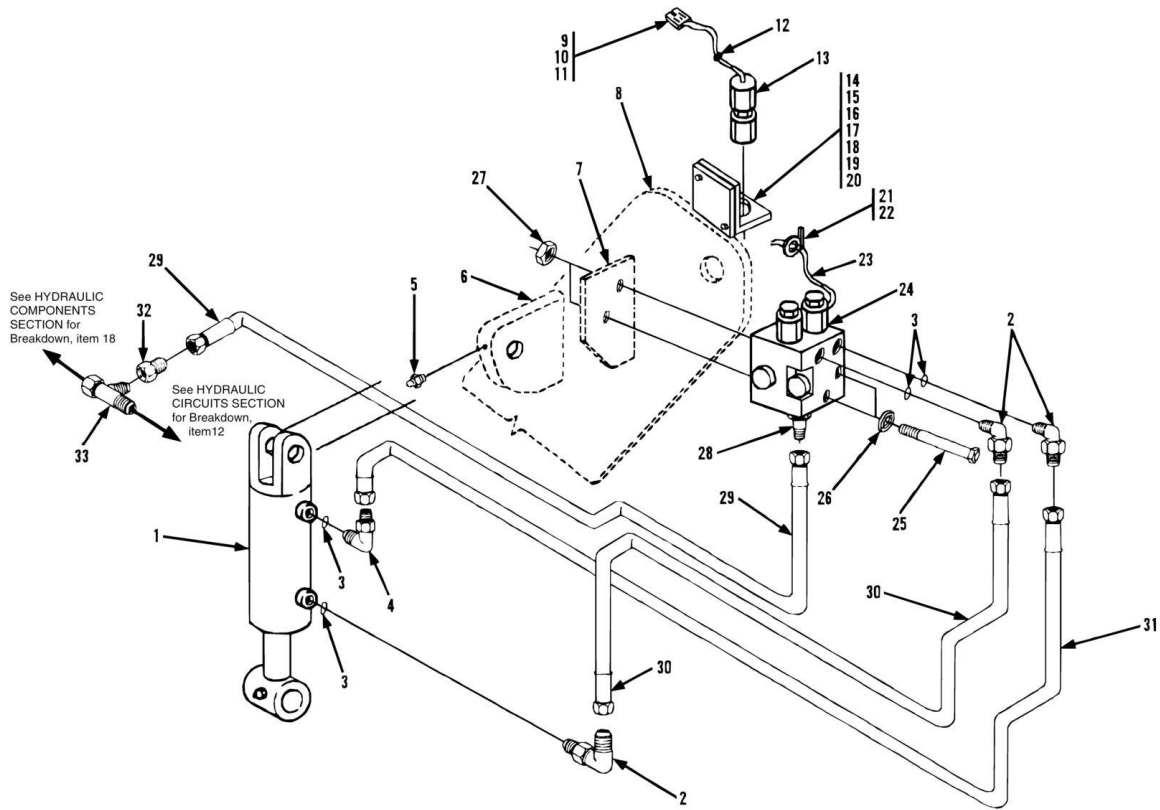
SECTION 12 - OPTIONAL EQUIPMENT

FIGURE 12-36. (91125007) STABILIZER OPTION

ITEM	PART NUMBER	QTY	DESCRIPTION	REV
	91125007	Ref	REAR AXLE STABILIZER (includes all items)	
1	88662244	1	SWIVEL NUT RUN TEE, 1IN TUBE	
2	91033230	1	REDUCER	
3	84716426	1	HOSE ASSY	
4	88662065	3	ELBOW, 90, (includes item 5)	
5	88591205	5	O-RING	
6	83201073	2	HEX HD CAPSCREW, 3/8-16X4-1/2, GR5	
7	88662085	2	ELBOW, 45, (includes item 5)	
8	91113003	1	STABILIZER VALVE	
9	88521206	3	HEX LOCKNUT, 3/8-16	
10	91111002	1	JUMPER WIRE	
11	88301099	2	ROUND HD MACHINE SCREW, ASSY #10-24 X1-3/4	
12	91121018	1	BRACKET	
13	90027187	4	TY-WRAP	
14	91045034	1	BOOM SWITCH HARNESS	
15	88551007	2	LOCKWASHER, #10	
16	91043199	2	SQUARE NUT	
17	91043123	1	SWITCH (includes item 28)	
18	91121013	1	STABILIZER BRACKET	
19	88581140	2	SNAP RING	
20		Ref	STABILIZER CYLINDER (See STABILIZER CYLINDER for Breakdown)	
21	88201044	1	HEX HD CAPSCREW, 3/8-16X3-1/4, GR5	
22	88671008	1	LUBE FITTING, STRAIGHT 1/4-28	
23	91046114	1	REAR AXLE WELDMENT	
24	91121017	1	PIN	
25	84717888	1	HOSE ASSY	
26	84717887	1	HOSE ASSY	
27	91041227	1	PIN	
28	91044475	1	LEVER/ROLLER ASSY	
29	91111001	1	MOUNTING PLATE	
30	91121098	1	ACTUATOR - NOT SHOWN (adjust to operate when boom angle is 45+2)	
31	82033993	120 IN	LOOM, 5/16 I.D.	

SECTION 12 - OPTIONAL EQUIPMENT

FIGURE 12-37. (91125089) STABILIZER OPTION 534C-6 36 FT BOOM (SN 0488238 to Present)



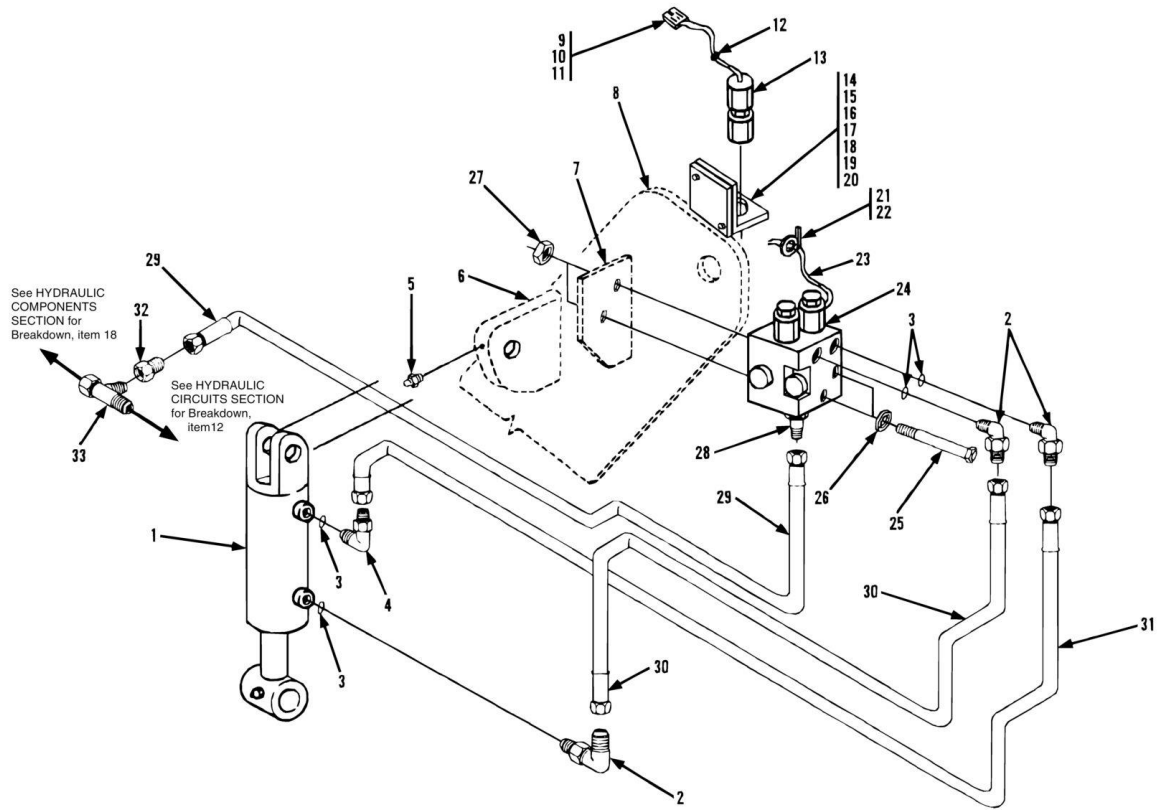
SECTION 12 - OPTIONAL EQUIPMENT

FIGURE 12-37. (91125089) STABILIZER OPTION 534C-6 36 FT BOOM (SN 0488238 to Present)

ITEM	PART NUMBER	QTY	DESCRIPTION	REV
	91125089	1	STABILIZER OPTION - 534C-6, (36ft boom) (includes all items on pages STABILIZER OPTION, STABILIZER CYLINDER and STABILIZER VALVE ASSY)	
1		Ref	STABILIZER CYLINDER (See STABILIZER CYLINDER for Breakdown)	
2	88662065	3	ELBOW, 90, (includes item 3)	
3	88591205	4	O-RING	
4	88662085	1	ELBOW, 45, (includes item 3)	
5	88671008	1	LUBE FITTING, 1/4-28, STRAIGHT	
6	91161083	1	STABILIZER LUG	
7	91161379	1	VALVE MOUNT PLATE	
8	91126081	1	FRAME WELD	
9	80963062	1	WEATHERPROOF SHROUD (4-wire)	
10	80963069	4	MALE PIN TERMINAL	
11	80963066	4	CABLE SEALS	
12	91053419	1	TIE WRAP	
13	91143155	1	PROXIMITY SENSOR SWITCH	
14	91141260	1	BRACKET	
15	88301093	2	RD HD MACH. SCREW, #10-24X3/4	
16	88551007	2	LOCKWASHER, #10	
17	88561001	4	WASHER, 3/16	
18	91043199	2	SQUARE NUT, #10-24	
19	90027187	8	TIE WRAP	
20	90021705	1	SUPPORT CLAMP	
21	86621230	2	SUPPORT CLAMP	
22	77143006	2	WHIZ LOCK NUT	
23	91163049	1	STABILIZER HARNESS	
24		Ref	STABILIZER CYLINDER VALVE (See STABILIZER VALVE ASSY for Breakdown)	
25	88201047	2	HEX HD CAPSCREW, 3/8-16X4, GR5	
26	88551011	2	LOCKWASHER, 3/8	
27	88501006	2	HEX NUT, 3/8-16	
28	88662019	1	CONNECTOR (includes o-ring)	
28	88591206	1	O-RING	
29	84718287	1	HOSE ASSY	
30	77133145	1	HOSE ASSY	
31	84718989	1	HOSE ASSY	
32	91033230	1	TUBE END REDUCER	
33	88662244	1	SWIVEL NUT RUN TEE, 1IN TUBE	
34	91166013	1	REAR AXLE WELDMENT (not shown)	

SECTION 12 - OPTIONAL EQUIPMENT

FIGURE 12-38. (91325035) STABILIZER OPTION (534C-6 TURBO) 36 FT BOOM (SN 0488238 to Present)



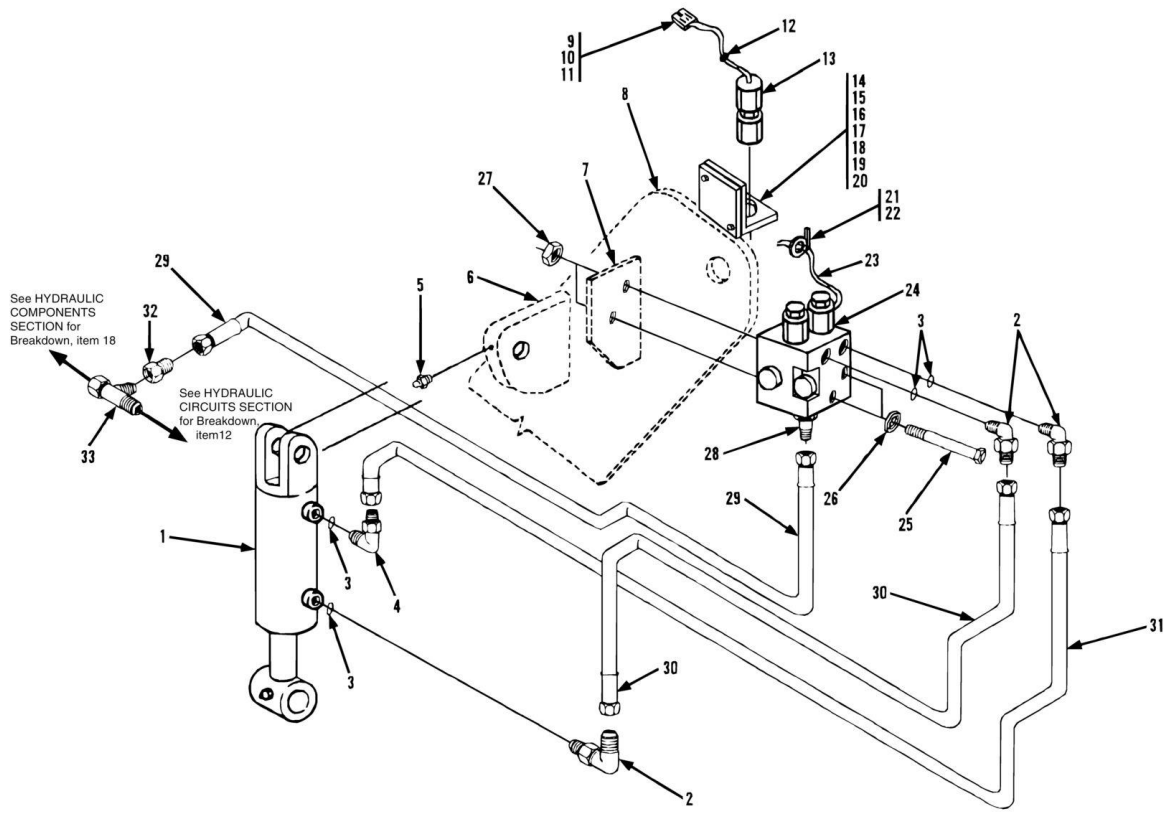
SECTION 12 - OPTIONAL EQUIPMENT

FIGURE 12-38. (91325035) STABILIZER OPTION (534C-6 TURBO) 36 FT BOOM (SN 0488238 to Present)

ITEM	PART NUMBER	QTY	DESCRIPTION	REV
	91325035	1	STABILIZER OPTION - 534C-6, (36ft boom) (includes all items on pages STABILIZER OPTION, STABILIZER CYLINDER and STABILIZER VALVE ASSY)	
1		Ref	STABILIZER CYLINDER (See STABILIZER CYLINDER for Breakdown)	
2	88662065	3	ELBOW, 90, (includes item 3)	
3	88591205	4	O-RING	
4	88662085	1	ELBOW, 45, (includes item 3)	
5	88671008	1	LUBE FITTING, 1/4-28, STRAIGHT	
6	91161083	1	STABILIZER LUG	
7	91161379	1	VALVE MOUNT PLATE	
8	91326026	1	FRAME WELD	
9	80963062	1	WEATHER PROOF SHROUD (4-wire)	
10	80963069	4	MALE PIN TERMINAL	
11	80963066	4	CABLE SEALS	
12	91053419	1	TIE WRAP	
13	91143155	1	PROXIMITY SENSOR SWITCH	
14	91141260	1	BRACKET	
15	88301093	2	RD HD MACH. SCREW, #10-24X3/4	
16	88551007	2	LOCKWASHER, #10	
17	88561001	4	WASHER, 3/16	
18	91043199	2	SQUARE NUT, #10-24	
19	90027187	8	TIE WRAP	
20	90021705	1	SUPPORT CLAMP	
21	86621230	2	SUPPORT CLAMP	
22	77143006	2	WHIZ LOCK NUT	
23	91163049	1	STABILIZER HARNESS	
24		Ref	STABILIZER CYLINDER VALVE (See STABILIZER VALVE ASSY for Breakdown)	
25	88201047	2	HEX HD CAPSCREW, 3/8-16X4, GR5	
26	88551011	2	LOCKWASHER, 3/8	
27	88501006	2	HEX NUT, 3/8-16	
28	88662019	1	CONNECTOR (includes o-ring)	
28	88591206	1	O-RING	
29	84718287	1	HOSE ASSY	
30	77133145	1	HOSE ASSY	
31	84718989	1	HOSE ASSY	
32	91033230	1	TUBE END REDUCER	
33	88662244	1	SWIVEL NUT RUN TEE, 1IN TUBE	
34	91166013	1	REAR AXLE WELDMENT (not shown)	

SECTION 12 - OPTIONAL EQUIPMENT

FIGURE 12-39. (91125097) STABILIZER OPTION 534C-6 42 FT BOOM (SN 0488238 to Present)



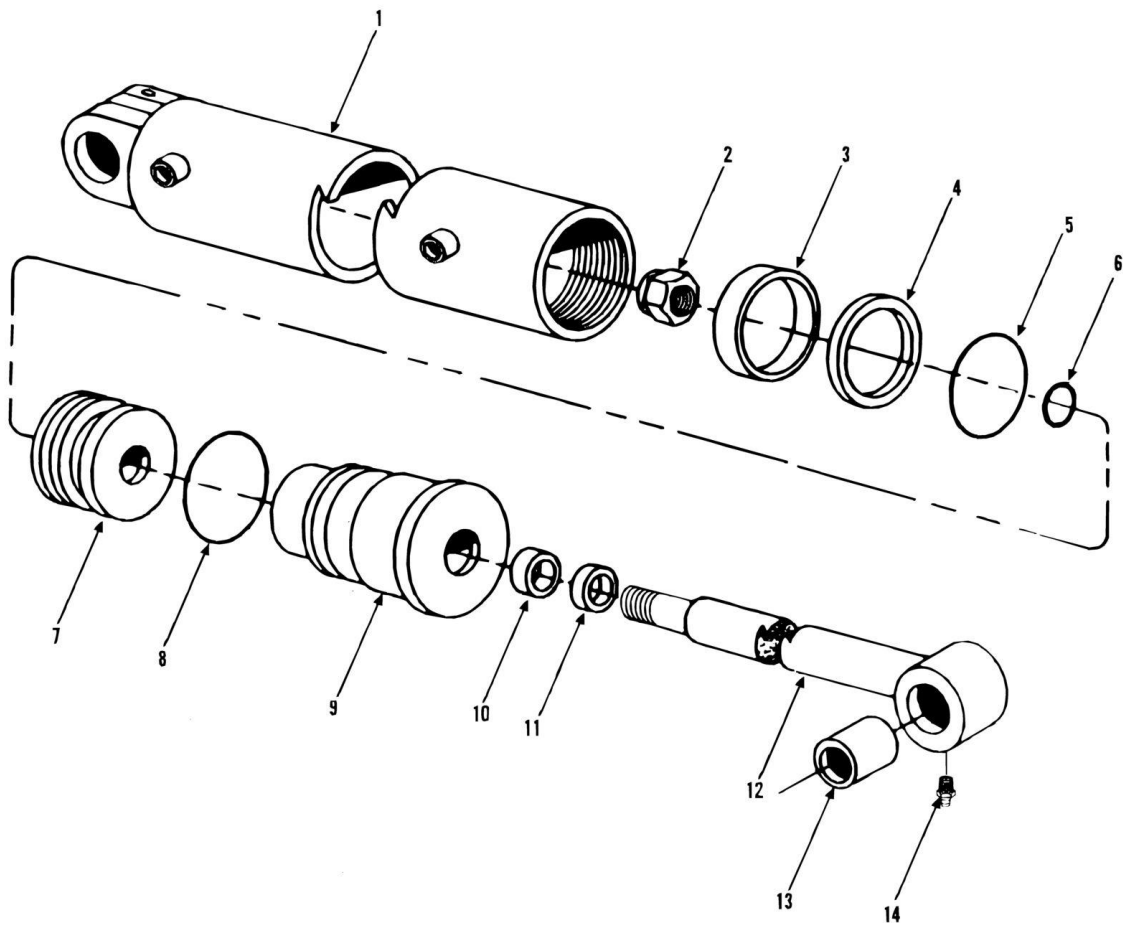
SECTION 12 - OPTIONAL EQUIPMENT

FIGURE 12-39. (91125097) STABILIZER OPTION 534C-6 42 FT BOOM (SN 0488238 to Present)

ITEM	PART NUMBER	QTY	DESCRIPTION	REV
	91125097	1	STABILIZER OPTION - 534C-6, (42ft boom) (includes all items on pages STABILIZER OPTION, STABILIZER CYLINDER and STABILIZER VALVE ASSY)	
1		Ref	STABILIZER CYLINDER (See STABILIZER CYLINDER for Breakdown)	
2	88662065	3	ELBOW, 90, (includes item 3)	
3	88591205	4	O-RING	
4	88662085	1	ELBOW, 45, (includes item 3)	
5	88671008	1	LUBE FITTING, 1/4-28, STRAIGHT	
6	91161083	1	STABILIZER LUG	
7	91161379	1	VALVE MOUNT PLATE	
8	91126048	1	FRAME WELD	
9	80963062	1	WEATHERPROOF SHROUD (4-wire)	
10	80963069	4	MALE PIN TERMINAL	
11	80963066	4	CABLE SEALS	
12	91053419	1	TIE WRAP	
13	91143155	1	PROXIMITY SENSOR SWITCH	
14	91141260	1	BRACKET	
15	88301093	2	RD HD MACH. SCREW, #10-24X3/4	
16	88551007	2	LOCKWASHER, #10	
17	88561001	4	WASHER, 3/16	
18	91043199	2	SQUARE NUT, #10-24	
19	90027187	8	TIE WRAP	
20	90021705	1	SUPPORT CLAMP	
21	86621230	2	SUPPORT CLAMP	
22	77143006	2	WHIZ LOCK NUT	
23	91163049	1	STABILIZER HARNESS	
24		Ref	STABILIZER CYLINDER VALVE (See STABILIZER VALVE ASSY for Breakdown)	
25	88201047	2	HEX HD CAPSCREW, 3/8-16X4, GR5	
26	88551011	2	LOCKWASHER, 3/8	
27	88501006	2	HEX NUT, 3/8-16	
28	88662019	1	CONNECTOR (includes o-ring)	
28	88591206	1	O-RING	
29	84718287	1	HOSE ASSY	
30	77133145	1	HOSE ASSY	
31	84718989	1	HOSE ASSY	
32	91033230	1	TUBE END REDUCER	
33	88662244	1	SWIVEL NUT RUN TEE, 1IN TUBE	
34	91166013	1	REAR AXLE WELDMENT (not shown)	

SECTION 12 - OPTIONAL EQUIPMENT

FIGURE 12-40. (91043303) STABILIZER CYLINDER



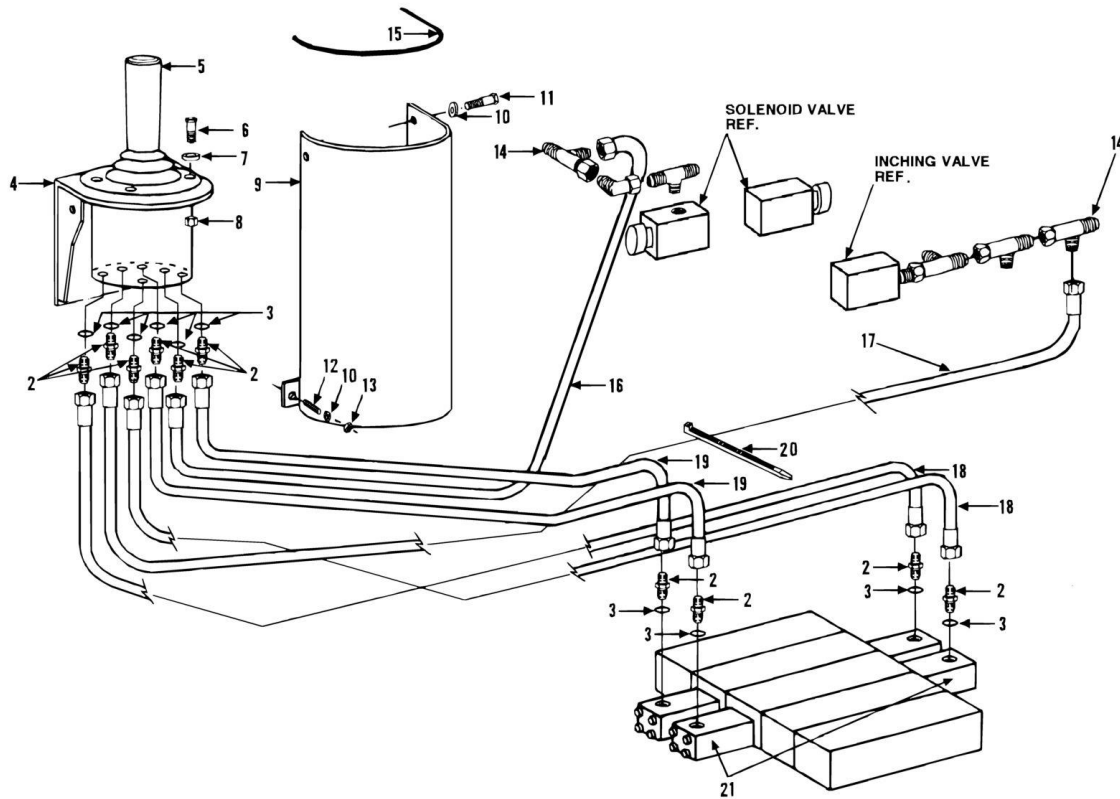
SECTION 12 - OPTIONAL EQUIPMENT

FIGURE 12-40. (91043303) STABILIZER CYLINDER

ITEM	PART NUMBER	QTY	DESCRIPTION	REV
	91043303	1	STABILIZER CYLINDER ASSY(includes all items)	
	91044330	1	SEAL KIT (includes items 3, 4, 5, 6, 8, 10 & 11)	
2	91034286	1	LOCKNUT (torque to 590 ft lbs)	
3	Kit	1	WEAR NUT	
4	Kit	1	SEAL	
5	Kit	1	O-RING	
6	Kit	1	O-RING	
7	91044331	1	PISTON	
8	Kit	1	O-RING	
9	91044332	1	GLAND	
10	Kit	1	SEAL	
11	Kit	1	WIPER	
12	91044333	1	ROD ASSY (includes item 13)	
13	91044353	1	BUSHING	
14	88671033	1	LUBE FITTING, STRAIGHT 1/4-28	
		Ref	NOTE: ONLY ITEMS WITH PART NUMBERS ARE AVAILABLE FOR SERVICE.	

SECTION 12 - OPTIONAL EQUIPMENT

FIGURE 12-41. (91125023) JOYSTICK INSTALLATION ASSEMBLY



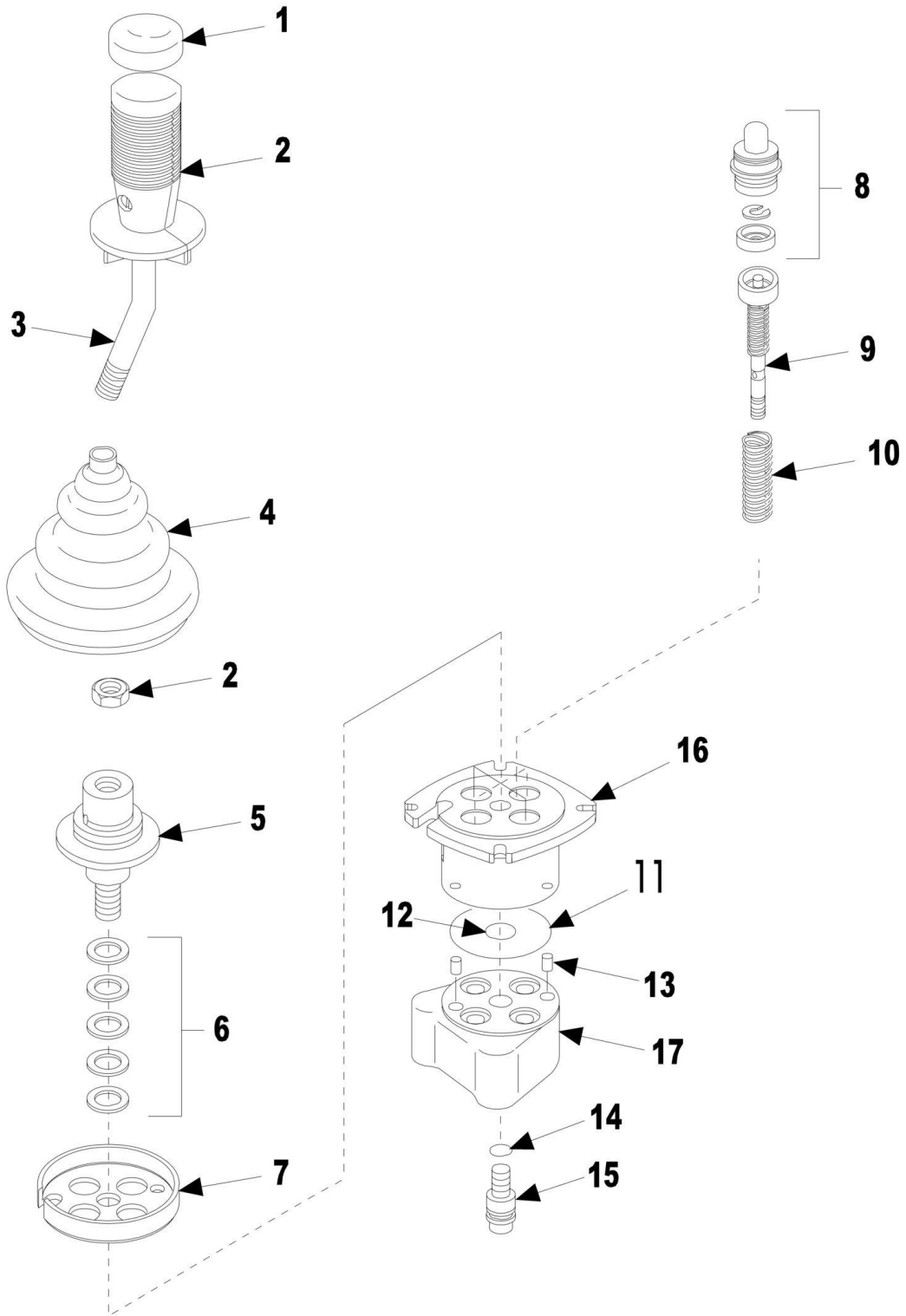
SECTION 12 - OPTIONAL EQUIPMENT

FIGURE 12-41. (91125023) JOYSTICK INSTALLATION ASSEMBLY

ITEM	PART NUMBER	QTY	DESCRIPTION	REV
	91125023	1	JOYSTICK INSTALLATION ASSY (includes all items)	
1	91043063	1	SEAT (not illustrated)	
2	88662005	10	CONNECTOR (includes item 3)	
3	88591204	10	O-RING	
4	91126035	1	JOYSTICK MOUNT WELDMENT	
5		Ref	JOYSTICK ASSY (See JOYSTICK for Breakdown)	
6	88201004	4	HEX HD CAPSCREW, 1/4-20X7/8, GR5	
7	88551009	4	LOCKWASHER, 1/4	
8	88501004	4	HEX NUT, 1/4-20	
9	91046056	1	COVER	
10	88551010	4	LOCKWASHER, 5/16	
11	88201018	2	HEX HD CAPSCREW, 5/16-18X3/4, GR5	
12	85051384	2	WELD STUD, 5/16-18	
13	88501005	2	HEX NUT, 5/16-18	
14	88662239	2	SWIVEL NUT RUN TEE, 3/8 TUBE	
15	90206194	AR	TRIM LOCK	
16	90204096	1	HOSE ASSY	
17	77133197	1	HOSE ASSY	
18	84717458	2	HOSE ASSY	
19	84717519	2	HOSE ASSY	
20	90027187	AR	TIE-WRAP	
21	91123075	2	VALVE POSITIONER KIT	

SECTION 12 - OPTIONAL EQUIPMENT

FIGURE 12-42. (91123078) JOYSTICK



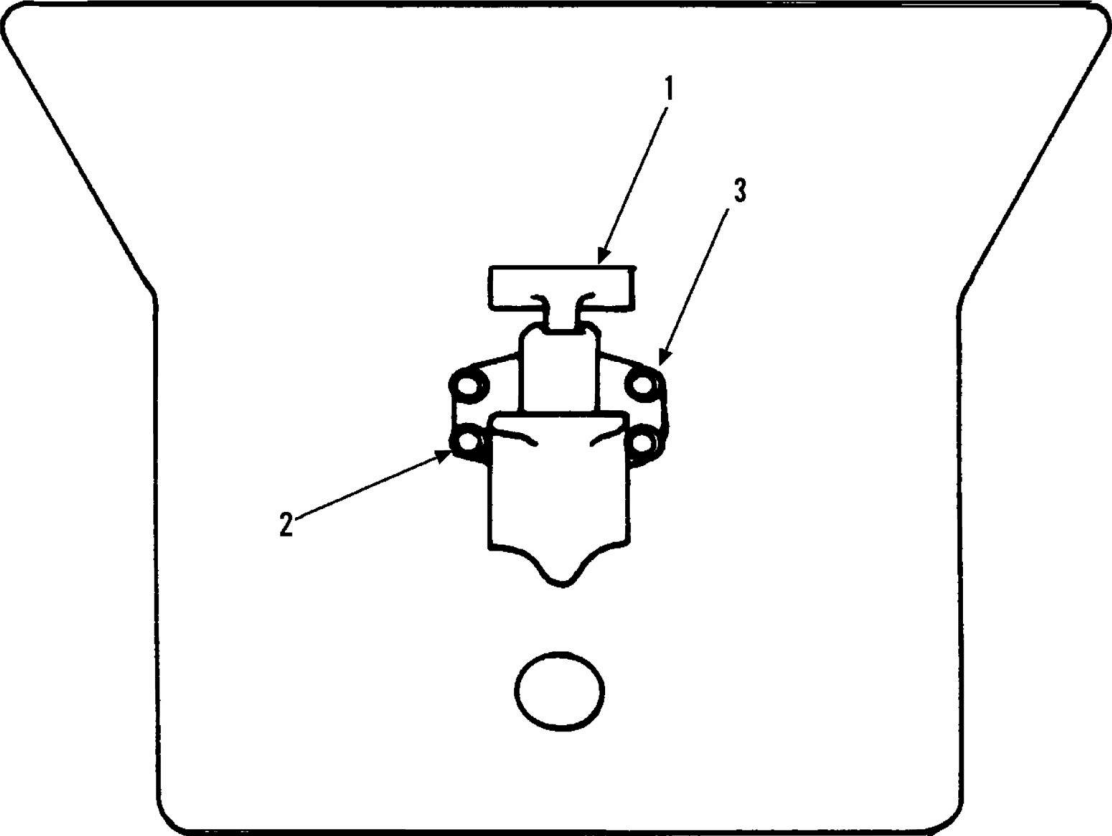
SECTION 12 - OPTIONAL EQUIPMENT

FIGURE 12-42. (91123078) JOYSTICK

ITEM	PART NUMBER	QTY	DESCRIPTION	REV
	91123078	1	JOYSTICK CONTROLLER, (includes all items)	
	91404326	AR	SEAL KIT, (includes items 11 thru 15)	
1	80934658	1	CAP	
2	91124128	1	HANDLE GRIP KIT	
3	91124127	1	HANDLE TUBE	
4	80934241	1	BOOT	
5	80264140	1	CARDAN KIT, (includes item 6)	
6	Kit	AR	SHIM	
7	91304026	1	RETAINING PLATE	
8	80934498	4	PLUNGER AND GUIDE KIT	
9	91404327	4	REGULATING UNIT	
10	80934259	1	SPRING, (pack of four)	
11	Kit	1	O-RING	
12	Kit	1	O-RING	
13	Kit	2	DOWELL PIN	
14	Kit	1	O-RING	
15	Kit	1	SCREW	
16		Ref	UPPER BODY	
17		Ref	LOWER BODY	
		Ref	NOTE: ONLY ITEMS WITH PART NUMBERS ARE AVAILABLE FOR SERVICE.	

SECTION 12 - OPTIONAL EQUIPMENT

FIGURE 12-43. (91035101) PINTLE HOOK INSTALLATION



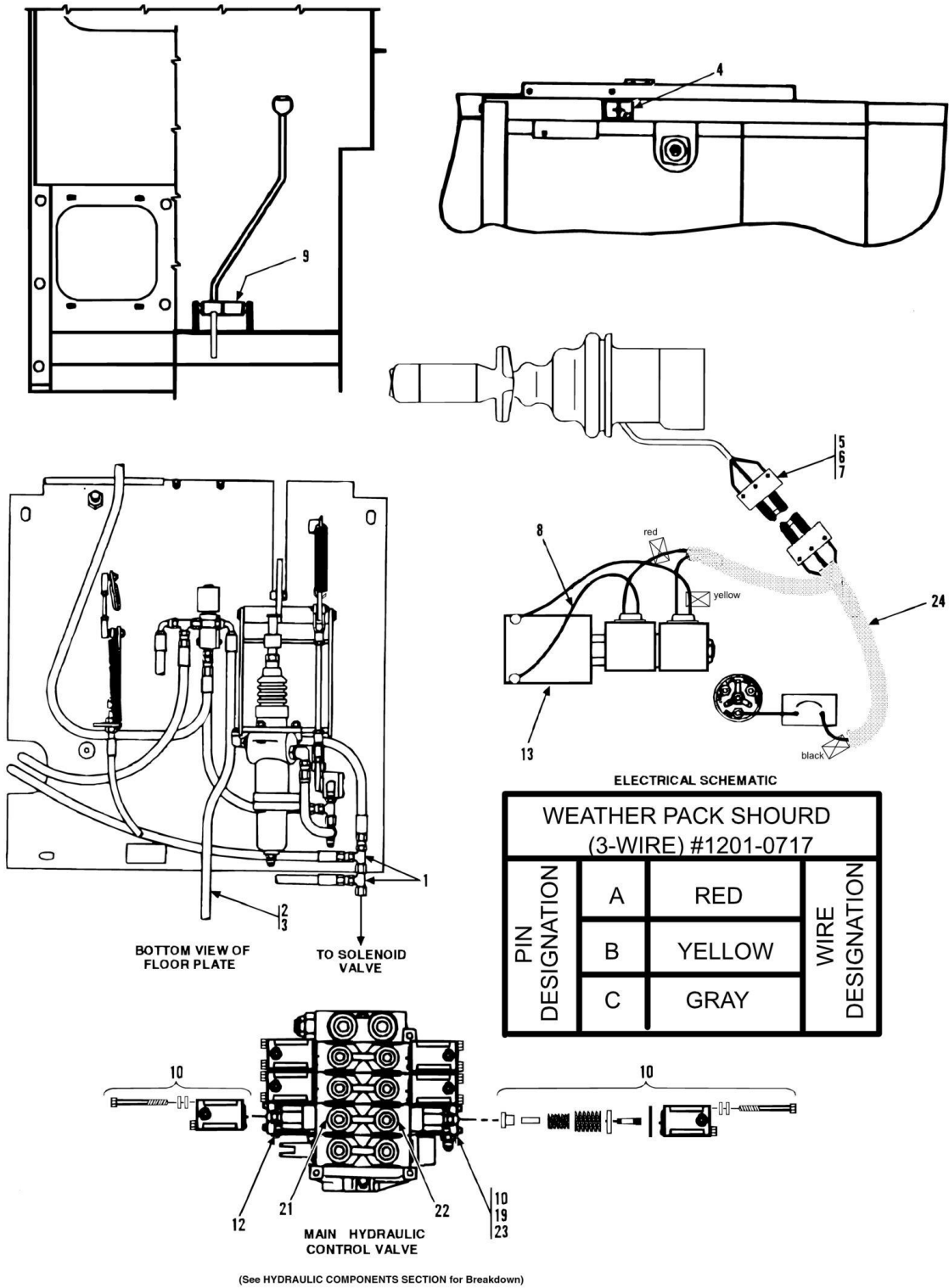
SECTION 12 - OPTIONAL EQUIPMENT

FIGURE 12-43. (91035101) PINTLE HOOK INSTALLATION

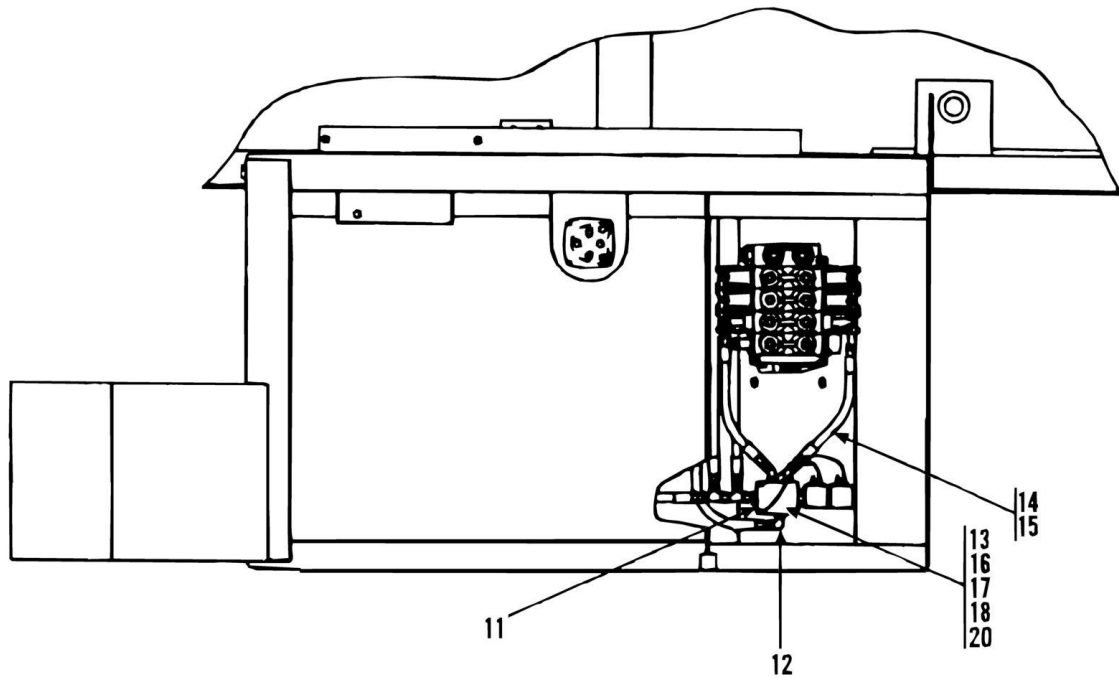
ITEM	PART NUMBER	QTY	DESCRIPTION	REV
	91035101	Ref	PINTLE HOOK INSTALLATION (includes all items)	
1	90200602	1	PINTLE HOOK	
2	83201120	4	HEX HD CAPSCREW, 1/2-13X1-3/4, GR8	
3	88551013	4	LOCKWASHER, 1/2	

SECTION 12 - OPTIONAL EQUIPMENT

FIGURE 12-44. (91085072) TILT ON JOYSTICK



SECTION 12 - OPTIONAL EQUIPMENT



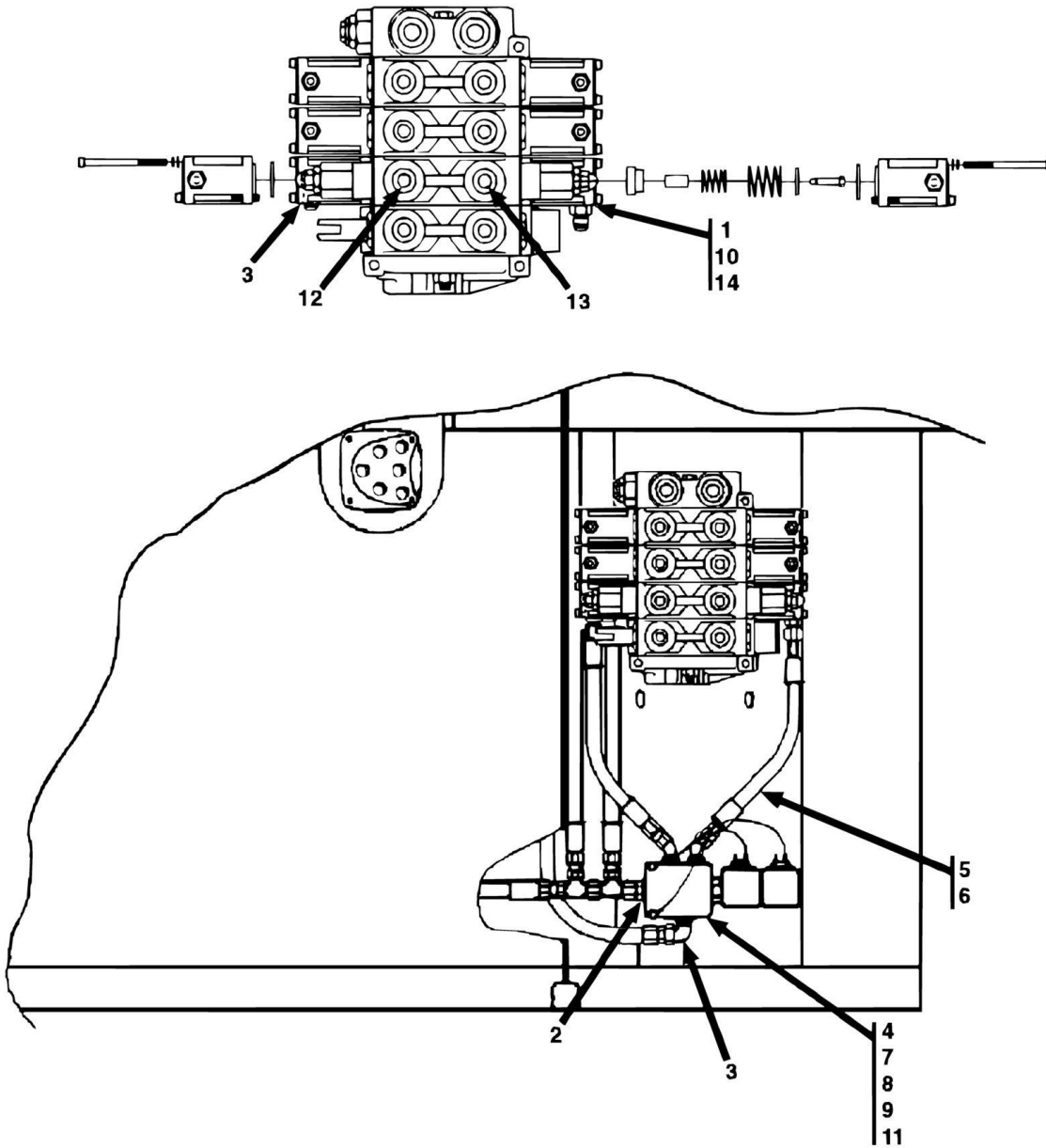
SECTION 12 - OPTIONAL EQUIPMENT

FIGURE 12-44. (91085072) TILT ON JOYSTICK

ITEM	PART NUMBER	QTY	DESCRIPTION	REV
	91085072	Ref	TILT ON JOYSTICK (includes all items)	
1	88662239	2	SWIVEL NUT RUN TEE, 3/8 TUBE	
2	84718221	1	HOSE ASSY	
3	91083212	1	MALE BRANCH TEE	
4	91303041	1	BOOM CONTROL DECAL	
5	80963060	1	WEATHER PACK SHROUD	
6	80963069	3	MALE PIN TERMINAL	
7	80963067	3	CABLE SEAL	
8	90207719	2	JUMPER WIRE (green)	
9	91301020	1	SPACER	
10	91301064	1	HYDRAULIC VALVE POSITIONER KIT	
11	91085071	1	MODIFIED CONNECTOR	
12	88662064	2	ELBOW, 90, (includes o-ring)	
12	88591204	2	O-RING	
13	91303038	1	SOLENOID VALVE (includes coil)	
13	80934037	1	COIL (included w/valve)	
14	88662084	2	ELBOW, 45, (includes o-ring)	
14	88591204	2	O-RING	
15	84717537	2	HOSE ASSY	
16	88201011	2	HEX HD CAPSCREW, 1/4-20X2-1/2, GR5	
17	88551004	2	LOCKWASHER, 1/4	
18	88501004	2	HEX NUT, 1/4-20	
19	88662174	1	HEX HD PLUG (includes o-ring)	
19	88591204	1	O-RING	
20	91301065	1	SPACER	
21	91083425	1	WORK PORT RESTRICTOR (.062)	
22	91083426	1	WORK PORT RESTRICTOR (.070)	
23	88662005	1	CONNECTOR (includes o-ring)	
24	91303076	1	JOYSTICK HARNESS	

SECTION 12 - OPTIONAL EQUIPMENT

FIGURE 12-45. (91085107) JOYSTICK INSTALLATION (TILT ON JOYSTICK) (SN 0288777 to Present)



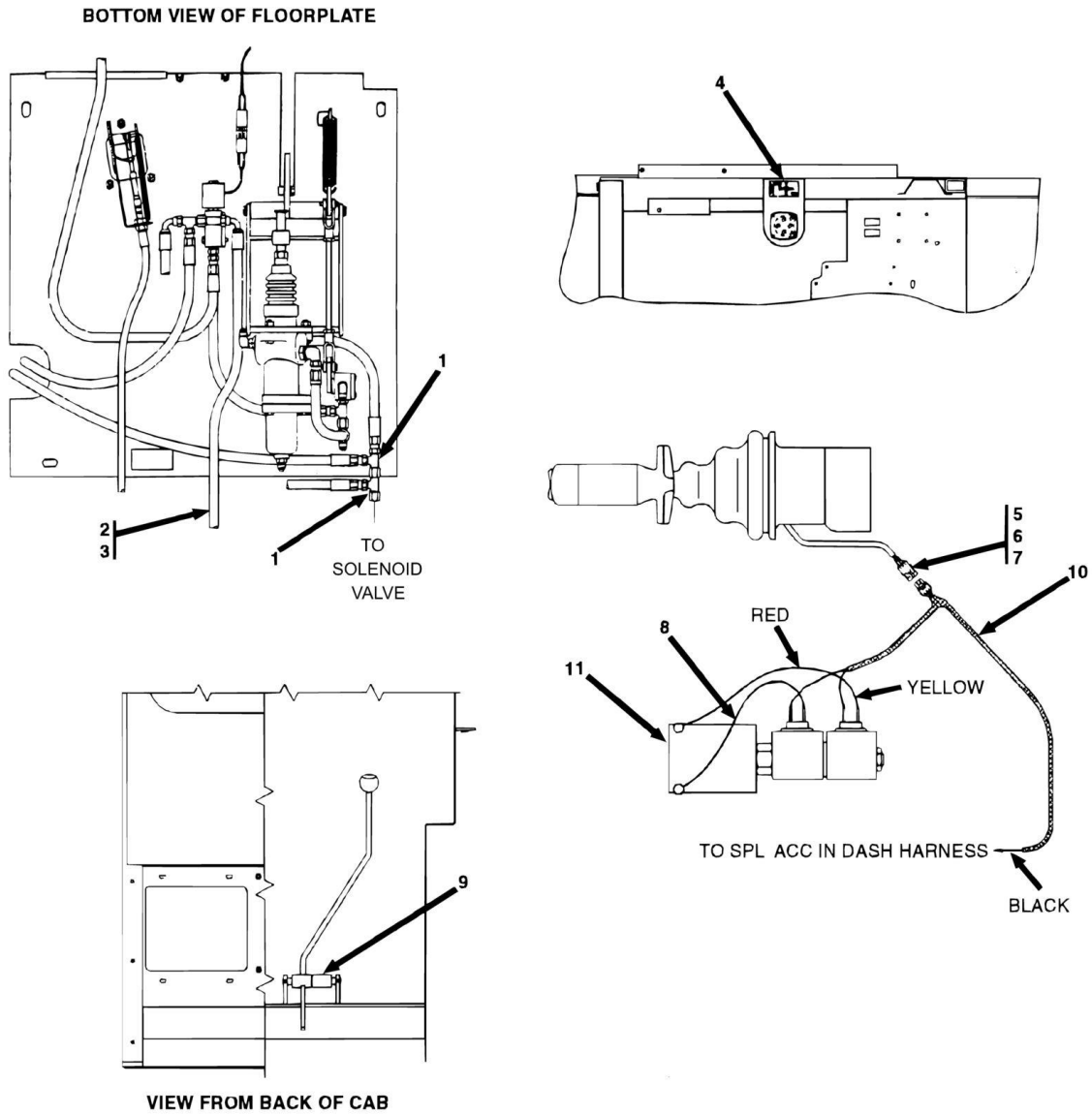
SECTION 12 - OPTIONAL EQUIPMENT

FIGURE 12-45. (91085107) JOYSTICK INSTALLATION (TILT ON JOYSTICK) (SN 0288777 to Present)

ITEM	PART NUMBER	QTY	DESCRIPTION	REV
	91085107	Ref	TILT ON JOYSTICK (includes all items both pages)	
1	91301064	1	HYDRAULIC VALVE POSITIONER KIT	
2	91085071	1	MODIFIED CONNECTOR	
3	88662064	2	ELBOW, 90, (includes o-ring)	
	88661204	2	O-RING	
4	91303038	1	SOLENOID VALVE (includes coil)	
	80934037	1	COIL (included w/valve)	
5	88662084	2	ELBOW, 45, (includes o-ring)	
	88661204	2	O-RING	
6	84717537	2	HOSE ASSY	
7	88201011	2	HEX HD CAPSCREW, 1/4-20 x 2 1/2	
8	88551004	2	LOCKWASHER, 1/4	
9	88501004	2	HEX NUT, 1/4-20	
10	88662174	1	PLUG, (includes o-ring)	
	88591204	1	O-RING	
11	91301065	1	SPACER	
12	91083425	1	WORK PORT RESTRICTOR, .062	
13	91083426	1	WORK PORT RESTRICTOR, .070	
14	88662005	1	CONNECTOR	

SECTION 12 - OPTIONAL EQUIPMENT

FIGURE 12-46. (91085107) JOYSTICK INSTALLATION (TILT ON JOYSTICK) (SN 0288777 to Present)



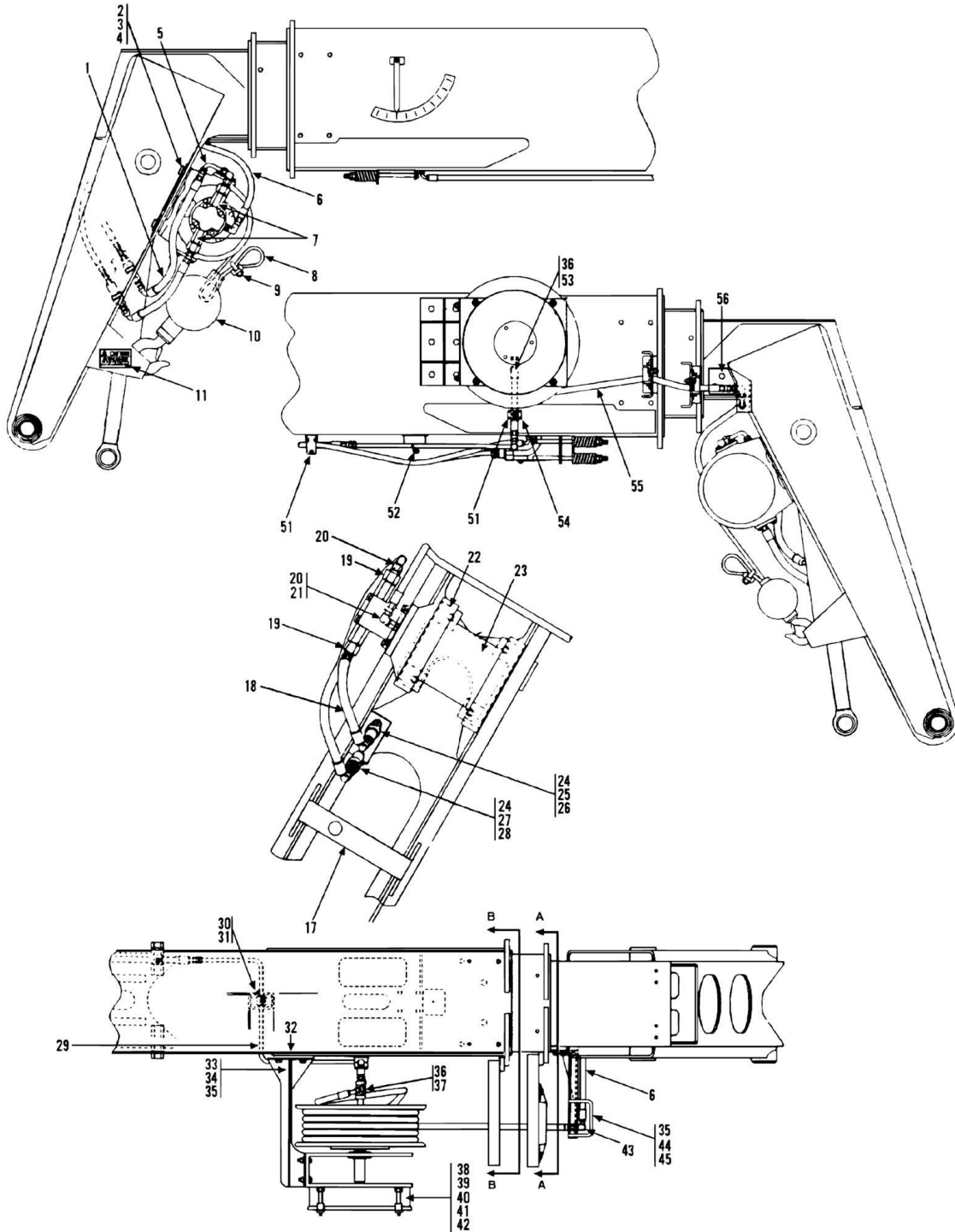
SECTION 12 - OPTIONAL EQUIPMENT

FIGURE 12-46. (91085107) JOYSTICK INSTALLATION (TILT ON JOYSTICK) (SN 0288777 to Present)

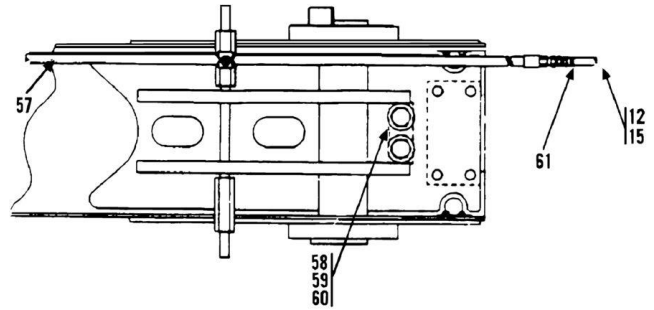
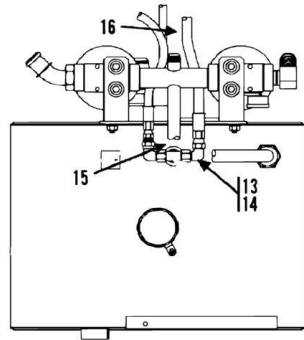
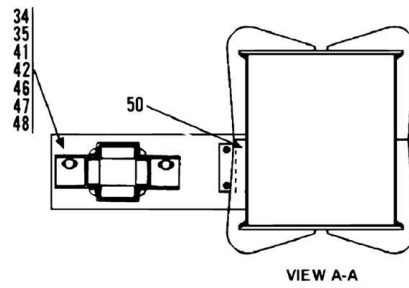
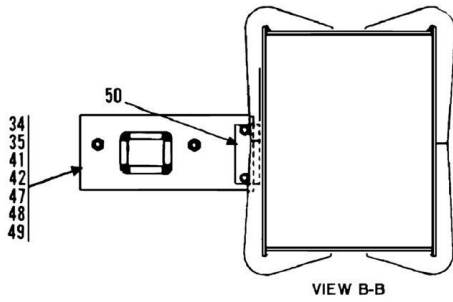
ITEM	PART NUMBER	QTY	DESCRIPTION	REV
	91085107	Ref	TILT ON JOYSTICK (includes all items both pages)	
1	88662239	2	SWIVEL NUT RUN TEE	
2	84718221	1	HOSE ASSY	
3	91083212	1	MALE BRANCH TEE	
4	91303041	1	BOOM CONTROL DECAL	
5	80963060	1	WEATHER PACK SHROUD	
6	80963069	3	W.P. MALE PIN TERMINAL	
7	80963067	3	W.P. CABLE SEAL	
8	90207719	2	JUMPER WIRE, GREEN	
9	91301020	1	SPACER	
10	91083490	1	JOYSTICK HARNESS	
11	91303038	Ref	SOLENOID VALVE (see previous page)	
11	80934037	1	COIL (included w/valve)	

SECTION 12 - OPTIONAL EQUIPMENT

FIGURE 12-47. (91125022) WINCH INSTALLATION



SECTION 12 - OPTIONAL EQUIPMENT



SECTION 12 - OPTIONAL EQUIPMENT

FIGURE 12-47. (91125022) WINCH INSTALLATION

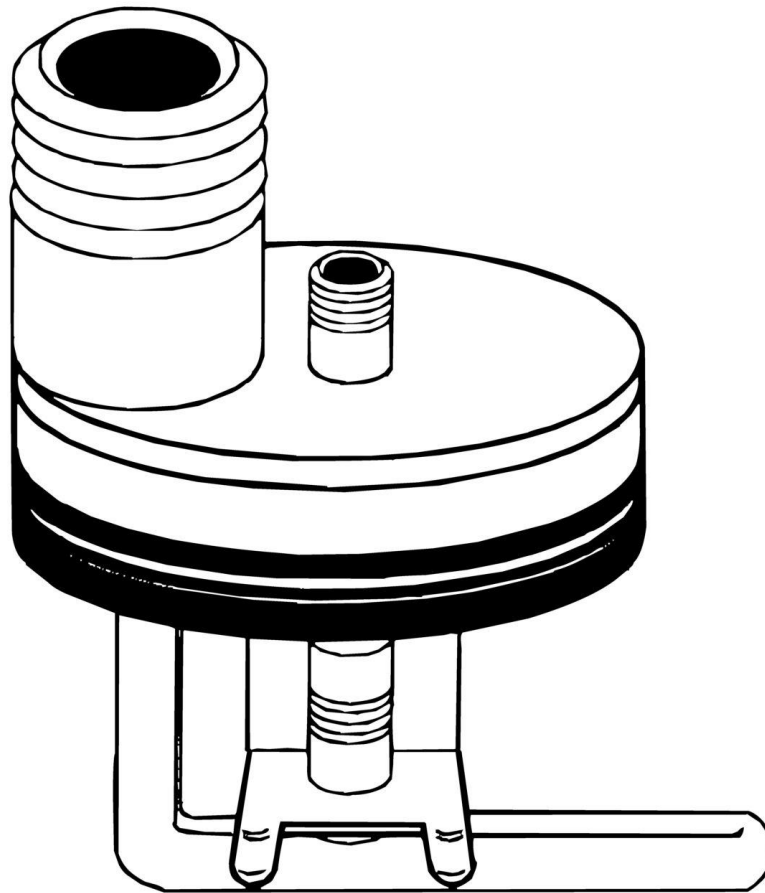
ITEM	PART NUMBER	QTY	DESCRIPTION	REV
	91125022	1	WINCH INSTALLATION, (includes all items)	
1	84718548	1	HOSE ASSY	
2	88501008	4	HEX NUT, 1/2-13	
3	90027471	8	HARDENED WASHER, 1/2	
4	88201071	4	HEX HD CAPSCREW, 1/2-13X2-1/2, GR5	
5	91123022	1	LONG ELBOW, 90, 1/2 TUBE	
6	84718145	1	HOSE ASSY	
7	91033161	2	FLOW REGULATOR	
8	90207882	1	CABLE	
9	90028990	1	WIRE ROPE CLIP	
10	90201443	1	HOOK AND BALL	
11	91083535	1	CAUTION DECAL	
12	91083217	1	CUSHION CLAMP	
13	88662224	1	SWIVEL NUT BRANCH TEE, 3/8 TUBE	
14	88662105	2	MALE ELBOW, 90, (swivel nut)	
15	84716359	1	HOSE ASSY	
16	90027187	4	TIE WRAP	
17	91121159	1	STOWAGE BRACKET	
18	84718159	1	HOSE ASSY	
19	91033230	2	TUBE END REDUCER	
20	88662106	2	ELBOW, 90, (swivel nut)	
21	88661011	1	MALE CONNECTOR, 1/2 TUBE	
22	91363079	1	WINCH	
23	91121158	1	WINCH MOUNTING PLATE	
24	88661013	2	MALE CONNECTOR, 1/2X1/2 TUBE	
25	91163139	1	FEMALE COUPLER	
26	91043125	1	DUST PLUG	
27	91163138	1	MALE COUPLER	
28	91043126	1	DUST CAP	
29	91123073	1	TUBE ASSY	
30	91121160	1	CLAMP SPACER	
31	90206089	1	ANCHOR CHANNEL	
32	91041261	1	SINGLE REEL MOUNTING BRACKET	
33	91086143	1	SINGLE REEL BRACKET	
34	88201064	10	HEX HD CAPSCREW, 1/2-13X7/8, GR5	
35	88551013	12	LOCKWASHER, 1/2	
36	88661013	2	MALE CONNECTOR, 1/2 TUBE	
37	88662120	1	ELBOW, 45, (swivel nut)	
38	91043165	1	SINGLE HOSE REEL	
39	88201037	4	HEX HD CAPSCREW, 3/8-16X1-1/2, GR5	
40	88561004	4	FLAT WASHER, 3/8	
41	88551011	12	LOCKWASHER, 3/8	
42	88501006	12	HEX NUT, 3/8-16	
43	90027180	1	ELBOW, 90, 1/2 TUBE	
44	91086144	1	HOSE SUPPORT	
45	88201065	2	HEX HD CAPSCREW, 3/8-16X1-1/4, GR5	
46	91361036	1	ROLLER SUPPORT	
47	91363186	2	ROLLER ASSY	
48	88201036	8	HEX HD CAPSCREW, 1/2-13X2, GR5	
49	91361037	1	ROLLER SUPPORT	

SECTION 12 - OPTIONAL EQUIPMENT

ITEM	PART NUMBER	QTY	DESCRIPTION	REV
50	91121161	2	SUPPORT MOUNTING BLOCK	
51	90207463	4	CUSHION CLAMP	
52	91083216	1	CUSHION CLAMP	
53	84718314	1	HOSE ASSY	
54	91021094	1	CHANNEL	
55	84718147	1	HOSE ASSY	
56	91121162	1	SUPPORT MOUNTING PAD	
57	84718149	1	HOSE ASSY	
58	91121163	1	RETRACTION RESTRICTOR	
59	90027475	2	HARDENED WASHER	
60	83201053	2	HEX HD CAPSCREW, 1-8X3, GR8	
61	88661064	1	UNION, 3/8 TUBE	

SECTION 12 - OPTIONAL EQUIPMENT

FIGURE 12-48. (91043353) ENGINE BLOCK HEATER



REPLACES FROST PLUG ON RIGHT SIDE OF ENGINE.

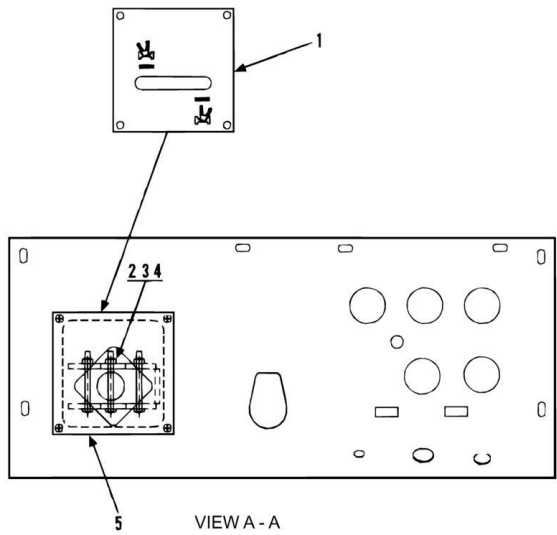
SECTION 12 - OPTIONAL EQUIPMENT

FIGURE 12-48. (91043353) ENGINE BLOCK HEATER

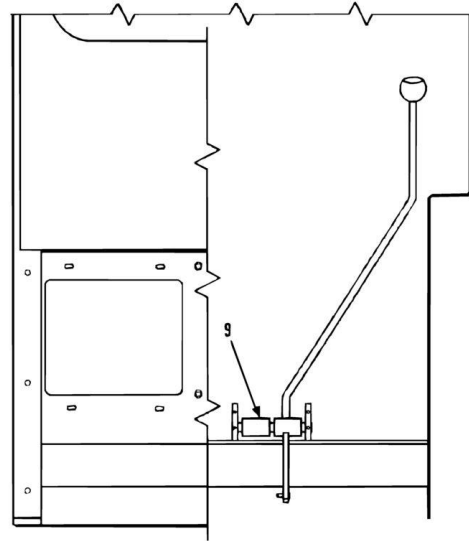
ITEM	PART NUMBER	QTY	DESCRIPTION	REV
	9104-3353	1	BLOCK HEATER	

SECTION 12 - OPTIONAL EQUIPMENT

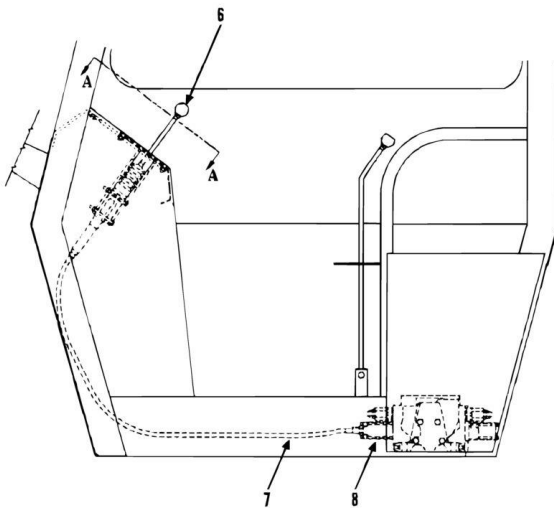
FIGURE 12-49. (91125044) L. H. SWAY CONTROL



VIEW A - A



REAR VIEW
OF CAB



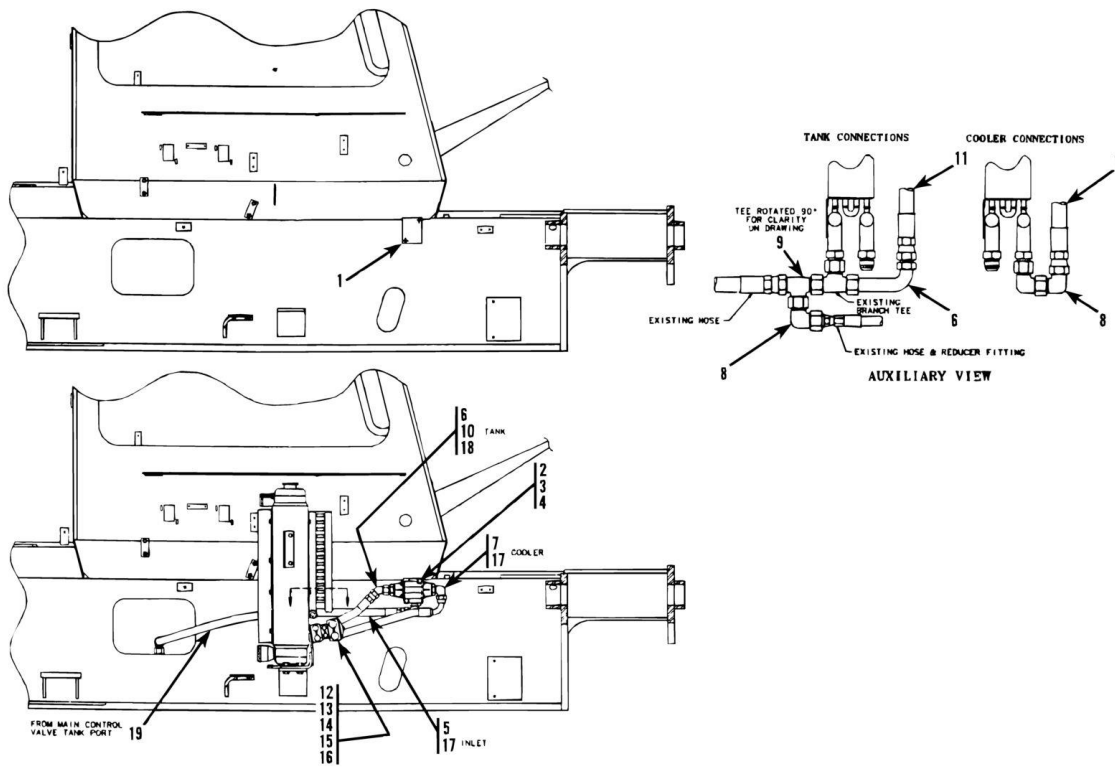
SECTION 12 - OPTIONAL EQUIPMENT

FIGURE 12-49. (91125044) L. H. SWAY CONTROL

ITEM	PART NUMBER	QTY	DESCRIPTION	REV
	91125044	Ref	L.H. SWAY CONTROL (includes all items)	
1	91123105	1	SWAY CONTROL PLATE	
2	88201510	3	HEX HD CAPSCREW, 1/4-28X2-1/2	
3	88551009	3	LOCKWASHER, 1/4	
4	88541304	3	HEX NUT, 1/4-28	
5	91126040	1	BRACKET	
6	91303019	1	REMOTE VALVE CONTROL	
7	91083393	1	CONTROL CABLE	
8	91123062	1	CABLE ADAPTER	
9	91301020	1	SPACER	

SECTION 12 - OPTIONAL EQUIPMENT

FIGURE 12-50. (91125054) THERMAL BYPASS



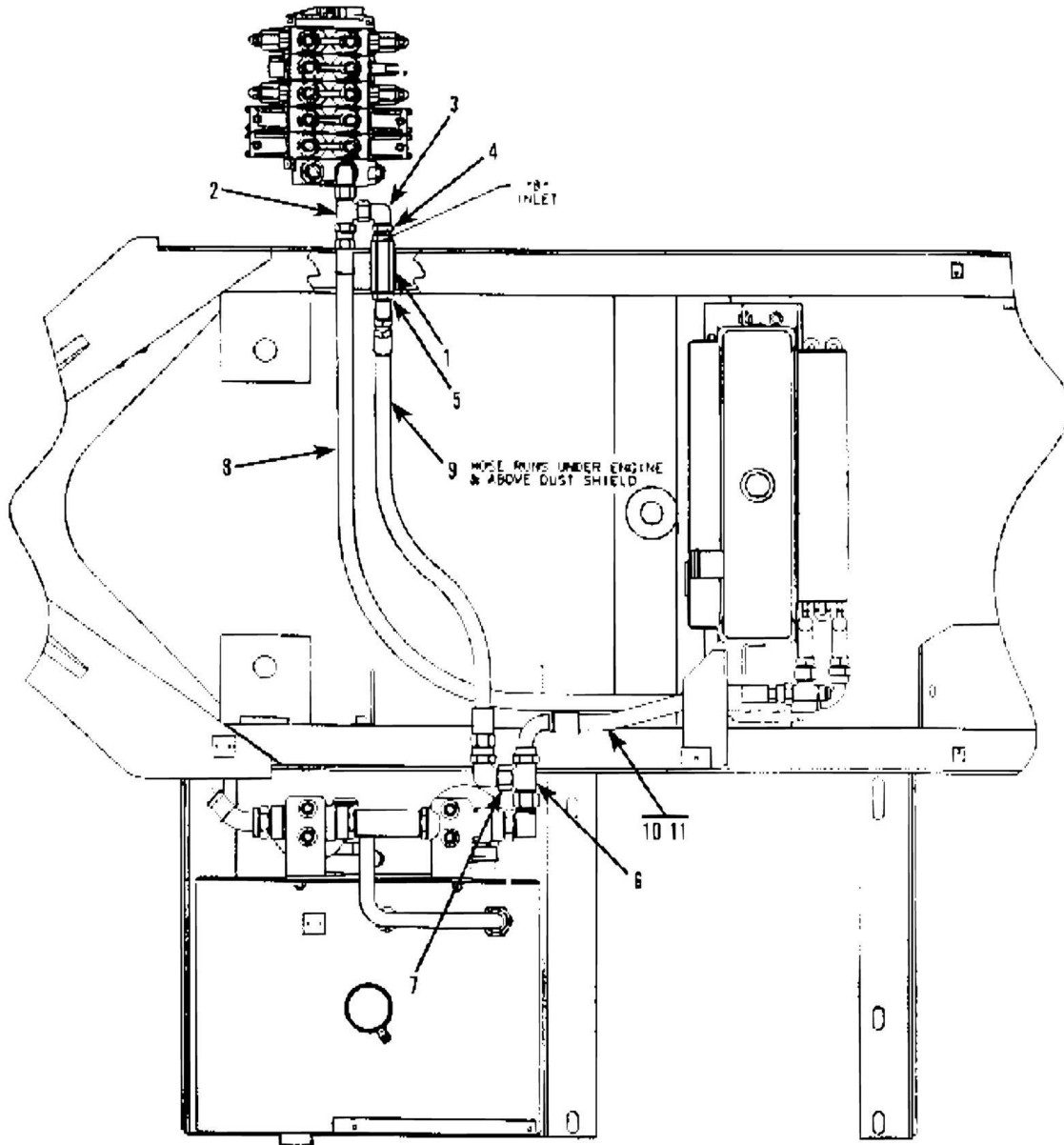
SECTION 12 - OPTIONAL EQUIPMENT

FIGURE 12-50. (91125054) THERMAL BYPASS

ITEM	PART NUMBER	QTY	DESCRIPTION	REV
	91125054	1	THERMAL BYPASS (extreme cold), (includes all items)	
1	91121221	1	TAPPED BLOCK	
2	91143338	1	THERMAL BYPASS VALVE	
3	88201044	2	HEX HD CAPSCREW, 3/8-16X3 1/4, GR5	
4	88551011	2	LOCKWASHER, 3/8	
5	84717571	1	HOSE ASSY	
6	84716029	1	HOSE ASSY	
7	84716397	1	HOSE ASSY	
8	88662108	3	ELBOW, 90, (swivel nut)	
9	88662242	1	SWIVEL NUT RUN TEE, 3/4 TUBE	
10	88662122	1	ELBOW, 45, (swivel nut)	
11	83661260	1	TUBE FITTING, 90	
12	77133133	1	STAUFF CLAMP	
13	77133390	1	SAFETY CLIP	
14	77133134	1	COVER PLATE	
15	88201024	1	HEX HD CAPSCREW, 5/16-18X2, GR5	
16	77133389	1	STACK BOLT	
17	88662061	2	ELBOW, 90, (includes o-ring)	
17	88591209	2	O-RING	
18	88662025	1	CONNECTOR (includes o-ring)	
18	88591209	1	O-RING	
19	84717906	1	HOSE ASSY (remove from std assy)	

SECTION 12 - OPTIONAL EQUIPMENT

FIGURE 12-51. (91125056) INLINE BYPASS



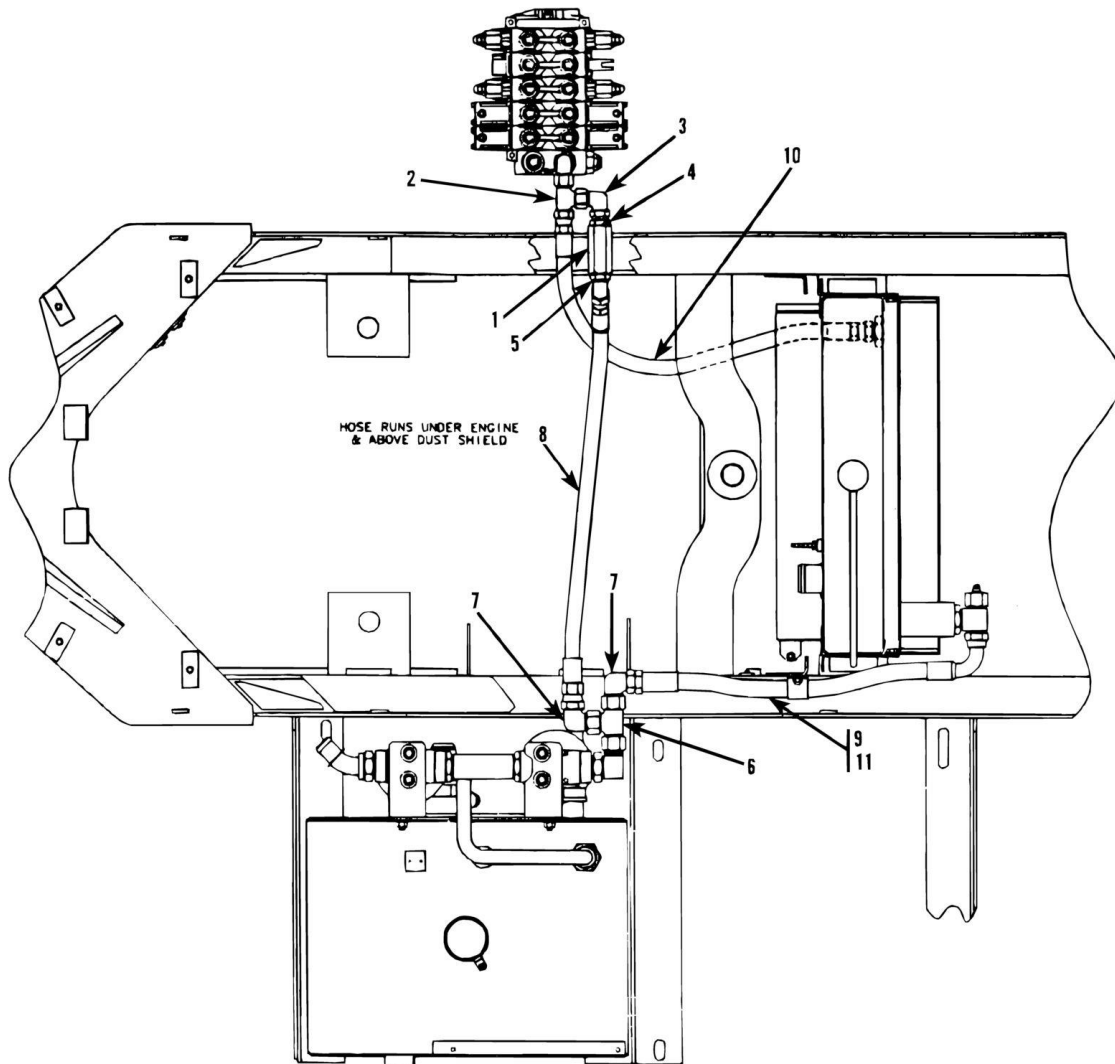
SECTION 12 - OPTIONAL EQUIPMENT

FIGURE 12-51. (91125056) INLINE BYPASS

ITEM	PART NUMBER	QTY	DESCRIPTION	REV
	91125056	1	INLINE BYPASS (includes all items)	
1	91163191	1	INLINE VALVE	
2	88662242	1	SWIVEL NUT RUN TEE, 3/4 TUBE	
3	88662108	1	ELBOW, 90, (swivel nut)	
4	91163121	1	STRAIGHT THREAD ADAPTER, (includes o-ring)	
4	88591207	1	O-RING	
5	88662087	1	ELBOW, 45, (includes o-ring)	
5	88591207	1	O-RING	
6	88662244	1	SWIVEL NUT RUN TEE, 1IN TUBE	
7	88662110	1	ELBOW, 90, (swivel nut)	
8	84717906	1	HOSE ASSY (included in standard machine assy)	
9	84718925	1	HOSE ASSY	
10	84718926	1	HOSE ASSY	
11	84717872	1	HOSE ASSY (remove from std build)	

SECTION 12 - OPTIONAL EQUIPMENT

FIGURE 12-52. (91325011) INLINE BYPASS - 534C-6 TURBO (SN 0388043 to Present)



SECTION 12 - OPTIONAL EQUIPMENT

FIGURE 12-52. (91325011) INLINE BYPASS - 534C-6 TURBO (SN 0388043 to Present)

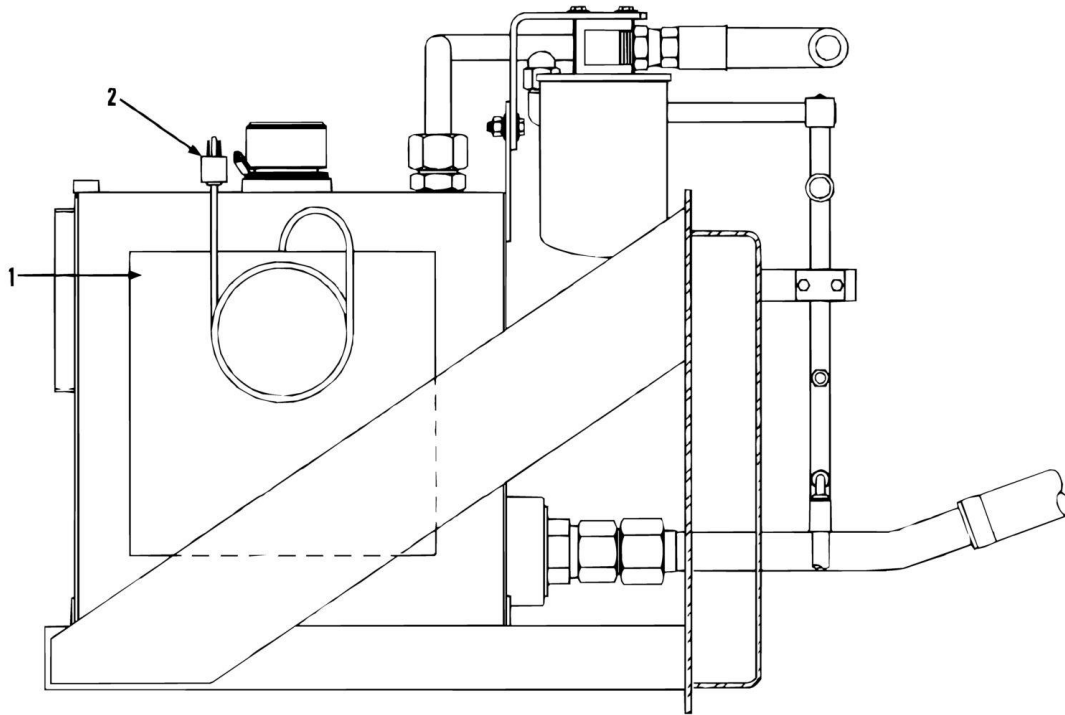
ITEM	PART NUMBER	QTY	DESCRIPTION	REV
	91325011	1	INLINE BYPASS - 534C-6 TURBO, (includes all items)	
1	91163191	1	INLINE VALVE	
2	88662242	1	SWIVEL NUT RUN TEE, 3/4 TUBE	
3	88662108	1	ELBOW, 90, (swivel nut)	
4	91163121	1	STRAIGHT THREAD ADAPTER, (includes o-ring)	
4	88591207	1	O-RING	
5	88662087	1	ELBOW, 45, (includes o-ring)	
5	88591207	1	O-RING	
6	88662244	1	SWIVEL NUT RUN TEE, 1IN TUBE	
7	88662110	2	ELBOW, 90, (swivel nut)	
8	84718925	1	HOSE ASSY	
9	84718912	1	HOSE ASSY	
10	84718643	1	HOSE ASSY (included in standard machine assy)	
11	84718644	1	HOSE ASSY (remove from standard assy)	

SECTION 12 - OPTIONAL EQUIPMENT

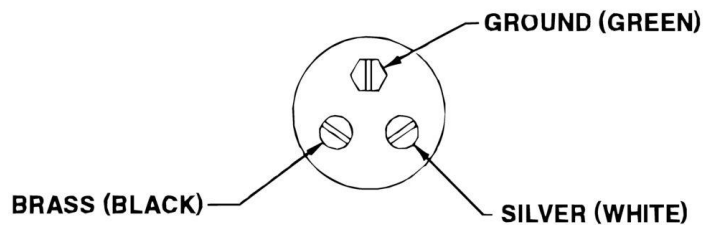
FIGURE 12-53. (91085073) HYDRAULIC RESERVOIR HEATER INSTALLATION



1. INSTALL BLANKET AFTER PAINT ONLY.
2. BLANKET TO BE INSTALLED ON HYDRAULIC TANK WALL, BETWEEN HYDRAULIC TANK AND FUEL TANK.
3. POSITION BLANKET AS CLOSE TO CENTER OF TANK AS POSSIBLE.
4. STOW AWAY ELECTRICAL CORD BETWEEN TANKS.



SECTION VIEW THRU FRAME SHOWING INSIDE WALL OF HYDRAULIC TANK



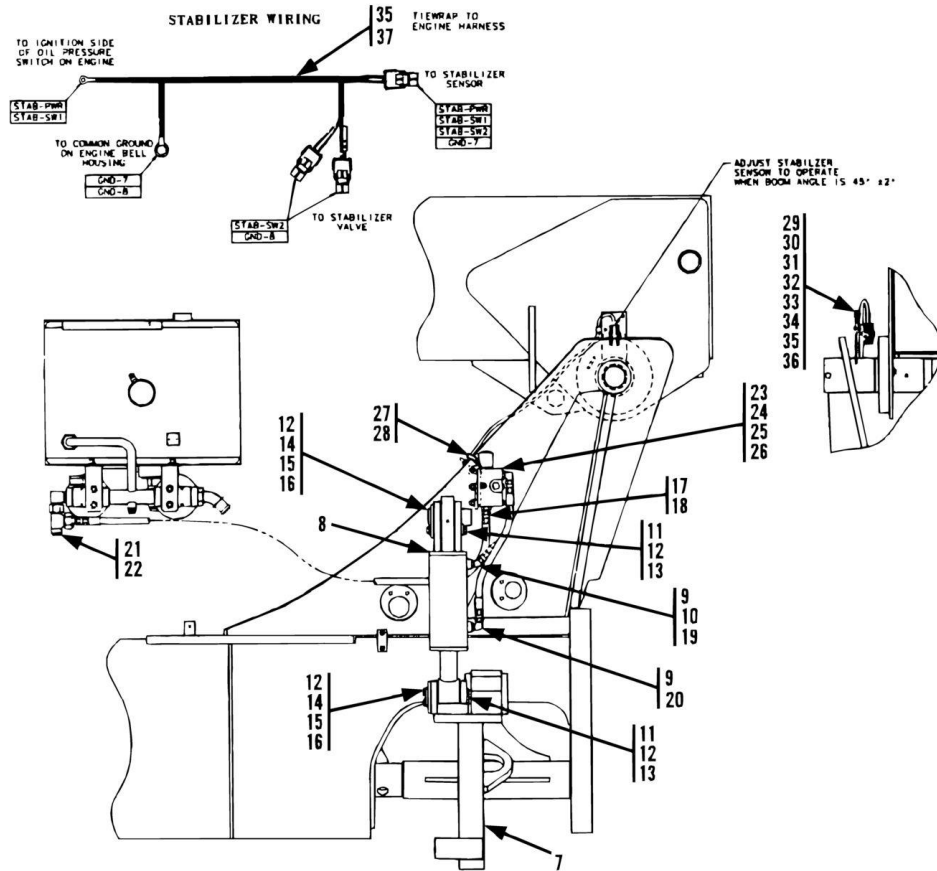
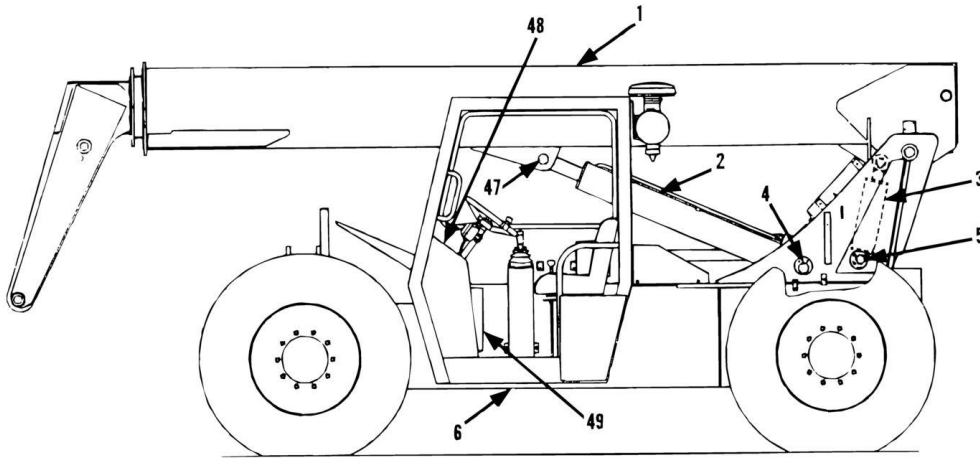
SECTION 12 - OPTIONAL EQUIPMENT

FIGURE 12-53. (91085073) HYDRAULIC RESERVOIR HEATER INSTALLATION

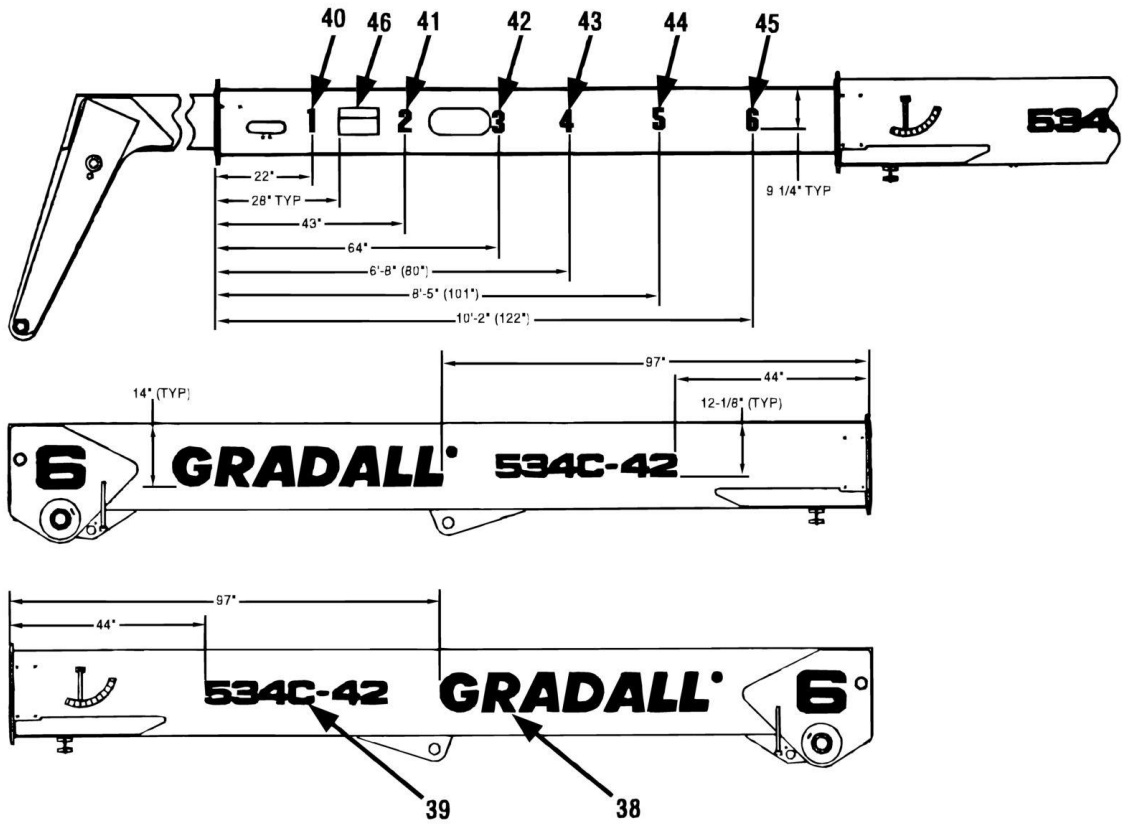
ITEM	PART NUMBER	QTY	DESCRIPTION	REV
	91085073	1	HYDRAULIC RESERVOIR HEATER (includes all items)	
1	91083429	1	HEATING BLANKET	
2	91083430	1	PLUG	

SECTION 12 - OPTIONAL EQUIPMENT

FIGURE 12-54. (91125072) 42FT BOOM OPTION



SECTION 12 - OPTIONAL EQUIPMENT



SECTION 12 - OPTIONAL EQUIPMENT

FIGURE 12-54. (91125072) 42FT BOOM OPTION

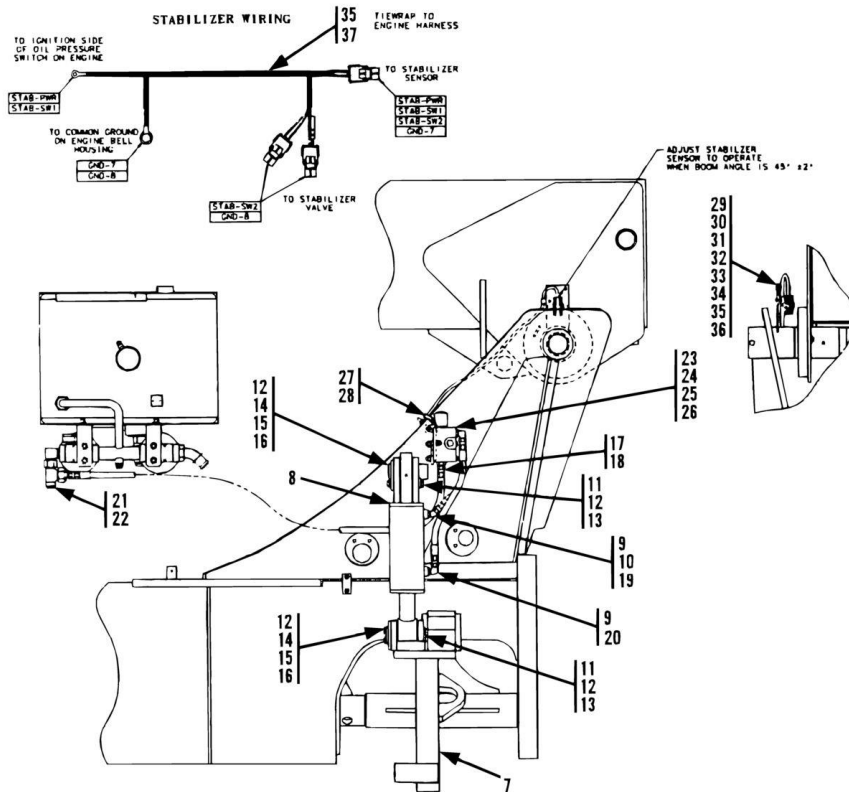
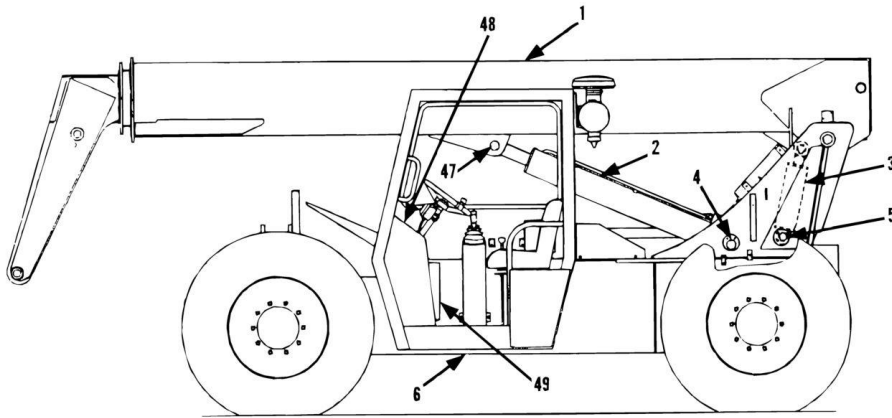
ITEM	PART NUMBER	QTY	DESCRIPTION	REV
	91125072	1	42FT BOOM OPTION (includes all items)	
1		Ref	42FT BOOM ASSY (See 42FT BOOM ASSEMBLY for Breakdown)	
2		Ref	LIFT CYLINDER (See LIFT CYLINDER 42FT BOOM ONLY for Breakdown)	
3		Ref	COMPENSATING CYLINDER (See COMPENSATING CYLINDER 42FT BOOM ONLY for Breakdown)	
4	91121273	1	LIFT CYLINDER PIN	
5	91121274	1	COMPENSATING CYLINDER PIN	
6	91326017	1	FRAME WELDMENT	
6	91126079	1	FRAME WELDMENT (SN 0488154 to Present)	
7	91166013	1	REAR AXLE WELDMENT	
8		Ref	STABILIZER CYLINDER (See STABILIZER CYLINDER for Breakdown)	
9	88662065	3	ELBOW, 90, (includes o-ring)	
9	88591205	3	O-RING	
10	88662085	1	ELBOW, 45, (includes o-ring)	
10	88591205	1	O-RING	
11	91161269	2	KEEPER	
12	88561111	6	WASHER, 1/2	
13	88201065	2	HEX HD CAPSCREW 1/2-13X1, GR5	
14	91166062	2	PIN WELD	
15	88201066	4	HEX HD CAPSCREW, 1/2-13X1-1/4, GR5	
16	88551013	4	LOCKWASHER, 1/2	
17	88662019	1	CONNECTOR (includes o-ring)	
17	88591206	1	O-RING	
18	84718287	1	HOSE ASSY	
19	84718989	1	HOSE ASSY	
20	77133145	1	HOSE ASSY	
21	88662244	1	SWIVEL NUT RUN TEE, 1IN TUBE	
22	91033230	1	TUBE END REDUCER	
23	88201047	2	HEX HD CAPSCREW 3/8-16X4, GR5	
24	88551011	2	LOCKWASHER, 3/8	
25	88501006	2	HEX NUT, 3/8-16	
26		Ref	STABILIZER VALVE (See STABILIZER VALVE ASSY for Breakdown)	
27	86621230	2	SUPPORT CLAMP	
28	77143006	2	WHIZ-LOCK NUT, 5/16	
29		Ref	STABILIZER SENSOR ASSY (See PROXIMITY SENSOR ASSEMBLY 42FT BOOM ONLY for Breakdown)	
30	91141260	1	BRACKET	
31	88301093	2	ROUND HD MACHINE SCREW, #10-24X3/4	
32	88551007	2	LOCKWASHER, #10	
33	88561001	4	WASHER, 3/16	
34	91043199	2	SQUARE NUT, #10-24	
35	90027187	8	TIE WRAP	
36	90021705	1	SUPPORT CLAMP	
37	91163049	1	STABILIZER HARNESS	
38	91123037	2	GRADALL DECAL (std)	
38	91123038	2	GRADALL DECAL (opt)	
39	91123169	2	DECAL 534C-42 (std)	
39	91123173	2	DECAL 534C-42 (opt)	

SECTION 12 - OPTIONAL EQUIPMENT

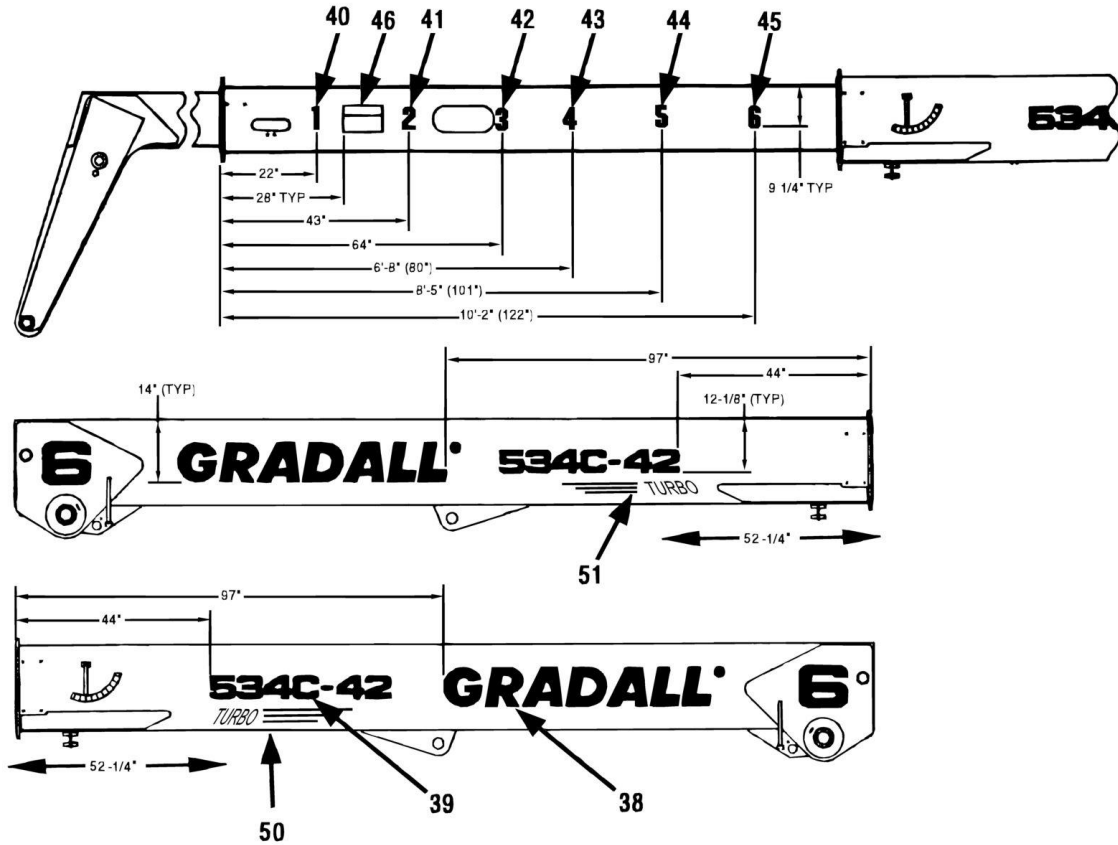
ITEM	PART NUMBER	QTY	DESCRIPTION	REV
40	91003016	1	"1" DECAL (std)	
40	91043134	1	"1" DECAL (opt)	
41	91003018	1	"2" DECAL (std)	
41	91043135	1	"2" DECAL (opt)	
42	91123042	1	"3" DECAL (std)	
42	91123043	1	"3" DECAL (opt)	
43	91003020	1	"4" DECAL (std)	
43	91043136	1	"4" DECAL (opt)	
44	91123044	1	"5" DECAL (std)	
44	91123045	1	"5" DECAL (opt)	
45	91163077	1	"6" DECAL (std)	
45	91163078	1	"6" DECAL (opt)	
46	77023009	2	HOLE WARNING DECAL	
47	91121290	1	LIFT CYLINDER PIN	
48	91123170	1	CAPACITY CHART 534C6-42	
49	91123171	1	SN AND ATTACH PLATE 534C6-42	

SECTION 12 - OPTIONAL EQUIPMENT

FIGURE 12-55. (91325019) 42FT BOOM OPTION (TURBO)



SECTION 12 - OPTIONAL EQUIPMENT



SECTION 12 - OPTIONAL EQUIPMENT

FIGURE 12-55. (91325019) 42FT BOOM OPTION (TURBO)

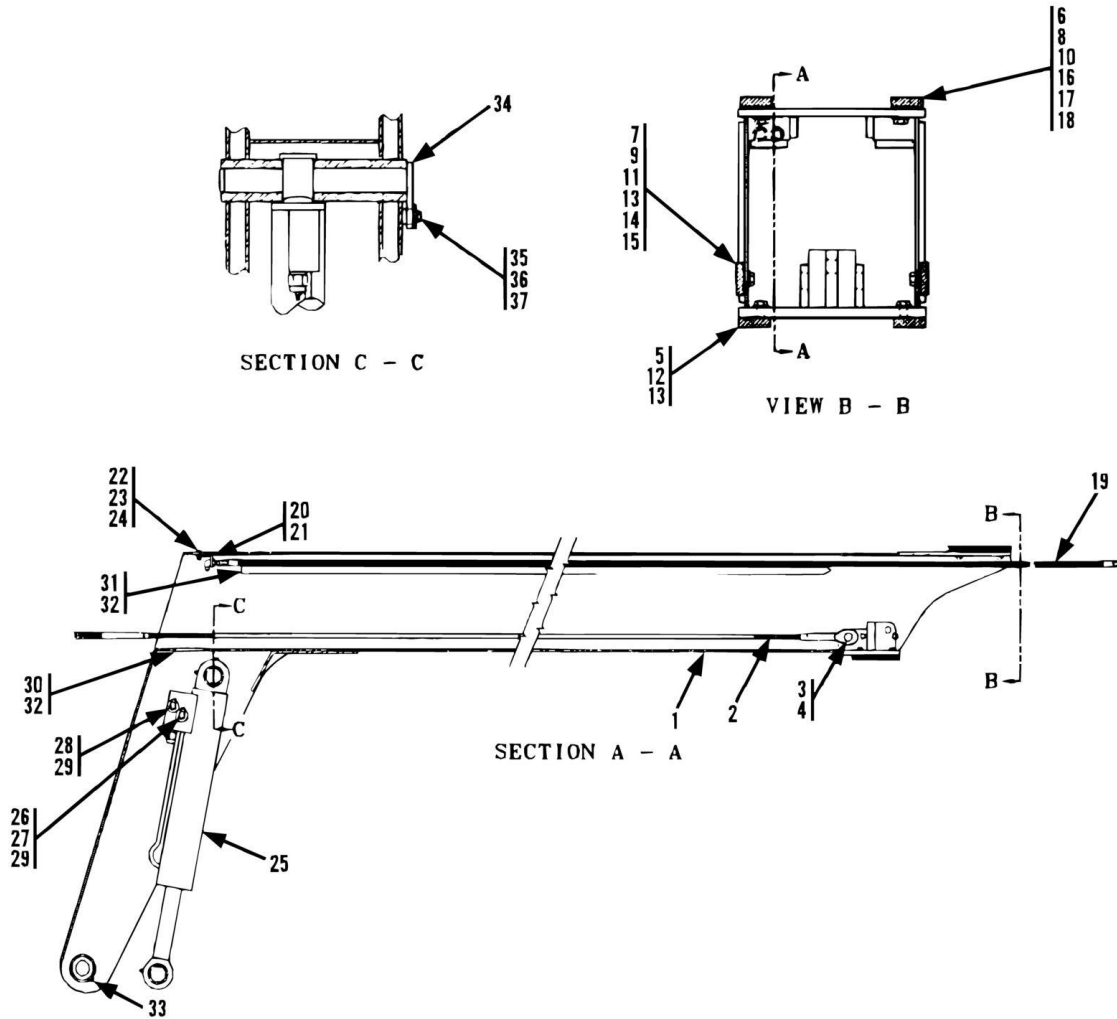
ITEM	PART NUMBER	QTY	DESCRIPTION	REV
	91325019	1	42FT BOOM OPTION (includes all items)	
1		Ref	42FT BOOM ASSY (See 42FT BOOM ASSEMBLY for Breakdown)	
2		Ref	LIFT CYLINDER (See LIFT CYLINDER 42FT BOOM ONLY for Breakdown)	
3		Ref	COMPENSATING CYLINDER (See COMPENSATING CYLINDER 42FT BOOM ONLY for Breakdown)	
4	91121273	1	LIFT CYLINDER PIN	
5	91121274	1	COMPENSATING CYLINDER PIN	
6	91326017	1	FRAME WELDMENT	
7	91166013	1	REAR AXLE WELDMENT	
8		Ref	STABILIZER CYLINDER (See STABILIZER CYLINDER for Breakdown)	
9	88662065	3	ELBOW, 90, (includes o-ring)	
9	88591205	3	O-RING	
10	88662085	1	ELBOW, 45, (includes o-ring)	
10	88591205	1	O-RING	
11	91161269	2	KEEPER	
12	88561111	6	WASHER, 1/2	
13	88201065	2	HEX HD CAPSCREW, 1/2-13X1, GR5	
14	91166062	2	PIN WELD	
15	88201066	4	HEX HD CAPSCREW, 1/2-13X1-1/4, GR5	
16	88551013	4	LOCKWASHER, 1/2	
17	88662019	1	CONNECTOR (includes o-ring)	
17	88591206	1	O-RING	
18	84718287	1	HOSE ASSY	
19	84718989	1	HOSE ASSY	
20	77133145	1	HOSE ASSY	
21	88662244	1	SWIVEL NUT RUN TEE, 1IN TUBE	
22	91033230	1	TUBE END REDUCER	
23	88201047	2	HEX HD CAPSCREW, 3/8-16X4, GR5	
24	88551011	2	LOCKWASHER, 3/8	
25	88501006	2	HEX NUT, 3/8-16	
26		Ref	STABILIZER VALVE (See STABILIZER VALVE ASSY for Breakdown)	
27	86621230	2	SUPPORT CLAMP	
28	77143006	2	WHIZ-LOCK NUT, 5/16	
29		Ref	STABILIZER SENSOR ASSY (See PROXIMITY SENSOR ASSEMBLY 42FT BOOM ONLY for Breakdown)	
30	91141260	1	BRACKET	
31	88301093	2	ROUND HD MACHINE SCREW, #10-24X3/4	
32	88551007	2	LOCKWASHER, #10	
33	88561001	4	WASHER, 3/16	
34	91043199	2	SQUARE NUT, #10-24	
35	90027187	8	TIE WRAP	
36	90021705	1	SUPPORT CLAMP	
37	91163049	1	STABILIZER HARNESS	
38	91123037	2	GRADALL DECAL (std)	
38	91123038	2	GRADALL DECAL (opt)	
39	91123169	2	DECAL 534C-42 (std)	
39	91123173	2	DECAL 534C-42 (opt)	
40	91003016	1	"1" DECAL (std)	

SECTION 12 - OPTIONAL EQUIPMENT

ITEM	PART NUMBER	QTY	DESCRIPTION	REV
40	91043134	1	"1" DECAL (opt)	
41	91003018	1	"2" DECAL (std)	
41	91043135	1	"2" DECAL (opt)	
42	91123042	1	"3" DECAL (std)	
42	91123043	1	"3" DECAL (opt)	
43	91003020	1	"4" DECAL (std)	
43	91043136	1	"4" DECAL (opt)	
44	91123044	1	"5" DECAL (std)	
44	91123045	1	"5" DECAL (opt)	
45	91163077	1	"6" DECAL (std)	
46	91163078	1	"6" DECAL (opt)	
46	77023009	2	HOLE WARNING DECAL	
47	91121290	1	LIFT CYLINDER PIN	
48	91123170	1	CAPACITY CHART 534C6-42	
49	91123171	1	SN AND ATTACH PLATE 534C6-42	
50	91323002	1	L.H. TURBO DECAL (std)	
50	91323004	1	L.H. TURBO DECAL (opt)	
51	91323003	1	R.H. TURBO DECAL (std)	
51	91323005	1	R.H. TURBO DECAL (opt)	

SECTION 12 - OPTIONAL EQUIPMENT

FIGURE 12-56. (91125058) 42FT BOOM ASSEMBLY



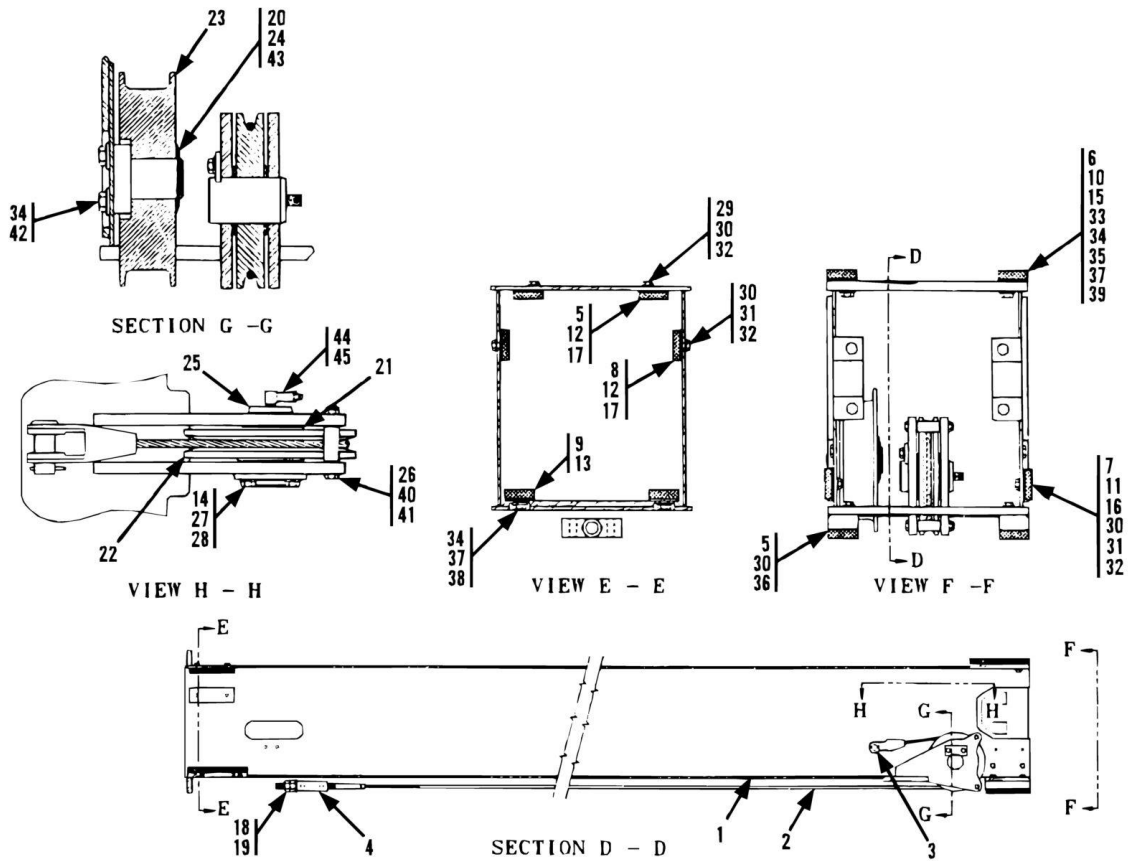
SECTION 12 - OPTIONAL EQUIPMENT

FIGURE 12-56. (91125058) 42FT BOOM ASSEMBLY

ITEM	PART NUMBER	QTY	DESCRIPTION	REV
	91125058	1	42FT BOOM ASSY (includes all items on all four pages)	
1	91126057	1	THIRD BOOM SECTION	
2	91123146	2	EXTEND CABLE	
3	91121080	1	CABLE PIN	
4	88581310	2	RETAINER RING	
5	91123019	2	BEARING PAD	
6	91083297	2	BEARING PAD	
7	91033186	2	BEARING PAD	
8	91081447	2	SPACER	
9	91031236	2	SPACER	
10	91121081	2	SHIM	
11	90205870	4	SHIM	
12	88201535	4	HEX HD CAPSCREW, 3/8-24X1-1/4, GR5 (torque to 32-37 ft lbs)	
13	88561109	8	FLAT WASHER, 3/8	
14	88201532	4	HEX HD CAPSCREW, 3/8-24X3/4, GR5 (torque to 32-37 ft lbs)	
15	88201534	AR	HEX HD CAPSCREW, 3/8-24X1, GR5 (torque to 32-37 ft lbs)	
16	88201565	4	HEX HD CAPSCREW, 1/2-20X1-1/4, GR5 (torque to 68-78 ft lbs)	
17	90027471	4	HARDENED WASHER, 1/2	
18	88201566	AR	HEX HD CAPSCREW, 1/2-20X1-1/2, GR5 (torque to 68-78 ft lbs)	
19	84718954	2	HOSE ASSY	
20	91121125	1	BULKHEAD BRACKET	
21	90027179	2	BULKHEAD FITTING	
22	88201020	2	HEX HD CAPSCREW, 5/16-18X1, GR5	
23	88551010	2	LOCKWASHER, 5/16	
24	88501005	2	HEX NUT, 5/16	
25	91083513	1	TILT CYLINDER	
26	91053426	1	STR. THD. CONNECTOR	
27	88662105	1	ELBOW, 90 (swivel nut)	
28	91053450	1	ELBOW, 90 (includes item 29)	
29	88591207	2	O-RING	
30	90206199	13 in	TRIM LOCK	
31	90206194	3.5 in	TRIM LOCK	
32	14402248	AR	3M ADHESIVE	
33	88671001	2	GREASE FITTING	
34	91146052	1	PIN WELDMENT	
35	88201065	1	HEX HD CAPSCREW, 1/2-13X1, GR5	
36	83621283	1	SPECIAL WASHER	
37	88551013	1	LOCKWASHER, 1/2	

SECTION 12 - OPTIONAL EQUIPMENT

FIGURE 12-57. (91125058) 42FT BOOM ASSEMBLY



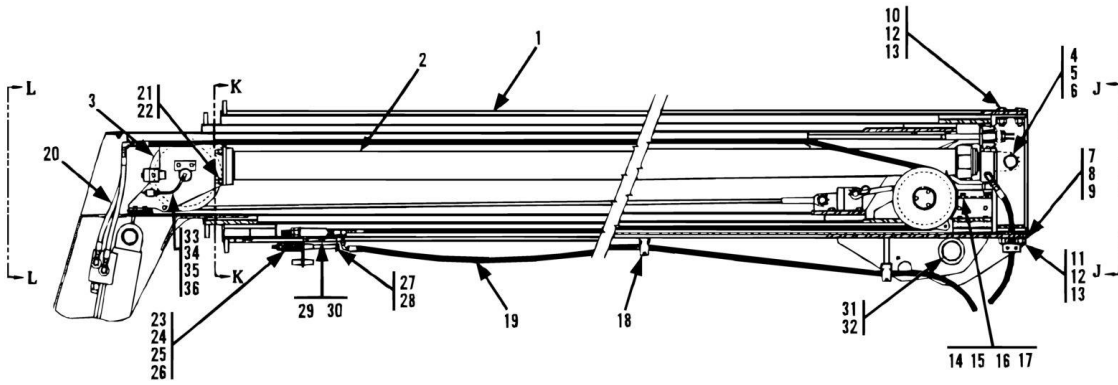
SECTION 12 - OPTIONAL EQUIPMENT

FIGURE 12-57. (91125058) 42FT BOOM ASSEMBLY

ITEM	PART NUMBER	QTY	DESCRIPTION	REV
	91125058	1	42FT BOOM ASSY (includes all items on all four pages)	
1	91126056	1	SECOND BOOM SECTION	
2	91123147	1	RETRACTION CABLE	
3	88631337	1	COTTER PIN, 3/16X1-1/2	
4	91081087	1	CABLE ADJUSTMENT BLOCK	
5	91123019	4	BEARING PAD	
6	91083297	2	BEARING PAD	
7	91033186	2	BEARING PAD	
8	91123021	2	BEARING PAD	
9	91083063	2	BEARING PAD	
10	91081447	2	SPACER (.132in thick)	
11	9103-1236	2	SPACER (.06in thick)	
12	91121083	4	SPACER (.06in thick)	
13	91081172	2	SPACER (.132in thick)	
14	86641158	1	PIN KEEPER	
15	91121081	4	SHIM (.06in thick)	
16	90205870	4	SHIM (.06in thick)	
17	91121082	8	SHIM (.06in thick)	
18	90027473	1	HARDENED WASHER, 3/4	
19	88501012	2	HEX NUT, 3/4-10	
20	90203040	1	THRUST WASHER	
21	91041451	2	THRUST WASHER	
22	91125031	1	RETRACTION SHEAVE ASSY	
23	91123016	1	HOSE SHEAVE	
24	91081326	1	HOSE REEL SUPPORT	
25	91121197	1	SHEAVE PIN	
26	91121056	2	RETAINER ROLLER	
27	88201034	2	HEX HD CAPSCREW, 3/8-16X7/8, GR5	
28	88551011	2	LOCKWASHER, 3/8	
29	88201535	AR	HEX HD CAPSCREW, 3/8-24X1-1/4, GR5 (torque to 32-37 ft lbs)	
30	88561109	16	FLAT WASHER, 3/8	
31	88201532	8	HEX HD CAPSCREW, 3/8-24X3/4, GR5 (torque to 32-37 ft lbs)	
32	88201534	4	HEX HD CAPSCREW, 3/8-24X1, GR5 (torque to 32-37 ft lbs)	
33	88201565	2	HEX HD CAPSCREW, 1/2-20X1-1/4, GR5 (torque 68-78 ft lbs)	
34	90027471	9	HARDENED WASHER, 1/2	
35	88201566	AR	HEX HD CAPSCREW, 1/2-20X1-1/2, GR5 (torque 68-78 ft lbs)	
36	88201538	4	HEX HD CAPSCREW, 3/8-24X2, GR5 (torque to 32-37 ft lbs)	
37	88201562	6	HEX HD CAPSCREW, 1/2-20X3/4, GR5 (torque to 68-78 ft lbs)	
38	88201564	AR	HEX HD CAPSCREW, 1/2-20X1, GR5 (torque to 68-78 ft lbs)	
39	88201563	AR	HEX HD CAPSCREW, 1/2-20X7/8, GR5 (torque to 68-78 ft lbs)	
40	88201043	2	HEX HD CAPSCREW, 3/8-16X3, GR5 (torque to 32-37 ft lbs)	
41	88521306	2	THIN LOCKNUT, 3/8-16	
42	83201123	3	HEX HD CAPSCREW, 1/2-13X1, GR5 (torque to 68-78 ft lbs)	
43	88581320	1	EXTERNAL RETAINING RING	
44	91033445	1	GREASE FITTING	
45	88712011	1	ELBOW, 90	

SECTION 12 - OPTIONAL EQUIPMENT

FIGURE 12-58. (91125058) 42FT BOOM ASSEMBLY



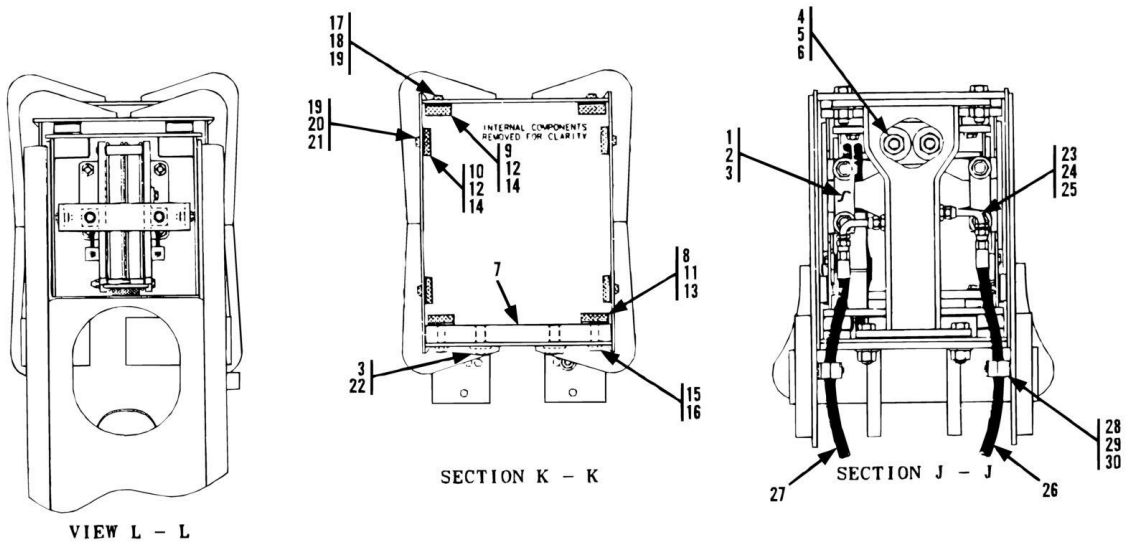
SECTION 12 - OPTIONAL EQUIPMENT

FIGURE 12-58. (91125058) 42FT BOOM ASSEMBLY

ITEM	PART NUMBER	QTY	DESCRIPTION	REV
	91125058	1	42FT BOOM ASSY (includes all items on all pages)	
1	91126055	1	FIRST BOOM SECTION	
2	91125059	1	CROWD CYLINDER	
2	91335018	1	CROWD CYLINDER (for service only)	
3	91125061	1	CABLE BRACKET ASSY	
4	91126010	1	CYLINDER BRACKET	
5	91121041	1	CROWD CYLINDER PIN	
6	88581320	2	EXTERNAL RETAINING RING	
7	91121023	2	SHIM (.0598 thick)	
8	91121024	2	SHIM (.0359 thick)	
9	91121157	2	SHIM (.1340 thick)	
10	83201038	4	HEX HD CAPSCREW, 3/4-10X2-1/4, GR8 (torque 340-365 ft lbs)	
11	83201039	4	HEX HD CAPSCREW, 3/4-10X2-1/2, GR8 (torque 340-365 ft lbs)	
12	90027473	8	HARDENED WASHER, 3/4	
13	88501012	8	HEX NUT, 3/4-10	
14	91126071	1	HOSE GUARD	
15	88201034	2	HEX HD CAPSCREW, 3/8-16X7/8, GR5	
16	88551011	2	LOCKWASHER, 3/8	
17	88561109	2	FLAT WASHER, 3/8	
18	90207463	8	CUSHION CLAMP	
19	84718953	2	HOSE ASSY	
20	84717896	2	HOSE ASSY	
21	88521208	4	HEX LOCKNUT, 1/2-13	
22	88561111	4	FLAT WASHER, 1/2	
23	91123054	2	COMPRESSION SPRING	
24	91121134	2	SPRING RETAINER	
25	88501008	2	HEX NUT, 1/2-13	
26	88501108	2	HEX JAM NUT, 1/2-13	
27	91126008	2	HOSE TAKE-UP WELDMENT	
28	90027179	2	BULKHEAD FITTING, 90	
29	83201026	4	HEX HD CAPSCREW, 1/2-13X1-1/2, (torque 68-78 ft lbs)	
30	90027471	4	HARDENED WASHER, 1/2	
31	91083298	2	BUSHING	
32	88671001	2	LUBE FITTING	
33	86683088	2	TUBE FITTING, 90	
34	85403040	2	STRAIGHT TUBE FITTING	
35	Bulk	20 in	COPPER TUBING, 1/4IN OD	
36	88671002	2	LUBE FITTING, STRAIGHT, 1/8	

SECTION 12 - OPTIONAL EQUIPMENT

FIGURE 12-59. (91125058) 42FT BOOM ASSEMBLY



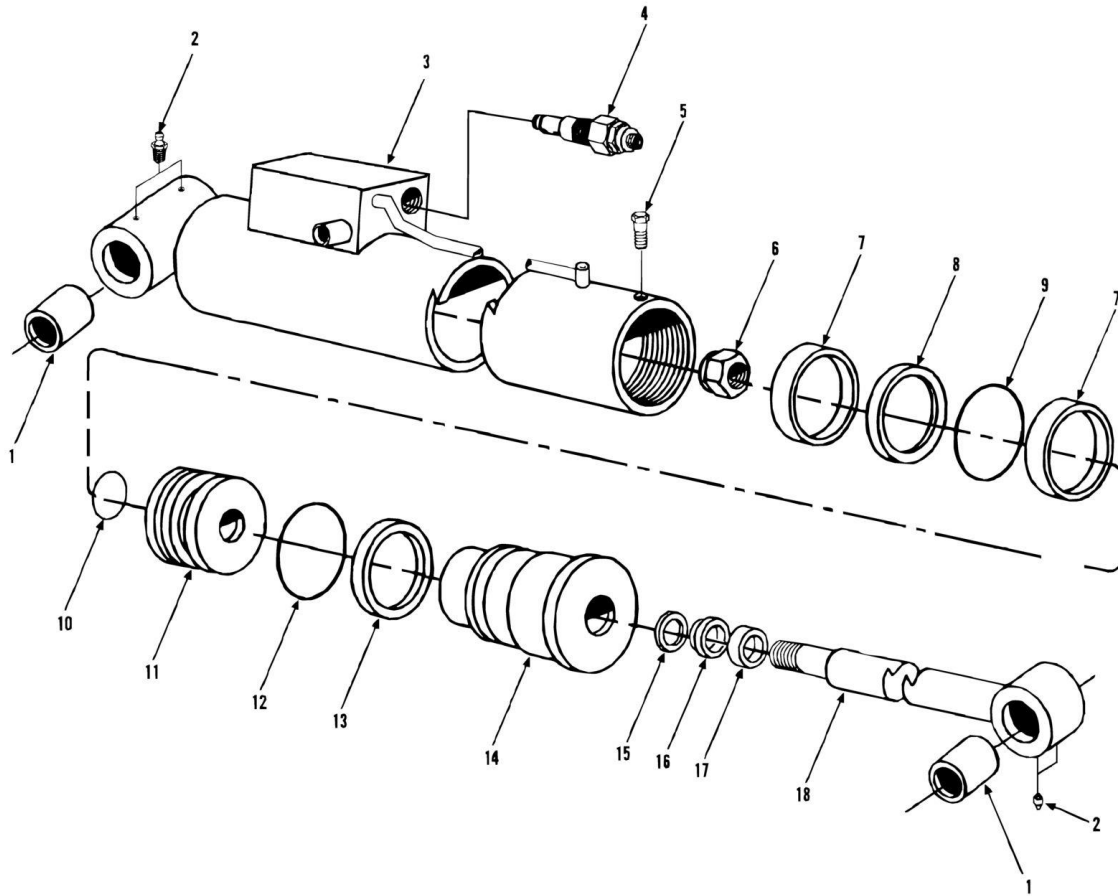
SECTION 12 - OPTIONAL EQUIPMENT

FIGURE 12-59. (91125058) 42FT BOOM ASSEMBLY

ITEM	PART NUMBER	QTY	DESCRIPTION	REV
	91125058	1	42FT BOOM ASSY (includes all items on all pages)	
1	91121066	2	CROWD CYLINDER RETAINER	
2	83201017	4	HEX HD CAPSCREW, 3/4-10X2-3/4, GR5 (torque 340-365 ft lbs)	
3	90027473	6	HARDENED WASHER, 3/4	
4	91123018	2	SPRING	
5	91121079	2	SPECIAL WASHER, 7/8	
6	88501314	4	HEX NUT, 7/8-14	
7	91121022	1	BEARING PLATE	
8	91083063	2	BEARING PAD	
9	91033185	2	BEARING PAD	
10	91033186	4	BEARING PAD	
11	91081172	2	SPACER (.132 thick)	
12	91031236	6	SPACER (.060 thick)	
13	91081171	2	SHIM (.060 thick)	
14	90205870	12	SHIM (.060 thick)	
15	88201568	4	HEX HD CAPSCREW, 1/2-20X2, GR5, (torque 68-78 ft lbs)	
16	90027471	4	HARDENED WASHER, 1/2	
17	88201535	4	HEX HD CAPSCREW, 3/8-24X1-1/4, GR5 (torque 32-37 ft lbs)	
18	88201536	AR	HEX HD CAPSCREW, 3/8-24X1-1/2. GR5 (torque 32-37 ft lbs)	
19	88561109	12	FLAT WASHER, 3/8	
20	88201532	8	HEX HD CAPSCREW, 3/8-24X3/4, GR5 (torque to 32-37 ft lbs)	
21	88201534	AR	HEX HD CAPSCREW, 3/8-24X1, GR5 (torque to 32-37ft lbs)	
22	88201608	2	HEX HD CAPSCREW, 3/4-16X1-1/2, GR5 (torque to 265-290 ft lbs)	
23	86561308	2	CONNECTOR (includes item 25)	
24	91123022	2	LONG ELBOW, 90	
25	88591205	2	O-RING	
26	84717863	1	HOSE ASSY	
27	84717862	1	HOSE ASSY	
28	77133893	2	CLAMP SET	
29	77133052	2	COVER PLATE	
30	77133209	4	HEX HD CAPSCREW, 1/4-20X1-3/8	

SECTION 12 - OPTIONAL EQUIPMENT

FIGURE 12-60. (91123141) LIFT CYLINDER 42FT BOOM ONLY (SN 0188002 through 0488365)



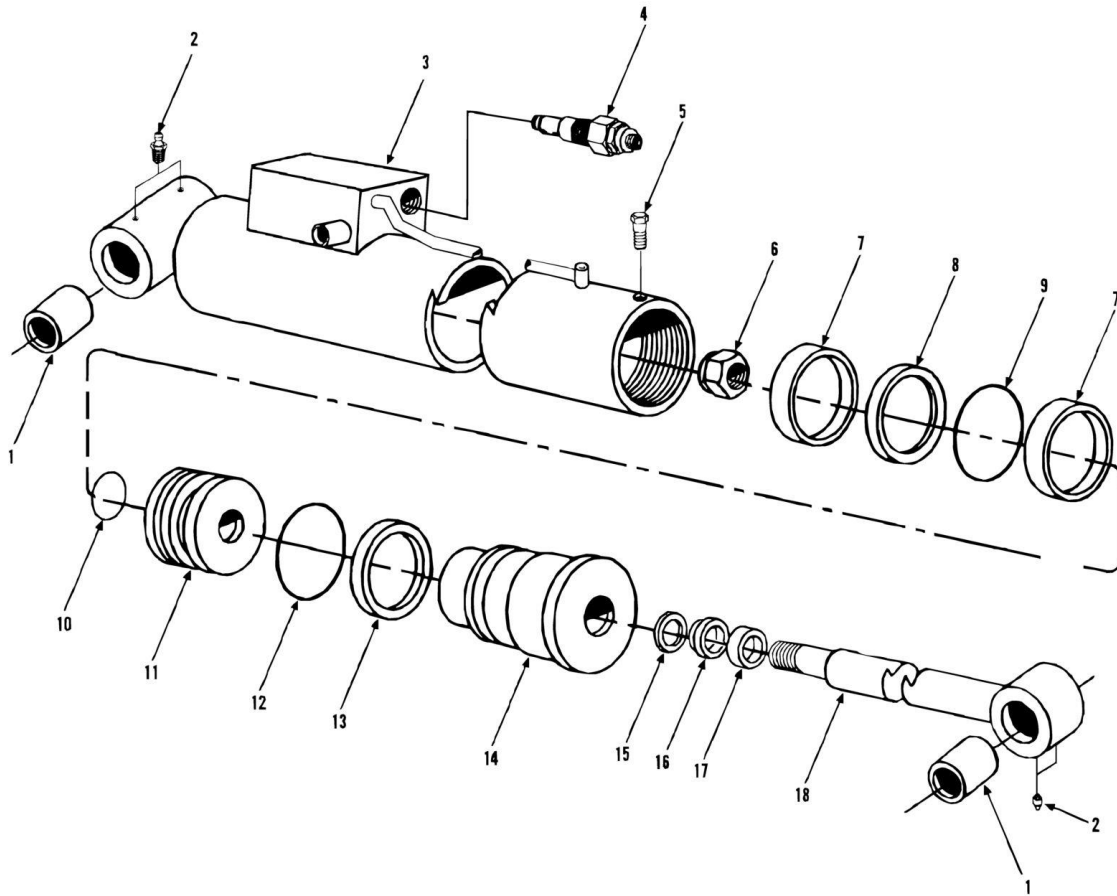
SECTION 12 - OPTIONAL EQUIPMENT

FIGURE 12-60. (91123141) LIFT CYLINDER 42FT BOOM ONLY (SN 0188002 through 0488365)

ITEM	PART NUMBER	QTY	DESCRIPTION	REV
	91123141	1	LIFT CYLINDER ASSY (includes all items)	
	91124105	1	SEAL KIT (includes items 7 thru 10, 12, 13 & 15 thru 17)	
1	91124106	4	BUSHING	
2	91144128	4	GREASE FITTING	
3		Ref	CASE ASSY	
4	91123089	1	COUNTERBALANCE VALVE	
4	91034276	1	COUNTERBALANCE VALVE SEAL KIT	
5	91124096	1	CAPSCREW, #8X32X.375	
6		Ref	LOCKNUT (lubricate and torque to 2400 ft lbs)	
7	Kit	2	WEAR RING	
8	Kit	1	PISTON SEAL	
9	Kit	1	O-RING	
10	Kit	1	O-RING	
11		Ref	PISTON	
12	Kit	1	O-RING	
13	Kit	1	BACK-UP RING	
14		Ref	CYLINDER HEAD	
15	Kit	1	STEP SEAL	
16	Kit	1	U-CUP	
17	Kit	1	WIPER	
18		Ref	ROD ASSY	
		Ref	NOTE: ONLY ITEMS WITH PART NUMBERS ARE AVAILABLE FOR SERVICE.	

SECTION 12 - OPTIONAL EQUIPMENT

FIGURE 12-61. (91123183) LIFT CYLINDER 42FT BOOM ONLY (SN 0488366 to Present)



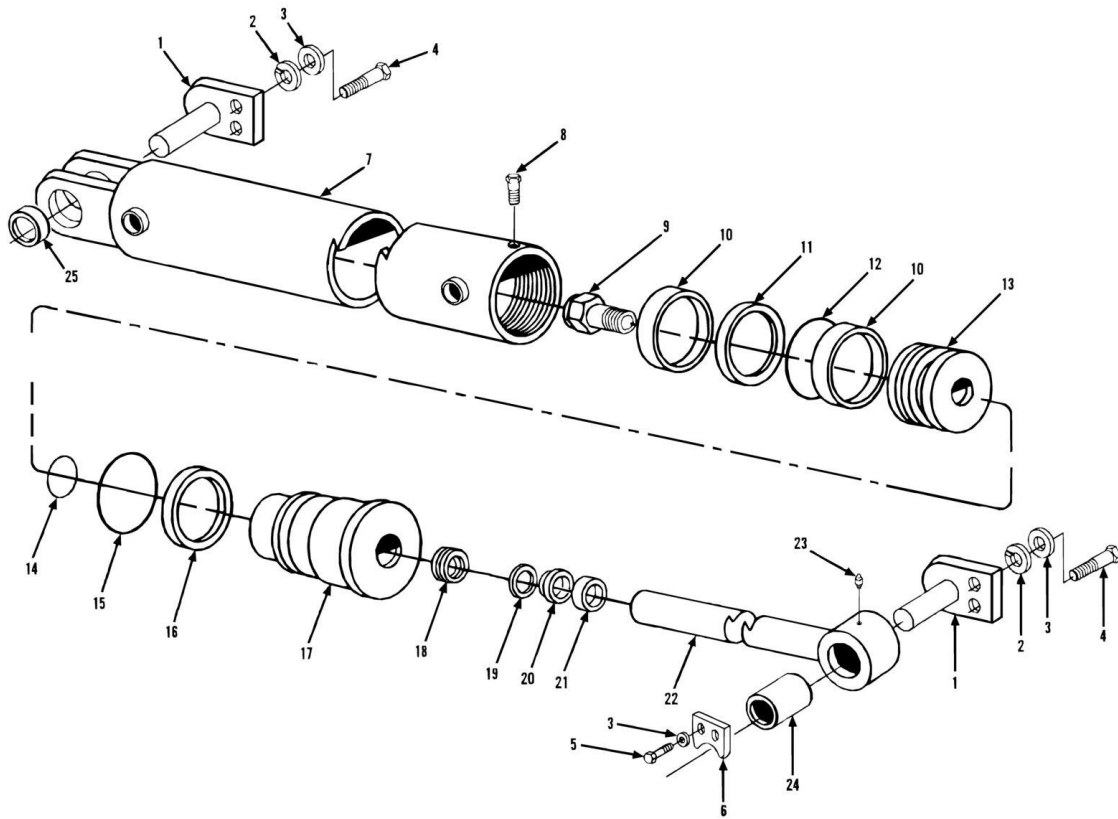
SECTION 12 - OPTIONAL EQUIPMENT

FIGURE 12-61. (91123183) LIFT CYLINDER 42FT BOOM ONLY (SN 0488366 to Present)

ITEM	PART NUMBER	QTY	DESCRIPTION	REV
	91123183	1	LIFT CYLINDER ASSY (includes all items)	
	91124105	1	SEAL KIT (includes items 7 thru 10, 12, 13 & 15 thru 17)	
1	91124106	4	BUSHING	
2	91144128	4	GREASE FITTING	
3		Ref	CASE ASSY	
4	91123089	1	COUNTERBALANCE VALVE	
4	91034276	1	COUNTERBALANCE VALVE SEAL KIT	
5	91124096	1	CAPSCREW, #8X32X.375	
6		Ref	LOCKNUT (lubricate and torque to 2400 ft lbs)	
7	Kit	2	WEAR RING	
8	Kit	1	PISTON SEAL	
9	Kit	1	O-RING	
10	Kit	1	O-RING	
11		Ref	PISTON	
12	Kit	1	O-RING	
13	Kit	1	BACK-UP RING	
14		Ref	CYLINDER HEAD	
15	Kit	1	STEP SEAL	
16	Kit	1	U-CUP	
17	Kit	1	WIPER	
18		Ref	ROD ASSY	
		Ref	NOTE: ONLY ITEMS WITH PART NUMBERS ARE AVAILABLE FOR SERVICE.	

SECTION 12 - OPTIONAL EQUIPMENT

FIGURE 12-62. (91163045) STABILIZER CYLINDER



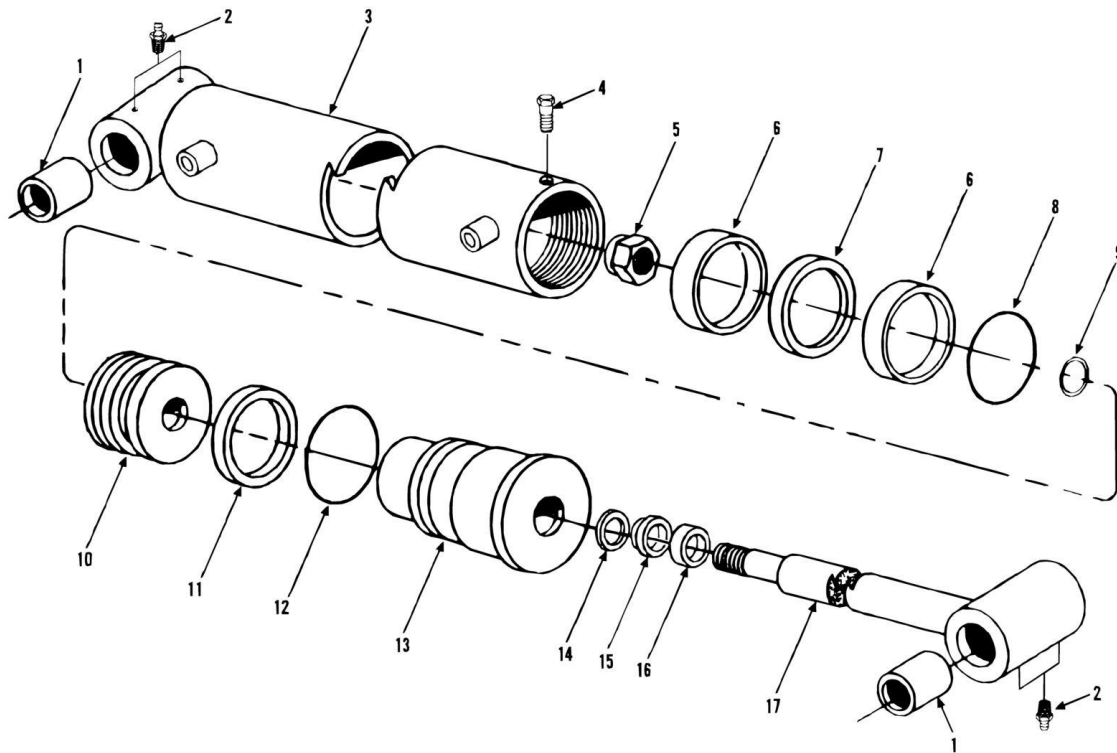
SECTION 12 - OPTIONAL EQUIPMENT

FIGURE 12-62. (91163045) STABILIZER CYLINDER

ITEM	PART NUMBER	QTY	DESCRIPTION	REV
	91163045	1	STABILIZER CYLINDER (includes all items except 1 thru 6)	
	91144005	Ref	SEAL KIT (includes items 10, 11, 12, 14, 15, 16, 18, 19 & 20)	
1	91166062	2	CYLINDER PIN	
2	88551013	4	LOCKWASHER, 1/2IN	
3	88561111	6	FLAT WASHER, 1/2IN	
4	88201066	4	HEX HD CAPSCREW, 1/2-13X1-1/4, GR5	
5	88201065	2	HEX HD CAPSCREW, 1/2-13X1, GR5	
6	91161269	2	PIN KEEPER	
7	91164028	1	CASE ASSY	
8	91124096	1	CAPSCREW	
9	91064017	1	LOCKNUT	
10	Kit	2	WEAR RING	
11	Kit	1	PISTON SEAL	
12	Kit	1	O-RING	
13	91044033	1	PISTON	
14	Kit	1	O-RING	
15	Kit	1	O-RING	
16	Kit	1	BACK-UP RING	
17	91144034	1	CYLINDER HEAD	
18	Kit	1	WEAR RING	
19	Kit	1	STEP SEAL	
20	Kit	1	U-CUP	
21	91124103	1	WIPER	
22	91164029	1	SHAFT ASSY	
23	91144128	1	GREASE FITTING	
24	91164030	1	BUSHING	
25	91164031	2	BUSHING	
		Ref	NOTE: ONLY ITEMS WITH PART NUMBERS ARE AVAILABLE FOR SERVICE.	

SECTION 12 - OPTIONAL EQUIPMENT

FIGURE 12-63. (91123143) COMPENSATING CYLINDER 42FT BOOM ONLY



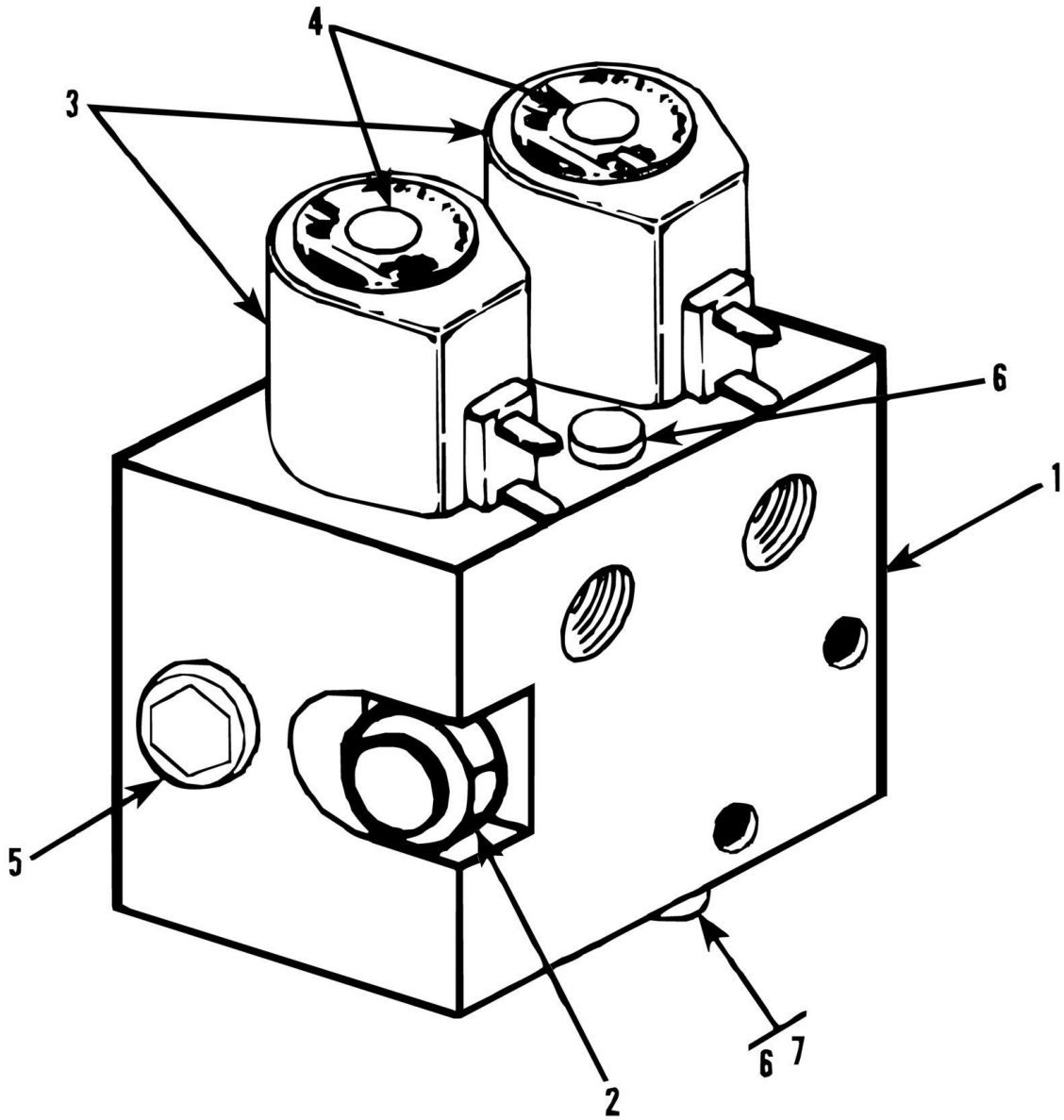
SECTION 12 - OPTIONAL EQUIPMENT

FIGURE 12-63. (91123143) COMPENSATING CYLINDER 42FT BOOM ONLY

ITEM	PART NUMBER	QTY	DESCRIPTION	REV
	91123143	1	COMPENSATING CYLINDER ASSY (includes all items)	
	91034339	1	SEAL KIT (includes items 6 thru 9, 11, 12, & 14 thru 16)	
1	91144080	4	BUSHING	
2	91144128	4	GREASE FITTING	
3		Ref	CASE ASSY	
4	91124096	1	CAPSCREW	
5	91034153	1	LOCKNUT (lubricate and torque to 1175-1275 ft lbs)	
6	Kit	2	WEAR RING	
7	Kit	1	PISTON SEAL	
8	Kit	1	O-RING	
9	Kit	1	O-RING	
10	91034139	1	PISTON	
11	Kit	1	BACK-UP RING	
12	Kit	1	O-RING	
13	91124081	1	CYLINDER HEAD	
14	Kit	1	STEP SEAL	
15	Kit	1	U-CUP	
16	Kit	1	WIPER	
17	91124082	1	ROD ASSY	
		Ref	NOTE: ONLY ITEMS WITH PART NUMBERS ARE AVAILABLE FOR SERVICE.	

SECTION 12 - OPTIONAL EQUIPMENT

FIGURE 12-64. (91163164) STABILIZER VALVE ASSY 42FT BOOM ONLY



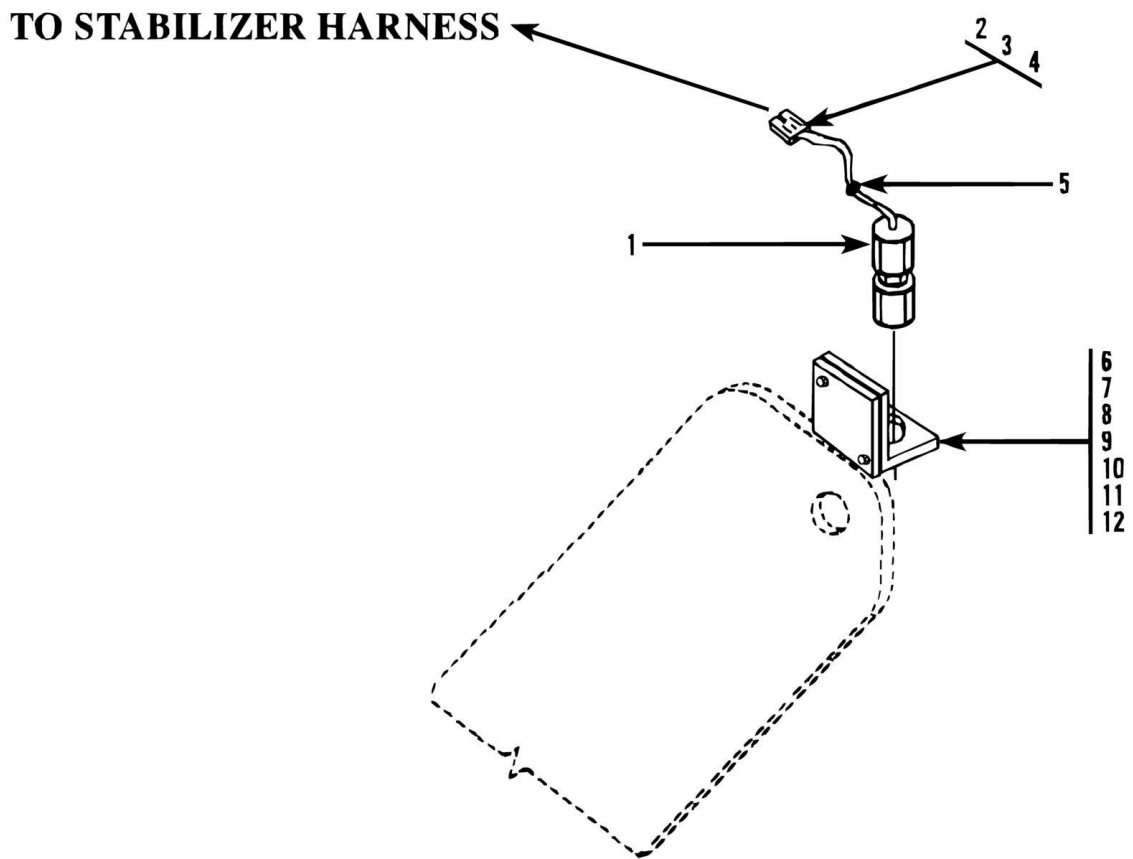
SECTION 12 - OPTIONAL EQUIPMENT

FIGURE 12-64. (91163164) STABILIZER VALVE ASSY 42FT BOOM ONLY

ITEM	PART NUMBER	QTY	DESCRIPTION	REV
	91163164	1	STABILIZER VALVE (includes items 1 thru 7)	
1	N.S.S.	1	LVE BODY (not sold separately, order P/N 91163164)	
2	91164053	1	CHECK VALVE	
2	91164054	1	CHECK VALVE SEAL KIT	
3	91164055	2	SOLENOID VALVE ASSY (includes item 4)	
3	91164056	2	SOLENOID VALVE SEAL KIT	
4	91144158	2	COIL	
5	91164057	1	PORT PLUG	
5	91164058	1	PORT PLUG SEAL	
6	91164059	2	PORT PLUG	
6	91164060	2	PORT PLUG SEAL	
7	91164063	1	ORIFICE PLUG	
		Ref	NOTE: ONLY ITEMS WITH PART NUMBERS ARE AVAILABLE FOR SERVICE.	

SECTION 12 - OPTIONAL EQUIPMENT

FIGURE 12-65. (91165006) STABILIZER PROXIMITY SENSOR ASSEMBLY 42FT BOOM ONLY



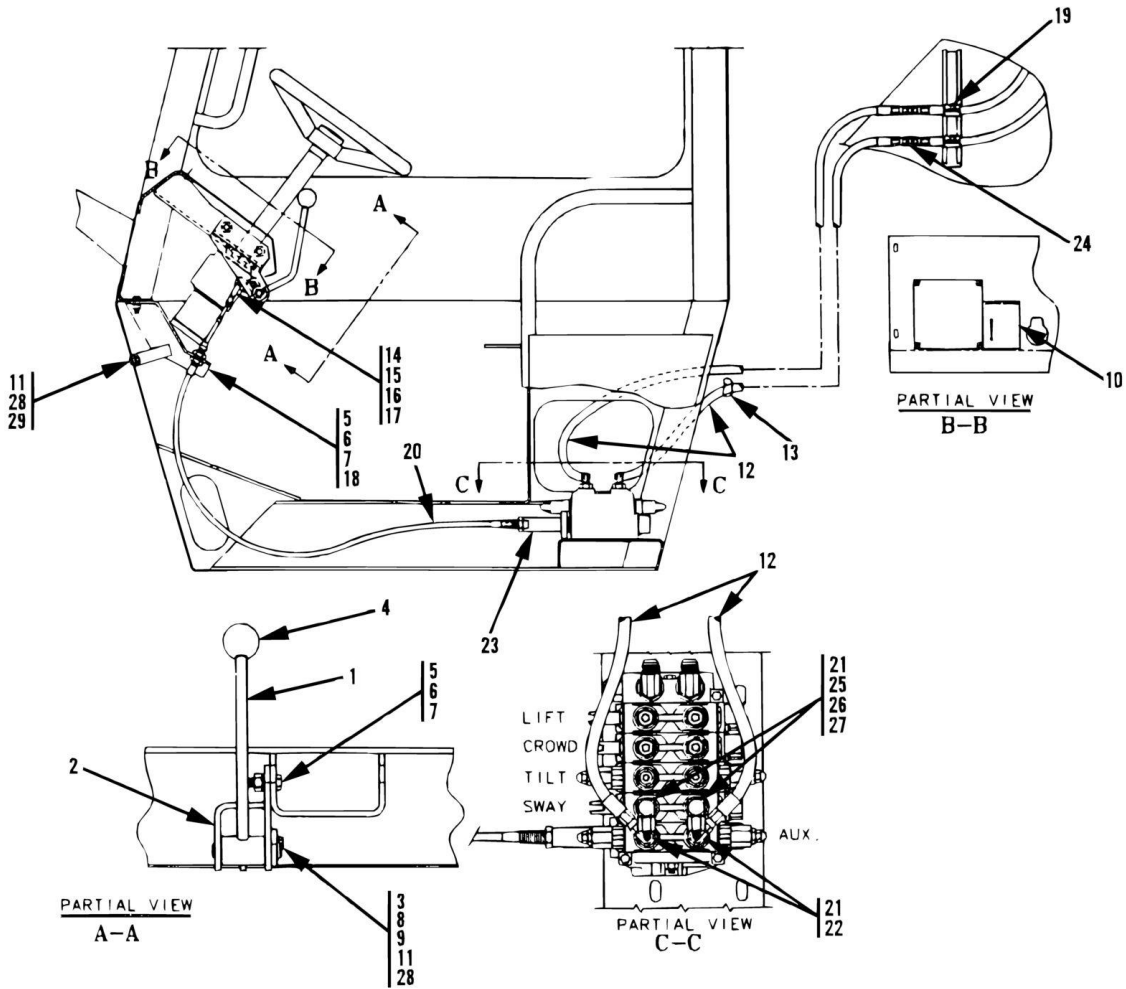
SECTION 12 - OPTIONAL EQUIPMENT

FIGURE 12-65. (91165006) STABILIZER PROXIMITY SENSOR ASSEMBLY 42FT BOOM ONLY

ITEM	PART NUMBER	QTY	DESCRIPTION	REV
	91165006	1	STABILIZER PROXIMITY SENSOR ASSY (includes items 1 thru 5)	
1	91143155	1	PROXIMITY SENSOR SWITCH	
2	80963062	1	WEATHER PROOF SHROUD (4-wire)	
3	80963069	4	MALE PIN TERMINAL	
4	80963066	4	CABLE SEALS	
5	91053419	1	TIE WRAP	
6	91161185	1	STABILIZER SENSOR BRACKET	
7	88301093	2	RD HD MACHINE SCREW, 10-24X3/4	
8	88551007	2	LOCKWASHER, #10	
9	88561001	4	FLAT WASHER, 3/16	
10	91043199	2	SQUARE NUT, #10-24	
11	90027187	4	TIE WRAP	
12	90021705	1	SUPPORT CLAMP	

SECTION 12 - OPTIONAL EQUIPMENT

FIGURE 12-66. (91125082) AUXILIARY HYDRAULICS ASSEMBLY 42FT BOOM ONLY



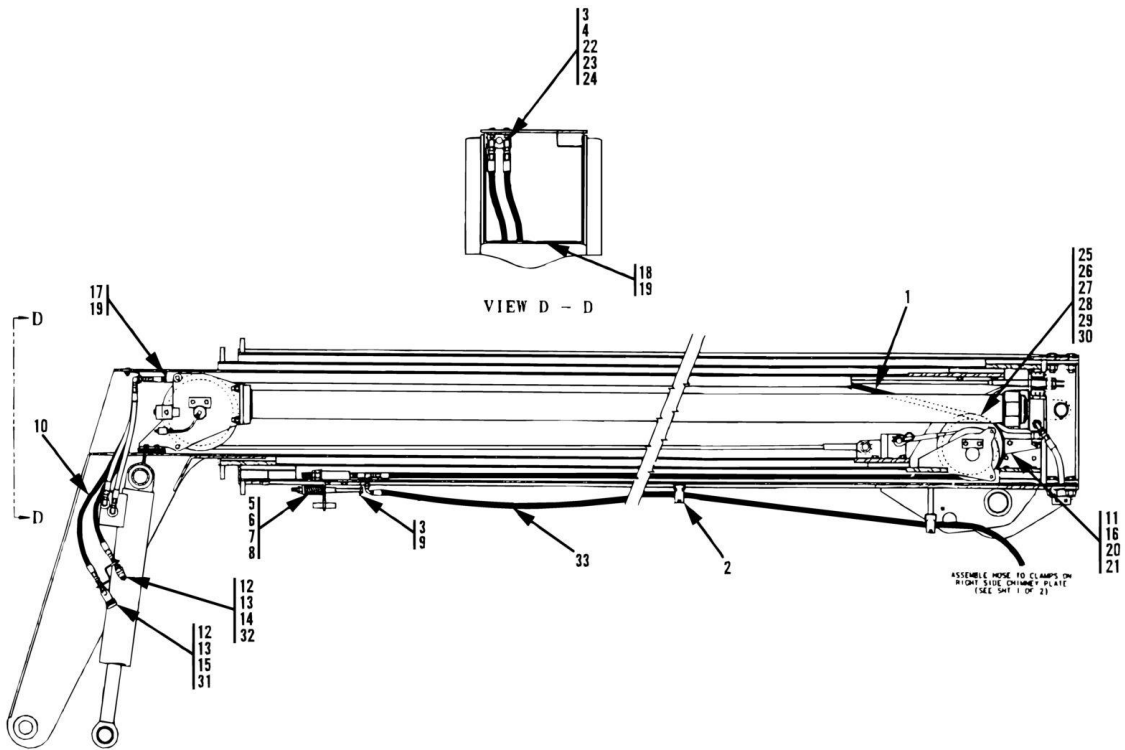
SECTION 12 - OPTIONAL EQUIPMENT

FIGURE 12-66. (91125082) AUXILIARY HYDRAULICS ASSEMBLY 42FT BOOM ONLY

ITEM	PART NUMBER	QTY	DESCRIPTION	REV
	91125082	1	AUXILIARY HYDRAULICS ASSY, 42FT BOOM OPTION (includes all items on both pages)	
1	91126026	1	HANDLE WELDMENT	
2	91126025	1	LEVER BRACKET	
3	91126027	1	PIN WELDMENT	
4	90200299	1	KNOB	
5	88201036	4	HEX HD CAPSCREW, 3/8-16X1-1/4, GR5	
6	88501006	4	HEX NUT, 3/8	
7	88551011	4	LOCKWASHER, 3/8	
8	91083136	2	BUSHING	
9	90028662	2	WAVE BEND WASHER	
10	91033417	1	AUXILIARY CONTROL DECAL	
11	88201018	2	HEX HD CAPSCREW, 5/16-18X3/4, GR5	
12	84718040	2	HOSE ASSY	
13	90027187	10	TIE WRAP	
14	88821002	1	YOKE END	
15	88633001	1	CLEVIS PIN	
16	88631302	1	COTTER PIN, 1/16X3/4	
17	88501404	1	HEX JAM NUT, 1/4-28	
18	91126023	1	CABLE BRACKET WELDMENT	
19	90207464	2	CUSHION CLAMP, 3/4	
20	91123050	1	PUSH-PULL CABLE	
21	88591206	4	O-RING	
22	91083310	2	ELBOW, 90, (includes item 21)	
23	91123062	1	CABLE ADAPTER BONNET	
24	88661065	2	UNION, 1/2 TUBE	
25	91083343	2	LONG ELBOW, 90, (includes item 21)	
26	88661348	2	TUBE END REDUCER, 5/8-1/4	
27	88661407	2	NUT	
28	88551010	2	LOCKWASHER, 5/16	
29	88501005	1	HEX NUT, 5/16-18	

SECTION 12 - OPTIONAL EQUIPMENT

FIGURE 12-67. (91125082) AUXILIARY HYDRAULICS ASSEMBLY 42FT BOOM ONLY



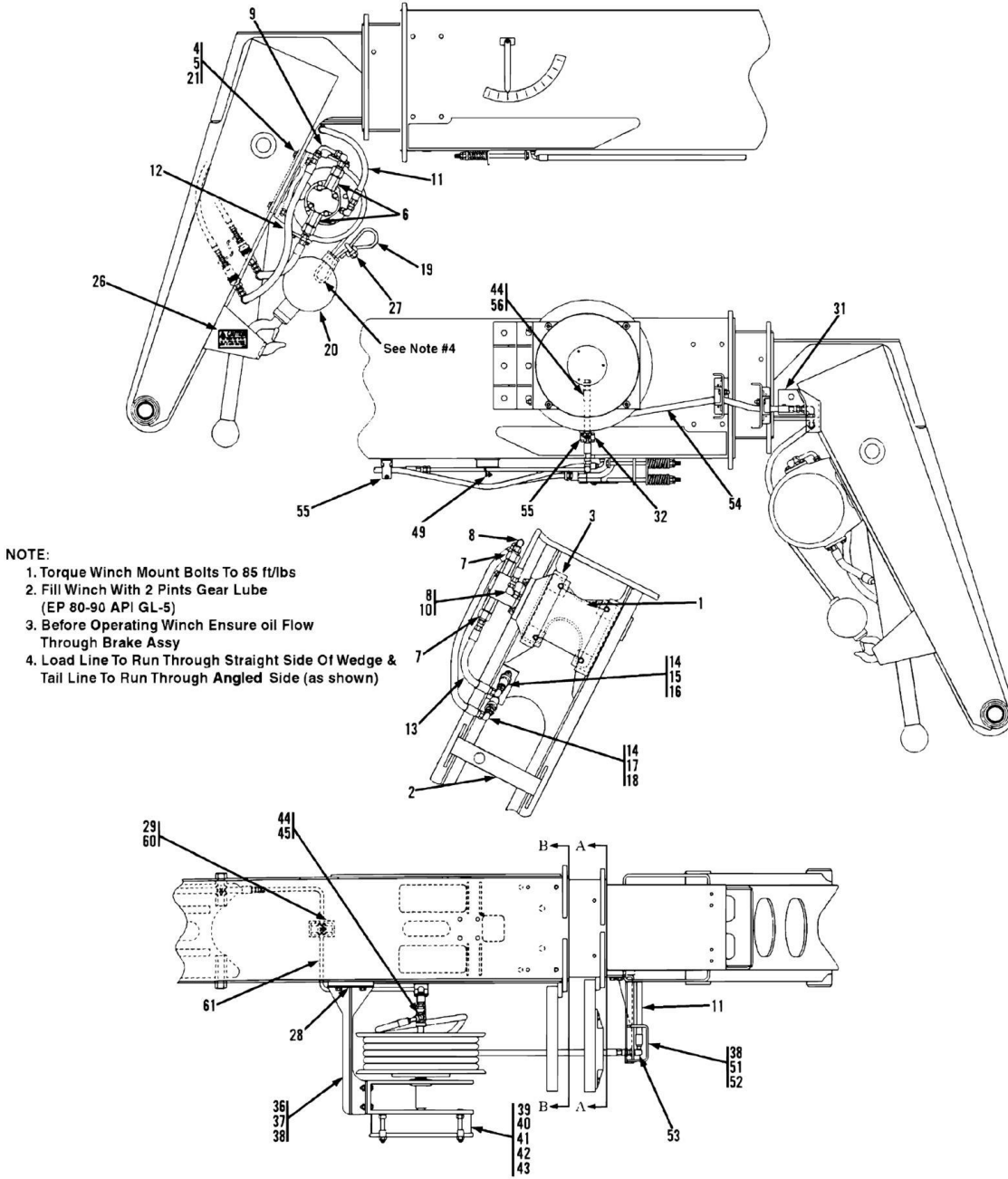
SECTION 12 - OPTIONAL EQUIPMENT

FIGURE 12-67. (91125082) AUXILIARY HYDRAULICS ASSEMBLY 42FT BOOM ONLY

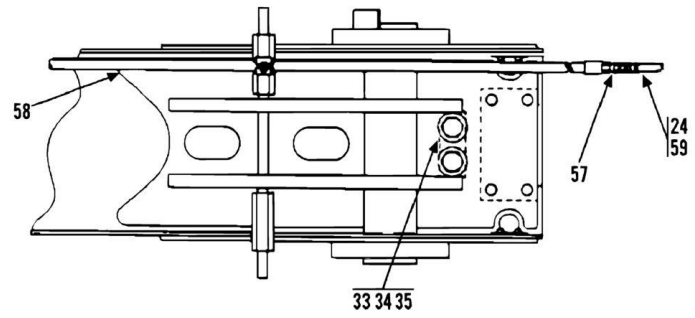
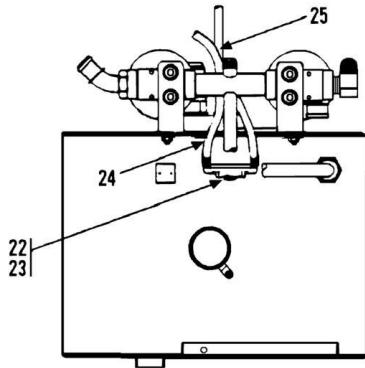
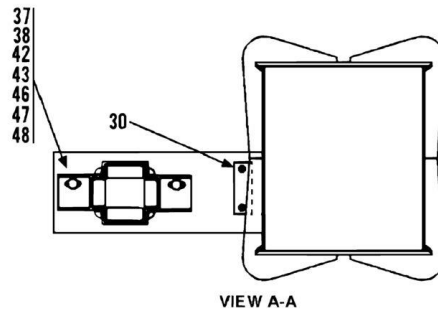
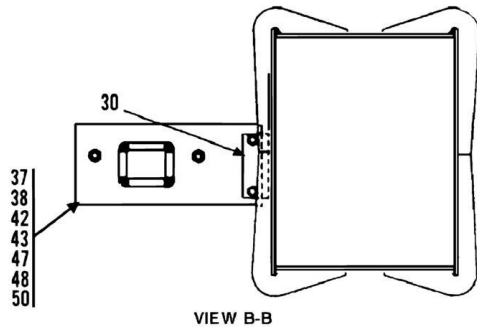
ITEM	PART NUMBER	QTY	DESCRIPTION	REV
	91125082	1	AUXILIARY HYDRAULICS ASSY, 42FT BOOM OPTION (includes all items on both pages)	
1	84718954	2	HOSE ASSY	
2	90207463	8	CUSHION CLAMP	
3	90027179	4	90, BULKHEAD FITTING	
4	88551010	2	LOCKWASHER, 5/16	
5	91123054	2	COMPRESSION SPRING	
6	91121134	2	SPRING RETAINER	
7	88501008	2	HEX NUT, 1/2-13	
8	88501108	2	HEX JAM NUT, 1/2-13	
9	91126008	2	HOSE TAKE-UP WELDMENT	
10	84718041	2	HOSE ASSY	
11	91126080	1	HOSE GUARD	
12	91123061	2	BULKHEAD FITTING	
13	88712305	2	PIPE BUSHING, 1/2X1/4	
14	90204244	1	MALE HYDRAULIC COUPLER	
15	90204245	1	FEMALE HYDRAULIC COUPLER	
16	88201034	2	HEX HD CAPSCREW, 3/8-16X7/8, GR5	
17	90206194	3.5 in	TRIM LOCK	
18	90206199	13 in	TRIM LOCK	
19	14402248	AR	3M ADHESIVE	
20	88551011	2	LOCKWASHER, 3/8	
21	88561109	2	FLATWASHER, 3/8	
22	91121125	1	BULKHEAD BRACKET	
23	88201019	2	HEX HD CAPSCREW, 5/16-18X7/8, GR5	
24	88501005	2	HEX NUT, 5/16-18	
25	91123016	1	AUXILIARY HOSE SHEAVE	
26	91081326	1	HOSE REEL SUPPORT	
27	90203040	1	THRUST WASHER	
28	88581320	1	EXTERNAL RETAINING RING	
29	83201123	3	HEX HD CAPSCREW, 1/2-13X1	
30	90027471	3	HARDENED FLAT WASHER	
31	91043125	1	DUST PLUG	
32	91043126	1	DUST CAP	
33	84718953	2	HOSE ASSY	

SECTION 12 - OPTIONAL EQUIPMENT

FIGURE 12-68. (91125092) WINCH INSTALLATION 42FT BOOM ONLY (SN 0488238 to Present)



SECTION 12 - OPTIONAL EQUIPMENT



SECTION 12 - OPTIONAL EQUIPMENT

FIGURE 12-68. (9115092) WINCH INSTALLATION 42FT BOOM ONLY (SN 0488238 to Present)

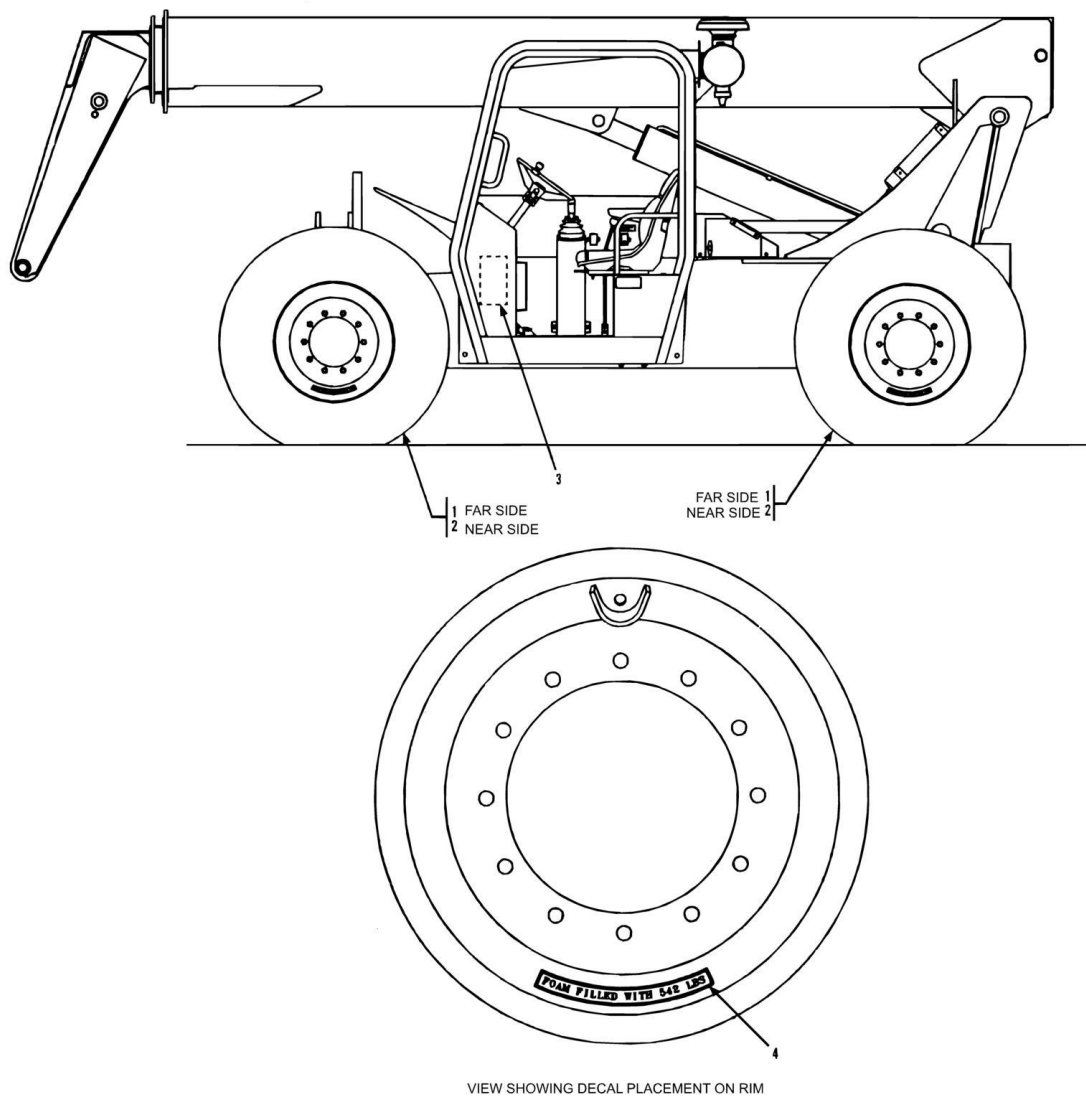
ITEM	PART NUMBER	QTY	DESCRIPTION	REV
	91125092	1	WINCH INSTALLATION, (includes all items)	
1	91121158	1	WINCH MOUNTING PLATE	
2	91121159	1	STOWAGE BRACKET	
3	91363079	1	WINCH	
4	88201071	4	HEX HD CAPSCREW, 1/2-13X2-1/2, GR5	
5	90027471	8	HARDENED WASHER, 1/2	
6	91033161	2	FLOW REGULATOR	
7	91033230	2	TUBE END REDUCER	
8	88662106	2	ELBOW, 90, (swivel nut)	
9	91123022	1	ELBOW, 90	
10	88661011	1	MALE CONNECTOR, 1/4X1/2 TUBE	
11	84718145	1	HOSE ASSY	
12	84718548	1	HOSE ASSY	
13	84718159	1	HOSE ASSY	
14	88661013	2	MALE CONNECTOR, 1/2X1/2 TUBE	
15	91163139	1	FEMALE HYDRAULIC COUPLER	
16	91043125	1	DUST PLUG	
17	91163138	1	MALE HYDRAULIC COUPLER	
18	91043126	1	DUST PLUG	
19	90207882	1	CABLE	
20	90201443	1	HOOK AND BALL	
21	88501008	4	HEX NUT, 1/2X13	
22	88662224	1	SWIVEL NUT BRANCH TEE, 3/8 TUBE	
23	88662105	2	ELBOW, 90, (swivel nut)	
24	84716359	1	HOSE ASSY	
25	90027187	4	TIE WRAP	
26	91083535	1	CAUTION DECAL	
27	90028990	1	WIRE ROPE CLIP	
28	91041261	1	SINGLE REEL MTG BRACKET	
29	91121160	1	CLAMP SPACER	
30	91121161	2	SUPPORT MOUNTING BLOCK	
31	91121162	1	SUPPORT MOUNTING PAD	
32	91021094	1	CHANNEL	
33	91121163	1	RETRACTION RESTRICTOR	
34	90027475	2	HARDENED WASHER	
35	83201053	2	HEX HD CAPSCREW, 1-8X3, GR8, (torque to 795-845 ft lbs)	
36	91086143	1	SINGLE REEL BRACKET	
37	88201064	10	HEX HD CAPSCREW, 1/2-13X7/8, GR5	
38	88551013	12	LOCKWASHER, 1/2	
39	91043165	1	SINGLE HOSE REEL	
40	88201037	4	HEX HD CAPSCREW, 3/8-16X1-1/2, GR5	
41	88561004	4	FLATWASHER, 3/8	
42	88551011	12	LOCKWASHER, 3/8	
43	88501006	12	HEX NUT, 3/8-16	
44	88661013	2	MALE CONNECTOR, 1/2X1/2 TUBE	
45	88662120	1	ELBOW, 45, (swivel nut)	
46	91361036	1	ROLLER SUPPORT	
47	91363186	2	ROLLER ASSY	
48	88201036	8	HEX HD CAPSCREW, 3/8-16X1-1/4, GR5	
49	91083216	1	CUSHION CLAMP	

SECTION 12 - OPTIONAL EQUIPMENT

ITEM	PART NUMBER	QTY	DESCRIPTION	REV
50	91361037	1	ROLLER SUPPORT	
51	91086144	1	HOSE SUPPORT	
52	88201065	2	HEX HD CAPSCREW, 1/2-13X1, GR5	
53	90027180	1	ELBOW, 90, 1/2 TUBE	
54	84719096	1	HOSE ASSY	
55	90207463	4	CUSHION CLAMP	
56	84718314	1	HOSE ASSY	
57	88661064	1	UNION, 3/8 TUBE	
58	84717453	1	HOSE ASSY	
59	91083217	1	CUSHION CLAMP	
60	90206089	1	ANCHOR CHANNEL	
61	91123073	1	TUBE ASSY	

SECTION 12 - OPTIONAL EQUIPMENT

FIGURE 12-69. (91125105) FOAM TIRE 42FT BOOM OPTION ONLY



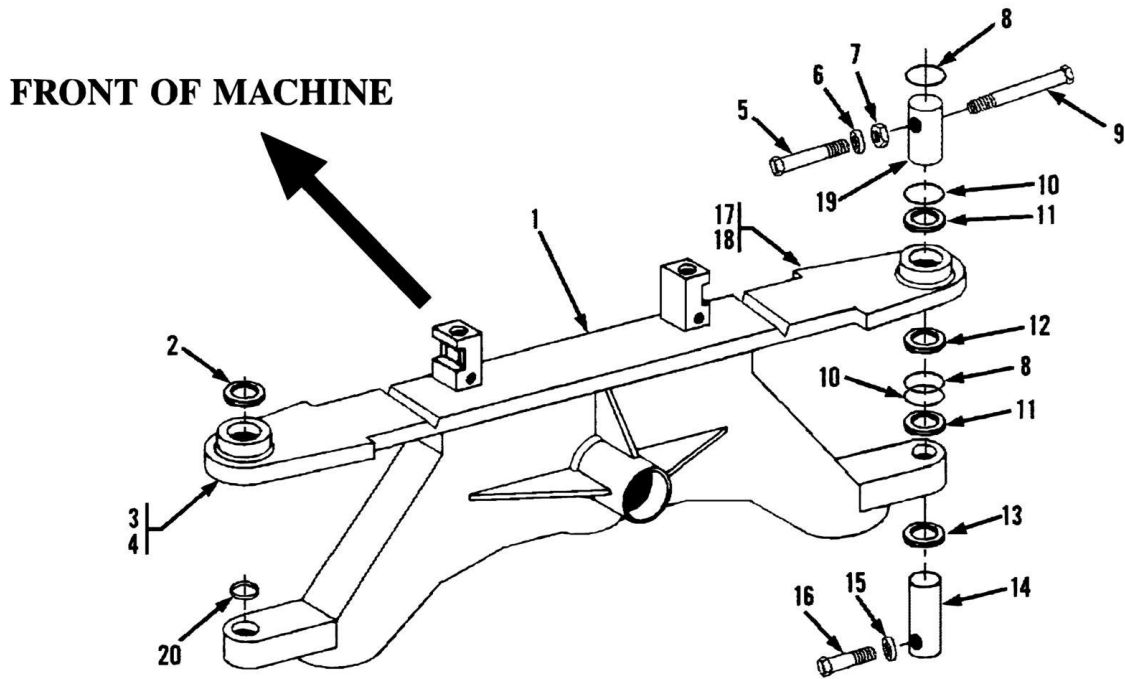
SECTION 12 - OPTIONAL EQUIPMENT

FIGURE 12-69. (91125105) FOAM TIRE 42FT BOOM OPTION ONLY

ITEM	PART NUMBER	QTY	DESCRIPTION	REV
	91125105	1	FOAM TIRE OPTION	
1	91035247	2	FOAM FILLED TIRE ASSEMBLY	
2	91035248	2	FOAM FILLED TIRE ASSEMBLY	
3	91123178	1	SN AND ATTACHMENT PLATE	
4	91123160	4	TIRE DECAL	

SECTION 12 - OPTIONAL EQUIPMENT

FIGURE 12-70. (91145136) REAR AXLE REWORK KIT FOR SERVICE ONLY



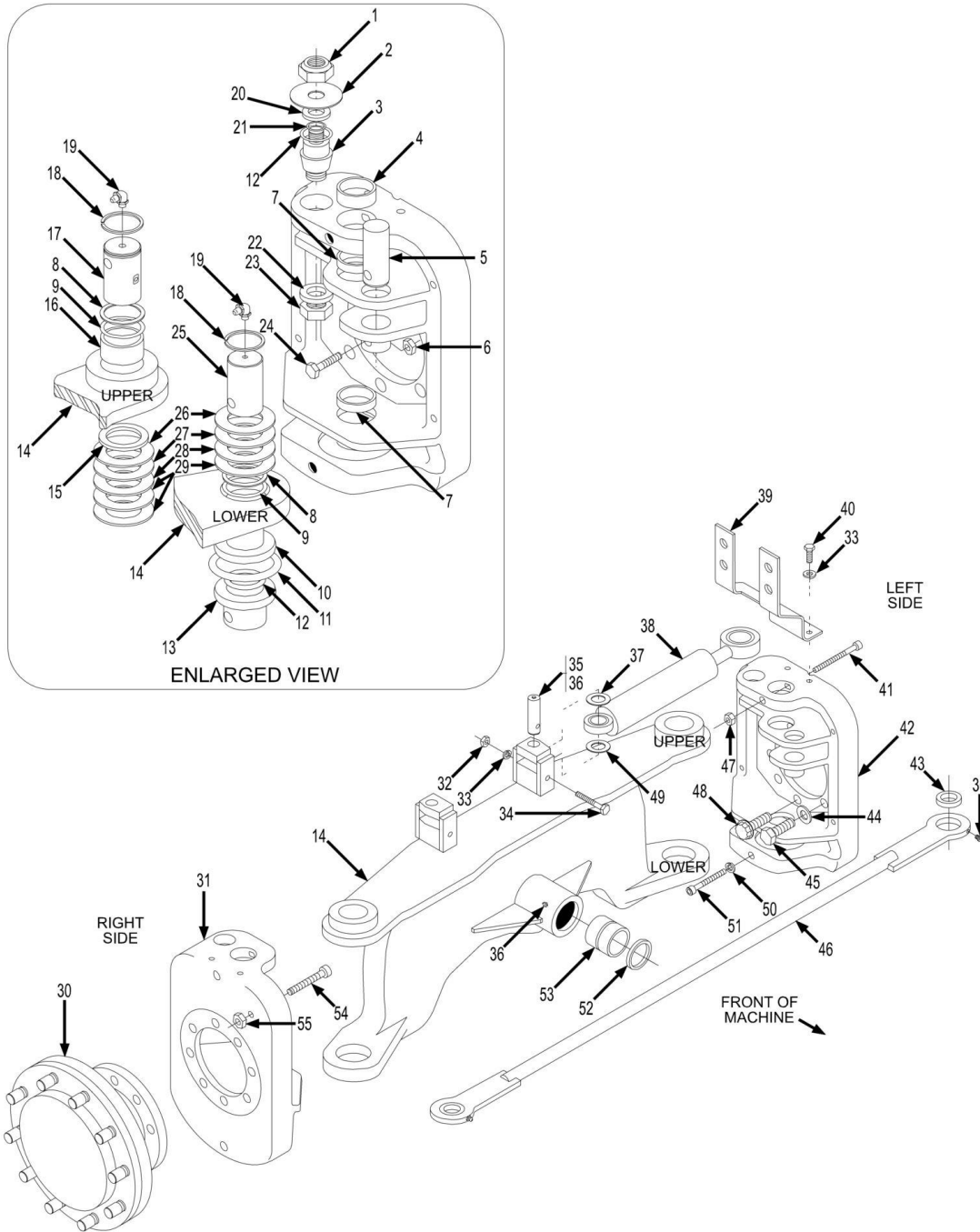
SECTION 12 - OPTIONAL EQUIPMENT

FIGURE 12-70. (91145136) REAR AXLE REWORK KIT FOR SERVICE ONLY

ITEM	PART NUMBER	QTY	DESCRIPTION	REV
	91145136	1	REAR AXLE REWORK KIT (includes all items)	
1	Kit	1	REAR AXLE WELDMENT	
2	91123028	2	BUSHING	
3	91145134	1	LUG REWORK ASSY (includes items 2 & 4)	
4	91146111	1	LUG WELD	
5	88211117	2	SOCKET HEAD CAPSCREW, 1/2-13x4-1/2, GR8	
6	88551109	2	LOCKWASHER, 1/2	
7	88521208	2	HEX LOCKNUT, 1/2	
8	88581323	4	RETAINING RING	
9	88211121	2	SOCKET HEAD CAPSCREW, 1/2-13x6-1/2, GR8	
10	91123030	4	BACK-UP RING	
11	88591032	2	O-RING	
12	86921268	2	LIP SEAL	
13	91123029	2	O-RING	
14	91141424	2	LOWER KING PIN	
15	88551153	2	LOCKWASHER, 5/8	
16	88212321	2	SOCKET HEAD CAPSCREW, 5/8-11X3-3/4, GR8	
17	91145135	1	LUG REWORK ASSY (includes items 2 & 18)	
18	91146112	1	LUG WELD	
19	91081693	2	UPPER KING PIN	
20	91123027	2	BUSHING	

SECTION 12 - OPTIONAL EQUIPMENT

FIGURE 12-71. (91335026) REAR AXLE ADVANTAGE KIT FOR SERVICE ONLY



NOTE #1: Customer to use existing wheel hubs & hardware, drive motors, drive motor tube assemblies, and drain line hoses or order separately if replacement is required.

NOTE #2: Cylinder base end must be free to rotate. Shim steer cylinder base end as required to maintain a total max. gap of 1/16in.

NOTE #3: Shim bottom knuckles as required to maintain no more than 1/32in movement. Shim top knuckles as required to maintain no more than 1/16in gap. Must have a minimum of one shim.

SECTION 12 - OPTIONAL EQUIPMENT

FIGURE 12-71. (91335026) REAR AXLE ADVANTAGE KIT FOR SERVICE ONLY

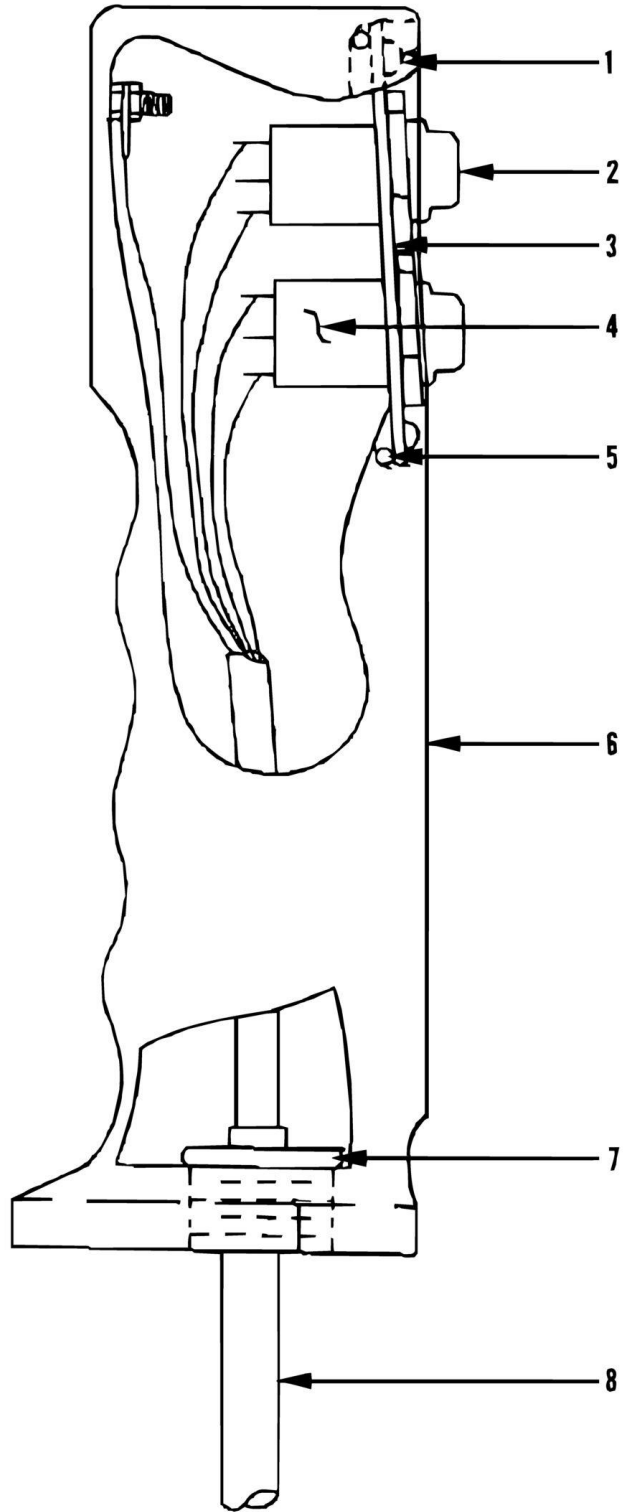
ITEM	PART NUMBER	QTY	DESCRIPTION	REV
	91335026	Ref	REAR AXLE ADVANTAGE KIT (includes all items except 30, 44, 45 & 48)	
1	88521312	2	HEX LOCKNUT, 3/4-10 (torque to 160-175 ft lbs)	
2	91081415	2	DIRT SHIELD	
3	91041481	2	STEERING CYLINDER PIN (knuckle end)	
4	91121239	2	BUSHING	
5	91041439	2	TIE ROD PIN	
6	88521306	2	LOCKNUT, 3/8-16	
7	91121240	4	BUSHING	
8	91123030	4	BACK-UP RING	
9	88591032	4	O-RING	
10	91123027	2	BUSHING (lower)	
11	91123029	2	O-RING	
12	88591104	4	O-RING	
13	91121091	2	THRUST BUSHING	
14	91166012	1	REAR AXLE WELDMENT (includes items 10, 16 & 53)	
15	86921268	2	LIP SEAL	
16	91123028	2	BUSHING (upper)	
17	91081693	2	UPPER KING PIN	
18	88581323	4	RETAINING RING	
19	88671022	4	LUBE FITTING, 30, 1/8	
20	91041732	AR	SPACER	
21	88591019	2	O-RING	
22	91041459	2	WASHER	
23	88501416	2	HEX JAM NUT, 1-14 (torque to 225-250 ft lbs)	
24	83201140	2	HEX HD CAPSCREW, 3/8-16X2-3/4, GR8	
25	91141424	2	LOWER KING PIN	
26	91041596	AR	SHIM (20 gauge, see note #3)	
27	91041449	AR	SHIM (.060 thick, see note #3)	
28	91041450	AR	SHIM (.0478 thick, see note #3)	
29	91041451	AR	SHIM (.106 thick, see note #3)	
30		Ref	DRIVE HUB (use existing hubs, See CHASSIS AND ATTACHING PARTS SECTION and DRIVE TRAIN SECTION for Breakdown)	
31	91120004	1	R.H. STEERING KNUCKLE	
32	88501006	2	HEX NUT, 3/8-16	
33	88551011	6	LOCKWASHER, 3/8	
34	83201144	2	HEX HD CAPSCREW, 3/8-16X5-3/4, GR5	
35	91081695	2	STEERING CYLINDER PIVOT PIN (axle end)	
36	88671001	6	LUBE FITTING, STRAIGHT, 1/8	
37	91041598	AR	SHIM (.060 thick, see note #2)	
38	Kit	2	STEERING CYLINDER ASSY (See HYDRAULIC COMPONENTS SECTION for Breakdown)	
39	91081523	1	L.H. TUBE SUPPORT	
39	91081522	1	R.H.TUBE SUPPORT	
40	88201035	4	HEX HD CAPSCREW, 3/8-16X1, GR5	
41	88211121	2	SOCKET HD CAPSCREW, 1/2-13X6-1/2, GR8	
42	91120003	1	L.H. STEERING KNUCKLE	
43	91043247	2	SELF-ALIGNING BUSHING	
44		Ref	HARDENED WASHER, 3/4 (use existing hardware, See CHASSIS AND ATTACHING PARTS SECTION for Breakdown)	

SECTION 12 - OPTIONAL EQUIPMENT

ITEM	PART NUMBER	QTY	DESCRIPTION	REV
45		Ref	HEX HD CAPSCREW, 3/4-10X2 (use existing hardware, See CHASSIS AND ATTACHING PARTS SECTION for Breakdown)	
46	91166063	1	TIE ROD (includes item 43)	
47	88521208	2	HEX LOCKNUT, 1/2	
48		Ref	CAPSCREW 12 PT, 3/4-10X2, GR8 (use existing hardware, See CHASSIS AND ATTACHING PARTS SECTION for Breakdown)	
49	90201918	AR	SHIM (10 gauge, see note #2)	
50	88551153	2	LOCKWASHER, 5/8	
51	88212321	2	SLOT HD CAPSCREW, 5/8-11X3-3/4, GR8	
52	24601570	2	LIP SEAL	
53	91123031	2	BUSHING	
54	88212321	2	SOCKET HD CAPSCREW, 5/8-11X3-3/4, GR8	
55	88501110	2	HEAVY HEX JAM NUT, 5/8-11	

SECTION 12 - OPTIONAL EQUIPMENT

FIGURE 12-72. (91033387) 5-BUTTON HANDLE (SN 0355001 to Present)



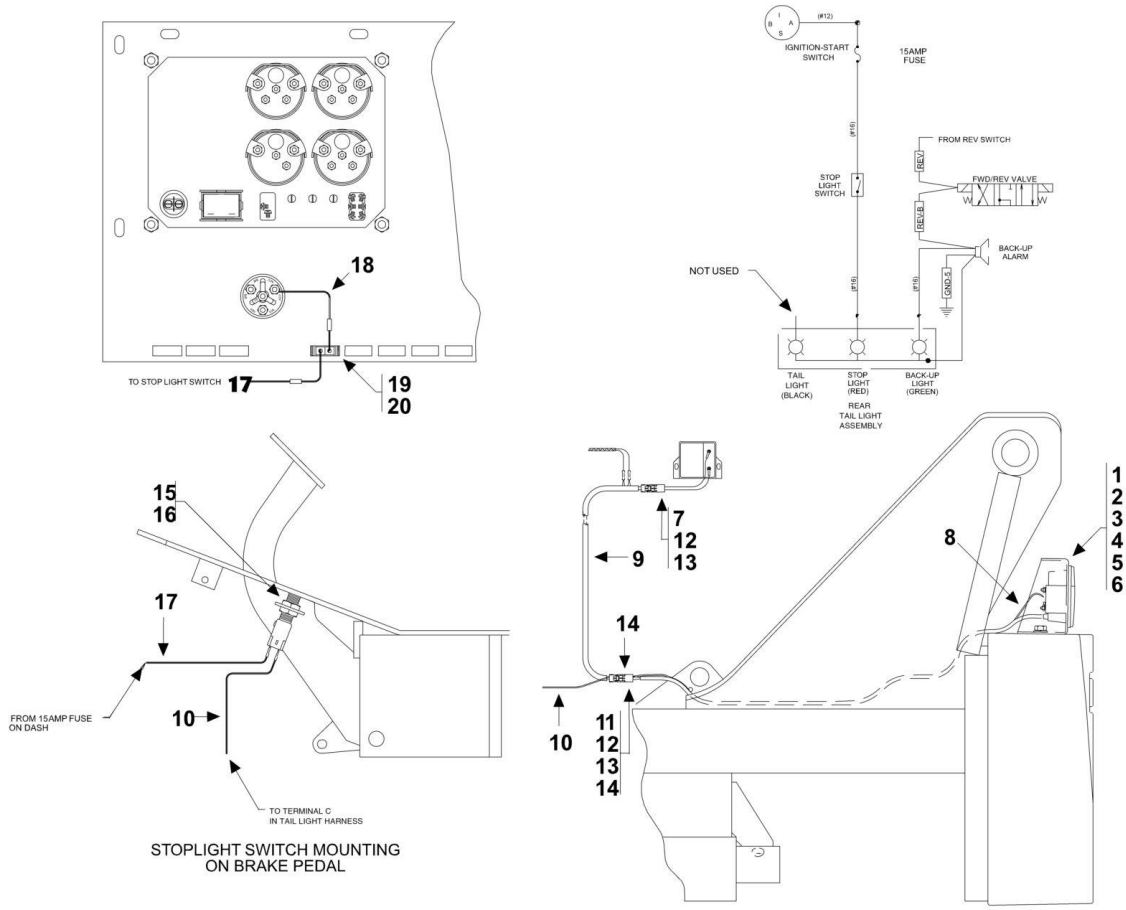
SECTION 12 - OPTIONAL EQUIPMENT

FIGURE 12-72. (91033387) 5-BUTTON HANDLE (SN 0355001 to Present)

ITEM	PART NUMBER	QTY	DESCRIPTION	REV
	91033387	1	5-BUTTON HANDLE (includes all items)	
1	91364015	3	FACEPLATE SCREW	
2	91364016	5	PUSHBUTTON BOOT	
3	91364017	1	FACEPLATE	
4	91364018	5	PUSHBUTTON SWITCH	
5	91364019	1	FACEPLATE GASKET	
6	91364020	1	HOUSING	
7	91364021	1	CABLE STOP	
8	91364022	1	CABLE (2.75ft)	

SECTION 12 - OPTIONAL EQUIPMENT

FIGURE 12-73. (91125055) STOP LIGHT INSTALLATION (SN 0188002 to Present)



SECTION 12 - OPTIONAL EQUIPMENT

FIGURE 12-73. (91125055) STOP LIGHT INSTALLATION (SN 0188002 to Present)

ITEM	PART NUMBER	QTY	DESCRIPTION	REV
	91125055	1	STOP LIGHT INSTALLATION, (includes all items)	
1	91121145	1	TAIL LIGHT HOUSING	
2	91121146	1	TAIL LIGHT BRACKET	
3	91365045	1	TAIL LIGHT ASSEMBLY, (includes the following seven items)	
3	91123065	1	TAIL LIGHT	
3	86661147	38 in	WIRE, 16 GAUGE, (black)	
3	86661149	38 in	WIRE, 16 GAUGE, (green)	
3	86661152	38 in	WIRE, 16 GAUGE, (red)	
3	86683480	3	BUTT CONNECTOR	
3	82033996	45 in	WIRE LOOM	
3	86683122	2	TIE WRAP	
4	88201108	1	HEX HD CAPSCREW, 3/4-10X1-1/4, GR5	
5	88561115	1	FLAT WASHER, 3/4	
6	88551016	1	LOCKWASHER, 3/4	
7	80963058	1	W. PACK CONNECTOR, (shroud)	
8	91141364	1	JUMPER WIRE	
9	91143210	1	TAIL LIGHT HARNESS	
10	91141257	1	JUMPER WIRE	
11	80963062	1	W. PACK CONNECTOR, (shroud)	
12	80963069	5	W. PACK CONNECTOR, (male pin)	
13	80963066	5	W. PACK CONNECTOR, (cable seal)	
14	80963070	2	W. PACK CONNECTOR, (cavity plug)	
15	91141197	1	MOUNTING TAB	
16	91143117	1	STOPLIGHT SWITCH	
17	91141256	1	JUMPER WIRE	
18	91141259	1	JUMPER WIRE	
19	91143108	1	FUSE HOLDER	
20	77363268	1	FUSE, 15 AMP	

PART NUMBER INDEX

SECTION 12 - OPTIONAL EQUIPMENT

05101441.....79, 631	77133145 . 673, 675, 677, 712, 716	77383410 .597, 600, 604, 655, 659	659, 673, 675, 677, 737, 757
11002410.....583	77133166.. 289, 293, 297	77383467 . 528, 531, 581, 596, 600, 604, 654, 659, 665, 667	80963067..624, 627, 655, 660, 688, 693
14402248..13, 17, 21, 25, 29, 610, 613, 615, 719, 741	77133168..... 615	77383470 .524, 528, 531, 579, 581, 587, 589, 596, 600, 604, 627, 654, 659, 665, 667	80963068..237, 533, 535, 537, 579, 581, 600, 604, 655, 659
14403190...620, 624, 627	77133177 . 312, 316, 365, 377, 379, 615, 642, 650	77383540 ..621, 625, 627	80963069..533, 535, 579, 581, 600, 604, 624, 627, 655, 659, 673, 675, 677, 688, 693, 737, 757
14403416.....521	77133197 . 269, 271, 273, 277, 279, 281, 283, 285, 385, 387, 681	77383709 .509, 513, 524, 528	80963070.....757
14403426.....399	77133201 641, 649	77383744 .. 621, 624, 627	80973021.....521
14404102.....399	77133209 . 341, 345, 349, 367, 381, 383, 725	77384267 449	80974021.....495
14404645.....547, 549	77133248 453, 637	77384578 .509, 511, 513, 515, 517	80983168.....654
14404646.....547, 549	77133270 607	77386065 155	82033993.....613, 671
24431386.....639	77133279 . 341, 345, 349, 377, 379	80003082 399	82033996..499, 503, 596, 600, 604, 655, 659, 757
24601570..... 33, 38, 752	77133306.. 341, 345, 349	80003152 397, 399	83073699..... 193, 197
24604126.....553, 557	77133389 703	80003227 399	83073828.....201
24641328..621, 625, 628	77133390 . 341, 345, 349, 703	80003337 397, 399	83081152.....209
24741047.....87, 91, 101, 105, 109, 113, 117, 121, 125, 499, 503	77133430 275, 277	80003447 399	83191004.....95, 97, 101, 125, 129, 132, 135, 139, 143, 147, 152
24771004..517, 524, 528, 585	77133447 . 109, 113, 117, 121, 126, 362	80264140 489, 683	83191005.....95, 97, 131, 136, 140, 143, 148, 153
24861120.....511, 515	77133893..... 367, 725	80603019 565, 567	83191006.....95, 97, 129, 131, 136, 140, 143, 148, 152
24861167..596, 600, 604, 654, 659	77143003 . 13, 17, 21, 25, 29, 165, 169, 387, 511, 515, 517, 521	80603022 557, 559	83191007.....95, 97, 131, 135, 139, 143, 147
2486117087, 95, 97, 101, 125, 132, 135, 139, 144, 147, 323, 325, 327, 329, 517, 585, 587, 589	77143004 .. 621, 625, 628	80603026 557, 559	83191010..87, 91, 95, 97, 101, 105, 109, 113, 117, 121, 125, 129, 132, 135, 139, 143, 147, 152
24921332..171, 173, 175, 177	77143006 . 13, 17, 21, 25, 29, 163, 165, 167, 169, 387, 511, 515, 517, 521, 621, 625, 627, 673, 675, 677, 712, 716	80914235 473, 477	83191011.....95, 97, 131, 135, 139, 143, 147
2492139313, 17, 25, 499, 503	77143015 ... 79, 307, 309, 311, 315, 521, 631	80914241 473, 477	83191012.....125
24921394..... 13, 18, 25	77143016 624, 627	80934035 451	83191013.....95, 97, 129, 131, 135, 139, 143, 147, 152, 181
24921395..... 14, 18, 25	77143017 .. 624, 627, 628	80934037 .. 688, 691, 693	83191021.....95, 97, 129, 131, 135, 139, 143, 147, 152, 181
3423263.....79, 631	77163102 596	80934052 469	83191032.....87, 91, 105, 109, 113, 117, 121, 125, 129
71492134.....17, 21	77163117 . 572, 576, 579, 581	80934077 469	83191035.....125
77023007.....551, 555	77163144 509	80934080 473, 477	83191038.....581
77023009..561, 563, 713, 717	77213031 181, 183	80934082 469	83191039.....118
77103138..171, 173, 175, 177	77323029 .. 341, 345, 349	80934084 469	83191041.....87, 91, 101, 105, 110, 114, 122, 125
77104289.....193	77333027 . 547, 549, 551, 553, 555, 557, 559	80934202 457	83191057....91, 105, 110, 114, 118, 122, 125
77104297.....198	77343018 551, 555	80934205 491, 493	83191059.....239
77104343.....193, 209	77363079 607	80934241 489, 683	83201006.....33, 38
77133052..301, 303, 305, 307, 309, 311, 315, 319, 321, 341, 345, 349, 367, 381, 383, 725	77363191 596, 655	80934259 683	83201017.....367, 725
77133053..301, 303, 305, 307, 309, 311, 315, 319, 321, 341, 345, 349	77363225 .. 533, 535, 537	80934340 469	83201024.....641, 649
77133073.....381, 383	77363263 .. 533, 535, 537	80934416 462, 466	83201026....55, 641, 649, 723
77133089.....87, 91, 101, 105, 109, 113, 117, 121, 261, 279, 289, 293, 323, 325, 327, 329, 340, 349, 354, 358, 362	77363264 .. 533, 535, 537	80934423 457	83201031.....41, 43
77133133.....703	77363268 . 511, 515, 587, 589, 600, 604, 624, 627, 659, 665, 667, 757	80934498 489, 683	83201038.....367, 723
77133134.....703	77383154 . 171, 173, 175, 177	80934656 489	83201039.....367, 723
77133136.....607	77383202 . 87, 92, 95, 97, 101, 105, 110, 114, 117, 118, 122, 129, 131, 135, 139, 143, 147	80934658 489, 683	83201053.....697, 744
77133137..341, 345, 349, 377, 379, 607	77383303 125	80963050 . 596, 600, 604, 655, 660	83201058.....189, 191
77133139...365, 377, 379		80963055 . 600, 604, 655, 659	
77133140..312, 316, 365, 377, 379, 615, 642, 650		80963056 .. 600, 604, 659	
77133141.....616		80963057 . 501, 505, 507, 533, 535, 537	
		80963058 . 501, 505, 507, 533, 535, 579, 581, 600, 604, 624, 627, 660, 757	
		80963059 237	
		80963060 . 533, 535, 655, 659, 688, 693	
		80963062 . 601, 604, 655, 660, 673, 675, 677, 737, 757	
		80963065 579, 581	
		80963066 . 237, 533, 535, 537, 601, 604, 655,	

SECTION 12 - OPTIONAL EQUIPMENT

83201073	55, 671	117, 121, 125, 129,	84717889..	267, 269, 271,	84718643.	165, 307, 309,
83201120 .	323, 325, 327,	131, 135, 139, 143,	273, 279, 281, 283, 285	707	84718644.	307, 309, 311,
329, 331, 333, 335,		147, 152, 323, 325,	84717890..	267, 269, 271,	315, 707	
337, 351, 685		327, 329, 331, 333,	273, 275, 277, 279,	281, 283, 285	84718645.....	377, 379
83201123 ...	61, 369, 610,	335, 337, 340, 344,	84717892.....	267	84718658..	329, 337, 351
615, 721, 741		348, 351, 353, 357, 361	84717893.....	275, 277	84718756.	309, 311, 315,
83201135 .	87, 91, 95, 97,	84712739 .	84717894...369,	609, 615	357, 361	
101, 105, 109, 113,		323, 325, 327,	84717895...369,	609, 615	84718757.	309, 311, 315,
117, 121, 125, 129,		329, 331, 333, 335,	84717896.....	369, 723	357, 361	
131, 136, 140, 143,		337, 351	84717897.....	323, 331	84718758.....	118, 297
148, 152, 323, 325,		84712746 ..	84717898..	340, 344, 348,	84718854.....	329
327, 329, 331, 333,		157, 159, 161	353, 357, 361		84718882..	348, 357, 361
335, 337, 340, 344,		84714006 ...	84717899...340,	344, 353	84718903.	263, 271, 273,
348, 351, 353, 357, 361		95, 323, 325,	84717905.....	269, 271	283, 285	
83201140	33, 37, 751	327, 329	84717906...301,	303, 319,	84718912.	169, 311, 315,
83201144	37, 751	84716029	321, 703, 705		707	
83201155 .	132, 135, 139,	703	84717907....	91, 109, 113,	84718925.....	705, 707
144, 147, 152, 335,		84716358 ..	121, 289, 293		84718926.....	705
337, 348, 351, 357, 361		267, 275, 277	84717908..	301, 303, 305,	84718931..	329, 337, 351
83251287 ..	165, 307, 309	84716359	307, 309, 311, 315,		84718934.....	337, 351
83481285 ..	501, 505, 537	84716397	319, 321		84718946.	341, 345, 349,
83481286 ..	501, 505, 537	84716426	84717911 ..	329, 331, 333,	354, 358, 361	
83481289	533, 535	84716434	335, 337		84718953.....	723, 741
83483078	624, 627	84716726 .	84717913...323,	325, 327,	84718954.....	719, 741
83483113	235	269, 271, 273,	331, 333, 335		84718957.....	311, 316
83483114 ..	235, 509, 513	279, 281, 283, 285	84717930..	153, 301, 303,	84718958..	169, 311, 315
83483441	198	84717341 .	305, 307, 309, 311,		84718989.	673, 675, 677,
83483497 .	155, 157, 159,	329, 337, 351	315, 344, 348, 353,		712, 716	
161		84717453	357, 361		84718999.	301, 303, 305,
83483584	201	84717458 .	84717931...289,	293, 297	307, 309, 311, 315,	
83601011 .	547, 549, 551,	281, 385, 387,	84717983..	325, 327, 331,	319, 321, 351	
553, 555		681	333, 335		84719047.....	126
83621283	53, 369, 719	84717519 ..	84718021.....	261, 279	84719096.....	745
83623032 .	165, 169, 307,	385, 387, 681	84718040...609,	613, 739	84719109.....	167, 305
309, 311, 315, 483		84717524	84718041...609,	615, 741	84719110.	301, 303, 305,
83633002	261, 263	153, 358	84718067.....	641, 649	319, 321	
83641359	591	84717537 .	84718077.....	263	85051384.....	385, 681
83641675	551, 555	275, 277, 688,	84718129.....	101, 102	85071128.	163, 165, 167,
83651133 .	153, 307, 309,	691	84718145.....	696, 744	169	
311, 315, 340, 344,		84717571	84718147.....	697	85101098.....	33, 38
348, 353, 357, 361		703	84718149.....	697	85211040.....	14
83661145 ..	620, 624, 627	84717597	84718159.....	696, 744	85401340.....	102
83661260	703	102, 341	84718181..	340, 344, 348,	85403040.....	723
83661316 ...	79, 289, 293,	84717640	353, 357, 362		85611278.....	165, 169
297, 631		639	84718182..	307, 340, 344,	85641094.....	591
83661336	654, 659	84717803 ..	348, 353		85841094.....	117
83662008 ..	289, 293, 297	84717810 .	84718183..	307, 340, 344,	85841150...95,	129, 131,
83663097	596, 654	301, 303, 305,	348, 353		143, 307, 309, 311, 315	
83683175 .	148, 152, 181,	315, 319, 321	84718202.....	381, 383	85941016.....	95, 97, 131,
183		84717852 .	84718203.....	381, 383	165, 169	
83683181	624	271, 273, 275, 277,	84718204.....	381, 383	85941017.	106, 109, 113,
83683254 ..	501, 505, 507	279, 281, 283, 285,	84718207..	106, 345, 349,	117, 121, 126, 521	
83683291 .	13, 17, 21, 25,	325, 327, 329	354, 358		86541381.	155, 157, 159,
29		84717853 .	84718208..	135, 139, 144,	161	
83683308 .	163, 165, 167,	267, 269, 271,	147, 152, 349, 354,		86561308.....	367, 725
169		273, 275, 277, 279,	358, 362		86561326.....	596, 654
83684127	209	281, 283, 285	84718221..	131, 136, 140,	86621230.	325, 327, 329,
83814054	493	84717854	143, 148, 153, 345,		654, 659, 673, 675,	
83814056	493	84717858	349, 354, 362, 688, 693		677, 712, 716	
83924123 .	471, 473, 475,	84717859	84718287..	673, 675, 677,	86641158.....	55, 721
477		84717860	712, 716		86661147.	596, 600, 604,
83924135	471, 475	84717861	84718314.....	697, 745	655, 659, 757	
84521056 .	163, 165, 167,	84717862	84718474.....	325, 333	86661149.	596, 600, 604,
169		367, 725	84718527.....	327, 335	655, 659, 757	
84521062	79, 631	84717863	84718548.....	696, 744		
84712738 .	87, 91, 95, 97,	84717869 .	84718597.....	340		
101, 105, 109, 113,		267, 269, 275,				
		277, 279, 281				
		84717872 .				
		163, 301, 303,				
		319, 321, 705				
		84717887				
		671				
		84717888				
		671				

SECTION 12 - OPTIONAL EQUIPMENT

86661152..596, 600, 604, 655, 659, 757	277, 279, 281, 283, 285, 340, 344, 348, 353, 357, 361, 641, 650	88201106 88, 92, 106, 110, 114, 118, 122, 126	88341022..26, 30, 65, 67, 69, 71, 73, 79, 551, 555, 559, 607, 631, 639, 642, 649, 669
86681572.....33, 38	88201010 . 301, 303, 305, 307, 309, 311, 316, 319, 321	88201107 49, 59	88441001..251, 253, 255, 257
86683088.....723	88201011 688, 691	88201108 . 596, 600, 604, 757	88501004..229, 231, 233, 301, 303, 305, 311, 315, 319, 321, 385, 387, 572, 576, 579, 581, 620, 654, 659, 663, 681, 688, 691
86683118.....229	88201016 . 163, 167, 585, 587, 589	88201112 ... 92, 110, 114, 118, 122, 153	88501005..17, 21, 95, 97, 126, 131, 135, 139, 144, 147, 251, 253, 255, 257, 349, 354, 358, 362, 369, 385, 609, 610, 613, 615, 681, 719, 739, 741
86683122..596, 597, 600, 604, 654, 655, 659, 663, 757	88201017 . 13, 18, 22, 25, 29, 615	88201142 . 13, 18, 22, 25, 29	88501006.....37, 56, 340, 344, 348, 353, 357, 361, 481, 483, 511, 515, 596, 600, 604, 609, 613, 639, 642, 655, 660, 669, 673, 675, 677, 696, 712, 716, 739, 744, 751
86683127.....654, 659	88201018 95, 97, 173, 175, 177, 349, 354, 358, 362, 385, 609, 613, 681, 739	88201510 701	88501007..13, 17, 21, 25, 29
86683136.....654, 659	88201019 .. 610, 615, 741	88201532 . 49, 51, 53, 55, 719, 721, 725	88501008..18, 22, 26, 30, 227, 323, 369, 609, 615, 696, 723, 741, 744
86683193.....624, 627	88201020 . 13, 17, 21, 25, 29, 125, 131, 135, 139, 144, 147, 163, 165, 167, 169, 171, 369, 481, 483, 719	88201533 . 49, 51, 53, 79, 631, 719, 721, 725	88501010.....49, 59, 373, 377
86683330...585, 587, 589	88201021 163, 167	88201534 . 49, 51, 53, 79, 631, 719, 721, 725	88501012....55, 189, 191, 367, 721, 723
86683381.....659	88201022 . 251, 253, 255, 257	88201535 . 49, 51, 53, 79, 631, 719, 721, 725	88501016.....79, 631
86683480..129, 235, 596, 600, 604, 621, 624, 627, 654, 655, 659, 663, 665, 667, 757	88201023 . 341, 345, 349, 377, 379, 607	88201536 49, 725	88501105.....229
86881227.....88, 92, 106, 110, 114, 118, 122, 126	88201024 251, 703	88201538 51, 721	88501108..227, 369, 609, 615, 723, 741
86881273.....55	88201031 181, 183	88201562 51, 721	88501110.....33, 38, 251, 253, 255, 752
86881276.....55	88201033 .. 239, 241, 243	88201563 721	88501112.....55, 613
86881421.....207	88201034 ... 55, 165, 169, 370, 607, 609, 615, 721, 723, 741	88201564 49, 51, 721	88501314.....55, 725
86883071.....597	88201035 ... 37, 239, 243, 341, 345, 349, 354, 358, 362, 596, 600, 604, 655, 751	88201565 51, 53, 719, 721	88501404..229, 609, 613, 739
86883075.....87, 91, 101, 105, 109, 113, 117, 121, 125	88201036 . 340, 344, 348, 353, 357, 361, 481, 483, 609, 613, 654, 660, 696, 739, 744	88201566 51, 53, 719, 721	88501405..251, 253, 255, 257
86883106....91, 109, 113, 117, 121, 126, 132, 165, 169	88201037 . 165, 169, 241, 639, 655, 660, 696, 744	88201568 49, 725	88501406..225, 227, 251, 253, 255, 257
86883193.....620	88201040 ... 79, 373, 375, 377, 379, 631	88201608 49, 725	88501408.....445, 447
86883260...129, 600, 604	88201043 55, 495, 721	88204912 . 14, 18, 22, 26, 30	88501414.....55
86883327..163, 165, 167, 169	88201044 671, 703	8821030 624, 628	88501416.....33, 37, 751
86883469...289, 293, 297	88201046 55	8821068 ... 92, 110, 114, 118, 122, 153, 397, 399	88501610.....524, 528
86921268.....33, 37, 749, 751	88201047 . 673, 675, 677, 712, 716	88211117 33, 38, 749	88501612..13, 17, 21, 25, 29
86921327..165, 169, 307, 309, 311, 315	88201050 . 13, 17, 21, 25, 29	88211121 34, 37, 749, 751	88501613..13, 17, 21, 25, 29, 87, 91, 101, 105, 109, 113, 117, 121, 229, 509, 513, 620, 621, 655
86961044.....591, 593	88201064 696, 744	88211510 620	88501616.....87, 91, 101, 105, 109, 113, 117, 121, 239, 241, 243
86981178.....596, 655	88201065 . 33, 53, 59, 79, 365, 369, 631, 696, 712, 716, 719, 731, 745	88212224 25, 29	88521010.....88, 92, 106, 110, 114, 118, 122, 126
86983041.....597	88201066 ... 65, 131, 136, 140, 143, 148, 152, 323, 712, 716, 731	88212228 . 251, 253, 255, 257, 457	88521016.41, 43, 79, 631
86983188..509, 513, 596, 624, 627, 655	88201071 696, 744	882212321 33, 34, 38, 749, 752	
86983190.....587, 589	88201075 524, 528	88221701 33	
86983193...613, 654, 659	88201093 ... 13, 673, 675, 677, 712, 716, 737	88241053 642, 669	
86983195...572, 576, 579	88201099 671	88251018 229	
86983202..572, 576, 579, 581	88301126 591	88261017 385, 387	
86983649.....126	88301141 . 509, 511, 513, 515, 583	88261022 517	
86984451.....211	88301191 654	88261024 ..253, 255, 257	
86984452.....211	88301193 . 13, 17, 21, 25, 29, 59, 61, 620, 621	88301070 621, 625	
88201001..18, 22, 26, 29, 624, 627	88301311 ..239, 241, 243	88301075 524, 528	
88201002..572, 576, 579, 581, 654, 659	88321020 620	88301093 ... 13, 673, 675, 677, 712, 716, 737	
88201003..152, 229, 231, 233, 323, 325, 327, 329, 620	88321022 . 596, 600, 604, 654, 659	88301109 33	
88201004.....681	88321029 517	88301126 591	
88201005.....87, 91, 101, 105, 109, 113, 117, 121, 572, 576, 579, 581, 607, 615, 620, 625, 627	88321030 ..17, 21, 26, 30	88301141 . 509, 511, 513, 515, 583	
88201006.....607	88321039 . 481, 483, 596, 600, 604, 621, 625, 655, 659	88301191 654	
88201008..235, 237, 267, 269, 271, 273, 275,		88301193 . 13, 17, 21, 25, 29, 59, 61, 620, 621	

SECTION 12 - OPTIONAL EQUIPMENT

88521204 . 14, 18, 22, 26, 30	88551013 . 18, 22, 26, 30, 33, 53, 59, 65, 79, 131, 136, 140, 143, 148, 152, 163, 167, 323, 351, 365, 369, 631, 685, 696, 712, 716, 719, 731, 744	88561115..596, 600, 604, 757	88591209..... 87, 91, 101, 105, 125, 136, 140, 289, 293, 297, 340, 344, 348, 353, 357, 361, 495, 703
88521205 163, 167	88551015 157	88561119.....33	8859121087, 91, 92, 101, 105, 109, 110, 113, 114, 117, 118, 121, 122, 125, 153, 289, 293, 297, 481, 483
88521206 . 163, 165, 167, 169, 671	88551016 ... 92, 110, 114, 118, 122, 596, 600, 604, 757	88581136.....641, 649	88591212 152
8852120833, 38, 55, 723, 749, 752	88551109 33, 38, 55, 749	88581140.....671	88591506 102
88521304 591, 615	88551153 34, 38, 749, 752	88581310.....55, 719	88591508 . 340, 344, 348, 353, 357, 361
88521305 . 171, 173, 175, 177	88554900 . 13, 17, 21, 26, 30	88581320..367, 369, 610, 615, 721, 723, 741	88591509 323
8852130633, 37, 55, 721, 751	88554917 .. 509, 513, 620	88581323.....34, 37, 749, 751	88631301 .. 225, 227, 229
88521310 . 65, 67, 69, 71, 73, 79, 631, 641, 649, 669	88561001 . 340, 344, 348, 353, 357, 361, 673, 675, 677, 712, 716, 737	88591005.....620	88631302.. 609, 613, 739
88521312 33, 37, 751	88561002 . 607, 641, 650	88591009.....453, 637	88631310 229
88521604 621, 625	88561003 . 13, 14, 17, 18, 21, 22, 25, 29, 163, 165, 167, 169, 481, 483	88591015.....381, 383	88631337 721
88541304 701	88561004 . 481, 483, 639, 654, 660, 696, 744	88591019.....34, 37, 751	88631338 225
88551004 688, 691	88561005 481, 483	88591020...340, 344, 353	88631343 607
88551007 . 13, 17, 21, 25, 29, 620, 654, 671, 673, 675, 677, 712, 716, 737	88561006 .. 163, 167, 517	8859103233, 34, 37, 749, 751	88631449 641, 649
88551009 87, 91, 101, 105, 109, 113, 117, 121, 152, 229, 231, 233, 267, 269, 271, 273, 275, 277, 279, 281, 283, 285, 301, 303, 305, 307, 309, 311, 315, 319, 321, 323, 325, 327, 329, 340, 344, 348, 353, 357, 361, 385, 387, 572, 576, 579, 581, 583, 620, 654, 659, 681, 701	88561008 157	88591036.....397, 399	88633001 . 229, 609, 613, 739
88551010 . 13, 14, 17, 18, 21, 22, 25, 29, 95, 97, 126, 131, 135, 139, 144, 147, 163, 165, 167, 169, 251, 253, 255, 257, 369, 385, 509, 513, 583, 585, 587, 589, 609, 613, 615, 681, 719, 739, 741	88561011 . 13, 18, 22, 25, 29	88591104.....34, 37, 751	88661009 340
88551011 . 37, 55, 79, 92, 110, 114, 118, 122, 153, 165, 169, 181, 183, 239, 241, 243, 340, 344, 348, 353, 357, 361, 373, 375, 377, 379, 481, 483, 495, 596, 600, 604, 607, 609, 610, 613, 615, 631, 639, 642, 654, 660, 669, 673, 675, 677, 696, 703, 712, 716, 721, 723,739, 741, 744, 751	88561013 . 325, 327, 329, 331, 333, 335, 337	88591200.....13	88661010 ... 79, 303, 305, 321, 481, 483, 631
88551012 . 87, 91, 95, 97, 101, 105, 109, 113, 117, 121, 125, 129, 131, 135, 139, 143, 147, 152, 323, 325, 327, 329, 331, 333, 335, 337, 340, 344, 348, 351, 353, 357, 361	88561017 307, 309	88591202 . 267, 269, 275, 277, 279, 281, 323, 325, 327, 329, 331, 333, 335, 337, 351, 373, 375, 377, 379, 381, 383	88661011 696, 744
	88561104 . 524, 528, 620, 621, 625	88591204....98, 131, 135, 139, 143, 147, 152, 153, 189, 191, 263, 267, 269, 271, 273, 275, 277, 279, 281, 283, 285, 301, 303, 305, 307, 309, 311, 315, 329, 337, 344, 348, 351, 353, 357, 361, 381, 383, 385, 387, 641, 649, 681, 688, 691	88661013 . 639, 641, 649, 696, 744
	88561105 59, 61	88591205.. 102, 153, 189, 191, 273, 285, 325, 327, 329, 331, 333, 335, 337, 341, 351, 367, 369, 381, 383, 397, 399, 439, 479, 641, 649, 671, 673, 675, 677, 712, 716, 725	88661106 639
	88561107 . 14, 18, 21, 26, 30, 229, 231, 233, 267, 271, 273, 283, 285, 301, 303, 305, 312, 316, 319, 321, 572, 576, 579, 581, 620, 624, 627	88591206 . 106, 109, 113, 117, 121, 125, 189, 191, 267, 269, 271, 273, 275, 277, 279, 283, 285, 289, 301, 319, 341, 345, 349, 354, 358, 362, 365, 367, 369, 373, 375, 377, 379, 381, 383, 439, 609, 613, 673, 675, 677, 712, 716, 739	88661110 607
	88561108 . 87, 91, 95, 97, 101, 105, 110, 114, 118, 122, 125, 131, 135, 139, 143, 147, 171, 173, 175, 177, 349, 354, 358, 362, 561, 563, 565, 567	88591207.. 132, 135, 139, 144, 147, 153, 267, 271, 273, 283, 285, 289, 293, 297, 301, 303, 305, 307, 309, 311, 315, 319, 321, 325, 327, 329, 337, 340, 344, 348, 351, 353, 357, 361, 369, 705, 707, 719	88661118 639
	88561109 . 49, 51, 53, 55, 79, 95, 97, 106, 109, 113, 117, 121, 126, 129, 131, 136, 140, 143, 148, 152, 165, 169, 229, 370, 596, 600, 604, 610, 615, 631, 655, 660, 719, 721, 723, 725, 741		88661204 691
	88561111 . 18, 22, 26, 30, 55, 61, 95, 97, 129, 132, 135, 139, 143, 147, 153, 165, 169, 229, 323, 369, 712, 716, 723, 731		88661305 . 261, 267, 269, 271, 273, 275, 277, 279, 281, 283, 285
	88561113 225, 227		88661341 . 373, 375, 377, 379

SECTION 12 - OPTIONAL EQUIPMENT

90200638	225, 227	90206262	95, 97, 117, 125, 129, 131, 135, 139, 143, 147, 152, 179	90455051	71	91031268	547, 549, 553, 557
90200680	620, 624, 628	90206548	439	90455052	73	91031278	585
90200685	663, 665, 667	90206549	439	90456002	639	91031490	621
90200688	561, 563, 565, 567	90206550	439	90456004	669	91031494	621
90200755	13, 25, 29, 165, 169, 621	90206552	439	90456009	71	91031495	585
90200807	179	90206553	439	90456010	73	91031521	621, 625, 627
90200999	654, 659	90206554	439	90551013	649	91033011	547, 549, 551, 553, 555
90201348	241	90206555	439	90553005	81	91033018	540, 542, 544, 561, 563, 565, 567
90201414	179	90206556	439	90553008	81	91033023	561, 563
90201443	607, 696, 744	90206557	439	90553012	642, 669	91033029	13, 17, 21, 25, 29
90201918	33, 752	90206558	439	90553013	642, 669	91033032	596, 654
90202230	239, 241, 243	90206559	439	90553018	83	91033038	59, 61, 641, 649
90202500	215	90206558	439	90555013	641	91033039	641, 649
90202501	215	90206560	439	90555020	77	91033084	509, 513
90202926	381	90206561	439	90560027	241	91033089	557, 559
90203040	369, 610, 615, 721, 741	90206564	439	90600273	239, 241, 243	91033096	455
90203376	596, 654	90206567	485	90600274	239, 241, 243	91033102	13, 17, 21, 26, 30, 547, 549, 553, 557
90203502	227	90206606	179	90600390	65, 81	91033104	221
90203543	211	90206739	449, 499, 503	90600832	83	91033111	509, 513
90203840	621, 625	90206846	34	90600833	83	91033137	163, 165, 167, 169
90204007	79, 631	90207046	59, 65	90601015	81	91033161	696, 744
90204096	269, 271, 273, 277, 279, 283, 285, 385, 387, 681	90207204	201	90601219	83	91033185	49, 725
90204097	641, 649	90207352	373, 375, 377, 379	90601819	81	91033186	49, 51, 53, 79, 631, 719, 721, 725
90204244	609, 615, 741	90207458	13, 17, 21, 25, 29	90601873	83	91033187	55
90204245	609, 615, 741	90207463	369, 609, 615, 697, 723, 741, 745	90601874	83	91033218	561, 563, 565, 567
90205126	607	90207464	609, 613, 739	90801314	69	91033230	671, 673, 675, 677, 696, 712, 716, 744
90205205	95, 97, 132, 135, 139, 144, 147, 152, 499, 503	90207661	615	91000315	67	91033240	439
90205663	179	90207719	499, 503, 688, 693	91003016	561, 563, 565, 567, 713, 716	91033246	87, 91, 101, 105, 109, 117, 499, 503
90205686	509, 513, 524, 528	90207801	229, 231, 233	91003018	561, 563, 565, 567, 713, 717	91033247	509, 513, 524, 528
90205687	509, 513, 524, 528	90207856	261, 263, 279	91003020	561, 563, 565, 567, 713, 717	91033251	585
90205688	509, 513	90207882	696, 744	91003030	547, 549, 551, 553, 555, 557, 559	91033252	585
90205792	88, 91, 95, 97, 106, 109, 113, 117, 121, 126, 131, 135, 139, 143, 148, 153, 325, 327, 329, 331, 333, 335, 337, 341, 345, 349, 351, 354, 358, 362	90207902	59, 61	91003031	561, 563, 565, 567	91033277	524, 528
90205870	49, 51, 53, 79, 631, 719, 721, 725	90208066	449, 451	91003053	621	91033281	229
90205891	41, 43	90208067	449	91003055	597, 654	91033317	509, 511, 513, 515, 517
90205918	163, 165, 167, 169	90208071	449	91003056	663	91033320	14, 18, 22, 25, 29, 549, 557
90206023	620, 624, 627	90208072	449	91003065	513	91033360	597, 600, 654, 659
90206089	696, 745	90216562	439	91011009	596, 600, 604, 654, 659	91033366	645
90206124	95, 97, 129, 131, 135, 143, 147, 499, 503	90400543	227	91013026	654, 659	91033387	755
90206134	621	90400654	155, 157, 499, 503	91021094	697, 744	91033391	613
90206169	620, 624, 627	90402427	95, 97, 132, 135, 139, 144, 147, 152, 499, 503	91022094	697, 744	91033394	613
90206170	620	90402477	67	91024051	265	91033400	639
90206194	13, 17, 21, 25, 29, 385, 387, 591, 593, 609, 615, 681, 719, 741	90402478	69, 73	91024052	265	91033417	609, 739
90206198	245, 247, 249	90403396	613, 615	91024053	265	91033430	391, 401, 407
90206199	609, 615, 719, 741	90451020	641, 669	91024054	265	91033445	55, 721
		90451039	639	91024055	265	91033462	655
		90451058	65, 71, 631	91024056	265	91033464	620, 624, 627
		90453002	65, 81	91024057	265	91033465	620, 624, 627
		90453013	641, 669	91024058	265	91033485	13, 17, 21, 25, 29
		90453031	639	91024059	265	91034001	547, 549, 553, 557
		90453032	639	91024060	265	91034018	455
		90453034	647	91024061	265		
		90453045	81	91024062	265		
		90455007	67	91031009	34		
		90455008	69	91031014	41, 43		
		90455035	639	91031087	229		
		90455037	639	91031088	229		
		90455043	669	91031136	59, 61		
		90455044	649	91031236	49, 51, 53, 79, 631, 719, 725		
		90455049	75	91031236	721		

SECTION 12 - OPTIONAL EQUIPMENT

91034139.....411, 733	91043126... 79, 607, 609, 631, 639, 641, 649, 696, 741, 744	91044465 645	91081324.....59
91034153...393, 411, 733	91043134 . 561, 563, 565, 567, 713, 717	91044466 645	91081326..369, 610, 615, 721, 741
91034156...417, 419, 635	91043135 . 561, 563, 565, 567, 713, 717	91044467 645	91081327.....171
91034157.....647	91043136 . 561, 563, 565, 567, 713, 717	91044468 645	91081330.....519
91034276..393, 397, 399, 405, 727, 729	91043136 . 561, 563, 565, 567, 713, 717	91044469 645	91081332..251, 253, 255, 257
91034278.....407	91043136 . 561, 563, 565, 567, 713, 717	91044470 645	91081354.....225
91034280..391, 407, 409, 413	91043136 . 561, 563, 565, 567, 713, 717	91044475 671	91081368.....65
91034281.....407	91043136 . 561, 563, 565, 567, 713, 717	91044524 395	91081369.....65
91034282.....407, 409	91043146 221	91045034 671	91081371.....509, 513
91034286.....401, 679	91043146 221	91045095 59	91081384.....33
91034291.....401	91043163 . 261, 279, 323, 325, 327, 329, 340, 349, 354, 358, 362	91045152 33, 37	91081388.....87, 91, 101, 105, 109, 113, 117, 121, 125
91034297.....401	91043163 . 261, 279, 323, 325, 327, 329, 340, 349, 354, 358, 362	91046056 385, 681	91081396.....373, 377
91034299.....401	91043165 696, 744	91046061 649	91081415.....33, 37, 751
91034301.....645	91043165 696, 744	91046062 641, 649	91081432.....365, 369
91034302.....645	91043186 641, 649	91046074 59	91081433.....365, 369
91034303.....645	91043199 . 671, 673, 675, 677, 712, 716, 737	91046114 671	91081445.....445, 447
91034304.....645	91043209 . 547, 549, 551, 553, 555, 650	91053020 ... 92, 110, 114, 118, 122, 153, 327, 329, 335, 337, 349, 351, 358, 362	91081447.....51, 53, 719, 721
91034305.....645	91043210 . 547, 549, 551, 553, 555	91053419 . 524, 528, 597, 600, 604, 624, 654, 659, 663, 665, 667, 673, 675, 677, 737	91081461.....33
91034306.....645	91043211 . 547, 549, 551, 553, 555	91053426 . 267, 269, 271, 273, 275, 277, 279, 281, 283, 285, 293, 297, 303, 305, 311, 315, 321, 325, 327, 329, 337, 341, 345, 351, 354, 369, 719	91081462.....499, 503
91034308.....395	91043214 255, 257	91063039 607	91081475..13, 17, 21, 26, 30
91034337.....403	91043215 . 547, 549, 551, 553, 555	91063040 607	91081480.....509, 513
91034339.....411, 733	91043221 642, 649	91063047 . 547, 549, 551, 553, 555	91081491.....479
91034372.....639	91043222 33, 38	91064005 215	91081499...620, 624, 628
91034373.....639	91043223 13, 25, 29	91064006 215	91081517.....572, 576
91034374.....639	91043224 .. 421, 423, 425	91064007 215	91081522...37, 340, 344, 348, 353, 357, 361, 751
91034375.....639	91043227 33, 38, 751	91064010 213	91081523...37, 340, 344, 348, 353, 357, 361, 751
91034376.....639	91043228 251, 253	91064016 419	91081541.....163, 167
91034377.....639	91043229 221	91064017 .. 403, 405, 731	91081545...620, 624, 627
91034390.....217	91043303 679	91066020 227	91081564.....165
91034435.....647	9104-3353 699	91066021 227	91081573.....607
91034436.....647	91043429 .. 621, 625, 628	91081087 55, 721	91081574.....607
91034437.....647	91043446 451	91081148 49	91081577.....79, 631
91035101.....685	91044002 453, 637	91081158 88, 92, 106, 110, 114, 118, 122, 126	91081582...585, 587, 589
91035240.....33, 37	91044033 731	91081171 49, 725	91081594.....79, 631
91035247.....747	91044044 193	91081172 49, 51, 721, 725	91081601...572, 576, 579
91035248.....747	91044099 215	91081176 41, 43	91081602.....591
91041016.....181, 183	91044100 215	91081177 33, 38	91081603.....591
91041227.....671	91044101 215, 217	91081181 163, 167	91081606.....655, 660
91041261.....696, 744	91044103 215	91081201 . 340, 344, 348, 353, 357, 361	91081607.....655, 660
91041322.....641, 649	91044104 215	91081202 14	91081608.....655, 659
91041324.....641, 649	91044105 .. 213, 215, 217	91081210 13	91081609.....655, 659
91041325.....641, 649	91044106 215, 217	91081243 87, 91, 101, 105, 109, 113, 121	91081610.....654, 660
91041326.....641, 649	91044107 215, 217	91081258 13	91081612.....654, 660
91041327.....641, 649	91044109 215	91081259 13	91081613.....654, 660
91041356.....641, 649	91044111 215	91081264 235, 237	91081614.....654, 660
91041361.....641, 649	91044112 215	91081285 129	91081622.....79, 631
91041362.....641, 650	91044113 215	91081313 ... 79, 365, 369, 631	91081640.....521, 572
91041365.....61	91044274 403, 405		91081654...163, 167, 169
91041438.....37	91044278 215		91081660.....655
91041439.....33, 37, 751	91044282 215		91081661.....655
91041449.....34, 37, 751	91044311 . 213, 215, 217, 219		91081664.....229
91041450.....34, 37, 751	91044330 679		91081665.....655, 660
91041451 34, 37, 55, 721, 751	91044331 679		91081671.....620
91041459.....33, 37, 751	91044332 679		91081675.....621
91041481.....33, 37, 751	91044333 679		91081676...585, 587, 589
91041596.....34, 37, 751	91044353 679		91081679.....481, 483
91041598.....751	91044360 215		91081680...621, 624, 627
91041732.....33, 37, 751	91044361 215		91081681..13, 17, 21, 25, 29
91041733.....37	91044462 213, 215		
91043063.....681	91044463 645		
91043123.....671	91044464 645		
91043125...79, 607, 610, 631, 641, 649, 696, 741, 744			

SECTION 12 - OPTIONAL EQUIPMENT

91081686	660	91083159 .. 17, 21, 25, 29	91083310..267, 269, 271,	91083428 . 235, 237, 549,		
91081687	660	91083161 .. 17, 21, 25, 29	273, 275, 277, 279,	551, 553, 555		
91081688	660	91083173 . 13, 17, 21, 25,	281, 283, 285, 609,	91083429	709	
91081689	660	29	613, 739	91083430	709	
91081691	34	91083200	481, 483	91083434	627	
91081693	33, 37, 749,	91083212 . 275, 277, 688,	503	91083440 .. 501, 505, 507	91083441	491
751		693	91083312..251, 253, 255,	91083442	491	
91081695	37, 751	91083213 . 267, 269, 275,	257	91083449 . 341, 345, 349,		
91081709 .. 17, 21, 25, 29		277, 279, 340, 344	91083314..547, 549, 551,	354, 358, 362		
91081737	607	91083216 .. 615, 697, 744	553, 555, 557, 559, 591	91083450	627	
91083012	87, 91, 101,	91083217	696, 745	91083456	95, 97, 132,	
105, 109, 113, 121		91083218	95, 97, 117,	135, 139, 144, 148, 152		
91083013	461	125, 129, 131, 135,	91083317..547, 549, 551,	91083459	493	
91083019	88, 92, 102,	139, 143, 147, 152,	553, 555, 557, 559	91083461	465	
106, 110, 114, 118,		155, 157, 159, 161	91083318 . 547, 549, 551,	91083462	215	
122, 153		91083221	553, 555, 557, 559	91083463 . 340, 344, 348,		
91083040	340	91083222 . 153, 273, 285,	91083323.....155	353, 357, 361		
91083044	475	329, 349, 358, 362	91083324...547, 549, 551	91083464 . 344, 348, 353,		
91083048	499, 503	91083232 .. 289, 293, 297	91083335.....381	357, 361		
91083050	365	91083233	91083336.....251	91083465 . 340, 344, 348,		
91083053	485	91083233	91083338.....87, 92, 102,	353, 357, 361		
91083056	427	87, 91, 101,	106, 109, 113, 121	91083466 . 340, 344, 348,		
91083063	49, 51, 721,	105, 109, 113, 118,	91083339 . 323, 325, 327,	353, 357, 361		
725		121, 289, 293	329, 331, 333, 335,	91083466 . 340, 344, 348,		
91083065	163	91083235	337, 351	353, 357, 361		
91083069	481, 483	91083241	91083341.....583	91083467	423	
91083070	481, 483	91083242	91083342..325, 327, 331,	91083470	411	
91083072	101	91083245	333, 335	91083471	417, 635	
91083077	481	91083246 ... 92, 110, 114,	91083343...609, 613, 739	91083472	403	
91083081	235, 237	118, 122, 153, 289,	91083345.....479	91083473	403, 405	
91083084	513	293, 297	91083348...620, 624, 627	91083475 ... 88, 106, 325,		
91083085	163, 167	91083248	91083361...572, 576, 579	333, 345, 354		
91083094	163, 167	91083249	91083363.....572	91083480	41, 43	
91083095 . 131, 143, 325,		91083250	91083364.....163, 167	91083489	576	
327, 331, 333, 335,		91083253	91083365.....591, 593	91083490	693	
340, 344, 353		91083259	91083366.....591	91083491 . 159, 161, 235,		
91083104	101, 323	91083260 .. 509, 513, 620	91083367.....607	237		
91083106 . 87, 91, 95, 97,		91083262	91083368.....607	91083492 . 547, 549, 551,		
101, 105, 109, 113,		91083263	91083371...585, 587, 589	553, 555, 557, 559		
117, 121, 125, 129,		91083266 . 131, 135, 139,	91083372...585, 587, 589	91083493	88, 91, 105,	
131, 135, 139, 143,		143, 147, 152, 340,	91083374...585, 587, 589	109, 113, 118, 121		
147, 152, 325, 327,		344, 348, 353, 357, 361	91083375...585, 587, 589	91083494 . 547, 549, 551,		
329, 331, 333, 335,		91083267	91083376...620, 625, 627	553, 555		
337, 340, 344, 348,		91083268	91083378...621, 624, 627	91083497 . 547, 549, 551,		
351, 353, 357, 361		91083269	91083379.....401	553, 555		
91083107	583	91083270	91083380...585, 587, 589	91083499	469	
91083110 . 499, 503, 509,		91083281	91083385.....221	91083501	157	
513		91083285	91083392...620, 624, 627	91083503	95, 97, 132,	
91083113	129	91083286	91083393.....583, 701	135, 139, 144, 147, 152		
91083114	129	91083292	91083397.....655, 660	91083504	95, 97, 132,	
91083115	129	91083293 .. 289, 293, 297	91083398.....654, 660	135, 139, 144, 147, 152		
91083118	289	91083294	91083399.....654, 660	91083509.. 547, 549, 551		
91083126 .. 171, 173, 175		91083296	91083400...654, 659, 660	91083510 . 547, 549, 551,		
91083127	171, 173	91083297	91083401.....437	553, 555		
91083128 . 171, 173, 175,		721	91083404.....87, 91, 101,	91083513	405, 719	
177		91083298	105, 109, 113, 121, 229	91083516 . 309, 311, 315,		
91083129 . 171, 173, 175,		91083301	91083406.....499, 503	483		
177		91083302	91083418 . 131, 135, 139,	91083517	483	
91083136 . 225, 227, 251,		91083303	143, 147, 152, 331,	91083518	483	
253, 255, 257, 609,		91083304	333, 335, 337, 351	91083519 . 309, 311, 315,		
613, 739		393	91083419....87, 105, 325,	483		
91083143	87, 101	91083306 . 106, 109, 113,	327, 331, 333, 335,	91083521	443	
91083144	87, 91, 101,	117, 121, 126, 267,	340, 344, 353	91083532	425	
105, 109, 113, 117,		269, 271, 273, 275,	91083420.....429, 433	91083533 .. 17, 21, 25, 29		
121, 289, 293		277, 279, 281, 283,	91083424.....491	91083535	696, 744	
91083145 .. 289, 294, 297		285, 289, 301, 307,	91083425.....688, 691	91083539	553, 557	
91083155 .. 621, 625, 627		319, 331, 333, 335,	91083426...309, 323, 688,	91083560	181, 183	
		341, 345, 349, 354,	691	91083573	167	
		358, 362	91083427			
			183			

SECTION 12 - OPTIONAL EQUIPMENT

91084001.....95, 97, 117, 125, 129, 131, 132, 135, 139, 143, 144, 147, 152	91084075..... 197	91084145 459	91084229.....429, 433
91084002... 129, 499, 503	91084076 197	91084146 459	91084230.....429, 433
91084003... 129, 499, 503	91084077 197	91084147 459	91084231.....429, 433
91084004...427, 429, 433	91084078 197	91084151 265	91084232.....429, 433
91084005...427, 429, 433	91084079 197	91084152 265	91084233.....429, 433
91084006...427, 429, 433	91084080 197	91084153 265	91084234.....429, 433
91084007.....427	91084081 197	91084154 265	91084235.....429, 433
91084008...427, 429, 433	91084082 197	91084155 441, 443	91084236.....429, 433
91084009...427, 429, 433	91084083 197	91084156 441, 443	91084237.....429, 433
91084010...427, 429, 433	91084084 197	91084157 441, 443	91084238.....429, 433
91084011.....427	91084085 197	91084158 441, 443	91084239.....429, 433
91084012...427, 429, 433	91084086 197	91084159 441, 443	91084240.....235, 237
91084013...427, 429, 433	91084087 197	91084160 441, 443	91084268.....235, 237
91084014...427, 429, 433	91084088 197	91084161 441, 443	91084269.....461, 465
91084015...427, 429, 433	91084089 197	91084162 95, 97, 129, 132, 144	91084270.....461, 465
91084016.....427	91084090 197	91084163 197	91084271.....461, 465
91084017.....427	91084091 197	91084164 209	91084272.....461, 465
91084018.....427	91084092 197	91084165 409	91084274.....461, 465
91084021.....481, 483	91084093 197	91084166 409	91084276.....462, 466
91084022.....481, 483	91084094 197	91084167 .. 391, 409, 413	91084277.....429, 433
91084023.....461, 465	91084095 198	91084168 409	91084278.....430, 434
91084024.....461, 465	91084097 198	91084169 409	91084279.....430, 434
91084029.....461, 465	91084098 198	91084176 . 401, 407, 415, 633	91084280.....430, 434
91084031.....462, 466	91084099 198	91084177 421	91084281.....430, 434
91084032...462, 466, 469	91084101 198	91084178 421	91084282.....583
91084033.....462, 466	91084102 198	91084179 421	91084283.. 540, 542, 544, 547, 549, 551, 553, 555, 561, 563, 567
91084034.....462, 466	91084103 198	91084180 421	91084284.....491, 493
91084035.....462, 466	91084104 198	91084181 421	91084285.....491, 493
91084036.....462, 466	91084105 209	91084183 421	91084286.....491, 493
91084038..462, 466, 469, 501, 505, 507	91084106 209	91084184 415, 633	91084287.....491, 493
91084039...462, 466, 469	91084107 209	91084185 415, 633	91084288.....491, 493
91084042.....445, 447	91084108 209	91084186 415, 633	91084289.....491, 493
91084043.....445, 447	91084109 209	91084187 415, 633	91084290.....491, 493
91084045.....193	91084110 209	91084188 415, 633	91084291.....491, 493
91084046.....193, 195	91084111 209	91084189 415, 633	91084292.....491, 493
91084047.....193, 195	91084112 209	91084194 421, 645	91084293.....491, 493
91084048.....193	91084113 209	91084198 163, 167	91084294.....491, 493
91084049.....193	91084114 209	91084199 .. 427, 429, 433	91084295.....491, 493
91084050.....193	91084115 209	91084200 .. 427, 429, 433	91084296.....491, 493
91084051.....193	91084116 209	91084201 .. 427, 429, 433	91084297.....491, 493
91084052.....193	91084117 209	91084202 .. 427, 429, 433	91084298.....491, 493
91084053.....197	91084118 209	91084203 .. 427, 429, 433	91084299.....491, 493
91084054.....197	91084119 209	91084204 427	91084300.....491, 493
91084055.....205	91084120 209	91084205 427	91084301.....491, 493
91084056.....197	91084121 209	91084206 .. 427, 429, 433	91084302.....491, 493
91084057.....197	91084122 209	91084207 .. 427, 429, 433	91084303.....491, 493
91084058.....197	91084123 209	91084210 547, 549	91084305.....423, 425
91084059.....197	91084124 209	91084211 205	91084308...417, 419, 635
91084060.....197	91084125 209	91084212 205	91084311... 118, 122, 153
91084061.....197	91084126 209	91084213 205	91084312.....88, 91, 102, 106, 110, 114, 118, 122, 153
91084062.....197	91084127 209	91084214 437	91084314.....471, 475
91084063.....197	91084128 209	91084215 437	91084315.....471, 475
91084064.....197	91084129 209	91084216 401	91084316.....462, 466
91084065.....197	91084130 209	91084217 401	91084317.....469
91084066.....197	91084131 209	91084218 459	91084318.....469
91084067.....197	91084132 461, 465	91084219 415, 633	91084319.....469
91084068.....197	91084133 462, 466	91084220 415, 633	91084320.....469
91084069.....197	91084134 459	91084221 415, 633	91084321.....469
91084070.....197	91084135 459	91084222 415, 633	91084322.....469
91084071.....197	91084136 459	91084223 415, 633	91084323.....469
91084072.....197	91084137 459	91084224 415, 633	91084324.....469
91084073.....197	91084138 459	91084225 415, 633	91084325.....469
91084074.....197	91084139 459	91084226 415, 633	91084326.....469
	91084140 459	91084227 453, 637	
	91084141 459	91084228 453, 637	
	91084142 459		
	91084143 459		
	91084144 459		

SECTION 12 - OPTIONAL EQUIPMENT

91084327 469	91086063 227	91120004..... 33, 37, 751	91121219..... 17, 21
91084328 469	91086064 227	91121013..... 671	91121221 703
91084329 469	91086073 59	91121017..... 671	91121236..... 397
91084330 469	91086081 225	91121018..... 671	91121239..... 34, 37, 751
91084331 469	91086088 13	91121022..... 49, 725	91121240..... 34, 37, 751
91084332 469	91086089 583	91121023..... 367, 723	91121273 712, 716
91084345 235, 237	91086090 251, 253	91121024..... 367, 723	91121274 712, 716
91084354 198	91086111 225	91121041..... 367, 723	91121290 713, 717
91084355 198	91086112 225	91121045..... 55	91121307 399
91084356 198	91086113 227	91121056..... 55, 721	91121308 61
91084357 198	91086115 .. 620, 624, 627	91121066..... 367, 725	91121309 61
91084358 437	91086116 65	91121079..... 55, 725	91121310 61
91084359 583	91086119 607	91121080..... 55, 719	91123003 365
91084360 198	91086121 631	91121081..... 51, 53, 719,	91123004 365
91084364 437	91086122 79, 631	721	91123005 367
91084365 437	91086130 95, 97, 131,	91121082..... 51, 721	91123006 369
91084366 437	136, 140, 143, 148, 152	91121083..... 51, 721	91123008 367
91084367 437	91086131 95, 97, 131,	91121089..... 13, 17, 21	91123009 395
91084370 405	136, 140, 144, 148, 153	91121091..... 34, 37, 751	91123010 391
91084371 405	91086143 696, 744	91121098..... 671	91123012 55
91084372 405	91086144 696, 745	91121102..... 13, 17, 21	91123013 55
91084373 405	91086145 229	91121122..... 55	91123016. 369, 610, 721,
91084389 469	91086146 229	91121124..... 65	741
91084390 469	91086151 61	91121125.. 369, 610, 719,	91123018 55, 725
91085013 163	91086152 61	741	91123019..... 51, 53, 719,
91085015 481, 483	91086162 17, 25	91121134.. 369, 609, 615,	721
91085016 157	91086174 167	723, 741	91123021 51, 721
91085025 .. 235, 499, 503	91086175 21, 29	91121139..... 616	91123022. 367, 696, 725,
91085033 65	91091001 95, 97	91121145.. 596, 600, 604,	744
91085034 513	91093001 129, 323	757	91123024 213
91085035 509	91093002 471	91121146.. 596, 600, 604,	91123025 171, 173
91085045 251, 503	91093006 219	655, 659, 757	91123026 275, 277
91085046 583	91093008 95	91121148..... 596	91123027 34, 37, 749,
91085049 59, 61	91093016 473	91121149..... 596	751
91085050 620	91093017 97, 329	91121150..... 596, 655	91123028 33, 37, 749,
91085051 479	91094001 219	91121151.. 596, 654, 659,	751
91085053 95, 97, 117,	91094003 .. 213, 215, 219	663, 665, 667	91123029..... 34, 37, 749,
129, 131, 135, 139,	91094004 219	91121152..... 597, 654	751
143, 147	91094008 219	91121153..... 663	91123030 33, 34, 37, 749,
91085054 572	91094013 219	91121154..... 597, 654	751
91085056 607	91094015 219	91121157..... 367, 723	91123031 33, 38, 752
91085057 .. 620, 624, 627	91094020 475	91121158..... 696, 744	91123032 95, 97, 519
91085058 631	91094021 471	91121159..... 696, 744	91123033 95, 97, 519
91085059 585	91094025 473, 477	91121160..... 696, 744	91123035. 542, 544, 561,
91085062 654	91094026 473, 477	91121161..... 697, 744	563, 565, 567
91085064. 340, 344, 348,	91094027 473, 477	91121162..... 697, 744	91123036. 561, 563, 565,
353, 357, 361	91094028 473, 477	91121163..... 697, 744	567
91085071 688, 691	91094029 473, 477	91121171..... 397	91123037. 561, 563, 565,
91085072 688	91094030 473, 477	91121176..... 397, 399	567, 712, 716
91085073 709	91094031 473, 477	91121178..... 397, 399	91123038. 561, 563, 565,
91085091 61	91094032 473, 477	91121179..... 397, 399	567, 712, 716
91085102 593	91094033 473, 477	91121180..... 397, 399	91123039 591
91085104 659	91094034 473, 477	91121181..... 597	91123042. 561, 563, 565,
91085105 576	91094035 473, 477	91121186... 597, 654, 659	567, 713, 717
91085107 691, 693	91094036 473	91121187... 597, 654, 660	91123043. 561, 563, 565,
91085110 191	91094037 473, 477	91121188..... 596, 655	567, 713, 717
91085111 249	91094038 473, 477	91121189..... 597, 654	91123044. 561, 563, 565,
91085139 167	91094039 473, 477	91121190..... 597, 654	567, 713, 717
91086031 227	91094040 473, 477	91121191..... 596, 655	91123045. 561, 563, 565,
91086034 87, 91, 101,	91095020 191	91121192..... 596	567, 713, 717
105, 109, 113, 117,	91095022 247	91121193... 596, 655, 660	91123049 413
121, 126	91095023 189	91121196..... 55	91123050.. 609, 613, 739
91086040 13	91095024 249	91121197..... 55, 721	91123051 613
91086041 163	91111001 671	91121209..... 13	91123054. 369, 609, 615,
91086055 95, 97, 131,	91111002 671	91121210... 229, 231, 233	723, 741
135, 139, 181	91113003 671	91121215..... 665, 667	91123055 615
91086060 13, 17, 21	91120003 33, 38, 751	91121216... 660, 665, 667	91123056 615

SECTION 12 - OPTIONAL EQUIPMENT

91123057.....615	91124008..... 213, 219	91124096 . 405, 419, 425, 647, 727, 729, 731, 733	91125109.....163
91123061...609, 615, 741	91124009.. 213, 217, 219	91124097 419	91125110.....596, 655
91123062..583, 609, 613, 701, 739	91124010.. 213, 217, 219	91124098 419	91126001..... 13, 17
91123065..596, 600, 604, 655, 659, 757	91124011 213, 219	91124099 419	91126008..369, 609, 615, 723, 741
91123066.....596	91124012 213	91124100 419	91126009.....55
91123067.....407	91124013 213	91124101 419	91126010.....367, 723
91123073.....696, 745	91124014 213, 217	91124102 419	91126011.....49
91123075...429, 433, 681	91124015 213	91124103 419, 731	91126012.....51
91123077.....79, 631	91124016 213, 219	91124104 419	91126013.....53
91123078.....683	91124017 213	91124105 727, 729	91126015.....55
91123080.....397	91124018 213	91124106 727, 729	91126022..... 13, 17, 21
91123081.....397, 399	91124019 213	91124107 . 13, 17, 21, 25, 29	91126023...609, 613, 739
91123082.....397, 399	91124020 213	91124108 425	91126024.....613
91123083.....397	91124021 213	91124109 . 251, 253, 255, 257	91126025...609, 613, 739
91123084.....397	91124023 213, 217	91124110 207	91126026.....609, 739
91123085.....397, 399	91124025 213, 217	91124111 207	91126027...609, 613, 739
91123086.....397, 399	91124026 213	91124112 207	91126029.....615
91123087.....369	91124027 . 213, 215, 217, 219	91124113 217	91126031.....615
91123089..393, 397, 399, 727, 729	91124028 .. 213, 217, 219	91124114 217	91126032.....615
91123090.....181	91124032 391	91124115 217	91126035.....385, 681
91123092..341, 345, 349, 354, 358, 362	91124033 391	91124125 88, 92, 102, 106, 110, 114, 118, 122, 126	91126036.....397, 399
91123102.....55	91124034 391	91124127 683	91126037.....397, 399
91123105.....701	91124035 391	91124128 683	91126040.....701
91123110...547, 549, 551	91124036 391	91125002 221	91126048.13, 17, 21, 677
91123111.....393	91124037 395	91125003 221	91126050...245, 251, 253
91123117..540, 542, 544, 547, 549, 551, 553, 555, 557, 559	91124038 395	91125007 671	91126051..247, 249, 255, 257
91123119.....195	91124039 395	91125011 609	91126055.....723
91123124...17, 21, 25, 29	91124040 395	91125016 591	91126056.....721
91123125.....625, 627	91124041 395	91125018 596	91126057.....719
91123126.....239, 487	91124042 395	91125021 663	91126071.....370, 723
91123127.....189, 191	91124043 395	91125022 696	91126079.....712
91123130.....189, 191	91124044 395	91125023 681	91126080...609, 615, 741
91123131.....445	91124045 413	91125024 397	91126081.....673
91123132.....83	91124046 413	91125026 105, 131	91133001.....540, 561
91123133.....419	91124047 413	91125027 181	91133002.....561
91123134.....650	91124048 413	91125030 55	91133005.....553
91123136.....56	91124049 413	91125031 55, 721	91133006.....553
91123137.....397, 399	91124050 413	91125032 55	91135007.....91, 97
91123141.....727	91124053 407	91125040 245	91140001..13, 17, 21, 25, 29
91123143.....733	91124054 407	91125042 665	91141104.....165
91123145.....217	91124071 393	91125043 613, 615	91141182.....600, 604
91123146.....719	91124072 393	91125044 701	91141183.....600, 604
91123147.....721	91124073 393	91125047 189	91141193.....511, 515
91123153.....26, 30, 553, 555, 557, 559	91124074 393	91125049 109, 135	91141197..600, 604, 659, 757
91123160.....747	91124075 393	91125053 247	91141198...17, 21, 25, 29
91123166...113, 121, 507	91124076 403, 405	91125054 703	91141218.....25, 29
91123169.....712, 716	91124077 403	91125055 757	91141231.....165, 169
91123170.....713, 717	91124078 403, 405	91125056 705	91141253.....25, 29
91123171.....713, 717	91124079 411	91125058 . 719, 721, 723, 725	91141256.....659, 757
91123173.....712, 716	91124081 411, 733	91125059 723	91141257.....659, 757
91123176.....581, 589	91124082 417, 635	91125061 723	91141258.....600
91123177.....667	91124083 417, 635	91125072 712	91141259..600, 604, 665, 667, 757
91123178.....747	91124084 .. 417, 419, 635	91125082 739, 741	91141260..673, 675, 677, 712, 716
91123183.....729	91124085 .. 417, 419, 635	91125089 673	91141265...600, 604, 660
91124001...213, 215, 217	91124086 417, 635	91125092 744	91141266.....601, 605
91124002.....213, 215	91124087 .. 423, 425, 647	91125097 677	91141278.....524, 528
91124004...213, 217, 219	91124088 423, 425	91125099 .. 113, 121, 139	91141307.....387
91124005.....213, 219	91124089 423, 425	91125100 557	91141316.....375, 379
91124006.....213, 219	91124090 423, 425	91125101 589	91141317.....117
91124007...213, 217, 219	91124091 423	91125103 667	91141322.....165
	91124092 487	91125104 159	91141329...17, 21, 26, 30
	91124093 487	91125105 747	
	91124094 207		
	91124095 419		

SECTION 12 - OPTIONAL EQUIPMENT

91141332	624, 627	91143193 .	511, 515, 533, 535	425, 635, 727, 729, 731, 733	91144363	211	
91141350	642, 649	91143201	447	91144149	471, 475	91144364	211
91141364 ..	600, 604, 757	91143202	579, 581	91144150	471, 475	91144365	211
91141374	624, 628	91143210 ..	601, 604, 757	91144151	471, 475	91144366	211
91141424	33, 37, 749, 751	91143220	625, 627	91144152	471, 475	91144367	211
91141429	521	91143269	167	91144153	471, 475	91144368	211
91141459	624, 627	91143270	600, 604	91144157	471, 475	91144369	207
91141480	517	91143275	607	91144158	451, 735	91144370	207
91141485	169	91143276	607	91144159	451	91144371	207
91141511	195	91143277	607	91144175	217	91144372	207
91141513	517	91143280	557, 559	91144178	217	91144373	207
91143022	243	91143281	557, 559	91144179	217	91144374	207
91143028	165	91143282 ..	557, 559, 642	91144180	217	91144376	207
91143029	165, 169	91143283	557, 559	91144181	217	91144377	207
91143043	117	91143284	557, 559	91144182	217	91144378	207
91143045	165, 169	91143285	557, 559	91144183	217	91144379	207
91143051 .	14, 17, 21, 26, 30	91143286	557, 559	91144184	217	91144380	207
91143055 ...	91, 109, 113, 121, 329, 337, 348, 357	91143287	557, 559	91144185	217	91144381	207
91143087 ...	92, 110, 114, 118, 122, 153, 293, 297	91143288 .	553, 555, 557, 559	91144186	217	91144382	201
91143090	627	91143290	565, 567	91144187	217	91144383	201
91143099 .	131, 135, 139, 143, 148, 152, 521	91143292 ..	555, 557, 559	91144188	217	91144384	201
91143108 .	533, 535, 537, 587, 589, 600, 604, 624, 627, 659, 665, 667, 757	91143302	125	91144189	217	91144385	201
91143112	117	91143314	139, 152	91144190	239	91144386	201
91143114 ..	524, 528, 531	91143315 ..	113, 121, 125	91144191	239, 243	91144387	201
91143117 .	600, 604, 659, 757	91143316	159, 161	91144192	239, 243	91144388	201
91143118	229, 231	91143328	169	91144196	231	91144389	201
91143120 .	549, 551, 553, 555, 557, 559	91143329	125	91144197	231, 233	91144390	201
91143122 ...	97, 135, 139, 147, 153	91143331	531	91144198	231	91144391	201
91143124 .	131, 135, 139, 143, 147, 152, 521	91143338	495, 703	91144248 ..	471, 473, 475, 477	91144392	201
91143125	175	91143342	233	91144326	195	91144393	201
91143126	175	91143344	125	91144327	195	91144394	201
91143127 ..	524, 528, 531	91143345	125	91144328	195	91144395	201
91143128 ..	524, 528, 531	91143346	29	91144329	195	91144396	201
91143129	524, 528	91143348	30, 169	91144331	195	91144397	201
91143130	524, 528	91143349	537	91144332	195	91144398	201
91143133	481, 483	91143353	177	91144333	211	91144399	201
91143134	237	91143357	21, 29	91144334	211	91144400	201
91143136	589	91143361	627	91144335	211	91144401	201
91143137	524, 528	91143362	581	91144336	211	91144402	201
91143138	524, 528	91143364	177	91144337	211	91144403	201
91143140	457	91144005	731	91144338	211	91144404	201
91143141	253, 255	91144006	647	91144339	211	91144405	201
91143144	481, 483	91144008	165, 169	91144340	211	91144406	202
91143148	25	91144009	493	91144341	211	91144407	202
91143155 .	673, 675, 677, 737	91144010	493	91144342	211	91144408	202
91143160	481	91144011	493	91144343	211	91144432	233
91143163	579, 587	91144012	493	91144344	211	91144433	233
91143164	587, 589	91144013	493	91144345	211	91144442	207
91143172 ..	189, 191, 297	91144014	493	91144346	211	91144447	235, 237
91143182 .	549, 551, 553, 555, 557, 559	91144015	493	91144347	211	91144448	239
91143190	624, 627	91144017 .	393, 411, 417, 423, 635	91144348	211	91144458	239
91143192 ...	91, 109, 117, 501, 505	91144034	731	91144349	211	91145021	600
		91144038	647	91144350	211	91145030	237
		91144039	647	91144351	211	91145031	524, 528
		91144040	647	91144352	211	91145033	587
		91144080	411, 733	91144353	211	91145034	587, 589
		91144093	469	91144354	211	91145035	587, 589
		91144094	469	91144355	211	91145050	624
		91144095	469	91144356	211	91145096	627
		91144098	469	91144357	211	91145098	604
		91144099	469	91144358	211	91145130	195
		91144125	647	91144359	211	91145134	749
		91144128 .	393, 403, 405, 411, 417, 419, 423,	91144360	211	91145135	749
				91144361	211	91145136	749
				91144362	211	91146012 ..	17, 21, 25, 29
						91146037 .	143, 147, 152, 183

SECTION 12 - OPTIONAL EQUIPMENT

91146047.....387	91163256..... 559	91303056 87, 91, 105, 109, 113, 121	91326019.....29
91146052.....53, 369, 719	91163260..... 125	91303057 163, 167	91326024.....29
91146053.....642, 649	91163269..... 81	91303058 307, 481	91326025.....29
91146054.....642, 649	91164017..... 477	91303059 . 301, 303, 305, 307, 319, 321	91326026.....675
91146058..131, 136, 140, 143, 148, 152	91164019..... 647	91303067 620, 627	91333029..... 399
91146059.....255, 257	91164021..... 647	91303076 688	91335018.....723
91146071...17, 21, 26, 30	91164022..... 647	91304026 489, 683	91335019.....399
91146072...18, 22, 26, 29	91164024..... 647	91305016 79	91335026.....751
91146101.....125	91164025..... 647	91306030 79	91343010.....557, 559
91146111.....749	91164028..... 731	91321001 165, 169	91344048..... 87, 91, 102, 106, 110, 114
91146112.....749	91164029..... 731	91321002 165, 169	91361036.....696, 744
91151002...173, 175, 177	91164030..... 731	91321013 118, 126	91361037.....696, 745
91153012.....165, 169	91164031..... 731	91321014 118, 126	91363009.....605
91153021.....177	91164053..... 735	91321017 581	91363025.....239
91153031.....159, 161	91164054..... 735	91323001 544, 551	91363079.....696, 744
91155016.....161	91164055..... 735	91323002 . 544, 563, 567, 717	91363186.....696, 744
91161066.....38	91164056..... 735	91323003 . 544, 563, 567, 717	91364004.....531
91161067.....38	91164057..... 735	91323004 .. 563, 567, 717	91364005.....531
91161068.....38	91164058..... 735	91323005 .. 563, 567, 717	91364006.....531
91161083...673, 675, 677	91164059..... 735	91323006 118, 126	91364007.....531
91161185.....737	91164060..... 735	91323007 . 165, 169, 307, 311, 315	91364008.....531
91161269...712, 716, 731	91164063..... 735	91323008 117	91364015.....755
91161310.....125	91165006..... 737	91323010 165, 169	91364016.....755
91161313.....125	91166012..... 33, 37, 751	91323011 .. 309, 311, 315	91364017.....755
91161379...673, 675, 677	91166013 . 673, 675, 677, 712, 716	91323020 555, 559	91364018.....755
91163012.....239	91166062... 61, 369, 712, 716, 731	91323022 125, 297	91364019.....755
91163028.....557, 559	91166063..... 33, 38, 752	91323023 125, 297	91364020.....755
91163044.....477	91204460..... 423, 425	91325001 143	91364021.....755
91163045.....731	91204465..... 419	91325003 579	91365045..596, 600, 604, 654, 659, 757
91163049..673, 675, 677, 712, 716	91204466..... 419	91325004 165	91375002..... 125, 152
91163077.....713, 717	91204468..... 647	91325006 247	91403065..... 38
91163078.....713, 717	91204469..... 647	91325007 117, 147	91403066.....37
91163093.....257	91233012..... 25, 29, 499, 503	91325008 249	91403413....79, 607, 631, 641, 649
91163121.....705, 707	91301020 .. 688, 693, 701	91325011 707	91403414....79, 607, 631, 639, 641, 649
91163122..117, 125, 351, 361	91301064 688, 691	91325012 495	91404326..... 489, 683
91163129..171, 173, 175, 177	91301065 688, 691	91325019 716	91404327..... 489, 683
91163130...553, 557, 559	91301083..... 79	91325023 169	91404352..403, 405, 417, 635
91163137..171, 173, 175, 177	91301086..... 163, 167	91325031 125, 152	91411073.....641, 649
91163138....79, 607, 631, 639, 641, 649, 696, 744	91303019..... 701	91325033 559	91473100..171, 173, 175, 177
91163139....79, 607, 631, 641, 649, 696, 744	91303021 . 13, 17, 21, 25, 29	91325034 581	91504028.....489
91163164.....735	91303037 489	91325035 675	91504029.....489
91163191.....705, 707	91303038.. 688, 691, 693	91326001 25, 29	H045300283
91163201..136, 140, 148, 152, 337, 348, 351, 357, 361	91303041 688, 693	91326003 25	
	91303047 . 547, 549, 551, 553, 555, 557, 559	91326004 25	
	91303049 . 349, 354, 358, 362	91326005 25	
		91326006 117, 125	
		91326017 712, 716	



An Oshkosh Corporation Company

Corporate Office
JLG Industries, Inc.
1 JLG Drive
McConnellsburg PA. 17233-9533
USA

(717) 485-5161

(717) 485-6417

JLG Worldwide Locations

JLG Industries (Australia)
P.O. Box 5119
11 Bolwarra Road
Port Macquarie
N.S.W. 2444
Australia
 +61 2 65 811111
 +61 2 65 813058

JLG Latino Americana Ltda.
Rua Eng. Carlos Stevenson,
80-Suite 71
13092-310 Cam inas-SP
Brazil
 +55 19 3295 0407
 +55 19 3295 1025

JLG Industries (UK) Ltd
Bentley House
Bentley Avenue
Middleton
Greater Manchester
M24 2GP - England
 +44 (0)161 654 1000
 +44 (0)161 654 1001

JLG France SAS
Z.I. de Baulieu
47400 Fauillet
France
 +33 (0)5 53 88 31 70
 +33 (0)5 53 88 31 79

JLG Deutschland GmbH
Max-Planck-Str. 21
D - 27721 Ritterhude - Ihlpohl
Germany
 +49 (0)421 69 350 20
 +49 (0)421 69 350 45

JLG Equipment Services Ltd.
Rm 1107 Landmark North
39 Lung Sum Avenue
Sheung Shui N. T.
Hong Kong
 (852) 2639 5783
 (852) 2639 5797

JLG Industries (Italia) s.r.l.
Via Po. 22
20010 Pregnana Milanese - MI
Italy
 +39 029 359 5210
 +39 029 359 5845

Oshkosh-JLG Singapore
Technology Equipment Pte Ltd
29 Tuas Ave 4,
Jurong Industrial Estate
Singapore, 639379
 +65-6591 9030
 +65-6591 9031

Oshkosh-JLG (Tianjin) Equipment
Technology, Ltd
Pudong Kerry Parkside
Room 3705
1155 Fang Dian Road
Pudong, Shanghai 201204
China
 +0086 21 60311575
 +0086 21 60311599

Plataformas Elevadoras
JLG Iberica, S.L.
Trapadella, 2
P.I. Castellbisbal Sur
08755 Castellbisbal, Barcelona
Spain
 +34 93 772 4700
 +34 93 771 1762

JLG Sverige AB
Enkopingsvagen 150
Box 704
SE - 176 27 Jarfalla
Sweden
 +46 (0)850 659 500
 +46 (0)850 659 534

www.jlg.com