



Illustrated Parts Manual

Models

3507PS

31211268

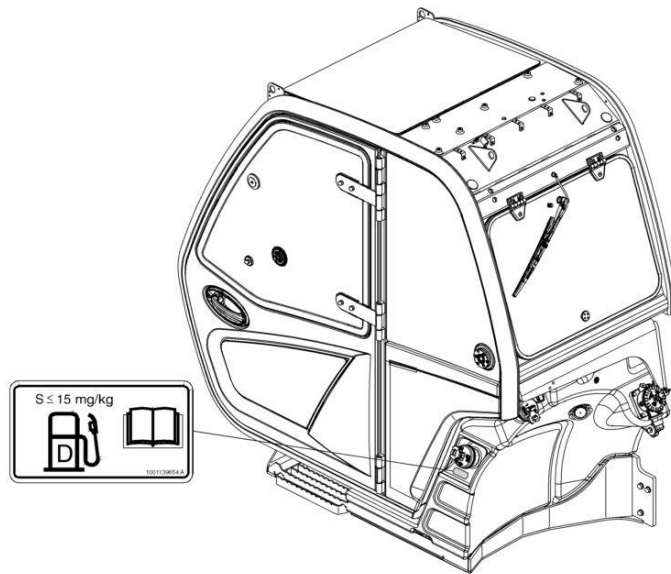
November 1, 2023 - Rev B



EFFECTIVITY PAGE

November 7, 2016 - A - Original Issue of Manual
November 1, 2023 - B - Revised Manual

Machine Configuration

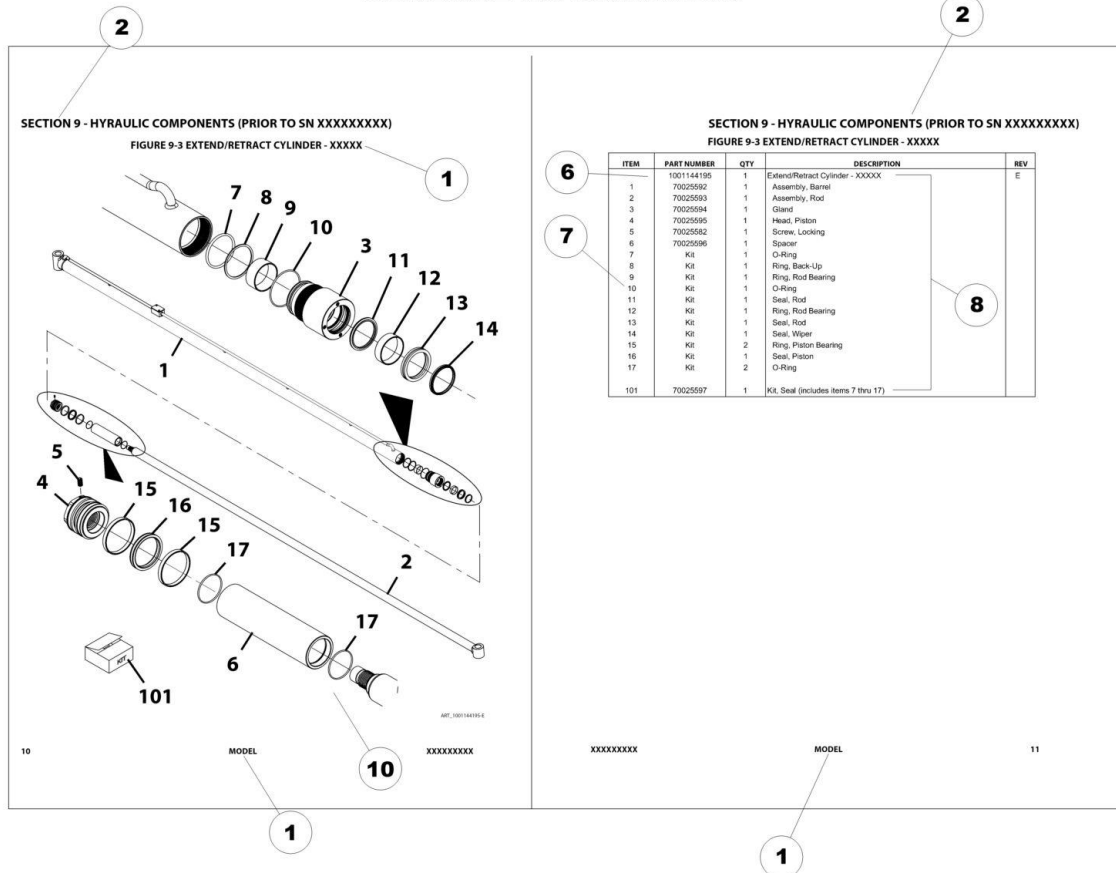


Two configurations of each machine are included in this manual. Determine if machine is equipped with Ultra Low Sulfur Fuel Decal (1).

If equipped with the Ultra Low Sulfur decal, all specific references to this machine configuration will be referred to as Ultra Low Sulfur (ULS) from this point forward.

If not equipped with the Ultra Low Sulfur decal, all specific references to this machine configuration will be referred to as Low Sulfur (LS) from this point forward.

GENERAL INFORMATION



1) MACHINE IDENTIFICATION

Machines are identified by model and in some cases a combination of models, serial number (SN) or regional standard (e.g. ANSI, CE, CSA, AUS). Components may also be identified by SN or manufacturer. Common components that may be identified by these characteristics are attachments, engine, transmission and hydraulic components.

2) PARTS MANUAL ORGANIZATION

Product information in this manual is organized under section titles. Frame, Engine and Electrical are a few examples. Each section is organized by Figure and page number. The information within the Figure is then organized by item number, part number, description and corresponding illustration(s).

3) TABLE OF CONTENTS (NOT SHOWN)

A table of contents (TOC) is found toward the beginning of the manual. Figure number, description and page number are provided for quick reference to the page containing the related information.

4) RECOMMENDED SPARE PARTS (NOT SHOWN)

The Recommended Spare Parts List, located near the end of the manual, reference most frequently used maintenance parts.

5) PART NUMBER INDEX (NOT SHOWN)

A numerical index listing all part numbers and the corresponding page number(s) appears at the back of the manual.

6) NON-SERVICED PARTS

In some instances, it is necessary to display non-serviced parts, assemblies or installations. In the case of assemblies and installations there will be a Ref in the QTY column and a note after the item description stating what is available for service within. In the case of parts that are not available for service within assemblies or components, there will be a NSS (Not Sold Separately) listed in the part number column of the manual.

7) PARTS LIST ITEM NUMBERS

Numbers shown in the item column correspond to numbers used in the associated illustration(s). Item numbers which are missing from sequence and are not shown in the illustration(s) are not used on that page.

8) INDENTED PARTS DESCRIPTION

An indented part description is included in the item under which it is indented.

9) ABBREVIATION AND SYMBOLS

AC.....Alternating Current
A/C.....Air Conditioning
ADE.....Advanced Design Electronics
AG.....Agriculture
AMP.....Amperage
ANSI..... American National Standards Institute
AR.....As Required
ASSY..... Assembly
AUS.....Australia
AUX.....Auxiliary
AWG.....American Wire Gauge
CAC..... Charge Air Cooler
CE.....European Conformity
CM.....Centimeter
CONST.....Construction
CSA.....Canadian Standards Association
DEF.....Diesel Exhaust Fluid
DIA.....Diameter
DC.....Direct Current
DTZ.....Decentralized Transmission Zeros
ECU.....Electronic Control Unit
EMS.....Emergency Stop
FNR.....Forward Neutral Reverse
FT.....Foot
GA.....Gauge
GR.....Grade
HBP.....High Boom Pivot
HHP.....High Horse Power
HOC.....Hydraulic Oil Cooler
HRC.....High Rated Countries
HVAC.....Heating Ventilating, and Air Conditioning
ID.....Inside Diameter
IN.....Inch
ISO.....International Organization for Standards
ITSDF...Industrial Truck Standards Development Foundation
JIC.....Joint Industry Council
KG.....Kilogram
KW.....Kilowatt
L.....Liter
LB.....Pound
LBP.....Low Boom Pivot

LCD.....Liquid Crystal Display
LED.....Light Emitting Diode
LH.....Left Hand
LHD.....Left Hand Drive
LHP.....Low Horse Power
LMIS.....Load Management Indicator System
LRC.....Low Rated Countries
LS.....Low Sulfur
LSI.....Load Stability Indicator
LSS.....Load Sensing System
M³.....Cubic Meter
MA.....Milliamp
M(m).....Metric/Meter
MM.....Millimeter
N.....Newton
NACD.....North America Construction Division
NLA.....No Longer Available
NSS.....Not Sold Separately
OD.....Outside Diameter
ORB.....O-Ring Boss
ORFS.....O-Ring Face Seal
OZ.....Ounce
PR.....Ply Rating
QT.....Quart
QTY.....Quantity
REF.....Reference
REV.....Revision
RH.....Right Hand
RHD.....Right Hand Drive
RHCO.....Remote Hydraulic Oil Cooler
RUS.....Russia
SAE.....Society of Automotive Engineers
SAHR.....Spring Applied Hydraulically Released
SN.....Serial Number
SPD.....Speed
TLU.....Torque Look Up
UGM.....Universal Ground Module
V.....Volts
W.....Watts
#.....Number

10) ILLUSTRATION REFERENCE LETTERS

When necessary, illustrations may contain reference letters that are intended to track information from one point to another in the illustration such as harnesses and hoses or any other information that has been separated in the illustration.

Note: Due to continuous product improvements, JLG Industries, Inc. reserves the right to make specification changes without prior notification. Contact JLG Industries, Inc. for updated information.

TABLE OF CONTENTS

SECTION 1 - FRAME AND ATTACHING PARTS.....	21
FIGURE 1-1. FRAME INSTALLATION.....	22
FIGURE 1-2. ENGINE ENCLOSURE INSTALLATION (NO RHOC).....	24
FIGURE 1-3. ENGINE ENCLOSURE INSTALLATION (RHOC).....	26
FIGURE 1-4. ENGINE ENCLOSURE COVER INSTALLATION (NO RHOC).....	28
FIGURE 1-5. ENGINE ENCLOSURE COVER INSTALLATION (RHOC).....	30
FIGURE 1-6. AIR INTAKE SEAL INSTALLATION.....	32
FIGURE 1-7. HOOD INSTALLATION.....	34
FIGURE 1-8. COVER PLATES INSTALLATION (NO OUTRIGGERS - ULS).....	36
FIGURE 1-9. COVER PLATES INSTALLATION (NO OUTRIGGERS - LS).....	38
FIGURE 1-10. COVER PLATE INSTALLATION (NO TRAILER BRAKES).....	40
FIGURE 1-11. COVER PLATE INSTALLATION (TRAILER BRAKES).....	42
FIGURE 1-12. COVER PLATE INSTALLATION (NO REAR AUX).....	44
FIGURE 1-13. COVER PLATE INSTALLATION (REAR AUX).....	46
FIGURE 1-14. COVER PLATE INSTALLATION (HYDRAULIC HITCH AND REAR AUX).....	48
FIGURE 1-15. REAR COVER PLATE INSTALLATION (NO HYDRAULIC HITCH).....	50
FIGURE 1-16. REAR COVER PLATE INSTALLATION (HYDRAULIC HITCH).....	52
FIGURE 1-17. TANKS INSTALLATION.....	54
FIGURE 1-18. FUEL TANK INSTALLATION.....	56
FIGURE 1-19. HYDRAULIC TANK INSTALLATION.....	58
FIGURE 1-20. FUEL TANK ASSEMBLY.....	60
FIGURE 1-21. HYDRAULIC TANK ASSEMBLY.....	62
FIGURE 1-22. FUEL AND HYDRAULIC CAP INSTALLATION.....	64
FIGURE 1-23. HITCH RETRIEVAL INSTALLATION.....	66
FIGURE 1-24. HITCH INSTALLATION (EEC AUTO).....	68
FIGURE 1-25. HITCH INSTALLATION (PITON).....	70
FIGURE 1-26. HITCH ASSEMBLY (EEC AUTO).....	72
FIGURE 1-27. SLIDING HITCH ASSEMBLY (PITON).....	74
FIGURE 1-28. HITCH INSTALLATION (EEC MANUAL).....	76
FIGURE 1-29. HITCH ASSEMBLY (EEC MANUAL).....	78
FIGURE 1-30. HITCH INSTALLATION (CUNA CATEGORY C).....	80
FIGURE 1-31. HITCH ASSEMBLY (CUNA CATEGORY C).....	82
FIGURE 1-32. HITCH INSTALLATION (CUNA CATEGORY D2).....	84
FIGURE 1-33. HITCH ASSEMBLY (CUNA CATEGORY D2).....	86
FIGURE 1-34. HITCH INSTALLATION (FIXED).....	88
FIGURE 1-35. HITCH ASSEMBLY (FIXED).....	90
FIGURE 1-36. HITCH INSTALLATION (HYDRAULIC).....	92
SECTION 2 - BOOM.....	95
FIGURE 2-1. BOOM INSTALLATION.....	96
FIGURE 2-2. BOOM ASSEMBLY.....	98
FIGURE 2-3. FIRST BOOM SECTION ASSEMBLY.....	100
FIGURE 2-4. SECOND BOOM SECTION ASSEMBLY.....	102
FIGURE 2-5. LINK ASSEMBLY.....	104
FIGURE 2-6. LEVER ASSEMBLY.....	106

TABLE OF CONTENTS

FIGURE 2-7. MANUAL QUICK COUPLER INSTALLATION.....	108
FIGURE 2-8. HYDRAULIC QUICK COUPLER INSTALLATION.....	110
FIGURE 2-9. BOOM ANGLE INDICATOR INSTALLATION	112
FIGURE 2-10. BOOM PROP INSTALLATION	114
FIGURE 2-11. BOOM BRUSHES INSTALLATION.....	116
SECTION 3 - ATTACHMENTS.....	119
FIGURE 3-1. CARRIAGE ASSEMBLY (1524MM) (CE & AUS)	120
FIGURE 3-2. CARRIAGE ASSEMBLY (1829MM) (CE & AUS)	122
FIGURE 3-3. CARRIAGE ASSEMBLY (1225MM) (CE & AUS)	124
FIGURE 3-4. CARRIAGE ASSEMBLY (1270MM) (ANSI).....	126
FIGURE 3-5. CARRIAGE ASSEMBLY (1524 MM) (ANSI).....	128
FIGURE 3-6. CARRIAGE ASSEMBLY (1829 MM) (ANSI).....	130
FIGURE 3-7. CARRIAGE ASSEMBLY (JOHN DEERE FIT) (CE)	132
FIGURE 3-8. CARRIAGE ASSEMBLY (MANITOU FIT) (CE)	134
FIGURE 3-9. CARRIAGE ASSEMBLY (JCB FIT) (CE).....	136
FIGURE 3-10. DUAL TINE BAILING FORK CARRIAGE (CE & AUS)	138
FIGURE 3-11. FEM CARRIAGE AND FORKS (CE & AUS)	140
FIGURE 3-12. SIDE TILTING CARRIAGE (4.5 TON - 1225 MM) (CE & AUS).....	142
FIGURE 3-13. SIDE TILTING CARRIAGE (4.5 TON - 1270 MM) (ANSI)	144
FIGURE 3-14. SIDE TILTING CARRIAGE (4.5 TON - 1575 MM) (ANSI)	146
FIGURE 3-15. SIDE TILTING CARRIAGE (4.0 TON - 1575 MM) (CE & AUS).....	148
FIGURE 3-16. SIDE TILTING CARRIAGE (4.5 TON - 1829 MM) (ANSI)	150
FIGURE 3-17. SIDE TILTING CARRIAGE (4.0 TON - 1829 MM) (CE & AUS).....	152
FIGURE 3-18. SIDE SHIFT CARRIAGE (4.0 TON - 1225 MM) (CE & AUS)	154
FIGURE 3-19. SIDE SHIFT CARRIAGE (5.5 TON - 1270 MM) (ANSI).....	156
FIGURE 3-20. FORK POSITIONING CARRIAGE WITH FORKS (4.0 TON) (CE & AUS)	158
FIGURE 3-21. FORK POSITIONING CARRIAGE WITH FORKS (4.5 TON) (ANSI).....	160
FIGURE 3-22. DUAL FORK CARRIAGE ASSEMBLY	162
FIGURE 3-23. DUAL FORK CARRIAGE VALVE ASSEMBLY	164
FIGURE 3-24. FORK ROTATING CARRIAGE (4.5 TON - 1270 MM).....	166
FIGURE 3-25. PALLET FORK (50X100X1070) (CE & AUS)	170
FIGURE 3-26. PALLET FORK (50X100X1220) (CE & AUS)	172
FIGURE 3-27. PALLET FORK (50X120X1200) (CE).....	174
FIGURE 3-28. PALLET FORK (50X120X1200) (CE & AUS - IF EQUIPPED WITH 1170002)	176
FIGURE 3-29. PALLET FORK (2.36X4X48) (ANSI)	178
FIGURE 3-30. PALLET FORK (2.36X5X48)	180
FIGURE 3-31. PALLET FORK (2.00X6X72) (ANSI)	182
FIGURE 3-32. BLOCKING FORK (50X50X1220) (CE & AUS).....	184
FIGURE 3-33. BLOCKING FORK (50X50X1220) (ANSI)	186
FIGURE 3-34. LUMBER FORK (40X150X1540) (CE & AUS).....	188
FIGURE 3-35. LUMBER FORK (40X150X1540) (ANSI).....	190
FIGURE 3-36. LUMBER FORK (45X150X1540) (CE & AUS).....	192
FIGURE 3-37. LUMBER FORK (50X180X1540) (ANSI).....	194
FIGURE 3-38. LUMBER FORK (60X150X1524) (ANSI).....	196
FIGURE 3-39. BUCKET (1.15 M ³) (ANSI)	198

TABLE OF CONTENTS

FIGURE 3-40. BUCKET (1 M ³) (CE & AUS)	200
FIGURE 3-41. BUCKET (1.5 M ³) (CE & AUS)	202
FIGURE 3-42. BUCKET (2 M ³) (CE & AUS)	204
FIGURE 3-43. BUCKET (2.5 M ³) (CE & AUS)	206
FIGURE 3-44. BUCKET (3 M ³) (CE & AUS)	208
FIGURE 3-45. FORK MOUNTED BUCKET (1.0 M ³) (ANSI).....	210
FIGURE 3-46. DIRT BUCKET (1.0 M ³) (CE & AUS).....	212
FIGURE 3-47. 4 IN 1 BUCKET (0.6 M ³) (CE & AUS).....	214
FIGURE 3-48. 4 IN 1 BUCKET (1.0 M ³) (CE & AUS).....	216
FIGURE 3-49. MULTI-PURPOSE GRAPPLE BUCKET (2450 MM) (ANSI)	218
FIGURE 3-50. MULTI-PURPOSE GRAPPLE BUCKET (WIDE GRIP - 2450 MM) (CE & AUS).....	220
FIGURE 3-51. MANURE GRAPPLE BUCKET (CE & AUS)	222
FIGURE 3-52. BOLT-ON EDGE (2450 MM).....	224
FIGURE 3-53. BUCKET GUARD.....	226
FIGURE 3-54. BUCKET TEETH KIT	228
FIGURE 3-55. BALE HANDLER KIT (SPIKES) (CE & AUS).....	230
FIGURE 3-56. BALE HANDLER KIT (SPIKES TO TUBE) (CE & AUS)	232
FIGURE 3-57. TRUSS BOOM (4 TON - 2.1M) (CE & AUS).....	234
FIGURE 3-58. TRUSS BOOM (1 TON - 3.4M) (CE & AUS).....	236
FIGURE 3-59. TRUSS BOOM (0.9 TON - 3.7M) (ANSI)	238
FIGURE 3-60. TRUSS BOOM (1.8 TON - 3 FT WITH WINCH) (CE).....	240
FIGURE 3-61. TRUSS BOOM (1.8 TON - 3 FT WITH WINCH) (ANSI).....	242
FIGURE 3-62. TRUSS BOOM (3 FT WITH WINCH)	244
FIGURE 3-63. TRUSS BOOM (0.9 TON - 12 FT WITH WINCH) (CE)	246
FIGURE 3-64. TRUSS BOOM (0.9 TON - 3.7M WITH WINCH) (ANSI).....	248
FIGURE 3-65. CRANE HOOK (CE & AUS).....	250
FIGURE 3-66. CRANE HOOK (ANSI)	252
FIGURE 3-67. FORK MOUNTED HOOK (4 TON) (ANSI).....	254
FIGURE 3-68. FORK MOUNTED HOOK (4 TON) (CE)	256
FIGURE 3-69. BALE HANDLER (TUBE CLAMP) (CE & AUS)	258
FIGURE 3-70. BALE HANDLER (SPIKE CLAMP) (CE & AUS)	260
FIGURE 3-71. MUCK FORK AND GRAB (CE & AUS).....	262
FIGURE 3-72. PIPE HANDLER CARRIAGE (CE & AUS)	264
FIGURE 3-73. PIPE HANDLER CARRIAGE (ANSI)	266
FIGURE 3-74. FORK MOUNTED BASKET (DOMESTIC) (ANSI)	270
FIGURE 3-75. FORK MOUNTED BASKET (ISO) (ANSI).....	272
FIGURE 3-76. FORK MOUNTED BASKET (FRENCH) (ANSI).....	274
FIGURE 3-77. FORK MOUNTED PLATFORM.....	276
FIGURE 3-78. FORK MOUNTED TRASH HOPPER.....	278
FIGURE 3-79. CONCRETE BUCKET (CE)	280
FIGURE 3-80. SWEEPER (CE & AUS)	284
FIGURE 3-81. SWEEPER (ANSI)	286
FIGURE 3-82. AUGER (COUPLER MOUNTED) (CE & AUS)	288
FIGURE 3-83. FORK EXTENSIONS (62X163X2286) (ANSI)	290
FIGURE 3-84. FORK EXTENSION (50X100X1910) (CE).....	292

TABLE OF CONTENTS

FIGURE 3-85. FORK EXTENSIONS (60X100X1920) (AUS).....	294
FIGURE 3-86. FORK TRANSPORT LATCHES INSTALLATION.....	296
FIGURE 3-87. AUGER BIT (6INX4IN)	298
FIGURE 3-88. AUGER BIT (9INX4IN)	300
FIGURE 3-89. AUGER BIT (12INX4IN)	302
FIGURE 3-90. AUGER BIT (15INX4IN)	304
FIGURE 3-91. AUGER BIT (18INX4IN)	306
FIGURE 3-92. AUGER BIT (24INX4IN)	308
FIGURE 3-93. AUGER BIT (36INX4IN)	310
SECTION 4 - ENGINE AND ATTACHING PARTS.....	313
FIGURE 4-1. ENGINE INSTALLATION (74.4KW - ULS - PISTON PUMP)	314
FIGURE 4-2. ENGINE INSTALLATION (90KW - ULS - PISTON PUMP)	316
FIGURE 4-3. ENGINE INSTALLATION (74.4KW - LS - PISTON PUMP).....	318
FIGURE 4-4. ENGINE INSTALLATION (90KW - LS - PISTON PUMP).....	320
FIGURE 4-5. ENGINE MOUNTING INSTALLATION (74.4KW).....	322
FIGURE 4-6. ENGINE MOUNTING INSTALLATION (90KW/100KW)	324
FIGURE 4-7. 3.6L ENGINE (74.4KW - ULS - PISTON PUMP).....	326
FIGURE 4-8. 3.6L ENGINE (90KW - ULS - PISTON PUMP).....	328
FIGURE 4-9. 3.6L ENGINE (74.4KW - LS - PISTON PUMP)	330
FIGURE 4-10. 3.6L ENGINE (90KW - LS - PISTON PUMP)	332
FIGURE 4-11. ENGINE ECU INSTALLATION (ULS).....	334
FIGURE 4-12. ENGINE ECU INSTALLATION (LS)	336
FIGURE 4-13. BRACKET GUARD INSTALLATION	338
FIGURE 4-14. FUEL LINES INSTALLATION (ULS)	340
FIGURE 4-15. FUEL LINES INSTALLATION (ULS - RHOC).....	342
FIGURE 4-16. FUEL LINES INSTALLATION (LS).....	344
FIGURE 4-17. FUEL LINES INSTALLATION (LS - RHOC)	346
FIGURE 4-18. EXHAUST INSTALLATION (ULS).....	348
FIGURE 4-19. EXHAUST INSTALLATION (LS)	350
FIGURE 4-20. COOLING PACKAGE INSTALLATION (74.4KW - ULS).....	352
FIGURE 4-21. COOLING PACKAGE INSTALLATION (74.4KW - LS).....	354
FIGURE 4-22. COOLING PACKAGE INSTALLATION (90KW - ULS)	356
FIGURE 4-23. COOLING PACKAGE INSTALLATION (90KW - LS).....	358
FIGURE 4-24. COOLING FAN INSTALLATION	360
FIGURE 4-25. FAN LINES INSTALLATION (74.4KW).....	362
FIGURE 4-26. FAN LINES INSTALLATION (90KW).....	364
FIGURE 4-27. FAN DRIVE MOTOR (NO RHOC)	366
FIGURE 4-28. FAN DRIVE MOTOR (RHOC)	368
FIGURE 4-29. PRIMARY FUEL FILTER INSTALLATION (74.4KW - ULS).....	370
FIGURE 4-30. FUEL FILTER INSTALLATION (90/100KW - ULS)	372
FIGURE 4-31. PRIMARY FUEL FILTER INSTALLATION (90KW - LS).....	374
FIGURE 4-32. PRIMARY FUEL FILTER INSTALLATION (74.4KW - LS).....	376
FIGURE 4-33. AIR CLEANER INSTALLATION (74.4KW - ULS).....	378
FIGURE 4-34. AIR CLEANER INSTALLATION (90/100KW)	380
FIGURE 4-35. AIR CLEANER INSTALLATION (74.4KW - LS).....	382

TABLE OF CONTENTS

FIGURE 4-36. AIR CLEANER ASSEMBLY (74.4KW).....	384
FIGURE 4-37. AIR CLEANER ASSEMBLY (90/100KW).....	386
FIGURE 4-38. AIR INTAKE LINES INSTALLATION (74.4KW - ULS)	388
FIGURE 4-39. AIR INTAKE LINES INSTALLATION (90/100KW - ULS)	390
FIGURE 4-40. AIR INTAKE LINES INSTALLATION (74.4KW - LS).....	392
FIGURE 4-41. AIR INTAKE LINES INSTALLATION (90KW - LS).....	394
FIGURE 4-42. COOLER INSTALLATION (74.4KW)	396
FIGURE 4-43. COOLER INSTALLATION (90KW)	398
FIGURE 4-44. RADIATOR COOLING PACKAGE (74.4KW).....	400
FIGURE 4-45. RADIATOR COOLING PACKAGE (90KW).....	402
FIGURE 4-46. REMOTE HOC INSTALLATION	404
FIGURE 4-47. COOLANT LINES INSTALLATION (ULS).....	406
FIGURE 4-48. COOLANT LINES INSTALLATION (LS)	408
FIGURE 4-49. COOLER LINES INSTALLATION (74.4KW)	410
FIGURE 4-50. COOLER LINES INSTALLATION (90KW)	412
FIGURE 4-51. CAC LINES INSTALLATION (ULS)	414
FIGURE 4-52. CAC LINES INSTALLATION (LS).....	416
FIGURE 4-53. SURGE TANK INSTALLATION	418
FIGURE 4-54. TANK EXPANSION.....	420
FIGURE 4-55. BULKHEAD INSTALLATION	422
FIGURE 4-56. DEF CONTROL MODULE INSTALLATION (ULS)	424
FIGURE 4-57. DEF TANK INSTALLATION (ULS).....	426
FIGURE 4-58. DEF LINES INSTALLATION (ULS).....	428
FIGURE 4-59. DEF TANK ASSEMBLY (ULS).....	430
FIGURE 4-60. REMOTE FUEL PUMP INSTALLATION (74.4KW).....	432
FIGURE 4-61. HYDRAULIC PUMP INSTALLATION (74.4KW)	434
FIGURE 4-62. HYDRAULIC PUMP INSTALLATION (90KW)	436
FIGURE 4-63. HEATER LINES INSTALLATION (ULS)	438
FIGURE 4-64. HEATER LINES INSTALLATION (LS).....	440
FIGURE 4-65. BLOCK HEATER INSTALLATION (230V - LS).....	442
FIGURE 4-66. BLOCK HEATER INSTALLATION (120V - LS).....	444
FIGURE 4-67. BLOCK HEATER (ULS)	446
FIGURE 4-68. BLOCK HEATER (LS).....	448
FIGURE 4-69. A/C PUMP INSTALLATION	450
FIGURE 4-70. A/C LINES INSTALLATION	452
SECTION 5 - DRIVE TRAIN	455
FIGURE 5-1. AXLES INSTALLATION (NO HYDRAULIC PARK BRAKE).....	456
FIGURE 5-2. AXLES INSTALLATION (HYDRAULIC PARK BRAKE)	458
FIGURE 5-3. FRONT AXLE INSTALLATION (NO HYDRAULIC PARK BRAKE).....	460
FIGURE 5-4. FRONT AXLE, CENTRAL HOUSING (NO HYDRAULIC PARK BRAKE).....	462
FIGURE 5-5. FRONT AXLE, DIFFERENTIAL (NO HYDRAULIC PARK BRAKE).....	464
FIGURE 5-6. FRONT AXLE, HUB REDUCTION (NO HYDRAULIC PARK BRAKE).....	466
FIGURE 5-7. FRONT AXLE, BRAKES (NO HYDRAULIC PARK BRAKE).....	468
FIGURE 5-8. FRONT AXLE, STEERING (NO HYDRAULIC PARK BRAKE)	470
FIGURE 5-9. FRONT AXLE INSTALLATION (HYDRAULIC PARK BRAKE)	472

TABLE OF CONTENTS

FIGURE 5-10. FRONT AXLE, CENTRAL HOUSING (HYDRAULIC PARK BRAKE)	474
FIGURE 5-11. FRONT AXLE, DIFFERENTIAL (HYDRAULIC PARK BRAKE)	476
FIGURE 5-12. FRONT AXLE, HUB REDUCTION (HYDRAULIC PARK BRAKE)	478
FIGURE 5-13. FRONT AXLE, BRAKES (HYDRAULIC PARK BRAKE)	480
FIGURE 5-14. FRONT AXLE, STEERING (HYDRAULIC PARK BRAKE)	482
FIGURE 5-15. REAR AXLE INSTALLATION	484
FIGURE 5-16. REAR AXLE, CENTRAL HOUSING	486
FIGURE 5-17. REAR AXLE, DIFFERENTIAL	488
FIGURE 5-18. REAR AXLE, HUB REDUCTION	490
FIGURE 5-19. REAR AXLE, BRAKES	492
FIGURE 5-20. REAR AXLE, STEERING	494
FIGURE 5-21. DIFFERENTIAL KIT	496
FIGURE 5-22. REDUCTION BUSHING KIT	498
FIGURE 5-23. PLANET GEAR CARRIER KIT	500
FIGURE 5-24. STEERING CASE KIT, (LF, RR)	502
FIGURE 5-25. STEERING CASE KIT, (RF, LR)	504
FIGURE 5-26. STEERING ADJUST BOLT KIT	506
FIGURE 5-27. RING GEAR SUPPORT KIT	508
FIGURE 5-28. PISTON KIT (LH)	510
FIGURE 5-29. PISTON KIT (RH)	512
FIGURE 5-30. DIFFERENTIAL KIT	514
FIGURE 5-31. PISTON KIT	516
FIGURE 5-32. DRIVE SHAFTS INSTALLATION	518
FIGURE 5-33. REMOTE GREASE SYSTEM INSTALLATION	520
FIGURE 5-34. AXLE SHIM INSTALLATION	522
FIGURE 5-35. TRANSMISSION INSTALLATION (4 SPD)	524
FIGURE 5-36. TRANSMISSION INSTALLATION (6 SPD - 90KW)	526
FIGURE 5-37. TRANSMISSION (4 SPD)	528
FIGURE 5-38. TRANSMISSION (6 SPD - 90KW)	530
FIGURE 5-39. PLANETARY CASE AND PARTS GROUP	532
FIGURE 5-40. TORQUE CONVERTER GROUP	534
FIGURE 5-41. TRANSFER GEAR AND CASE GROUP	536
FIGURE 5-42. TRANSFER GEAR AND CASE GROUP	538
FIGURE 5-43. TRANSMISSION HYDRAULIC CONTROL GROUP	540
FIGURE 5-44. INPUT SHAFT GROUP	542
FIGURE 5-45. TRANSMISSION CLUTCH GROUP	544
FIGURE 5-46. CLUTCH AND GEAR GROUP	546
FIGURE 5-47. TRANSMISSION PUMP GROUP	548
FIGURE 5-48. OUTPUT SHAFT GROUP	550
FIGURE 5-49. SPEED SENSOR	552
FIGURE 5-50. IDLER GEAR	554
FIGURE 5-51. REAR TRANSMISSION CASE	556
FIGURE 5-52. PLANETARY CASE	558
FIGURE 5-53. FRONT TRANSFER CASE	560
FIGURE 5-54. REAR TRANSFER CASE	562

TABLE OF CONTENTS

FIGURE 5-55. FRONT TRANSFER CASE.....	564
FIGURE 5-56. REAR TRANSFER CASE	566
FIGURE 5-57. RELIEF VALVE	568
FIGURE 5-58. SOLENOID VALVE	570
FIGURE 5-59. SOLENOID VALVE	572
FIGURE 5-60. FRONT TRANSMISSION CASE ASSEMBLY	574
FIGURE 5-61. REAR TRANSMISSION CASE ASSEMBLY	576
FIGURE 5-62. TIRE/WHEEL SET (AIR - 15.5/80-24 - 16PR)	578
FIGURE 5-63. RIGHT TIRE/WHEEL ASSEMBLY (AIR - 15.5/80-24 - 16PR).....	580
FIGURE 5-64. LEFT TIRE/WHEEL ASSEMBLY (AIR - 15.5/80-24 - 16PR)	582
FIGURE 5-65. TIRE/WHEEL SET (AIR - 15.5 R25 XHA TL).....	584
FIGURE 5-66. RIGHT TIRE/WHEEL ASSEMBLY (AIR - 15.5 R25).....	586
FIGURE 5-67. LEFT TIRE/WHEEL ASSEMBLY (AIR - 15.5 R25)	588
FIGURE 5-68. TIRE/WHEEL SET (AIR - 460/70 R24 XMCL)	590
FIGURE 5-69. RIGHT TIRE/WHEEL ASSEMBLY (AIR - 460/70 R24).....	592
FIGURE 5-70. LEFT TIRE/WHEEL ASSEMBLY (AIR - 460/70 R24)	594
FIGURE 5-71. TIRE/WHEEL SET (AIR - 500/70 R24 XMCL)	596
FIGURE 5-72. RIGHT TIRE/WHEEL ASSEMBLY (AIR - 500/70 R24).....	598
FIGURE 5-73. LEFT TIRE/WHEEL ASSEMBLY (AIR - 500/70 R24)	600
FIGURE 5-74. TIRE/WHEEL SET (AIR - 440/80-24 POWER CL).....	602
FIGURE 5-75. RIGHT TIRE/WHEEL ASSEMBLY (AIR - 440/80-24)	604
FIGURE 5-76. LEFT TIRE/WHEEL ASSEMBLY (AIR - 440/80-24).....	606
FIGURE 5-77. TIRE/WHEEL SET (AIR - 400/80-24 POWER CL).....	608
FIGURE 5-78. RIGHT TIRE/WHEEL ASSEMBLY (AIR - 400/80-24)	610
FIGURE 5-79. LEFT TIRE/WHEEL ASSEMBLY (AIR - 400/80-24).....	612
FIGURE 5-80. TIRE/WHEEL SET (AIR - 370/75-28).....	614
FIGURE 5-81. TIRE/WHEEL ASSEMBLY (AIR - 370/75-28)	616
FIGURE 5-82. TIRE/WHEEL SET (FOAM - 13X24).....	618
FIGURE 5-83. TIRE/WHEEL SET (AIR - 460/70 R24 - BIBLOAD).....	620
FIGURE 5-84. RIGHT TIRE/WHEEL ASSEMBLY (AIR - 460/70 R24 - BIBLOAD)	622
FIGURE 5-85. LEFT TIRE/WHEEL ASSEMBLY (AIR - 460/70 R24 - BIBLOAD)	624
FIGURE 5-86. WHEEL CHOCK INSTALLATION.....	626
FIGURE 5-87. FENDER INSTALLATION (NO AIR - 460/70 R24 XMCL, AIR - 500/70 R24 XMCL, AIR - 440/80-24 POWER CL)	628
FIGURE 5-88. FENDER INSTALLATION (AIR - 460/70 R24 XMCL, AIR - 500/70 R24 XMCL, AIR - 440/80-24 POWER CL) ...	630
FIGURE 5-89. FENDER ASSEMBLY	632
FIGURE 5-90. FENDER ASSEMBLY	634
FIGURE 5-91. FENDER ASSEMBLY	636
FIGURE 5-92. FENDER ASSEMBLY	638
FIGURE 5-93. FENDER ASSEMBLY	640
FIGURE 5-94. FENDER ASSEMBLY	642
FIGURE 5-95. FENDER ASSEMBLY	644
FIGURE 5-96. FENDER ASSEMBLY	646
SECTION 6 - CAB.....	649
FIGURE 6-1. CAB MOUNTS INSTALLATION.....	650

TABLE OF CONTENTS

FIGURE 6-2. ENCLOSED CAB INSTALLATION	652
FIGURE 6-3. ENCLOSED CAB ASSEMBLY	654
FIGURE 6-4. ENCLOSED CAB GROUP	656
FIGURE 6-5. ENCLOSED CAB	658
FIGURE 6-6. ENCLOSED CAB PLUG GROUP	660
FIGURE 6-7. REAR WINDOW INSTALLATION	662
FIGURE 6-8. REAR WINDOW ASSEMBLY	664
FIGURE 6-9. DOOR INSTALLATION	666
FIGURE 6-10. DOOR ASSEMBLY (AG)	668
FIGURE 6-11. CAB DOOR	670
FIGURE 6-12. DOOR UPPER GLASS ASSEMBLY	672
FIGURE 6-13. CAB LATCH ASSEMBLY	674
FIGURE 6-14. CAB DOOR TRIGGER ASSEMBLY	676
FIGURE 6-15. DOOR STRAP INSTALLATION	678
FIGURE 6-16. ENCLOSED CAB TRIM INSTALLATION	680
FIGURE 6-17. DASH COVER ASSEMBLY	684
FIGURE 6-18. RECIRCULATION GRILLE COVER PANEL ASSEMBLY	686
FIGURE 6-19. REAR PANEL COVER ASSEMBLY	688
FIGURE 6-20. ADJUSTABLE ARMREST INSTALLATION	690
FIGURE 6-21. HEADLINER INSTALLATION	692
FIGURE 6-22. HEADLINER/ RADIO READY INSTALLATION	694
FIGURE 6-23. COMMON CAB TRIM INSTALLATION	696
FIGURE 6-24. CAB TRIM INSTALLATION	698
FIGURE 6-25. ROOF CAP INSTALLATION (A/C)	700
FIGURE 6-26. ROOF CAP INSTALLATION (NO A/C)	702
FIGURE 6-27. FRONT COVER INSTALLATION	704
FIGURE 6-28. FILTER TRAY PANEL	706
FIGURE 6-29. FRONT DUCT COVER	708
FIGURE 6-30. SEAT INSTALLATION (AIR SUSPENSION - STANDARD)	710
FIGURE 6-31. SEAT ASSEMBLY (AIR SUSPENSION - STANDARD)	712
FIGURE 6-32. SEAT INSTALLATION (PREMIUM)	714
FIGURE 6-33. SEAT INSTALLATION (MECHANICAL)	716
FIGURE 6-34. SEAT ASSEMBLY	718
FIGURE 6-35. UPPER SEAT ASSEMBLY	720
FIGURE 6-36. UPPER SEAT ASSEMBLY	722
FIGURE 6-37. SUSPENSION KIT	724
FIGURE 6-38. SEAT BELT INSTALLATION (3IN)	726
FIGURE 6-39. SEAT BELT INSTALLATION (2IN)	728
FIGURE 6-40. HEATER INSTALLATION	730
FIGURE 6-41. HEATER AND A/C INSTALLATION	732
FIGURE 6-42. HEATER ASSEMBLY	736
FIGURE 6-43. HEATER AND A/C ASSEMBLY	738
FIGURE 6-44. HEATER	740
FIGURE 6-45. HEATER AND A/C	742
FIGURE 6-46. CAB CONDENSER ASSEMBLY	744

TABLE OF CONTENTS

FIGURE 6-47. CONDENSER	746
FIGURE 6-48. A/C RECEIVER DRIER.....	748
FIGURE 6-49. ROOF WIPER INSTALLATION	750
FIGURE 6-50. FRONT NOSE CONE INSTALLATION (SIDELIGHT).....	752
FIGURE 6-51. RETRACTABLE SUNSCREEN INSTALLATION	754
FIGURE 6-52. CAB STEP INSTALLATION.....	756
FIGURE 6-53. FLOOR MAT INSTALLATION.....	758
FIGURE 6-54. EXTERNAL WINDOW RELEASE INSTALLATION (CAN & ISO)	760
FIGURE 6-55. CAB GUARD INSTALLATION (TOP).....	762
FIGURE 6-56. CAB GUARD INSTALLATION (FRONT).....	764
FIGURE 6-57. CAB GUARD INSTALLATION (TOP AND FRONT).....	766
FIGURE 6-58. NUMBER PLATE BRACKET INSTALLATION (NO CAB GUARD)	768
FIGURE 6-59. NUMBER PLATE BRACKET INSTALLATION (CAB GUARD)	770
FIGURE 6-60. MIRROR INSTALLATION	772
FIGURE 6-61. HITCH MIRROR INSTALLATION (CONVEX).....	774
FIGURE 6-62. HITCH MIRROR INSTALLATION (FLAT)	776
FIGURE 6-63. MIRROR ASSEMBLY (CONVEX).....	778
FIGURE 6-64. INTERIOR MIRROR INSTALLATION	780
FIGURE 6-65. INTERIOR MIRROR	782
FIGURE 6-66. BASIC MIRROR INSTALLATION	784
FIGURE 6-67. FRONT WIPER INSTALLATION.....	786
FIGURE 6-68. WASHER TANK INSTALLATION	788
FIGURE 6-69. WASHER BOTTLE	790
FIGURE 6-70. WASHER HOSES INSTALLATION	792
FIGURE 6-71. HAMMER INSTALLATION.....	794
FIGURE 6-72. HAMMER ATTACHMENT ASSEMBLY	796
FIGURE 6-73. LEVEL INDICATOR INSTALLATION.....	798
SECTION 7 - CONTROLS	801
FIGURE 7-1. ACCELERATOR PEDAL INSTALLATION	802
FIGURE 7-2. ACCELERATOR PEDAL	804
FIGURE 7-3. BRAKE PEDAL INSTALLATION.....	806
FIGURE 7-4. BRAKE PEDAL	808
FIGURE 7-5. BRAKE PEDAL PLATE	810
FIGURE 7-6. BRAKE SENSOR INSTALLATION	812
FIGURE 7-7. SWITCH PLATE ASSEMBLY	814
FIGURE 7-8. PARKING BRAKE INSTALLATION (CABLE)	816
FIGURE 7-9. PARKING BRAKE INSTALLATION (SAHR)	818
FIGURE 7-10. PARKING BRAKE COVER (MECHANICAL)	820
FIGURE 7-11. PARKING CABLE ASSEMBLY (MECHANICAL)	822
FIGURE 7-12. STEERING WHEEL INSTALLATION.....	824
FIGURE 7-13. STEERING WHEEL	826
FIGURE 7-14. STEERING COLUMN INSTALLATION.....	828
FIGURE 7-15. TILT STEERING COLUMN	830
FIGURE 7-16. HORN INSTALLATION	832
FIGURE 7-17. HORN BUTTON INSTALLATION	834

TABLE OF CONTENTS

FIGURE 7-18. JOYSTICK INSTALLATION.....	836
FIGURE 7-19. WIPER-TURN SWITCH (0 SPEED - FNR).....	838
FIGURE 7-20. WIPER-TURN SWITCH (NO SPEED).....	840
SECTION 8 - HYDRAULIC CIRCUITS	843
FIGURE 8-1. COMMON HYDRAULICS INSTALLATION	844
FIGURE 8-2. HYDRAULICS INSTALLATION	846
FIGURE 8-3. MAIN CONTROL VALVE INSTALLATION	848
FIGURE 8-4. PRIORITY VALVE INSTALLATION.....	850
FIGURE 8-5. STEER SELECT VALVE INSTALLATION.....	852
FIGURE 8-6. MANUAL COUPLER LINES INSTALLATION (FRONT BOOM - SINGLE).....	854
FIGURE 8-7. MANUAL COUPLER LINES INSTALLATION (FRONT BOOM - TWIN).....	856
FIGURE 8-8. HYDRAULIC COUPLER LINES INSTALLATION (FRONT BOOM - SINGLE)	858
FIGURE 8-9. HYDRAULIC COUPLER LINES INSTALLATION (FRONT BOOM - TWIN).....	860
FIGURE 8-10. BRAKE LINES INSTALLATION.....	862
FIGURE 8-11. BRAKE LINES INSTALLATION.....	864
FIGURE 8-12. SAHR LINES INSTALLATION.....	866
FIGURE 8-13. BRAKE ACCUMULATOR.....	868
FIGURE 8-14. BRAKE ACCUMLATOR INSTALLATION.....	870
FIGURE 8-15. STEERING LINES INSTALLATION.....	872
FIGURE 8-16. SUCTION LINES INSTALLATION.....	874
FIGURE 8-17. BOOM LINES INSTALLATION.....	876
FIGURE 8-18. PRIORITY LINES INSTALLATION.....	878
FIGURE 8-19. RETURN LINES INSTALLATION (NO SAHR)	880
FIGURE 8-20. RETURN LINES INSTALLATION (SAHR).....	882
FIGURE 8-21. BOOM RAISE HOSES INSTALLATION (NO RIDE CONTROL)	884
FIGURE 8-22. BOOM RAISE HOSES INSTALLATION (RIDE CONTROL).....	886
FIGURE 8-23. REAR AUX HYDRAULICS INSTALLATION (SINGLE)	888
FIGURE 8-24. REAR AUX HYDRAULICS INSTALLATION (TWIN)	890
FIGURE 8-25. TRAILER BRAKE INSTALLATION (NO ITALIAN).....	892
FIGURE 8-26. TRAILER BRAKE INSTALLATION (ITALIAN).....	894
FIGURE 8-27. BOOM HYDRAULIC INSTALLATION.....	896
FIGURE 8-28. MAIN HYDRAULIC PUMP INSTALLATION	898
FIGURE 8-29. IMPLEMENT PUMP INSTALLATION.....	900
FIGURE 8-30. LIFT CYLINDER INSTALLATION.....	902
FIGURE 8-31. COMPENSATION CYLINDER INSTALLATION	904
SECTION 9 - HYDRAULIC COMPONENTS	907
FIGURE 9-1. LIFT CYLINDER	908
FIGURE 9-2. TILT CYLINDER	910
FIGURE 9-3. INNER EXTEND/RETRACT CYLINDER ASSEMBLY.....	912
FIGURE 9-4. COMPENSATION CYLINDER	914
FIGURE 9-5. COUPLER LOCKING CYLINDER ASSEMBLY	916
FIGURE 9-6. SIDE SHIFT CARRIAGE CYLINDER	918
FIGURE 9-7. FORK POSITIONING CYLINDER	920
FIGURE 9-8. COUPLER LOCKING CYLINDER	922

TABLE OF CONTENTS

FIGURE 9-9. SIDE TILT CYLINDER	924
FIGURE 9-10. PIPE HANDLER CYLINDER.....	926
FIGURE 9-11. MAIN CONTROL VALVE	928
FIGURE 9-12. PRIORITY FLOW MANIFOLD	930
FIGURE 9-13. STEERING SELECT VALVE	932
FIGURE 9-14. PIPE HANDLER VALVE ASSEMBLY	934
FIGURE 9-15. DIVERTOR VALVE ASSEMBLY (HI FLOW)	936
FIGURE 9-16. DIVERTOR VALVE	938
FIGURE 9-17. DIVERTOR VALVE	940
FIGURE 9-18. DIVERTOR VALVE	942
FIGURE 9-19. FLOW DIVIDER VALVE.....	944
FIGURE 9-20. HYDRAULIC HITCH CONTROL VALVE	946
FIGURE 9-21. TRAILER BRAKE VALVE (CE)	948
FIGURE 9-22. FAN MOTOR CONTROL VALVE.....	950
FIGURE 9-23. IMPLEMENT PUMP	952
SECTION 10 - ELECTRICAL	955
FIGURE 10-1. MAIN ELECTRICAL INSTALLATION.....	956
FIGURE 10-2. CAB ELECTRICAL INSTALLATION	958
FIGURE 10-3. IGNITION SWITCH INSTALLATION.....	962
FIGURE 10-4. STANDARD ELECTRICAL BOARD ASSEMBLY	964
FIGURE 10-5. OPTION 1 ELECTRICAL BOARD ASSEMBLY	966
FIGURE 10-6. OPTION 2 ELECTRICAL BOARD ASSEMBLY	968
FIGURE 10-7. CAB HEATER HARNESS INSTALLATION	970
FIGURE 10-8. BOOM HARNESS INSTALLATION	972
FIGURE 10-9. ENGINE WIRING INSTALLATION (ULS)	974
FIGURE 10-10. ENGINE WIRING INSTALLATION (LS).....	976
FIGURE 10-11. ELECTRICAL COMPONENTS INSTALLATION.....	978
FIGURE 10-12. POWER DISTRIBUTION ELECTRICAL BOX.....	980
FIGURE 10-13. 200 AMP RELAY INSTALLATION	982
FIGURE 10-14. BATTERY INSTALLATION (STANDARD)	984
FIGURE 10-15. BATTERY INSTALLATION (DUAL)	986
FIGURE 10-16. DASH ELECTRICS INSTALLATION (ULS)	988
FIGURE 10-17. DASH ELECTRICS INSTALLATION (LS).....	990
FIGURE 10-18. MULTIFUNCTION DISPLAY INSTALLATION	992
FIGURE 10-19. REVERSE CAMERA INSTALLATION (TRAILER BRAKES)	994
FIGURE 10-20. REVERSE CAMERA INSTALLATION (NO TRAILER BRAKES)	996
FIGURE 10-21. REVERSE ALARM INSTALLATION	998
FIGURE 10-22. REVERSE SENSOR INSTALLATION (NO HYDRAULIC HITCH)	1000
FIGURE 10-23. REVERSE SENSOR INSTALLATION (HYDRAULIC HITCH)	1002
FIGURE 10-24. CLEARSKY INSTALLATION (A/C - LONG ROOF CAP)	1004
FIGURE 10-25. CLEARSKY INSTALLATION (NO A/C - SHORT ROOF CAP)	1006
FIGURE 10-26. TELEMATICS INSTALLATION (A/C - ULS).....	1008
FIGURE 10-27. TELEMATICS INSTALLATION (A/C - LS)	1010
FIGURE 10-28. TELEMATICS INSTALLATION (NO A/C - ULS)	1012
FIGURE 10-29. TELEMATICS CAP INSTALLATION.....	1014

TABLE OF CONTENTS

FIGURE 10-30. CAB WORKLIGHTS INSTALLATION (NO A/C)	1016
FIGURE 10-31. CAB WORKLIGHTS INSTALLATION (A/C)	1018
FIGURE 10-32. CAB WORKLIGHTS INSTALLATION (NO A/C - LED)	1020
FIGURE 10-33. CAB WORKLIGHTS INSTALLATION (A/C - LED)	1022
FIGURE 10-34. BOOM WORKLIGHTS INSTALLATION	1024
FIGURE 10-35. BOOM LED WORKLIGHTS INSTALLATION	1026
FIGURE 10-36. BEACON LIGHT INSTALLATION.....	1028
FIGURE 10-37. BEACON BRACKET INSTALLATION	1030
FIGURE 10-38. DIP LIGHTS INSTALLATION (RHD - NO OUTRIGGERS).....	1032
FIGURE 10-39. DIP LIGHTS INSTALLATION (LHD - NO OUTRIGGERS)	1034
FIGURE 10-40. LICENSE PLATE LAMP INSTALLATION.....	1036
FIGURE 10-41. TRAILER ELECTRICS INSTALLATION	1038
FIGURE 10-42. ENGINE SPEED SET SWITCH INSTALLATION	1040
FIGURE 10-43. DECLUTCH SWITCH INSTALLATION.....	1042
FIGURE 10-44. FOG LAMP SWITCH INSTALLATION.....	1044
FIGURE 10-45. LSI SENSOR INSTALLATION.....	1046
FIGURE 10-46. LSI DISPLAY INSTALLATION.....	1048
FIGURE 10-47. LSI SENSOR	1050
FIGURE 10-48. LMIS INSTALLATION (NO RIDE CONTROL)	1052
FIGURE 10-49. LMIS INSTALLATION (RIDE CONTROL)	1054
FIGURE 10-50. LMIS CONTROLLER INSTALLATION	1056
FIGURE 10-51. LMIS CABLE REEL INSTALLATION (NO RIDE CONTROL)	1058
FIGURE 10-52. LMIS CABLE REEL INSTALLATION (RIDE CONTROL)	1060
FIGURE 10-53. LMIS WIRING INSTALLATION	1062
FIGURE 10-54. LMIS BEACON INSTALLATION.....	1064
FIGURE 10-55. BOOM ANGLE SENSOR INSTALLATION	1066
FIGURE 10-56. EARTH STRAP INSTALLATION	1068
FIGURE 10-57. BOOM RETRACT SENSOR INSTALLATION	1070
FIGURE 10-58. FRONT FRAME HARNESS	1072
FIGURE 10-59. REAR FRAME HARNESS	1076
FIGURE 10-60. ENGINE HARNESS (ULS)	1080
FIGURE 10-61. ENGINE HARNESS (LS).....	1088
FIGURE 10-62. FUEL PUMP HARNESS.....	1094
FIGURE 10-63. GLOW PLUG RELAY HARNESS	1096
FIGURE 10-64. BOOM HARNESS	1098
FIGURE 10-65. LMIS CHASSIS HARNESS	1100
FIGURE 10-66. CAB HARNESS.....	1102
FIGURE 10-67. CAB OPTION HARNESS	1110
FIGURE 10-68. CAB HEATER HARNESS	1112
FIGURE 10-69. A/C OPTION HARNESS.....	1114
FIGURE 10-70. REVERSE SENSOR HARNESS	1116
FIGURE 10-71. TELEMATICS HARNESS (A/C-ULS)	1118
FIGURE 10-72. TELEMATICS HARNESS (NO A/C)	1120
FIGURE 10-73. CLEARSKY HARNESS (A/C).....	1122
FIGURE 10-74. LICENSE LIGHT HARNESS	1124

TABLE OF CONTENTS

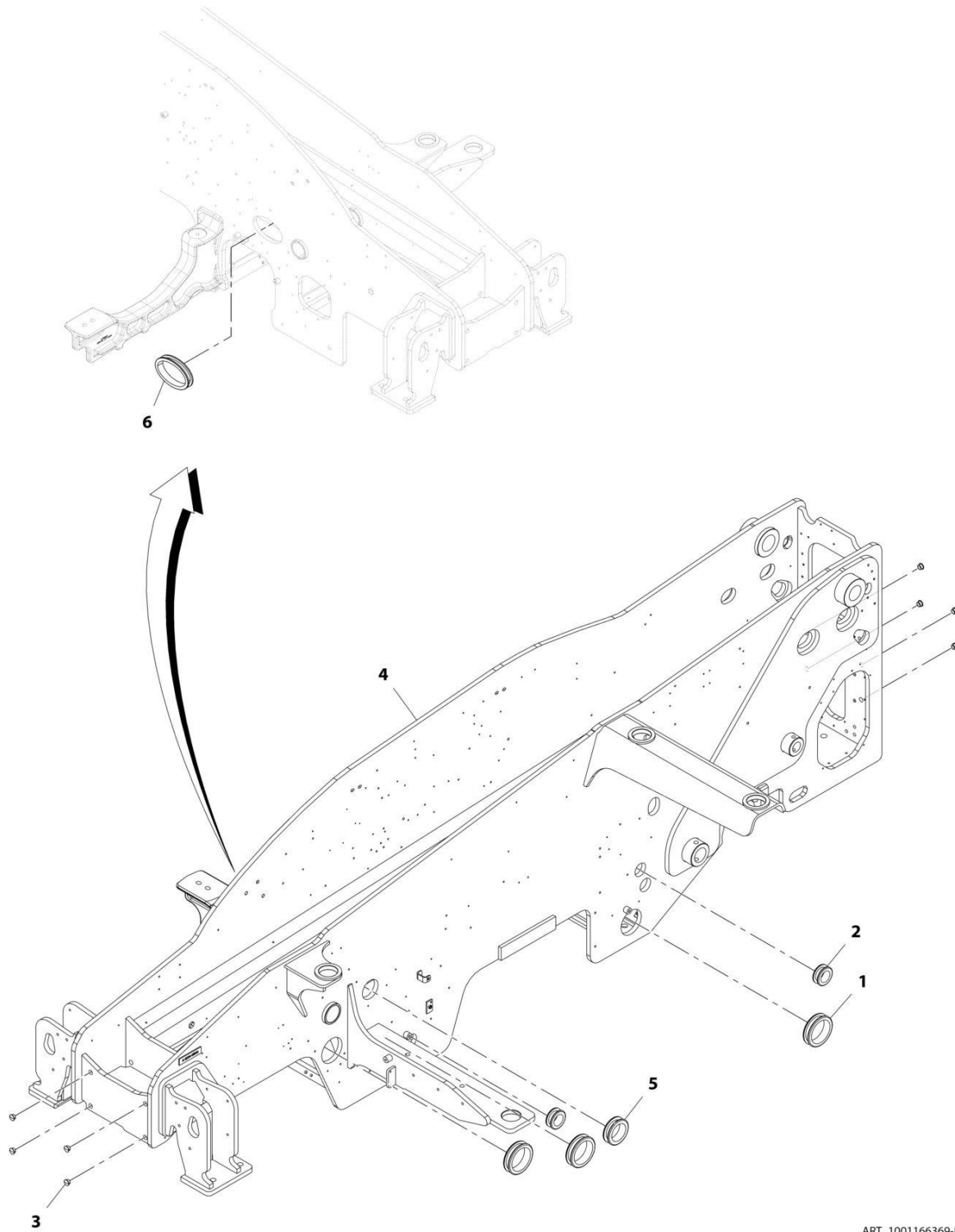
FIGURE 10-75. TRAILER CONNECTOR HARNESS.....	1126
FIGURE 10-76. SEAT ADAPTOR HARNESS.....	1128
FIGURE 10-77. BOOM WORKLIGHTS HARNESS.....	1130
SECTION 11 - DECALS.....	1133
FIGURE 11-1. CAPACITY CHART HOLDER INSTALLATION	1134
FIGURE 11-2. CAPACITY CHART (METRIC).....	1136
FIGURE 11-3. CAPACITY CHART (ANSI)	1138
FIGURE 11-4. CAPACITY CHART (AUS)	1140
FIGURE 11-5. DECALS INSTALLATION (3507PS)	1142
FIGURE 11-6. DECALS INSTALLATION (ANSI)	1144
FIGURE 11-7. DECALS INSTALLATION (CE & JAPAN)	1148
FIGURE 11-8. DECALS INSTALLATION (AUS)	1152
FIGURE 11-9. DECALS INSTALLATION (CIS).....	1156
FIGURE 11-10. DECALS INSTALLATION (NO CIS & AUS).....	1160
FIGURE 11-11. DECAL SOUND PLATE INSTALLATION (106DB)	1164
FIGURE 11-12. DECAL SOUND PLATE INSTALLATION (107DB)	1166
SECTION 12 - RECOMMENDED SPARE PARTS	1169
FIGURE 12-1. RECOMMENDED SPARE PARTS	1170
PART NUMBER INDEX	1173

SECTION 1 - FRAME AND ATTACHING PARTS

SECTION 1 - FRAME AND ATTACHING PARTS

SECTION 1 - FRAME AND ATTACHING PARTS

FIGURE 1-1. FRAME INSTALLATION



ART_1001166369-K

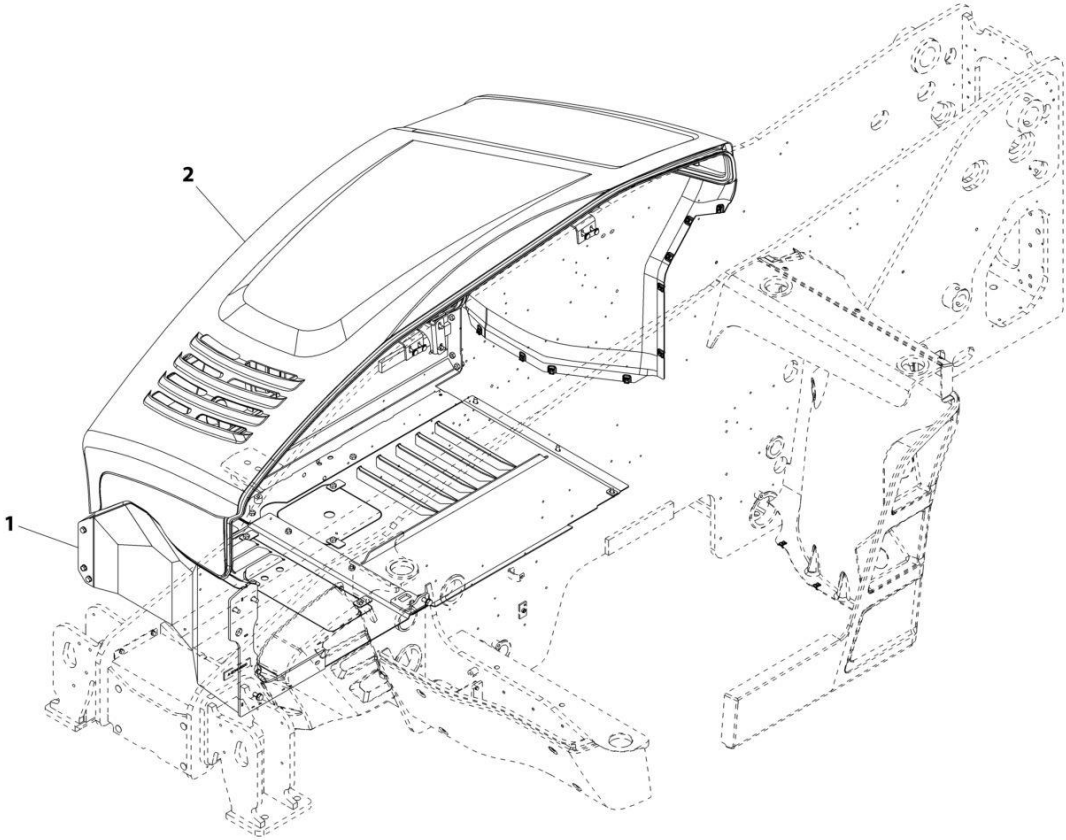
SECTION 1 - FRAME AND ATTACHING PARTS

FIGURE 1-1. FRAME INSTALLATION

ITEM	PART NUMBER	QTY	DESCRIPTION	REV
	1001166369	Ref	Frame Installation	K
1	1001003439	3	Grommet, Rubber	
2	1001028308	2	Grommet, Rubber	
3	1001091126	8	Plug, Black	
4	1001153902J	1	Frame	
5	1001028291	1	Grommet	
6	1001217550	1	Grommet, Rubber	

SECTION 1 - FRAME AND ATTACHING PARTS

FIGURE 1-2. ENGINE ENCLOSURE INSTALLATION (NO RHOC)



ART_1001182423-E

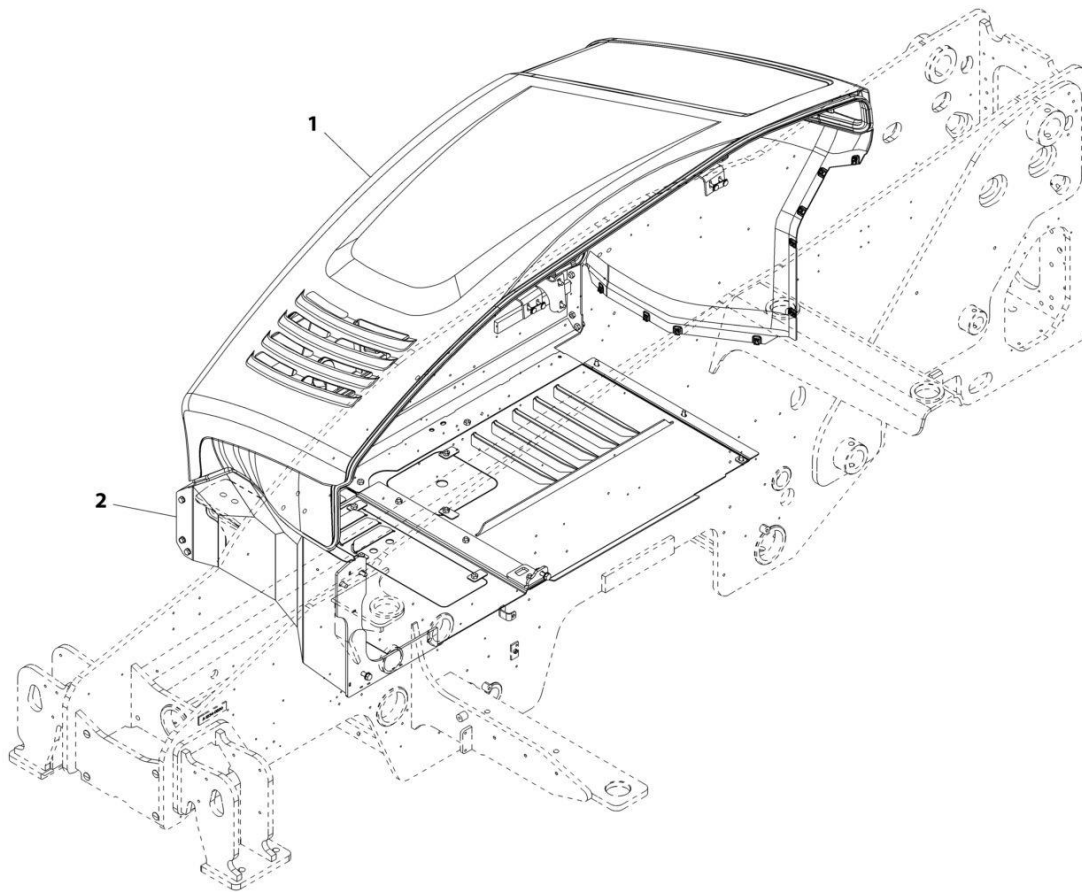
SECTION 1 - FRAME AND ATTACHING PARTS

FIGURE 1-2. ENGINE ENCLOSURE INSTALLATION (NO RHOC)

ITEM	PART NUMBER	QTY	DESCRIPTION	REV
1	1001182423	Ref	Engine Enclosure Installation (No RHOC)	E
	1001195827	Ref	Installation, Engine Enclosure Cover (No RHOC) (See Separate Breakdown in this Section)	
2	1001184514	Ref	Installation, Hood (See Separate Breakdown in this Section)	

SECTION 1 - FRAME AND ATTACHING PARTS

FIGURE 1-3. ENGINE ENCLOSURE INSTALLATION (RHOC)



ART_1001185790-E

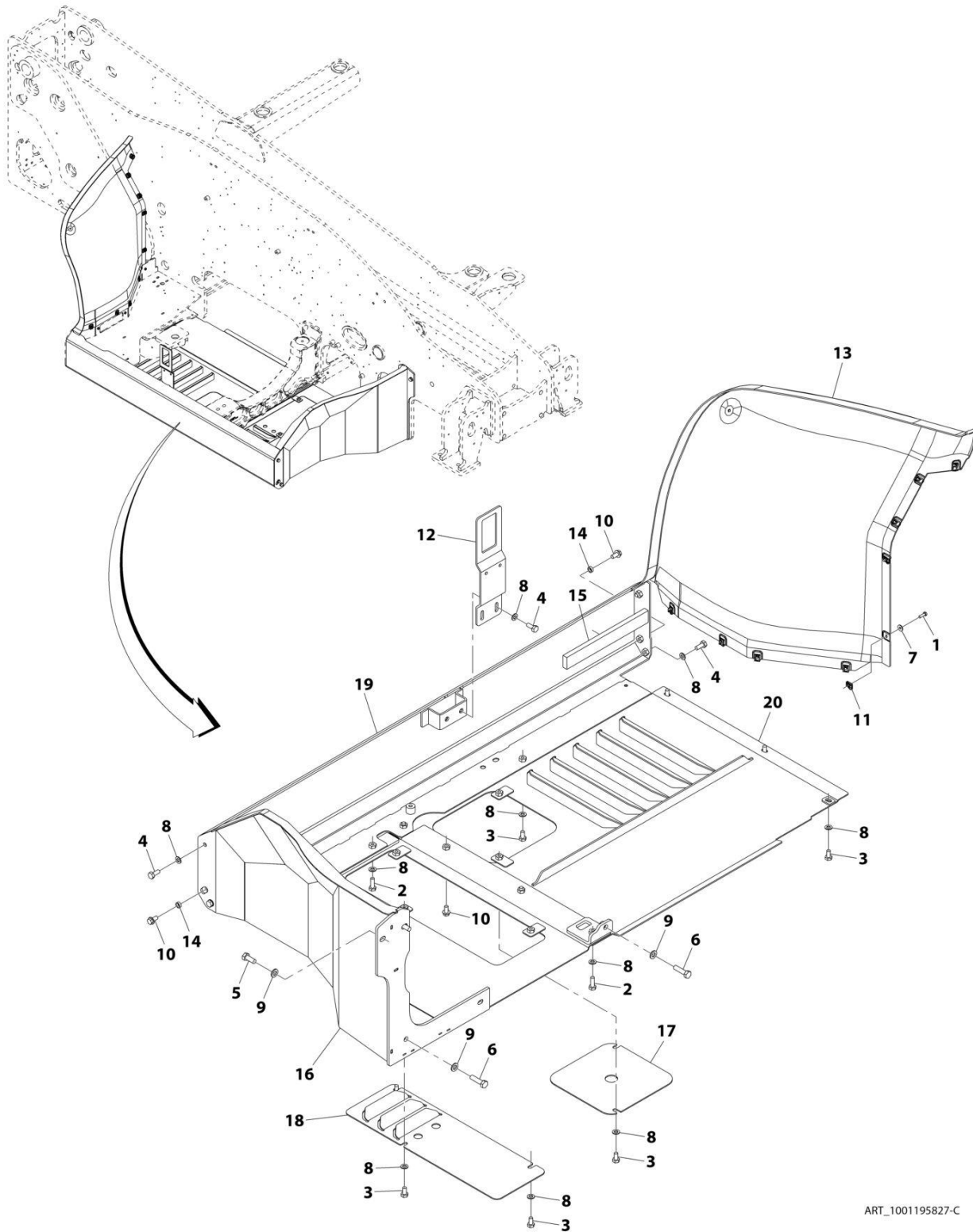
SECTION 1 - FRAME AND ATTACHING PARTS

FIGURE 1-3. ENGINE ENCLOSURE INSTALLATION (RHOC)

ITEM	PART NUMBER	QTY	DESCRIPTION	REV
1	1001185790	Ref	Engine Enclosure Installation (RHOC)	E
	1001184514	Ref	Installation, Hood (See Separate Breakdown in this Section)	
	1001195829	Ref	Installation, Engine Enclosure Cover (RHOC) (See Separate Breakdown in this Section)	

SECTION 1 - FRAME AND ATTACHING PARTS

FIGURE 1-4. ENGINE ENCLOSURE COVER INSTALLATION (NO RHOC)



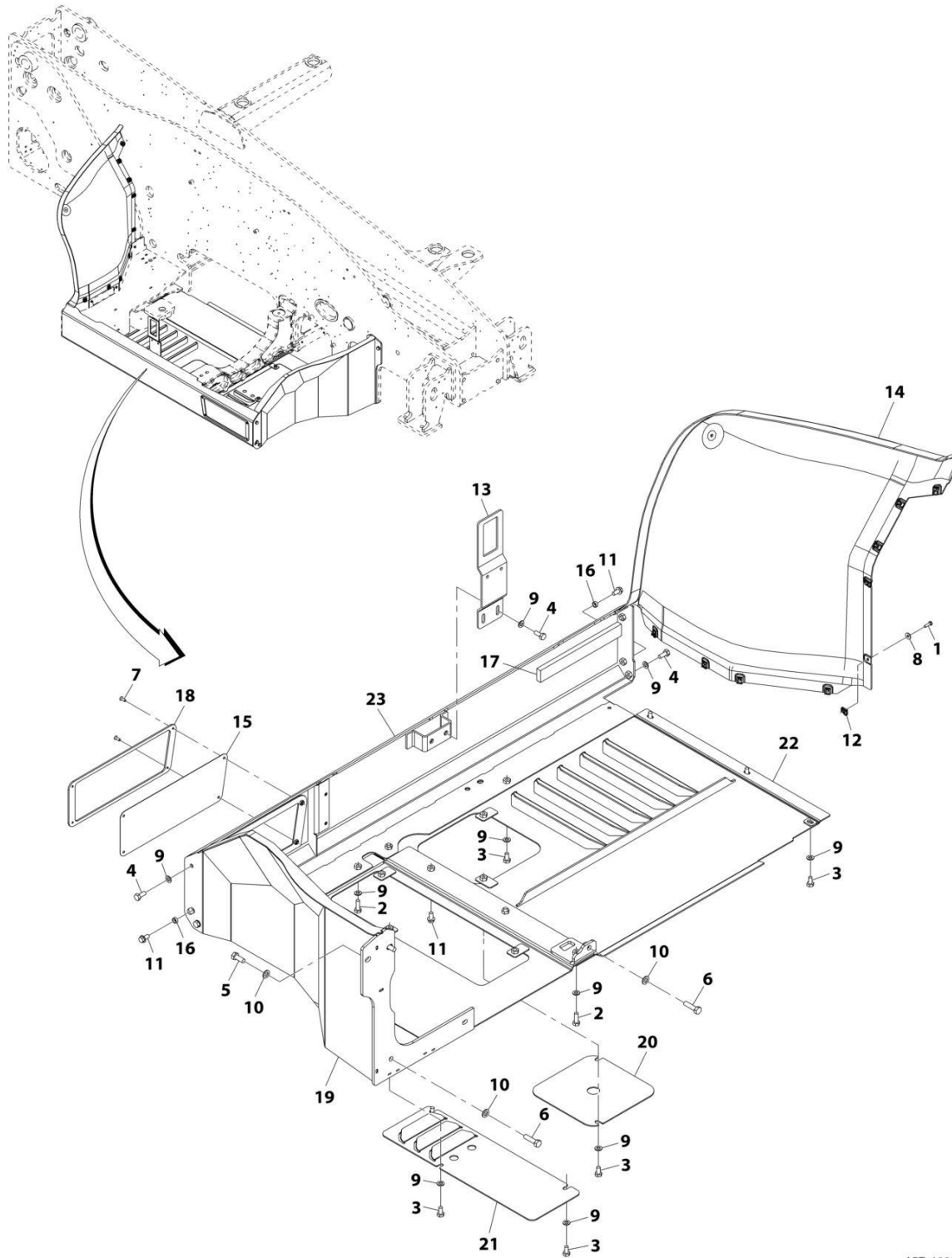
SECTION 1 - FRAME AND ATTACHING PARTS

FIGURE 1-4. ENGINE ENCLOSURE COVER INSTALLATION (NO RHOC)

ITEM	PART NUMBER	QTY	DESCRIPTION	REV
	1001195827	Ref	Engine Enclosure Cover Installation (No RHOC)	C
1	0700610	9	Bolt, M6 X 20	
2	0701014	2	Bolt, M10X30	
3	0761010	10	Bolt, M10X20	
4	0761012	6	Bolt, M10X25	
5	0761214	2	Bolt, M12X30	
6	0761217	2	Bolt, M12X45	
7	4811702	9	Washer, M6	
8	4812000	18	Washer, M10	
9	4812100	4	Washer, M12	
10	5251010	4	Bolt, M10X20 Grade 10.9	
11	8305919	9	Nut, M6	
12	1001154688	1	Plate	
13	1001184524	1	Cover, Engine Enclosure Rear	
14	1001197135	2	Sleeve, Enclosure Skirt	
15	1001197266	1	Seal, Engine Enclosure	
16	1001195210J	1	Panel, Front Enclosure	
17	1001195240J	1	Plate	
18	1001195252J	1	Plate	
19	1001195274J	1	Panel, Engine Enclosure Side	
20	1001201805J	1	Panel, Engine Enclosure Base	

SECTION 1 - FRAME AND ATTACHING PARTS

FIGURE 1-5. ENGINE ENCLOSURE COVER INSTALLATION (RHOC)



ART_1001195829-C

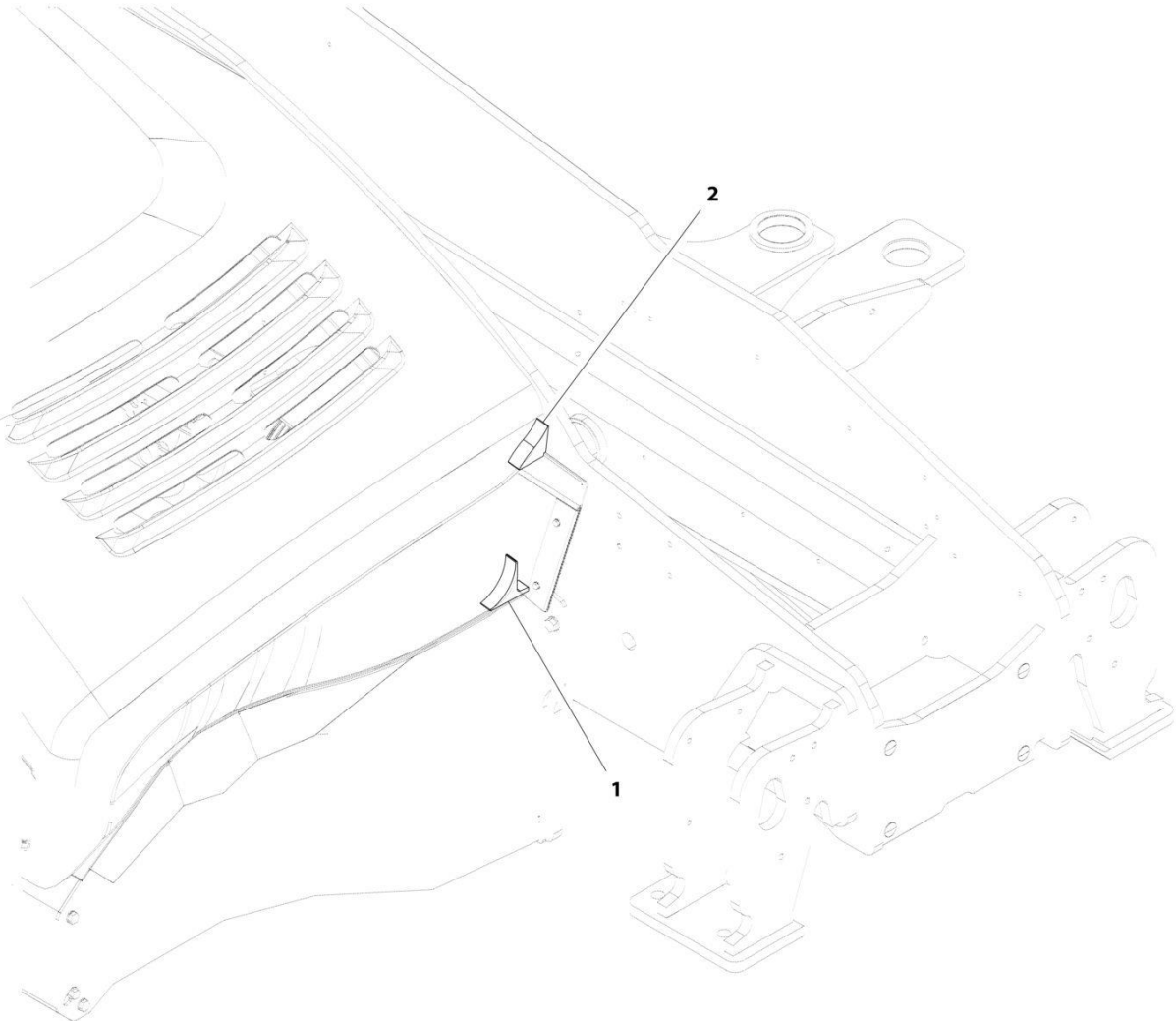
SECTION 1 - FRAME AND ATTACHING PARTS

FIGURE 1-5. ENGINE ENCLOSURE COVER INSTALLATION (RHOC)

ITEM	PART NUMBER	QTY	DESCRIPTION	REV
	1001195829	Ref	Engine Enclosure Cover Installation (RHOC)	E
1	0700610	9	Bolt, M6 X 20	
2	0701014	2	Bolt, M10X30	
3	0761010	10	Bolt, M10X20	
4	0761012	6	Bolt, M10X25	
5	0761214	2	Bolt, M12X30	
6	0761217	2	Bolt, M12X45	
7	3900224	4	Screw	
8	4811702	9	Washer, M6	
9	4812000	18	Washer, M10	
10	4812100	4	Washer, M12	
11	5251010	4	Bolt, M10X20 Grade 10.9	
12	8305919	9	Nut, M6	
13	1001154688	1	Plate	
14	1001184524	1	Cover, Engine Enclosure Rear	
15	1001185061	1	Grill, Engine Enclosure	
16	1001197135	2	Sleeve, Enclosure Skirt	
17	1001197266	1	Seal, Engine Enclosure	
18	1001185023J	1	Panel, Front Vent	
19	1001195210J	1	Panel, Front Enclosure	
20	1001195240J	1	Plate	
21	1001195252J	1	Plate	
22	1001201805J	1	Panel, Engine Enclosure Base	
23	1001196876J	1	Panel, Engine Enclosure Side	

SECTION 1 - FRAME AND ATTACHING PARTS

FIGURE 1-6. AIR INTAKE SEAL INSTALLATION



ART_1001217557-A

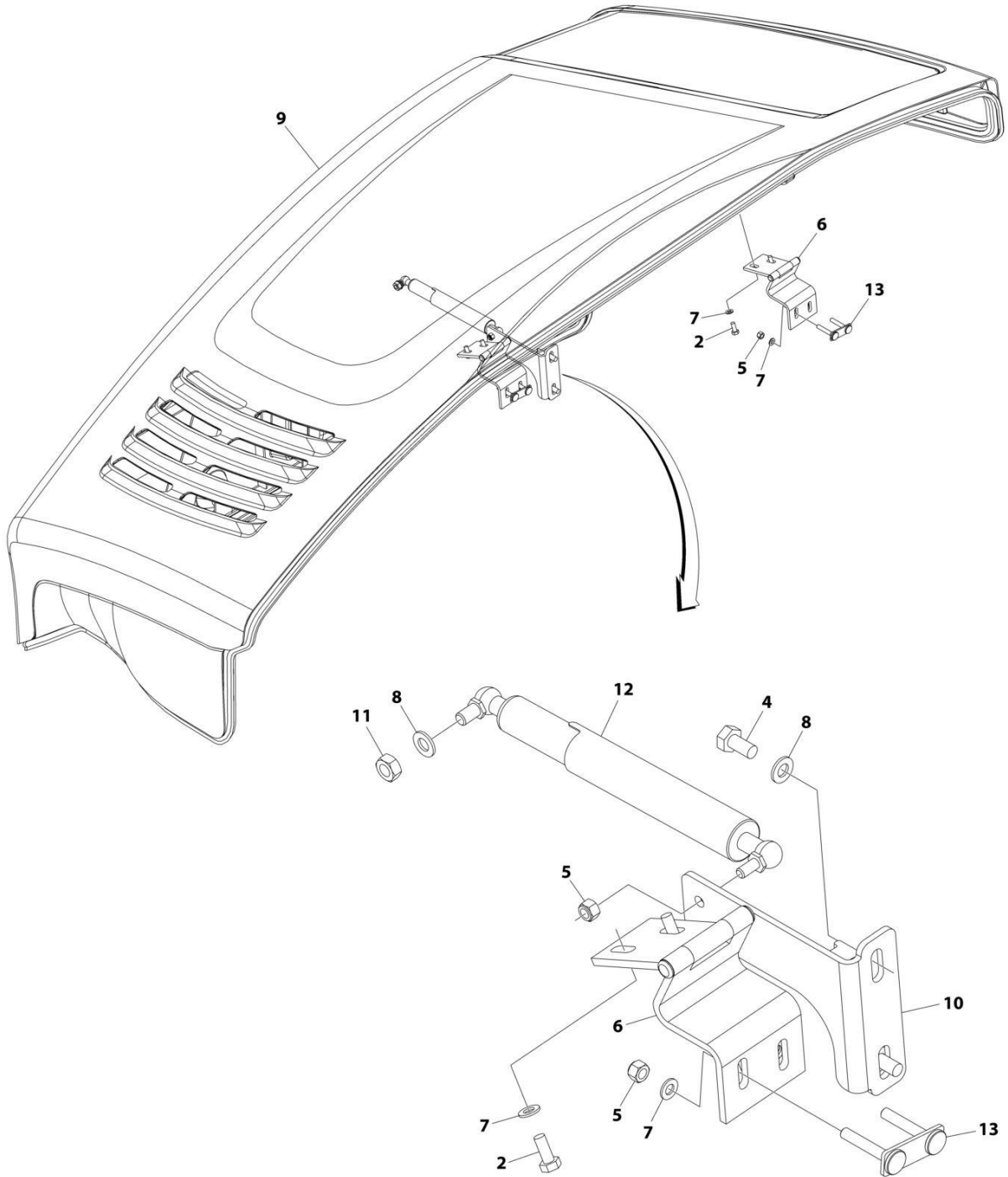
SECTION 1 - FRAME AND ATTACHING PARTS

FIGURE 1-6. AIR INTAKE SEAL INSTALLATION

ITEM	PART NUMBER	QTY	DESCRIPTION	REV
	1001217557	Ref	Air Intake Seal Installation	A
1	1001211786	1	Seal	
2	1001211787	1	Seal	

SECTION 1 - FRAME AND ATTACHING PARTS

FIGURE 1-7. HOOD INSTALLATION



ART_1001184514

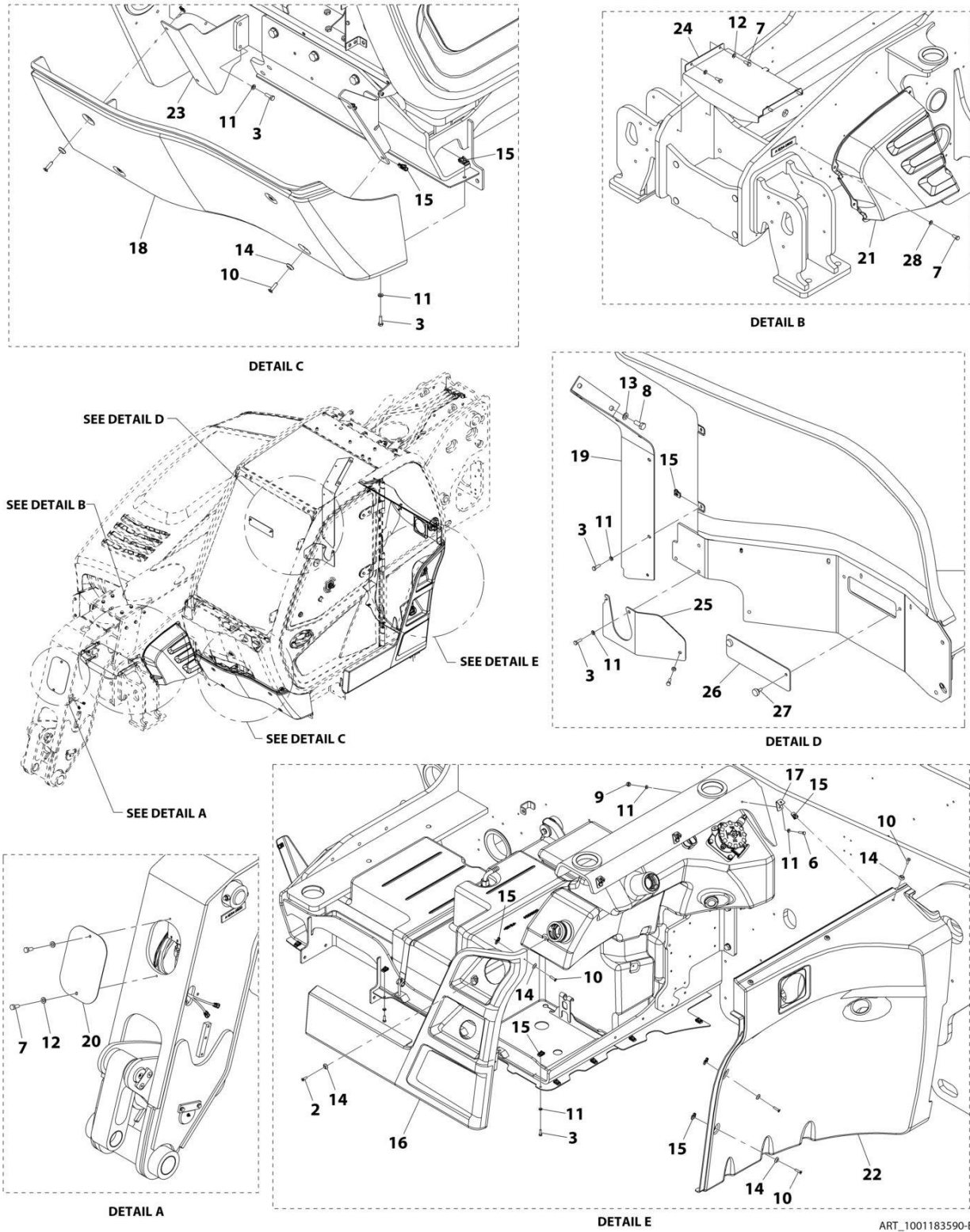
SECTION 1 - FRAME AND ATTACHING PARTS

FIGURE 1-7. HOOD INSTALLATION

ITEM	PART NUMBER	QTY	DESCRIPTION	REV
	1001184514	Ref	HOOD IONSTALLATION	G
2	0760810	4	Bolt M8 x 20	
4	0761010	2	Bolt M10 x 20	
5	3290805	5	Nut M8	
6	1001205080	2	Hinge, Hood	
7	4811900	8	Washer M8	
8	4812000	3	Washer M10	
9	1001196418	1	Hood	
10	1001273847	1	Bracket	
11	3291001	1	Nut M10	
12	1001271338	1	Spring	
13	1001195587	2	Brace	

SECTION 1 - FRAME AND ATTACHING PARTS

FIGURE 1-8. COVER PLATES INSTALLATION (NO OUTRIGGERS - ULS)



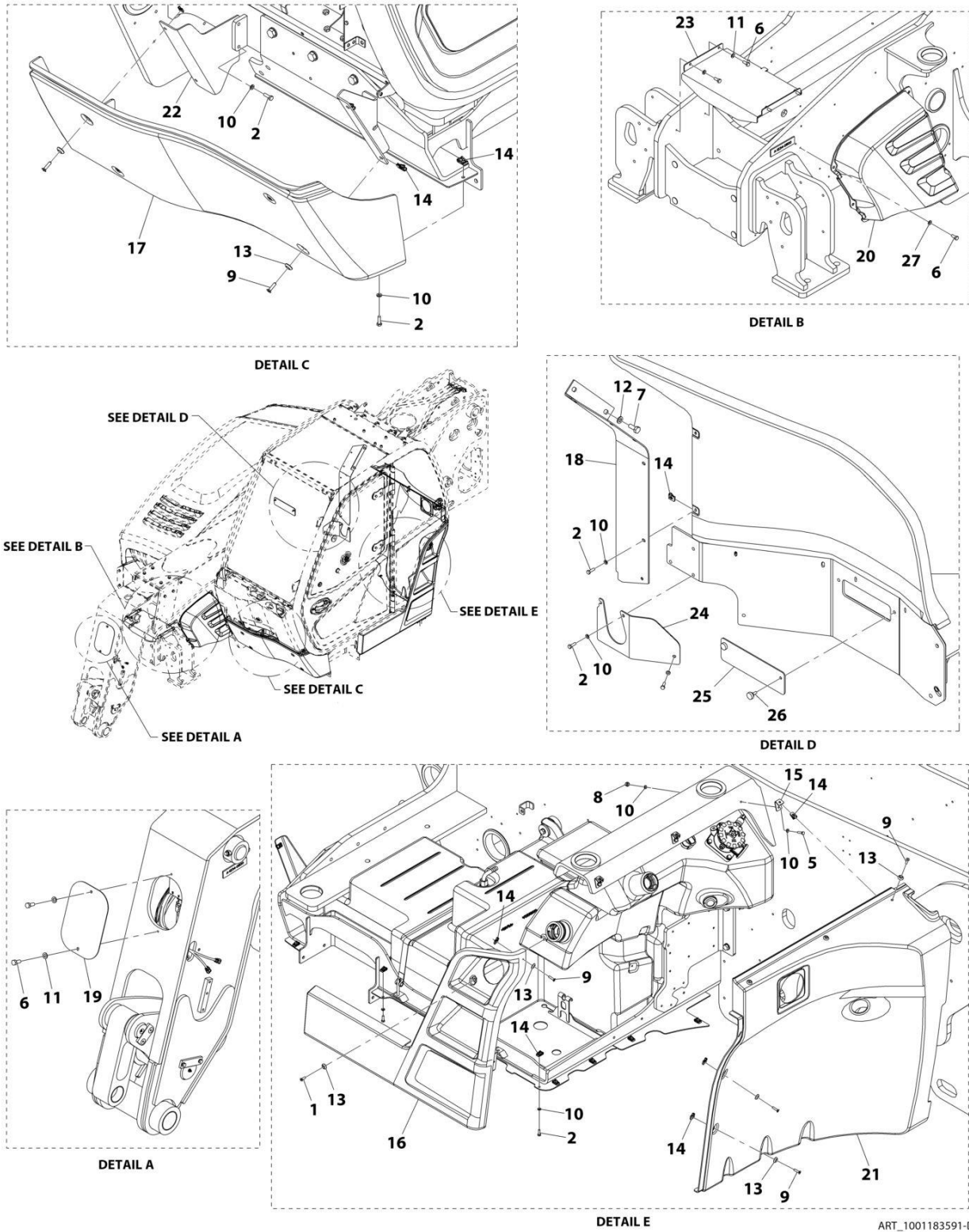
SECTION 1 - FRAME AND ATTACHING PARTS

FIGURE 1-8. COVER PLATES INSTALLATION (NO OUTRIGGERS - ULS)

ITEM	PART NUMBER	QTY	DESCRIPTION	REV
	1001183590	Ref	Cover Plates Installation (No Outriggers - ULS)	E
2	0630576	1	Screw, M6X20	
3	0700610	14	Bolt, M6X20	
6	0760612	3	Bolt, M6X25	
7	0760810	10	Bolt, M8X20	
8	0761012	2	Bolt, M10X25	
9	3290605	3	Nut, Lock M6X1 Grade 8	
10	3900379	10	Screw, M6-1X25 Grade 10.9	
11	4811700	20	Washer, M6	
12	4811900	6	Washer, M8	
13	4812000	2	Washer, M10	
14	1001097540	11	Washer, M6	
15	8305919	18	Nut, M6	
16	1001168758	1	Cover, Side Tank	
17	1001171782	3	Plate, Angle Mount	
18	1001174328	1	Cover, Lower Front	
19	1001182210	1	Plate, Enclosure Rear	
20	1001185936	1	Plate, Cover Boom Head	
21	1001187717	1	Cover, ECU	
22	1001190408	1	Cover, Rear Tank	
23	1001191808	1	Bracket, Cover	
24	1001189984J	1	Panel, Frame	
25	1001201504J	1	Panel, Cover	
26	1001216923J	1	Plate, Radiator Cover	
27	2080092	2	Screw, Thumb M6X20	
28	4811902	4	Washer, M8	

SECTION 1 - FRAME AND ATTACHING PARTS

FIGURE 1-9. COVER PLATES INSTALLATION (NO OUTRIGGERS - LS)



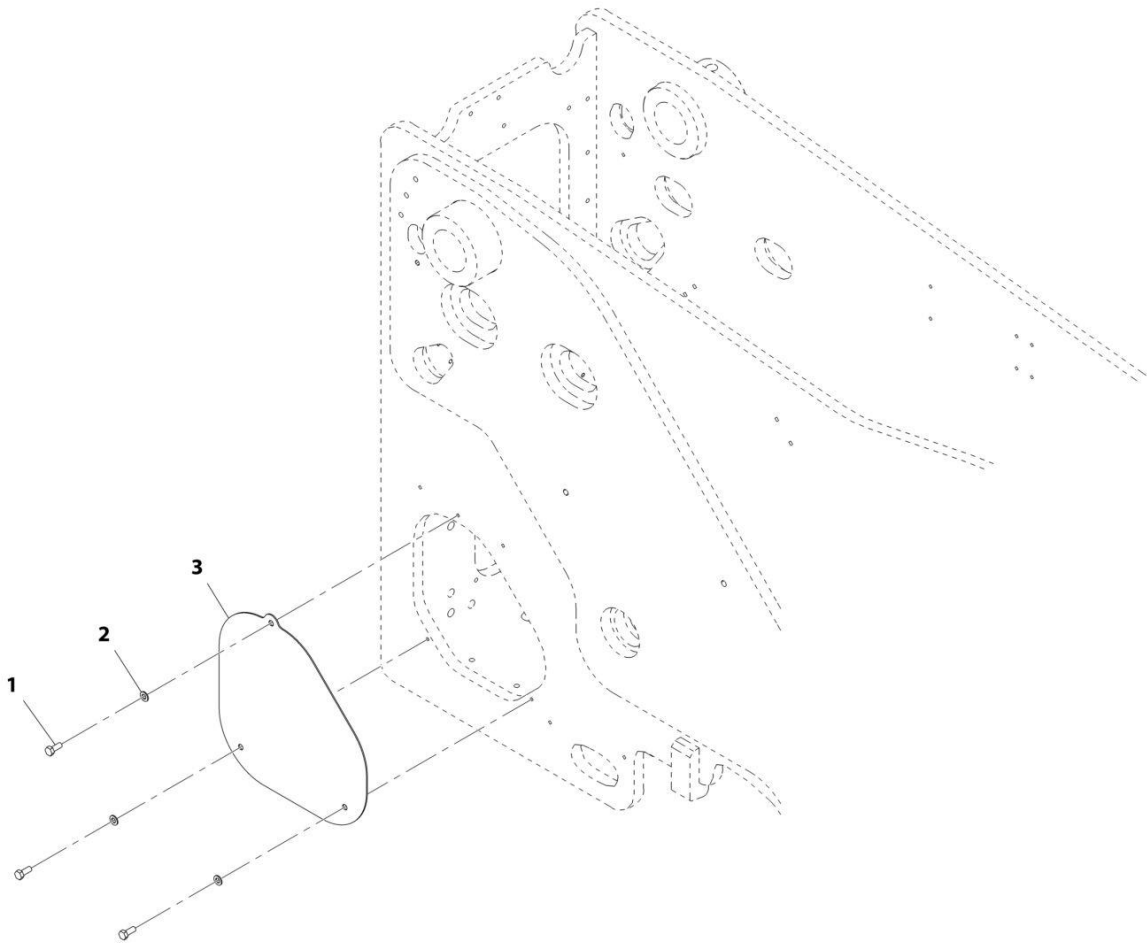
SECTION 1 - FRAME AND ATTACHING PARTS

FIGURE 1-9. COVER PLATES INSTALLATION (NO OUTRIGGERS - LS)

ITEM	PART NUMBER	QTY	DESCRIPTION	REV
	1001183591	Ref	Cover Plates Installation (No Outriggers - LS)	D
1	0630576	1	Screw, M6X20	
2	0700610	14	Bolt, M6X20	
5	0760612	3	Bolt, M6X25	
6	0760810	10	Bolt, M8X20	
7	0761012	2	Bolt, M10X25	
8	3290605	3	Nut, Lock M6X1 Grade 8	
9	3900379	10	Screw, M6-1X25 Grade 10.9	
10	4811700	20	Washer, M6	
11	4811900	6	Washer, M8	
12	4812000	2	Washer, M10	
13	1001097540	11	Washer, M6	
14	8305919	18	Nut, M6	
15	1001171782	3	Plate, Angle Mount	
16	1001172829	1	Cover, Side Tank	
17	1001174328	1	Cover, Lower Front	
18	1001182210	1	Plate, Enclosure Rear	
19	1001185936	1	Plate, Cover Boom Head	
20	1001187717	1	Cover, ECU	
21	1001190408	1	Cover, Rear Tank	
22	1001191808	1	Bracket, Cover	
23	1001189984J	1	Panel, Frame	
24	1001201504J	1	Panel, Cover	
25	1001216923J	1	Plate, Radiator Cover	
26	2080092	2	Screw, Thumb M6X20	
27	4811902	4	Washer, M8	

SECTION 1 - FRAME AND ATTACHING PARTS

FIGURE 1-10. COVER PLATE INSTALLATION (NO TRAILER BRAKES)



ART_1001203386-A

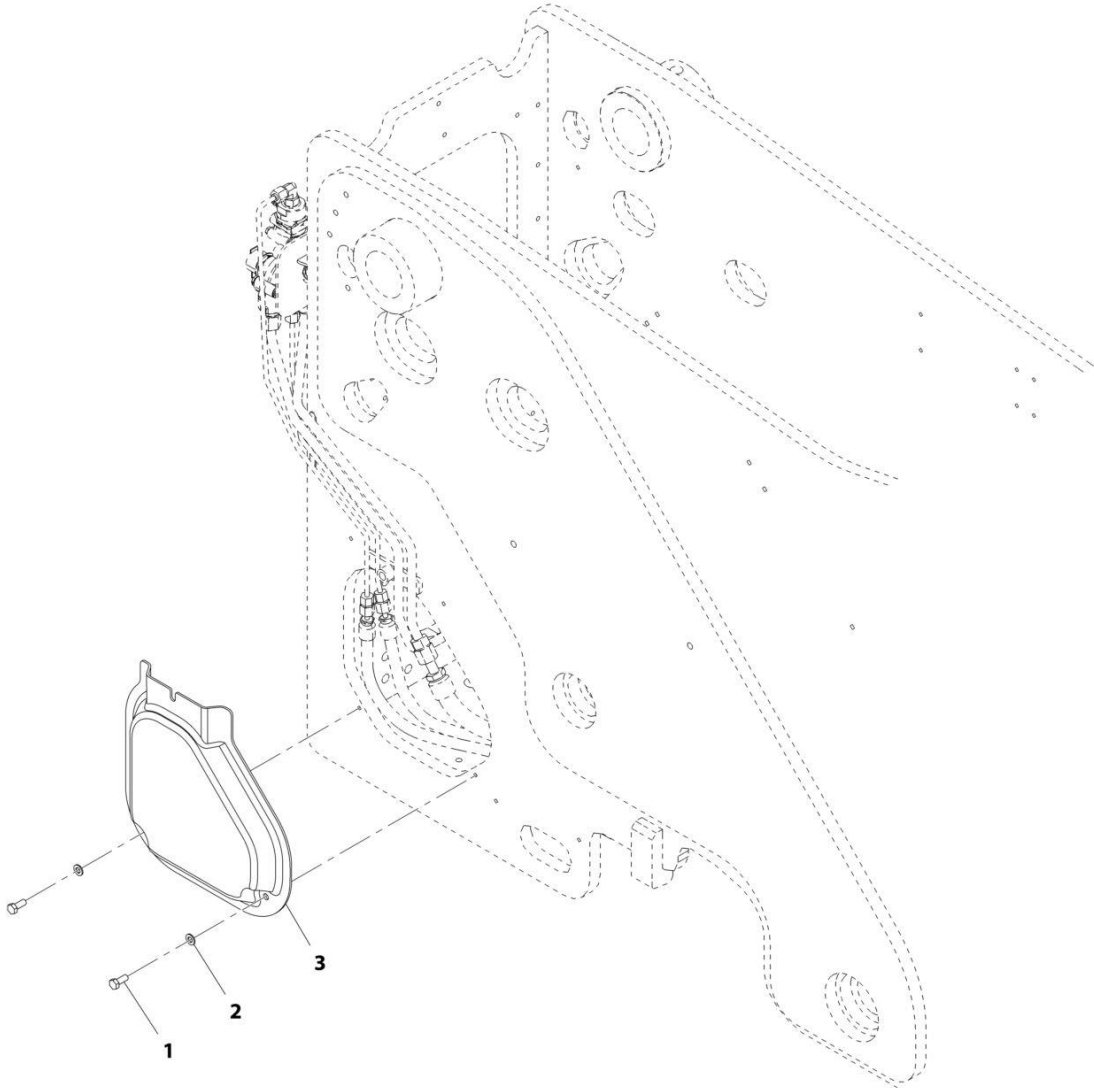
SECTION 1 - FRAME AND ATTACHING PARTS

FIGURE 1-10. COVER PLATE INSTALLATION (NO TRAILER BRAKES)

ITEM	PART NUMBER	QTY	DESCRIPTION	REV
	1001203386	Ref	Cover Plate Installation (No Trailer Brakes)	A
1	0760810	3	Bolt, M8X20	
2	4811900	3	Washer, M8	
3	1001180574J	1	Plate, Cover	

SECTION 1 - FRAME AND ATTACHING PARTS

FIGURE 1-11. COVER PLATE INSTALLATION (TRAILER BRAKES)



ART_1001203406-A

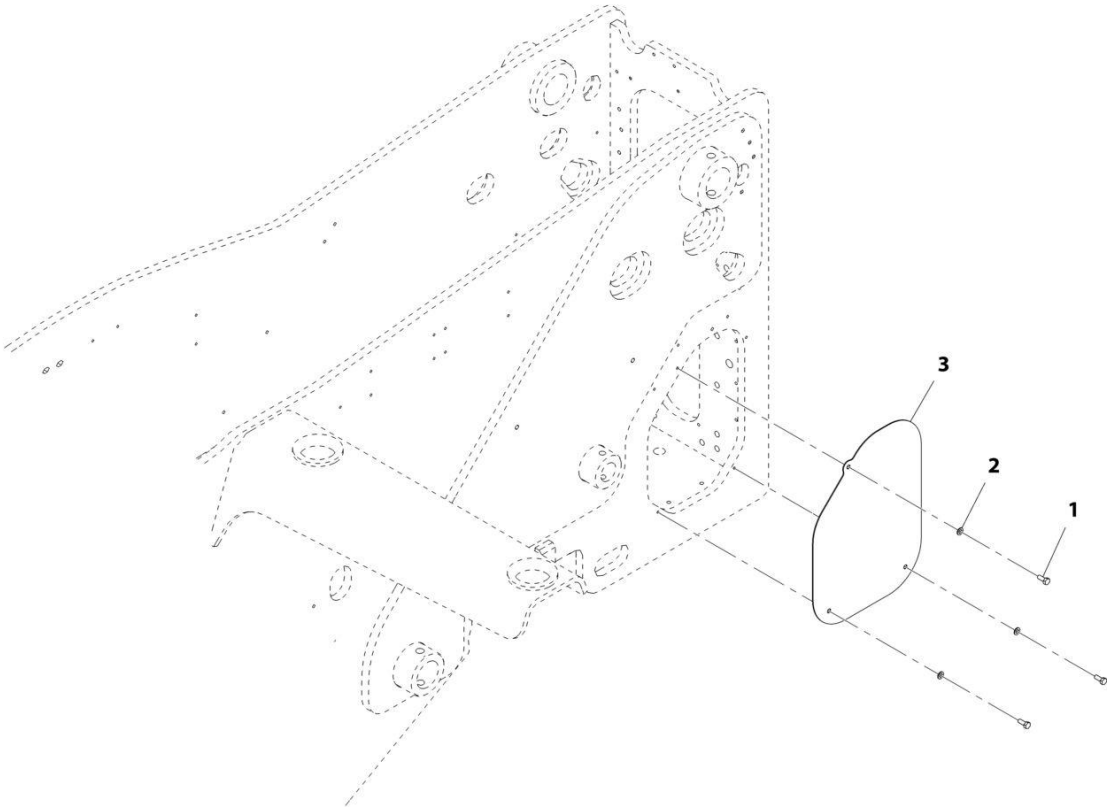
SECTION 1 - FRAME AND ATTACHING PARTS

FIGURE 1-11. COVER PLATE INSTALLATION (TRAILER BRAKES)

ITEM	PART NUMBER	QTY	DESCRIPTION	REV
	1001203406	Ref	Cover Plate Installation (Trailer Brakes)	A
1	0760810	2	Bolt, M8X20	
2	4811900	2	Washer, M8	
3	1001203410	1	Cover, Frame	

SECTION 1 - FRAME AND ATTACHING PARTS

FIGURE 1-12. COVER PLATE INSTALLATION (NO REAR AUX)



ART_1001203374-A

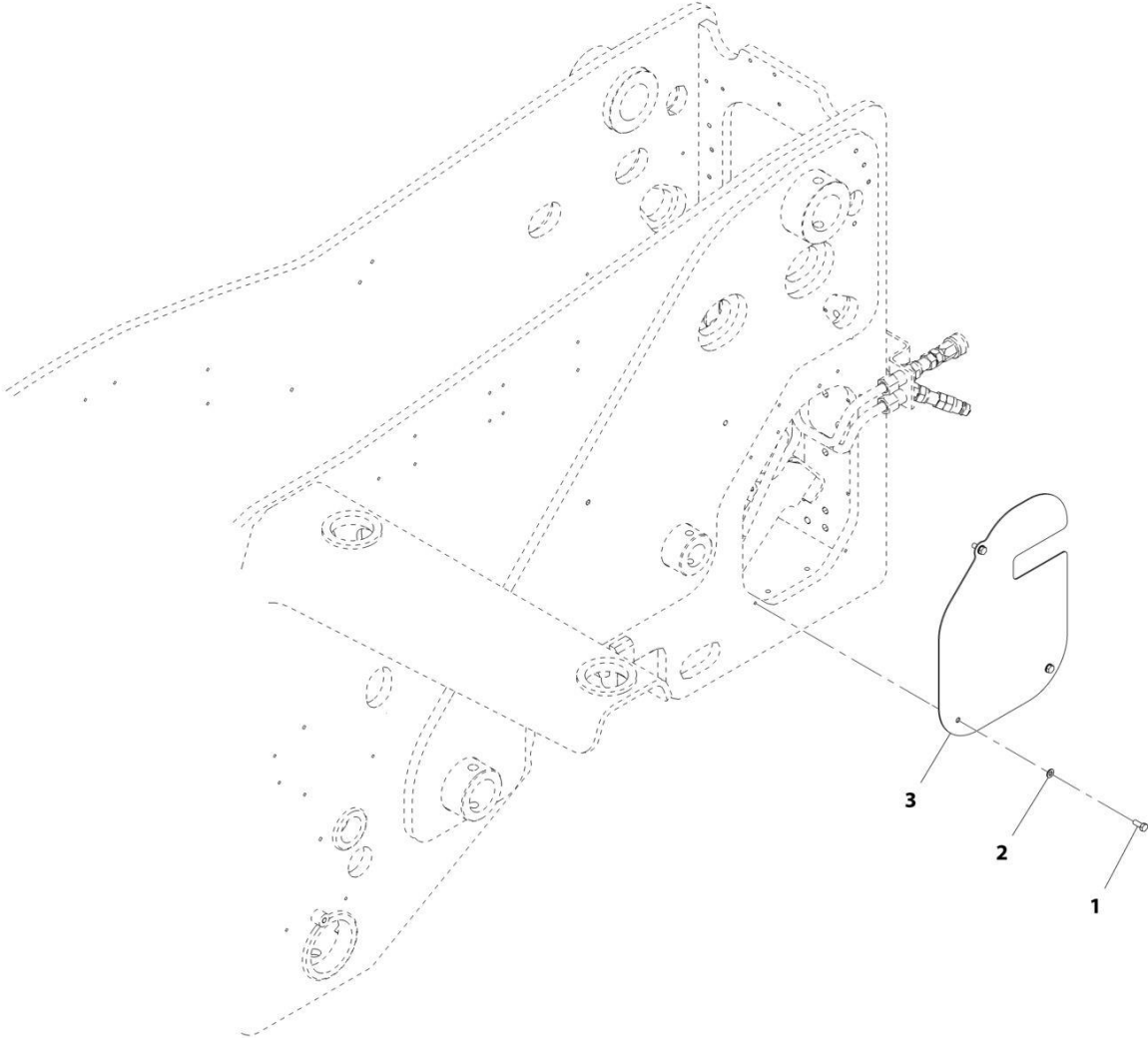
SECTION 1 - FRAME AND ATTACHING PARTS

FIGURE 1-12. COVER PLATE INSTALLATION (NO REAR AUX)

ITEM	PART NUMBER	QTY	DESCRIPTION	REV
	1001203374	Ref	Cover Plate Installation (No Rear Aux)	A
1	0760810	3	Bolt, M8X20	
2	4811900	3	Washer, M8	
3	1001183908J	1	Plate, Cover	

SECTION 1 - FRAME AND ATTACHING PARTS

FIGURE 1-13. COVER PLATE INSTALLATION (REAR AUX)



ART_1001203402-B

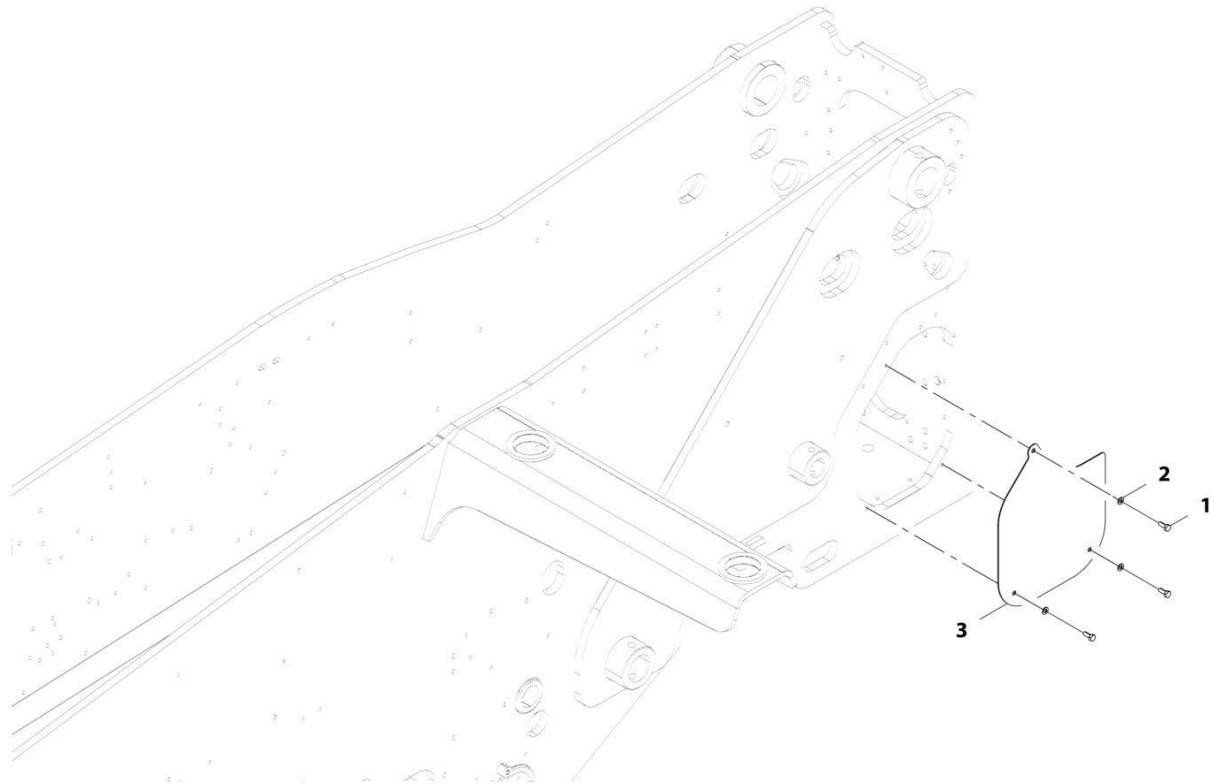
SECTION 1 - FRAME AND ATTACHING PARTS

FIGURE 1-13. COVER PLATE INSTALLATION (REAR AUX)

ITEM	PART NUMBER	QTY	DESCRIPTION	REV
	1001203402	Ref	Cover Plate Installation (Rear Aux)	B
1	0760810	3	Bolt, M8X20	
2	4811900	3	Washer, M8	
3	1001203408J	1	Plate, Cover	

SECTION 1 - FRAME AND ATTACHING PARTS

FIGURE 1-14. COVER PLATE INSTALLATION (HYDRAULIC HITCH AND REAR AUX)



ART_1001214492-A

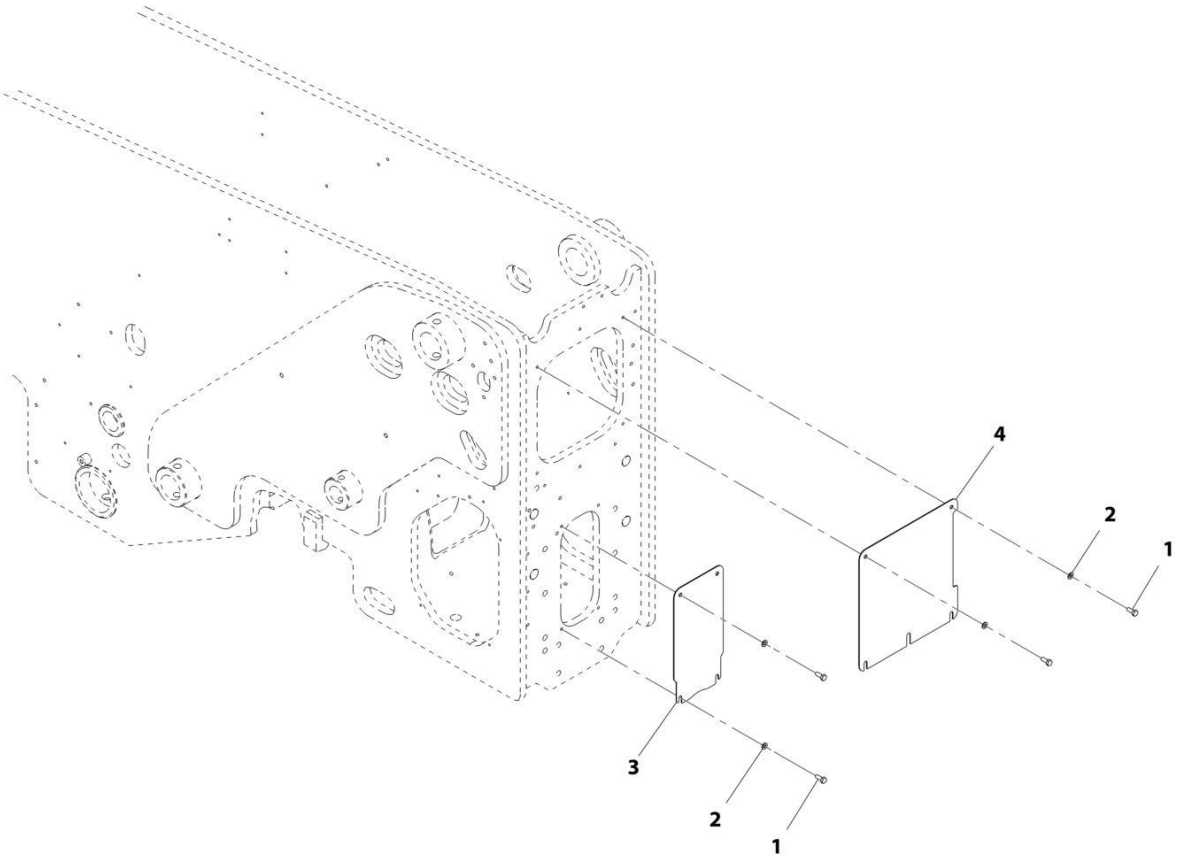
SECTION 1 - FRAME AND ATTACHING PARTS

FIGURE 1-14. COVER PLATE INSTALLATION (HYDRAULIC HITCH AND REAR AUX)

ITEM	PART NUMBER	QTY	DESCRIPTION	REV
	1001214492	Ref	Cover Plate Installation (Hydraulic Hitch and Rear Aux)	A
1	0760810	3	Bolt, M8X20	
2	4811900	3	Washer, M8	
3	1001214036J	1	Plate	

SECTION 1 - FRAME AND ATTACHING PARTS

FIGURE 1-15. REAR COVER PLATE INSTALLATION (NO HYDRAULIC HITCH)



ART_1001203291-B

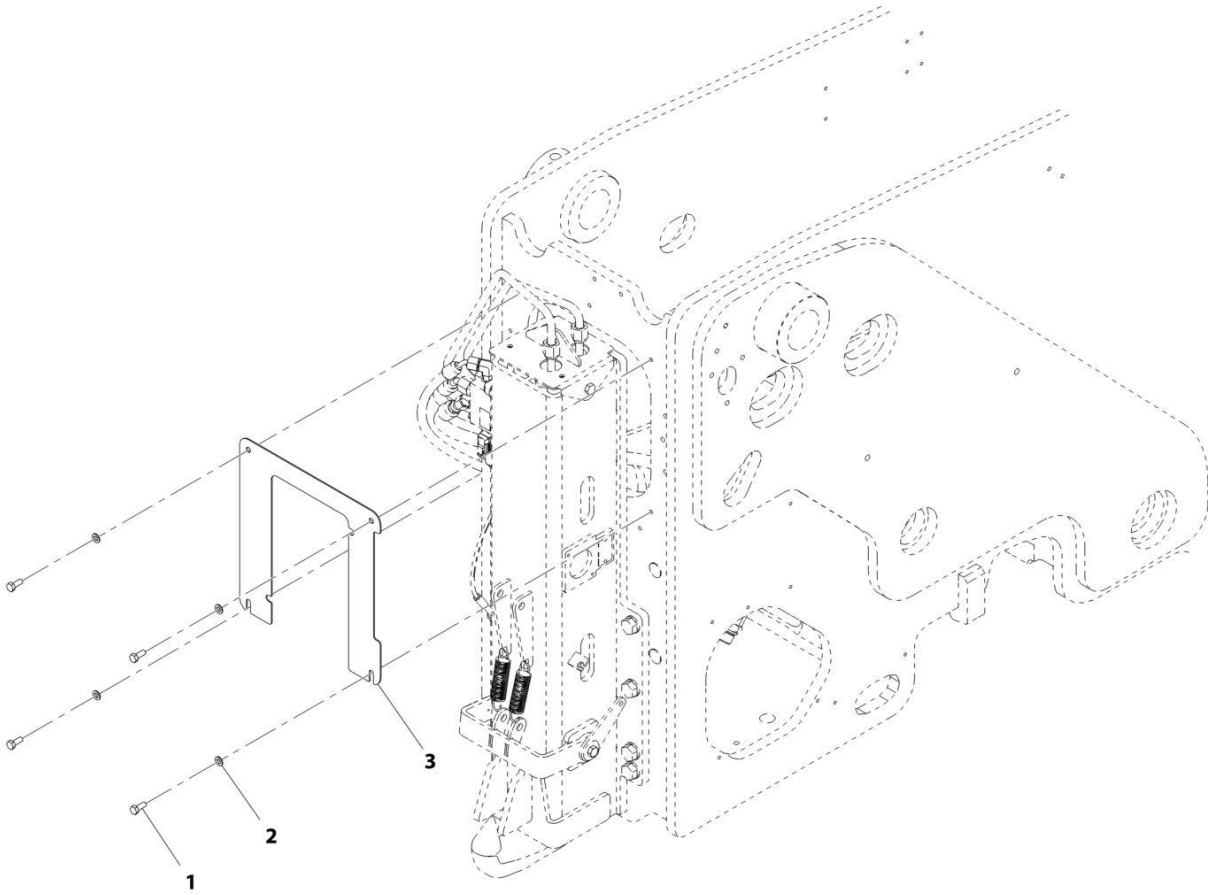
SECTION 1 - FRAME AND ATTACHING PARTS

FIGURE 1-15. REAR COVER PLATE INSTALLATION (NO HYDRAULIC HITCH)

ITEM	PART NUMBER	QTY	DESCRIPTION	REV
	1001203291	Ref	Rear Cover Plate Installation (No Hydraulic Hitch)	B
1	0760810	8	Bolt, M8X20	
2	4811900	8	Washer, M8	
3	1001183909J	1	Plate, Cover	
4	1001183910J	1	Plate, Cover	

SECTION 1 - FRAME AND ATTACHING PARTS

FIGURE 1-16. REAR COVER PLATE INSTALLATION (HYDRAULIC HITCH)



ART_1001203293-B

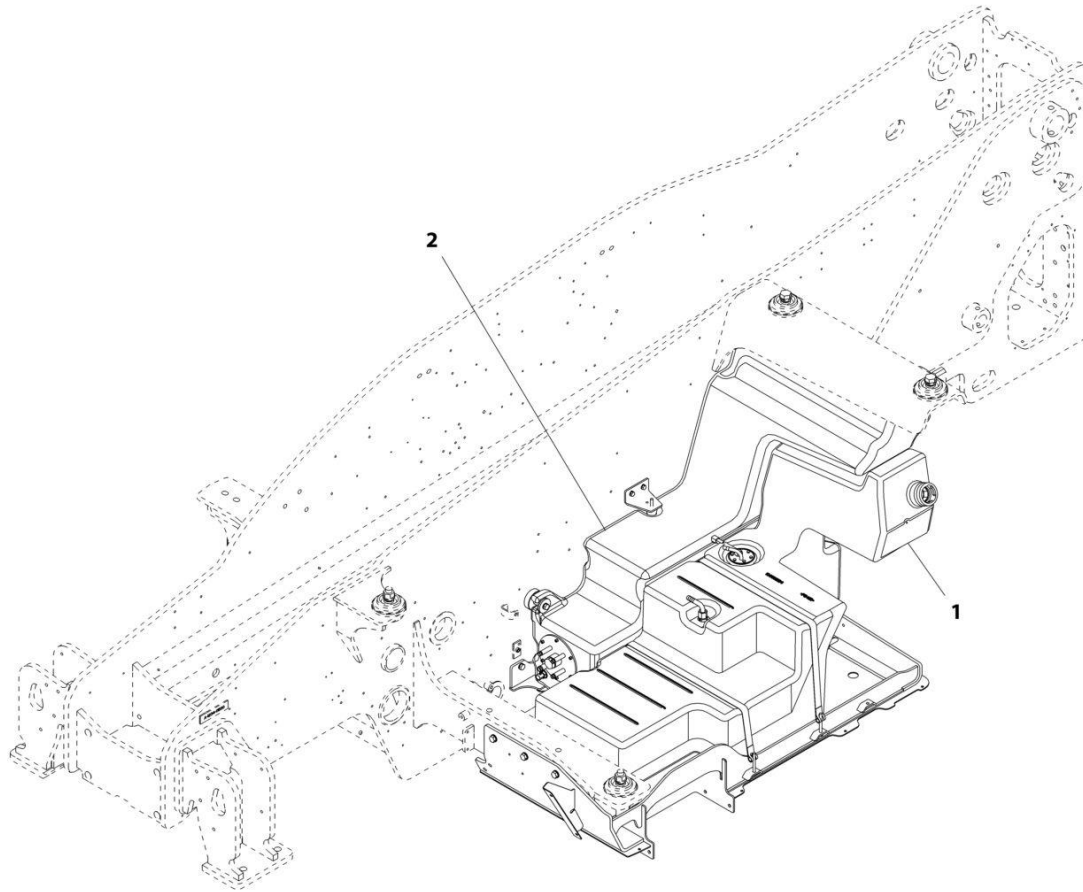
SECTION 1 - FRAME AND ATTACHING PARTS

FIGURE 1-16. REAR COVER PLATE INSTALLATION (HYDRAULIC HITCH)

ITEM	PART NUMBER	QTY	DESCRIPTION	REV
	1001203293	Ref	Rear Cover Plate Installation (Hydraulic Hitch)	B
1	0760810	4	Bolt, M8X20	
2	4811900	4	Washer, M8	
3	1001203305J	1	Plate, Cover	

SECTION 1 - FRAME AND ATTACHING PARTS

FIGURE 1-17. TANKS INSTALLATION



ART_1001176964-B

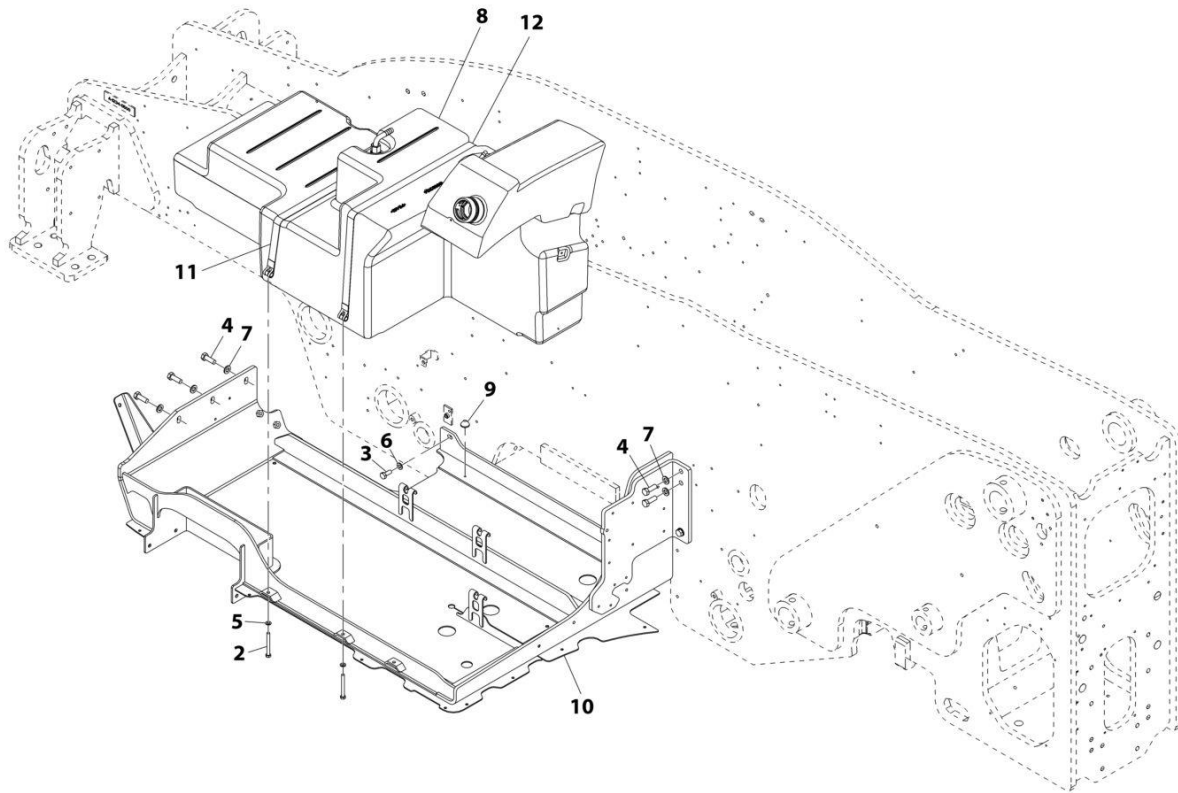
SECTION 1 - FRAME AND ATTACHING PARTS

FIGURE 1-17. TANKS INSTALLATION

ITEM	PART NUMBER	QTY	DESCRIPTION	REV
1	1001176964	Ref	Tanks Installation	B
	1001176965	Ref	Installation, Fuel Tank (See Separate Breakdown in this Section)	
	1001176966	Ref	Installation, Hydraulic Tank (See Separate Breakdown in this Section)	

SECTION 1 - FRAME AND ATTACHING PARTS

FIGURE 1-18. FUEL TANK INSTALLATION



ART_1001176965-D

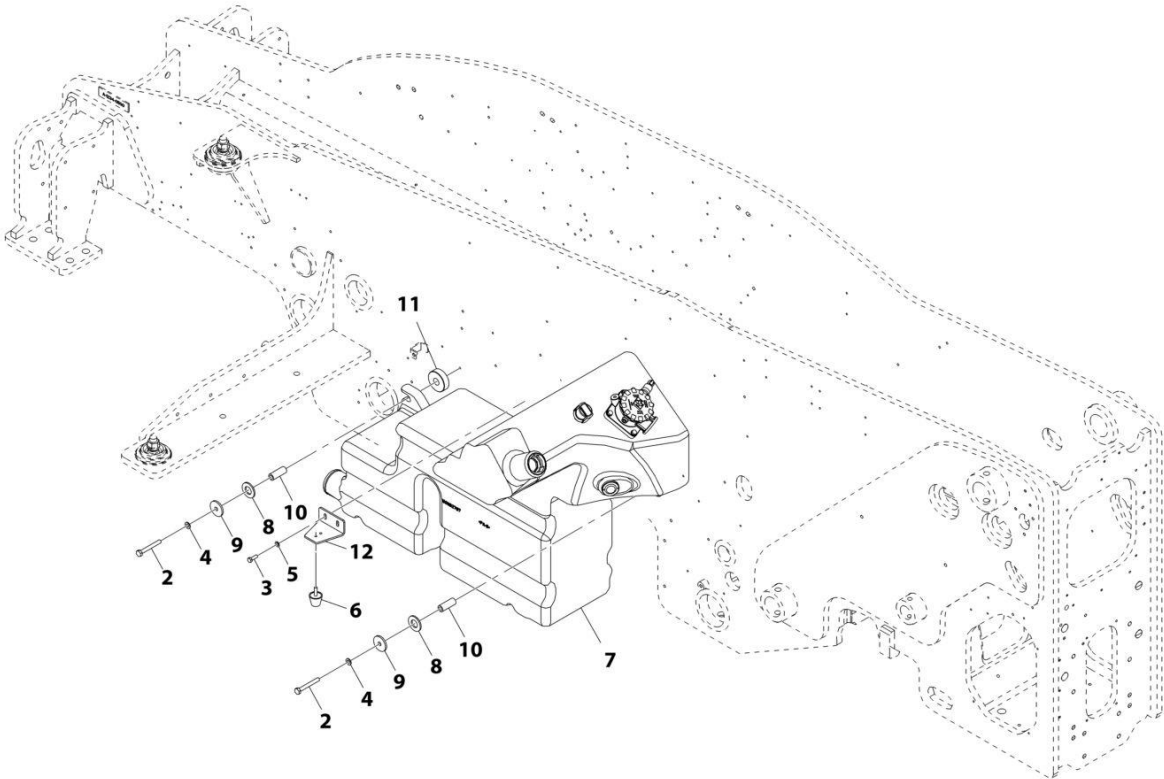
SECTION 1 - FRAME AND ATTACHING PARTS

FIGURE 1-18. FUEL TANK INSTALLATION

ITEM	PART NUMBER	QTY	DESCRIPTION	REV
	1001176965	Ref	Fuel Tank Installation	D
2	0760823	2	Bolt, M8X75	
3	0761012	1	Bolt, M10X25	
4	0761215	6	Bolt, M12X35	
5	4811900	2	Washer, M8	
6	4812000	1	Washer, M10	
7	4812100	6	Washer, M12	
8	1001192125	1	Assembly, Fuel Tank (See Separate Breakdown in this Section)	
9	1001169454	4	Mount	
10	1001197360	1	Support, Plate	
11	1001178474	1	Strap, Tank	
12	1001178693	1	Strap, Tank	

SECTION 1 - FRAME AND ATTACHING PARTS

FIGURE 1-19. HYDRAULIC TANK INSTALLATION



ART_1001176966-C

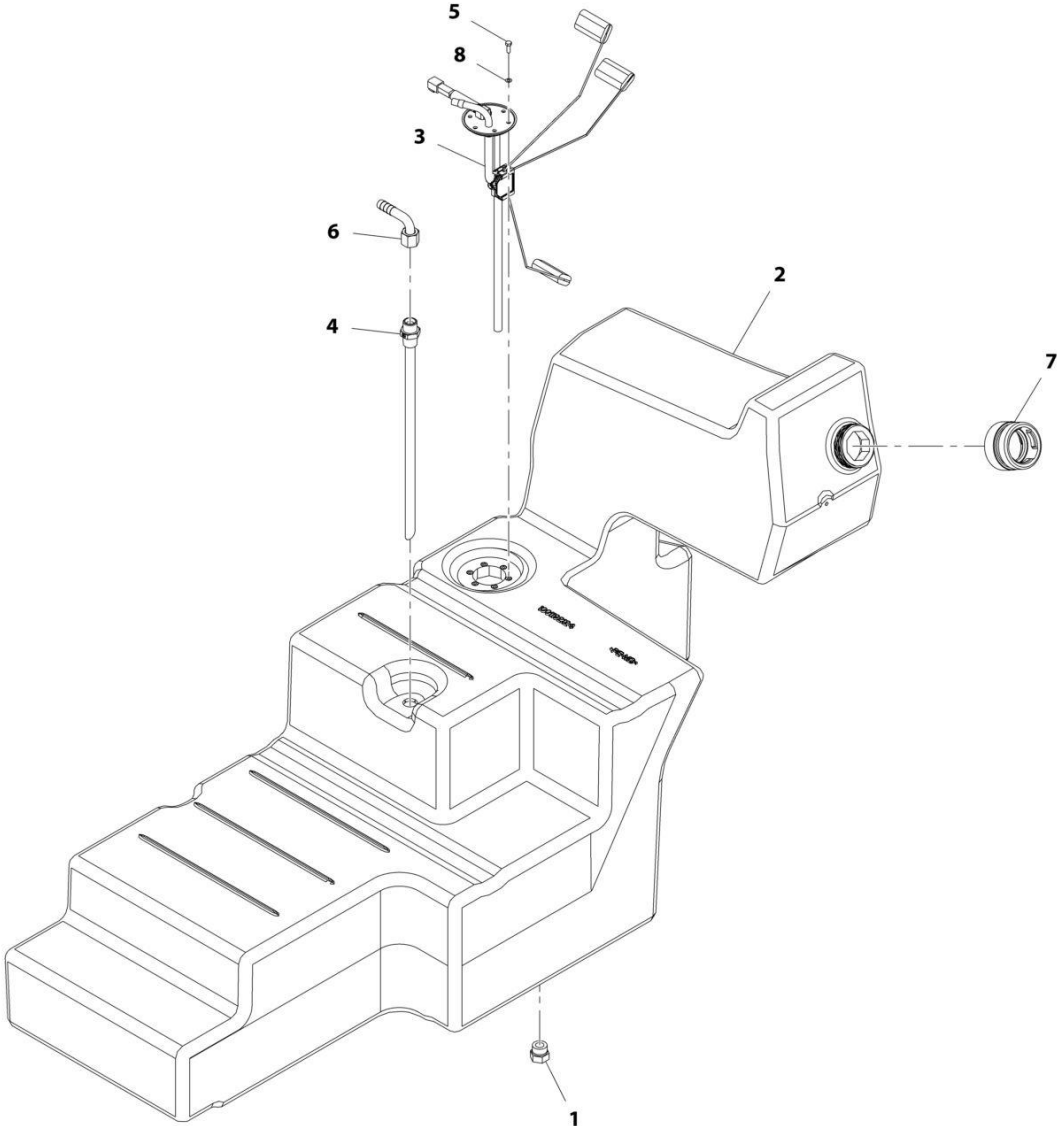
SECTION 1 - FRAME AND ATTACHING PARTS

FIGURE 1-19. HYDRAULIC TANK INSTALLATION

ITEM	PART NUMBER	QTY	DESCRIPTION	REV
	1001176966	Ref	Hydraulic Tank Installation	C
2	0701024	2	Bolt, M10X80	
3	0760812	2	Bolt, M8X25	
4	4812000	2	Washer, M10	
5	4811900	2	Washer, M8	
6	1001008575	1	Bumper	
7	1001191521	1	Assembly, Hydraulic Tank (See Separate Breakdown in this Section)	
8	1001172146	2	Washer	
9	1001172147	2	Washer, M10	
10	1001177060	2	Sleeve, Spacer	
11	1001177062	2	Washer	
12	1001177082	1	Bracket, Frame	

SECTION 1 - FRAME AND ATTACHING PARTS

FIGURE 1-20. FUEL TANK ASSEMBLY



ART_1001192125-C

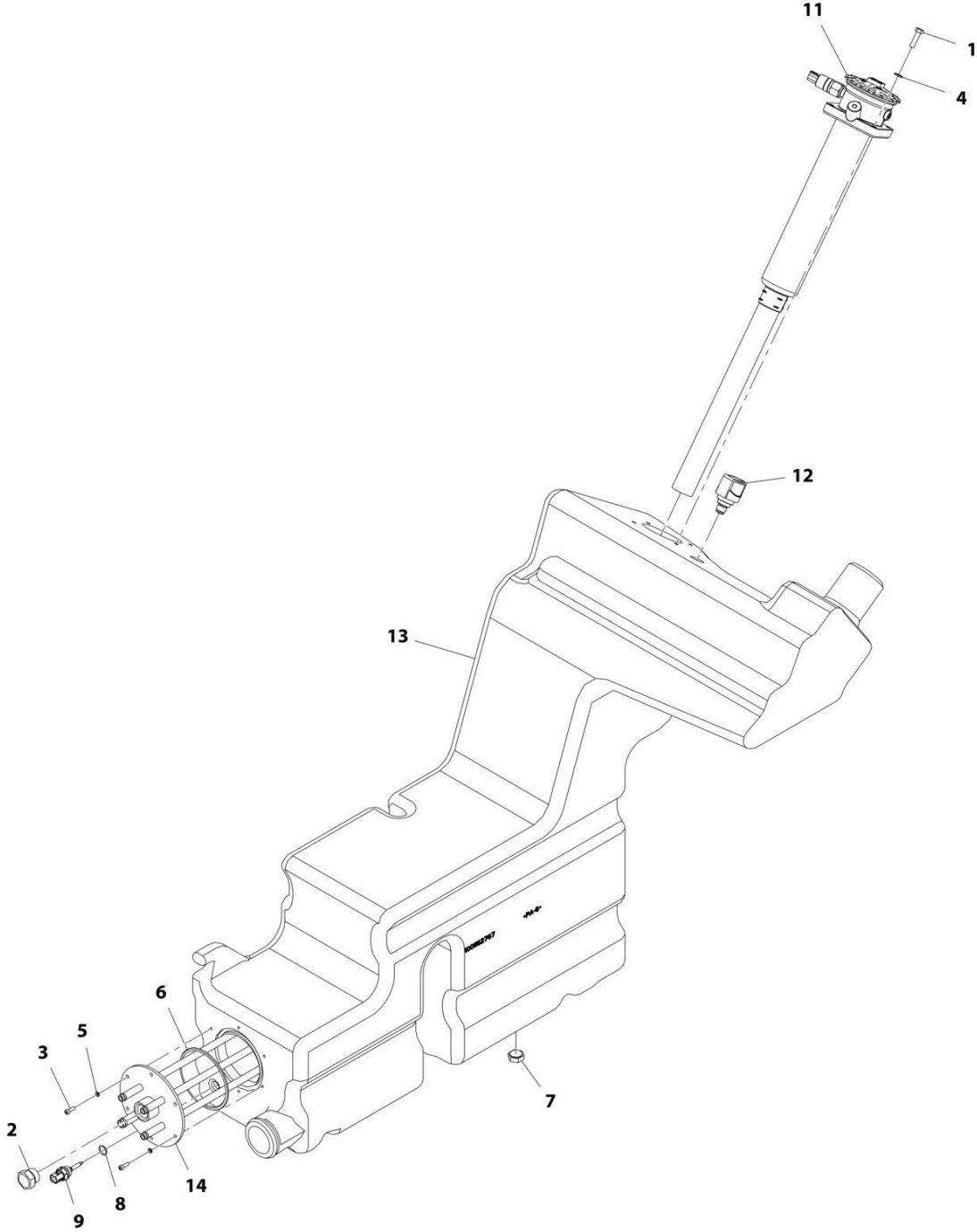
SECTION 1 - FRAME AND ATTACHING PARTS

FIGURE 1-20. FUEL TANK ASSEMBLY

ITEM	PART NUMBER	QTY	DESCRIPTION	REV
	1001192125	Ref	FUEL TANK ASSEMBLY	C
1	1001003427	1	Plug	
2	1001192124	1	Tank, Fuel	
3	1001222188	1	Pump, Fuel	
4	1001170106	1	Pipe, Fuel Supply	
5	4031607	6	Bolt, M5X16	
6	1001172693	1	Fitting, 90	
7	1001192392	1	Adapter	
8	1001222190	6	Washer	

SECTION 1 - FRAME AND ATTACHING PARTS

FIGURE 1-21. HYDRAULIC TANK ASSEMBLY



ART_1001191521-D

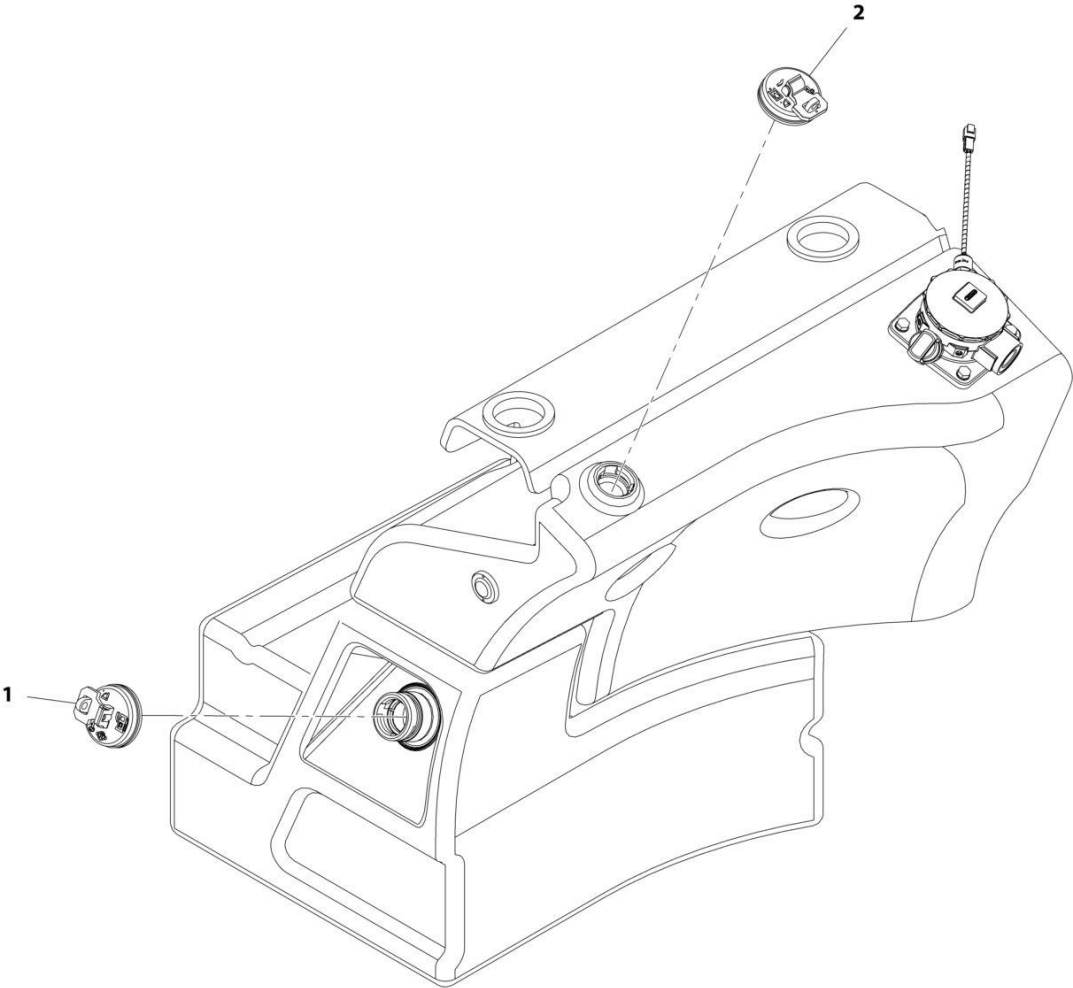
SECTION 1 - FRAME AND ATTACHING PARTS

FIGURE 1-21. HYDRAULIC TANK ASSEMBLY

ITEM	PART NUMBER	QTY	DESCRIPTION	REV
	1001191521	Ref	HYDRAULIC TANK ASSEMBLY	D
1	0700814	4	Bolt M8 x 30	
2	2220240	1	Plug	
3	4031607	6	Screw M5 x 16	
4	4811900	4	Washer M8	
5	4831600	6	Washer, Lock M5	
6	1001003301	1	O-Ring	
7	2220239	1	Plug	
8	1001009163	1	O-Ring	
9	1001128478	1	Sensor, Hydraulic Oil Temperature	
11	1001162659	1	Filter, Hydraulic	
12	1001162662	1	Filter, Breather	
13	1001162767	1	Tank, Hydraulic	
14	1001191533	1	Manifold, Hydraulic Return	

SECTION 1 - FRAME AND ATTACHING PARTS

FIGURE 1-22. FUEL AND HYDRAULIC CAP INSTALLATION



ART_1001197275-A

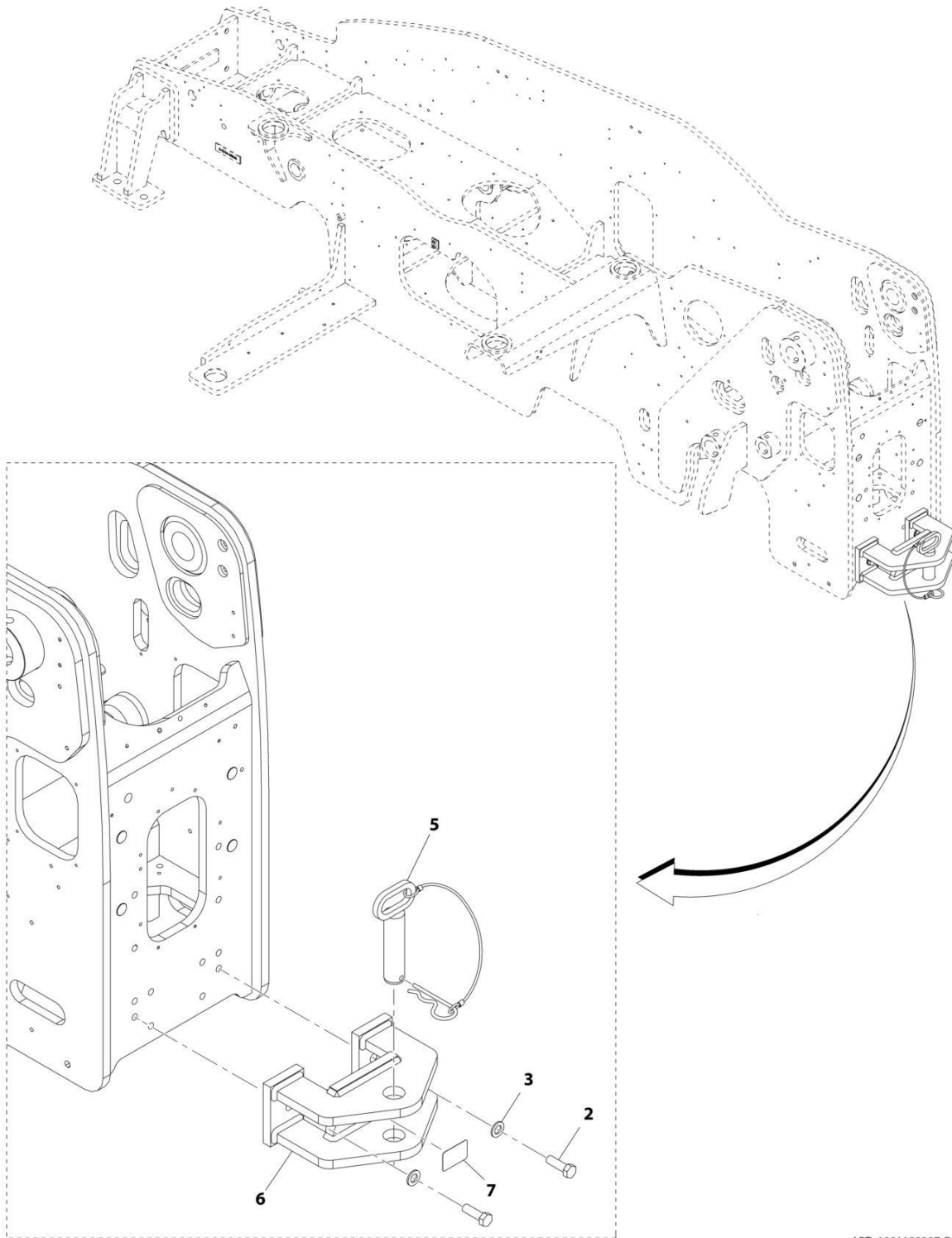
SECTION 1 - FRAME AND ATTACHING PARTS

FIGURE 1-22. FUEL AND HYDRAULIC CAP INSTALLATION

ITEM	PART NUMBER	QTY	DESCRIPTION	REV
	1001197275	Ref	Fuel and Hydraulic Cap Installation	A
1	1001142658	1	Cap, Fuel	
2	1001142659	1	Cap, Hydraulic	

SECTION 1 - FRAME AND ATTACHING PARTS

FIGURE 1-23. HITCH RETRIEVAL INSTALLATION



ART_1001180207-D

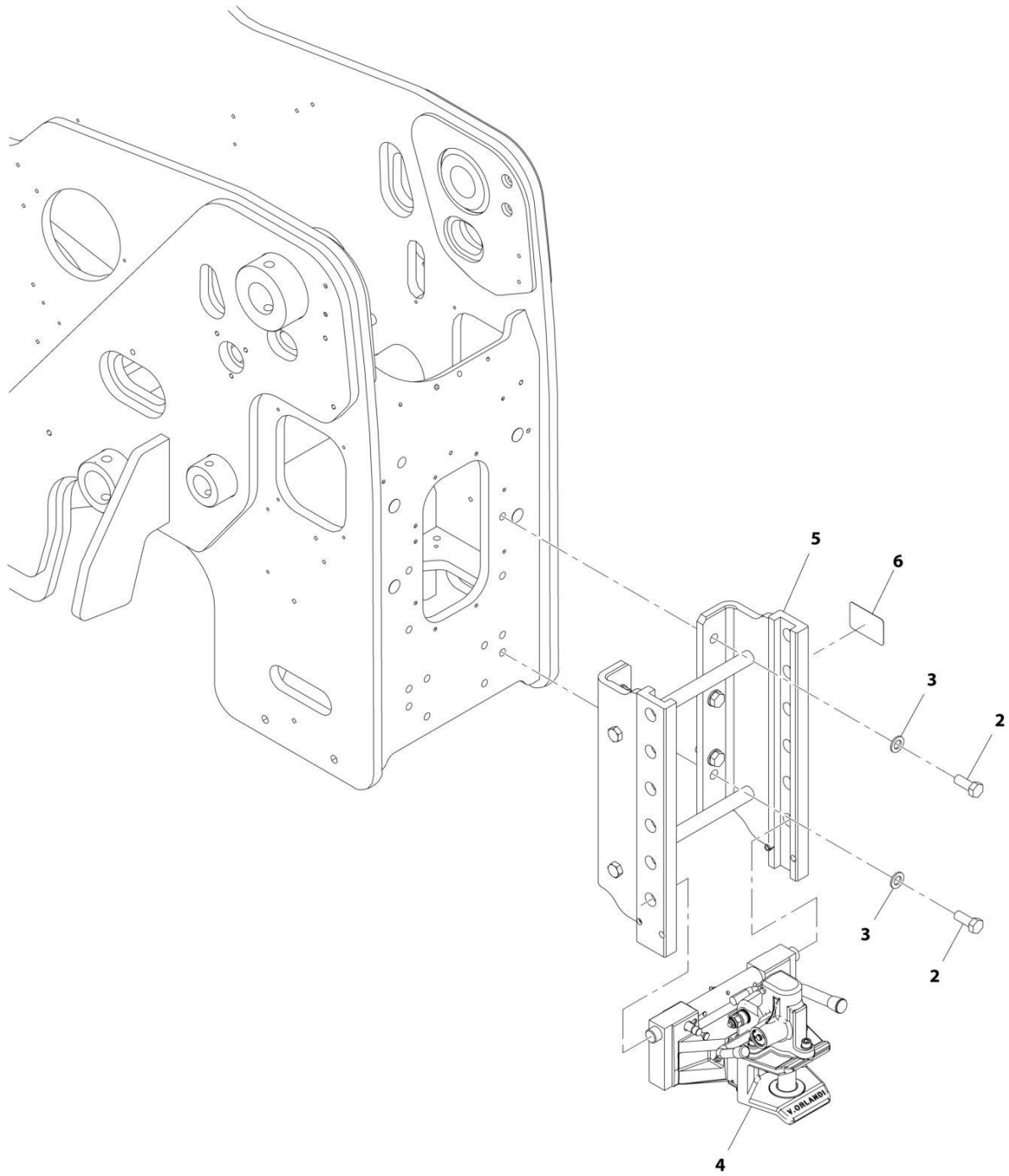
SECTION 1 - FRAME AND ATTACHING PARTS

FIGURE 1-23. HITCH RETRIEVAL INSTALLATION

ITEM	PART NUMBER	QTY	DESCRIPTION	REV
	1001180207	Ref	Hitch Retrieval Installation	D
2	0771618	2	Bolt, M16X50 Grade 10.9	
3	5241600	2	Washer, M16	
6	1001106570	NLA	Hitch, Retrieval (no longer available, use 1001238460 for replacement)	
6	1001238460	1	Hitch, Retrieval	
7	1001241674	1	Decal, Retrieval Point	

SECTION 1 - FRAME AND ATTACHING PARTS

FIGURE 1-24. HITCH INSTALLATION (EEC AUTO)



ART_1001180196-C

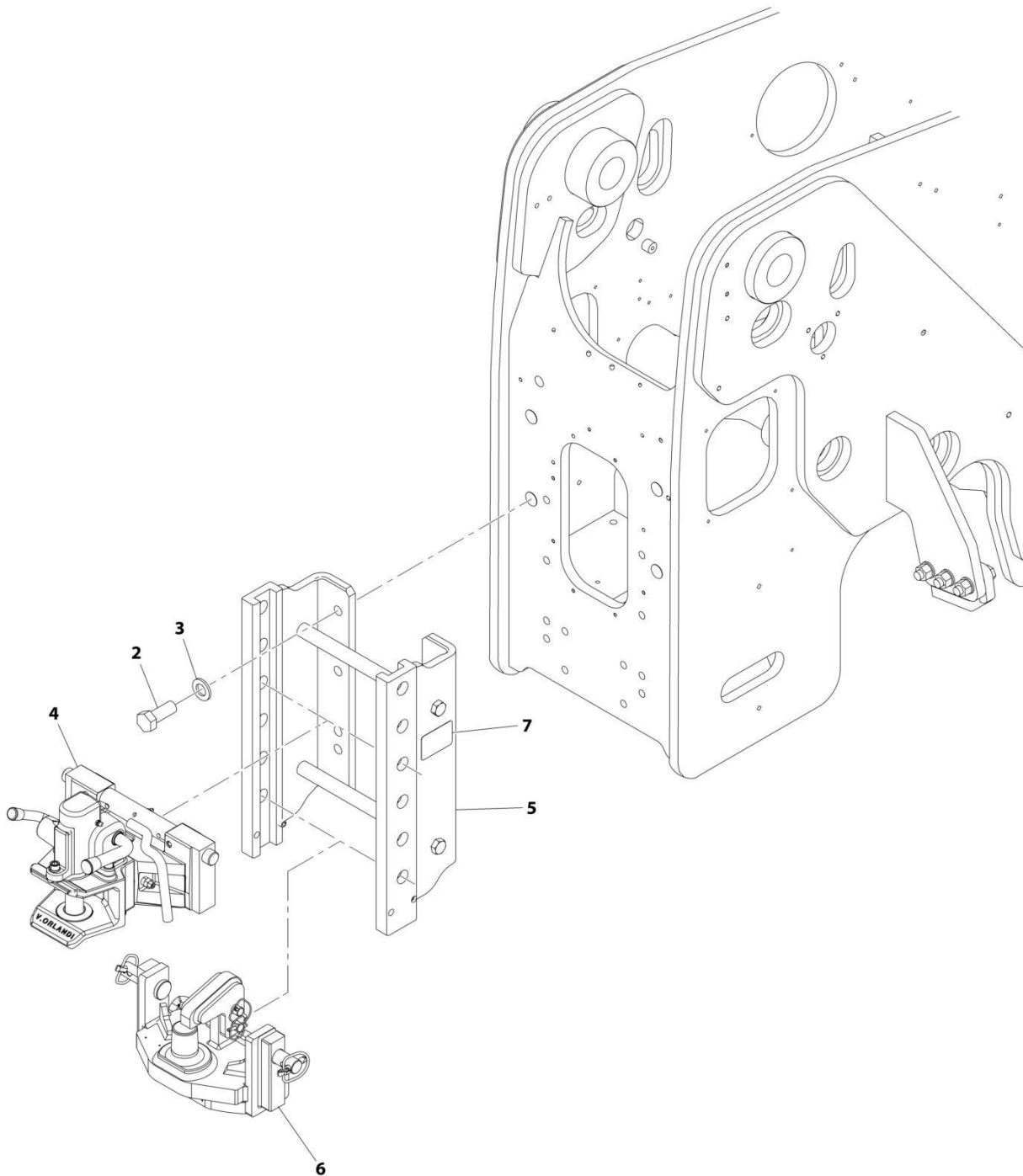
SECTION 1 - FRAME AND ATTACHING PARTS

FIGURE 1-24. HITCH INSTALLATION (EEC AUTO)

ITEM	PART NUMBER	QTY	DESCRIPTION	REV
	1001180196	Ref	Hitch Installation (EEC Auto)	C
2	0701616	8	Bolt, M16X40	
3	4812300	8	Washer, M6	
4	1001098629	1	Assembly, Hitch (EEC Auto) (See Separate Breakdown in this Section)	
5	1001183274	1	Hitch, Sliding Towing Bracket	
6	1001241674	1	Decal, Retrieval Point	

SECTION 1 - FRAME AND ATTACHING PARTS

FIGURE 1-25. HITCH INSTALLATION (PITON)



ART_1001180202-C

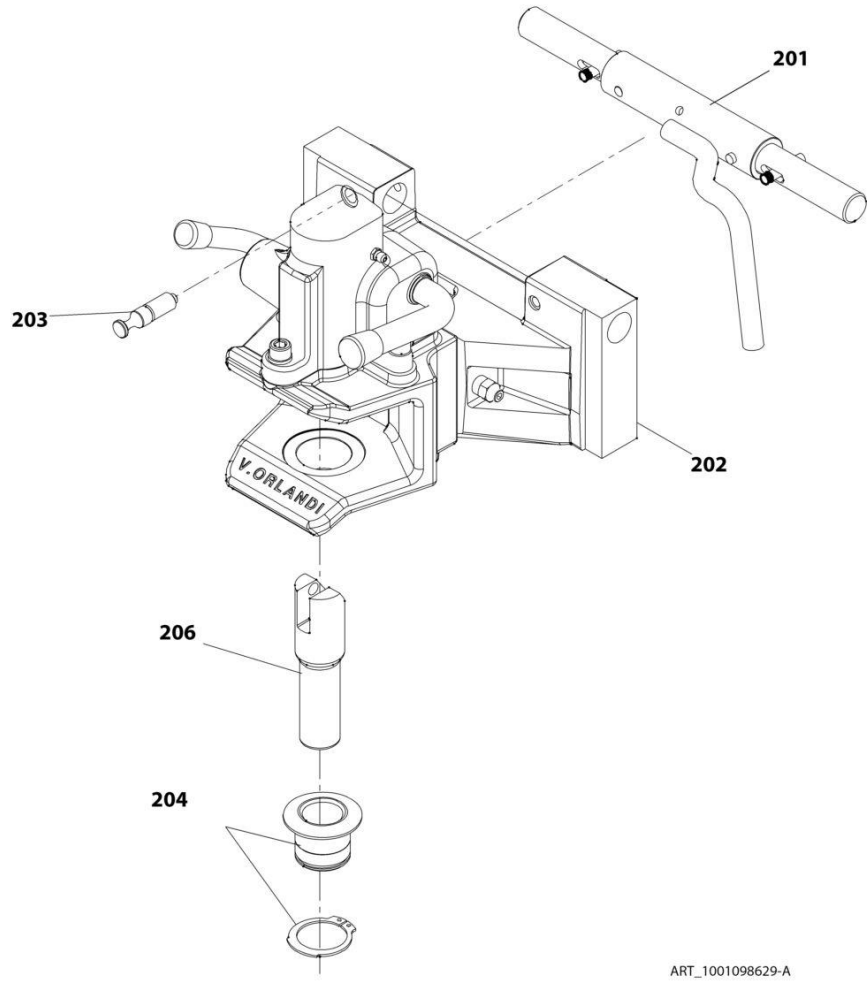
SECTION 1 - FRAME AND ATTACHING PARTS

FIGURE 1-25. HITCH INSTALLATION (PITON)

ITEM	PART NUMBER	QTY	DESCRIPTION	REV
	1001180202	Ref	Hitch Installation (Piton)	C
2	0701616	8	Bolt, M16X40	
3	4812300	8	Washer, M16	
4	1001098629	1	Assembly, Hitch (EEC AUTO) (See Separate Breakdown in this Section)	
5	1001183274	1	Hitch, Sliding Towing Bracket	
6	1001185248	1	Hitch, Sliding (Piton) (See Separate Breakdown in this Section)	
7	1001241674	1	Decal, Retrieval Point	

SECTION 1 - FRAME AND ATTACHING PARTS

FIGURE 1-26. HITCH ASSEMBLY (EEC AUTO)



ART_1001098629-A

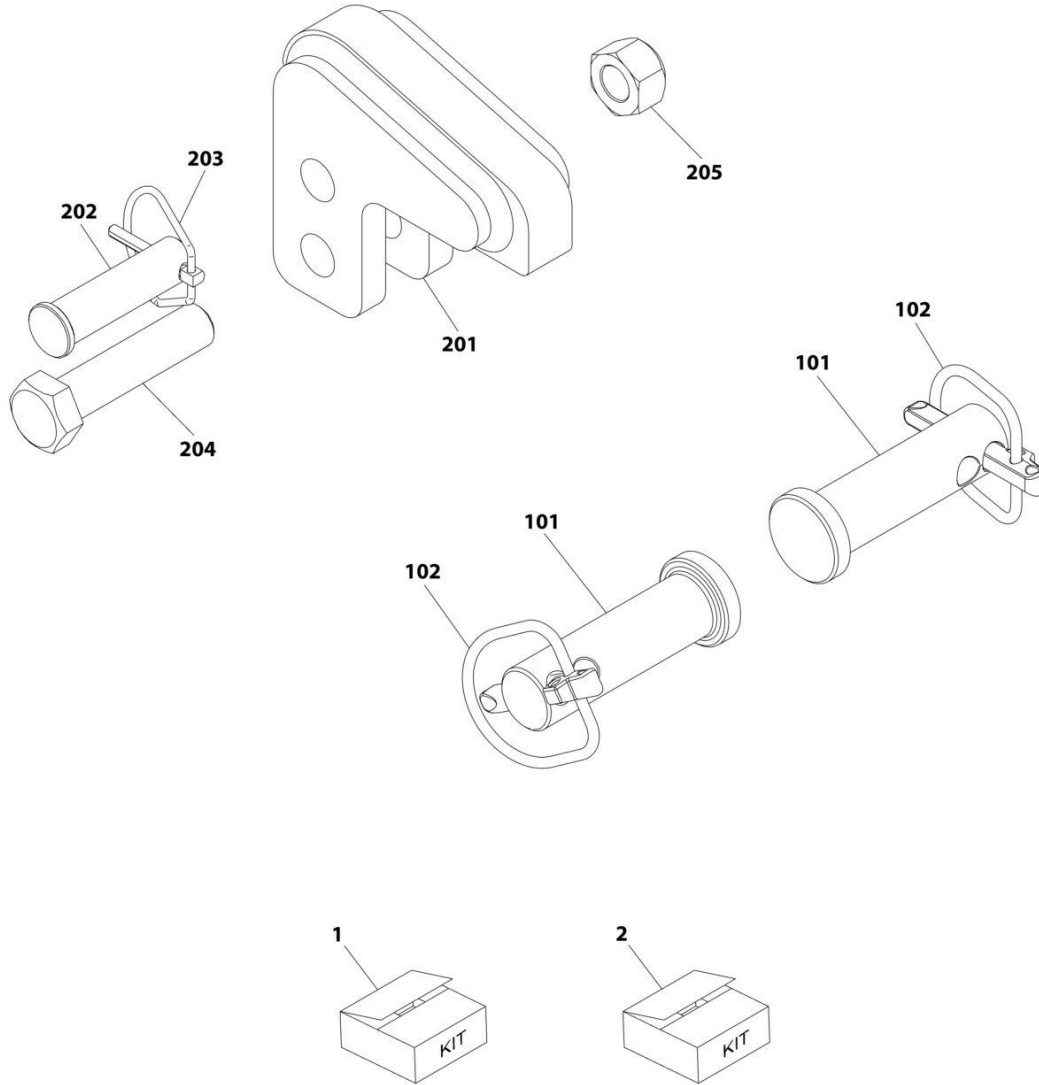
SECTION 1 - FRAME AND ATTACHING PARTS

FIGURE 1-26. HITCH ASSEMBLY (EEC AUTO)

ITEM	PART NUMBER	QTY	DESCRIPTION	REV
	1001098629	Ref	Hitch Assembly (EEC Auto)	A
201	70022821	1	Lever, Opening	
202	70022822	1	Mechanism, Box	
203	70022823	1	Pivot, Security	
204	70022824	1	Bushing	
206	70022825	1	Pin	

SECTION 1 - FRAME AND ATTACHING PARTS

FIGURE 1-27. SLIDING HITCH ASSEMBLY (PITON)



ART_1001185248-A

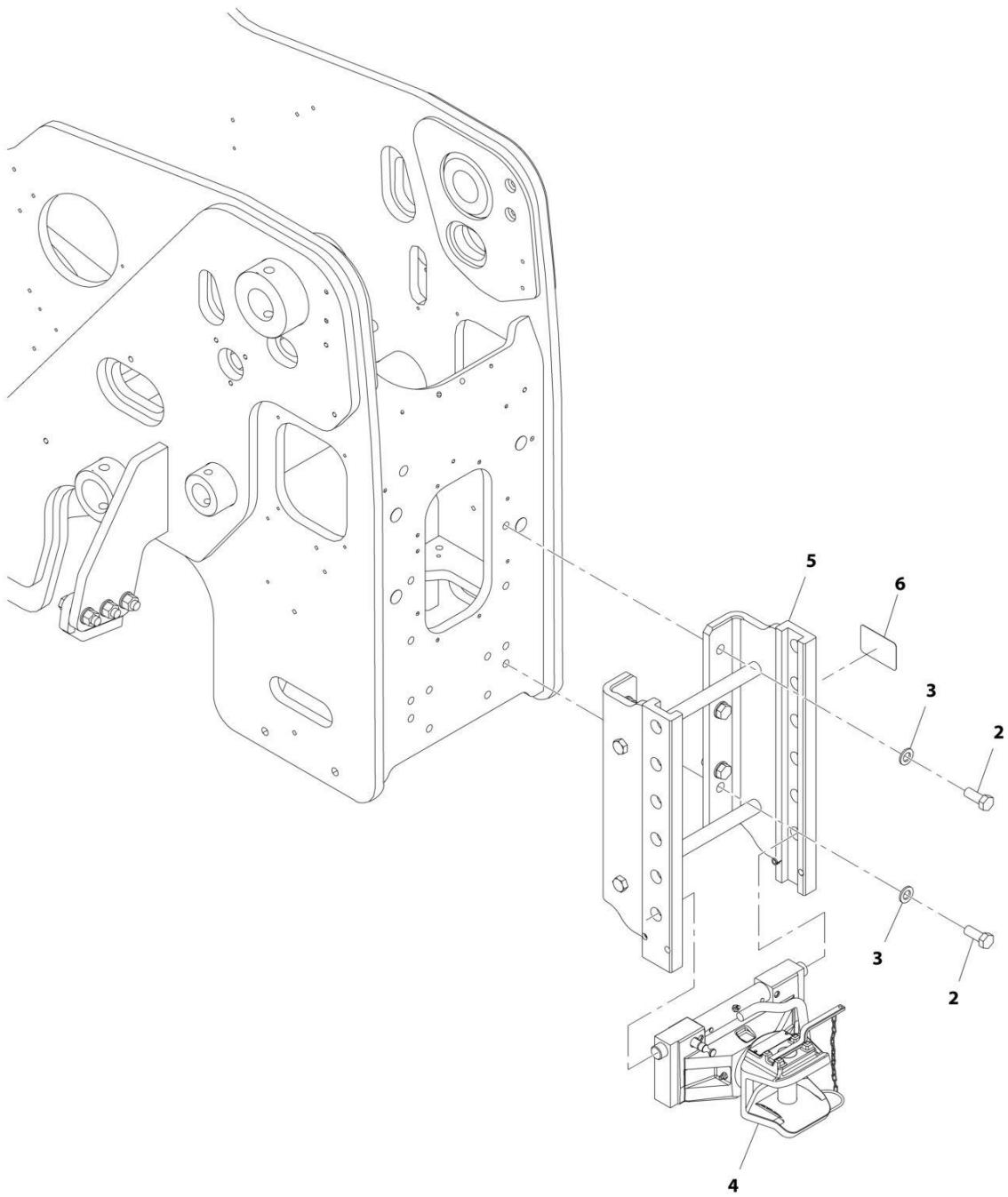
SECTION 1 - FRAME AND ATTACHING PARTS

FIGURE 1-27. SLIDING HITCH ASSEMBLY (PITON)

ITEM	PART NUMBER	QTY	DESCRIPTION	REV
	1001185248	Ref	Sliding Hitch Assembly (Piton)	A
1	70027175	1	Kit, Pins (includes items 101 and 102)	
2	70027174	1	Kit, Keeper (includes items 201 thru 205)	
101	Kit	2	Pin	
102	Kit	2	Pin, Safety	
201	Kit	1	Keeper	
202	Kit	1	Pin	
203	Kit	1	Pin, Safety	
204	Kit	1	Bolt, M20X95	
205	Kit	1	Nut	

SECTION 1 - FRAME AND ATTACHING PARTS

FIGURE 1-28. HITCH INSTALLATION (EEC MANUAL)



ART_1001180198-C

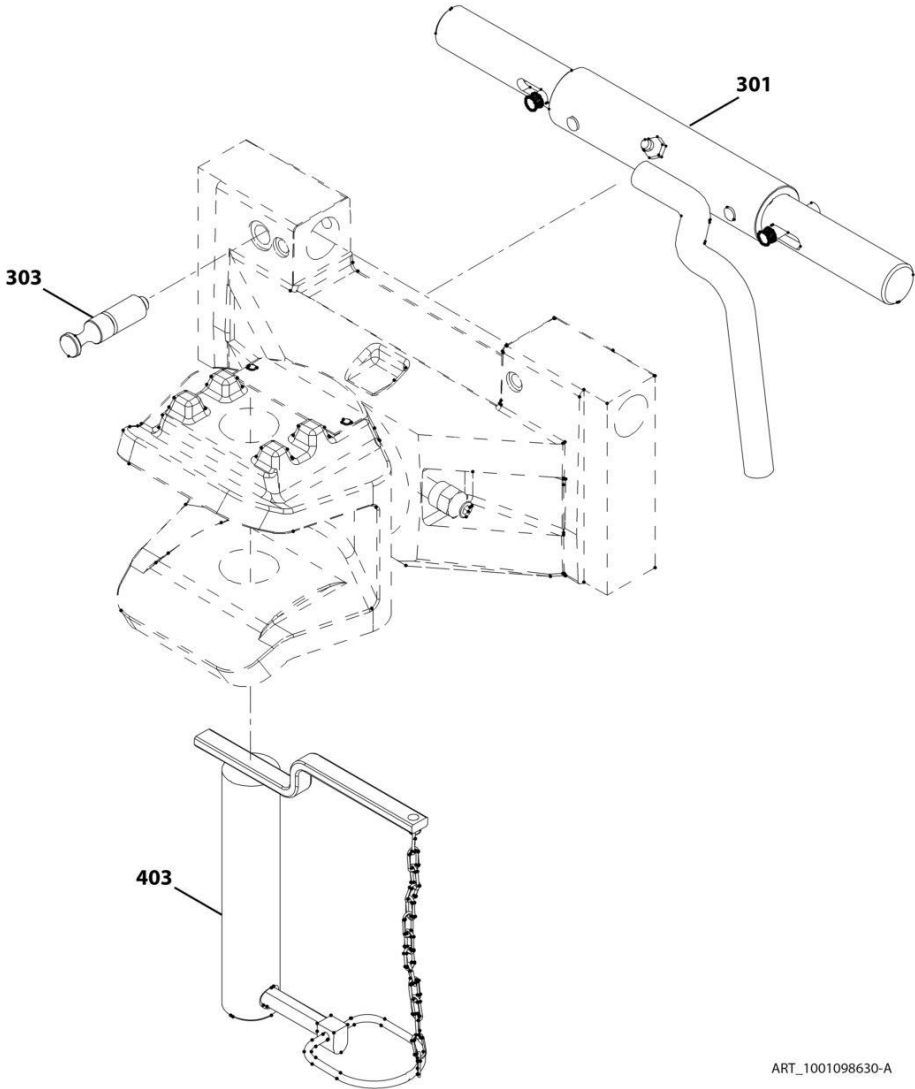
SECTION 1 - FRAME AND ATTACHING PARTS

FIGURE 1-28. HITCH INSTALLATION (EEC MANUAL)

ITEM	PART NUMBER	QTY	DESCRIPTION	REV
	1001180198	Ref	Hitch Installation (EEC Manual)	C
2	0701616	8	Bolt, M16X40	
3	4812300	8	Washer, M16	
4	1001098630	1	Assembly, Hitch (EEC Manual) (See Separate Breakdown in this Section)	
5	1001183274	1	Hitch, Sliding Towing Bracket	
6	1001241674	1	Decal, Retrieval Point	

SECTION 1 - FRAME AND ATTACHING PARTS

FIGURE 1-29. HITCH ASSEMBLY (EEC MANUAL)



ART_1001098630-A

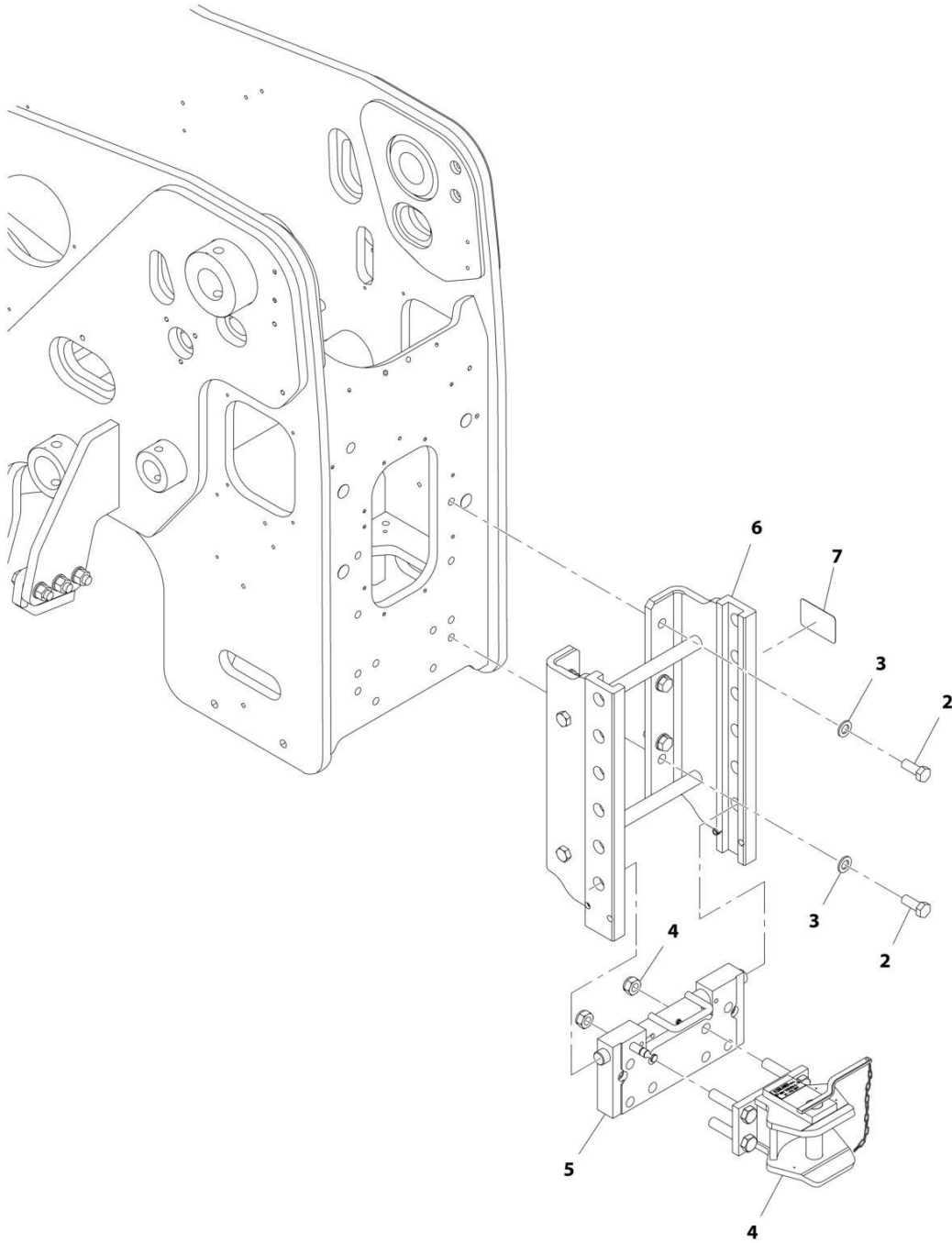
SECTION 1 - FRAME AND ATTACHING PARTS

FIGURE 1-29. HITCH ASSEMBLY (EEC MANUAL)

ITEM	PART NUMBER	QTY	DESCRIPTION	REV
	1001098630	Ref	Hitch Assembly (EEC Manual)	A
301	70022821	1	Lever, Opening	
303	70022823	1	Pivot, Security	
403	70022826	1	Pin	

SECTION 1 - FRAME AND ATTACHING PARTS

FIGURE 1-30. HITCH INSTALLATION (CUNA CATEGORY C)



ART_1001180199-D

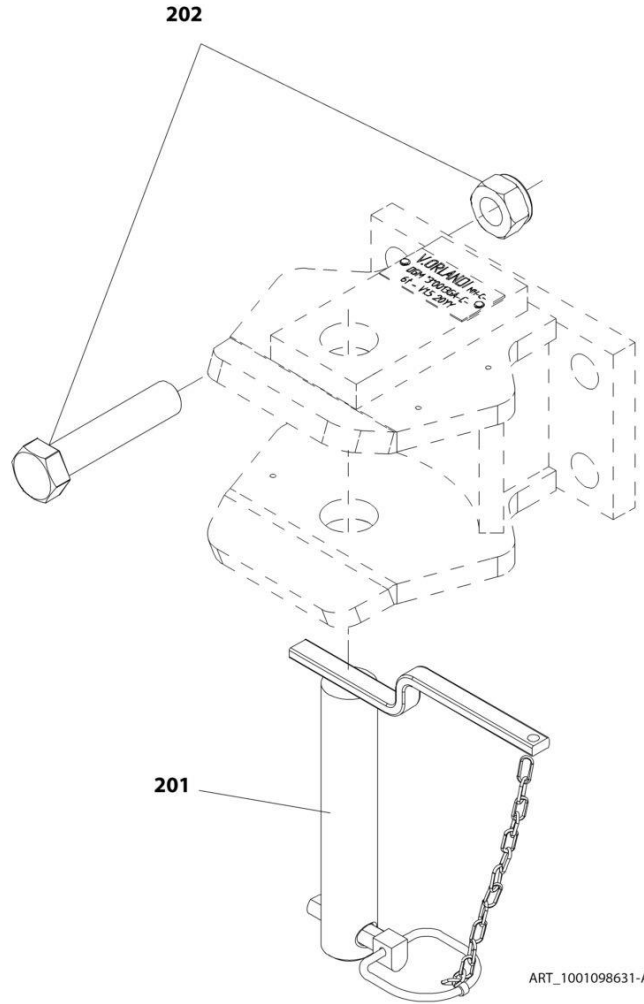
SECTION 1 - FRAME AND ATTACHING PARTS

FIGURE 1-30. HITCH INSTALLATION (CUNA CATEGORY C)

ITEM	PART NUMBER	QTY	DESCRIPTION	REV
	1001180199	Ref	Hitch Installation (CUNA Category C)	D
2	0701616	8	Bolt, M16X40	
3	4812300	8	Washer, M16	
4	1001098631	1	Assembly, Hitch (CUNA Category C) (See Separate Breakdown in this Section)	
5	1001098636	1	Plate, Adaptor	
6	1001183274	1	Hitch, Sliding Towing Bracket	
7	1001241674	1	Decal, Retrieval Point	

SECTION 1 - FRAME AND ATTACHING PARTS

FIGURE 1-31. HITCH ASSEMBLY (CUNA CATEGORY C)



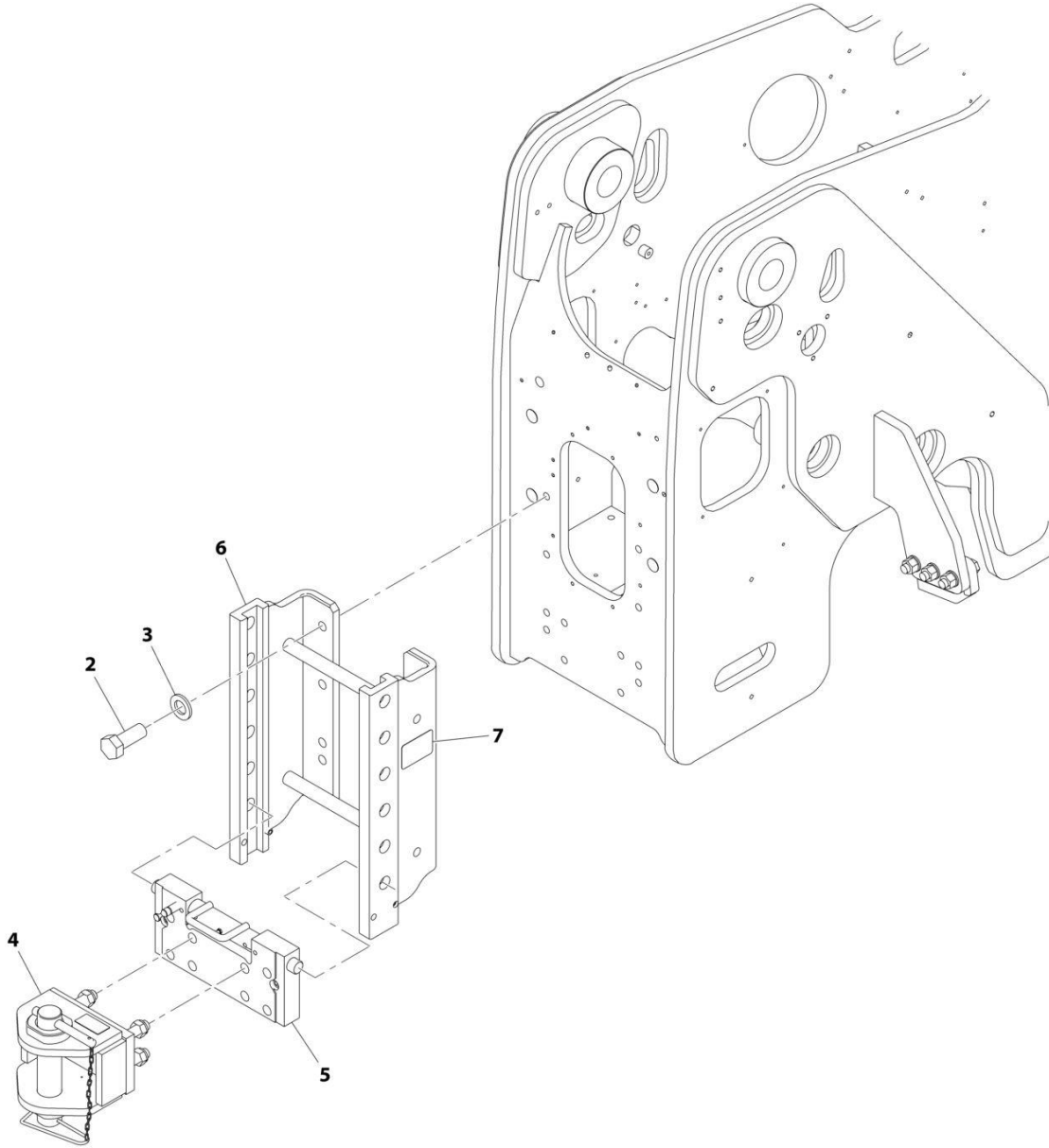
SECTION 1 - FRAME AND ATTACHING PARTS

FIGURE 1-31. HITCH ASSEMBLY (CUNA CATEGORY C)

ITEM	PART NUMBER	QTY	DESCRIPTION	REV
	1001098631	Ref	Hitch Assembly (CUNA Category C)	A
201	70022818	1	Pin	
202	70022819	1	Hardware, Mounting	

SECTION 1 - FRAME AND ATTACHING PARTS

FIGURE 1-32. HITCH INSTALLATION (CUNA CATEGORY D2)



ART_1001180200-D

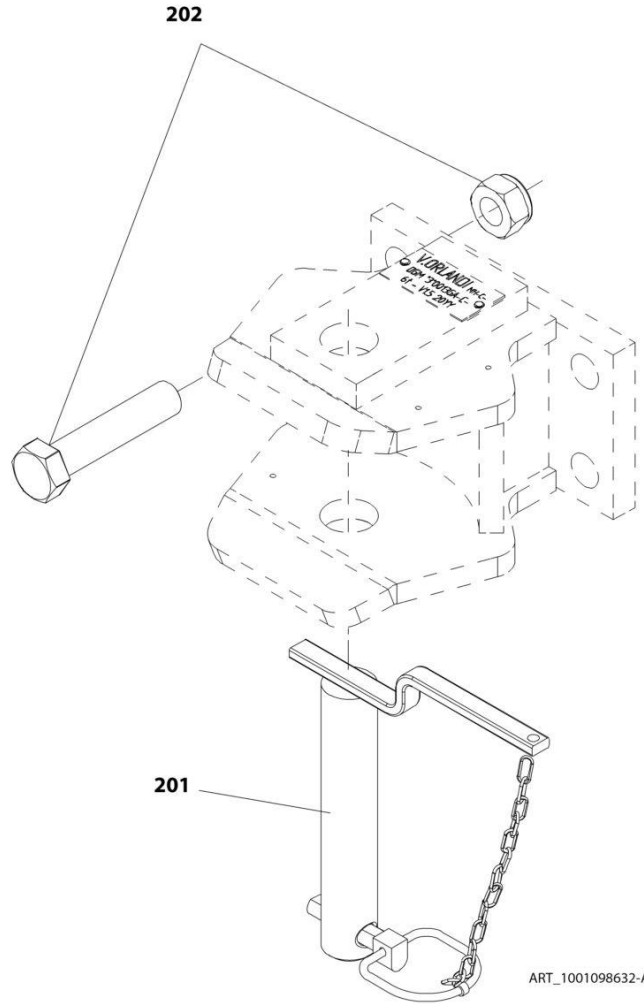
SECTION 1 - FRAME AND ATTACHING PARTS

FIGURE 1-32. HITCH INSTALLATION (CUNA CATEGORY D2)

ITEM	PART NUMBER	QTY	DESCRIPTION	REV
	1001180200	Ref	Hitch Installation (CUNA Category D2)	D
2	0701616	8	Bolt, M16X40	
3	4812300	8	Washer, M16	
4	1001098632	1	Assembly, Hitch (CUNA Category D2) (See Separate Breakdown in this Section)	
5	1001098636	1	Plate, Adaptor	
6	1001183274	1	Hitch, Sliding Towing Bracket	
7	1001241674	1	Decal, Retrieval Point	

SECTION 1 - FRAME AND ATTACHING PARTS

FIGURE 1-33. HITCH ASSEMBLY (CUNA CATEGORY D2)



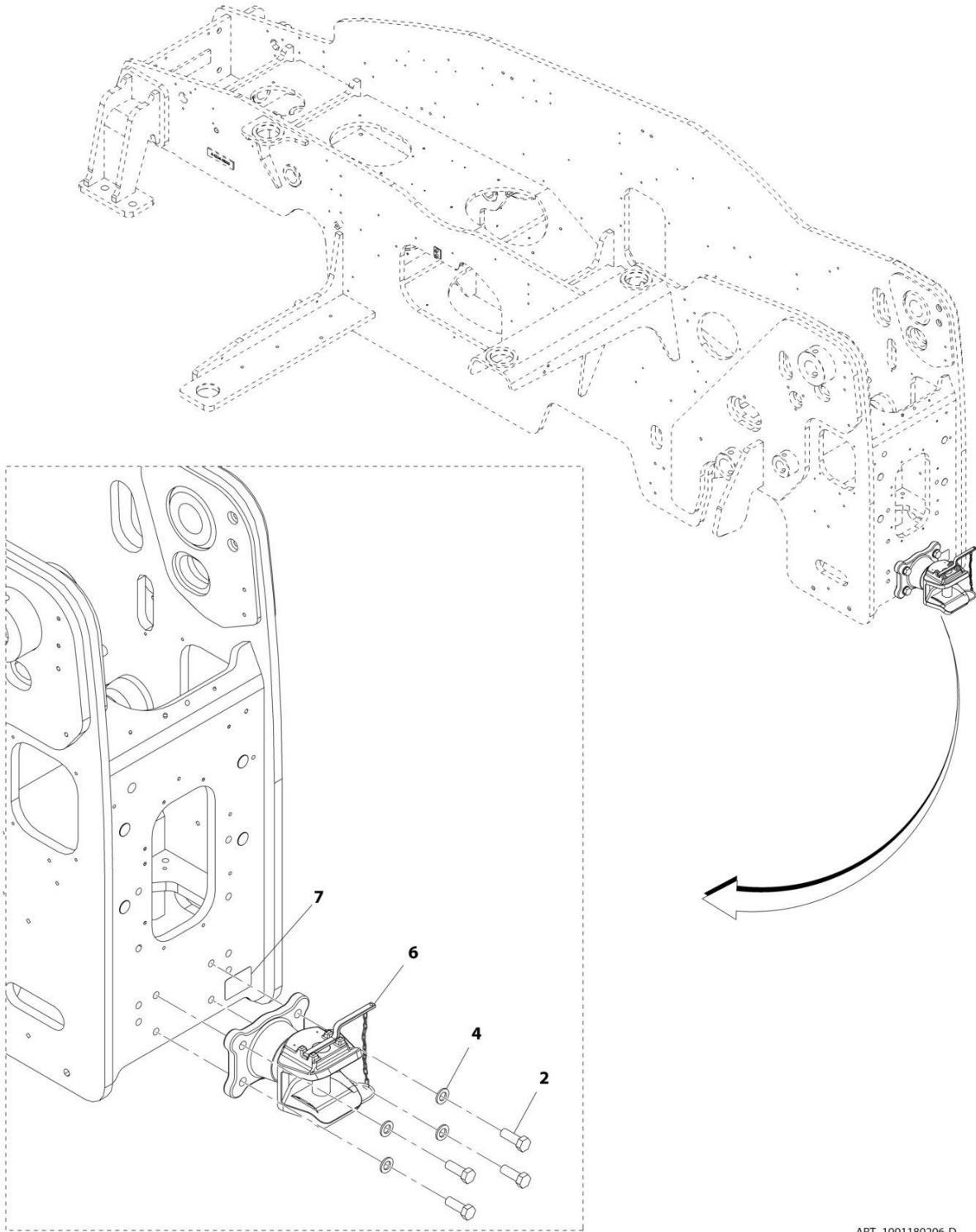
SECTION 1 - FRAME AND ATTACHING PARTS

FIGURE 1-33. HITCH ASSEMBLY (CUNA CATEGORY D2)

ITEM	PART NUMBER	QTY	DESCRIPTION	REV
	1001098632	Ref	Hitch Assembly (CUNA Category D2)	A
202	70022818	1	Hardware, Mounting	
301	70022819	4	Pin	

SECTION 1 - FRAME AND ATTACHING PARTS

FIGURE 1-34. HITCH INSTALLATION (FIXED)



ART_1001180206-D

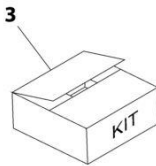
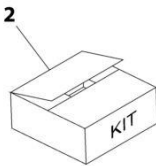
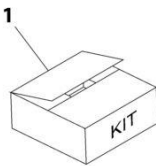
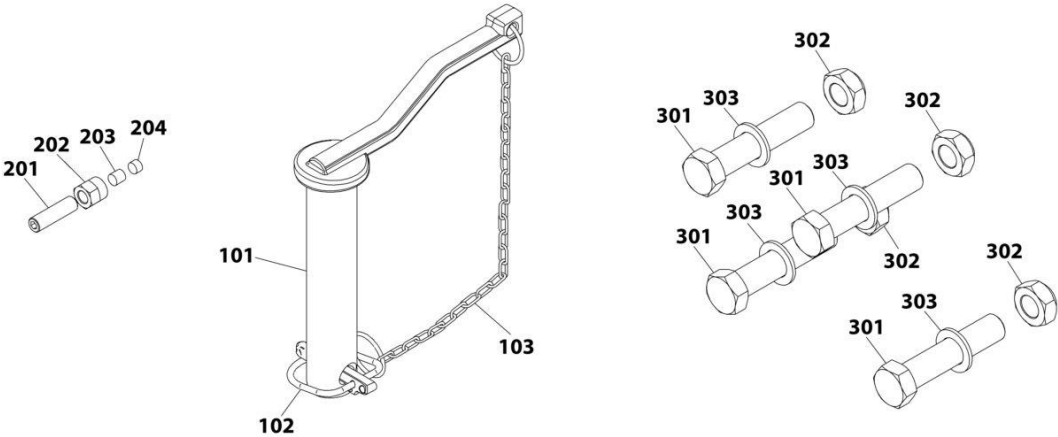
SECTION 1 - FRAME AND ATTACHING PARTS

FIGURE 1-34. HITCH INSTALLATION (FIXED)

ITEM	PART NUMBER	QTY	DESCRIPTION	REV
	1001180206	Ref	Hitch Installation (Fixed)	D
2	0701617	4	Bolt, M16X45	
4	4812300	4	Washer, M16	
6	1001110849	1	Assembly, Hitch (Fixed) (See Separate Breakdown in this Section)	
7	1001241674	1	Decal, Retrieval Point	

SECTION 1 - FRAME AND ATTACHING PARTS

FIGURE 1-35. HITCH ASSEMBLY (FIXED)



ART_1001110849-B

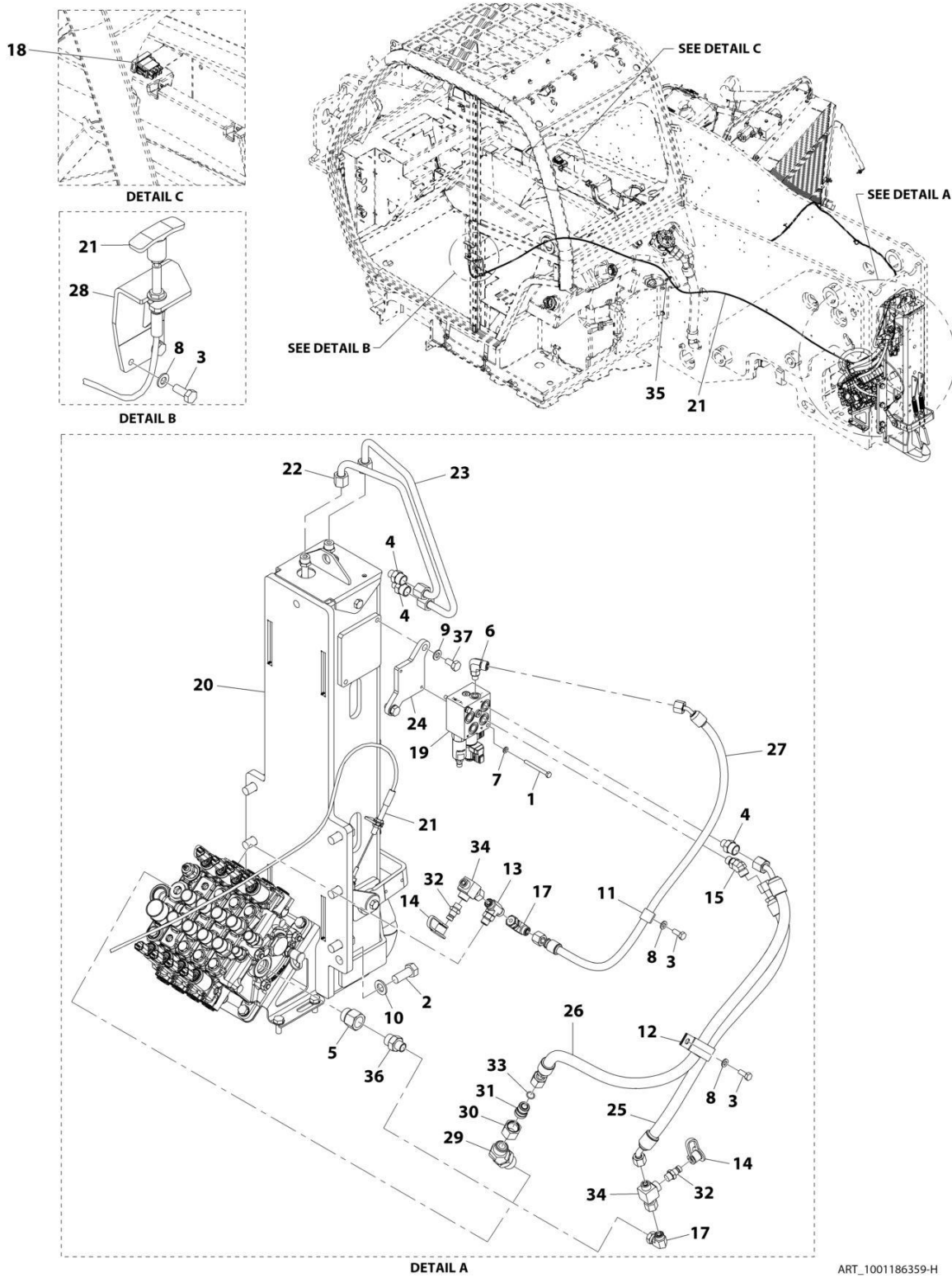
SECTION 1 - FRAME AND ATTACHING PARTS

FIGURE 1-35. HITCH ASSEMBLY (FIXED)

ITEM	PART NUMBER	QTY	DESCRIPTION	REV
	1001110849	Ref	Hitch Assembly (Fixed)	B
1	70027178	1	Kit, Towing Pin (includes items 101 thru 103)	
2	70027176	1	Kit, Friction (includes items 201 thru 204)	
3	70027177	1	Kit, Screws (includes items 301 thru 303)	
101	Kit	1	Pin	
102	Kit	1	Chain, Safety	
103	Kit	1	Pin, Safety	
201	Kit	1	Screw, M16X80	
202	Kit	1	Nut, M10	
203	Kit	1	Insert	
204	Kit	1	Insert	
301	Kit	4	Screw, M16X80	
302	Kit	4	Nut, M16	
303	Kit	4	Washer	

SECTION 1 - FRAME AND ATTACHING PARTS

FIGURE 1-36. HITCH INSTALLATION (HYDRAULIC)



ART_1001186359-H

SECTION 1 - FRAME AND ATTACHING PARTS

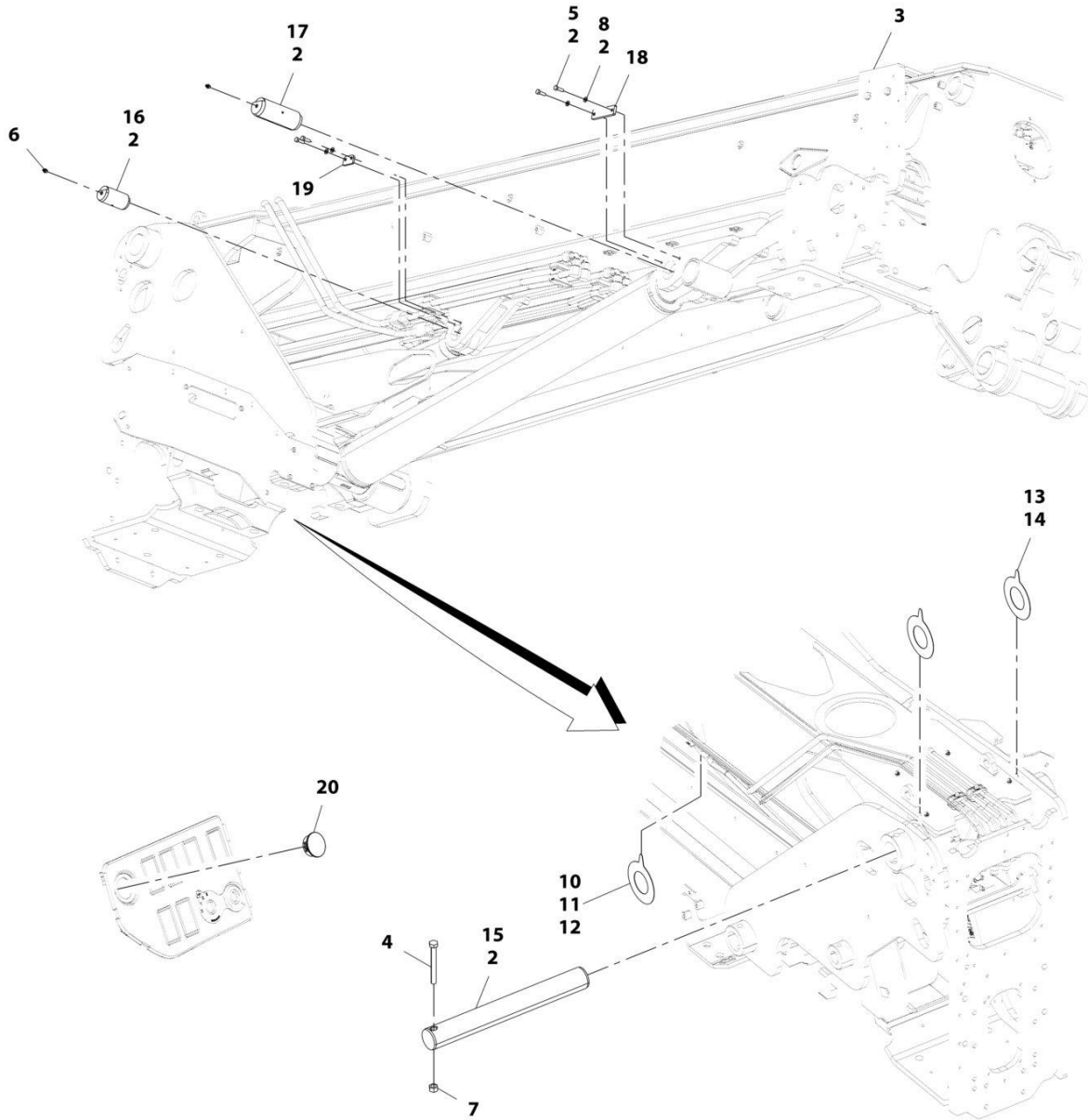
FIGURE 1-36. HITCH INSTALLATION (HYDRAULIC)

ITEM	PART NUMBER	QTY	DESCRIPTION	REV
	1001186359	Ref	Hitch Installation (Hydraulic)	H
1	0700620	2	Bolt, M6X60	
2	0711616	8	Bolt, M16X40 Grade 10.9	
3	0760810	4	Bolt, M8X20	
4	2110806	3	Fitting, Straight ORFS	
5	8760550	1	Fitting, Tee	
6	2130604	1	Fitting, 90 ORFS	
7	4811700	2	Washer, M6	
8	4811900	4	Washer, M8	
9	4812000	2	Washer, M10	
10	4812300	8	Washer, M16	
11	1001009207	1	Clip	
12	1001008720	1	Clip	
13	2170406	1	Fitting, Tee ORFS	
14	1001008761	2	Dust Cap	
15	2150606	1	Fitting, 45 ORFS	
17	2172106	2	Fitting, 90 ORFS	
18	1001198836	1	Switch, Hitch Up/Down	
19	1001226722	Ref	Valve, Hydraulic Hitch Control (See Separate Breakdown in HYDRAULIC COMPONENTS Section)	
20	1001182763	1	Hitch, Hydraulic	
21	1001186392	1	Cable, Hitch Release	
22	1001204374	1	Pipe	
23	1001204375	1	Pipe	
24	1001188413	1	Plate	
25	1001204518	1	Hose, ORFS	
26	1001206557	1	Hose, ORFS	
27	1001206558	1	Hose, ORFS	
28	1001188722	1	Bracket, Hitch	
29	2151012	1	Fitting, 45 ORFS	
30	8770143	1	Nut, ORFS	
31	1001032853	1	Reducer, ORFS	
32	1001003590	2	Fitting, Straight	
33	1001008805	1	Seal	
34	1001033119	2	Adapter, ORFS	
35	1001146588	1	Tie Strap	
36	2110610	1	Fitting, Straight	
37	0761010	2	Bolt, M10X20	

SECTION 2 - BOOM

SECTION 2 - BOOM

FIGURE 2-1. BOOM INSTALLATION



ART_1001176103-E

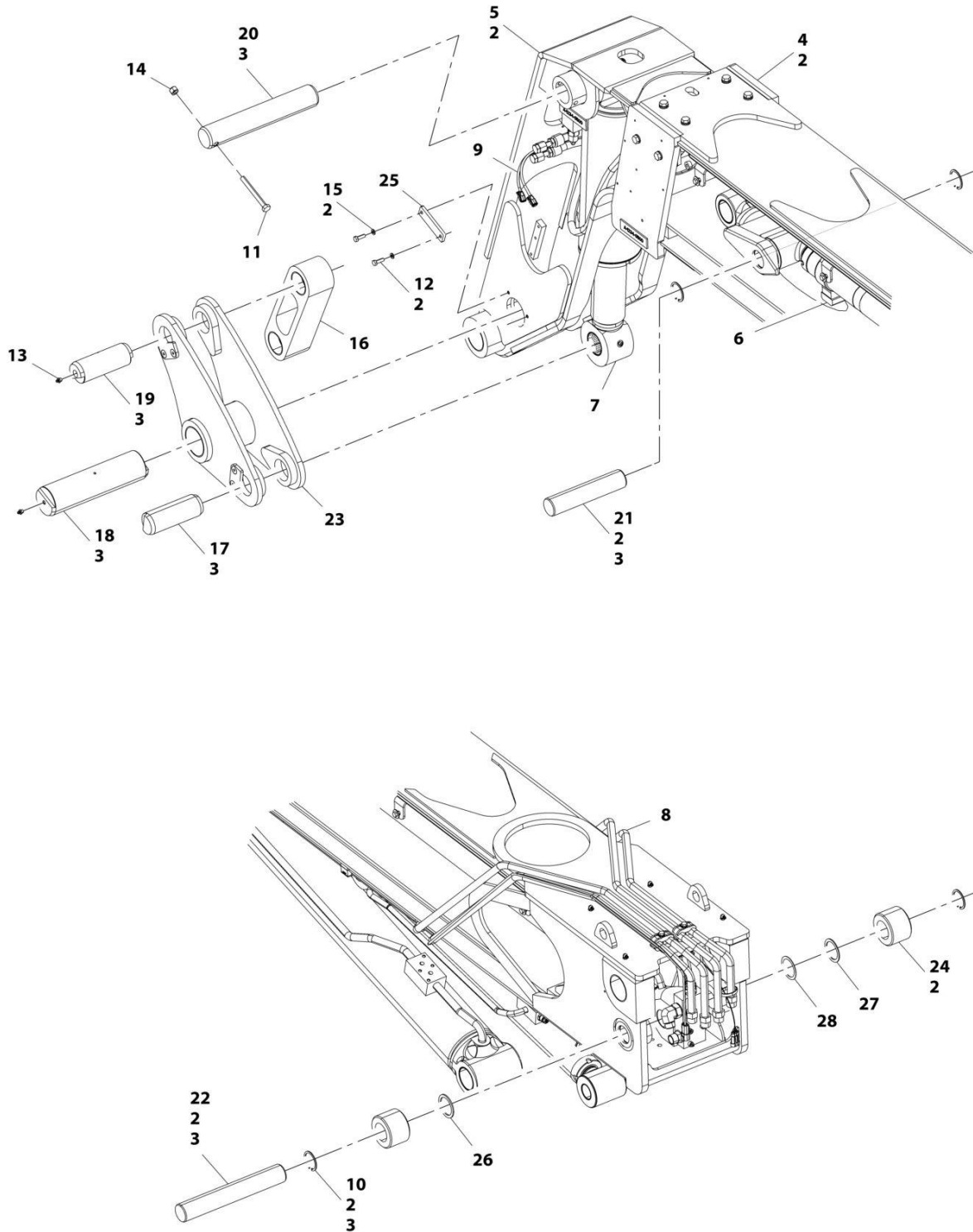
SECTION 2 - BOOM

FIGURE 2-1. BOOM INSTALLATION

ITEM	PART NUMBER	QTY	DESCRIPTION	REV
	1001176103	Ref	Boom Installation	E
2	1001098457	AR	Lube, Lithium Grease	
3	1001155407	1	Assembly, Boom (See Separate Breakdown in this Section)	
4	0711631	1	Bolt, 16X140	
5	0760812	4	Bolt, 8X25	
6	2160016	2	Fitting, Grease	
7	3291605	1	Nut, Lock M16X2	
8	4811900	4	Washer, M8	
10	1001200172	AR	Shim, With Tab	
11	1001200171	AR	Shim, With Tab	
12	1001200170	AR	Shim, With Tab	
13	1001169048	AR	Shim, 1	
14	1001169049	AR	Shim, 0.5	
15	1001175225	1	Pin	
16	1001175754	1	Pin	
17	1001175898	1	Pin, Lift Cylinder	
18	1001191621	1	Plate, Pin Retainer	
19	1001176942	1	Bracket, Pin Retainer	
20	1001190589	1	Plug	

SECTION 2 - BOOM

FIGURE 2-2. BOOM ASSEMBLY



ART_1001155407-I

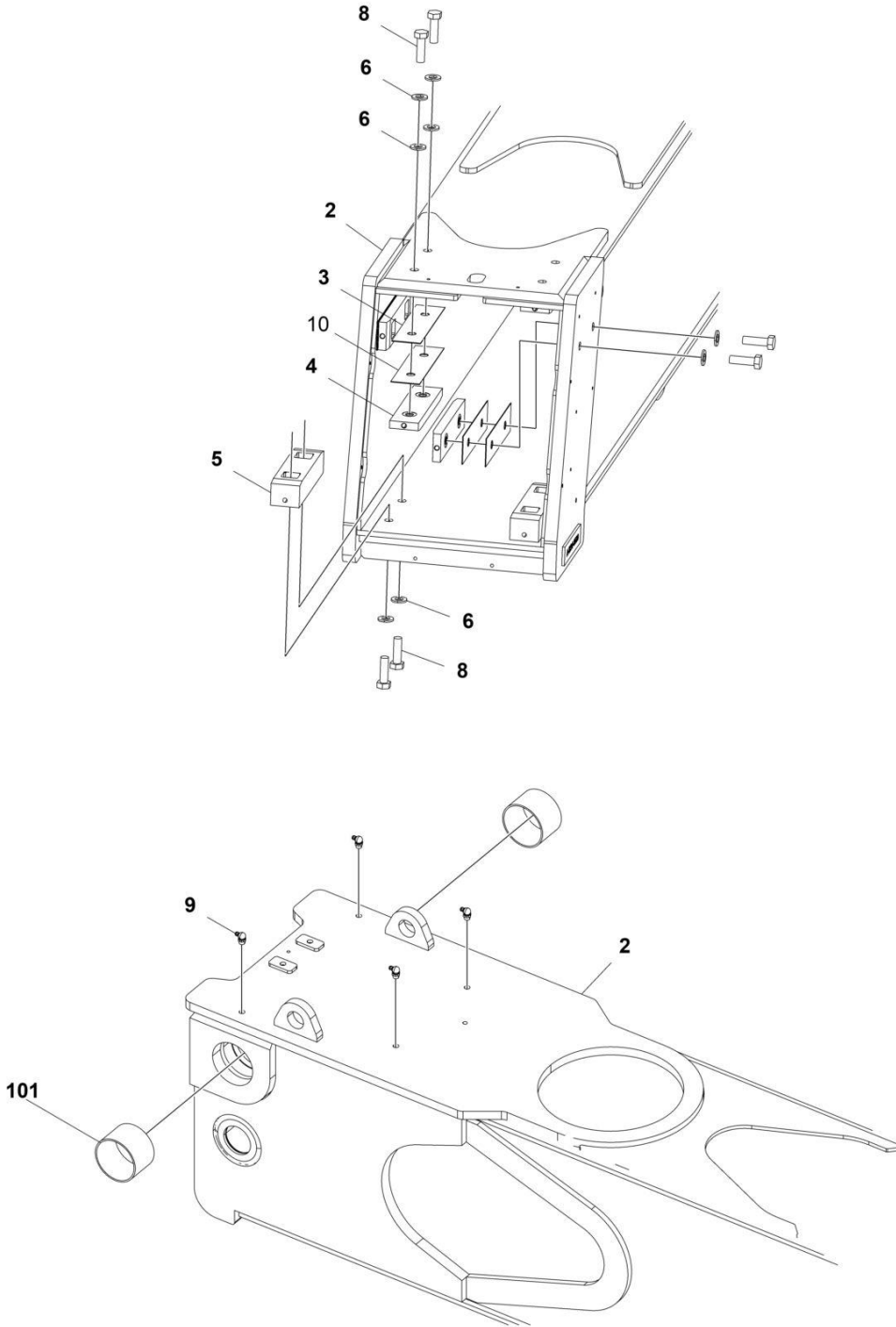
SECTION 2 - BOOM

FIGURE 2-2. BOOM ASSEMBLY

ITEM	PART NUMBER	QTY	DESCRIPTION	REV
	1001155407	Ref	Boom Assembly	1
2	1001098457	AR	Lube, Lithium Grease	
3	3020040	AR	Lubricant, Moly Paste	
4	1001153858	1	Assembly, First Boom Section (See Separate Breakdown in this Section)	
5	1001153859	1	Assembly, Second Boom Section (See Separate Breakdown in this Section)	
6	1001203311	1	Cylinder Sub-Assembly - Extend/Retract (See Separate Breakdown in Hydraulic Components Section)	
7	1001180117	1	Cylinder Assembly - Tilt (See Separate Breakdown in Hydraulic Components Section)	
8	1001216311	1	Installation, Boom Hydraulic (See Separate Breakdown in Hydraulic Circuits Section)	
9	1001186169	1	Installation, Boom Harness (See Separate Breakdown in Electrical Section)	
10	314689	4	Ring, Retaining M50	
11	0711228	1	Bolt, M12X110	
12	0760812	2	Bolt, M8X25	
13	2160016	2	Fitting, Grease	
14	3291205	1	Nut, Lock M12X1.75 Grade 8	
15	4831900	2	Washer, Lock M8	
16	1001096870	1	Link Assembly	
16	1001100442	4	Bearing	
17	1001175746	1	Pin, Tilt	
18	1001175747	1	Pin, Tilt Lower	
19	1001175749	1	Pin, Tilt Link	
20	1001175896	1	Pin, Tilt	
21	1001175897	1	Pin, Telescope Cylinder	
22	1001175900	1	Pin, Telescope Cylinder	
23	1001176407	1	Lever Assembly (See Separate Breakdown in this Section)	
24	1001176691	2	Tube, Spacer	
25	1001191621	1	Plate, Pin Retainer	
26	1001155958	AR	Shim	
27	1001155959	AR	Shim	
28	1001155960	AR	Shim	

SECTION 2 - BOOM

FIGURE 2-3. FIRST BOOM SECTION ASSEMBLY



ART_1001153858

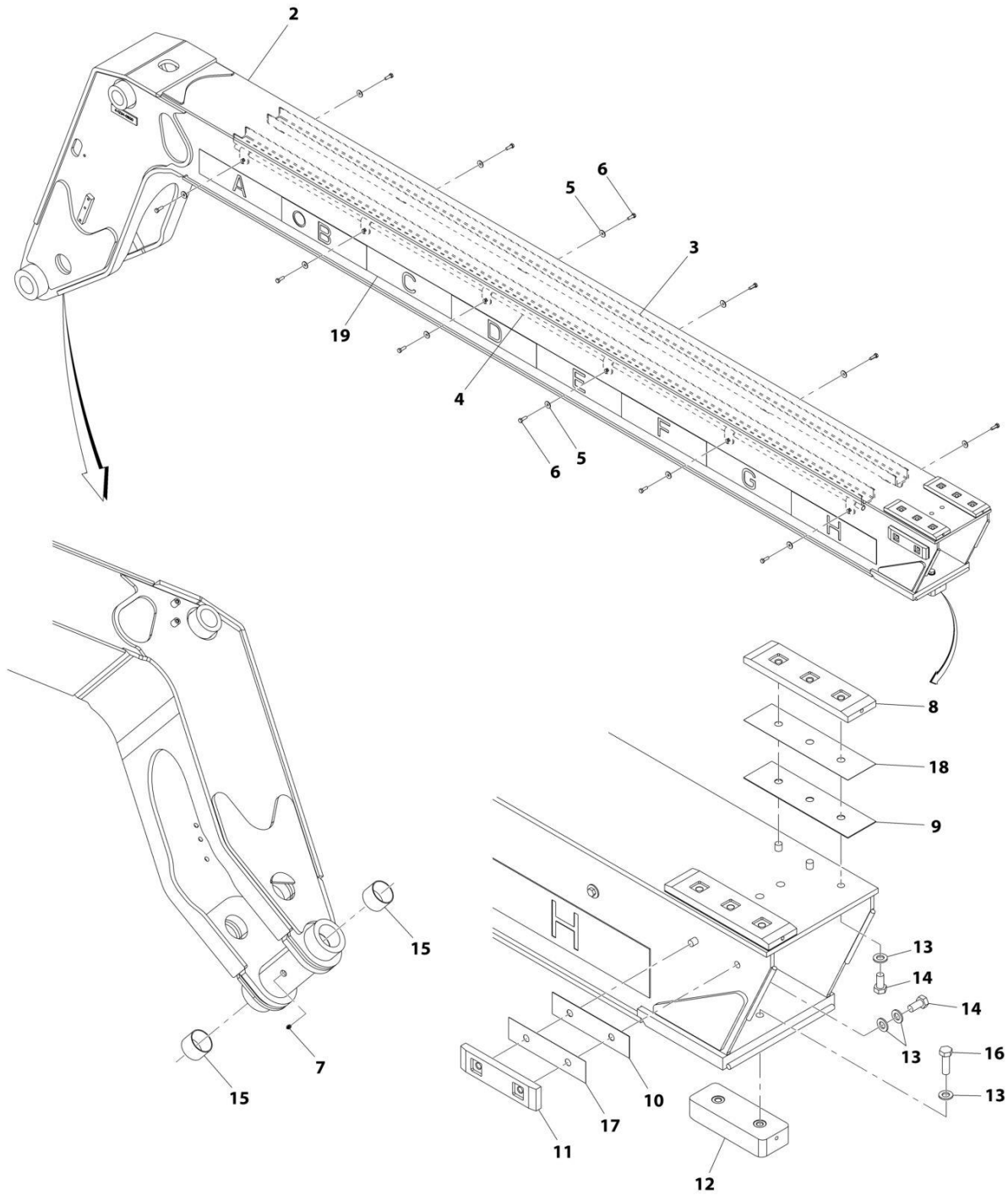
SECTION 2 - BOOM

FIGURE 2-3. FIRST BOOM SECTION ASSEMBLY

ITEM	PART NUMBER	QTY	DESCRIPTION	REV
	1001153858	Ref	FIRST BOOM SECTION ASSEMBLY	L
2	1001174804J	1	Boom, First	
3	1001147731	AR	Shim, M1	
4	1001147657	4	Pad	
5	1001175853	2	Pad	
6	1001125117	AR	Washer M12	
8	0711216	12	Bolt M12 x 40 Grade 10.9	
9	2160018	4	Fitting, Grease	
11	1001154174	AR	Shim M0.5	
12	1001163103	1	Shim	
101	1001090150	2	Bearing	

SECTION 2 - BOOM

FIGURE 2-4. SECOND BOOM SECTION ASSEMBLY



ART_1001153859-G

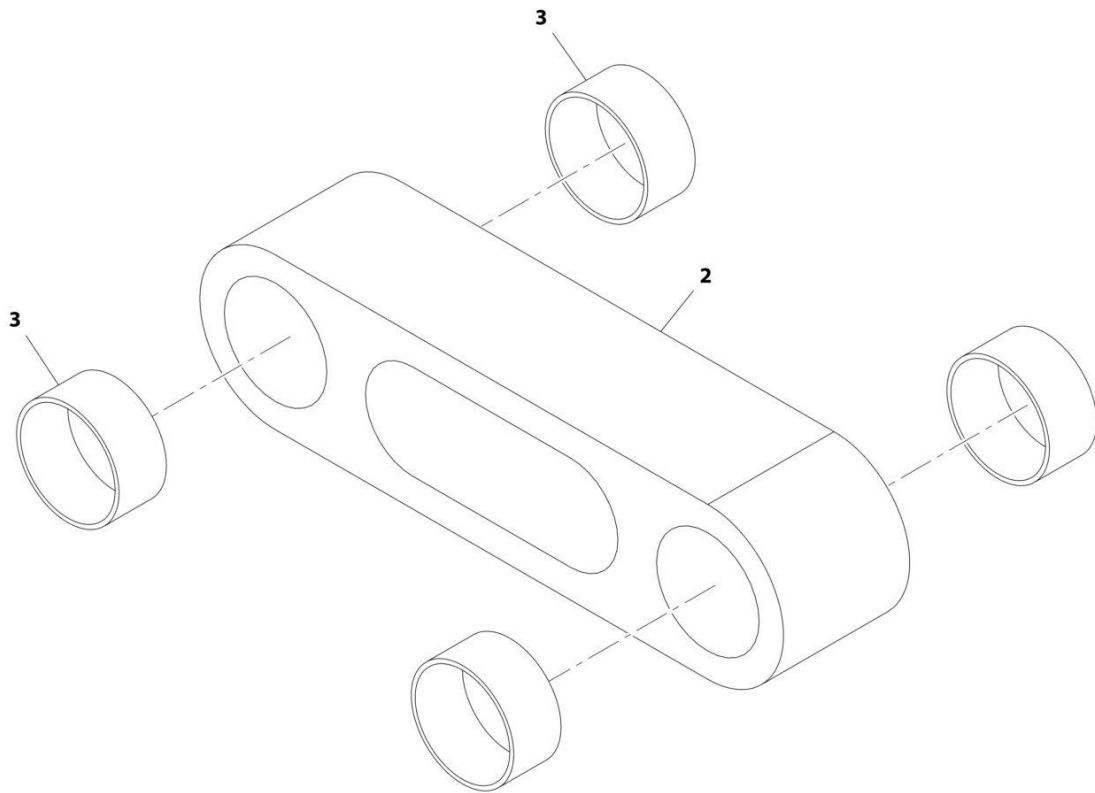
SECTION 2 - BOOM

FIGURE 2-4. SECOND BOOM SECTION ASSEMBLY

ITEM	PART NUMBER	QTY	DESCRIPTION	REV
	1001153859	Ref	Second Boom Section Assembly	G
2	1001180893	1	Boom, Second	
3	1001174557	1	Hose	
4	1001175661	1	Hose	
5	4811902	12	Washer, M8	
6	0760812	12	Bolt, M8x25	
7	2160016	1	Fitting, Grease	
8	1001177054	2	Pad, M67.5X250X15	
9	1001177073	AR	Pad, M1.5X67.5X250	
10	1001147731	AR	Pad, M1X45X185	
11	1001147657	2	Pad, M15X45X181	
12	1001175762	1	Pad, M38X67.5X181	
13	1001125117	AR	Washer, M12	
14	0771212	10	Bolt, M12X25 Grade 10.9	
15	1001090150	2	Bearing	
16	0711216	2	Bolt, M12X40, Grade 10.9	
17	1001154174	AR	Shim, M0.5X45X185	
18	1001221577	AR	Shim, M0.5X67.5X250	
19	1001227229	1	Decal, Boom	

SECTION 2 - BOOM

FIGURE 2-5. LINK ASSEMBLY



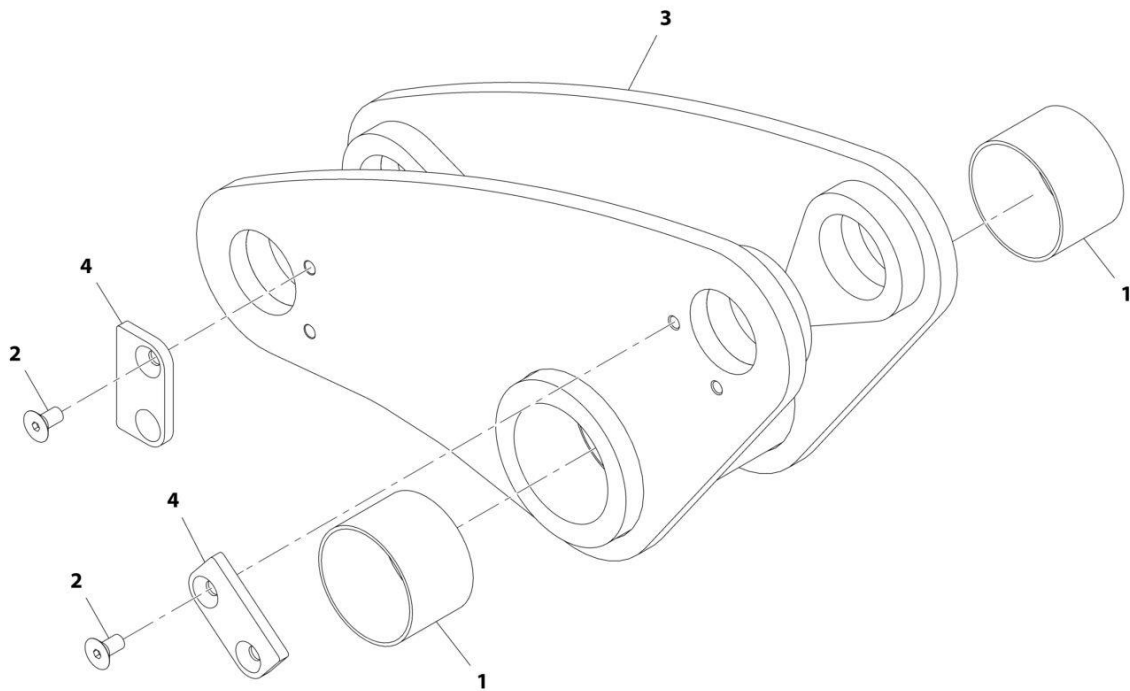
ART_1001096870-B

FIGURE 2-5. LINK ASSEMBLY

ITEM	PART NUMBER	QTY	DESCRIPTION	REV
	1001096870	Ref	Link Assembly	B
2	1001096726	NSS	Link (Use PN 1001096870 Link Assembly	
3	1001100442	4	Bearing	

SECTION 2 - BOOM

FIGURE 2-6. LEVER ASSEMBLY



ART_1001176407-C

FIGURE 2-6. LEVER ASSEMBLY

ITEM	PART NUMBER	QTY	DESCRIPTION	REV
	1001176407	Ref	Lever Assembly	C
1	1001092298	2	Bearing	
2	1001155441	4	Screw, M10-1.5X20	
3	1001189480	1	Plate	
4	1001176882	2	Plate, Pin Retainer	

FIGURE 2-7. MANUAL QUICK COUPLER INSTALLATION

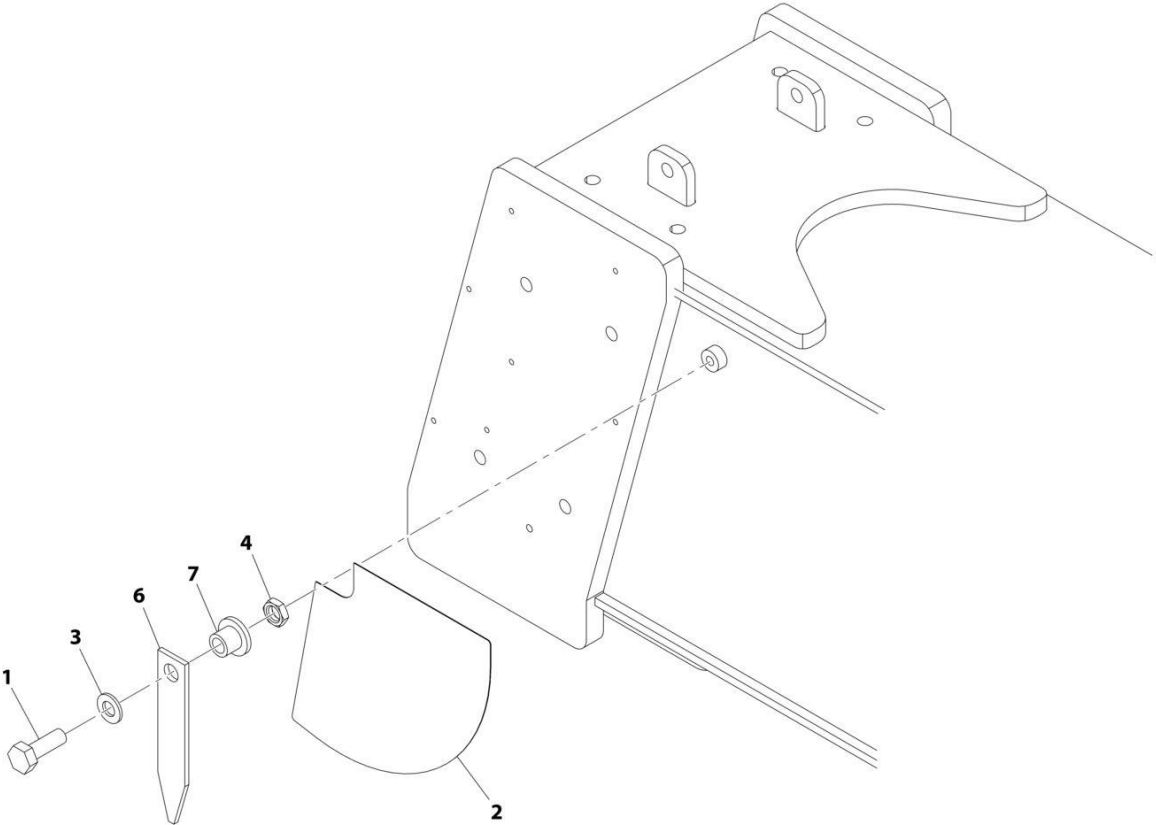
ITEM	PART NUMBER	QTY	DESCRIPTION	REV
	1001178526	Ref	Manual Quick Coupler Installation	E
1	1001189099	1	Carriage	
2	1001162636	1	Pin	
3	1001172886	1	Pin	
5	1001098146	AR	Shim, M72X110X0.5	
6	1001098147	AR	Shim, M72X110X1.0	
8	1001171390	1	Plate	
9	1001149923	1	Chain, Retaining Pin	
11	0760507	1	Bolt, M5X14	
12	0760808	4	Bolt, M8X16	
13	0701229	1	Bolt, M12X120	
14	3291205	2	Nut, Lock M12X1.75 Grade 8	
15	4811900	4	Washer, M8	
18	1001098457	AR	Lube, Lithium Grease	
19	1001197479	1	Pin	
20	2160016	1	Fitting, Grease	
21	0701232	1	Bolt, M12X150	

FIGURE 2-8. HYDRAULIC QUICK COUPLER INSTALLATION

ITEM	PART NUMBER	QTY	DESCRIPTION	REV
	1001171392	Ref	Hydraulic Quick Coupler Installation	F
1	1001189099	1	Carriage	
2	1001114787	1	Assembly, Coupler Locking Cylinder (See Separate Breakdown in HYDRAULIC COMPONENTS Section)	
3	1001172886	1	Pin	
5	1001170984	2	Rod, Locking	
6	1001098146	AR	Shim, M72X110X0.5	
7	1001098147	AR	Shim, M72X110X1.0	
10	1001171390	1	Plate	
11	0760808	4	Bolt, M8X16	
13	0701229	1	Bolt, M12X120	
14	3291205	2	Nut, Lock M12X1.75 Grade 8	
15	4811900	4	Washer, M8	
18	1001098457	AR	Lube, Lithium Grease	
19	1001184610	2	Pin	
20	1001197479	1	Pin	
21	2160016	1	Fitting, Grease	
22	0701232	1	Bolt, M12X150	

SECTION 2 - BOOM

FIGURE 2-9. BOOM ANGLE INDICATOR INSTALLATION



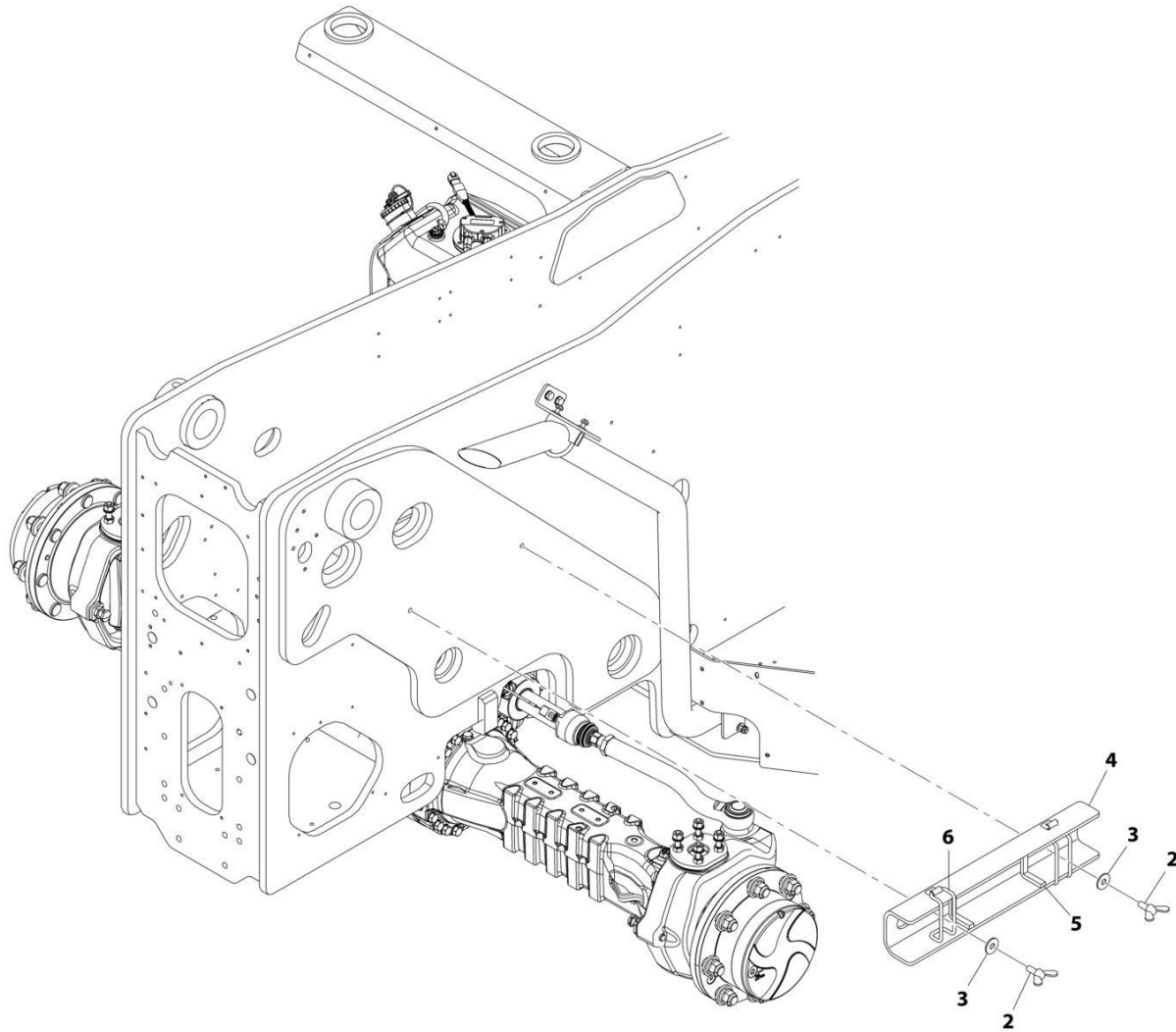
ART_1001188190-C

FIGURE 2-9. BOOM ANGLE INDICATOR INSTALLATION

ITEM	PART NUMBER	QTY	DESCRIPTION	REV
	1001188190	Ref	Boom Angle Indicator Installation	C
1	0701014	1	Bolt, M10X30	
2	4105262	1	Decal, Boom Angle Indicator	
3	4812000	1	Washer, M10	
4	8305438	1	Nut, M10X1.50	
6	1001098769	1	Plate, Boom Angle Indicator	
7	1001171808	1	Spacer	

SECTION 2 - BOOM

FIGURE 2-10. BOOM PROP INSTALLATION



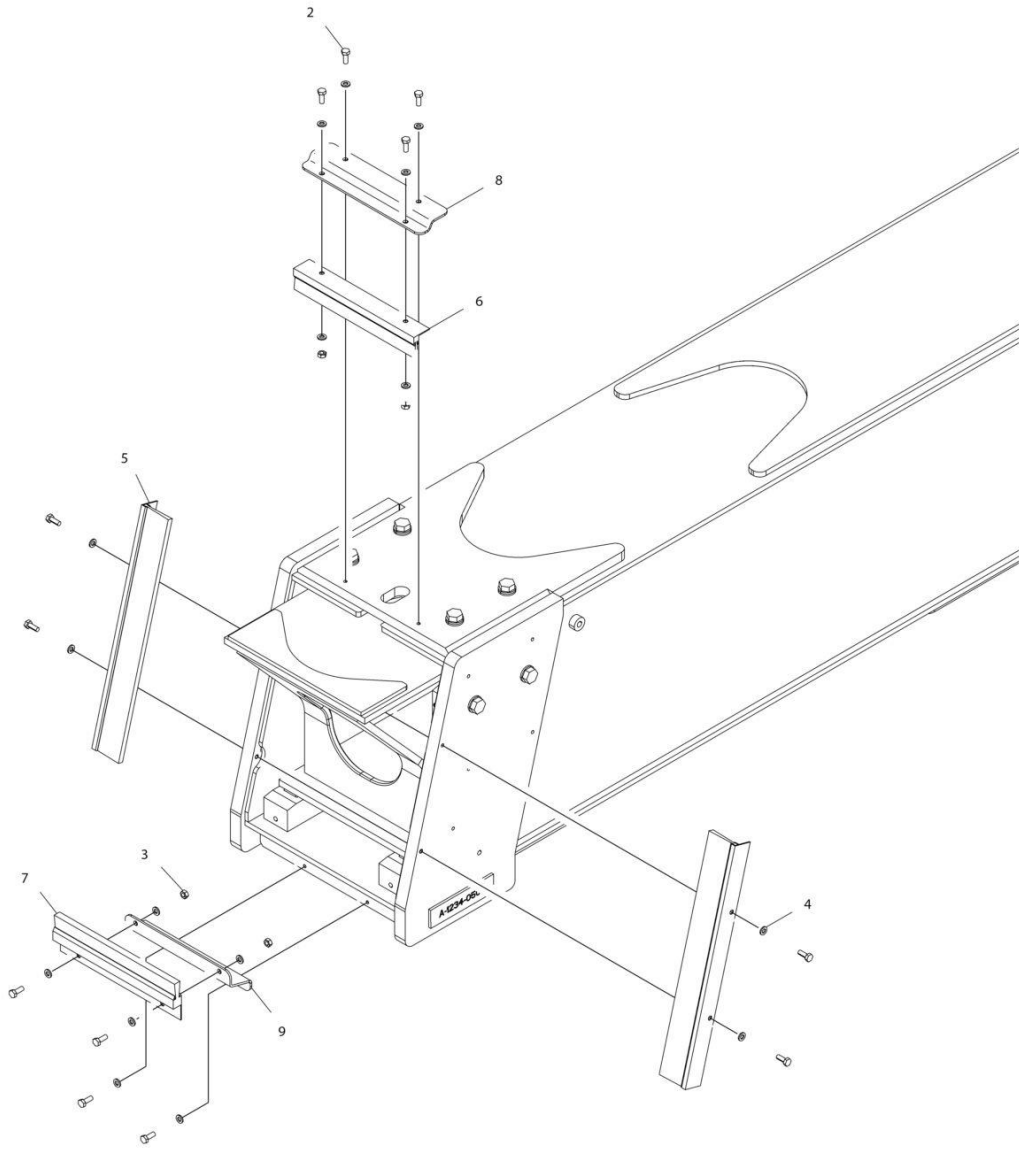
ART_1001189475-D

FIGURE 2-10. BOOM PROP INSTALLATION

ITEM	PART NUMBER	QTY	DESCRIPTION	REV
	1001189475	Ref	Boom Prop Installation	D
2	443630	2	Screw, Wing M12X30	
3	4812102	2	Washer, M12	
4	1001204535	1	Bracket, Boom Support	
5	1001189476	2	Pad	
6	1784861	2	O-Ring	

SECTION 2 - BOOM

FIGURE 2-11. BOOM BRUSHES INSTALLATION



ART_1001186698

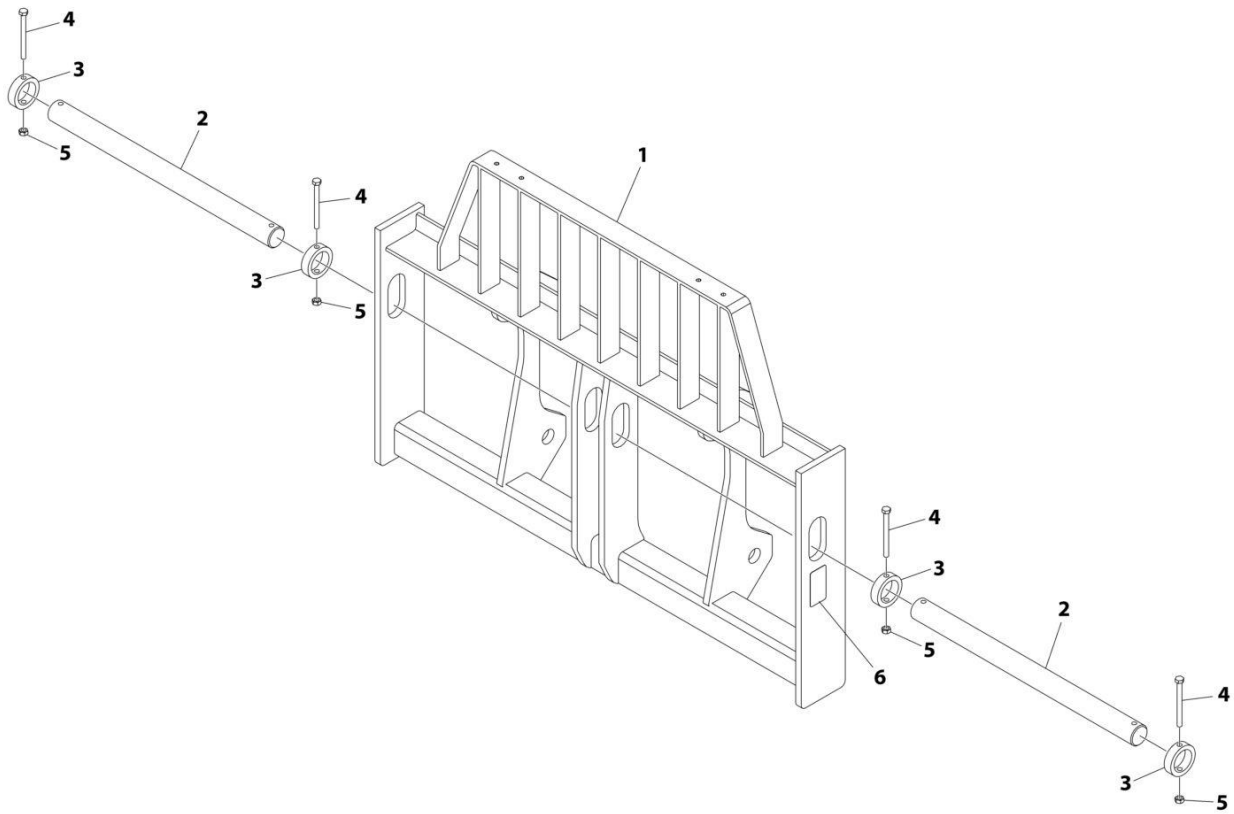
FIGURE 2-11. BOOM BRUSHES INSTALLATION

ITEM	PART NUMBER	QTY	DESCRIPTION	REV
	1001186698	Ref	BOOM BRUSHES INSTALLATION	E
2	0760608	12	Bolt M6 x 16	
3	3290601	4	Nut M6 x 1	
4	4811700	16	Washer M6	
5	1001184423	2	Seal	
6	1001184425	1	Seal	
7	1001184426	1	Seal	
8	1001214297	1	Bracket	
9	1001214312	1	Bracket	

SECTION 3 - ATTACHMENTS

SECTION 3 - ATTACHMENTS

FIGURE 3-1. CARRIAGE ASSEMBLY (1524MM) (CE & AUS)



ART_1001184033

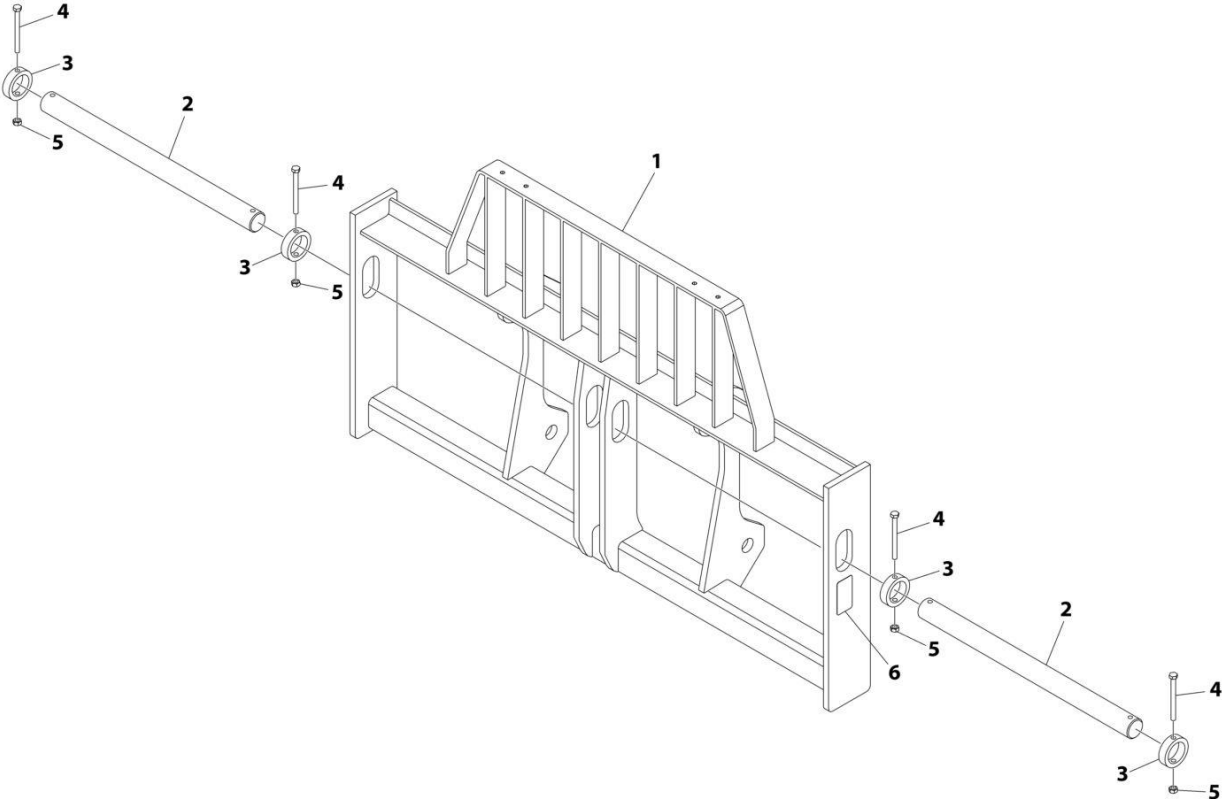
SECTION 3 - ATTACHMENTS

FIGURE 3-1. CARRIAGE ASSEMBLY (1524MM) (CE & AUS)

ITEM	PART NUMBER	QTY	DESCRIPTION	REV
	1001184033	Ref	CARRIAGE ASSEMBLY (1524MM)	E
1	N.S.S.	1	Weldment, Carriage	
2	70027659	2	Shaft, Fork	
3	70027606	4	Pin, Block	
4	70027607	4	Bolt	
5	70021241	4	Nut, Lock M12	
6	N.S.S.	1	Plate, Serial Number	

SECTION 3 - ATTACHMENTS

FIGURE 3-2. CARRIAGE ASSEMBLY (1829MM) (CE & AUS)



ART_1001184035

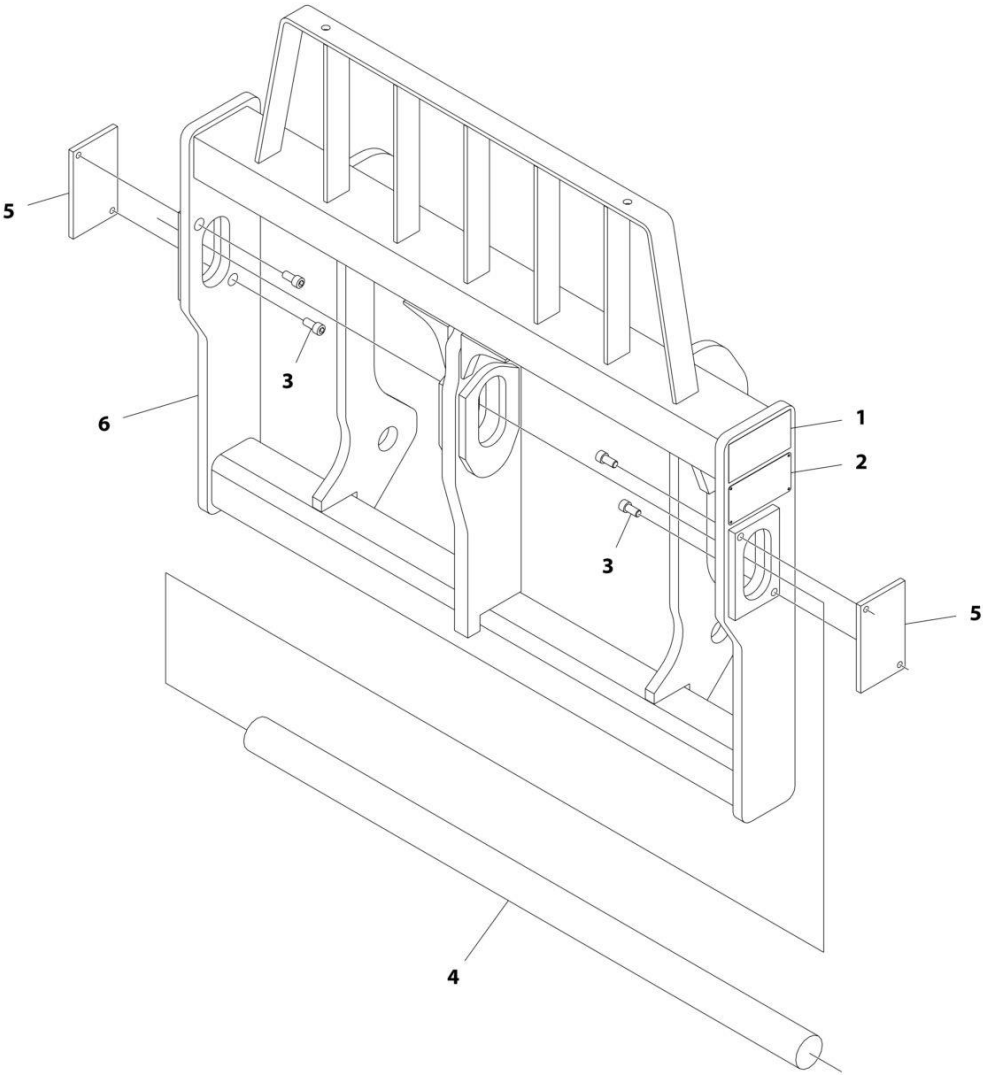
SECTION 3 - ATTACHMENTS

FIGURE 3-2. CARRIAGE ASSEMBLY (1829MM) (CE & AUS)

ITEM	PART NUMBER	QTY	DESCRIPTION	REV
	1001184035	1	CARRIAGE ASSEMBLY (1829MM)	E
1	N.S.S.	1	Carriage	
2	70027658	2	Shaft, Fork	
3	70027606	4	Pin, Block	
4	70027607	4	Bolt	
5	70021241	4	Nut M12	
6	N.S.S.	1	Plate, Serial Number	

SECTION 3 - ATTACHMENTS

FIGURE 3-3. CARRIAGE ASSEMBLY (1225MM) (CE & AUS)



ART_1001107581

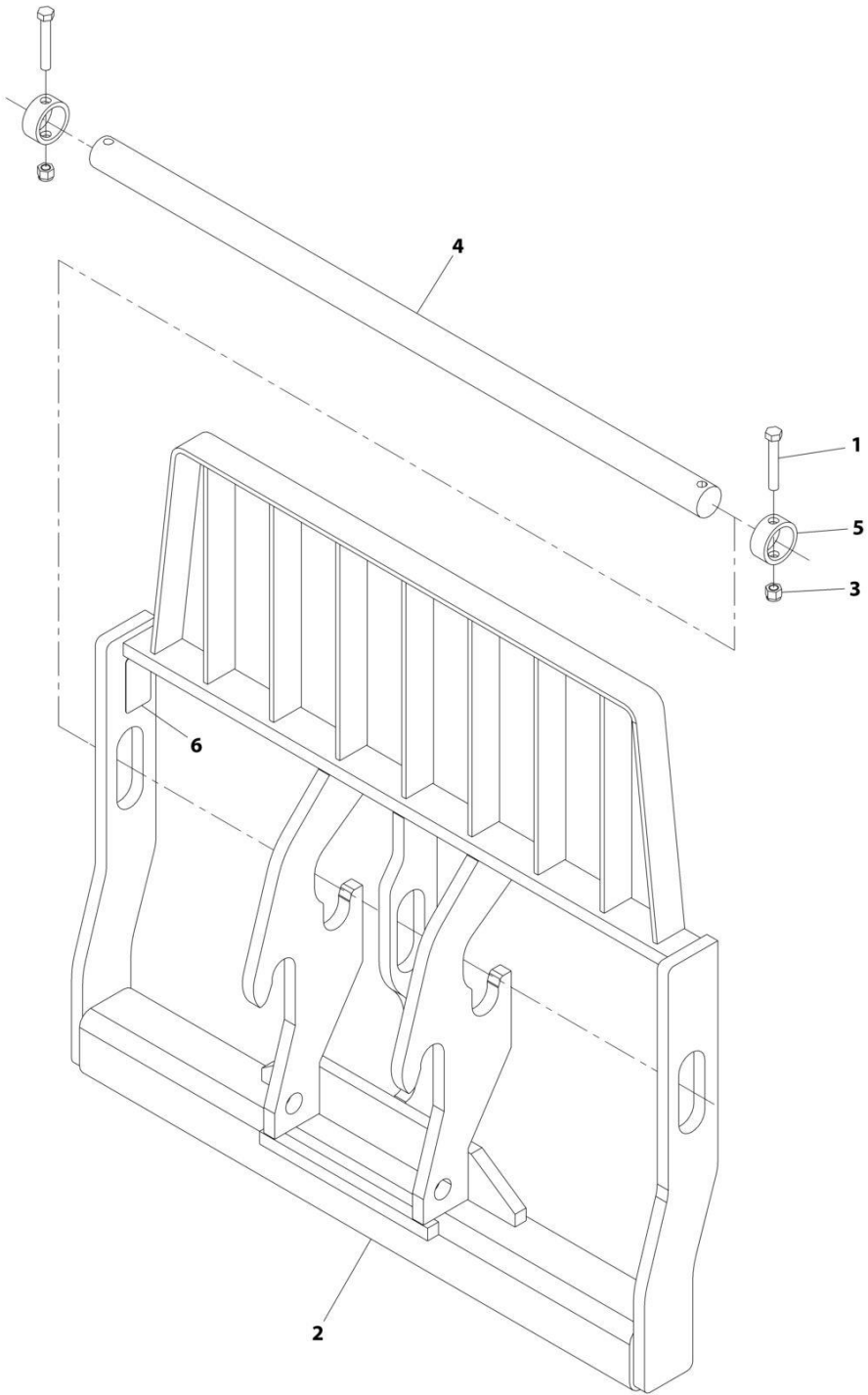
SECTION 3 - ATTACHMENTS

FIGURE 3-3. CARRIAGE ASSEMBLY (1225MM) (CE & AUS)

ITEM	PART NUMBER	QTY	DESCRIPTION	REV
	1001107581	Ref	CARRIAGE ASSEMBLY (1225MM)	E
1	See Note	NSS	Name Plate, Carriage (Note: Not Available for Purchase)	
2	See Note	NSS	Plate, Serial Number (Note: Not Available for Purchase)	
3	4032109	4	Bolt M12 x 25	
4	1001107336	1	Shaft, Carriage	
5	1001107338	2	Cover, Shaft	
6	See Note	NSS	Carriage (Note: Purchase PN 1001107581)	

SECTION 3 - ATTACHMENTS

FIGURE 3-4. CARRIAGE ASSEMBLY (1270MM) (ANSI)



ART_1170021-H

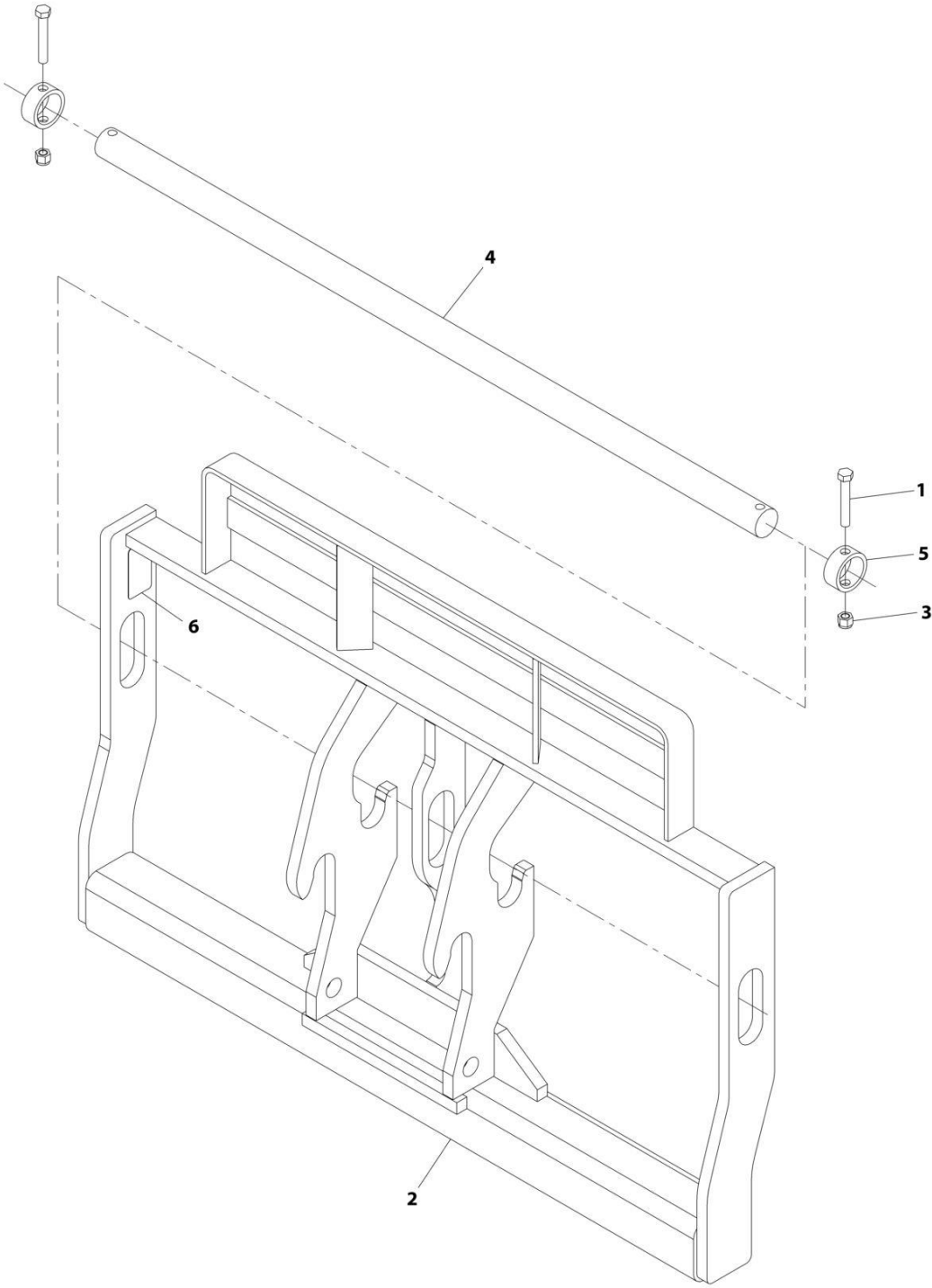
SECTION 3 - ATTACHMENTS

FIGURE 3-4. CARRIAGE ASSEMBLY (1270MM) (ANSI)

ITEM	PART NUMBER	QTY	DESCRIPTION	REV
	1170021	Ref	Carriage Assembly (50 INCH)	H
1	0642032	2	Bolt, 5/8-11X4	
2	1170012	1	Weldment, Carriage	
3	3300240	2	Nut, Lock 5/8-11	
4	3423275	1	Pin, Fork	
5	90200003	2	Collar, Fork Pin	
6	See Note	NSS	S/N Plate (Note: Stamped Part - Not Available for Purchase)	

SECTION 3 - ATTACHMENTS

FIGURE 3-5. CARRIAGE ASSEMBLY (1524 MM) (ANSI)



ART_1170024-H

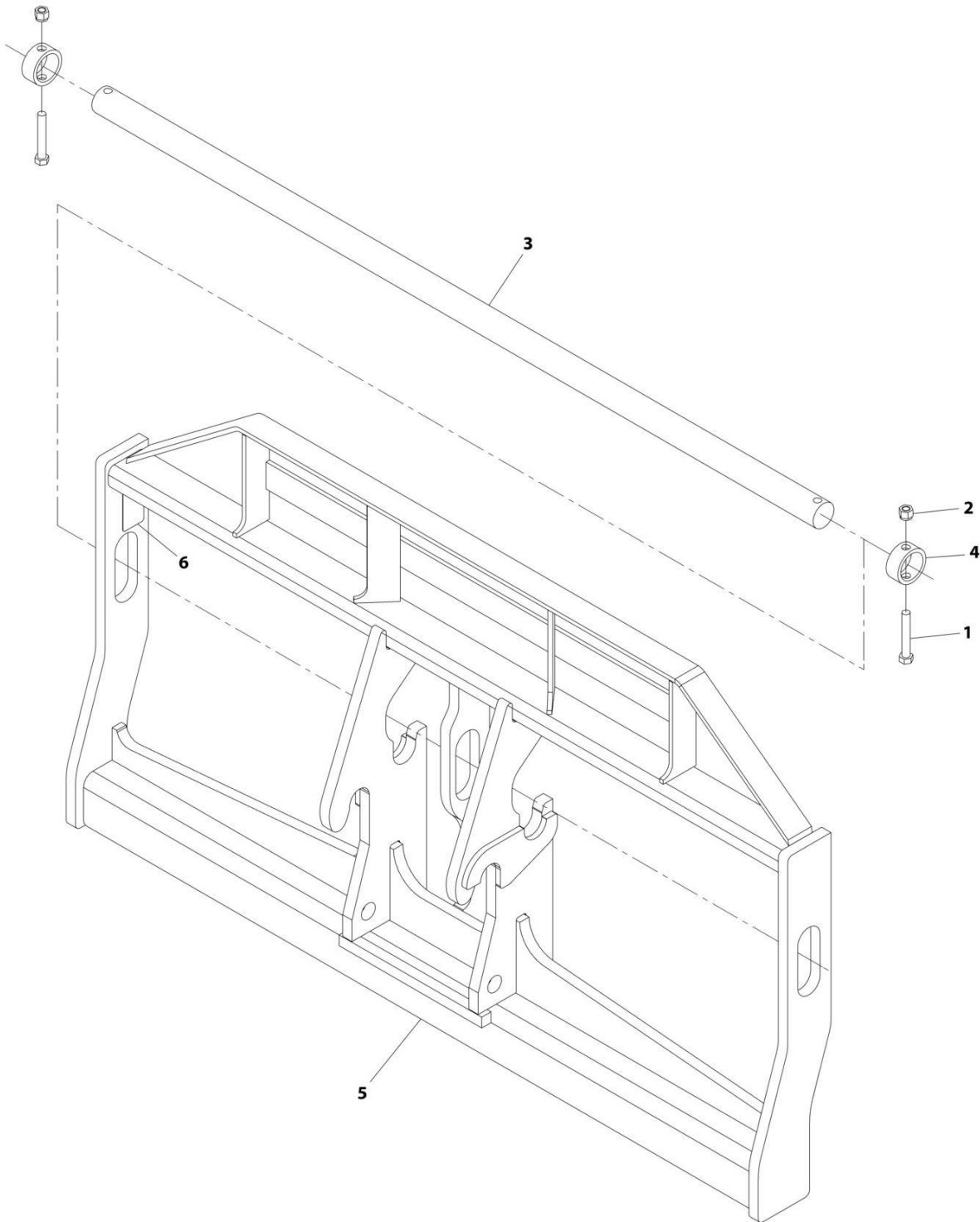
SECTION 3 - ATTACHMENTS

FIGURE 3-5. CARRIAGE ASSEMBLY (1524 MM) (ANSI)

ITEM	PART NUMBER	QTY	DESCRIPTION	REV
	1170024	Ref	Carriage Assembly (1524 MM)	H
1	0642032	2	Bolt 5/8 x 4	
2	See Note	NSS	Carriage (Note: Purchase Complete Assembly)	
3	3300240	2	Nut 5/8	
4	3423242	1	Pin	
5	90200003	2	Sleeve	
6	See Note	NSS	S/N Plate (Note: Stamped Part - Not Available for Purchase)	

SECTION 3 - ATTACHMENTS

FIGURE 3-6. CARRIAGE ASSEMBLY (1829 MM) (ANSI)



ART_1001211516-D

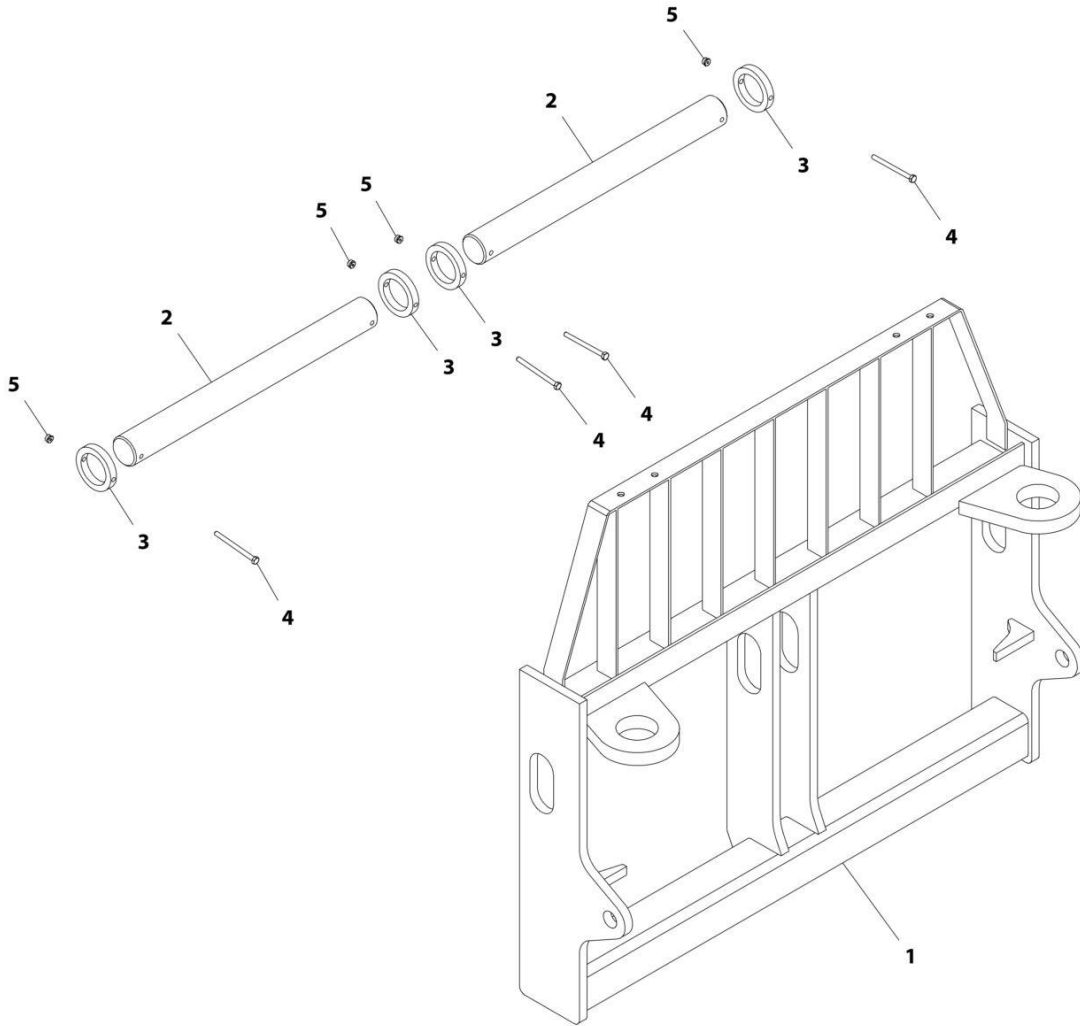
SECTION 3 - ATTACHMENTS

FIGURE 3-6. CARRIAGE ASSEMBLY (1829 MM) (ANSI)

ITEM	PART NUMBER	QTY	DESCRIPTION	REV
	1001211516	Ref	CARRIAGE ASSEMBLY (72 INCH)	D
1	0642032	2	Bolt 5/8 x 4	
2	3300240	2	Nut 5/8	
3	3423276	1	Pin	
4	90200003	2	Sleeve	
5	See Note	NSS	Carriage (Note: Purchase Complete Assembly)	
6	See Note	NSS	S/N Plate (Note: Stamped Part - Not Available for Purchase)	

SECTION 3 - ATTACHMENTS

FIGURE 3-7. CARRIAGE ASSEMBLY (JOHN DEERE FIT) (CE)



ART_1001102554-B

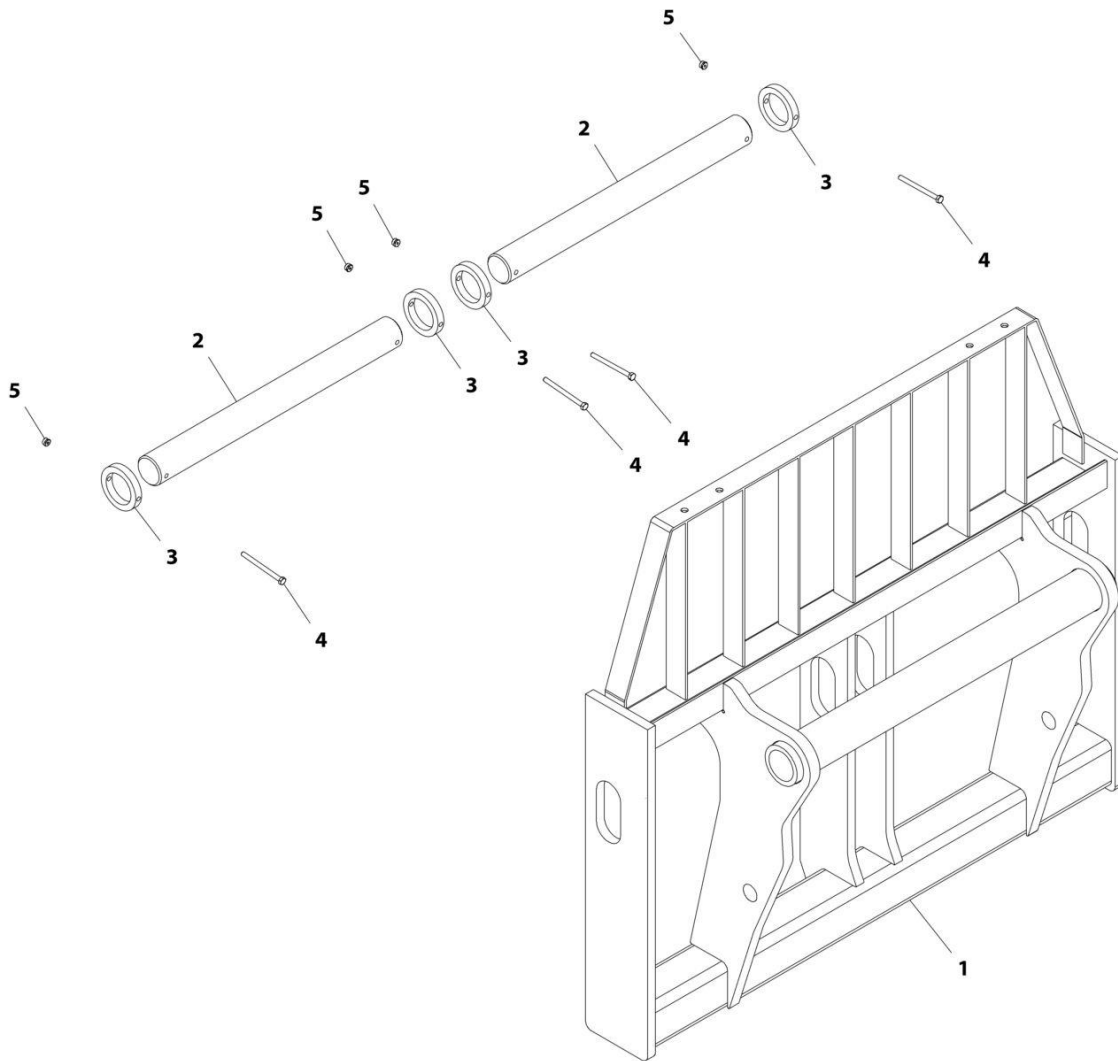
SECTION 3 - ATTACHMENTS

FIGURE 3-7. CARRIAGE ASSEMBLY (JOHN DEERE FIT) (CE)

ITEM	PART NUMBER	QTY	DESCRIPTION	REV
	1001102554	1	Carriage Assembly (John Deere Fit)	B
1	N.S.S.	1	Weldment, Carriage	
2	4040283	2	Shaft, Carriage	
3	3760508	4	Collar, Shaft	
4	0700827	4	Bolt, M8X100	
5	3290805	4	Nut, M8X1.25 Grade 8	

SECTION 3 - ATTACHMENTS

FIGURE 3-8. CARRIAGE ASSEMBLY (MANITOU FIT) (CE)



ART_1001102553-B

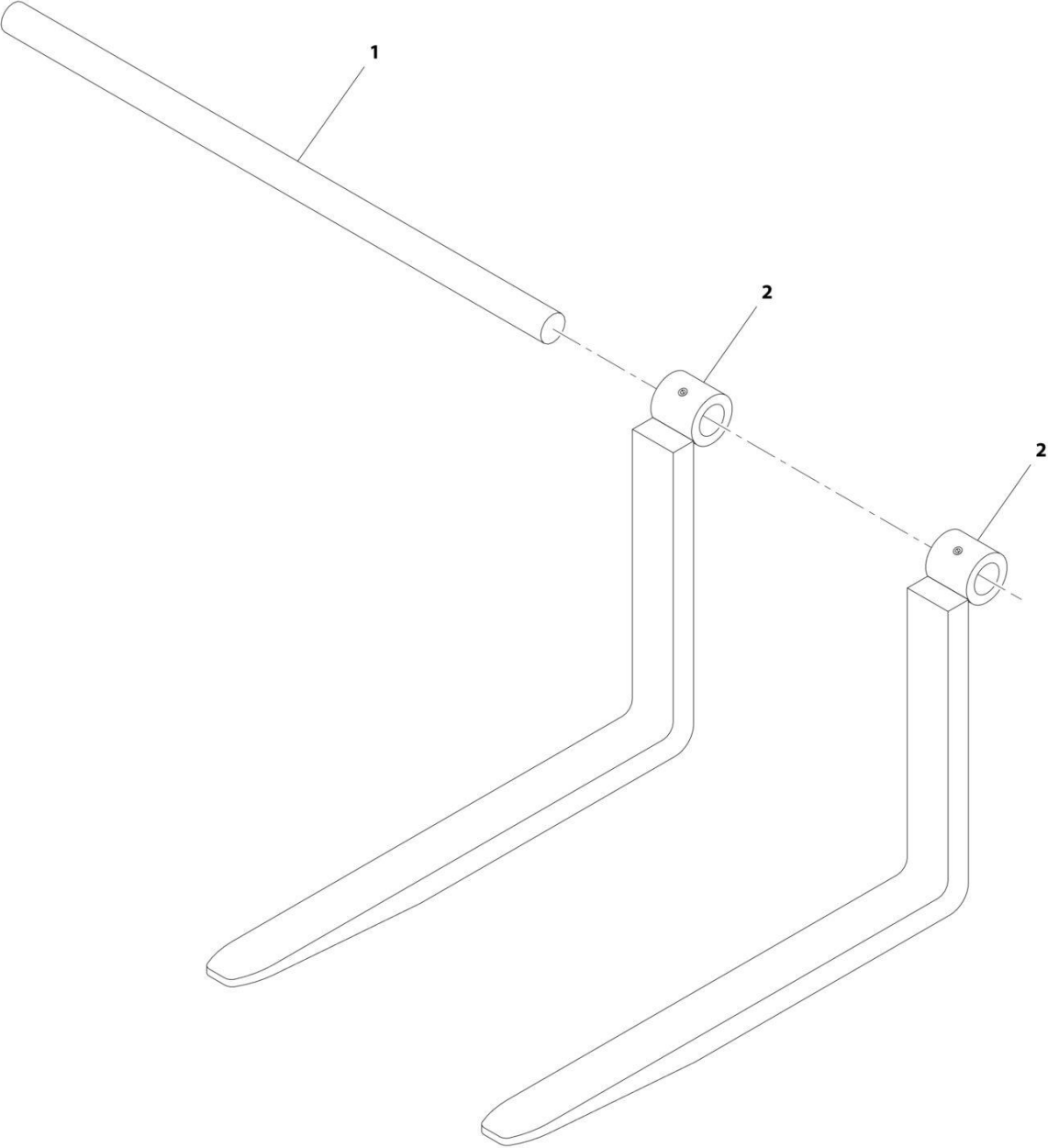
SECTION 3 - ATTACHMENTS

FIGURE 3-8. CARRIAGE ASSEMBLY (MANITOU FIT) (CE)

ITEM	PART NUMBER	QTY	DESCRIPTION	REV
	1001102553	Ref	Carriage Assembly (Manitou Fit)	B
1	NSS	1	Weldment, Carriage	
2	4040283	2	Shaft, Carriage	
3	3760508	4	Collar, Shaft	
4	0700827	4	Bolt, M8X100	
5	3290805	4	Nut, M8X1.25 Grade 8	

SECTION 3 - ATTACHMENTS

FIGURE 3-9. CARRIAGE ASSEMBLY (JCB FIT) (CE)



ART_1001111758-E

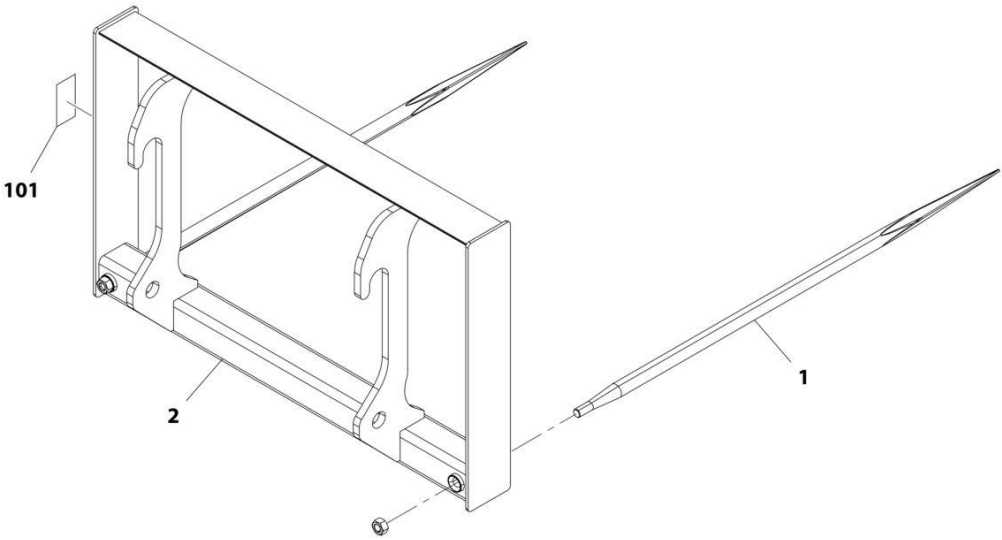
SECTION 3 - ATTACHMENTS

FIGURE 3-9. CARRIAGE ASSEMBLY (JCB FIT) (CE)

ITEM	PART NUMBER	QTY	DESCRIPTION	REV
	1001111758	Ref	Fork Assembly (JCB Fit)	E
1	1001108133	1	Fork Bar	
2	1001111757	2	Fork	

SECTION 3 - ATTACHMENTS

FIGURE 3-10. DUAL TINE BAILING FORK CARRIAGE (CE & AUS)



ART_1001211897-B

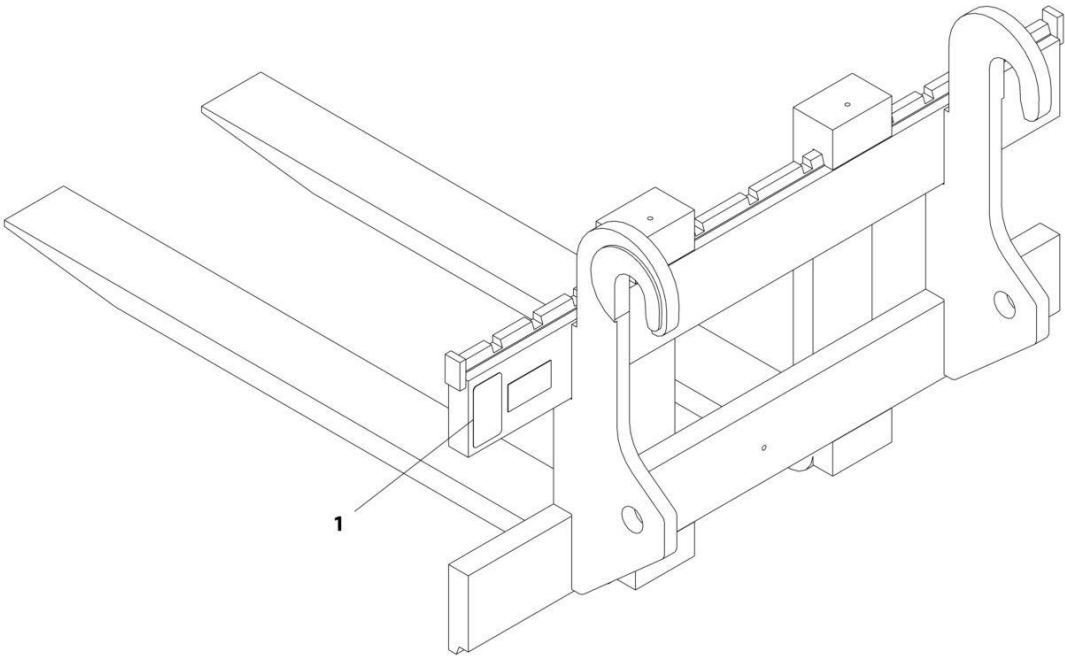
SECTION 3 - ATTACHMENTS

FIGURE 3-10. DUAL TINE BAILING FORK CARRIAGE (CE & AUS)

ITEM	PART NUMBER	QTY	DESCRIPTION	REV
	1001211897	1	Dual Tine Bailing Fork Carriage	B
1	70027631	2	Tine, Bale (includes Hex Nut)	
2	N.S.S.	Ref	Weldment, Carriage	
101	N.S.S.	Ref	Plate, Serial Number	

SECTION 3 - ATTACHMENTS

FIGURE 3-11. FEM CARRIAGE AND FORKS (CE & AUS)



ART_1001172667-B

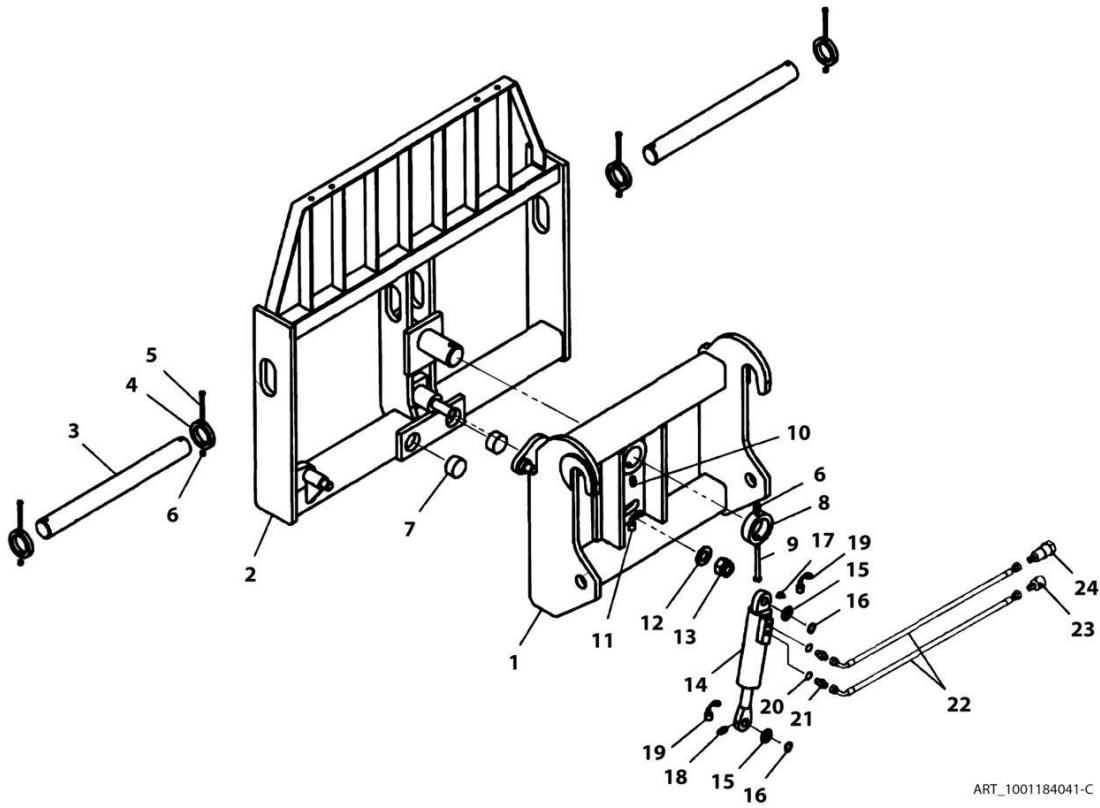
SECTION 3 - ATTACHMENTS

FIGURE 3-11. FEM CARRIAGE AND FORKS (CE & AUS)

ITEM	PART NUMBER	QTY	DESCRIPTION	REV
1	1001172667	1	FEM Carriage and Forks	B
	N.S.S.	1	Plate, Serial Number	

SECTION 3 - ATTACHMENTS

FIGURE 3-12. SIDE TILTING CARRIAGE (4.5 TON - 1225 MM) (CE & AUS)



ART_1001184041-C

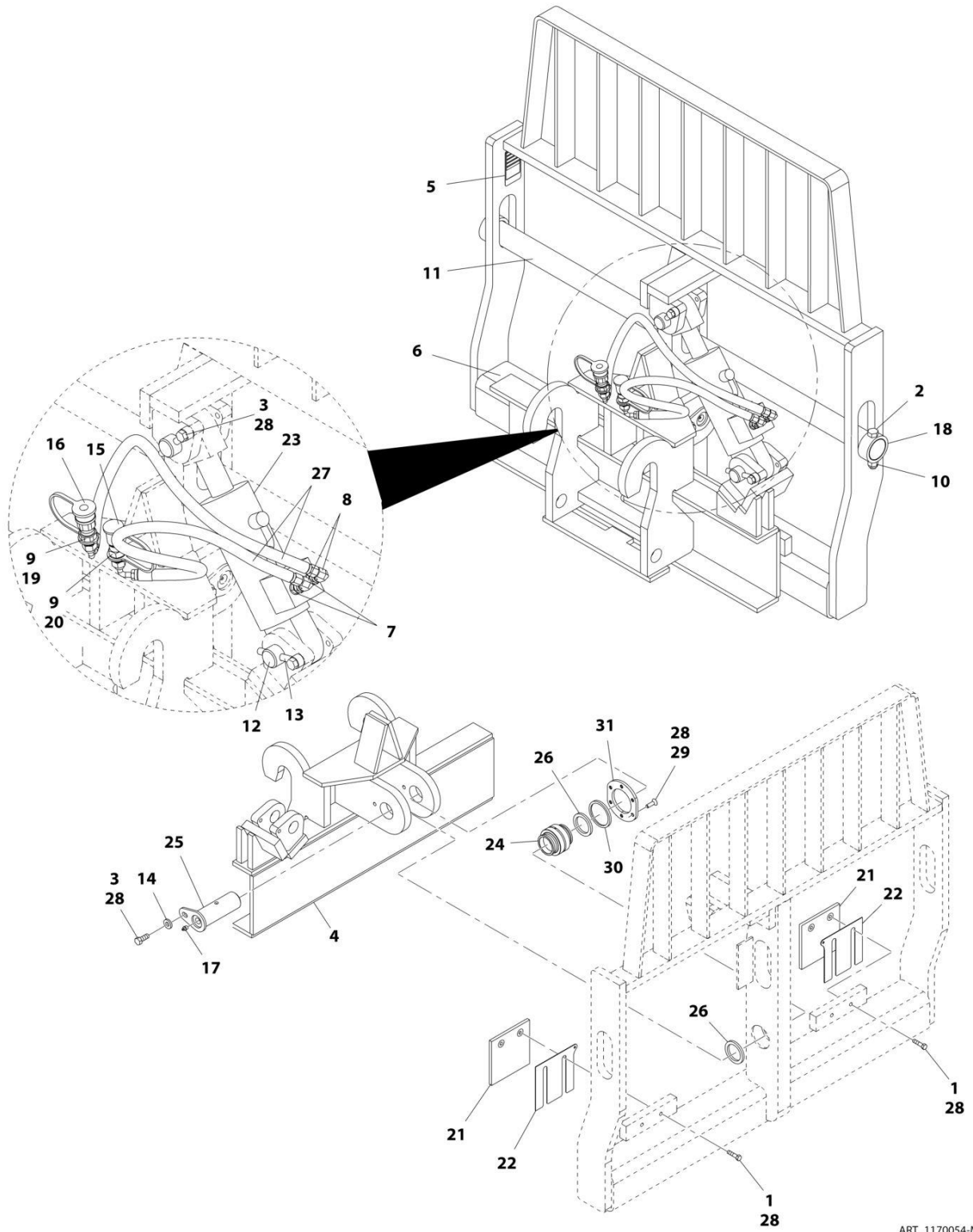
SECTION 3 - ATTACHMENTS

FIGURE 3-12. SIDE TILTING CARRIAGE (4.5 TON - 1225 MM) (CE & AUS)

ITEM	PART NUMBER	QTY	DESCRIPTION	REV
	1001184041	1	Side Tilting Carriage (4.5 ton - 1225 MM)	E
1	N.S.S.	1	Carriage Weldment	
2	70027604	1	Fork, Carriage	
3	70027605	2	Pin	
4	70027606	4	Pin, Block	
5	70027607	4	Bolt	
6	70021241	5	Nut, Lock M12	
7	70021238	2	Buffer	
8	70021239	1	Collar	
9	70021240	1	Bolt	
10	70021242	1	Fitting, Grease	
11	70021243	1	Cover, Grease Fitting	
12	70021244	1	Washer	
13	70022697	1	Nut, Lock	
14	70020506	1	Cylinder	
15	70020507	1	Washer	
16	70020508	2	Ring, Snap	
17	70021245	1	Fitting, Grease	
18	70021246	1	Fitting, Grease	
19	70021247	2	Cover, Grease Fitting	
20	70020730	2	O-Ring	
21	70020731	2	Fitting	
22	70021248	2	Tube, Hydraulic	
23	1001094556	1	Coupling, Male Quick Disconnect	
24	1001094555	1	Coupling, Female Quick Disconnect	

SECTION 3 - ATTACHMENTS

FIGURE 3-13. SIDE TILTING CARRIAGE (4.5 TON - 1270 MM) (ANSI)



ART_1170054-M

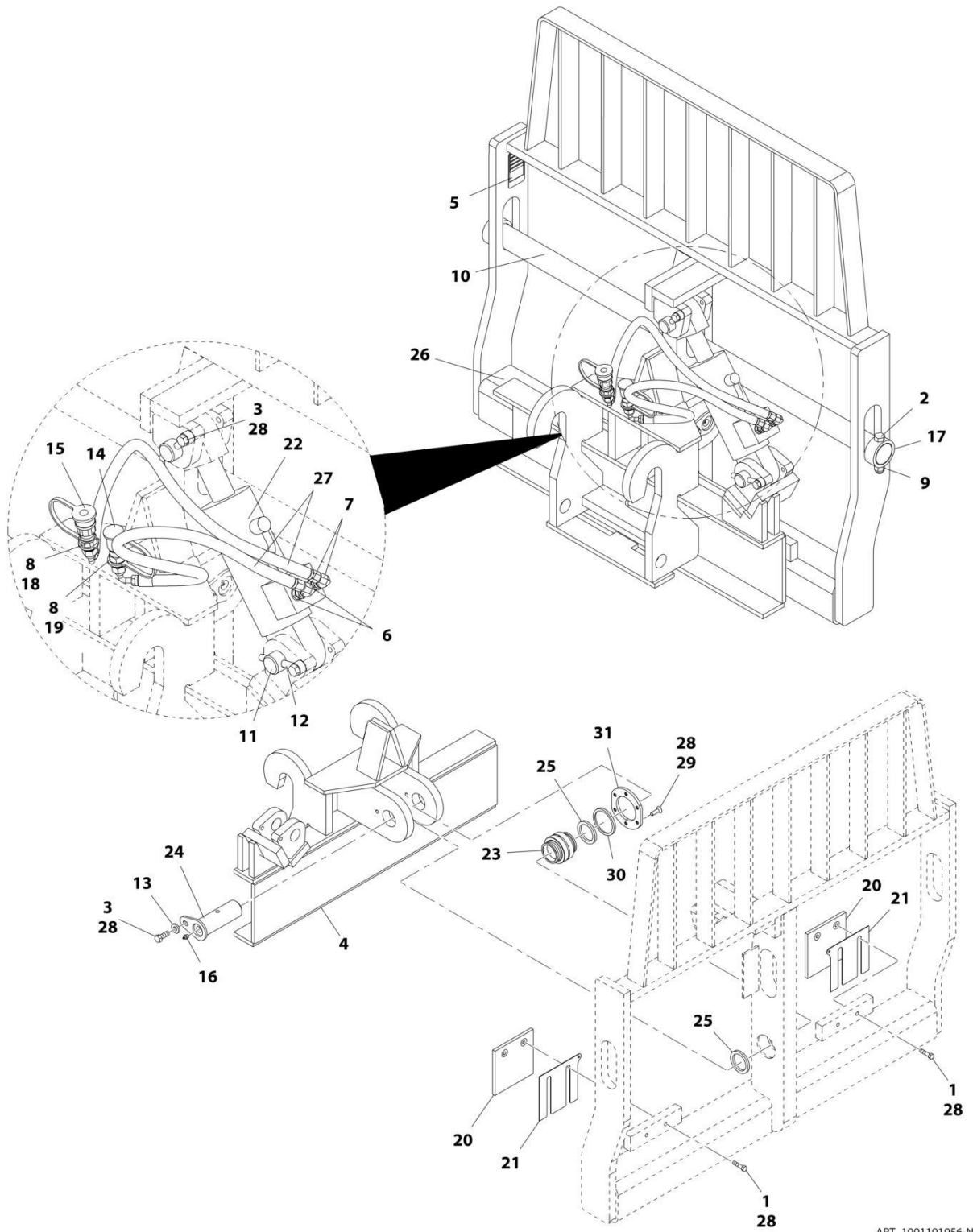
SECTION 3 - ATTACHMENTS

FIGURE 3-13. SIDE TILTING CARRIAGE (4.5 TON - 1270 MM) (ANSI)

ITEM	PART NUMBER	QTY	DESCRIPTION	REV
	1170054	1	Side Tilting Carriage (4.5 ton - 1270 MM)	M
1	0641612	4	Bolt, 3/8-16X1-1/2	
2	0642032	2	Bolt, 5/8-11X4	
3	0681810	3	Bolt, 1/2-13X1-1/4	
4	1001133072	1	Carriage, Base Pivot	
5	N.S.S.	1	Plate, Serial Number	
6	N.S.S.	1	Carriage, Side Tilt	
7	2110606	2	Fitting, Straight ORFS	
8	2172106	2	Fitting, 90 ORFS	
9	2110808	2	Fitting, Straight ORFS	
10	3300240	2	Nut, Locking 5/8-11	
11	3423275	1	Pin, Fork	
12	3423307	2	Pin	
13	3841203	2	Keeper	
14	4891800	1	Flatwasher	
15	8420053	1	Cap	
16	8420055	1	Plug	
17	88671001	1	Fitting, Grease	
18	90200003	2	Collar	
19	91403413	1	Fitting	
20	91403414	1	Fitting	
21	1001090063	2	Pad	
22	1001090064	AR	Shim	
23	1001163414	1	Cylinder, Side Tilt (See Separate Breakdown in HYDRAULIC COMPONENTS Section)	
24	1001090140	1	Bearing	
25	1001099113	1	Pin	
26	1001099115	2	Sleeve	
27	1001102378	2	Hose	
28	0100011	AR	Compound, Locking	
29	0741610	6	Screw, 3/8-16X1.25	
30	1001120914	1	Shim	
31	1001120915	1	Plate	

SECTION 3 - ATTACHMENTS

FIGURE 3-14. SIDE TILTING CARRIAGE (4.5 TON - 1575 MM) (ANSI)



ART_1001101956-N

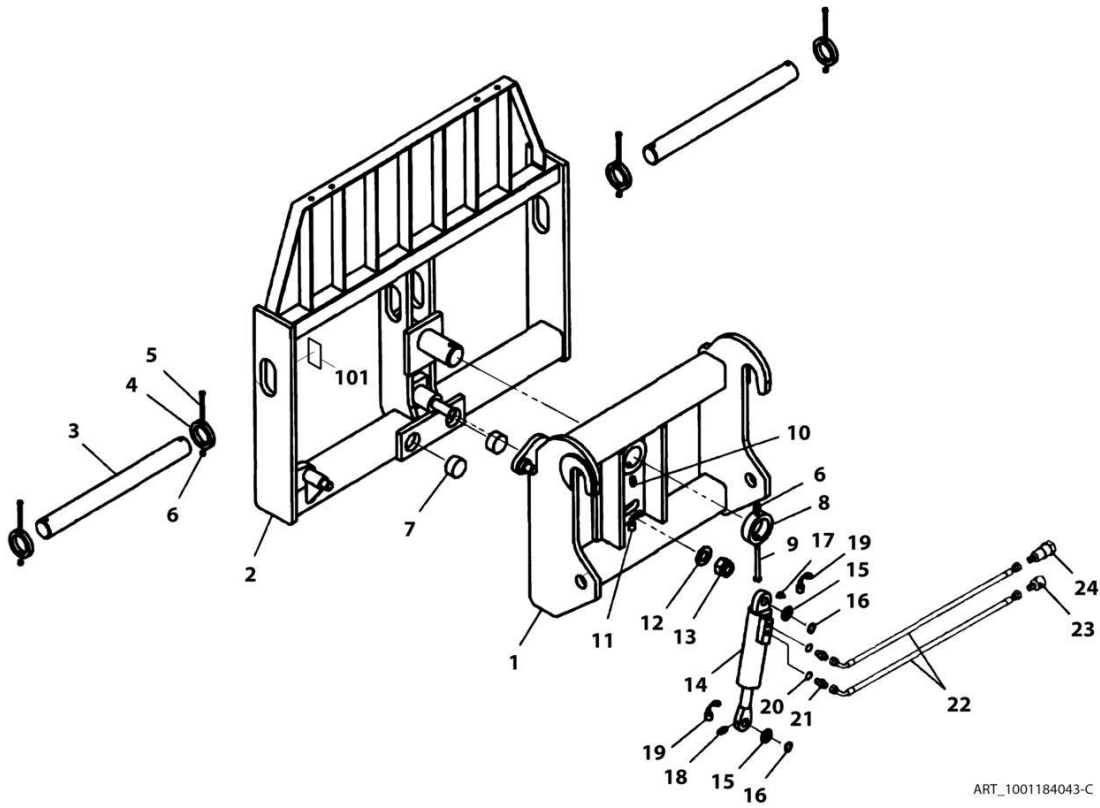
SECTION 3 - ATTACHMENTS

FIGURE 3-14. SIDE TILTING CARRIAGE (4.5 TON - 1575 MM) (ANSI)

ITEM	PART NUMBER	QTY	DESCRIPTION	REV
	1001101956	Ref	Side Tilting Carriage (4.5 ton - 1575 MM)	N
1	0641612	4	Bolt, 3/8-16X1-1/2	
2	0642032	2	Bolt, 5/8-11X4	
3	0681810	3	Bolt, 1/2-13X1-1/4	
4	1001133072	1	Carriage, Base Pivot	
5	N.S.S.	1	Plate, Serial Number	
6	2110606	2	Fitting, Straight ORFS	
7	2172106	2	Fitting, 90 ORFS	
8	2110808	2	Fitting, Straight ORFS	
9	3300240	2	Nut, Locking 5/8-11	
10	3423242	1	Pin, Fork	
11	3423307	2	Pin	
12	3841203	2	Keeper	
13	4891800	1	Flatwasher	
14	8420053	1	Cap	
15	8420055	1	Plug	
16	88671001	1	Fitting, Grease	
17	90200003	2	Collar	
18	91403413	1	Fitting	
19	91403414	1	Fitting	
20	1001090063	2	Pad	
21	1001090064	AR	Shim	
22	1001163414	1	Cylinder, Side Tilt (See Separate Breakdown in HYDRAULIC COMPONENTS Section)	
23	1001090140	1	Bearing	
24	1001099113	1	Pin, Frame Pivot	
25	1001099115	2	Spacer	
26	N.S.S.	1	Carriage, Side Tilting	
27	1001102378	2	Hose	
28	0100011	AR	Compound, Locking	
29	0741610	6	Screw, 3/8-16X1.25	
30	1001120914	1	Shim	
31	1001120915	1	Plate	

SECTION 3 - ATTACHMENTS

FIGURE 3-15. SIDE TILTING CARRIAGE (4.0 TON - 1575 MM) (CE & AUS)



ART_1001184043-C

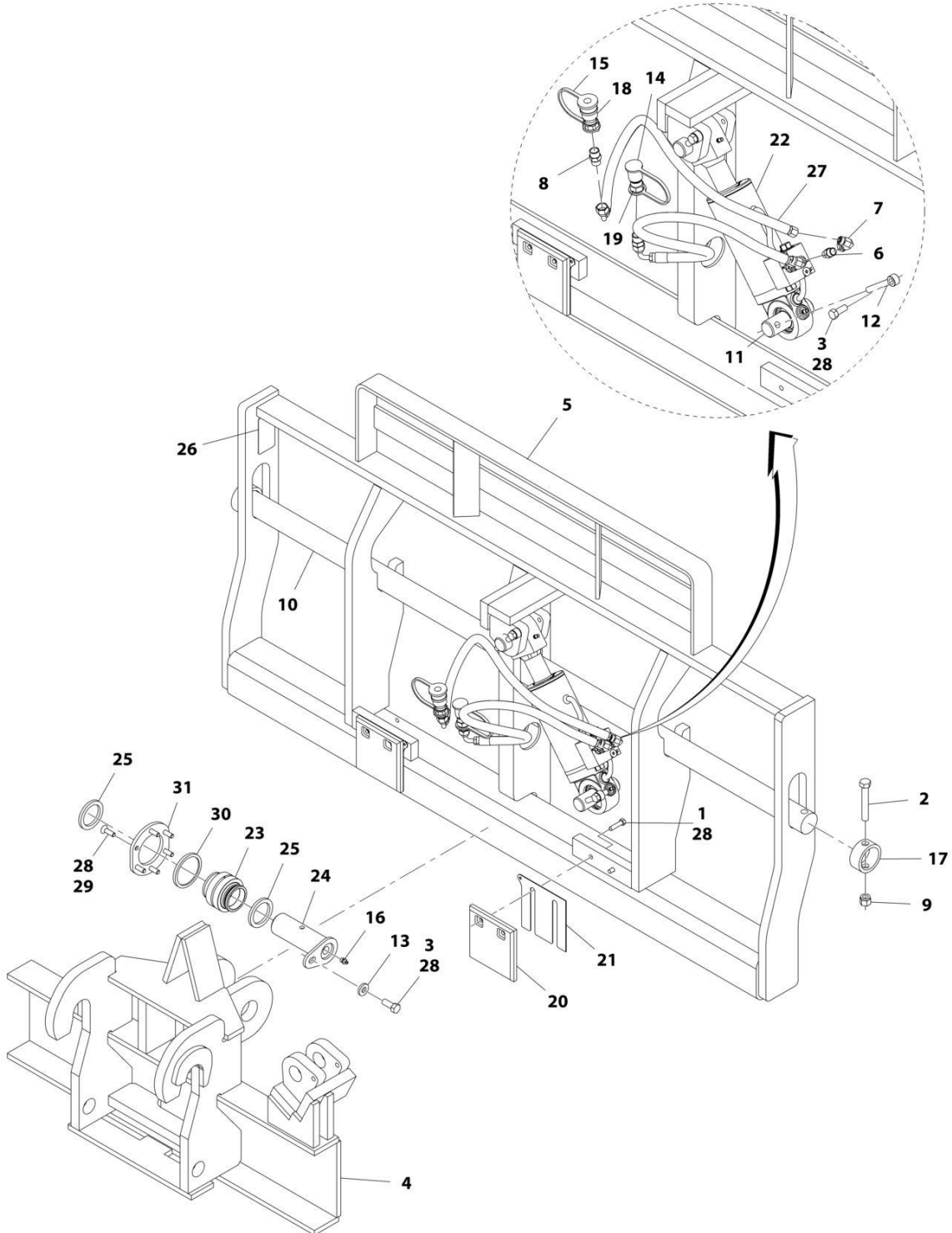
SECTION 3 - ATTACHMENTS

FIGURE 3-15. SIDE TILTING CARRIAGE (4.0 TON - 1575 MM) (CE & AUS)

ITEM	PART NUMBER	QTY	DESCRIPTION	REV
	1001184043	1	Side Tilting Carriage (4.0 ton - 1575 MM)	E
1	N.S.S.	Ref	Weldment, Carriage	
2	70027604	1	Fork, Carriage	
3	70027605	2	Pin	
4	70027606	4	Pin, Block	
5	70027607	4	Bolt	
6	70021241	5	Locknut, M12	
7	70021238	2	Buffer	
8	70021239	1	Collar	
9	70021240	1	Bolt	
10	70021242	1	Fitting, Grease	
11	70021243	1	Cover, Grease Fitting	
12	70021244	1	Washer	
13	70022697	1	Bolt	
14	70020506	1	Cylinder	
15	70020507	1	Washer	
16	70020508	2	Ring, Snap	
17	70021245	1	Fitting, Grease	
18	70021246	1	Fitting, Grease	
19	70021247	2	Cover, Grease Fitting	
20	70020730	2	O-Ring	
21	70020731	2	Fitting, Straight	
22	70021248	2	Tube	
23	1001094556	1	Coupling, Male Quick Disconnect	
24	1001094555	1	Coupling, Female Quick Disconnect	
101	N.S.S.	Ref	Plate, Serial Number	

SECTION 3 - ATTACHMENTS

FIGURE 3-16. SIDE TILTING CARRIAGE (4.5 TON - 1829 MM) (ANSI)



ART_1170057-M

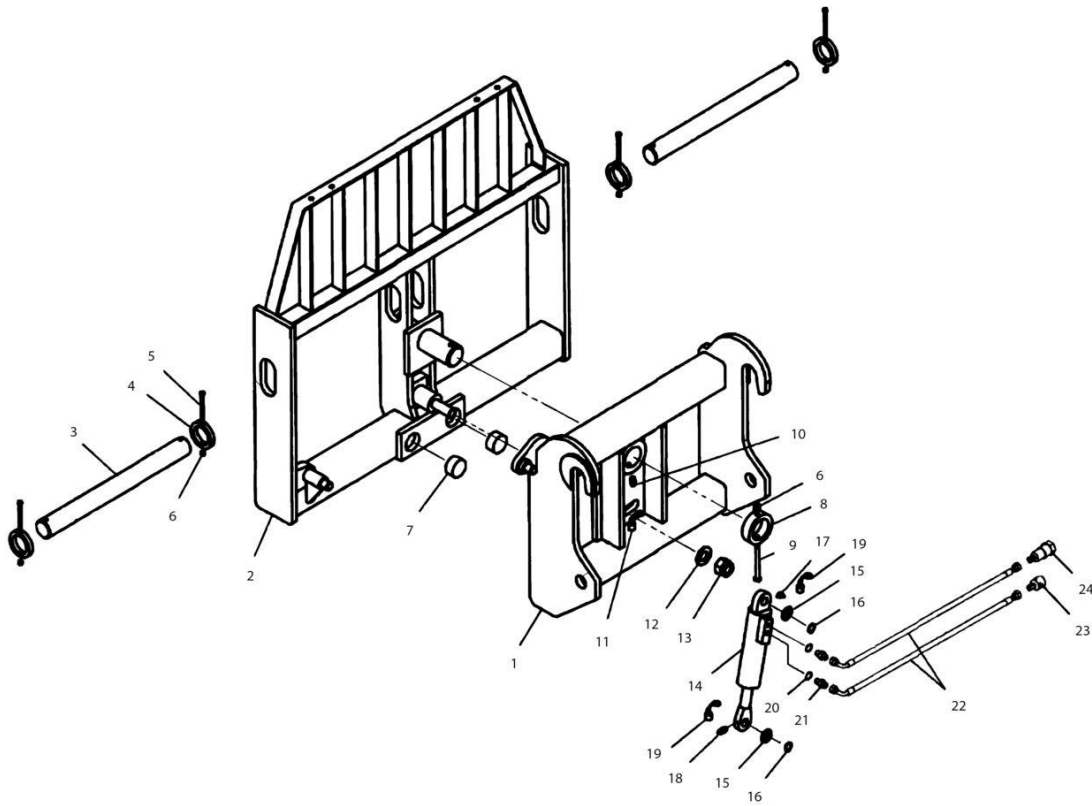
SECTION 3 - ATTACHMENTS

FIGURE 3-16. SIDE TILTING CARRIAGE (4.5 TON - 1829 MM) (ANSI)

ITEM	PART NUMBER	QTY	DESCRIPTION	REV
	1170057	Ref	Side Tilting Carriage (4.5 ton - 1829 MM)	M
1	0641612	4	Bolt, 3/8-16X1-1/2	
2	0642032	2	Bolt, 5/8-11X4	
3	0681810	3	Bolt, 1/2-13X1-1/4	
4	1001133072	1	Carriage, Base Pivot	
5	N.S.S.	1	Carriage, Side Tilting	
6	2110606	2	Fitting, Straight ORFS	
7	2172106	2	Fitting, 90 ORFS	
8	2110808	2	Fitting, Straight ORFS	
9	3300240	2	Nut, Locking 5/8-11	
10	3423276	1	Pin, Fork	
11	3423307	2	Pin	
12	3841203	2	Keeper	
13	4891800	1	Flatwasher	
14	8420053	1	Cap	
15	8420055	1	Plug	
16	88671001	1	Fitting, Grease	
17	90200003	2	Collar	
18	91403413	1	Fitting	
19	91403414	1	Fitting	
20	1001090063	2	Pad	
21	1001090064	AR	Shim	
22	N.S.S.	1	Cylinder, Side Tilt (See Separate Breakdown in HYDRAULIC COMPONENTS Section)	
23	1001090140	1	Bearing	
24	1001099113	1	Pin	
25	1001099115	2	Sleeve	
26	N.S.S.	1	Plate, Serial Number	
27	1001102378	2	Hose	
28	0100011	AR	Compound, Locking	
29	0741610	6	Screw, 3/8-16X1.25	
30	1001120914	1	Shim	
31	1001120915	1	Plate	

SECTION 3 - ATTACHMENTS

FIGURE 3-17. SIDE TILTING CARRIAGE (4.0 TON - 1829 MM) (CE & AUS)



ART_1001184045-B

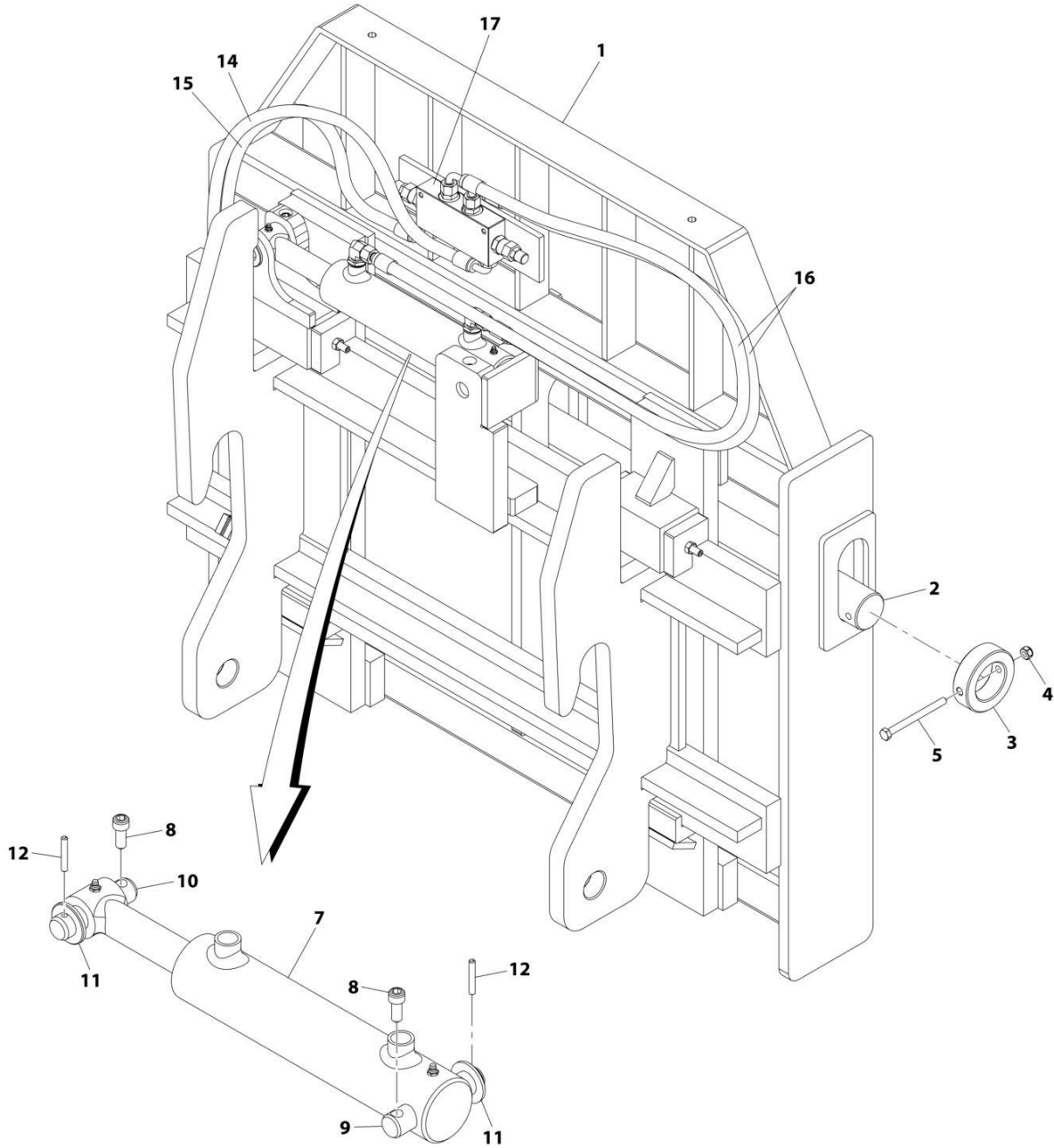
SECTION 3 - ATTACHMENTS

FIGURE 3-17. SIDE TILTING CARRIAGE (4.0 TON - 1829 MM) (CE & AUS)

ITEM	PART NUMBER	QTY	DESCRIPTION	REV
	1001184045	1	Side Tilting Carriage (4.0 ton - 1829 MM)	E
1	N.S.S.	1	Weldment	
2	N.S.S.	1	Weldment, Carriage	
3	70027658	2	Shaft, Fork	
4	70027606	4	Pin, Block	
5	70027607	4	Bolt	
6	70021241	5	Nut, Lock M12	
7	70021238	2	Buffer	
8	70021239	1	Collar	
9	70021240	1	Bolt	
10	70021242	1	Fitting, Grease	
11	70021243	1	Cover	
12	70021244	1	Washer	
13	70022697	1	Nut, Lock	
14	70020506	1	Cylinder	
15	70020507	2	Washer	
16	70020508	2	Ring	
17	70021245	1	Fitting, Grease	
18	70021246	1	Fitting, Grease	
19	70021247	2	Cover	
20	70020730	2	O-Ring	
21	70020731	2	Link	
22	70027608	2	Pipe, Flexible	
23	1001094556	1	Coupling, Male Quick Disconnect	
24	1001094555	1	Coupling, Female Quick Disconnect	

SECTION 3 - ATTACHMENTS

FIGURE 3-18. SIDE SHIFT CARRIAGE (4.0 TON - 1225 MM) (CE & AUS)



ART_1170002-L

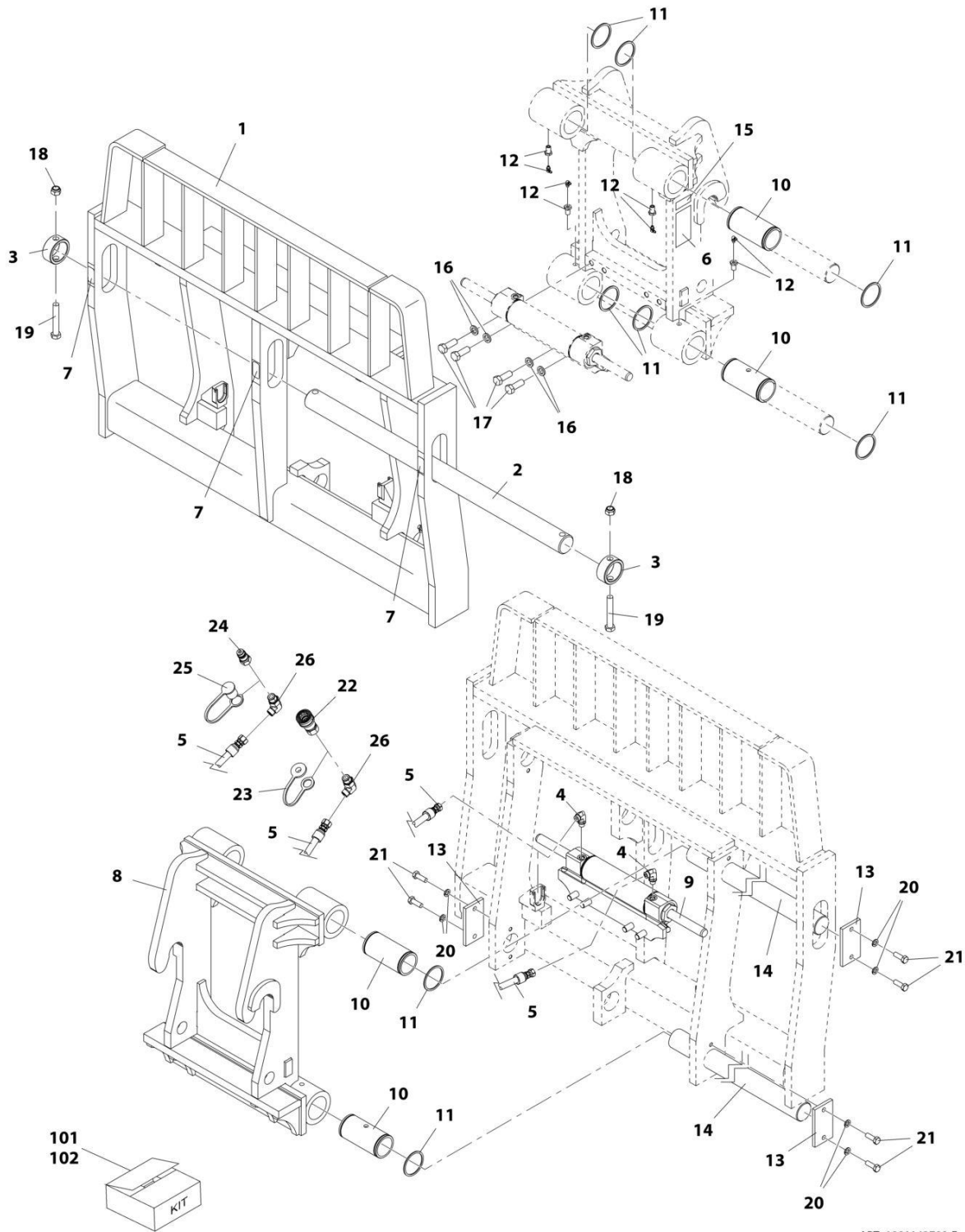
SECTION 3 - ATTACHMENTS

FIGURE 3-18. SIDE SHIFT CARRIAGE (4.0 TON - 1225 MM) (CE & AUS)

ITEM	PART NUMBER	QTY	DESCRIPTION	REV
	1170002	Ref	Side Shift Carriage (4.0 ton - 1255 MM)	L
1	N.S.S.	1	Carriage, Side Shift	
2	7028136	1	Bar, Fork Carrier	
3	7028137	2	Collar	
4	3291005	2	Nut, Lock M10X1.5	
5	0701029	2	Bolt, M10X120	
7	70021558	1	Cylinder	
8	70021559	2	Bolt	
9	70021560	1	Pin	
10	70021561	1	Pin	
11	70021562	2	Washer	
12	70021563	2	Pin	
13	N.S.S.	1	Plate, Serial Number, (not shown)	
14	70029011	3	Hose	
15	70029012	1	Hose	
16	70029013	2	Hose	
17	70027291	1	Balancing Valve	

SECTION 3 - ATTACHMENTS

FIGURE 3-19. SIDE SHIFT CARRIAGE (5.5 TON - 1270 MM) (ANSI)



ART_1001142790-E

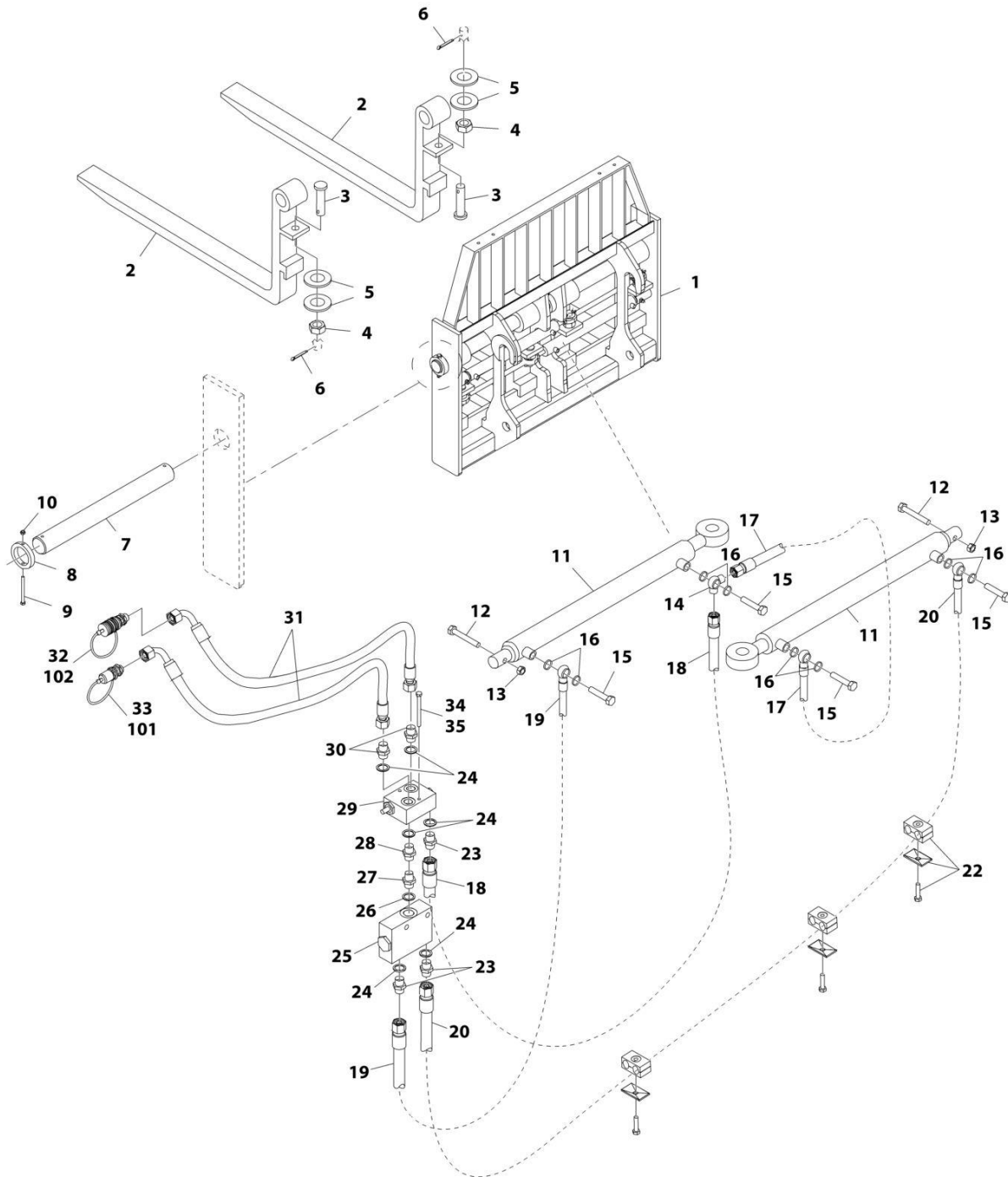
SECTION 3 - ATTACHMENTS

FIGURE 3-19. SIDE SHIFT CARRIAGE (5.5 TON - 1270 MM) (ANSI)

ITEM	PART NUMBER	QTY	DESCRIPTION	REV
	1001142790	Ref	Side Shift Carriage (5.5 ton - 1270 MM)	E
1	N.S.S.	1	Weldment	
2	70024535	1	Shaft	
3	70024536	2	Collar	
4	70024123	2	Fitting, 90	
5	70024537	2	Hose	
6	N.S.S.	1	S/N Plate	
7	70024538	3	Decal, Warning	
8	N.S.S.	1	Weldment	
9	70024539	1	Cylinder, Side Shift (ANSI) (See Separate Breakdown in HYDRAULIC COMPONENTS Section)	
10	70024540	4	Bushing	
11	70024541	8	Circlip	
12	70024542	4	Fitting, Grease	
13	70024543	4	Retainer	
14	70024544	2	Shaft	
15	N.S.S.	1	S/N Plate	
16	70024551	4	Washer, Lock M16	
17	70024552	4	Bolt, M16X45	
18	70024553	2	Nut, Hex M16	
19	70024554	2	Bolt, M16X100	
20	70022997	8	Washer, Lock M12	
21	70024555	8	Bolt, M12X35	
22	91403413	1	Fitting, Straight	
23	8420055	1	Plug	
24	91403414	1	Fitting, Straight	
25	8420053	1	Cap, Dust	
26	70024550	2	Fitting, 90	
101	70024545	1	Kit, Hydraulic Repair (includes items 5 & 22 thru 26)	
102	70024546	1	Kit, Retainer (includes items 13, 20 & 21)	

SECTION 3 - ATTACHMENTS

FIGURE 3-20. FORK POSITIONING CARRIAGE WITH FORKS (4.0 TON) (CE & AUS)



ART_1001091313-C

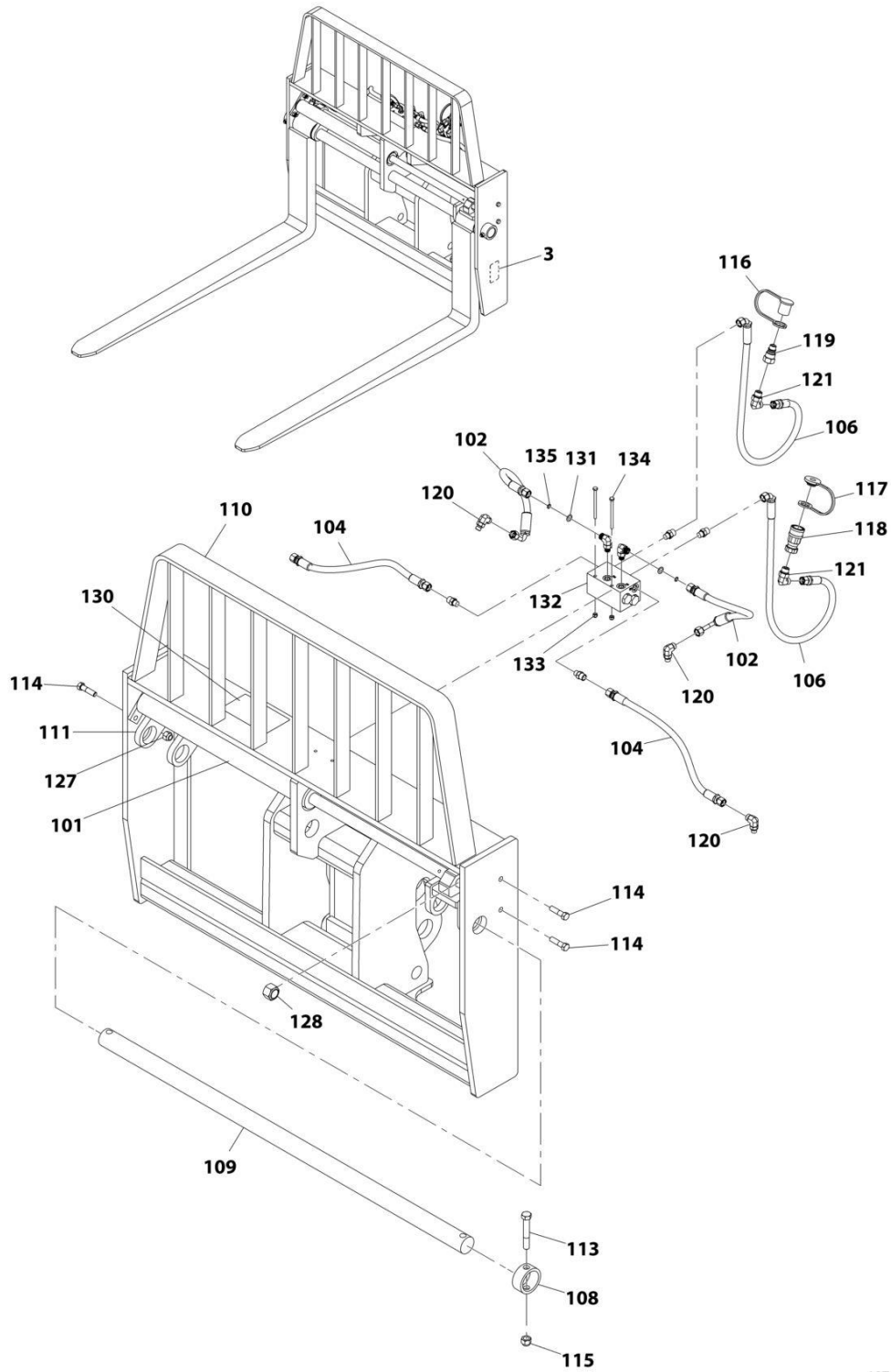
SECTION 3 - ATTACHMENTS

FIGURE 3-20. FORK POSITIONING CARRIAGE WITH FORKS (4.0 TON) (CE & AUS)

ITEM	PART NUMBER	QTY	DESCRIPTION	REV
	1001091313	Ref	Fork Positioning Carriage with Forks (4.0 ton)	D
1	N.S.S.	1	Weldment	
2	70022922	2	Forks, (100X50X1200), (2000kg per fork)	
3	70021835	2	Rod Pin	
4	70026018	2	Nut	
5	70028978	4	Washer	
6	70021836	2	Split Pin	
7	70022923	2	Carriage Shaft	
8	70022924	4	Shaft Collar	
9	70028979	4	Bolt	
10	70021241	4	Hex Locknut, M12	
11	70023276	2	Cylinder	
11	70023278	AR	Seal Kit, (use with cylinders marked 1.3351.01C.02.01)	
11	70023277	AR	Seal Kit, (use with cylinders marked 1.3351.01C.02.02)	
13	70028031	2	Locknut	
12	70028028	2	Bolt	
14	70022925	1	Elbow, 90	
15	1001103530	4	Bolt	
16	70020730	8	O-Ring	
17	70021838	1	Hose	
18	70021839	1	Hose	
19	70021840	1	Hose	
20	70021841	1	Hose	
22	1001103533	3	Clamp Set, (includes screw and plate)	
23	70020731	3	Fitting	
24	70022907	6	O-Ring	
25	70021842	1	Counter Valve	
26	70022927	1	O-Ring	
27	70022928	1	Fitting	
28	70022929	1	Fitting	
29	70021843	1	Pressure Valve	
30	70022906	2	Adapter	
31	70022930	2	Pipe	
32	1001094555	1	Female Quick Disconnect Coupling	
33	1001094556	1	Male Quick Disconnect Coupling	
34	70028980	2	Bolt	
35	70022912	2	Nut	
101	1001093826	1	Dust Cap	
102	1001093827	1	Dust Plug	

SECTION 3 - ATTACHMENTS

FIGURE 3-21. FORK POSITIONING CARRIAGE WITH FORKS (4.5 TON) (ANSI)



ART_7301295-J

SECTION 3 - ATTACHMENTS

FIGURE 3-21. FORK POSITIONING CARRIAGE WITH FORKS (4.5 TON) (ANSI)

ITEM	PART NUMBER	QTY	DESCRIPTION	REV
	7301295	Ref	FORK POSITIONING CARRIAGE (4.5 TON)	J
3	N.S.S.	1	S/N Plate	
101	2717283	2	Cylinder, Fork Positioning (See Separate Breakdown in HYDRAULIC COMPONENTS Section)	
102	2717160	2	Hose	
104	2717161	2	Hose	
106	2717162	1	Hose 36in (Boom Front Disconnect)	
106	70031443	1	Hose 44in (Boom Side Disconnect)	
108	90200003	2	Collar, Fork Pin	
109	90451058	1	Shaft, Fork	
110	N.S.S.	1	Weldment, Carriage	
111	N.S.S.	1	Weldment, Fork Adapter	
113	8303634	2	Bolt 5/8 x 4	
114	8303658	4	Bolt 1/2 x 2	
115	8305643	2	Nut 5/8	
116	8420053	1	Cap, Dust	
117	8420055	1	Plug, Dust	
118	91403413	1	Adapter, Quick Disconnect	
119	91403414	1	Adapter, Quick Disconnect	
120	2130606	4	Adapter, 90 Straight	
121	2130608	2	Adapter, 90 Straight	
127	8310302	4	Nut 1/2	
128	10705034	2	Nut 1	
130	4110473	1	Decal, Warning Route Hoses	
131	7139918	2	Disk, Orifice	
132	4641502	1	Assembly, Dual Fork Carriage Valve (See Separate Breakdown in HYDRAULIC COMPONENTS Section)	
133	8305624	2	Nut 1/4	
134	8310435	2	Bolt 1/4 x 3-3/4	
135	8630003	2	O-Ring	

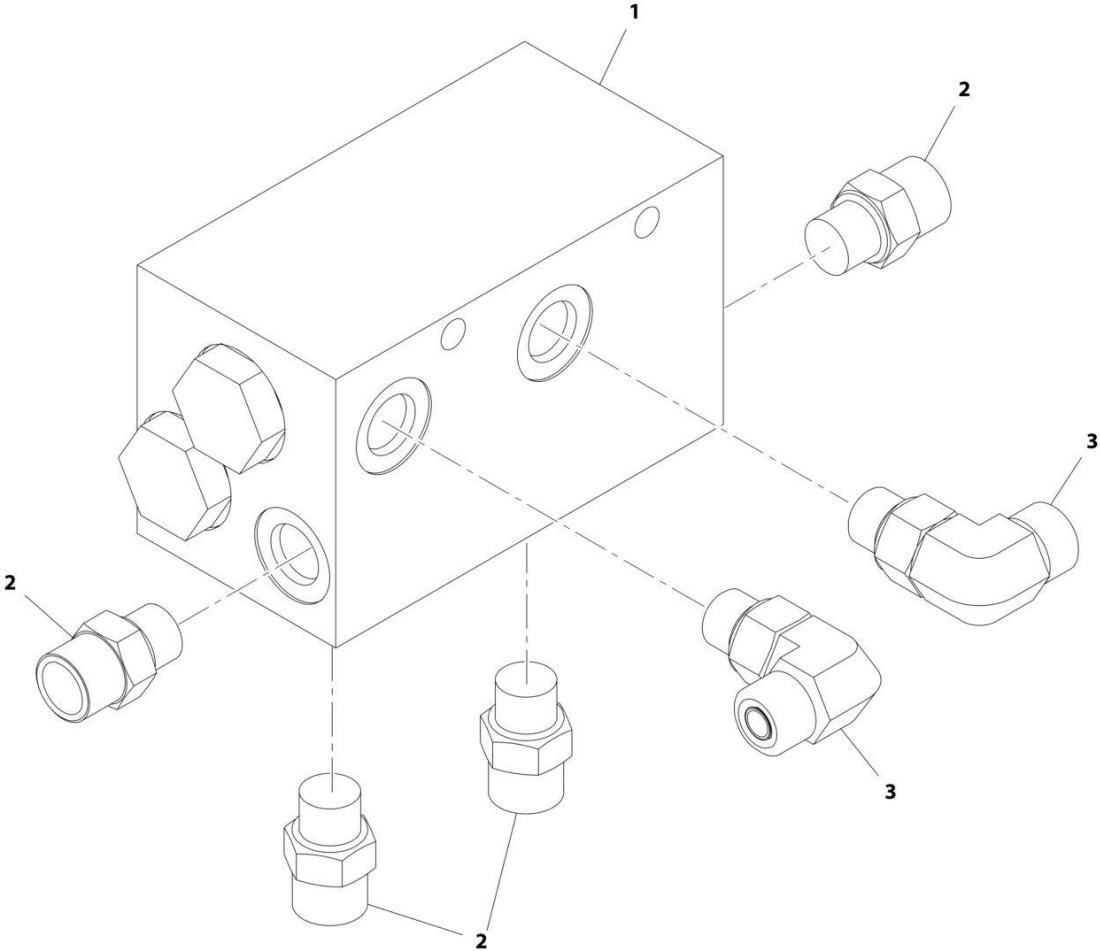
SECTION 3 - ATTACHMENTS

FIGURE 3-22. DUAL FORK CARRIAGE ASSEMBLY

ITEM	PART NUMBER	QTY	DESCRIPTION	REV
	7301568	Ref	Dual Fork Carriage Assembly	J
1	2717283	2	Cylinder, Fork Positioning (See Separate Breakdown in HYDRAULIC COMPONENTS Section)	
2	2717160	2	Hose	
4	2717161	2	Hose	
6	2717162	2	Hose	
8	90200003	2	Collar, Fork Pin	
9	90451058	1	Shaft, Fork	
10	N.S.S.	1	Weldment, Carriage	
11	N.S.S.	2	Weldment, Fork Adapter	
13	8303634	2	Bolt, 5/8-11X4	
14	8303658	4	Bolt, 1/2-13X2	
15	8305643	2	Nut, Lock 5/8-11	
16	8420053	1	Cap, Dust	
17	8420055	1	Plug, Dust	
18	91403413	1	Fitting, Straight	
19	91403414	1	Fitting, Straight	
20	2130606	4	Fitting, 90	
21	2130608	2	Fitting, 90	
27	8310302	4	Nut, Lock 1/2-13	
28	10705034	2	Nut, Lock 1-14	
30	4110473	1	Decal, Warning Route Hoses	
31	7139918	2	Disk, Orifice	
32	4641502	1	Assembly, Dual Fork Carriage Valve (See Separate Breakdown in this Section)	
33	8305624	2	Nut, Lock 1/4-20	
34	8310435	2	Bolt, 1/4-20X3-3/4	
35	8630003	2	O-Ring	

SECTION 3 - ATTACHMENTS

FIGURE 3-23. DUAL FORK CARRIAGE VALVE ASSEMBLY



ART_4641502-B

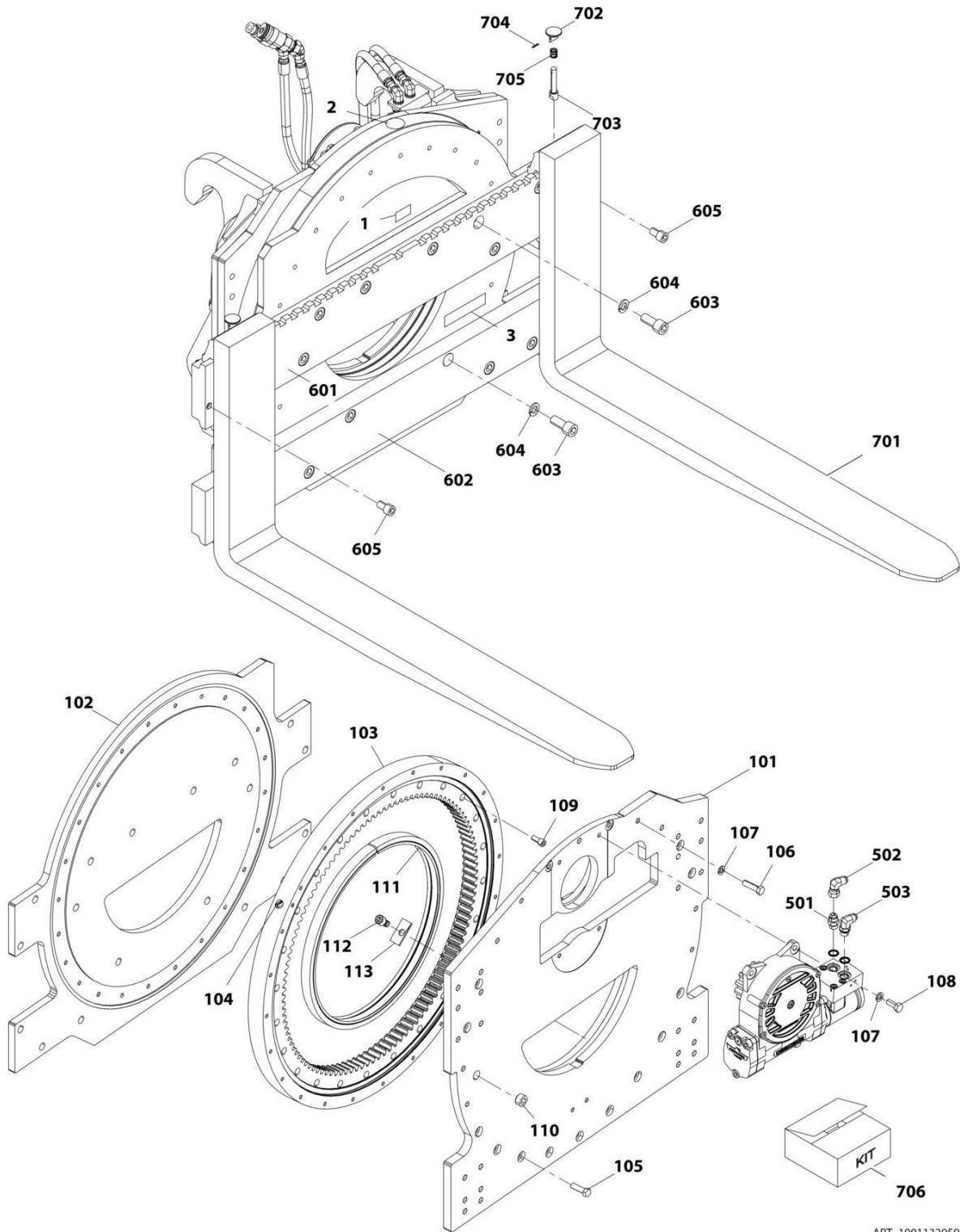
SECTION 3 - ATTACHMENTS

FIGURE 3-23. DUAL FORK CARRIAGE VALVE ASSEMBLY

ITEM	PART NUMBER	QTY	DESCRIPTION	REV
	4641502	Ref	Dual Fork Carriage Valve Assembly	B
1	4641501	1	Valve, Flow Divider (See Separate Breakdown in this Section)	
2	2110606	4	Fitting, Straight ORFS	
3	2130606	2	Fitting, 90	

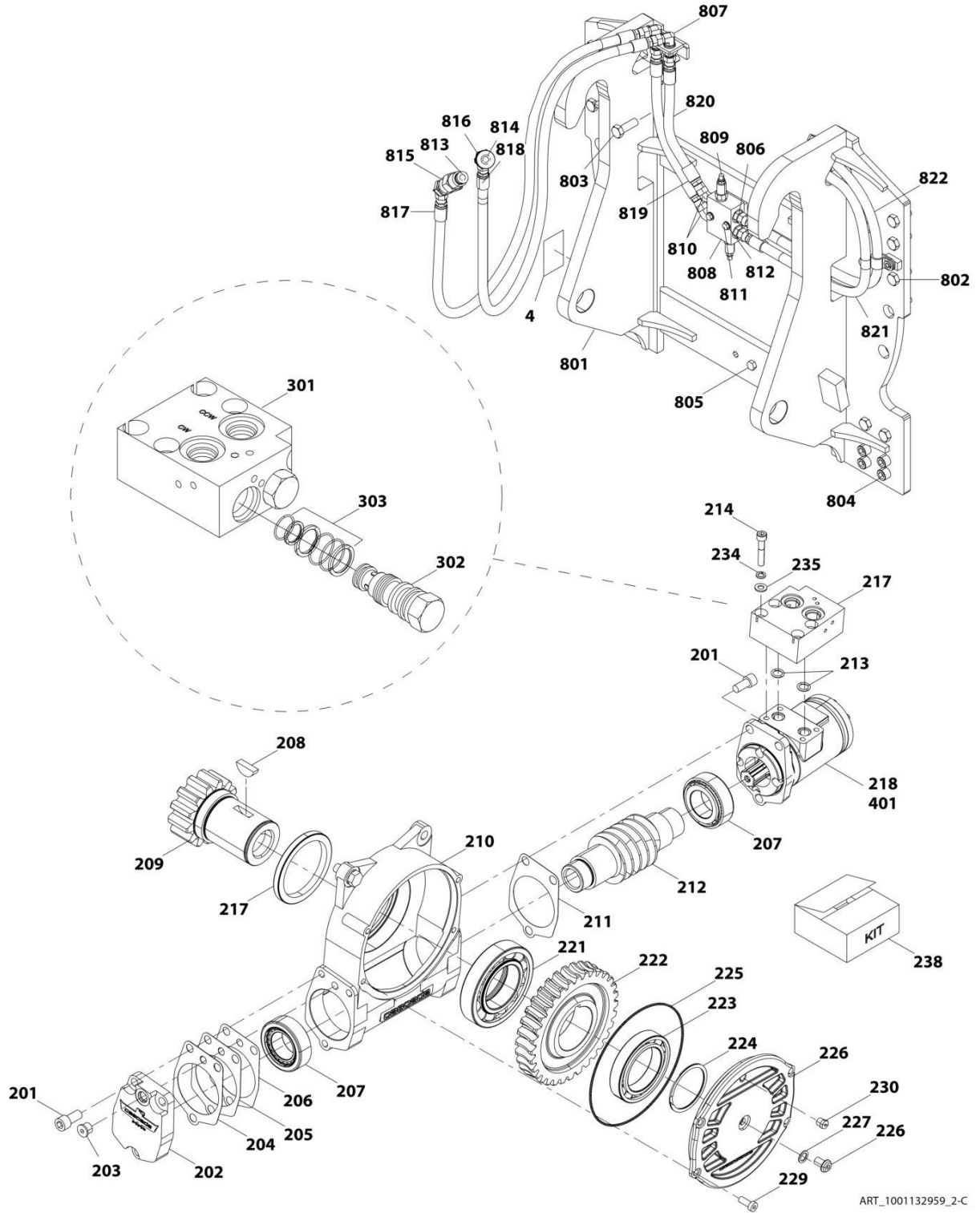
SECTION 3 - ATTACHMENTS

FIGURE 3-24. FORK ROTATING CARRIAGE (4.5 TON - 1270 MM)



ART_1001132959_1-C

SECTION 3 - ATTACHMENTS



ART_1001132959_2-C

SECTION 3 - ATTACHMENTS

FIGURE 3-24. FORK ROTATING CARRIAGE (4.5 TON - 1270 MM)

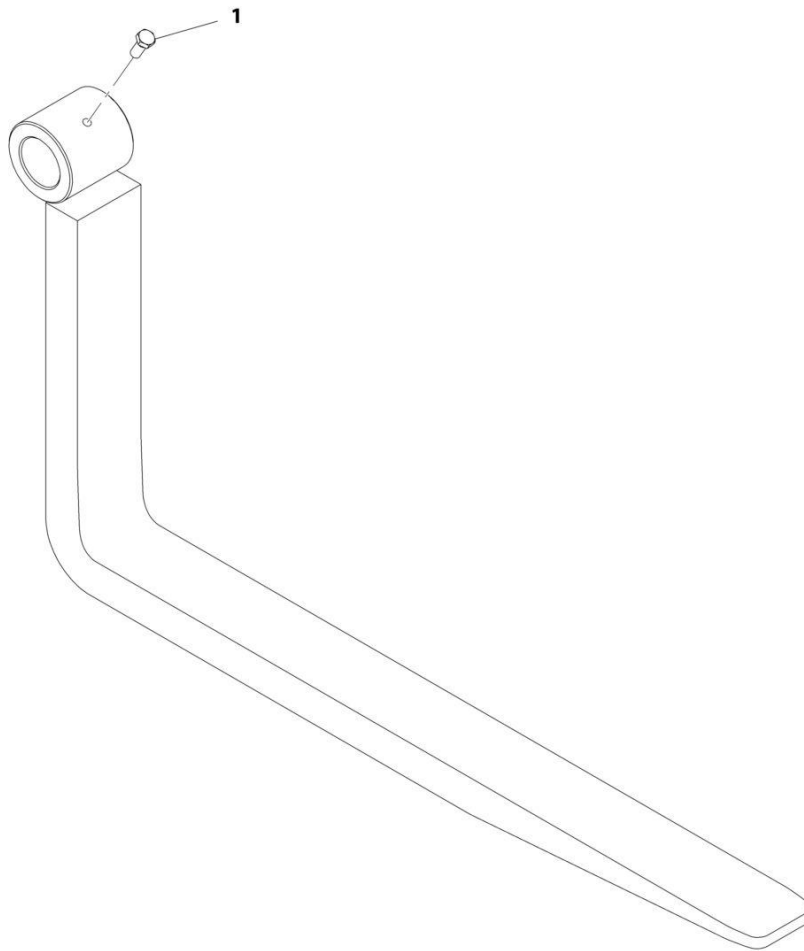
ITEM	PART NUMBER	QTY	DESCRIPTION	REV
	1001132959	NLA	Fork Rotating Carriage (4.5 ton - 1270 MM), (no longer available, see items below for service or 1001218835 for replacement)	C
1	70024538	1	Decal, Pinch Point	
2	70024787	1	Decal, No Step	
3	70024788	1	Decal, Capacity	
4	N.S.S.	Ref	Plate, Serial Number	
101	70024676	1	Baseplate	
102	70024677	1	Faceplate	
103	70024678	1	Bearing	
104	70024679	1	Fitting, Grease	
105	70024680	13	Bolt, M12X40	
106	70024681	11	Bolt, M12X45	
107	70024682	15	Washer, Lock M12	
108	70024683	4	Bolt, M12X30	
109	70024684	24	Bolt, M12X40	
110	70024685	1	Plug	
111	70024686	1	Seal	
112	70024687	1	Bolt, M12X20	
113	70024688	1	Plate	
201	70024690	6	Bolt, M12X25	
202	70024691	1	Cover	
203	70024692	1	Fitting	
204	Kit	AR	Shim, 0.10	
205	Kit	AR	Shim, 0.15	
206	Kit	1	Shim, 0.20	
207	70024696	2	Bearing	
208	70024697	1	Key	
209	70024698	1	Pinion	
210	70024699	1	Housing	
211	Kit	1	Gasket	
212	70024701	1	Worm	
213	70024702	2	O-Ring	
214	70024703	4	Bolt, M8X40	
217	70024731	1	Assembly, Check Valve (includes items 301 thru 303)	
218	70024744	1	Motor, Drive (includes item 401)	
220	70024706	1	Seal	
221	70024713	1	Bearing	
222	70024707	1	Gear, Worm	
223	70024708	1	Bearing	
224	70024709	1	Ring, Snap	
225	Kit	1	O-Ring	
226	70024711	1	Cover	
227	70024712	1	Seal	
228	70024714	1	Bolt, M10X16	
229	70024715	4	Bolt, M8X20	
230	70024716	1	Fitting	
234	70024720	4	Washer, M8	
235	70024721	4	Washer, M8	
237	Kit	1	Sealant	
238	70024724	1	Kit, Shim Service	

SECTION 3 - ATTACHMENTS

ITEM	PART NUMBER	QTY	DESCRIPTION	REV
301	N.S.S.	Ref	Valve, Body	
302	70024733	2	Valve, Check	
303	70024734	2	Kit, Service	
401	70024745	1	Kit, Service	
501	70024748	1	Fitting	
502	70024749	1	Fitting	
503	70024750	1	Fitting	
601	70024752	1	Bar, Upper Fork	
602	70024753	1	Bar, Lower Fork	
603	70024754	18	Bolt, M20X45	
604	70024755	18	Washer, Lock M20	
605	70024756	2	Bolt, M16X25	
700	70024757	1	Assembly, Fork (includes items 701 thru 705)	
701	70024758	1	Fork	
702	Kit	1	Knob	
703	Kit	1	Pin	
704	Kit	1	Pin, Coiled Spring	
705	Kit	1	Spring	
706	70024786	1	Kit, Pin (includes items 702 thru 705)	
801	N.S.S.	Ref	Plate, Mounting	
802	70024765	12	Bolt, M16X40	
803	70024766	4	Bolt, M16X35	
804	70024767	8	Bolt, M16X40	
805	70024768	2	Bolt	
806	70024748	2	Fitting	
807	70024770	2	Fitting	
808	70024771	1	Body, Valve	
809	70024772	2	Valve, Relief	
810	70024773	2	Fitting	
811	70024774	2	Washer	
812	70024775	2	Bolt	
813	70024776	1	Coupler, Male	
814	70024777	1	Coupler, Female	
815	70024778	1	Fitting	
816	70024779	1	Fitting	
817	70024780	1	Hose	
818	70024781	1	Hose	
819	70024782	1	Hose	
820	70024783	1	Hose	
821	70024784	1	Hose	
822	70024785	1	Hose	

SECTION 3 - ATTACHMENTS

FIGURE 3-25. PALLET FORK (50X100X1070) (CE & AUS)



ART_1001170488-A

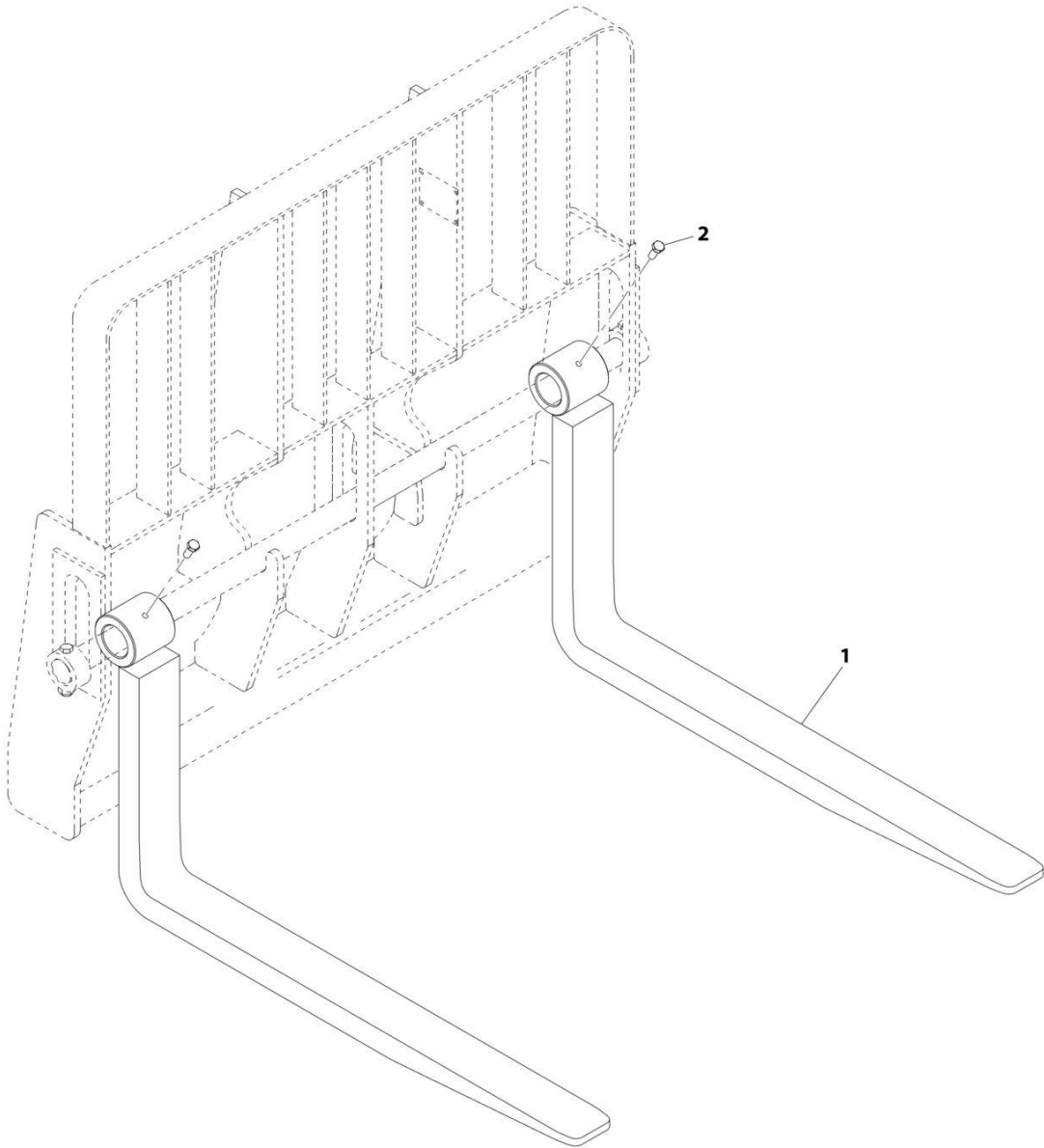
SECTION 3 - ATTACHMENTS

FIGURE 3-25. PALLET FORK (50X100X1070) (CE & AUS)

ITEM	PART NUMBER	QTY	DESCRIPTION	REV
1	1001170488	1	Pallet Fork (60X100X1070)	A
	70027179	1	Screw	
	Note	Ref	<p>FORKS RATED LESS THAN THE ATTACHMENT OR MACHINE'S CAPACITY DECREASES CAPACITY OF THE ATTACHMENT OR MACHINE TO THAT OF THE FORKS. FORKS RATED MORE THAN THE ATTACHMENT OR MACHINE'S CAPACITY DO NOT INCREASE ATTACHMENT OR MACHINE'S CAPACITY.</p>	
	Note	Ref	<p>PLEASE CONSULT JLG PARTS DEPARTMENT TO DETERMINE THE CORRECT FORKS APPLICABLE TO YOUR SPECIFIC CARRIAGE ASSEMBLY AND APPLICATION.</p>	

SECTION 3 - ATTACHMENTS

FIGURE 3-26. PALLET FORK (50X100X1220) (CE & AUS)



ART_1001100911-E

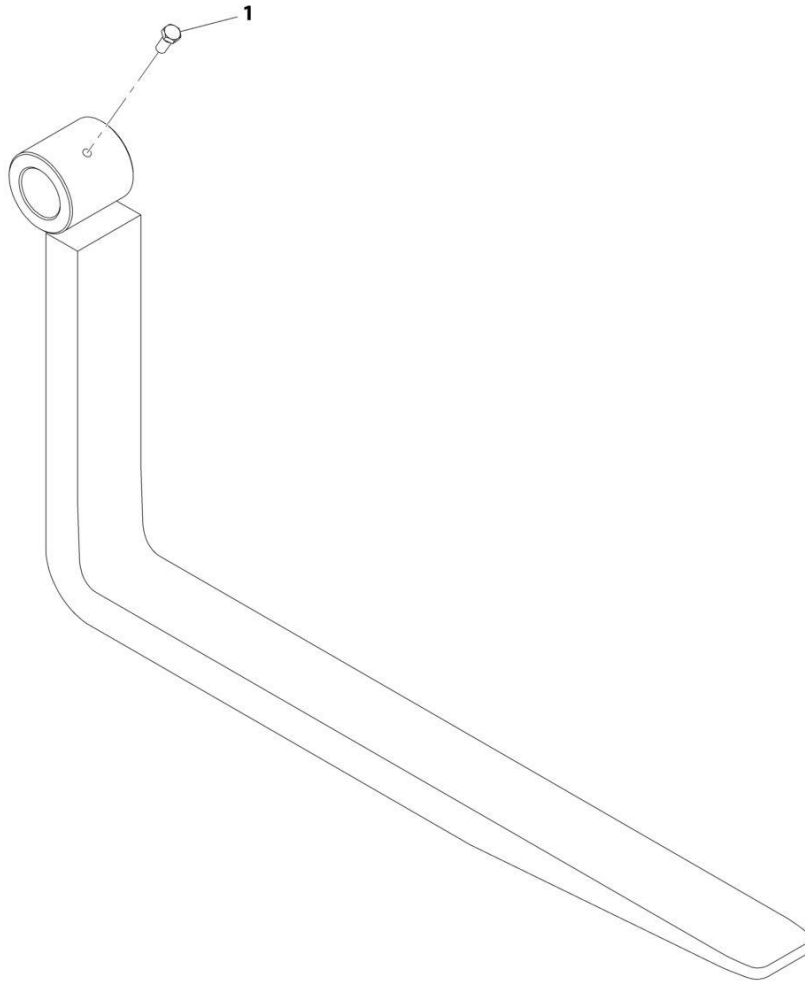
SECTION 3 - ATTACHMENTS

FIGURE 3-26. PALLET FORK (50X100X1220) (CE & AUS)

ITEM	PART NUMBER	QTY	DESCRIPTION	REV
1	1001100911	1 pr	Pallet Fork (50X100X1220)	E
2	70027179	2	Screw	
	Note	Ref	<p>FORKS RATED LESS THAN THE ATTACHMENT OR MACHINE'S CAPACITY DECREASES CAPACITY OF THE ATTACHMENT OR MACHINE TO THAT OF THE FORKS. FORKS RATED MORE THAN THE ATTACHMENT OR MACHINE'S CAPACITY DO NOT INCREASE ATTACHMENT OR MACHINE'S CAPACITY.</p>	
	Note	Ref	<p>PLEASE CONSULT JLG PARTS DEPARTMENT TO DETERMINE THE CORRECT FORKS APPLICABLE TO YOUR SPECIFIC CARRIAGE ASSEMBLY AND APPLICATION.</p>	

SECTION 3 - ATTACHMENTS

FIGURE 3-27. PALLET FORK (50X120X1200) (CE)



ART_1001117945-C

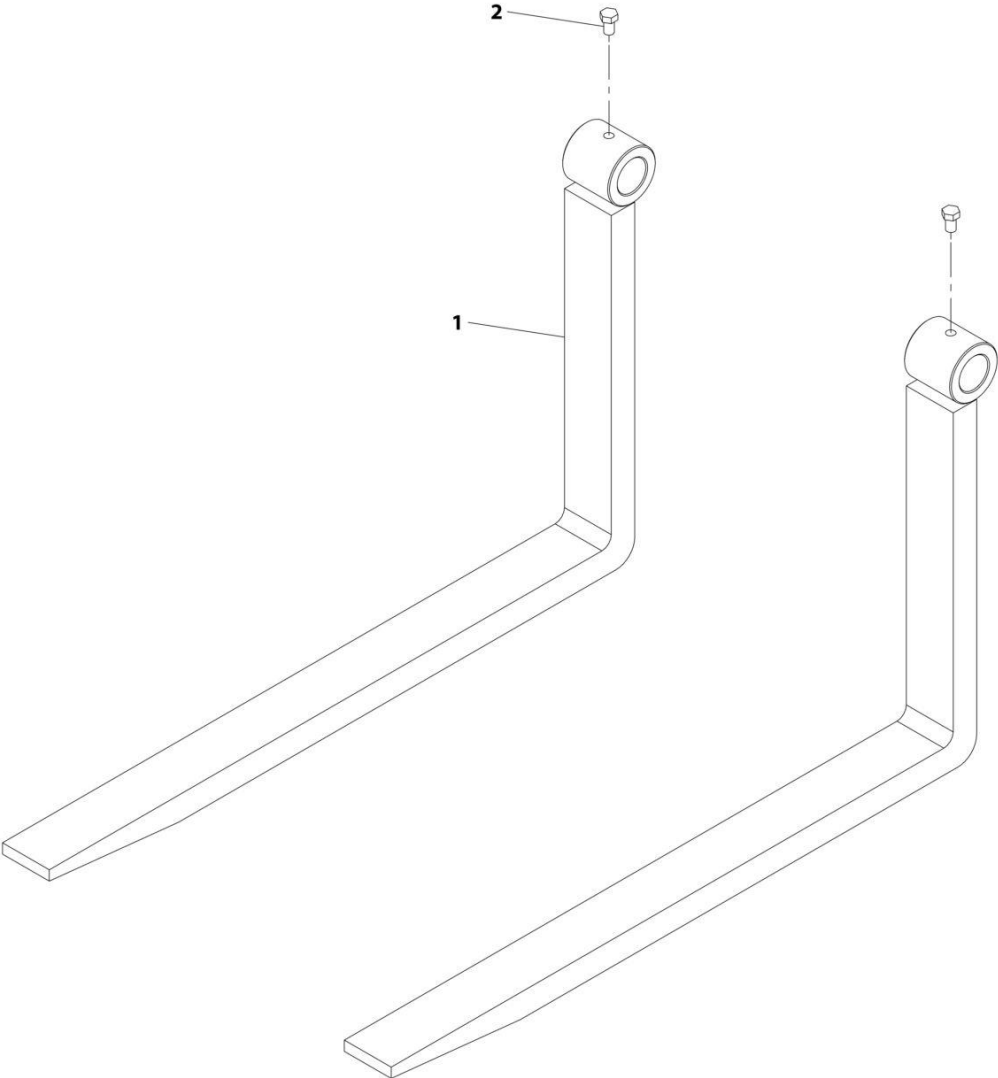
SECTION 3 - ATTACHMENTS

FIGURE 3-27. PALLET FORK (50X120X1200) (CE)

ITEM	PART NUMBER	QTY	DESCRIPTION	REV
1	1001117945 0761612 Note	1 pr 2 Ref	Pallet Fork (50X120X1200) Bolt, M16X25 FORKS RATED LESS THAN THE ATTACHMENT OR MACHINE'S CAPACITY DECREASES CAPACITY OF THE ATTACHMENT OR MACHINE TO THAT OF THE FORKS. FORKS RATED MORE THAN THE ATTACHMENT OR MACHINE'S CAPACITY DO NOT INCREASE ATTACHMENT OR MACHINE'S CAPACITY.	C
	Note	Ref	PLEASE CONSULT JLG PARTS DEPARTMENT TO DETERMINE THE CORRECT FORKS APPLICABLE TO YOUR SPECIFIC CARRIAGE ASSEMBLY AND APPLICATION.	

SECTION 3 - ATTACHMENTS

FIGURE 3-28. PALLET FORK (50X120X1200) (CE & AUS - IF EQUIPPED WITH 1170002)



ART_2340030-D

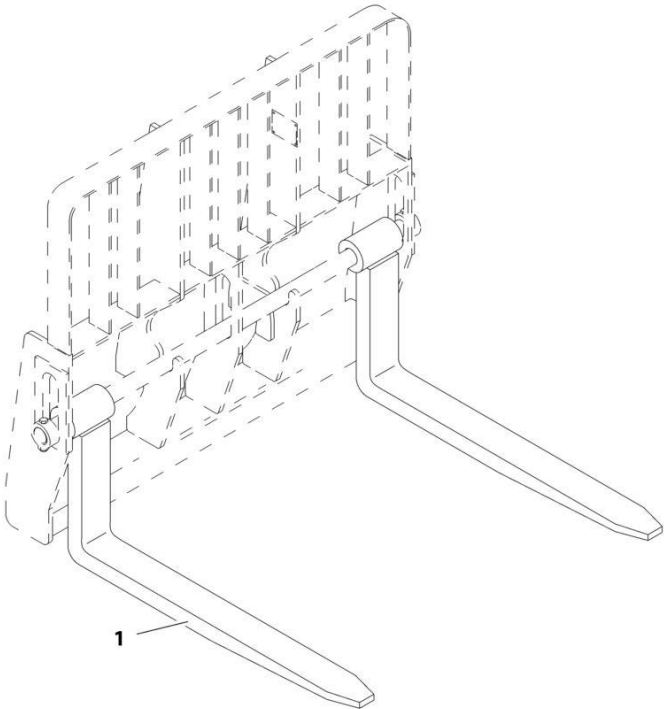
SECTION 3 - ATTACHMENTS

FIGURE 3-28. PALLET FORK (50X120X1200) (CE & AUS - IF EQUIPPED WITH 1170002)

ITEM	PART NUMBER	QTY	DESCRIPTION	REV
1	2340030	2 pr	Pallet Fork (50X120X1200)	D
2	0761612	2	Bolt, M16X25	
	Note	Ref	<p>FORKS RATED LESS THAN THE ATTACHMENT OR MACHINE'S CAPACITY DECREASES CAPACITY OF THE ATTACHMENT OR MACHINE TO THAT OF THE FORKS. FORKS RATED MORE THAN THE ATTACHMENT OR MACHINE'S CAPACITY DO NOT INCREASE ATTACHMENT OR MACHINE'S CAPACITY.</p>	
	Note	Ref	<p>PLEASE CONSULT JLG PARTS DEPARTMENT TO DETERMINE THE CORRECT FORKS APPLICABLE TO YOUR SPECIFIC CARRIAGE ASSEMBLY AND APPLICATION.</p>	

SECTION 3 - ATTACHMENTS

FIGURE 3-29. PALLET FORK (2.36X4X48) (ANSI)



ART_2340045

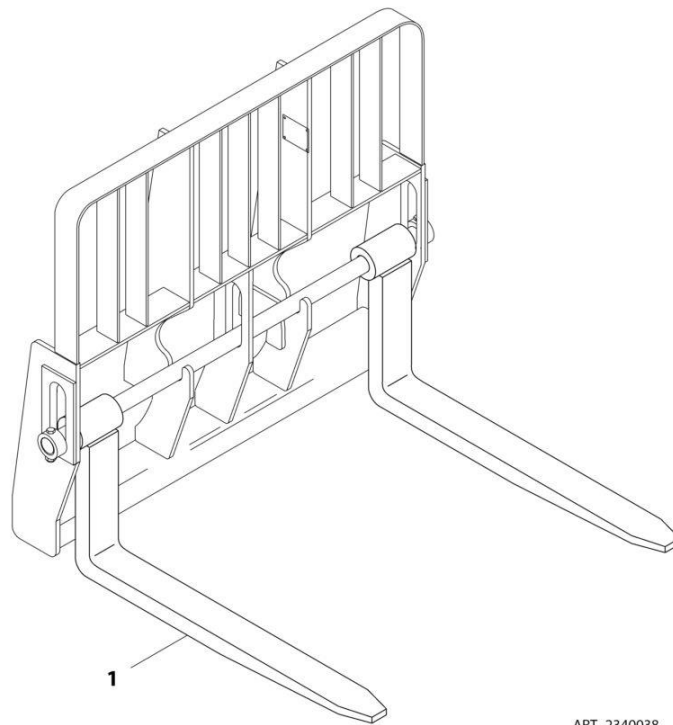
SECTION 3 - ATTACHMENTS

FIGURE 3-29. PALLET FORK (2.36X4X48) (ANSI)

ITEM	PART NUMBER	QTY	DESCRIPTION	REV
1	2340045	2	Pallet Fork (2.36X4X48)	
	Note	Ref	FORKS RATED LESS THAN THE ATTACHMENT OR MACHINE'S CAPACITY DECREASES CAPACITY OF THE ATTACHMENT OR MACHINE TO THAT OF THE FORKS. FORKS RATED MORE THAN THE ATTACHMENT OR MACHINE'S CAPACITY DO NOT INCREASE ATTACHMENT OR MACHINE'S CAPACITY.	
	Note	Ref	PLEASE CONSULT JLG PARTS DEPARTMENT TO DETERMINE THE CORRECT FORKS APPLICABLE TO YOUR SPECIFIC CARRIAGE ASSEMBLY AND APPLICATION.	

SECTION 3 - ATTACHMENTS

FIGURE 3-30. PALLET FORK (2.36X5X48)



ART_2340038

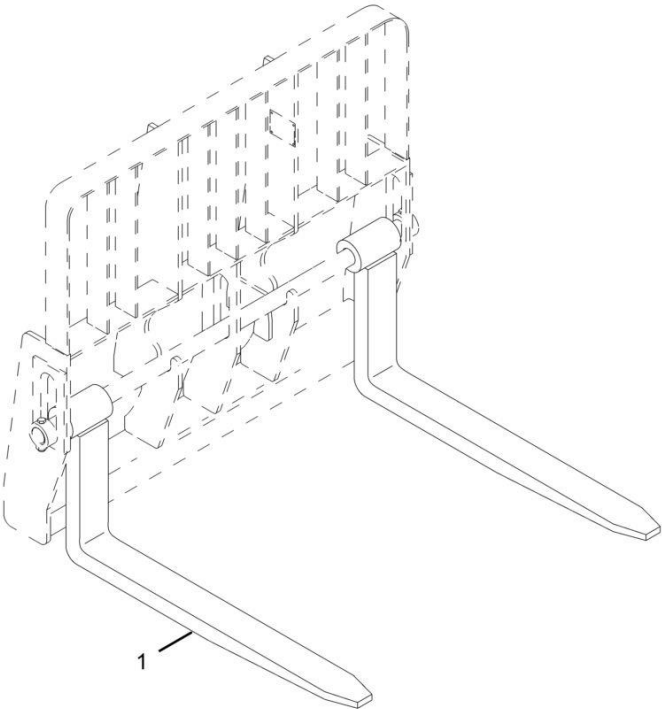
SECTION 3 - ATTACHMENTS

FIGURE 3-30. PALLET FORK (2.36X5X48)

ITEM	PART NUMBER	QTY	DESCRIPTION	REV
1	2340038	2	Pallet Fork (2.36X5X48)	B
	Note	Ref	FORKS RATED LESS THAN THE ATTACHMENT OR MACHINE'S CAPACITY DECREASES CAPACITY OF THE ATTACHMENT OR MACHINE TO THAT OF THE FORKS. FORKS RATED MORE THAN THE ATTACHMENT OR MACHINE'S CAPACITY DO NOT INCREASE ATTACHMENT OR MACHINE'S CAPACITY.	
	Note	Ref	PLEASE CONSULT JLG PARTS DEPARTMENT TO DETERMINE THE CORRECT FORKS APPLICABLE TO YOUR SPECIFIC CARRIAGE ASSEMBLY AND APPLICATION.	

SECTION 3 - ATTACHMENTS

FIGURE 3-31. PALLET FORK (2.00X6X72) (ANSI)



ART_1001092391

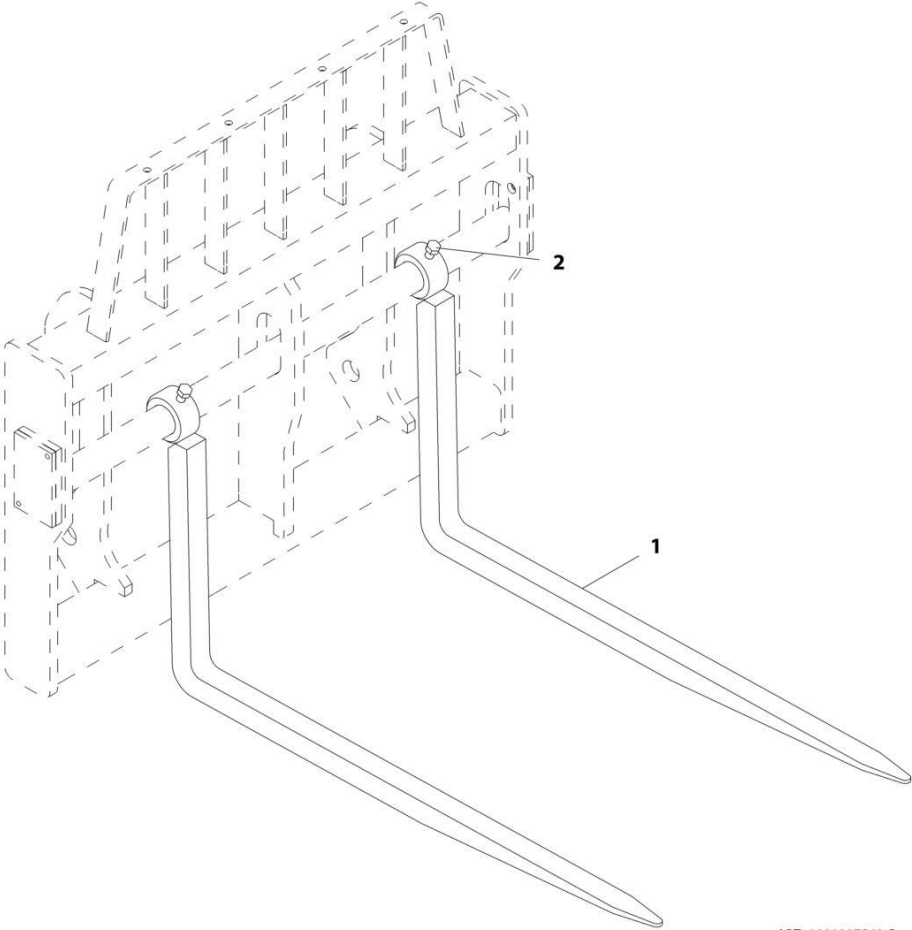
SECTION 3 - ATTACHMENTS

FIGURE 3-31. PALLET FORK (2.00X6X72) (ANSI)

ITEM	PART NUMBER	QTY	DESCRIPTION	REV
1	1001092391	2	Dual Taper Fork (2.00X6X72)	C
N1	Note	Ref	FORKS RATED LESS THAN THE ATTACHMENT OR MACHINE'S CAPACITY DECREASES CAPACITY OF THE ATTACHMENT OR MACHINE TO THAT OF THE FORKS. FORKS RATED MORE THAN THE ATTACHMENT OR MACHINE'S CAPACITY DO NOT INCREASE ATTACHMENT OR MACHINE'S CAPACITY.	
N2	Note	Ref	PLEASE CONSULT JLG PARTS DEPARTMENT TO DETERMINE THE CORRECT FORKS APPLICABLE TO YOUR SPECIFIC CARRIAGE ASSEMBLY AND APPLICATION.	

SECTION 3 - ATTACHMENTS

FIGURE 3-32. BLOCKING FORK (50X50X1220) (CE & AUS)



ART_1001007543-B

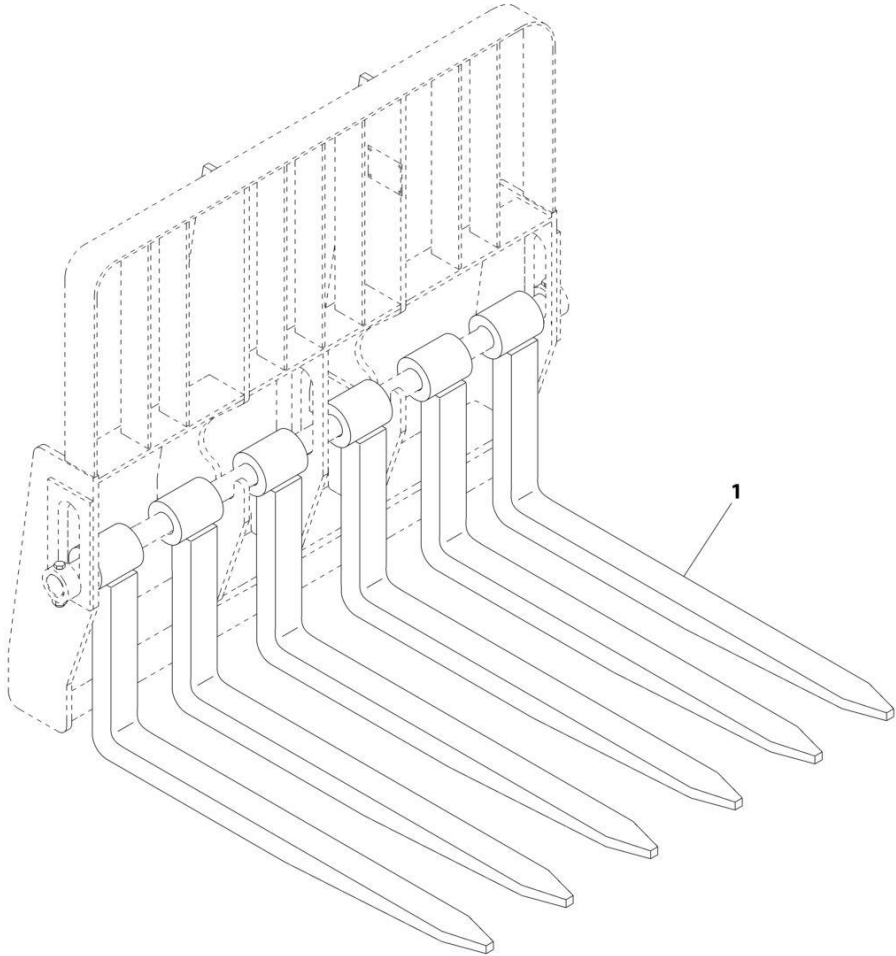
SECTION 3 - ATTACHMENTS

FIGURE 3-32. BLOCKING FORK (50X50X1220) (CE & AUS)

ITEM	PART NUMBER	QTY	DESCRIPTION	REV
	1001007543	1	Blocking Fork (50X50X1220) (pair)	B
2	N.S.S.	1	Fork	
2	1001109113	2	Bolt, 5/8-18X1.50, Grade 8	
	Note	Ref	FORKS RATED LESS THAN THE ATTACHMENT OR MACHINE'S CAPACITY DECREASES CAPACITY OF THE ATTACHMENT OR MACHINE TO THAT OF THE FORKS. FORKS RATED MORE THAN THE ATTACHMENT OR MACHINE'S CAPACITY DO NOT INCREASE ATTACHMENT OR MACHINE'S CAPACITY.	
	Note	Ref	PLEASE CONSULT JLG PARTS DEPARTMENT TO DETERMINE THE CORRECT FORKS APPLICABLE TO YOUR SPECIFIC CARRIAGE ASSEMBLY AND APPLICATION.	

SECTION 3 - ATTACHMENTS

FIGURE 3-33. BLOCKING FORK (50X50X1220) (ANSI)



ART_2340037

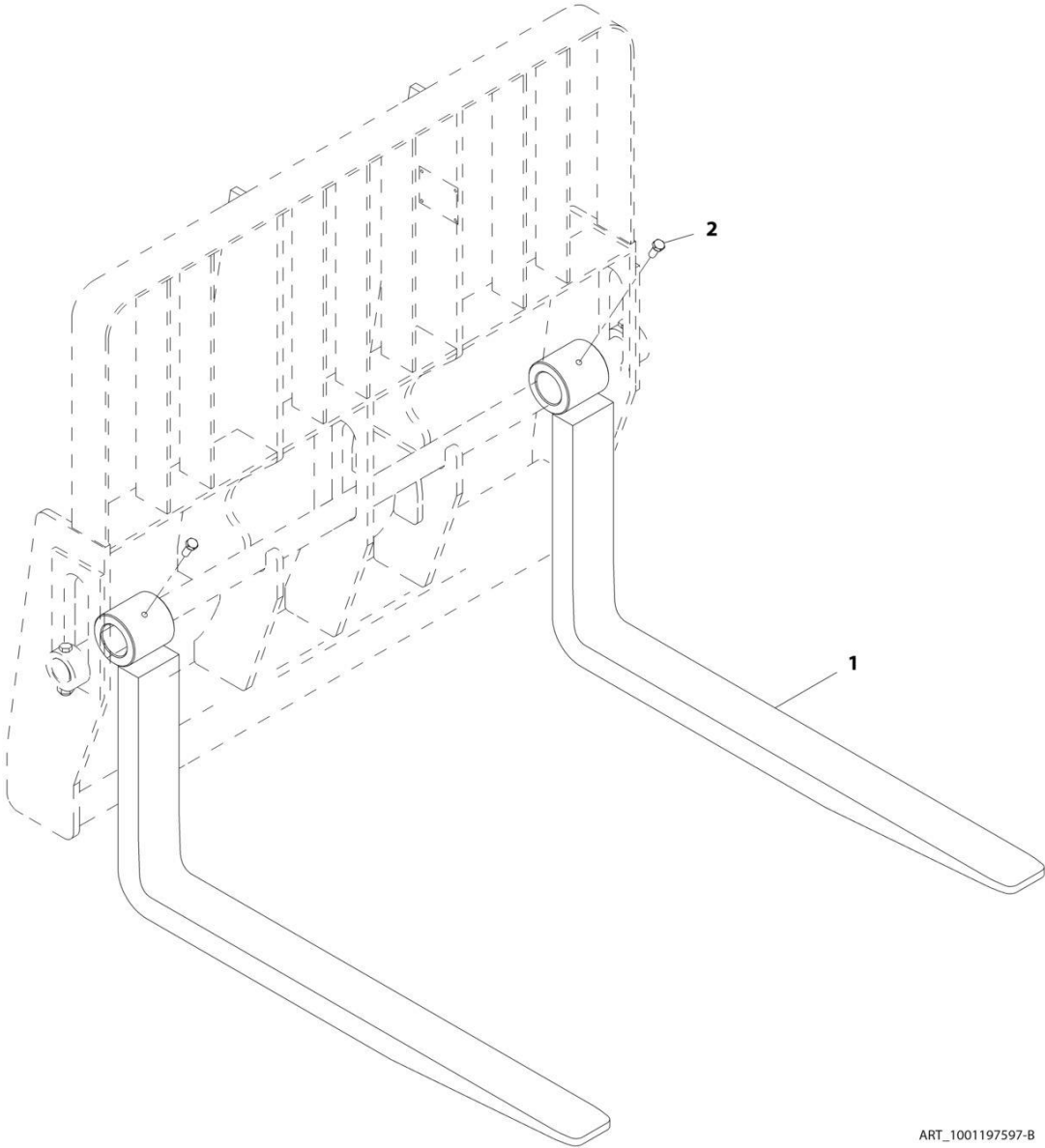
SECTION 3 - ATTACHMENTS

FIGURE 3-33. BLOCKING FORK (50X50X1220) (ANSI)

ITEM	PART NUMBER	QTY	DESCRIPTION	REV
1	2340037	1	Cubing Fork (2.00X2X48)	A
	Note	Ref	FORKS RATED LESS THAN THE ATTACHMENT OR MACHINE'S CAPACITY DECREASES CAPACITY OF THE ATTACHMENT OR MACHINE TO THAT OF THE FORKS. FORKS RATED MORE THAN THE ATTACHMENT OR MACHINE'S CAPACITY DO NOT INCREASE ATTACHMENT OR MACHINE'S CAPACITY.	
	Note	Ref	PLEASE CONSULT JLG PARTS DEPARTMENT TO DETERMINE THE CORRECT FORKS APPLICABLE TO YOUR SPECIFIC CARRIAGE ASSEMBLY AND APPLICATION.	

SECTION 3 - ATTACHMENTS

FIGURE 3-34. LUMBER FORK (40X150X1540) (CE & AUS)



ART_1001197597-B

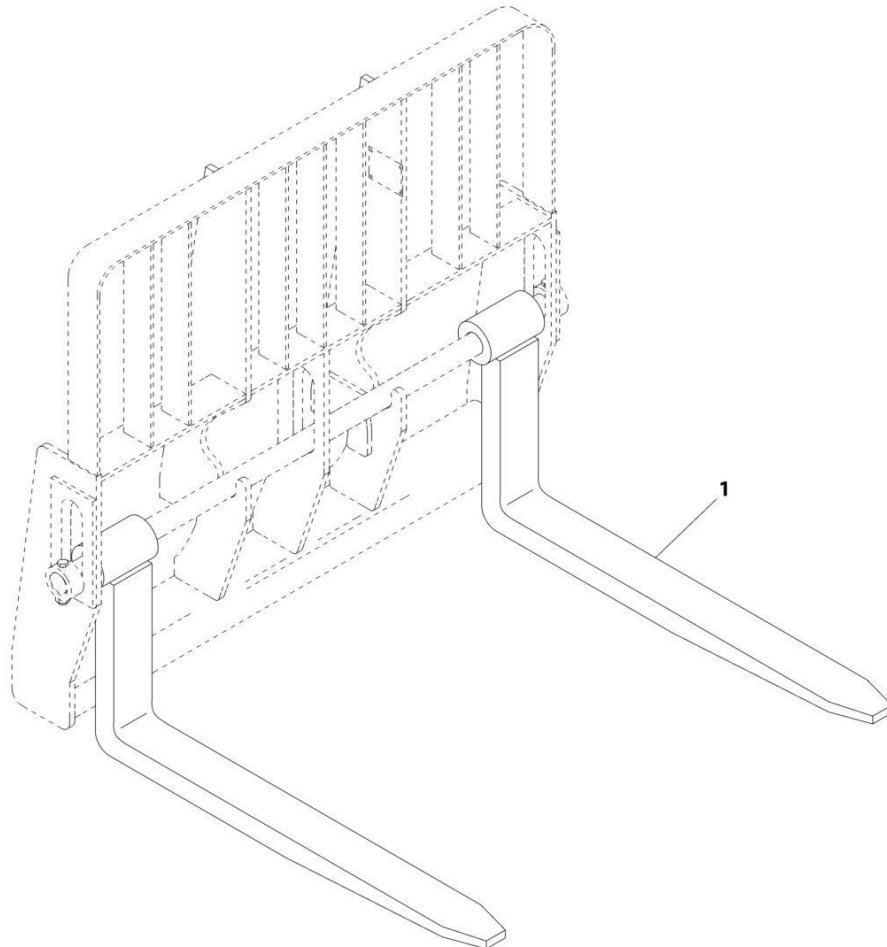
SECTION 3 - ATTACHMENTS

FIGURE 3-34. LUMBER FORK (40X150X1540) (CE & AUS)

ITEM	PART NUMBER	QTY	DESCRIPTION	REV
1	1001197597	1 pr	Lumber Fork (40X150X1540)	B
2	70027180	2	Screw, M16X30	
	Note	Ref	<p>FORKS RATED LESS THAN THE ATTACHMENT OR MACHINE'S CAPACITY DECREASES CAPACITY OF THE ATTACHMENT OR MACHINE TO THAT OF THE FORKS. FORKS RATED MORE THAN THE ATTACHMENT OR MACHINE'S CAPACITY DO NOT INCREASE ATTACHMENT OR MACHINE'S CAPACITY.</p>	
	Note	Ref	<p>PLEASE CONSULT JLG PARTS DEPARTMENT TO DETERMINE THE CORRECT FORKS APPLICABLE TO YOUR SPECIFIC CARRIAGE ASSEMBLY AND APPLICATION.</p>	

SECTION 3 - ATTACHMENTS

FIGURE 3-35. LUMBER FORK (40X150X1540) (ANSI)



ART_1001099457-C

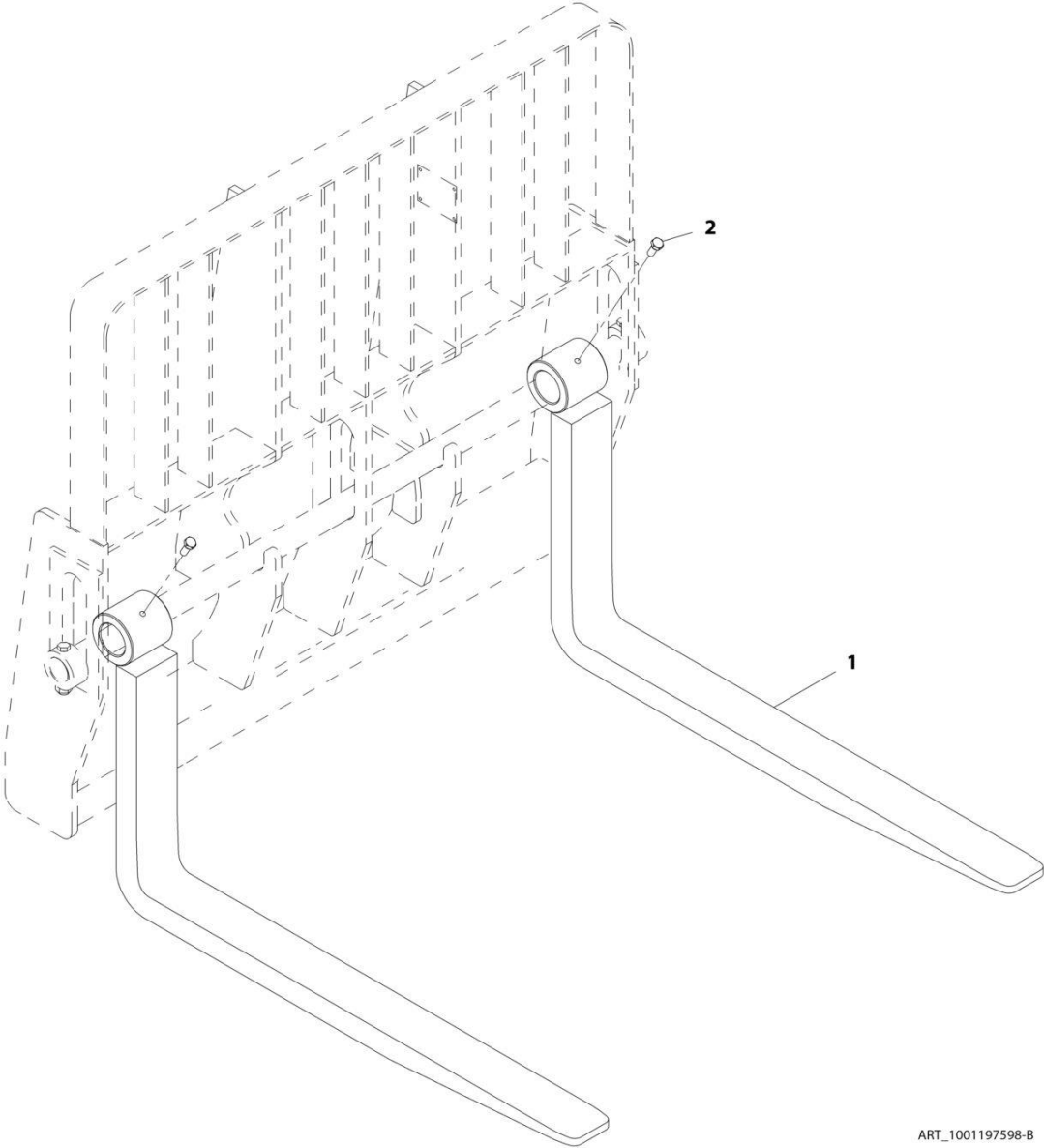
SECTION 3 - ATTACHMENTS

FIGURE 3-35. LUMBER FORK (40X150X1540) (ANSI)

ITEM	PART NUMBER	QTY	DESCRIPTION	REV
1	1001099457	2	Lumber Fork (1.5X6X60)	C
	Note	Ref	FORKS RATED LESS THAN THE ATTACHMENT OR MACHINE'S CAPACITY DECREASES CAPACITY OF THE ATTACHMENT OR MACHINE TO THAT OF THE FORKS. FORKS RATED MORE THAN THE ATTACHMENT OR MACHINE'S CAPACITY DO NOT INCREASE ATTACHMENT OR MACHINE'S CAPACITY.	
	Note	Ref	PLEASE CONSULT JLG PARTS DEPARTMENT TO DETERMINE THE CORRECT FORKS APPLICABLE TO YOUR SPECIFIC CARRIAGE ASSEMBLY AND APPLICATION.	

SECTION 3 - ATTACHMENTS

FIGURE 3-36. LUMBER FORK (45X150X1540) (CE & AUS)



ART_1001197598-B

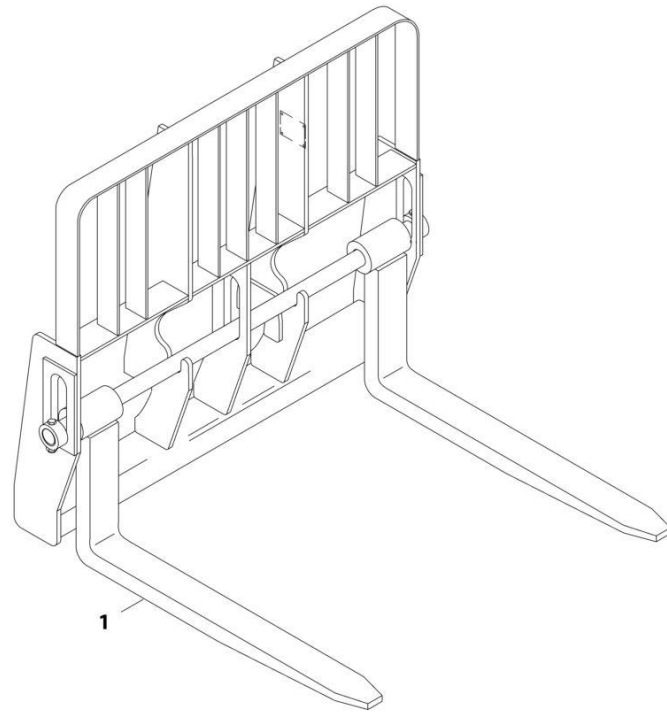
SECTION 3 - ATTACHMENTS

FIGURE 3-36. LUMBER FORK (45X150X1540) (CE & AUS)

ITEM	PART NUMBER	QTY	DESCRIPTION	REV
1	1001197598	2	Lumber Fork (45X150X1540)	B
2	70027180	2	Screw, M16X30	
	Note	Ref	<p>FORKS RATED LESS THAN THE ATTACHMENT OR MACHINE'S CAPACITY DECREASES CAPACITY OF THE ATTACHMENT OR MACHINE TO THAT OF THE FORKS. FORKS RATED MORE THAN THE ATTACHMENT OR MACHINE'S CAPACITY DO NOT INCREASE ATTACHMENT OR MACHINE'S CAPACITY.</p>	
	Note	Ref	<p>PLEASE CONSULT JLG PARTS DEPARTMENT TO DETERMINE THE CORRECT FORKS APPLICABLE TO YOUR SPECIFIC CARRIAGE ASSEMBLY AND APPLICATION.</p>	

SECTION 3 - ATTACHMENTS

FIGURE 3-37. LUMBER FORK (50X180X1540) (ANSI)



ART_1001097110-A

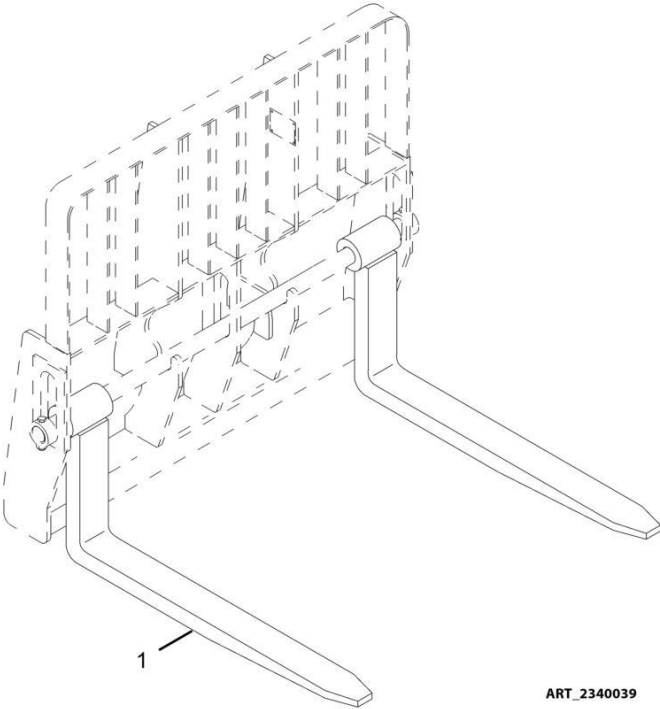
SECTION 3 - ATTACHMENTS

FIGURE 3-37. LUMBER FORK (50X180X1540) (ANSI)

ITEM	PART NUMBER	QTY	DESCRIPTION	REV
1	1001097110	2	Lumber Fork (2.00X7X60)	A
	Note	Ref	FORKS RATED LESS THAN THE ATTACHMENT OR MACHINE'S CAPACITY DECREASES CAPACITY OF THE ATTACHMENT OR MACHINE TO THAT OF THE FORKS. FORKS RATED MORE THAN THE ATTACHMENT OR MACHINE'S CAPACITY DO NOT INCREASE ATTACHMENT OR MACHINE'S CAPACITY.	
	Note	Ref	PLEASE CONSULT JLG PARTS DEPARTMENT TO DETERMINE THE CORRECT FORKS APPLICABLE TO YOUR SPECIFIC CARRIAGE ASSEMBLY AND APPLICATION.	

SECTION 3 - ATTACHMENTS

FIGURE 3-38. LUMBER FORK (60X150X1524) (ANSI)



ART_2340039

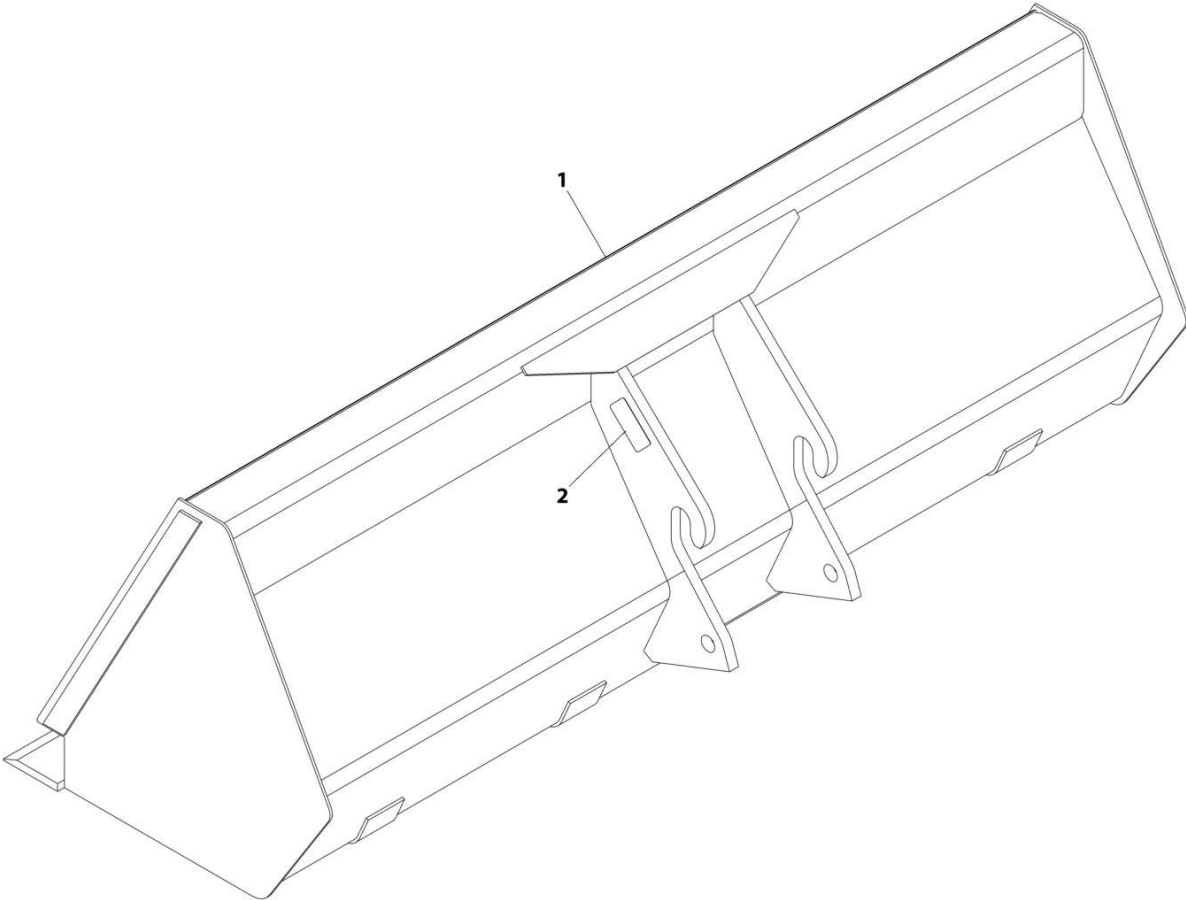
SECTION 3 - ATTACHMENTS

FIGURE 3-38. LUMBER FORK (60X150X1524) (ANSI)

ITEM	PART NUMBER	QTY	DESCRIPTION	REV
1	2340039	2	Lumber Fork (60X150X1524)	
	Note	Ref	FORKS RATED LESS THAN THE ATTACHMENT OR MACHINE'S CAPACITY DECREASES CAPACITY OF THE ATTACHMENT OR MACHINE TO THAT OF THE FORKS. FORKS RATED MORE THAN THE ATTACHMENT OR MACHINE'S CAPACITY DO NOT INCREASE ATTACHMENT OR MACHINE'S CAPACITY.	
	Note	Ref	PLEASE CONSULT JLG PARTS DEPARTMENT TO DETERMINE THE CORRECT FORKS APPLICABLE TO YOUR SPECIFIC CARRIAGE ASSEMBLY AND APPLICATION.	

SECTION 3 - ATTACHMENTS

FIGURE 3-39. BUCKET (1.15 M³) (ANSI)



ART_1001100823-F

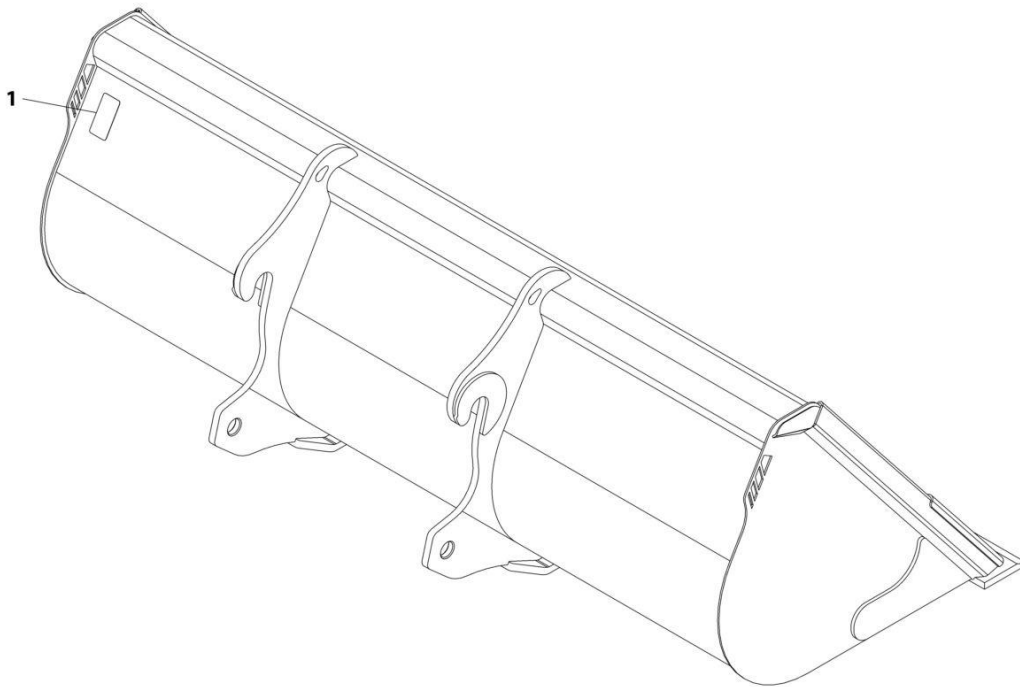
SECTION 3 - ATTACHMENTS

FIGURE 3-39. BUCKET (1.15 M³) (ANSI)

ITEM	PART NUMBER	QTY	DESCRIPTION	REV
	1001100823	Ref	BUCKET (1.15 M ³)	F
1	1001100266	1	Bucket	
2	N.S.S.	1	S/N Plate	

SECTION 3 - ATTACHMENTS

FIGURE 3-40. BUCKET (1 M³) (CE & AUS)



ART_1001215988-B

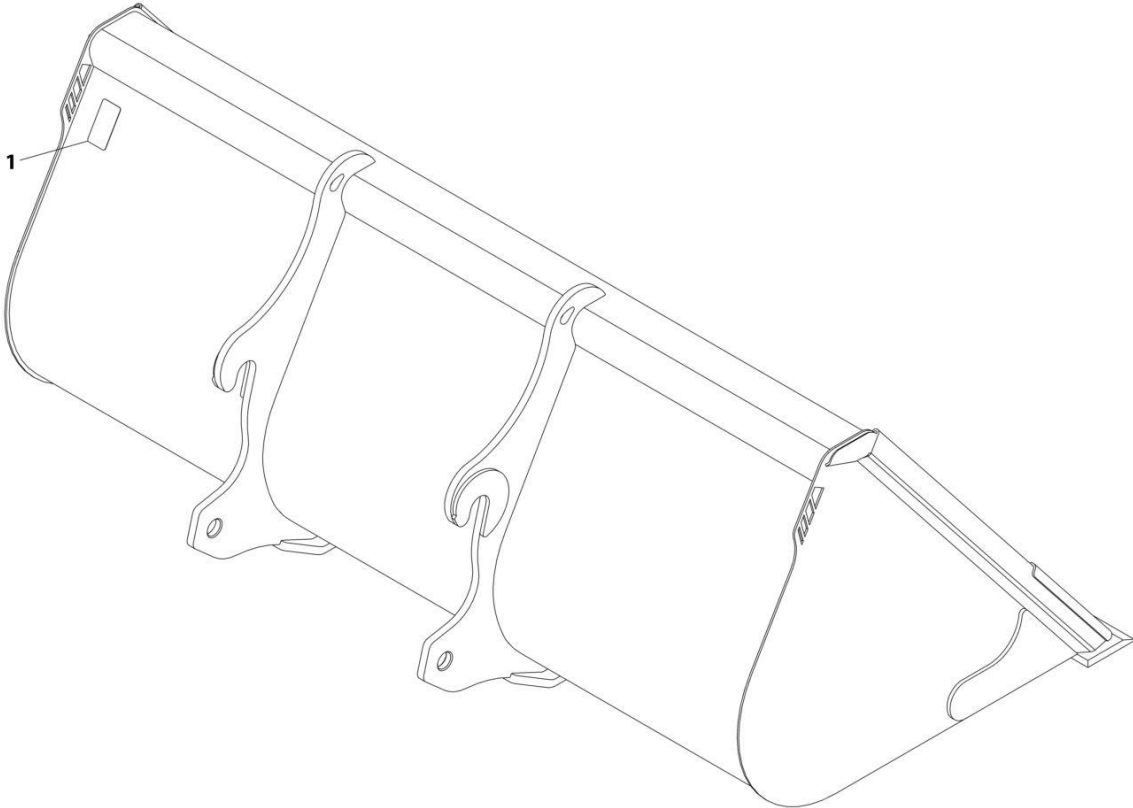
SECTION 3 - ATTACHMENTS

FIGURE 3-40. BUCKET (1 M³) (CE & AUS)

ITEM	PART NUMBER	QTY	DESCRIPTION	REV
	1001215988	1	Bucket (1 m ³)	D
1	N.S.S.	1	Plate, Serial Number	
2	70031031	1	Attachment, Cutting Edge (Optional - Must be Ordered Separately) (Not Shown)	

SECTION 3 - ATTACHMENTS

FIGURE 3-41. BUCKET (1.5 M³) (CE & AUS)



ART_1001215990-B

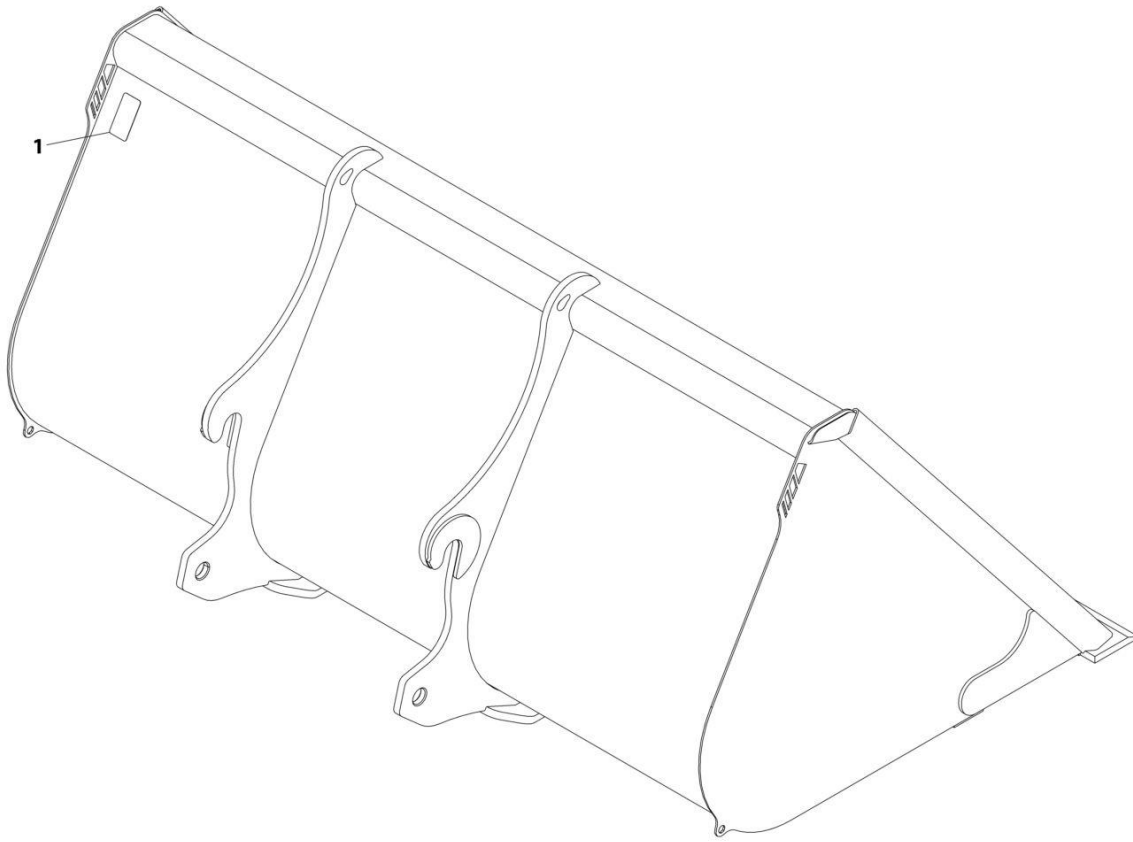
SECTION 3 - ATTACHMENTS

FIGURE 3-41. BUCKET (1.5 M³) (CE & AUS)

ITEM	PART NUMBER	QTY	DESCRIPTION	REV
	1001215990	1	Bucket (1.5 m ³)	D
1	N.S.S.	1	Plate, Serial Number	
2	70031031	1	Attachment, Cutting Edge (Optional - Must be Ordered Separately) (Not Shown)	

SECTION 3 - ATTACHMENTS

FIGURE 3-42. BUCKET (2 M³) (CE & AUS)



ART_1001215992-B

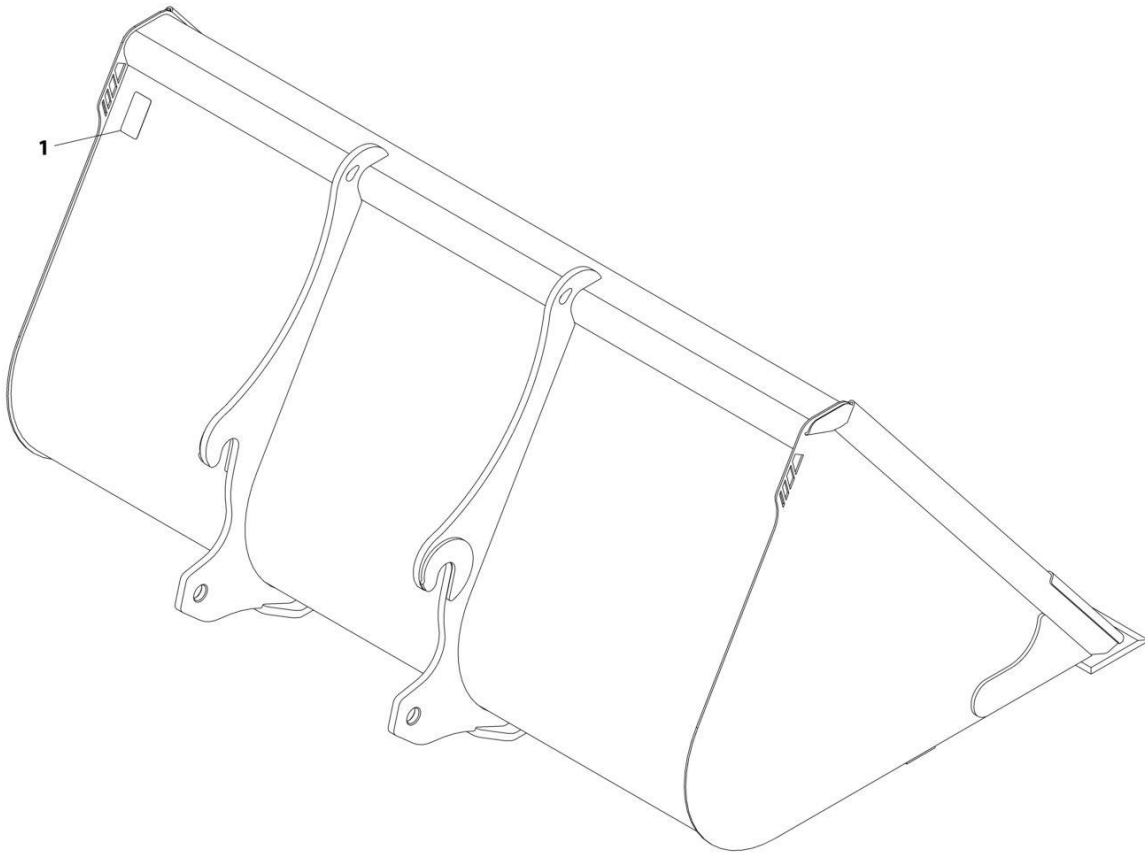
SECTION 3 - ATTACHMENTS

FIGURE 3-42. BUCKET (2 M³) (CE & AUS)

ITEM	PART NUMBER	QTY	DESCRIPTION	REV
	1001215992	1	Bucket (2 m ³)	D
1	N.S.S.	1	Plate, Serial Number	
2	70031031	1	Attachment, Cutting Edge (Optional - Must be Ordered Separately) (Not Shown)	

SECTION 3 - ATTACHMENTS

FIGURE 3-43. BUCKET (2.5 M³) (CE & AUS)



ART_1001215994-B

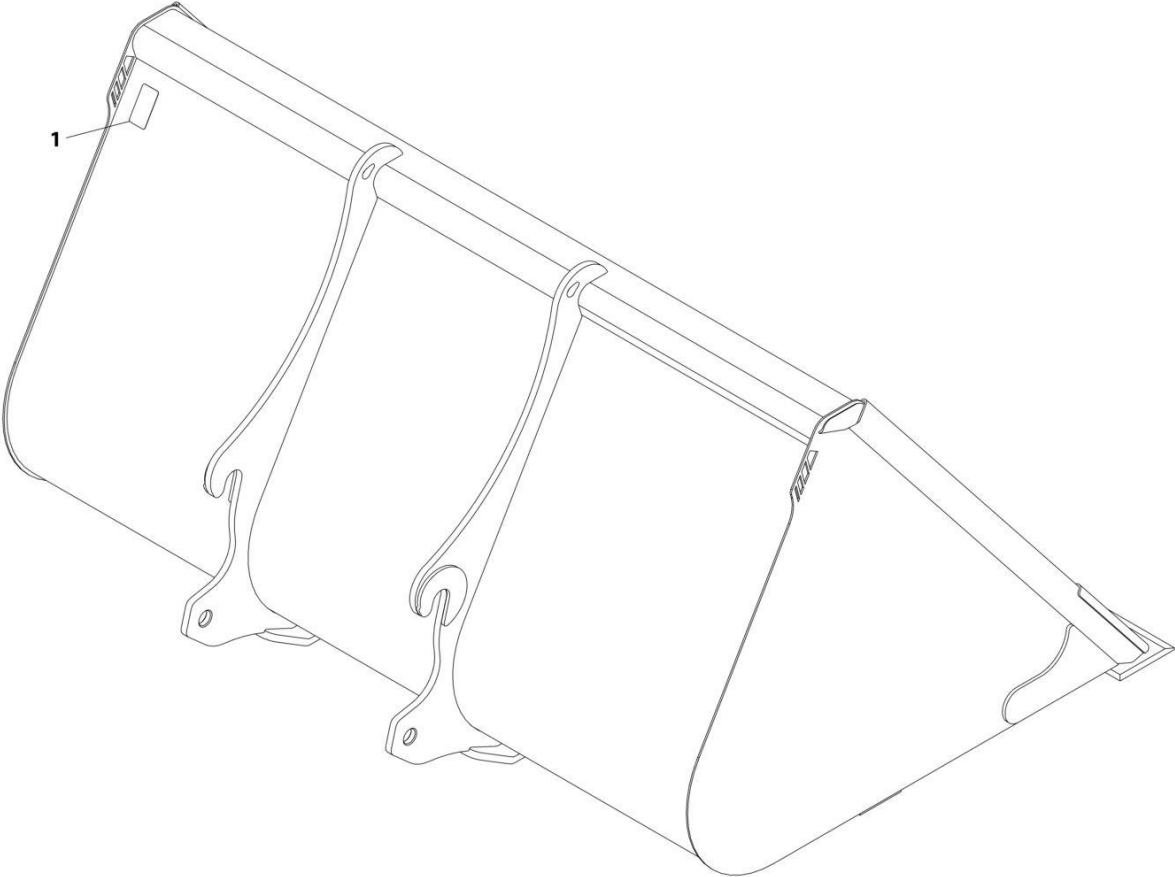
SECTION 3 - ATTACHMENTS

FIGURE 3-43. BUCKET (2.5 M³) (CE & AUS)

ITEM	PART NUMBER	QTY	DESCRIPTION	REV
	1001215994	1	Bucket (2.5 m ³)	D
1	N.S.S.	1	Plate, Serial Number	
2	70031031	1	Attachment, Cutting Edge (Optional - Must be Ordered Separately) (Not Shown)	

SECTION 3 - ATTACHMENTS

FIGURE 3-44. BUCKET (3 M³) (CE & AUS)



ART_1001215996-B

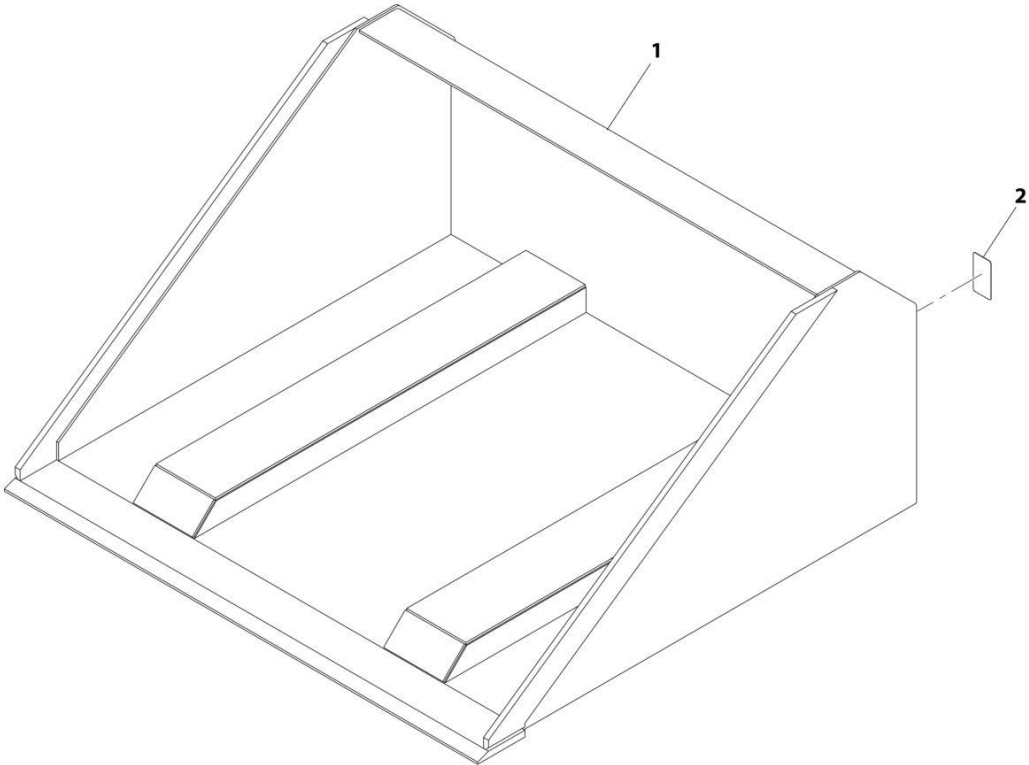
SECTION 3 - ATTACHMENTS

FIGURE 3-44. BUCKET (3 M³) (CE & AUS)

ITEM	PART NUMBER	QTY	DESCRIPTION	REV
	1001215996	1	Bucket (3 m ³)	D
1	N.S.S.	1	Plate, Serial Number	
2	70031032	1	Attachment, Cutting Edge (Optional - Must be Ordered Separately) (Not Shown)	

SECTION 3 - ATTACHMENTS

FIGURE 3-45. FORK MOUNTED BUCKET (1.0 M³) (ANSI)



ART_1001195970-D

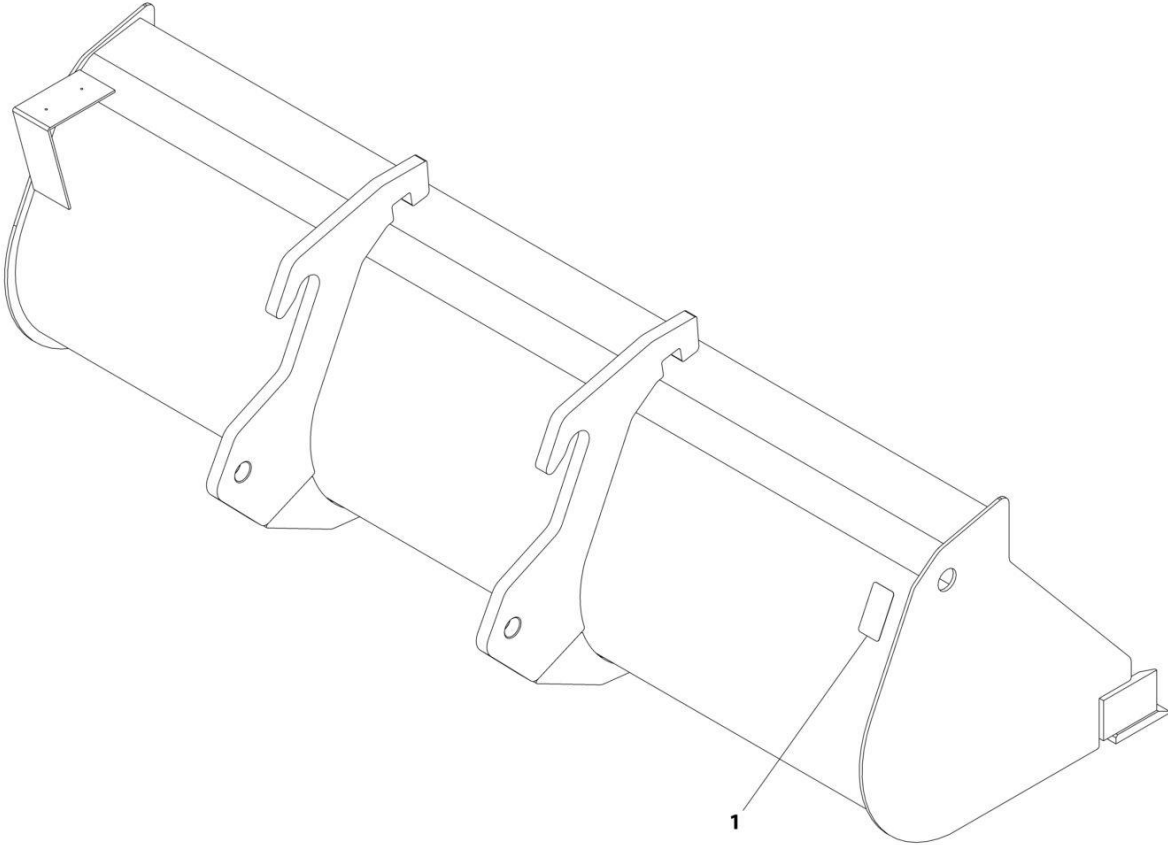
SECTION 3 - ATTACHMENTS

FIGURE 3-45. FORK MOUNTED BUCKET (1.0 M³) (ANSI)

ITEM	PART NUMBER	QTY	DESCRIPTION	REV
1	1001195970	Ref	Bucket 1.0 m ³ (Fork Mounted)	E
2	See Note	NSS	S/N Plate (Note: Stamped Part - Not Available for Purchase)	

SECTION 3 - ATTACHMENTS

FIGURE 3-46. DIRT BUCKET (1.0 M³) (CE & AUS)



ART_1001197945-A

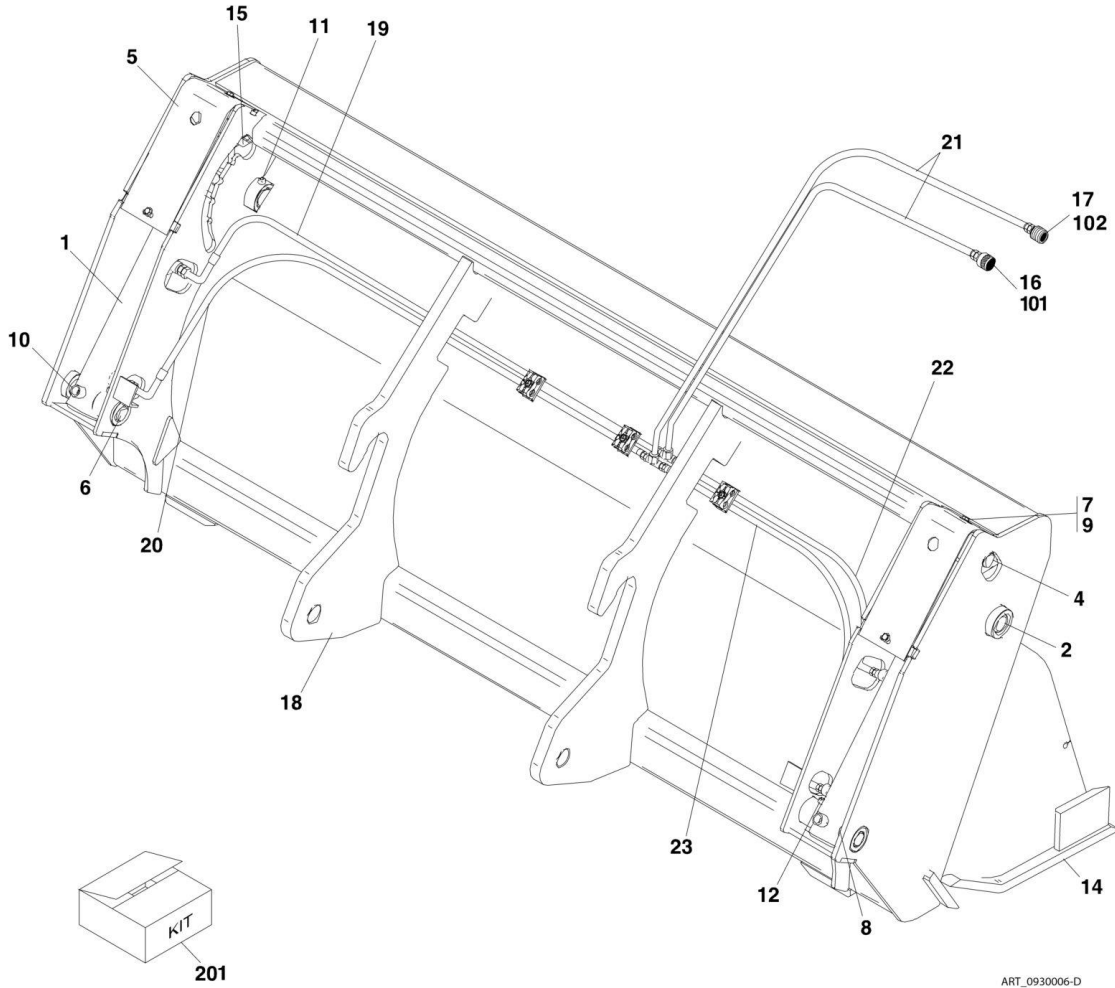
SECTION 3 - ATTACHMENTS

FIGURE 3-46. DIRT BUCKET (1.0 M³) (CE & AUS)

ITEM	PART NUMBER	QTY	DESCRIPTION	REV
1	1001197945	1	Dig Bucket (1.0 m ³)	D
	N.S.S.	1	Plate, Serial Number	

SECTION 3 - ATTACHMENTS

FIGURE 3-47. 4 IN 1 BUCKET (0.6 M³) (CE & AUS)



ART_0930006-D

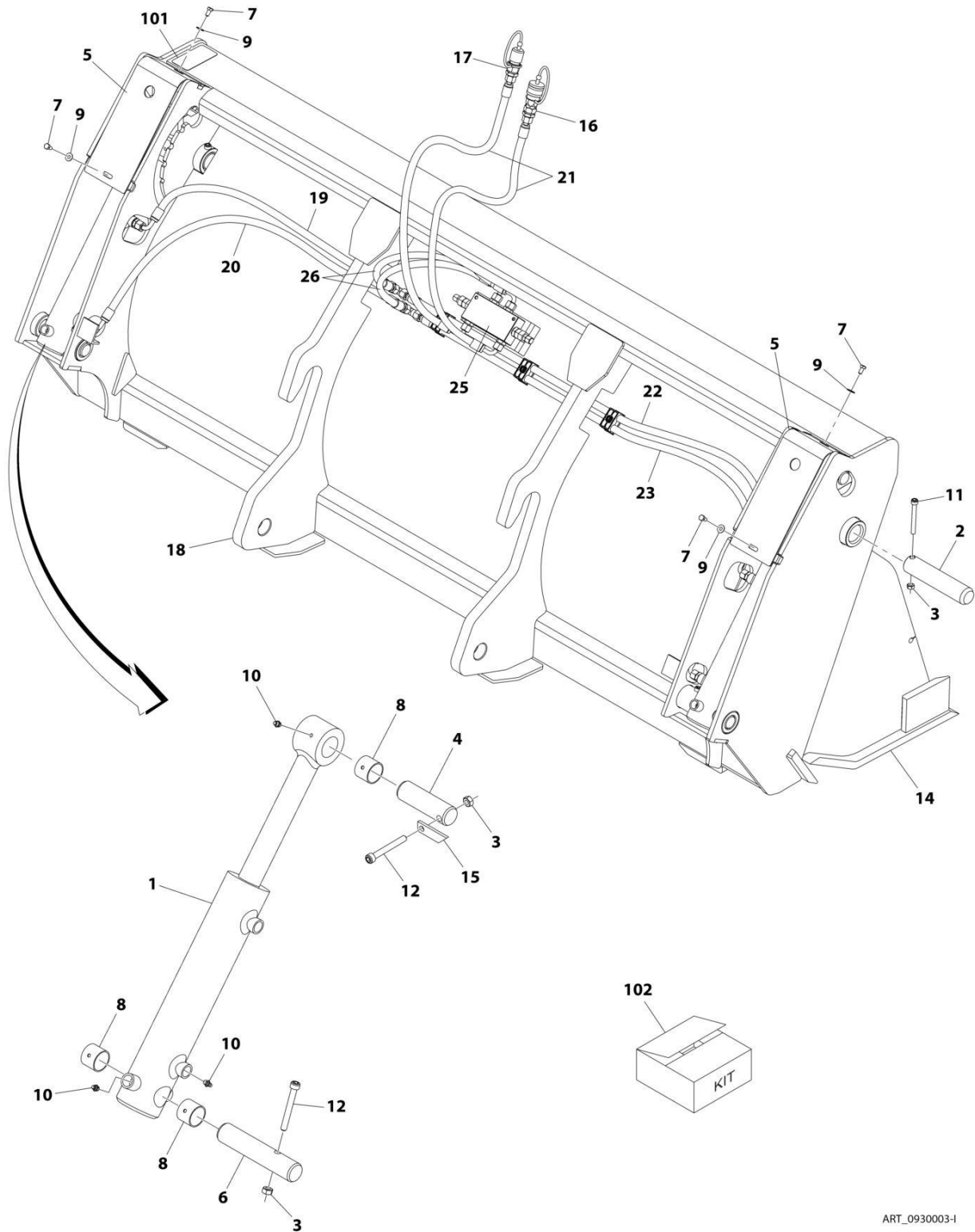
SECTION 3 - ATTACHMENTS

FIGURE 3-47. 4 IN 1 BUCKET (0.6 M³) (CE & AUS)

ITEM	PART NUMBER	QTY	DESCRIPTION	REV
	0930006	1	4 in 1 Bucket 0.6 M ³	D
1	7028990	2	Cylinder	
1	7028910	1	Kit, Seal, Cylinder	
2	7028911	2	Pin	
3	7028912	6	Nut, (not shown)	
4	7028913	2	Pin	
5	7028914	2	Plate, Protective	
6	7028915	2	Pin	
7	7028916	4	Bolt	
8	7028131	6	Bushing	
9	7028917	4	Washer	
10	7028918	6	Nipple, Grease	
11	7028920	2	Screw	
12	7028919	4	Screw	
14	N.S.S.	1	Weldment	
15	7028923	1	Gauge	
16	1001094555	1	Adapter, Female Quick Disconnect	
17	1001094556	1	Adapter, Male Quick Disconnect	
18	N.S.S.	1	Weldment	
19	7028982	1	Hose	
20	7028983	1	Hose	
21	7028984	2	Hose	
22	7028985	1	Hose	
23	7028991	1	Hose	
101	1001093826	1	Cap, Dust	
102	1001093827	1	Plug, Dust	
201	1001097287	1	Kit, Quick Disconnect Adapter (includes items 16, 17, 101 & 102)	

SECTION 3 - ATTACHMENTS

FIGURE 3-48. 4 IN 1 BUCKET (1.0 M³) (CE & AUS)



ART_0930003-1

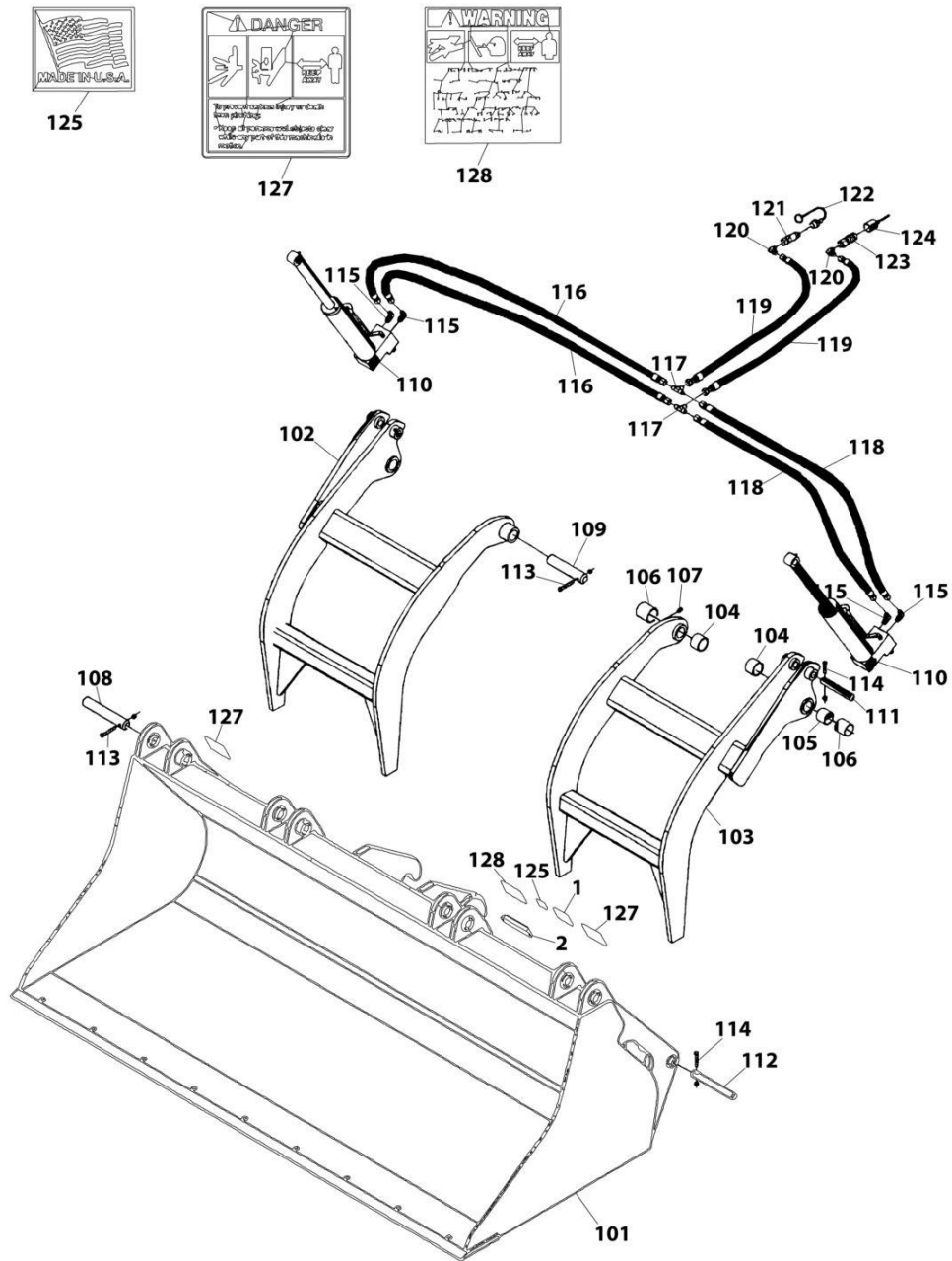
SECTION 3 - ATTACHMENTS

FIGURE 3-48. 4 IN 1 BUCKET (1.0 M³) (CE & AUS)

ITEM	PART NUMBER	QTY	DESCRIPTION	REV
	0930003	Ref	4 in 1 Bucket (1.0 m ³)	1
1	7028990	2	Cylinder	
	7028910	AR	Kit, Seal, Cylinder	
2	7028911	2	Pin	
3	7028912	6	Nut, (not shown)	
4	7028913	2	Pin	
5	N.S.S.	2	Plate	
6	7028915	2	Pin	
7	7028916	4	Bolt	
8	7028131	6	Bushing	
9	7028917	4	Washer	
10	7028918	6	Nipple, Grease	
11	7028920	2	Screw	
12	7028919	4	Screw	
14	N.S.S.	1	Weldment	
15	7028923	1	Gauge	
16	1001094555	1	Coupling, Female Quick Disconnect	
17	1001094556	1	Coupling, Male Quick Disconnect	
18	N.S.S.	1	Weldment	
19	7028982	1	Hose	
20	7028983	1	Hose	
21	7028984	2	Hose	
22	7028995	1	Hose	
23	7028991	1	Hose	
24	70027291	1	Balancing Valve	
26	70029011	2	Hose	
101	N.S.S.	1	S/N Plate	
102	1001097287	1	Quick Disconnect Coupling Kit, (includes items 16, 17 dust cap and dust plug)	

SECTION 3 - ATTACHMENTS

FIGURE 3-49. MULTI-PURPOSE GRAPPLE BUCKET (2450 MM) (ANSI)



ART_0930020

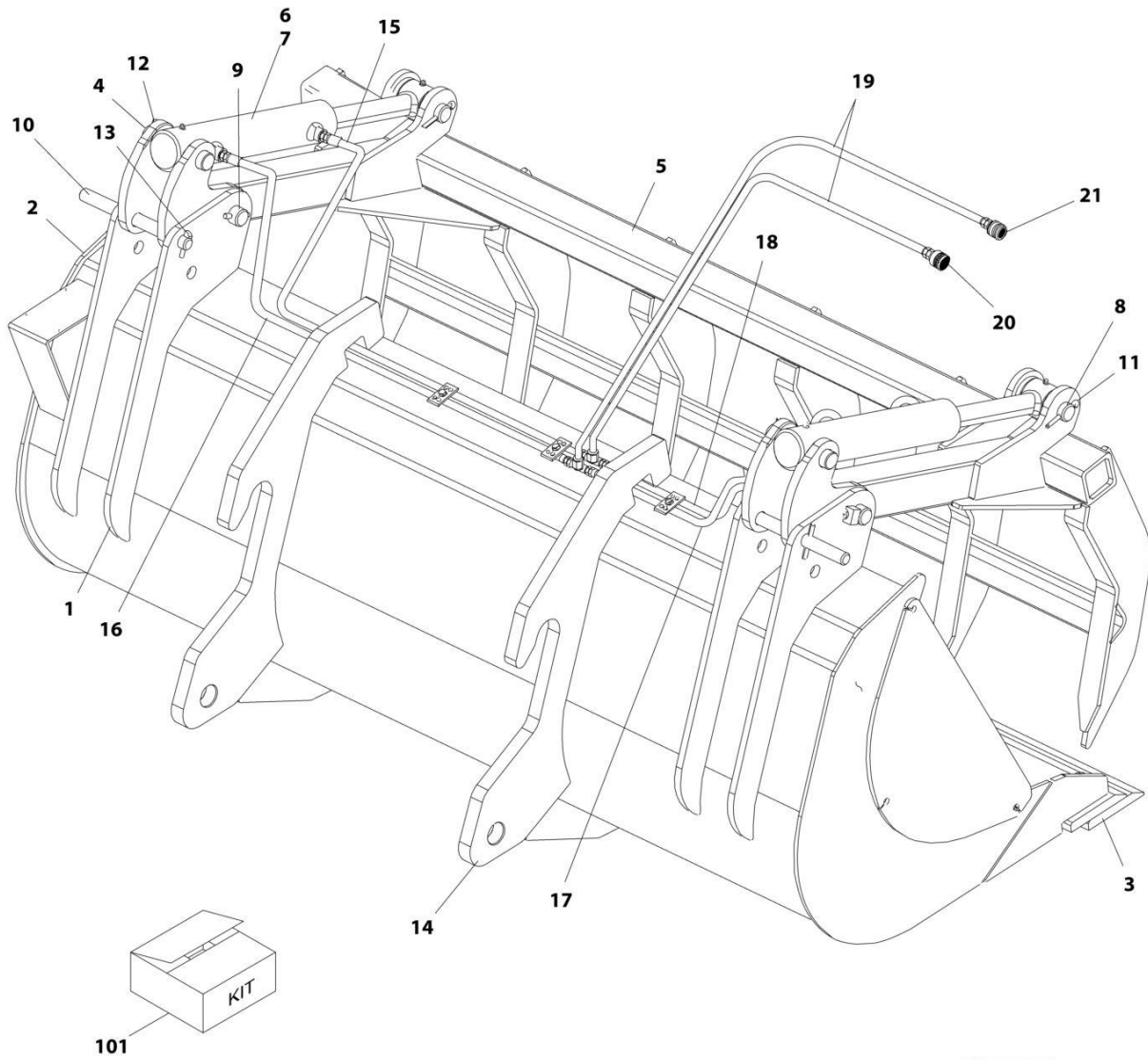
SECTION 3 - ATTACHMENTS

FIGURE 3-49. MULTI-PURPOSE GRAPPLE BUCKET (2450 MM) (ANSI)

ITEM	PART NUMBER	QTY	DESCRIPTION	REV
	0930020	Ref	Multi-Purpose Grapple Bucket (2450 MM)	L
1	See Note	NSS	S/N Plate (Note: Stamped Part - Not Available for Purchase)	
2	1001227670	1	Tag, RFID	
101	N.S.S.	1	Bucket	
101	70021387	4	Clamp, Hose	
102	70021391	1	Hook, RH Grapple	
103	70021392	1	Hook, LH Grapple	
104	70021358	4	Bushing	
105	70021359	2	Spacer	
106	70021360	4	Bushing	
107	7029714	4	Fitting, Grease	
108	70021361	2	Pin	
109	70021362	2	Pin	
110	70021393	2	Cylinder, Grapple Bucket (See Separate Breakdown in HYDRAULIC COMPONENTS Section)	
111	70021364	2	Pin	
112	70021365	2	Pin	
113	70021366	4	Bolt, 3/8X2-3/4	
113	70021367	4	Nut 3/8	
114	70021399	4	Bolt, 3/8X2-1/4	
114	70021367	4	Nut, Lock 3/8	
115	90554065	4	Fitting, 90	
116	70021980	2	Hose	
117	70020562	2	Fitting, Tee	
118	70021981	2	Hose	
119	70021982	2	Hose 34in (Boom Front Disconnect)	
119	70031446	2	Hose 45in (Boom Side Disconnect)	
120	70022527	2	Fitting, 90	
121	7029692	1	Coupler	
122	90554062	1	Cover	
123	70021342	1	Coupler	
124	90554076	1	Cover	
125	90554016	1	Decal, Made in USA	
127	90554017	2	Decal, Danger Pinch Point	
128	90554018	1	Decal, Warning High Pressure	

SECTION 3 - ATTACHMENTS

FIGURE 3-50. MULTI-PURPOSE GRAPPLE BUCKET (WIDE GRIP - 2450 MM) (CE & AUS)



ART_0930004-E

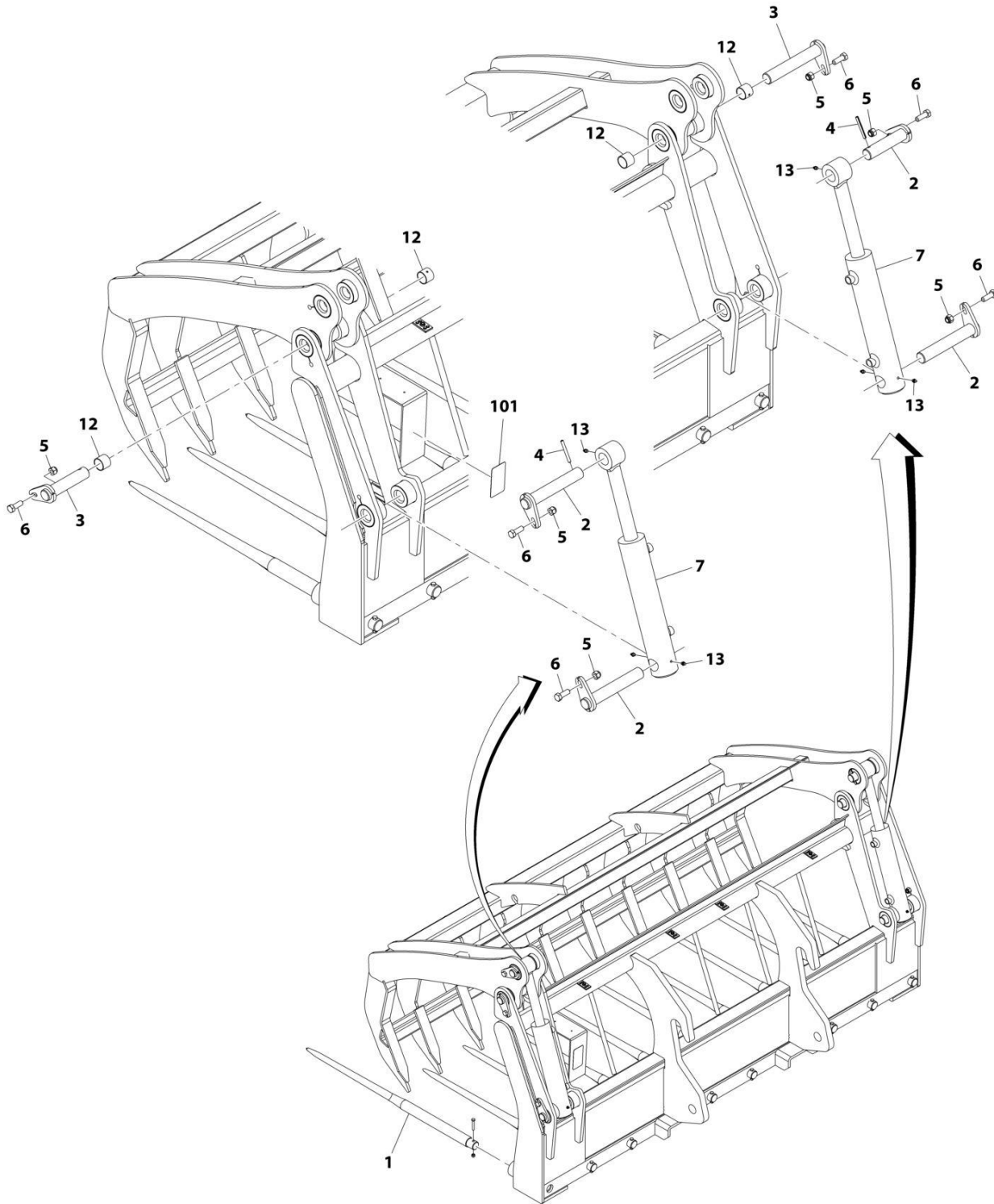
SECTION 3 - ATTACHMENTS

FIGURE 3-50. MULTI-PURPOSE GRAPPLE BUCKET (WIDE GRIP - 2450 MM) (CE & AUS)

ITEM	PART NUMBER	QTY	DESCRIPTION	REV
	0930004	1	Multi-Purpose Grapple Bucket (Wide Grip - 2450 MM) (CE & AUS)	E
1	N.S.S.	1	Weldment	
2	7028133	1	Plate	
3	7028132	1	Assembly, Blade (includes blade and the following hardware)	
	7029356	8	Nut, Lock M16	
	70023484	8	Bolt, M16X60	
4	7028126	2	Bracket	
5	7028125	1	Grapple	
6	7028127	2	Cylinder, Tilt	
	7028910	AR	Kit, Seal	
7	7028131	6	Bushing	
8	7028128	2	Pin	
9	7028129	2	Pin, Locking	
10	7028130	2	Pin	
11	7028135	4	Pin, Roll	
12	7028134	8	Pin, Roll	
13	7029124	2	Circlip	
14	7029749	1	Assembly, Connecting	
15	7028986	1	Hose	
16	7028987	1	Hose	
17	7028988	1	Hose	
18	7028989	1	Hose	
19	7028984	2	Hose	
20	1001094555	1	Coupler, Female	
21	1001094556	1	Coupler, Male	
101	Kit	1	Kit	

SECTION 3 - ATTACHMENTS

FIGURE 3-51. MANURE GRAPPLE BUCKET (CE & AUS)



ART_1001216001-B

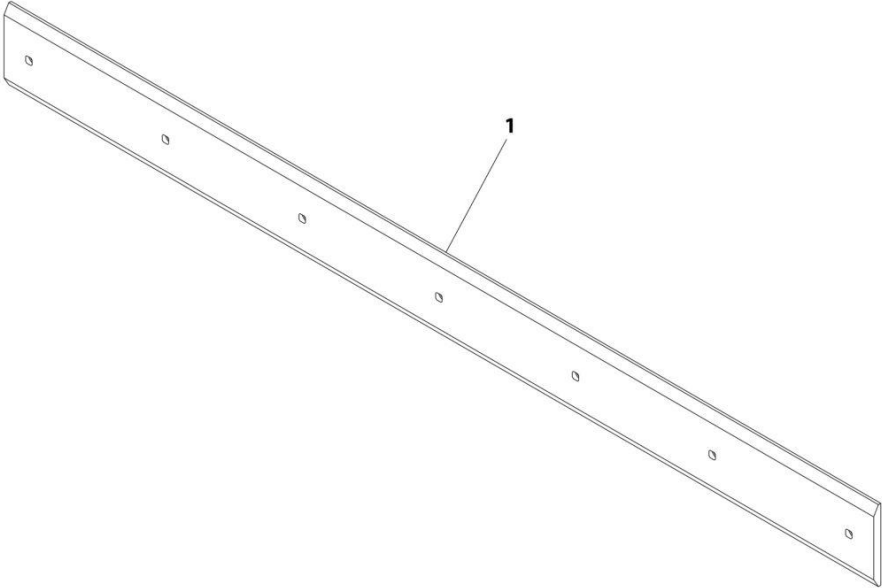
SECTION 3 - ATTACHMENTS

FIGURE 3-51. MANURE GRAPPLE BUCKET (CE & AUS)

ITEM	PART NUMBER	QTY	DESCRIPTION	REV
	1001216001	1	Manure Grapple Bucket (2300 MM)	D
1	70027302	10	Right Electro-Forged Fingers	
2	70027294	4	Pin	
3	70027293	2	Pin	
4	70027298	2	Roll Pin	
5	70027296	6	Nut	
6	70027297	6	Screw	
7	7028127	2	Cylinder	
8	70027325	1	Hose (not shown)	
9	7028988	1	Hose (not shown)	
10	70027326	1	Hose (not shown)	
11	7028986	1	Hose (not shown)	
12	7028131	10	Bush	
13	7028918	6	Grease Nipple	
101	N.S.S.	1	Plate, Serial Number	

SECTION 3 - ATTACHMENTS

FIGURE 3-52. BOLT-ON EDGE (2450 MM)



ART_70020392-A

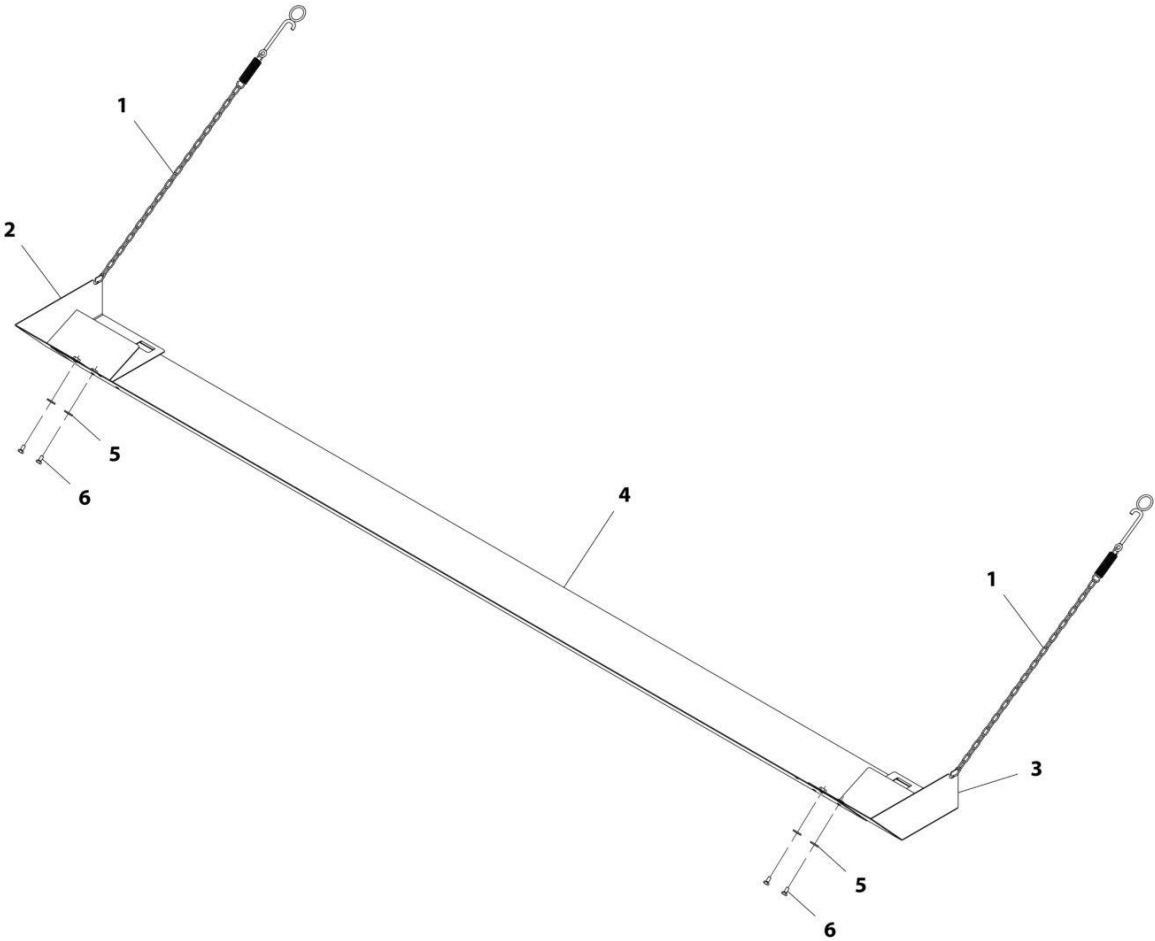
SECTION 3 - ATTACHMENTS

FIGURE 3-52. BOLT-ON EDGE (2450 MM)

ITEM	PART NUMBER	QTY	DESCRIPTION	REV
1	70020392	Ref	Bolt-on Edge (2450 MM)	A
	N.S.S.	7	Bolt	
	N.S.S.	7	Nut	

SECTION 3 - ATTACHMENTS

FIGURE 3-53. BUCKET GUARD



ART_1001004620-B

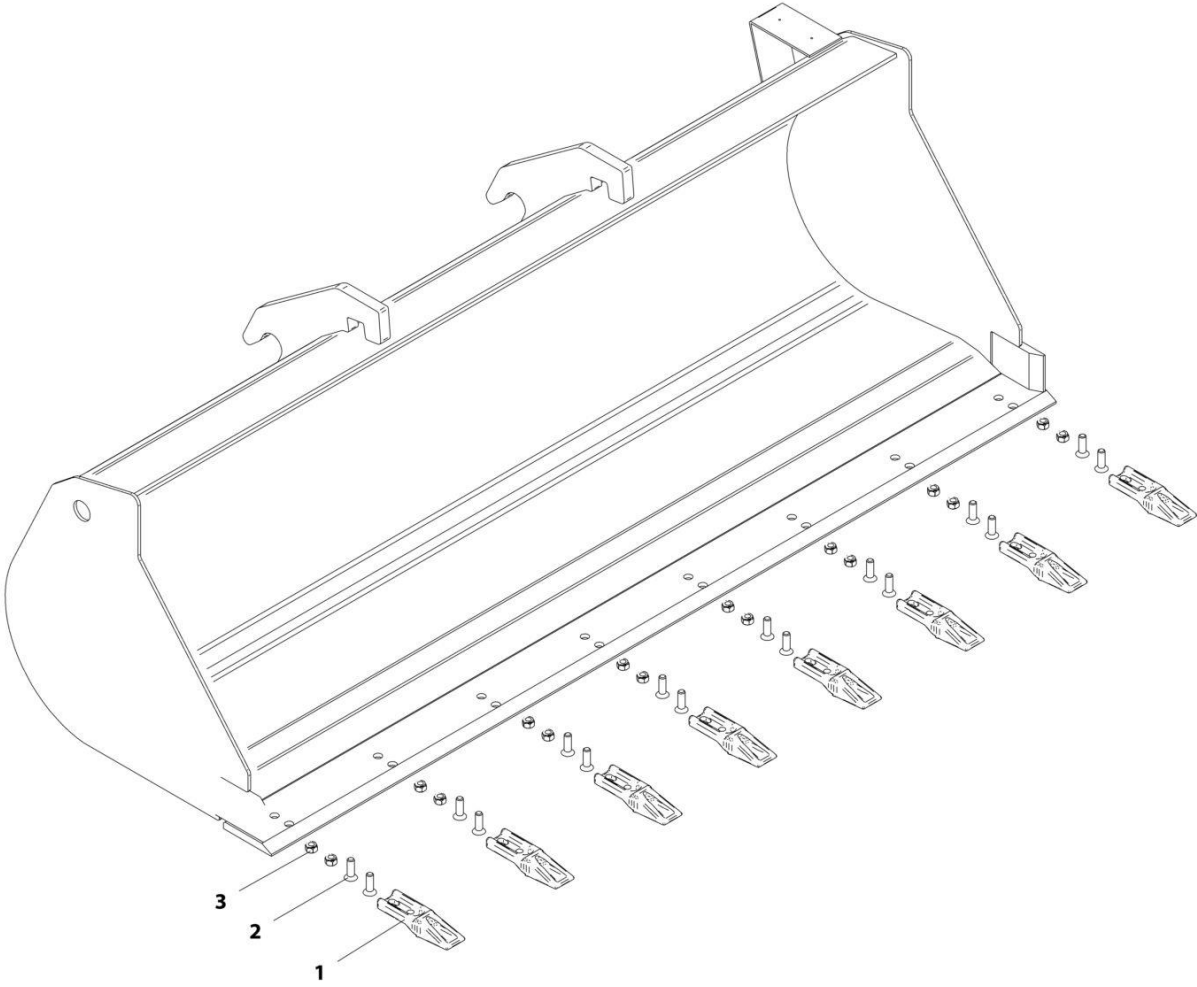
SECTION 3 - ATTACHMENTS

FIGURE 3-53. BUCKET GUARD

ITEM	PART NUMBER	QTY	DESCRIPTION	REV
	1001004620	1	Bucket Guard	B
1	1001003064	2	Assembly, Retainer	
2	1001004617	1	Plate	
3	1001004618	1	Plate	
4	1001004619	1	Plate	
5	1001008665	4	Washer	
6	1001009105	4	Bolt, M6X1	

SECTION 3 - ATTACHMENTS

FIGURE 3-54. BUCKET TEETH KIT



ART_1001196751-A

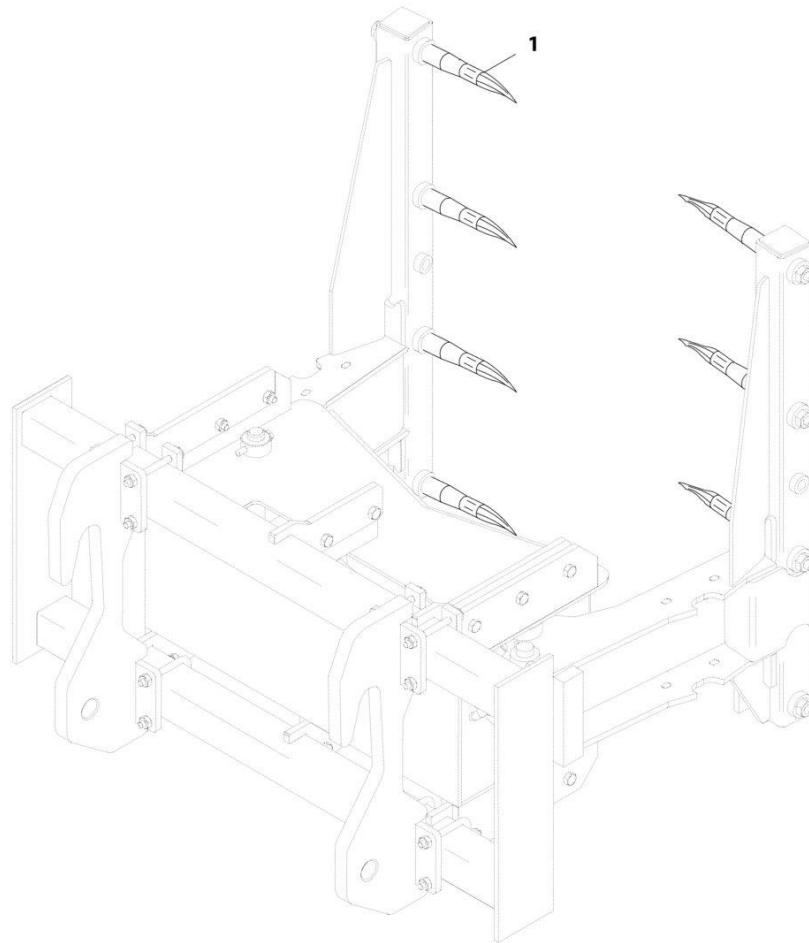
SECTION 3 - ATTACHMENTS

FIGURE 3-54. BUCKET TEETH KIT

ITEM	PART NUMBER	QTY	DESCRIPTION	REV
	1001196751	1	Bucket Teeth Kit	A
1	Kit	8	Tooth	
2	Kit	16	Screw	
3	Kit	16	Nut	

SECTION 3 - ATTACHMENTS

FIGURE 3-55. BALE HANDLER KIT (SPIKES) (CE & AUS)



ART_2902441-A

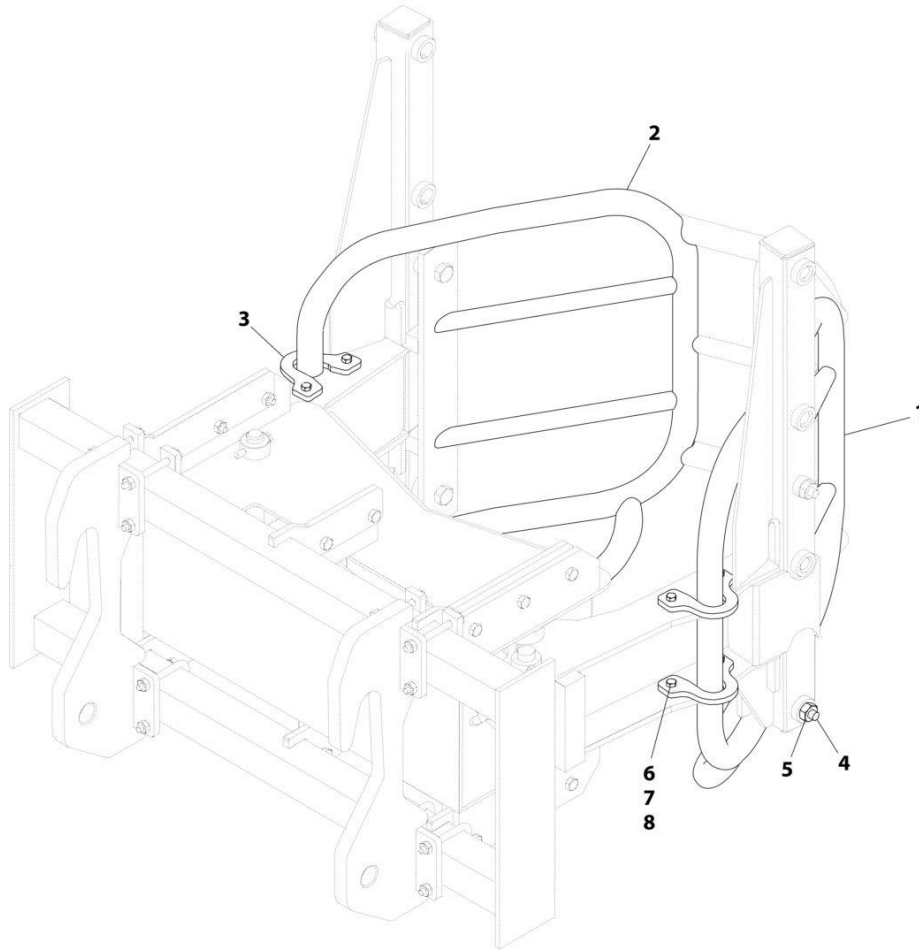
SECTION 3 - ATTACHMENTS

FIGURE 3-55. BALE HANDLER KIT (SPIKES) (CE & AUS)

ITEM	PART NUMBER	QTY	DESCRIPTION	REV
1	2902441 Kit	1 1	Bale Handler Kit (Spikes) Kit	A

SECTION 3 - ATTACHMENTS

FIGURE 3-56. BALE HANDLER KIT (SPIKES TO TUBE) (CE & AUS)



ART_2902440-A

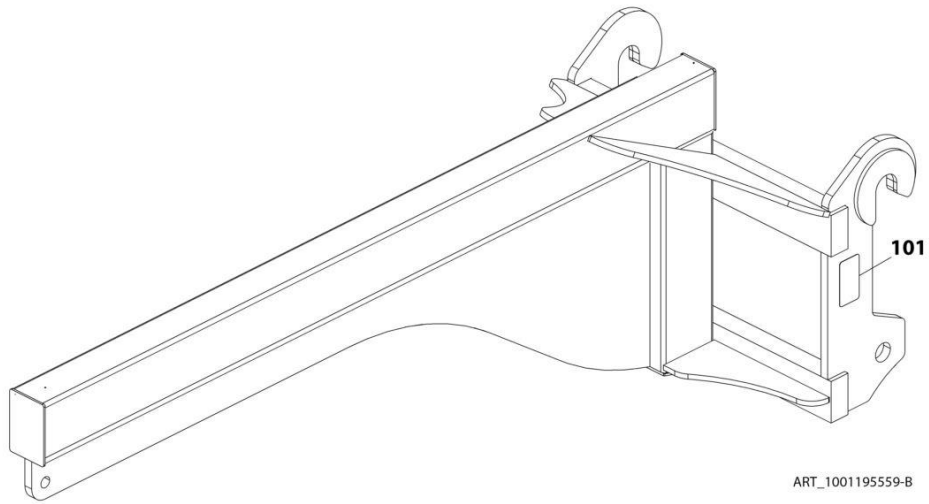
SECTION 3 - ATTACHMENTS

FIGURE 3-56. BALE HANDLER KIT (SPIKES TO TUBE) (CE & AUS)

ITEM	PART NUMBER	QTY	DESCRIPTION	REV
	2902440	Ref	Bale Handler Kit (Spikes to Tube)	A
1	7029348	1	Bent Arm, Right	
2	7029347	1	Bent Arm, Left	
3	7029346	4	Strap	
4	7029351	4	Bolt, M22X180-8.8	
5	7029352	4	Locknut, M22-8	
6	7029345	8	Bolt, M12X45-8.8	
7	7029350	8	Locknut, M12-8	
8	7029349	8	Washer, M12	

SECTION 3 - ATTACHMENTS

FIGURE 3-57. TRUSS BOOM (4 TON - 2.1M) (CE & AUS)



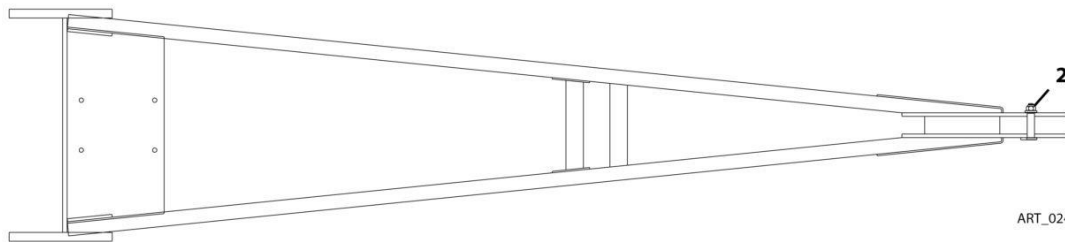
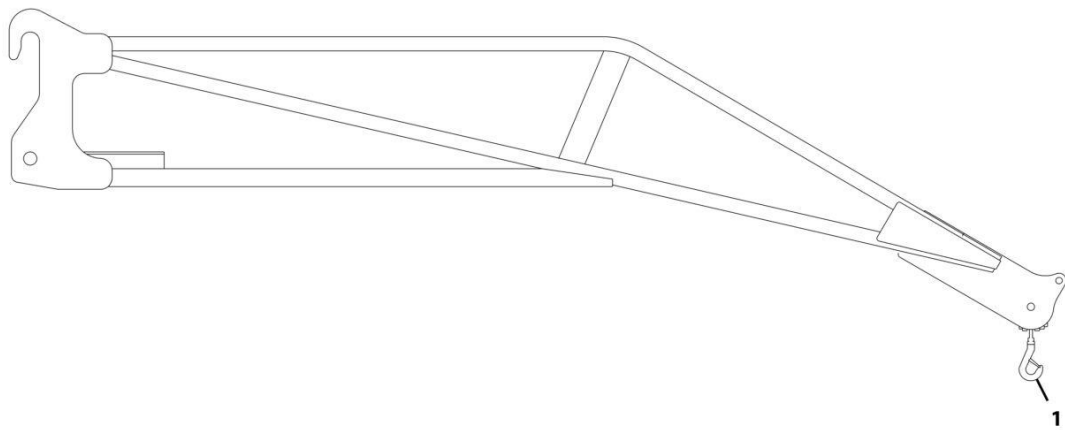
SECTION 3 - ATTACHMENTS

FIGURE 3-57. TRUSS BOOM (4 TON - 2.1M) (CE & AUS)

ITEM	PART NUMBER	QTY	DESCRIPTION	REV
	1001195559	1	Truss Boom (4 Ton - 2.1M)	B
101	N.S.S.	1	Plate, Serial Number	

SECTION 3 - ATTACHMENTS

FIGURE 3-58. TRUSS BOOM (1 TON - 3.4M) (CE & AUS)



ART_0240063-D

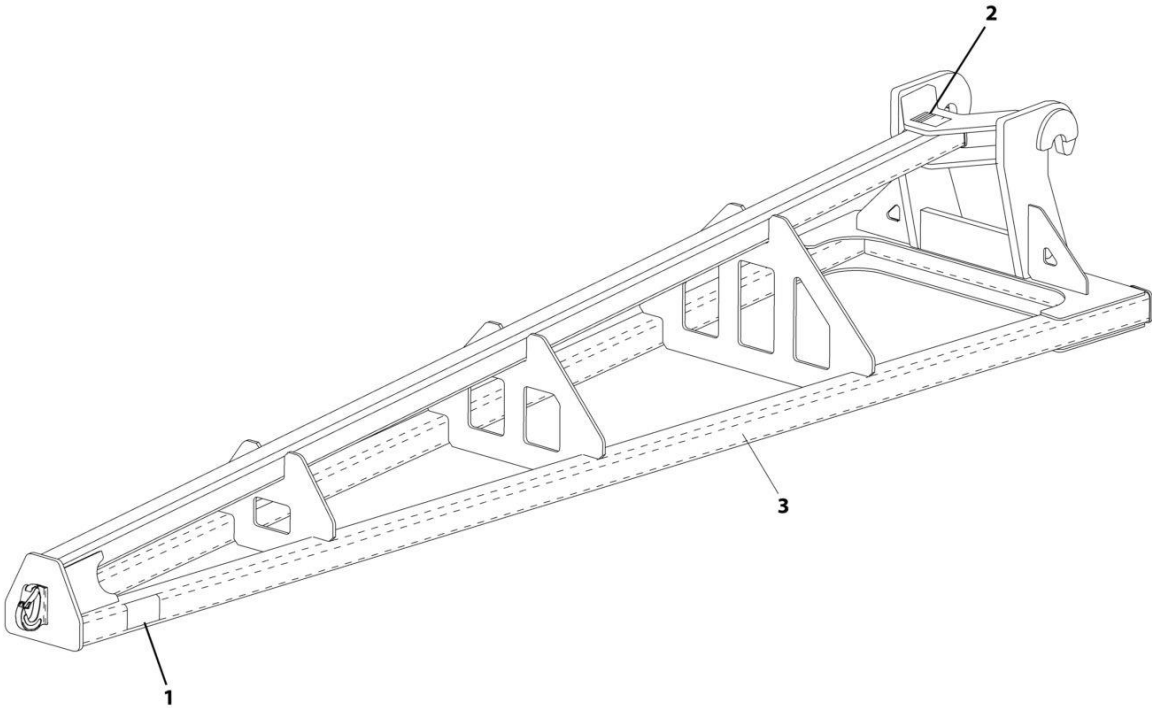
SECTION 3 - ATTACHMENTS

FIGURE 3-58. TRUSS BOOM (1 TON - 3.4M) (CE & AUS)

ITEM	PART NUMBER	QTY	DESCRIPTION	REV
	0240063	Ref	Truss Boom (1 Ton - 3.4M)	D
1	70020421	1	Hook	
2	70020422	1	Bolt	

SECTION 3 - ATTACHMENTS

FIGURE 3-59. TRUSS BOOM (0.9 TON - 3.7M) (ANSI)



ART_1001099902

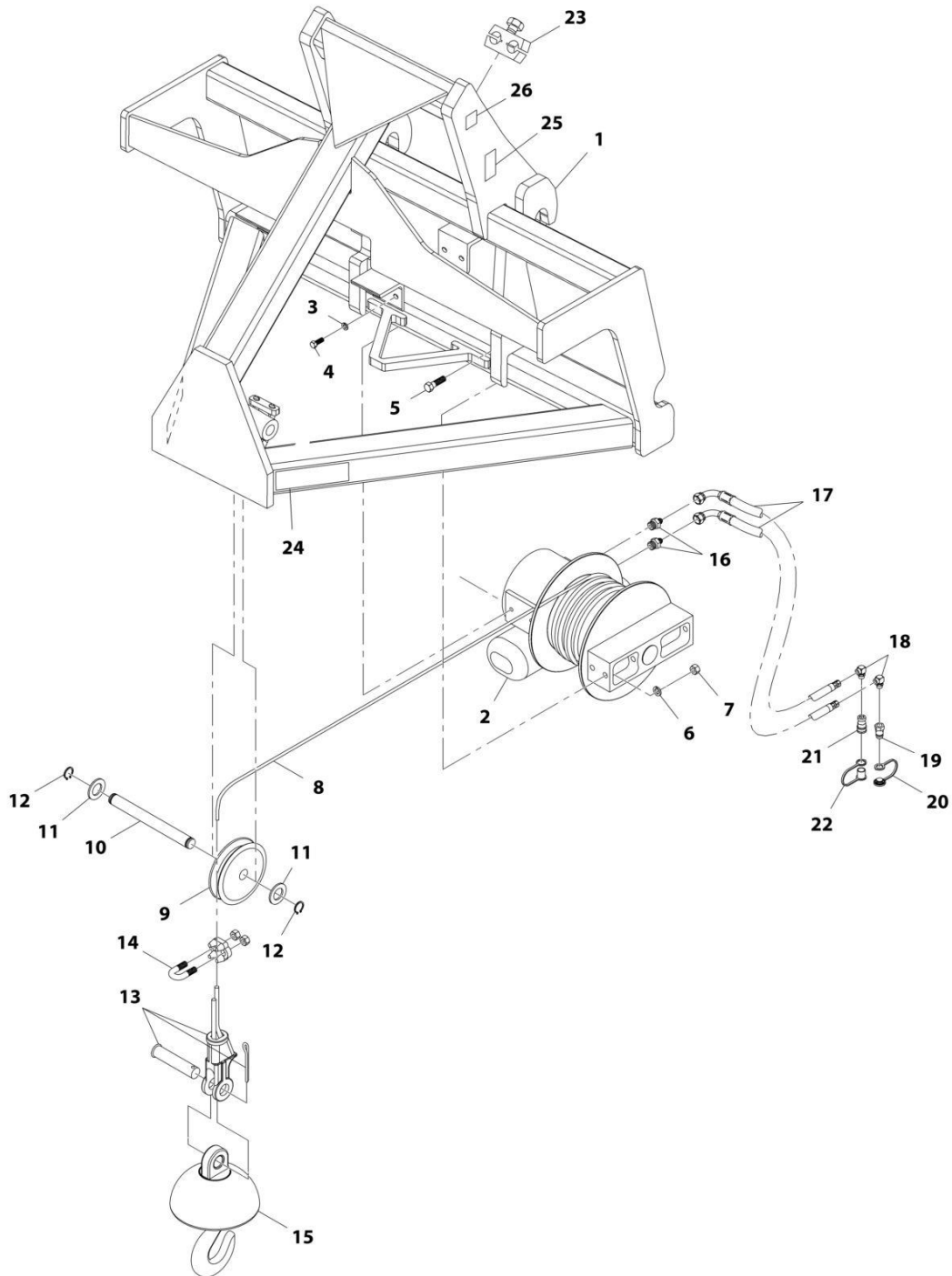
SECTION 3 - ATTACHMENTS

FIGURE 3-59. TRUSS BOOM (0.9 TON - 3.7M) (ANSI)

ITEM	PART NUMBER	QTY	DESCRIPTION	REV
	1001099902	Ref	TRUSS BOOM (0.9 TON - 3.7M)	E
1	4110422	2	Decal, Danger Swinging Loads	
2	N.S.S.	1	S/N Plate	
3	N.S.S.	1	Boom, Truss	

SECTION 3 - ATTACHMENTS

FIGURE 3-60. TRUSS BOOM (1.8 TON - 3 FT WITH WINCH) (CE)



ART_1001206669-B

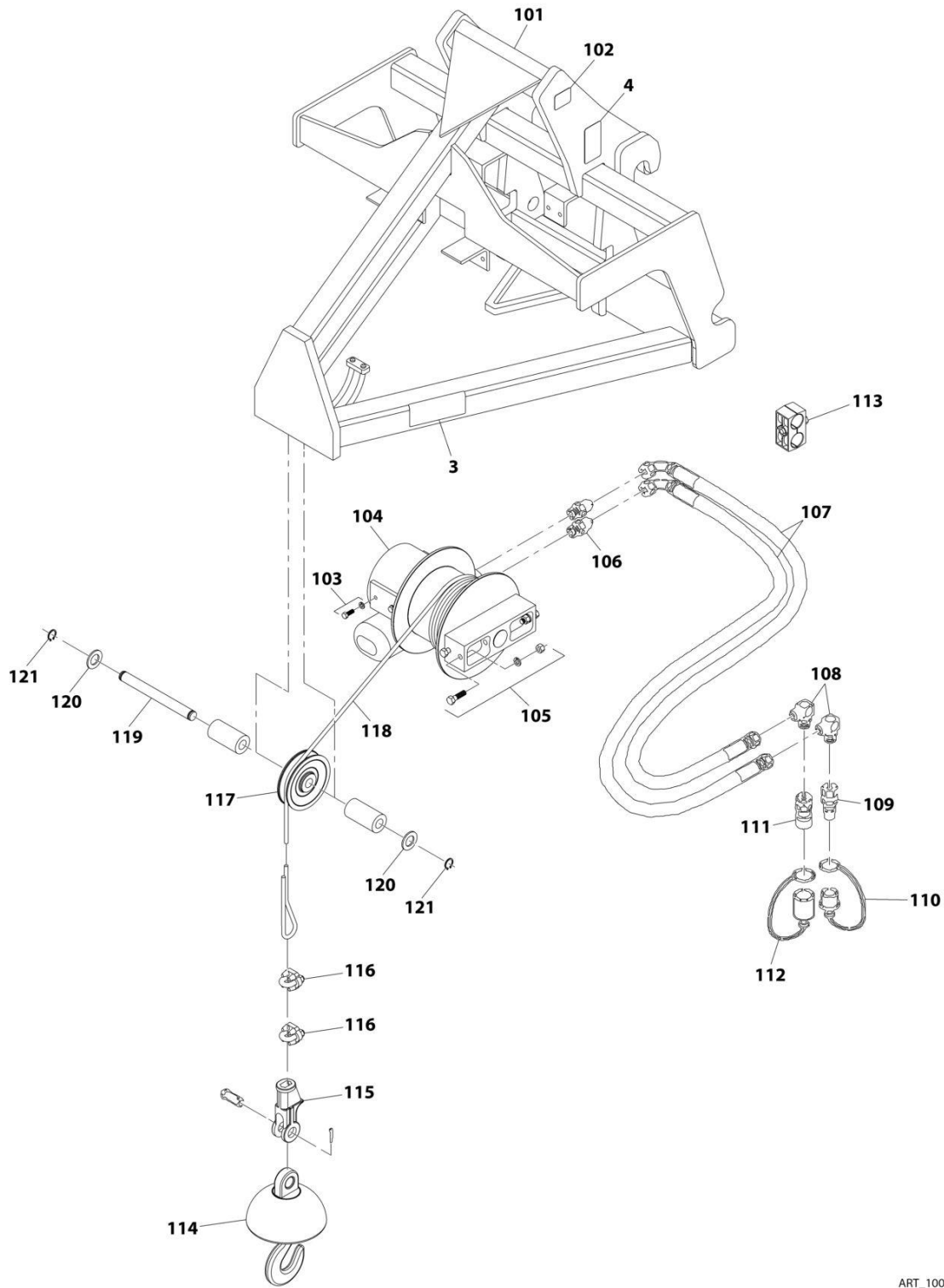
SECTION 3 - ATTACHMENTS

FIGURE 3-60. TRUSS BOOM (1.8 TON - 3 FT WITH WINCH) (CE)

ITEM	PART NUMBER	QTY	DESCRIPTION	REV
	1001206669	1	Truss Boom (1.8 Ton - 3 FT with Winch)	E
1	N.S.S.	1	Weldment, Truss Boom Frame	
2	70021921	1	Winch	
3	90554042	4	Washer	
4	70021349	4	Bolt	
5	70024059	2	Bolt	
6	90554020	2	Washer	
7	90554054	2	Nut	
8	70022028	1	Cable	
9	70021935	1	Pulley	
10	70022529	1	Pin	
11	70027009	2	Washer	
12	70026698	2	Ring, Snap	
13	70021979	1	Assembly, Socket (includes Pin & Cotter Pin)	
14	70022528	1	Clamp	
15	70021978	1	Hook, Ball Swivel	
16	70021415	2	Fitting	
17	70021977	2	Hose	
18	70022527	2	Fitting, 90	
19	7029692	1	Coupler, Male Quick	
20	1001003475	1	Cap, Dust	
21	70021342	1	Coupler, Female Quick	
22	1001003474	1	Plug, Dust	
23	70021387	1	Clamp, Hose	
24	4110422	2	Decal, Swinging Loads Danger	
25	N.S.S.	1	Plate, Serial Number	
26	90554016	1	Decal, Made in USA	

SECTION 3 - ATTACHMENTS

FIGURE 3-61. TRUSS BOOM (1.8 TON - 3 FT WITH WINCH) (ANSI)



ART_1001100967-F

SECTION 3 - ATTACHMENTS

FIGURE 3-61. TRUSS BOOM (1.8 TON - 3 FT WITH WINCH) (ANSI)

ITEM	PART NUMBER	QTY	DESCRIPTION	REV
	1001100967	Ref	TRUSS BOOM ASSEMBLY (3 FOOT WITH WINCH) (INCLUDES ITEMS 3, 4 & 101 THRU 121)	F
3	4110422	2	Decal, Danger, Swinging Loads	
4	N.S.S.	1	Plate, Serial Number	
101	N.S.S.	1	Truss Boom Frame	
102	90554016	1	Decal	
103	70021349	4	Bolt	
103	90554042	4	Washer	
104	70021921	1	Winch, Truss Boom	
105	70024059	4	Bolt	
105	90554054	4	Nut	
105	90554020	4	Washer	
106	70021415	2	Fitting	
107	70021977	2	Hose 32in (Boom Front Disconnect)	
107	70031445	2	Hose 48in (Boom Side Disconnect)	
108	70022527	2	Fitting, 90	
109	91403414	1	Fitting, Straight	
110	8420053	1	Cap	
111	91403413	1	Fitting, Straight	
112	8420055	1	Plug	
113	70021387	1	Clamp	
114	70021978	1	Ball Swivel Safety Hook	
115	70021979	1	Assembly, Socket	
116	70022528	2	Clamp	
117	70021935	1	Pulley	
118	70022028	1	Cable	
119	70022529	1	Pin	
120	70027009	2	Washer	
121	70026698	2	Ring, Snap	

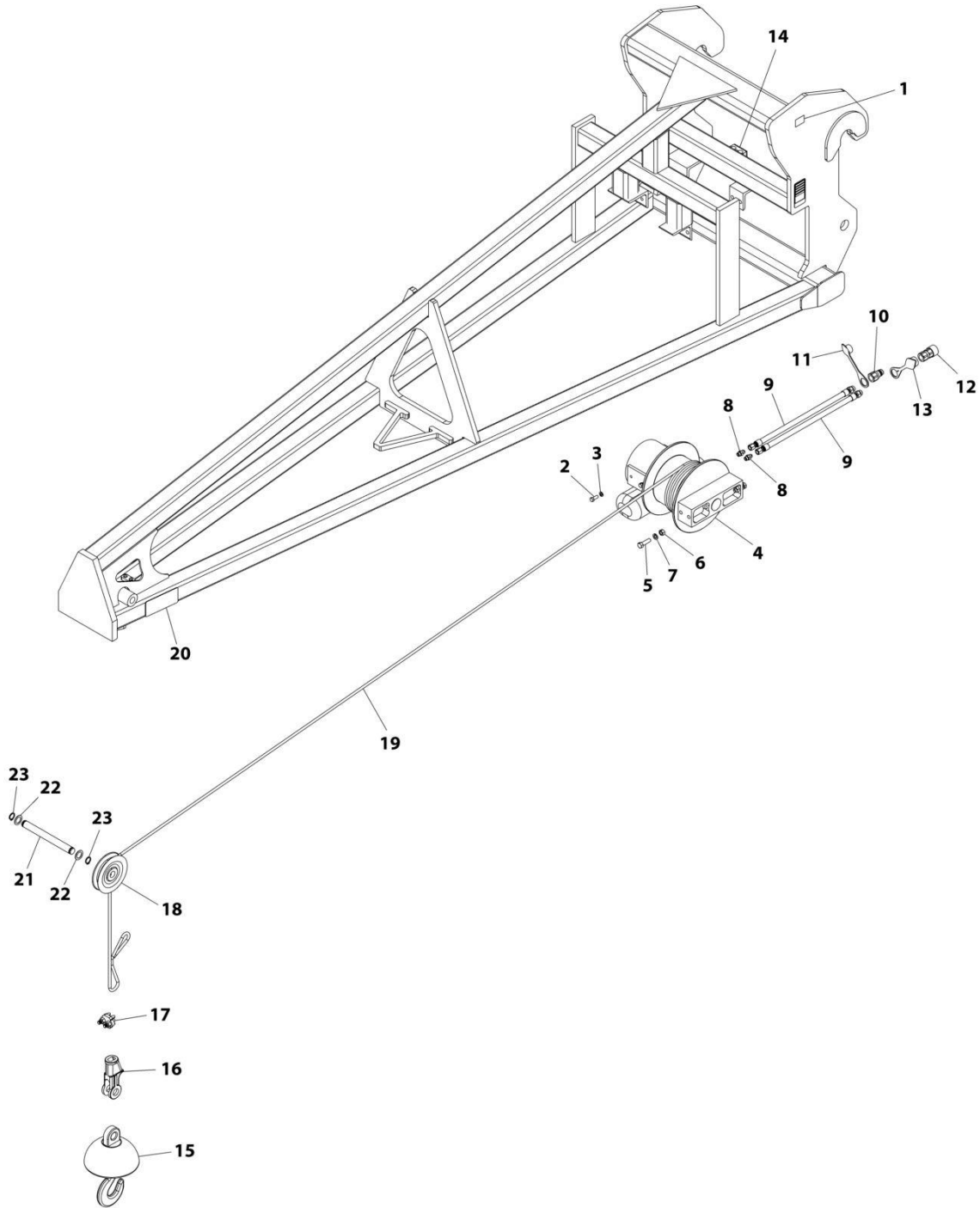
SECTION 3 - ATTACHMENTS

FIGURE 3-62. TRUSS BOOM (3 FT WITH WINCH)

ITEM	PART NUMBER	QTY	DESCRIPTION	REV
	8380008	1	Truss Boom (3 Foot with Winch) (no longer available, use 1001100967 for replacement)	D
1	N.S.S.	1	Weldment	
2	70021921	1	Winch	
3	90554042	4	Washer, Lock 3/8	
4	70021349	4	Bolt, 3/8X1	
5	70024059	2	Bolt, 1/2X1-3/4	
6	90554020	2	Washer, Lock 1/2	
7	90554054	2	Nut, 1/2	
8	70022028	1	Cable	
9	70021935	1	Pulley	
10	70022529	1	Pin	
11	70024060	2	Washer	
12	70024061	2	Ring, Snap	
13	70021979	1	Assembly, Socket (includes pin and cotter pin)	
14	70022528	1	Clamp	
15	70021978	1	Hook	
16	2220371	2	Connector	
17	70021977	2	Hose	
18	2220628	2	Fitting, 90 JIC	
19	91403413	1	Coupler, Quick Disconnect	
20	8420055	1	Plug, Dust	
21	91403414	1	Coupler, Quick Disconnect	
22	8420053	1	Plug, Dust	
23	70021387	1	Clamp	
24	70024062	2	Decal, Capacity	
25	70024063	4	Decal, Rotating Part	
26	70024064	1	Decal, Do Not Tow	
27	N.S.S.	1	Plate, Serial Number	
28	90554018	1	Decal, High Pressure Warning	
29	90554016	1	Decal, Made In USA	

SECTION 3 - ATTACHMENTS

FIGURE 3-63. TRUSS BOOM (0.9 TON - 12 FT WITH WINCH) (CE)



ART_1001206671-B

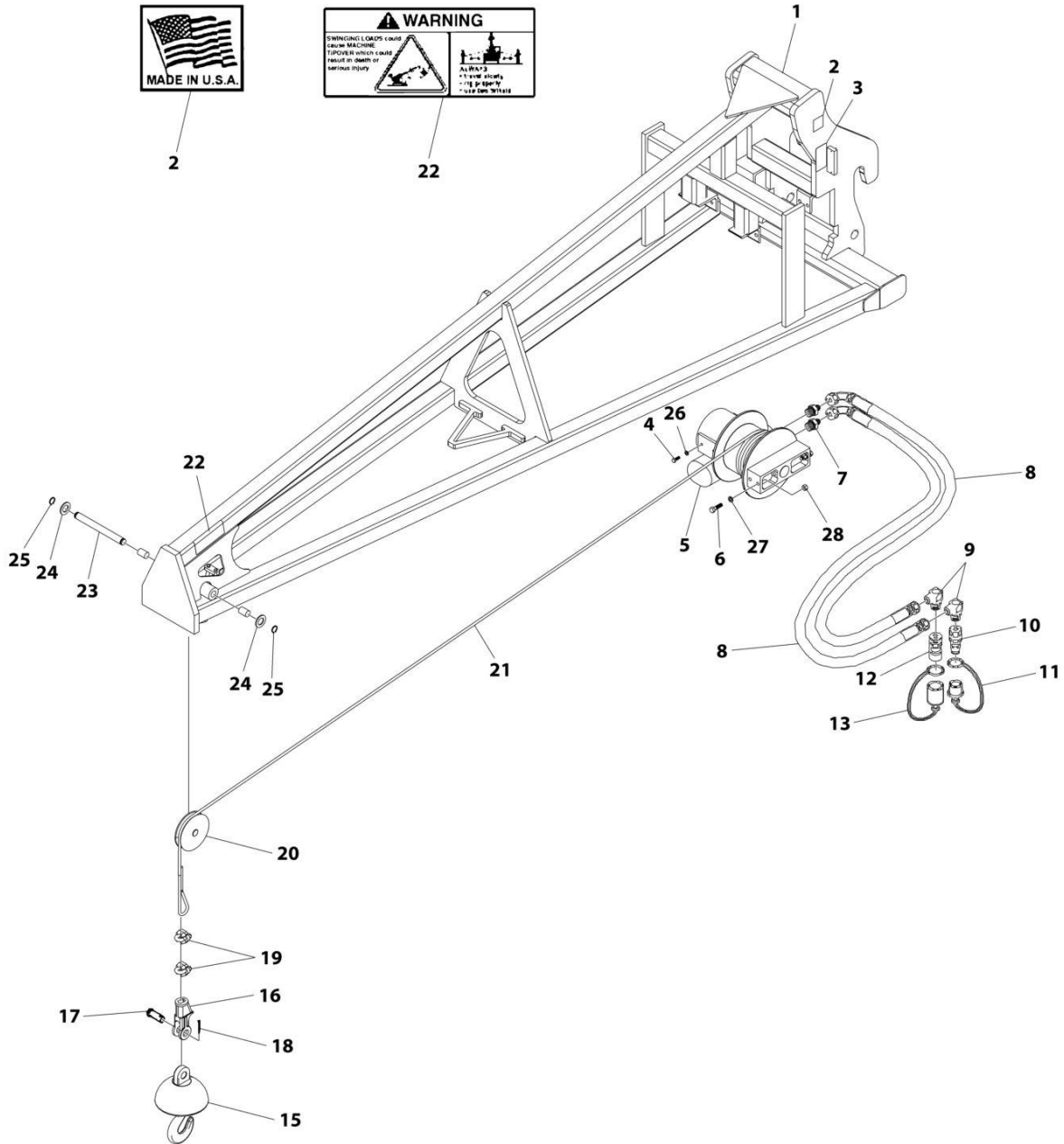
SECTION 3 - ATTACHMENTS

FIGURE 3-63. TRUSS BOOM (0.9 TON - 12 FT WITH WINCH) (CE)

ITEM	PART NUMBER	QTY	DESCRIPTION	REV
	1001206671	1	Truss Boom	E
1	90554016	1	Decal	
2	70021349	4	Bolt	
3	90554042	4	Washer	
4	70021921	1	Winch, Truss Boom, Assembly	
5	70024059	2	Bolt	
6	90554054	2	Nut	
7	90554020	2	Washer	
8	70021415	2	Fitting	
9	70026702	2	Hose	
10	1001101041	1	Hydraulic Couplier, Male	
11	1001093826	1	Dust Cap, Male	
12	1001101042	1	Hydraulic Couplier, Female	
13	1001093827	1	Plug, Dust, Female	
14	70021387	1	Hose Clamp	
15	70021978	1	Ball Swivel Safety Hook	
16	70021979	1	Wedge Socket Assembly	
17	70022528	1	Clamp, Cable	
18	70021935	1	Sheave, Grooved Pulley	
19	70022028	1	Cable	
20	70027790	2	Decal	
21	70022529	1	Pin	
22	70027009	2	Washer	
23	70026698	2	Ring, Snap	

SECTION 3 - ATTACHMENTS

FIGURE 3-64. TRUSS BOOM (0.9 TON - 3.7M WITH WINCH) (ANSI)



ART_1001099351

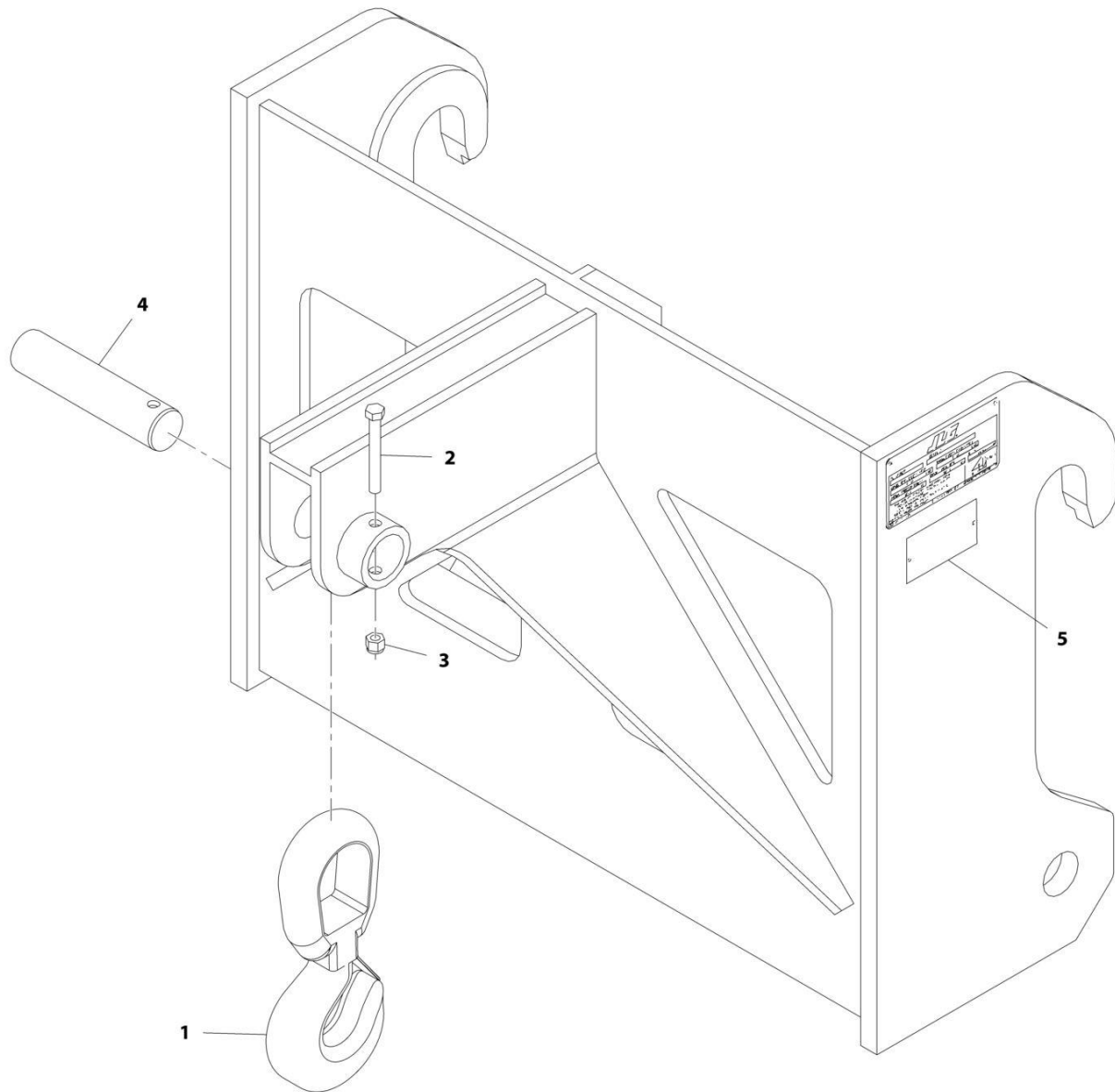
SECTION 3 - ATTACHMENTS

FIGURE 3-64. TRUSS BOOM (0.9 TON - 3.7M WITH WINCH) (ANSI)

ITEM	PART NUMBER	QTY	DESCRIPTION	REV
	1001099351	Ref	TRUSS BOOM (0.9 TON - 3.7M WITH WINCH)	L
1	See Note	NSS	Frame, Truss Boom (Note: Purchase Complete Assembly)	
2	90554016	1	Decal, Made in USA	
	See Note	NSS	S/N Plate (Note: Stamped Part - Not Available for Purchase)	
4	70021349	4	Bolt 3/8 x 1	
5	70021921	1	Motor, Truss Boom Winch	
6	70024059	2	Bolt 1/2 x 1-3/4	
7	70021415	2	Connector	
8	70021977	2	Hose 32in (Boom Front Disconnect)	
8	70031445	2	Hose 48in (Boom Side Disconnect)	
9	70022527	2	Fitting, 90	
10	7029692	1	Fitting, Straight	
11	90554062	1	Cap, Dust	
12	70021342	1	Fitting, Straight	
13	90554076	1	Cap, Dust	
15	70021978	1	Ball Swivel with Safety Hook	
16	70021979	1	Assembly, Socket (includes items 17 thru 18)	
17	See Note	NSS	Pin (Note: Use Item 16)	
18	See Note	NSS	Pin, Cotter (Note: Use Item 16)	
19	70022528	2	Clamp	
20	70021935	1	Pulley	
21	70022028	1	Cable	
22	4110422	2	Decal, Warning Swinging Loads	
23	70022529	1	Pin	
24	70024060	2	Washer	
25	70026698	2	Ring, Snap	
26	90554042	4	Washer 3/8	
27	90554020	2	Washer 1/2	
28	90554054	2	Nut 1/2	

SECTION 3 - ATTACHMENTS

FIGURE 3-65. CRANE HOOK (CE & AUS)



ART_1170058-C

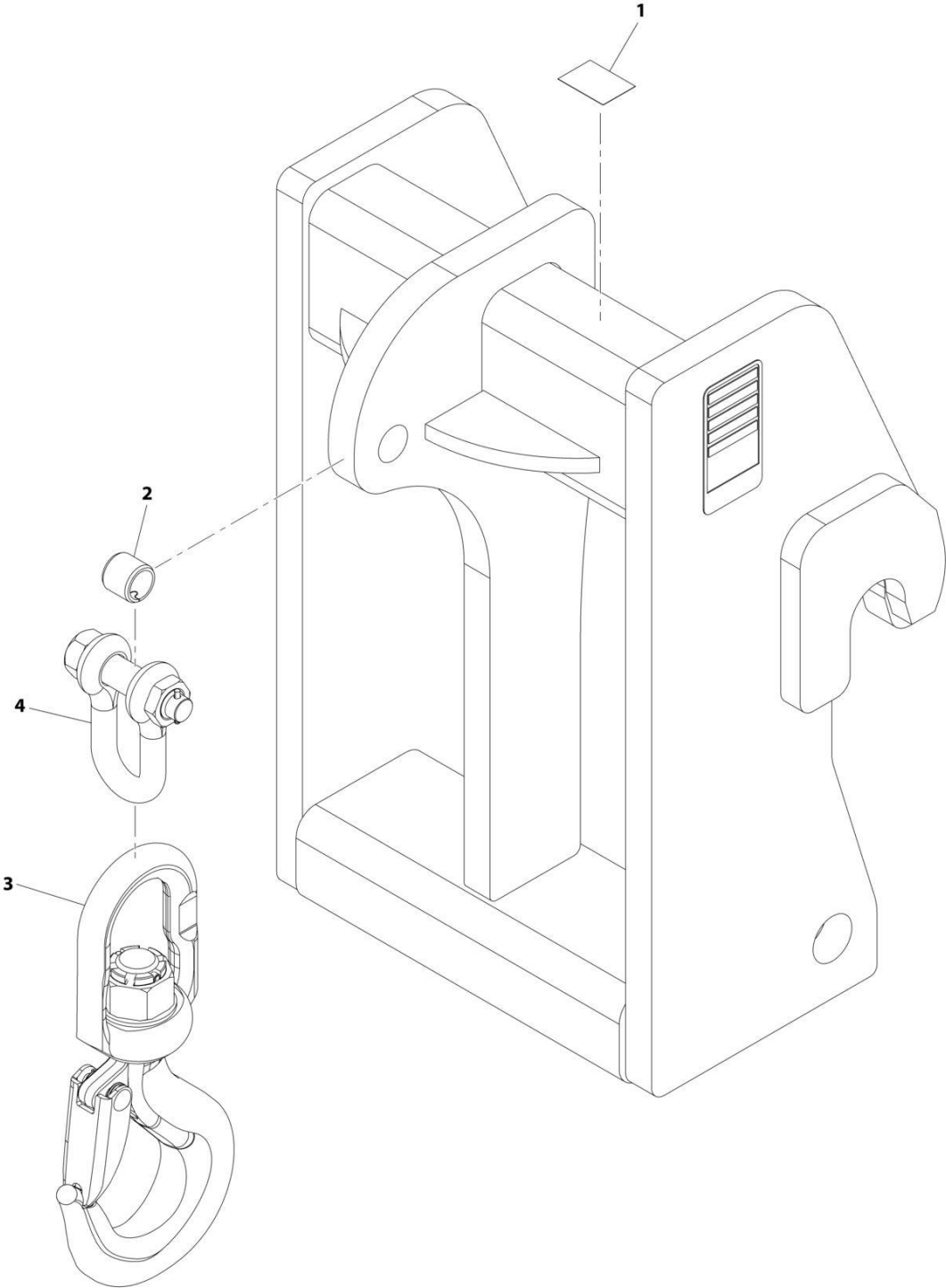
SECTION 3 - ATTACHMENTS

FIGURE 3-65. CRANE HOOK (CE & AUS)

ITEM	PART NUMBER	QTY	DESCRIPTION	REV
	1170058	1	Crane Hook	C
1	70020417	1	Hook	
2	70020205	1	Bolt	
3	70020206	1	Nut, Locking	
4	70020201	1	Pin	
5	N.S.S.	1	Plate, Serial Number	

SECTION 3 - ATTACHMENTS

FIGURE 3-66. CRANE HOOK (ANSI)



ART_1001207606-C

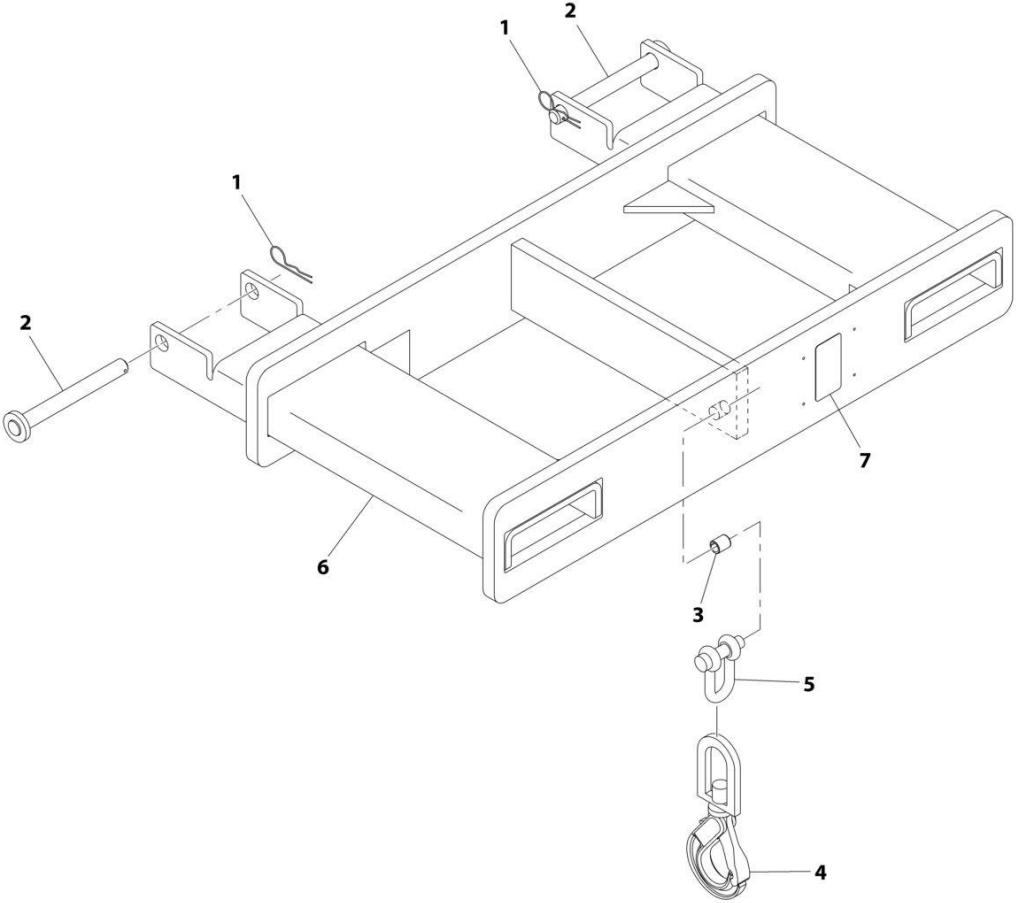
SECTION 3 - ATTACHMENTS

FIGURE 3-66. CRANE HOOK (ANSI)

ITEM	PART NUMBER	QTY	DESCRIPTION	REV
	1001207606	Ref	COUPLER MOUNTED HOOK	C
1	90554016	1	Decal	
2	70020555	1	Bushing	
3	70026745	1	Hook Swivel	
4	70026746	1	Shackle Chain	

SECTION 3 - ATTACHMENTS

FIGURE 3-67. FORK MOUNTED HOOK (4 TON) (ANSI)



ART_1001097205-I

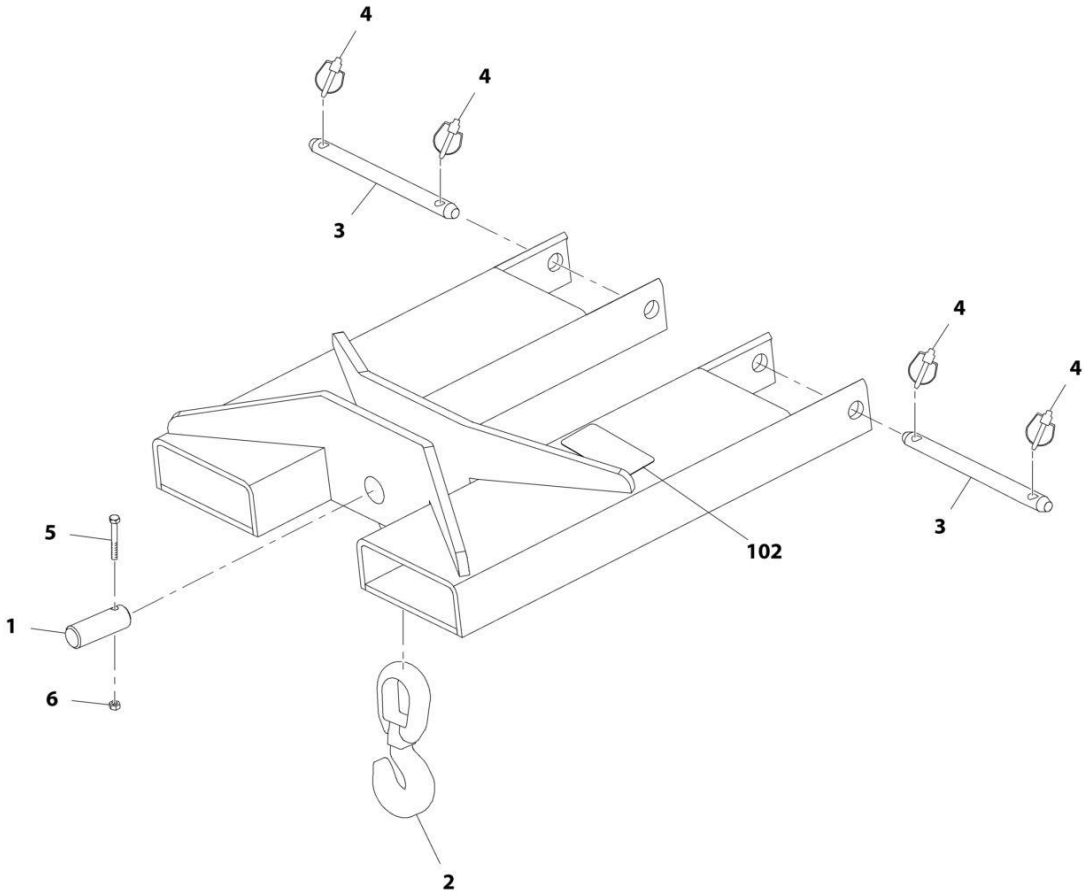
SECTION 3 - ATTACHMENTS

FIGURE 3-67. FORK MOUNTED HOOK (4 TON) (ANSI)

ITEM	PART NUMBER	QTY	DESCRIPTION	REV
	1001097205	Ref	Fork Mounted Hook (4 Ton)	J
1	7029520	2	Pin, Cotter	
2	1001093171	2	Pin	
3	70020555	1	Bushing	
4	90554080	1	Hook	
5	7029521	1	Shackle	
6	See Note	NSS	Frame, Hook (Note: Purchase Complete Assembly)	
7	See Note	NSS	S/N Plate (Note: Stamped Part - Not Available for Purchase)	

SECTION 3 - ATTACHMENTS

FIGURE 3-68. FORK MOUNTED HOOK (4 TON) (CE)



ART_2700118-E

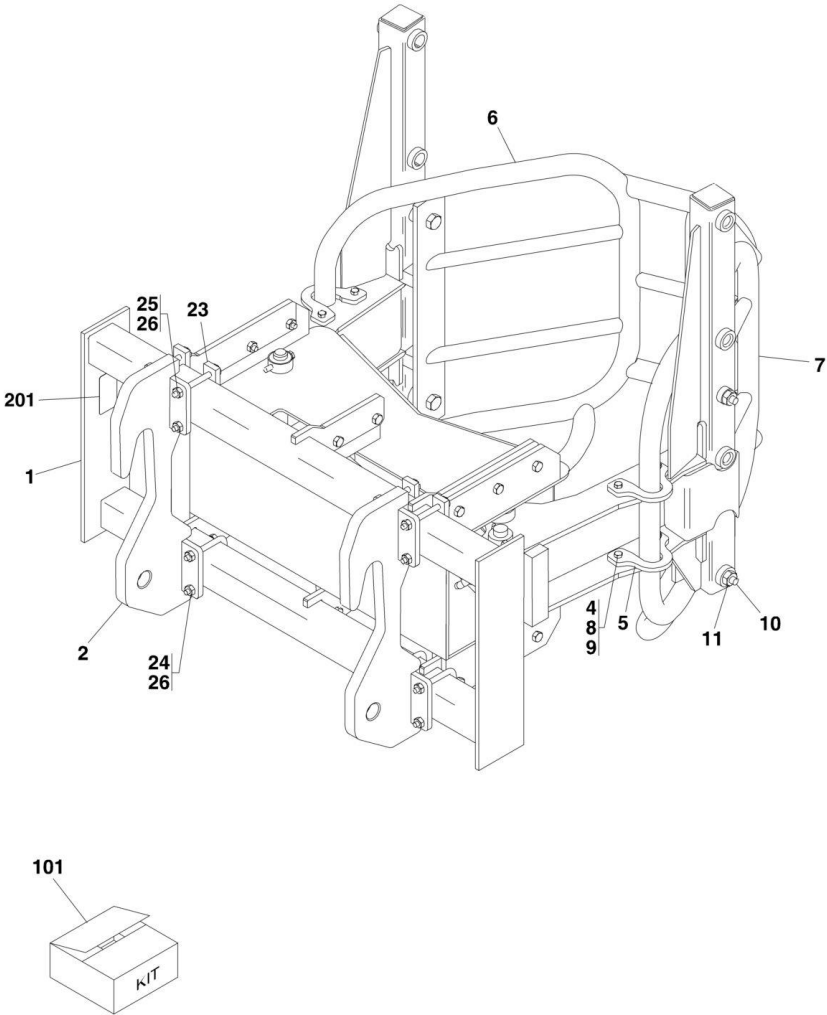
SECTION 3 - ATTACHMENTS

FIGURE 3-68. FORK MOUNTED HOOK (4 TON) (CE)

ITEM	PART NUMBER	QTY	DESCRIPTION	REV
	2700118	Ref	Fork Mounted Hook (4 Ton)	E
1	70020201	1	Pin	
2	70020202	1	Hook	
3	70020203	2	Pin	
4	70020204	4	Pin, Retaining	
5	70020205	1	Bolt	
6	70020206	1	Nut, Self Locking	
102	N.S.S.	1	S/N Plate	

SECTION 3 - ATTACHMENTS

FIGURE 3-69. BALE HANDLER (TUBE CLAMP) (CE & AUS)



ART_0240117-E

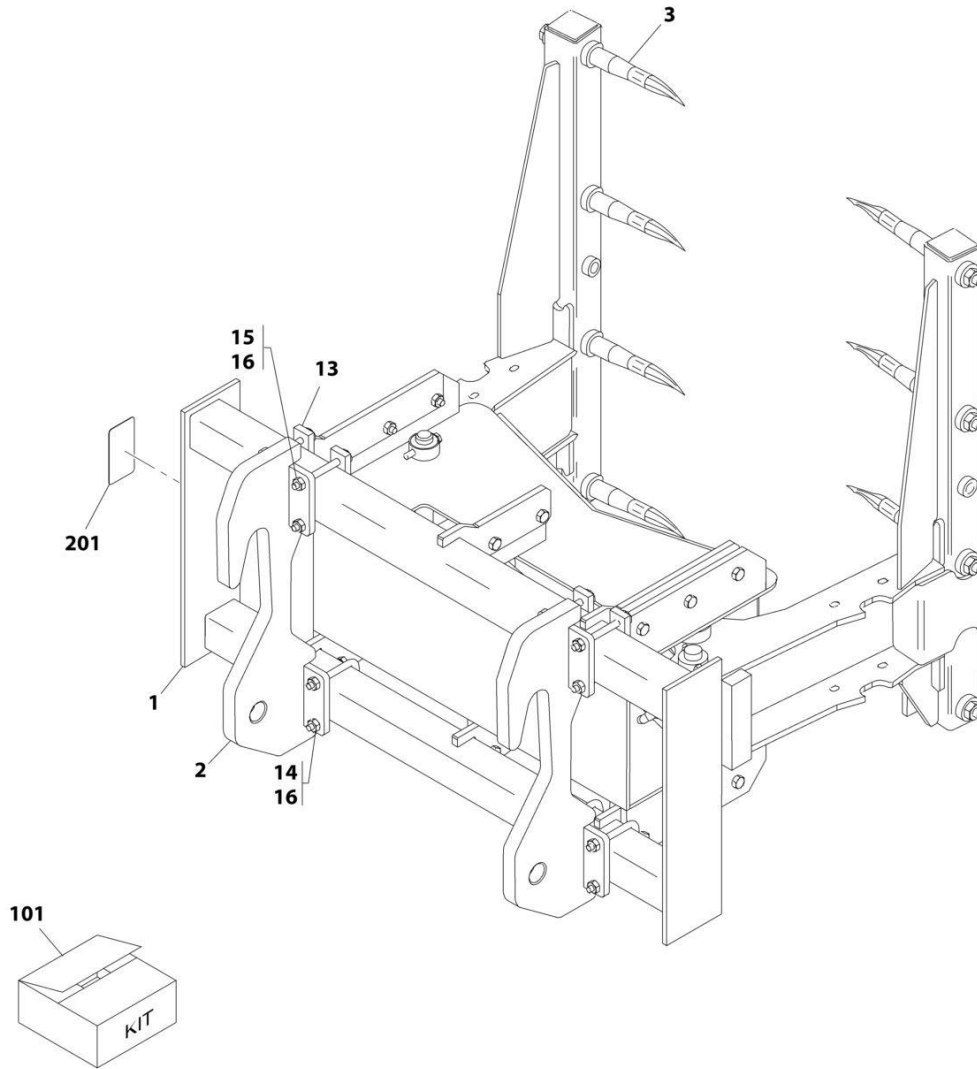
SECTION 3 - ATTACHMENTS

FIGURE 3-69. BALE HANDLER (TUBE CLAMP) (CE & AUS)

ITEM	PART NUMBER	QTY	DESCRIPTION	REV
	0240117	1	Bale Handler (Tube Clamp)	E
1	N.S.S.	1	Weldment	
2	7029344	1	Weldment, Attach (includes items 23 thru 26)	
4	7029345	8	Bolt, M12X45	
5	7029346	4	Strap	
6	7029347	1	Arm, Left Tube	
7	7029348	1	Arm, Right Tube	
8	7029349	8	Washer, M12	
9	7029350	8	Locknut, M12X8	
10	7029351	4	Bolt, M22X180	
11	7029352	4	Locknut, M22X8	
23	7029353	4	Plate	
24	7029354	4	U-Bolt	
25	7029355	8	Bolt, M16X130	
26	7029356	16	Locknut, M16X8	
101	2902440	1	Kit, Bale Handler (Spikes to Tube) (CE & AUS) (includes items 4 thru 11) (See Separate Breakdown in this Section)	
201	N.S.S.	AR	SN Plate	

SECTION 3 - ATTACHMENTS

FIGURE 3-70. BALE HANDLER (SPIKE CLAMP) (CE & AUS)



ART_0240118-E

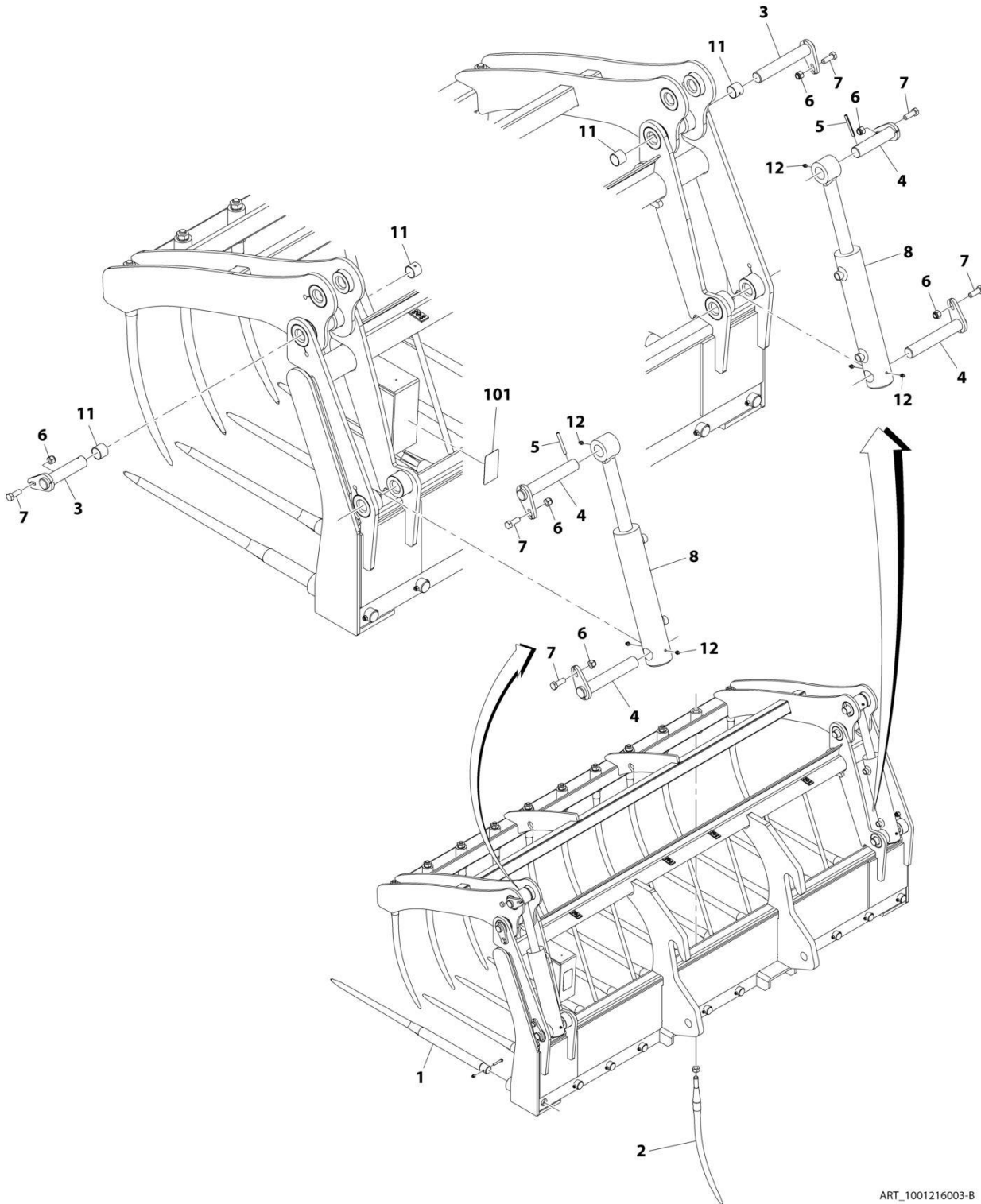
SECTION 3 - ATTACHMENTS

FIGURE 3-70. BALE HANDLER (SPIKE CLAMP) (CE & AUS)

ITEM	PART NUMBER	QTY	DESCRIPTION	REV
	0240118	1	Bale Handler (Spike Clamp)	E
1	N.S.S.	1	Weldment	
2	7029344	1	Weldment, Attach (includes items 13 thru 16)	
3	7029357	8	Spike	
13	7029353	4	Plate	
14	7029354	4	U-Bolt	
15	7029355	8	Bolt, M16X130	
16	7029356	16	Locknut, M16X8	
101	2902441	1	Kit, Bale Handler Kit (Spikes) (CE & AUS) (includes item 3) (See Separate Breakdown in this Section)	
201	N.S.S.	AR	SN Plate	

SECTION 3 - ATTACHMENTS

FIGURE 3-71. MUCK FORK AND GRAB (CE & AUS)



ART_1001216003-B

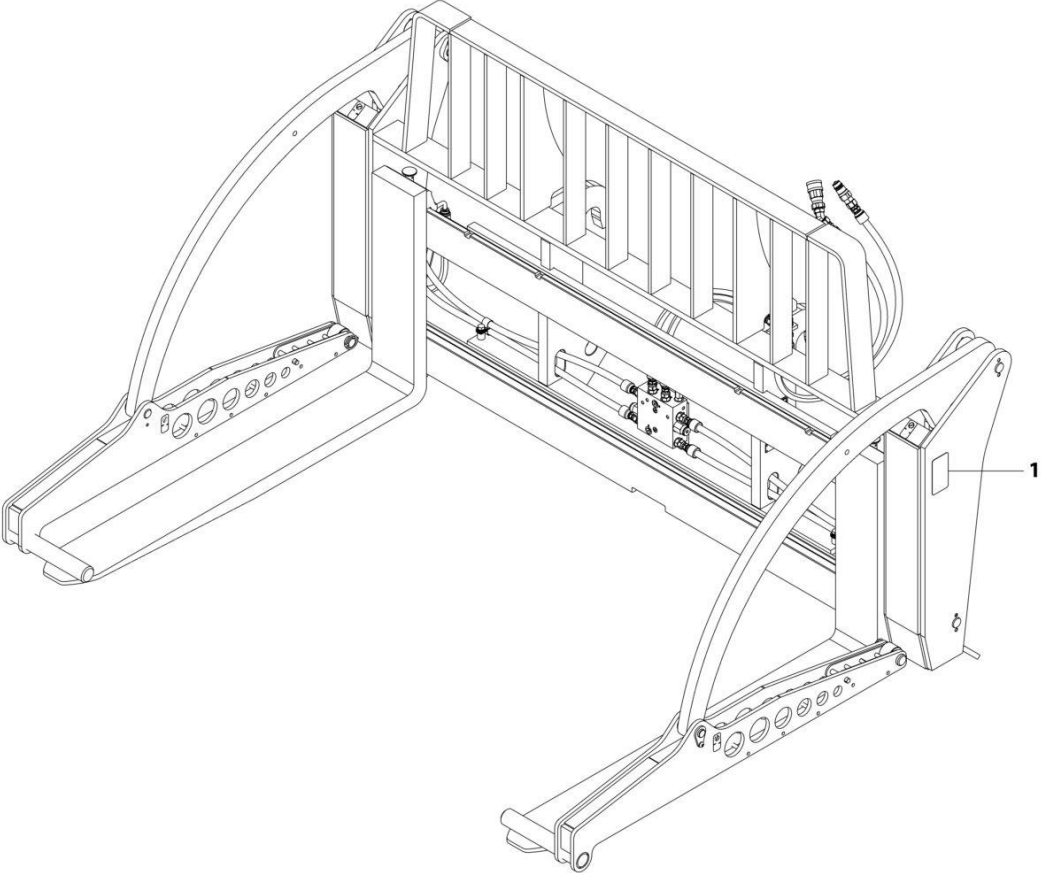
SECTION 3 - ATTACHMENTS

FIGURE 3-71. MUCK FORK AND GRAB (CE & AUS)

ITEM	PART NUMBER	QTY	DESCRIPTION	REV
	1001216003	1	Muck Fork and Grab (2450MM)	D
1	70027302	12	Right Electro-Forged Fingers	
2	70027324	11	Curved Electro-Forged Fingers	
3	70027293	2	Pin	
4	70027294	4	Pin	
5	70027298	2	Roll Pin	
6	70027296	6	Nut	
7	70027297	6	Screw	
8	7028127	2	Cylinder	
9	70027295	2	Hose (not shown)	
10	70028436	2	Hose (not shown)	
11	7028131	10	Ring	
12	7028918	6	Grease Nipple	
101	N.S.S.	1	Plate, Serial Number	

SECTION 3 - ATTACHMENTS

FIGURE 3-72. PIPE HANDLER CARRIAGE (CE & AUS)



ART_1001197025-B

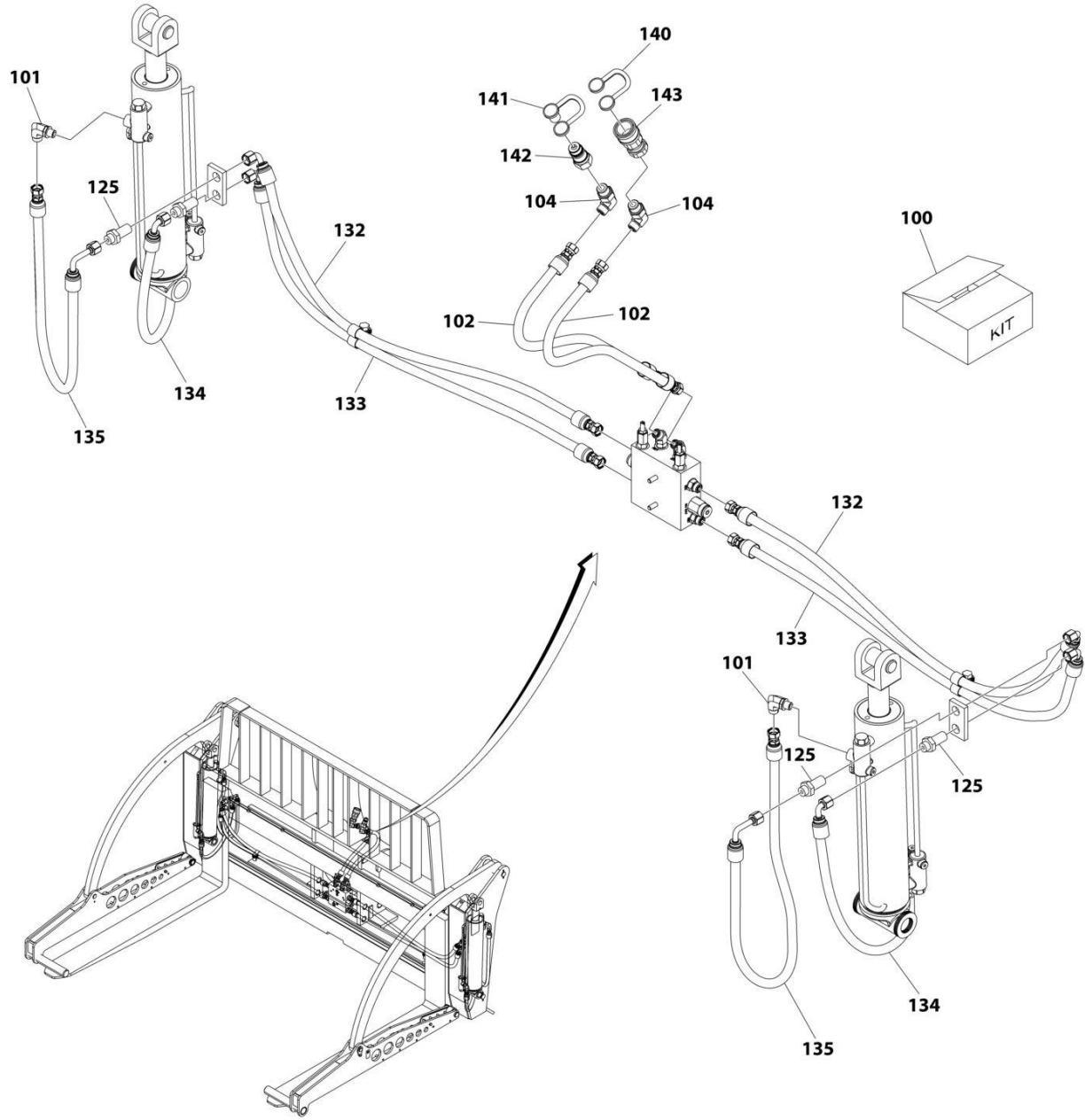
SECTION 3 - ATTACHMENTS

FIGURE 3-72. PIPE HANDLER CARRIAGE (CE & AUS)

ITEM	PART NUMBER	QTY	DESCRIPTION	REV
1	1001197025	1	Pipe Handler Carriage	B
	N.S.S.	1	Plate, Serial Number	

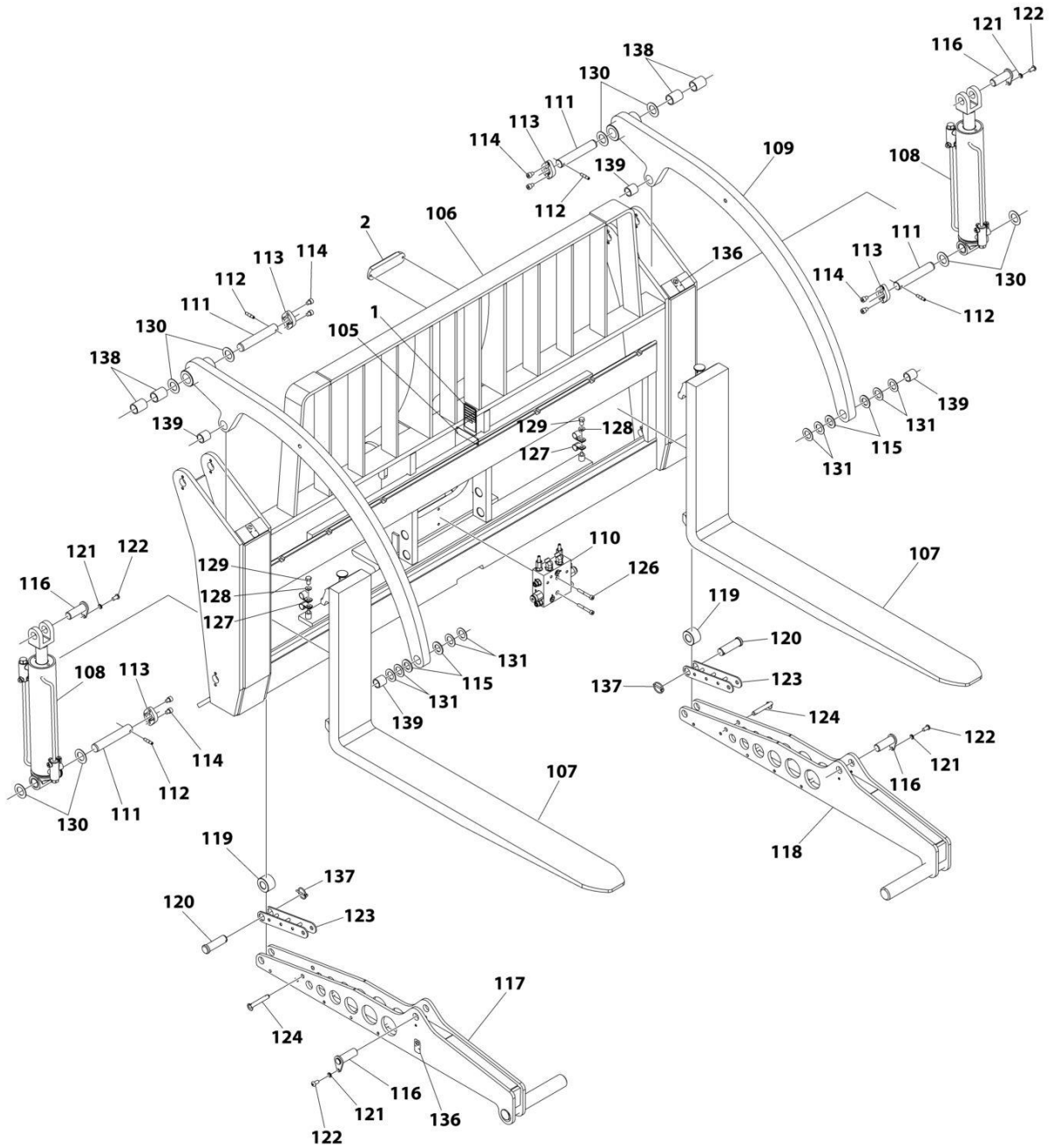
SECTION 3 - ATTACHMENTS

FIGURE 3-73. PIPE HANDLER CARRIAGE (ANSI)



ART_1001142247_1

SECTION 3 - ATTACHMENTS



ART_1001142247_2

SECTION 3 - ATTACHMENTS

FIGURE 3-73. PIPE HANDLER CARRIAGE (ANSI)

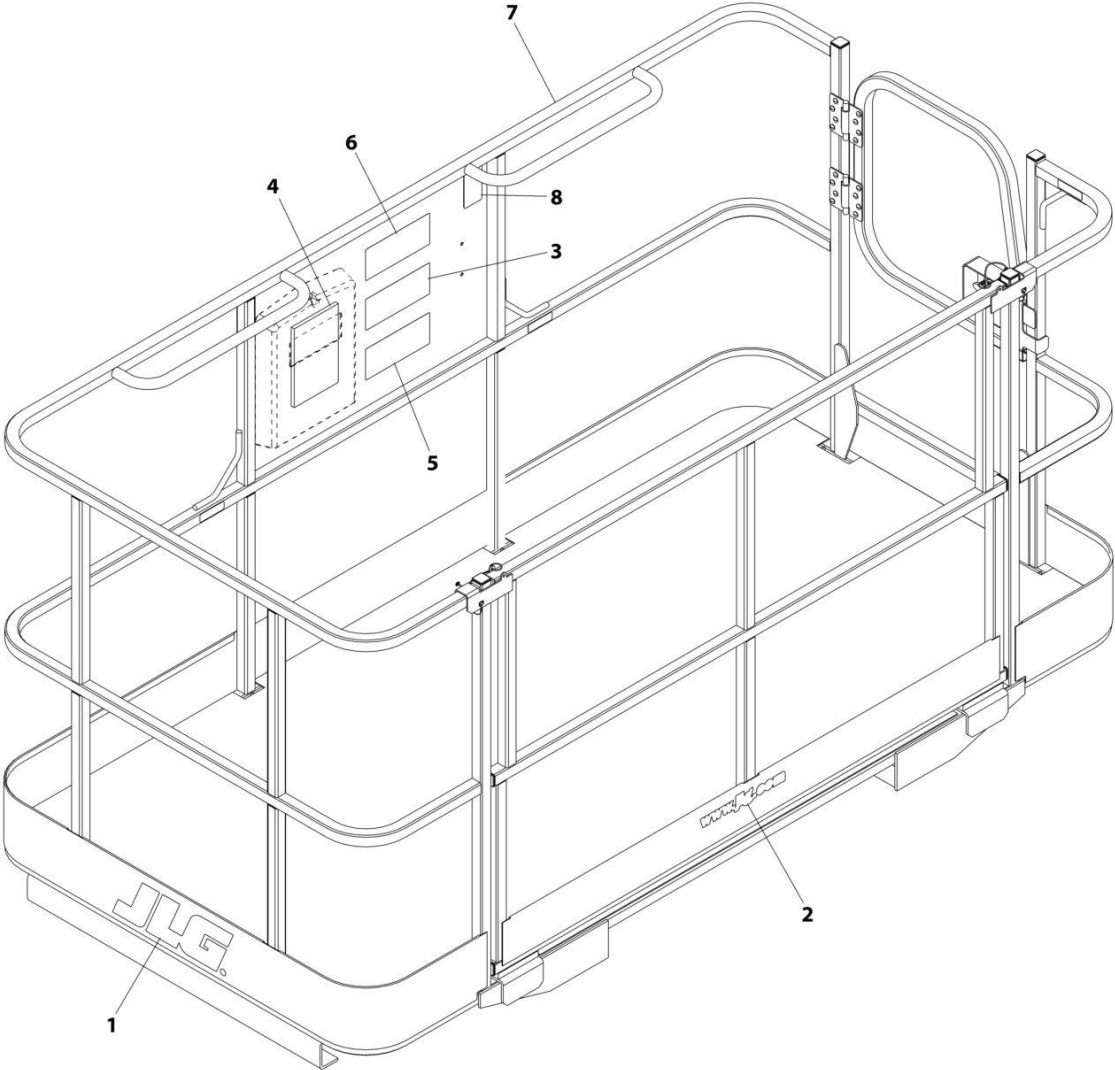
ITEM	PART NUMBER	QTY	DESCRIPTION	REV
	1001142247	Ref	PIPE HANDLER ASSEMBLY	G
1	See Note	NSS	JLG Plate (Note: Stamped Part - Not Available for Purchase)	
2	1001227670	1	Tag, RFID	
100	70026585	1	Disconnect & Hose Kit (Boom Front Disconnect) (Includes Items 101, 102, 104, 125, 132-135, 140-143)	
100	70031442	1	Disconnect Kit (Boom Side Disconnect) (Includes Items 102, 104, & 140-143)	
101	70024123	4	Fitting, 90	
102	70026347	2	Hose 20in (Boom Front Disconnect)	
102	70031448	2	Hose 44in (Boom Side Disconnect)	
104	70024550	2	Fitting, 90	
105	See Note	NSS	S/N Plate (Note: Stamped Part - Not Available for Purchase)	
106	See Note	NSS	Carriage (Note: Purchase Complete Assembly)	
107	70026586	2	Fork	
108	70026587	2	Cylinder, Pipe Handler (See Separate Breakdown in HYDRAULIC COMPONENTS Section)	
109	70026588	2	Arm	
110	70026589	1	Valve Assembly (See Separate Breakdown in HYDRAULIC CIRCUITS Section)	
111	70026470	4	Pin	
112	70026471	4	Pin Drive - Lock	
113	70026472	4	Retainer	
114	70026473	8	Capscrew, M10 x 12	
115	70026590	4	Thrust Washer	
116	70026591	4	Pin Weldment	
117	70026592	1	Contact Pad - RH	
118	70026593	1	Contact Pad - LH	
119	70026594	2	Roller	
120	70026595	2	Clevis Pin	
121	70026596	4	Lockwasher, M8	
122	70026597	4	Capscrew, M8 x 16	
123	70026598	2	Retainer	
124	70026599	2	Ring Detent Pin	
125	70023000	4	Fitting	
126	70026600	2	Capscrew, M8 x 60	
127	70026481	4	Hose Clamp	
128	70026482	2	Washer	
129	70022996	2	Capscrew, M10X16	
130	70026476	24	Shim	
131	70026601	8	Shim	
132	70026602	2	Hose	
133	70026603	2	Hose	
134	70026604	2	Hose	
135	70026605	2	Hose	
136	70024538	4	Warning Decal	
137	70026606	2	Lynch Pin, 3/16	
138	70026501	4	Bushing	
139	70026607	4	Bushing	
140	70026608	1	Plug	
141	70026609	1	Cap	

SECTION 3 - ATTACHMENTS

ITEM	PART NUMBER	QTY	DESCRIPTION	REV
142	91403414	1	Coupler - Male	
143	91403413	1	Coupler - Female	

SECTION 3 - ATTACHMENTS

FIGURE 3-74. FORK MOUNTED BASKET (DOMESTIC) (ANSI)



ART_1001103637-G

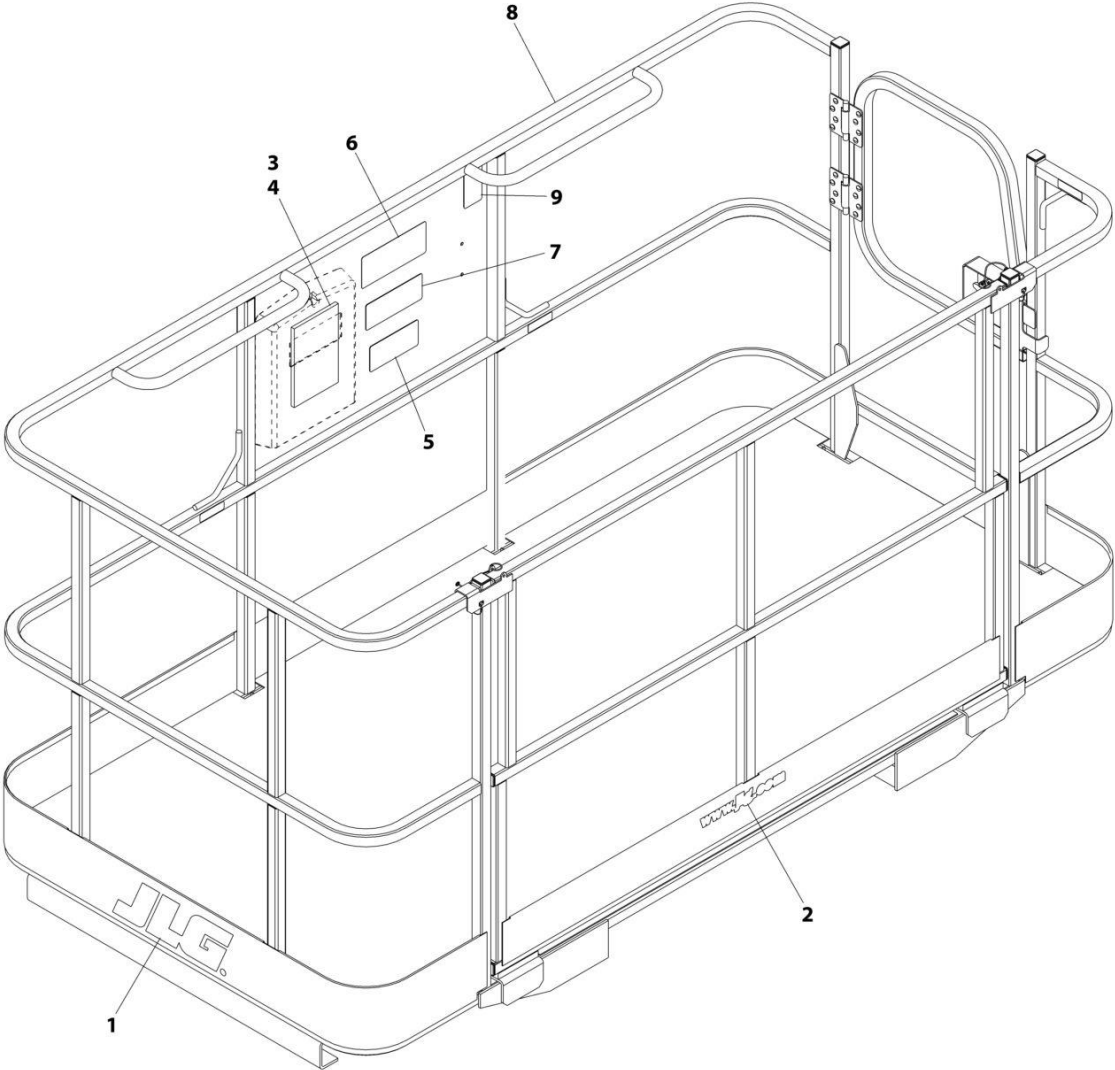
SECTION 3 - ATTACHMENTS

FIGURE 3-74. FORK MOUNTED BASKET (DOMESTIC) (ANSI)

ITEM	PART NUMBER	QTY	DESCRIPTION	REV
	1001103637	Ref	Fork Mounted Basket (ASME)	G
1	1702773	2	Decal, JLG	
2	1704885	1	Decal, Website	
3	1706892	1	Decal, Platform Warning	
4	31200160	1	Manual, Personnel Work Platform Operation and Safety	
5	1001092481	1	Decal, Warning Attachment	
6	1001092482	1	Decal, Platform Capacity	
7	1001096162	1	Platform, Fork Mounted (See Separate Breakdown in this Section)	
8	N.S.S.	1	S/N Plate	

SECTION 3 - ATTACHMENTS

FIGURE 3-75. FORK MOUNTED BASKET (ISO) (ANSI)



ART_1001103730-G

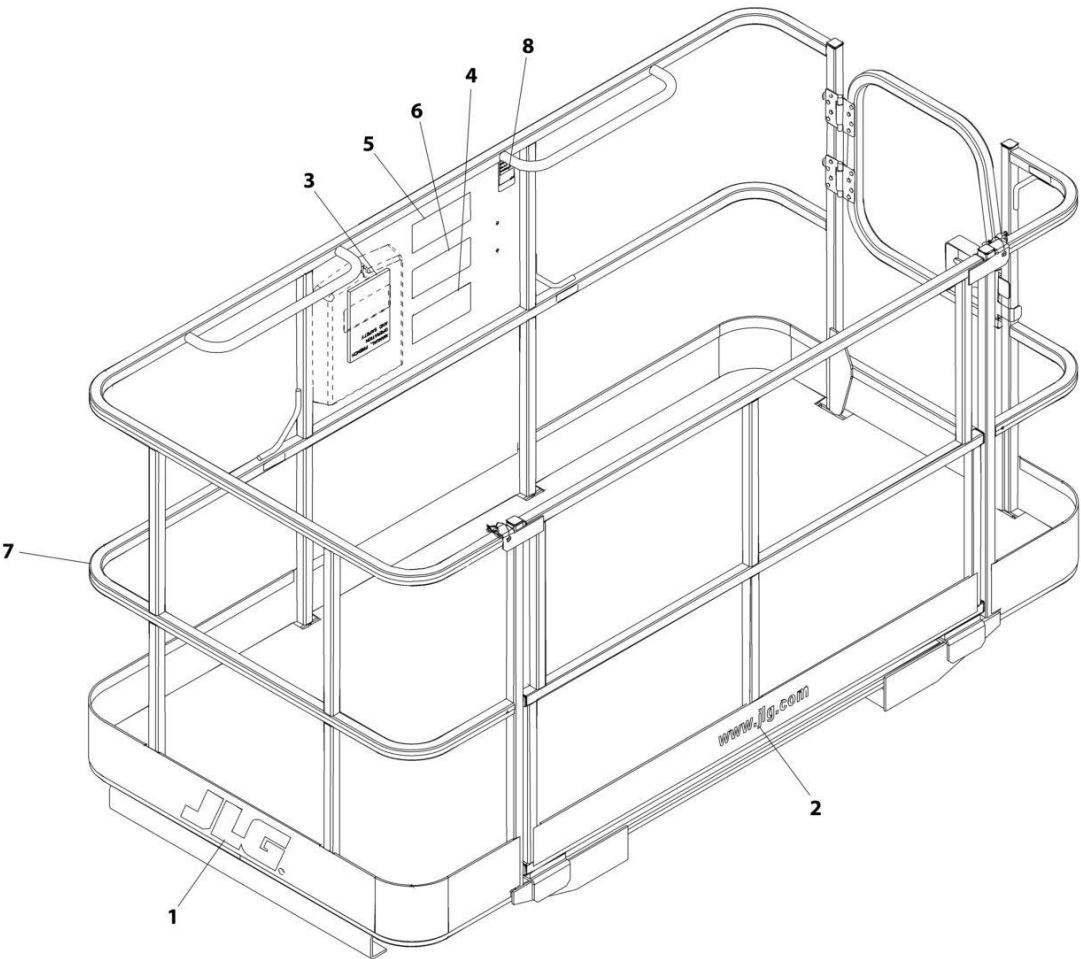
SECTION 3 - ATTACHMENTS

FIGURE 3-75. FORK MOUNTED BASKET (ISO) (ANSI)

ITEM	PART NUMBER	QTY	DESCRIPTION	REV
	1001103730	Ref	Fork Mounted Basket (ISO)	G
1	1702773	2	Decal, JLG	
2	1704885	1	Decal, Website	
3	31200387	1	Manual, Operation and Safety, Spanish	
4	31200388	1	Manual, Operation and Safety, Portuguese	
5	1001096021	1	Decal, Warning Attachment	
6	1001096023	1	Decal, Platform Capacity	
7	1001096025	1	Decal, Platform Warning	
8	1001096162	1	Platform, Fork Mounted (ANSI) (See Separate Breakdown in this Section)	
9	N.S.S.	1	S/N Plate	

SECTION 3 - ATTACHMENTS

FIGURE 3-76. FORK MOUNTED BASKET (FRENCH) (ANSI)



ART_1001103736-G

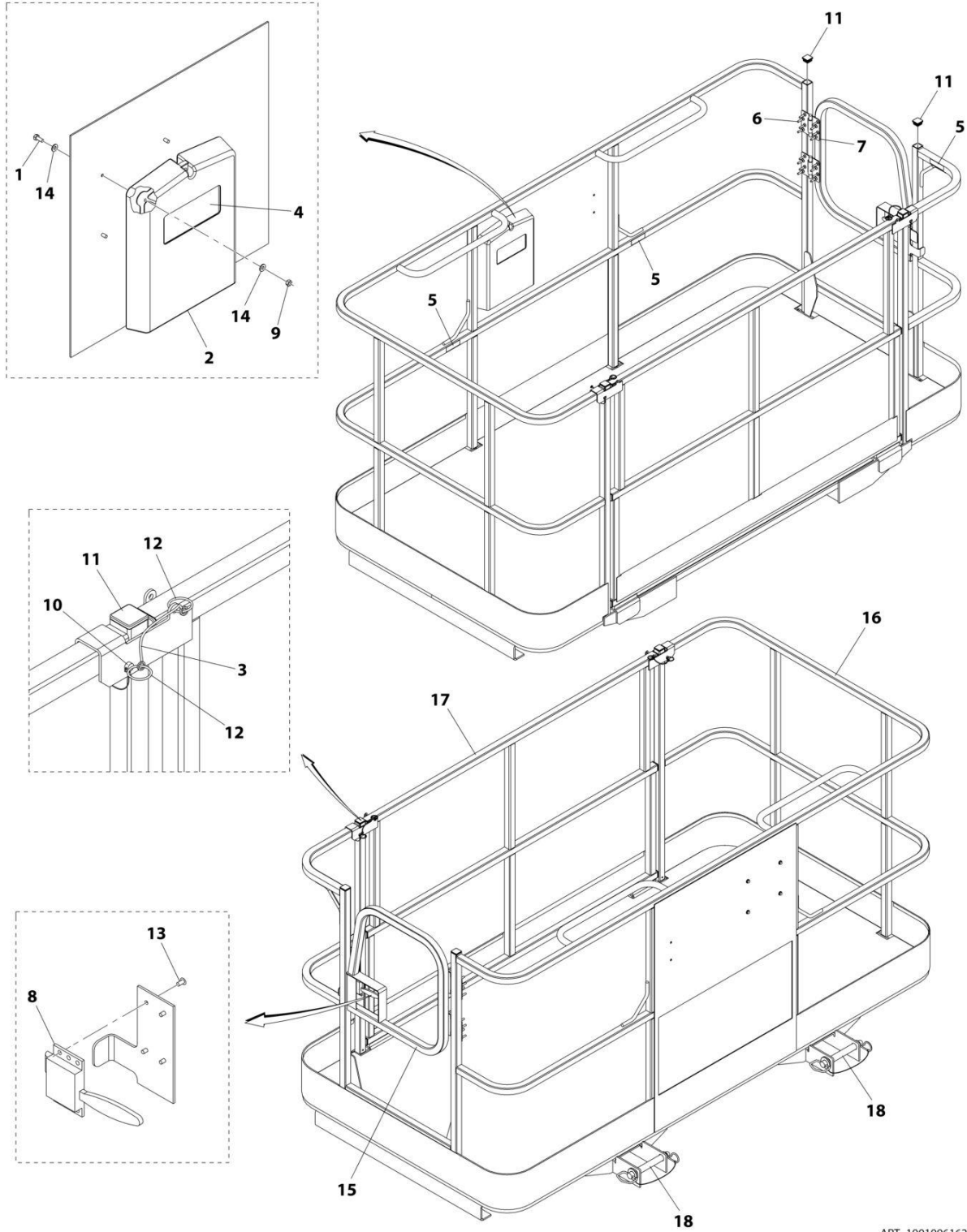
SECTION 3 - ATTACHMENTS

FIGURE 3-76. FORK MOUNTED BASKET (FRENCH) (ANSI)

ITEM	PART NUMBER	QTY	DESCRIPTION	REV
	1001103736	Ref	Fork Mounted Basket (France)	G
1	1702773	2	Decal, JLG	
2	1704885	1	Decal, Website	
3	31200386	1	Manual, Operation and Safety (French)	
4	1001096019	1	Decal, Warning Attachment (French)	
5	1001096020	1	Decal, Platform Capacity (French)	
6	1001096024	1	Decal, Platform Warning (French)	
7	1001096162	1	Platform, Fork Mounted (ANSI) (See Separate Breakdown in this Section)	
8	N.S.S.	1	S/N Plate	

SECTION 3 - ATTACHMENTS

FIGURE 3-77. FORK MOUNTED PLATFORM



ART_1001096162-N

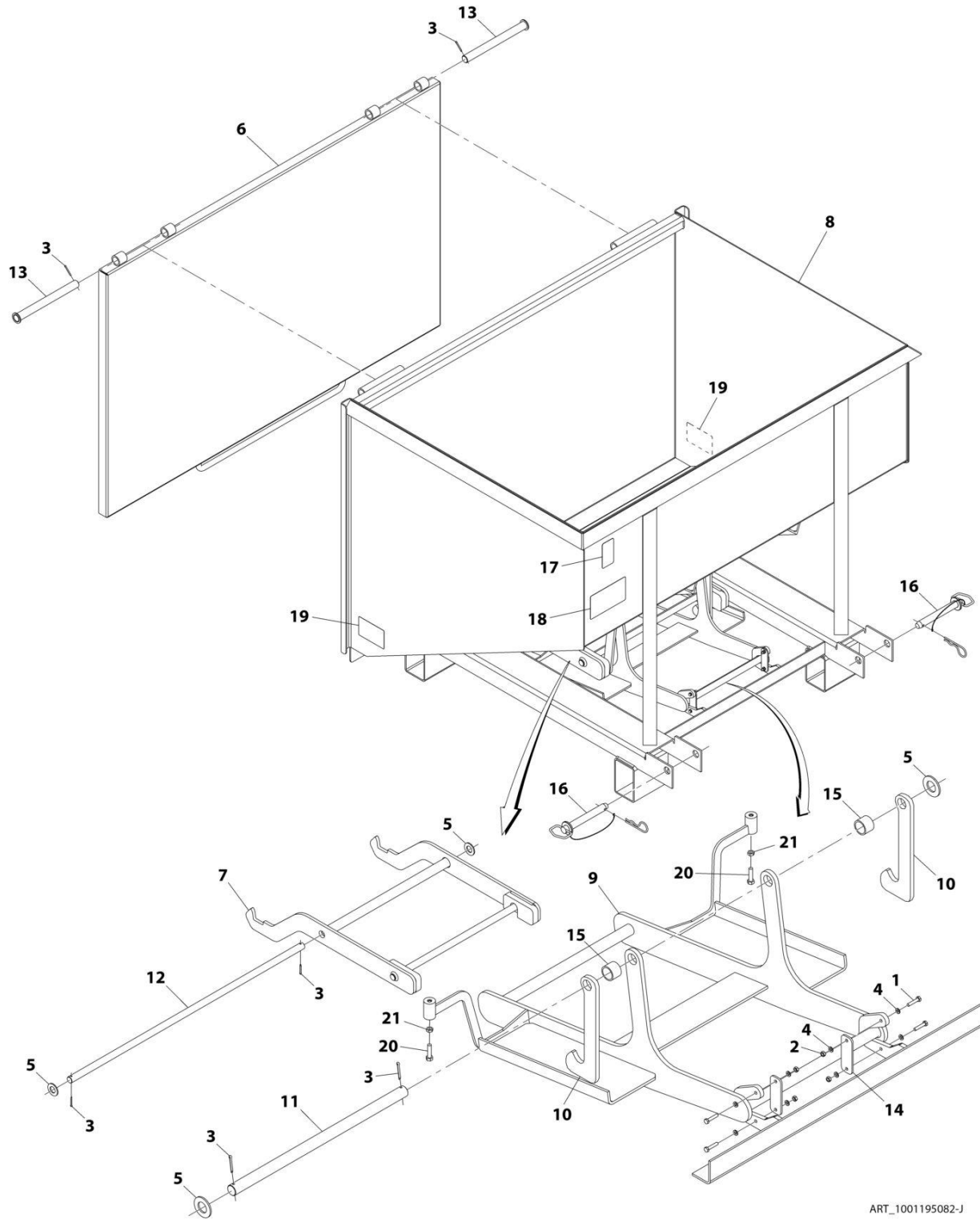
SECTION 3 - ATTACHMENTS

FIGURE 3-77. FORK MOUNTED PLATFORM

ITEM	PART NUMBER	QTY	DESCRIPTION	REV
	1001096162	Ref	Fork Mounted Platform (ANSI)	N
1	0641405	4	Bolt, 1/4 x 5/8	
2	0860520	1	Box, Manual Storage	
3	1060379	2	Cable, Lanyard	
4	1701509	1	Decal, Manual	
5	1704277	3	Decal, Lanyard Attach	
6	2080040	16	Fastener	
7	2600281	2	Hinge	
8	2940074	1	Latch	
9	3311405	4	Nut 1/4	
10	3421453	2	Pin	
11	3520072	10	Plug	
12	3760170	4	Ring	
13	3820020	4	Rivet	
14	4711400	8	Washer, 1/4	
15	1001144629J	1	Gate	
16	N.S.S.	1	Platform, Fork Mounted	
17	1001095810	1	Gate	
18	1001102813	2	Pin, Hitch	

SECTION 3 - ATTACHMENTS

FIGURE 3-78. FORK MOUNTED TRASH HOPPER



ART_1001195082-J

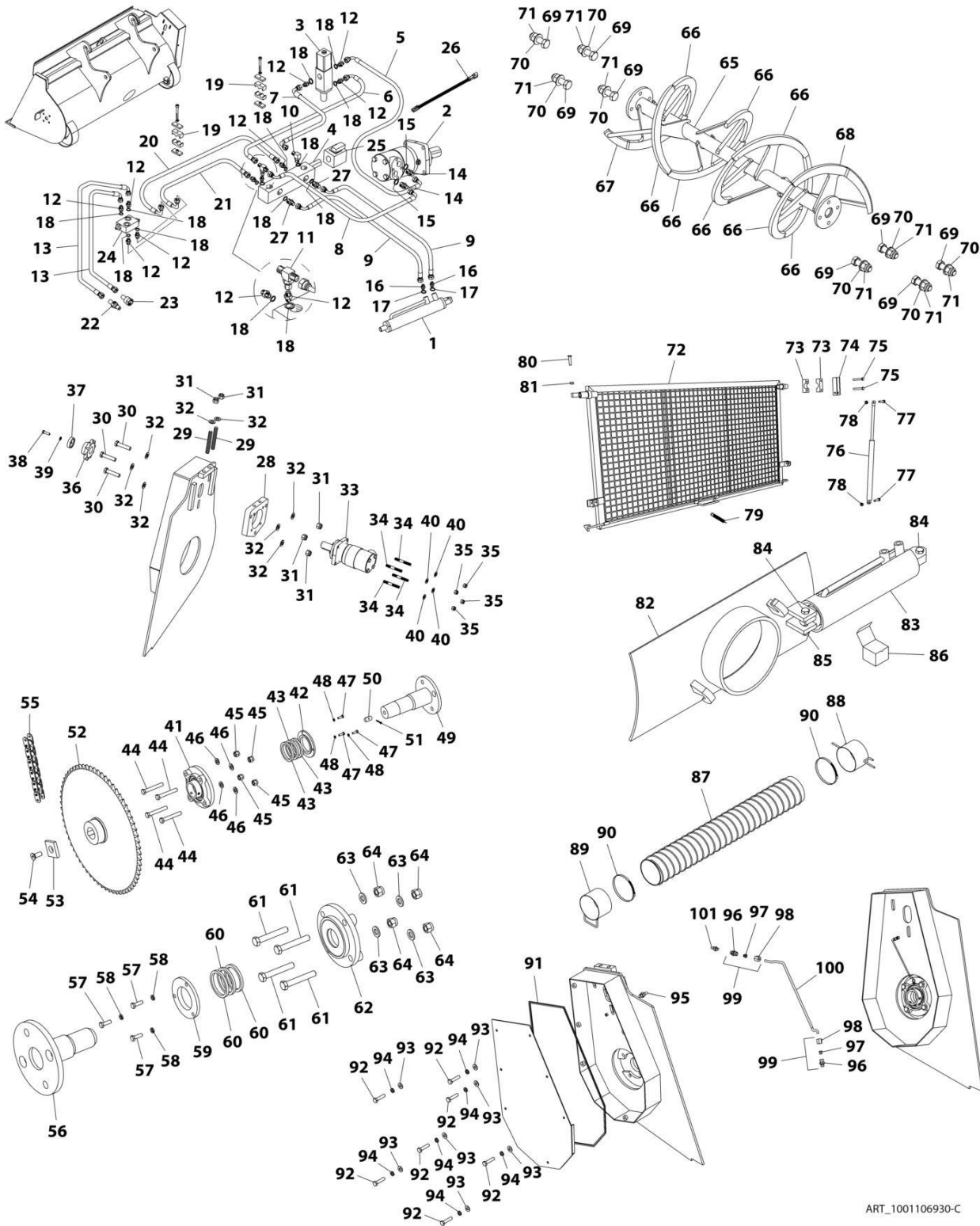
SECTION 3 - ATTACHMENTS

FIGURE 3-78. FORK MOUNTED TRASH HOPPER

ITEM	PART NUMBER	QTY	DESCRIPTION	REV
	1001195082	Ref	Fork Mounted Trash Hopper	J
1	0700614	4	Bolt, M6X30	
2	3290601	4	Nut, M6X1 Grade 8	
3	3391410	6	Pin	
4	4811700	8	Washer, M6	
5	5242400	4	Washer, M24	
6	1001192711	1	Door Assembly	
7	1001192720	1	Hook Assembly	
8	N.S.S.	1	Weldment, Trash Hopper	
9	1001192875	1	Tray Assembly	
10	1001192876	2	Arm, Swing	
11	1001192877	1	Rod, Swing	
12	1001193525	1	Bar	
13	1001193540	2	Pin	
14	1001193729	2	Plate	
15	1001198355	2	Spacer	
16	1001102813	2	Pin	
17	N.S.S.	1	S/N Plate	
18	1001203503	1	Decal, Trash Hopper Operation	
19	1706302	2	Decal, Pinch Point	
20	0641510	2	Bolt, 5/16-18 x 1-1/4	
21	3311502	2	Nut, 5/16-18	

SECTION 3 - ATTACHMENTS

FIGURE 3-79. CONCRETE BUCKET (CE)



ART_1001106930-C

SECTION 3 - ATTACHMENTS

FIGURE 3-79. CONCRETE BUCKET (CE)

ITEM	PART NUMBER	QTY	DESCRIPTION	REV
	1001106930	1	Concrete Bucket	E
1	70024436	1	Cylinder, Concrete Bucket	
2	70024437	1	Engine, Hydraulic	
3	70024438	1	Valve, Flow Divisor	
4	70024439	1	Valve, Solenoid	
5	70024440	1	Pipe	
6	70024441	1	Pipe	
7	70024442	1	Pipe	
8	70024443	1	Pipe	
9	70024444	2	Pipe	
10	70024445	1	Fitting, 90	
11	70024446	1	Fitting, Tee	
12	70024447	10	Fitting, Straight	
13	70024448	2	Pipe	
14	70024449	2	Fitting, Straight	
15	70024450	2	Gasket	
16	1001104958	2	Fitting, Straight	
17	1001103531	2	Gasket	
18	70022927	2	Gasket	
19	70024452	2	Clamp	
20	70024453	1	Pipe	
21	70024454	1	Pipe	
22	1001101041	1	Coupling, Male Quick Disconnect	
23	1001101042	1	Coupling, Female Quick Disconnect	
24	70027990	1	Valve	
25	70024455	1	Coil	
26	70024456	1	Electric Cable	
27	70027991	2	Fitting, Straight	
28	70027992	1	Regulation plate	
29	70027993	2	Stud	
30	70027994	3	Bolt	
31	70027995	5	Nut, Self Locking	
32	70020728	8	Washer	
33	70024437	1	Hydraulic Engine	
34	70027996	4	Stud	
35	70027997	4	Nut, Self Locking	
36	70027998	1	Pinion	
37	70027999	1	Pinion cover	
38	70028000	1	Bolt	
39	70028001	1	Grower	
40	70028002	4	Washer	
41	70028003	1	Support Flange bearing	
42	70028004	1	Cover seal press	
43	70028005	3	Rope Fat	
44	70020724	4	Bolt	
45	70020726	4	Nut, Self Locking	
46	70020725	4	Washer	
47	70028006	3	Bolt	
48	70028007	3	Grower	
49	70028008	1	Pin	

SECTION 3 - ATTACHMENTS

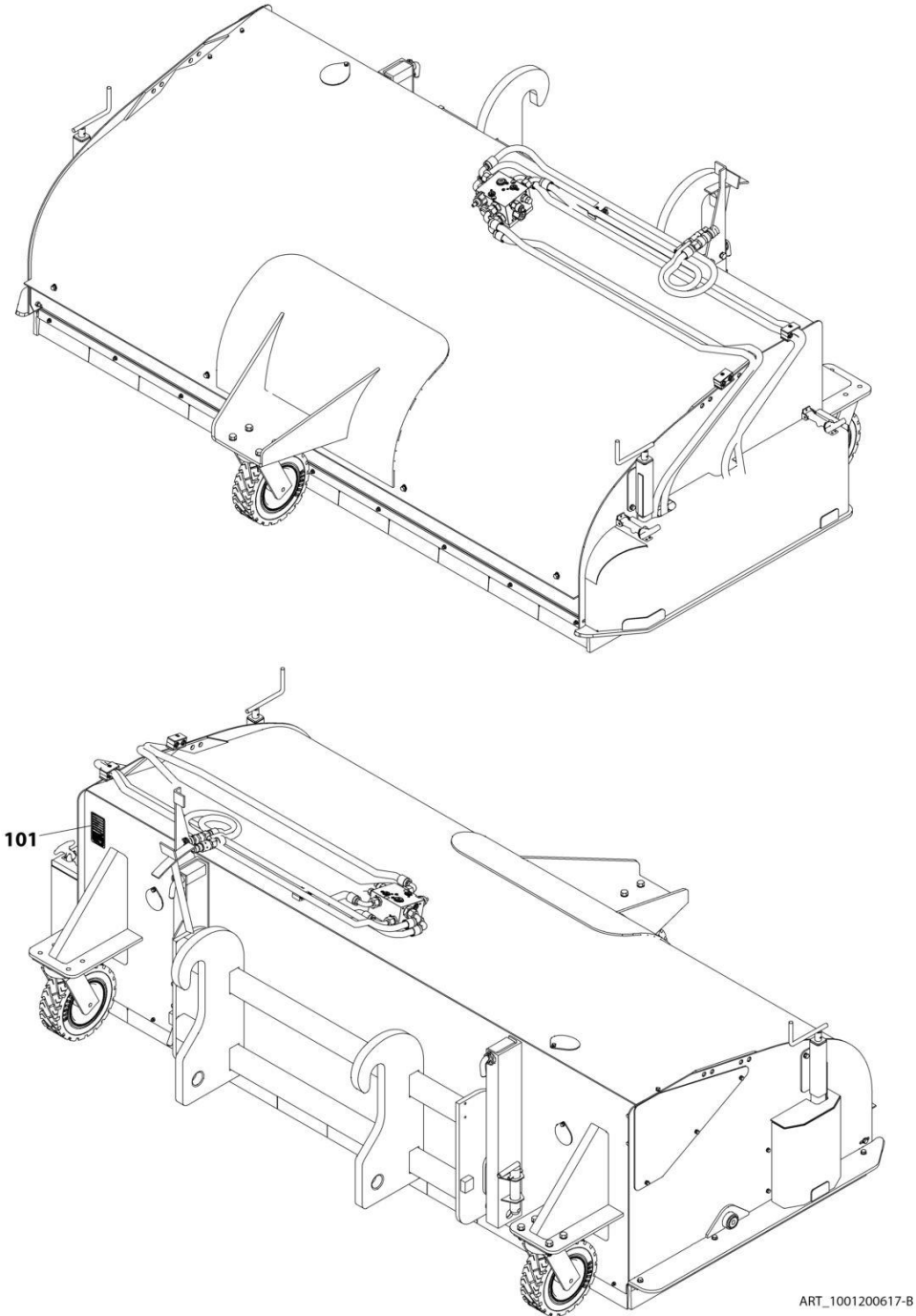
ITEM	PART NUMBER	QTY	DESCRIPTION	REV
50	70028009	1	Tab	
51	70028010	1	Bolt	
52	70028011	1	Koruna Wheels	
53	70028012	1	Fixing Koruna Wheels	
54	70028013	1	Bolt	
55	70028014	1	Track	
56	70028015	1	Pin	
57	70028006	3	Bolt	
58	70028007	3	Grower	
59	70028016	1	Cover seal press	
60	70028017	3	Rope Fat	
61	70028018	4	Bolt	
62	70028019	1	Support flange bearing	
63	70028002	4	Washer	
64	70027997	4	Nut, Self Locking	
65	70028020	1	Helical mixer only carpentry	
66	70028021	8	Central Sector	
67	70028022	1	Left Sector	
68	70028023	1	Right Sector	
69	70028024	8	Bolt	
70	70020728	8	Washer	
71	70027995	8	Nut, Self Locking	
72	70028025	1	Grid only carpentry	
73	70028026	4	Clamp heavy	
74	70028027	2	Pull nitrogen absorber	
75	70028028	4	Bolt	
76	70028029	2	Nitrogen absorber	
77	70028030	4	Bolt	
78	1001103201	4	Nut, Self Locking	
79	70028031	1	Return spring	
80	70028032	1	Bolt	
81	70028033	1	Nut	
82	70028034	1	Sliding door only carpentry	
83	70024436	1	Cylinder	
84	70028035	2	Bolt	
85	1001103201	2	Nut, Self Locking	
86	70028036	1	Gasket Kit	
87	70028037	1	Dump tube	
88	70028038	1	Tube with clevis door blocking	
89	70028039	1	Tube with clevis move	
90	70028040	2	Hose Clamp	
91	70028041	1	Gasket carter	
92	70028042	7	Bolt	
93	70028087	7	Washer	
94	70028007	7	Grower	
95	70021242	1	Greaser	
96	70028043	2	Link	
97	70028044	2	Sleeve	
98	70028046	2	Nut	
99	70028045	2	Link, sleeve, nut	
100	70028047	1	Pipe	

SECTION 3 - ATTACHMENTS

ITEM	PART NUMBER	QTY	DESCRIPTION	REV
101	70021242	1	Greaser	

SECTION 3 - ATTACHMENTS

FIGURE 3-80. SWEEPER (CE & AUS)



ART_1001200617-B

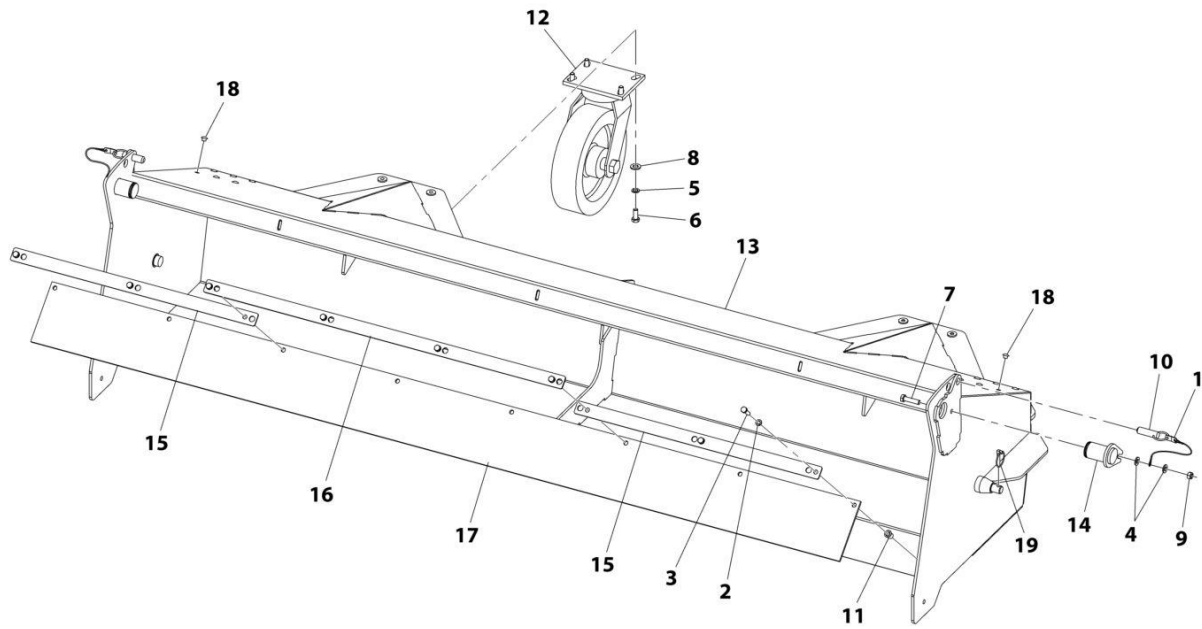
SECTION 3 - ATTACHMENTS

FIGURE 3-80. SWEEPER (CE & AUS)

ITEM	PART NUMBER	QTY	DESCRIPTION	REV
101	1001200617 N.S.S.	1 1	Sweeper Plate, Serial Number	B

SECTION 3 - ATTACHMENTS

FIGURE 3-81. SWEEPER (ANSI)



ART_1001202904_1-B

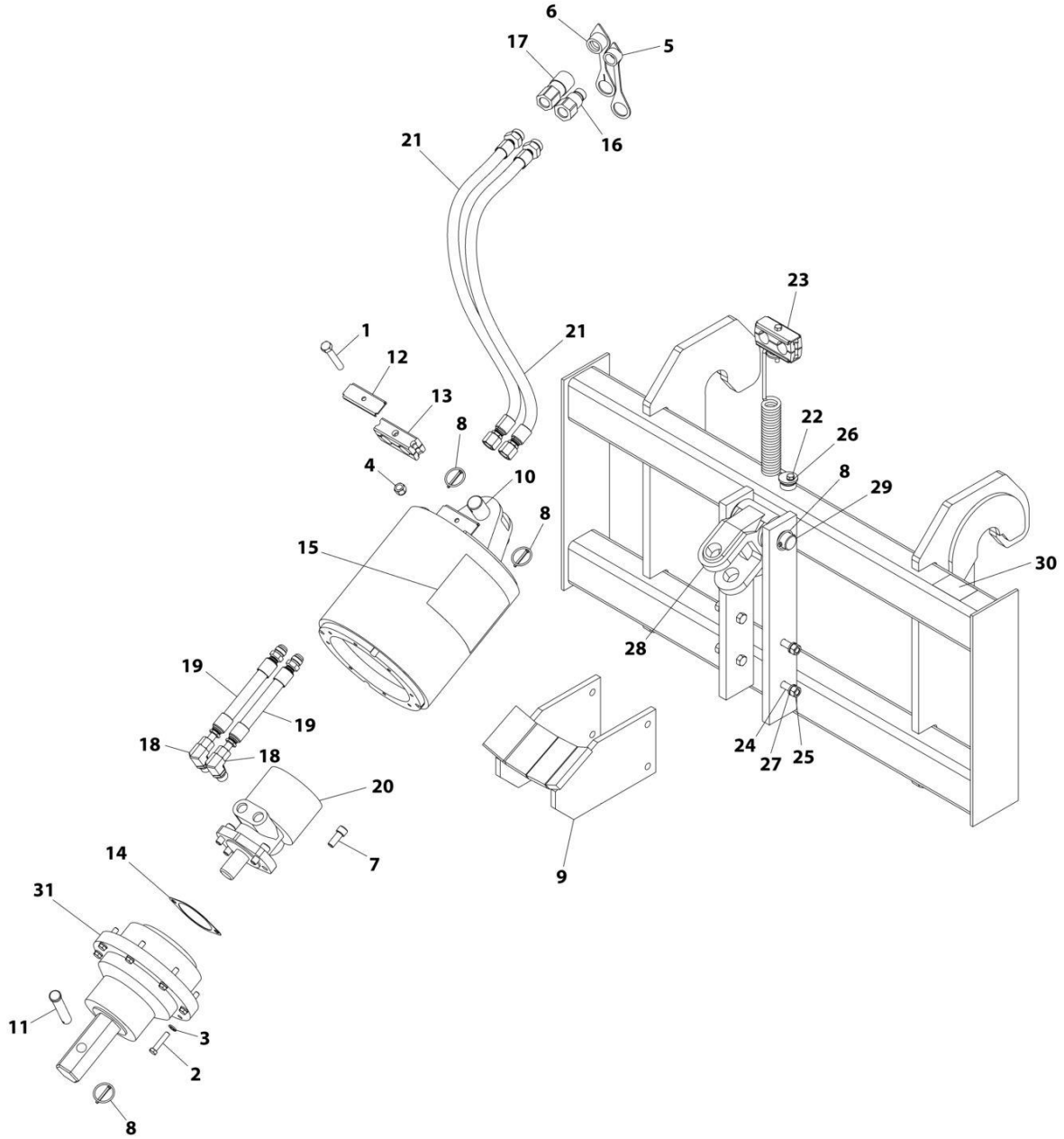
SECTION 3 - ATTACHMENTS

FIGURE 3-81. SWEEPER (ANSI)

ITEM	PART NUMBER	QTY	DESCRIPTION	REV
	1001202904	Ref	SWEEPER ASSEMBLY - HOPPER	
1	70029725	2	Lanyard	
2	70029734	8	Washer	
3	70029735	8	Screw	
4	70029738	4	Washer	
5	70029739	8	Washer	
6	70029740	8	Screw	
7	70029742	2	Screw	
8	70029743	8	Washer	
9	70029747	2	Nut	
10	70029750	2	Pin	
11	70029756	8	Nut	
12	70029762	2	Assembly, Caster	
13	See Note	NSS	Hopper (Note: Purchase Complete Assembly)	
14	70029777	2	Pin	
15	70029780	2	Plate	
16	70029781	1	Plate	
17	70029785	1	Flap	
18	70029792	12	Plug	
19	70029794	2	Pin, Lynch	

SECTION 3 - ATTACHMENTS

FIGURE 3-82. AUGER (COUPLER MOUNTED) (CE & AUS)



ART_1001206173-B

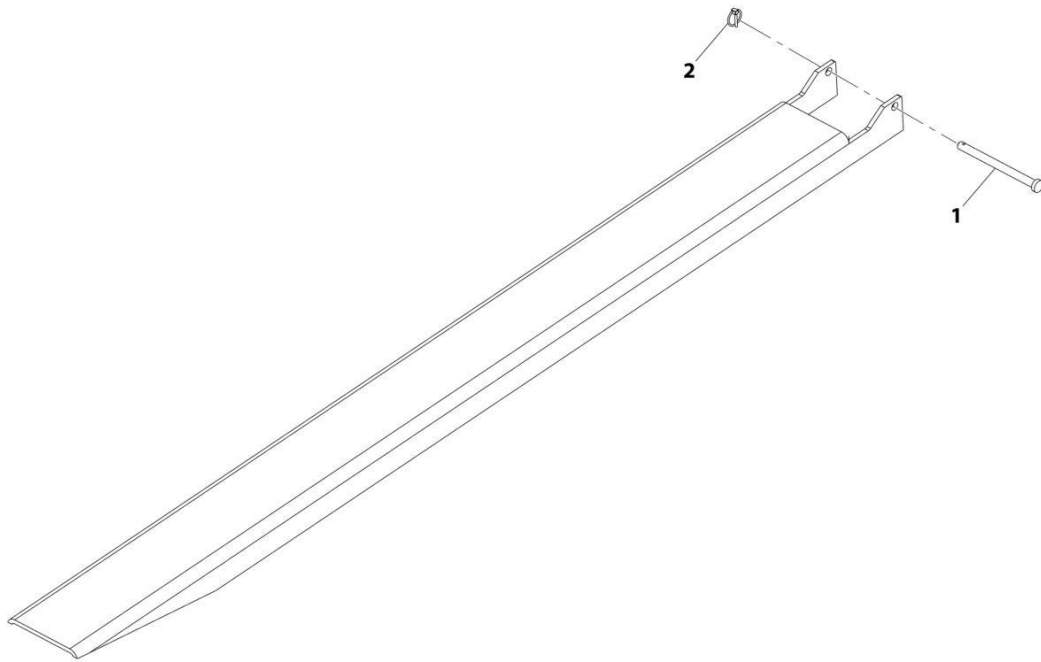
SECTION 3 - ATTACHMENTS

FIGURE 3-82. AUGER (COUPLER MOUNTED) (CE & AUS)

ITEM	PART NUMBER	QTY	DESCRIPTION	REV
	1001206173	1	Auger (Coupler Mounted)	E
1	90554070	1	Bolt	
2	70027774	8	Bolt	
3	90554042	8	Washer, Lock	
4	70027775	1	Nut, Lock	
5	1001093826	1	Cap, Male Dust	
6	1001093827	1	Cap, Female Dust	
7	70027776	4	Bolt	
8	70027777	5	Pin	
9	70027778	1	Bracket, Cradle	
10	70027781	1	Pin	
11	70027782	1	Pin	
12	70027783	1	Plate, Hose Cushion	
13	70027784	1	Block, Hose Cushion	
14	70027785	1	Gasket, Motor	
15	70027787	2	Decal, Danger	
16	1001101041	1	Coupler, Male Hydraulic	
17	1001101042	1	Coupler, Female Hydraulic	
18	70027788	2	Fitting	
19	70027789	2	Hose	
20	70027791	1	Motor	
21	70027794	2	Hose	
22	70027773	1	Bolt	
23	70027792	1	Clamp, Hose	
24	90554019	4	Bolt	
25	90554054	4	Nut	
26	90554067	1	Washer, Lock	
27	90554020	4	Washer, Lock	
28	70027779	1	Swivel	
29	70027780	1	Pin	
30	70027786	1	Decal, Warning	
31	70027793	1	Gearbox, Planetary	
101	N.S.S.	1	Plate, Serial Number	

SECTION 3 - ATTACHMENTS

FIGURE 3-83. FORK EXTENSIONS (62X163X2286) (ANSI)



ART_1001137512-D

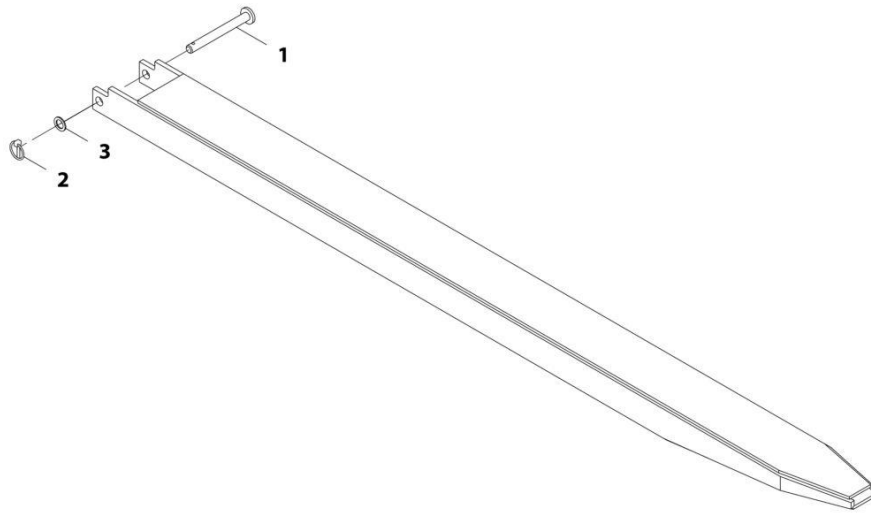
SECTION 3 - ATTACHMENTS

FIGURE 3-83. FORK EXTENSIONS (62X163X2286) (ANSI)

ITEM	PART NUMBER	QTY	DESCRIPTION	REV
	1001137512	2 pr	Fork Extensions (62X163X2286)	D
1	70024306	1	Pin	
2	70024307	1	Clip	

SECTION 3 - ATTACHMENTS

FIGURE 3-84. FORK EXTENSION (50X100X1910) (CE)



ART_1001112559-C

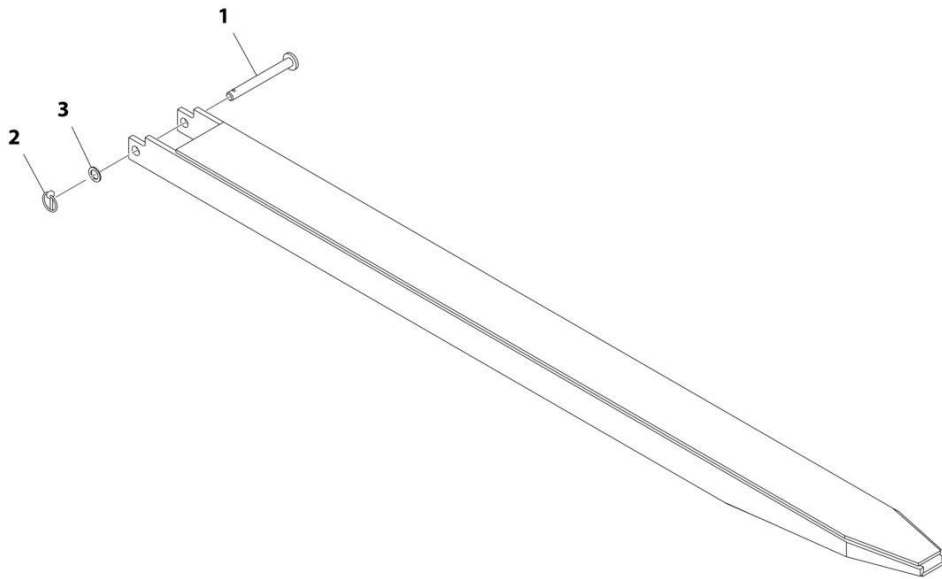
SECTION 3 - ATTACHMENTS

FIGURE 3-84. FORK EXTENSION (50X100X1910) (CE)

ITEM	PART NUMBER	QTY	DESCRIPTION	REV
	1001112559	1	Fork Extension (50X100X1910)	C
1	70022831	1	Kit, Pin	
2	N.S.S.	1	Pin, Locking	
3	N.S.S.	1	Washer	

SECTION 3 - ATTACHMENTS

FIGURE 3-85. FORK EXTENSIONS (60X100X1920) (AUS)



ART_1001112560-B

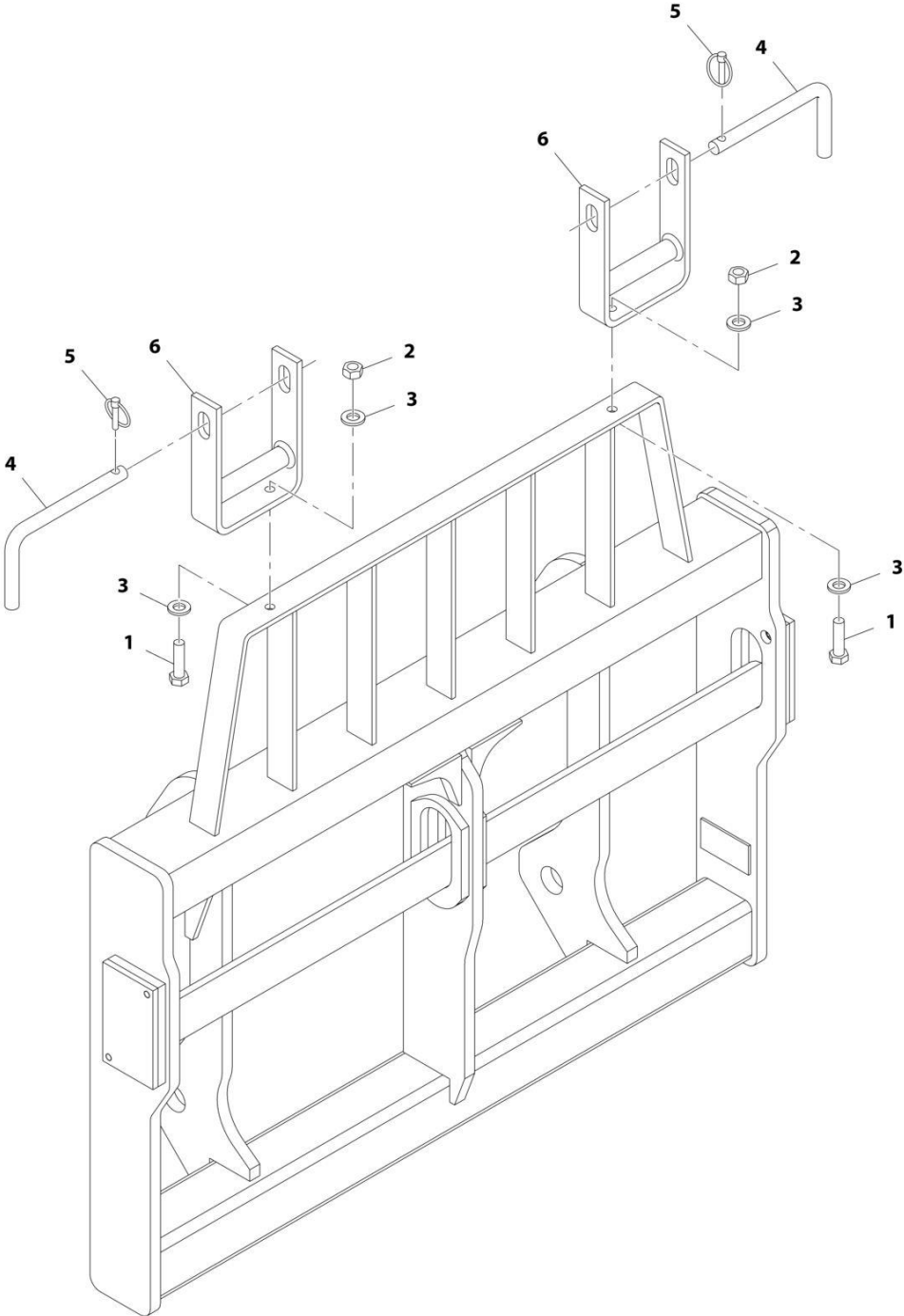
SECTION 3 - ATTACHMENTS

FIGURE 3-85. FORK EXTENSIONS (60X100X1920) (AUS)

ITEM	PART NUMBER	QTY	DESCRIPTION	REV
	1001112560	1	Fork Extension (60X100X1920)	B
1	70022831	1	Kit, Pin	
2	N.S.S.	1	Pin, Locking	
3	N.S.S.	1	Washer	

SECTION 3 - ATTACHMENTS

FIGURE 3-86. FORK TRANSPORT LATCHES INSTALLATION



ART_1001221644-A

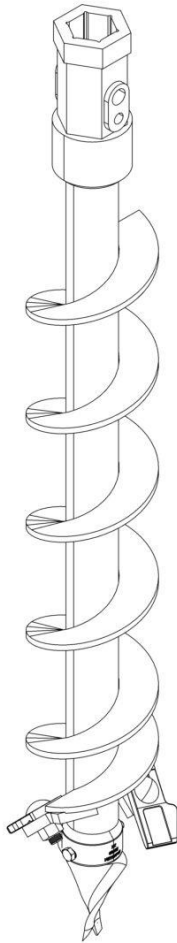
SECTION 3 - ATTACHMENTS

FIGURE 3-86. FORK TRANSPORT LATCHES INSTALLATION

ITEM	PART NUMBER	QTY	DESCRIPTION	REV
	1001221644	Ref	Fork Transport Latches Installation	A
1	0701217	2	Bolt, M12X45	
2	3291201	2	Nut, M12X1.75	
3	5241200	4	Washer, M12	
4	1001100262	2	Pin	
5	1001109387	2	Pin	
6	1001152259	2	Bracket	

SECTION 3 - ATTACHMENTS

FIGURE 3-87. AUGER BIT (6INX4IN)



ART_1001204128-B

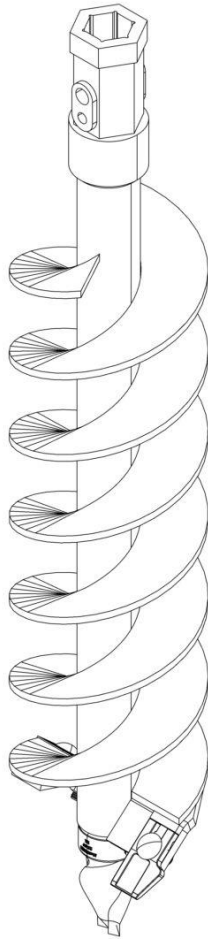
SECTION 3 - ATTACHMENTS

FIGURE 3-87. AUGER BIT (6INX4IN)

ITEM	PART NUMBER	QTY	DESCRIPTION	REV
	1001204128	Ref	Auger Bit (6INX4IN)	B

SECTION 3 - ATTACHMENTS

FIGURE 3-88. AUGER BIT (9INX4IN)



ART_1001204129-B

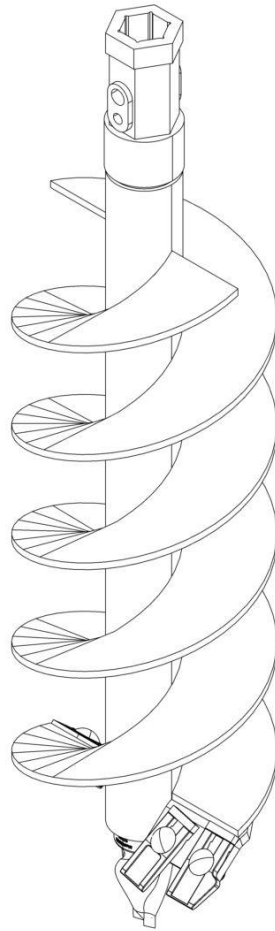
SECTION 3 - ATTACHMENTS

FIGURE 3-88. AUGER BIT (9INX4IN)

ITEM	PART NUMBER	QTY	DESCRIPTION	REV
	1001204129	Ref	Auger Bit (9INX4IN)	B

SECTION 3 - ATTACHMENTS

FIGURE 3-89. AUGER BIT (12INX4IN)



ART_1001204130-B

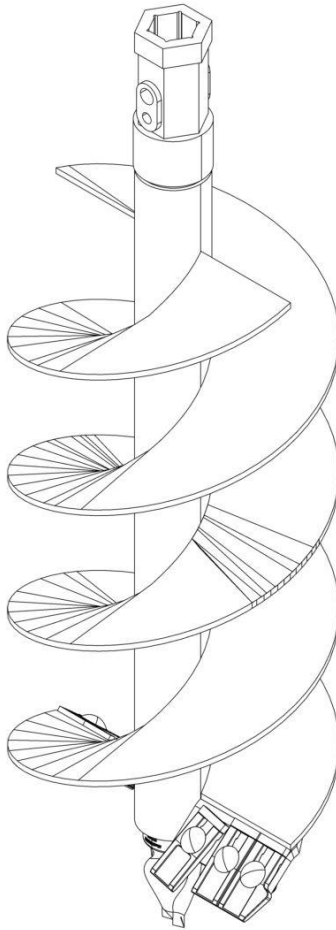
SECTION 3 - ATTACHMENTS

FIGURE 3-89. AUGER BIT (12INX4IN)

ITEM	PART NUMBER	QTY	DESCRIPTION	REV
	1001204130	Ref	Auger Bit (12INX4IN)	B

SECTION 3 - ATTACHMENTS

FIGURE 3-90. AUGER BIT (15INX4IN)



ART_1001204131-B

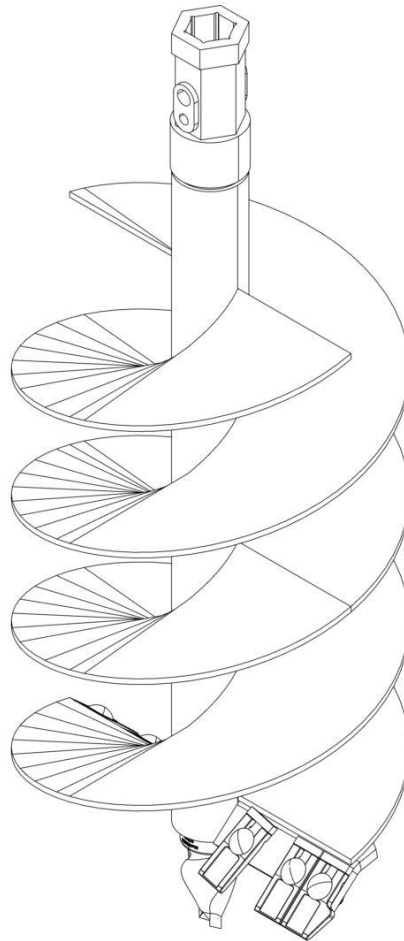
SECTION 3 - ATTACHMENTS

FIGURE 3-90. AUGER BIT (15INX4IN)

ITEM	PART NUMBER	QTY	DESCRIPTION	REV
	1001204131	Ref	Auger Bit (15INX4IN)	B

SECTION 3 - ATTACHMENTS

FIGURE 3-91. AUGER BIT (18INX4IN)



ART_1001204132-B

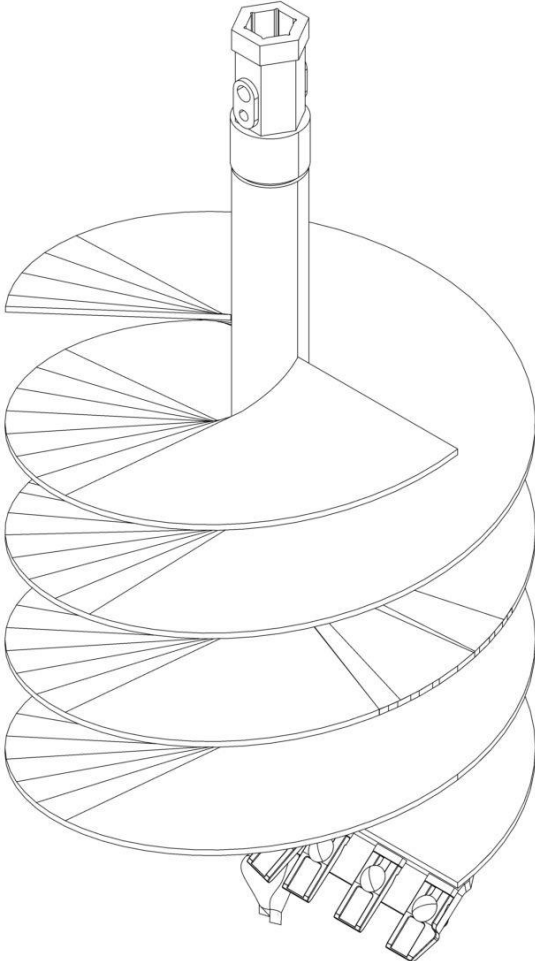
SECTION 3 - ATTACHMENTS

FIGURE 3-91. AUGER BIT (18INX4IN)

ITEM	PART NUMBER	QTY	DESCRIPTION	REV
	1001204132	Ref	Auger Bit (18INX4IN)	B

SECTION 3 - ATTACHMENTS

FIGURE 3-92. AUGER BIT (24INX4IN)



ART_1001204133-B

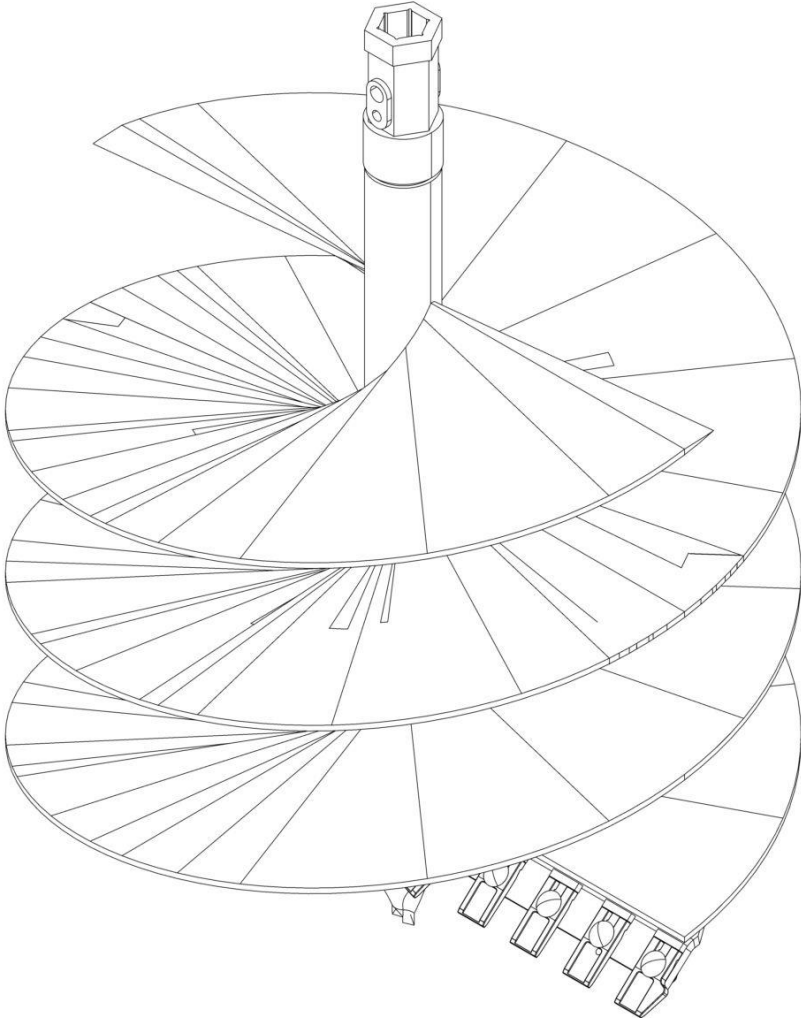
SECTION 3 - ATTACHMENTS

FIGURE 3-92. AUGER BIT (24INX4IN)

ITEM	PART NUMBER	QTY	DESCRIPTION	REV
	1001204133	Ref	Auger Bit (24INX4IN)	B

SECTION 3 - ATTACHMENTS

FIGURE 3-93. AUGER BIT (36INX4IN)



ART_1001204134-B

SECTION 3 - ATTACHMENTS

FIGURE 3-93. AUGER BIT (36INX4IN)

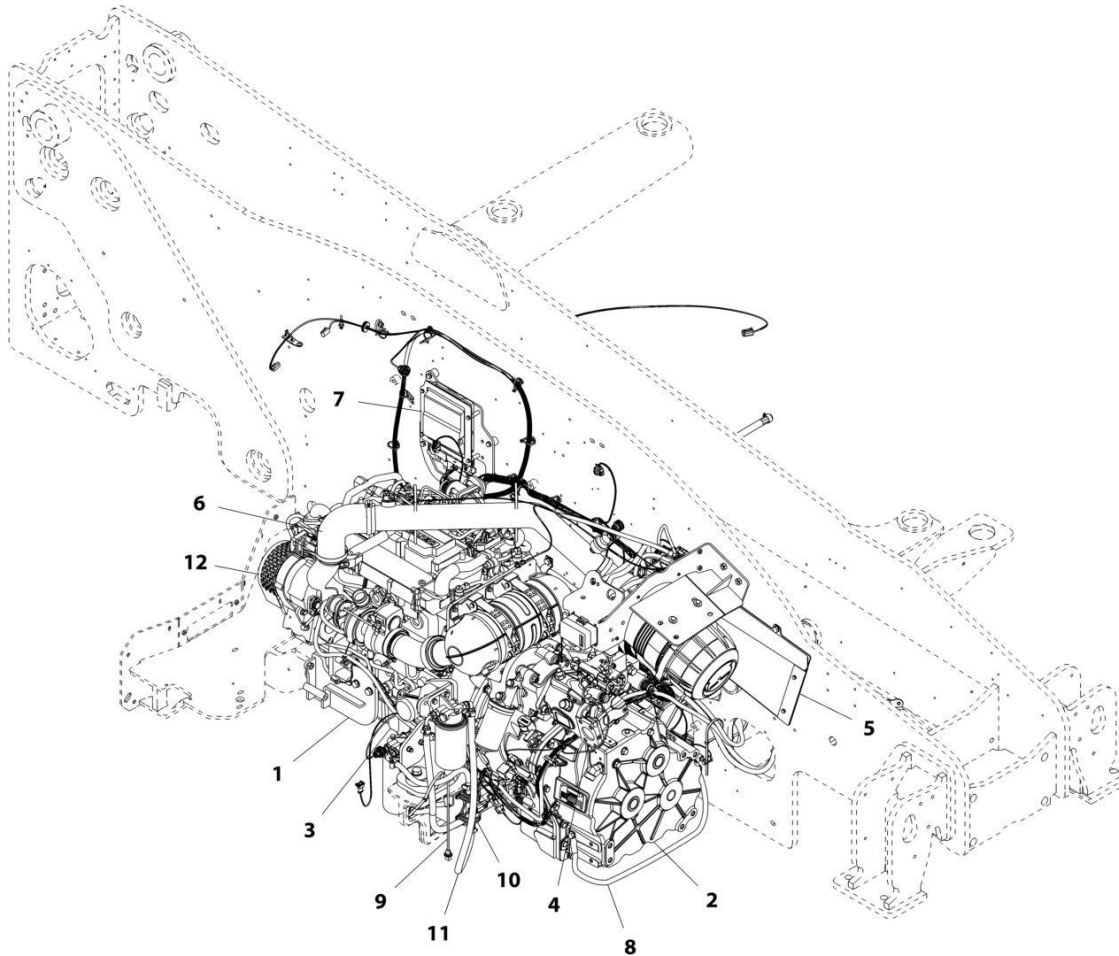
ITEM	PART NUMBER	QTY	DESCRIPTION	REV
	1001204134	Ref	Auger Bit (36INX4IN)	B

SECTION 4 - ENGINE AND ATTACHING PARTS

SECTION 4 - ENGINE AND ATTACHING PARTS

SECTION 4 - ENGINE AND ATTACHING PARTS

FIGURE 4-1. ENGINE INSTALLATION (74.4KW - ULS - PISTON PUMP)



ART_1001175306-E

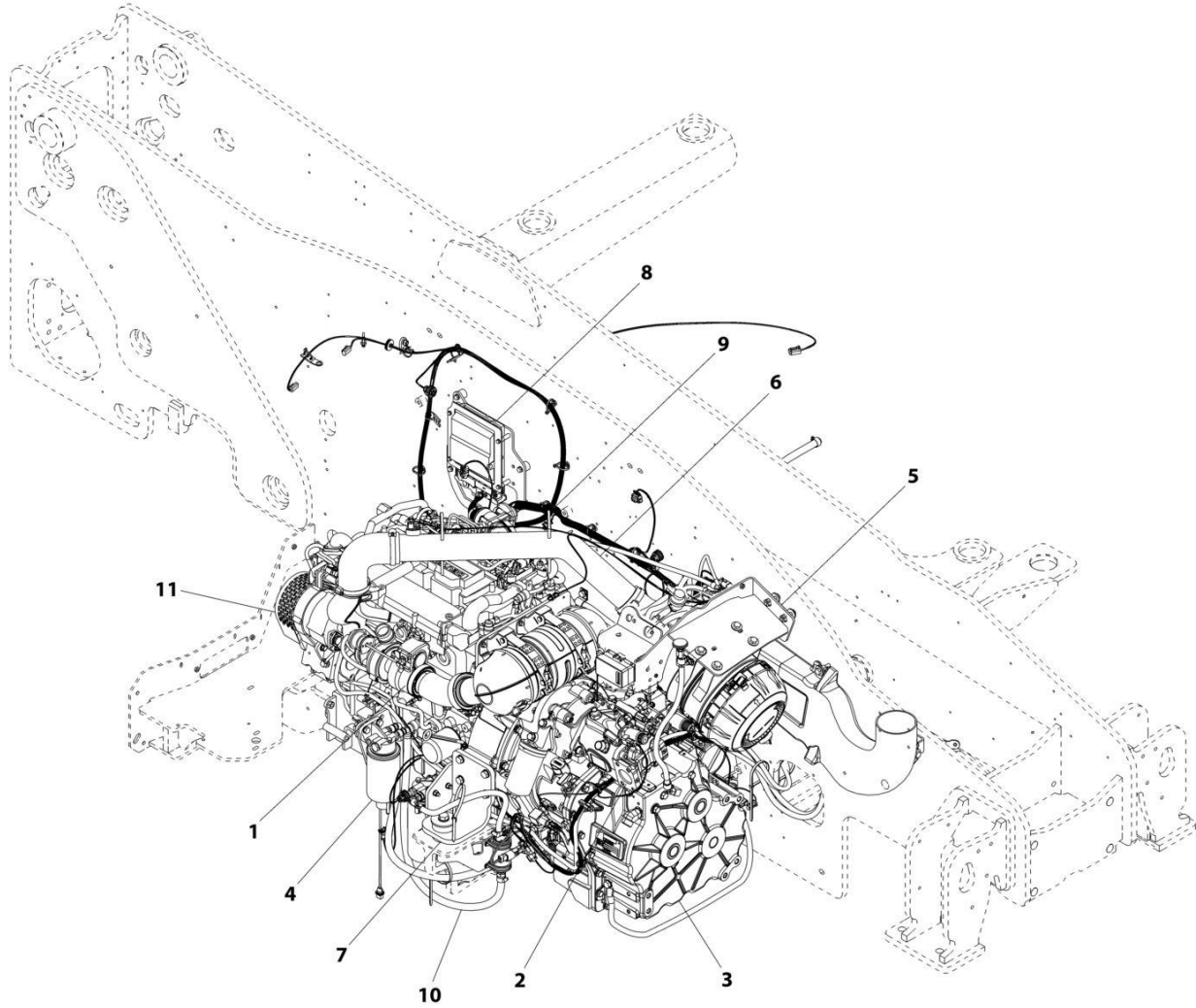
SECTION 4 - ENGINE AND ATTACHING PARTS

FIGURE 4-1. ENGINE INSTALLATION (74.4KW - ULS - PISTON PUMP)

ITEM	PART NUMBER	QTY	DESCRIPTION	REV
1	1001175306	Ref	Engine Installation (74.4KW - ULS - Piston Pump)	E
	1001188466	Ref	Installation, Engine Mounting (74.4KW) (See Separate Breakdown in this Section)	
2	1001200180	Ref	Installation, Transmission (4 SPD) (See Separate Breakdown in Drivetrain Section)	
3	1001175550	1	Engine, 3.6L (74.4KW - ULS - Piston Pump) (See Separate Breakdown in this Section)	
4	1001177863	Ref	Installation, Main Hydraulic Pump (See Separate Breakdown in HYDRAULIC CIRCUITS Section)	
5	1001182040	Ref	Installation, Air Cleaner (74.4KW - ULS) (See Separate Breakdown in this Section)	
6	1001182041	Ref	Installation, Air Intake Lines (74.4KW - ULS) (See Separate Breakdown in this Section)	
7	1001182735	Ref	Installation, Engine ECU (ULS) (See Separate Breakdown in ELECTRICAL Section)	
8	1001185375	Ref	Installation, Engine Wiring (ULS) (See Separate Breakdown in ELECTRICAL Section)	
9	1001211729	Ref	Installation, Primary Fuel Filter (74.4KW - ULS) (See Separate Breakdown in this Section)	
10	1001165789	Ref	Installation, Remote Fuel Pump (74.4KW) (See Separate Breakdown in this Section)	
11	1001185181	Ref	Installation, Fuel Lines (ULS) (See Separate Breakdown in this Section)	
12	1001182235	Ref	Installation, Bracket Guard (See Separate Breakdown in this Section)	

SECTION 4 - ENGINE AND ATTACHING PARTS

FIGURE 4-2. ENGINE INSTALLATION (90KW - ULS - PISTON PUMP)



ART_1001175309-E

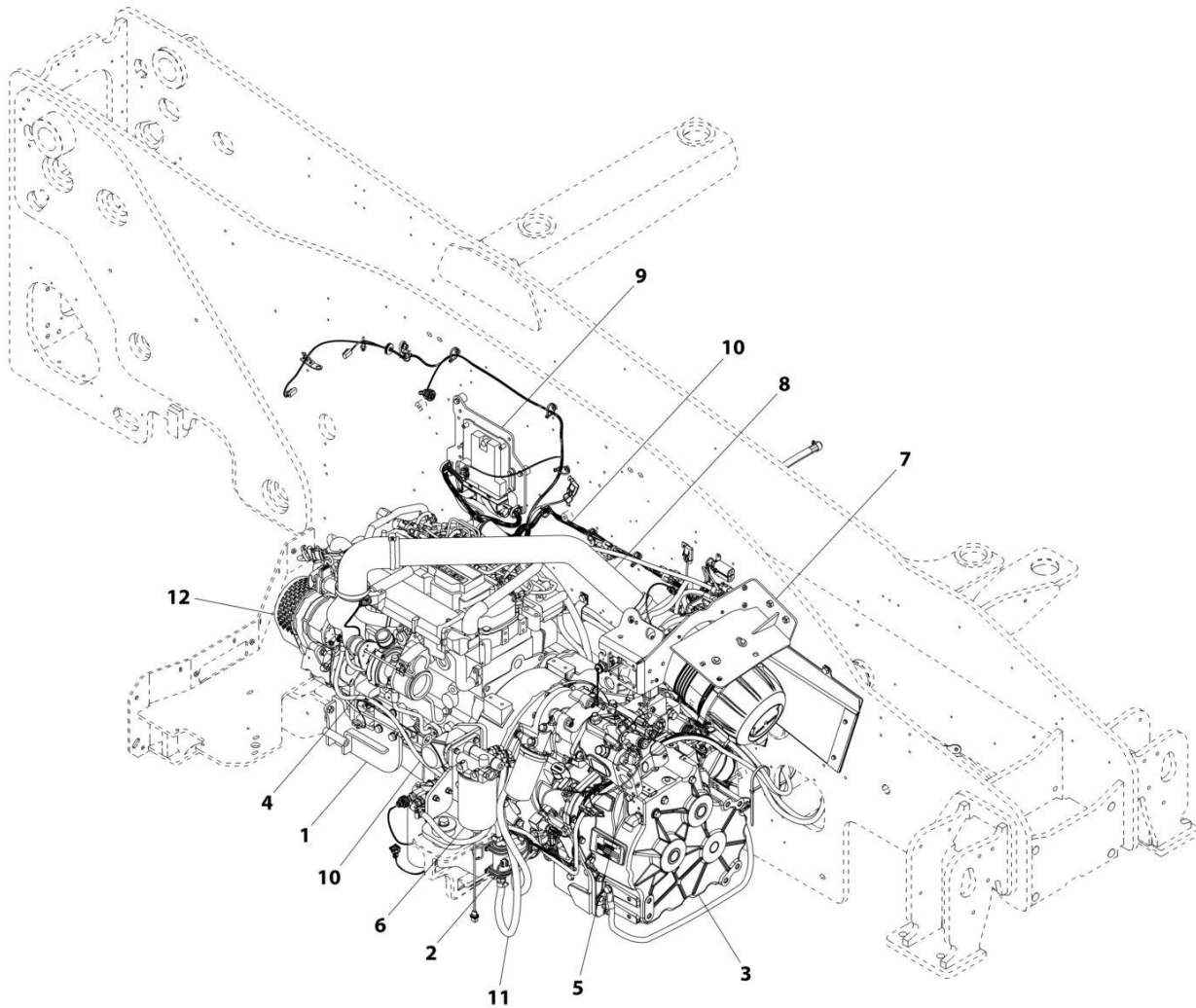
SECTION 4 - ENGINE AND ATTACHING PARTS

FIGURE 4-2. ENGINE INSTALLATION (90KW - ULS - PISTON PUMP)

ITEM	PART NUMBER	QTY	DESCRIPTION	REV
	1001175309	Ref	Engine Installation (90KW - ULS - Piston Pump)	D
1	1001175553	1	Engine, 3.6L (90KW - ULS - Piston Pump) (See Separate Breakdown in this Section)	
2	1001177863	Ref	Installation, Main Hydraulic Pump (See Separate Breakdown in HYDRAULIC CIRCUITS Section)	
3	1001178439	Ref	Installation, Transmission (6 SPD) (See Separate Breakdown in DRIVETRAIN Section)	
4	1001181951	Ref	Installation, Fuel Filter (90/100KW - ULS) (See Separate Breakdown in this Section)	
5	1001182036	Ref	Installation, Air Cleaner (90/100KW) (See Separate Breakdown in this Section)	
6	1001182037	Ref	Installation, Air Intake Lines (90/100KW - ULS) (See Separate Breakdown in this Section)	
7	1001182582	Ref	Installation, Engine Mounting (90/100KW) (See Separate Breakdown in this Section)	
8	1001182735	Ref	Installation, Engine ECU (ULS) (See Separate Breakdown in this Section)	
9	1001185375	Ref	Installation, Engine Wiring (ULS) (See Separate Breakdown in ELECTRICAL Section)	
10	1001197821	Ref	Installation, Fuel Lines (ULS - RHOC) (See Separate Breakdown in this Section)	
11	1001182235	Ref	Installation, Bracket Guard (See Separate Breakdown in this Section)	

SECTION 4 - ENGINE AND ATTACHING PARTS

FIGURE 4-3. ENGINE INSTALLATION (74.4KW - LS - PISTON PUMP)



ART_1001175313-E

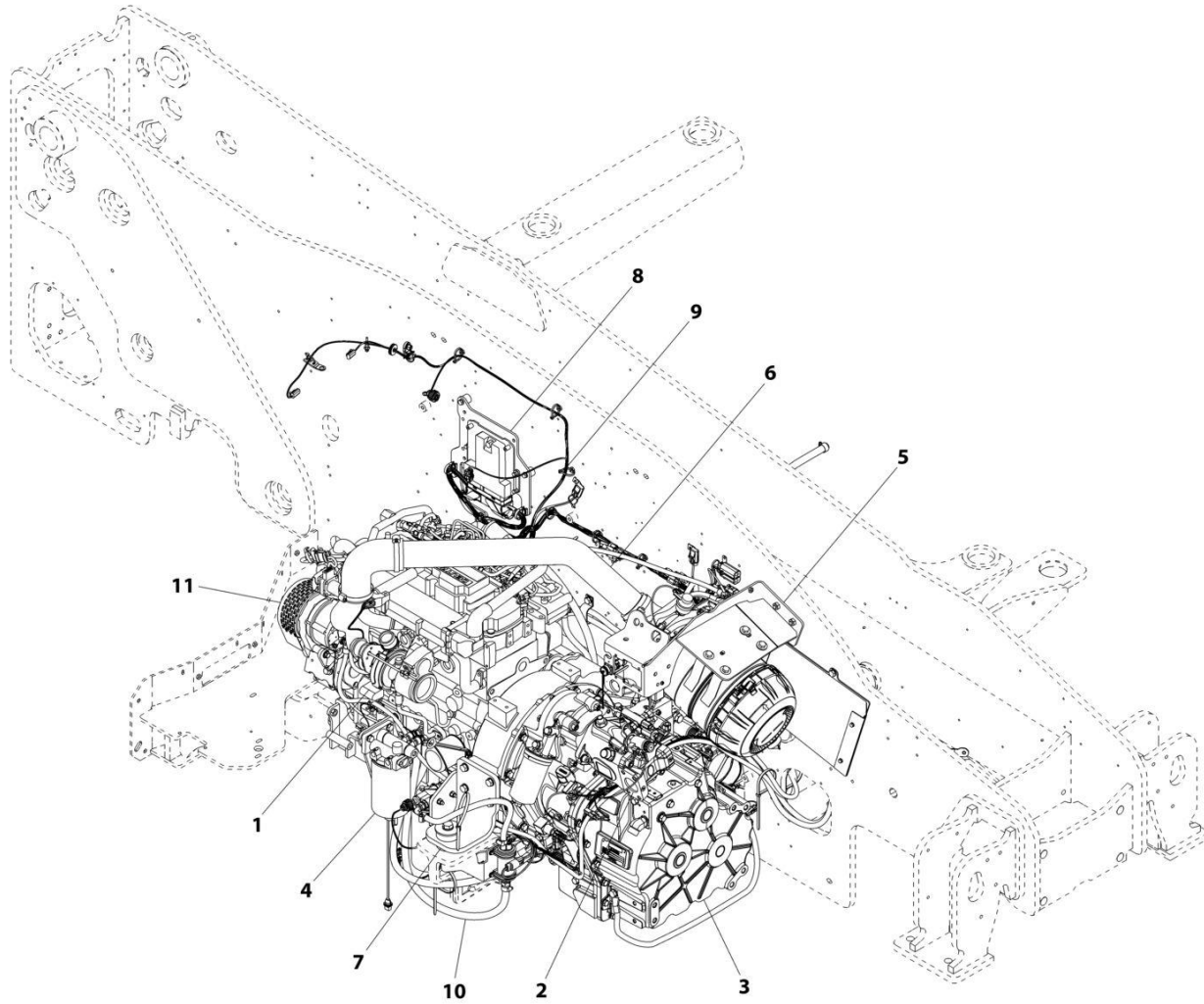
SECTION 4 - ENGINE AND ATTACHING PARTS

FIGURE 4-3. ENGINE INSTALLATION (74.4KW - LS - PISTON PUMP)

ITEM	PART NUMBER	QTY	DESCRIPTION	REV
	1001175313	Ref	Engine Installation (74.4KW - LS - Piston Pump)	E
1	1001188466	Ref	Installation, Engine Mounting (74.4KW) (See Separate Breakdown in this Section)	
2	1001165789	Ref	Installation, Remote Fuel Pump (74.4KW) (See Separate Breakdown in this Section)	
3	1001200180	Ref	Installation, Transmission (4 SPD) (See Separate Breakdown in DRIVETRAIN Section)	
4	1001175552	1	Engine, 3.6L (74.4KW - LS - Piston Pump) (See Separate Breakdown in this Section)	
5	1001177863	Ref	Installation, Main Hydraulic Pump (See Separate Breakdown in HYDRAULIC CIRCUITS Section)	
6	1001211730	Ref	Installation, Primary Fuel Filter (74.4KW - LS) (See Separate Breakdown in this Section)	
7	1001182042	Ref	Installation, Air Cleaner (74.4KW - LS) (See Separate Breakdown in this Section)	
8	1001182043	Ref	Installation, Air Intake Lines (74.4KW - LS) (See Separate Breakdown in this Section)	
9	1001182736	Ref	Installation, Engine ECU (LS) (See Separate Breakdown in ELECTRICAL Section)	
10	1001185377	Ref	Installation, Engine Wiring (LS) (See Separate Breakdown in ELECTRICAL Section)	
11	1001197826	Ref	Installation, Fuel Lines (LS) (See Separate Breakdown in this Section)	
12	1001182235	Ref	Installation, Bracket Guard (See Separate Breakdown in this Section)	

SECTION 4 - ENGINE AND ATTACHING PARTS

FIGURE 4-4. ENGINE INSTALLATION (90KW - LS - PISTON PUMP)



ART_1001175315-D

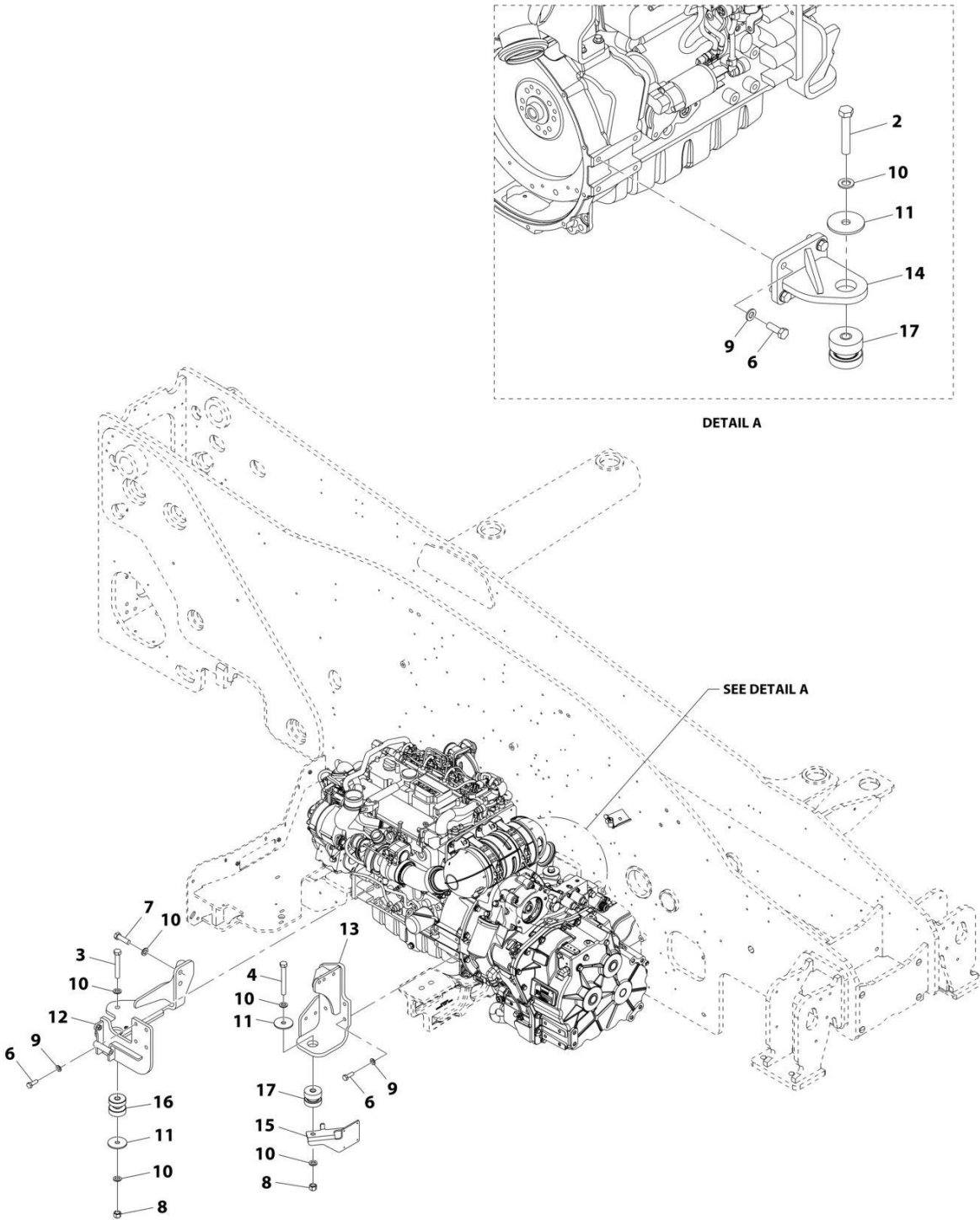
SECTION 4 - ENGINE AND ATTACHING PARTS

FIGURE 4-4. ENGINE INSTALLATION (90KW - LS - PISTON PUMP)

ITEM	PART NUMBER	QTY	DESCRIPTION	REV
1	1001175315 1001175554	Ref 1	Engine Installation (90KW - LS - Piston Pump) Engine, 3.6L (90KW - LS - Piston Pump) (See Separate Breakdown in this Section)	D
2	1001177863	Ref	Installation, Main Hydraulic Pump (See Separate Breakdown in HYDRAULIC CIRCUITS Section)	
3	1001178439	Ref	Installation, Transmission (6 SPD) (See Separate Breakdown in DRIVETRAIN Section)	
4	1001181952	Ref	Installation, Primary Fuel Filter (90KW - LS) (See Separate Breakdown in this Section)	
5	1001182036	Ref	Installation, Air Cleaner (90/100KW) (See Separate Breakdown in this Section)	
6	1001182039	Ref	Installation, Air Intake Lines (90KW - LS) (See Separate Breakdown in this Section)	
7	1001182582	Ref	Installation, Engine Mounting (90/100KW) (See Separate Breakdown in this Section)	
8	1001182736	Ref	Installation, Engine ECU (LS) (See Separate Breakdown in ELECTRICAL Section)	
9	1001185377	Ref	Installation, Engine Wiring (LS) (See Separate Breakdown in ELECTRICAL Section)	
10	1001185189	Ref	Installation, Fuel Lines (LS - RHOC) (See Separate Breakdown in this Section)	
11	1001182235	Ref	Installation, Bracket Guard (See Separate Breakdown in this Section)	

SECTION 4 - ENGINE AND ATTACHING PARTS

FIGURE 4-5. ENGINE MOUNTING INSTALLATION (74.4KW)



ART_1001188466-E

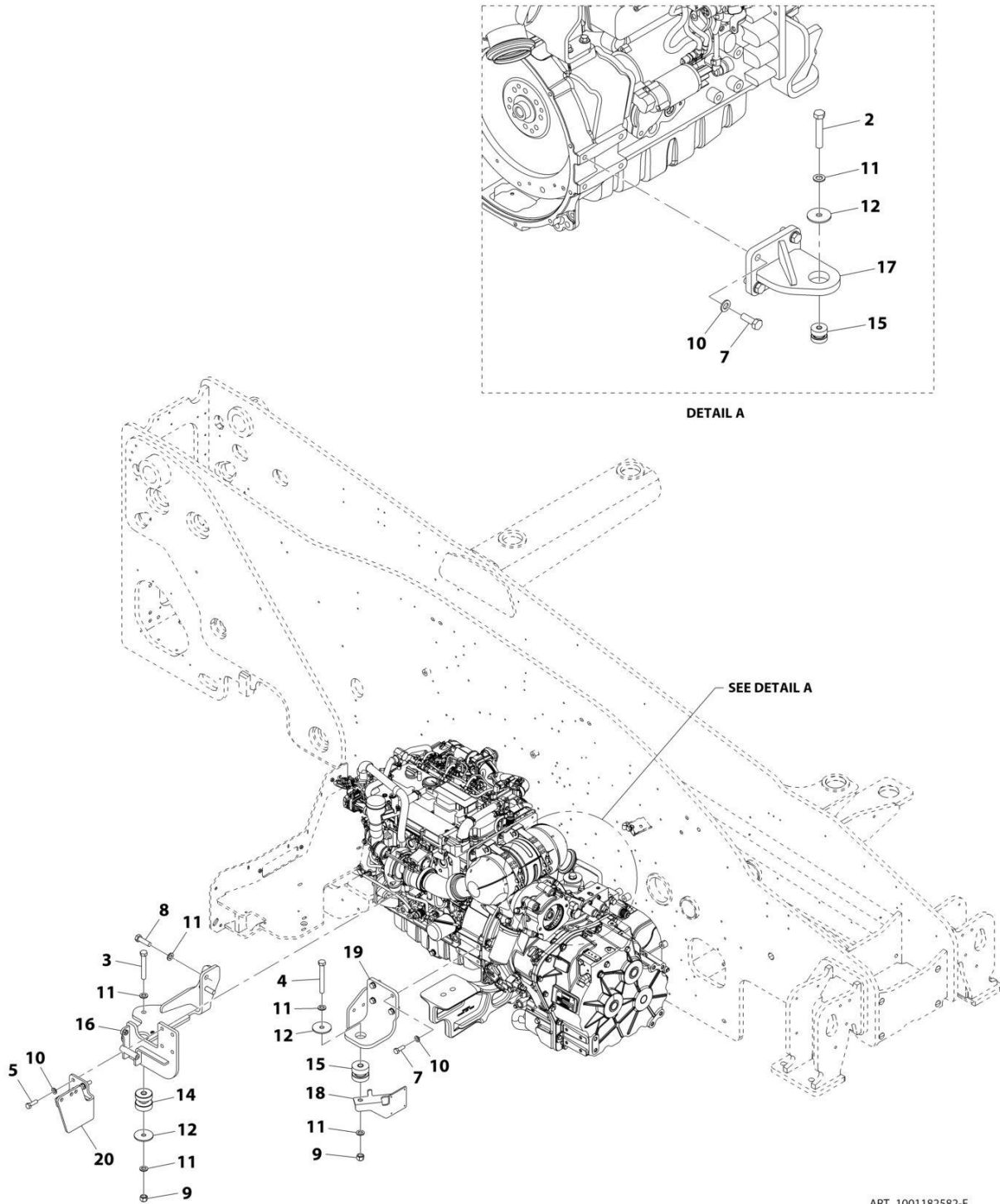
SECTION 4 - ENGINE AND ATTACHING PARTS

FIGURE 4-5. ENGINE MOUNTING INSTALLATION (74.4KW)

ITEM	PART NUMBER	QTY	DESCRIPTION	REV
	1001188466	Ref	Engine Mounting Installation (74.4KW)	E
2	0701626	1	Bolt, M16X90	
3	0701628	1	Bolt, M16X110	
4	0701630	1	Bolt, M16X130	
6	0761215	12	Bolt, M12X35	
7	0761619	2	Bolt, M16X55	
8	3291605	2	Bolt, M16X2	
9	4812100	12	Washer, M12	
10	4812300	7	Washer, M16	
11	7300435	3	Washer	
12	1001169216	1	Bracket, Engine Mount	
13	1001169309	1	Bracket, Engine Mount	
14	1001169424	1	Bracket, Engine Mount	
15	1001188204	1	Bracket, Fuel Pump	
16	1001163387	1	Mount, Isolator Engine	
17	1001195518	2	Mount, Isolator Engine	

SECTION 4 - ENGINE AND ATTACHING PARTS

FIGURE 4-6. ENGINE MOUNTING INSTALLATION (90KW/100KW)



ART_1001182582-F

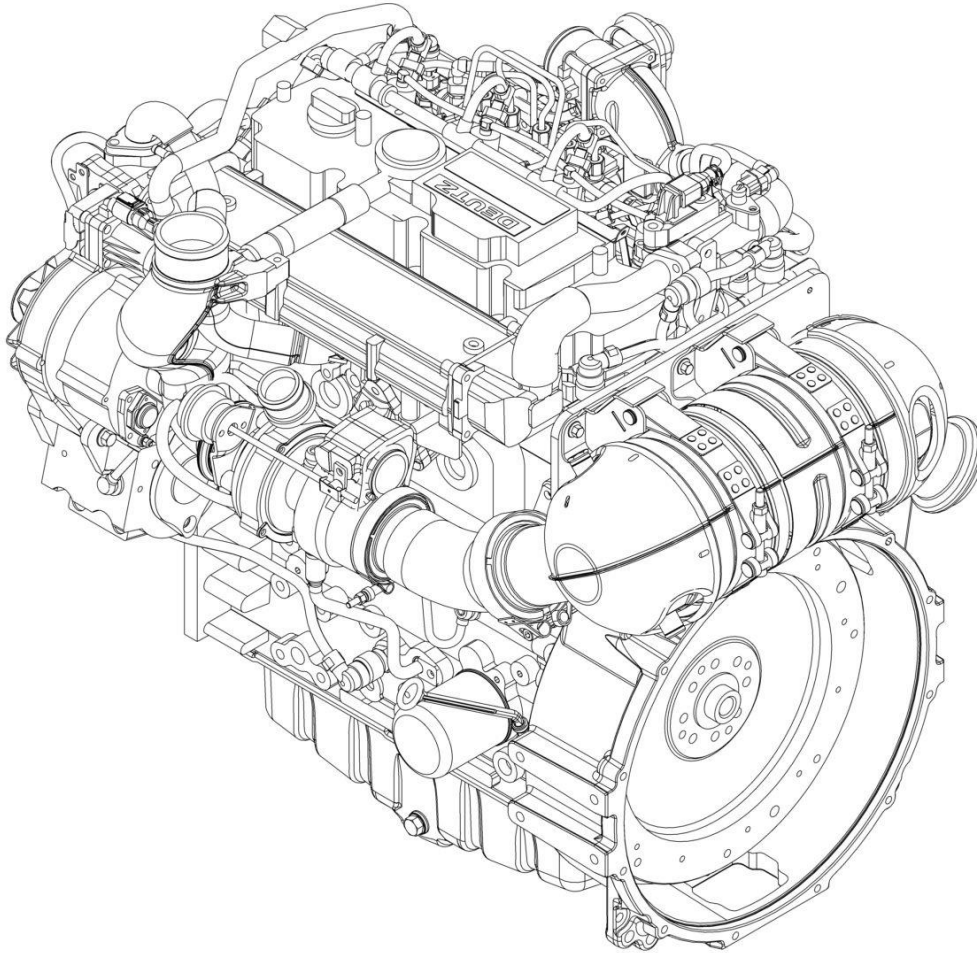
SECTION 4 - ENGINE AND ATTACHING PARTS

FIGURE 4-6. ENGINE MOUNTING INSTALLATION (90KW/100KW)

ITEM	PART NUMBER	QTY	DESCRIPTION	REV
	1001182582	Ref	Engine Mounting Installation (90KW/100KW)	G
2	0701626	1	Bolt, M16X90	
3	0701628	1	Bolt, M16X110	
4	0701630	1	Bolt, M16X130	
5	0761216	4	Bolt, M12X40	
7	0761215	8	Bolt, M12X35	
8	0761619	2	Bolt, M16X55	
9	3291605	2	Bolt, M16X2	
10	4812100	12	Washer, M12	
11	4812300	7	Washer, M16	
12	7300435	3	Washer	
14	1001163387	1	Mount, Isolator Engine	
15	1001195518	2	Mount, Isolator Engine	
16	1001169216	1	Bracket, Engine Mount	
17	1001169424	1	Bracket, Engine Mount	
18	1001188204	1	Bracket, Fuel Pump	
19	1001183745	1	Bracket, Engine Mount	
20	1001189586	1	Bracket, Fuel Filter	

SECTION 4 - ENGINE AND ATTACHING PARTS

FIGURE 4-7. 3.6L ENGINE (74.4KW - ULS - PISTON PUMP)



ART_1001175550-E

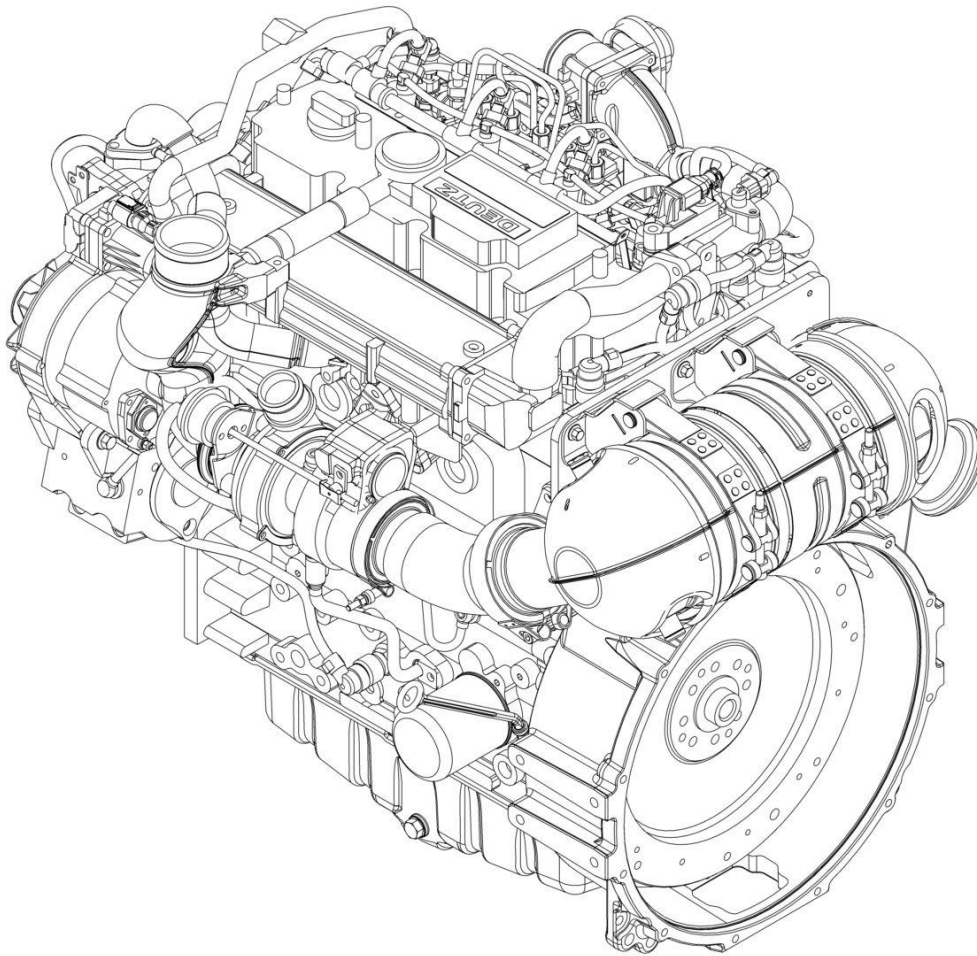
SECTION 4 - ENGINE AND ATTACHING PARTS

FIGURE 4-7. 3.6L ENGINE (74.4KW - ULS - PISTON PUMP)

ITEM	PART NUMBER	QTY	DESCRIPTION	REV
	1001175550	Ref	3.6L Engine (74.4KW - ULS - Piston Pump)	E
	70027657	1	Dipstick	
	7020442	2	O-Ring	
	7020465	1	Cap, Filler	
	70025205	1	Gasket	
	70004280	1	Seal	
	7016331	1	Filter, Oil	
	70024494	1	Oil cooler	
	70024495	1	Gasket	
	70024509	1	Gasket	
	70011901	1	Pump, High Pressure	
	70024485	4	Injector, Fuel	
	70024504	1	Sensor, Pressure	
	70024920	1	Seal	
	70026011	1	Pump, Water	
	70024918	1	Sender, Coolant Temperature	
	70005504	1	Sensor, Pressure	
	70005505	2	O-Seal	
	70027405	1	Sensor, Temperature	
	70005507	2	O-Seal	
	70005515	1	Turbocharger	
	70024480	1	Gasket	
	70027404	1	Oil Pressure Sensor	
	70027403	1	V-Belt	
	70025535	1	Starter	
	70026210	1	Speed Sensor	
	70005191	1	O-Ring	
	70005556	1	Sensor, Temperature	
	70005559	1	Sensor, Temperature	
	70027417	1	Filter, Fuel	
	1001225432	1	Element, Filter	
	70024961	1	Prefilter, Fuel	

SECTION 4 - ENGINE AND ATTACHING PARTS

FIGURE 4-8. 3.6L ENGINE (90KW - ULS - PISTON PUMP)



ART_1001175553

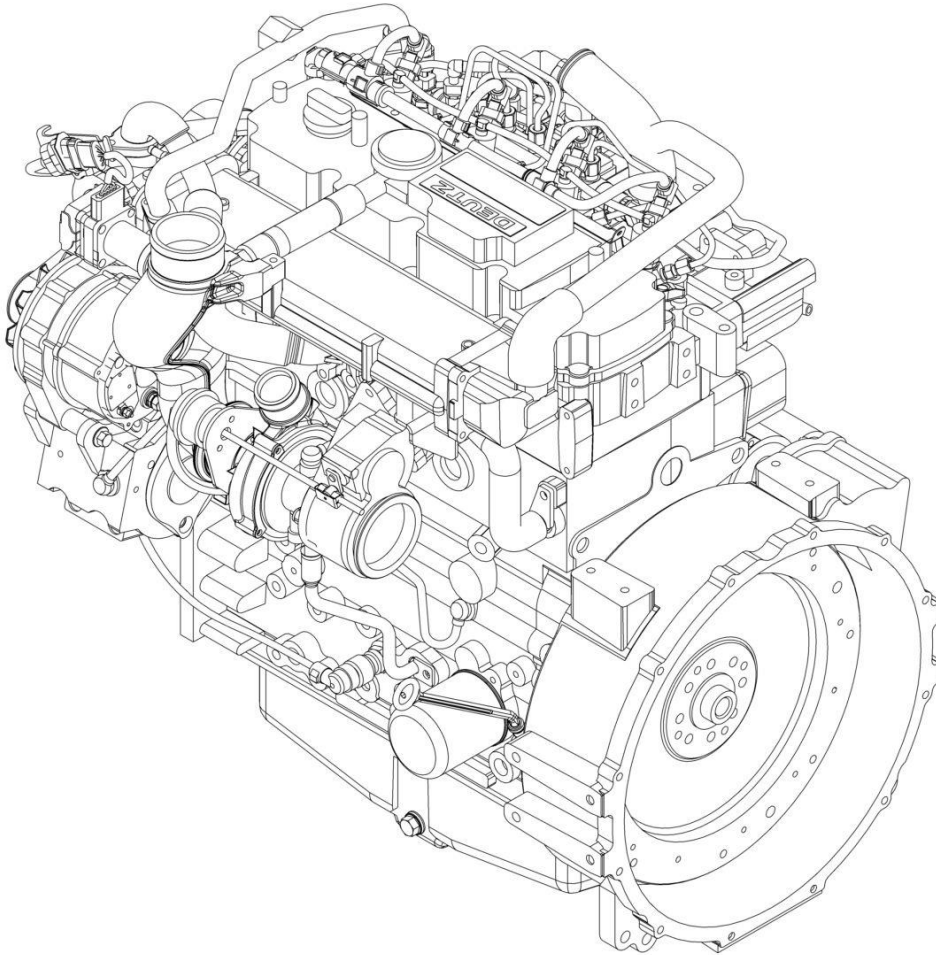
SECTION 4 - ENGINE AND ATTACHING PARTS

FIGURE 4-8. 3.6L ENGINE (90KW - ULS - PISTON PUMP)

ITEM	PART NUMBER	QTY	DESCRIPTION	REV
	1001175553	Ref	3.6L Engine (90KW - ULS - Piston Pump)	H
	70027657	1	Dipstick	
	7020442	2	O-Ring	
	7020465	1	Cap, Filler	
	70025205	1	Gasket	
	70004280	1	Seal	
	7016331	1	Filter, Oil	
	70024494	1	Oil cooler	
	70024495	1	Gasket	
	70024509	1	Gasket	
	70011901	1	Pump, High Pressure	
	70024485	4	Injector, Fuel	
	70024504	1	Sensor, Pressure	
	70024920	1	Seal	
	70026011	1	Pump, Water	
	70024918	1	Sender, Temperature	
	70005504	1	Sensor, Pressure	
	70005505	2	O-Seal	
	70027405	1	Sensor, Temperature	
	70005507	2	O-Seal	
	70005515	1	Turbocharger	
	70024480	1	Gasket	
	70027404	1	Generator	
	70027403	1	V-Belt	
	70025535	1	Starter	
	70026210	1	Sensor	
	70005191	1	O-Ring	
	70024505	1	Sensor, Temperature	
	70005556	1	Sensor, Temperature	
	70005559	1	Sensor, Temperature	
	70025153	1	Prefilter, Fuel	
	70027417	1	Filter, Fuel	
	1001225432	1	Element, Filter	

SECTION 4 - ENGINE AND ATTACHING PARTS

FIGURE 4-9. 3.6L ENGINE (74.4KW - LS - PISTON PUMP)



ART_1001175552-C

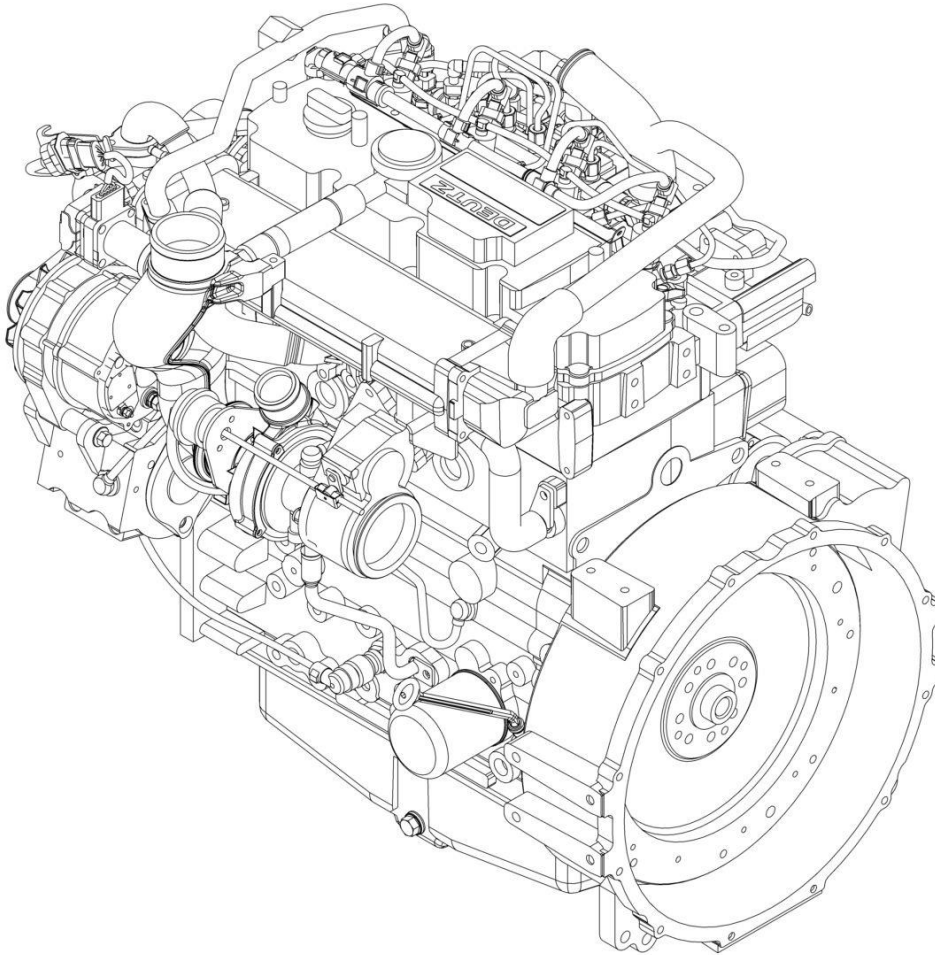
SECTION 4 - ENGINE AND ATTACHING PARTS

FIGURE 4-9. 3.6L ENGINE (74.4KW - LS - PISTON PUMP)

ITEM	PART NUMBER	QTY	DESCRIPTION	REV
	1001175552	Ref	3.6L Engine (74.4KW - LS - Piston Pump)	C
	70027657	1	Dipstick	
	7020442	2	O-Ring	
	7020465	1	Cap, Filler	
	70025205	1	Gasket	
	70004280	1	Seal	
	7016331	1	Filter, Oil	
	70024494	1	Oil cooler	
	70024495	1	Gasket	
	70024509	1	Gasket	
	70011901	1	Pump, High Pressure	
	70024485	4	Injector, Fuel	
	70004512	1	Filter, Fuel	
	70024504	1	Sensor, Pressure	
	70005504	1	Sensor, Pressure	
	70026011	1	Pump, Water	
	70024918	1	Sender, Temperature	
	70004518	1	Turbocharger	
	70024480	1	Gasket	
	70025533	1	Generator	
	70025478	1	V-Belt	
	70025535	1	Starter	
	70026210	2	Generator	
	70005191	2	O-Ring	
	70027417	1	Filter, Fuel	

SECTION 4 - ENGINE AND ATTACHING PARTS

FIGURE 4-10. 3.6L ENGINE (90KW - LS - PISTON PUMP)



ART_1001175554-C

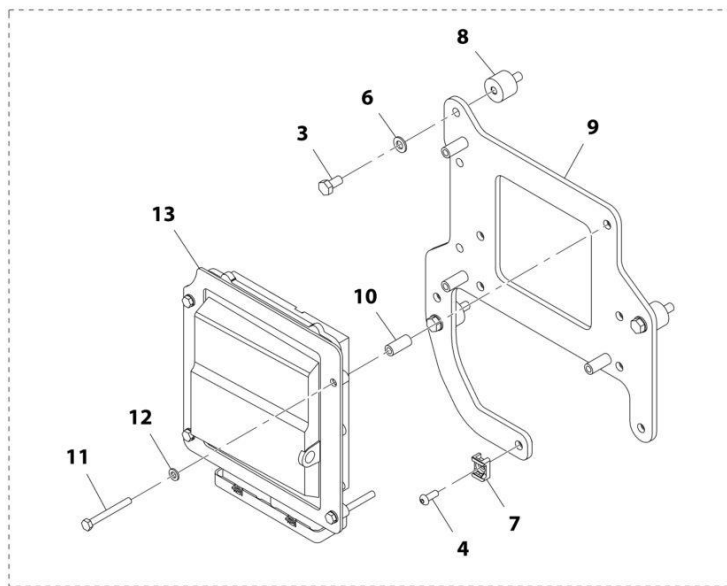
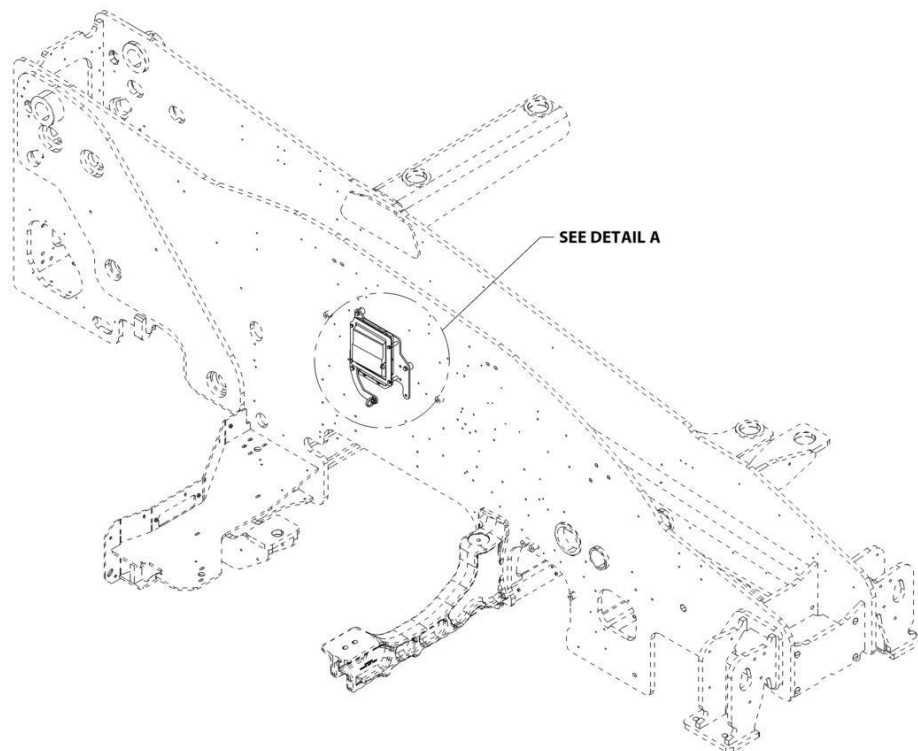
SECTION 4 - ENGINE AND ATTACHING PARTS

FIGURE 4-10. 3.6L ENGINE (90KW - LS - PISTON PUMP)

ITEM	PART NUMBER	QTY	DESCRIPTION	REV
	1001175554	Ref	3.6L Engine (90KW - LS - Piston Pump)	C
	70027657	1	Dipstick	
	7020442	2	O-Ring	
	7020465	1	Cap, Filler	
	70025205	1	Gasket	
	70004280	1	Seal	
	7016331	1	Filter, Oil	
	70024494	1	Oil cooler	
	70024495	1	Gasket	
	70024509	1	Gasket	
	70011901	1	Pump, High Pressure	
	70024485	4	Injector, Fuel	
	70004512	1	Filter, Fuel	
	70024504	1	Sensor, Pressure	
	70005504	1	Sensor, Pressure	
	70026011	1	Pump, Water	
	70024918	1	Sender, Temperature	
	70004518	1	Turbocharger	
	70024480	1	Gasket	
	70025533	1	Generator	
	70025478	1	V-Belt	
	70025535	1	Starter	
	70026210	2	Generator	
	70005191	2	O-Ring	
	70027417	1	Filter, Fuel	
	1001225432	1	Element, Filter	

SECTION 4 - ENGINE AND ATTACHING PARTS

FIGURE 4-11. ENGINE ECU INSTALLATION (ULS)



ART_1001182735-D

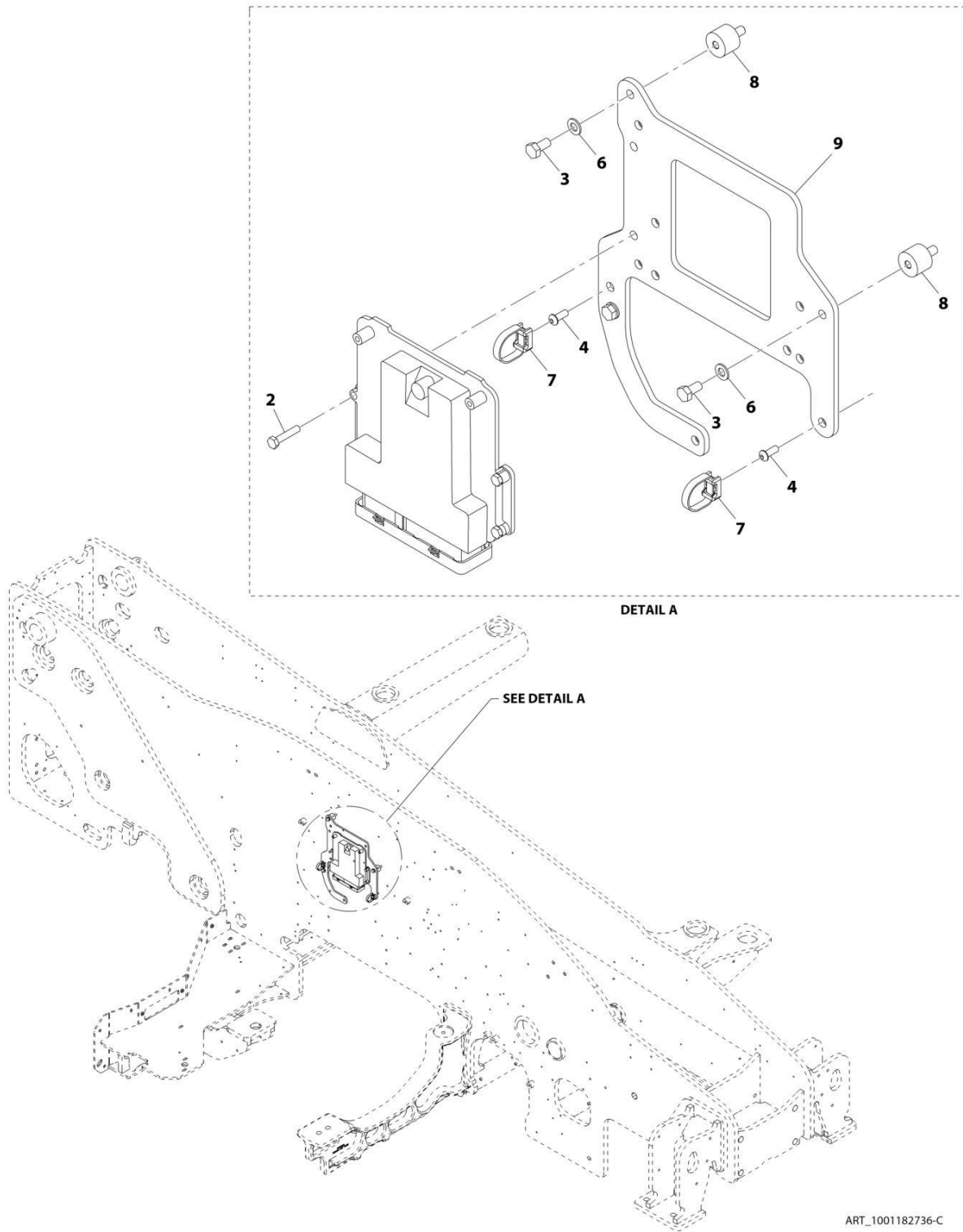
SECTION 4 - ENGINE AND ATTACHING PARTS

FIGURE 4-11. ENGINE ECU INSTALLATION (ULS)

ITEM	PART NUMBER	QTY	DESCRIPTION	REV
	1001182735	Ref	Engine ECU Installation (ULS)	D
3	0760808	3	Bolt, M8X16	
4	3900357	1	Capscrew, M6X16	
6	4811900	3	Washer, M8	
7	1001138645	1	Mount, Cable Tie	
8	1001179907	3	Mount, Isolator	
9	1001183347	1	Plate	
10	1001196587	4	Sleeve, Spacer	
11	0760619	4	Bolt, M6X55	
12	4811700	4	Washer, M6	
13	1001206120	1	Plate	

SECTION 4 - ENGINE AND ATTACHING PARTS

FIGURE 4-12. ENGINE ECU INSTALLATION (LS)



ART_1001182736-C

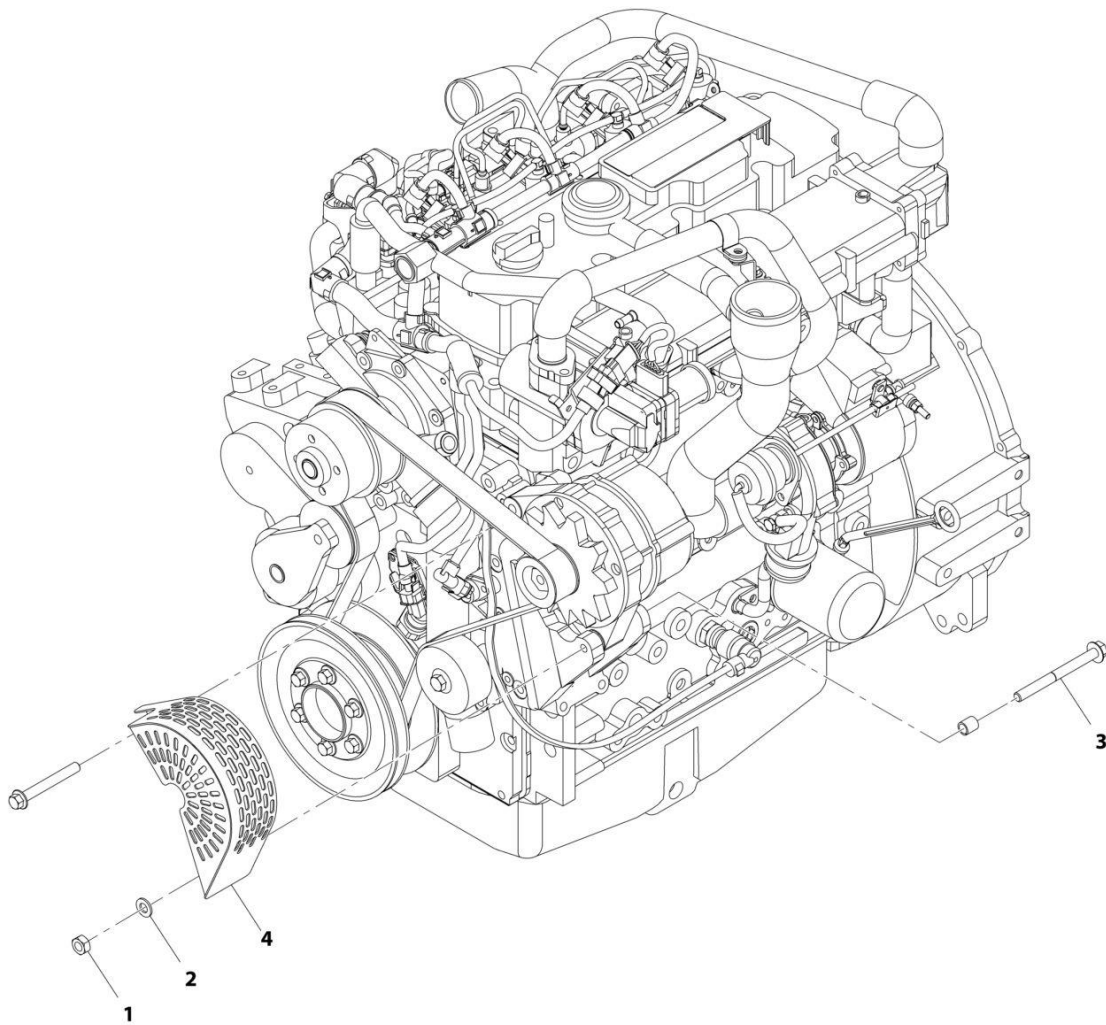
SECTION 4 - ENGINE AND ATTACHING PARTS

FIGURE 4-12. ENGINE ECU INSTALLATION (LS)

ITEM	PART NUMBER	QTY	DESCRIPTION	REV
	1001182736	Ref	Engine ECU Installation (LS)	C
2	0700614	4	Bolt, M6X30	
3	0760808	3	Bolt, M8X16	
4	3900357	2	Capscrew, M6X16	
6	4811900	3	Washer, M8	
7	1001138645	2	Mount, Cable Tie	
8	1001179907	3	Mount, Isolator	
9	1001183347	1	Plate	

SECTION 4 - ENGINE AND ATTACHING PARTS

FIGURE 4-13. BRACKET GUARD INSTALLATION



ART_1001182235-B

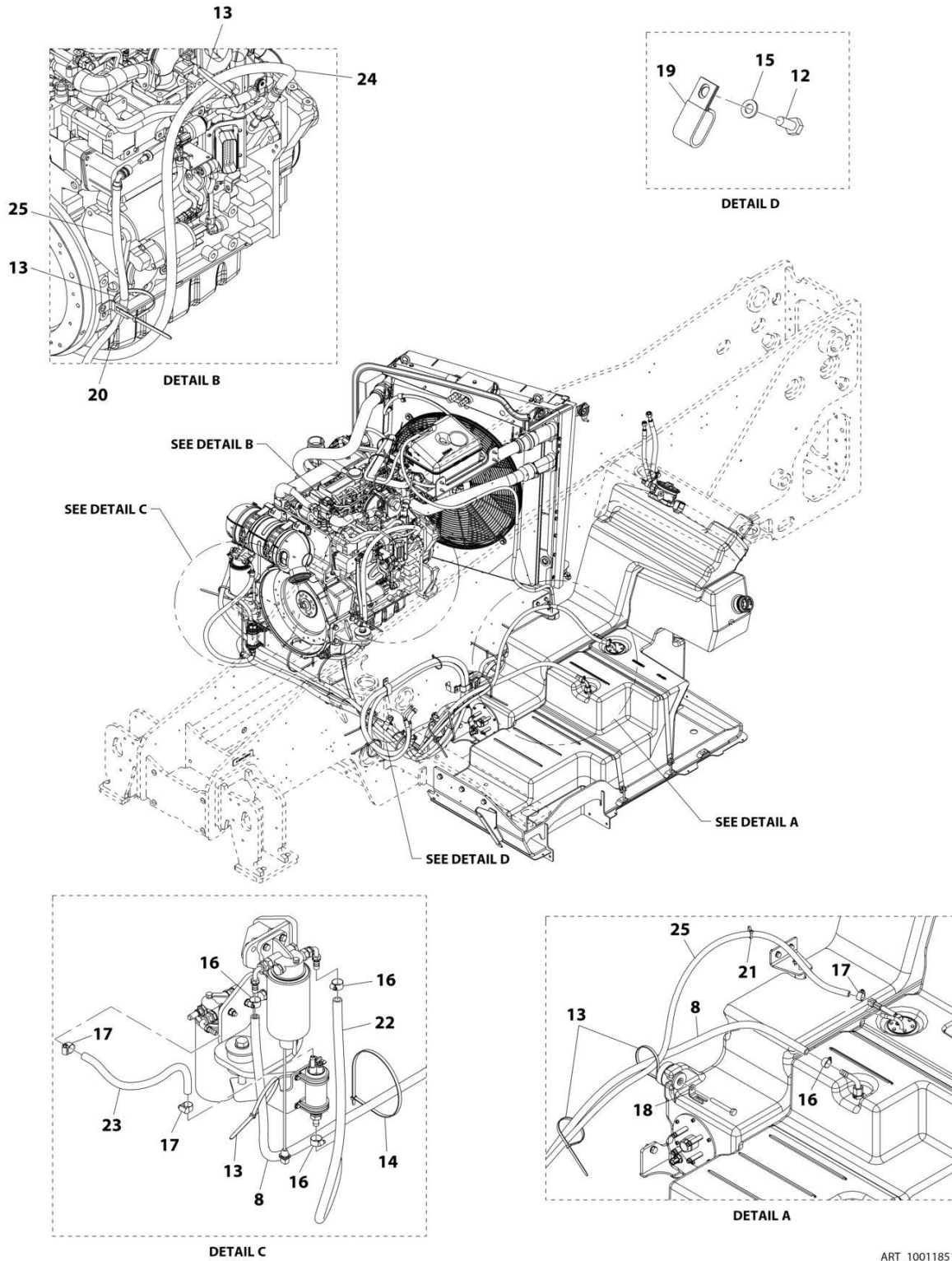
SECTION 4 - ENGINE AND ATTACHING PARTS

FIGURE 4-13. BRACKET GUARD INSTALLATION

ITEM	PART NUMBER	QTY	DESCRIPTION	REV
	1001182235	Ref	Bracket Guard Installation	B
1	3291001	1	Nut, M10X1.5 Grade 8	
2	4812000	1	Washer, M10	
3	1001152378	1	Bolt, M10X110 Grade 10.9	
4	1001213006	1	Bracket, Guard	

SECTION 4 - ENGINE AND ATTACHING PARTS

FIGURE 4-14. FUEL LINES INSTALLATION (ULS)



ART_1001185181-B

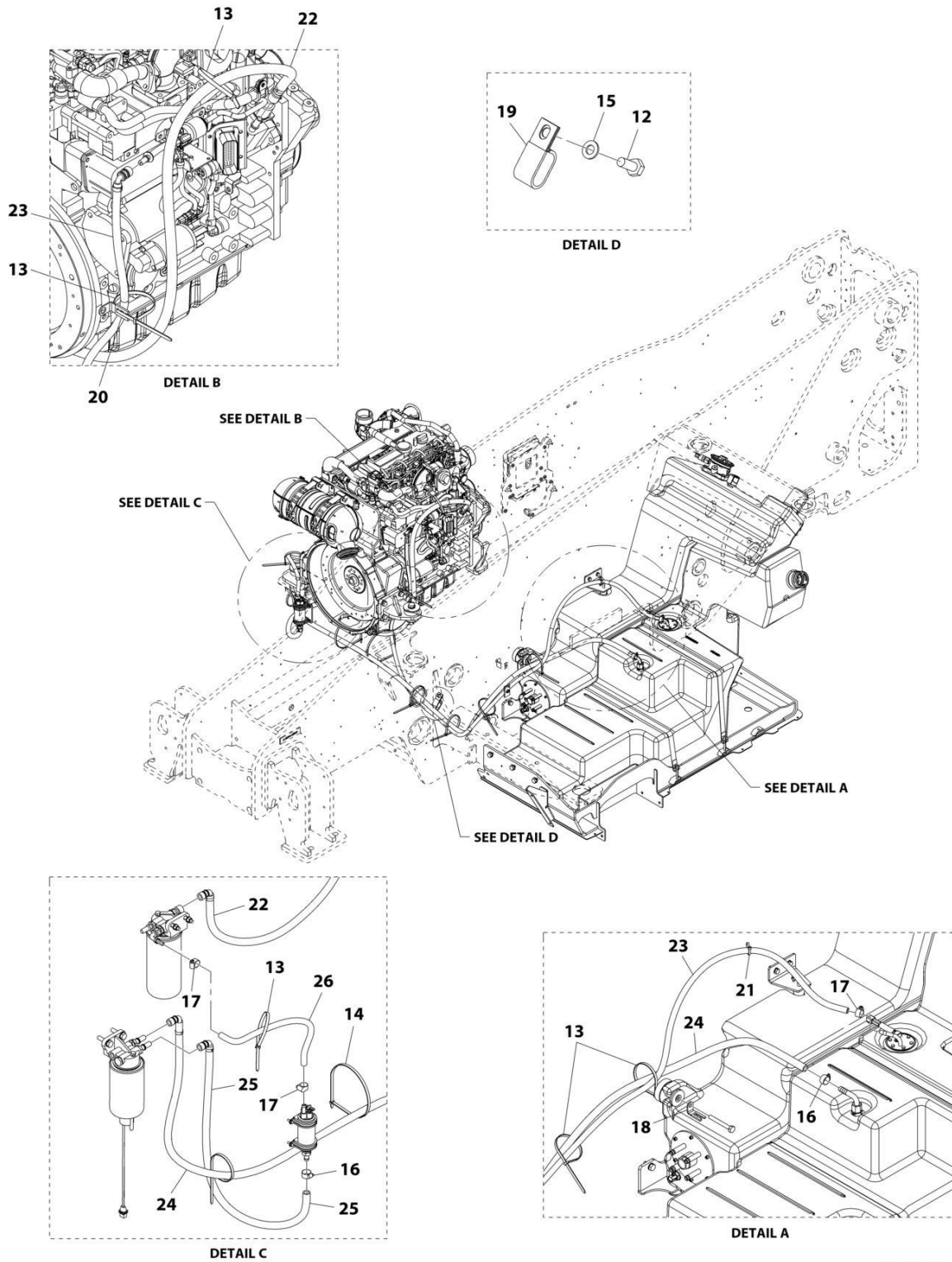
SECTION 4 - ENGINE AND ATTACHING PARTS

FIGURE 4-14. FUEL LINES INSTALLATION (ULS)

ITEM	PART NUMBER	QTY	DESCRIPTION	REV
	1001185181	Ref	Fuel Lines Installation (ULS)	B
8	1001200192	1	Hose, 0.5IN Fuel	
12	0761012	1	Bolt, M10X25	
13	1062255	AR	Strap, Tie	
14	4240127	AR	Strap, Tie	
15	4812000	1	Washer, M10	
16	8405006	4	Clamp, Gear	
17	8410013	3	Clamp, Gear	
18	1001003305	1	Clip	
19	1001026104	1	Clip	
20	1001130198	1	Clip, 90	
21	1001146588	1	Strap, Fir Tree Cable Tie	
22	1001204839	1	Hose, 0.5IN Fuel	
23	1001204840	1	Hose, 0.38IN Fuel	
24	1001204841	1	Hose, 0.5IN Fuel	
25	1001204842	1	Hose, 0.38IN Fuel	

SECTION 4 - ENGINE AND ATTACHING PARTS

FIGURE 4-15. FUEL LINES INSTALLATION (ULS - RHOC)



ART_1001197821-C

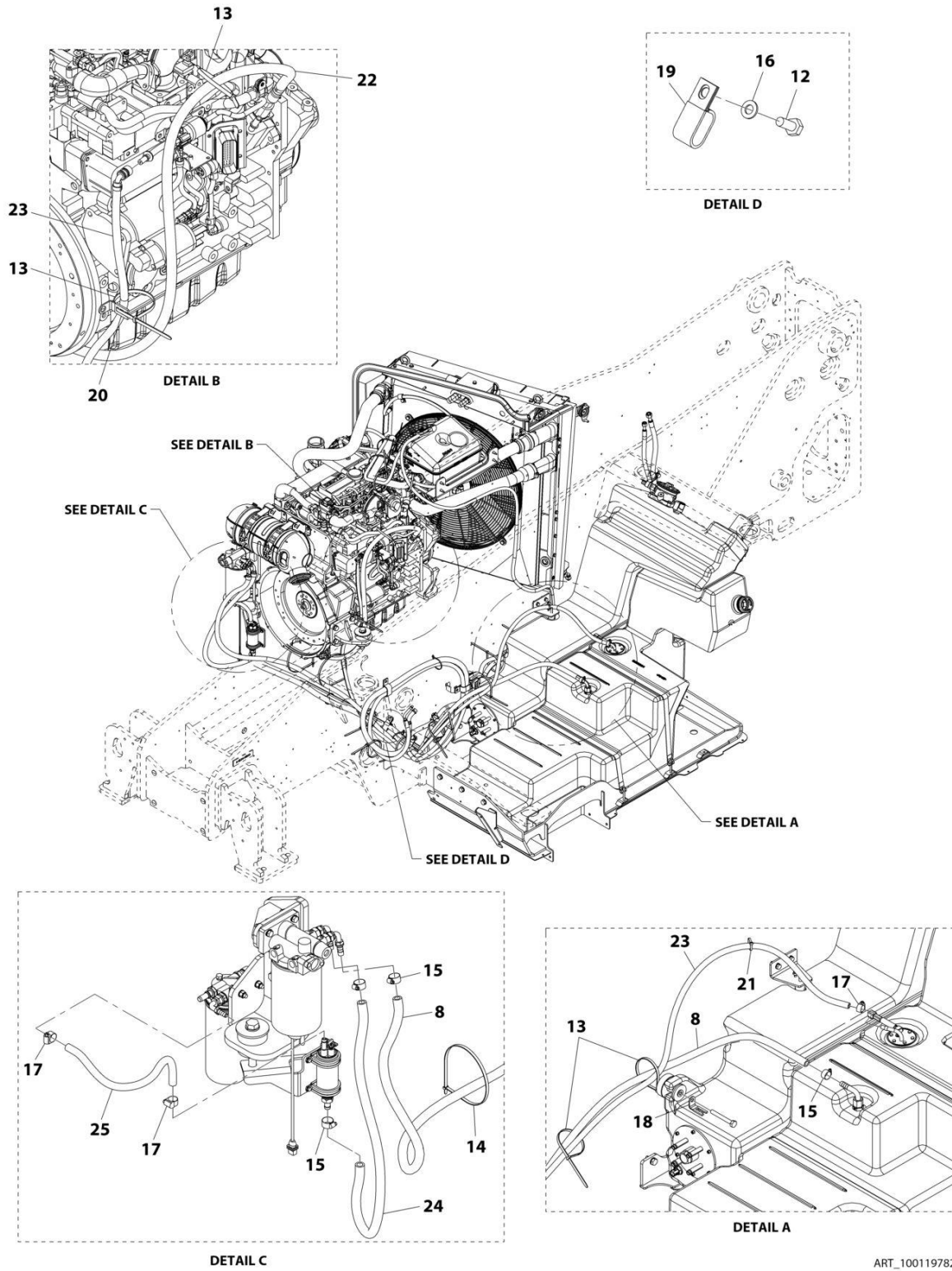
SECTION 4 - ENGINE AND ATTACHING PARTS

FIGURE 4-15. FUEL LINES INSTALLATION (ULS - RHOC)

ITEM	PART NUMBER	QTY	DESCRIPTION	REV
	1001197821	Ref	Fuel Lines Installation (ULS - RHOC)	C
12	0761012	1	Bolt, M10X25	
13	1062255	AR	Strap, Tie	
14	4240127	AR	Strap, Tie	
15	4812000	1	Washer, M10	
16	8405006	2	Clamp, Gear	
17	8410013	3	Clamp, Gear	
18	1001003305	1	Clip	
19	1001026104	1	Clip	
20	1001130198	1	Clip, 90	
21	1001146588	1	Strap, Fir Tree Cable Tie	
22	1001204841	1	Hose, 0.5IN Fuel	
23	1001204842	1	Hose, 0.38IN Fuel	
24	1001216854	1	Hose, 0.5IN Fuel	
25	1001216855	1	Hose, 0.5IN Fuel	
26	1001205041	1	Hose, 0.38IN Fuel	

SECTION 4 - ENGINE AND ATTACHING PARTS

FIGURE 4-16. FUEL LINES INSTALLATION (LS)



ART_1001197826-B

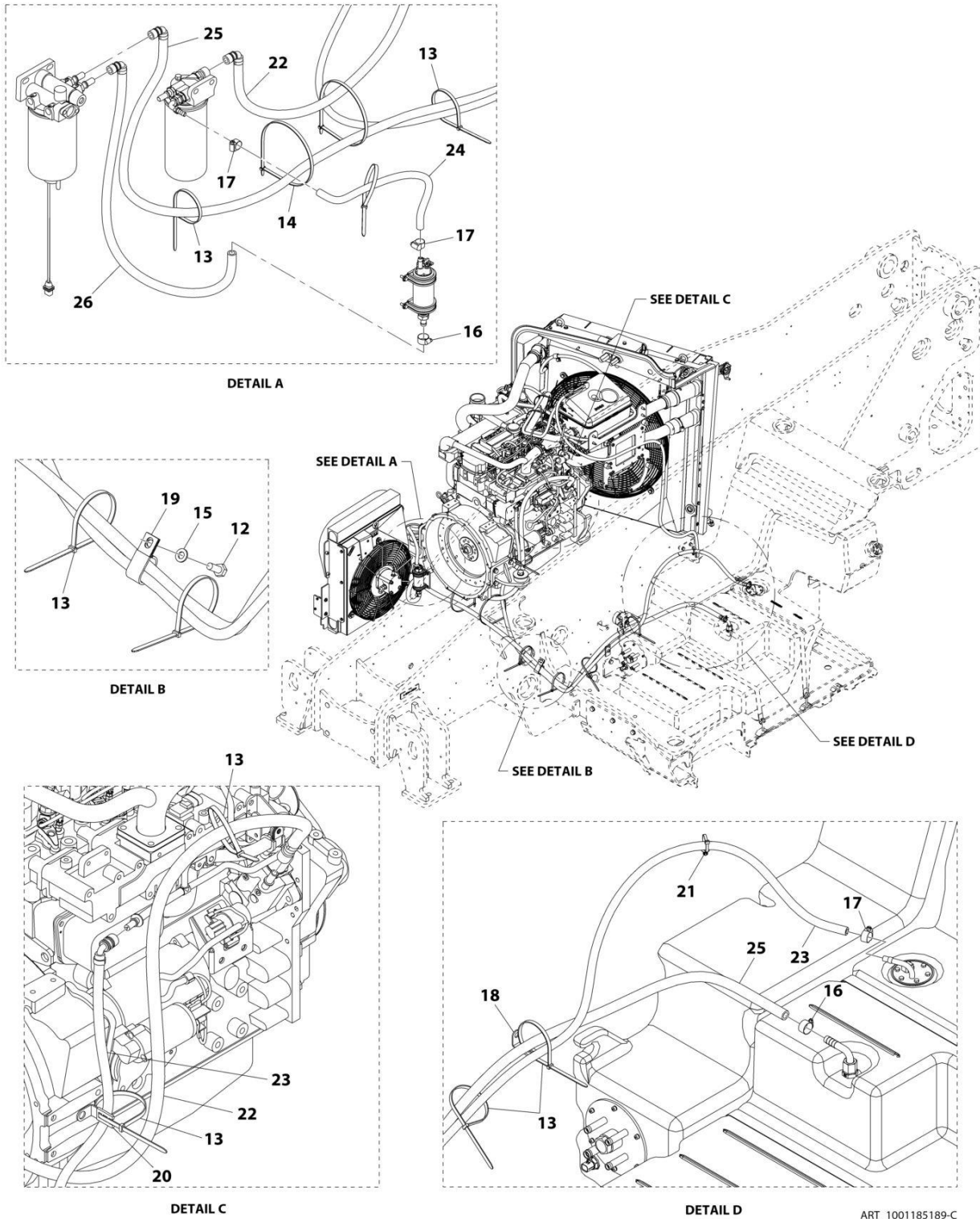
SECTION 4 - ENGINE AND ATTACHING PARTS

FIGURE 4-16. FUEL LINES INSTALLATION (LS)

ITEM	PART NUMBER	QTY	DESCRIPTION	REV
	1001197826	Ref	Fuel Lines Installation (LS)	B
8	1001200192	1	Hose, 0.5IN Fuel	
12	0761012	1	Bolt, M10X25	
13	1062255	AR	Strap, Tie	
14	4240127	AR	Strap, Tie	
15	8405006	4	Clamp, Gear	
16	4812000	1	Washer, M10	
17	8410013	3	Clamp, Gear	
18	1001003305	1	Clip	
19	1001026104	1	Clip	
20	1001130198	1	Clip, 90	
21	1001146588	1	Strap, Fir Tree Cable Tie	
22	1001204841	1	Hose, 0.5IN Fuel	
23	1001204842	1	Hose, 0.38IN Fuel	
24	1001204839	1	Hose, 0.5IN Fuel	
25	1001204840	1	Hose, 0.38IN Fuel	

SECTION 4 - ENGINE AND ATTACHING PARTS

FIGURE 4-17. FUEL LINES INSTALLATION (LS - RHOC)



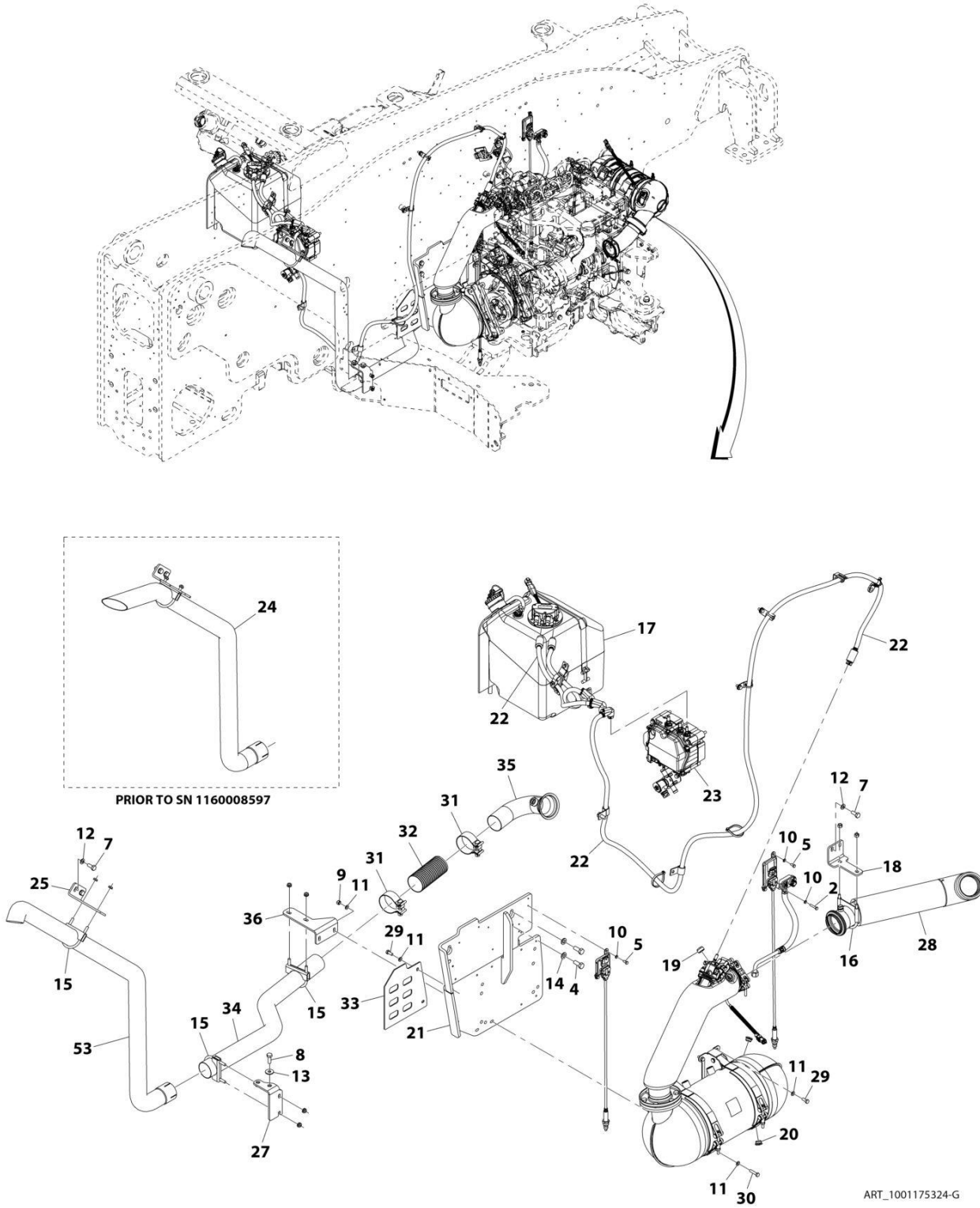
SECTION 4 - ENGINE AND ATTACHING PARTS

FIGURE 4-17. FUEL LINES INSTALLATION (LS - RHOC)

ITEM	PART NUMBER	QTY	DESCRIPTION	REV
	1001185189	Ref	Fuel Lines Installation (LS - RHOC)	C
12	0761012	1	Bolt, M10X25	
13	1062255	AR	Strap, Tie	
14	4240127	AR	Strap, Tie	
15	4812000	1	Washer, M10	
16	8405006	2	Clamp, Gear	
17	8410013	3	Clamp, Gear	
18	1001003305	1	Clip	
19	1001026104	1	Clip	
20	1001130198	1	Clip, 90	
21	1001146588	1	Strap, Fir Tree Cable Tie	
22	1001204841	1	Hose, 0.5IN Fuel	
23	1001204842	1	Hose, 0.38IN Fuel	
24	1001205041	1	Hose, 0.38IN Fuel	
25	1001216854	1	Hose, 0.5IN Fuel	
26	1001216855	1	Hose, 0.5IN Fuel	

SECTION 4 - ENGINE AND ATTACHING PARTS

FIGURE 4-18. EXHAUST INSTALLATION (ULS)



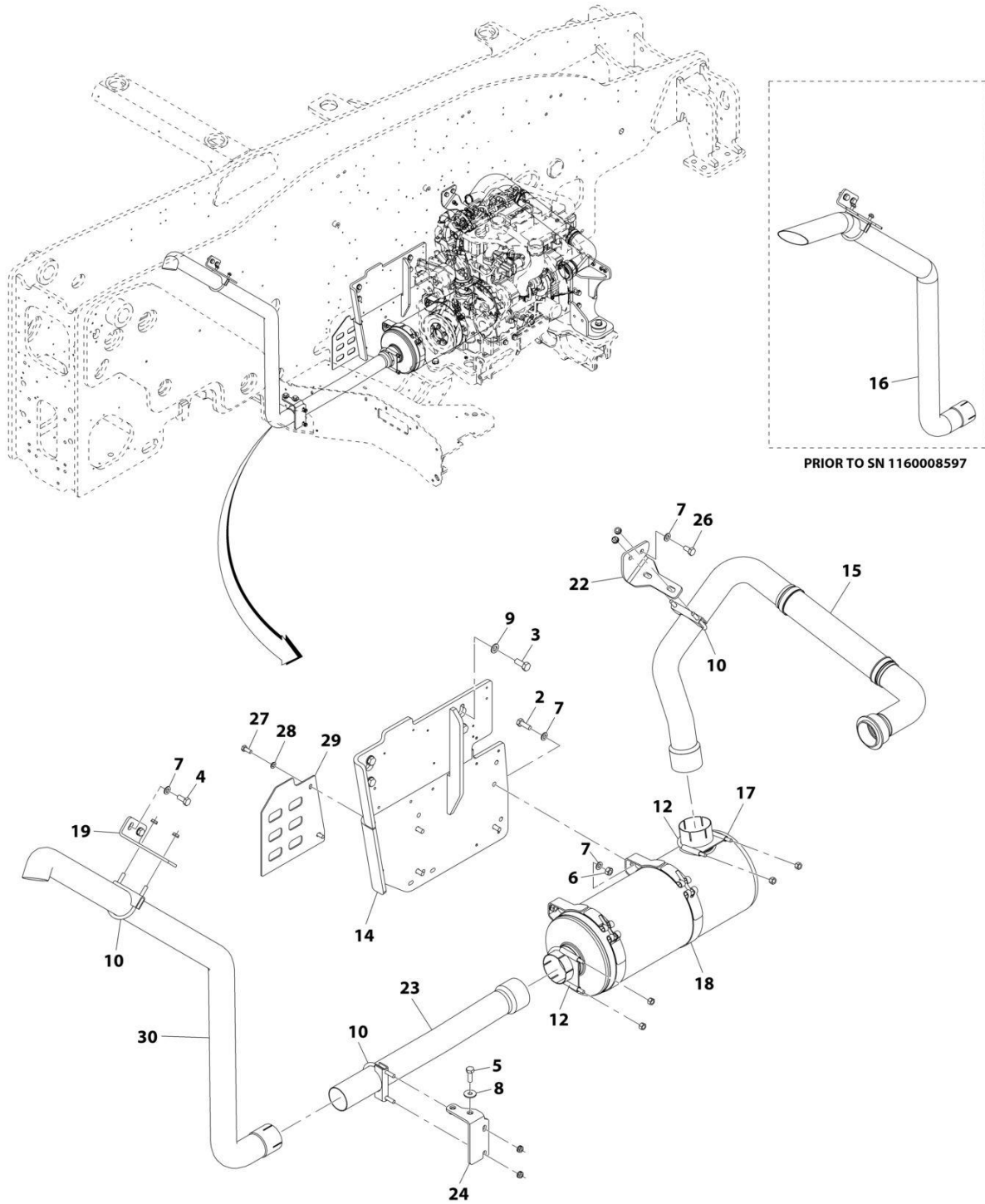
SECTION 4 - ENGINE AND ATTACHING PARTS

FIGURE 4-18. EXHAUST INSTALLATION (ULS)

ITEM	PART NUMBER	QTY	DESCRIPTION	REV
	1001175324	Ref	Exhaust Installation (ULS)	G
2	0700614	2	Bolt, M6X30	
4	0701214	4	Bolt, M12X30	
5	0760607	4	Bolt, M6X14	
7	0761012	4	Bolt, M10X25	
8	0761014	2	Bolt, M10X30	
9	3290805	2	Nut, Lock M8X1.25 Grade 8	
10	4811700	6	Washer, M6	
11	4811900	12	Washer, M8	
12	4812000	4	Washer, M10	
13	4812002	2	Washer, M10	
14	4812100	4	Washer, M12	
15	8275212	3	Clamp, Muffler	
16	24921332	1	Clamp, Exhaust	
17	1001168639	Ref	Installation, DEF Tank (ULS) (See Separate Breakdown in this Section)	
18	1001169918	1	Plate, Exhaust	
19	1001171913	1	Cap	
20	1001171959	2	Plug	
21	1001210022	1	Bracket	
22	1001176977	Ref	Installation, DEF Lines (ULS) (See Separate Breakdown in this Section)	
23	1001178030	Ref	Installation, DEF Control Module (ULS) (See Separate Breakdown in this Section)	
24	1001178115	1	Pipe, Tail Exhaust (Prior to SN 1160008597)	
25	1001182824	1	Bracket, Tailpipe	
27	1001201811	1	Bracket, Tailpipe	
28	1001193551	1	Pipe, Exhaust Flex	
29	0760810	8	Bolt, M8X20	
30	0760815	2	Bolt, M8X35	
31	91163268	2	Clamp, Flex Pipe (Prior to SN 1160008597)	
31	1001225213	2	Clamp, Flex Pipe (SN 1160008597 to Present)	
32	1001201766	1	Pipe, Exhaust Flex	
33	1001201823	1	Plate, Airflow	
34	1001201929	1	Pipe, Exhaust	
35	1001201930	1	Pipe, Exhaust	
36	1001201933	1	Support, Exhaust Pipe	
53	1001222187	1	Pipe, Tail Exhaust (SN 1160008597 to Present)	

SECTION 4 - ENGINE AND ATTACHING PARTS

FIGURE 4-19. EXHAUST INSTALLATION (LS)



ART_1001175325-E

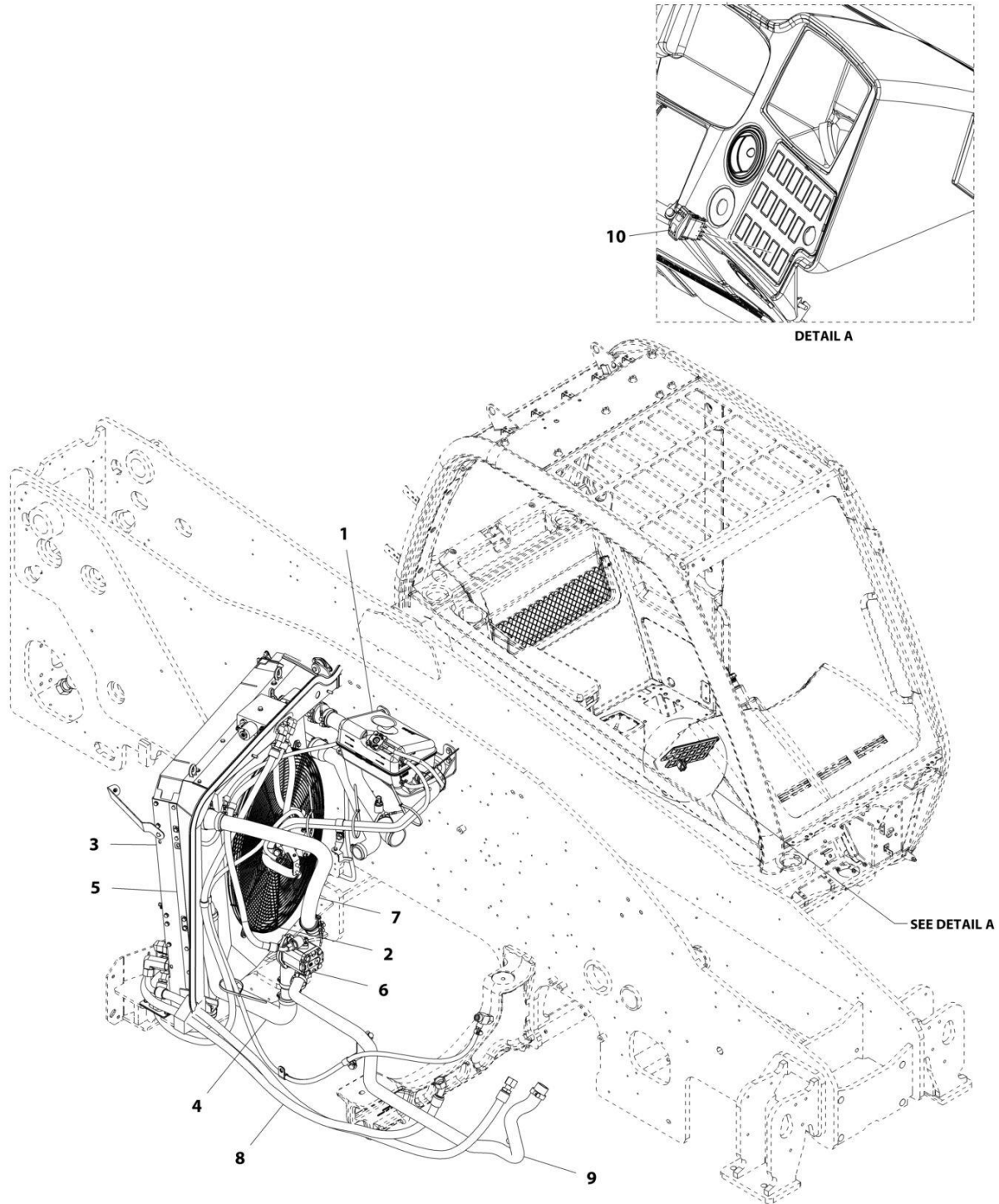
SECTION 4 - ENGINE AND ATTACHING PARTS

FIGURE 4-19. EXHAUST INSTALLATION (LS)

ITEM	PART NUMBER	QTY	DESCRIPTION	REV
	1001175325	Ref	Exhaust Installation (LS)	E
2	0701014	4	Bolt, M10X30	
3	0701214	4	Bolt, M12X30	
4	0761012	2	Bolt, M10X25	
5	0761014	2	Bolt, M10X30	
6	3291007	4	Nut, Lock M10X1.5 Grade 8	
7	4812000	12	Washer, M10	
8	4812002	2	Washer, M10	
9	4812100	4	Washer, M12	
10	8275212	3	Clamp, Muffler	
12	24921332	2	Clamp, Exhaust	
14	1001210022	1	Bracket	
15	1001208281	1	Pipe, Exhaust	
16	1001178115	1	Pipe, Tail Exhaust (Prior to SN 1160008597)	
17	1001180226	1	Muffler, Exhaust	
18	1001180227	2	Clamp, Muffler	
19	1001182824	1	Bracket, Tailpipe	
22	1001190740	1	Plate, Exhaust	
23	1001184710	1	Tube, Exhaust	
24	1001201811	1	Bracket, Tailpipe	
26	0761010	2	Bolt, M10X20	
27	0760810	2	Bolt, M8X20	
28	4811900	2	Washer, M8	
29	1001201823	1	Plate, Airflow	
30	1001222187	1	Pipe, Tail Exhaust (SN 1160008597 to Present)	

SECTION 4 - ENGINE AND ATTACHING PARTS

FIGURE 4-20. COOLING PACKAGE INSTALLATION (74.4KW - ULS)



ART_1001182447-D

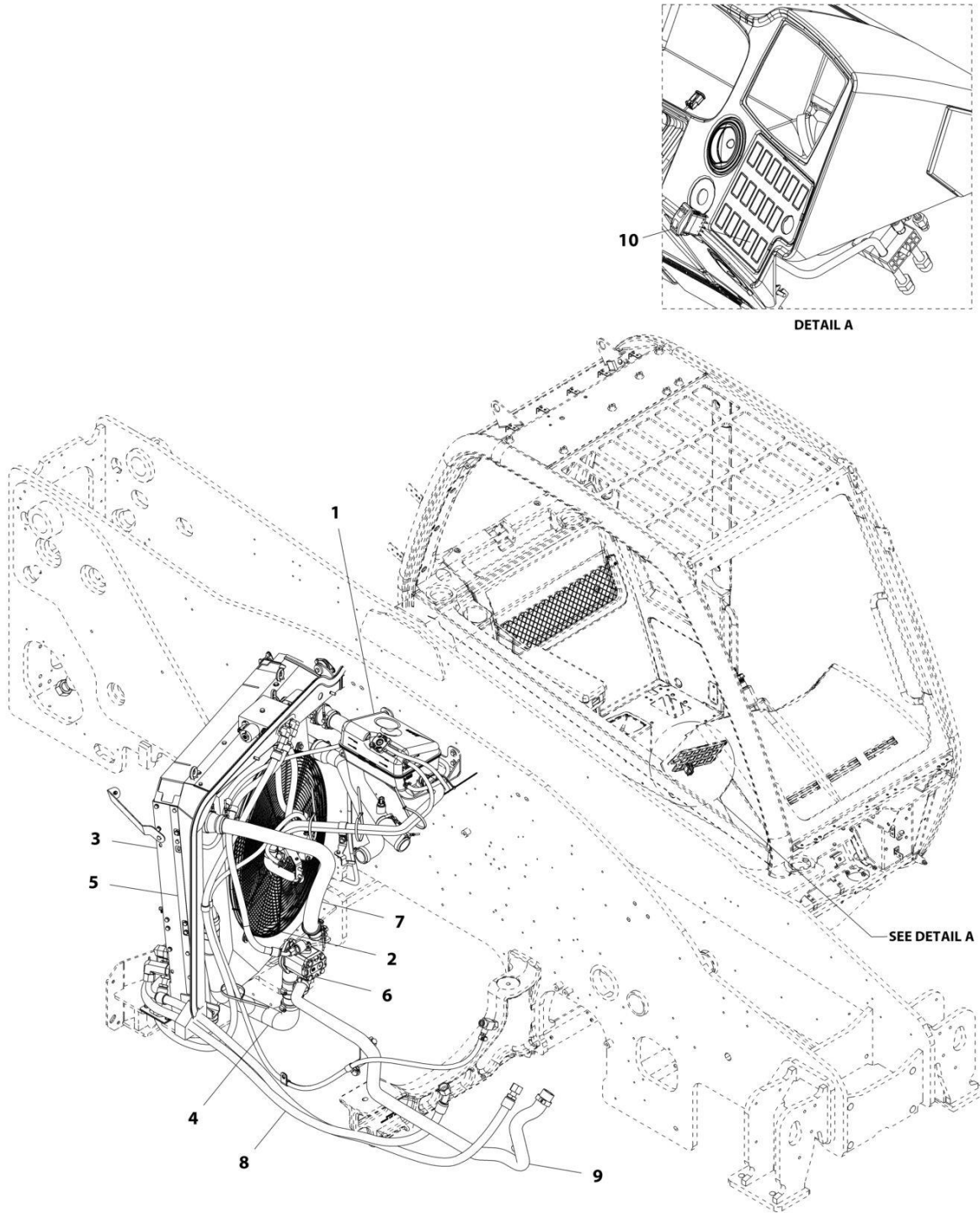
SECTION 4 - ENGINE AND ATTACHING PARTS

FIGURE 4-20. COOLING PACKAGE INSTALLATION (74.4KW - ULS)

ITEM	PART NUMBER	QTY	DESCRIPTION	REV
	1001182447	Ref	Cooling Package Installation (74.4KW - ULS)	D
1	1001179864	Ref	Installation, Surge Tank (See Separate Breakdown in this Section)	
2	1001182112	Ref	Installation, Cooling Fan (See Separate Breakdown in this Section)	
3	1001184061	Ref	Installation, Cooler (74.4KW) (See Separate Breakdown in this Section)	
4	1001184120	Ref	Installation, Coolant Lines (ULS) (See Separate Breakdown in this Section)	
5	1001184955	Ref	Installation, Bulkhead (See Separate Breakdown in this Section)	
6	1001185865	Ref	Installation, Hydraulic Pump (74.4KW) (See Separate Breakdown in this Section)	
7	1001186849	Ref	Installation, CAC Lines (ULS) (See Separate Breakdown in this Section)	
8	1001183075	Ref	Installation, Cooler Lines (74.4KW) (See Separate Breakdown in this Section)	
9	1001188220	Ref	Installation, Fan Lines (74.4KW) (See Separate Breakdown in this Section)	
10	1001145204	1	Switch, Reversing Fan	

SECTION 4 - ENGINE AND ATTACHING PARTS

FIGURE 4-21. COOLING PACKAGE INSTALLATION (74.4KW - LS)



ART_1001184315-D

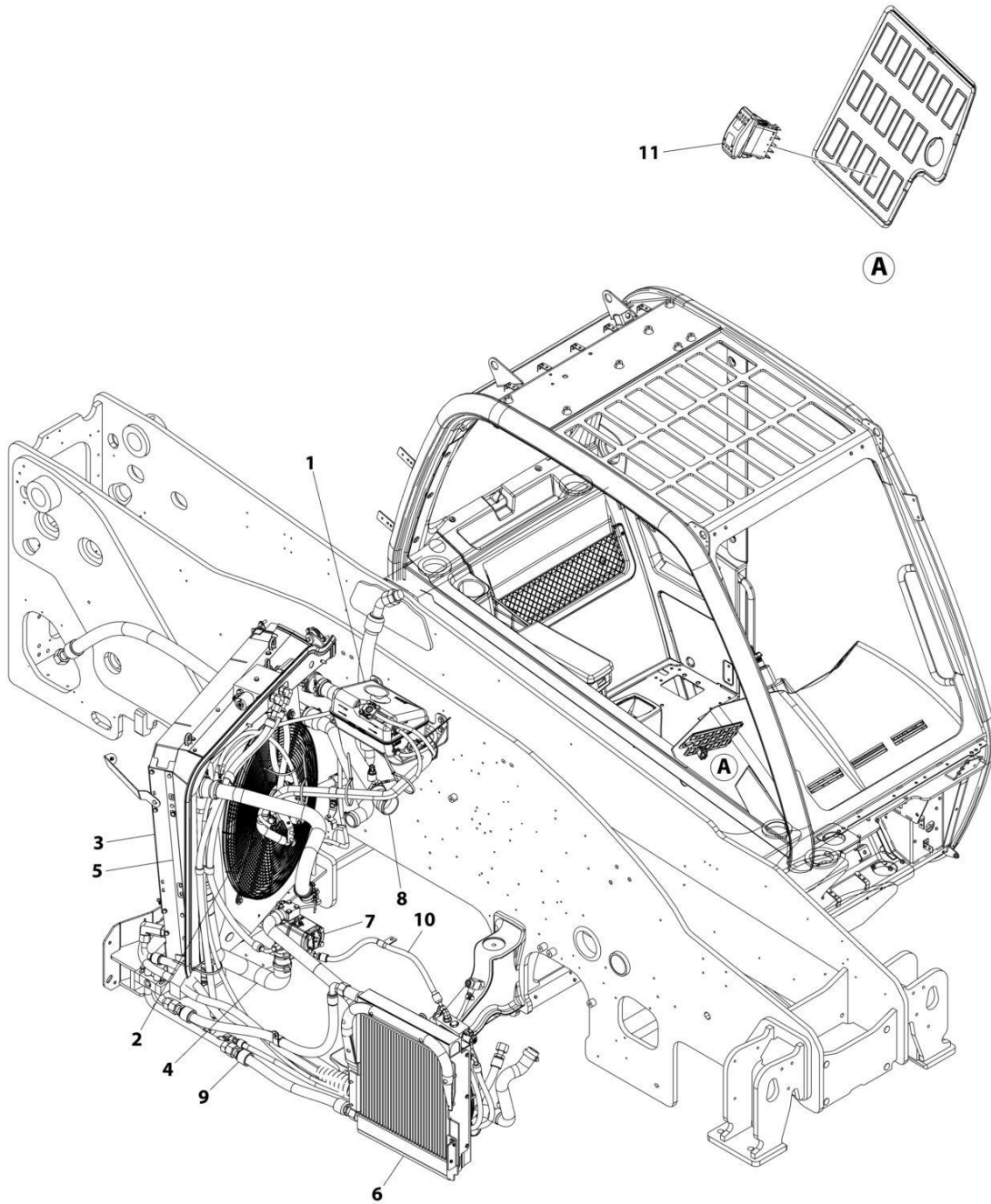
SECTION 4 - ENGINE AND ATTACHING PARTS

FIGURE 4-21. COOLING PACKAGE INSTALLATION (74.4KW - LS)

ITEM	PART NUMBER	QTY	DESCRIPTION	REV
	1001184315	Ref	Cooling Package Installation (74.4KW - LS)	D
1	1001179864	Ref	Installation, Surge Tank (See Separate Breakdown in this Section)	
2	1001182112	Ref	Installation, Cooling Fan (See Separate Breakdown in this Section)	
3	1001184061	Ref	Installation, Cooler (74.4KW) (See Separate Breakdown in this Section)	
4	1001184132	Ref	Installation, Coolant Lines (LS) (See Separate Breakdown in this Section)	
5	1001184955	Ref	Installation, Bulkhead (See Separate Breakdown in this Section)	
6	1001185865	Ref	Installation, Hydraulic Pump (74.4KW) (See Separate Breakdown in this Section)	
7	1001186848	Ref	Installation, CAC Lines (LS) (See Separate Breakdown in this Section)	
8	1001183075	Ref	Installation, Cooler Lines (74.4KW) (See Separate Breakdown in this Section)	
9	1001188220	Ref	Installation, Fan Lines (74.4KW) (See Separate Breakdown in this Section)	
10	1001145204	1	Switch, Reversing Fan	

SECTION 4 - ENGINE AND ATTACHING PARTS

FIGURE 4-22. COOLING PACKAGE INSTALLATION (90KW - ULS)



ART_1001182450

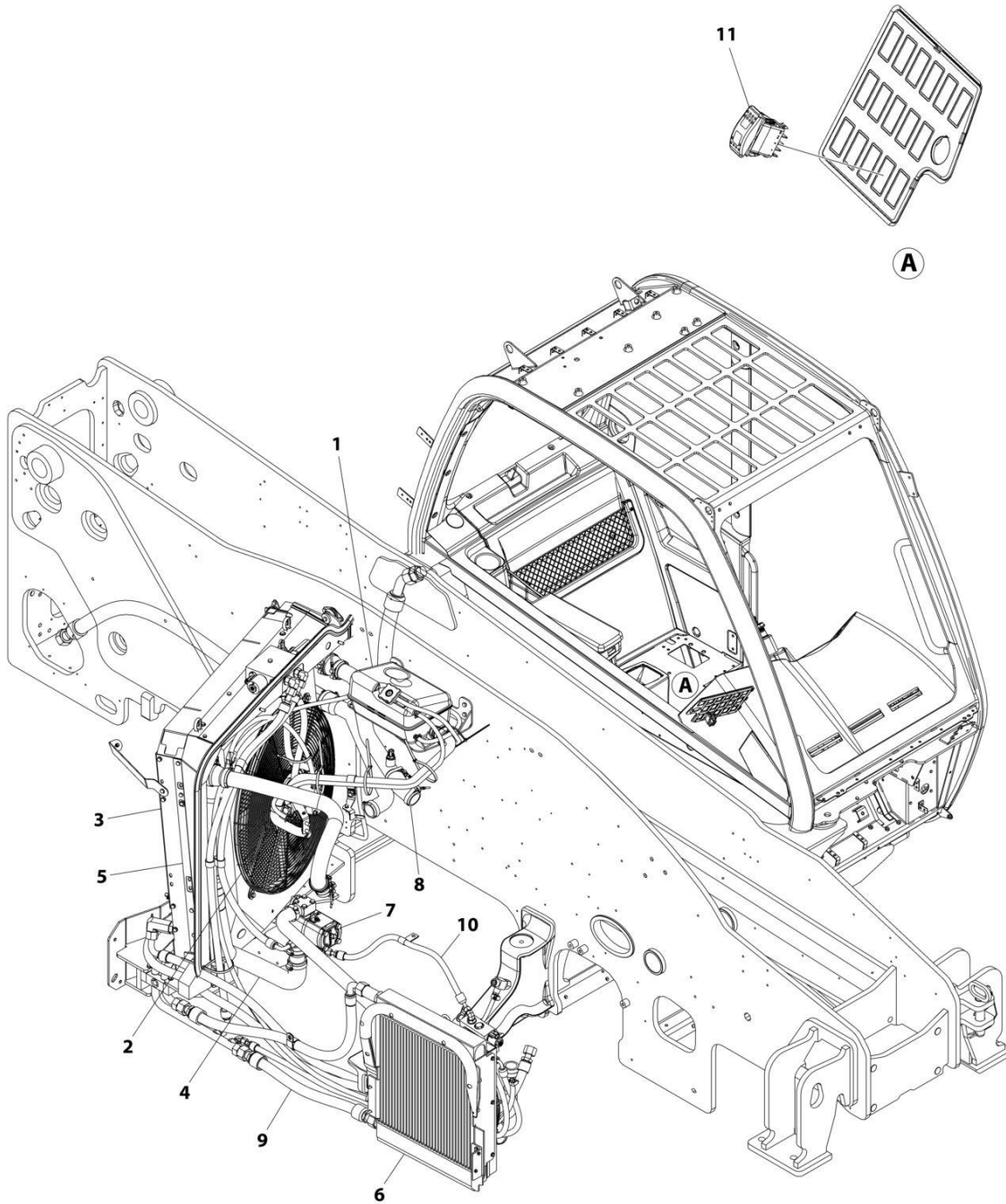
SECTION 4 - ENGINE AND ATTACHING PARTS

FIGURE 4-22. COOLING PACKAGE INSTALLATION (90KW - ULS)

ITEM	PART NUMBER	QTY	DESCRIPTION	REV
	1001182450	Ref	COOLING PACKAGE INSTALLATION (90KW - ULS)	H
1	1001179864	Ref	Installation, Surge Tank (See Separate Breakdown in this Section)	
2	1001182112	Ref	Installation, Cooling Fan (See Separate Breakdown in this Section)	
3	1001184062	Ref	Installation, Cooler (90KW) (See Separate Breakdown in this Section)	
4	1001184120	Ref	Installation, Coolant Lines (ULS) (See Separate Breakdown in this Section)	
5	1001184955	Ref	Installation, Bulkhead (See Separate Breakdown in this Section)	
6	1001185337	Ref	Installation, Remote HOC (See Separate Breakdown in this Section)	
7	1001185864	Ref	Installation, Hydraulic Pump (90KW) (See Separate Breakdown in this Section)	
8	1001186849	Ref	Installation, CAC Lines (ULS) (See Separate Breakdown in this Section)	
9	1001183076	Ref	Installation, Cooler Lines (90KW) (See Separate Breakdown in this Section)	
10	1001187276	Ref	Installation, Fan Lines (90KW) (See Separate Breakdown in this Section)	
11	1001145204	1	Switch, Reversing Fan	

SECTION 4 - ENGINE AND ATTACHING PARTS

FIGURE 4-23. COOLING PACKAGE INSTALLATION (90KW - LS)



ART_1001184322

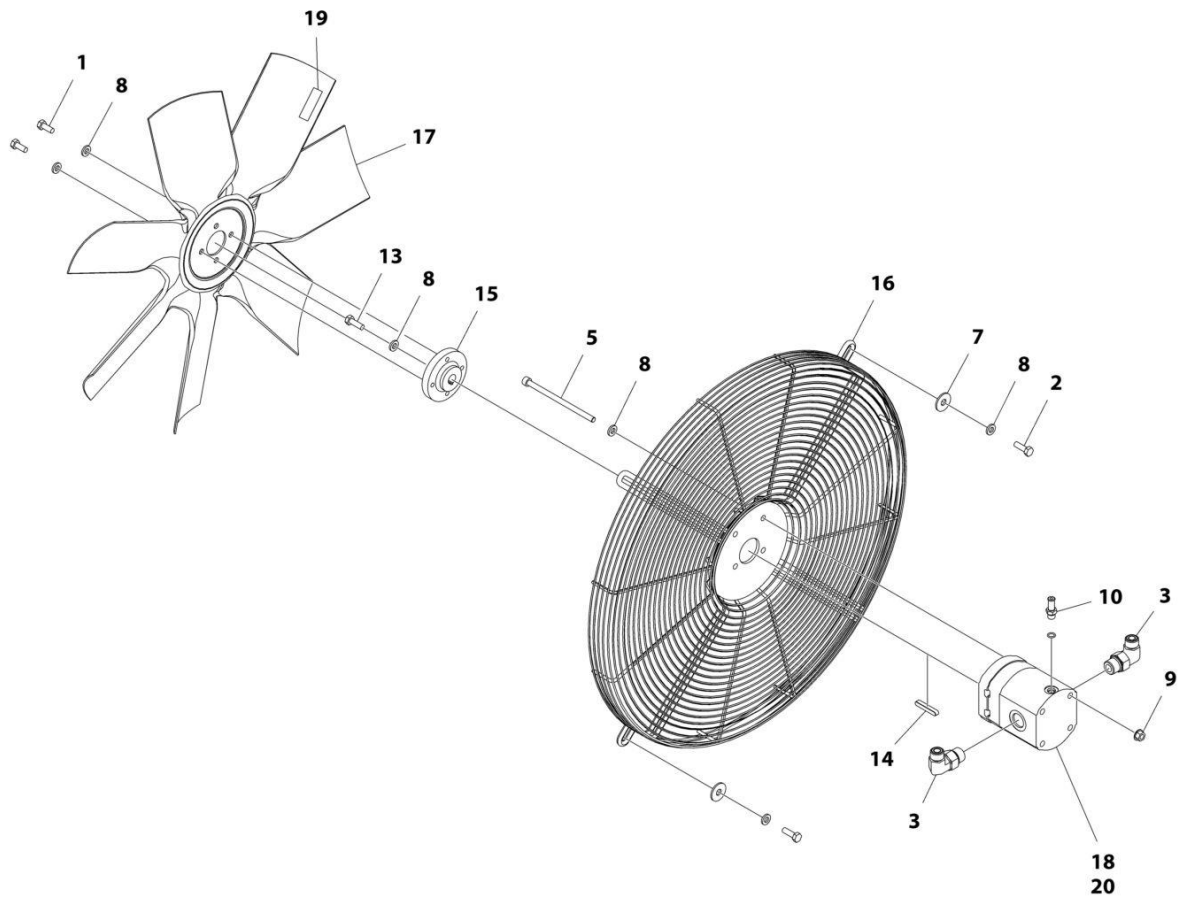
SECTION 4 - ENGINE AND ATTACHING PARTS

FIGURE 4-23. COOLING PACKAGE INSTALLATION (90KW - LS)

ITEM	PART NUMBER	QTY	DESCRIPTION	REV
	1001184322	Ref	COOLING PACKAGE INSTALLATION (90KW - LS)	G
1	1001179864	Ref	Installation, Surge Tank (See Separate Breakdown in this Section)	
2	1001182112	Ref	Installation, Cooling Fan (See Separate Breakdown in this Section)	
3	1001184062	Ref	Installation, Cooler (90KW) (See Separate Breakdown in this Section)	
4	1001184132	Ref	Installation, Coolant Lines (LS) (See Separate Breakdown in this Section)	
5	1001184955	Ref	Installation, Bulkhead (See Separate Breakdown in this Section)	
6	1001185337	Ref	Installation, Remote HOC (See Separate Breakdown in this Section)	
7	1001185864	Ref	Installation, Hydraulic Pump (90KW) (See Separate Breakdown in this Section)	
8	1001186848	Ref	Installation, CAC Lines (LS) (See Separate Breakdown in this Section)	
9	1001183076	Ref	Installation, Cooler Lines (90KW) (See Separate Breakdown in this Section)	
10	1001187276	Ref	Installation, Fan Lines (90KW) (See Separate Breakdown in this Section)	
11	1001145204	1	Switch, Reversing Fan	

SECTION 4 - ENGINE AND ATTACHING PARTS

FIGURE 4-24. COOLING FAN INSTALLATION



ART_1001182112

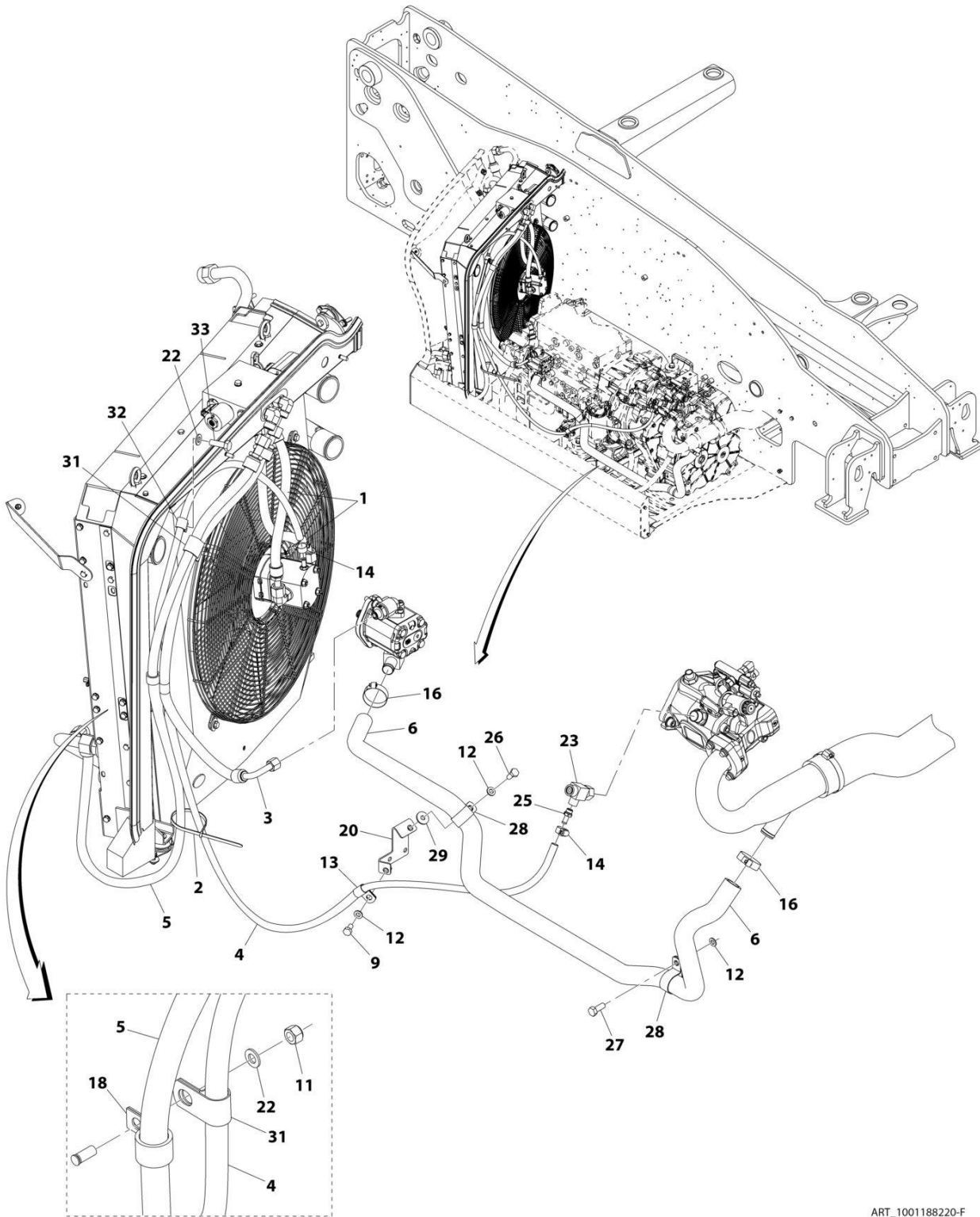
SECTION 4 - ENGINE AND ATTACHING PARTS

FIGURE 4-24. COOLING FAN INSTALLATION

ITEM	PART NUMBER	QTY	DESCRIPTION	REV
	1001182112	Ref	COOLING FAN INSTALLATION	F
1	0770810	4	Bolt M8 x 20 Grade 10.9	
2	0760812	4	Bolt M8 x 25	
3	2130810	2	Fitting, 90 ORFS	
5	4031927	4	Bolt M8 x 140	
7	4812002	4	Washer M10	
8	5240800	13	Washer M8	
9	5260800	4	Nut M10	
10	1001093401	1	Fitting, Straight ORFS	
13	1001139034	1	Bolt	
14	1001152940	1	Key, Fan Hub	
15	1001191508	1	Adapter, Fan Hub	
16	1001182111	1	Shield, Fan	
17	1001182193	1	Fan, M610	
18	1001182949	1	Motor, Fan Drive (14.53CC) (See Separate Breakdown in this Section)	
19	1001222573	AR	Reflective Tape	
20	1001125466	AR	Compound, Locking	

SECTION 4 - ENGINE AND ATTACHING PARTS

FIGURE 4-25. FAN LINES INSTALLATION (74.4KW)



ART_1001188220-F

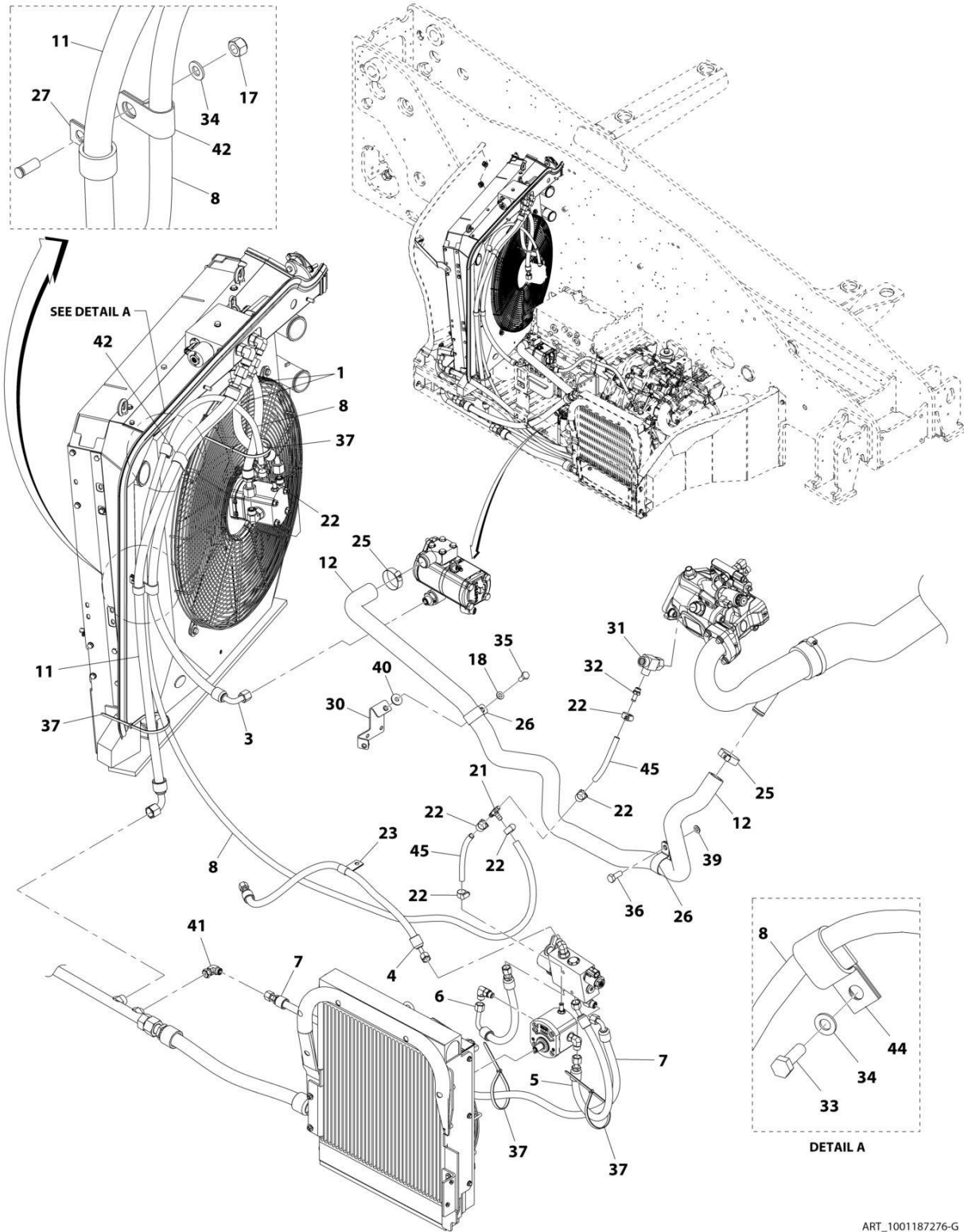
SECTION 4 - ENGINE AND ATTACHING PARTS

FIGURE 4-25. FAN LINES INSTALLATION (74.4KW)

ITEM	PART NUMBER	QTY	DESCRIPTION	REV
	1001188220	Ref	Fan Lines Installation (74.4KW)	F
1	1001187277	2	Hose	
2	1062255	1	Strap, Tie	
3	1001200798	1	Hose, 0.50IN ORFS	
4	1001187550	1	Hose (Prior to SN 1160008434)	
4	1001220551	1	Hose (SN 1160008434 to Present)	
5	1001203287	1	Hose, 0.63IN ORFS (Prior to SN 1160008434)	
5	1001221993	1	Hose (SN 1160008434 to Present)	
6	1001202484	1	Hose, 1.25IN	
9	0761010	1	Bolt, M10X20	
11	3290805	1	Nut, Lock M8X1.25 Grade 8	
12	4812000	3	Washer, M10	
13	8406105	1	Clip	
14	8410013	2	Clamp, Gear	
16	1001008657	2	Clamp, Hose	
18	1001009384	1	Clip	
20	1001187712	1	Bracket	
22	4811900	2	Washer, M8	
23	1001033120	1	Fitting, Tee ORFS	
25	1001168030	1	Barb, Hose	
26	0701012	1	Bolt, M10X25	
27	0701214	1	Bolt, M12X30	
28	1320239	2	Clamp, 1-3/4IN	
29	4812002	1	Washer, M10	
31	1001008720	2	Clip	
32	1001008626	1	Clip	
33	0760812	1	Bolt, M8X25	

SECTION 4 - ENGINE AND ATTACHING PARTS

FIGURE 4-26. FAN LINES INSTALLATION (90KW)



ART_1001187276-G

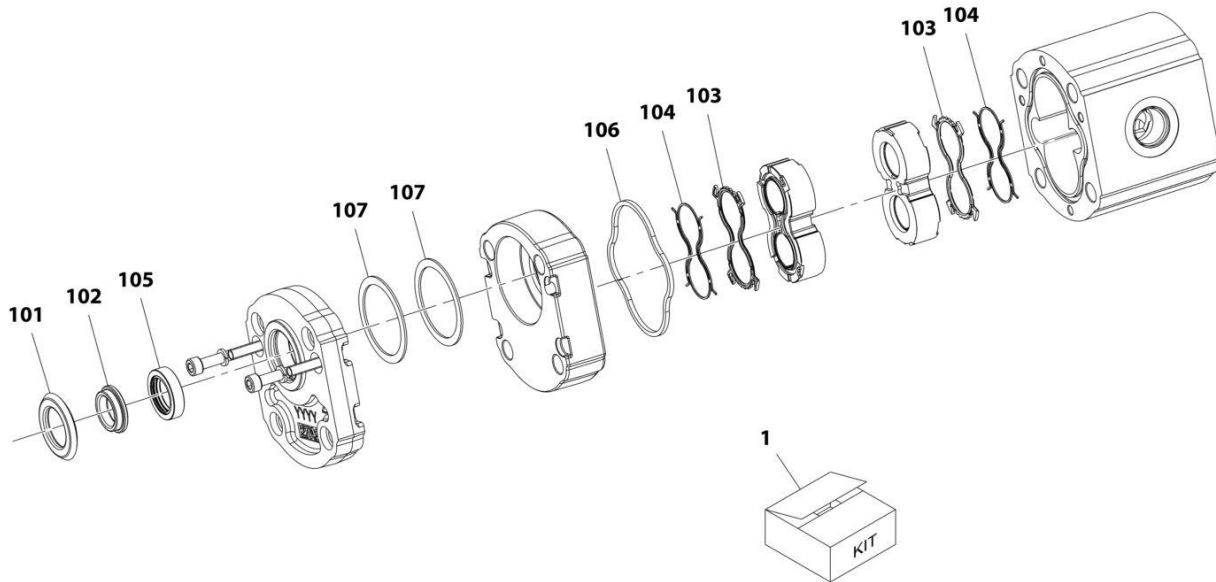
SECTION 4 - ENGINE AND ATTACHING PARTS

FIGURE 4-26. FAN LINES INSTALLATION (90KW)

ITEM	PART NUMBER	QTY	DESCRIPTION	REV
	1001187276	Ref	Fan Lines Installation (90KW)	G
1	1001187277	2	Hose	
3	1001203025	1	Hose, ORFS	
4	1001202922	1	Hose, ORFS	
5	1001220145	NLA	Hose, ORFS (no longer available, use 1001229063 for replacement)	
5	1001229063	1	Hose, ORFS	
6	1001187407	NLA	Hose (no longer available, use 1001229068 for replacement)	
6	1001229068	1	Hose, ORFS	
7	1001196662	NLA	Hose, ORFS (no longer available, use 1001228931 for replacement)	
7	1001228931	1	Hose, ORFS	
8	1001187550	NLA	Hose (no longer available, use 1001228929 for replacement)	
8	1001228929	1	Hose	
9	1001187551	NLA	Hose (no longer available, use 1001228930 for replacement)	
10	1001187552	NLA	Hose (no longer available, use 1001228930 for replacement)	
11	1001203178	1	Hose, ORFS	
12	1001199403	1	Hose	
17	3290805	1	Nut, Lock M8X1.25 Grade 8	
18	4812000	1	Washer, M10	
21	1001003934	1	Fitting, Tee Barb	
22	8410013	6	Clamp, Gear	
23	1001004143	1	Clip	
25	1001008657	2	Clamp, Hose	
26	1320239	2	Clamp, 1-3/4IN	
27	1001009384	1	Clip	
30	1001187712	1	Bracket	
31	1001033120	1	Fitting, Tee ORFS	
32	1001168030	1	Barb, Hose	
33	0760812	1	Bolt, M8X25	
34	4811900	2	Washer, M8	
35	0701012	1	Bolt, M10X25	
36	0701214	1	Bolt, M12X30	
37	1062255	4	Strap, Tie	
39	4812100	1	Washer, M12	
40	4812002	1	Washer, M10	
41	2172106	1	Fitting, 90 ORFS	
42	1001008720	2	Clip	
44	1001008626	1	Clip	
45	1001228930	1	Hose	

SECTION 4 - ENGINE AND ATTACHING PARTS

FIGURE 4-27. FAN DRIVE MOTOR (NO RHOC)



ART_1001182949-B

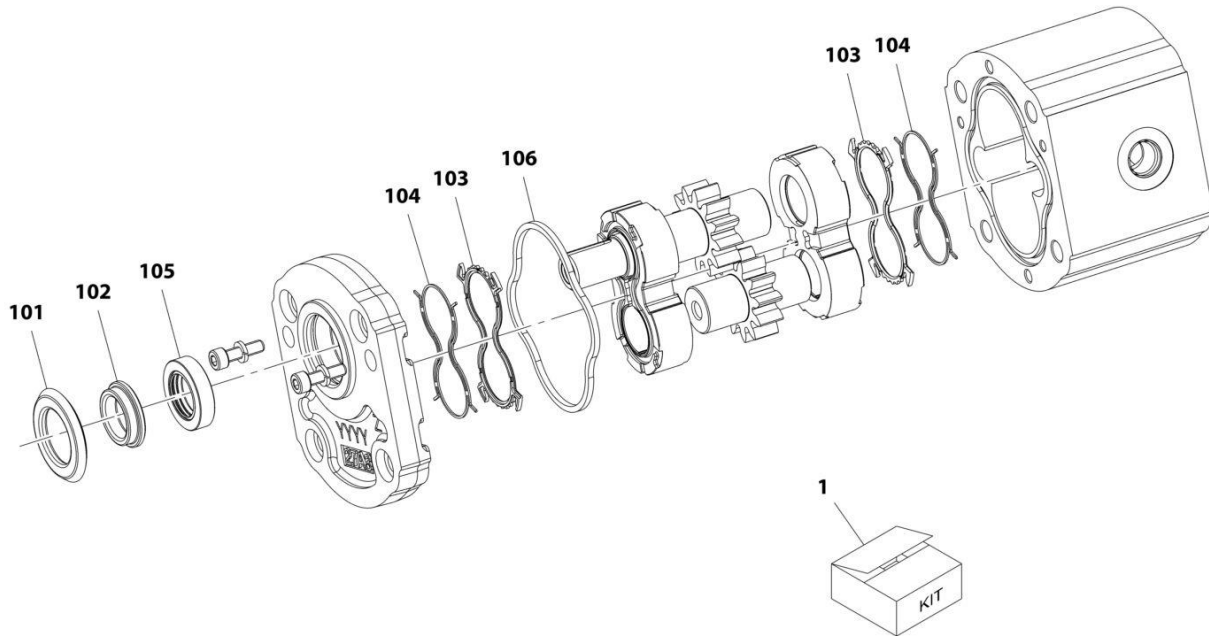
SECTION 4 - ENGINE AND ATTACHING PARTS

FIGURE 4-27. FAN DRIVE MOTOR (NO RHOC)

ITEM	PART NUMBER	QTY	DESCRIPTION	REV
	1001182949	Ref	Fan Drive Motor (No RHOC)	B
1	70027008	1	Kit, Seal	
101	Kit	1	Seal	
102	Kit	1	Holder Bushing	
103	Kit	2	Seal	
104	Kit	2	Ring, Anti-Extrusion	
105	Kit	1	Seal, Shaft	
106	Kit	1	Seal	
107	Kit	2	Seal	

SECTION 4 - ENGINE AND ATTACHING PARTS

FIGURE 4-28. FAN DRIVE MOTOR (RHOC)



ART_1001182950-B

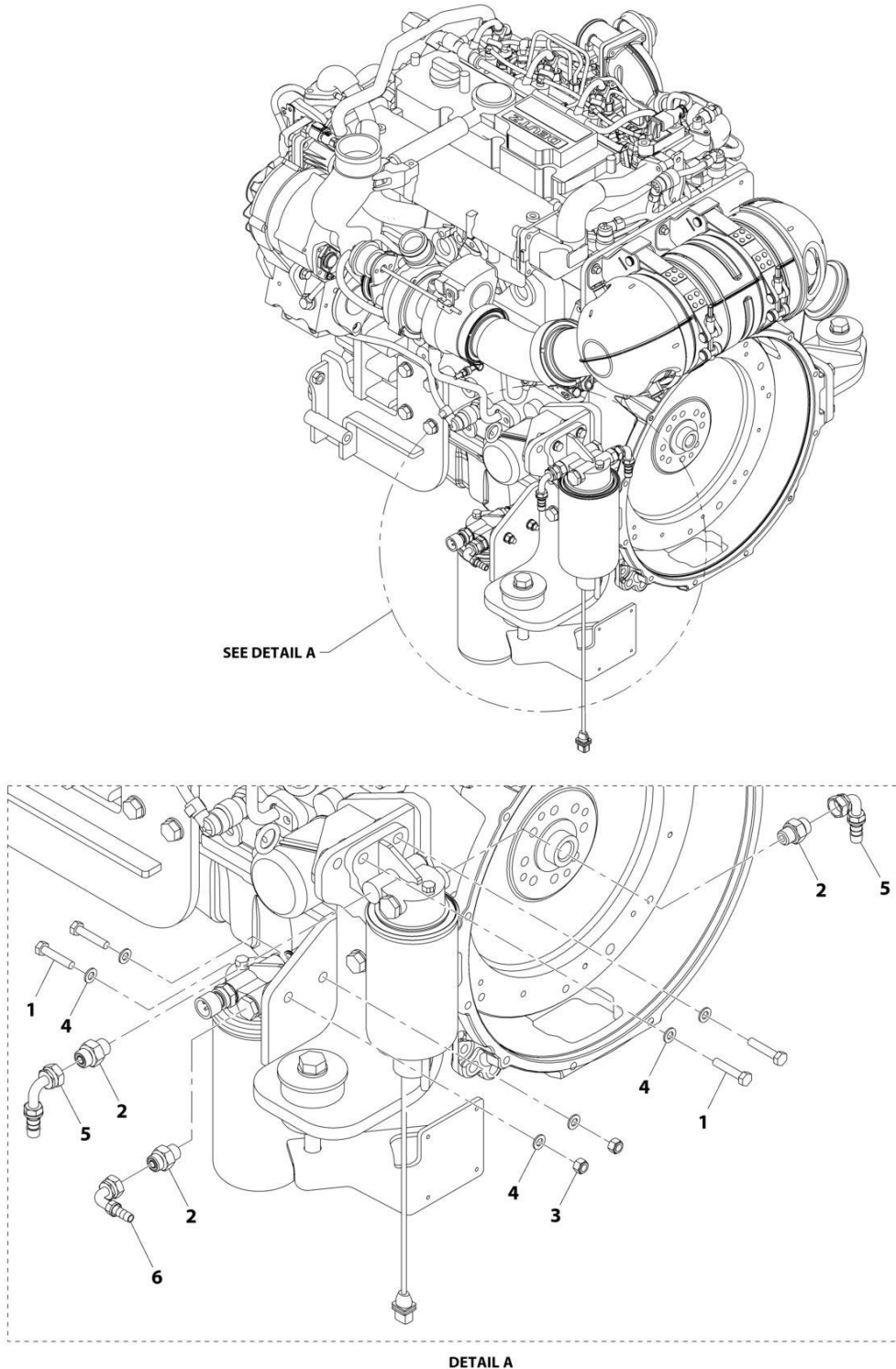
SECTION 4 - ENGINE AND ATTACHING PARTS

FIGURE 4-28. FAN DRIVE MOTOR (RHOC)

ITEM	PART NUMBER	QTY	DESCRIPTION	REV
	1001182950	Ref	Fan Drive Motor (RHOC)	B
1	70027037	1	Kit, Seal	
101	N.S.S.	1	Seal, Axial	
102	N.S.S.	1	Bush Holder	
103	N.S.S.	2	Seal	
104	N.S.S.	2	Ring	
105	N.S.S.	1	Seal	
106	N.S.S.	1	Seal	

SECTION 4 - ENGINE AND ATTACHING PARTS

FIGURE 4-29. PRIMARY FUEL FILTER INSTALLATION (74.4KW - ULS)



ART_1001211729-C

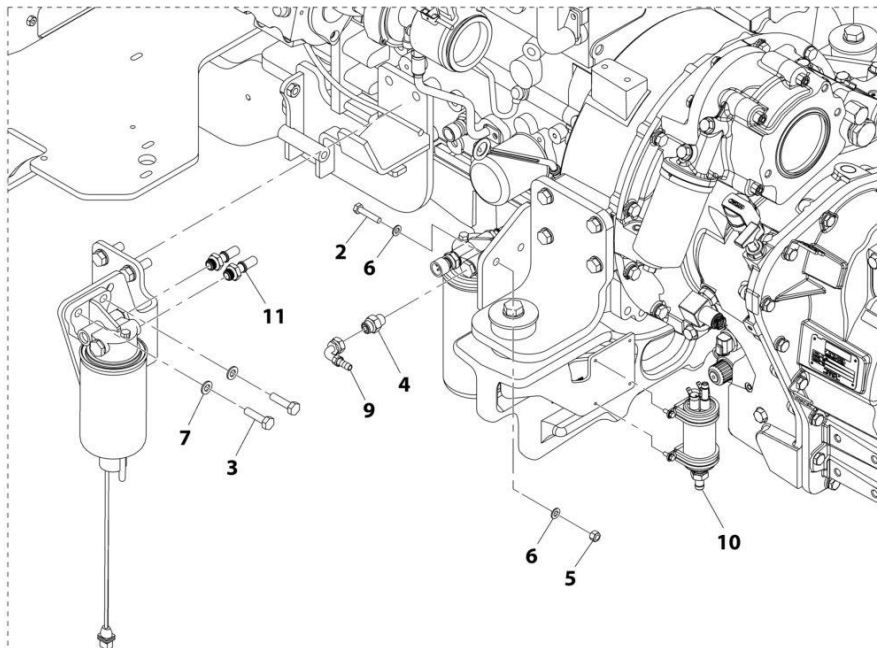
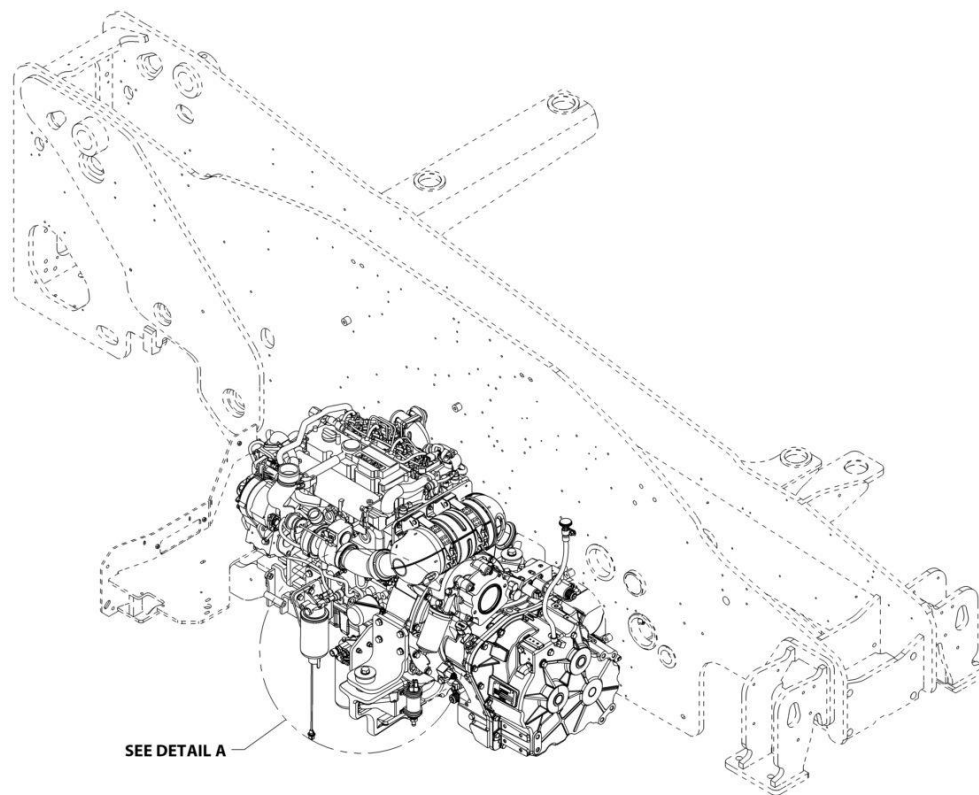
SECTION 4 - ENGINE AND ATTACHING PARTS

FIGURE 4-29. PRIMARY FUEL FILTER INSTALLATION (74.4KW - ULS)

ITEM	PART NUMBER	QTY	DESCRIPTION	REV
	1001211729	Ref	Primary Fuel Filter Installation (74.4KW - ULS)	C
1	0700816	4	Bolt, M8X40	
2	2144606	3	Fitting, Straight ORFS	
3	3290805	2	Nut, Lock M8X1.25 Grade 8	
4	4811900	6	Washer, M8	
5	1001095301	2	Fitting, 90 ORFS	
6	1001133793	1	Fitting, 90 ORFS	

SECTION 4 - ENGINE AND ATTACHING PARTS

FIGURE 4-30. FUEL FILTER INSTALLATION (90/100KW - ULS)



DETAIL A

ART_1001181951-F

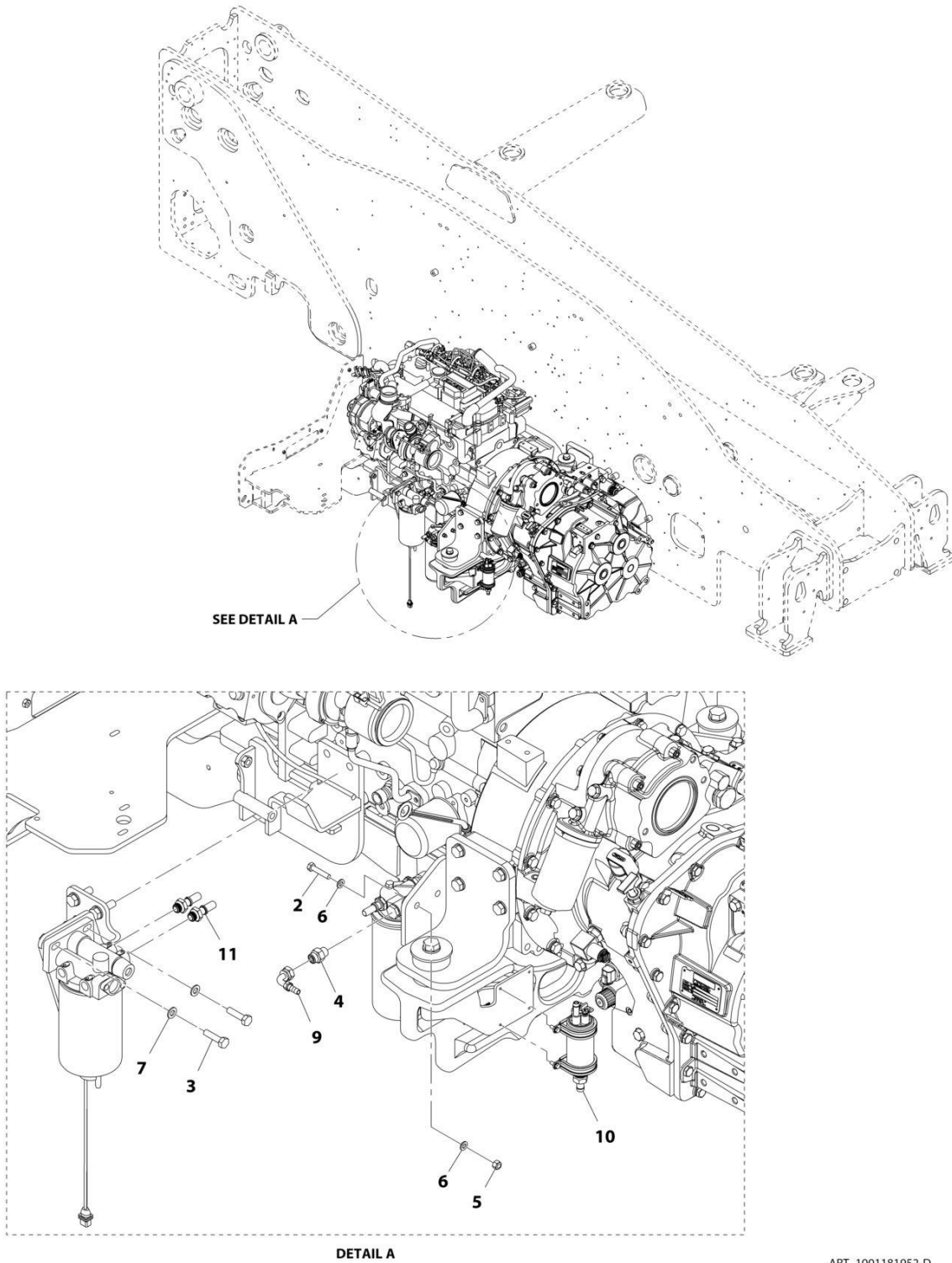
SECTION 4 - ENGINE AND ATTACHING PARTS

FIGURE 4-30. FUEL FILTER INSTALLATION (90/100KW - ULS)

ITEM	PART NUMBER	QTY	DESCRIPTION	REV
	1001181951	Ref	FUEL FILTER INSTALLATION	F
2	0700816	2	Bolt M8X40	
3	0701016	2	Bolt M10X40	
4	2144606	1	Fitting, Straight ORFS	
5	3290805	2	Nut, Lock M8	
6	4811900	4	Washer M8	
7	4812000	2	Washer M10	
9	1001133793	1	Fitting, 90 ORFS	
10	1001165789	1	Remote Fuel Pump Installation (See Separate Breakdown in this Section)	
11	1001133690	2	Coupling, M16X1.5	

SECTION 4 - ENGINE AND ATTACHING PARTS

FIGURE 4-31. PRIMARY FUEL FILTER INSTALLATION (90KW - LS)



ART_1001181952-D

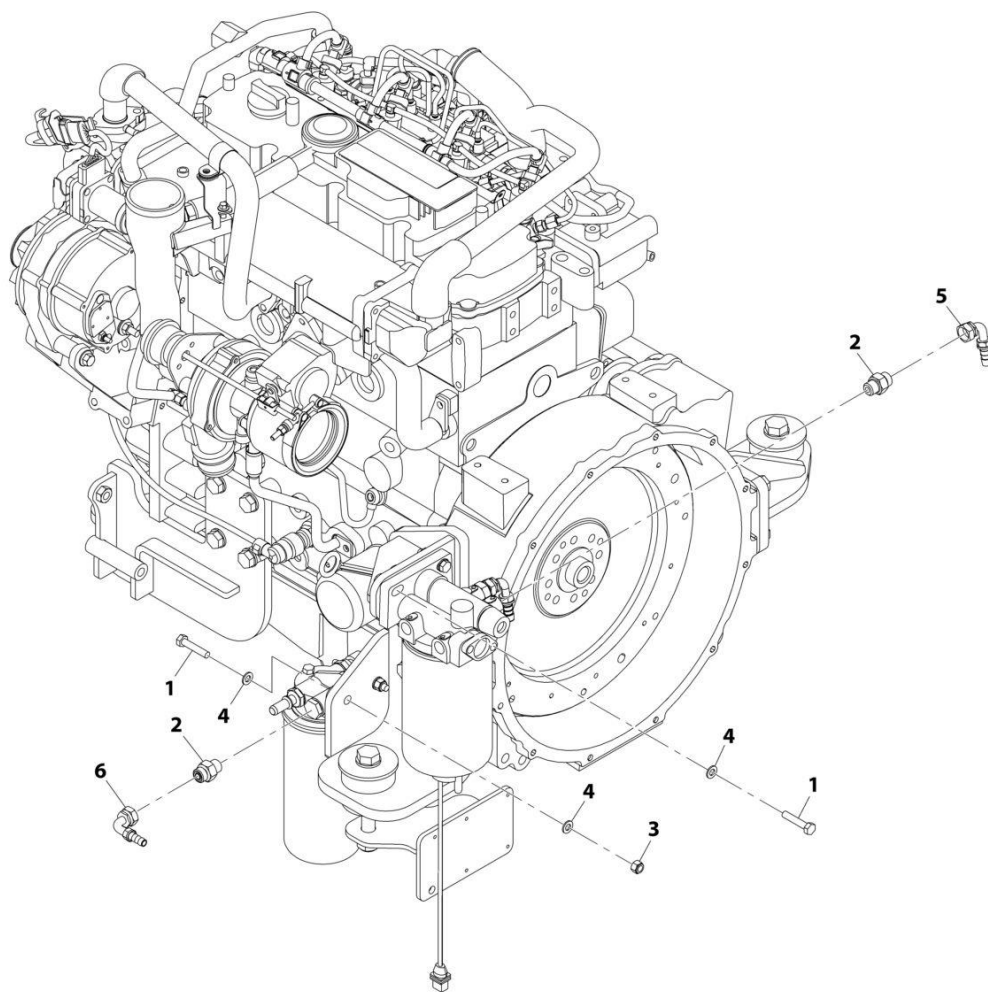
SECTION 4 - ENGINE AND ATTACHING PARTS

FIGURE 4-31. PRIMARY FUEL FILTER INSTALLATION (90KW - LS)

ITEM	PART NUMBER	QTY	DESCRIPTION	REV
	1001181952	Ref	Primary Fuel Filter Installation (90KW - LS)	D
2	0700816	2	Bolt, M8X40	
3	0701016	2	Bolt, M10X40	
4	2144606	1	Fitting, Straight ORFS	
5	3290805	2	Nut, Lock M8X1.25 Grade 8	
6	4811900	4	Washer, M8	
7	4812000	2	Washer, M10	
9	1001133793	1	Fitting, 90 ORFS	
10	1001165789	Ref	Installation, Remote Fuel Pump (74.4KW) (See Separate Breakdown in this Section)	
11	1001133690	2	Coupling, M16X1.5	

SECTION 4 - ENGINE AND ATTACHING PARTS

FIGURE 4-32. PRIMARY FUEL FILTER INSTALLATION (74.4KW - LS)



ART_1001211730-A

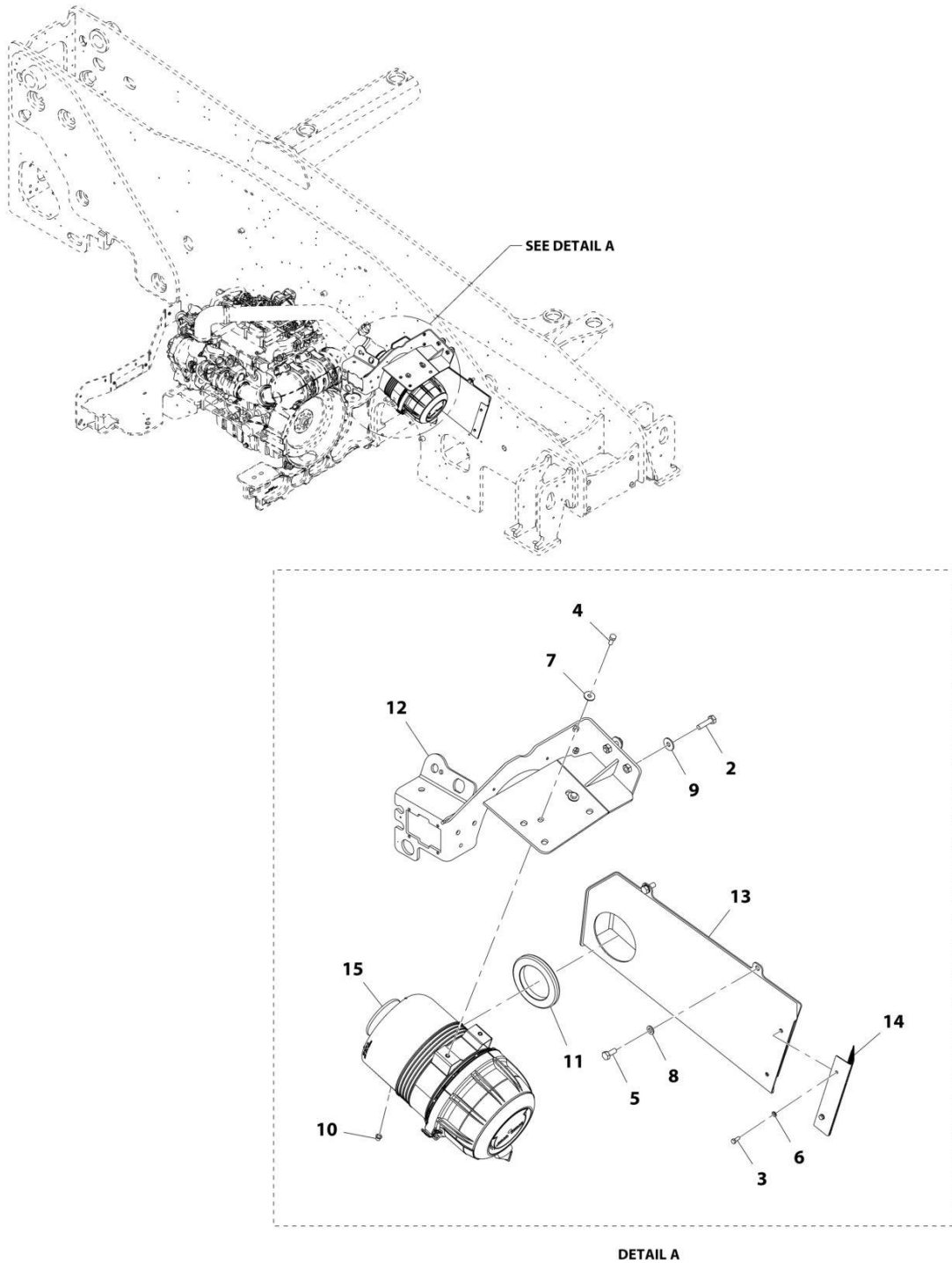
SECTION 4 - ENGINE AND ATTACHING PARTS

FIGURE 4-32. PRIMARY FUEL FILTER INSTALLATION (74.4KW - LS)

ITEM	PART NUMBER	QTY	DESCRIPTION	REV
	1001211730	Ref	Primary Fuel Filter Installation (74.4KW - LS)	A
1	0700816	4	Bolt, M8X40	
2	2144606	3	Fitting, Straight ORFS	
3	3290805	2	Nut, Lock M8X1.25 Grade 8	
4	4811900	6	Washer, M8	
5	1001095301	2	Fitting, 90 ORFS	
6	1001133793	1	Fitting, 90 ORFS	

SECTION 4 - ENGINE AND ATTACHING PARTS

FIGURE 4-33. AIR CLEANER INSTALLATION (74.4KW - ULS)



ART_1001182040-D

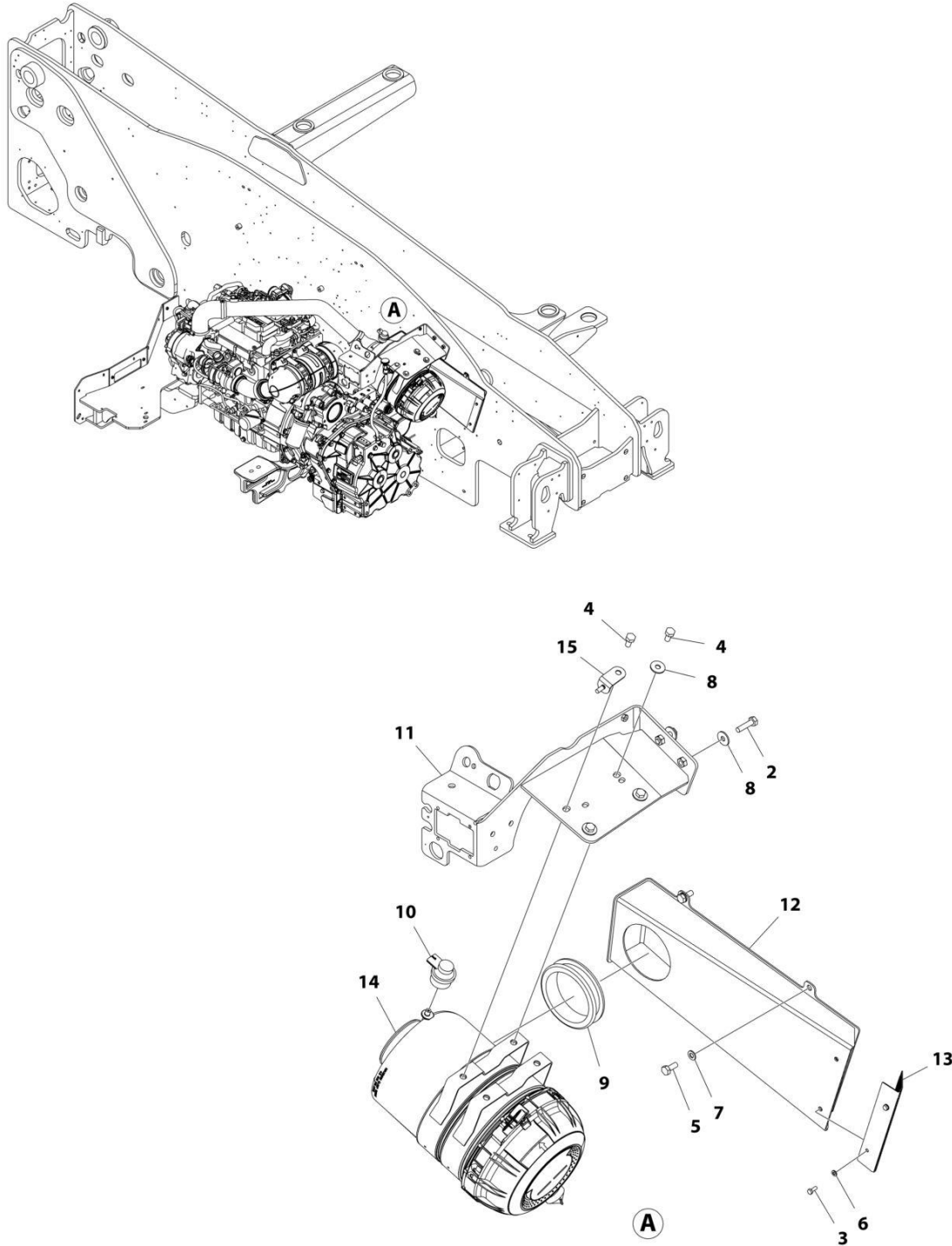
SECTION 4 - ENGINE AND ATTACHING PARTS

FIGURE 4-33. AIR CLEANER INSTALLATION (74.4KW - ULS)

ITEM	PART NUMBER	QTY	DESCRIPTION	REV
	1001182040	Ref	Air Cleaner Installation (74.4KW - ULS)	D
2	0701016	3	Bolt, M10X40	
3	0760608	2	Bolt, M6X16	
4	0760810	2	Bolt, M8X20	
5	0761012	4	Bolt, M10X25	
6	4811700	2	Washer, M6	
7	4811902	2	Washer, M8	
8	4812000	4	Washer, M10	
9	4812002	3	Washer, M10	
10	1001183177	1	Cap	
11	1001183830	1	Grommet	
12	1001212907	1	Bracket	
13	1001186009	1	Duct	
14	1001186290	1	Grill	
15	1001166566	1	Filter, Air Cleaner (74.4KW) (See Separate Breakdown in this Section)	

SECTION 4 - ENGINE AND ATTACHING PARTS

FIGURE 4-34. AIR CLEANER INSTALLATION (90/100KW)



ART_1001182036

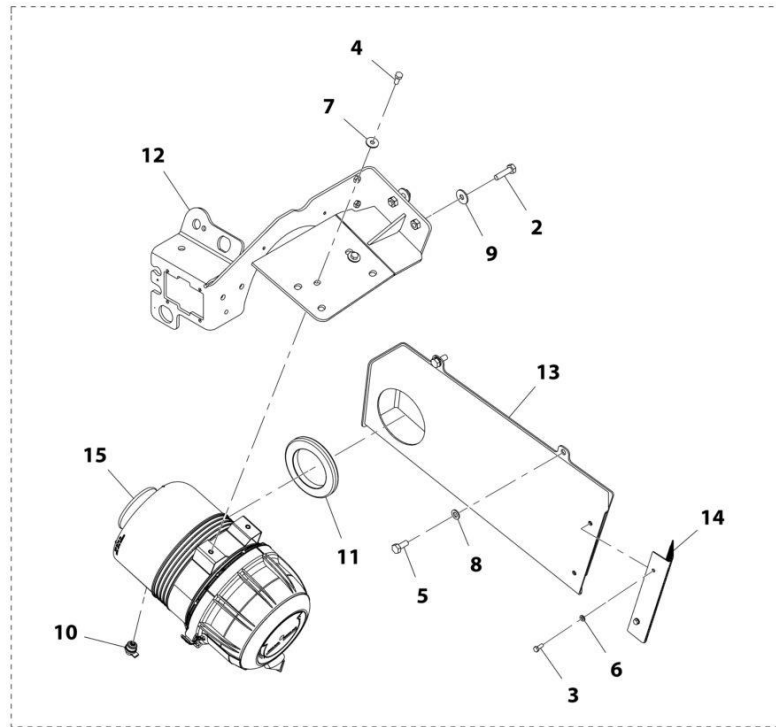
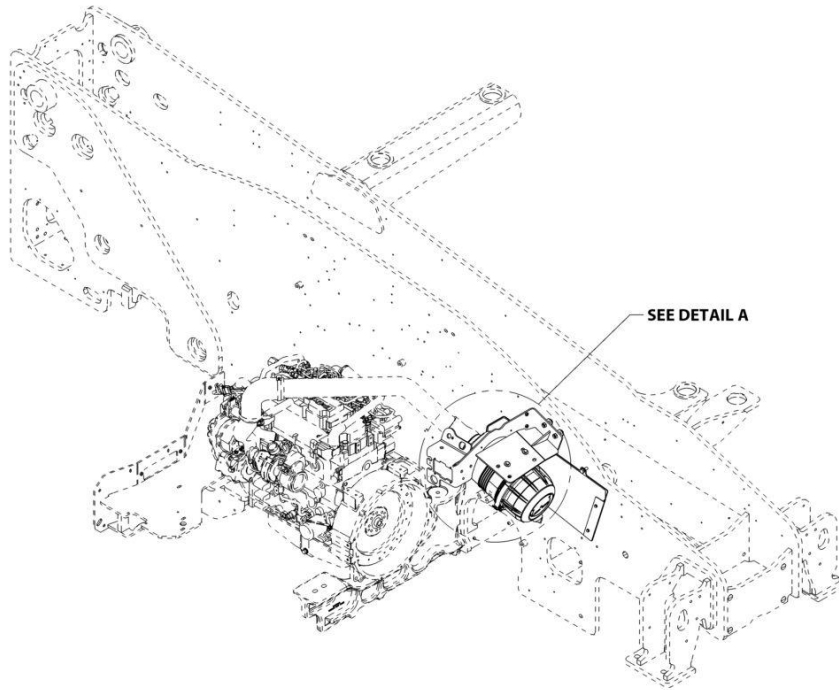
SECTION 4 - ENGINE AND ATTACHING PARTS

FIGURE 4-34. AIR CLEANER INSTALLATION (90/100KW)

ITEM	PART NUMBER	QTY	DESCRIPTION	REV
	1001182036	Ref	AIR CLEANER INSTALLATION (90/100KW)	G
2	0701016	3	Bolt M10 x 40	
3	0760608	2	Bolt M6 x 16	
4	0761010	4	Bolt M10 x 20	
5	0761012	4	Bolt M10 x 25	
6	4811700	2	Washer M6	
7	4812000	4	Washer M10	
8	4812002	6	Washer M10	
9	1001166397	1	Grommet	
10	1001166715	1	Indicator	
11	1001212906	1	Bracket	
12	1001186009	1	Duct	
13	1001186290	1	Grill	
14	1001166565	1	Filter, Air Cleaner (90/100KW) (See Separate Breakdown in this Section)	
15	1001218486	1	Bracket	

SECTION 4 - ENGINE AND ATTACHING PARTS

FIGURE 4-35. AIR CLEANER INSTALLATION (74.4KW - LS)



DETAIL A

ART_1001182042-D

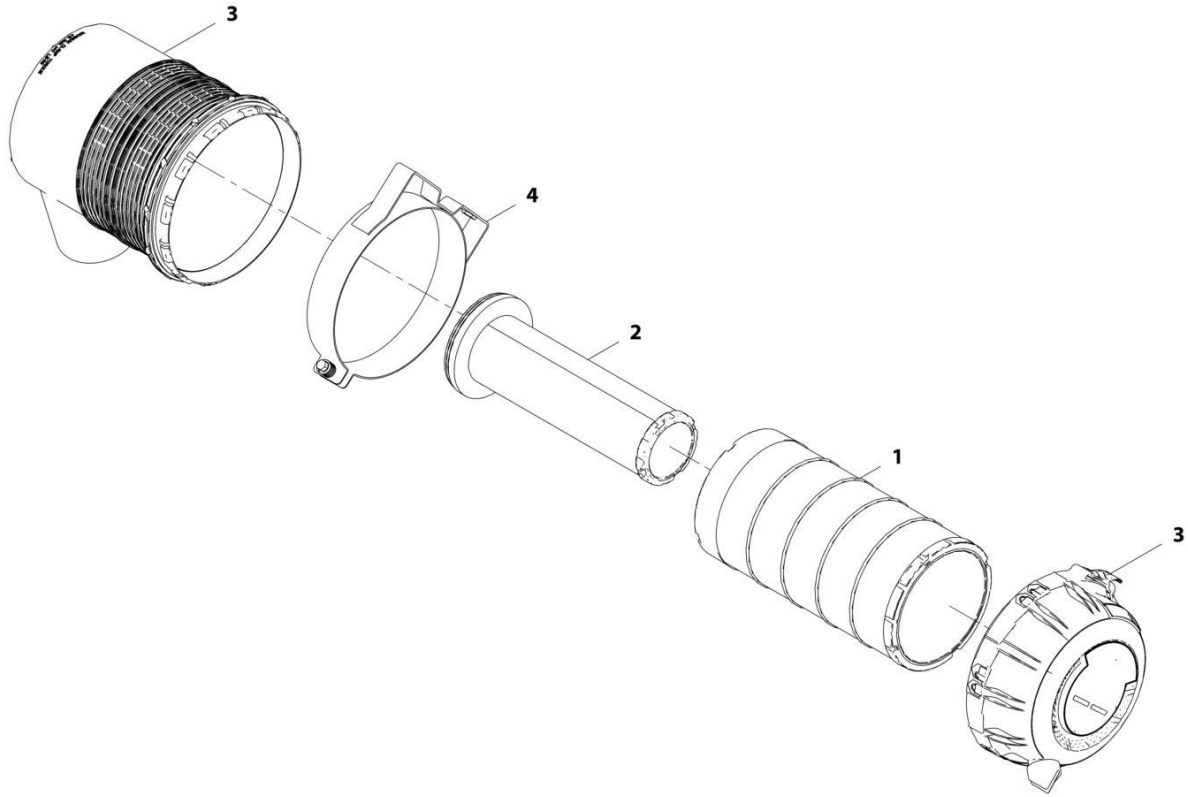
SECTION 4 - ENGINE AND ATTACHING PARTS

FIGURE 4-35. AIR CLEANER INSTALLATION (74.4KW - LS)

ITEM	PART NUMBER	QTY	DESCRIPTION	REV
	1001182042	Ref	Air Cleaner Installation (74.4KW - LS)	D
2	0701016	3	Bolt, M10X40	
3	0760608	2	Bolt, M6X16	
4	0760810	2	Bolt, M8X20	
5	0761012	4	Bolt, M10X25	
6	4811700	2	Washer, M6	
7	4811902	2	Washer, M8	
8	4812000	4	Washer, M10	
9	4812002	3	Washer, M10	
10	1001166715	1	Indicator	
11	1001183830	1	Grommet	
12	1001212907	1	Bracket	
13	1001186009	1	Duct	
14	1001186290	1	Grill	
15	1001166566	1	Filter, Air Cleaner (74.4KW) (See Separate Breakdown in this Section)	

SECTION 4 - ENGINE AND ATTACHING PARTS

FIGURE 4-36. AIR CLEANER ASSEMBLY (74.4KW)



ART_1001166566-G

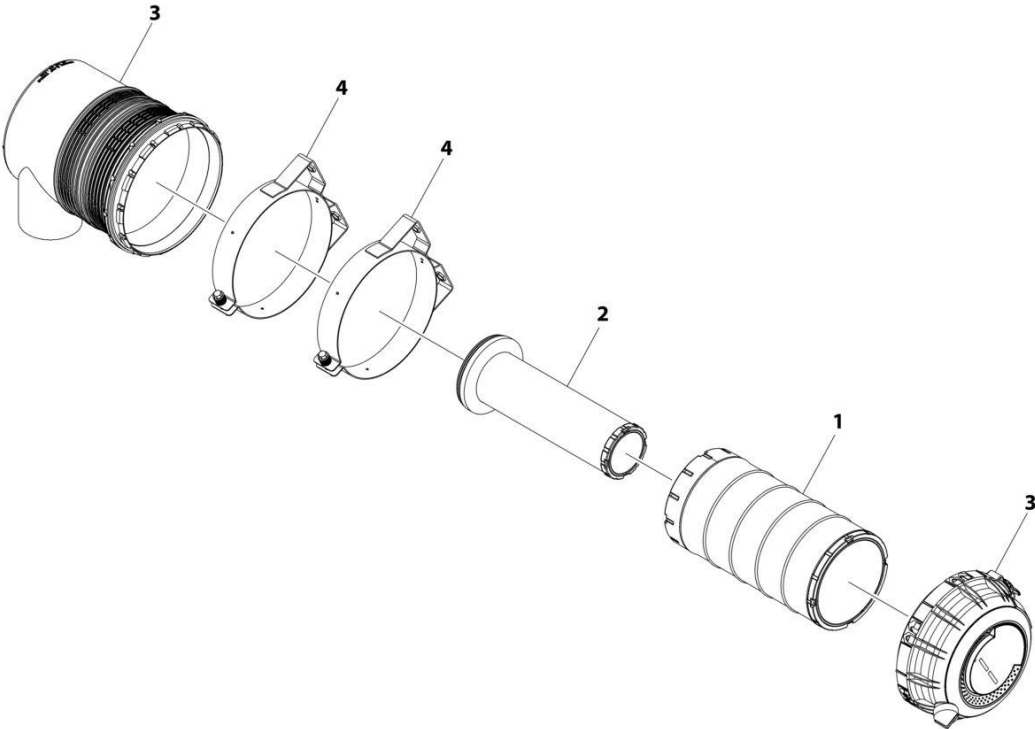
SECTION 4 - ENGINE AND ATTACHING PARTS

FIGURE 4-36. AIR CLEANER ASSEMBLY (74.4KW)

ITEM	PART NUMBER	QTY	DESCRIPTION	REV
	1001166566	Ref	Air Cleaner Assembly (74.4KW)	G
1	70025852	1	Filter, Air Cylindrical Primary	
2	70025853	1	Filter, Air Cylindrical Secondary	
3	70026393	1	Cover, Air Cleaner	
4	70026394	1	Bracket, Mounting Band	

SECTION 4 - ENGINE AND ATTACHING PARTS

FIGURE 4-37. AIR CLEANER ASSEMBLY (90/100KW)



ART_1001166565

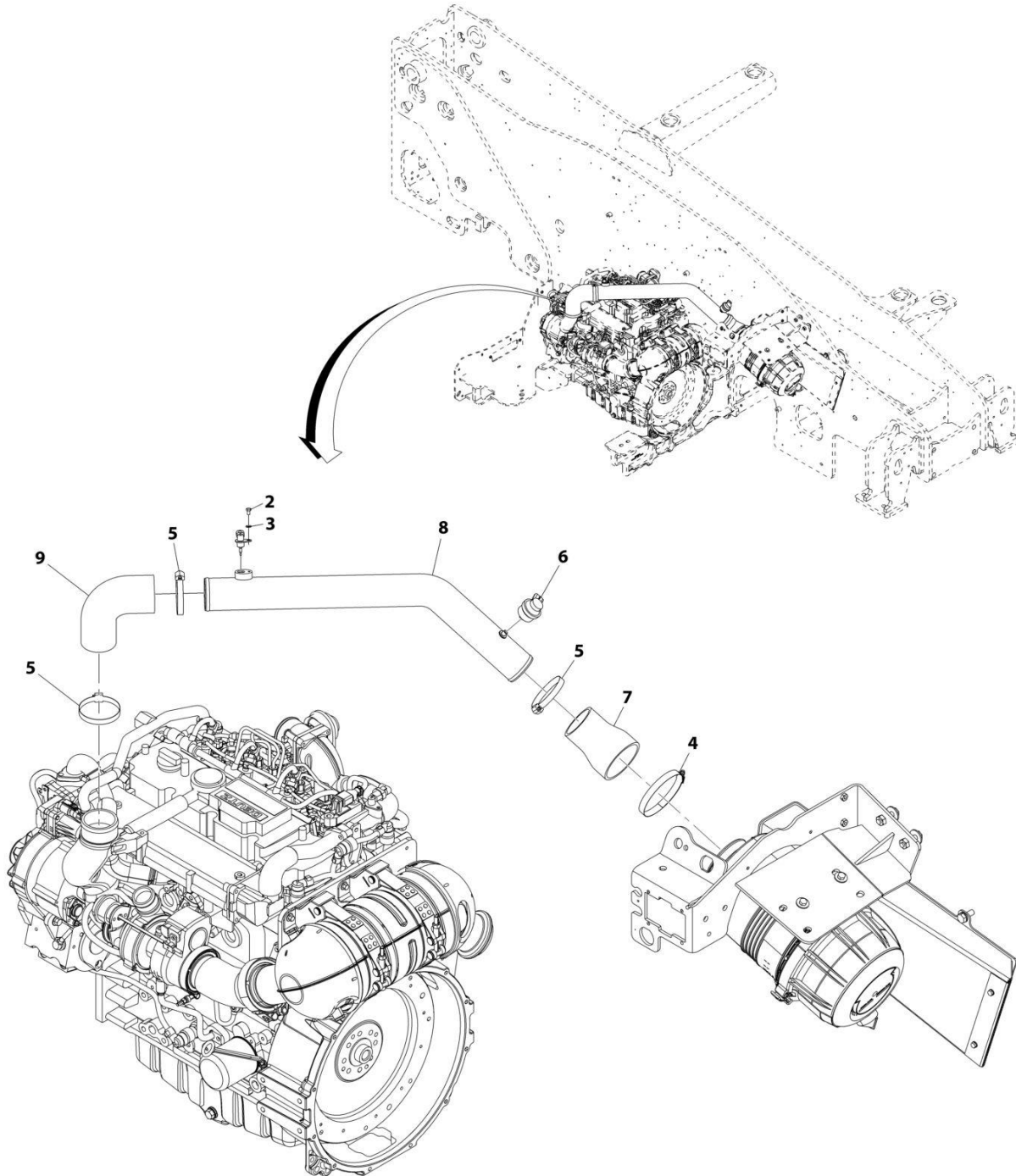
SECTION 4 - ENGINE AND ATTACHING PARTS

FIGURE 4-37. AIR CLEANER ASSEMBLY (90/100KW)

ITEM	PART NUMBER	QTY	DESCRIPTION	REV
	1001166565	Ref	AIR FILTER ASSEMBLY (90/100KW)	F
1	70025850	1	Filter, Cylindrical Air Primary	
2	70025851	1	Filter, Cylindrical Air Secondary	
3	70026395	1	Cover	
4	70026396	2	Bracket	

SECTION 4 - ENGINE AND ATTACHING PARTS

FIGURE 4-38. AIR INTAKE LINES INSTALLATION (74.4KW - ULS)



ART_1001182041-D

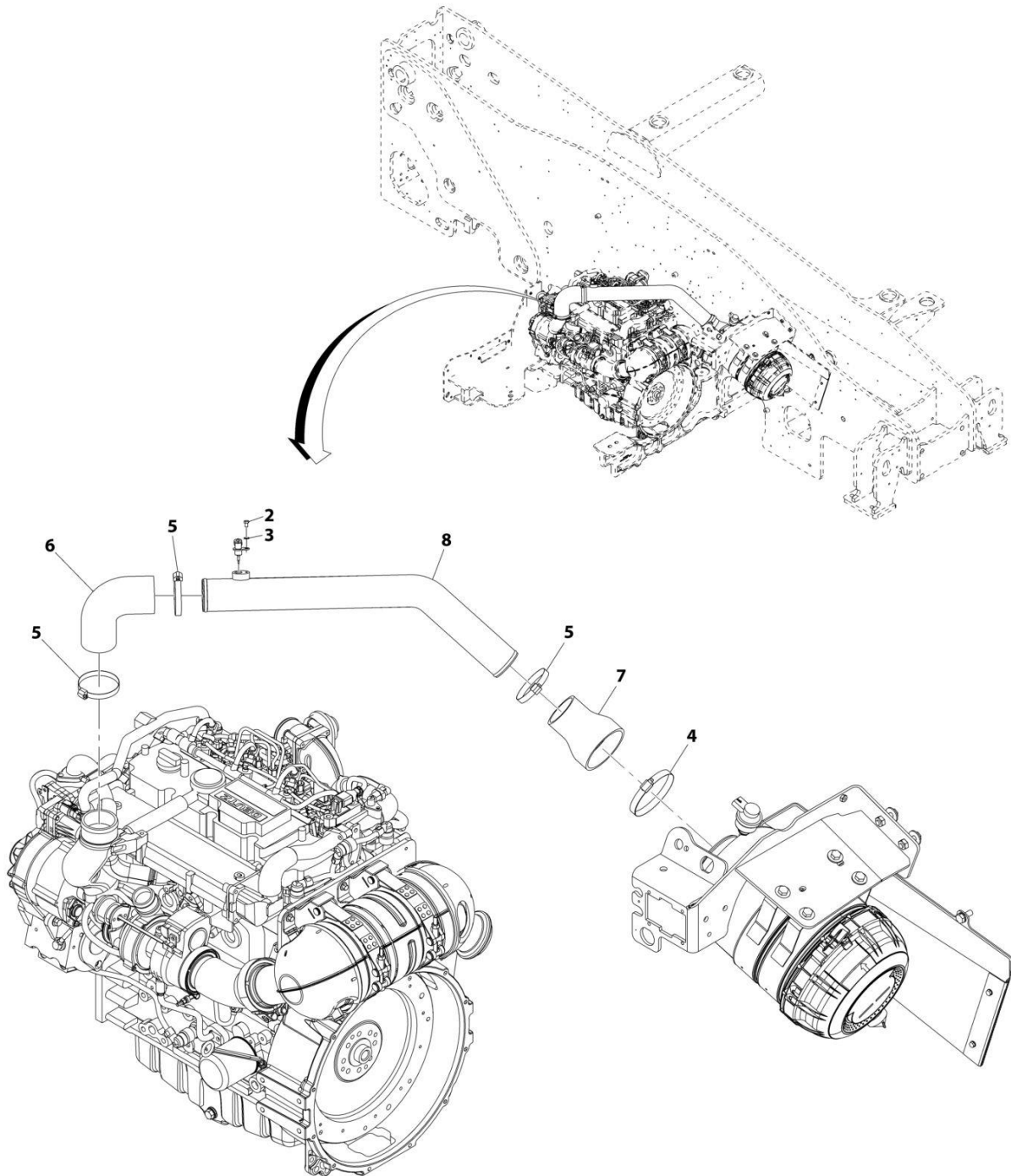
SECTION 4 - ENGINE AND ATTACHING PARTS

FIGURE 4-38. AIR INTAKE LINES INSTALLATION (74.4KW - ULS)

ITEM	PART NUMBER	QTY	DESCRIPTION	REV
	1001182041	Ref	Air Intake Lines Installation (74.4KW - ULS)	D
2	0760605	1	Bolt, M6X10	
3	4811700	1	Washer, M6	
4	8405402	1	Clamp	
5	8410011	3	Clamp, Gear	
6	1001166715	1	Indicator	
7	1001175586	1	Sleeve	
8	1001182880	1	Tube	
9	1001182881	1	Hose	

SECTION 4 - ENGINE AND ATTACHING PARTS

FIGURE 4-39. AIR INTAKE LINES INSTALLATION (90/100KW - ULS)



ART_1001182037-D

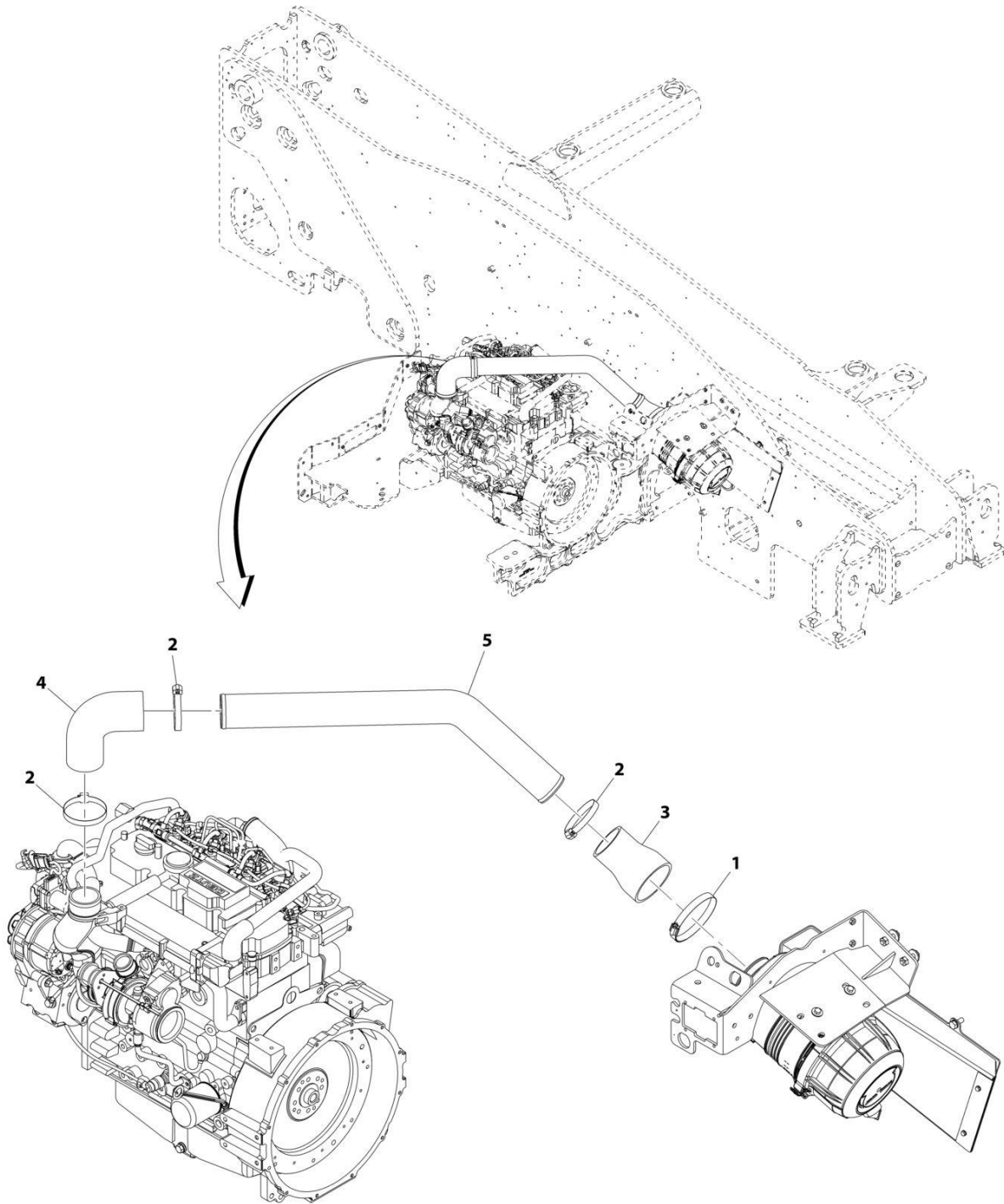
SECTION 4 - ENGINE AND ATTACHING PARTS

FIGURE 4-39. AIR INTAKE LINES INSTALLATION (90/100KW - ULS)

ITEM	PART NUMBER	QTY	DESCRIPTION	REV
	1001182037	Ref	Air Intake Lines Installation (90/100KW - ULS)	D
2	0760605	1	Bolt, M6X10	
3	4811700	1	Washer, M6	
4	8405402	1	Clamp	
5	8410011	3	Clamp, Gear	
6	1001182881	1	Hose	
7	1001182885	1	Hose	
8	1001182886	1	Tube	

SECTION 4 - ENGINE AND ATTACHING PARTS

FIGURE 4-40. AIR INTAKE LINES INSTALLATION (74.4KW - LS)



ART_1001182043-A

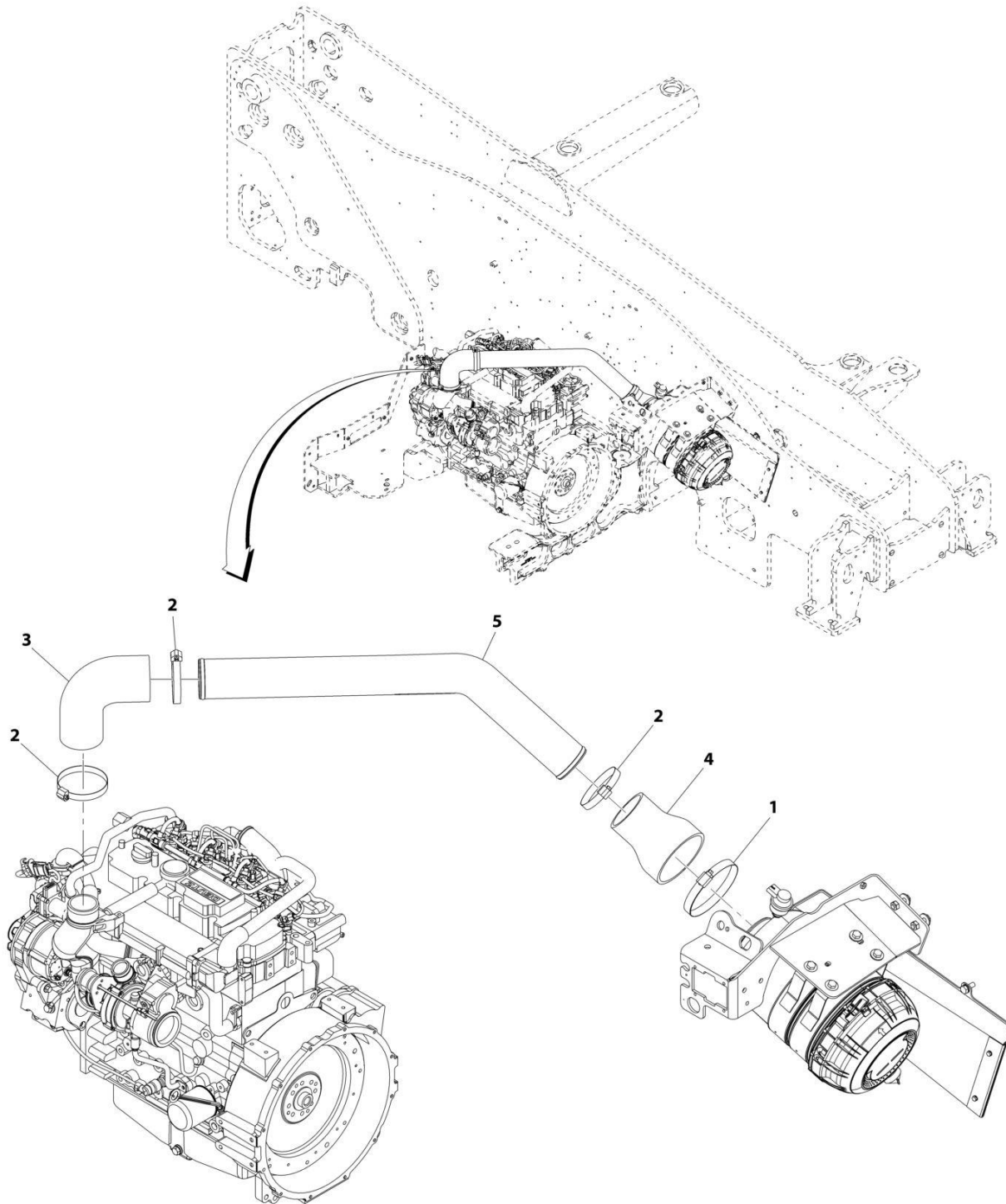
SECTION 4 - ENGINE AND ATTACHING PARTS

FIGURE 4-40. AIR INTAKE LINES INSTALLATION (74.4KW - LS)

ITEM	PART NUMBER	QTY	DESCRIPTION	REV
	1001182043	Ref	Air Intake Lines Installation (74.4KW - LS)	A
1	8405402	1	Clamp	
2	8410011	3	Clamp, Gear	
3	1001175586	1	Sleeve	
4	1001182881	1	Hose	
5	1001182887	1	Tube	

SECTION 4 - ENGINE AND ATTACHING PARTS

FIGURE 4-41. AIR INTAKE LINES INSTALLATION (90KW - LS)



ART_1001182039-A

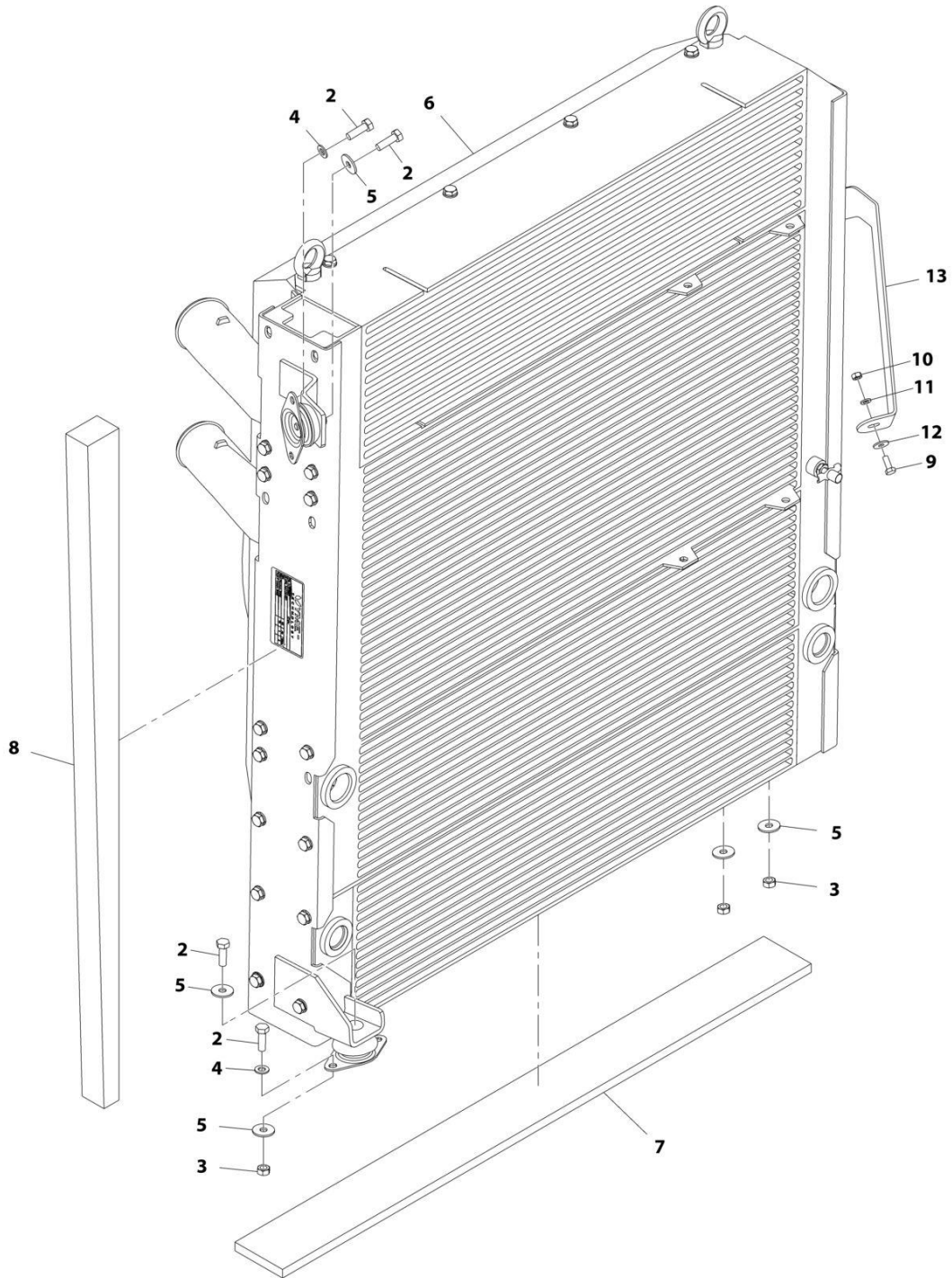
SECTION 4 - ENGINE AND ATTACHING PARTS

FIGURE 4-41. AIR INTAKE LINES INSTALLATION (90KW - LS)

ITEM	PART NUMBER	QTY	DESCRIPTION	REV
	1001182039	Ref	Air Intake Lines Installation (90KW - LS)	A
1	8405402	1	Clamp	
2	8410011	3	Clamp, Gear	
3	1001182881	1	Hose	
4	1001182885	1	Hose	
5	1001182888	1	Tube	

SECTION 4 - ENGINE AND ATTACHING PARTS

FIGURE 4-42. COOLER INSTALLATION (74.4KW)



ART_1001184061-E

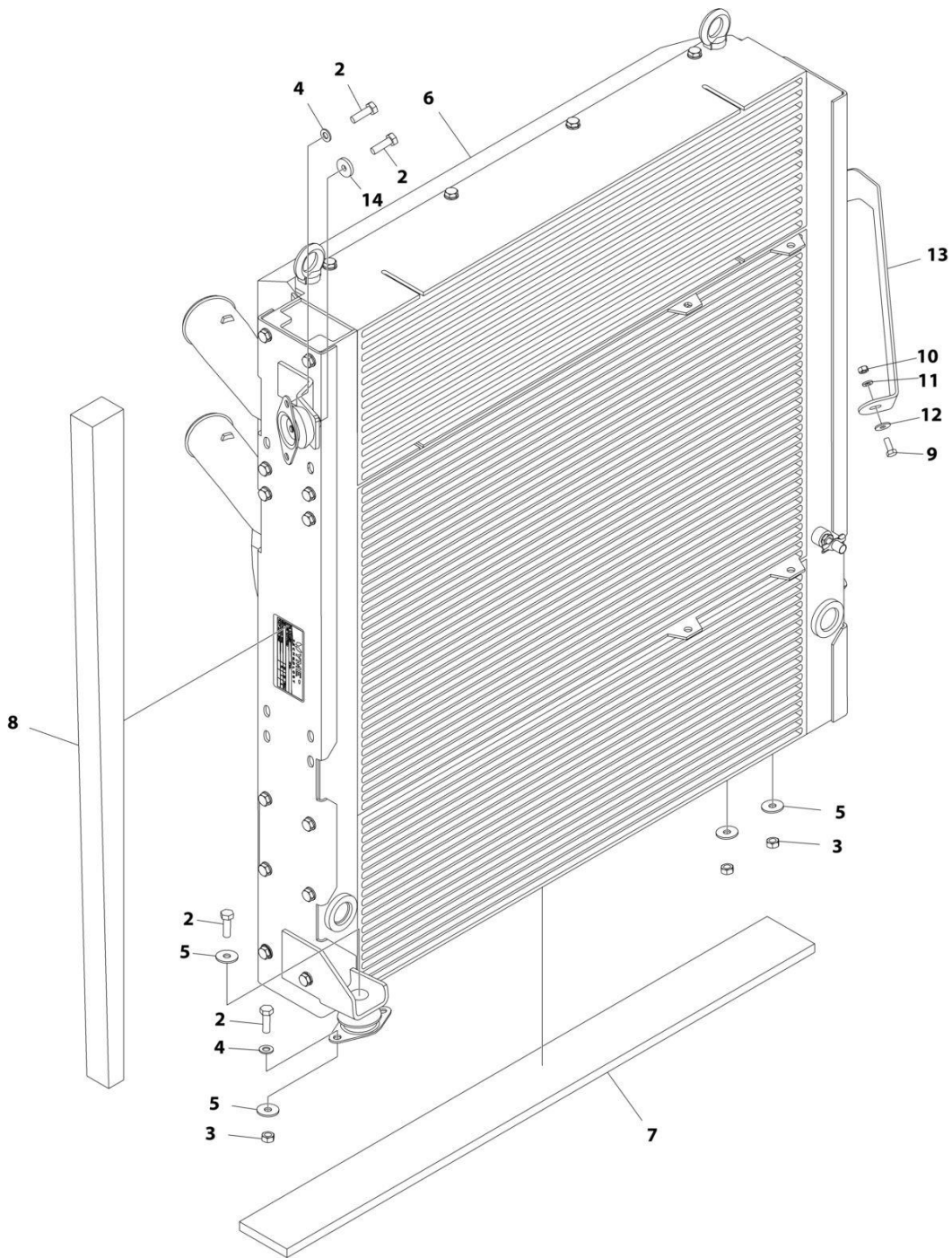
SECTION 4 - ENGINE AND ATTACHING PARTS

FIGURE 4-42. COOLER INSTALLATION (74.4KW)

ITEM	PART NUMBER	QTY	DESCRIPTION	REV
	1001184061	Ref	Cooler Installation (74.4KW)	E
2	0760812	9	Bolt, M8X25	
3	3290801	4	Nut, M8X1.25 Grade 8	
4	4811900	6	Washer, M8	
5	4811902	7	Washer, M8	
6	1001180581	1	Package, Radiator Cooling (74.4KW) (See Separate Breakdown in this Section)	
7	1001182994	1	Seal	
8	1001182995	1	Seal	
9	0760608	1	Bolt, M6X16	
10	3290601	1	Nut, M6X1 Grade 8	
11	4811700	1	Washer, M6	
12	4811702	1	Washer, M6	
13	1001202120	1	Plate	

SECTION 4 - ENGINE AND ATTACHING PARTS

FIGURE 4-43. COOLER INSTALLATION (90KW)



ART_1001184062

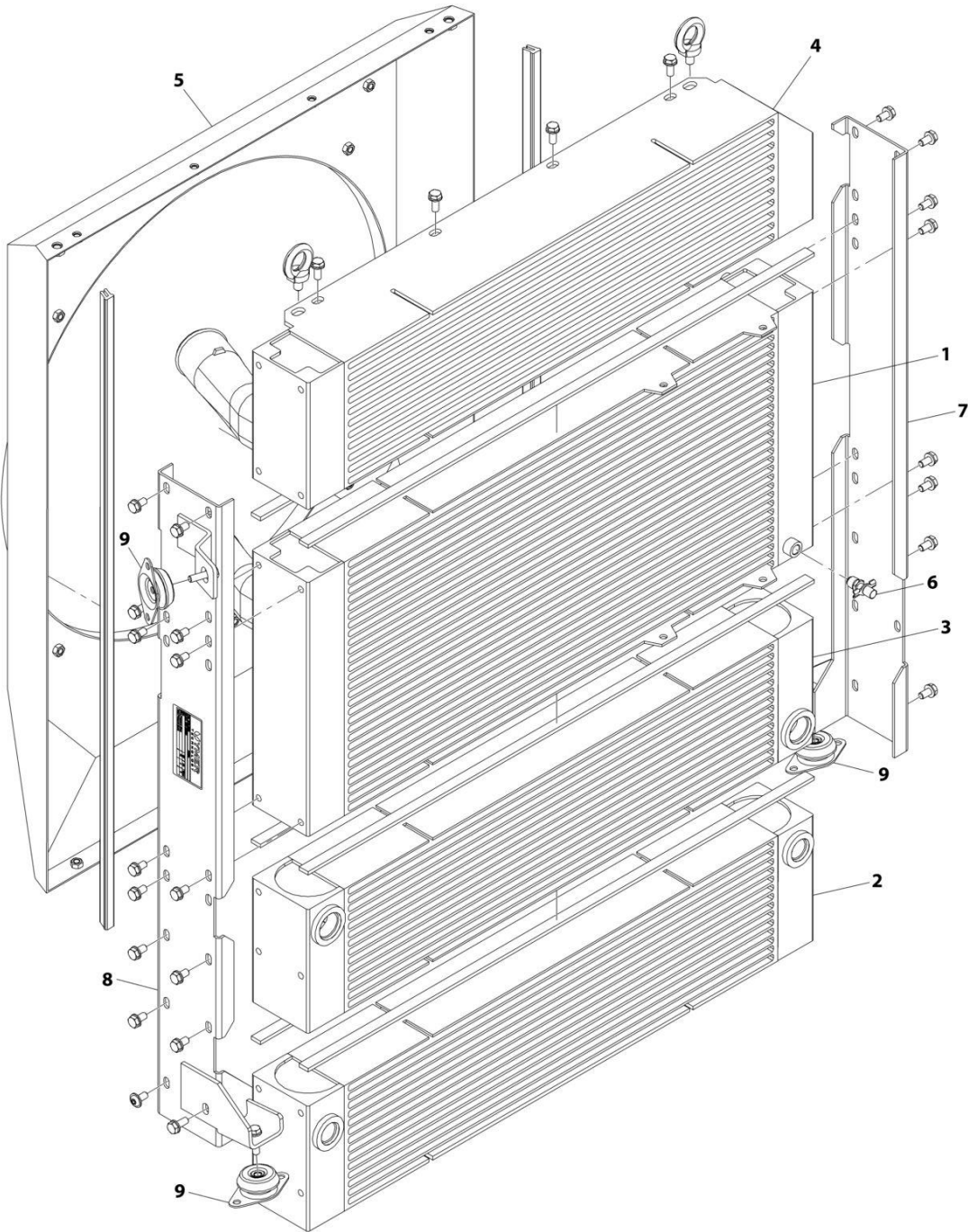
SECTION 4 - ENGINE AND ATTACHING PARTS

FIGURE 4-43. COOLER INSTALLATION (90KW)

ITEM	PART NUMBER	QTY	DESCRIPTION	REV
	1001184062	Ref	COOLER INSTALLATION (90KW)	E
2	0760812	9	Bolt M8 x 25	
3	3290801	4	Nut M8 x 1.25 Grade 8	
4	4811900	6	Washer M8	
5	4811902	6	Washer M8	
6	1001175320	1	Package, Radiator Cooling (90KW) (See Separate Breakdown in this Section)	
7	1001182994	1	Seal	
8	1001182995	1	Seal	
9	0760608	1	Bolt M6 x 16	
10	3290601	1	Nut M6 x 1 Grade 8	
11	4811700	1	Washer M6	
12	4811702	1	Washer M6	
13	1001202120	1	Plate	
14	4740572	1	Washer M10	

SECTION 4 - ENGINE AND ATTACHING PARTS

FIGURE 4-44. RADIATOR COOLING PACKAGE (74.4KW)



ART_1001180581-C

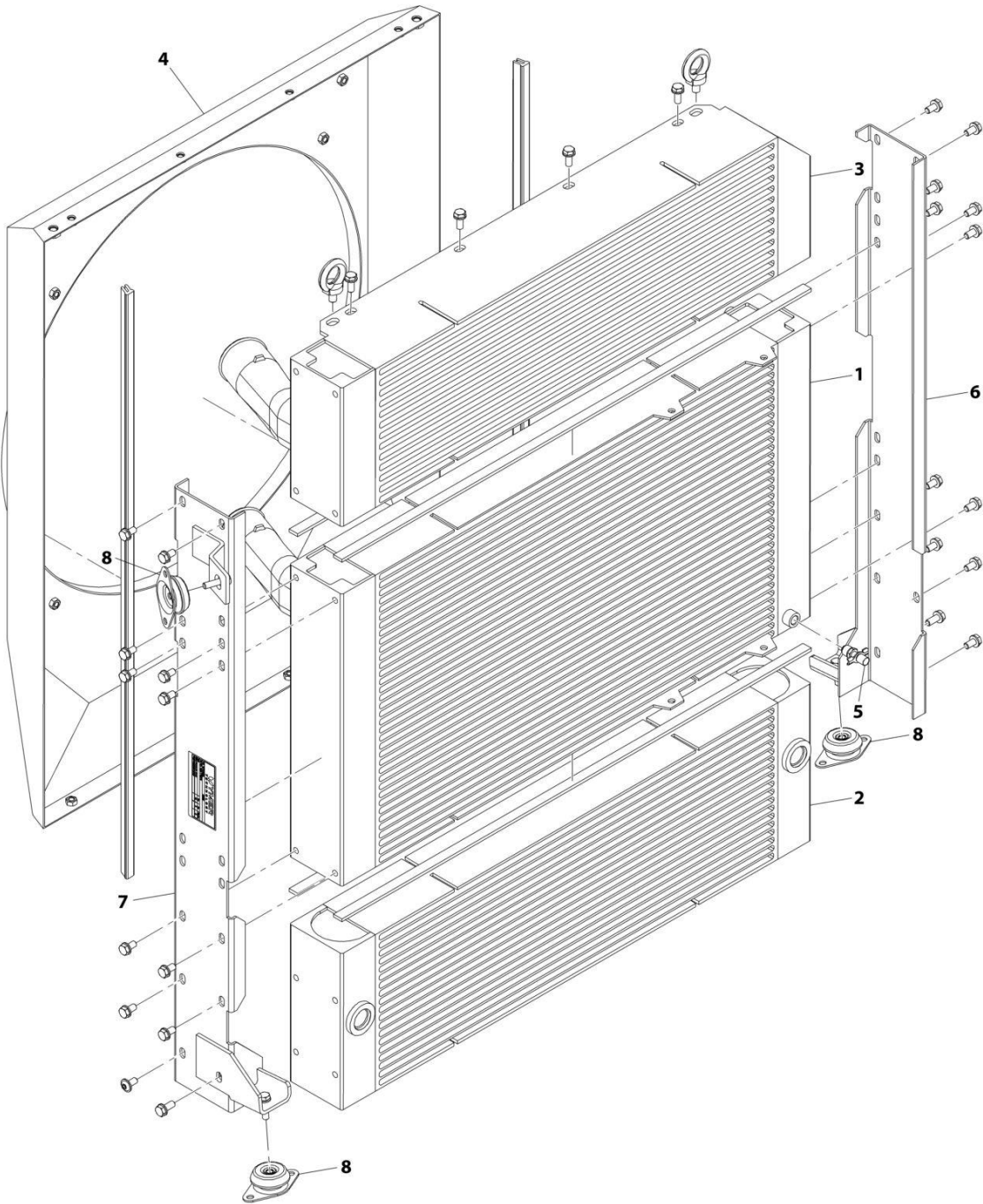
SECTION 4 - ENGINE AND ATTACHING PARTS

FIGURE 4-44. RADIATOR COOLING PACKAGE (74.4KW)

ITEM	PART NUMBER	QTY	DESCRIPTION	REV
	1001180581	Ref	Radiator Cooling Package (74.4KW)	C
1	70027205	1	Cooler, Water	
2	70027207	1	Cooler, Oil	
3	70027206	1	Cooler, Oil	
4	70027208	1	Cooler, Air	
5	70027202	1	Shroud	
6	70025644	1	Valve, Drain	
7	70027203	1	Bracket, Mounting	
8	70027204	1	Bracket, Mounting	
9	1001184609	1	Isolator, Mount	

SECTION 4 - ENGINE AND ATTACHING PARTS

FIGURE 4-45. RADIATOR COOLING PACKAGE (90KW)



ART_1001175320-C

SECTION 4 - ENGINE AND ATTACHING PARTS

FIGURE 4-45. RADIATOR COOLING PACKAGE (90KW)

ITEM	PART NUMBER	QTY	DESCRIPTION	REV
	1001175320	Ref	Radiator Cooling Package (90KW)	C
1	70027199	1	Cooler, Water	
2	70027200	1	Cooler, Oil	
3	70027201	1	Cooler, Air	
4	70027202	1	Shroud	
5	70025644	1	Valve, Drain	
6	70027203	1	Bracket, Mounting	
7	70027204	1	Bracket, Mounting	
8	1001184609	1	Isolator, Mount	

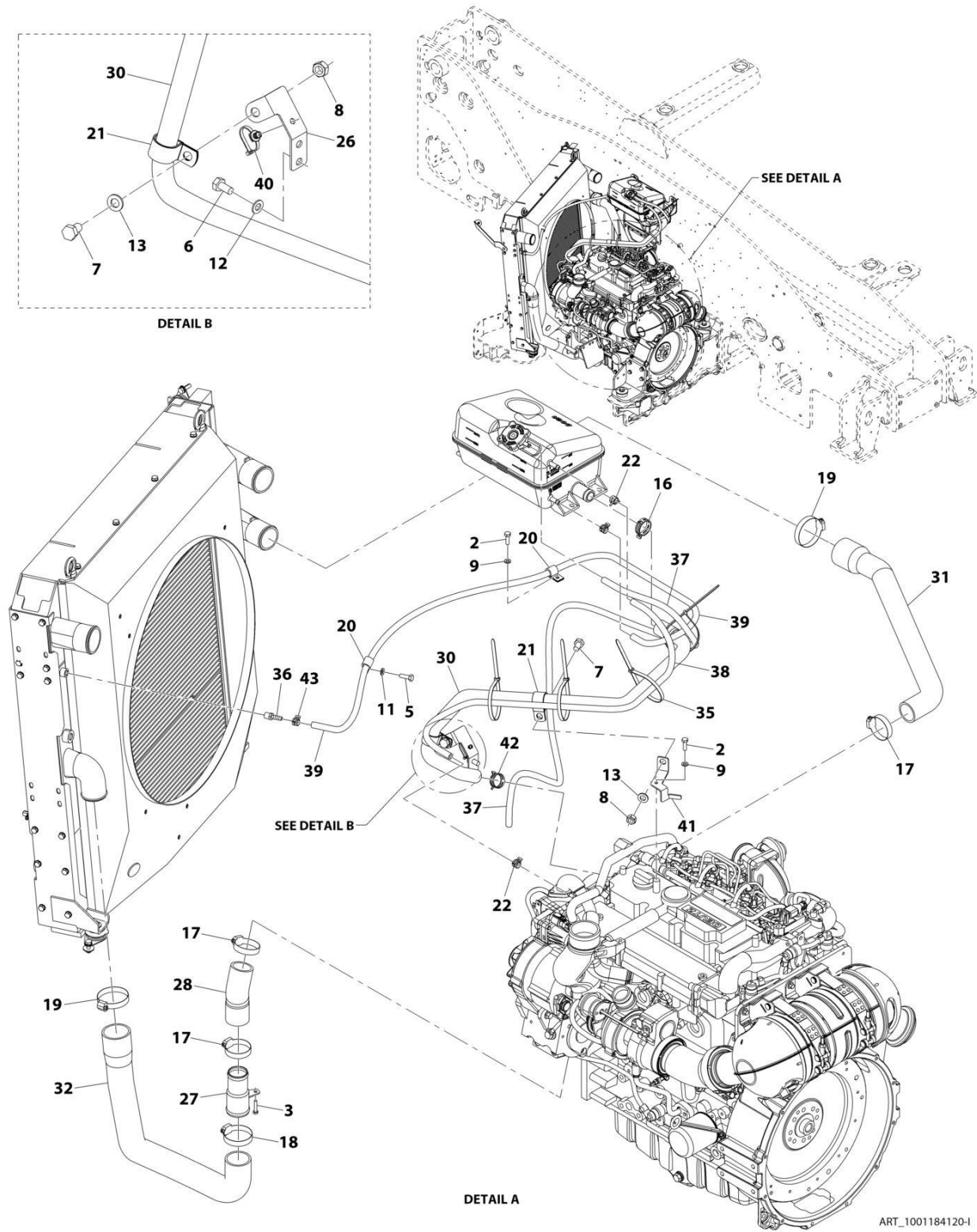
SECTION 4 - ENGINE AND ATTACHING PARTS

FIGURE 4-46. REMOTE HOC INSTALLATION

ITEM	PART NUMBER	QTY	DESCRIPTION	REV
	1001185337	Ref	Remote HOC Installation	1
3	0700610	2	Bolt, M6X20	
4	0700821	2	Bolt, M8X65	
6	0770810	4	Bolt, M8X20 Grade 10.9	
7	0760812	3	Bolt, M8X25	
8	1001139034	1	Bolt	
11	2130608	2	Fitting, 90 ORFS	
12	3290601	2	Nut, M6X1 Grade 8	
13	0700612	2	Bolt, M6X25	
14	4811702	6	Washer, M6	
16	4812000	2	Washer, M10	
17	4812002	3	Washer, M10	
18	5240800	14	Washer, M8	
19	5260800	4	Nut, M8	
20	1001003590	1	Fitting, Straight	
21	1001008761	1	Cap, Dust	
22	1001093277	4	Bolt, M8X100	
23	1001093401	1	Fitting, Straight ORFS	
24	1001128478	1	Sensor, Temperature (Prior to SN 1160008597)	
25	1001152940	1	Key, Fan Hub	
26	1001191508	1	Adapter, Fan Hub	
27	1001182213	1	Valve, Fan Motor Control (See Separate Breakdown in Hydraulic Components Section)	
28	1001182950	1	Motor, Fan Drive (7.29CC) (See Separate Breakdown in this Section)	
29	1001183956	1	Cooler, Oil	
30	1001185210	1	Fan	
31	1001185282	1	Shield, Fan	
35	1001219810	1	Seal	
37	1001197430	1	Bracket	
40	0630576	2	Screw, M6X20	
41	1001125466	AR	Compound, Locking	
42	2130606	2	Fitting, 90 ORFS	
44	1001222573	AR	Reflective Tape	
45	2110608	2	Fitting, Straight ORFS	

SECTION 4 - ENGINE AND ATTACHING PARTS

FIGURE 4-47. COOLANT LINES INSTALLATION (ULS)



ART_1001184120-1

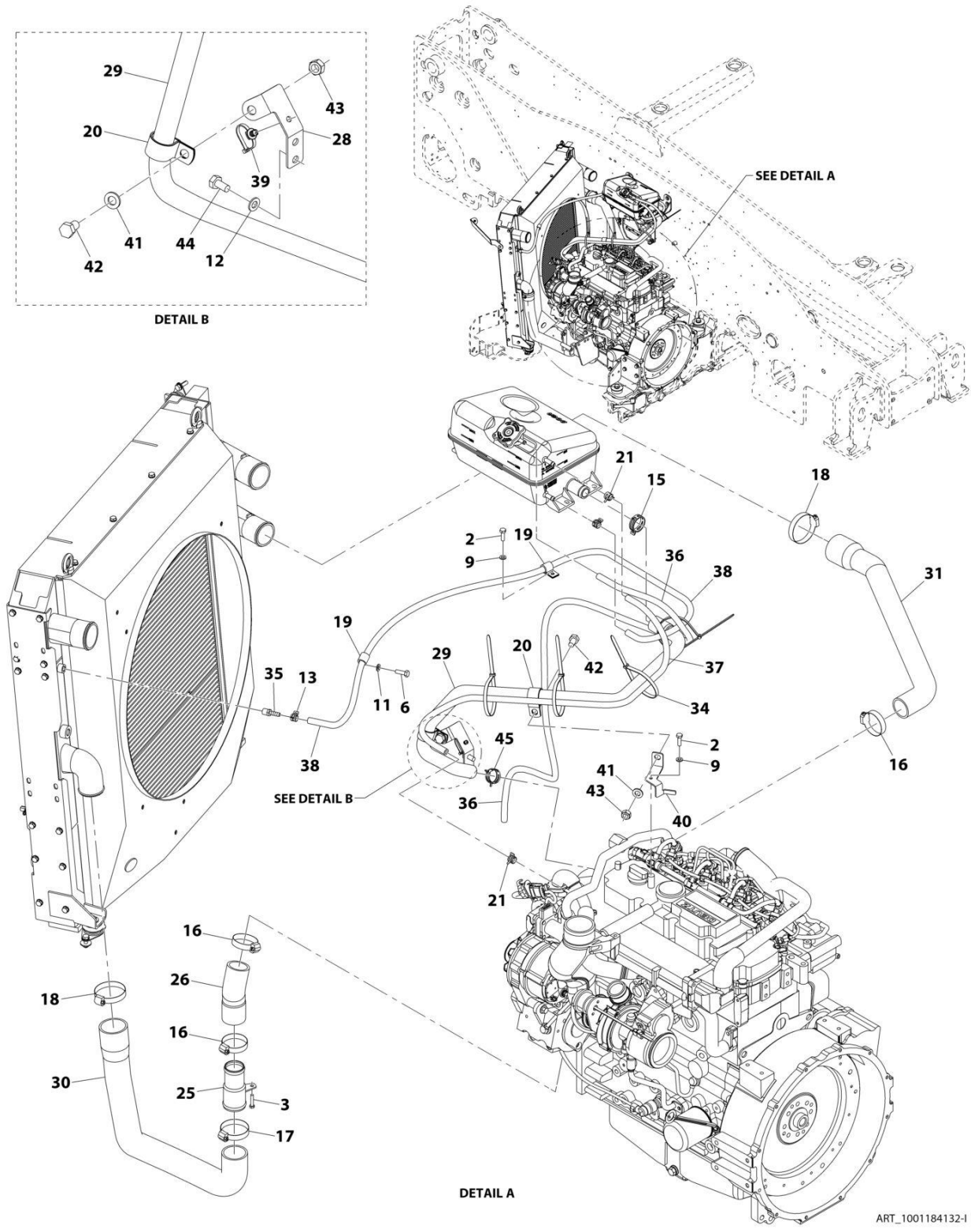
SECTION 4 - ENGINE AND ATTACHING PARTS

FIGURE 4-47. COOLANT LINES INSTALLATION (ULS)

ITEM	PART NUMBER	QTY	DESCRIPTION	REV
	1001184120	Ref	Coolant Lines Installation (ULS)	1
2	0700610	2	Bolt, M6X20	
3	0700614	1	Bolt, M6X30	
5	0760812	1	Bolt, M8X25	
6	0761010	2	Bolt, M10X20	
7	0761210	2	Bolt, M12X20	
8	3291201	2	Nut, M12X1.75 Grade 8	
9	4811700	2	Washer, M6	
11	4811900	1	Washer, M8	
12	4812000	2	Washer, M10	
13	4812100	2	Washer, M12	
16	1001212949	1	Clamp	
17	8405104	3	Clamp	
18	8405201	1	Clamp	
19	8405202	2	Clamp, Gear	
20	1001008580	2	Clip	
21	8406302	2	Clamp, Hose	
22	1001195443	3	Clamp	
26	1001168727	1	Bracket	
27	1001189884	1	Pipe	
28	1001217333	1	Hose	
30	1001184099	1	Hose	
31	1001184129	1	Hose	
32	1001184128	1	Hose	
35	1062255	AR	Strap, Tie	
36	8420231	1	Adapter	
37	1001203009	1	Hose	
38	1001203027	1	Hose	
39	1001203028	1	Hose	
40	1001146588	1	Strap	
41	1001205551	1	Bracket	
42	1001212948	1	Clamp	
43	1001140296	1	Clamp	

SECTION 4 - ENGINE AND ATTACHING PARTS

FIGURE 4-48. COOLANT LINES INSTALLATION (LS)



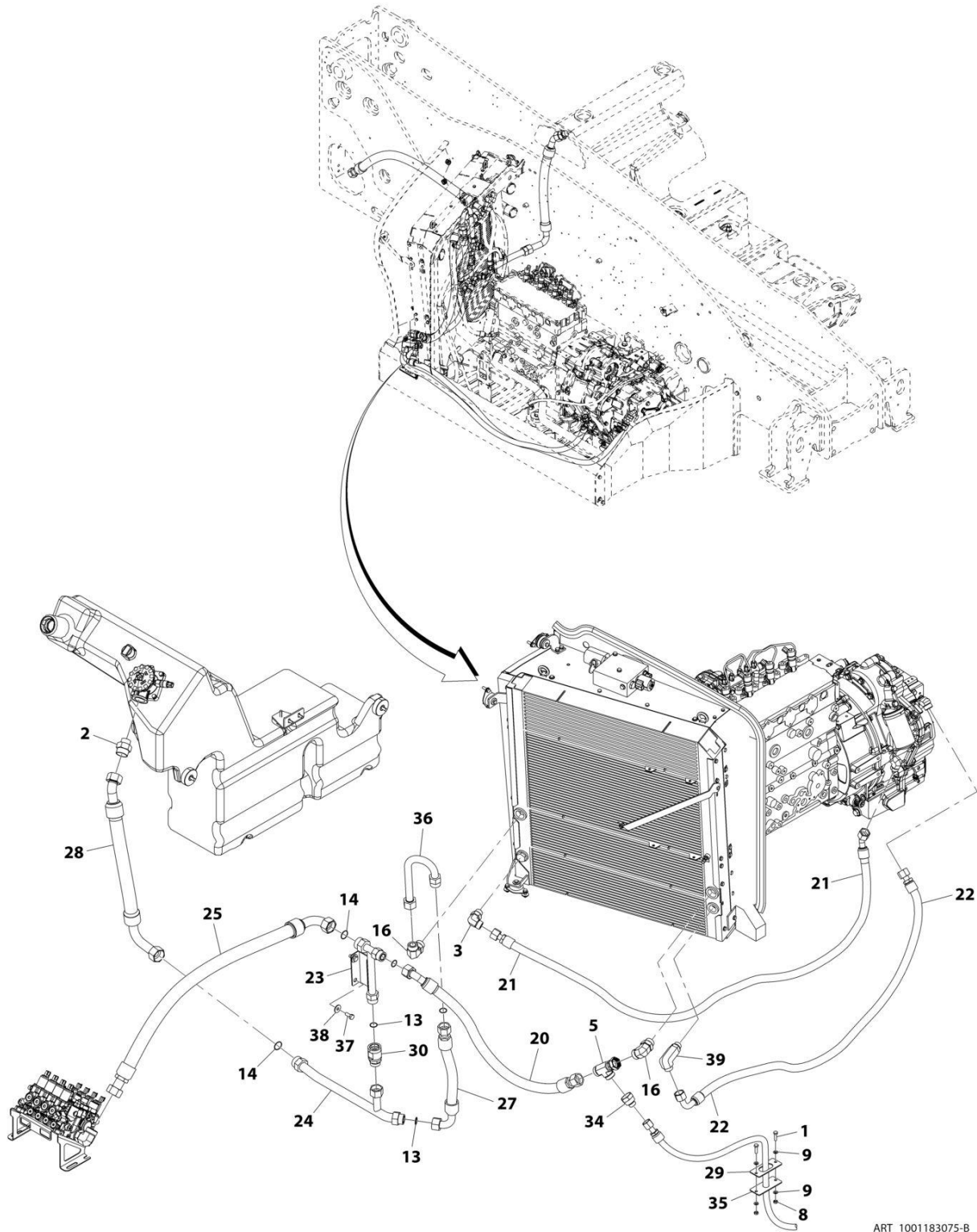
SECTION 4 - ENGINE AND ATTACHING PARTS

FIGURE 4-48. COOLANT LINES INSTALLATION (LS)

ITEM	PART NUMBER	QTY	DESCRIPTION	REV
	1001184132	Ref	Coolant Lines Installation (LS)	1
2	0700610	2	Bolt, M6X20	
3	0700614	1	Bolt, M6X30	
6	0760812	1	Bolt, M8X25	
9	4811700	2	Washer, M6	
11	4811900	1	Washer, M8	
12	4812000	2	Washer, M10	
13	1001140296	1	Clamp	
15	1001212949	1	Clamp	
16	8405104	3	Clamp	
17	8405201	1	Clamp	
18	8405202	2	Clamp, Gear	
19	1001008580	2	Clip	
20	8406302	2	Clamp, Hose	
21	1001195443	3	Clamp	
25	1001189884	1	Pipe	
26	1001217333	1	Hose	
28	1001168727	1	Bracket	
29	1001184099	1	Hose	
30	1001184128	1	Hose	
31	1001184129	1	Hose	
34	1062255	AR	Strap, Tie	
35	8420231	1	Adapter	
36	1001203009	1	Hose	
37	1001203027	1	Hose	
38	1001203028	1	Hose	
39	1001146588	1	Strap	
40	1001205551	1	Bracket	
41	4812100	2	Washer, M12	
42	0761210	2	Bolt, M12X20	
43	3291201	2	Nut, M12X1.75 Grade 8	
44	0761010	2	Bolt, M10X20	
45	1001212948	1	Clamp	

SECTION 4 - ENGINE AND ATTACHING PARTS

FIGURE 4-49. COOLER LINES INSTALLATION (74.4KW)



ART_1001183075-B

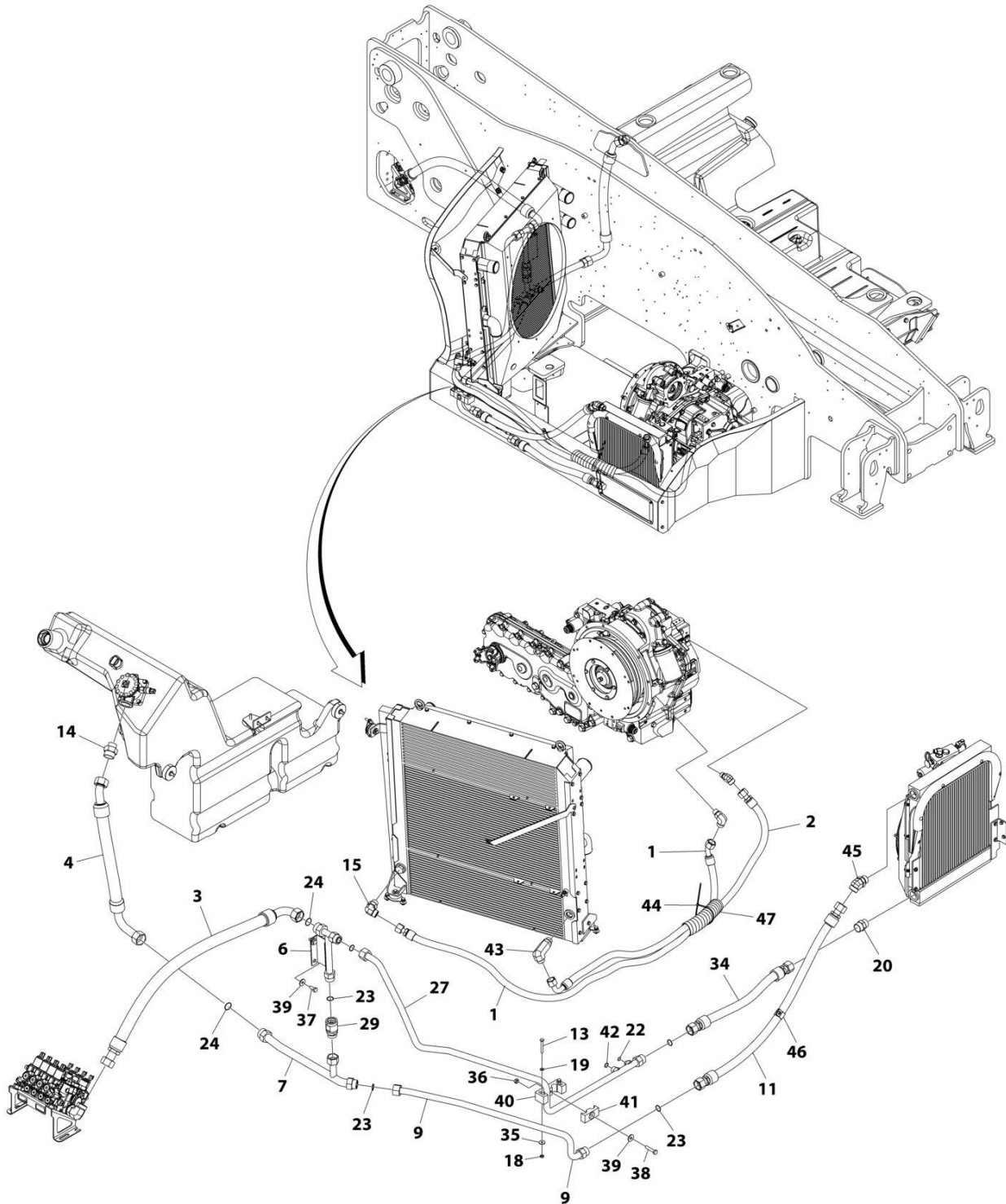
SECTION 4 - ENGINE AND ATTACHING PARTS

FIGURE 4-49. COOLER LINES INSTALLATION (74.4KW)

ITEM	PART NUMBER	QTY	DESCRIPTION	REV
	1001183075	Ref	Cooler Lines Installation (74.4KW)	B
1	0760814	2	Bolt, M8X30	
2	2112016	1	Fitting, Straight ORFS	
3	2131212	1	Fitting, 90 ORFS	
5	2170716	1	Fitting, Tee ORFS	
8	3290801	2	Nut, M8X1.25 Grade 8	
9	4811900	4	Washer, M8	
13	1001010240	4	Seal, O-Ring ORFS	
14	1001010938	2	Seal, O-Ring ORFS	
16	2131616	2	Fitting, 90 ORFS	
20	1001202253	1	Hose, ORFS	
21	1001203173	1	Hose, ORFS	
22	1001203174	1	Hose, ORFS	
23	1001202445	1	Pipe, ORFS	
24	1001203014	1	Pipe, ORFS	
25	1001202249	1	Hose, ORFS	
27	1001202251	1	Hose, ORFS	
28	1001203039	1	Hose, ORFS	
29	1001200449	1	Plate	
30	1001185871	1	Check, Valve ORFS	
34	1001202805	1	Reducer, ORFS	
35	1001200450	1	Gasket	
36	1001202506	1	Pipe, ORFS	
37	0701012	2	Bolt, M10X25	
38	4812002	2	Washer, M10	
39	2170212	1	Fitting, 90 ORFS	

SECTION 4 - ENGINE AND ATTACHING PARTS

FIGURE 4-50. COOLER LINES INSTALLATION (90KW)



ART_1001183076

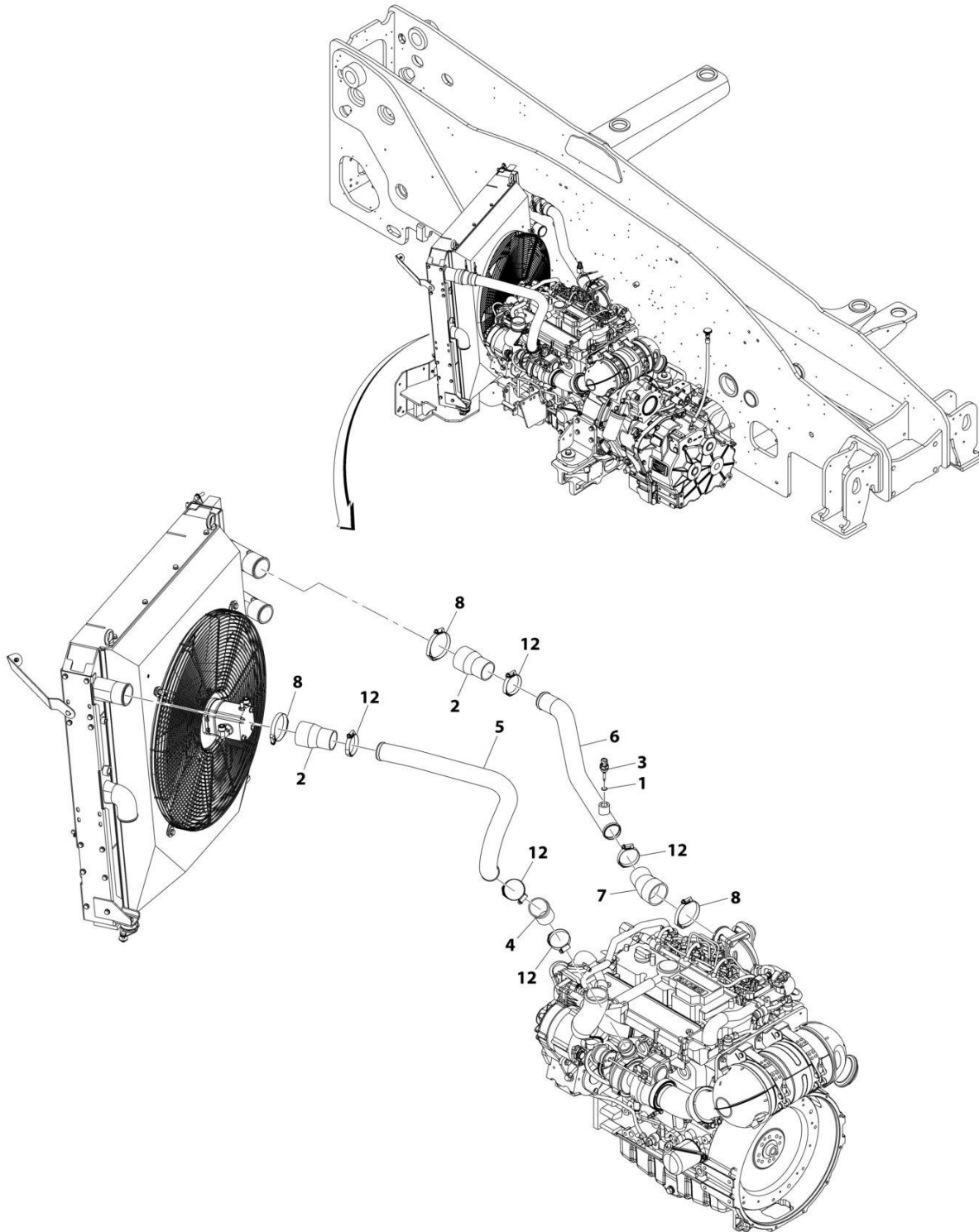
SECTION 4 - ENGINE AND ATTACHING PARTS

FIGURE 4-50. COOLER LINES INSTALLATION (90KW)

ITEM	PART NUMBER	QTY	DESCRIPTION	REV
	1001183076	Ref	Cooler Lines Installation (90KW)	F
1	1001203173	1	Hose, ORFS	
2	1001229093	1	Hose, ORFS	
3	1001202249	1	Hose, ORFS	
4	1001203039	1	Hose, ORFS	
6	1001202445	1	Pipe, ORFS	
7	1001203014	1	Pipe, ORFS	
9	1001202329	1	Pipe, ORFS	
11	1001202375	NLA	Hose, ORFS (no longer available, use 1001228503 for replacement)	
11	1001228503	1	Hose, ORFS	
13	0700820	2	Bolt, M8X60	
14	2112016	1	Fitting, Straight ORFS	
15	2131212	1	Fitting, 90 ORFS	
18	3290801	2	Nut, M8X1.25 Grade 8	
19	4811900	2	Washer, M8	
20	2111616	1	Fitting, Straight ORFS	
22	1001008804	1	Seal	
23	1001010240	5	Seal, O-Ring ORFS	
24	1001010938	2	Seal, O-Ring ORFS	
27	1001202328	1	Pipe, ORFS	
29	1001185871	1	Check, Valve ORFS	
34	1001202376	1	Hose, ORFS	
35	4811902	2	Washer, M8	
36	3291001	1	Nut, M10X1.5 Grade 8	
37	0701012	2	Bolt, M10X25	
38	0701018	1	Bolt, M10X50	
39	4812002	3	Washer, M10	
40	1001202653	1	Clamp, Pipes Female	
41	1001202654	1	Clamp, Pipes Male	
42	1001008922	1	Seal	
43	2170212	1	Fitting, 90 ORFS	
44	1062255	1	Strap, Tie	
45	2151616	1	Fitting, 45 ORFS	
46	8406302	1	Clamp	
47	1001268889	1	Sleeve, Hose Wrap	

SECTION 4 - ENGINE AND ATTACHING PARTS

FIGURE 4-51. CAC LINES INSTALLATION (ULS)



ART_1001186849-F

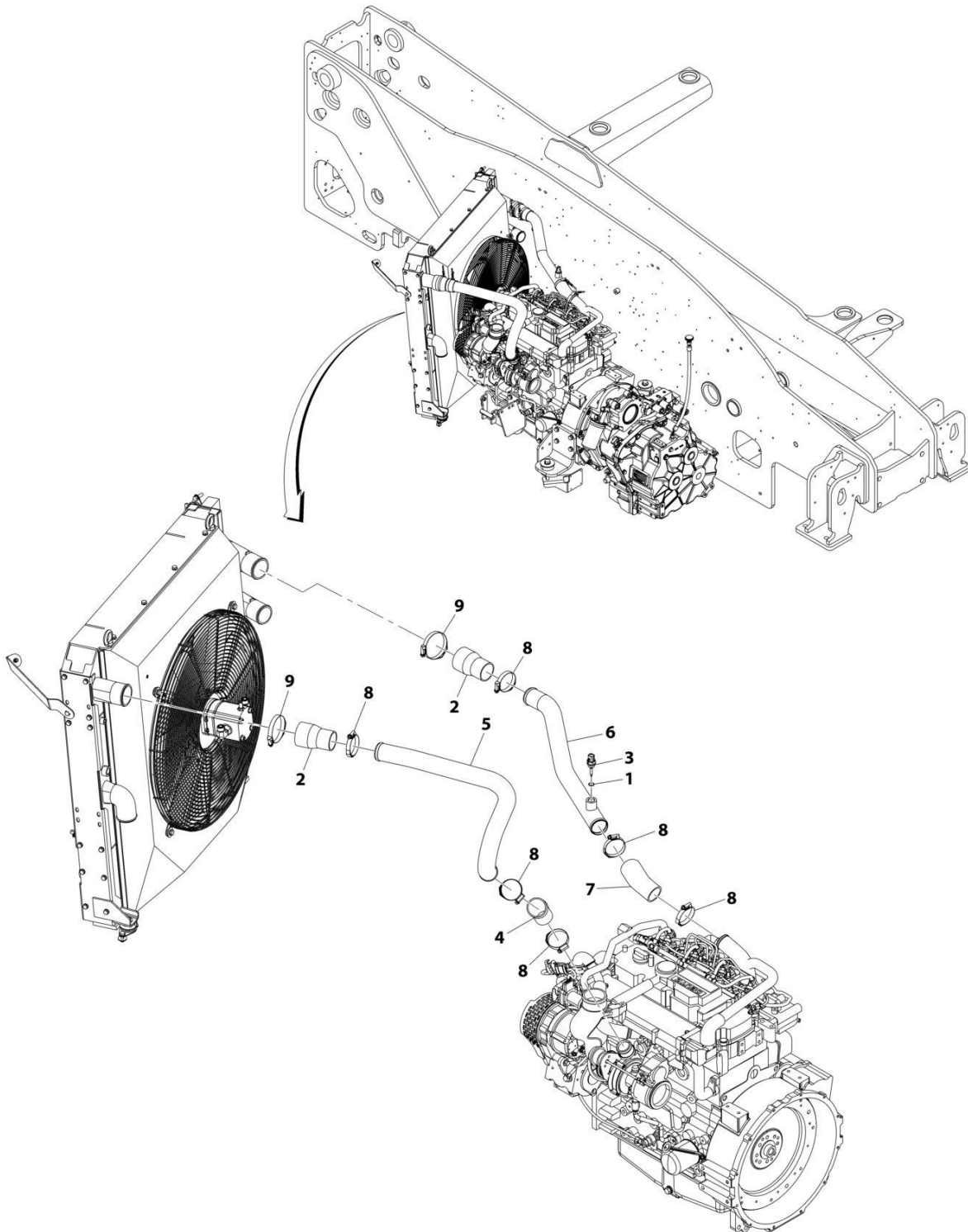
SECTION 4 - ENGINE AND ATTACHING PARTS

FIGURE 4-51. CAC LINES INSTALLATION (ULS)

ITEM	PART NUMBER	QTY	DESCRIPTION	REV
	1001186849	Ref	CAC Lines Installation (ULS)	F
1	1001009163	1	O-Ring	
2	1001117244	2	Coupling, Reducer (Prior to SN 1160008597)	
2	1001226096	2	Coupling, Reducer (SN 1160008597 to Present)	
3	1001128478	1	Sensor	
4	1001197653	1	Coupling, Reducer	
5	1001197641	1	Pipe	
6	1001197638	1	Pipe	
7	1001197654	1	Coupling, Reducer	
8	1001215022	3	Clamp	
12	1001215024	5	Clamp	

SECTION 4 - ENGINE AND ATTACHING PARTS

FIGURE 4-52. CAC LINES INSTALLATION (LS)



ART_1001186848-F

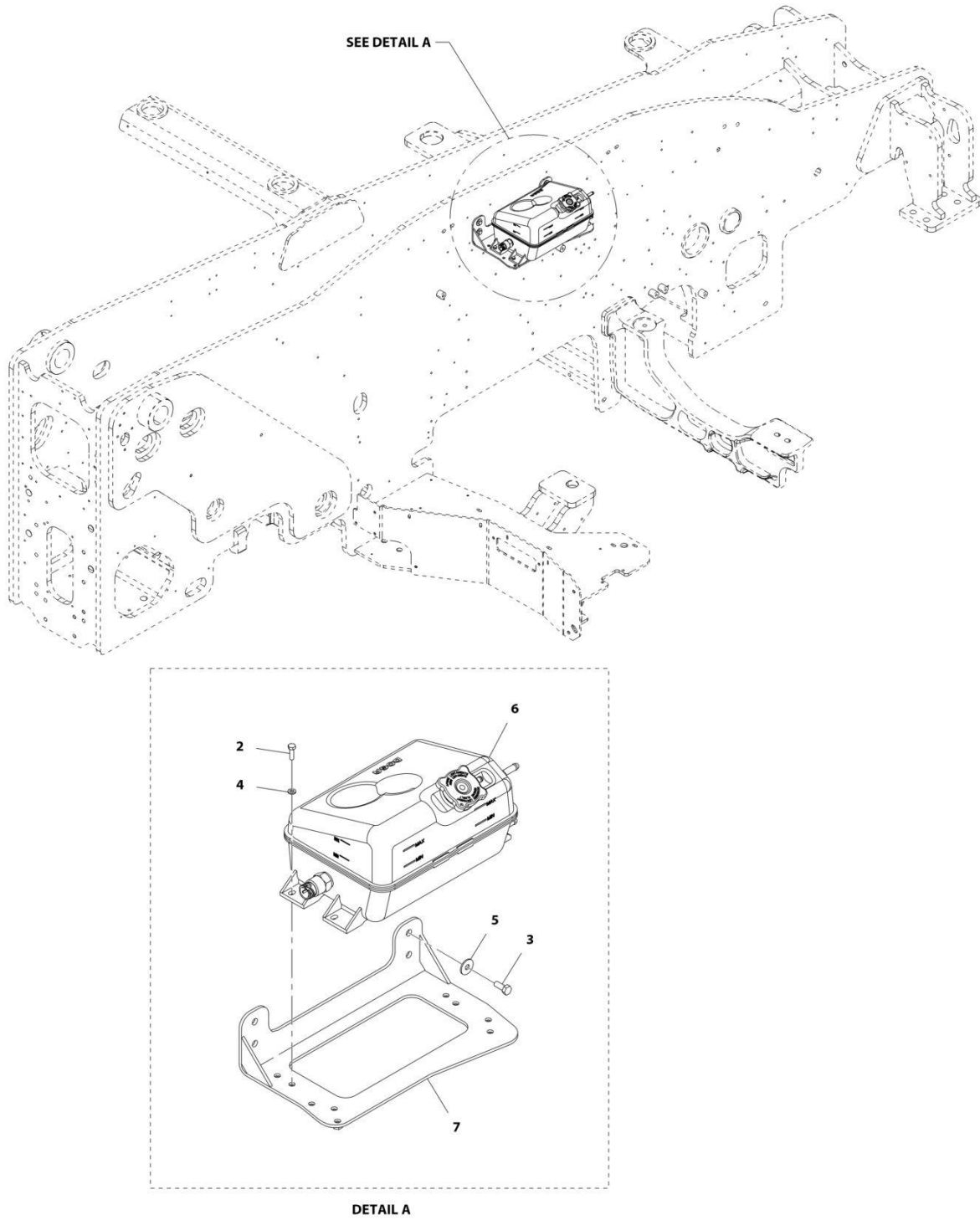
SECTION 4 - ENGINE AND ATTACHING PARTS

FIGURE 4-52. CAC LINES INSTALLATION (LS)

ITEM	PART NUMBER	QTY	DESCRIPTION	REV
	1001186848	Ref	CAC Lines Installation (LS)	F
1	1001009163	1	O-Ring	
2	1001117244	2	Coupling, Reducer (Prior to SN 1160008597)	
2	1001226096	2	Coupling, Reducer (SN 1160008597 to Present)	
3	1001128478	1	Sensor	
4	1001197653	1	Coupling, Reducer	
5	1001197641	1	Pipe	
6	1001197638	1	Pipe	
7	1001197655	1	Coupling, Reducer	
8	1001215024	6	Clamp	
9	1001215022	2	Clamp	

SECTION 4 - ENGINE AND ATTACHING PARTS

FIGURE 4-53. SURGE TANK INSTALLATION



ART_1001179864-C

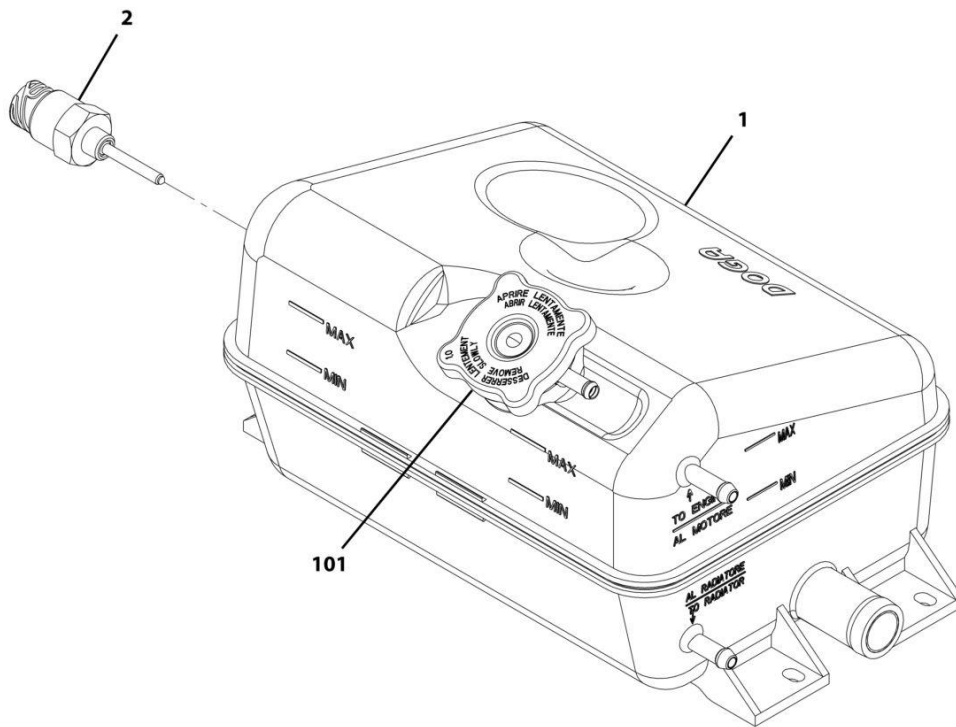
SECTION 4 - ENGINE AND ATTACHING PARTS

FIGURE 4-53. SURGE TANK INSTALLATION

ITEM	PART NUMBER	QTY	DESCRIPTION	REV
	1001179864	Ref	Surge Tank Installation	C
2	0700610	4	Bolt, M6X20	
3	0760810	4	Bolt, M8X20	
4	4811700	4	Washer, M6	
5	4811902	4	Washer, M8	
6	1001149375	1	Tank, Expansion (See Separate Breakdown in this Section)	
7	1001188407	1	Bracket	

SECTION 4 - ENGINE AND ATTACHING PARTS

FIGURE 4-54. TANK EXPANSION



ART_1001149375-B

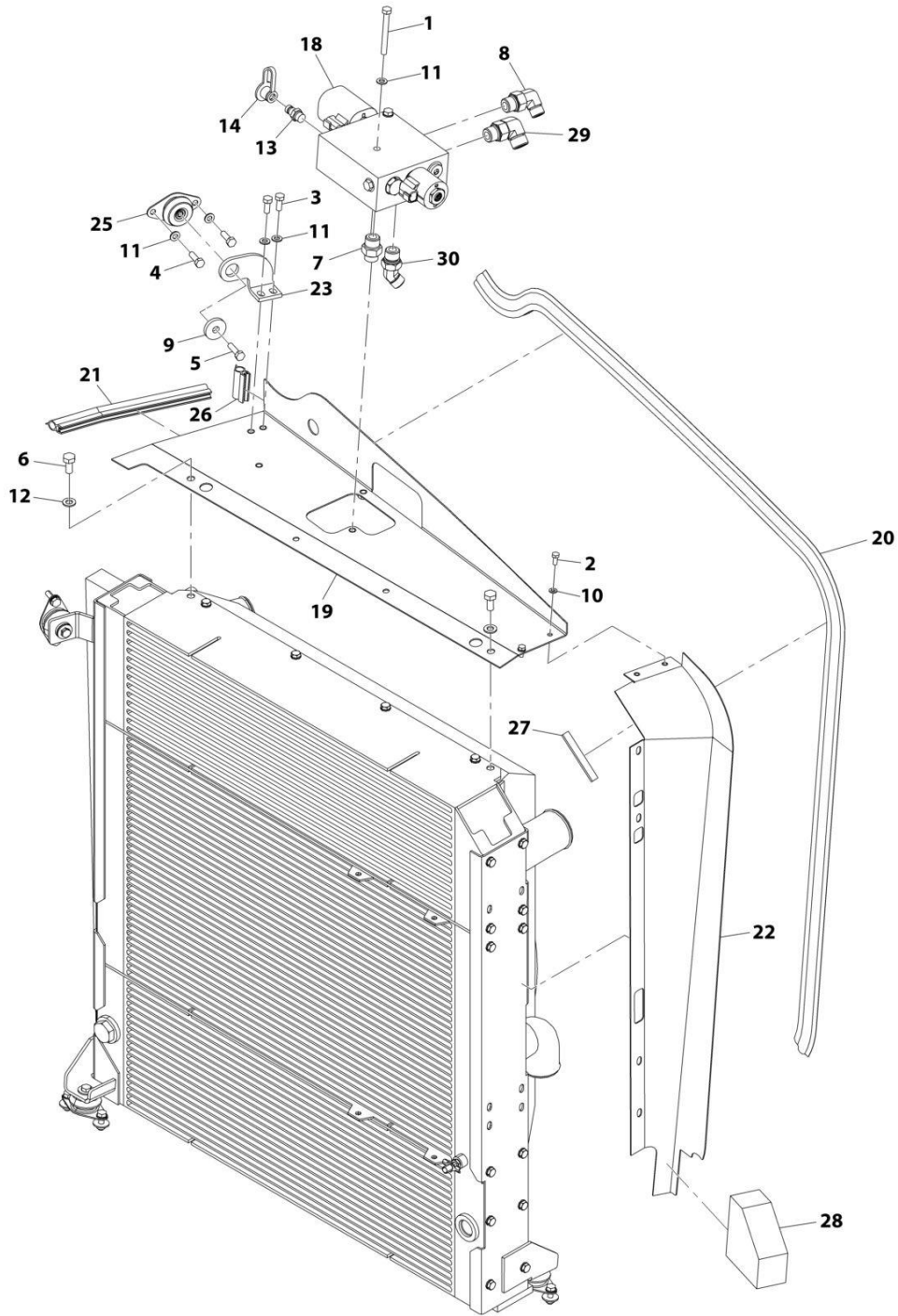
SECTION 4 - ENGINE AND ATTACHING PARTS

FIGURE 4-54. TANK EXPANSION

ITEM	PART NUMBER	QTY	DESCRIPTION	REV
	1001149375	Ref	EXPANSION TANK	B
1	1001149308	1	Tank, Expansion	
2	1001149376	1	Sensor, Coolant Level	
101	70026997	1	Cap	

SECTION 4 - ENGINE AND ATTACHING PARTS

FIGURE 4-55. BULKHEAD INSTALLATION



ART_1001184955-H

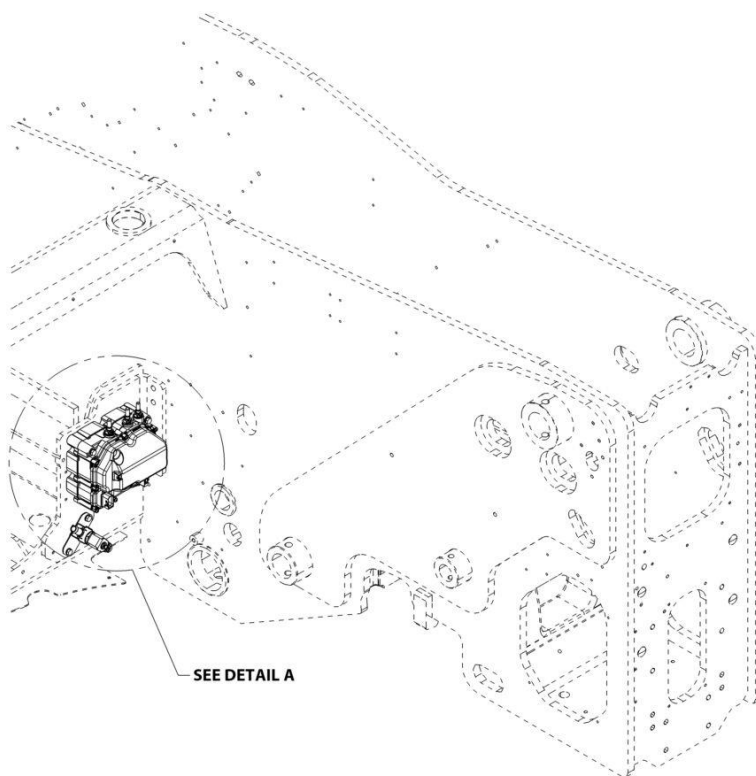
SECTION 4 - ENGINE AND ATTACHING PARTS

FIGURE 4-55. BULKHEAD INSTALLATION

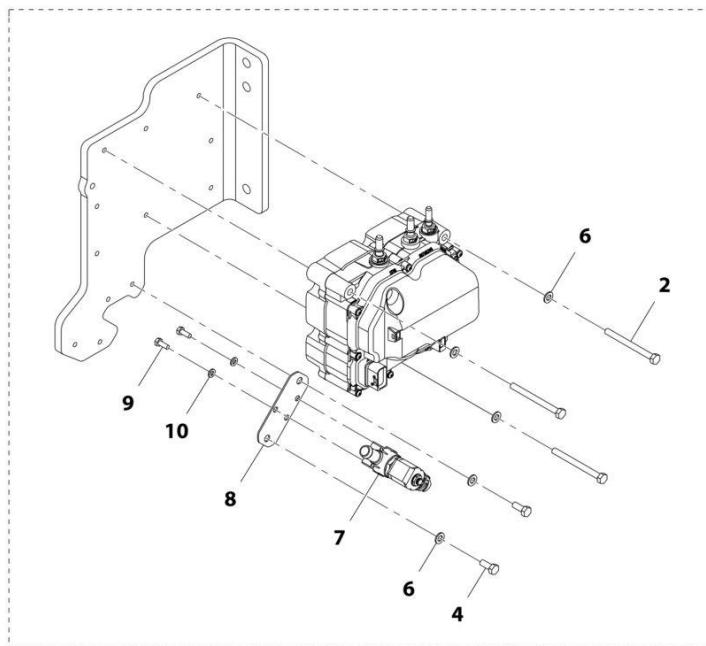
ITEM	PART NUMBER	QTY	DESCRIPTION	REV
	1001184955	Ref	Bulkhead Installation	H
1	0700823	2	Bolt, M8X75	
2	0760607	2	Bolt, M6X14	
3	0760810	2	Bolt, M8X20	
4	0760812	2	Bolt, M8X25	
5	0760814	1	Bolt, M8X30	
6	0761011	2	Bolt, M10X22	
7	2110810	1	Fitting, Straight ORFS	
8	2130810	1	Fitting, 90 ORFS	
9	4740572	1	Washer, M10	
10	4811700	2	Washer, M6	
11	4811900	6	Washer, M8	
12	4812000	2	Washer, M10	
13	1001003590	1	Fitting, Straight	
14	1001008761	1	Cap	
18	1001200908	1	Valve, Fan Motor Control	
19	1001230411	1	Panel	
20	1001182452	1	Seal	
21	1001182453	1	Seal	
22	1001183958	1	Panel	
23	1001184445	1	Bracket	
25	1001184609	1	Mount	
26	1001184800	1	Seal	
27	1001216867	1	Seal, Bulkhead	
28	1001186370	1	Seal	
29	2131010	1	Fitting, 90 ORFS	
30	2150810	1	Fitting, 45 ORFS	

SECTION 4 - ENGINE AND ATTACHING PARTS

FIGURE 4-56. DEF CONTROL MODULE INSTALLATION (ULS)



SEE DETAIL A



DETAIL A

ART_1001178030-B

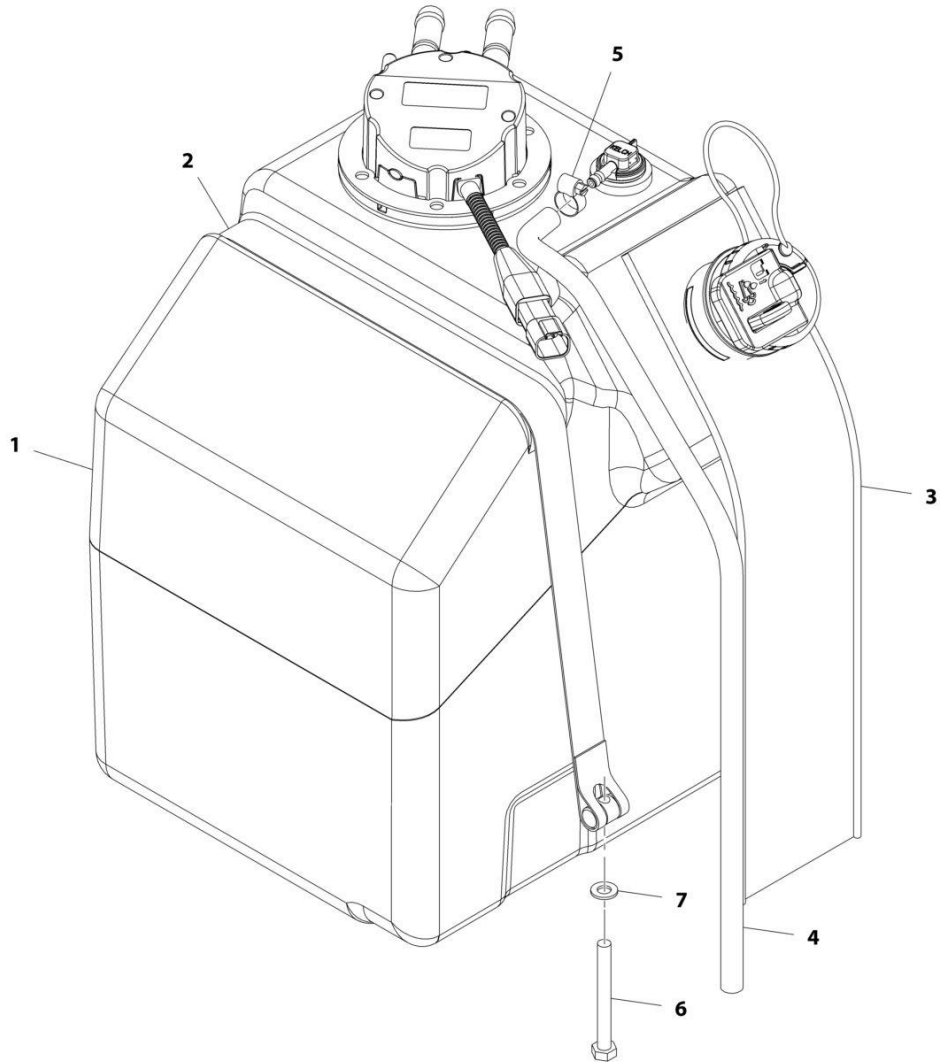
SECTION 4 - ENGINE AND ATTACHING PARTS

FIGURE 4-56. DEF CONTROL MODULE INSTALLATION (ULS)

ITEM	PART NUMBER	QTY	DESCRIPTION	REV
	1001178030	Ref	DEF Control Module Installation (ULS)	B
2	0700826	3	Bolt, M8X90	
4	0760810	2	Bolt, M8X20	
6	4811900	5	Washer, M8	
7	1001199670	1	Valve	
8	1001200201	1	Bracket	
9	0700608	3	Bolt, M6X16	
10	4811700	3	Washer, M6	

SECTION 4 - ENGINE AND ATTACHING PARTS

FIGURE 4-57. DEF TANK INSTALLATION (ULS)



ART_1001168639-J

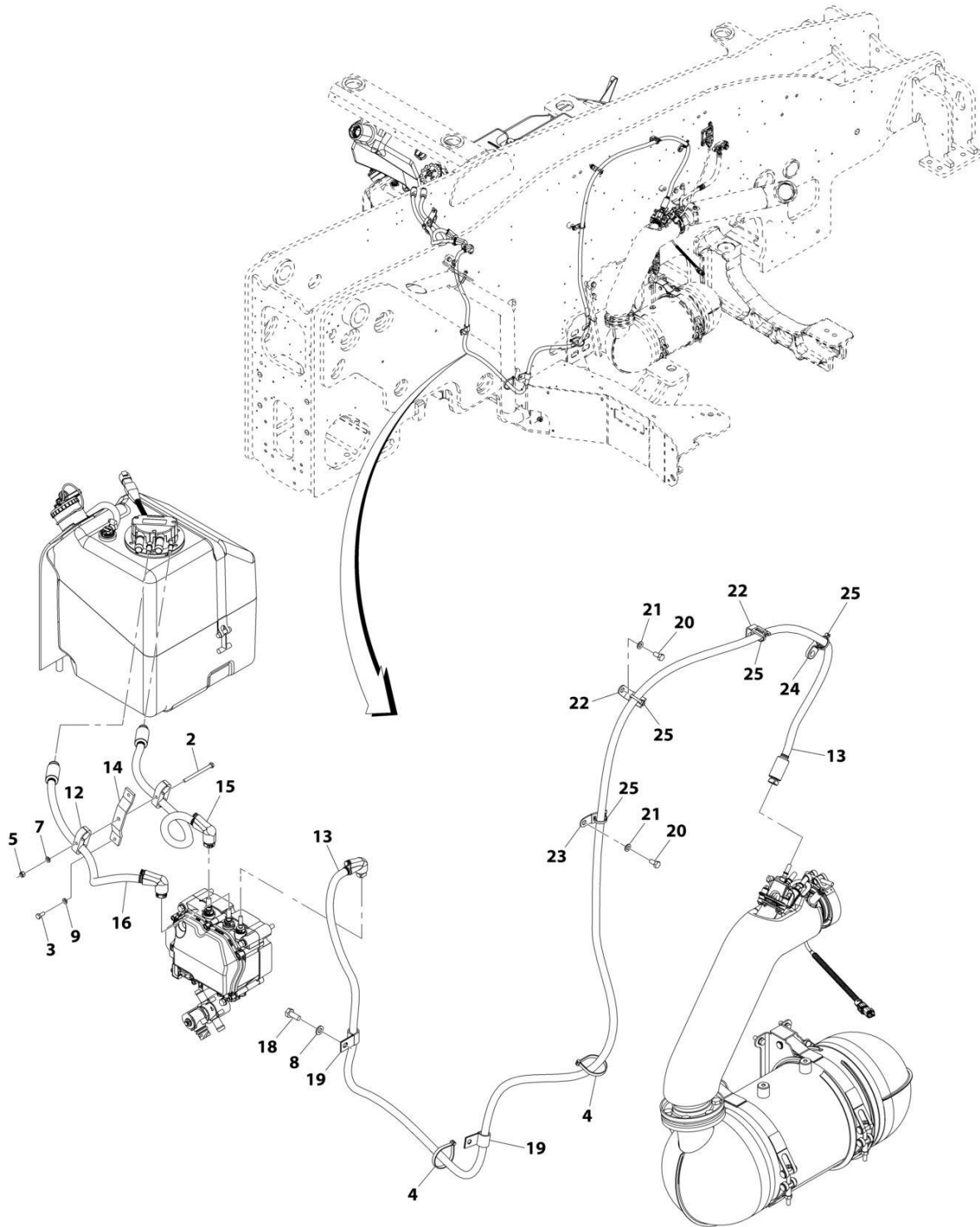
SECTION 4 - ENGINE AND ATTACHING PARTS

FIGURE 4-57. DEF TANK INSTALLATION (ULS)

ITEM	PART NUMBER	QTY	DESCRIPTION	REV
	1001168639	Ref	DEF Tank Installation (ULS)	J
1	1001164968	1	DEF Tank Assembly (ULS) (See Separate Breakdown in this Section)	
2	1001178791	1	Strap	
3	1001168272	1	Sleeve	
4	1001175201	0.6 m	Hose	
5	8405009	1	Clamp	
6	0760823	1	Bolt, M8X75	
7	4811900	1	Washer, M8	

SECTION 4 - ENGINE AND ATTACHING PARTS

FIGURE 4-58. DEF LINES INSTALLATION (ULS)



ART_1001176977-D

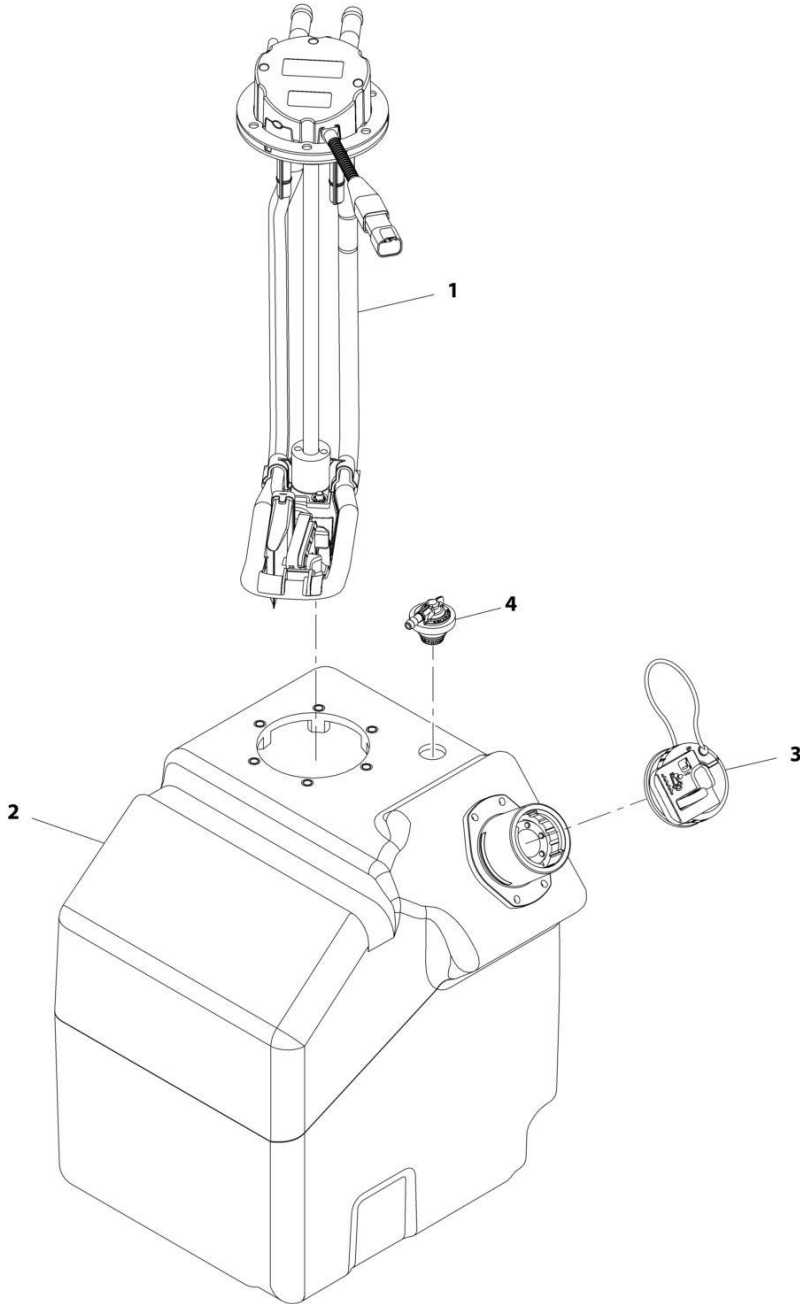
SECTION 4 - ENGINE AND ATTACHING PARTS

FIGURE 4-58. DEF LINES INSTALLATION (ULS)

ITEM	PART NUMBER	QTY	DESCRIPTION	REV
	1001176977	Ref	DEF Lines Installation (ULS)	D
2	0700624	1	Bolt, M6X80	
3	0760607	2	Bolt, M6X14	
4	1062255	2	Strap, Tie	
5	3290605	1	Nut, Lock M6X1 Grade 8	
7	4811700	1	Washer, M6	
8	4812000	1	Washer, M10	
9	4831700	2	Washer, Lock M6	
12	1001094301	2	Clamp	
13	1001207486	1	Hose	
14	1001180328	1	Bracket	
15	1001180435	1	Hose	
16	1001180436	1	Hose	
18	0761012	1	Bolt, M10X25	
19	1001008574	2	Clip	
20	0760808	2	Bolt, M8X16	
21	4811900	2	Washer, M8	
22	1001003305	2	Clip	
23	1001008593	1	Clip	
24	1001169146	1	Mount	
25	471678	4	Strap, Tie	

SECTION 4 - ENGINE AND ATTACHING PARTS

FIGURE 4-59. DEF TANK ASSEMBLY (ULS)



ART_1001164968-G

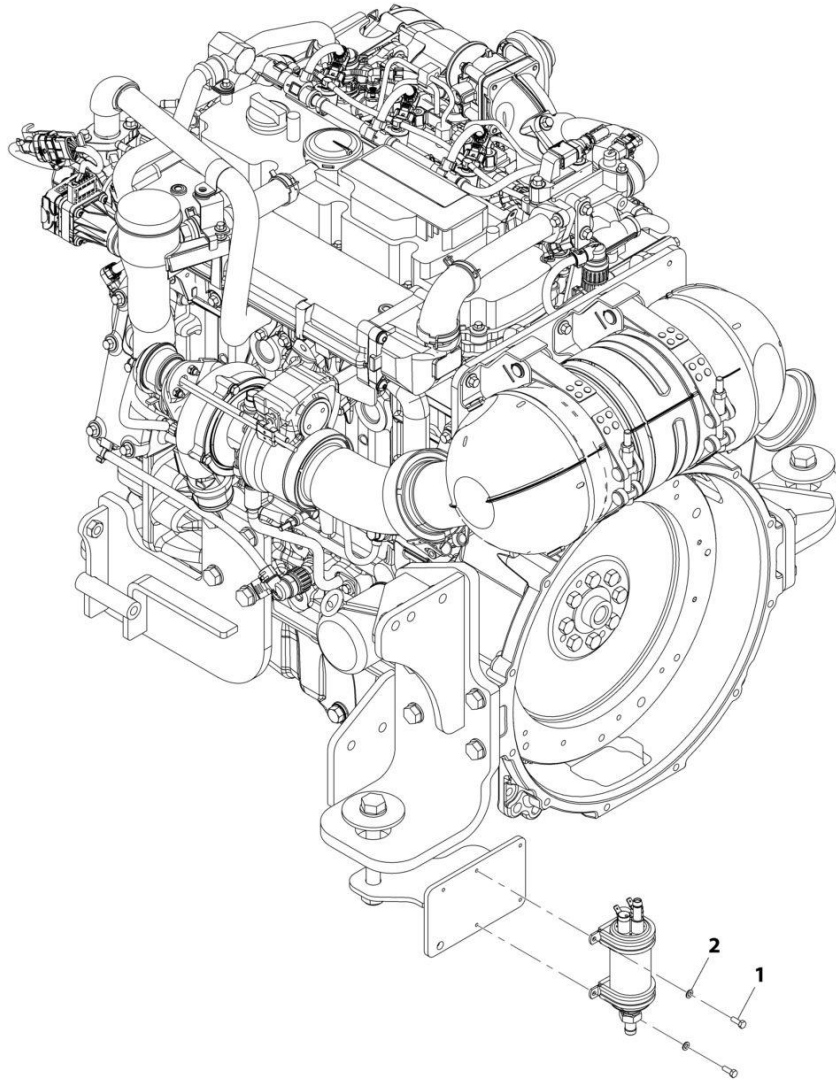
SECTION 4 - ENGINE AND ATTACHING PARTS

FIGURE 4-59. DEF TANK ASSEMBLY (ULS)

ITEM	PART NUMBER	QTY	DESCRIPTION	REV
	1001164968	Ref	DEF Tank Assembly (ULS)	G
1	1001164965	1	DEF, Header	
2	1001164967	1	Tank, DEF	
3	1001174795	1	Cap	
4	1001215319	1	Valve, DEF Breather	

SECTION 4 - ENGINE AND ATTACHING PARTS

FIGURE 4-60. REMOTE FUEL PUMP INSTALLATION (74.4KW)



ART_1001165789-G

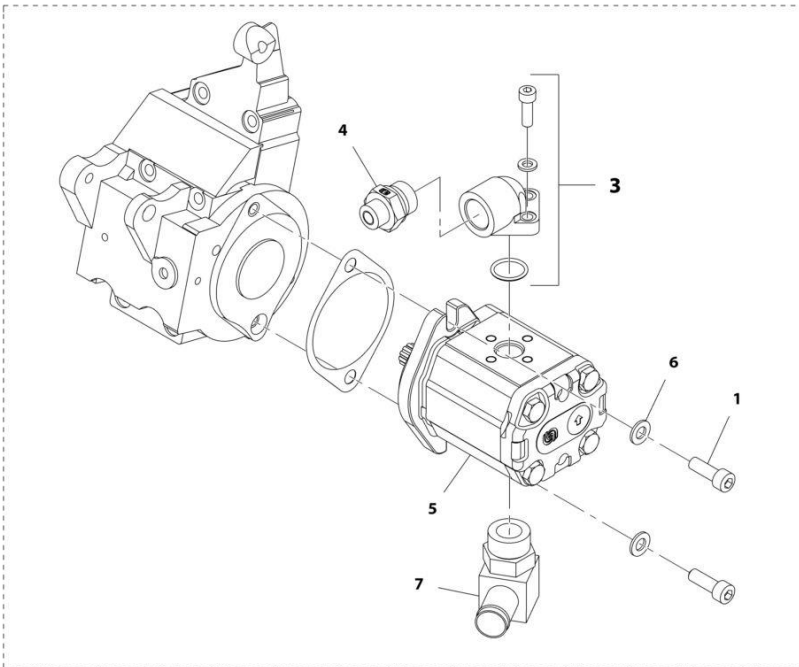
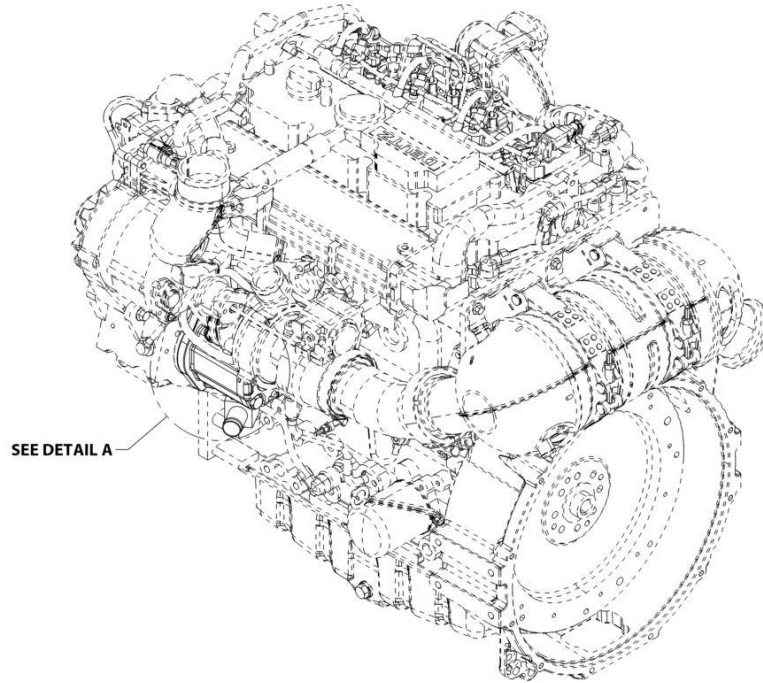
SECTION 4 - ENGINE AND ATTACHING PARTS

FIGURE 4-60. REMOTE FUEL PUMP INSTALLATION (74.4KW)

ITEM	PART NUMBER	QTY	DESCRIPTION	REV
	1001165789	Ref	Remote Fuel Pump Installation (74.4KW)	G
1	0760507	4	Bolt, M5X14	
2	4811600	4	Washer, M5	

SECTION 4 - ENGINE AND ATTACHING PARTS

FIGURE 4-61. HYDRAULIC PUMP INSTALLATION (74.4KW)



DETAIL A

ART_1001185865-E

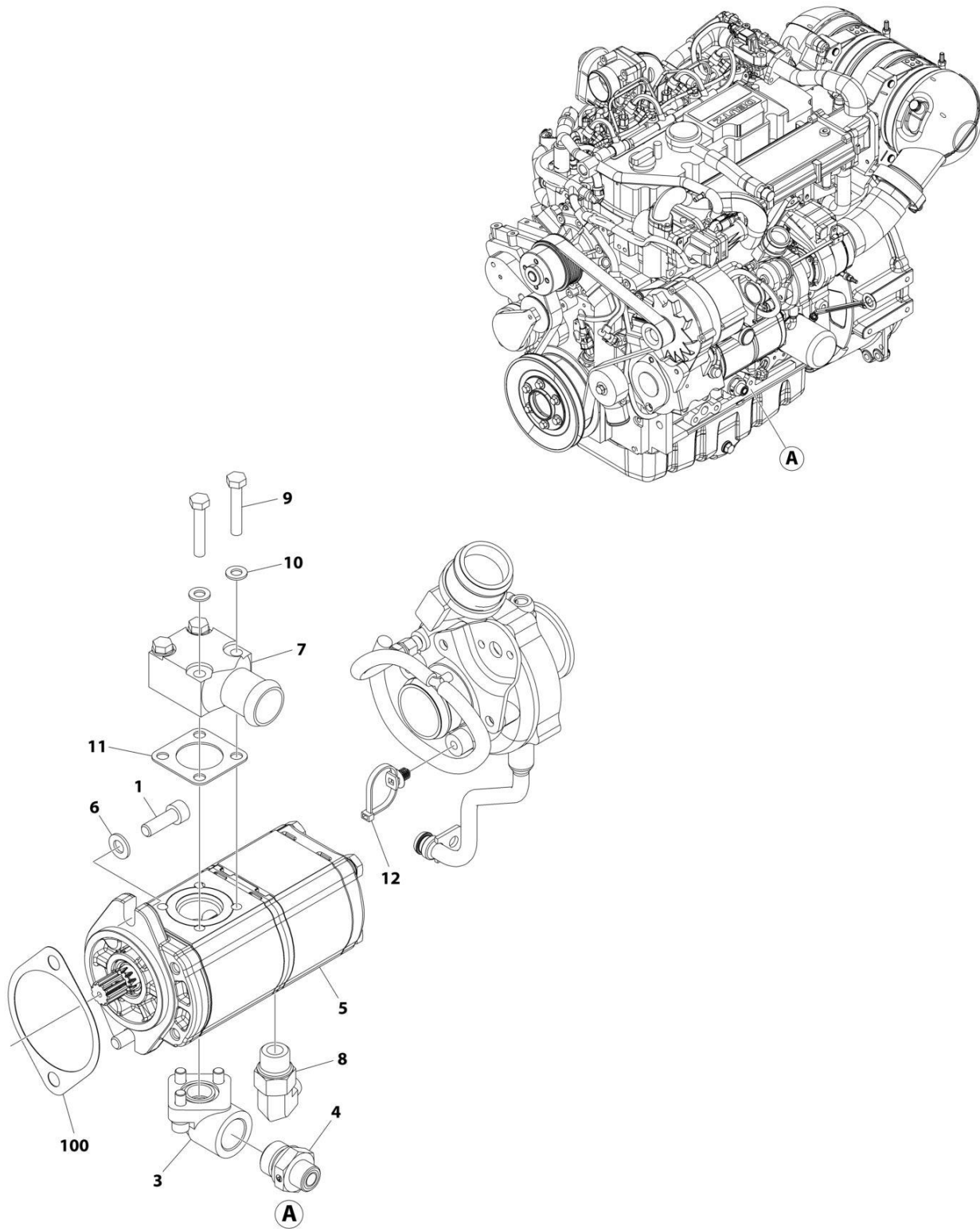
SECTION 4 - ENGINE AND ATTACHING PARTS

FIGURE 4-61. HYDRAULIC PUMP INSTALLATION (74.4KW)

ITEM	PART NUMBER	QTY	DESCRIPTION	REV
	1001185865	Ref	Hydraulic Pump Installation (74.4KW)	E
1	4032010	2	Bolt, M10X30	
3	1001135245	1	Elbow, Adapter	
4	1001192411	1	Fitting, Straight ORFS	
5	1001182943	1	Pump	
6	4812000	2	Washer, M10	
7	1001109494	1	Fitting, 90 ORFS	

SECTION 4 - ENGINE AND ATTACHING PARTS

FIGURE 4-62. HYDRAULIC PUMP INSTALLATION (90KW)



ART_1001185864-G

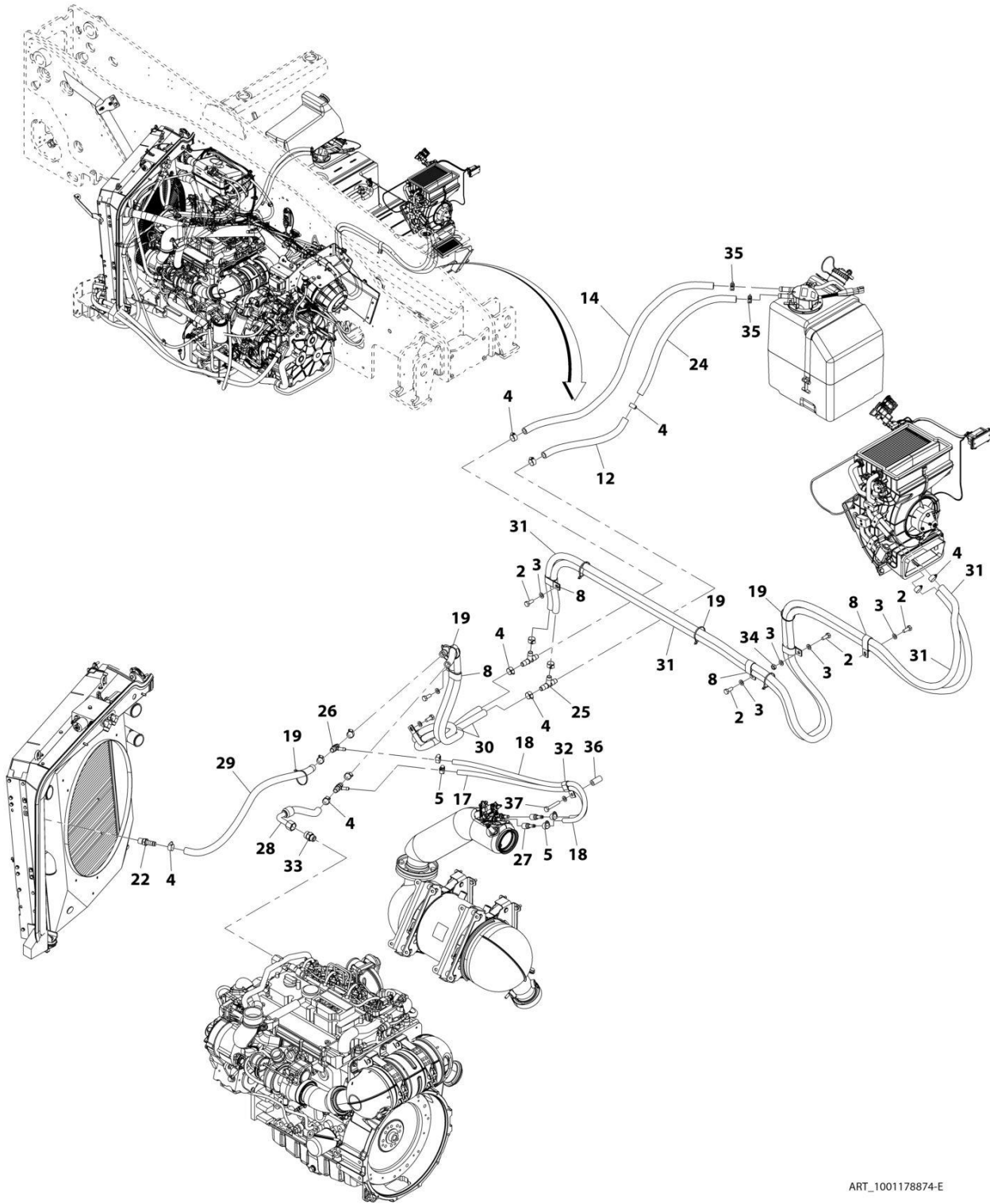
SECTION 4 - ENGINE AND ATTACHING PARTS

FIGURE 4-62. HYDRAULIC PUMP INSTALLATION (90KW)

ITEM	PART NUMBER	QTY	DESCRIPTION	REV
	1001185864	Ref	Hydraulic Pump Installation (90KW)	G
1	4032010	2	Bolt, M10X30	
3	1001135245	1	Elbow, Adapter	
4	1001192411	1	Fitting, Straight ORFS	
5	1001182935	1	Pump	
6	4812000	2	Washer, M10	
7	1001202643	1	Fitting	
8	2130610	1	Fitting, 90 ORFS	
9	0700817	4	Bolt, M8X45	
10	4811900	4	Washer, M8	
11	1001203012	1	Seal	
12	1001146588	1	Strap	
100	70024965	1	Gasket, Fan Pump (Supplied with Engine)	

SECTION 4 - ENGINE AND ATTACHING PARTS

FIGURE 4-63. HEATER LINES INSTALLATION (ULS)



ART_1001178874-E

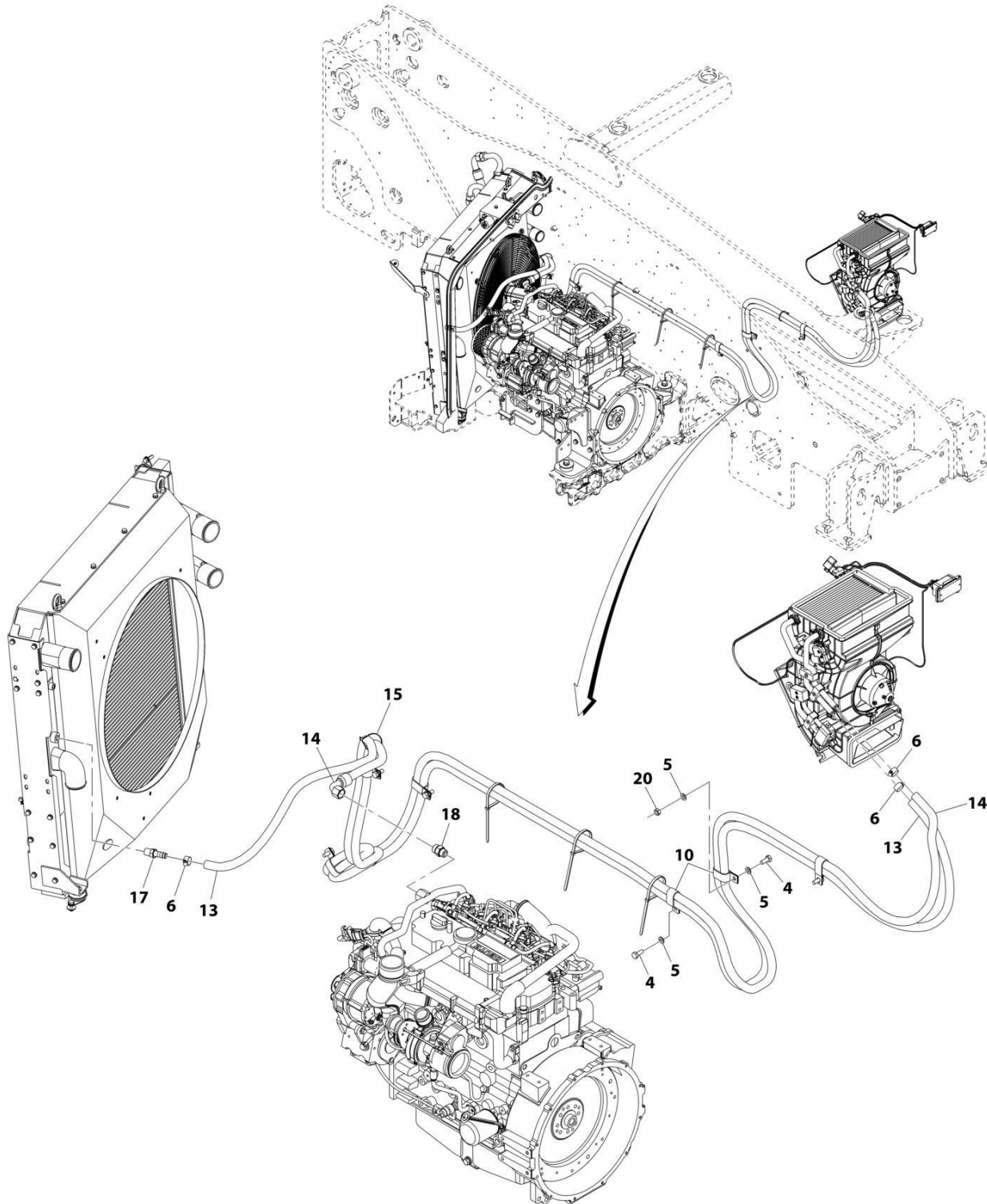
SECTION 4 - ENGINE AND ATTACHING PARTS

FIGURE 4-63. HEATER LINES INSTALLATION (ULS)

ITEM	PART NUMBER	QTY	DESCRIPTION	REV
	1001178874	Ref	Heater Lines Installation (ULS)	E
2	0761012	6	Bolt, M10X25	
3	4812000	8	Washer, M10	
4	8410009	15	Clamp	
5	8410013	4	Clamp	
8	1001008720	6	Clip	
12	1001202478	1	Hose	
14	1001202479	1	Hose	
17	1001202473	1	Hose	
18	1001202474	1	Hose	
19	1001008559	8	Strap	
22	1001104685	1	Fitting, Barbed	
24	1001180429	1	Hose	
25	1001183125	2	Fitting, Tee	
26	1001183149	2	Fitting, Tee	
27	1001183357	2	Fitting, Straight	
28	1001212956	1	HOSE ASSY,.63" ORFS/NONE	
29	1001202476	1	Hose	
30	1001202477	2	Hose	
31	1001202480	2	Hose	
32	1001008573	1	Clip	
33	2221257	1	Fitting, Straight ORFS	
34	3291001	1	Nut, M10X1.5 Grade 8	
35	1001152730	2	Clamp	
36	1001092122	1	Spacer	
37	0701020	1	Bolt, M10X60	

SECTION 4 - ENGINE AND ATTACHING PARTS

FIGURE 4-64. HEATER LINES INSTALLATION (LS)



ART_1001181413-D

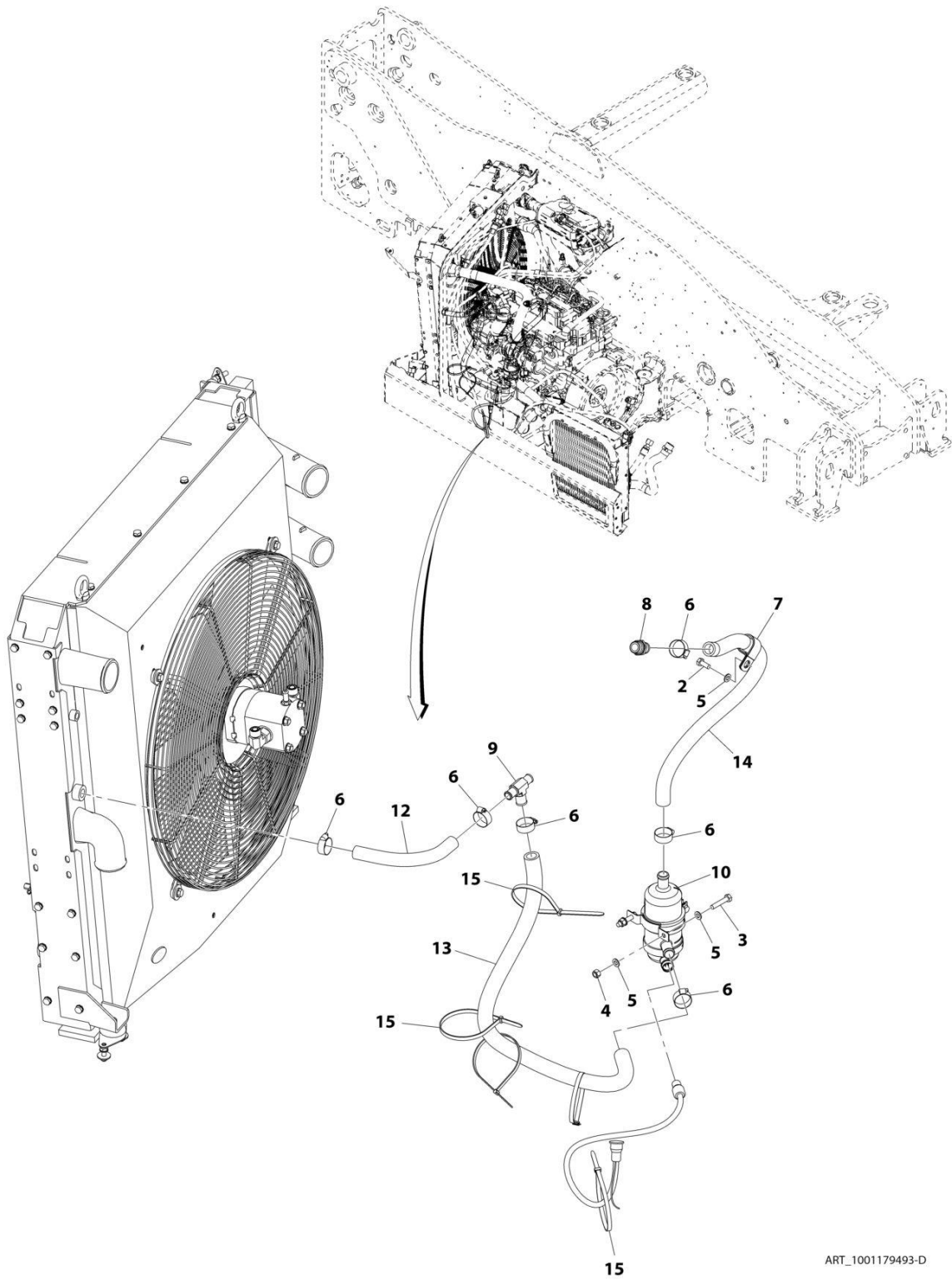
SECTION 4 - ENGINE AND ATTACHING PARTS

FIGURE 4-64. HEATER LINES INSTALLATION (LS)

ITEM	PART NUMBER	QTY	DESCRIPTION	REV
	1001181413	Ref	Heater Lines Installation (LS)	E
4	0761012	6	Bolt, M10X25	
5	4812000	7	Washer, M10	
6	8410009	4	Clamp	
10	1001008720	6	Clip	
13	1001201296	1	Hose	
13	1001284581	1	Hose	
14	1001202772	1	Hose	
14	1001284544	1	Hose	
15	1001008559	2	Strap	
17	1001104685	1	Fitting, Barbed	
18	1001202921	1	Fitting, Straight ORFS	
18	2221257	1	Fitting, Straight ORFS	
18	1001203005	1	Fitting, 45	
20	3291001	1	Nut, M10X1.5	
21	1001268889	1	Sleeve, Hose Wrap	

SECTION 4 - ENGINE AND ATTACHING PARTS

FIGURE 4-65. BLOCK HEATER INSTALLATION (230V - LS)



ART_1001179493-D

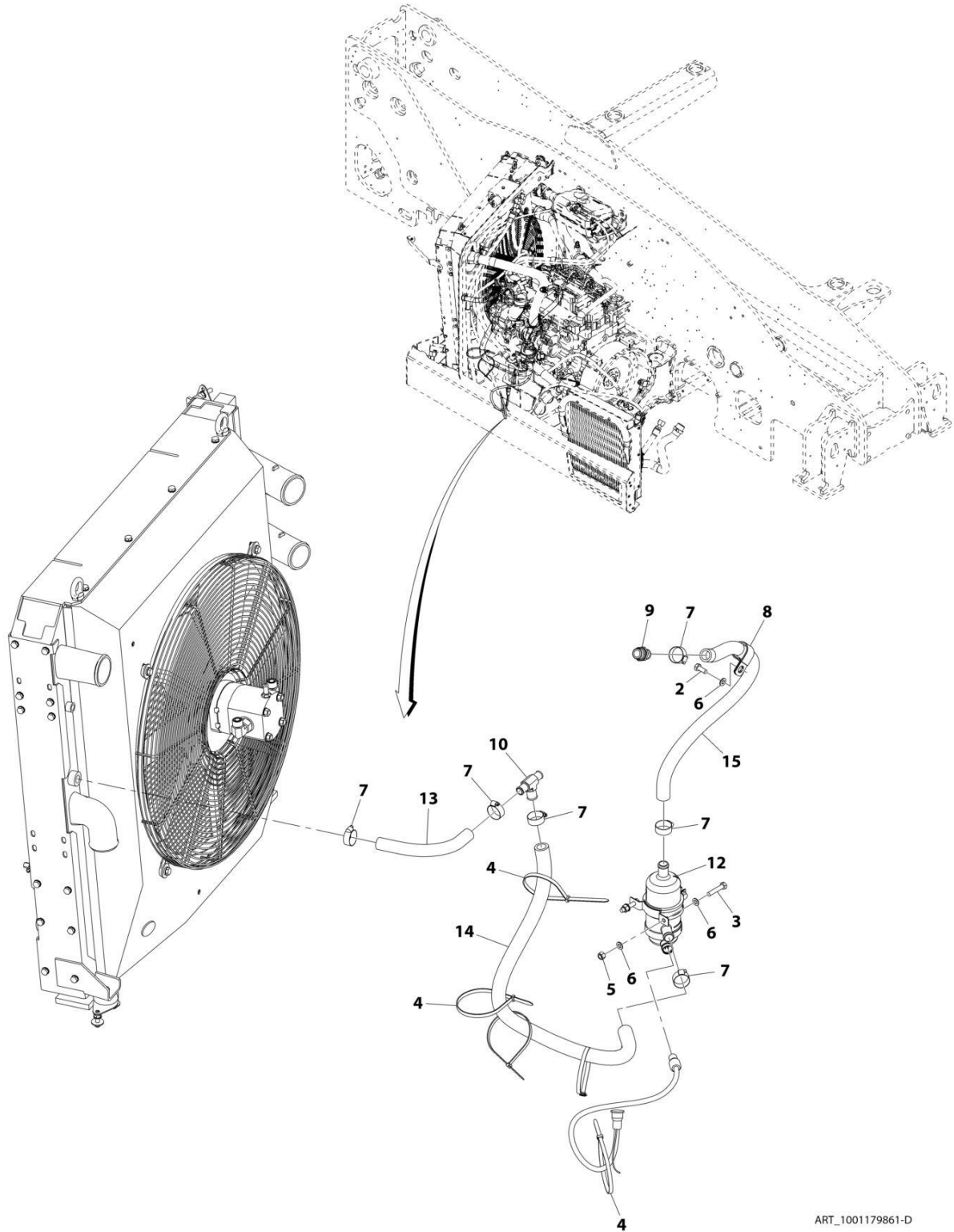
SECTION 4 - ENGINE AND ATTACHING PARTS

FIGURE 4-65. BLOCK HEATER INSTALLATION (230V - LS)

ITEM	PART NUMBER	QTY	DESCRIPTION	REV
	1001179493	Ref	Block Heater Installation (230V - LS)	D
2	0760810	1	Bolt, M8X20	
3	0760816	2	Bolt, M8X40	
4	3290805	2	Nut, Lock M8X1.25 Grade 8	
5	4811900	5	Washer, M8	
6	8405007	6	Clamp	
7	8406302	1	Clamp	
8	1001167408	1	Adapter, Hose	
9	1001167773	1	Fitting, Tee	
10	1001165069	1	Block Heater (230V) (See Separate Breakdown in this Section)	
12	1001204302	1	Hose	
13	1001204301	1	Hose	
14	1001204373	1	Hose	
15	1062255	5	Strap, Tie	

SECTION 4 - ENGINE AND ATTACHING PARTS

FIGURE 4-66. BLOCK HEATER INSTALLATION (120V - LS)



ART_1001179861-D

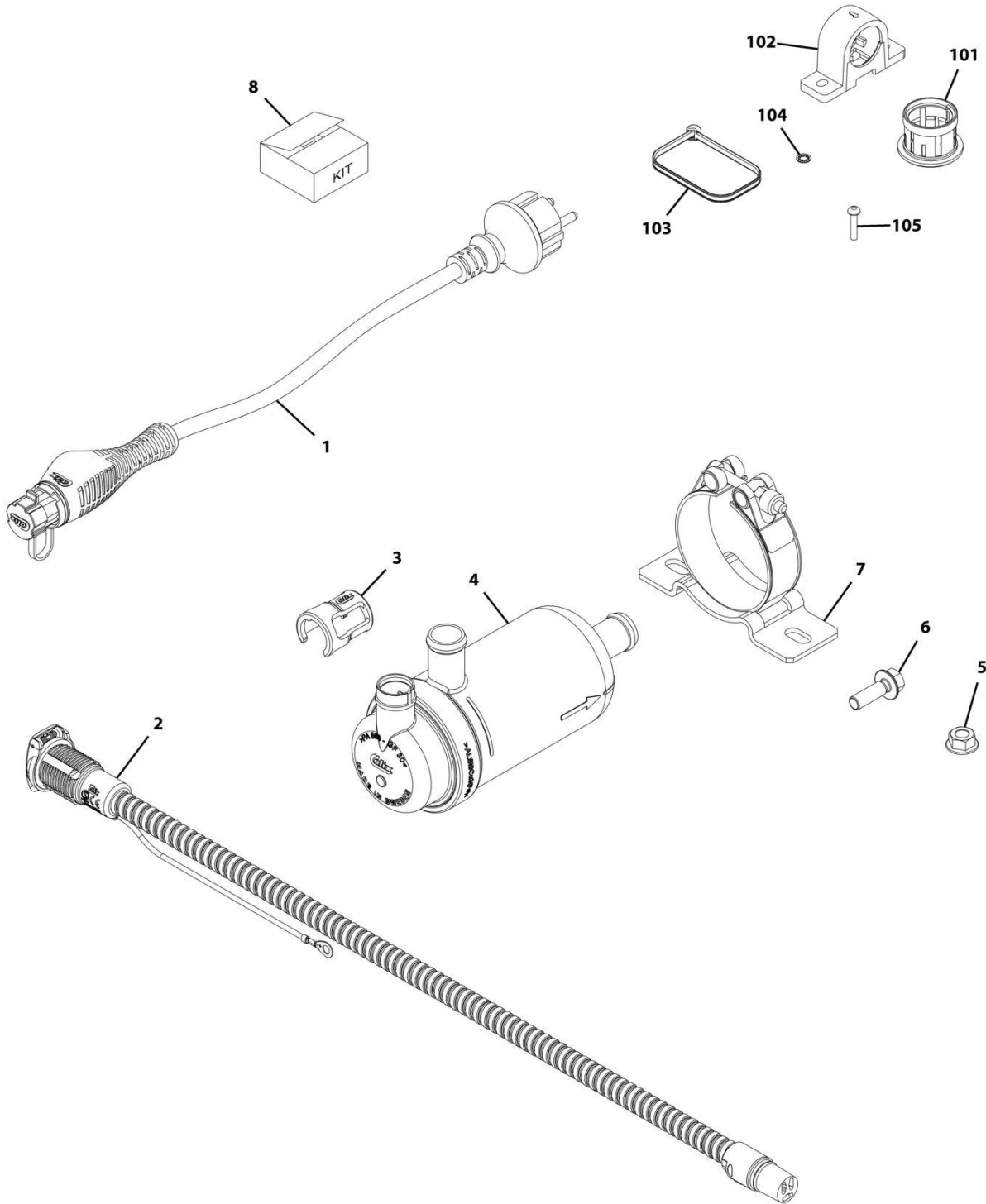
SECTION 4 - ENGINE AND ATTACHING PARTS

FIGURE 4-66. BLOCK HEATER INSTALLATION (120V - LS)

ITEM	PART NUMBER	QTY	DESCRIPTION	REV
	1001179861	Ref	Block Heater Installation (120V - LS - JLG)	D
2	0760810	1	Bolt, M8X20	
3	0760816	2	Bolt, M8X40	
4	1062255	5	Strap, Tie	
5	3290805	2	Nut, Lock M8X1.25 Grade 8	
6	4811900	5	Washer, M8	
7	8405007	6	Clamp	
8	8406302	1	Clamp	
9	1001167408	1	Adapter, Hose	
10	1001167773	1	Fitting, Tee	
12	1001179910	1	Block Heater (120V) (See Separate Breakdown in this Section)	
13	1001204302	1	Hose	
14	1001204301	1	Hose	
15	1001204373	1	Hose	

SECTION 4 - ENGINE AND ATTACHING PARTS

FIGURE 4-67. BLOCK HEATER (ULS)



ART_1001165069-B

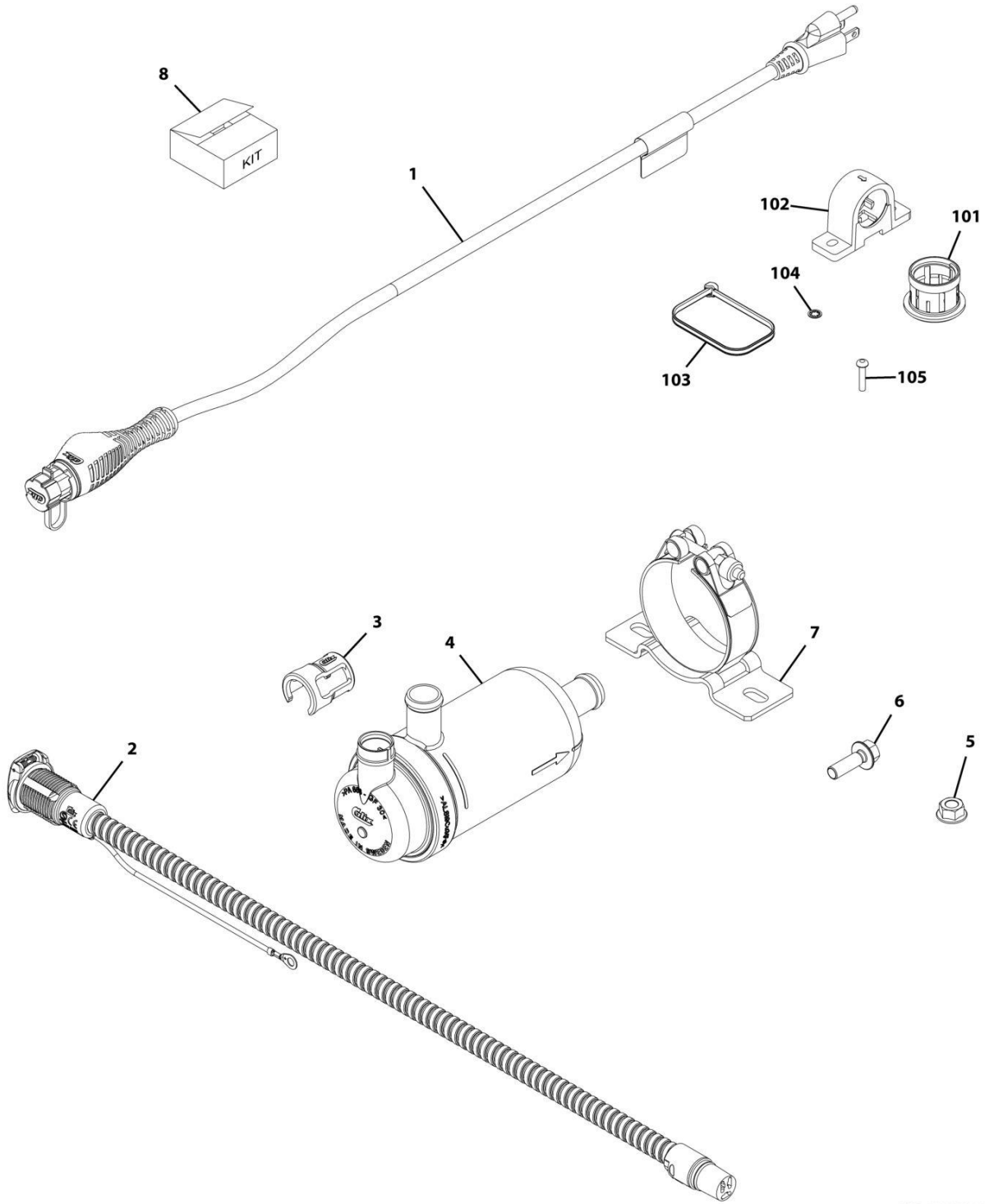
SECTION 4 - ENGINE AND ATTACHING PARTS

FIGURE 4-67. BLOCK HEATER (ULS)

ITEM	PART NUMBER	QTY	DESCRIPTION	REV
	1001165069	Ref	Block Heater (ULS)	B
1	70026718	1	Cable, Supply	
2	70026717	1	Cable, Inlet	
3	70026720	1	Clip, Safety	
4	70026721	1	Heater	
5	70026722	2	Nut, Flange M8X8	
6	70026723	2	Screw, Flange M8X25	
7	70026724	1	Clamp	
8	70026719	1	Kit, MK Assembly	
101	Kit	1	Expander	
102	Kit	1	Clamp	
103	Kit	5	Wrap, Tie	
104	Kit	2	Washer, Lock	
105	Kit	3	Screw	

SECTION 4 - ENGINE AND ATTACHING PARTS

FIGURE 4-68. BLOCK HEATER (LS)



ART_1001179910-B

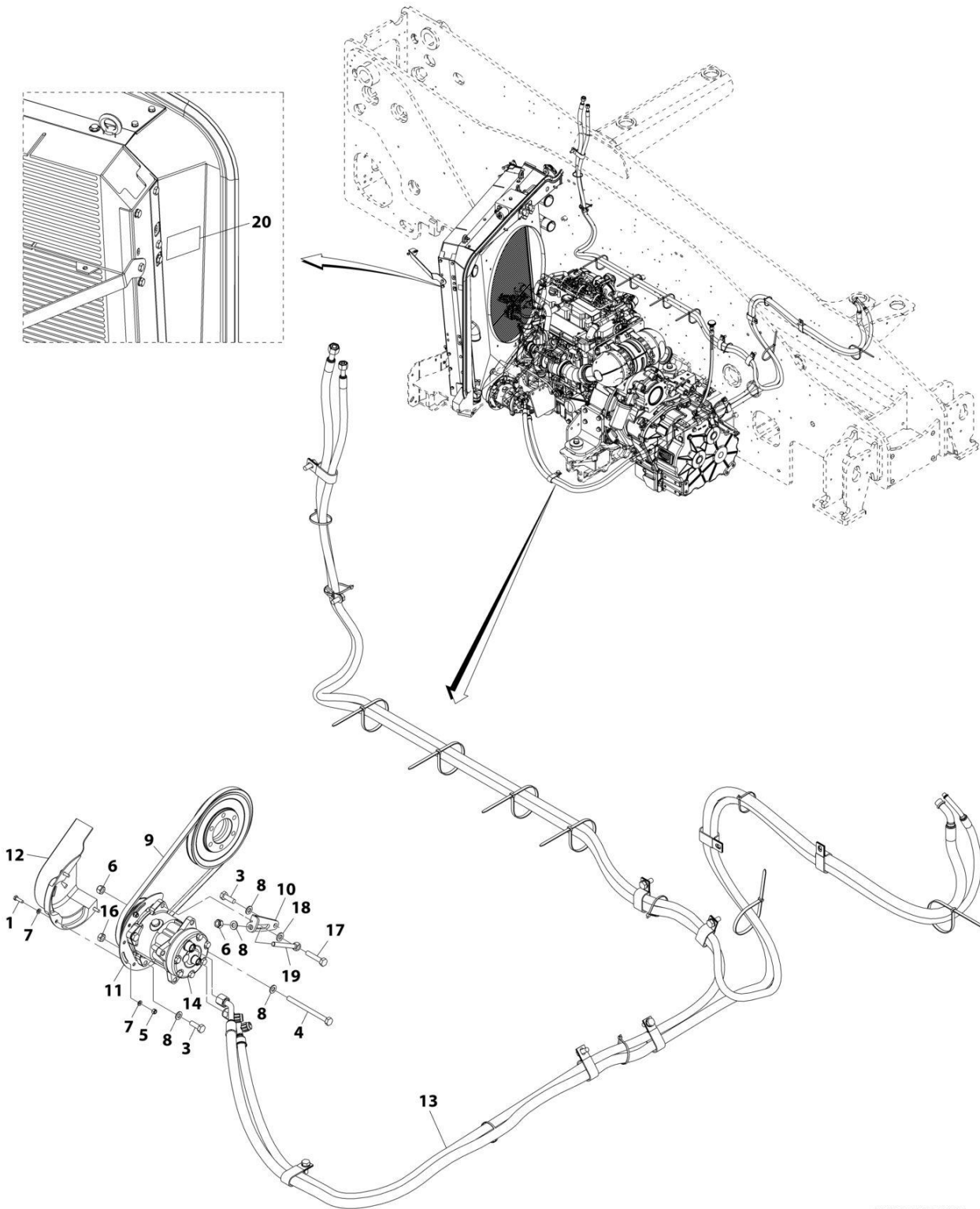
SECTION 4 - ENGINE AND ATTACHING PARTS

FIGURE 4-68. BLOCK HEATER (LS)

ITEM	PART NUMBER	QTY	DESCRIPTION	REV
	1001179910	Ref	Block Heater (LS)	B
1	70026725	1	Cable, Supply	
2	70026726	1	Cable, Inlet	
3	70026720	1	Clip, Safety	
4	70026721	1	Heater	
5	70026722	2	Nut, Flange M8X8	
6	70026723	2	Screw, Flange M8X25	
7	70026724	1	Clamp	
8	70026719	1	Kit, MK Assembly	
101	Kit	1	Expander	
102	Kit	1	Clamp	
103	Kit	5	Wrap, Tie	
104	Kit	2	Washer, Lock	
105	Kit	3	Screw	

SECTION 4 - ENGINE AND ATTACHING PARTS

FIGURE 4-69. A/C PUMP INSTALLATION



ART_1001178725

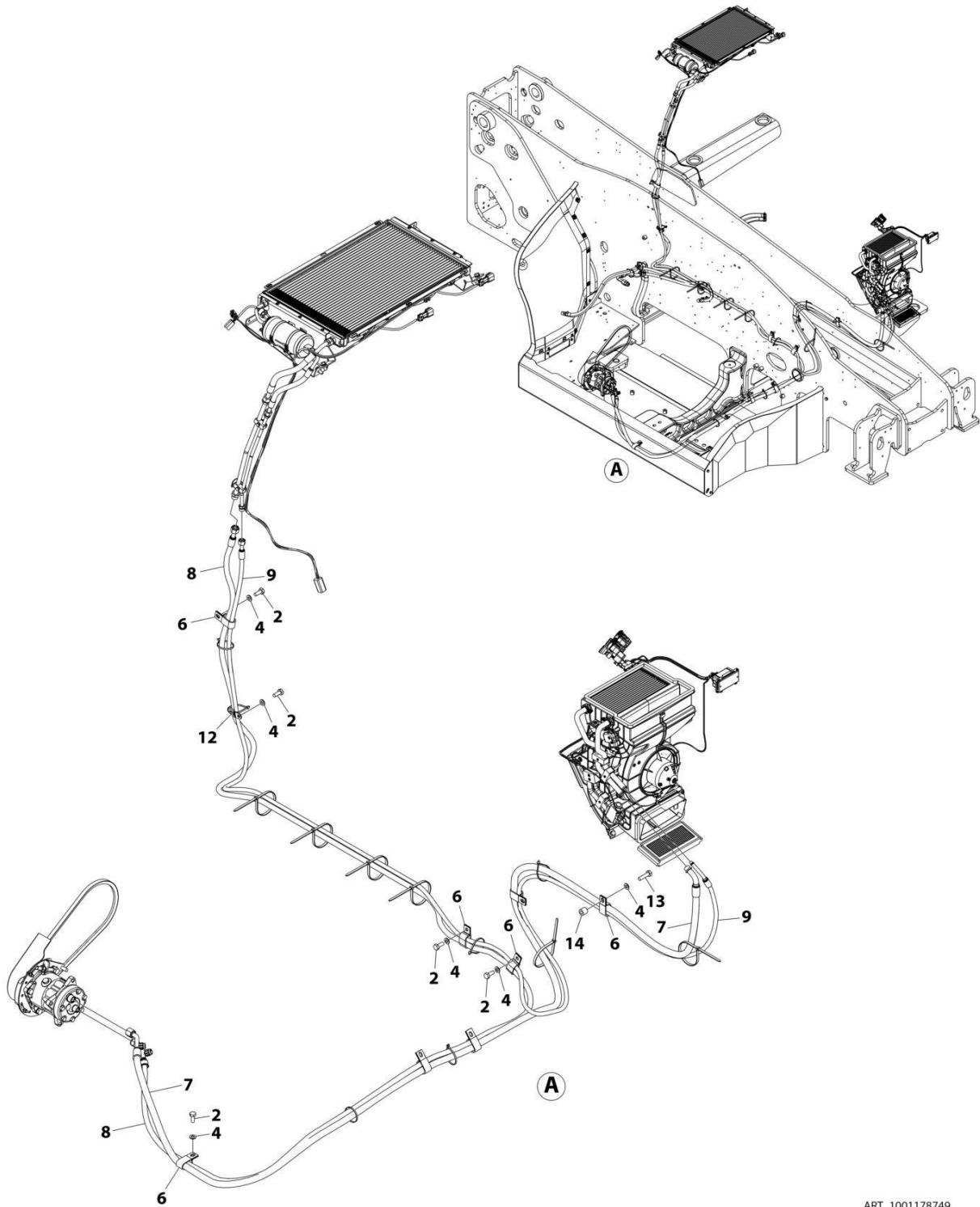
SECTION 4 - ENGINE AND ATTACHING PARTS

FIGURE 4-69. A/C PUMP INSTALLATION

ITEM	PART NUMBER	QTY	DESCRIPTION	REV
	1001178725	Ref	A/C Pump Installation	F
1	0700610	3	Bolt, M6X20	
3	0701014	3	Bolt, M10X30	
4	0701030	1	Bolt, M10X130	
5	3290605	3	Nut, Lock M6X1 Grade 8	
6	3291005	2	Nut, Lock M10X1.5 Grade 8	
7	4811700	6	Washer, M6	
8	4812000	5	Washer, M10	
9	1001167356	1	Belt, Drive A/C	
10	1001188855	1	Plate	
11	1001193735	1	Support	
12	1001171000	1	Cover	
13	1001178749	Ref	Installation, A/C Lines (See Separate Breakdown in this Section)	
14	1001119220	1	Compressor	
16	3291001	2	Nut, M10X1.5 Grade 8	
17	0701018	1	Bolt, M10X50	
18	5241000	1	Washer, M10	
19	1001188856	1	Rod	
20	1001227090	1	Decal	

SECTION 4 - ENGINE AND ATTACHING PARTS

FIGURE 4-70. A/C LINES INSTALLATION



ART_1001178749

SECTION 4 - ENGINE AND ATTACHING PARTS

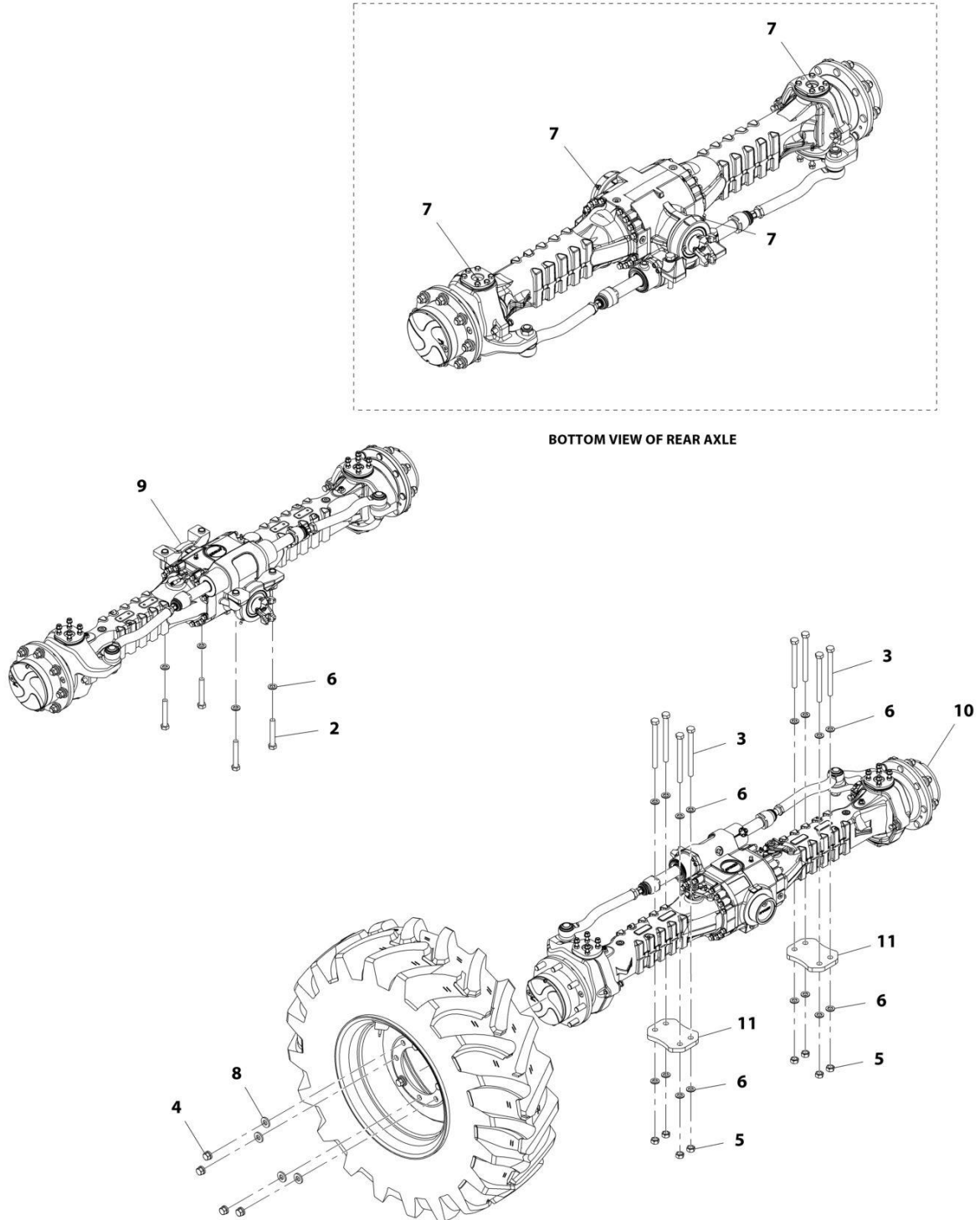
FIGURE 4-70. A/C LINES INSTALLATION

ITEM	PART NUMBER	QTY	DESCRIPTION	REV
	1001178749	Ref	A/C LINES INSTALLATION	G
2	0761012	5	Bolt M10 x 25	
4	4812000	6	Washer M10	
6	1001026104	8	Clip	
7	1001203825	1	Hose	
8	1001180593	1	Hose	
9	1001203826	1	Hose	
10	1001008559	AR	Tie-Strap 365MM (Not Shown)	
11	1062255	AR	Tie-Strap 170MM (Not Shown)	
12	1001008593	1	Clip	
13	0701016	1	Bolt M10 x 40	
14	1001095401	1	Spacer	

SECTION 5 - DRIVE TRAIN

SECTION 5 - DRIVE TRAIN

FIGURE 5-1. AXLES INSTALLATION (NO HYDRAULIC PARK BRAKE)



ART_1001175295-D

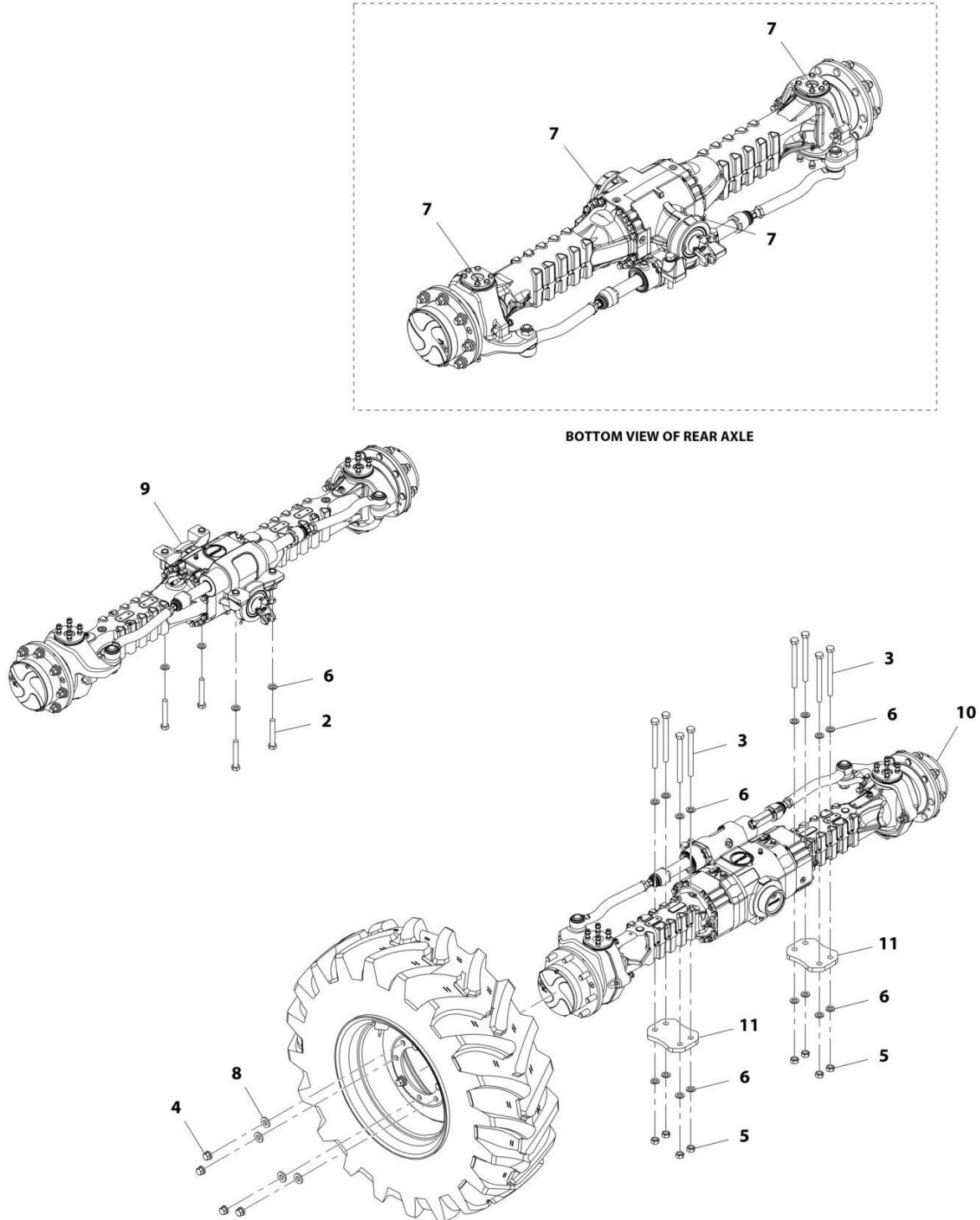
SECTION 5 - DRIVE TRAIN

FIGURE 5-1. AXLES INSTALLATION (NO HYDRAULIC PARK BRAKE)

ITEM	PART NUMBER	QTY	DESCRIPTION	REV
	1001175295	Ref	Axles Installation (No Hydraulic Park Brake)	D
2	0712030	4	Bolt, M20X130 Grade 10.9	
3	0712040	8	Bolt, M20X230 Grade 10.9	
4	3300479	32	Nut, M22X1.5	
5	3332011	8	Nut, M20X2.5	
6	1001197130	20	Washer	
7	1001008462	AR	Grease	
8	1001114802	32	Washer	
9	1001165857	Ref	Installation, Rear Axle (See Separate Breakdown in this Section)	
10	1001175670	Ref	Installation, Front Axle (No Hydraulic Park Brake) (See Separate Breakdown in this Section)	
11	1001190542	2	Plate	

SECTION 5 - DRIVE TRAIN

FIGURE 5-2. AXLES INSTALLATION (HYDRAULIC PARK BRAKE)



ART_1001176839-D

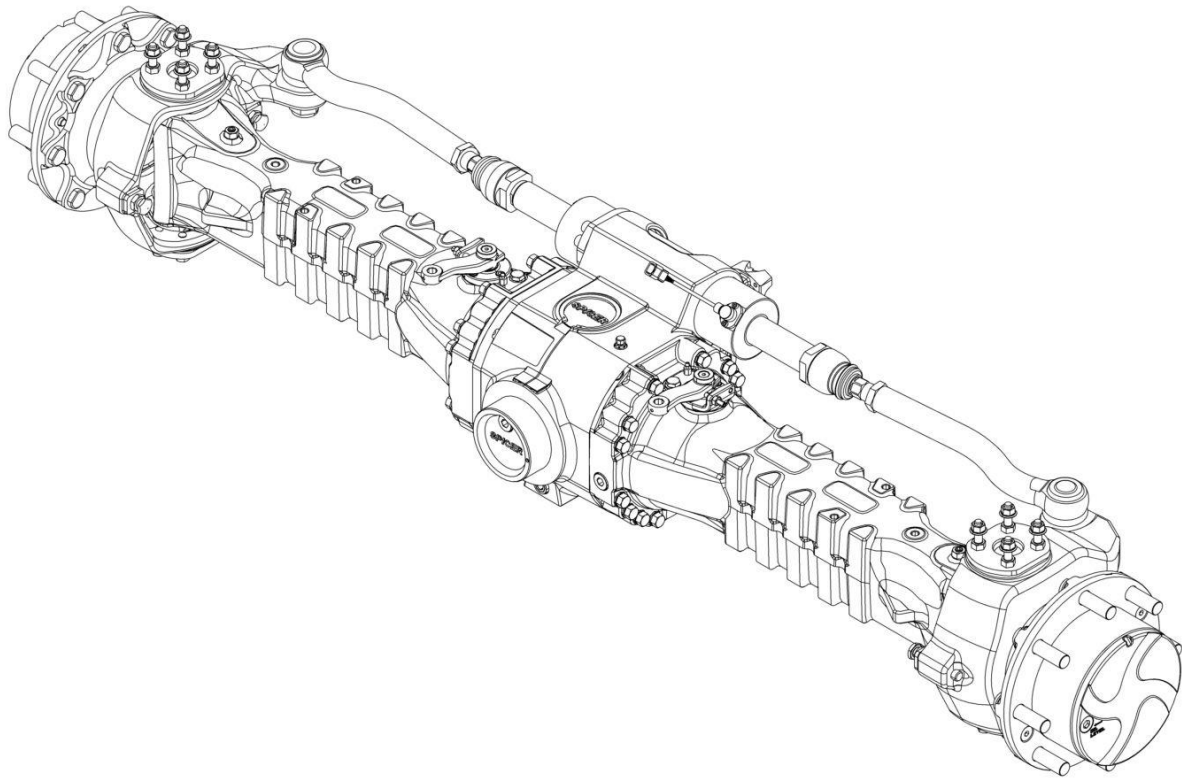
SECTION 5 - DRIVE TRAIN

FIGURE 5-2. AXLES INSTALLATION (HYDRAULIC PARK BRAKE)

ITEM	PART NUMBER	QTY	DESCRIPTION	REV
	1001176839	Ref	Axles Installation (Hydraulic Park Brake)	D
2	0712030	4	Bolt, M20X130 Grade 10.9	
3	0712040	8	Bolt, M20X230 Grade 10.9	
4	3300479	32	Nut, M22X1.5	
5	3332011	8	Nut, M20X2.5	
6	1001197130	20	Washer	
7	1001008462	AR	Grease	
8	1001114802	32	Washer	
9	1001165857	Ref	Installation, Rear Axle (See Separate Breakdown in this Section)	
10	1001175671	Ref	Installation, Front Axle (Hydraulic Park Brake) (See Separate Breakdown in this Section)	
11	1001190542	2	Plate	

SECTION 5 - DRIVE TRAIN

FIGURE 5-3. FRONT AXLE INSTALLATION (NO HYDRAULIC PARK BRAKE)



ART_1001175670

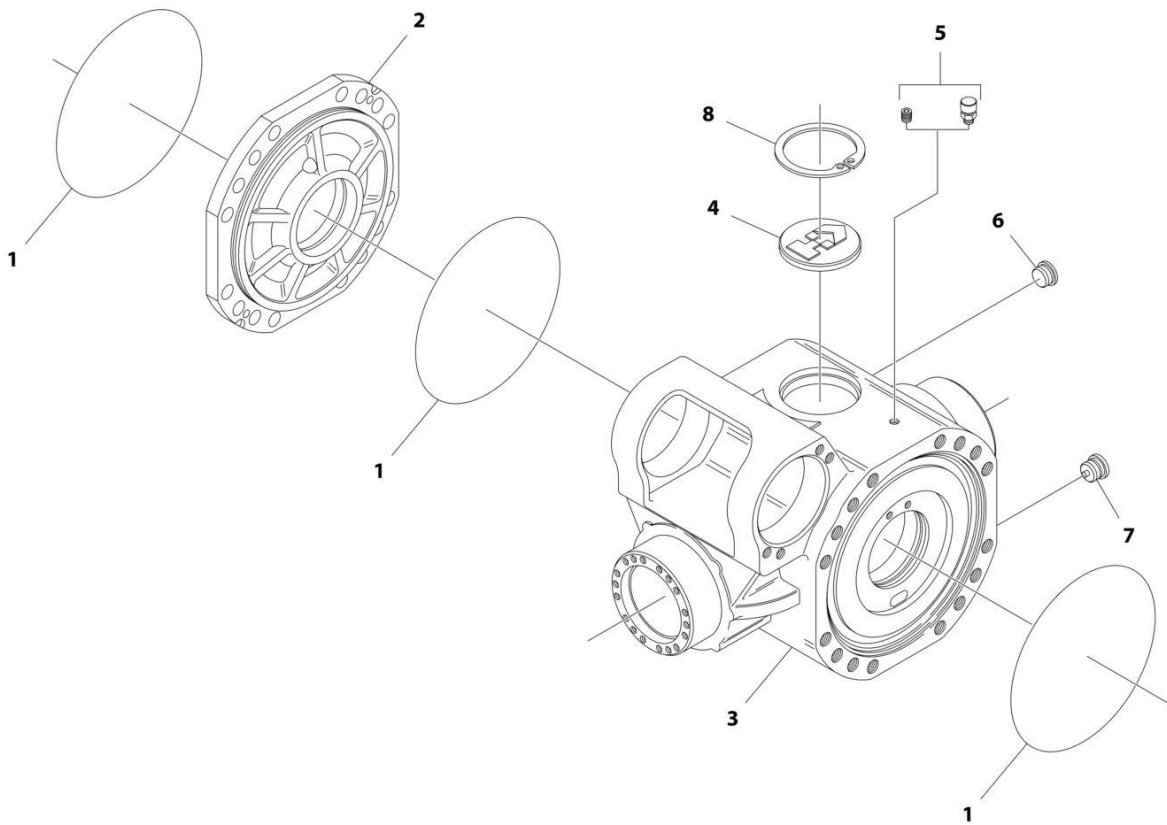
SECTION 5 - DRIVE TRAIN

FIGURE 5-3. FRONT AXLE INSTALLATION (NO HYDRAULIC PARK BRAKE)

ITEM	PART NUMBER	QTY	DESCRIPTION	REV
	1001175670	Ref	Front Axle Installation (No Hydraulic Park Brake)	H
		Ref	Front Axle, Central Housing (No Hydraulic Park Brake) (See Separate Breakdown in this Section)	
		Ref	Front Axle, Differential (No Hydraulic Park Brake) (See Separate Breakdown in this Section)	
		Ref	Front Axle, Hub Reduction (No Hydraulic Park Brake) (See Separate Breakdown in this Section)	
		Ref	Front Axle, Brakes (No Hydraulic Park Brake) (See Separate Breakdown in this Section)	
		Ref	Front Axle, Steering (No Hydraulic Park Brake) (See Separate Breakdown in this Section)	

SECTION 5 - DRIVE TRAIN

FIGURE 5-4. FRONT AXLE, CENTRAL HOUSING (NO HYDRAULIC PARK BRAKE)



ART_1001175670_1OF5

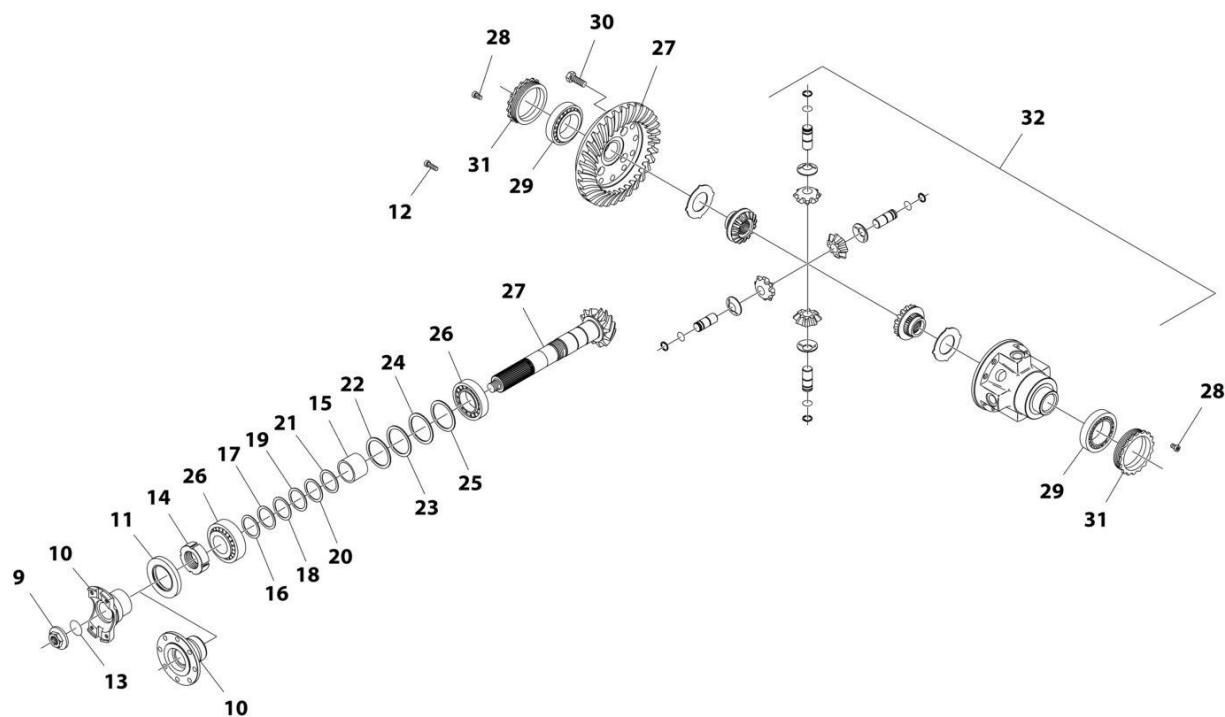
SECTION 5 - DRIVE TRAIN

FIGURE 5-4. FRONT AXLE, CENTRAL HOUSING (NO HYDRAULIC PARK BRAKE)

ITEM	PART NUMBER	QTY	DESCRIPTION	REV
1	91474507	3	O-Ring	
2	70024519	1	Cover	
3	70026749	1	Housing	
4	91514098	1	Plug	
5	91474512	1	Vent	
6	91514188	1	Plug	
7	91474513	1	Plug, Magnet	
8	80204005	1	Circlip	

SECTION 5 - DRIVE TRAIN

FIGURE 5-5. FRONT AXLE, DIFFERENTIAL (NO HYDRAULIC PARK BRAKE)



ART_1001175670_2OF5

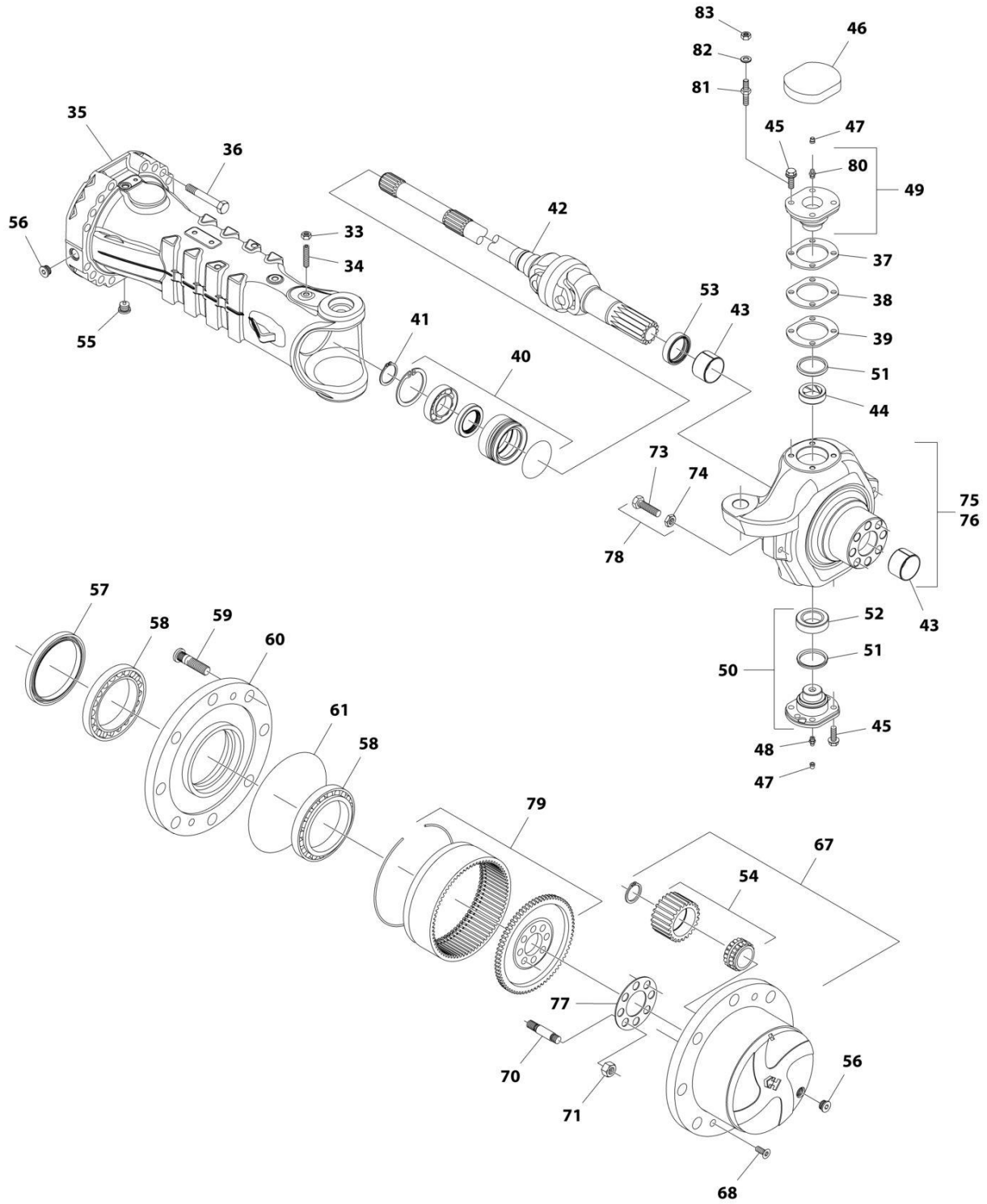
SECTION 5 - DRIVE TRAIN

FIGURE 5-5. FRONT AXLE, DIFFERENTIAL (NO HYDRAULIC PARK BRAKE)

ITEM	PART NUMBER	QTY	DESCRIPTION	REV
9	70026631	1	Nut	
10	7029427	1	Flange	
11	70024522	1	Seal	
12	91474591	4	Bolt	
13	91474529	1	O-Ring	
14	91474533	1	Nut, Ring	
15	91474539	1	Spacer	
16	91474535	1	Shim	
17	91474536	1	Shim	
18	91474537	1	Shim	
19	91474538	1	Shim	
20	70024520	2	Shim	
21	70024520	1	Shim	
22	91474540	1	Shim	
23	91474541	1	Shim	
24	91474541	1	Shim	
25	91474543	1	Shim	
26	3968141	2	Bearing, Taper Roller	
27	8007749	1	Bevel Gear Set	
28	91514134	2	Bolt	
29	70026031	2	Bearing, Taper Roller	
30	91514123	12	Bolt	
31	91474547	2	Nut, Ring	
32	7028710	1	Kit, Differential (See Separate Breakdown in this Section)	

SECTION 5 - DRIVE TRAIN

FIGURE 5-6. FRONT AXLE, HUB REDUCTION (NO HYDRAULIC PARK BRAKE)



ART_1001175670_3OF5

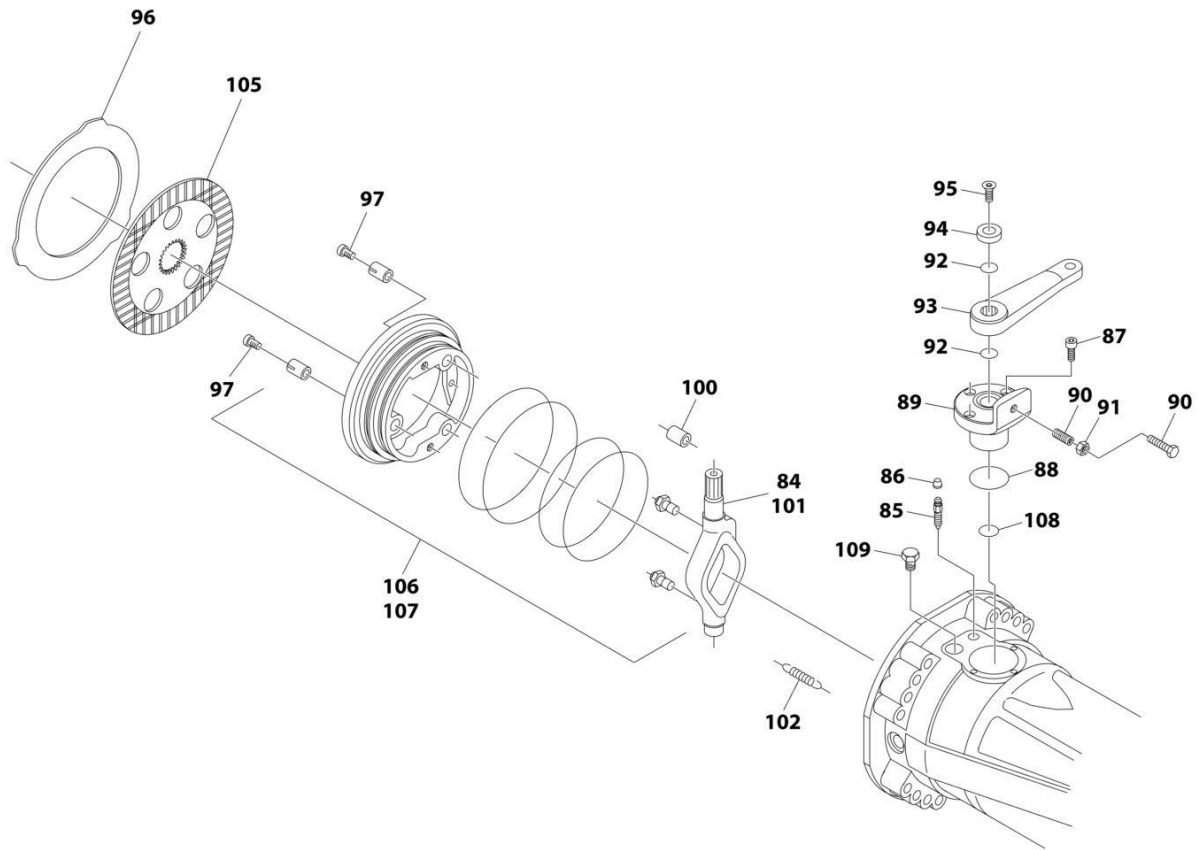
SECTION 5 - DRIVE TRAIN

FIGURE 5-6. FRONT AXLE, HUB REDUCTION (NO HYDRAULIC PARK BRAKE)

ITEM	PART NUMBER	QTY	DESCRIPTION	REV
33	91514082	2	Nut	
34	2400600	2	Bolt	
35	70026950	2	Case, Axle	
36	7029428	32	Bolt	
37	8007779	2	Shim	
38	8007780	2	Shim	
39	8007782	2	Shim	
40	91514149	2	Kit, Reduction Bushing (See Separate Breakdown in this Section)	
41	80204071	2	Circlip	
42	70026824	2	Joint, Double Universal	
43	8004468	2	Bushing, Thrust	
44	70020173	2	Bushing	
45	70025562	12	Bolt	
46	70025549	2	Cover	
47	2997103	4	Plug	
48	91514099	2	Fitting, Grease	
49	70025567	2	Pin, Pivot	
50	8006605	2	Pin, Pivot	
51	2401043	4	Seal	
52	2401258	2	Bearing	
53	8007771	2	Seal	
54	70023900	8	Kit, Planet Gear (includes Planet Gear and Bearing)	
55	91474513	2	Plug, Magnet	
56	91514188	4	Plug	
57	7029430	2	Seal	
58	3984301	4	Bearing	
59	8000877	16	Stud, Wheel	
60	70026818	2	Hub, Wheel	
61	91474507	2	O-Ring	
67	70026827	2	Kit, Planet Gear Carrier (See Separate Breakdown in this Section)	
68	91514189	4	Bolt	
70	91474583	16	Stud	
71	91474584	16	Nut	
72	91474579	2	Circlip	
73	91514117	4	Bolt	
74	80204065	4	Nut	
75	8007774	1	Kit, Steering Case (LF, RR) (See Separate Breakdown in this Section)	
76	8007777	1	Kit, Steering Case (RF, LR) (See Separate Breakdown in this Section)	
77	3983731	2	Plate	
78	7028733	4	Kit, Steering Adjust Bolt (See Separate Breakdown in this Section)	
79	7029432	2	Kit, Ring Gear Support (See Separate Breakdown in this Section)	
80	7028115	2	Fitting, Grease	
81	70025819	8	Stud	
82	91514119	8	Washer	
83	91514120	8	Nut	

SECTION 5 - DRIVE TRAIN

FIGURE 5-7. FRONT AXLE, BRAKES (NO HYDRAULIC PARK BRAKE)



ART_1001175670_40F5

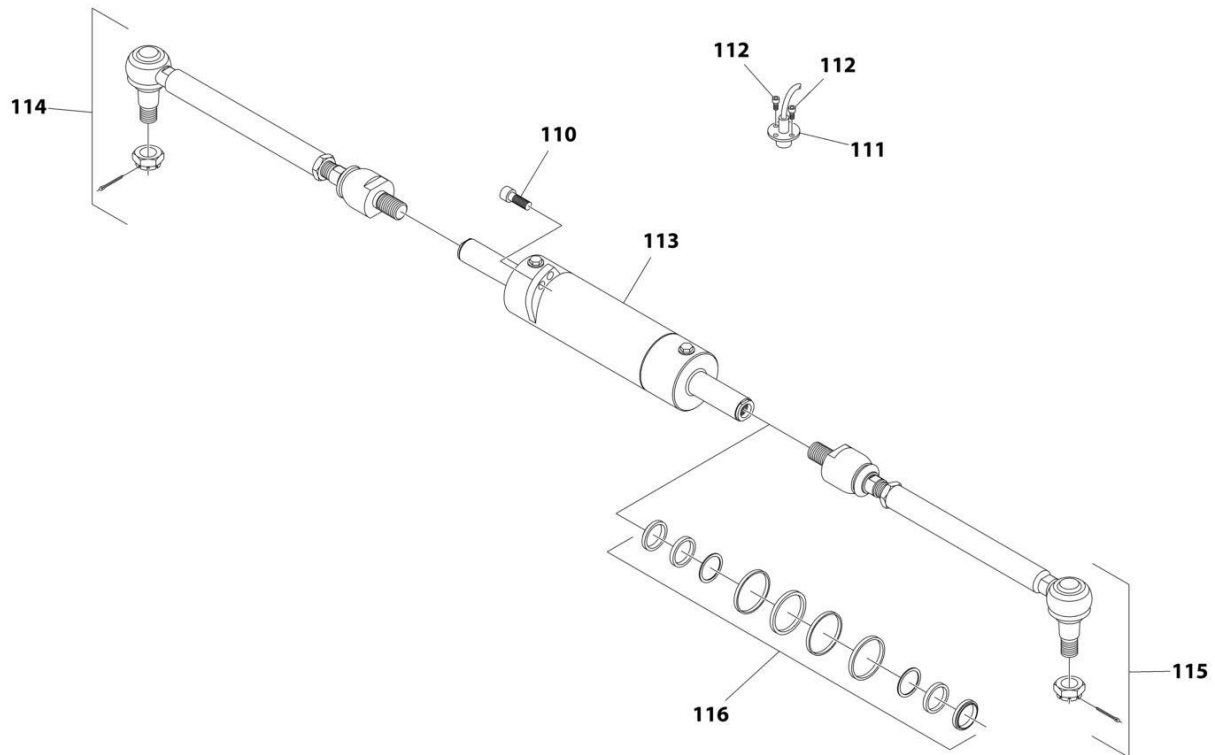
SECTION 5 - DRIVE TRAIN

FIGURE 5-7. FRONT AXLE, BRAKES (NO HYDRAULIC PARK BRAKE)

ITEM	PART NUMBER	QTY	DESCRIPTION	REV
84	8007785	1	Lever, Right	
85	80204281	2	Bleeding Bolt	
86	80204117	2	Plug	
87	2401736	6	Bolt, Cylinder	
88	3986405	2	O-Ring	
89	8007788	2	Bushing, Reduction	
90	8002798	2	Setscrew	
91	8008168	2	Nut	
92	7028038	2	O-Ring	
93	70025568	2	Lever	
94	7028039	2	Washer	
95	8008169	2	Bolt, Countersunk	
96	70025823	10	Disc, Intermediate Brake	
97	7029786	6	Bolt, Adjusting	
100	7029433	2	Dowel	
101	8007786	1	Lever, Left	
102	3984425	6	Spring	
105	91474568	8	Disc	
106	70026069	1	Kit, Piston (Left) (See Separate Breakdown in this Section)	
107	70026068	1	Kit, Piston (Right) (See Separate Breakdown in this Section)	
108	8007802	2	O-Ring	
109	91514154	2	Bolt	

SECTION 5 - DRIVE TRAIN

FIGURE 5-8. FRONT AXLE, STEERING (NO HYDRAULIC PARK BRAKE)



ART_1001175670_SOF5

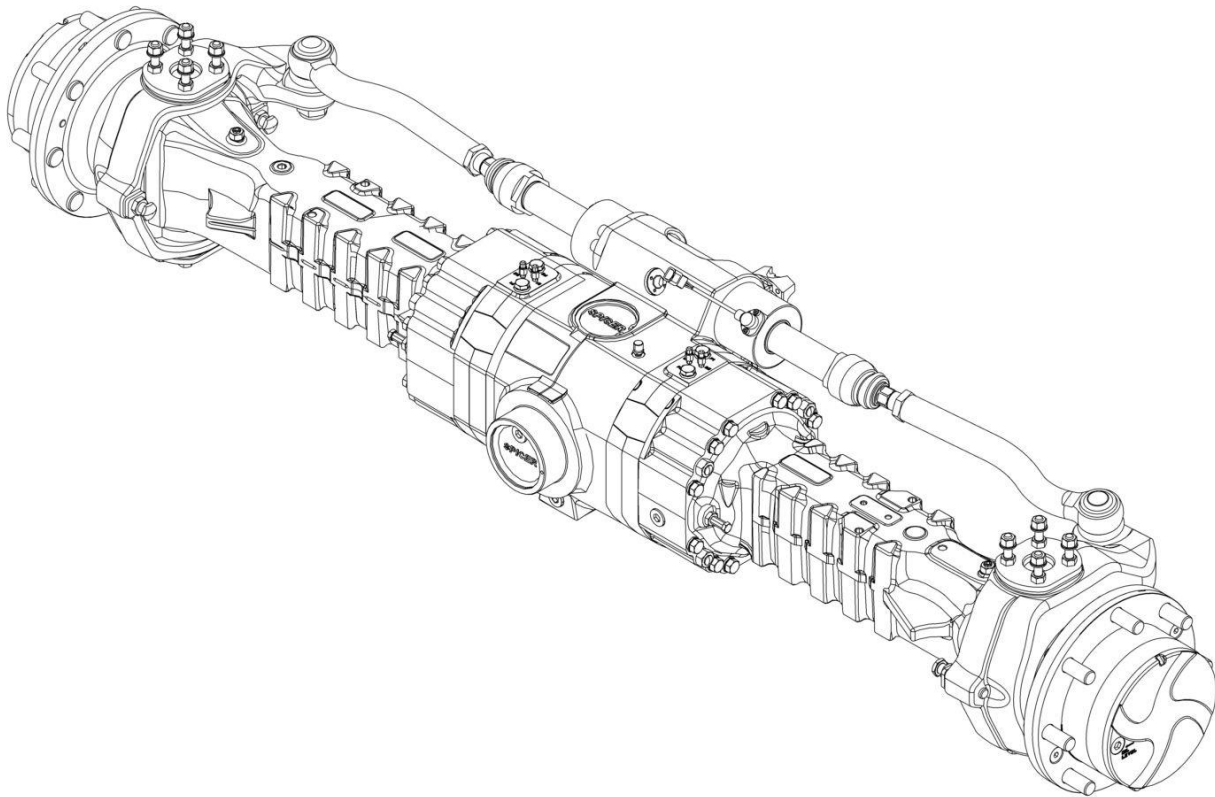
SECTION 5 - DRIVE TRAIN

FIGURE 5-8. FRONT AXLE, STEERING (NO HYDRAULIC PARK BRAKE)

ITEM	PART NUMBER	QTY	DESCRIPTION	REV
110	91474522	4	Bolt	
111	70026808	1	Sensor	
112	8008175	2	Bolt	
113	70026826	1	Cylinder	
114	70026819	1	Rod, Tie	
115	70026820	1	Rod, Tie	
116	70025842	1	Kit, Seal	

SECTION 5 - DRIVE TRAIN

FIGURE 5-9. FRONT AXLE INSTALLATION (HYDRAULIC PARK BRAKE)



ART_1001175671-C

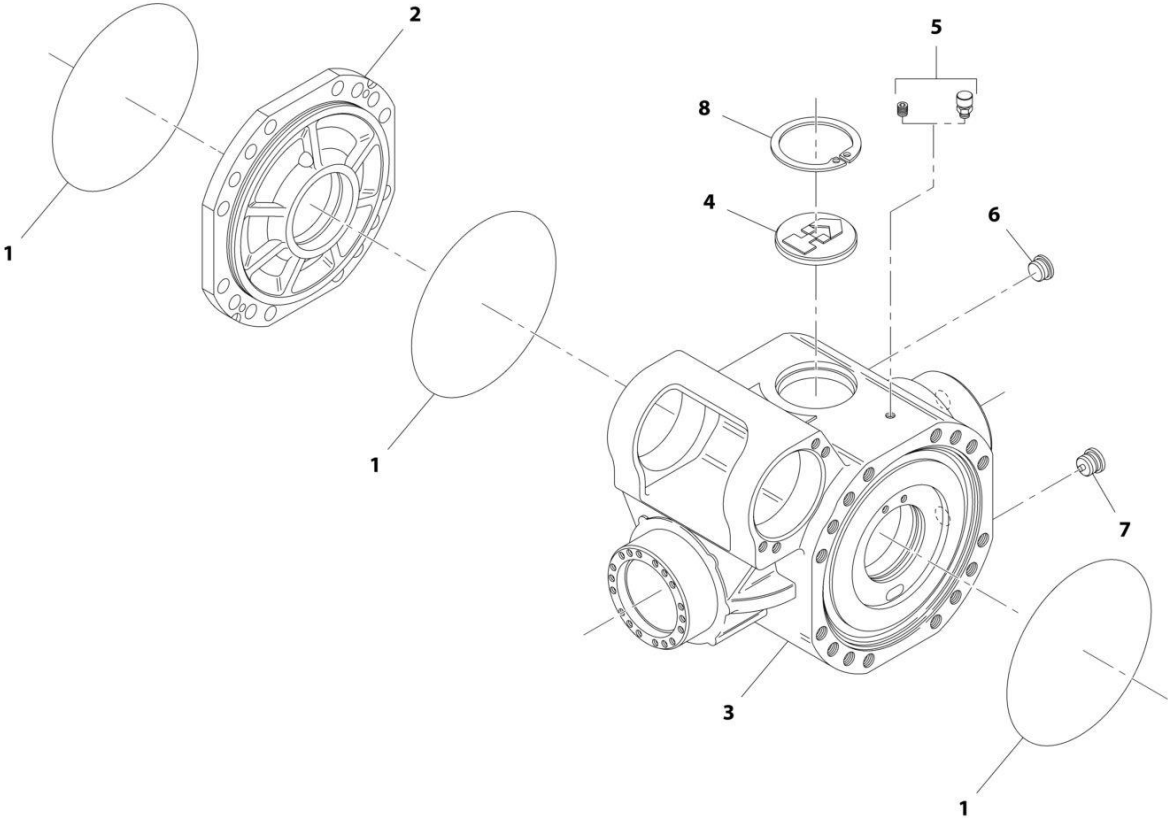
SECTION 5 - DRIVE TRAIN

FIGURE 5-9. FRONT AXLE INSTALLATION (HYDRAULIC PARK BRAKE)

ITEM	PART NUMBER	QTY	DESCRIPTION	REV
	1001175671	Ref	Front Axle Installation (Hydraulic Park Brake)	C
		Ref	Front Axle, Central Housing (Hydraulic Park Brake) (See Separate Breakdown in this Section)	
		Ref	Front Axle, Differential (Hydraulic Park Brake) (See Separate Breakdown in this Section)	
		Ref	Front Axle, Hub Reduction (Hydraulic Park Brake) (See Separate Breakdown in this Section)	
		Ref	Front Axle, Brakes (Hydraulic Park Brake) (See Separate Breakdown in this Section)	
		Ref	Front Axle, Steering (Hydraulic Park Brake) (See Separate Breakdown in this Section)	

SECTION 5 - DRIVE TRAIN

FIGURE 5-10. FRONT AXLE, CENTRAL HOUSING (HYDRAULIC PARK BRAKE)



ART_1001175671_1-C

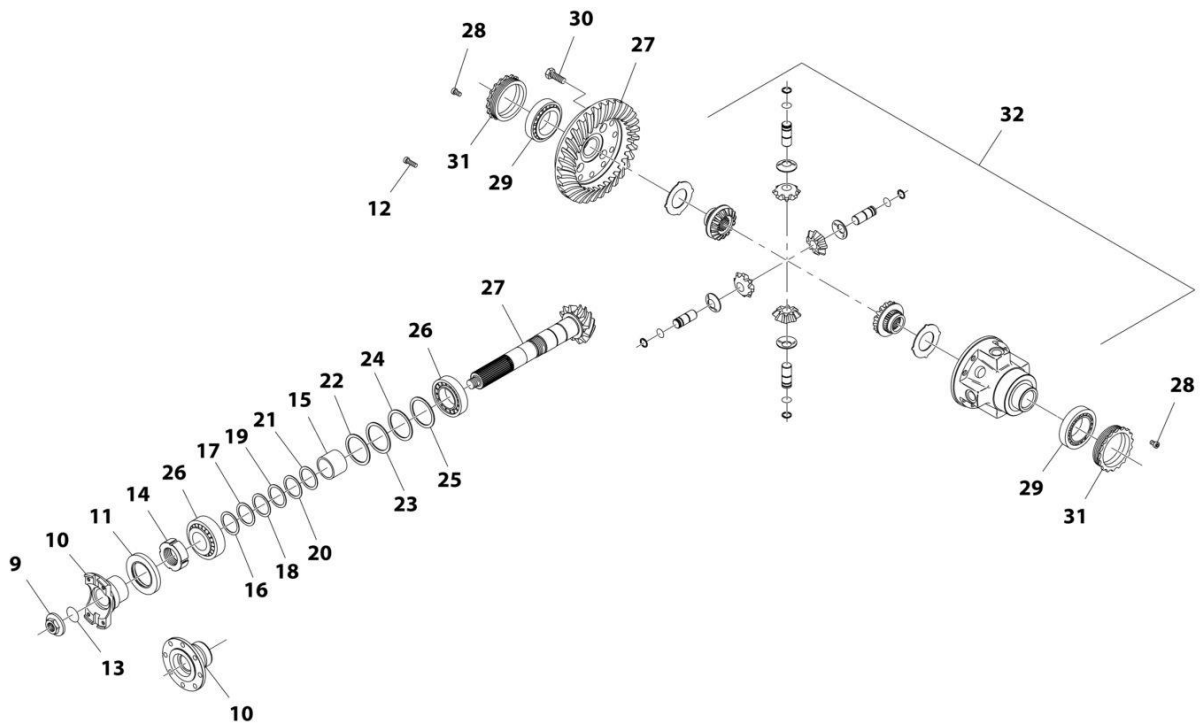
SECTION 5 - DRIVE TRAIN

FIGURE 5-10. FRONT AXLE, CENTRAL HOUSING (HYDRAULIC PARK BRAKE)

ITEM	PART NUMBER	QTY	DESCRIPTION	REV
1	91474507	3	O-Ring	
2	70024519	1	Cover	
3	70026749	1	Housing	
4	91514098	1	Plug	
5	91474512	1	Vent	
6	91514188	1	Plug	
7	91474513	1	Plug, Magnet	
8	80204005	1	Circlip	

SECTION 5 - DRIVE TRAIN

FIGURE 5-11. FRONT AXLE, DIFFERENTIAL (HYDRAULIC PARK BRAKE)



ART_1001175671_2-C

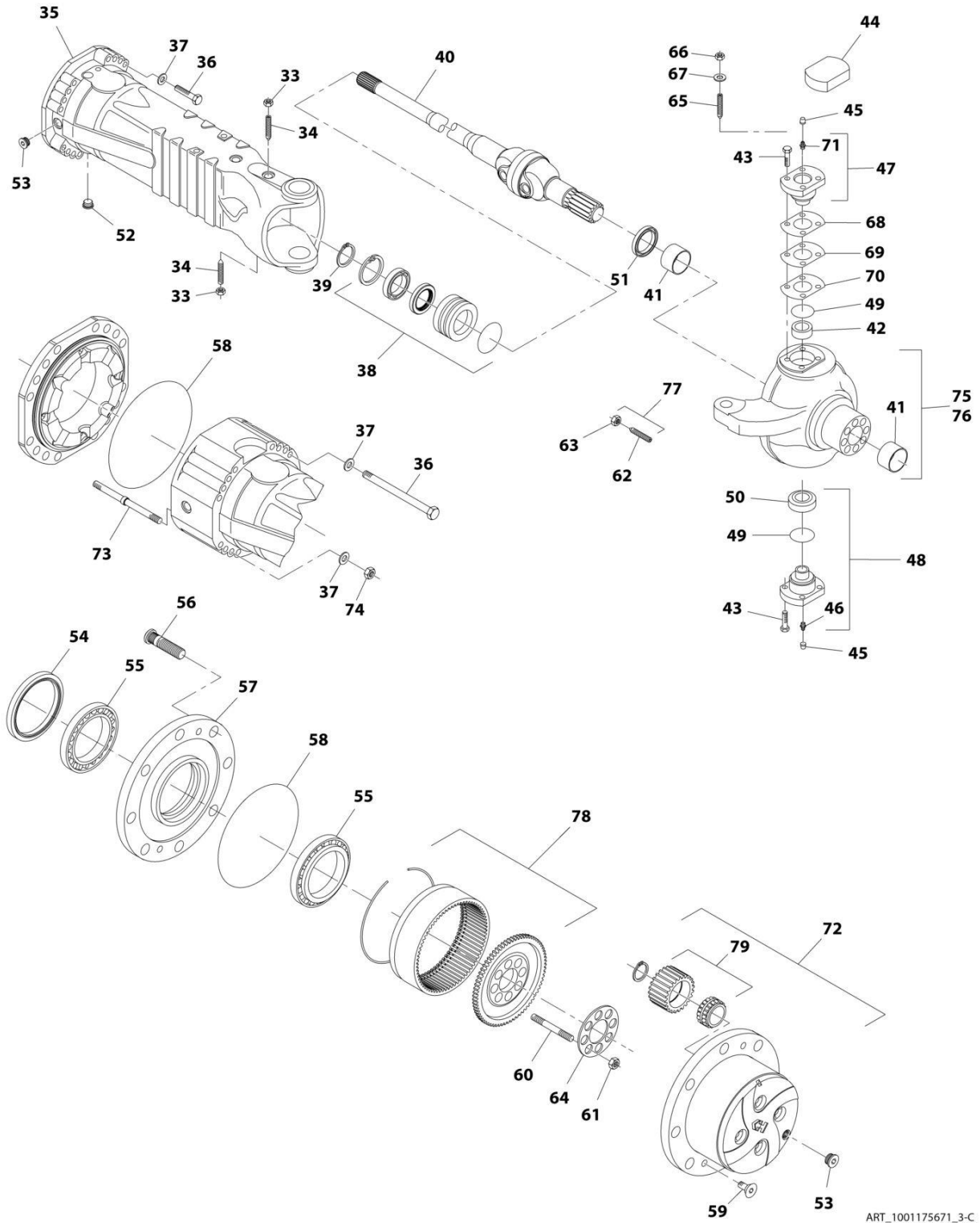
SECTION 5 - DRIVE TRAIN

FIGURE 5-11. FRONT AXLE, DIFFERENTIAL (HYDRAULIC PARK BRAKE)

ITEM	PART NUMBER	QTY	DESCRIPTION	REV
9	70026631	1	Nut	
10	7029427	1	Flange	
11	70024522	1	Seal	
12	91474591	4	Bolt	
13	91474529	1	O-Ring	
14	91474533	1	Nut, Ring	
15	91474539	1	Spacer	
16	91474535	1	Shim	
17	91474536	1	Shim	
18	91474537	1	Shim	
19	91474538	1	Shim	
20	70024520	1	Shim	
21	70024521	1	Shim	
22	91474540	1	Shim	
23	91474541	1	Shim	
24	91474542	1	Shim	
25	91474543	1	Shim	
26	3968141	2	Bearing, Taper Roller	
27	8007749	1	Bevel Gear Set	
28	91514134	2	Bolt	
29	70026031	2	Bearing, Taper Roller	
30	91514123	12	Bolt	
31	91474547	2	Nut, Ring	
32	7028710	1	Front Axle, Differential Kit (Hydraulic Park Brake) (See Separate Breakdown in this Section)	

SECTION 5 - DRIVE TRAIN

FIGURE 5-12. FRONT AXLE, HUB REDUCTION (HYDRAULIC PARK BRAKE)



ART_1001175671_3-C

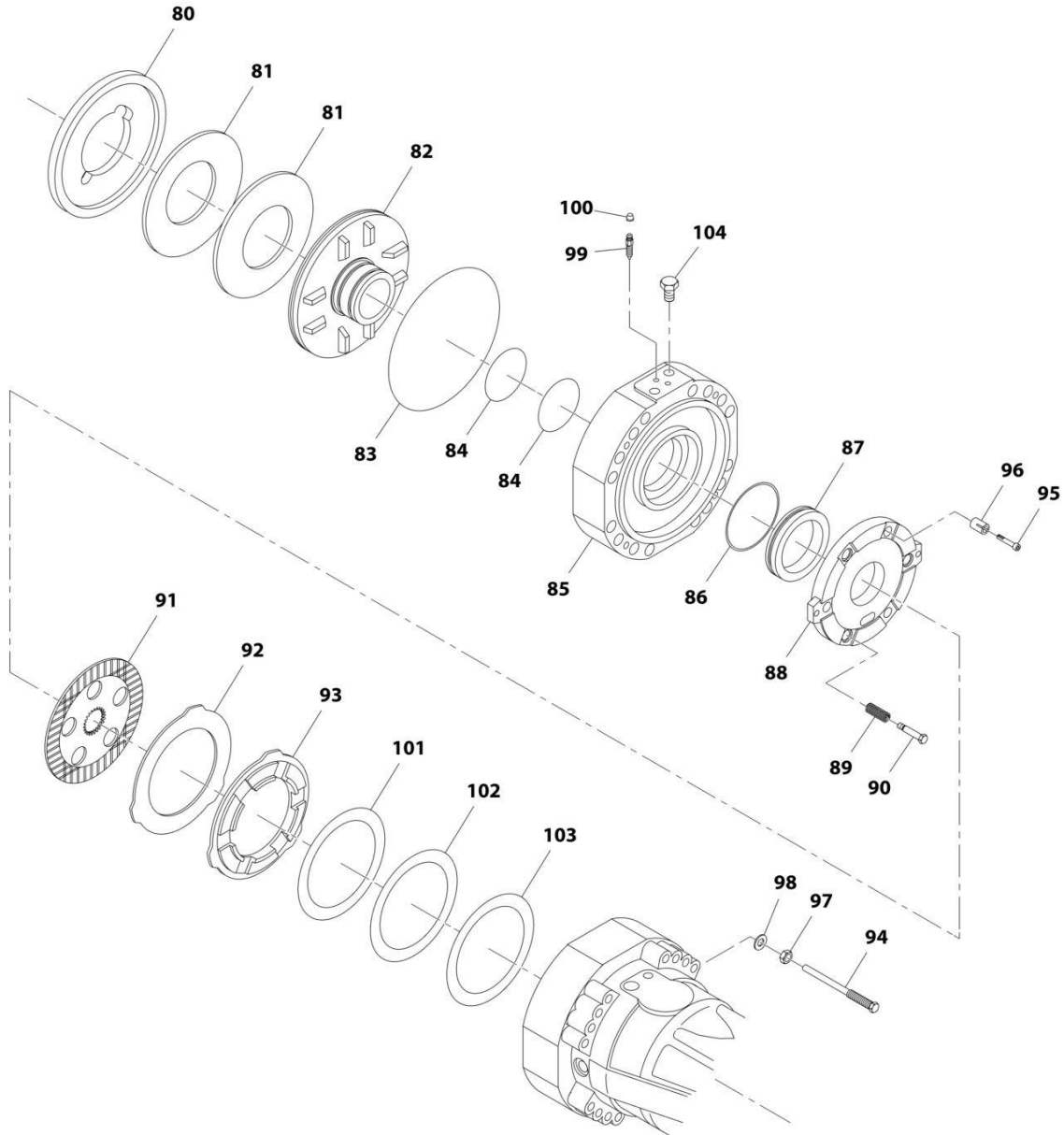
SECTION 5 - DRIVE TRAIN

FIGURE 5-12. FRONT AXLE, HUB REDUCTION (HYDRAULIC PARK BRAKE)

ITEM	PART NUMBER	QTY	DESCRIPTION	REV
33	91514082	2	Nut	
34	2400600	2	Bolt	
35	70026817	2	Case, Axle	
36	70025012	24	Bolt	
37	91514084	8	Washer	
38	91514149	2	Kit, Reduction Bushing (See Separate Breakdown in this Section)	
39	80204071	2	Circlip	
40	70026824	2	Joint, Double Universal	
41	8004468	2	Bushing, Thrust	
42	70020173	2	Bushing	
43	70025562	24	Bolt	
44	70025549	2	Cover	
45	80204117	2	Plug	
46	91514099	4	Fitting, Grease	
47	70025567	2	Pin, Pivot	
48	8006605	2	Pin, Pivot	
49	2401043	4	Seal	
50	2401258	2	Bearing	
51	8007771	2	Seal	
52	91474513	2	Plug, Magnet	
53	91514188	4	Plug	
54	7029430	2	Seal	
55	3984301	4	Bearing	
56	8000877	16	Stud, Wheel	
57	70026818	2	Hub, Wheel	
58	91474507	2	O-Ring	
59	91514189	4	Bolt	
60	91474583	16	Stud	
61	91474584	16	Nut	
62	91514117	4	Bolt	
63	80204065	4	Nut	
64	3983731	2	Plate	
65	70025819	8	Stud	
66	91514120	8	Nut	
67	91514119	8	Washer	
68	8007779	2	Shim	
69	8007780	2	Shim	
70	8007782	2	Shim	
71	7028115	2	Fitting, Grease	
72	70026827	2	Kit, Planet Gear Carrier (See Separate Breakdown in this Section)	
73	70025014	8	Stud	
74	91514083	8	Nut	
75	8007774	1	Kit, Steering Case (LF, RR) (See Separate Breakdown in this Section)	
76	8007777	1	Kit, Steering Case (RF, LR) (See Separate Breakdown in this Section)	
77	7028733	4	Kit, Steering Adjust Bolt (See Separate Breakdown in this Section)	
78	7029432	2	Kit, Ring Gear Support (See Separate Breakdown in this Section)	
79	70023900	8	Kit, Planet Gear (includes Planet Gear and Bearing)	

SECTION 5 - DRIVE TRAIN

FIGURE 5-13. FRONT AXLE, BRAKES (HYDRAULIC PARK BRAKE)



ART_1001175671_4-C

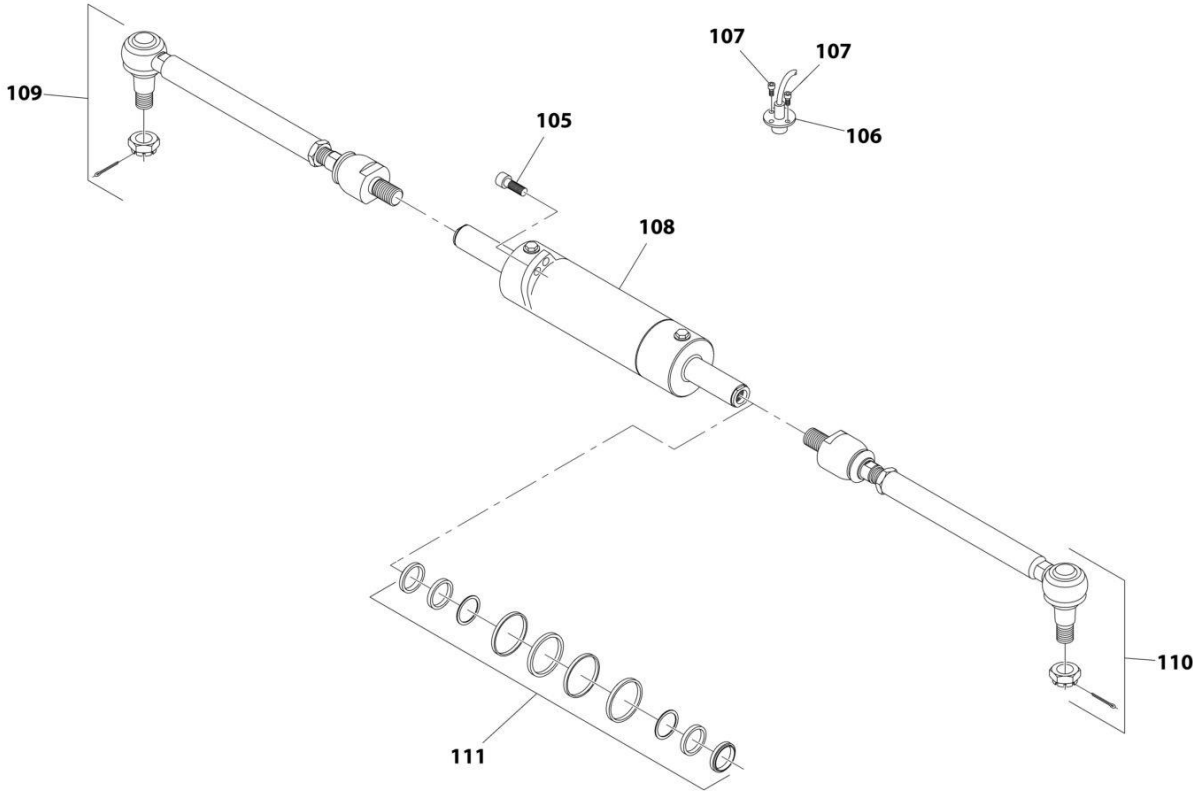
SECTION 5 - DRIVE TRAIN

FIGURE 5-13. FRONT AXLE, BRAKES (HYDRAULIC PARK BRAKE)

ITEM	PART NUMBER	QTY	DESCRIPTION	REV
80	7028734	1	Spacer	
81	91474559	4	Spring	
82	91474560	2	Piston	
83	91474561	2	O-Ring	
84	70026262	4	Seal	
85	7028735	2	Cover	
86	70026623	2	Seal	
87	91474564	2	Piston	
88	91474565	2	Disc, Intermediate Brake	
89	91514159	6	Spring	
90	70024210	6	Bolt	
91	91474568	8	Disc	
92	70025823	8	Disc, Intermediate Brake	
93	91474570	2	Spacer	
94	70024213	4	Bolt, M12X122.5	
95	7029788	6	Bolt	
96	91514165	6	Spring	
97	80204060	4	Nut	
98	80204108	4	Washer, Lock	
99	80204281	4	Bolt	
100	80204117	4	Plug	
101	91474571	2	Shim	
102	91474572	2	Shim	
103	91474573	2	Shim	
104	91514154	4	Bolt	

SECTION 5 - DRIVE TRAIN

FIGURE 5-14. FRONT AXLE, STEERING (HYDRAULIC PARK BRAKE)



ART_1001175671_5-C

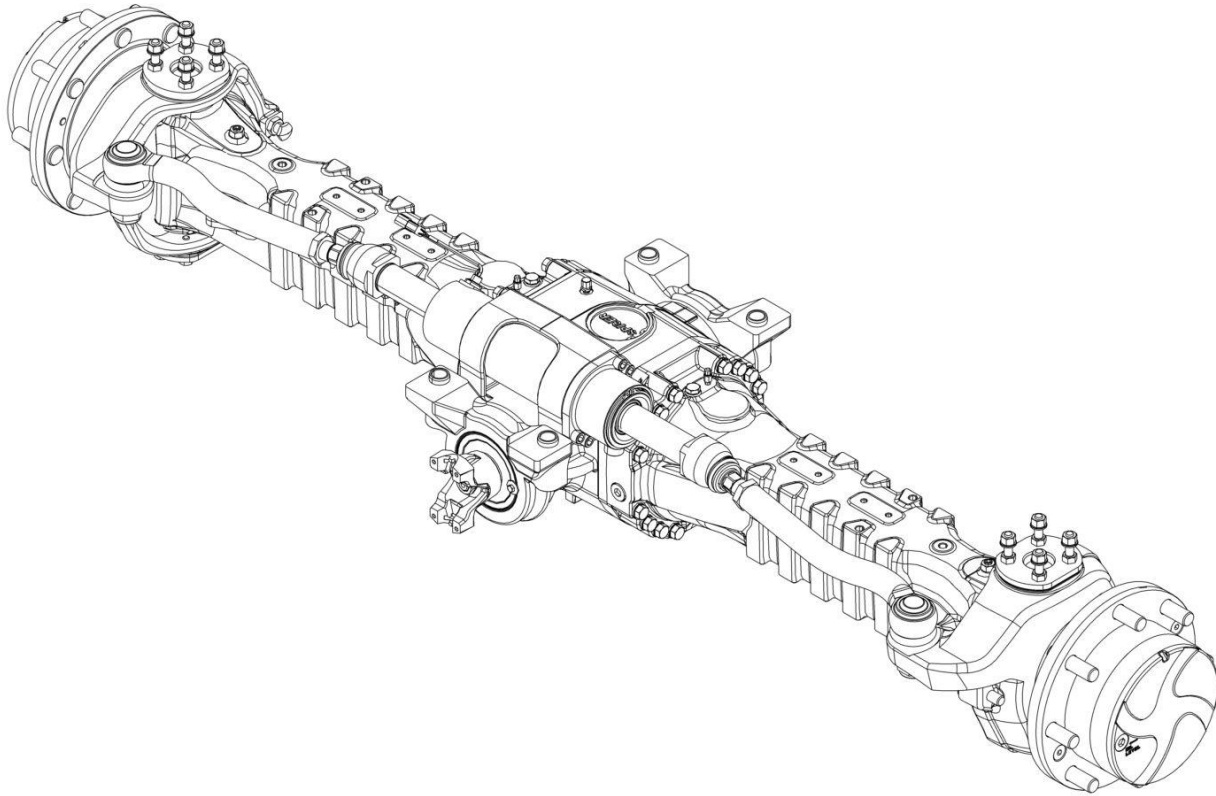
SECTION 5 - DRIVE TRAIN

FIGURE 5-14. FRONT AXLE, STEERING (HYDRAULIC PARK BRAKE)

ITEM	PART NUMBER	QTY	DESCRIPTION	REV
105	91474522	4	Bolt	
106	70026808	1	Sensor	
107	8008175	2	Bolt	
108	70026826	1	Cylinder	
109	70026819	1	Rod, Tie	
110	70026820	1	Rod, Tie	
111	70025842	1	Kit, Seal	

SECTION 5 - DRIVE TRAIN

FIGURE 5-15. REAR AXLE INSTALLATION



ART_1001165857-J

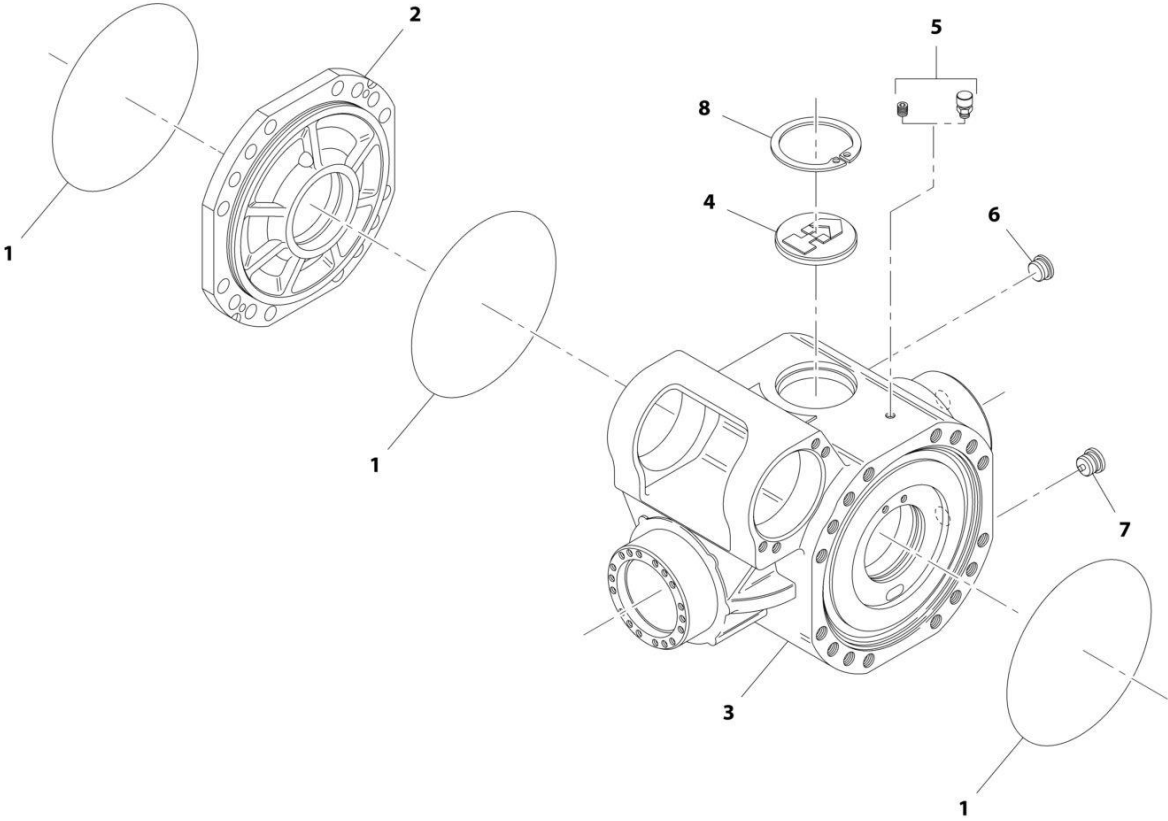
SECTION 5 - DRIVE TRAIN

FIGURE 5-15. REAR AXLE INSTALLATION

ITEM	PART NUMBER	QTY	DESCRIPTION	REV
	1001165857	Ref	Rear Axle Installation	J
		Ref	Rear Axle, Central Housing (See Separate Breakdown in this Section)	
		Ref	Rear Axle, Differential (See Separate Breakdown in this Section)	
		Ref	Rear Axle, Hub Reduction (See Separate Breakdown in this Section)	
		Ref	Rear Axle, Brakes (See Separate Breakdown in this Section)	
		Ref	Rear Axle, Steering (See Separate Breakdown in this Section)	
		Ref	Rear Axle, Trunion (See Separate Breakdown in this Section)	

SECTION 5 - DRIVE TRAIN

FIGURE 5-16. REAR AXLE, CENTRAL HOUSING



ART_1001165857_1-J

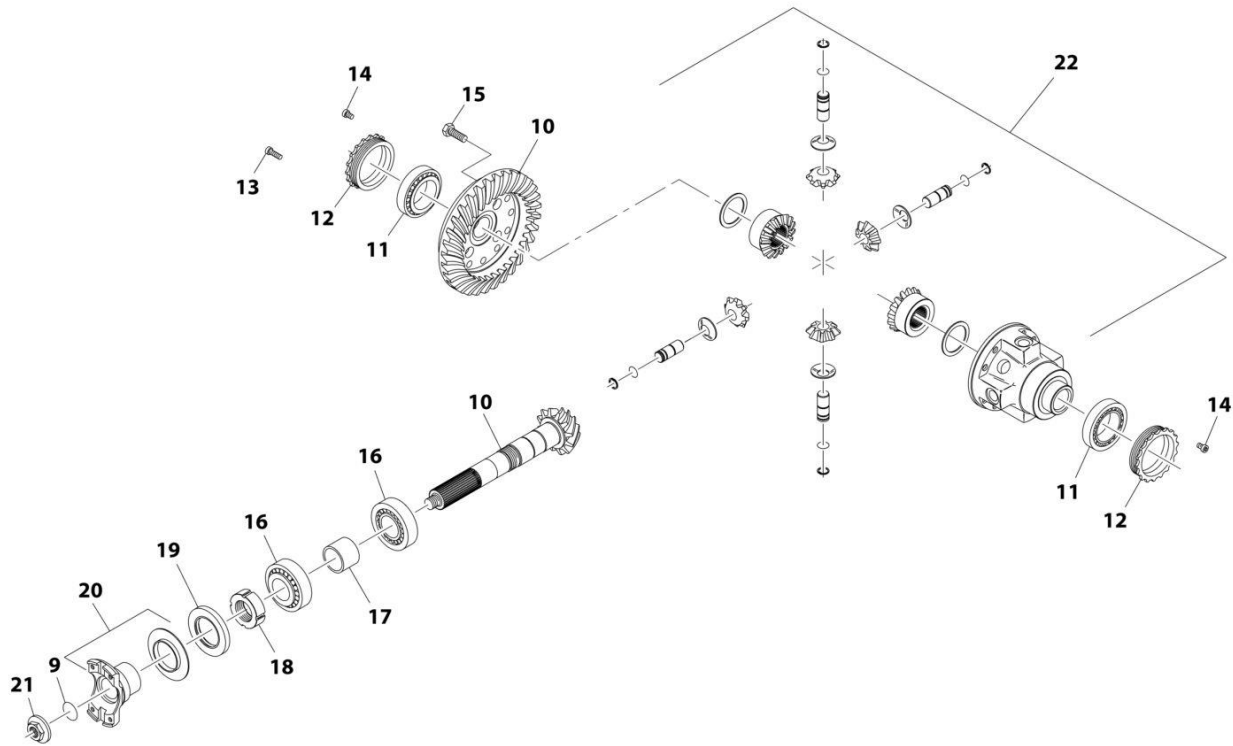
SECTION 5 - DRIVE TRAIN

FIGURE 5-16. REAR AXLE, CENTRAL HOUSING

ITEM	PART NUMBER	QTY	DESCRIPTION	REV
1	91474507	3	O-Ring	
2	70024519	1	Cover	
3	70026749	1	Housing	
4	91514098	1	Plug	
5	91474512	1	Vent	
6	91514188	1	Plug	
7	91474513	1	Plug, Magnet	
8	80204005	1	Circlip	

SECTION 5 - DRIVE TRAIN

FIGURE 5-17. REAR AXLE, DIFFERENTIAL



ART_1001165857_2-J

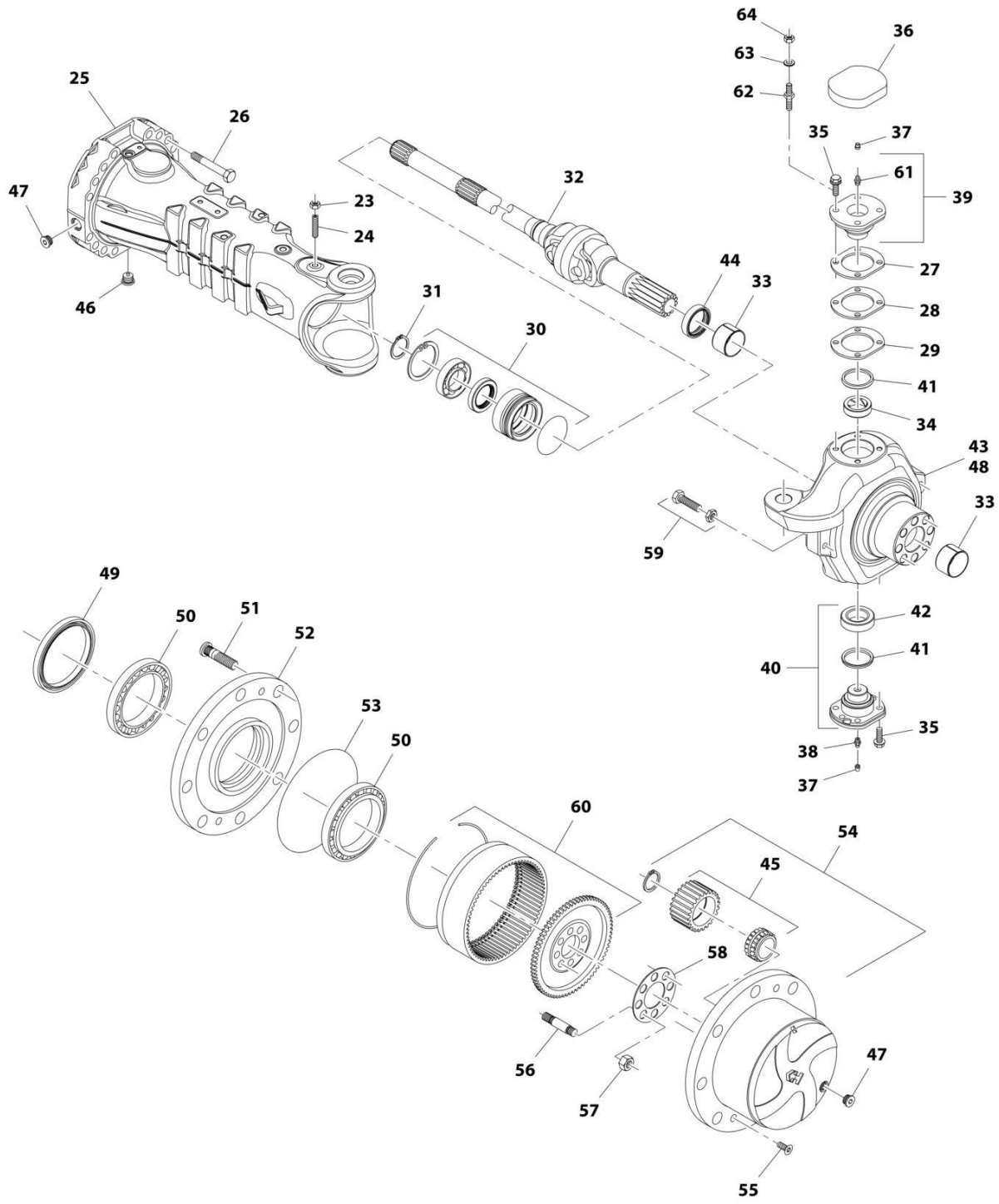
SECTION 5 - DRIVE TRAIN

FIGURE 5-17. REAR AXLE, DIFFERENTIAL

ITEM	PART NUMBER	QTY	DESCRIPTION	REV
9	91474529	1	O-Ring	
10	7028043	1	Bevel Gear Set	
11	70026031	2	Bearing, Taper Roller	
12	91474547	2	Nut, Ring	
13	3043222	4	Bolt	
14	91514134	2	Bolt	
15	91514123	12	Bolt	
16	3968141	2	Bearing, Taper Roller	
17	91474539	1	Spacer	
18	91474533	1	Nut, Ring	
19	70024522	1	Seal	
20	7029427	1	Flange	
21	70026631	1	Nut	
22	70021140	1	Kit, Differential (See Separate Breakdown in this Section)	

SECTION 5 - DRIVE TRAIN

FIGURE 5-18. REAR AXLE, HUB REDUCTION



ART_1001165857_3-J

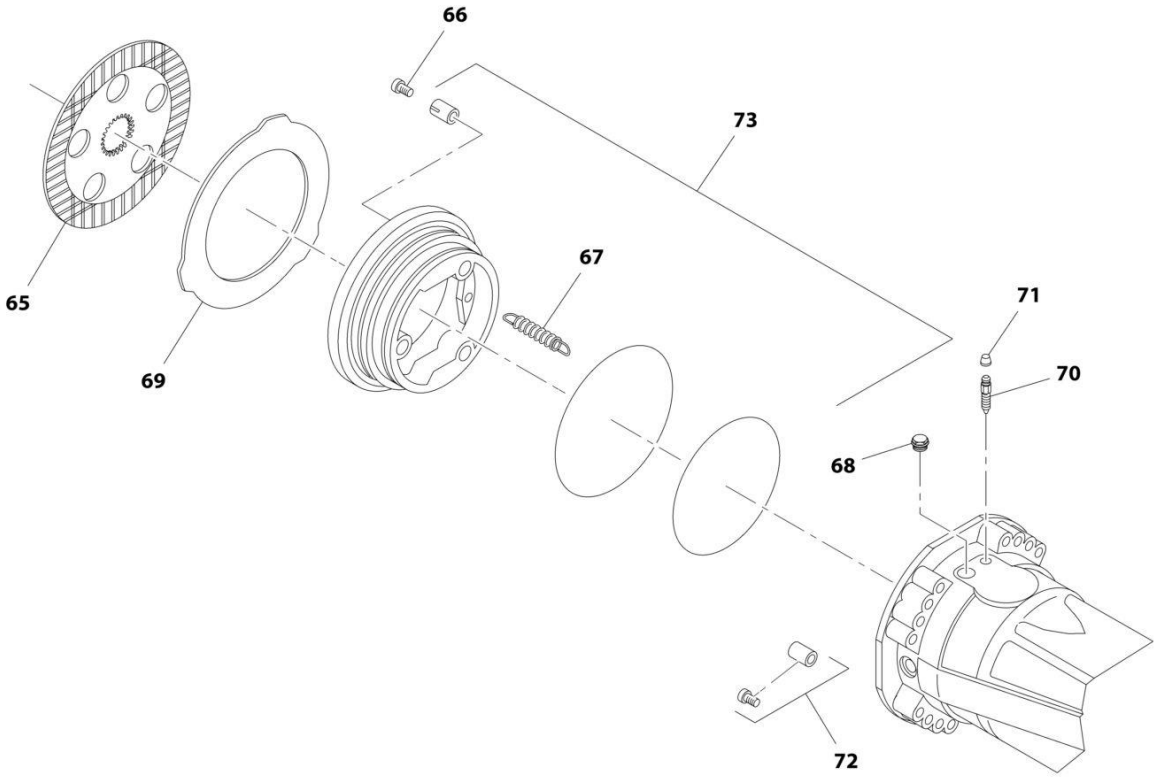
SECTION 5 - DRIVE TRAIN

FIGURE 5-18. REAR AXLE, HUB REDUCTION

ITEM	PART NUMBER	QTY	DESCRIPTION	REV
23	91514082	2	Nut	
24	2400600	2	Bolt	
25	70026822	2	Case, Axle	
26	7029428	24	Bolt	
27	8007779	2	Shim	
28	8007780	2	Shim	
29	8007782	2	Shim	
30	91514149	2	Kit, Bushing Reduction (See Separate Breakdown in this Section)	
31	80204071	2	Circlip	
32	70025810	2	Joint, Double Universal	
33	8004468	2	Bushing, Thrust	
34	70020173	2	Bushing	
35	70025562	24	Bolt	
36	70025549	2	Cover	
37	80204117	2	Plug	
38	91514099	4	Grease Fitting	
39	70025567	2	Pin, Pivot	
40	8006605	2	Pin, Pivot	
41	2401043	4	Seal	
42	2401258	2	Bearing	
43	8007775	1	Case, Steering	
44	8007771	2	Seal	
45	70023900	8	Kit, Planet Gear (includes Planet Gear and Bearing)	
46	91474513	2	Plug, Magnet	
47	91514188	4	Plug	
48	7029429	1	Case, Steering	
49	7029430	2	Seal	
50	3984301	4	Bearing	
51	8000877	16	Wheel Stud	
52	70026818	2	Hub, Wheel	
53	91474507	2	O-Ring	
54	70026827	2	Kit, Planet Gear Carrier (See Separate Breakdown in this Section)	
55	91514189	4	Bolt	
56	91474583	16	Stud	
57	91474584	16	Nut	
58	3983731	2	Plate	
59	7028733	4	Kit, Steering Adjust Bolt (includes nut and bolt)	
60	7029432	2	Kit, Ring Gear Support (See Separate Breakdown in this Section)	
61	7028115	2	Fitting, Grease	
62	70025819	8	Stud	
63	91514119	8	Washer	
64	91514120	8	Nut	

SECTION 5 - DRIVE TRAIN

FIGURE 5-19. REAR AXLE, BRAKES



ART_1001165857_4-J

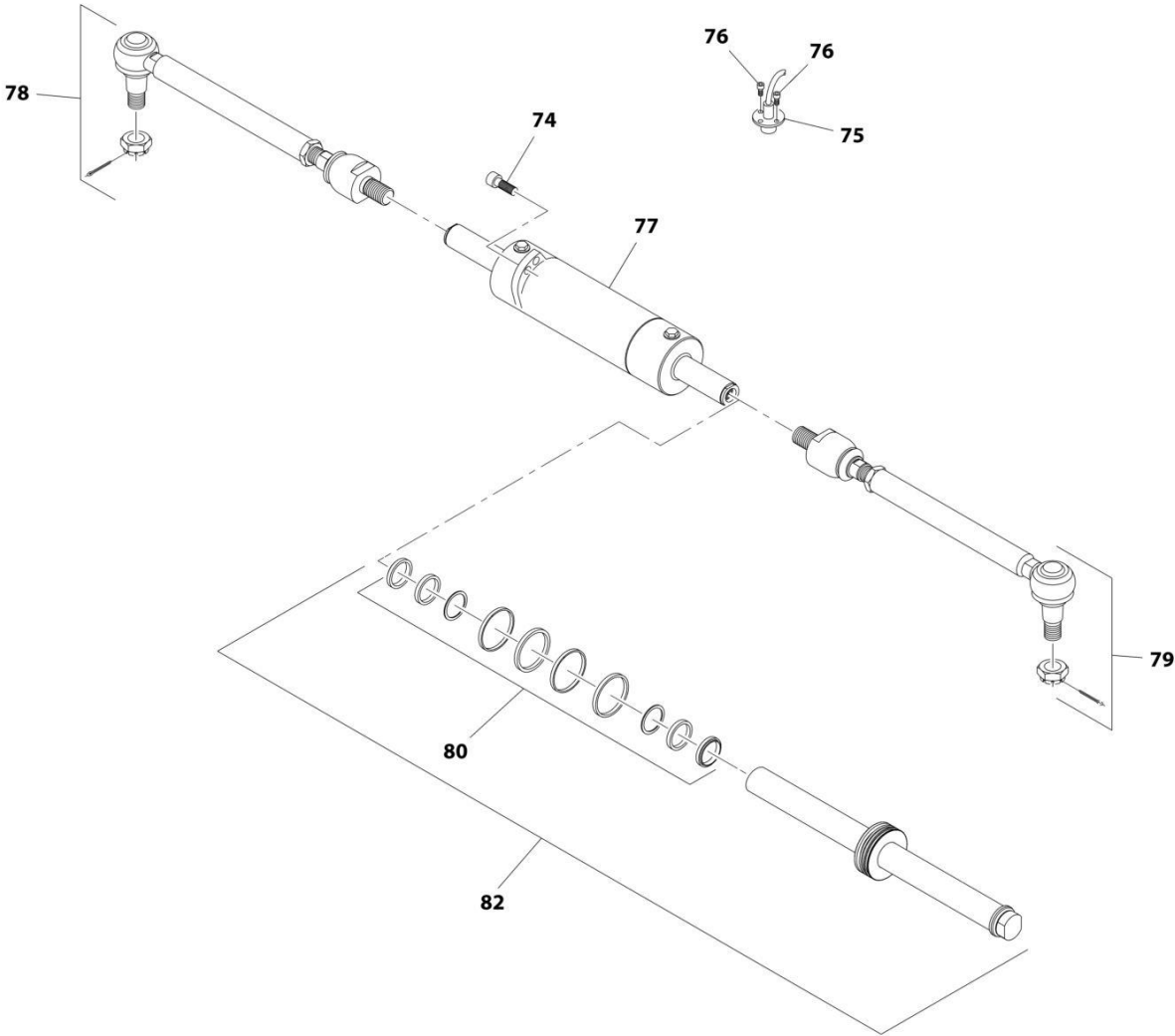
SECTION 5 - DRIVE TRAIN

FIGURE 5-19. REAR AXLE, BRAKES

ITEM	PART NUMBER	QTY	DESCRIPTION	REV
65	91474568	6	Disc	
66	7029786	6	Bolt	
67	3984425	6	Spring	
68	91514154	2	Bolt	
69	70025823	8	Disc, Intermediate Brake	
70	80204281	2	Bleeding Bolt	
71	80204117	2	Plug	
72	70021613	2	Bolt	
73	70026823	2	Kit, Piston (See Separate Breakdown in this Section)	

SECTION 5 - DRIVE TRAIN

FIGURE 5-20. REAR AXLE, STEERING



ART_1001165857_5-J

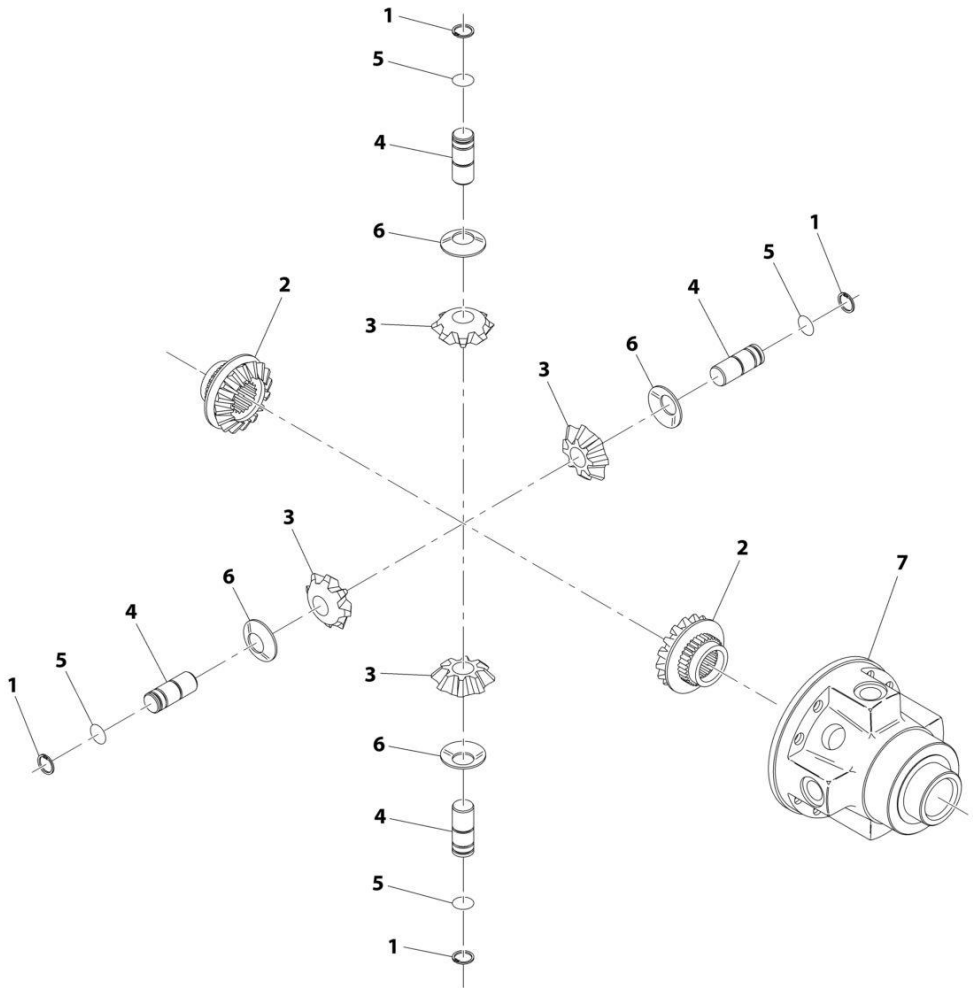
SECTION 5 - DRIVE TRAIN

FIGURE 5-20. REAR AXLE, STEERING

ITEM	PART NUMBER	QTY	DESCRIPTION	REV
74	91474522	4	Bolt	
75	70026808	1	Sensor	
76	8008175	2	Bolt	
77	70026826	1	Cylinder	
78	70026819	1	Rod, Tie	
79	70026820	1	Rod, Tie	
80	70025842	1	Kit, Seal	
82	70030364	1	Piston/Rod & Seal Kit	

SECTION 5 - DRIVE TRAIN

FIGURE 5-21. DIFFERENTIAL KIT



ART_7028710

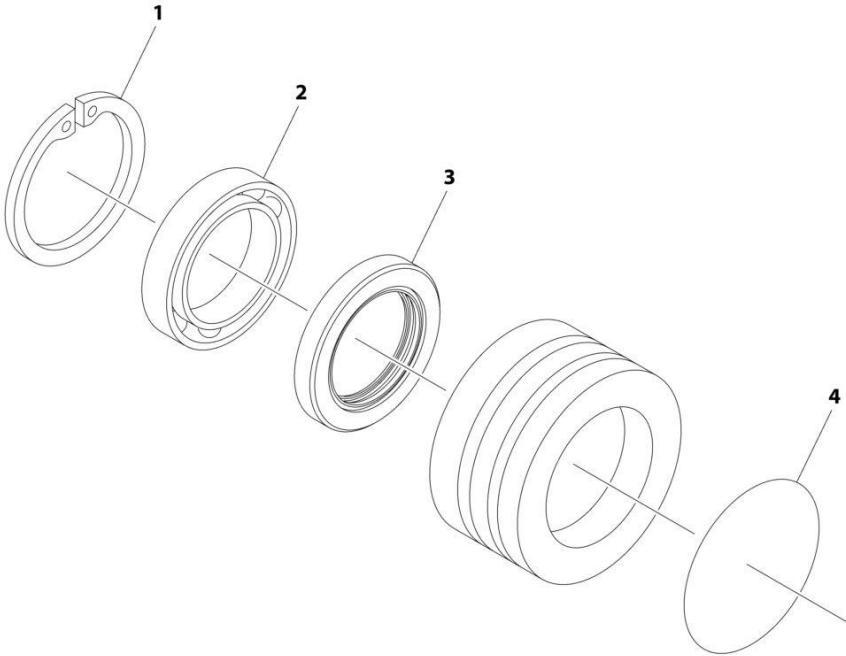
SECTION 5 - DRIVE TRAIN

FIGURE 5-21. DIFFERENTIAL KIT

ITEM	PART NUMBER	QTY	DESCRIPTION	REV
	7028710	Ref	Differential Kit	
1	91474550	4	Circlip	
2	91474549	2	Gear, Differential Side	
3	7029129	4	Pinion, Differential	
4	7029131	4	Pin	
5	91474551	4	Circlip	
6	91474553	4	Washer, Friction	
7	8007751	1	Carrier, Differential	

SECTION 5 - DRIVE TRAIN

FIGURE 5-22. REDUCTION BUSHING KIT



ART_91514149

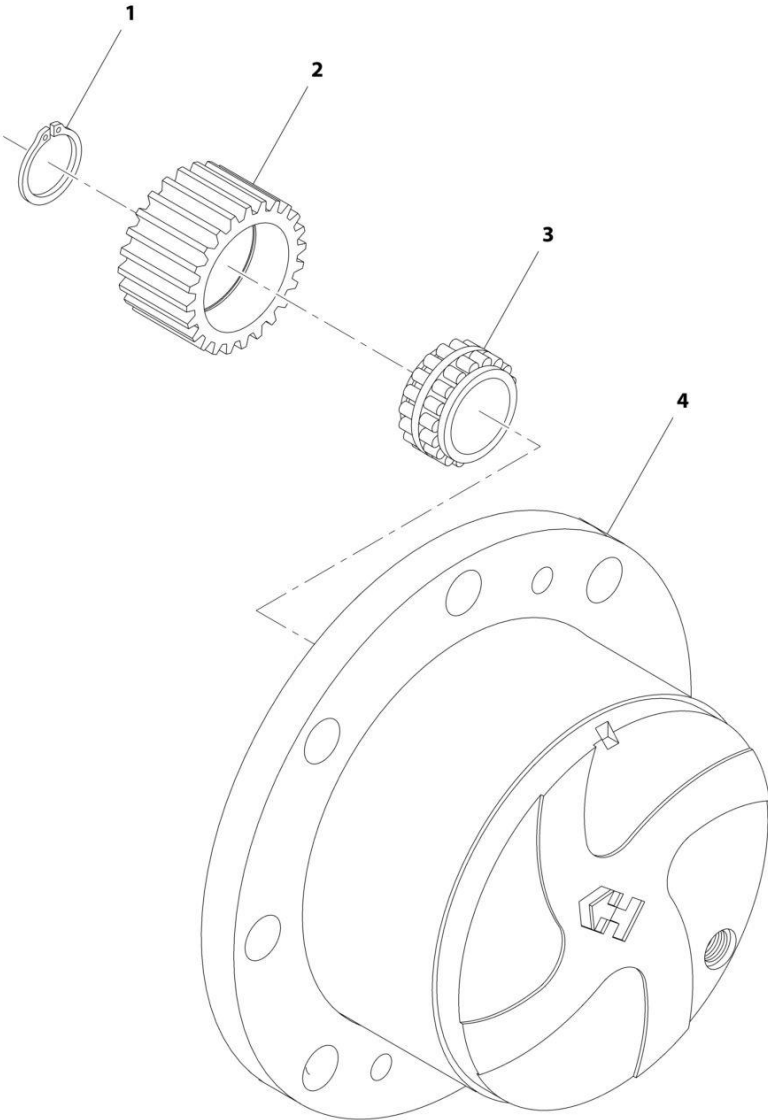
SECTION 5 - DRIVE TRAIN

FIGURE 5-22. REDUCTION BUSHING KIT

ITEM	PART NUMBER	QTY	DESCRIPTION	REV
	91514149	Ref	Reduction Bushing Kit	
1	80204005	2	Circlip	
2	91514146	2	Bearing, Ball	
3	91514147	2	Seal	
4	91514148	2	O-Ring	

SECTION 5 - DRIVE TRAIN

FIGURE 5-23. PLANET GEAR CARRIER KIT



ART_70026827-E

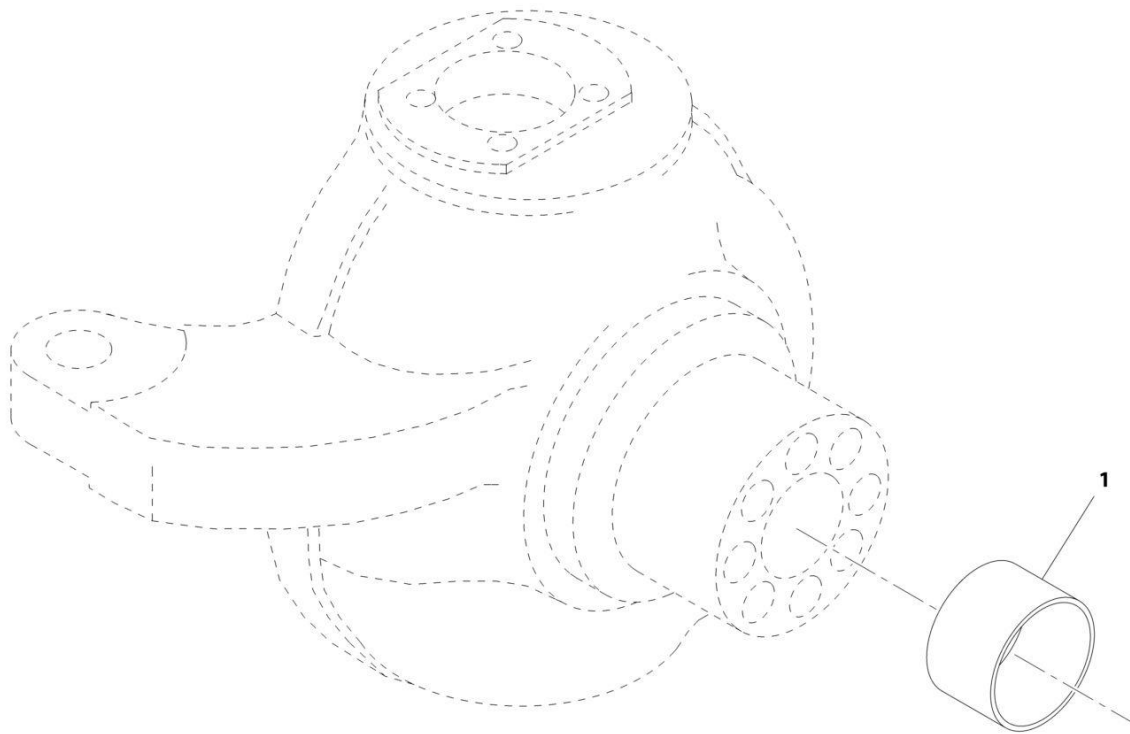
SECTION 5 - DRIVE TRAIN

FIGURE 5-23. PLANET GEAR CARRIER KIT

ITEM	PART NUMBER	QTY	DESCRIPTION	REV
	70026827	Ref	Planet Gear Carrier Kit	
1	91474585	2	Circlip	
2	91474586	4	Gear, Planet	
3	91474587	4	Bearing	
4	70026821	1	Carrier, Planet Gear	

SECTION 5 - DRIVE TRAIN

FIGURE 5-24. STEERING CASE KIT, (LF, RR)



ART_8007774

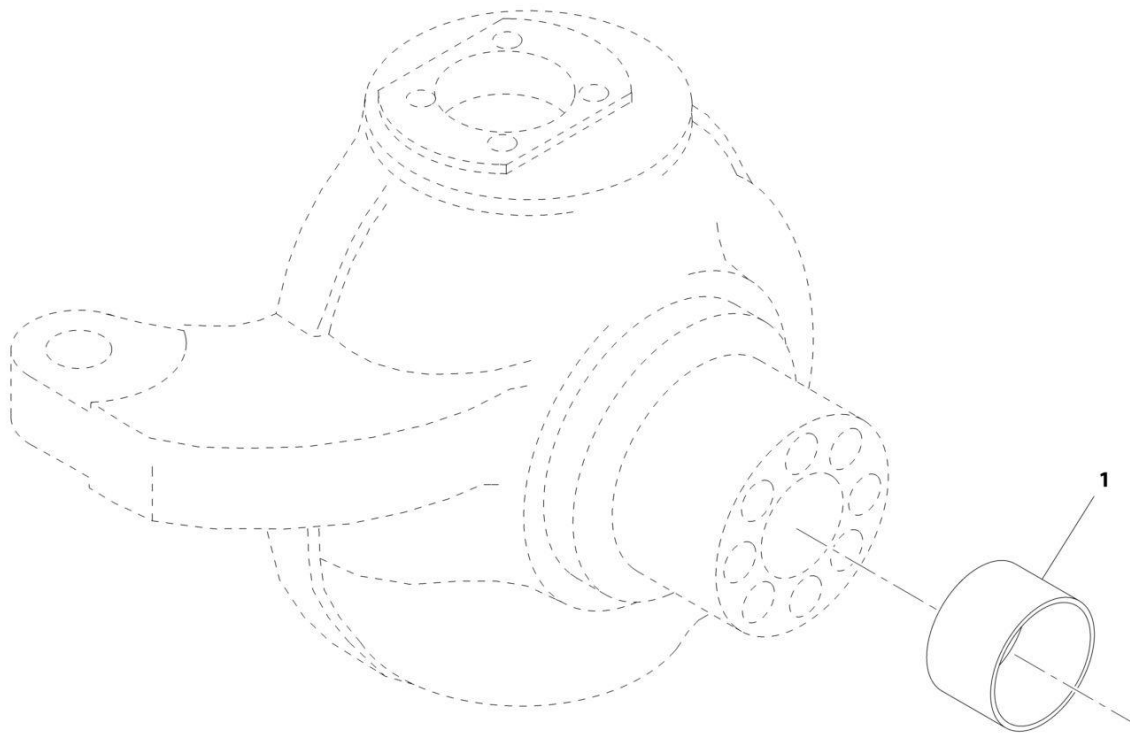
SECTION 5 - DRIVE TRAIN

FIGURE 5-24. STEERING CASE KIT, (LF, RR)

ITEM	PART NUMBER	QTY	DESCRIPTION	REV
1	8007774	Ref	Steering Case Kit, (RF, LR)	
	8004468	1	Bushing, Thrust	

SECTION 5 - DRIVE TRAIN

FIGURE 5-25. STEERING CASE KIT, (RF, LR)



ART_8007777

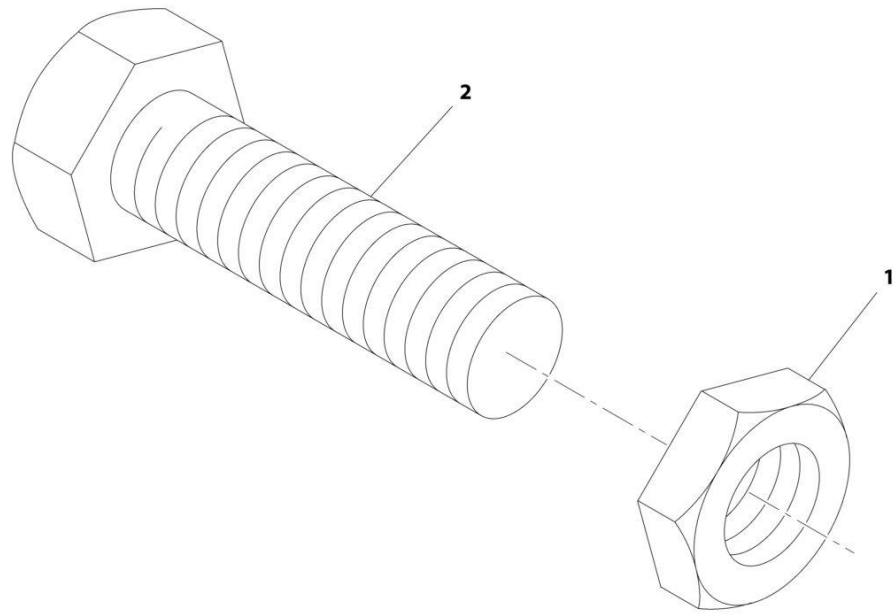
SECTION 5 - DRIVE TRAIN

FIGURE 5-25. STEERING CASE KIT, (RF, LR)

ITEM	PART NUMBER	QTY	DESCRIPTION	REV
1	8007777	Ref	Steering Case Kit, (LF, RR)	
	8004468	1	Bushing, Thrust	

SECTION 5 - DRIVE TRAIN

FIGURE 5-26. STEERING ADJUST BOLT KIT



ART_7028733

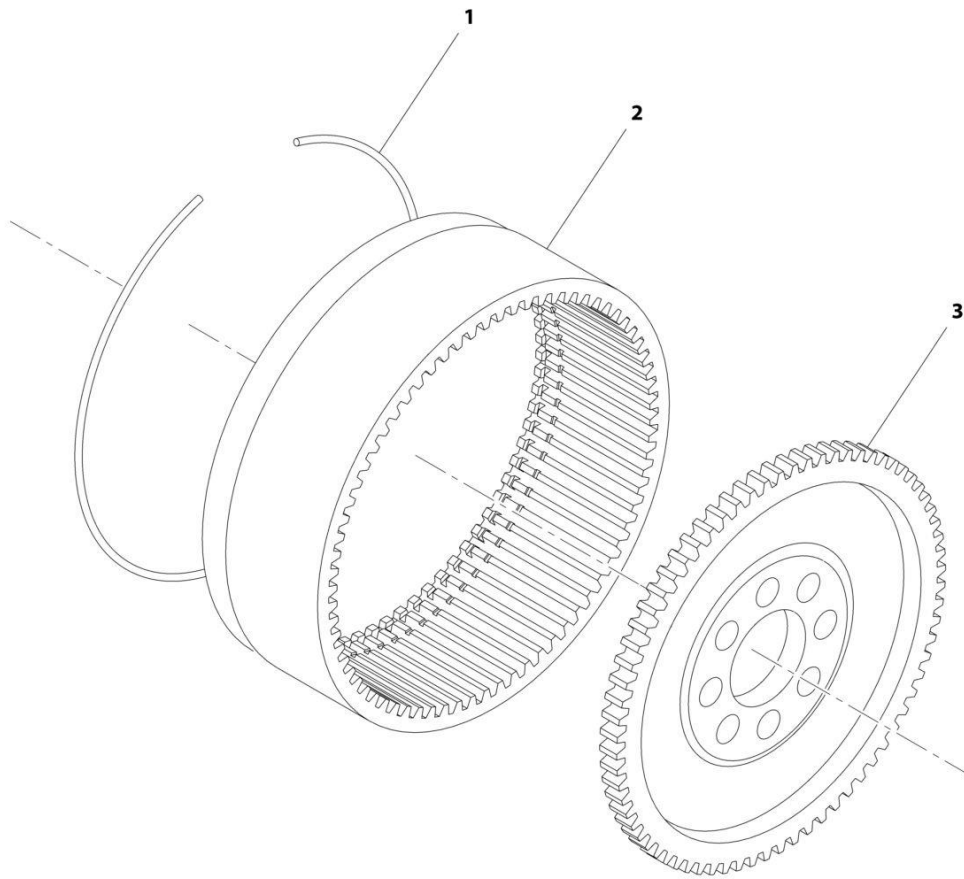
SECTION 5 - DRIVE TRAIN

FIGURE 5-26. STEERING ADJUST BOLT KIT

ITEM	PART NUMBER	QTY	DESCRIPTION	REV
	7028733	Ref	Steering Adjust Bolt Kit	
1	80204065	2	Nut	
2	91514117	2	Bolt	

SECTION 5 - DRIVE TRAIN

FIGURE 5-27. RING GEAR SUPPORT KIT



ART_7029432

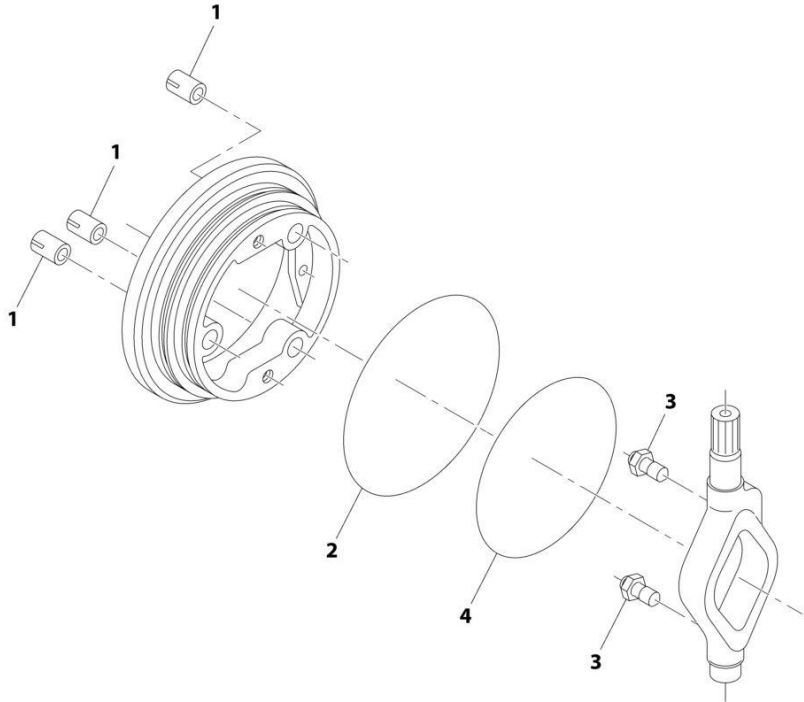
SECTION 5 - DRIVE TRAIN

FIGURE 5-27. RING GEAR SUPPORT KIT

ITEM	PART NUMBER	QTY	DESCRIPTION	REV
	7029432	Ref	Ring Gear Support Kit	
1	91474579	1	Circlip	
2	91474580	1	Ring Gear	
3	3983720	1	Ring Gear Support	

SECTION 5 - DRIVE TRAIN

FIGURE 5-28. PISTON KIT (LH)



ART_70026069

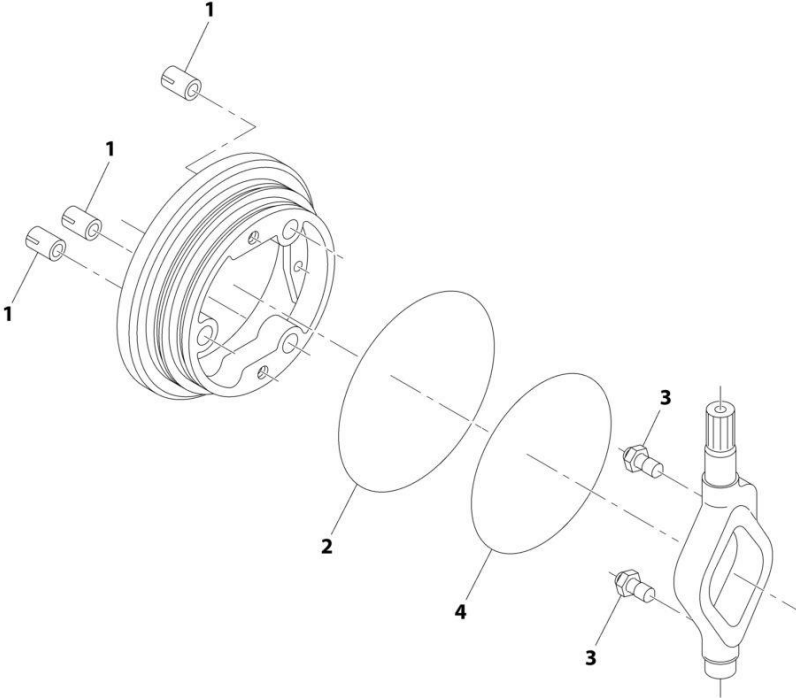
SECTION 5 - DRIVE TRAIN

FIGURE 5-28. PISTON KIT (LH)

ITEM	PART NUMBER	QTY	DESCRIPTION	REV
	70026069	Ref	Brakes Piston Kit (LH)	
1	91514165	3	Spring	
2	70025821	1	O-Ring	
3	2903197	2	Pusher	
4	70025822	1	O-Ring	

SECTION 5 - DRIVE TRAIN

FIGURE 5-29. PISTON KIT (RH)



ART_70026068

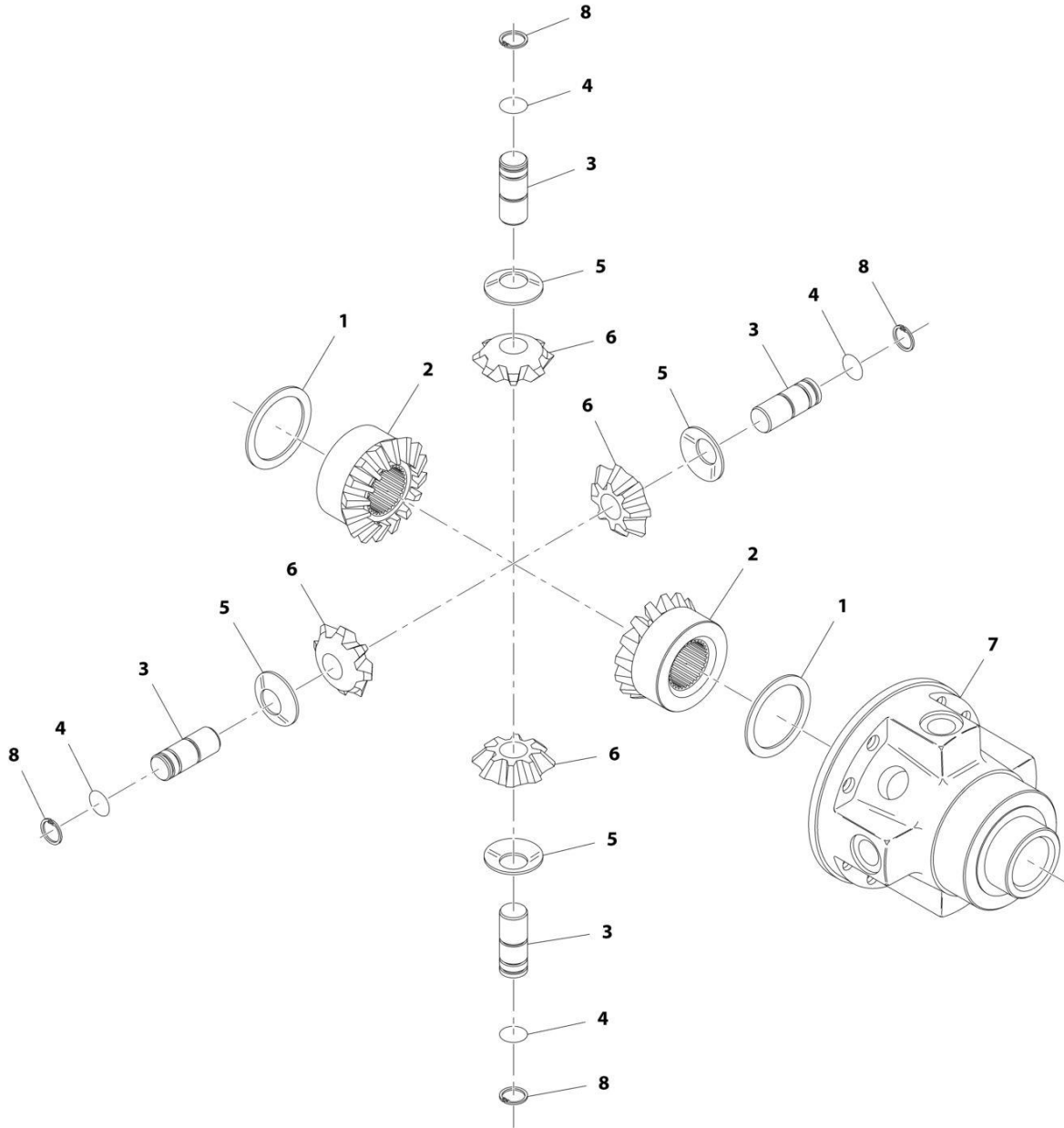
SECTION 5 - DRIVE TRAIN

FIGURE 5-29. PISTON KIT (RH)

ITEM	PART NUMBER	QTY	DESCRIPTION	REV
	70026068	Ref	Brakes Piston Kit (RH)	
1	91514165	3	Spring	
2	70025821	1	O-Ring	
3	2903197	2	Pusher	
4	70025822	1	O-Ring	

SECTION 5 - DRIVE TRAIN

FIGURE 5-30. DIFFERENTIAL KIT



ART_70021140

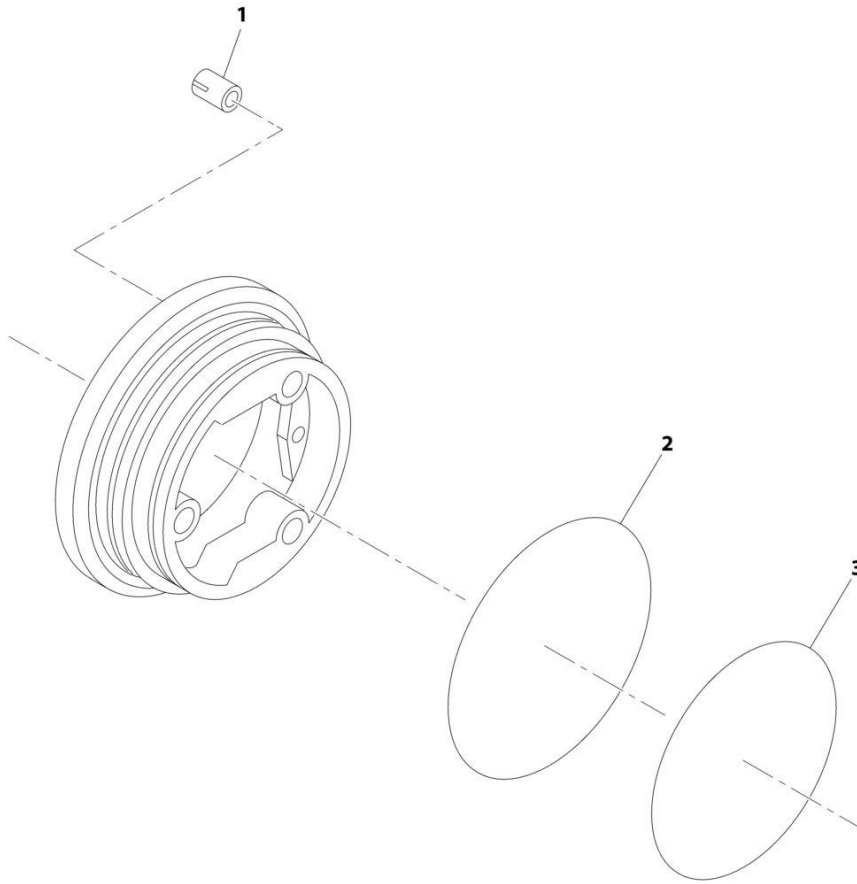
SECTION 5 - DRIVE TRAIN

FIGURE 5-30. DIFFERENTIAL KIT

ITEM	PART NUMBER	QTY	DESCRIPTION	REV
	70021140	Ref	Differential Kit	
1	91474593	2	Washer, Friction	
2	70025569	2	Gear, Differential Side	
3	7029131	4	Pin	
4	91474551	4	Circlip	
5	91474553	4	Washer, Friction	
6	70025570	4	Pinion, Differential	
7	91474595	1	Carrier, Differential	
8	91474550	4	Circlip	

SECTION 5 - DRIVE TRAIN

FIGURE 5-31. PISTON KIT



ART_70026823

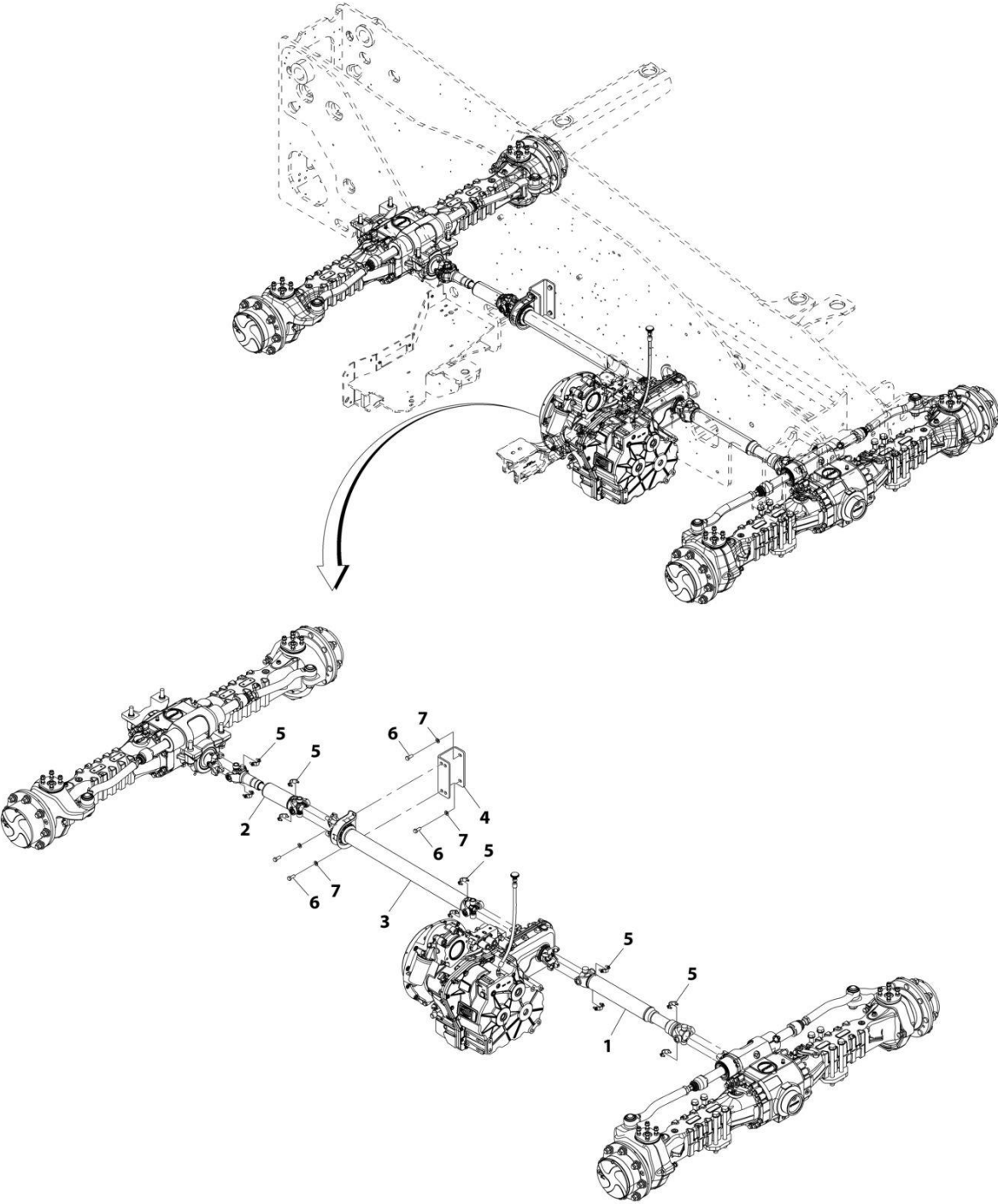
SECTION 5 - DRIVE TRAIN

FIGURE 5-31. PISTON KIT

ITEM	PART NUMBER	QTY	DESCRIPTION	REV
	70026823	Ref	Kit, Piston	
1	91514165	3	Spring	
2	70025821	1	O-Ring	
3	70025822	1	O-Ring	

SECTION 5 - DRIVE TRAIN

FIGURE 5-32. DRIVE SHAFTS INSTALLATION



ART_1001177638-B

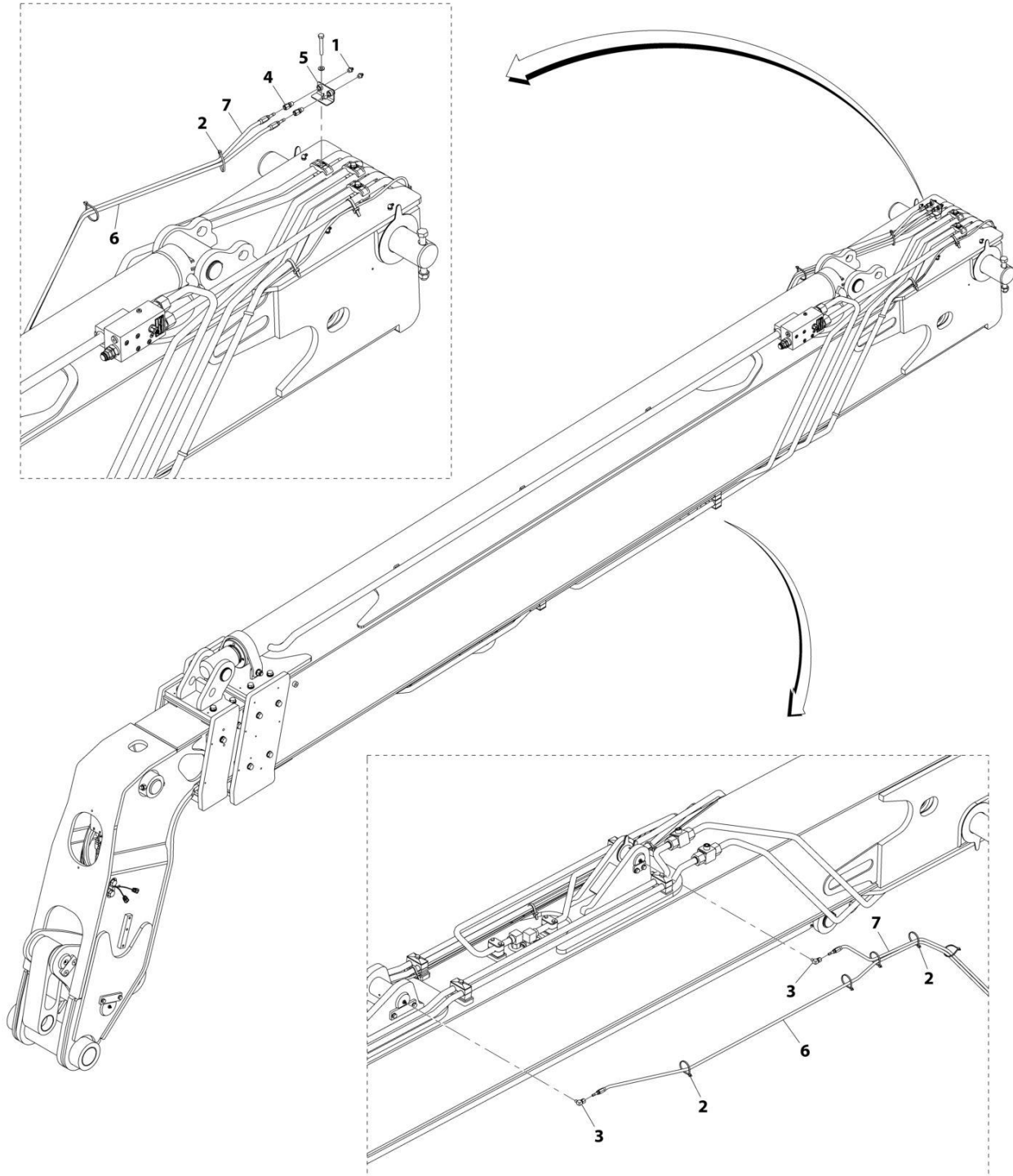
SECTION 5 - DRIVE TRAIN

FIGURE 5-32. DRIVE SHAFTS INSTALLATION

ITEM	PART NUMBER	QTY	DESCRIPTION	REV
	1001177638	Ref	Drive Shafts Installation	B
1	1001174879	1	Shaft, Drive	
2	1001174880	1	Shaft, Drive	
3	1001174881	1	Shaft, Drive	
4	1001177870	1	Support	
5	8005079	10	Clampset	
6	0761214	4	Bolt, M12X30	
7	4812100	4	Washer, M12	

SECTION 5 - DRIVE TRAIN

FIGURE 5-33. REMOTE GREASE SYSTEM INSTALLATION



ART_1001210417-B

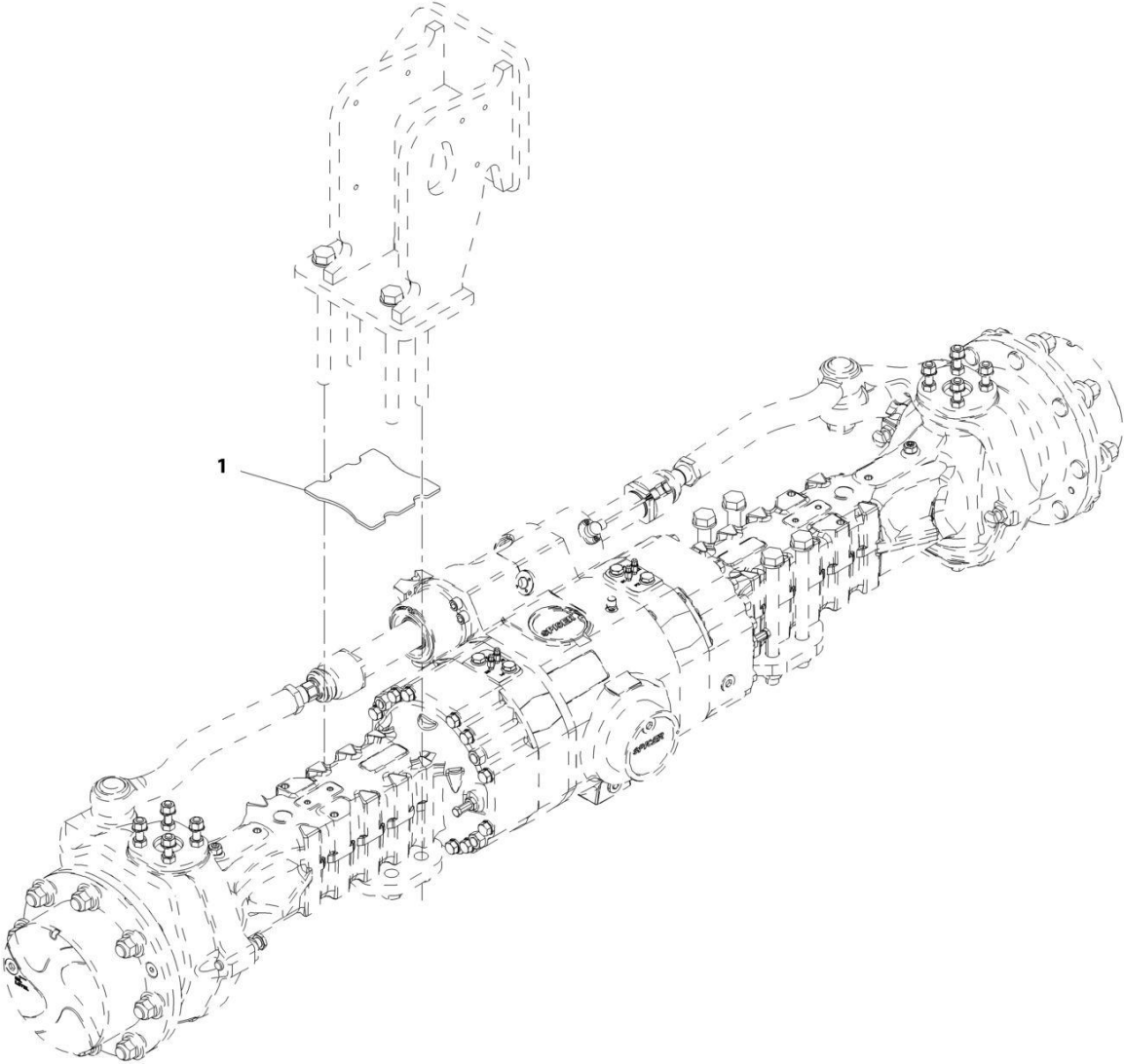
SECTION 5 - DRIVE TRAIN

FIGURE 5-33. REMOTE GREASE SYSTEM INSTALLATION

ITEM	PART NUMBER	QTY	DESCRIPTION	REV
	1001210417	Ref	REMOTE GREASE SYSTEM INSTALLATION	D
1	2160016	1	Fitting, Grease	
2	1001008559	7	Strap, Cable	
3	1001164053	2	Adapter, 90 Grease	
4	1001101563	2	Adapter, Straight Grease	
5	1001227653	1	Bracket	
6	1001210431	1	Hose, Grease	
7	1001210432	1	Hose, Grease	

SECTION 5 - DRIVE TRAIN

FIGURE 5-34. AXLE SHIM INSTALLATION



ART_1001186574-C

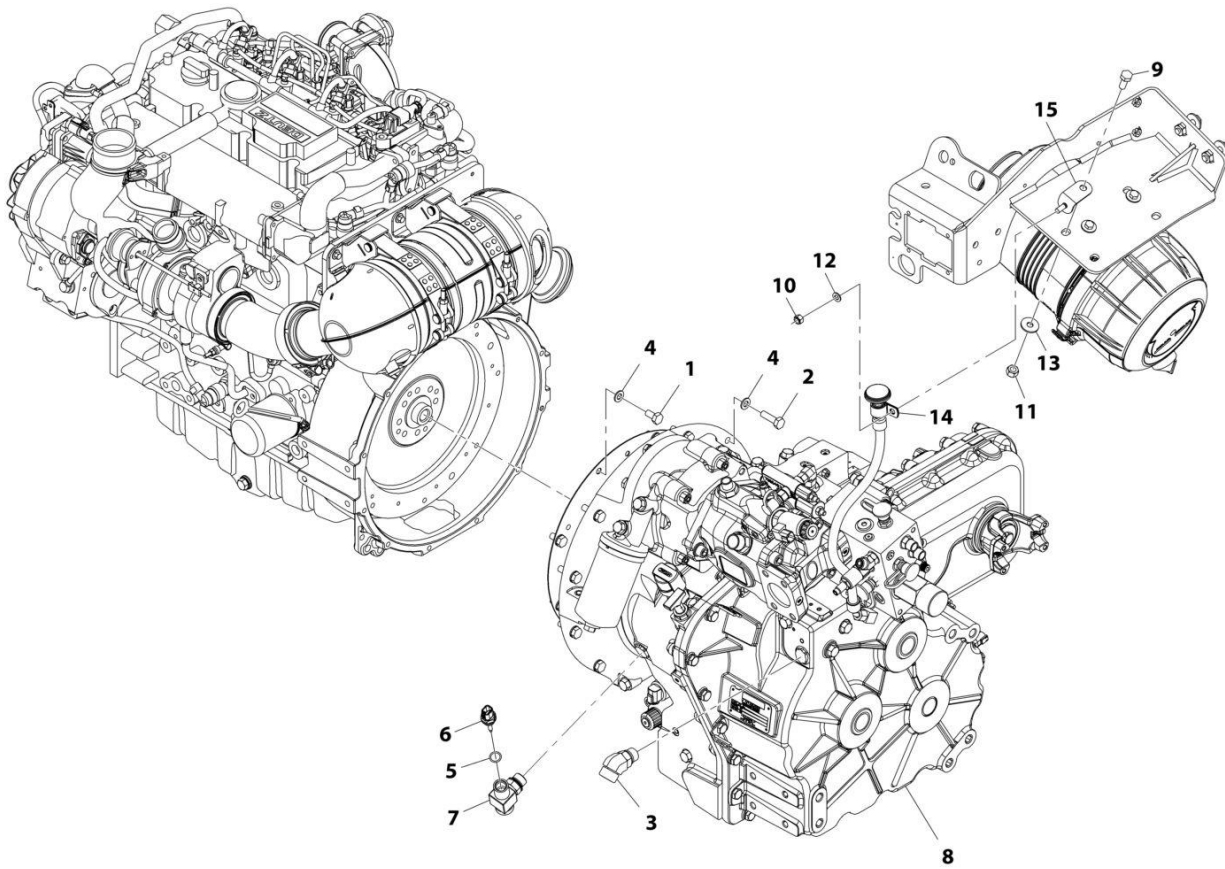
SECTION 5 - DRIVE TRAIN

FIGURE 5-34. AXLE SHIM INSTALLATION

ITEM	PART NUMBER	QTY	DESCRIPTION	REV
1	1001186574 1001190541	Ref 1	Axle Shim Installation (24IN Wheel) Plate, Axle Shim	C

SECTION 5 - DRIVE TRAIN

FIGURE 5-35. TRANSMISSION INSTALLATION (4 SPD)



ART_1001200180-B

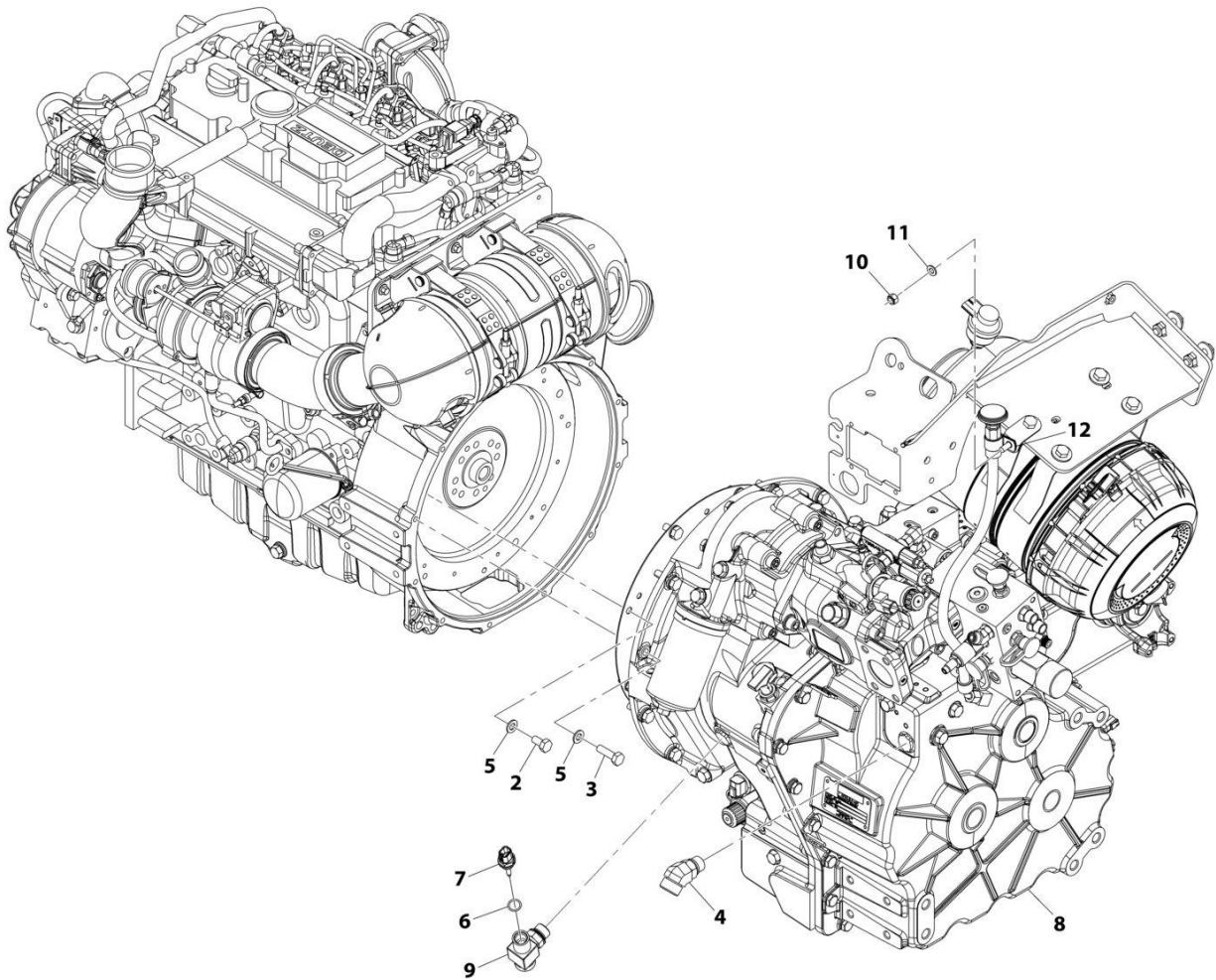
SECTION 5 - DRIVE TRAIN

FIGURE 5-35. TRANSMISSION INSTALLATION (4 SPD)

ITEM	PART NUMBER	QTY	DESCRIPTION	REV
	1001200180	Ref	Transmission Installation (4 SPD)	B
1	0761010	8	Bolt, M10X20	
2	0761015	10	Bolt, M10X35	
3	2151210	1	Fitting, 45 ORFS	
4	4812000	18	Washer, M10	
5	1001009163	1	O-Ring	
6	1001128478	1	Sensor	
7	1001219182	1	Adapter, ORFS	
8	1001199948	1	Transmission (4 SPD) (See Separate Breakdown in this Section)	
9	0701012	1	Bolt, M10X25	
10	3290805	1	Nut, Lock M8X1.25 Grade 8	
11	3291005	1	Nut, Lock M10X1.5 Grade 8	
12	4811900	1	Washer, M8	
13	4812002	1	Washer, M10	
14	91043147	1	Clamp	
15	1001218486	1	Bracket	

SECTION 5 - DRIVE TRAIN

FIGURE 5-36. TRANSMISSION INSTALLATION (6 SPD - 90KW)



ART_1001178439-F

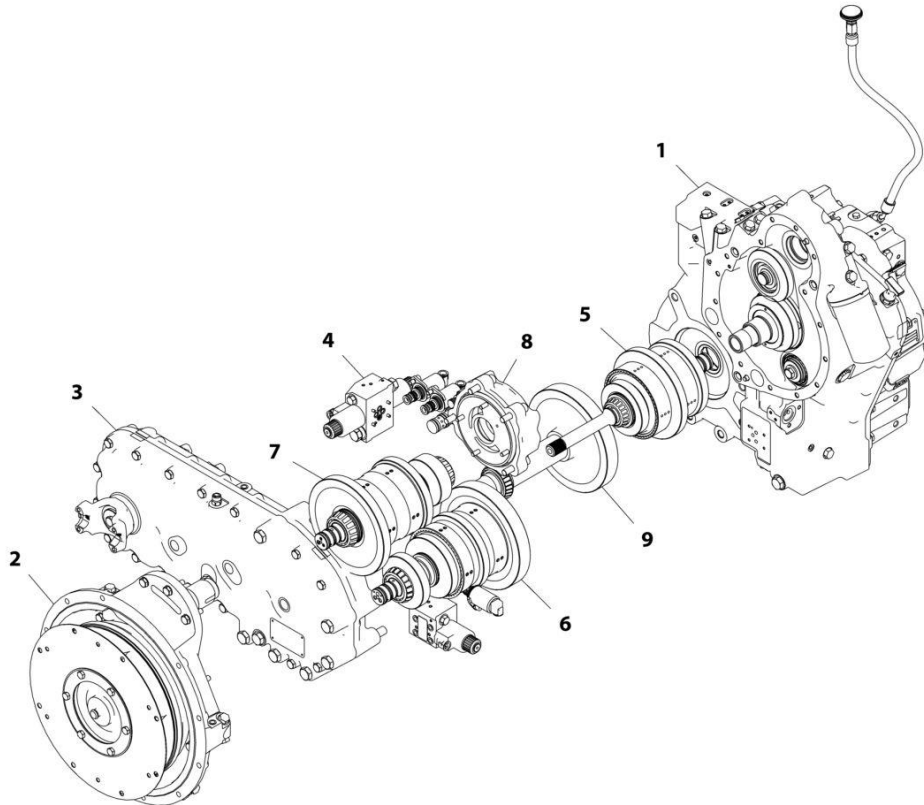
SECTION 5 - DRIVE TRAIN

FIGURE 5-36. TRANSMISSION INSTALLATION (6 SPD - 90KW)

ITEM	PART NUMBER	QTY	DESCRIPTION	REV
	1001178439	Ref	TRANSMISSION INSTALLATION (6 SPD)	F
2	0761010	8	Bolt M10 x 20	
3	0761015	10	Bolt M10 x 35	
4	2151210	1	Fitting, 45 ORFS	
5	4812000	18	Washer M10	
6	1001009163	1	O-Ring	
7	1001128478	1	Sensor, Temperature	
8	1001177851	1	Transmission (6 SPD - DTZ - 90KW) (See Separate Breakdown in this Section)	
9	1001219182	1	Adapter, ORFS	
10	3290805	1	Nut, Lock M8 x 1.25	
11	4811900	1	Washer M8	
12	91043147	1	Clamp	

SECTION 5 - DRIVE TRAIN

FIGURE 5-37. TRANSMISSION (4 SPD)



ART_1001199948-C

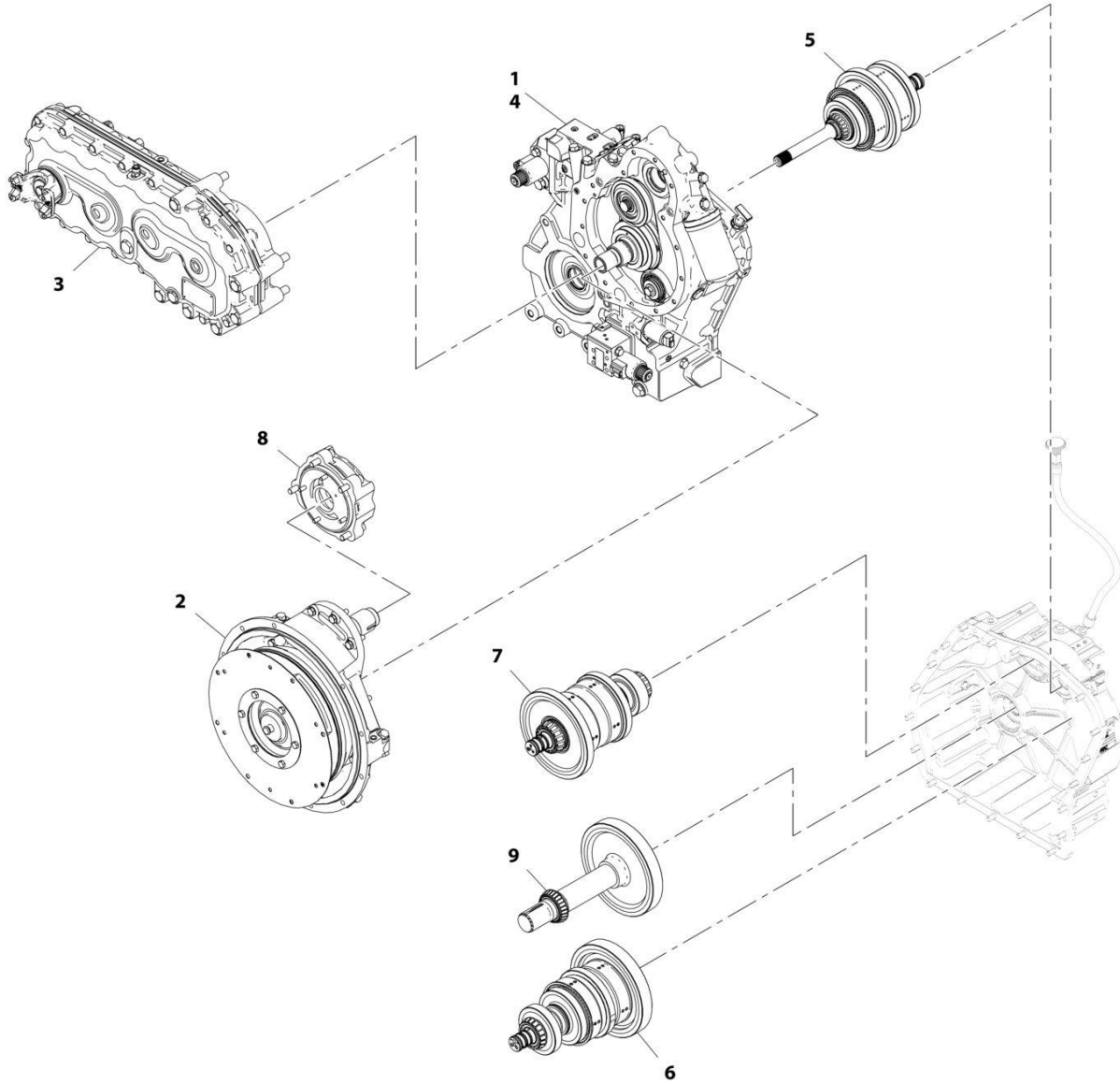
SECTION 5 - DRIVE TRAIN

FIGURE 5-37. TRANSMISSION (4 SPD)

ITEM	PART NUMBER	QTY	DESCRIPTION	REV
	1001199948	Ref	Transmission (4 SPD)	C
1	70027723	Ref	Group, Planetary Case and Parts (See Separate Breakdown in this Section)	
2	70027721	Ref	Group, Torque Converter (See Separate Breakdown in this Section)	
3	70027722	Ref	Group, Transfer Gear and Case (See Separate Breakdown in this Section)	
4	70027720	Ref	Group, Transmission Hydraulic Control (See Separate Breakdown in this Section)	
5	70027717	Ref	Group, Input Shaft (See Separate Breakdown in this Section)	
6	70027718	Ref	Group, Transmission Clutch (See Separate Breakdown in this Section)	
7	70027715	Ref	Group, Clutch and Gear (See Separate Breakdown in this Section)	
8	70027719	Ref	Group, Transmission Pump (See Separate Breakdown in this Section)	
9	70027716	Ref	Group, Output Shaft (See Separate Breakdown in this Section)	

SECTION 5 - DRIVE TRAIN

FIGURE 5-38. TRANSMISSION (6 SPD - 90KW)



ART_1001177851-E

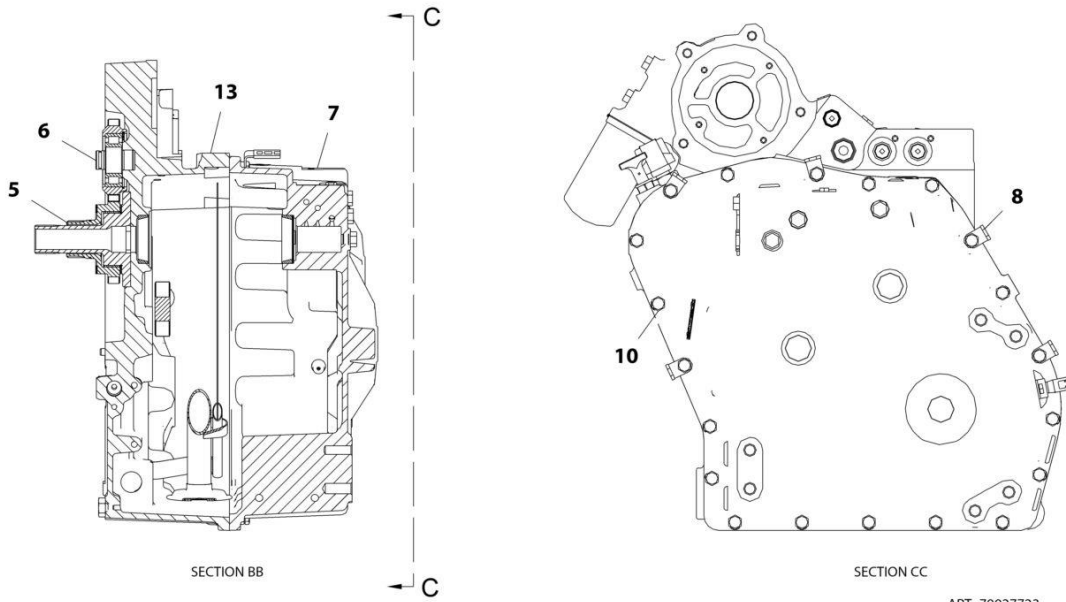
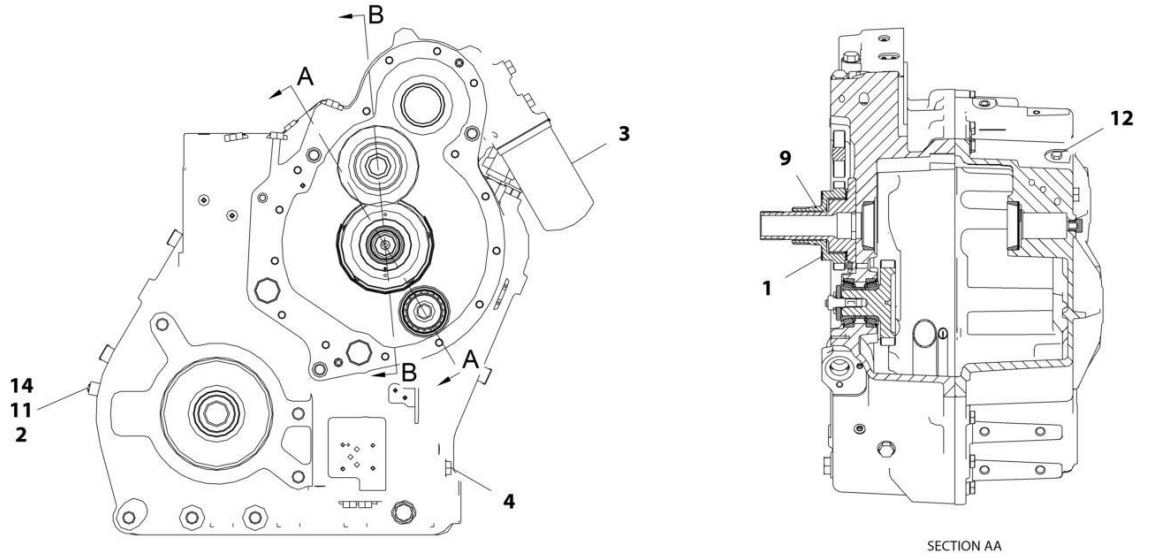
SECTION 5 - DRIVE TRAIN

FIGURE 5-38. TRANSMISSION (6 SPD - 90KW)

ITEM	PART NUMBER	QTY	DESCRIPTION	REV
	1001177851	Ref	Transmission (6 SPD - 90KW)	E
1	70027723	Ref	Group, Planetary Case and Parts (See Separate Breakdown in this Section)	
2	70027721	Ref	Group, Torque Converter (See Separate Breakdown in this Section)	
3	70027725	Ref	Group, Transfer Gear and Case (See Separate Breakdown in this Section)	
4	70027720	Ref	Group, Transmission Hydraulic Control (See Separate Breakdown in this Section)	
5	70027717	Ref	Group, Input Shaft (See Separate Breakdown in this Section)	
6	70027718	Ref	Group, Transmission Clutch (See Separate Breakdown in this Section)	
7	70027715	Ref	Group, Clutch and Gear (See Separate Breakdown in this Section)	
8	70027719	Ref	Group, Transmission Pump (See Separate Breakdown in this Section)	
9	70027716	Ref	Group, Output Shaft (See Separate Breakdown in this Section)	

SECTION 5 - DRIVE TRAIN

FIGURE 5-39. PLANETARY CASE AND PARTS GROUP



ART_70027723

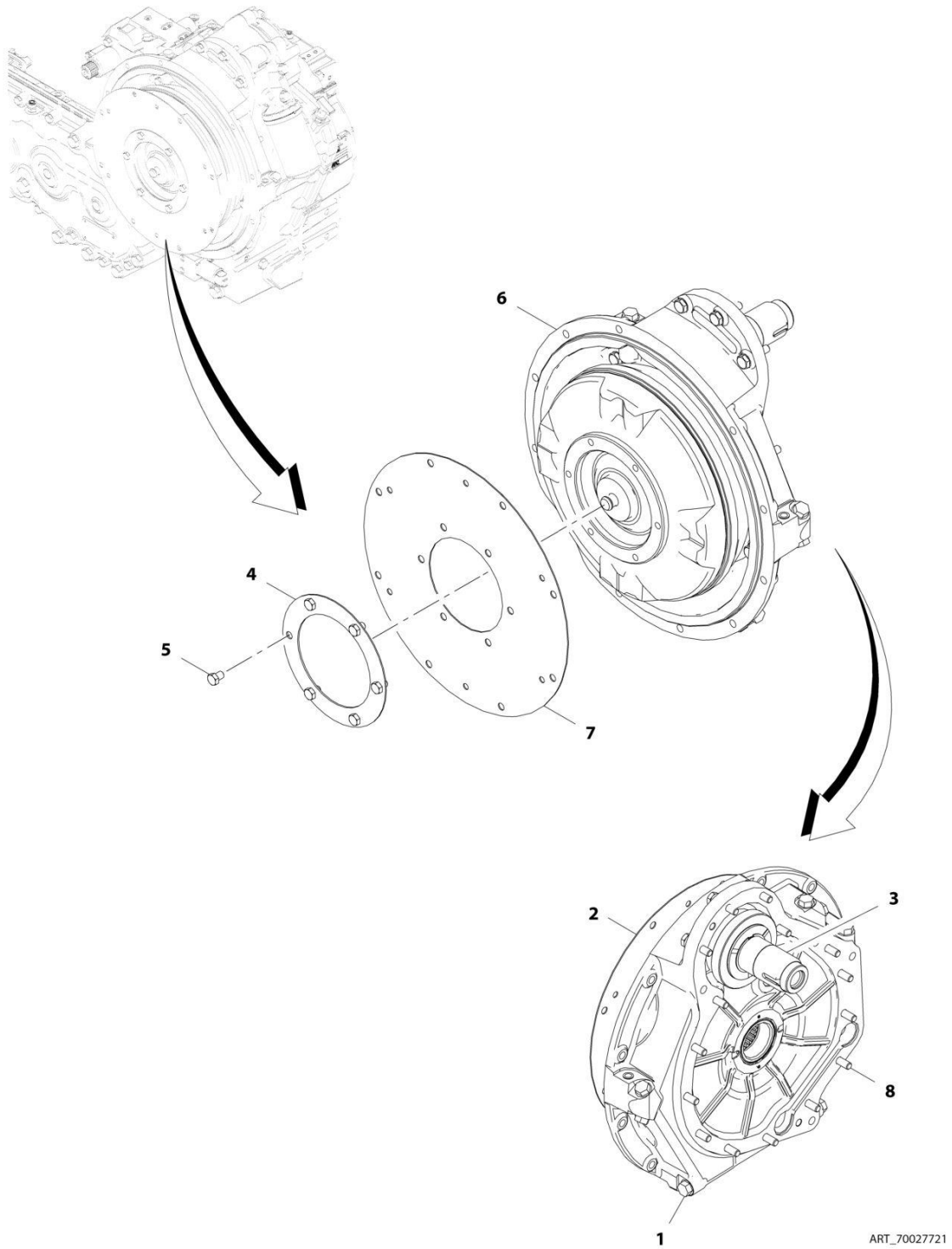
SECTION 5 - DRIVE TRAIN

FIGURE 5-39. PLANETARY CASE AND PARTS GROUP

ITEM	PART NUMBER	QTY	DESCRIPTION	REV
	70027723	Ref	Planetary Case and Parts Group	
1	70025511	2	Washer, Thrust	
2	70025526	1	Sensor, Speed (See Separate Breakdown in this Section)	
3	70025453	1	Filter, Transmission	
4	70027663	1	Assembly, Plug	
	70025525	1	O-Ring	
	70025524	1	Plug	
5	70027341	1	Assembly, Gear	
6	70027707	1	Gear, Idler (See Separate Breakdown in this Section)	
7	70027711	1	Case, Rear Transmission (See Separate Breakdown in this Section)	
8	70027331	5	Clip	
9	70025512	1	O-Ring	
10	70025514	20	Bolt	
11	70025528	1	Bolt	
12	70025529	1	Plug	
13	70027714	1	Case, Planetary (See Separate Breakdown in this Section)	
14	70025527	1	O-Ring	

SECTION 5 - DRIVE TRAIN

FIGURE 5-40. TORQUE CONVERTER GROUP



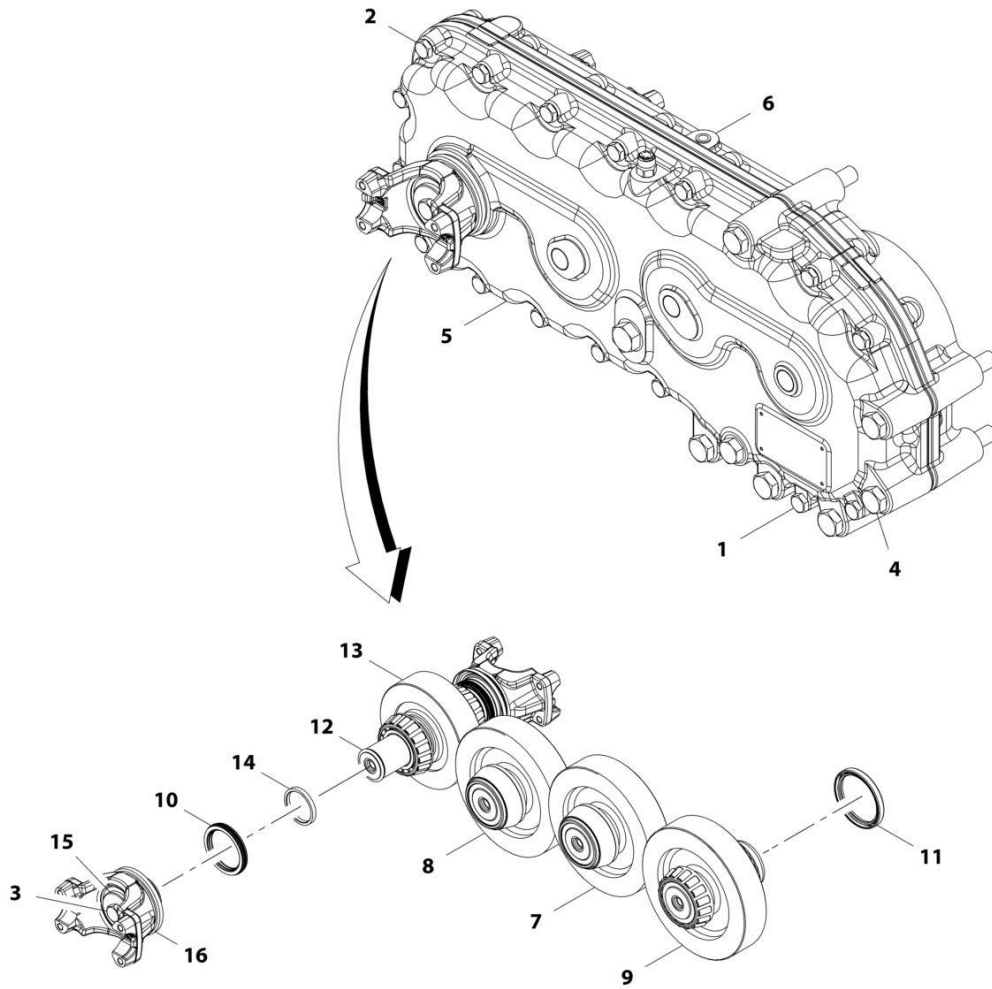
SECTION 5 - DRIVE TRAIN

FIGURE 5-40. TORQUE CONVERTER GROUP

ITEM	PART NUMBER	QTY	DESCRIPTION	REV
1	70027721	Ref	Torque Converter Group	
	70027663	7	Assembly, Plug	
	70025525	1	O-Ring	
	70025524	1	Plug	
2	70027666	1	Assembly, Torque Converter	
	70027676	1	Bearing	
	70025383	1	Seal	
	70025382	2	Pin	
	70027345	1	Converter	
3	70027667	1	Assembly, Shaft	
	70025510	2	Ring, Snap	
	70025393	2	Disc, Thrust	
	70025392	1	Pump, Gear	
4	70025397	1	Plate, Converter Drive	
5	70025398	6	Screw	
6	70027382	1	Converter, Torque	
7	70027670	1	Plate, Converter Drive	
8	70027682	15	Bolt	

SECTION 5 - DRIVE TRAIN

FIGURE 5-41. TRANSFER GEAR AND CASE GROUP



ART_70027722

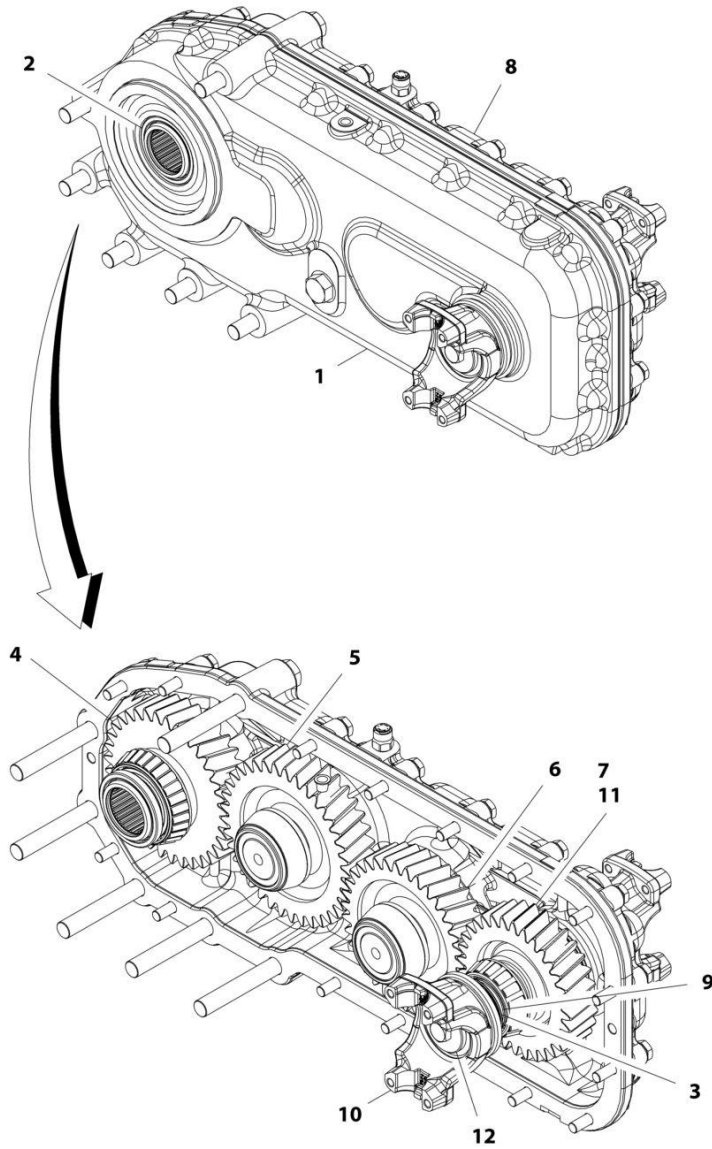
SECTION 5 - DRIVE TRAIN

FIGURE 5-41. TRANSFER GEAR AND CASE GROUP

ITEM	PART NUMBER	QTY	DESCRIPTION	REV
	70027722	Ref	Torque Converter Group	
1	70027708	2	Bolt	
2	70027709	14	Bolt	
3	70025505	2	Bolt	
4	70025507	6	Bolt	
5	70027713	1	Case, Front Transfer (See Separate Breakdown in this Section)	
6	70027712	1	Case, Rear Transfer (See Separate Breakdown in this Section)	
7	70027342	1	Gear	
8	70027343	1	Gear	
	70025493	2	Cone, Bearing	
9	70027356	1	Assembly, Input Gear	
	70025496	1	Cone, Roller Bearing	
	70024634	1	Cone, Roller Bearing	
10	70027376	2	Seal	
11	70024642	1	Seal	
12	70025503	2	O-Ring	
13	70027711	1	Assembly, Output Shaft	
	70025498	2	Ring, Retaining	
	70025496	2	Cone, Roller Bearing	
	70024639	1	Shaft, Output	
	70024638	1	Gear, Output	
14	70024644	2	Spacer	
15	70025504	2	Washer	
16	70024645	2	Yoke	

SECTION 5 - DRIVE TRAIN

FIGURE 5-42. TRANSFER GEAR AND CASE GROUP



ART_70027725

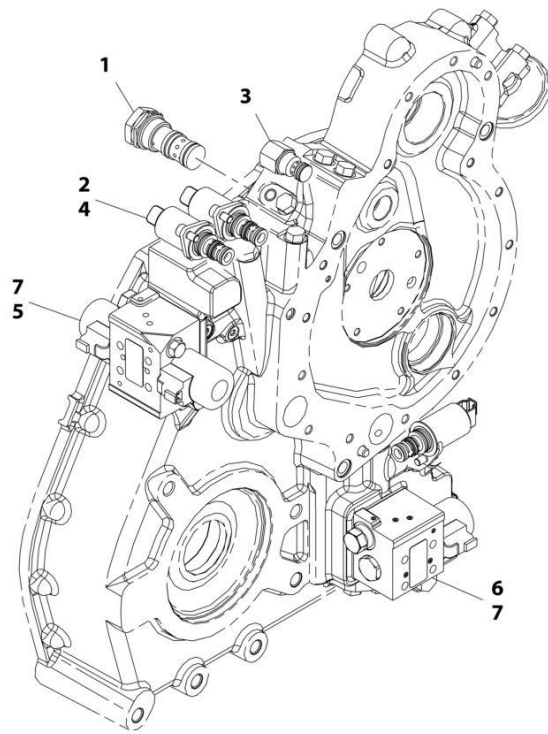
SECTION 5 - DRIVE TRAIN

FIGURE 5-42. TRANSFER GEAR AND CASE GROUP

ITEM	PART NUMBER	QTY	DESCRIPTION	REV
	70027725	Ref	Group, Transfer Gear and Case	
1	70027373	1	Case, Front Transfer (See Separate Breakdown in this Section)	
2	70024642	1	Seal, Lip	
3	70027376	2	Seal, Lip	
4	70027672	1	Gear Assembly	
	70025496	2	Cone, Roller Bearing	
	70024634	1	Cone, Roller Bearing	
	70027368	1	Gear, Input	
5	70027673	1	Assembly, Idler Gear	
	70025493	2	Bearing, Cone	
	70027369	1	Idler, Gear	
6	70027674	1	Assembly, Idler Gear	
	70025493	2	Bearing, Cone	
	70027370	1	Idler, Gear	
7	70027675	1	Assembly, Output Shaft	
	70025496	2	Cone, Roller Bearing	
	70025498	2	Ring, Retaining	
	70024639	1	Shaft, Output	
	70027371	1	Gear, Output	
8	70027375	1	Case, Rear Transfer (See Separate Breakdown in this Section)	
9	70024644	2	Spacer	
10	70024645	2	Yoke	
11	70025503	2	O-Ring	
12	70025504	2	Washer	

SECTION 5 - DRIVE TRAIN

FIGURE 5-43. TRANSMISSION HYDRAULIC CONTROL GROUP



ART_70027720

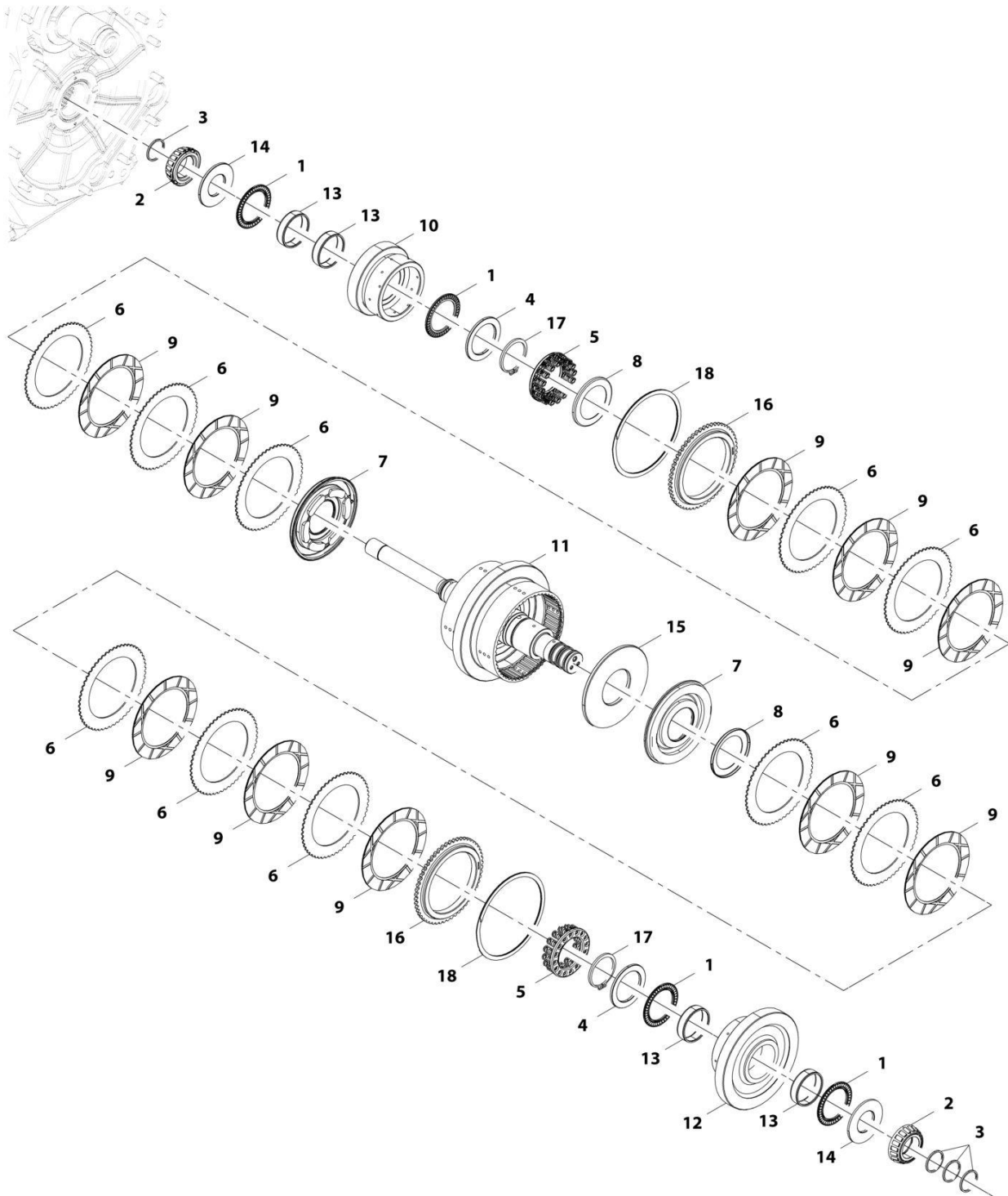
SECTION 5 - DRIVE TRAIN

FIGURE 5-43. TRANSMISSION HYDRAULIC CONTROL GROUP

ITEM	PART NUMBER	QTY	DESCRIPTION	REV
	70027720	Ref	Transmission Hydraulic Control Group	
1	70025469	1	Valve, Relief (See Separate Breakdown in this Section)	
2	70025520	3	Capscrew	
3	70025470	1	Valve, Relief	
	70027387	1	O-Ring	
	70027680	1	O-Ring	
4	70025451	3	Valve, Solenoid	
5	70027362	1	Valve, Solenoid (See Separate Breakdown in this Section)	
6	70027363	1	Valve, Solenoid (See Separate Breakdown in this Section)	
7	70027671	8	Bolt	

SECTION 5 - DRIVE TRAIN

FIGURE 5-44. INPUT SHAFT GROUP



ART_70027717

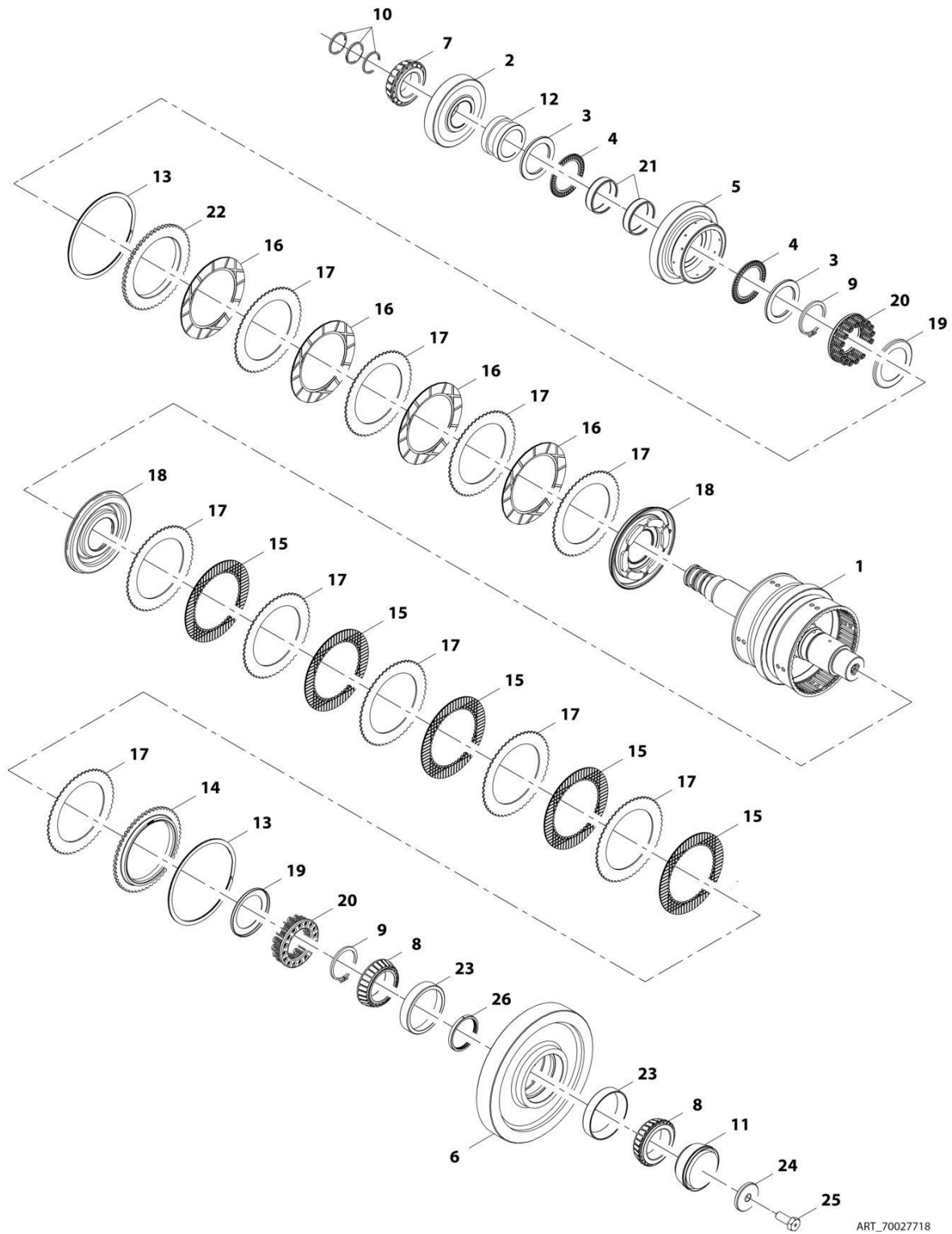
SECTION 5 - DRIVE TRAIN

FIGURE 5-44. INPUT SHAFT GROUP

ITEM	PART NUMBER	QTY	DESCRIPTION	REV
	70027717	Ref	Input Shaft Group	
1	70025432	4	Bearing, Thrust	
2	70025508	2	Bearing, Roller Cone	
3	70025433	4	Ring, Sealing	
4	70025429	2	Washer, Thrust	
5	70025440	2	Assembly, Spring and Retainer	
6	70025437	10	Plate, Clutch	
7	70025438	2	Piston, Clutch	
8	70025439	2	Retainer, Spring	
9	70025448	10	Disc, Friction	
10	70025400	1	Gear	
11	70025445	1	Assembly, Plug	
	70027328	2	Plug	
	70027348	1	Plug, Orifice	
12	70025401	1	Gear	
13	70025424	4	Bearing, Needle Roller	
14	70025446	2	Washer, Thrust	
15	70025449	1	Spacer, Piston	
16	70025447	2	Plate, Retainer	
17	70025498	2	Ring, Retaining	
18	70027681	2	Ring, Retaining	

SECTION 5 - DRIVE TRAIN

FIGURE 5-45. TRANSMISSION CLUTCH GROUP



ART_70027718

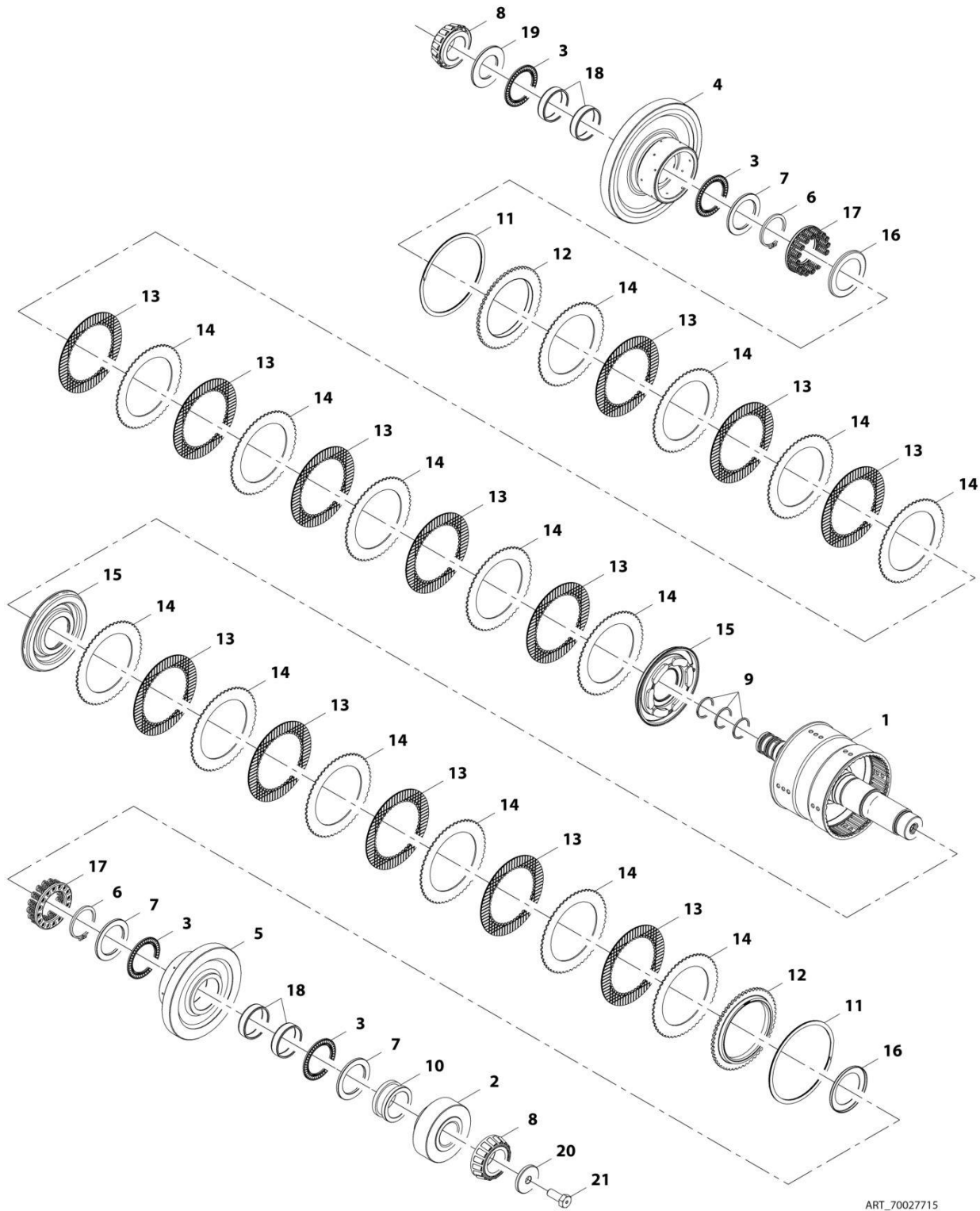
SECTION 5 - DRIVE TRAIN

FIGURE 5-45. TRANSMISSION CLUTCH GROUP

ITEM	PART NUMBER	QTY	DESCRIPTION	REV
	70027718	Ref	Transmission Clutch Group	
1	70025450	1	Shaft, Forward High/3rd	
	70027339	2	Plug	
	70027344	1	Plug-Orifice	
2	70025402	1	Gear	
3	70025429	2	Washer, Thrust	
4	70025432	2	Bearing, Thrust	
5	70025403	1	Gear	
6	70025404	1	Gear	
7	70025406	1	Bearing, Cone Roller	
8	70025407	2	Bearing, Cone Roller	
9	70025498	2	Ring, Retaining	
10	70025433	3	Ring, Sealing	
11	70025493	1	Bearing, Cone Roller	
12	70025409	1	Spacer	
13	70027681	2	Ring, Retaining	
14	70025435	1	Plate, Retainer	
15	70025436	5	Disc-Friction	
16	70025448	4	Disc-Friction	
17	70025437	10	Plate, Clutch	
18	70025438	2	Piston, Clutch	
19	70025439	2	Spring, Retainer	
20	70025440	2	Assembly, Spring and Retainer	
21	70025424	2	Bearing, Needle Roller	
22	70025447	1	Plate, Retaining	
23	70025408	2	Bearing, Cup	
24	70025504	1	Washer	
25	70025442	1	Bolt	
26	70025410	AR	Spacer, 5.88-5.90	
	70025411	AR	Spacer, 5.85-5.87	
	70025412	AR	Spacer, 5.82-5.84	
	70025413	AR	Spacer, 5.79-5.81	
	70025414	AR	Spacer, 6.00-6.02	
	70025415	AR	Spacer, 5.97-5.99	
	70025416	AR	Spacer, 5.94-5.96	
	70025417	AR	Spacer, 5.91-5.93	
	70025418	AR	Spacer, 6.09-6.11	
	70025419	AR	Spacer, 6.06-6.08	
	70027358	AR	Spacer, 6.12-6.14	
	70027359	AR	Spacer, 6.15-6.17	
	70025420	AR	Spacer, 6.03-6.05	
	70027364	AR	Spacer, 6.20-6.22	
	70027365	AR	Spacer, 6.25-6.27	

SECTION 5 - DRIVE TRAIN

FIGURE 5-46. CLUTCH AND GEAR GROUP



ART_70027715

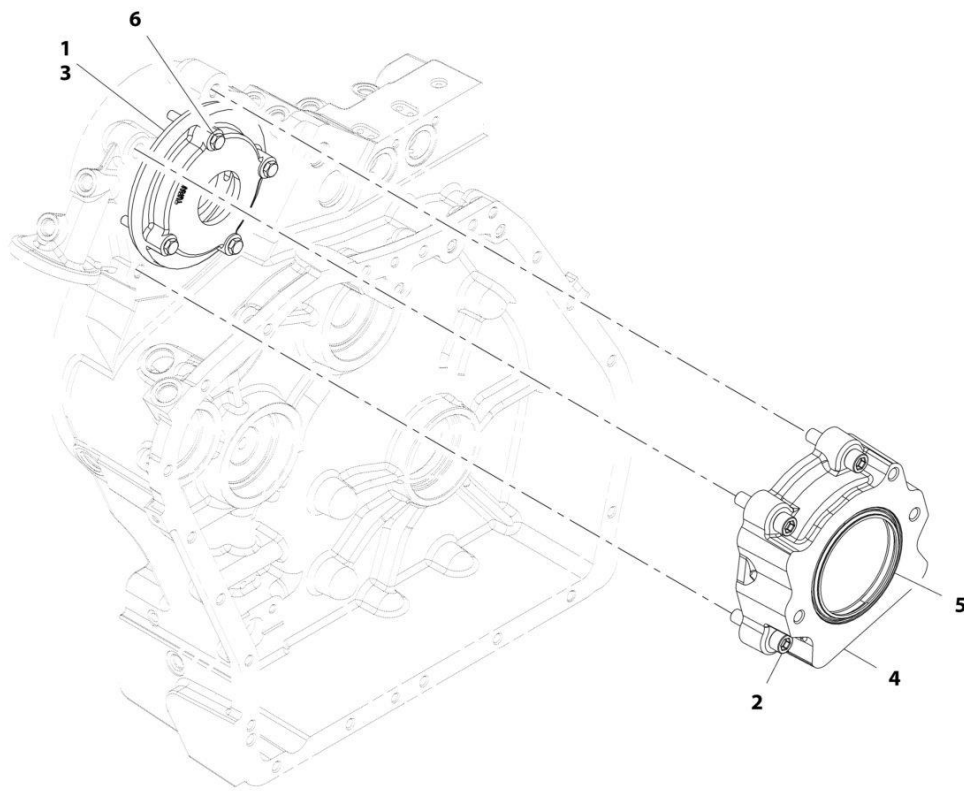
SECTION 5 - DRIVE TRAIN

FIGURE 5-46. CLUTCH AND GEAR GROUP

ITEM	PART NUMBER	QTY	DESCRIPTION	REV
	70027715	Ref	Clutch and Gear Group	
1	70025431	1	Assembly, Plug	
	70027328	2	Plug	
	70027344	1	Plug, Orifice	
	70027349	1	Plug, Orifice	
2	70025423	1	Gear	
3	70025432	4	Bearing, Thrust	
4	70025425	1	Gear	
5	70025401	1	Gear	
6	70025498	2	Ring, Retaining	
7	70025429	3	Washer, Thrust	
8	70025496	2	Cone, Roller Bearing	
9	70025433	3	Ring, Sealing	
10	70025426	1	Spacer	
11	70027681	2	Ring, Retaining	
12	70025435	2	Plate, Retainer	
13	70025436	13	Disc, Friction	
14	70025437	15	Plate, Clutch	
15	70025438	2	Piston, Clutch	
16	70025439	2	Retainer, Spring	
17	70025440	2	Assembly, Spring and Retainer	
18	70025424	4	Bearing, Needle Roller	
19	70025441	1	Washer, Thrust	
20	70025504	1	Washer	
21	70025442	1	Bolt	

SECTION 5 - DRIVE TRAIN

FIGURE 5-47. TRANSMISSION PUMP GROUP



ART_70027719

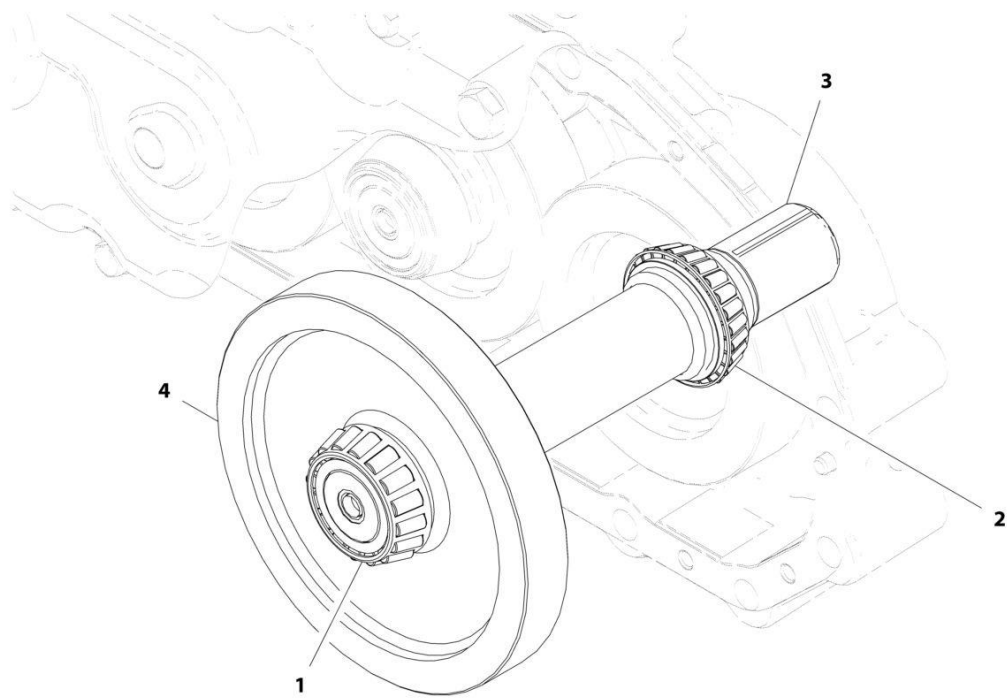
SECTION 5 - DRIVE TRAIN

FIGURE 5-47. TRANSMISSION PUMP GROUP

ITEM	PART NUMBER	QTY	DESCRIPTION	REV
	70027719	Ref	Transmission Pump Group	
1	70025464	1	O-Ring	
2	70025463	4	Capscrew	
3	70025459	1	Pump, Charge	
4	70025452	1	Housing, Pump	
5	70027347	1	Plug	
6	70025522	4	Bolt	

SECTION 5 - DRIVE TRAIN

FIGURE 5-48. OUTPUT SHAFT GROUP



ART_70027716

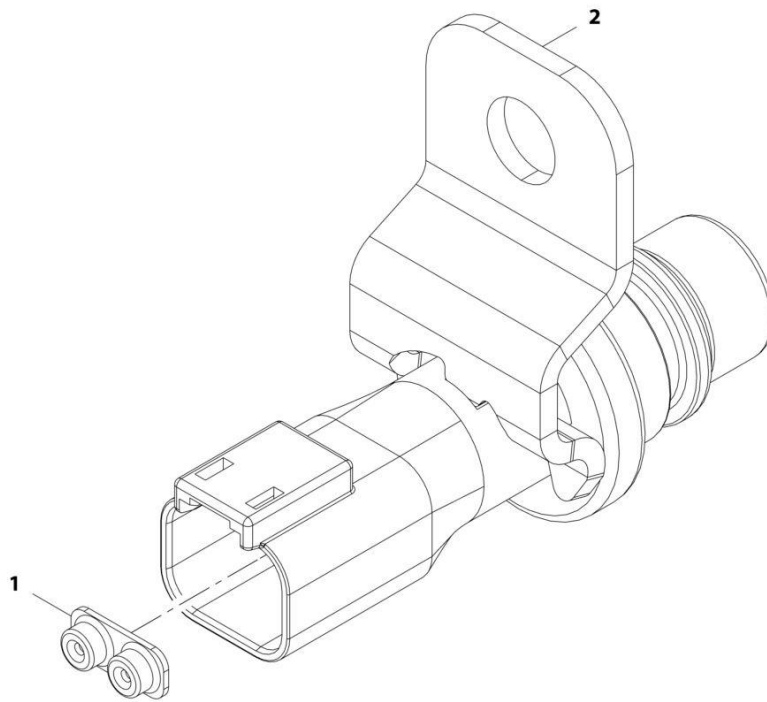
SECTION 5 - DRIVE TRAIN

FIGURE 5-48. OUTPUT SHAFT GROUP

ITEM	PART NUMBER	QTY	DESCRIPTION	REV
	70027716	Ref	Output Shaft Group	
1	70025496	1	Cone, Roller Bearing	
2	70025407	1	Cone, Roller Bearing	
3	70025428	1	Gear	
4	70025427	1	Shaft, Output	

SECTION 5 - DRIVE TRAIN

FIGURE 5-49. SPEED SENSOR



ART_70025526

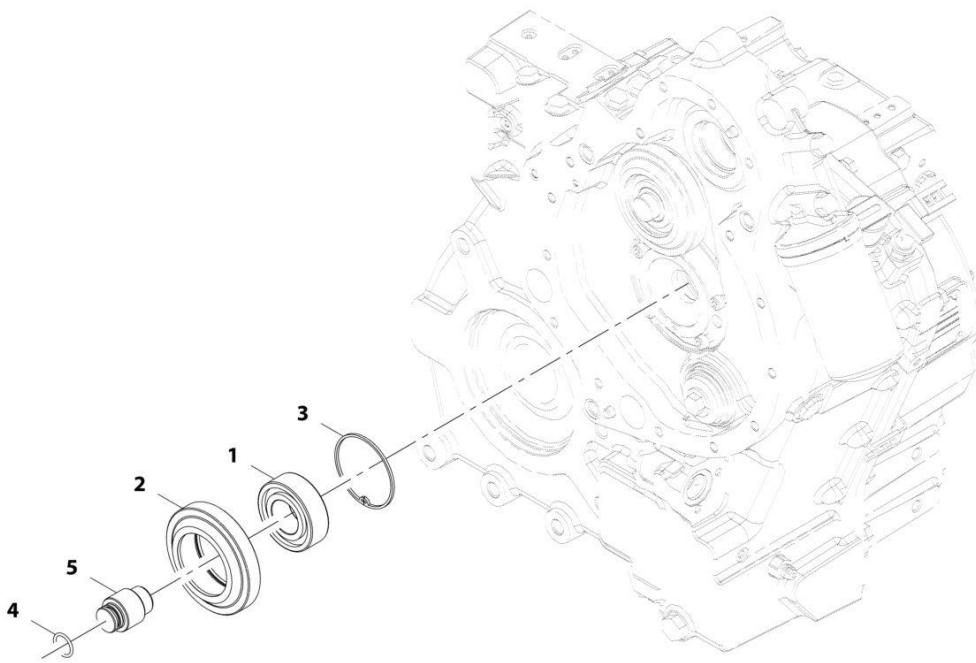
SECTION 5 - DRIVE TRAIN

FIGURE 5-49. SPEED SENSOR

ITEM	PART NUMBER	QTY	DESCRIPTION	REV
	70025526	Ref	Speed Sensor	
1	70027332	1	Connector	
2	70027661	1	Bracket	

SECTION 5 - DRIVE TRAIN

FIGURE 5-50. IDLER GEAR



ART_70027707

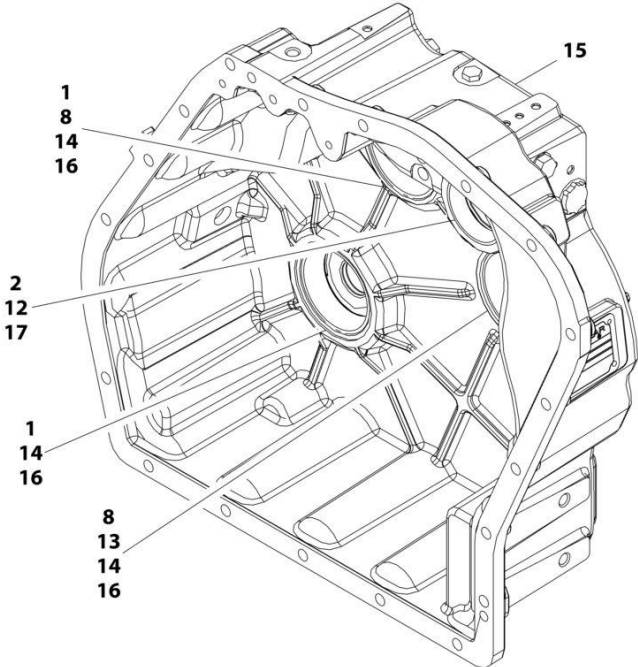
SECTION 5 - DRIVE TRAIN

FIGURE 5-50. IDLER GEAR

ITEM	PART NUMBER	QTY	DESCRIPTION	REV
	70027707	Ref	Idler Gear Group	
1	70025389	1	Bearing, Roller	
2	70025388	1	Pump, Idler Gear	
3	70025391	1	Circlip	
4	70025390	1	O-Ring	
5	70025387	1	Pump, Output Shaft	

SECTION 5 - DRIVE TRAIN

FIGURE 5-51. REAR TRANSMISSION CASE



ART_70027711

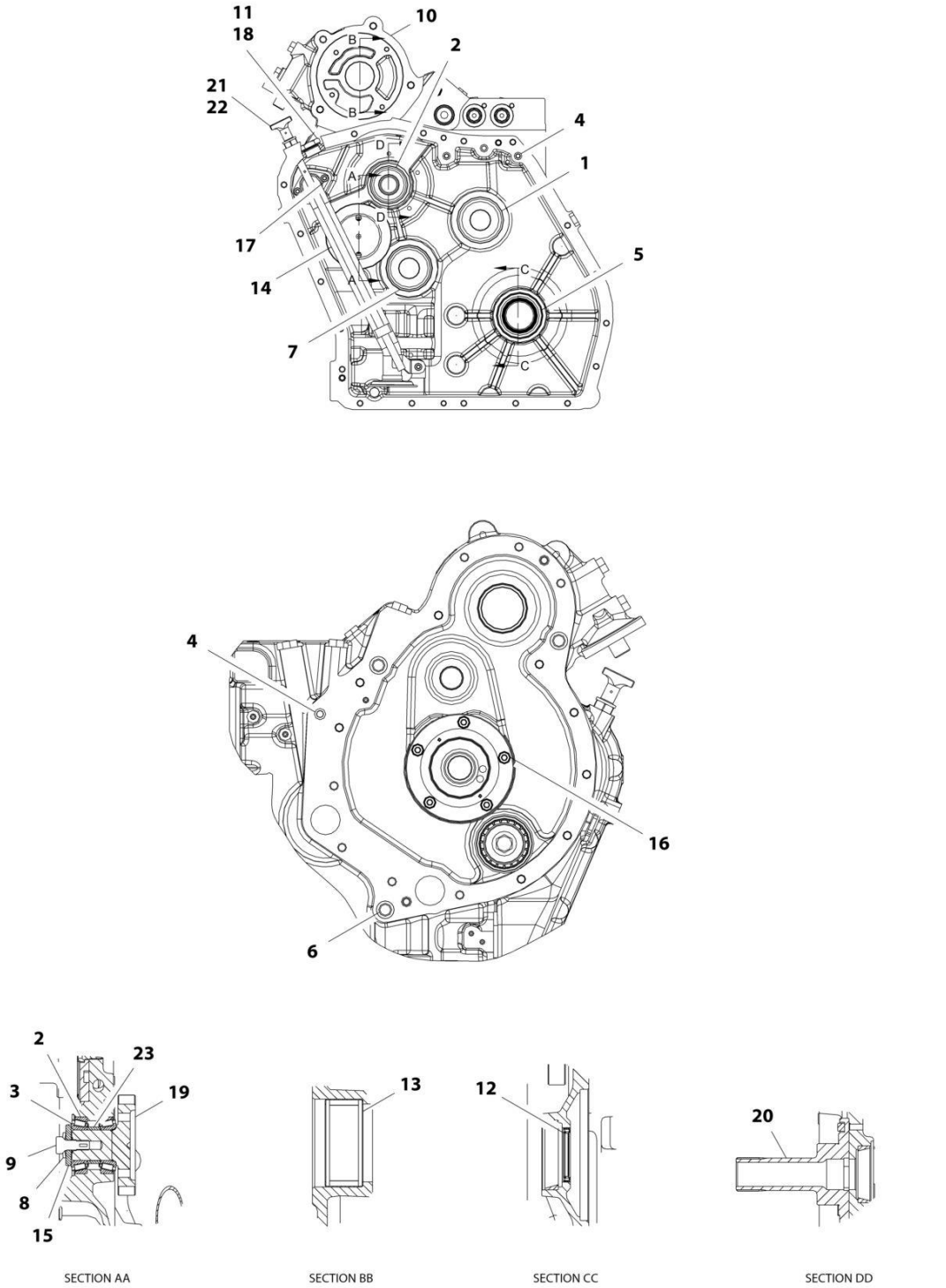
SECTION 5 - DRIVE TRAIN

FIGURE 5-51. REAR TRANSMISSION CASE

ITEM	PART NUMBER	QTY	DESCRIPTION	REV
	70027711	Ref	Rear Transmission Case	
1	70025497	2	Cup, Roller Bearing	
2	70025443	AR	Shim, 0.508	
	70025444	AR	Shim, 0.381	
	70025518	AR	Shim, 0.051	
	70025515	AR	Shim, 0.178	
	70025516	AR	Shim, 0.127	
	70025517	AR	Shim, 0.076	
8	70025502	AR	Shim, 0.599	
	70025501	AR	Shim, 0.178	
	70025500	AR	Shim, 0.076	
	70025499	AR	Shim, 0.051	
12	70025509	1	Cup, Roller Bearing	
13	70025494	1	Cup, Bearing	
14	70025476	3	Cap	
15	70025430	1	Assembly, Rear Transmission Case (See Separate Breakdown in this Section)	
16	70025421	3	Shim	
17	70027350	1	Spacer	

SECTION 5 - DRIVE TRAIN

FIGURE 5-52. PLANETARY CASE



ART_70027714

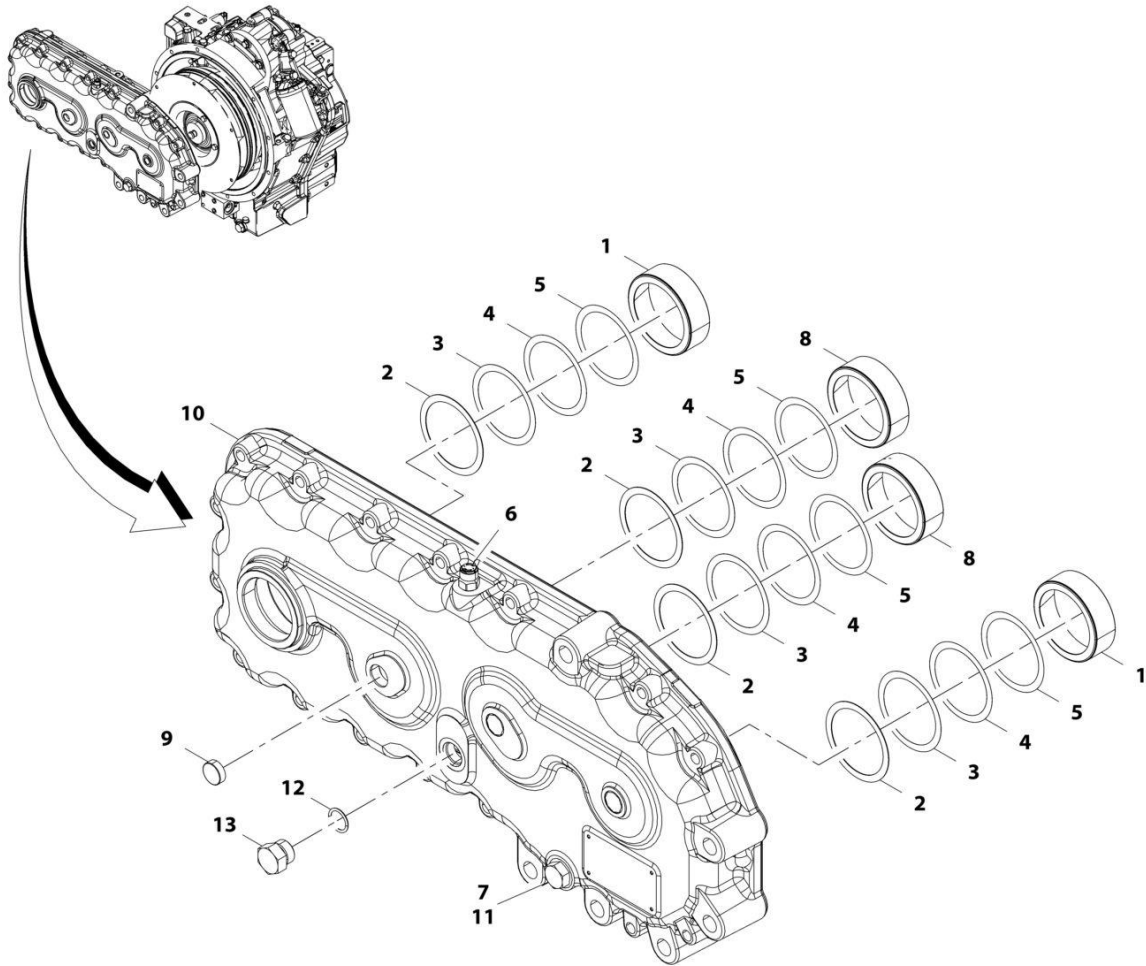
SECTION 5 - DRIVE TRAIN

FIGURE 5-52. PLANETARY CASE

ITEM	PART NUMBER	QTY	DESCRIPTION	REV
	70027714	Ref	Planetary Case	
1	70025497	1	Cup, Roller Bearing	
2	70025509	3	Cup, Roller Bearing	
3	70025508	1	Cone, Roller Bearing	
4	70025523	4	O-Ring	
5	70025408	1	Cup, Bearing	
6	70025468	3	O-Ring	
7	70027340	1	Bearing	
8	70025380	1	Washer, Bevel Spring	
9	70025505	1	Bolt	
10	70025467	1	Assembly, Front Transmission Case (See Separate Breakdown in this Section)	
11	70027664	1	Housing	
12	70027376	1	Seal, Lip	
13	70025360	1	Bearing, Needle Roller	
14	70027668	1	Assembly, Strainer	
	70025461	2	O-Ring	
	70025460	1	Strainer	
15	70025504	1	Washer	
16	70025513	5	Capscrew	
17	70025520	3	Capscrew	
18	70025472	1	Washer	
19	70027665	1	Shaft, Idler	
	70025508	1	Cone, Bearing	
	70025361	1	Gear, Reverse Idler	
20	70025394	1	Support	
	70025382	2	Pin	
21	70025465	1	Dipstick	
22	70025462	1	Assembly, Dipstick Tube	
	70027388	1	O-Ring	
	70027346	1	Tube	
23	70025370	AR	Spacer, 15.09-15.11	
	70025376	AR	Spacer, 15.27-15.29	
	70025362	AR	Spacer, 14.85-14.87	
	70025377	AR	Spacer, 15.30-15.32	
	70025371	AR	Spacer, 15.12-15.14	
	70025372	AR	Spacer, 15.15-15.17	
	70025373	AR	Spacer, 15.18-15.20	
	70025363	AR	Spacer, 14.88-14.90	
	70025364	AR	Spacer, 14.91-14.93	
	70025365	AR	Spacer, 14.94-14.96	
	70025366	AR	Spacer, 14.97-14.99	
	70025367	AR	Spacer, 15.00-15.02	
	70025368	AR	Spacer, 15.03-15.05	
	70025369	AR	Spacer, 15.06-15.08	
	70025374	AR	Spacer, 15.21-15.23	
	70025378	AR	Spacer, 15.33-15.35	
	70025379	AR	Spacer, 15.36-15.38	
	70025375	AR	Spacer, 15.24-15.26	

SECTION 5 - DRIVE TRAIN

FIGURE 5-53. FRONT TRANSFER CASE



ART_70027713

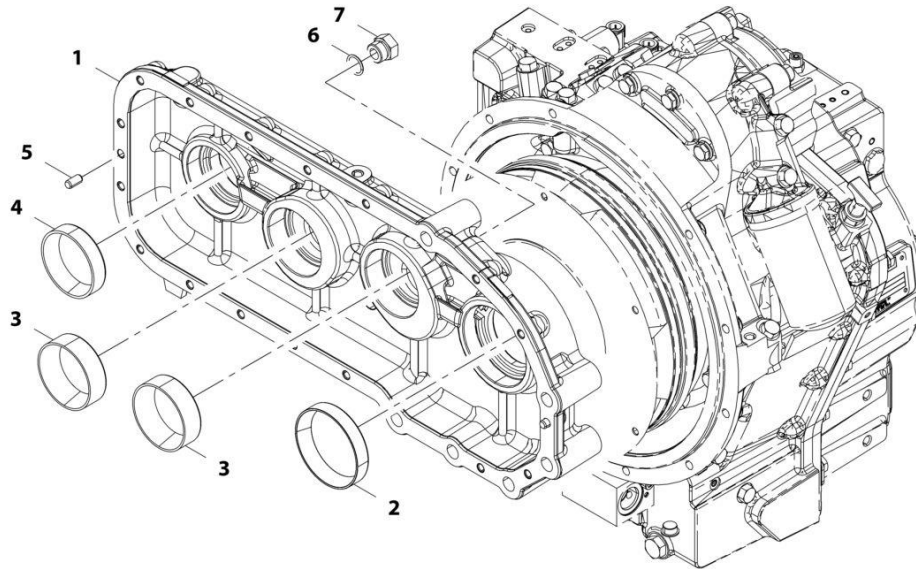
SECTION 5 - DRIVE TRAIN

FIGURE 5-53. FRONT TRANSFER CASE

ITEM	PART NUMBER	QTY	DESCRIPTION	REV
	70027713	Ref	Front Transfer Case	
1	70025497	2	Cup, Roller Bearing	
2	70025502	4	Shim, 0.236	
3	70025501	4	Shim, 0.007	
4	70025500	4	Shim, 0.003	
5	70025499	4	Shim, 0.002	
6	70027374	1	Breather	
7	70024646	1	Plug	
8	70025494	1	Cup, Bearing	
9	70024641	1	Cap	
10	70027357	1	Case, Transfer	
11	7022730	1	O-Ring	
12	70027387	1	O-Ring	
13	70025506	1	Plug	

SECTION 5 - DRIVE TRAIN

FIGURE 5-54. REAR TRANSFER CASE



ART_70027712

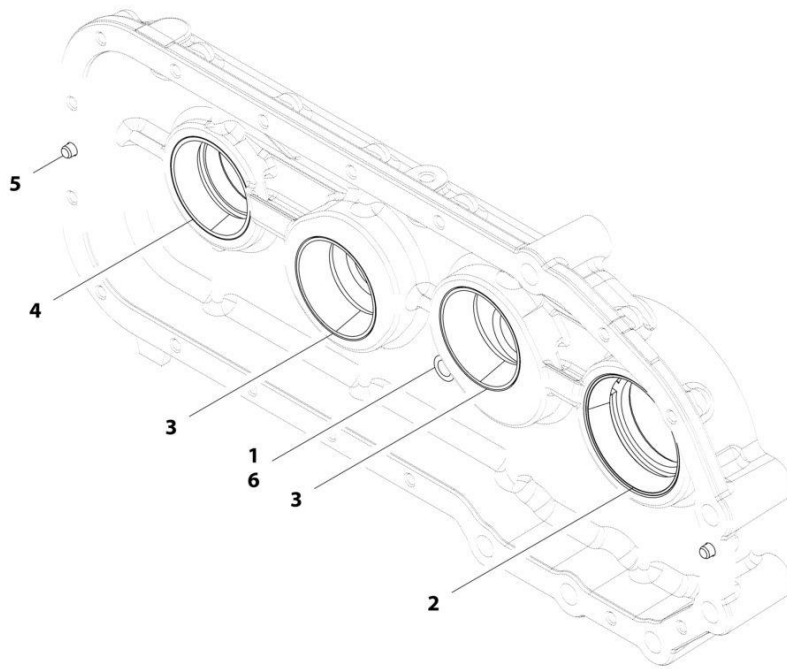
SECTION 5 - DRIVE TRAIN

FIGURE 5-54. REAR TRANSFER CASE

ITEM	PART NUMBER	QTY	DESCRIPTION	REV
	70027712	Ref	Rear Transfer Case	
1	70027367	1	Case, Rear Transfer	
2	70024635	1	Cup, Roller Bearing	
3	70025494	2	Cup, Bearing	
4	70025497	1	Cup, Roller Bearing	
5	70025495	2	Dowel	
6	70027387	1	Seal	
7	70025506	1	Plug	

SECTION 5 - DRIVE TRAIN

FIGURE 5-55. FRONT TRANSFER CASE



ART_70027373

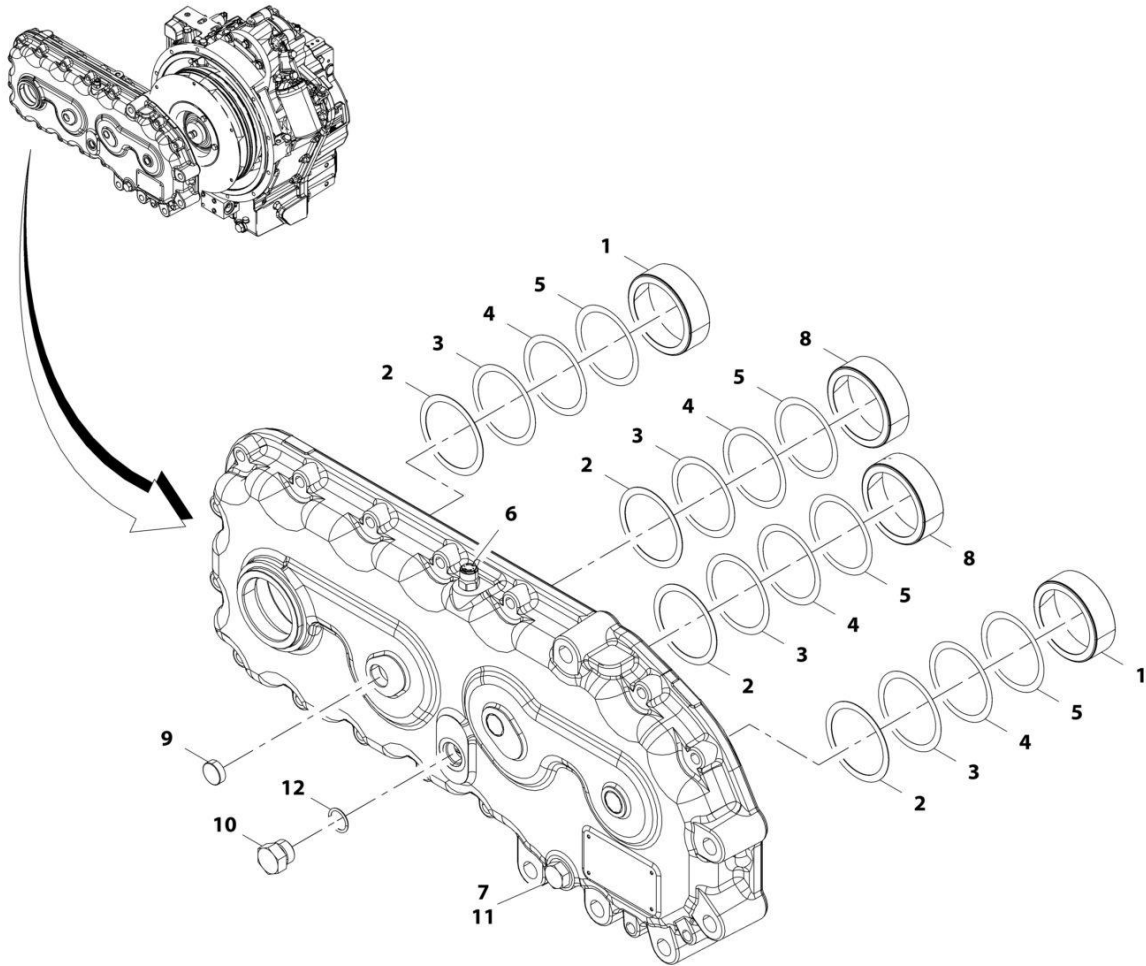
SECTION 5 - DRIVE TRAIN

FIGURE 5-55. FRONT TRANSFER CASE

ITEM	PART NUMBER	QTY	DESCRIPTION	REV
	70027373	Ref	Front Transfer Case	
1	70025506	1	Plug	
2	70024635	1	Cup, Roller Bearing	
3	70025494	2	Cup, Bearing	
4	70025497	1	Cup, Roller Bearing	
5	70025495	2	Dowel	
6	70027387	1	O-Ring	

SECTION 5 - DRIVE TRAIN

FIGURE 5-56. REAR TRANSFER CASE



ART_70027375

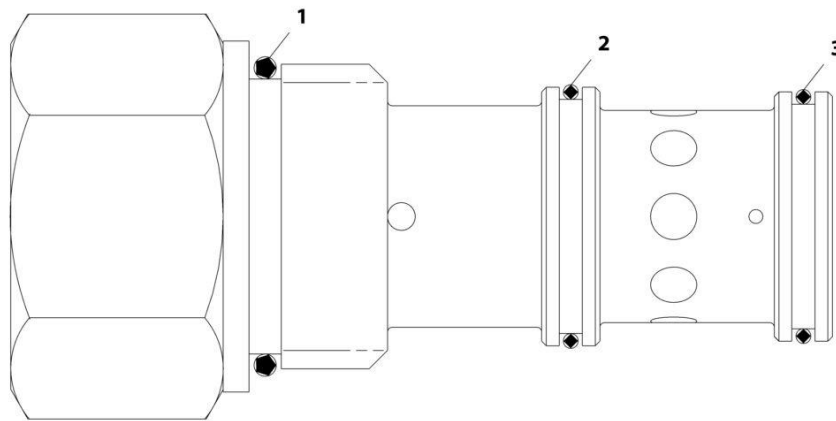
SECTION 5 - DRIVE TRAIN

FIGURE 5-56. REAR TRANSFER CASE

ITEM	PART NUMBER	QTY	DESCRIPTION	REV
	70027375	Ref	Rear Transfer Case	
1	70025497	2	Cup, Roller Bearing	
2	70025502	4	Shim, 0.236	
3	70025501	4	Shim, 0.007	
4	70025500	4	Shim, 0.003	
5	70025499	4	Shim, 0.002	
6	70027374	1	Breather	
7	70024646	1	Plug	
8	70025494	2	Cup, Bearing	
9	70024641	3	Cap	
10	70025506	1	Plug	
11	7022730	1	O-Ring	
12	70027387	1	O-Ring	

SECTION 5 - DRIVE TRAIN

FIGURE 5-57. RELIEF VALVE



ART_70025469

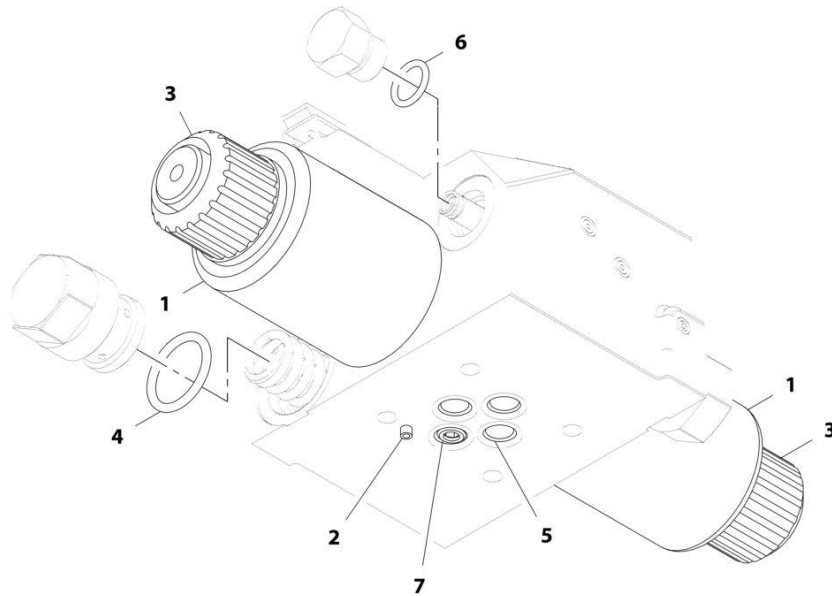
SECTION 5 - DRIVE TRAIN

FIGURE 5-57. RELIEF VALVE

ITEM	PART NUMBER	QTY	DESCRIPTION	REV
	70025469	Ref	Valve, Relief	
1	70027679	1	O-Ring	
2	70027678	1	O-Ring	
3	70027660	1	O-Ring	

SECTION 5 - DRIVE TRAIN

FIGURE 5-58. SOLENOID VALVE



ART_70027362

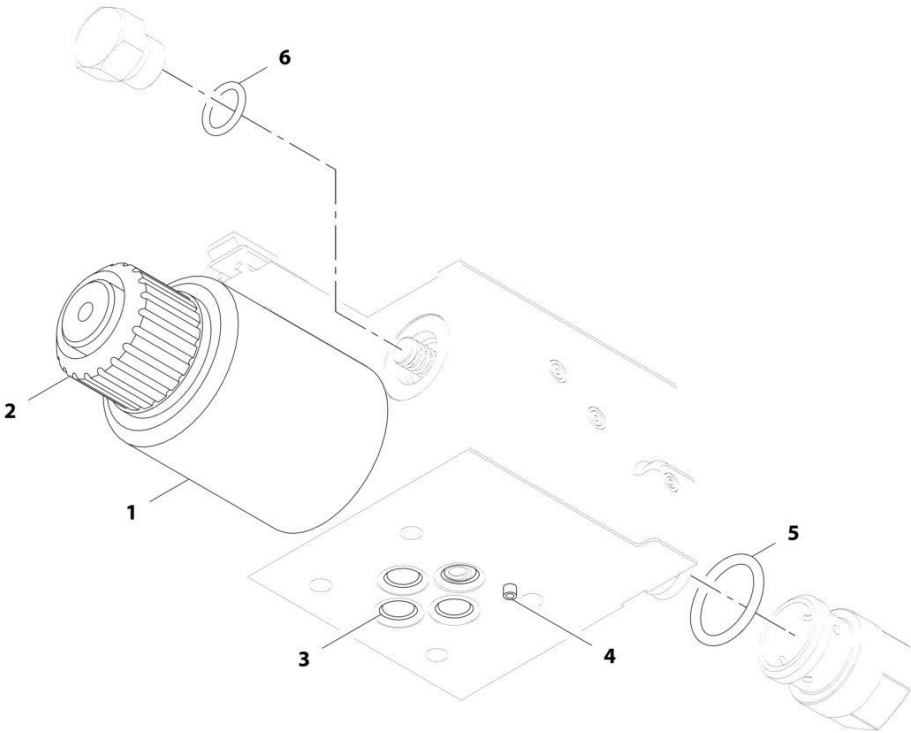
SECTION 5 - DRIVE TRAIN

FIGURE 5-58. SOLENOID VALVE

ITEM	PART NUMBER	QTY	DESCRIPTION	REV
	70027362	Ref	Solenoid Valve	
1	70025456	2	Coil, Solenoid	
2	70027389	1	Pin	
3	70025457	2	Assembly, Solenoid	
	70027677	1	O-Ring	
	70025455	1	Nut, Self Locking	
4	70027352	2	O-Ring	
5	70025466	4	O-Ring	
6	70027353	2	O-Ring	
7	70027361	1	Plug	

SECTION 5 - DRIVE TRAIN

FIGURE 5-59. SOLENOID VALVE



ART_70027363

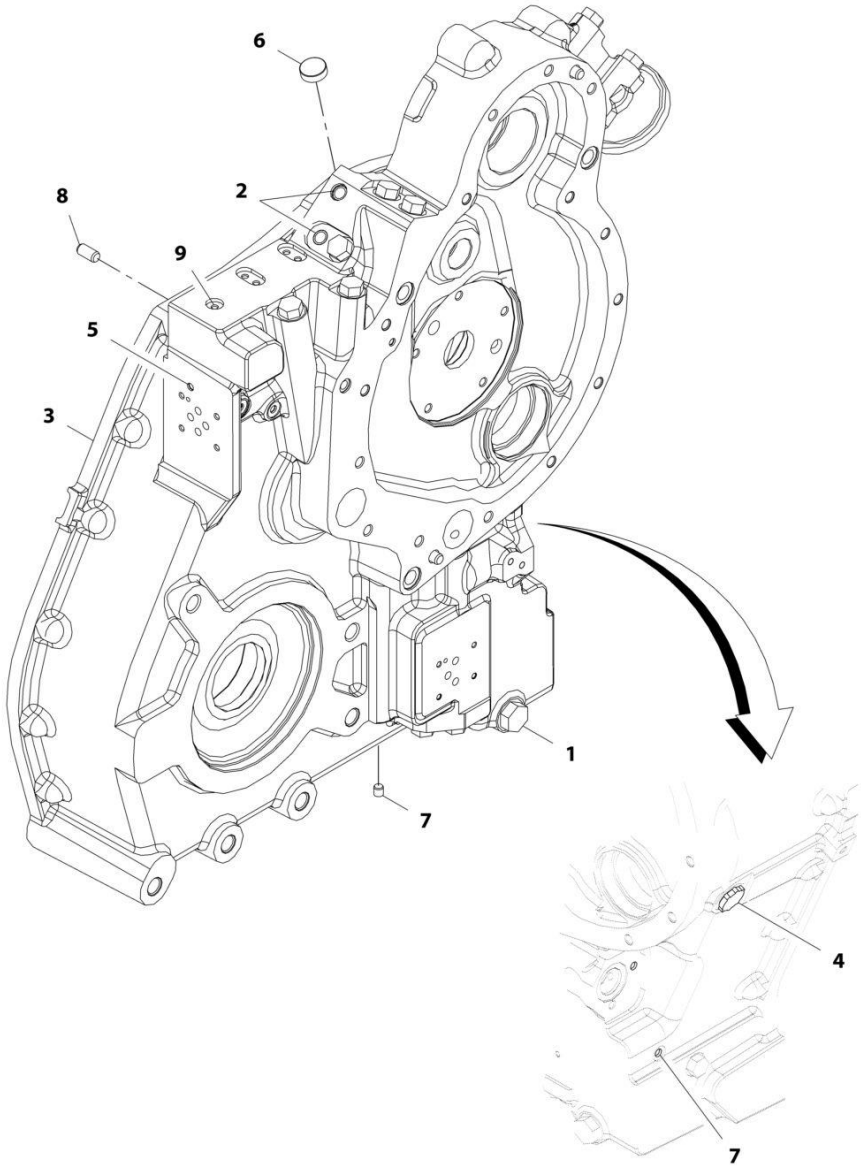
SECTION 5 - DRIVE TRAIN

FIGURE 5-59. SOLENOID VALVE

ITEM	PART NUMBER	QTY	DESCRIPTION	REV
	70027363	Ref	Solenoid Valve	
1	70025456	1	Coil, Solenoid	
2	70025457	1	Tube	
	70027677	1	O-Ring	
	70025455	1	Nut, Self Locking	
3	70025466	4	O-Ring	
4	70027389	1	Pin	
5	70027352	1	O-Ring	
6	70027353	1	O-Ring	

SECTION 5 - DRIVE TRAIN

FIGURE 5-60. FRONT TRANSMISSION CASE ASSEMBLY



ART_70025467

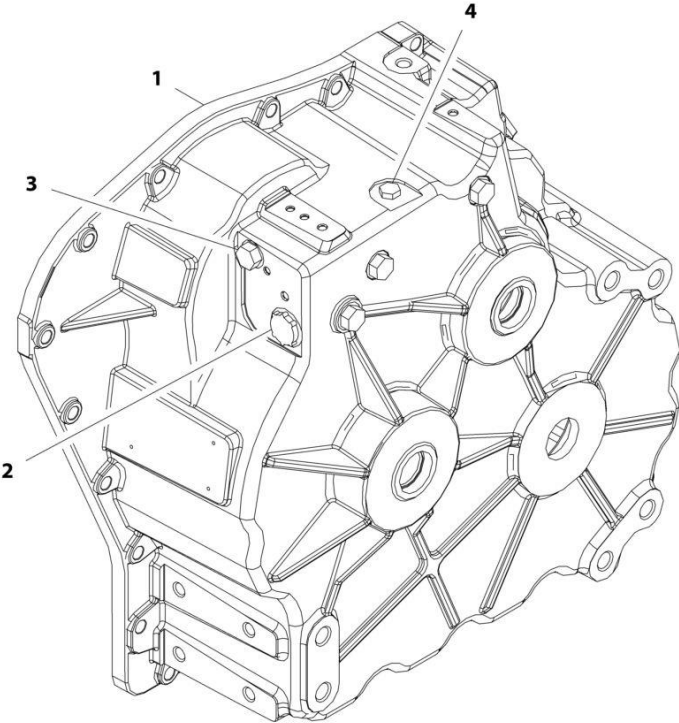
SECTION 5 - DRIVE TRAIN

FIGURE 5-60. FRONT TRANSMISSION CASE ASSEMBLY

ITEM	PART NUMBER	QTY	DESCRIPTION	REV
	70025467	Ref	Front Transmission Case Assembly	
1	70024646	1	Plug	
2	70025471	2	Plug	
3	70027669	1	Case, Front Transmission	
	70027354	1	Adapter	
4	70027337	1	Plug	
5	70027338	4	Plug	
6	70024641	1	Cap	
7	70027339	3	Plug	
8	70025495	4	Dowel	
9	70027328	7	Plug	

SECTION 5 - DRIVE TRAIN

FIGURE 5-61. REAR TRANSMISSION CASE ASSEMBLY



ART_70025430

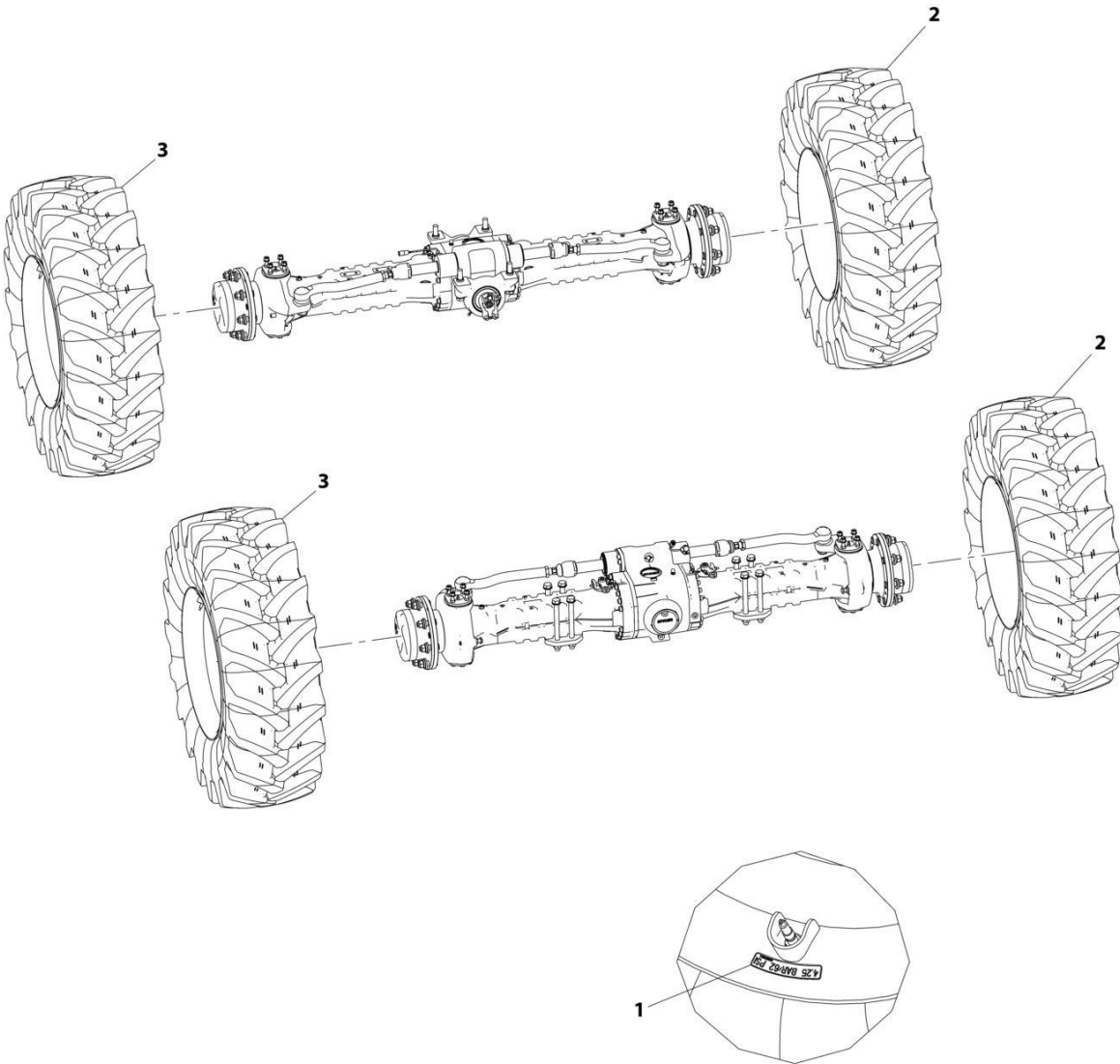
SECTION 5 - DRIVE TRAIN

FIGURE 5-61. REAR TRANSMISSION CASE ASSEMBLY

ITEM	PART NUMBER	QTY	DESCRIPTION	REV
1	70025430	Ref	Rear Transmission Case Assembly	
	70027366	1	Case, Rear Transmission	
	70027338	4	Plug	
	70027339	4	Plug	
2	70027337	1	Plug	
3	70027663	4	Assembly, Plug	
	70025525	1	O-Ring	
4	70025524	1	Plug	
	70025529	1	Plug	

SECTION 5 - DRIVE TRAIN

FIGURE 5-62. TIRE/WHEEL SET (AIR - 15.5/80-24 - 16PR)



ART_1001216851-A

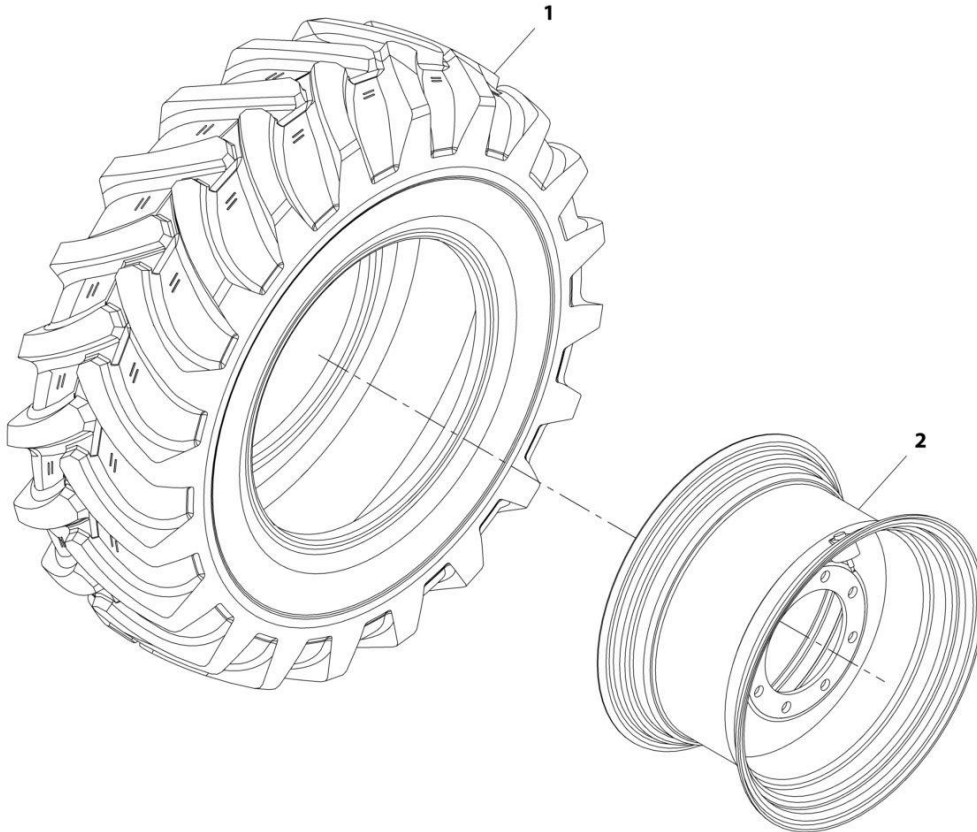
SECTION 5 - DRIVE TRAIN

FIGURE 5-62. TIRE/WHEEL SET (AIR - 15.5/80-24 - 16PR)

ITEM	PART NUMBER	QTY	DESCRIPTION	REV
	1001216851	1	Tire/Wheel Set (Air - 15.5/80-24 - 16PR or PLY)	A
1	1001112924	4	Decal	
2	1001216664	2	Assembly, Left Tire/Wheel (Air - 15.5/80-24 - 16PR) (See Separate Breakdown in this Section)	
3	1001216667	2	Assembly, Right Tire/Wheel (Air - 15.5/80-24 - 16PR) (See Separate Breakdown in this Section)	

SECTION 5 - DRIVE TRAIN

FIGURE 5-63. RIGHT TIRE/WHEEL ASSEMBLY (AIR - 15.5/80-24 - 16PR)



ART_1001216667-A

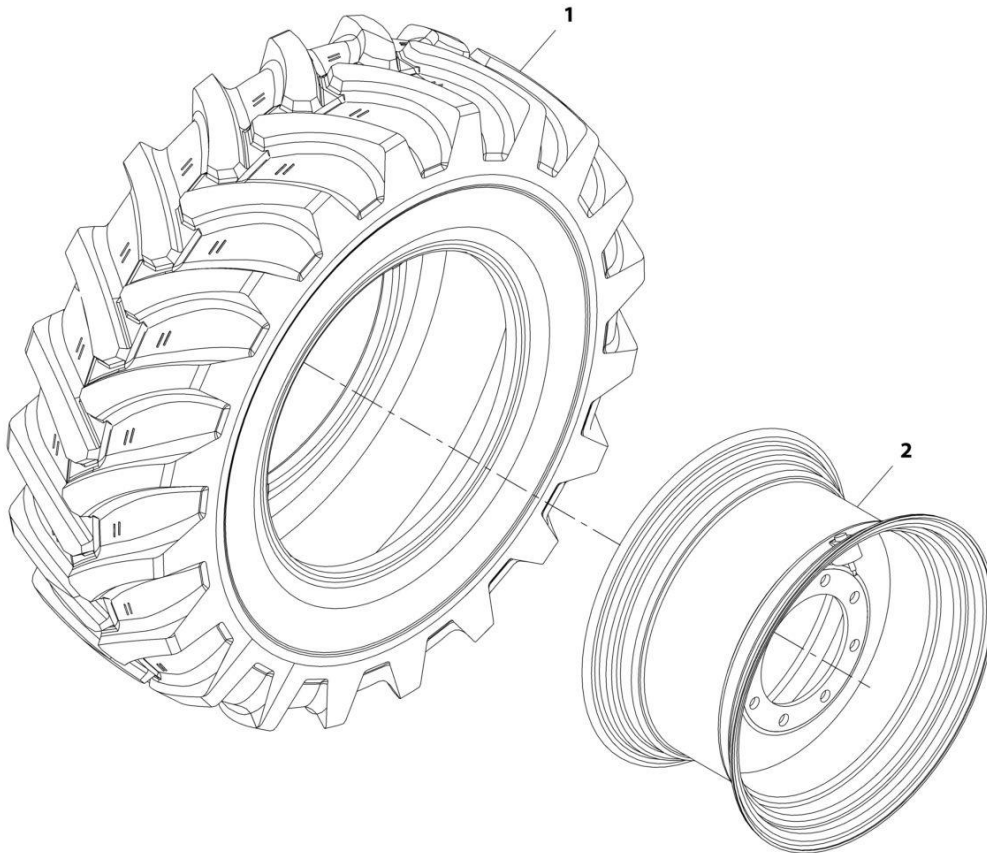
SECTION 5 - DRIVE TRAIN

FIGURE 5-63. RIGHT TIRE/WHEEL ASSEMBLY (AIR - 15.5/80-24 - 16PR)

ITEM	PART NUMBER	QTY	DESCRIPTION	REV
	1001216667	Ref	Right Tire/Wheel Assembly (Air - 15.5/80-24 - 16PR)	A
1	1001214479	1	Tire, 15.5/80-24 16 PLY	
2	1001216661	1	Wheel, RH Rim	

SECTION 5 - DRIVE TRAIN

FIGURE 5-64. LEFT TIRE/WHEEL ASSEMBLY (AIR - 15.5/80-24 - 16PR)



ART_1001216664-A

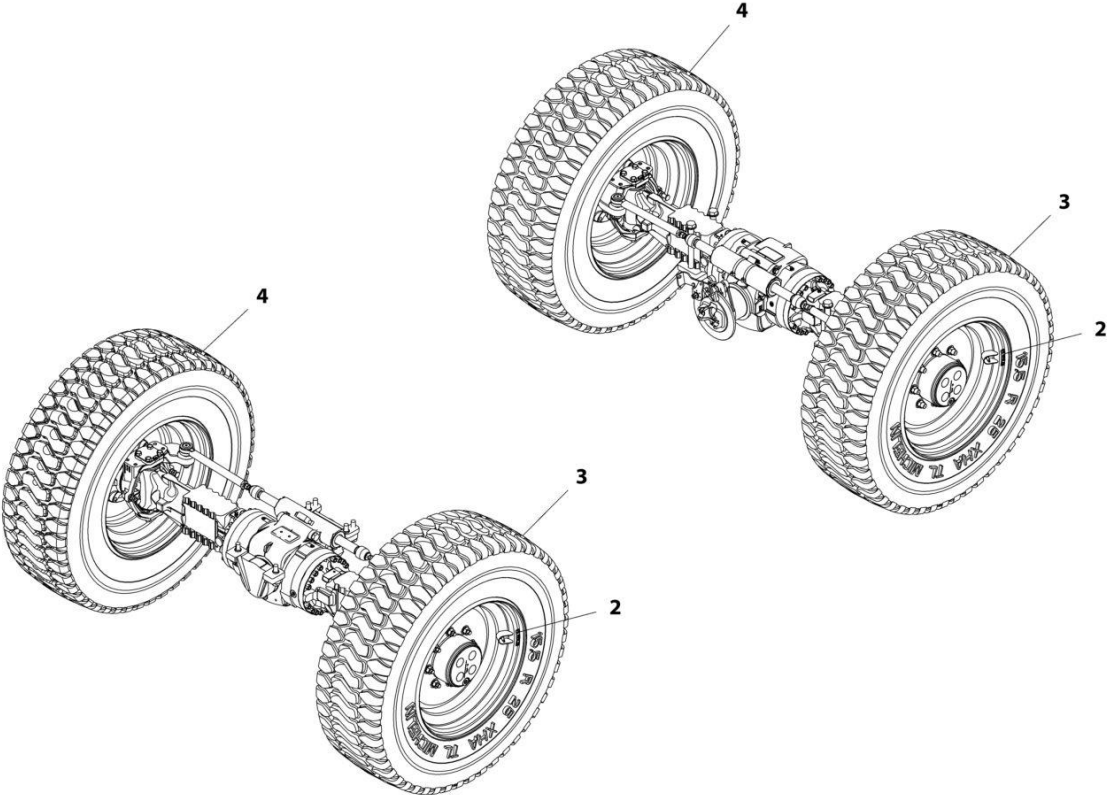
SECTION 5 - DRIVE TRAIN

FIGURE 5-64. LEFT TIRE/WHEEL ASSEMBLY (AIR - 15.5/80-24 - 16PR)

ITEM	PART NUMBER	QTY	DESCRIPTION	REV
	1001216664	Ref	Left Tire/Wheel Assembly (Air - 15.5/80-24 - 16PR)	A
1	1001214479	1	Tire, 15.5/80-24 16 PLY	
2	1001216658	1	Wheel, LH Rim	

SECTION 5 - DRIVE TRAIN

FIGURE 5-65. TIRE/WHEEL SET (AIR - 15.5 R25 XHA TL)



ART_1001178300-B

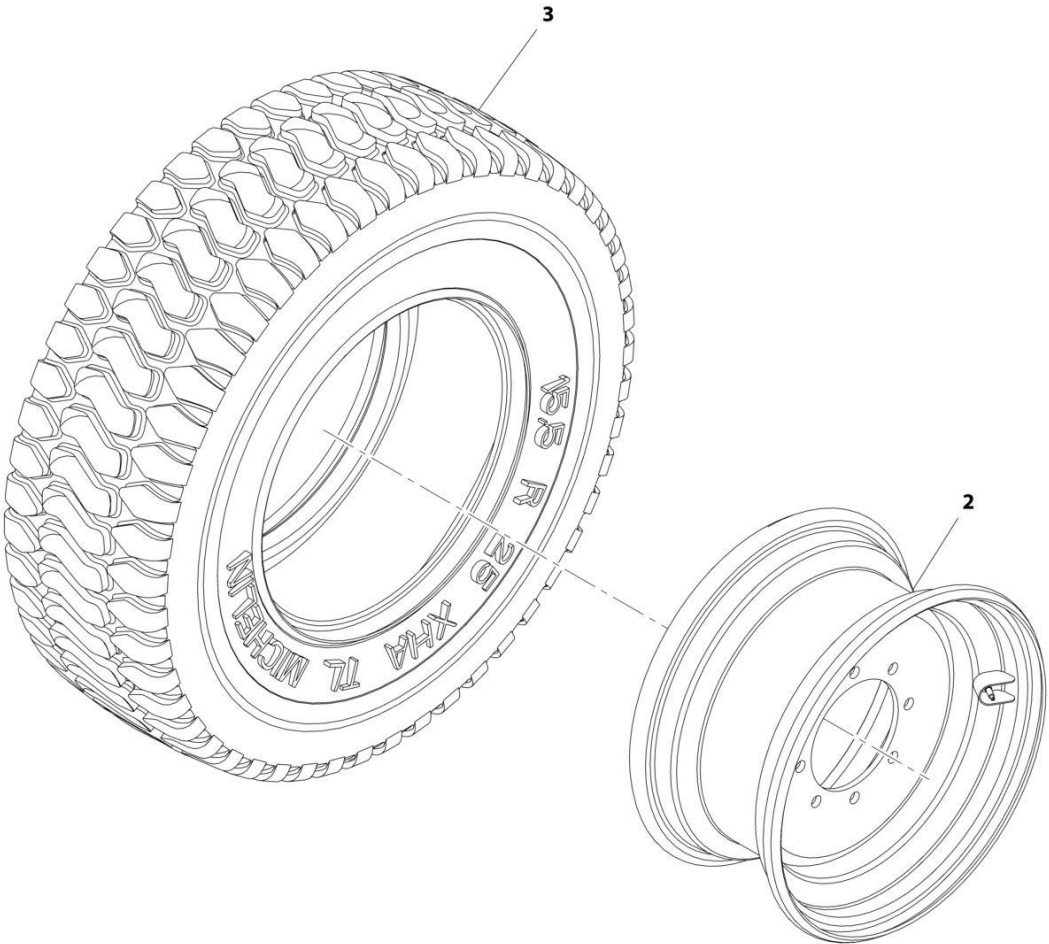
SECTION 5 - DRIVE TRAIN

FIGURE 5-65. TIRE/WHEEL SET (AIR - 15.5 R25 XHA TL)

ITEM	PART NUMBER	QTY	DESCRIPTION	REV
	1001178300	1	Tire/Wheel Set (Air - 15.5 R25 XHA TL)	B
2	1001112924	1	Decal	
3	1001178298	2	Assembly, Right Tire/Wheel (Air - 15.5 R25) (See Separate Breakdown in this Section)	
4	1001178299	2	Assembly, Left Tire/Wheel (Air - 15.5 R25) (See Separate Breakdown in this Section)	

SECTION 5 - DRIVE TRAIN

FIGURE 5-66. RIGHT TIRE/WHEEL ASSEMBLY (AIR - 15.5 R25)



ART_1001178298-B

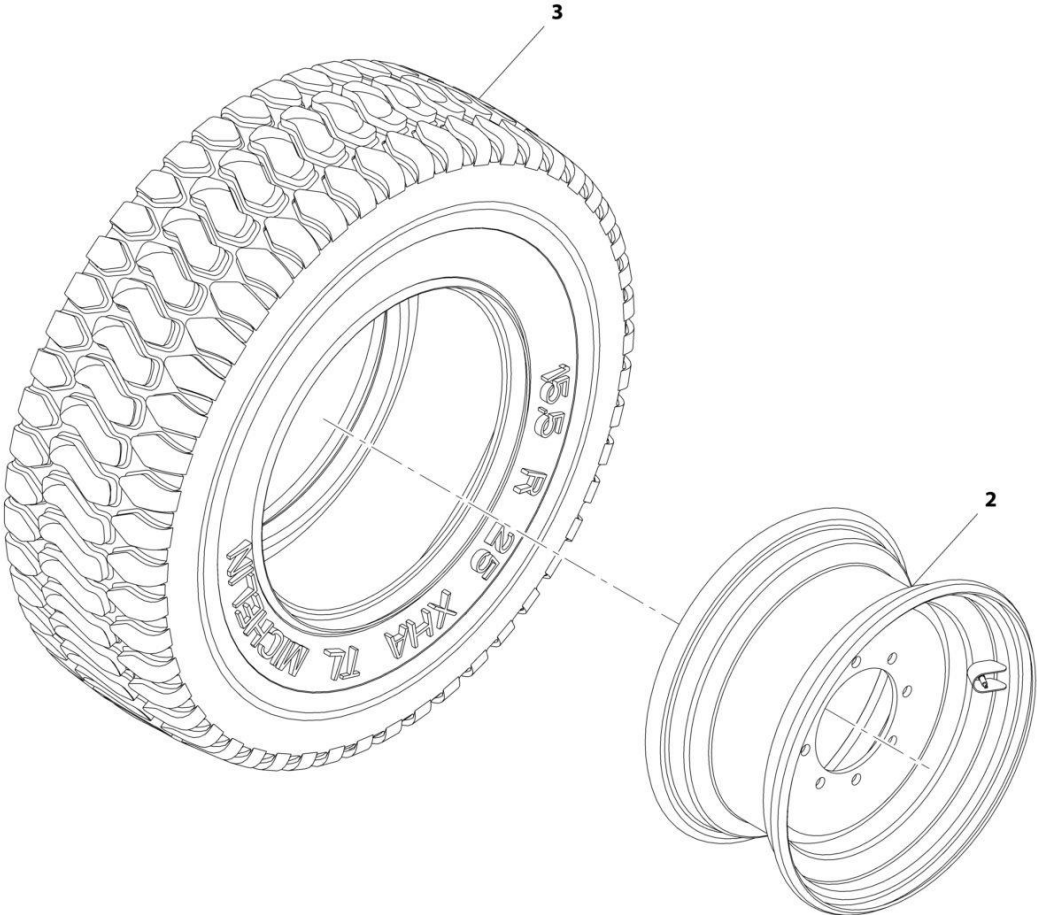
SECTION 5 - DRIVE TRAIN

FIGURE 5-66. RIGHT TIRE/WHEEL ASSEMBLY (AIR - 15.5 R25)

ITEM	PART NUMBER	QTY	DESCRIPTION	REV
	1001178298	Ref	Right Tire/Wheel Assembly (Air - 15.5 R25)	B
2	1001212602	1	Wheel, RH Rim	
3	1001172807	1	Tire, 15.5 R 25 XHA TL	

SECTION 5 - DRIVE TRAIN

FIGURE 5-67. LEFT TIRE/WHEEL ASSEMBLY (AIR - 15.5 R25)



ART_1001178299-B

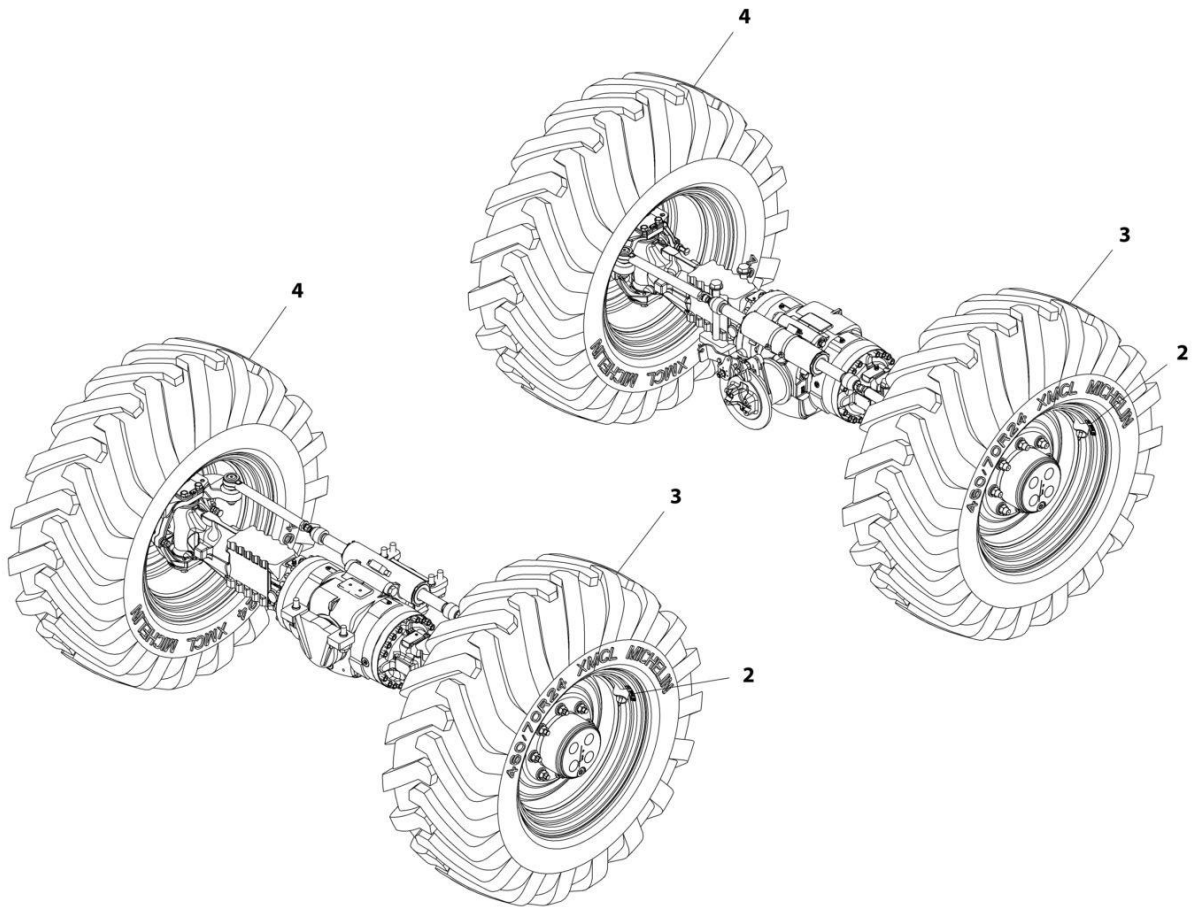
SECTION 5 - DRIVE TRAIN

FIGURE 5-67. LEFT TIRE/WHEEL ASSEMBLY (AIR - 15.5 R25)

ITEM	PART NUMBER	QTY	DESCRIPTION	REV
	1001178299	Ref	Left Tire/Wheel Assembly (Air - 15.5 R25)	B
2	1001212603	1	Wheel, LH Rim	
3	1001172807	1	Tire, 15.5 R 25 XHA TL	

SECTION 5 - DRIVE TRAIN

FIGURE 5-68. TIRE/WHEEL SET (AIR - 460/70 R24 XMCL)



ART_1001142285-D

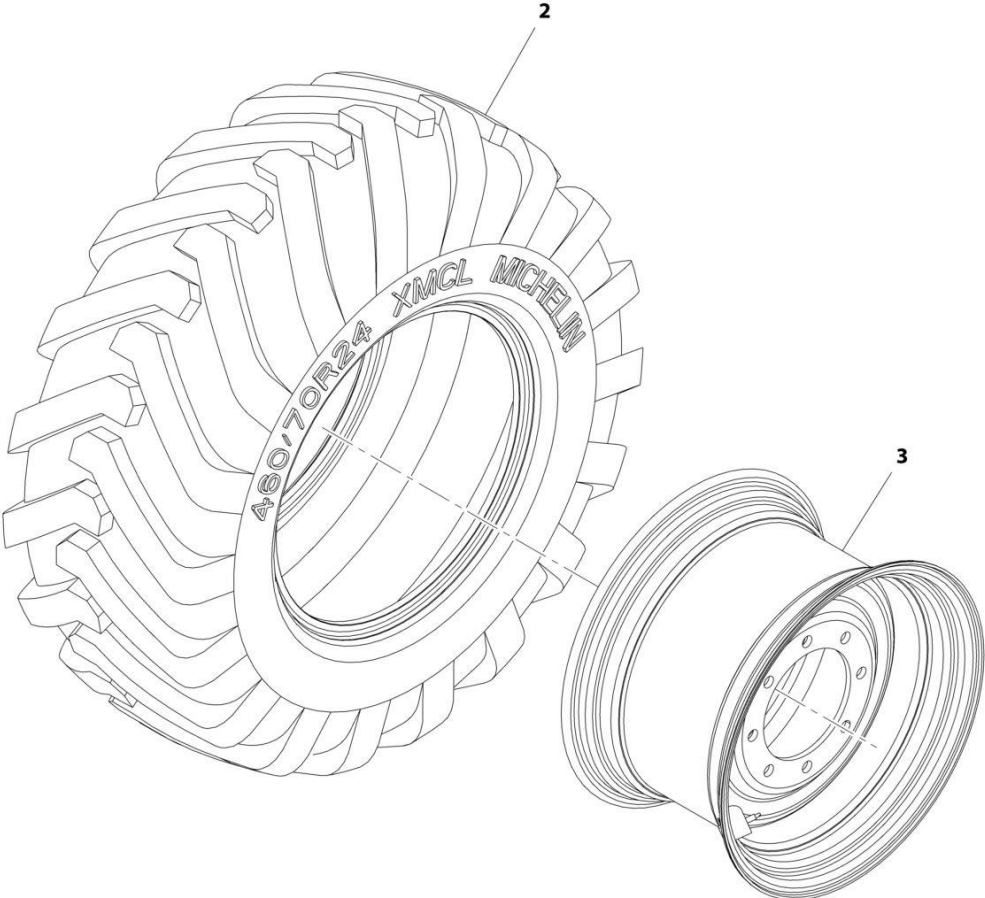
SECTION 5 - DRIVE TRAIN

FIGURE 5-68. TIRE/WHEEL SET (AIR - 460/70 R24 XMCL)

ITEM	PART NUMBER	QTY	DESCRIPTION	REV
	1001142285	1	Tire/Wheel Set (Air - 460/70 R24 XMCL)	D
2	8005827	4	Label	
3	1001142286	2	Assembly, Right Tire/Wheel (Air - 460/70 R24) (See Separate Breakdown in this Section)	
4	1001142287	2	Assembly, Left Tire/Wheel (Air - 460/70 R24) (See Separate Breakdown in this Section)	

SECTION 5 - DRIVE TRAIN

FIGURE 5-69. RIGHT TIRE/WHEEL ASSEMBLY (AIR - 460/70 R24)



ART_1001142286-C

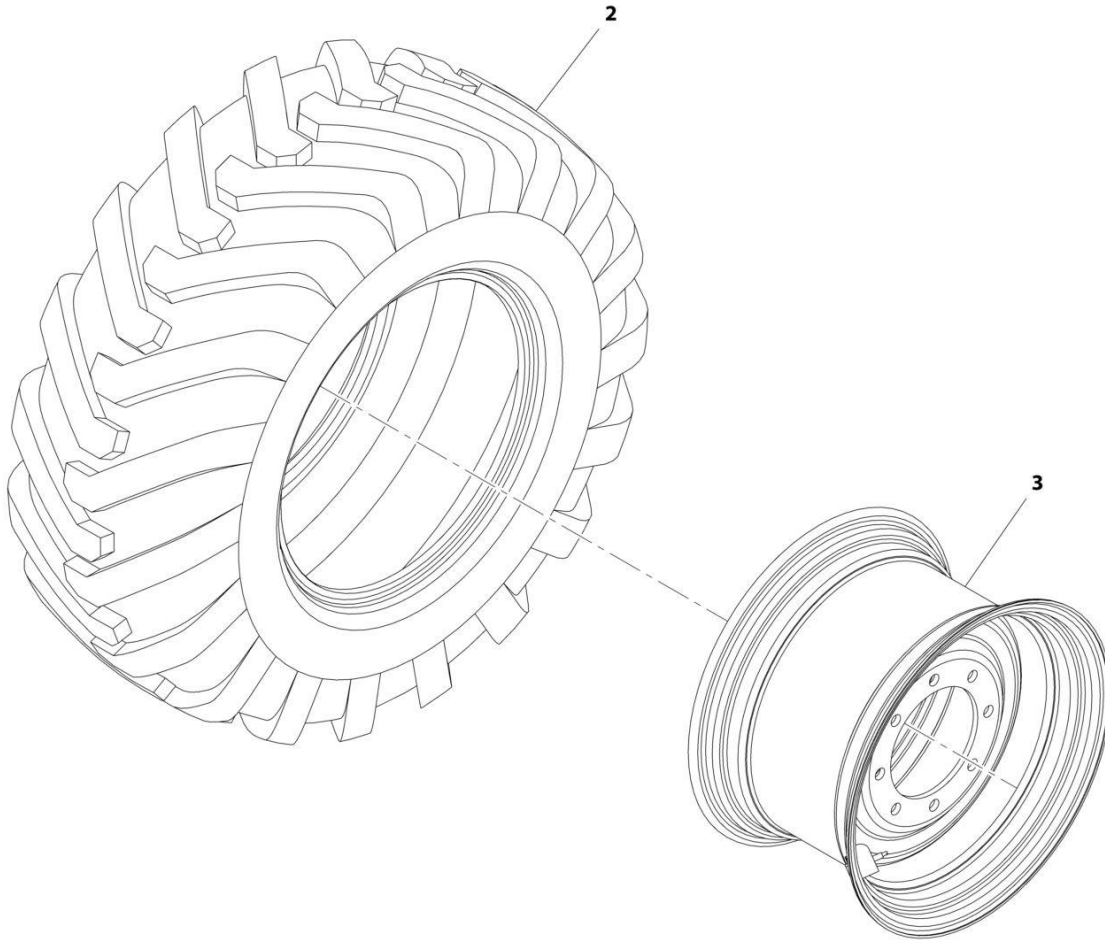
SECTION 5 - DRIVE TRAIN

FIGURE 5-69. RIGHT TIRE/WHEEL ASSEMBLY (AIR - 460/70 R24)

ITEM	PART NUMBER	QTY	DESCRIPTION	REV
	1001142286	Ref	Right Tire/Wheel Assembly (Air - 460/70 R24)	C
2	1001092008	1	Tire, 460/70 R 24 XMCL	
3	1001212590	1	Wheel, RH Rim	

SECTION 5 - DRIVE TRAIN

FIGURE 5-70. LEFT TIRE/WHEEL ASSEMBLY (AIR - 460/70 R24)



ART_1001142287-C

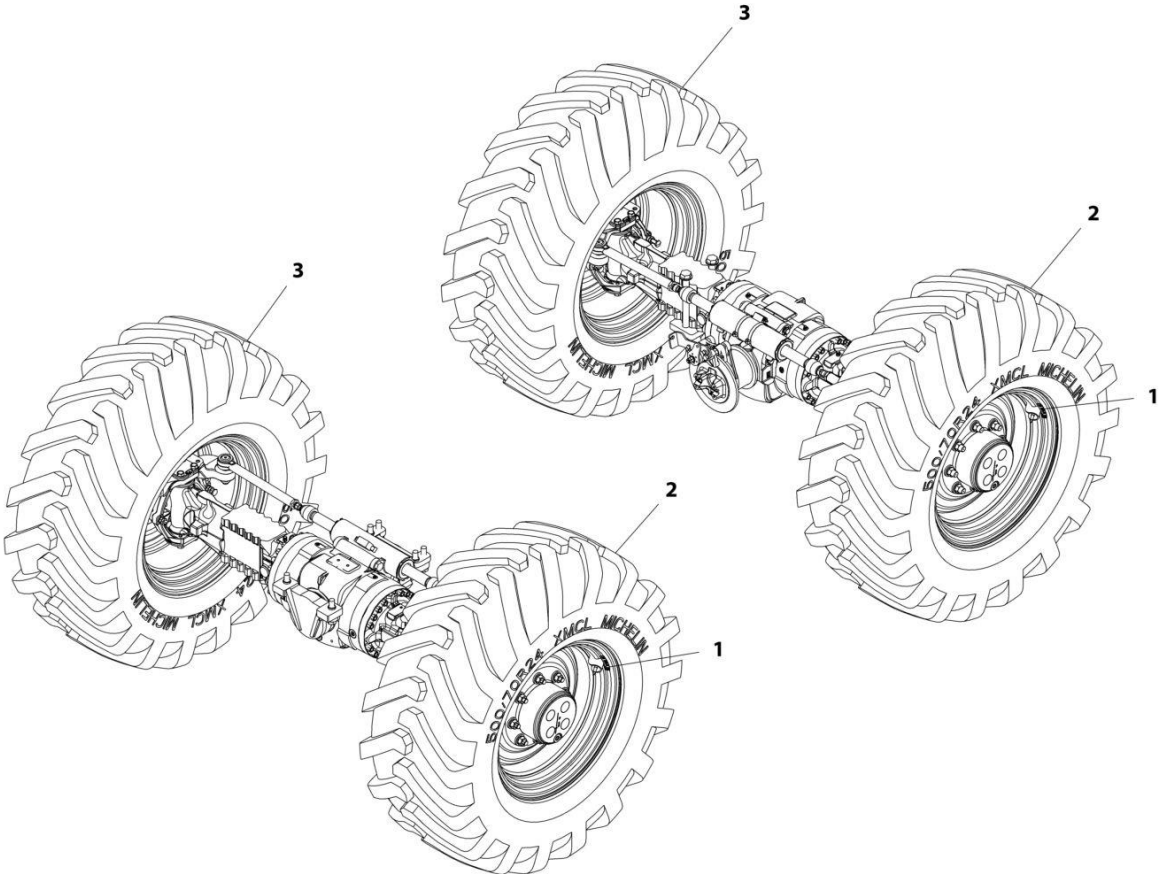
SECTION 5 - DRIVE TRAIN

FIGURE 5-70. LEFT TIRE/WHEEL ASSEMBLY (AIR - 460/70 R24)

ITEM	PART NUMBER	QTY	DESCRIPTION	REV
	1001142287	Ref	Left Tire/Wheel Assembly (Air - 460/70 R24)	C
2	1001092008	1	Tire, 460/70 R 24 XMCL	
3	1001212591	1	Wheel, LH Rim	

SECTION 5 - DRIVE TRAIN

FIGURE 5-71. TIRE/WHEEL SET (AIR - 500/70 R24 XMCL)



ART_1001142288-D

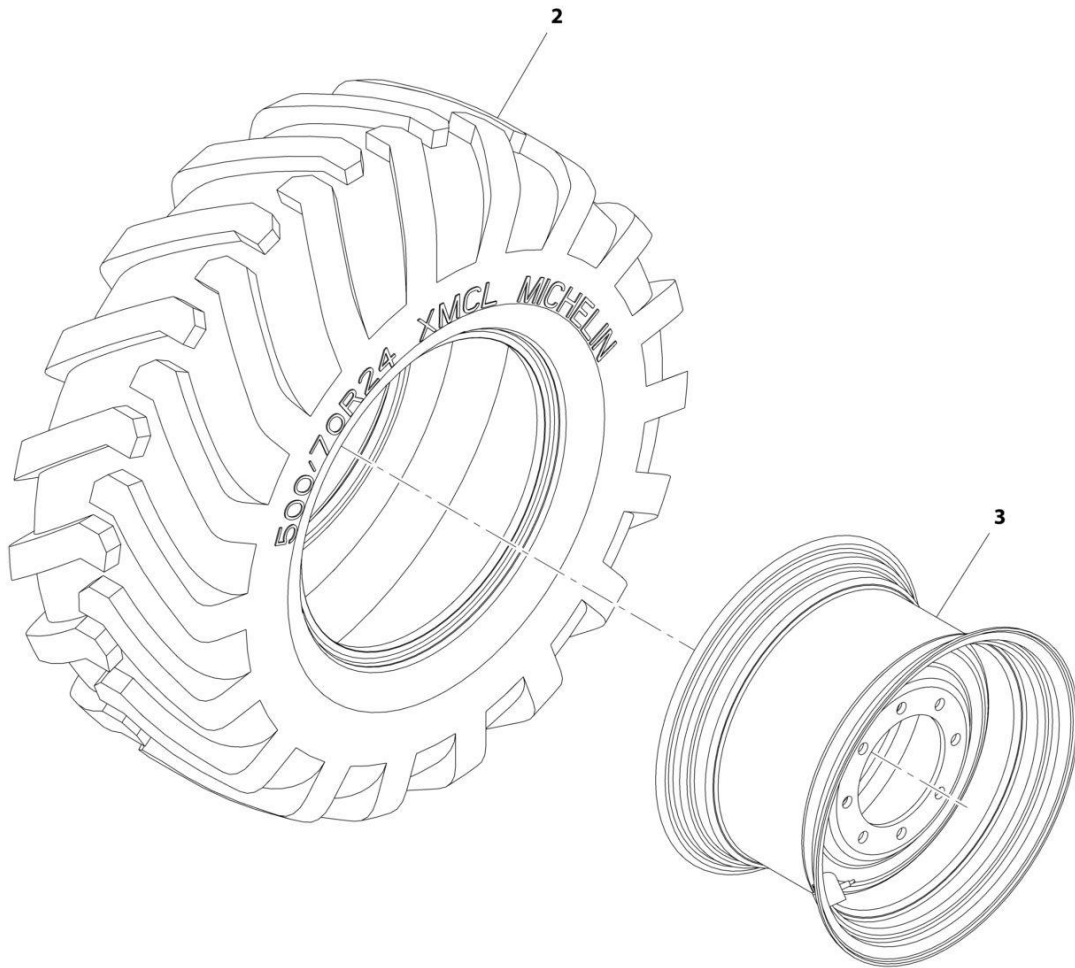
SECTION 5 - DRIVE TRAIN

FIGURE 5-71. TIRE/WHEEL SET (AIR - 500/70 R24 XMCL)

ITEM	PART NUMBER	QTY	DESCRIPTION	REV
	1001142288	1	Tire/Wheel Set (Air - 500/70 R24 XMCL)	D
1	1001127728	4	Decal	
2	1001142289	2	Assembly, Right Tire/Wheel (Air - 500/70 R24) (See Separate Breakdown in this Section)	
3	1001142290	2	Assembly, Left Tire/Wheel (Air - 500/70 R24) (See Separate Breakdown in this Section)	

SECTION 5 - DRIVE TRAIN

FIGURE 5-72. RIGHT TIRE/WHEEL ASSEMBLY (AIR - 500/70 R24)



ART_1001142289-B

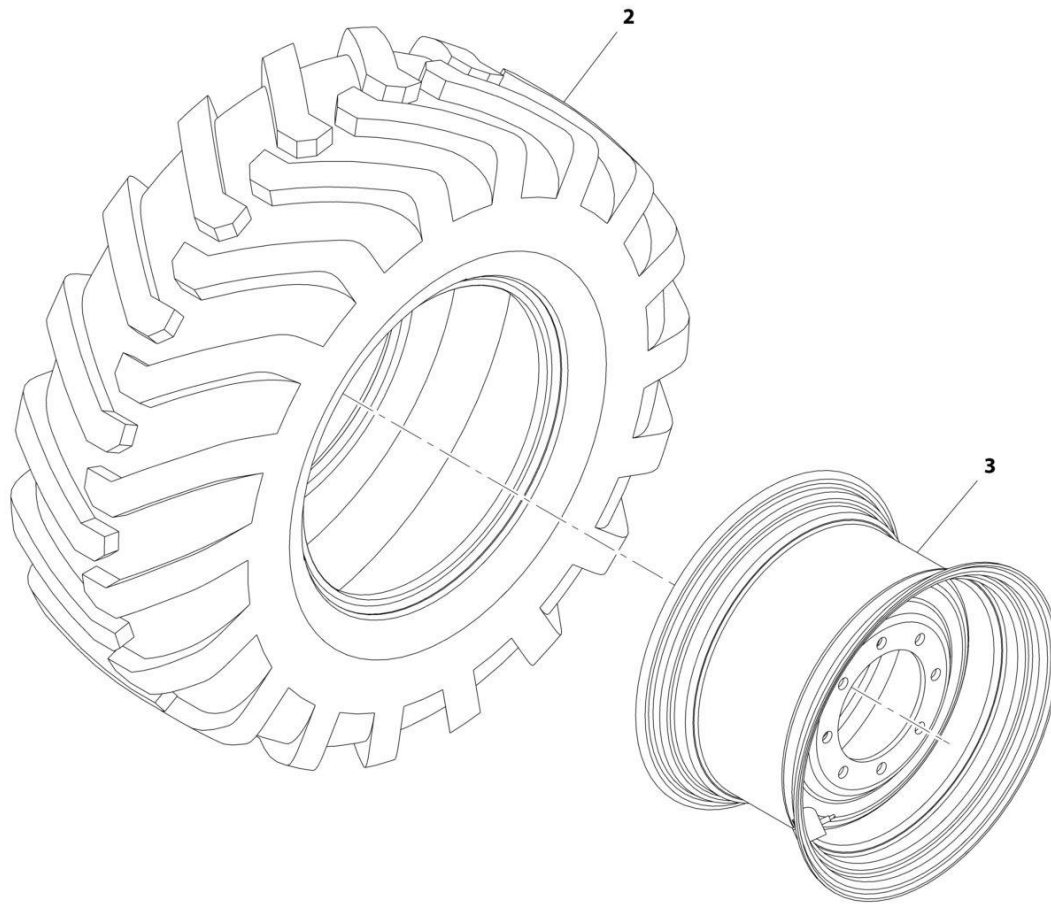
SECTION 5 - DRIVE TRAIN

FIGURE 5-72. RIGHT TIRE/WHEEL ASSEMBLY (AIR - 500/70 R24)

ITEM	PART NUMBER	QTY	DESCRIPTION	REV
	1001142289	Ref	Right Tire/Wheel Assembly (Air - 500/70 R24)	B
2	1001092009	1	Tire, 500/70 R 24 XMCL	
3	1001212598	1	Wheel, RH Rim	

SECTION 5 - DRIVE TRAIN

FIGURE 5-73. LEFT TIRE/WHEEL ASSEMBLY (AIR - 500/70 R24)



ART_1001142290-B

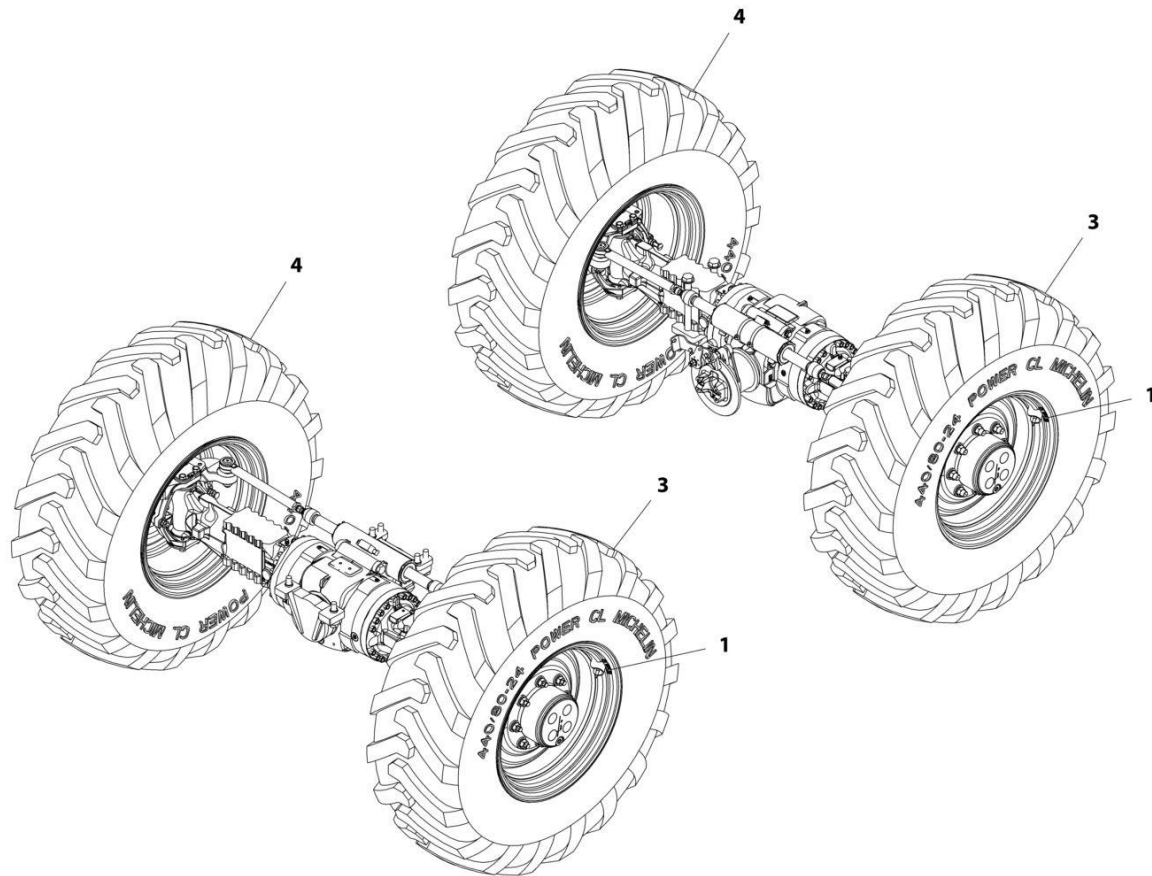
SECTION 5 - DRIVE TRAIN

FIGURE 5-73. LEFT TIRE/WHEEL ASSEMBLY (AIR - 500/70 R24)

ITEM	PART NUMBER	QTY	DESCRIPTION	REV
	1001142290	Ref	Left Tire/Wheel Assembly (Air - 500/70 R24)	B
2	1001092009	1	Tire, 500/70 R 24 XMCL	
3	1001212599	1	Wheel, LH Rim	

SECTION 5 - DRIVE TRAIN

FIGURE 5-74. TIRE/WHEEL SET (AIR - 440/80-24 POWER CL)



ART_1001142291-C

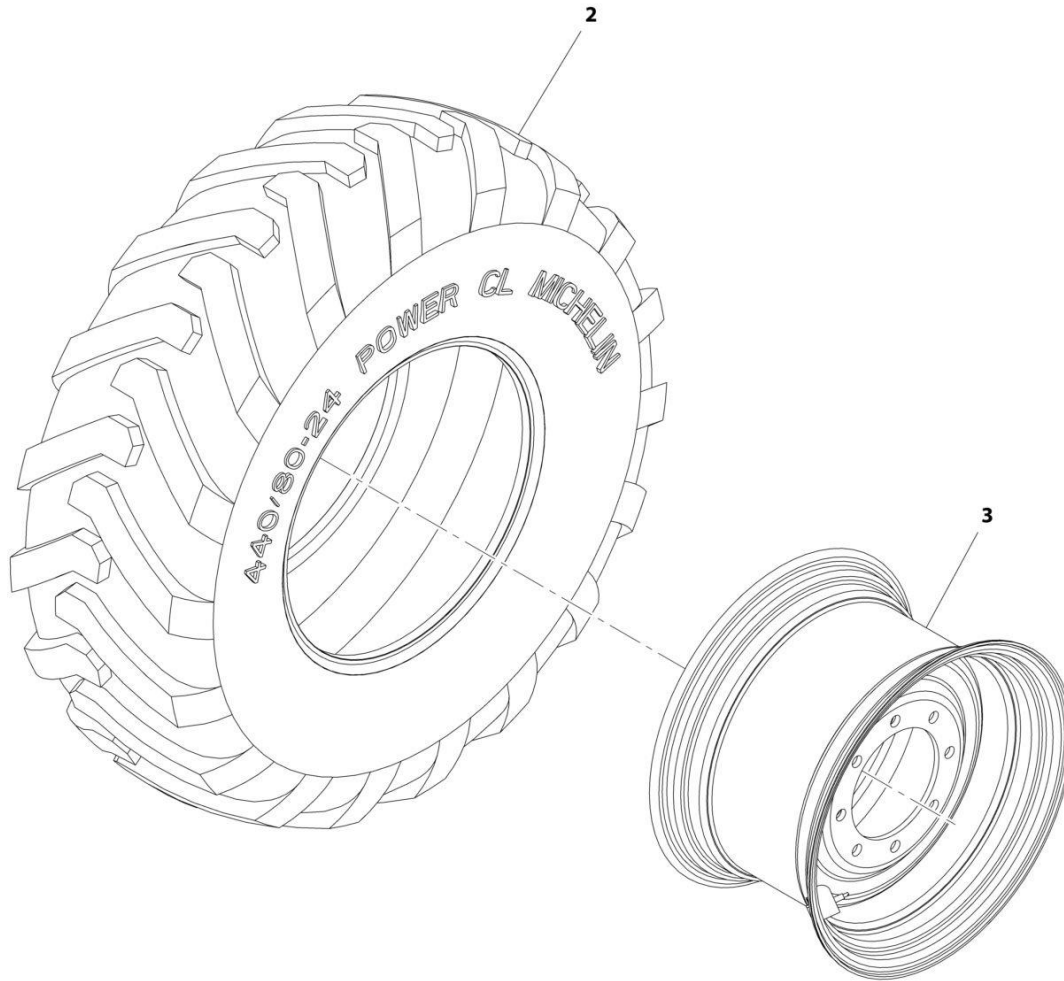
SECTION 5 - DRIVE TRAIN

FIGURE 5-74. TIRE/WHEEL SET (AIR - 440/80-24 POWER CL)

ITEM	PART NUMBER	QTY	DESCRIPTION	REV
	1001142291	1	Tire/Wheel Set (Air - 440/80-24 Power CL)	C
1	8005825	4	Label	
3	1001142292	2	Assembly, Right Tire/Wheel (Air - 440/80-24) (See Separate Breakdown in this Section)	
4	1001142293	2	Assembly, Left Tire/Wheel (Air - 440/80-24) (See Separate Breakdown in this Section)	

SECTION 5 - DRIVE TRAIN

FIGURE 5-75. RIGHT TIRE/WHEEL ASSEMBLY (AIR - 440/80-24)



ART_1001142292-B

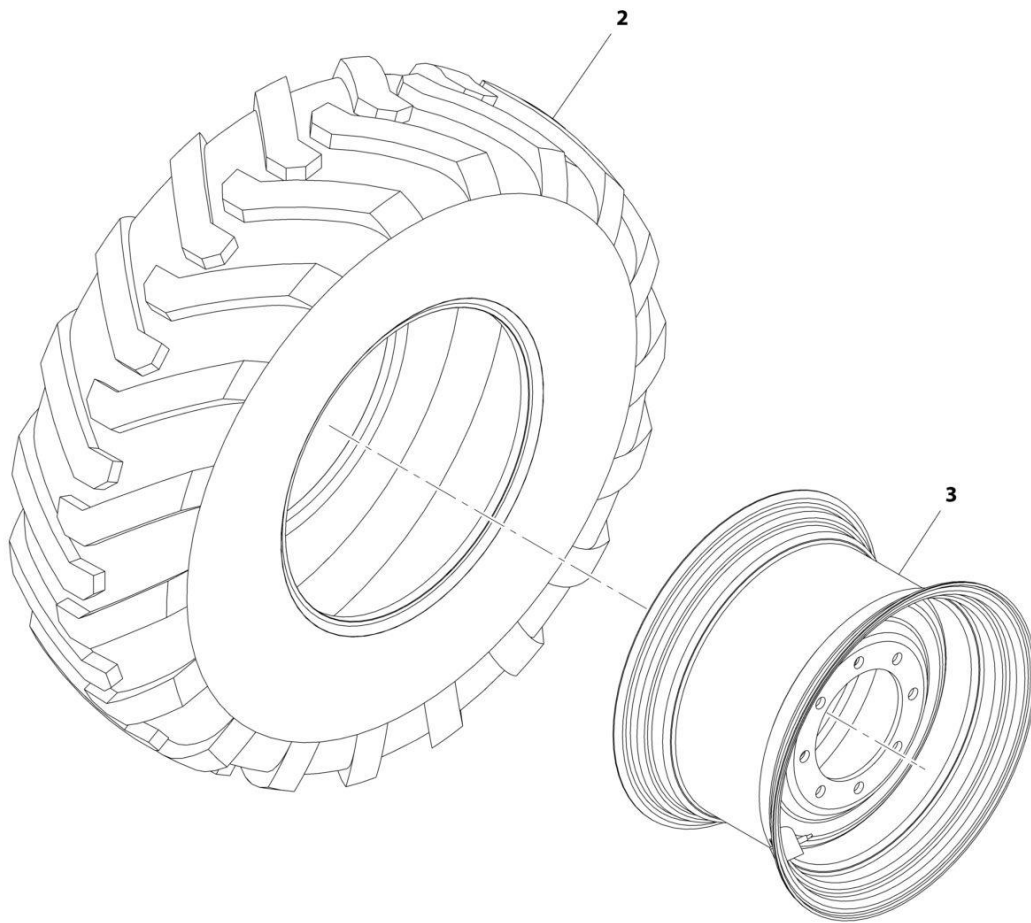
SECTION 5 - DRIVE TRAIN

FIGURE 5-75. RIGHT TIRE/WHEEL ASSEMBLY (AIR - 440/80-24)

ITEM	PART NUMBER	QTY	DESCRIPTION	REV
	1001142292	Ref	Right Tire/Wheel Assembly (Air - 440/80-24)	B
2	1001100651	1	Tire, 440/80-24 Power CL	
3	1001212600	1	Wheel, RH Rim	

SECTION 5 - DRIVE TRAIN

FIGURE 5-76. LEFT TIRE/WHEEL ASSEMBLY (AIR - 440/80-24)



ART_1001142293-B

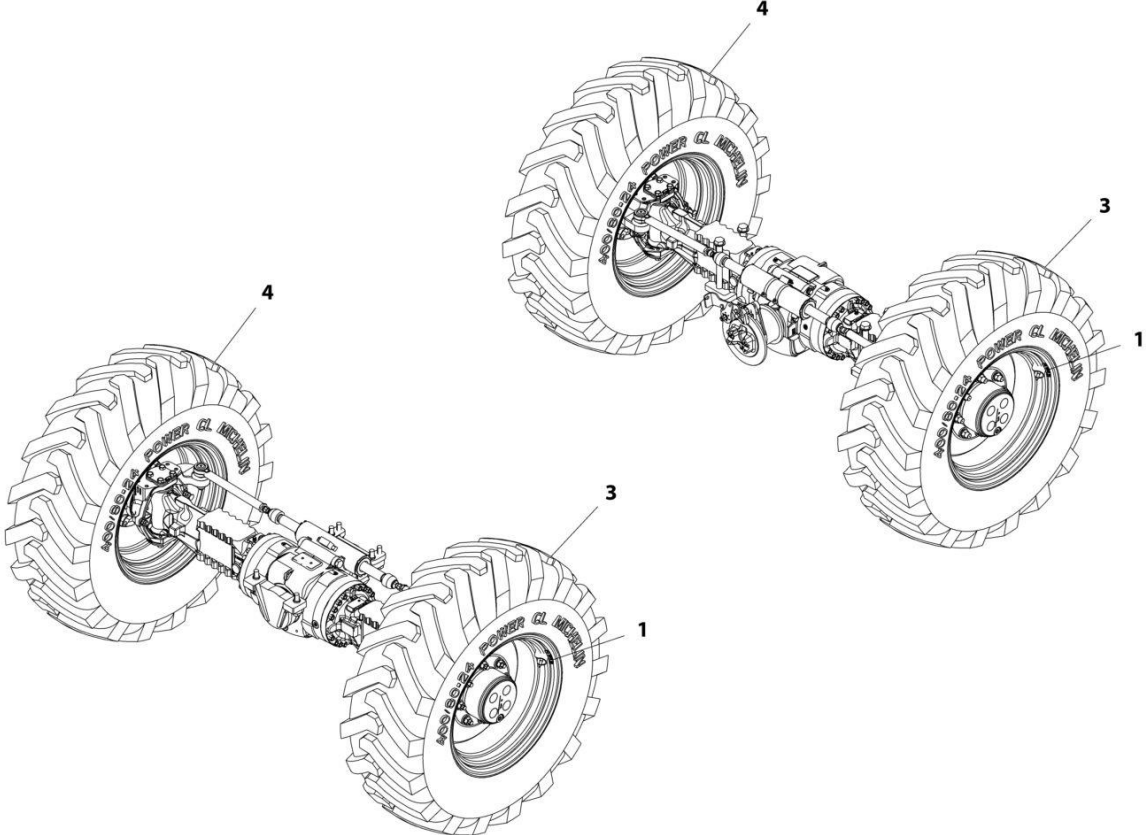
SECTION 5 - DRIVE TRAIN

FIGURE 5-76. LEFT TIRE/WHEEL ASSEMBLY (AIR - 440/80-24)

ITEM	PART NUMBER	QTY	DESCRIPTION	REV
	1001142293	Ref	Left Tire/Wheel Assembly (Air - 440/80-24)	B
2	1001100651	1	Tire, 440/80-24 Power CL	
3	1001212601	1	Wheel, LH Rim	

SECTION 5 - DRIVE TRAIN

FIGURE 5-77. TIRE/WHEEL SET (AIR - 400/80-24 POWER CL)



ART_1001142315-C

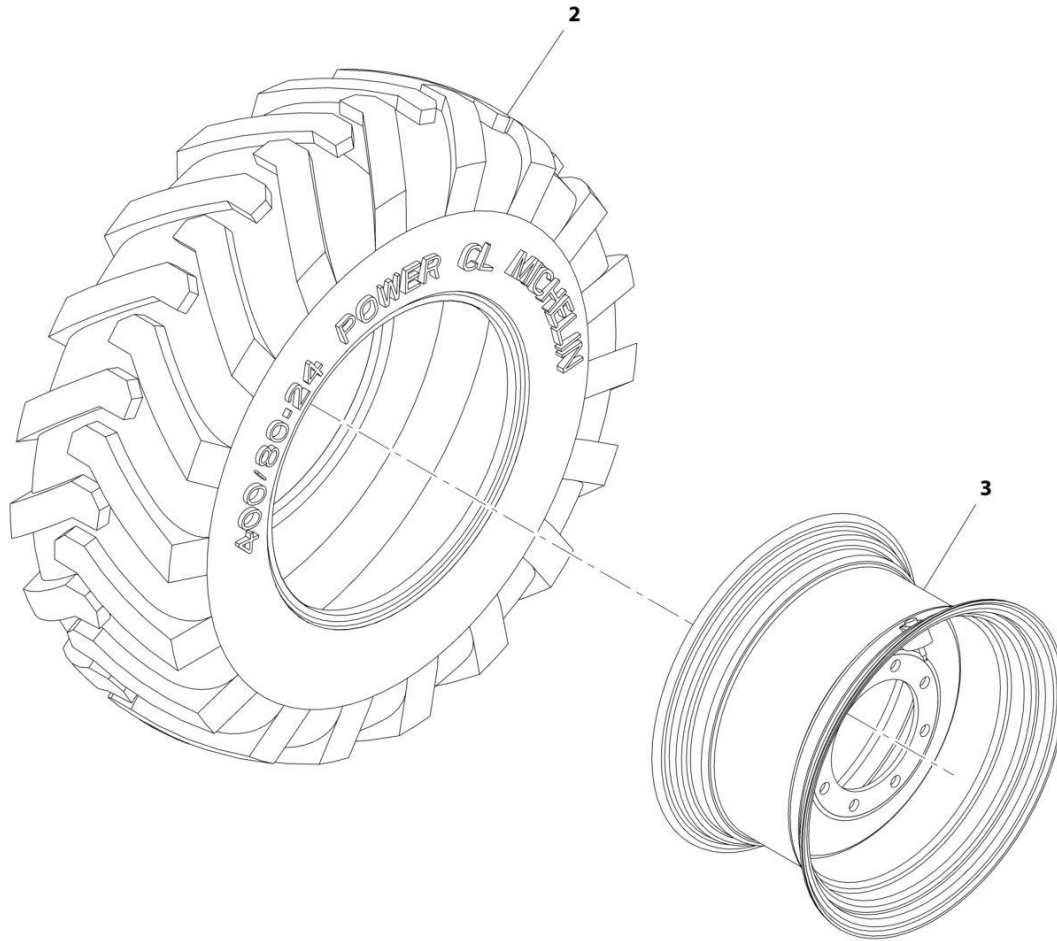
SECTION 5 - DRIVE TRAIN

FIGURE 5-77. TIRE/WHEEL SET (AIR - 400/80-24 POWER CL)

ITEM	PART NUMBER	QTY	DESCRIPTION	REV
	1001142315	1	Tire/Wheel Set (Air - 400/80-24 Power CL)	C
1	8005827	4	Label	
3	1001142281	2	Assembly, Right Tire/Wheel (Air - 400/80-24) (See Separate Breakdown in this Section)	
4	1001142316	2	Assembly, Left Tire/Wheel (Air - 400/80-24) (See Separate Breakdown in this Section)	

SECTION 5 - DRIVE TRAIN

FIGURE 5-78. RIGHT TIRE/WHEEL ASSEMBLY (AIR - 400/80-24)



ART_1001142281-B

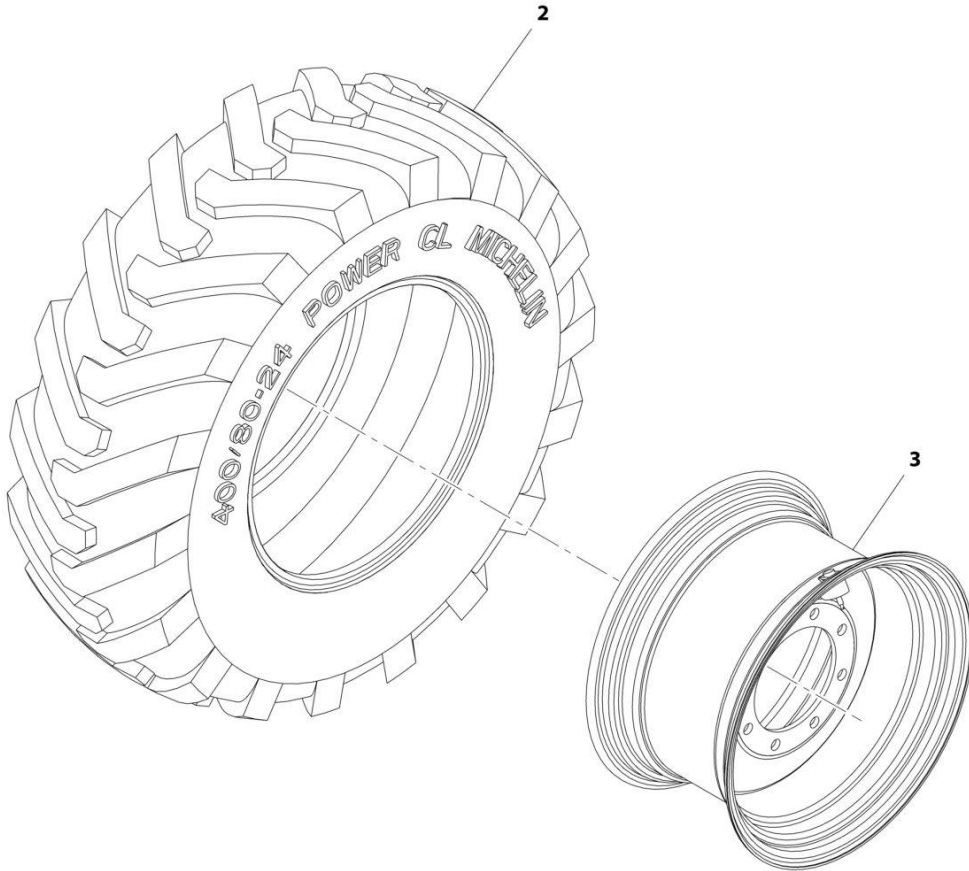
SECTION 5 - DRIVE TRAIN

FIGURE 5-78. RIGHT TIRE/WHEEL ASSEMBLY (AIR - 400/80-24)

ITEM	PART NUMBER	QTY	DESCRIPTION	REV
	1001142281	Ref	Right Tire/Wheel Assembly (Air - 400/80-24)	B
2	1001099204	1	Tire, 400/80 - 24 Power CL	
3	1001212594	1	Wheel, RH Rim	

SECTION 5 - DRIVE TRAIN

FIGURE 5-79. LEFT TIRE/WHEEL ASSEMBLY (AIR - 400/80-24)



ART_1001142316-B

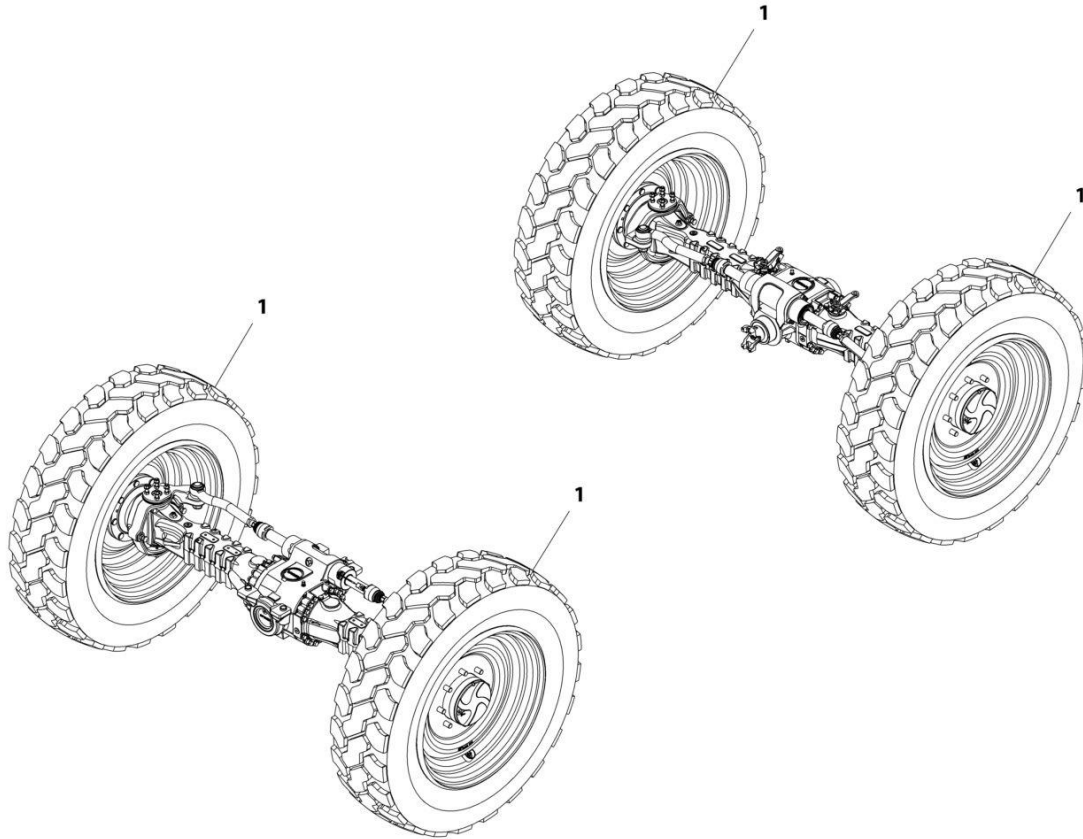
SECTION 5 - DRIVE TRAIN

FIGURE 5-79. LEFT TIRE/WHEEL ASSEMBLY (AIR - 400/80-24)

ITEM	PART NUMBER	QTY	DESCRIPTION	REV
	1001142316	Ref	Left Tire/Wheel Assembly (Air - 400/80-24)	B
2	1001099204	1	Tire, 400/80 - 24 Power CL	
3	1001212595	1	Wheel, LH Rim	

SECTION 5 - DRIVE TRAIN

FIGURE 5-80. TIRE/WHEEL SET (AIR - 370/75-28)



ART_1001179719-A

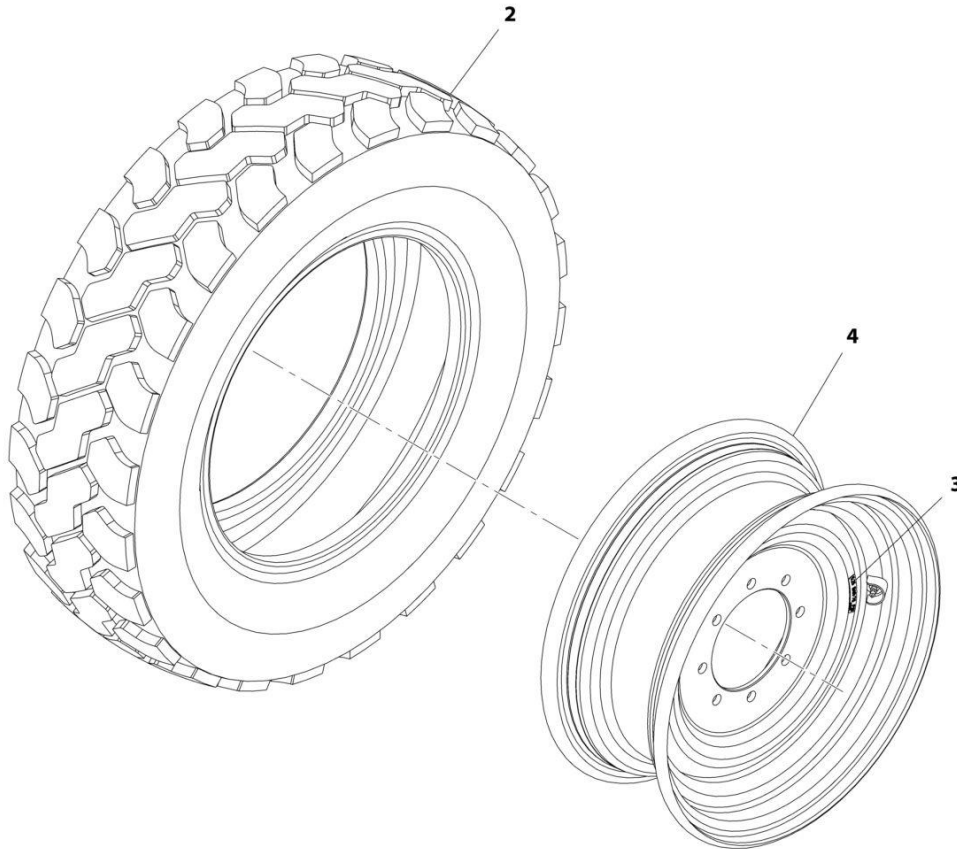
SECTION 5 - DRIVE TRAIN

FIGURE 5-80. TIRE/WHEEL SET (AIR - 370/75-28)

ITEM	PART NUMBER	QTY	DESCRIPTION	REV
1	1001179719	1	Tire/Wheel Set (Air - 370/75-28)	A
	1001196385	4	Assembly, Tire/Wheel (Air - 370/75-28 14PR) (See Separate Breakdown in this Section)	

SECTION 5 - DRIVE TRAIN

FIGURE 5-81. TIRE/WHEEL ASSEMBLY (AIR - 370/75-28)



ART_1001196385-B

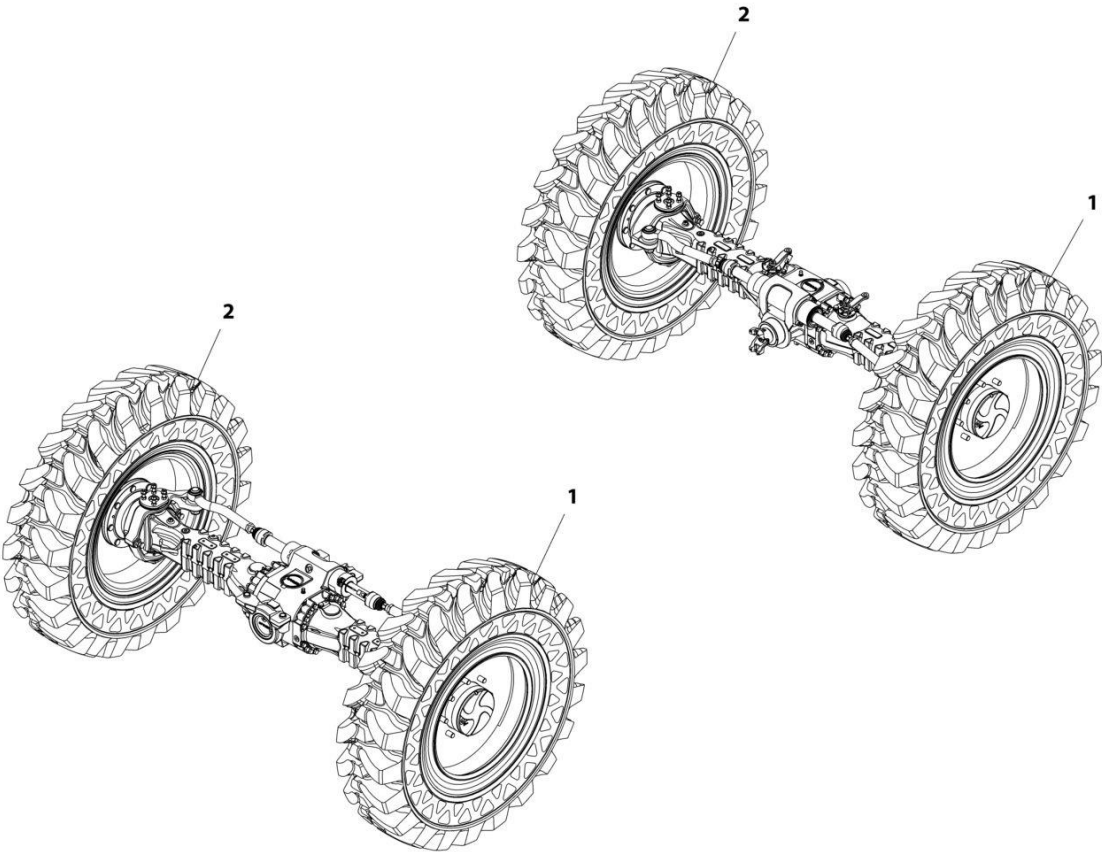
SECTION 5 - DRIVE TRAIN

FIGURE 5-81. TIRE/WHEEL ASSEMBLY (AIR - 370/75-28)

ITEM	PART NUMBER	QTY	DESCRIPTION	REV
	1001196385	Ref	Tire/Wheel Assembly (Air - 370/75-28 14PR)	B
2	1001100284	1	Tire, 370/75-28	
3	1001112923	1	Decal	
4	1001219857	1	Wheel, Rim	

SECTION 5 - DRIVE TRAIN

FIGURE 5-82. TIRE/WHEEL SET (FOAM - 13X24)



ART_100179720-A

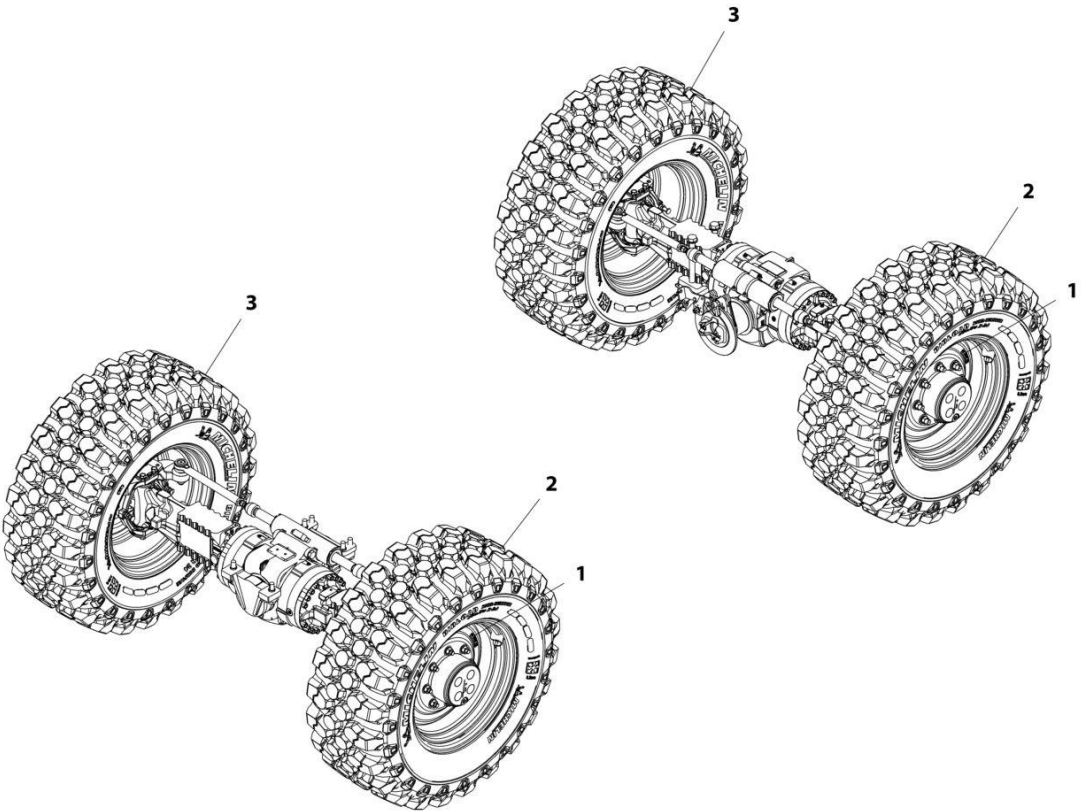
SECTION 5 - DRIVE TRAIN

FIGURE 5-82. TIRE/WHEEL SET (FOAM - 13X24)

ITEM	PART NUMBER	QTY	DESCRIPTION	REV
	1001179720	1	Tire/Wheel Set (Foam - 13X24)	A
1	1001196448J	2	Wheel, RH 13X24 Solid	
2	1001196449J	2	Wheel, LH 13X24 Solid	

SECTION 5 - DRIVE TRAIN

FIGURE 5-83. TIRE/WHEEL SET (AIR - 460/70 R24 - BIBLOAD)



ART_1001200143-A

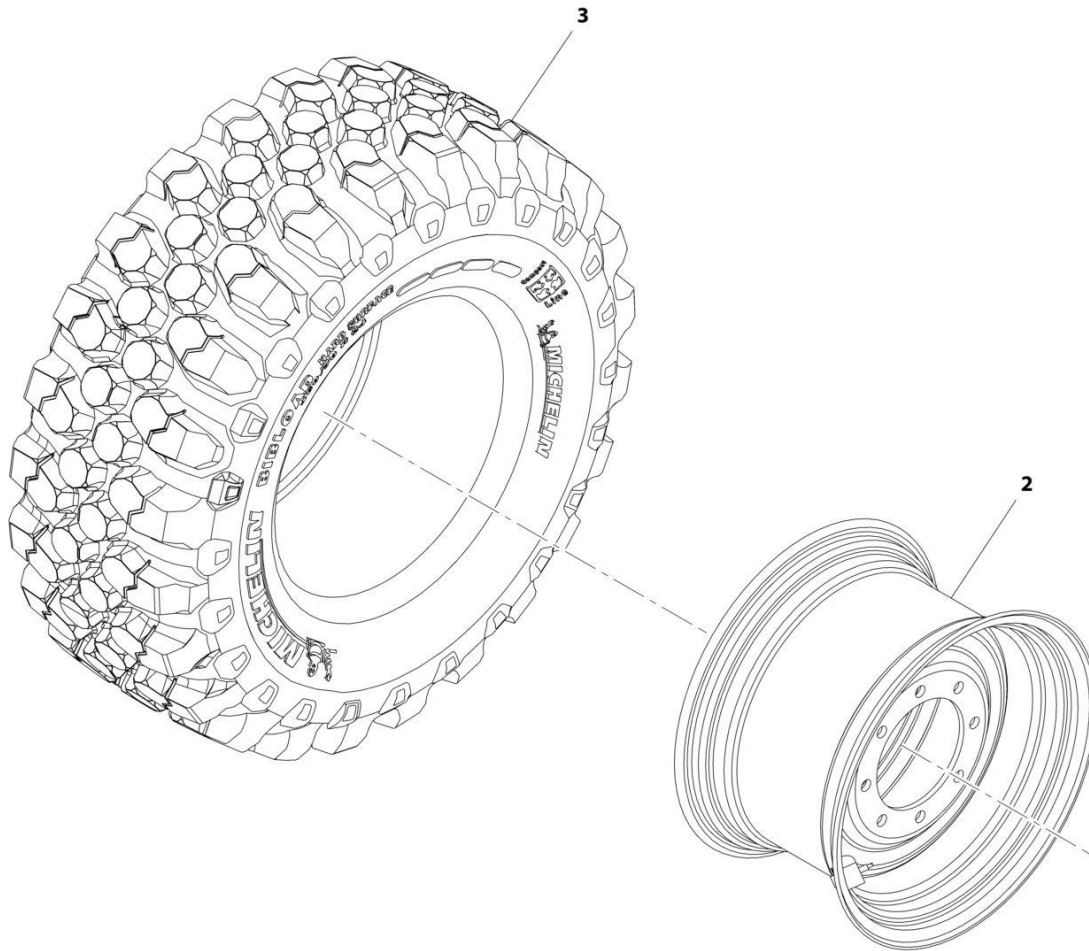
SECTION 5 - DRIVE TRAIN

FIGURE 5-83. TIRE/WHEEL SET (AIR - 460/70 R24 - BIBLOAD)

ITEM	PART NUMBER	QTY	DESCRIPTION	REV
	1001200143	1	Tire/Wheel Set (Air - 460/70 R24 - Bibload)	A
1	8005827	4	Label	
2	1001200141	2	Assembly, Right Tire/Wheel (Air - 460/70 R24 - Bibload) (See Separate Breakdown in this Section)	
3	1001200142	2	Assembly, Left Tire/Wheel (Air - 460/70 R24 - Bibload) (See Separate Breakdown in this Section)	

SECTION 5 - DRIVE TRAIN

FIGURE 5-84. RIGHT TIRE/WHEEL ASSEMBLY (AIR - 460/70 R24 - BIBLOAD)



ART_1001200141-B

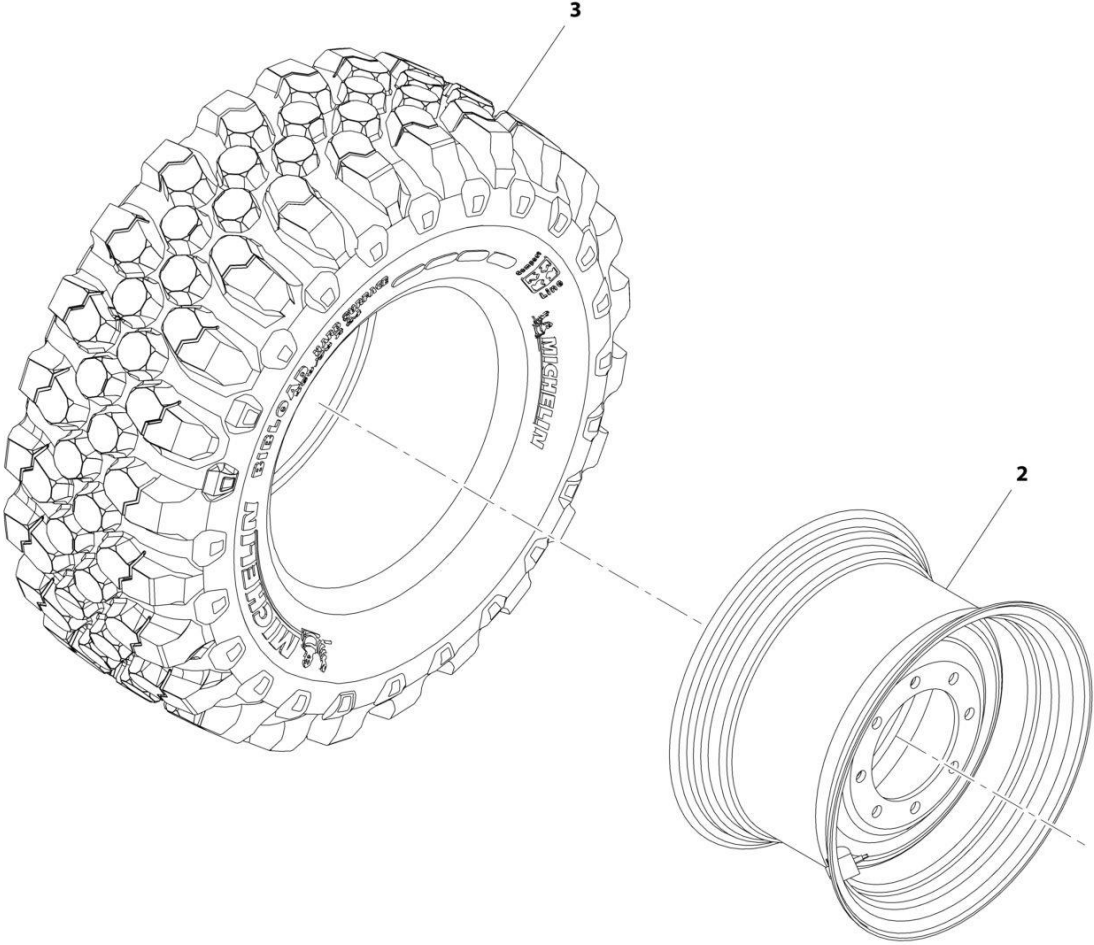
SECTION 5 - DRIVE TRAIN

FIGURE 5-84. RIGHT TIRE/WHEEL ASSEMBLY (AIR - 460/70 R24 - BIBLOAD)

ITEM	PART NUMBER	QTY	DESCRIPTION	REV
	1001200141	Ref	Right Tire/Wheel Assembly (Air - 460/70 R24 - Bibload)	B
2	1001212596	1	Wheel, RH Rim	
3	1001199390	1	Tire, 460/70 R24	

SECTION 5 - DRIVE TRAIN

FIGURE 5-85. LEFT TIRE/WHEEL ASSEMBLY (AIR - 460/70 R24 - BIBLOAD)



ART_1001200142-B

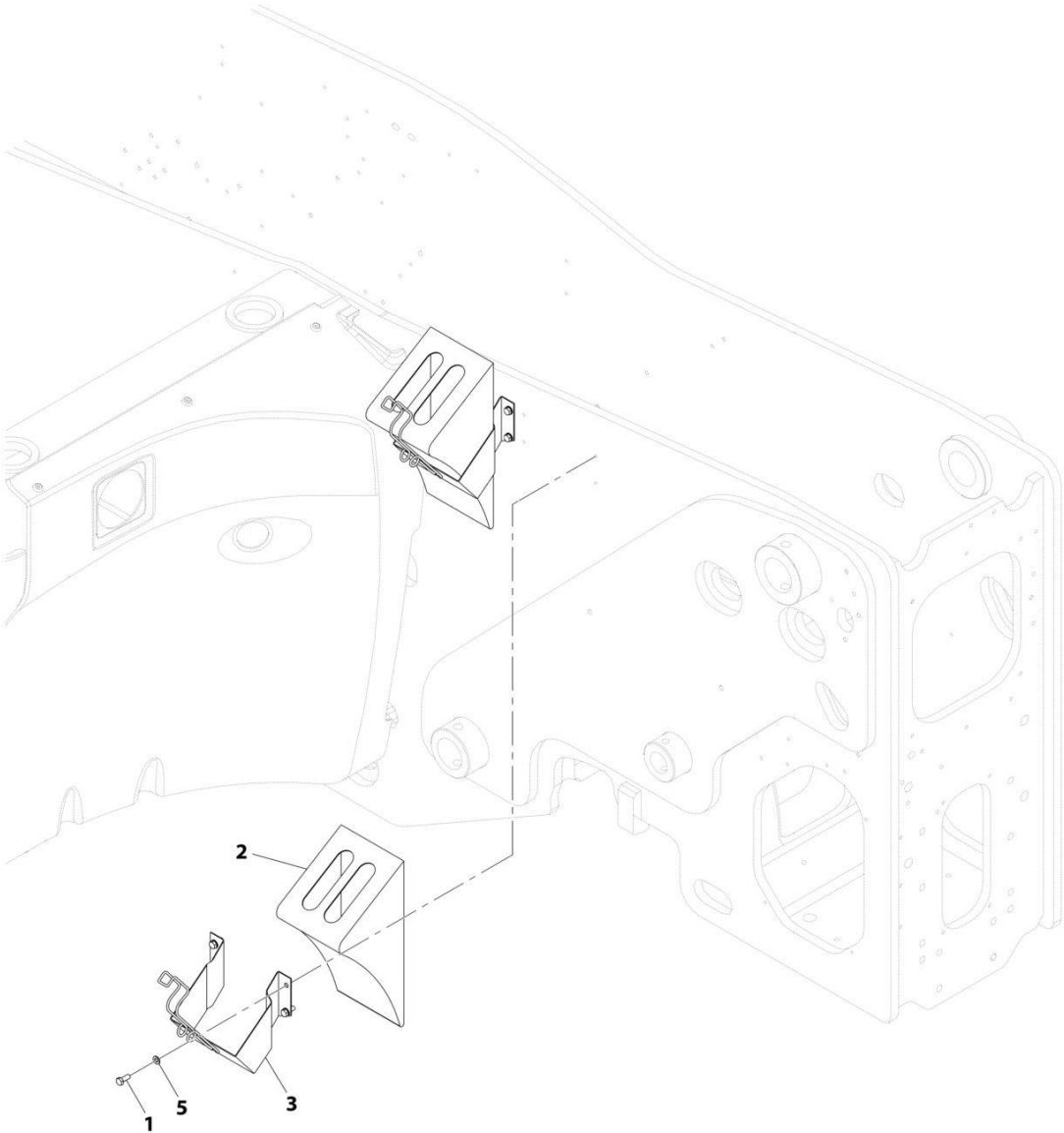
SECTION 5 - DRIVE TRAIN

FIGURE 5-85. LEFT TIRE/WHEEL ASSEMBLY (AIR - 460/70 R24 - BIBLOAD)

ITEM	PART NUMBER	QTY	DESCRIPTION	REV
	1001200142	Ref	Left Tire/Wheel Assembly (Air - 460/70 R24 - Bibload)	B
2	1001212597	1	Wheel, LH Rim	
3	1001199390	1	Tire, 460/70 R24	

SECTION 5 - DRIVE TRAIN

FIGURE 5-86. WHEEL CHOCK INSTALLATION



ART_1001180413-C

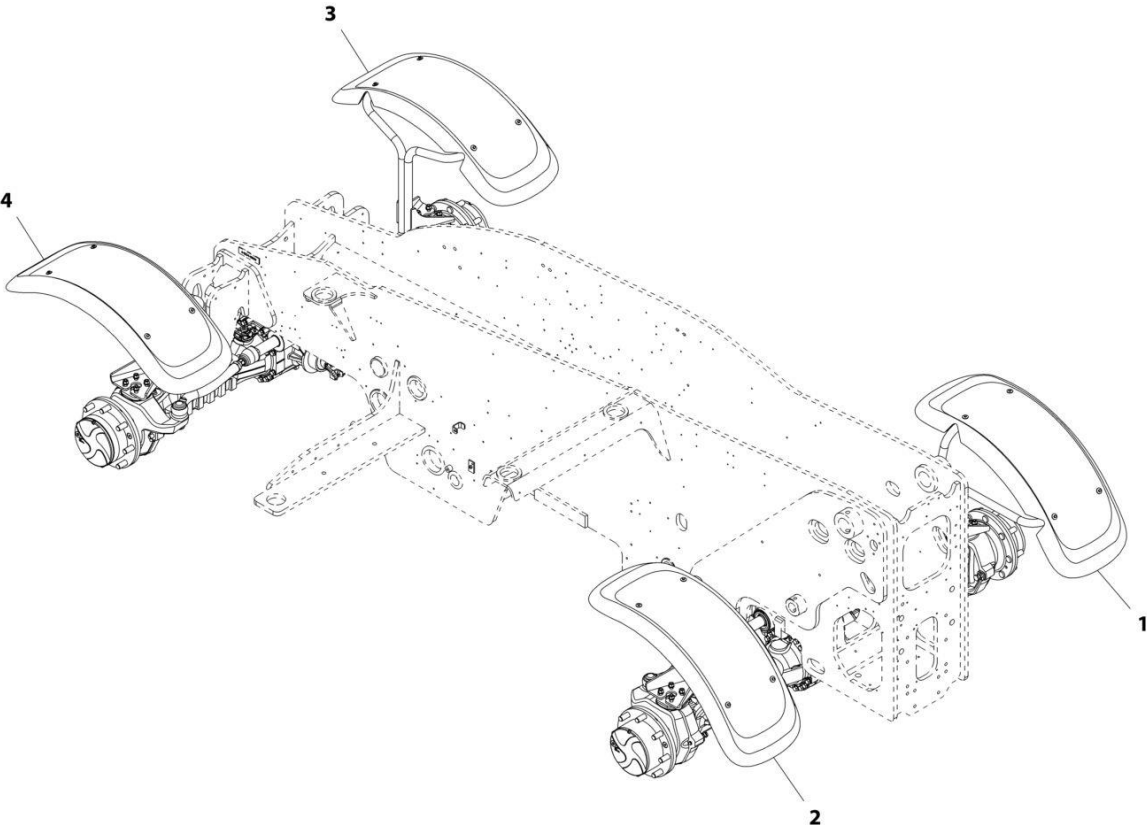
SECTION 5 - DRIVE TRAIN

FIGURE 5-86. WHEEL CHOCK INSTALLATION

ITEM	PART NUMBER	QTY	DESCRIPTION	REV
	1001180413	Ref	Wheel Chock Installation	C
1	0760810	8	Bolt, M8X20	
2	806253	2	Wedge	
3	806264	2	Holder, Wedge	
5	4811900	8	Washer, M8	

SECTION 5 - DRIVE TRAIN

FIGURE 5-87. FENDER INSTALLATION (NO AIR - 460/70 R24 XMCL, AIR - 500/70 R24 XMCL, AIR - 440/80-24 POWER CL)



ART_1001176123-C

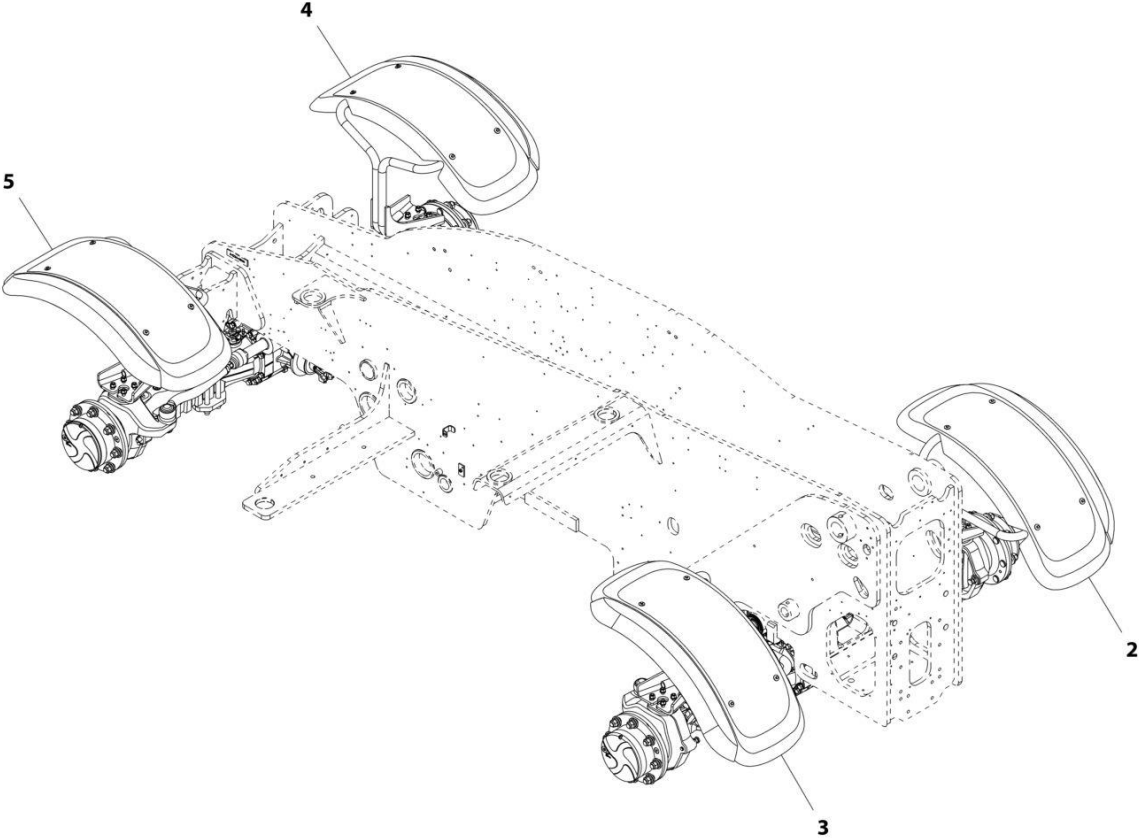
SECTION 5 - DRIVE TRAIN

FIGURE 5-87. FENDER INSTALLATION (NO AIR - 460/70 R24 XMCL, AIR - 500/70 R24 XMCL, AIR - 440/80-24 POWER CL)

ITEM	PART NUMBER	QTY	DESCRIPTION	REV
	1001176123	Ref	Fender Installation	C
1	1001176349	1	Assembly, Fender (See Separate Breakdown in this Section)	
2	1001176350	1	Assembly, Fender (See Separate Breakdown in this Section)	
3	1001176916	1	Assembly, Fender (See Separate Breakdown in this Section)	
4	1001176950	1	Assembly, Fender (See Separate Breakdown in this Section)	

SECTION 5 - DRIVE TRAIN

FIGURE 5-88. FENDER INSTALLATION (AIR - 460/70 R24 XMCL, AIR - 500/70 R24 XMCL, AIR - 440/80-24 POWER CL)



ART_1001176122-C

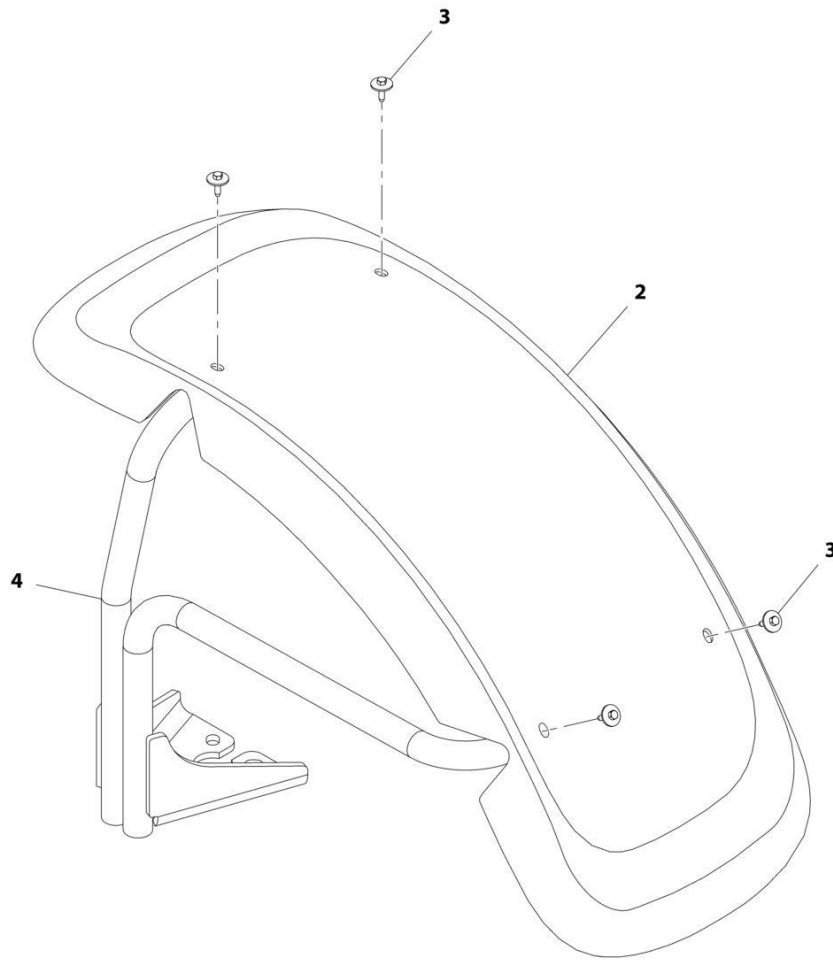
SECTION 5 - DRIVE TRAIN

FIGURE 5-88. FENDER INSTALLATION (AIR - 460/70 R24 XMCL, AIR - 500/70 R24 XMCL, AIR - 440/80-24 POWER CL)

ITEM	PART NUMBER	QTY	DESCRIPTION	REV
	1001176122	Ref	Fender Installation	C
2	1001176351	1	Assembly, Fender (See Separate Breakdown in this Section)	
3	1001176352	1	Assembly, Fender (See Separate Breakdown in this Section)	
4	1001176353	1	Assembly, Fender (See Separate Breakdown in this Section)	
5	1001176354	1	Assembly, Fender (See Separate Breakdown in this Section)	

SECTION 5 - DRIVE TRAIN

FIGURE 5-89. FENDER ASSEMBLY



ART_1001176349-B

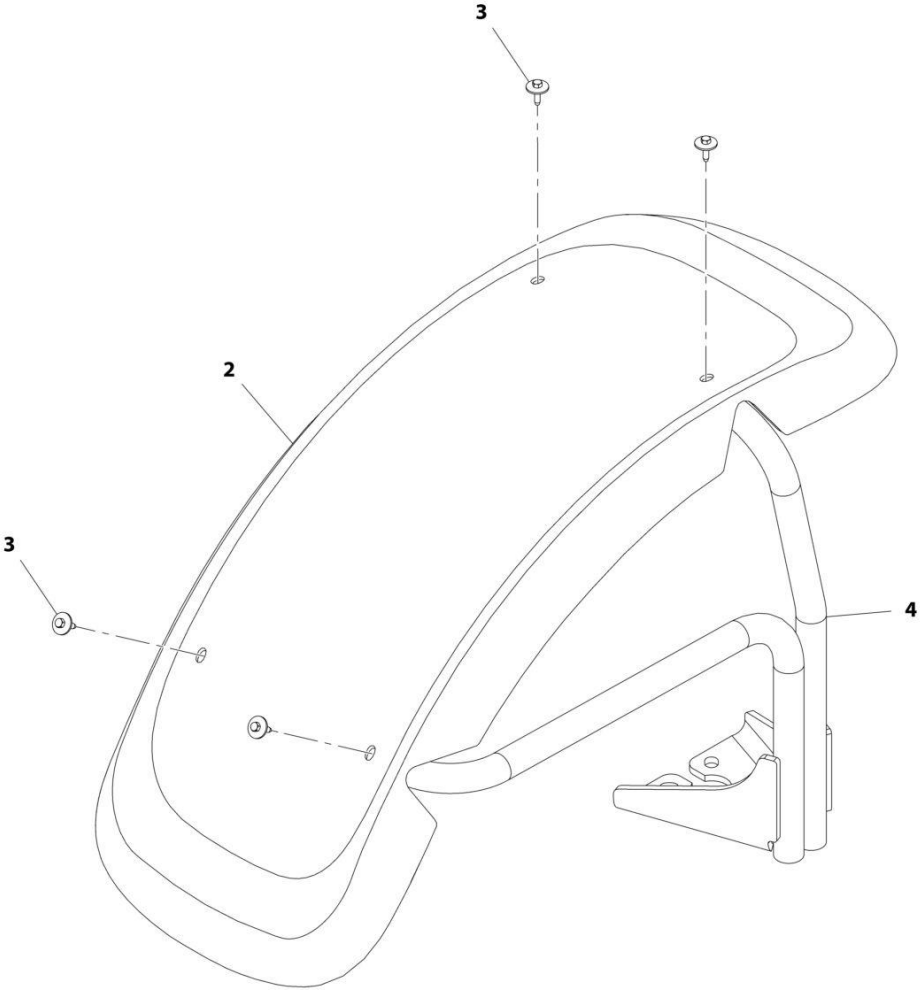
SECTION 5 - DRIVE TRAIN

FIGURE 5-89. FENDER ASSEMBLY

ITEM	PART NUMBER	QTY	DESCRIPTION	REV
	1001176349	Ref	Fender Assembly (Standard)	B
2	1001168264	1	Fender, Plastic	
3	1001170697	4	Screw, Self-Tapping	
4	1001176129	1	Bracket, Fender	

SECTION 5 - DRIVE TRAIN

FIGURE 5-90. FENDER ASSEMBLY



ART_1001176350-B

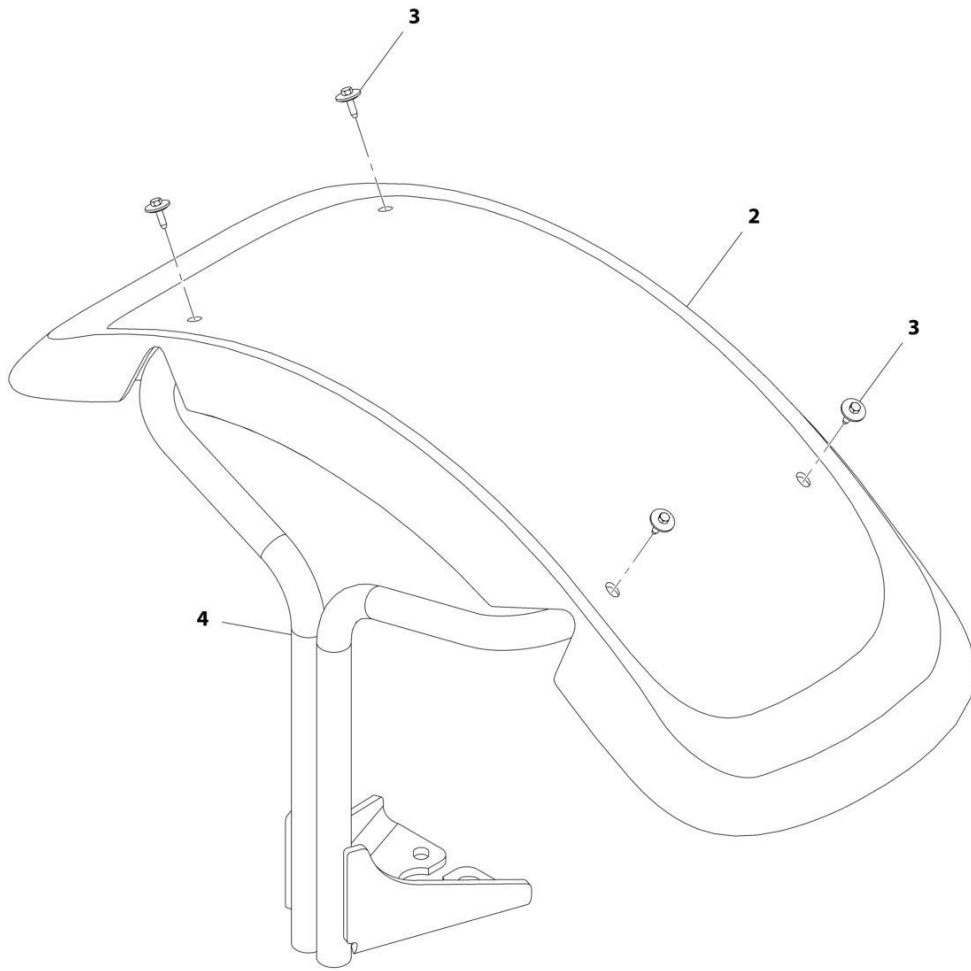
SECTION 5 - DRIVE TRAIN

FIGURE 5-90. FENDER ASSEMBLY

ITEM	PART NUMBER	QTY	DESCRIPTION	REV
	1001176350	Ref	Fender Assembly (Standard)	B
2	1001168264	1	Fender, Plastic	
3	1001170697	4	Screw, Self-Tapping	
4	1001176130	1	Bracket, Fender	

SECTION 5 - DRIVE TRAIN

FIGURE 5-91. FENDER ASSEMBLY



ART_1001176916-B

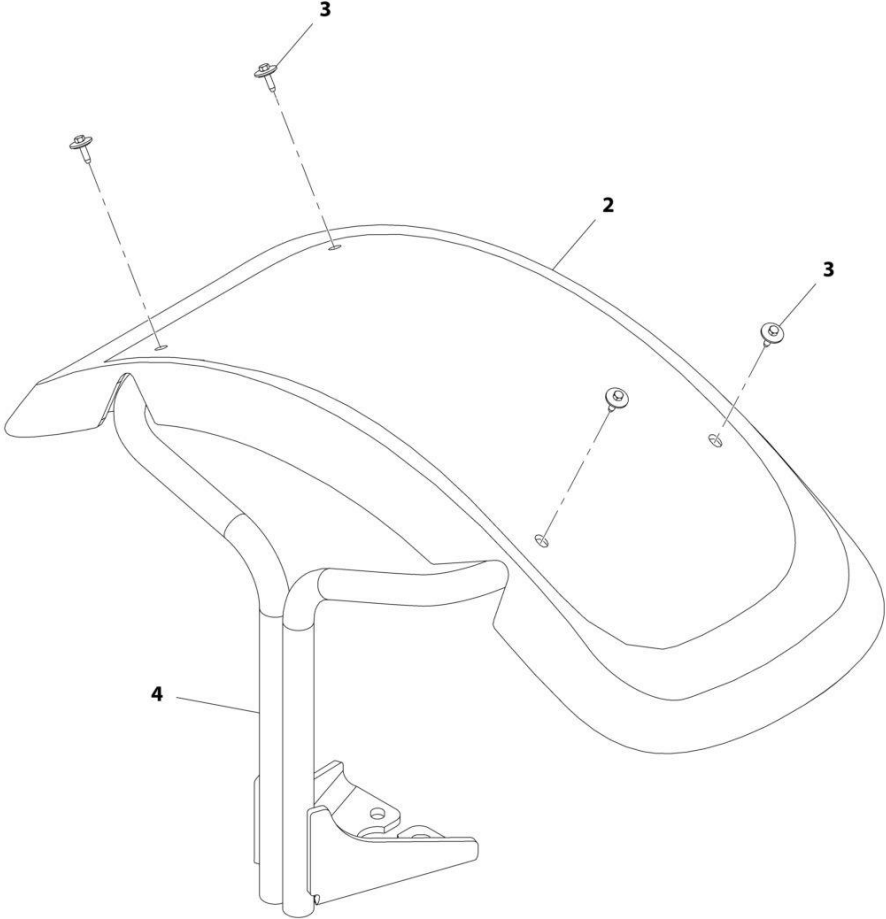
SECTION 5 - DRIVE TRAIN

FIGURE 5-91. FENDER ASSEMBLY

ITEM	PART NUMBER	QTY	DESCRIPTION	REV
	1001176916	Ref	Fender Assembly (Standard)	B
2	1001168264	1	Fender, Plastic	
3	1001170697	4	Screw, Self-Tapping	
4	1001176914	1	Bracket, Fender	

SECTION 5 - DRIVE TRAIN

FIGURE 5-92. FENDER ASSEMBLY



ART_1001176950-B

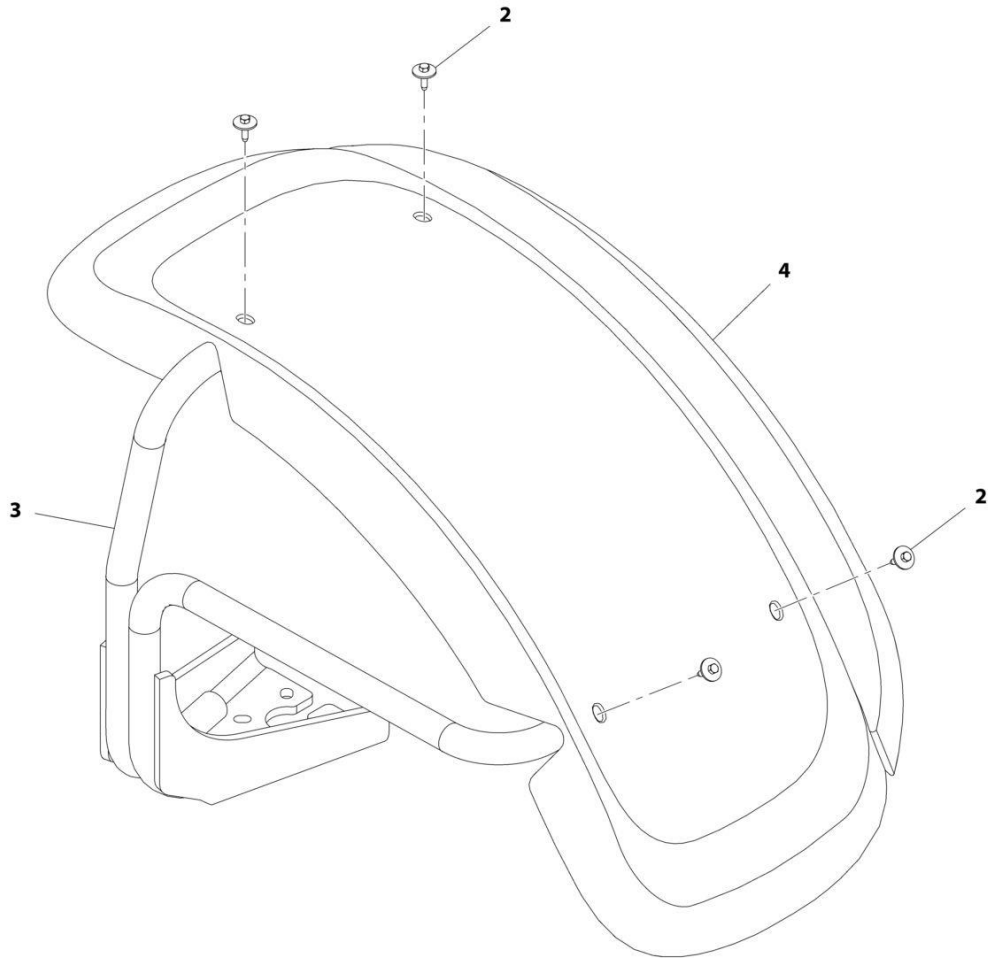
SECTION 5 - DRIVE TRAIN

FIGURE 5-92. FENDER ASSEMBLY

ITEM	PART NUMBER	QTY	DESCRIPTION	REV
	1001176950	Ref	Fender Assembly (Standard)	B
2	1001168264	1	Fender, Plastic	
3	1001170697	4	Screw, Self-Tapping	
4	1001176949	1	Bracket, Fender	

SECTION 5 - DRIVE TRAIN

FIGURE 5-93. FENDER ASSEMBLY



ART_1001176351-B

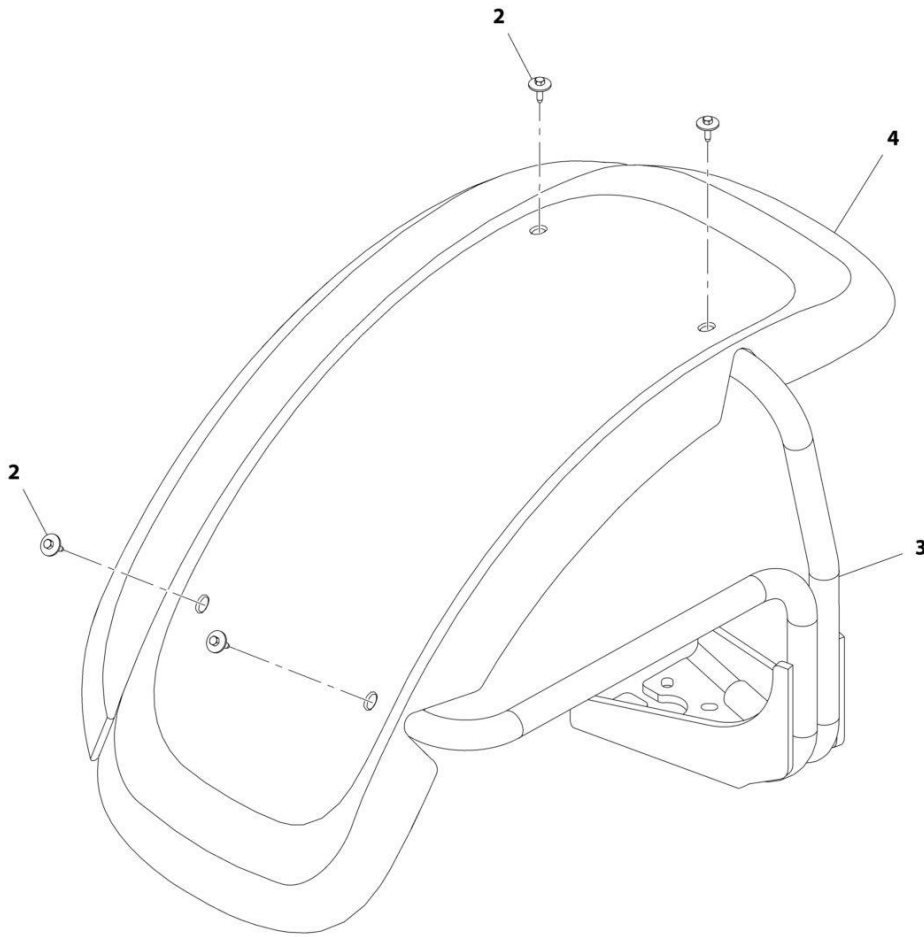
SECTION 5 - DRIVE TRAIN

FIGURE 5-93. FENDER ASSEMBLY

ITEM	PART NUMBER	QTY	DESCRIPTION	REV
	1001176351	Ref	Fender Assembly (500MM)	B
2	1001170697	4	Screw, Self-Tapping	
3	1001176125	1	Bracket, Fender	
4	1001178171	1	Fender, Plastic	

SECTION 5 - DRIVE TRAIN

FIGURE 5-94. FENDER ASSEMBLY



ART_1001176352-B

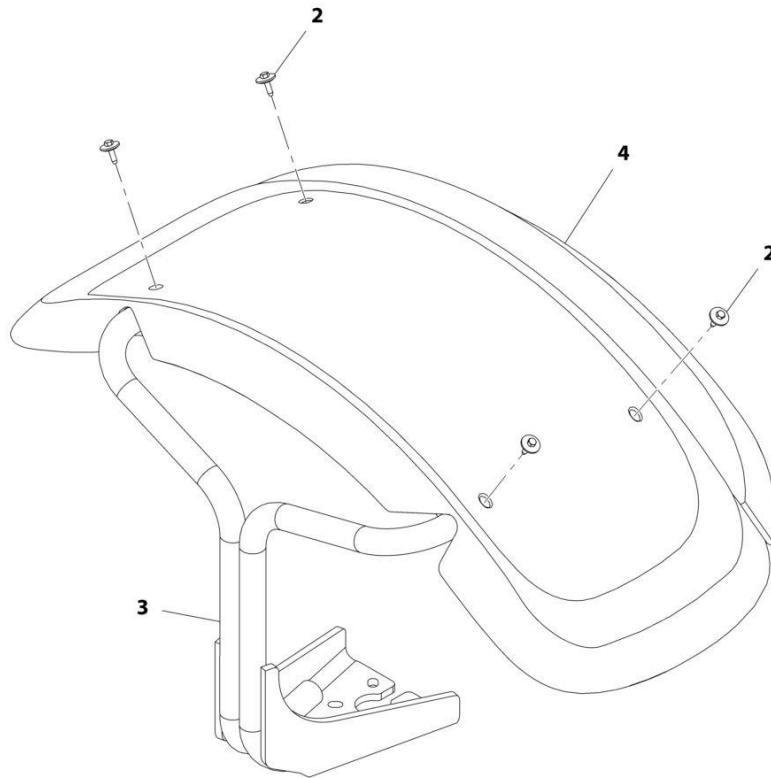
SECTION 5 - DRIVE TRAIN

FIGURE 5-94. FENDER ASSEMBLY

ITEM	PART NUMBER	QTY	DESCRIPTION	REV
	1001176352	Ref	Fender Assembly (500MM)	B
2	1001170697	4	Screw, Self-Tapping	
3	1001176126	1	Bracket, Fender	
4	1001178171	1	Fender, Plastic	

SECTION 5 - DRIVE TRAIN

FIGURE 5-95. FENDER ASSEMBLY



ART_1001176353-B

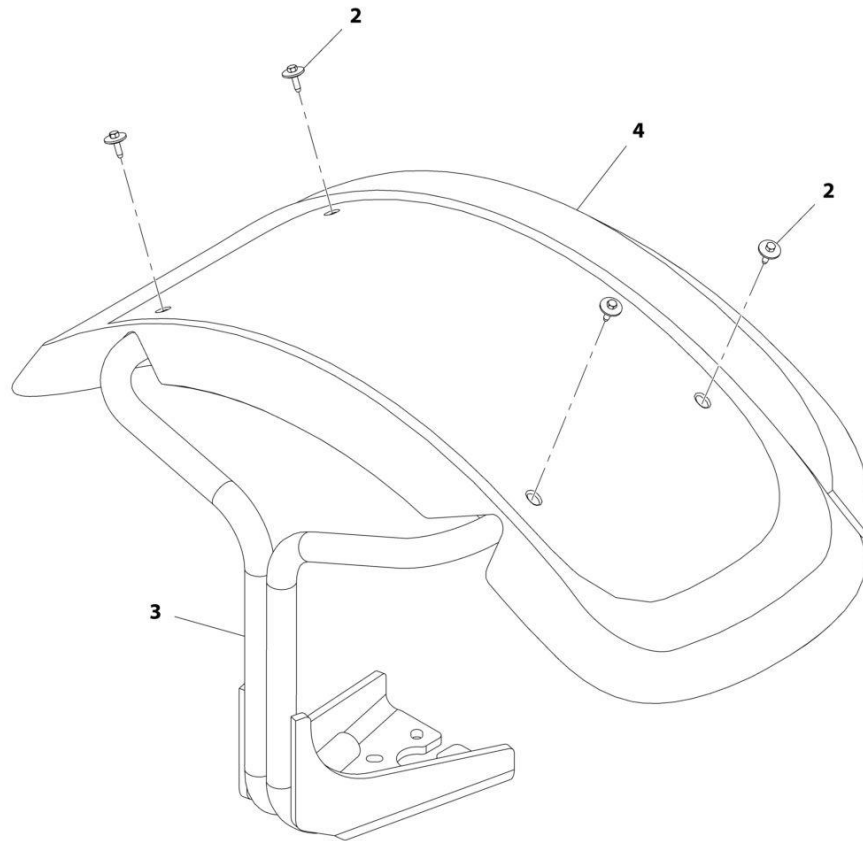
SECTION 5 - DRIVE TRAIN

FIGURE 5-95. FENDER ASSEMBLY

ITEM	PART NUMBER	QTY	DESCRIPTION	REV
	1001176353	Ref	Fender Assembly (500MM)	B
2	1001170697	4	Screw, Self-Tapping	
3	1001176127	1	Bracket, Fender	
4	1001178171	1	Fender, Plastic	

SECTION 5 - DRIVE TRAIN

FIGURE 5-96. FENDER ASSEMBLY



ART_1001176354-B

SECTION 5 - DRIVE TRAIN

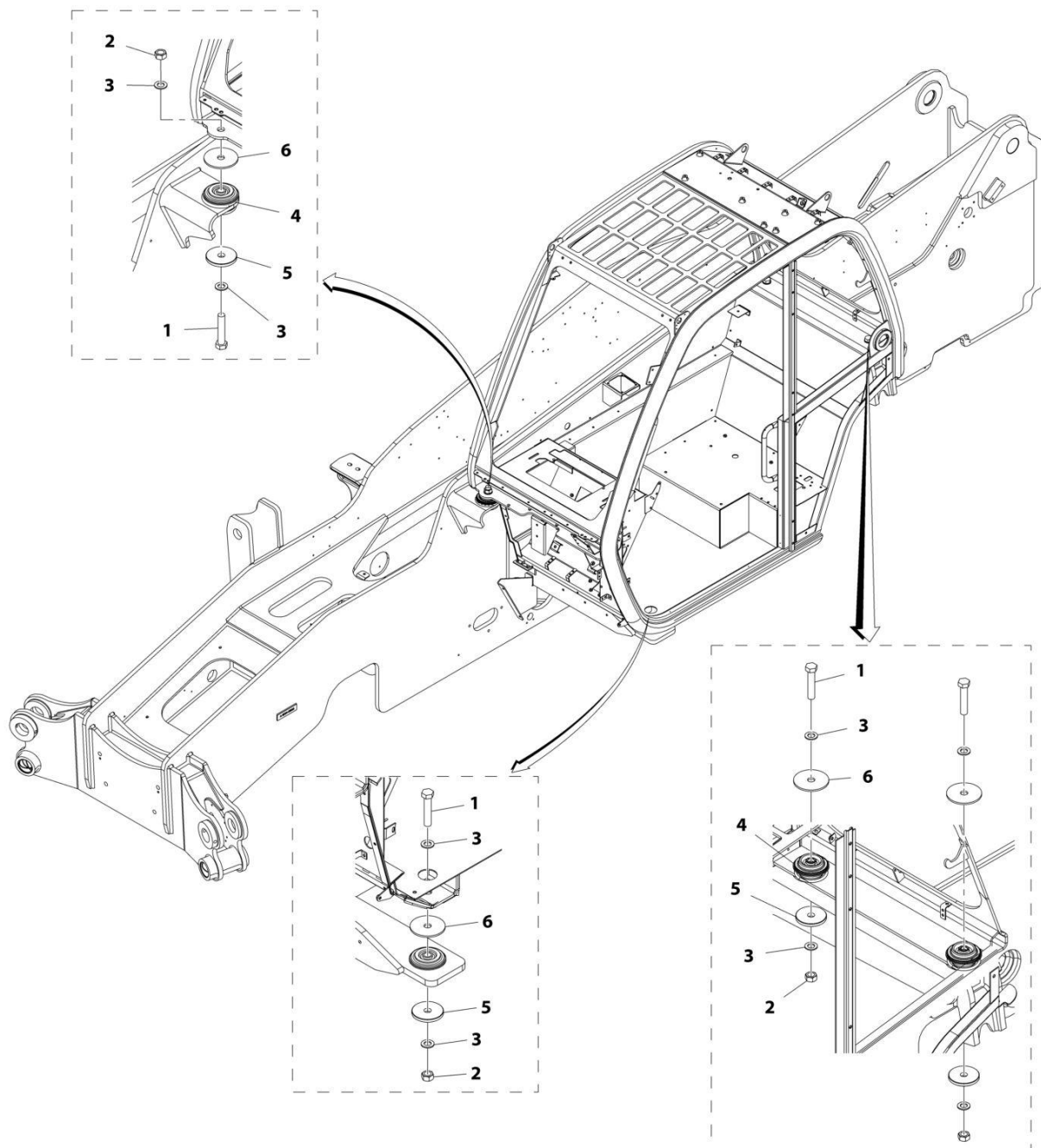
FIGURE 5-96. FENDER ASSEMBLY

ITEM	PART NUMBER	QTY	DESCRIPTION	REV
	1001176354	Ref	Fender Assembly (500MM)	B
2	1001170697	4	Screw, Self-Tapping	
3	1001176128	1	Bracket, Fender	
4	1001178171	1	Fender, Plastic	

SECTION 6 - CAB

SECTION 6 - CAB

FIGURE 6-1. CAB MOUNTS INSTALLATION



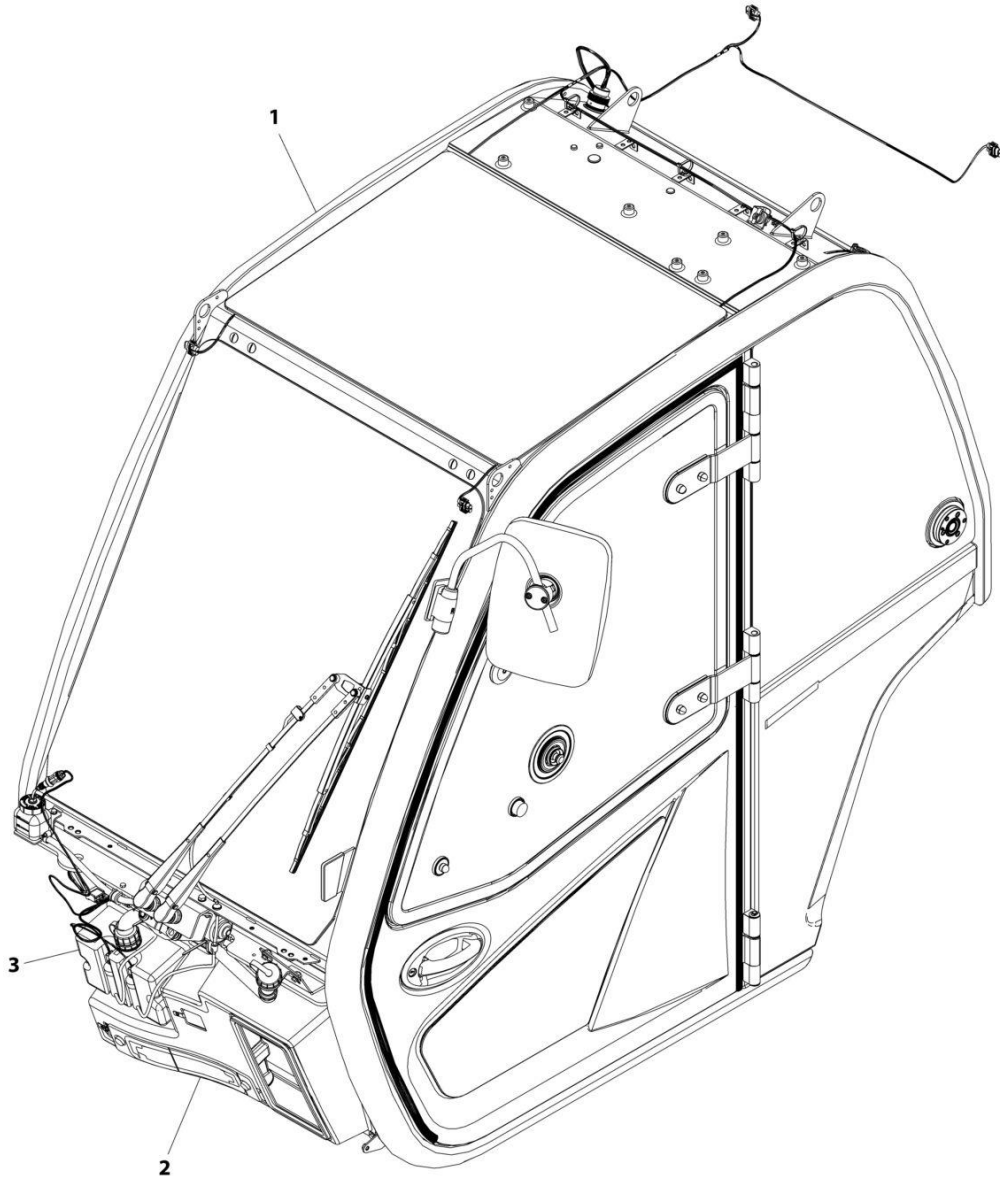
ART_1001155446-E

FIGURE 6-1. CAB MOUNTS INSTALLATION

ITEM	PART NUMBER	QTY	DESCRIPTION	REV
	1001155446	Ref	Cab Mounts Installation	E
1	0712027	4	Bolt, M20X100	
2	3332011	4	Nut, M20X2.5	
3	4812500	8	Washer, M20	
4	1001166754	4	Mount, Cab Isolation	
5	1001166755	4	Washer, Cab Rebound	
6	1001220540	4	Washer, Cab Mount	

SECTION 6 - CAB

FIGURE 6-2. ENCLOSED CAB INSTALLATION



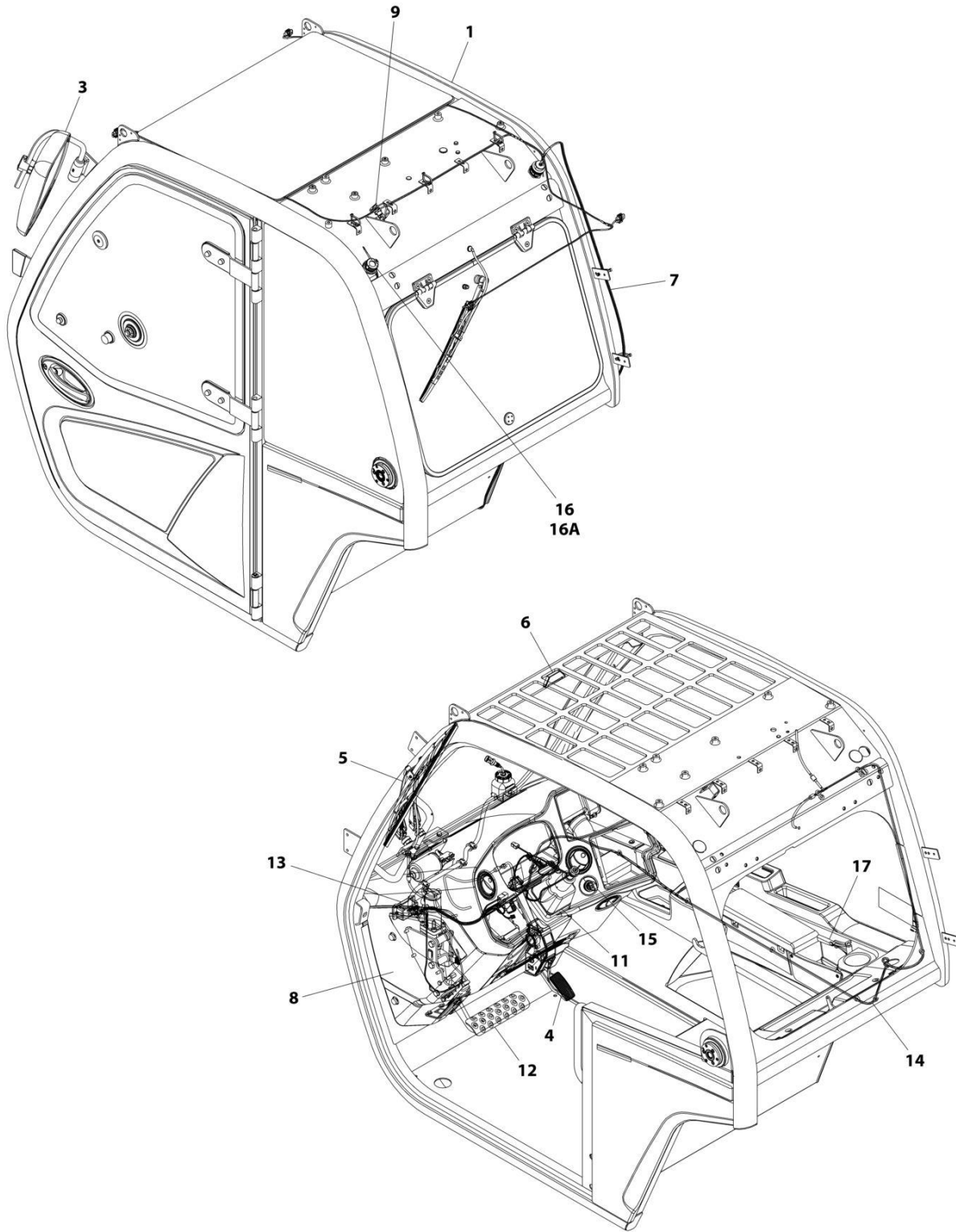
ART_1001202086-D

FIGURE 6-2. ENCLOSED CAB INSTALLATION

ITEM	PART NUMBER	QTY	DESCRIPTION	REV
1	1001202086	Ref	Enclosed Cab Installation	D
	1001196531	Ref	Assembly, Enclosed Cab (JLG) (See Separate Breakdown in this Section)	
2	1001170366	Ref	Installation, Front Cover (See Separate Breakdown in this Section)	
3	1001201027	Ref	Installation, Washer Tank (See Separate Breakdown in this Section)	

SECTION 6 - CAB

FIGURE 6-3. ENCLOSED CAB ASSEMBLY



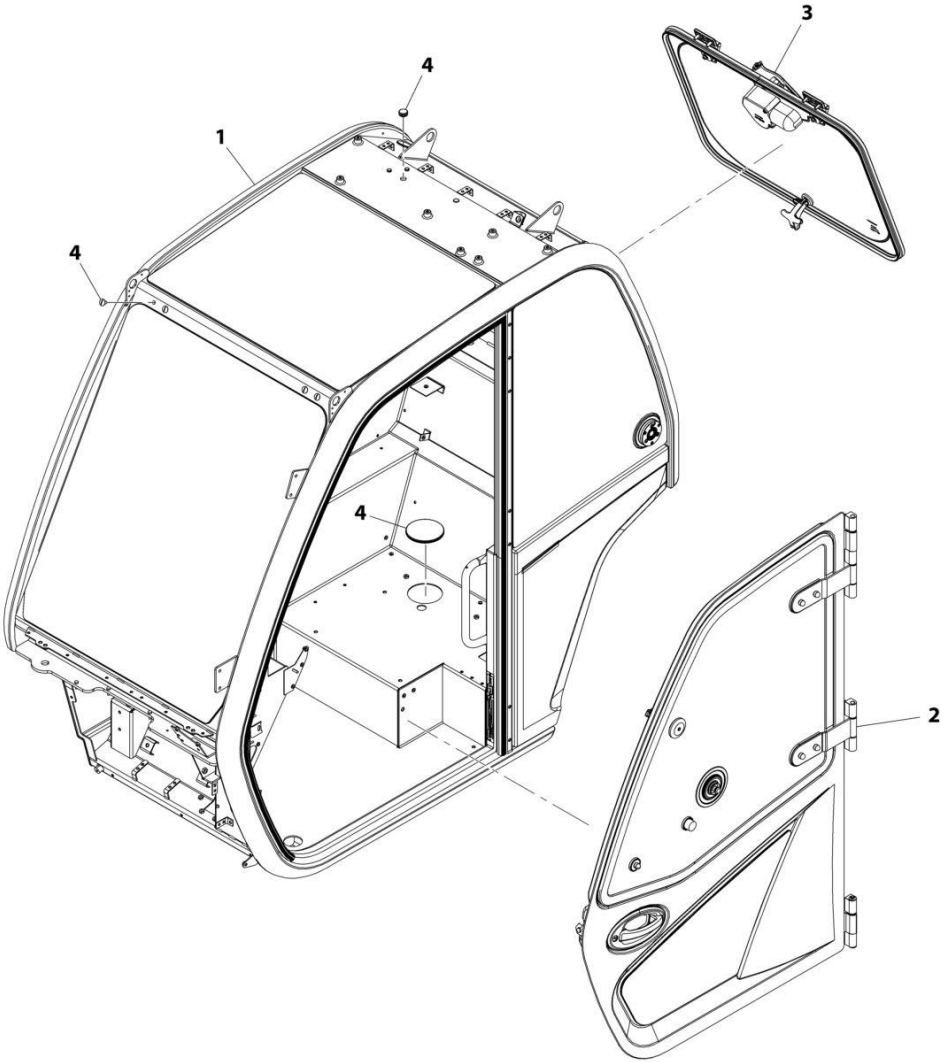
ART_1001196531

FIGURE 6-3. ENCLOSED CAB ASSEMBLY

ITEM	PART NUMBER	QTY	DESCRIPTION	REV
	1001196531	Ref	Enclosed Cab Assembly	S
1	1001168152	Ref	Group, Enclosed Cab (JLG) (See Separate Breakdown in this Section)	
3	1001230435	Ref	Installation, Interior Mirror (See Separate Breakdown in this Section)	
4	1001161499	Ref	Installation, Accelerator Pedal (See Separate Breakdown in CONTROLS Section)	
5	1001155447	Ref	Installation, Front Wiper (See Separate Breakdown in this Section)	
6	1001172401	Ref	Installation, Level Indicator (See Separate Breakdown in this Section)	
7	1001184069	Ref	Installation, Cab Electrical (See Separate Breakdown in ELECTRICAL Section)	
8	1001167981	Ref	Installation, Enclosed Cab Trim (See Separate Breakdown in this Section)	
9	1001218856	Ref	Installation, Beacon Bracket (See Separate Breakdown in this Section)	
11	1001229534	Ref	Installation, Steering Column Tilt (See Separate Breakdown in CONTROLS Section)	
12	1001188262	Ref	Installation, Brake Pedal (See Separate Breakdown in this Section)	
13	1001201340	Ref	Installation, Cab Heater Harness (See Separate Breakdown in this Section)	
14	1001201520	Ref	Installation, Washer Hoses (See Separate Breakdown in this Section)	
15	1001208518	Ref	Installation, Ignition Switch (JLG) (See Separate Breakdown in ELECTRICAL Section)	
16	1001201161	Ref	Installation, Telematics Cap	
16A	1001201162	1	Cap	
17	1001210628	Ref	Installation, Hammer (See Separate Breakdown in this Section)	

SECTION 6 - CAB

FIGURE 6-4. ENCLOSED CAB GROUP



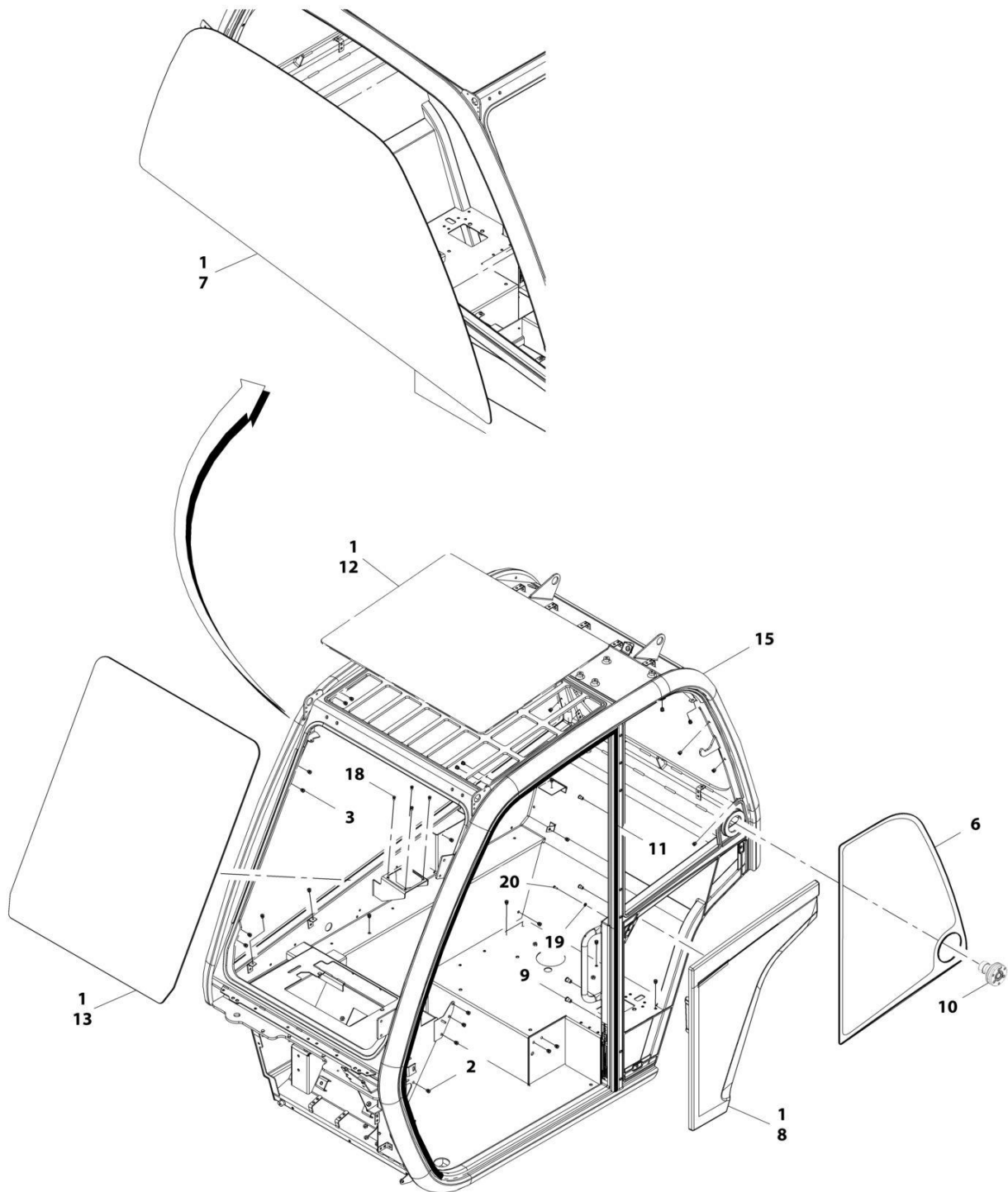
ART_1001168152

FIGURE 6-4. ENCLOSED CAB GROUP

ITEM	PART NUMBER	QTY	DESCRIPTION	REV
	1001168152	Ref	Enclosed Cab Group	1
1	1001173641	Ref	Cab, Enclosed (JLG) (See Separate Breakdown in this Section)	
2	1001155228	Ref	Installation, Door (JLG) (See Separate Breakdown in this Section)	
3	1001178678	Ref	Installation, Rear Window (See Separate Breakdown in this Section)	
4	1001170603	Ref	Group, Enclosed Cab Plug (See Separate Breakdown in this Section)	

SECTION 6 - CAB

FIGURE 6-5. ENCLOSED CAB



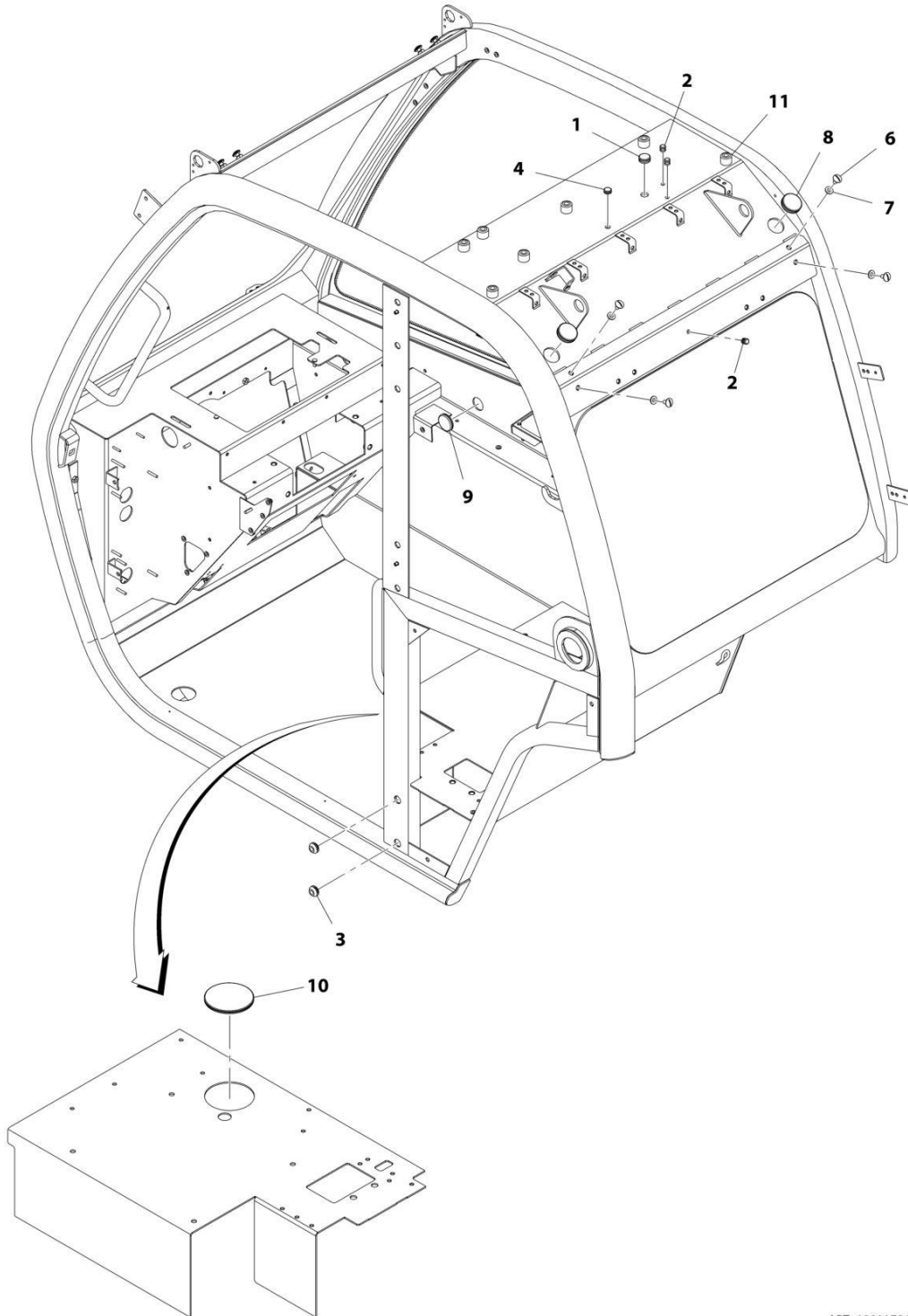
ART_1001173641-H

FIGURE 6-5. ENCLOSED CAB

ITEM	PART NUMBER	QTY	DESCRIPTION	REV
	1001173641	Ref	Enclosed Cab	H
1	1001111317	AR	Compound, Locking	
2	2080086	27	Rivnut, M6X1	
3	2080087	16	Rivnut, M8X1.25	
6	1001152915	1	Glass, LH Screen	
7	1001152947	1	Glass, RH Screen	
8	1001229319	1	Panel, Cab Quarter	
9	1001172193	2	Rivnut, M5X0.8	
10	1001174320	1	Latch, Top Window	
11	1001227186	1	Seal, Cab Door	
12	1001178159	1	Glass, Roof Laminated	
13	1001178160	1	Glass, Front Laminated	
15	1001225176	1	Weldment, Cab	
18	1001195878	7	Rivnut, M5X0.8	
19	4811700	3	Washer, M6	
20	0750804	3	Screw	

SECTION 6 - CAB

FIGURE 6-6. ENCLOSED CAB PLUG GROUP



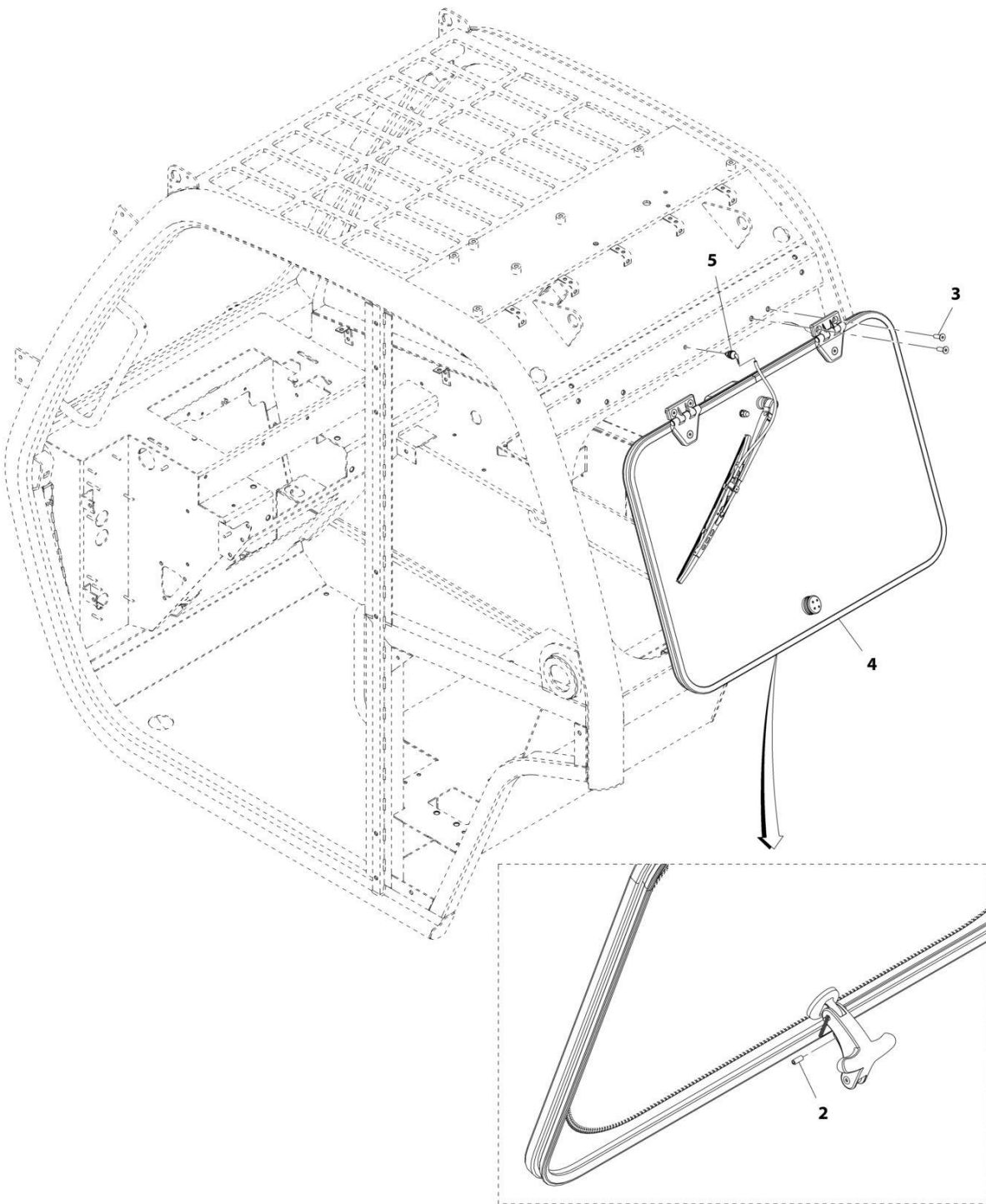
ART_1001170603-E

FIGURE 6-6. ENCLOSED CAB PLUG GROUP

ITEM	PART NUMBER	QTY	DESCRIPTION	REV
	1001170603	Ref	Enclosed Cab Plug Group	E
1	1001176273	1	Plug	
2	1001176272	3	Plug	
3	1001143200	2	Plug	
4	1001176626	1	Plug	
6	1001181920	8	Screw, M8X16	
7	1001181921	8	Washer, Rubber M8	
8	1001182123	2	Plug	
9	1001182139	1	Plug	
10	1001209899	1	Plug	
11	1001219220	7	Cap, Vinyl Round	

SECTION 6 - CAB

FIGURE 6-7. REAR WINDOW INSTALLATION



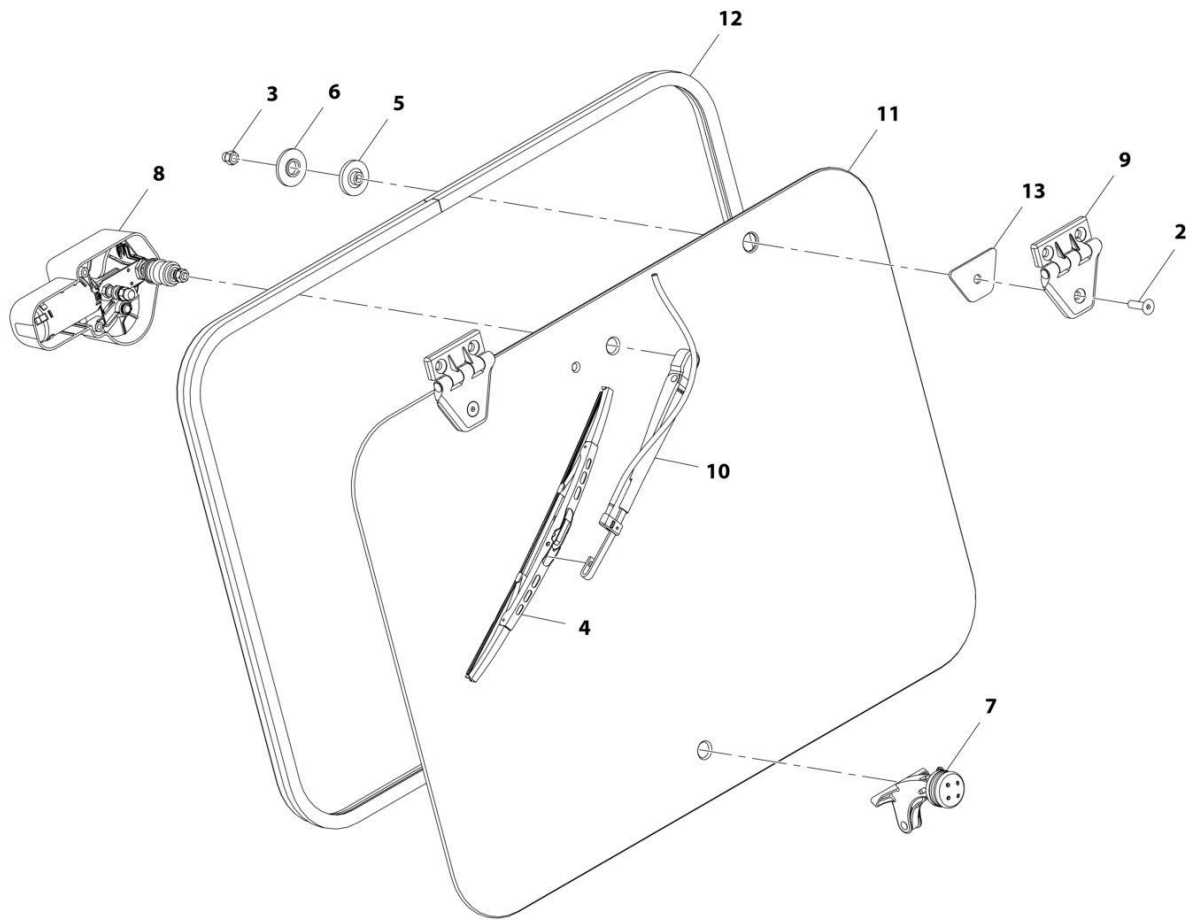
ART_1001178678-C

FIGURE 6-7. REAR WINDOW INSTALLATION

ITEM	PART NUMBER	QTY	DESCRIPTION	REV
	1001178678	Ref	Rear Window Installation	C
2	1001003043	1	Pin, Spring	
3	1001097586	4	Screw, M8X1.25	
4	1001178679	1	Assembly, Rear Window (See Separate Breakdown in this Section)	
5	1001090343	1	Connector	

SECTION 6 - CAB

FIGURE 6-8. REAR WINDOW ASSEMBLY



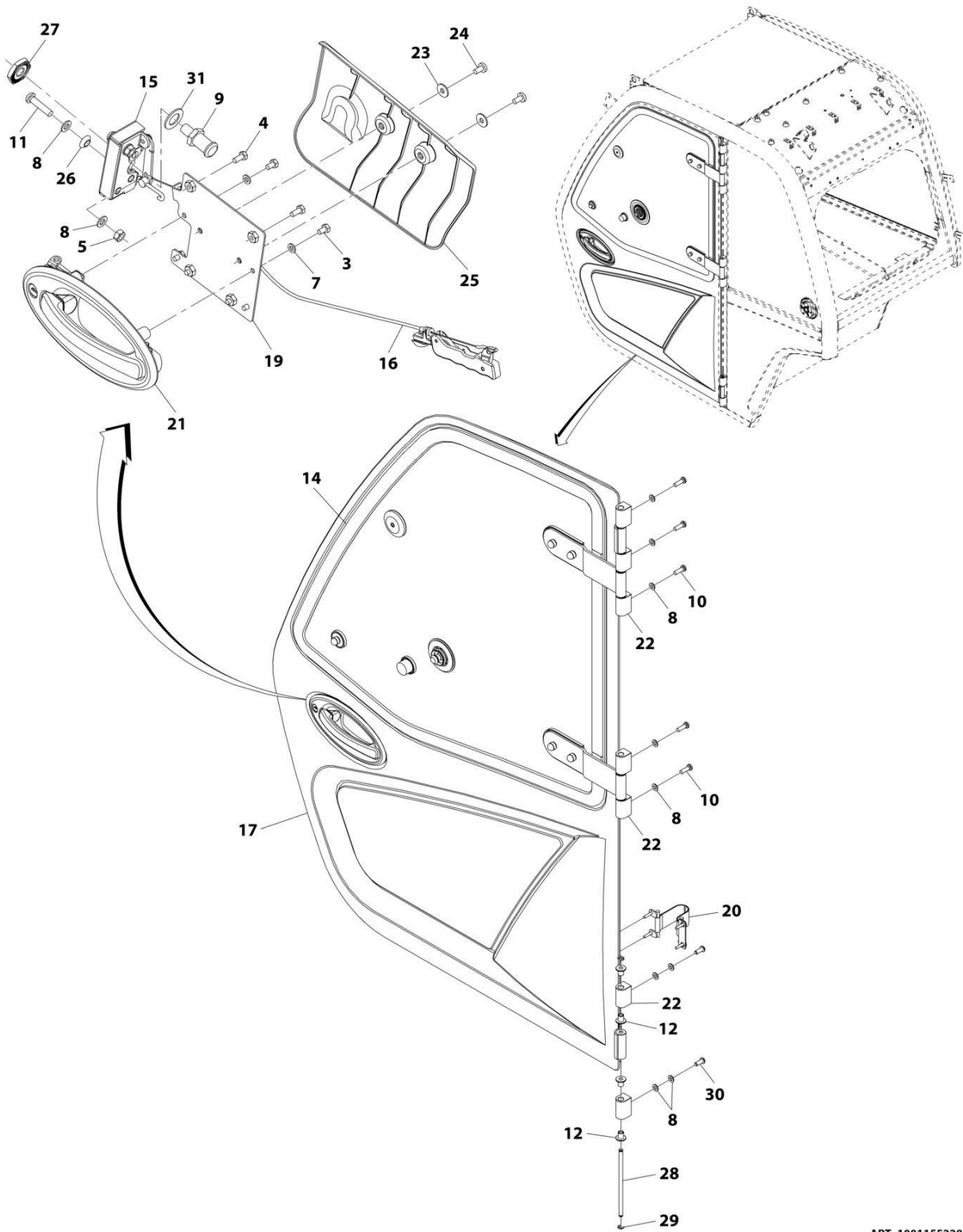
ART_1001178679-C

FIGURE 6-8. REAR WINDOW ASSEMBLY

ITEM	PART NUMBER	QTY	DESCRIPTION	REV
	1001178679	Ref	Rear Window Assembly	C
2	2080078	2	Fastener, M8X30	
3	3290806	2	Nut, M8X1.25 Grade 8	
4	4807718	1	Blade, Wiper	
5	8000759	2	Spacer	
6	8004398	2	Spacer	
7	1001005368	1	Latch, Window	
8	1001139552	1	Motor, Rear Wiper	
9	1001139568	2	Hinge	
10	1001141312	1	Arm, Rear Window Wiper	
11	1001178680	1	Glass, Rear Window	
12	1001178681	1	Seal	
13	1001181411	2	Gasket, Rear Window Hinge	

SECTION 6 - CAB

FIGURE 6-9. DOOR INSTALLATION



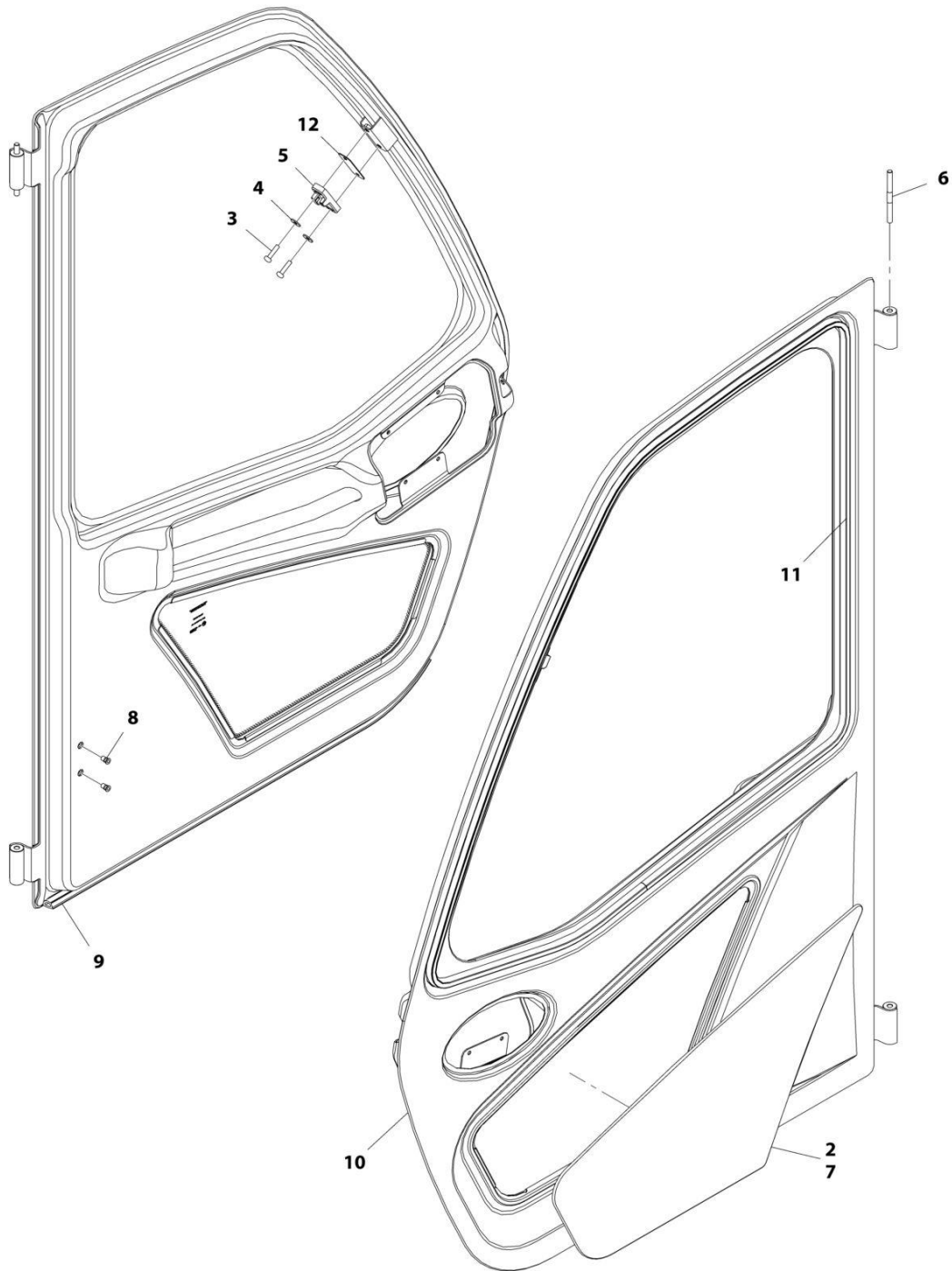
ART_1001155228

FIGURE 6-9. DOOR INSTALLATION

ITEM	PART NUMBER	QTY	DESCRIPTION	REV
	1001155228	Ref	Door Installation	Q
3	0760605	4	Bolt, M6X10	
4	0760607	4	Bolt, M6X14	
5	3290801	2	Nut, M8X1.25 Grade 8	
7	4811700	4	Washer, M6	
8	4811900	13	Washer, M8	
9	8000803	1	Pin, Door Striker	
10	1001008988	5	Screw M8X25	
11	1001047062	2	Screw, M8X35	
12	1001107192	10	Sleeve, Hinge	
14	1001205532	1	Assembly, Door Upper Glass (See Separate Breakdown in this Section)	
15	1001192766	1	Assembly, Cab Latch (See Separate Breakdown in this Section)	
16	1001167958	1	Assembly, Cab Door Trigger (See Separate Breakdown in this Section)	
17	1001170114	1	Assembly, Door (See Separate Breakdown in this Section)	
19	1001173298	1	Bracket	
20	1001174295	1	Installation, Door Strap (See Separate Breakdown in this Section)	
21	1001192646	1	Handle, Exterior Door	
22	1001229543	7	Block, Hinge (Rounded Top/Bottom Edge)	
22	1001170601J	7	Block, Hinge (Square Top/Bottom Edge)	
23	4811702001	2	Washer, M6	
24	4010608002	2	Screw, Posi-Drive, M6X16	
25	1001175477	1	Cover, Cab Door Interior	
26	1001184439	2	Bushing	
27	1001192309	1	Nut, M12X1	
28	1001213791	1	Pin	
29	0498748	2	Washer, Lock M7	
30	1001164726	2	Bolt, M8X20	
31	1001227802	1	Washer	

SECTION 6 - CAB

FIGURE 6-10. DOOR ASSEMBLY (AG)



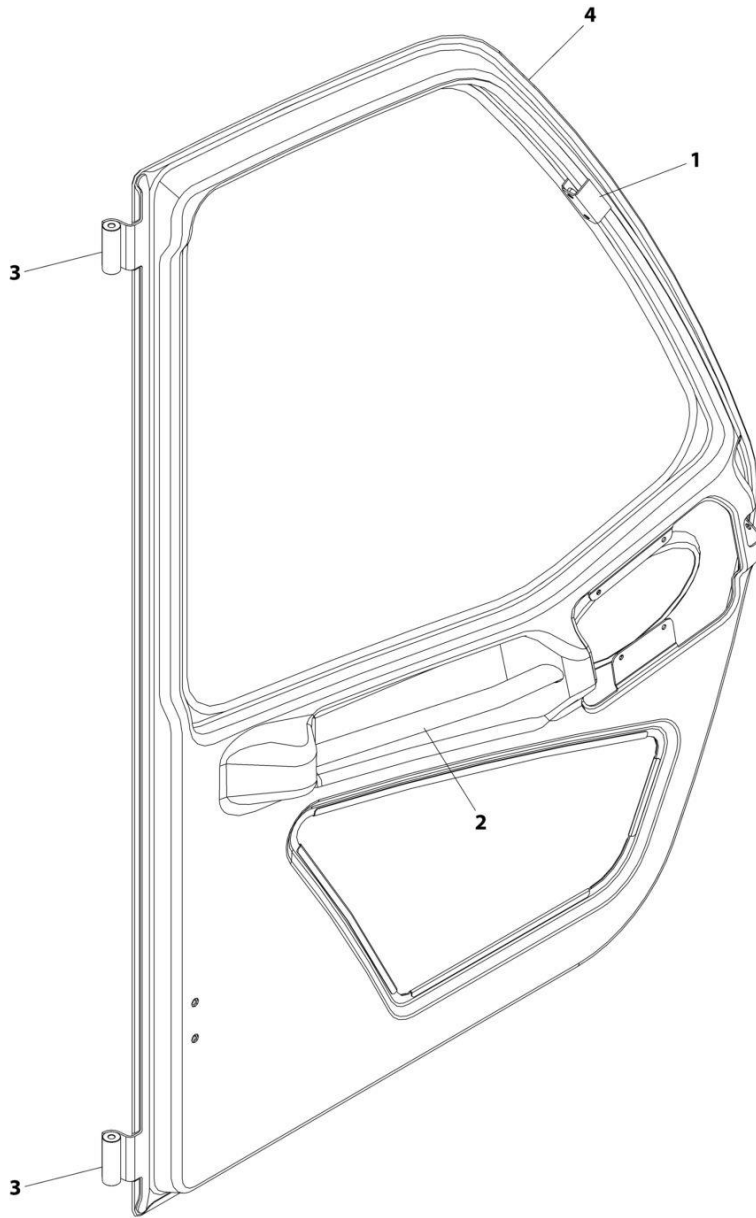
ART_1001170114

FIGURE 6-10. DOOR ASSEMBLY (AG)

ITEM	PART NUMBER	QTY	DESCRIPTION	REV
	1001170114	Ref	Door Assembly	K
2	1001111317	AR	Compound, Locking	
3	4010612002	2	Screw, M6X25	
4	4811702001	2	Washer, M6	
5	1001165276	1	Plate, Window Latch Striker	
6	1001166634	1	Pin, Hinge	
7	1001169880	1	Window, Lower Glass	
8	1001172193	2	Rivnut, M5X0.8	
9	1001227188	1	Seal, Cab Door	
10	1001170113J	1	Door, Cab (See Separate Breakdown in this Section)	
11	1001227187	1	Seal, Cab Door Window	
12	1001193210	AR	Shim, Window Latch	

SECTION 6 - CAB

FIGURE 6-11. CAB DOOR



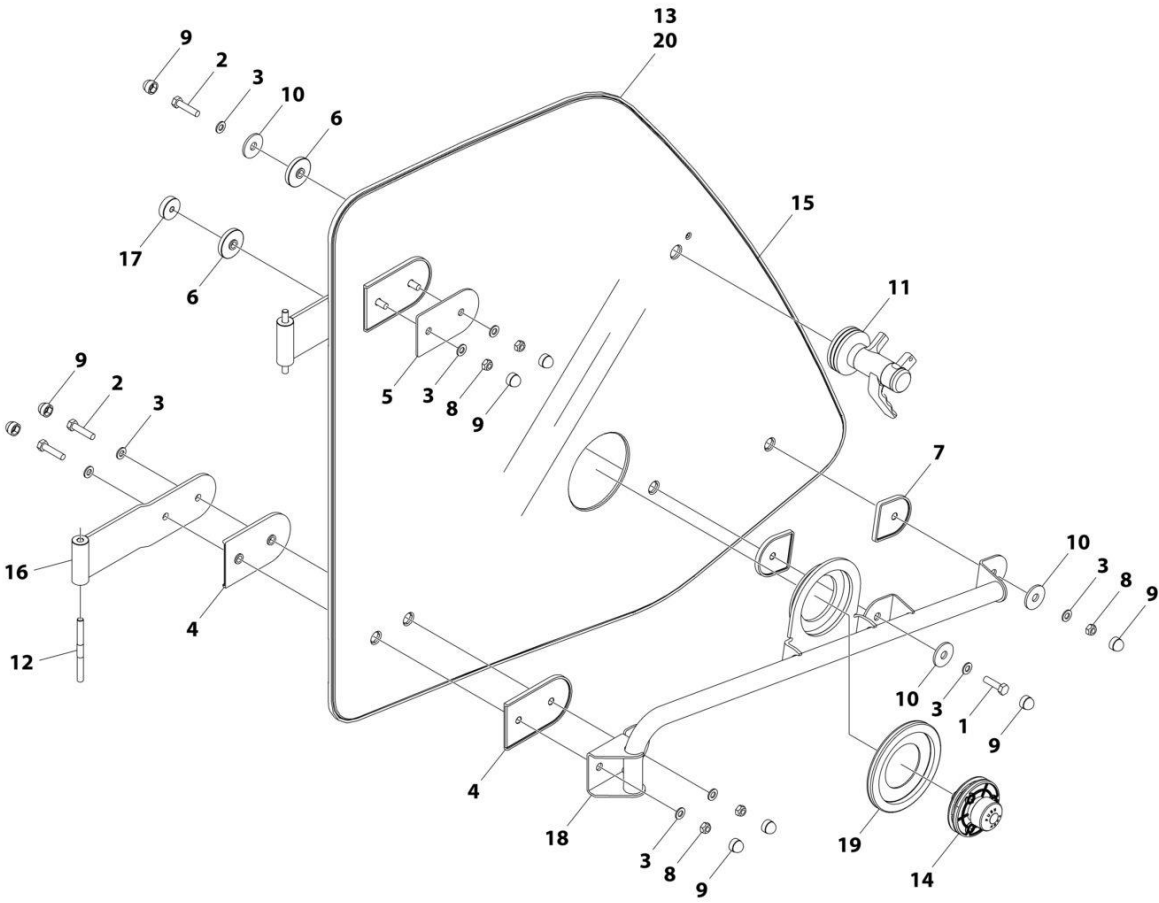
ART_1001170113-E

FIGURE 6-11. CAB DOOR

ITEM	PART NUMBER	QTY	DESCRIPTION	REV
	1001170113	Ref	Cab Door	E
1	1001169883	1	Bracket, Window Latch	
2	1001169885	1	Handle, Interior Door	
3	1001171037	1	Plate, Hinge	
4	1001171635	1	Frame, Door	

SECTION 6 - CAB

FIGURE 6-12. DOOR UPPER GLASS ASSEMBLY



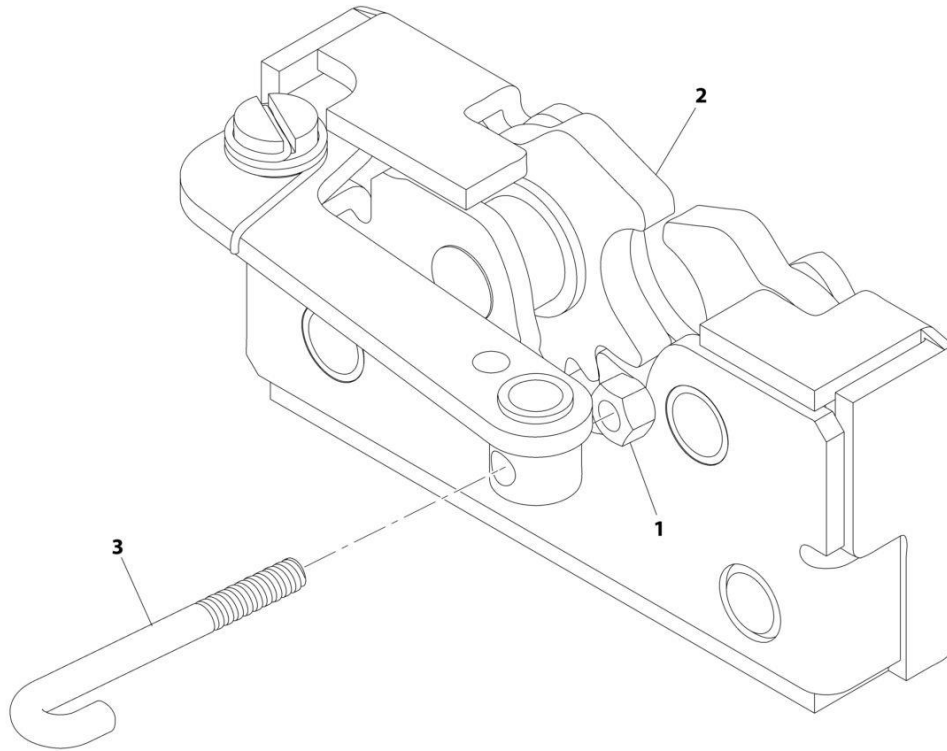
ART_1001205532

FIGURE 6-12. DOOR UPPER GLASS ASSEMBLY

ITEM	PART NUMBER	QTY	DESCRIPTION	REV
	1001205532	Ref	Door Upper Glass Assembly	G
1	0760812	1	Bolt, M8X25	
2	0760815	5	Bolt, M8X35	
3	4811900	11	Washer, 8MM	
4	1001002946	4	Mount, Hinge	
5	1001002947	1	Mount, Hinge	
6	1001002953	2	Mount, Rubber	
7	1001002957	2	Mount, Latch	
8	1001008857	5	Nut, Lock	
9	1001096365	11	Cap, M8	
10	1001141246	3	Mount, Rubber	
11	1001165275	1	Latch, Window	
12	1001166634	2	Pin, Hinge	
13	1001170944	1	Panel, Window Surround	
14	1001174321	1	Striker, Top Window	
15	1001204066	1	Glass, Window	
16	1001204115	2	Hinge	
17	1001222741	1	Buffer, Cab	
18	1001204120	1	Handle	
19	1001213331	1	Gasket	
20	1001215531	AR	Adhesive	

SECTION 6 - CAB

FIGURE 6-13. CAB LATCH ASSEMBLY



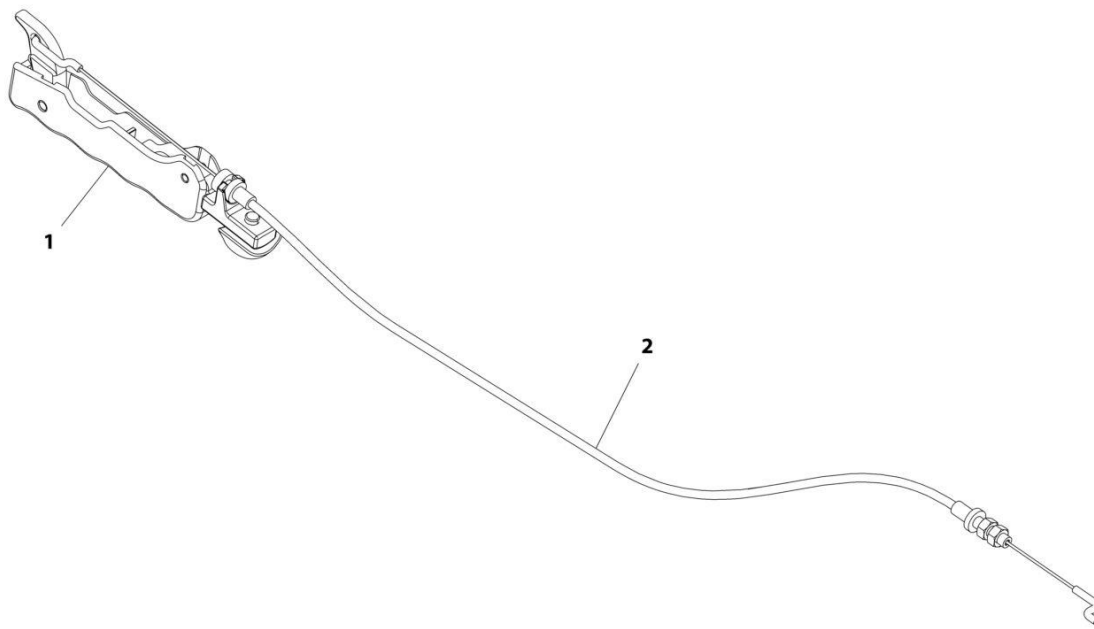
ART_1001192766-B

FIGURE 6-13. CAB LATCH ASSEMBLY

ITEM	PART NUMBER	QTY	DESCRIPTION	REV
	1001192766	Ref	Cab Latch Assembly	B
1	3290405	1	Nut, M4X0.7 Grade 8	
2	1001192643	1	Latch	
3	1001241308	1	Link, Door Handle	

SECTION 6 - CAB

FIGURE 6-14. CAB DOOR TRIGGER ASSEMBLY



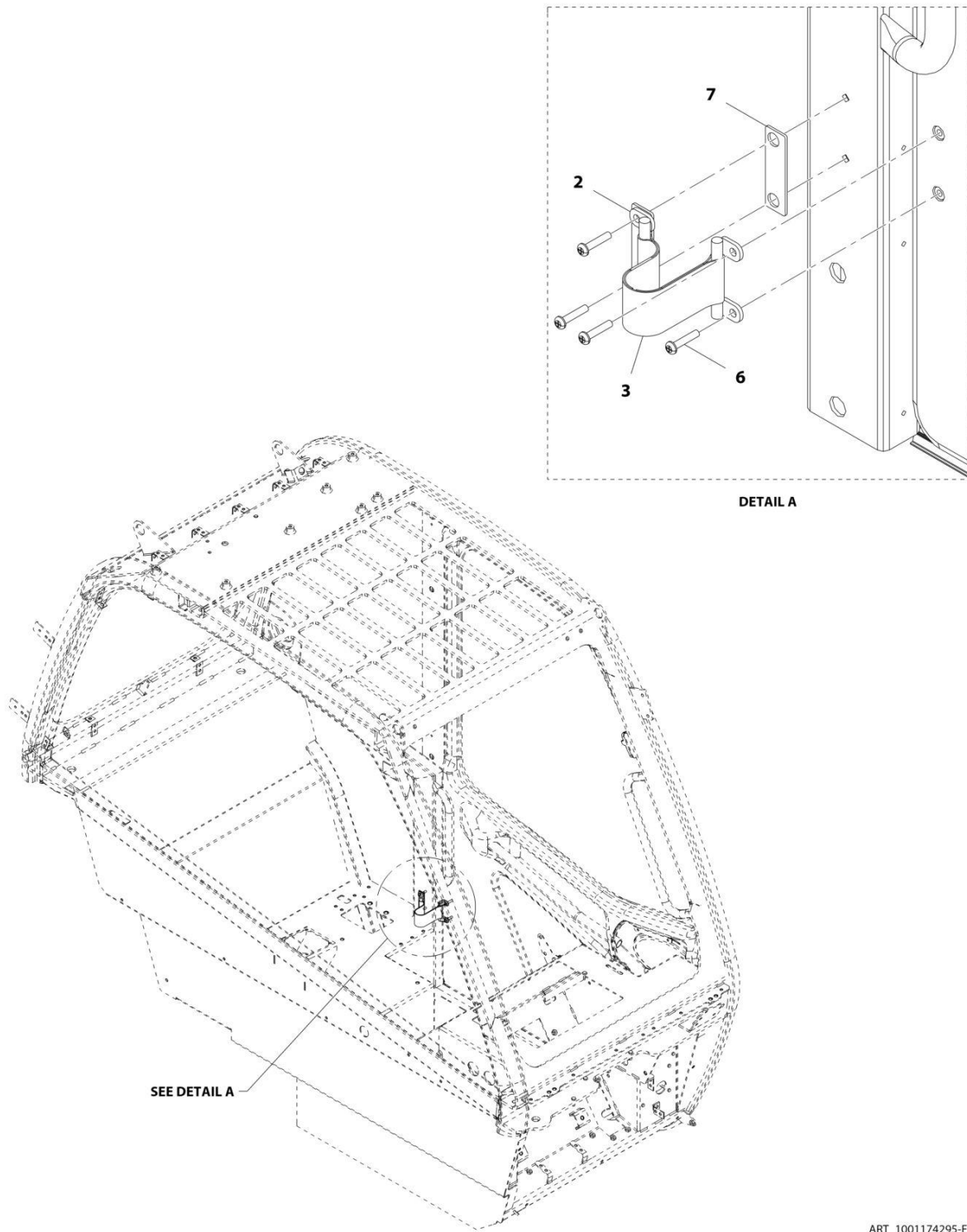
ART_1001167958-E

FIGURE 6-14. CAB DOOR TRIGGER ASSEMBLY

ITEM	PART NUMBER	QTY	DESCRIPTION	REV
	1001167958	Ref	Cab Door Trigger Assembly	E
1	1001167937	1	Trigger, Cab Interior Release	
2	1001192644	1	Cable, Cab Latch Release	

SECTION 6 - CAB

FIGURE 6-15. DOOR STRAP INSTALLATION



SEE DETAIL A

DETAIL A

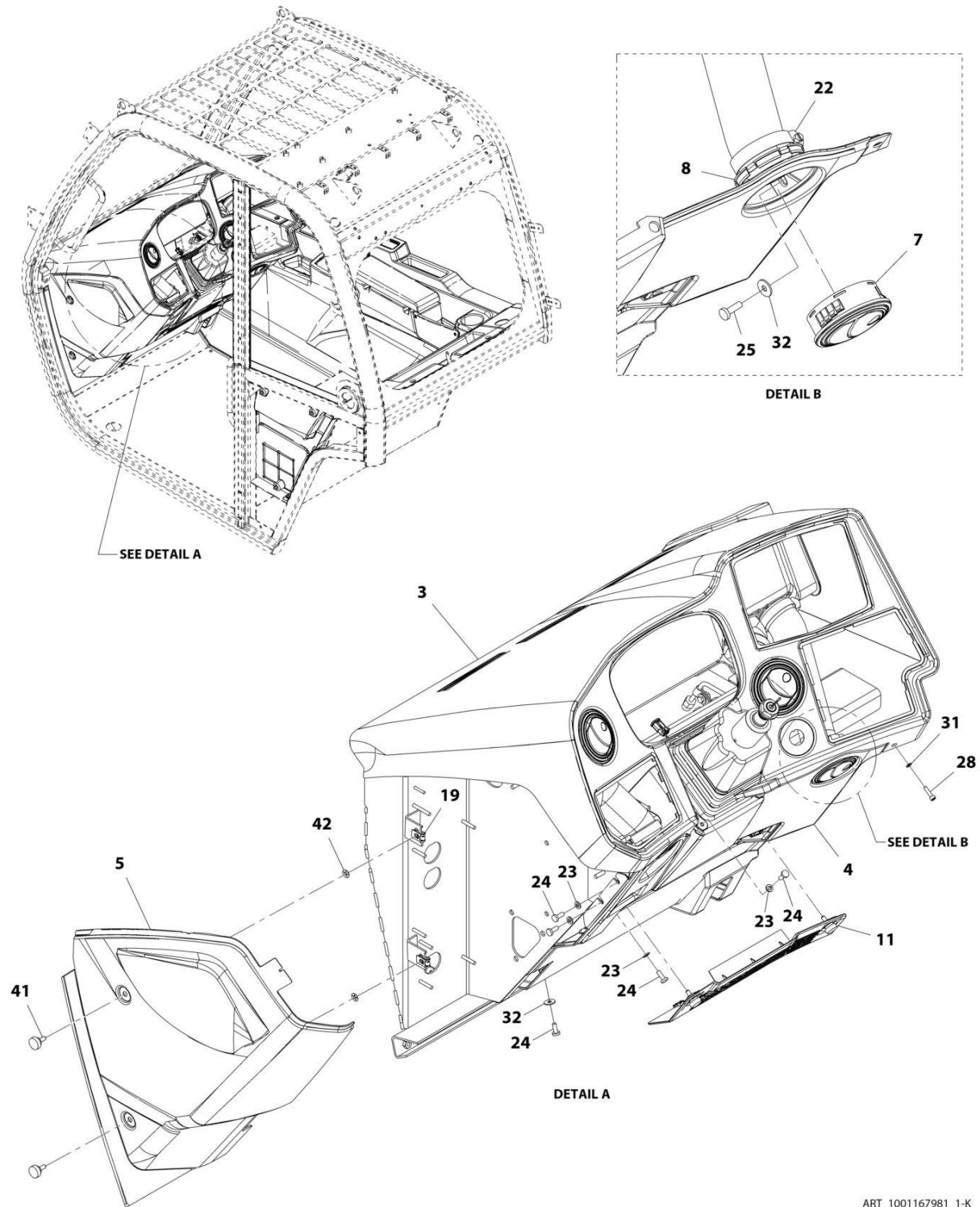
ART_1001174295-F

FIGURE 6-15. DOOR STRAP INSTALLATION

ITEM	PART NUMBER	QTY	DESCRIPTION	REV
	1001174295	Ref	Door Strap Installation	F
2	1001230163	2	Bracket, Strap Holder	
3	1001212011	1	Strap, Door Hold Open	
6	8310559	4	Screw	
7	1001191091	1	Plate, Cab Door Strap	

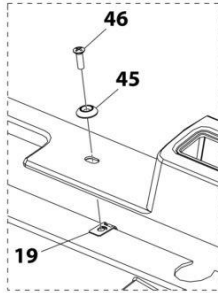
SECTION 6 - CAB

FIGURE 6-16. ENCLOSED CAB TRIM INSTALLATION

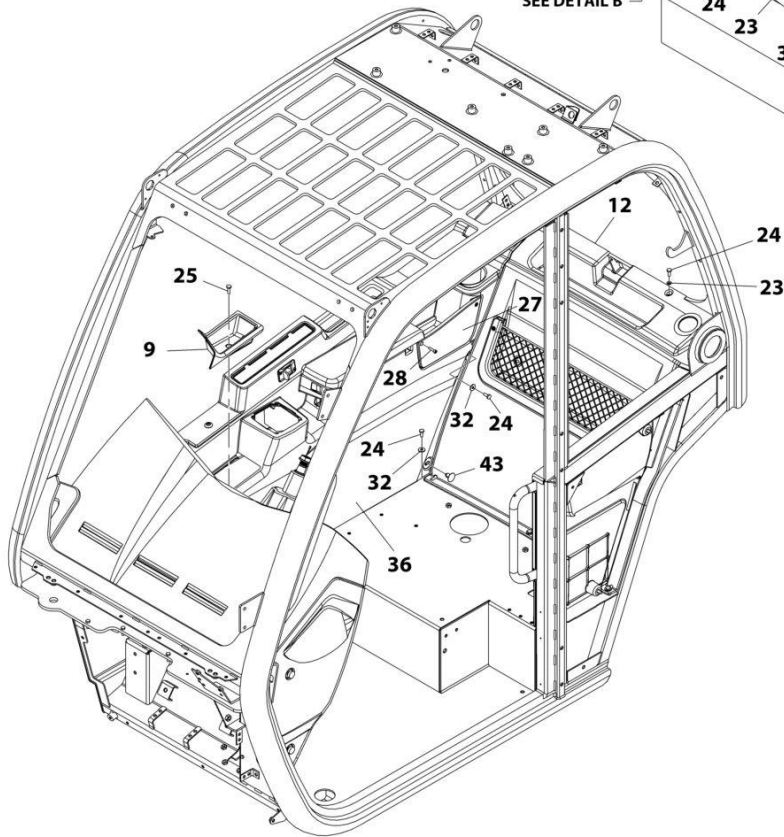
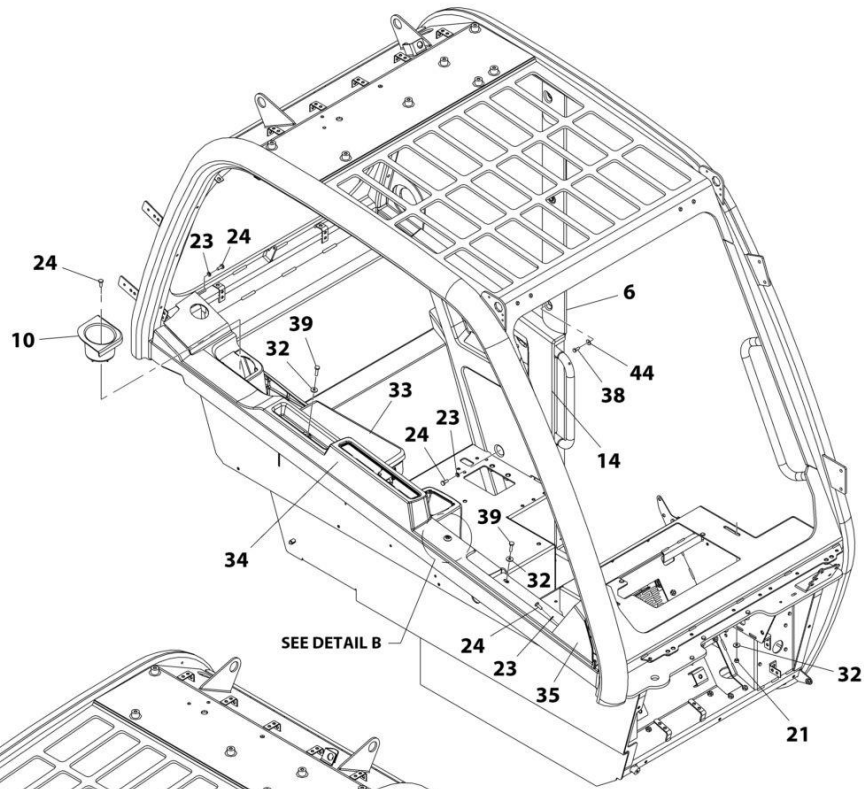


ART_1001167981_1-K

SECTION 6 - CAB



DETAIL B



ART_1001167981_2-N

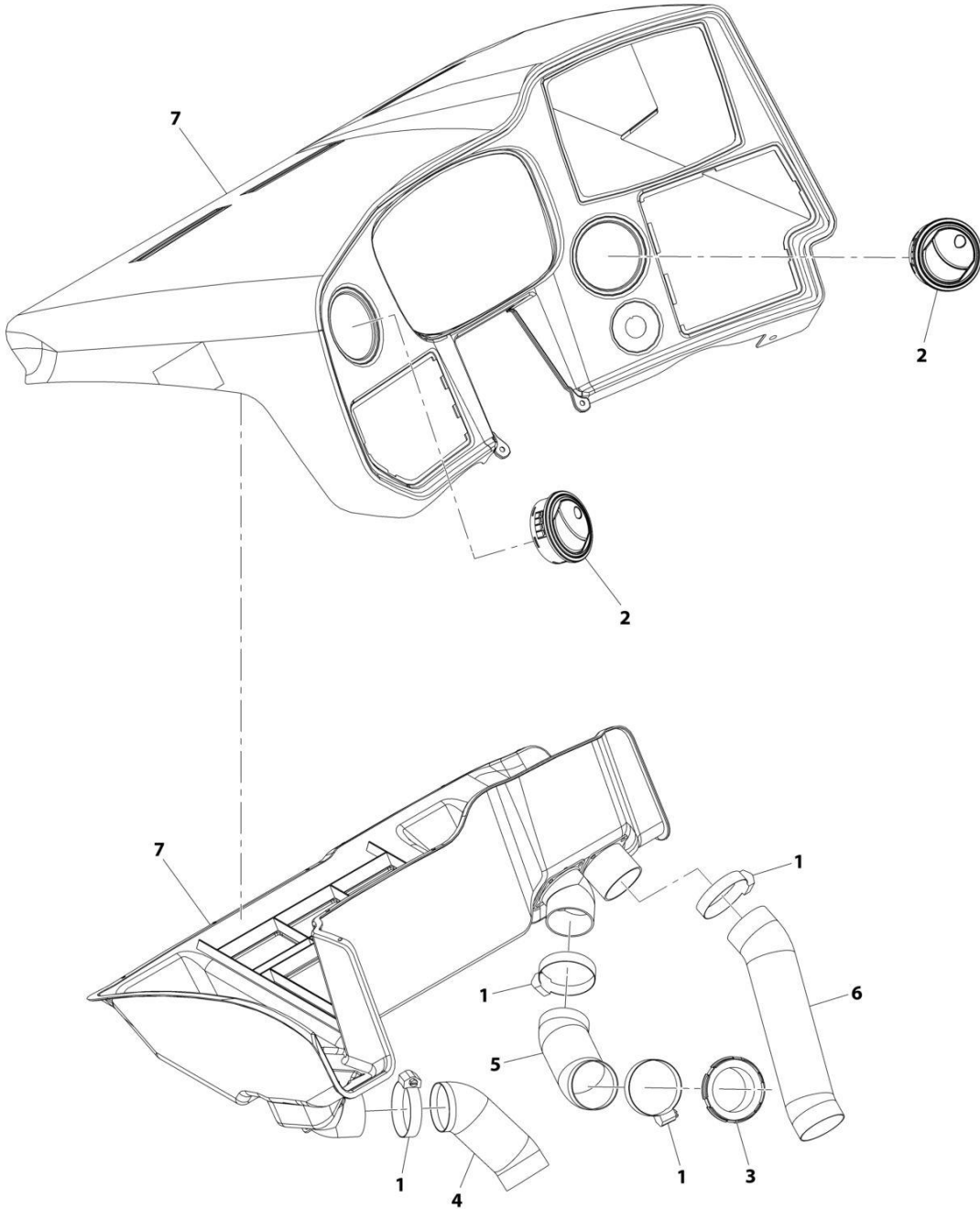
SECTION 6 - CAB

FIGURE 6-16. ENCLOSED CAB TRIM INSTALLATION

ITEM	PART NUMBER	QTY	DESCRIPTION	REV
	1001167981	Ref	Enclosed Cab Trim Installation	N
3	1001169604	1	Assembly, Dash Cover (See Separate Breakdown in this Section)	
4	1001175903	1	Panel, Lower Dash	
5	1001161855	1	Panel, LH Dash	
6	1001219076	1	Panel, Cover	
7	1001147449	2	Vent, Air	
8	1001149278	2	Vent, Connector	
9	1001169603	1	Panel, Trinket Tray	
10	1001170518	1	Holder, Cup	
11	1001170504	1	Panel, Recirculation Grille Cover	
12	1001170519	1	Assembly, Rear Panel Cover (See Separate Breakdown in this Section)	
14	1001161068	1	Panel, Cover	
19	8305919	5	Nut, M6	
21	3290605	2	Nut, Lock M6X1 Grade 8	
22	8405201	2	Clamp, Gear	
23	4811700001	13	Washer, M6	
24	4010608002	20	Screw, M6X16	
25	4010610002	2	Screw, M6X20	
27	1001173965	1	Bezel, RH	
28	4031608001	3	Bolt, M5X20	
31	4811600	1	Washer, M5	
32	4811702001	12	Washer, M6	
33	1001181726	Ref	Installation, Adjustable Armrest (See Separate Breakdown in this Section)	
34	1001182834	1	Panel, Cover	
35	1001185870	1	Panel, Cover	
36	1001189182	1	Panel, Cover	
38	4010508002	3	Bolt, M5-.8X16	
39	4010612002	3	Screw, M6X25	
41	1001208308	4	Bolt, M6X15	
43	1001211907	1	Screw, Retainer	
44	4811602001	3	Washer, 5M	
45	1001098150	1	Washer, M6	
46	1001132564	1	Screw M6X20	

SECTION 6 - CAB

FIGURE 6-17. DASH COVER ASSEMBLY



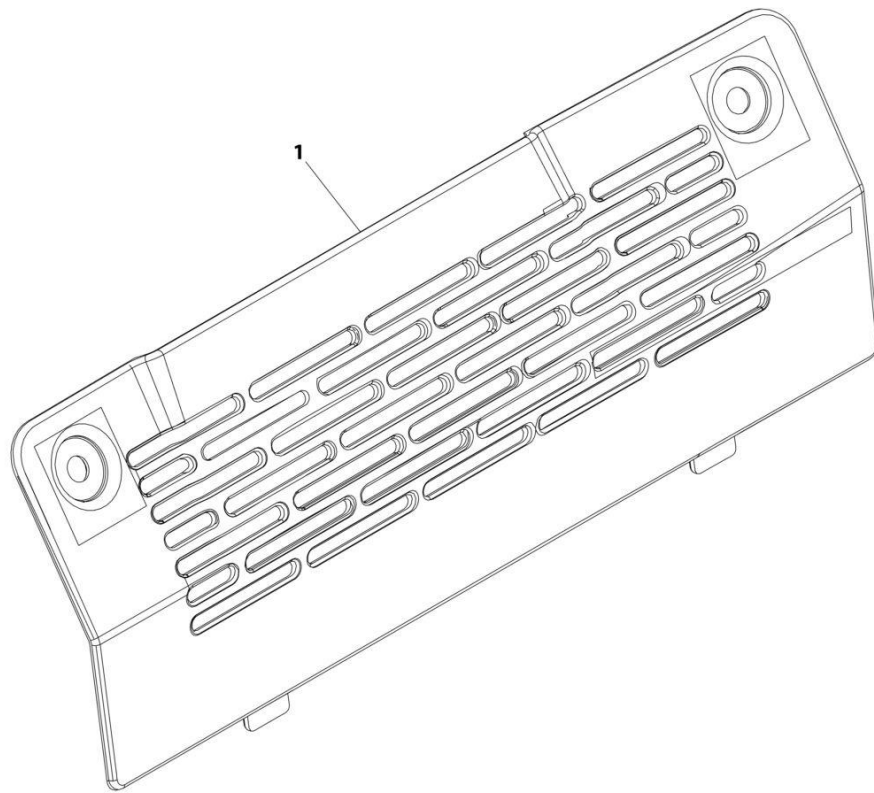
ART_1001215154-A

FIGURE 6-17. DASH COVER ASSEMBLY

ITEM	PART NUMBER	QTY	DESCRIPTION	REV
	1001215154	Ref	Dash Cover Assembly	A
1	8405201	4	Clamp, Gear	
2	1001147449	2	Vent, Air	
3	1001149278	1	Vent, Connector	
4	1001174652	1	Hose	
5	1001174653	1	Hose	
6	1001174655	1	Hose	
7	1001214951	1	Panel, Top Dash	

SECTION 6 - CAB

FIGURE 6-18. RECIRCULATION GRILLE COVER PANEL ASSEMBLY



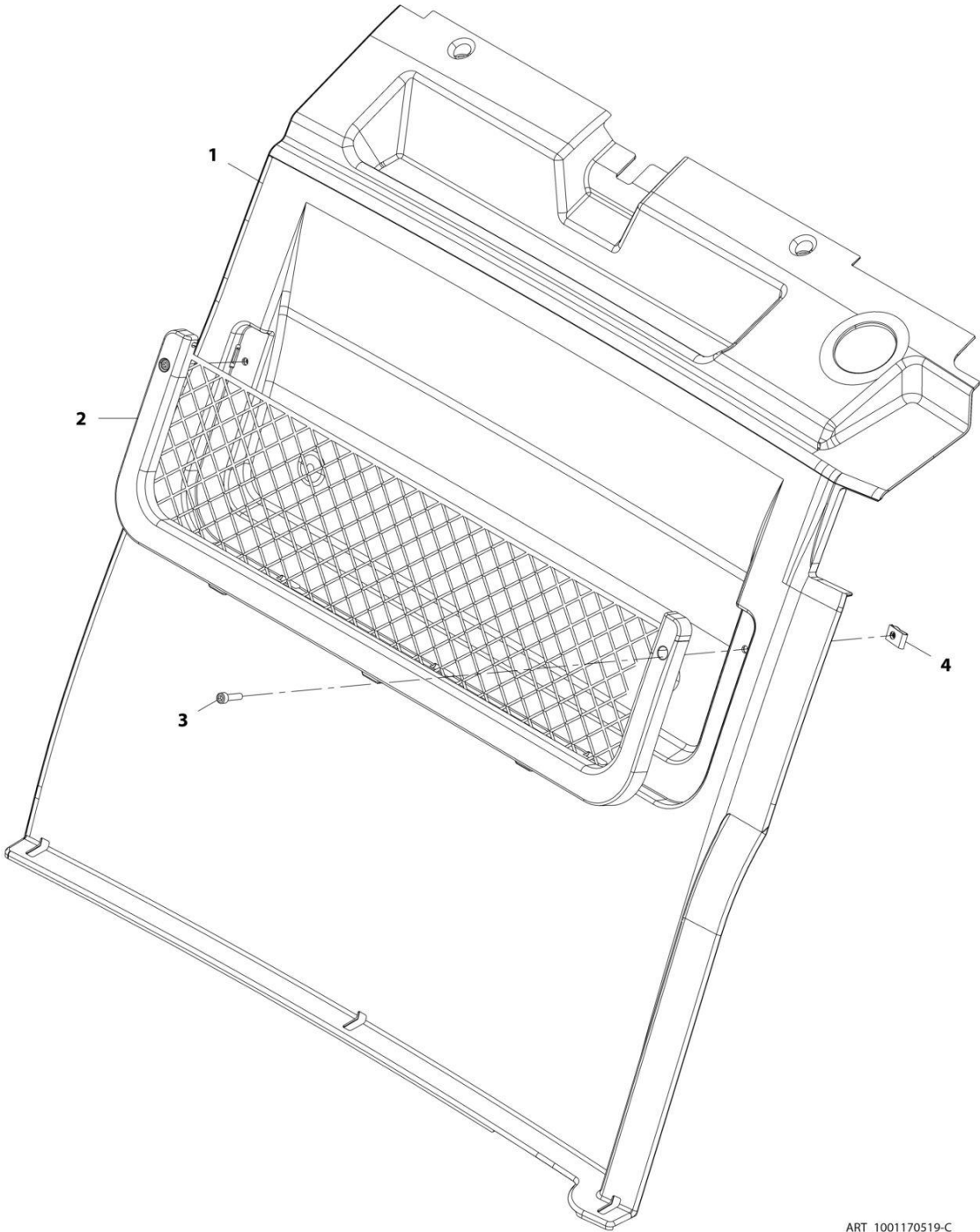
ART_1001170506-F

FIGURE 6-18. RECIRCULATION GRILLE COVER PANEL ASSEMBLY

ITEM	PART NUMBER	QTY	DESCRIPTION	REV
1	1001170506	1	Recirculation Grille Cover Panel Assembly	F
	1001170504	1	Cover, HVAC Recirc Grille	

SECTION 6 - CAB

FIGURE 6-19. REAR PANEL COVER ASSEMBLY



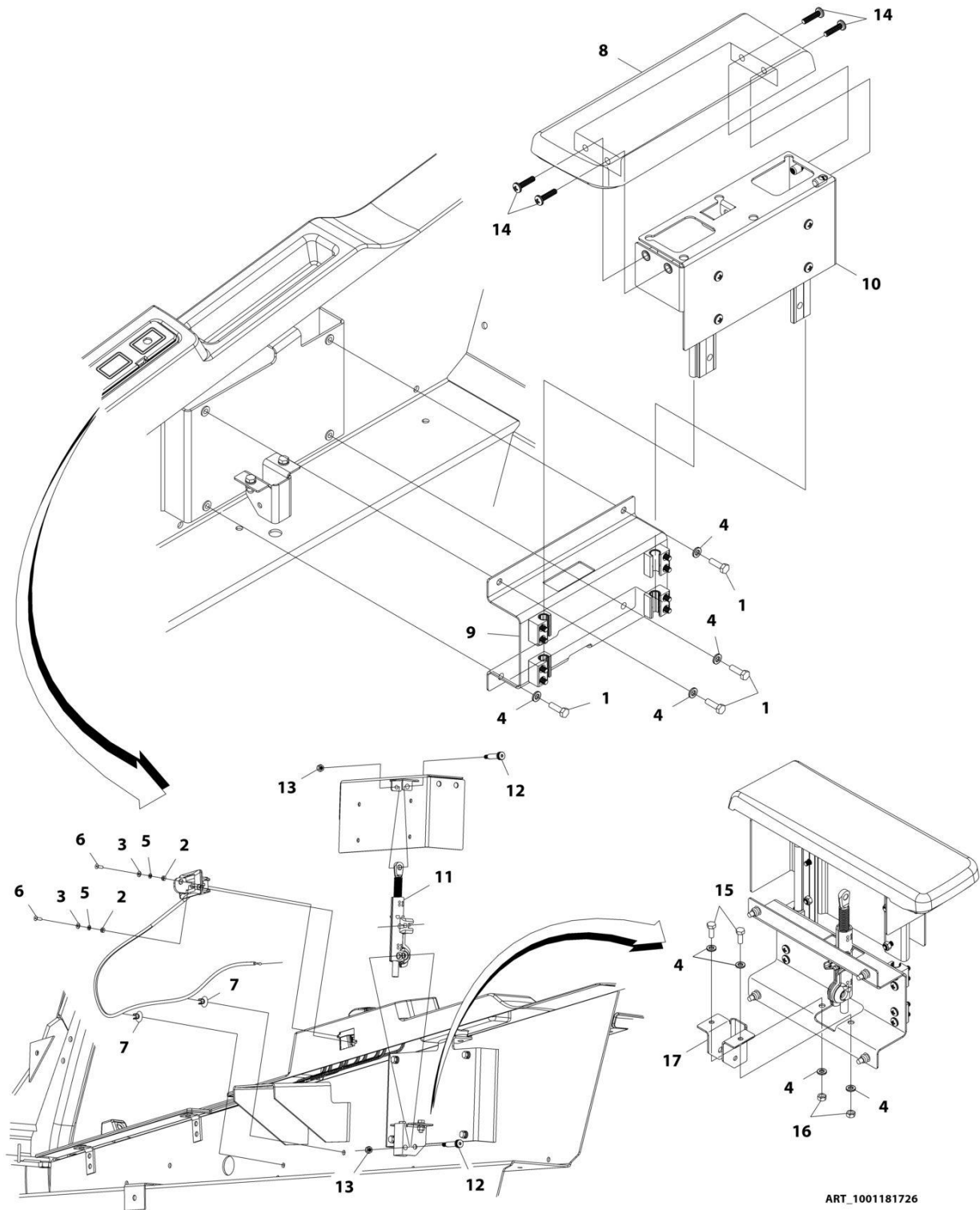
ART_1001170519-C

FIGURE 6-19. REAR PANEL COVER ASSEMBLY

ITEM	PART NUMBER	QTY	DESCRIPTION	REV
	1001170519	Ref	Rear Panel Cover Assembly	C
1	1001161067	1	Panel, Rear	
2	1001170514	1	Storage Net, Rear Panel	
3	4031608	2	Bolt, M5X20	
4	1001183550	2	Nut, Cage M5	

SECTION 6 - CAB

FIGURE 6-20. ADJUSTABLE ARMREST INSTALLATION



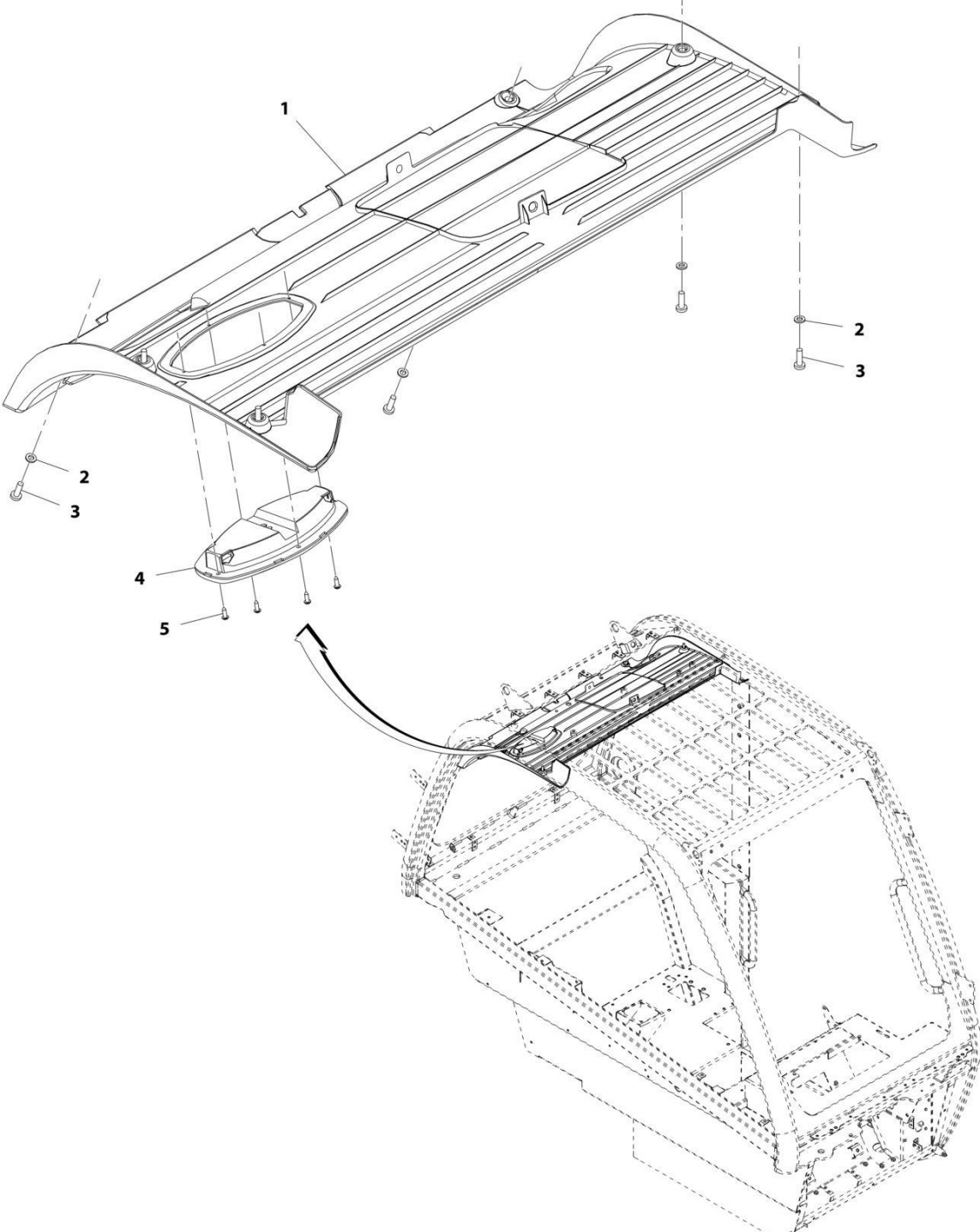
ART_1001181726

FIGURE 6-20. ADJUSTABLE ARMREST INSTALLATION

ITEM	PART NUMBER	QTY	DESCRIPTION	REV
	1001181726	Ref	Adjustable Armrest Installation	F
1	0700610	4	Bolt, M6X20	
2	3290401	2	Nut, M4X0.7	
3	4811400	2	Washer, M4	
4	4811700	8	Washer, M6	
5	4831400	2	Washer, Lock M4	
6	1001097244	2	Screw, M4X12	
7	1001165458	4	Hose	
8	1001191281	1	Armrest (See Separate Breakdown in this Section)	
9	1001191283	1	Bracket, Fixed Armrest (See Separate Breakdown in this Section)	
10	1001191284	1	Bracket, Moving Armrest (See Separate Breakdown in this Section)	
11	1001191285	1	Spring	
12	1001191370	2	Screw, M6	
13	3290605	2	Nut, M6X1 Grade 8	
14	4010612002	4	Screw, M6X25	
15	0760608	2	Bolt, M6X16	
16	3290601	2	Nut, M6X1	
17	1001212468	1	Bracket, Locking Spring Mount	

SECTION 6 - CAB

FIGURE 6-21. HEADLINER INSTALLATION



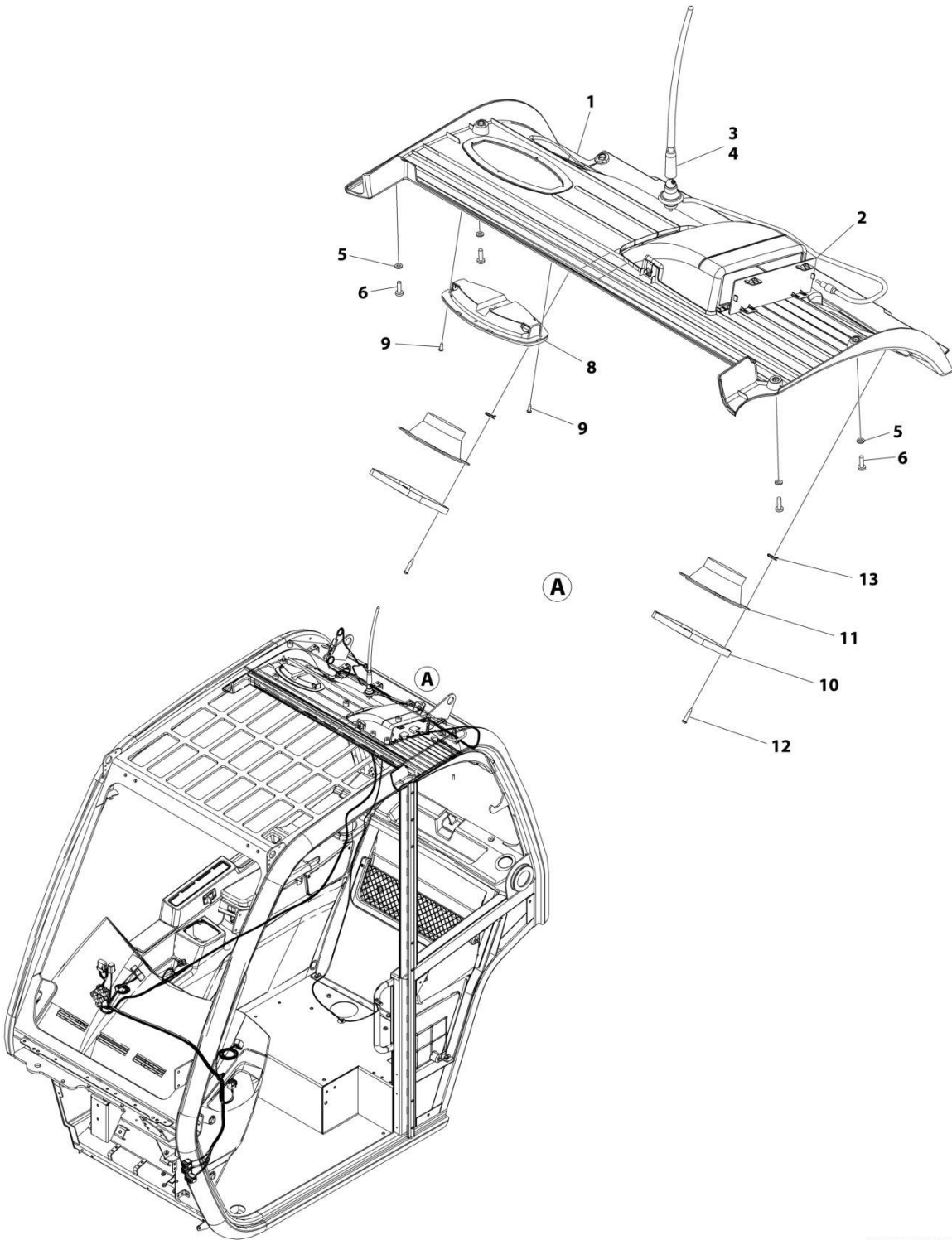
ART_1001170718-C

FIGURE 6-21. HEADLINER INSTALLATION

ITEM	PART NUMBER	QTY	DESCRIPTION	REV
	1001170718	Ref	Headliner Installation	D
1	1001170716	1	Panel, Headliner	
2	4811700	6	Washer, M6	
3	4031708001	6	Capscrew M6 x 20	
4	1001167015	1	Lamp, Dome	
5	7029486	4	Screw	

SECTION 6 - CAB

FIGURE 6-22. HEADLINER/ RADIO READY INSTALLATION



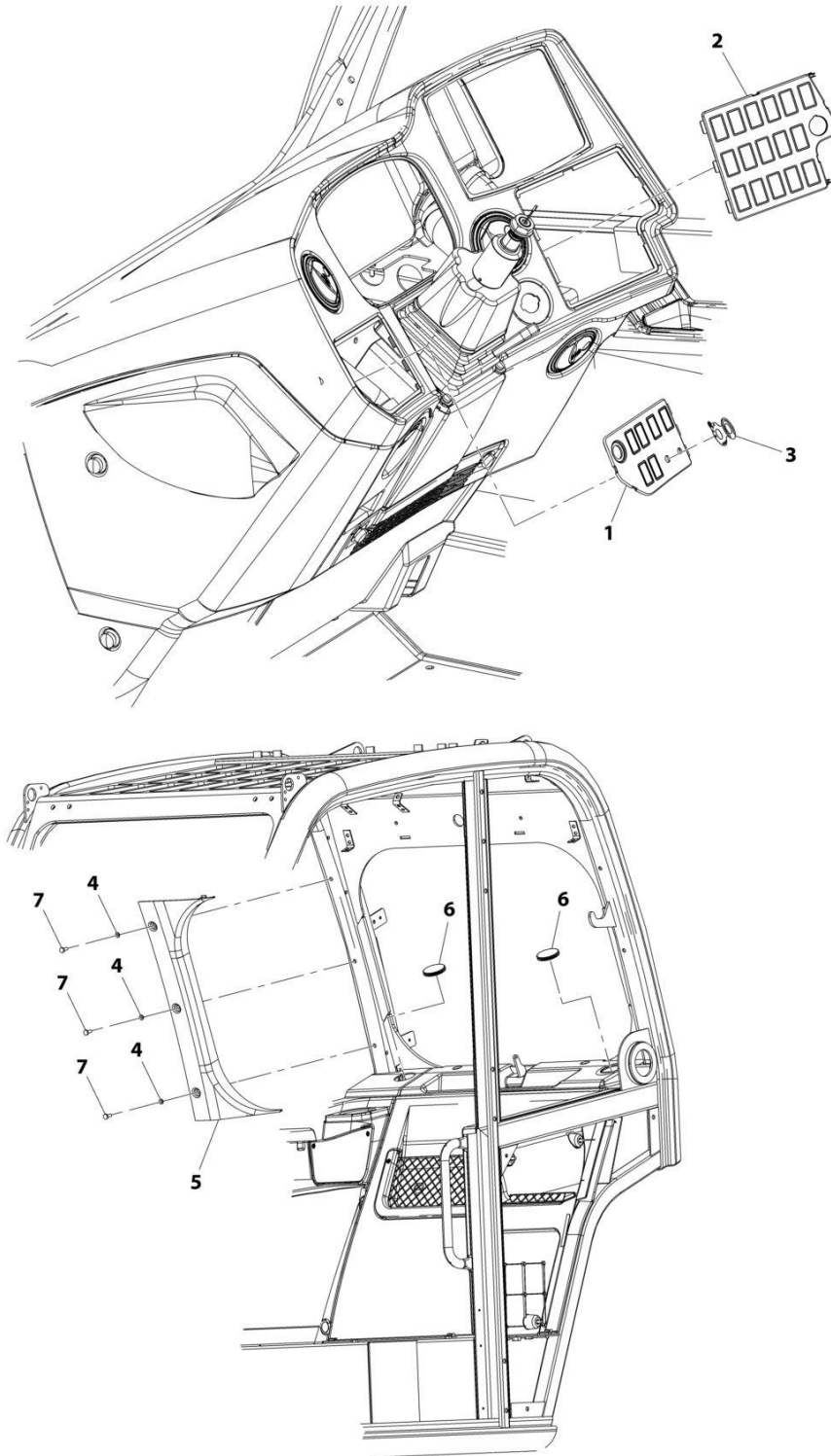
ART_1001173425

FIGURE 6-22. HEADLINER/ RADIO READY INSTALLATION

ITEM	PART NUMBER	QTY	DESCRIPTION	REV
	1001173425	Ref	HEADLINER/ RADIO READY INSTALLATION	F
1	1001243343	1	Cover, Headliner	
2	1001200968	1	Plate	
3	8005901	1	Antenna	
4	1001116128	AR	Sealant, Polysiloxane	
5	4811700	6	Washer, 6M	
6	4031708001	6	Screw, M6 x 20	
8	1001167015	1	Lamp	
9	7029486	4	Screw	
10	1671326	2	Cover, Speaker	
11	1001146901	1	Radio, Speaker	
12	1001111147	8	Screw, Spire	
13	1001258342	8	Nut, Spire	

SECTION 6 - CAB

FIGURE 6-23. COMMON CAB TRIM INSTALLATION



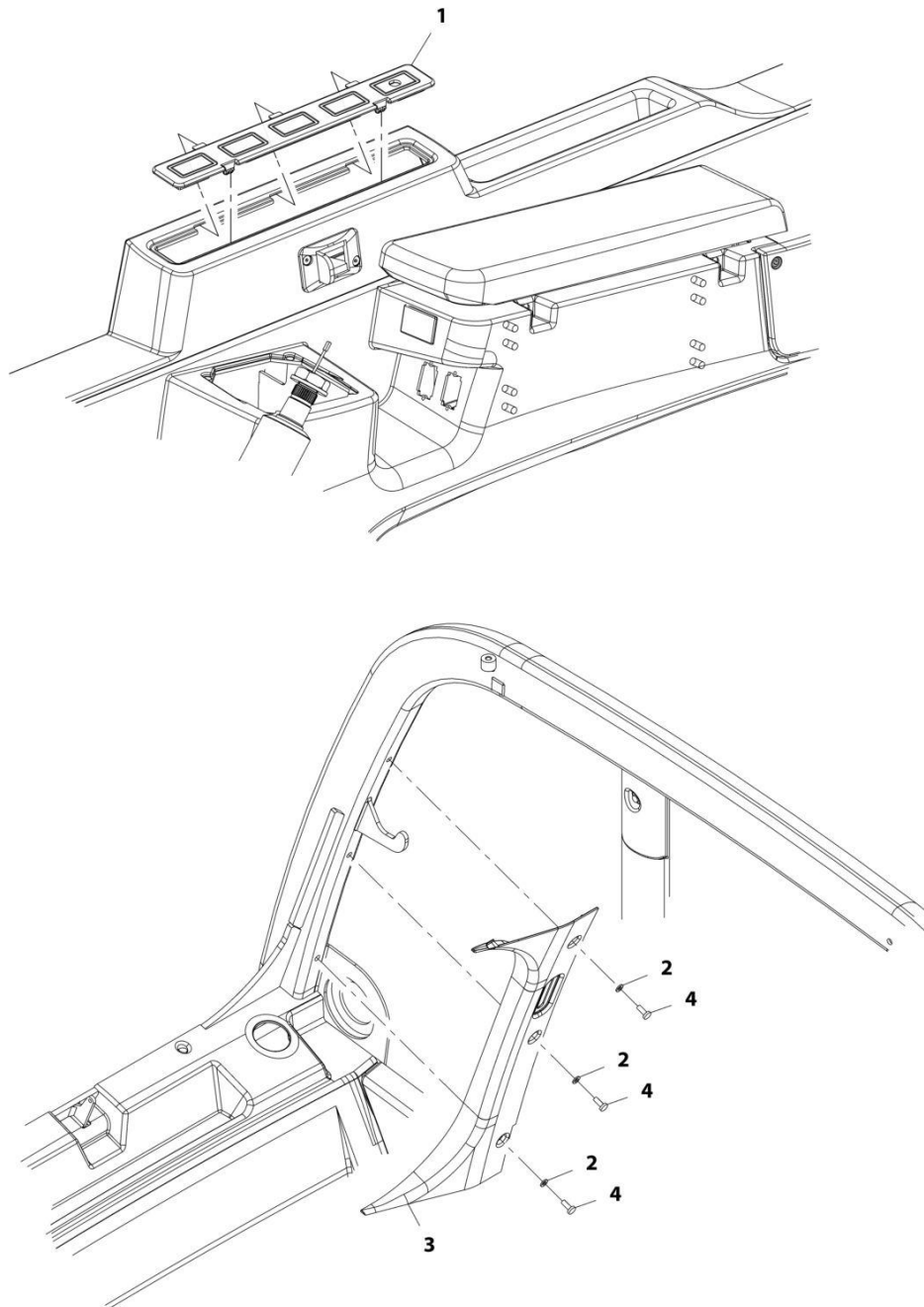
ART_1001200694-D

FIGURE 6-23. COMMON CAB TRIM INSTALLATION

ITEM	PART NUMBER	QTY	DESCRIPTION	REV
	1001200694	Ref	Common Cab Trim Installation	D
1	1001219864	1	Panel, LH Switch	
2	1001219865	1	Panel, RH Switch	
3	1001184975	1	Decal, HVAC	
4	4811700001	3	Washer, M6	
5	1001161253	1	Panel, Cover	
6	1001223265	2	Grommet	
7	4010608002	3	Screw, M6X16	

SECTION 6 - CAB

FIGURE 6-24. CAB TRIM INSTALLATION



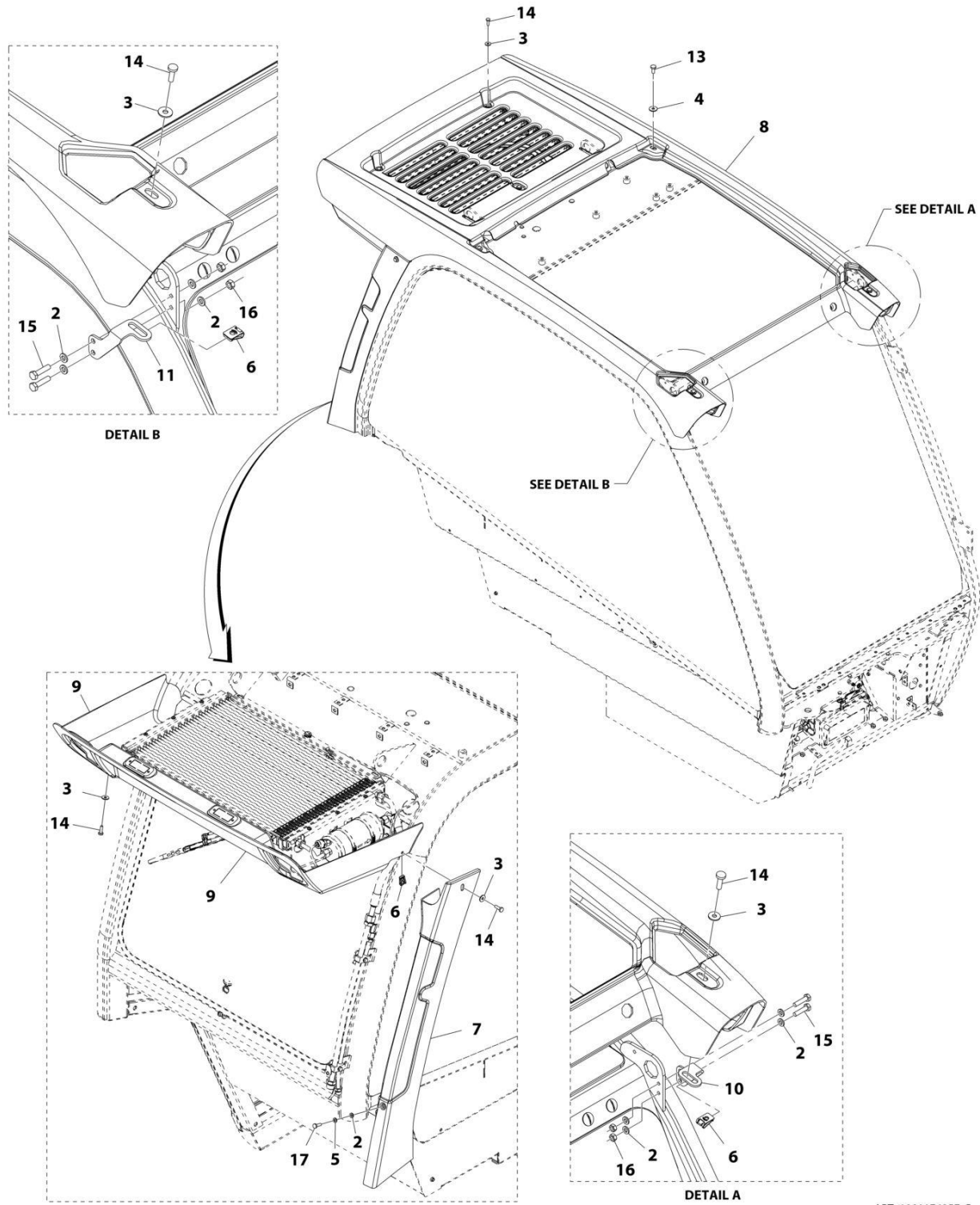
ART_1001201207-B

FIGURE 6-24. CAB TRIM INSTALLATION

ITEM	PART NUMBER	QTY	DESCRIPTION	REV
	1001201207	Ref	Cab Trim Installation	B
1	1001177464	1	Plate, Switch	
2	4811700	1	Washer, M6	
3	1001161252	1	Panel, Cover	
4	4010608002	3	Screw, M6X16	

SECTION 6 - CAB

FIGURE 6-25. ROOF CAP INSTALLATION (A/C)



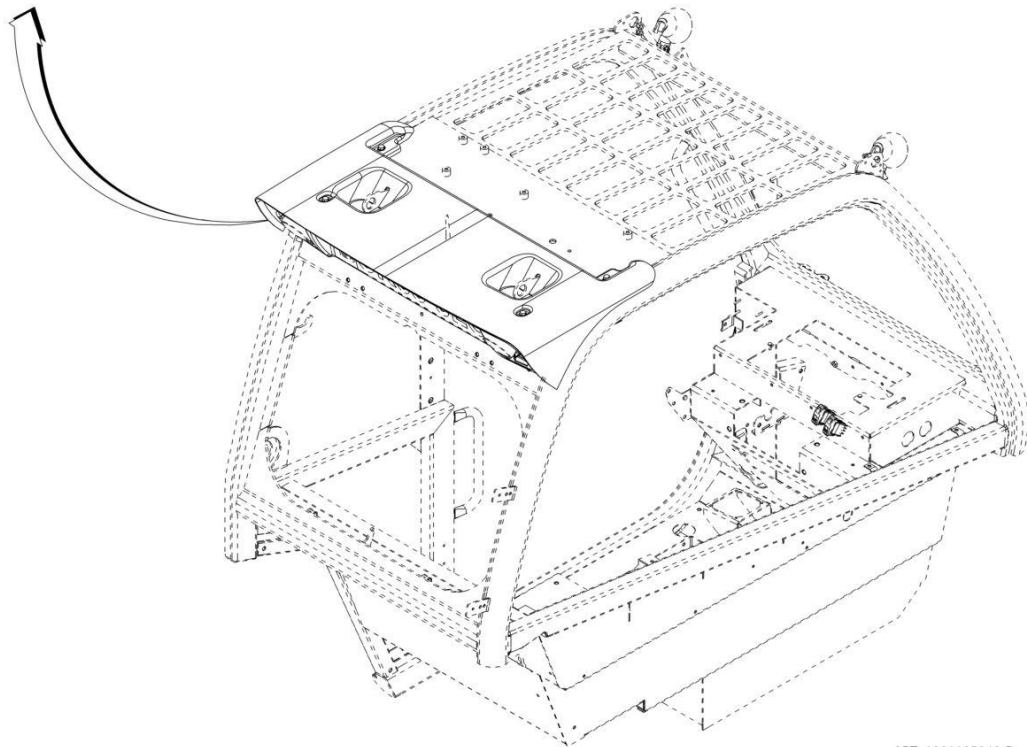
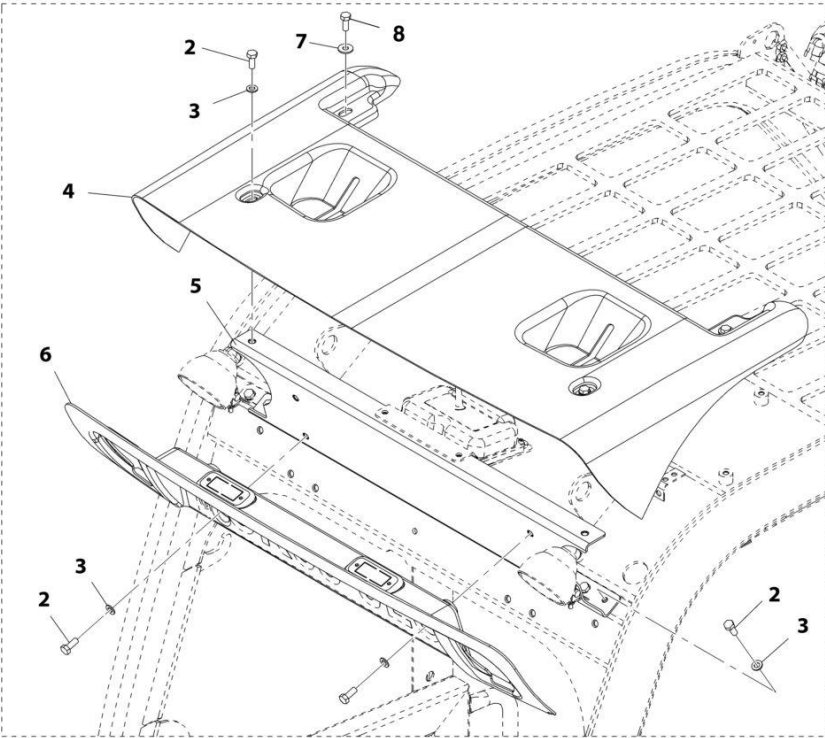
ART_1001176257-G

FIGURE 6-25. ROOF CAP INSTALLATION (A/C)

ITEM	PART NUMBER	QTY	DESCRIPTION	REV
	1001176257	Ref	Roof Cap Installation (A/C)	G
2	4811700	9	Washer, M6	
3	4811702	10	Washer, M6	
4	4811902	2	Washer, M8	
5	4831700	1	Washer, Lock M6	
6	8305919	3	Nut, M6	
7	1001174741	1	Cover	
8	1001176140	1	Cover	
9	1001176318	1	Cover	
10	1001174800	1	Bracket	
11	1001174801	1	Bracket	
13	0760608	2	Bolt, M6X16	
14	4010610002	10	Screw, Posi-Drive M6X20	
15	0700612	4	Bolt, M6X25	
16	3290601	4	Nut, M6X1	
17	4010608002	1	Screw, Posi-Drive, M6X16	

SECTION 6 - CAB

FIGURE 6-26. ROOF CAP INSTALLATION (NO A/C)



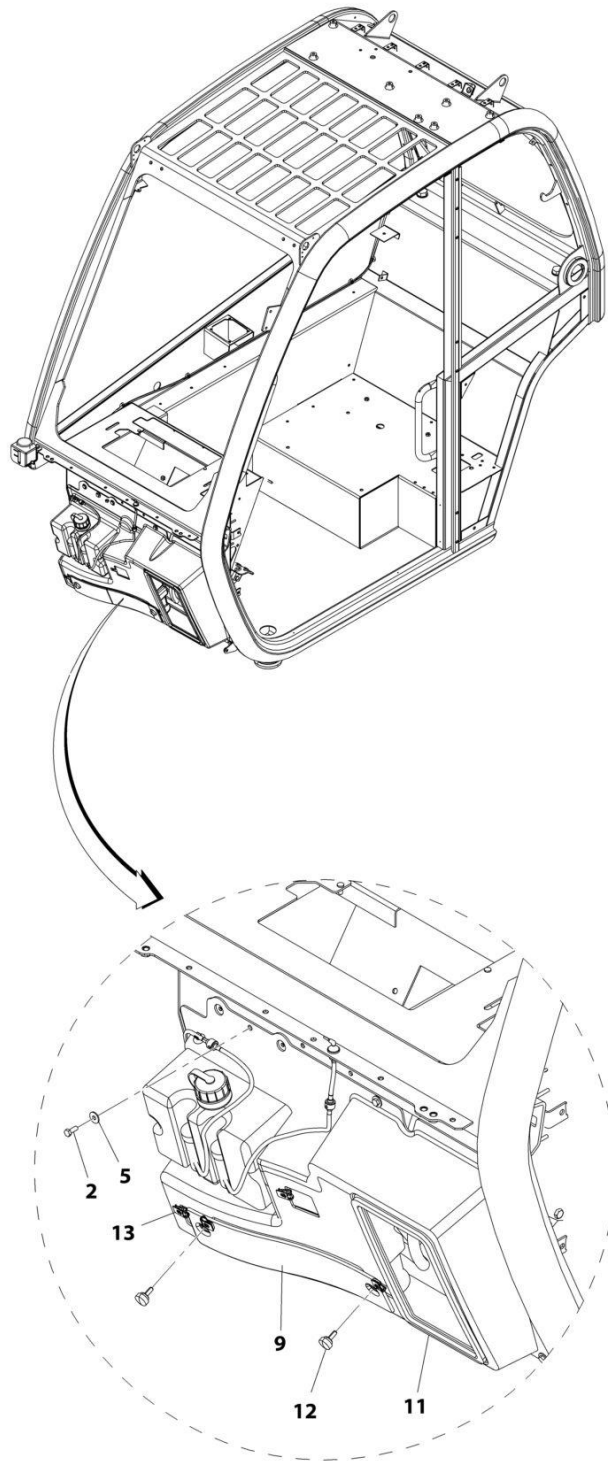
ART_1001185848-D

FIGURE 6-26. ROOF CAP INSTALLATION (NO A/C)

ITEM	PART NUMBER	QTY	DESCRIPTION	REV
	1001185848	Ref	Roof Cap Installation (No A/C - AG)	D
2	0760810	8	Bolt, M8X20	
3	4811900	8	Washer, M8	
4	1001182330	1	Cover, Short Upper Roof Cap	
5	1001185633	1	Bracket, Roof Cap Mount	
6	1001185845	1	Cover, Short Lower Roof Cap	
7	4811902	2	Washer, M8	
8	0760808	2	Bolt, M8X16	

SECTION 6 - CAB

FIGURE 6-27. FRONT COVER INSTALLATION



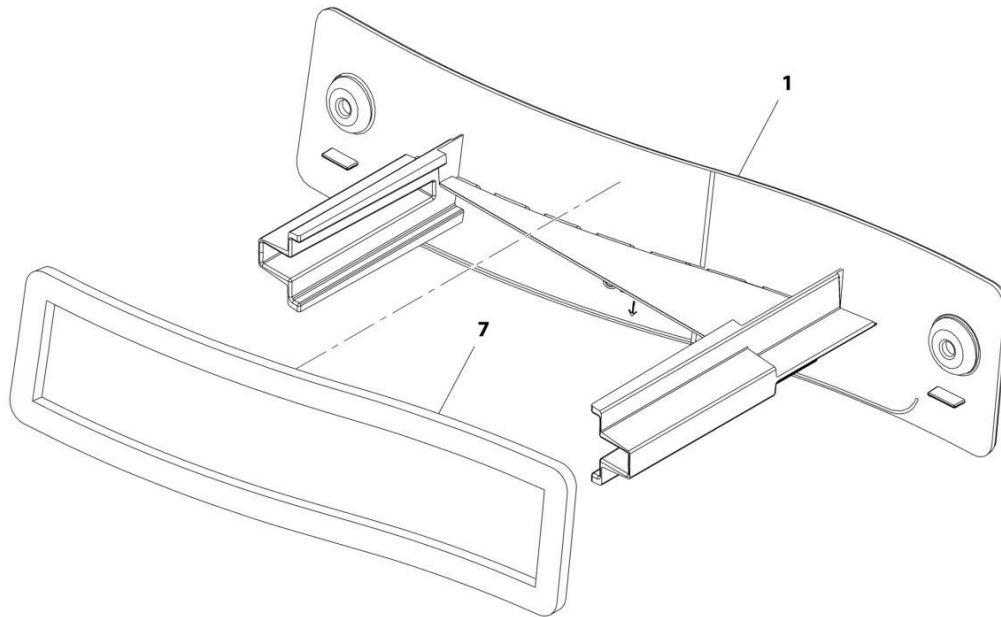
ART_1001170366-G

FIGURE 6-27. FRONT COVER INSTALLATION

ITEM	PART NUMBER	QTY	DESCRIPTION	REV
	1001170366	Ref	Front Cover Installation	G
2	0760608	7	Bolt, M6X16	
5	4811702	7	Washer, M6	
9	1001175471	1	Panel, Filter Tray (See Separate Breakdown in this Section)	
11	1001176121	1	Cover, Front Duct (See Separate Breakdown in this Section)	
12	2080092	2	Thumb Screw, M6X16	
13	8305919	4	Nut, M6	

SECTION 6 - CAB

FIGURE 6-28. FILTER TRAY PANEL



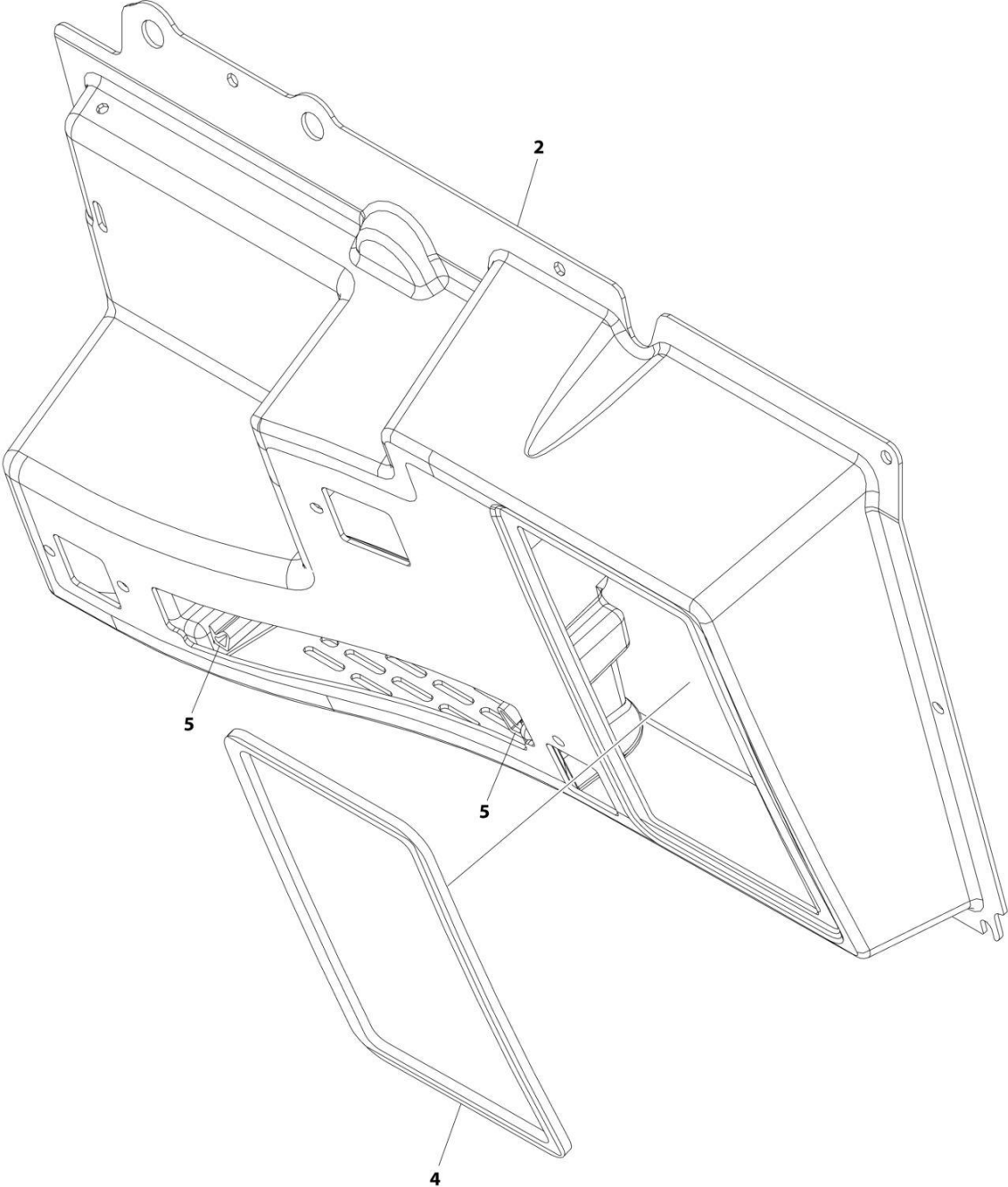
ART_1001175471-D

FIGURE 6-28. FILTER TRAY PANEL

ITEM	PART NUMBER	QTY	DESCRIPTION	REV
	1001175471	Ref	Filter Tray Panel	D
1	1001170993	1	Panel, Front Inlet	
7	1001171767	1	Cab, Front Panel Seal	

SECTION 6 - CAB

FIGURE 6-29. FRONT DUCT COVER



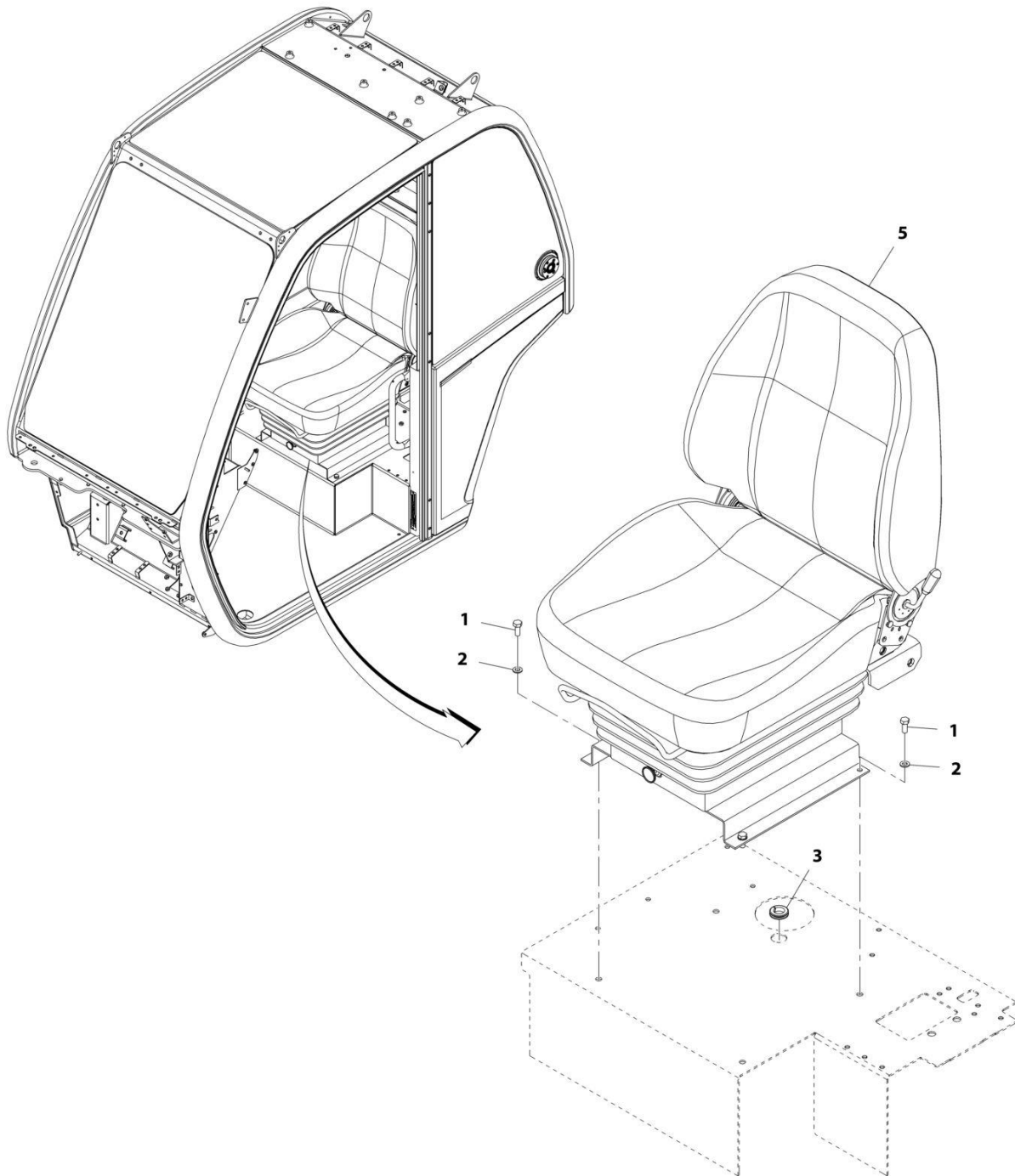
ART_1001176121

FIGURE 6-29. FRONT DUCT COVER

ITEM	PART NUMBER	QTY	DESCRIPTION	REV
	1001176121	Ref	FRONT DUCT COVER	H
2	1001170326	1	Cover, Front	
4	1001175470	1	Seal, Front Cab Panel	
5	1001270117	AR	Seal, Bulb	

SECTION 6 - CAB

FIGURE 6-30. SEAT INSTALLATION (AIR SUSPENSION - STANDARD)



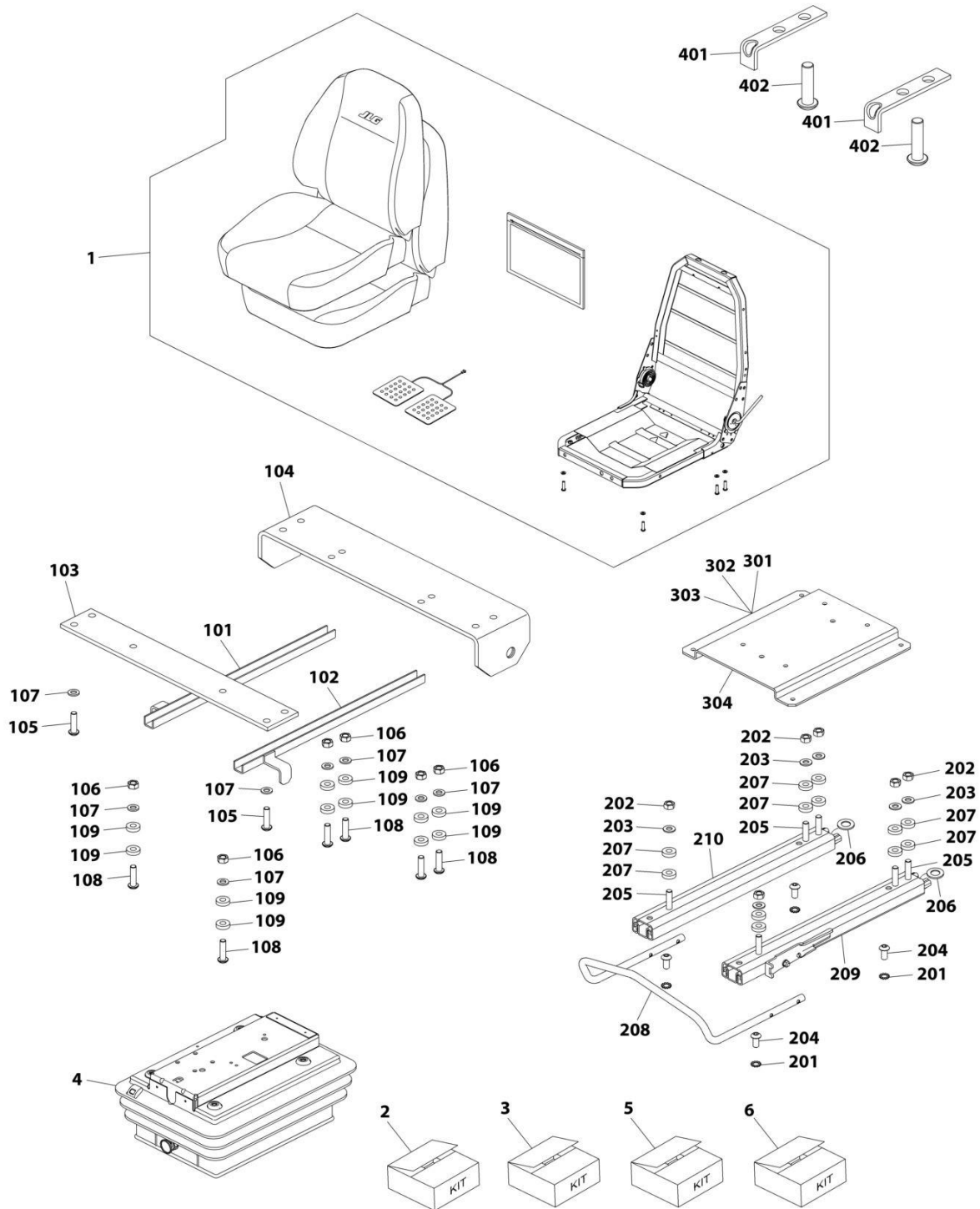
ART_1001158596-D

FIGURE 6-30. SEAT INSTALLATION (AIR SUSPENSION - STANDARD)

ITEM	PART NUMBER	QTY	DESCRIPTION	REV
	1001158596	Ref	Seat Installation (Air Suspension - Standard)	D
1	0760810	4	Bolt, M8X20	
2	4811900	4	Washer, M8	
3	1001216974	1	Grommet	
5	1001165573	1	Assembly, Seat (See Separate Breakdown in this Section)	

SECTION 6 - CAB

FIGURE 6-31. SEAT ASSEMBLY (AIR SUSPENSION - STANDARD)



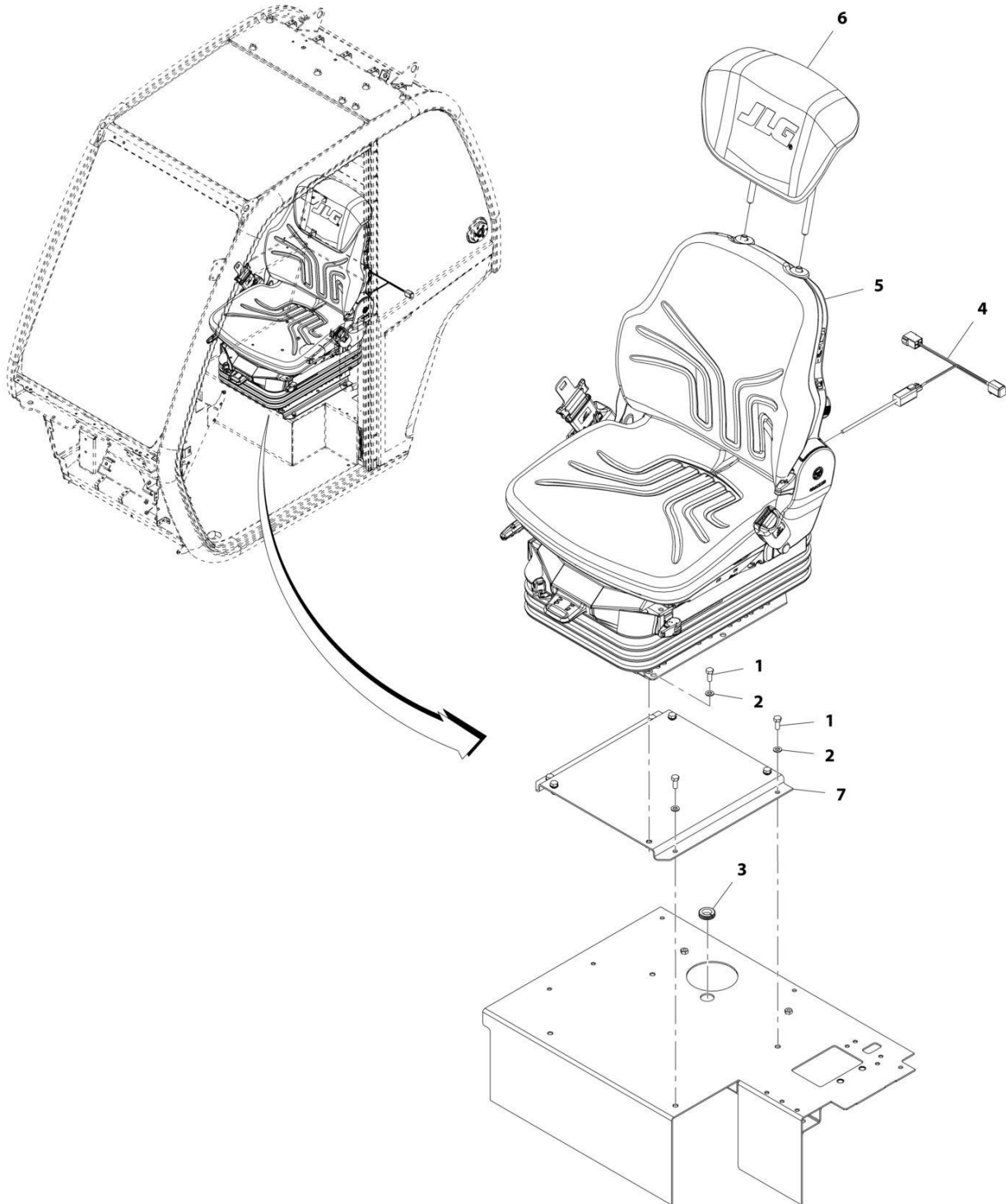
ART_1001165573-C

FIGURE 6-31. SEAT ASSEMBLY (AIR SUSPENSION - STANDARD)

ITEM	PART NUMBER	QTY	DESCRIPTION	REV
	1001165573	Ref	Seat Assembly (Air Suspension - Standard)	C
1	70027392	1	Assembly, Upper Seat (See Separate Breakdown in this Section)	
2	70021317	1	Kit, Cross Strap (includes items 101 thru 109)	
3	70021318	1	Kit, Fore and Aft Adjustment (includes items 201 thru 210)	
4	70021319	1	Kit, Suspension (See Separate Breakdown in this Section)	
5	70027395	1	Kit, Adapter Plate (includes items 301 thru 304)	
6	70021322	1	Kit, Slide Rail Stop (includes items 401 & 402)	
101	N.S.S.	1	Channel	
102	N.S.S.	1	Channel	
103	N.S.S.	1	Plate, Strap	
104	N.S.S.	1	Plate, Strap	
105	N.S.S.	4	Bolt, M8X25	
106	N.S.S.	6	Nut, M8	
107	N.S.S.	10	Washer	
108	N.S.S.	6	Bolt, M8X30	
109	N.S.S.	12	Spacer	
201	N.S.S.	4	Washer, Spring M8	
202	N.S.S.	1	Nut, M8	
203	N.S.S.	1	Washer	
204	N.S.S.	1	Bolt, M8X16	
205	N.S.S.	1	Bolt, M8X30	
206	N.S.S.	1	Washer	
207	N.S.S.	1	Spacer	
208	N.S.S.	1	Handle	
209	N.S.S.	1	Rail, Slide	
210	N.S.S.	1	Rail, Slide	
301	N.S.S.	1	Bolt, M8X25	
302	N.S.S.	1	Bolt, M8X16	
303	N.S.S.	1	Washer	
304	N.S.S.	1	Plate, Adapter	
401	N.S.S.	1	Stop, Sliderrail	
402	N.S.S.	1	Bolt, M8X16	

SECTION 6 - CAB

FIGURE 6-32. SEAT INSTALLATION (PREMIUM)



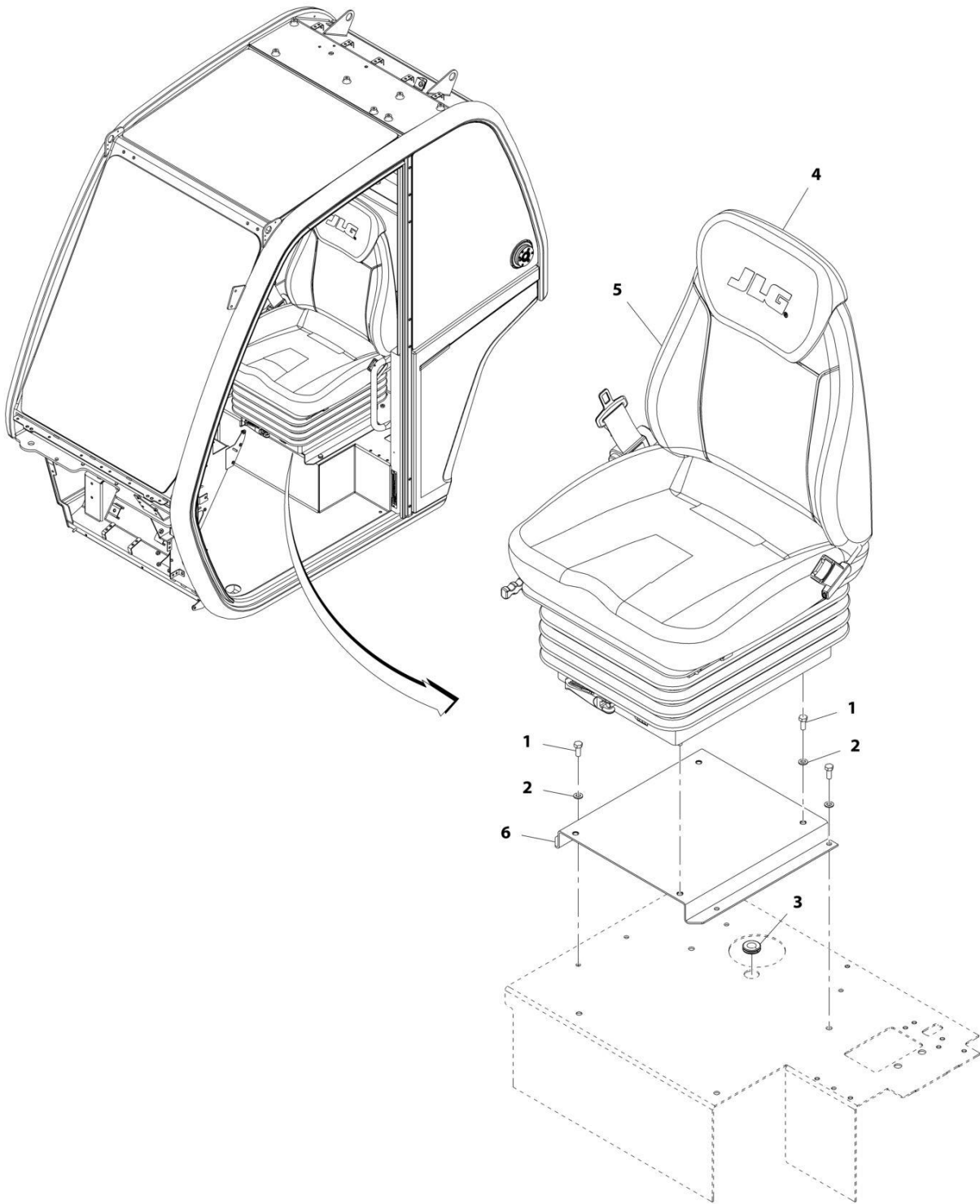
ART_1001205648-B

FIGURE 6-32. SEAT INSTALLATION (PREMIUM)

ITEM	PART NUMBER	QTY	DESCRIPTION	REV
	1001205648	1	Installation, Seat (Premium)	B
1	0760810	8	Bolt, M8X20	
2	4811900	8	Washer, M8	
3	1001216974	1	Grommet	
4	1001168531	1	Harness, Seat Adaptor (See Separate Breakdown in this Section)	
5	1001169135	1	Assembly, Seat (See Separate Breakdown in this Section)	
6	1001182529	1	Headrest	
7	1001158736C	1	Plinth, Seat	

SECTION 6 - CAB

FIGURE 6-33. SEAT INSTALLATION (MECHANICAL)



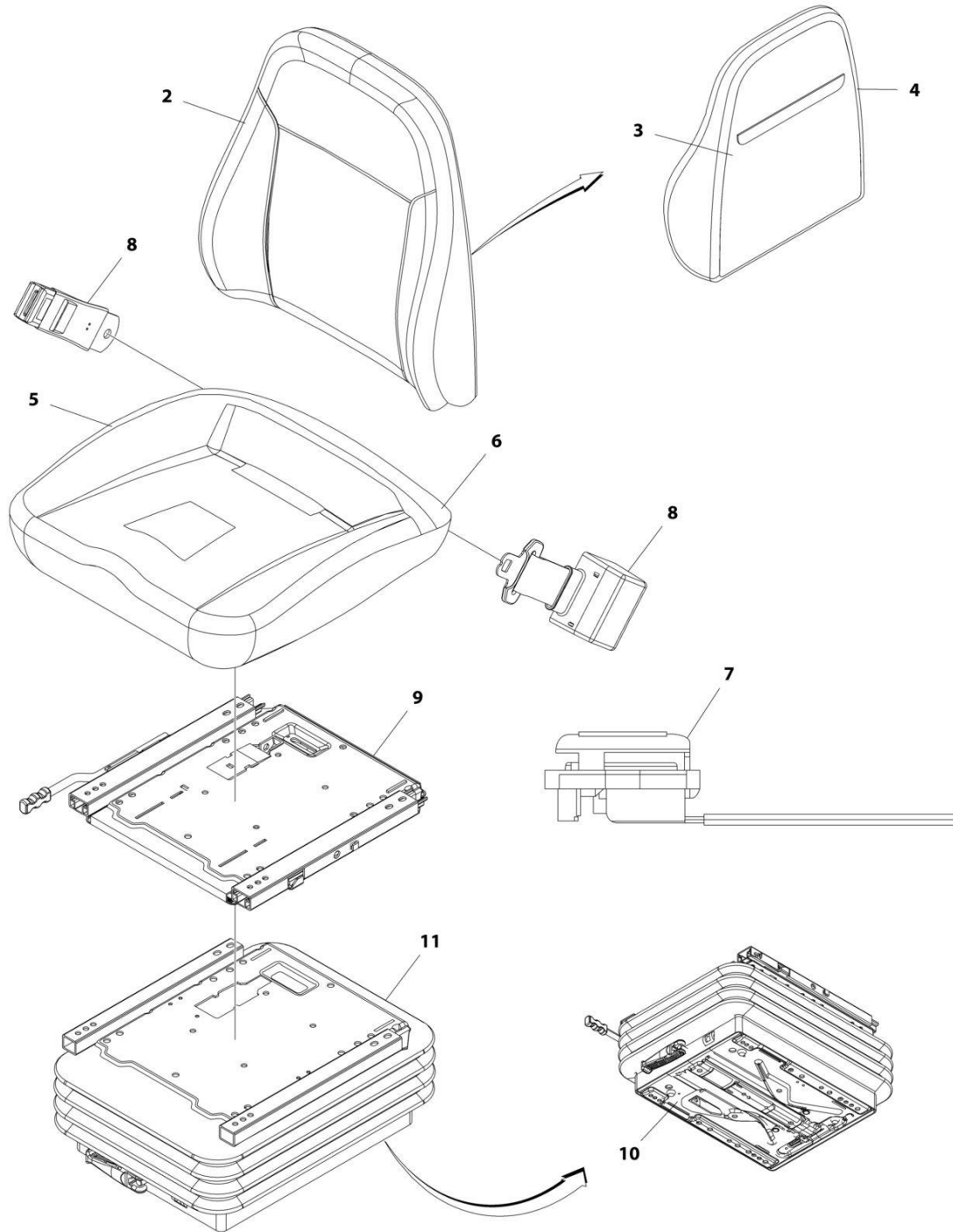
ART_1001205782-B

FIGURE 6-33. SEAT INSTALLATION (MECHANICAL)

ITEM	PART NUMBER	QTY	DESCRIPTION	REV
	1001205782	Ref	Seat Installation (Mechanical - JLG)	C
1	0760810	8	Bolt, M8X20	
2	4811900	8	Washer, M8	
3	1001216974	1	Grommet	
4	1001119467	1	Headrest, Cloth	
5	1001288070	1	Seat, Assembly (See Separate Breakdown in this Section)	
6	1001205514	1	Plinth, Seat	

SECTION 6 - CAB

FIGURE 6-34. SEAT ASSEMBLY



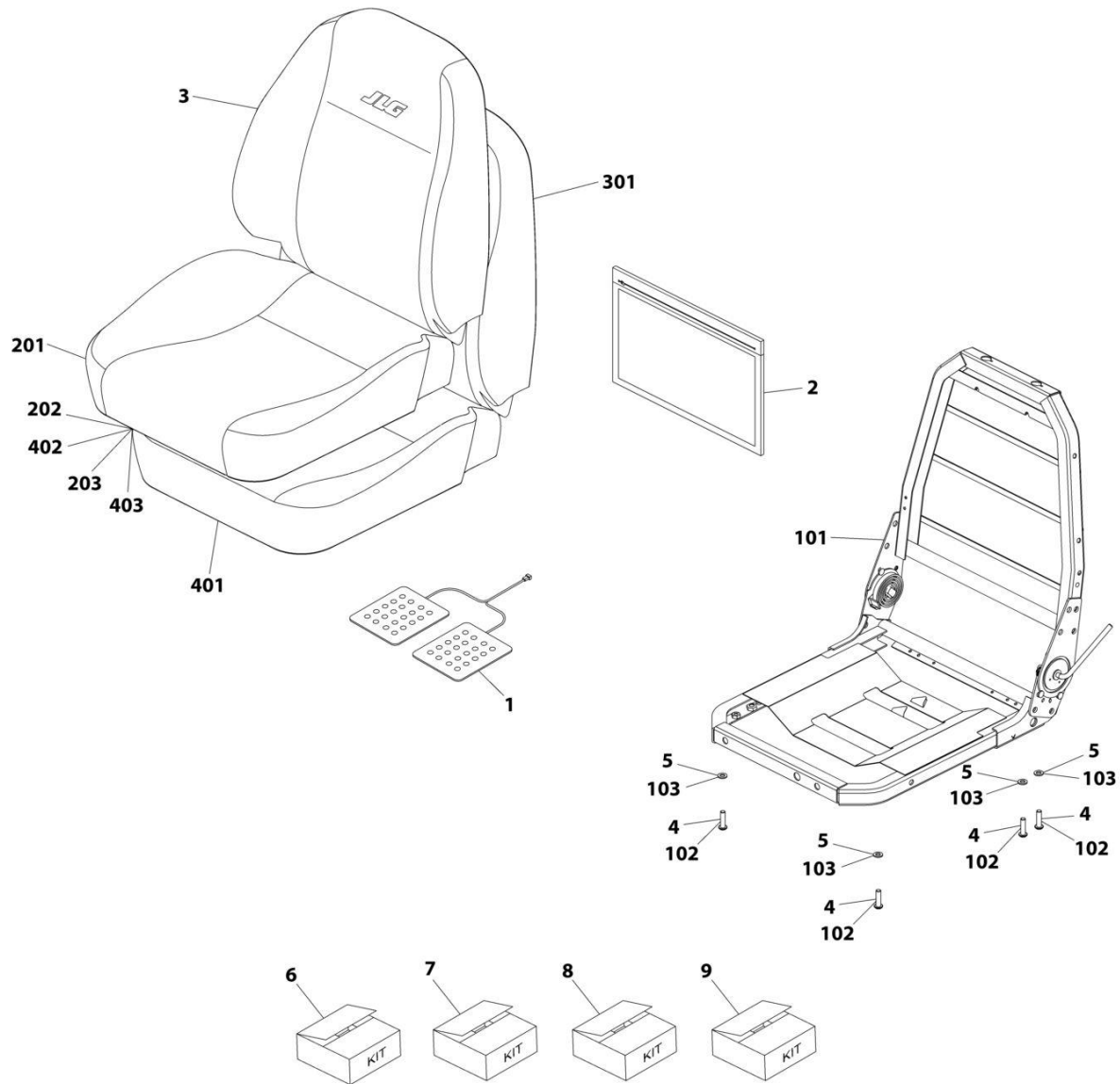
ART_1001150294

FIGURE 6-34. SEAT ASSEMBLY

ITEM	PART NUMBER	QTY	DESCRIPTION	REV
	1001150294	Ref	CLOTH SEAT	F
2	70025489	1	Fabric, Upper Seat	
3	70025490	1	Cover, Back	
4	70025483	1	Foam, Back	
5	70025491	1	Cover, Seat	
6	70025485	1	Foam, Seat	
7	70025486	1	Switch, Contact	
8	7029767	1	Belt, Seat	
9	70021252	1	Rail, Slide	
10	70021251	1	Unit, Suspension	
11	70022034	1	Cover, Rubber	

SECTION 6 - CAB

FIGURE 6-35. UPPER SEAT ASSEMBLY



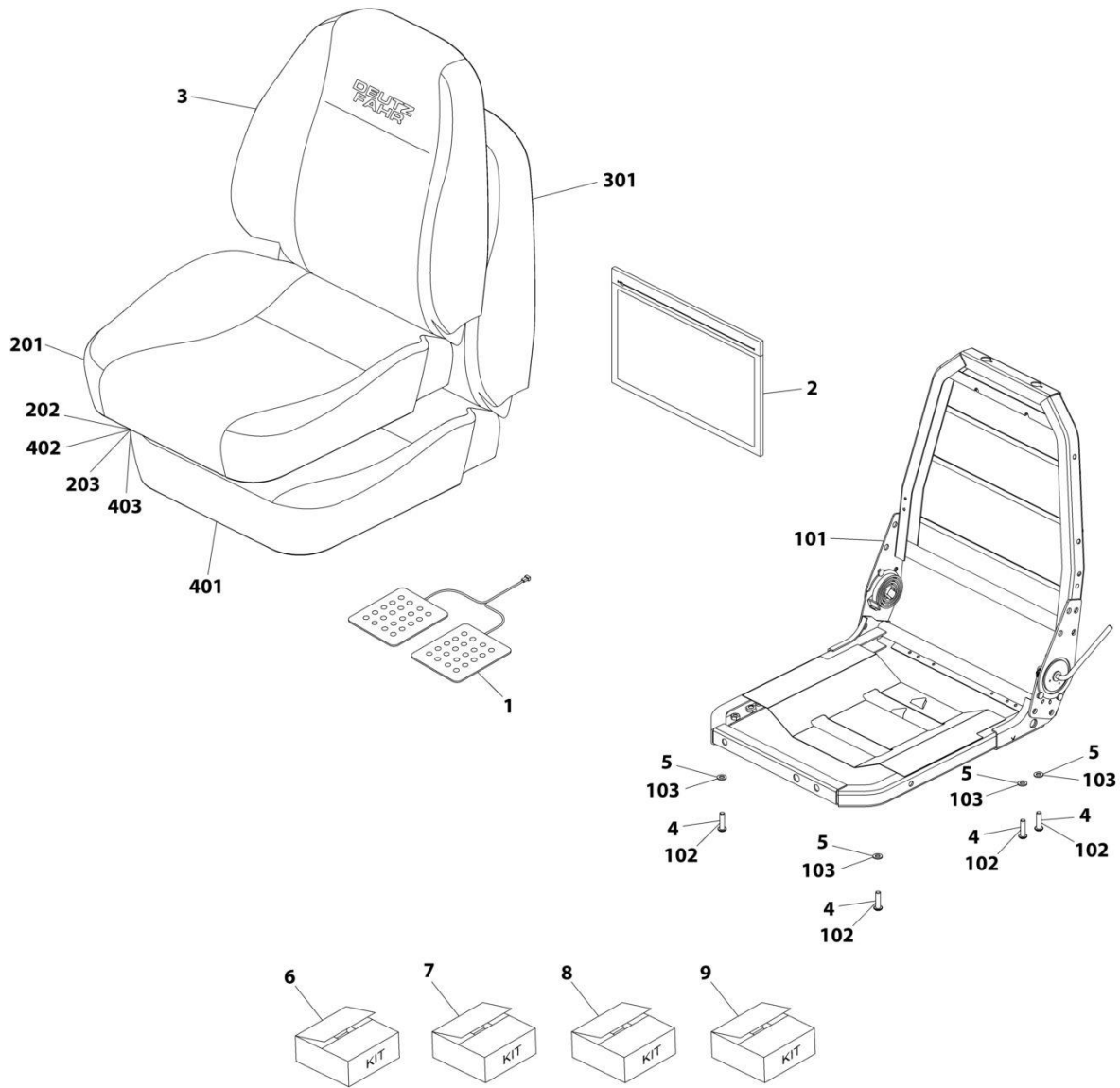
ART_70027392

FIGURE 6-35. UPPER SEAT ASSEMBLY

ITEM	PART NUMBER	QTY	DESCRIPTION	REV
	70027392	Ref	Upper Seat Assembly	
1	70025539	1	Pad, Sensor	
2	70021316	1	Bag	
3	70027393	1	Cover, Back	
4	N.S.S.	4	Bolt, M8X25	
5	N.S.S.	4	Washer	
6	70021314	1	Kit, Frame (includes items 101 thru 103)	
7	70027394	1	Kit, Bottom Seat Cover (includes items 201 thru 203)	
8	80264002	1	Kit, Back Foam (includes items 301 thru 303)	
9	80264004	1	Kit, Seat Foam (includes items 401 thru 403)	
101	N.S.S.	1	Frame, Seat	
102	N.S.S.	4	Bolt, M8X25	
103	N.S.S.	4	Washer	
201	N.S.S.	1	Cover, Seat	
202	N.S.S.	2	Clip	
203	N.S.S.	17	Clip	
301	N.S.S.	1	Foam, Back	
302	N.S.S.	3	Bar, Trim	
303	N.S.S.	4	Ring	
401	N.S.S.	1	Foam, Seat	
402	N.S.S.	2	Clip	
403	N.S.S.	17	Clip	

SECTION 6 - CAB

FIGURE 6-36. UPPER SEAT ASSEMBLY



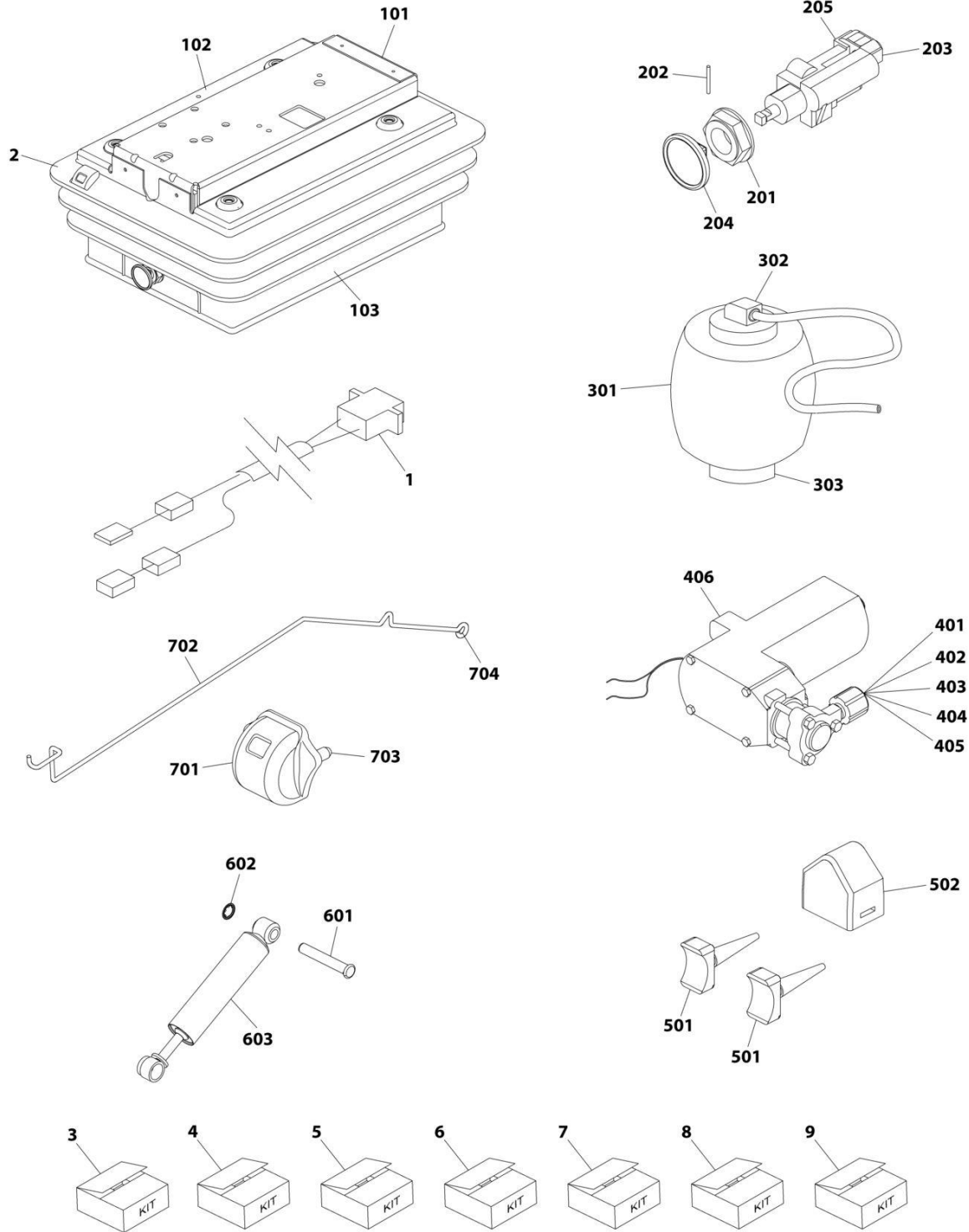
ART_70027396

FIGURE 6-36. UPPER SEAT ASSEMBLY

ITEM	PART NUMBER	QTY	DESCRIPTION	REV
	70027396	Ref	Upper Seat Assembly	
1	70025539	1	Pad, Sensor	
2	70021316	1	Bag	
3	70027397	1	Cover, Back	
4	N.S.S.	4	Bolt, M8X25	
5	N.S.S.	4	Washer	
6	70021314	1	Kit, Frame (includes items 101 thru 103)	
7	70027394	1	Kit, Bottom Seat Cover (includes items 201 thru 203)	
8	80264002	1	Kit, Back Foam (includes items 301 thru 303)	
9	80264004	1	Kit, Seat Foam (includes items 401 thru 403)	
101	N.S.S.	1	Frame	
102	N.S.S.	4	Bolt, M8X25	
103	N.S.S.	4	Washer	
201	N.S.S.	1	Cover, Seat	
202	N.S.S.	2	Clip	
203	N.S.S.	17	Clip	
301	N.S.S.	1	Foam, Back	
302	N.S.S.	3	Bar, Trim	
303	N.S.S.	4	Ring	
401	N.S.S.	1	Foam, Seat	
402	N.S.S.	2	Clip	
403	N.S.S.	17	Clip	

SECTION 6 - CAB

FIGURE 6-37. SUSPENSION KIT



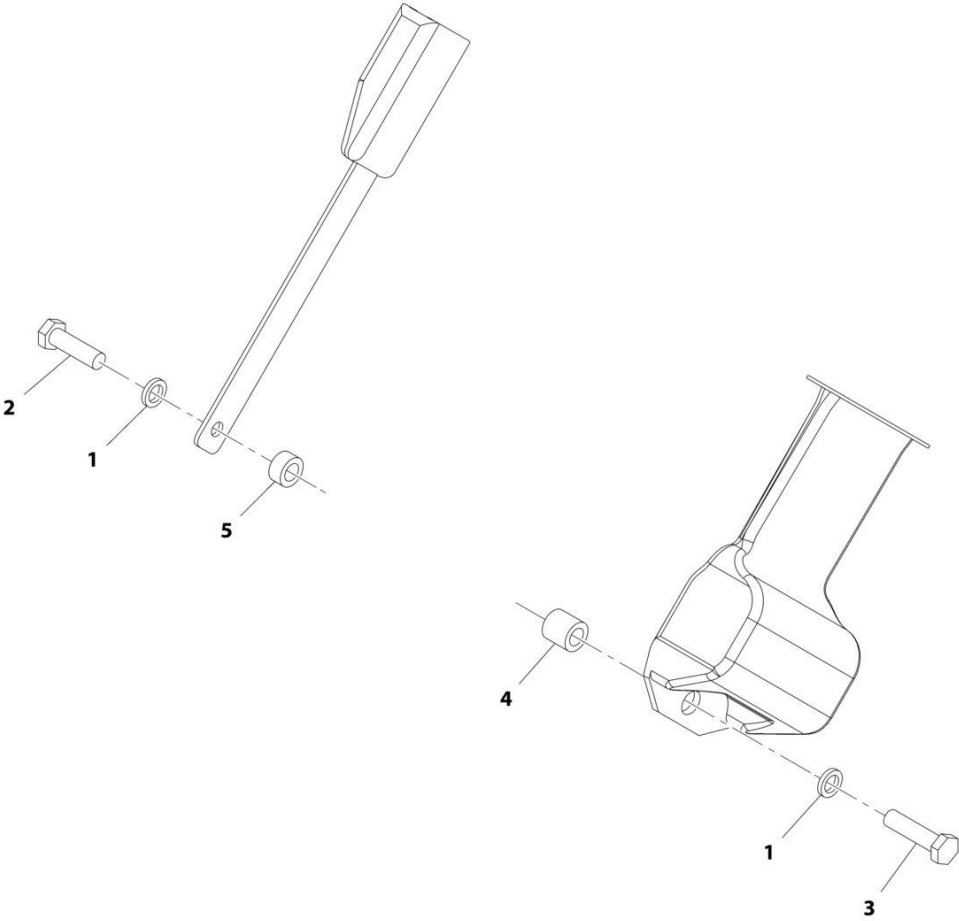
ART_70021319

FIGURE 6-37. SUSPENSION KIT

ITEM	PART NUMBER	QTY	DESCRIPTION	REV
	70021319	Ref	Suspension Kit	
1	70021330	1	Lead, Fly	
2	N.S.S.	1	Suspension	
3	70021321	1	Kit, Suspension Cover (includes items 101 thru 103)	
4	70021323	1	Kit, Air Valve (includes items 201 thru 205)	
5	70021324	1	Kit, Air Spring (includes items 301 thru 303)	
6	70021325	1	Kit, Compressor (includes items 401 thru 406)	
7	70021326	1	Kit, Upstop/Bumpstop (includes items 501 & 502)	
8	70021327	1	Kit, Damper (includes items 601 thru 603)	
9	70021328	1	Kit, Ride Indicator (includes items 701 thru 704)	
101	N.S.S.	6	Clip, Cover	
102	N.S.S.	1	Cover, Suspension	
103	N.S.S.	5	Clip, Cover	
201	N.S.S.	1	Nut, Air Valve	
202	N.S.S.	1	Pin, Retaining	
203	N.S.S.	1	Valve, Combination	
204	N.S.S.	1	Knob	
205	N.S.S.	2	Tie, Plastic	
301	N.S.S.	1	Spring, Air	
302	N.S.S.	1	Clip	
303	N.S.S.	1	Screw, Countersunk Self Tapping	
401	N.S.S.	1	Clip	
402	N.S.S.	1	Pad	
403	N.S.S.	1	Loom	
404	N.S.S.	2	Tie, Cable	
405	N.S.S.	3	Tie, Plastic	
406	N.S.S.	1	Compressor (with Elbow)	
501	N.S.S.	2	Upstop	
502	N.S.S.	1	Bumpstop	
601	N.S.S.	2	Pin	
602	N.S.S.	2	Washer, Starlock	
603	N.S.S.	1	Damper	
701	N.S.S.	1	Indicator, Ride	
702	N.S.S.	1	Wire, Ride Indicator	
703	N.S.S.	2	Washer, Starlock	
704	N.S.S.	1	Washer, Grip M4	

SECTION 6 - CAB

FIGURE 6-38. SEAT BELT INSTALLATION (3IN)



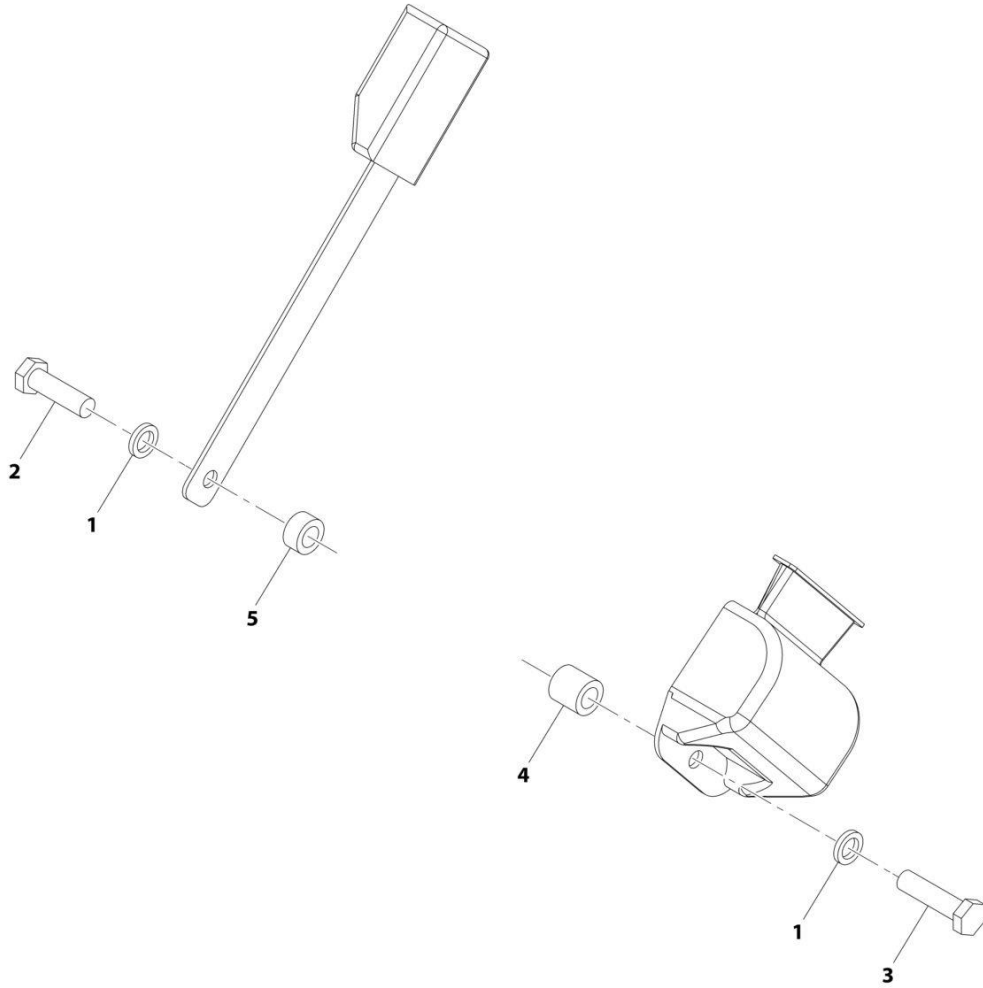
ART_1001006731-B

FIGURE 6-38. SEAT BELT INSTALLATION (3IN)

ITEM	PART NUMBER	QTY	DESCRIPTION	REV
	1001006731	Ref	Seat Belt Installation (3IN)	B
1	1001010646	2	Washer	
2	1001010647	1	Bolt	
3	1001010648	1	Bolt	
4	1001010649	1	Spacer	
5	1001010650	1	Spacer	

SECTION 6 - CAB

FIGURE 6-39. SEAT BELT INSTALLATION (2IN)



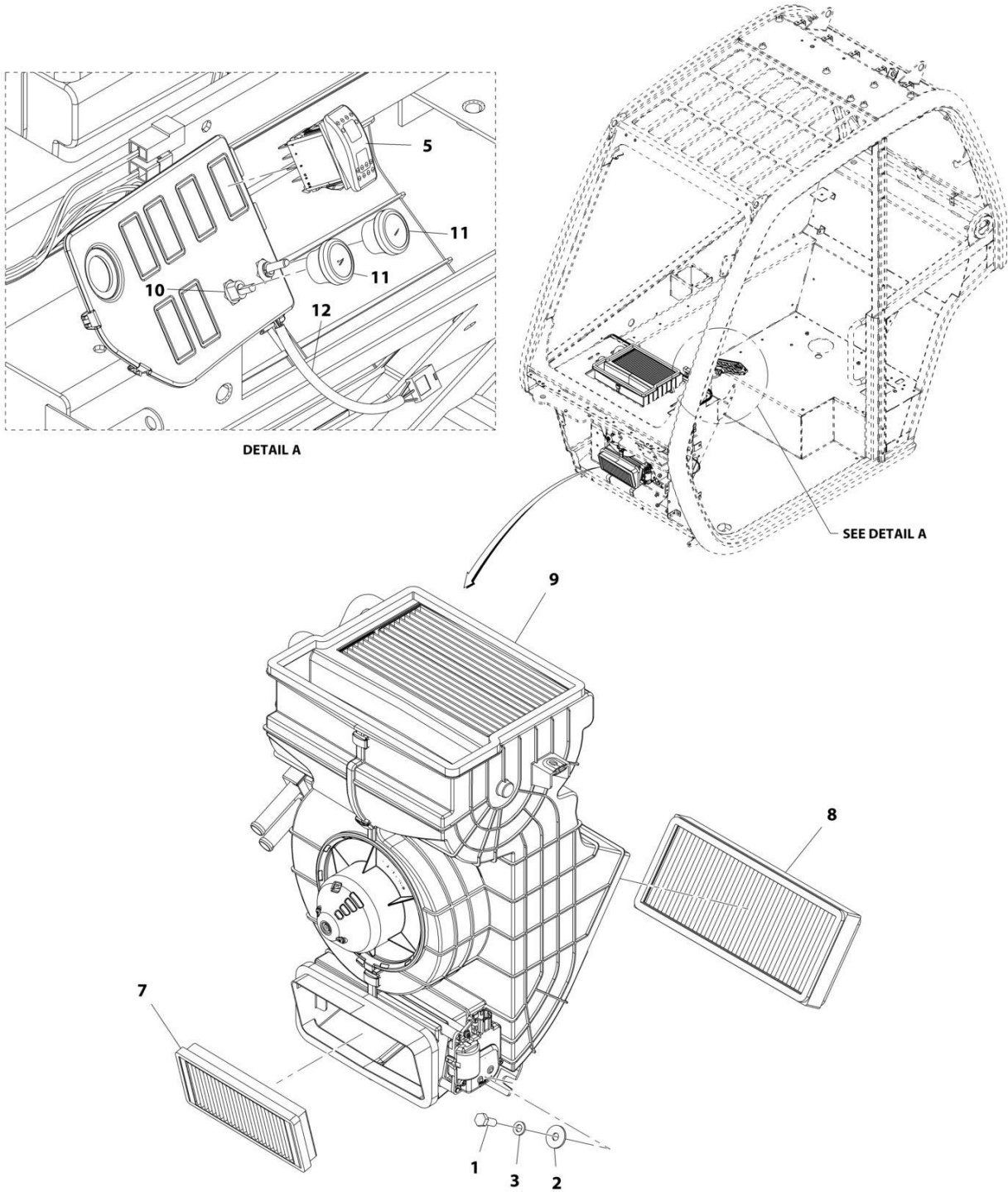
ART_1001006730

FIGURE 6-39. SEAT BELT INSTALLATION (2IN)

ITEM	PART NUMBER	QTY	DESCRIPTION	REV
	1001006730	Ref	Seat Belt Installation (2IN)	H
1	1001010646	2	Washer	
2	1001010647	1	Bolt	
3	1001010648	1	Bolt	
4	1001010649	1	Spacer, Shim	
5	1001010650	1	Spacer, Shim	

SECTION 6 - CAB

FIGURE 6-40. HEATER INSTALLATION



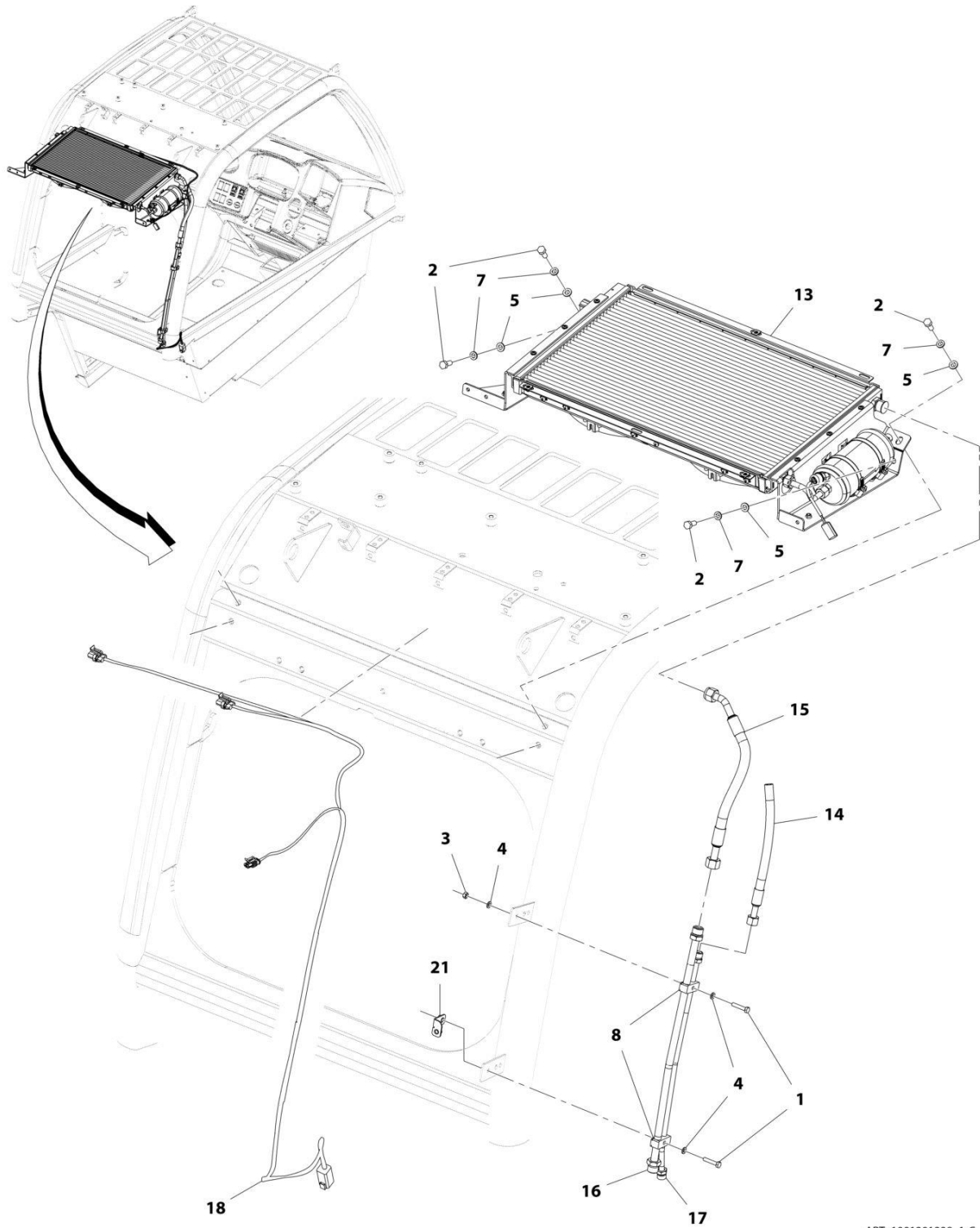
ART_1001201336-C

FIGURE 6-40. HEATER INSTALLATION

ITEM	PART NUMBER	QTY	DESCRIPTION	REV
	1001201336	Ref	Heater Installation	C
1	0760810	2	Bolt, M8X20	
2	4811902	2	Washer, M8	
3	4831900	2	Washer, Lock M8	
5	1001159925	1	Switch, HVAC Recycle	
7	1001172546	1	Filter, HVAC Air	
8	1001172553	1	Filter, HVAC Recirculation Air	
9	1001201498	1	Assembly, Heater (See Separate Breakdown in this Section)	
10	1001172547	1	Switch	
11	1001172550	2	Knob, HVAC	
12	1001172552	1	Cable, HVAC	

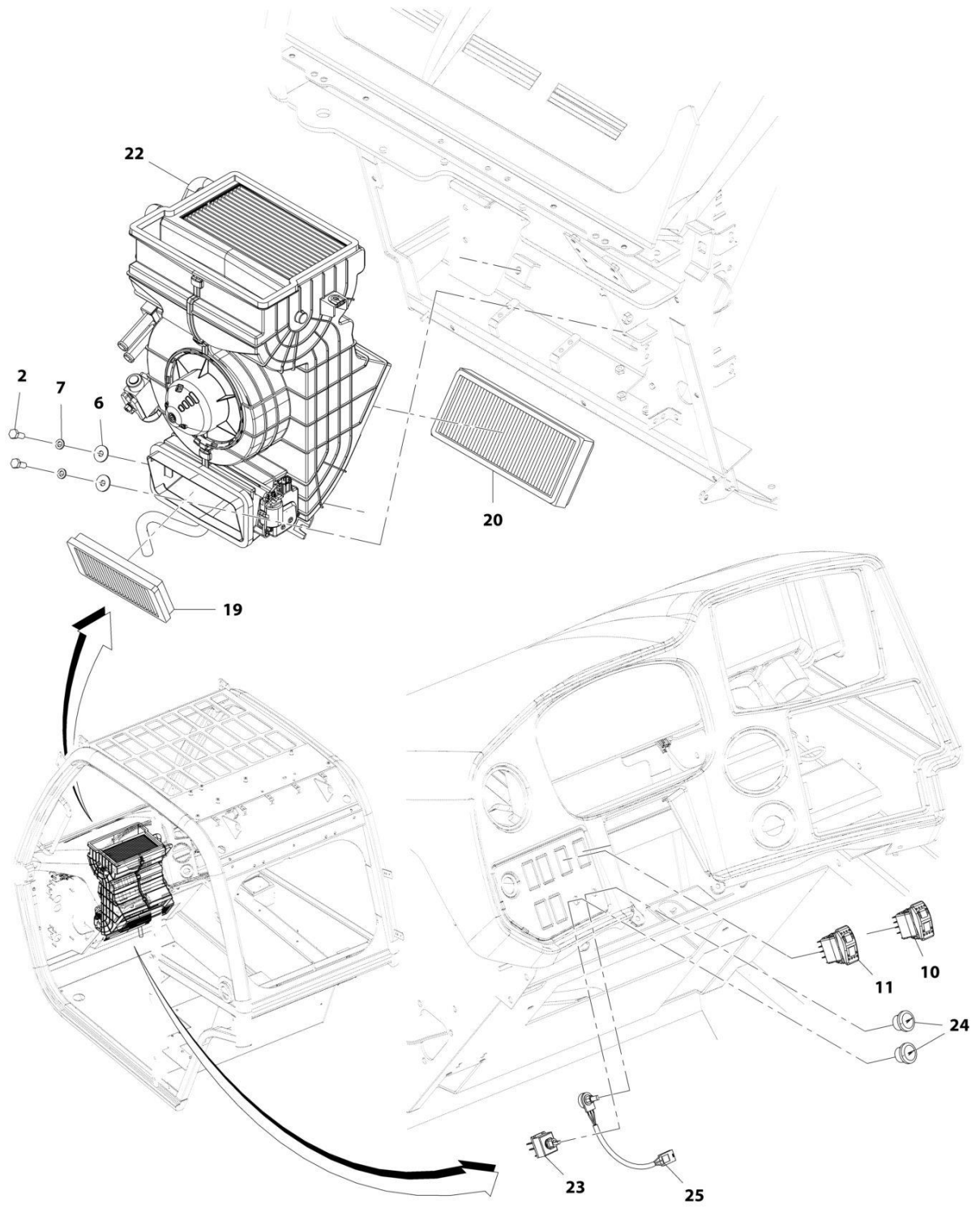
SECTION 6 - CAB

FIGURE 6-41. HEATER AND A/C INSTALLATION



ART_1001201338_1-C

SECTION 6 - CAB



ART_1001201338_2-C

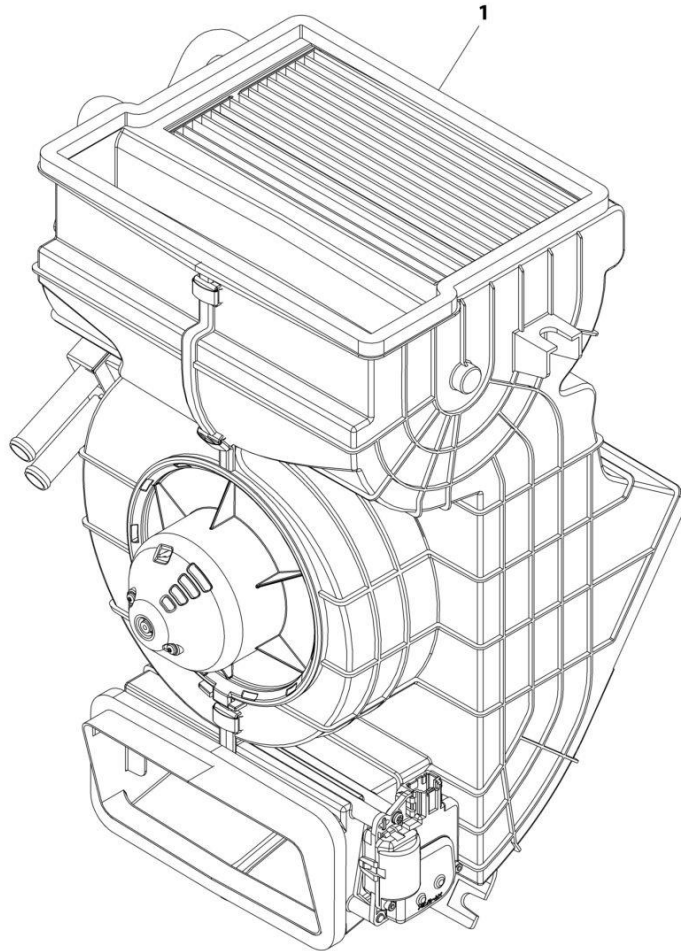
SECTION 6 - CAB

FIGURE 6-41. HEATER AND A/C INSTALLATION

ITEM	PART NUMBER	QTY	DESCRIPTION	REV
	1001201338	Ref	Heater and A/C Installation	C
1	0700614	2	Bolt, M6X30	
2	0760810	6	Bolt, M8X20	
3	3290601	1	Nut, M6X1	
4	4811700	3	Washer, M6	
5	4811900	4	Washer, M8	
6	4811902	2	Washer, M8	
7	4831900	6	Washer, Lock M8	
8	1001145539	2	Support, Pipe	
10	1001159925	1	Switch, HVAC Recycle	
11	1001160326	1	Switch, HVAC On/Off	
13	1001162953	1	Assembly, Cab Condenser (See Separate Breakdown in this Section)	
14	1001168327	1	Hose	
15	1001168330	1	Hose	
16	1001168331	1	Tube	
17	1001168456	1	Tube	
18	1001169151	1	Harness, A/C Option (See Separate Breakdown in ELECTRICAL Section)	
19	1001172546	1	Filter, HVAC Fresh Air	
20	1001172553	1	Filter, HVAC Air Recirculation	
21	1001178170	1	Bracket	
22	1001201497	1	Assembly, Heater and A/C (See Separate Breakdown in this Section)	
23	1001172547	1	Switch, HVAC Rotary 3 Speed	
24	1001172550	2	Knob, HVAC Control	
25	1001172552	1	Cable, HVAC	

SECTION 6 - CAB

FIGURE 6-42. HEATER ASSEMBLY



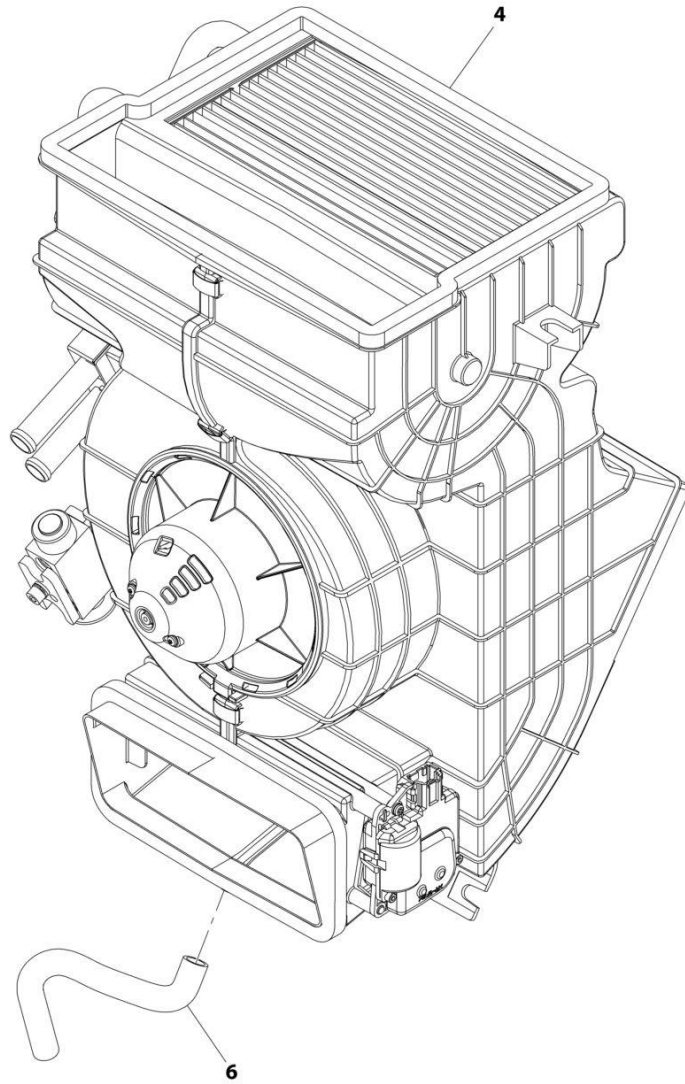
ART_1001201498-C

FIGURE 6-42. HEATER ASSEMBLY

ITEM	PART NUMBER	QTY	DESCRIPTION	REV
1	1001201498 1001152908	Ref 1	Heater Assembly Heater (See Separate Breakdown in this Section)	C

SECTION 6 - CAB

FIGURE 6-43. HEATER AND A/C ASSEMBLY



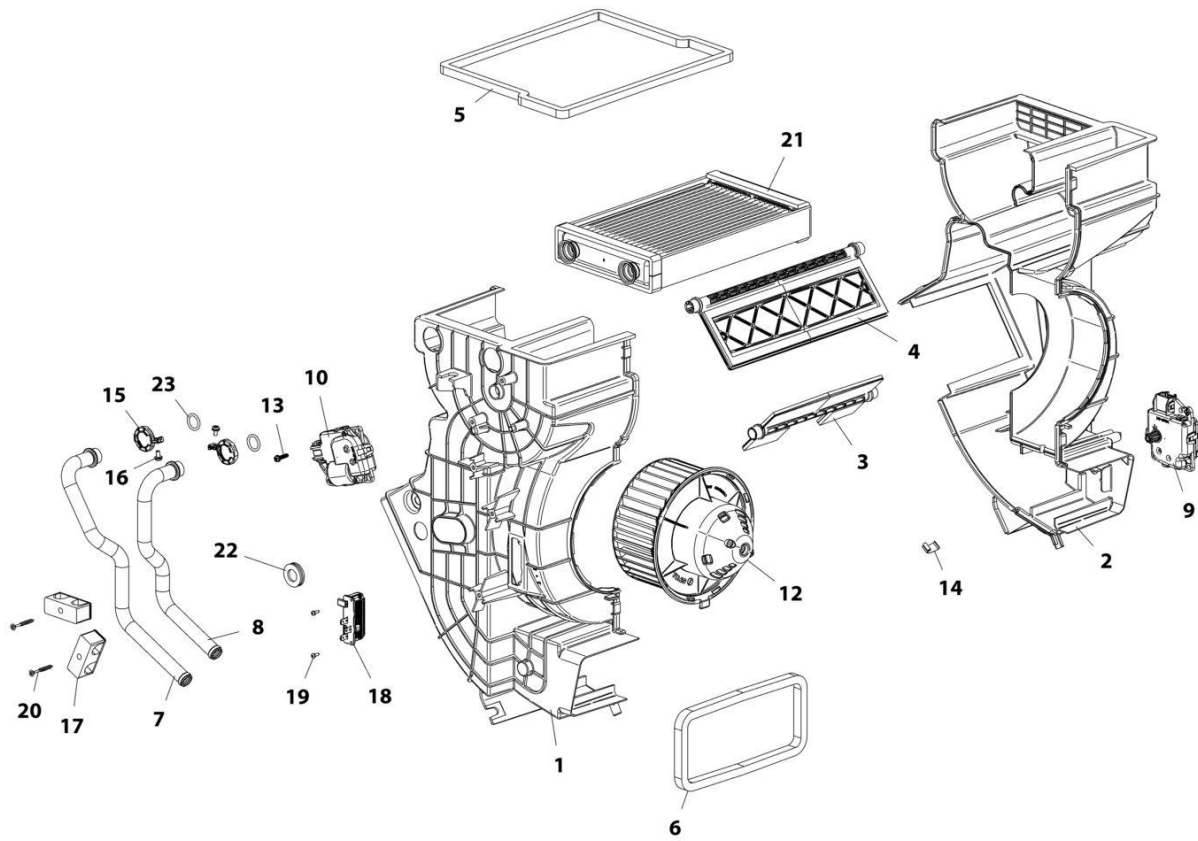
ART_1001201497-E

FIGURE 6-43. HEATER AND A/C ASSEMBLY

ITEM	PART NUMBER	QTY	DESCRIPTION	REV
	1001201497	Ref	Heater and A/C Assembly	E
4	1001188275	1	Heater and AC (See Separate Breakdown in this Section)	
6	1001161865	1	Hose	

SECTION 6 - CAB

FIGURE 6-44. HEATER



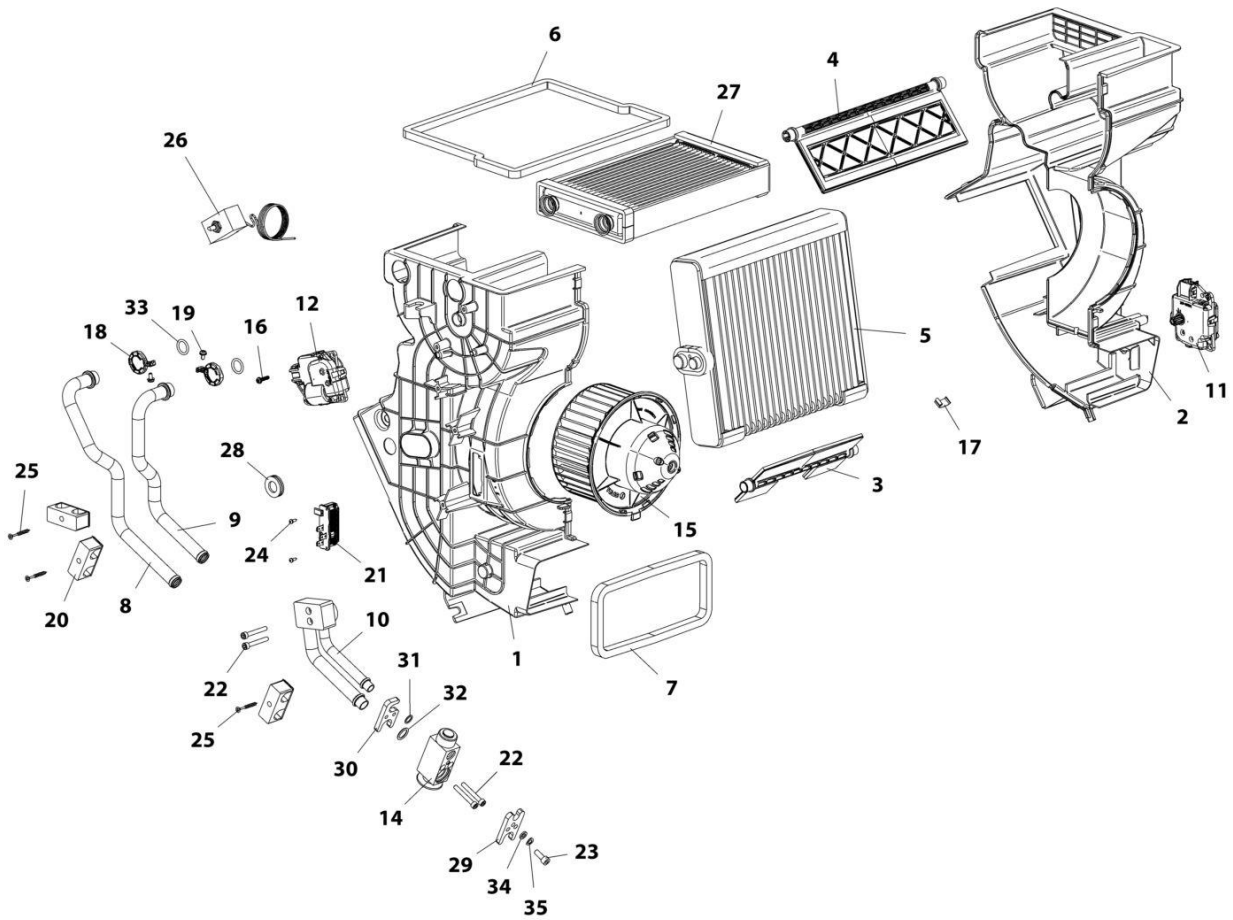
ART_1001152908-E

FIGURE 6-44. HEATER

ITEM	PART NUMBER	QTY	DESCRIPTION	REV
	1001152908	NLA	Heater (no longer available, see items 1 through 23 for service or use 1001221052 for replacement)	E
1	1001166091	1	Housing, RH	
2	1001166092	1	Housing, LH	
3	1001184275	1	Flap, Recirculation with Foam	
4	1001184278	1	Flap, Mixing with Foam	
5	1001184294	1	Foam, Air Outlet	
6	1001184295	1	Foam, Air Inlet	
7	1001184296	1	Pipe, Water	
8	1001184297	1	Pipe, Water	
9	1001188577	1	Actuator, Fresh/Recirculation Air	
10	1001188578	1	Actuator, Hot/Cold	
12	1001188594	1	Fan, 12V	
13	1001188602	4	Screw	
14	1001188603	9	Clamp	
15	1001188604	2	Clamp	
16	1001188610	2	Screw	
17	1001188612	2	Clamp	
18	1001188614	1	Resistor	
19	1001188720	2	Screw	
20	1001188725	2	Screw	
21	1001188729	1	Radiator, Heater Core	
22	1001188733	1	Grommet	
23	1001189025	2	O-Ring	

SECTION 6 - CAB

FIGURE 6-45. HEATER AND A/C



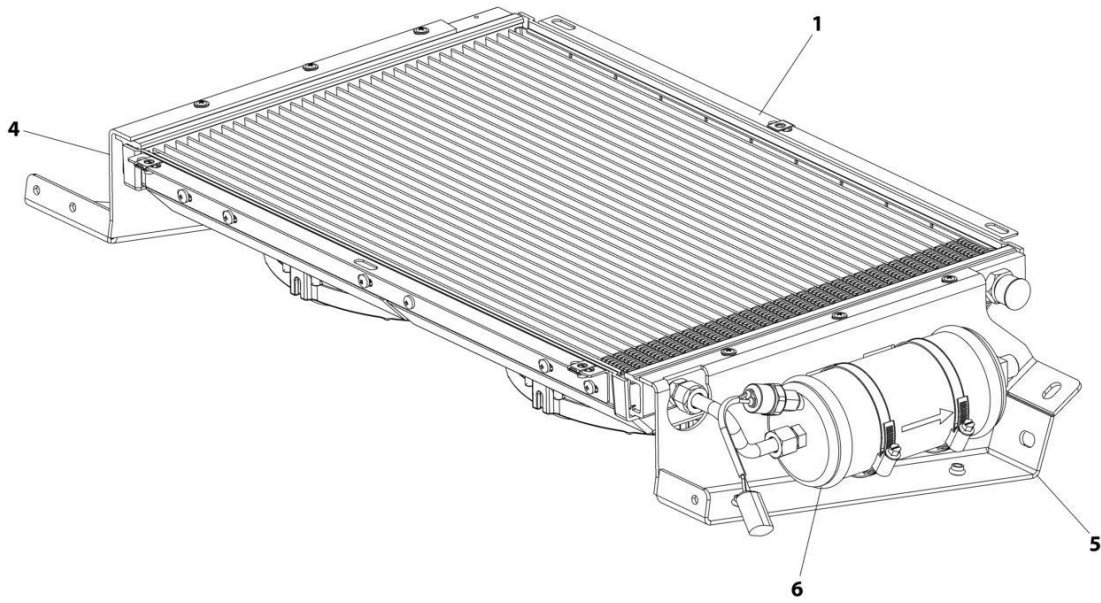
ART_1001188275-D

FIGURE 6-45. HEATER AND A/C

ITEM	PART NUMBER	QTY	DESCRIPTION	REV
	1001188275	NLA	Heater and A/C (no longer available, see items 1 through 35 for service or use 1001221054 for replacement)	D
1	1001166091	1	Housing, HVAC RH	
2	1001166092	1	Housing, HVAC LH	
3	1001184275	1	Foam, Heater Flap	
4	1001184278	1	Foam, Heater Mixing Flap	
5	1001184280	1	Evaporator, Heater	
6	1001184294	1	Seal, Heater Foam	
7	1001184295	1	Seal, Air Inlet Foam	
8	1001184296	1	Pipe, Heater Water	
9	1001184297	1	Pipe, Heater Water	
10	1001184427	1	Pipe, Heater	
11	1001188577	1	Actuator, Fresh/Recirculation Air	
12	1001188578	1	Actuator, Hot/Cold Mixing	
14	1001188592	1	Valve, HVAC Expansion	
15	1001188594	1	Fan, HVAC Centrifugal 12V	
16	1001188602	4	Screw, M4	
17	1001188603	9	Clamp, HVAC Case	
18	1001188604	2	Clamp, HVAC Pipe	
19	1001188610	2	Screw, M4X0.7	
20	1001188612	3	Clamp, Pipe	
21	1001188614	1	Resistor	
22	1001188618	4	Screw, M5	
23	1001188619	1	Screw, M6	
24	1001188720	2	Screw, M2.9X9.5	
25	1001188725	3	Screw, M4X35	
26	1001188728	1	Sensor, HVAC Thermostat	
27	1001188729	1	Radiator, Heater Core	
28	1001188733	1	Grommet	
29	1001188817	1	Clamp, Hose	
30	1001188818	1	Clamp, HVAC EVAP/Valve	
31	1001189023	1	O-Ring	
32	1001189024	1	O-Ring	
33	1001189025	2	O-Ring	
34	1001189048	1	Washer	
35	1001189054	1	Washer, Spring	

SECTION 6 - CAB

FIGURE 6-46. CAB CONDENSER ASSEMBLY



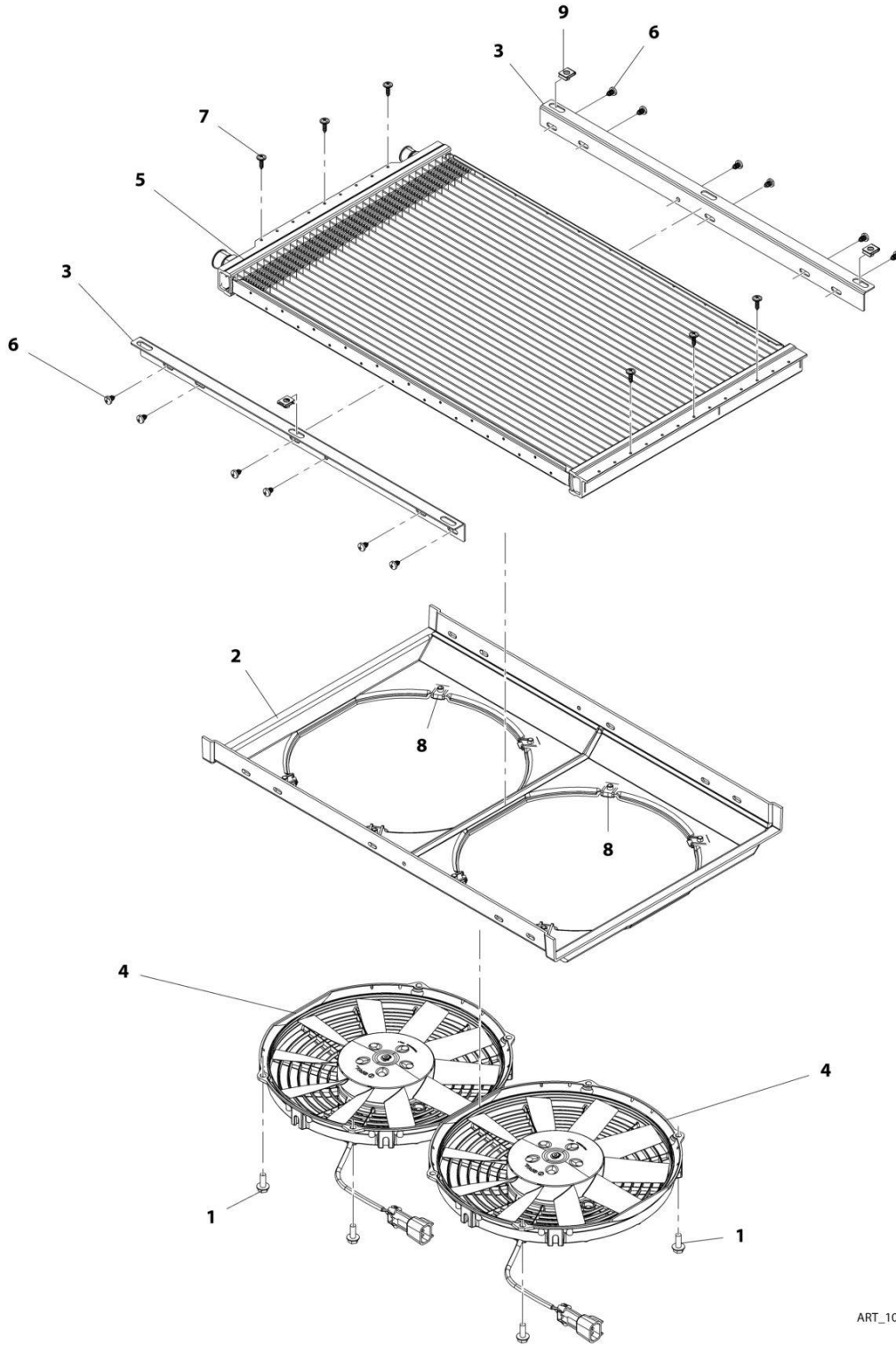
ART_1001162953

FIGURE 6-46. CAB CONDENSER ASSEMBLY

ITEM	PART NUMBER	QTY	DESCRIPTION	REV
	1001162953	Ref	Cab Condenser Assembly	G
1	1001167266	1	Condenser (See Separate Breakdown in this Section)	
4	1001179080	1	Bracket	
5	1001179081	1	Bracket	
6	1001179130	1	Drier, A/C Receiver (See Separate Breakdown in this Section)	

SECTION 6 - CAB

FIGURE 6-47. CONDENSER



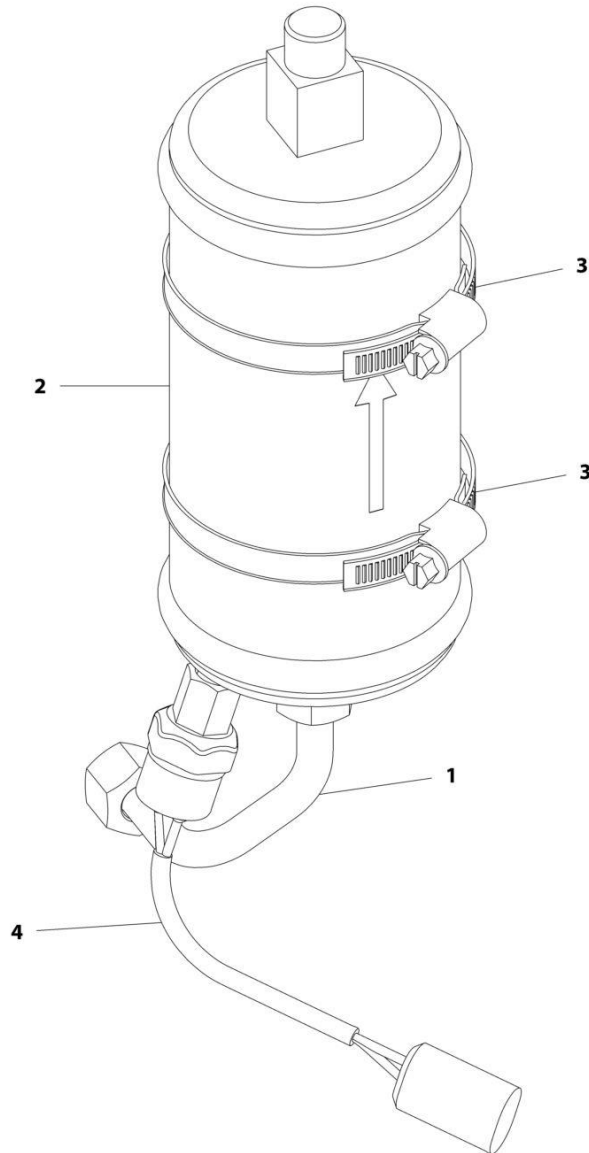
ART_1001167266-C

FIGURE 6-47. CONDENSER

ITEM	PART NUMBER	QTY	DESCRIPTION	REV
	1001167266	Ref	Condenser	C
1	5250608	8	Bolt, M6X16	
2	1001195342	1	Bracket, Condenser Fan Mount	
3	1001195343	2	Support, Condenser	
4	1001195345	2	Fan, Condenser	
5	1001195346	1	Condenser	
6	1001195385	12	Screw, M3.9X9.5	
7	1001195386	6	Screw, M4.2X16	
8	1001195437	8	Clip, M6X1	
9	1001195438	3	Clip, M6X1	

SECTION 6 - CAB

FIGURE 6-48. A/C RECEIVER DRIER



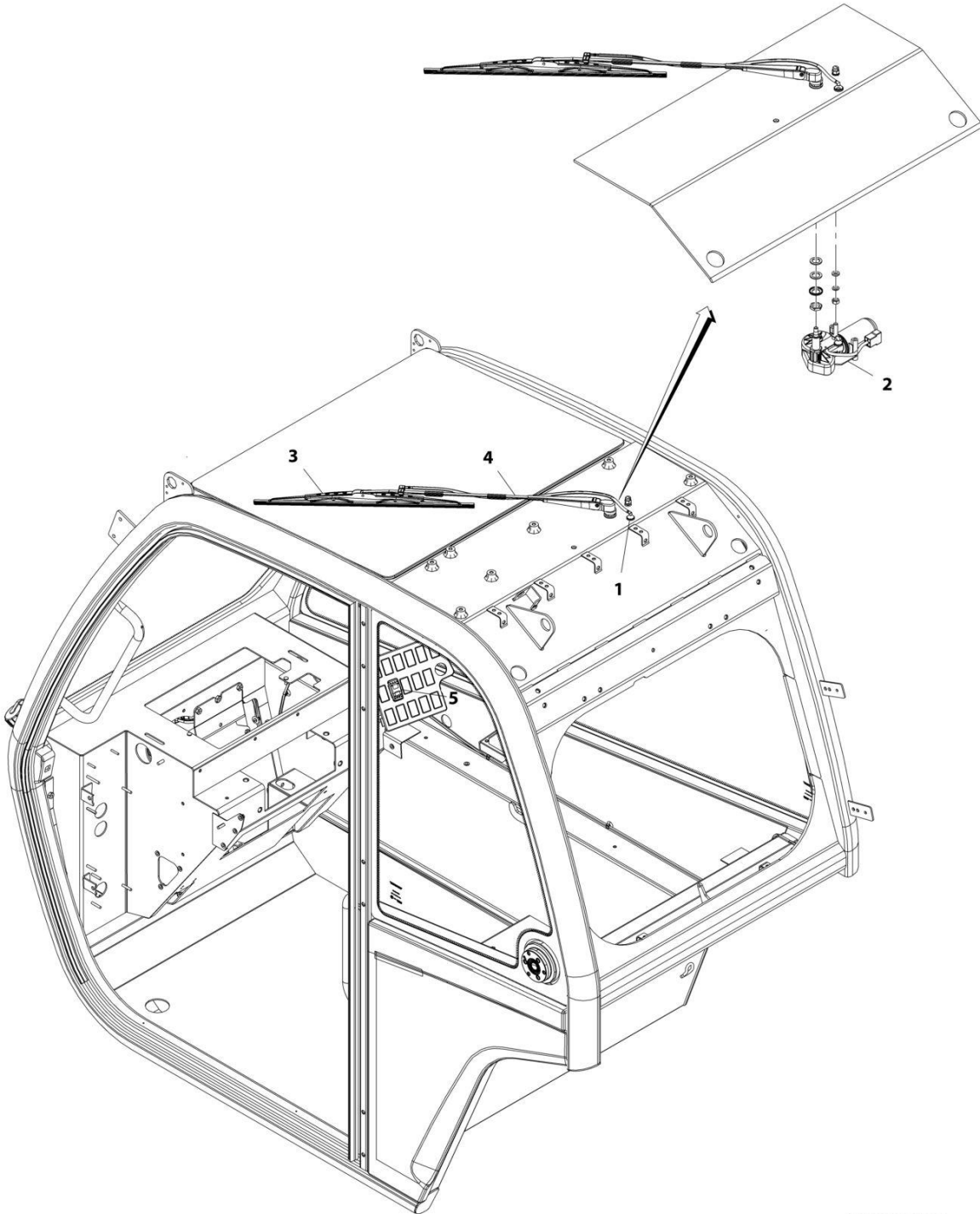
ART_1001179130-B

FIGURE 6-48. A/C RECEIVER DRIER

ITEM	PART NUMBER	QTY	DESCRIPTION	REV
	1001179130	Ref	A/C Receiver Drier	B
1	1001184403	1	Tube, Heater	
2	1001184404	1	Receiver, Heater Drier	
3	1001184405	2	Clamp	
4	1001184406	1	Connector, Heater	

SECTION 6 - CAB

FIGURE 6-49. ROOF WIPER INSTALLATION



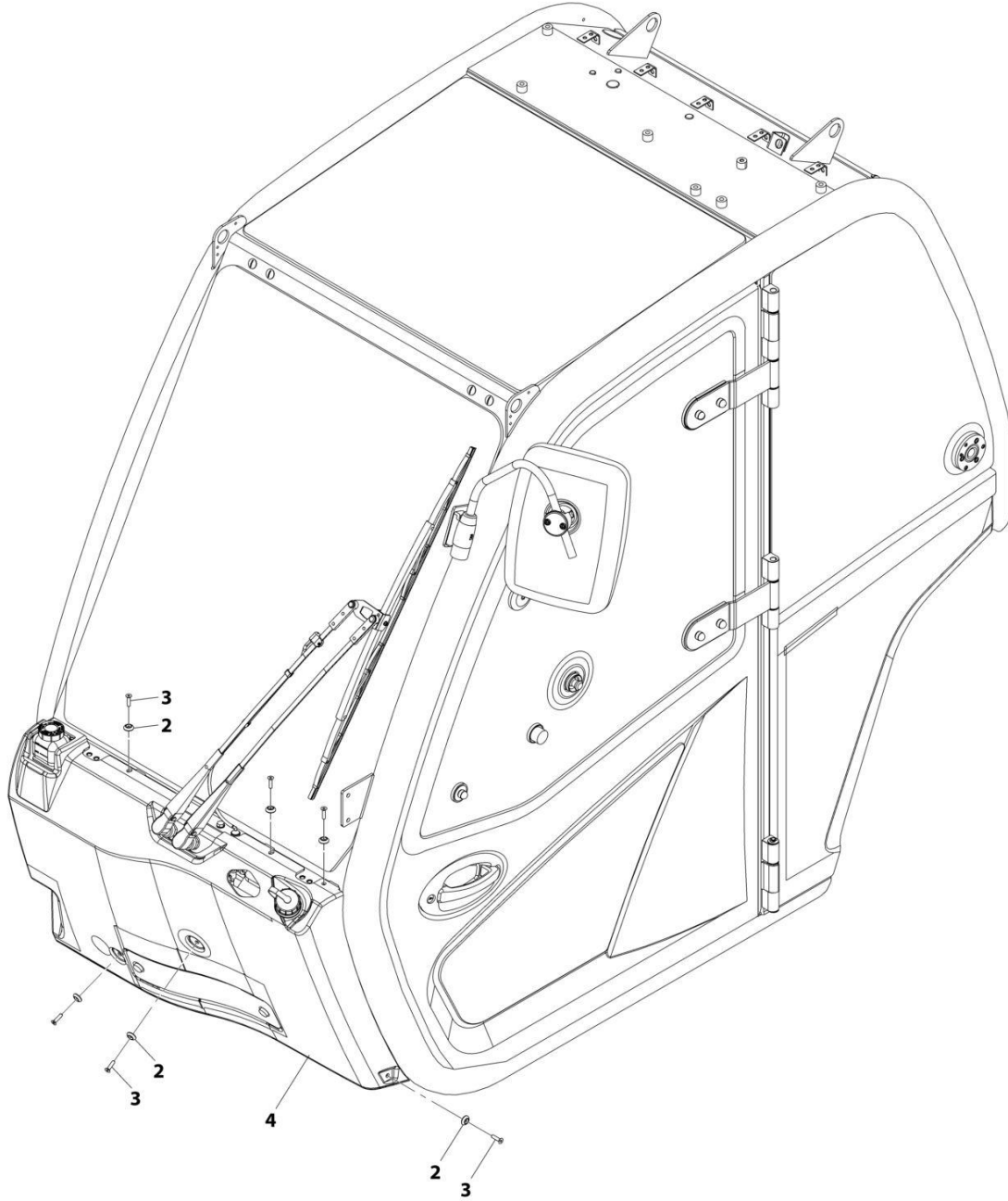
ART_1001155486-B

FIGURE 6-49. ROOF WIPER INSTALLATION

ITEM	PART NUMBER	QTY	DESCRIPTION	REV
	1001155486	Ref	Roof Wiper Installation	B
1	1001090343	1	Connector	
2	1001139551	1	Motor, Roof Wiper	
3	1001141313	1	Blade, Roof Wiper	
4	1001141311	1	Arm, Roof Wiper Blade	
5	1001159736	1	Switch, Roof Wiper	

SECTION 6 - CAB

FIGURE 6-50. FRONT NOSE CONE INSTALLATION (SIDELIGHT)



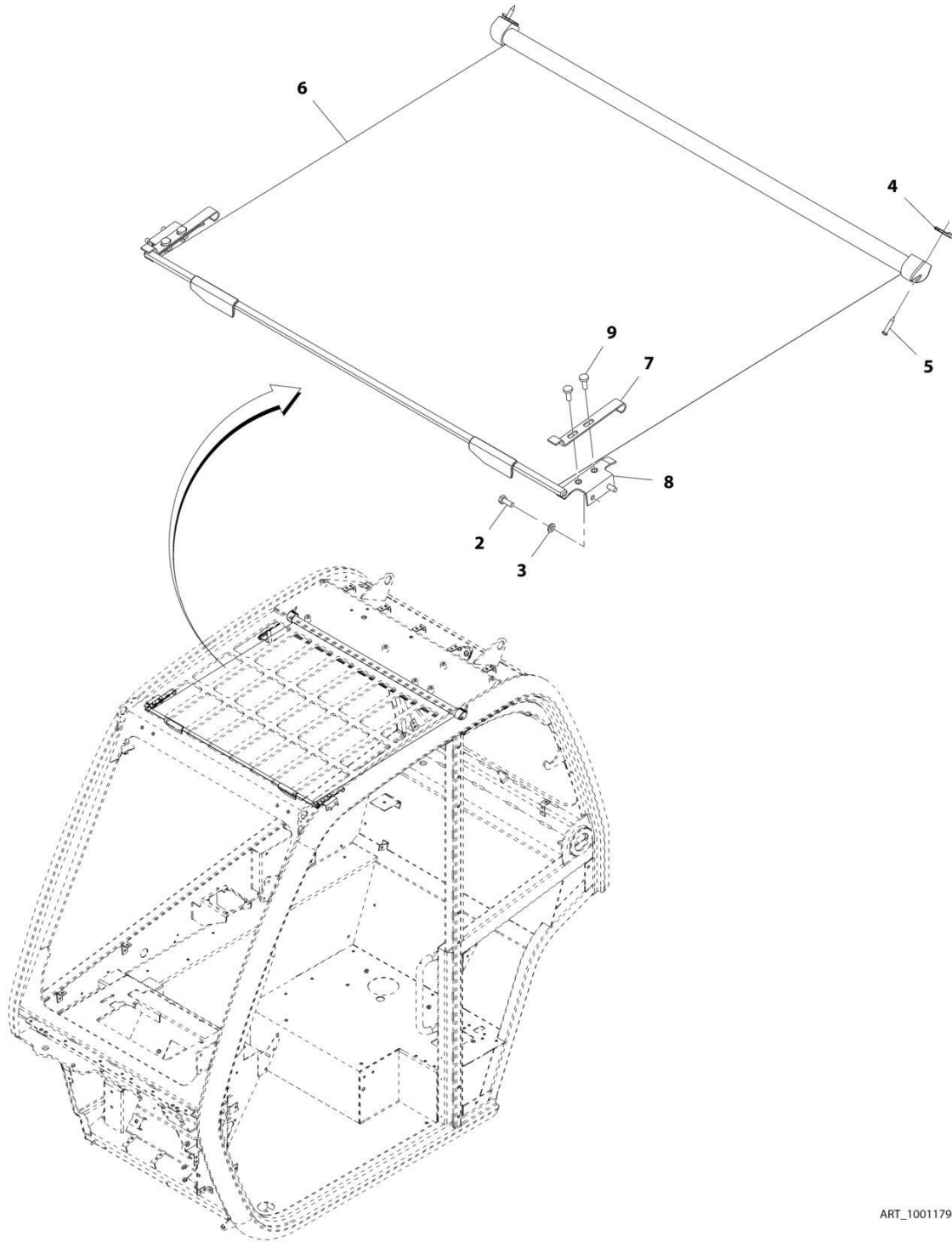
ART_1001179895-G

FIGURE 6-50. FRONT NOSE CONE INSTALLATION (SIDELIGHT)

ITEM	PART NUMBER	QTY	DESCRIPTION	REV
	1001179895	Ref	Front Nose Cone Installation (Sidelight)	G
2	1001097540	6	Washer, M6	
3	3900379	6	Screw, M6X25MM	
4	1001179898	1	Cover	

SECTION 6 - CAB

FIGURE 6-51. RETRACTABLE SUNSCREEN INSTALLATION



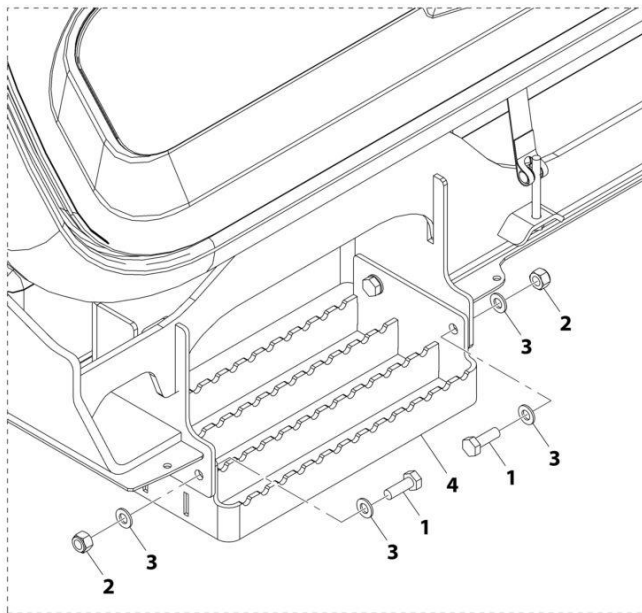
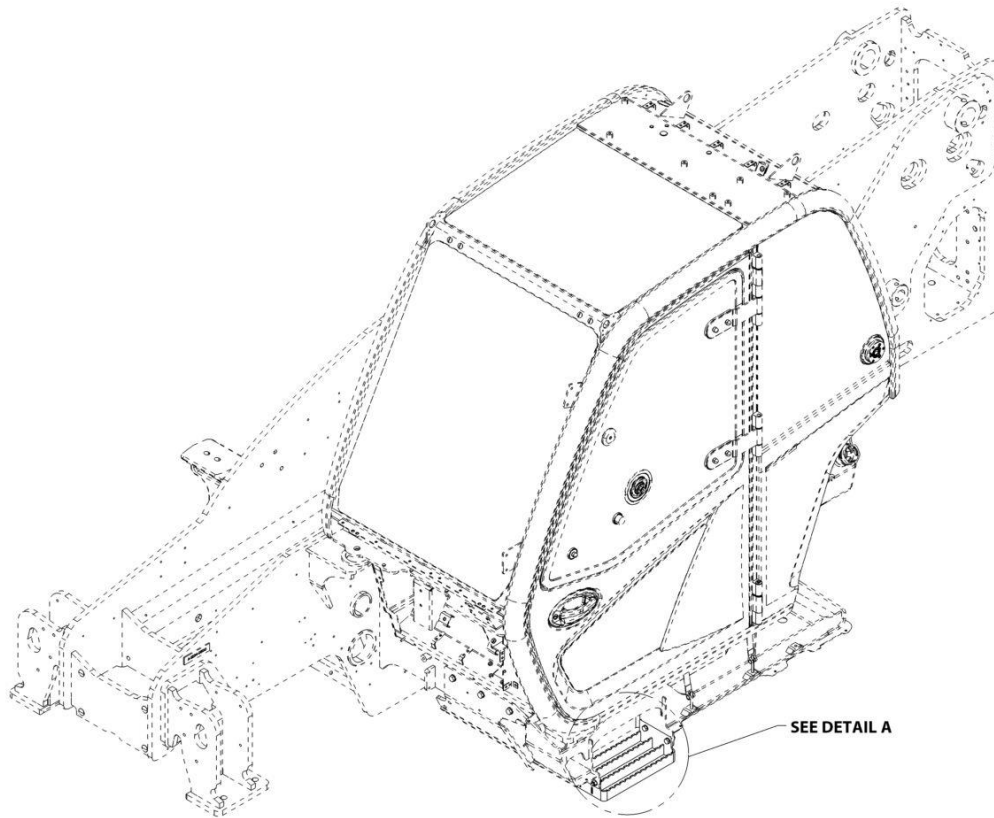
ART_1001179482-D

FIGURE 6-51. RETRACTABLE SUNSCREEN INSTALLATION

ITEM	PART NUMBER	QTY	DESCRIPTION	REV
	1001179482	Ref	Retractable Sunscreen Installation	D
2	0760608	4	Bolt, M6X16	
3	4811700	4	Washer, M6	
4	1001111076	2	Nut, Spire	
5	1001111147	2	Screw, Self Tapping	
6	1001179483	1	Cab, Sun Blind	
7	1001209463	2	Bracket	
8	1001166385	2	Bracket	
9	4010608002	4	Screw, Posi-Drive M6X16	

SECTION 6 - CAB

FIGURE 6-52. CAB STEP INSTALLATION



DETAIL A

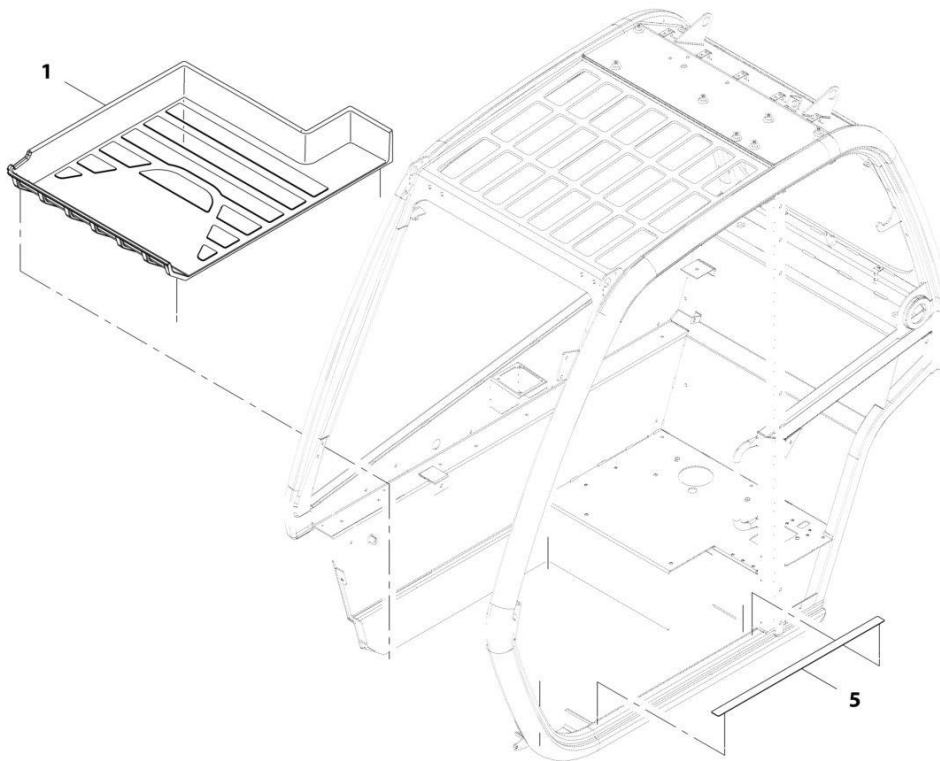
ART_1001198958-B

FIGURE 6-52. CAB STEP INSTALLATION

ITEM	PART NUMBER	QTY	DESCRIPTION	REV
	1001198958	Ref	Cab Step Installation	B
1	0701014	4	Bolt, M10X30	
2	3291005	4	Nut, Lock M10X1.5 Grade 8	
3	4812000	8	Washer, M10	
4	1001198924	1	Bracket, Step	

SECTION 6 - CAB

FIGURE 6-53. FLOOR MAT INSTALLATION



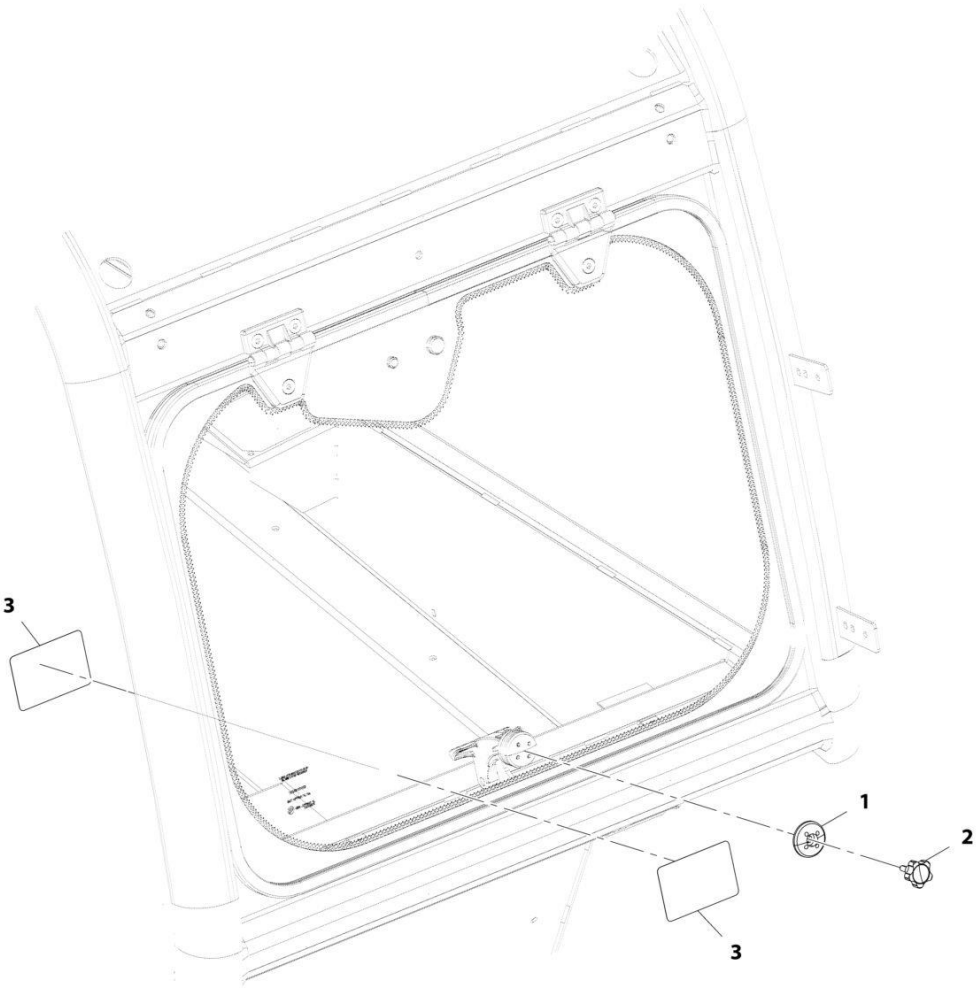
ART_1001161080-E

FIGURE 6-53. FLOOR MAT INSTALLATION

ITEM	PART NUMBER	QTY	DESCRIPTION	REV
	1001161080	Ref	Floor Mat Installation	E
1	1001161078	1	Cab, Floor Mat	
5	1001197259	1	Tape, Frame Non Skid	

SECTION 6 - CAB

FIGURE 6-54. EXTERNAL WINDOW RELEASE INSTALLATION (CAN & ISO)



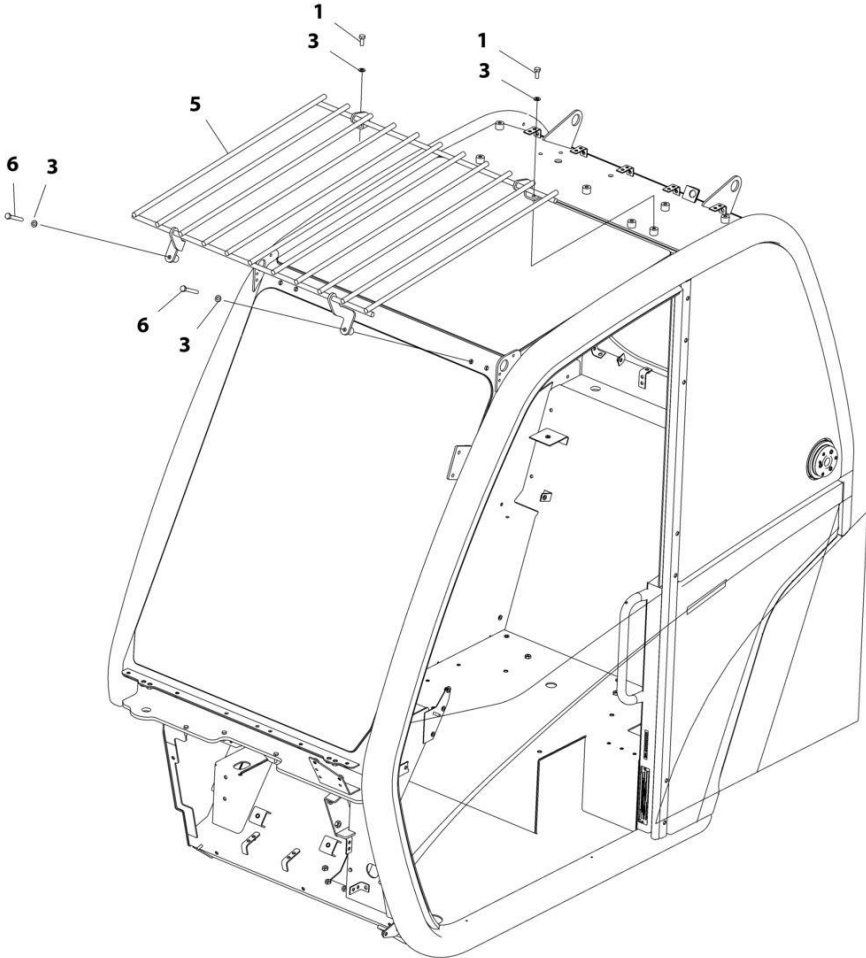
ART_1001178826-C

FIGURE 6-54. EXTERNAL WINDOW RELEASE INSTALLATION (CAN & ISO)

ITEM	PART NUMBER	QTY	DESCRIPTION	REV
	1001178826	Ref	External Window Release Installation (English/French)	C
1	1001179008	1	Cap, Latch Window	
2	1001179009	1	Knob	
3	1001204709	2	Decal, Emergency Exit (English/French)	

SECTION 6 - CAB

FIGURE 6-55. CAB GUARD INSTALLATION (TOP)



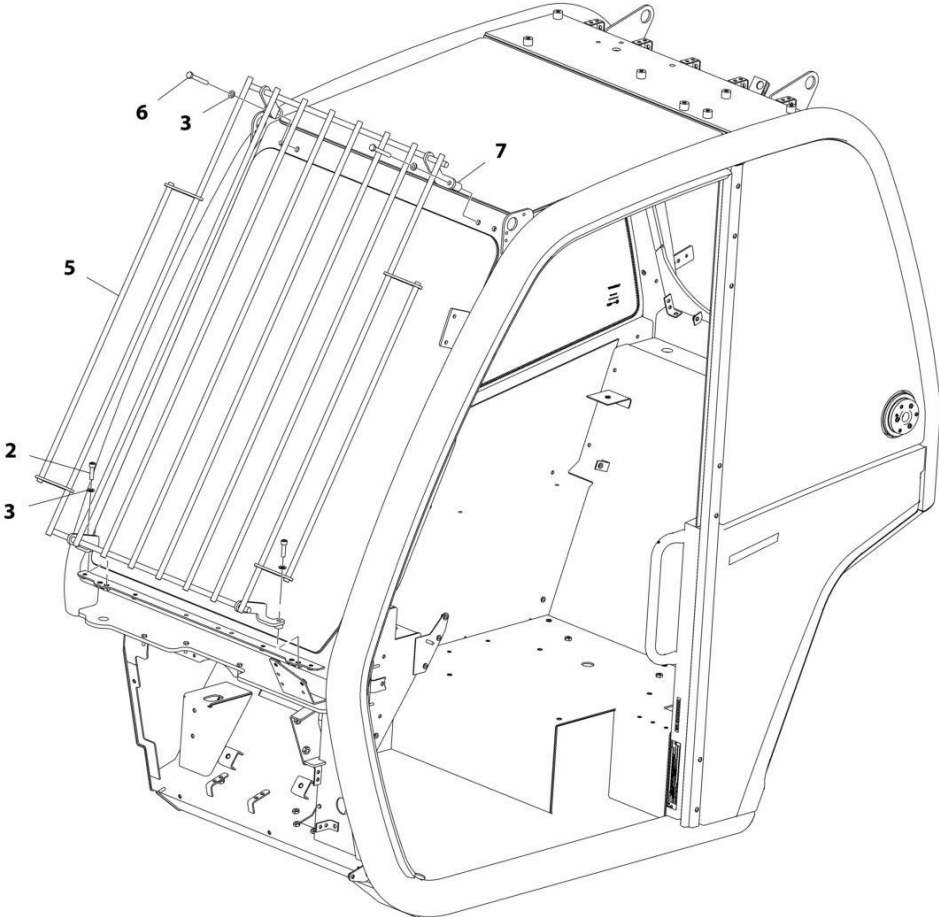
ART_1001160496

FIGURE 6-55. CAB GUARD INSTALLATION (TOP)

ITEM	PART NUMBER	QTY	DESCRIPTION	REV
	1001160496	Ref	Cab Guard Installation (Top)	G
1	0760810	2	Bolt, M8X20	
3	4811900	4	Washer, M8	
5	1001160503	1	Guard, Top Screen	
6	0700820	2	Bolt, M8X60	

SECTION 6 - CAB

FIGURE 6-56. CAB GUARD INSTALLATION (FRONT)



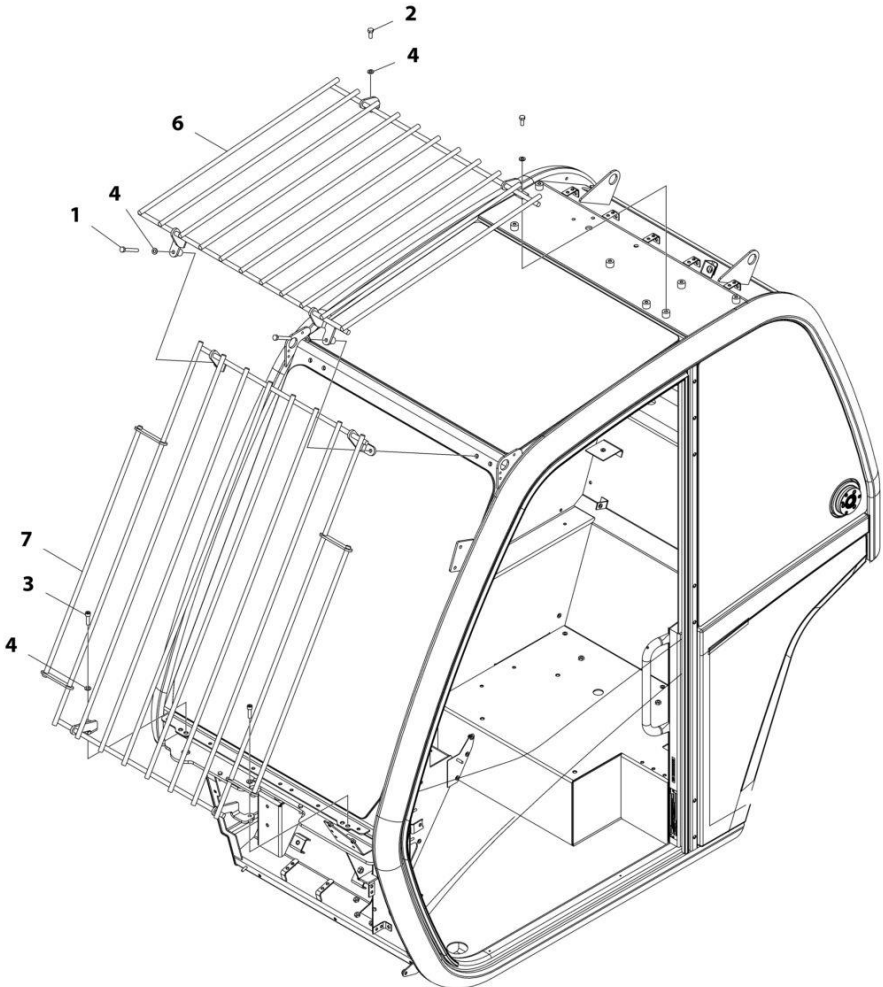
ART_1001160506-G

FIGURE 6-56. CAB GUARD INSTALLATION (FRONT)

ITEM	PART NUMBER	QTY	DESCRIPTION	REV
	1001160506	Ref	Cab Guard Installation (Front)	G
2	4031910	2	Bolt, M8X30	
3	4811900	4	Washer, M8	
5	1001180263	1	Guard, Front Screen	
6	0700820	2	Bolt, M8X60	
7	1001173257	2	Spacer	

SECTION 6 - CAB

FIGURE 6-57. CAB GUARD INSTALLATION (TOP AND FRONT)



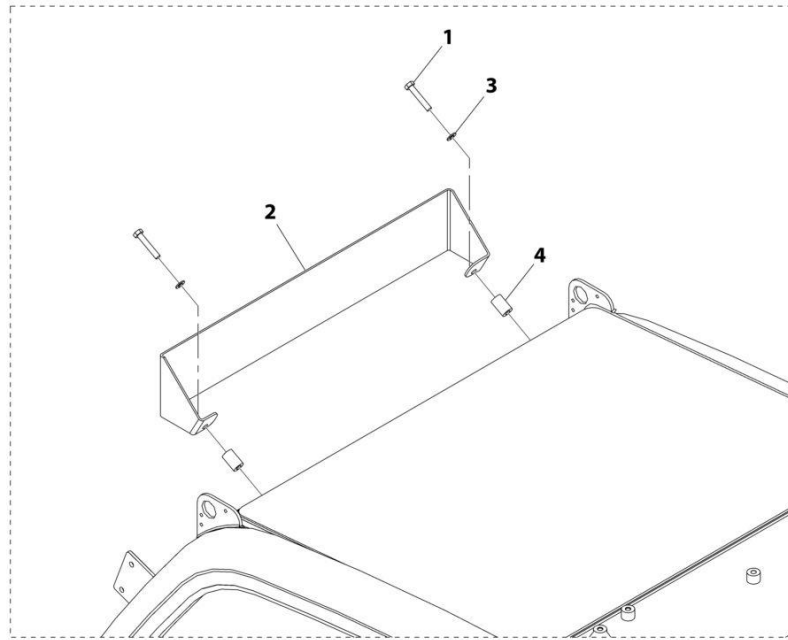
ART_1001172774

FIGURE 6-57. CAB GUARD INSTALLATION (TOP AND FRONT)

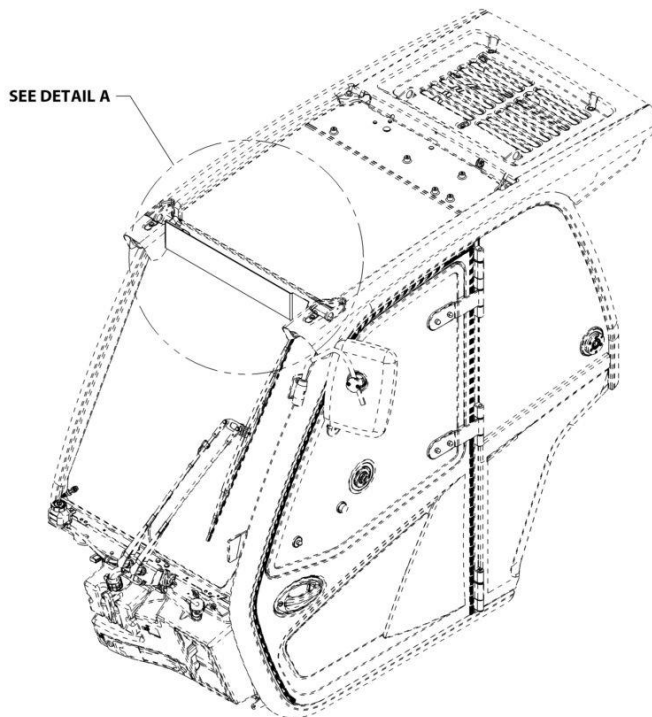
ITEM	PART NUMBER	QTY	DESCRIPTION	REV
	1001172774	Ref	CAB GUARD INSTALLATION (TOP AND FRONT)	G
1	0700820	2	Bolt M8 x 60	
2	0760810	2	Bolt M8 x 20	
3	4031910	2	Bolt M8 x 30	
4	4811900	6	Washer M8	
6	1001160503	1	Guard, Top Screen	
7	1001180263	1	Guard, Front Screen	

SECTION 6 - CAB

FIGURE 6-58. NUMBER PLATE BRACKET INSTALLATION (NO CAB GUARD)



DETAIL A



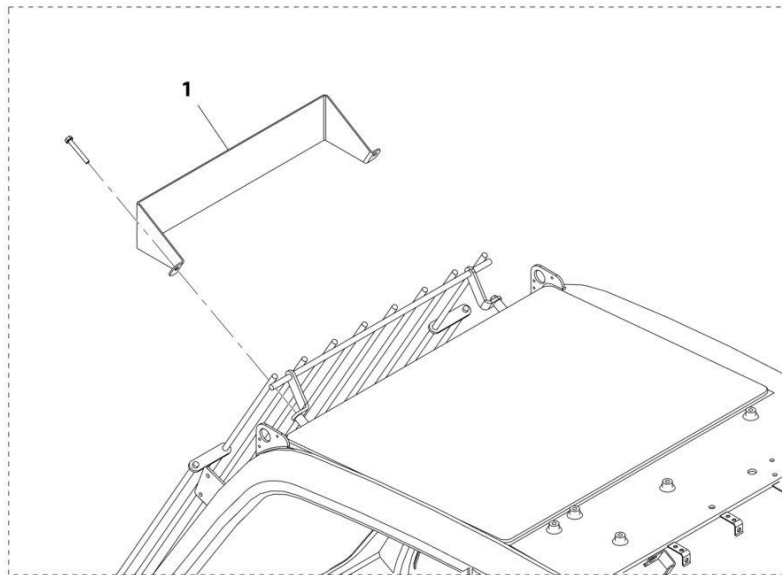
ART_1001210804-B

FIGURE 6-58. NUMBER PLATE BRACKET INSTALLATION (NO CAB GUARD)

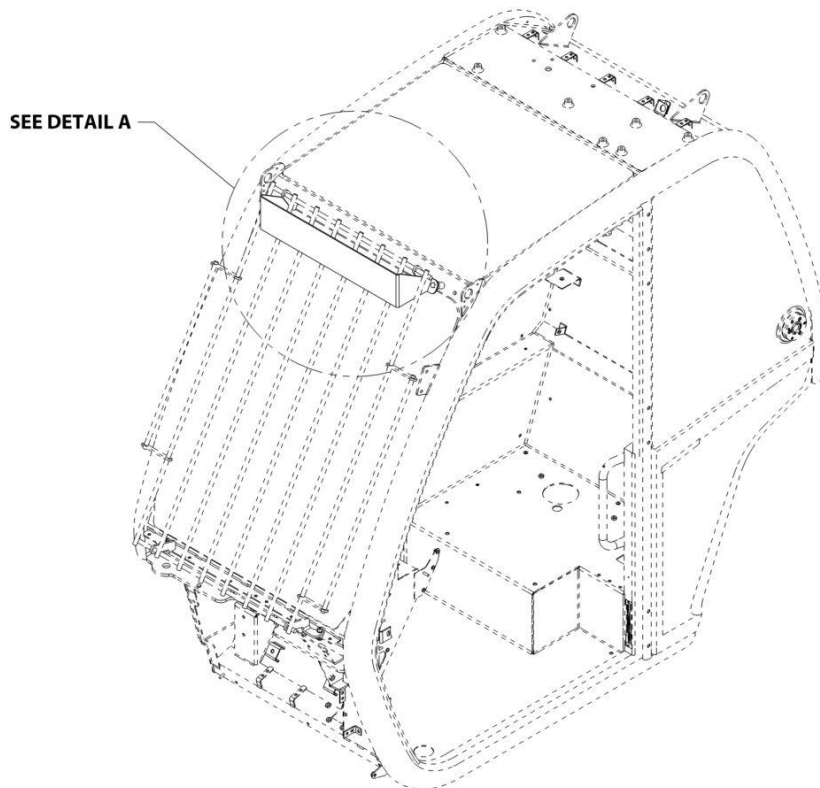
ITEM	PART NUMBER	QTY	DESCRIPTION	REV
	1001210804	Ref	Number Plate Bracket Installation (No Cab Guard)	B
1	0700817	2	Bolt, M8X45	
2	1001210802	1	Bracket, Number Plate (No Cab Guard)	
3	4811900	2	Washer, M8	
4	1001173257	2	Block, Spacer	

SECTION 6 - CAB

FIGURE 6-59. NUMBER PLATE BRACKET INSTALLATION (CAB GUARD)



DETAIL A



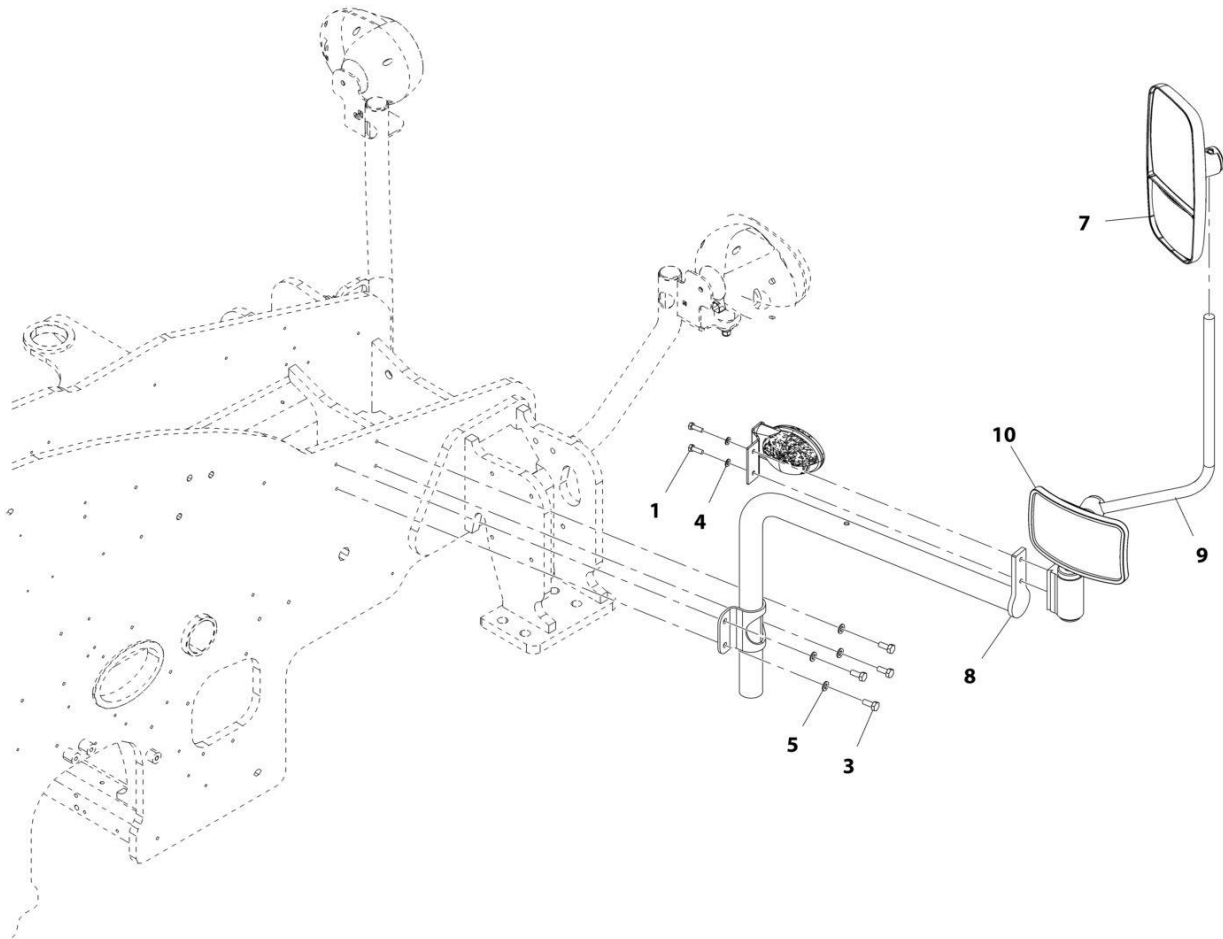
ART_1001210799-A

FIGURE 6-59. NUMBER PLATE BRACKET INSTALLATION (CAB GUARD)

ITEM	PART NUMBER	QTY	DESCRIPTION	REV
1	1001210799 1001210798	Ref 1	Number Plate Bracket Installation (Cab Guard) Bracket	A

SECTION 6 - CAB

FIGURE 6-60. MIRROR INSTALLATION



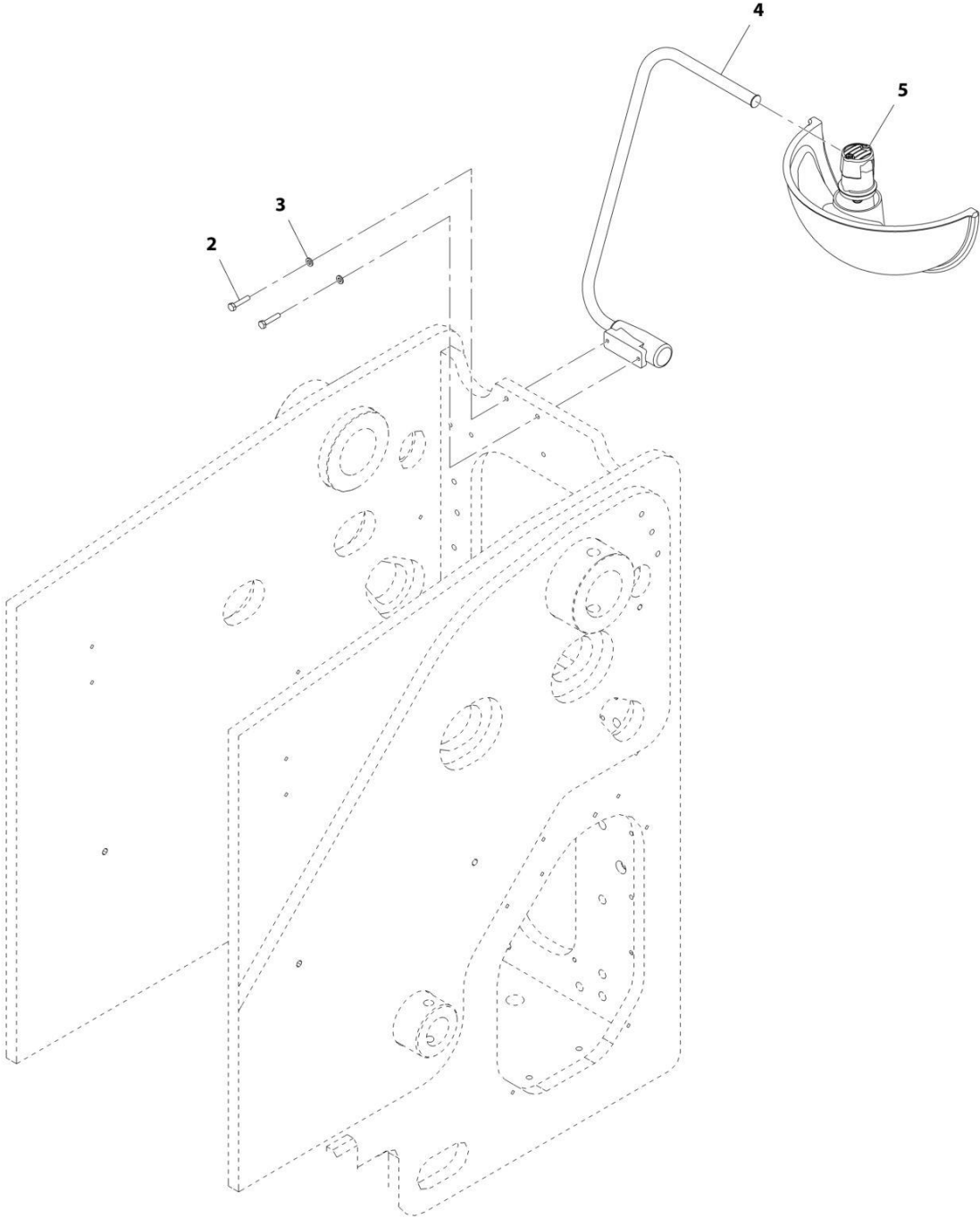
ART_1001186393-H

FIGURE 6-60. MIRROR INSTALLATION

ITEM	PART NUMBER	QTY	DESCRIPTION	REV
	1001186393	Ref	Mirror Installation	H
1	0760812	2	Bolt, M8X25	
3	0761012	4	Bolt, M10X25	
4	4811900	2	Washer, M8	
5	4812000	4	Washer, M10	
7	1001175812	1	Mirror, Dual Lens	
8	1001181360	1	Bracket	
9	1001189193	1	Bracket	
10	1001142724	1	Mirror, Convex	

SECTION 6 - CAB

FIGURE 6-61. HITCH MIRROR INSTALLATION (CONVEX)



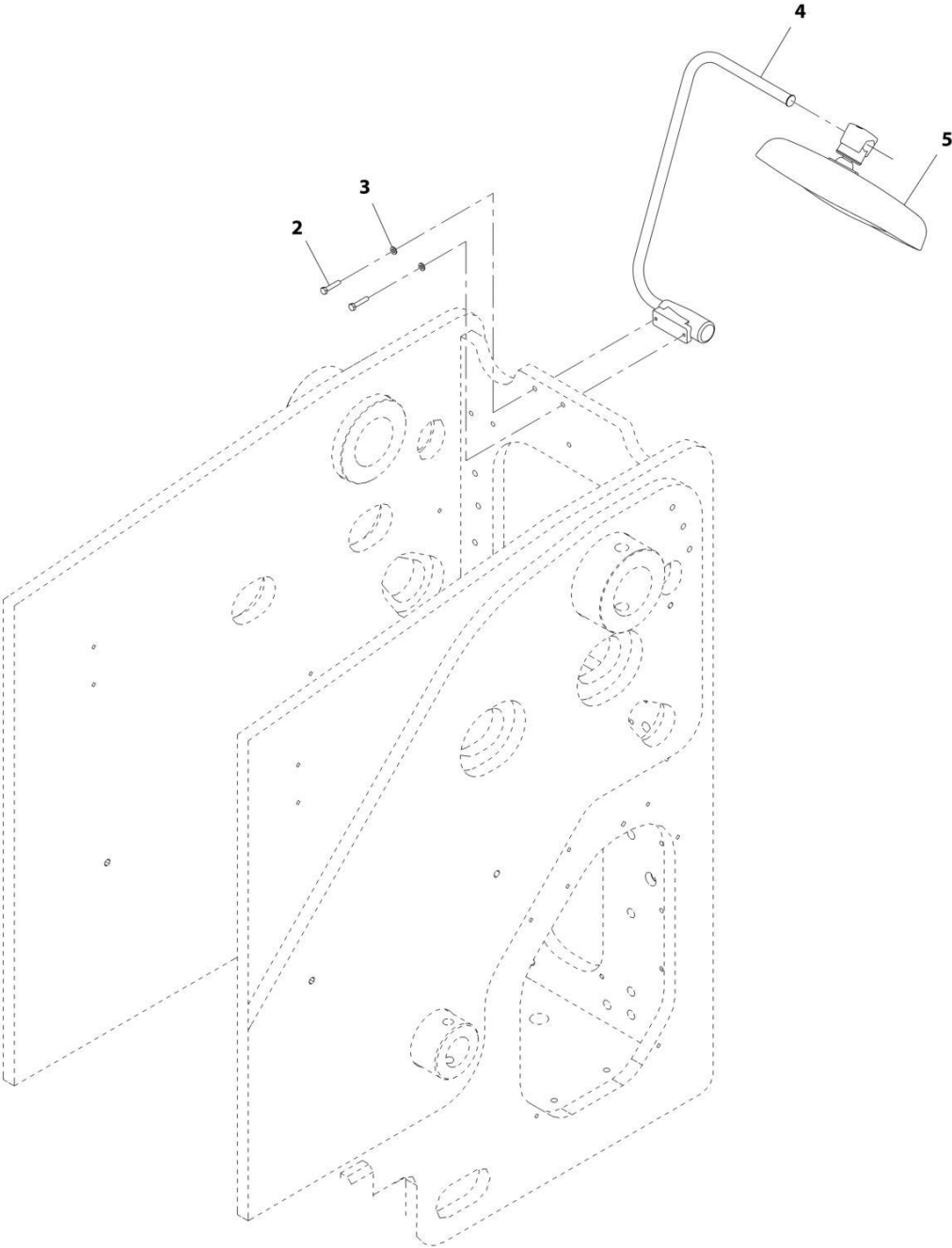
ART_1001186439-B

FIGURE 6-61. HITCH MIRROR INSTALLATION (CONVEX)

ITEM	PART NUMBER	QTY	DESCRIPTION	REV
	1001186439	Ref	Hitch Mirror Installation (Fish Eye)	B
2	0700614	2	Bolt, M6X30	
3	4811700	2	Washer, M6	
4	1001005980	1	Arm	
5	1001008436	1	Assembly, Mirror (Convex) (See Separate Breakdown in this Section)	

SECTION 6 - CAB

FIGURE 6-62. HITCH MIRROR INSTALLATION (FLAT)



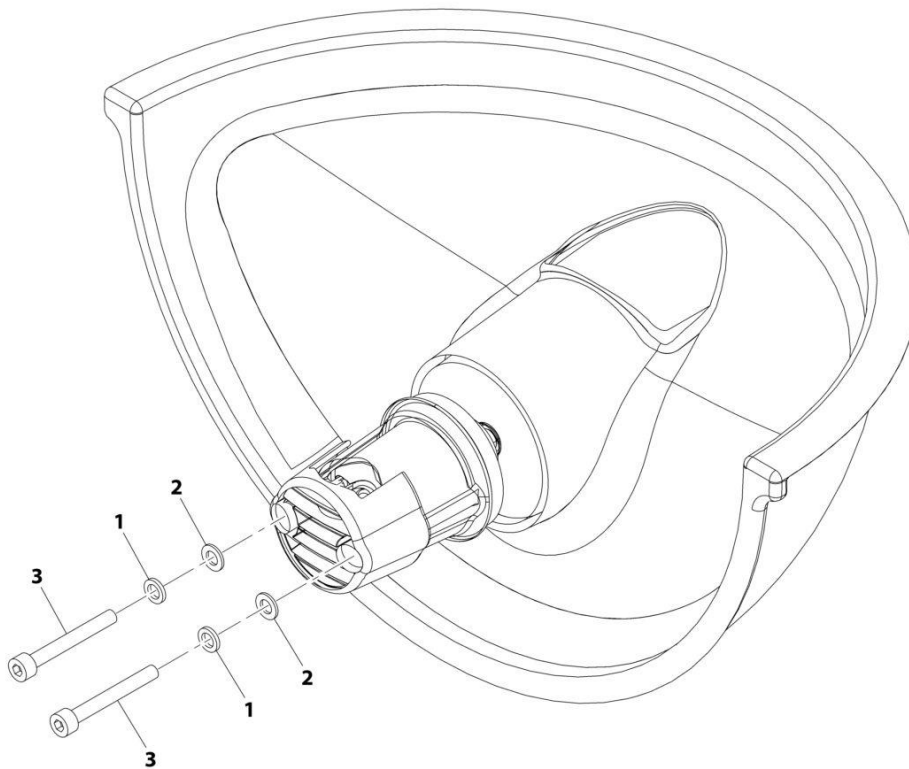
ART_1001186395-B

FIGURE 6-62. HITCH MIRROR INSTALLATION (FLAT)

ITEM	PART NUMBER	QTY	DESCRIPTION	REV
	1001186395	Ref	REAR MIRROR INSTALLATION (FLAT)	B
2	0700614	2	Bolt M6 x 30	
3	4811700	2	Washer M6	
4	1001005980	1	Arm	
5	1001005981	1	Assembly, Mirror	

SECTION 6 - CAB

FIGURE 6-63. MIRROR ASSEMBLY (CONVEX)



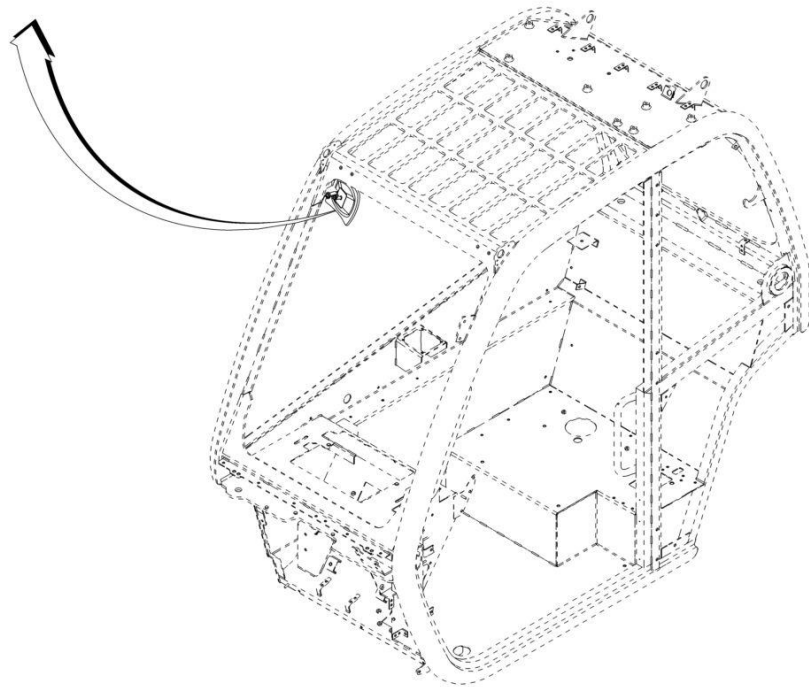
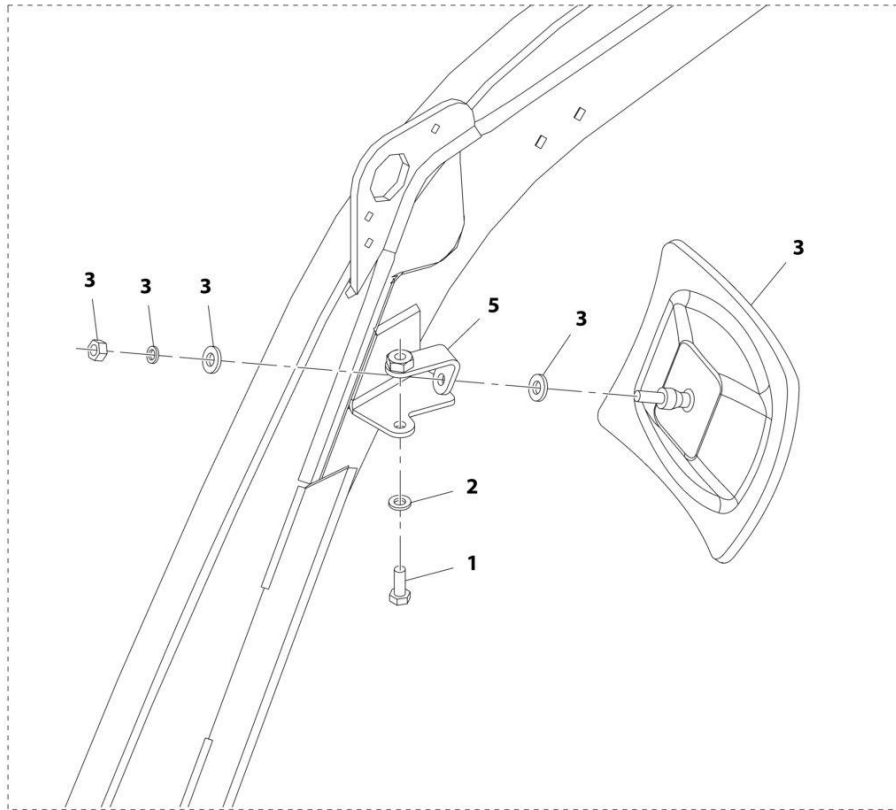
ART_1001008436-D

FIGURE 6-63. MIRROR ASSEMBLY (CONVEX)

ITEM	PART NUMBER	QTY	DESCRIPTION	REV
	1001008436	Ref	Mirror Assembly (Convex)	D
1	1001008475	2	Washer, Lock	
2	1001009062	2	Washer	
3	1001010838	2	Bolt	

SECTION 6 - CAB

FIGURE 6-64. INTERIOR MIRROR INSTALLATION



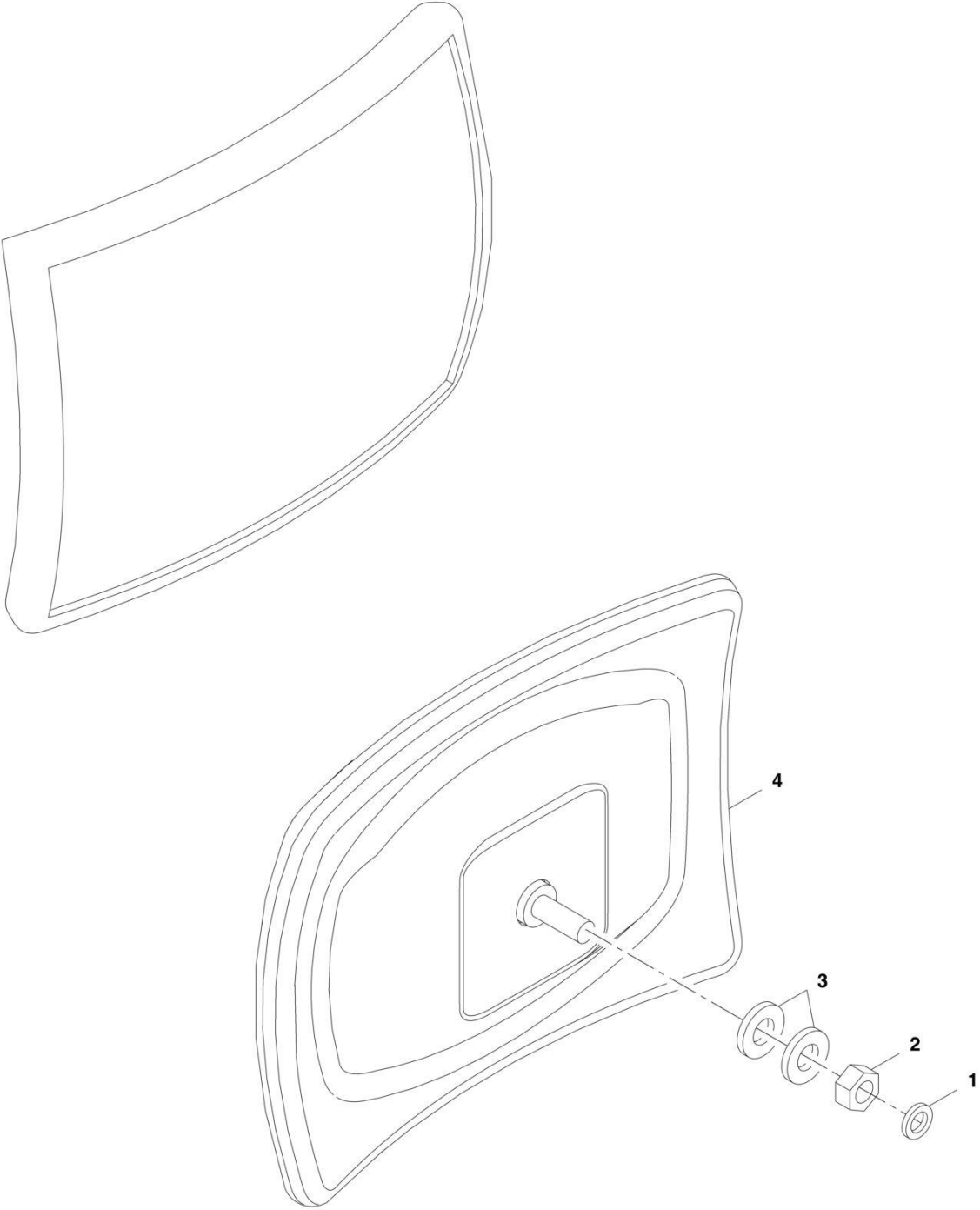
ART_1001166192-C

FIGURE 6-64. INTERIOR MIRROR INSTALLATION

ITEM	PART NUMBER	QTY	DESCRIPTION	REV
	1001166192	Ref	Interior Mirror Installation	C
1	0760608	1	Bolt, M6X16	
2	4811700	1	Washer, M6	
3	1001007641	1	Mirror, Interior (See Separate Breakdown in this Section)	
5	1001166191	1	Bracket	

SECTION 6 - CAB

FIGURE 6-65. INTERIOR MIRROR



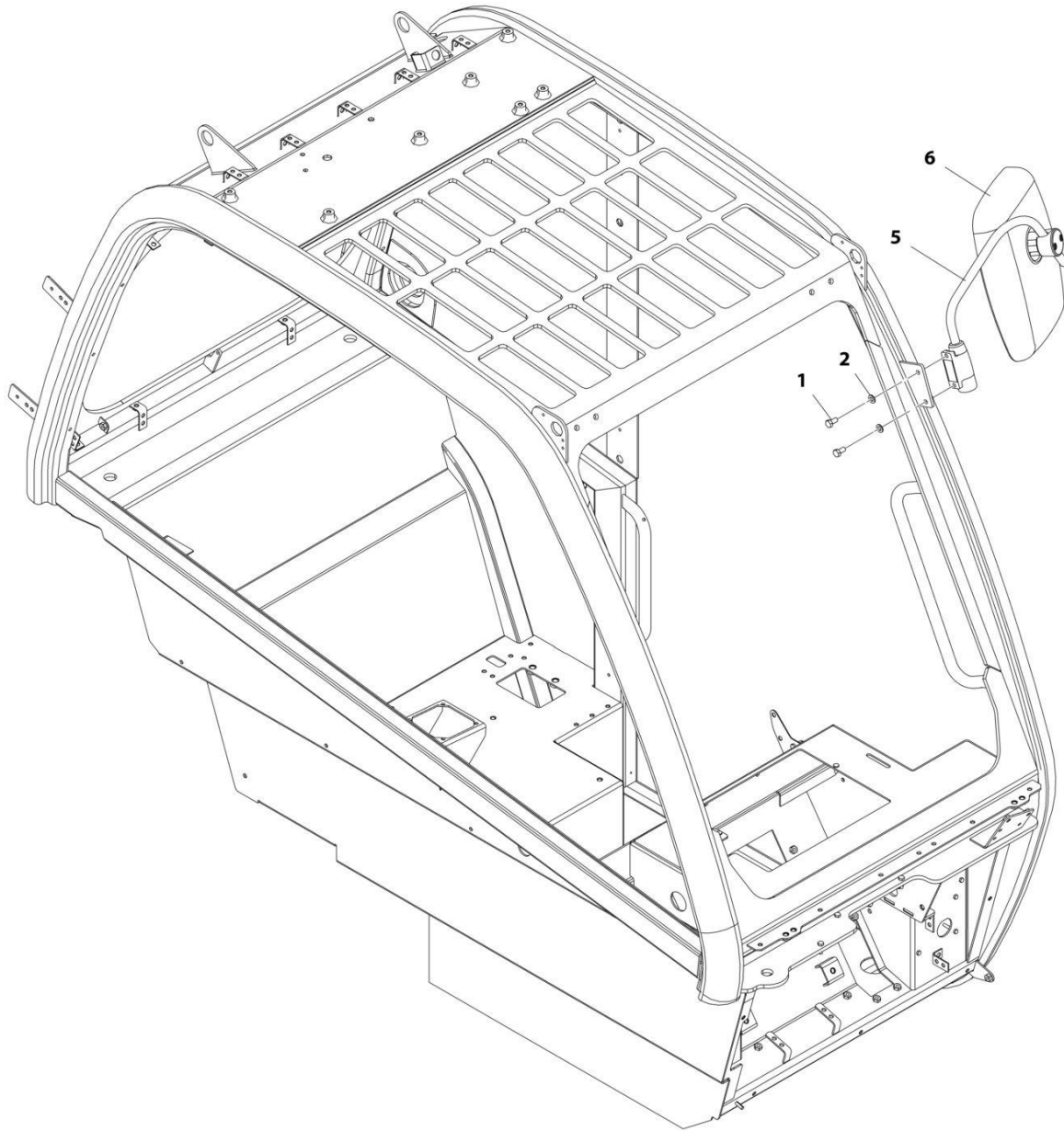
ART_1001007641-B

FIGURE 6-65. INTERIOR MIRROR

ITEM	PART NUMBER	QTY	DESCRIPTION	REV
	1001007641	Ref	Mirror, Interior	B
1	1001008475	1	Washer, Lock 12	
2	1001008604	1	Nut	
3	1001009124	2	Washer	
4	1001010839	1	MIRROR	

SECTION 6 - CAB

FIGURE 6-66. BASIC MIRROR INSTALLATION



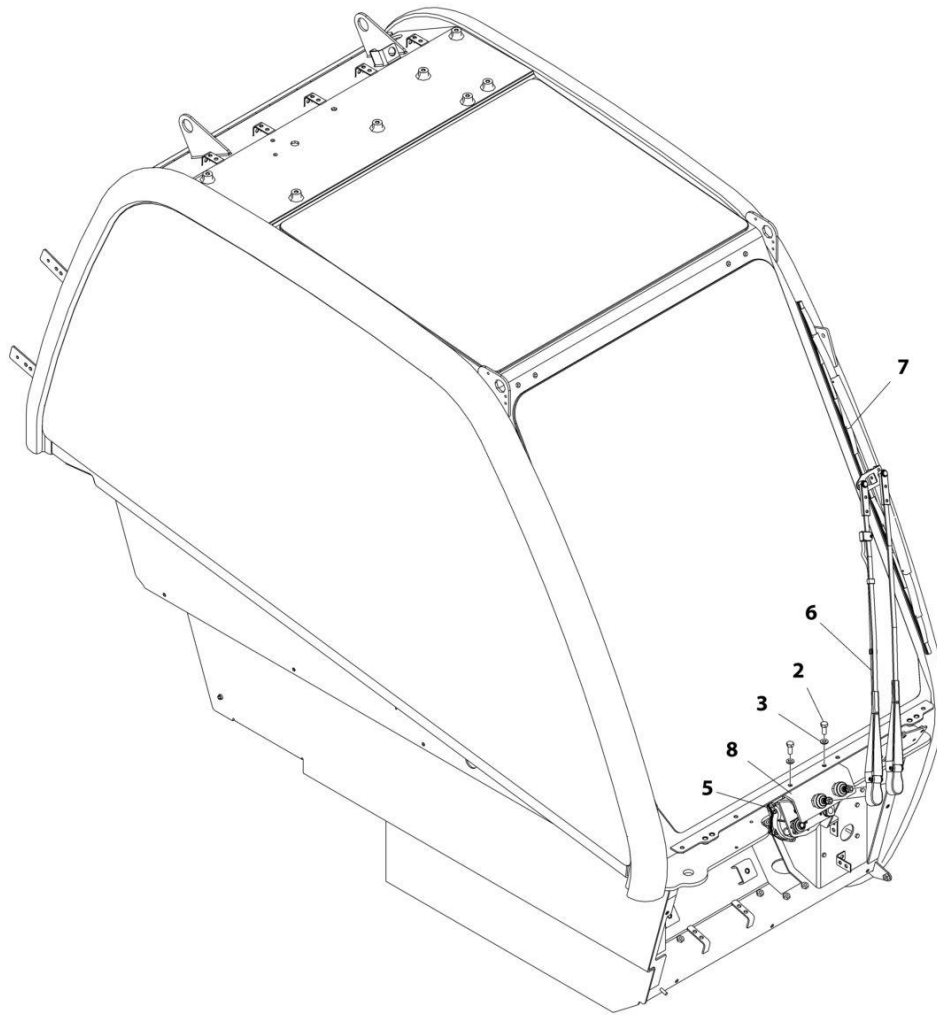
ART_1001160508-E

FIGURE 6-66. BASIC MIRROR INSTALLATION

ITEM	PART NUMBER	QTY	DESCRIPTION	REV
	1001160508	Ref	Basic Mirror Installation	E
1	0760808	2	Bolt, M8X16	
2	4811900	2	Washer, M8	
5	1001164655	1	Bracket	
6	80363195	1	Mirror	

SECTION 6 - CAB

FIGURE 6-67. FRONT WIPER INSTALLATION



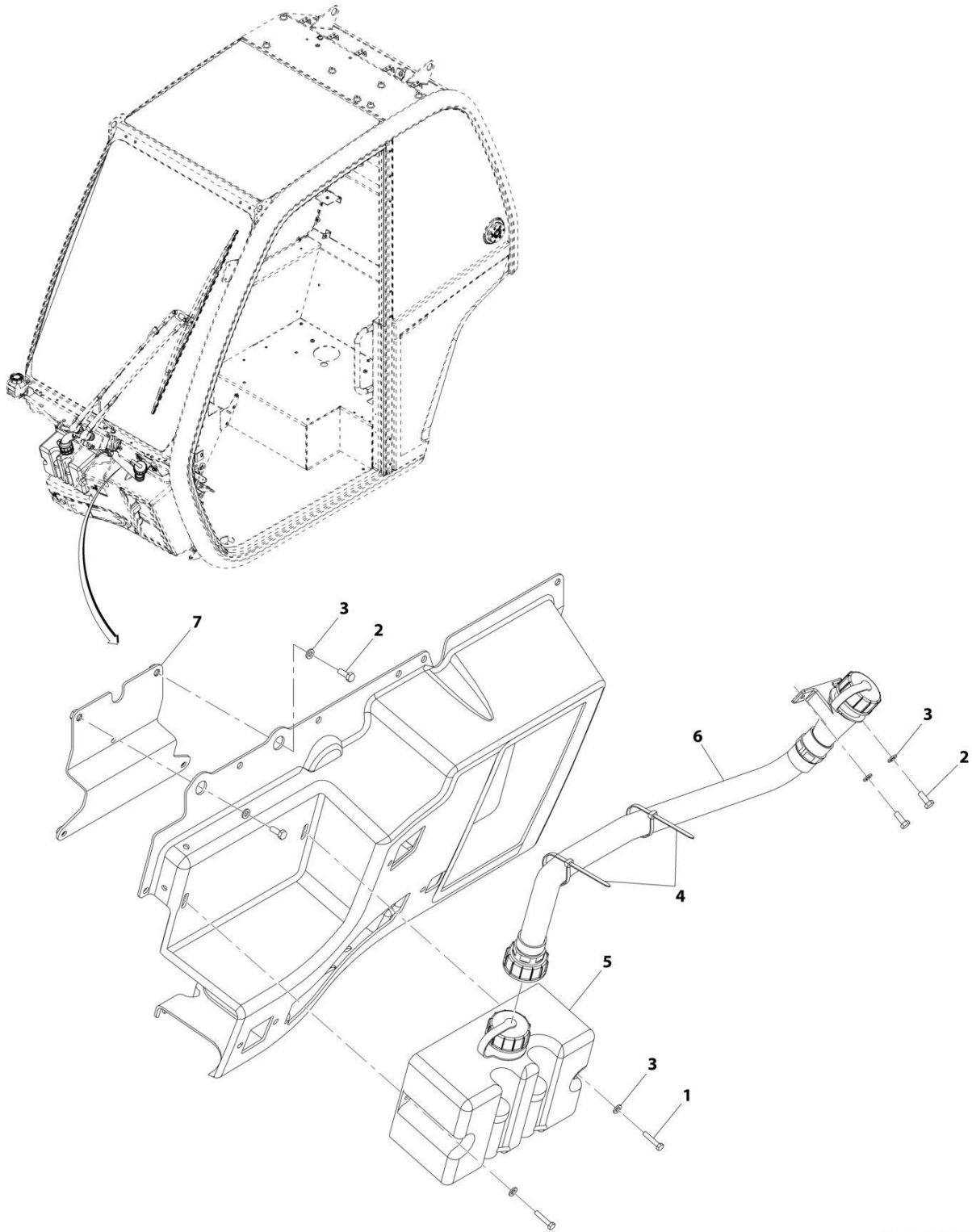
ART_1001155447-G

FIGURE 6-67. FRONT WIPER INSTALLATION

ITEM	PART NUMBER	QTY	DESCRIPTION	REV
	1001155447	Ref	Front Wiper Installation	G
2	0760810	2	Bolt, M8X20	
3	4811900	2	Washer, M8	
5	1001214092	1	Motor, Front Wiper	
6	1001212369	1	Arm, Front Wiper	
7	1001141281	1	Blade, Wiper	
8	1001165637	1	Bracket	

SECTION 6 - CAB

FIGURE 6-68. WASHER TANK INSTALLATION



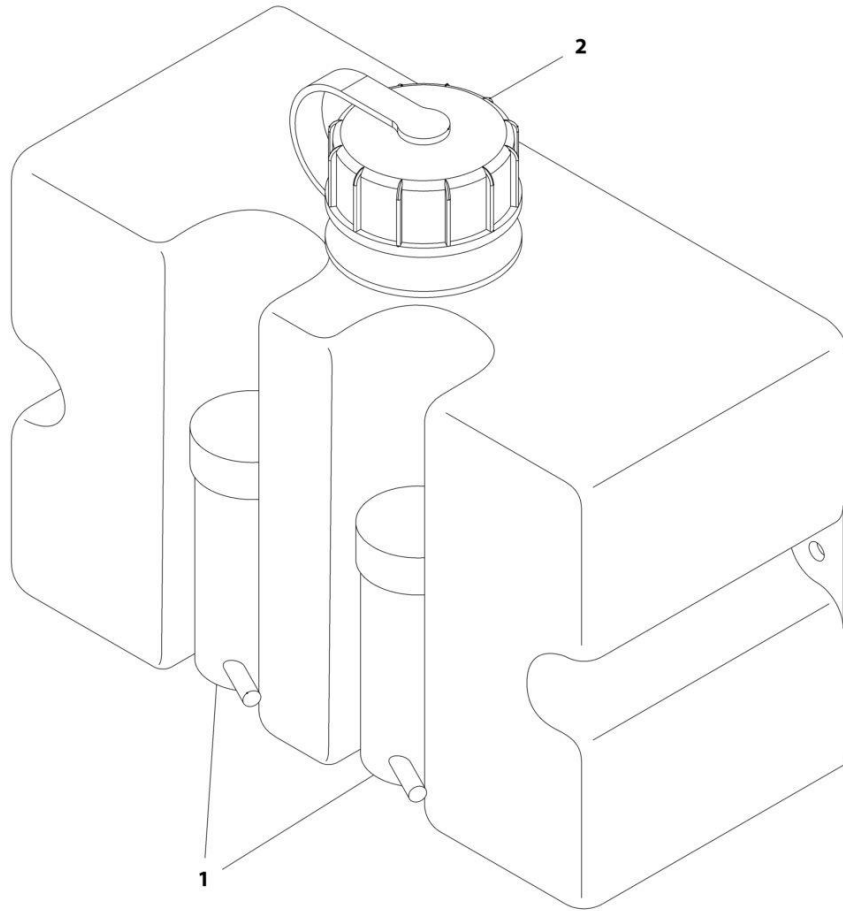
ART_1001201027-C

FIGURE 6-68. WASHER TANK INSTALLATION

ITEM	PART NUMBER	QTY	DESCRIPTION	REV
	1001201027	Ref	Washer Tank Installation	C
1	0760512	2	Bolt M5X25	
2	0760608	4	Bolt, M6X16	
3	4811700	6	Washer, M6	
4	471678	2	Band, Cable	
5	1001165269	1	Bottle, Washer (See Separate Breakdown in this Section)	
6	1001165270	1	Hose, Washer Filler	
7	1001171756	1	Bracket	

SECTION 6 - CAB

FIGURE 6-69. WASHER BOTTLE



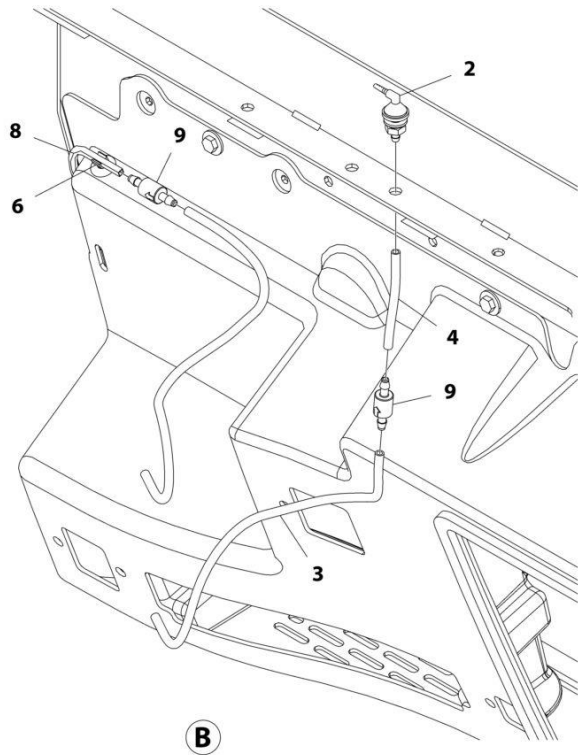
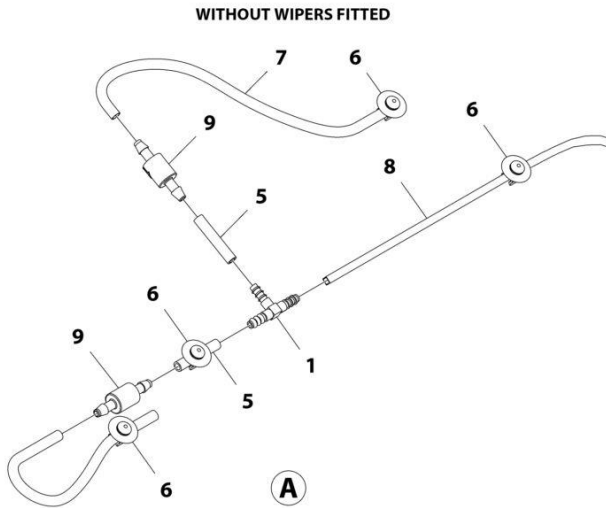
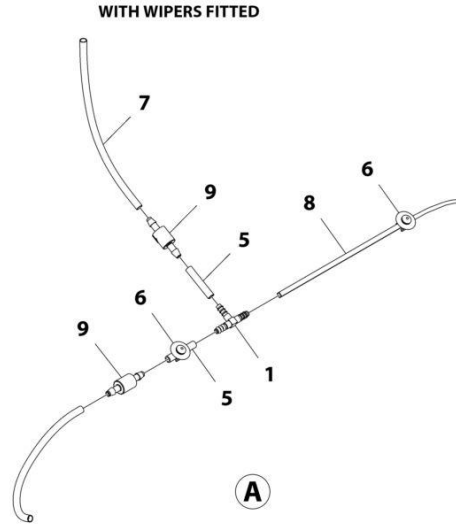
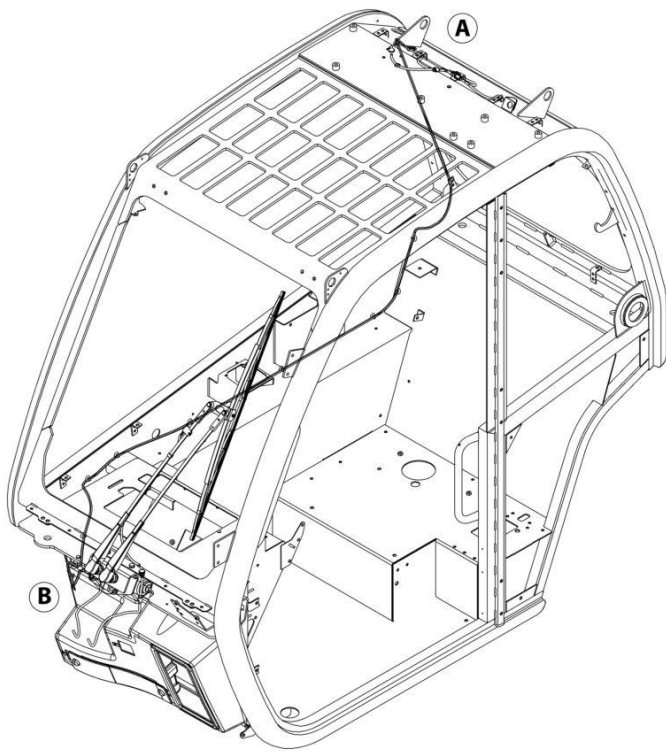
ART_1001165269-B

FIGURE 6-69. WASHER BOTTLE

ITEM	PART NUMBER	QTY	DESCRIPTION	REV
	1001165269	Ref	Washer Bottle	B
1	1001165327	2	Pump, Washer	
2	1001165273	1	Cap, Washer	

SECTION 6 - CAB

FIGURE 6-70. WASHER HOSES INSTALLATION



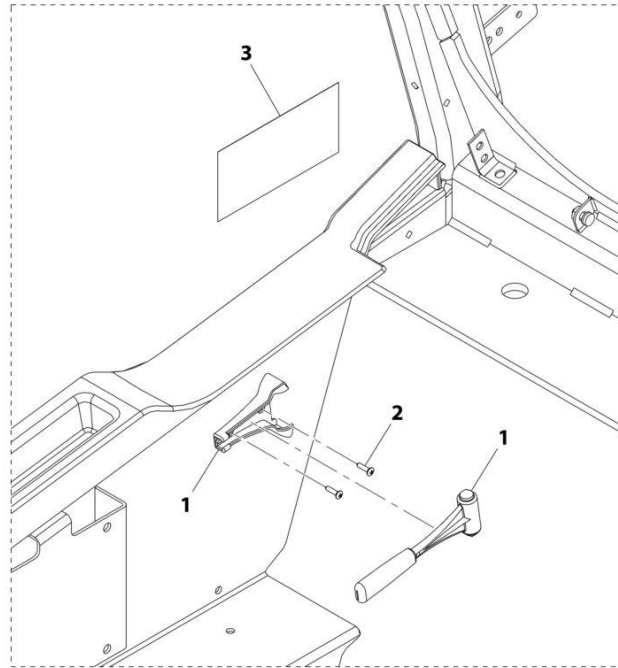
ART_1001201520

FIGURE 6-70. WASHER HOSES INSTALLATION

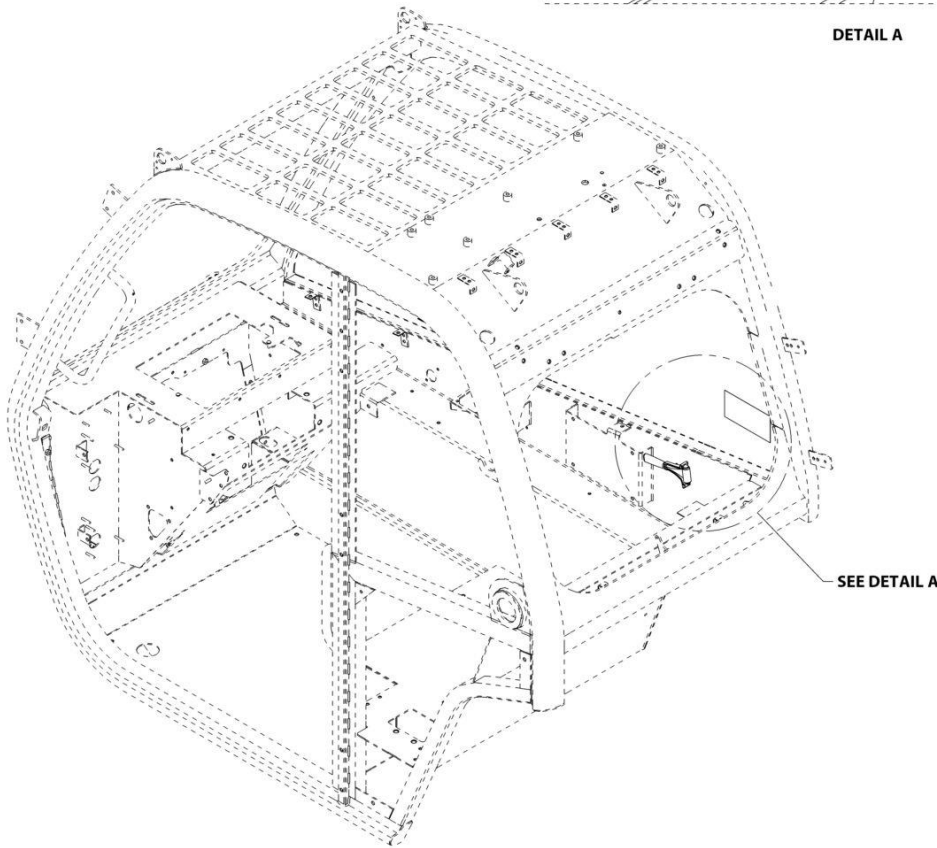
ITEM	PART NUMBER	QTY	DESCRIPTION	REV
	1001201520	Ref	WASHER HOSES INSTALLATION	C
1	1001008742	1	Coupling, Tee	
2	1001090343	1	Connector	
3	1001165351	2	Hose	
4	1001165416	1	Hose	
5	1001165455	2	Hose	
6	1001165458	16	Mount, Hose	
7	1001178123	2	Hose	
8	1001180045	1	Hose	
9	1001201331	4	Valve, Check	

SECTION 6 - CAB

FIGURE 6-71. HAMMER INSTALLATION



DETAIL A



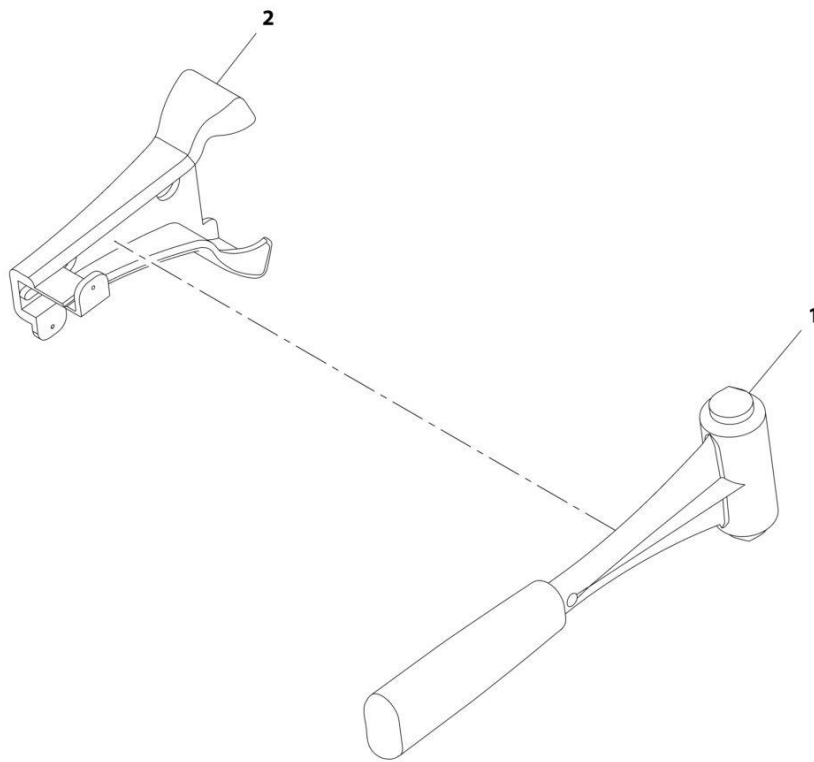
ART_1001210628-B

FIGURE 6-71. HAMMER INSTALLATION

ITEM	PART NUMBER	QTY	DESCRIPTION	REV
1	1001210628	Ref	Hammer Installation	B
	1001005038	1	Assembly, Hammer Attachment (See Separate Breakdown in this Section)	
2	1001005193	2	Screw	
3	1001215804	1	Decal, Emergency Exit	

SECTION 6 - CAB

FIGURE 6-72. HAMMER ATTACHMENT ASSEMBLY



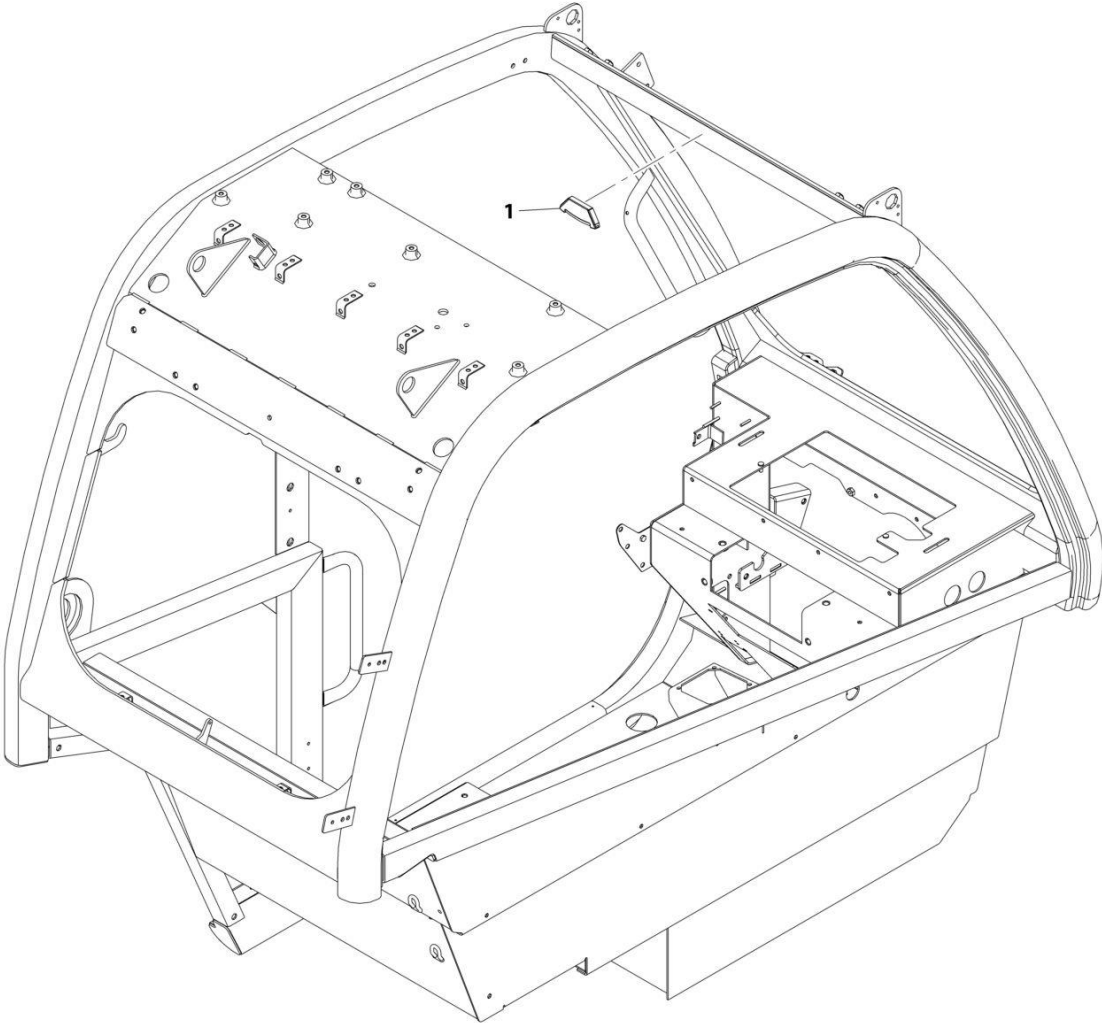
ART_1001005038-B

FIGURE 6-72. HAMMER ATTACHMENT ASSEMBLY

ITEM	PART NUMBER	QTY	DESCRIPTION	REV
	1001005038	Ref	Hammer Attachment Assembly	B
1	1001006954	1	Hammer	
2	1001006955	1	Bracket, Hammer	

SECTION 6 - CAB

FIGURE 6-73. LEVEL INDICATOR INSTALLATION



ART_1001172401-C

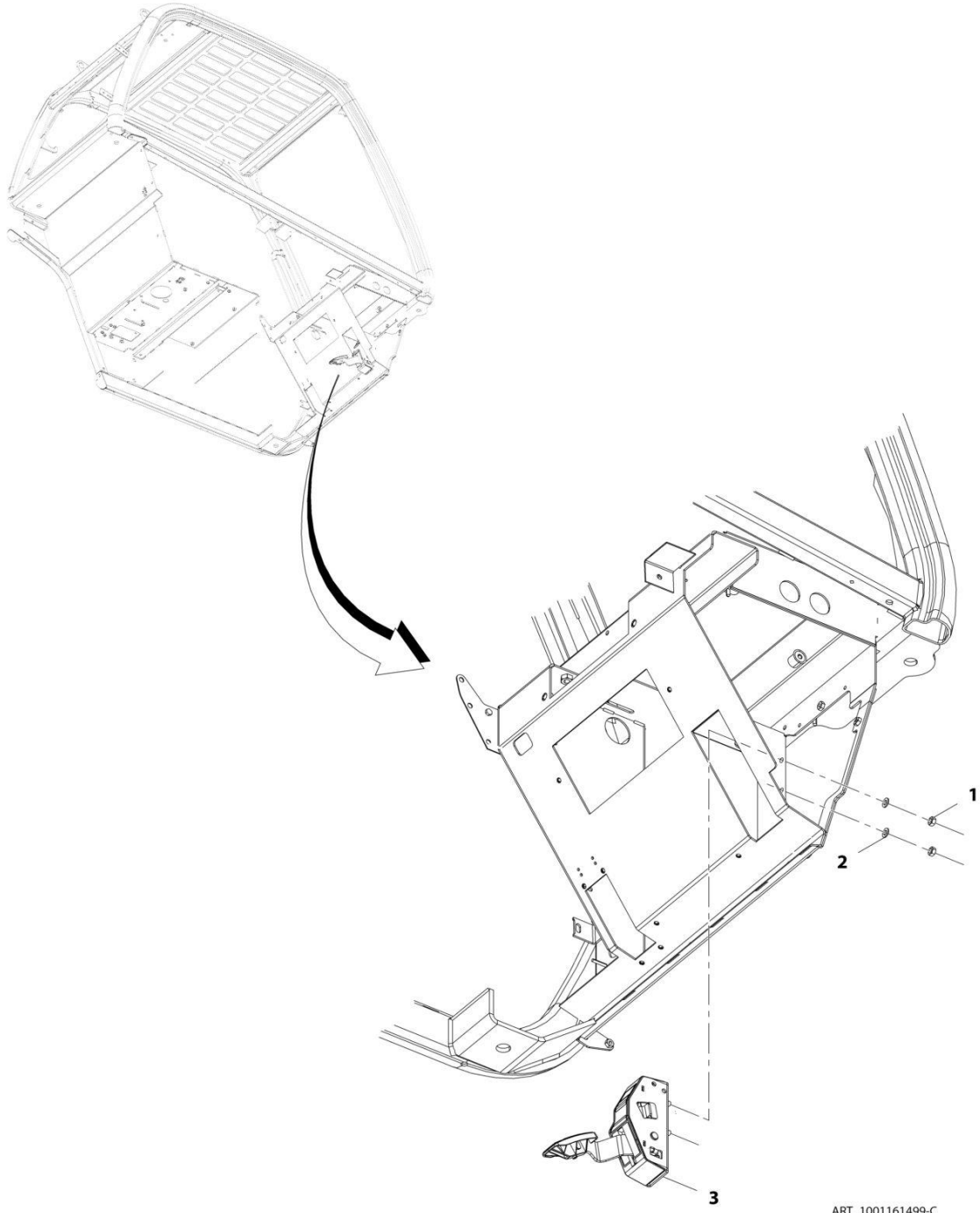
FIGURE 6-73. LEVEL INDICATOR INSTALLATION

ITEM	PART NUMBER	QTY	DESCRIPTION	REV
1	1001172401 8466306	Ref 1	Level Indicator Installation Gauge, Tilt Angle	C

SECTION 7 - CONTROLS

SECTION 7 - CONTROLS

FIGURE 7-1. ACCELERATOR PEDAL INSTALLATION



ART_1001161499-C

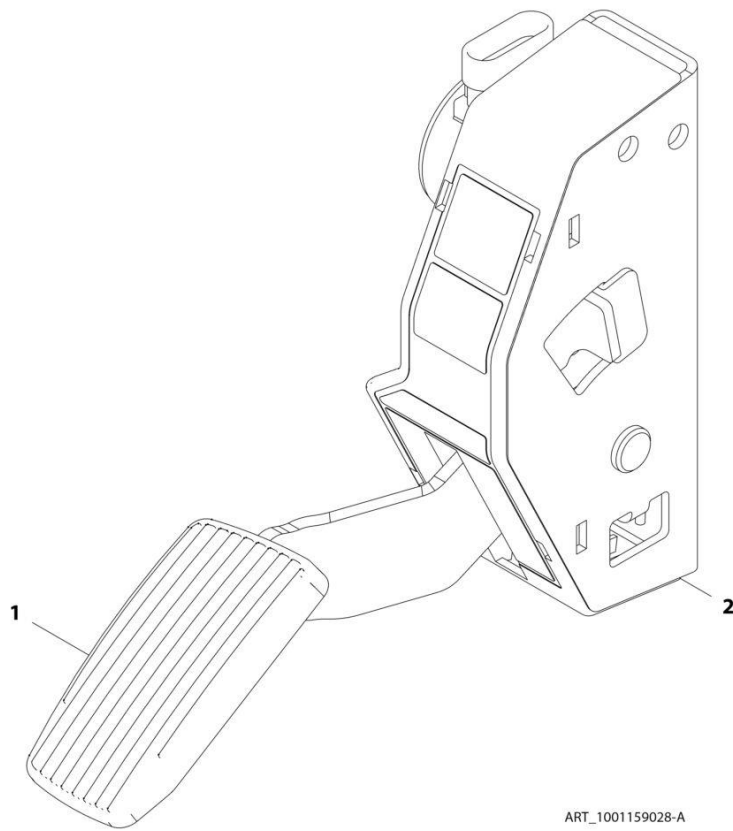
SECTION 7 - CONTROLS

FIGURE 7-1. ACCELERATOR PEDAL INSTALLATION

ITEM	PART NUMBER	QTY	DESCRIPTION	REV
	1001161499	Ref	Accelerator Pedal Installation	C
1	3290801	2	Nut, M8X1.25	
2	4811900	2	Washer, M8	
3	1001159028	1	Pedal, Accelerator (See Separate Breakdown in this Section)	

SECTION 7 - CONTROLS

FIGURE 7-2. ACCELERATOR PEDAL



ART_1001159028-A

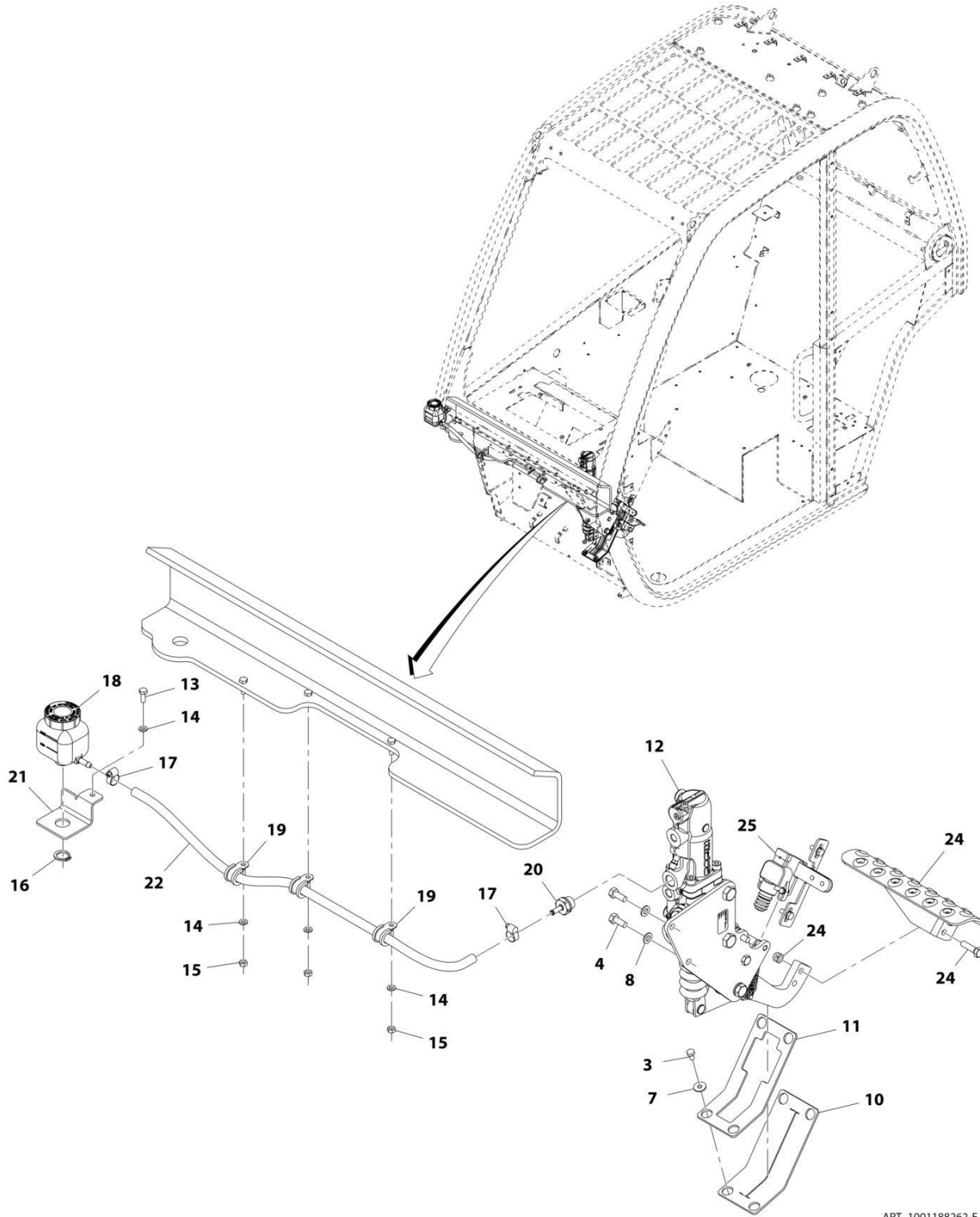
SECTION 7 - CONTROLS

FIGURE 7-2. ACCELERATOR PEDAL

ITEM	PART NUMBER	QTY	DESCRIPTION	REV
	1001159028	Ref	Accelerator Pedal	A
1	70025816	1	Pad, Rubber	
2	70025817	1	Cover, Rubber	

SECTION 7 - CONTROLS

FIGURE 7-3. BRAKE PEDAL INSTALLATION



ART_1001188262-E

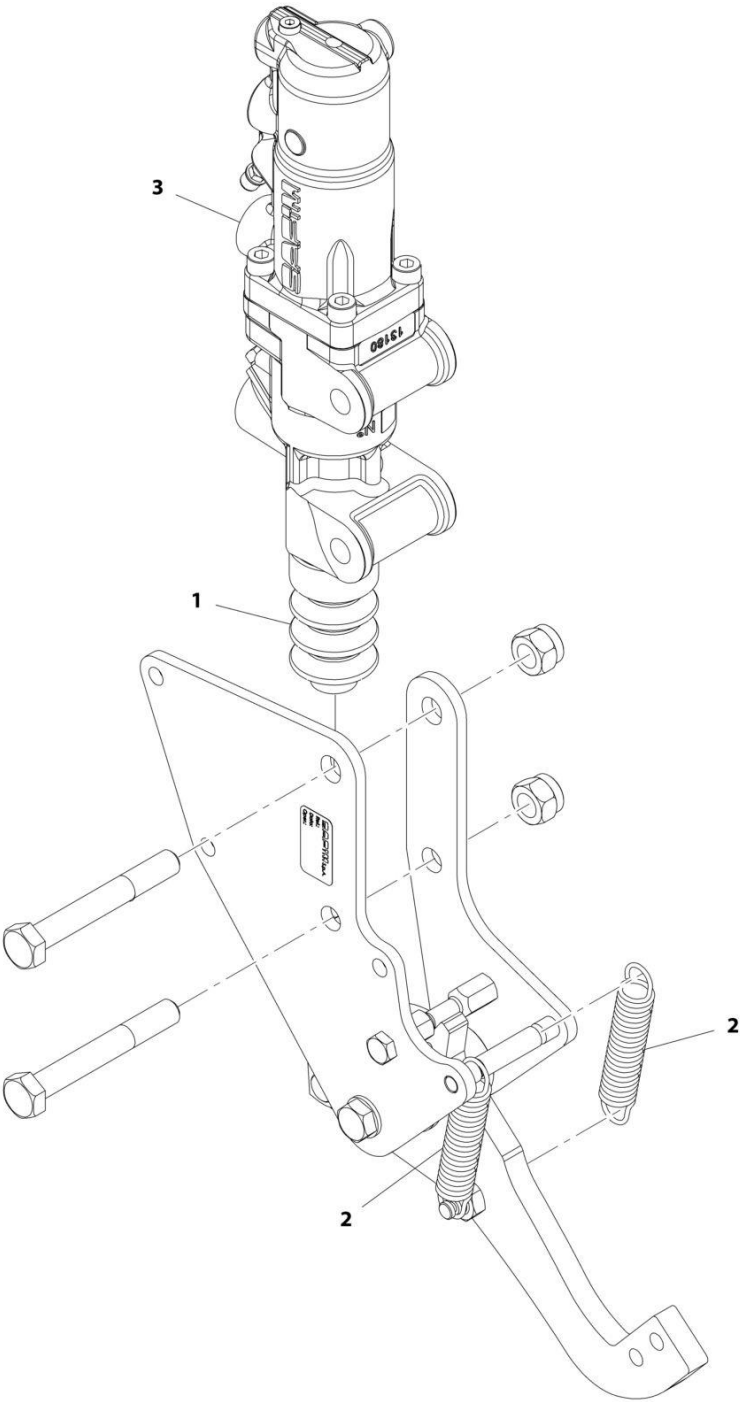
SECTION 7 - CONTROLS

FIGURE 7-3. BRAKE PEDAL INSTALLATION

ITEM	PART NUMBER	QTY	DESCRIPTION	REV
	1001188262	Ref	Brake Pedal Installation	E
3	0760605	4	Bolt, M6X10	
4	0760810	3	Bolt, M8X20	
7	4811702	4	Washer, M6	
8	4811900	3	Washer, M8	
10	1001162920	1	Gasket, Brake Pedal	
11	1001162922	1	Plate	
12	1001187413	1	Pedal, Brake (See Separate Breakdown in this Section)	
13	0760608	1	Bolt, M6X16	
14	4811700	4	Washer, M6	
15	3290601	3	Nut, M6X1 Grade 8	
16	3760348	1	Ring, Retaining	
17	8405009	2	Clamp, Gear	
18	1001214220	1	Reservoir, Brake	
19	1001170231	3	Clip	
20	1001171874	1	Fitting, Hose Barb	
21	1001172088	1	Bracket	
22	1001172094	1	Hose	
24	1001197139	1	Plate, Brake Pedal (See Separate Breakdown in this Section)	
25	1001205061	Ref	Installation, Brake Sensor (See Separate Breakdown in this Section)	

SECTION 7 - CONTROLS

FIGURE 7-4. BRAKE PEDAL



ART_1001187413-D

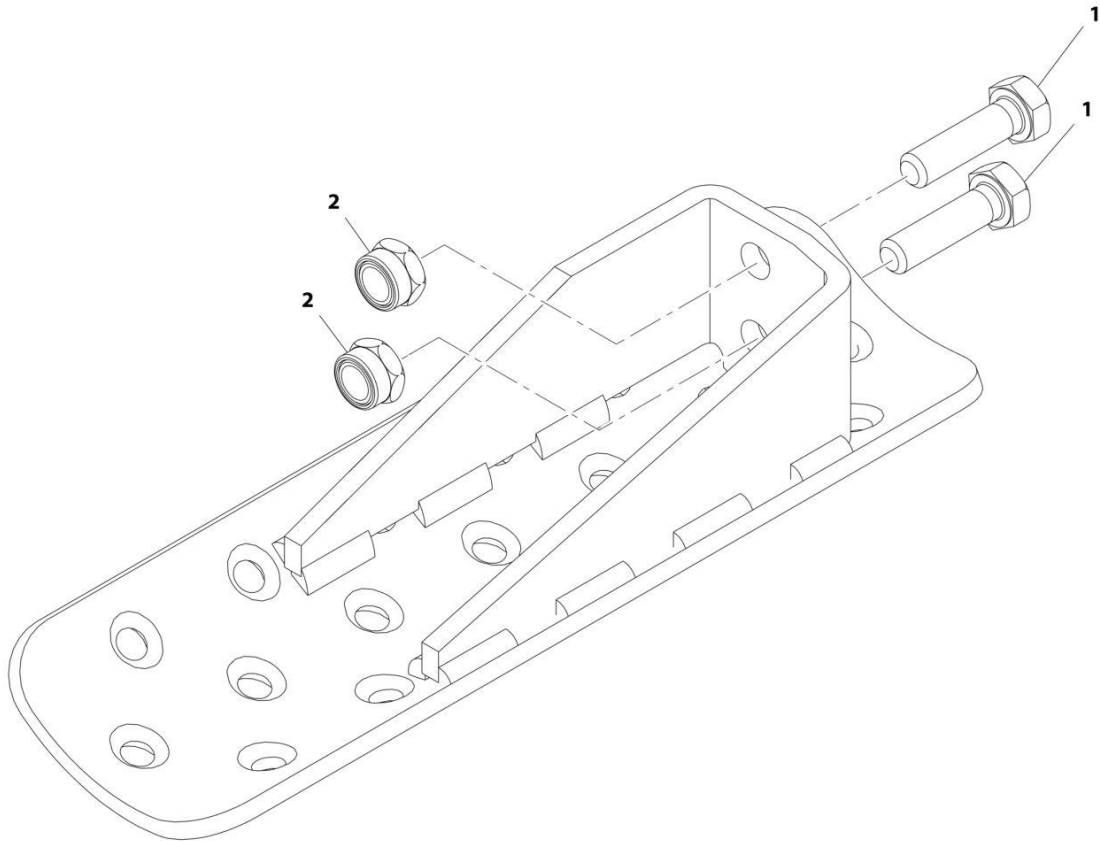
SECTION 7 - CONTROLS

FIGURE 7-4. BRAKE PEDAL

ITEM	PART NUMBER	QTY	DESCRIPTION	REV
	1001187413	Ref	Brake Pedal	D
1	70025859	1	Cover, Dust	
2	70025860	1	Spring, Return	
3	70026537	1	Cylinder, Master	

SECTION 7 - CONTROLS

FIGURE 7-5. BRAKE PEDAL PLATE



ART_1001197139-A

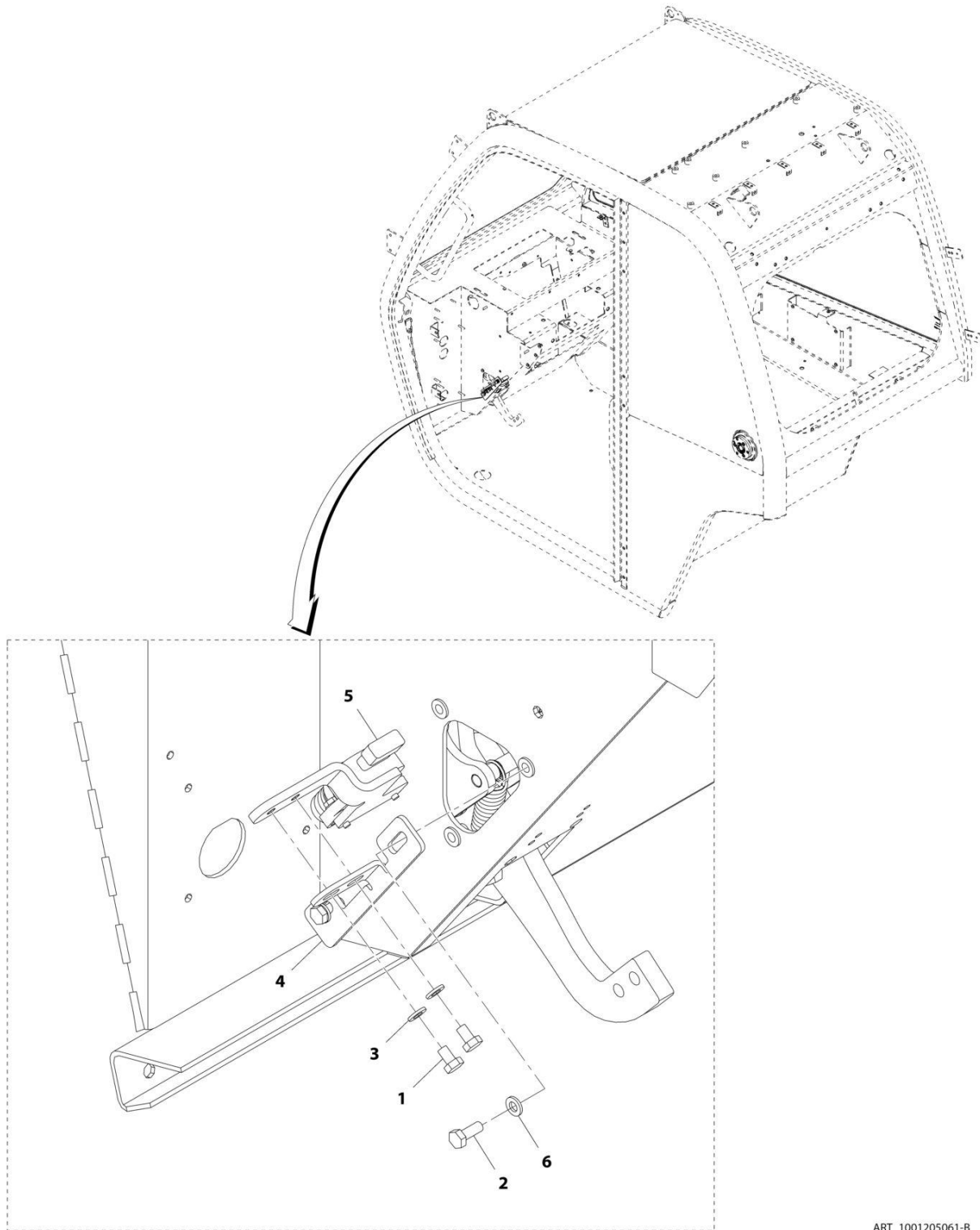
SECTION 7 - CONTROLS

FIGURE 7-5. BRAKE PEDAL PLATE

ITEM	PART NUMBER	QTY	DESCRIPTION	REV
	1001197139	Ref	Brake Pedal Plate	A
1	0770814	1	Bolt, M8X30 Grade 10.9	
2	3290805	1	Nut, Lock M8X1.25 Grade 8	

SECTION 7 - CONTROLS

FIGURE 7-6. BRAKE SENSOR INSTALLATION



ART_1001205061-B

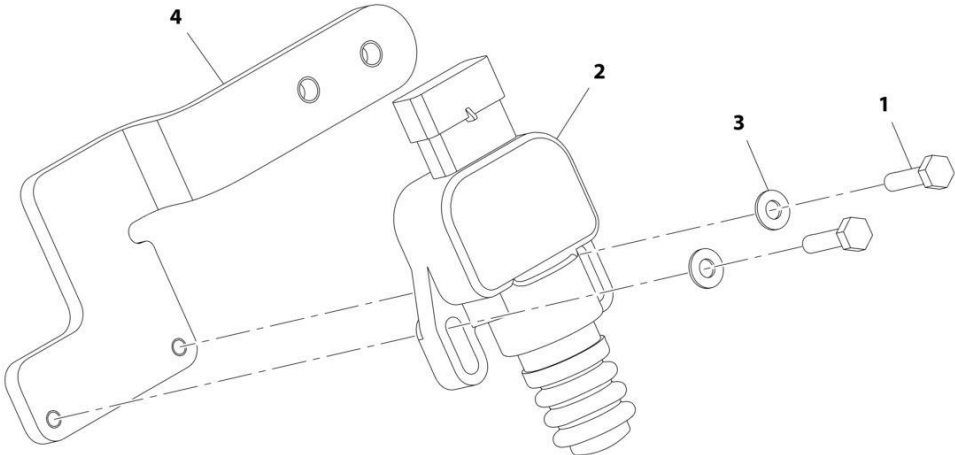
SECTION 7 - CONTROLS

FIGURE 7-6. BRAKE SENSOR INSTALLATION

ITEM	PART NUMBER	QTY	DESCRIPTION	REV
	1001205061	Ref	Brake Sensor Installation	B
1	0760605	2	Bolt, M6X10	
2	0760608	2	Bolt, M6X16	
3	4811700	2	Washer, M6	
4	1001201499	1	Plate, Switch Adjustment	
5	1001201501	1	Assembly, Switch Plate (See Separate Breakdown in this Section)	
6	4811702	2	Washer, M6	

SECTION 7 - CONTROLS

FIGURE 7-7. SWITCH PLATE ASSEMBLY



ART_1001201501-A

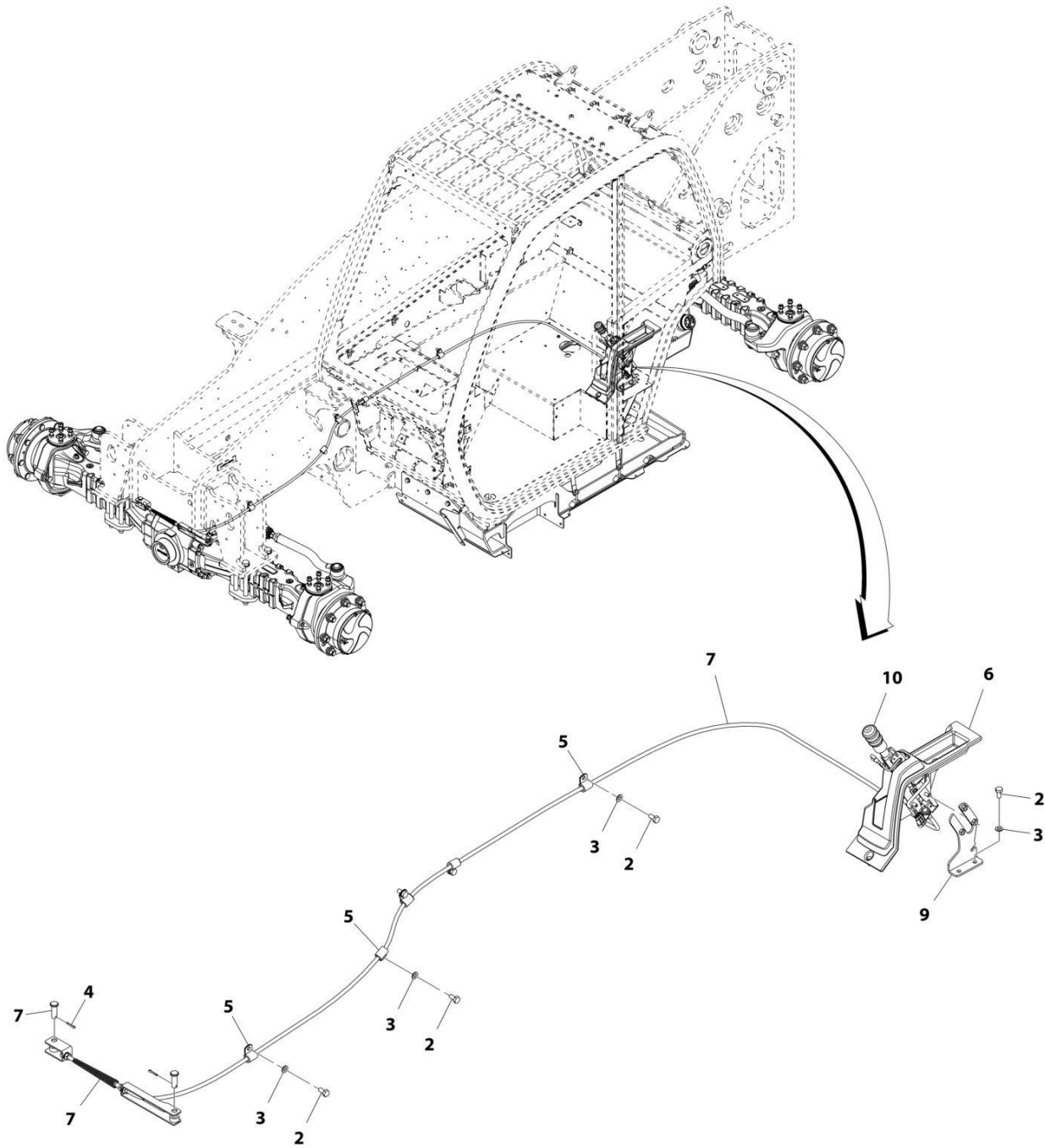
SECTION 7 - CONTROLS

FIGURE 7-7. SWITCH PLATE ASSEMBLY

ITEM	PART NUMBER	QTY	DESCRIPTION	REV
	1001201501	Ref	Switch Plate Assembly	A
1	0700408	2	Bolt, M4X16	
2	4360658	1	Sensor, Brake	
3	4811400	2	Washer, M4	
4	1001201500	1	Plate	

SECTION 7 - CONTROLS

FIGURE 7-8. PARKING BRAKE INSTALLATION (CABLE)



ART_1001180472-E

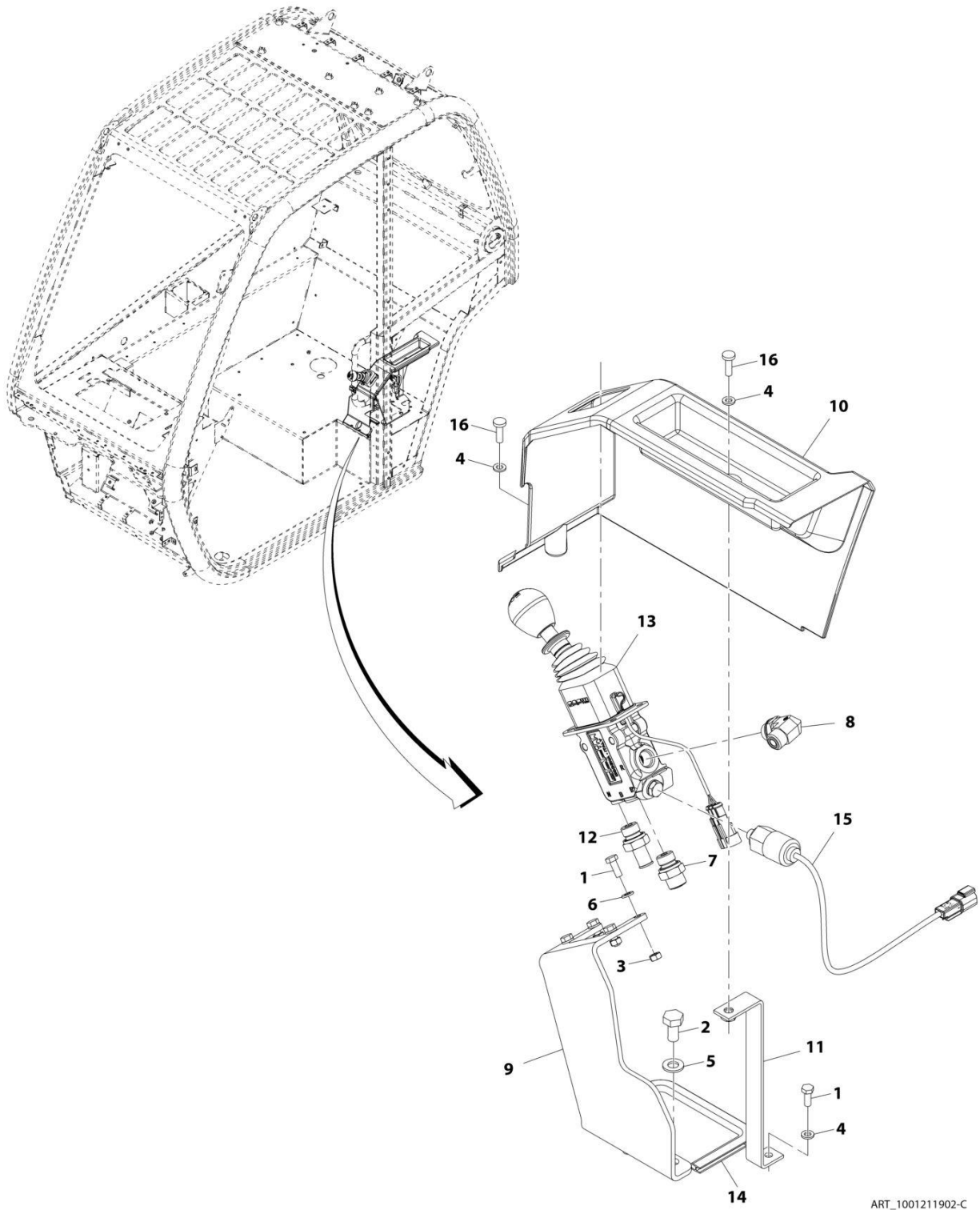
SECTION 7 - CONTROLS

FIGURE 7-8. PARKING BRAKE INSTALLATION (CABLE)

ITEM	PART NUMBER	QTY	DESCRIPTION	REV
	1001180472	Ref	Parking Brake Installation (Cable)	E
2	0761010	7	Bolt, M10X20	
3	4812000	7	Washer, M10	
4	3391408	2	Pin	
5	1001003809	5	Clamp	
6	1001174567	1	Cover, Parking Brake (Mechanical) (See Separate Breakdown in this Section)	
7	1001177053	1	Assembly, Parking Cable (Mechanical) (See Separate Breakdown in this Section)	
9	1001195207	1	Bracket	
10	1001201951	1	Lever, Parking Brake (Mechanical)	

SECTION 7 - CONTROLS

FIGURE 7-9. PARKING BRAKE INSTALLATION (SAHR)



ART_1001211902-C

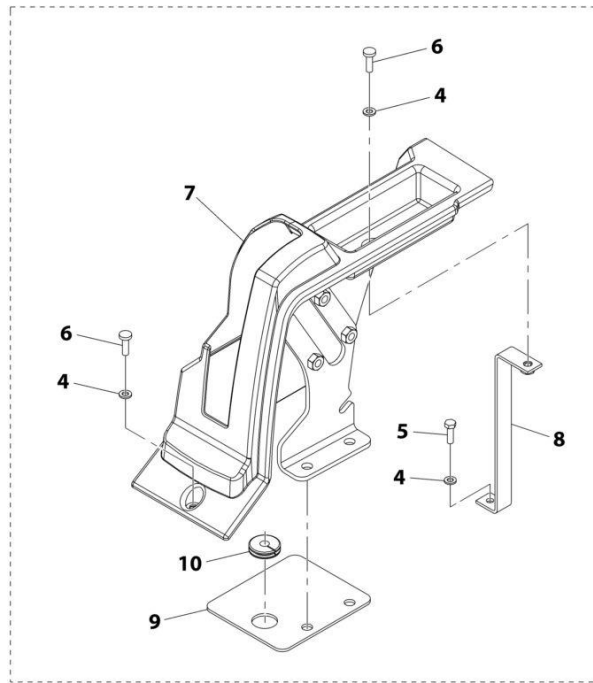
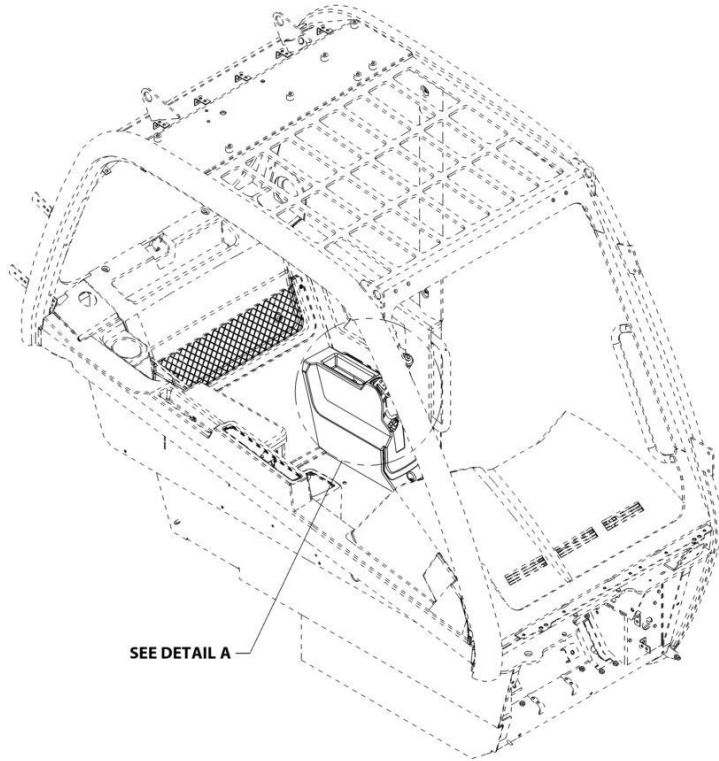
SECTION 7 - CONTROLS

FIGURE 7-9. PARKING BRAKE INSTALLATION (SAHR)

ITEM	PART NUMBER	QTY	DESCRIPTION	REV
	1001211902	Ref	Parking Brake Installation (SAHR)	C
1	0760608	5	Bolt, 6X16	
2	0761010	2	Bolt, M10X20	
3	3290601	4	Nut, M6X1 Grade 8	
4	4811700	3	Washer, M6	
5	4812000	2	Washer, M10	
6	4831700	4	Washer, Lock M6	
7	1001101702	1	Fitting, Straight ORFS	
8	1001125222	1	Fitting, 90 ORFS	
9	1001191915	1	Bracket	
10	1001193474	1	Panel, Brake Cover	
11	1001195254	1	Bracket	
12	1001206744	1	Fitting, Grease	
13	1001207956	1	Valve, Hydraulic Park Brake Release	
14	1001208037	1	Seal	
15	1001211915	1	Switch, Hydraulic Pressure	
16	4010610002	2	Screw, M6X20	

SECTION 7 - CONTROLS

FIGURE 7-10. PARKING BRAKE COVER (MECHANICAL)



DETAIL A

ART_1001174567-C

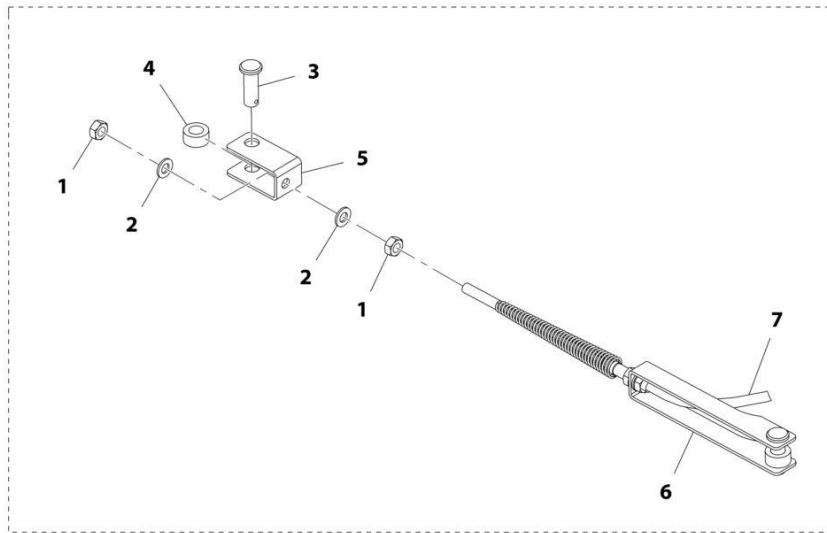
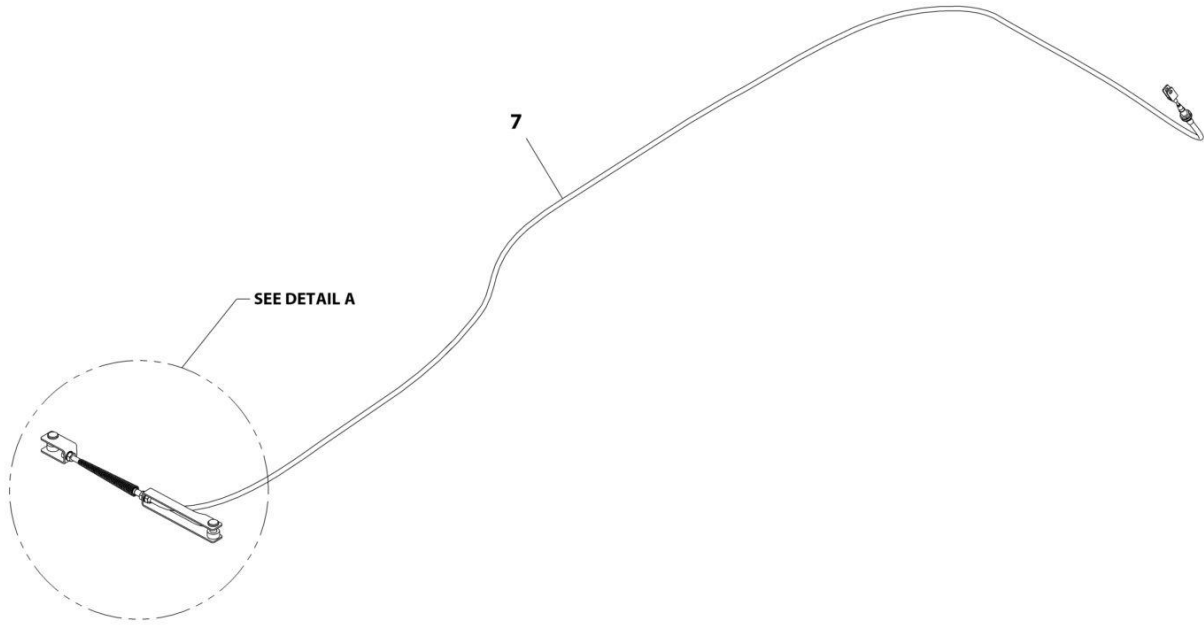
SECTION 7 - CONTROLS

FIGURE 7-10. PARKING BRAKE COVER (MECHANICAL)

ITEM	PART NUMBER	QTY	DESCRIPTION	REV
	1001174567	Ref	Parking Brake Cover (Mechanical)	D
4	4811700	3	Washer, M6	
5	0700610	1	Bolt, M6X20	
6	4010610002	2	Screw, M6X20	
7	1001195004	1	Panel, Brake Cover	
8	1001195254	1	Bracket	
9	1001221255	1	Plate, Cover	
10	1001008469	1	Grommet	
11	3520028	1	Plug (Not Shown)	

SECTION 7 - CONTROLS

FIGURE 7-11. PARKING CABLE ASSEMBLY (MECHANICAL)



DETAIL A

ART_1001177053-A

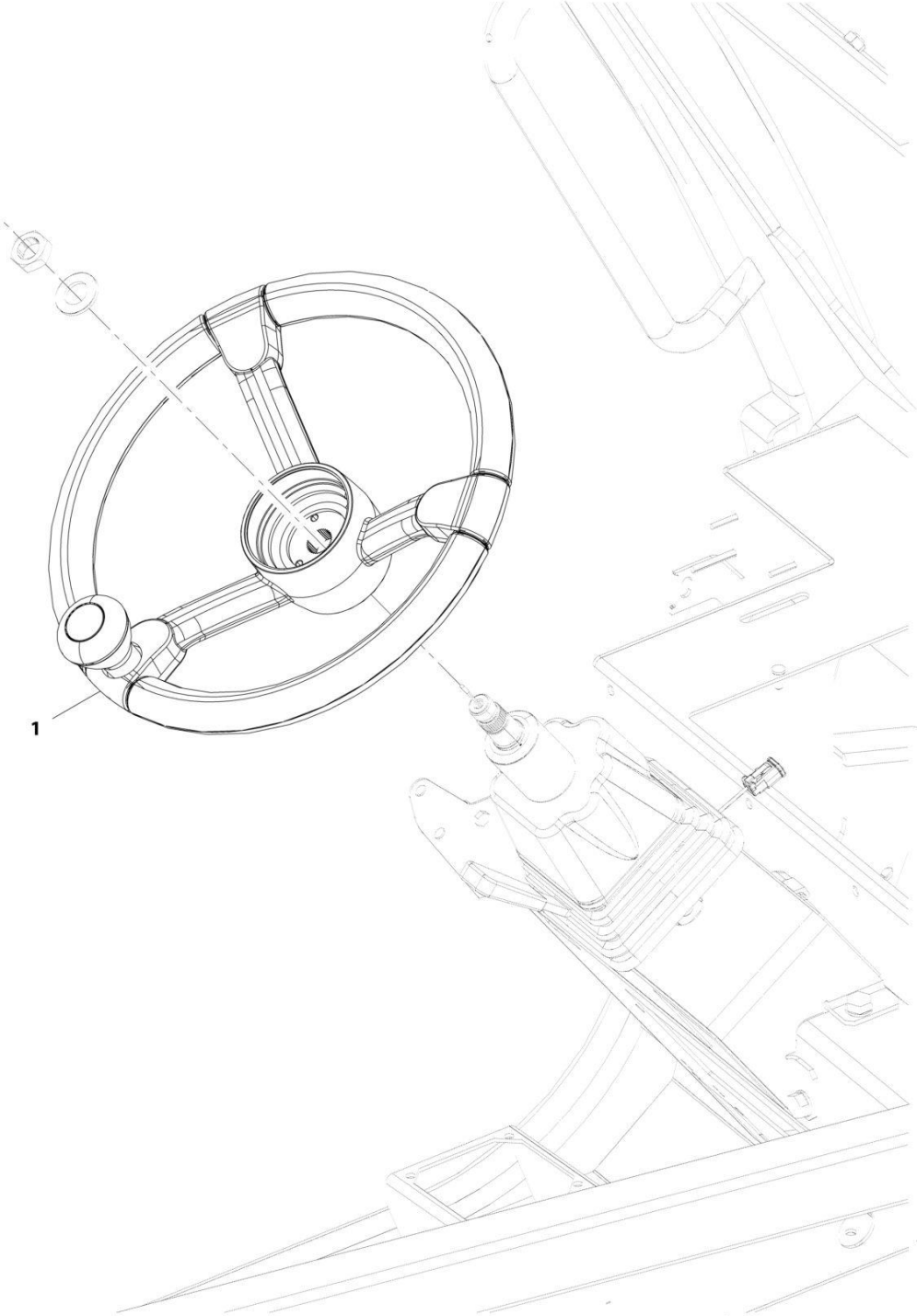
SECTION 7 - CONTROLS

FIGURE 7-11. PARKING CABLE ASSEMBLY (MECHANICAL)

ITEM	PART NUMBER	QTY	DESCRIPTION	REV
	1001177053	Ref	Parking Cable Assembly (Mechanical)	A
1	3291001	4	Nut, M10X1.5 Grade 8	
2	4812000	4	Washer, M10	
3	1001177048	2	Pin	
4	1001177049	2	Spacer	
5	1001177050	1	Clevis, Park Brake Small	
6	1001177051	1	Clevis, Park Brake Large	
7	1001177052	1	Cable, Hand Brake	

SECTION 7 - CONTROLS

FIGURE 7-12. STEERING WHEEL INSTALLATION



ART_1001169751-C

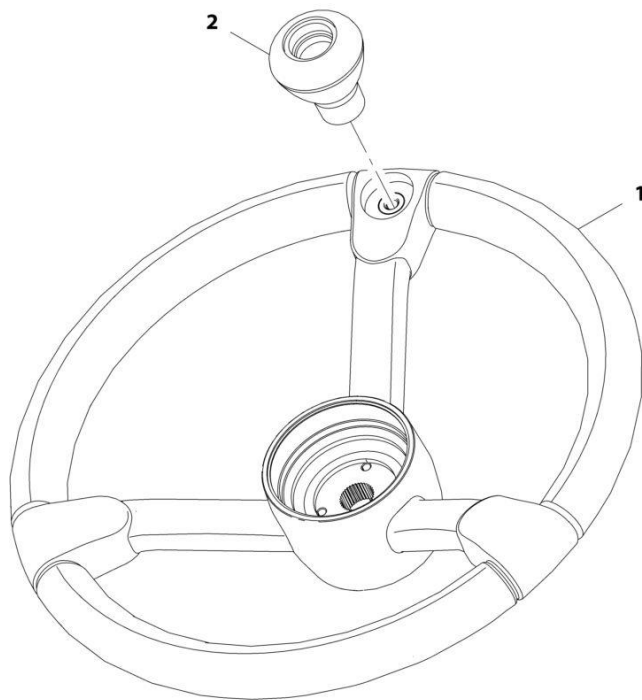
SECTION 7 - CONTROLS

FIGURE 7-12. STEERING WHEEL INSTALLATION

ITEM	PART NUMBER	QTY	DESCRIPTION	REV
1	1001169751 1001169354	Ref 1	Steering Wheel Installation Wheel, Steering (See Separate Breakdown in this Section)	C

SECTION 7 - CONTROLS

FIGURE 7-13. STEERING WHEEL



ART_1001169354-D

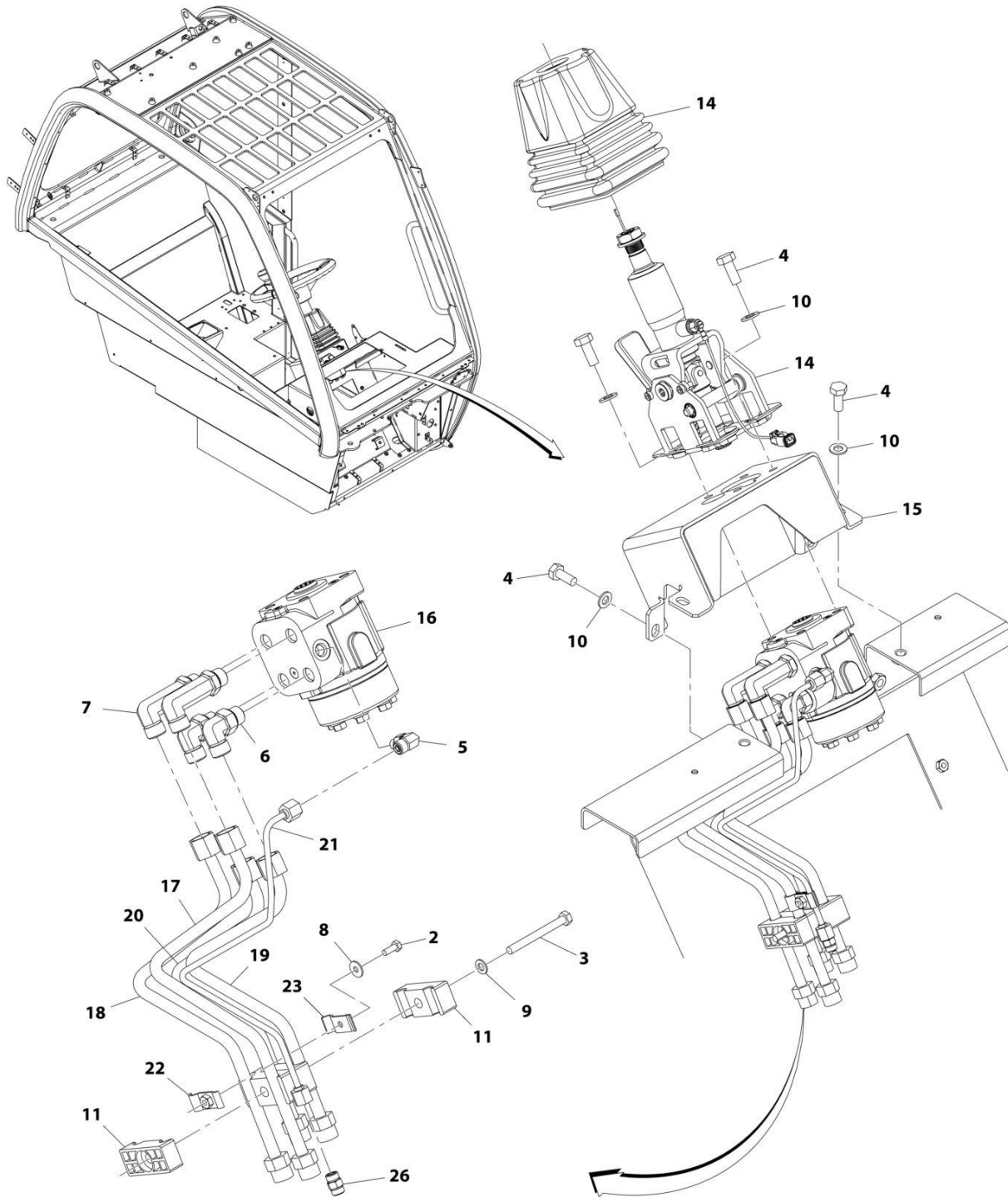
SECTION 7 - CONTROLS

FIGURE 7-13. STEERING WHEEL

ITEM	PART NUMBER	QTY	DESCRIPTION	REV
	1001169354	Ref	Steering Wheel	D
1	1001169367	1	Wheel, Steering	
2	1001169355	1	Handle, Steer Spinner	

SECTION 7 - CONTROLS

FIGURE 7-14. STEERING COLUMN INSTALLATION



ART_1001162704-H

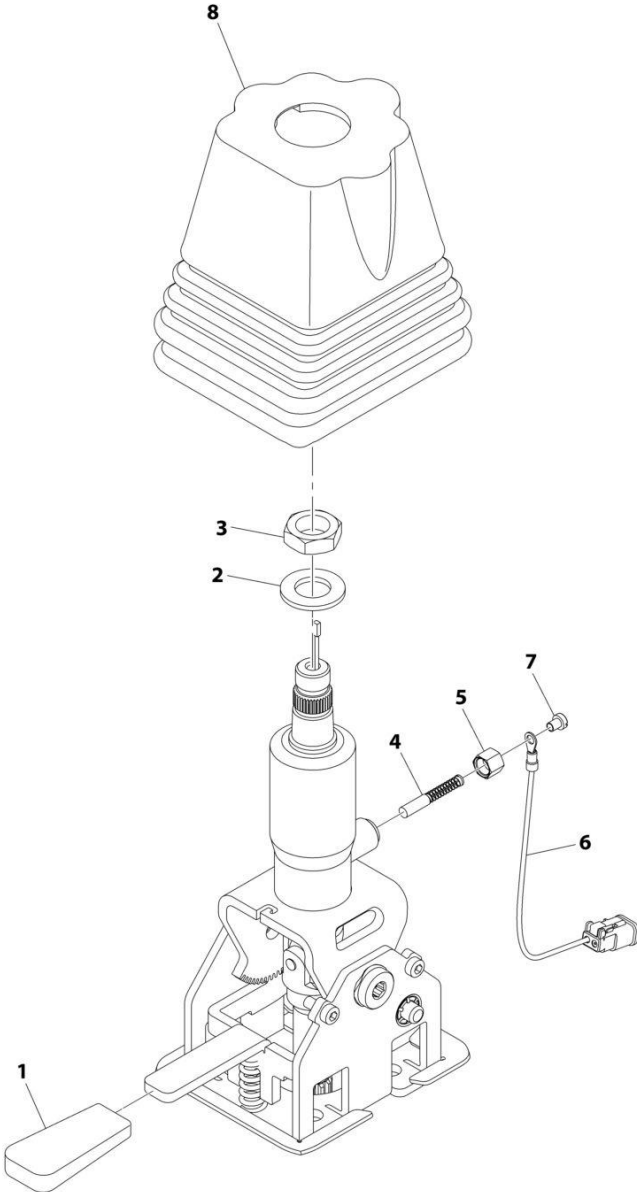
SECTION 7 - CONTROLS

FIGURE 7-14. STEERING COLUMN INSTALLATION

ITEM	PART NUMBER	QTY	DESCRIPTION	REV
	1001162704	Ref	Steering Column Installation	H
2	0760608	1	Bolt, M6X16	
3	0700824	1	Bolt, M8X80	
4	0761012	8	Bolt, M10X25	
5	2130404	1	Fitting, 90 ORFS	
6	2130808	2	Fitting, 90 ORFS	
7	2170208	2	Fitting, 90 ORFS	
8	4811702	1	Washer, M6	
9	4811900	1	Washer, M8	
10	4812000	8	Washer, M10	
11	1001004640	4	Clamp	
14	1001155276	1	Column, Tilt Steering (See Separate Breakdown in this Section)	
15	1001156265	1	Bracket, Support	
16	1001191217	1	Valve, Steering Unit	
17	1001161672	1	Pipe	
18	1001161896	1	Pipe	
19	1001161897	1	Pipe	
20	1001161898	1	Pipe	
21	1001162979	1	Pipe	
22	1001168142	1	Bracket	
23	1001168151	1	Bracket	
26	1001143857	1	Fitting, Straight ORFS	

SECTION 7 - CONTROLS

FIGURE 7-15. TILT STEERING COLUMN



ART_1001155276

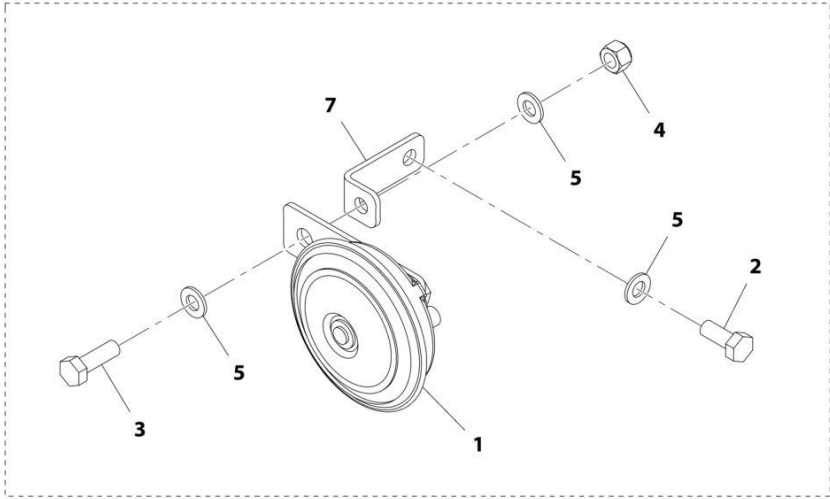
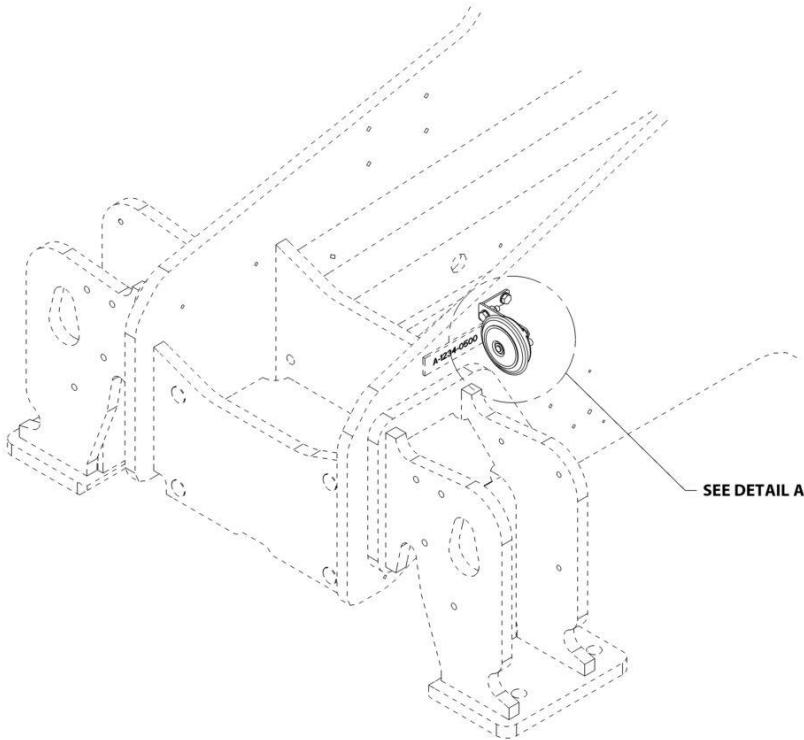
SECTION 7 - CONTROLS

FIGURE 7-15. TILT STEERING COLUMN

ITEM	PART NUMBER	QTY	DESCRIPTION	REV
	1001155276	Ref	Tilt Steering Column	G
1	70026366	1	Knob	
2	70026364	1	Washer	
3	70026363	1	Nut	
4	70026362	1	Contact, Sliding	
5	70026361	1	Cap, Brass	
6	70026367	1	Cable	
7	70026365	1	Screw, Cap	
8	1001184504	1	Boot	

SECTION 7 - CONTROLS

FIGURE 7-16. HORN INSTALLATION



DETAIL A

ART_1001180418-C

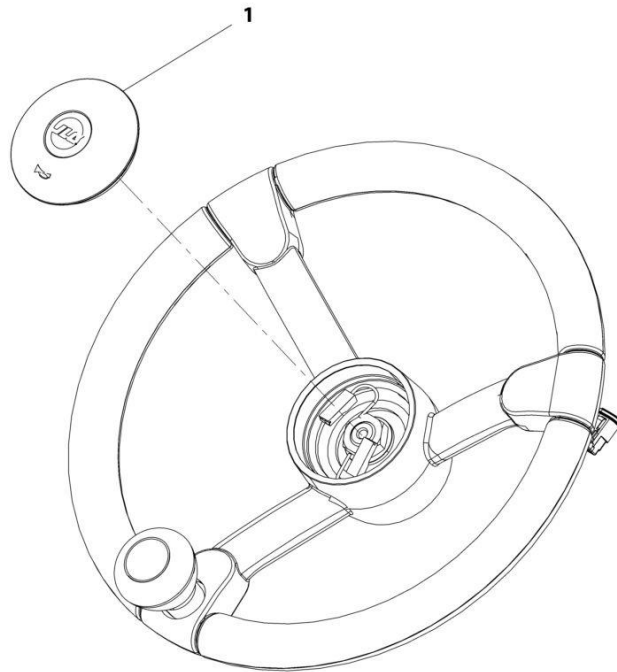
SECTION 7 - CONTROLS

FIGURE 7-16. HORN INSTALLATION

ITEM	PART NUMBER	QTY	DESCRIPTION	REV
	1001180418	Ref	Horn Installation	C
1	1001003596	1	Horn	
2	0760810	1	Bolt, M8X20	
3	0760812	1	Bolt, M8X25	
4	3290805	1	Nut, Lock M8X1.25 Grade 8	
5	4811900	3	Washer, M8	
7	1001104437	1	Bracket, Horn Mount	

SECTION 7 - CONTROLS

FIGURE 7-17. HORN BUTTON INSTALLATION



ART_1001169763-A

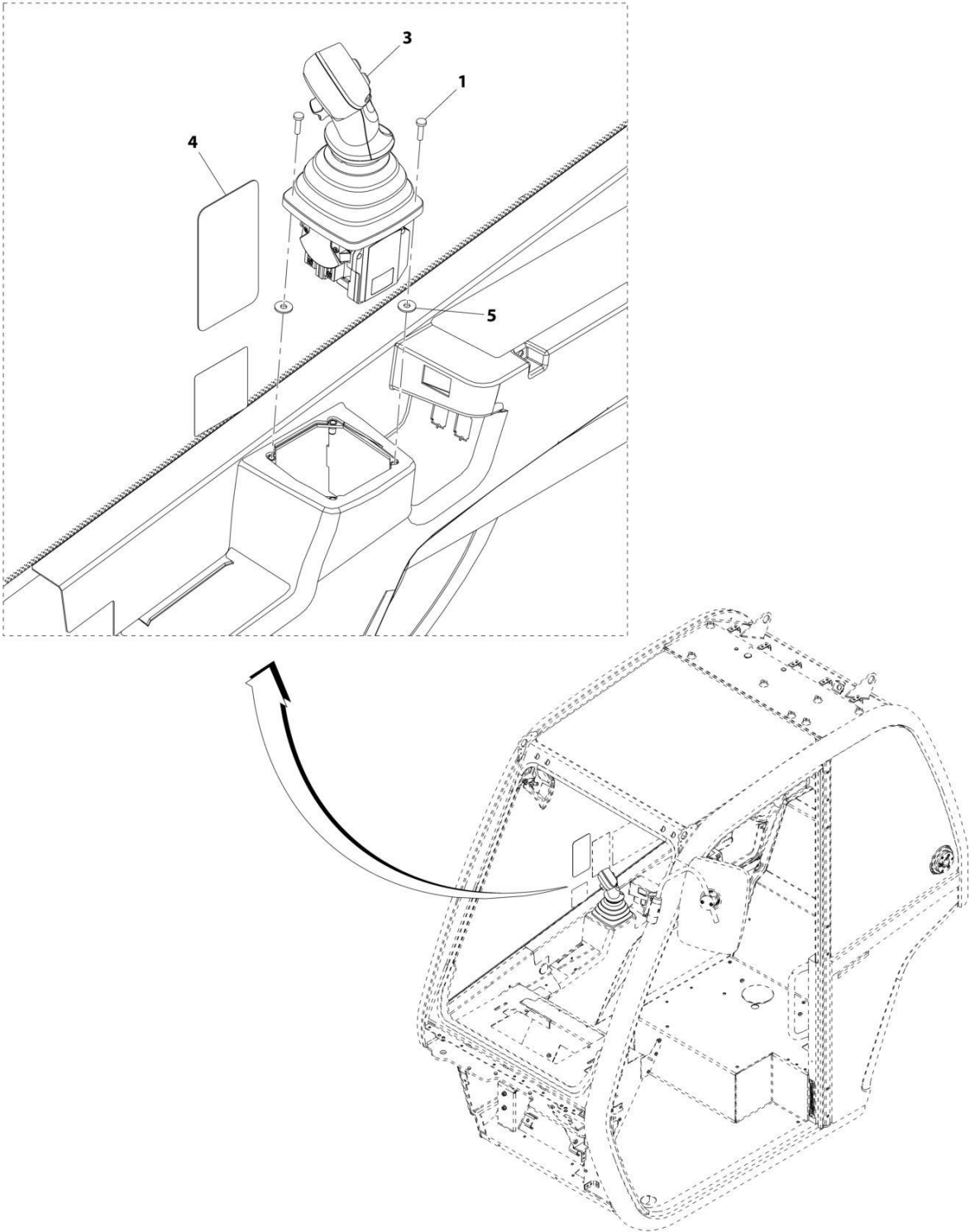
SECTION 7 - CONTROLS

FIGURE 7-17. HORN BUTTON INSTALLATION

ITEM	PART NUMBER	QTY	DESCRIPTION	REV
1	1001169763 1001169268	Ref 1	Horn Button Installation Button, Horn	A

SECTION 7 - CONTROLS

FIGURE 7-18. JOYSTICK INSTALLATION



ART_1001167004-G

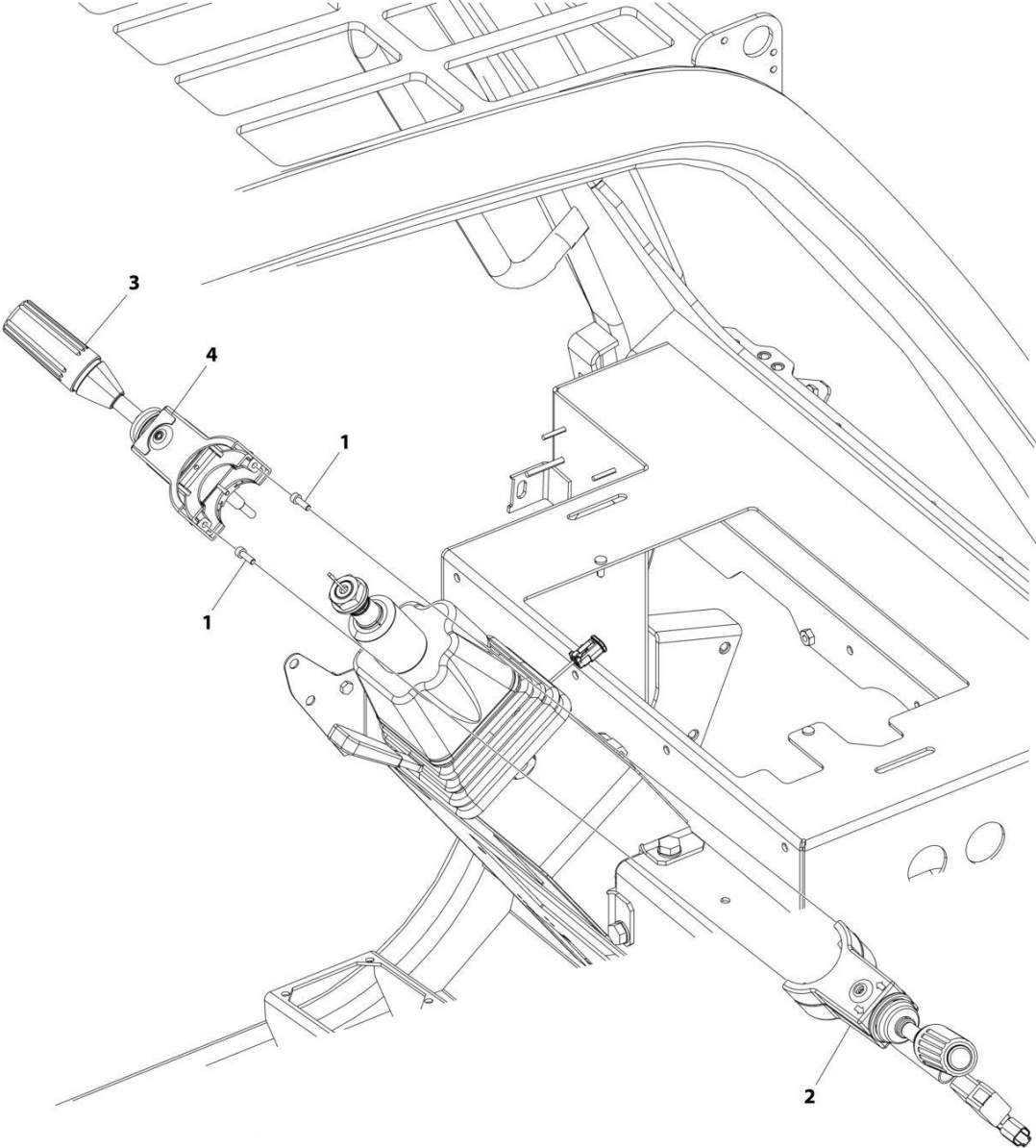
SECTION 7 - CONTROLS

FIGURE 7-18. JOYSTICK INSTALLATION

ITEM	PART NUMBER	QTY	DESCRIPTION	REV
	1001167004	Ref	Joystick Installation	H
1	4010510	4	Screw, M5X20	
3	1001222603	1	Joystick	
4	1001236404	NLA	Decal, Joystick (no longer available, use 1001241950 for replacement)	
4	1001241950	1	Decal, Joystick	
5	4811702001	AR	Washer, M6	

SECTION 7 - CONTROLS

FIGURE 7-19. WIPER-TURN SWITCH (0 SPEED - FNR)



ART_1001181927

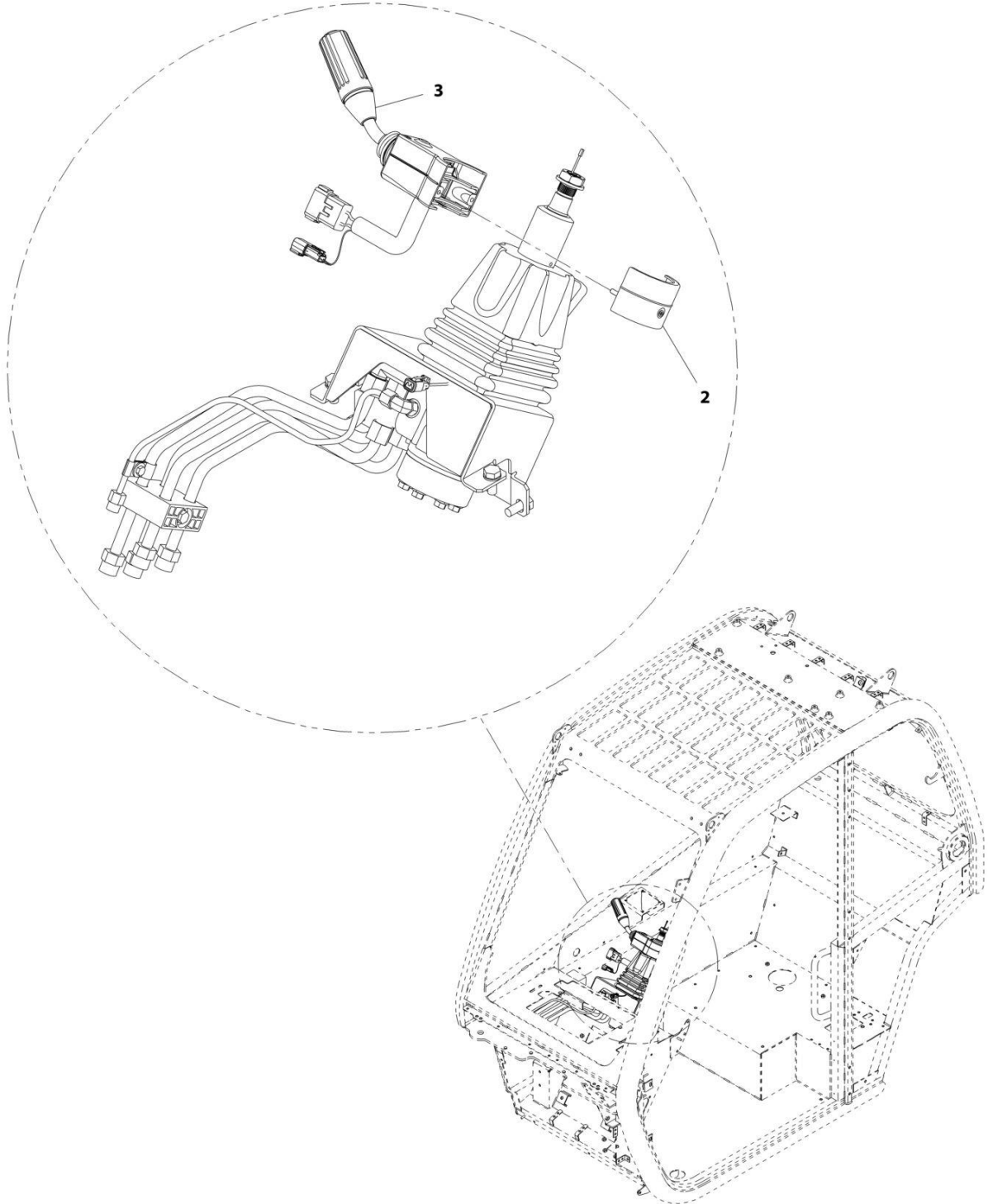
SECTION 7 - CONTROLS

FIGURE 7-19. WIPER-TURN SWITCH (0 SPEED - FNR)

ITEM	PART NUMBER	QTY	DESCRIPTION	REV
	1001181927	Ref	Wiper-Turn Switch (0 Speed - FNR)	F
1	4031607	2	Bolt, M5X16	
2	1001214280	1	Switch, Turn-Wiper	
3	1001257348	1	Switch, Zero Speed	
4	1001236402	1	Decal	

SECTION 7 - CONTROLS

FIGURE 7-20. WIPER-TURN SWITCH (NO SPEED)



ART_1001181928-D

SECTION 7 - CONTROLS

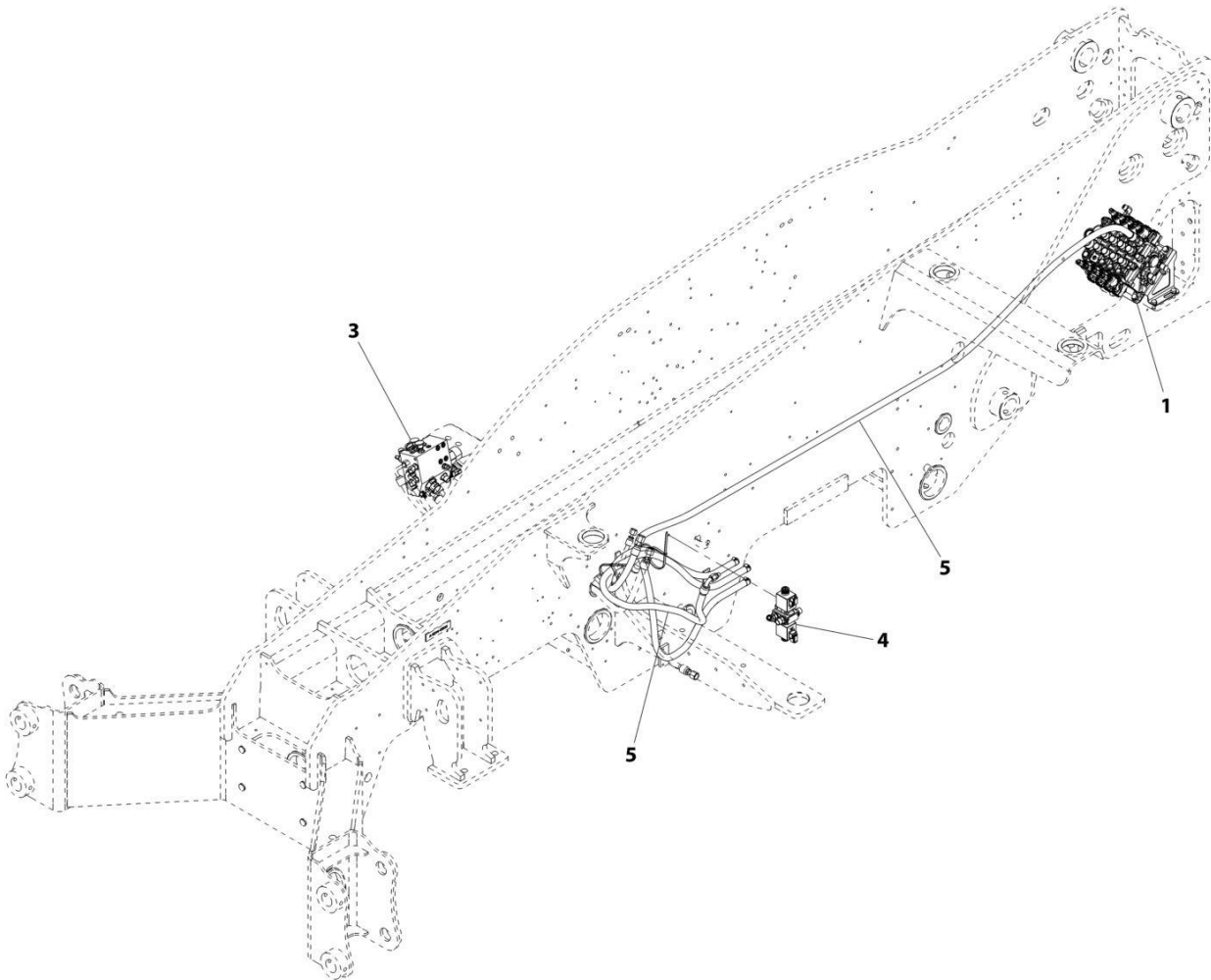
FIGURE 7-20. WIPER-TURN SWITCH (NO SPEED)

ITEM	PART NUMBER	QTY	DESCRIPTION	REV
	1001181928	Ref	Wiper-Turn Switch (No Speed)	D
2	1001146949	1	Clamp	
3	1001214280	1	Switch, Turn-Wiper	

SECTION 8 - HYDRAULIC CIRCUITS

SECTION 8 - HYDRAULIC CIRCUITS

FIGURE 8-1. COMMON HYDRAULICS INSTALLATION



ART_1001172892-C

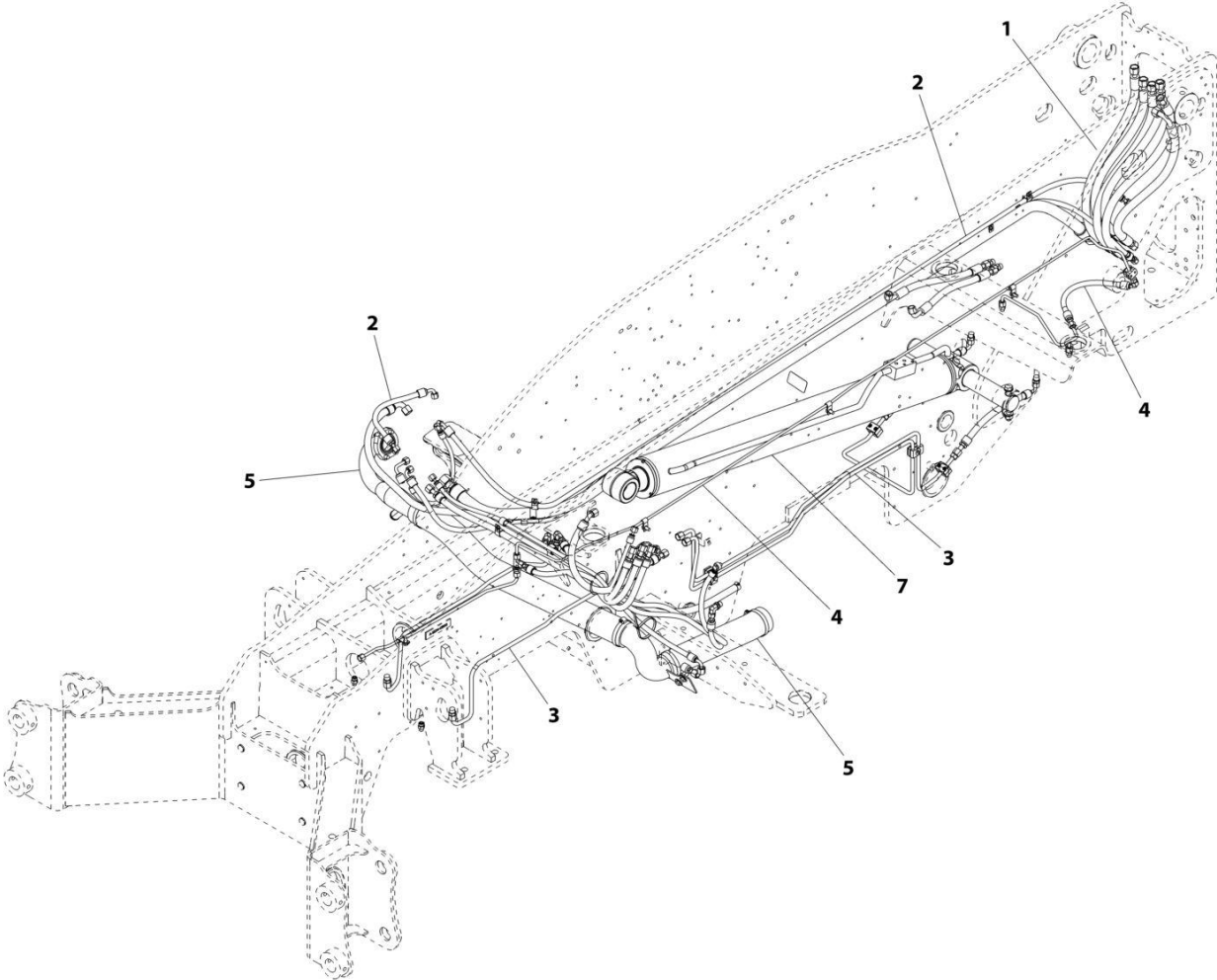
SECTION 8 - HYDRAULIC CIRCUITS

FIGURE 8-1. COMMON HYDRAULICS INSTALLATION

ITEM	PART NUMBER	QTY	DESCRIPTION	REV
1	1001172892	Ref	Common Hydraulics Installation	C
	1001172900	Ref	Installation, Main Control Valve (See Separate Breakdown in this Section)	
3	1001221147	Ref	Installation, Priority Valve (See Separate Breakdown in this Section)	
4	1001172894	Ref	Installation, Steer Select Valve (See Separate Breakdown in this Section)	
5	1001185351	Ref	Installation, Return Lines (See Separate Breakdown in this Section)	

SECTION 8 - HYDRAULIC CIRCUITS

FIGURE 8-2. HYDRAULICS INSTALLATION



ART_1001172937-C

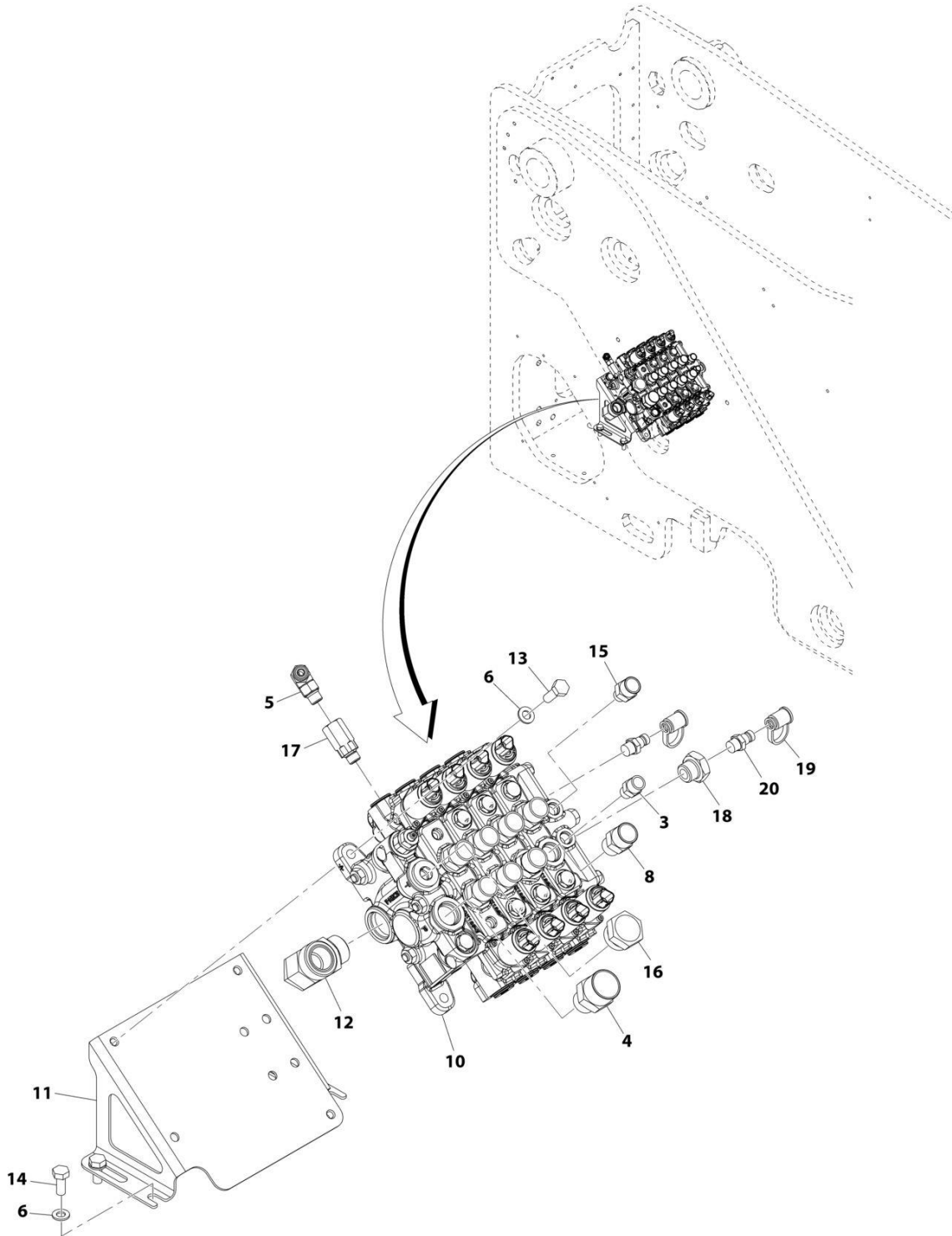
SECTION 8 - HYDRAULIC CIRCUITS

FIGURE 8-2. HYDRAULICS INSTALLATION

ITEM	PART NUMBER	QTY	DESCRIPTION	REV
	1001172937	Ref	Hydraulics Installation	C
1	1001173013	Ref	Installation, Boom Lines (See Separate Breakdown in this Section)	
2	1001180845	Ref	Installation, Priority Lines (See Separate Breakdown in this Section)	
3	1001180134	Ref	Installation, Steering Lines (See Separate Breakdown in this Section)	
4	1001172909	Ref	Installation, Brake Lines (See Separate Breakdown in this Section)	
5	1001184531	Ref	Installation, Suction Lines (See Separate Breakdown in this Section)	
7	1001173015	Ref	Installation, Lift Cylinder (See Separate Breakdown in this Section)	

SECTION 8 - HYDRAULIC CIRCUITS

FIGURE 8-3. MAIN CONTROL VALVE INSTALLATION



ART_1001172900-I

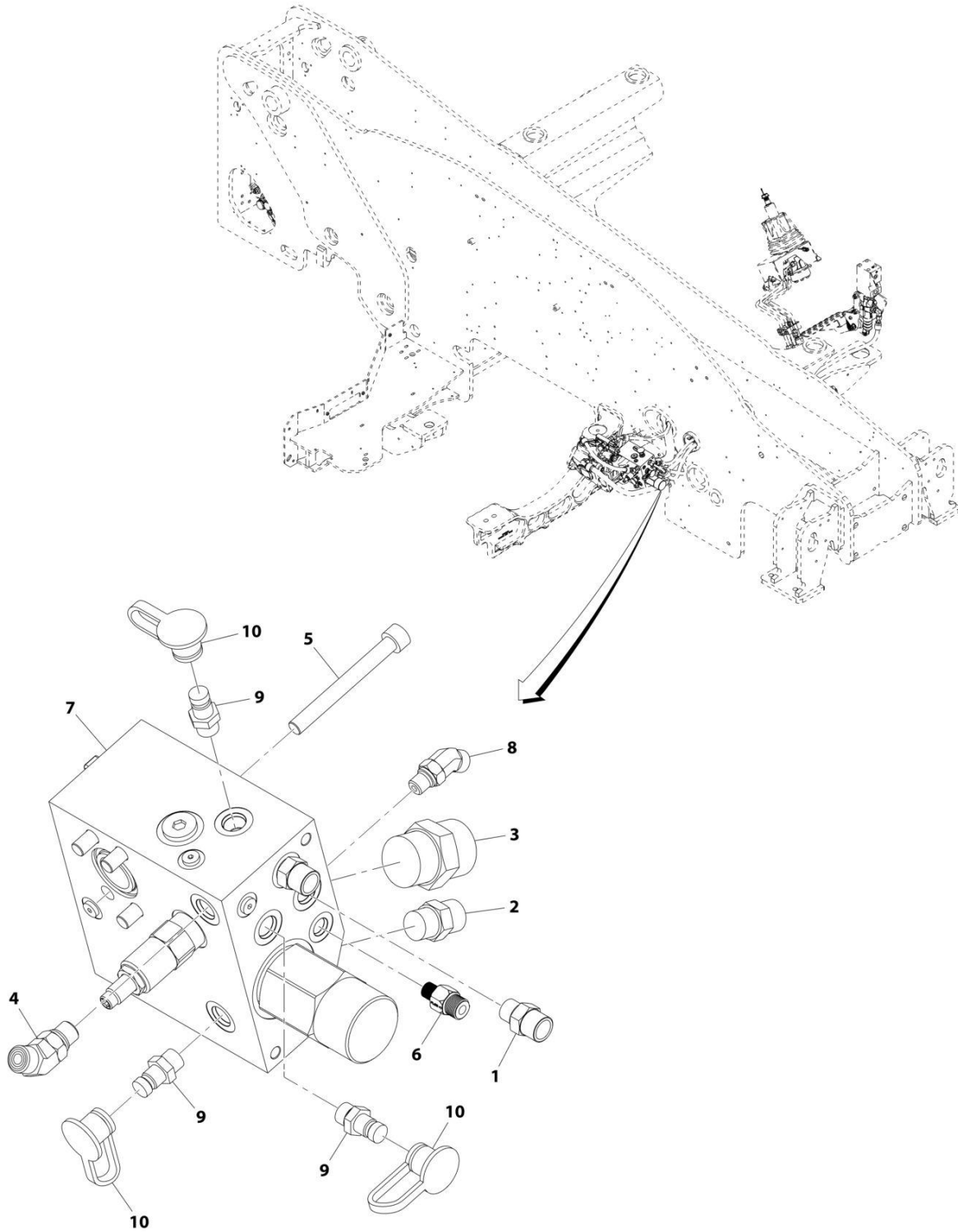
SECTION 8 - HYDRAULIC CIRCUITS

FIGURE 8-3. MAIN CONTROL VALVE INSTALLATION

ITEM	PART NUMBER	QTY	DESCRIPTION	REV
	1001172900	Ref	Main Control Valve Installation	I
3	2110606	1	Fitting, Straight ORFS	
4	2111612	1	Fitting, Straight ORFS	
5	2130606	1	Fitting, 90 ORFS	
6	4812000	7	Washer, M10	
8	2111010	8	Fitting, Straight ORFS	
10	1001180252	NLA	Valve, Main Control (See Separate Breakdown in HYDRAULIC COMPONENTS Section) (no longer available, use 1001233797 for replacement)	
10	1001233797	1	Valve, Main Control (See Separate Breakdown in HYDRAULIC COMPONENTS Section)	
11	1001182231	1	Bracket	
12	2132016	1	Fitting, 90 ORFS	
13	0701014	3	Bolt, M10X30	
14	0701012	4	Bolt, M10X25	
15	2110806	1	Fitting, Straight ORFS	
16	2220242	1	Fitting (Prior to SN 82560)	
17	1001187355	1	Valve, Check	
18	2220221	1	Fitting, Reducer	
19	1001008761	2	Cap	
20	1001003590	2	Fitting, Straight	

SECTION 8 - HYDRAULIC CIRCUITS

FIGURE 8-4. PRIORITY VALVE INSTALLATION



ART_1001172901-E

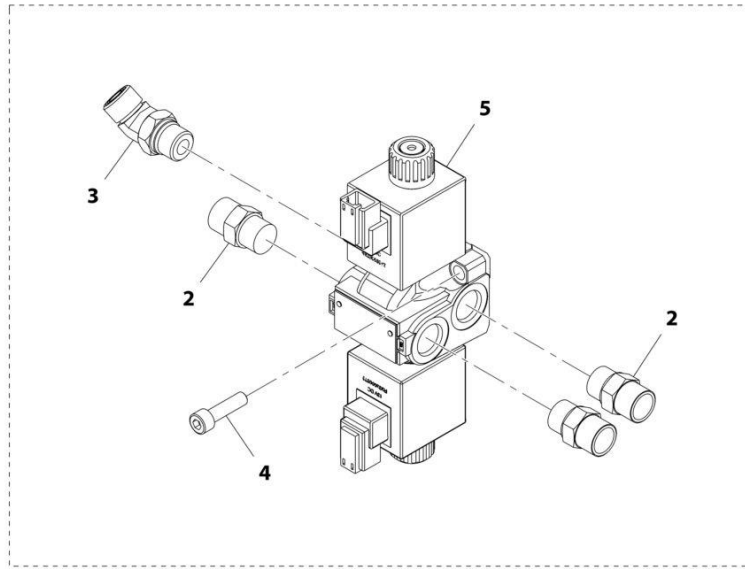
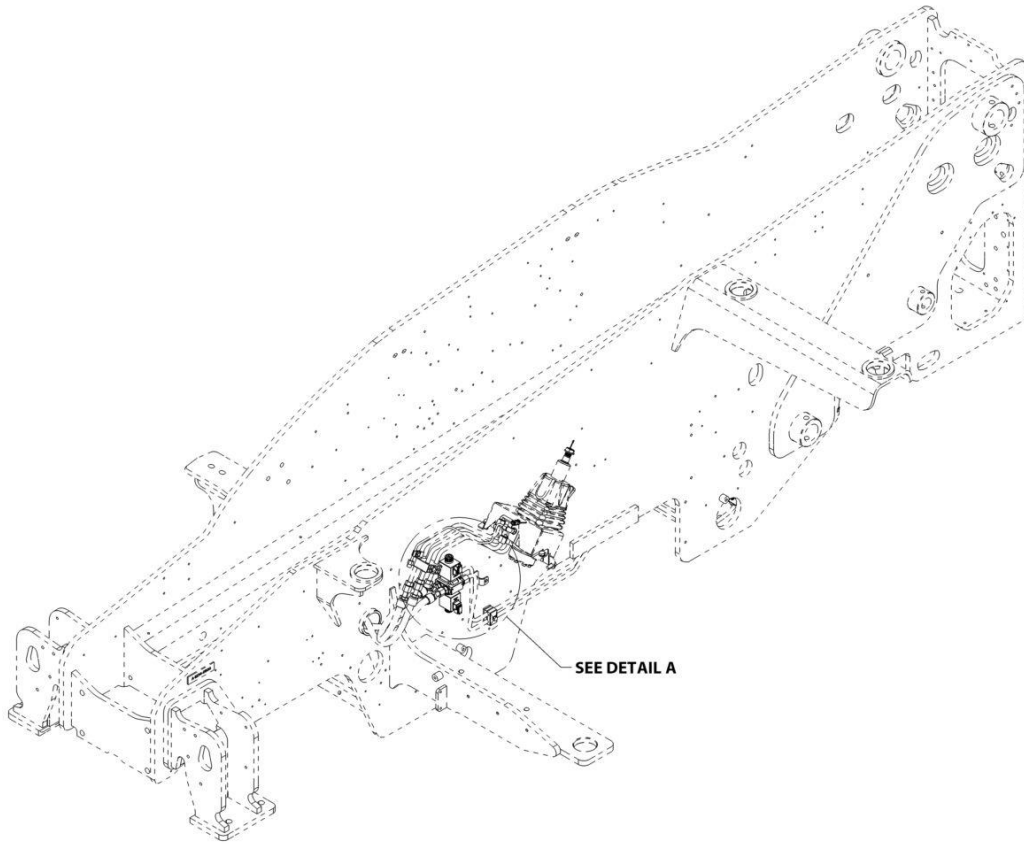
SECTION 8 - HYDRAULIC CIRCUITS

FIGURE 8-4. PRIORITY VALVE INSTALLATION

ITEM	PART NUMBER	QTY	DESCRIPTION	REV
	1001172901	Ref	Priority Valve Installation	E
1	2110606	2	Fitting, Straight ORFS	
2	2110808	1	Fitting, Straight ORFS	
3	2111616	1	Fitting, Straight ORFS	
4	2150606	1	Fitting, 45 ORFS	
5	5272022	4	Screw, M10X1.5X90	
6	4641237	1	Valve, Check	
7	1001229050	Ref	Manifold, Priority Flow (See Separate Breakdown in Hydraulic Circuits Section)	
8	2150404	1	Fitting, 45 ORFS	
9	1001003590	3	Fitting, Straight	
10	1001008761	3	Cap	

SECTION 8 - HYDRAULIC CIRCUITS

FIGURE 8-5. STEER SELECT VALVE INSTALLATION



DETAIL A

ART_1001172894-B

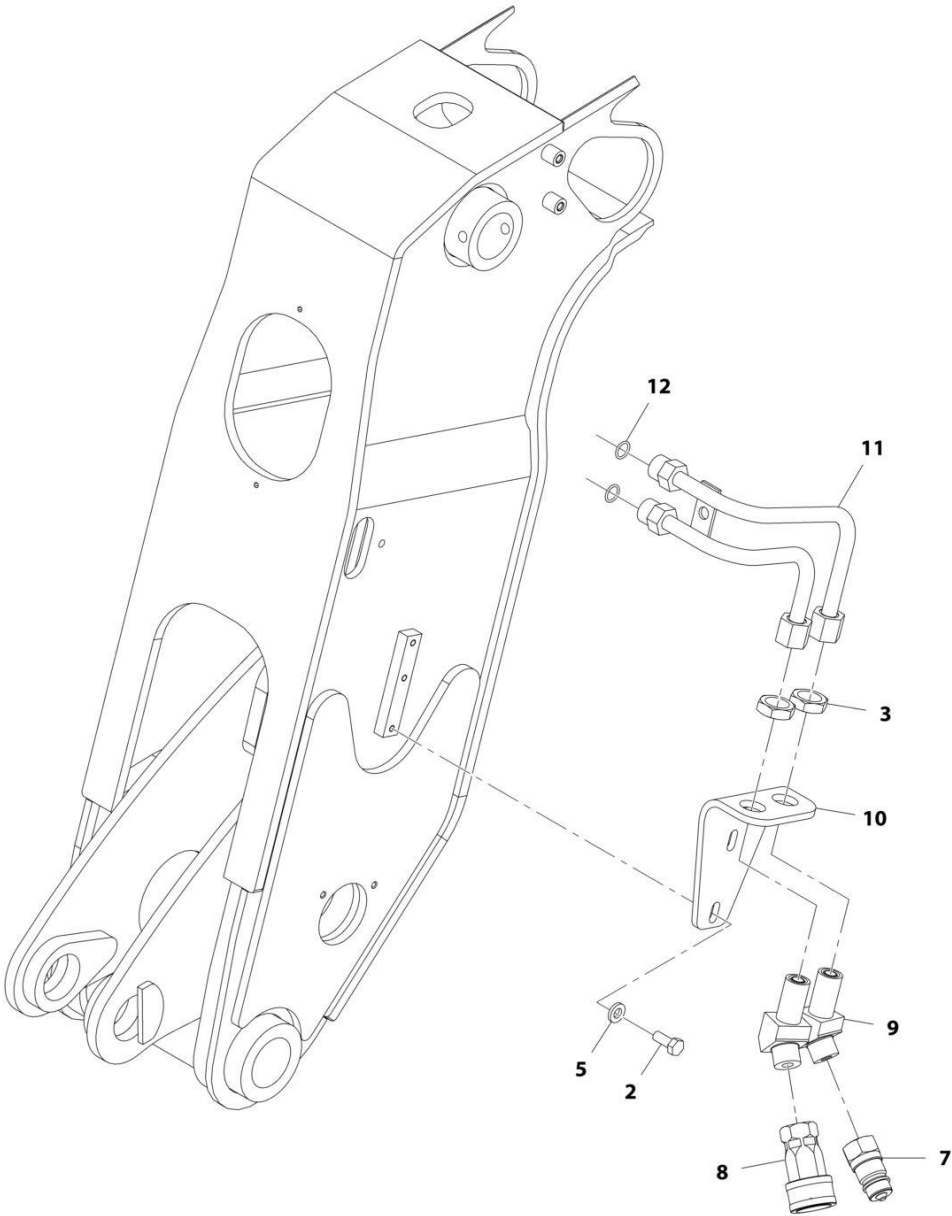
SECTION 8 - HYDRAULIC CIRCUITS

FIGURE 8-5. STEER SELECT VALVE INSTALLATION

ITEM	PART NUMBER	QTY	DESCRIPTION	REV
	1001172894	Ref	Steer Select Valve Installation	B
2	2110808	3	Fitting, Straight ORFS	
3	2150808	1	Fitting, 45 ORFS	
4	4031910	2	Screw, M8X30	
5	1001153748	1	Valve, Steering Select (See Separate Breakdown in HYDRAULIC COMPONENTS Section)	

SECTION 8 - HYDRAULIC CIRCUITS

FIGURE 8-6. MANUAL COUPLER LINES INSTALLATION (FRONT BOOM - SINGLE)



ART_1001179054-C

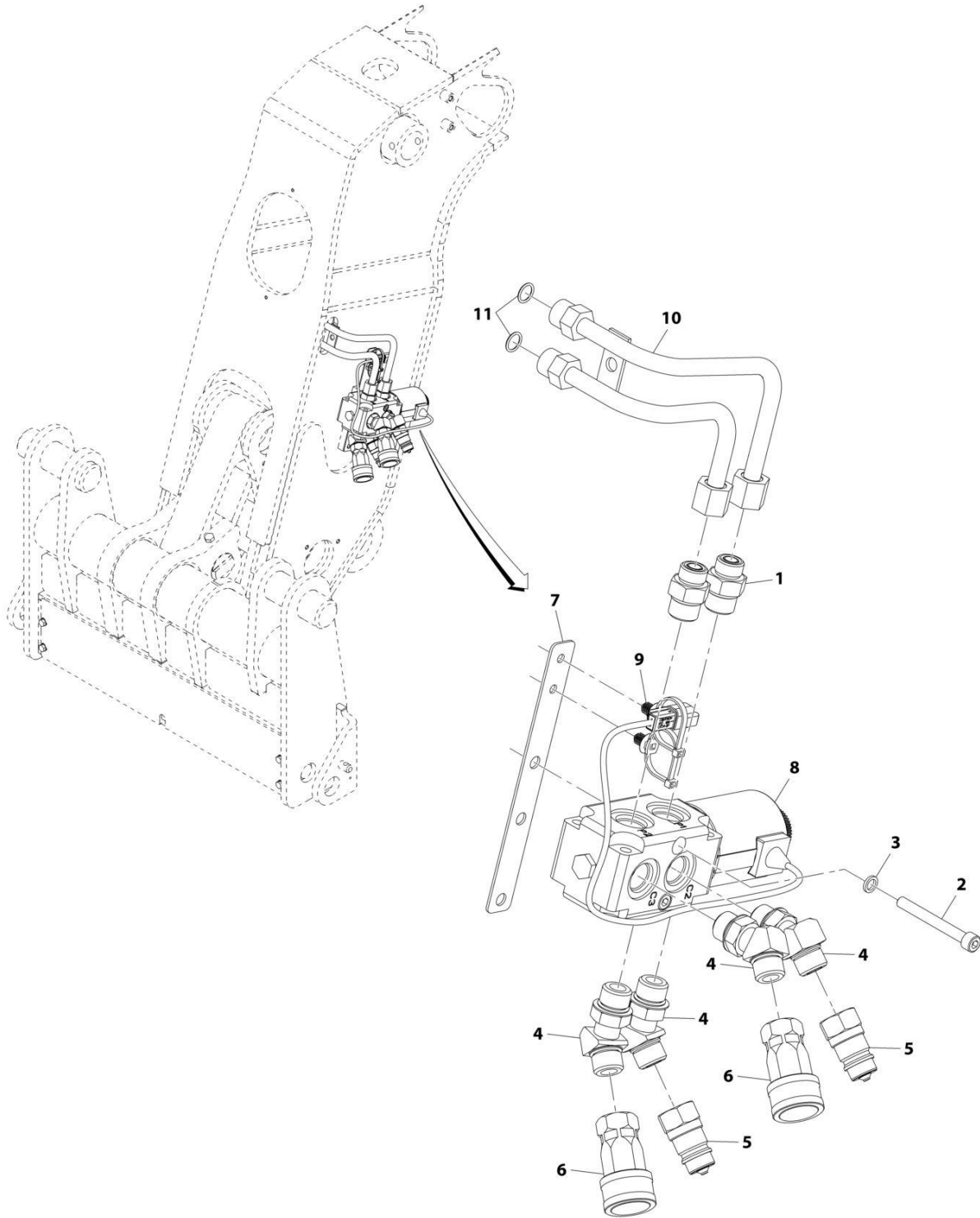
SECTION 8 - HYDRAULIC CIRCUITS

FIGURE 8-6. MANUAL COUPLER LINES INSTALLATION (FRONT BOOM - SINGLE)

ITEM	PART NUMBER	QTY	DESCRIPTION	REV
	1001179054	Ref	Manual Coupler Lines Installation (Front Boom - Single)	C
2	0760810	2	Bolt, M8X20	
3	2172208	2	Nut	
5	5240800	2	Washer, M8	
7	1001101041	1	Adapter, Male Quick Disconnect	
8	1001101042	1	Adapter, Female Quick Disconnect	
9	1001103640	2	Adapter, 45 ORFS	
10	1001202177	1	Plate	
11	1001181161	1	Tube	
12	1001008805	2	Seal	

SECTION 8 - HYDRAULIC CIRCUITS

FIGURE 8-7. MANUAL COUPLER LINES INSTALLATION (FRONT BOOM - TWIN)



ART_1001201205-B

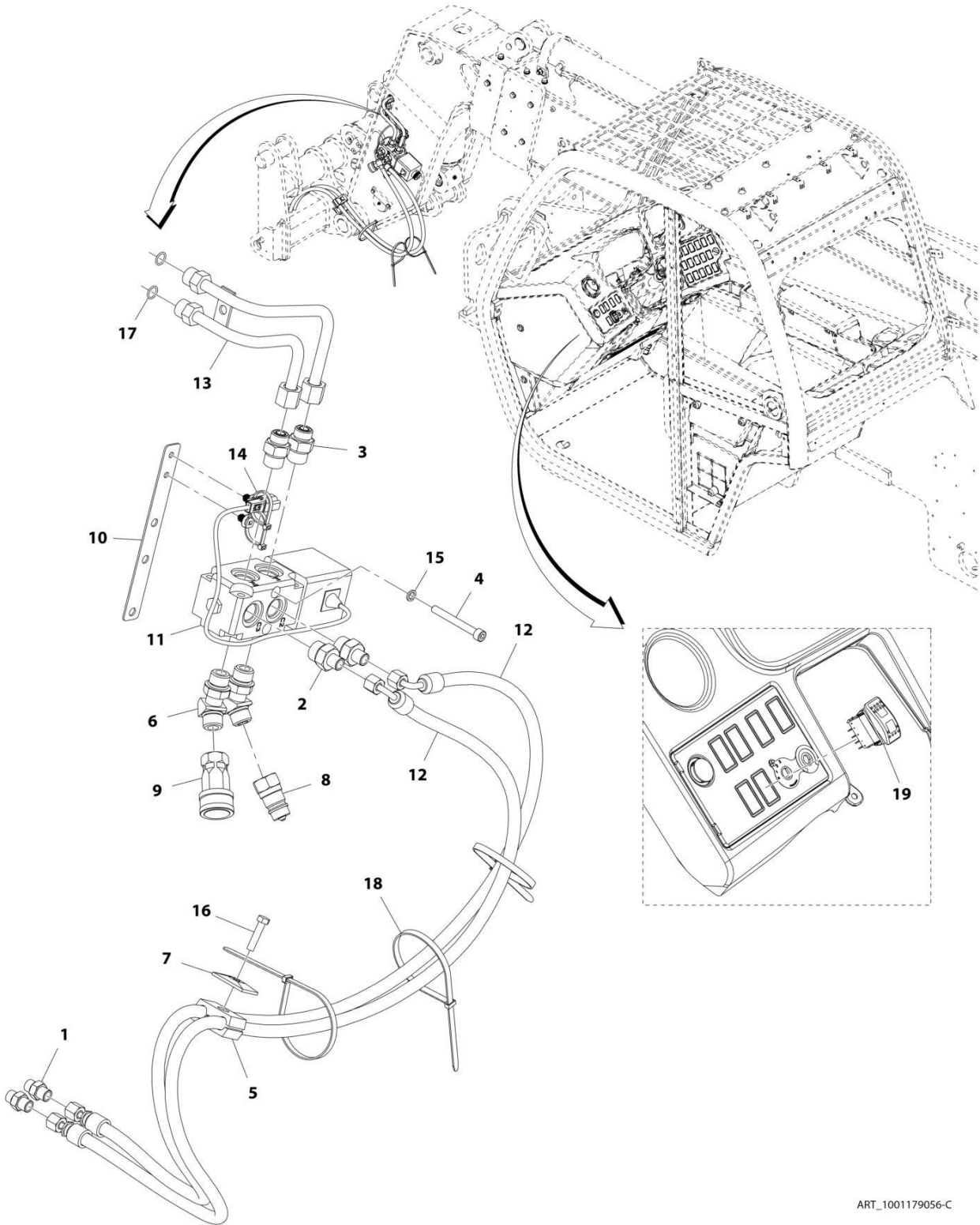
SECTION 8 - HYDRAULIC CIRCUITS

FIGURE 8-7. MANUAL COUPLER LINES INSTALLATION (FRONT BOOM - TWIN)

ITEM	PART NUMBER	QTY	DESCRIPTION	REV
	1001201205	Ref	Manual Coupler Lines Installation (Front Boom - Twin)	B
1	2110810	2	Fitting, Straight ORFS	
2	4031918	2	Bolt, M8X70	
3	1001005262	2	Washer	
4	1001005904	4	Fitting, 45	
5	1001101041	2	Adapter, Male Quick Disconnect	
6	1001101042	2	Adapter, Female Quick Disconnect	
7	1001108918	1	Plate	
8	1001110023	1	Valve, Divertor (See Separate Breakdown in HYDRAULIC COMPONENTS Section)	
9	1001146588	2	Strap, Cable	
10	1001181161	1	Tube	
11	1001008805	2	Seal	

SECTION 8 - HYDRAULIC CIRCUITS

FIGURE 8-8. HYDRAULIC COUPLER LINES INSTALLATION (FRONT BOOM - SINGLE)



ART_1001179056-C

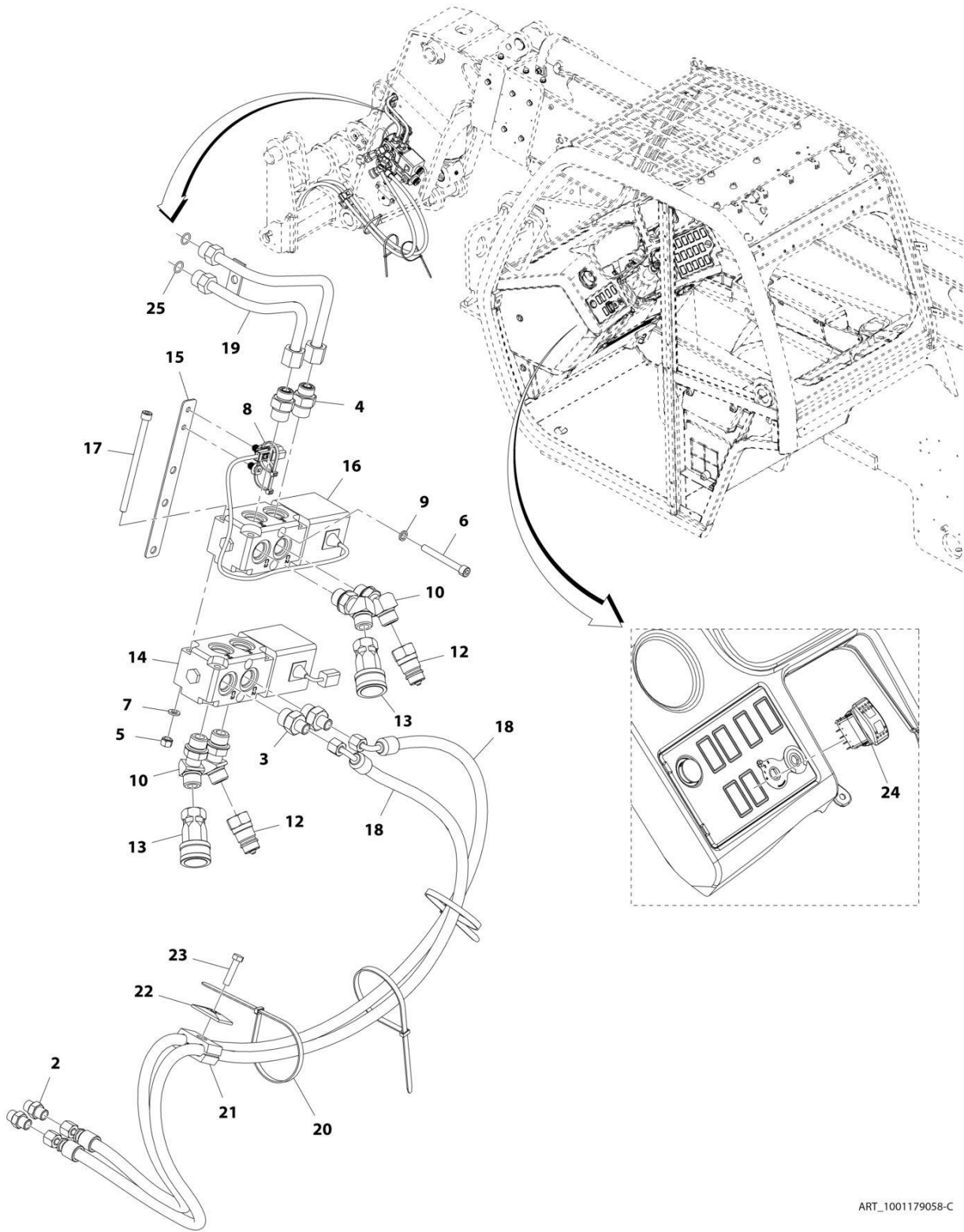
SECTION 8 - HYDRAULIC CIRCUITS

FIGURE 8-8. HYDRAULIC COUPLER LINES INSTALLATION (FRONT BOOM - SINGLE)

ITEM	PART NUMBER	QTY	DESCRIPTION	REV
	1001179056	Ref	Hydraulic Coupler Lines Installation (Front Boom - Single)	C
1	2110406	2	Fitting, Straight ORFS	
2	2110410	2	Fitting, Straight ORFS	
3	2110810	2	Fitting, Straight ORFS	
4	4031918	2	Bolt, M8X70	
5	8769124	1	Clamp	
6	1001005904	2	Elbow	
7	77133140	1	Plate, Cover	
8	1001101041	1	Coupling, Male Quick Disconnect	
9	1001101042	1	Coupling, Female Quick Disconnect	
10	1001108918	1	Plate	
11	1001110023	1	Valve, Divertor (See Separate Breakdown in HYDRAULIC COMPONENTS Section)	
12	1001200218	2	Hose, ORFS	
13	1001181161	1	Tube	
14	1001146588	2	Strap, Fir Tree Cable Tie	
15	1001005262	2	Washer	
16	77133177	1	Bolt, M5/16X1-3/8	
17	1001008805	2	Seal	
18	1062255	3	Strap, Tie	
19	1001080375	1	Switch, Quick Switch	

SECTION 8 - HYDRAULIC CIRCUITS

FIGURE 8-9. HYDRAULIC COUPLER LINES INSTALLATION (FRONT BOOM - TWIN)



ART_1001179058-C

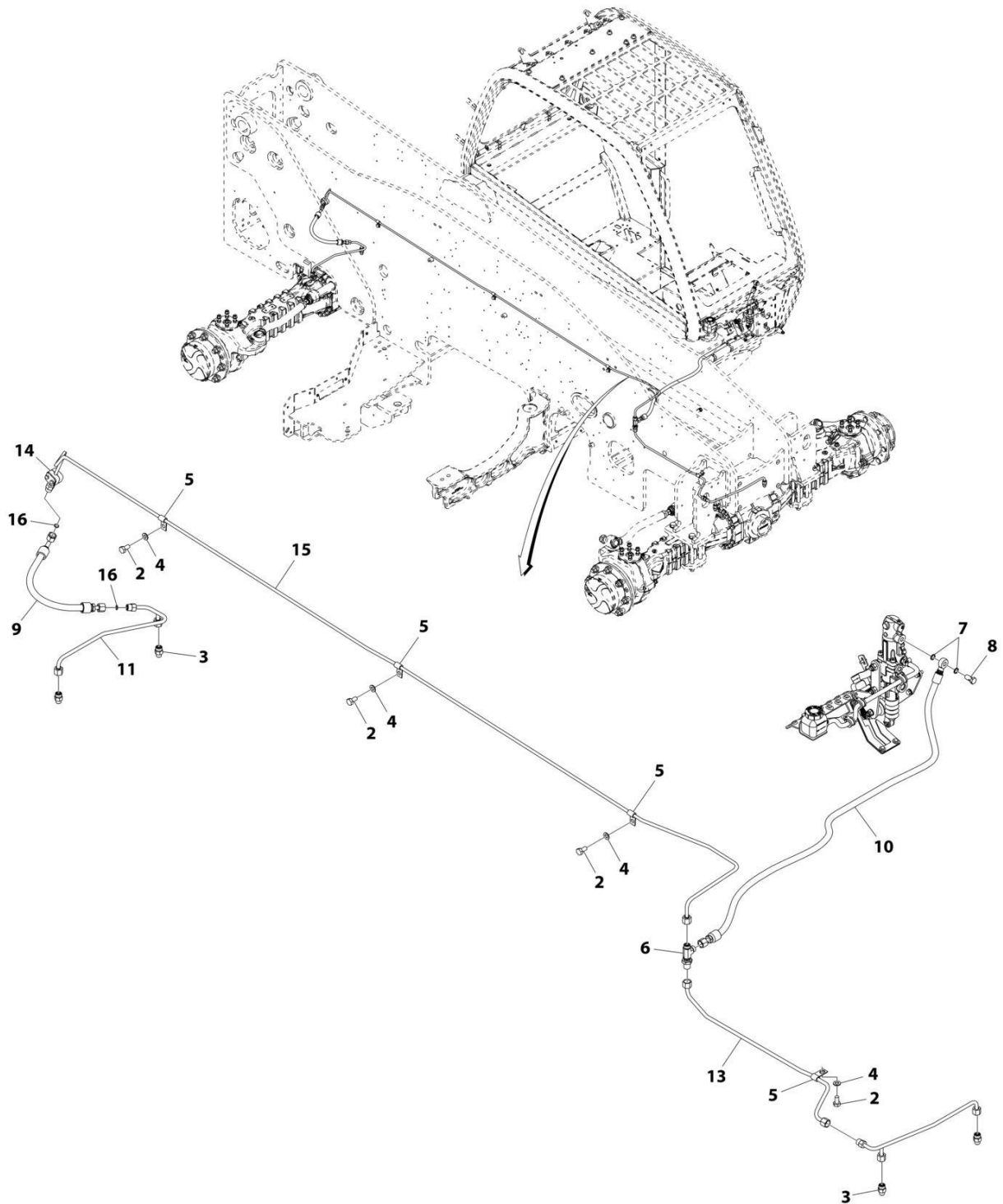
SECTION 8 - HYDRAULIC CIRCUITS

FIGURE 8-9. HYDRAULIC COUPLER LINES INSTALLATION (FRONT BOOM - TWIN)

ITEM	PART NUMBER	QTY	DESCRIPTION	REV
	1001179058	Ref	Hydraulic Coupler Lines Installation (Front Boom - Twin)	C
2	2110406	2	Fitting, Straight ORFS	
3	2110410	2	Fitting, Straight ORFS	
4	2110810	2	Fitting, Straight ORFS	
5	3290805	4	Nut, Lock M8X1.25 Grade 8	
6	4031918	2	Bolt, M8X70	
7	4831900	4	Washer, Lock M8	
8	1001146588	2	Strap, Fir Tree Cable Tie	
9	1001005262	2	Washer	
10	1001005904	4	Elbow	
12	1001101041	2	Coupling, Male Quick Disconnect	
13	1001101042	2	Coupling, Female Quick Disconnect	
14	1001104477	1	Valve, Divertor (See Separate Breakdown in HYDRAULIC COMPONENTS Section)	
15	1001108918	1	Plate	
16	1001110023	1	Valve, Divertor (See Separate Breakdown in HYDRAULIC COMPONENTS Section)	
17	1001110115	4	Bolt, M8X100	
18	1001200218	2	Hose, ORFS	
19	1001181161	1	Tube	
20	1062255	3	Strap, Tie	
21	8769124	1	Clamp	
22	77133140	1	Plate, Cover	
23	77133177	1	Bolt, M5/16X1-3/8	
24	1001080375	1	Switch, Quick Switch	
25	1001008805	2	Seal	

SECTION 8 - HYDRAULIC CIRCUITS

FIGURE 8-10. BRAKE LINES INSTALLATION



ART_1001172909-E

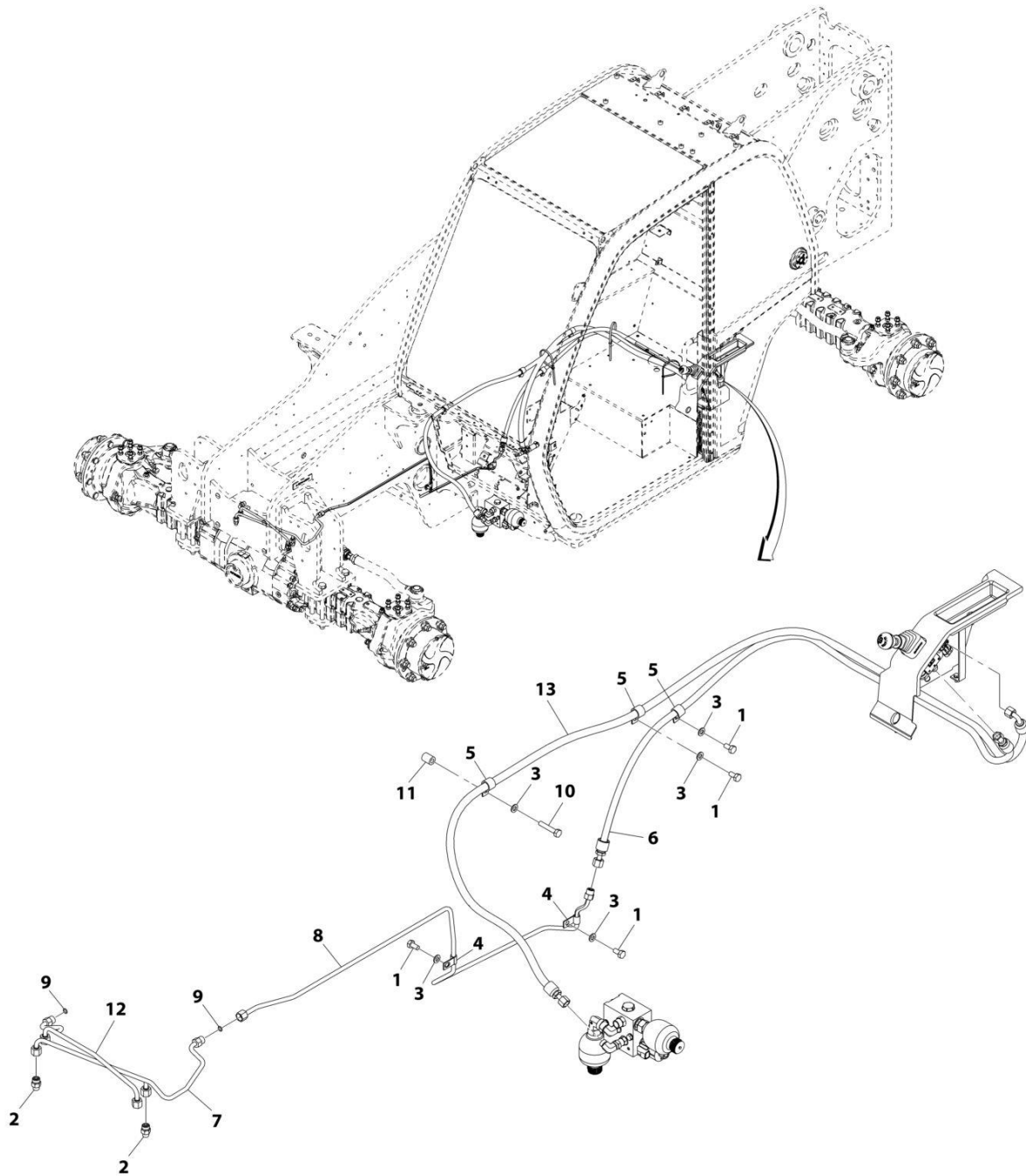
SECTION 8 - HYDRAULIC CIRCUITS

FIGURE 8-10. BRAKE LINES INSTALLATION

ITEM	PART NUMBER	QTY	DESCRIPTION	REV
	1001172909	Ref	Brake Lines Installation	E
2	0761010	4	Bolt, M10X20	
3	2144605	4	Fitting, Straight ORFS	
4	4812000	4	Washer, M10	
5	1001008773	4	Clip	
6	88662434	1	Fitting, Tee ORFS	
7	1001105639	2	Washer	
8	1001105643	1	Bolt	
9	1001181008	1	Hose, Rear Brake	
10	1001196912	1	Hose, ORFS (Prior to SN 1160008597)	
10	1001221952	1	Hose, ORFS (SN 1160008597 to Present)	
11	1001181016	1	Pipe, ORFS	
13	1001181019	1	Pipe, ORFS	
14	1001181170	1	Clamp	
15	1001203046	1	Pipe, ORFS (Prior to SN 1160008597)	
15	1001221953	1	Pipe, ORFS (SN 1160008597 to Present)	
16	1001008804	2	Seal	

SECTION 8 - HYDRAULIC CIRCUITS

FIGURE 8-11. BRAKE LINES INSTALLATION



ART_1001188609-C

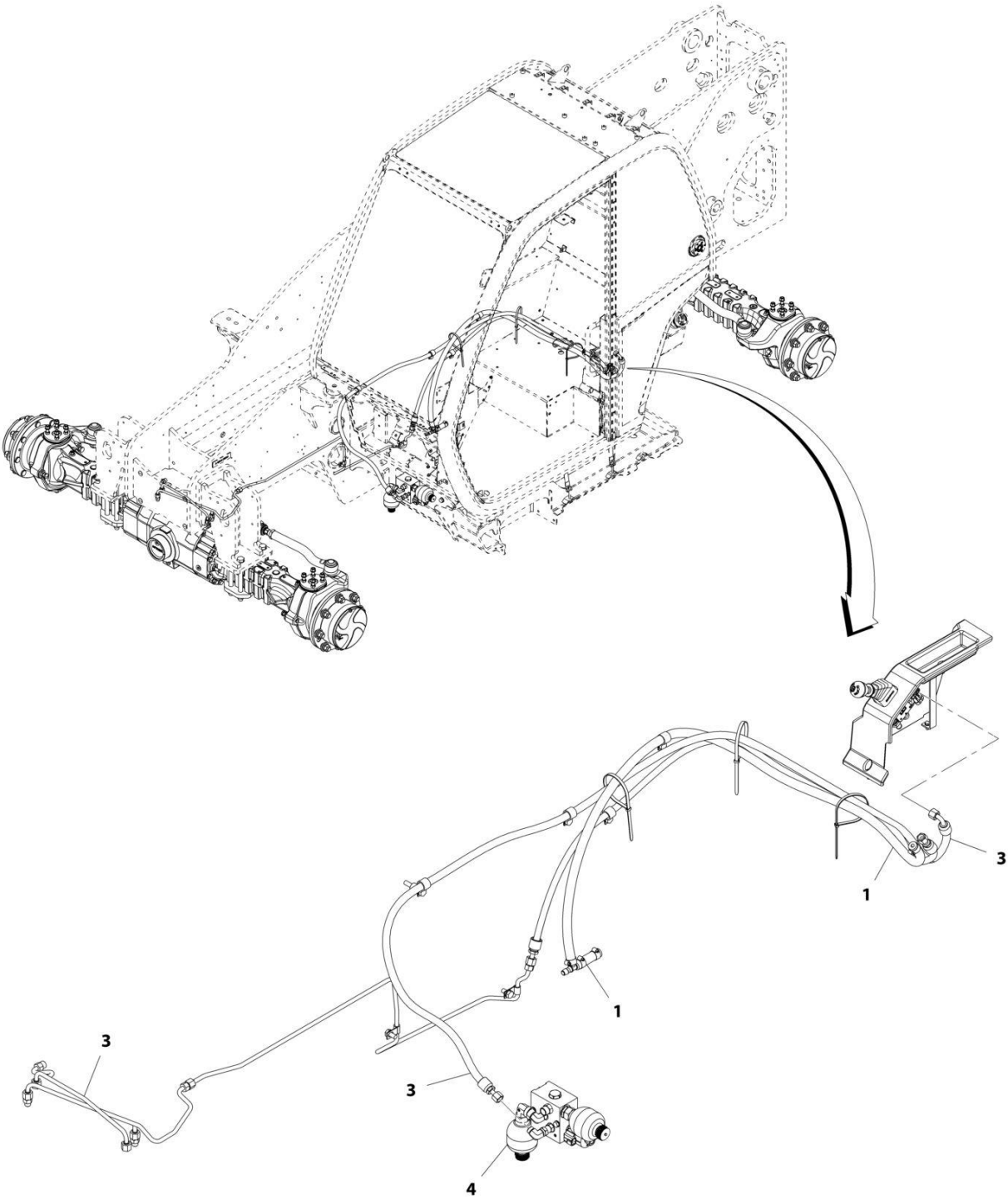
SECTION 8 - HYDRAULIC CIRCUITS

FIGURE 8-11. BRAKE LINES INSTALLATION

ITEM	PART NUMBER	QTY	DESCRIPTION	REV
	1001188609	Ref	Brake Lines Installation	C
1	0761010	4	Bolt, M10X20	
2	2144605	2	Fitting, Straight ORFS	
3	4812000	5	Washer, M10	
4	1001008773	2	Clip	
5	1001004144	3	Clip	
6	1001207908	1	Hose, ORFS	
7	1001201941	1	Pipe, ORFS	
8	1001207903	1	Pipe, ORFS	
9	1001008804	3	Seal	
10	0701019	1	Bolt, M10X55	
11	1001188548	1	Boss	
12	1001201940	1	Pipe, ORFS	
13	1001207804	1	Hose, ORFS	

SECTION 8 - HYDRAULIC CIRCUITS

FIGURE 8-12. SAHR LINES INSTALLATION



ART_1001193722-C

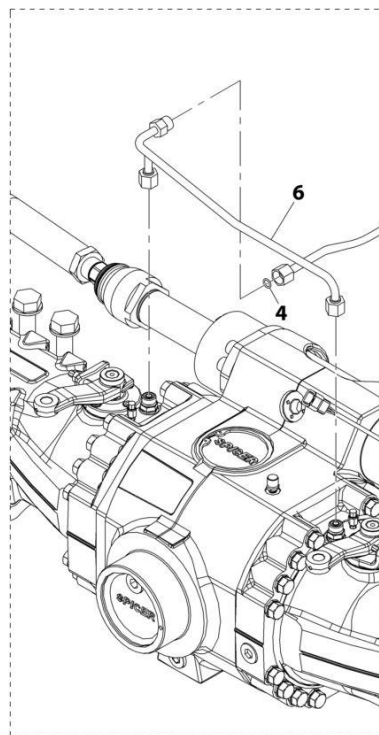
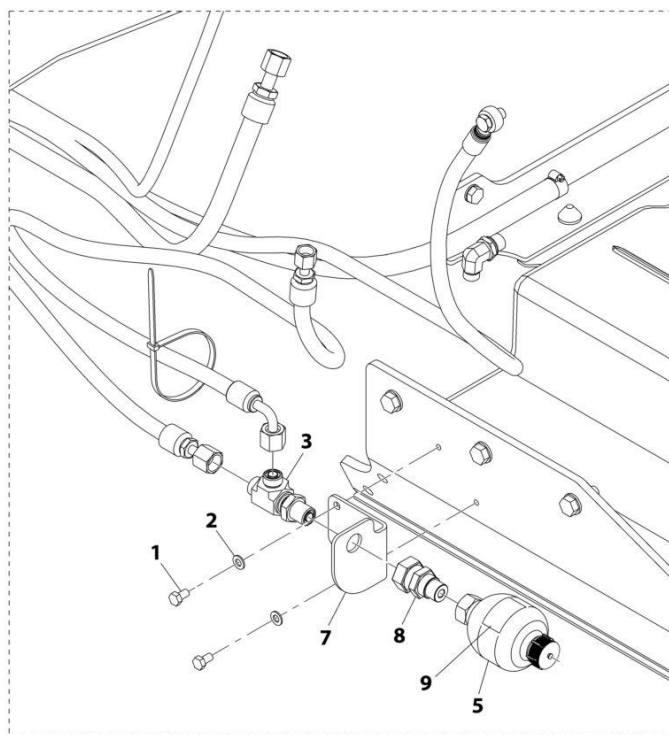
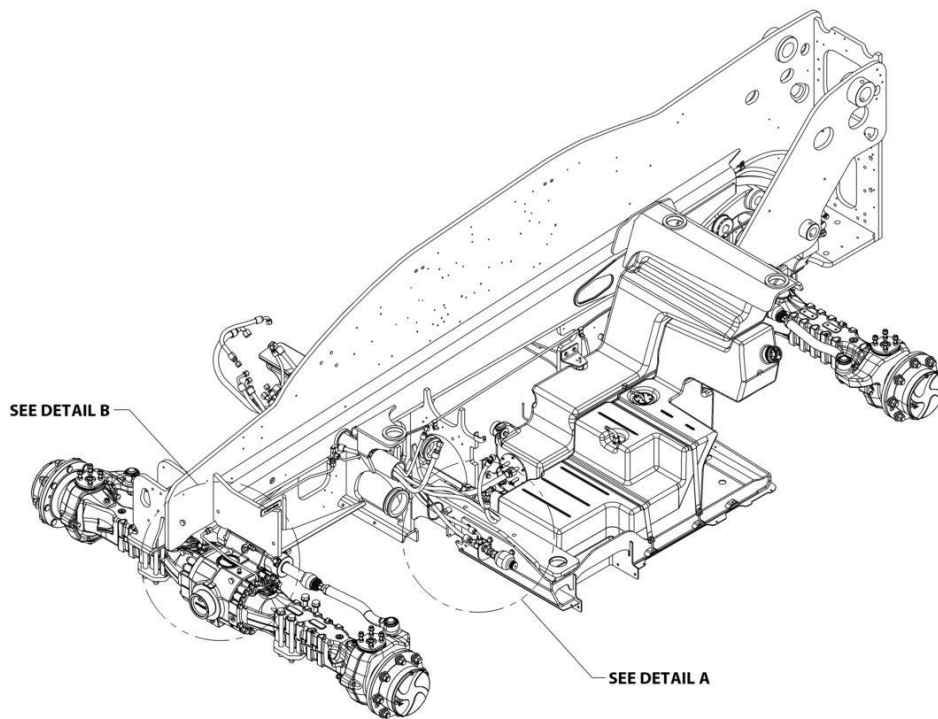
SECTION 8 - HYDRAULIC CIRCUITS

FIGURE 8-12. SAHR LINES INSTALLATION

ITEM	PART NUMBER	QTY	DESCRIPTION	REV
1	1001193722	Ref	SAHR Lines Installation	C
	1001187400	Ref	Installation, Return Lines (See Separate Breakdown in this Section)	
3	1001188609	Ref	Installation, Brake Lines (See Separate Breakdown in this Section)	
4	1001207694	Ref	Installation, Brake Accumulator (See Separate Breakdown in this Section)	

SECTION 8 - HYDRAULIC CIRCUITS

FIGURE 8-13. BRAKE ACCUMULATOR



ART_1001213031-B

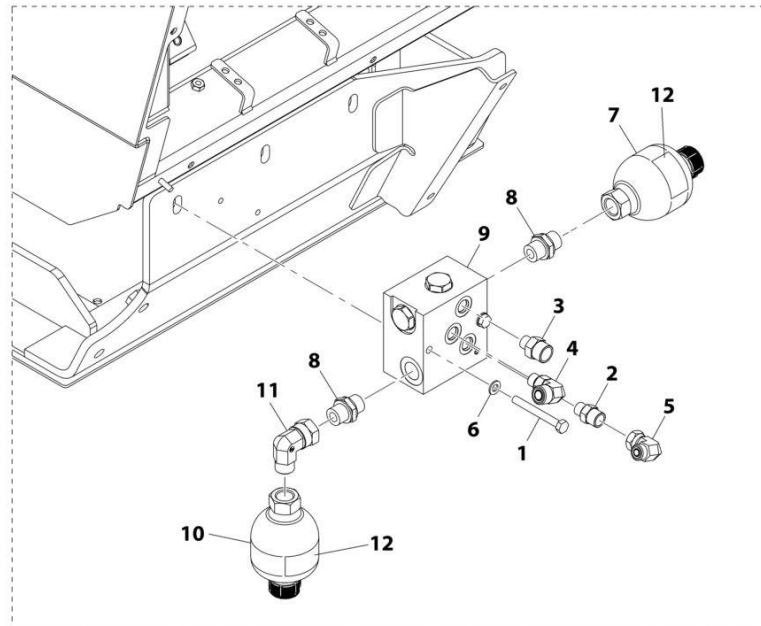
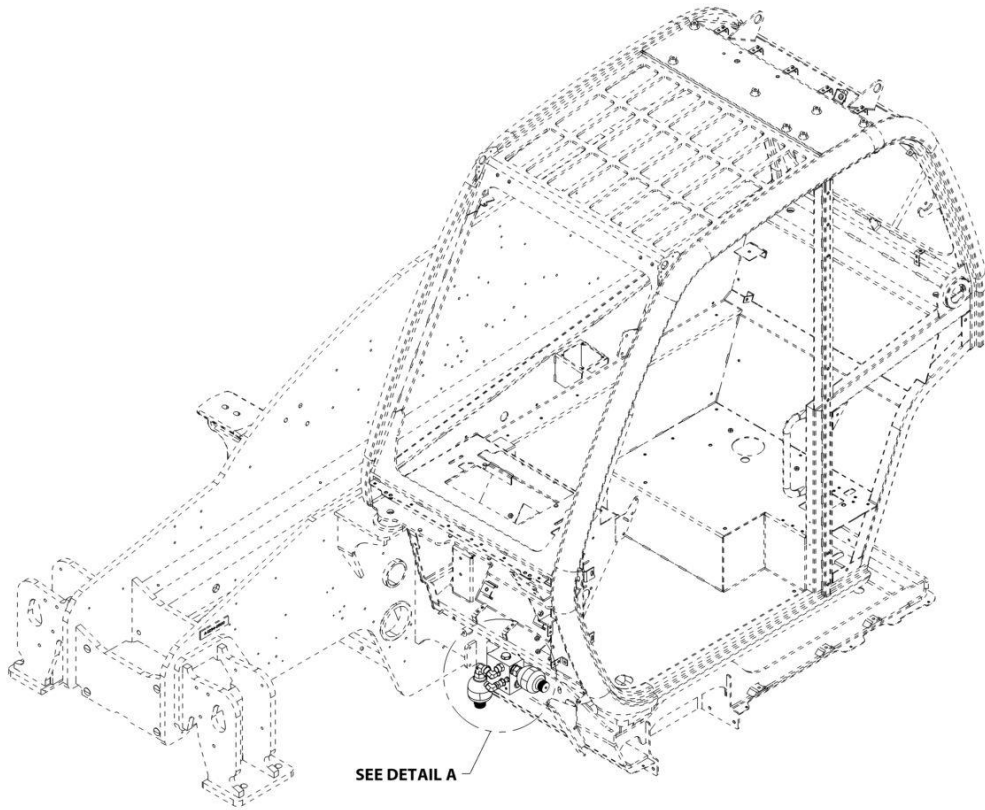
SECTION 8 - HYDRAULIC CIRCUITS

FIGURE 8-13. BRAKE ACCUMULATOR

ITEM	PART NUMBER	QTY	DESCRIPTION	REV
	1001213031	Ref	Brake Accumulator	C
1	0760807	2	Bolt, M8X14	
2	4811900	2	Washer, M8	
3	8770167	1	Fitting, Tee ORFS	
4	1001008804	1	Seal	
5	1001173418	1	Brake, Damper	
5	1001310831	1	Brake, Damper	
6	1001181017	1	Pipe, ORFS	
7	1001207522	1	Bracket, Accumulator	
8	1001207523	1	Fitting, Straight ORFS	
9	1001237054	1	Decal, Stored Energy	

SECTION 8 - HYDRAULIC CIRCUITS

FIGURE 8-14. BRAKE ACCUMLATOR INSTALLATION



DETAIL A

ART_1001207694-C

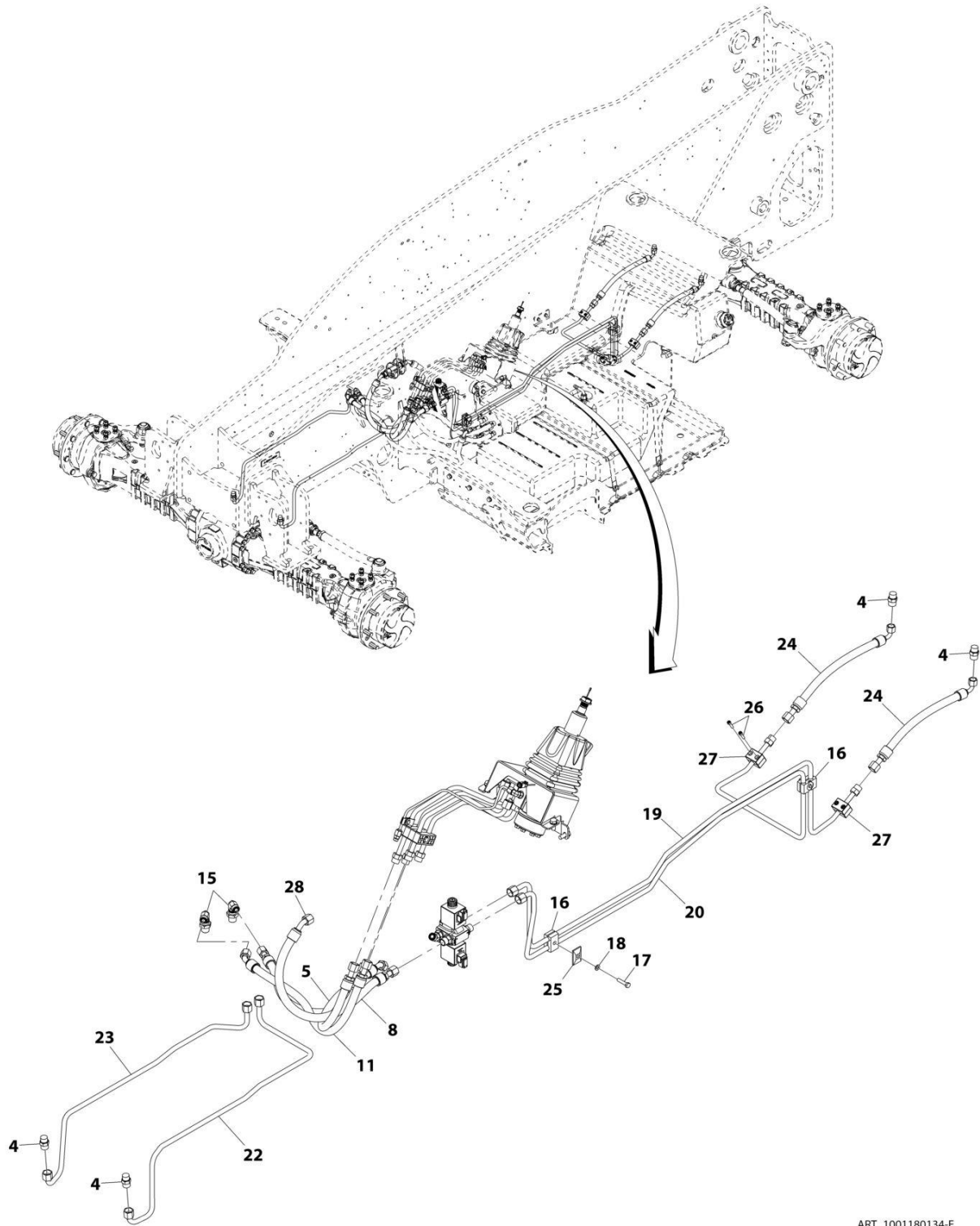
SECTION 8 - HYDRAULIC CIRCUITS

FIGURE 8-14. BRAKE ACCUMLATOR INSTALLATION

ITEM	PART NUMBER	QTY	DESCRIPTION	REV
	1001207694	Ref	Brake Accumulator Installation	C
1	0700822	2	Bolt, M8X70	
2	2110606	1	Fitting, Straight ORFS	
3	2110806	1	Fitting, Straight ORFS	
4	2130806	1	Fitting, 90 ORFS	
5	2172106	1	Fitting, 90 ORFS	
6	4811900	2	Washer, M8	
7	1001173418	1	Brake	
8	1001179926	2	Adapter	
9	1001215589	1	Manifold	
10	1001209651	1	Brake, Damper	
11	1001211376	1	Fitting, 90 ORFS	
12	1001237054	2	Decal, Stored Energy	

SECTION 8 - HYDRAULIC CIRCUITS

FIGURE 8-15. STEERING LINES INSTALLATION



ART_1001180134-E

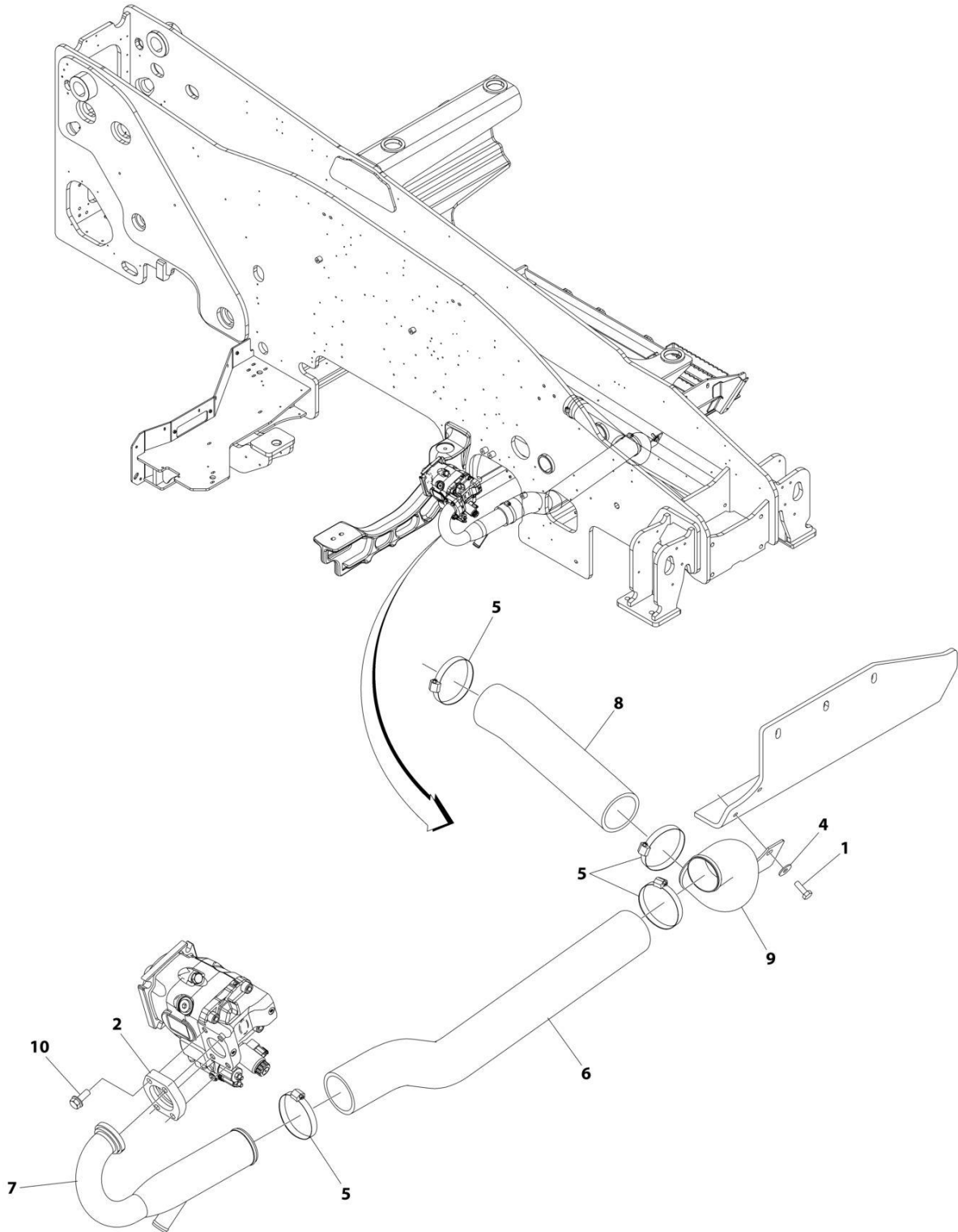
SECTION 8 - HYDRAULIC CIRCUITS

FIGURE 8-15. STEERING LINES INSTALLATION

ITEM	PART NUMBER	QTY	DESCRIPTION	REV
	1001180134	Ref	Steering Lines Installation	E
4	2110808	4	Fitting, Straight ORFS	
5	1001180810	1	Hose, Steering	
8	1001180809	1	Hose, Steering	
11	1001180811	1	Hose, Steering	
15	2171208	2	Adapter, ORFS	
16	77133168	2	Clamp	
17	0700815	2	Bolt, M8X35	
18	4811900	2	Washer, M8	
19	1001195741	1	Pipe, ORFS	
20	1001195742	1	Pipe, ORFS	
22	1001193515	1	Pipe, ORFS	
23	1001193514	NLA	Pipe, ORFS (no longer available, use 1001225423 for replacement)	
23	1001225423	1	Pipe, ORFS	
24	1001193513	2	Hose, ORFS	
25	77133140	2	Plate, Cover	
26	4031709	4	Bolt, M6X25	
27	1001104934	2	Clamp	
28	1001224476	1	Hose Assy, ORFS	

SECTION 8 - HYDRAULIC CIRCUITS

FIGURE 8-16. SUCTION LINES INSTALLATION



ART_1001184531

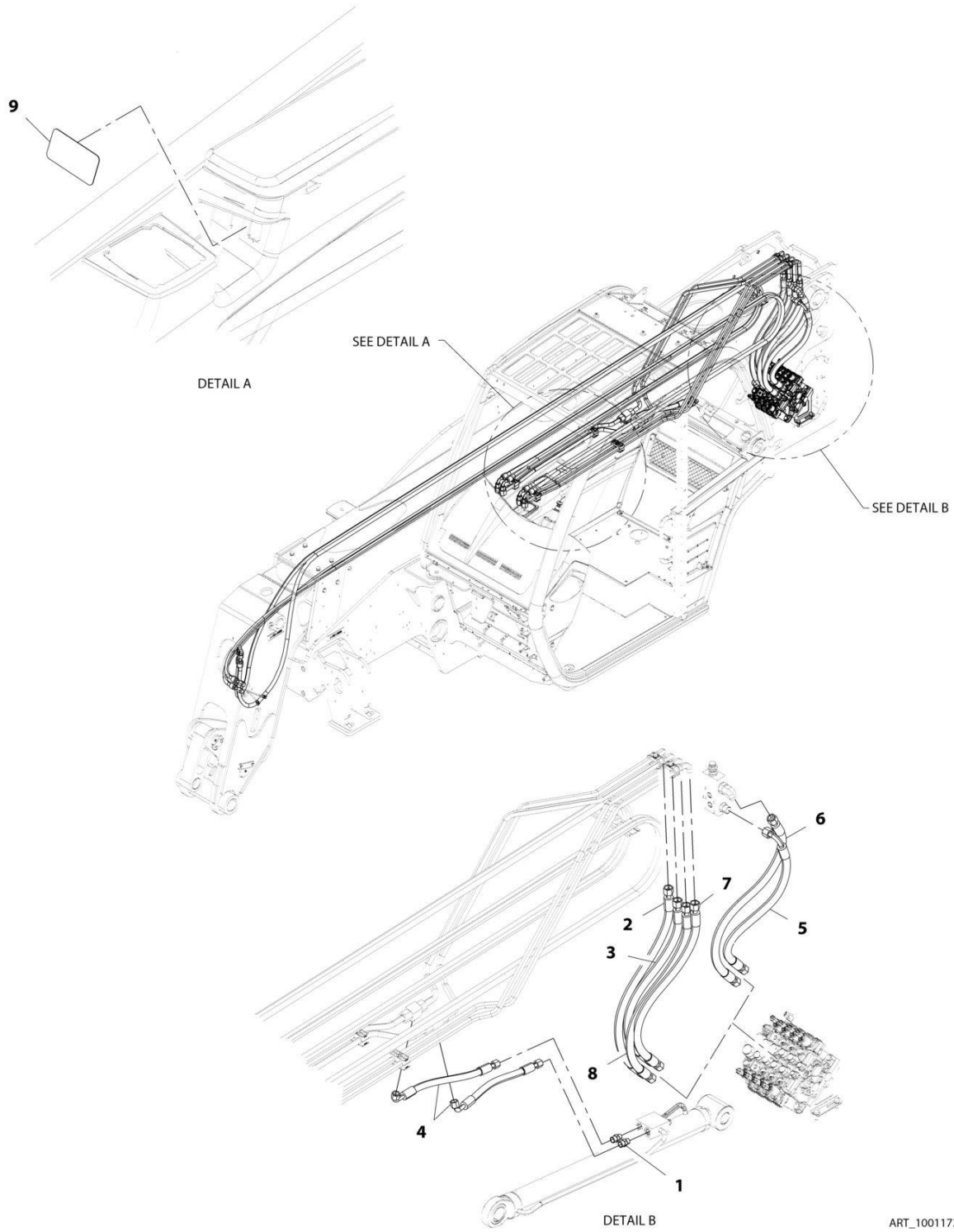
SECTION 8 - HYDRAULIC CIRCUITS

FIGURE 8-16. SUCTION LINES INSTALLATION

ITEM	PART NUMBER	QTY	DESCRIPTION	REV
	1001184531	Ref	SUCTION LINES INSTALLATION	F
1	0761014	2	Bolt M10 x 30	
2	2171832	1	Fitting, Straight	
4	4812002	2	Washer M10	
5	8405301	4	Clamp	
6	1001176313	1	Hose	
7	1001202135	1	Pipe	
8	1001193421	1	Hose	
9	1001184530	1	Pipe	
10	5201215	4	Bolt M12 x 35	

SECTION 8 - HYDRAULIC CIRCUITS

FIGURE 8-17. BOOM LINES INSTALLATION



ART_1001173013-D

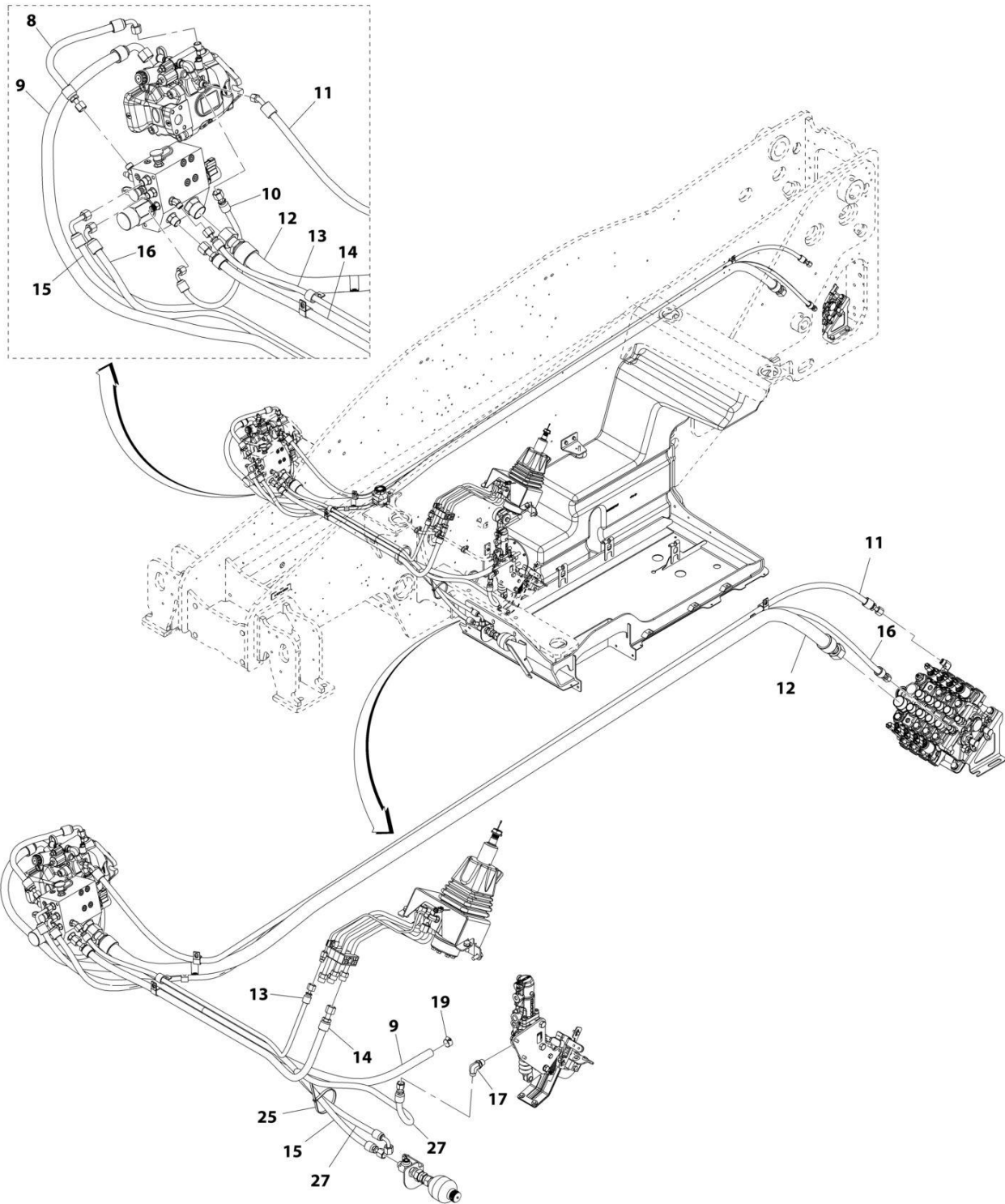
SECTION 8 - HYDRAULIC CIRCUITS

FIGURE 8-17. BOOM LINES INSTALLATION

ITEM	PART NUMBER	QTY	DESCRIPTION	REV
	1001173013	Ref	Boom Lines Installation	D
1	2110808	2	Fitting, Straight ORFS	
2	1001181562	1	Hose	
3	1001181563	1	Hose	
4	1001181784	2	Hose	
5	1001181568	1	Hose	
6	1001181569	1	Hose	
7	1001181565	1	Hose	
8	1001181564	1	Hose	
9	1670836	1	Cover, Boom	

SECTION 8 - HYDRAULIC CIRCUITS

FIGURE 8-18. PRIORITY LINES INSTALLATION



ART_1001180845-E

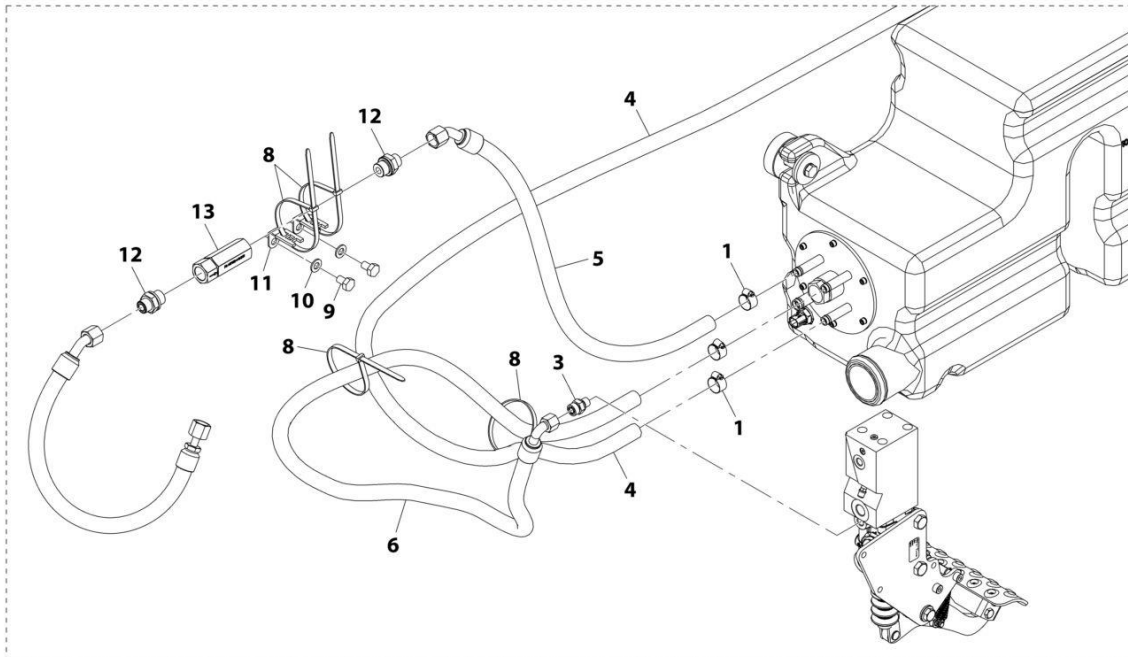
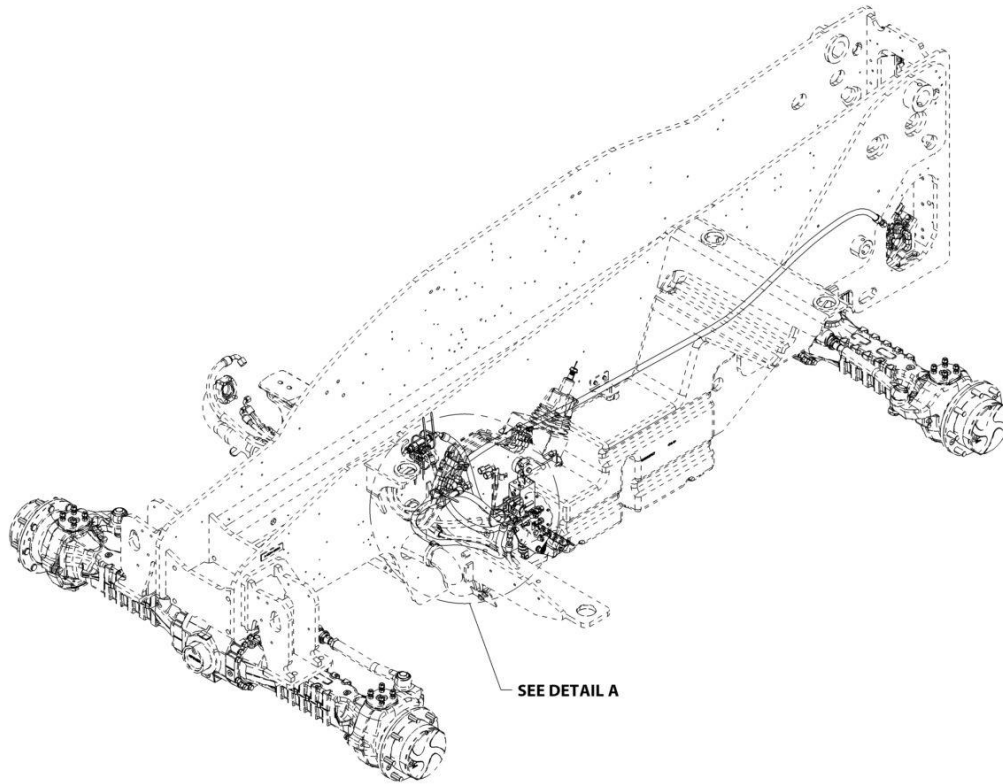
SECTION 8 - HYDRAULIC CIRCUITS

FIGURE 8-18. PRIORITY LINES INSTALLATION

ITEM	PART NUMBER	QTY	DESCRIPTION	REV
	1001180845	Ref	Priority Lines Installation	E
8	1001180850	1	Hose	
9	1001196723	1	Hose, ORFS	
10	1001195994	1	Hose, ORFS	
11	1001196002	1	Hose, ORFS	
12	1001195992	1	Hose, ORFS	
13	1001180855	1	Hose	
14	1001180856	1	Hose	
15	1001207526	1	Hose, ORFS	
16	1001201422	1	Hose, ORFS	
17	80333151	1	Fitting, 90 ORFS	
19	8405006	1	Clamp	
25	1062255	1	Strap, Tie	
27	1001207525	1	Hose, ORFS	

SECTION 8 - HYDRAULIC CIRCUITS

FIGURE 8-19. RETURN LINES INSTALLATION (NO SAHR)



DETAIL A

ART_1001185351-D

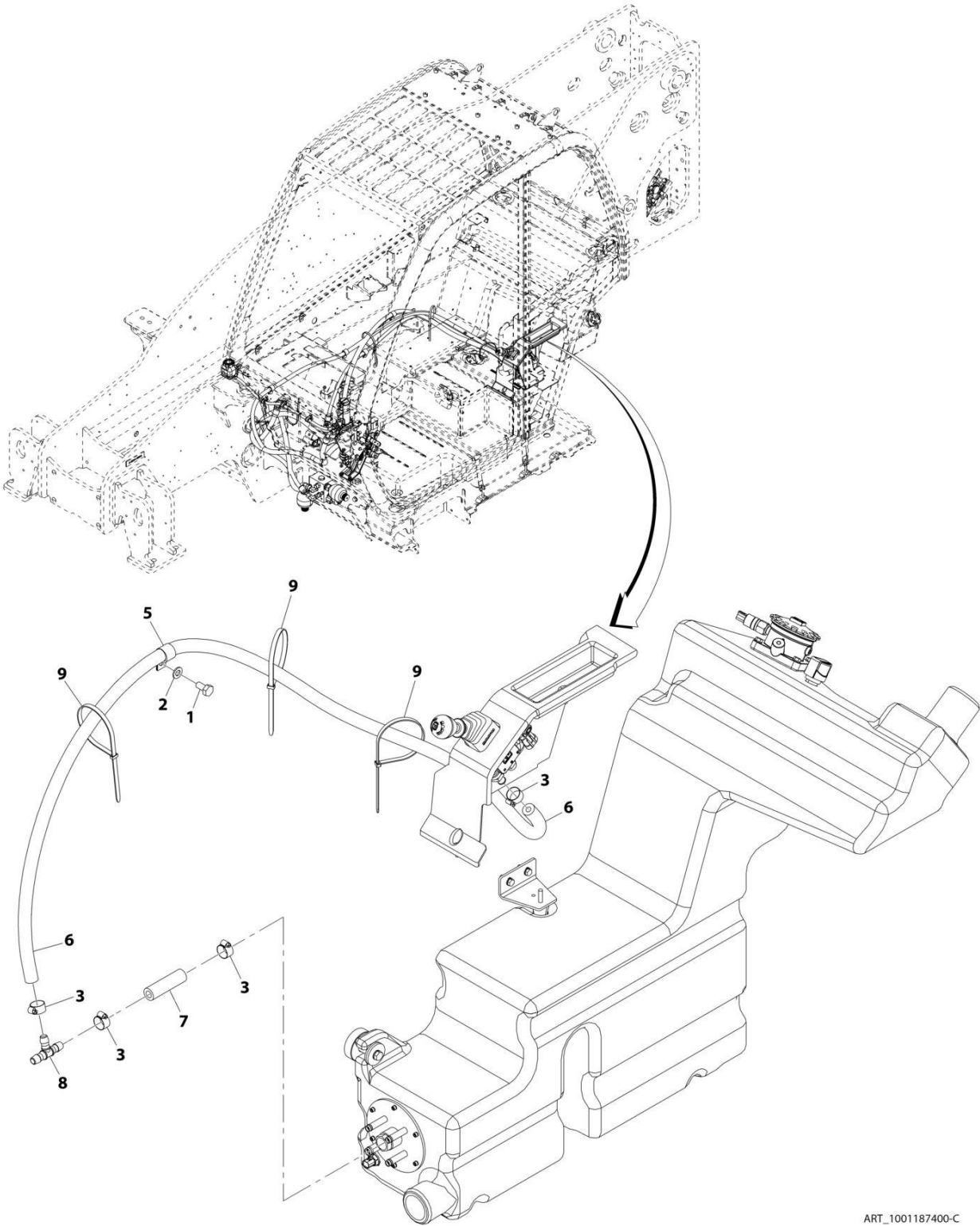
SECTION 8 - HYDRAULIC CIRCUITS

FIGURE 8-19. RETURN LINES INSTALLATION (NO SAHR)

ITEM	PART NUMBER	QTY	DESCRIPTION	REV
	1001185351	Ref	Return Lines Installation	D
1	8410009	3	Clamp, Gear	
3	80233218	1	Adapter, Straight ORFS	
4	1001196787	NLA	Hose, ORFS (no longer available, use 1001224143 for replacement)	
4	1001224143	1	Hose, ORFS	
5	1001201943	NLA	Hose, ORFS (no longer available, use 1001224144 for replacement)	
5	1001224144	1	Hose, ORFS	
6	1001196661	1	Hose, ORFS	
8	1062255	4	Strap, Tie	
9	0761008	2	Bolt, M10X16	
10	4812000	2	Washer, M10	
11	1001003305	2	Clip	
12	1001121127	2	Adapter, Straight ORFS	
13	1001224447	NLA	Check Valve (no longer available, use 1001227974 for replacement)	
13	1001227974	1	Check Valve	

SECTION 8 - HYDRAULIC CIRCUITS

FIGURE 8-20. RETURN LINES INSTALLATION (SAHR)



ART_1001187400-C

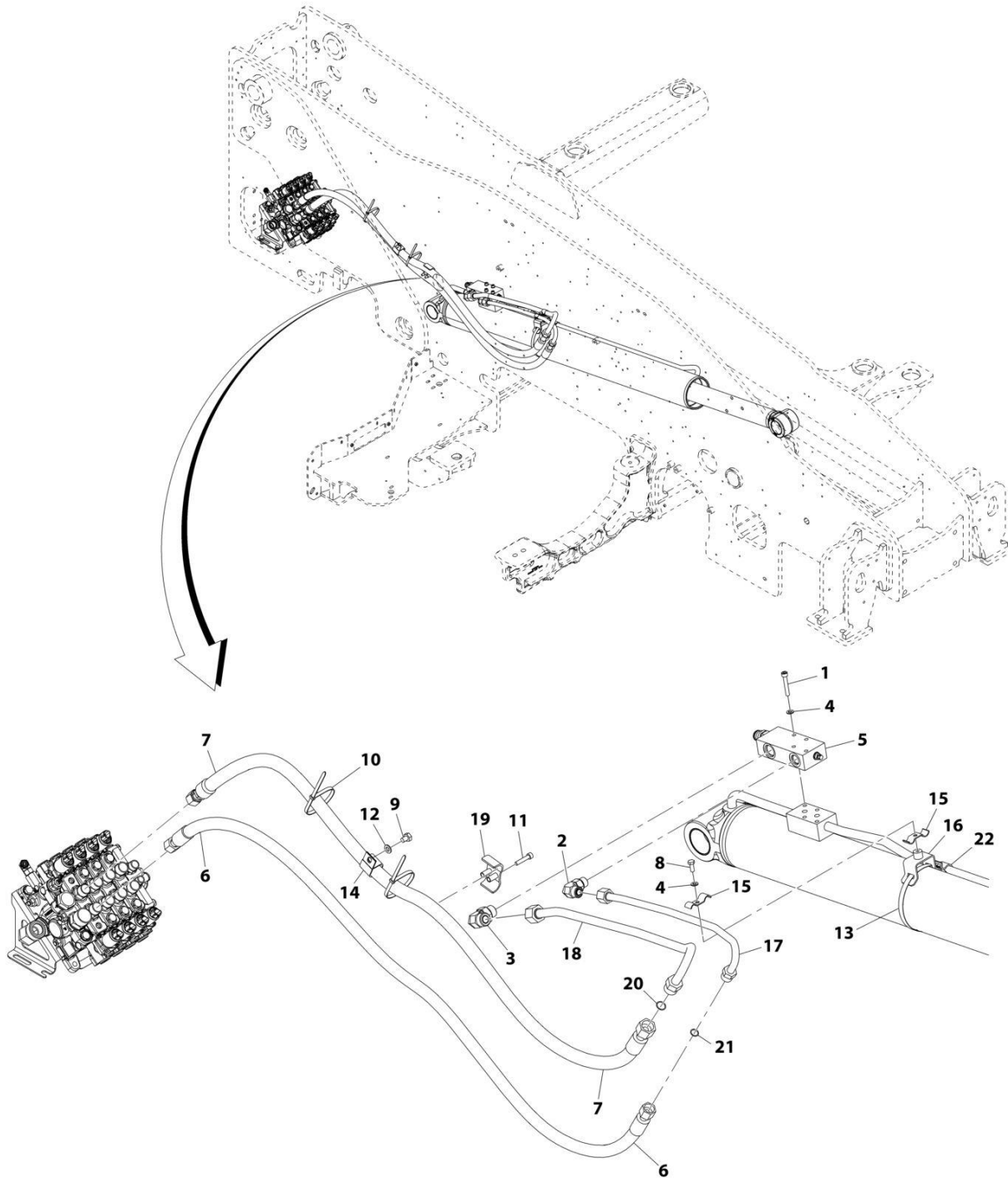
SECTION 8 - HYDRAULIC CIRCUITS

FIGURE 8-20. RETURN LINES INSTALLATION (SAHR)

ITEM	PART NUMBER	QTY	DESCRIPTION	REV
	1001187400	Ref	Return Lines Installation	C
1	0761010	1	Bolt, M10X20	
2	4812000	1	Washer, M10	
3	8410009	4	Clamp, Gear	
5	1001004144	1	Clip	
6	1001207754	1	Hose	
7	1001187416	1	Hose	
8	1001176411	1	Adapter, Tee	
9	1062255	3	Strap, Tie	

SECTION 8 - HYDRAULIC CIRCUITS

FIGURE 8-21. BOOM RAISE HOSES INSTALLATION (NO RIDE CONTROL)



ART_1001179041-C

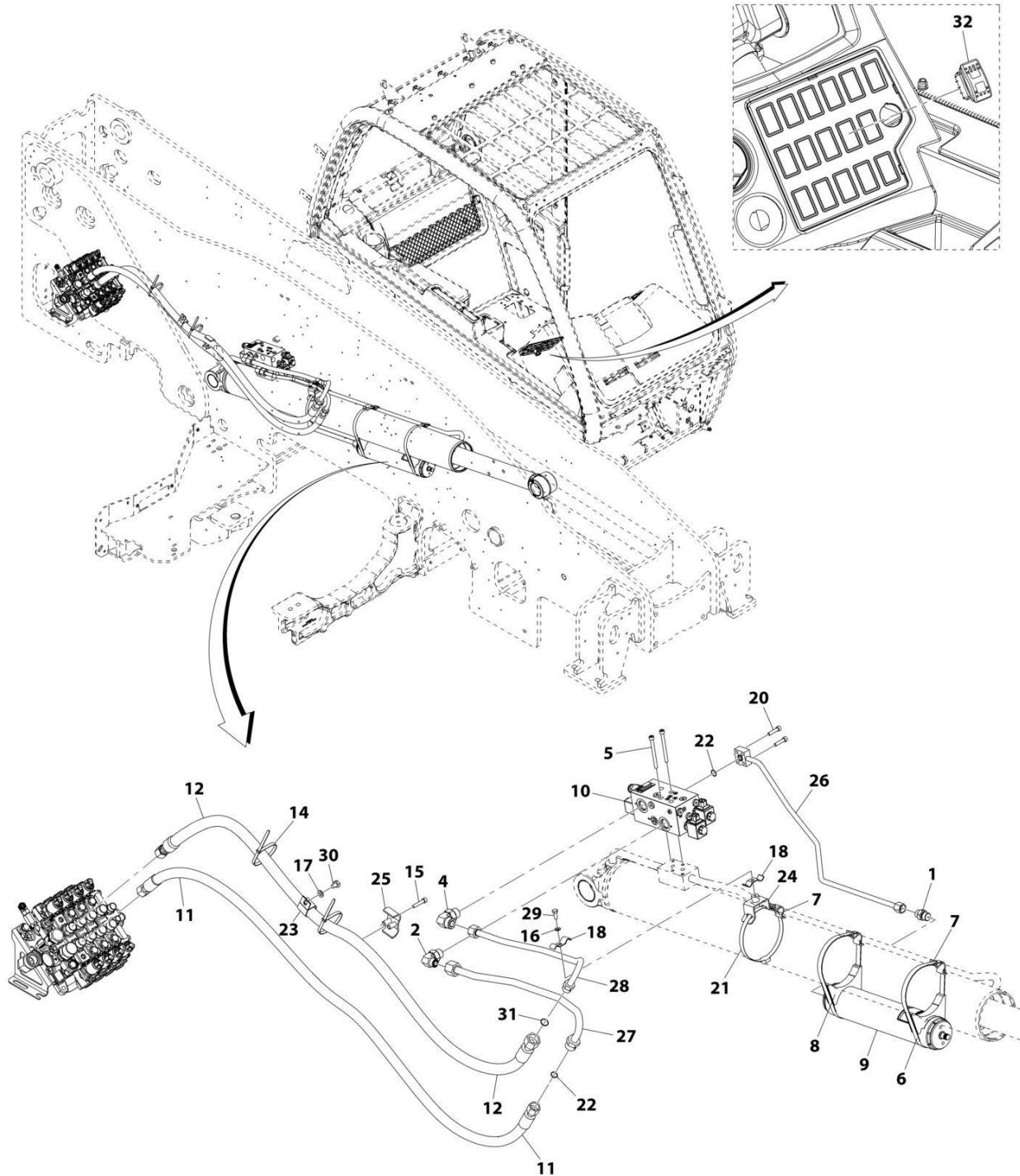
SECTION 8 - HYDRAULIC CIRCUITS

FIGURE 8-21. BOOM RAISE HOSES INSTALLATION (NO RIDE CONTROL)

ITEM	PART NUMBER	QTY	DESCRIPTION	REV
	1001179041	Ref	Boom Raise Hoses Installation (No Ride Control)	C
1	5271814	4	Bolt, M8X50	
2	2131010	1	Fitting, 90 ORFS	
3	2131212	1	Fitting, 90 ORFS	
4	4811900	5	Washer, M8	
5	1001201245	1	Valve, Counterbalance (Sold as Complete Assembly Only)	
5	70027600	1	Seal Kit - Mounting Seal (Includes Seals Between Valve & Cylinder)	
6	1001203923	1	Hose, ORFS	
7	1001203922	1	Hose, ORFS	
8	0760810	1	Bolt, M8X20	
9	0761007	1	Bolt, M10X14	
10	1062255	2	Strap, Tie	
11	4031912	2	Bolt, M8X40	
12	4812000	1	Washer, M10	
13	8405502	1	Clamp	
14	1001008572	1	Clip	
15	1001198331	2	Clamp, Twin	
16	1001200038	1	Bracket	
17	1001203905	1	Pipe, ORFS	
18	1001203915	1	Pipe, ORFS	
19	1001203919	1	Bracket	
20	1001008863	1	Seal	
21	1001008922	1	Seal	
22	1001101064	1	Clip	

SECTION 8 - HYDRAULIC CIRCUITS

FIGURE 8-22. BOOM RAISE HOSES INSTALLATION (RIDE CONTROL)



ART_1001179043-E

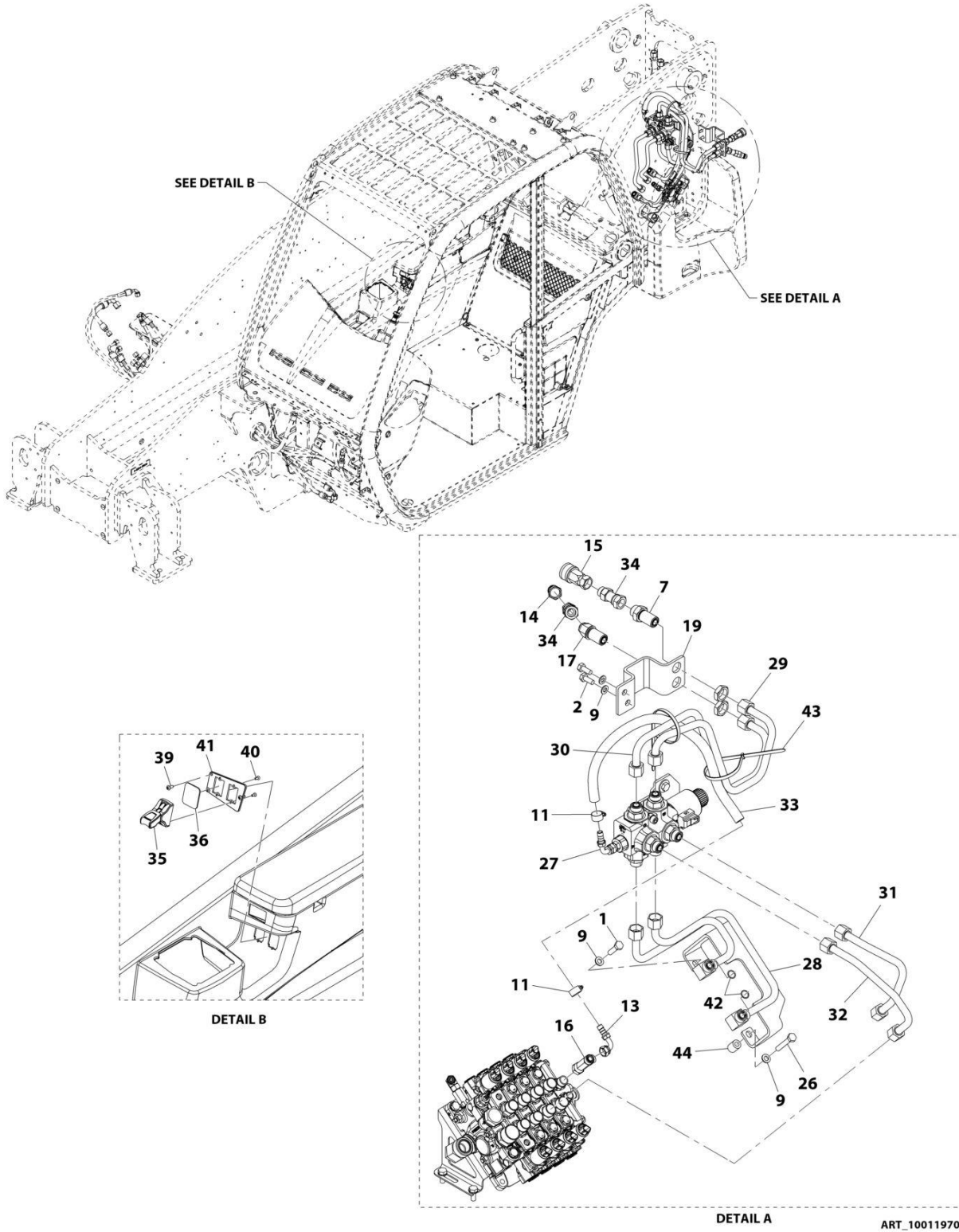
SECTION 8 - HYDRAULIC CIRCUITS

FIGURE 8-22. BOOM RAISE HOSES INSTALLATION (RIDE CONTROL)

ITEM	PART NUMBER	QTY	DESCRIPTION	REV
	1001179043	Ref	Boom Raise Hoses Installation (Ride Control)	E
1	1001216636	1	Valve, Check	
2	2131012	1	Fitting, 90 ORFS	
4	2131212	1	Fitting, 90 ORFS	
5	5271922	4	Bolt, M8X90	
6	1001101063	2	Clamp	
7	1001101064	3	Clip	
8	1001208035	2	Bumper	
9	1001106729	1	Cylinder, Piston Accumulator	
10	1001215261	1	Valve, Ride Control (See Separate Breakdown in HYDRAULIC COMPONENTS Section)	
11	1001203923	1	Hose, ORFS	
12	1001203922	1	Hose, ORFS	
14	1062255	2	Strap, Tie	
15	4031912	2	Bolt, M8X40	
16	4811900	1	Washer, M8	
17	4812000	1	Washer, M10	
18	1001198331	2	Clamp	
20	5271808	4	Screw, M8X20	
21	8405502	1	Clamp	
22	1001008922	2	Seal	
23	1001008572	1	Clip	
24	1001200038	1	Bracket	
25	1001203919	1	Bracket	
26	1001211452	1	Pipe, ORFS	
27	1001204974	1	Pipe, ORFS	
28	1001204975	1	Pipe, ORFS	
29	0760810	1	Bolt, M8X20	
30	0761007	1	Bolt, M10X14	
31	1001008863	1	Seal	
32	1001159745	1	Switch	

SECTION 8 - HYDRAULIC CIRCUITS

FIGURE 8-23. REAR AUX HYDRAULICS INSTALLATION (SINGLE)



ART_1001197093-1

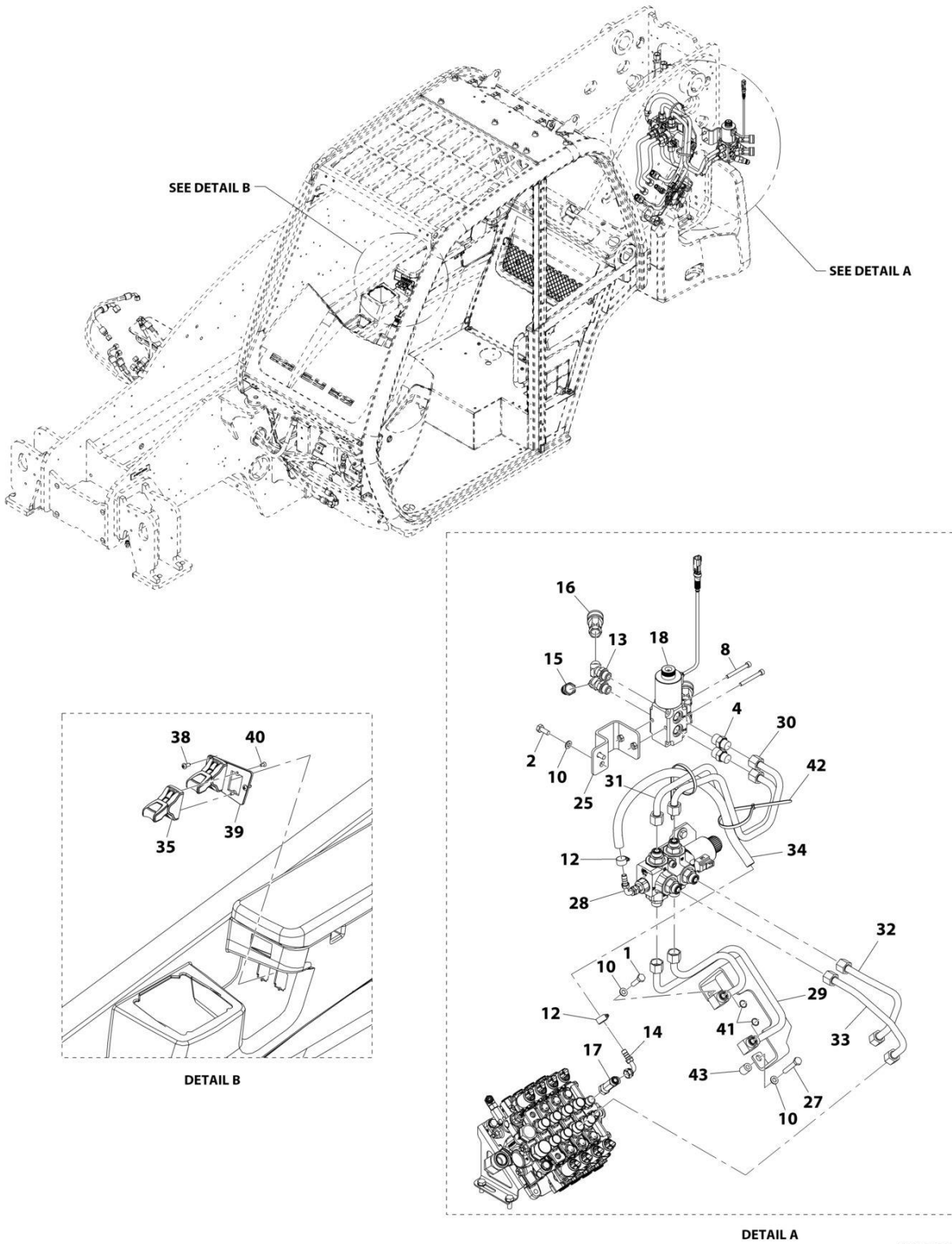
SECTION 8 - HYDRAULIC CIRCUITS

FIGURE 8-23. REAR AUX HYDRAULICS INSTALLATION (SINGLE)

ITEM	PART NUMBER	QTY	DESCRIPTION	REV
	1001197093	Ref	Rear Aux Hydraulics Installation (Single)	I
1	0701016	1	Bolt, M10X40	
2	0761012	2	Bolt, M10X25	
7	2171110	1	Fitting, Straight ORFS	
9	4812000	4	Washer, M10	
11	8405006	2	Clamp	
13	1001095301	1	Fitting, 90 ORFS	
14	1001101041	1	Coupling, Male Quick Disconnect	
15	1001101042	1	Coupling, Female Quick Disconnect	
16	1001104646	1	Fitting, Tee ORFS	
17	2171310	1	Fitting, 45 ORFS	
19	1001213829	1	Bracket	
26	0701021	1	Bolt, M10X65	
27	1001204420	1	Assembly, Divertor Valve (Hi Flow) (See Separate Breakdown in HYDRAULIC COMPONENTS Section)	
28	1001204421	NLA	Pipe (no longer available, use 1001226776 for replacement)	
28	1001226776	1	Pipe	
29	1001213771	NLA	Pipe, ORFS (no longer available, use 1001226101 for replacement)	
29	1001226101	1	Pipe, ORFS	
30	1001213772	1	Pipe, ORFS	
31	1001204427	NLA	Pipe, ORFS (no longer available, use 1001226777 for replacement)	
31	1001226777	1	Pipe, ORFS	
32	1001204428	NLA	Pipe, ORFS (no longer available, use 1001226778 for replacement)	
32	1001226778	1	Pipe, ORFS	
33	1001204437	NLA	Hose (no longer available, use 1001226779 for replacement)	
33	1001226779	1	Hose	
34	1001001556	2	Fitting, Straight ORFS	
35	1001242098	1	Joystick, Fingertip Control	
36	1001214399	1	Cover	
39	7029486	3	Screw	
40	1001216232	2	Screw	
41	1001216163	1	Plate	
42	1001008922	2	Seal	
43	1062255	2	Strap, Tie	
44	1001188548	1	Boss	

SECTION 8 - HYDRAULIC CIRCUITS

FIGURE 8-24. REAR AUX HYDRAULICS INSTALLATION (TWIN)



ART_1001197090-1

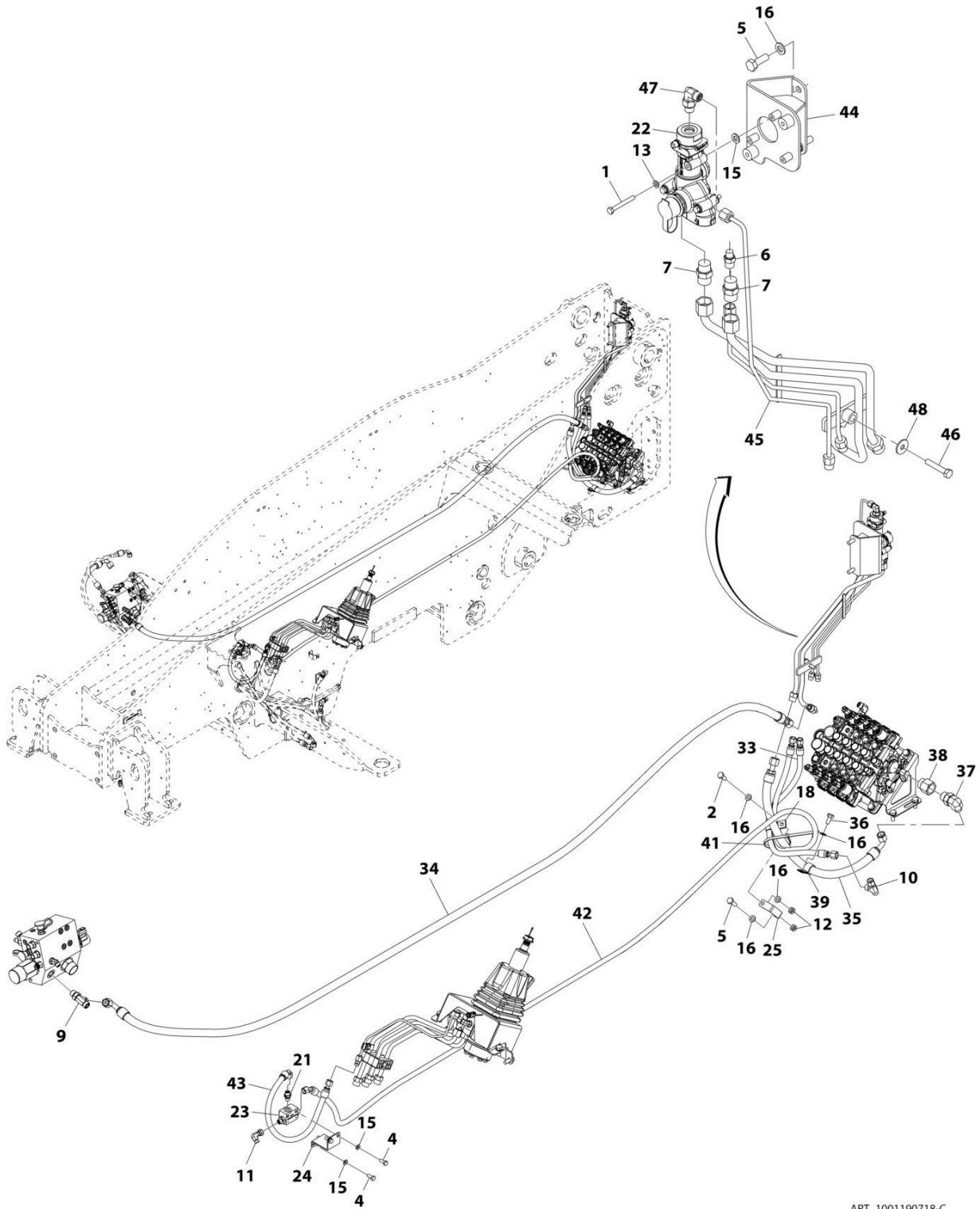
SECTION 8 - HYDRAULIC CIRCUITS

FIGURE 8-24. REAR AUX HYDRAULICS INSTALLATION (TWIN)

ITEM	PART NUMBER	QTY	DESCRIPTION	REV
	1001197090	Ref	Rear Aux Hydraulics Installation (Twin)	I
1	0701016	1	Bolt, M10X40	
2	0761012	2	Bolt, M10X25	
4	2111010	2	Fitting, Straight ORFS	
8	4031918	2	Bolt, M8X70	
10	4812000	4	Washer, M10	
12	8405006	2	Clamp	
13	1001005904	4	Fitting, 45	
14	1001095301	1	Fitting, 90 ORFS	
15	1001101041	2	Coupling, Male Quick Disconnect	
16	1001101042	2	Coupling, Female Quick Disconnect	
17	1001104646	1	Fitting, Tee ORFS	
18	1001110023	1	Valve, Divertor (See Separate Breakdown in HYDRAULIC COMPONENTS Section)	
25	1001213871	1	Bracket	
27	0701021	1	Bolt, M10X65	
28	1001204420	1	Assembly, Divertor Valve (Hi Flow) (See Separate Breakdown in HYDRAULIC COMPONENTS Section)	
29	1001204421	NLA	Pipe (no longer available, use 1001226776 for replacement)	
29	1001226776	1	Pipe	
30	1001213771	NLA	Pipe, ORFS (no longer available, use 1001226101 for replacement)	
30	1001226101	1	Pipe, ORFS	
31	1001213772	1	Pipe, ORFS	
32	1001204427	NLA	Pipe, ORFS (no longer available, use 1001226777 for replacement)	
32	1001226777	1	Pipe, ORFS	
33	1001204428	NLA	Pipe, ORFS (no longer available, use 1001226778 for replacement)	
33	1001226778	1	Pipe, ORFS	
34	1001204437	NLA	Hose (no longer available, use 1001226779 for replacement)	
34	1001226779	1	Hose	
35	1001242098	2	Joystick, Fingertip Control	
38	7029486	1	Screw	
39	1001216163	1	Plate	
40	1001216232	4	Screw	
41	1001008922	2	Seal	
42	1062255	2	Strap, Tie	
43	1001188548	1	Boss	

SECTION 8 - HYDRAULIC CIRCUITS

FIGURE 8-25. TRAILER BRAKE INSTALLATION (NO ITALIAN)



ART_1001190718-C

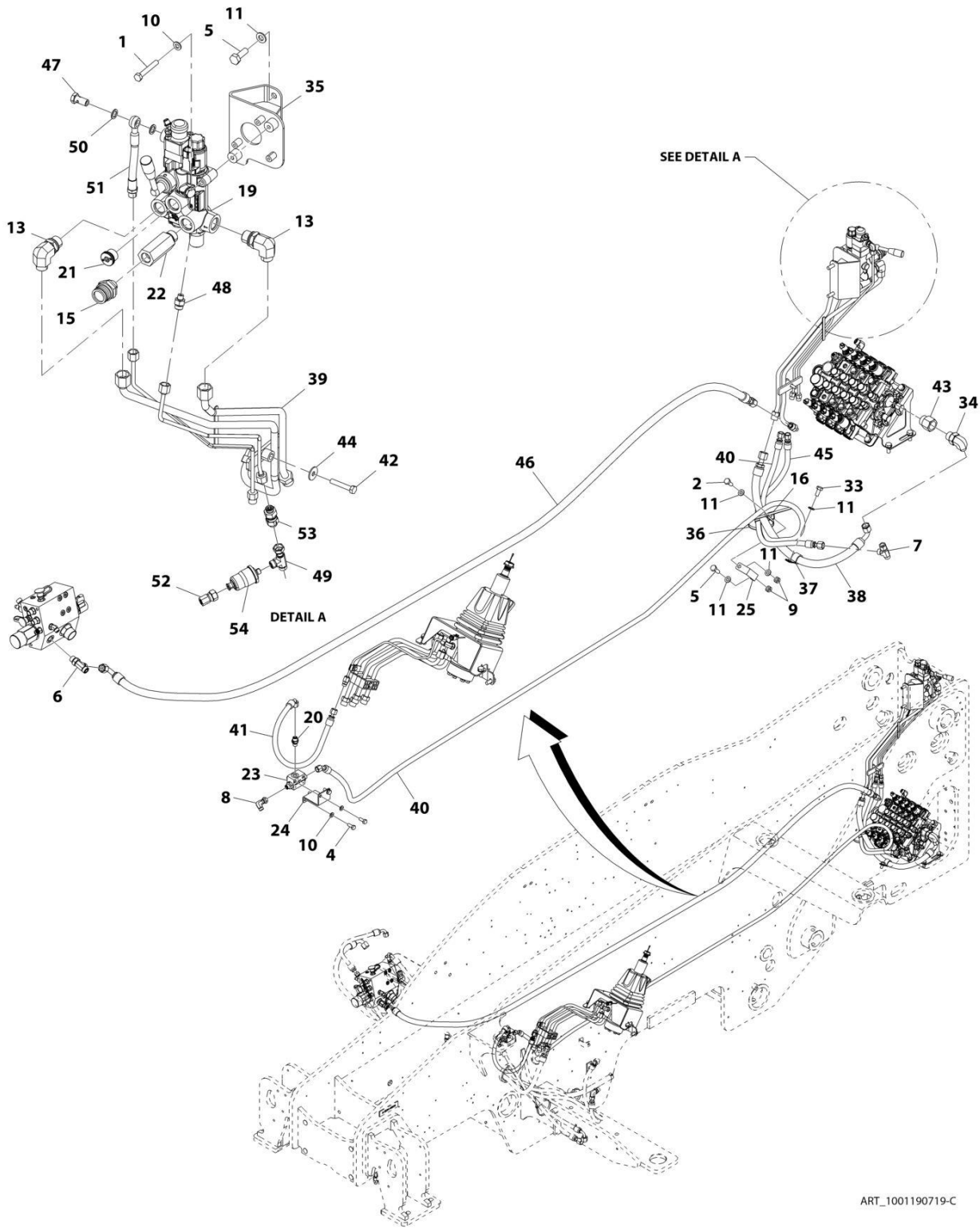
SECTION 8 - HYDRAULIC CIRCUITS

FIGURE 8-25. TRAILER BRAKE INSTALLATION (NO ITALIAN)

ITEM	PART NUMBER	QTY	DESCRIPTION	REV
	1001190718	Ref	Trailer Brake Installation	C
1	0700618	3	Bolt, M6X50	
2	0701012	1	Bolt, M10X25	
4	0760810	4	Bolt, M8X20	
5	0761014	3	Bolt, M10X30	
6	1001206179	1	Valve, Check	
7	2110808	2	Fitting, Straight ORFS	
9	2170308	1	Fitting, Tee ORFS	
10	2170706	1	Fitting, Tee ORFS	
11	2172104	1	Fitting, 90 ORFS	
12	3291001	2	Nut, M10X1.5 Grade 8	
13	4811700	3	Washer, M6	
15	4811900	7	Washer, M8	
16	4812000	6	Washer, M10	
18	1001008626	1	Clip	
21	1001120501	1	Fitting, Straight ORFS	
22	1001212384	1	Valve, Trailer Brake (See Separate Breakdown in HYDRAULIC COMPONENTS SECTION)	
23	1001151257	1	Valve, Dynamic Select	
24	1001184517	1	Bracket	
25	1001184518	1	Bracket	
33	1001204729	1	Hose, ORFS	
34	1001204731	1	Hose, ORFS	
35	1001205078	1	Hose, ORFS	
36	0701011	1	Bolt, M10X22	
37	2130812	1	Fitting, 90 ORFS	
38	2220550	1	Fitting, Straight ORFS	
39	1001009384	1	Clip	
41	1062255	4	Strap, Tie	
42	1001205392	1	Hose, ORFS	
43	1001205393	1	Hose, ORFS	
44	1001204629	1	Bracket	
45	1001204681	1	Pipe	
46	0700817	1	Bolt, M8X45	
47	2130406	1	Fitting, 90 ORFS	
48	4811902	1	Washer, M8	

SECTION 8 - HYDRAULIC CIRCUITS

FIGURE 8-26. TRAILER BRAKE INSTALLATION (ITALIAN)



ART_1001190719-C

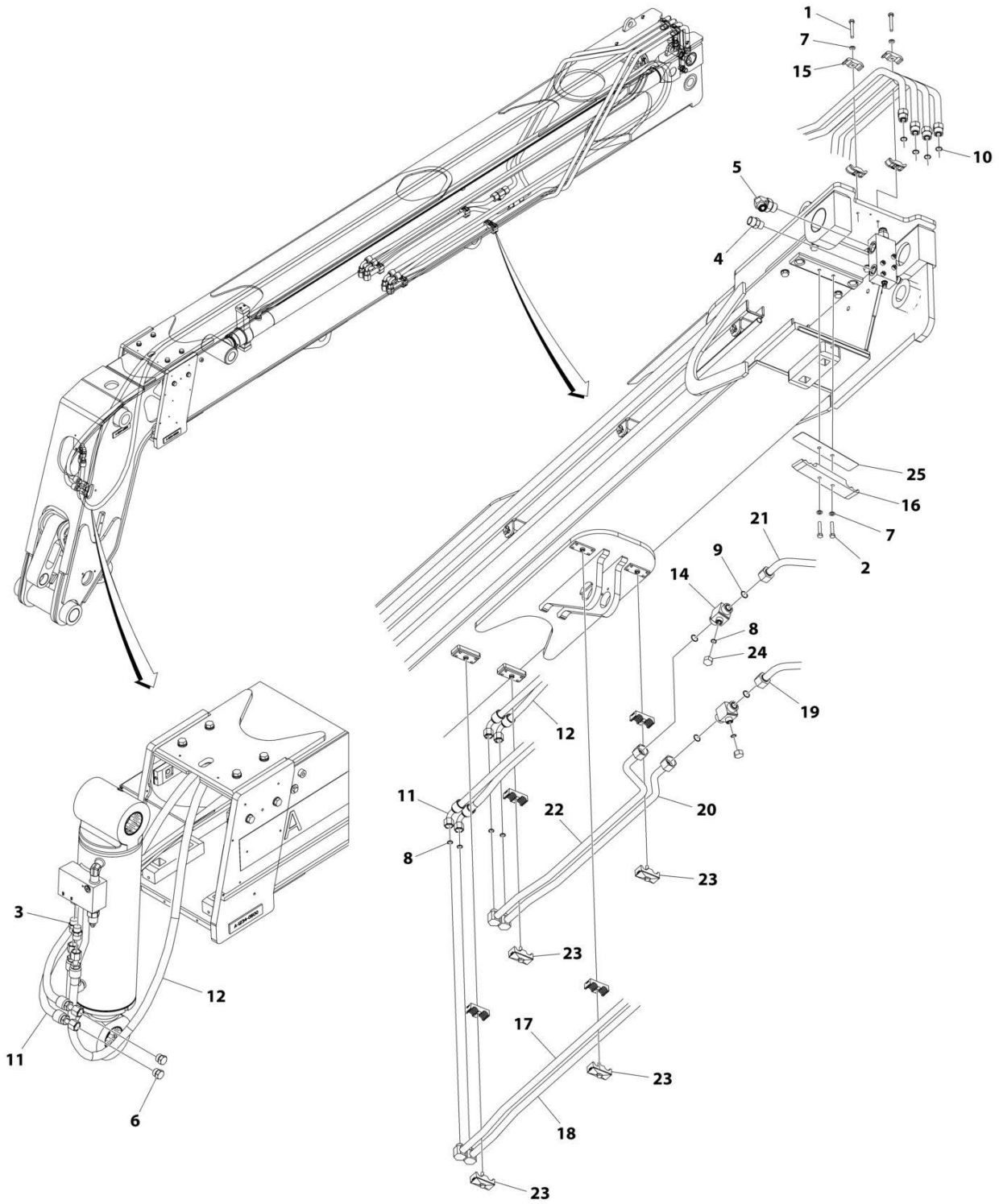
SECTION 8 - HYDRAULIC CIRCUITS

FIGURE 8-26. TRAILER BRAKE INSTALLATION (ITALIAN)

ITEM	PART NUMBER	QTY	DESCRIPTION	REV
	1001190719	Ref	Trailer Brake Installation (Italian)	C
1	0700819	2	Bolt, M8X55	
2	0701012	1	Bolt, M10X25	
4	0760810	4	Bolt, M8X20	
5	0761014	3	Bolt, M10X30	
6	2170308	1	Fitting, Tee ORFS	
7	2170706	1	Fitting, Tee ORFS	
8	2172104	1	Fitting, 90 ORFS	
9	3291001	2	Nut, M10X1.5 Grade 8	
10	4811900	8	Washer, M8	
11	4812000	6	Washer, M10	
13	8770175	2	Fitting, 90 ORFS	
15	1001005893	1	Coupler	
16	1001008626	1	Clip	
19	1001211323	1	Valve, Trailer Brake (Italian)	
20	1001120501	1	Fitting, Straight ORFS	
21	1001120505	1	Plug	
22	1001120602	1	Adapter	
23	1001151257	1	Valve, Dynamic Select	
24	1001184517	1	Bracket	
25	1001184518	1	Bracket	
33	0701011	1	Bolt, M10X22	
34	2130812	1	Fitting, 90 ORFS	
35	1001204629	1	Bracket	
36	1062255	1	Strap, Tie	
37	1001009384	1	Clip	
38	1001205078	1	Hose, ORFS	
39	1001218654	1	Bracket	
40	1001205392	1	Hose, ORFS	
41	1001205393	1	Hose, ORFS	
42	0700817	1	Bolt, M8X45	
43	2220550	1	Fitting, Straight ORFS	
44	4811902	1	Washer, M8	
45	1001204729	1	Hose, ORFS	
46	1001204731	1	Hose, ORFS	
47	0630609	1	Bolt, M12X1.25	
48	2144601	1	Fitting, Straight ORFS	
49	2170704	1	Fitting, Tee ORFS	
50	4740566	2	Washer, M12	
51	1001149050	1	Hose	
52	1001218962	1	Fitting, Straight	
53	1001169803	1	Valve, Check	
54	1001219481	1	Sensor	

SECTION 8 - HYDRAULIC CIRCUITS

FIGURE 8-27. BOOM HYDRAULIC INSTALLATION



ART_1001216311

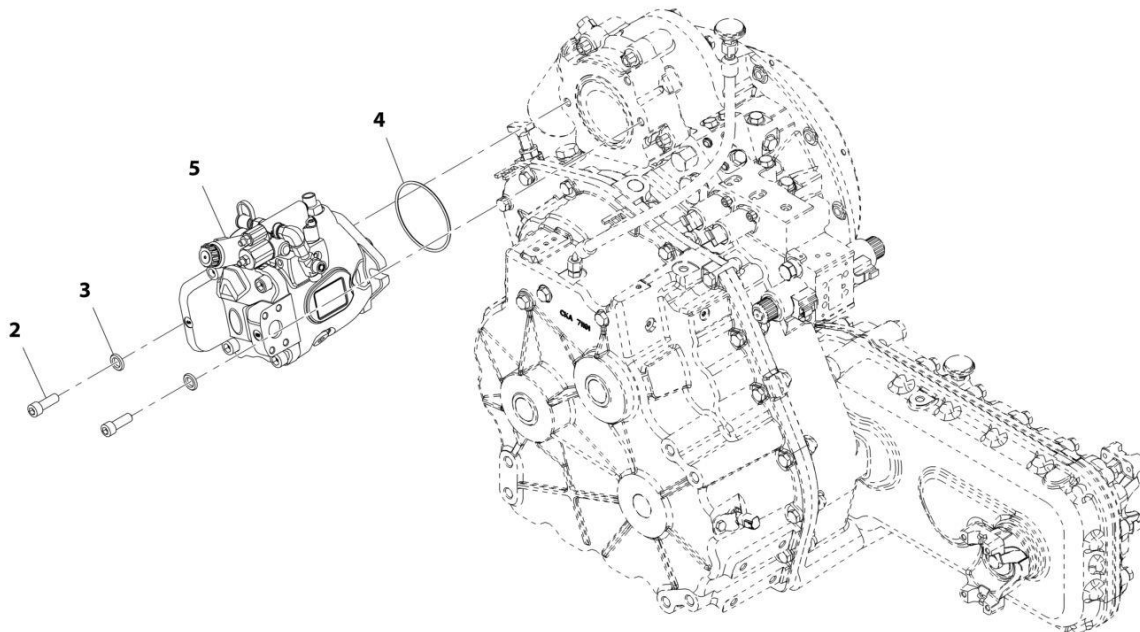
SECTION 8 - HYDRAULIC CIRCUITS

FIGURE 8-27. BOOM HYDRAULIC INSTALLATION

ITEM	PART NUMBER	QTY	DESCRIPTION	REV
	1001216311	Ref	BOOM HUDRAULIC INSTALLATION	D
1	0700819	2	Bolt M8 x 55	
2	0760815	2	Bolt M8 x 35	
2	0760817	2	Bolt M8 x 45	
3	2110808	2	Fitting, Straight ORFS	
4	2111010	1	Fitting, Straight ORFS	
5	2131012	1	Fitting, 90 ORFS (Prior to SN 0300087631)	
6	2171008	2	Fitting, Straight ORFS	
7	4811900	4	Washer M8	
8	1001008805	6	Seal	
9	1001008863	4	Seal	
10	1001008922	4	Seal	
11	1001178102	1	Hose	
12	1001270595	1	Hose	
14	1001182793	2	Fitting, Tee ORFS	
15	1001213883	2	Clamp	
16	1001213925	1	Clamp (Used without Item 25 Clamping Plate)	
16	1001282197	1	Clamp (Used with Item 25 Clamping Plate)	
17	1001216275	1	Tube	
18	1001216276	1	Pipe	
19	1001216277	1	Pipe	
20	1001216278	1	Pipe	
21	1001216279	1	Pipe	
22	1001216280	1	Pipe	
23	1001216237	4	Kit, Clamp	
24	2170908	2	Fitting, Cap ORFS	
25	1001282247	1	Plate, Clamping	

SECTION 8 - HYDRAULIC CIRCUITS

FIGURE 8-28. MAIN HYDRAULIC PUMP INSTALLATION



ART_1001177863-B

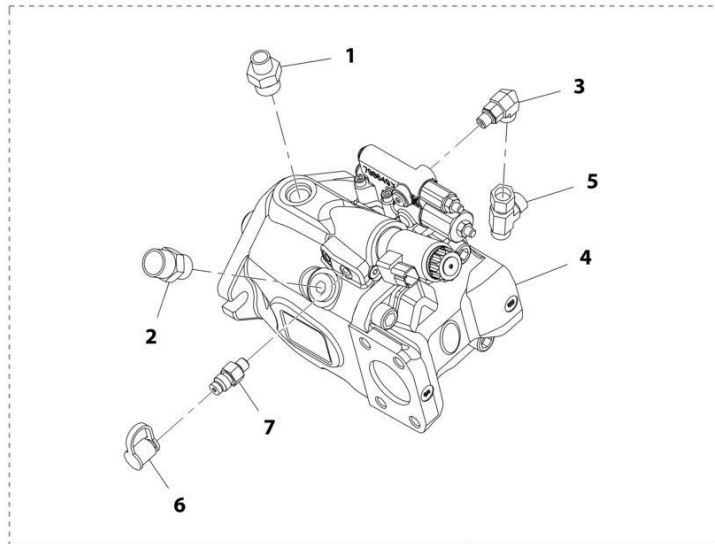
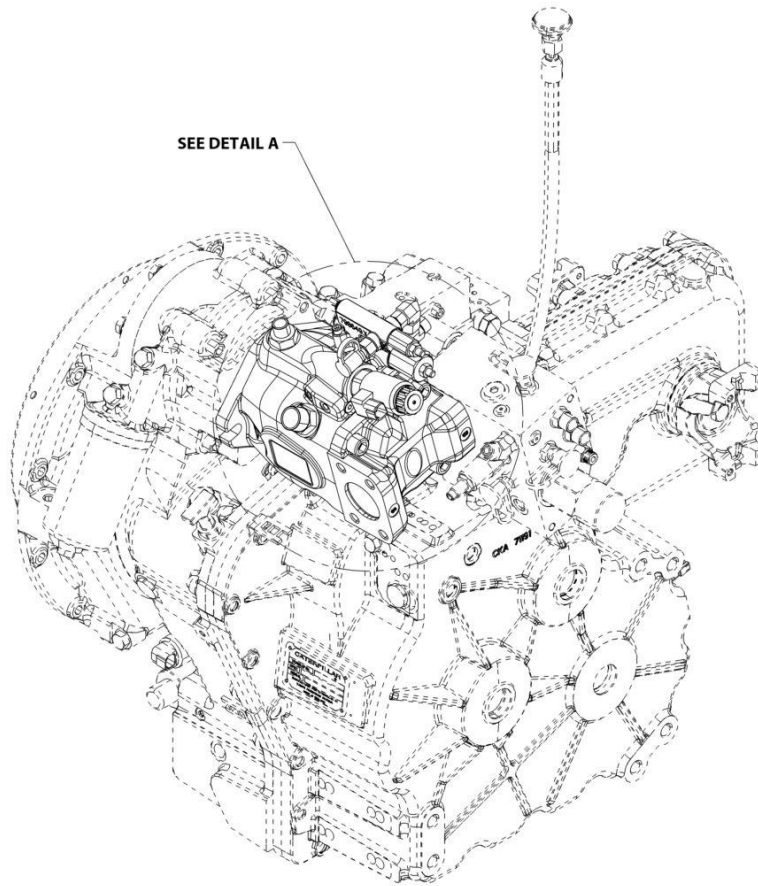
SECTION 8 - HYDRAULIC CIRCUITS

FIGURE 8-28. MAIN HYDRAULIC PUMP INSTALLATION

ITEM	PART NUMBER	QTY	DESCRIPTION	REV
	1001177863	Ref	Main Hydraulic Pump Installation	C
2	0761215	1	Bolt M12X35	
3	4740532	2	Washer M12	
4	1001008450	1	O-Ring	
5	1001183983	Ref	Implement Pump Installation (See Separate Breakdown in this Section)	

SECTION 8 - HYDRAULIC CIRCUITS

FIGURE 8-29. IMPLEMENT PUMP INSTALLATION



DETAIL A

ART_1001183983-B

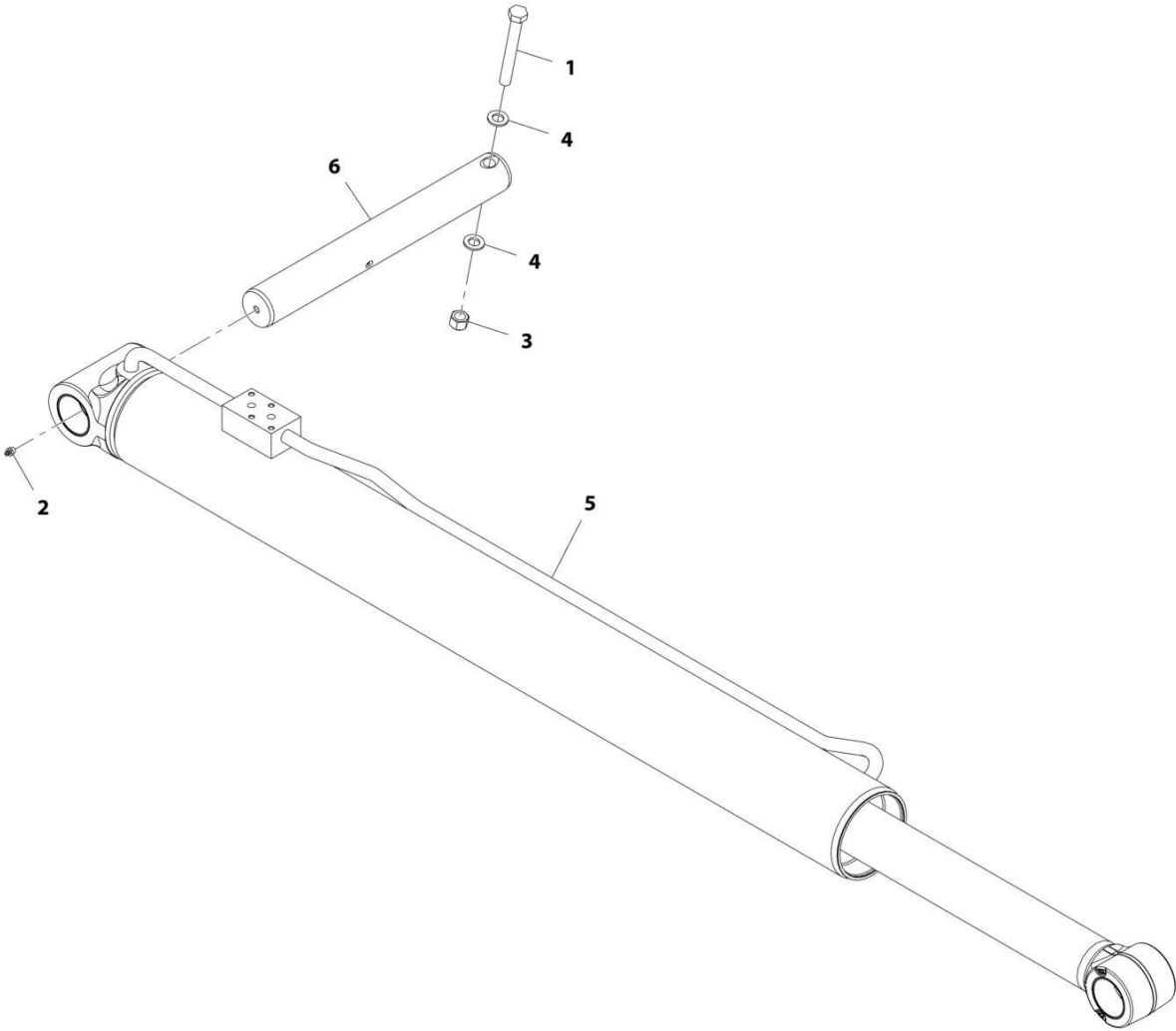
SECTION 8 - HYDRAULIC CIRCUITS

FIGURE 8-29. IMPLEMENT PUMP INSTALLATION

ITEM	PART NUMBER	QTY	DESCRIPTION	REV
	1001183983	Ref	Implement Pump Installation	B
1	2110610	1	Fitting, Straight ORFS	
2	2111010	1	Fitting, Straight ORFS	
3	2130604	1	Fitting, 90 ORFS	
4	1001200815	1	Pump, Implement (See Separate Breakdown in HYDRAULIC COMPONENTS Section)	
5	2170706	1	Fitting, Tee ORFS	
6	8430032	1	Plug	
7	8430033	1	Adapter	

SECTION 8 - HYDRAULIC CIRCUITS

FIGURE 8-30. LIFT CYLINDER INSTALLATION



ART_1001173015-A

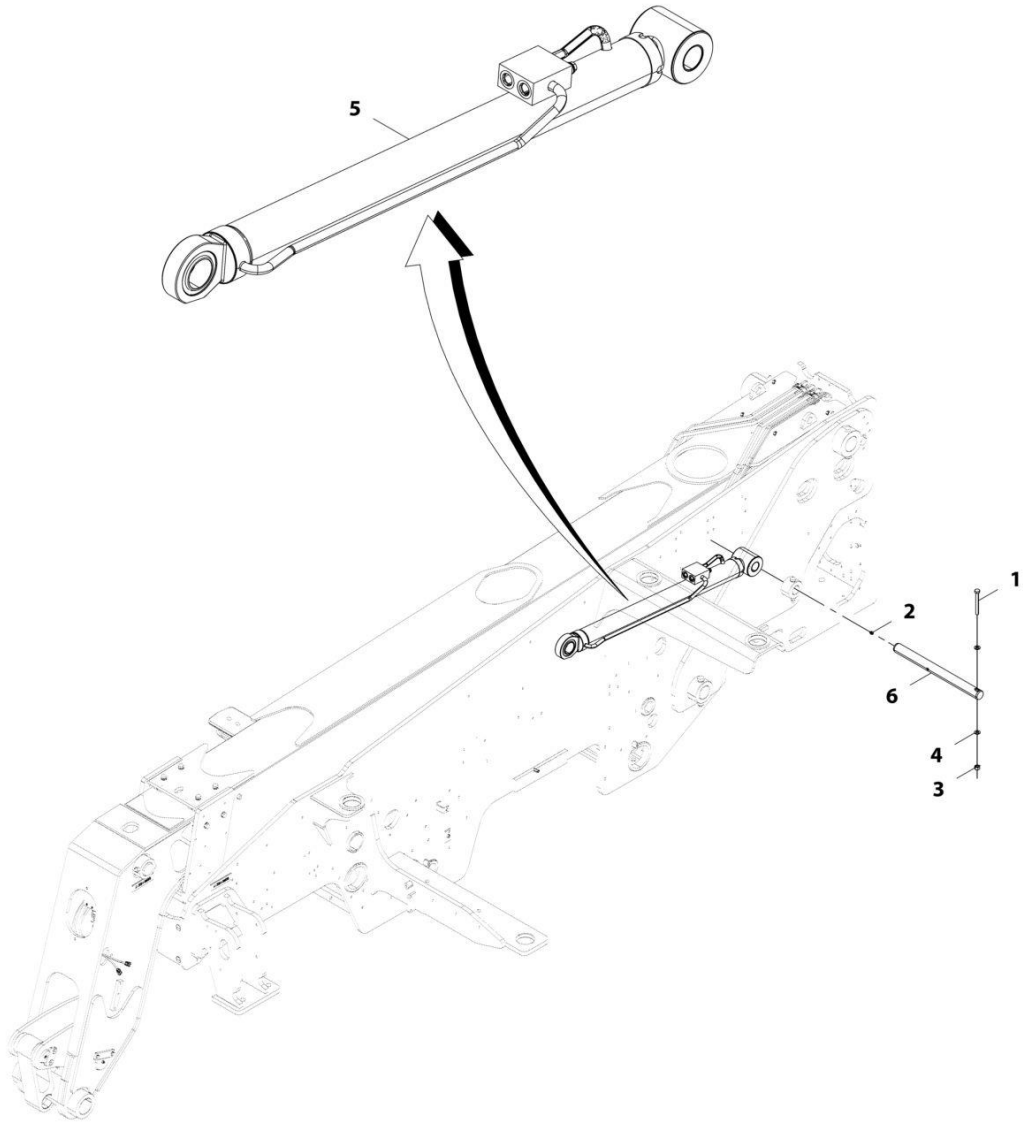
SECTION 8 - HYDRAULIC CIRCUITS

FIGURE 8-30. LIFT CYLINDER INSTALLATION

ITEM	PART NUMBER	QTY	DESCRIPTION	REV
	1001173015	Ref	Lift Cylinder Installation	A
1	0701630	1	Bolt, M16X130	
2	2160016	1	Fitting, Grease	
3	3291605	1	Nut, Lock M16X2 Grade 8	
4	4812300	2	Washer, M16	
5	1001175016	1	Cylinder, Lift (See Separate Breakdown in HYDRAULIC COMPONENTS Section)	
6	1001183460	1	Pin	

SECTION 8 - HYDRAULIC CIRCUITS

FIGURE 8-31. COMPENSATION CYLINDER INSTALLATION



ART_1001173017-B

SECTION 8 - HYDRAULIC CIRCUITS

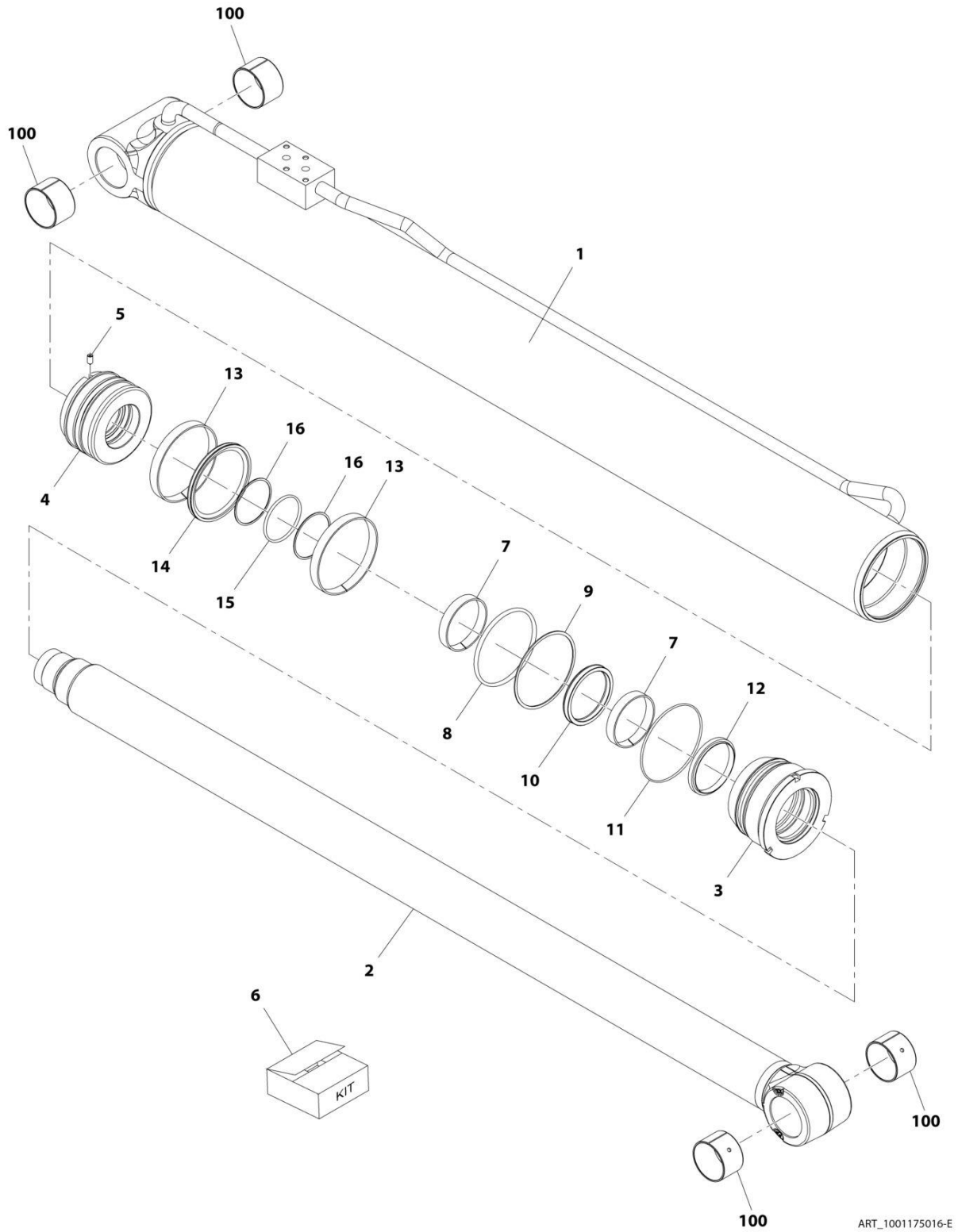
FIGURE 8-31. COMPENSATION CYLINDER INSTALLATION

ITEM	PART NUMBER	QTY	DESCRIPTION	REV
	1001173017	Ref	Compensation Cylinder Installation	B
1	0761228	1	Bolt, M12X110	
2	2160016	1	Fitting, Grease	
3	3291205	1	Nut, Lock M12X1.75 Grade 8	
4	4812100	2	Washer, M12	
5	1001180326	1	Cylinder, Compensation (See Separate Breakdown in Hydraulic Components Section)	
6	1001183461	1	Pin	

SECTION 9 - HYDRAULIC COMPONENTS

SECTION 9 - HYDRAULIC COMPONENTS

FIGURE 9-1. LIFT CYLINDER



ART_1001175016-E

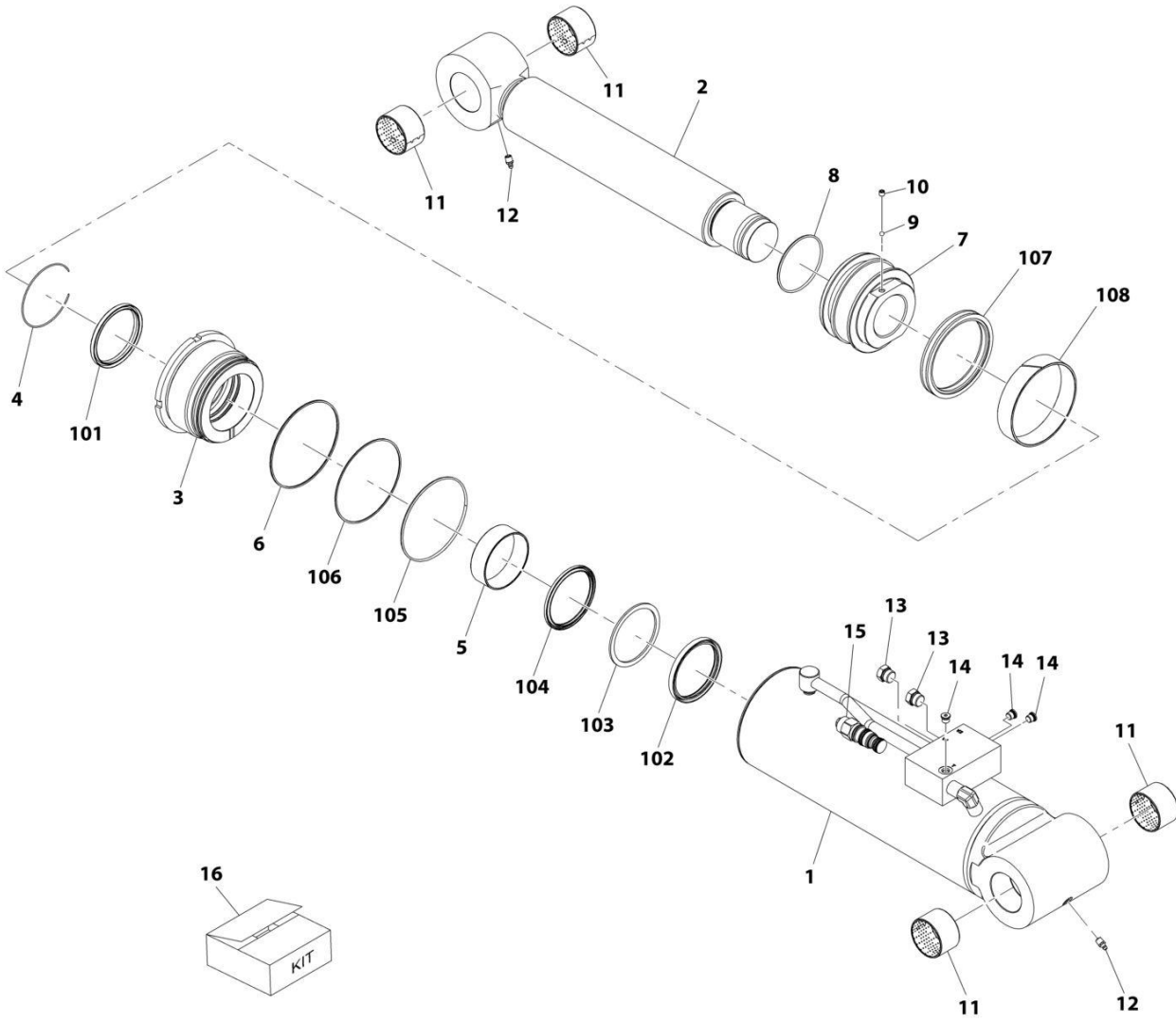
SECTION 9 - HYDRAULIC COMPONENTS

FIGURE 9-1. LIFT CYLINDER

ITEM	PART NUMBER	QTY	DESCRIPTION	REV
	1001175016	Ref	LIFT CYLINDER	F
		Ref	Note: Original Cylinder May Have Been Replaced with Service Replacement. Identify PN Stamped on Cylinder Before Ordering Parts.	
1	70026845	1	Barrel	
2	70026846	1	Rod	
3	70026847	1	Guide, Rod	
4	70026843	1	Piston	
5	70020438	1	Screw	
6	70026848	1	Kit, Seal	
7	Kit	2	Bearing	
8	Kit	1	O-Ring	
9	Kit	1	Ring, Backup	
10	Kit	1	Seal, Rod	
11	Kit	1	O-Ring	
12	Kit	1	Wiper	
13	Kit	2	Bearing	
14	Kit	1	Seal, Piston	
15	Kit	1	O-Ring	
16	Kit	2	Ring, Backup	
100	70030327	4	Bushing	

SECTION 9 - HYDRAULIC COMPONENTS

FIGURE 9-2. TILT CYLINDER



ART_1001180117-D

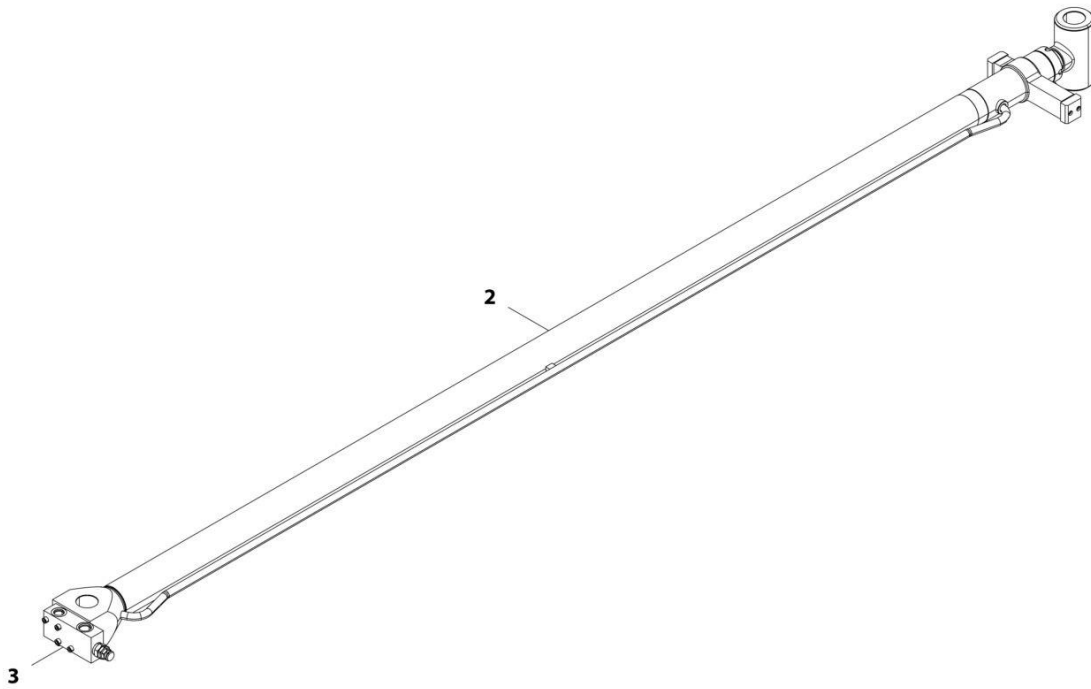
SECTION 9 - HYDRAULIC COMPONENTS

FIGURE 9-2. TILT CYLINDER

ITEM	PART NUMBER	QTY	DESCRIPTION	REV
	1001180117	Ref	Tilt Cylinder	D
		Ref	Note: Original Cylinder May Have Been Replaced with Service Replacement. Identify PN Stamped on Cylinder Before Ordering Parts.	
1	70027743	1	Barrel	
2	70027744	1	Rod	
3	70027745	1	Gland	
4	70023380	1	Ring, Retaining	
5	70027225	1	Bearing, Dry	
6	70005841	1	O-Ring	
7	70027746	1	Piston	
8	70050801	1	O-Ring	
9	70022564	1	Ball, Steel	
10	70022563	1	Screw, Set	
11	70026543	4	Bearing, Dry	
12	70026308	2	Fitting, Grease	
13	70023372	2	Plug, Hex	
14	2220883	3	Plug, Hex	
15	1001189888	1	Valve, Counterbalance	
16	70027747	1	Kit, Seal	
101	Kit	1	Wiper, Dust	
102	Kit	1	Seal, Rod	
103	Kit	1	Ring, Backup	
104	Kit	1	Ring, Buffer	
105	Kit	1	O-Ring	
106	Kit	1	Ring, Backup	
107	Kit	1	Seal, Piston	
108	Kit	1	Ring, Wear	

SECTION 9 - HYDRAULIC COMPONENTS

FIGURE 9-3. INNER EXTEND/RETRACT CYLINDER ASSEMBLY



ART_1001203311-B

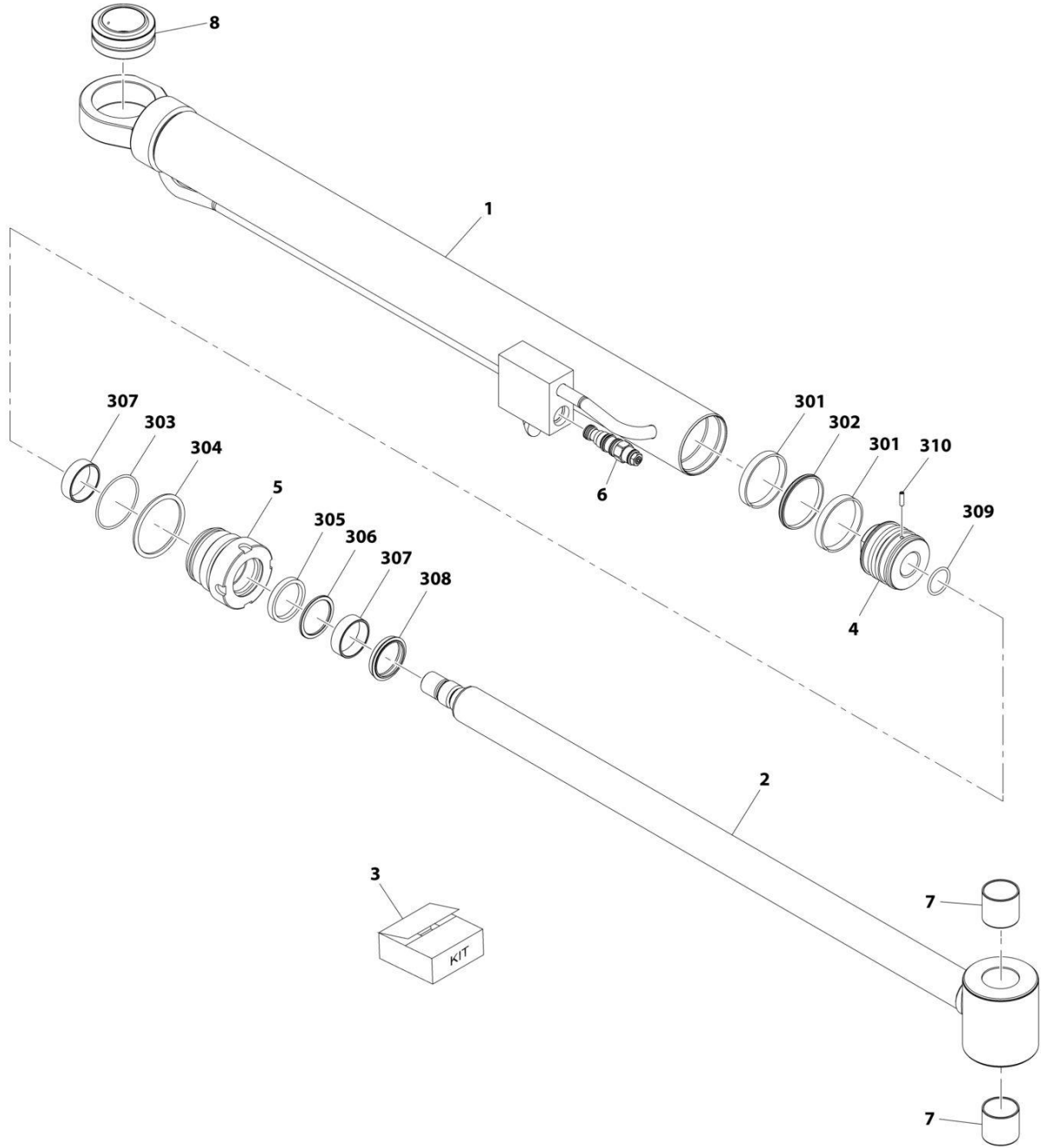
SECTION 9 - HYDRAULIC COMPONENTS

FIGURE 9-3. INNER EXTEND/RETRACT CYLINDER ASSEMBLY

ITEM	PART NUMBER	QTY	DESCRIPTION	REV
	1001203311	Ref Ref	Inner Extend/Retract Cylinder Note: Original Cylinder May Have Been Replaced with Service Replacement. Identify PN Stamped on Cylinder Before Ordering Parts.	B
2	1001166695	1	Cylinder, Extend/Retract	
3	1001201245	1	Valve, Counterbalance	

SECTION 9 - HYDRAULIC COMPONENTS

FIGURE 9-4. COMPENSATION CYLINDER



ART_1001180326-F

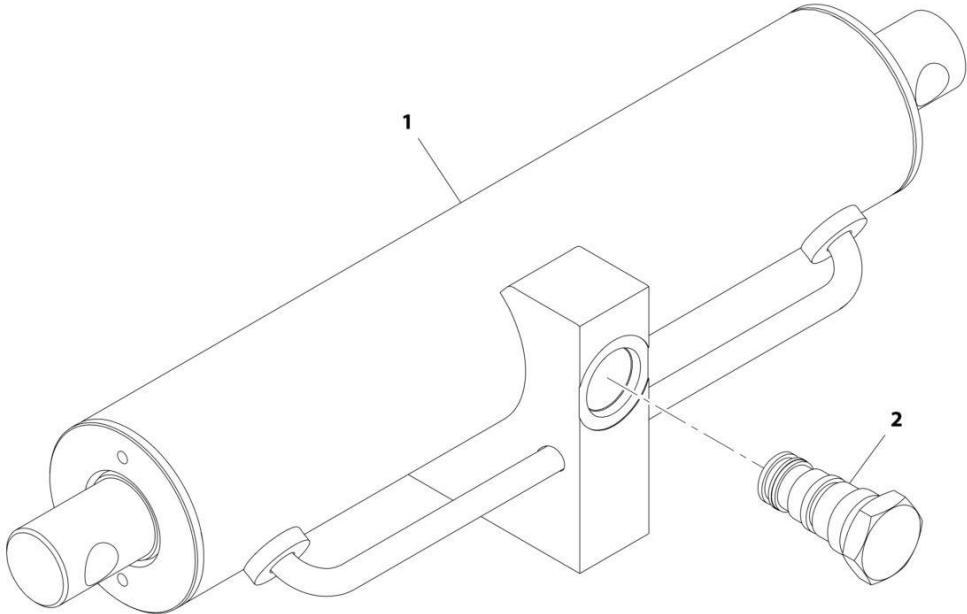
SECTION 9 - HYDRAULIC COMPONENTS

FIGURE 9-4. COMPENSATION CYLINDER

ITEM	PART NUMBER	QTY	DESCRIPTION	REV
	1001180326	Ref	Compensation Cylinder	F
		Ref	Note: Original Cylinder May Have Been Replaced with Service Replacement. Identify PN Stamped on Cylinder Before Ordering Parts.	
1	70027734	1	Barrel	
2	70027730	1	Rod	
3	70027731	1	Kit, Seal (includes items 301 and 310)	
4	70027732	1	Piston	
5	70027733	1	Retainer	
6	1001164336	1	Valve, Counterbalance	
6	2900770	1	Seal Kit - 1001164336 Valve	
7	70027234	2	Bearing	
8	70027235	1	Bearing, Spherical	
301	Kit	2	Wear Ring	
302	Kit	1	Piston Seal	
303	Kit	1	O-Ring	
304	Kit	1	Back Up Ring	
305	Kit	1	Rod Seal	
306	Kit	1	Nylon Ring	
307	Kit	2	Wear Ring	
308	Kit	1	Wiper	
309	Kit	1	O-Ring	
310	Kit	1	Screw	

SECTION 9 - HYDRAULIC COMPONENTS

FIGURE 9-5. COUPLER LOCKING CYLINDER ASSEMBLY



ART_1001114787-B

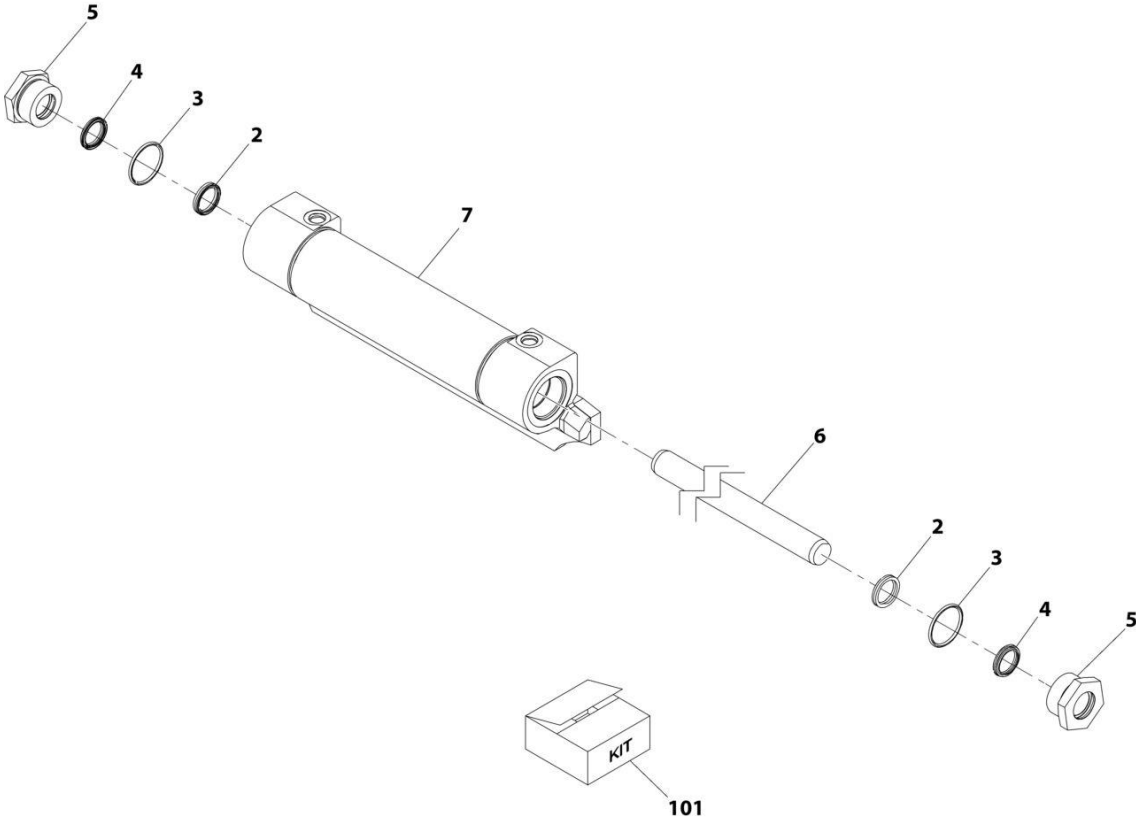
SECTION 9 - HYDRAULIC COMPONENTS

FIGURE 9-5. COUPLER LOCKING CYLINDER ASSEMBLY

ITEM	PART NUMBER	QTY	DESCRIPTION	REV
1	1001114787	Ref	COUPLER LOCKING CYLINDER ASSEMBLY	B
	1001145390	1	Cylinder, Coupler Locking (See Separate Breakdown in this Section)	
2	1001145444	1	Valve, P.O. Check	

SECTION 9 - HYDRAULIC COMPONENTS

FIGURE 9-6. SIDE SHIFT CARRIAGE CYLINDER



ART_70024539-B

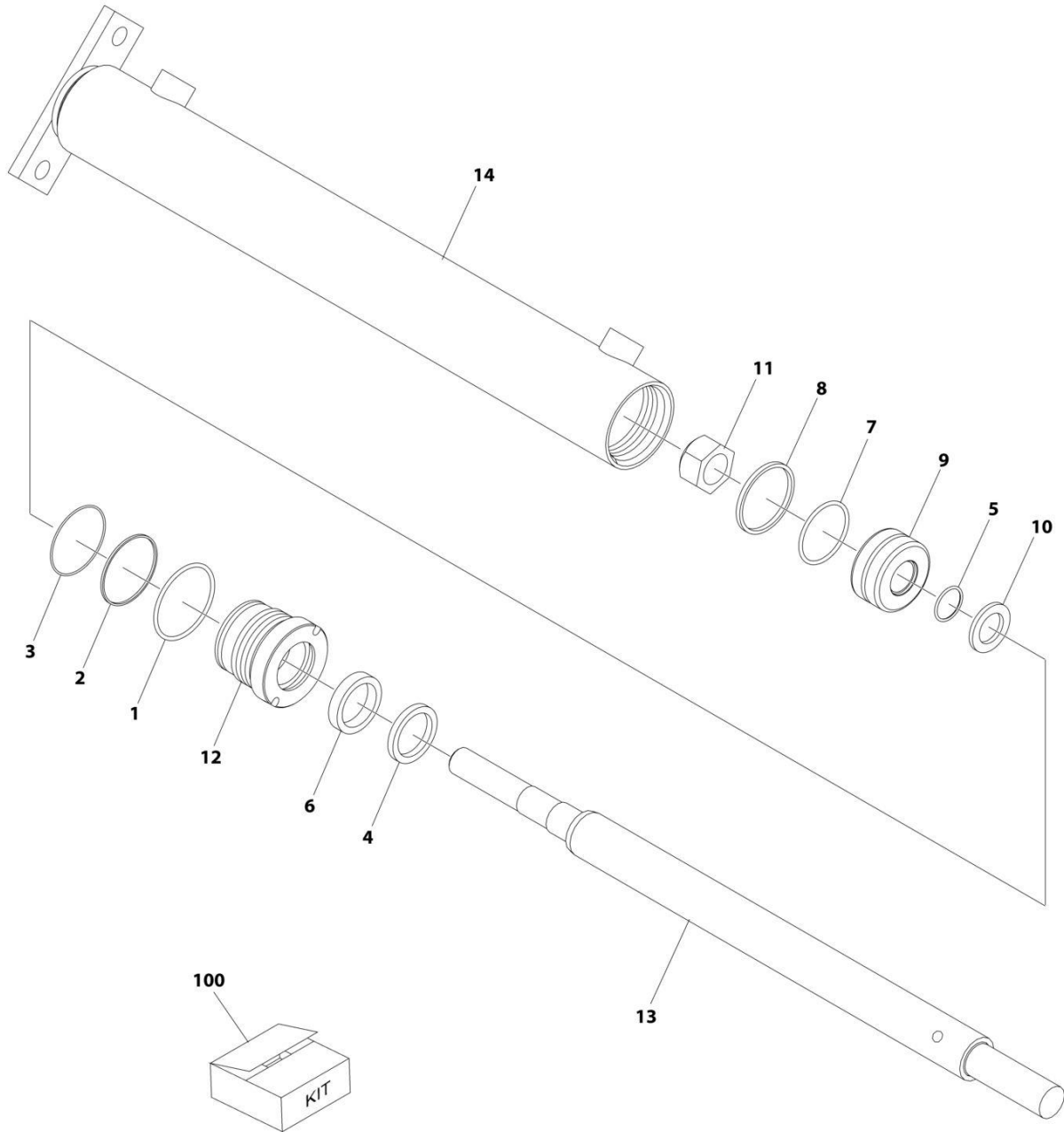
SECTION 9 - HYDRAULIC COMPONENTS

FIGURE 9-6. SIDE SHIFT CARRIAGE CYLINDER

ITEM	PART NUMBER	QTY	DESCRIPTION	REV
	70024539	Ref	Side Shift Carriage Cylinder	B
		Ref	Note: Original Cylinder May Have Been Replaced with Service Replacement. Identify PN Stamped on Cylinder Before Ordering Parts.	
2	Kit	NSS	Seal, Rod (Note: Use Item 101)	
3	70024547	2	O-Ring	
4	Kit	NSS	Seal, Rod Wiper (Note: Use Item 101)	
5	70024548	2	Seal, Retainer	
6	N.S.S.	NSS	Rod (Note: Use PN 70024539)	
7	N.S.S.	NSS	Barrel (Note: Use PN 70024539)	
101	70024549	1	Kit, Seal (includes items 2 & 4)	

SECTION 9 - HYDRAULIC COMPONENTS

FIGURE 9-7. FORK POSITIONING CYLINDER



ART_2717283

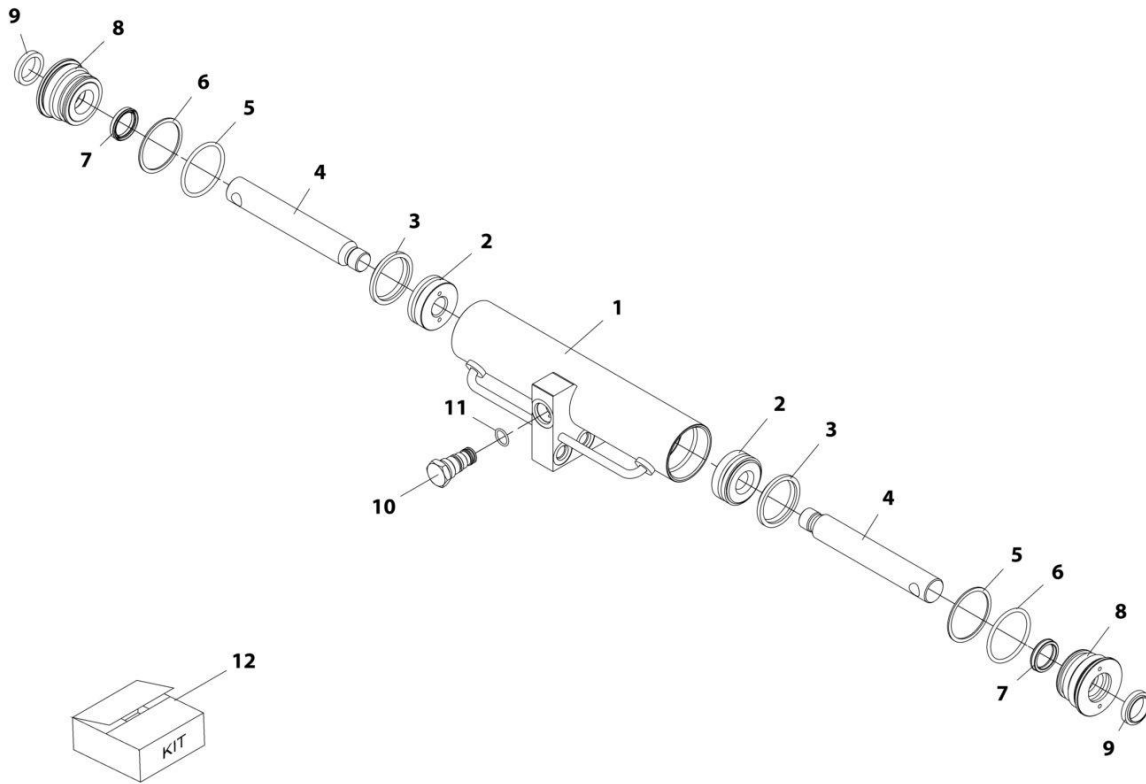
SECTION 9 - HYDRAULIC COMPONENTS

FIGURE 9-7. FORK POSITIONING CYLINDER

ITEM	PART NUMBER	QTY	DESCRIPTION	REV
	2717283	Ref	FORK POSITIONING CYLINDER	B
		Ref	Note: Original Cylinder May Have Been Replaced with Service Replacement. Identify PN Stamped on Cylinder Before Ordering Parts.	
1	See Note	NSS	O-Ring (Use Item 100)	
2	See Note	NSS	Ring, Back-up (Use Item 100)	
3	See Note	NSS	O-Ring (Use Item 100)	
4	See Note	NSS	Seal (Use Item 100)	
5	See Note	NSS	O-Ring (Use Item 100)	
6	See Note	NSS	Seal (Use Item 100)	
7	See Note	NSS	O-Ring (Use Item 100)	
8	See Note	NSS	Seal (Use Item 100)	
9	70026771	1	Piston	
10	70026775	1	Washer	
11	70026770	1	Nut	
12	70026774	1	Head	
13	70026773	1	Rod	
14	See Note	NSS	Barrel (Note: Use PN 2717283)	
100	8036733	1	Seal Kit (includes items 1 thru 8)	

SECTION 9 - HYDRAULIC COMPONENTS

FIGURE 9-8. COUPLER LOCKING CYLINDER



ART_1001145390-A

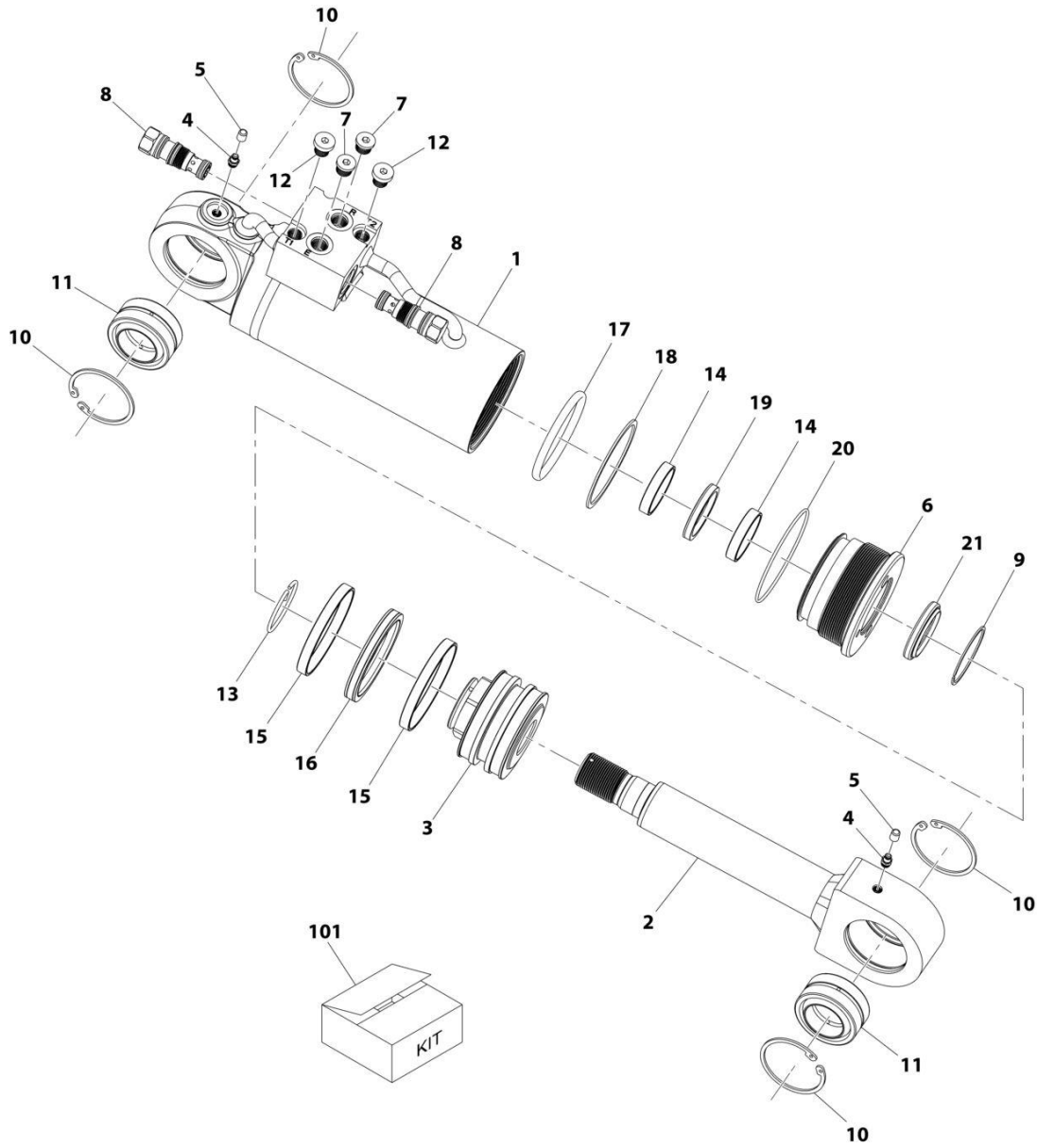
SECTION 9 - HYDRAULIC COMPONENTS

FIGURE 9-8. COUPLER LOCKING CYLINDER

ITEM	PART NUMBER	QTY	DESCRIPTION	REV
	1001145390	Ref	Coupler Locking Cylinder	A
		Ref	Note: Original Cylinder May Have Been Replaced with Service Replacement. Identify PN Stamped on Cylinder Before Ordering Parts.	
1	70024164	2	Body	
2	70024165	2	Piston	
3	Kit	2	Seal, Piston	
4	70024166	2	Rod	
5	Kit	2	O-Ring	
6	Kit	2	Ring, Backup	
7	Kit	2	Seal, Rod	
8	70024167	2	Gland	
9	Kit	2	Seal, Wiper	
10	1001007056	1	Valve, Check	
11	91574001	1	Seal, Check Valve	
12	70024168	1	Kit, Seal (includes items 3, 5, 6, 7 & 9)	

SECTION 9 - HYDRAULIC COMPONENTS

FIGURE 9-9. SIDE TILT CYLINDER



ART_1001163414-A

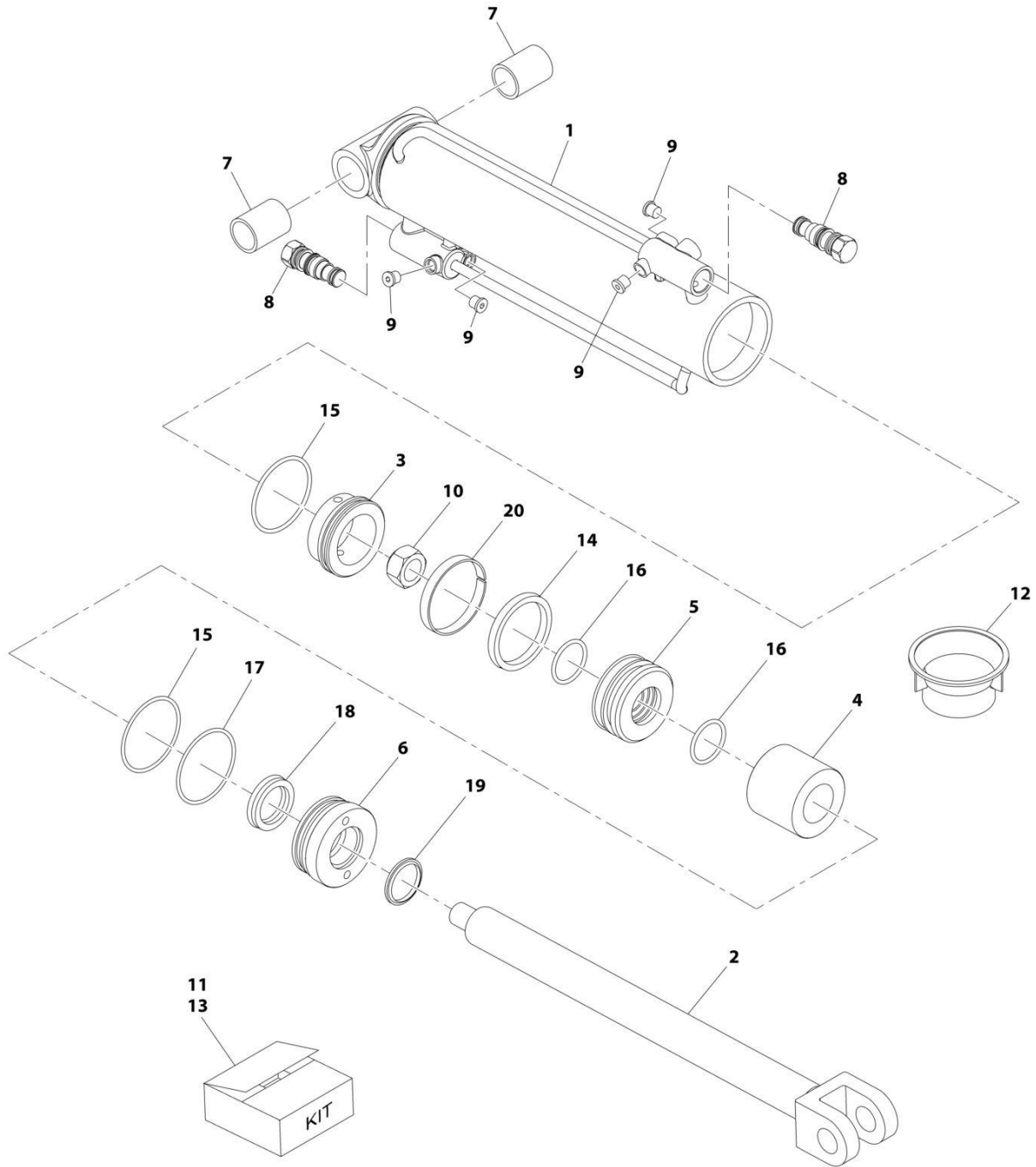
SECTION 9 - HYDRAULIC COMPONENTS

FIGURE 9-9. SIDE TILT CYLINDER

ITEM	PART NUMBER	QTY	DESCRIPTION	REV
	1001163414	Ref	Side Tilt Cylinder	A
		Ref	Note: Original Cylinder May Have Been Replaced with Service Replacement. Identify PN Stamped on Cylinder Before Ordering Parts.	
1	70026056	1	Barrel	
2	70026057	1	Rod	
3	70026058	1	Piston	
4	70025606	2	Nipple, Grease	
5	70024020	2	Fitting, Grease	
6	70003849	1	Head	
7	70025959	2	Plug	
8	70026059	2	Valve, Check	
9	70002219	1	Ring, Retaining	
10	70026060	4	Ring, Retaining	
11	70026061	2	Bearing	
12	70024262	2	Plug	
13	70002224	1	Ring, Lock	
14	Kit	NSS	Ring, Rod Bearing (Note: Use Item 101)	
15	Kit	NSS	Ring, Piston Bearing (Note: Use Item 101)	
16	Kit	NSS	Seal, Piston (Note: Use Item 101)	
17	Kit	NSS	O-Ring (Note: Use Item 101)	
18	Kit	NSS	Ring, Back-Up (Note: Use Item 101)	
19	Kit	NSS	Seal, Rod (Note: Use Item 101)	
20	Kit	NSS	O-Ring (Note: Use Item 101)	
21	Kit	NSS	Seal, Wiper (Note: Use Item 101)	
101	70026062	1	Kit, Seal (includes items 14 thru 21)	

SECTION 9 - HYDRAULIC COMPONENTS

FIGURE 9-10. PIPE HANDLER CYLINDER



ART_70026587

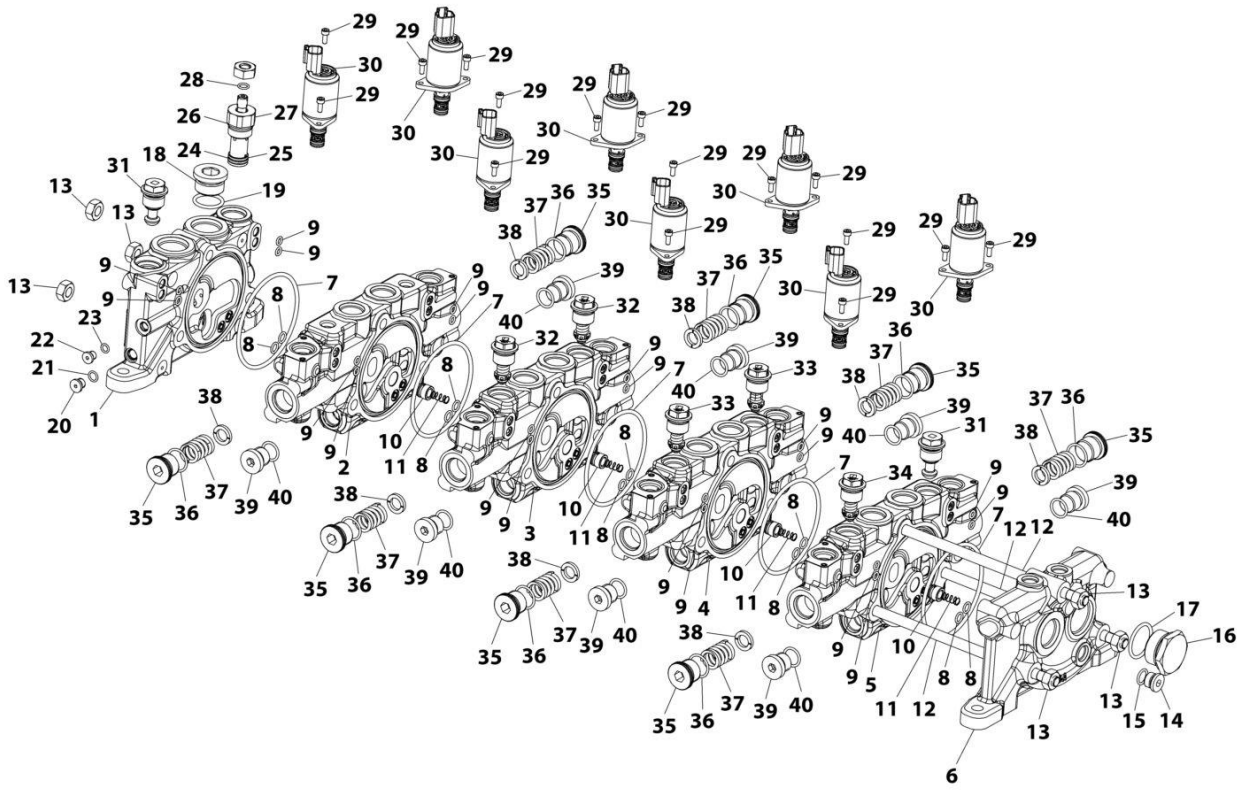
SECTION 9 - HYDRAULIC COMPONENTS

FIGURE 9-10. PIPE HANDLER CYLINDER

ITEM	PART NUMBER	QTY	DESCRIPTION	REV
	70026587	Ref	Pipe Handler Cylinder	
		Ref	Note: Original Cylinder May Have Been Replaced with Service Replacement. Identify PN Stamped on Cylinder Before Ordering Parts.	
1	70026495	1	Barrel	
2	70026610	1	Rod	
3	70026497	1	Spacer	
4	70026611	1	Spacer	
5	70026499	1	Piston	
6	70026500	1	Retainer	
7	70026501	2	Bushing	
8	70026502	2	Valve, Check	
9	70024129	4	Fitting, 4	
10	70026503	1	Nut	
11	70024734	1	Kit, Check Valve Service	
12	70026505	1	Seal Loader	
13	70026506	1	Seal Kit (includes items 14 thru 20)	
14	Kit	AR	Seal (Note: Use Item 13)	
15	Kit	AR	O-Ring (Note: Use Item 13)	
16	Kit	AR	O-Ring (Note: Use Item 13)	
17	Kit	AR	Ring, Back-up (Note: Use Item 13)	
18	Kit	AR	Seal (Note: Use Item 13)	
19	Kit	AR	Wiper (Note: Use Item 13)	
20	Kit	AR	Ring, Wear (Note: Use Item 13)	

SECTION 9 - HYDRAULIC COMPONENTS

FIGURE 9-11. MAIN CONTROL VALVE



ART_1001180252-J

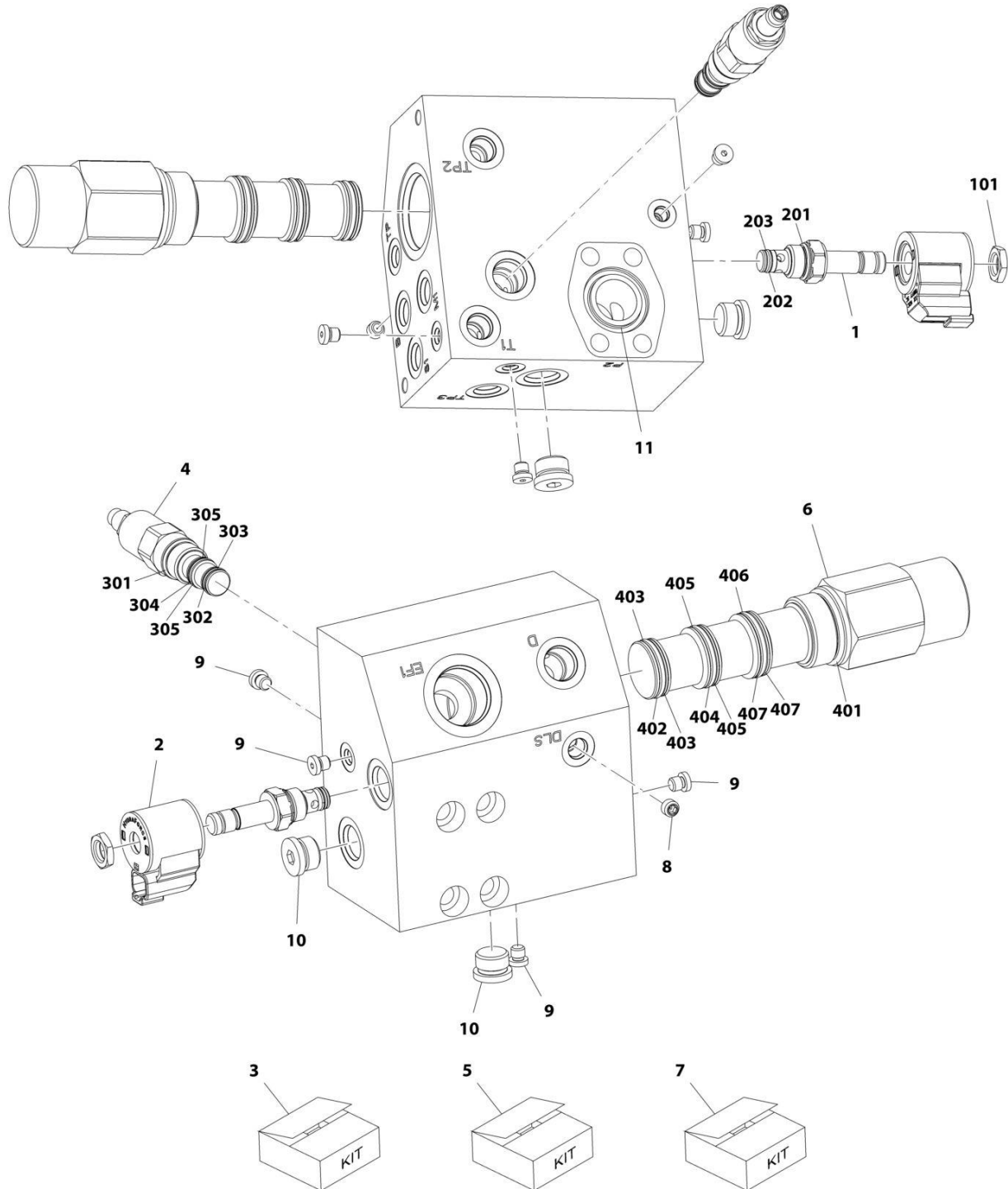
SECTION 9 - HYDRAULIC COMPONENTS

FIGURE 9-11. MAIN CONTROL VALVE

ITEM	PART NUMBER	QTY	DESCRIPTION	REV
	1001180252	NLA	Main Control Valve, (no longer available, see items 1 through 40 for service or use 1001233797 for replacement)	J
1	70027136	1	Section, Inlet	
2	70027140	1	Section, Lift	
3	70027137	1	Section, Tilt	
4	70027138	1	Section, Aux	
5	70027139	1	Section, Tele	
6	70027141	1	Section, Outlet	
7	8034697	5	O-Ring	
8	10837926	10	O-Ring	
9	70027128	20	O-Ring	
10	10837929	4	Poppet	
11	10837937	4	Spring	
12	70026375	3	Tie Rod	
13	70050481	6	Nut	
14	70050475	1	Plug	
15	8036533	1	O-Ring	
16	8035835	1	Plug	
17	7013903	1	O-Ring	
18	90201309	1	Plug	
19	70026374	1	O-Ring	
20	70027096	1	Plug	
21	70026371	1	O-Ring	
22	91044238	1	Plug	
23	70026372	1	O-Ring	
24	70026370	1	O-Ring	
25	70026376	1	Ring	
26	10837928	1	O-Ring	
27	70027132	1	Drain, Regulator	
28	70026373	1	O-Ring	
29	70027135	16	Cap	
30	70051155	8	Valve	
31	70026382	2	Plug	
32	70022010	2	Valve	
33	70027133	2	Valve	
34	70027134	1	Valve	
35	70050503	8	Plug	
36	70026777	8	O-Ring	
37	70026377	8	Spring	
38	70027129	8	Spring	
39	70027131	8	Plug	
40	70027130	8	O-Ring	

SECTION 9 - HYDRAULIC COMPONENTS

FIGURE 9-12. PRIORITY FLOW MANIFOLD



ART_1001179462-E

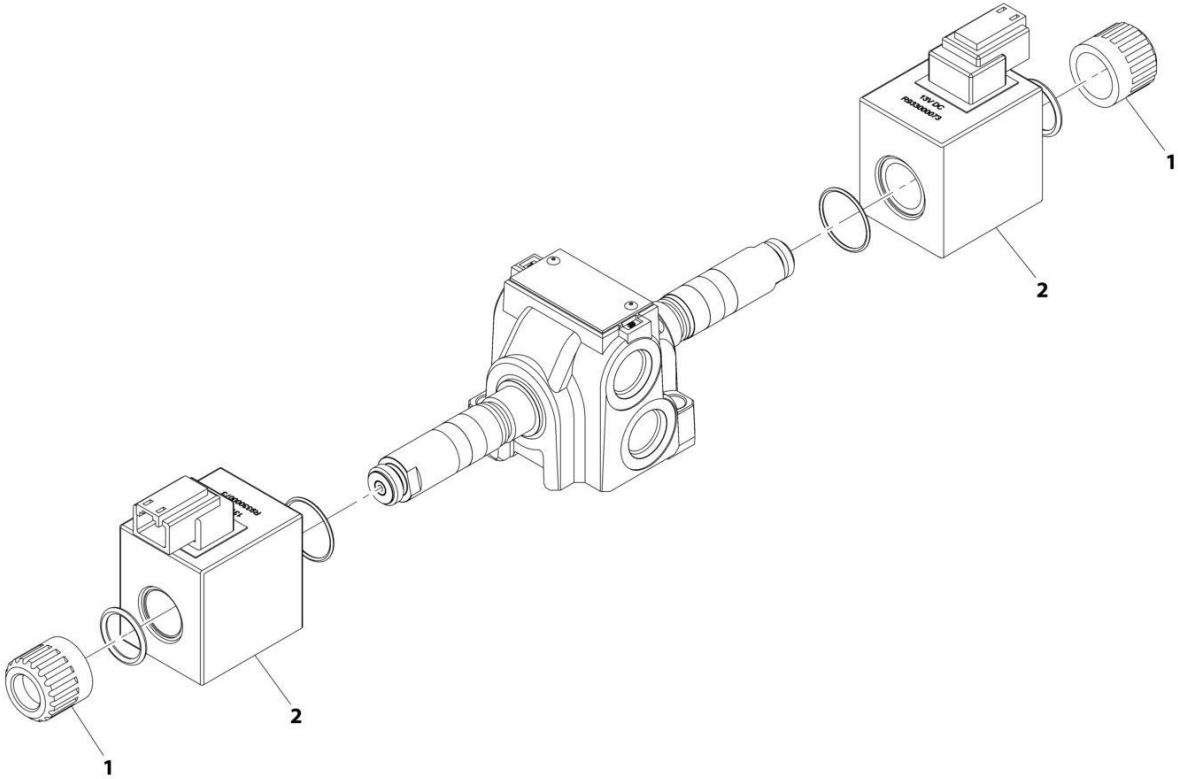
SECTION 9 - HYDRAULIC COMPONENTS

FIGURE 9-12. PRIORITY FLOW MANIFOLD

ITEM	PART NUMBER	QTY	DESCRIPTION	REV
	1001179462	Ref	Priority Flow Manifold	E
1	70027001	1	Valve, Solenoid	
2	70002386	1	Coil	
3	7012998	1	Kit, Seal (includes items 201 thru 203)	
4	70027002	1	Reducer, Pressure	
5	7021653	1	Kit, Seal (includes items 301 thru 305)	
6	70027003	1	Compensator, Pressure	
7	70026333	1	Kit, Seal (includes items 401 thru 407)	
8	70026313	1	Plug	
9	2220881	4	Plug	
10	2220886	2	Plug	
11	70027000	1	O-Ring	
101	Kit	1	Nut	
201	Kit	1	O-Ring	
202	Kit	1	O-Ring	
203	Kit	1	Ring, Backup	
301	Kit	1	O-Ring	
302	Kit	1	O-Ring	
303	Kit	1	Ring, Backup	
304	Kit	1	O-Ring	
305	Kit	2	Ring, Backup	
401	Kit	1	O-Ring	
402	Kit	1	O-Ring	
403	Kit	2	Ring, Backup	
404	Kit	1	O-Ring	
405	Kit	2	Ring, Backup	
406	Kit	1	O-Ring	
407	Kit	2	Ring, Backup	

SECTION 9 - HYDRAULIC COMPONENTS

FIGURE 9-13. STEERING SELECT VALVE



ART_1001153748-C

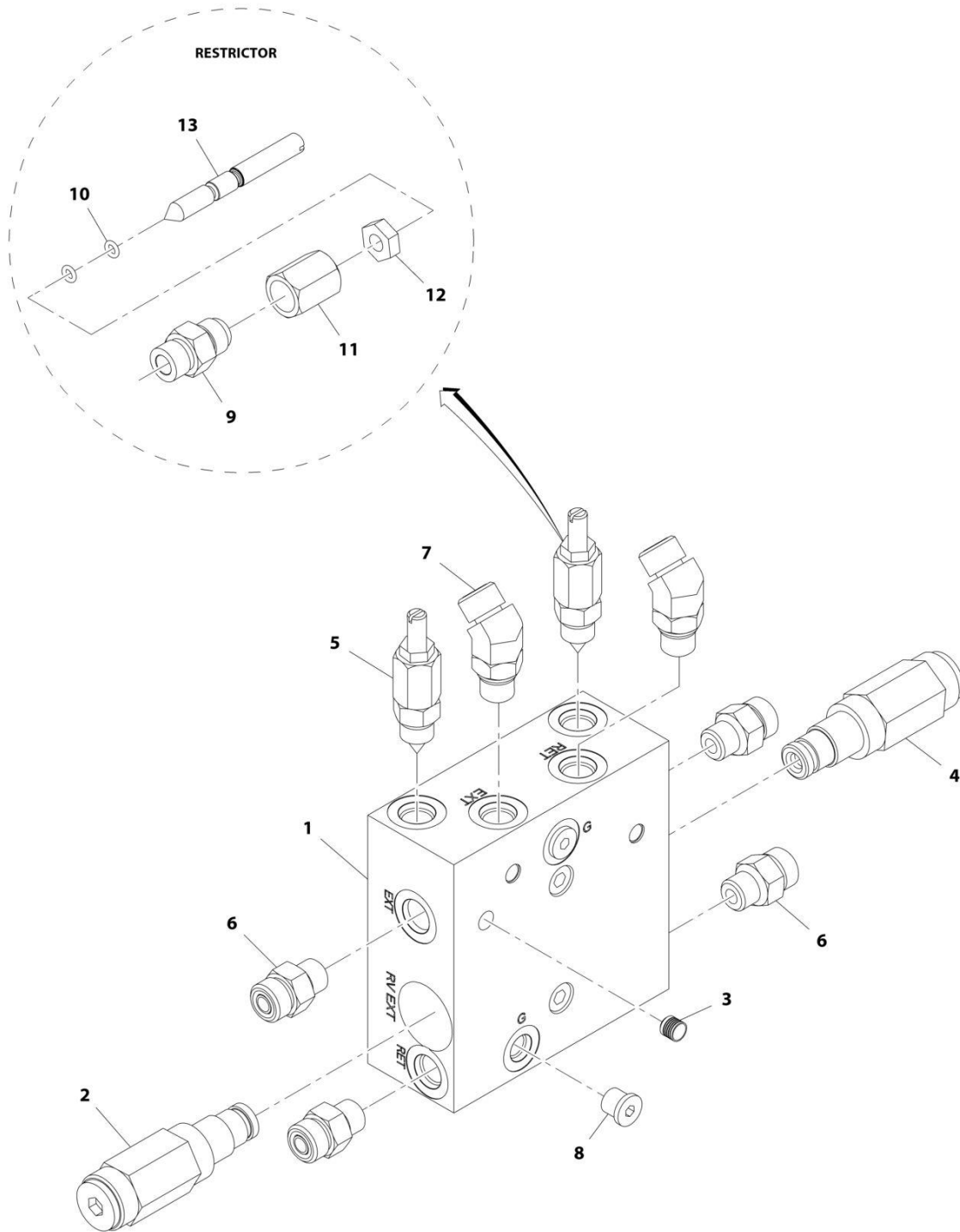
SECTION 9 - HYDRAULIC COMPONENTS

FIGURE 9-13. STEERING SELECT VALVE

ITEM	PART NUMBER	QTY	DESCRIPTION	REV
	1001153748	Ref	Steering Select Valve	C
1	70020867	2	Nut, Coil	
2	70026582	2	Coil	

SECTION 9 - HYDRAULIC COMPONENTS

FIGURE 9-14. PIPE HANDLER VALVE ASSEMBLY



ART_70026589

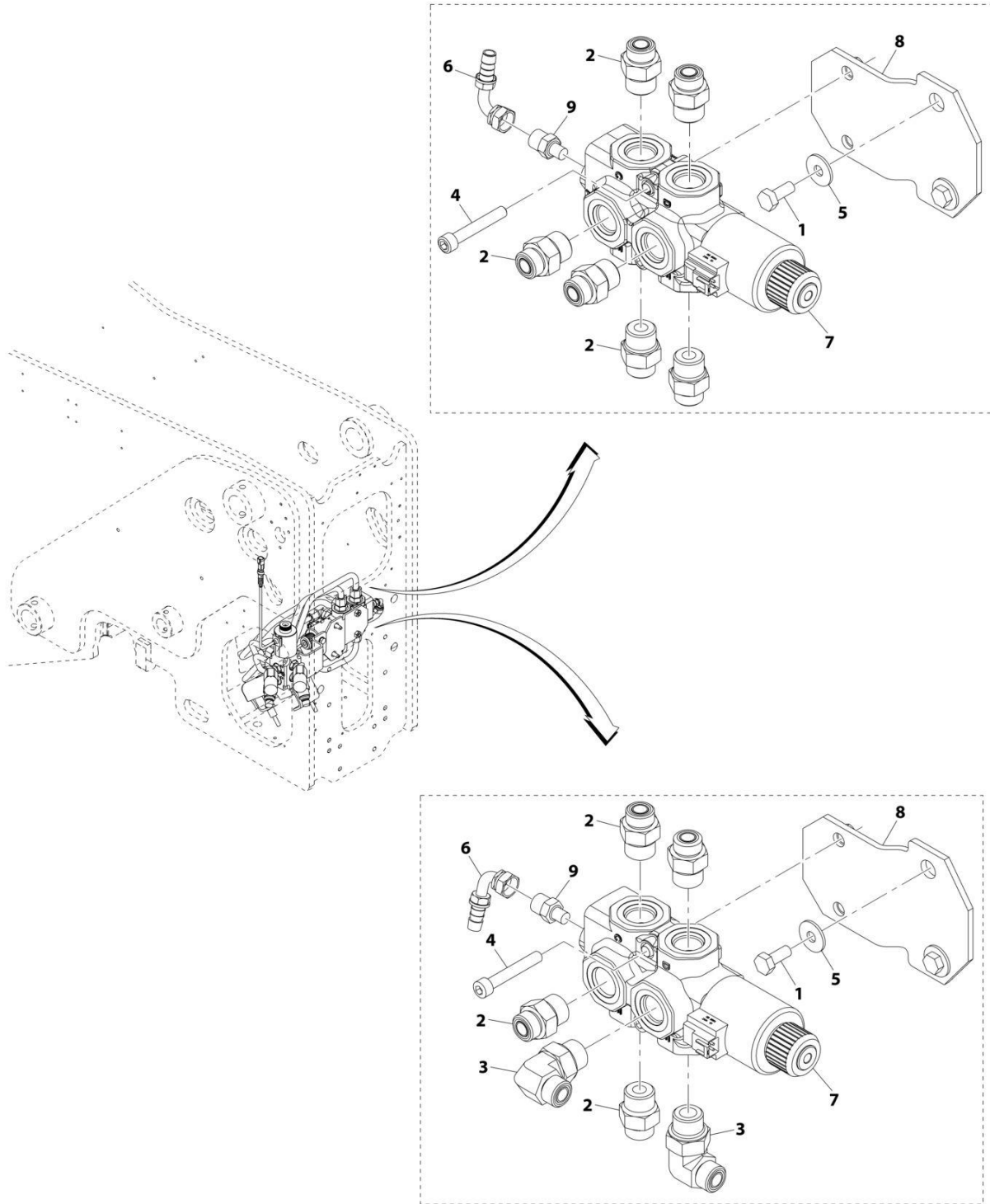
SECTION 9 - HYDRAULIC COMPONENTS

FIGURE 9-14. PIPE HANDLER VALVE ASSEMBLY

ITEM	PART NUMBER	QTY	DESCRIPTION	REV
	70026589	Ref	Valve Assembly	
1	70026612	NLA	Manifold (Purchase Complete Assembly)	
2	70026613	1	Cartridge	
3	70026614	4	Plug	
4	70026478	1	Cartridge	
5	70026615	2	Restrictor	
6	70024130	4	Fitting	
7	70026616	2	Fitting	
8	70024129	2	Plug	
9	70026617	1	Fitting	
10	70026618	2	O-Ring	
11	70026619	1	Cap	
12	70026620	1	Jam Nut	
13	70026621	1	Plunger	

SECTION 9 - HYDRAULIC COMPONENTS

FIGURE 9-15. DIVERTOR VALVE ASSEMBLY (HI FLOW)



PRIOR TO SN 0300087631

ART_1001204420-C

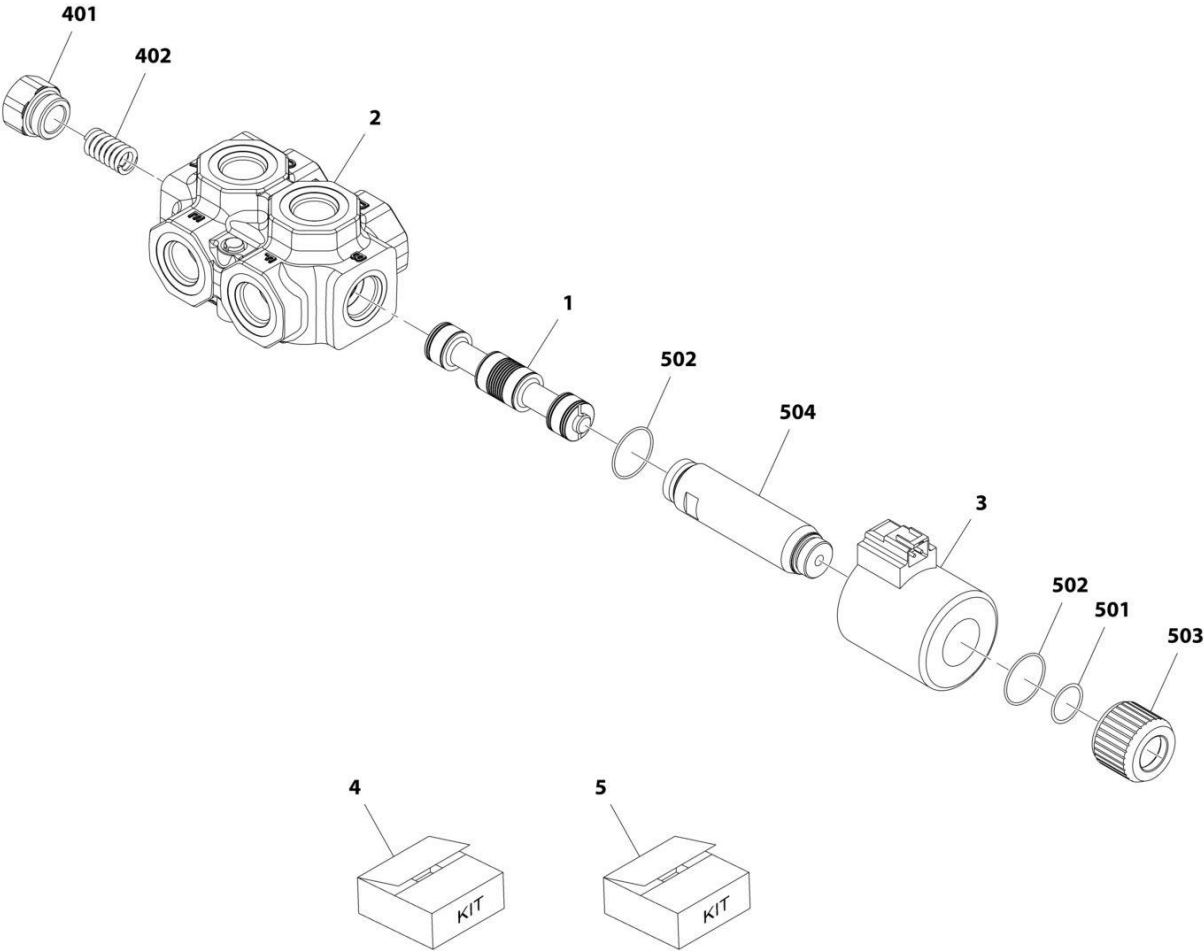
SECTION 9 - HYDRAULIC COMPONENTS

FIGURE 9-15. DIVERTOR VALVE ASSEMBLY (HI FLOW)

ITEM	PART NUMBER	QTY	DESCRIPTION	REV
	1001204420	Ref	Divertor Valve Assembly (Hi Flow)	C
1	0761012	2	Bolt, M10X25	
2	2111012	6	Fitting, Straight ORFS	
3	2131012	2	Fitting, 90 ORFS (Prior to SN 0300087631)	
4	4032017	2	Bolt	
5	4812002	2	Washer, M10	
6	1001095301	1	Fitting, 90 ORFS	
7	1001173771	1	Valve, Divertor (Hi Flow) (See Separate Breakdown in this Section)	
8	1001213748	1	Bracket	
9	2110604	1	Fitting, Straight ORFS	

SECTION 9 - HYDRAULIC COMPONENTS

FIGURE 9-16. DIVERTOR VALVE



ART_1001173771-D

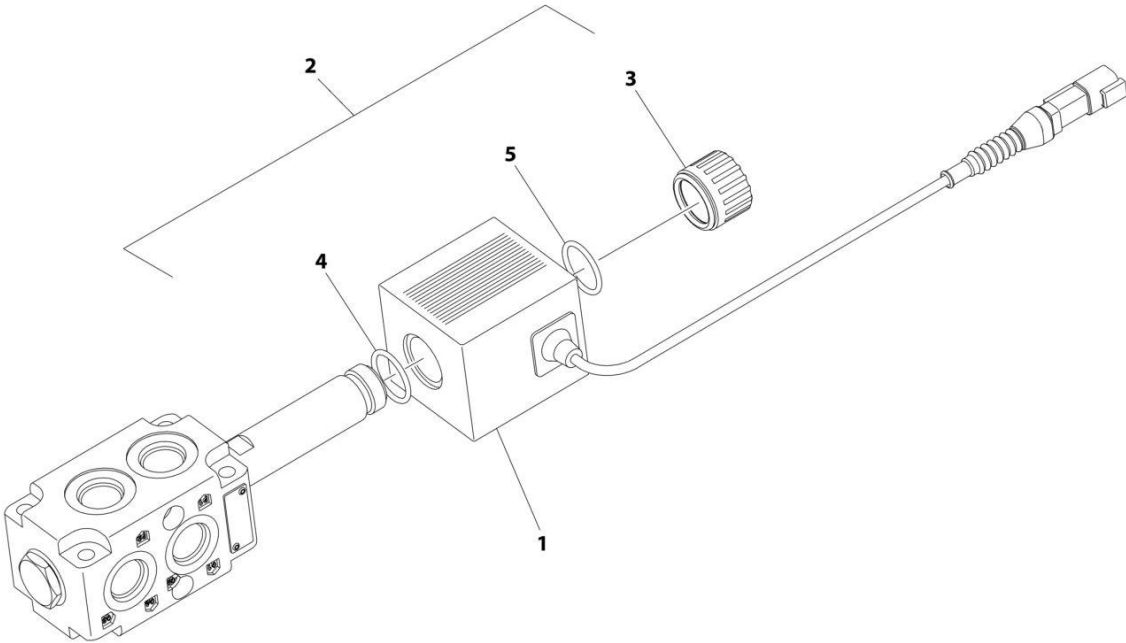
SECTION 9 - HYDRAULIC COMPONENTS

FIGURE 9-16. DIVERTOR VALVE

ITEM	PART NUMBER	QTY	DESCRIPTION	REV
	1001173771	Ref	Divertor Valve	D
1	70027267	1	Spool, Divertor	
2	70027268	1	Body, Divertor	
3	70027269	1	Coil	
4	70027270	1	Kit, Drain Plug	
401	Kit	1	Plug	
402	Kit	1	Spring	
5	70027271	1	Kit, Tube	
501	Kit	1	O-Ring	
502	Kit	2	O-Ring	
503	Kit	1	Plug	
504	Kit	1	Tube	

SECTION 9 - HYDRAULIC COMPONENTS

FIGURE 9-17. DIVERTOR VALVE



ART_1001104477

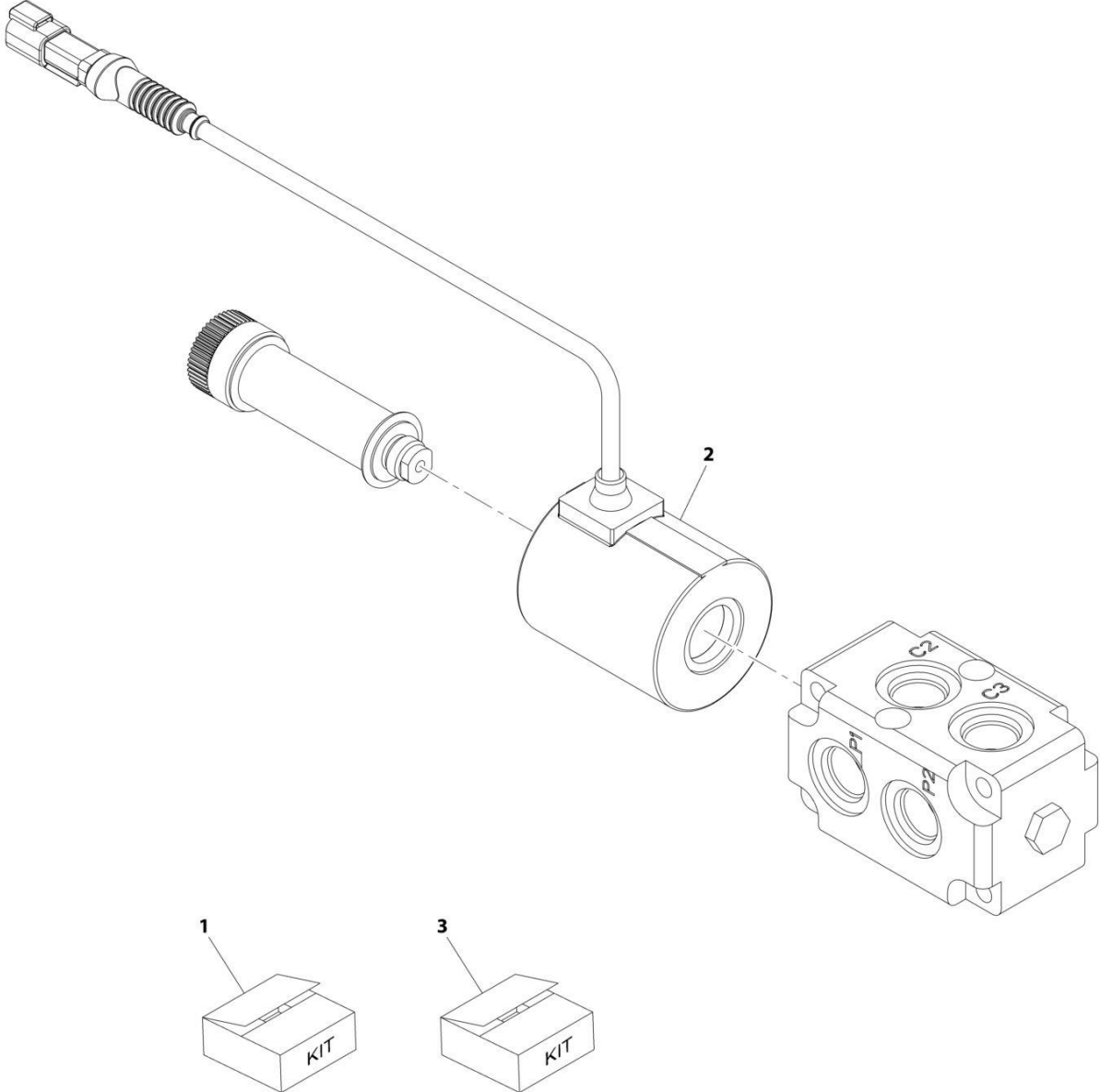
SECTION 9 - HYDRAULIC COMPONENTS

FIGURE 9-17. DIVERTOR VALVE

ITEM	PART NUMBER	QTY	DESCRIPTION	REV
	1001104477	Ref	DIVERTOR VALVE	D
1	70020764	1	Coil	
2	70021531	1	Retainer Kit (Includes Items 3-5)	
3	Kit	1	Nut	
4	Kit	1	O-Ring	
5	Kit	1	O-Ring	

SECTION 9 - HYDRAULIC COMPONENTS

FIGURE 9-18. DIVERTOR VALVE



ART_100110023-B

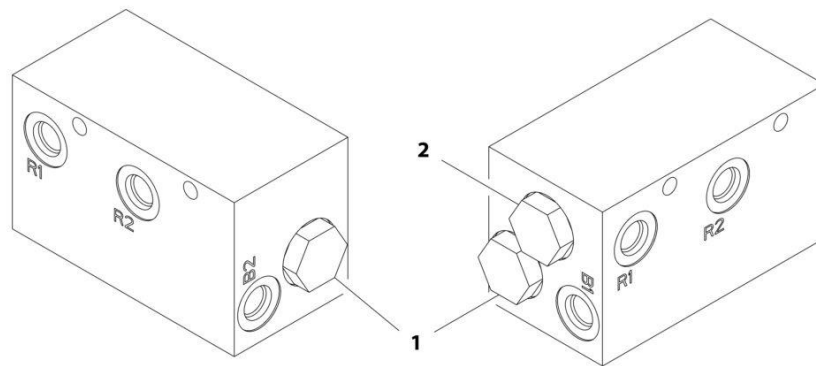
SECTION 9 - HYDRAULIC COMPONENTS

FIGURE 9-18. DIVERTOR VALVE

ITEM	PART NUMBER	QTY	DESCRIPTION	REV
	1001110023	Ref	Divertor Valve	B
1	70027596	1	Kit, Seal	
	Kit	2	O-Ring	
2	70020764	1	Coil	
3	70021531	1	Kit, Coil Nut	
	N.S.S.	1	O-Ring	
	N.S.S.	1	O-Ring	
	N.S.S.	1	Nut	

SECTION 9 - HYDRAULIC COMPONENTS

FIGURE 9-19. FLOW DIVIDER VALVE



ART_4641501-A

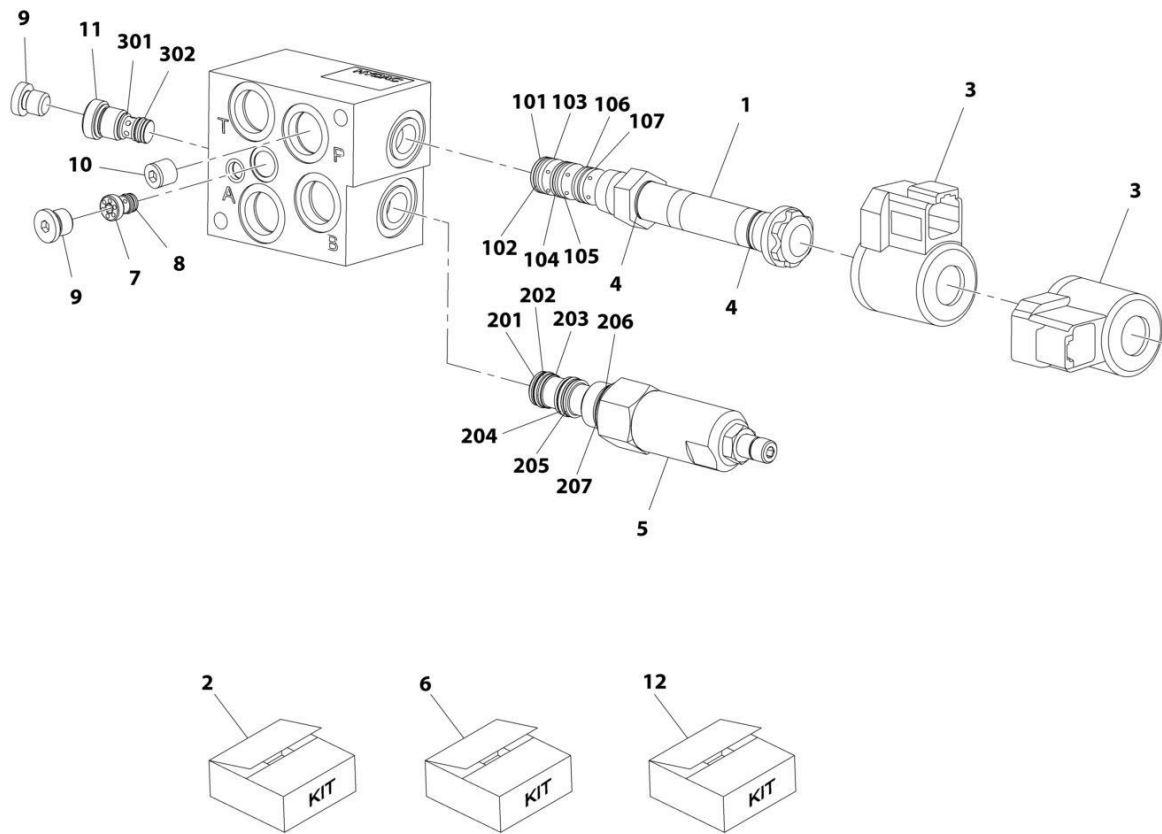
SECTION 9 - HYDRAULIC COMPONENTS

FIGURE 9-19. FLOW DIVIDER VALVE

ITEM	PART NUMBER	QTY	DESCRIPTION	REV
	4641501	Ref	Flow Divider Valve	A
1	70023928	2	Valve, Check	
2	70023929	1	Valve, Cartridge	

SECTION 9 - HYDRAULIC COMPONENTS

FIGURE 9-20. HYDRAULIC HITCH CONTROL VALVE



ART_1001173770-F

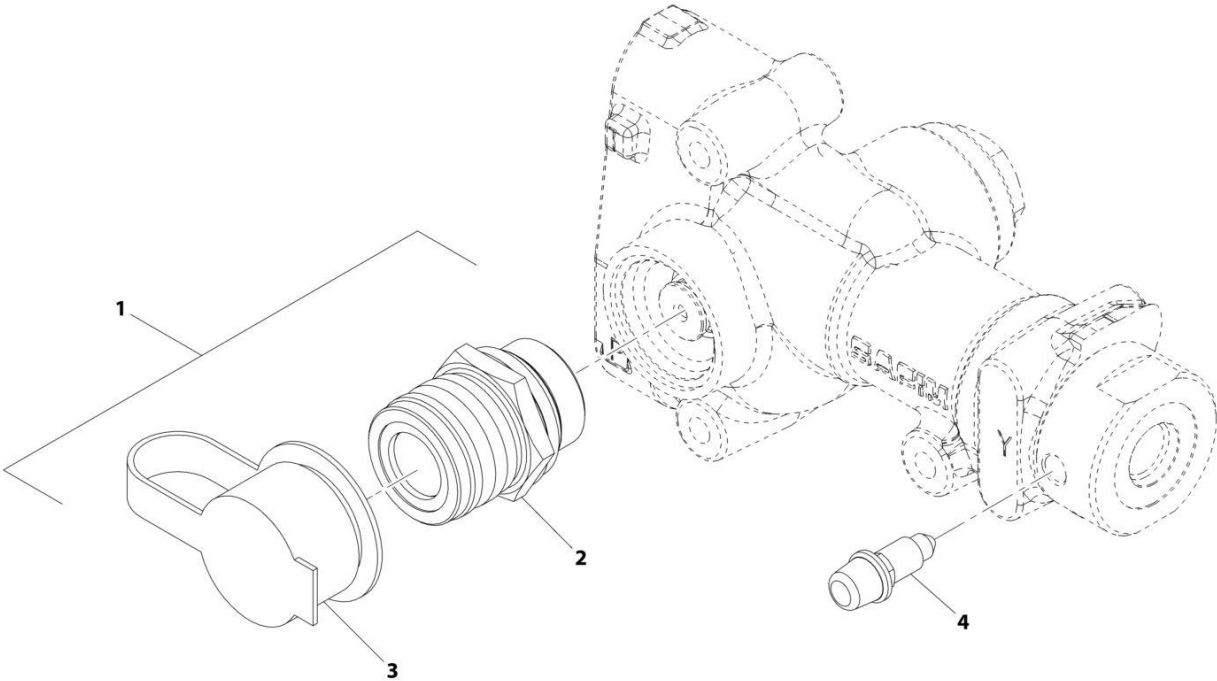
SECTION 9 - HYDRAULIC COMPONENTS

FIGURE 9-20. HYDRAULIC HITCH CONTROL VALVE

ITEM	PART NUMBER	QTY	DESCRIPTION	REV
	1001173770	Ref	Hydraulic Hitch Control Valve	F
1	70026965	1	Valve	
2	70026966	1	Kit, Seal (includes items 101 thru 107)	
3	70026967	2	Coil	
4	70026968	1	Nut	
5	70026969	1	Valve	
6	70026970	1	Kit, Seal (includes items 201 thru 207)	
7	70026971	1	Valve	
8	70026972	1	Seal	
9	70026973	2	Plug	
10	70026974	1	Orifice	
11	70026975	1	Valve	
12	70026976	1	Kit, Seal (includes items 301 & 302)	
101	Kit	1	O-Ring	
102	Kit	1	O-Ring	
103	Kit	2	Ring, Support	
104	Kit	1	O-Ring	
105	Kit	2	Ring, Support	
106	Kit	1	O-Ring	
107	Kit	2	Ring, Support	
201	Kit	1	O-Ring	
202	Kit	1	O-Ring	
203	Kit	2	Ring, Support	
204	Kit	1	O-Ring	
205	Kit	2	Ring, Support	
206	Kit	1	O-Ring	
207	Kit	2	Ring, Support	
301	Kit	1	O-Ring	
302	Kit	1	O-Ring	

SECTION 9 - HYDRAULIC COMPONENTS

FIGURE 9-21. TRAILER BRAKE VALVE (CE)



ART_1001212384-A

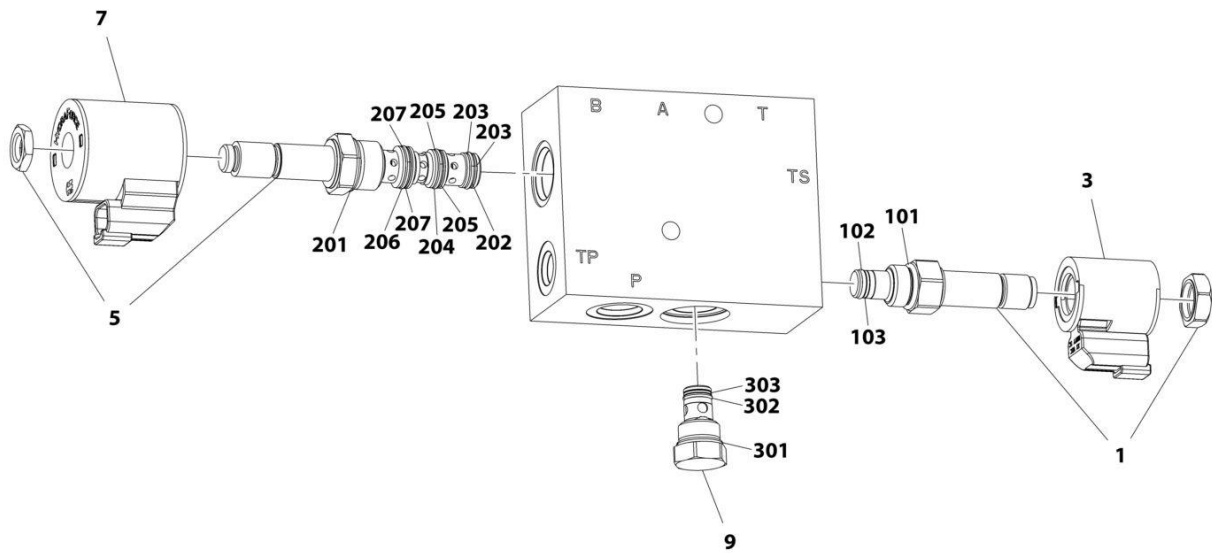
SECTION 9 - HYDRAULIC COMPONENTS

FIGURE 9-21. TRAILER BRAKE VALVE (CE)

ITEM	PART NUMBER	QTY	DESCRIPTION	REV
	1001212384	Ref	Trailer Brake Valve	A
1	70024401	1	Assembly, Coupling (includes items 2 & 3)	
2	N.S.S.	1	Coupling	
3	70024399	1	Cap	
4	70024400	1	Screw, Bleeding	

SECTION 9 - HYDRAULIC COMPONENTS

FIGURE 9-22. FAN MOTOR CONTROL VALVE



ART_1001182213-C

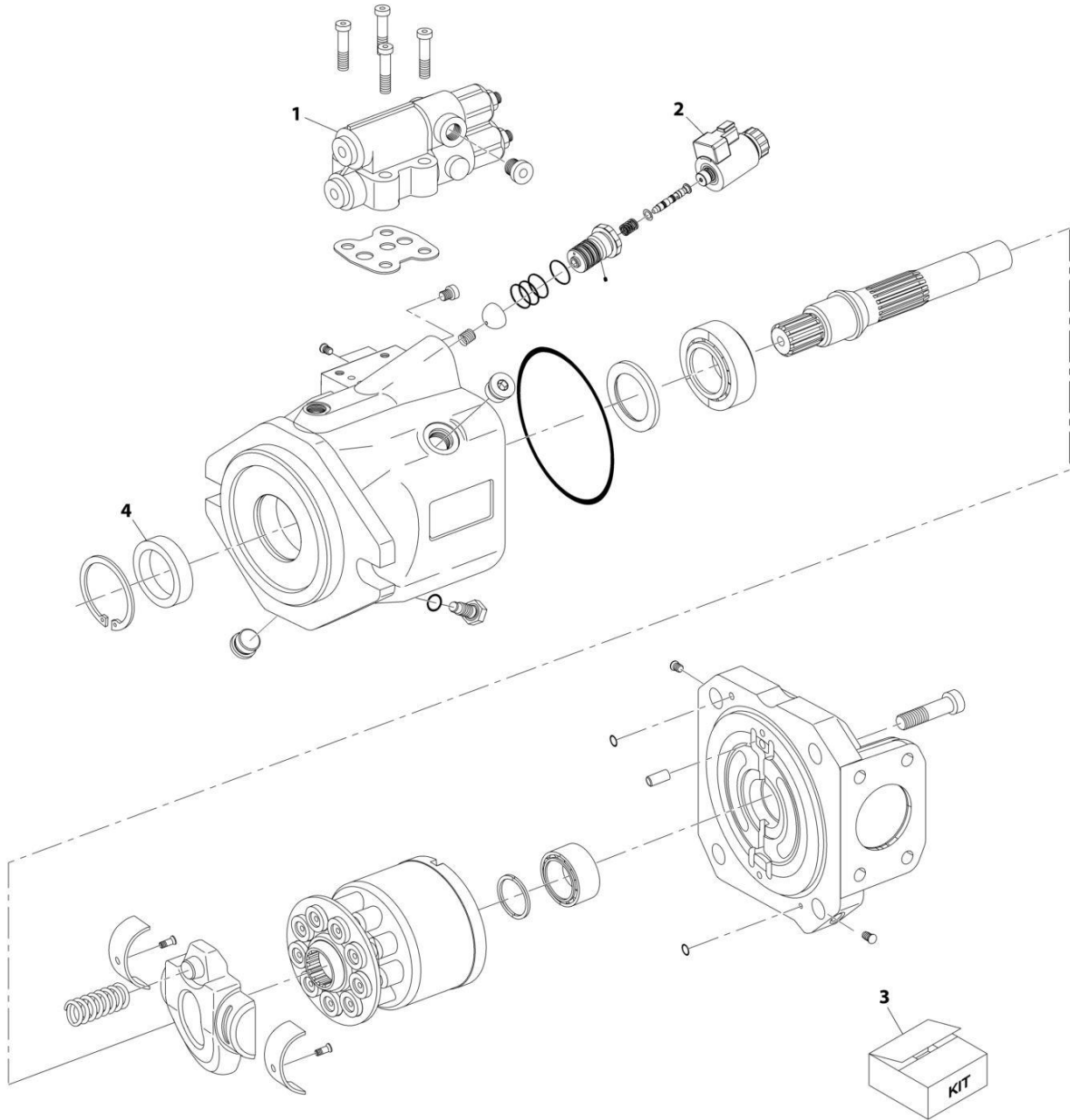
SECTION 9 - HYDRAULIC COMPONENTS

FIGURE 9-22. FAN MOTOR CONTROL VALVE

ITEM	PART NUMBER	QTY	DESCRIPTION	REV
	1001182213	Ref	Fan Motor Control Valve	C
1	70027004	1	Valve, Proportional	
3	70002971	1	Coil	
4	7012998	1	Kit, Seal (includes items 101 thru 103)	
5	8036580	1	Valve, Solenoid	
7	70003788	1	Coil	
8	7012903	1	Kit, Seal (includes items 201 thru 207)	
9	7022391	1	Valve, Check	
10	7012998	1	Kit, Seal (includes items 301 thru 303)	
101	N.S.S.	1	O-Ring	
102	N.S.S.	1	O-Ring	
103	N.S.S.	1	O-Ring, Back-up	
201	N.S.S.	1	O-Ring	
202	N.S.S.	1	O-Ring	
203	N.S.S.	2	O-Ring, Back-up	
204	N.S.S.	1	O-Ring	
205	N.S.S.	2	O-Ring, Back-up	
206	N.S.S.	1	O-Ring	
207	N.S.S.	2	O-Ring, Back-up	
301	N.S.S.	1	O-Ring	
302	N.S.S.	1	O-Ring	
303	N.S.S.	1	O-Ring, Back-up	

SECTION 9 - HYDRAULIC COMPONENTS

FIGURE 9-23. IMPLEMENT PUMP



ART_1001200815-B

SECTION 9 - HYDRAULIC COMPONENTS

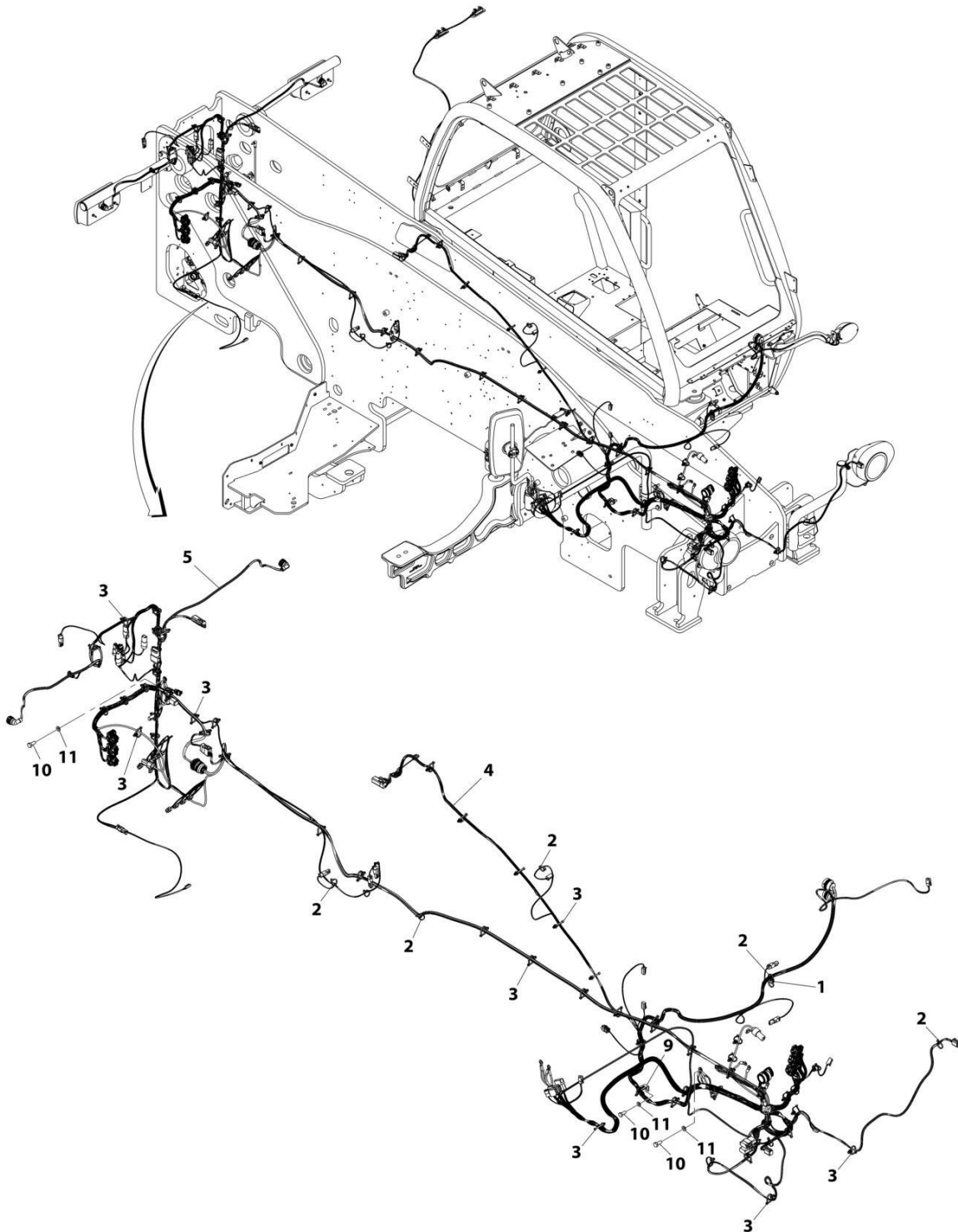
FIGURE 9-23. IMPLEMENT PUMP

ITEM	PART NUMBER	QTY	DESCRIPTION	REV
	1001200815	Ref	Implement Pump	B
1	70027595	1	Controller, DSR	
2	70024186	1	Controller, EK	
3	70024189	1	Kit, Seal	
4	7024947	1	SHAFT SEAL	
	Kit	1	O-Ring	
	Kit	2	O-Ring	
	Kit	2	O-Ring	
	Kit	4	O-Ring	
	Kit	2	O-Ring	
	Kit	1	Seal	
	Kit	1	Ring, Retaining	
	Kit	1	O-Ring	
	Kit	1	Seal	
	Kit	1	O-Ring	
	Kit	6	Seal	
	Kit	1	O-Ring	
	Kit	1	O-Ring	
	Kit	2	O-Ring	
	Kit	2	Ring, Thrust	
	Kit	1	O-Ring	
	Kit	1	O-Ring	
	Kit	1	Ring, Backup	
	Kit	1	O-Ring	
	Kit	1	Ring, Backup	

SECTION 10 - ELECTRICAL

SECTION 10 - ELECTRICAL

FIGURE 10-1. MAIN ELECTRICAL INSTALLATION



ART_1001185391-C

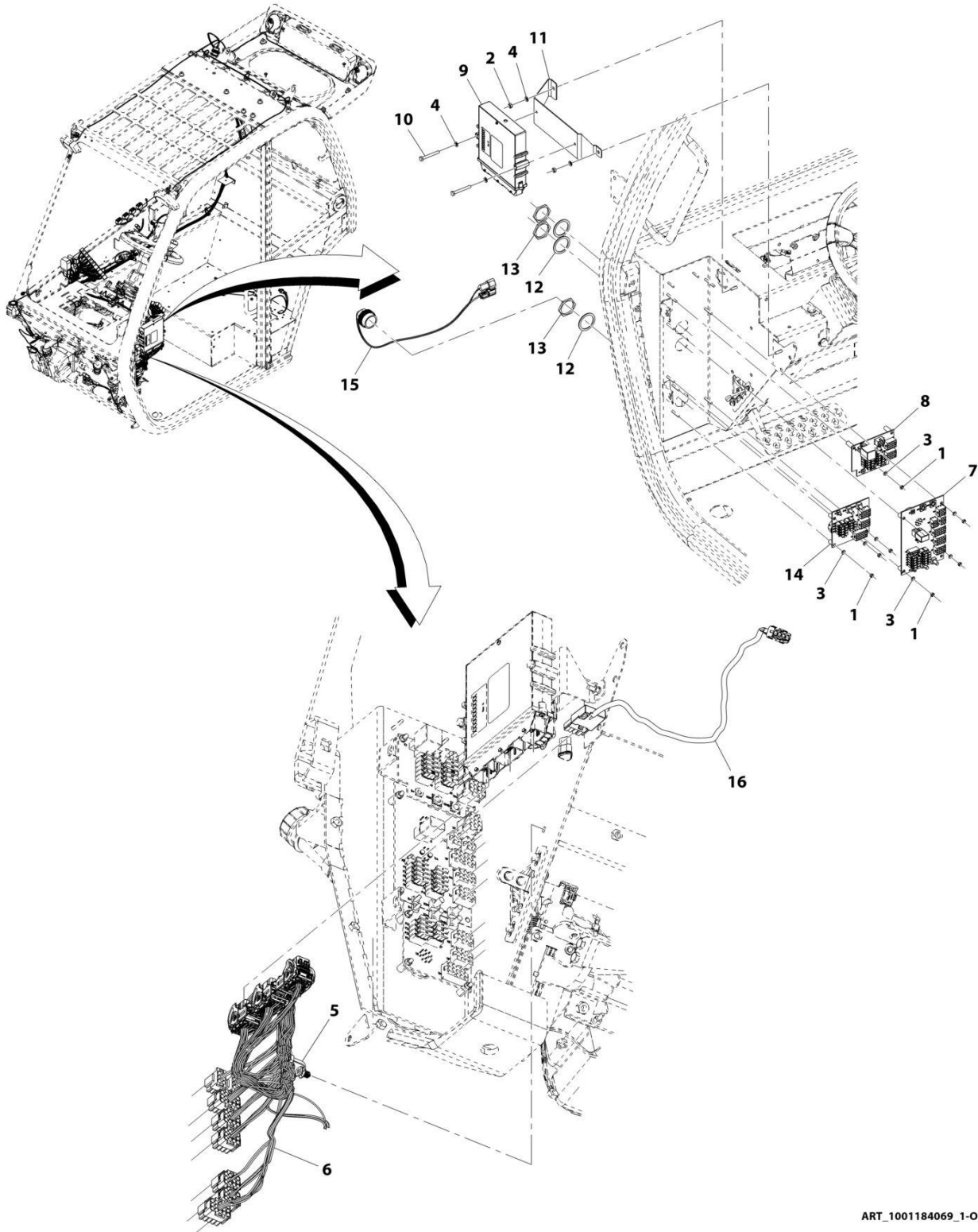
SECTION 10 - ELECTRICAL

FIGURE 10-1. MAIN ELECTRICAL INSTALLATION

ITEM	PART NUMBER	QTY	DESCRIPTION	REV
	1001185391	Ref	Main Electrical Installation	C
1	1001004723	1	Saddle	
2	1001008559	9	Strap, Cable	
3	1001146588	54	Strap, Cable Tie	
4	1001180524	Ref	Harness, Front Frame (See Separate Breakdown in this Section)	
5	1001180525	Ref	Harness, Rear Frame (See Separate Breakdown in this Section)	
9	1001003305	1	Clip	
10	0761012	3	Bolt, M10X25	
11	4812000	3	Washer, M10	

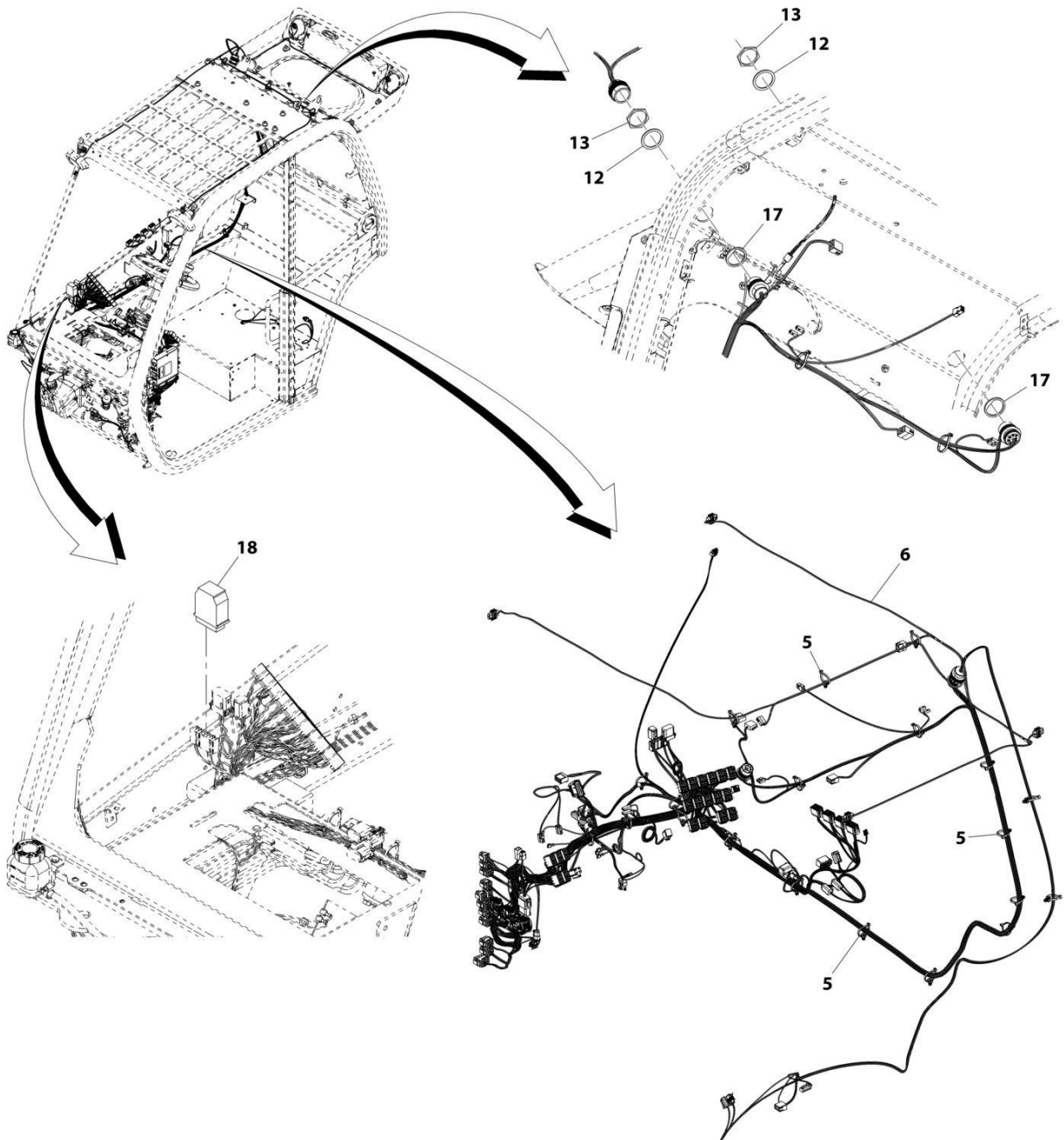
SECTION 10 - ELECTRICAL

FIGURE 10-2. CAB ELECTRICAL INSTALLATION



ART_1001184069_1-0

SECTION 10 - ELECTRICAL



ART_1001184069_2-0

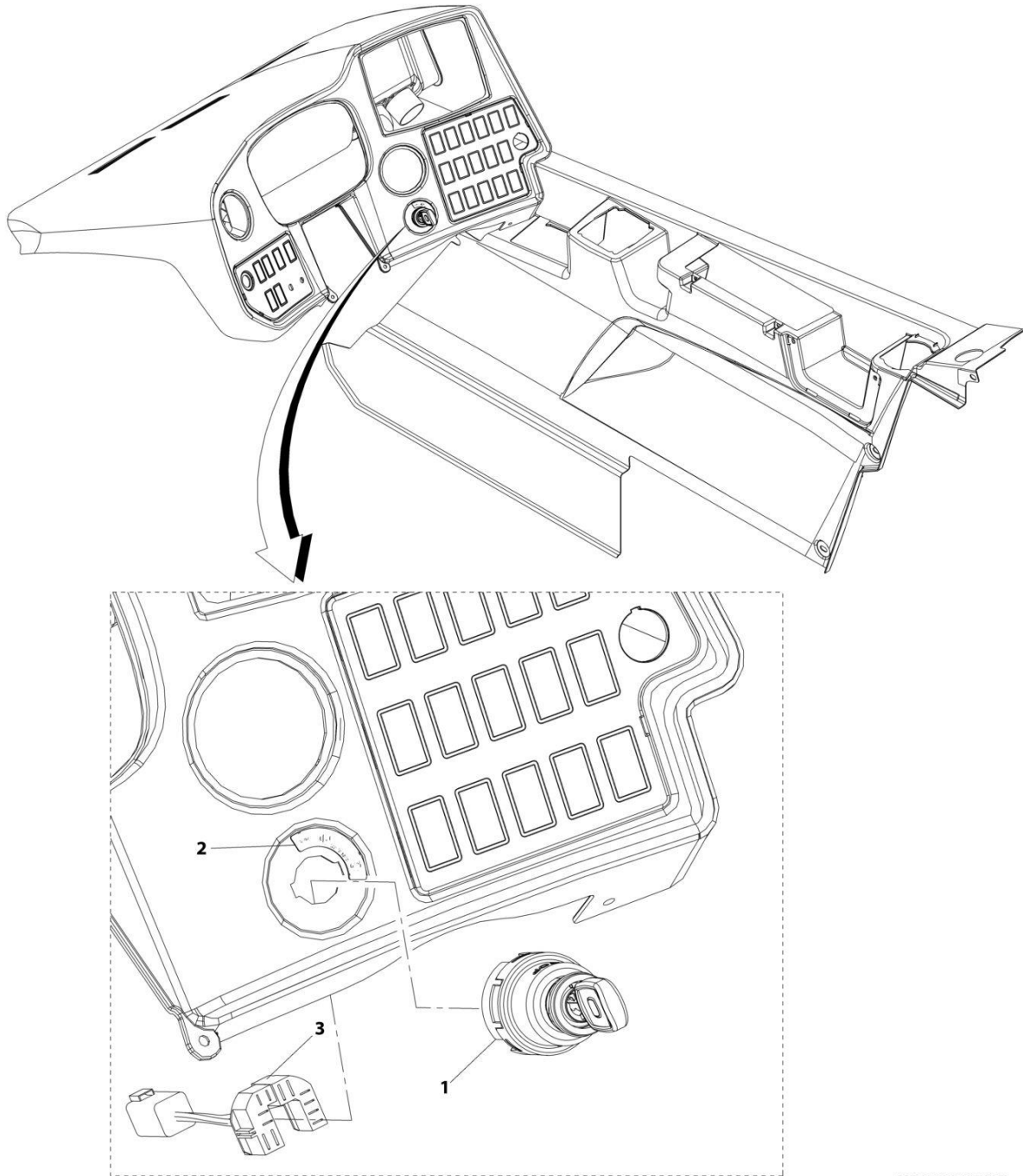
SECTION 10 - ELECTRICAL

FIGURE 10-2. CAB ELECTRICAL INSTALLATION

ITEM	PART NUMBER	QTY	DESCRIPTION	REV
	1001184069	Ref	Cab Electrical Installation	O
1	3290501	7	Nut, M5X0.8 Grade 8	
2	3290601	2	Nut, M6X1 Grade 8	
3	120034	7	Washer, Plastic	
4	4811700	4	Washer, M6	
5	1001146588	23	Strap, Cable Tie	
6	1001184070	1	Harness, Cab (See Separate Breakdown in this Section)	
7	1001161769	1	Assembly, Standard Electrical Board (See Separate Breakdown in this Section)	
8	1001161770	1	Assembly, Option 1 Electrical Board (See Separate Breakdown in this Section)	
9	1001209578	1	Module, Cab Control	
10	0700618	2	Bolt, M6X50	
11	1001178933	1	Bracket	
12	4460496	5	Washer, Terminal Lock	
13	4460497	5	Nut, Terminal	
14	1001161771	1	Assembly, Option 2 Electrical Board (See Separate Breakdown in this Section)	
15	1001181681	1	Harness, Cab Option LBP (See Separate Breakdown in this Section)	
16	1001213988	1	Cable, Communication Analyzer	
17	1001211693	2	Seal	
18	1001214281	1	Connector, Wiper Module	

SECTION 10 - ELECTRICAL

FIGURE 10-3. IGNITION SWITCH INSTALLATION



ART_1001208518-B

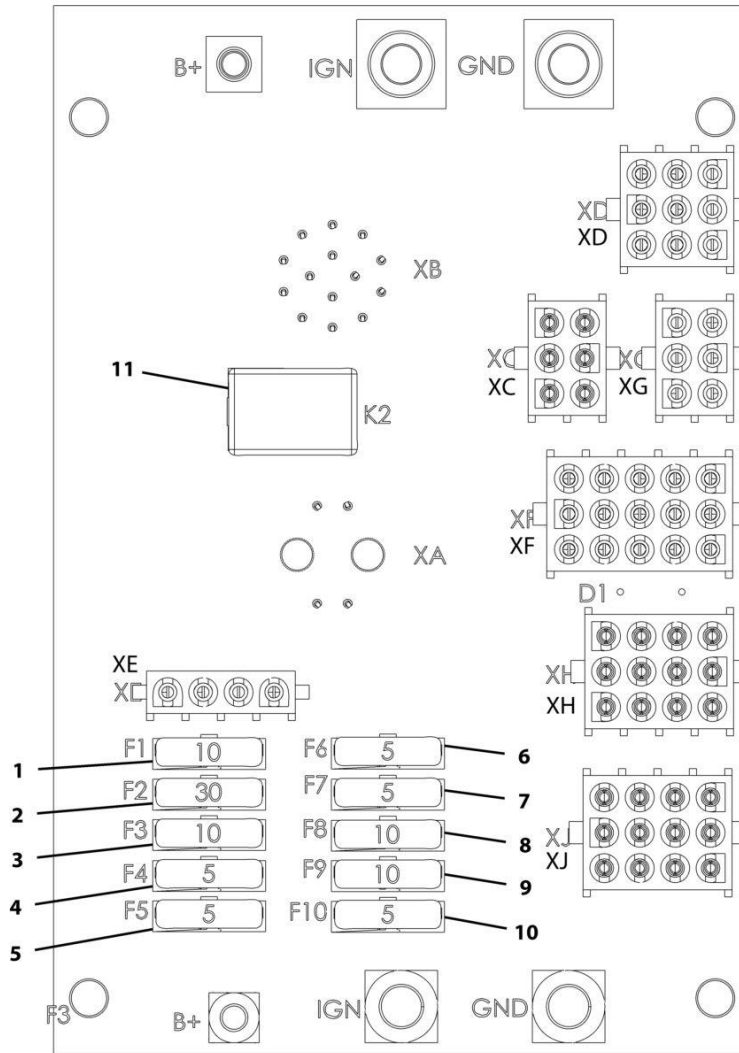
SECTION 10 - ELECTRICAL

FIGURE 10-3. IGNITION SWITCH INSTALLATION

ITEM	PART NUMBER	QTY	DESCRIPTION	REV
	1001208518	Ref	Ignition Switch Installation	B
1	1001102502	1	Switch, 4 Position Key	
1	70022765	1	Key, Ignition	
2	1001181531	1	Decal, Ignition Switch	
3	1001223968	1	Harness, Ignition Switch	

SECTION 10 - ELECTRICAL

FIGURE 10-4. STANDARD ELECTRICAL BOARD ASSEMBLY



ART_1001161769-C

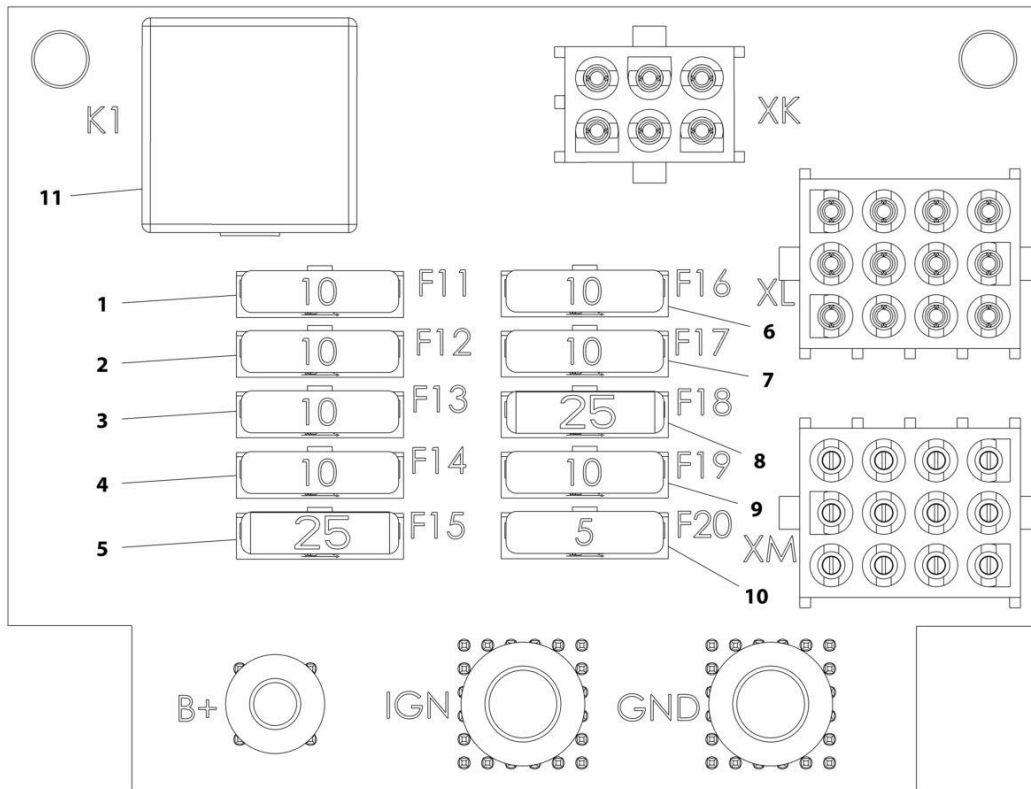
SECTION 10 - ELECTRICAL

FIGURE 10-4. STANDARD ELECTRICAL BOARD ASSEMBLY

ITEM	PART NUMBER	QTY	DESCRIPTION	REV
	1001161769	Ref	Standard Electrical Board Assembly	C
1	80983191	1	Fuse, 10AMP	
2	8229245	1	Fuse, 30AMP	
3	80983191	1	Fuse, 10AMP	
4	8229242	1	Fuse, 5AMP	
5	8229242	1	Fuse, 5AMP	
6	8229242	1	Fuse, 5AMP	
7	8229242	1	Fuse, 5AMP	
8	80983191	1	Fuse, 10AMP	
9	80983191	1	Fuse, 10AMP	
10	8229242	1	Fuse, 5AMP	
11	70026292	1	Fuse, 35AMP	

SECTION 10 - ELECTRICAL

FIGURE 10-5. OPTION 1 ELECTRICAL BOARD ASSEMBLY



ART_1001161770-C

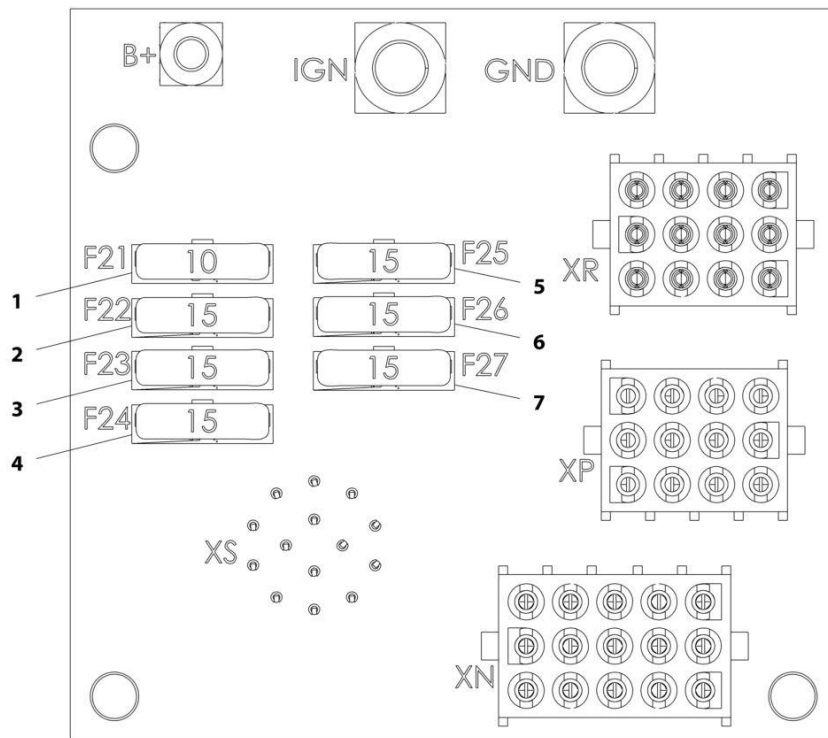
SECTION 10 - ELECTRICAL

FIGURE 10-5. OPTION 1 ELECTRICAL BOARD ASSEMBLY

ITEM	PART NUMBER	QTY	DESCRIPTION	REV
	1001161770	Ref	Option 1 Electrical Board Assembly	C
1	80983191	1	Fuse, 10AMP	
2	80983191	1	Fuse, 10AMP	
3	80983191	1	Fuse, 10AMP	
4	80983191	1	Fuse, 10AMP	
5	8229247	1	Fuse, 25AMP	
6	80983191	1	Fuse, 10AMP	
7	80983191	1	Fuse, 10AMP	
8	8229247	1	Fuse, 25AMP	
9	80983191	1	Fuse, 10AMP	
10	8229242	1	Fuse, 5AMP	
11	70026293	1	Fuse, 50AMP	

SECTION 10 - ELECTRICAL

FIGURE 10-6. OPTION 2 ELECTRICAL BOARD ASSEMBLY



ART_1001161771-B

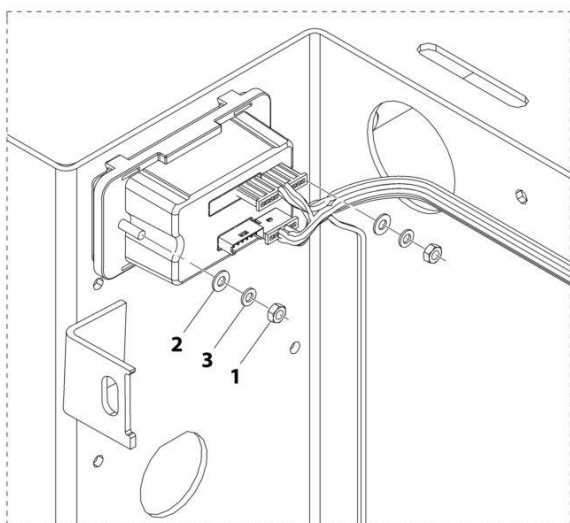
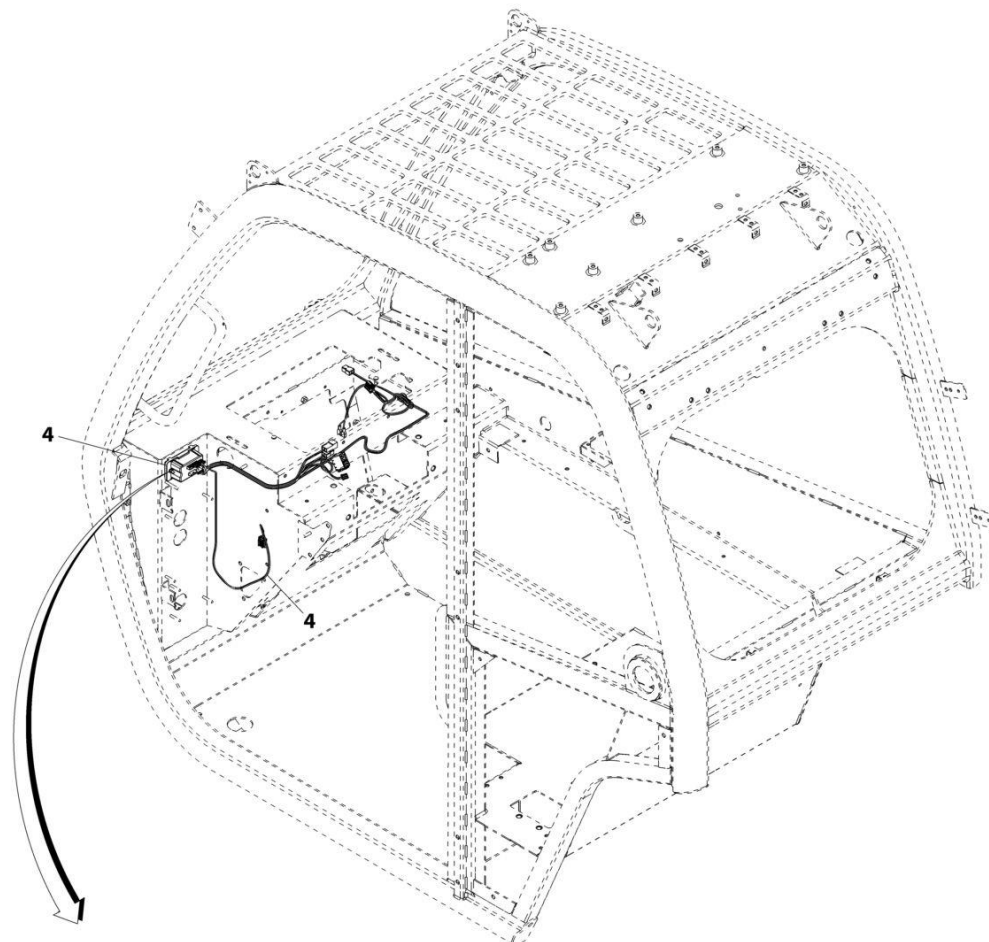
SECTION 10 - ELECTRICAL

FIGURE 10-6. OPTION 2 ELECTRICAL BOARD ASSEMBLY

ITEM	PART NUMBER	QTY	DESCRIPTION	REV
	1001161771	Ref	Option 2 Electrical Board Assembly	B
1	80983191	1	Fuse, 10AMP	
2	8229244	1	Fuse, 15AMP	
3	8229244	1	Fuse, 15AMP	
4	8229244	1	Fuse, 15AMP	
5	8229244	1	Fuse, 15AMP	
6	8229244	1	Fuse, 15AMP	
7	8229244	1	Fuse, 15AMP	

SECTION 10 - ELECTRICAL

FIGURE 10-7. CAB HEATER HARNESS INSTALLATION



ART_1001201340-C

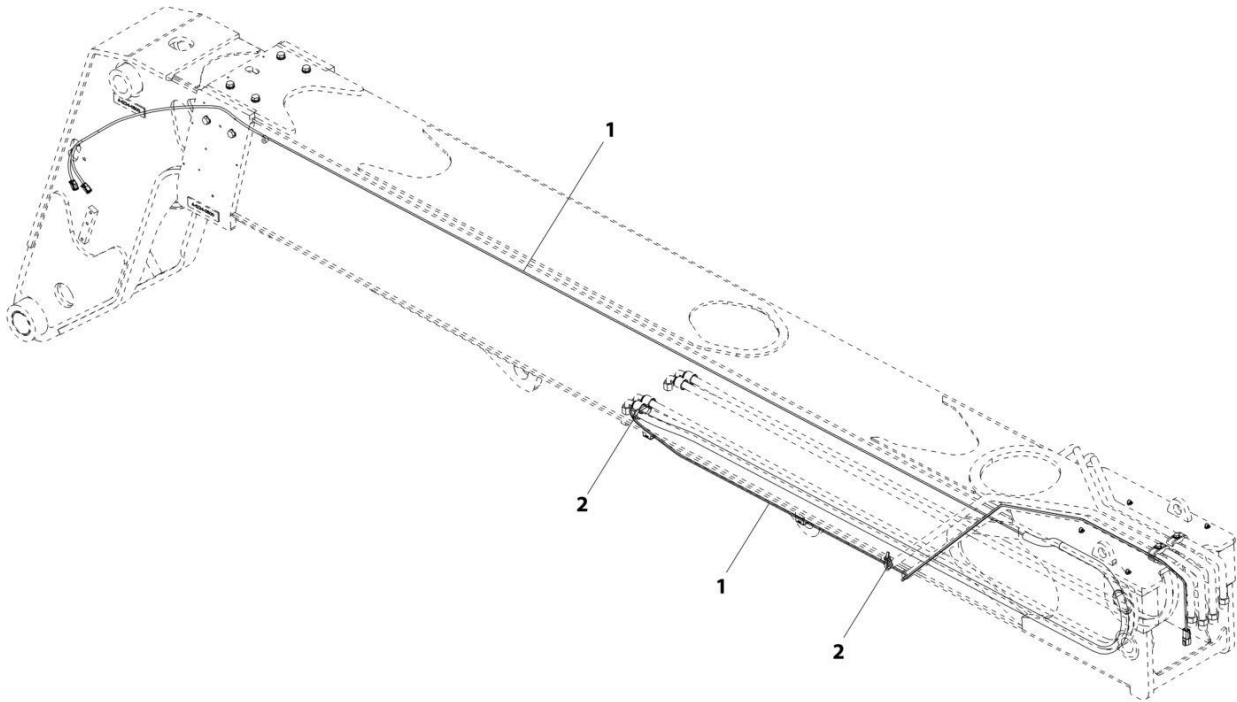
SECTION 10 - ELECTRICAL

FIGURE 10-7. CAB HEATER HARNESS INSTALLATION

ITEM	PART NUMBER	QTY	DESCRIPTION	REV
	1001201340	Ref	Cab Heater Harness Installation	C
1	3290401	2	Nut, M4X0.7 Grade 8	
2	4811400	2	Washer, M4	
3	4831400	2	Washer, Lock M4	
4	1001202516	1	Harness, Cab Heater (See Separate Breakdown in this Section)	

SECTION 10 - ELECTRICAL

FIGURE 10-8. BOOM HARNESS INSTALLATION



ART_1001186169-C

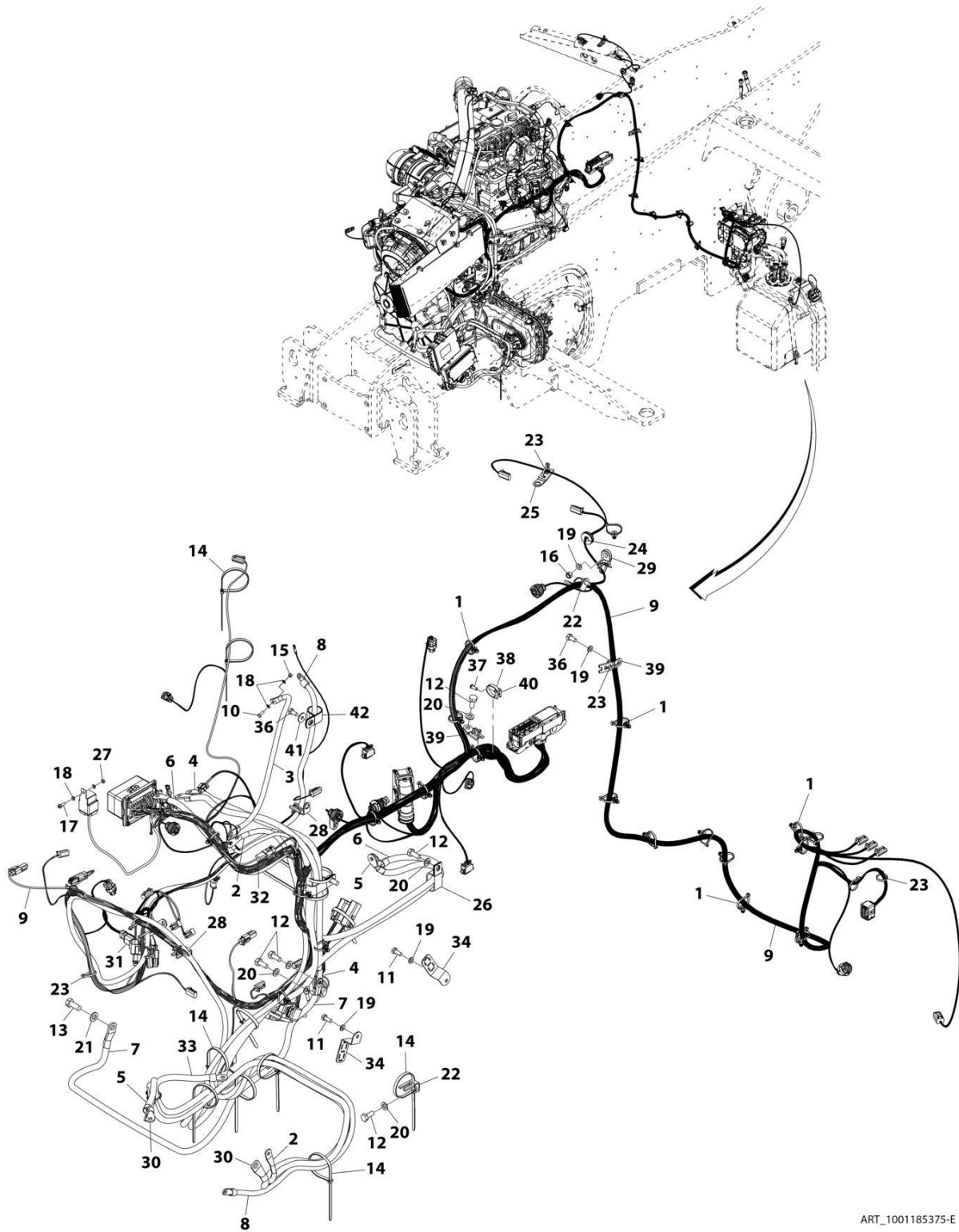
SECTION 10 - ELECTRICAL

FIGURE 10-8. BOOM HARNESS INSTALLATION

ITEM	PART NUMBER	QTY	DESCRIPTION	REV
	1001186169	Ref	Boom Harness Installation	C
1	1001184420	1	Harness, Boom (See Separate Breakdown in this Section)	
2	1001008923	AR	Strap, Cable Tie	

SECTION 10 - ELECTRICAL

FIGURE 10-9. ENGINE WIRING INSTALLATION (ULS)



ART_1001185375-E

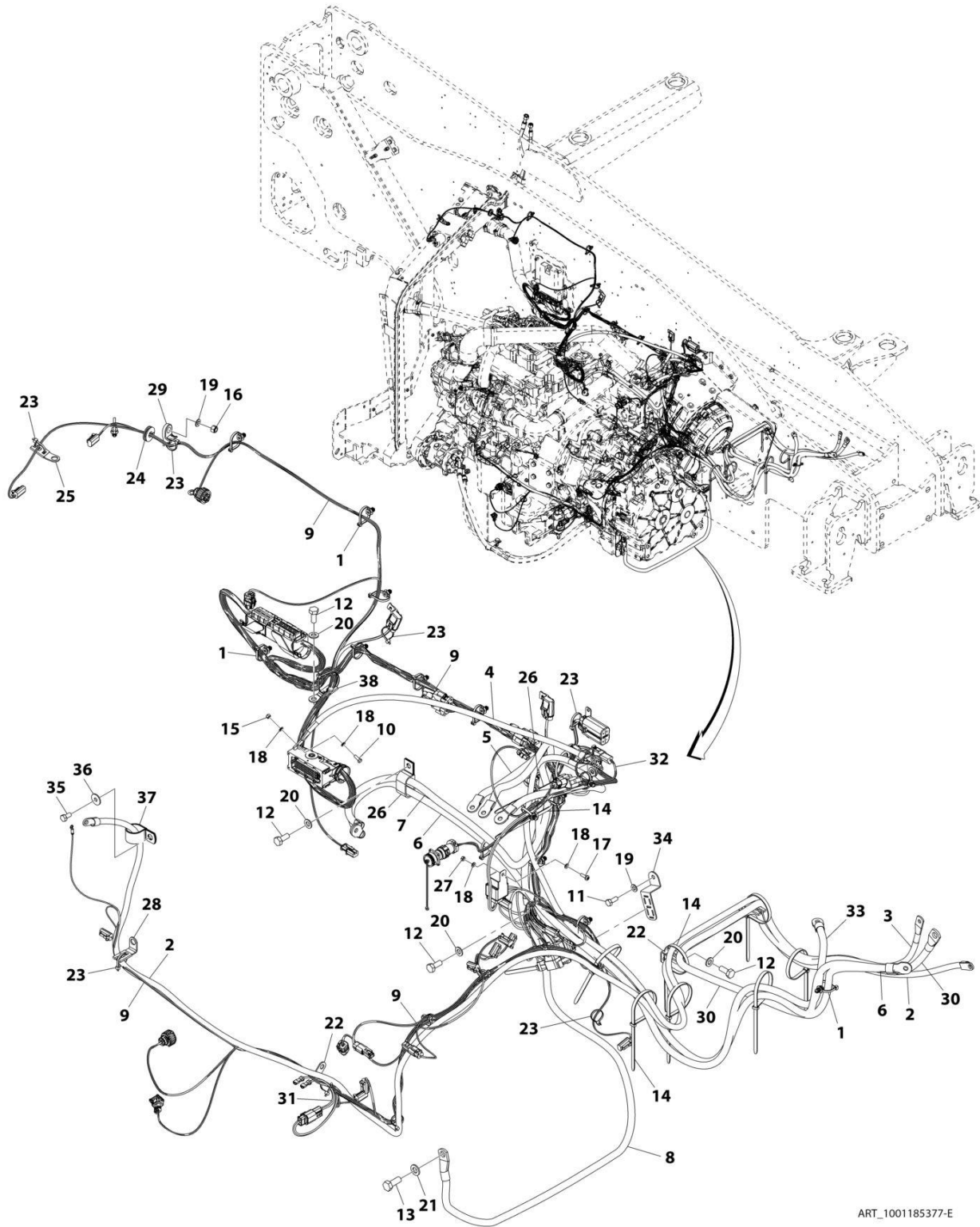
SECTION 10 - ELECTRICAL

FIGURE 10-9. ENGINE WIRING INSTALLATION (ULS)

ITEM	PART NUMBER	QTY	DESCRIPTION	REV
	1001185375	Ref	Engine Wiring Installation (ULS)	E
1	1001146588	24	Strap, Tie	
2	1001182218	1	Cable, PDM to Glow Plug Relay	
3	1001182219	1	Cable, Glow Plug to Relay	
4	1001182654	1	Cable, Batt to Ground	
5	1001182650	1	Cable, Starter to Battery +	
6	1001182651	1	Cable, Starter to Remote B+	
7	1001182652	1	Cable, Ground Buss to Engine Ground	
8	1001182216	1	Cable, Alternator	
9	1001183615	1	Harness, Engine (ULS) (See Separate Breakdown in this Section)	
10	0760507	1	Bolt, M5X14	
11	0760810	2	Bolt, M8X20	
12	0761012	7	Bolt, M10X25	
13	0761214	1	Bolt, M12X30	
14	1062255	13	Strap, Tie	
15	3290505	1	Nut, Lock M5X0.8 Grade 8	
16	3290805	1	Nut, Lock M8X1.25 Grade 8	
17	3900381	1	Screw, M5X16	
18	4811600	4	Washer, M5	
19	4811900	5	Washer, M8	
20	4812000	7	Washer, M10	
21	4812100	1	Washer, M12	
22	1001003305	4	Clip	
23	1001008559	12	Strap, Tie	
24	1001009375	1	Grommet	
25	1001025750	1	Clip, Ladder	
26	1001008720	2	Clip	
27	1001128972	1	Nut, M5X0.8	
28	1001130198	3	Clip, Ladder	
29	1001169146	1	Mount	
30	1001182217	1	Cable, Batt + to PDM	
31	1001182929	1	Harness, Fuel Pump (See Separate Breakdown in this Section)	
32	1001182930	1	Harness, Glow Plug Relay (See Separate Breakdown in this Section)	
33	1001203015	1	Cable, Batt (-) to Batt Disc	
34	1001203882	2	Bracket, Harness Tie Wrap	
36	0760808	3	Bolt, M8X16	
37	3900357	1	Screw, M6X16	
38	8881800	1	Strap, Tie	
39	1001008593	2	Clip	
40	1001138645	1	Mount, Cable Tie	
41	4811902	1	Washer, M8	
42	8406302	1	Clamp	

SECTION 10 - ELECTRICAL

FIGURE 10-10. ENGINE WIRING INSTALLATION (LS)



ART_1001185377-E

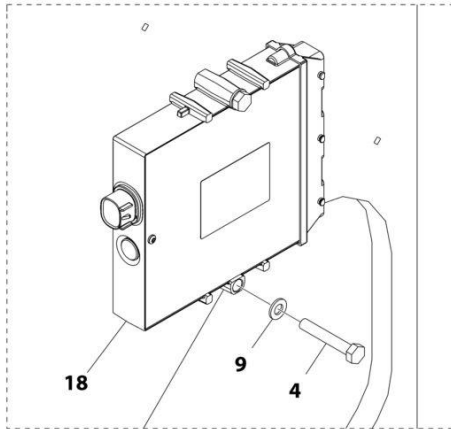
SECTION 10 - ELECTRICAL

FIGURE 10-10. ENGINE WIRING INSTALLATION (LS)

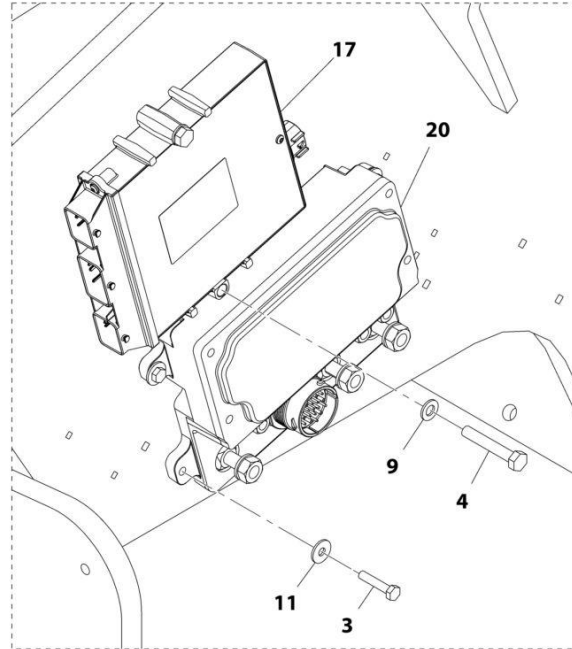
ITEM	PART NUMBER	QTY	DESCRIPTION	REV
	1001185377	Ref	Engine Wiring Installation (LS)	E
1	1001146588	16	Strap, Cable Tie	
2	1001182216	1	Cable	
3	1001182218	1	Cable	
4	1001182219	1	Cable	
5	1001182654	1	Cable	
6	1001182650	1	Cable	
7	1001182651	1	Cable	
8	1001182652	1	Cable	
9	1001184503	1	Harness, Engine (LS) (See Separate Breakdown in this Section)	
10	0760507	1	Bolt, M5X14	
11	0760810	1	Bolt, M8X20	
12	0761012	7	Bolt, M10X25	
13	0761214	1	Bolt, M12X30	
14	1062255	10	Strap, Tie	
15	3290505	1	Nut, Lock M5X0.8	
16	3290805	1	Nut, Lock M8X1.25	
17	3900381	1	Screw, M5X16	
18	4811600	4	Washer, M5	
19	4811900	2	Washer, M8	
20	4812000	7	Washer, M10	
21	4812100	1	Washer, M12	
22	1001003305	3	Clip	
23	1001008559	12	Strap, Cable	
24	1001009375	1	Grommet	
25	1001025750	1	Clip	
26	1001008720	2	Clip	
27	1001128972	1	Nut, M5X.8	
28	1001130198	2	Clip	
29	1001169146	1	Mount	
30	1001182217	1	Cable	
31	1001182929	1	Harness, Fuel Pump (See Separate Breakdown in this Section)	
32	1001182930	1	Harness, Glow Plug Relay (See Separate Breakdown in this Section)	
33	1001203015	1	Cable	
34	1001203882	1	Bracket	
35	0760808	1	Bolt, M8X16	
36	4811902	1	Washer, M8	
37	8406302	1	Clamp	
38	1001008593	1	Clip	

SECTION 10 - ELECTRICAL

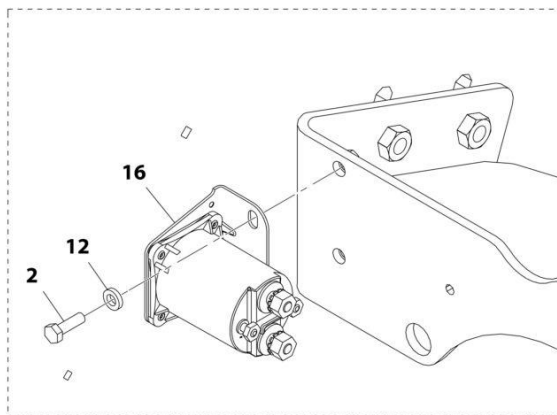
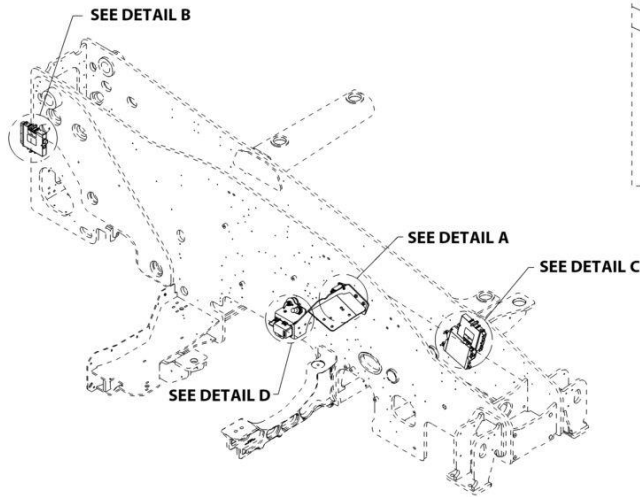
FIGURE 10-11. ELECTRICAL COMPONENTS INSTALLATION



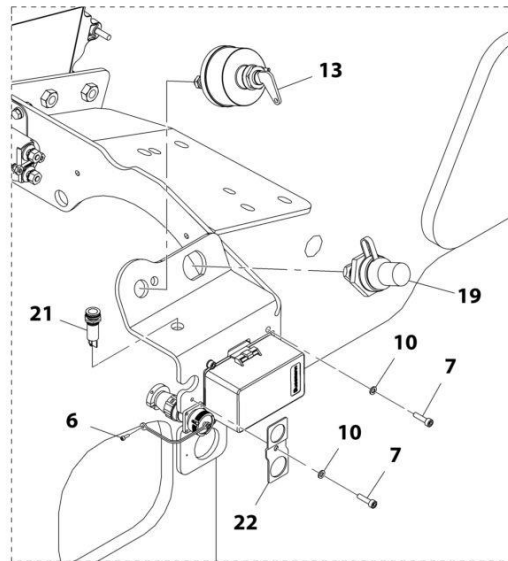
DETAIL B



DETAIL C



DETAIL A



DETAIL D

ART_1001183838-D

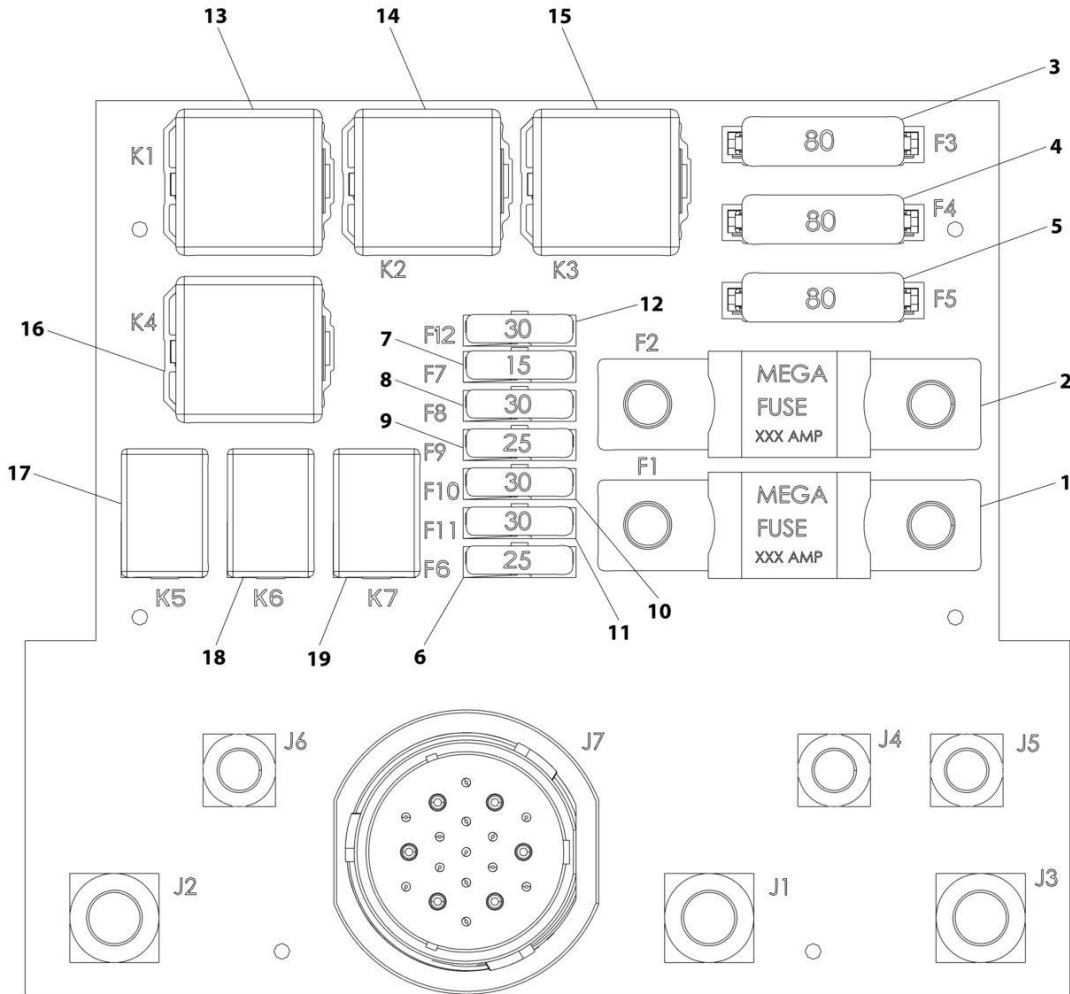
SECTION 10 - ELECTRICAL

FIGURE 10-11. ELECTRICAL COMPONENTS INSTALLATION

ITEM	PART NUMBER	QTY	DESCRIPTION	REV
	1001183838	Ref	Electrical Components Installation	D
2	0700610	2	Bolt, M6X20	
3	0700614	4	Bolt, M6X30	
4	0700818	4	Bolt, M8X50	
6	3900349	1	Screw, M2.5X0.45	
7	4031608	5	Screw, M5X20	
9	4811900	4	Washer, M8	
10	4831600	5	Washer, Lock M5	
11	4811702	4	Washer, Lock M6	
12	5240600	2	Washer, M6	
13	1001008926	NLA	Switch, Disconnect (no longer available, use 1001192142 for replacement)	
13	1001192142	1	Switch, Disconnect	
16	1001117308	1	Relay, 200 AMP (See Separate Breakdown in this Section)	
17	1001209577	1	Control, TMH Front Frame Module LBP	
18	1001209576	1	Control, TMH Rear Frame Module LBP	
19	1001193993	1	Terminal, Battery	
20	1001164402	1	Box, Power Distribution Electrical (See Separate Breakdown in this Section)	
21	1001169825	1	Lamp, 12V Yellow	
22	1001186693	1	Plate	

SECTION 10 - ELECTRICAL

FIGURE 10-12. POWER DISTRIBUTION ELECTRICAL BOX



ART_1001164402-G

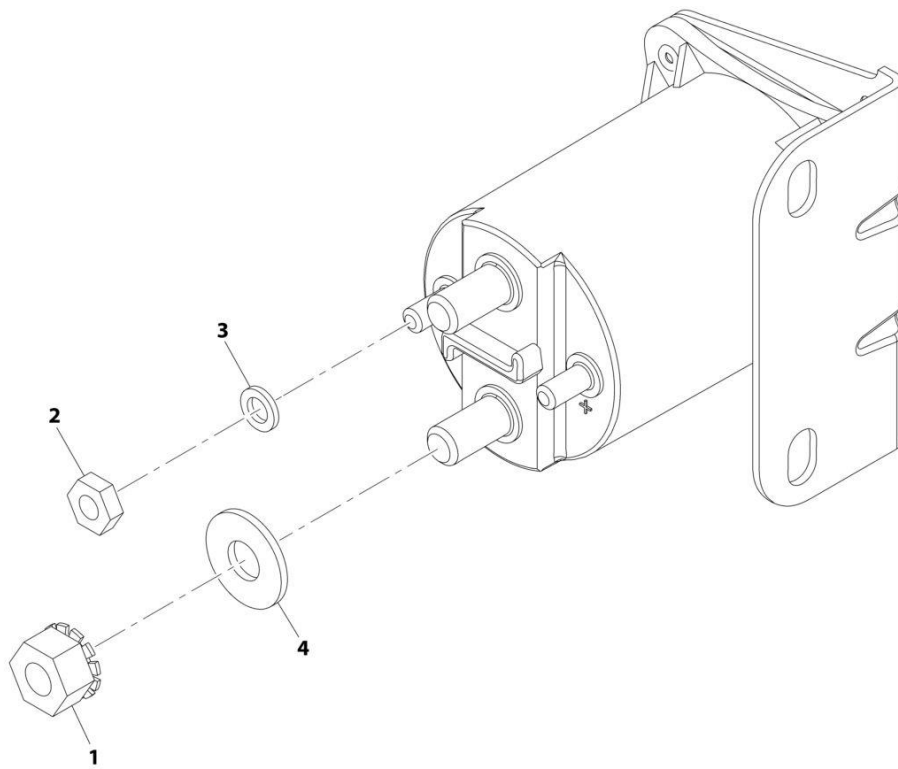
SECTION 10 - ELECTRICAL

FIGURE 10-12. POWER DISTRIBUTION ELECTRICAL BOX

ITEM	PART NUMBER	QTY	DESCRIPTION	REV
	1001164402	Ref	Power Distribution Electrical Box	G
1	1001095336	1	Fuse, 150AMP	
2	70026296	1	Fuse, 200AMP	
3	70026297	1	Fuse, 80AMP	
4	70026297	1	Fuse, 80AMP	
5	70026297	1	Fuse, 80AMP	
6	8229247	1	Fuse, 25AMP	
7	8229244	1	Fuse, 15AMP	
8	8229245	1	Fuse, 30AMP	
9	8229247	1	Fuse, 25AMP	
10	8229245	1	Fuse, 30AMP	
11	8229245	1	Fuse, 30AMP	
12	8229245	1	Fuse, 30AMP	
13	70026294	1	Fuse, 70AMP	
14	70026294	1	Fuse, 70AMP	
15	70026294	1	Fuse, 70AMP	
16	70026294	1	Fuse, 70AMP	
17	70026295	1	Fuse, 35AMP	
18	70026295	1	Fuse, 35AMP	
19	70026295	1	Fuse, 35AMP	

SECTION 10 - ELECTRICAL

FIGURE 10-13. 200 AMP RELAY INSTALLATION



ART_1001117308-C

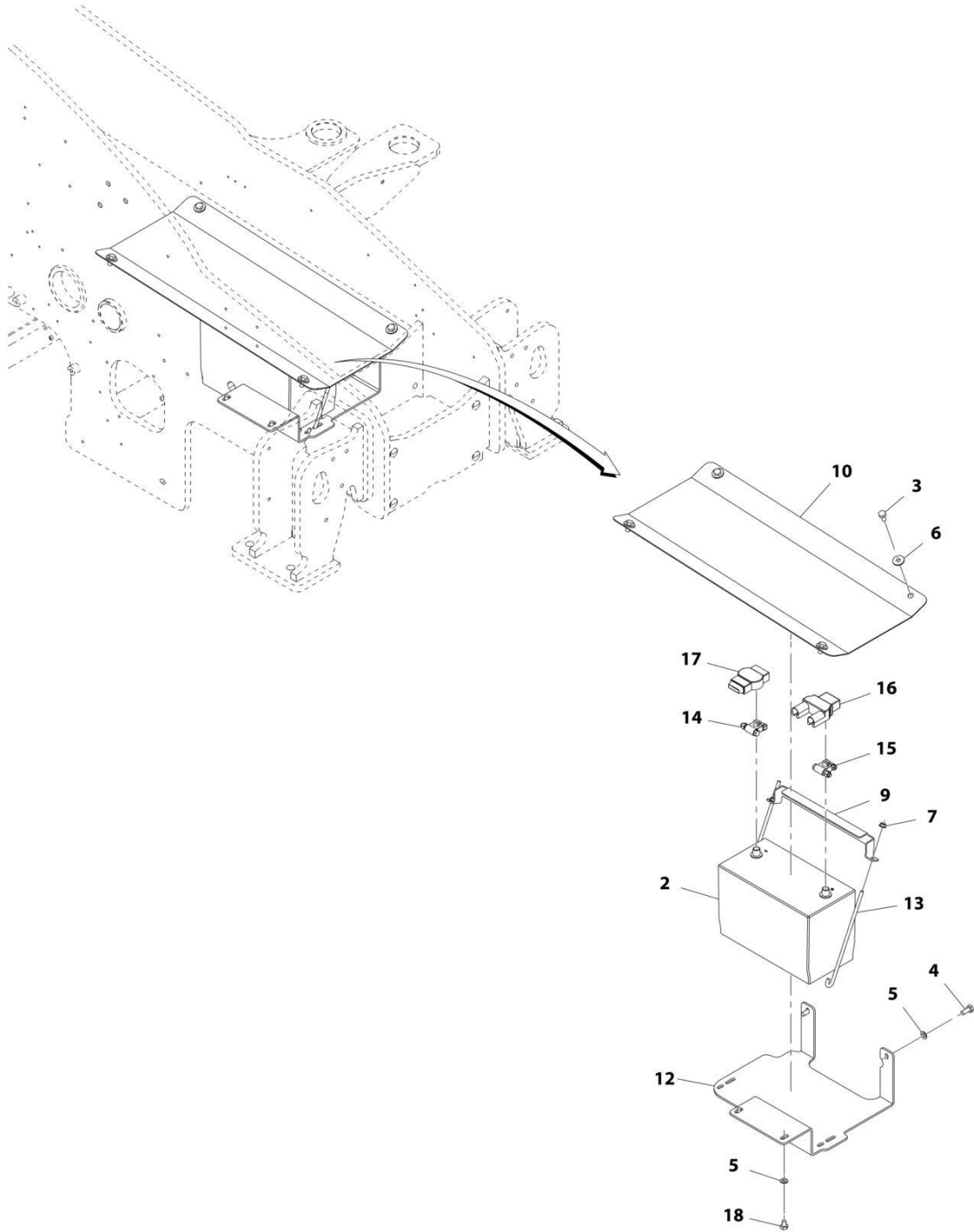
SECTION 10 - ELECTRICAL

FIGURE 10-13. 200 AMP RELAY INSTALLATION

ITEM	PART NUMBER	QTY	DESCRIPTION	REV
	1001117308	Ref	200 AMP Relay Installation	C
1	3300220	2	Nut, Washer	
2	3321001	2	Nut	
3	4761000	2	Washer, Lock	
4	1001111424	2	Washer	

SECTION 10 - ELECTRICAL

FIGURE 10-14. BATTERY INSTALLATION (STANDARD)



ART_1001180267-F

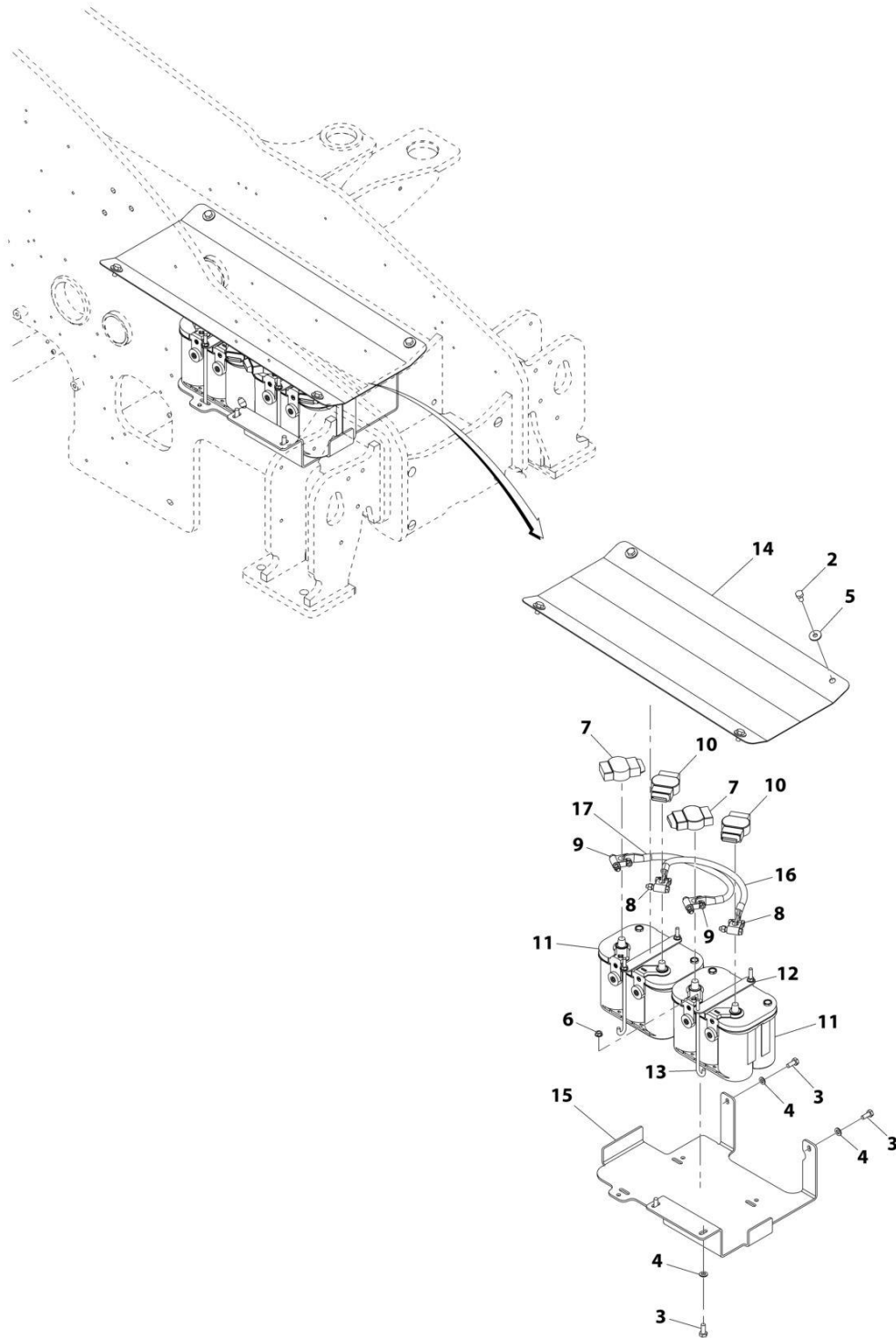
SECTION 10 - ELECTRICAL

FIGURE 10-14. BATTERY INSTALLATION (STANDARD)

ITEM	PART NUMBER	QTY	DESCRIPTION	REV
	1001180267	Ref	Battery Installation (Standard)	F
2	0400075	1	Battery, 12V	
3	0761010	4	Bolt, M10X20	
4	0761012	2	Bolt, M10X25	
5	4812000	4	Washer, M10	
6	4812002	4	Washer, M10	
7	5220800	2	Nut, M8	
9	1001141596	1	Plate	
10	1001179221J	1	Cover	
12	1001217179	1	Tray	
13	1001160928	2	J-Bolt	
14	8270147	1	Clamp	
15	8270148	1	Clamp	
16	7301893	NLA	Insulator, Battery Terminal (no longer available, use 1001214663 for replacement)	
16	1001214663	1	Insulator, Battery Terminal	
17	1001145300	1	Insulator, Battery Terminal	
18	0761007	2	Bolt, M10X14	

SECTION 10 - ELECTRICAL

FIGURE 10-15. BATTERY INSTALLATION (DUAL)



ART_1001179197-C

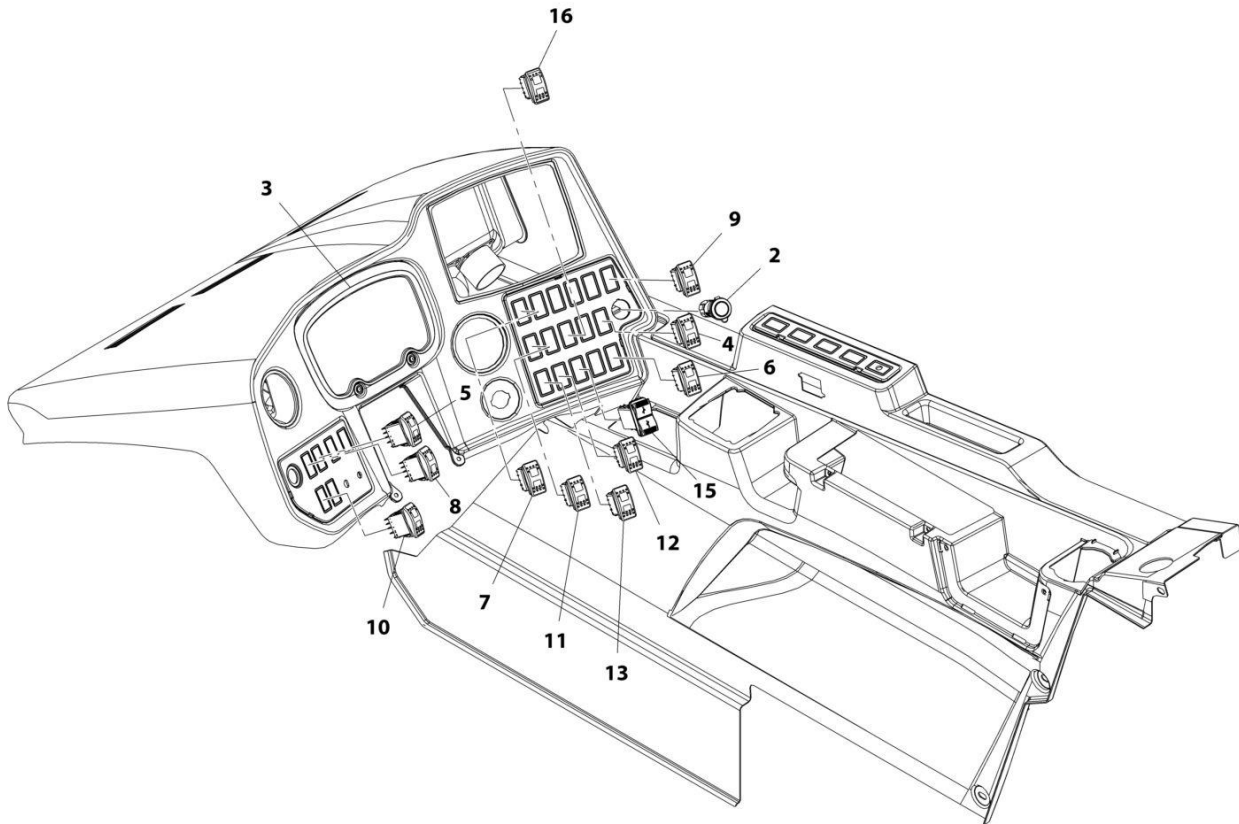
SECTION 10 - ELECTRICAL

FIGURE 10-15. BATTERY INSTALLATION (DUAL)

ITEM	PART NUMBER	QTY	DESCRIPTION	REV
	1001179197	Ref	Battery Installation (Dual)	C
2	0761010	4	Bolt, M10X20	
3	0761012	4	Bolt, M10X25	
4	4812000	4	Washer, M10	
5	4812002	4	Washer, M10	
6	5220800	4	Nut, M8	
7	7301893	2	Insulator, Battery Terminal	
8	8270147	2	Clamp	
9	8270148	2	Clamp	
10	1001145300	2	Insulator, Battery Terminal	
11	1001167212	2	Battery	
12	1001179585	2	Bracket	
13	1001179586	4	Bolt	
14	1001179221J	1	Cover	
15	1001203417J	NLA	Tray (no longer available, use 1001229139 for replacement)	
15	1001229139	1	Tray	
16	1001189339	1	Cable	
17	1001189338	1	Cable	

SECTION 10 - ELECTRICAL

FIGURE 10-16. DASH ELECTRICS INSTALLATION (ULS)



ART_1001185809-D

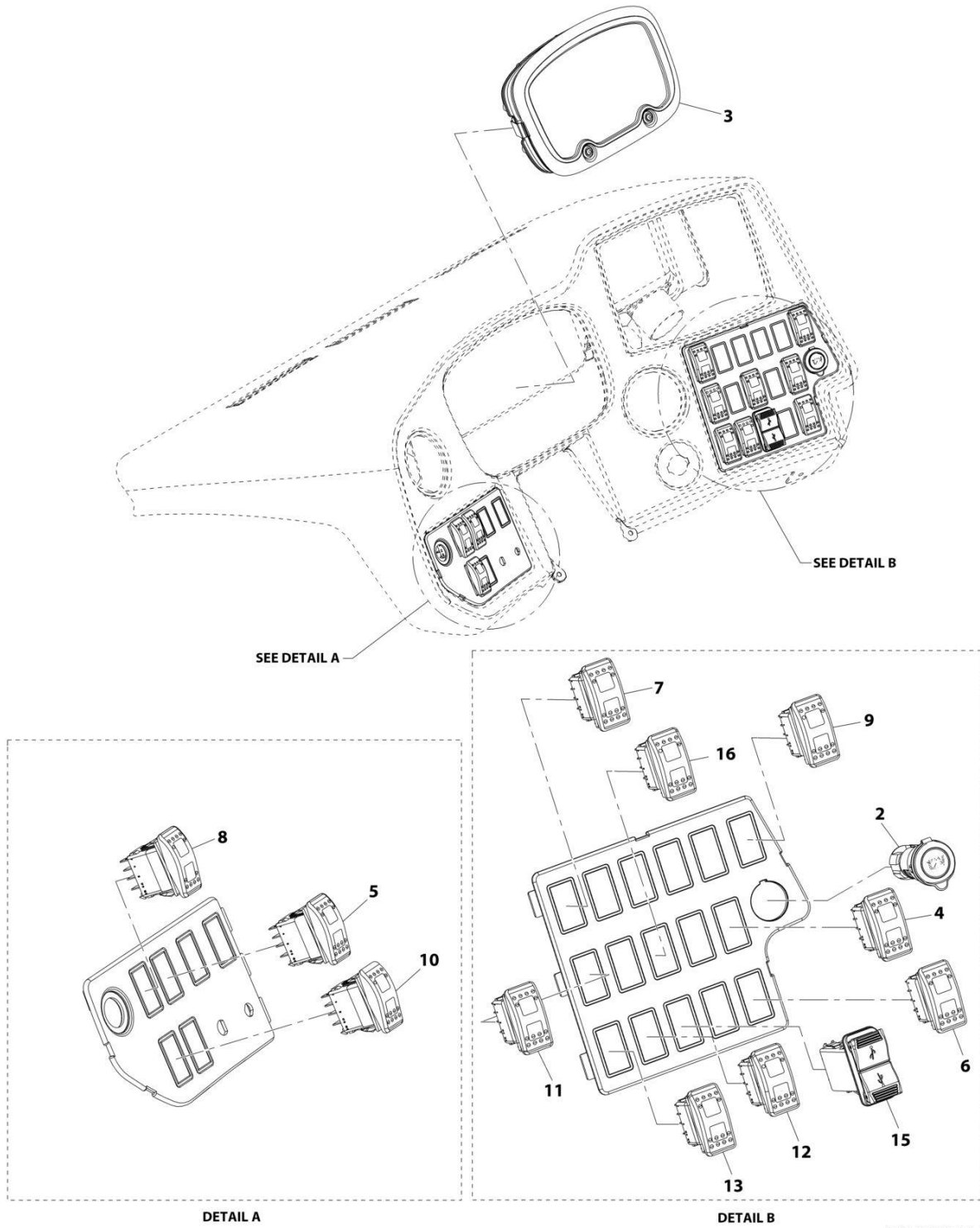
SECTION 10 - ELECTRICAL

FIGURE 10-16. DASH ELECTRICS INSTALLATION (ULS)

ITEM	PART NUMBER	QTY	DESCRIPTION	REV
	1001185809	Ref	Dash Electrics Installation (ULS)	D
2	1001095804	1	Connector, 12V Power Socket	
3	1001158146	1	Cluster, Electrical Gauge	
4	1001104654	1	Switch, AUX Decomp	
5	1001159741	1	Switch, Constanst AUX	
6	1001163639	1	Switch, Driving Lights	
7	1001159737	1	Switch, Fog Lights	
8	1001189898	1	Switch, Framer/Loader	
9	1001159734	1	Switch, Hazard	
10	1001159742	1	Switch, LSI Override	
11	1001159735	1	Switch, Rear Wiper	
12	1001159743	1	Switch, Road Use	
13	1001159849	1	Switch, Steer Mode	
15	1001174712	1	Switch, USB Charger	
16	1001159748	1	Switch, Bucket Mode	

SECTION 10 - ELECTRICAL

FIGURE 10-17. DASH ELECTRICS INSTALLATION (LS)



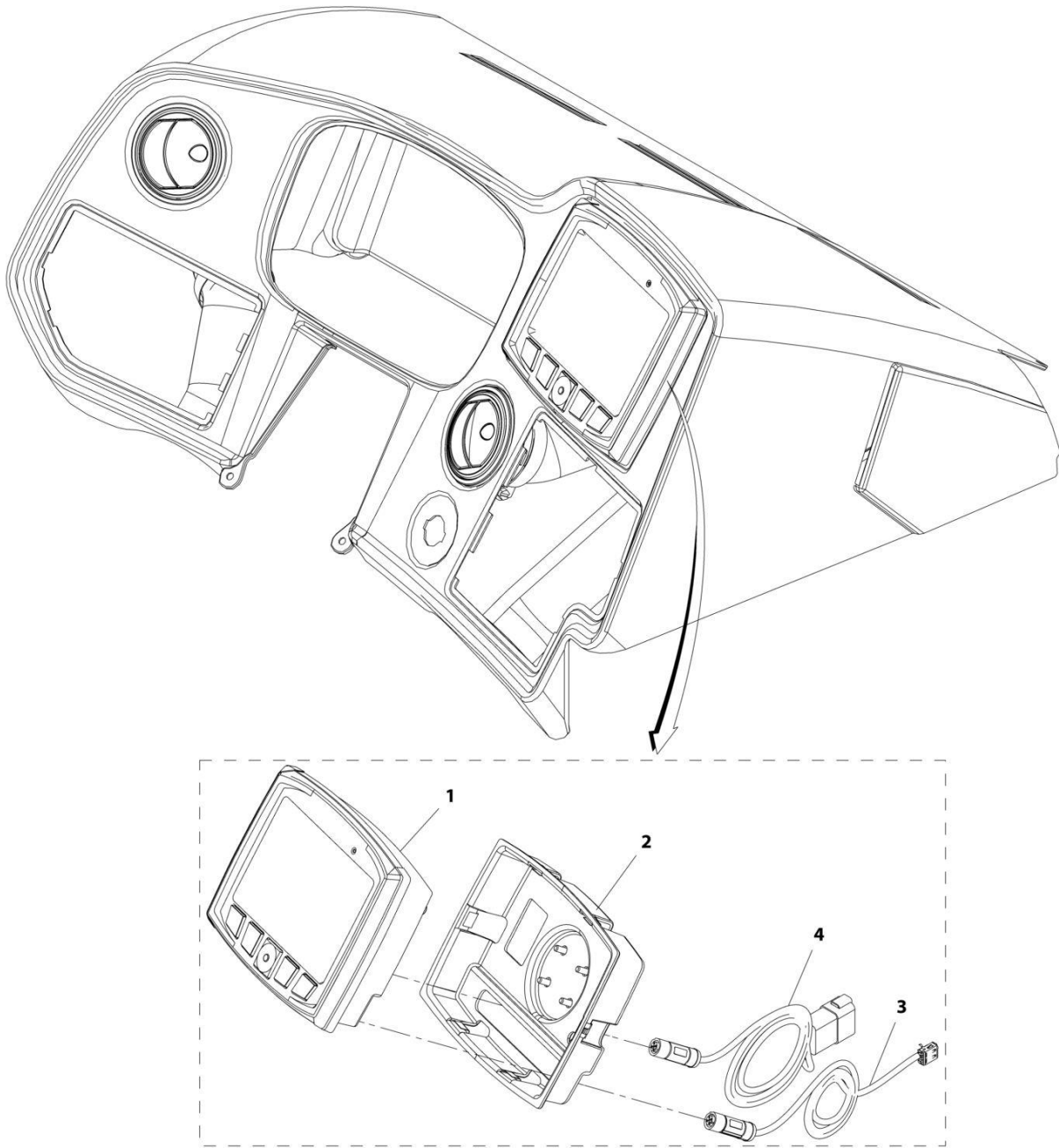
SECTION 10 - ELECTRICAL

FIGURE 10-17. DASH ELECTRICS INSTALLATION (LS)

ITEM	PART NUMBER	QTY	DESCRIPTION	REV
	1001213471	Ref	Dash Electrics Installation (LS)	C
2	1001095804	1	Connector, 12V Power Socket	
3	1001202454	1	Gauge (LS)	
4	1001104654	1	Switch, AUX Decomp	
5	1001159741	1	Switch, Constanst AUX	
6	1001163639	1	Switch, Driving Lights	
7	1001159737	1	Switch, Fog Lights	
8	1001189898	1	Switch, Framer/Loader	
9	1001159734	1	Switch, Hazard	
10	1001159742	1	Switch, LSI Override	
11	1001159735	1	Switch, Rear Wiper	
12	1001159743	1	Switch, Road Use	
13	1001159849	1	Switch, Steer Mode	
15	1001174712	1	Switch, USB Charger	
16	1001159748	1	Switch, Bucket Mode	
17	1001285715	1	Switch, Beacon (Not Shown)	

SECTION 10 - ELECTRICAL

FIGURE 10-18. MULTIFUNCTION DISPLAY INSTALLATION



ART_1001176338-B

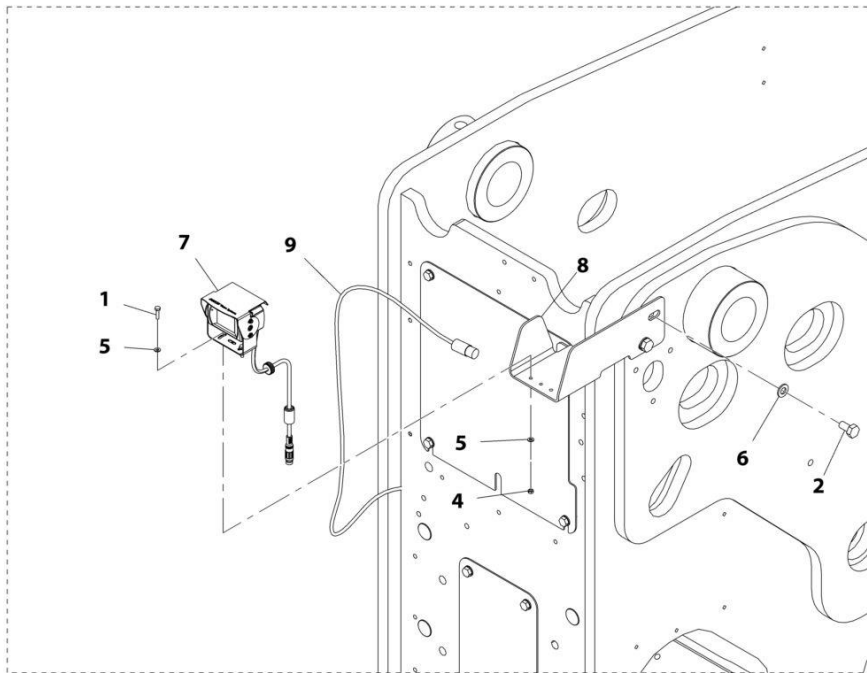
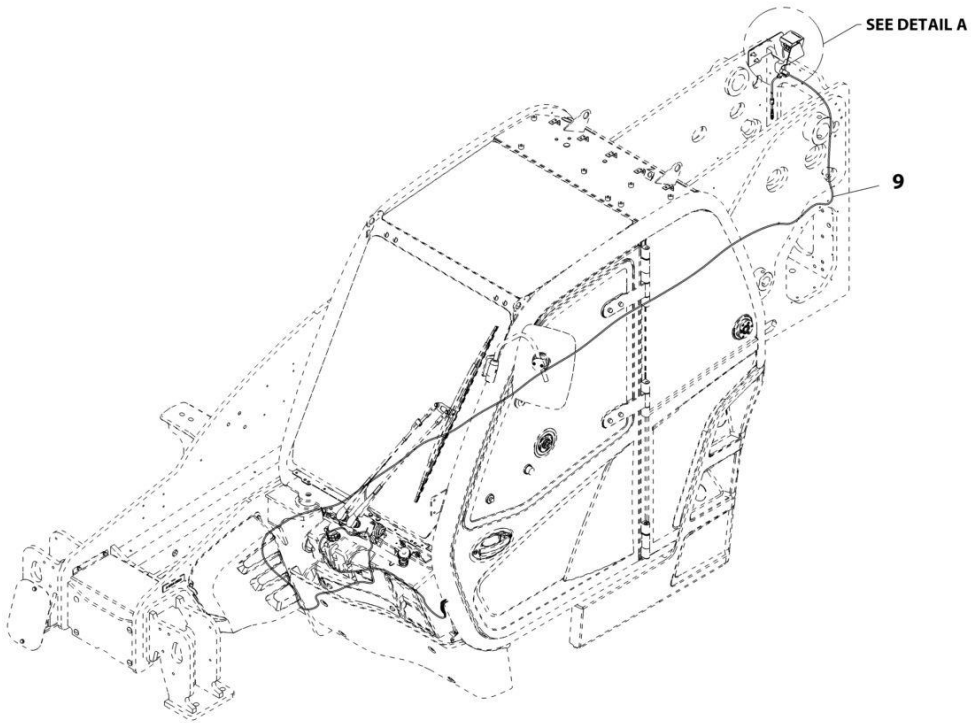
SECTION 10 - ELECTRICAL

FIGURE 10-18. MULTIFUNCTION DISPLAY INSTALLATION

ITEM	PART NUMBER	QTY	DESCRIPTION	REV
	1001176338	Ref	Multifunction Display Installation	B
1	1001211357	1	Display	
2	1001178783	1	Bezel	
3	1001180682	1	Cable, Display Programming	
4	1001180683	1	Cable, Display Video	

SECTION 10 - ELECTRICAL

FIGURE 10-19. REVERSE CAMERA INSTALLATION (TRAILER BRAKES)



DETAIL A

ART_1001190225-B

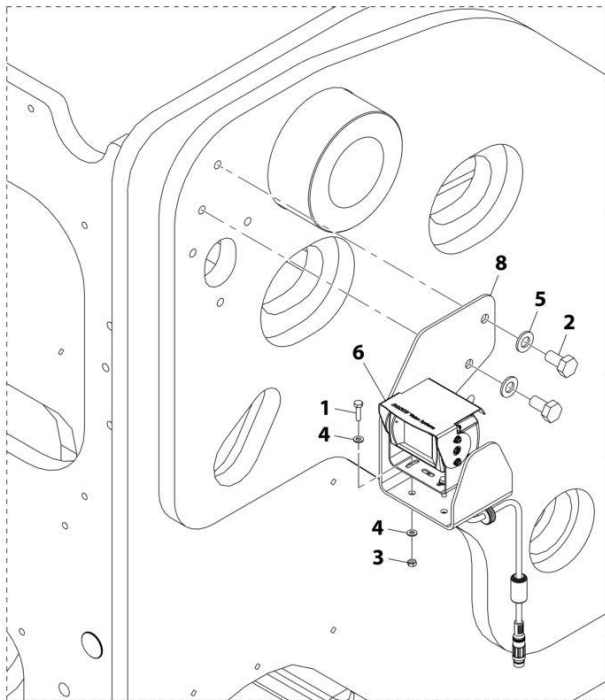
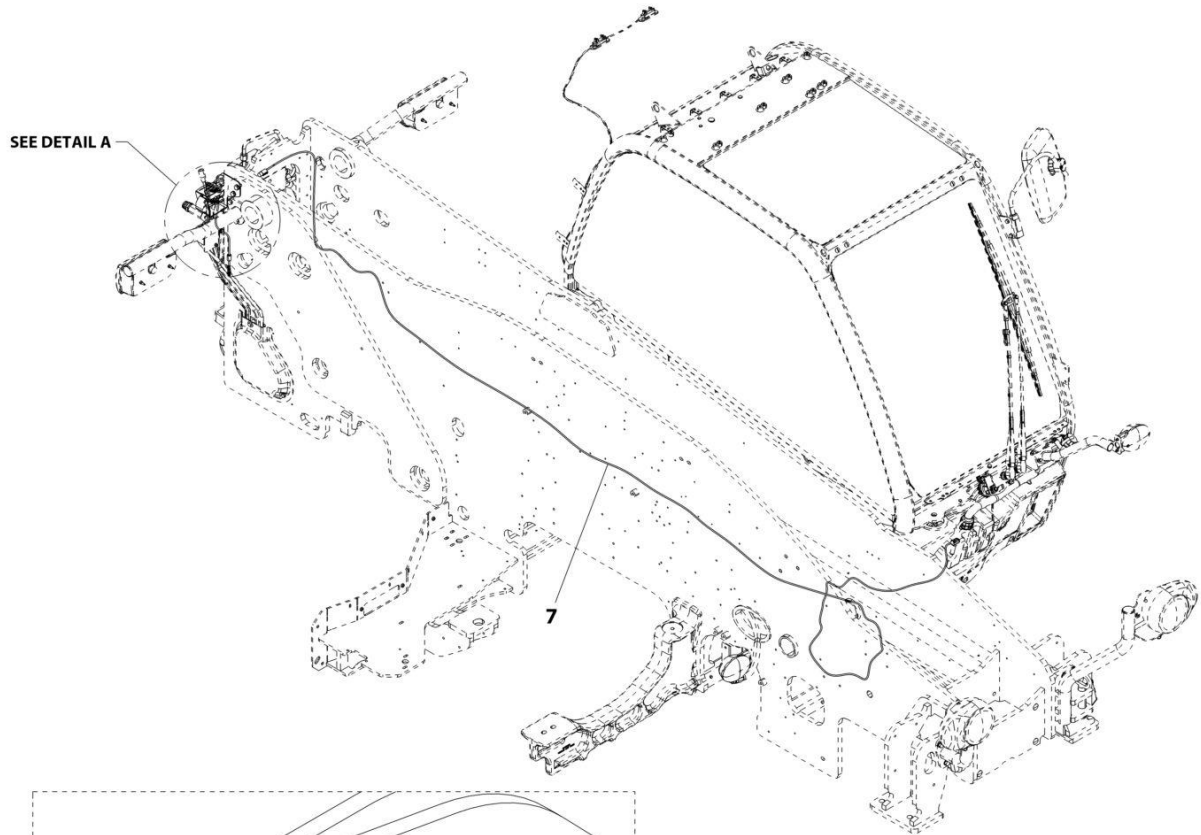
SECTION 10 - ELECTRICAL

FIGURE 10-19. REVERSE CAMERA INSTALLATION (TRAILER BRAKES)

ITEM	PART NUMBER	QTY	DESCRIPTION	REV
	1001190225	Ref	Reverse Camera Installation (Trailer Brakes)	B
1	0700408	2	Bolt, M4X16	
2	0761010	2	Bolt, M10X20	
4	3290401	2	Nut, M4X0.7	
5	4811400	4	Washer, M4	
6	4812000	2	Washer, M10	
7	1001167017	1	Camera	
8	1001202293	1	Bracket	
9	1001202558	1	Cable	

SECTION 10 - ELECTRICAL

FIGURE 10-20. REVERSE CAMERA INSTALLATION (NO TRAILER BRAKES)



DETAIL A

ART_1001217635-B

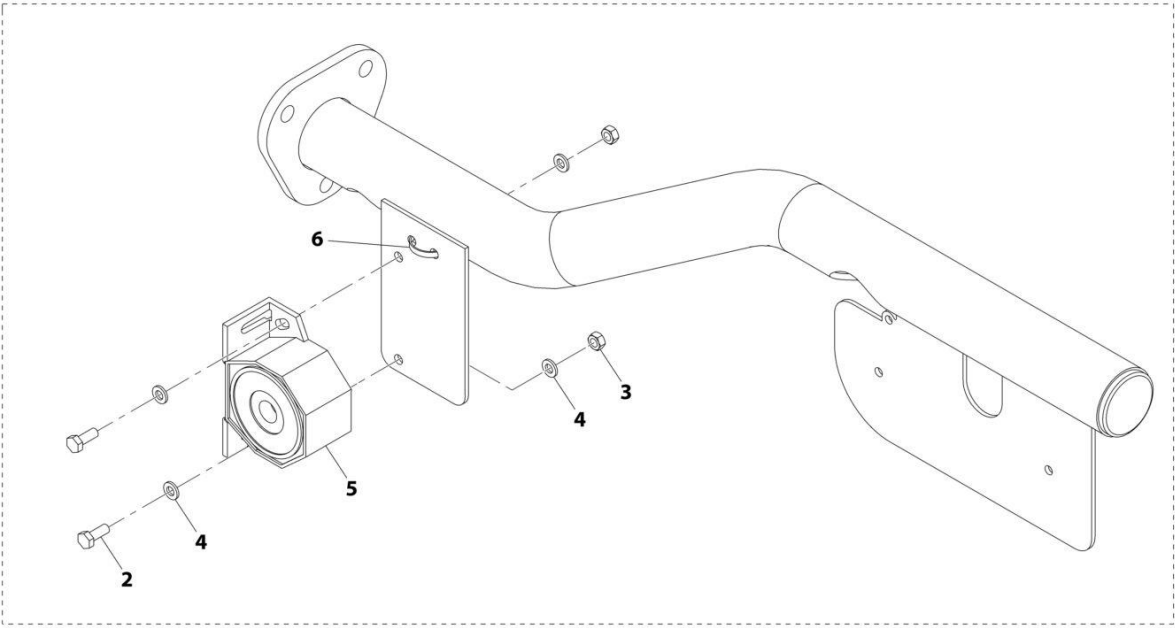
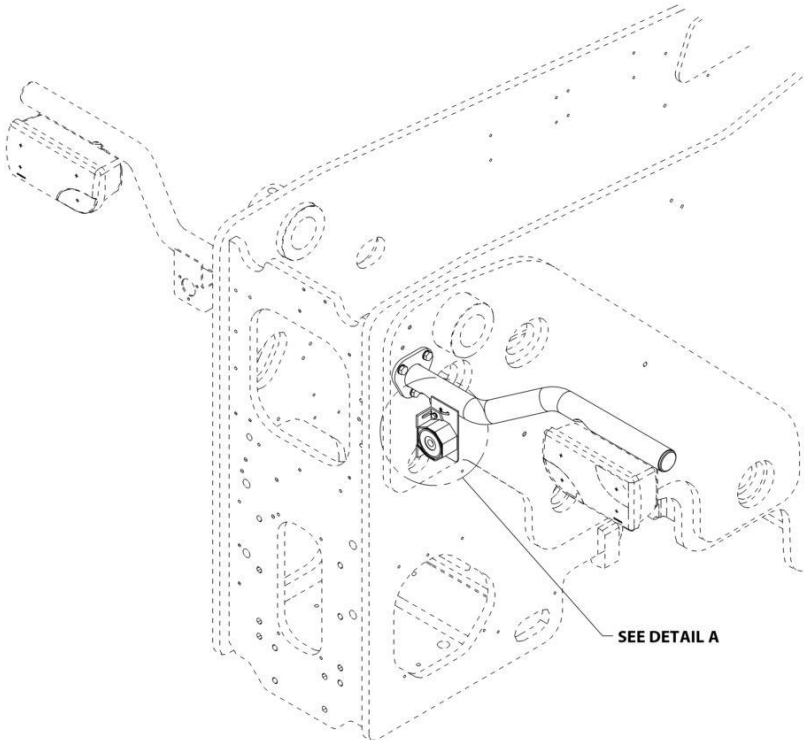
SECTION 10 - ELECTRICAL

FIGURE 10-20. REVERSE CAMERA INSTALLATION (NO TRAILER BRAKES)

ITEM	PART NUMBER	QTY	DESCRIPTION	REV
	1001217635	Ref	Reverse Camera Installation (No Trailer Brakes)	B
1	0700408	2	Bolt, M4X16	
2	0761010	2	Bolt, M10X20	
3	3290401	2	Nut, M4X0.7	
4	4811400	4	Washer, M4	
5	4812000	2	Washer, M10	
6	1001167017	1	Camera	
7	1001202558	1	Cable, Reverse Camera	
8	1001222519	1	Bracket	

SECTION 10 - ELECTRICAL

FIGURE 10-21. REVERSE ALARM INSTALLATION



DETAIL A

ART_1001183596-D

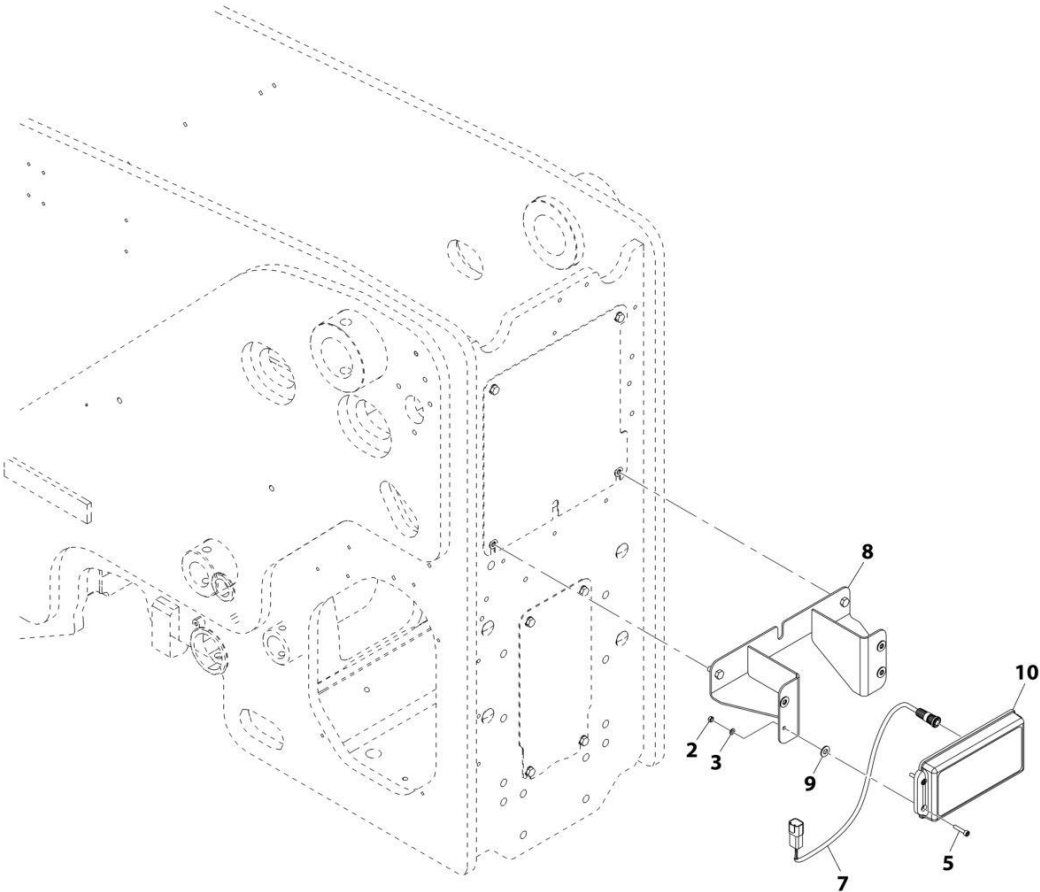
SECTION 10 - ELECTRICAL

FIGURE 10-21. REVERSE ALARM INSTALLATION

ITEM	PART NUMBER	QTY	DESCRIPTION	REV
	1001183596	Ref	Reverse Alarm Installation	D
2	0760608	2	Bolt, M6X16	
3	3290601	2	Nut, M6X1	
4	4811700	4	Washer, M6	
5	1001147060	1	Alarm, Reverse	
6	1001008559	1	Strap, Cable	

SECTION 10 - ELECTRICAL

FIGURE 10-22. REVERSE SENSOR INSTALLATION (NO HYDRAULIC HITCH)



ART_1001190227-C

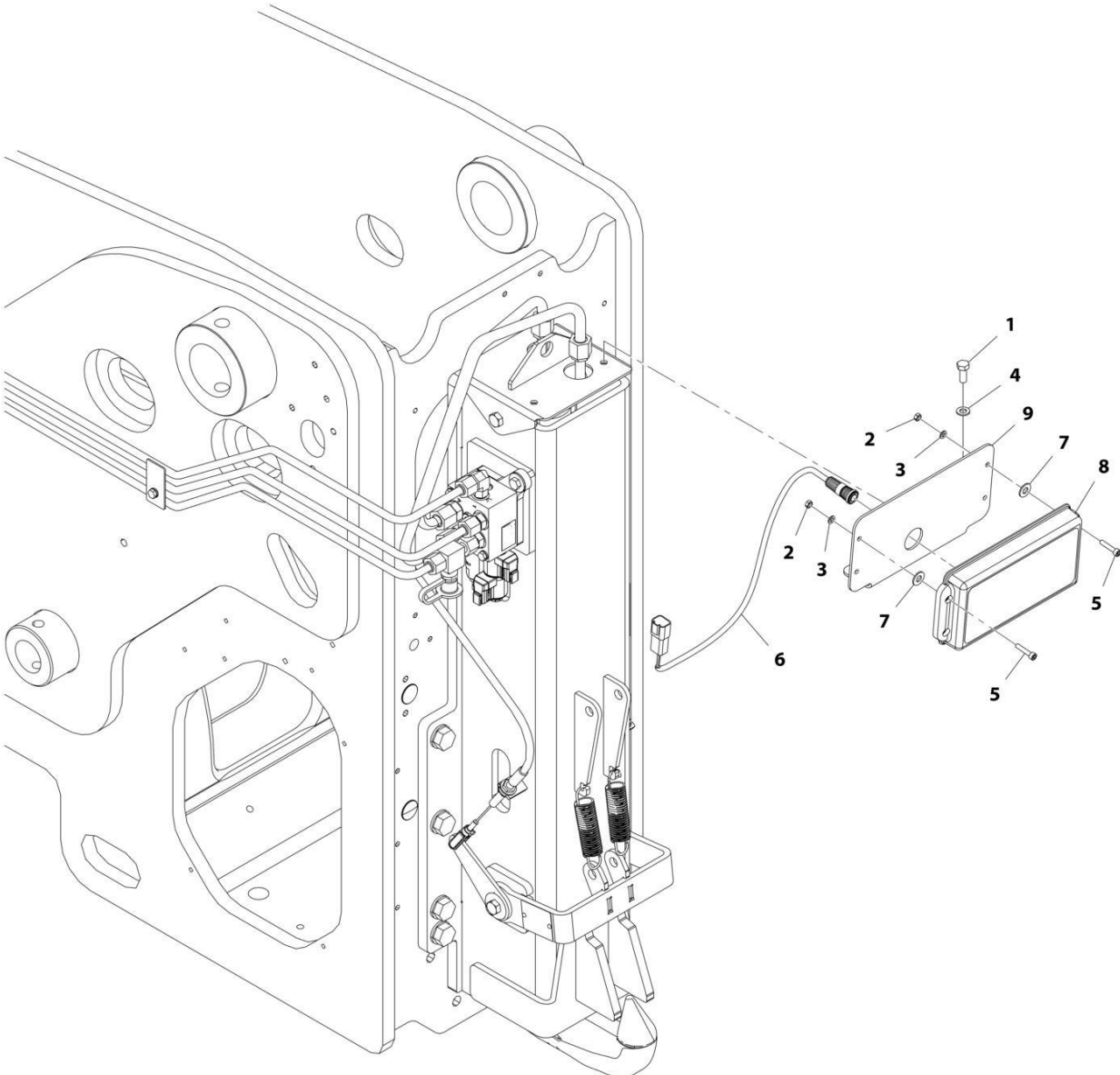
SECTION 10 - ELECTRICAL

FIGURE 10-22. REVERSE SENSOR INSTALLATION (NO HYDRAULIC HITCH)

ITEM	PART NUMBER	QTY	DESCRIPTION	REV
	1001190227	Ref	Reverse Sensor Installation (No Hydraulic Hitch)	C
2	3290501	4	Nut, M5X0.8	
3	4811600	4	Washer, M5	
5	5271609	4	Screw, M5X25	
7	1001175776	1	Harness, Reverse Sensor (See Separate Breakdown in this Section)	
8	1001202288	1	Bracket	
9	1001181921	4	Washer, Rubber M8	
10	1001189997	1	Sensor, Reverse	

SECTION 10 - ELECTRICAL

FIGURE 10-23. REVERSE SENSOR INSTALLATION (HYDRAULIC HITCH)



ART_1001202395-C

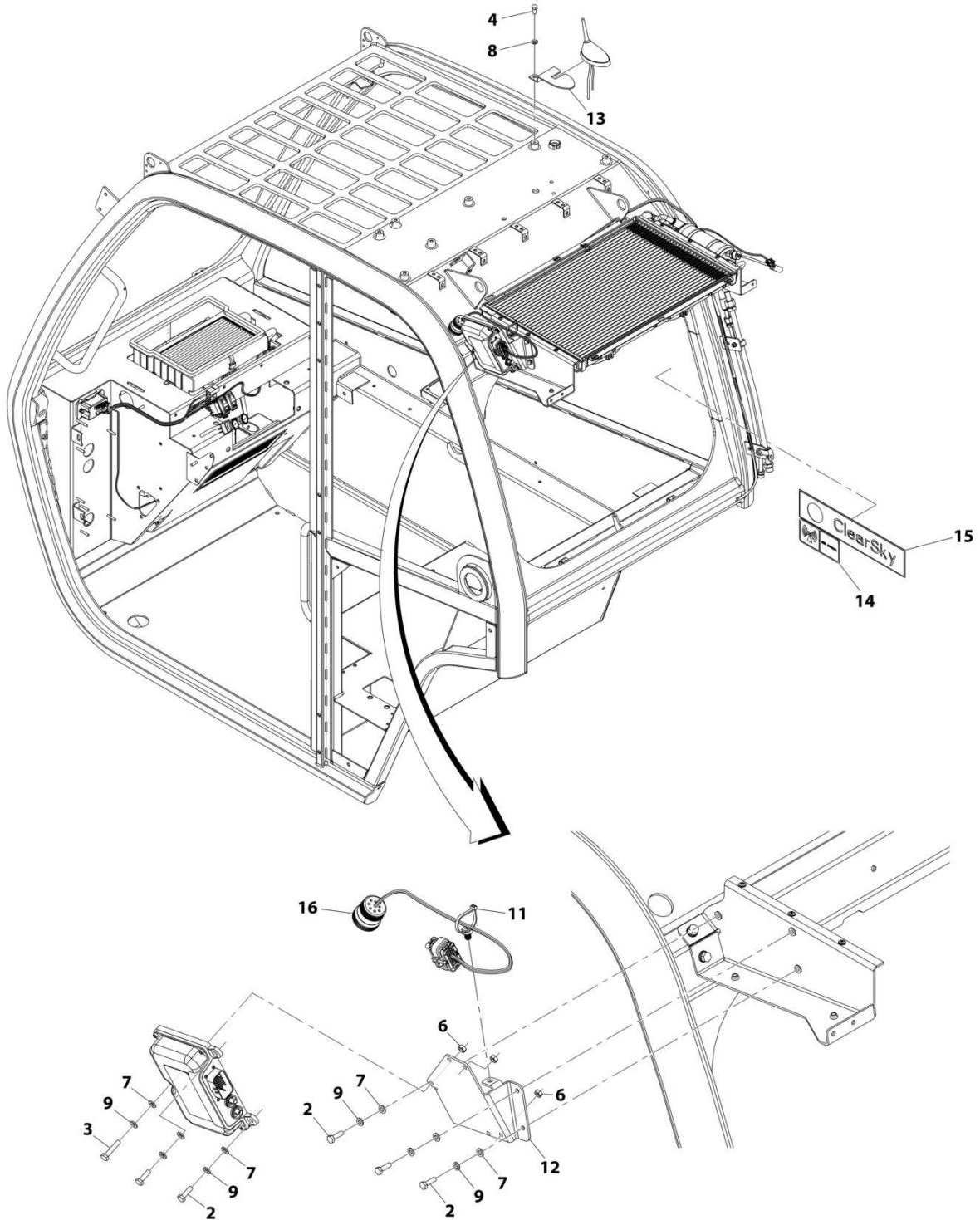
SECTION 10 - ELECTRICAL

FIGURE 10-23. REVERSE SENSOR INSTALLATION (HYDRAULIC HITCH)

ITEM	PART NUMBER	QTY	DESCRIPTION	REV
	1001202395	Ref	Reverse Sensor Installation (Hydraulic Hitch)	C
1	0760810	2	Bolt, M8X20	
2	3290501	4	Nut, M5X0.8 Grade 8	
3	4811600	4	Washer, M5	
4	4811900	2	Washer, M8	
5	5271609	4	Screw, M12.9	
6	1001175776	1	Harness, Reverse Sensor (See Separate Breakdown in this Section)	
7	1001181921	4	Washer, Rubber M8	
8	1001189997	1	Sensor, Reverse	
9	1001202286	1	Bracket	

SECTION 10 - ELECTRICAL

FIGURE 10-24. CLEARSKY INSTALLATION (A/C - LONG ROOF CAP)



ART_1001174368-G

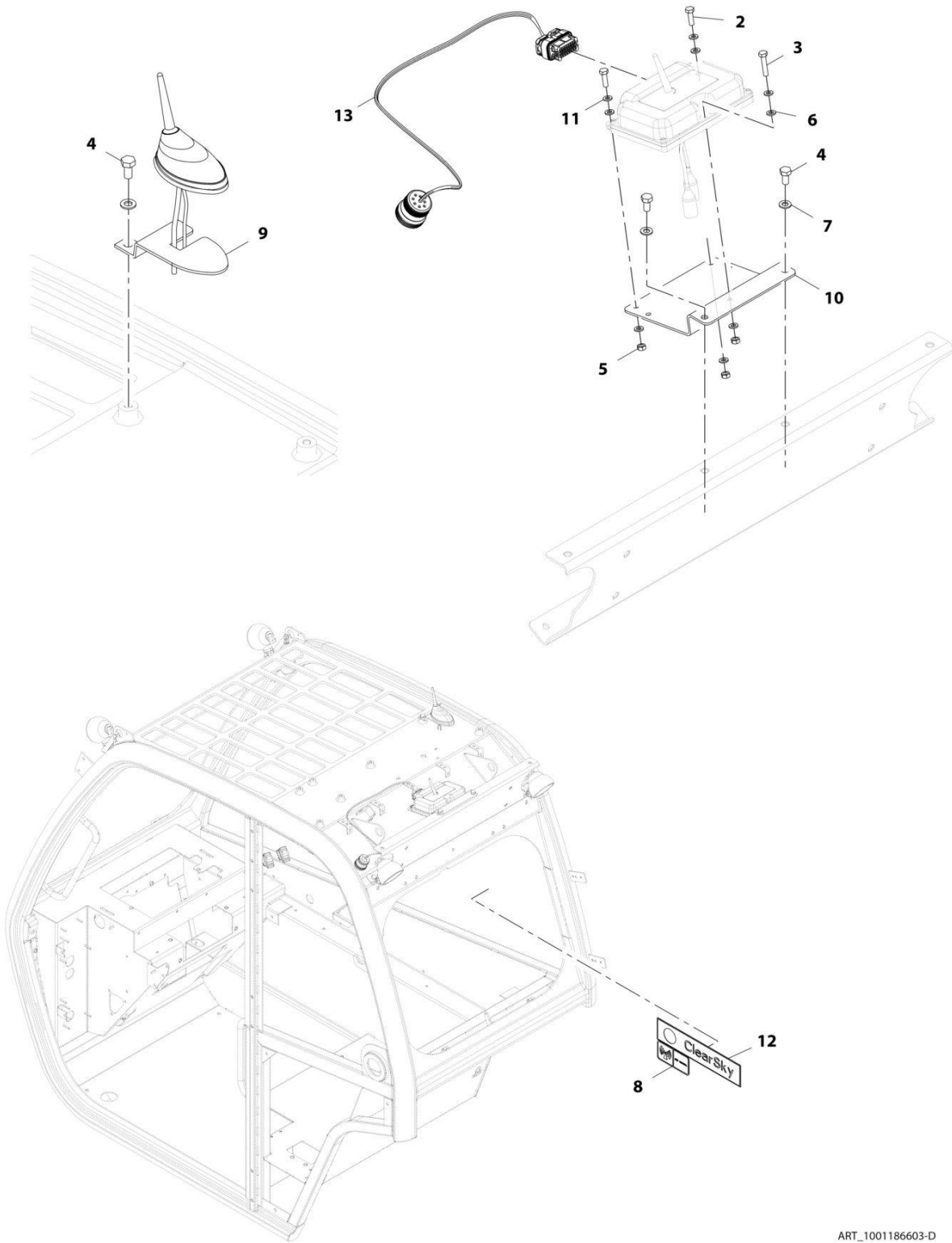
SECTION 10 - ELECTRICAL

FIGURE 10-24. CLEARSKY INSTALLATION (A/C - LONG ROOF CAP)

ITEM	PART NUMBER	QTY	DESCRIPTION	REV
	1001174368	Ref	Clearsky Installation (A/C - Long Roof Cap)	G
2	0700610	5	Bolt, M6X20	
3	0700614	1	Bolt, M6X30	
4	0760808	1	Bolt, M8X16	
6	3290601	3	Nut, M6X1 Grade 8	
7	4811700	6	Washer, M6	
8	4811900	1	Washer, M8	
9	4831700	6	Washer, Lock M6	
11	1001146588	1	Strap, Cable	
12	1001220947	1	Bracket	
13	1001174372	1	Bracket, Antenna	
14	1001120989	1	Decal, Radio Frequency	
15	1001116208	1	Decal, Clearsky	
16	1001196452	1	Harness, Clearsky (See Separate Breakdown in this Section)	

SECTION 10 - ELECTRICAL

FIGURE 10-25. CLEARSKY INSTALLATION (NO A/C - SHORT ROOF CAP)



ART_1001186603-D

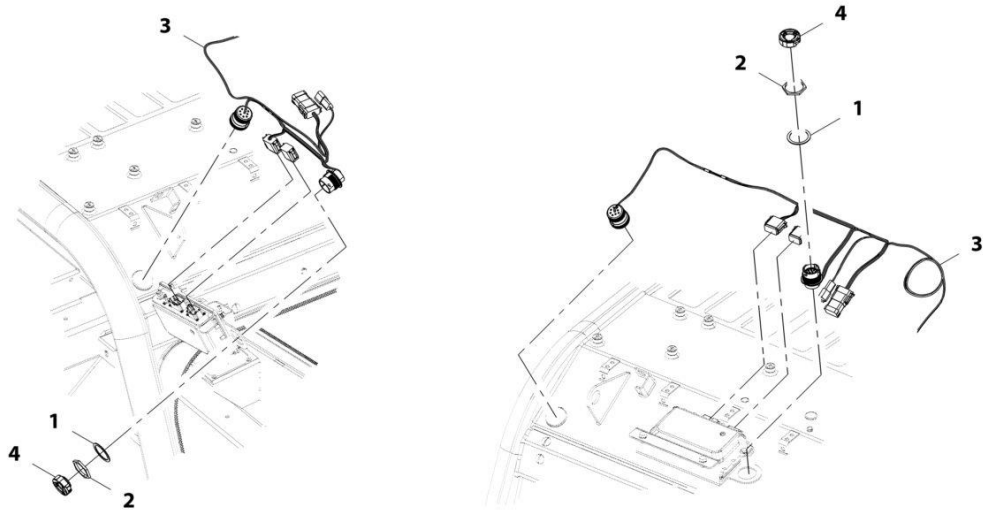
SECTION 10 - ELECTRICAL

FIGURE 10-25. CLEARSKY INSTALLATION (NO A/C - SHORT ROOF CAP)

ITEM	PART NUMBER	QTY	DESCRIPTION	REV
	1001186603	Ref	Clearsky Installation (No A/C - Short Roof Cap)	D
2	0700610	2	Bolt, M6X20	
3	0700614	1	Bolt, M6X30	
4	0760808	3	Bolt, M8X16	
5	3290601	3	Nut, M6X1 Grade 8	
6	4811700	6	Washer, M6	
7	4811900	3	Washer, M8	
8	1001120989	1	Decal, Radio Frequency	
9	1001174372	1	Bracket, Antenna	
10	1001185722	1	Bracket	
11	4831700	3	Washer, Lock M6	
12	1001116208	1	Decal, Clearsky	
13	1001196452	1	Harness, Clearsky (See Separate Breakdown in this Section)	

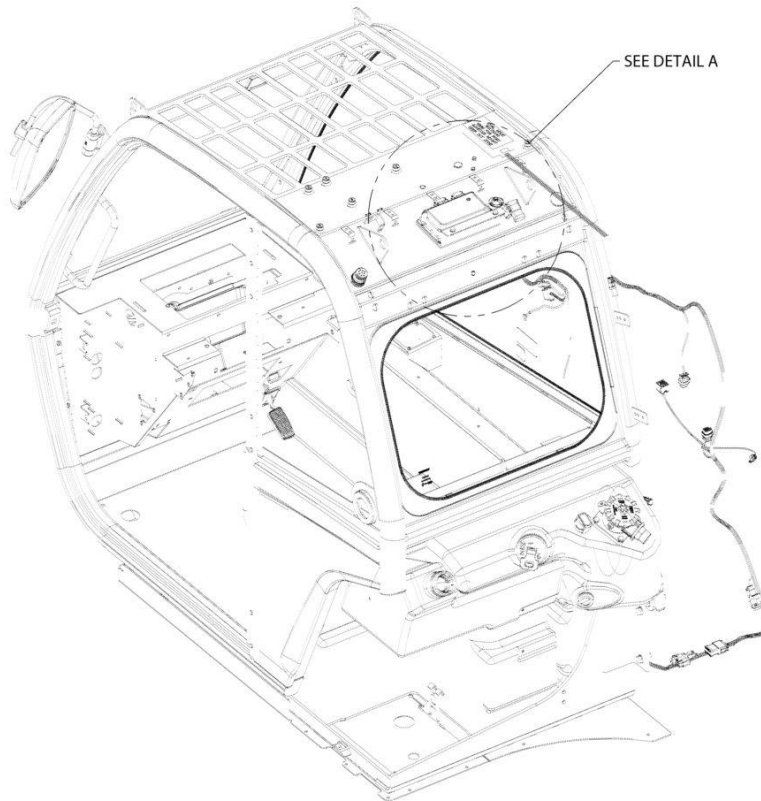
SECTION 10 - ELECTRICAL

FIGURE 10-26. TELEMATICS INSTALLATION (A/C - ULS)



DETAIL A
MOUNTING WITH AC

DETAIL A
MOUNTING WITHOUT AC



ART_1001216611-A

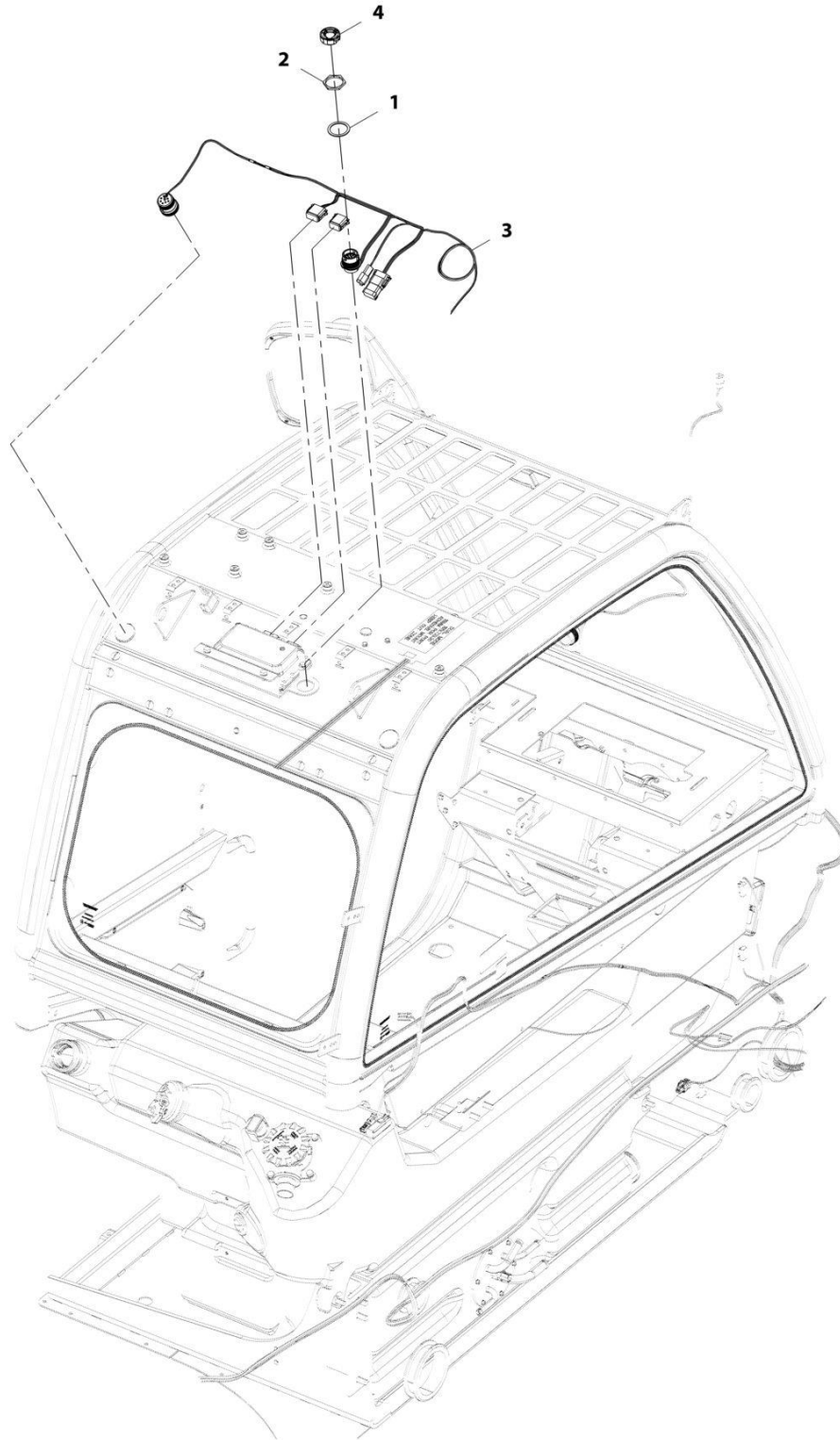
SECTION 10 - ELECTRICAL

FIGURE 10-26. TELEMATICS INSTALLATION (A/C - ULS)

ITEM	PART NUMBER	QTY	DESCRIPTION	REV
	1001216611	Ref	Telematics Installation (A/C - ULS)	A
1	4460496	1	Washer, Terminal Lock	
2	4460497	1	Nut, Terminal	
3	1001196898	1	Harness, Telematics (A/C) (See Separate Breakdown in this Section)	
4	1001202134	1	Cap	

SECTION 10 - ELECTRICAL

FIGURE 10-27. TELEMATICS INSTALLATION (A/C - LS)



ART_1001216612-A

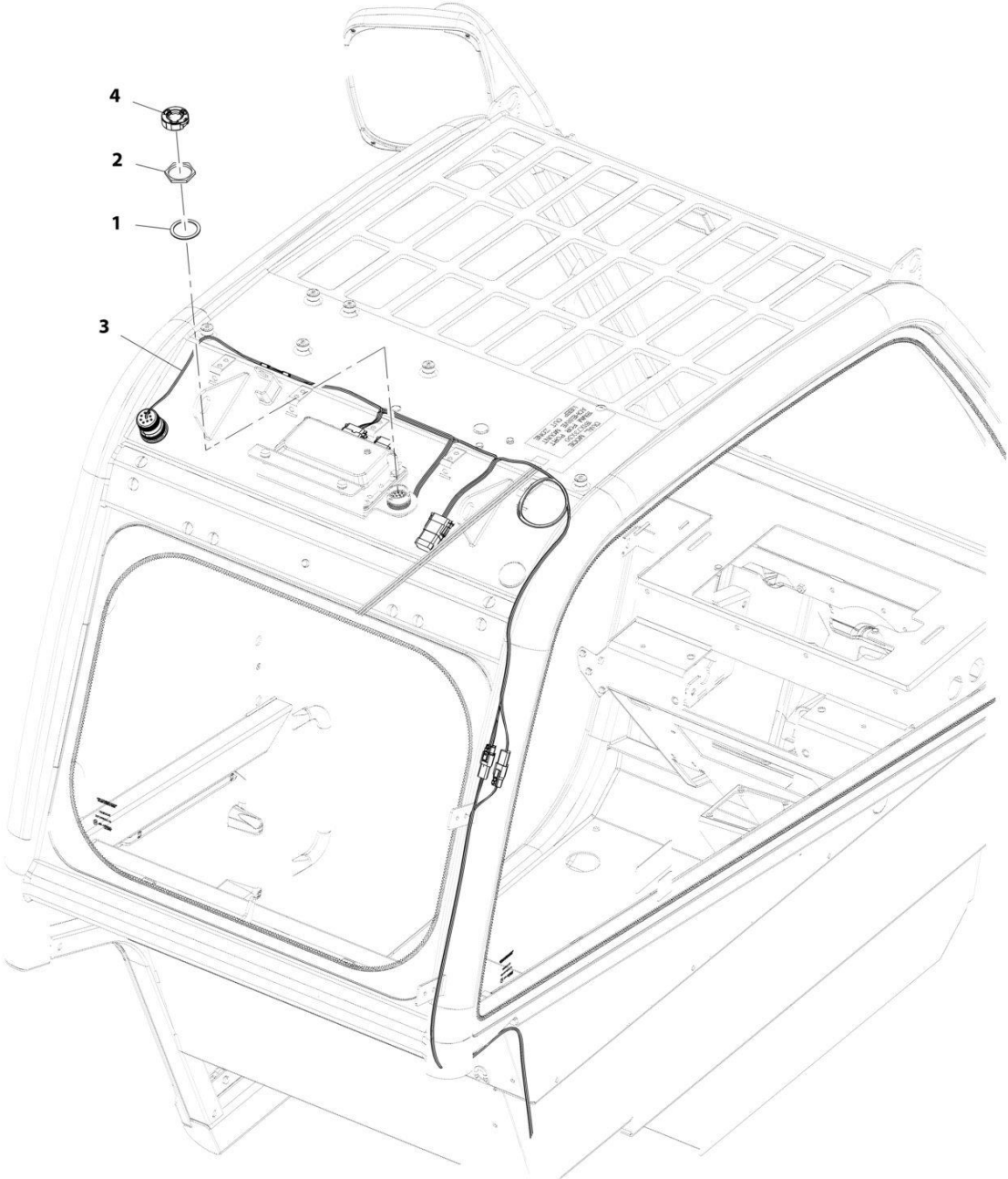
SECTION 10 - ELECTRICAL

FIGURE 10-27. TELEMATICS INSTALLATION (A/C - LS)

ITEM	PART NUMBER	QTY	DESCRIPTION	REV
	1001216612	Ref	Telematics Installation (A/C - LS)	A
1	4460496	1	Washer, Terminal Lock	
2	4460497	1	Nut, Terminal	
3	1001196899	1	Harness, Telematics (A/C) (See Separate Breakdown in this Section)	
4	1001202134	1	Cap	

SECTION 10 - ELECTRICAL

FIGURE 10-28. TELEMATICS INSTALLATION (NO A/C - ULS)



ART_1001216613-A

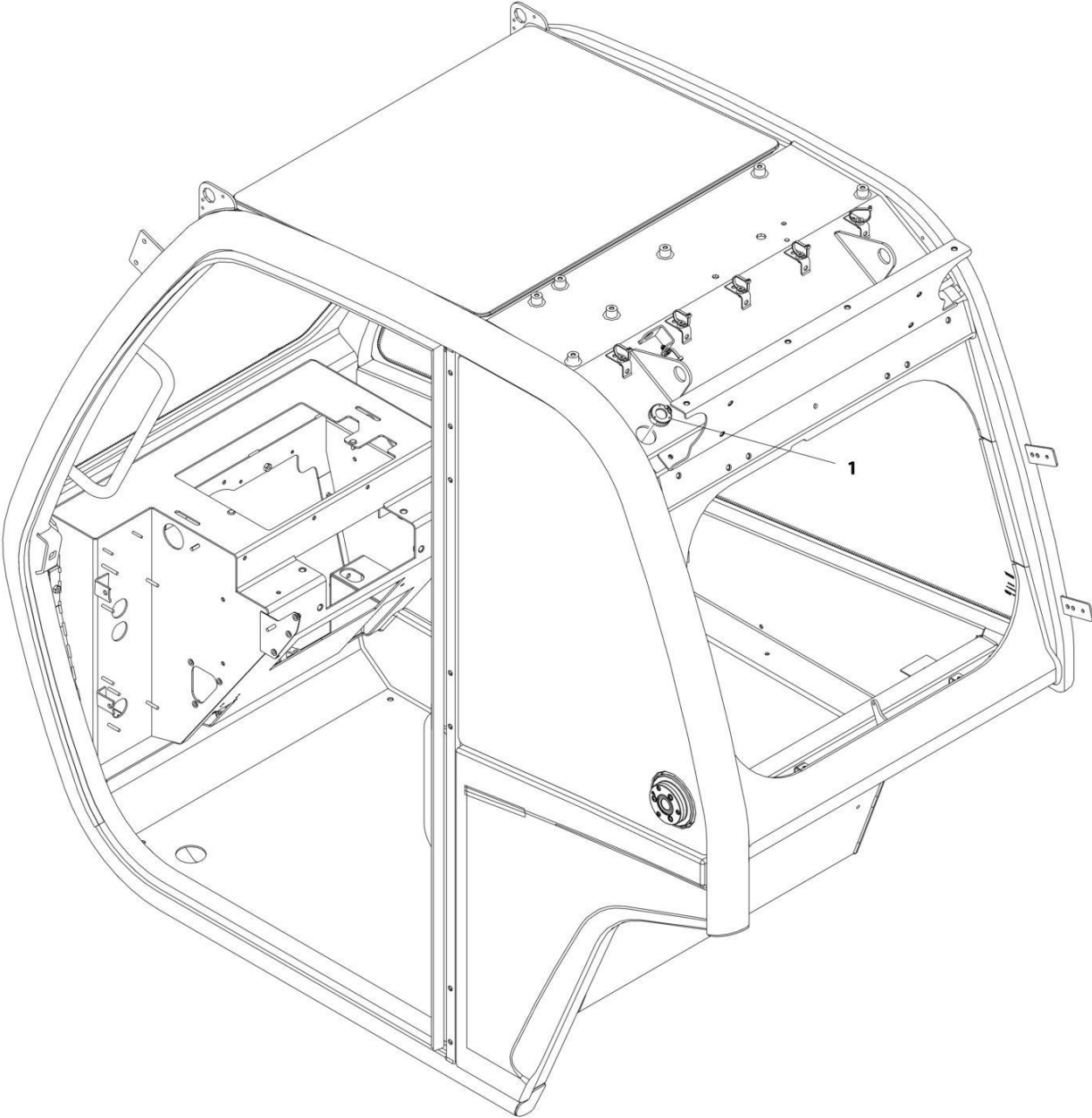
SECTION 10 - ELECTRICAL

FIGURE 10-28. TELEMATICS INSTALLATION (NO A/C - ULS)

ITEM	PART NUMBER	QTY	DESCRIPTION	REV
	1001216613	Ref	Telematics Installation (No A/C - ULS)	A
1	4460496	1	Washer, Terminal Lock	
2	4460497	1	Nut, Terminal	
3	1001196900	1	Harness, Telematics (No A/C) (See Separate Breakdown in this Section)	
4	1001202134	1	Cap	

SECTION 10 - ELECTRICAL

FIGURE 10-29. TELEMATICS CAP INSTALLATION



ART_1001201161-A

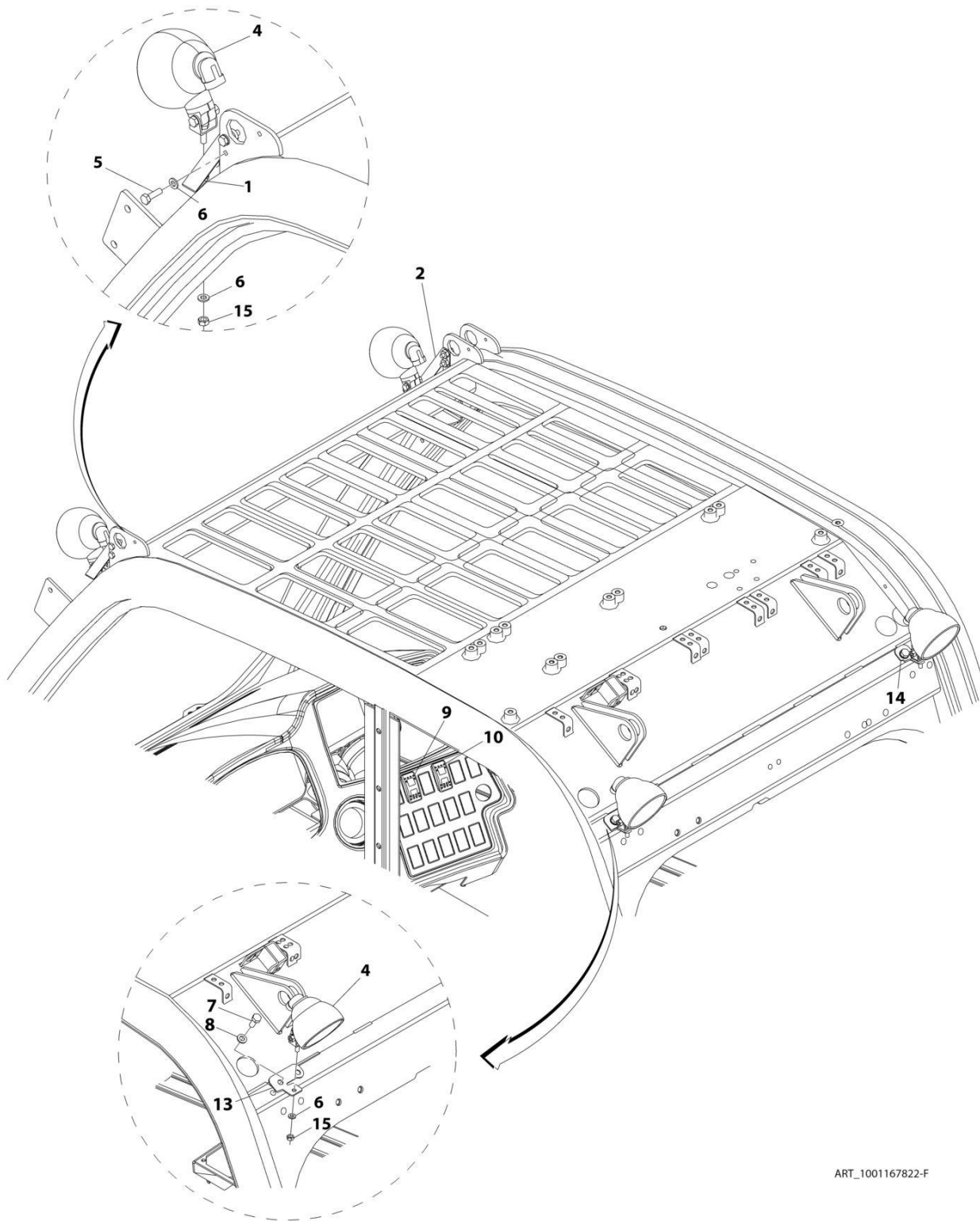
SECTION 10 - ELECTRICAL

FIGURE 10-29. TELEMATICS CAP INSTALLATION

ITEM	PART NUMBER	QTY	DESCRIPTION	REV
1	1001201161 1001201162	Ref 1	Telematics Cap Installation Cap	A

SECTION 10 - ELECTRICAL

FIGURE 10-30. CAB WORKLIGHTS INSTALLATION (NO A/C)



ART_1001167822-F

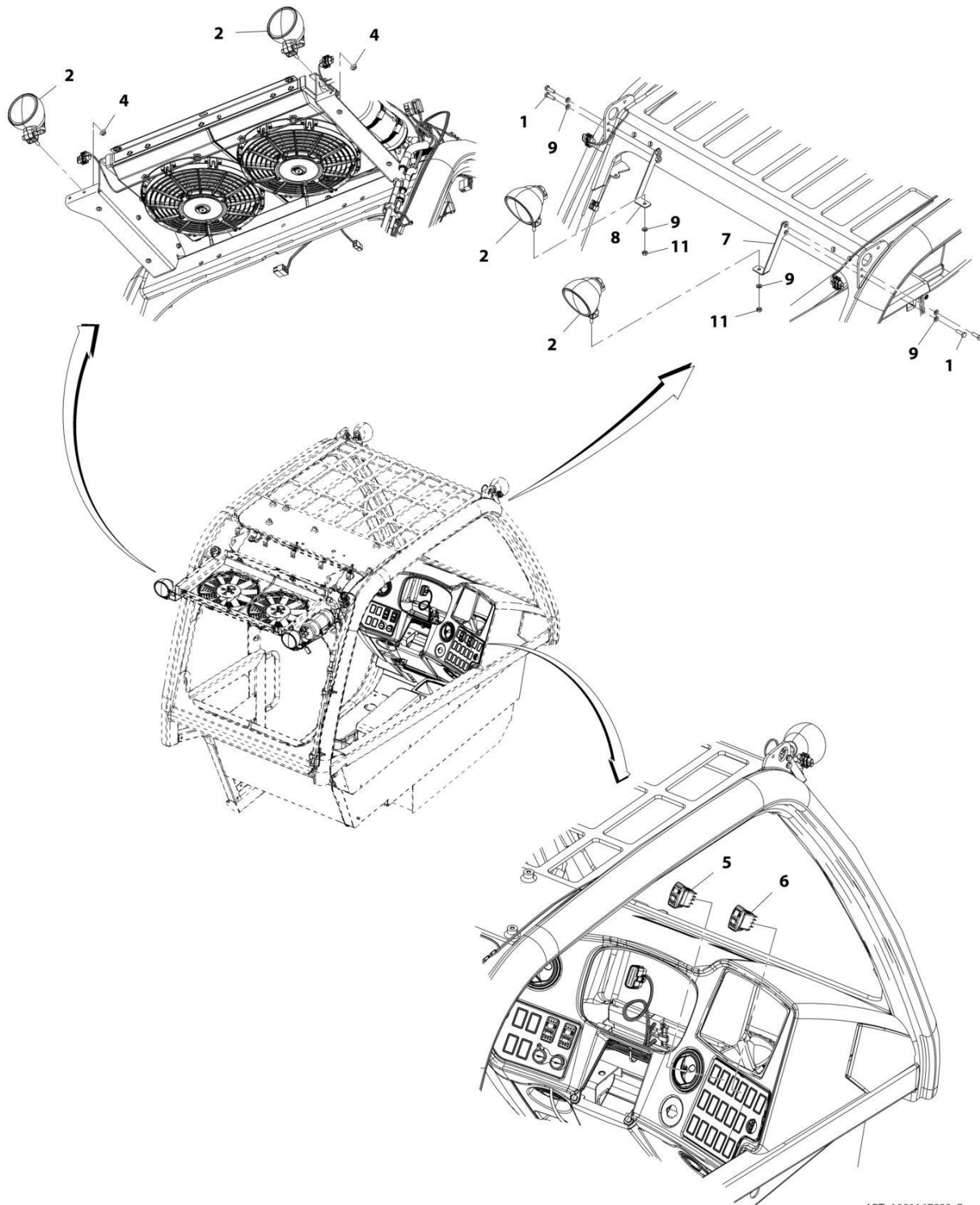
SECTION 10 - ELECTRICAL

FIGURE 10-30. CAB WORKLIGHTS INSTALLATION (NO A/C)

ITEM	PART NUMBER	QTY	DESCRIPTION	REV
	1001167822	Ref	Cab Worklights Installation (No A/C)	F
1	1001186567	1	Bracket, Work Light LH	
2	1001186565	1	Bracket, Work Light RH	
4	2920206	4	Worklight	
5	0700610	4	Bolt, M6X20	
6	4811700	8	Washer, M6	
7	0760810	2	Bolt, M8X20	
8	4811900	2	Washer, M8	
9	1001159845	1	Switch, Front Worklights	
10	1001159846	1	Switch, Rear Worklights	
13	1001183888	1	Bracket, Work Light LH	
14	1001183890	1	Bracket, Work Light RH	
15	3290601	4	Nut, M6X1 Grade 8	

SECTION 10 - ELECTRICAL

FIGURE 10-31. CAB WORKLIGHTS INSTALLATION (A/C)



ART_1001167823-G

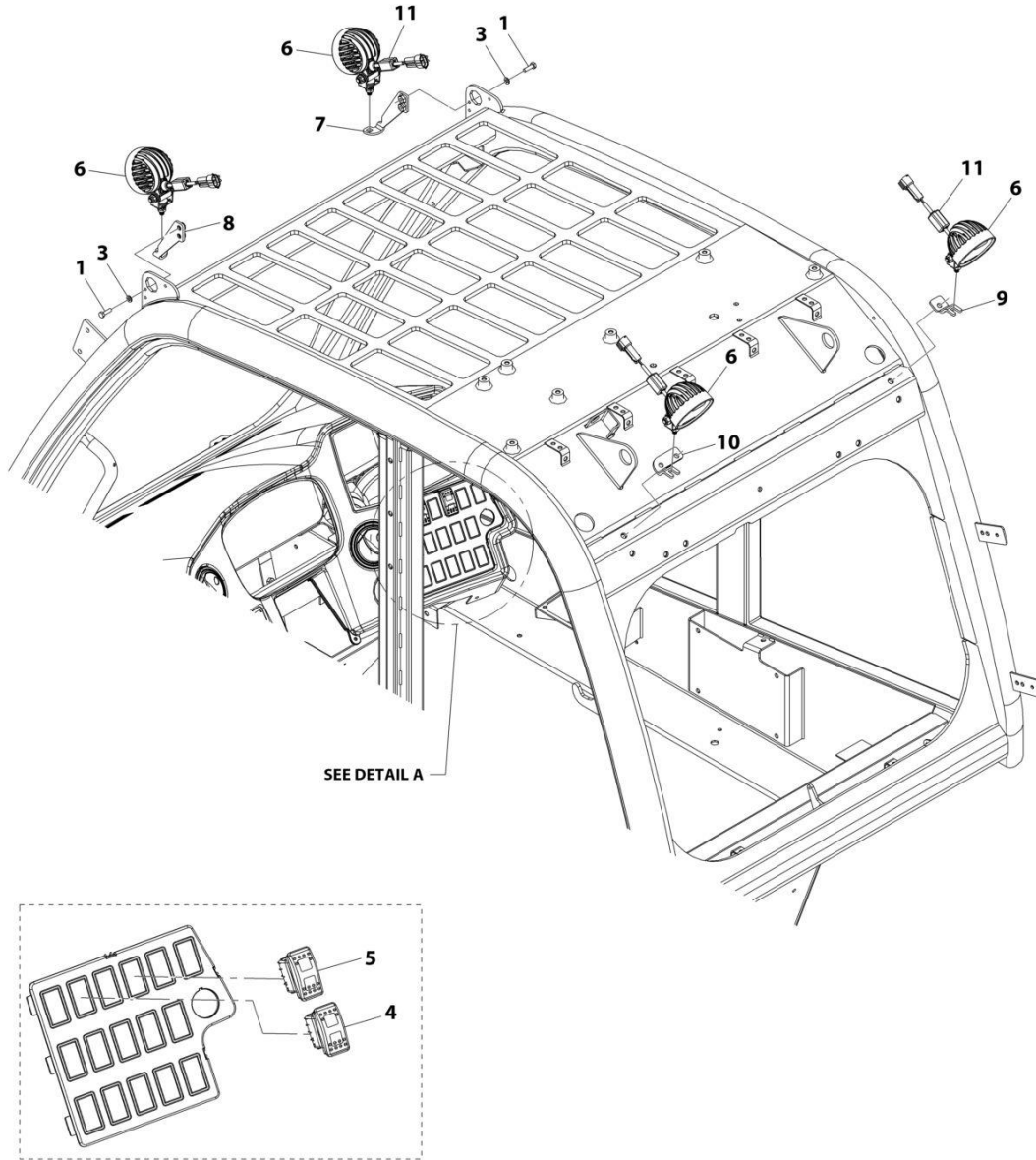
SECTION 10 - ELECTRICAL

FIGURE 10-31. CAB WORKLIGHTS INSTALLATION (A/C)

ITEM	PART NUMBER	QTY	DESCRIPTION	REV
	1001167823	Ref	Cab Worklights Installation (A/C)	G
1	0700610	4	Bolt, M6X20	
2	2920206	4	Worklight	
4	5220600	2	Nut, M6	
5	1001159845	1	Switch, Front Worklights	
6	1001159846	1	Switch, Rear Worklights	
7	1001186567	1	Bracket, Work Light LH	
8	1001186565	1	Bracket, Work Light RH	
9	4811700	6	Washer, M6	
11	3290601	2	Nut, M6X1 Grade 8	

SECTION 10 - ELECTRICAL

FIGURE 10-32. CAB WORKLIGHTS INSTALLATION (NO A/C - LED)



ART_1001200538-D

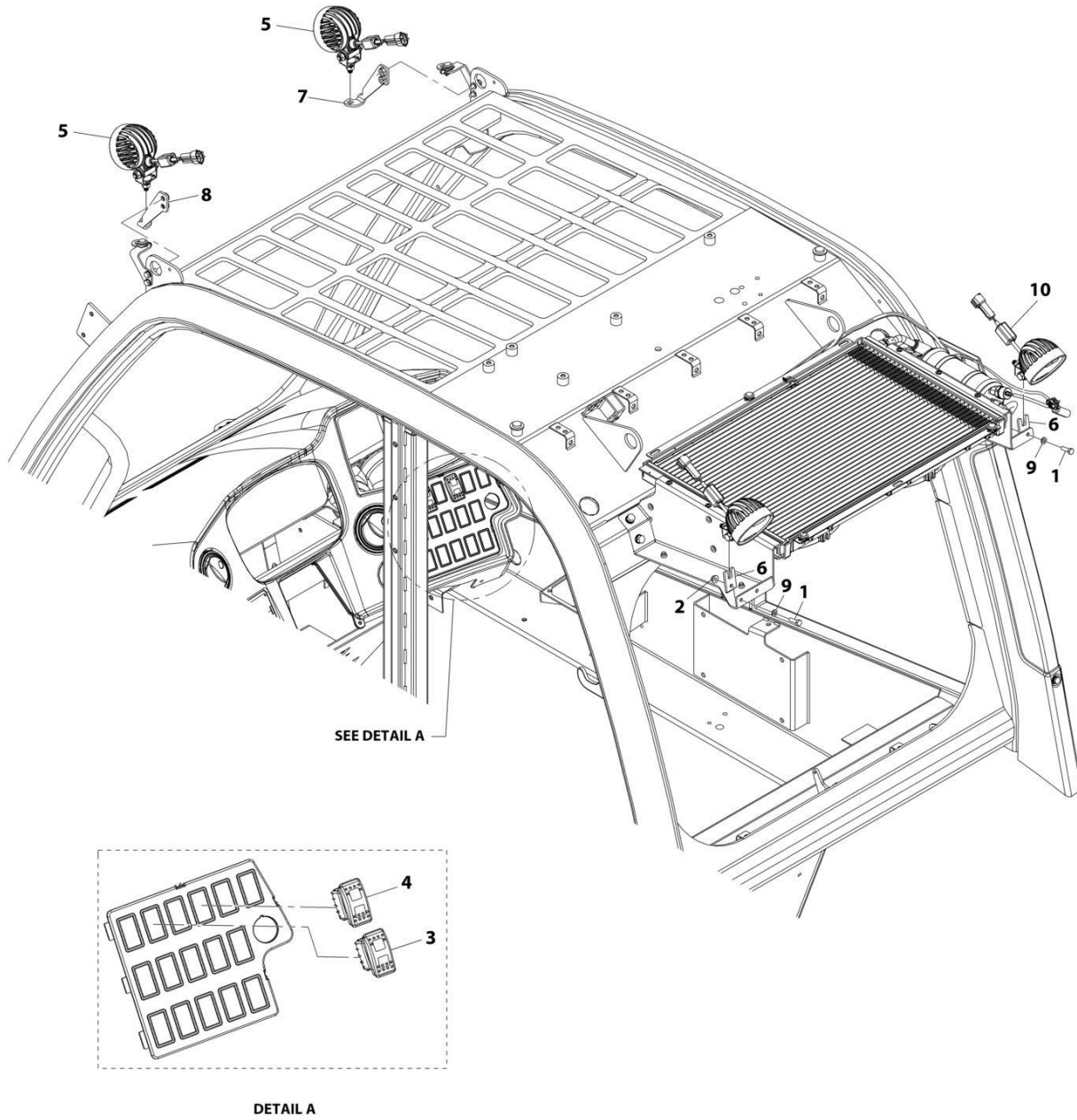
SECTION 10 - ELECTRICAL

FIGURE 10-32. CAB WORKLIGHTS INSTALLATION (NO A/C - LED)

ITEM	PART NUMBER	QTY	DESCRIPTION	REV
	1001200538	Ref	Cab Worklights Installation (No A/C - LED)	D
1	0700610	4	Bolt, M6X20	
3	4811700	4	Washer, M6	
4	1001159845	1	Switch, Front Worklights	
5	1001159846	1	Switch, Rear Worklights	
6	1001203640	4	Lamp, LED Work Light	
7	1001244193	1	Support, LED Work Light RH	
8	1001244192	1	Support, LED Work Light LH	
9	1001204528	1	Support, LED Work Light RH	
10	1001204530	1	Support, LED Work Light LH	
11	1001228989	4	Harness, Ferrite	

SECTION 10 - ELECTRICAL

FIGURE 10-33. CAB WORKLIGHTS INSTALLATION (A/C - LED)



ART_1001200539-D

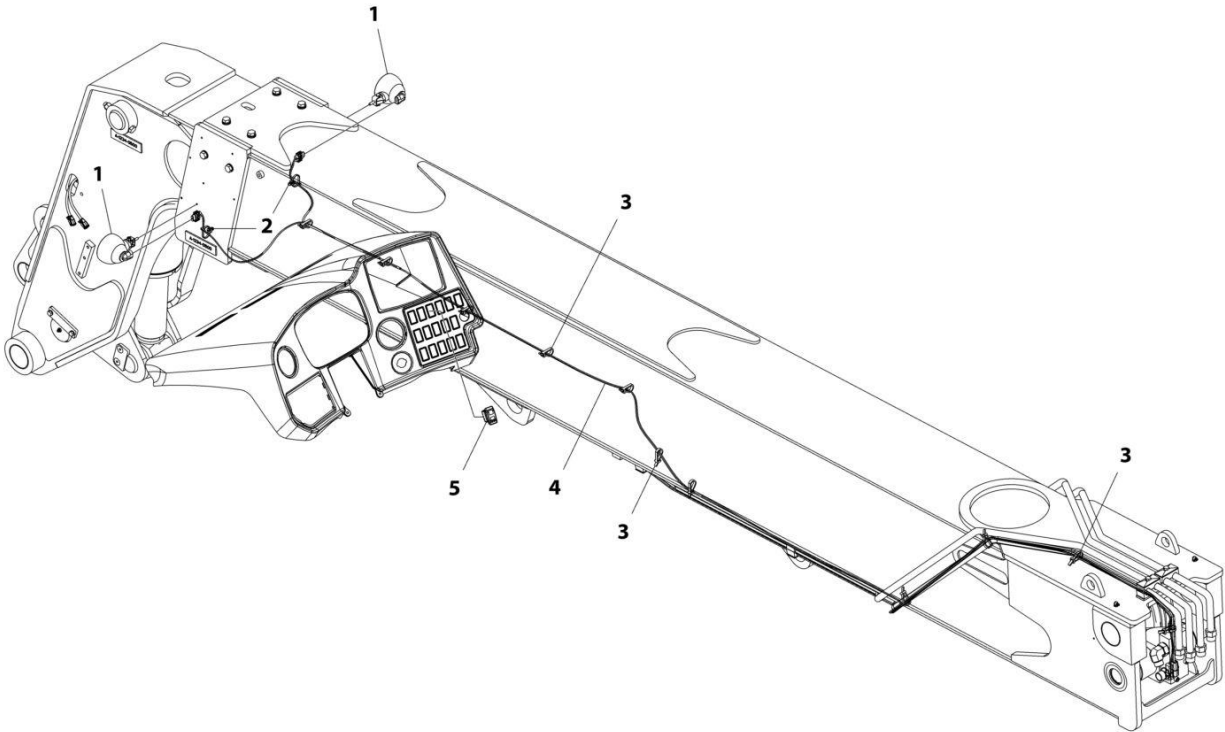
SECTION 10 - ELECTRICAL

FIGURE 10-33. CAB WORKLIGHTS INSTALLATION (A/C - LED)

ITEM	PART NUMBER	QTY	DESCRIPTION	REV
	1001200539	Ref	Cab Worklights Installation (A/C - LED)	D
1	0700610	2	Bolt, M6X20	
2	5220600	2	Nut, M6	
3	1001159845	1	Switch, Front Worklights	
4	1001159846	1	Switch, Rear Worklights	
5	1001203640	4	Lamp, LED Work Light	
6	1001204060	2	Bracket	
7	1001244193	1	Support, LED Work Light RH	
8	1001244192	1	Support, LED Work Light LH	
9	4811700	2	Washer, M6	
10	1001228989	4	Harness, Ferrite	

SECTION 10 - ELECTRICAL

FIGURE 10-34. BOOM WORKLIGHTS INSTALLATION



ART_1001180529

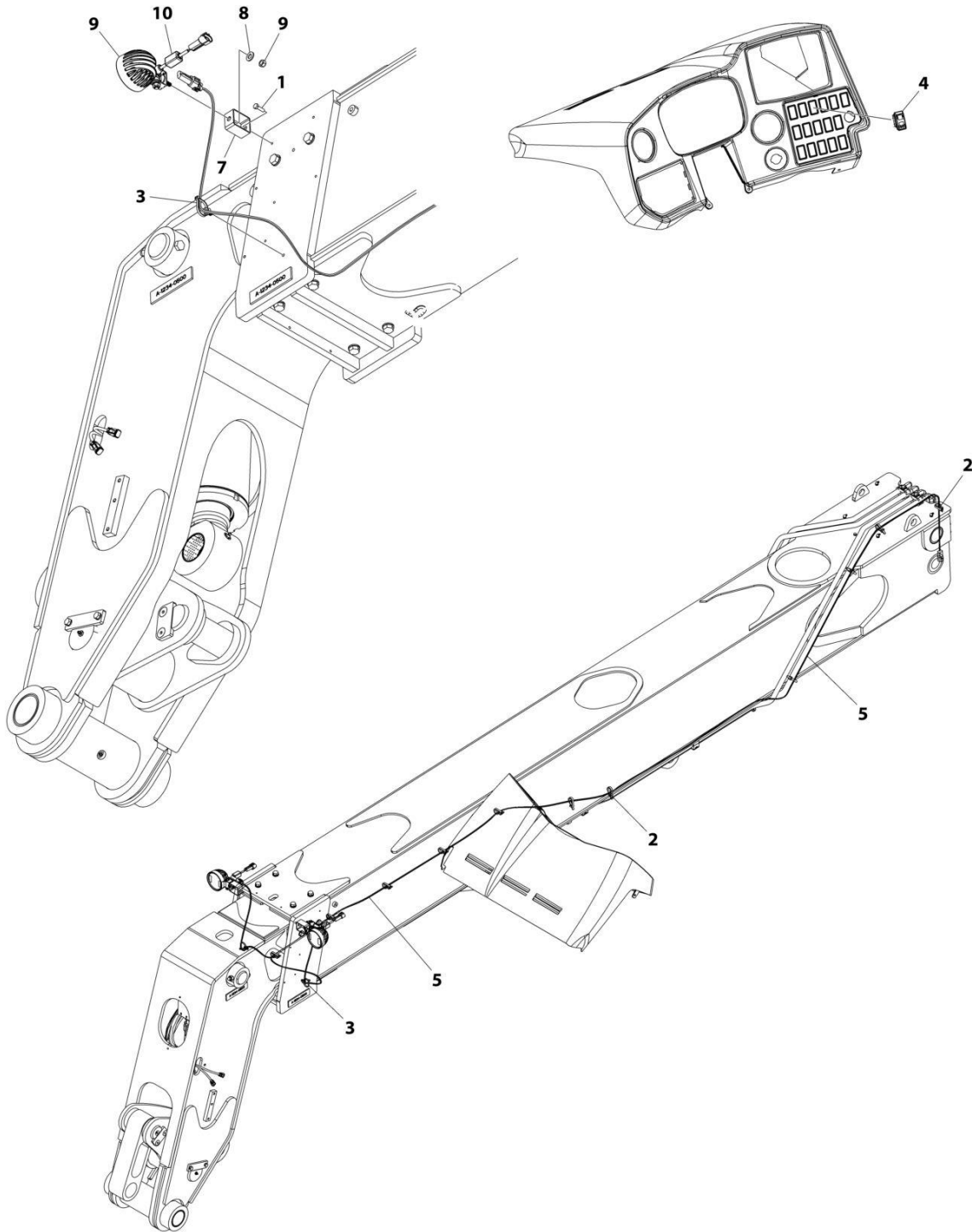
SECTION 10 - ELECTRICAL

FIGURE 10-34. BOOM WORKLIGHTS INSTALLATION

ITEM	PART NUMBER	QTY	DESCRIPTION	REV
	1001180529	Ref	Boom Worklights Installation	D
1	2920206	2	Worklight	
2	1001146588	2	Strap, Cable	
3	1001008923	11	Strap, Cable	
4	1001183297	1	Harness, Boom Worklights (See Separate Breakdown in this Section)	
5	1001159739	1	Switch, Boom Worklights	

SECTION 10 - ELECTRICAL

FIGURE 10-35. BOOM LED WORKLIGHTS INSTALLATION



ART_1001210961

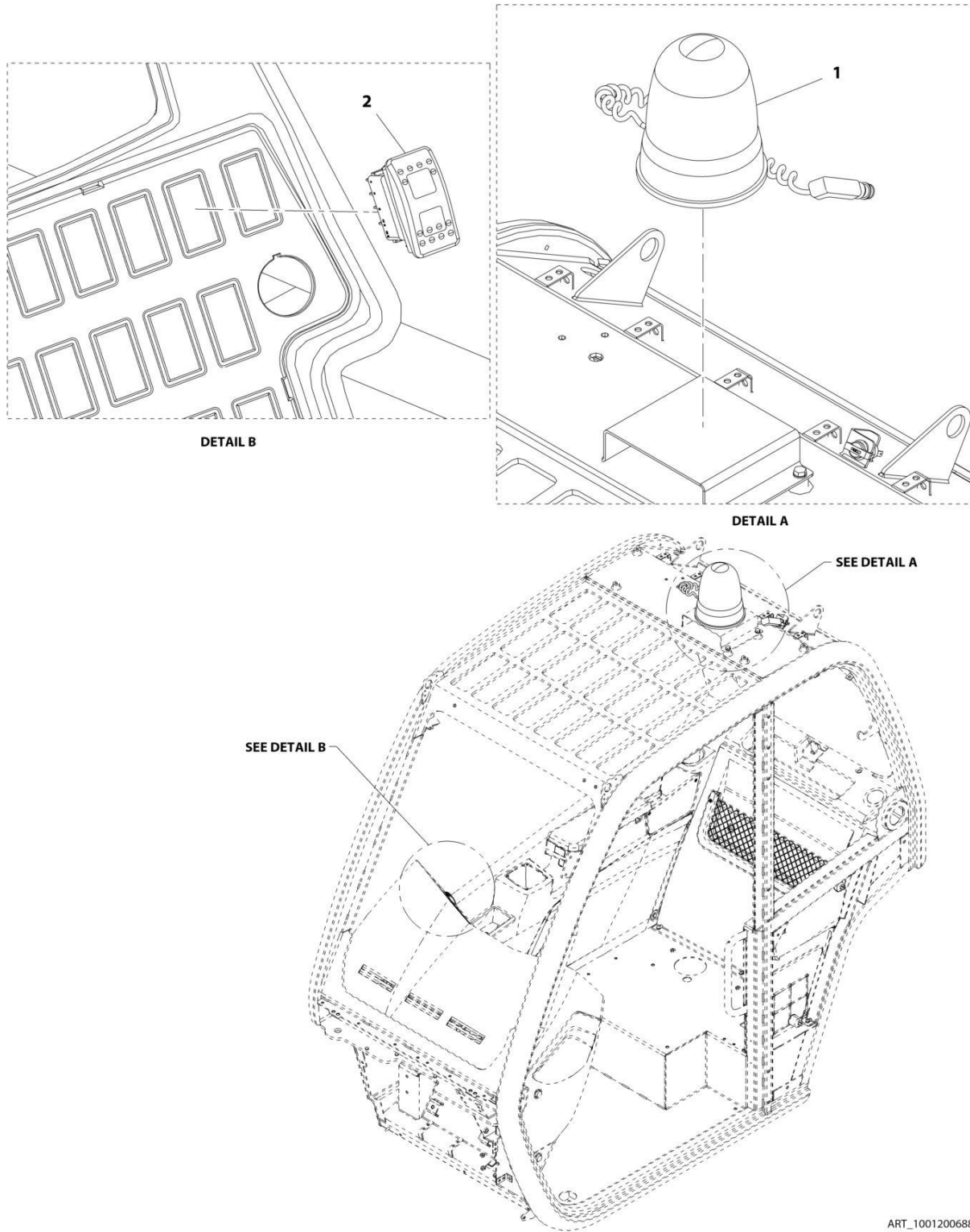
SECTION 10 - ELECTRICAL

FIGURE 10-35. BOOM LED WORKLIGHTS INSTALLATION

ITEM	PART NUMBER	QTY	DESCRIPTION	REV
	1001210961	Ref	Boom LED Worklights Installation	D
1	0760610	2	Bolt, M6X20	
2	1001008923	11	Strap, Cable	
3	1001146588	2	Strap, Tie	
4	1001159739	1	Switch, Boom Worklights	
5	1001183297	1	Harness, Boom Worklights (See Separate Breakdown in this Section)	
7	1001210962	2	Bracket	
8	4812000	2	Washer, M10	
9	1001203640	2	Lamp, LED Worklights	
10	1001228989	2	Harness, Ferrite	

SECTION 10 - ELECTRICAL

FIGURE 10-36. BEACON LIGHT INSTALLATION



ART_1001200688-B

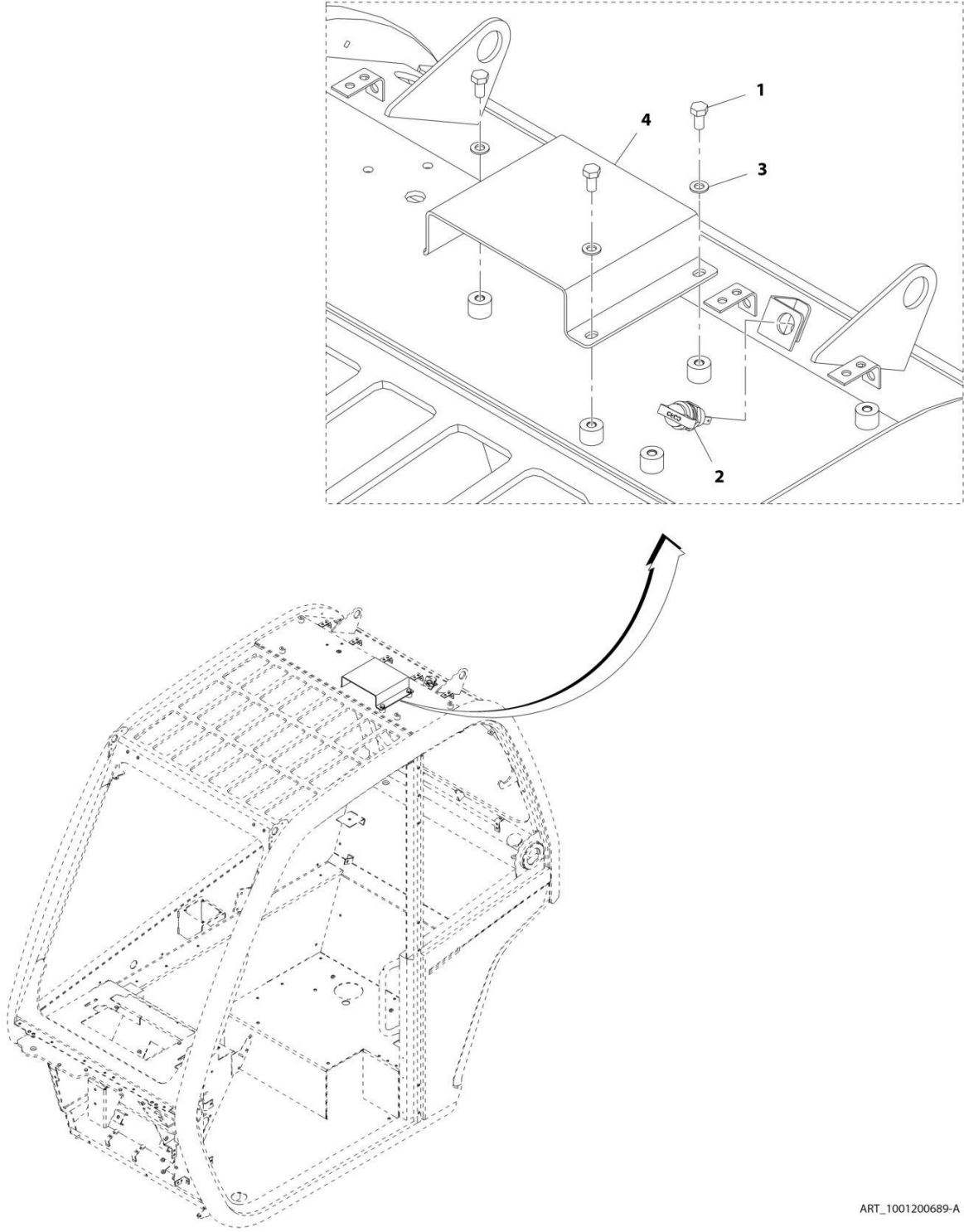
SECTION 10 - ELECTRICAL

FIGURE 10-36. BEACON LIGHT INSTALLATION

ITEM	PART NUMBER	QTY	DESCRIPTION	REV
	1001200688	Ref	BEACON LIGHT INSTALLATION	B
1	1001217623	1	Light, Warning	
2	1001159738	1	Switch, Beacon	

SECTION 10 - ELECTRICAL

FIGURE 10-37. BEACON BRACKET INSTALLATION



ART_1001200689-A

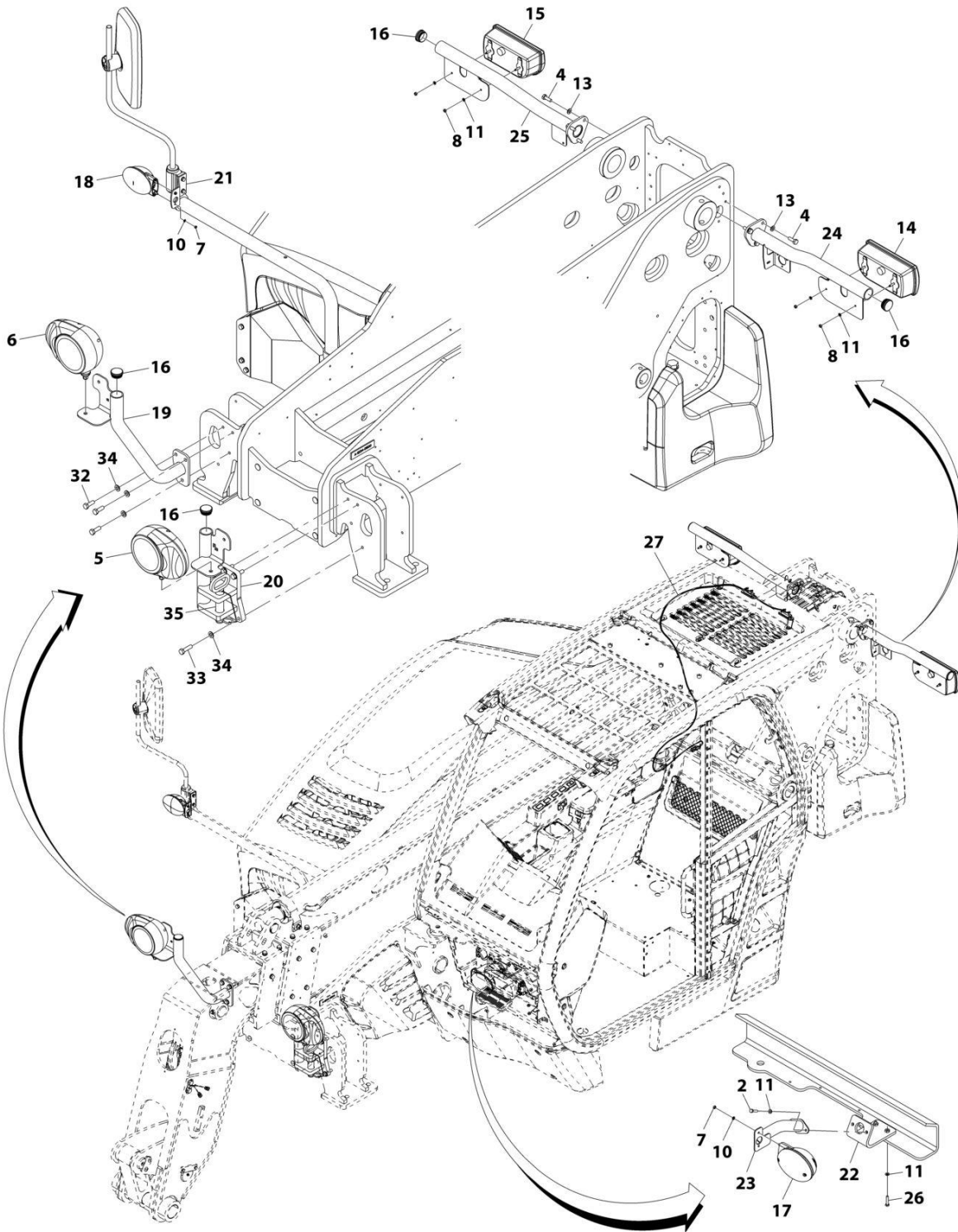
SECTION 10 - ELECTRICAL

FIGURE 10-37. BEACON BRACKET INSTALLATION

ITEM	PART NUMBER	QTY	DESCRIPTION	REV
	1001200689	Ref	Beacon Bracket Installation	A
1	0760808	3	Bolt, M8X16	
2	4461174	1	Terminal, 12 Volt	
3	4811900	3	Washer, M8	
4	1001174796	1	Bracket, Beacon	

SECTION 10 - ELECTRICAL

FIGURE 10-38. DIP LIGHTS INSTALLATION (RHD - NO OUTRIGGERS)



ART_1001179092-D

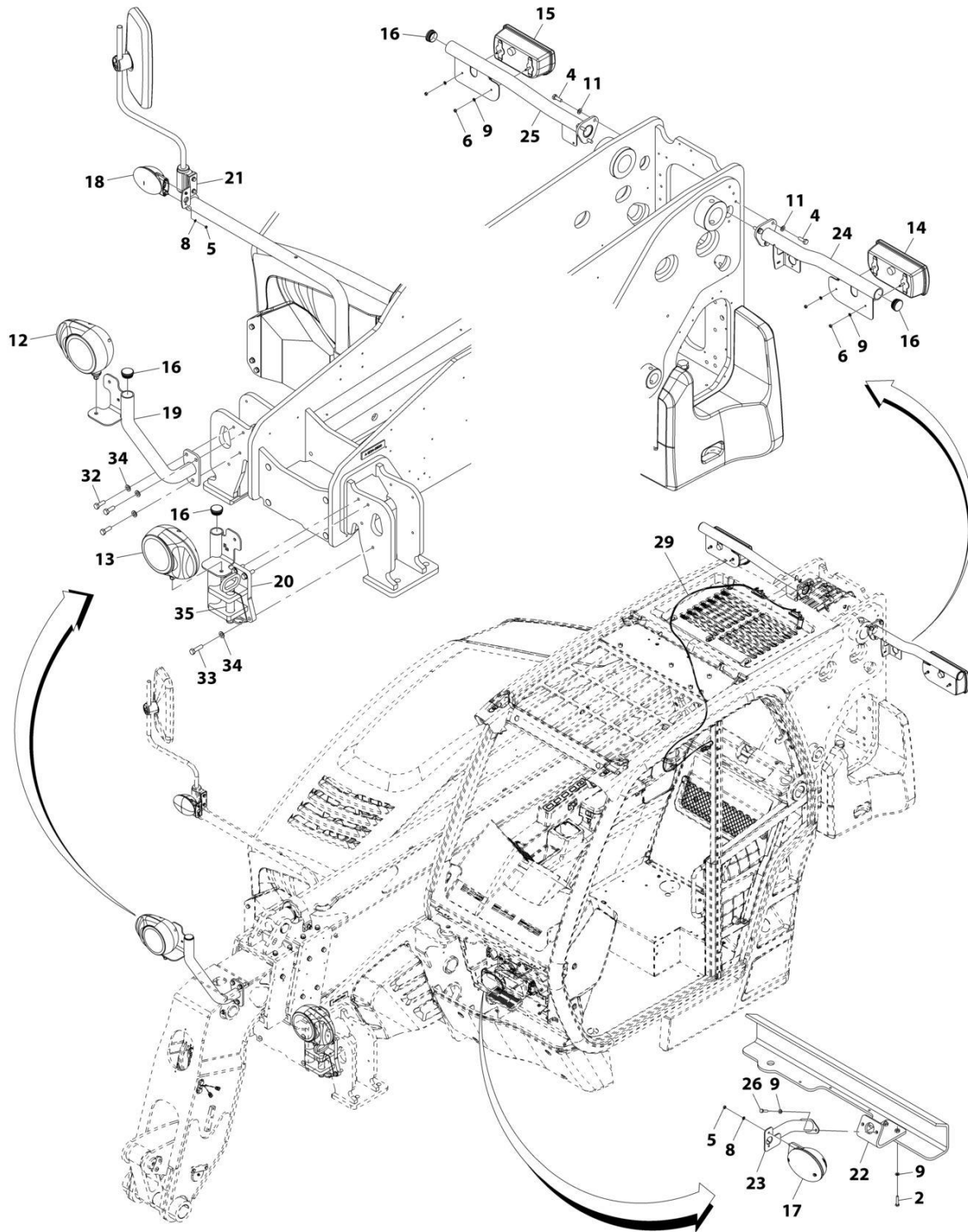
SECTION 10 - ELECTRICAL

FIGURE 10-38. DIP LIGHTS INSTALLATION (RHD - NO OUTRIGGERS)

ITEM	PART NUMBER	QTY	DESCRIPTION	REV
	1001179092	Ref	Dip Lights Installation (RHD - No Outriggers)	D
2	0700612	2	Bolt, M6X25	
4	0761014	6	Bolt, M10X30	
5	2920207	1	Driving Light (RHD - LH)	
	7029969	1	Bulb, 4W	
	7029970	1	Bulb, 55W	
	7029971	1	Bulb, 21W	
6	2920208	1	Driving Light (RHD - RH)	
	7029969	1	Bulb, 4W	
	7029970	1	Bulb, 55W	
	7029971	1	Bulb, 21W	
7	3290501	4	Nut, M5X0.8 Grade 8	
8	3290601	4	Nut, M6X1 Grade 8	
10	4811600	4	Washer, M5	
11	4811700	8	Washer, M6	
13	4812000	6	Washer, M10	
14	1001091715	1	Lamp, Rear (LH)	
	70021341	1	Bulb, 5W	
	70021340	1	Bulb, 21W	
	7029971	1	Bulb, 21W	
15	1001091716	1	Lamp, Rear (RH)	
	70021341	1	Bulb, 5W	
	70021340	1	Bulb, 21W	
	7029971	1	Bulb, 21W	
16	1001096913	4	Bracket	
17	1001105167	1	Sidelight (LH)	
	70021340	1	Bulb, 21W	
	70021341	1	Bulb, 5W	
	70027287	1	Lens	
18	1001105168	1	Sidelight (RH)	
	70021340	1	Bulb, 21W	
	70021341	1	Bulb, 5W	
	70027287	1	Lens	
19	1001198621	1	Bracket	
20	1001208531	1	Bracket	
21	1001208763	1	Bracket	
22	1001197015	1	Mount	
23	1001198796	1	Bracket	
24	1001213825	1	Bracket	
25	1001213826	1	Bracket	
26	0700614	2	Bolt, M6X30	
27	1001189569	Ref	Installation, License Plate Lamp (See Separate Breakdown in this Section)	
32	0701215	3	Bolt, M12X35	
33	0701217	4	Bolt, M12X45	
34	4812100	7	Washer, M12	
35	1001003391	1	Pin	

SECTION 10 - ELECTRICAL

FIGURE 10-39. DIP LIGHTS INSTALLATION (LHD - NO OUTRIGGERS)



ART_1001179093-D

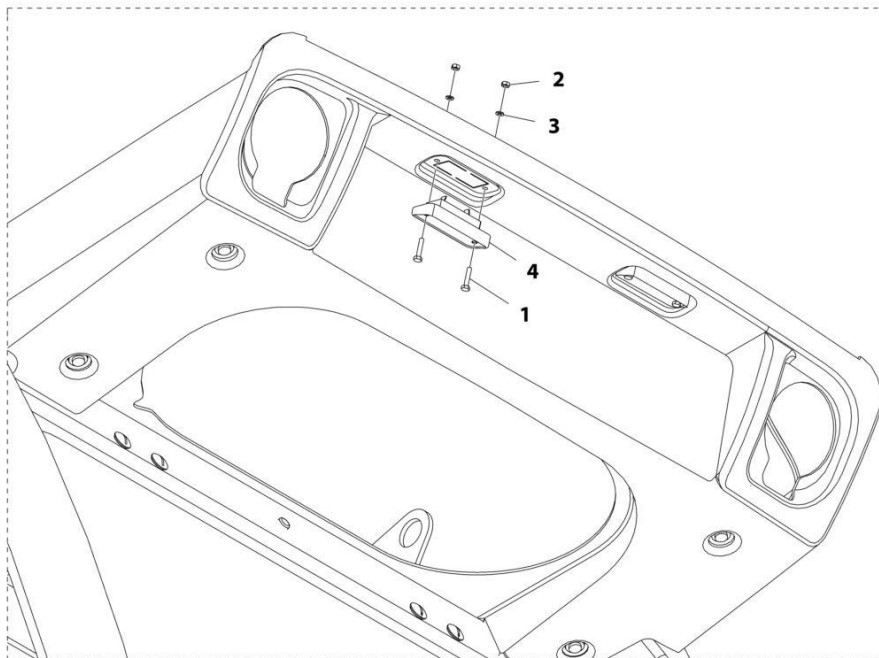
SECTION 10 - ELECTRICAL

FIGURE 10-39. DIP LIGHTS INSTALLATION (LHD - NO OUTRIGGERS)

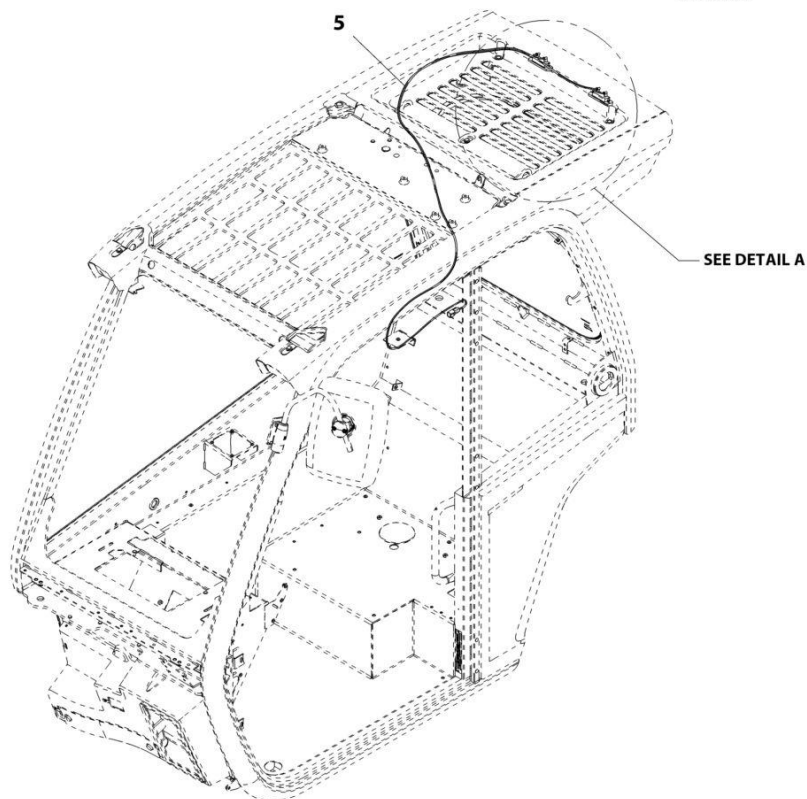
ITEM	PART NUMBER	QTY	DESCRIPTION	REV
	1001179093	Ref	Dip Lights Installation (LHD - No Outriggers)	D
2	0700614	2	Bolt, M6X30	
4	0761014	6	Bolt, M10X30	
5	3290501	4	Nut, M5X0.8 Grade 8	
6	3290601	4	Nut, M6X1 Grade 8	
8	4811600	4	Washer, M5	
9	4811700	8	Washer, M6	
11	4812000	6	Washer, M10	
12	1001002778	1	Light, Driving (LHD - RH)	
	7029969	1	Bulb, 4W	
	7029970	1	Bulb, 55W	
	7029971	1	Bulb, 21W	
13	1001002779	1	Light, Driving (LHD - LH)	
	7029969	1	Bulb, 4W	
	7029970	1	Bulb, 55W	
	7029971	1	Bulb, 21W	
14	1001091715	1	Lamp, Rear (LH)	
	70021341	1	Bulb, 5W	
	70021340	1	Bulb, 21W	
	7029971	1	Bulb, 21W	
15	1001091716	1	Lamp, Rear (RH)	
	70021341	1	Bulb, 5W	
	70021340	1	Bulb, 21W	
	7029971	1	Bulb, 21W	
16	1001096913	4	Bracket	
17	1001105167	1	Sidelight (LH)	
	70021340	1	Bulb, 21W	
	70021341	1	Bulb, 5W	
	70027287	1	Lens	
18	1001105168	1	Sidelight (RH)	
	70021340	1	Bulb, 21W	
	70021341	1	Bulb, 5W	
	70027287	1	Lens	
19	1001198621	1	Bracket	
20	1001208531	1	Bracket	
21	1001208763	1	Bracket	
22	1001197015	1	Mount	
23	1001198796	1	Bracket	
24	1001213825	1	Bracket	
25	1001213826	1	Bracket	
26	0700612	2	Bolt, M6X25	
29	1001189569	Ref	Installation, License Plate Lamp (See Separate Breakdown in this Section)	
32	0701215	3	Bolt, M12X35	
33	0701217	4	Bolt, M12X45	
34	4812100	7	Washer, M12	
35	1001003391	1	Pin	

SECTION 10 - ELECTRICAL

FIGURE 10-40. LICENSE PLATE LAMP INSTALLATION



DETAIL A



ART_1001189569-A

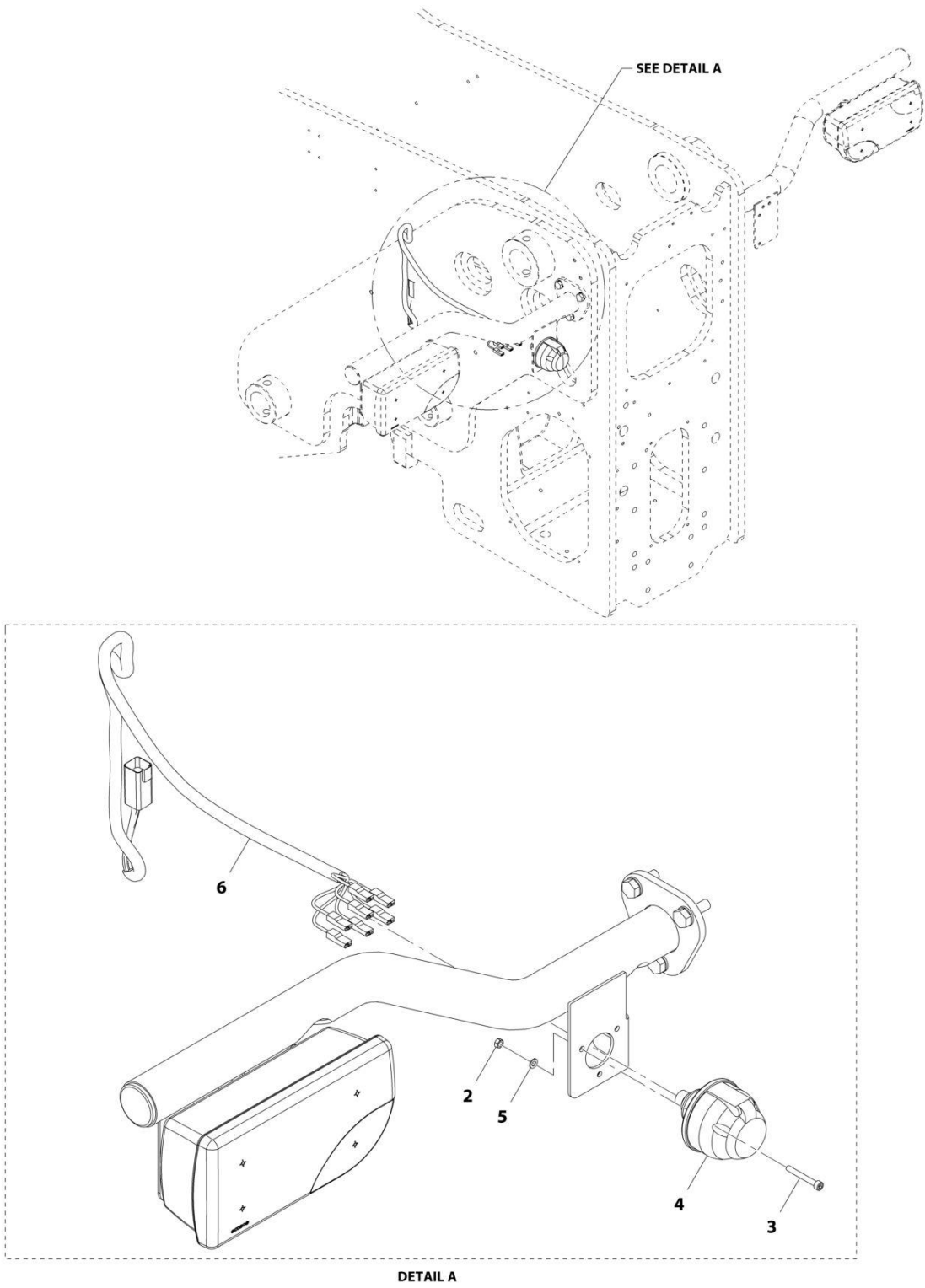
SECTION 10 - ELECTRICAL

FIGURE 10-40. LICENSE PLATE LAMP INSTALLATION

ITEM	PART NUMBER	QTY	DESCRIPTION	REV
	1001189569	Ref	License Plate Lamp Installation	A
1	0760410	4	Bolt, M4X20	
2	3290401	4	Nut, M4X0.7 Grade 8	
3	4831400	4	Washer, Lock M4	
4	1001173829	2	Lamp, License Plate	
5	1001178053	1	Harness, License Light (See Separate Breakdown in this Section)	

SECTION 10 - ELECTRICAL

FIGURE 10-41. TRAILER ELECTRICS INSTALLATION



ART_1001179059-B

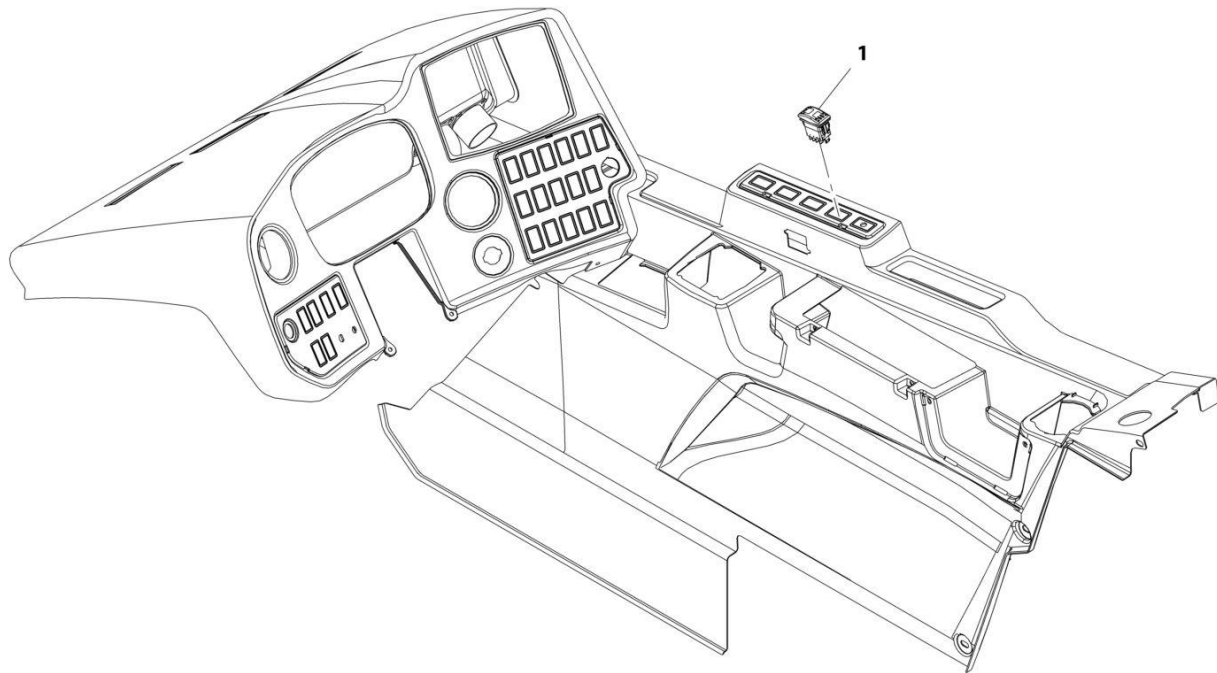
SECTION 10 - ELECTRICAL

FIGURE 10-41. TRAILER ELECTRICS INSTALLATION

ITEM	PART NUMBER	QTY	DESCRIPTION	REV
	1001179059	Ref	TRAILER ELECTRICS INSTALLATION	B
2	3290501	3	Nut M5	
3	4031612	3	Bolt M5 X 40	
4	4461170	1	Connector	
5	4811600	3	Washer M5	
6	1001184839	1	Harness,Trailer Connector (See Separate Breakdown in this Section)	

SECTION 10 - ELECTRICAL

FIGURE 10-42. ENGINE SPEED SET SWITCH INSTALLATION



ART_1001197639-B

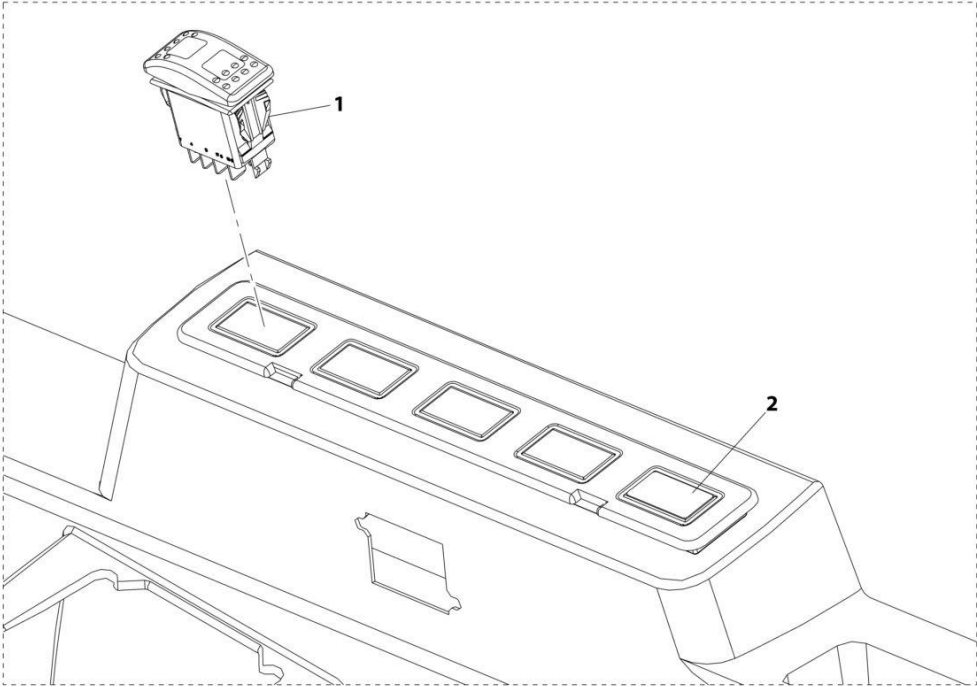
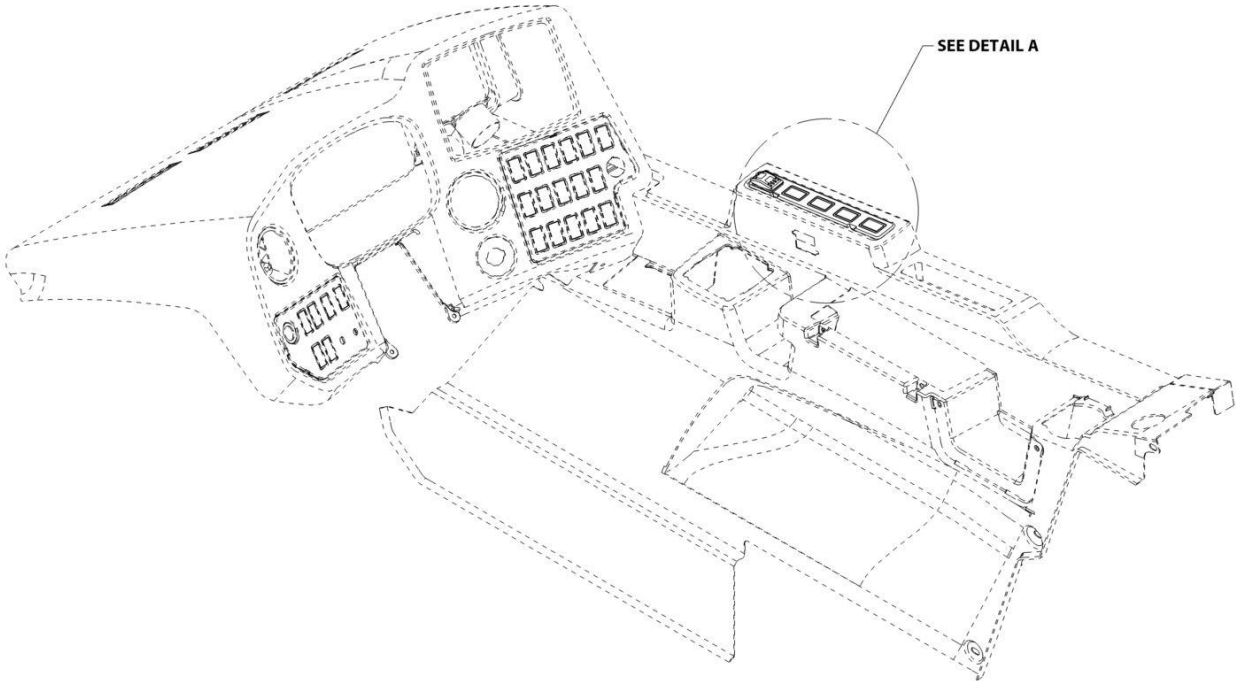
SECTION 10 - ELECTRICAL

FIGURE 10-42. ENGINE SPEED SET SWITCH INSTALLATION

ITEM	PART NUMBER	QTY	DESCRIPTION	REV
1	1001197639	1	Engine Speed Set Switch Installation	B
	1001198932	1	Switch, Engine Speed Set	

SECTION 10 - ELECTRICAL

FIGURE 10-43. DECLUTCH SWITCH INSTALLATION



DETAIL A

ART_1001202430-B

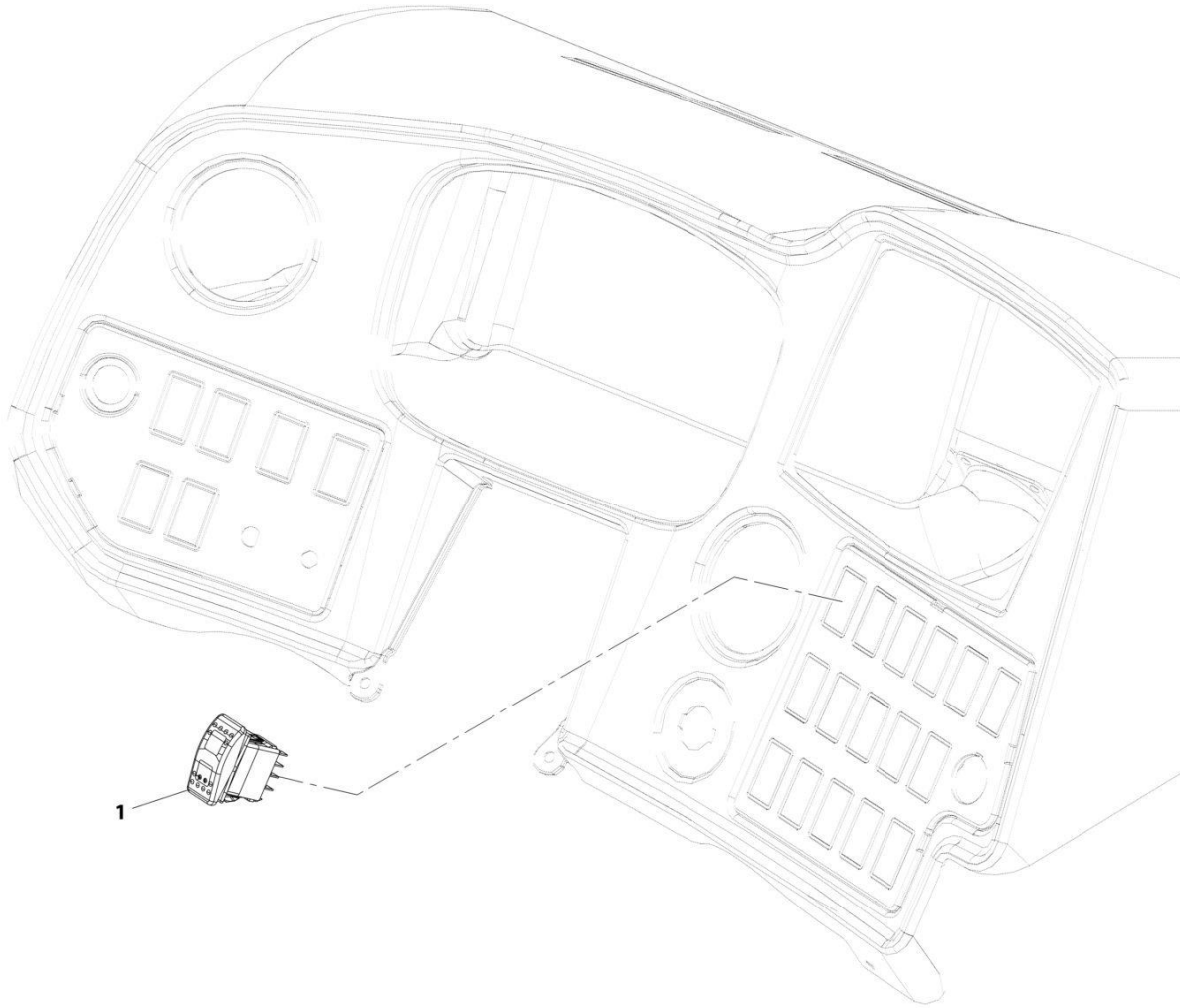
SECTION 10 - ELECTRICAL

FIGURE 10-43. DECLUTCH SWITCH INSTALLATION

ITEM	PART NUMBER	QTY	DESCRIPTION	REV
	1001202430	Ref	Declutch Switch Installation	B
1	1001202421	1	Switch, Transmission Disconnect	
2	1001226481	1	Decal, Blank	

SECTION 10 - ELECTRICAL

FIGURE 10-44. FOG LAMP SWITCH INSTALLATION



ART_1001186714-A

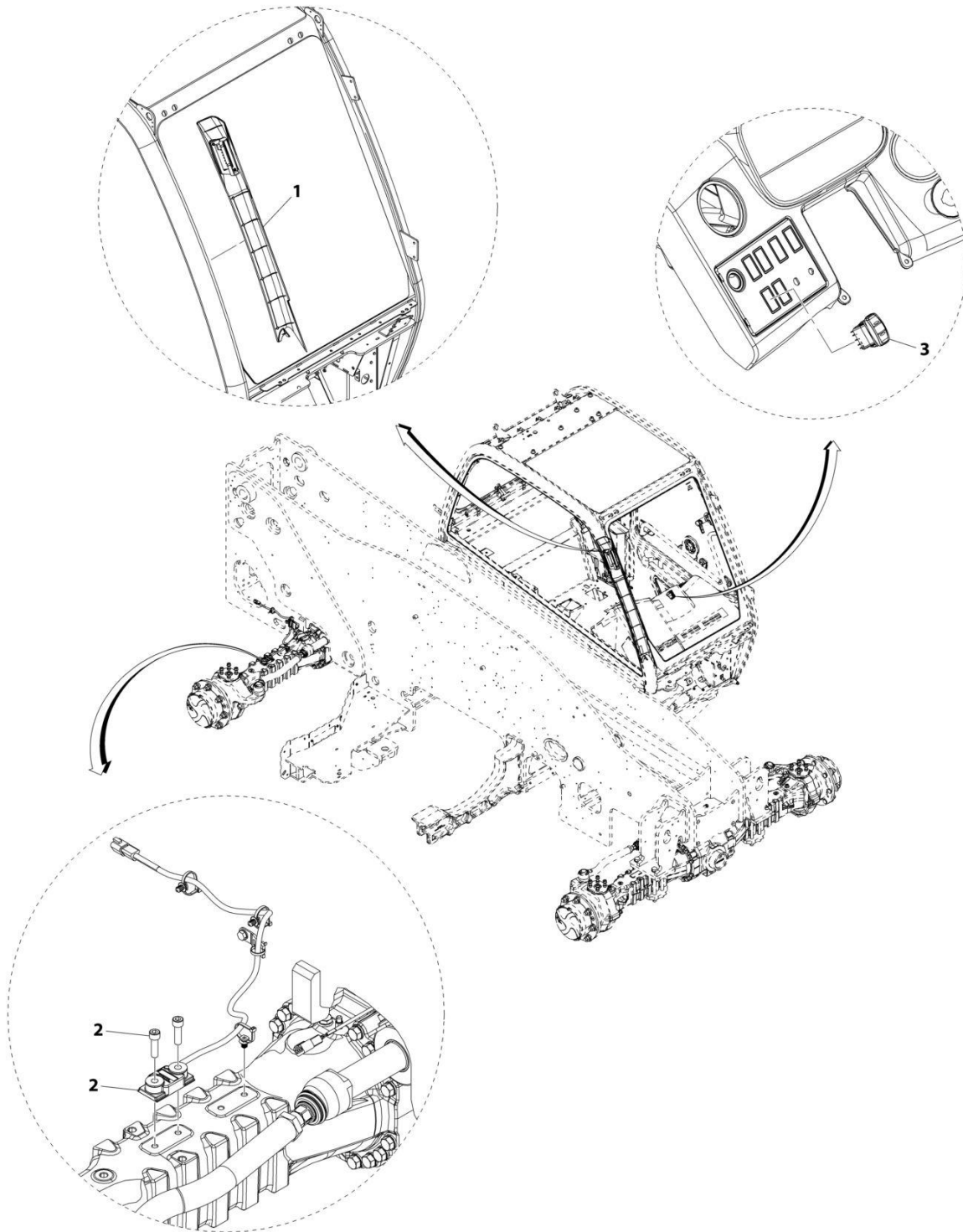
SECTION 10 - ELECTRICAL

FIGURE 10-44. FOG LAMP SWITCH INSTALLATION

ITEM	PART NUMBER	QTY	DESCRIPTION	REV
1	1001186714 1001159737	Ref 1	Fog Lamp Switch Installation Switch, Fog Lights	A

SECTION 10 - ELECTRICAL

FIGURE 10-45. LSI SENSOR INSTALLATION



ART_1001197589-D

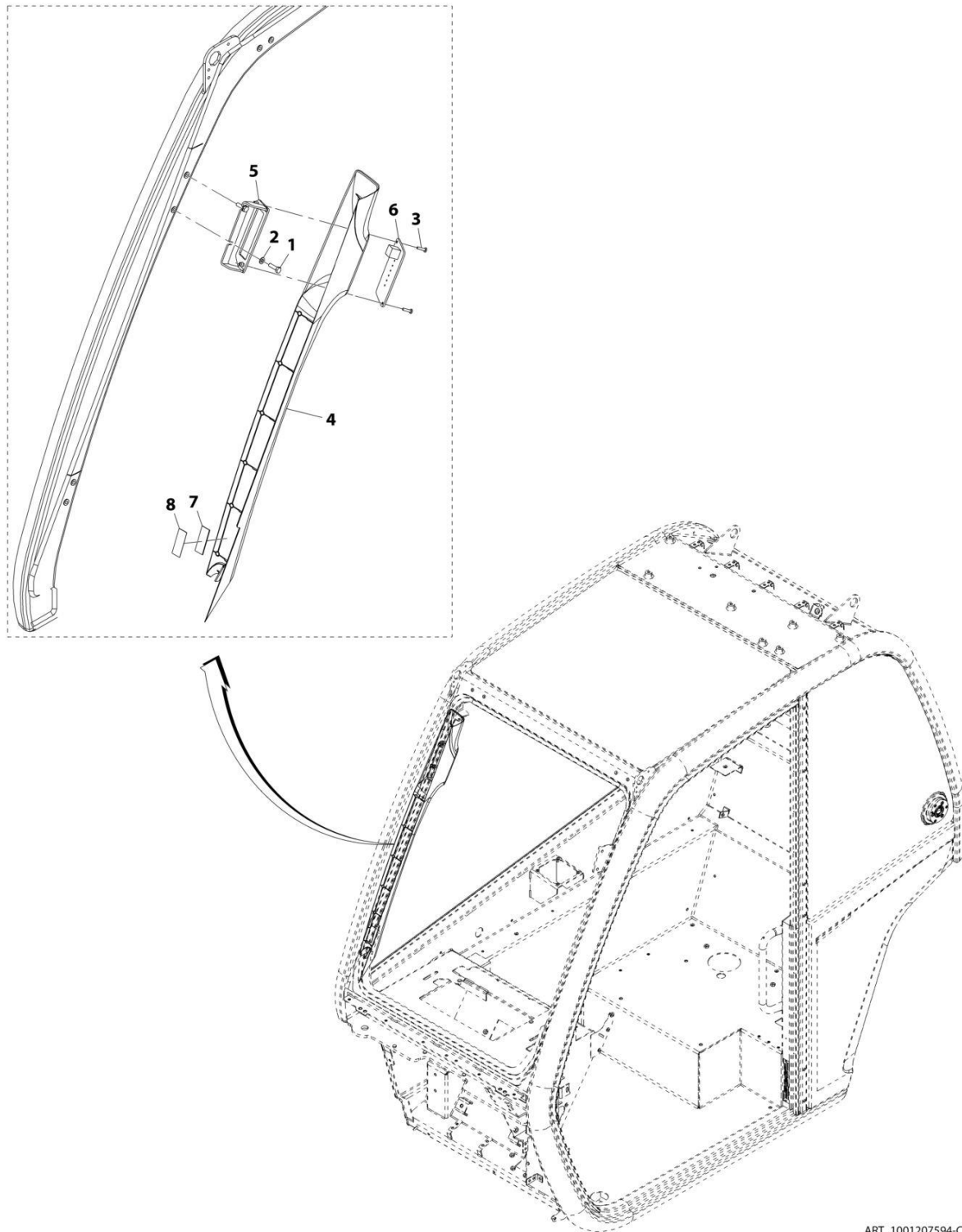
SECTION 10 - ELECTRICAL

FIGURE 10-45. LSI SENSOR INSTALLATION

ITEM	PART NUMBER	QTY	DESCRIPTION	REV
1	1001197589	Ref	LSI Sensor Installation (24IN Wheel)	D
	1001207594	Ref	Installation, LSI Assembly (See Separate Breakdown in this Section)	
2	1001199935	Ref	Installation, LSI Sensor (24IN Wheel) (See Separate Breakdown in this Section)	
3	1001233407	Ref	Installation, LSI Switch (See Separate Breakdown in this Section)	

SECTION 10 - ELECTRICAL

FIGURE 10-46. LSI DISPLAY INSTALLATION



ART_1001207594-C

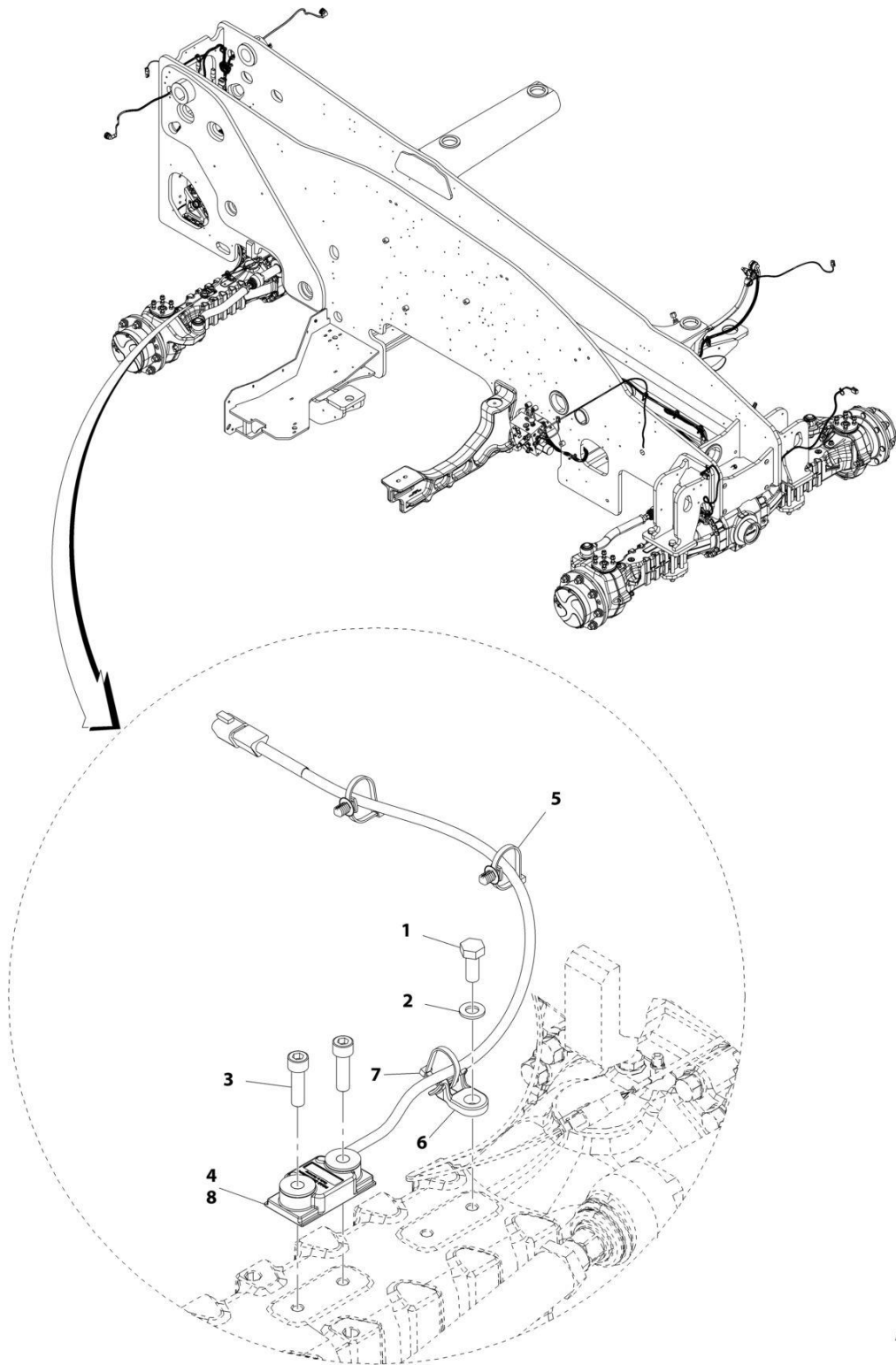
SECTION 10 - ELECTRICAL

FIGURE 10-46. LSI DISPLAY INSTALLATION

ITEM	PART NUMBER	QTY	DESCRIPTION	REV
	1001207594	Ref	LSI Display Installation	C
1	0760610	2	Bolt, M6X20	
2	4811700	2	Washer, M6	
3	1001126837	2	Screw, M4X16	
4	1001182839	1	Cover	
5	1001214401	1	Bracket	
6	1001213752	1	Display, LSI	
7	1001221318	1	Tape, Hook Fastener	
8	1001221319	1	Tape, Hook Fastener	

SECTION 10 - ELECTRICAL

FIGURE 10-47. LSI SENSOR



ART_1001199935-B

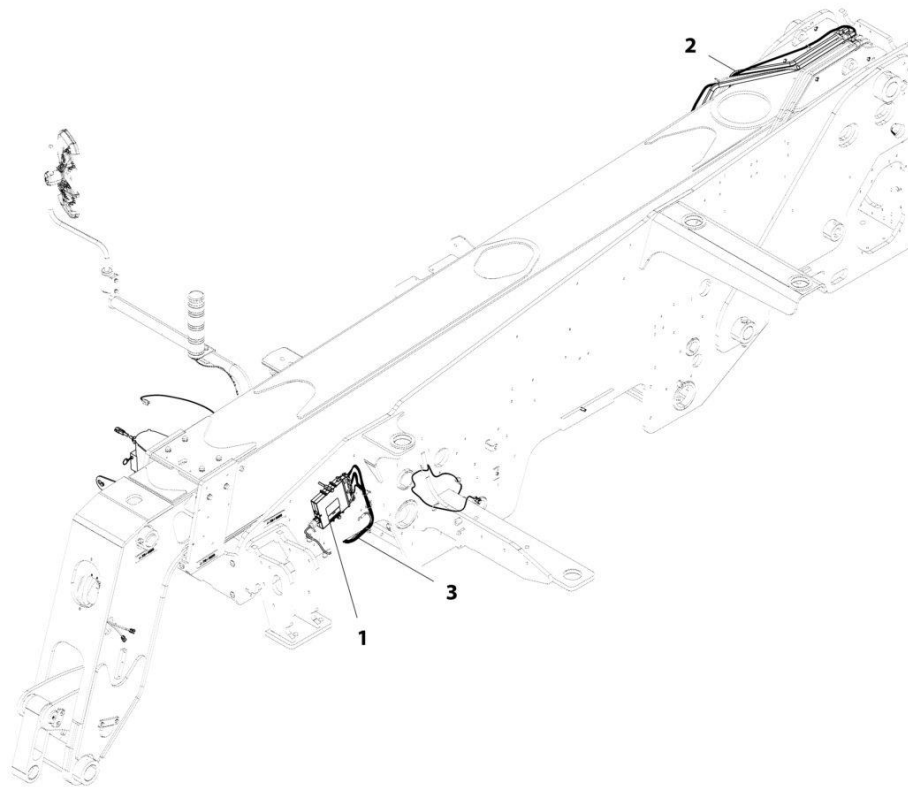
SECTION 10 - ELECTRICAL

FIGURE 10-47. LSI SENSOR

ITEM	PART NUMBER	QTY	DESCRIPTION	REV
	1001199935	Ref	LSI Sensor (24IN Wheel)	B
1	0761012	1	Bolt, M10X25	
2	4812000	1	Washer, M10	
3	5272011	2	Screw, M10X35	
4	1001116128	1	Sealant, Polysiloxane	
5	1001146588	2	Strap, Cable	
6	1001169146	1	Mount	
7	1001004720	1	Strap, Cable	
8	1001160730	1	Sensor, Rear Axle LSI	

SECTION 10 - ELECTRICAL

FIGURE 10-48. LMIS INSTALLATION (NO RIDE CONTROL)



ART_1001183817-C

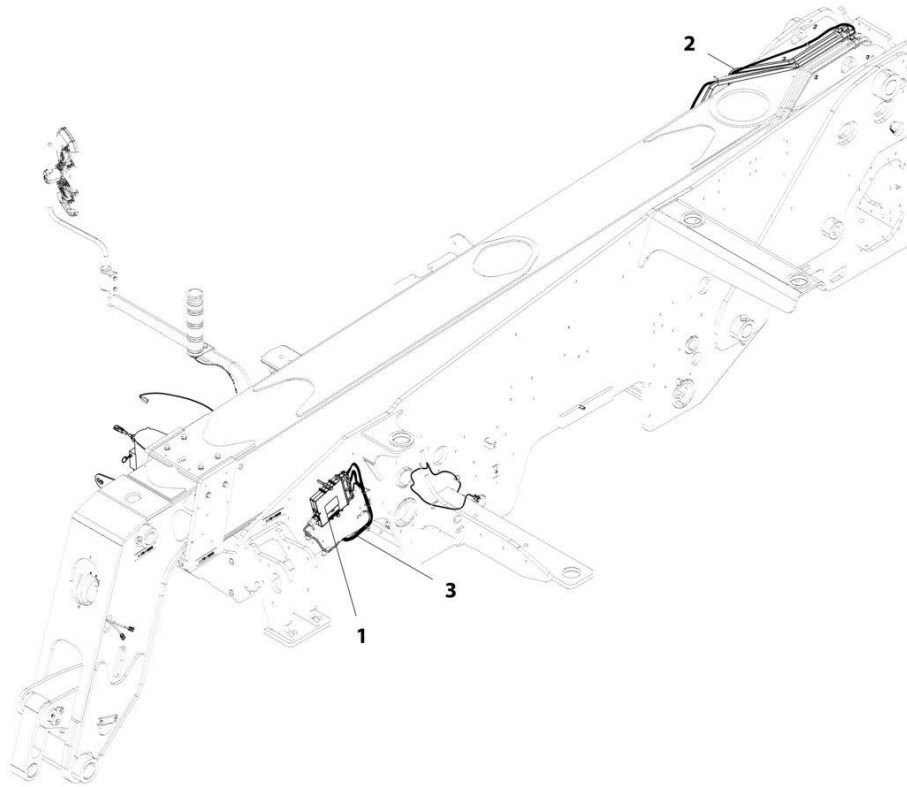
SECTION 10 - ELECTRICAL

FIGURE 10-48. LMIS INSTALLATION (NO RIDE CONTROL)

ITEM	PART NUMBER	QTY	DESCRIPTION	REV
1	1001183817	Ref	LMIS Installation	C
	1001183818	Ref	Installation, LMIS Controller (See Separate Breakdown in this Section)	
2	1001183819	Ref	Installation, LMIS Mech (See Separate Breakdown in this Section)	
3	1001186012	Ref	Installation, LMIS Wiring (See Separate Breakdown in this Section)	

SECTION 10 - ELECTRICAL

FIGURE 10-49. LMIS INSTALLATION (RIDE CONTROL)



ART_1001212437-A

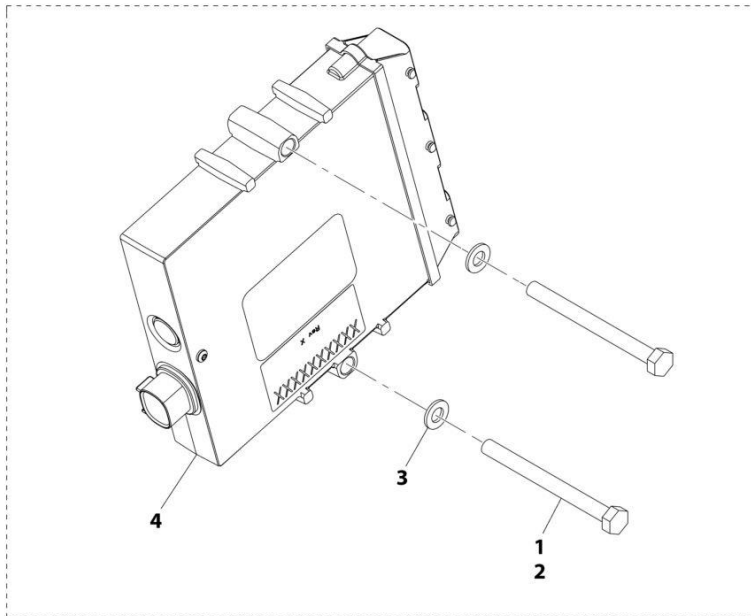
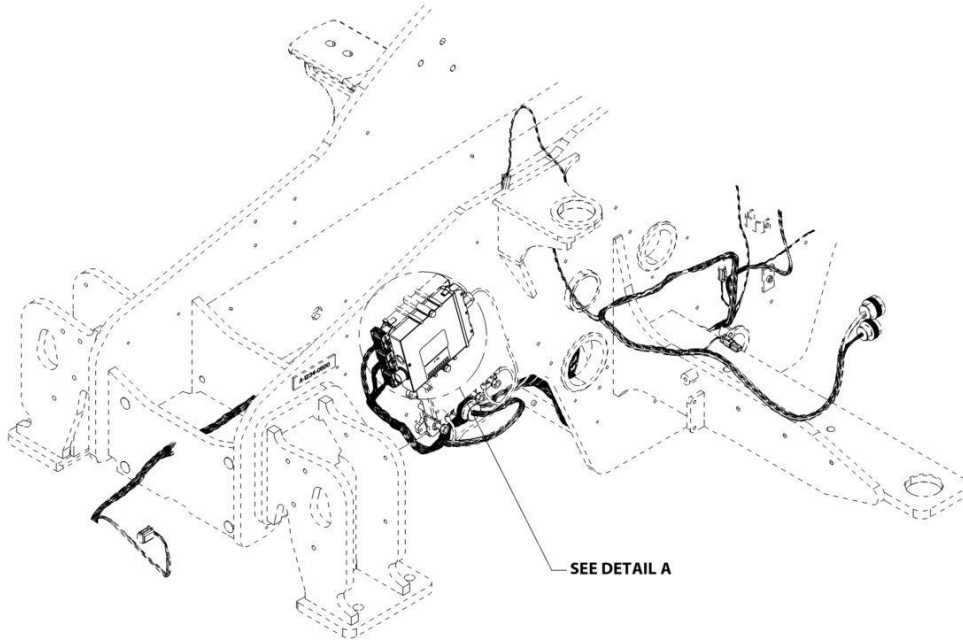
SECTION 10 - ELECTRICAL

FIGURE 10-49. LMIS INSTALLATION (RIDE CONTROL)

ITEM	PART NUMBER	QTY	DESCRIPTION	REV
1	1001212437	Ref	LMIS Installation (Ride Control)	A
	1001183818	1	Installation, LMIS Controller (See Separate Breakdown in this Section)	
2	1001186012	1	Installation, LMIS Wiring (See Separate Breakdown in this Section)	
3	1001217961	1	Installation, LMIS Mech (See Separate Breakdown in this Section)	

SECTION 10 - ELECTRICAL

FIGURE 10-50. LMIS CONTROLLER INSTALLATION



DETAIL A

ART_1001183818-A

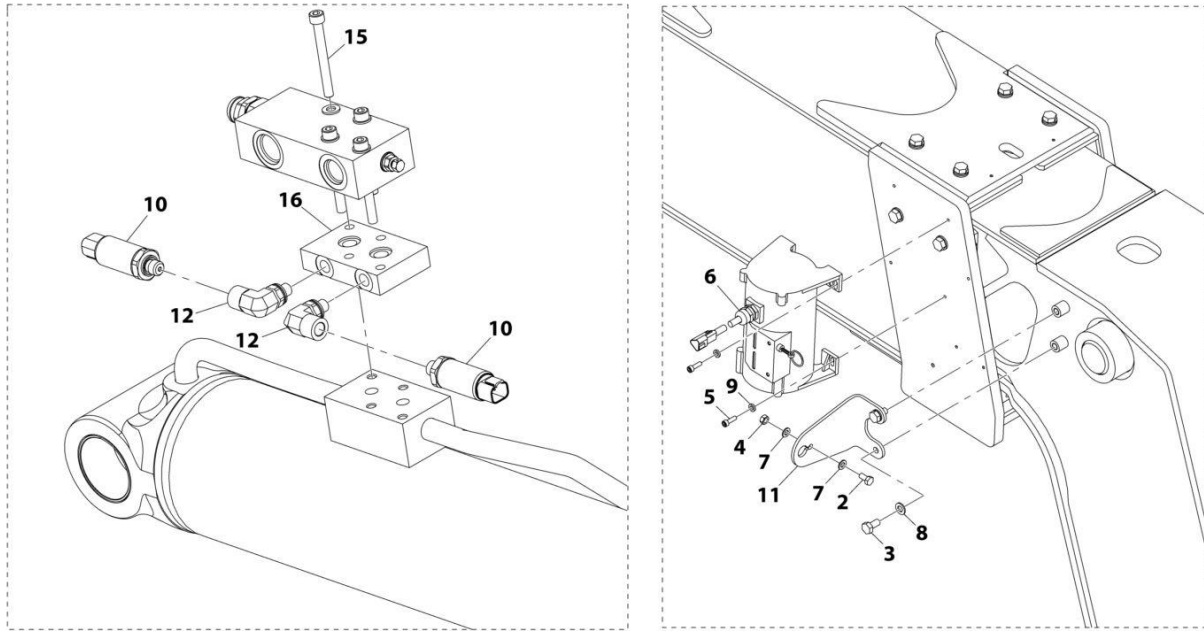
SECTION 10 - ELECTRICAL

FIGURE 10-50. LMIS CONTROLLER INSTALLATION

ITEM	PART NUMBER	QTY	DESCRIPTION	REV
	1001183818	Ref	LMIS Controller Installation	A
1	1001095650	AR	Compound, Locking	
2	0700826	2	Bolt, M8X90	
3	4811900	2	Washer, M8	
4	1001179901	1	Module, LMIS Control	

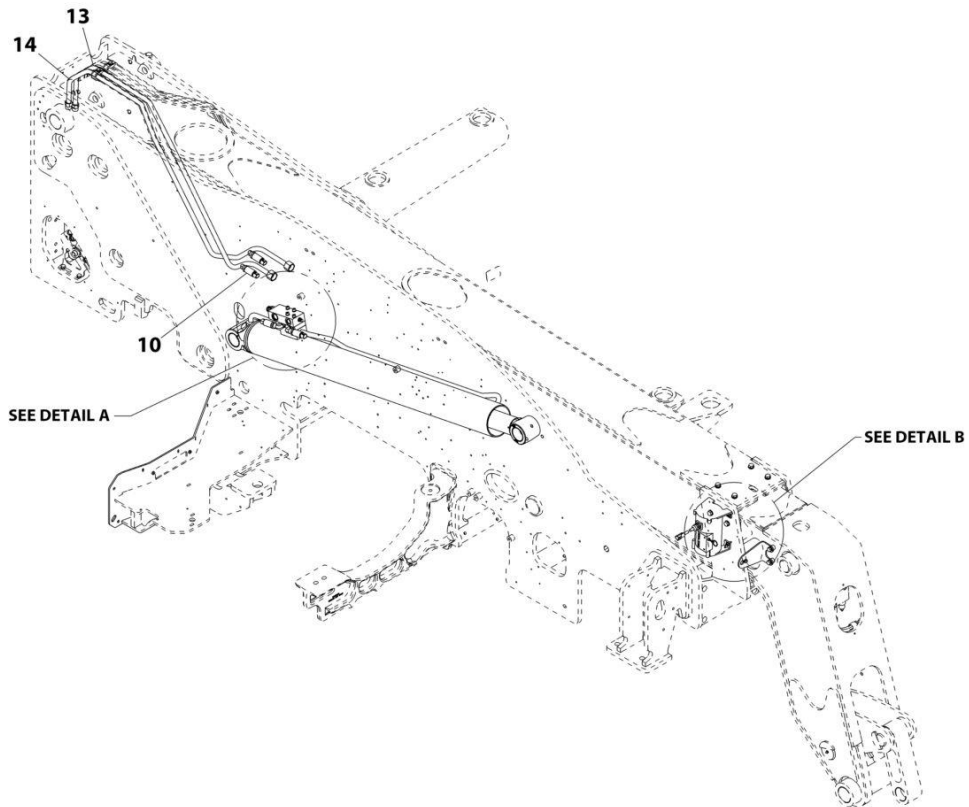
SECTION 10 - ELECTRICAL

FIGURE 10-51. LMIS CABLE REEL INSTALLATION (NO RIDE CONTROL)



DETAIL A

DETAIL B



ART_1001183819-D

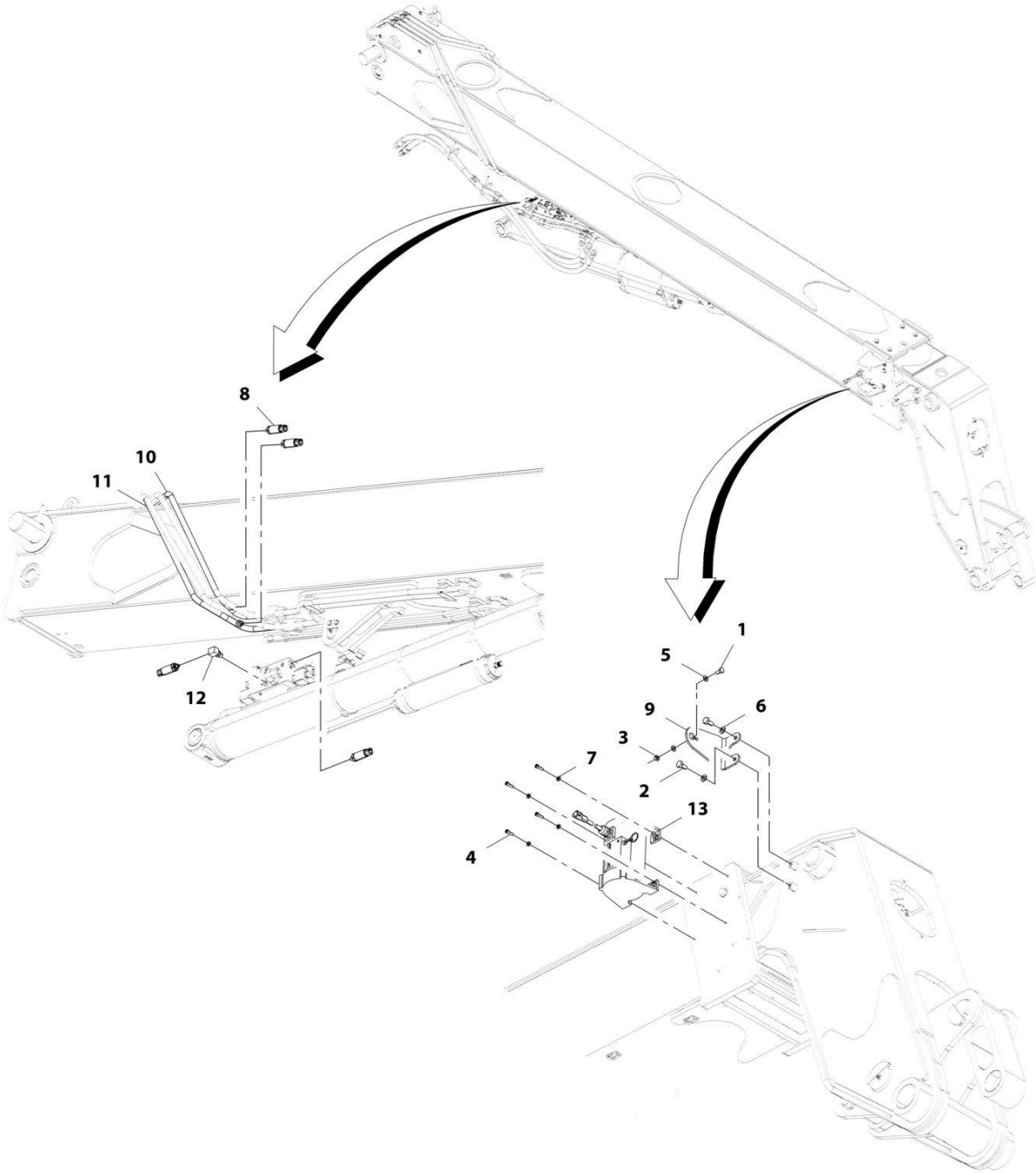
SECTION 10 - ELECTRICAL

FIGURE 10-51. LMIS CABLE REEL INSTALLATION (NO RIDE CONTROL)

ITEM	PART NUMBER	QTY	DESCRIPTION	REV
	1001183819	Ref	LMIS Cable Reel Installation	D
2	0760808	1	Bolt, M8X16	
3	0761010	2	Bolt, M10X20	
4	3290801	1	Nut, M8X1.25	
5	4031708	4	Bolt, M6X20	
6	1001211389	1	Sensor	
7	4811900	2	Washer, M8	
8	4812000	2	Washer, M10	
9	5240600	4	Washer, M6	
10	1001162885	4	Sensor	
11	1001190657	1	Bracket	
12	1001184172	2	Fitting, 90	
13	1001203284	1	Hose	
14	1001203285	1	Hose	
15	5271919	4	Screw	
16	1001108857	1	Manifold	

SECTION 10 - ELECTRICAL

FIGURE 10-52. LMIS CABLE REEL INSTALLATION (RIDE CONTROL)



ART_1001217961-A

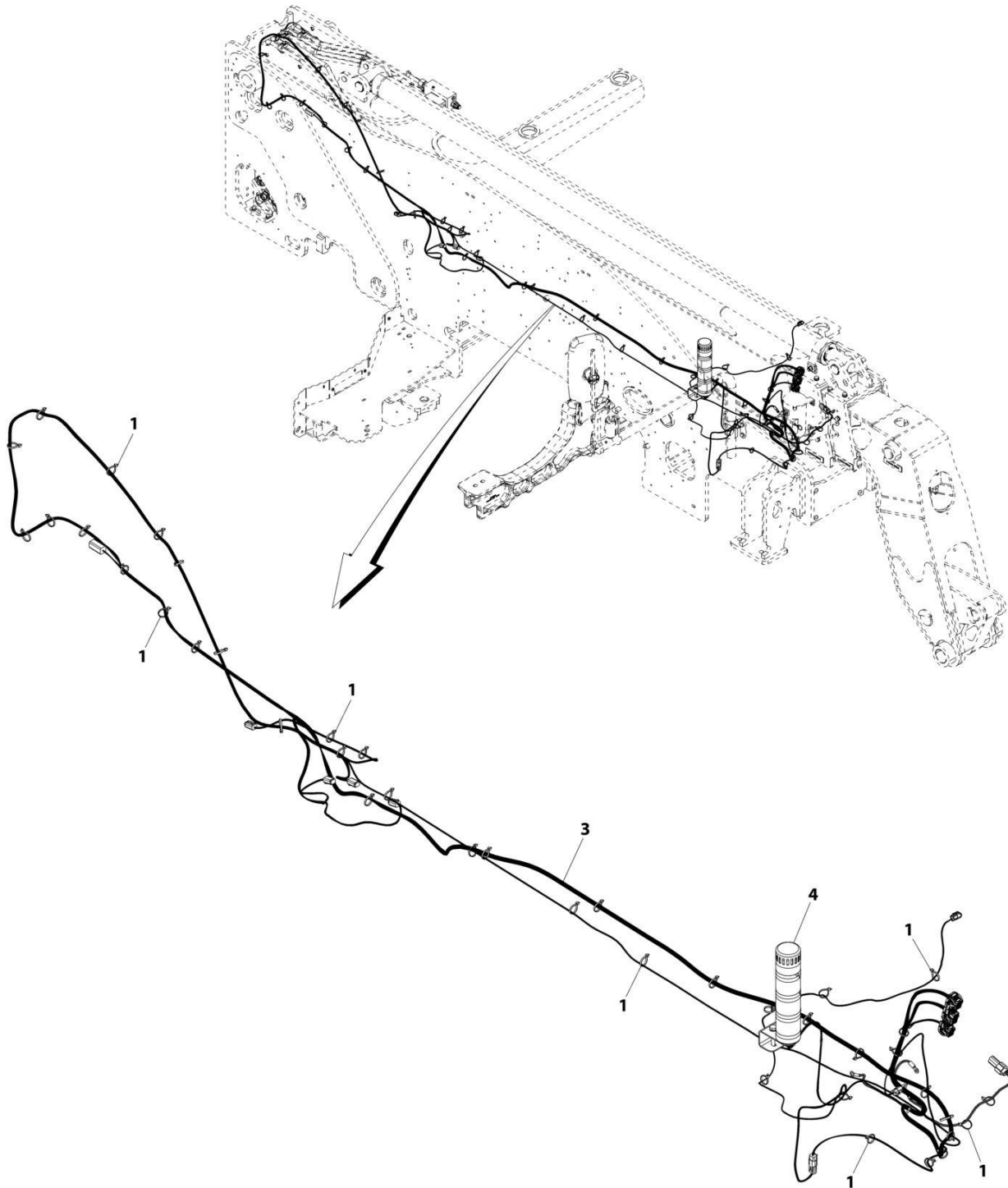
SECTION 10 - ELECTRICAL

FIGURE 10-52. LMIS CABLE REEL INSTALLATION (RIDE CONTROL)

ITEM	PART NUMBER	QTY	DESCRIPTION	REV
	1001217961	Ref	LMIS Installation Mech (Ride Control)	A
1	0760808	1	Bolt, M8X16	
2	0761010	2	Bolt, M10X20	
3	3290801	1	Nut, M8X1.25	
4	4031708	4	Bolt, M6X20	
5	4811900	2	Washer, M8	
6	4812000	2	Washer, M10	
7	5240600	4	Washer, M6	
8	1001162885	4	Sensor, Pressure	
9	1001190657	1	Bracket	
10	1001203284	1	Pipe	
11	1001203285	1	Pipe	
12	1001209986	1	Fitting, 90	
13	1001211389	1	Sensor	

SECTION 10 - ELECTRICAL

FIGURE 10-53. LMIS WIRING INSTALLATION



ART_1001186012-D

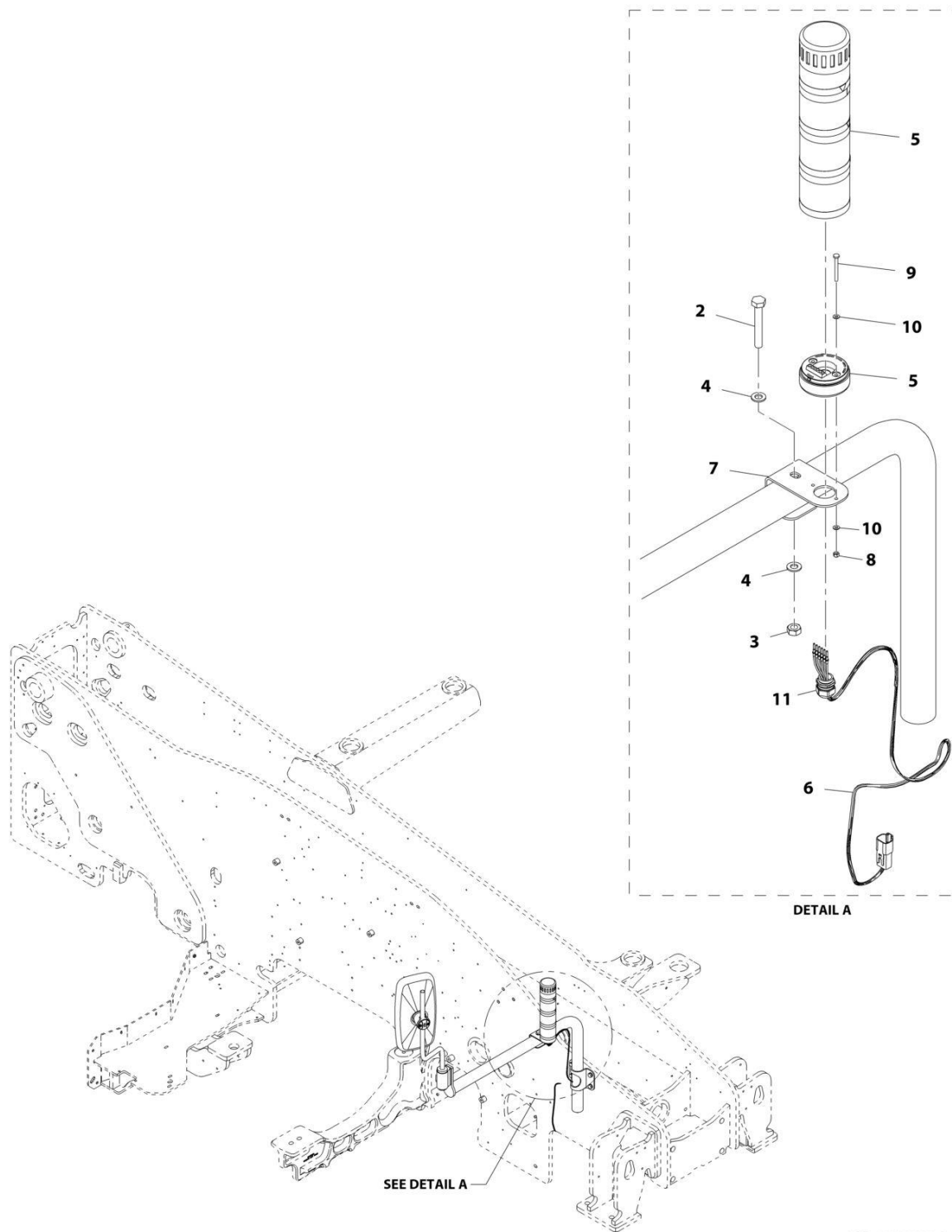
SECTION 10 - ELECTRICAL

FIGURE 10-53. LMIS WIRING INSTALLATION

ITEM	PART NUMBER	QTY	DESCRIPTION	REV
	1001186012	Ref	LMIS Wiring Installation	D
1	1001008559	44	Strap, Cable	
3	1001185959	1	Wiring, LMIS (See Separate Breakdown in this Section)	
4	1001183832	1	Installation, LMIS Beacon (See Separate Breakdown in this Section)	

SECTION 10 - ELECTRICAL

FIGURE 10-54. LMIS BEACON INSTALLATION



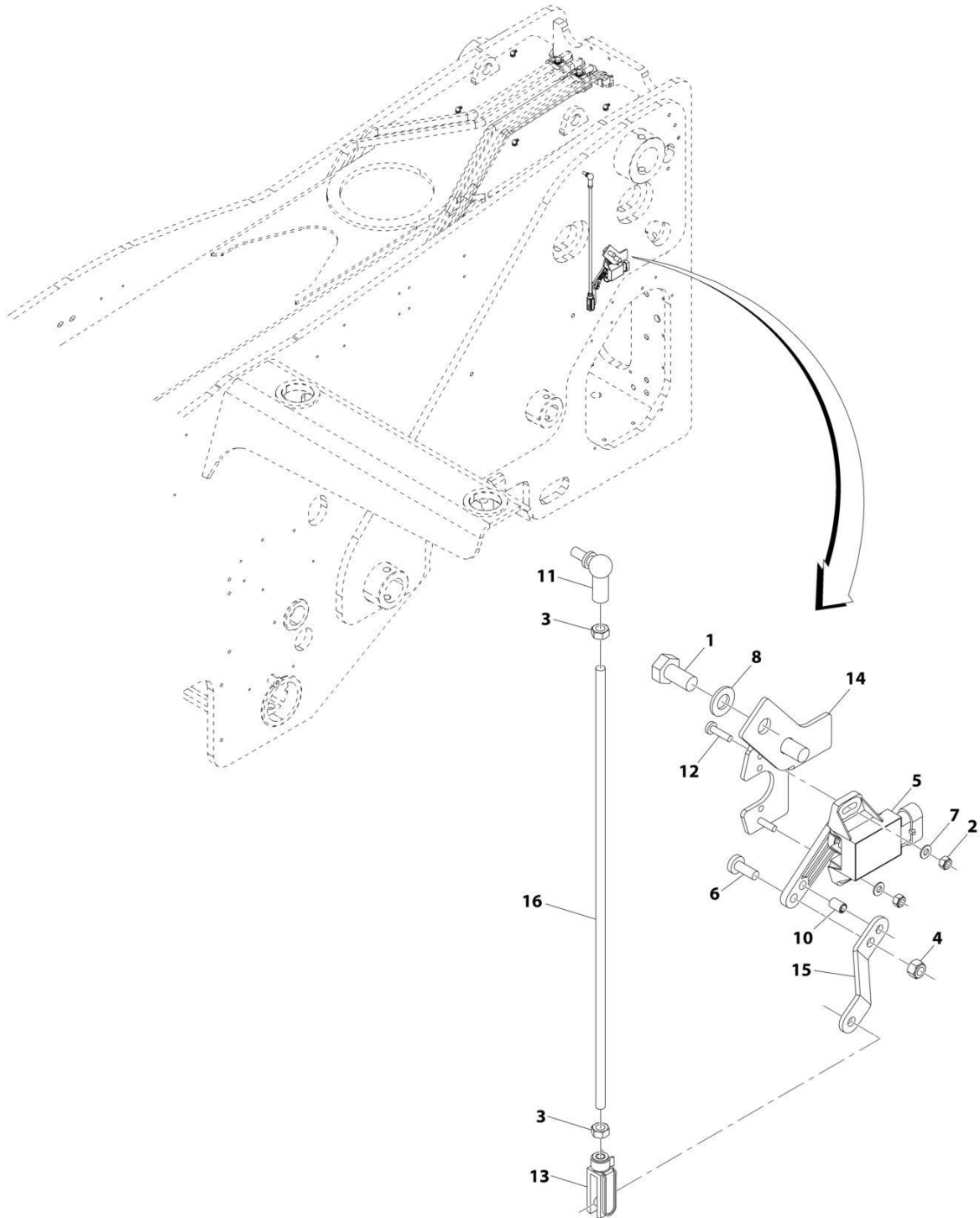
SECTION 10 - ELECTRICAL

FIGURE 10-54. LMIS BEACON INSTALLATION

ITEM	PART NUMBER	QTY	DESCRIPTION	REV
	1001183832	Ref	LMIS Beacon Installation	C
2	0701022	1	Bolt, M10X70	
3	3291001	1	Nut, M10X1.5 Grade 8	
4	4812000	2	Washer, M10	
5	1001108661	1	Lamp, LMIS Beacon Alarm	
6	1001117247	1	Harness, LMIS Beacon Option	
7	1001191259	1	Bracket	
8	3290405	2	Nut, Lock M4X0.7	
9	4010416	2	Screw, Pozidrive M4X40	
10	4811400	4	Washer, M4	
11	E000269	1	Connector, Strain Relief	

SECTION 10 - ELECTRICAL

FIGURE 10-55. BOOM ANGLE SENSOR INSTALLATION



ART_1001179937-C

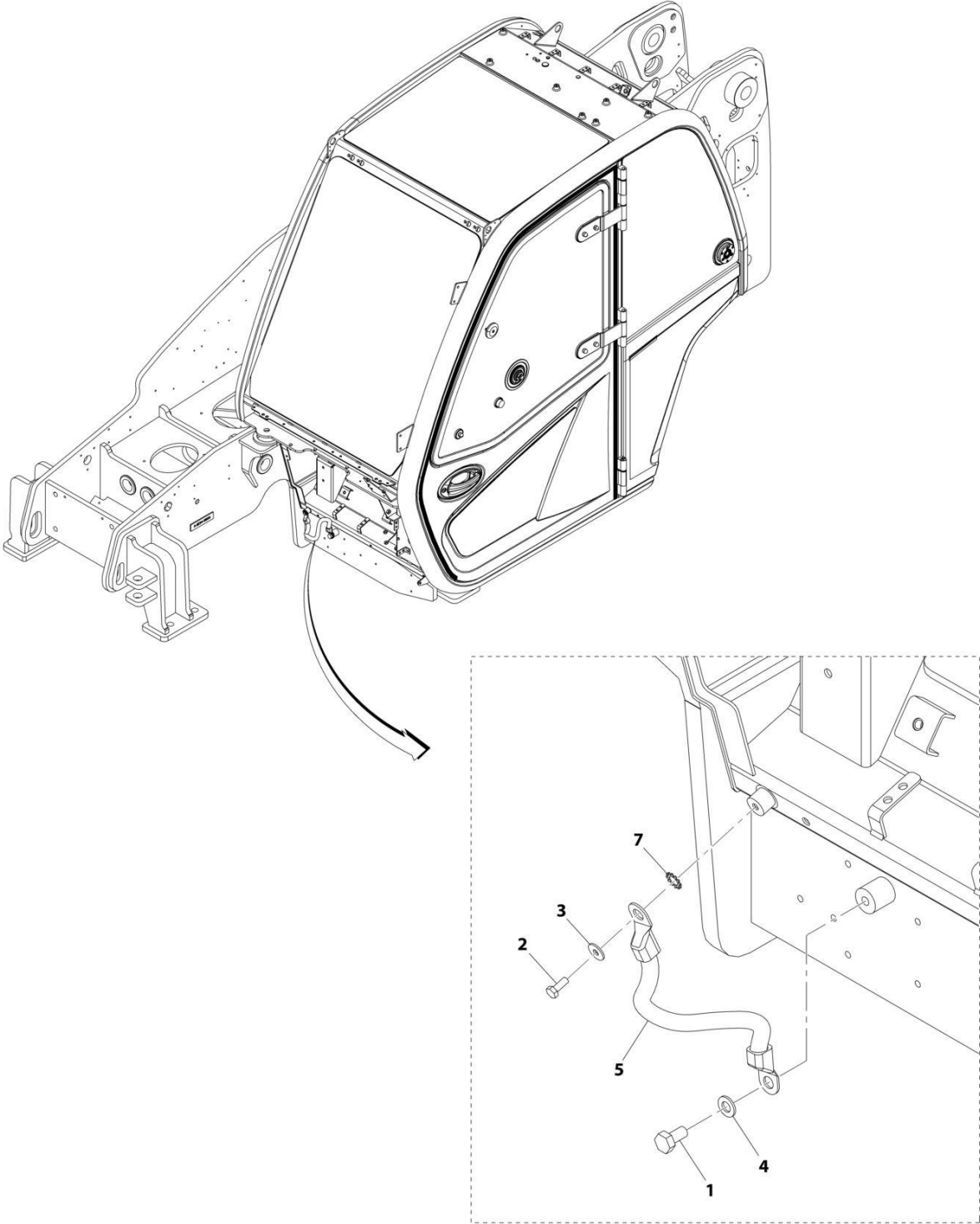
SECTION 10 - ELECTRICAL

FIGURE 10-55. BOOM ANGLE SENSOR INSTALLATION

ITEM	PART NUMBER	QTY	DESCRIPTION	REV
	1001179937	Ref	BOOM ANGLE SENSOR INSTALLATION	D
1	0761010	2	Bolt M10 x 20	
2	3290405	2	Nut, Lock M4 x 0.7	
3	3290601	2	Nut M6 x 1	
4	3290605	1	Nut, Lock M6 x 1	
	1001278028	1	Sensor, Boom Angle	
6	4010608	1	Screw M6 x 16	
7	4811400	2	Washer M4	
8	4812000	2	Washer M10	
10	1001103156	1	Pin	
11	1001103300	1	Ball, Joint	
12	1001126837	2	Screw M4 x 16	
13	1001134274	1	Clevis	
14	1001187851	1	Bracket	
15	1001187852	1	Link	
16	1001187853	1	Rod	

SECTION 10 - ELECTRICAL

FIGURE 10-56. EARTH STRAP INSTALLATION



ART_1001186646-D

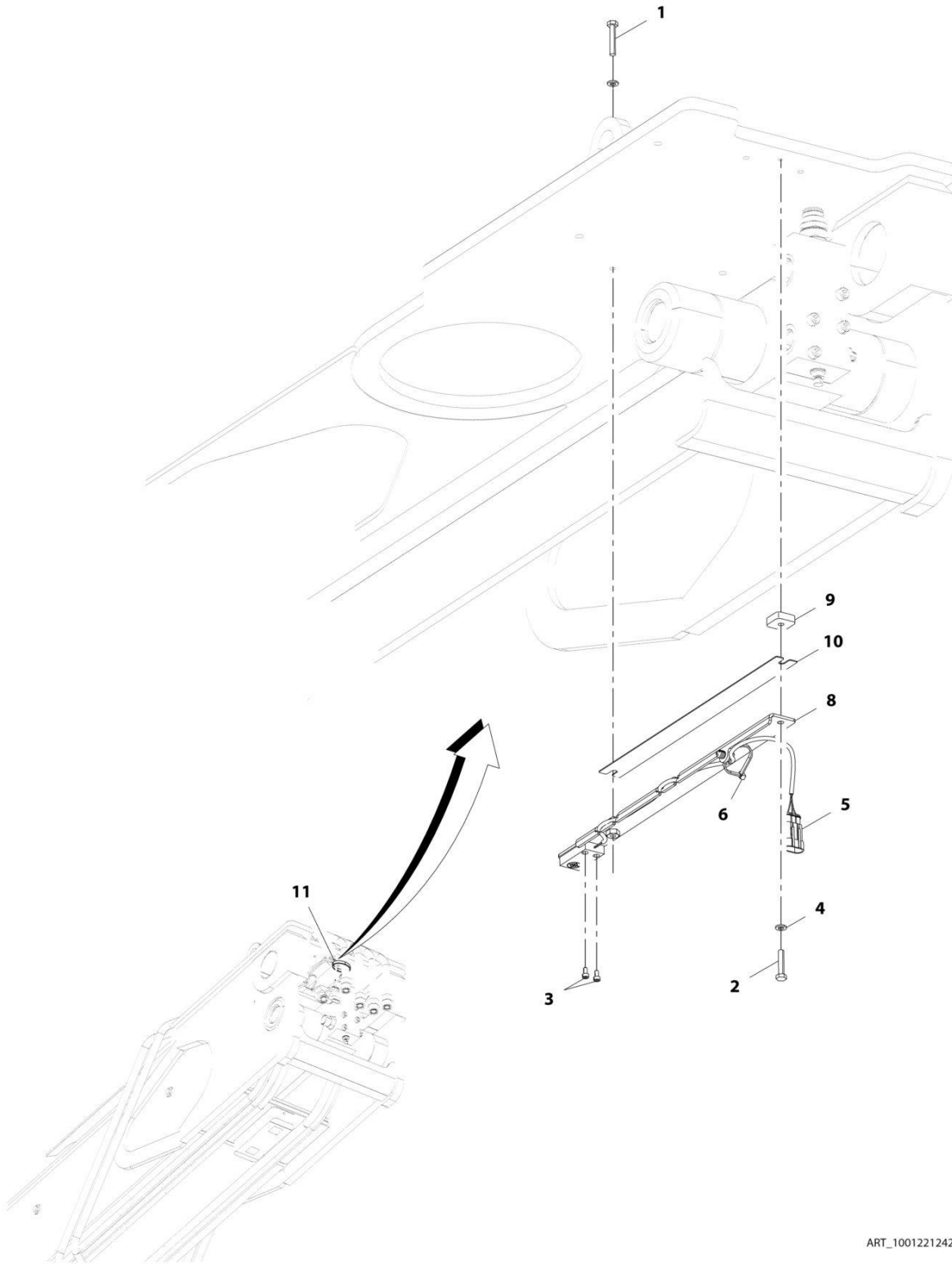
SECTION 10 - ELECTRICAL

FIGURE 10-56. EARTH STRAP INSTALLATION

ITEM	PART NUMBER	QTY	DESCRIPTION	REV
	1001186646	Ref	Earth Strap Installation	D
1	0761010	1	Bolt, M10X20	
2	0760608	1	Bolt, M6X16	
3	4811702	1	Washer, M6	
4	4812000	1	Washer, M10	
5	1001009038	1	Strap, Earth	
7	4872000	1	Washer, M10	

SECTION 10 - ELECTRICAL

FIGURE 10-57. BOOM RETRACT SENSOR INSTALLATION



ART_1001221242-A

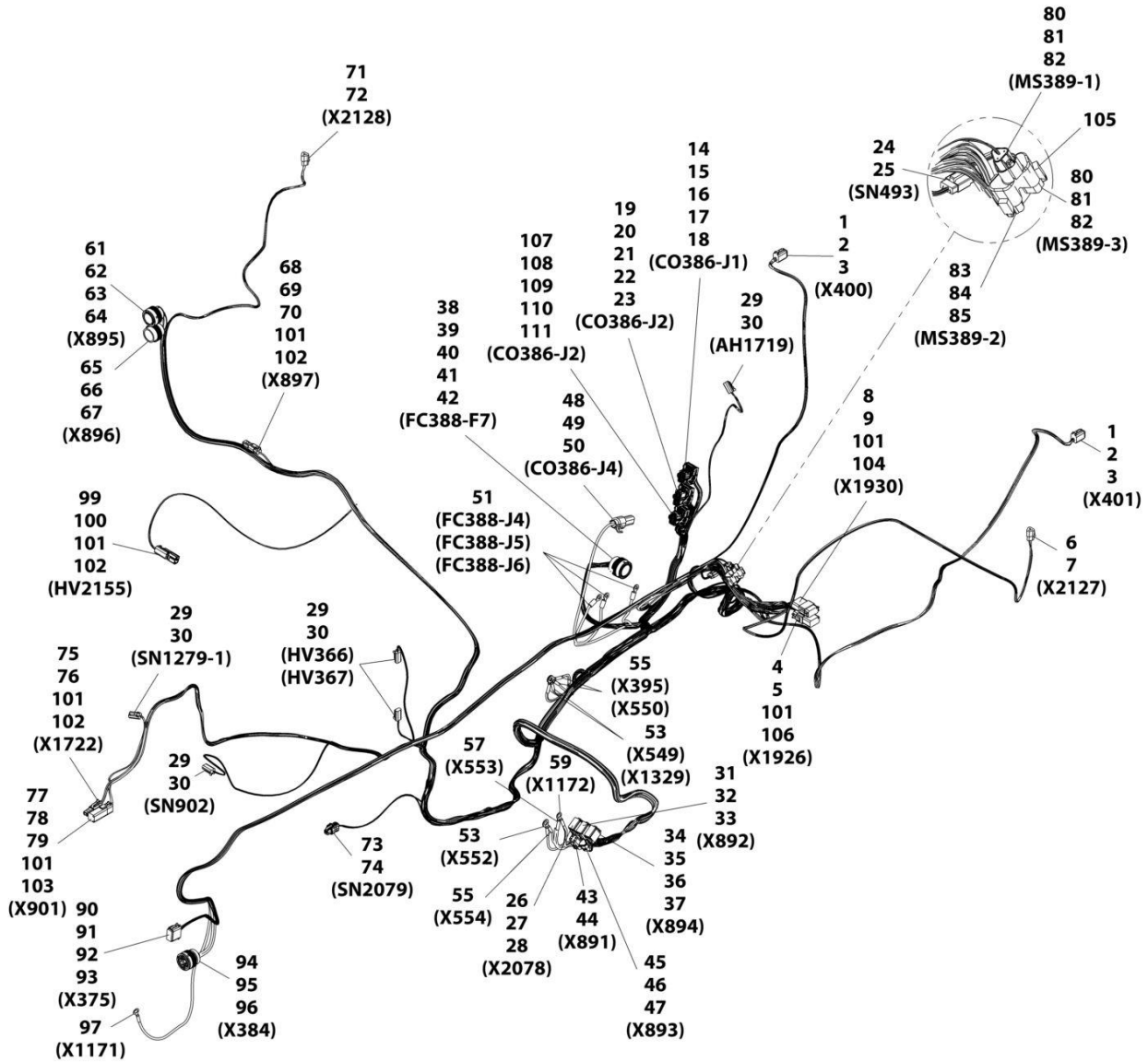
SECTION 10 - ELECTRICAL

FIGURE 10-57. BOOM RETRACT SENSOR INSTALLATION

ITEM	PART NUMBER	QTY	DESCRIPTION	REV
	1001221242	Ref	Boom Retract Sensor Installation	A
1	0700615	1	Bolt, M6X35	
2	0760614	1	Bolt, M6X30	
3	4031504	2	Screw, M4X8	
4	4811700	2	Washer, M6	
5	1001121021	1	Sensor, Proximity	
6	1001146588	1	Strap, Cable	
8	1001221249	1	Bracket	
9	1001221257	1	Plate	
10	1001221293	1	Shim	
11	1001008923	1	Strap, Cable	

SECTION 10 - ELECTRICAL

FIGURE 10-58. FRONT FRAME HARNESS



ART_1001180524-E

SECTION 10 - ELECTRICAL

FIGURE 10-58. FRONT FRAME HARNESS

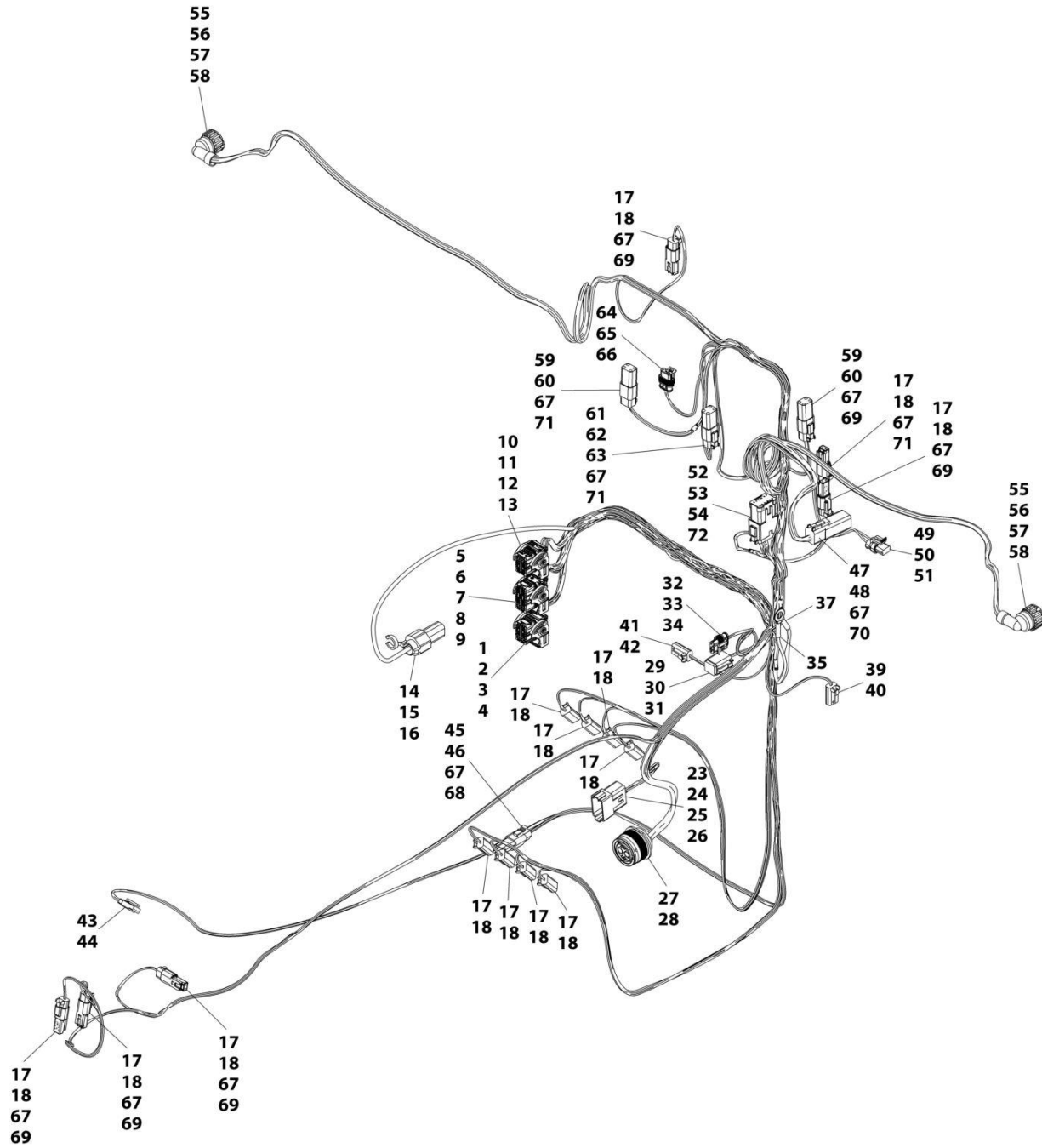
ITEM	PART NUMBER	QTY	DESCRIPTION	REV
	1001180524	Ref	Front Frame Harness	E
1	4460894	2	Connector	
2	4460942	5	Terminal	
3	4460466	1	Plug	
4	4460933	1	Connector	
5	4460465	12	Terminal	
6	4460539	1	Connector	
7	4460942	3	Terminal	
8	4460970	1	Connector	
9	4460464	12	Terminal	
14	1001161957	1	Connector	
15	1001161095	19	Terminal	
16	1001161098	2	Terminal	
17	1001161100	7	Plug	
18	1001161101	6	Plug	
19	1001161963	1	Connector	
20	1001161095	26	Terminal	
21	1001161099	6	Terminal	
22	1001161100	14	Plug	
23	1001161101	2	Plug	
24	4460911	1	Connector	
25	1001126008	3	Terminal	
26	4460970	1	Connector	
27	4460464	7	Terminal	
28	4460466	5	Plug	
29	4460891	5	Connector	
30	4460465	2	Terminal	
31	4460933	1	Connector	
32	4460465	10	Terminal	
33	4460466	2	Plug	
34	4460836	1	Connector	
35	4460465	9	Terminal	
36	4460942	1	Terminal	
37	4460466	2	Plug	
38	1001165309	1	Connector	
39	4460465	9	Terminal	
40	4460942	1	Terminal	
41	4460509	6	Terminal	
42	4460466	3	Plug	
43	1001116810	1	Connector	
44	4460509	4	Terminal	
45	1001116812	1	Connector	
46	4460465	2	Terminal	
47	4460466	1	Plug	
48	1001160509	1	Connector	
49	1001160510	1	Terminal	
50	1001175266	1	Seal	
51	8220114	3	Terminal, Ring	
53	1001117110	3	Terminal, Ring	
55	1001117108	3	Terminal, Ring	

SECTION 10 - ELECTRICAL

ITEM	PART NUMBER	QTY	DESCRIPTION	REV
57	1001128127	1	Terminal, Ring	
59	1001117109	1	Terminal, Ring	
61	1001118323	1	Connector	
62	4460942	3	Terminal	
63	91013192	2	Terminal	
64	4460466	1	Terminal	
65	4461015	1	Connector	
66	4460465	8	Terminal	
67	4460466	6	Terminal	
68	4460891	1	Connector	
69	1001157890	1	Terminal	
70	4460466	1	Terminal	
71	4460539	1	Connector	
72	4460942	3	Terminal	
73	1001116950	1	Connector	
74	4460465	2	Terminal	
75	4460891	1	Connector	
76	4460942	2	Terminal	
77	4460894	1	Connector	
78	4460942	4	Terminal	
79	4460465	2	Terminal	
80	1001116812	2	Connector	
81	4460944	4	Terminal	
82	4460466	2	Terminal	
83	4460539	1	Connector	
84	4460944	2	Terminal	
85	4460466	1	Terminal	
90	4460933	1	Connector	
91	4460465	4	Terminal	
92	1001157890	2	Terminal	
93	4460466	6	Plug	
94	1001165310	1	Connector	
95	1001116686	4	Terminal	
96	4460466	2	Plug	
97	1001117109	1	Connector	
99	4460891	1	Connector	
100	4460465	2	Terminal	
101	4460466	36	Plug	
102	4460897	3	Connector	
103	4460899	1	Terminal	
104	4460933	1	Plug	
105	4460945	1	Connector, 3Way	
106	4460970	1	Plug	
107	1001160500	1	Connector	
108	1001161095	14	Terminal	
109	1001161099	7	Terminal	
110	1001161100	11	Plug	
111	1001161101	1	Plug	

SECTION 10 - ELECTRICAL

FIGURE 10-59. REAR FRAME HARNESS



ART_1001180525-E

SECTION 10 - ELECTRICAL

FIGURE 10-59. REAR FRAME HARNESS

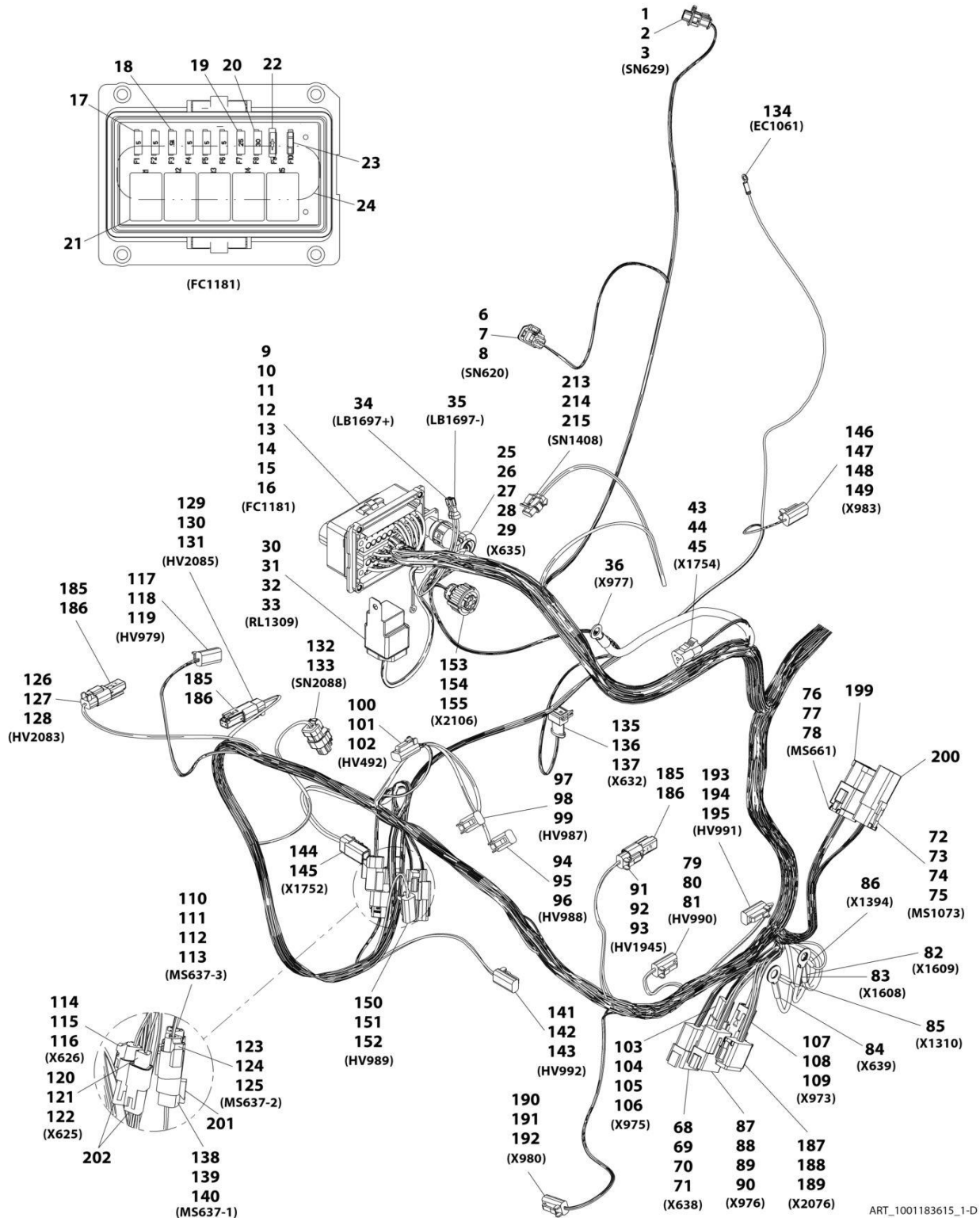
ITEM	PART NUMBER	QTY	DESCRIPTION	REV
	1001180525	Ref	Rear Frame Harness	E
1	1001161958	1	Connector	
2	1001161095	11	Terminal	
3	1001161100	13	Plug	
4	1001161101	8	Plug	
5	1001161964	1	Connector	
6	1001161095	26	Terminal	
7	1001161099	6	Terminal	
8	1001161100	14	Plug	
9	1001161101	2	Plug	
10	1001160499	1	Connector	
11	1001161095	4	Terminal	
12	1001161100	21	Plug	
13	1001161099	7	Terminal	
14	1001160509	1	Connector	
15	1001160510	1	Terminal	
16	1001175266	1	Seal	
17	4460891	14	Connector	
18	4460465	2	Terminal	
23	4460970	1	Connector	
24	4460464	4	Terminal	
25	4460466	7	Plug	
26	1001157891	1	Terminal	
27	1001165311	1	Connector	
28	91013191	2	Terminal	
29	4460894	1	Connector	
30	4460465	2	Terminal	
31	4460466	4	Plug	
32	4461262	1	Connector	
33	1001107854	3	Terminal	
34	1001104498	3	Seal	
35	1001117110	1	Terminal, Ring	
37	1001117108	1	Terminal, Ring	
39	4460891	1	Connector	
40	4460465	2	Terminal	
41	4460891	1	Connector	
42	4460465	2	Terminal	
43	4460911	1	Connector	
44	1001126008	3	Terminal	
45	4460539	1	Connector	
46	4460465	3	Terminal	
47	4460894	1	Connector	
48	4460942	6	Terminal	
49	1001117021	1	Connector	
50	1001116728	2	Terminal	
51	4460458	2	Seal	
52	4460933	1	Connector	
53	4460465	8	Terminal	
54	4460466	4	Plug	
55	1001116996	2	Connector	

SECTION 10 - ELECTRICAL

ITEM	PART NUMBER	QTY	DESCRIPTION	REV
56	1001118392	12	Terminal	
57	1001116696	2	Plug	
58	4461054	12	Seal	
59	4460884	2	Connector	
60	4460465	8	Terminal	
61	4460884	1	Connector	
62	4460465	2	Terminal	
63	4460466	2	Plug	
64	4461262	1	Connector	
65	1001107854	3	Terminal	
66	1001104498	3	Seal	
67	4460466	33	Plug	
68	4460536	1	Terminal	
69	4460897	6	Connector	
70	4460899	1	Terminal	
71	4460932	3	Connector	
72	1001125677	1	Connector	

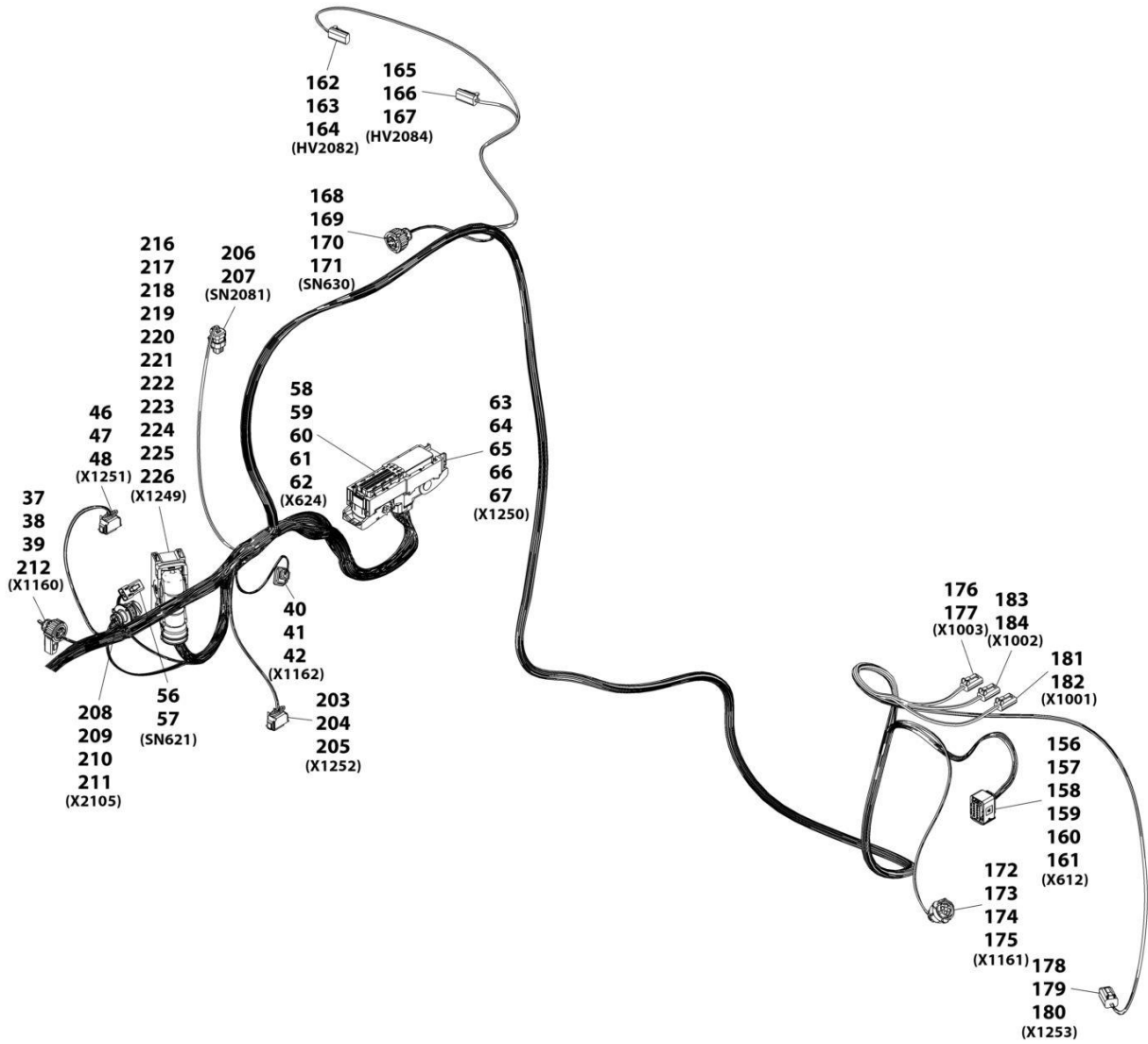
SECTION 10 - ELECTRICAL

FIGURE 10-60. ENGINE HARNESS (ULS)



ART_1001183615_1-D

SECTION 10 - ELECTRICAL



ART_1001183615_2-D

SECTION 10 - ELECTRICAL

FIGURE 10-60. ENGINE HARNESS (ULS)

ITEM	PART NUMBER	QTY	DESCRIPTION	REV
	1001183615	Ref	Engine Harness (ULS)	D
1	1001126487	1	Connector	
2	1001167634	2	Terminal	
3	1001126485	2	Seal	
6	1001126487	1	Connector	
7	1001167634	2	Terminal	
8	1001126485	2	Seal	
9	1001167616	1	Box, Fuse	
10	8220097	21	TERMINAL, TANGLESS FEMALE METRI-PACK 280	
11	8220098	16	TERMINAL, TANGLESS FEMALE METRI-PACK 280	
12	1001116725	3	Terminal	
13	1001175265	11	Seal	
14	4460458	16	Seal	
15	80963067	2	Seal	
16	4460748	5	Plug	
17	8229242	5	Fuse, 5A	
18	8229244	1	Fuse, 15A	
19	8229247	1	Fuse, 25A	
20	8229245	1	Fuse, 30A	
21	1001095704	5	Fuse, 35A	
22	1001177597	1	Fuse, 6A	
23	1001197719	1	Resistor	
24	1001190921	1	Seal, Fuse Box	
25	2902443	1	Kit, Receptacle	
26	4461071	6	Terminal	
27	4461072	1	Housing, Flange Mount Receptacle Inner	
28	4461073	1	Cap, Dust	
29	4461074	1	Housing, Receptacle Outer	
30	1001118282	1	Connector	
31	1001116734	2	Terminal	
32	1001116732	2	Terminal	
33	1001128128	1	Plug	
34	8220108	1	Terminal, Blade	
35	8220108	1	Terminal, Blade	
36	8220115	1	Terminal, Ring	
37	1001138116	1	Connector	
38	1001133715	3	Terminal	
39	1001135650	4	Seal	
40	1001126487	1	Connector	
41	1001167635	2	Terminal	
42	1001126485	2	Seal	
43	4460539	1	Connector	
44	77363244	1	Lock, Connector	
45	4460465	3	Terminal	
46	1001167629	1	Connector	
47	1001167630	4	Terminal	
48	1001126485	4	Seal	
56	1001126245	1	Connector	
57	1001126008	2	Terminal	
58	1001167615	1	Connector	

SECTION 10 - ELECTRICAL

ITEM	PART NUMBER	QTY	DESCRIPTION	REV
59	1001166551	6	Terminal	
60	1001126353	6	Seal	
61	1001167621	21	Terminal	
62	1001167622	64	Plug	
63	1001167625	1	Connector	
64	1001166555	13	Terminal	
65	1001167621	50	Terminal	
66	1001167623	5	Plug	
67	1001167622	37	Plug	
68	4460950	1	Connector	
69	80363179	1	Lock, Connector	
70	4460464	8	Terminal	
71	4460466	4	Plug	
72	4460894	1	Connector	
73	91504107	1	Lock, Connector	
74	4460465	5	Terminal	
75	4460466	1	Plug	
76	4460933	1	Connector	
77	80604016	1	Lock, Connector	
78	4460944	12	Terminal	
79	4460891	1	Connector	
80	80604018	1	Lock, Connector	
81	4460465	2	Terminal	
82	1001117109	1	Terminal, Ring	
83	1001117110	1	Terminal, Ring	
84	1001117110	1	Terminal, Ring	
85	1001117110	1	Terminal, Ring	
86	4460256	1	Terminal, Ring	
87	4460970	1	Connector	
88	80363179	1	Lock, Connector	
89	4460464	8	Terminal	
90	4460466	4	Plug	
91	4460891	1	Connector	
92	80604016	1	Lock, Connector	
93	4460465	2	Terminal	
94	4460891	1	Connector	
95	80604016	1	Lock, Connector	
96	4460465	2	Terminal	
97	4460891	1	Connector	
98	80604016	1	Lock, Connector	
99	4460465	2	Terminal	
100	4460891	1	Connector	
101	80604016	1	Lock, Connector	
102	4460465	2	Terminal	
103	1001144147	1	Connector	
104	91554022	1	Lock, Connector	
105	4460464	2	Terminal	
106	4460466	1	Plug	
107	1001116811	1	Connector	
108	4460508	3	Plug	
109	4460466	1	Plug	

SECTION 10 - ELECTRICAL

ITEM	PART NUMBER	QTY	DESCRIPTION	REV
110	1001116812	1	Connector	
111	91554019	1	Lock, Connector	
112	4460944	2	Terminal	
113	4460466	1	Plug	
114	4461095	1	Connector	
115	4460465	2	Terminal	
116	4460466	1	Plug	
117	4460891	1	Connector	
118	80604016	1	Lock, Connector	
119	4460465	2	Terminal	
120	4461095	1	Connector	
121	4460465	2	Terminal	
122	4460466	1	Plug	
123	4460539	1	Connector	
124	4460944	2	Terminal	
125	4460466	1	Plug	
126	4460891	1	Connector	
127	80604016	1	Lock, Connector	
128	4460465	2	Terminal	
129	4460891	1	Connector	
130	80604016	1	Lock, Connector	
131	4460465	2	Terminal	
132	1001116950	1	Connector	
133	4460465	2	Terminal	
134	4460247	1	Terminal, Ring	
135	1001167636	1	Connector	
136	1001166702	2	Terminal	
137	4461006	2	Seal	
138	1001116812	1	Connector	
139	4460944	2	Terminal	
140	4460466	1	Plug	
141	4460891	1	Connector	
142	80604016	1	Lock, Connector	
143	4460465	2	Terminal	
144	4461018	1	Connector	
145	4460509	2	Terminal	
146	4460891	1	Connector	
147	80604016	1	Lock, Connector	
148	4460465	1	Terminal	
149	4460466	1	Plug	
150	4460891	1	Connector	
151	80604016	1	Lock, Connector	
152	4460465	2	Terminal	
153	1001133714	1	Connector	
154	4460508	3	Terminal	
155	4460466	1	Plug	
156	1001165194	1	Connector	
157	1001166556	8	Terminal	
158	1001116701	8	Seal	
159	1001166774	2	Terminal	
160	1001126393	2	Seal	

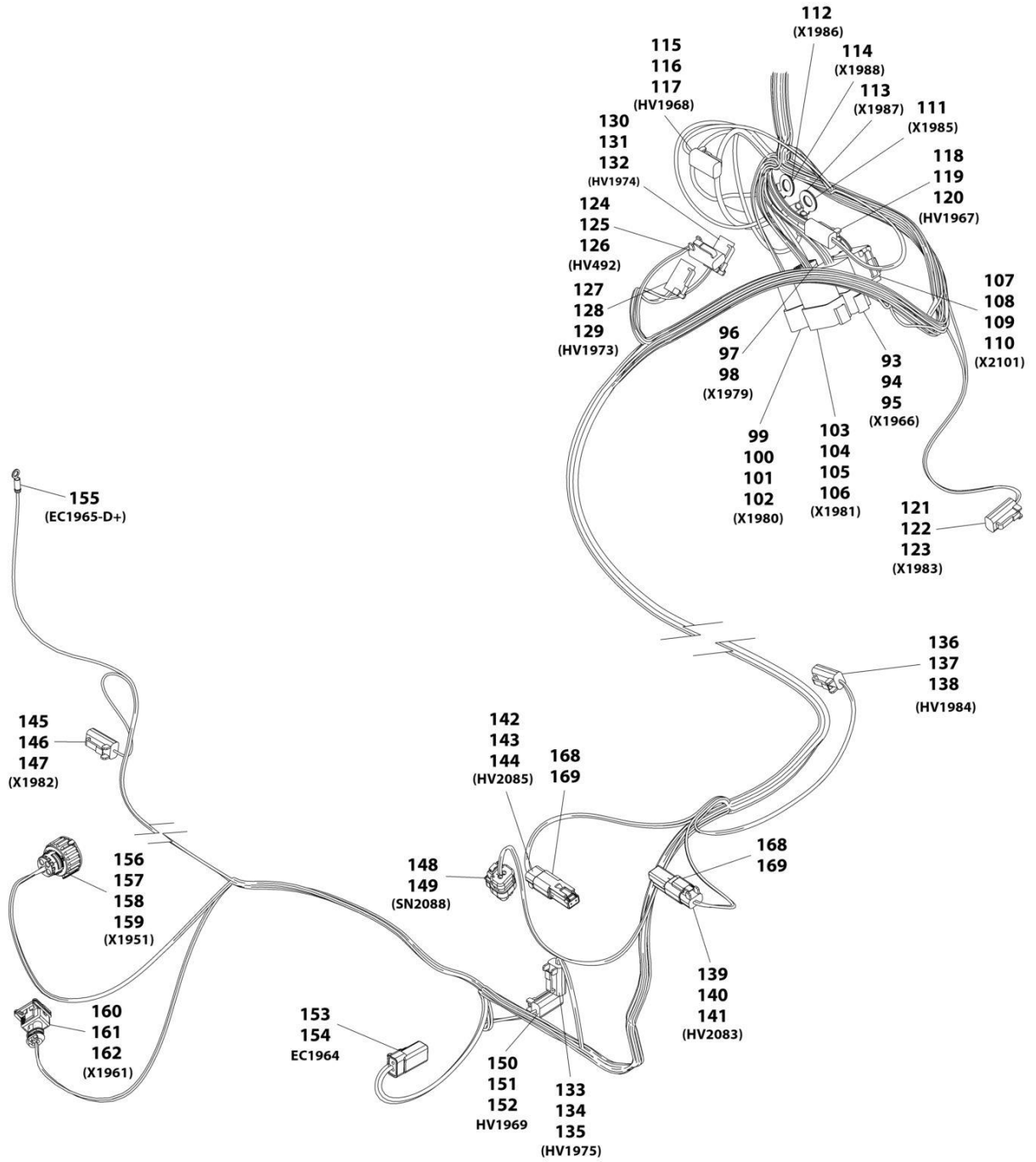
SECTION 10 - ELECTRICAL

ITEM	PART NUMBER	QTY	DESCRIPTION	REV
161	1001126391	2	Plug	
162	4460891	1	Connector	
163	80604016	1	Lock, Connector	
164	4460465	2	Terminal	
165	4460891	1	Connector	
166	80604016	1	Lock, Connector	
167	4460465	2	Terminal	
168	1001133714	1	Connector	
169	1001133715	3	Terminal	
170	1001135650	3	Seal	
171	1001135651	1	Plug	
172	1001167620	1	Connector	
173	1001167622	2	Terminal	
174	1001167623	2	Plug	
175	1001167624	2	Plug	
176	4460891	1	Connector	
177	4460942	2	Terminal	
178	4460884	1	Connector	
179	80604021	1	Lock, Connector	
180	4460465	4	Terminal	
181	4460891	1	Connector	
182	4460942	2	Terminal	
183	4460891	1	Connector	
184	4460942	2	Terminal	
185	4460897	3	Connector	
186	4460466	2	Plug	
187	4460933	1	Connector	
188	4460465	7	Terminal	
189	4460466	5	Plug	
190	4460891	1	Connector	
191	80604016	1	Lock, Connector	
192	4460465	2	Terminal	
193	4460891	1	Connector	
194	80604016	1	Lock, Connector	
195	4460465	2	Terminal	
199	1001125677	1	Connector	
200	4460892	1	Terminal	
201	4460945	1	Receptacle, 3-Way	
202	4461070	2	Connector	
203	1001167631	1	Connector	
204	1001167630	4	Terminal	
205	1001126485	4	Seal	
206	1001116950	1	Connector	
207	4460465	2	Terminal	
208	1001148842	1	Connector	
209	1001148841	3	Terminal	
210	1001135650	3	Seal	
211	4460508	1	Plug	
212	1001201478	1	Connector, Strain Relief	
213	10011209097	1	Connector	
214	8200124	2	Terminal	

SECTION 10 - ELECTRICAL

ITEM	PART NUMBER	QTY	DESCRIPTION	REV
215	1001189877	2	Seal	
216	1001126362	1	Connector	
217	1001166556	30	Terminal	
218	1001166774	10	Terminal	
219	1001166541	2	Terminal	
220	1001166543	2	Terminal	
221	1001126391	16	Plug	
222	4461008	2	Plug	
223	1001166701	30	Seal	
224	1001126393	10	Seal	
225	4461006	2	Seal	
226	4461054	2	Seal	

SECTION 10 - ELECTRICAL



ART_1001184503_2-D

SECTION 10 - ELECTRICAL

FIGURE 10-61. ENGINE HARNESS (LS)

ITEM	PART NUMBER	QTY	DESCRIPTION	REV
	1001184503	Ref	Engine Harness (LS)	D
1	4460891	1	Connector	
2	80604018	1	Lock, Connector	
3	4460465	2	Terminal	
4	4460891	1	Connector	
5	80604018	1	Lock, Connector	
6	4460465	2	Terminal	
10	1001126360	1	Connector	
11	1001126351	13	Terminal	
12	1001126384	17	Terminal	
13	1001126357	11	Plug	
14	1001126356	19	Plug	
15	1001126362	1	Connector	
16	1001166556	24	Terminal	
17	1001166701	24	Seal	
18	1001166774	10	Terminal	
19	1001126393	10	Seal	
20	1001166543	2	Terminal	
21	4461054	2	Seal	
22	1001126391	22	Plug	
23	1001116696	4	Plug	
24	1001116950	1	Connector	
25	4460465	2	Terminal	
26	1001133714	1	Connector	
27	1001133715	3	Terminal	
28	1001135650	3	Seal	
29	1001135651	1	Plug	
30	1001117018	1	Connector (includes 25 amp auto fuse)	
31	1001116734	1	Terminal	
32	1001116735	1	Terminal	
33	1001126349	1	Connector	
34	1001126352	6	Terminal	
35	1001126353	6	Seal	
36	1001126384	19	Terminal	
37	1001126351	2	Terminal	
38	1001126356	65	Terminal	
39	1001126357	2	Plug	
42	1001116812	1	Connector	
43	91554019	1	Lock, Connector	
44	4460944	2	Terminal	
45	4460466	1	Plug	
46	4460539	1	Connector	
47	4460944	2	Terminal	
48	4460466	1	Plug	
49	1001116812	1	Connector	
50	91554019	1	Lock, Connector	
51	4460944	2	Terminal	
52	4460466	1	Plug	
53	1001116812	1	Connector	
54	91554019	1	Lock, Connector	

SECTION 10 - ELECTRICAL

ITEM	PART NUMBER	QTY	DESCRIPTION	REV
55	4460944	2	Terminal	
56	4460466	1	Plug	
57	4460539	1	Connector	
58	4460944	2	Terminal	
59	4460466	1	Plug	
60	1001117110	1	Ring, Terminal	
61	1001116812	1	Connector	
62	91554019	1	Lock, Connector	
63	4460944	2	Terminal	
64	4460466	1	Plug	
65	4460539	1	Connector	
66	4460944	2	Terminal	
67	4460466	1	Plug	
68	1001116812	1	Connector	
69	91554019	1	Lock, Connector	
70	4460944	2	Terminal	
71	4460466	1	Plug	
72	4460539	1	Connector	
73	4460944	2	Terminal	
74	4460466	1	Plug	
75	1001117018	1	Connector (includes 25 amp auto fuse)	
76	1001116734	2	Terminal	
77	1001118282	1	Connector	
78	1001116734	3	Terminal	
79	1001116732	1	Terminal	
80	1001128128	1	Plug	
81	2902443	1	Kit, Receptacle	
82	4461071	6	Terminal	
83	4461072	1	Housing, Flange Mount Receptacle Inner	
84	4461073	1	Cap, Dust	
85	4461074	1	Housing, Receptacle Outer	
86	4460539	1	Connector	
87	4460465	2	Terminal	
88	4460942	1	Terminal	
89	1001184551	1	Connector	
90	1001116728	7	Terminal	
91	1001116747	1	Terminal	
92	1001175265	8	Seal	
93	4460970	1	Connector	
94	4460464	7	Terminal	
95	4460466	5	Plug	
96	1001116811	1	Connector	
97	4460508	3	Terminal	
98	4460466	1	Plug	
99	1001144147	1	Connector	
100	91554022	1	Lock, Connector	
101	4460464	2	Terminal	
102	4460466	1	Plug	
103	4460950	1	Connector Housing	
104	80363179	1	Lock, Connector	
105	4460464	9	Terminal	

SECTION 10 - ELECTRICAL

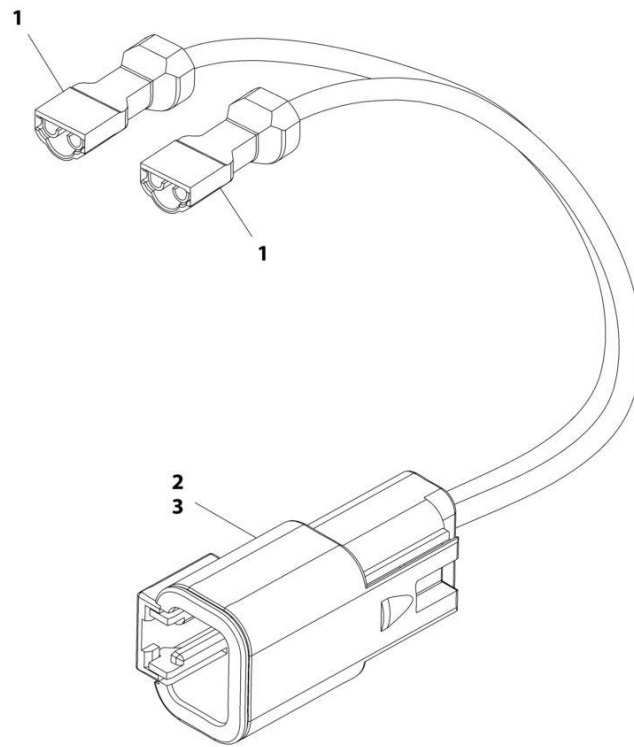
ITEM	PART NUMBER	QTY	DESCRIPTION	REV
106	4460466	3	Plug	
107	4460933	1	Connector	
108	80604016	1	Lock, Connector	
109	4460465	7	Terminal	
110	4460466	5	Plug	
111	1001117110	1	Ring, Terminal	
112	1001117109	1	Ring, Terminal	
113	1001117110	1	Ring, Terminal	
114	1001117110	1	Ring, Terminal	
115	4460891	1	Connector	
116	80604018	1	Lock, Connector	
117	4460465	2	Terminal	
118	4460891	1	Connector	
119	80604018	1	Lock, Connector	
120	4460465	2	Terminal	
121	4460891	1	Connector	
122	80604018	1	Lock, Connector	
123	4460465	2	Terminal	
124	4460891	1	Connector	
125	80604018	1	Lock, Connector	
126	4460465	2	Terminal	
127	4460891	1	Connector	
128	80604018	1	Lock, Connector	
129	4460465	2	Terminal	
130	4460891	1	Connector	
131	80604018	1	Lock, Connector	
132	4460465	2	Terminal	
133	4460891	1	Connector	
134	80604018	1	Lock, Connector	
135	4460465	2	Terminal	
136	4460891	1	Connector	
137	80604018	1	Lock, Connector	
138	4460465	2	Terminal	
139	4460891	1	Connector	
140	80604018	1	Lock, Connector	
141	4460465	2	Terminal	
142	4460891	1	Connector	
143	80604018	1	Lock, Connector	
144	4460465	2	Terminal	
145	4460891	1	Connector	
146	80604018	1	Lock, Connector	
147	4460465	2	Terminal	
148	1001116950	1	Connector	
149	4460465	2	Terminal	
150	4460891	1	Connector	
151	80604018	1	Lock, Connector	
152	4460465	2	Terminal	
153	4461018	1	Connector	
154	4460509	2	Belgium Built Machines - Use Terminal	
155	4460247	1	Terminal, Ring	
156	1001133714	1	Connector	

SECTION 10 - ELECTRICAL

ITEM	PART NUMBER	QTY	DESCRIPTION	REV
157	1001133715	3	Terminal	
158	1001135650	3	Seal	
159	1001135651	1	Plug	
160	1001116983	1	Connector	
161	1001116710	2	Terminal	
162	4461006	2	Seal	
163	4460945	4	Connector	
164	8229242	1	Fuse, 5A	
165	1001116815	3	Connector	
166	1001177597	1	Diode, 6A	
167	1001197719	2	Resistor	
168	4460466	4	Plug	
169	4460897	2	Connector	
170	4461118	1	Connector	
171	8220124	2	Terminal	
172	1001189877	2	Seal	

SECTION 10 - ELECTRICAL

FIGURE 10-62. FUEL PUMP HARNESS



ART_1001182929-E

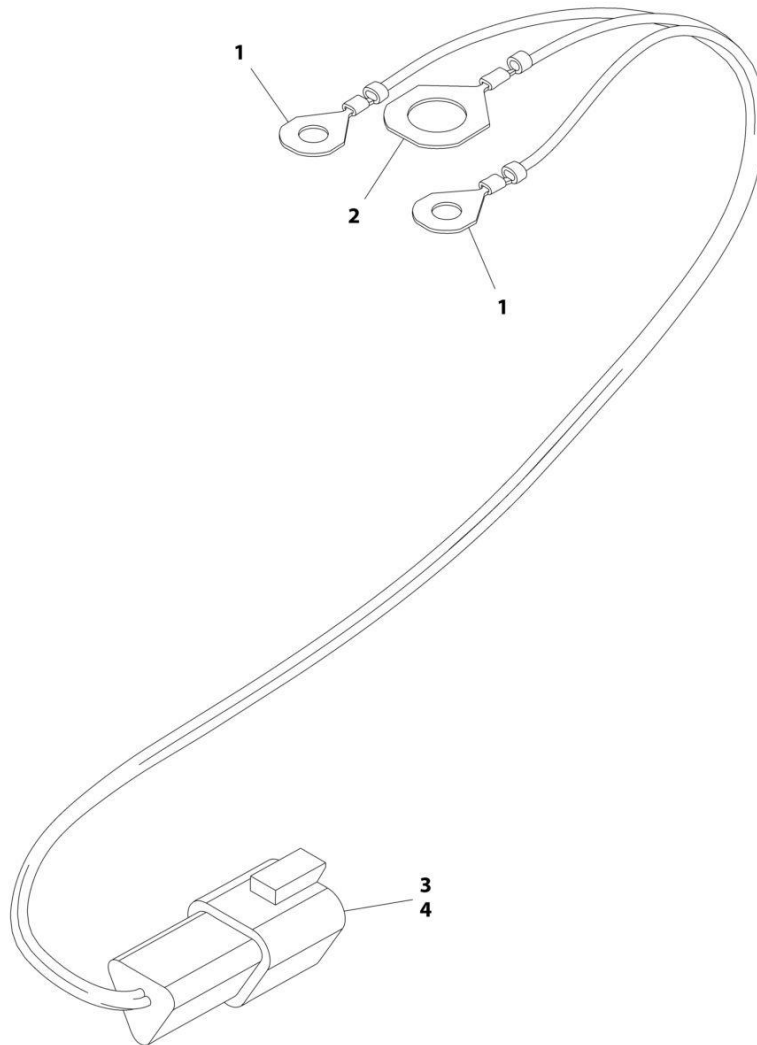
SECTION 10 - ELECTRICAL

FIGURE 10-62. FUEL PUMP HARNESS

ITEM	PART NUMBER	QTY	DESCRIPTION	REV
	1001182929	Ref	Fuel Pump Harness	E
1	8220043	2	Connector	
2	4461017	1	Connector	
3	4460508	2	Terminal	

SECTION 10 - ELECTRICAL

FIGURE 10-63. GLOW PLUG RELAY HARNESS



ART_1001182930-C

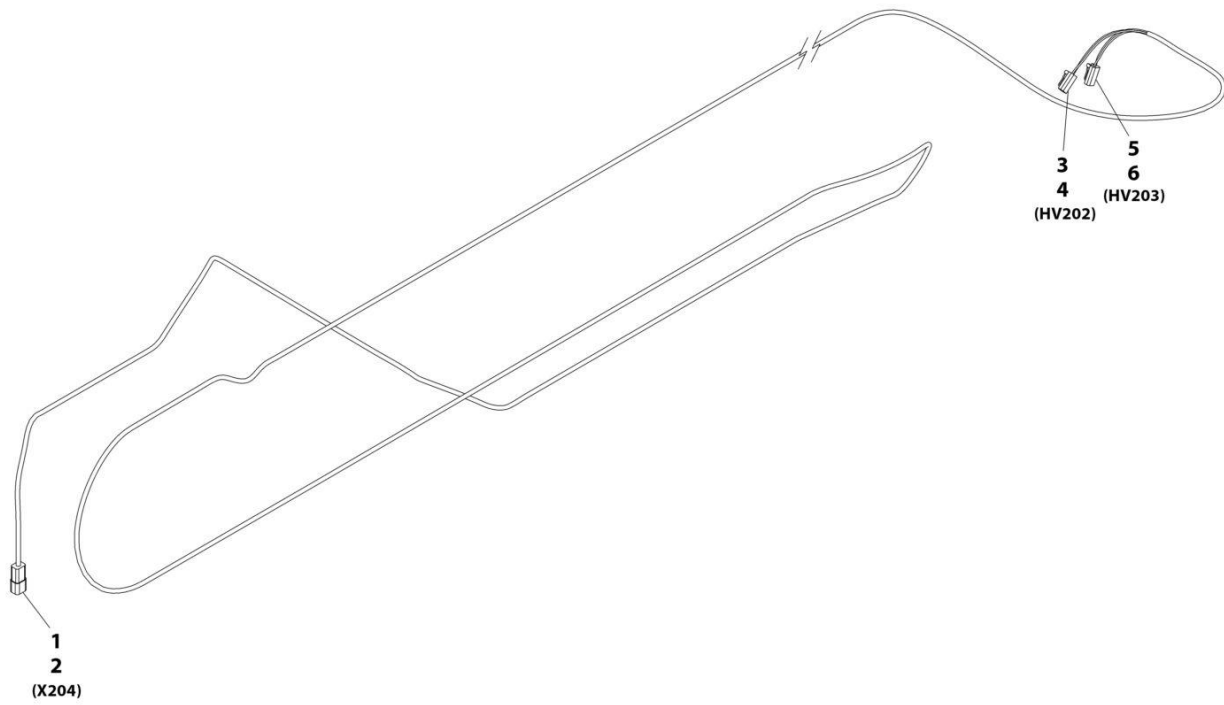
SECTION 10 - ELECTRICAL

FIGURE 10-63. GLOW PLUG RELAY HARNESS

ITEM	PART NUMBER	QTY	DESCRIPTION	REV
	1001182930	Ref	Glow Plug Relay Harness	C
1	1001187070	2	Ring, Terminal	
2	1001187077	1	Ring, Terminal	
3	4460536	1	Connector	
4	4460464	3	Terminal	

SECTION 10 - ELECTRICAL

FIGURE 10-64. BOOM HARNESS



ART_1001184420-C

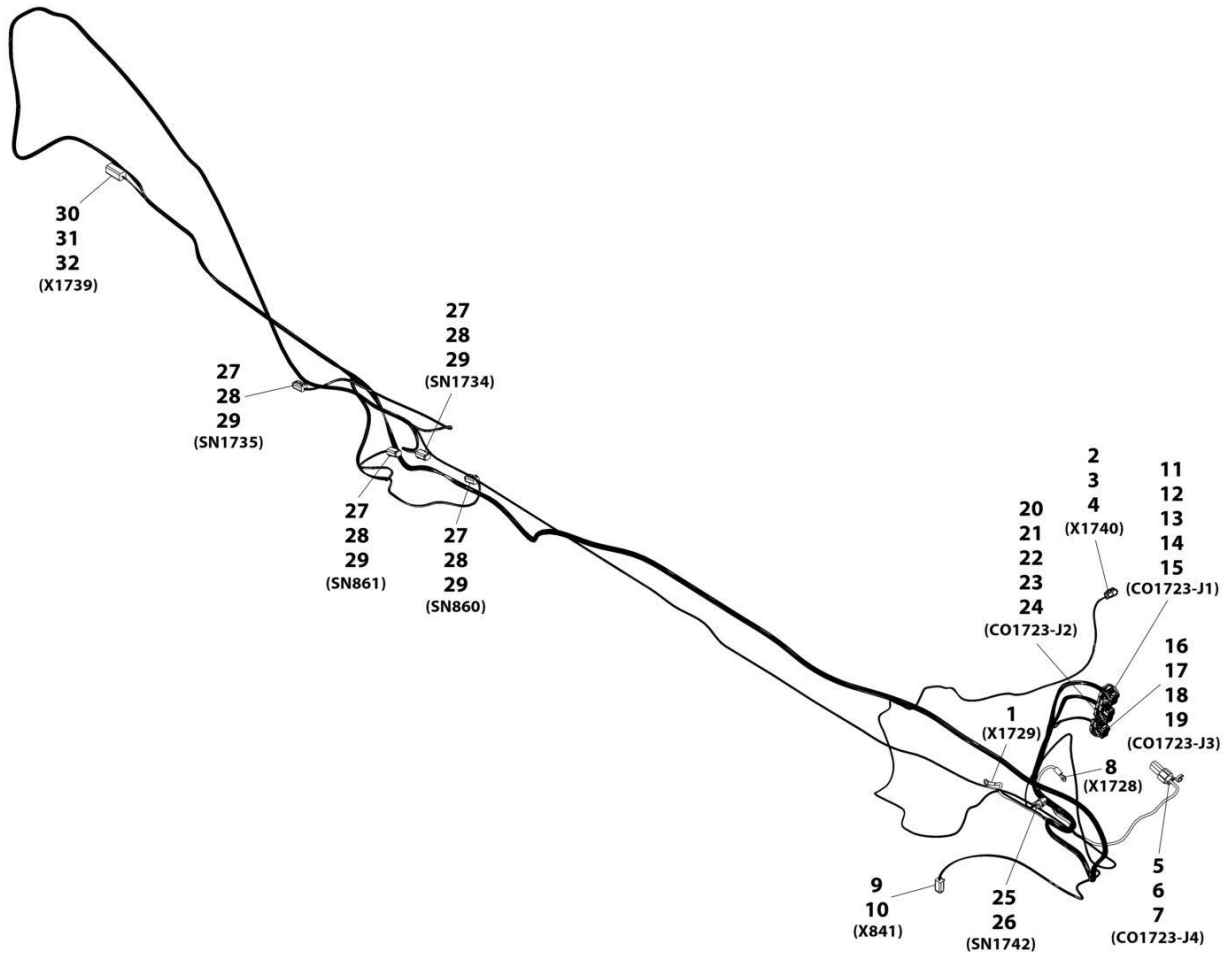
SECTION 10 - ELECTRICAL

FIGURE 10-64. BOOM HARNESS

ITEM	PART NUMBER	QTY	DESCRIPTION	REV
	1001184420	Ref	Boom Harness	C
1	4460932	1	Connector	
2	4460464	4	Terminal	
3	4460891	1	Connector	
4	4460465	2	Terminal	
5	4460891	1	Connector	
6	4460465	2	Terminal	

SECTION 10 - ELECTRICAL

FIGURE 10-65. LMIS CHASSIS HARNESS



ART_1001185959-E

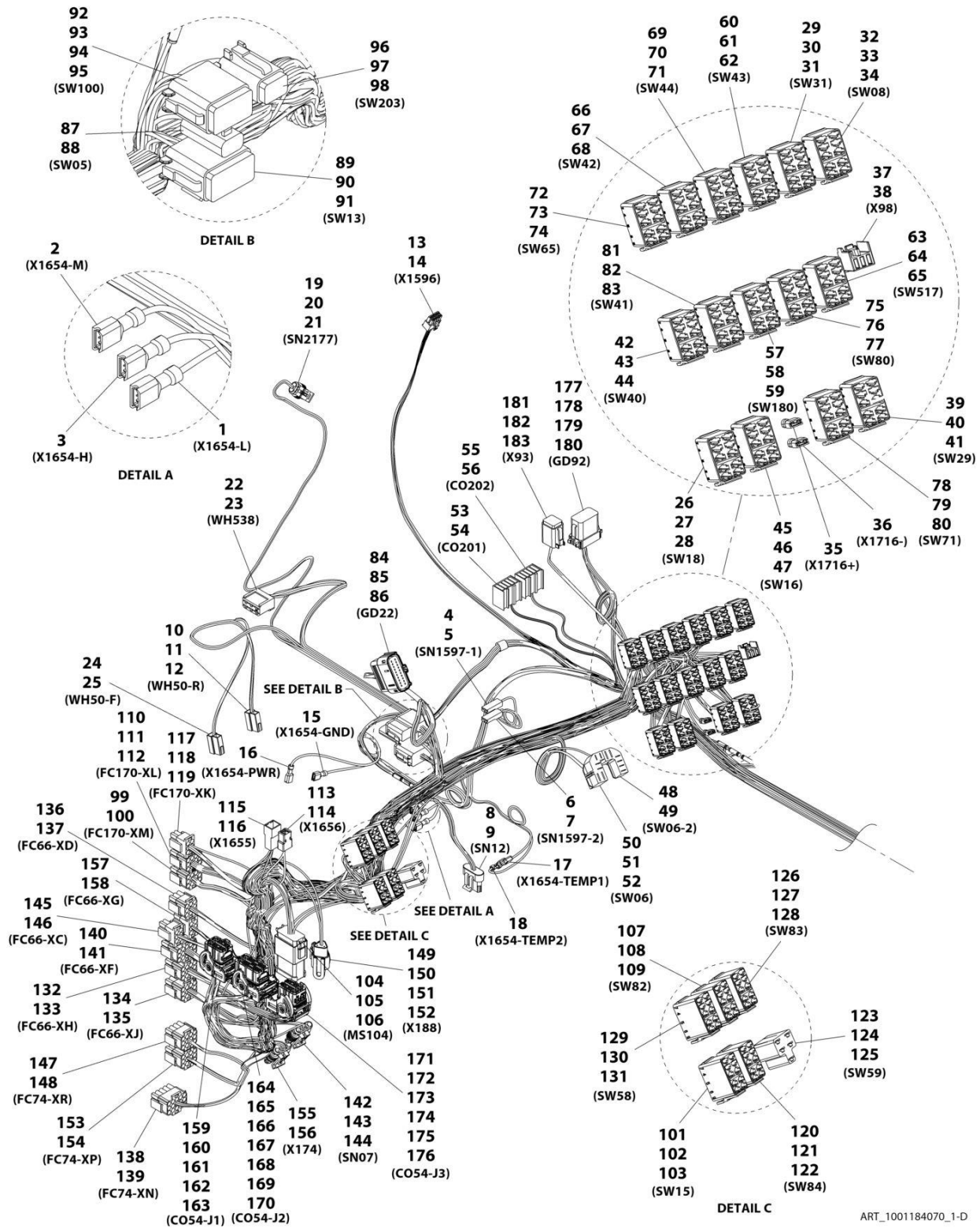
SECTION 10 - ELECTRICAL

FIGURE 10-65. LMIS CHASSIS HARNESS

ITEM	PART NUMBER	QTY	DESCRIPTION	REV
	1001185959	Ref	LMIS Harness	D
1	1001117109	1	Terminal, Ring	
2	1001116812	1	Connector	
3	4460944	2	Terminal	
4	4460466	1	Plug	
5	1001160509	1	Connector	
6	1001160510	1	Terminal	
7	1001175266	1	Seal	
8	8220114	1	Terminal, Ring	
9	4460884	1	Connector	
10	4460465	4	Terminal	
11	1001161957	1	Connector	
12	1001161095	11	Terminal	
13	1001161100	13	Plug	
14	1001161099	4	Terminal	
15	1001161101	4	Plug	
16	1001161963	1	Connector	
17	1001161095	13	Terminal	
18	1001161100	27	Plug	
19	1001161099	4	Terminal	
20	1001161101	4	Plug	
21	1001160500	1	Connector	
22	1001161095	5	Terminal	
23	1001161100	19	Plug	
24	1001161101	8	Plug	
25	4460539	1	Connector	
26	4460942	1	Terminal	
27	4460465	2	Terminal	
28	4460884	1	Connector	
29	4460942	1	Terminal	
30	4460465	3	Terminal	
31	4460884	1	Connector	
32	4460942	1	Terminal	
33	4460465	3	Terminal	
34	4460884	1	Connector	
35	4460942	1	Terminal	
36	4460465	3	Terminal	
37	4460899	1	Connector	
38	4460464	2	Terminal	
39	4460466	4	Plug	
40	4460884	1	Connector	
41	4460942	1	Terminal	
42	4460465	3	Terminal	

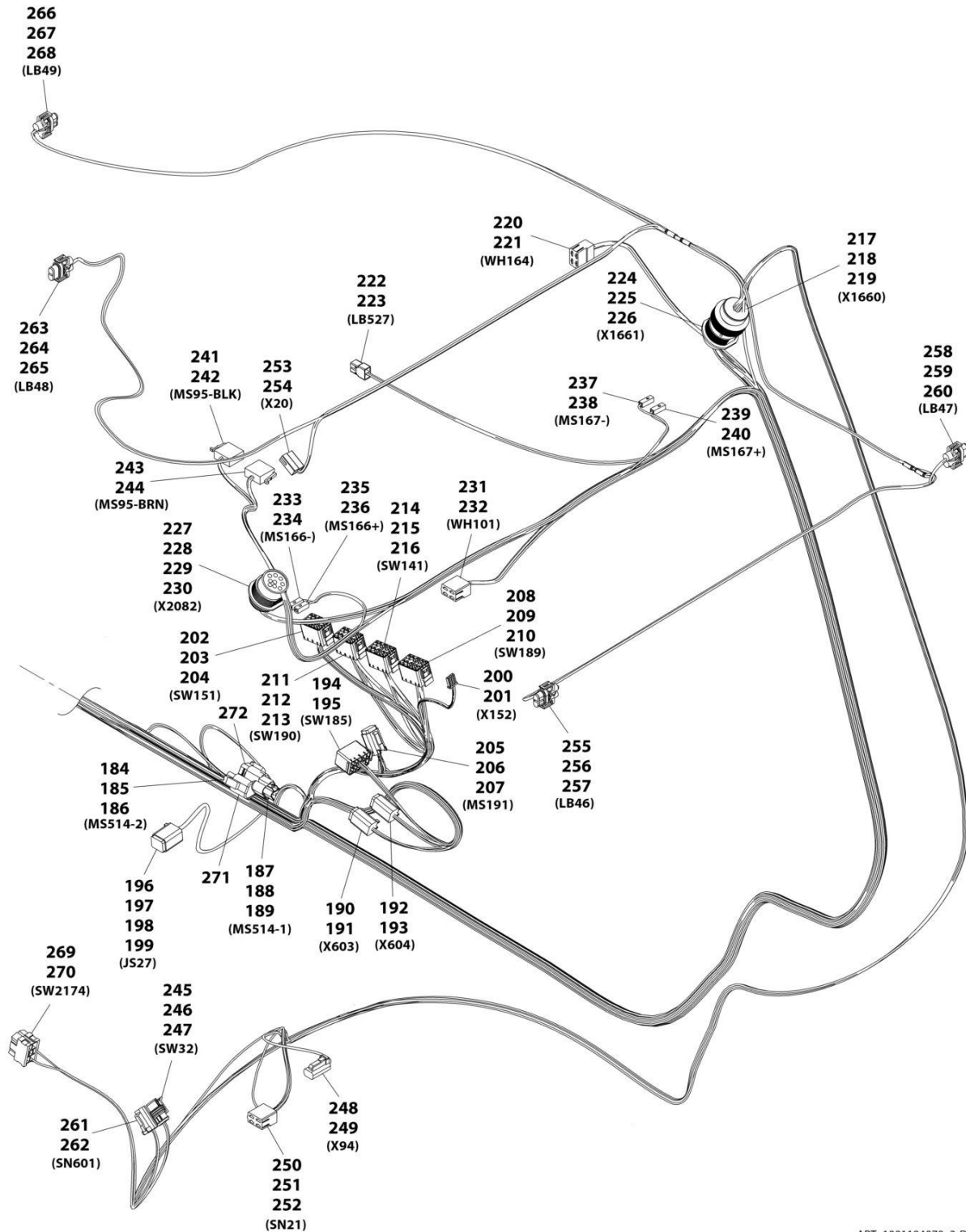
SECTION 10 - ELECTRICAL

FIGURE 10-66. CAB HARNESS



ART_1001184070_1-D

SECTION 10 - ELECTRICAL



ART_1001184070_2-D

SECTION 10 - ELECTRICAL

FIGURE 10-66. CAB HARNESS

ITEM	PART NUMBER	QTY	DESCRIPTION	REV
	1001184070	Ref	Cab Harness	D
1	8220051	1	Connector	
2	8220051	1	Connector	
3	8220051	1	Connector	
4	1001116995	1	Connector	
5	1001118379	1	Terminal	
6	1001116995	1	Connector	
7	1001118379	2	Terminal	
8	1001230931	1	Connector	
9	1001116748	6	Terminal	
10	4460994	1	Connector	
11	1001118384	1	Terminal	
12	1001116723	2	Terminal	
13	1001150735	1	Connector	
14	1001150737	7	Terminal	
15	8220051	1	Connector	
16	8220051	1	Connector	
17	8220051	1	Connector	
18	8220051	1	Connector	
19	4461118	1	Connector	
20	1001107854	2	Terminal	
21	1001104498	2	Seal	
22	1001116997	1	Connector	
23	1001118384	5	Terminal	
24	4460994	1	Connector	
25	1001118384	2	Terminal	
26	1001117081	1	Connector	
27	1001118384	5	Terminal	
28	1001116723	6	Terminal	
29	1001117081	1	Connector	
30	1001118384	2	Terminal	
31	1001116723	4	Terminal	
32	1001117079	1	Connector	
33	1001116723	6	Terminal	
34	1001118384	2	Terminal	
35	8220051	1	Connector	
36	8220051	1	Connector	
37	1001118684	1	Connector	
38	1001116754	2	Terminal	
39	1001117081	1	Connector	
40	1001116723	10	Terminal	
41	1001118384	1	Terminal	
42	1001117081	1	Connector	
43	1001118384	4	Terminal	
44	1001116723	6	Terminal	
45	1001117081	1	Connector	
46	1001116723	6	Terminal	
47	1001118384	1	Terminal	
48	1001117121	1	Connector	
49	1001104519	1	Terminal	

SECTION 10 - ELECTRICAL

ITEM	PART NUMBER	QTY	DESCRIPTION	REV
50	1001118685	1	Connector	
51	1001104519	3	Terminal	
52	1001118383	1	Terminal	
53	1001214686	1	Connector	
54	1001116753	5	Terminal	
55	1001214687	1	Connector	
56	1001116753	3	Terminal	
57	1001117081	1	Connector	
58	1001118384	3	Terminal	
59	1001116723	4	Terminal	
60	1001117081	1	Connector	
61	1001118384	2	Terminal	
62	1001116723	4	Terminal	
63	1001117081	1	Connector	
64	1001116723	6	Terminal	
65	1001118384	1	Terminal	
66	1001117081	1	Connector	
67	1001118384	2	Terminal	
68	1001116723	4	Terminal	
69	1001117081	1	Connector	
70	1001118384	2	Terminal	
71	1001116723	4	Terminal	
72	1001117081	1	Connector	
73	1001116723	6	Terminal	
74	1001118384	1	Terminal	
75	1001117081	1	Connector	
76	1001116723	6	Terminal	
77	1001118384	1	Terminal	
78	1001117081	1	Connector	
79	1001116723	8	Terminal	
80	1001118384	2	Terminal	
81	1001117081	1	Connector	
82	1001118384	3	Terminal	
83	1001116723	4	Terminal	
84	1001162886	1	Connector	
85	1001163340	13	Plug	
86	1001162887	7	Terminal	
87	4460897	1	Connector	
88	4460464	1	Terminal	
89	4460933	1	Connector	
90	4460465	9	Terminal	
91	4460466	3	Plug	
92	4460836	1	Connector	
93	4460942	3	Terminal	
94	4460465	8	Terminal	
95	4460466	1	Plug	
96	4460884	1	Connector	
97	4460942	2	Terminal	
98	4460466	2	Plug	
99	4460343	1	Connector	
100	4460267	7	Terminal	

SECTION 10 - ELECTRICAL

ITEM	PART NUMBER	QTY	DESCRIPTION	REV
101	1001117081	1	Connector	
102	1001116723	6	Terminal	
103	1001118384	1	Terminal	
104	4460933	1	Connector	
105	1001125677	1	Connector, Buss Bar	
106	4460465	12	Terminal	
107	1001117081	1	Connector	
108	1001116723	6	Terminal	
109	1001118384	1	Terminal	
110	4460343	1	Connector	
111	4460268	8	Terminal	
112	4460906	1	Terminal	
113	1001116991	1	Connector	
114	1001118384	2	Terminal	
115	1001116999	1	Connector	
116	1001116700	4	Terminal	
117	4460225	1	Connector	
118	4460267	5	Terminal	
119	4460906	1	Terminal	
120	1001117081	1	Connector	
121	1001116723	6	Terminal	
122	1001118384	1	Terminal	
123	1001173411	1	Connector	
124	1001116716	2	Terminal	
125	1001104519	5	Terminal	
126	1001117081	1	Connector	
127	1001116723	6	Terminal	
128	1001118384	1	Terminal	
129	1001117081	1	Connector	
130	1001118384	2	Terminal	
131	1001116723	4	Terminal	
132	4460343	1	Connector	
133	4460268	9	Terminal	
134	4460343	1	Connector	
135	4460267	9	Terminal	
136	4460265	1	Connector	
137	4460268	5	Terminal	
138	4460434	1	Connector	
139	4460268	7	Terminal	
140	4460434	1	Connector	
141	4460268	15	Terminal	
142	1001103012	1	Connector	
143	1001116697	2	Terminal	
144	1001116698	2	Plug	
145	4460225	1	Connector	
146	4460267	3	Terminal	
147	4460343	1	Connector	
148	4460267	3	Terminal	
149	1001116812	1	Connector	
150	4460944	2	Terminal	
151	4460466	1	Plug	

SECTION 10 - ELECTRICAL

ITEM	PART NUMBER	QTY	DESCRIPTION	REV
152	1001144296	1	Cap	
153	4460343	1	Connector	
154	4460268	6	Terminal	
155	4461262	1	Connector	
156	1001107854	3	Terminal	
157	4460225	1	Connector	
158	4460268	5	Terminal	
159	1001160498	1	Connector	
160	1001161095	24	Terminal	
161	1001161098	6	Terminal	
162	1001161099	1	Terminal	
163	1001161101	1	Plug	
164	1001160502	1	Connector	
165	1001161095	25	Terminal	
166	1001161100	14	Plug	
167	1001161097	1	Terminal	
168	1001161098	5	Terminal	
169	1001161099	1	Terminal	
170	1001161101	2	Plug	
171	1001161959	1	Connector	
172	1001161095	12	Terminal	
173	1001161097	6	Terminal	
174	1001161100	5	Plug	
175	1001161098	2	Terminal	
176	1001161101	7	Plug	
177	1001176333	1	Connector	
178	4460465	3	Terminal	
179	4460466	11	Plug	
180	4460944	4	Terminal	
181	4460930	1	Connector	
182	4460465	2	Terminal	
183	4460466	6	Plug	
184	4460539	1	Connector	
185	4460944	2	Terminal	
186	4460466	1	Plug	
187	1001116812	1	Connector	
188	4460944	2	Terminal	
189	4460466	1	Plug	
190	4460884	1	Connector	
191	4460465	4	Terminal	
192	4460884	1	Connector	
193	4460465	4	Terminal	
194	1001117081	1	Connector	
195	1001118384	5	Terminal	
196	4460894	1	Connector	
197	4460465	3	Terminal	
198	4460944	2	Terminal	
199	4460466	1	Plug	
200	1001184473	1	Connector	
201	1001184479	3	Terminal	
202	1001117081	1	Connector	

SECTION 10 - ELECTRICAL

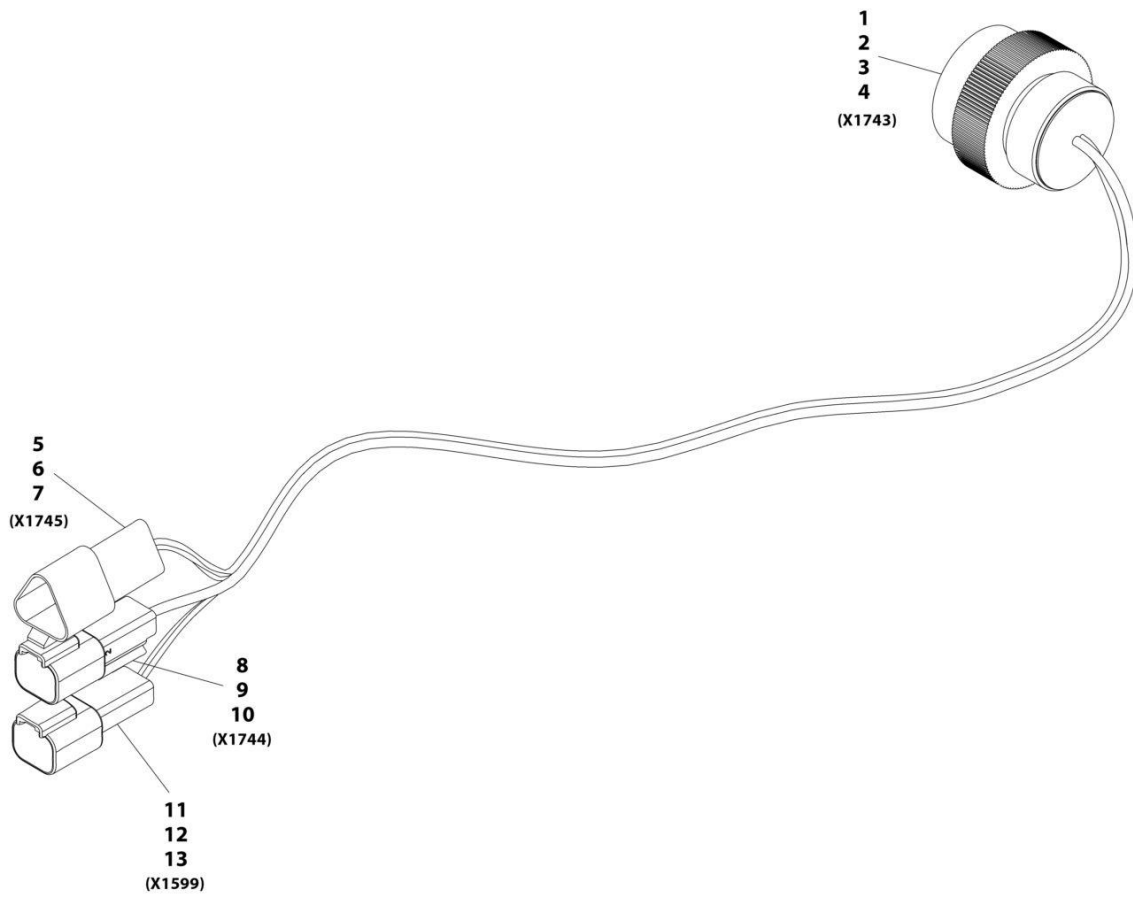
ITEM	PART NUMBER	QTY	DESCRIPTION	REV
203	1001118384	1	Terminal	
204	1001116723	12	Terminal	
205	4460884	1	Connector	
206	1001201070	1	Connector	
207	4460465	4	Terminal	
208	1001117081	1	Connector	
209	1001116723	6	Terminal	
210	1001118384	1	Terminal	
211	1001117081	1	Connector	
212	1001116723	6	Terminal	
213	1001118384	1	Terminal	
214	1001117081	1	Connector	
215	1001116723	6	Terminal	
216	1001118384	1	Terminal	
217	1001201080	1	Connector	
218	4460465	8	Terminal	
219	4460942	6	Terminal	
220	1001116986	1	Connector	
221	1001118384	4	Terminal	
222	1001116991	1	Connector	
223	1001118384	2	Terminal	
224	1001201081	1	Connector	
225	4460464	8	Terminal	
226	4460943	6	Terminal	
227	1001112612	1	Connector	
228	4460464	3	Terminal	
229	4460466	4	Plug	
230	4460943	2	Terminal	
231	1001116986	1	Connector	
232	1001118384	4	Terminal	
233	1001116998	1	Connector	
234	1001118387	1	Terminal	
235	1001116998	1	Connector	
236	1001118387	1	Terminal	
237	1001116998	1	Connector	
238	1001118387	1	Terminal	
239	1001116998	1	Connector	
240	1001118387	1	Terminal	
241	1001116985	1	Connector	
242	1001118386	3	Terminal	
243	1001116984	1	Connector	
244	1001118386	4	Terminal	
245	4461262	1	Connector	
246	1001107854	2	Terminal	
247	1001116698	1	Plug	
248	4460891	1	Connector	
249	4460465	2	Terminal	
250	1001116986	1	Connector	
251	1001118384	2	Terminal	
252	1001116723	4	Terminal	
253	4460994	1	Connector	

SECTION 10 - ELECTRICAL

ITEM	PART NUMBER	QTY	DESCRIPTION	REV
254	1001118384	2	Terminal	
255	4461115	1	Connector	
256	1001116728	2	Terminal	
257	4460458	2	Seal	
258	4461115	1	Connector	
259	1001116728	2	Terminal	
260	4460458	2	Seal	
261	4460891	1	Connector	
262	4460465	2	Terminal	
263	4461115	1	Connector	
264	1001116728	2	Terminal	
265	4460458	2	Seal	
266	4461115	1	Connector	
267	1001116728	2	Terminal	
268	4460458	2	Seal	
269	4460418	1	Connector	
270	4460419	2	Terminal	
271	4460945	1	Connector, 3 Way	
272	1001116815	1	Connector, 3 Pin	

SECTION 10 - ELECTRICAL

FIGURE 10-67. CAB OPTION HARNESS



ART_1001181681-C

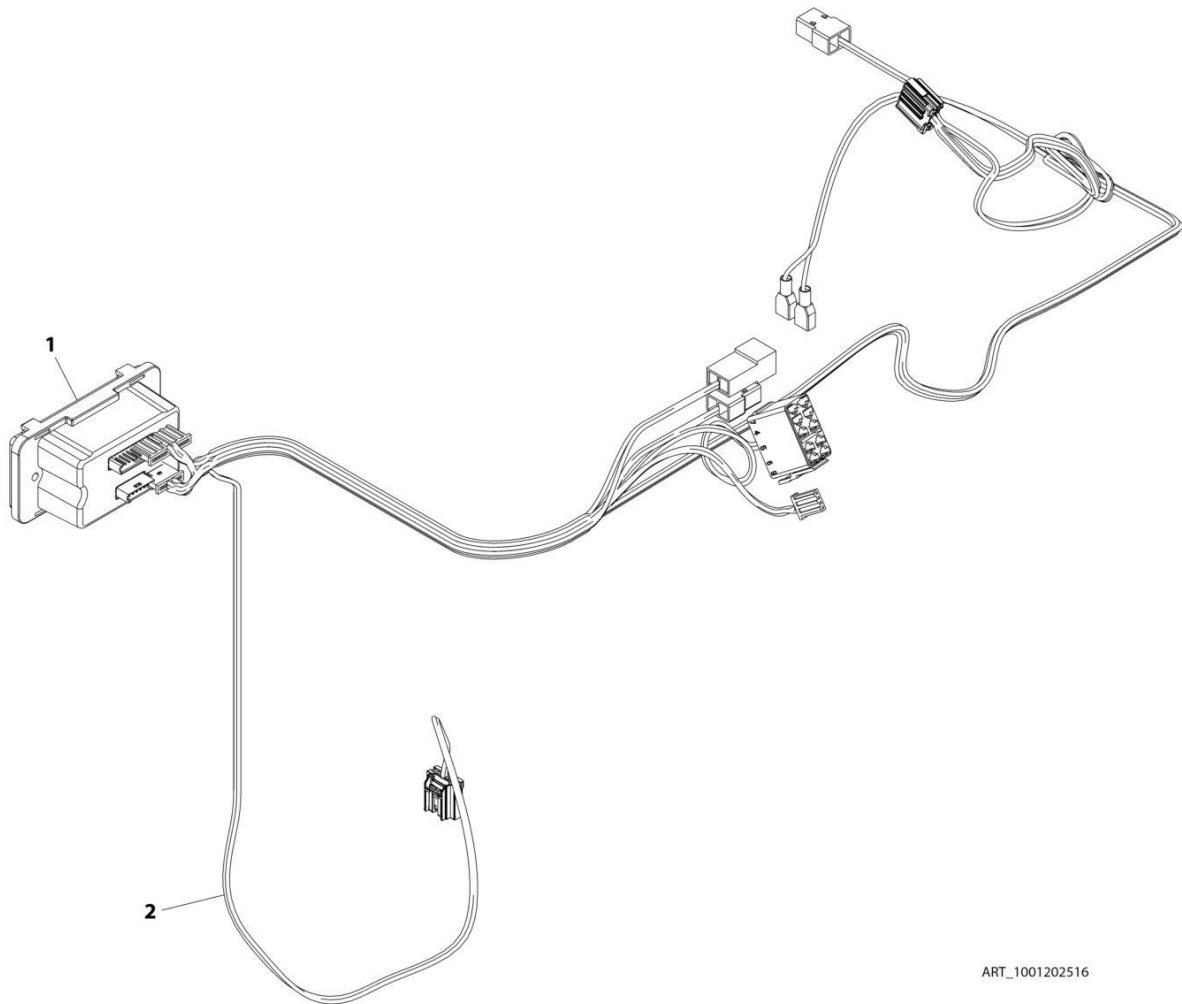
SECTION 10 - ELECTRICAL

FIGURE 10-67. CAB OPTION HARNESS

ITEM	PART NUMBER	QTY	DESCRIPTION	REV
	1001181681	Ref	Cab Option Harness	D
1	4461015	1	Connector	
2	4460465	5	Terminal	
3	4460466	8	Plug	
4	4460942	1	Terminal	
5	1001144147	1	Connector	
6	4460943	2	Terminal	
7	4460466	1	Plug	
8	4460897	1	Connector	
9	4460941	1	Terminal	
10	4460466	1	Plug	
11	4460932	1	Connector	
12	4460464	3	Terminal	
13	4460466	1	Plug	

SECTION 10 - ELECTRICAL

FIGURE 10-68. CAB HEATER HARNESS



ART_1001202516

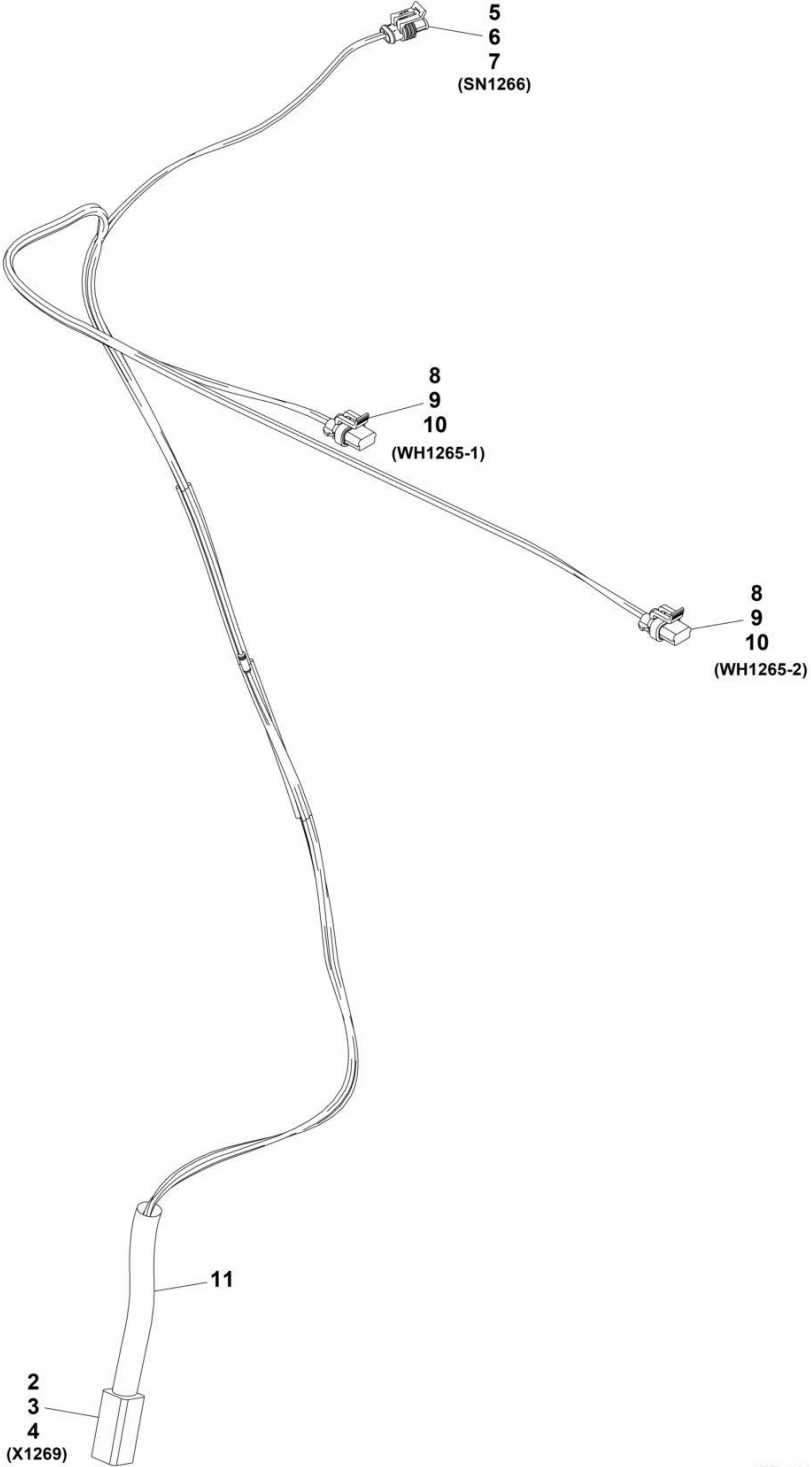
SECTION 10 - ELECTRICAL

FIGURE 10-68. CAB HEATER HARNESS

ITEM	PART NUMBER	QTY	DESCRIPTION	REV
	1001202516	Ref	CAB HEATER HARNESS	F
1	1001172551	1	Actuator, HVAC (See Separate Breakdown in CAB Section)	
2	1001221056	1	HVAC Cab Actuator Harness (See Separate Breakdown in ELECTRICAL Section)	

SECTION 10 - ELECTRICAL

FIGURE 10-69. A/C OPTION HARNESS



ART_1001169151

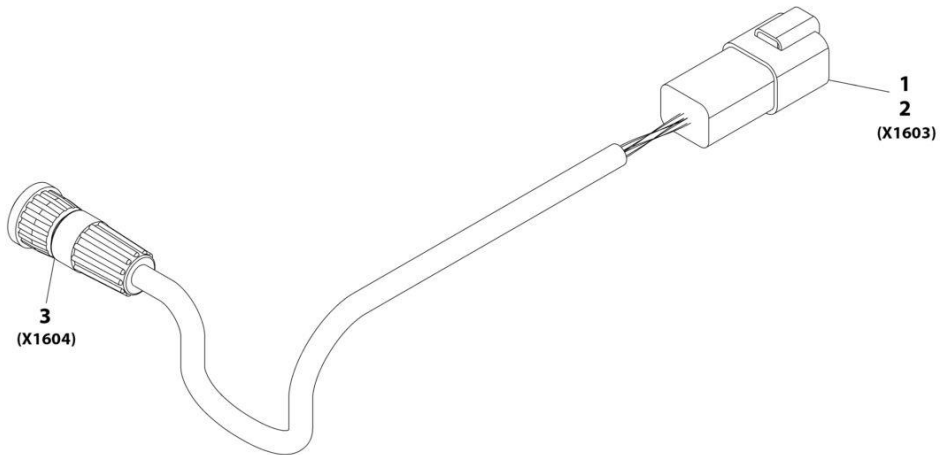
SECTION 10 - ELECTRICAL

FIGURE 10-69. A/C OPTION HARNESS

ITEM	PART NUMBER	QTY	DESCRIPTION	REV
	1001169151	Ref	A/C Option Harness	G
2	4460899	1	Connector	
3	4460941	4	Terminal	
4	4460464	2	Terminal	
5	4461118	1	Connector	
6	1001107854	2	Terminal	
7	1001116763	2	Seal	
8	1001117021	2	Connector	
9	1001116747	4	Terminal	
10	4460789	4	Seal	
11	70028546	1	Backshell	

SECTION 10 - ELECTRICAL

FIGURE 10-70. REVERSE SENSOR HARNESS



ART_1001175776-C

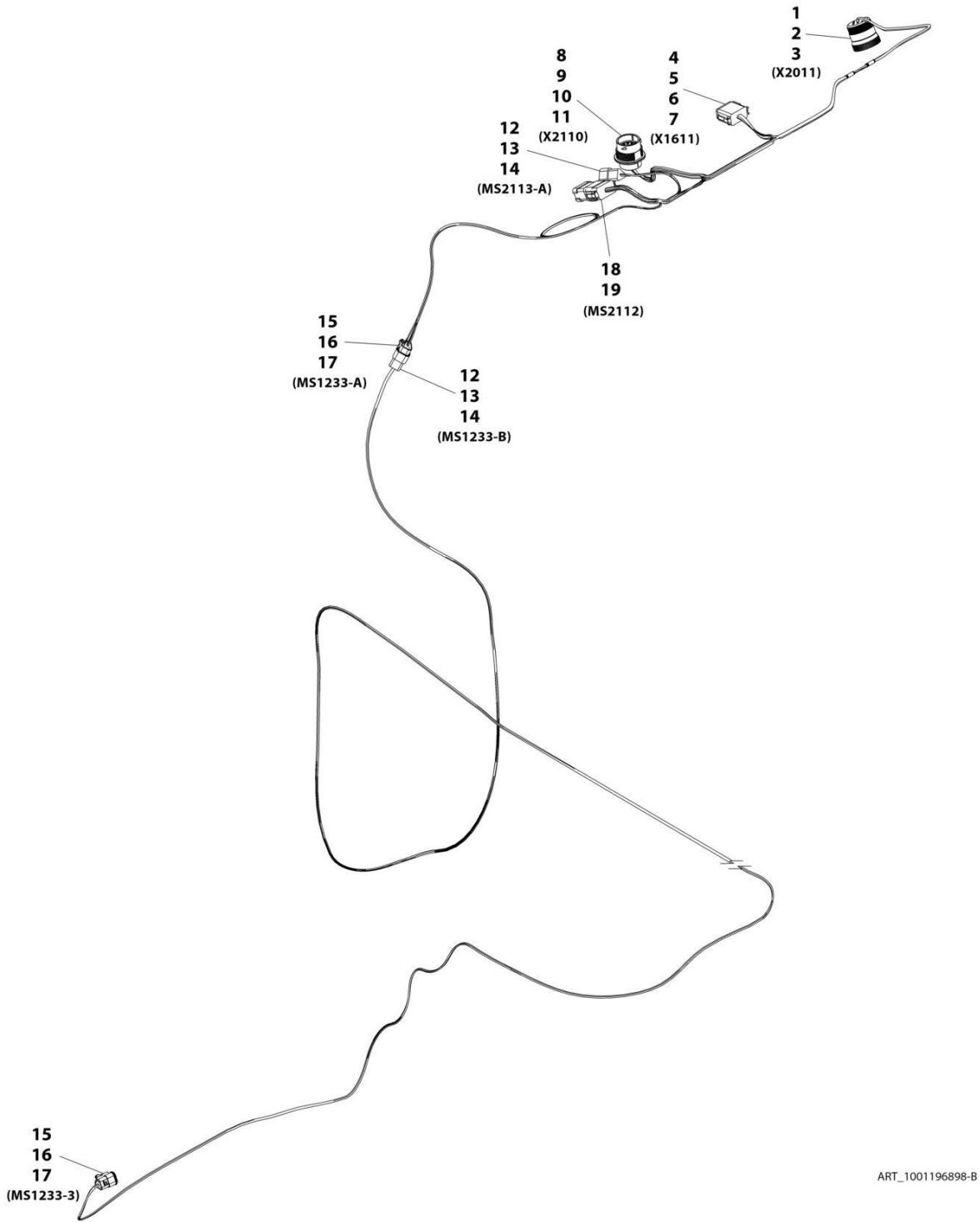
SECTION 10 - ELECTRICAL

FIGURE 10-70. REVERSE SENSOR HARNESS

ITEM	PART NUMBER	QTY	DESCRIPTION	REV
	1001175776	Ref	Reverse Sensor Harness	C
1	4460932	1	Connector	
2	4460464	4	Terminal	
3	1001175733	1	Connector	

SECTION 10 - ELECTRICAL

FIGURE 10-71. TELEMATICS HARNESS (A/C-ULS)



ART_1001196898-B

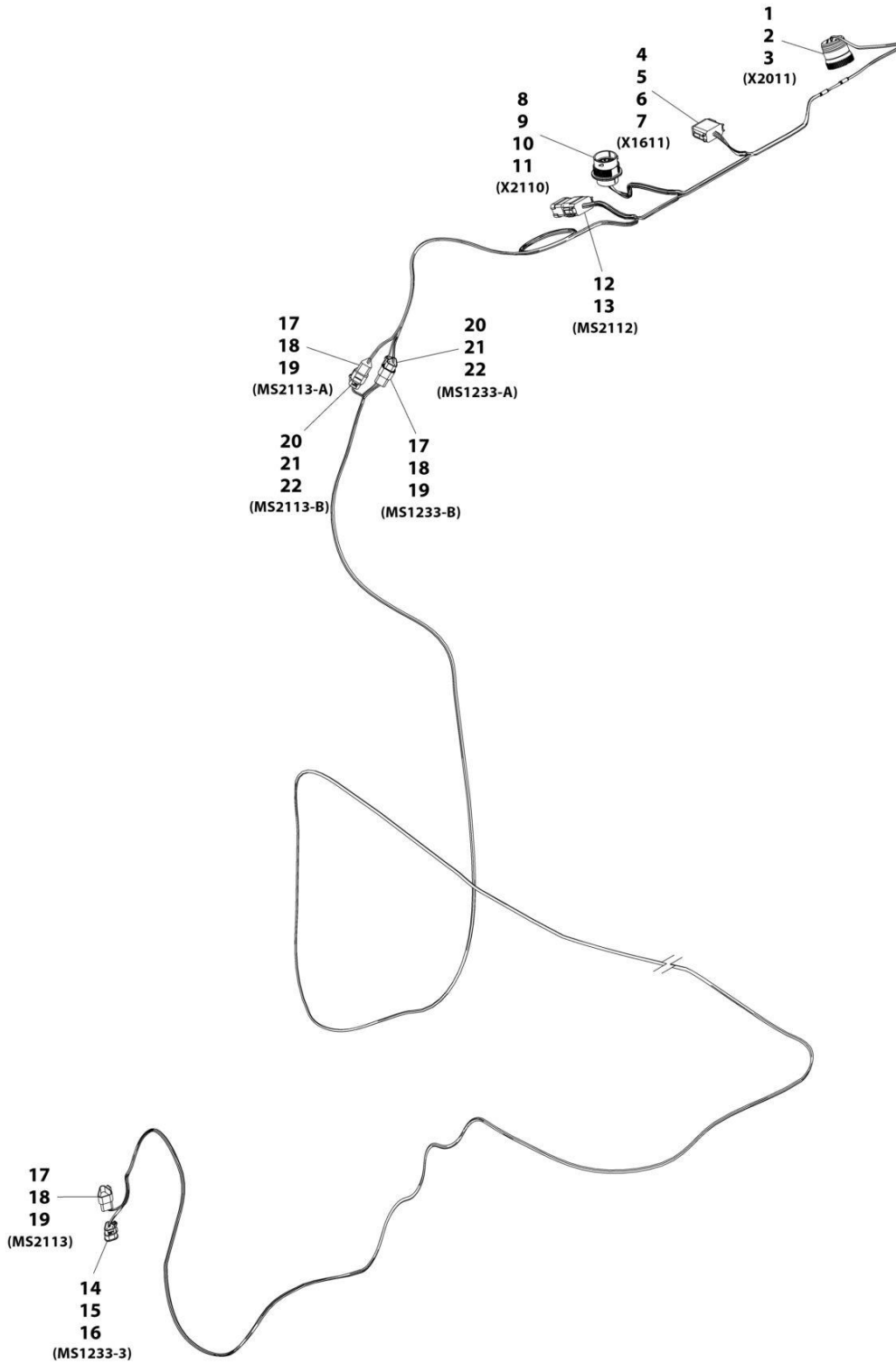
SECTION 10 - ELECTRICAL

FIGURE 10-71. TELEMATICS HARNESS (A/C-ULS)

ITEM	PART NUMBER	QTY	DESCRIPTION	REV
	1001196898	Ref	Telematics Harness (A/C - ULS)	B
1	1001112796	1	Connector	
2	4460465	3	Terminal	
3	4460466	6	Plug	
4	4460836	1	Connector	
5	4460465	8	Terminal	
6	4460466	2	Plug	
7	4460944	2	Terminal	
8	1001201081	1	Connector	
9	4460464	6	Terminal	
10	4460943	2	Terminal	
11	4460466	6	Plug	
12	1001144147	2	Connector	
13	4460943	2	Terminal	
14	4460466	1	Plug	
15	1001116812	2	Connector	
16	4460944	2	Terminal	
17	4460466	1	Plug	
18	4460930	1	Connector	
19	4460465	8	Plug	

SECTION 10 - ELECTRICAL

FIGURE 10-72. TELEMATICS HARNESS (NO A/C)



ART_1001196900-B

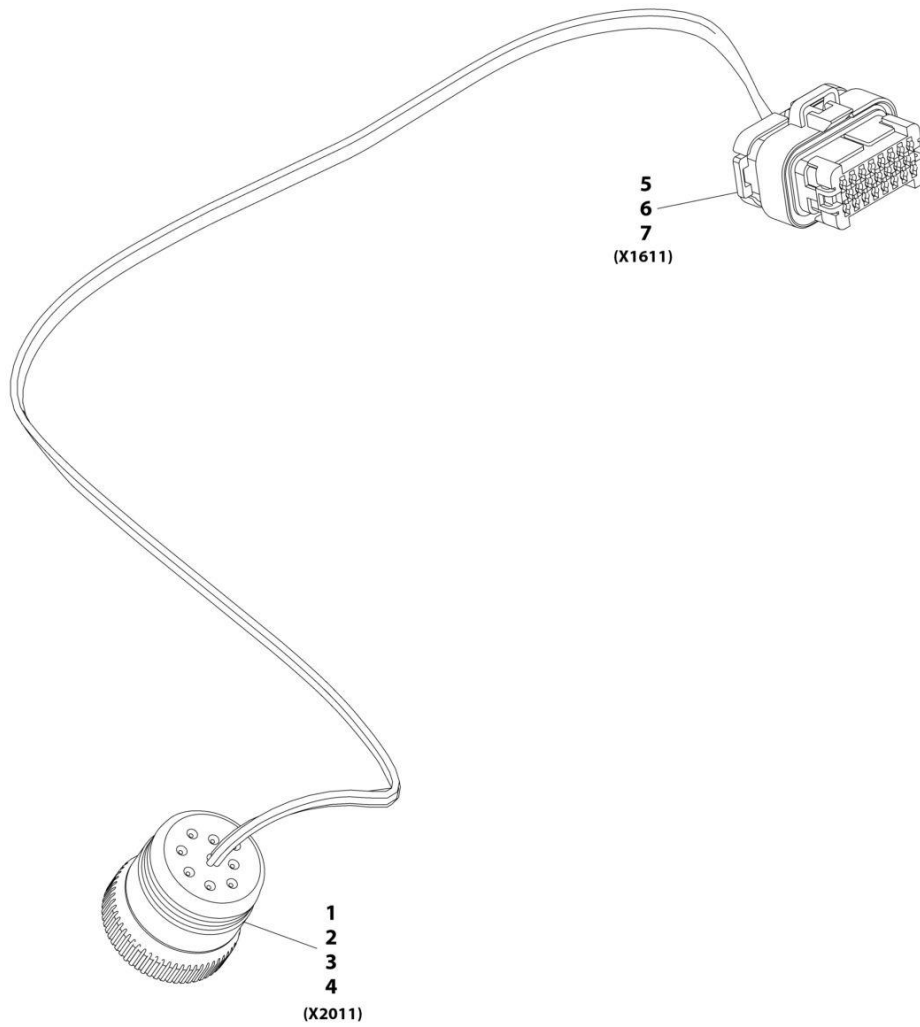
SECTION 10 - ELECTRICAL

FIGURE 10-72. TELEMATICS HARNESS (NO A/C)

ITEM	PART NUMBER	QTY	DESCRIPTION	REV
	1001196900	Ref	Telematics Harness (No A/C)	B
1	1001112796	1	Connector	
2	4460465	3	Terminal	
3	4460466	6	Plug	
4	4460836	1	Connector	
5	4460465	8	Terminal	
6	4460466	2	Plug	
7	4460944	2	Terminal	
8	1001201081	1	Connector	
9	4460464	6	Terminal	
10	4460943	2	Terminal	
11	4460466	6	Plug	
12	4460930	1	Connector	
13	4460465	8	Terminal	
14	1001116812	1	Connector	
15	4460944	2	Terminal	
16	4460466	1	Plug	
17	1001144147	3	Connector	
18	4460943	2	Terminal	
19	4460466	1	Plug	
20	1001116812	3	Connector	
21	4460944	2	Terminal	
22	4460466	1	Plug	

SECTION 10 - ELECTRICAL

FIGURE 10-73. CLEARSKY HARNESS (A/C)



ART_1001196452-A

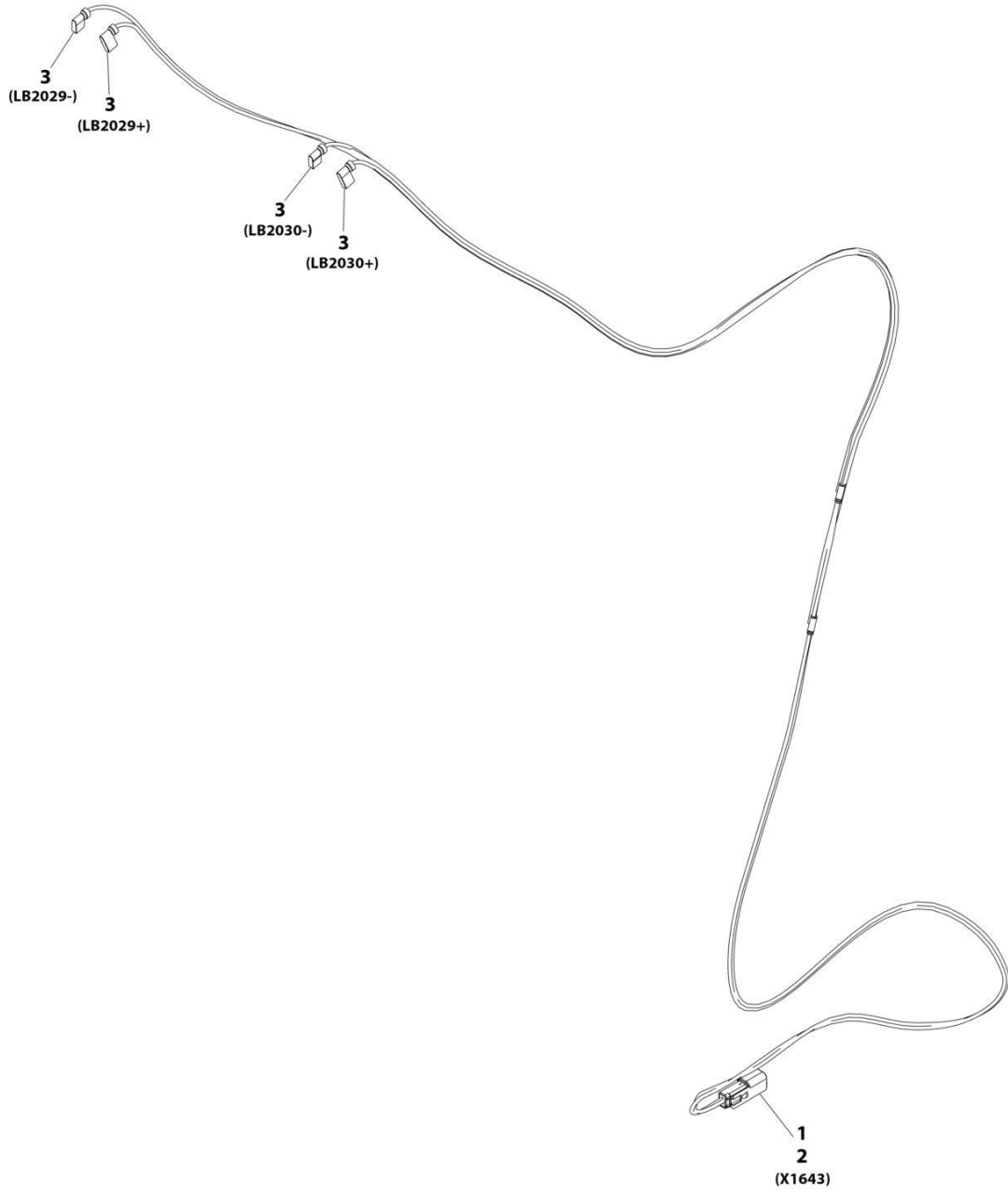
SECTION 10 - ELECTRICAL

FIGURE 10-73. CLEARSKY HARNESS (A/C)

ITEM	PART NUMBER	QTY	DESCRIPTION	REV
	1001196452	Ref	Clearsky Harness (A/C)	A
1	1001112796	1	Connector	
2	4460465	3	Terminal	
3	4460944	2	Terminal	
4	4460466	4	Plug	
5	1001116994	1	Connector	
6	4460871	5	Terminal	
7	4460905	18	Plug	

SECTION 10 - ELECTRICAL

FIGURE 10-74. LICENSE LIGHT HARNESS



ART_1001178053-C

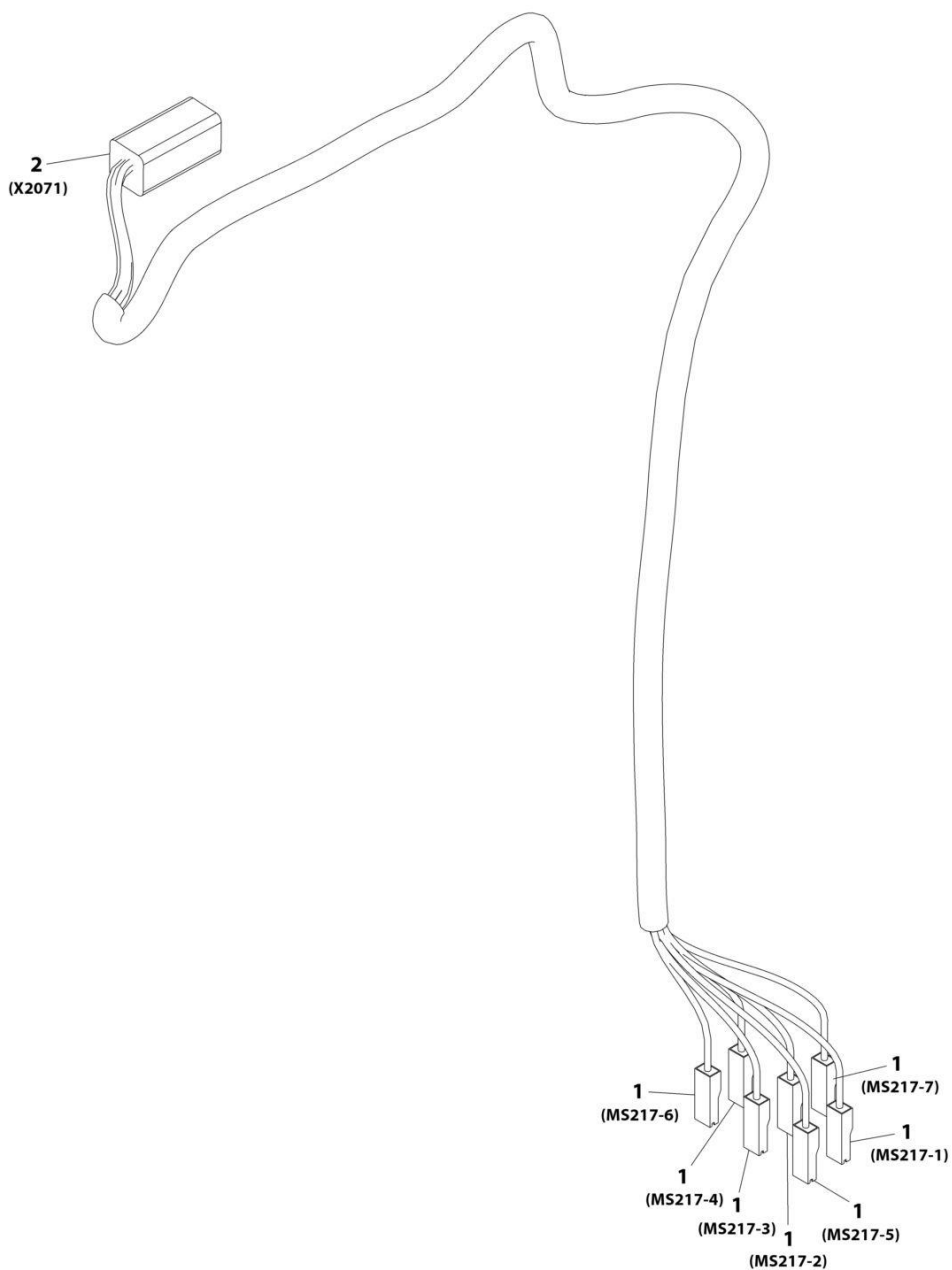
SECTION 10 - ELECTRICAL

FIGURE 10-74. LICENSE LIGHT HARNESS

ITEM	PART NUMBER	QTY	DESCRIPTION	REV
	1001178053	Ref	License Light Harness	C
1	4460897	1	Connector	
2	4460941	2	Terminal	
3	1001190396	4	Connector	

SECTION 10 - ELECTRICAL

FIGURE 10-75. TRAILER CONNECTOR HARNESS



ART_1001184839-C

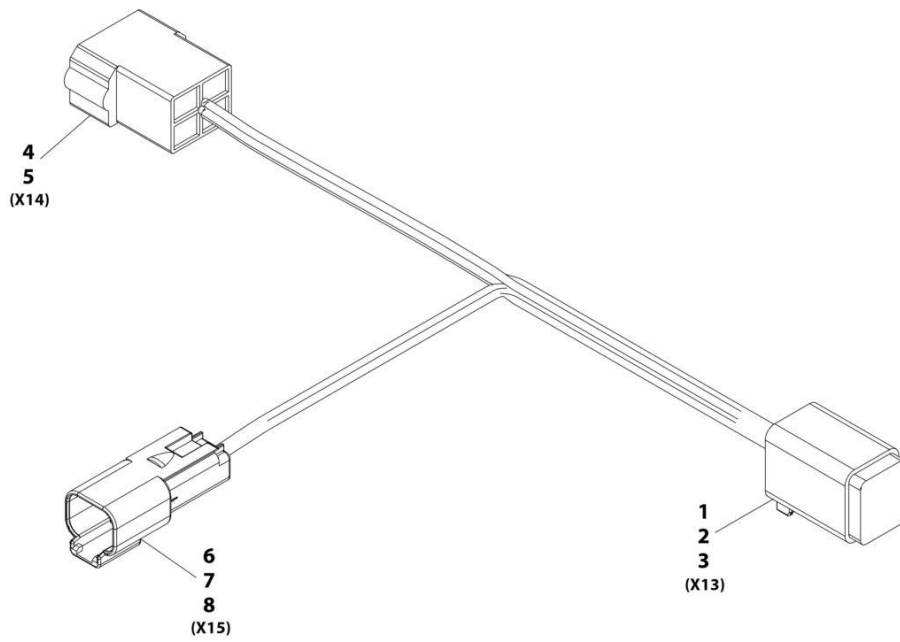
SECTION 10 - ELECTRICAL

FIGURE 10-75. TRAILER CONNECTOR HARNESS

ITEM	PART NUMBER	QTY	DESCRIPTION	REV
	1001184839	Ref	TRAILER CONNECTOR HARNESS	C
1	1001116995	7	Connector	
2	4460899	1	Connector	
2	4460941	6	Pin	

SECTION 10 - ELECTRICAL

FIGURE 10-76. SEAT ADAPTOR HARNESS



ART_1001168531-A

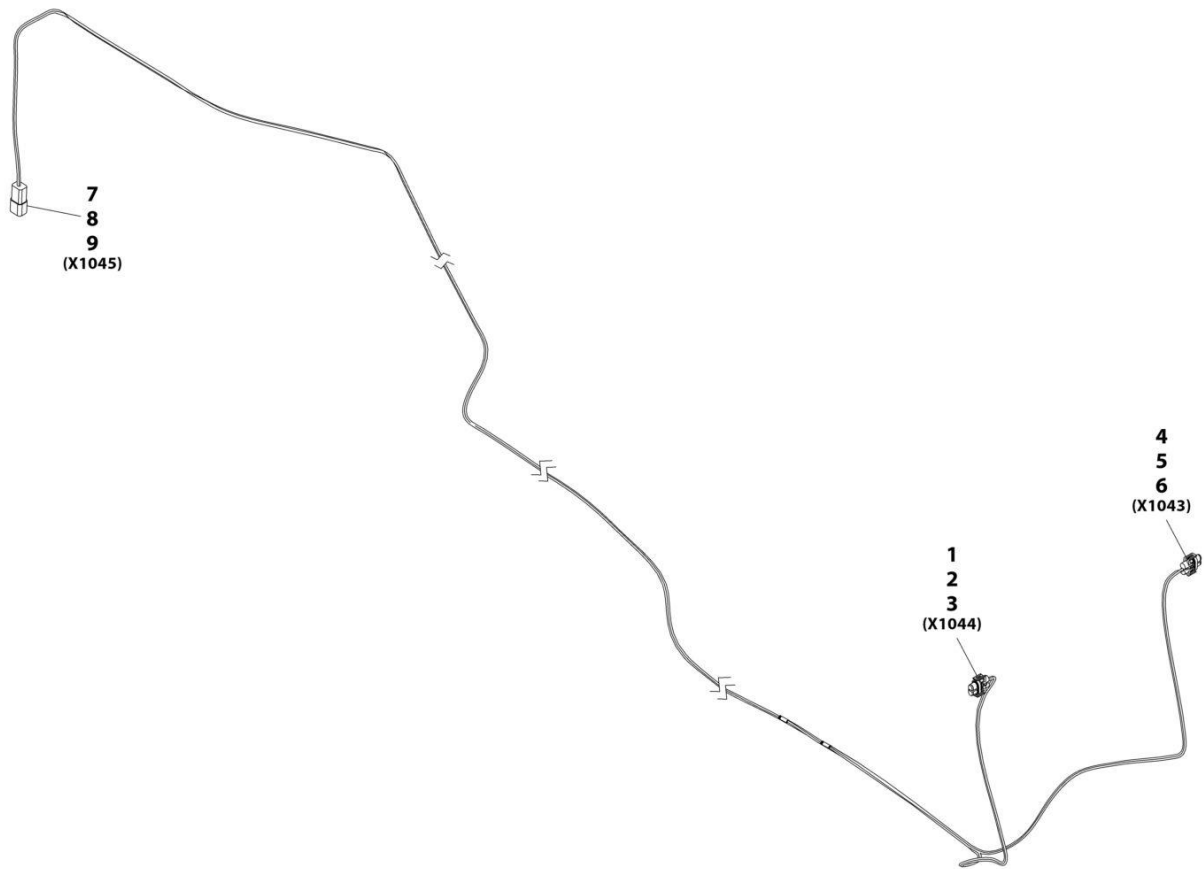
SECTION 10 - ELECTRICAL

FIGURE 10-76. SEAT ADAPTOR HARNESS

ITEM	PART NUMBER	QTY	DESCRIPTION	REV
	1001168531	Ref	Seat Adaptor Harness	A
1	4460894	1	Connector	
2	91504107	1	Lock, Connector	
3	4460465	6	Terminal	
4	1001117011	1	Connector	
5	1001116700	3	Terminal	
6	4460897	1	Connector	
7	80604017	1	Lock, Connector	
8	4460943	2	Terminal	

SECTION 10 - ELECTRICAL

FIGURE 10-77. BOOM WORKLIGHTS HARNESS



ART_1001183297-C

SECTION 10 - ELECTRICAL

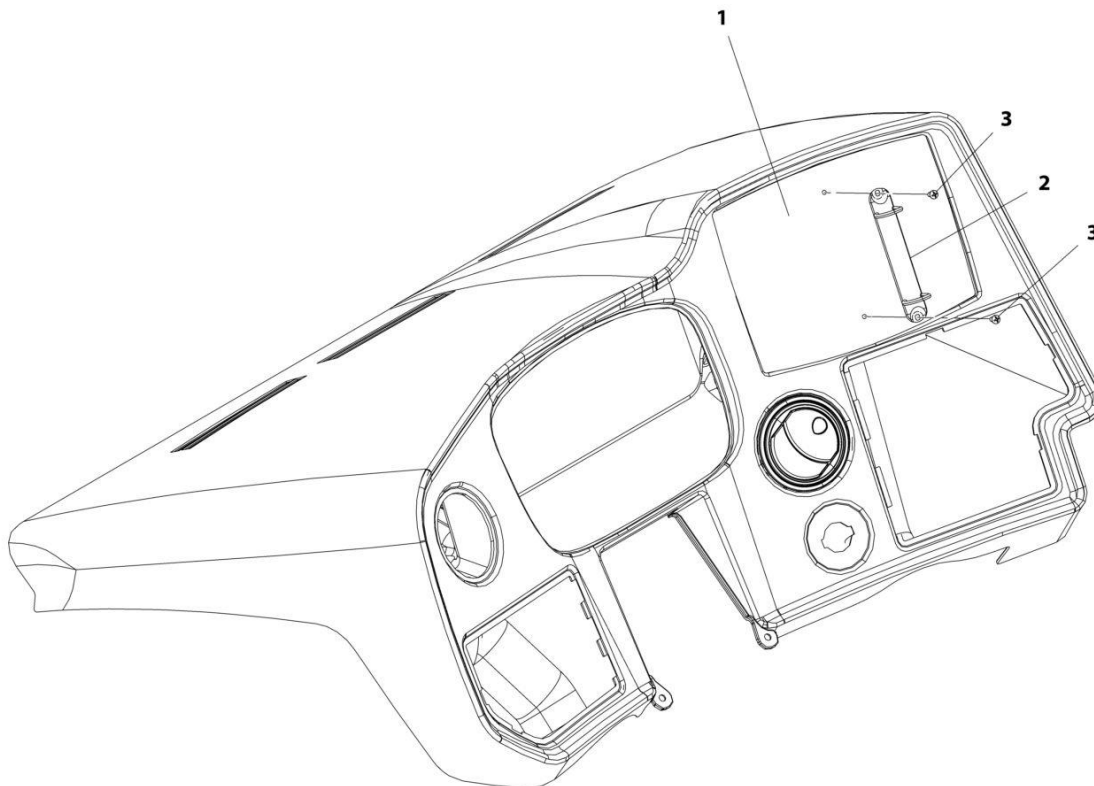
FIGURE 10-77. BOOM WORKLIGHTS HARNESS

ITEM	PART NUMBER	QTY	DESCRIPTION	REV
	1001183297	Ref	Boom Worklights Harness	C
1	4461115	1	Connector	
2	1001116728	2	Terminal	
3	4460458	2	Seal	
4	4461115	1	Connector	
5	1001116728	2	Terminal	
6	4460458	2	Seal	
7	4460932	1	Connector	
8	4460464	2	Terminal	
9	4460466	2	Plug	

SECTION 11 - DECALS

SECTION 11 - DECALS

FIGURE 11-1. CAPACITY CHART HOLDER INSTALLATION



ART_1001178706-A

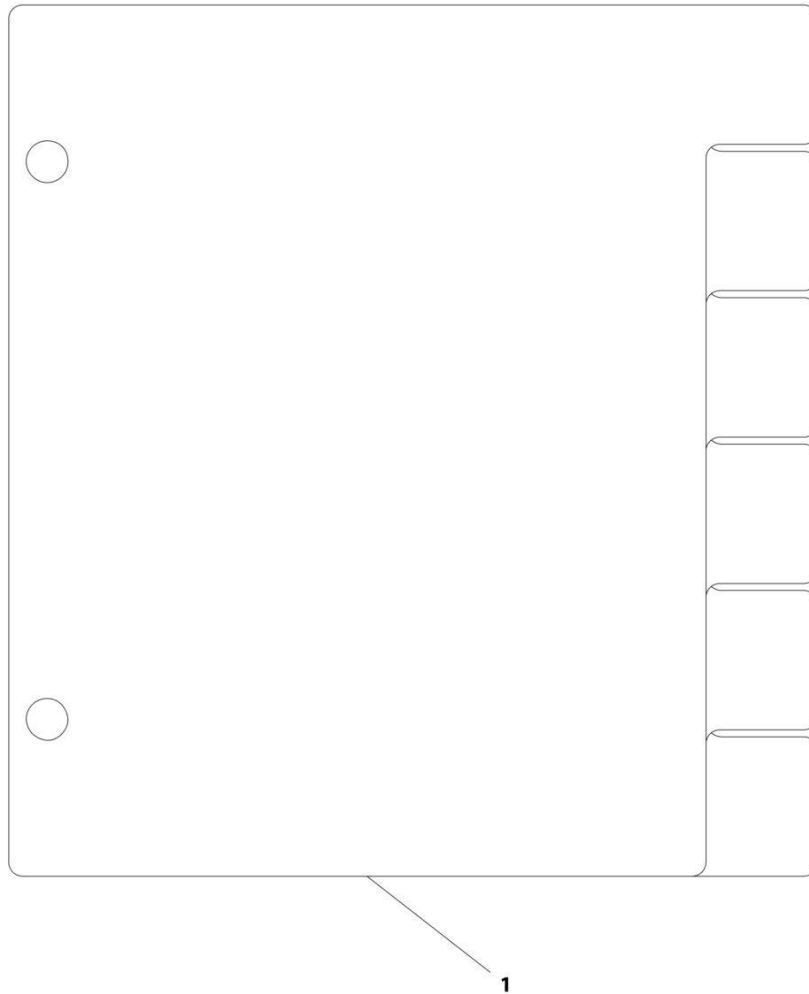
SECTION 11 - DECALS

FIGURE 11-1. CAPACITY CHART HOLDER INSTALLATION

ITEM	PART NUMBER	QTY	DESCRIPTION	REV
	1001178706	Ref	Capacity Chart Holder Installation	A
1	1001179297	1	Load Chart, Bezel	
2	1001005960	1	Holder	
3	7029486	2	Screw	

SECTION 11 - DECALS

FIGURE 11-2. CAPACITY CHART (METRIC)



ART_1001183633-A

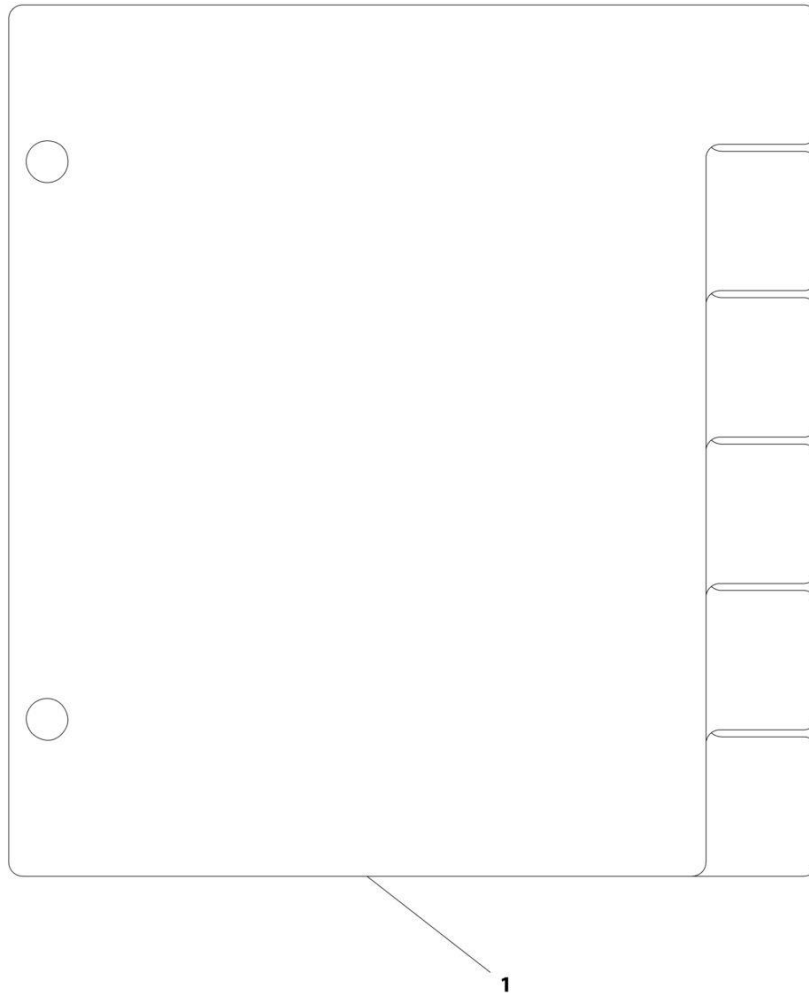
SECTION 11 - DECALS

FIGURE 11-2. CAPACITY CHART (METRIC)

ITEM	PART NUMBER	QTY	DESCRIPTION	REV
1	1001183633	1	Capacity Chart (METRIC)	A

SECTION 11 - DECALS

FIGURE 11-3. CAPACITY CHART (ANSI)



ART_1001183634-A

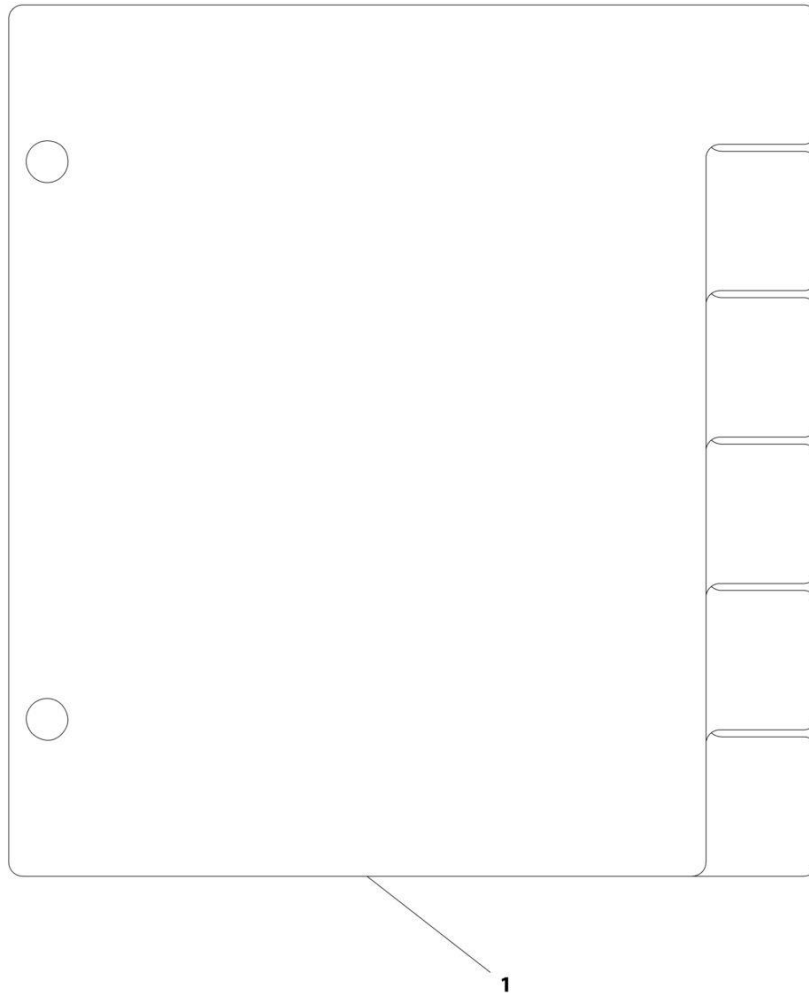
SECTION 11 - DECALS

FIGURE 11-3. CAPACITY CHART (ANSI)

ITEM	PART NUMBER	QTY	DESCRIPTION	REV
1	1001183634	1	Capacity Chart (ANSI)	A

SECTION 11 - DECALS

FIGURE 11-4. CAPACITY CHART (AUS)



ART_1001183635-A

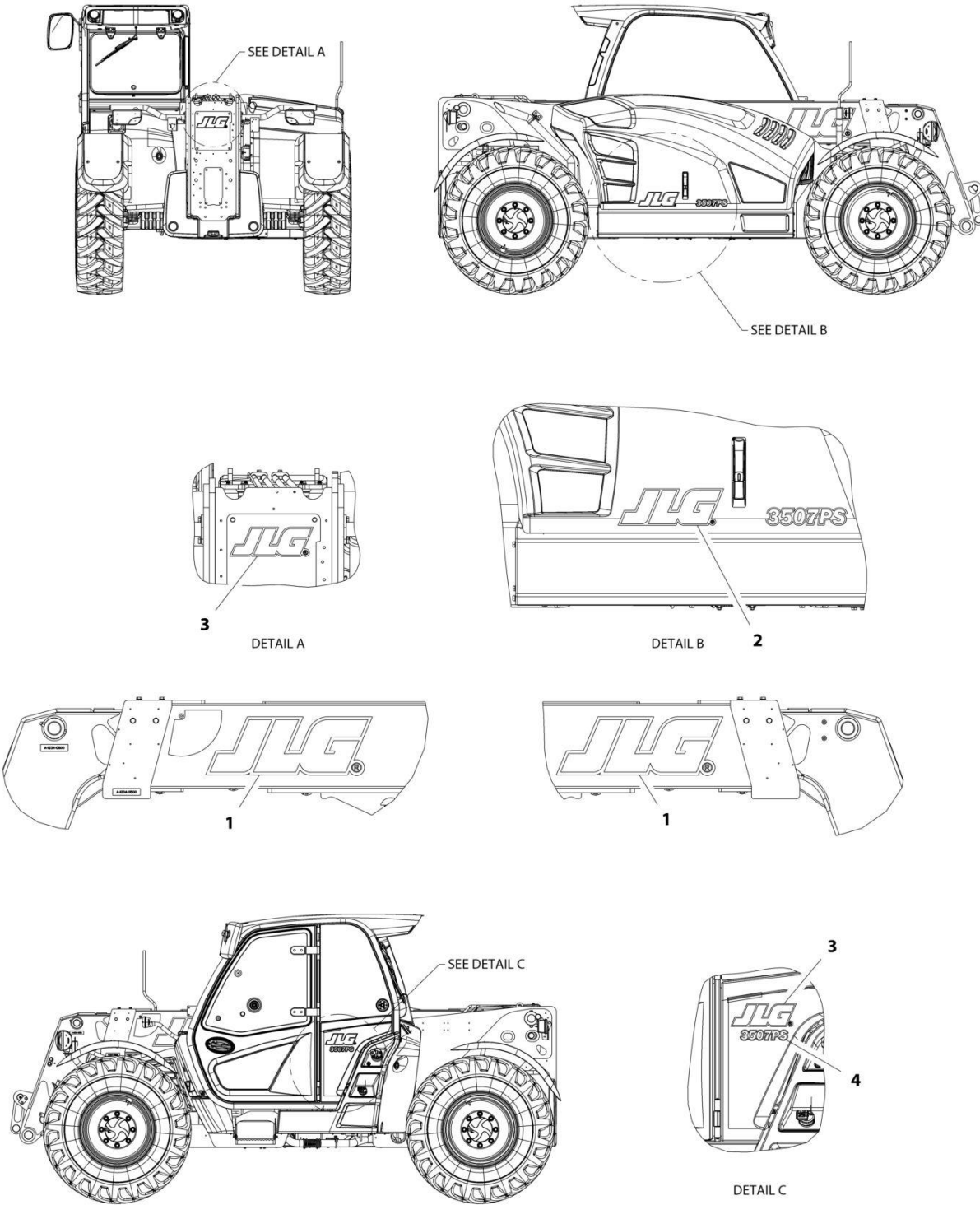
SECTION 11 - DECALS

FIGURE 11-4. CAPACITY CHART (AUS)

ITEM	PART NUMBER	QTY	DESCRIPTION	REV
1	1001183635	1	Capacity Chart (AUS)	A

SECTION 11 - DECALS

FIGURE 11-5. DECALS INSTALLATION (3507PS)



ART_1001183603-A

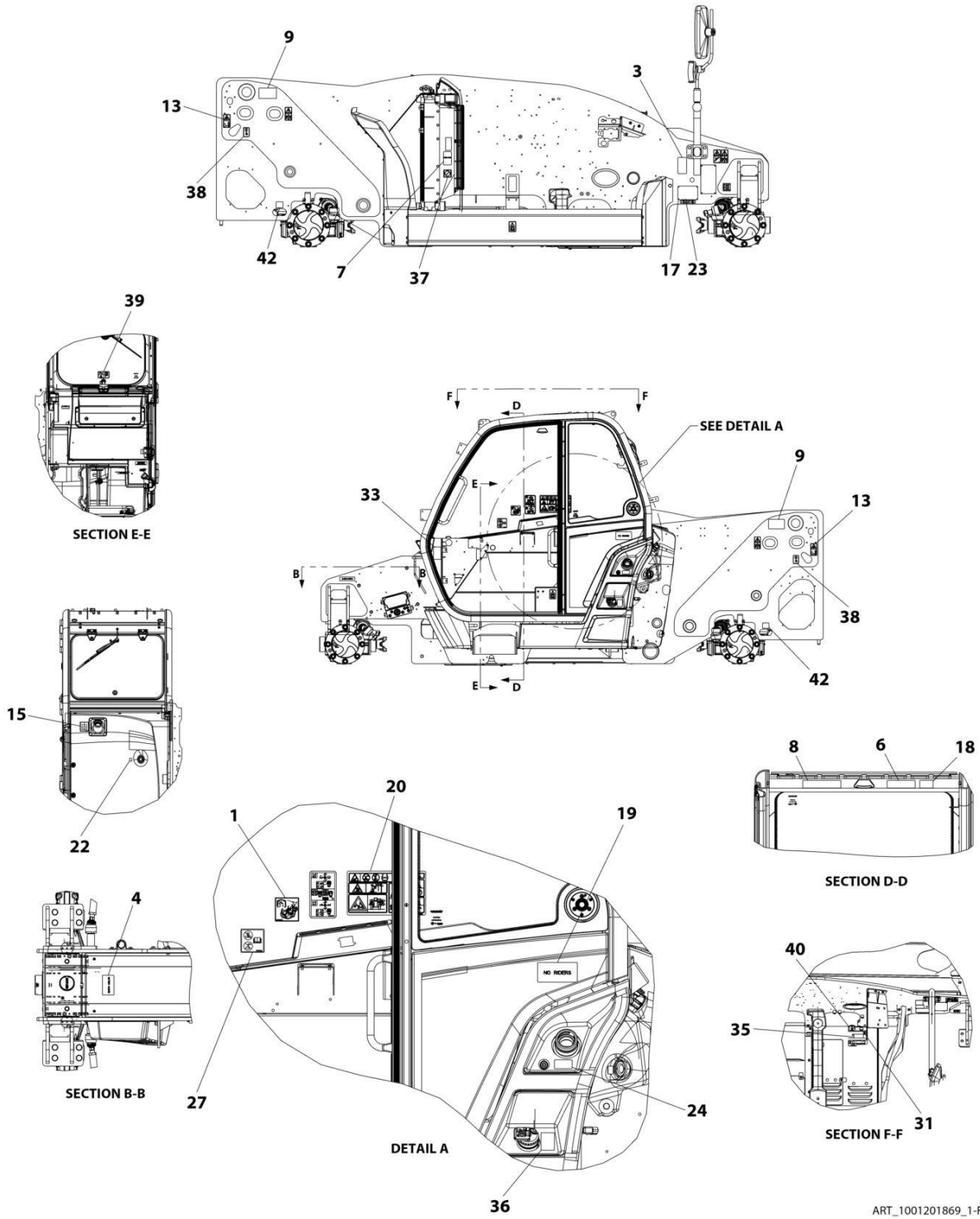
SECTION 11 - DECALS

FIGURE 11-5. DECALS INSTALLATION (3507PS)

ITEM	PART NUMBER	QTY	DESCRIPTION	REV
	1001183603	Ref	Decals Installation	A
1	1001159728	2	Decal, JLG Logo	
2	1001160775	1	Decal, JLG - 5" Black	
3	1001169674	2	Decal, JLG M100X285	
4	1001206718	1	Decal, Cab	
5	1001206720	1	Decal, Hood	

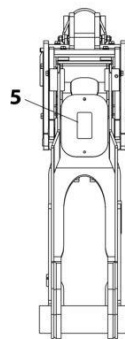
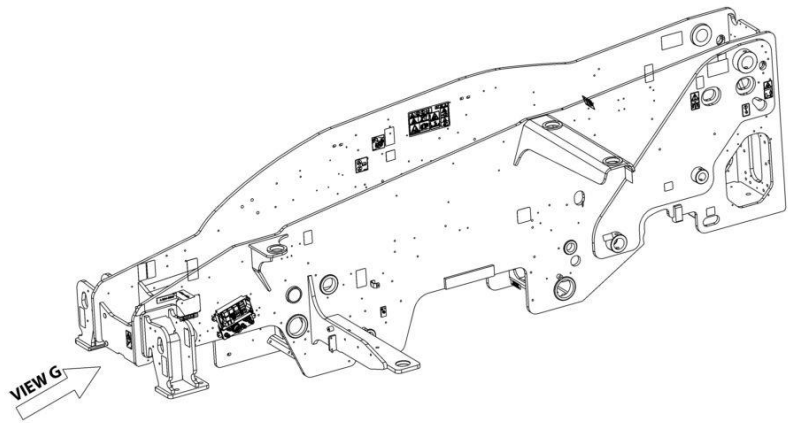
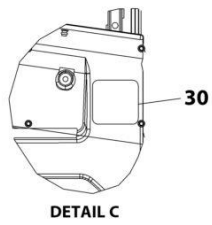
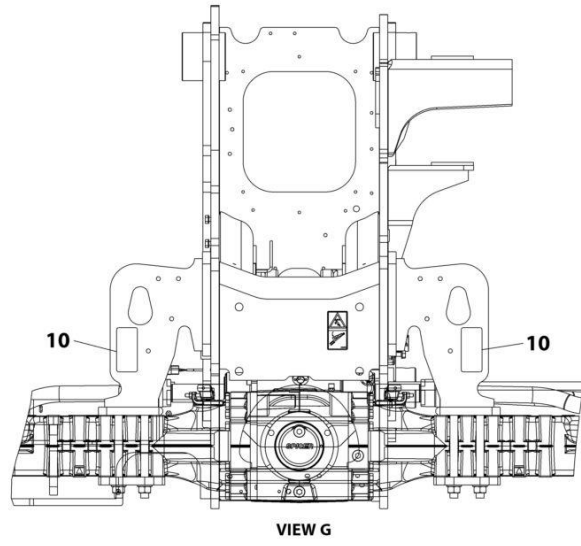
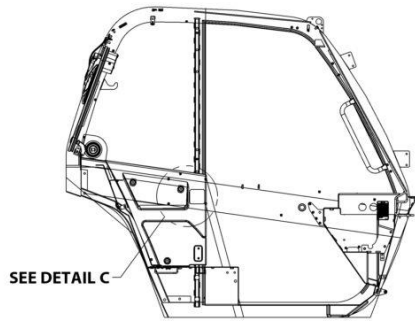
SECTION 11 - DECALS

FIGURE 11-6. DECALS INSTALLATION (ANSI)



ART_1001201869_1-F

SECTION 11 - DECALS



ART_1001201869_2-F

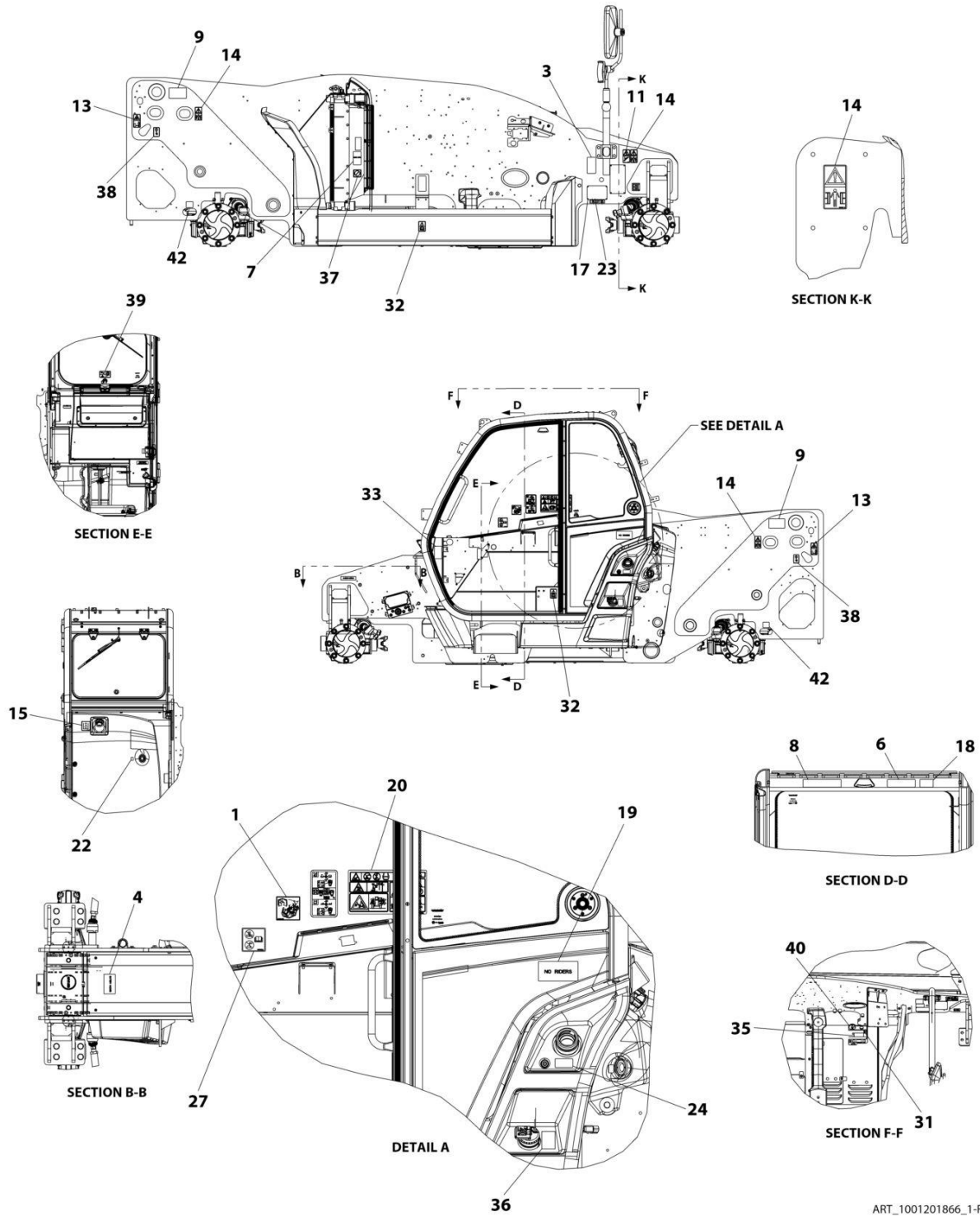
SECTION 11 - DECALS

FIGURE 11-6. DECALS INSTALLATION (ANSI)

ITEM	PART NUMBER	QTY	DESCRIPTION	REV
	1001201869	Ref	Decals Installation (ULS)	F
1	1001227287	1	Decal, Manual Location	
3	1706098	1	Decal, Ether Warning	
4	1706296	1	Decal, Battery Warning (ANSI)	
5	1001102750	1	Decal, No Standing On Forks	
6	1706299	1	Decal, Contacting Power Lines Warning	
7	1706301	1	Decal, Keep Clear Of Rotating Parts Warning	
8	1706306	1	Decal, Tip Over Warning	
9	1706302	2	Decal, Pinch Point Boom Holes	
10	1001100957	2	Decal, Lift/Tie Down Point	
13	8006612	2	Decal, Stay Clear of Swing Area	
15	1001094708	1	Decal, Hydraulic Oil	
17	1001009178	4	Tack, Metal	
18	1706850	1	Decal, Crush Hazard Warning	
19	1706768	1	Decal, Vehicle Roll Away	
20	1707078	1	Decal, Warning/Danger	
22	1001130323	1	Decal, Oil Level	
23	1001174911	1	Decal, Nameplate Serial Number	
24	1001125387	1	Decal, Ultra Low Sulfur Diesel	
27	1001172035	1	Decal, No Weld or Drill	
30	1001214206	1	Decal, Park Brake	
31	1001184632	1	Decal, Battery Positive	
33	1001191229	1	Decal, Fuse Panel	
35	1001195855	1	Decal, Battery Disconnect	
36	1001196806	1	Decal, Diesel Exhaust Fluid	
37	AU2105	1	Decal, No Karcher	
38	8005616	2	Decal, Lifting Point	
39	8005870	1	Decal, Emergency Exit	
40	1001008540	1	Plate, Battery	
42	4109801	2	Decal, Tie Down Point	

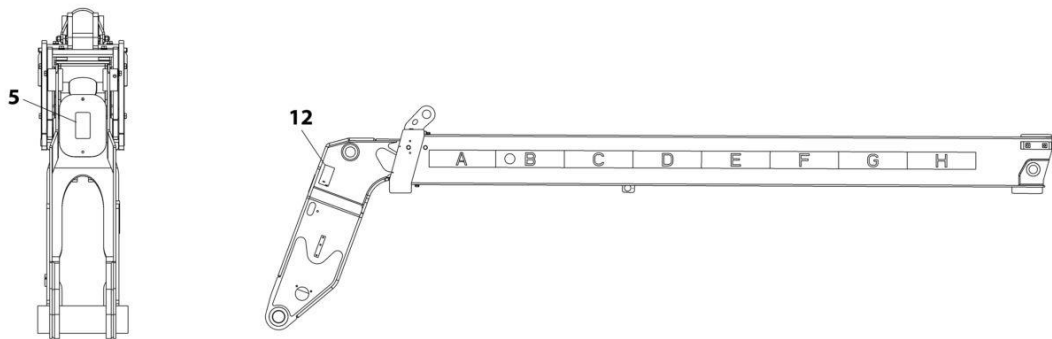
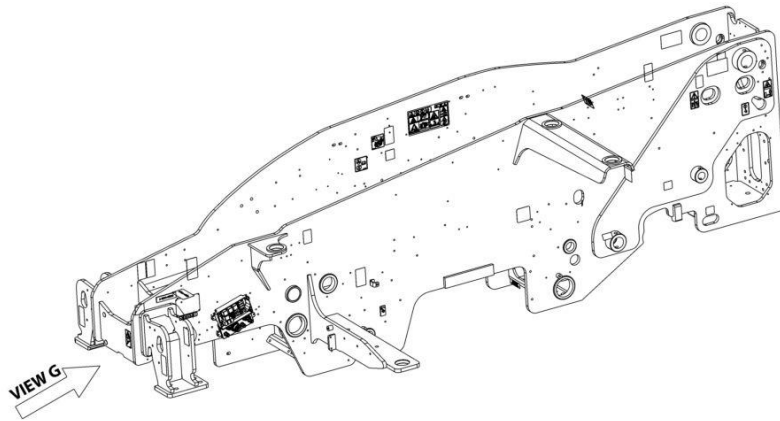
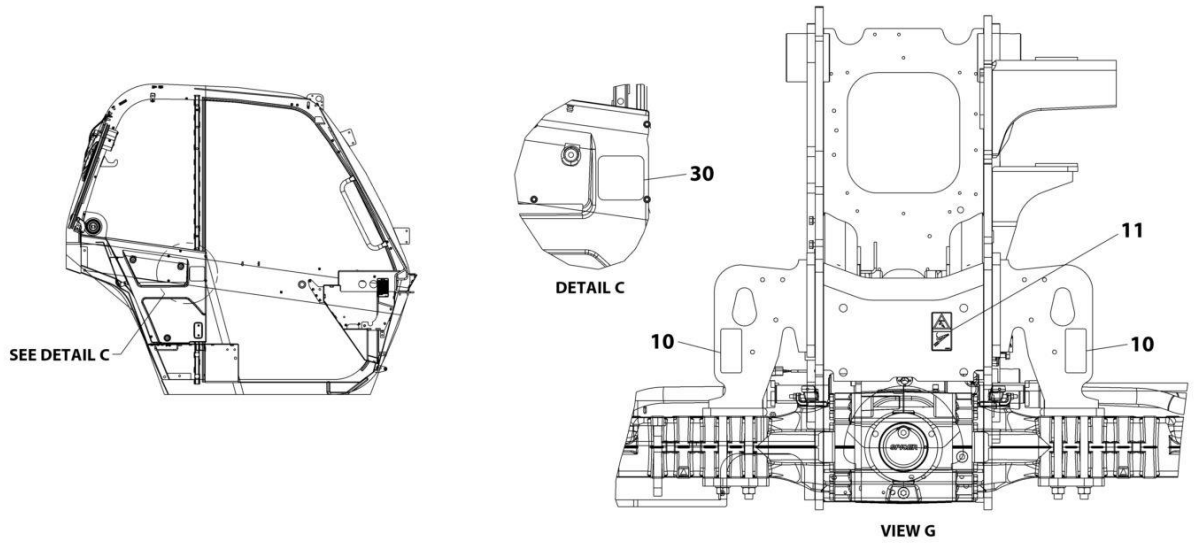
SECTION 11 - DECALS

FIGURE 11-7. DECALS INSTALLATION (CE & JAPAN)



ART_1001201866_1-F

SECTION 11 - DECALS



ART_1001201866_2-F

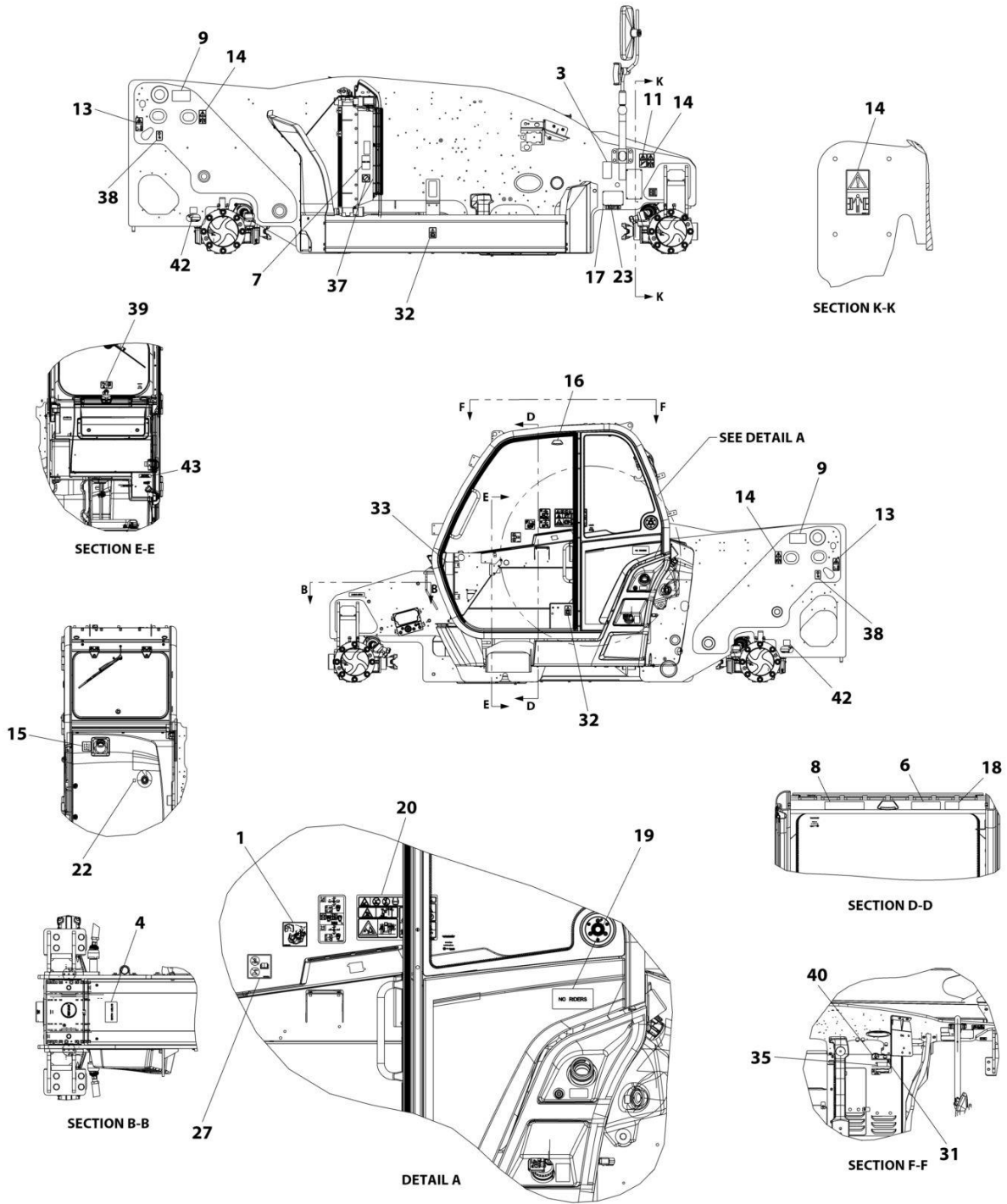
SECTION 11 - DECALS

FIGURE 11-7. DECALS INSTALLATION (CE & JAPAN)

ITEM	PART NUMBER	QTY	DESCRIPTION	REV
	1001201866	Ref	Decals Installation (ULS)	F
1	1001227287	1	Decal, Manual Location	
3	1706098	1	Decal, Warning Ether Start	
4	1706281	1	Decal, Battery Warning	
5	1001223875	1	Decal, No Standing On Forks	
6	1706284	1	Decal, Electrocutation Hazard	
7	1706285	1	Decal, Moving Parts (ISO)	
8	1706288	1	Decal, Tip Over Warning	
9	1706292	2	Decal, Pinch Point Boom Holes	
10	1001100957	2	Decal, Lift/Tie Down Point	
11	8005671	2	Decal, Cylinder Lock Warning	
12	8005675	2	Decal, Watch for Raised Boom Warning	
13	8006612	2	Decal, Stay Clear of Swing Area	
14	8008657	4	Decal, Set Brake Lever Warning	
15	1001094708	1	Decal, Hydraulic Oil	
17	1001009178	4	Tack, Metal	
18	1001092877	1	Decal, Crush Hazard Warning	
19	1001092878	1	Decal, No Riders	
20	1001101895	1	Decal, Cab Warning	
22	1001130323	1	Decal, Oil Level	
23	1001139647	1	Decal, Nameplate Serial Number	
24	1001139654	1	Decal, Ultra Low Sulphur Fuel	
27	1001172035	1	Decal, No Weld Or Drill	
30	1001214206	1	Decal, Park Brake	
31	1001184632	1	Decal, Battery Positive	
32	1001189154	2	Decal, Read Operators Manual Instruction	
33	1001191229	1	Decal, Fuse Panel	
35	1001195855	1	Decal, Battery Disconnect	
36	1001196806	1	Decal, Diesel Exhaust Fluid	
37	AU2105	1	Decal, No Karcher	
38	8005616	2	Decal, Lifting Point	
39	8005870	1	Decal, Emergency Exit	
40	1001008540	1	Plate, Battery	
42	4109801	2	Decal, Tie Down Point	

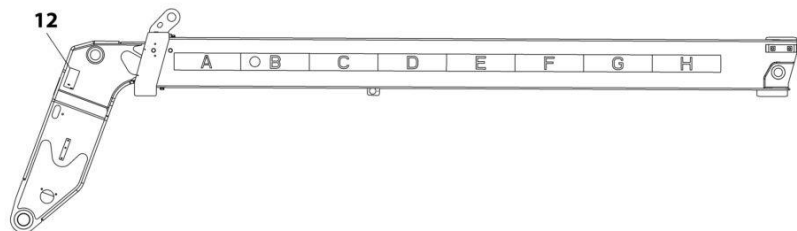
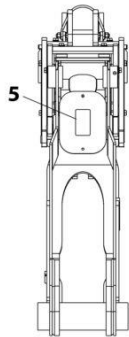
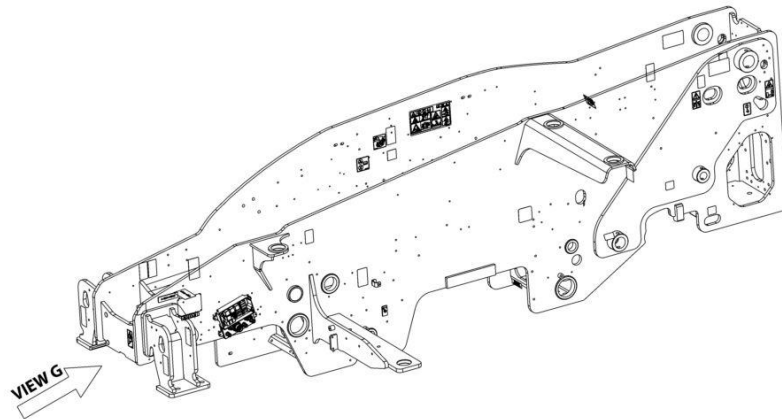
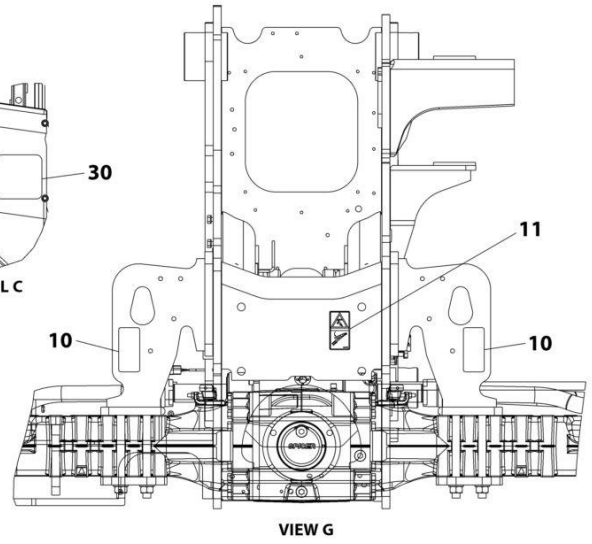
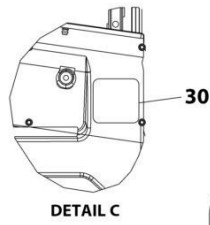
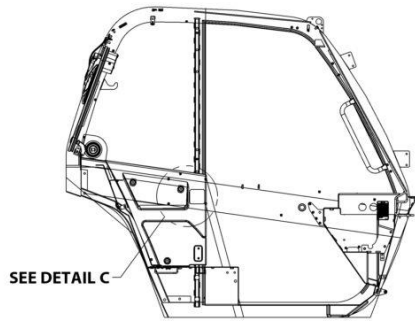
SECTION 11 - DECALS

FIGURE 11-8. DECALS INSTALLATION (AUS)



ART_1001201867_1-F

SECTION 11 - DECALS



ART_1001201867_2-F

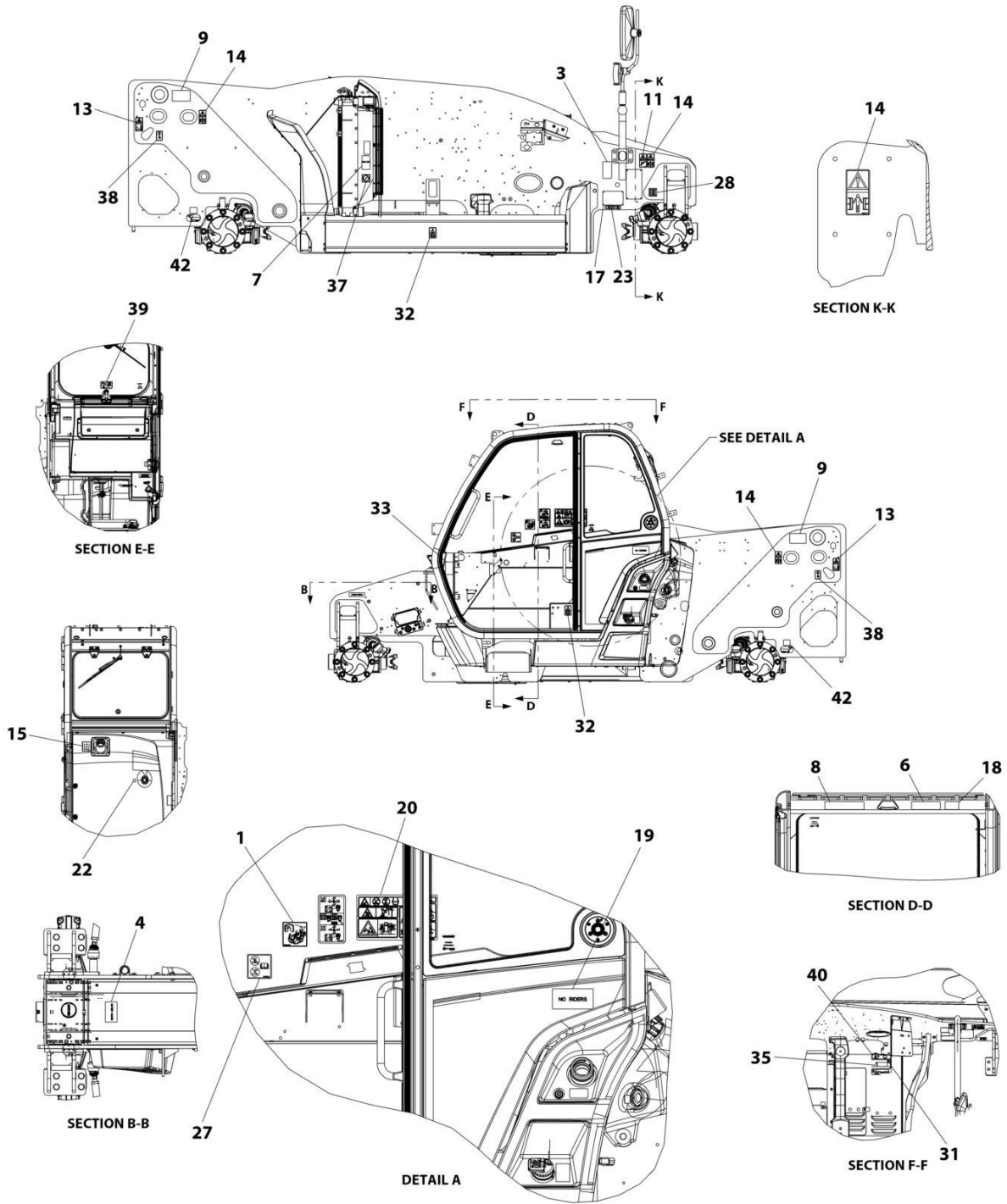
SECTION 11 - DECALS

FIGURE 11-8. DECALS INSTALLATION (AUS)

ITEM	PART NUMBER	QTY	DESCRIPTION	REV
	1001201867	Ref	Decals Installation (LS)	F
1	1001227287	1	Decal, Manual Location	
3	1706098	1	Decal, Warning Ether Start	
4	1706281	1	Decal, Battery Warning	
5	1001223875	1	Decal, No Standing On Forks	
6	1706284	1	Decal, Electrocutation Hazard	
7	1706285	1	Decal, Moving Parts (ISO)	
8	1706288	1	Decal, Tip Over Warning	
9	1706292	2	Decal, Pinch Point Boom Holes	
10	1001100957	2	Decal, Lift/Tie Down Point	
11	8005671	2	Decal, Cylinder Lock Warning	
12	8005675	2	Decal, Watch for Raised Boom Warning	
13	8006612	2	Decal, Stay Clear of Swing Area	
14	8008657	4	Decal, Set Brake Lever Warning	
15	1001094708	1	Decal, Hydraulic Oil	
16	8466306	1	Gage, Tilt Angle	
17	1001009178	4	Tack, Metal	
18	1001092877	1	Decal, Crush Hazard Warning	
19	1001092878	1	Decal, No Riders	
20	1001101895	1	Decal, Cab Warning	
22	1001130323	1	Decal, Oil Level	
23	1001155231	1	Decal, Nameplate Serial Number AUS	
27	1001172035	1	Decal, No Weld Or Drill	
30	1001214206	1	Decal, Park Brake	
31	1001184632	1	Decal, Battery Positive	
32	1001189154	2	Decal, Read Operators Manual Instruction	
33	1001191229	1	Decal, Fuse Panel	
35	1001195855	1	Decal, Battery Disconnect	
37	AU2105	1	Decal, No Karcher	
38	8005616	2	Decal, Lifting Point	
39	8005870	1	Decal, Emergency Exit	
40	1001008540	1	Plate, Battery	
42	4109801	2	Decal, Tie Down Point	
43	1001155230	1	Decal, Cab AUS Safety	

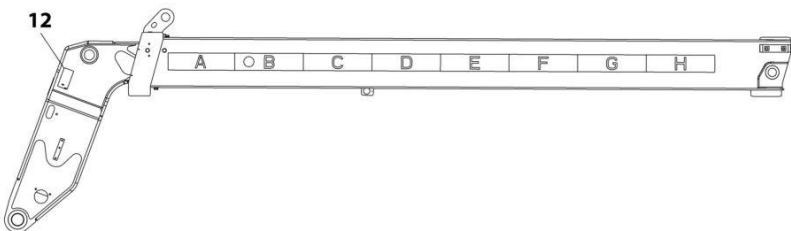
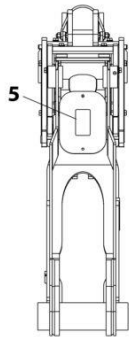
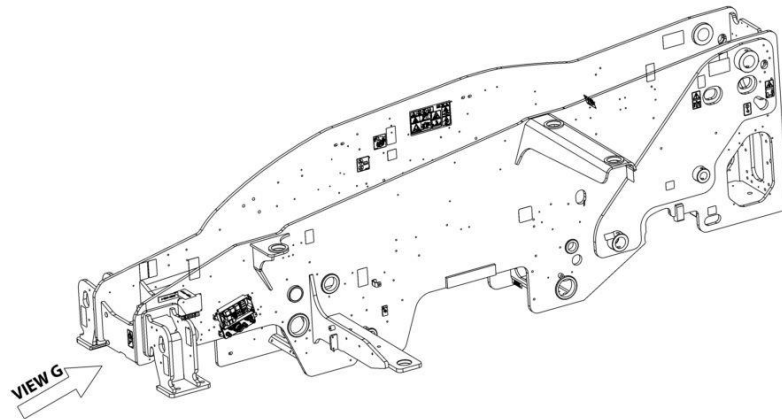
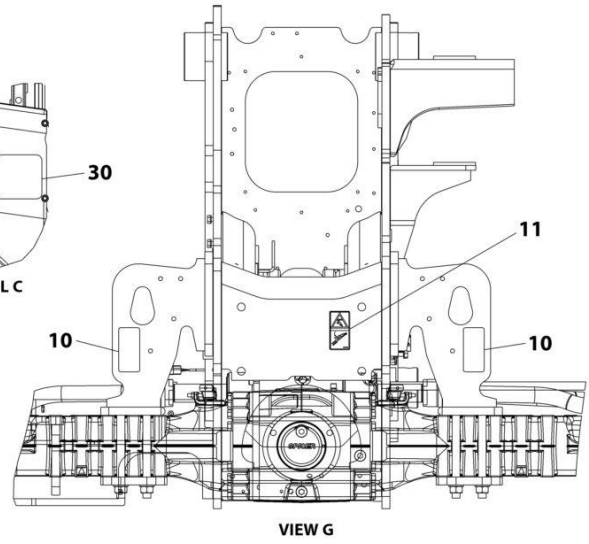
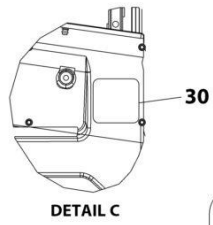
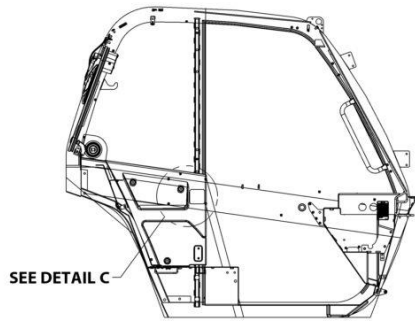
SECTION 11 - DECALS

FIGURE 11-9. DECALS INSTALLATION (CIS)



ART_1001201868_1-F

SECTION 11 - DECALS



ART_1001201868_2-F

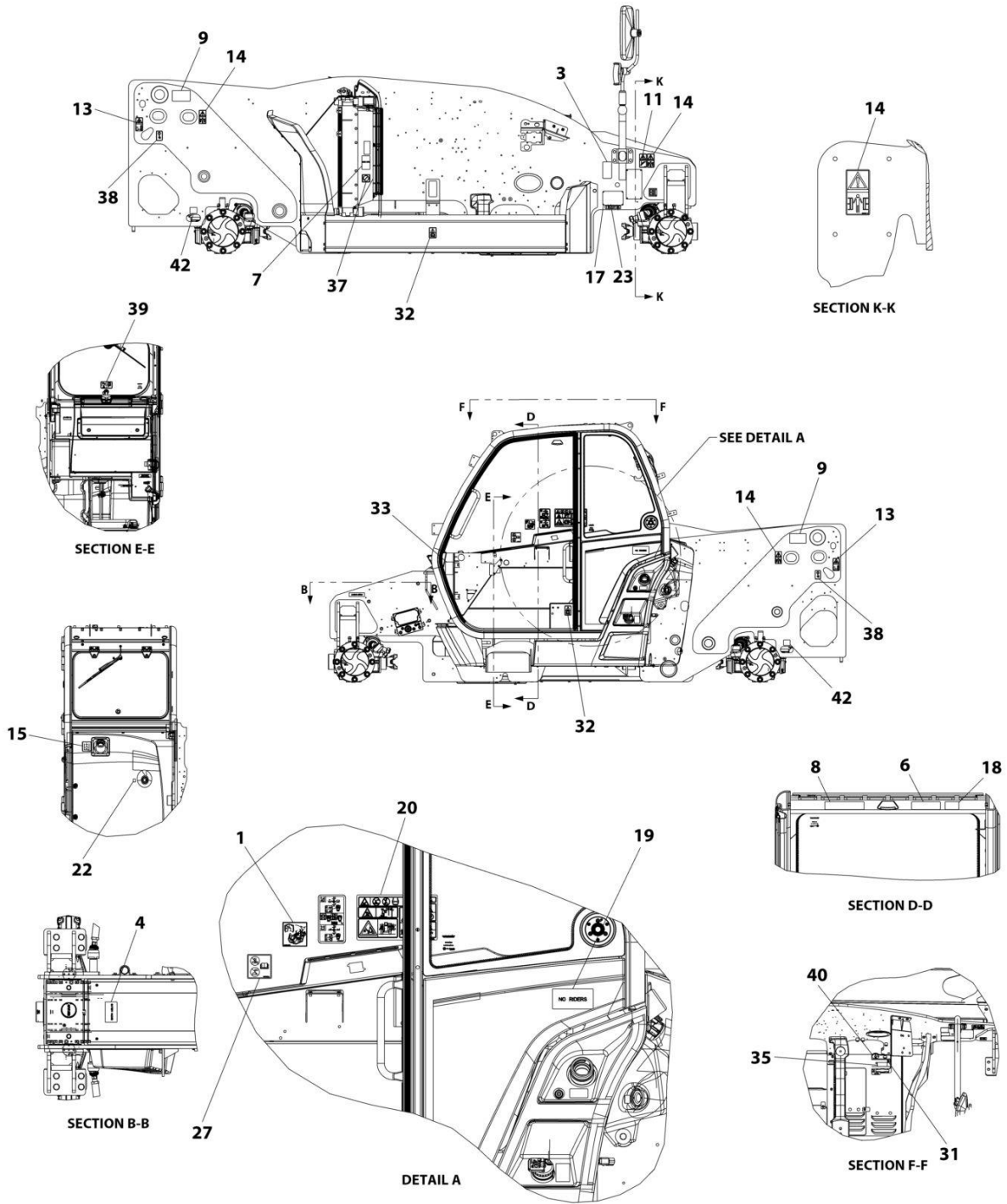
SECTION 11 - DECALS

FIGURE 11-9. DECALS INSTALLATION (CIS)

ITEM	PART NUMBER	QTY	DESCRIPTION	REV
	1001201868	Ref	Decals Installation (LS)	F
1	1001227287	1	Decal, Manual Location	
3	1706098	1	Decal, Warning Ether Start	
4	1706281	1	Decal, Battery Warning	
5	1001223875	1	Decal, No Standing On Forks	
6	1706284	1	Decal, Electrocutation Hazard	
7	1706285	1	Decal, Moving Parts (ISO)	
8	1706288	1	Decal, Tip Over Warning	
9	1706292	2	Decal, Pinch Point Boom Holes	
10	1001100957	2	Decal, Lift/Tie Down Point	
11	8005671	2	Decal, Cylinder Lock Warning	
12	8005675	2	Decal, Watch for Raised Boom Warning	
13	8006612	2	Decal, Stay Clear of Swing Area	
14	8008657	4	Decal, Set Brake Lever Warning	
15	1001094708	1	Decal, Hydraulic Oil	
17	1001009178	4	Tack, Metal	
18	1001092877	1	Decal, Crush Hazard Warning	
19	1001092878	1	Decal, No Riders	
20	1001101895	1	Decal, Cab Warning	
22	1001130323	1	Decal, Oil Level	
23	1001139647	1	Decal, Nameplate Serial Number	
27	1001172035	1	Decal, No Weld Or Drill	
28	1001173703	1	Decal, EAC	
30	1001214206	1	Decal, Park Brake	
31	1001184632	1	Decal, Battery Positive	
32	1001189154	2	Decal, Read Operators Manual Instruction	
33	1001191229	1	Decal, Fuse Panel	
35	1001195855	1	Decal, Battery Disconnect	
37	AU2105	1	Decal, No Karcher	
38	8005616	2	Decal, Lifting Point	
39	8005870	1	Decal, Emergency Exit	
40	1001008540	1	Plate, Battery	
42	4109801	2	Decal, Tie Down Point	

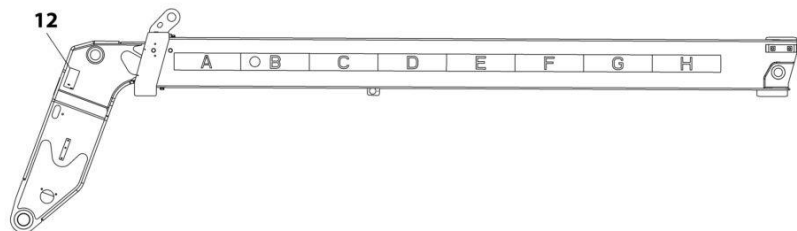
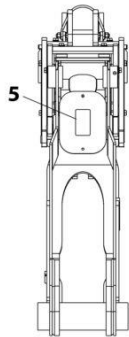
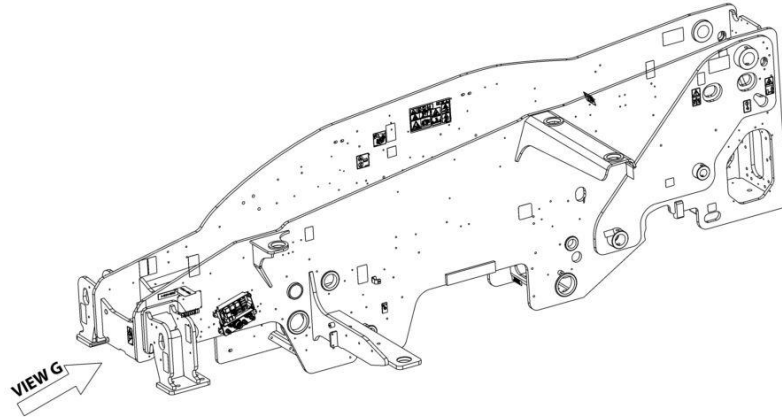
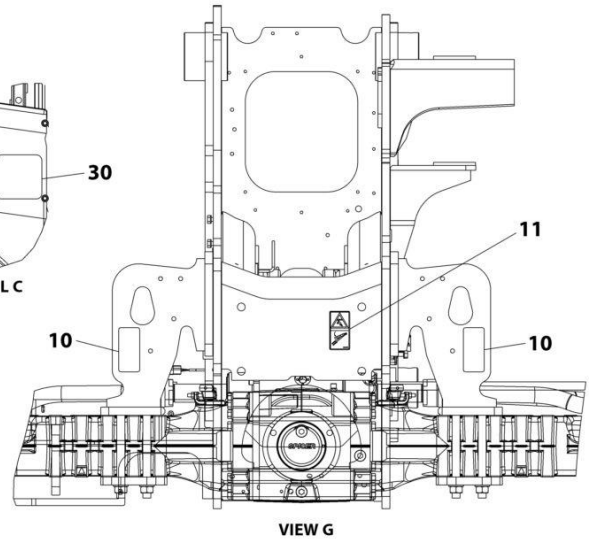
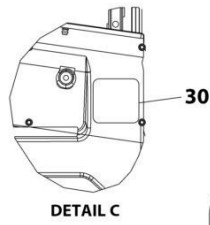
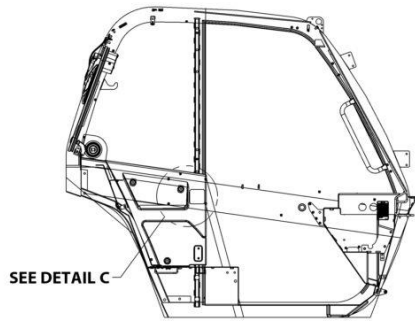
SECTION 11 - DECALS

FIGURE 11-10. DECALS INSTALLATION (NO CIS & AUS)



ART_1001201870_1-F

SECTION 11 - DECALS



ART_1001201870_2-F

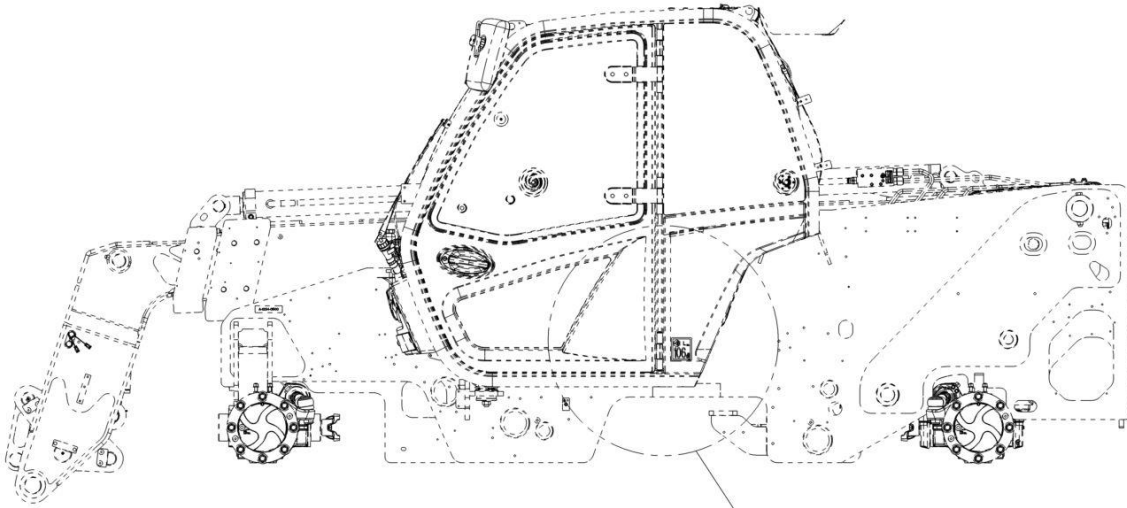
SECTION 11 - DECALS

FIGURE 11-10. DECALS INSTALLATION (NO CIS & AUS)

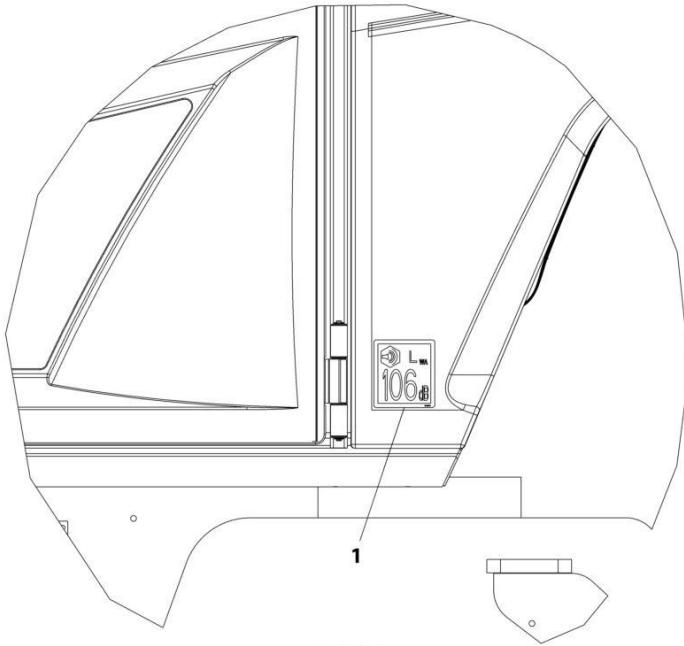
ITEM	PART NUMBER	QTY	DESCRIPTION	REV
	1001201870	Ref	Decals Installation (LS)	F
1	1001227287	1	Decal, Manual Location	
3	1706098	1	Decal, Warning Ether Start	
4	1706281	1	Decal, Battery Warning	
5	1001223875	1	Decal, No Standing On Forks	
6	1706284	1	Decal, Electrocutation Hazard	
7	1706285	1	Decal, Moving Parts (ISO)	
8	1706288	1	Decal, Tip Over Warning	
9	1706292	2	Decal, Pinch Point Boom Holes	
10	1001100957	2	Decal, Lift/Tie Down Point	
11	8005671	2	Decal, Cylinder Lock Warning	
12	8005675	2	Decal, Watch for Raised Boom Warning	
13	8006612	2	Decal, Stay Clear of Swing Area	
14	8008657	4	Decal, Set Brake Lever Warning	
15	1001094708	1	Decal, Hydraulic Oil	
17	1001009178	4	Tack, Metal	
18	1001092877	1	Decal, Crush Hazard Warning	
19	1001092878	1	Decal, No Riders	
20	1001101895	1	Decal, Cab Warning	
22	1001130323	1	Decal, Oil Level	
23	1001139647	1	Decal, Nameplate Serial Number	
27	1001172035	1	Decal, No Weld Or Drill	
30	1001214206	1	Decal, Park Brake	
31	1001184632	1	Decal, Battery Positive	
32	1001189154	2	Decal, Read Operators Manual Instruction	
33	1001191229	1	Decal, Fuse Panel	
35	1001195855	1	Decal, Battery Disconnect	
37	AU2105	1	Decal, No Karcher	
38	8005616	2	Decal, Lifting Point	
39	8005870	1	Decal, Emergency Exit	
40	1001008540	1	Plate, Battery	
42	4109801	2	Decal, Tie Down Point	

SECTION 11 - DECALS

FIGURE 11-11. DECAL SOUND PLATE INSTALLATION (106DB)



SEE DETAIL A



DETAIL A

ART_1001220865-A

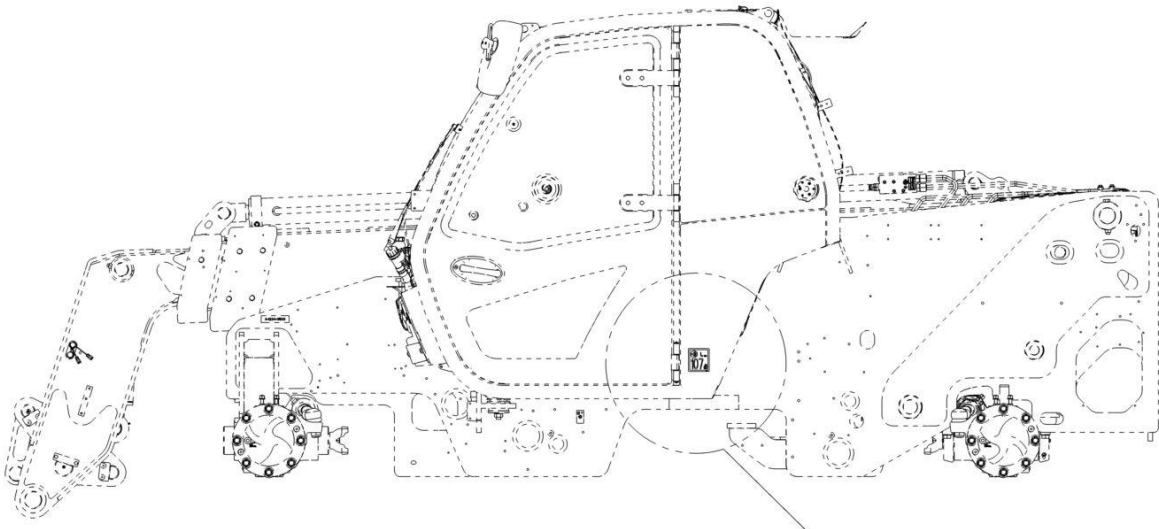
SECTION 11 - DECALS

FIGURE 11-11. DECAL SOUND PLATE INSTALLATION (106DB)

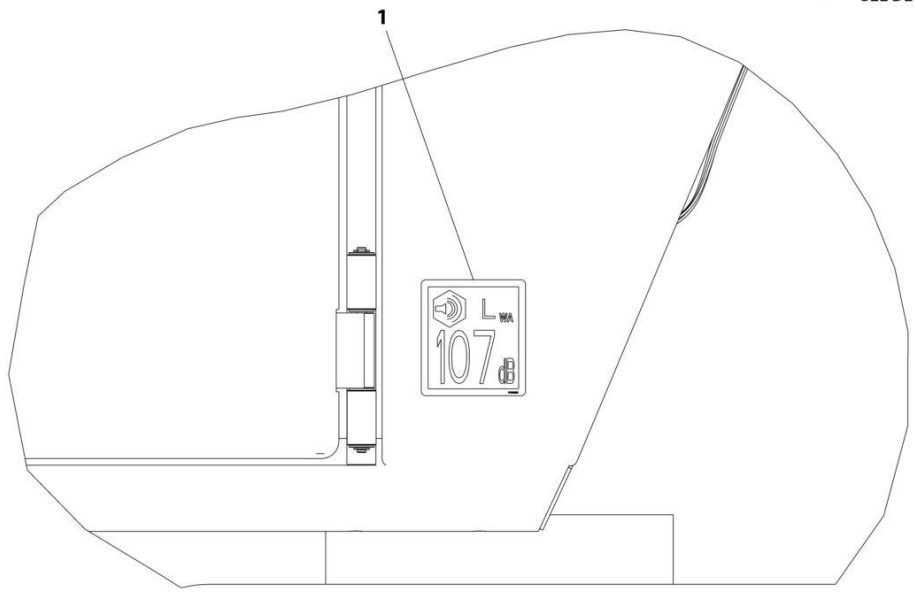
ITEM	PART NUMBER	QTY	DESCRIPTION	REV
1	1001220865 1705980	Ref 1	Decal Sound Plate Installation (106db) Decal, Acoustic Power (106db)	A

SECTION 11 - DECALS

FIGURE 11-12. DECAL SOUND PLATE INSTALLATION (107DB)



SEE DETAIL A



DETAIL A

ART_1001220541-A

SECTION 11 - DECALS

FIGURE 11-12. DECAL SOUND PLATE INSTALLATION (107DB)

ITEM	PART NUMBER	QTY	DESCRIPTION	REV
1	1001220541	Ref	Decal Sound Plate Installation (107db)	A
	1001102782	1	Decal, Plate-Exterior Sound (107db)	

SECTION 12 - RECOMMENDED SPARE PARTS

SECTION 12 - RECOMMENDED SPARE PARTS

SECTION 12 - RECOMMENDED SPARE PARTS

FIGURE 12-1. RECOMMENDED SPARE PARTS

ITEM	PART NUMBER	QTY	DESCRIPTION	REV
		Ref	Frame and Attaching Parts	
	1001142658	1	Cap, Fuel	
	1001142659	1	Cap, Hydraulic	
	1001162659	1	Filter, Hydraulic	
		Ref	Boom	
	1001200172	1	Shim	
	1001200171	1	Shim	
	1001200170	1	Shim	
	1001169048	1	Shim, 1MM	
	1001169049	1	Shim, 0.5MM	
	1001155958	AR	Shim, 3MM	
	1001155959	AR	Shim, 2MM	
	1001155960	AR	Shim, 1MM	
	1001147731	AR	Shim, 1MM	
	1001177073	AR	Shim, 1.5MM	
	1001147657	6	Pad, M15X45X181	
	1001175853	2	Pad, M38X45X181	
	1001177054	2	Pad, M67.5X250X15	
	1001175762	1	Pad, M38X67.5X181	
		Ref	Engine and Attaching Parts	
	7016331	1	Filter, Oil	
	70027657	1	Dipstick	
	70025535	1	Starter	
	70027403	1	V-Belt (ULS)	
	70025478	1	V-Belt (LS)	
	1001211540	1	Filter, Fuel (ULS)	
	1001211539	1	Prefilter, Fuel (ULS)	
	70004512	1	Filter, Fuel	
	70027417	1	Filter, Fuel	
	70025852	1	Filter, Air Cylindrical Primary (74.4KW)	
	70025853	1	Filter, Air Cylindrical Secondary (74.4KW)	
	70025850	1	Filter, Cylindrical Air Primary (90/100KW)	
	70025851	1	Filter, Cylindrical Air Secondary (90/100KW)	
		Ref	Drive Train	
	70025453	1	Filter, Transmission	
		Ref	Cab	
	1001172546	1	Filter, HVAC Air	
	1001172553	1	Filter, HVAC Recirculation Air	
	4807718	1	Blade, Rear Wiper	
	1001141313	1	Blade, Roof Wiper	
	1001141281	1	Blade, Front Wiper	
		Ref	Hydraulic Components	
	70026848	1	Kit, Seal, Lift Cylinder	
	70027747	1	Kit, Seal, Tilt Cylinder	
	70027731	1	Kit, Seal, Compensation Cylinder	
	70024168	1	Kit, Seal, Coupler Locking Cylinder	
		Ref	Electrical	
	0400075	1	Battery, 12V (Standard)	

SECTION 12 - RECOMMENDED SPARE PARTS

ITEM	PART NUMBER	QTY	DESCRIPTION	REV
	1001167212	2	Battery, 12V (Dual)	
	1001218328	1	Key	

SECTION 12 - RECOMMENDED SPARE PARTS

PART NUMBER INDEX

SECTION 12 - RECOMMENDED SPARE PARTS

0100011.....145, 147, 151	0701232..... 109, 111	0761012 ... 29, 31, 37, 39,	1001005904..... 857, 859,
0240063.....237	0701616... 69, 71, 77, 81,	57, 341, 343, 345, 347,	861, 891
0240117.....259	85	349, 351, 379, 381,	1001005960..... 1135
0240118.....261	0701617 89	383, 429, 439, 441,	1001005980..... 775, 777
0400075.....985, 1170	0701626 323, 325	453, 773, 829, 889,	1001005981..... 777
0498748.....667	0701628 323, 325	891, 937, 957, 975,	1001006730..... 729
0630576.....37, 39, 405	0701630 ... 323, 325, 903	977, 985, 987, 1051	1001006731..... 727
0630609.....895	0711216 101, 103	0761014 ... 349, 351, 875,	1001006954..... 797
0641405.....277	0711228 99	893, 895, 1033, 1035	1001006955..... 797
0641510.....279	0711616 93	0761015 525, 527	1001007056..... 923
0641612..... 145, 147, 151	0711631 97	0761210 407, 409	1001007543..... 185
0642032... 127, 129, 131,	0712027 651	0761214 29, 31, 519, 975,	1001007641..... 781, 783
145, 147, 151	0712030 457, 459	977	1001008436..... 775, 779
0681810..... 145, 147, 151	0712040 457, 459	0761215 57, 323, 325,	1001008450..... 899
0700408..... 815, 995, 997	0741610 ... 145, 147, 151	899	1001008462..... 457, 459
0700608.....425	0750804 659	0761216 325	1001008469..... 821
0700610... 29, 31, 37, 39,	0760410 1037	0761217 29, 31	1001008475..... 779, 783
405, 407, 409, 419,	0760507 ... 109, 433, 975,	0761228 905	1001008540.. 1146, 1150,
451, 691, 821, 979,	977	0761612 175, 177	1154, 1158, 1162
1005, 1007, 1017,	0760512 789	0761619 323, 325	1001008559..... 439, 441,
1019, 1021, 1023	0760605 ... 389, 391, 667,	0770810 361, 405	453, 521, 957, 975,
0700612.. 405, 701, 1033,	807, 813	0770814 811	977, 999, 1063
1035	0760607 ... 349, 423, 429,	0771212 103	1001008572..... 885, 887
0700614... 279, 337, 349,	667	0771618 67	1001008573..... 439
407, 409, 734, 775,	0760608 ... 117, 379, 381,	0860520 277	1001008574..... 429
777, 979, 1005, 1007,	383, 397, 399, 691,	0930003 217	1001008575..... 59
1033, 1035	701, 705, 755, 781,	0930004 221	1001008580..... 407, 409
0700615..... 1071	789, 807, 813, 819,	0930006 215	1001008593..... 429, 453,
0700618..... 893, 960	829, 999, 1069	0930020 219	975, 977
0700620..... 93	0760610 1027, 1049	1001001556 889	1001008604..... 783
0700624..... 429	0760612 37, 39	1001002778 1035	1001008626..... 363, 365,
0700814..... 63	0760614 1071	1001002779 1035	893, 895
0700815..... 873	0760619 335	1001002946 673	1001008657..... 363, 365
0700816... 371, 373, 375,	0760807 869	1001002947 673	1001008665..... 227
377	0760808 ... 109, 111, 335,	1001002953 673	1001008720 93, 363, 365,
0700817 ... 437, 769, 893,	337, 429, 703, 785,	1001002957 673	439, 441, 975, 977
895	975, 977, 1005, 1007,	1001003043 663	1001008742..... 793
0700818..... 979	1031, 1059, 1061	1001003064 227	1001008761 93, 405, 423,
0700819..... 895, 897	0760810 ... 35, 37, 39, 41,	1001003301 63	849, 851
0700820... 413, 763, 765,	43, 45, 47, 49, 51, 53,	1001003305 ... 341, 343,	1001008773..... 863, 865
767	93, 349, 351, 379, 383,	345, 347, 429, 881,	1001008804..... 413, 863,
0700821 405	419, 423, 425, 443,	957, 975, 977	865, 869
0700822..... 871	445, 627, 703, 711,	1001003391 .. 1033, 1035	1001008805 93, 855, 857,
0700823..... 423	715, 717, 731, 734,	1001003427 61	859, 861, 897
0700824..... 829	763, 767, 787, 807,	1001003439 23	1001008857..... 673
0700826..... 425, 1057	833, 855, 885, 887,	1001003474 241	1001008863..... 885, 887,
0700827 133, 135	893, 895, 975, 977,	1001003475 241	897
0701011 893, 895	1003, 1017	1001003590 93, 405, 423,	1001008922..... 413, 885,
0701012... 363, 365, 411,	0760812. 59, 97, 99, 103,	849, 851	887, 889, 891, 897
413, 525, 849, 893, 895	361, 363, 365, 397,	1001003596 833	1001008923... 973, 1025,
0701014 29, 31, 113, 351,	399, 405, 407, 409,	1001003809 817	1027, 1071
451, 757, 849	423, 673, 773, 833	1001003934 365	1001008926..... 979
0701016... 373, 375, 379,	0760814 411, 423	1001004143 365	1001008988..... 667
381, 383, 453, 889, 891	0760815 ... 349, 673, 897	1001004144 865, 883	1001009038..... 1069
0701018..... 413, 451	0760816 443, 445	1001004617 227	1001009062..... 779
0701019..... 865	0760817 897	1001004618 227	1001009105..... 227
0701020..... 439	0760823 57, 427	1001004619 227	1001009124..... 783
0701021 889, 891	0761007 ... 885, 887, 985	1001004620 227	1001009163 63, 415, 417,
0701022..... 1065	0761008 881	1001004640 829	525, 527
0701024..... 59	0761010 ... 29, 31, 35, 93,	1001004720 1051	1001009178.. 1146, 1150,
0701029..... 155	351, 363, 381, 407,	1001004723 957	1154, 1158, 1162
0701030..... 451	409, 525, 527, 817,	1001005038 795, 797	1001009207..... 93
0701214... 349, 351, 363,	819, 863, 865, 883,	1001005193 795	1001009375..... 975, 977
365	985, 987, 995, 997,	1001005262 857, 859,	1001009384..... 363, 365,
0701215..... 1033, 1035	1059, 1061, 1067, 1069	861	893, 895
0701217. 297, 1033, 1035	0761011 423	1001005368 665	1001010240..... 411, 413
0701229..... 109, 111		1001005893 895	1001010646..... 727, 729

SECTION 12 - RECOMMENDED SPARE PARTS

1001010647 727, 729	1001096024.....275	1001103300.....1067	1001116710 1093
1001010648 727, 729	1001096025.....273	1001103530.....159	1001116716 1106
1001010649 727, 729	1001096162.....271, 273, 275, 277	1001103531.....281	1001116723.. 1104, 1105, 1106, 1108
1001010650 727, 729	1001096365.....673	1001103533.....159	1001116725 1082
1001010838 779	1001096726.....105	1001103637.....271	1001116728.. 1077, 1091, 1109, 1131
1001010839 783	1001096870.....99, 105	1001103640.....855	1001116732.. 1082, 1091
1001010938 411, 413	1001096913... 1033, 1035	1001103730.....273	1001116734.. 1082, 1090, 1091
1001025750 975, 977	1001097110.....195	1001103736.....275	1001116735 1090
1001026104 341, 343, 345, 347, 453	1001097205.....255	1001104437.....833	1001116747 .. 1091, 1115
1001028291 23	1001097244.....691	1001104477.....861, 941	1001116748 1104
1001028308 23	1001097287.....215, 217	1001104498..1077, 1078, 1104	1001116753 1105
1001032853 93	1001097540... 37, 39, 753	1001104519..1104, 1105, 1106	1001116754 1104
1001033119 93	1001097586.....663	1001104646.....889, 891	1001116755 1105
1001033120 363, 365	1001098146.....109, 111	1001104654.....989, 991	1001116756 1104
1001047062 667	1001098147.....109, 111	1001104685.....439, 441	1001116763 1115
1001080375 859, 861	1001098150.....682	1001104934.....873	1001116810 1073
1001090063 145, 147, 151	1001098457..97, 99, 109, 111	1001104958.....281	1001116811 .. 1083, 1091
1001090064 145, 147, 151	1001098629.....69, 71, 73	1001105167...1033, 1035	1001116812.. 1073, 1074, 1084, 1090, 1091, 1101, 1106, 1107, 1119, 1121
1001090140 145, 147, 151	1001098630.....77, 79	1001105168...1033, 1035	1001116815 .. 1093, 1109
1001090150 101, 103	1001098631.....81, 83	1001105639.....863	1001116950.. 1074, 1084, 1085, 1090, 1092
1001090343 663, 751, 793	1001098632.....85, 87	1001105643.....863	1001116983 1093
1001091126 23	1001098636.....81, 85	1001106570.....67	1001116984 1108
1001091313 159	1001098769.....113	1001106729.....887	1001116985 1108
1001091715 .. 1033, 1035	1001099113.....145, 147, 151	1001106930.....281	1001116986 1108
1001091716 .. 1033, 1035	1001099115.....145, 147, 151	1001107192.....667	1001116987 1108
1001092008 593, 595	1001099204.....611, 613	1001107336.....125	1001116988 1108
1001092009 599, 601	1001099351.....249	1001107338.....125	1001116989 .. 1106, 1108
1001092122 439	1001099457.....191	1001107581.....125	1001116991 .. 1106, 1108
1001092298 107	1001099902.....239	1001107854..1077, 1078, 1104, 1107, 1108, 1115	1001116994 1123
1001092298 107	1001100262.....297	1001108133.....137	1001116995 .. 1104, 1127
1001092391 183	1001100266.....199	1001108661.....1065	1001116996 1077
1001092481 271	1001100284.....617	10011088571059	1001116997 1104
1001092482 271	1001100442.....99, 105	1001108918.....857, 859, 861	1001116998 1108
1001092877 .. 1150, 1154, 1158, 1162	1001100651.....605, 607	1001108918.....857, 859, 861	1001116999 1106
1001092878 .. 1150, 1154, 1158, 1162	1001100823.....199	1001109113.....185	1001117011 1129
1001093171 255	1001100911.....173	1001109387.....297	1001117018 .. 1090, 1091
1001093277 405	1001100957.. 1146, 1150, 1154, 1158, 1162	1001109494.....435	1001117021 .. 1077, 1115
1001093401 361, 405	1001100967.....243	1001110023.....857, 859, 861, 891, 943	1001117079 1104
1001093826 159, 215, 247, 289	1001101041.....247, 281, 289, 855, 857, 859, 861, 889, 891	1001110115.....861	1001117081.. 1104, 1105, 1106, 1107, 1108
1001093827 159, 215, 247, 289	1001101042.....247, 281, 289, 855, 857, 859, 861, 889, 891	1001110849.....89, 91	1001117108 .. 1073, 1077
1001094301 429	1001101063.....887	1001111076.....755	1001117109.. 1074, 1083, 1092, 1101
1001094555 143, 149, 153, 159, 215, 217, 221	1001101064.....885, 887	1001111147.....695, 755	1001117110.. 1073, 1077, 1083, 1091, 1092
1001094556 143, 149, 153, 159, 215, 217, 221	1001101563.....521	1001111317.....659, 669	1001117121 1104
1001094708 .. 1146, 1150, 1154, 1158, 1162	1001101702.....819	1001111424.....983	1001117244 415, 417
1001095301 371, 377, 889, 891, 937	1001101895.. 1150, 1154, 1158, 1162	1001111757137	1001117247 1065
1001095336 981	1001101956.....147	1001111758.....137	1001117308 979, 983
1001095401 453	1001102378.....145, 147, 151	1001112559.....293	1001117945 175
1001095650 1057	1001102502.....963	1001112560.....295	1001118282 .. 1082, 1091
1001095704 1082	1001102553.....135	1001112612.....1108	1001118323 1074
1001095804 989, 991	1001102554.....133	1001112796..1119, 1121, 1123	1001118379 1104
1001095810 277	1001102750.....1146	1001112923.....617	1001118383 1105
1001096019 275	1001102782.....1167	1001112924.....579, 585	1001118384.. 1104, 1105, 1106, 1107, 1108, 1109
1001096020 275	1001102813.....277, 279	1001114787.....111, 917	1001118386 1108
1001096021 273	1001103012.....1106	1001114802.....457, 459	1001118387 1108
1001096023 273	1001103156.....1067	1001116128....695, 1051	1001118392 1078
	1001103201.....282	1001116208...1005, 1007	1001118684 1104
		1001116686.....1074	1001118685 1105
		1001116696...1078, 1090	1001119220 451
		10011166971106	1001119467 717
		1001116698...1106, 1108	1001120501 893, 895
		1001116700...1106, 1129	1001120505 895
		10011167011084	

SECTION 12 - RECOMMENDED SPARE PARTS

1001120602.....895	1001139552..... 665	1001152259.....297	1001161067.....689
10011209097.....1085	1001139568..... 665	1001152378..... 339	1001161068.....682
1001120914.....145, 147, 151	1001139647.. 1150, 1158, 1162	1001152730..... 439	1001161078.....759
1001120915.....145, 147, 151	1001139654..... 1150	1001152908..... 737, 741	1001161080.....759
1001120989...1005, 1007	1001140296..... 407, 409	1001152915..... 659	1001161095.. 1073, 1074, 1077, 1101, 1107
1001121021.....1071	1001141246..... 673	1001152940..... 361, 405	1001161097.....1107
1001121127.....881	1001141281.... 787, 1170	1001152947..... 659	1001161098...1073, 1107
1001125117.....101, 103	1001141311..... 751	1001153748..... 853, 933	1001161099.. 1073, 1074, 1077, 1101, 1107
1001125222.....819	1001141312..... 665	1001153858..... 99, 101	1001161100.. 1073, 1074, 1077, 1101, 1107
1001125387.....1146	1001141313.... 751, 1170	1001153859..... 99, 103	1001161101.. 1073, 1074, 1077, 1101, 1107
1001125466.....361, 405	1001141596..... 985	1001153902J..... 23	1001161252.....699
1001125677..1078, 1085, 1106	1001142247..... 268	1001154174..... 101, 103	1001161253.....697
1001126008..1073, 1077, 1082	1001142281..... 609, 611	1001154688..... 29, 31	1001161499.....655, 803
1001126245.....1082	1001142285..... 591	1001155228..... 657, 667	1001161672.....829
1001126349.....1090	1001142286..... 591, 593	1001155230..... 1154	1001161769.....960, 965
1001126351.....1090	1001142287..... 591, 595	1001155231..... 1154	1001161770.....960, 967
1001126352.....1090	1001142288..... 597	1001155276..... 829, 831	1001161771.....960, 969
1001126353...1083, 1090	1001142289..... 597, 599	1001155407..... 97, 99	1001161855.....682
1001126356.....1090	1001142289..... 597, 599	1001155441..... 107	1001161865.....739
1001126357.....1090	1001142290..... 597, 601	1001155446..... 651	1001161896.....829
1001126360.....1090	1001142291..... 603	1001155447..... 655, 787	1001161897.....829
1001126362...1086, 1090	1001142292..... 603, 605	1001155486..... 751	1001161898.....829
1001126384.....1090	1001142293..... 603, 607	1001155958..... 99, 1170	1001161957...1073, 1101
1001126391..1085, 1086, 1090	1001142315..... 609	1001155959..... 99, 1170	1001161958.....1077
1001126393..1084, 1086, 1090	1001142316..... 609, 613	1001155960..... 99, 1170	1001161959.....1107
1001126485...1082, 1085	1001142658..... 65, 1170	1001156265..... 829	1001161963...1073, 1101
1001126487.....1082	1001142659..... 65, 1170	1001157890..... 1074	1001161964.....1077
1001126837...1049, 1067	1001142724..... 773	1001157891..... 1077	1001162636.....109
1001127728.....597	1001142790..... 157	1001158146..... 989	1001162659.....63, 1170
1001128127.....1074	1001143200..... 661	1001158596..... 711	1001162662.....63
1001128128...1082, 1091	1001143857..... 829	1001158736C..... 715	1001162704.....829
100112847863, 405, 415, 417, 525, 527	1001144147.. 1083, 1091, 1111, 1119, 1121	1001159028..... 803, 805	1001162767.....63
1001128972.....975, 977	1001144296..... 1107	1001159728..... 1143	1001162885...1059, 1061
1001130198.....341, 343, 345, 347, 975, 977	1001144629J..... 277	1001159734..... 989, 991	1001162886.....1105
1001130323..1146, 1150, 1154, 1158, 1162	1001145204..... 353, 355, 357, 359	1001159735..... 989, 991	1001162887.....1105
1001132564.....682	1001145300..... 985, 987	1001159736..... 751	1001162920.....807
1001132959.....168	1001145390..... 917, 923	1001159737.... 989, 991, 1045	1001162922.....807
1001133072.....145, 147, 151	1001145444..... 917	1001159741..... 989, 991	1001162953.....734, 745
1001133690.....373, 375	1001145539..... 734	1001159742..... 989, 991	1001162979.....829
1001133714..1084, 1085, 1090, 1092	100114658893, 341, 343, 345, 347, 407, 409, 437, 857, 859, 861, 957, 960, 975, 977, 1005, 1025, 1027, 1051, 1071	1001159743..... 989, 991	1001163103.....101
1001133715..1082, 1085, 1090, 1093	1001146901..... 695	1001159745..... 887	1001163340.....1105
1001133793.....371, 373, 375, 377	1001146949..... 841	1001159748..... 989, 991	1001163387.....323, 325
1001134274.....1067	1001147060..... 999	1001159845.. 1017, 1019, 1021, 1023	1001163414.....145, 147, 925
1001135245.....435, 437	1001147449..... 682, 685	1001159846.. 1017, 1019, 1021, 1023	1001163639.....989, 991
1001135650..1082, 1085, 1090, 1093	1001147657..... 101, 103, 1170	1001159849..... 989, 991	1001164053.....521
1001135651..1085, 1090, 1093	1001147731..... 101, 103, 1170	1001159925..... 731, 734	1001164336.....915
1001137512.....291	1001148841..... 1085	1001160326..... 734	1001164402.....979, 981
1001138116.....1082	1001148842..... 1085	1001160496..... 763	1001164655.....785
1001138645.....335, 337, 975	1001149050..... 895	1001160498..... 1107	1001164726.....667
1001139034.....361, 405	1001149278..... 682, 685	1001160499..... 1077	1001164965.....431
1001139551.....751	1001149308..... 421	1001160500.. 1074, 1101	1001164967.....431
	1001149375..... 419, 421	1001160502..... 1107	1001164968.....427, 431
	1001149376..... 421	1001160503..... 763, 767	1001165069.....443, 447
	1001149923..... 109	1001160506..... 765	1001165194.....1084
	1001150294..... 719	1001160508..... 785	1001165269.....789, 791
	1001150735..... 1104	1001160509.. 1073, 1077, 1101	1001165270.....789
	1001150737..... 1104	1001160510.. 1073, 1077, 1101	1001165273.....791
	1001151257..... 893, 895	1001160730..... 1051	1001165275.....673
		1001160775..... 1143	1001165276.....669
		1001160928..... 985	1001165309.....1073
			1001165310.....1074
			1001165311.....1077

SECTION 12 - RECOMMENDED SPARE PARTS

1001165327 791	1001168152..... 655, 657	1001171782..... 37, 39	1001174881 519
1001165351 793	1001168264..... 633, 635, 637, 639	1001171808..... 113	1001174911 1146
1001165416 793	1001168272..... 427	1001171874..... 807	1001175016 903, 909
1001165455 793	1001168327..... 734	1001171913..... 349	1001175201 427
1001165458 691, 793	1001168330..... 734	1001171959..... 349	1001175225 97
1001165573 711, 713	1001168331..... 734	1001172035.. 1146, 1150, 1154, 1158, 1162	1001175265.. 1082, 1091
1001165637 787	1001168456..... 734	1001172088..... 807	1001175266.. 1073, 1077, 1101
1001165789 315, 319, 373, 375, 433	1001168531.... 715, 1129	1001172094..... 807	1001175295 457
1001165857 457, 459, 485	1001168639..... 349, 427	1001172146..... 59	1001175306 315
1001166091 741, 743	1001168727..... 407, 409	1001172147..... 59	1001175309 317
1001166092 741, 743	1001168758..... 37	1001172193..... 659, 669	1001175313 319
1001166191 781	1001169048..... 97, 1170	1001172401..... 655, 799	1001175315 321
1001166192 781	1001169049..... 97, 1170	1001172546..... 731, 734, 1170	1001175320 399, 403
1001166369 23	1001169135..... 715	1001172547..... 731, 734	1001175324 349
1001166385 755	1001169146..... 429, 975, 977, 1051	1001172550..... 731, 734	1001175325 351
1001166397 381	1001169151.... 734, 1115	1001172551..... 1113	1001175470 709
1001166541 1086	1001169216..... 323, 325	1001172552..... 731, 734	1001175471 705, 707
1001166543 .. 1086, 1090	1001169268..... 835	1001172553..... 731, 734, 1170	1001175477 667
1001166551 1083	1001169309..... 323	1001172667..... 141	1001175550 315, 327
1001166555 1083	1001169354..... 825, 827	1001172693..... 61	1001175552 319, 331
1001166556 .. 1084, 1086, 1090	1001169355..... 827	1001172774..... 767	1001175553 317, 329
1001166565 381, 387	1001169367..... 827	1001172807..... 587, 589	1001175554 321, 333
1001166566 379, 383, 385	1001169424..... 323, 325	1001172829..... 39	1001175586 389, 393
1001166634 669, 673	1001169454..... 57	1001172886..... 109, 111	1001175661 103
1001166695 913	1001169603..... 682	1001172892..... 845	1001175670 457, 461
1001166701 .. 1086, 1090	1001169604..... 682	1001172894..... 845, 853	1001175671 459, 473
1001166702 1084	1001169674..... 1143	1001172900..... 845, 849	1001175733 1117
1001166715 381, 383, 389	1001169751..... 825	1001172901..... 851	1001175746 99
1001166754 651	1001169763..... 835	1001172909..... 847, 863	1001175747 99
1001166755 651	1001169803..... 895	1001172937..... 847	1001175749 99
1001166774 .. 1084, 1086, 1090	1001169825..... 979	1001173013..... 847, 877	1001175754 97
1001167004 837	1001169880..... 669	1001173015..... 847, 903	1001175762 ... 103, 1170
1001167015 693, 695	1001169883..... 671	1001173017..... 905	1001175776.. 1001, 1003, 1117
1001167017 995, 997	1001169885..... 671	1001173257..... 765, 769	1001175812 773
1001167212 987, 1171	1001169918..... 349	1001173298..... 667	1001175853 ... 101, 1170
1001167266 745, 747	1001170106..... 61	1001173411..... 1106	1001175896 99
1001167356 451	1001170113..... 671	1001173418..... 869, 871	1001175897 99
1001167408 443, 445	1001170113J..... 669	1001173425..... 695	1001175898 97
1001167615 1082	1001170114..... 667, 669	1001173641..... 657, 659	1001175900 99
1001167616 1082	1001170231..... 807	1001173703..... 1158	1001175903 682
1001167620 1085	1001170326..... 709	1001173770..... 947	1001176103 97
1001167621 1083	1001170366..... 653, 705	1001173771..... 937, 939	1001176121 705, 709
1001167622 .. 1083, 1085	1001170488..... 171	1001173829..... 1037	1001176122 631
1001167623 .. 1083, 1085	1001170504..... 682, 687	1001173965..... 682	1001176123 629
1001167624 1085	1001170506..... 687	1001174295..... 667, 679	1001176125 641
1001167625 1083	1001170514..... 689	1001174320..... 659	1001176126 643
1001167629 1082	1001170518..... 682	1001174321..... 673	1001176127 645
1001167630 .. 1082, 1085	1001170519..... 682, 689	1001174328..... 37, 39	1001176128 647
1001167631 1085	1001170601J..... 667	1001174368..... 1005	1001176129 633
1001167634 1082	1001170603..... 657, 661	1001174372... 1005, 1007	1001176130 635
1001167635 1082	1001170697..... 633, 635, 637, 639, 641, 643, 645, 647	1001174557..... 103	1001176140 701
1001167636 1084	1001170716..... 693	1001174567..... 817, 821	1001176257 701
1001167773 443, 445	1001170718..... 693	1001174652..... 685	1001176272 661
1001167822 1017	1001170944..... 673	1001174653..... 685	1001176273 661
1001167823 1019	1001170984..... 111	1001174655..... 685	1001176313 875
1001167937 677	1001170993..... 707	1001174712..... 989, 991	1001176318 701
1001167958 667, 677	1001171000..... 451	1001174741..... 701	1001176333 1107
1001167981 655, 682	1001171037..... 671	1001174795..... 431	1001176338 993
1001168030 363, 365	1001171390..... 109, 111	1001174796..... 1031	1001176349 629, 633
1001168142 829	1001171392..... 111	1001174800..... 701	1001176350 629, 635
1001168151 829	1001171635..... 671	1001174801..... 701	1001176351 631, 641
	1001171756..... 789	1001174804J..... 101	1001176352 631, 643
	1001171767..... 707	1001174879..... 519	1001176353 631, 645
		1001174880..... 519	1001176354 631, 647
			1001176407 99, 107

SECTION 12 - RECOMMENDED SPARE PARTS

1001176411.....883	1001179056..... 859	1001180893 103	1001182736.....319, 321, 337
1001176626.....661	1001179058..... 861	1001181008 863	1001182763..... 93
1001176691.....99	1001179059..... 1039	1001181016 863	1001182793.....897
1001176839.....459	1001179080..... 745	1001181017 869	1001182824.....349, 351
1001176882.....107	1001179081..... 745	1001181019 863	1001182834.....682
1001176914.....637	1001179092..... 1033	1001181161 855, 857, 859, 861	1001182839..... 1049
1001176916.....629, 637	1001179093..... 1035	1001181170 863	1001182880.....389
1001176942.....97	1001179130..... 745, 749	1001181360 773	1001182881.....389, 391, 393, 395
1001176949.....639	1001179197..... 987	1001181411 665	1001182885.....391, 395
1001176950.....629, 639	1001179221J.... 985, 987	1001181413 441	1001182886.....391
1001176964.....55	1001179297..... 1135	1001181531 963	1001182887.....393
1001176965.....55, 57	1001179462..... 931	1001181562 877	1001182888.....395
1001176966.....55, 59	1001179482..... 755	1001181563 877	1001182929.....975, 977, 1095
1001176977.....349, 429	1001179483..... 755	1001181564 877	1001182930.....975, 977, 1097
1001177048.....823	1001179493..... 443	1001181565 877	1001182935.....437
1001177049.....823	1001179585..... 987	1001181568 877	1001182943.....435
1001177050.....823	1001179586..... 987	1001181569 877	1001182949.....361, 367
1001177051.....823	1001179719..... 615	1001181681 ... 960, 1111	1001182950.....369, 405
1001177052.....823	1001179720..... 619	1001181726 682, 691	1001182994.....397, 399
1001177053.....817, 823	1001179861..... 445	1001181784 877	1001182995.....397, 399
1001177054.....103, 1170	1001179864..... 353, 355, 357, 359, 419	1001181920 661	1001183075.....353, 355, 411
1001177060.....59	1001179895..... 753	1001181921 ... 661, 1001, 1003	1001183076.....357, 359, 413
1001177062.....59	1001179898..... 753	1001181927 839	1001183125.....439
1001177073.....103, 1170	1001179901..... 1057	1001181928 841	1001183149.....439
1001177082.....59	1001179907..... 335, 337	1001181951 317, 373	1001183177.....379
1001177464.....699	1001179910..... 445, 449	1001181952 321, 375	1001183274.....69, 71, 77, 81, 85
1001177597...1082, 1093	1001179926..... 871	1001182036 317, 321, 381	1001183297..1025, 1027, 1131
1001177638.....519	1001179937..... 1067	1001182037 317, 391	1001183347.....335, 337
1001177851.....527, 531	1001180045..... 793	1001182039 321, 395	1001183357.....439
1001177863.....315, 317, 319, 321, 899	1001180117..... 99, 911	1001182040 315, 379	1001183460.....903
1001177870.....519	1001180134..... 847, 873	1001182041 315, 389	1001183461.....905
1001178030.....349, 425	1001180196..... 69	1001182042 319, 383	1001183550.....689
1001178053...1037, 1125	1001180198..... 77	1001182043 319, 393	1001183590.....37
1001178102.....897	1001180199..... 81	1001182111 361	1001183591.....39
1001178115.....349, 351	1001180200..... 85	1001182112 353, 355, 357, 359, 361	1001183596.....999
1001178123.....793	1001180202..... 71	1001182123 661	1001183603.....1143
1001178159.....659	1001180206..... 89	1001182139 661	1001183615.....975, 1082
1001178160.....659	1001180207..... 67	1001182193 361	1001183633.....1137
1001178170.....734	1001180226..... 351	1001182210 37, 39	1001183634.....1139
1001178171.....641, 643, 645, 647	1001180227..... 351	1001182213 405, 951	1001183635.....1141
1001178298.....585, 587	1001180252..... 849, 929	1001182216 975, 977	1001183745.....325
1001178299.....585, 589	1001180263..... 765, 767	1001182217 975, 977	1001183817.....1053
1001178300.....585	1001180267..... 985	1001182218 975, 977	1001183818..1053, 1055, 1057
1001178439.....317, 321, 527	1001180326..... 905, 915	1001182219 975, 977	1001183819...1053, 1059
1001178474.....57	1001180328..... 429	1001182231 849	1001183830.....379, 383
1001178526.....109	1001180413..... 627	1001182235 315, 317, 319, 321, 339	1001183832...1063, 1065
1001178678.....657, 663	1001180418..... 833	1001182330 703	1001183838.....979
1001178679.....663, 665	1001180429..... 439	1001182423 25	1001183888.....1017
1001178680.....665	1001180435..... 429	1001182447 353	1001183890.....1017
1001178681.....665	1001180436..... 429	1001182450 357	1001183908J.....45
1001178693.....57	1001180472..... 817	1001182452 423	1001183909J.....51
1001178706.....1135	1001180524... 957, 1073	1001182453 423	1001183910J.....51
1001178725.....451	1001180525... 957, 1077	1001182529 715	1001183956.....405
1001178749.....451, 453	1001180529..... 1025	1001182582 317, 321, 325	1001183958.....423
1001178783.....993	1001180574J..... 41	1001182650 975, 977	1001183983.....899, 901
1001178791.....427	1001180581 397, 401	1001182651 975, 977	1001184033.....121
1001178826.....761	1001180593..... 453	1001182652 975, 977	1001184035.....123
1001178874.....439	1001180682..... 993	1001182654 975, 977	1001184041.....143
1001178933.....960	1001180683..... 993	1001182735 315, 317, 335	
1001179008.....761	1001180809..... 873		
1001179009.....761	1001180810..... 873		
1001179041.....885	1001180811..... 873		
1001179043.....887	1001180845 847, 879		
1001179054.....855	1001180850..... 879		
	1001180855..... 879		
	1001180856..... 879		

SECTION 12 - RECOMMENDED SPARE PARTS

1001184043 149	1001185351..... 845, 881	1001188262..... 655, 807	1001191091 679
1001184045 153	1001185375..... 315, 317, 975	1001188275..... 739, 743	1001191217 829
1001184061 353, 355, 397	1001185377..... 319, 321, 977	1001188407..... 419	1001191229. 1146, 1150, 1154, 1158, 1162
1001184062 357, 359, 399	1001185391..... 957	1001188413..... 93	1001191259 1065
1001184069 655, 960	1001185633..... 703	1001188466..... 315, 319, 323	1001191281 691
1001184070 960, 1104	1001185722..... 1007	1001188548..... 865, 889, 891	1001191283 691
1001184099 407, 409	1001185790..... 27	1001188577..... 741, 743	1001191284 691
1001184120 353, 357, 407	1001185809..... 989	1001188578..... 741, 743	1001191285 691
1001184128 407, 409	1001185845..... 703	1001188592..... 743	1001191370 691
1001184129 407, 409	1001185848..... 703	1001188594..... 741, 743	1001191508 361, 405
1001184132 355, 359, 409	1001185864..... 357, 359, 437	1001188594..... 741, 743	1001191521 59, 63
1001184172 1059	1001185865..... 353, 355, 435	1001188602..... 741, 743	1001191533 63
1001184275 741, 743	1001185870..... 682	1001188603..... 741, 743	1001191621 97, 99
1001184278 741, 743	1001185871..... 411, 413	1001188604..... 741, 743	1001191808 37, 39
1001184280 743	1001185936..... 37, 39	1001188609..... 865, 867	1001191915 819
1001184294 741, 743	1001185959... 1063, 1101	1001188610..... 741, 743	1001192124 61
1001184295 741, 743	1001186009..... 379, 381, 383	1001188612..... 741, 743	1001192125 57, 61
1001184296 741, 743	1001186012.. 1053, 1055, 1063	1001188614..... 741, 743	1001192142 979
1001184297 741, 743	1001186169..... 99, 973	1001188618..... 743	1001192309 667
1001184315 355	1001186290..... 379, 381, 383	1001188619..... 743	1001192392 61
1001184322 359	1001186359..... 93	1001188720..... 741, 743	1001192411 435, 437
1001184403 749	1001186370..... 423	1001188722..... 93	1001192643 675
1001184404 749	1001186392..... 93	1001188725..... 741, 743	1001192644 677
1001184405 749	1001186393..... 773	1001188728..... 743	1001192646 667
1001184406 749	1001186395..... 777	1001188729..... 741, 743	1001192711 279
1001184420 973, 1099	1001186439..... 775	1001188733..... 741, 743	1001192720 279
1001184423 117	1001186565... 1017, 1019	1001188817..... 743	1001192766 667, 675
1001184425 117	1001186567... 1017, 1019	1001188818..... 743	1001192875 279
1001184426 117	1001186574..... 523	1001188855..... 451	1001192876 279
1001184427 743	1001186603..... 1007	1001188856..... 451	1001192877 279
1001184439 667	1001186604..... 1069	1001189023..... 743	1001193210 669
1001184445 423	1001186646..... 1069	1001189024..... 743	1001193421 875
1001184473 1107	1001186693..... 979	1001189025..... 741, 743	1001193474 819
1001184479 1107	1001186698..... 117	1001189048..... 743	1001193513 873
1001184503 977, 1090	1001186714..... 1045	1001189054..... 743	1001193514 873
1001184504 831	1001186848..... 355, 359, 417	1001189099..... 109, 111	1001193515 873
1001184514 25, 27, 35	1001186849..... 353, 357, 415	1001189154.. 1150, 1154, 1158, 1162	1001193525 279
1001184517 893, 895	1001187070..... 1097	1001189182..... 682	1001193540 279
1001184518 893, 895	1001187077..... 1097	1001189193..... 773	1001193551 349
1001184524 29, 31	1001187276..... 357, 359, 365	1001189338..... 987	1001193722 867
1001184530 875	1001187277..... 363, 365	1001189339..... 987	1001193729 279
1001184531 847, 875	1001187355..... 849	1001189475..... 115	1001193735 451
1001184551 1091	1001187400..... 867, 883	1001189476..... 115	1001193993 979
1001184609 401, 403, 423	1001187407..... 365	1001189480..... 107	1001195004 821
1001184610 111	1001187413..... 807, 809	1001189569.. 1033, 1035, 1037	1001195082 279
1001184632 . 1146, 1150, 1154, 1158, 1162	1001187416..... 883	1001189586..... 325	1001195207 817
1001184710 351	1001187550..... 363, 365	1001189877... 1086, 1093	1001195210J 29, 31
1001184800 423	1001187551..... 365	1001189884..... 407, 409	1001195240J 29, 31
1001184839 .. 1039, 1127	1001187712..... 363, 365	1001189888..... 911	1001195252J 29, 31
1001184955 353, 355, 357, 359, 423	1001187717..... 37, 39	1001189898..... 989, 991	1001195254 819, 821
1001184975 697	1001187851..... 1067	1001189984J..... 37, 39	1001195274J 29
1001185023J 31	1001187852..... 1067	1001189997... 1001, 1003	1001195342 747
1001185061 31	1001187853..... 1067	1001190225..... 995	1001195343 747
1001185181 315, 341	1001188190..... 113	1001190227..... 1001	1001195345 747
1001185189 321, 347	1001188204..... 323, 325	1001190396..... 1125	1001195346 747
1001185210 405	1001188220..... 353, 355, 363	1001190408..... 37, 39	1001195385 747
1001185248 71, 75		1001190541..... 523	1001195386 747
1001185282 405		1001190542..... 457, 459	1001195437 747
1001185337 357, 359, 405		1001190589..... 97	1001195438 747
		1001190657... 1059, 1061	1001195443 407, 409
		1001190718..... 893	1001195518 323, 325
		1001190719..... 895	1001195559 235
		1001190740..... 351	1001195587 35
		1001190921 1082	1001195741 873
			1001195742 873
			1001195827 25, 29

SECTION 12 - RECOMMENDED SPARE PARTS

1001195829.....27, 31	1001200141..... 621, 623	1001202135..... 875	1001203826.....453
1001195855..1146, 1150, 1154, 1158, 1162	1001200142..... 621, 625	1001202177..... 855	1001203882.....975, 977
1001195878.....659	1001200143..... 621	1001202249..... 411, 413	1001203905.....885
1001195970.....211	1001200170..... 97, 1170	1001202251..... 411	1001203915.....885
1001195992.....879	1001200171..... 97, 1170	1001202253..... 411	1001203919.....885, 887
1001195994.....879	1001200172..... 97, 1170	1001202286..... 1003	1001203922.....885, 887
1001196002.....879	1001200180..... 315, 319, 525	1001202288..... 1001	1001203923.....885, 887
1001196385.....615, 617	1001200192..... 341, 345	1001202293..... 995	1001204060.....1023
1001196418.....35	1001200201..... 425	1001202328..... 413	1001204066.....673
1001196448J.....619	1001200218..... 859, 861	1001202329..... 413	1001204115.....673
1001196449J.....619	1001200218..... 859, 861	1001202375..... 413	1001204120.....673
1001196452..1005, 1007, 1123	1001200449..... 411	1001202376..... 413	1001204128.....299
1001196531.....653, 655	1001200450..... 411	1001202395..... 1003	1001204129.....301
1001196587.....335	1001200538..... 1021	1001202421..... 1043	1001204130.....303
1001196661.....881	1001200539..... 1023	1001202430..... 1043	1001204131.....305
1001196662.....365	1001200617..... 285	1001202445..... 411, 413	1001204132.....307
1001196723.....879	1001200688..... 1029	1001202454..... 991	1001204133.....309
1001196751.....229	1001200689..... 1031	1001202473..... 439	1001204134.....311
1001196787.....881	1001200694..... 697	1001202474..... 439	1001204301.....443, 445
1001196806...1146, 1150	1001200798..... 363	1001202476..... 439	1001204302.....443, 445
1001196876J.....31	1001200815..... 901, 953	1001202477..... 439	1001204373.....443, 445
1001196898...1009, 1119	1001200908..... 423	1001202478..... 439	1001204374.....93
1001196899.....1011	1001200968..... 695	1001202479..... 439	1001204375.....93
1001196900...1013, 1121	1001201027..... 653, 789	1001202480..... 439	1001204420.....889, 891, 937
1001196912.....863	1001201070..... 1108	1001202484..... 363	1001204421.....889, 891
1001197015...1033, 1035	1001201080..... 1108	1001202506..... 411	1001204427.....889, 891
1001197025.....265	1001201081. 1108, 1119, 1121	1001202516... 971, 1113	1001204428.....889, 891
1001197090.....891	1001201161.... 655, 1015	1001202558..... 995, 997	1001204437.....889, 891
1001197093.....889	1001201162.... 655, 1015	1001202643..... 437	1001204437.....889, 891
1001197130.....457, 459	1001201205..... 857	1001202653..... 413	1001204518.....93
1001197135.....29, 31	1001201207..... 699	1001202654..... 413	1001204528.....1021
1001197139.....807, 811	1001201207..... 699	1001202772..... 441	1001204530.....1021
1001197259.....759	1001201245..... 885, 913	1001202805..... 411	1001204535.....115
1001197266.....29, 31	1001201296..... 441	1001202904..... 287	1001204629.....893, 895
1001197275.....65	1001201331..... 793	1001202921..... 441	1001204681.....893
1001197360.....57	1001201336..... 731	1001202922..... 365	1001204709.....761
1001197430.....405	1001201338..... 734	1001203005..... 441	1001204729.....893, 895
1001197479.....109, 111	1001201340..... 655, 971	1001203009..... 407, 409	1001204731.....893, 895
1001197589.....1047	1001201422..... 879	1001203012..... 437	1001204839.....341, 345
1001197597.....189	1001201478..... 1085	1001203014..... 411, 413	1001204840.....341, 345
1001197598.....193	1001201497..... 734, 739	1001203015..... 975, 977	1001204841.....341, 343, 345, 347
1001197638.....415, 417	1001201498..... 731, 737	1001203025..... 365	1001204842.....341, 343, 345, 347
1001197639.....1041	1001201499..... 813	1001203027..... 407, 409	1001204974.....887
1001197641.....415, 417	1001201500..... 815	1001203028..... 407, 409	1001204975.....887
1001197653.....415, 417	1001201501..... 813, 815	1001203039..... 411, 413	1001205041.....343, 347
1001197654.....415	1001201504J..... 37, 39	1001203046..... 863	1001205061.....807, 813
1001197655.....417	1001201520..... 655, 793	1001203173..... 411, 413	1001205078.....893, 895
1001197719...1082, 1093	1001201766..... 349	1001203174..... 411	1001205080.....35
1001197821.....317, 343	1001201805J..... 29, 31	1001203178..... 365	1001205392.....893, 895
1001197826.....319, 345	1001201811..... 349, 351	1001203284.. 1059, 1061	1001205393.....893, 895
1001197945.....213	1001201823..... 349, 351	1001203285.. 1059, 1061	1001205514.....717
1001198331.....885, 887	1001201866..... 1150	1001203287..... 363	1001205532.....667, 673
1001198355.....279	1001201867..... 1154	1001203291..... 51	1001205551.....407, 409
1001198621...1033, 1035	1001201868..... 1158	1001203293..... 53	1001205648.....715
1001198796...1033, 1035	1001201869..... 1146	1001203305J..... 53	1001205782.....717
1001198836.....93	1001201870..... 1162	1001203311..... 99, 913	1001206120.....335
1001198924.....757	1001201929..... 349	1001203374..... 45	1001206173.....289
1001198932.....1041	1001201930..... 349	1001203386..... 41	1001206179.....893
1001198958.....757	1001201933..... 349	1001203402..... 47	1001206557.....93
1001199390.....623, 625	1001201940..... 865	1001203406..... 43	1001206558.....93
1001199403.....365	1001201941..... 865	1001203408J..... 47	1001206669.....241
1001199670.....425	1001201943..... 881	1001203410..... 43	1001206671.....247
1001199935...1047, 1051	1001201951..... 817	1001203417J..... 987	1001206718.....1143
1001199948.....525, 529	1001202086..... 653	1001203503..... 279	1001206720.....1143
1001200038.....885, 887	1001202120..... 397, 399	1001203640. 1021, 1023, 1027	1001206744.....819
	1001202134. 1009, 1011, 1013	1001203825..... 453	

SECTION 12 - RECOMMENDED SPARE PARTS

1001207486	429	1001212599.....	601	1001216311.....	99, 897	1001224143	881
1001207522	869	1001212600.....	605	1001216611.....	1009	1001224144	881
1001207523	869	1001212601.....	607	1001216612.....	1011	1001224447	881
1001207525	879	1001212602.....	587	1001216613.....	1013	1001224476	873
1001207526	879	1001212603.....	589	1001216636.....	887	1001225176	659
1001207594 ..	1047, 1049	1001212906.....	381	1001216658.....	583	1001225213	349
1001207606	253	1001212907.....	379, 383	1001216661.....	581	1001225423	873
1001207694	867, 871	1001212948.....	407, 409	1001216664.....	579, 583	1001225432	327, 329, 333
1001207754	883	1001212949.....	407, 409	1001216667.....	579, 581	1001226096	415, 417
1001207804	865	1001212956.....	439	1001216851.....	579	1001226101	889, 891
1001207903	865	1001213006.....	339	1001216854.....	343, 347	1001226481	1043
1001207908	865	1001213031.....	869	1001216855.....	343, 347	1001226722	93
1001207956	819	1001213331.....	673	1001216867.....	423	1001226776	889, 891
1001208035	887	1001213471.....	991	1001216923J.....	37, 39	1001226777	889, 891
1001208037	819	1001213748.....	937	1001216974.....	711, 715, 717	1001226778	889, 891
1001208281	351	1001213752.....	1049	1001217179.....	985	1001226779	889, 891
1001208308	682	1001213771.....	889, 891	1001217333.....	407, 409	1001227090	451
1001208518	655, 963	1001213772.....	889, 891	1001217550.....	23	1001227186	659
1001208531 ..	1033, 1035	1001213791.....	667	1001217557.....	33	1001227187	669
1001208763 ..	1033, 1035	1001213825...	1033, 1035	1001217623.....	1029	1001227188	669
1001209463	755	1001213826...	1033, 1035	1001217635.....	997	1001227229	103
1001209576	979	1001213829.....	889	1001217961...	1055, 1061	1001227287 ..	1146, 1150, 1154, 1158, 1162
1001209577	979	1001213871.....	891	1001218328.....	1171	1001227653	521
1001209578	960	1001213883.....	897	1001218486.....	381, 525	1001227670	219, 268
1001209651	871	1001213925.....	897	1001218654.....	895	1001227802	667
1001209899	661	1001213988.....	960	1001218856.....	655	1001227974	881
1001209986	1061	1001214036J.....	49	1001218962.....	895	1001228503	413
1001210022	349, 351	1001214092.....	787	1001219076.....	682	1001228929	365
1001210417	521	1001214206..	1146, 1150, 1154, 1158, 1162	1001219182.....	525, 527	1001228930	365
1001210431	521	1001214220.....	807	1001219220.....	661	1001228931	365
1001210432	521	1001214280.....	839, 841	1001219481.....	895	1001228989 ..	1021, 1023, 1027
1001210628	655, 795	1001214281.....	960	1001219810.....	405	1001229050	851
1001210798	771	1001214297.....	117	1001219857.....	617	1001229063	365
1001210799	771	1001214312.....	117	1001219864.....	697	1001229068	365
1001210802	769	1001214399.....	889	1001219865.....	697	1001229093	413
1001210804	769	1001214401.....	1049	1001220145.....	365	1001229139	987
1001210961	1027	1001214479.....	581, 583	1001220540.....	651	1001229319	659
1001210962	1027	1001214492.....	49	1001220541.....	1167	1001229534	655
1001211323	895	1001214663.....	985	1001220551.....	363	1001229543	667
1001211357	993	1001214686.....	1105	1001220865.....	1165	1001230163	679
1001211376	871	1001214687.....	1105	1001220947.....	1005	1001230411	423
1001211389 ..	1059, 1061	1001214951.....	685	1001221056.....	1113	1001230435	655
1001211452	887	1001215022.....	415, 417	1001221147.....	845	1001230931	1104
1001211516	131	1001215024.....	415, 417	1001221242.....	1071	1001233407	1047
1001211539	1170	1001215154.....	685	1001221249.....	1071	1001233797	849
1001211540	1170	1001215261.....	887	1001221255.....	821	1001236402	839
1001211693	960	1001215319.....	431	1001221257.....	1071	1001236404	837
1001211729	315, 371	1001215531.....	673	1001221293.....	1071	1001237054	869, 871
1001211730	319, 377	1001215589.....	871	1001221318.....	1049	1001238460	67
1001211786	33	1001215804.....	795	1001221319.....	1049	1001241308	675
1001211787	33	1001215988.....	201	1001221577.....	103	1001241674 ..	67, 69, 71, 77, 81, 85, 89
1001211897	139	1001215990.....	203	1001221644.....	297	1001241950	837
1001211902	819	1001215992.....	205	1001221952.....	863	1001242098	889, 891
1001211907	682	1001215994.....	207	1001221953.....	863	1001243343	695
1001211915	819	1001215996.....	209	1001221993.....	363	1001244192 ..	1021, 1023
1001212011	679	1001216001.....	223	1001222187.....	349, 351	1001244193 ..	1021, 1023
1001212369	787	1001216003.....	263	1001222188.....	61	1001257348	839
1001212384	893, 949	1001216163.....	889, 891	1001222190.....	61	1001258342	695
1001212437	1055	1001216232.....	889, 891	1001222199.....	997	1001268889	413, 441
1001212468	691	1001216237.....	897	10012222187.....	349, 351	1001270117	709
1001212590	593	1001216275.....	897	1001222188.....	61	1001270595	897
1001212591	595	1001216276.....	897	1001222190.....	61	1001271338	35
1001212594	611	1001216277.....	897	1001222199.....	997	1001273847	35
1001212595	613	1001216278.....	897	1001222573.....	361, 405		
1001212596	623	1001216279.....	897	1001222603.....	837		
1001212597	625	1001216280.....	897	1001222741.....	673		
1001212598	599			1001223265.....	697		
				1001223875..	1150, 1154, 1158, 1162		
				1001223968.....	963		

SECTION 12 - RECOMMENDED SPARE PARTS

1001278028.....1067	2110606 ... 145, 147, 151, 165, 849, 851, 871	2220242 849	3291005.... 155, 451, 525, 757
1001282197897	2110608 405	2220371 245	3291007.....351
1001282247897	2110610 93, 901	2220550 893, 895	3291201.....297, 407, 409
1001284544.....441	2110806 93, 849, 871	2220628 245	3291205.....99, 109, 111, 905
1001284581.....441	2110808... 145, 147, 151, 851, 853, 873, 877, 893, 897	2220881 931	3291605..... 97, 323, 325, 903
1001285715.....991	2110810 ... 423, 857, 859, 861	2220883 911	3300220.....983
1001288070.....717	2111010 ... 849, 891, 897, 901	2220886 931	3300240.... 127, 129, 131, 145, 147, 151
1001310831.....869	2111012 937	2221257 439, 441	3300479.....457, 459
1060379.....277	2111612 849	2340030 177	3311405.....277
1062255....341, 343, 345, 347, 363, 365, 407, 409, 413, 429, 443, 445, 453, 859, 861, 879, 881, 883, 885, 887, 889, 891, 893, 895, 975, 977	2111616 413, 851	2340037 187	3311502.....279
10705034..... 161, 163	2112016 411, 413	2340038 181	3321001.....983
10837926.....929	2130404 829	2340039 197	3332011.... 457, 459, 651
10837928.....929	2130406 893	2340045 179	3391408.....817
10837929.....929	2130604 93, 901	2400600 467, 479, 491	3391410.....279
10837937.....929	2130606 ... 161, 163, 165, 405, 849	2401043 467, 479, 491	3421453.....277
1170002.....155	2130608 ... 161, 163, 405	2401258 ... 467, 479, 491	3423242..... 129, 147
1170012.....127	2130610 437	2401736 469	3423275..... 127, 145
1170021.....127	2130806 871	24921332 349, 351	3423276..... 131, 151
1170024.....129	2130808 829	2600281 277	3423307.... 145, 147, 151
1170054.....145	2130810 361, 423	2700118 257	3520028.....821
1170057.....151	2130812 893, 895	2717160 161, 163	3520072.....277
1170058.....251	2131010 423, 885	2717161 161, 163	3760170.....277
120034.....960	2131012 ... 887, 897, 937	2717162 161, 163	3760348.....807
1320239.....363, 365	2131212 ... 411, 413, 885, 887	2717283 ... 161, 163, 921	3760508..... 133, 135
1670836.....877	2131616 411	2900770 915	3820020.....277
1671326.....695	2132016 849	2902440 233, 259	3841203.... 145, 147, 151
1701509.....277	2144601 895	2902441 231, 261	3900224.....31
1702773....271, 273, 275	2144605 863, 865	2902443 1082, 1091	3900349.....979
1704277.....277	2144606 ... 371, 373, 375, 377	2903197 511, 513	3900357.... 335, 337, 975
1704885....271, 273, 275	2150404 851	2920206 1017, 1019, 1025	3900379..... 37, 39, 753
1705980.....1165	2150606 93, 851	2920207 1033	3900381.....975, 977
1706098..... 1146, 1150, 1154, 1158, 1162	2150808 853	2920208 1033	3968141.... 465, 477, 489
1706281..... 1150, 1154, 1158, 1162	2150810 423	2940074 277	3983720.....509
1706284..... 1150, 1154, 1158, 1162	2151012 93	2997103 467	3983731.... 467, 479, 491
1706285..... 1150, 1154, 1158, 1162	2151210 525, 527	3020040 99	3984301.... 467, 479, 491
1706288..... 1150, 1154, 1158, 1162	2151616 413	3043222 489	3984425..... 469, 493
1706292..... 1150, 1154, 1158, 1162	216001697, 99, 103, 109, 111, 521, 903, 905	31200160 271	3986405.....469
1706296.....1146	2160018 101	31200386 275	4010416.....1065
1706299.....1146	2170208 829	31200387 273	4010508002.....682
1706301.....1146	2170212 411, 413	31200388 273	4010510.....837
1706302.....279, 1146	2170308 893, 895	314689 99	4010608.....1067
1706306.....1146	2170406 93	3290401 ... 691, 971, 995, 997, 1037	4010608002.....667, 682, 697, 699, 701, 755
1706768.....1146	2170704 895	3290405 675, 1065, 1067	4010610002.....682, 701, 819, 821
1706850.....1146	2170706 ... 893, 895, 901	3290501 975, 977	4010612002.....669, 682, 691
1706892.....271	2170716 411	3290505 975, 977	4031504.....1071
1707078.....1146	2170908 897	3290601 ... 117, 279, 397, 399, 405, 691, 701, 734, 807, 819, 960, 999, 1005, 1007, 1017, 1019, 1033, 1035, 1067	4031607..... 61, 63, 839
1784861..... 115	2171008 897	3290605 37, 39, 429, 451, 682, 691, 1067	4031608..... 689, 979
2080040.....277	2171110 889	3290801 ... 397, 399, 411, 413, 667, 803, 1059, 1061	4031608001.....682
2080078.....665	2171208 873	3290805 35, 133, 135, 349, 363, 365, 371, 373, 375, 377, 443, 445, 525, 527, 811, 833, 861, 975, 977	4031612.....1039
2080086.....659	2171832 875	3290806 665	4031708..... 1059, 1061
2080087.....659	2172104 893, 895	3291001 35, 339, 413, 439, 441, 451, 823, 893, 895, 1065	4031708001.....693, 695
2080092..... 37, 39, 705	2172106 93, 145, 147, 151, 365, 871		4031709.....873
2110406.....859, 861	2172208 855		4031910.... 765, 767, 853
2110410.....859, 861	2220221 849		4031912..... 885, 887
2110604.....937	2220239 63		4031918.... 857, 859, 861, 891
	2220240 63		4031927..... 361
			4032010.....435, 437
			4032017.....937
			4032109.....125

SECTION 12 - RECOMMENDED SPARE PARTS

4040283 133, 135	4460892 1085	4811400.....691, 815, 971,	4812002... 349, 351, 361,
4105262 113	4460894 1073, 1074,	995, 997, 1065, 1067	363, 365, 379, 381,
4109801 1146, 1150,	1077, 1083, 1107, 1129	4811600....433, 682, 975,	383, 405, 411, 413,
1154, 1158, 1162	4460897 1074, 1078,	977, 1001, 1003, 1033,	525, 875, 937, 985, 987
4110422 ... 239, 241, 243,	1085, 1093, 1105,	1035, 1039	4812100. 29, 31, 57, 323,
249	1111, 1125, 1129	4811602001.....682	325, 349, 351, 365,
4110473 161, 163	4460899 1074, 1078,	4811700...37, 39, 93, 117,	407, 409, 519, 905,
4240127 ... 341, 343, 345,	1101, 1115, 1127	279, 335, 349, 379,	975, 977, 1033, 1035
347	4460905 1123	381, 383, 389, 391,	4812102 115
4360658 815	4460906 1106	397, 399, 407, 409,	4812300 ... 69, 71, 77, 81,
443630 115	4460911 1073, 1077	419, 423, 425, 429,	85, 89, 93, 323, 325,
4460225 1106, 1107	4460930 1107, 1119,	451, 659, 667, 691,	903
4460247 1084, 1092	1121	693, 695, 699, 701,	4812500 651
4460256 1083	4460932 1078, 1099,	734, 755, 775, 777,	4831400.. 691, 971, 1037
4460265 1106	1111, 1117, 1131	781, 789, 807, 813,	4831600 63, 979
4460267 1105, 1106	4460933 1073, 1074,	819, 821, 893, 960,	4831700 ... 429, 701, 819,
4460268 1106, 1107	1077, 1083, 1085,	999, 1005, 1007, 1017,	1005, 1007
4460343 1105, 1106,	1092, 1105, 1106	1019, 1021, 1023,	4831900 99, 731, 734,
1107	4460941 1111, 1115,	1033, 1035, 1049,1071	861
4460418 1109	1125, 1127	4811700001682, 697	4872000 1069
4460419 1109	4460942 1073, 1074,	481170229, 31, 397, 399,	4891800 145, 147, 151
4460434 1106	1077, 1085, 1091,	405, 701, 705, 807,	5201215 875
4460458 1077, 1082,	1101, 1105, 1108, 1111	813, 829, 979, 1069	5220600 1019, 1023
1109, 1131	4460943 1108, 1111,	4811702001667, 669,	5220800 985, 987
4460464 1073, 1077,	1119, 1121, 1129	682, 837	5240600.979, 1059, 1061
1083, 1091, 1097,	4460944 1074, 1083,	4811900....35, 37, 39, 41,	5240800 361, 405, 855
1099, 1101, 1105,	1084, 1090, 1091,	43, 45, 47, 49, 51, 53,	5241000 451
1108, 1111, 1115,	1101, 1106, 1107,	57, 59, 63, 93, 97, 109,	5241200 297
1117, 1119, 1121, 1131	1119, 1121, 1123	111, 335, 337, 349,	5241600 67
4460465 1073, 1074,	4460945 1074, 1085,	351, 363, 365, 371,	5242400 279
1077, 1078, 1082,	1093, 1109	373, 375, 377, 397,	5250608 747
1083, 1084, 1085,	4460950 1083, 1091	399, 407, 409, 411,	5251010 29, 31
1090, 1091, 1092,	4460970 1073, 1074,	413, 423, 425, 427,	5260800 361, 405
1099, 1101, 1105,	1077, 1083, 1091	429, 437, 443, 445,	5271609 1001, 1003
1106, 1107, 1108,	4460994 1104, 1108	525, 527, 627, 667,	5271808 887
1109, 1111, 1119,	4461006 1084, 1086,	673, 703, 711, 715,	5271814 885
1121, 1123, 1129	1093	717, 734, 763, 765,	5271919 1059
4460466 1073, 1074,	4461008 1086	767, 769, 773, 785,	5271922 887
1077, 1078, 1083,	4461015 1074, 1111	787, 803, 807, 829,	5272011 1051
1084, 1085, 1090,	4461017 1095	833, 869, 871, 873,	5272022 851
1091, 1092, 1093,	4461018 1084, 1092	885, 887, 893, 895,	70002219 925
1101, 1105, 1106,	4461054 1078, 1086,	897, 975, 977, 979,	70002224 925
1107, 1108, 1111,	1090	1003, 1005, 1007,	70002386 931
1119, 1121, 1123, 1131	4461070 1085	1017, 1031, 1057,	70002971 951
4460496960, 1009, 1011,	4461071 1082, 1091	1059, 1061	70003788 951
1013	4461072 1082, 1091	481190237, 39, 103, 379,	70003849 925
4460497960, 1009, 1011,	4461073 1082, 1091	383, 397, 399, 413,	70004280. 327, 329, 331,
1013	4461074 1082, 1091	419, 701, 703, 731,	333
4460508 1083, 1084,	4461095 1084	734, 893, 895, 975, 977	70004512 331, 333, 1170
1085, 1091, 1095	4461115 1109, 1131	4812000....29, 31, 35, 37,	70004518 331, 333
4460509 1073, 1084,	4461118 1093, 1104,	39, 57, 59, 93, 113,	70005191. 327, 329, 331,
1092	1115	339, 341, 343, 345,	333
4460536 1078, 1097	4461170 1039	347, 349, 351, 363,	70005504. 327, 329, 331,
4460539 1073, 1074,	4461174 1031	365, 373, 375, 379,	333
1077, 1082, 1084,	4461262 1077, 1078,	381, 383, 405, 407,	70005505 327, 329
1090, 1091, 1101, 1107	1107, 1108	409, 423, 429, 435,	70005507 327, 329
4460748 1082	4641237 851	437, 439, 441, 451,	70005515 327, 329
4460789 1115	4641501 165, 945	453, 525, 527, 757,	70005556 327, 329
4460836 1073, 1105,	4641502 161, 163, 165	773, 817, 819, 823,	70005559 327, 329
1119, 1121	4711400277	829, 849, 863, 865,	70005841 911
4460871 1123	471678 429, 789	881, 883, 885, 887,	70011901. 327, 329, 331,
4460884 1078, 1085,	4740532 899	889, 891, 893, 895,	333
1101, 1105, 1107, 1108	4740566 895	957, 975, 977, 985,	70020173.. 467, 479, 491
4460891 1073, 1074,	4740572 399, 423	987, 995, 997, 1027,	70020201 251, 257
1077, 1083, 1084,	4761000 983	1033, 1035, 1051,	70020202 257
1085, 1090, 1092,	4807718 665, 1170	1059, 1061, 1065,	70020203 257
1099, 1108, 1109		1067, 1069	70020204 257

SECTION 12 - RECOMMENDED SPARE PARTS

70020205.....251, 257	70021387 . 219, 241, 243, 245, 247	70022927 159, 281	70024494..327, 329, 331, 333
70020206.....251, 257	70021391 219	70022928 159	70024495..327, 329, 331, 333
70020392.....225	70021392 219	70022929 159	70024504.. 327, 329, 331, 333
70020417.....251	70021393 219	70022930 159	70024505.....329
70020421.....237	70021399 219	70022996 268	70024509..327, 329, 331, 333
70020422.....237	70021415 . 241, 243, 247, 249	70022997 157	70024519...463, 475, 487
70020438.....909	70021531 941, 943	70023000 268	70024520.....465, 477
70020506...143, 149, 153	70021558 155	70023276 159	70024521.....477
70020507...143, 149, 153	70021559 155	70023277 159	70024522...465, 477, 489
70020508...143, 149, 153	70021560 155	70023278 159	70024535.....157
70020555.....253, 255	70021561 155	70023372 911	70024536.....157
70020562.....219	70021562 155	70023380 911	70024537.....157
70020724.....281	70021563 155	70023484 221	70024538...157, 168, 268
70020725.....281	70021566 155	70023900 .. 467, 479, 491	70024539.....157, 919
70020726.....281	70021567 155	70023928 945	70024540.....157
70020728.....281, 282	70021613 493	70023929 945	70024541 157
70020730..143, 149, 153, 159	70021835 159	70024020 925	70024542.....157
70020731..143, 149, 153, 159	70021836 159	70024059 . 241, 243, 245, 247, 249	70024543.....157
70020764.....941, 943	70021838 159	70024060 245, 249	70024544.....157
70020867.....933	70021839 159	70024061 245	70024545.....157
70021140.....489, 515	70021840 159	70024062 245	70024546.....157
70021238...143, 149, 153	70021841 159	70024063 245	70024547.....919
70021239...143, 149, 153	70021842 159	70024064 245	70024548.....919
70021240...143, 149, 153	70021843 159	70024123 157, 268	70024549.....919
70021241..121, 123, 143, 149, 153, 159	70021921 . 241, 243, 245, 247, 249	70024129 927, 935	70024550.....157, 268
70021242..143, 149, 153, 282, 283	70021935 . 241, 243, 245, 247, 249	70024130 935	70024551.....157
70021243...143, 149, 153	70021977 . 241, 243, 245, 249	70024164 923	70024552.....157
70021244...143, 149, 153	70021978 . 241, 243, 245, 247, 249	70024165 923	70024553.....157
70021245...143, 149, 153	70021979 . 241, 243, 245, 247, 249	70024166 923	70024554.....157
70021246...143, 149, 153	70021980 219	70024167 923	70024555.....157
70021247...143, 149, 153	70021981 219	70024168 923, 1170	70024634.....537, 539
70021248.....143, 149	70021982 219	70024186 953	70024635.....563, 565
70021251.....719	70021988 219	70024189 953	70024638.....537
70021252.....719	70022010 929	70024210 481	70024639.....537, 539
70021314.....721, 723	70022028 . 241, 243, 245, 247, 249	70024212 481	70024641...561, 567, 575
70021316.....721, 723	70022034 719	70024262 925	70024642.....537, 539
70021317.....713	70022527 . 219, 241, 243, 249	70024306 291	70024644.....537, 539
70021318.....713	70022528 . 241, 243, 245, 247, 249	70024307 291	70024645.....537, 539
70021319.....713, 725	70022529 . 241, 243, 245, 247, 249	70024399 949	70024646...561, 567, 575
70021321.....725	70022563 911	70024400 949	70024676.....168
70021322.....713	70022564 911	70024401 949	70024677.....168
70021323.....725	70022697 .. 143, 149, 153	70024436 281, 282	70024678.....168
70021324.....725	70022765 963	70024437 281	70024679.....168
70021325.....725	70022818 83, 87	70024438 281	70024680.....168
70021326.....725	70022819 83, 87	70024439 281	70024681.....168
70021327.....725	70022821 73, 79	70024440 281	70024682.....168
70021328.....725	70022822 73	70024441 281	70024683.....168
70021330.....725	70022823 73, 79	70024442 281	70024684.....168
70021334.....1033, 1035	70022824 73	70024443 281	70024685.....168
70021341.....1033, 1035	70022825 73	70024444 281	70024686.....168
70021342...219, 241, 249	70022826 79	70024445 281	70024687.....168
70021349..241, 243, 245, 247, 249	70022831 293, 295	70024446 281	70024688.....168
70021358.....219	70022906 159	70024447 281	70024690.....168
70021359.....219	70022907 159	70024448 281	70024691.....168
70021360.....219	70022912 159	70024449 281	70024692.....168
70021361.....219	70022922 159	70024450 281	70024696.....168
70021362.....219	70022923 159	70024451 281	70024697.....168
70021364.....219	70022924 159	70024452 281	70024698.....168
70021365.....219	70022925 159	70024453 281	70024699.....168
70021366.....219		70024454 281	70024701.....168
70021367.....219		70024455 281	70024702.....168
		70024456 281	70024703.....168
		70024480 . 327, 329, 331, 333	70024706.....168
		70024485 . 327, 329, 331, 333	

SECTION 12 - RECOMMENDED SPARE PARTS

70024707	168	70025367	559	70025444	557	70025520	541, 559
70024708	168	70025368	559	70025445	543	70025522	549
70024709	168	70025369	559	70025446	543	70025523	559
70024711	168	70025370	559	70025447	543, 545	70025524 ..	533, 535, 577
70024712	168	70025371	559	70025448	543, 545	70025525 ..	533, 535, 577
70024713	168	70025372	559	70025449	543	70025526	533, 553
70024714	168	70025373	559	70025450	545	70025527	533
70024715	168	70025374	559	70025451	541	70025528	533
70024716	168	70025375	559	70025452	549	70025529	533, 577
70024720	168	70025376	559	70025453	533, 1170	70025533	331, 333
70024721	168	70025377	559	70025455	571, 573	70025535 ..	327, 329, 331, 333, 1170
70024724	168	70025378	559	70025456	571, 573	70025539	721, 723
70024731	168	70025379	559	70025457	571, 573	70025549 ..	467, 479, 491
70024733	169	70025380	559	70025459	549	70025562 ..	467, 479, 491
70024734	169, 927	70025382	535, 559	70025460	559	70025567 ..	467, 479, 491
70024744	168	70025383	535	70025461	559	70025568	469
70024745	169	70025387	555	70025462	559	70025569	515
70024748	169	70025388	555	70025463	549	70025570	515
70024749	169	70025389	555	70025464	549	70025606	925
70024750	169	70025390	555	70025465	559	70025644	401, 403
70024752	169	70025391	555	70025466	571, 573	70025810	491
70024753	169	70025392	535	70025467	559, 575	70025816	805
70024754	169	70025393	535	70025468	559	70025817	805
70024755	169	70025394	559	70025469	541, 569	70025819 ..	467, 479, 491
70024756	169	70025397	535	70025470	541	70025821 ..	511, 513, 517
70024757	169	70025398	535	70025471	575	70025822 ..	511, 513, 517
70024758	169	70025400	543	70025472	559	70025823 ..	469, 481, 493
70024765	169	70025401	543, 547	70025476	557	70025842 ..	471, 483, 495
70024766	169	70025402	545	70025478 ..	331, 333, 1170	70025850	387, 1170
70024767	169	70025403	545	70025483	719	70025851	387, 1170
70024768	169	70025404	545	70025485	719	70025852	385, 1170
70024770	169	70025406	545	70025486	719	70025853	385, 1170
70024771	169	70025407	545, 551	70025489	719	70025859	809
70024772	169	70025408	545, 559	70025490	719	70025860	809
70024773	169	70025409	545	70025491	719	70025959	925
70024774	169	70025410	545	70025493 ..	537, 539, 545	70026011 ..	327, 329, 331, 333
70024775	169	70025411	545	70025494 ..	557, 561, 563, 565, 567	70026018	159
70024776	169	70025412	545	70025495 ..	563, 565, 575	70026031 ..	465, 477, 489
70024777	169	70025413	545	70025496 ..	537, 539, 547, 551	70026056	925
70024778	169	70025414	545	70025497 ..	557, 559, 561, 563, 565, 567	70026057	925
70024779	169	70025415	545	70025498 ..	537, 539, 543, 545, 547	70026058	925
70024780	169	70025416	545	70025499 ..	557, 561, 567	70026059	925
70024781	169	70025417	545	70025500 ..	557, 561, 567	70026060	925
70024782	169	70025418	545	70025501 ..	557, 561, 567	70026061	925
70024783	169	70025419	545	70025502 ..	557, 561, 567	70026062	925
70024784	169	70025420	545	70025503	537, 539	70026068	469, 513
70024785	169	70025421	557	70025504 ..	537, 539, 545, 547, 559	70026069	469, 511
70024786	169	70025423	547	70025505	537, 559	70026210 ..	327, 329, 331, 333
70024787	168	70025424 ..	543, 545, 547	70025506 ..	561, 563, 565, 567	70026262	481
70024788	168	70025425	547	70025507	537	70026292	965
70024918 ..	327, 329, 331, 333	70025426	547	70025508	543, 559	70026293	967
70024920	327, 329	70025427	551	70025509	557, 559	70026294	981
70024961	327	70025428	551	70025510	535	70026295	981
70024965	437	70025429 ..	543, 545, 547	70025511	533	70026296	981
70025012	479	70025430	557, 577	70025512	533	70026297	981
70025014	479	70025431	547	70025513	559	70026308	911
70025153	329	70025432 ..	543, 545, 547	70025514	533	70026313	931
70025205 ..	327, 329, 331, 333	70025433 ..	543, 545, 547	70025515	557	70026333	931
70025360	559	70025435	545, 547	70025516	557	70026347	268
70025361	559	70025436	545, 547	70025517	557	70026361	831
70025362	559	70025437 ..	543, 545, 547	70025518	557	70026362	831
70025362	559	70025438 ..	543, 545, 547			70026363	831
70025363	559	70025439 ..	543, 545, 547			70026364	831
70025364	559	70025440 ..	543, 545, 547			70026365	831
70025365	559	70025441	547				
70025365	559	70025442	545, 547				
70025366	559	70025443	557				

SECTION 12 - RECOMMENDED SPARE PARTS

70026366.....	831	70026617.....	935	70027037.....	369	70027348.....	543
70026367.....	831	70026618.....	935	70027096.....	929	70027349.....	547
70026370.....	929	70026619.....	935	70027128.....	929	70027350.....	557
70026371.....	929	70026620.....	935	70027129.....	929	70027352.....	571, 573
70026372.....	929	70026621.....	935	70027130.....	929	70027353.....	571, 573
70026373.....	929	70026623.....	481	70027131.....	929	70027354.....	575
70026374.....	929	70026631..	465, 477, 489	70027132.....	929	70027356.....	537
70026375.....	929	70026698..	241, 243, 247, 249	70027133.....	929	70027357.....	561
70026376.....	929	70026702.....	247	70027134.....	929	70027358.....	545
70026377.....	929	70026717.....	447	70027135.....	929	70027359.....	545
70026382.....	929	70026718.....	447	70027136.....	929	70027361.....	571
70026393.....	385	70026719.....	447, 449	70027137.....	929	70027362.....	541, 571
70026394.....	385	70026720.....	447, 449	70027138.....	929	70027363.....	541, 573
70026395.....	387	70026721.....	447, 449	70027139.....	929	70027364.....	545
70026396.....	387	70026722.....	447, 449	70027140.....	929	70027365.....	545
70026470.....	268	70026723.....	447, 449	70027141.....	929	70027366.....	577
70026471.....	268	70026724.....	447, 449	70027174.....	75	70027367.....	563
70026472.....	268	70026725.....	449	70027175.....	75	70027368.....	539
70026473.....	268	70026726.....	449	70027176.....	91	70027369.....	539
70026476.....	268	70026727.....	449	70027177.....	91	70027370.....	539
70026478.....	935	70026745.....	253	70027178.....	91	70027371.....	539
70026481.....	268	70026746.....	253	70027179.....	171, 173	70027373.....	539, 565
70026482.....	268	70026749..	463, 475, 487	70027180.....	189, 193	70027374.....	561, 567
70026495.....	927	70026770.....	921	70027199.....	403	70027375.....	539, 567
70026497.....	927	70026771.....	921	70027200.....	403	70027376... 537, 539, 559	
70026499.....	927	70026773.....	921	70027201.....	403	70027382.....	535
70026500.....	927	70026774.....	921	70027202.....	401, 403	70027387..	541, 561, 563, 565, 567
70026501.....	268, 927	70026775.....	921	70027203.....	401, 403	70027388.....	559
70026502.....	927	70026777.....	929	70027204.....	401, 403	70027389.....	571, 573
70026503.....	927	70026808..	471, 483, 495	70027205.....	401	70027392.....	713, 721
70026505.....	927	70026817.....	479	70027206.....	401	70027393.....	721
70026506.....	927	70026818..	467, 479, 491	70027207.....	401	70027394.....	721, 723
70026537.....	809	70026819..	471, 483, 495	70027208.....	401	70027395.....	713
70026543.....	911	70026820..	471, 483, 495	70027225.....	911	70027396.....	723
70026582.....	933	70026821.....	501	70027234.....	915	70027397.....	723
70026585.....	268	70026822.....	491	70027235.....	915	70027403.327, 329, 1170	
70026586.....	268	70026823.....	493, 517	70027267.....	939	70027404.....	327, 329
70026587.....	268, 927	70026824.....	467, 479	70027268.....	939	70027405.....	327, 329
70026588.....	268	70026826..	471, 483, 495	70027269.....	939	70027417..	327, 329, 331, 333, 1170
70026589.....	268, 935	70026827..	467, 479, 491, 501	70027270.....	939	70027595.....	953
70026590.....	268	70026843.....	909	70027271.....	939	70027596.....	943
70026591.....	268	70026844.....	909	70027287.....	1033, 1035	70027600.....	885
70026592.....	268	70026845.....	909	70027291.....	155, 217	70027604.....	143, 149
70026593.....	268	70026846.....	909	70027293.....	223, 263	70027605.....	143, 149
70026594.....	268	70026847.....	909	70027294.....	223, 263	70027606..	121, 123, 143, 149, 153
70026595.....	268	70026848.....	909, 1170	70027295.....	263	70027607..	121, 123, 143, 149, 153
70026596.....	268	70026950.....	467	70027296.....	223, 263	70027608.....	153
70026597.....	268	70026965.....	947	70027297.....	223, 263	70027631.....	139
70026598.....	268	70026966.....	947	70027298.....	223, 263	70027657..	327, 329, 331, 333, 1170
70026599.....	268	70026967.....	947	70027302.....	223, 263	70027658.....	123, 153
70026600.....	268	70026968.....	947	70027324.....	263	70027659.....	121
70026601.....	268	70026969.....	947	70027325.....	223	70027660.....	569
70026602.....	268	70026970.....	947	70027326.....	223	70027661.....	553
70026603.....	268	70026971.....	947	70027328..	543, 547, 575	70027663... 533, 535, 577	
70026604.....	268	70026972.....	947	70027331.....	533	70027664.....	559
70026605.....	268	70026973.....	947	70027332.....	553	70027665.....	559
70026606.....	268	70026974.....	947	70027337.....	575, 577	70027666.....	535
70026607.....	268	70026975.....	947	70027338.....	575, 577	70027667.....	535
70026608.....	268	70026976.....	947	70027339..	545, 575, 577	70027668.....	559
70026609.....	268	70026997.....	421	70027340.....	559	70027669.....	575
70026610.....	927	70027000.....	931	70027341.....	533	70027670.....	535
70026611.....	927	70027001.....	931	70027342.....	537	70027671.....	541
70026612.....	935	70027002.....	931	70027343.....	537		
70026613.....	935	70027003.....	931	70027344.....	545, 547		
70026614.....	935	70027004.....	951	70027345.....	535		
70026615.....	935	70027008.....	367	70027346.....	559		
70026616.....	935	70027009..	241, 243, 247	70027347.....	549		

SECTION 12 - RECOMMENDED SPARE PARTS

70027672	539	70027997	281, 282	70029743.....	287	7028915	215, 217
70027673	539	70027998	281	70029747.....	287	7028916	215, 217
70027674	539	70027999	281	70029750.....	287	7028917	215, 217
70027675	539	70028000	281	70029756.....	287	7028918... 215, 217, 223,	
70027676	535	70028001	281	70029762.....	287	263	
70027677	571, 573	70028002	281, 282	70029777.....	287	7028919	215, 217
70027678	569	70028003	281	70029780.....	287	7028920	215, 217
70027679	569	70028004	281	70029781.....	287	7028923	215, 217
70027680	541	70028005	281	70029785.....	287	7028982	215, 217
70027681 .. 543, 545, 547		70028006	281, 282	70029792.....	287	7028983	215, 217
70027682	535	70028007	281, 282	70029794.....	287	7028984 ... 215, 217, 221	
70027707	533, 555	70028008	281	70030327.....	909	7028985	215
70027708	537	70028009	282	70030364.....	495	7028986	221, 223
70027709	537	70028010	282	70031031...201, 203, 205,		7028987	221
70027711 .. 533, 537, 557		70028011	282	207		7028988	221, 223
70027712	537, 563	70028012	282	70031032.....	209	7028989	221
70027713	537, 561	70028013	282	70031442.....	268	7028990	215, 217
70027714	533, 559	70028014	282	70031443.....	161	7028991	215, 217
70027715 .. 529, 531, 547		70028015	282	70031445.....	243, 249	7028995	217
70027716 .. 529, 531, 551		70028016	282	70031446.....	219	7029124	221
70027717 .. 529, 531, 543		70028017	282	70031448.....	268	7029129	497
70027718 .. 529, 531, 545		70028018	282	70050475.....	929	7029131	497, 515
70027719 .. 529, 531, 549		70028019	282	70050481.....	929	7029344	259, 261
70027720 .. 529, 531, 541		70028020	282	70050503.....	929	7029345	233, 259
70027721 .. 529, 531, 535		70028021	282	70050801.....	911	7029346	233, 259
70027722	529, 537	70028022	282	70051155.....	929	7029347	233, 259
70027723 .. 529, 531, 533		70028023	282	7012903.....	951	7029348	233, 259
70027725	531, 539	70028024	282	7012998.....	931, 951	7029349	233, 259
70027730	915	70028025	282	7013903.....	929	7029350	233, 259
70027731	915, 1170	70028026	282	7016331....327, 329, 331,		7029351	233, 259
70027732	915	70028027	282	333, 1170		7029352	233, 259
70027733	915	70028028	159, 282	7020442....327, 329, 331,		7029353	259, 261
70027734	915	70028029	282	333		7029354	259, 261
70027743	911	70028030	282	7020465....327, 329, 331,		7029355	259, 261
70027744	911	70028031	159, 282	333		7029356 221, 259, 261	
70027745	911	70028032	282	7021653.....	931	7029357	261
70027746	911	70028033	282	7022391.....	951	7029427 465, 477, 489	
70027747	911, 1170	70028034	282	7022730.....	561, 567	7029428	467, 491
70027773	289	70028035	282	7024947.....	953	7029429	491
70027774	289	70028036	282	7028038.....	469	7029430 467, 479, 491	
70027775	289	70028037	282	7028039.....	469	7029432 ... 467, 479, 491,	
70027776	289	70028038	282	7028043.....	489	509	
70027777	289	70028039	282	7028115....467, 479, 491		7029433	469
70027778	289	70028040	282	7028125.....	221	7029486... 693, 695, 889,	
70027779	289	70028041	282	7028126.....	221	891, 1135	
70027780	289	70028042	282	7028127....221, 223, 263		7029520	255
70027781	289	70028043	282	7028128.....	221	7029521	255
70027782	289	70028044	282	7028129.....	221	7029692 219, 241, 249	
70027783	289	70028045	282	7028130.....	221	7029714	219
70027784	289	70028046	282	7028131....215, 217, 221,		7029749	221
70027785	289	70028047	282	223, 263		7029767	719
70027786	289	70028087	282	7028132.....	221	7029786	469, 493
70027787	289	70028436	263	7028133.....	221	7029788	481
70027788	289	70028546	1115	7028134.....	221	7029969	1033, 1035
70027789	289	70028978	159	7028135.....	221	7029970	1033, 1035
70027790	247	70028979	159	7028136.....	155	7029971	1033, 1035
70027791	289	70028980	159	7028137.....	155	7139918	161, 163
70027792	289	70029011	155, 217	7028710....465, 477, 497		7300435	323, 325
70027793	289	70029012	155	7028733....467, 479, 491,		7301295	161
70027794	289	70029013	155	507		7301568	163
70027990	281	70029725	287	7028734.....	481	7301893	985, 987
70027991	281	70029734	287	7028735.....	481	77133140.. 859, 861, 873	
70027992	281	70029735	287	7028910....215, 217, 221		77133168	873
70027993	281	70029738	287	7028911.....	215, 217	77133177	859, 861
70027994	281	70029739	287	7028912.....	215, 217	77363244	1082
70027995	281, 282	70029740	287	7028913.....	215, 217	8000759	665
70027996	281	70029742	287	7028914.....	215	8000803	667

SECTION 12 - RECOMMENDED SPARE PARTS

8000877.....467, 479, 491	80604017..... 1129	8420055 ... 145, 147, 151, 157, 161, 163, 243, 245	91474540.....465, 477
8002798.....469	80604018..... 1083, 1090, 1092	8420231 407, 409	91474541.....465, 477
8004398.....665	80604021..... 1085	8430032 901	91474542.....477
8004468.....467, 479, 491, 503, 505	806253 627	8430033 901	91474543.....465, 477
8005079.....519	806264 627	8466306 799, 1154	91474547...465, 477, 489
8005616..... 1146, 1150, 1154, 1158, 1162	80963067 1082	8630003 161, 163	91474549.....497
8005671..... 1150, 1154, 1158, 1162	80983191.. 965, 967, 969	8760550 93	91474550.....497, 515
8005675..... 1150, 1154, 1158, 1162	8200124 1085	8769124 859, 861	91474551.....497, 515
8005825.....603	8220043 1095	8770143 93	91474553.....497, 515
8005827.....591, 609, 621	8220051 1104	8770167 869	91474559.....481
8005870..... 1146, 1150, 1154, 1158, 1162	8220097 1082	8770175 895	91474560.....481
8005901.....695	8220098 1082	88662434 863	91474561.....481
8006605.....467, 479, 491	8220108 1082	88671001 .. 145, 147, 151	91474564.....481
8006612..... 1146, 1150, 1154, 1158, 1162	8220114 1073, 1101	8881800 975	91474565.....481
8007749.....465, 477	8220115 1082	90200003 . 127, 129, 131, 145, 147, 151, 161, 163	91474568... 469, 481, 493
8007751.....497	8220124 1093	90201309 929	91474570.....481
8007771.....467, 479, 491	8229242 . 965, 967, 1082, 1093	90451058 161, 163	91474571.....481
8007774.....467, 479, 503	8229244 .. 969, 981, 1082	90554016 . 219, 241, 243, 245, 247, 249, 253	91474572.....481
8007775.....491	8229245 .. 965, 981, 1082	90554017 219	91474573.....481
8007777.....467, 479, 505	8229247 .. 967, 981, 1082	90554018 219, 245	91474579.....467, 509
8007779.....467, 479, 491	8270147 985, 987	90554019 289	91474580.....509
8007780.....467, 479, 491	8275212 349, 351	90554020 . 241, 243, 245, 247, 249, 289	91474583... 467, 479, 491
8007782.....467, 479, 491	8303634 161, 163	90554042 . 241, 243, 245, 247, 249, 289	91474584... 467, 479, 491
8007785.....469	8303658 161, 163	90554054 . 241, 243, 245, 247, 249, 289	91474585.....501
8007786.....469	8305438 113	90554062 219, 249	91474586.....501
8007788.....469	8305624 161, 163	90554065 219	91474587.....501
8007802.....469	8305643 161, 163	90554067 289	91474591.....465, 477
8008168.....469	8305919 ... 29, 31, 37, 39, 682, 701, 705	90554070 289	91474593.....515
8008169.....469	8310302 161, 163	90554076 219, 249	91474595.....515
8008175.....471, 483, 495	8310435 161, 163	90554080 255	91504107..... 1083, 1129
8008657..... 1150, 1154, 1158, 1162	8310559 679	91013191 1077	91514082... 467, 479, 491
80204005...463, 475, 487, 499	8380008 245	91013192 1074	91514083.....479
80204060.....481	8405006 ... 341, 343, 345, 347, 879, 889, 891	91043147 525, 527	91514084.....479
80204065...467, 479, 507	8405007 443, 445	91044238 929	91514098... 463, 475, 487
80204071...467, 479, 491	8405009 427, 807	91163268 349	91514099... 467, 479, 491
80204108.....481	8405104 407, 409	91403413 . 145, 147, 151, 157, 161, 163, 243, 245, 269	91514117... 467, 479, 507
80204117...469, 479, 481, 491, 493	8405201 ... 407, 409, 682, 685	91403414 . 145, 147, 151, 157, 161, 163, 243, 245, 269	91514119... 467, 479, 491
80204281...469, 481, 493	8405202 407, 409	91474507 . 463, 467, 475, 479, 487, 491	91514120... 467, 479, 491
80233218.....881	8405301 875	91474512 .. 463, 475, 487	91514123... 465, 477, 489
80264002.....721, 723	8405402 ... 389, 391, 393, 395	91474513 . 463, 467, 475, 479, 487, 491	91514134... 465, 477, 489
80264004.....721, 723	8405502 885, 887	91474522 .. 471, 483, 495	91514146.....499
80333151.....879	8406105 363	91474529 .. 465, 477, 489	91514147.....499
8034697.....929	8406302 ... 407, 409, 413, 443, 445, 975, 977	91474533 .. 465, 477, 489	91514148.....499
8035835.....929	8410009 ... 439, 441, 881, 883	91474535 465, 477	91514149.. 467, 479, 491, 499
80363179..... 1083, 1091	8410011 ... 389, 391, 393, 395	91474536 465, 477	91514154... 469, 481, 493
80363195.....785	8410013 ... 341, 343, 345, 347, 363, 365, 439	91474537 465, 477	91514159.....481
8036533.....929	8420053... 145, 147, 151, 157, 161, 163, 243, 245	91474538 465, 477	91514165.. 481, 511, 513, 517
8036580.....951		91474539 .. 465, 477, 489	91514188.. 463, 467, 475, 479, 487, 491
8036733.....921			91514189... 467, 479, 491
80604016..... 1083, 1084, 1085, 1092			91554019..... 1084, 1090, 1091
			91554022..... 1083, 1091
			91574001.....923
			AU2105..... 1146, 1150, 1154, 1158, 1162
			E000269 1065



31211268



An Oshkosh Corporation Company

Corporate Office
JLG Industries, Inc.
1 JLG Drive
McConnellsburg, PA 17233-9533
USA

+1-717-485-5161 (Corporate)
+1-877-554-5438 (Customer Support Toll Free)
+1-717-485-6417

JLG Worldwide Locations

JLG Industries
358 Park Road
Regents Park
NSW 2143
Sydney 2143
Australia
+6 (12) 87186300
+6 (12) 65813058
Email: techservicesaus@jlg.com

JLG Ground Support Oude
Bunders 1034
Breitwaterstraat 12A
3630 Maasmechelen
Belgium
+32 (0)89 84 82 26
Email: emeaservice@jlg.com

JLG Latino Americana LTDA
Rua Antonia Martins Luiz, 580
Distrito Industrial Joao Narezzi
Indaiatuba-SP 13347-404
Brasil
+55 (19) 3936 7664 (Parts)
+55 (19) 3936 9049 (Service)
Email: comercialpecas@jlg.com
Email: servicosa@jlg.com

Oshkosh-JLG (Tianjin)
Equipment Technology LTD
Shanghai Branch
No 465 Xiao Nan Road
Feng Xian District
Shanghai 201204
China
+86 (21) 800 819 0050

JLG Industries Dubai
Jafza View
PO Box 262728, LB 19
20th Floor, Office 05
Jebel Ali, Dubai
+971 (0) 4 884 1131
+971 (0) 4 884 7683
Email: emeaservice@jlg.com

JLG France SAS
Z.I. Guillaume Mon Amy
30204 Fauillet
47400 Tonniens
France
+33 (0) 553 84 85 86
+33 (0) 553 84 85 74
Email: pieces@jlg.com

JLG Deutschland GmbH
M Planck Str. 21
27721 Ritterhude-Ihlpohl
Germany
+49 (0) 421 69350-0
+49 (0) 421 69350-45
Email: german-parts@jlg.com

JLG Equipment Services Ltd.
Rm 1107 Landmark North
39 Lung Sum Avenue
Sheung Shui N. T.
Hong Kong
+(852) 2639 5783
+(852) 2639 5797

JLG Industries (Italia) S. R. L.
Via Po, 22
IT-20010 Pregnana Milanese (MI)
Italy
+39 (0) 2 9359 5210
+39 (0) 2 9359 5211
Email: ricambi@jlg.com

JLG EMEA B.V.
Polaris Avenue 63
2132 JH Hoofddorp
The Netherlands
+31 (0) 23 565 5665
Email: emeaservice@jlg.com

JLG NZ Access Equipment & Services
2B Fisher Crescent
Mt Wellington 1060
Auckland, New Zealand
+6 (12) 87186300
+6 (12) 65813058
Email: techservicesaus@jlg.com

JLG Industries
Vahutinskoe shosse 24b
Khimki,
Moscow Region 141400
Russia Federation
+7 (499) 922 06 99
+7 (499) 922 06 99

Oshkosh-JLG Singapore
Technology Equipment P te Ltd.
35 Tuas Avenue 2
Jurong Industrial Estate
Singapore 639454
+65 6591 9030
+65 6591 9045
Email: SEA@jlg.com

JLG Iberica S. L.
Trapadella, 2
Pol. Ind. Castellbisbal Sur
08755 Castellbisbal
Barcelona
Spain
+34 (0) 93 772 47 00
+34 (0) 93 77 117 62
Email: parts_iberica@jlg.com

JLG Sverige AB
Enkopingsvagen 150
17627 Jarfalla
Sweden
+46 (0) 8 506 595 00
+46 (0) 8 506 595 27
Email: nordicsupport@jlg.com

JLG Industries (UK) Ltd.
Bentley House
Bentley Avenue
Middleton, Greater Manchester
M24 2GP
United Kingdom
+44 (0) 161 654 1000
+44 (0) 161 654 1003
Email: ukparts@jlg.com

www.jlg.com