



Illustrated Parts Manual

Models
E300AJ
E300AJP

SN 0300138358
THROUGH 0300211843

3121254

June 18, 2018 - Rev S

ANSI

CE



An Oshkosh Corporation Company

REVISION LOG

October 15, 2009 - A - Original Issue Of Manual (Edited to B/M 0010720 Revision 4)
October 25, 2010 - B - Revised Manual (Edited to B/M 0010720 Revision 9)
March 16, 2011 - C - Revised Manual (Edited to B/M 0010720 Revision 12)
June 10, 2011 - D - Revised Manual (Edited to B/M 0010720 Revision 12)
September 16, 2011 - E - Revised Manual (Edited to B/M 0010720 Revision 13)
November 29, 2011 - F - Revised Manual (Edited to B/M 0010720 Revision 13)
March 20, 2012 - G - Revised Manual (Edited to B/M 0010720 Revision B)
July 10, 2012 - H - Revised Manual (Edited to B/M 0010720 Revision C)
October 10, 2012 - I - Revised Manual (Edited to B/M 0010720 Revision D)
February 12, 2013 - J - Revised Manual (Edited to B/M 0010720 Revision E)
May 2, 2013 - K - Revised Manual (Edited to B/M 0010720 Revision H)
August 6, 2013 - L - Revised Manual (Edited to B/M 0010720 Revision H)
November 4, 2013 - M - Revised Manual (Edited to B/M 0010720 Revision H)
October 6, 2014 - N - Revised Manual (Edited to B/M 0010720 Revision L)
July 31, 2015 - O - Revised Manual (Edited to B/M 0010720 Revision S)
September 30, 2015 - P - Revised Manual (Edited to B/M 0010720 Revision S)
March 25, 2016 - Q - Revised Manual (Revision 1)
March 31, 2017 - R - Revised Manual
June 18, 2018 - S - Revised Manual

GENERAL INFORMATION

SECTION 6 CYLINDER

FIGURE 6-3. LIFT CYLINDER ASSEMBLY

PG# Model Designation Manual #

ITEM #	PART NUMBER	QTY.	DESCRIPTION	REV.
	1001140104	Ref	LIFT CYLINDER ASSEMBLY	B
1	0100011	AR	Compound, Locking	
2	0630535	3	Capscrew 1/4-20 x 1-1/8	
3	0791003	1	Screw #10-24 x 3/8	
4	0961897	1	Bushing, Tapered	
5	1320136	1	Clamp, Cable	
6	1663063	1	Head	
7	2220893	1	Plug, O-Ring	
8	2220885	2	Plug, O-Ring	
9	2220886	1	Plug, O-Ring	
10	3020039	AR	Lubricant	
11	3480282	1	Piston	
12	3760371	1	Ring, Washer	
13	3931420	8	Capscrew 1/4-20 x 1-1/4	
14	3931824	8	Capscrew 1/2-13 x 1-1/2	
15	3951003	1	Setcrew #10-24 x 3/8	
16	4100099	1	Spacer	
17	4640999	1	Cartridge, Holding Valve (Non Vented)	
17	2900792	1	Kit, Seal - 4640999 Cartridge Valve	
18	4641248	1	Cartridge, Counterbalance Valve (Non Vented)	
18	70004186	1	Kit, Seal - 4641248 Cartridge Valve	
19	1001117991	1	Sensor, Cylinder Length	
20	1001118070	1	Cap, Retainer	
21	1001118084	1	Barrel	
21A	0961950	2	Bushing	
22	1001118086	1	Rod	
22A	0961950	2	Bushing	
100	1001139996	1	Kit, Seal (Includes Items 101-109)	
101	See Note	2	Ring, Wear (Note: Use p/n 1001139996)	
102	See Note	1	Ring, Back-Up (Note: Use p/n 1001139996)	
103	See Note	2	Ring, Lock (Note: Use p/n 1001139996)	
104	See Note	2	Ring, Back-Up (Note: Use p/n 1001139996)	
105	See Note	2	O-Ring (Note: Use p/n 1001139996)	
106	See Note	1	O-Ring (Note: Use p/n 1001139996)	
107	See Note	1	Seal (Note: Use p/n 1001139996)	
108	See Note	1	Wiper, Rod (Note: Use p/n 1001139996)	
109	See Note	2	Seal (Note: Use p/n 1001139996)	
200	1001119105	1	Kit, Sensor Magnet (Includes Items 201-203)	
201	See Note	NSS	Sleeve, Spacer (Note: Use p/n 1001119105)	
202	1001118066	1	Magnet, Sensor	
203	1001118069	1	Spring, Internal Retaining	

Manual # Model Designation PG#

1) MACHINE IDENTIFICATION

Machines are identified by model and in some cases a combination of models, serial number (SN) or regional standard (i.e. ANSI, CE, CSA). Components may also be identified by SN or manufacturer. Common components that may be identified by these characteristics are engines and hydraulic components.

2) PARTS MANUAL ORGANIZATION

Product information in this manual is organized under section titles. Frame, Cylinder, Hydraulic and Electrical are a few examples. Each section is organized by figure and page number. The information within the Figure is then organized by item number, part number, description and corresponding illustration (s).

3) TABLE OF CONTENTS

A table of contents is found toward the beginning of the manual. Figure number, description and page number are provided for quick reference to the page containing the related information.

4) RECOMMENDED SPARE PARTS

The Recommended Spare Parts, located near the end of the manual, reference most frequently used maintenance parts.

5) PART NUMBER INDEX

A numerical index listing all part numbers and the corresponding page number(s) appears at the back of the manual.

GENERAL INFORMATION

6) NON-SERVICED PARTS

In some instances, it is necessary to display non-serviced parts, assemblies or installations. In the case of assemblies and installations there will be a Ref in the Qty column. In case of parts that are not available for service within assemblies or components, there will be a NSS (Not Sold Separately) or NLA (No Longer Available) listed in the Qty. column of the manual.

7) PARTS LIST ITEM NUMBERS

Numbers shown in the item# column correspond to numbers used in the associated illustration (s). Item numbers which are missing from the sequence in the parts list are not used on that page

8) INDENTED PARTS DESCRIPTION

An indented part description is included in the item under which it is indented.

9) ABB REVIATION AND SYMBOLS

AC.....	.. Alternating Current	LCD Liquid Crystal Display
ADE.....	..Advanced Design Electronics	LED Light Emitting Diodes
ANSIAmerican National Standards Institute	LH.....	.. Left Hand
AR.....	..As Required	LSSLoad Sensing System
ASSY Assembly	M(m).....	.. Metric/Meter
AUX.....	..Auxiliary	MM (mm)Milimeter
AWG.....	..American WireGauge	mA.....	.. Miliamps
B/M.....	.. Bill of Material	NLA.....	..No Longer Available
CE.....	..European Conformity	NPT National Pipe Threads
CCWCounter Clockwise	NSSNot So Id Separately
cm.....	..Centimeter	OD.....	..Outside Diameter
CWClockwise	ORB.....	.. O-Ring Boss
CSA.....	..Canadian Standards Association	ORFS.....	.. O-Ring Face Seal
CYL.....	..Cylinder	OZ (oz)Ounces
DIA.....	..Diameter	PGPage
DC.....	..Direct Current	P/N.....	..Part Number
EMS Emergency Stop	qt.....	..Quarts
ENGEngine	QTY.....	..Quantity
FT (ft).....	..Feet	REFReference
GA (Ga).....	..Gauge	REVRevision Level
HYD.....	..Hydraulic	RH.....	.. Right Hand
Hz.....	..Hertz	SAE.....	.. Society of Automotive Engineers
ID.....	..Inside Diameter	SN.....	..Serial Number
in.....	..inches	SPEC(S).....	..Specifications
ISOInternational Organization for Standards	T/T.....	..Turntable
JIC.....	..Joint Industry Council	UGMUniversal Ground Module
KGKilogram	V.....	..Volts
L.....	..Liter	W.....	..Watts
LB.....	..Pounds	#.....	..Number

10) ILLUSTRATION REFERENCE LETTERS

When necessary, illustrations may contain reference letters that are intended to track information (i. e. hoses, harnesses) from one point to another or to track visual enlargement of components to show details that may be located in another area on the illustration.

Note: Due to continuous product improvements, JLG Industries, Inc. reserves the right to make specification changes without prior notification. Contact JLG Industries, Inc. for updated information.

TABLE OF CONTENTS

SECTION 1 - FRAME.....	9
FIGURE 1-1. STEER INSTALLATION.....	10
FIGURE 1-2. TIRE AND WHEEL DRIVE INSTALLATION	12
FIGURE 1-3. DRIVE HUB ASSEMBLY	14
FIGURE 1-4. DRIVE MOTOR ASSEMBLY	18
FIGURE 1-5. ELECTRICAL COMPONENTS INSTALLATION (FRAME MOUNTED).....	20
FIGURE 1-6. BATTERY BOX INSTALLATION	24
FIGURE 1-7. FRAME COVERS INSTALLATION	26
FIGURE 1-8. INVERTER INSTALLATION (OPTIONAL).....	28
SECTION 2 - TURNTABLE	31
FIGURE 2-1. CONTROL VALVES AND TANK/MOTOR INSTALLATIONS	32
FIGURE 2-2. MAIN CONTROL VALVE ASSEMBLY	36
FIGURE 2-3. BOOM FUNCTION VALVE ASSEMBLY	38
FIGURE 2-4. TURNTABLE BEARING AND SWING DRIVE INSTALLATION.....	40
FIGURE 2-5. TURNTABLE BEARING ASSEMBLY	42
FIGURE 2-6. SWING MOTOR ASSEMBLY	44
FIGURE 2-7. GROUND CONTROL BOX ASSEMBLY	46
FIGURE 2-8. ELECTRICAL COMPONENTS INSTALLATIONS	52
FIGURE 2-9. HOODS INSTALLATION - ABS (SN 0300138358 through 0300194887)	56
FIGURE 2-10. HOOD INSTALLATION - STEEL (SN 0300194887 through 0300211843)	58
SECTION 3 - BOOM	61
FIGURE 3-1. BOOM AND CYLINDERS INSTALLATION.....	62
FIGURE 3-2. TOWER BOOM ASSEMBLY	66
FIGURE 3-3. MAIN BOOM ASSEMBLY	68
FIGURE 3-4. JIB ASSEMBLY AND PLATFORM SUPPORT INSTALLATION	72
FIGURE 3-5. PLATFORM ROTATOR ASSEMBLY	76
FIGURE 3-6. JIB SWING ROTATOR ASSEMBLY (E300AJP ONLY)	78
FIGURE 3-7. PLATFORM SUPPORT INSTALLATION - WITH LSS.....	80
FIGURE 3-8. CABLE, CLAMPS AND LIMIT SWITCHES INSTALLATION.....	84
SECTION 4 - PLATFORM.....	87
FIGURE 4-1. PLATFORM ASSEMBLY	88
FIGURE 4-2. PLATFORM CONSOLE ASSEMBLY - WITHOUT SKYGUARD	92
FIGURE 4-3. PLATFORM CONSOLE ASSEMBLY - WITH SKYGUARD	96
FIGURE 4-4. CONTROLLER ASSEMBLY (DRIVE AND STEER) (SN 0300138358 through 0300147070)	100
FIGURE 4-5. CONTROLLER ASSEMBLY (DRIVE AND STEER) (SN 0300147071 through 0300194239)	102
FIGURE 4-6. CONTROLLER ASSEMBLY (DRIVE AND STEER) (SN 0300194240 through 0300211843)	104
FIGURE 4-7. CONTROLLER ASSEMBLY (SWING AND LIFT) (SN 0300138358 through 0300147070).....	106
FIGURE 4-8. CONTROLLER ASSEMBLY (SWING AND LIFT) (SN 0300147071 through 0300194239).....	108
FIGURE 4-9. CONTROLLER ASSEMBLY (SWING AND LIFT) (SN 0300194240 through 0300211843).....	110
FIGURE 4-10. SKYGUARD SYSTEM INSTALLATION.....	114
FIGURE 4-11. CROSS RAIL INSTALLATION.....	116
FIGURE 4-12. PIPE RACKS INSTALLATION (ANSI SPECS ONLY).....	118
SECTION 5 - CYLINDER.....	121
FIGURE 5-1. LEVEL (PLATFORM SLAVE) CYLINDER ASSEMBLY (ORIGINAL EQUIPMENT)	122
FIGURE 5-2. LEVEL (PLATFORM SLAVE) CYLINDER ASSEMBLY (SERVICE REPLACEMENT)	124
FIGURE 5-3. LIFT (JIB) CYLINDER ASSEMBLY.....	126
FIGURE 5-4. LIFT (MAIN BOOM) CYLINDER ASSEMBLY	128
FIGURE 5-5. LIFT (TOWER BOOM) CYLINDER ASSEMBLY.....	130
FIGURE 5-6. MASTER CYLINDER ASSEMBLY.....	132
FIGURE 5-7. STEER CYLINDER ASSEMBLY.....	134
FIGURE 5-8. TELESCOPE CYLINDER ASSEMBLY	136
SECTION 6 - HYDRAULIC	139
FIGURE 6-1. HYDRAULIC DIAGRAM - E300AJ.....	140
FIGURE 6-2. DRIVE HYDRAULIC DIAGRAM - E300AJP.....	142
FIGURE 6-3. HYDRAULIC DIAGRAM LIST	144

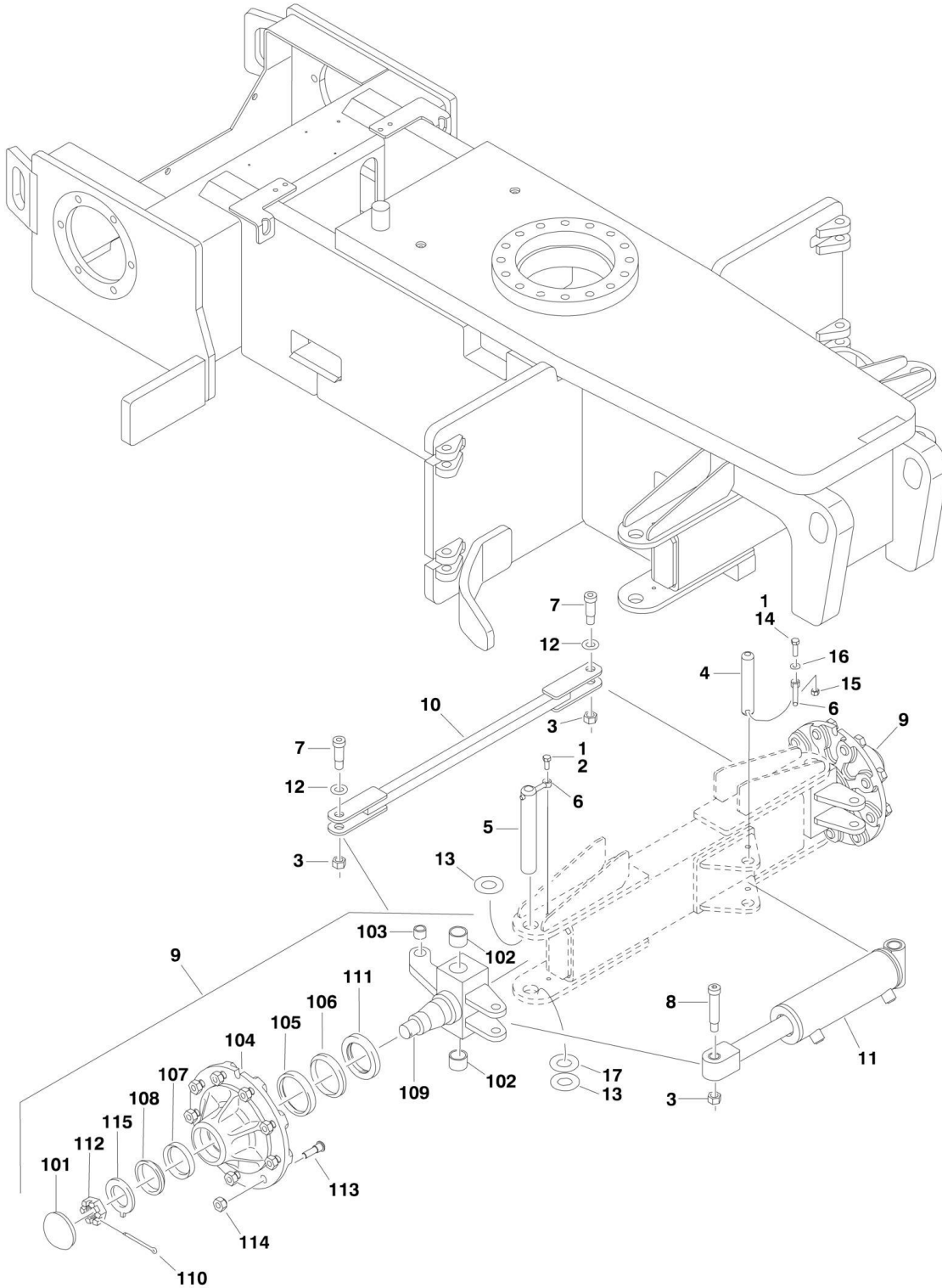
TABLE OF CONTENTS

SECTION 7 - ELECTRICAL.....	145
FIGURE 7-1. ELECTRICAL DIAGRAM LIST	146
FIGURE 7-2. HARNESS COMPONENTS INSTALLATION	148
SECTION 8 - DECALS	161
FIGURE 8-1. DECAL INSTALLATION (ANSI SPEC).....	162
FIGURE 8-2. DECAL INSTALLATION (COUNTRY SPECS).....	166
FIGURE 8-3. DECAL INSTALLATION (AUSTRALIAN/CE SPECS)	172
SECTION 9 - RECOMMENDED SERVICE PARTS STOCK	177
FIGURE 9-1. MODELS E300AJ AND E300AJP STANDARD PARTS	178
FIGURE 9-2. MODELS E300AJ AND E300AJP VARIABLE PARTS	180
SECTION 10 - SPECIAL OPTION.....	181
FIGURE 10-1. SPECIAL OPTIONS	182
PART NUMBER INDEX.....	185

SECTION 1 - FRAME

SECTION 1 - FRAME

FIGURE 1-1. STEER INSTALLATION



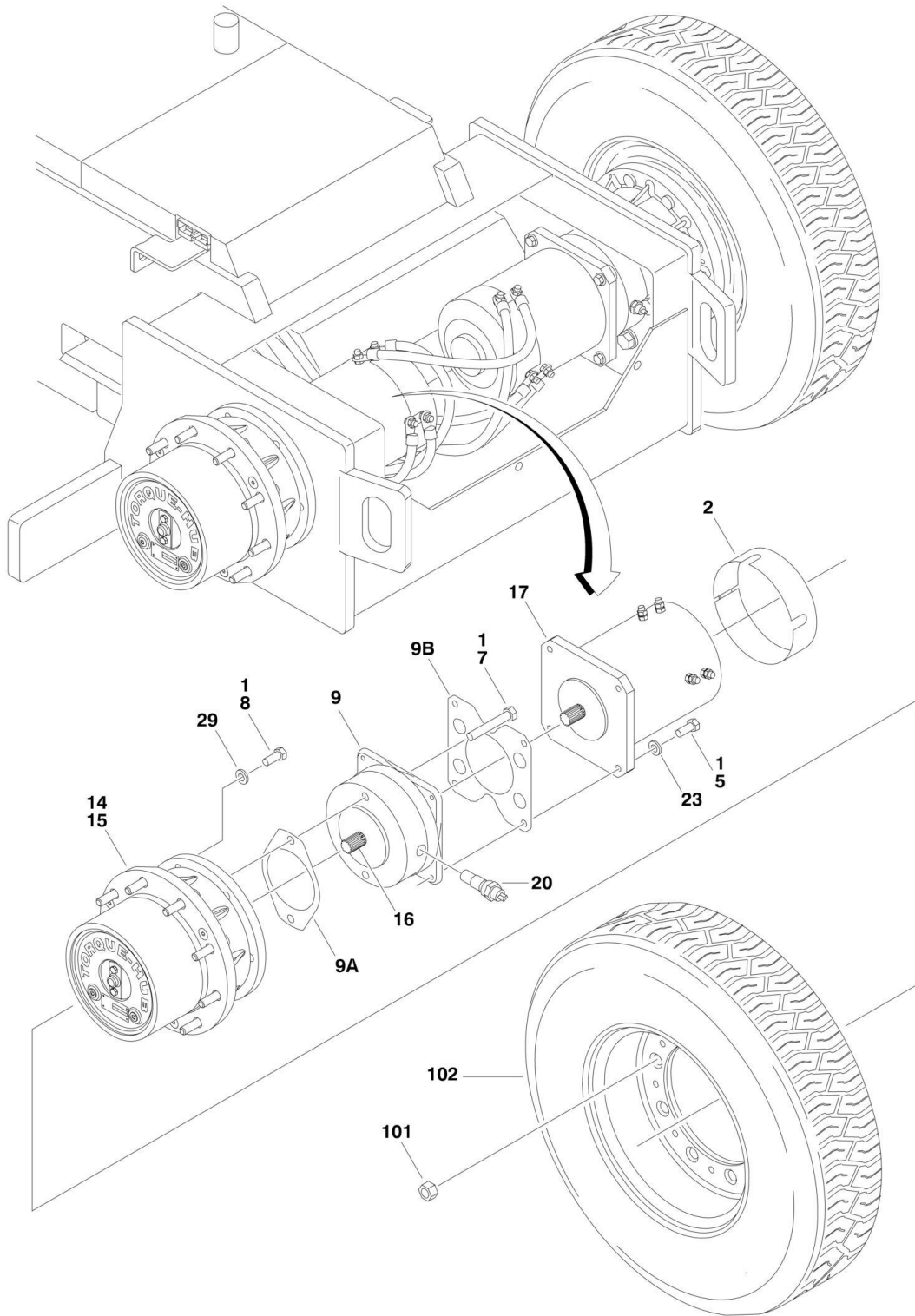
SECTION 1 - FRAME

FIGURE 1-1. STEER INSTALLATION

ITEM	PART NUMBER	QTY	DESCRIPTION	REV
	1001108599	Ref	STEER INSTALLATION	C
1	0100011	AR	Compound, Locking	
2	0641607	2	Bolt 3/8in-16NC x 7/8in	
3	3312005	3	Locknut 5/8in-11NC	
4	3422181	1	Pin	
5	3422562	2	Pin	
6	3841143	3	Keeper, Pin	
7	3900118	2	Screw, Shoulder	
8	3900255	1	Capscrew, Shoulder 3/4in x 3in	
9	1001107712	2	Hub/Spindle Assembly (See Items 101-115 for Breakdown)	
10	1001107727	1	Tie-Rod	
11	1001108310	1	Steer Cylinder Assembly (See CYLINDER SECTION for Breakdown)	
12	4740086	2	Thrustwasher	
13	0440162	4	Thrustwasher	
14	0641610	1	Bolt 3/8in-16NC x 1-1/4in	
15	3311605	1	Locknut 3/8in-16NC	
16	4711600	1	Flatwasher 3/8in Thin	
17	1001151428	AR	Plate, Shim (SN 0300176716 through 0300211843)	
	1001107712	Ref	HUB/SPINDLE ASSEMBLY	A
		Ref	Note: Qty shown is for 1 Hub Assembly. Machine requires 2 assemblies.	
101	7020137	1	Cap, Dust	
102	0961951	2	Bushing	
103	0962140	1	Bearing	
104	70002434	1	Hub	
105	7020036	1	Cup, Bearing (Inner) (Part of Item 104)	
106	7020037	1	Cone, Bearing (Inner)	
107	7020038	1	Cup, Bearing (Outer) (Part of Item 104)	
108	7020039	1	Cone, Bearing (Outer)	
109	70002435	1	Spindle	
110	7020140	1	Pin, Cotter	
111	7020040	1	Seal	
112	7020054	1	Nut, Castle 1-1/4in-12	
113	7020041	9	Stud 5/8in-18NF	
114	7020042	9	Lugnut 5/8in-18NF	
115	7020055	1	Washer, Tanged 1-1/4in	

SECTION 1 - FRAME

FIGURE 1-2. TIRE AND WHEEL DRIVE INSTALLATION



SECTION 1 - FRAME

FIGURE 1-2. TIRE AND WHEEL DRIVE INSTALLATION

ITEM	PART NUMBER	QTY	DESCRIPTION	REV
		Ref	WHEEL DRIVE INSTALLATION OPTIONS:	
	1001109430	Ref	Standard Spec	F
	1001109431	Ref	UL Spec	H
1	0100019	AR	Compound, Locking	
2	0340047	2	Band, Motor (UL Spec Only)	
5	0641609	8	Bolt 3/8in-16NC x 1-1/8in	
7	0641826	4	Bolt 1/2in-13NC x 3-1/2in	
8	0682012	12	Bolt 5/8in-11NC x 1-1/2in (SN 0300113683 through 0300138358)	
9	0920113	2	Drive Brake Assembly	E
9	See Note	NLA	Ring, Sensor (1 Per Assembly) (Note: was p/n 7027275 which is no longer available. Replace Complete Brake)	
9	7007977	2	Ring, Bearing Retaining (Large) (1 per Assembly)	
9	7011716	2	Ring, Bearing Retaining (Small) (1 per Assembly)	
9	7007913	4	Bolt	
9	7007912	4	Washer	
9	7011757	2	Complete Repair Kit (Includes Case and Oil Seals, O-Rings, Back-up Rings, Stator and Rotor Discs, Return Plate, Springs, Bearing and Brake To Hub Gasket) (1 Per Assembly)	
9	2900768	2	Bearing Kit (1 per Assembly)	
9	7007900	2	Seal, Oil - Front (1 per Assembly)	
9A	7007933	2	Gasket (1 Per Assembly)	
9B	70002408	2	Gasket, Brake to Motor (1 Per Assembly) (Not Included in Repair Kit)	
14	2780282	2	Drive Hub Assembly (See DRIVE HUB ASSEMBLY for Breakdown)	
15	3020008	AR	Lubricant, Mobilube HD 80W-90	
16	3020037	AR	Lube, Coupling Grease	
17	3160237	2	Drive Motor Assembly (See DRIVE MOTOR ASSEMBLY for Breakdown)	
20	3990105	2	Speed Sensor Assembly	
23	4711600	8	Flatwasher 3/8in Thin	
29	4892000	12	Flatwasher 5/8in Hardened	
	0258986	Ref	TIRE AND WHEEL INSTALLATION	C
101	3300106	18	Lugnut	
102	1001110772	4	Tire and Wheel Assembly	

SECTION 1 - FRAME

FIGURE 1-3. DRIVE HUB ASSEMBLY

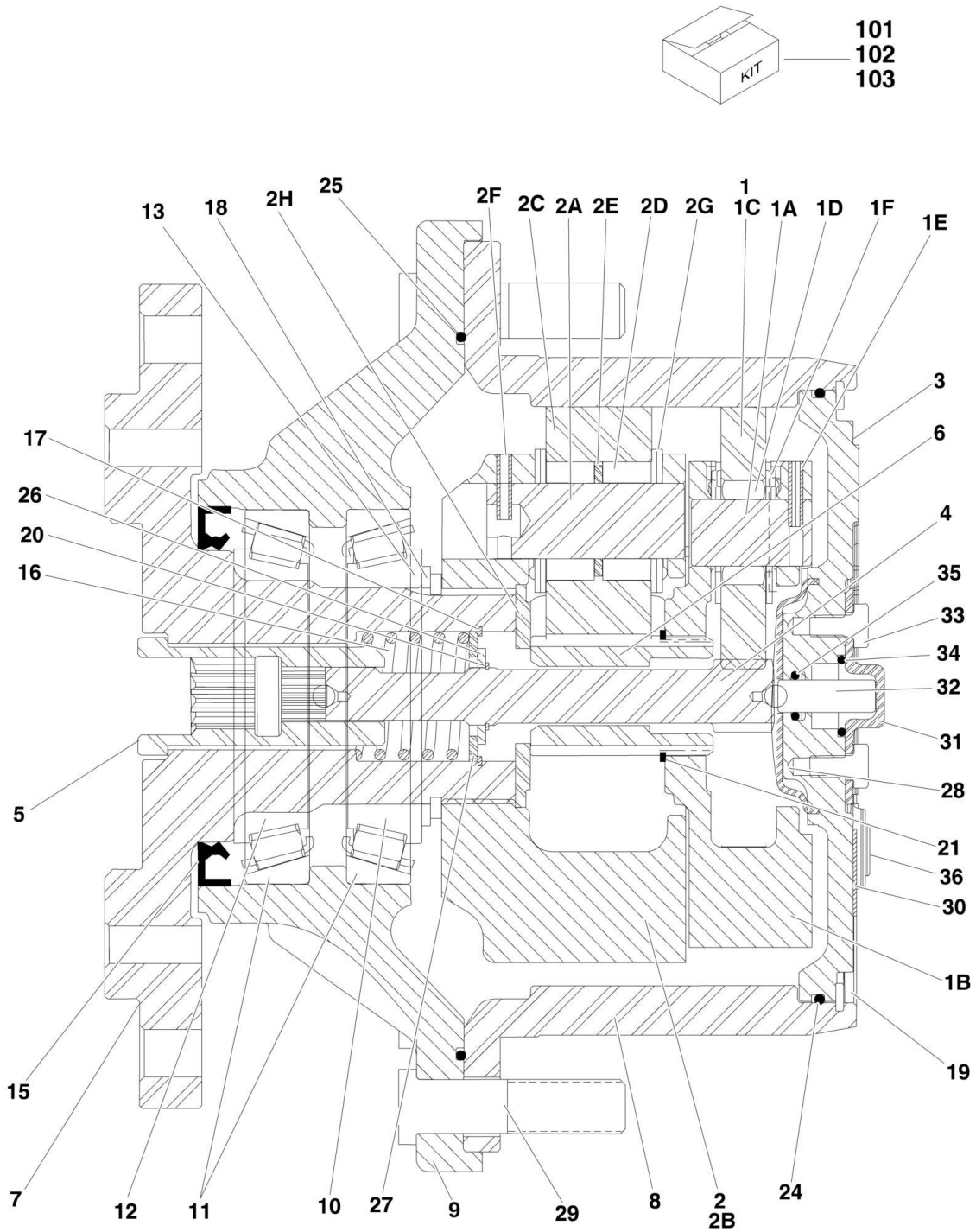


FIGURE 1-3. DRIVE HUB ASSEMBLY

ITEM	PART NUMBER	QTY	DESCRIPTION	REV
	2780282	Ref	DRIVE HUB ASSEMBLY	B
1	70001366	1	Carrier, Sub Assembly	
1A	See Note	NSS	Shaft, Planet (Note: Use Item 1)	
1B	See Note	NSS	Carrier (Note: Use Item 1)	
1C	See Note	NSS	Gear, Planet (Note: Use Item 1)	
1D	See Note	NSS	Bearing, Needle (Note: Use Item 1)	
1E	See Note	NSS	Pin, Roll (Note: Use Item 1)	
1F	See Note	NSS	Thrustwasher (Note: Use Item 1)	
2	70001367	1	Carrier, Input	
2A	See Note	NSS	Shaft, Planet (Note: Use Item 2)	
2B	See Note	NSS	Carrier (Note: Use Item 2)	
2C	See Note	NSS	Gear, Planet (Note: Use Item 2)	
2D	See Note	NSS	Bearing, Needle (Note: Use Item 2)	
2E	See Note	NSS	Spacer, Thrust (Note: Use Item 2)	
2F	See Note	NSS	Pin, Roll (Note: Use Item 2)	
2G	See Note	NSS	Thrustwasher (Note: Use Item 2)	
2H	See Note	NSS	Thrustwasher (Note: Use Item 2)	
3	See Note	NSS	Cover (Note: Use Item 103)	
4	70001369	1	Shaft, Input	
5	70001370	1	Coupling	
6	70001371	1	Shaft, Sun Gear	
7	70001372	1	Spindle	
8	70001373	1	Gear, Ring	
9	2780282	1	Housing	
10	See Note	NSS	Bearing, Tapered-Cone (Note: Use Item 101)	
11	See Note	NSS	Bearing, Tapered-Cup (Note: Use Item 101)	
12	See Note	NSS	Bearing, Tapered-Cone (Note: Use Item 101)	
13	7017009	1	Thrustwasher	
15	See Note	NSS	Seal, Lip (Note: Use Item 102)	
16	70001374	1	Spring	
17	70001375	1	Ring, Retaining (Internal)	
18	See Note	NSS	Ring, Retaining (External) (Note: Use Item 102)	
19	7024738	1	Ring, Retaining (Internal)	
20	70001376	1	Ring, Retaining (External)	
21	70001377	1	Ring, Retaining (External)	
22	7000281	4	Screw (Not Shown - ID plate screws)	
23	7017022	3	Bolt, Flathead (Not Shown - Located on front of hub)	
24	See Note	NSS	O-Ring (Note: Use Item 102)	
25	See Note	NSS	O-Ring (Note: Use Item 102)	
26	70001378	1	Spacer, Thrust	
27	70001379	1	Thrustwasher	
28	7024741	1	Spacer, Thrust	
29	7007640	9	Stud, Wheel	
30	See Note	NSS	Flange, Plate (Note: Use Item 103)	
31	See Note	NSS	Cap, Disengage (Note: Use Item 103)	
32	See Note	NSS	Pin, Dowel (Note: Use Item 103)	
33	See Note	NSS	Bolt (Note: Use Item 103)	
34	See Note	NSS	O-Ring (Note: Use Item 103)	
35	See Note	NSS	O-Ring (Note: Use Item 103)	
36	See Note	NSS	Plug (Note: Use Item 103)	

SECTION 1 - FRAME

ITEM	PART NUMBER	QTY	DESCRIPTION	REV
		Ref	Kit Options	
101	7017007	1	Planet Gear Bearing Kit (Includes Items 10-12)	
102	70001380	1	Planet Gear Seal Kit (Includes Items 15, 18, 24 & 25)	
103	70001368	1	Cover/Cap/Disengage Kit (Includes Items 30-36)	

SECTION 1 - FRAME

FIGURE 1-4. DRIVE MOTOR ASSEMBLY

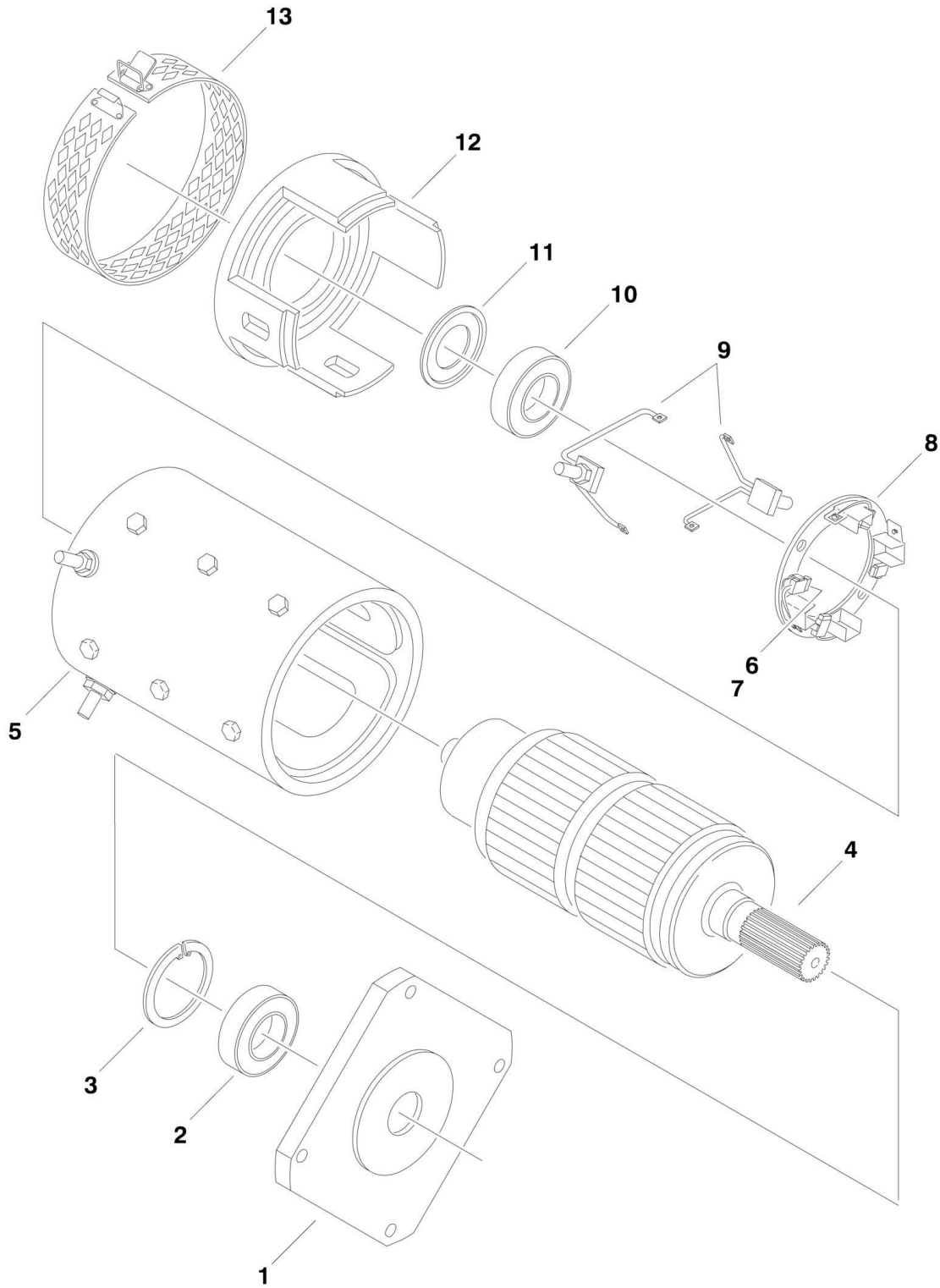
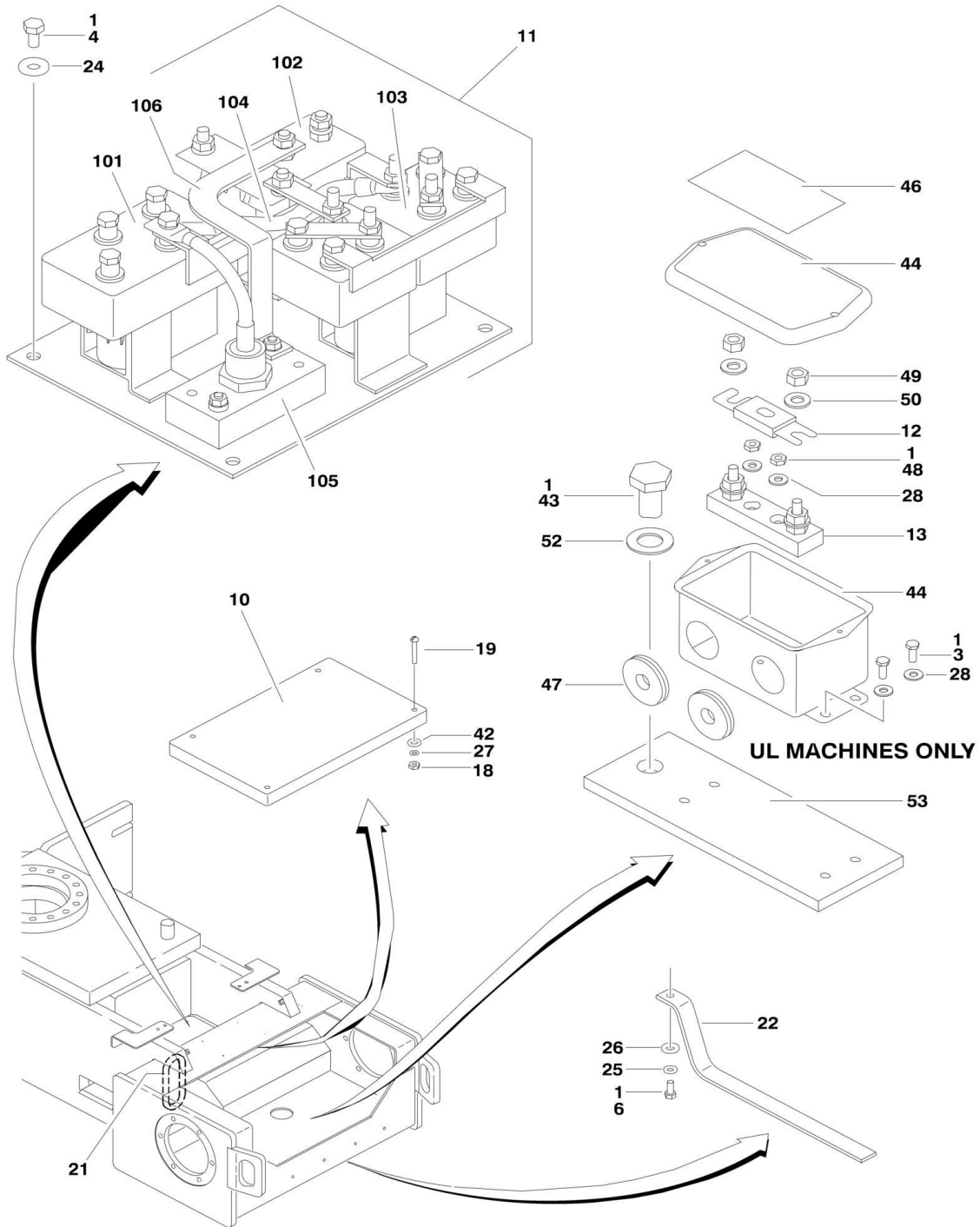


FIGURE 1-4. DRIVE MOTOR ASSEMBLY

ITEM	PART NUMBER	QTY	DESCRIPTION	REV
	3160237	Ref	DRIVE MOTOR ASSEMBLY	G
1	7020184	1	Plate, Drive End	
2	7012545	1	Bearing	
3	7020185	1	Ring, Retaining	
4	3160237	1	Armature	
5	3160237	1	Frame and Field Assembly	
6	7012548	4	Spring, Brush	
7	7020149	4	Brush	
8	7020150	1	Holder, Brush	
9	7020151	2	Brush Lead Assembly Kit	
10	7012545	1	Bearing	
11	7012549	1	Washer, Wavy	
12	7020189	1	End, Commutator	
13	7019609	1	Headband Assembly	

SECTION 1 - FRAME

FIGURE 1-5. ELECTRICAL COMPONENTS INSTALLATION (FRAME MOUNTED)



SECTION 1 - FRAME

FIGURE 1-5. ELECTRICAL COMPONENTS INSTALLATION (FRAME MOUNTED)

ITEM	PART NUMBER	QTY	DESCRIPTION	REV
		Ref	ELECTRICAL COMPONENTS INSTALLATION	
	1001109430	Ref	Standard Spec	F
	1001109431	Ref	UL Spec	H
1	0100019	AR	Compound, Locking	
3	0721003	2	Screw #10-24NC x 3/8in (UL Spec Only)	
4	0641504	4	Bolt 5/16in-18NC x 3/4in	
6	0641610	1	Bolt 3/8in-16NC x 1-1/4in	
10	1600293	1	Module (Note: Calibration is required when replaced)	
11		Ref	Contactor Plate Assembly Options (See Items 101-106 for Breakdown):	
11	1600294	1	Standard Spec	
11	1600300	1	UL Spec	
12	2400062	1	Fuse, 300Amp (UL Spec Only)	
13	2400044	1	Holder, Fuse (UL Spec Only)	
18	3310601	4	Nut #6-32NC	
19	3910628	4	Screw #6-32NC x 1-3/4in	
21	4060807	14 in /36cm	Shield, Flex Trim	
22	4240084	1	Strap, Anti-Static	
24	4751500	4	Flatwasher 5/16in Regular	
25	4751600	1	Flatwasher 3/8in Regular	
26	4752200	1	Flatwasher 3/4in Regular	
27	4760600	4	Lockwasher #6	
28	4751000	2	Flatwasher #10 Regular	
41		Ref	Drive Cable System Cables Options (Not Shown - See ELECTRICAL SECTION for Breakdown):	
41	2901818	1	Standard Spec	
41	2901864	1	UL Spec	
42	4750600	4	Flatwasher #6 Regular	
43	0642208	1	Bolt 3/4in-10NC x 1in	
44	0861375	1	Box	
46	1704712	1	Decal - 300Amp Fuse	
47	2540037	2	Grommet	
48	3311001	2	Nut #10-24NC	
49	3311501	2	Nut 5/16in-18NC	
50	4711500	4	Flatwasher 5/16in Thin	
52	4712200	1	Flatwasher 3/4in Thin	
53	1001116273	1	Bracket	
		Ref	CONTACTOR PLATE ASSEMBLY	
	1600294	Ref	Standard Spec	
	1600300	Ref	UL Spec	
		Ref	Harness, Contactor Options (Not Shown) (See ELECTRICAL SECTION for Breakdown):	
	7022003	1	Standard Spec	
	7022008	1	UL Spec	
	7022004	1	Harness, Posi-Track Contactor (Not Shown) (See ELECTRICAL SECTION for Breakdown)	
	7022005	1	Harness, Shunt (Not Shown) (See ELECTRICAL SECTION for Breakdown)	
101		Ref	Contactor, FWD/REV Options:	
101	7022002	1	Standard Spec	

SECTION 1 - FRAME

ITEM	PART NUMBER	QTY	DESCRIPTION	REV
101	7022007	1	UL Spec	
102		Ref	Contactactor, Main Options:	
102	7022001	1	Standard Spec	
102	7022009	1	UL Spec	
103		Ref	Contactactor, Posi-Track Options:	
103	7022000	1	Standard Spec	
103	7022010	2	UL Spec	
104	7022012	1	Cable, Power	
105	7022011	1	Diode, Power	
106	70001052	1	Shunt/Bus Bar with Harness Assembly	

SECTION 1 - FRAME

FIGURE 1-6. BATTERY BOX INSTALLATION

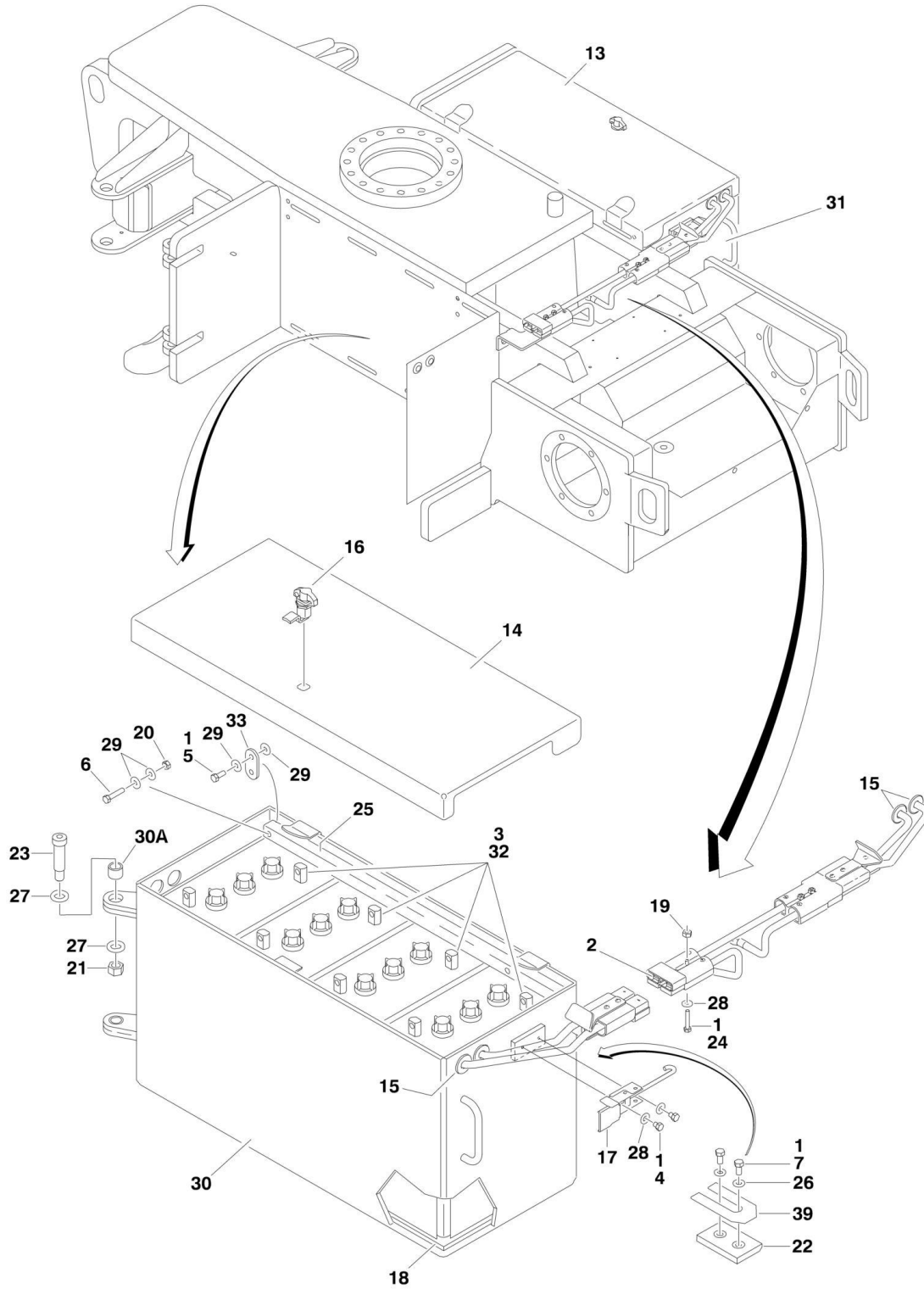
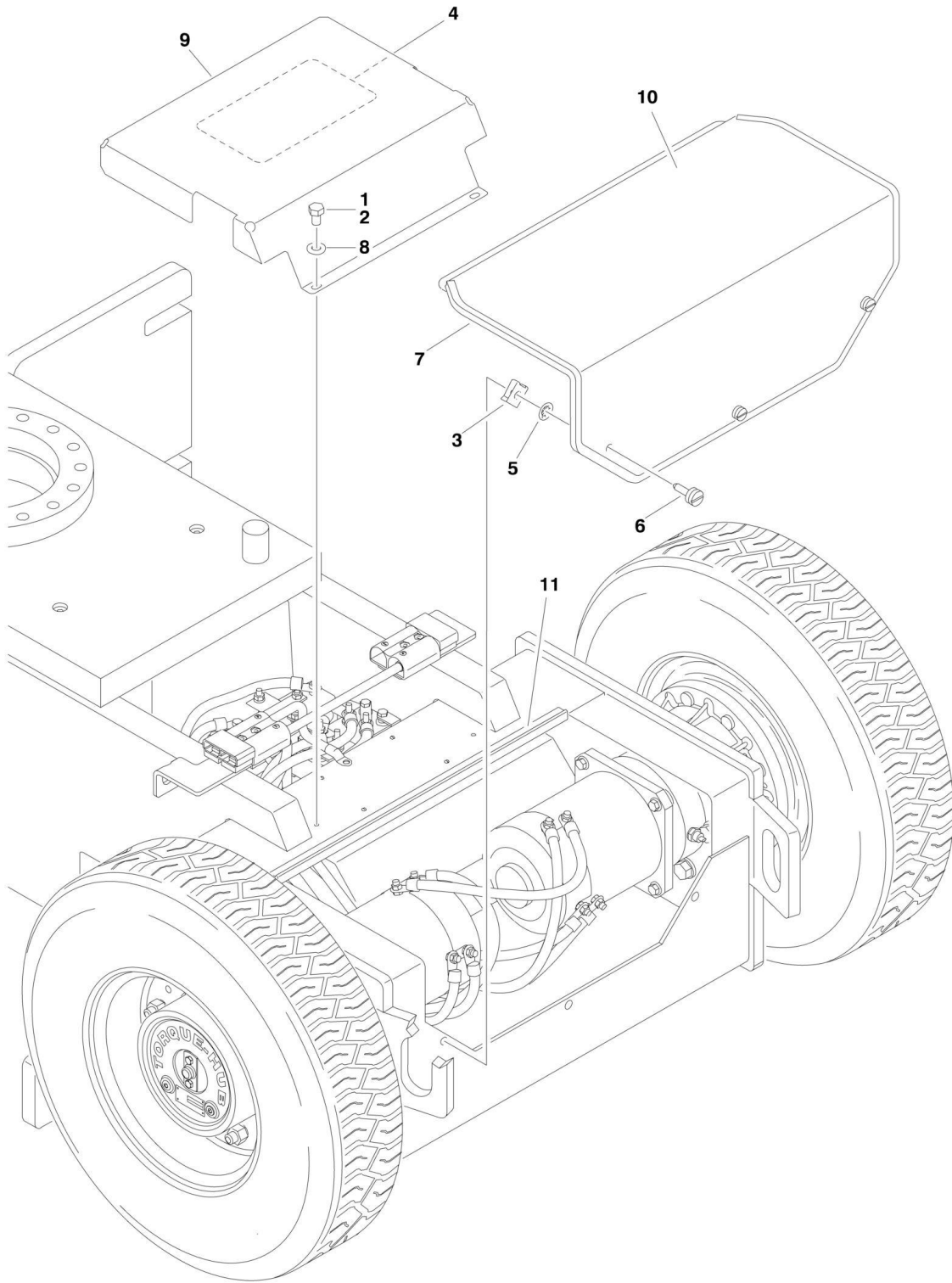


FIGURE 1-6. BATTERY BOX INSTALLATION

ITEM	PART NUMBER	QTY	DESCRIPTION	REV
		Ref	BATTERIES INSTALLATION	
	1001108560	Ref	Machines with 305AH Batteries	B
	1001115997	Ref	Machines with 305AH AGM Batteries	A
	0259042	Ref	Machines with 375AH Batteries	J
1	0100011	AR	Compound, Locking	
2	0100048	AR	Grease, Dielectric	
3	0100051	AR	Grease, Battery Terminal	
4	0641403	4	Bolt 1/4in-20NC x 3/8in	
5	0641505	4	Bolt 5/16in-18NC x 5/8in (Machines with AGM Batteries Only)	
6		Ref	Bolt 5/16in-18NC Options:	
6	0641512	4	Bolt 5/16in-18NC x 1-1/2in	
6	0641514	4	Bolt 5/16in-18NC x 1-3/4in	
7	0641606	4	Bolt 3/8in-16NC x 3/4in	
13	1670878	1	Cover, (Right)	
14	1670890	1	Cover, (Left)	
15	2540020	4	Grommet	
16	2940073	2	Latch	
17	2940114	2	Latch	
18	3000003	2	Liner	
19	3311401	4	Nut 1/4in-20NC	
20	3311505	4	Locknut 5/16in-18NC (Machines with 305AH Batteries Only)	
21	3312005	4	Locknut 5/8in-11NC	
22	3340852	2	Pad	
23	3900266	4	Screw, Shoulder	
24	3931430	4	Bolt 1/4in-20NC x 1-7/8in	
25	4567739	2	Tube	
26	4711600	4	Flatwasher 3/8in Thin	
27	4740086	8	Thrustwasher	
28	4751400	8	Flatwasher 1/4in Regular	
29	4751500	AR	Flatwasher 5/16in Regular	
30	4845923	1	Box, Battery (Left)	
30A	0962233	2	Bushing	
31	4845924	1	Box, Battery (Right)	
31A	0962233	2	Bushing (Not Shown)	
32		Ref	Battery Options:	
32	1001105091	8	Wet Battery (6V-305-S)	
32	1001114782	8	Wet Battery (6V-305A-A AGM)	
32	0400055	8	Wet Battery (6V-370-S)	
32	See Note	8	Dry Battery (6V-305-S) (Note: Not Available for Purchase)	
32	See Note	8	Dry Battery (6V-305A-A AGM) (Note: Not Available for Purchase)	
32	0400107	8	Dry Battery (6V-370-S)	
33	1001116006	4	Bracket (Machines with AGM Batteries Only)	
39	4070904	2	Shim	

SECTION 1 - FRAME

FIGURE 1-7. FRAME COVERS INSTALLATION



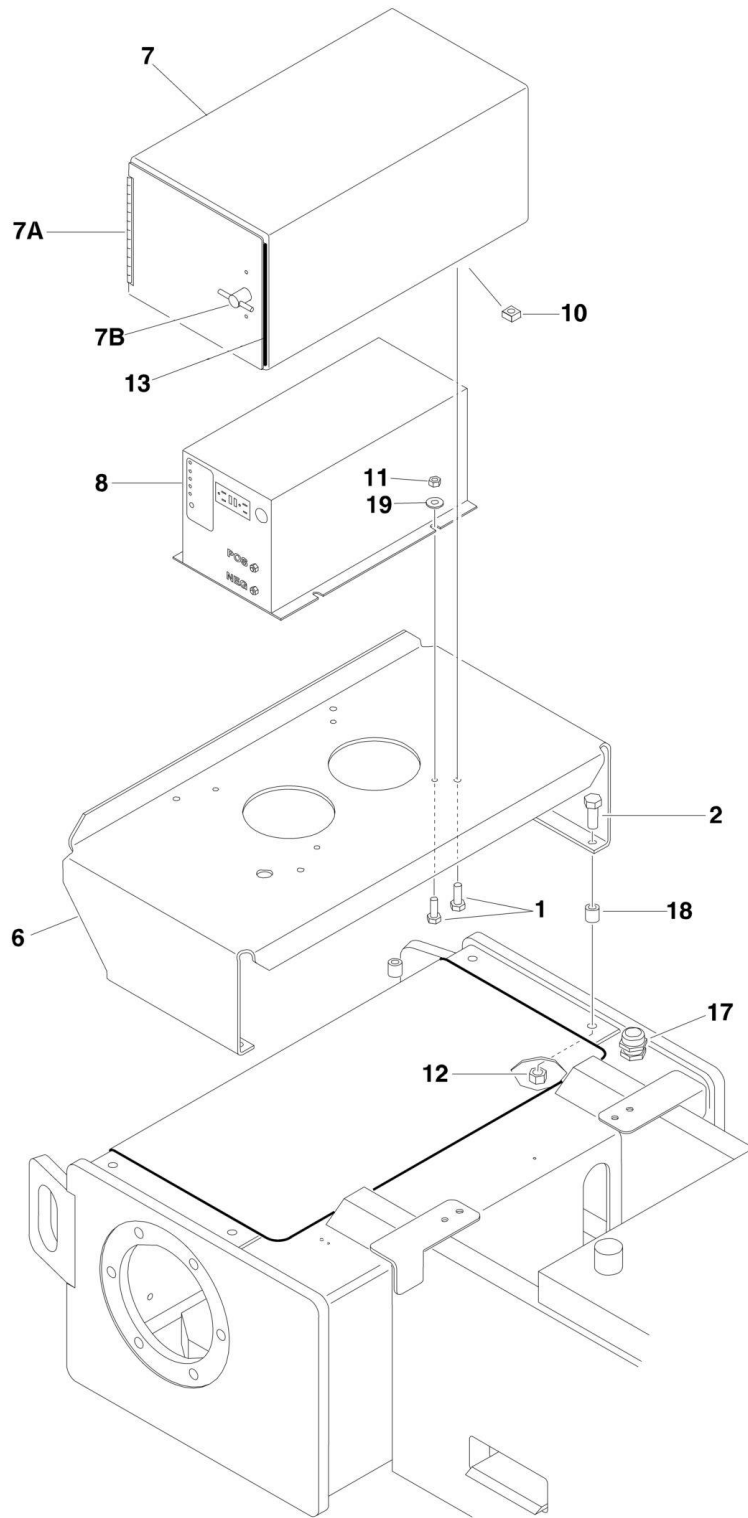
SECTION 1 - FRAME

FIGURE 1-7. FRAME COVERS INSTALLATION

ITEM	PART NUMBER	QTY	DESCRIPTION	REV
	1001109383	Ref	FRAME COVERS INSTALLATION	C
1	0100011	AR	Compound, Locking	
2	0641504	2	Bolt 5/16in-18NC x 1/2in	
3	1380138	3	Nut, Clip	
4	1704246	1	Decal - Cable Routing	
5	3760308	3	Retainer	
6	1001112496	3	Thumbscrew	
7	3960447	63 in/1.6m	Seal	
8	4711500	2	Flatwasher 5/16in Thin	
9	1001107751	1	Cover, Contactor	
10	1001108251	1	Cover, Rear Axle	
11	3960389	2 ft/.6m	Seal	

SECTION 1 - FRAME

FIGURE 1-8. INVERTER INSTALLATION (OPTIONAL)



SECTION 1 - FRAME

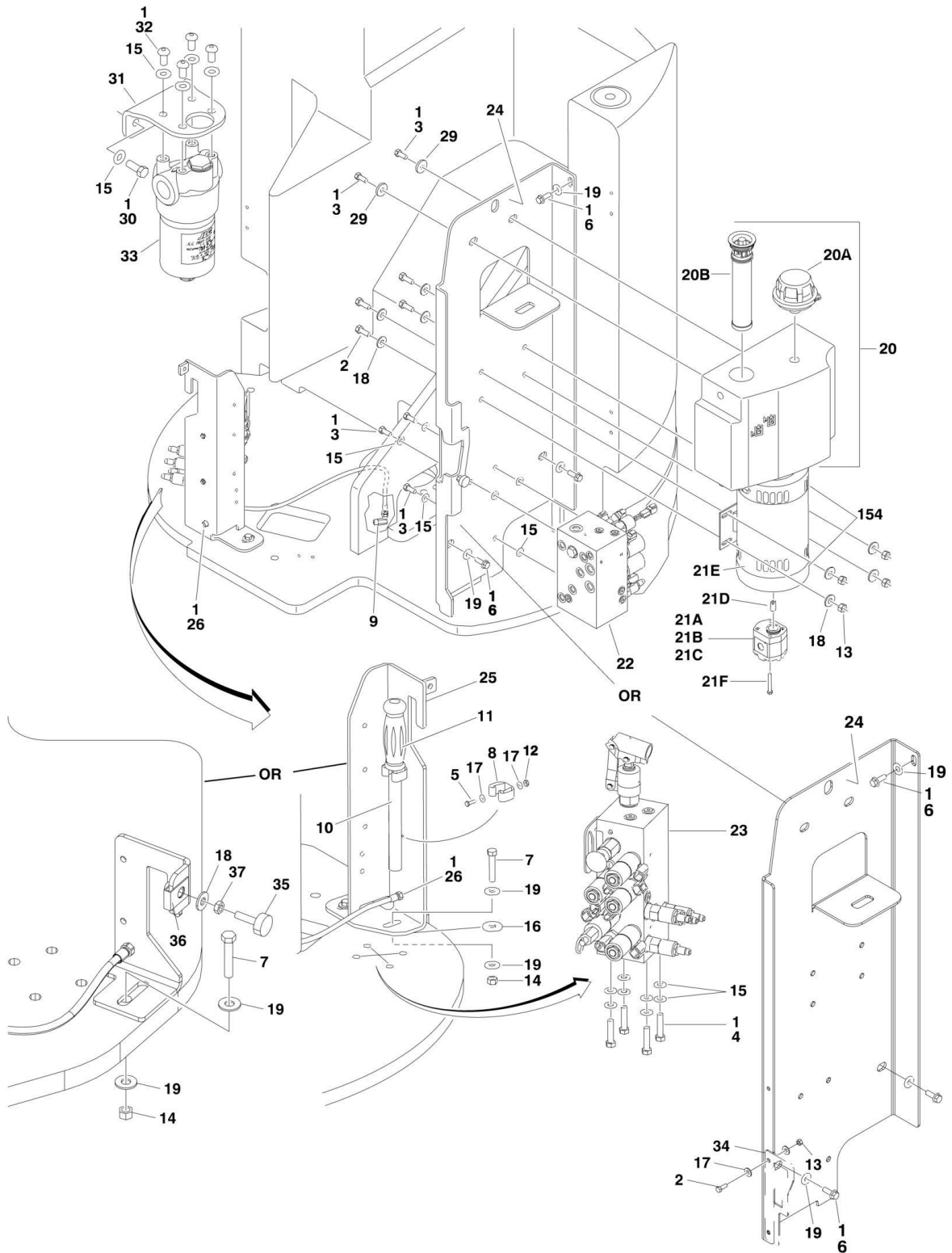
FIGURE 1-8. INVERTER INSTALLATION (OPTIONAL)

ITEM	PART NUMBER	QTY	DESCRIPTION	REV
	1001110271	Ref	INVERTER INSTALLATION	B
1	0641406	8	Bolt 1/4in-20NC x 3/4in	
2	0641618	4	Bolt 3/8in-16NC x 2-1/4in	
6	1271463	1	Channel, Mounting	
7	1670953	1	Cover	
7A	2600103	1	Hinge (Welded on Part)	
7B	2940048	1	Latch	
8	2460037	1	Inverter/Generator Assembly	
10	3300353	4	Nut, Tinnerman	
11	3311405	4	Locknut 1/4in-20NC	
12	3311605	4	Locknut 3/8in-16NC	
13	4060803	8.5 in /21cm	Flex-Trim	
17	4460426	1	Connector, Strain Relief	
18	4568165	4	Spacer, Tube	
19	4751400	4	Flatwasher 1/4in Regular	

SECTION 2 - TURNTABLE

SECTION 2 - TURNTABLE

FIGURE 2-1. CONTROL VALVES AND TANK/MOTOR INSTALLATIONS



SECTION 2 - TURNTABLE

FIGURE 2-1. CONTROL VALVES AND TANK/MOTOR INSTALLATIONS

ITEM	PART NUMBER	QTY	DESCRIPTION	REV
		Ref	VALVES AND TANK/MOTOR INSTALLATION	
	1001110248	Ref	Valve and Tank/Motor Installation E300AJ with ABS Hoods (SN 0300138358 through 0300194886)	I
	1001165969	Ref	Valve and Tank/Motor Installation E300AJ with Steel Hoods (SN 0300194887 through 0300211843)	E
	1001109122	Ref	Valve and Tank/Motor Installation E300AJP with ABS Hoods (SN 0300138358 through 0300194886)	I
	1001166033	Ref	Valve and Tank/Motor Installation E300AJP with Steel Hoods (SN 0300194887 through 0300211843)	E
1	0100011	AR	Compound, Locking	
2	0641507	4	Bolt 5/16in-18NC x 7/8in	
3	0641607	5	Bolt 3/8in-16NC x 7/8in	
4	0641613	4	Bolt 3/8in-16NC x 1-5/8in	
5	0721005	AR	Screw #10-24NC x 5/8in	
6	0811608	4	Screw 3/8in-16NC x 1in	
7	0641616	4	Bolt 3/8in-16NC x 2in	
8	1380136	AR	Clip, Gripper	
9		Ref	Fitting Options:	
9	2220063	1	90 Elbow (SN 0300138358 through 0300177036)	
9	2220124	1	45 Elbow (SN 0300177037 through 0300211843)	
10	2560122	1	Handle (SN 0300138358 through 0300194887)	
11	1001114761	1	Grip, Handle (SN 0300138358 through 0300194887)	
12	3311005	2	Locknut #10-24NC	
13	3311505	4	Locknut 5/16in-18NC	
14	3311605	2	Locknut 3/8in-16NC	
15	4711600	AR	Flatwasher 3/8in Thin	
16	4740393	AR	Flatwasher, Special	
17	4751000	AR	Flatwasher #10 Regular	
18	4751500	8	Flatwasher 5/16in Regular	
19	4751600	7	Flatwasher 3/8in Regular	
20	1001109126	1	Hydraulic Tank Assembly	
20A	70002526	1	Breather	
20B	70002525	1	Filter	
21		Ref	Hydraulic Motor/Pump Assembly Options:	
21	1001109127	NLA	Hydraulic Motor/Pump Assembly (Use p/n 3600302) (SN 0300138358 through 0300177036)	
21	1001157601	1	Hydraulic Motor/Pump Assembly (SN 0300177037 through 0300194886)	
21	1001175351	1	Hydraulic Motor/Pump Assembly (SN 0300194887 through 0300211843)	
		Ref	Note: When replacing pump or motor/pump assembly, refer to the Service Manual for initial pump start up procedure.	
		Ref	Note: Original Equipment p/n 1001109127 or 3600302 may have been replaced with Service Replacement p/n 1001175351. Visually identify component before ordering parts.	
21A		Ref	Pump	
21A	70002521	1	Motor/Pump Assembly p/n 1001109127	
21A	1001175349	1	Motor/Pump Assembly p/n 1001175351	
21A	7021319	1	Motor/Pump Assembly p/n 3600302	
21A	1001154537	1	Motor/Pump Assembly p/n 1001157601	
21B		Ref	Seal Kit - Pump	

SECTION 2 - TURNTABLE

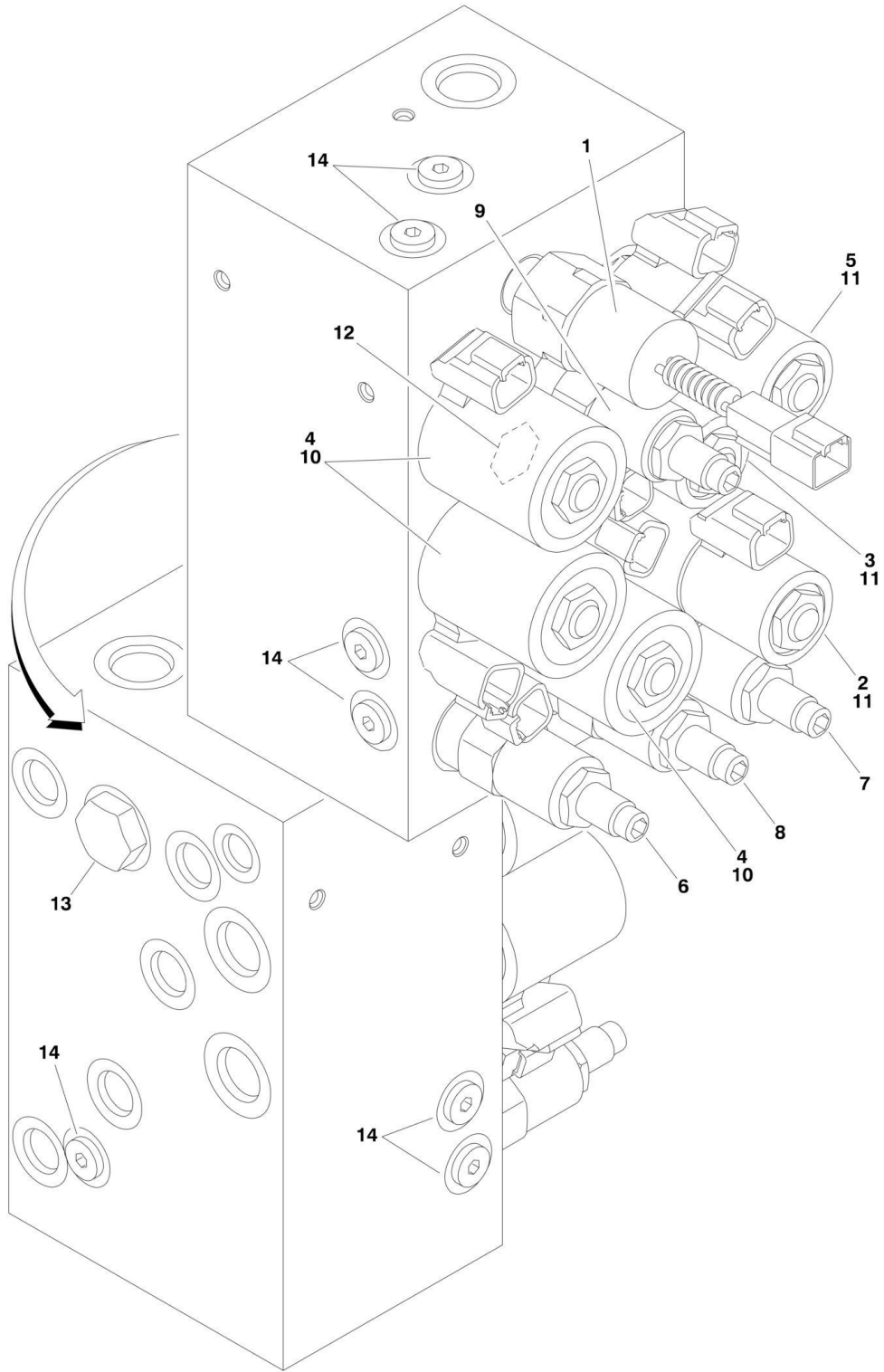
ITEM	PART NUMBER	QTY	DESCRIPTION	REV
21B	70002521	1	Motor/Pump Assembly p/n 1001109127 (Note: Shaft Seal is Only Seal Available)	
21B	7021377	1	Motor/Pump Assembly p/n 3600302	
21B	See Note	1	Motor/Pump Assembly p/n 1001157601 (Note: Not Available for Purchase)	
21C		Ref	Seal, Shaft	
21C	70001961	1	Motor/Pump Assembly p/n 1001109127	
21C	7022526	1	Motor/Pump Assembly p/n 3600302	
21C	See Note	1	Motor/Pump Assembly p/n 1001157601 (Note: Not Available for Purchase)	
21D		Ref	Coupling	
21D	70002523	1	Motor/Pump Assembly p/n 1001109127	
21D	7021367	1	Motor/Pump Assembly p/n 3600302	
21D	1001159059	1	Motor/Pump Assembly p/n 1001157601	
21E		Ref	Motor	
21E	70002522	1	Motor/Pump Assembly p/n 1001109127	
21E	1001175350	1	Motor/Pump Assembly p/n 1001175351	
21E	7021360	1	Motor/Pump Assembly p/n 3600302	
21E	1001154539	1	Motor/Pump Assembly p/n 1001157601	
21E		Ref	Brush Kit	
21E	7021361	1	Motor/Pump Assembly p/n 1001109127	
21E	7021361	1	Motor/Pump Assembly p/n 3600302	
21E	70004312	1	Motor/Pump Assembly p/n 1001157601	
21F		Ref	Bolt	
21F	70002524	2	Bolt M8 x 70mm (Motor/Pump Assembly p/n 1001109127)	
21F	See Note	2	Bolt 5/16in x 18NC (Motor/Pump Assembly p/n 3600302) (Note: Not Available for Purchase)	
21F	See Note	4	Bolt 5/16in x 18NC (Motor/Pump Assembly p/n 1001157601) (Note: Not Available for Purchase)	
22	1001109445	1	Main Control Valve Assembly (See MAIN CONTROL VALVE ASSEMBLY for Breakdown)	
23		Ref	Boom Function Control Valve Assembly (See BOOM FUNCTION VALVE ASSEMBLY for Breakdown)	
23	1001109447	1	Boom Function Control Valve Assembly E300AJ	
23	1001109446	1	Boom Function Control Valve Assembly E300AJP	
24		Ref	Plate, Main Valve/Tank/Motor Mounting Options:	
24	1001109427	1	Plate, Main Valve/Tank/Motor (SN 0300138358 through 0300194886)	
24	1001164642	1	Plate, Main Valve/Tank/Motor (SN 0300194887 through 0300211843)	
25		Ref	Bracket, Hood Latch Options:	
25	1001109929	1	Bracket, Hood Latch (SN 0300138358 through 0300194886)	
25	1001164706	1	Bracket, Hood Latch (SN 0300194887 through 0300211843)	
26		Ref	Hose, Remote Grease Line	
26	1001109939	1	Hose, Remote Grease Line (SN 0300138358 through 0300194886)	
26	1001174991	1	Hose, Remote Grease Line (SN 0300194887 through 0300211843)	
29	4740308	2	Flatwasher, Special	
30	0641608	2	Bolt 3/8in-16NC x 1in (SN 0300179561 through 0300211843)	
31	0903530	1	Bracket, Mounting (SN 0300179561 through 0300211843)	
32	3900283	4	Screw 3/8in-16NC x 3/4in (SN 0300179561 through 0300211843)	
33	1001162882	1	Filter, High Pressure (SN 0300179561 through 0300211843)	

SECTION 2 - TURNTABLE

ITEM	PART NUMBER	QTY	DESCRIPTION	REV
33	70004228	1	Element, Filter	
34	1001164643	1	Plate, Clamp Holder (SN 0300194887 through 0300211843)	
35	0940049	1	Stopper, Hood (SN 0300194887 through 0300211843)	
36	88662523	1	Nut, Tinnerman (SN 0300194887 through 0300211843)	
37	3311502	1	Nut, 5/16-18 UNC GR2 Hex Jam Nut (SN 0300194887 through 0300211843)	
	1001109431	Ref	WHEEL DRIVE INSTALLATION (UL Spec Only)	H
154	0340048	1	Band Kit, Pump Motor (SN 0300194887 through 0300211843)	

SECTION 2 - TURNTABLE

FIGURE 2-2. MAIN CONTROL VALVE ASSEMBLY



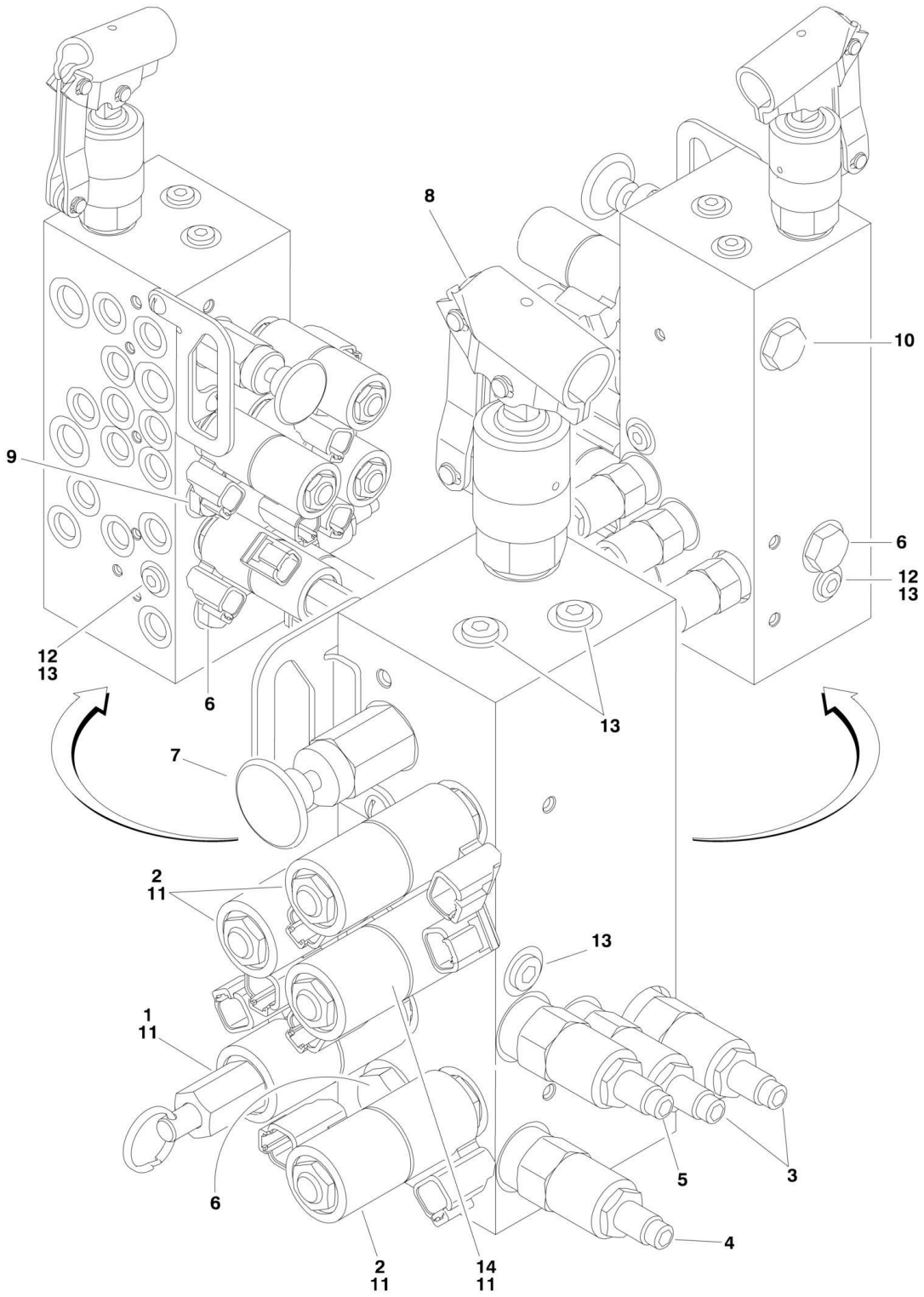
SECTION 2 - TURNTABLE

FIGURE 2-2. MAIN CONTROL VALVE ASSEMBLY

ITEM	PART NUMBER	QTY	DESCRIPTION	REV
	1001109445	Ref	MAIN CONTROL VALVE ASSEMBLY	E
1	70002400	1	Switch, Pressure (Brake)	
2	7017433	1	Cartridge, Solenoid Valve (Steer Direction)	
2	7017402	1	Seal Kit - 7017433 Cartridge	
3	7012941	1	Cartridge, Solenoid Valve (Brake)	
3	7010543	1	Seal Kit - 7012941 Cartridge	
4	70002401	3	Cartridge, Solenoid (Flow Control/Main and Tower Lift Dump)	
4	7017496	3	Seal Kit - 70002401 Cartridge	
5	70002402	1	Cartridge, Solenoid (Swing)	
5	7017402	1	Seal Kit - 70002402 Cartridge	
6	70002403	1	Cartridge, Relief Valve (Main)	
6	7012972	1	Seal Kit - 70002403 Cartridge	
7	7017489	1	Cartridge, Relief Valve (Steer)	
7	7012998	1	Seal Kit - 7017489 Cartridge	
8	7017488	1	Cartridge, Relief Valve (Steer)	
8	7012998	1	Seal Kit - 7017488 Cartridge	
9	70002404	1	Cartridge, Relief Valve (Swing)	
9	7012998	1	Seal Kit - 70002404 Cartridge	
10	7024883	3	Coil	
11	7024885	5	Coil	
12	7022391	1	Cartridge, Check Valve (Brake)	
12	7012967	1	Seal Kit - 7022391 Cartridge	
13	7010542	1	Cartridge, Load Shuttle (Swing)	
13	7010543	1	Seal Kit - 7010542 Cartridge	
14	7017406	AR	Plug	

SECTION 2 - TURNTABLE

FIGURE 2-3. BOOM FUNCTION VALVE ASSEMBLY



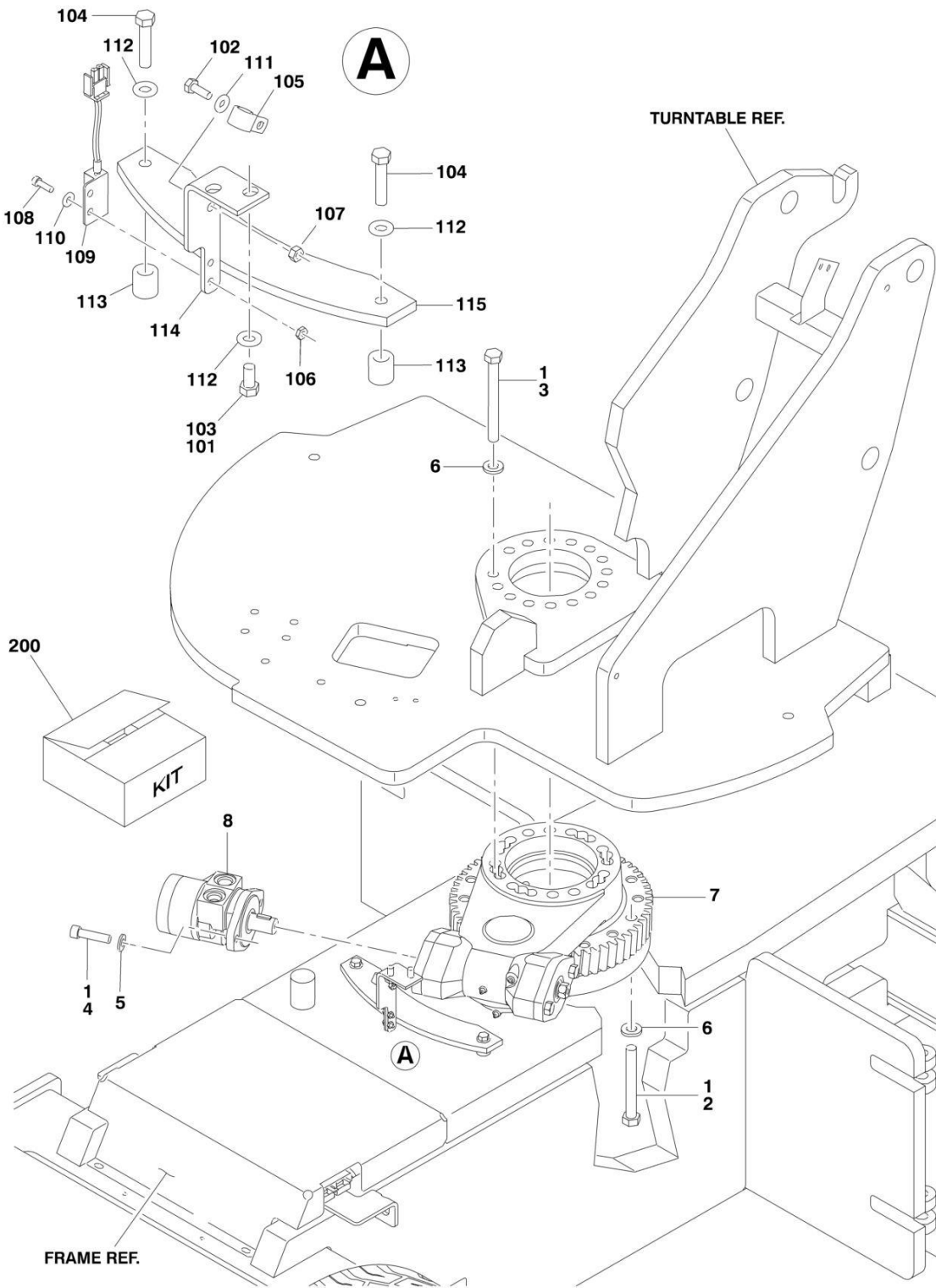
SECTION 2 - TURNTABLE

FIGURE 2-3. BOOM FUNCTION VALVE ASSEMBLY

ITEM	PART NUMBER	QTY	DESCRIPTION	REV
		Ref	BOOM FUNCTION VALVE ASSEMBLY	
	1001109447	Ref	Boom Function Valve Assembly E300AJ	D
	1001109446	Ref	Boom Function Valve Assembly E300AJP	D
1	70002405	1	Cartridge, Solenoid (Jib Lift)	
1	7017402	1	Seal Kit - 70002405 Cartridge	
2	7017452	3	Cartridge, Solenoid Valve (Telescope/Platform Rotate/Platform Level and Master)	
2	7017402	3	Seal Kit - 7017452 Cartridge	
3	7017421	2	Cartridge, Relief Valve (Jib Lift/Platform Level and Master)	
3	7012998	2	Seal Kit - 7017421 Cartridge	
4	7017418	1	Cartridge, Relief Valve (Platform Level and Master)	
4	7012998	1	Seal Kit - 7017418 Cartridge	
5	7017489	1	Cartridge, Relief Valve (Jib Lift)	
5	7012998	1	Seal Kit - 7017489 Cartridge	
6	7012914	2	Cartridge, Pressure Control Valve	
6	7012918	2	Seal Kit - 7012914 Cartridge	
7	70002406	1	Cartridge, Manual Control Valve	
7	7012904	1	Seal Kit - 70002406 Cartridge	
7	7012959	1	Knob	
8	70004019	1	Cartridge, Hand Pump Valve (was p/n 7012694)	
8	7017496	1	Seal Kit - 7012694 Cartridge	
8	2900756	1	Seal Kit - 70004019 Cartridge	
9	7022391	1	Cartridge, Check Valve	
9	7012967	1	Seal Kit - 7022391 Cartridge	
10	4641129	1	Cartridge, Check Valve	
10	7012540	1	Seal Kit - 4641129 Cartridge	
11	7024885	10	Coil	
12	70003528	2	Orifice	
13	701706	8	Plug	
14		Ref	Cartridge Options:	
14		Ref	Cartridge E300AJ uses:	
14	7017471	1	Cartridge	
14	7017471	1	Seal Kit - 7017471 Cartridge (Note: Not Available for Purchase)	
14		Ref	Cartridge E300AJP uses:	
14	7017452	1	Cartridge, Solenoid (Jib Rotate)	
14	7017402	1	Seal Kit - 7017452 Cartridge	

SECTION 2 - TURNTABLE

FIGURE 2-4. TURNTABLE BEARING AND SWING DRIVE INSTALLATION



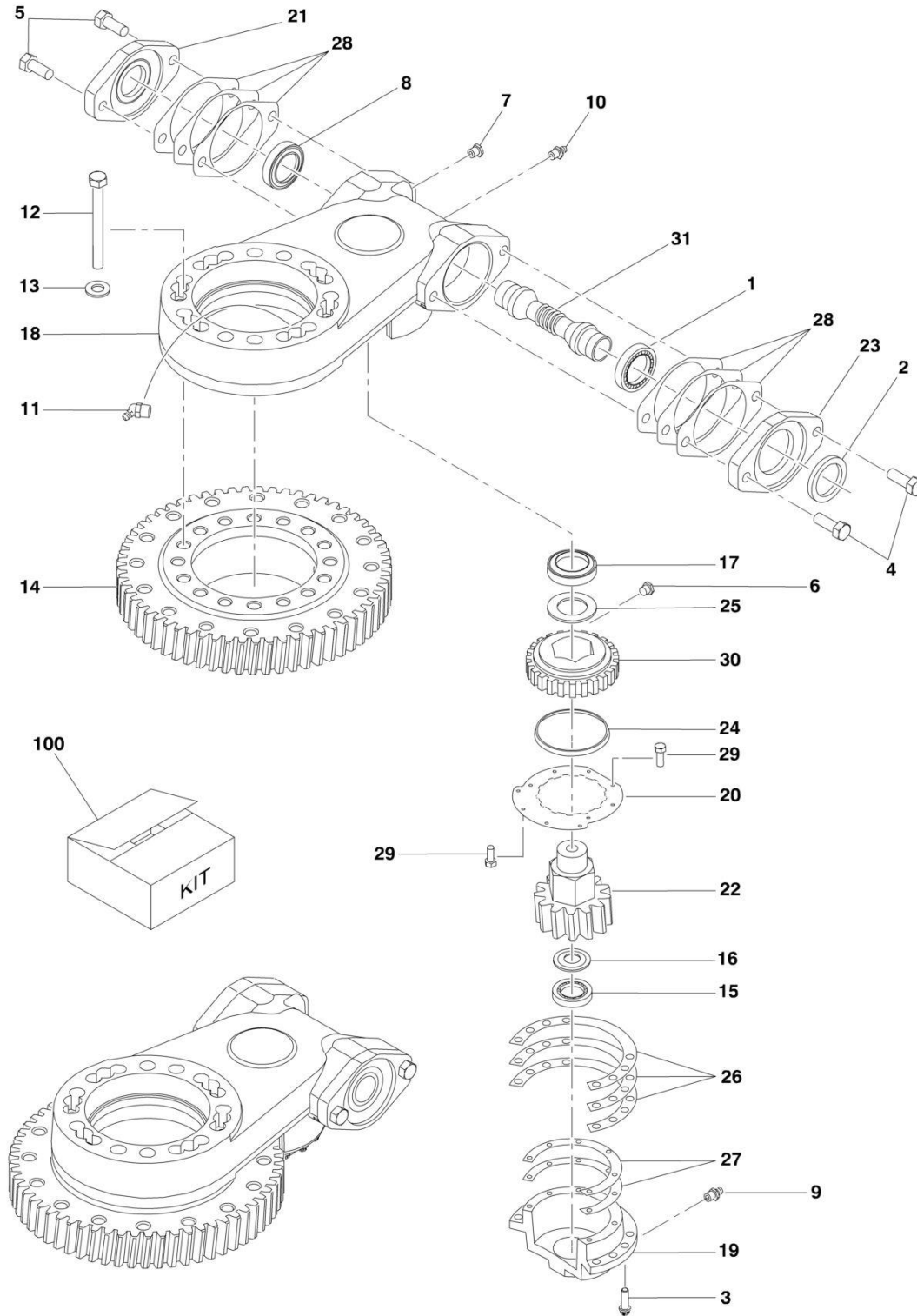
SECTION 2 - TURNTABLE

FIGURE 2-4. TURNTABLE BEARING AND SWING DRIVE INSTALLATION

ITEM	PART NUMBER	QTY	DESCRIPTION	REV
		Ref	Note: See Control Valves and Tank/Motor Installations for Remote Bearing Lube Components.	
		Ref	SWING DRIVE INSTALLATIONS	
	1001107650	Ref	Swing Drive (DOHI)	C
	1001153362	Ref	Swing Drive (JING WEI)	A
1	0100019	AR	Compound, Locking	
2	0682040	16	Bolt 5/8in-11NC x 5in (Grade 8)	
3	0682048	15	Bolt 5/8in-11NC x 6in (Grade 8)	
4	3931832	2	Capscrew 1/2in-13NC x 2in	
5	4740171	2	Flatwasher, Special	
6	4892000	31	Flatwasher 5/8in Hardened	
7		Ref	Turntable Bearing Assembly Options (See TURNTABLE BEARING ASSEMBLY for Breakdown):	
7	1001103646	NLA	Turntable Bearing (DOHI) (Use Item 200)	
7	1001153013	1	Turntable Bearing (JING WEI)	
8	1001107781	1	Swing Motor Assembly (See SWING MOTOR ASSEMBLY for Breakdown)	
	1001107820	Ref	DRIVE ORIENTATION INSTALLATION	C
101	0100011	AR	Compound, Locking	
102	0641406	1	Bolt 1/4in-20NC x 3/4in	
103	0641606	2	Bolt 3/8in-161NC x 3/4in	
104		Ref	Bolt Options:	
104	0641614	2	Bolt 3/8in-161NC x 1 3/4in (SN 0300138358 through 0300138862)	
104	0641616	2	Bolt 3/8in-161NC x 2in (SN 0300138863 through 0300211843)	
105	1320041	1	Clamp	
106	3311005	2	Locknut #10-24NC	
107	3311405	1	Locknut 1/4in-20NC	
108	3931010	2	Capscrew #10-24NC x 5/8in	
109	4360517	1	Switch, Proximity	
110	4711000	2	Flatwasher #10 Thin	
110	4740120	2	Flatwasher, Nylon	
111	4711400	1	Flatwasher 1/4in Thin	
112	4711600	4	Flatwasher 3/8in Thin	
113		Ref	Spacer Options:	
113	7116691	2	Spacer (SN 0300138358 through 0300138862)	
113	1001114757	2	Spacer (SN 0300138863 through 0300211843)	
114	1001102527	1	Bracket, Switch Mounting	
115	1001108274	1	Cam	
200	1001160529	1	TURNTABLE BEARING KIT (INCLUDES P/N 1001153013 BEARING, HARDWARE AND INSTRUCTIONS)	

SECTION 2 - TURNTABLE

FIGURE 2-5. TURNTABLE BEARING ASSEMBLY



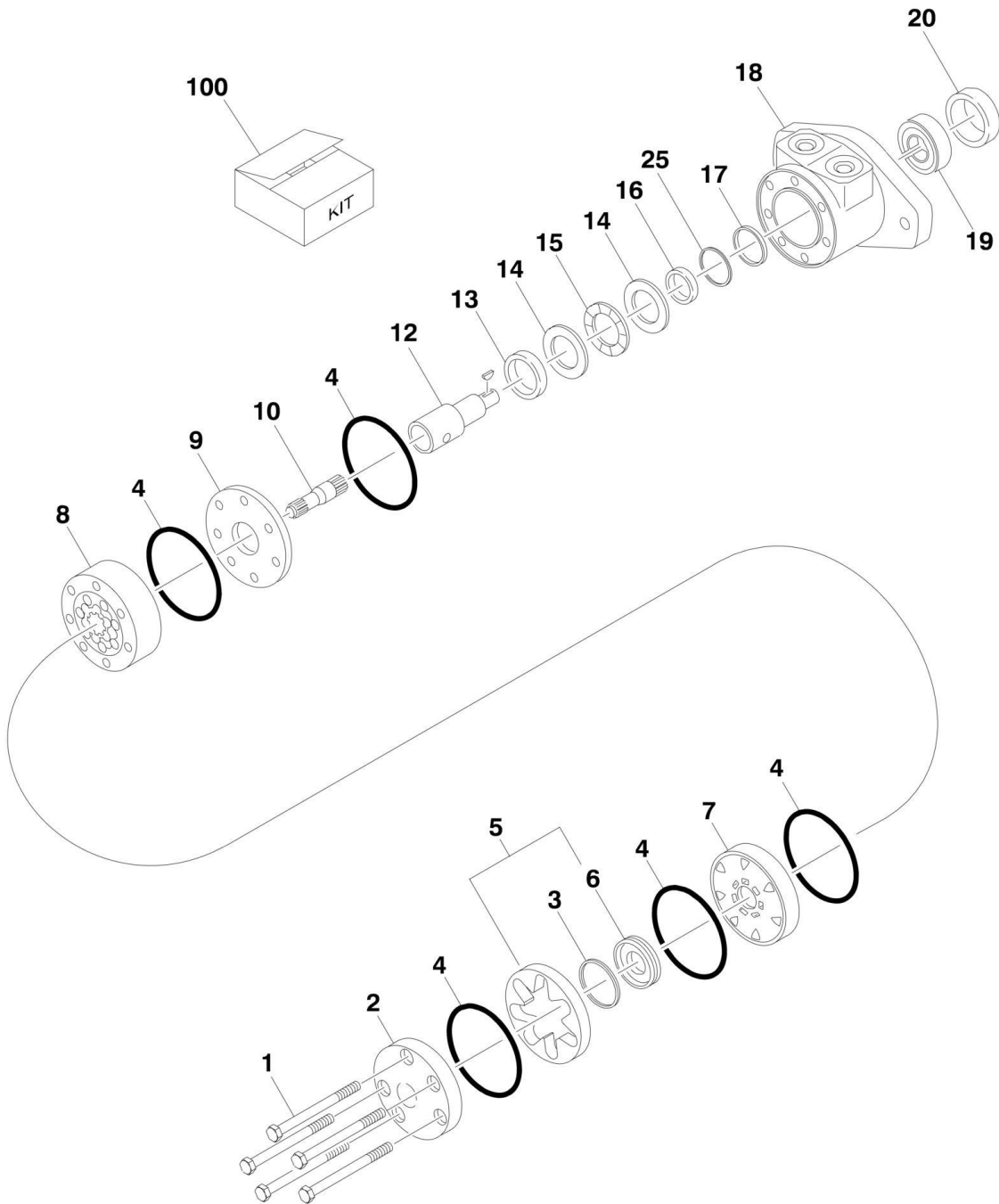
SECTION 2 - TURNTABLE

FIGURE 2-5. TURNTABLE BEARING ASSEMBLY

ITEM	PART NUMBER	QTY	DESCRIPTION	REV
		Ref	TURNTABLE BEARING ASSEMBLIES	
	1001103646	Ref	Turntable Bearing (DOHI)	G
	1001153013	Ref	Turntable Bearing (JING WEI)	B
1	70002643	2	Cup, Bearing	
1	70002644	2	Cone, Bearing	
2	70002645	1	Seal	
3	70002646	8	Bolt 5/16in-18NC x 7/8in	
4	70002647	2	Bolt 1/2in-13NC x 1in	
5	70002648	2	Bolt 1/2in-13NC x 1-1/4in	
6	70000865	1	Plug	
7	70002649	1	Vent, Pressure	
8	70002650	1	Seal	
9	70002651	1	Fitting, Grease 1/4in	
10		Ref	Component Options:	
10	70002652	1	Fitting, Grease 1/8in Straight	
10	See Note	1	Plug, Pipe (Note: Not Available - Purchase Locally)	
11	7027359	1	Fitting, Grease	
12	70002653	2	Capscrew 5/16in-18NC x 1-1/4in	
13	70002654	2	Flatwasher 1/4in Hardened	
14		Ref	Ring Gear Kit Options (Kit Includes Ring Gear and Mounting Hardware):	
14	1001143933	NLA	Ring Gear Kit (DOHI) (Use Item 100)	
14	70004160	1	Ring Gear Kit (JING WEI)	
15	70002656	1	Cup, Bearing	
15	70002657	1	Cone, Bearing	
16	70002658	1	Ring, Grease	
17	7026048	1	Cup, Bearing	
17	7026049	1	Cone, Bearing	
18	1001103646	1	Housing	
19	70002659	1	Cap, Gear	
20	70002660	1	Plate, Cover	
21	70002661	1	Cap, Worm	
22	70002662	1	Pinion, Output	
23	70002663	1	Adapter, Motor	
24	70002664	1	Seal, Face	
25	7026052	1	Spacer, Washer	
26	70002665	1	Shim .0075 Natural	
26	70002666	1	Shim .005 Blue	
26	70002667	1	Shim .003 Green	
27	70002668	1	Shim .005 Blue	
27	70002669	1	Shim .020 Yellow	
28	7027352	1	Gasket .010 Brown	
28	7027351	1	Gasket .0075 Clear	
28	7027350	1	Gasket .005 Blue	
28	7027353	1	Gasket .020 Yellow	
29	70000681	10	Bolt, Flange #6-32NC x 3/8in	
30	70002670	1	Gear, Worm	
31	70002671	1	Shaft, Worm	
100	1001160529	1	TURNTABLE BEARING KIT (INCLUDES P/N 1001153013 BEARING, HARDWARE AND INSTRUCTIONS)	

SECTION 2 - TURNTABLE

FIGURE 2-6. SWING MOTOR ASSEMBLY



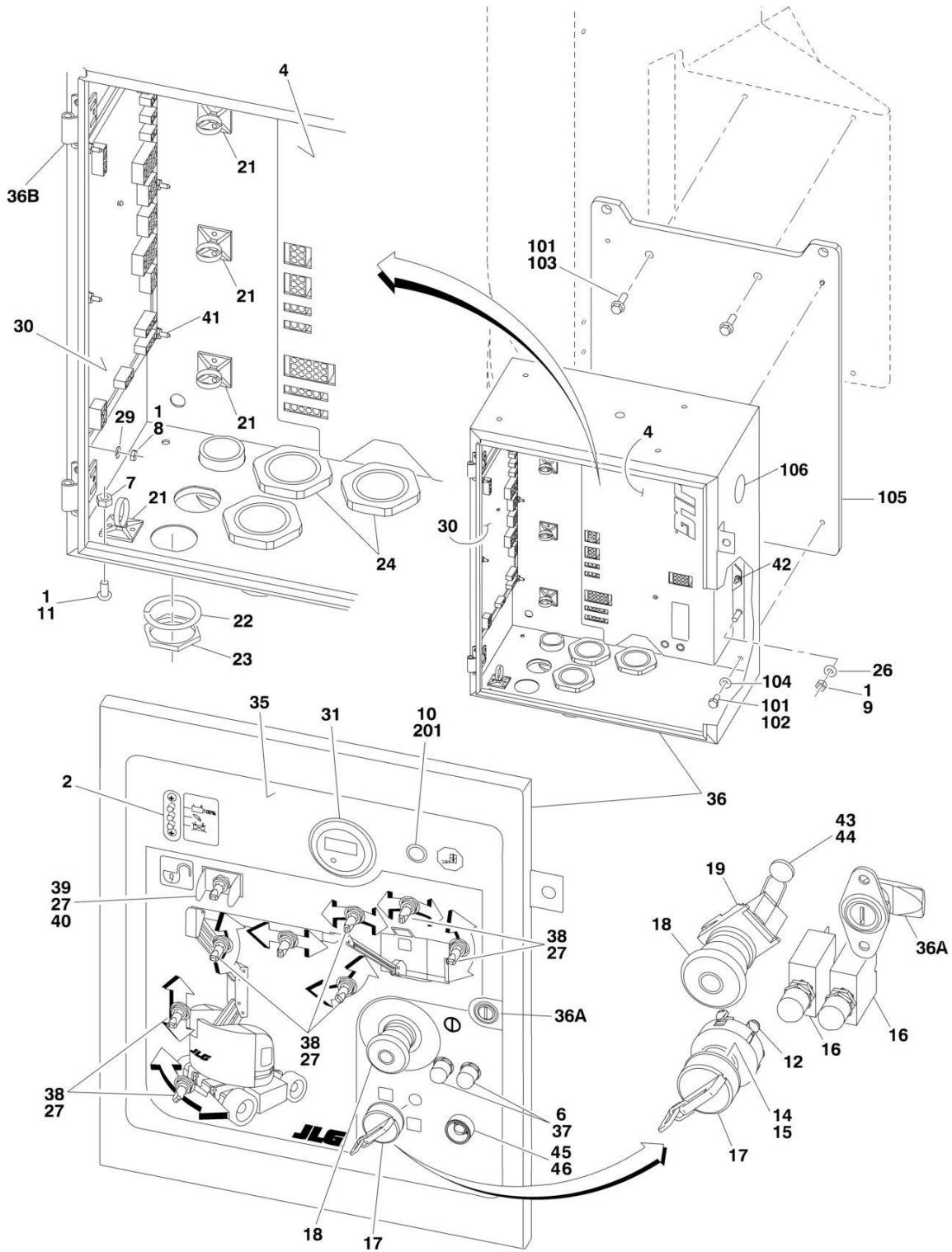
SECTION 2 - TURNTABLE

FIGURE 2-6. SWING MOTOR ASSEMBLY

ITEM	PART NUMBER	QTY	DESCRIPTION	REV
	1001107781	Ref	SWING MOTOR ASSEMBLY (PARKER)	A
1	70002311	5	Bolt	
2	7004035	1	Cover, End	
3	See Note	NSS	Seal, Commutator (Note: Use Item 100)	
4	See Note	NSS	Seal, Ring (Note: Use Item 100)	
5	7024453	1	Commutator and Ring Assembly	
6	7024453	1	Ring	
7	7024379	1	Manifold	
8	70002312	1	Rotor Set	
9	7024380	1	Plate, Wear	
10	70002313	1	Link, Drive	
12	70000088	1	Shaft, Coupling	
12	70000089	1	Key, Woodruff	
13	7024381	1	Bushing, Bronze	
14	7004043	2	Thrustwasher	
15	7004044	1	Bearing, Thrust	
16	See Note	NSS	Seal, Inner (Note: Use Item 100)	
17	See Note	NSS	Washer, Back-up (Note: Use Item 100)	
18	Not Available	1	Housing	
19	7024390	1	Bearing	
20	See Note	NSS	Seal (Note: Use Item 100)	
25	See Note	NSS	Washer, Back-up (Note: Use Item 100)	
100	7024389	1	Seal Kit (Includes Items 3, 4, 16, 17, 20 & 25)	

SECTION 2 - TURNTABLE

FIGURE 2-7. GROUND CONTROL BOX ASSEMBLY



SECTION 2 - TURNTABLE

FIGURE 2-7. GROUND CONTROL BOX ASSEMBLY

ITEM	PART NUMBER	QTY	DESCRIPTION	REV
		Ref	GROUND CONTROL BOX ASSEMBLIES	
	1001108823	Ref	Ground Control Box Assemblies E300AJ (ANSI, ANSI Export and UL Specs) (SN 0300138358 through 0300194886)	F
	1001162495	Ref	Ground Control Box Assemblies E300AJ (ANSI, ANSI Export and UL Specs) (SN 0300194887 through 0300211843)	C
	1001108824	Ref	Ground Control Box Assemblies E300AJ (Australian Spec) (SN 0300138358 through 0300149145)	E
	1001108823	Ref	Ground Control Box Assemblies E300AJ (Australian Spec) (SN 0300149146 through 0300194886)	F
	1001163381	Ref	Ground Control Box Assemblies E300AJ (Australian Spec) (SN 0300194887 through 0300211843)	C
	1001108824	Ref	Ground Control Box Assemblies E300AJ (CE Spec) (SN 0300138358 through 0300194886)	E
	1001163381	Ref	Ground Control Box Assemblies E300AJ (CE Spec) (SN 0300194887 through 0300200790)	C
	1001188038	Ref	Ground Control Box Assemblies E300AJ (CE Spec) (SN 0300200791 through 0300211843)	B
	1001108825	Ref	Ground Control Box Assemblies E300AJP (ANSI, ANSI Export and UL Specs) (SN 0300138358 through 0300194886)	E
	1001163380	Ref	Ground Control Box Assemblies E300AJP (ANSI, ANSI Export and UL Specs) (SN 0300194887 through 0300211843)	C
	1001108826	Ref	Ground Control Box Assemblies E300AJP (Australian Spec) (SN 0300138358 through 0300149145)	E
	1001108825	Ref	Ground Control Box Assemblies E300AJP (Australian Spec) (SN 0300149146 through 0300194886)	E
	1001163506	Ref	Ground Control Box Assemblies E300AJP (Australian Spec) (SN 0300194887 through 0300211843)	C
	1001108826	Ref	Ground Control Box Assemblies E300AJP (CE Spec) (SN 0300138358 through 0300194886)	E
	1001163506	Ref	Ground Control Box Assemblies E300AJP (CE Spec) (SN 0300194887 through 0300200790)	C
	1001188039	Ref	Ground Control Box Assemblies E300AJP (CE Spec) (SN 0300200791 through 0300211843)	B
1	0100035	AR	Compound, Locking	
2	0610131	1	LED, Battery Charger	
3	1060757	1	Cable, Battery (Not Shown - ELECTRICAL SECTION for Location)	
4	1001112779	1	Module, Power (Note: Re-calibration Required when Replaced)	
6	3300396	2	Cover, Fuse	
7	3311401	1	Nut 1/4in-20NC	
8	3310601	6	Nut #6-32NC	
9	3311501	AR	Nut 5/16in-18NC	
10	3520028	2	Plug, Hole	
11	3911408	1	Screw 1/4in-20NC x 1/2in	
12	3910804	6	Screw #8-32NC x 1/4in	
14		Ref	Shim Options:	
14	4070987	1	Shim (.015in) (SN 0300138358 through 0300175724)	
14	1001151393	1	Shim (.063in) (SN 0300175725 through 0300211843)	
15	4070991	1	Shim (.125in) (SN 0300138358 through 0300175725)	
16	4360070	2	Breaker, Circuit - 15Amp	
17		Ref	Switch, Key Options:	
17	4360469	1	ANSI, ANSI Export and UL Specs	
17	4360470	1	Australian Spec (SN 0300138358 through 0300149145)	

SECTION 2 - TURNTABLE

ITEM	PART NUMBER	QTY	DESCRIPTION	REV
17	4360469	1	Australian Spec (SN 0300149146 through 0300211843)	
17	4360470	1	CE Spec (SN 0300138358 through 0300200790)	
17	4360469	1	CE Spec (SN 0300200791 through 0300211843)	
17	2860030	1	Replacement Key (Fits All Specs)	
18	4360475	1	Switch, Emergency Stop	
18	7020175	1	Cap, Mushroom Head	
18	7020176	1	Block, Contact	
19	4360476	1	Switch, Contact Block	
21	4460234	7	Mount, Tie-Strap	
22		Ref	Lockwasher, Terminal Options:	
22	4460496	2	Lockwasher, Terminal (SN 0300138358 through 0300143540)	
22	1001125784	2	Lockwasher, Terminal (SN 0300143541 through 0300211843)	
23		Ref	Nut, Terminal Options:	
23	4460497	2	Nut, Terminal (SN 0300138358 through 0300143540)	
23	1001125785	2	Nut, Terminal (SN 0300143541 through 0300211843)	
24	4460526	2	Connector, Strain Relief	
26	4711500	AR	Flatwasher 5/16in Thin	
27	4740420	AR	Washer, Special O-Ring	
29	4750600	6	Flatwasher #6 Regular	
30	1001109497	1	Module, Ground Control (Note: Re-calibration Required when Replaced)	
31	1001109503	1	Gauge, Battery Indicator	
32	1001109506	1	Harness, Ground Control (Not Shown - See ELECTRICAL SECTION for Breakdown)	
32	1001187375	1	Harness, Ground Control (Not Shown - See ELECTRICAL SECTION for Breakdown) (E300AJ CE Spec Only) (SN 0300200791 through 0300211843)	
33	1001109594	1	Harness, Valve (Not Shown - See ELECTRICAL SECTION for Breakdown)	
33	1001187599	1	Harness, Ground Control (Not Shown - See ELECTRICAL SECTION for Breakdown) (E300A CE Spec Only) (SN 0300200791 through 0300211843)	
34	1001109610	1	Harness, Cable (Not Shown - See ELECTRICAL SECTION for Breakdown)	
35		Ref	Decal - Faceplate Options:	
35	1001109630	1	Decal - Faceplate E300AJ (All Specs except CE Spec)	
35	1001109630	1	Decal - Faceplate E300AJ (CE Spec) (SN 0300138358 through 0300200790)	
35	1001184477	1	Decal - Faceplate E300AJ (CE Spec) (SN 0300200791 through 0300211843)	
35	1001109655	1	Decal - Faceplate E300AJP (All Specs except CE Spec)	
35	1001109655	1	Decal - Faceplate E300AJP (SN 0300138358 through 0300200790)	
35	1001184478	1	Decal - Faceplate E300AJP (SN 0300200791 through 0300211843)	
36		Ref	Box Options:	
36	1001108827	1	Box (All Specs except CE Spec) (SN 0300138358 through 0300194886)	
36	1001162210	1	Box (All Specs except CE Spec) (SN 0300194887 through 0300211843)	
36	1001108827	1	Box (CE Spec) (SN 0300138358 through 0300194886)	
36	1001162210	1	Box (CE Spec) (SN 0300194887 through 0300200790)	
36	1001188040	1	Box (CE Spec) (SN 0300200791 through 0300211843)	
36A	70002527	1	Latch (1001108827 Box Only)	

SECTION 2 - TURNTABLE

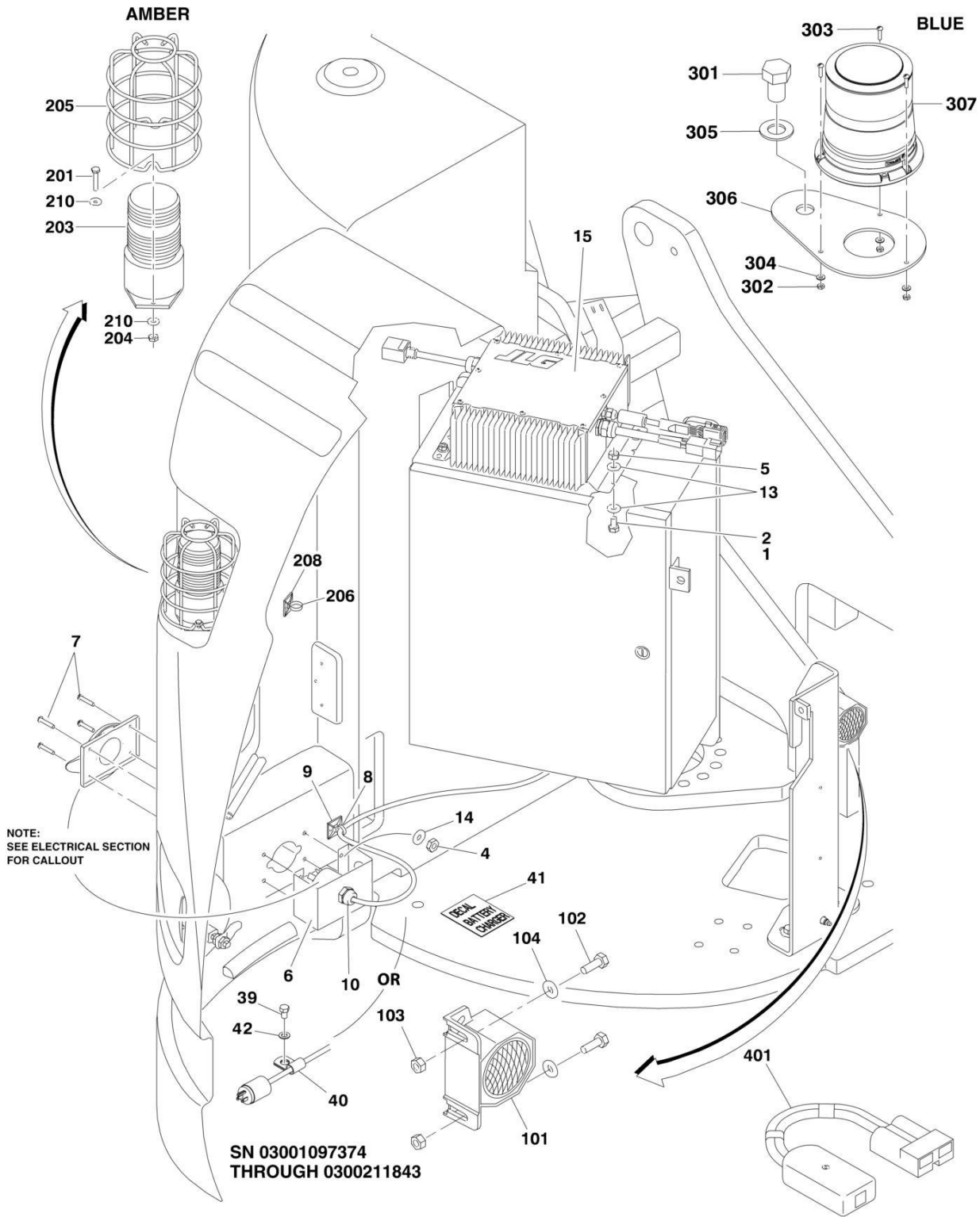
ITEM	PART NUMBER	QTY	DESCRIPTION	REV
36B	70002528	2	Bracket, Hinge Mounting (1001108827 Box Only)	
36B	70002529	2	Hinge (1001108827 Box Only)	
37	3790012	2	Ring	
38	4360328	AR	Switch, Toggle	
39	4360330	1	Switch, Toggle	
40	4060906	1	Guard, Switch	
41	3910616	6	Screw, 6-32 x 1 in (SN 0300194887 through 0300211843)	
42	0791504	6	Screw, 5/16-18 x 1/2 in (SN 0300194887 through 0300211843)	
43	2820026	1	Insulator, Tube	
44	3990106	1	Limiter, Inrush	
45	4360387	1	Switch, Push Button	
46	1001176469	1	Shroud, Switch	
		Ref	GROUND CONTROL BOX INSTALLATION	
	1001108772	Ref	Ground Control Box Installation E300AJ (ANSI, ANSI Export and UL Specs) (SN 0300138358 through 0300194886)	A
	1001164944	Ref	Ground Control Box Installation E300AJ (ANSI, ANSI Export and UL Specs) (SN 0300194887 through 0300211843)	C
	1001108773	Ref	Ground Control Box Installation E300AJ (Australian Spec) (SN 0300138358 through 0300149145)	A
	1001108772	Ref	Ground Control Box Installation E300AJ (Australian Spec) (SN 0300149146 through 0300194886)	A
	1001164944	Ref	Ground Control Box Installation E300AJ (Australian Spec) (SN 0300194887 through 0300211843)	C
	1001108773	Ref	Ground Control Box Installation E300AJ (CE Spec) (SN 0300138358 through 0300194886)	A
	1001164945	Ref	Ground Control Box Installation E300AJ (CE Spec) (SN 0300194887 through 0300200790)	C
	1001188030	Ref	Ground Control Box Installation E300AJ (CE Spec) (SN 0300200791 through 0300211843)	B
	1001108774	Ref	Ground Control Box Installation E300AJP (ANSI, ANSI Export and UL Specs) (SN 0300138358 through 0300194886)	A
	1001164946	Ref	Ground Control Box Installation E300AJP (ANSI, ANSI Export and UL Specs) (SN 0300194887 through 0300211843)	C
	1001108775	Ref	Ground Control Box Installation E300AJP (Australian Spec) (SN 0300138358 through 0300149145)	A
	1001108774	Ref	Ground Control Box Installation E300AJP (Australian Spec) (SN 0300149146 through 0300194886)	A
	1001164946	Ref	Ground Control Box Installation E300AJP (Australian Spec) (SN 0300194887 through 0300211843)	C
	1001108775	Ref	Ground Control Box Installation E300AJP (CE Spec) (SN 0300138358 through 0300194886)	A
	1001164947	Ref	Ground Control Box Installation E300AJP (CE Spec) (SN 0300194887 through 0300200790)	C
	1001188031	Ref	Ground Control Box Installation E300AJP (CE Spec) (SN 0300200791 through 0300211843)	A
101	0100011	AR	Compound, Locking	
102		Ref	Bolt Options:	
102	0641505	3	Bolt 5/16in-18NC x 5/8in (SN 0300138358 through 0300194886)	
102	0641503	3	Bolt, 5/16in-18NC x 3/8in (SN 0300194887 through 0300211843)	
103	0811610	4	Screw 3/8in-16NC x 1-1/4in	
104	4711500	3	Flatwasher 5/16in Thin	
105		Ref	Plate. Mounting Options:	
105	1001107526	1	Plate. Mounting (SN 0300138358 through 0300194887)	

SECTION 2 - TURNTABLE

ITEM	PART NUMBER	QTY	DESCRIPTION	REV
105	1001163750	1	Plate. Mounting (SN 0300194887 through 0300211843)	C
106	3520031	2	Plug, Hole, 1 3/16	
	1001110272	Ref	LOAD SENSING INDICATOR INSTALLATION	
201	2920151	1	Light, LED	

SECTION 2 - TURNTABLE

FIGURE 2-8. ELECTRICAL COMPONENTS INSTALLATIONS



SECTION 2 - TURNTABLE

FIGURE 2-8. ELECTRICAL COMPONENTS INSTALLATIONS

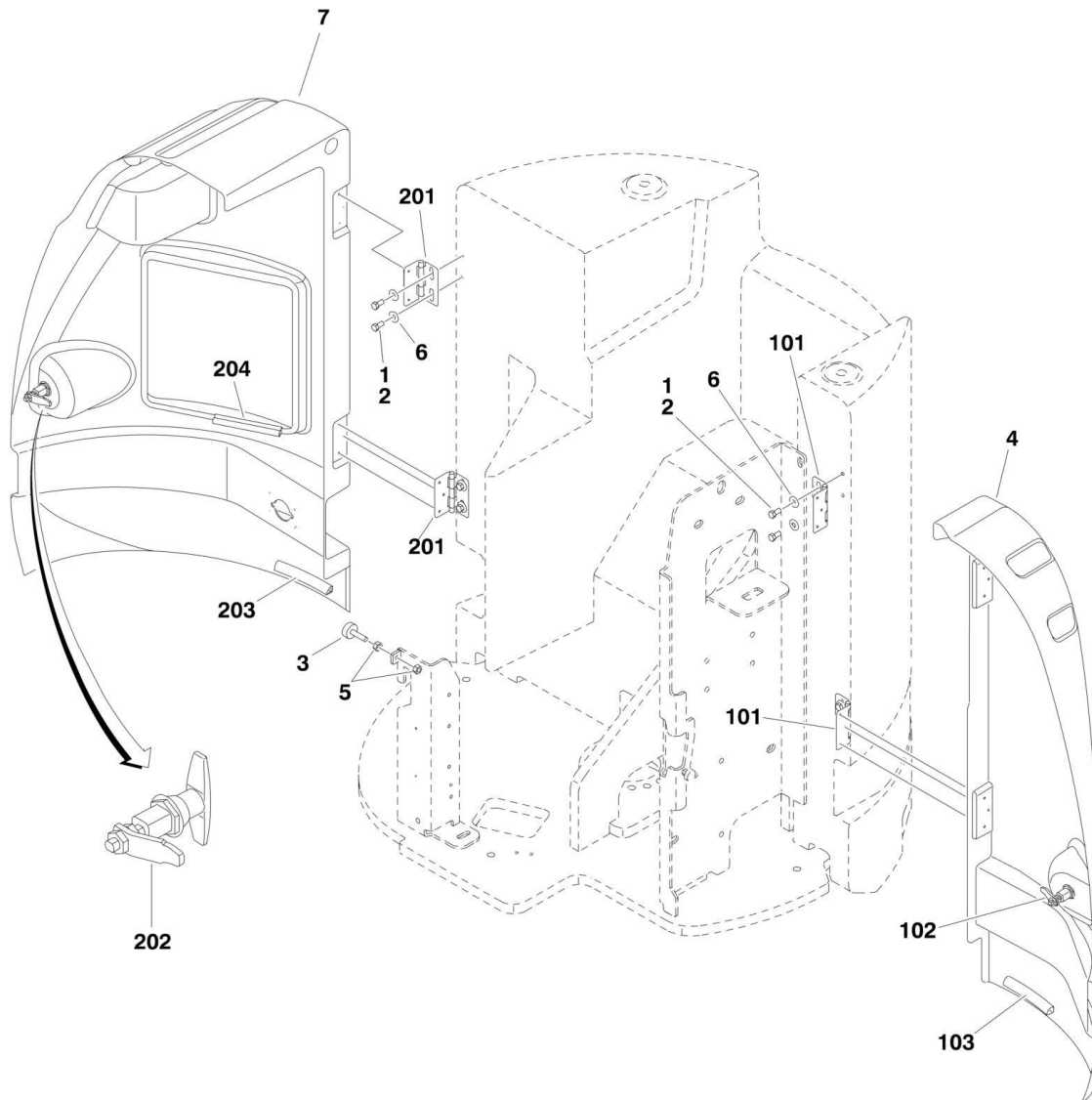
ITEM	PART NUMBER	QTY	DESCRIPTION	REV
		Ref	BATTERY CHARGER INSTALLATIONS (SN 0300138358 through 0300194886)	
	1001103106	Ref	ANSI, ANSI Export and UL Specs	D
	1001109116	Ref	ANSI Export and CE Specs	D
	1001109117	Ref	Australian Spec	D
1	0100011	AR	Compound, Locking	
2	0641404	4	Bolt 1/4in-20NC x 1/2in	
4	3311005	4	Locknut #10-24NC	
5	3311401	4	Nut 1/4in-20NC	
6	3571584	1	Bracket, Plug (1001109116 & 1001109117 Installations Only)	
7	3911016	4	Screw #10-24NC x 1in	
8	4240032	1	Tie-Strap	
9	4460234	1	Base, Tie-Strap Mounting	
10	4460428	1	Connector, Strain Relief (1001109116 & 1001109117 Installations Only)	
13	4711400	8	Flatwasher 1/4in Thin	
14	4751000	4	Flatwasher #10 Regular	
15	1001103105	1	Battery Charger Assembly (See ELECTRICAL SECTION for Replacement Parts)	
		Ref	BATTERY CHARGER INSTALLATIONS (SN 0300194887 through 0300211843)	
	1001166249	1	ANSI, ANSI Export and UL Specs	B
	1001175882	1	ANSI Export and CE Specs	B
	1001175883	1	Australian Spec	B
20	0641405	4	Bolt 1/4in-20NC x 5/8in	
21	1060689	1	Cable, AC cord	
22	3311405	4	Locknut # 1/4in-20NC	
23	4711400	8	Flatwasher 1/4in Thin	
24	4460805	1	Plug, Australian (1001175883 Installation Only)	
25	4460138	1	Terminal, Connector Plug (1001166249 Installation Only)	
26	1001103105	1	Battery Charger Assembly (See ELECTRICAL SECTION for Replacement Parts)	
27	0641604	1	Bolt 1/4in-20NC x 1/2in	
28	1320263	1	Clamp, Cable	
29	1701644	1	Decal, Battery Charger	
30	4711600	1	Flatwasher 3/8in Plain, Narrow	
39	0641604	1	Bolt 3/8 x 1/2 (SN 0300197379 through 0300211843)	
40	1320263	1	Clamp (SN 0300197379 through 0300211843)	
41	1701644	1	Decal - Battery Charger (SN 0300197379 through 0300211843)	
42	4711600	1	Washer 3/8 (SN 0300197379 through 0300211843)	
		Ref	ALARM INSTALLATIONS	
	1001110266	Ref	Alarm Installation (SN 0300138358 through 0300194886)	A
	1001175138	Ref	Alarm Installation (SN 0300194887 through 0300211843)	A
101	0140043	1	Alarm	
102	0641406	2	Bolt 1/4in-20NC x 3/4in	
103	3311405	2	Locknut 1/4in-20NC	
104	4711400	2	Flatwasher 1/4in Thin	
		Ref	STROBE LIGHT INSTALLATION (AMBER) (OPTIONAL) (SN 0300138358 through 0300194886)	
	1001110268	Ref	Standard Spec	C
	1001158623	Ref	UL Spec	A

SECTION 2 - TURNTABLE

ITEM	PART NUMBER	QTY	DESCRIPTION	REV
201	0721008	1	Screw #10-24NC x 1in	
202	2820035	AR	Tubing, Insulate (Not Shown)	
203	2920146	1	Strobe Light Assembly	
203	7016319	1	Bulb, Replacement	
203	7016372	1	Lens, Replacement	
204	3311005	2	Locknut #10-24NC	
205	4060865	Ref	Guard Options:	
205	4060865	1	Standard Spec (SN 0300138358 through 0300171423)	
205	4060865	1	UL Spec (SN 0300176401 through 0300211843)	
206	4240033	AR	Wire-Tie	
208	4460234	3	Base, Tie-Strap Mounting	
209	Not Required	3	Clamp	
210	4751000	4	Flatwasher #10 Regular	
211	1001110444	1	Strobe Light Harness (Not Shown - See ELECTRICAL SECTION for Breakdown) (Note: Now Part of Main Harness)	
		Ref	STROBE LIGHT INSTALLATION (AMBER) (OPTIONAL) (SN 0300194887 through 0300211843)	
	1001176794	Ref	Standard Spec (SN 0300194887 through 0300211843)	A
	1001176855	Ref	UL Spec (SN 0300194887 through 0300211843)	A
220	0721006	2	Screw #10-24NC x 3/4in	
221	2820035	AR	Tubing, Insulate (Not Shown)	
222	2920146	1	Strobe Light Assembly (See Item # 203 for breakdown)	
223	3311005	2	Locknut #10-24NC	
224	3820019	4	Rivet	
225	4240033	AR	Wire-Tie	
226	4460226	2	Socket Contact	
227	4460234	5	Terminal, Mount Cable Tie	
228	4460424	1	Connector, 2 Pos Mate and Lock	
229	4751000	4	Flatwasher #10 Regular	
230	1001173253	1	Bracket, Support Beacon	
	1001189195	Ref	STROBE LIGHT INSTALLATION (BLUE)	A
		Ref	Note: For Machines SN 0300138358 through 0300200791 - See SPECIAL OPTIONS SECTION.	
301	0642612	1	Bolt 1 x 1-1/2	
302	3311005	3	Nut #10	
303	3911012	3	Screw #10 x 3/4	
304	4711000	3	Washer #10	
305	4712600	1	Washer	
306	1001142694	1	Bracket, Mounting	
307	1001143431	1	Light, Strobe (Blue)	
308	1001149570	1	Harness, Beacon Control (Blue Beacon) (Not Shown - See ELECTRICAL SECTION for Breakdown)	
401	1600466	NLA	BATTERY CHARGER REPROGRAM CONTROLLER (Use p/n 2915230)	

SECTION 2 - TURNTABLE

FIGURE 2-9. HOODS INSTALLATION - ABS (SN 0300138358 through 0300194887)



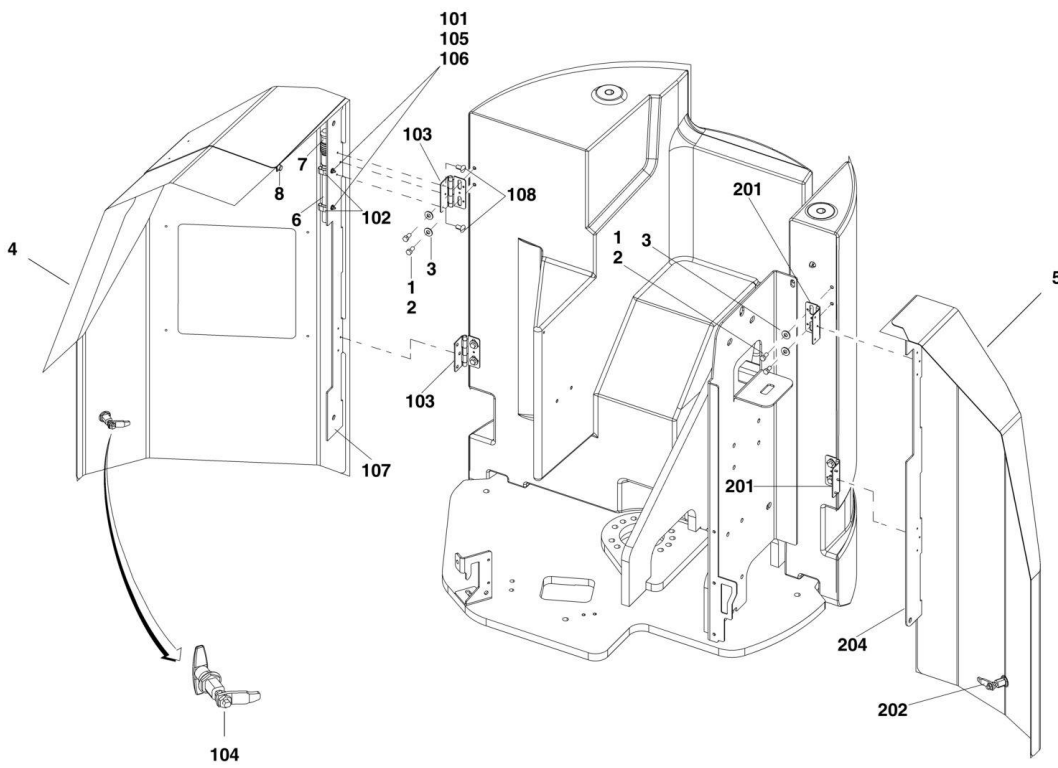
SECTION 2 - TURNTABLE

FIGURE 2-9. HOODS INSTALLATION - ABS (SN 0300138358 through 0300194887)

ITEM	PART NUMBER	QTY	DESCRIPTION	REV
	1001110013	Ref	HOODS INSTALLATION - ABS (SN 0300138358 through 0300194887)	B
1	0100011	AR	Compound, Locking	
2	0641606	8	Bolt 3/8in-16NC x 3/4in	
3	0940049	4	Bumper	
4	1001112921	1	Hood Assembly - Tank Side (See Items 101-103 for Breakdown)	
5	3311505	4	Locknut 5/16in-18NC	
6	4751600	8	Flatwasher 3/8in Regular	
7	1001110262	1	Hood Assembly - Ground Control Box Side (See Items 201-204 for Breakdown)	
	1001112921	Ref	HOOD ASSEMBLY - TANK SIDE	A
		Ref	Note: Replacement Decals Must Be Ordered Separately - See DECALS SECTION.	
101	2600258	2	Hinge	
102	2940117	1	Latch	
103	3960514	AR	Seal	
	1001110262	Ref	HOOD ASSEMBLY - GROUND CONTROL BOX SIDE	A
		Ref	Note: Replacement Decals Must Be Ordered Separately - See DECALS SECTION.	
201	2600258	2	Hinge	
202	2940117	1	Latch	
203	3960514	30 in /76cm	Seal	
204	3960418	36 in /90cm	Seal	

SECTION 2 - TURNTABLE

FIGURE 2-10. HOOD INSTALLATION - STEEL (SN 0300194887 through 0300211843)



SECTION 2 - TURNTABLE

FIGURE 2-10. HOOD INSTALLATION - STEEL (SN 0300194887 through 0300211843)

ITEM	PART NUMBER	QTY	DESCRIPTION	REV
	1001164606	Ref	HOODS INSTALLATION - STEEL (SN 0300194887 through 0300211843)	C
1	0100011	AR	Compound, Locking	
2	0641606	8	Bolt 3/8in-16NC x 3/4in	
3	4751600	8	Flatwasher 3/8in Regular	
4	1001164239	1	Hood Assembly - LH (See Items 101-108 for Breakdown)	
5	1001164280	1	Hood Assembly - RH (See Items 201-204 for Breakdown)	
6	2560122	1	Handle	
7	2560123	1	Grip, Handle	
8	0940036	2	Door, Bumper	
	1001164239	Ref	HOOD ASSEMBLY - LH	F
101	0721005	2	Screw #10-24NC x 5/8in	
102	1380136	2	Clip, Gripper	
103	2600258	2	Hinge	
104	2940117	1	Latch	
105	3311005	2	Locknut #10-24NC	
106	4751200	2	Washer #12	
107	1001164238	1	Hood Steel - LH	
108	3820020	6	Rivet, Pop	
	1001164280	Ref	HOOD ASSEMBLY - RH	E
201	2600258	1	Hinge	
202	2940117	1	Latch	
203	3820020	1	Rivet, Pop (Not Shown)	
204	1001164257	1	Hood Steel - RH	

SECTION 3 - BOOM

SECTION 3 - BOOM

FIGURE 3-1. BOOM AND CYLINDERS INSTALLATION

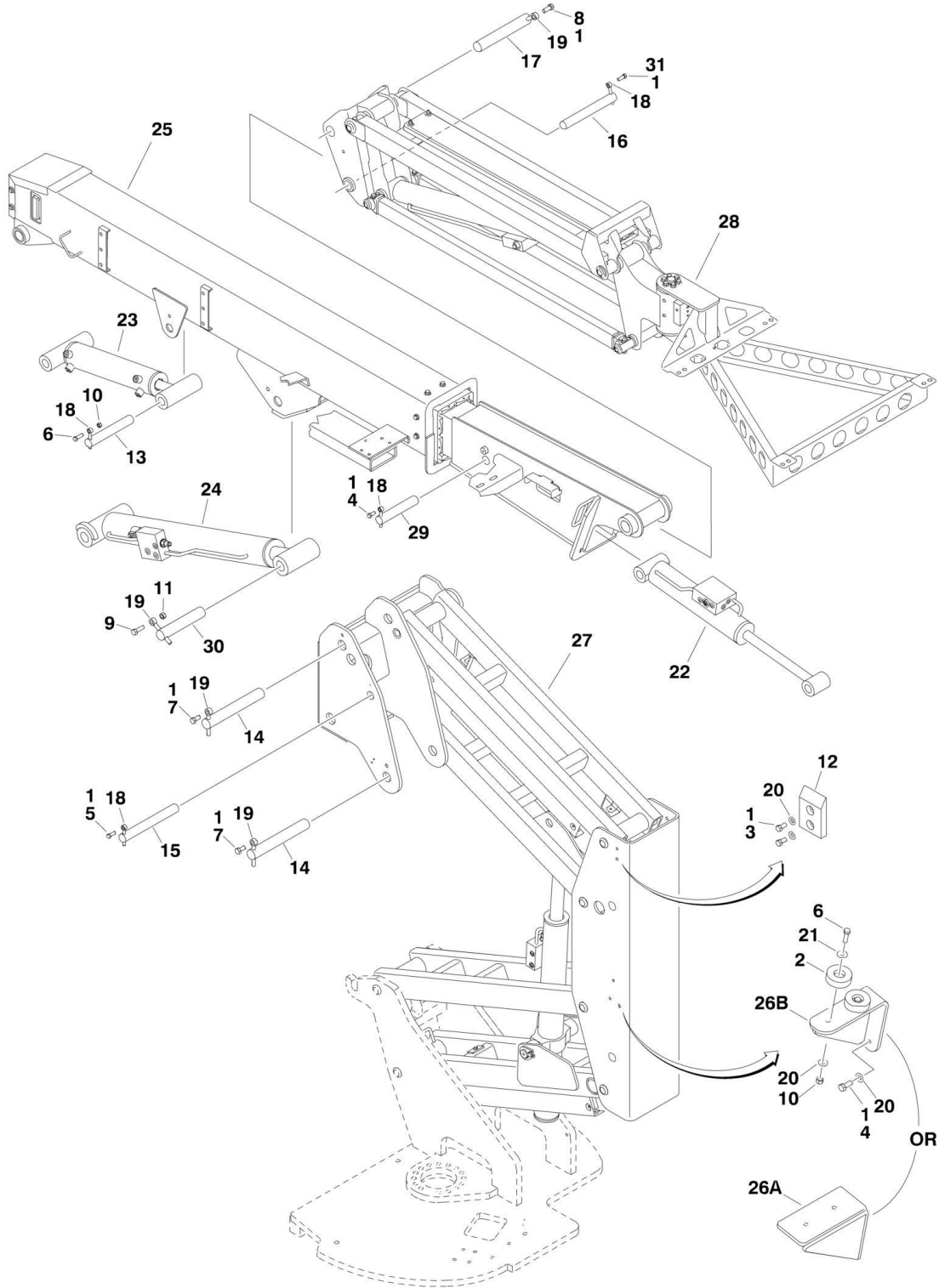


FIGURE 3-1. BOOM AND CYLINDERS INSTALLATION

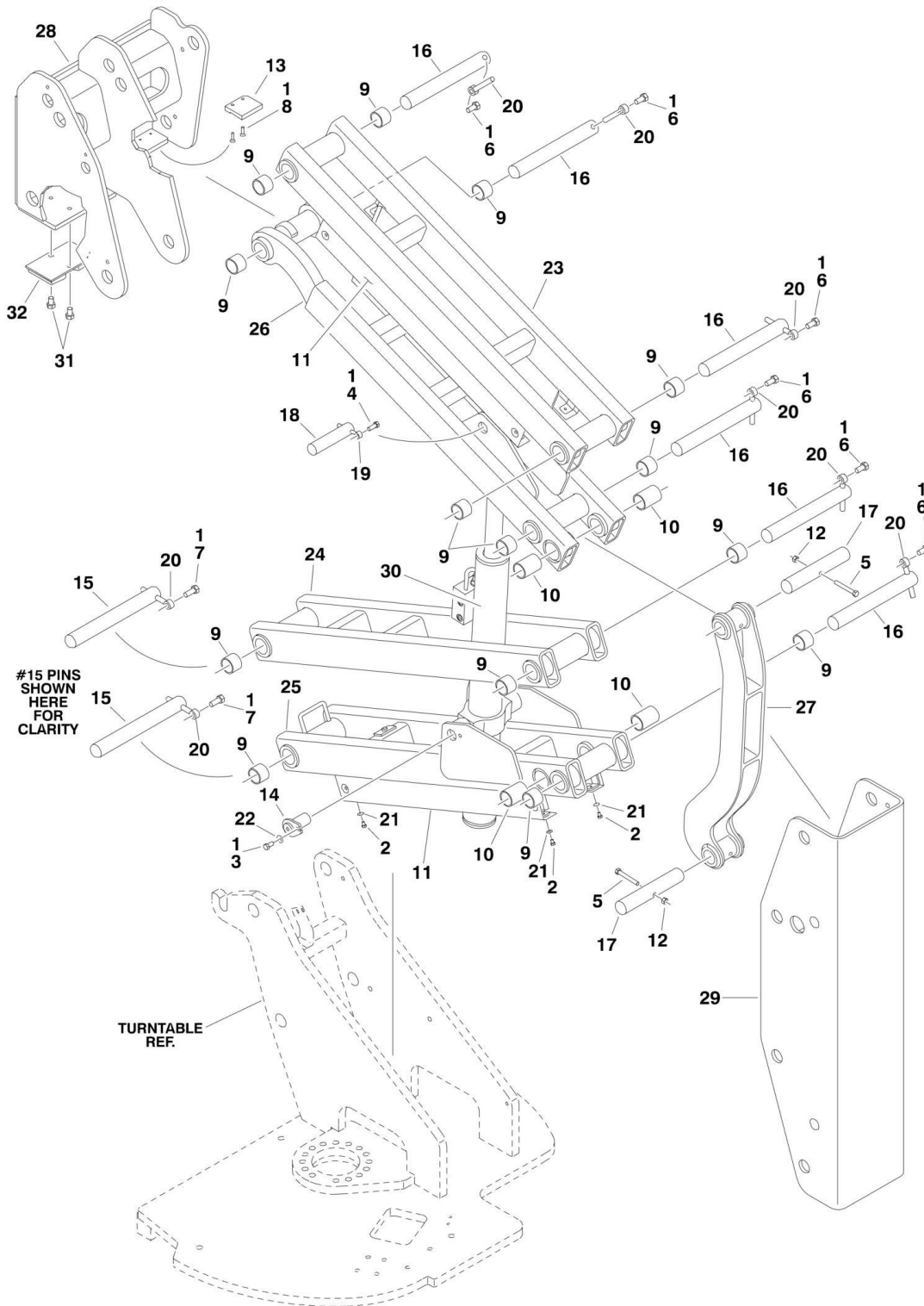
ITEM	PART NUMBER	QTY	DESCRIPTION	REV
		Ref	NOTE: SERVICE KITS ARE AVAILABLE FOR SOME MACHINES SN 0300138358 THROUGH 0300157824 COMPONENTS. IDENTIFY BY HARDWARE TYPE. ORIGINAL EQUIPMENT USES SAE HARDWARE. SERVICE KIT COMPONENTS USE METRIC HARDWARE.	
		Ref	BOOM AND CYLINDERS INSTALLATIONS	
	1001108553	Ref	Boom and Cylinders Installations E300AJ	C
	1001107584	Ref	Boom and Cylinders Installations E300AJP	C
1	0100011	AR	Compound, Locking	
2	1001112607	2	Block, Boom Rest	
3	0641606	2	Bolt 3/8in-16NC x 3/4in	
4	0641607	3	Bolt 3/8in-16NC x 7/8in	
5	0641608	1	Bolt 3/8in-16NC x 1in	
6	0641610	3	Bolt 3/8in-16NC x 1-1/4in	
7	0641808	2	Bolt 1/2in-13NC x 1in	
8		Ref	Bolt Options:	
8	0641810	1	Bolt 1/2in-13NC x 1-1/4in (SN 0300138358 through 0300157823)	
8	0761215	1	Bolt M12 x 35mm (SN 0300157824 through 0300211843)	
9	0641812	1	Bolt 1/2in-13NC x 1-1/2in	
10	3311605	3	Locknut 3/8in-16NC	
11	3311805	1	Locknut 1/2in-13NC	
12	3340854	1	Pad, Boom Guide	
13	3422582	1	Pin	
14	3422787	2	Pin	
15	3422790	1	Pin	
16	3422792	1	Pin	
17	3422814	1	Pin	
18	3841143	4	Keeper, Pin	
19	3841203	4	Keeper, Pin	
20	4711600	7	Flatwasher 3/8in Thin	
21	4751600	2	Flatwasher 3/8in Regular	
22	1001105153	NLA	Level Cylinder Assembly - Platform (Slave) (Use p/n 1001203949) (Original Equipment) (See CYLINDER SECTION for Breakdown)	
22	1001203949	1	Level Cylinder Assembly - Platform (Slave) (Service Replacement) (See CYLINDER SECTION for Breakdown)	
23	1001105989	1	Master Cylinder Assembly (See CYLINDER SECTION for Breakdown)	
24	1001106880	1	Lift Cylinder Assembly - Main Boom (See CYLINDER SECTION for Breakdown)	
25		Ref	Main Boom Assembly Options (See MAIN BOOM ASSEMBLY for Breakdown):	
25	1001108384	NLA	Main Boom Assembly (Use p/n 1001125317) E300AJ (SN 0300138358 through 0300157823)	
25	1001117885	NLA	Main Boom Assembly (Use p/n 1001125317) E300AJ (SN 0300157824 through 0300211843)	
25	1001107108	NLA	Main Boom Assembly (Use p/n 1001125316) E300AJP (SN 0300138358 through 0300157823)	
25	1001123023	NLA	Main Boom Assembly (Use p/n 1001125316) E300AJP (SN 0300157824 through 0300211843)	
26		Ref	Plate, Boom Rest Options:	
26A	1001107573	1	Plate, Boom Rest (SN 0300138358 through 0300157823)	

SECTION 3 - BOOM

ITEM	PART NUMBER	QTY	DESCRIPTION	REV
26B	1001125235	1	Plate, Boom Rest (SN 0300157824 through 0300211843)	
27		Ref	Tower Boom Assembly (See TOWER BOOM ASSEMBLY for Breakdown)	
27	1001108387	1	Tower Boom Assembly E300AJ	
27	1001107583	1	Tower Boom Assembly E300AJP	
28		Ref	Jib Assembly (See JIB ASSEMBLY AND PLATFORM SUPPORT INSTALLATION for Breakdown)	
28	1001107615	NLA	Jib Assembly (Use p/n 1001125318) E300AJ (SN 0300138358 through 0300157823)	
28	1001123025	NLA	Jib Assembly (Use p/n 1001125318) E300AJ (SN 0300157824 through 0300211843)	
28	1001107614	NLA	Jib Assembly (Use p/n 1001123024) E300AJP (SN 0300138358 through 0300157823)	
28	1001123024	1	Jib Assembly E300AJP (SN 0300157824 through 0300211843)	
29	3422709	1	Pin	
30	1001109528	1	Pin	
31		Ref	Bolt Options:	
31	0641609	1	Bolt 3/8in-16NC x 1-1/8in (SN 0300138358 through 0300157823)	
31	0761014	1	Bolt M10 x 30mm (SN 0300157824 through 0300211843)	
32		Ref	Bolt Options:	
32	0641607	1	Bolt 3/8in-16NC x 7/8in (SN 0300138358 through 0300157823)	
32	0761011	1	Bolt M10 x 22mm (SN 0300157824 through 0300211843)	

SECTION 3 - BOOM

FIGURE 3-2. TOWER BOOM ASSEMBLY



SECTION 3 - BOOM

FIGURE 3-2. TOWER BOOM ASSEMBLY

ITEM	PART NUMBER	QTY	DESCRIPTION	REV
		Ref	TOWER BOOM ASSEMBLY	
	1001108387	Ref	Tower Boom Assembly E300AJ	B
	1001107583	Ref	Tower Boom Assembly E300AJP	B
1	0100011	AR	Compound, Locking	
2	0641403	12	Bolt 1/4in-20NC x 3/8in	
3	0641606	2	Bolt 3/8in-16NC x 3/4in	
4	0641608	1	Bolt 3/8in-16NC x 1in	
5	0641622	2	Bolt 3/8in-16NC x 2-3/4in	
6	0641808	6	Bolt 1/2in-13NC x 1in	
7	0641810	2	Bolt 1/2in-13NC x 1-1/4in	
8	0741408	2	Screw 1/4in-20NC x 1in	
9	0961948	16	Bearing	
10	0962259	4	Bearing	
11	1271433	4	Channel, Boom Cable/Hose	
12	3311605	2	Locknut 3/8in-16NC	
13	3340865	1	Pad, Wear	
14	3422424	2	Pin	
15	3422785	2	Pin	
16	3422786	6	Pin	
17	3422788	2	Pin	
18	3422789	1	Pin	
19	3841143	1	Keeper, Pin	
20	3841203	8	Keeper, Pin	
21	4711400	12	Flatwasher 1/4in Thin	
22	4711600	2	Flatwasher 3/8in Thin	
23	4845940	1	Link, Mid Boom (Top)	
24	4845942	1	Link, Lower Boom (Top)	
25	4845943	1	Link, Lower Boom (Bottom)	
26		Ref	Link, Mid Boom (Bottom) Options:	
26	4845941	1	Link, Mid Boom (Bottom) E300AJ	
26	4846083	1	Link, Mid Boom (Bottom) E300AJP	
27	1001097487	1	Link, Timing	
28	1001107217	1	Upright (Top)	
29	1001107567	1	Upright (Bottom)	
30	1001107886	1	Lift Cylinder Assembly - Tower Boom (See CYLINDER SECTION for Breakdown)	
31	0641806	2	Bolt 1/2in-13NC x 3/4in	
32	0940048	1	Bumper	

SECTION 3 - BOOM

FIGURE 3-3. MAIN BOOM ASSEMBLY

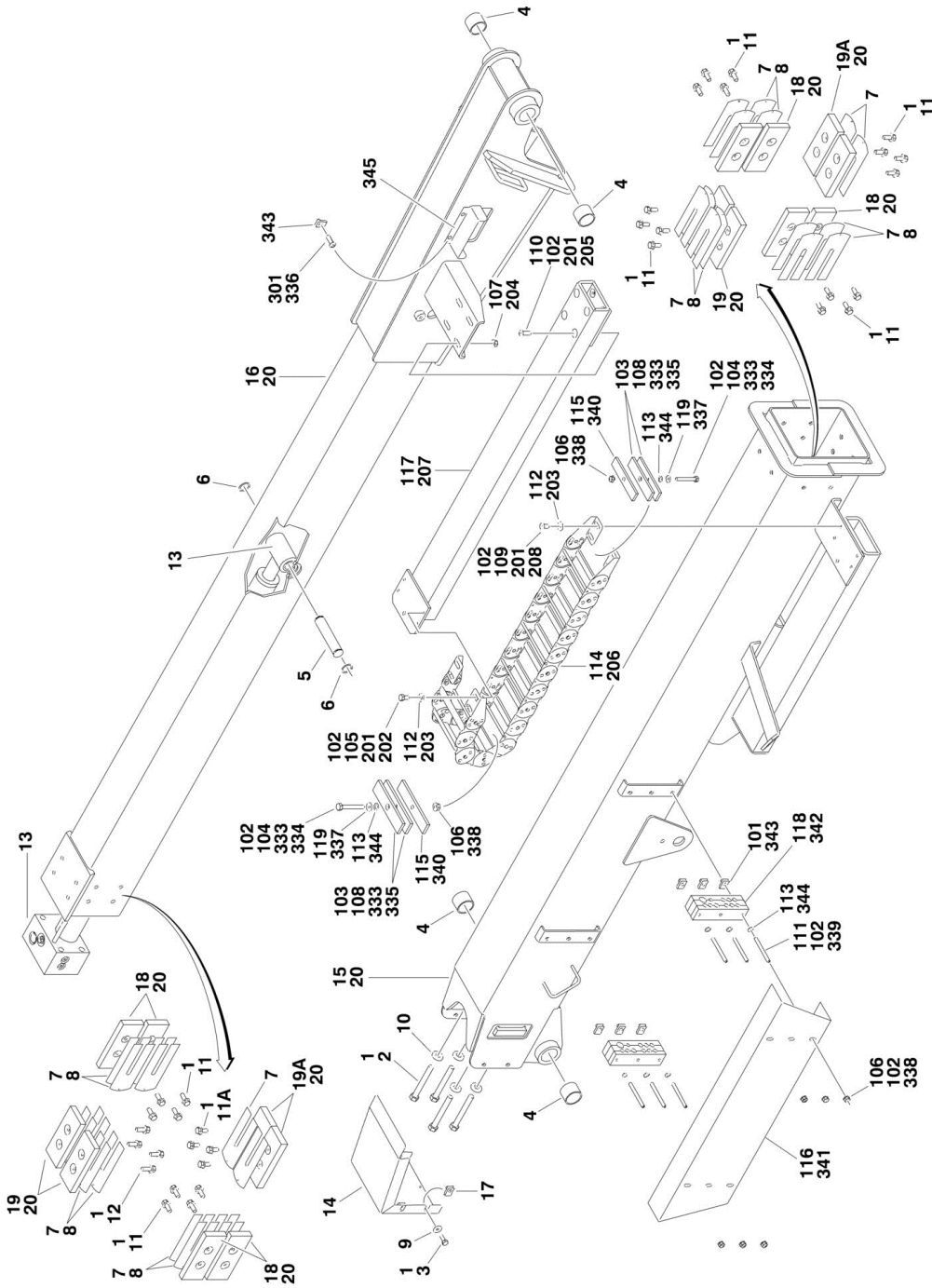


FIGURE 3-3. MAIN BOOM ASSEMBLY

ITEM	PART NUMBER	QTY	DESCRIPTION	REV
		Ref	NOTE: SERVICE KITS ARE AVAILABLE FOR SOME MACHINES SN 0300138358 THROUGH 0300157824 COMPONENTS. IDENTIFY BY HARDWARE TYPE. ORIGINAL EQUIPMENT USES SAE HARDWARE. SERVICE KIT COMPONENTS USE METRIC HARDWARE. SERVICE KIT COMPONENTS USE METRIC HARDWARE.	
		Ref	MAIN BOOM ASSEMBLY	
	1001108384	Ref	Main Boom Assembly E300AJ (SN 0300138358 through 0300157823)	C
	1001117885	Ref	Main Boom Assembly E300AJ (SN 0300157824 through 0300211843)	C
	1001107108	Ref	Main Boom Assembly E300AJP (SN 0300138358 through 0300157823)	D
	1001123023	Ref	Main Boom Assembly E300AJP (SN 0300157824 through 0300211843)	A
1	0100011	AR	Compound, Locking	
2		Ref	Bolt Options:	
2	0681832	4	Bolt 1/2in-13NC x 4in (Grade 8) (SN 0300138358 through 0300157823)	
2	0711227	4	Bolt M12 x 100mm (10.9) (SN 0300157824 through 0300211843)	
3		Ref	Bolt Options:	
3	0641507	4	Bolt 5/16in-18NC x 7/8in (SN 0300138358 through 0300157823)	
3	0760812	4	Bolt M8 x 25mm (SN 0300157824 through 0300211843)	
4	0961948	4	Bushing	
5	3422745	1	Pin	
6	3760115	2	Ring, Retaining	
7	4070897	16	Shim 18Ga	
8	4070898	12	Shim 11Ga	
9		Ref	Flatwasher Options:	
9	4751500	4	Flatwasher 5/16in Regular (SN 0300138358 through 0300157823)	
9	4811902	4	Flatwasher M8 (SN 0300157824 through 0300211843)	
10		Ref	Flatwasher Options:	
10	4891800	4	Flatwasher 1/2in Hardened (SN 0300138358 through 0300157823)	
10	5241200	4	Flatwasher M8 Hardened (SN 0300157824 through 0300211843)	
11		Ref	Bolt Options:	
11	0811607	24	Bolt 3/8in-16NC x 7/8in (SN 0300138358 through 0300157823)	
11	5251010	24	Bolt M10 x 20mm (SN 0300157824 through 0300211843)	
11A		Ref	Bolt Options:	
11A	0811606	4	Bolt 3/8in-16NC x 3/4in (SN 0300138358 through 0300157823)	
11A	5251012	4	Bolt M10 x 25mm (SN 0300157824 through 0300211843)	
12		Ref	Bolt Options:	
12	0811608	4	Bolt 3/8in-16NC x 1in (SN 0300138358 through 0300157823)	
12	5251012	4	Bolt M10 x 25mm (SN 0300157824 through 0300211843)	
13		Ref	Telescope Cylinder Assembly Options (See CYLINDER SECTION for Breakdown):	
13	1001106878	NLA	Cylinder (Use p/n 1001120974) E300AJ (SN 0300138358 through 0300157823)	

SECTION 3 - BOOM

ITEM	PART NUMBER	QTY	DESCRIPTION	REV
13	1001120974	1	Cylinder E300AJ (SN 0300157824 through 0300211843)	
13	1001106879	1	Cylinder (E300AJP)	
14	1001108290	1	Cover	
15		Ref	Boom, Base Options:	
15	1001107003	NLA	Base (Use p/n 1001125319) E300AJ (SN 0300138358 through 0300157823)	
15	1001123026	NLA	Base (With Service Kit Installed which uses Metric Hardware) (Use p/n 1001125319) E300AJ (SN 0300138358 through 0300157823)	
15	1001116876	1	Base E300AJ (SN 0300157824 through 0300211843)	
15	1001107003	NLA	Base (Use p/n 1001125319) E300AJP (SN 0300138358 through 0300157823)	
15	1001123026	NLA	Base (Use p/n 1001125319) E300AJP (SN 0300157824 through 0300211843)	
16		Ref	Boom, Fly Options:	
16	1001107240	NLA	Fly (Use p/n 1001125320) E300AJ (SN 0300138358 through 0300157823)	
16	1001116877	1	Fly E300AJ (SN 0300157824 through 0300211843)	
16	1001107240	NLA	Fly (Use p/n 1001125320) E300AJP (SN 0300138358 through 0300157823)	
16	1001123027	NLA	Fly (Use p/n 1001125320) E300AJP (SN 0300157824 through 0300211843)	
17		Ref	Nut, Retainer Options:	
17	88662530	4	Nut (SN 0300138358 through 0300157823)	
17	1001118274	4	Nut (SN 0300157824 through 0300211843)	
18		Ref	Pad, Wear Options:	
18	3340862	8	Pad (SN 0300138358 through 0300157823)	
18	1001118287	8	Pad E300AJ (SN 0300157824 through 0300211843)	
18	1001123044	8	Pad E300AJP (SN 0300157824 through 0300211843)	
19		Ref	Pad, Wear Options:	
19	3340862	4	Pad (SN 0300138358 through 0300157823)	
19	1001118288	4	Pad E300AJ (SN 0300157824 through 0300211843)	
19	1001123045	4	Pad E300AJP (SN 0300157824 through 0300211843)	
19A		Ref	Pad, Wear Options:	
19A	3340863	4	Pad (SN 0300138358 through 0300157823)	
19A	1001118288	4	Pad E300AJ (SN 0300157824 through 0300211843)	
19A	1001123045	4	Pad E300AJP (SN 0300157824 through 0300211843)	
20	3020022	AR	Grease, White Lithium	
	1001107658	Ref	BOOM CLAMPS AND POWER TRACK INSTALLATION (SN 0300138358 through 0300157823)	C
101	88662530	4	Nut, Retainer	
102	0100011	AR	Compound, Locking	
103	0100081	AR	Adhesive	
104	0641518	2	Bolt 5/16in-18NC x 2-1/4in	
105	0641605	4	Bolt 3/8in-16NC x 5/8in	
106	3311508	8	Nut, Flange 5/16in-18NC	
107	3311608	4	Nut, Flange 3/8in-16NC	
108	3340939	4	Pad, Rubber	
109	3900280	4	Screw 3/8in-16NC x 5/8in	
110	3900316	4	Screw 3/8in-16NC x 1in	
111	3951526	6	Setscrew 5/16in-18NC x3-1/4in	
112	4711600	8	Flatwasher 3/8in Thin	
113	8310146	8	Pushnut 5/16in	

SECTION 3 - BOOM

ITEM	PART NUMBER	QTY	DESCRIPTION	REV
114	1001099834	1	Carrier, Power Track	
114	70001996	1	Repair Kit	
114	70001998	1	Bracket Kit (Includes 4 Mounting Feet and Hardware to Attach to Carrier)	
115	1001106757	2	Plate, Clamp	
116	1001107152	1	Shield, Cover	
117	1001108249	NLA	Tube, Support (Use p/n 1001119513)	
118	1001109080	2	Clamp, Block	
119	4711500	2	Flatwasher 5/16in Thin	
	1001119504	Ref	POWER TRACK INSTALLATION (SN 0300157824 through 0300211843)	B
201	0100011	AR	Compound, Locking	
202	0761007	4	Bolt M10 x 14mm	
203	4812000	8	Flatwasher 10mm	
204	5221000	4	Nut M10	
205	8310668	4	Bolt M10 x 25mm	
206	1001099834	1	Carrier, Power Track	
206	70001996	1	Repair Kit	
206	70001998	1	Bracket Kit (Includes 4 Mounting Feet and Hardware to Attach to Carrier)	
207	1001119513	1	Tube, Support	
208	1001119527	4	Capscrew M10 x 16mm	
		Ref	BOOM CLAMPS INSTALLATION (SN 0300157824 through 0300211843)	
	1001109562	Ref	Boom Clamps Installation E300AJ	F
	1001109563	Ref	Boom Clamps Installation E300AJP	F
301	0100011	AR	Compound, Locking	
333	0100081	AR	Adhesive	
334	0700820	2	Bolt M8 x 60mm	
335	3340939	4	Pad, Rubber	
336	4031908	2	Bolt M8 x 20mm	
337	4811900	2	Flatwasher M8	
338	5260800	8	Nut, Flange M8	
339	5281920	6	Setscrew M8 x 80mm	
340	1001106757	2	Plate, Clamp	
341	1001107152	1	Shield	
342	1001109080	2	Block, Clamp	
343	1001118274	8	Nut, Retainer	
344	1001119228	8	Nut M8	
345	1001122600	1	Cover, Hose	

SECTION 3 - BOOM

FIGURE 3-4. JIB ASSEMBLY AND PLATFORM SUPPORT INSTALLATION

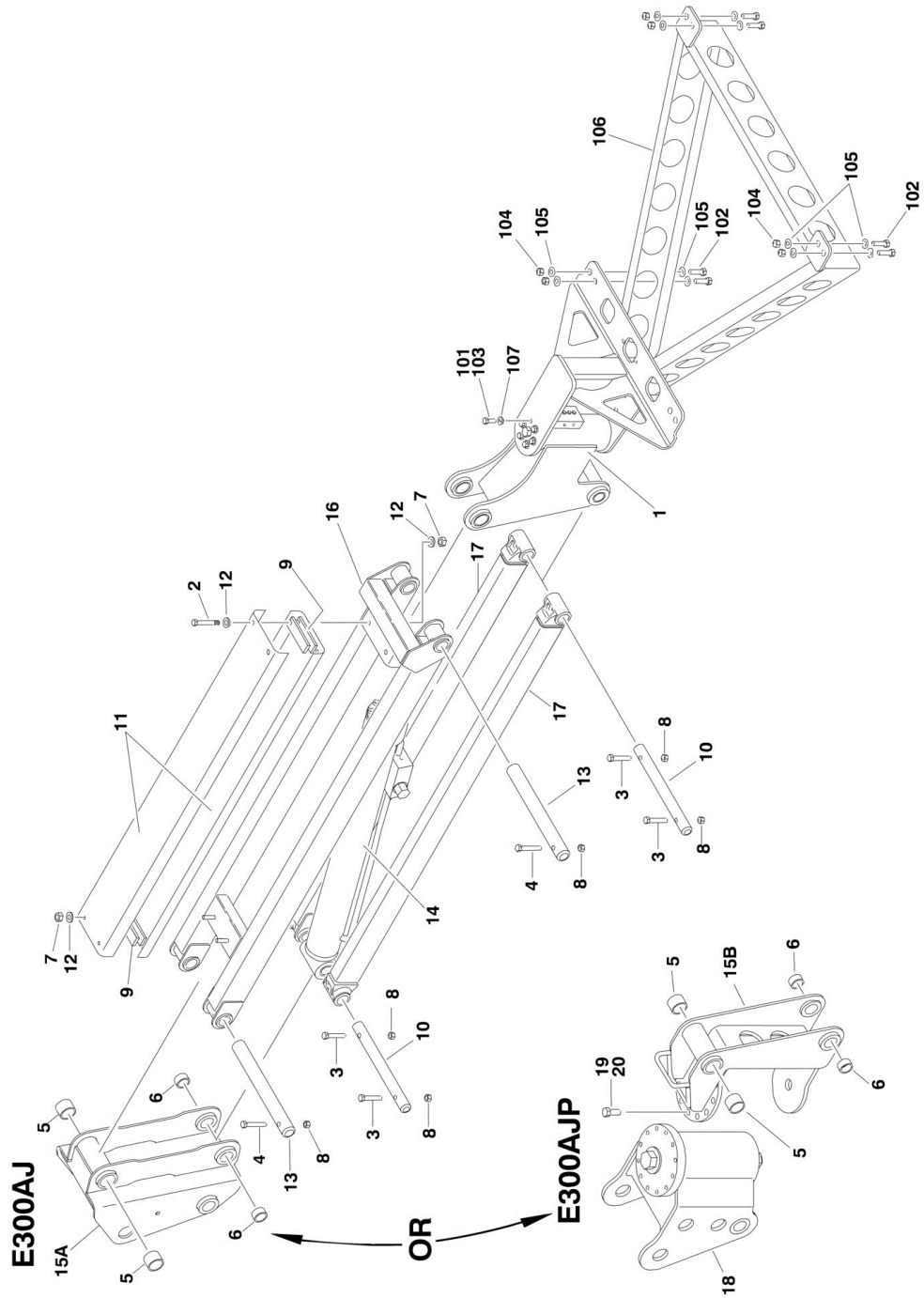


FIGURE 3-4. JIB ASSEMBLY AND PLATFORM SUPPORT INSTALLATION

ITEM	PART NUMBER	QTY	DESCRIPTION	REV
		Ref	NOTE: SERVICE KITS ARE AVAILABLE FOR SOME MACHINES SN 0300138358 THROUGH 0300157824 COMPONENTS. IDENTIFY BY HARDWARE TYPE. ORIGINAL EQUIPMENT USES SAE HARDWARE. SERVICE KIT COMPONENTS USE METRIC HARDWARE.	
		Ref	JIB ASSEMBLY	
	1001107615	Ref	Jib Assembly E300AJ (SN 0300138358 through 0300157823)	C
	1001123025	Ref	Jib Assembly E300AJ (SN 0300157824 through 0300211843)	A
	1001107614	Ref	Jib Assembly E300AJP (SN 0300138358 through 0300157823)	C
	1001123024	Ref	Jib Assembly E300AJP (SN 0300157824 through 0300211843)	A
1	0060044	1	Platform Rotator Assembly (See PLATFORM ROTATOR ASSEMBLY for Breakdown)	
2		Ref	Bolt Options:	
2	0641516	2	Bolt 5/16in-18NC x 2in (SN 0300138358 through 0300157823)	
2	0700818	2	Bolt M8 x 50mm (SN 0300157824 through 0300211843)	
3		Ref	Bolt Options:	
3	0641616	4	Bolt 3/8in-16NC x 2in (SN 0300138358 through 0300157823)	
3	0701018	4	Bolt M10 x 50mm (SN 0300157824 through 0300211843)	
4		Ref	Bolt Options:	
4	0641618	2	Bolt 3/8in-16NC x 2-1/4in (SN 0300138358 through 0300157823)	
4	0701020	2	Bolt M10 x 60mm (SN 0300157824 through 0300211843)	
5	0961951	2	Bushing	
6	0962292	2	Bushing	
7		Ref	Nut Options:	
7	3311501	4	Nut 5/16in-18NC (SN 0300138358 through 0300157823)	
7	3290805	4	Nut M8 (SN 0300157824 through 0300211843)	
8		Ref	Locknut 3/8in-16NC	
8	3311605	6	Nut 3/8in-16NC (SN 0300138358 through 0300157823)	
8	3291005	6	Nut M10 (SN 0300157824 through 0300211843)	
9	3340860	4	Pad, Rubber	
10	3422791	2	Pin	
11	3572551	2	Channel, Hose Carrier	
12		Ref	Flatwasher Options:	
12	4751500	6	Flatwasher 5/16in Regular (SN 0300138358 through 0300157823)	
12	4811902	6	Flatwasher M8 (SN 0300157824 through 0300211843)	
13		Ref	Pin	
13	3422794	2	Pin (SN 0300138358 through 0300157823)	
13	1001116550	2	Pin (SN 0300157824 through 0300211843)	
14	1001108429	1	Lift Cylinder Assembly - Jib (See CYLINDER SECTION for Breakdown)	
14	1001151286	1	Lift Cylinder Assembly - Jib (Not Shown) (Including 0300129963)	
15		Ref	Support, Jib Options:	
15A	1001103437	NLA	Support (Use p/n 1001125321) E300AJ (SN 0300138358 through 0300157823)	
15A	1001118394	NLA	Support (Use p/n 1001125321) E300AJ (SN 0300157824 through 0300211843)	
15B	4846502	1	Support (E300AJP)	
16		Ref	Link, Jib (Top) Options:	
16	4846278	1	Link (SN 0300138358 through 0300157823)	

SECTION 3 - BOOM

ITEM	PART NUMBER	QTY	DESCRIPTION	REV
16	1001118482	1	Link (SN 0300157824 through 0300211843)	A
17		Ref	Link, Jib (Bottom) Options:	
17	1001094670	2	Link (SN 0300138358 through 0300157823)	
17	1001118516	2	Link (SN 0300157824 through 0300211843)	
18	0060065	1	Jib Swing Rotator Assembly (E300AJP Only) (See JIB SWING ROTATOR ASSEMBLY for Breakdown)	
19	3931816	1	Capscrew 1/2in-13NC x 1in	
20	0100011	AR	Compound, Locking	
		Ref	PLATFORM SUPPORT INSTALLATION	
	0272976	Ref	Machines without LSS	
	See Note	Ref	Machines with LSS (Note: See Separate Breakdown in this Section)	
101	0100011	AR	Compound, Locking	
102	0641610	8	Bolt 3/8in-16NC x 1-1/4in	
103	0681608	6	Bolt 3/8in-16NC x 1in (Grade 8)	
104	3311605	1	Locknut 3/8in-16NC	
105	4711600	1	Flatwasher 3/8in Thin	
106		Ref	Support, Platform Options:	
106	4846608	1	Machines without Load Sensing	
106	See Note Above	1	Machines with Load Sensing	
107	4891600	8	Flatwasher 3/8in Hardened	

SECTION 3 - BOOM

FIGURE 3-5. PLATFORM ROTATOR ASSEMBLY

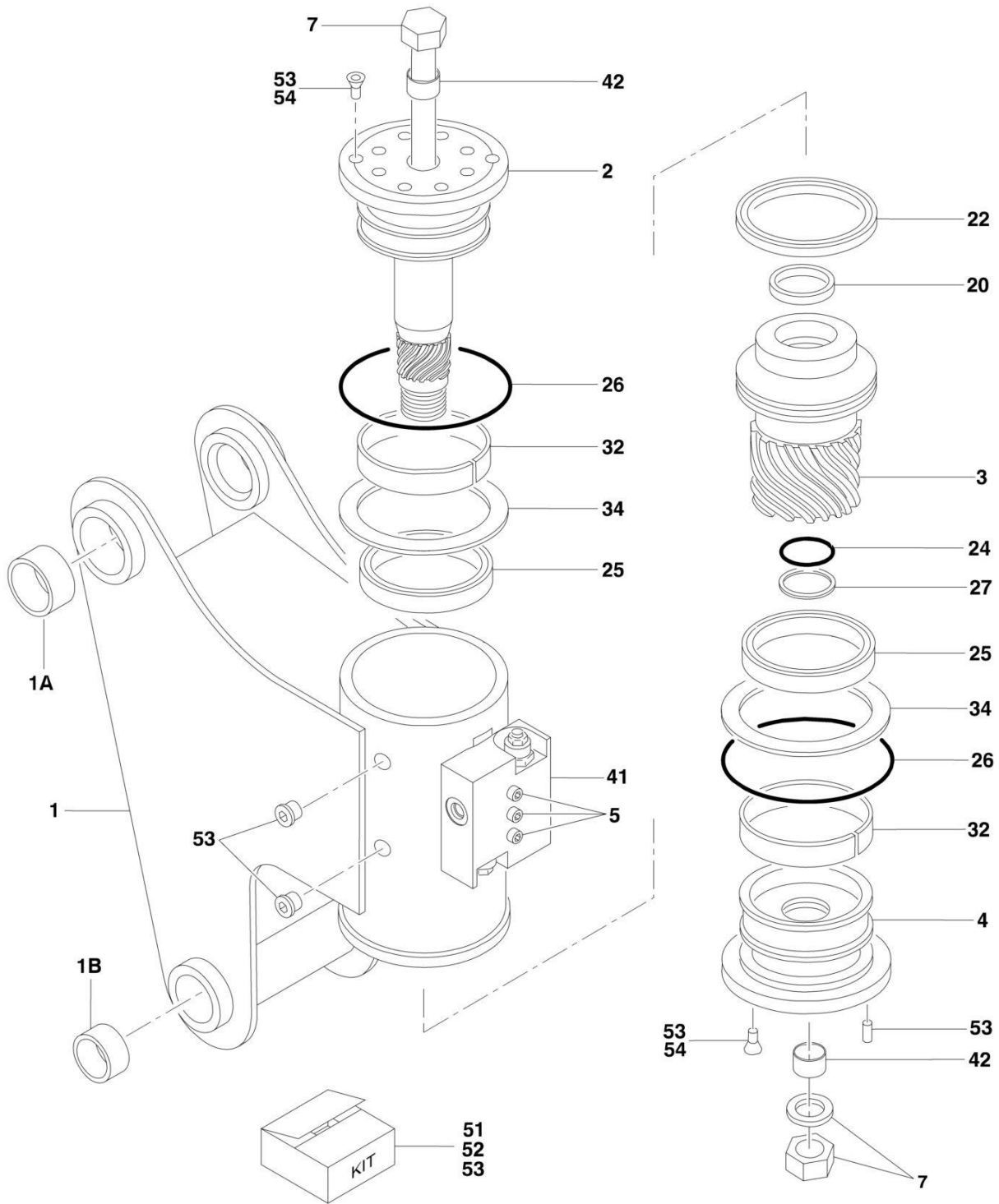
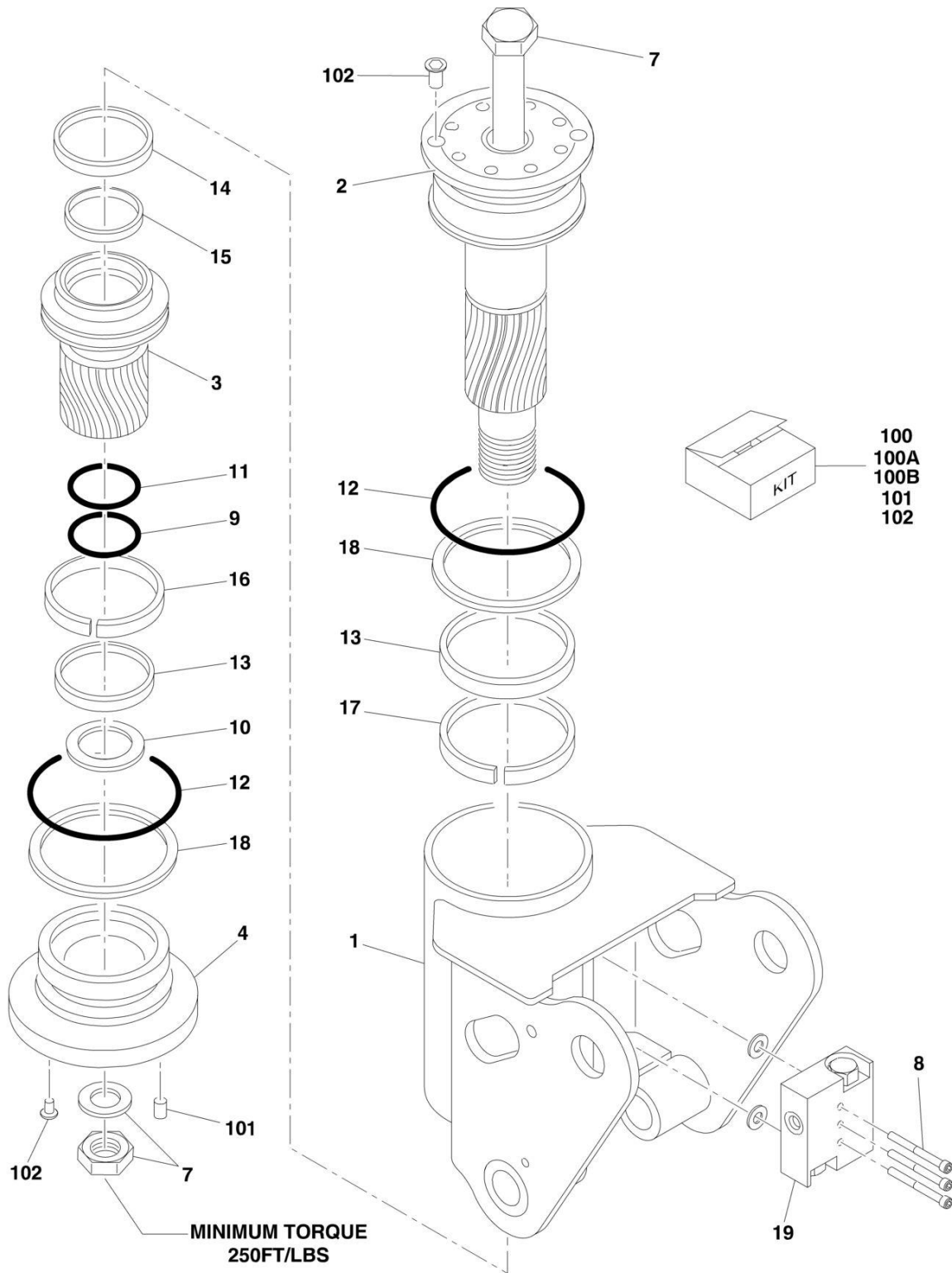


FIGURE 3-5. PLATFORM ROTATOR ASSEMBLY

ITEM	PART NUMBER	QTY	DESCRIPTION	REV
	0060044	Ref	PLATFORM ROTATOR ASSEMBLY	D
		Ref	Note: There are 2 different versions of Rotator p/n 0060044 and no SN break exists. Order internal parts by the Helac Control #.	
1	0060044	1	Case/Bracket Weldment (Note: Not Available for Purchase)	
1A	0962257	2	Bushing	
1B	0961947	2	Bushing	
2		Ref	Shaft Options:	
2	7017120	1	Helac Control #25928	
2	7017196	1	Helac Control #26962	
3		Ref	Sleeve, Piston Options:	
3	7017121	1	Helac Control #25928	
3	7027900	1	Helac Control #26962	
4		Ref	Cap, End	
4	0060044	1	Helac Control #25928 (Note: Not Available for Purchase)	
4	7027901	1	Helac Control #26962	
5	See Note	3	Capscrew 1/4in-20NC x 1-1/2in (Grade 8) (Note: Not Available for Purchase)	
7	7017126	1	Tie Rod Assembly	
20	See Note	NSS	Seal, Rod (Note: Use Item 52)	
22	See Note	NSS	Seal, Piston (Note: Use Item 52)	
24	See Note	NSS	Seal, Cap (Note: Use Item 52)	
25	See Note	NSS	Packing, Bearing (Note: Use Item 52)	
26	See Note	NSS	Seal (Note: Use Item 52)	
27	See Note	NSS	Ring, Cap Back-up (Note: Use Item 52)	
32	See Note	NSS	Bearing, Shaft (Note: Use Item 51)	
34	See Note	NSS	Thrustwasher (Note: Use Item 51)	
41	7017172	1	Counterbalance Valve Assembly	
41	7017192	2	Cartridge, Valve (No Seal Kit Available)	
42	70004323	2	Bushing, Shaft	
51	7017122	1	Bearing Kit (Includes Items 32 & 34):	
52		Ref	Seal Kit Options (Includes Items 20, 22, 24, 25, 26 & 27):	
52	7017127	1	Standard	
52	70000341	1	Cold Climate	
53	7017123	1	Hardware Kit	
54	70001697	4	Screw, Countersunk 1/4in-20NC x 3/8in (Grade 8)	

SECTION 3 - BOOM

FIGURE 3-6. JIB SWING ROTATOR ASSEMBLY (E300AJP ONLY)



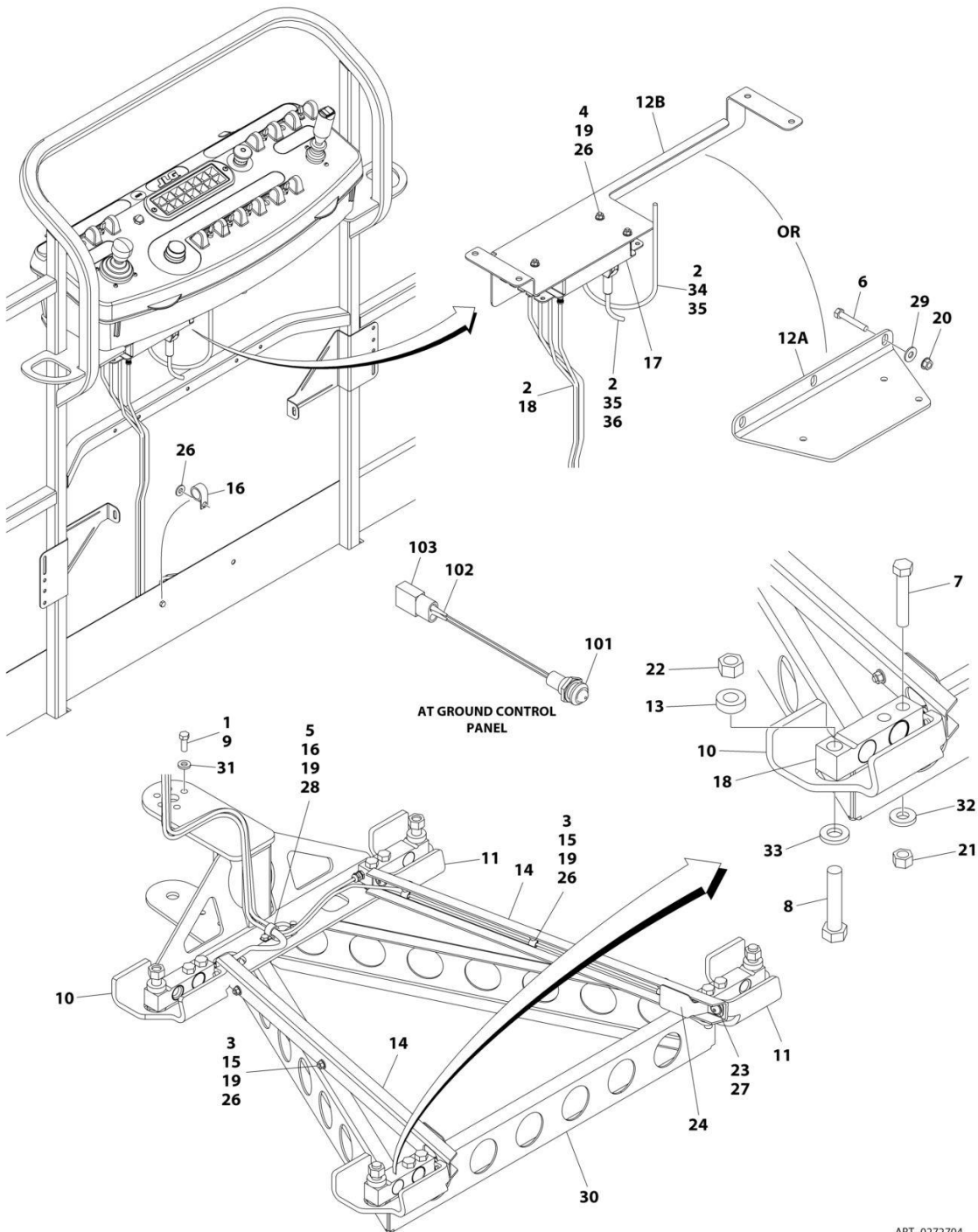
SECTION 3 - BOOM

FIGURE 3-6. JIB SWING ROTATOR ASSEMBLY (E300AJP ONLY)

ITEM	PART NUMBER	QTY	DESCRIPTION	REV
	0060065	Ref	JIB SWING ROTATOR ASSEMBLY (E300AJP ONLY)	C
1	0060065	1	Case/Bracket Weldment (Note: Not Available for Purchase)	
2	7017167	1	Shaft	
3	7017168	1	Sleeve, Piston	
4	0060065	1	Cap, End (Note: Not Available for Purchase)	
7	0060065		Tie Rod Assembly (Note: Not Available for Purchase)	
8	See Note	3	Capscrew 1/4in-20NC x 1-1/2in (Grade 8) (Note: Not Available for Purchase)	
9	See Note	NSS	Seal, Cap (Note: Use Item 100A or 100B)	
10	See Note	NSS	Ring, Back-up Cap (Note: Use Item 100A or 100B)	
11	See Note	NSS	Seal, Rod (Note: Use Item 100A or 100B)	
12	See Note	NSS	Seal, Piston (Note: Use Item 100A or 100B)	
13	See Note	NSS	Packing, Bearing (Note: Use Item 100A or 100B)	
14	See Note	NSS	Seal (Note: Use Item 100A or 100B)	
15	See Note	NSS	Seal (Note: Use Item 100A or 100B)	
16	See Note	NSS	Bearing, Cap (Note: Use Item 101)	
17	See Note	NSS	Bearing, Shaft (Note: Use Item 101)	
18	See Note	NSS	Thrustwasher (Note: Use Item 101)	
19	7017172	1	Counterbalance Valve Assembly	
19	7017192	2	Cartridge, Valve (No Seal Kit Available)	
100		Ref	Seal Kit Options (Includes Items 9-15):	
100A	7017165	1	Standard	
100B	70000340	1	Cold Climate	
101	7017178	1	Bearing Kit (Includes Items 16-18)	
102	7017179	1	Hardware Kit (Includes Setscrews and Plugs)	

SECTION 3 - BOOM

FIGURE 3-7. PLATFORM SUPPORT INSTALLATION - WITH LSS



ART_0272704

SECTION 3 - BOOM

FIGURE 3-7. PLATFORM SUPPORT INSTALLATION - WITH LSS

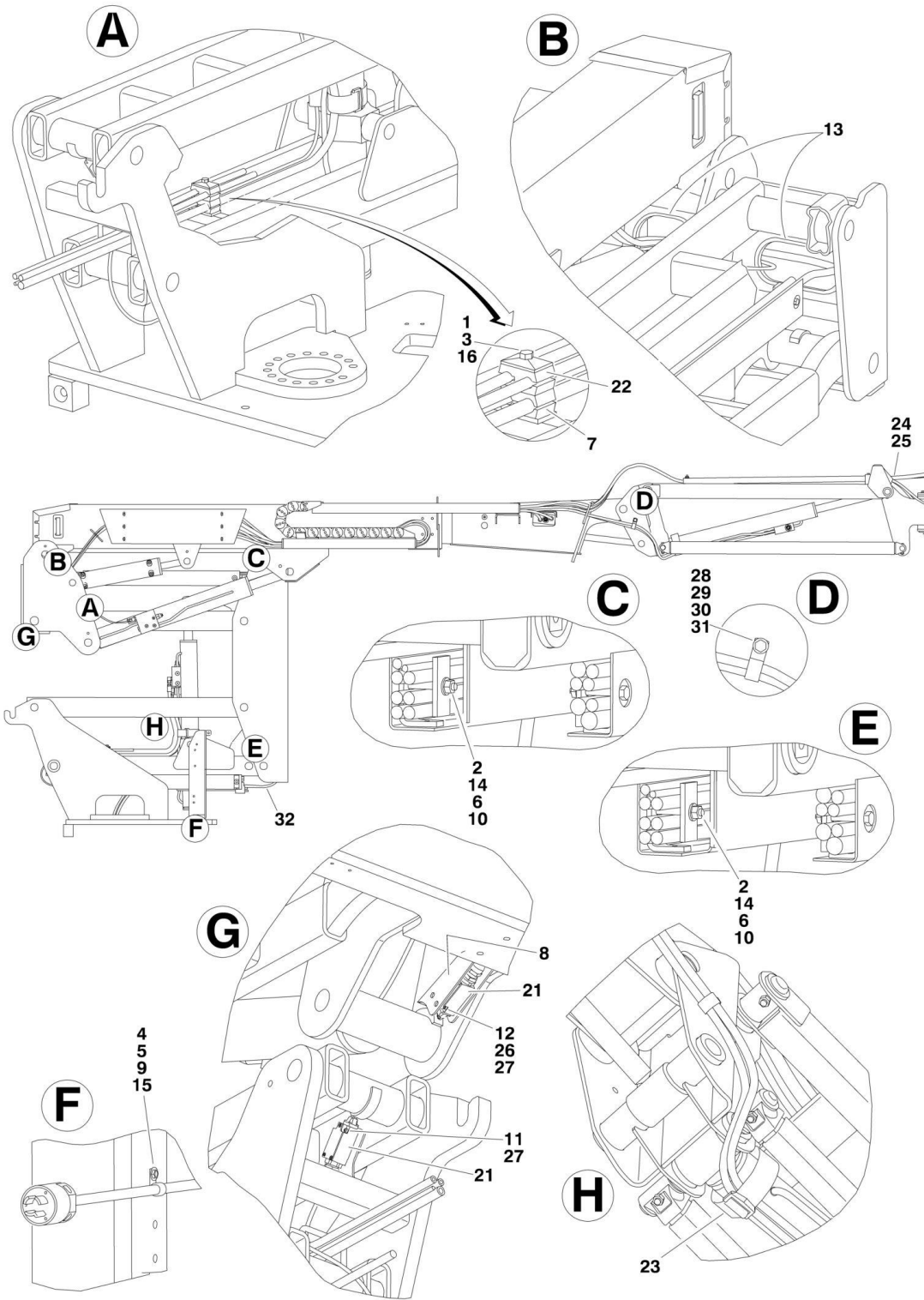
ITEM	PART NUMBER	QTY	DESCRIPTION	REV
	0272704	Ref	PLATFORM SUPPORT INSTALLATION - WITH LSS	K
1	0100011	AR	Compound, Locking	
2	0100048	AR	Grease, Dielectric	
3		Ref	Bolt Options:	
3	0630407	6	Capscrew 1/4 x 5/8	
3	0641405	6	Screw 1/4 x 5/8	
4		Ref	Bolt Options:	
4	0641405	3	Bolt 1/4 x 5/8	
4	0641406	3	Bolt 1/4 x 3/4	
4	0641416	3	Bolt 1/4 x 2	
5	0641407	1	Bolt 1/4 x 7/8	
6	0641516	3	Bolt 5/16 x 2 (Prior to SN 0300138471)	
7	0641822	8	Bolt 1/2 x 2-3/4	
8	0642024	4	Bolt 5/8 x 3	
9	0681608	6	Bolt 3/8 x 1	
10	0902919	2	Bracket, Cell Guard	
11	0902920	2	Bracket, Cell Guard	
12		Ref	Bracket, Module Mounting Options:	
12A	0902894	1	Design A (Prior to SN 0300138471)	
12B	1001113483	1	Design B (SN 0300138471 to Present)	
13	0962450	4	Bushing, Spacer	
14	1271538	2	Channel	
15	1320136	6	Clamp	
16	1320224	2	Clamp	
17	1600387	1	Electronic Interface Module (Note: Re-calibration Required when Replaced)	
17	1600350	1	Electronic Interface Module (Prior to SN 0300076525)	
17	1600387	1	Electronic Interface Module (SN 0300076525 to Present)	
18	2420202	4	Load Cell Assembly	
19	3311405	10	Nut 1/4	
20	3311508	3	Nut 5/16 (Prior to SN 0300138471)	
21	3311805	8	Nut 1/2	
22	3312005	4	Nut 5/8	
23	3900283	4	Screw 3/8 x 3/4	
24	4061054	2	Shield	
25	4240033	AR	Tie-Strap (Not Shown)	
26	4711400	13	Washer 1/4	
27	4711600	4	Washer 3/8	
28	4751400	1	Washer 1/4	
29	4751500	3	Washer 5/16 (Prior to SN 0300138471)	
30	4846608	1	Platform Support	
31	4891600	6	Washer 3/8	
32	4891800	8	Washer 1/2	
33	4892000	4	Washer 5/8	
34	4922916	1	Harness, LSS System	
34	4460933	1	Connector - 12 Position (Grey) (J1)	
34	4460465	3	Socket, Female	
34	4460466	9	Plug, Terminal	
34	0840055	1	Boot	
34	4460313	3	Terminal, Ring	

SECTION 3 - BOOM

ITEM	PART NUMBER	QTY	DESCRIPTION	REV
35	4933289	1	EIM Load Cell to Platform Console Box Wiring (See Separate Breakdown in ELECTRICAL SECTION)	
36	4922917	1	Harness, Analyzer	
36	4460836	1	Connector - 12 Position (Black) (J2)	
36	4460465	4	Socket, Female	
36	4460466	8	Plug, Terminal	
36	0840055	1	Boot	
36	4460761	1	Connector - 4 Position	
36	4460227	4	Pin, Male	
	1001110272	Ref	INDICATOR LIGHT INSTALLATION (LSS)	C
101	2920151	1	Light (Located on Ground Control Box)	
102	4460226	2	Socket, Female	
103	4460424	1	Connector - 2 Position	
104	1001110383	1	Harness, Indicator Lamp (Not Shown - Located at Ground Control Box)	
104	4460320	1	Plug, Male - 2 Position	
104	4460227	2	Pin, Male	
104	4460226	2	Socket, Female	

SECTION 3 - BOOM

FIGURE 3-8. CABLE, CLAMPS AND LIMIT SWITCHES INSTALLATION



SECTION 3 - BOOM

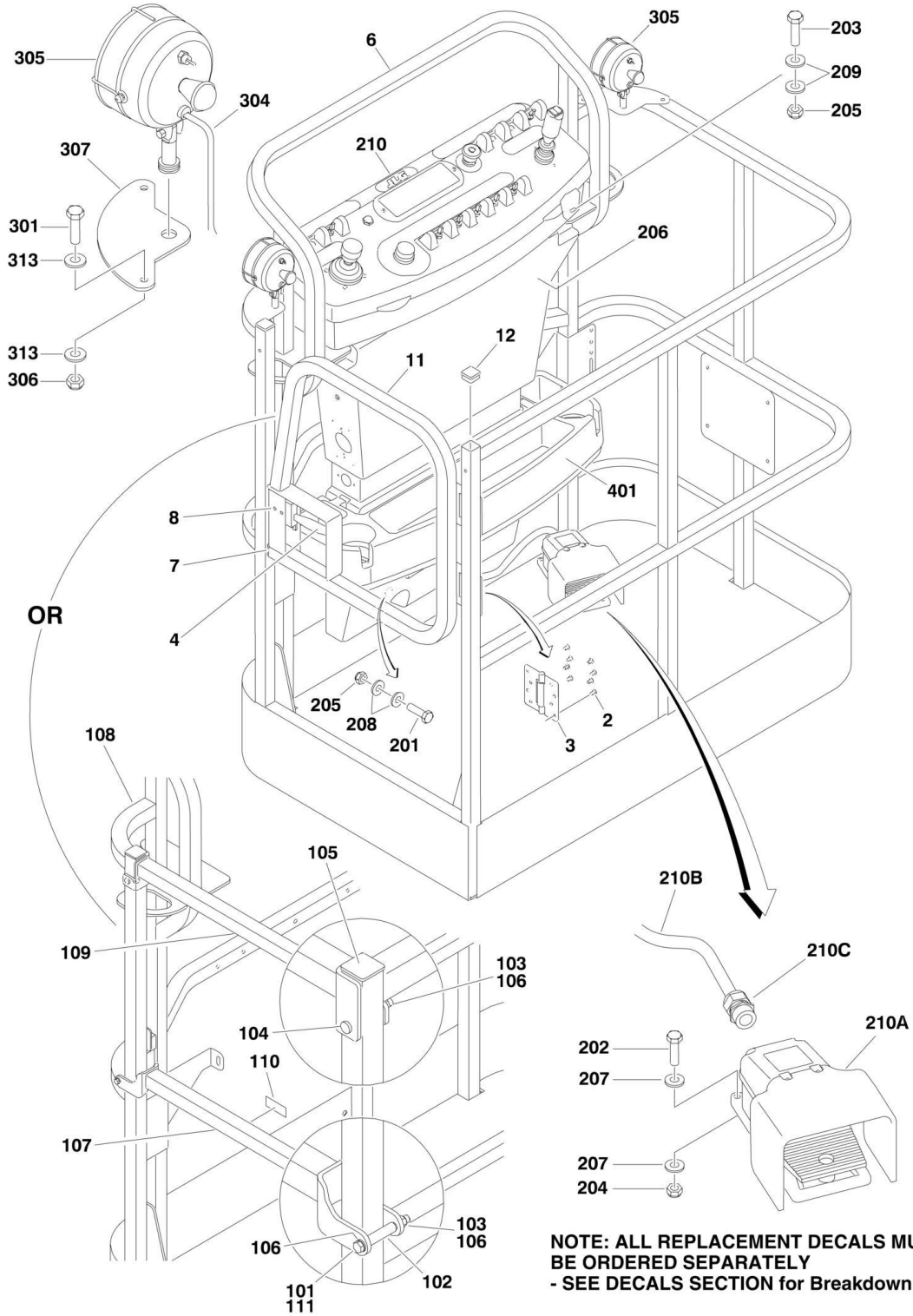
FIGURE 3-8. CABLE, CLAMPS AND LIMIT SWITCHES INSTALLATION

ITEM	PART NUMBER	QTY	DESCRIPTION	REV
		Ref	BOOM CABLE CLAMPS INSTALLATION	
	1001109562	Ref	Boom Cable Clamps Installation E300AJ	F
	1001109563	Ref	Boom Cable Clamps Installation E300AJP	F
		Ref	Note: See Main Boom Assembly for Additional Components.	
1	0100011	AR	Compound, Locking	
2	0641416	6	Bolt 1/4in-20NC x 2in	
3	0641511	1	Bolt 5/16in-18NC x 1-3/8in	
4	0721006	1	Screw #10-24NC x 3/4in	
5	1320043	1	Clamp	
6	1320261	6	Clamp	
7	1320262	1	Clamp	
8	1670899	1	Cover	
9	3311005	1	Locknut #10-24NC	
10	3311405	6	Locknut 1/4in-20NC	
11	3930820	2	Capscrew #10-24NC x 1-1/4in	
12	3930828	2	Capscrew #10-24NC x 1-3/4in	
13	4060808	31 in /79cm	Flex Trim	
14	4711400	6	Flatwasher 1/4in Thin	
15	4751400	2	Flatwasher 1/4in Regular	
16	8750011	1	Bolt, Stacking	
21	1001109814	1	Harness, Boom (Includes Limit Switches) (See ELECTRICAL SECTION for Breakdown)	
22	1320159	1	Clamp	
23	4240156	2	Strap, Cinch	
24	4240033	AR	Tie-Strap	
25	4240018	AR	Tie-Strap	
26	3310805	4	Locknut #8-32NC	
27	4750800	4	Flatwasher #8 Regular	
28	1320130	1	Clamp (E300AJ Only)	
29	0641608	1	Bolt 3/8in-16NC x 1in (E300AJ Only)	
30	3311605	1	Locknut 3/8in-16NC (E300AJ Only)	
31	4751600	2	Flatwasher 3/8in Regular (E300AJ Only)	
32	4100066	2	Sleeve, Hose Wrap	

SECTION 4 - PLATFORM

SECTION 4 - PLATFORM

FIGURE 4-1. PLATFORM ASSEMBLY



SECTION 4 - PLATFORM

FIGURE 4-1. PLATFORM ASSEMBLY

ITEM	PART NUMBER	QTY	DESCRIPTION	REV
		Ref	PLATFORM ASSEMBLY WITH GATE	
	3510830	Ref	Platform Assembly (SN 0300138358 through 0300157272)	M
	1001117149	Ref	Platform Assembly (SN 0300157273 through 0300163750)	E
	1001144027	Ref	Platform Assembly (SN 0300163751 through 0300200790)	B
	1001186387	Ref	Platform Assembly (SN 0300200791 through 0300211843)	B
		Ref	Note: Original Equipment platform may have been replaced with Service Replacement platform. Identify platform before ordering parts.	
		Ref	Note: Replacement Decals Must Be Ordered Separately - See DECALS SECTION.	
2	2080040	16	Fastener, Huck	
3	2600281	2	Hinge, Self-Closing	
4	2940074	1	Latch	
6	See Note	1	Platform (Note: Not Available - Purchase Complete Platform Assembly)	
7		Ref	Cap-Plug	
7	3520072	1	Platform p/ns 3510830, 1001117149 & 1001144027	
7	1001144630	1	Platform p/ns 1001145411 & 1001144027	
8	3820020	4	Rivet, Pop	
11		Ref	Gate Options:	
11	4846452	1	Gate for Original Equipment Platform p/n 3510830 (SN 0300138358 through 0300157272)	
11	1001144629	1	Gate for Service Replacement Platform p/n 1001144027 (SN 0300138358 through 0300157272)	
11	1001114341	1	Gate for Original Equipment Platform p/n 1001117149 (SN 0300157273 through 0300163750)	
11	1001144629	1	Gate for Service Replacement Platform p/n 1001145411 (SN 0300157273 through 0300163750)	
11	1001144629	1	Gate for Platform p/n 1001144027 (SN 0300163751 through 0300211843)	
12		Ref	Cap-Plug Options:	
12	3520198	2	Platform p/ns 3510830, 1001117149, 1001144027 & 1001186387	
12	1001145781	2	Platform p/n 1001145411	
		Ref	PLATFORM ASSEMBLY WITH DROP-BAR	
	1001139371	Ref	Platform Assembly (SN 0300138358 through 0300163750)	B
	1001144018	Ref	Platform Assembly (SN 0300163751 through 0300200790)	B
	1001186375	Ref	Platform Assembly (SN 0300200791 through 0300211843)	A
		Ref	Note: Replacement Decals Must Be Ordered Separately - See DECALS SECTION.	
101		Ref	Bolt Options:	
101	0700620	2	Bolt M6 x 60mm	
101	0641418	2	Bolt 1/4in-20NC x 2-1/4in	
102	0961845	2	Bushing	
103		Ref	Nut	
103	3290606	4	Cap Nut M6	
103	3300151	4	Acorn Nut 1/4in-20NC	
104	4010618	2	Screw M6 x 50mm	
105		Ref	Cap-Plug Options:	
105	3520198	2	Platform p/ns 1001139371, 1001144018 & 1001186375	
105	1001145781	2	Platform p/n 1001145410	
106		Ref	Flatwasher Options:	

SECTION 4 - PLATFORM

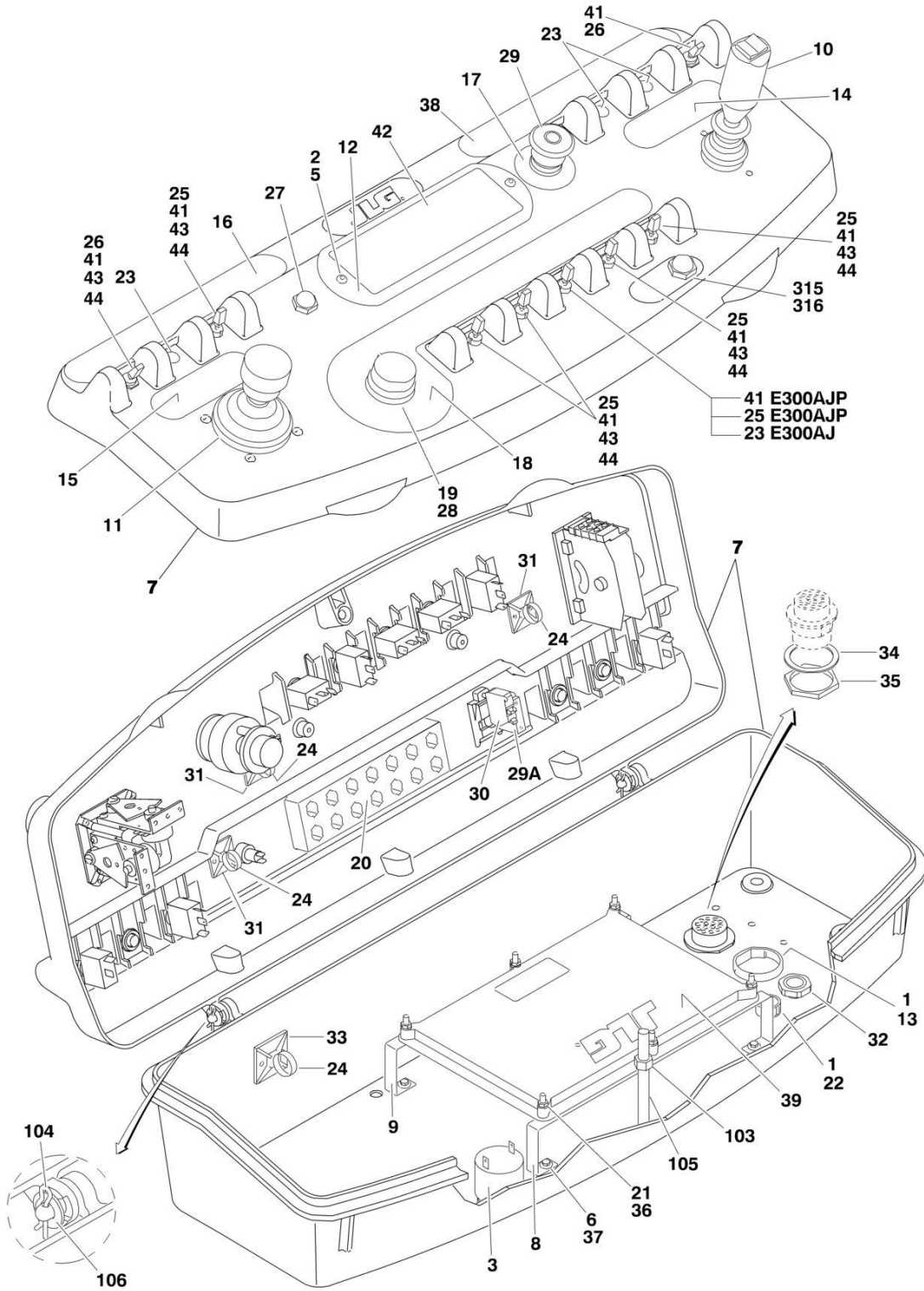
ITEM	PART NUMBER	QTY	DESCRIPTION	REV
106	4811700	6	Flatwasher M6	
106	4711400	6	Flatwasher 1/4in Thin	
107	1001138494	1	Bar, Drop	
108	See Note	1	Platform (Note: Not Available - Purchase Complete Platform Assembly)	
109	1001138514	1	Rail (Top)	
110	1001140429	1	Decal - Drop-Bar	
111	0100011	AR	Compound, Locking	
		Ref	PLATFORM CONSOLE AND FOOTSWITCH INSTALLATION	
	1001109901	Ref	Platform Console and Footswitch Installation E300AJ (Without SkyGuard) (SN 0300138358 through 0300169753)	B
	1001146099	Ref	Platform Console and Footswitch Installation E300AJ (Without SkyGuard) (SN 0300169754 through 0300211843)	B
	1001189747	Ref	Platform Console and Footswitch Installation E300AJ (With SkyGuard)	A
	1001109902	Ref	Platform Console and Footswitch Installation E300AJP (Without SkyGuard) (SN 0300138358 through 0300169753)	B
	1001146100	Ref	Platform Console and Footswitch Installation E300AJP (Without SkyGuard) (SN 0300169754 through 0300211843)	B
	1001189728	Ref	Platform Console and Footswitch Installation E300AJP (With SkyGuard)	A
201	0641406	4	Bolt 1/4in-20NC x 3/4in	
202	0641408	3	Bolt 1/4in-20NC x 1in	
203	0641610	4	Bolt 3/8in-16NC x 1-1/4in	
204	3311405	7	Locknut 1/4in-20NC	
205	3311605	4	Locknut 3/8in-16NC	
206	3380434	1	Panel, Pedestal	
207	4740362	7	Washer, Fender 1/4in	
208	4751400	4	Flatwasher 1/4in Regular	
209	4751600	8	Flatwasher 3/8in Regular	
210		Ref	Console Box Assembly (Not Shown - See PLATFORM CONSOLE ASSEMBLY for Breakdown)	
210	1001109857	Ref	Console Box Assembly E300AJ (Without SkyGuard) (SN 0300138358 through 0300169753)	
210	1001146101	Ref	Console Box Assembly E300AJ (Without SkyGuard) (SN 0300169754 through 0300194239)	
210	1001175613	Ref	Console Box Assembly E300AJ (Without SkyGuard) (SN 0300194240 through 0300211843)	
210	1001189730	Ref	Console Box Assembly E300AJ (With SkyGuard)	
210	1001109858	Ref	Console Box Assembly E300AJP (Without SkyGuard) (SN 0300138358 through 0300169753)	
210	1001146102	Ref	Console Box Assembly E300AJP (Without SkyGuard) (SN 0300169754 through 0300194239)	
210	1001175614	Ref	Console Box Assembly E300AJP (Without SkyGuard) (SN 0300194240 through 0300211843)	
210	1001189729	Ref	Console Box Assembly E300AJP (With SkyGuard)	
210A		Ref	Footswitch Assembly (Includes Footswitch and Items 210B & 210C)	
210A	0272971	1	Footswitch Assembly (SN 0300138358 through 0300169753)	C
210A	1001136889	1	Footswitch Assembly (SN 0300169754 through 0300211843)	A
		Ref	Note: All machines SN 0300138358 through 0300167692 use assembly p/n 0272971. Assembly p/n 0272971 may use either p/n 4360031 or p/n 1001117320. Identify component before ordering parts.	
210A		Ref	Footswitch Less Cable Options:	

SECTION 4 - PLATFORM

ITEM	PART NUMBER	QTY	DESCRIPTION	REV
210A	4360031	1	Footswitch Less Cable (SN 0300138358 through 0300143940)	
210A	1001117320	1	Footswitch Less Cable (SN 0300143941 through 0300169753)	
210A	1001117172	1	Footswitch Less Cable (SN 0300169754 through 0300211843)	
210A		Ref	Block, Contact Options (See Note Above):	
210A	7000625	2	Contact Block for p/n 4360031	
210A	70003483	1	Contact Block for p/n 1001117320	
210A	70002902	1	Contact Block for p/n 1001117172	
210A		Ref	Cover Components (Footswitch p/n 1001117172 Only)	
210A	70002903	1	Gasket	
210A	70002905	1	Cover	
210A	70002904	1	Bolt Kit	
210A	3252347	1	Nameplate (Note: See DECALS SECTION for Other Languages)	
210B	1060330	7 ft/2.2m	Cable, Electrical 16/3	A
210C	4460071	1	Connector, Strain Relief	
	1001110270	Ref	WORKLIGHTS INSTALLATION	B
301	0641414	4	Bolt 1/4in-20NC x 1-3/4in	
304	2820035	AR	Tubing, Insulate	
305	2920095	2	Worklight Assembly	
305	7016356	2	Bulb, Replacement	
306	3311405	4	Locknut 1/4in-20NC	
307	3536089	2	Plate, Mounting	
309	4240099	10	Tie-Strap (Not Shown)	
313	4711400	8	Flatwasher 1/4in Thin	
314	1001110393	1	Harness, Worklight (Not Shown - See ELECTRICAL SECTION for Breakdown)	
315	1705170	1	Decal - Lights (Not Shown - Located on Console)	
316	4360522	1	Switch, Push Button (Not Shown - Located on Console)	
		Ref	TRAY INSTALLATIONS (OPTIONAL)	
401	1580012	1	Tray, Storage (Center)	

SECTION 4 - PLATFORM

FIGURE 4-2. PLATFORM CONSOLE ASSEMBLY - WITHOUT SKYGUARD



SECTION 4 - PLATFORM

FIGURE 4-2. PLATFORM CONSOLE ASSEMBLY - WITHOUT SKYGUARD

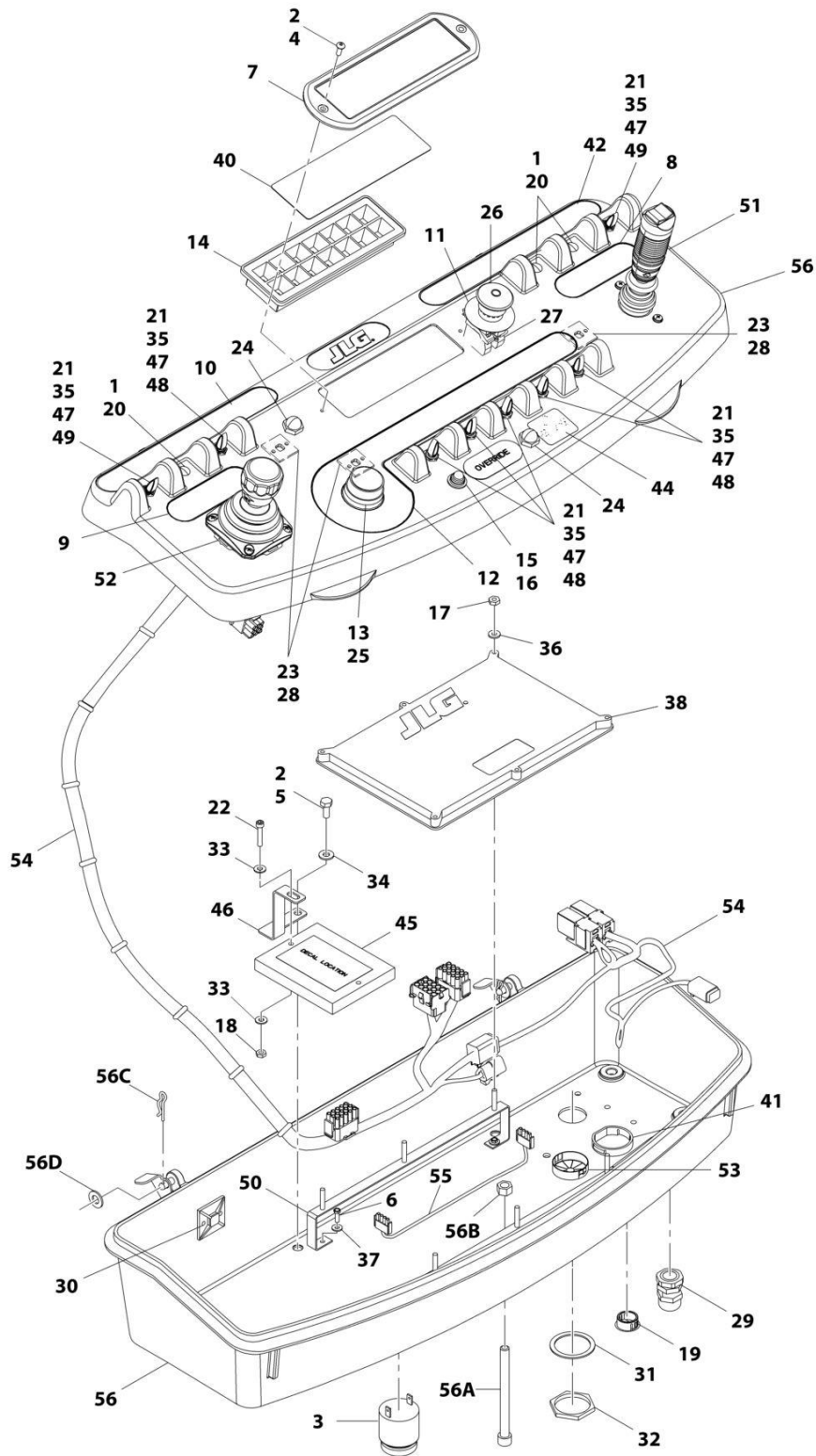
ITEM	PART NUMBER	QTY	DESCRIPTION	REV
		Ref	PLATFORM CONSOLE ASSEMBLY	
	1001109857	Ref	Platform Console Assembly E300AJ (SN 0300138358 through 0300169753)	G
	1001146101	Ref	Platform Console Assembly E300AJ (SN 0300169754 through 0300194239)	B
	1001175613	Ref	Platform Console Assembly E300AJ (SN 0300194240 through 0300211843)	B
	1001109858	Ref	Platform Console Assembly E300AJP (SN 0300138358 through 0300169753)	G
	1001146102	Ref	Platform Console Assembly E300AJP (SN 0300169754 through 0300194239)	B
	1001175614	Ref	Platform Console Assembly E300AJP (SN 0300194240 through 0300211843)	B
1	0100009	AR	Sealant	
2	0100035	AR	Compound, Locking	
3	0140011	1	Alarm	
5	0630464	2	Screw, Buttonhead #10-24NC x 1/2in	
6	0720804	4	Bolt #8-32NC x 1/2in	
7	0861537	1	Box, Console (See Items 103-106 for Breakdown)	
8	0902575	1	Bracket, Support (SN 0300138358 through 0300194239)	
9		Ref	Bracket, Support, Platform Module Options:	
9	0902588	1	Bracket, Support Platform Module (SN 0300138358 through 0300194239)	
9	1001175997	2	Bracket, Support Platform Module (SN 0300194240 through 0300211843)	
10		Ref	Controller Assembly (Drive and Steer) Options (See CONTROLLER ASSEMBLY (DRIVE AND STEER) for Breakdown):	
10	1600273	NLA	Controller Assembly (Use p/n 1001118418) (SN 0300138358 through 0300147070)	
10	1001118418	1	Controller Assembly (SN 0300147071 through 0300194239)	
10	1001178132	1	Controller Assembly (SN 0300194240 through 0300211843)	
11		Ref	Controller Assembly (Lift and Swing) Options (See CONTROLLER ASSEMBLY (LIFT AND SWING) for Breakdown):	
11	1600274	NLA	Controller Assembly (Use p/n 1001118419) (SN 0300138358 through 0300147070)	
11	1001118419	1	Controller Assembly (SN 0300147071 through 0300194239)	
11	1001178139	1	Controller Assembly (SN 0300194240 through 0300211843)	
12	1670829	1	Bezel	
13	1671037	NLA	Plug, Hole (Use p/n 1001110435)	
14	1702565	1	Decal (Drive and Steer)	
15	1702566	1	Decal (Lift and Swing)	
16	1704240	1	Decal (Horn)	
17	1704260	1	Decal (EMS)	
18	1704422	1	Decal (Function Speed)	
19	2560136	1	Handle, Knob	
20	2760105	1	Housing, Display Light	
21	3310601	6	Nut #6-32NC	
22	3520030	1	Plug, Hole	
23	3520054	AR	Plug, Hole	
24	4240032	AR	Tie-Strap	
25		Ref	Switch, Toggle Options:	

SECTION 4 - PLATFORM

ITEM	PART NUMBER	QTY	DESCRIPTION	REV
25	4360328	5	Switch, Toggle (SN 0300138358 through 0300194239)	
25	1001155045	5	Switch, Toggle (SN 0300194240 through 0300211843)	
26		Ref	Switch, Toggle (Momentary) Options:	
26	4360330	2	Switch, Toggle (SN 0300138358 through 0300194239)	
26	1001159256	2	Switch, Toggle (Momentary) (SN 0300194240 through 0300211843)	
27	4360387	1	Switch, Pushbutton	
28	4360462	1	Controller, Speed	
29	4360475	1	Switch, Emergency Stop	
	7020175	1	Cap, Red	
29A	7020176	1	Contact Block	
30	4360476	1	Block, Contact	
31	4460234	3	Base, Mounting	
32	4460428	1	Connector, Strain Relief	
33	4460488	1	Base, Mounting	
34	4460496	1	Lockwasher, Terminal	
35	4460497	1	Nut, Terminal	
36	4750600	6	Flatwasher #6 Regular	
37	4750800	4	Flatwasher #8 Regular	
38		Ref	Decal (Stop) Options:	
38	1001107677	NLA	Decal (Stop) (Use p/n 1001132175)	
38	1001132175	1	Decal (Stop) (SN 0300150080 through 0300211843)	
39	1001109498	1	Controller, Module (Note: Re-calibration Required when Replaced)	
41	3790012	AR	O-Ring	
42	1001110226	1	Panel, LED Light	
43	4740397	7	Spacer, Washer (SN 0300194240 through 0300211843)	
44	1001155044	7	Nut-spec, 15/32-32 UNS-2B (SN 0300194240 through 0300211843)	
	0861537	Ref	CONSOLE BOX ASSEMBLY (Prior to SN 0300219853)	F
103	3311601	1	Nut 3/8in-16NC	
104	3470003	2	Pin, Cotter	
105	0630568	1	Screw 3/8in-16NC x 4-1/2in	
106	4711500	2	Flatwasher 5/16in Thin	
	0272111	Ref	FITTING ENCLOSURES INSTALLATION (UL SPEC ONLY) (NOT SHOWN)	B
201	0100009	AR	Sealant	
202	3520173	8	Plug	
	1001110270	Ref	WORKLIGHTS INSTALLATION	B
315	1705170	1	Decal - Lights (Not Shown - Located on Console)	
316	4360522	1	Switch, Push Button (Not Shown - Located on Console)	

SECTION 4 - PLATFORM

FIGURE 4-3. PLATFORM CONSOLE ASSEMBLY - WITH SKYGUARD



ART_1001189729

SECTION 4 - PLATFORM

FIGURE 4-3. PLATFORM CONSOLE ASSEMBLY - WITH SKYGUARD

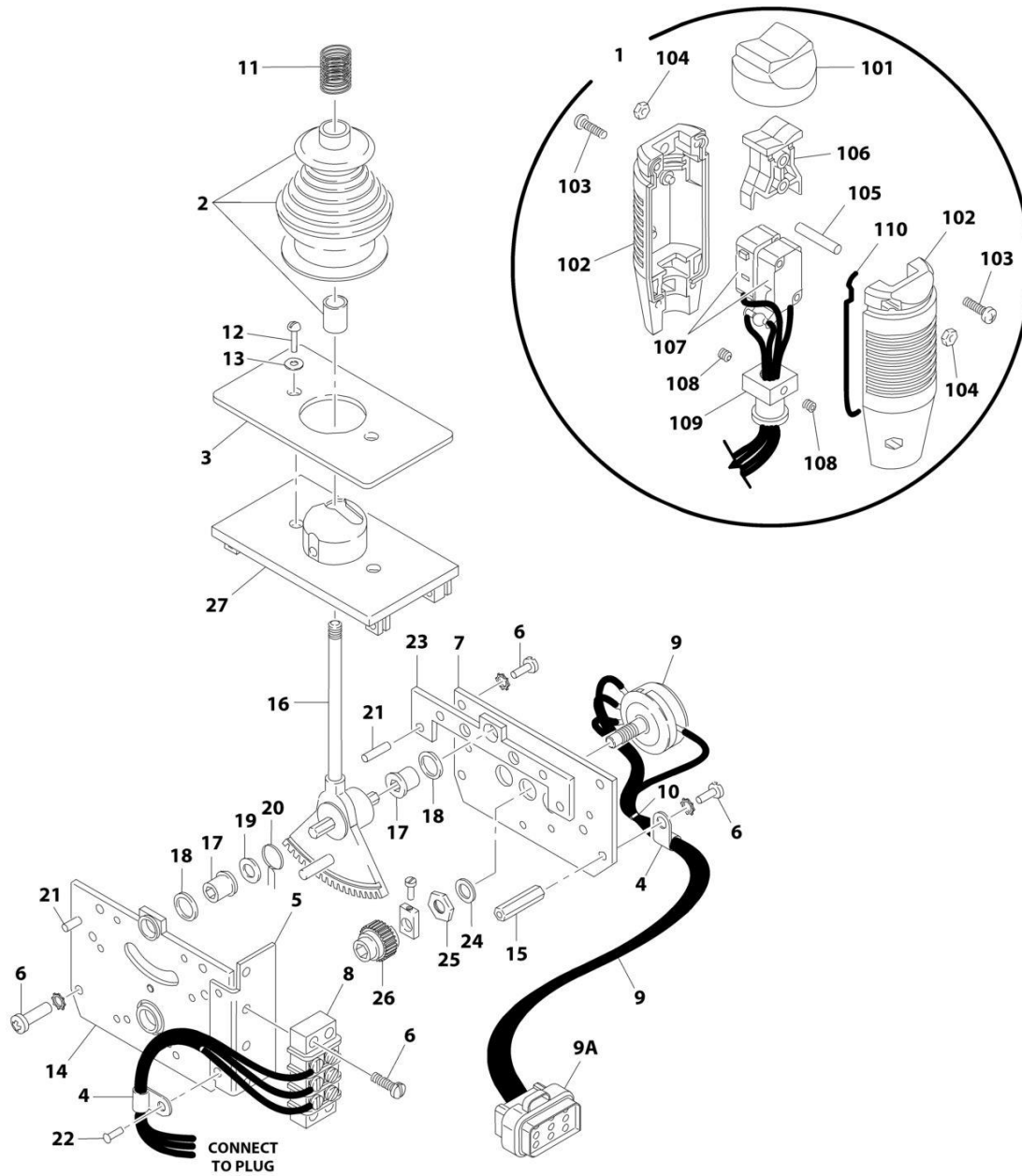
ITEM	PART NUMBER	QTY	DESCRIPTION	REV
	1001189730	Ref	PLATFORM CONSOLE ASSEMBLY E300AJ - WITH SKYGUARD	B
	1001189729	Ref	PLATFORM CONSOLE ASSEMBLY E300AJP - WITH SKYGUARD	B
1	0100009	AR	Sealant	
2	0100035	AR	Compound, Locking	
3	0140011	1	Alarm	
4	0630464	2	Screw #10 x 1/2	
5	0641405	2	Bolt 1/4 x 5/8	
6	0720804	4	Screw #8 x 1/2	
7	1670829	1	Housing	
8	1702565	1	Decal - Drive and Steer	
9	1702566	1	Decal - Lift and Swing	
10	1704240	1	Decal - Horn	
11	1704260	1	Decal - Emergency Stop	
12	1704422	1	Decal - Function Speed	
13	2560136	1	Handle, Knob	
14	2760105	1	Fixture, Light	
15	2920028	1	Light, Indicator	
16	2920029	1	Bulb, Light	
17	3310601	6	Nut #6	
18	3311005	2	Nut #10	
19	3520030	1	Plug, Hole	
20	3520054	AR	Plug, Hole	
21	3790012	AR	O-Ring	
22	3931016	2	Capscrew #10 x 1	
23	4240032	AR	Tie-Strap	
24	4360387	2	Switch, Push Button	
25	4360462	1	Switch, Flow Control	
26	4360475	1	Switch, Emergency Stop	
26	7020175	1	Cap	
26	7020176	1	Block, Contact	
27	4360476	1	Block, Contact	
28	4460234	3	Base, Mounting	
29	4460428	1	Connector, Strain Relief	
30	4460488	1	Base, Mounting	
31	4460496	1	Washer	
32	4460497	1	Nut	
33	4711000	4	Washer #10	
34	4711400	2	Washer 1/4	
35	4740397	AR	Spacer	
36	4750600	6	Washer #6	
37	4750800	4	Washer #8	
38	1001109498	1	Module, Platform (Note: Re-calibration Required when Replaced)	
40	1001110226	1	Decal - Display	
41	1001110435	1	Plug	
42	1001132175	1	Decal - Stop/Generator	
44	1001144433	1	Decal - No Weight SkyGuard	
45	1001149571	1	Module, SkyGuard	
46	1001151817	2	Bracket, Module	
47	1001155044	AR	Nut 15/32	

SECTION 4 - PLATFORM

ITEM	PART NUMBER	QTY	DESCRIPTION	REV
48	1001155045	6	Switch, Toggle	
49	1001159256	2	Switch, Toggle	
50	1001175597	2	Bracket, Module	
51	1001178132	1	Controller Assembly (Drive and Steer) (See CONTROLLER ASSEMBLY (DRIVE AND STEER) for Breakdown)	
52	1001178139	1	Controller Assembly (Swing and Lift) (See CONTROLLER ASSEMBLY (SWING AND LIFT) for Breakdown)	
53	1001185281	1	Plug, Bushing	
54	1001189074	1	SkyGuard Harness	
55	1001189075	1	SkyGuard Can Harness	
56	1001189116	1	Box, Console	
56A	0630568	1	Capscrew 3/8 x 4-1/2	
56B	3311601	1	Nut 3/8	
56C	3470003	2	Hair Pin	
56D	4711500	2	Washer 5/16	

SECTION 4 - PLATFORM

FIGURE 4-4. CONTROLLER ASSEMBLY (DRIVE AND STEER) (SN 0300138358 through 0300147070)



Note: Original Equipment controller may have been replaced with Service Replacement controller. Visually identify controller before ordering parts.

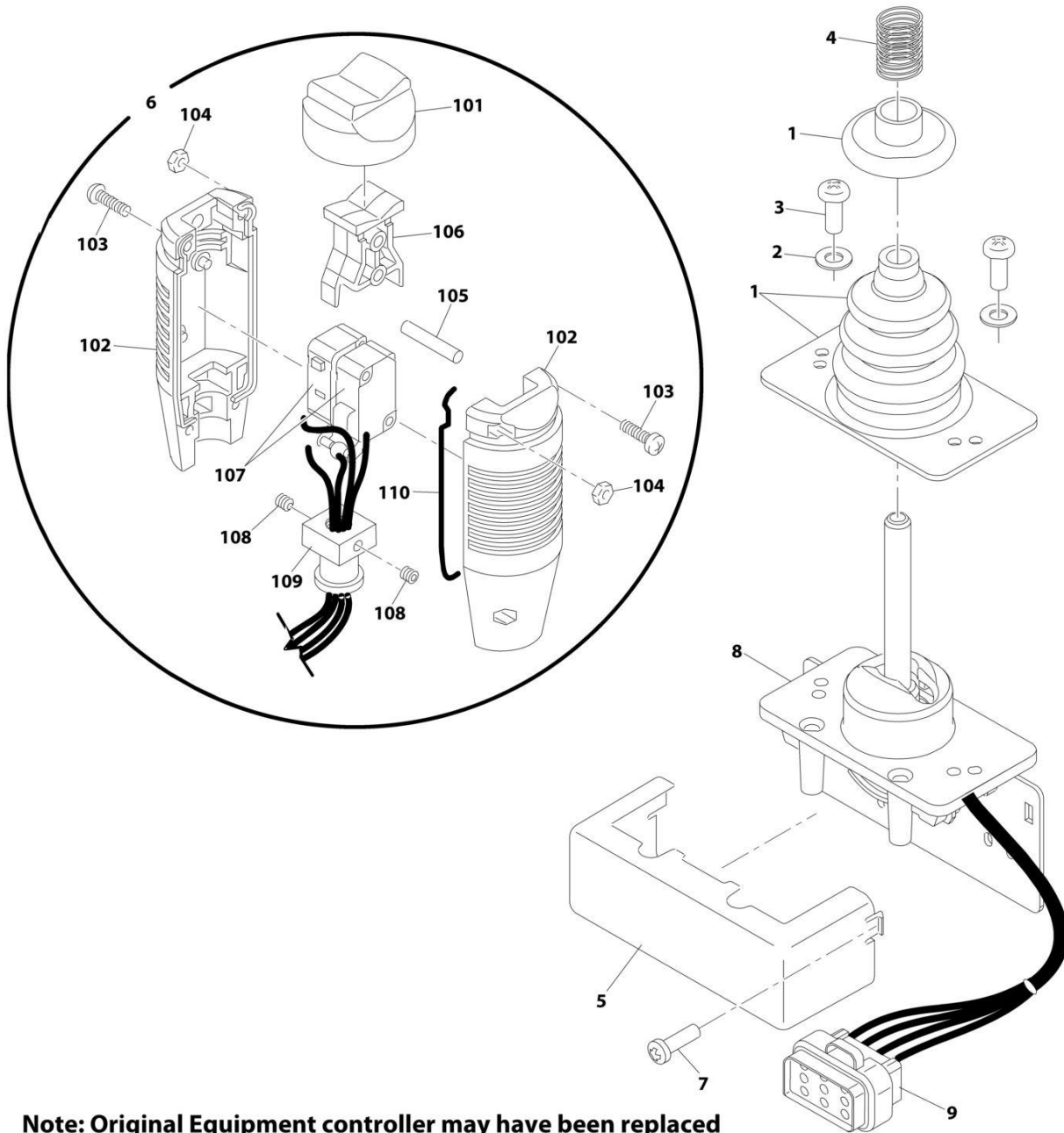
SECTION 4 - PLATFORM

FIGURE 4-4. CONTROLLER ASSEMBLY (DRIVE AND STEER) (SN 0300138358 through 0300147070)

ITEM	PART NUMBER	QTY	DESCRIPTION	REV
		Ref	Note: Original Equipment controller may have been replaced with Service Replacement controller. Visually identify controller before ordering parts.	
	1600273	Ref	CONTROLLER ASSEMBLY (SN 0300138358 through 0300147070)	G
		Ref	Note: Use p/n 1001178132 as Service Replacement.	
1	7022812	1	Handle Assembly (See Items 101-110 for Breakdown)	
2	7019161	1	Boot and Sleeve	
3	7003933	1	Gasket	
4	7019154	2	Clamp, Wire	
5	7019159	1	Bracket, Mounting	
6	7003994	10	Screw	
7	7019157	1	Plate, Pot Mounting	
8	7003986	1	Strip, Terminal - 3 Position	
9	7019191	1	Electric Assembly	
9	7003974	1	Potentiometer	
9A	4460265	1	Plug, Male - 9 Position	
9A	4460226	7	Socket, Female	
10	7019151	AR	Tie-Strap	
11	7019162	1	Spring	
12	7003940	2	Screw (was p/n 7003969)	
13	7003941	2	Washer	
14	7019158	1	Plate, Mounting (Left Side)	
15	7019115	2	Stand-Off	
16	1001118418	1	Shaft 8mm (Note: Not Available for Purchase)	
17	7019111	2	Bearing	
18	7019110	2	Spacer, Head Gear	
19	7019112	1	Washer	
20	7003946	1	Spring, Return	
21	7019103	4	Pin	
22	See Note	1	Rivet (Note: Not Available - Purchase Locally)	
23	7019168	1	Plate, Mounting (Right Side)	
24	7003992	1	Washer	
25	7003993	1	Nut	
26	7003935	1	Gear, Slave	
27	7019160	1	Base	
	7022812	Ref	HANDLE ASSEMBLY	
101	7003972	1	Boot, Switch	
102	7003973	2	Half, Handle	
103	7003980	4	Screw	
104	7019167	4	Nut	
105	7019164	1	Axle	
106	7019165	1	Rocker	
107	7019196	1	Wiring Assembly	
107	7003982	2	Switch, Micro	
108	7003983	2	Setscrew	
109	7019194	1	Coupling	
110	7003989	2	Gasket	

SECTION 4 - PLATFORM

FIGURE 4-5. CONTROLLER ASSEMBLY (DRIVE AND STEER) (SN 0300147071 through 0300194239)



Note: Original Equipment controller may have been replaced with Service Replacement controller. Visually identify controller before ordering parts.

ART_1001118418

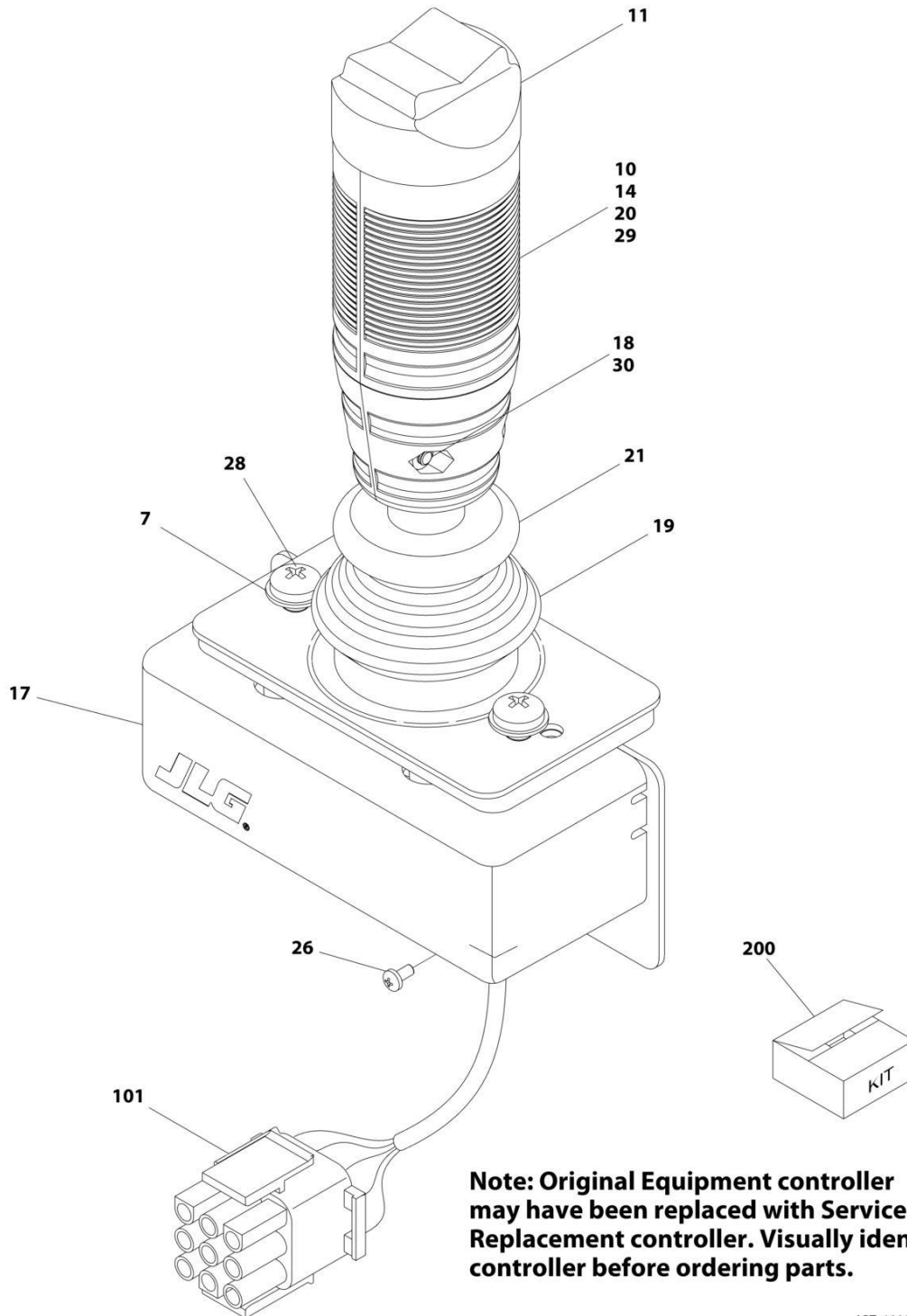
SECTION 4 - PLATFORM

FIGURE 4-5. CONTROLLER ASSEMBLY (DRIVE AND STEER) (SN 0300147071 through 0300194239)

ITEM	PART NUMBER	QTY	DESCRIPTION	REV
		Ref	Note: Original Equipment controller may have been replaced with Service Replacement controller. Visually identify controller before ordering parts.	
	1001118418	Ref	CONTROLLER ASSEMBLY (SN 0300147071 through 0300211843)	B
		Ref	Note: Use p/n 1001178132 as Service Replacement.	
1	70002724	1	Boot and Control Lock Assembly	
2	7003941	2	Washer	
3	70002725	2	Screw	
4	7019162	1	Spring	
5	70002726	1	Enclosure	
6	70002736	1	Handle Assembly (See Items 101-110 for Breakdown)	
7	70002728	1	Screw	
8	1001118418	1	Mechanical Assembly (Note: Not Available for Purchase)	
9	4460265	1	Plug, Male - 9 Position	
9	4460226	7	Socket, Female	
	70002736	Ref	HANDLE ASSEMBLY	
101	7003972	1	Boot, Switch	
102	7003973	2	Half, Handle	
103	7003980	4	Screw	
104	7019167	4	Nut	
105	7019164	1	Axle	
106	7019165	1	Rocker	
107	70002737	1	Wiring Assembly	
107	7003982	2	Switch, Micro	
108	7003983	2	Setscrew	
109	7019194	1	Coupling	
110	7003989	2	Gasket	

SECTION 4 - PLATFORM

FIGURE 4-6. CONTROLLER ASSEMBLY (DRIVE AND STEER) (SN 0300194240 through 0300211843)



Note: Original Equipment controller may have been replaced with Service Replacement controller. Visually identify controller before ordering parts.

ART_1001178132

SECTION 4 - PLATFORM

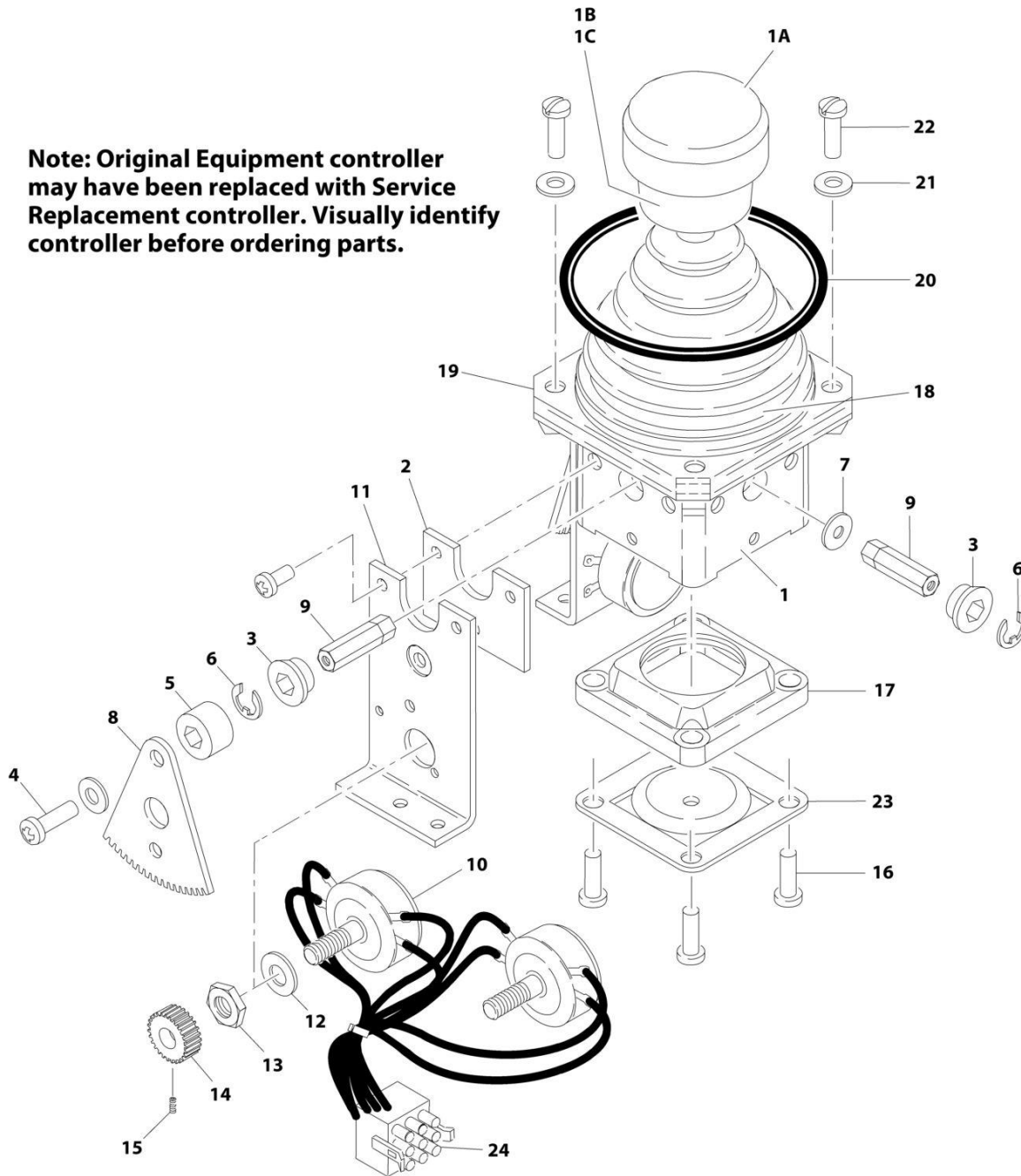
FIGURE 4-6. CONTROLLER ASSEMBLY (DRIVE AND STEER) (SN 0300194240 through 0300211843)

ITEM	PART NUMBER	QTY	DESCRIPTION	REV
		Ref	Note: Original Equipment controller may have been replaced with Service Replacement controller. Visually identify controller before ordering parts.	
	1001178132	Ref	CONTROLLER ASSEMBLY (SN 0300194240 through 0300211843)	A
7	70004738	2	Washer	
10	70004739	1	Roller	
11	70004740	1	Boot, Switch	
14	70004741	2	Half, Handle	
17	70004742	1	Enclosure	
18	70004743	4	Nut	
19	70004744	NSS	Boot, Controller (Use Item 200)	
20	70004745	NSS	Tube, Locking (Use Item 200)	
21	70004746	NSS	Disc, Locking (Use Item 200)	
25	70004747	2	Seal, Rope	
26	70004748	1	Screw, M3 x 6mm	
28	70004749	2	Screw, M5 x 20mm	
29	70004750	1	Pin, Dowel	
30	70004751	4	Screw, M3 x 16mm	
101	4460265	1	Connector - 9 Position	
101	4460226	7	Socket, Female	
200	70005230	1	Boot/Base Kit	

SECTION 4 - PLATFORM

FIGURE 4-7. CONTROLLER ASSEMBLY (SWING AND LIFT) (SN 0300138358 through 0300147070)

Note: Original Equipment controller may have been replaced with Service Replacement controller. Visually identify controller before ordering parts.



ART_1600274

SECTION 4 - PLATFORM

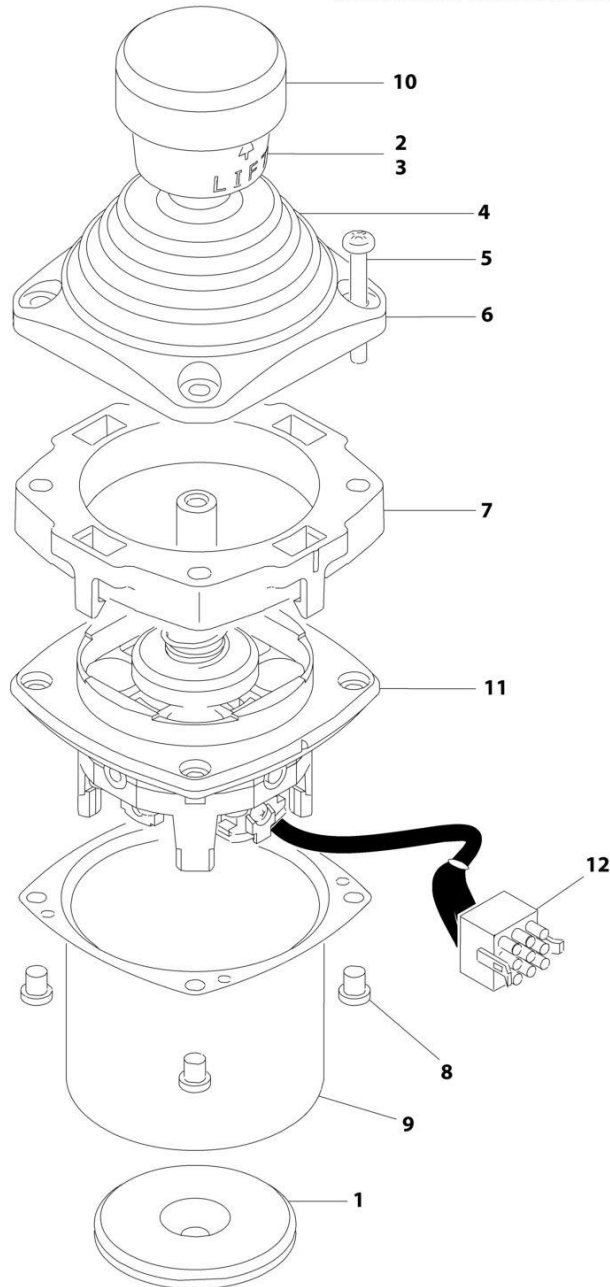
FIGURE 4-7. CONTROLLER ASSEMBLY (SWING AND LIFT) (SN 0300138358 through 0300147070)

ITEM	PART NUMBER	QTY	DESCRIPTION	REV
		Ref	Note: Original Equipment controller may have been replaced with Service Replacement controller. Visually identify controller before ordering parts.	
	1600274	Ref	CONTROLLER ASSEMBLY (SN 0300138358 through 0300147070)	F
		Ref	Note: Use p/n 1001178139 as Service Replacement.	
1	7019141	1	Mechanical Assembly (Includes Base, Handle Stem and Items 1A, 1B, 1C & 18)	
1A	7019197	1	Handle Cap and Rod	
1B	7003928	1	Spring	
1C	7022808	1	Cap, Lift	
2	7019142	2	Plate	
3	7019111	4	Bearing, Gear	
4	7019143	2	Screw	
5	7019144	2	Spacer	
6	7019145	4	E-Clip	
7	7019174	2	Spacer, Cam	
8	7003977	2	Gear, Drive	
9	7019147	4	Shaft	
10	7019195	2	Potentiometer Assembly	
10	7003974	1	Potentiometer	
11	7019142	2	Plate	
12	7003992	2	Washer	
13	7003993	2	Nut	
14	7003976	2	Gear, Slave	
15	7019149	2	Setscrew	
16	7003952	4	Screw	
17	7019150	1	Gate	
18	7022813	1	Boot (was p/n 7003955)	
19	7022813	1	Plate, Plastic (was p/n 7003954)	
20	7003956	1	O-Ring	
21	7003953	4	Washer	
22	7019137	4	Screw	
23	7019170	1	Center, Detent	
24	4460265	1	Plug, Male - 9 Position	
24	4460226	8	Socket, Female	

SECTION 4 - PLATFORM

FIGURE 4-8. CONTROLLER ASSEMBLY (SWING AND LIFT) (SN 0300147071 through 0300194239)

Note: Original Equipment controller may have been replaced with Service Replacement controller. Visually identify controller before ordering parts.



ART_1001118419

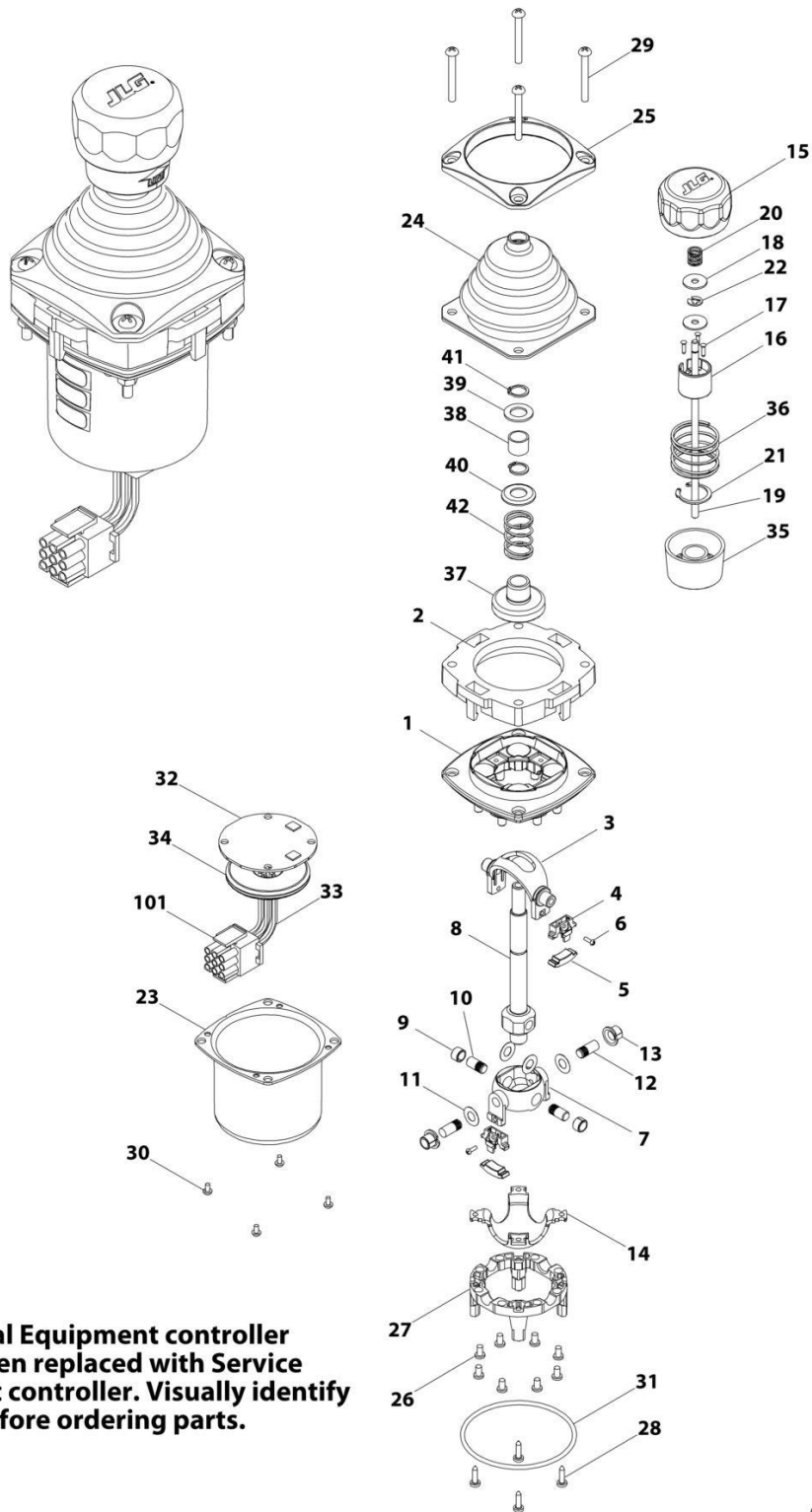
SECTION 4 - PLATFORM

FIGURE 4-8. CONTROLLER ASSEMBLY (SWING AND LIFT) (SN 0300147071 through 0300194239)

ITEM	PART NUMBER	QTY	DESCRIPTION	REV
		Ref	Note: Original Equipment controller may have been replaced with Service Replacement controller. Visually identify controller before ordering parts.	
	1001118419	Ref	CONTROLLER ASSEMBLY (SN 0300147071 through 0300211843)	B
		Ref	Note: Use p/n 1001178139 as Service Replacement.	
1	70002730	1	Gasket	
2	7003928	1	Spring	
3	7022808	1	Cap, Lift	
4	70002731	1	Boot	
5	70002732	4	Screw	
6	7022815	1	Bezel	
7	70002733	1	Adapter	
8	70002734	4	Screw	
9	70002735	1	Can, Enclosure	
10	70002906	1	Cap	
11	1001118419	1	Mechanical Assembly (Note: Not Available for Purchase)	
12	4460265	1	Plug, Male - 9 Position	
12	4460226	8	Socket, Female	

SECTION 4 - PLATFORM

FIGURE 4-9. CONTROLLER ASSEMBLY (SWING AND LIFT) (SN 0300194240 through 0300211843)



Note: Original Equipment controller may have been replaced with Service Replacement controller. Visually identify controller before ordering parts.

ART_1001178139

SECTION 4 - PLATFORM

FIGURE 4-9. CONTROLLER ASSEMBLY (SWING AND LIFT) (SN 0300194240 through 0300211843)

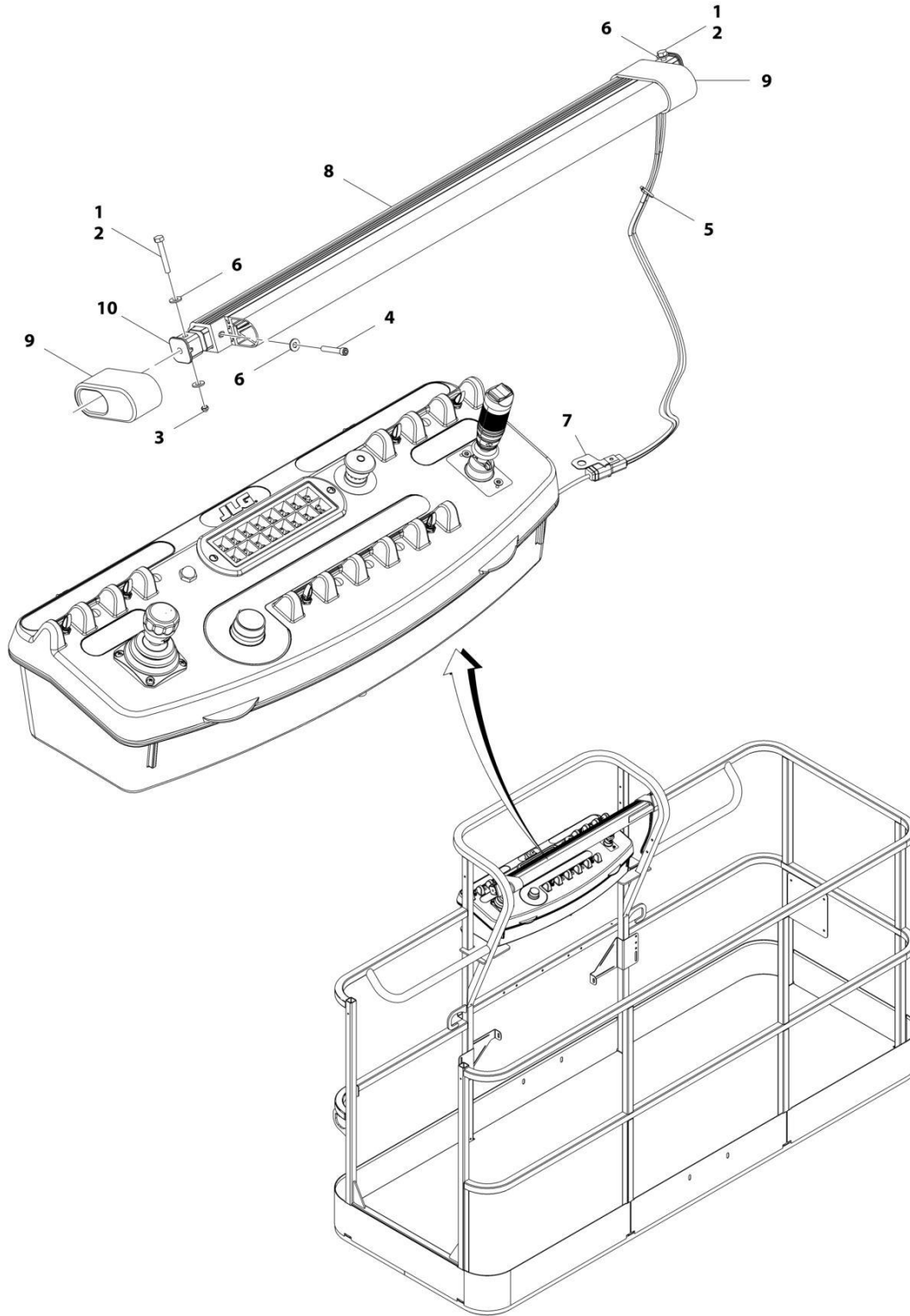
ITEM	PART NUMBER	QTY	DESCRIPTION	REV
		Ref	Note: Original Equipment controller may have been replaced with Service Replacement controller. Visually identify controller before ordering parts.	
	1001178139	Ref	CONTROLLER ASSEMBLY (SN 0300194240 through 0300211843)	A
1	See Note	1	Main Cast Body (Note: Not Available - Purchase Complete Assembly)	
2	70004752	1	Adapter	
3	See Note	1	Pivot Arm, Plastic (Note: Not Available - Purchase Complete Assembly)	
4	See Note	2	Holder, Magnet (Note: Not Available - Purchase Complete Assembly)	
5	See Note	2	Arc, Magnet (Note: Not Available - Purchase Complete Assembly)	
6	See Note	2	Screw (Note: Not Available for Purchase)	
7	See Note	1	Pivot Arm, Cast (Note: Not Available - Purchase Complete Assembly)	
8	See Note	1	Shaft, Main (Note: Not Available - Purchase Complete Assembly)	
9	See Note	2	Bearing (Note: Not Available - Purchase Complete Assembly)	
10	See Note	2	Pin (Note: Not Available - Purchase Complete Assembly)	
11	See Note	4	Shim (Note: Not Available - Purchase Complete Assembly)	
12	See Note	2	Pin (Note: Not Available - Purchase Complete Assembly)	
13	See Note	2	Bearing (Note: Not Available - Purchase Complete Assembly)	
14	See Note	1	Dome, Centering (Note: Not Available - Purchase Complete Assembly)	
15	70004753	1	Cap	
16	70004754	1	Insert, Cap	
17	70004755	3	Pin	
18	70004756	2	Washer	
19	70004757	1	Pin, Centering	
20	70004758	1	Spring	
21	70004759	1	Ring, Retaining	
22	70004760	1	E-Ring	
23	70004761	1	Can, Enclosure	
24	70004762	1	Boot	
25	70004763	1	Bezel	
26	See Note	8	Screw (Note: Not Available for Purchase)	
27	See Note	1	Base Mounting (Note: Not Available - Purchase Complete Assembly)	
28	See Note	4	Screw (Note: Not Available for Purchase)	
29	70004764	4	Screw	
30	70004765	4	Screw	
31	70004766	1	O-Ring	
32	See Note	1	Plate (Note: Not Available - Purchase Complete Assembly)	
33	See Note	1	Harness (Note: Not Available - Purchase Complete Assembly)	
34	70004767	1	Grommet, Rubber	
35	70004768	1	Housing	
36	70004769	1	Spring	
37	70004770	1	Stopper	
38	70004771	1	Spacer	
39	70004772	1	Washer	
40	70004773	1	Disc	
41	70004774	2	Ring, Retaining	

SECTION 4 - PLATFORM

ITEM	PART NUMBER	QTY	DESCRIPTION	REV
42	70004775	1	Spring	
101	4460265	1	Connector - 9 Position	
101	4460226	6	Socket, Female	

SECTION 4 - PLATFORM

FIGURE 4-10. SKYGUARD SYSTEM INSTALLATION



ART_1001187508

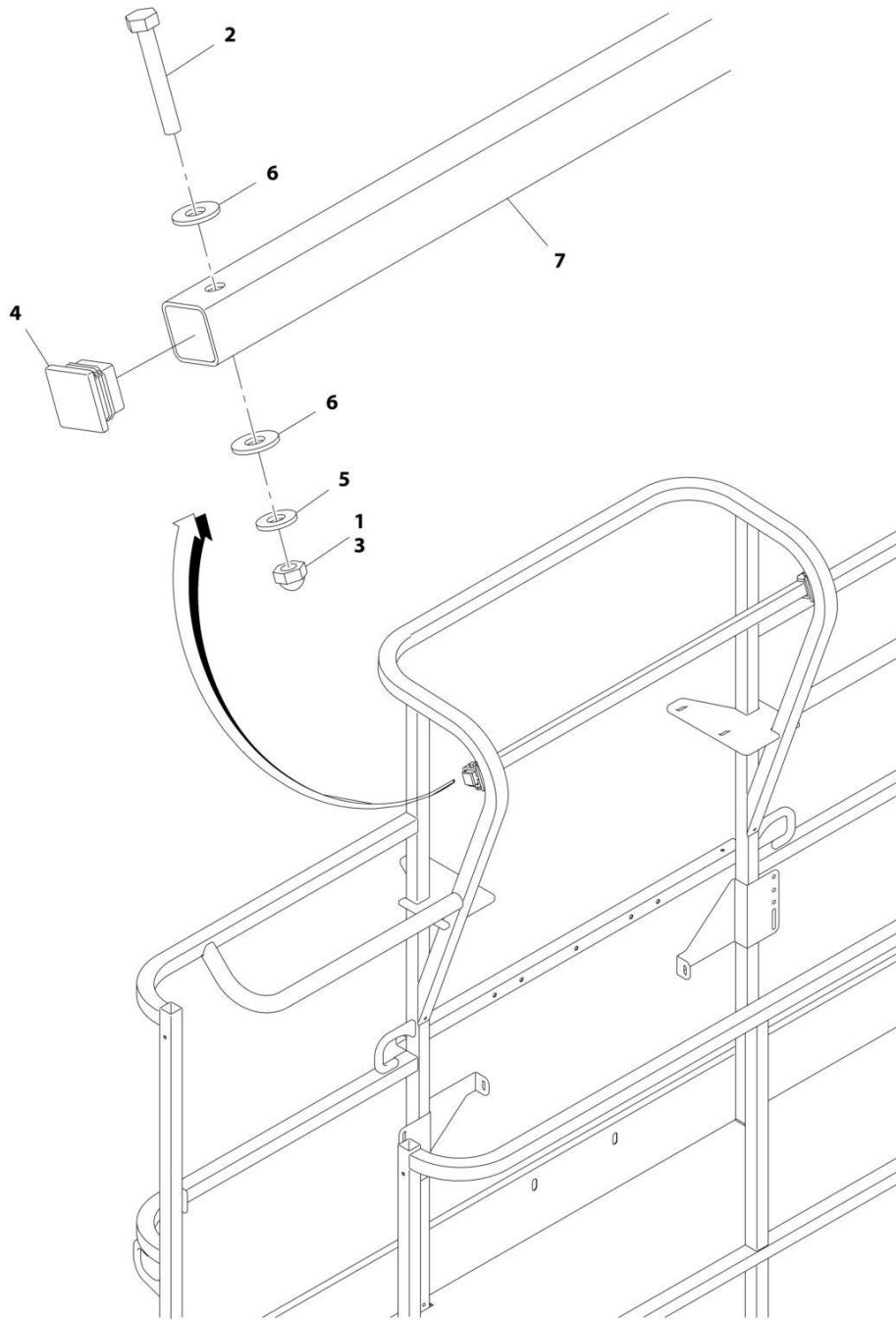
SECTION 4 - PLATFORM

FIGURE 4-10. SKYGUARD SYSTEM INSTALLATION

ITEM	PART NUMBER	QTY	DESCRIPTION	REV
	1001187508	Ref	SKYGUARD SYSTEM INSTALLATION (SN 0300200791 through 0300211843)	A
		Ref	Note: For Machines with SkyGuard SN 0300138358 through 0300200790 - See SPECIAL OPTIONS SECTION.	
1	0100011	AR	Compound, Locking	
2	0641414	2	Bolt 1/4-20 x 1-3/4	
3	3300430	2	Nut, Acorn 1/4-20	
4	3931424	2	Capscrew, 1/4-20 x 1-1/2	
5	4240033	1	Tie-Strap	
6	4711400	6	Washer 1/4	
7	1001120328	1	Mount	
8	1001137673	1	Switch, SkyGuard Assembly	
9	1001186517	2	Cover, Platform Sensor	
10	1001188889	2	Support, Block	

SECTION 4 - PLATFORM

FIGURE 4-11. CROSS RAIL INSTALLATION



ART_1001182138

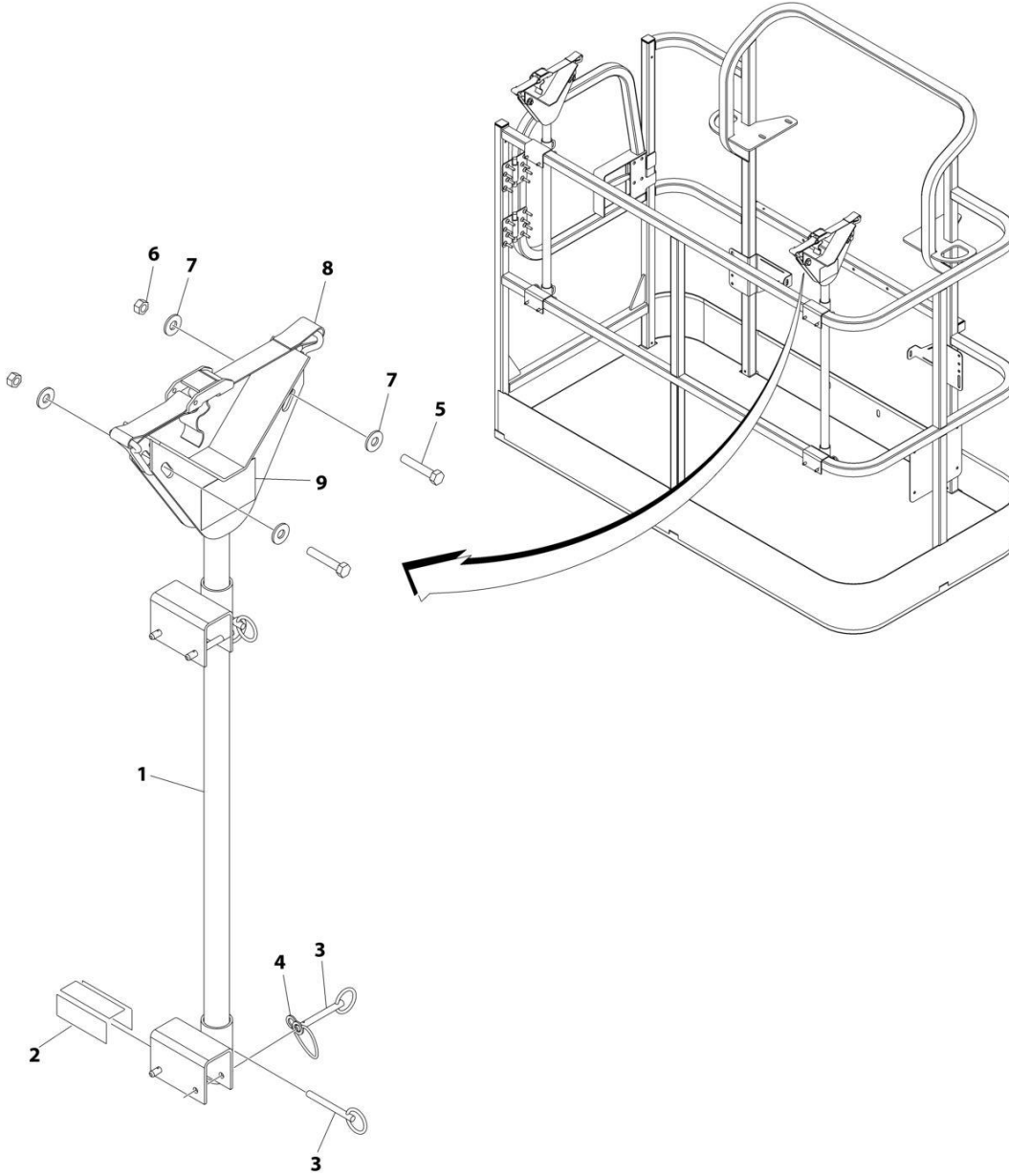
SECTION 4 - PLATFORM

FIGURE 4-11. CROSS RAIL INSTALLATION

ITEM	PART NUMBER	QTY	DESCRIPTION	REV
	1001182138	Ref	CROSS RAIL INSTALLATION	A
1	0100071	AR	Compound, Locking	
2	0641414	2	Bolt 1/4 x 1-3/4	
3	3300430	2	Nut 1/4	
4	3520182	2	Plug	
5	4711400	2	Washer 1/4	
6	4751400	4	Washer 1/4	
7	1001191708	1	Bar	

SECTION 4 - PLATFORM

FIGURE 4-12. PIPE RACKS INSTALLATION (ANSI SPECS ONLY)



ART_0257728

SECTION 4 - PLATFORM

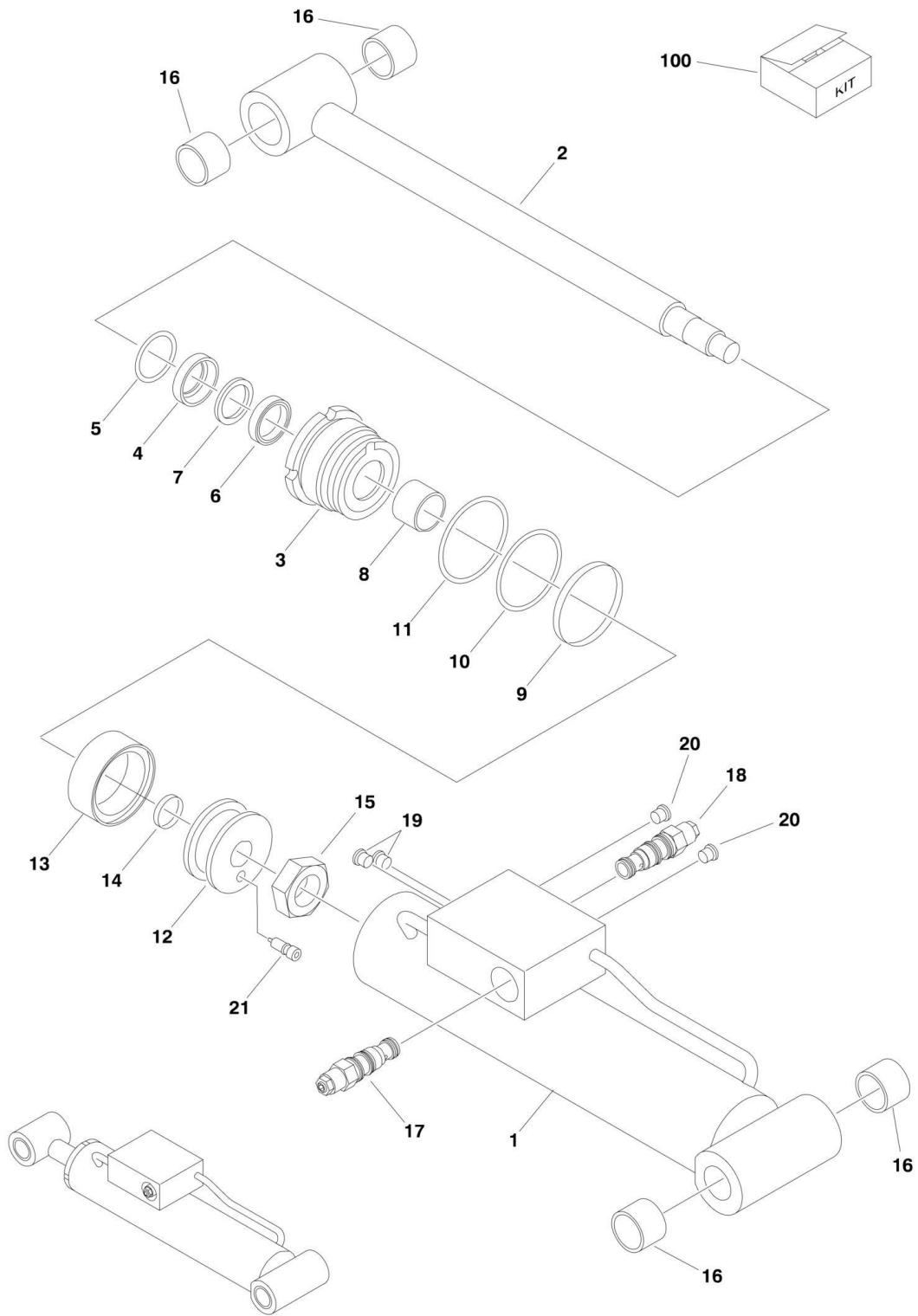
FIGURE 4-12. PIPE RACKS INSTALLATION (ANSI SPECS ONLY)

ITEM	PART NUMBER	QTY	DESCRIPTION	REV
	0257728	Ref	PIPE RACKS INSTALLATION (ANSI SPECS ONLY)	2/C
1	4845582	2	Rack, Pipe	
2	4420062	AR	Tape	
3	3422661	10	Pin	
4	1060379	4	Lanyard	
5	0641514	4	Bolt 5/16 x 1-3/4	
6	3311505	4	Nut 5/16	
7	4751500	8	Washer 5/16	
8	0480100	2	Tie-Down	
9	1703683	2	Decal - Capacity	

SECTION 5 - CYLINDER

SECTION 5 - CYLINDER

FIGURE 5-1. LEVEL (PLATFORM SLAVE) CYLINDER ASSEMBLY (ORIGINAL EQUIPMENT)



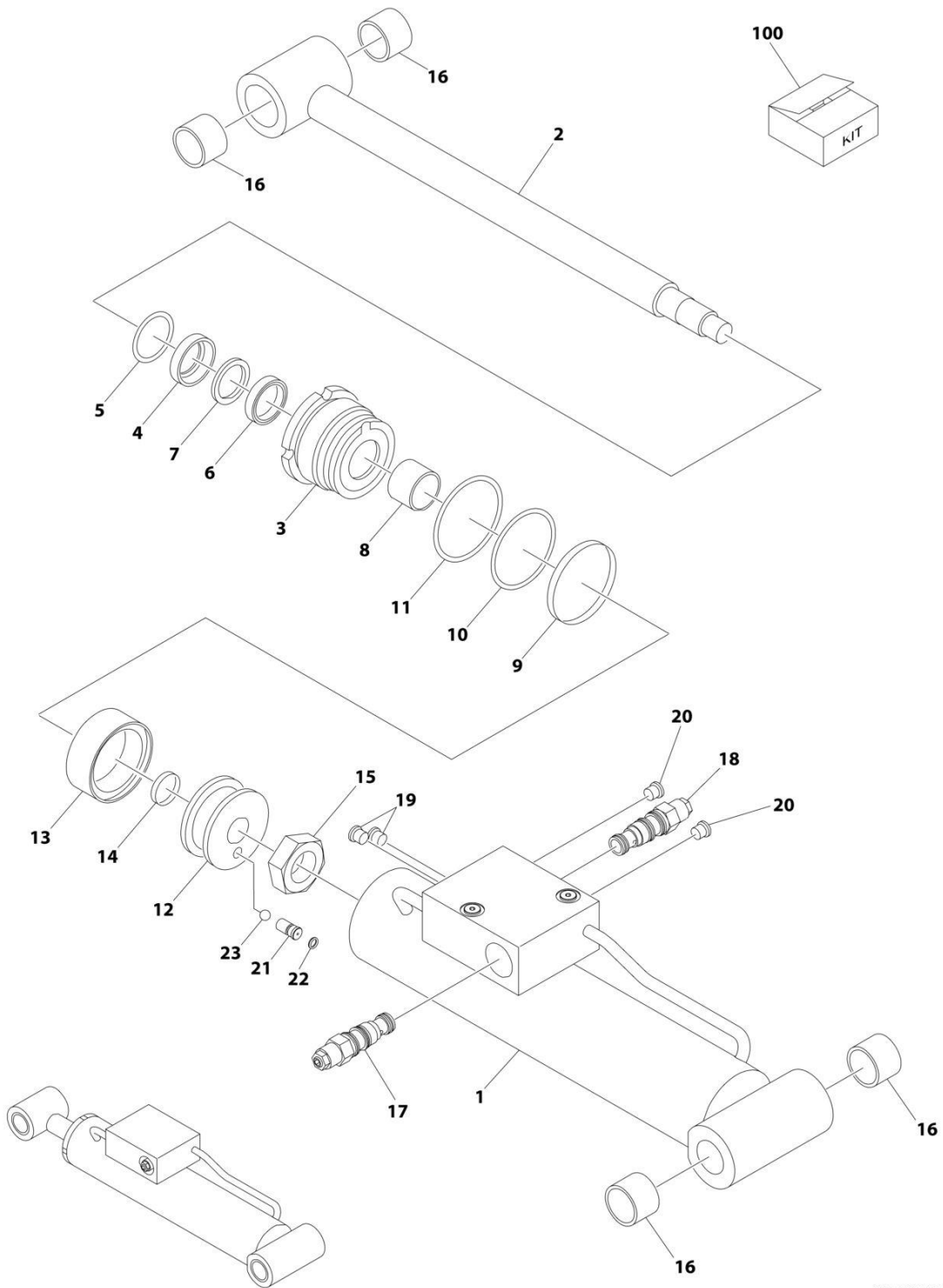
SECTION 5 - CYLINDER

FIGURE 5-1. LEVEL (PLATFORM SLAVE) CYLINDER ASSEMBLY (ORIGINAL EQUIPMENT)

ITEM	PART NUMBER	QTY	DESCRIPTION	REV
	1001105153	Ref	LEVEL (PLATFORM SLAVE) CYLINDER ASSEMBLY (ORIGINAL EQUIPMENT)	E
		Ref	Note: Original Cylinder may have been replaced with Service Replacement. Identify PN Stamped on Cylinder Before Ordering Parts.	
1	70002361	1	Barrel Weldment	
2	70002360	1	Rod Weldment	
3	70002359	1	Head	
4	See Note	NSS	Wiper (Note: Use Item 100)	
5	70002366	1	Ring, Retaining	
6	See Note	NSS	Seal, Rod (Note: Use Item 100)	
7	See Note	NSS	Ring, Back-up (Note: Use Item 100)	
8	70002352	1	Ring, Wear	
9	See Note	NSS	O-Ring (Note: Use Item 100)	
10	See Note	NSS	Ring, Back-up (Note: Use Item 100)	
11	See Note	NSS	O-Ring (Note: Use Item 100)	
12	70002358	1	Piston	
13	See Note	NSS	Seal, Piston (Note: Use Item 100)	
14	See Note	NSS	O-Ring (Note: Use Item 100)	
15	70002335	1	Nut	
15	0100071	AR	Compound, Locking	
16	70002333	4	Bearing	
17	70002413	1	Cartridge, Valve (Counterbalance)	
17	2900770	1	Seal Kit - 70002413 Valve (1 Per Assembly)	
18	70002388	1	Cartridge, Valve (Counterbalance)	
18	2900770	1	Seal Kit - 70002388 Valve (1 Per Assembly)	
19	See Note	2	Plug, O-Ring (Note: Not Available for Purchase)	
20	See Note	2	Plug, O-Ring (Note: Not Available for Purchase)	
21	70002357	1	Valve, Phase	
100	70002350	1	Seal Kit (Includes Items 4, 6, 7, 9, 10, 11, 13 & 14)	

SECTION 5 - CYLINDER

FIGURE 5-2. LEVEL (PLATFORM SLAVE) CYLINDER ASSEMBLY (SERVICE REPLACEMENT)



ART_1001203949

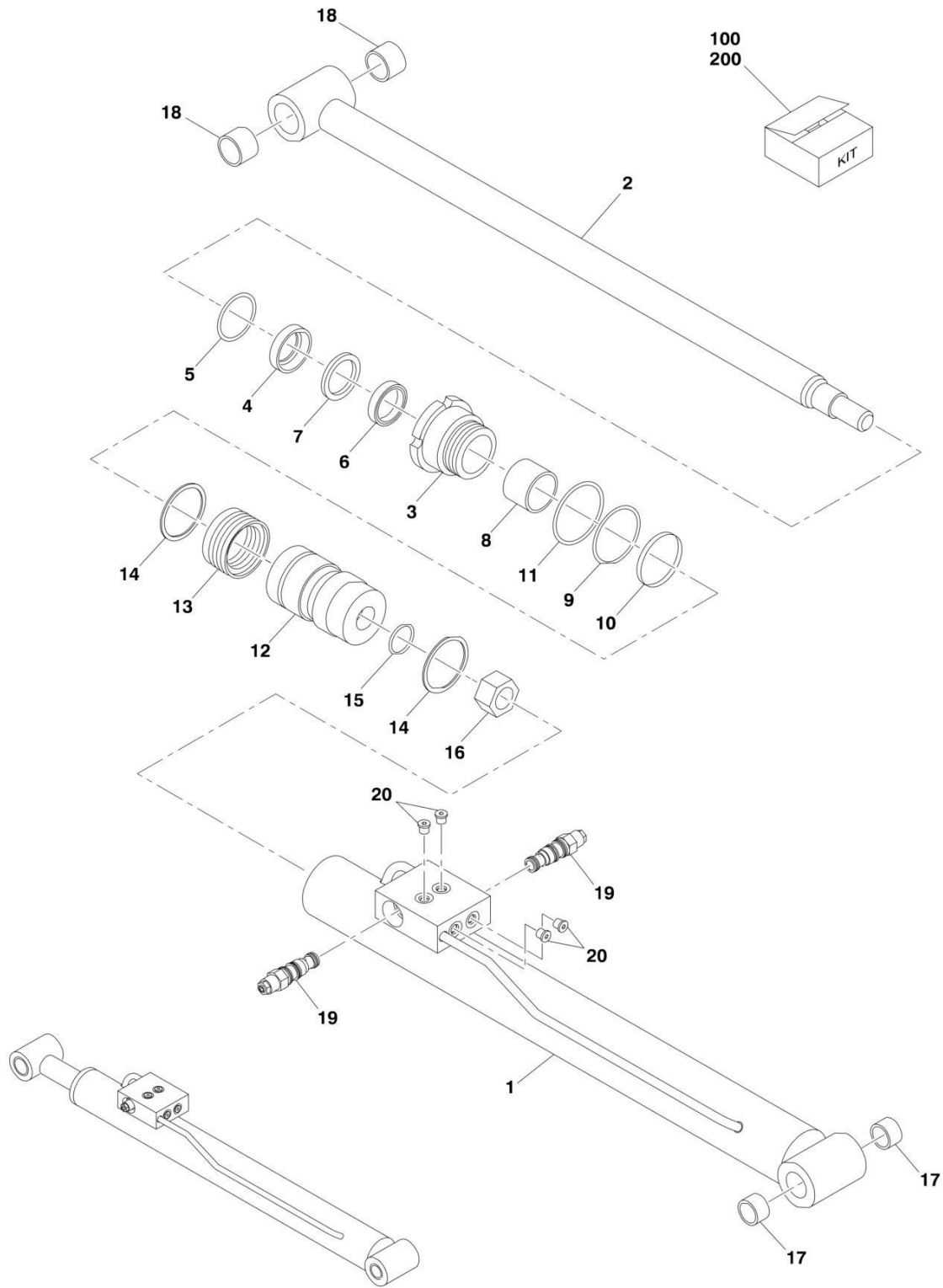
SECTION 5 - CYLINDER

FIGURE 5-2. LEVEL (PLATFORM SLAVE) CYLINDER ASSEMBLY (SERVICE REPLACEMENT)

ITEM	PART NUMBER	QTY	DESCRIPTION	REV
	1001203949	Ref	LEVEL CYLINDER ASSEMBLY - PLATFORM SLAVE (SERVICE REPLACEMENT)	B
		Ref	Note: Original Cylinder may have been replaced with Service Replacement. Identify PN Stamped on Cylinder Before Ordering Parts.	
1	70003131	1	Barrel Weldment	
2	70002360	1	Rod Weldment	
3	70002359	1	Head	
4	See Note	NSS	Wiper (Note: Use Item 100)	
5	See Note	NSS	Ring, Retaining (Note: Use Item 100)	
6	See Note	NSS	Seal, Rod (Note: Use Item 100)	
7	See Note	NSS	Ring, Back-up (Note: Use Item 100)	
8	70005695	1	Ring, Wear	
9	See Note	NSS	O-Ring (Note: Use Item 100)	
10	See Note	NSS	Ring, Back-up (Note: Use Item 100)	
11	See Note	NSS	O-Ring (Note: Use Item 100)	
12	70005972	1	Piston	
13	See Note	NSS	Seal, Piston (Note: Use Item 100)	
14	See Note	NSS	O-Ring (Note: Use Item 100)	
15	70002335	1	Nut	
15	0100071	AR	Compound, Locking	
16	0961951	4	Bearing	
17	70002413	1	Cartridge, Valve (Counterbalance)	
17	2900770	1	Seal Kit - 70002413 Valve (1 Per Assembly)	
18	1001168210	1	Cartridge, Valve (Counterbalance)	
18	2900770	1	Seal Kit - 1001168210 Valve (1 Per Assembly)	
19	2220883	4	Plug, O-Ring	
20	See Note	2	Plug, O-Ring (Note: Not Available for Purchase)	
21	70005973	1	Valve	
22	70005974	1	O-Ring	
23	See Note	NSS	Ball (Note: Per the vendor - the steel ball is no longer included in the Seal Kit. The steel ball p/n is 70006353.)	
100	70002350	1	Seal Kit (Includes Items 4, 5, 6, 7, 9, 10, 11, 13, 14 & 23)	

SECTION 5 - CYLINDER

FIGURE 5-3. LIFT (JIB) CYLINDER ASSEMBLY



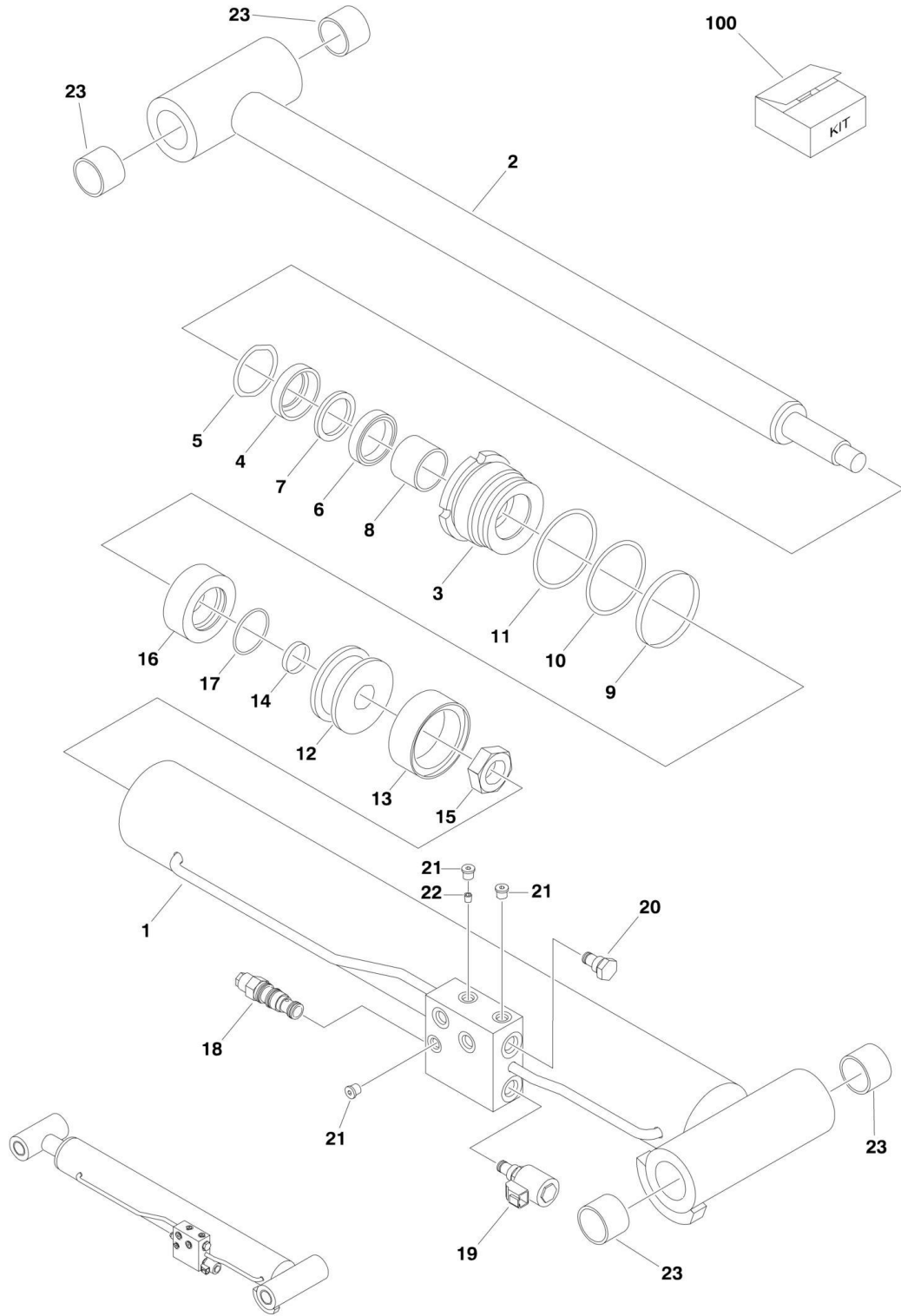
SECTION 5 - CYLINDER

FIGURE 5-3. LIFT (JIB) CYLINDER ASSEMBLY

ITEM	PART NUMBER	QTY	DESCRIPTION	REV
	1001108429	Ref	LIFT (JIB) CYLINDER ASSEMBLY	C
1	70002376	1	Barrel Weldment	
2	70002375	1	Rod Weldment	
3	70002374	1	Head	
4	See Note	NSS	Wiper (Note: Use Item 100)	
5	70002373	1	Ring, Retaining	
6	See Note	NSS	Seal, Rod (Note: Use Item 100)	
7	See Note	NSS	Ring, Back-up (Note: Use Item 100)	
8	70002372	1	Ring, Wear	
9	See Note	NSS	O-Ring (Note: Use Item 100)	
10	See Note	NSS	Ring, Back-up (Note: Use Item 100)	
11	See Note	NSS	O-Ring (Note: Use Item 100)	
12	70002371	1	Piston	
13	See Note	NSS	Seal, Piston (Note: Use Item 100)	
14	See Note	NSS	Ring, Piston (Note: Use Item 100)	
15	See Note	NSS	O-Ring (Note: Use Item 100)	
16	70002335	1	Nut	
16	0100071	AR	Compound, Locking	
17	70002363	2	Bearing	
18	70002333	2	Bearing	
19	70002389	2	Cartridge, Valve (Counterbalance)	
19	2900770	2	Seal Kit - 70002389 Valve (1 Per Assembly)	
20	See Note	4	Plug, O-Ring (Note: Not Available for Purchase)	
100	70002370	1	Seal Kit (Includes Items 4, 6, 7, 9, 10, 11, 13, 14 & 15)	
200	1001151286	Ref	Jib Replacement Kit (Including SN 0300129963)	
200	1001148398	1	Lift (Jib) Cylinder Assembly with Manual Descent (Not Shown) (Including SN 0300129963)	
200	70003836	1	Seal Kit - 1001148398 Cylinder	
200	4640509	1	Cartridge, Valve - Counterbalance	

SECTION 5 - CYLINDER

FIGURE 5-4. LIFT (MAIN BOOM) CYLINDER ASSEMBLY



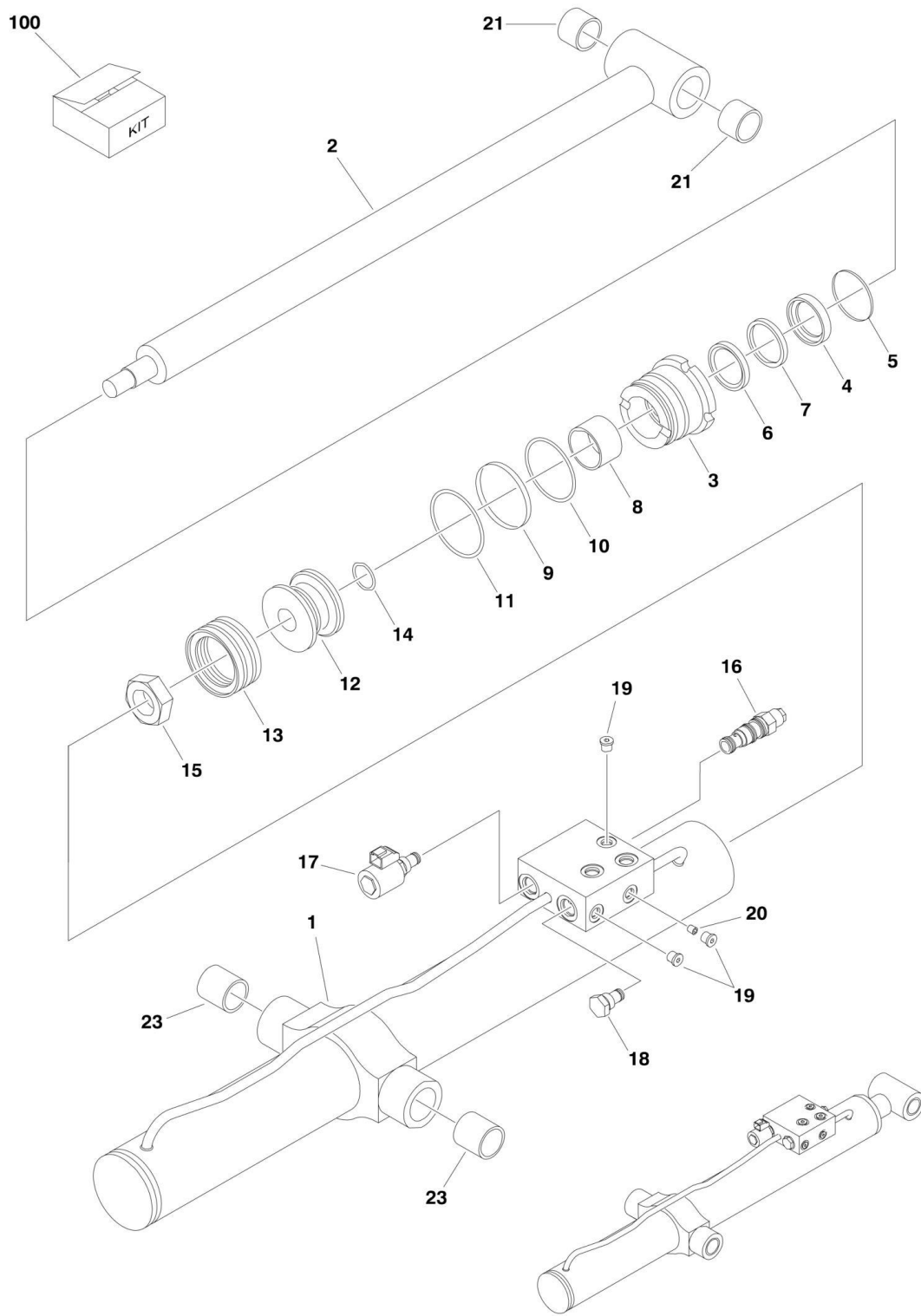
SECTION 5 - CYLINDER

FIGURE 5-4. LIFT (MAIN BOOM) CYLINDER ASSEMBLY

ITEM	PART NUMBER	QTY	DESCRIPTION	REV
	1001106880	Ref	LIFT (MAIN BOOM) CYLINDER ASSEMBLY	E
1	70002349	1	Barrel Weldment	
2	70002348	1	Rod Weldment	
3	70002347	1	Head	
4	See Note	NSS	Wiper (Note: Use Item 100)	
5	70002412	1	Ring, Retaining	
6	See Note	NSS	Seal, Rod (Note: Use Item 100)	
7	See Note	NSS	Ring, Back-up (Note: Use Item 100)	
8	70022593	1	Ring, Wear	
9	See Note	NSS	O-Ring (Note: Use Item 100)	
10	See Note	NSS	Ring, Back-up (Note: Use Item 100)	
11	See Note	NSS	O-Ring (Note: Use Item 100)	
12	70002346	1	Piston	
13	See Note	NSS	Seal, Piston (Note: Use Item 100)	
14	See Note	NSS	O-Ring (Note: Use Item 100)	
15	70002345	1	Nut	
15	0100071	AR	Compound, Locking	
16	70002344	1	Spacer	
17	See Note	NSS	O-Ring (Note: Use Item 100)	
18	70002387	1	Cartridge, Valve (Counterbalance)	
18	2900770	1	Seal Kit - 70002387 Valve (1 Per Assembly)	
19	7024884	1	Cartridge, Valve (2 Way Poppet)	
19	7012967	1	Seal Kit - 7024884 Valve (1 Per Assembly)	
19	70002386	1	Coil	
20	7012955	1	Cartridge, Valve (Check)	
20	7012967	1	Seal Kit - 7012955 Valve (1 Per Assembly)	
21	See Note	3	Plug, O-Ring (Note: Not Available for Purchase)	
22	70002343	1	Orifice	
23	70002342	4	Bearing	
100	70002341	1	Seal Kit (Includes Items 4, 6, 7, 9, 10, 11, 13, 14 & 17)	

SECTION 5 - CYLINDER

FIGURE 5-5. LIFT (TOWER BOOM) CYLINDER ASSEMBLY



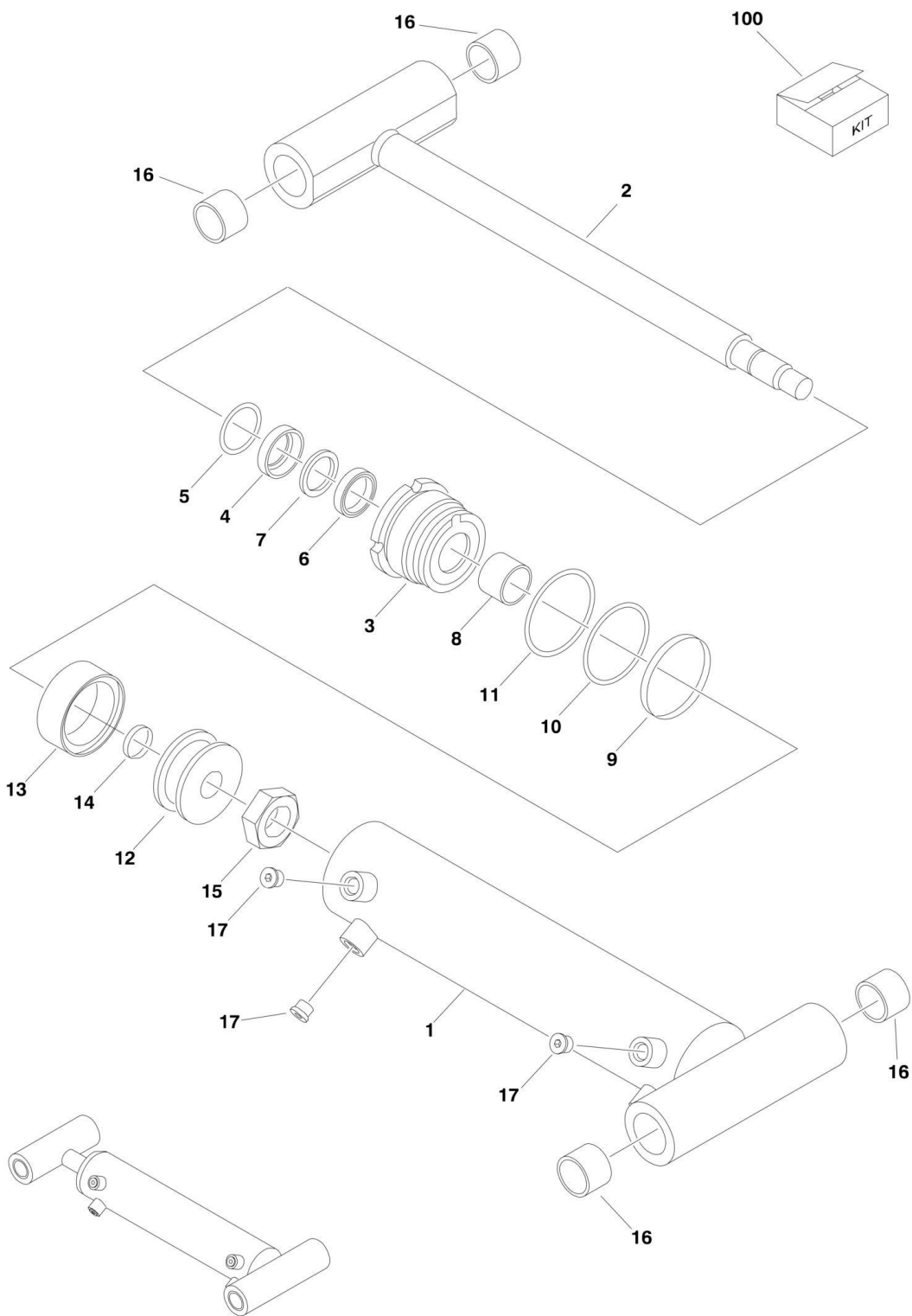
SECTION 5 - CYLINDER

FIGURE 5-5. LIFT (TOWER BOOM) CYLINDER ASSEMBLY

ITEM	PART NUMBER	QTY	DESCRIPTION	REV
	1001107886	Ref	LIFT (TOWER BOOM) CYLINDER ASSEMBLY	D
1	70002340	1	Barrel Weldment	
2	70002339	1	Rod Weldment	
3	70002338	1	Head	
4	See Note	NSS	Wiper (Note: Use Item 100)	
5	70002410	1	Ring, Retaining	
6	See Note	NSS	Seal, Rod (Note: Use Item 100)	
7	See Note	NSS	Ring, Back-up (Note: Use Item 100)	
8	70002337	1	Ring, Wear	
9	See Note	NSS	O-Ring (Note: Use Item 100)	
10	See Note	NSS	Ring, Back-up (Note: Use Item 100)	
11	See Note	NSS	O-Ring (Note: Use Item 100)	
12	70002336	1	Piston	
13	See Note	NSS	Seal, Piston (Note: Use Item 100)	
14	See Note	NSS	O-Ring (Note: Use Item 100)	
15	70002335	1	Nut	
15	0100071	AR	Compound, Locking	
16	70002387	1	Cartridge, Valve (Counterbalance)	
16	2900770	1	Seal Kit - 70002387 Valve (1 Per Assembly)	
17	7024884	1	Cartridge, Valve (2 Way Poppet)	
17	7012967	1	Seal Kit - 7024884 Valve (1 Per Assembly)	
17	70002386	1	Coil	
18	7012955	1	Cartridge, Valve (Check)	
18	7012967	1	Seal Kit - 7012955 Valve (1 Per Assembly)	
19	See Note	3	Plug, O-Ring (Note: Not Available for Purchase)	
20	70002334	1	Orifice	
21	70002333	2	Bearing	
23	70002409	2	Bearing	
100	70002332	1	Seal Kit (Includes Items 4, 6, 7, 9, 10, 11, 13 & 14)	

SECTION 5 - CYLINDER

FIGURE 5-6. MASTER CYLINDER ASSEMBLY



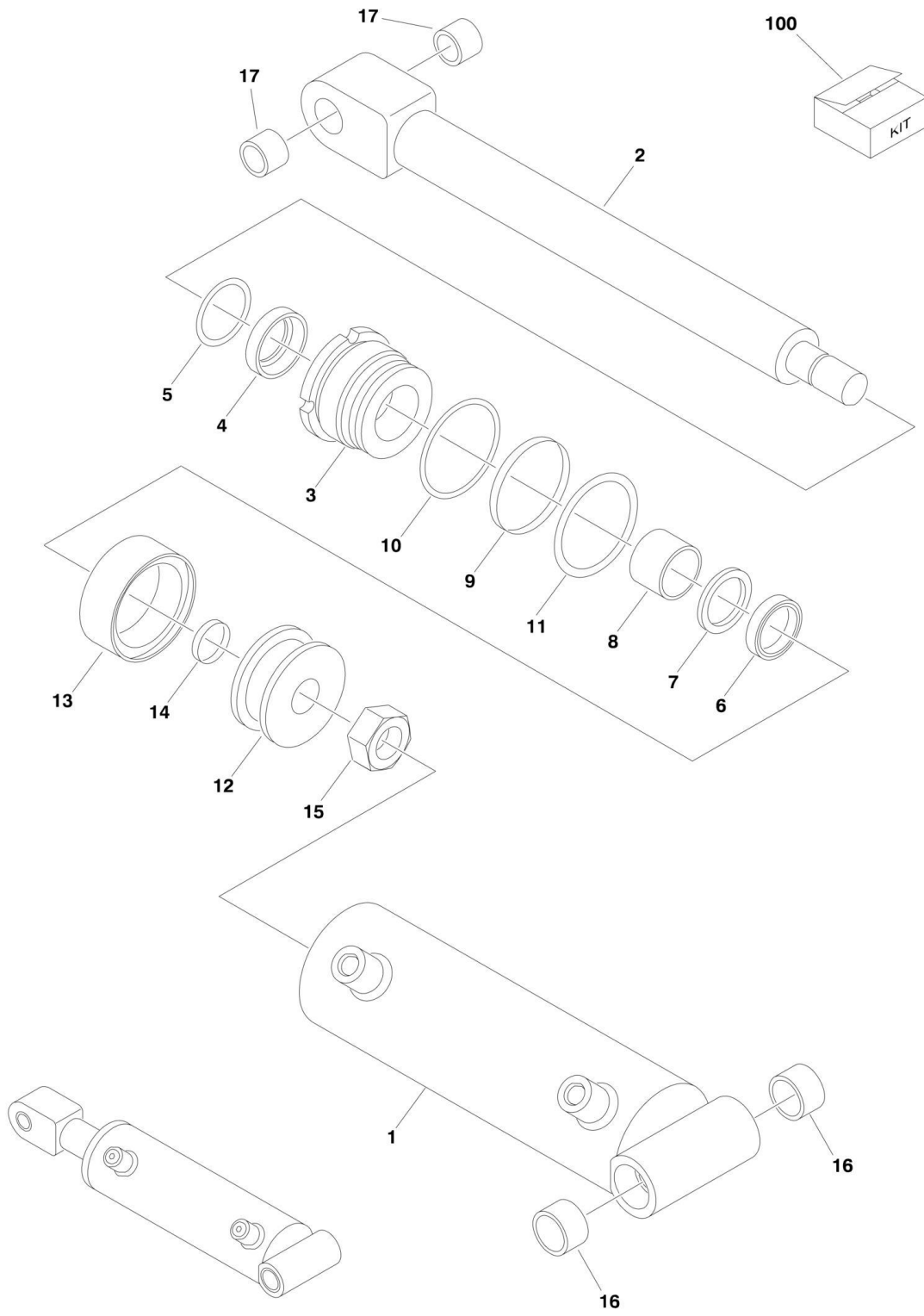
SECTION 5 - CYLINDER

FIGURE 5-6. MASTER CYLINDER ASSEMBLY

ITEM	PART NUMBER	QTY	DESCRIPTION	REV
	1001105989	Ref	MASTER CYLINDER ASSEMBLY	C
1	70002355	1	Barrel Weldment	
2	70002354	1	Rod Weldment	
3	70002359	1	Head	
4	See Note	NSS	Wiper (Note: Use Item 100)	
5	70002366	1	Ring, Retaining	
6	See Note	NSS	Seal, Rod (Note: Use Item 100)	
7	See Note	NSS	Ring, Back-up (Note: Use Item 100)	
8	70002352	1	Ring, Wear	
9	See Note	NSS	O-Ring (Note: Use Item 100)	
10	See Note	NSS	Ring, Back-up (Note: Use Item 100)	
11	See Note	NSS	O-Ring (Note: Use Item 100)	
12	70002381	1	Piston	
13	See Note	NSS	Seal, Piston (Note: Use Item 100)	
14	See Note	NSS	O-Ring (Note: Use Item 100)	
15	70002335	1	Nut	
15	0100071	AR	Compound, Locking	
16	70002333	4	Bearing	
17	See Note	3	Plug, O-Ring (Note: Not Available for Purchase)	
100	70002350	1	Seal Kit (Includes Items 4, 6, 7, 9, 10, 11, 13 & 14)	

SECTION 5 - CYLINDER

FIGURE 5-7. STEER CYLINDER ASSEMBLY



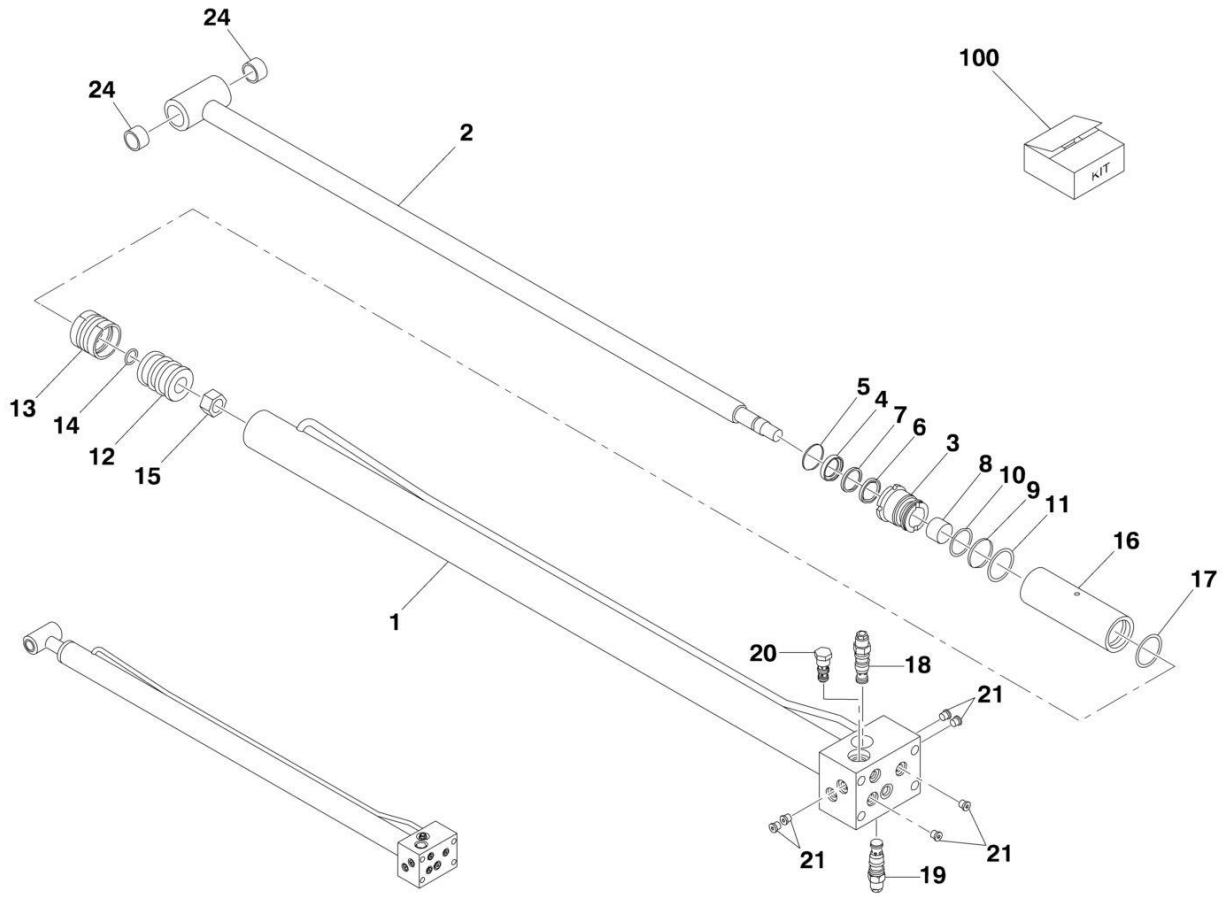
SECTION 5 - CYLINDER

FIGURE 5-7. STEER CYLINDER ASSEMBLY

ITEM	PART NUMBER	QTY	DESCRIPTION	REV
	1001108310	Ref	STEER CYLINDER ASSEMBLY	C
1	70002384	1	Barrel Weldment	
2	70002383	1	Rod Weldment	
3	70002382	1	Head	
4	See Note	NSS	Wiper (Note: Use Item 100)	
5	70002373	1	Ring, Retaining	
6	See Note	NSS	Seal, Rod (Note: Use Item 100)	
7	See Note	NSS	Ring, Back-up (Note: Use Item 100)	
8	70022586	1	Ring, Wear	
9	See Note	NSS	O-Ring (Note: Use Item 100)	
10	See Note	NSS	Ring, Back-up (Note: Use Item 100)	
11	See Note	NSS	O-Ring (Note: Use Item 100)	
12	70002381	1	Piston	
13	See Note	NSS	Seal, Piston (Note: Use Item 100)	
14	See Note	NSS	O-Ring (Note: Use Item 100)	
15	70002335	1	Nut	
15	0100071	AR	Compound, Locking	
16	70002363	2	Bearing	
17	70002380	2	Bearing	
100	70002379	1	Seal Kit (Includes Items 4, 6, 7, 9, 10, 11, 13 & 14)	

SECTION 5 - CYLINDER

FIGURE 5-8. TELESCOPE CYLINDER ASSEMBLY



SECTION 5 - CYLINDER

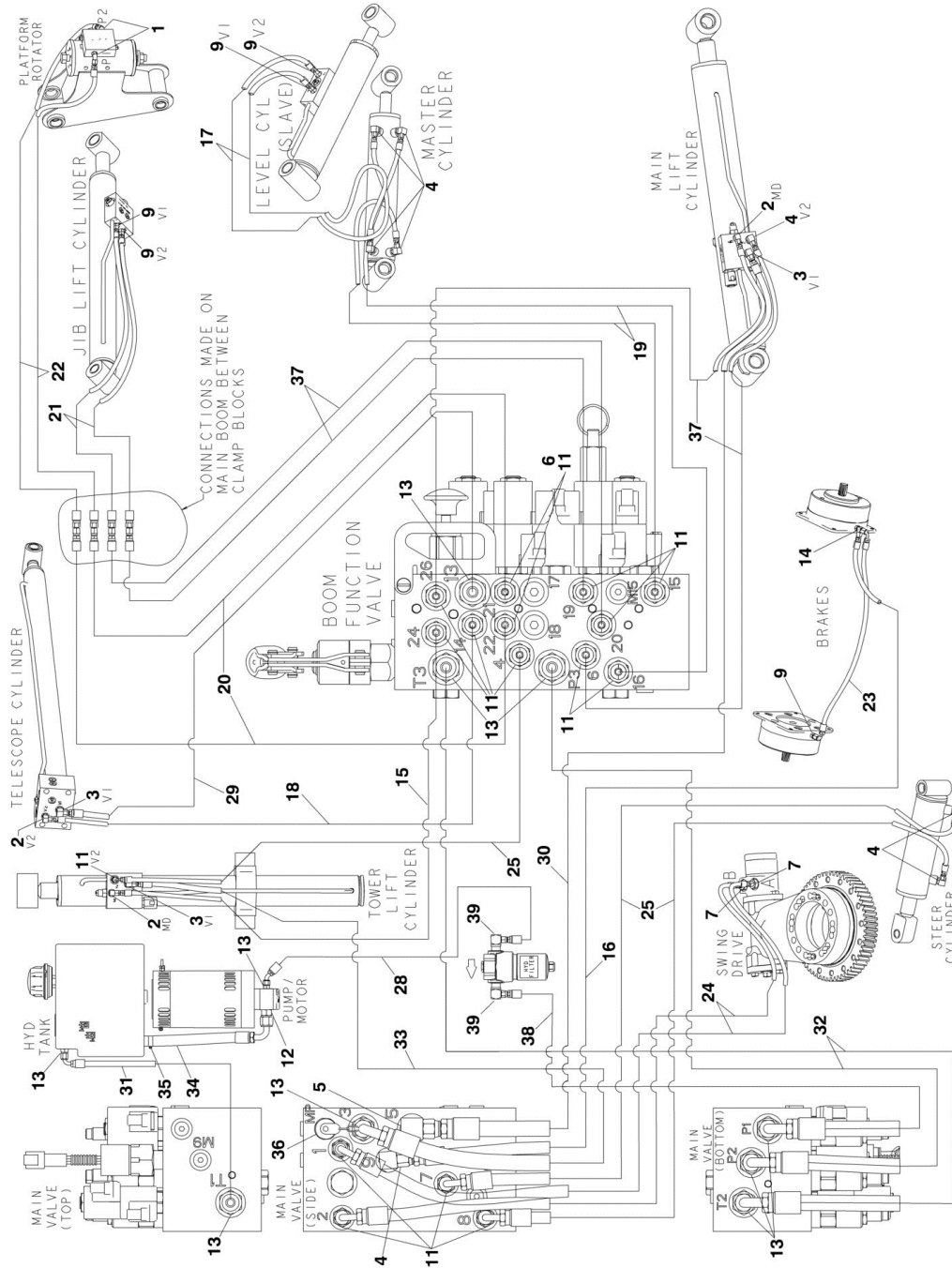
FIGURE 5-8. TELESCOPE CYLINDER ASSEMBLY

ITEM	PART NUMBER	QTY	DESCRIPTION	REV
		Ref	TELESCOPE CYLINDER ASSEMBLY	
	1001106878	Ref	Telescope Cylinder Assembly E300AJ (SN 0300138358 through 0300157823)	C-C
	1001120974	Ref	Telescope Cylinder Assembly E300AJ (SN 0300157824 through 0300211843)	C
	1001106879	Ref	Telescope Cylinder Assembly E300AJP	D
1		Ref	Barrel Weldment Options:	
1	70002369	1	Barrel Weldment 1001106878 & 1001106879 Cylinders	
1	70003114	1	Barrel Weldment 1001120974 Cylinders	
2		Ref	Rod Weldment Options:	
2	70002368	1	Rod Weldment 1001106878 & 1001106879 Cylinders	
2	70003115	1	Rod Weldment 1001120974 Cylinders	
3		Ref	Head Options:	
3	70002367	1	Head 1001106878 & 1001106879 Cylinders	
3	70003116	1	Head 1001120974 Cylinders	
4	See Note	NSS	Wiper (Note: Use Item 100)	
5	70002366	1	Ring, Retaining	
6	See Note	NSS	Seal, Rod (Note: Use Item 100)	
7	See Note	NSS	Ring, Back-up (Note: Use Item 100)	
8	70002352	1	Ring, Wear	
9	See Note	NSS	O-Ring (Note: Use Item 100)	
10	See Note	NSS	Ring, Back-up (Note: Use Item 100)	
11	See Note	NSS	O-Ring (Note: Use Item 100)	
12		Ref	Piston Options:	
12	70002365	1	Piston 1001106878 & 1001106879 Cylinders	
12	70003117	1	Piston 1001120974 Cylinders	
13	See Note	NSS	Seal, Piston (Note: Use Item 100)	
14	See Note	NSS	O-Ring (Note: Use Item 100)	
15	70002335	1	Nut	
15	0100071	AR	Compound, Locking	
16		Ref	Spacer Options:	
16	70002364	1	Spacer E300AJ	
16	70002385	1	Spacer E300AJP	
17	See Note	NSS	O-Ring (Note: Use Item 100)	
18	4640771	1	Cartridge, Valve (Counterbalance)	
18	2900770	1	Seal Kit - 4640771 Valve (1 Per Assembly)	
19	70002389	1	Cartridge, Valve (Counterbalance)	
19	2900770	1	Seal Kit - 70002389 Valve (1 Per Assembly)	
20	10837580	1	Cartridge, Valve (Load Shuttle) (was p/n 7010542)	
20	7010543	1	Seal Kit - 10837580 & 7010542 Valves (1 Per Assembly)	
21	70023370	6	Plug, O-Ring	
24		Ref	Bearing	
24	70002363	2	Bearing 1001106878 & 1001106879 Cylinders	
24	70003118	2	Bearing 1001120974 Cylinders	
100		Ref	Seal Kit Options (Includes Items 4, 6, 7, 9, 10, 11, 13, 14 & 17):	
100	70002362	1	Seal Kit 1001106878 & 1001106879 Cylinders	
100	70003119	1	Seal Kit 1001120974 Cylinders	

SECTION 6 - HYDRAULIC

SECTION 6 - HYDRAULIC

FIGURE 6-1. HYDRAULIC DIAGRAM - E300AJ



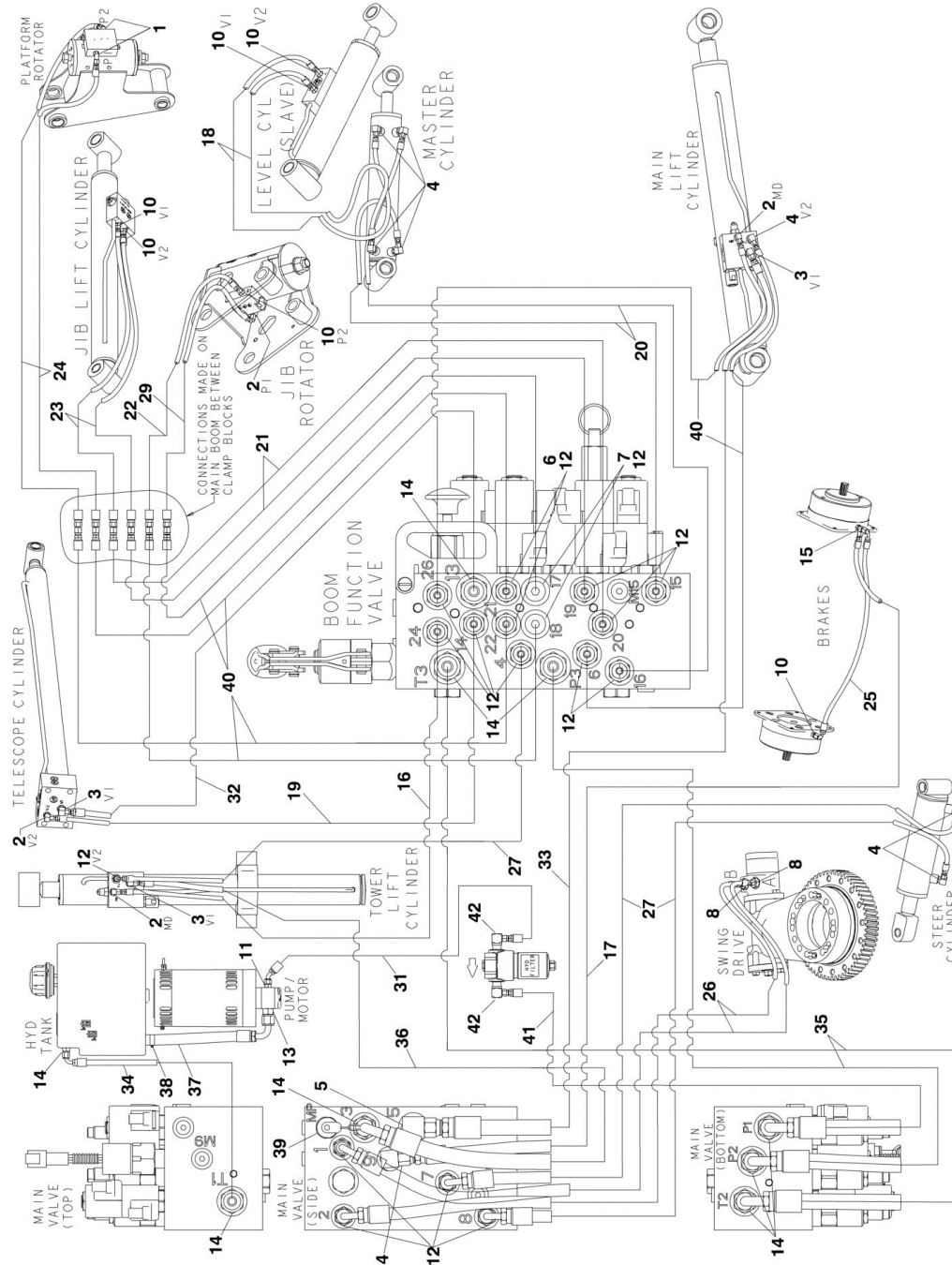
SECTION 6 - HYDRAULIC

FIGURE 6-1. HYDRAULIC DIAGRAM - E300AJ

ITEM	PART NUMBER	QTY	DESCRIPTION	REV
	1001109711	Ref	HYDRAULIC DIAGRAM - E300AJ	J
1	2220502	2	Fitting, 45 Elbow	
2	2220466	3	Fitting, 90 Elbow	
3	2220473	3	Fitting, 45 Elbow	
4	2220472	8	Fitting, 45 Elbow	
5	2220628	1	Fitting, 45 Elbow	
6	2220909	2	Fitting, Orifice .015	
7	2221033	2	Fitting, Straight	
9	2220415	5	Fitting, Straight	
11	2220582	16	Fitting, Straight	
12		Ref	Fitting, Straight Options:	
12	2220593	1	Fitting, Straight (SN 0300138358 through 0300177036)	
12	2220408	1	Fitting, Straight (SN 0300177037 through 0300211843)	
13	2220372	10	Fitting, Straight	
14	2221034	1	Fitting, Tee	
15	2754055	1	Hose	
16	2755023	1	Hose	
17	1001109688	2	Hose	
18	2753364	1	Hose	
19	2753276	2	Hose	
20	2753279	2	Hose	
21	1001112946	2	Hose	
22	1001109686	2	Hose	
23	1001110728	1	Hose	
24	1001109687	2	Hose	
25	2752999	3	Hose	
28		Ref	Hose Options:	
28	1001109689	1	Hose (SN 0300138358 through 0300179560)	
28	2752613	1	Hose (SN 0300179561 through 0300211843)	
29	2753137	1	Hose	
30	2753136	1	Hose	
31	1001109690	1	Hose	
32	2753812	2	Hose	
33	1001112947	1	Hose	
34		Ref	Hose Options:	
34	1001109691	1	Hose (SN 0300138358 through 0300177036)	
34	1001160232	1	Hose (SN 0300177037 through 0300211843)	
35	1320030	1	Clamp	
36	2221086	1	Fitting, Test Port	
37	1001112948	4	Hose	
38	2752473	1	Hose (SN 0300179561 through 0300211843)	
39	2221048	2	Fitting, Elbow (SN 0300179561 through 0300211843)	

SECTION 6 - HYDRAULIC

FIGURE 6-2. DRIVE HYDRAULIC DIAGRAM - E300AJP



SECTION 6 - HYDRAULIC

FIGURE 6-2. DRIVE HYDRAULIC DIAGRAM - E300AJP

ITEM	PART NUMBER	QTY	DESCRIPTION	REV
	1001109710	Ref	HYDRAULIC DIAGRAM - E300AJP	J
1	2220502	2	Fitting, 45 Elbow	
2	2220466	4	Fitting, 90 Elbow	
3	2220473	3	Fitting, 45 Elbow	
4	2220472	8	Fitting, 45 Elbow	
5	2220628	1	Fitting, 45 Elbow	
6	2220909	2	Fitting, Orifice .015	
7	2221039	2	Fitting, Orifice .022	
8	2221033	2	Fitting, Straight	
10	2220415	6	Fitting, Straight	
12	2220582	18	Fitting, Straight	
13		Ref	Fitting, Straight Options:	
13	2220593	1	Fitting, Straight (SN 0300138358 through 0300177036)	
13	2220408	1	Fitting, Straight (SN 0300177037 through 0300211843)	
14	2220372	10	Fitting, Straight	
15	2221034	1	Fitting, Tee	
16	2754055	1	Hose	
17	2755023	1	Hose	
18	1001109688	2	Hose	
19	2753364	1	Hose	
20	2753276	2	Hose	
21	2753279	2	Hose	
22	1001109683	1	Hose	
23	1001112946	2	Hose	
24	1001109686	2	Hose	
25	1001110728	1	Hose	
26	1001109687	2	Hose	
27	2752999	3	Hose	
29	1001109682	1	Hose	
31		Ref	Hose Options:	
31	1001109689	1	Hose (SN 0300138358 through 0300179560)	
31	2752613	1	Hose (SN 0300179561 through 0300211843)	
32	2753137	1	Hose	
33	2753136	1	Hose	
34	1001109690	1	Hose	
35	2753812	2	Hose	
36	1001112947	1	Hose	
37		Ref	Hose Options:	
37	1001109691	1	Hose (SN 0300138358 through 0300177036)	
37	1001160232	1	Hose (SN 0300177037 through 0300211843)	
38	1320030	1	Clamp	
39	2221086	1	Fitting, Test Port	
40	1001112948	4	Hose	
41	2752473	1	Hose (SN 0300179561 through 0300211843)	
42	2221048	2	Fitting, Elbow (SN 0300179561 through 0300211843)	

SECTION 6 - HYDRAULIC

FIGURE 6-3. HYDRAULIC DIAGRAM LIST

ITEM	PART NUMBER	QTY	DESCRIPTION	REV
		Ref	Note: Diagrams not shown are available from JLG Service/Parts Departments.	
		Ref	Hydraulic Diagrams:	
	1001109711	Ref	Hydraulic E300AJ	
	1001109710	Ref	Hydraulic E300AJP	
	1001112910	Ref	Standard Hydraulic Schematic	

SECTION 7 - ELECTRICAL

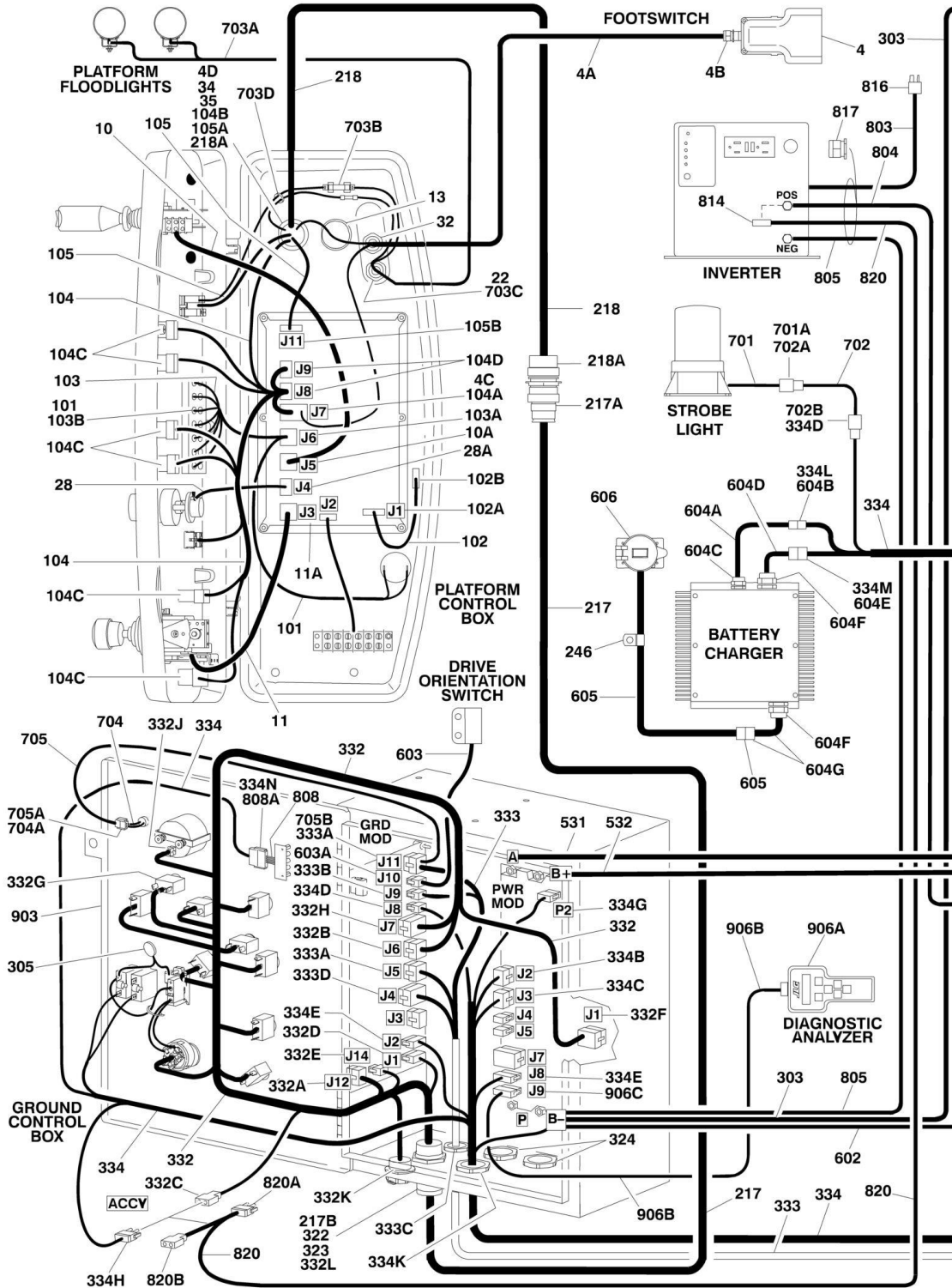
SECTION 7 - ELECTRICAL

FIGURE 7-1. ELECTRICAL DIAGRAM LIST

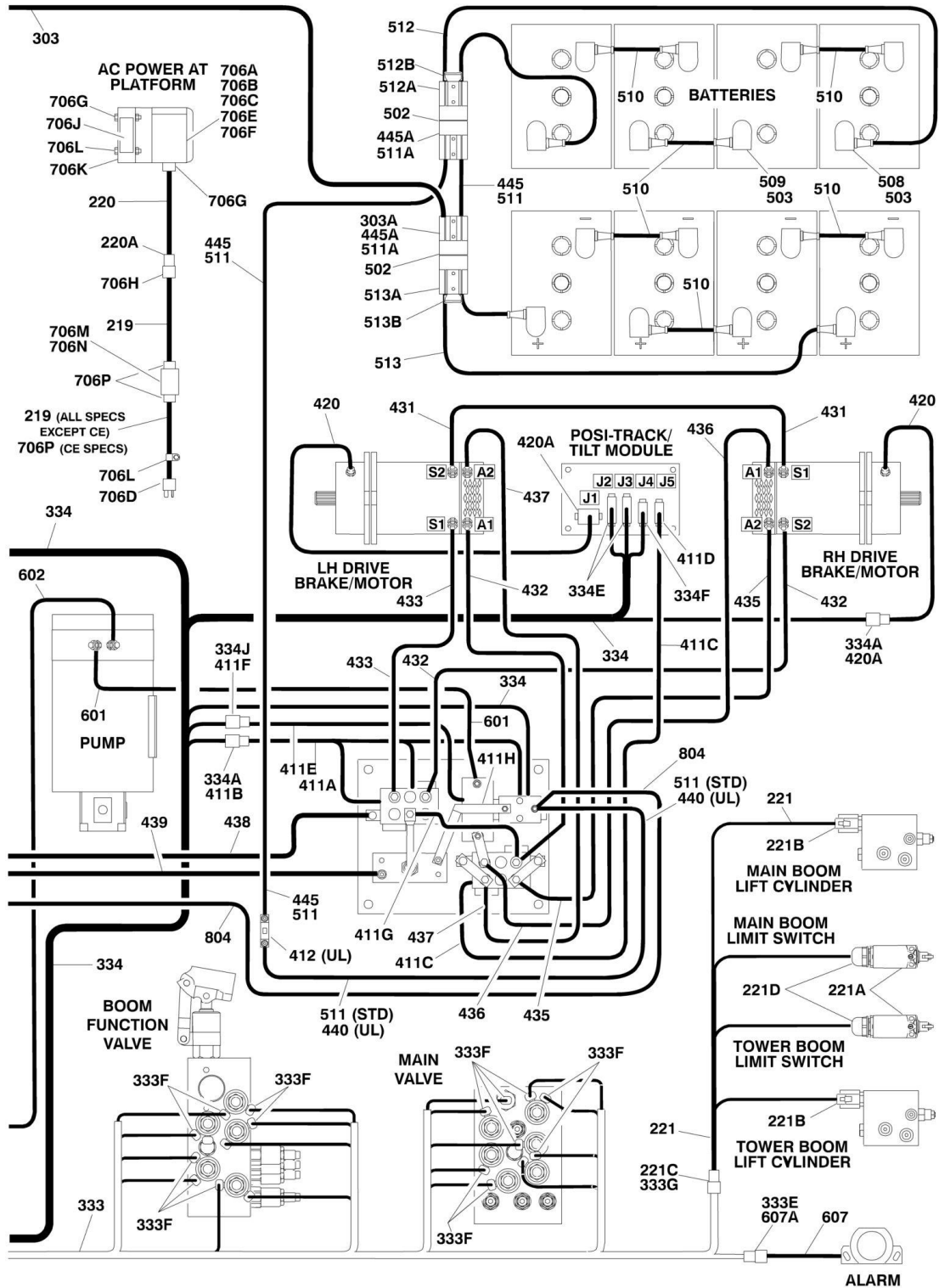
ITEM	PART NUMBER	QTY	DESCRIPTION	REV
		Ref	Note: Diagrams not shown are available from the JLG Service Department. See Service and Maintenance Manual for Schematics.	
	4933100	Ref	DRIVE ELECTRICAL DIAGRAM	
	1001109357	Ref	GROUND CONTROL BOX ELECTRICAL DIAGRAM	
	4933289	Ref	LSS PLATFORM MODULE ELECTRICAL DIAGRAM	
	1001109859	Ref	PLATFORM CONSOLE ELECTRICAL DIAGRAM	
	1001108541	Ref	STANDARD ELECTRICAL SCHEMATIC	
	1001109358	Ref	VALVE ELECTRICAL DIAGRAM	

SECTION 7 - ELECTRICAL

FIGURE 7-2. HARNESS COMPONENTS INSTALLATION



SECTION 7 - ELECTRICAL



SECTION 7 - ELECTRICAL

FIGURE 7-2. HARNESS COMPONENTS INSTALLATION

ITEM	PART NUMBER	QTY	DESCRIPTION	REV
		Ref	PLATFORM CONSOLE BOX COMPONENTS	
	1001109857	Ref	Platform Console Box Components E300AJ (Without SkyGuard) (SN 0300138358 through 0300169753)	G
	1001146101	Ref	Platform Console Box Components E300AJ (Without SkyGuard) (SN 0300169754 through 0300194239)	B
	1001175613	Ref	Platform Console Box Components E300AJ (Without SkyGuard) (SN 0300194240 through 0300211843)	B
	1001189730	Ref	Platform Console Box Components E300AJ (With SkyGuard)	B
	1001109858	Ref	Platform Console Box Components E300AJP (Without SkyGuard) (SN 0300138358 through 0300169753)	G
	1001146102	Ref	Platform Console Box Components E300AJP (Without SkyGuard) (SN 0300169754 through 0300194239)	B
	1001175614	Ref	Platform Console Box Components E300AJP (Without SkyGuard) (SN 0300194240 through 0300211843)	B
	1001189729	Ref	Platform Console Box Components E300AJP (With SkyGuard)	B
4		Ref	Footswitch Components	
4	4460042	3	Terminal, Ring	
4A	1060330	AR	Cable 16/3	
4B	4460071	1	Connector, Strain Relief	
4C	4460226	1	Socket, Female	
4D	4460464	1	Pin, Male	
10	7019191	1	Electrical Assembly - Drive/Steer (Includes Potentiometer)	
10A	4460265	1	Connector, Male - 9 Position	
10A	4460226	7	Socket, Female	
11	7019195	1	Electrical Assembly - Lift/Swing (Includes Potentiometer)	
11A	4460265	1	Connector, Male - 9 Position	
11A	4460226	8	Socket, Female	
13	1001110435	1	Plug	
22	3520030	1	Plug	
28	See Note	1	Harness, Flow Control (Note: Not Available - Purchase Complete Controller)	
28A	4460225	1	Plug, Male - 6 Position	
28A	4460226	4	Socket, Female	
32	4460428	1	Connector, Strain Relief	
34	4460496	1	Lockwasher, Terminal	
35	4460497	1	Nut, Terminal	
	1001109859	Ref	PLATFORM CONSOLE ELECTRICAL DIAGRAM	B
101	2920129	7	Bulb, Light	
102	4922160	1	Harness, Analyzer	3-C
102A	4460321	1	Connector, Male - 4 Position	
102A	4460226	4	Socket, Female	
102B	4460761	1	Connector, Female - 4 Position	
102B	4460227	4	Pin, Male	
103	1001109860	1	Harness, Indicator Lamp	B
103A	4460265	1	Connector, Male - 9 Position	
103A	4460227	8	Pin, Male	
103B	4120035	5	Base, Light	
103B	4460634	6	Terminal (16 Gauge)	
103B	4460635	4	Terminal (12 Gauge)	
104	1001109861	1	Harness, Switch Function	B
104A	4460434	2	Plug, Male - 15 Position	

SECTION 7 - ELECTRICAL

ITEM	PART NUMBER	QTY	DESCRIPTION	REV
104A	4460226	12	Socket, Female	
104B	4460464	2	Pin, Male	
104C	4460418	6	Connector, Female - 6 Position	
104C	4460419	18	Socket, Female	
104D	4460225	2	Plug, Male - 6 Position	
104D	4460227	8	Pin, Male	
105	1001109862	1	Harness, Console Box	B
105A	4460752	1	Connector - 14 Position	
105A	4460464	7	Pin, Male	
105B	4460321	1	Connector, Male - 4 Position	
105B	4460227	4	Pin, Male	
106	1001189074	1	Harness, SkyGuard (Not Shown)	
107	1001189075	1	Harness, SkyGuard Can (Not Shown)	
		Ref	BOOM CABLES INSTALLATION	
	1001109562	Ref	Boom Cables Installation E300AJ	F
	1001109563	Ref	Boom Cables Installation E300AJP	F
217	1001109754	1	Harness Assembly - Tower Boom (Console Function)	C
217A	1001109484	1	Connector - 14 Position	
217A	4460464	12	Pin, Male	
217A	4460466	2	Seal, Plug	
217A	1001101024	1	Boot	
217A	1001101025	1	Grommet	
217B	1001109485	1	Connector - 14 Position	
217B	4460465	12	Socket, Female	
217B	4460466	2	Seal, Plug	
217B	1001101024	1	Boot	
217B	1001101025	1	Grommet	
218	1001109755	1	Harness Assembly - Main Boom (Console Function)	C
218A	1001109485	2	Connector - 14 Position	
218A	4460465	24	Socket, Female	
218A	4460466	4	Seal, Plug	
218A	1001101024	2	Boot	
218A	1001101025	2	Grommet	
219	1001109756	1	Harness Assembly - Tower Boom (AC to Platform)	B
220	1001109757	1	Harness Assembly - Main Boom (AC to Platform)	B
220A	4460709	1	Plug, Male	
221	1001109814	AR	Harness, Limit Switch	B
221A	4360548	2	Switch, Limit	
221B	4460891	2	Plug, Male - 2 Position	
221B	4460465	4	Socket, Female	
221C	4460894	1	Plug, Male - 6 Position	
221C	4460465	6	Socket, Female	
221D	4460968	2	Connector, Strain Relief	
221D	0962449	2	Bushing	
246	1320263	1	Clamp (SN 0300197379 through 0300211843)	
		Ref	GROUND CONTROL BOX COMPONENTS	
303	1060757	1	Cable, Negative	
303A	4460025	1	Connector, Anderson	
305		Ref	Tube, Insulated Options:	
305	2820118	3 in/10cm	Tube, Insulated (SN 0300138358 through 0300168223)	
305	2820026	3 in/10cm	Tube, Insulated (SN 0300168224 through 0300211843)	

SECTION 7 - ELECTRICAL

ITEM	PART NUMBER	QTY	DESCRIPTION	REV
305	3990106	1	Limiter, In-Rush	
305	4460185	1	Terminal	
305	4460183	1	Terminal, Fork	
322		Ref	Lockwasher, Terminal Options:	
322	4460496	2	Lockwasher, Terminal (SN 0300138358 through 0300143540)	
322	1001125784	2	Lockwasher, Terminal (SN 0300143541 through 0300211843)	
323		Ref	Nut, Terminal Options:	
323	4460497	2	Nut, Terminal (SN 0300138358 through 0300143540)	
323	1001125785	2	Nut, Terminal (SN 0300143541 through 0300211843)	
324	4460526	2	Connector, Strain Relief	
332	1001109506	1	Harness Assembly - Ground Control Box	D
332	1001187375	1	Harness Assembly - Ground Control Box (E300AJ CE Spec Only) (SN 0300200791 through 0300211843)	B
332A	4460225	1	Plug, Male - 6 Position	
332A	4460226	6	Socket, Female	
332B	4460265	1	Connector, Male - 9 Position	
332B	4460227	AR	Pin, Male	
332C	4460320	1	Plug, Male - 2 Position	
332C	4460227	2	Pin, Male	
332D	4460321	1	Connector, Male - 4 Position	
332D	4460227	4	Pin, Male	
332E	4460326	1	Connector, Male - 3 Position	
332E	4460226	3	Socket, Female	
332F	4460343	1	Connector, Male - 12 Position	
332F	4460226	7	Socket, Female	
332G	4460418	9	Connector, Female - 6 Position	
332G	4460419	27	Socket, Female	
332H	4460434	1	Plug, Male - 15 Position	
332H	4460226	14	Socket, Female	
332J	4460868	1	Plug, Male - 6 Position	
332J	4460877	6	Socket, Female	
332K	1001112612	1	Connector, Diagnostic Female - 9 Position	
332K	1001106736	1	Cap, Dust	
332L	1001109484	1	Connector - 14 Position	
332L	4460464	11	Pin, Male Deutsch 16 Ga	
332L	4460466	3	Plug, Sealing	
332M	1001116812	2	Plug, Male - 3 Position (E300 CE Spec Only) (Not Shown - CAN_SPL_Plug into 332P)	
332M	4460944	6	Socket, Female (E300 CE Spec Only) (Not Shown - CAN_SPL)	
332N	4460884	1	Plug, Male - 4 Position (E300 CE Spec Only) (Not Shown - Tilt Sensor)	
332N	4460465	4	Socket, Female (E300 CE Spec Only) (Not Shown - Tilt Sensor)	
332P	4460945	1	Connector, Tee (E300 CE Spec Only) (Not Shown - CAN_SPL)	
332R	3990001	1	Diode 6Amp (E300 CE Spec Only) (Not Shown)	
332S	4460539	1	Plug, Male - 3 Position (E300 CE Spec Only) (Not Shown - CAN_SPL_Plugs into 332P)	
332S	4460944	3	Socket, Female (E300 CE Spec Only) (Not Shown - CAN_SPL)	
333	1001109594	1	Harness Assembly - Valve	D
333	1001187599	1	Harness Assembly - Valve (E300 CE Spec Only) (SN 0300200791 through 0300211843)	A
333A	4460265	2	Connector, Male - 9 Position	
333A	4460226	10	Socket, Female	

SECTION 7 - ELECTRICAL

ITEM	PART NUMBER	QTY	DESCRIPTION	REV
333B	4460320	1	Plug, Male - 2 Position	
333B	4460226	2	Socket, Female	
333C	4460426	1	Connector, Strain Relief	
333D	4460434	1	Plug, Male - 15 Position	
333D	4460227	14	Pin, Male	
333E	4460539	1	Plug, Male - 3 Position	
333E	4460465	3	Socket, Female	
333F	4460891	19	Plug, Male - 2 Position	
333F	4460465	38	Socket, Female	
333G	4460899	1	Connector, Female - 6 Position	
333G	4460464	6	Pin, Male	
334	1001109610	1	Harness Assembly - Cable	D
334A	4460224	1	Receptacle, Female - 6 Position	
334A	4460226	6	Socket, Female	
334B	4460225	1	Plug, Male - 6 Position	
334B	4460227	4	Pin, Male	
334C	4460225	1	Plug, Male - 6 Position	
334C	4460226	4	Socket, Female	
334D	4460320	2	Plug, Male - 2 Position	
334D	4460227	4	Pin, Male	
334E	4460321	4	Plug, Male - 4 Position	
334E	4460227	12	Pin, Male	
334F	4460326	1	Plug, Male - 3 Position	
334F	4460226	3	Socket, Female	
334G	4460326	1	Plug, Male - 3 Position	
334G	4460227	3	Pin, Male	
334H	4460424	1	Receptacle, Female - 2 Position	
334H	4460226	2	Socket, Female	
334J	4460445	1	Receptacle, Female - 3 Position	
334J	4460227	3	Pin, Male	
334K	4460526	2	Connector, Strain Relief	
334L	1001096188	1	Plug, Male - 4 Position	
334L	4460509	2	Socket, Female	
334L	4460466	2	Plug, Sealing	
334M	4460931	1	Receptacle, Female - 8 Position	
334M	4460464	6	Pin, Male	
334M	4460466	2	Plug, Sealing	
		Ref	DRIVE ELECTRICAL COMPONENTS	
	1001109430	Ref	Standard Specs	F
	1001109431	Ref	UL Specs	H
411		Ref	Contactors Plate Components	
411A		Ref	Contactors Harness Options:	
411A	7022003	1	Contactors Harness E300A/AJ/AJP (Standard Machines)	
411A	7022008	1	Contactors Harness E300A/AJ/AJP (U/L Machines)	
411B	4460225	1	Plug, Male - 6 Position	
411B	4460226	6	Socket, Female	
411C	7022004	1	Posi-Track Harness	
411D	4460326	1	Plug, Male - 3 Position	
411D	4460227	3	Pin, Male	
411E	7022005	1	Shunt Harness	
411F	4460326	1	Plug, Male - 3 Position	

SECTION 7 - ELECTRICAL

ITEM	PART NUMBER	QTY	DESCRIPTION	REV
411F	4460226	3	Socket, Female	
411G	7022012	1	Cable, Power	
411H		Ref	Shunt/Bus Bar with Harness Assembly	
411H	70001052	1	Standard Specs	
411H	See Note	1	UL Specs (Note: Not Available for Purchase)	
412	2400062	1	Fuse 300Amp (UL Specs Only)	
412	2400044	1	Block, Fuse Mounting (UL Specs Only)	
420	3990105	1	Speed Sensor Harness (p/n Includes Speed Sensor)	
420A	4460225	2	Plug, Male - 6 Position	
420A	4460226	4	Socket, Female	
431		Ref	Cable, Electrical Options:	
431	1060732	1	Standard Specs	
431	1060767	1	UL Specs	
432		Ref	Cable, Electrical Options:	
432	1060733	1	Standard Specs	
432	1060768	1	UL Specs	
433		Ref	Cable, Electrical Options:	
433	1060734	1	Standard Specs	
433	1060769	1	UL Specs	
434		Ref	Cable, Electrical Options:	
434	1060735	1	Standard Specs	
434	1060770	1	UL Specs	
435		Ref	Cable, Electrical Options:	
435	1060736	1	Standard Specs	
435	1060771	1	UL Specs	
436		Ref	Cable, Electrical Options:	
436	1060737	1	Standard Specs	
436	1060772	1	UL Specs	
437		Ref	Cable, Electrical Options:	
437	1060738	1	Standard Specs	
437	1060773	1	UL Specs	
438		Ref	Cable, Electrical Options:	
438	1060739	1	Standard Specs	
438	1060862	1	UL Specs	
439		Ref	Cable, Electrical Options:	
439	1060740	1	Standard Specs	
439	1060860	1	UL Specs	
440		Ref	Cable, Electrical Options:	
440	1001110065	1	Standard Specs	
440	1060847	1	UL Specs	
445	1060741	1	Cable Assembly (UL Specs)	
445A	4460025	2	Connector, Anderson	
		Ref	Cable Kit Options:	
	2901818	1	Standard Specs (Includes Items 431-439)	2
	4460025	1	UL Specs (Includes Items 431-438 & 440)	2
		Ref	BATTERY BOX COMPONENTS	
	1001108560	Ref	Machines with 305AH Batteries	B
	1001115997	Ref	Machines with 305AH AGM Batteries	A
	0259042	Ref	Machines with 375AH Batteries	J
502	0100048	AR	Grease, Dielectric	
503	0100051	AR	Grease, Battery Terminal	

SECTION 7 - ELECTRICAL

ITEM	PART NUMBER	QTY	DESCRIPTION	REV
508		Ref	Boot Options:	
508	See Note	NSS	Boot, Square Shape (1001108560 Installation) (Use p/n 1001109833)	
508	0840031	AR	Boot "d" Shaped (1001115997 & 0259042 Installations)	
509		Ref	Boot Options:	
509	See Note	AR	Boot, Square Shape (1001108560 Installation) (Use p/n 1001109833)	
509	0840032	AR	Boot "b" Shaped (1001115997 & 0259042 Installations)	
510		Ref	Cable, Battery Options:	
510	1001109833	6	1001108560 Installation	
510	1060092	6	1001115997 & 0259042 Installations	
511		Ref	Cable Assembly Options:	
511	1001110065	1	1001108560 Installation (Standard Spec)	
511	1060741	1	1001108560 Installation (UL Spec)	
511	1060741	1	1001115997 & 0259042 Installations	
511A	4460025	2	Connector, Anderson	
512		Ref	Cable Assembly Options (Left Battery Box):	
512	1001110030	1	1001108560 Installation	
512	1060743	1	1001115997 & 0259042 Installations	
512A	4460025	1	Connector, Anderson	
512B	1320172	1	Handle	
513		Ref	Cable Assembly Options (Right Battery Box):	
513	1001110066	1	1001108560 Installation	
513	1001116018	1	1001115997 & 0259042 Installations	
513	1060742	1	0259042 Installations	
513A	4460025	1	Connector, Anderson	
513B	1320172	1	Handle	
		Ref	STANDARD HARNESS COMPONENTS	
601	1001110088	1	Cable, Motor (Positive)	
601	See Note	2	Boot, Red (Note: Not Available for Purchase)	
602	1001110089	1	Cable, Motor (Negative)	
602	See Note	2	Boot, Black (Note: Not Available for Purchase)	
603	4360517		Drive Orientation Harness (Includes Switch)	
603A	4460320	1	Plug, Male - 2 Position	
603A	4460227	2	Pin, Male	
604		Ref	Battery Charger Components:	
604A	See Note	1	Charger Power/Interlock Harness (Note: Not Available for Purchase)	
604B	70020830	1	Receptacle, Female - 4 Position	
604B	4460508	2	Pin, Male	
604C	See Note	1	Connector, Strain Relief (Note: Not Available for Purchase)	
604D	See Note	1	Charger Signal Harness (Note: Not Available for Purchase)	
604E	4460930	1	Plug, Male - 8 Position	
604E	4460465	6	Socket, Female	
604F	See Note	2	Connector, Strain Relief (Note: Not Available for Purchase)	
604G	See Note	1	AC Cord (Battery Charger Side) (Note: Not Available for Purchase)	
605	1060689	1	AC to Charger Cord (Receptacle Side)	
606		Ref	AC Receptacle/Plug to Charger Components:	
606	1001103106	Ref	ANSI, ANSI Export and UL Spec	D
606	1001109116	Ref	ANSI Export Spec with Locally Supplied Receptacle	D
606	1001109117	Ref	Australian Spec	D

SECTION 7 - ELECTRICAL

ITEM	PART NUMBER	QTY	DESCRIPTION	REV
606	1001109116	Ref	CE Spec - Common Components	D
606	0275666	Ref	CE Spec - 110V (IEC Yellow Plug)	A
606	0275667	Ref	CE Spec - 220V (IEC Blue Plug)	A
606	0275663	Ref	CE Spec - 220V (CEE7 Post Ground Plug)	A
606	0275664	Ref	CE Spec - 220V (CEE7 Side Ground Plug)	A
606	0275665	Ref	CE Spec - 220V (AFSINT 107 Keyed Ground Plug)	A
606		Ref	ANSI and ANSI Export Spec Components:	
606	4460802	1	Cover, Weatherproof	
606	4460803	1	Receptacle and Boot	
606		Ref	ANSI Export Spec with Locally Supplied Components:	
606	4460428	1	Connector, Strain Relief	
606	See Note	1	Receptacle and Boot (Note: Not Available - Purchase Locally)	
606		Ref	Australian Spec Components:	
606	4460802	1	Cover, Weatherproof	
606	4460805	1	Receptacle and Boot	
606		Ref	CE Spec Component Options:	
606	4460428	1	Connector, Strain Relief	
606	4461196	Ref	Plug - 110V (IEC Yellow Plug)	
606	4461199	Ref	Plug - 220V (IEC Blue Plug)	
606	4461202	Ref	Plug - 220V (CEE7 Post Ground Plug)	
606	4461205	Ref	Plug - 220V (CEE7 Side Ground Plug)	
606	4461249	Ref	Plug - 220V (AFSINT 107 Keyed Ground Plug)	
607	See Note	1	Alarm Harness (Note: Not Available - Purchase Complete Alarm)	
607A	4460536	1	Receptacle, Female - 3 Position	
607A	4460464	3	Pin, Male	
		Ref	OPTIONAL HARNESS COMPONENTS	
701	See Note	1	Strobe Light (Amber) Harness (Note: Not Available - Purchase Complete Light)	
701	See Note	1	Strobe Light (Blue) Harness (Note: Not Available - Purchase Complete Light)	
701A	4460424	1	Connector, Female - 2 Position (Amber Light)	
701A	4460226	2	Socket, Female (Amber Light)	
701A	4460867	1	Receptacle, Female - 2 Position (Blue Light)	
701A	4460464	2	Pin, Male (Blue Light)	
702	1001110444	1	Strobe Light (Amber) Extension Harness (Note: Now Part of Main Harness p/n 1001109610)	A
702	1001149570	1	Strobe Light (Blue) Harness (Not Shown)	
702A	4460320	1	Plug, Male - 2 Position	
702A	4460227	2	Pin, Male	
702B	4460424	1	Connector, Female - 2 Position	
702B	4460226	2	Socket, Female	
703		Ref	Platform Worklight Electrical Components	
703A	See Note	2	Platform Worklight Harness (Note: Not Available - Purchase Complete Light)	
703B	2400067	1	Fuseholder	
703B	2400067	1	Fuse 10Amp	
703B	4460260	1	Terminal	
703B	4460297	1	Terminal	
703C	4460428	1	Connector, Strain Relief	
703D	1001110393	1	Worklight Harness (Inside Ground Control Box)	
704	See Note	1	Indicator Lamp Harness (Note: Not Available - Purchase Complete Lamp)	

SECTION 7 - ELECTRICAL

ITEM	PART NUMBER	QTY	DESCRIPTION	REV
704A	4460424	1	Connector, Female - 2 Position	
704A	4460226	2	Socket, Female	
705	1001110383	1	Load Sensing Harness	
705A	4460320	1	Plug, Male - 2 Position	
705A	4460227	2	Pin, Male	
705B	4460226	2	Socket, Female	
706		Ref	AC Power to Platform Components:	
706	1001110541	Ref	ANSI, ANSI Export and UL Spec - 110V GFI	B
706	1001110542	Ref	ANSI Export, Australian and CE Specs with Locally Supplied Receptacle	A
706	1001110543	Ref	ANSI and CSA Specs - 220V	B
706	0275714	Ref	CE Spec - 110V (IEC Yellow Plug)	F
706	0275715	Ref	CE Spec - 220V (IEC Blue Plug)	F
706	0275711	Ref	CE Spec - 220V (CEE7 Post Ground Plug) (2x4 Box)	F
706	0275716	Ref	CE Spec - 220V (CEE7 Post Ground Plug)(70mm x 70mm Box)	F
706	0275712	Ref	CE and ANSI export Specs - 220V (CEE7 Side Ground Plug) (2x4 Box) (SN 0300138358 through 0300179611)	E
706	1001153639	Ref	CE and ANSI export Specs - 220V (CEE7 Side Ground Plug) (2x4 Box) (SN 0300179612 through 0300211843)	C
706	0275717	Ref	CE Spec - 220V (CEE7 Side Ground Plug) (70mm x 70mm Box) (SN 0300138358 through 0300179611)	E
706	1001153640	Ref	CE Spec - 220V (CEE7 Side Ground Plug) (70mm x 70mm Box) (SN 0300179612 through 0300211843)	C
706	0275713	Ref	CE Spec - 220V (AFSINT 107 Keyed Ground Plug)	F
706A		Ref	Box, Switch Options:	
706A	0860038	1	1001110541 & 1001110543 Installations	
706A	See Note	1	1001110542 Installation (Note: Not Available - Purchase Locally)	
706A	0861781	1	0275714 & 0275715 Installations	
706A	0861731	1	0275711, 0275712 & 0275713 Installations	
706A	See Note	1	0275716 & 0275717 Installations (Note: was p/n 0861782 which is no longer available. Use p/n 1001100344 CEE 7 Side Ground Service Kit or p/n 1001100343 CEE 7 Post Ground Service Kit. Kits includes Box p/n 1001141967 & Items 706B-706D)	
706A	1001141967	1	1001100343, 1001100344, 1001141970 & 1001141971 Kits	
706B		Ref	Receptacle Options:	
706B	4460346	1	1001110541 Installation	
706B	See Note	1	1001110542 Installation (Note: Not Available - Purchase Locally)	
706B	4460125	1	1001110543 Installation	
706B	4461198	1	0275714 Installation	
706B	4461201	1	0275715 Installation	
706B	4461244	1	0275711 Installation	
706B	4461245	1	0275712 Installation	
706B	4461207	NLA	0275717 Installation (Use p/n 1001141970)	
706B	4461246	1	0275713 Installation	
706B	1001141968	1	1001100343 & 1001141971 Kit	
706B	1001141969	1	1001100344 & 1001141970 Kit	
706C		Ref	Cover Options:	
706C	1001110873	1	1001110541 Installation	
706C	See Note	1	1001110542 Installation (Note: Not Available - Purchase Locally)	
706C	4460092	1	1001110543 Installation	

SECTION 7 - ELECTRICAL

ITEM	PART NUMBER	QTY	DESCRIPTION	REV
706C	4461198	1	0275714 Installation	
706C	4461201	1	0275715 Installation	
706C	4461244	1	0275711 Installation	
706C	4461204	NLA	0275716 Installation (Use p/n 1001141971)	
706C	4461245	1	0275712 Installation	
706C	4461207	NLA	0275717 Installation (Use p/n 1001141970)	
706C	4461246	1	0275713 Installation	
706C	1001141968	1	1001100343 & 1001141971 Kit	
706C	1001141969	1	1001100344 & 1001141970 Kit	
706D		Ref	Plug Options:	
706D	4460205	1	1001110541 Installation	
706D	See Note	1	1001110542 Installation (Note: Not Available - Purchase Locally)	
706D	4460233	1	1001110543 Installation	
706D	4461196	1	0275714 Installation	
706D	4461199	1	0275715 Installation	
706D	4461202	1	0275711, 0275716 Installation & 1001100343 & 1001141971 Kits	
706D	4461205	1	0275712, 0275717 Installation & 1001100344 & 1001141970 Kits	
706D	4461249	1	0275713 Installation	
706E		Ref	Gasket Options:	
706E	3960422	1	1001110541 & 1001110543 Installations	
706E	See Note	1	1001110542 Installation (Note: Not Available - Purchase Locally)	
706E	Not Required	1	0275711, 0275712, 0275713, 0275714, 0275715, 0275716, 0275717 Installations	
706F		Ref	Hardware Options:	
706F	3910610	AR	Screw #6-32NC x 5/8in	
706F	4760600	AR	Lockwasher #6	
706F	0700408	AR	Bolt M4 x 16mm	
706F	4811400	AR	Flatwasher 4mm	
706F	3290405	AR	Locknut M4	
706G		Ref	Connector, Strain Relief Options:	
706G	4460071	1	1001110541 & 1001110543 Installations	
706G	See Note	1	1001110542 Installation (Note: Not Available - Purchase Locally)	
706G	4460968	1	0275714, 0275715, 0275716 & 0275717 Installations	
706G	4460662	1	0275711, 0275712 & 0275713 Installations	
706H	4460710	1	Receptacle, Female Twist Lock	
706J		Ref	Decal - Voltage Options:	
706J	3251243	1	1001110541 Installation	
706J	See Note	1	1001110542 Installation (Note: Not Available for Purchase)	
706J	3252507	1	0275711, 0275712, 0275713, 0275715, 0275716, 0275717 & 1001110543 Installations	
706J	1705325	1	0275714 Installation	
706K		Ref	Bracket, Receptacle Box Options:	
706K	Not Required	1	1001110541, 1001110542, 1001110543 Installations	
706K	0903484	1	0275711, 0275712, 0275713, 0275714, 0275715, 0275716, 0275717 Installations (SN 0300138358 through 0300200790)	
706K	1001193018	1	0275711, 0275712, 0275713, 0275714, 0275715, 0275716, 0275717 Installations (SN 0300200791 through 0300211843)	
706L		Ref	Hardware Options (0275711, 0275712, 0275713, 0275714, 0275715, 0275716, 0275717 Installations Only):	

SECTION 7 - ELECTRICAL

ITEM	PART NUMBER	QTY	DESCRIPTION	REV
706L	0641407	AR	Bolt 1/4in-20NC x 7/8in	
706L	0641416	AR	Bolt 1/4in-20NC x 2in	
706L	4711400	AR	Flatwasher 1/4in Thin	
706L	4751400	AR	Flatwasher 1/4in Regular	
706L	3311405	AR	Locknut 1/4in-20NC	
706L	1320041	AR	Clamp (SN 0300138358 through 0300197378)	
706L	1320263	AR	Clamp (SN 0300197379 through 0300211843)	
706M		Ref	Bracket, Breaker Box Options:	
706M	Not Required	1	1001110541, 1001110542, 1001110543 Installations	
706M	0903612	1	0275711, 0275712, 0275713, 0275714, 0275715, 0275716, 0275717 Installations (SN 0300138358 through 0300197379)	
706M	1001153636	1	1001153639, 1001153640 Installations	
706N		Ref	Circuit Breaker Kit Options:	
706N	Not Required	1	Circuit Breaker Kit - 1001110541, 1001110542, 1001110543 Installations	
706N	2902549	1	Circuit Breaker Kit - 0275711, 0275712, 0275713, 0275714, 0275715, 0275716, 0275717 Installations	E
706N	1001152485	1	Circuit Breaker Kit - 1001153639, 1001153640 Installations	D
706N	0861880	1	Box, Breaker (With 2 Breakers)	
706N	1001152483	1	Box, Breaker (With 3 Breakers)	
706N	1001109475	NLA	Breaker, Circuit - 16Amp (Box with 2 Breakers) (SN 0300138358 through 0300179611)	
706N	1001109482	NLA	Breaker, Circuit - 30mAmp (Box with 2 Breakers) (SN 0300138358 through 0300179611)	
706N	1001181045	1	Breaker, Circuit - 16Amp/30mAmp Combination (Box with 2 Breakers) (SN 0300179612 through 0300211843)	
706N	1001152479	NLA	Breaker, Circuit - 16Amp Double (Box with 3 Breakers) (SN 0300138358 through 0300179611)	
706N	1001189172	1	Breaker, Circuit - 16Amp Double (Box with 3 Breakers) (SN 0300179612 through 0300211843)	
706N	1001109482	NLA	Breaker, Circuit - 30mAmp (Box with 3 Breakers) (SN 0300138358 through 0300179611)	
706N	1001189171	1	Breaker, Circuit - 16Amp/30mAmp Combination (Box with 2 Breakers) (SN 0300179612 through 0300211843)	
706N	4460956	1	Barrier, Terminal Block End (Box with 2 Breakers)	
706N	4460957	1	Block, Terminal (Box with 2 Breakers)	
706P	10011097150	2	Connector, Strain Relief	
706R	1060908	6 ft/1.82m	Cable, Electrical - 12/3	
		Ref	Switch Box, Receptacle and Plug Kit Options:	
	See Note	1	1001110541, 1001110542 & 1001110543 Installations (Note: Purchase Individual Components)	
	0275216	1	0275714 Installation (Includes Items 706A, 706B, 706C & 706D)	
	0275217	1	0275715 Installation (Includes Items 706A, 706B, 706C & 706D)	
	0275452	1	0275711 Installation (Includes Items 706A, 706B, 706C & 706D)	
	0275218	NLA	0275716 Installation (Includes Items 706A, 706B, 706C & 706D) (Use p/n 1001100343)	
	0275453	1	0275712 Installation (Includes Items 706A, 706B, 706C & 706D)	
	0275219	NLA	0275717 Installation (Includes Items 706A, 706B, 706C & 706D) (Use p/n 1001100344)	
	0275454	1	0275713 Installation (Includes Items 706A, 706B, 706C & 706D)	

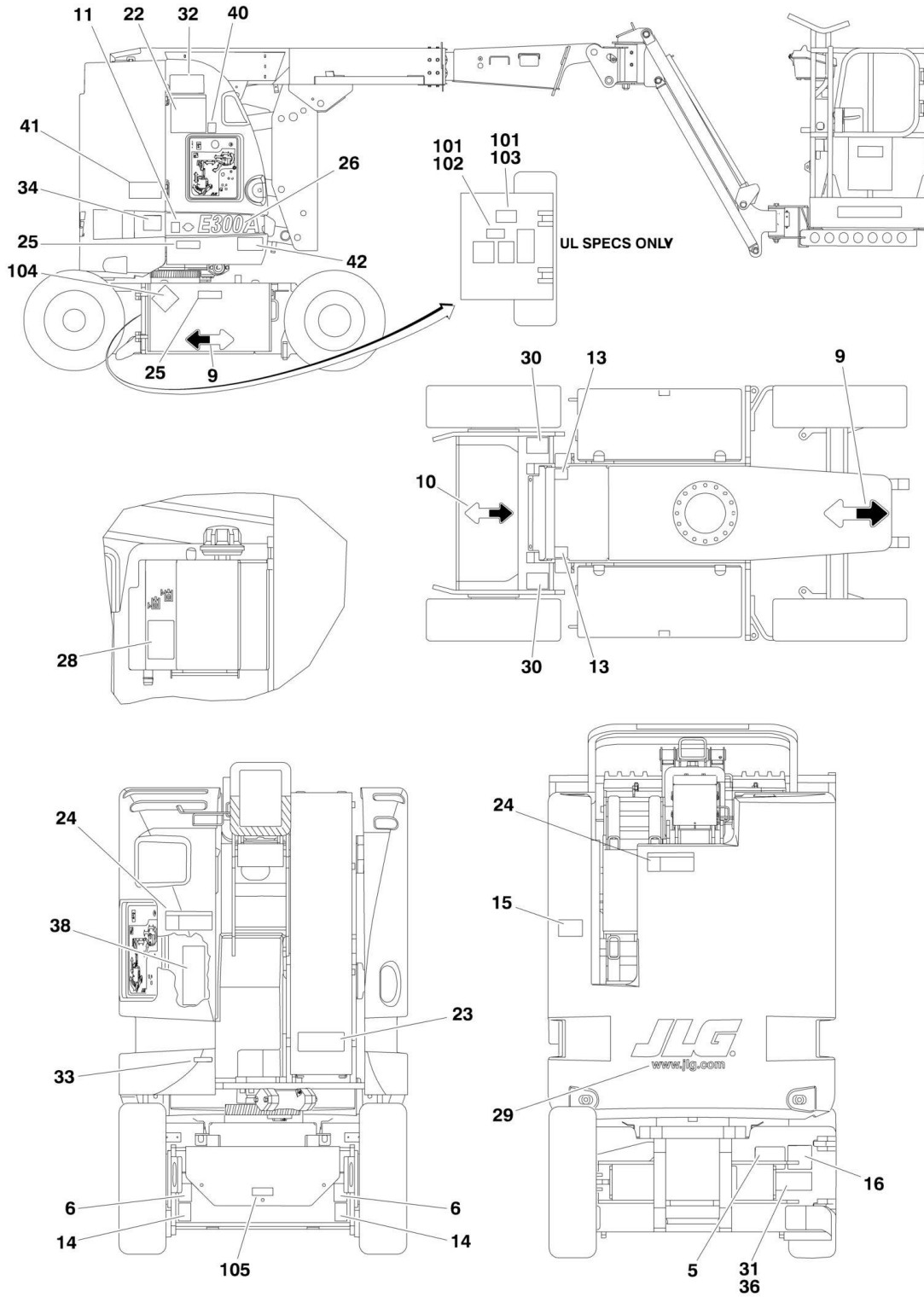
SECTION 7 - ELECTRICAL

ITEM	PART NUMBER	QTY	DESCRIPTION	REV
	1001110271	Ref	INVERTER ELECTRICAL COMPONENTS (OPTIONAL)	B
803	1060494	12 ft/3.7m	Cable, Electrical - 12/3	
804	1060801	1	Cable, Inverter (+)	
805	1060802	1	Cable, Inverter (-)	
814	4460035	1	Terminal, Butt	
815	4460135	1	Receptacle, Female Twist-Lock	
816	4460138	1	Plug, Male	
817	4460426	1	Connector, Strain Relief	
820	1001110449	1	Harness, Inverter	
820A	4460320	1	Plug, Male - 2 Position	
820A	4460227	2	Pin, Male	
820B	4460424	1	Connector, Female - 2 Position	
820B	4460226	2	Socket, Female	
		Ref	TOOLS	
901	7002821	1	Crimper (For Wire to Pin/Socket Connections) (Not Shown)	
902	7002823	1	Extractor (For Removal of Pin/Socket from Connectors) (Not Shown)	
903	4460467	1	Extractor, Pin (Blue 16-18 Gauge) (For Removal of Pin/Socket from Connectors) (Not Shown)	
904	4460510	1	Extractor, Pin (Yellow 12-14 Gauge) (For Removal of Pin/Socket from Connectors) (Not Shown)	
905	7002828	1	Stripper, Wire (Not Shown)	
906	2901443	1	Analyzer Kit (Not Shown)	
906A	1600244	1	Analyzer	
906B	1060633	1	Cable, Analyzer	1-A
906C	4460321	2	Plug, Male	
906C	4460226	8	Socket, Female	
907	1001137005	1	Software Cable Kit (Not Shown)	

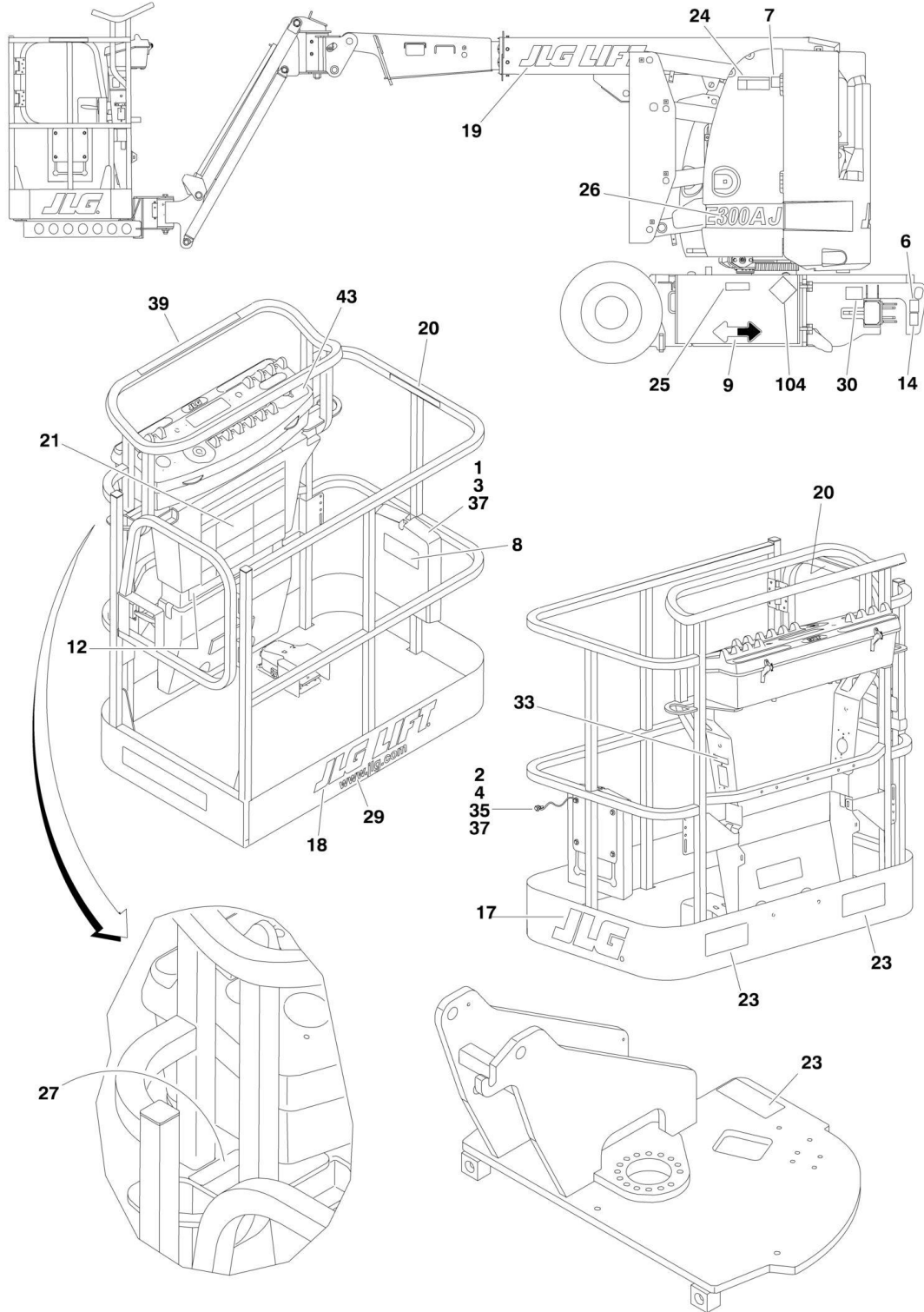
SECTION 8 - DECALS

SECTION 8 - DECALS

FIGURE 8-1. DECAL INSTALLATION (ANSI SPEC)



SECTION 8 - DECALS



SECTION 8 - DECALS

FIGURE 8-1. DECAL INSTALLATION (ANSI SPEC)

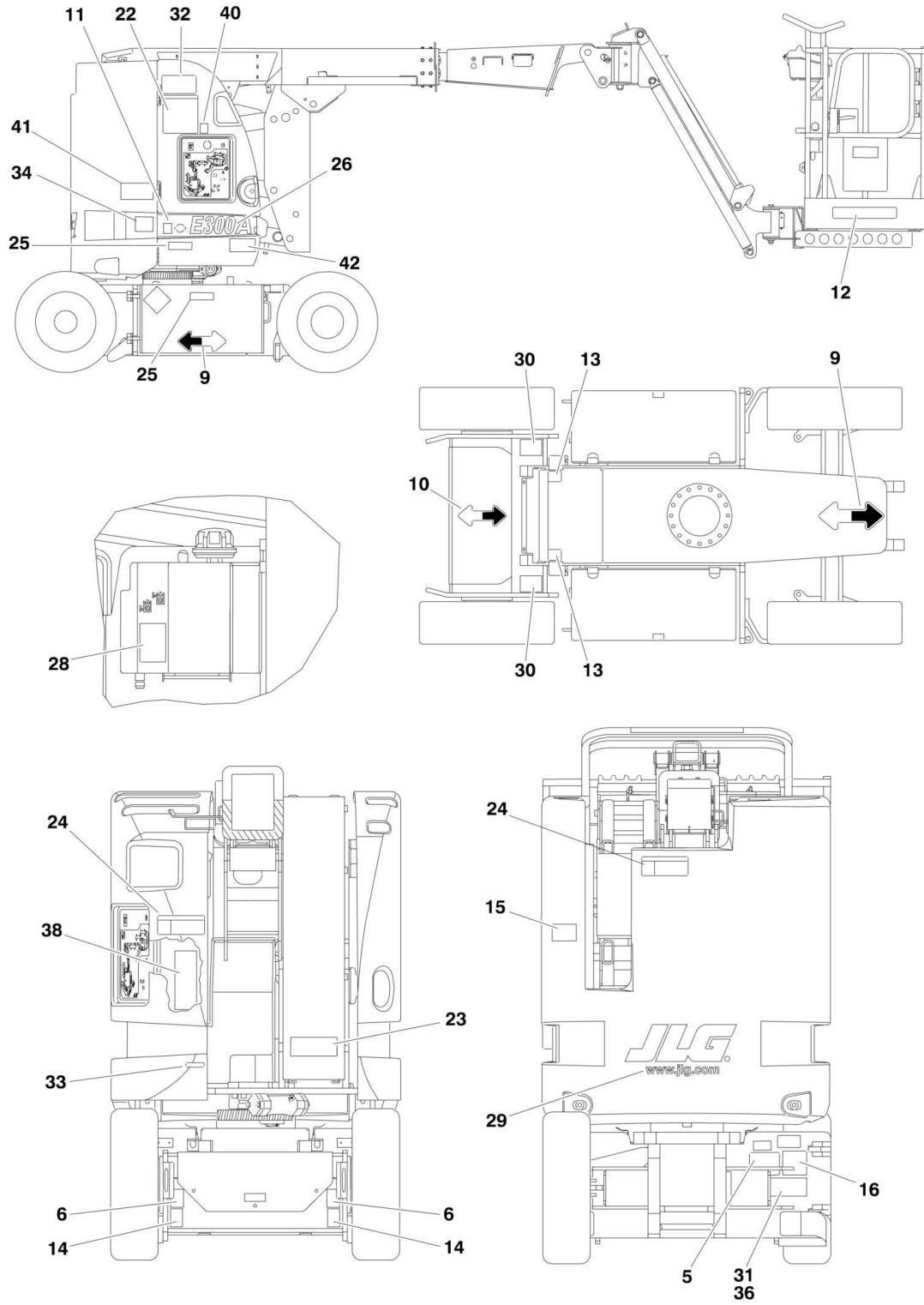
ITEM	PART NUMBER	QTY	DESCRIPTION	REV
		Ref	STANDARD DECAL INSTALLATIONS	
		Ref	ANSI Spec	
	1001109493	Ref	ANSI Spec (SN 0300138358 through 0300194886)	F
	1001176388	Ref	ANSI Spec (SN 0300194887 through 0300211843)	A
	1001110613	Ref	Standard Decal Installations E300AJ JLG Logo Decals	B
	1001115980	Ref	Standard Decal Installations E300AJP JLG Logo Decals	B
1	0641406	4	Bolt 1/4in-20NC x 3/4in	
2	0641408	1	Bolt 1/4in-20NC x 1in	
3	0860520	1	Box, Manual Storage	
4	1060279	1	Cable, Lanyard	
5		Ref	Decal - Patent Options:	
5	1700584	1	Decal - Patent (SN 0300138358 through 0300161219)	
5	1001131269	1	Decal - Patent (SN 0300161220 through 0300211843)	
6	1701500	4	Decal - Lift	
7	1701504	1	Decal - Hydraulic Oil	
8	1701509	1	Decal - Manual	
9	1701529	3	Decal - Arrow 12in	
10	1701642	1	Decal - Arrow 9in	
11	1701644	1	Decal - Battery Charger	
12		Ref	Decal - 500Lbs Capacity Options:	
12	1701645	1	Decal - 500Lbs Capacity (SN 0300138358 through 0300142881)	
12	1001121801	1	Decal-500Lbs Capacity (SN 0300142882 through 0300211843)	
13	1702155	2	Decal - Battery Disconnect	
14	1702300	4	Decal - Tie Down	
15	1702391	1	Decal - Hand Crushing	
16	See Note	NSS	Decal - Bar Code (Note: Not Available for Purchase)	
17		Ref	Decal Options:	
17	1702773	1	Decal JLG (E300AJ)	
17	1704200	1	Decal Jib Plus (E300AJP)	
18	1702774	1	Decal - JLG Lift 3in	
19	1702860	1	Decal - JLG Lift 5in	
20	1702868	2	Decal - No Hands	
21	1703797	1	Decal - Danger/Warning	
22	1703798	1	Decal - Warning/Danger	
23	1703804	4	Decal - Warning Crushing	
24	1703805	3	Decal - Electrocutation	
25	1703813	3	Decal - Warning Battery Ventilation	
26		Ref	Decal - Model Designation	
26	1704199	2	Decal E300AJ	
26	1704267	2	Decal E300AJP	
27	1704277	2	Decal - Lanyard Attach Graphic	
28	1704412	1	Decal - Hydraulic Oil	
29	1704885	AR	Decal - Website Options:	
29	1704885	2	Decal (SN 0300138358 through 0300173651)	
29	1704885	1	Decal (SN 0300173652 through 0300211843)	
30	1706126	4	Decal - Tire Load	
31	See Note	NSS	Nameplate - Serial Number (Note: Not Available for Purchase)	
32		Ref	Decal - 500Lbs Capacity Options:	

SECTION 8 - DECALS

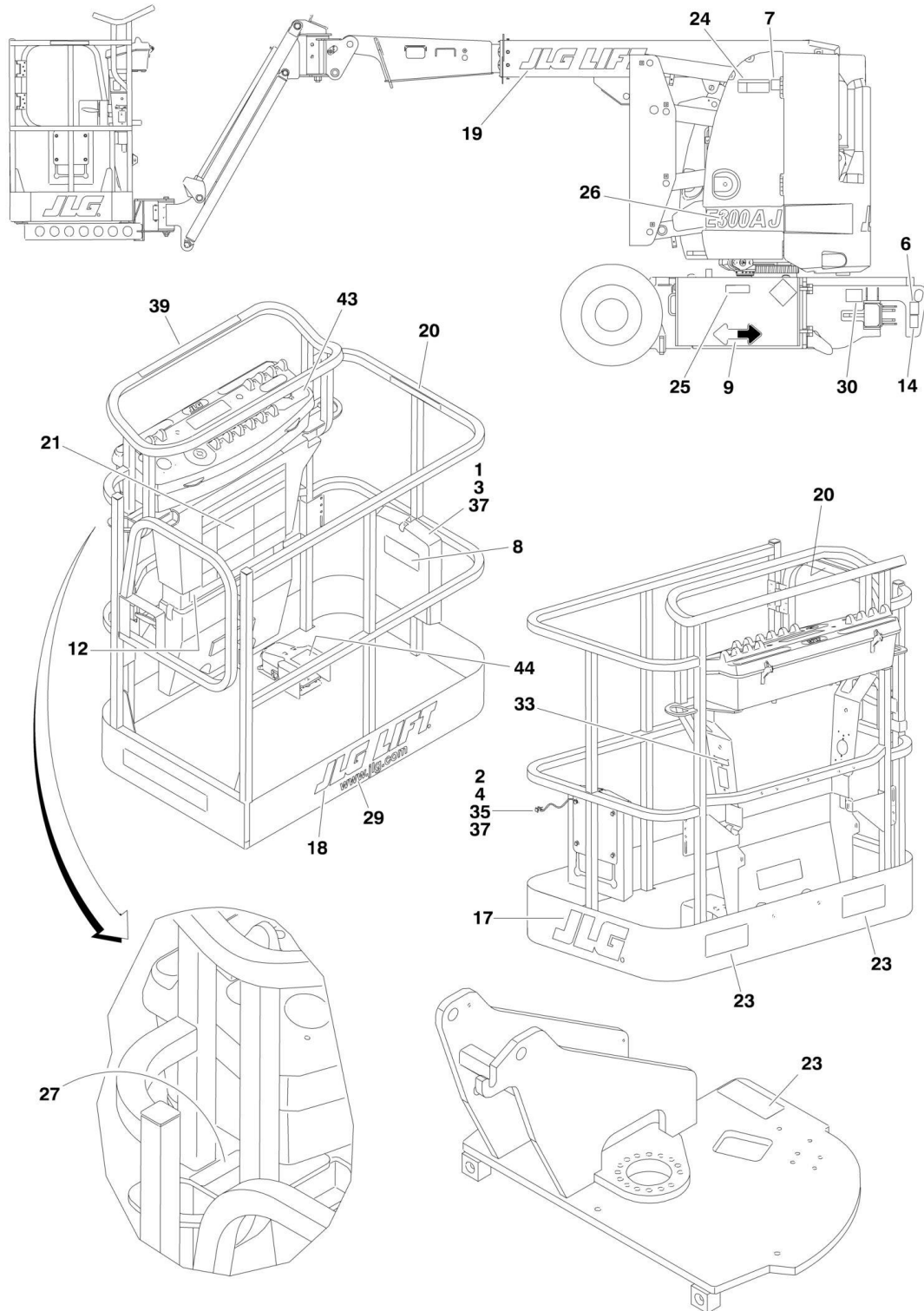
ITEM	PART NUMBER	QTY	DESCRIPTION	REV
32	1707014	1	Decal- 500Lbs Capacity (SN 0300138358 through 0300142881)	
32	1001121801	1	Decal-500Lbs Capacity (SN 0300142882 through 0300211843)	
33	3251243	2	Decal - 120V-60HZ	
34	3251813	1	Decal - USA	
35	3311405	1	Locknut 1/4in-20NC	
36	3820001	2	Rivet	
37	4751400	6	Flatwasher 1/4in Regular	
38	1001110196	1	Decal - Manual Descent	
39	1001110276	1	Decal - Legend Platform	
40	1001110389	1	Decal - Legend Ground	
41	1001112461	1	Decal - Lift Diagram	
42	1001112777	1	Decal - Manual Descent	
43	1705351	1	Decal - Drive/Steer Instructions	
44	3252347	1	Decal - Foot Switch	
	0270432	Ref	UL DECALS INSTALLATION (UL SPEC ONLY)	2-A
101	3820001	8	Rivet	
102	3252331	1	Nameplate - Battery Information	
103	See Note	1	Nameplate - UL Certification (Note: Not Available for Purchase)	
104	1702251	2	Nameplate - "EE"	
105	1704720	1	Decal - Replacement Fuse	

SECTION 8 - DECALS

FIGURE 8-2. DECAL INSTALLATION (COUNTRY SPECS)



SECTION 8 - DECALS



SECTION 8 - DECALS

FIGURE 8-2. DECAL INSTALLATION (COUNTRY SPECS)

ITEM	PART NUMBER	QTY	DESCRIPTION	REV
		Ref	STANDARD DECAL INSTALLATIONS	
		Ref	ANSI Spec (English Languages)	
	1001109493	Ref	ANSI Spec (English Languages) (SN 0300138358 through 0300194886)	F
	1001176388	Ref	ANSI Spec (English Languages) (SN 0300194887 through 0300211843)	A
		Ref	Brazil Spec (Portuguese/Spanish Languages)	
	1001110831	Ref	Brazil Spec (Portuguese/Spanish Languages) (SN 0300138358 through 0300194886)	D
	1001176488	Ref	Brazil Spec (Portuguese/Spanish Languages) (SN 0300194887 through 0300211843)	A
		Ref	Chinese Spec (Chinese/English Languages)	
	1001110830	Ref	Chinese Spec (Chinese/English Languages) (SN 0300138358 through 0300194886)	D
	1001176595	Ref	Chinese Spec (Chinese/English Languages) (SN 0300194887 through 0300211843)	A
		Ref	CSA Spec (French/English Languages)	
	1001110829	Ref	CSA Spec (French/English Languages) (SN 0300138358 through 0300194886)	E
	1001176561	Ref	CSA Spec (French/English Languages) (SN 0300194887 through 0300211843)	A
		Ref	Japanese Spec (Japanese/English Languages)	
	1001110825	Ref	Japanese Spec (Japanese/English Languages) (SN 0300138358 through 0300194886)	D
	1001176390	Ref	Japanese Spec (Japanese/English Languages) (SN 0300194887 through 0300211843)	A
		Ref	Korean Spec (Korean/English Languages)	
	1001110827	Ref	Korean Spec (Korean/English Languages) (SN 0300138358 through 0300194886)	D
	1001176482	Ref	Korean Spec (Korean/English Languages) (SN 0300194887 through 0300211843)	A
		Ref	Latin America Spec (Spanish/English Languages)	
	1001110828	Ref	Latin America Spec (Spanish/English Languages) (SN 0300138358 through 0300194886)	D
	1001176483	Ref	Latin America Spec (Spanish/English Languages) (SN 0300194887 through 0300211843)	A
	1001110613	Ref	Standard Decal Installations E300AJ JLG Logo Decals	B
	1001115980	Ref	Standard Decal Installations E300AJP JLG Logo Decals	B
1	0641406	4	Bolt 1/4in-20NC x 3/4in	
2	0641408	1	Bolt 1/4in-20NC x 1in	
3	0860520	1	Box, Manual Storage	
4	1060279	1	Cable, Lanyard	
5		Ref	Decal - Patent Options:	
5	1700584	1	Decal - Patent (SN 0300138358 through 0300161219)	
5	Not Required	1	Decal - Patent (SN 0300161220 through 0300211843)	
6	1701500	4	Decal - Lift	
7	1701504	1	Decal - Hydraulic Oil	
8	1701509	1	Decal - Manual	
9	1701529	3	Decal - Arrow 12in	
10	1701642	1	Decal - Arrow 9in	
11	1701644	1	Decal - Battery Charger	
12		Ref	Decal - Capacity	
12		Ref	Decal - Capacity (SN 0300138358 through 0300142881)	

SECTION 8 - DECALS

ITEM	PART NUMBER	QTY	DESCRIPTION	REV
12	1707134	2	Brazil Spec (Portuguese/Spanish Languages)	
12	1707060	2	Chinese Spec (Chinese/English Languages)	
12	1707055	2	CSA Spec (French/English Languages)	
12	1707059	2	Japanese Spec (Japanese/English Languages)	
12	1707058	2	Korean Spec (Korean/English Languages)	
12	1707056	2	Latin America Spec (Spanish/English Languages)	
12		Ref	Decal - Capacity (SN 0300142882 through 0300211843)	
12	1001121801	2	ANSI Spec (English Languages)	
12	1001121920	2	Brazil Spec (Portuguese/Spanish Languages)	
12	1001121810	2	Chinese Spec (Chinese/English Languages)	
12	1001121803	2	CSA Spec (French/English Languages)	
12	1001121808	2	Japanese Spec (Japanese/English Languages)	
12	1001121918	2	Korean Spec (Korean/English Languages)	
12	1001121805	2	Latin America Spec (Spanish/English Languages)	
13	1702155	2	Decal - Battery Disconnect	
14	1702300	4	Decal - Tie Down	
15		Ref	Decal - Hand Crushing Options:	
15	1702391	1	ANSI Spec (English Languages)	
15	1001113170	1	Brazil Spec (Portuguese/Spanish Languages)	
15	1001113168	1	Chinese Spec (Chinese/English Languages)	
15	1001113169	1	CSA Spec (French/English Languages)	
15	1001113166	1	Japanese Spec (Japanese/English Languages)	
15	1001113509	1	Korean Spec (Korean/English Languages)	
15	1001113171	1	Latin America Spec (Spanish/English Languages)	
16	See Note	NSS	Decal - Bar Code (Note: Not Available for Purchase)	
17		Ref	Decal Options:	
17	1702773	1	Decal JLG (E300AJ)	
17	1704200	1	Decal Jib Plus (E300AJP)	
18	1702774	1	Decal - JLG Lift 3in	
19	1702860	1	Decal - JLG Lift 5in	
20		Ref	Decal - No Hands Options:	
20	1702868	2	ANSI Spec (English Languages)	
20	1704002	2	Brazil Spec (Portuguese/Spanish Languages)	
20	1705968	2	Chinese Spec (Chinese/English Languages)	
20	1704000	2	CSA Spec (French/English Languages)	
20	Not Required	2	Japanese Spec (Japanese/English Languages)	
20	1705969	2	Korean Spec (Korean/English Languages)	
20	1704001	2	Latin America Spec (Spanish/English Languages)	
21		Ref	Decal - Warning (Platform) Options:	
21	1703797	1	ANSI Spec (English Languages)	
21	1703928	1	Brazil Spec (Portuguese/Spanish Languages)	
21	1703925	1	Chinese Spec (Chinese/English Languages)	
21	1703924	1	CSA Spec (French/English Languages)	
21	1703926	1	Japanese Spec (Japanese/English Languages)	
21	1703927	1	Korean Spec (Korean/English Languages)	
21	1703923	1	Latin America Spec (Spanish/English Languages)	
22		Ref	Decal - Warning (Ground Control Box) Options:	
22	1703798	1	ANSI Spec (English Languages)	
22	1703934	1	Brazil Spec (Portuguese/Spanish Languages)	
22	1703931	1	Chinese Spec (Chinese/English Languages)	
22	1703930	1	CSA Spec (French/English Languages)	

SECTION 8 - DECALS

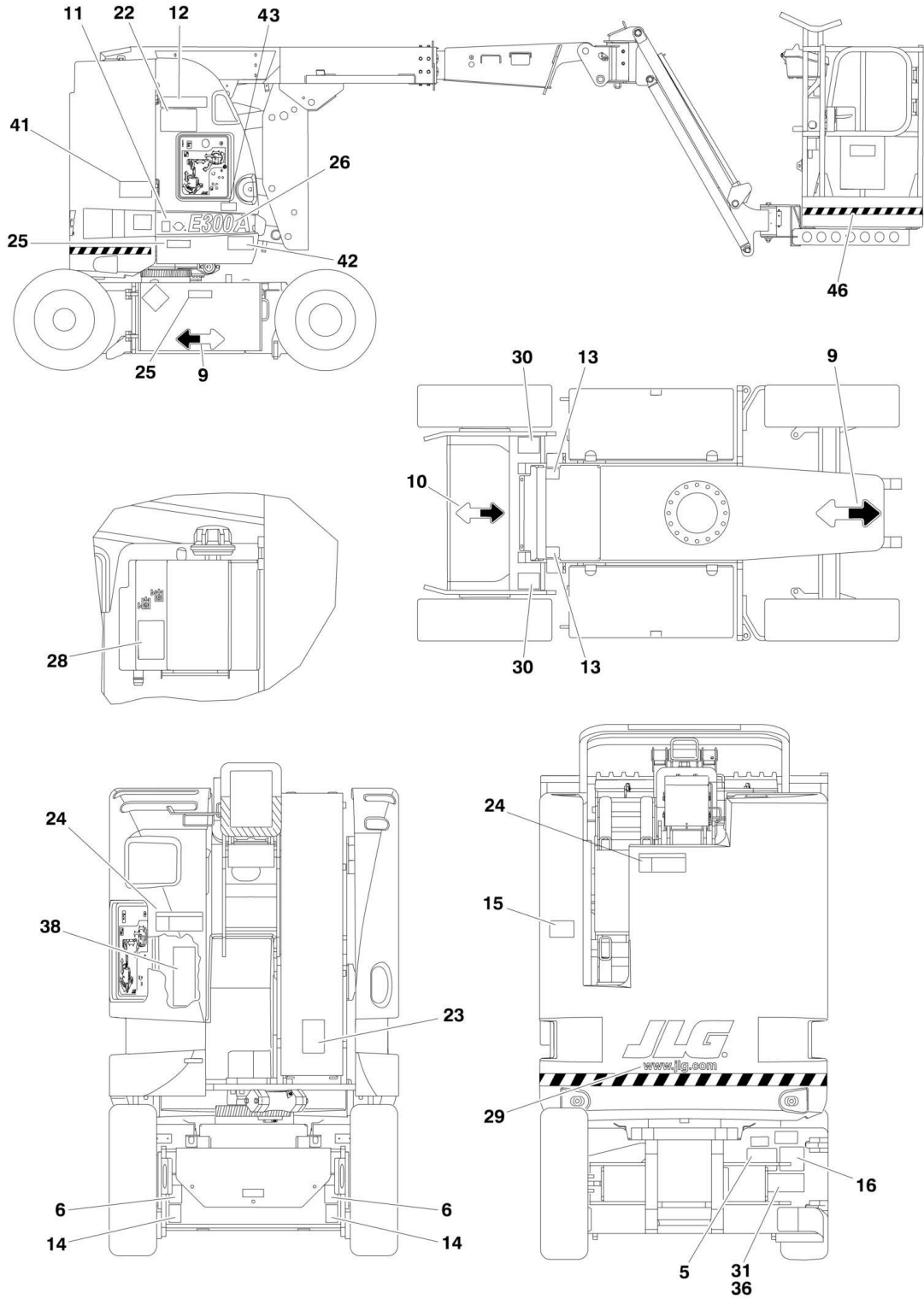
ITEM	PART NUMBER	QTY	DESCRIPTION	REV
22	1703932	1	Japanese Spec (Japanese/English Languages)	
22	1703933	1	Korean Spec (Korean/English Languages)	
22	1703929	1	Latin America Spec (Spanish/English Languages)	
23		Ref	Decal - Warning Crushing Options:	
23	1703804	4	ANSI Spec (English Languages)	
23	1703952	4	Brazil Spec (Portuguese/Spanish Languages)	
23	1703949	4	Chinese Spec (Chinese/English Languages)	
23	1703948	4	CSA Spec (French/English Languages)	
23	1703950	4	Japanese Spec (Japanese/English Languages)	
23	1703951	4	Korean Spec (Korean/English Languages)	
23	1703947	4	Latin America Spec (Spanish/English Languages)	
24		Ref	Decal - Electrocutation Options:	
24	1703805	3	ANSI Spec (English Languages)	
24	1703940	3	Brazil Spec (Portuguese/Spanish Languages)	
24	1703937	3	Chinese Spec (Chinese/English Languages)	
24	1703936	3	CSA Spec (French/English Languages)	
24	1703938	3	Japanese Spec (Japanese/English Languages)	
24	1703939	3	Korean Spec (Korean/English Languages)	
24	1703935	3	Latin America Spec (Spanish/English Languages)	
25		Ref	Decal - Warning Battery Ventilation Options:	
25	1703813	3	ANSI Spec (English Languages)	
25	1704341	3	Brazil Spec (Portuguese/Spanish Languages)	
25	1704344	3	Chinese Spec (Chinese/English Languages)	
25	1704340	3	CSA Spec (French/English Languages)	
25	1704342	3	Japanese Spec (Japanese/English Languages)	
25	1704343	3	Korean Spec (Korean/English Languages)	
25	1704339	3	Latin America Spec (Spanish/English Languages)	
26		Ref	Decal - Model Designation	
26	1704199	2	Decal - Model Designation E300AJ	
26	1704267	2	Decal - Model Designation E300AJP	
27	1704277	2	Decal - Lanyard Attach Graphic	
28	1704412	1	Decal - Hydraulic Oil	
29	1704885	AR	Decal - Website Options:	
29	1704885	2	Decal (SN 0300138358 through 0300173651)	
29	1704885	1	Decal (SN 0300173652 through 0300211843)	
30	1706126	4	Decal - Tire Load	
31	See Note	NSS	Nameplate - Serial Number (Note: Not Available for Purchase)	
32		Ref	Decal - Capacity Options:	
32		Ref	Decal - Capacity (SN 0300138358 through 0300142881)	
32	1707133	1	Brazil Spec (Portuguese/Spanish Languages)	
32	1707044	1	Chinese Spec (Chinese/English Languages)	
32	1707047	1	CSA Spec (French/English Languages)	
32	1707054	1	Japanese Spec (Japanese/English Languages)	
32	1707042	1	Korean Spec (Korean/English Languages)	
32	1707049	1	Latin America Spec (Spanish/English Languages)	
32		Ref	Decal - Capacity (SN 0300142882 through 0300211843)	
32	1001121814	1	ANSI Spec (English Languages)	
32	1001121923	1	Brazil Spec (Portuguese/Spanish Languages)	
32	1001121823	1	Chinese Spec (Chinese/English Languages)	
32	1001121816	1	CSA Spec (French/English Languages)	
32	1001121821	1	Japanese Spec (Japanese/English Languages)	

SECTION 8 - DECALS

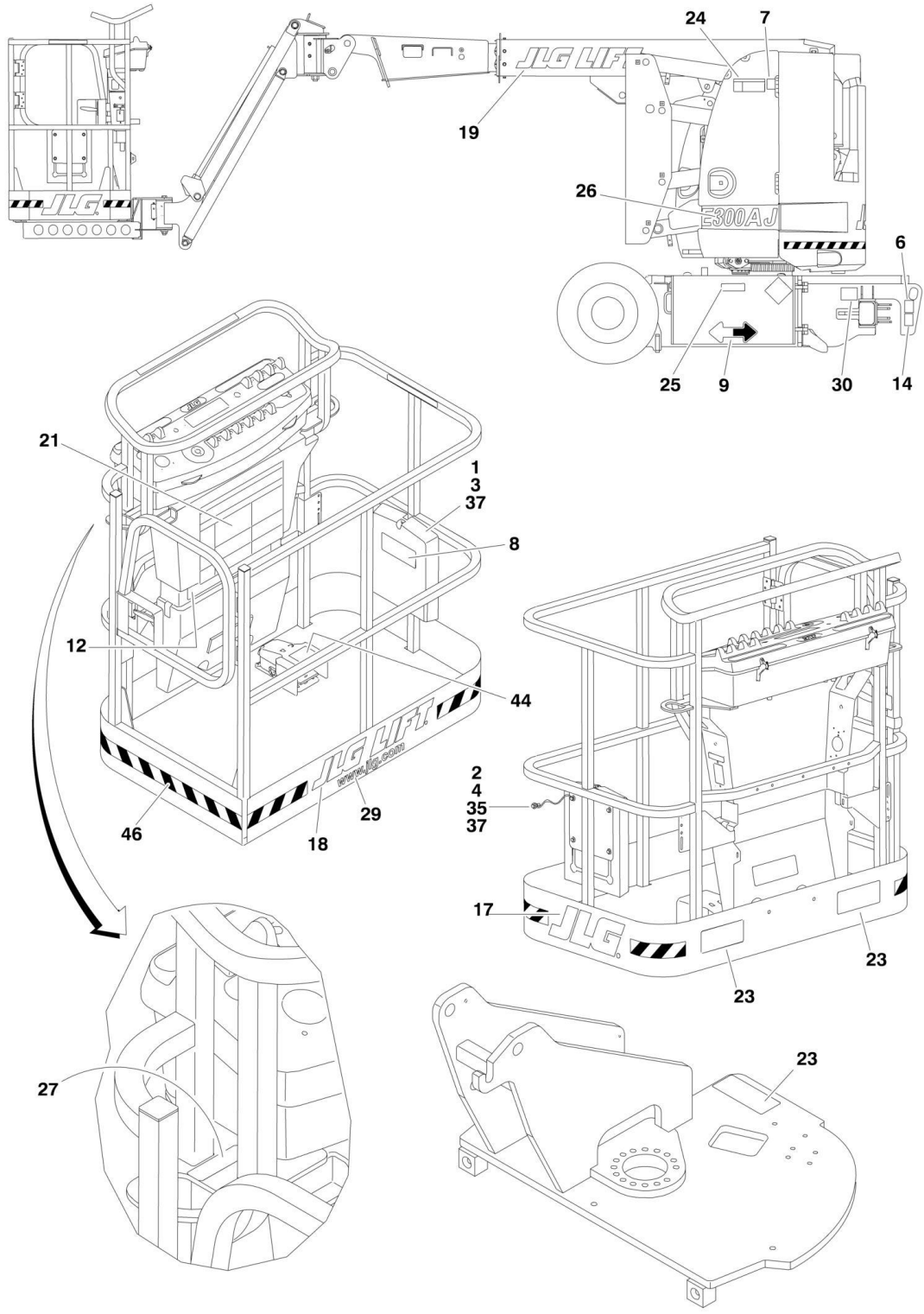
ITEM	PART NUMBER	QTY	DESCRIPTION	REV
32	1001121921	1	Korean Spec (Korean/English Languages)	
32	1001121818	1	Latin America Spec (Spanish/English Languages)	
33		Ref	Decal - 120V-60Hz Options:	
33	Not Required	2	Brazil, Japanese, Korean and Latin American Specs	
33	3251243	2	ANSI, Chinese and CSA Specs	
34		Ref	Decal - USA Options:	
34	3251813	1	ANSI, Brazil, Chinese, CSA, Japanese and Latin American Specs	
34	Not Required	1	Korean Specs	
35	3311405	1	Locknut 1/4in-20NC	
36	3820001	2	Rivet	
37	4751400	AR	Flatwasher 1/4in Regular	
38	1001110196	1	Decal - Manual Descent	
39	1001110276	1	Decal - Legend Platform	
40	1001110389	1	Decal - Legend Ground	
41	1001112461	1	Decal - Lift Diagram	
42	1001112777	1	Decal - Manual Descent	
43		Ref	Decal - Drive/Steer Instructions Options:	
43	1705351	1	ANSI Spec (English Languages)	
43	1001113680	1	Brazil Spec (Portuguese/Spanish Languages)	
43	1705430	1	Chinese Spec (Chinese/English Languages)	
43	1705429	1	CSA Spec (French/English Languages)	
43	1705426	1	Japanese Spec (Japanese/English Languages)	
43	1705427	1	Korean Spec (Korean/English Languages)	
43	1705910	1	Latin America Spec (Spanish/English Languages)	
44		Ref	Nameplate - Footswitch Options:	
44	3252347	1	ANSI Spec (English Languages)	
44	1703985	1	Brazil Spec (Portuguese/Spanish Languages)	
44	1703982	1	Chinese Spec (Chinese/English Languages)	
44	1703984	1	CSA Spec (French/English Languages)	
44	1703980	1	Japanese Spec (Japanese/English Languages)	
44	1703981	1	Korean Spec (Korean/English Languages)	
44	1703983	1	Latin America Spec (Spanish/English Languages)	
45		Ref	Decal - CSA Options (Not Shown):	
45	Not Required	2	Brazil, Chinese, Japanese, Korean and Latin American Specs	
45	1705514	2	CSA Specs	

SECTION 8 - DECALS

FIGURE 8-3. DECAL INSTALLATION (AUSTRALIAN/CE SPECS)



SECTION 8 - DECALS



SECTION 8 - DECALS

FIGURE 8-3. DECAL INSTALLATION (AUSTRALIAN/CE SPECS)

ITEM	PART NUMBER	QTY	DESCRIPTION	REV
		Ref	STANDARD DECAL INSTALLATIONS	
	1001110824	Ref	Australian and CE Specs (SN 0300138358 through 0300194886)	D
	1001176391	Ref	Australian and CE Specs (SN 0300194887 through 0300211843)	A
	1001110613	Ref	Standard Decal Installations E300AJ JLG Logo Decals	B
	1001115980	Ref	Standard Decal Installations E300AJP JLG Logo Decals	B
1	0641406	4	Bolt 1/4in-20NC x 3/4in	
2	0641408	1	Bolt 1/4in-20NC x 1in	
3	0860520	1	Box, Manual Storage	
4	1060279	1	Cable, Lanyard	
5		Ref	Decal - Patent Options:	
5	1700584	1	Decal - Patent (SN 0300138358 through 0300161219)	
5	Not Required	1	Decal - Patent (SN 0300161220 through 0300211843)	
6	1701500	4	Decal - Lift	
7	1701504	1	Decal - Hydraulic Oil	
8	1701509	1	Decal - Manual	
9	1701529	3	Decal - Arrow 12in	
10	1701642	1	Decal - Arrow 9in	
11	1701644	1	Decal - Battery Charger	
12	1705978	1	Decal - Capacity	
13	1702155	2	Decal - Battery Disconnect	
14	1702300	4	Decal - Tie Down	
15	1701517	1	Decal - Hand Crushing	
16	See Note	NSS	Decal - Bar Code (Note: Not Available for Purchase)	
17		Ref	Decal Options:	
17	1702773	1	Decal JLG (E300AJ)	
17	1704200	1	Decal Jib Plus (E300AJP)	
18	1702774	1	Decal - JLG Lift 3in	
19	1702860	1	Decal - JLG Lift 5in	
21	1705921	1	Decal - Tipping/Electrocution	
22	1705822	1	Decal - Electrocution/Safety Manual	
23	1701518	4	Decal - Crushing	
24	1705961	3	Decal - Electrocution	
25	1705670	3	Decal - Fire Hazard	
26		Ref	Decal - Model Designation	
26	1704199	2	Decal E300AJ	
26	1704267	2	Decal E300AJP	
27	1704277	2	Decal - Lanyard Attach Graphic	
28	1704412	1	Decal - Hydraulic Oil	
29		Ref	Decal - Website Options:	
29	1704885	2	Decal (SN 0300138358 through 0300173651)	
29	1704885	1	Decal (SN 0300173652 through 0300211843)	
30	1706126	4	Decal - Tire Load	
31	See Note	NSS	Nameplate - Serial Number (Note: Not Available for Purchase)	
35	3311405	1	Locknut 1/4in-20NC	
36	3820001	2	Rivet	
37	4751400	6	Flatwasher 1/4in Regular	
38	1001110196	1	Decal - Manual Descent	
41	1001112461	1	Decal - Lift Diagram	

SECTION 8 - DECALS

ITEM	PART NUMBER	QTY	DESCRIPTION	REV
42	1001112777	1	Decal - Manual Descent	
43	1001189882	1	Decal - MSSO	
44	1705828	1	Nameplate - Footswitch	
46	4420051	11.5 ft /3.5m	Tape, Safety	

SECTION 9 - RECOMMENDED SERVICE PARTS STOCK

SECTION 9 - RECOMMENDED SERVICE PARTS STOCK

SECTION 9 - RECOMMENDED SERVICE PARTS STOCK

FIGURE 9-1. MODELS E300AJ AND E300AJP STANDARD PARTS

ITEM	PART NUMBER	QTY	DESCRIPTION	REV
		Ref	Note: The following list will service one machine (built to current production per date on the front cover) with emergency repair parts which can be installed in the field. Parts from the list should be replaced when inventory is depleted to keep service parts stock supplied. For further information, contact your JLG dealer or the JLG Industries Parts Department.	
		Ref	STANDARD PARTS	
	7022011	2	Diode	
	70002526	1	Breather	
	70004228	1	Element, Filter	
	70002525	1	Filter	
	7024883	1	Coil	
	7024885	1	Coil	
	4360517	1	Switch, Proximity	
	4360070	1	Breaker, Circuit - 15Amp	
	2860030	1	Key, Replacement	
	4360475	1	Switch, Mushroom	
	4360476	1	Contact, Switch Block	
	4360328	1	Switch, Toggle	
	4360330	1	Switch, Toggle	
	70001996	1	Power Track Repair Section	
	1001178139	1	Controller (Lift and Swing)	
	1001178132	1	Controller (Drive and Steer)	
	4360387	1	Switch, Push Button	
	7003982	1	Microswitch (Drive/Steer)	
	70002386	1	Coil	

SECTION 9 - RECOMMENDED SERVICE PARTS STOCK

FIGURE 9-2. MODELS E300AJ AND E300AJP VARIABLE PARTS

ITEM	PART NUMBER	QTY	DESCRIPTION	REV
		Ref	Note: The following list will service one machine (built to current production per date on the front cover) with emergency repair parts which can be installed in the field. Parts from the list should be replaced when inventory is depleted to keep service parts stock supplied. For further information, contact your JLG dealer or the JLG Industries Parts Department.	
		Ref	VARIABLE PARTS	
	1600293	1	Module, Drive	
	2400062	1	Fuse 300Amp (UL Spec Only)	
	1001112779	1	Module, Power	
	1001109497	1	Module, Ground Control	
	4360469	1	Switch, Key (All Specs except CE Spec)	
	4360470	1	Switch, Key (CE Spec Only)	
	2940074	1	Latch (Platform with Gate)	
	1001117172	1	Footswitch	
	1001109498	1	Module, Platform	
	1600387	1	Module, Control (LSS System)	
	4360548	1	Switch, Limit	
	2400068	2	Fuse 10Amp (Machines with Platform Worklights)	
	1001181045	1	Breaker, Circuit 16Amp/30mAmp Combination (CE Machines with AC Power at Platform)	

SECTION 10 - SPECIAL OPTION

SECTION 10 - SPECIAL OPTION

FIGURE 10-1. SPECIAL OPTIONS

ITEM	PART NUMBER	QTY	DESCRIPTION	REV
		Ref	MISCELLANEOUS SPECIAL OPTIONS	
		Ref	Note: This list is to accommodate machines ordered with special equipment. Options may not be applicable to all models. For more specific parts information contact JLG Parts Department.	
	0259250	Ref	Air Line at Platform Installation	
	0259384	Ref	Bellows Installations	
		Ref	Boom Wiper Installation	
	1001109709	Ref	Boom Wiper Installation E300AJ	
	1001109709	Ref	Boom Wiper Installation E300AJP (SN 0300138358 through 0300157823)	
	1001119962	Ref	Boom Wiper Installation E300AJP (SN 0300157824 through 0300211843)	
		Ref	Decal Installations	
	1001196708	Ref	Decal - Blueline Rentals	
	1001155289	Ref	Decal - Boels	
	0274530	Ref	Decal - Head and Engquist Equipment	
		Ref	Decal - Hertz Options:	
	0273262	Ref	Decal - Hertz (SN 0300138358 through 0300147214)	
	1001128883	Ref	Decal - Hertz (SN 0300147215 through 0300211843)	
	1001098897	Ref	Decal - FedEx	
	1703175	1	Decal - Lanyard Attach (GM K-1 Spec)	
	1001189882	Ref	Decal - MSSO	
	1702868	2	Decal - No Hands (English Language - Required on Platform with Mesh to Top)	
	1704000	2	Decal - No Hands (Dual Language French and English - Required on Platform with Mesh to Top)	
	1001095410	Ref	Decal - RSC Equipment Rental	
	1001141300	Ref	Decal - SkyGuard Override	
	1001141302	Ref	Decal - SkyGuard Override with Soft Touch Platform	
	0271114	Ref	Decal - Sunbelt (SN 0300138358 through 0300205710)	
	1001197875	Ref	Decal - Sunbelt (SN 0300205711 through 0300211843)	
	1001151114	Ref	Decal - Titan Rentals	
	0271897	Ref	Decal - United Rentals	
	1001141476	Ref	Decal - Volvo Rentals	
	4420051	Ref	Decal - Warning Stripes	
		Ref	Decal Kits	
	1001198651	Ref	Decal Kit - Machines	
	1001108726	Ref	Decal Kit - Platform	
	1001119566	Ref	Decal Kit - Platform Console	
		Ref	Electrical Connector Kits	
	1001148902	Ref	Amp/Tyco Electrical Connector Kit	
	1001148903	Ref	Deutsch DT Electrical Connector Kit	
	1001148904	Ref	Deutsch HD Electrical Connector Kit	
	1001148905	Ref	Packard Electrical Connector Kit	
	1001148906	Ref	Various Electrical Connectors Kit	
		Ref	Fluids and Lubricants	
	3020008	Ref	Lube, Gear 80W-90 (Drive Hub)	
	3020037	Ref	Lube, Coupling (Drive Coupling)	
	0100048	Ref	Grease, Dielectric (Electrical Connections)	

SECTION 10 - SPECIAL OPTION

ITEM	PART NUMBER	QTY	DESCRIPTION	REV
	3020037	Ref	Grease, Electrical (Battery Terminals)	
	3020022	Ref	Grease, White Lithium (Boom Wear Pads)	
		Ref	Hydraulic Fluids (Hydraulic Tank)	
	2300014	Ref	Mobil 424	
		Ref	Mobil DTE 10 Excel 15 Options:	
	2300028	Ref	Bulk	
	70010346	Ref	One Gallon Container	
	2300027	Ref	Mobil 224H Biodegradeable	
	2300042	Ref	Mobil EAL 32 (Synthetic Biodegradeable)	
	2300019	Ref	QuintoLubric 888-46 (Synthetic Biodegradeable)	
		Ref	Footswitch Shield Installation	
	4060959	1	Shield, Footswitch	
	1001151286	Ref	Jib Cylinder Replacement Kit	
	1001148971	Ref	Lanyard (Bolt-on) Kit Installation	
	1001189163	Ref	Low Temperature Cutout Installation	
	1001222307	Ref	LSS Override Kit	
	0258703	Ref	Platform Console Cover Installation (SN 0300138358 through 0300200790)	
	1001195304	Ref	Platform Console Cover Installation (SN 0300200791 through 0300211843)	
	1001205175	Ref	Platform Console Cover Add-on Kit	
		Ref	Platform Entry Kits	
	1001142504	Ref	Drop Bar (Replacing Swing Gate with Drop Bar)	
	1001142505	Ref	Swing Gate (Replacing Drop Bar with Swing Gate)	
	1001140318	Ref	Platform Mesh to Mid Rail Installation (ANSI, ANSI Export and Australian Spec)	
	0273147	Ref	Platform Mesh to Top Rail Installation (ANSI, CSA and UL Specs Only)	
	1001099635	Ref	Security Lock (Programmable) Installations (CE Spec Only)	
	1001103617	Ref	Platform Rail Extension (30 x 48) (2.5ft x 4ft) (0.70m x 1.22m)	
		Ref	SkyGuard Components	
	1001149561	Ref	SkyGuard Complete Add-on Kit (UGM Machines)	
	1001149563	Ref	SkyGuard Platform Sensor Kit (UGM Machines)	
	1001176372	Ref	SkyGuard Plug Removal Kit	
	1001149564	Ref	SkyGuard Blue Beacon Kit	
	1001195610	Ref	Telematics Installation (United Rentals)	
	1001199878	Ref	Telematics Ready Installation	
		Ref	Tools for Service	
	2901443	1	Analyzer Kit	
	8896941	1	Wire Stripper	
	7002821	1	Wire Crimper (To install wire ends to wires)	
	7002823	1	Pin/Socket Extractor - Universal (To Remove Pins/Sockets from Connectors)	
	4460467	1	Extractor - 16-18 Gauge (For Removal of Pin/Sockets from Deutsch Connectors)	
	4460510	1	Extractor - 12-14 Gauge (For Removal of Pin/Sockets from Deutsch Connectors)	
	7016652	1	Huck Fastener Tool (Small Fasteners Only)	
	7002822	1	Screwdriver, Potentiometer (To Adjust Drive Controllers)	
	7016654	1	Screwdriver, Magnetic	
	7004275	1	Seal Installation Tool - 1in	
	7004276	1	Seal Installation Tool - 1 1/2in	
	7002826	1	Seal Installation Tool - 2in	

SECTION 10 - SPECIAL OPTION

ITEM	PART NUMBER	QTY	DESCRIPTION	REV
	7016655	1	Wire Rope Sheave Gauge	
	2915230	1	Battery Charger Reprogram Controller	
	1001137005	1	Software Cable Kit	
	0259044	Ref	Weld Leads Installations (E300AJ without UL Specs Only)	

PART NUMBER INDEX

PART NUMBER INDEX

0060044.....73, 77	0641406... 29, 41, 53, 81, 90, 164, 168, 174	0811608 33, 69	1001107583.....64, 67
0060065.....74, 79	0641407 81, 159	0811610 49	1001107584.....63
0100009.....93, 94, 97	0641408.... 90, 164, 168, 174	0840031 155	1001107614.....64, 73
0100011.... 11, 25, 27, 33, 41, 49, 53, 57, 59, 63, 67, 69, 70, 71, 74, 81, 85, 90, 115	0641414..... 91, 115, 117	0840032 155	1001107615.....64, 73
0100019.....13, 21, 41	0641416..... 81, 85, 159	0840055 81, 82	1001107650.....41
0100035.....47, 93, 97	0641418 89	0860038 157	1001107658.....70
0100048.25, 81, 154, 182	0641503 49	0860520 164, 168, 174	1001107677.....94
0100051.....25, 154	0641504 21, 27	0861375 21	1001107712.....11
0100071.... 117, 123, 125, 127, 129, 131, 133, 135, 137	0641505 25, 49	0861537 93, 94	1001107727.....11
0100081.....70, 71	0641507 33, 69	0861731 157	1001107751.....27
0140011.....93, 97	0641511 85	0861781 157	1001107781.....41, 45
0140043.....53	0641512 25	0861880 159	1001107820.....41
0257728.....119	0641514 25, 119	0902575 93	1001107886.....67, 131
0258703.....183	0641516 73, 81	0902588 93	1001108249.....71
0258986.....13	0641518 70	0902894 81	1001108251.....27
0259042.....25, 154	0641604 53	0902919 81	1001108274.....41
0259044.....184	0641605 70	0902920 81	1001108290.....70
0259250.....182	0641606... 25, 41, 57, 59, 63, 67	0903484 158	1001108310..... 11, 135
0259384.....182	0641607 ... 11, 33, 63, 64	0903530 34	1001108384.....63, 69
0270432.....165	0641608 ... 34, 63, 67, 85	0903612 159	1001108387.....64, 67
0271114.....182	0641609 13, 64	0920113 13	1001108429..... 73, 127
0271897.....182	0641610 ... 11, 21, 63, 74, 90	0940036 59	1001108541.....146
0272111.....94	0641613 33	0940048 67	1001108553.....63
0272704.....81	0641614 41	0940049 35, 57	1001108560.....25, 154
0272971.....90	0641616 33, 41, 73	0961845 89	1001108599.....11
0272976.....74	0641618 29, 73	0961947 77	1001108726.....182
0273147.....183	0641622 67	0961948 67, 69	1001108772.....49
0273262.....182	0641806 67	0961951 11, 73, 125	1001108773.....49
0274530.....182	0641808 63, 67	0962140 11	1001108774.....49
0275216.....159	0641810 63, 67	0962233 25	1001108775.....49
0275217.....159	0641812 63	0962257 77	1001108823.....47
0275218.....159	0641822 81	0962259 67	1001108824.....47
0275219.....159	0641826 13	0962292 73	1001108825.....47
0275452.....159	0642024 81	0962449 151	1001108826.....47
0275453.....159	0642208 21	0962450 81	1001108827.....48
0275454.....159	0642612 54	1001094670 74	1001109080.....71
0275663.....156	0681608 74, 81	1001095410 182	1001109116.53, 155, 156
0275664.....156	0681832 69	1001096188 153	1001109117.....53, 155
0275665.....156	0682012 13	1001097487 67	1001109122.....33
0275666.....156	0682040 41	1001098897 182	1001109126.....33
0275667.....156	0682048 41	1001099635 183	1001109127.....33
0275711.....157	0700408 158	1001099834 71	1001109357.....146
0275712.....157	0700620 89	1001101024 151	1001109358.....146
0275713.....157	0700818 73	1001101025 151	1001109383.....27
0275714.....157	0700820 71	1001102527 41	1001109427.....34
0275715.....157	0701018 73	1001103105 53	1001109430... 13, 21, 153
0275716.....157	0701020 73	1001103106 53, 155	1001109431... 13, 21, 35, 153
0275717.....157	0711227 69	1001103437 73	1001109445.....34, 37
0340047.....13	0720804 93, 97	1001103617 183	1001109446.....34, 39
0340048.....35	0721003 21	1001103646 41, 43	1001109447.....34, 39
0400055.....25	0721005 33, 59	1001105091 25	1001109475.....159
0400107.....25	0721006 54, 85	1001105153 63, 123	1001109477.....159
0440162.....11	0721008 54	1001105989 63, 133	1001109482.....159
0480100.....119	0741408 67	1001106736 152	1001109484..... 151, 152
0610131.....47	0760812 69	1001106757 71	1001109485.....151
0630407.....81	0761007 71	1001106878 69, 137	1001109493..... 164, 168
0630464.....93, 97	0761011 64	1001106879 70, 137	1001109497.....48, 180
0630568.....94, 98	0761014 64	1001106880 63, 129	1001109498...94, 97, 180
0641403.....25, 67	0761215 63	1001107003 70	1001109503.....48
0641404.....53	0791504 49	1001107108 63, 69	1001109506.....48, 152
0641405.....53, 81, 97	0811606 69	1001107152 71	1001109528.....64
	0811607 69	1001107217 67	1001109562...71, 85, 151
		1001107240 70	1001109563...71, 85, 151
		1001107526 49	1001109594.....48, 152
		1001107567 67	1001109610.....48, 153
		1001107573 63	1001109630.....48

PART NUMBER INDEX

1001109655..... 48	1001112461..... 165, 171, 174	1001121920..... 169	1001153362..... 41
1001109682..... 143	1001112496..... 27	1001121921..... 171	1001153636..... 159
1001109683..... 143	1001112607..... 63	1001121923..... 170	1001153639..... 157
1001109686..... 141, 143	1001112612..... 152	1001122600..... 71	1001153640..... 157
1001109687..... 141, 143	1001112777..... 165, 171, 175	1001123023..... 63, 69	1001154537..... 33
1001109688..... 141, 143	1001112779..... 47, 180	1001123024..... 64, 73	1001154539..... 34
1001109689..... 141, 143	1001112910..... 144	1001123025..... 64, 73	1001155044..... 94, 97
1001109690..... 141, 143	1001112921..... 57	1001123026..... 70	1001155045..... 94, 98
1001109691..... 141, 143	1001112946..... 141, 143	1001123027..... 70	1001155289..... 182
1001109709..... 182	1001112947..... 141, 143	1001123044..... 70	1001157601..... 33
1001109710..... 143, 144	1001112948..... 141, 143	1001123045..... 70	1001158623..... 53
1001109711..... 141, 144	1001113166..... 169	1001125235..... 64	1001159059..... 34
10011097150..... 159	1001113168..... 169	1001125784..... 48, 152	1001159256..... 94, 98
1001109754..... 151	1001113169..... 169	1001125785..... 48, 152	1001160232..... 141, 143
1001109755..... 151	1001113170..... 169	1001128883..... 182	1001160529..... 41, 43
1001109756..... 151	1001113171..... 169	1001131269..... 164	1001162210..... 48
1001109757..... 151	1001113483..... 81	1001132175..... 94, 97	1001162495..... 47
1001109814..... 85, 151	1001113509..... 169	1001136889..... 90	1001162882..... 34
1001109833..... 155	1001113680..... 171	1001137005..... 160, 184	1001163380..... 47
1001109857..... 90, 93, 150	1001114341..... 89	1001137673..... 115	1001163381..... 47
1001109858..... 90, 93, 150	1001114757..... 41	1001138494..... 90	1001163506..... 47
1001109859..... 146, 150	1001114761..... 33	1001138514..... 90	1001163750..... 50
1001109860..... 150	1001114782..... 25	1001139371..... 89	1001164238..... 59
1001109861..... 150	1001115980..... 164, 168, 174	1001140318..... 183	1001164239..... 59
1001109862..... 151	1001115997..... 25, 154	1001140429..... 90	1001164257..... 59
1001109901..... 90	1001116006..... 25	1001141300..... 182	1001164280..... 59
1001109902..... 90	1001116018..... 155	1001141302..... 182	1001164606..... 59
1001109929..... 34	1001116273..... 21	1001141476..... 182	1001164642..... 34
1001109939..... 34	1001116550..... 73	1001141967..... 157	1001164643..... 35
1001110013..... 57	1001116812..... 152	1001141968..... 157, 158	1001164706..... 34
1001110030..... 155	1001116876..... 70	1001141969..... 157, 158	1001164944..... 49
1001110065..... 154, 155	1001116877..... 70	1001142504..... 183	1001164945..... 49
1001110066..... 155	1001117149..... 89	1001142505..... 183	1001164946..... 49
1001110088..... 155	1001117172..... 91, 180	1001142694..... 54	1001164947..... 49
1001110089..... 155	1001117320..... 91	1001143431..... 54	1001165969..... 33
1001110196..... 165, 171, 174	1001117885..... 63, 69	1001143933..... 43	1001166033..... 33
1001110226..... 94, 97	1001118274..... 70, 71	1001144018..... 89	1001166249..... 53
1001110248..... 33	1001118287..... 70	1001144027..... 89	1001168210..... 125
1001110262..... 57	1001118288..... 70	1001144433..... 97	1001173253..... 54
1001110266..... 53	1001118394..... 73	1001144629..... 89	1001174991..... 34
1001110268..... 53	1001118418, 93, 101, 103	1001144630..... 89	1001175138..... 53
1001110270..... 91, 94	1001118419..... 93, 109	1001145781..... 89	1001175349..... 33
1001110271..... 29, 160	1001118482..... 74	1001146099..... 90	1001175350..... 34
1001110272..... 50, 82	1001118516..... 74	1001146100..... 90	1001175351..... 33
1001110276..... 165, 171	1001119228..... 71	1001146101..... 90, 93, 150	1001175597..... 98
1001110383..... 82, 157	1001119504..... 71	1001146102..... 90, 93, 150	1001175613..... 90, 93, 150
1001110389..... 165, 171	1001119513..... 71	1001148398..... 127	1001175614..... 90, 93, 150
1001110393..... 91, 156	1001119527..... 71	1001148902..... 182	1001175882..... 53
1001110435..... 97, 150	1001119566..... 182	1001148903..... 182	1001175883..... 53
1001110444..... 54, 156	1001119962..... 182	1001148904..... 182	1001175997..... 93
1001110449..... 160	1001120328..... 115	1001148905..... 182	1001176372..... 183
1001110541..... 157	1001120974..... 70, 137	1001148906..... 182	1001176388..... 164, 168
1001110542..... 157	1001121801..... 164, 165, 169	1001148971..... 183	1001176390..... 168
1001110543..... 157	1001121803..... 169	1001149561..... 183	1001176391..... 174
1001110613..... 164, 168, 174	1001121805..... 169	1001149563..... 183	1001176469..... 49
1001110728..... 141, 143	1001121808..... 169	1001149564..... 183	1001176482..... 168
1001110772..... 13	1001121810..... 169	1001149570..... 54, 156	1001176483..... 168
1001110824..... 174	1001121814..... 170	1001149571..... 97	1001176488..... 168
1001110825..... 168	1001121816..... 170	1001151114..... 182	1001176561..... 168
1001110827..... 168	1001121818..... 171	1001151286, 73, 127, 183	1001176595..... 168
1001110828..... 168	1001121821..... 170	1001151393..... 47	1001176794..... 54
1001110829..... 168	1001121823..... 170	1001151428..... 11	1001176855..... 54
1001110830..... 168	1001121918..... 169	1001151817..... 97	1001178132..... 93, 98, 105, 178
1001110831..... 168		1001152479..... 159	1001178139..... 93, 98, 111, 178
1001110873..... 157		1001152483..... 159	1001181045..... 159, 180
		1001152485..... 159	
		1001153013..... 41, 43	

PART NUMBER INDEX

1001182138.....	117	1060802.....	160	1703924.....	169	1706126.....	164, 170, 174
1001184477.....	48	1060847.....	154	1703925.....	169	1707014.....	165
1001184478.....	48	1060860.....	154	1703926.....	169	1707042.....	170
1001185281.....	98	1060862.....	154	1703927.....	169	1707044.....	170
1001186375.....	89	1060908.....	159	1703928.....	169	1707047.....	170
1001186387.....	89	10837580.....	137	1703929.....	170	1707049.....	170
1001186517.....	115	1271433.....	67	1703930.....	169	1707054.....	170
1001187375.....	48, 152	1271463.....	29	1703931.....	169	1707055.....	169
1001187508.....	115	1271538.....	81	1703932.....	170	1707056.....	169
1001187599.....	48, 152	1320030.....	141, 143	1703933.....	170	1707058.....	169
1001188030.....	49	1320041.....	41, 159	1703934.....	169	1707059.....	169
1001188031.....	49	1320043.....	85	1703935.....	170	1707060.....	169
1001188038.....	47	1320130.....	85	1703936.....	170	1707133.....	170
1001188039.....	47	1320136.....	81	1703937.....	170	1707134.....	169
1001188040.....	48	1320159.....	85	1703938.....	170	2080040.....	89
1001188889.....	115	1320172.....	155	1703939.....	170	2220063.....	33
1001189074.....	98, 151	1320224.....	81	1703940.....	170	2220124.....	33
1001189075.....	98, 151	1320261.....	85	1703947.....	170	2220372.....	141, 143
1001189116.....	98	1320262.....	85	1703948.....	170	2220408.....	141, 143
1001189163.....	183	1320263.....	53, 151, 159	1703949.....	170	2220415.....	141, 143
1001189171.....	159	1380136.....	33, 59	1703950.....	170	2220466.....	141, 143
1001189172.....	159	1380138.....	27	1703951.....	170	2220472.....	141, 143
1001189195.....	54	1580012.....	91	1703952.....	170	2220473.....	141, 143
1001189728.....	90	1600244.....	160	1703980.....	171	2220502.....	141, 143
1001189729.....	90, 97, 150	1600273.....	93, 101	1703981.....	171	2220582.....	141, 143
1001189730.....	90, 97, 150	1600274.....	93, 107	1703982.....	171	2220593.....	141, 143
1001189747.....	90	1600293.....	21, 180	1703983.....	171	2220628.....	141, 143
1001189882.....	175, 182	1600294.....	21	1703984.....	171	2220883.....	125
1001191708.....	117	1600300.....	21	1703985.....	171	2220909.....	141, 143
1001193018.....	158	1600350.....	81	1704000.....	169, 182	2221033.....	141, 143
1001195304.....	183	1600387.....	81, 180	1704001.....	169	2221034.....	141, 143
1001195610.....	183	1600466.....	54	1704002.....	169	2221039.....	143
1001196708.....	182	1670829.....	93, 97	1704199.....	164, 170, 174	2221048.....	141, 143
1001197875.....	182	1670878.....	25	1704200.....	164, 169, 174	2221086.....	141, 143
1001198651.....	182	1670890.....	25	1704240.....	93, 97	2300014.....	183
1001199878.....	183	1670899.....	85	1704246.....	27	2300019.....	183
1001203949.....	63, 125	1670953.....	29	1704260.....	93, 97	2300027.....	183
1001205175.....	183	1671037.....	93	1704267.....	164, 170, 174	2300028.....	183
1001222307.....	183	1700584.....	164, 168, 174	1704277.....	164, 170, 174	2300042.....	183
1060092.....	155	1701500.....	164, 168, 174	1704339.....	170	2400044.....	21, 154
1060279.....	164, 168, 174	1701504.....	164, 168, 174	1704340.....	170	2400062.....	21, 154, 180
1060330.....	91, 150	1701509.....	164, 168, 174	1704341.....	170	2400067.....	156
1060379.....	119	1701517.....	174	1704342.....	170	2400068.....	180
1060494.....	160	1701518.....	174	1704343.....	170	2420202.....	81
1060633.....	160	1701529.....	164, 168, 174	1704344.....	170	2460037.....	29
1060689.....	53, 155	1701642.....	164, 168, 174	1704412.....	164, 170, 174	2540020.....	25
1060732.....	154	1701644.....	53, 164, 168, 174	1704422.....	93, 97	2540037.....	21
1060733.....	154	1701645.....	164	1704712.....	21	2560122.....	33, 59
1060734.....	154	1702155.....	164, 169, 174	1704720.....	165	2560123.....	59
1060735.....	154	1702251.....	165	1704885.....	164, 170, 174	2560136.....	93, 97
1060736.....	154	1702300.....	164, 169, 174	1705170.....	91, 94	2600103.....	29
1060737.....	154	1702391.....	164, 169	1705325.....	158	2600258.....	57, 59
1060738.....	154	1702565.....	93, 97	1705351.....	165, 171	2600281.....	89
1060739.....	154	1702566.....	93, 97	1705426.....	171	2752473.....	141, 143
1060740.....	154	1702773.....	164, 169, 174	1705427.....	171	2752613.....	141, 143
1060741.....	154, 155	1702774.....	164, 169, 174	1705429.....	171	2752999.....	141, 143
1060742.....	155	1702860.....	164, 169, 174	1705430.....	171	2753136.....	141, 143
1060743.....	155	1702868.....	164, 169, 182	1705514.....	171	2753137.....	141, 143
1060757.....	47, 151	1703175.....	182	1705670.....	174	2753276.....	141, 143
1060767.....	154	1703683.....	119	1705822.....	174	2753279.....	141, 143
1060768.....	154	1703797.....	164, 169	1705828.....	175	2753364.....	141, 143
1060769.....	154	1703798.....	164, 169	1705910.....	171	2753812.....	141, 143
1060770.....	154	1703804.....	164, 170	1705921.....	174	2754055.....	141, 143
1060771.....	154	1703805.....	164, 170	1705961.....	174	2755023.....	141, 143
1060772.....	154	1703813.....	164, 170	1705968.....	169	2760105.....	93, 97
1060773.....	154	1703923.....	169	1705969.....	169	2780282.....	13, 15
1060801.....	160			1705978.....	174	2820026.....	49, 151

PART NUMBER INDEX

2820035 54, 91	3340939 70, 71	3990001 152	4460297 156
2820118 151	3380434 90	3990105 13, 154	4460313 81
2860030 48, 178	3422181 11	3990106 49, 152	4460320 82, 152, 153, 155, 156, 157, 160
2900756 39	3422424 67	4010618 89	4460321 ... 150, 151, 152, 153, 160
2900768 13	3422562 11	4031908 71	4460326 152, 153
2900770 ... 123, 125, 127, 129, 131, 137	3422582 63	4060803 29	4460343 152
2901443 160, 183	3422661 119	4060807 21	4460346 157
2901818 21, 154	3422709 64	4060808 85	4460418 151, 152
2901864 21	3422745 69	4060865 54	4460419 151, 152
2902549 159	3422785 67	4060906 49	4460424 54, 82, 153, 156, 157, 160
2915230 184	3422786 67	4060959 183	4460426 29, 153, 160
2920028 97	3422787 63	4061054 81	4460428 . 53, 94, 97, 150, 156
2920029 97	3422788 67	4070897 69	4460434 ... 150, 152, 153
2920095 91	3422789 67	4070898 69	4460445 153
2920129 150	3422790 63	4070904 25	4460464 ... 150, 151, 152, 153, 156
2920146 54	3422791 73	4070987 47	4460465 81, 82, 151, 152, 153, 155
2920151 50, 82	3422792 63	4070991 47	4460466 81, 82, 151, 152, 153
2940048 29	3422794 73	4100066 85	4460467 160, 183
2940073 25	3422794 73	4120035 150	4460488 94, 97
2940074 89, 180	3422814 63	4240018 85	4460496 . 48, 94, 97, 150, 152
2940114 25	3470003 94, 98	4240032 53, 93, 97	4460497 . 48, 94, 97, 150, 152
2940117 57, 59	3510830 89	4240033 ... 54, 81, 85, 115	4460508 155
3000003 25	3520028 47	4240084 21	4460509 153
3020008 13, 182	3520030 93, 97, 150	4240099 91	4460510 160, 183
3020022 70, 183	3520031 50	4240156 85	4460526 48, 152, 153
3020037 13, 182, 183	3520054 93, 97	4240156 85	4460536 156
3160237 13, 19	3520072 89	4360031 91	4460539 152, 153
3251243 ... 158, 165, 171	3520173 94	4360070 47, 178	4460634 150
3251813 165, 171	3520182 117	4360328 49, 94, 178	4460635 150
3252331 165	3520198 89	4360330 49, 94, 178	4460662 158
3252347 91, 165, 171	3536089 91	4360387 ... 49, 94, 97, 178	4460709 151
3252507 158	3571584 53	4360462 94, 97	4460710 158
3290405 158	3572551 73	4360469 47, 48, 180	4460752 151
3290606 89	3760115 69	4360470 47, 48, 180	4460761 82, 150
3290805 73	3760308 27	4360475 ... 48, 94, 97, 178	4460802 156
3291005 73	3790012 49, 94, 97	4360476 ... 48, 94, 97, 178	4460803 156
3300106 13	3820001 ... 165, 171, 174	4360517 41, 155, 178	4460805 53, 156
3300151 89	3820019 54	4360522 91, 94	4460836 82
3300353 29	3820020 59, 89	4360548 151, 180	4460867 156
3300396 47	3841143 11, 63, 67	4420051 175, 182	4460868 152
3300430 115, 117	3841203 63, 67	4420062 119	4460877 152
3310601 ... 21, 47, 93, 97	3900118 11	4460025 151, 154, 155	4460884 152
3310805 85	3900255 11	4460035 160	4460891 151, 153
3311001 21	3900266 25	4460042 150	4460894 151
3311005 ... 33, 41, 53, 54, 59, 85, 97	3900280 70	4460071 91, 150, 158	4460899 153
3311401 25, 47, 53	3900283 34, 81	4460092 157	4460930 155
3311405 ... 29, 41, 53, 81, 85, 90, 91, 159, 165, 171, 174	3900316 70	4460125 157	4460931 153
3311501 21, 47, 73	3910610 158	4460135 160	4460933 81
3311502 35	3910616 49	4460138 53, 160	4460944 152
3311505 .. 25, 33, 57, 119	3910628 21	4460183 152	4460945 152
3311508 70, 81	3910804 47	4460185 152	4460956 159
3311601 94, 98	3911012 54	4460205 158	4460957 159
3311605 ... 11, 29, 33, 63, 67, 73, 74, 85, 90	3911016 53	4460224 153	4460968 151, 158
3311608 70	3911408 47	4460225 ... 150, 151, 152, 153, 154	4461196 156, 158
3311805 63, 81	3930820 85	4460226 54, 82, 101, 103, 105, 107, 109, 112, 150, 151, 152, 153, 154, 156, 157, 160	4461198 157, 158
3312005 11, 25, 81	3930828 85	4460227 82, 150, 151, 152, 153, 155, 156, 157, 160	4461199 156, 158
3340852 25	3931010 41	4460233 158	4461201 157, 158
3340854 63	3931016 97	4460234 ... 48, 53, 54, 94, 97	4461202 156, 158
3340860 73	3931424 115	4460260 156	
3340862 70	3931430 25	4460265 ... 101, 103, 105, 107, 109, 112, 150, 152	
3340863 70	3931816 74		
3340865 67	3931832 41		
	3951526 70		
	3960389 27		
	3960418 57		
	3960422 158		
	3960447 27		
	3960514 57		

PART NUMBER INDEX

4461204.....	158	4933100.....	146	70002363 ..	127, 135, 137	70002663.....	43
4461205.....	156, 158	4933289.....	82, 146	70002364.....	137	70002664.....	43
4461207.....	157, 158	5221000.....	71	70002365.....	137	70002665.....	43
4461244.....	157, 158	5241200.....	69	70002366 ..	123, 133, 137	70002666.....	43
4461245.....	157, 158	5251010.....	69	70002367.....	137	70002667.....	43
4461246.....	157, 158	5251012.....	69	70002368.....	137	70002668.....	43
4461249.....	156, 158	5260800.....	71	70002369.....	137	70002669.....	43
4567739.....	25	5281920.....	71	70002370.....	127	70002670.....	43
4568165.....	29	70000088.....	45	70002371.....	127	70002671.....	43
4640509.....	127	70000089.....	45	70002372.....	127	70002724.....	103
4640771.....	137	70000340.....	79	70002373.....	127, 135	70002725.....	103
4641129.....	39	70000341.....	77	70002374.....	127	70002726.....	103
4711000.....	41, 54, 97	70000681.....	43	70002375.....	127	70002728.....	103
4711400.....	41, 53, 67, 81, 85, 90, 91, 97, 115, 117, 159	70000865.....	43	70002376.....	127	70002730.....	109
4711500.....	21, 27, 48, 49, 71, 94, 98	70001052.....	22, 154	70002379.....	135	70002731.....	109
4711600.....	11, 13, 25, 33, 41, 53, 63, 67, 70, 74, 81	70001366.....	15	70002380.....	135	70002732.....	109
4712200.....	21	70001367.....	15	70002381.....	133, 135	70002733.....	109
4712600.....	54	70001368.....	16	70002382.....	135	70002734.....	109
4740086.....	11, 25	70001369.....	15	70002383.....	135	70002735.....	109
4740120.....	41	70001370.....	15	70002384.....	135	70002736.....	103
4740171.....	41	70001371.....	15	70002385.....	137	70002737.....	103
4740308.....	34	70001372.....	15	70002386 ..	129, 131, 178	7000281.....	15
4740362.....	90	70001373.....	15	70002387.....	129, 131	70002902.....	91
4740393.....	33	70001374.....	15	70002388.....	123	70002903.....	91
4740397.....	94, 97	70001375.....	15	70002389.....	127, 137	70002904.....	91
4740420.....	48	70001376.....	15	70002400.....	37	70002905.....	91
4750600.....	21, 48, 94, 97	70001377.....	15	70002401.....	37	70002906.....	109
4750800.....	85, 94, 97	70001378.....	15	70002402.....	37	70003114.....	137
4751000.....	21, 33, 53, 54	70001379.....	15	70002403.....	37	70003115.....	137
4751200.....	59	70001380.....	16	70002404.....	37	70003116.....	137
4751400.....	25, 29, 81, 85, 90, 117, 159, 165, 171, 174	70001697.....	77	70002405.....	39	70003117.....	137
4751500.....	21, 25, 33, 69, 73, 81, 119	70001961.....	34	70002406.....	39	70003118.....	137
4751600.....	21, 33, 57, 59, 63, 85, 90	70001996.....	71, 178	70002408.....	13	70003119.....	137
4752200.....	21	70001998.....	71	70002409.....	131	70003131.....	125
4760600.....	21, 158	70002311.....	45	70002410.....	131	70003483.....	91
4811400.....	158	70002312.....	45	70002412.....	129	70003528.....	39
4811700.....	90	70002313.....	45	70002413.....	123, 125	70003836.....	127
4811900.....	71	70002332.....	131	70002434.....	11	70004019.....	39
4811902.....	69, 73	70002333 ..	123, 127, 131, 133	70002435.....	11	70004160.....	43
4812000.....	71	70002334.....	131	70002521.....	33, 34	70004228.....	35, 178
4845582.....	119	70002335 ..	123, 125, 127, 131, 133, 135, 137	70002522.....	34	70004312.....	34
4845923.....	25	70002336.....	131	70002523.....	34	70004323.....	77
4845924.....	25	70002337.....	131	70002524.....	34	70004738.....	105
4845940.....	67	70002338.....	131	70002525.....	33, 178	70004739.....	105
4845941.....	67	70002339.....	131	70002526.....	33, 178	70004740.....	105
4845942.....	67	70002340.....	131	70002527.....	48	70004741.....	105
4845943.....	67	70002341.....	129	70002528.....	49	70004742.....	105
4846083.....	67	70002342.....	129	70002529.....	49	70004743.....	105
4846278.....	73	70002343.....	129	70002643.....	43	70004744.....	105
4846452.....	89	70002344.....	129	70002644.....	43	70004745.....	105
4846502.....	73	70002345.....	129	70002645.....	43	70004746.....	105
4846608.....	74, 81	70002346.....	129	70002646.....	43	70004747.....	105
4891600.....	74, 81	70002347.....	129	70002647.....	43	70004748.....	105
4891800.....	69, 81	70002348.....	129	70002648.....	43	70004749.....	105
4892000.....	13, 41, 81	70002349.....	129	70002649.....	43	70004750.....	105
4922160.....	150	70002348.....	129	70002650.....	43	70004751.....	105
4922916.....	81	70002350 ..	123, 125, 133	70002651.....	43	70004752.....	111
4922917.....	82	70002352 ..	123, 133, 137	70002652.....	43	70004753.....	111
		70002354.....	133	70002653.....	43	70004754.....	111
		70002355.....	133	70002654.....	43	70004755.....	111
		70002357.....	123	70002656.....	43	70004756.....	111
		70002358.....	123	70002657.....	43	70004757.....	111
		70002359 ..	123, 125, 133	70002658.....	43	70004758.....	111
		70002360.....	123, 125	70002659.....	43	70004759.....	111
		70002361.....	123	70002660.....	43	70004760.....	111
		70002362.....	137	70002661.....	43	70004761.....	111
				70002662.....	43	70004762.....	111

PART NUMBER INDEX

70004763	111	7004276	183	7017488.....	37	7020189.....	19
70004764	111	7007640	15	7017489.....	37, 39	7021319.....	33
70004765	111	7007900	13	7017496.....	37, 39	7021360.....	34
70004766	111	7007912	13	7019103.....	101	7021361.....	34
70004767	111	7007913	13	7019110.....	101	7021367.....	34
70004768	111	7007933	13	7019111.....	101, 107	7021377.....	34
70004769	111	7007977	13	7019112.....	101	7022000.....	22
70004770	111	7010542	37	7019115.....	101	7022001.....	22
70004771	111	7010543	37, 137	7019137.....	107	7022002.....	21
70004772	111	7011716	13	7019141.....	107	7022003.....	21, 153
70004773	111	7011757	13	7019142.....	107	7022004.....	21, 153
70004774	111	7012540	39	7019143.....	107	7022005.....	21, 153
70004775	112	7012545	19	7019144.....	107	7022007.....	22
70005230	105	7012548	19	7019145.....	107	7022008.....	21, 153
70005695	125	7012549	19	7019147.....	107	7022009.....	22
70005972	125	7012904	39	7019149.....	107	7022010.....	22
70005973	125	7012914	39	7019150.....	107	7022011.....	22, 178
70005974	125	7012918	39	7019151.....	101	7022012.....	22, 154
7000625	91	7012941	37	7019154.....	101	7022391.....	37, 39
70010346	183	7012955	129, 131	7019157.....	101	7022526.....	34
70020830	155	7012959	39	7019158.....	101	7022808.....	107, 109
70022586	135	7012967	37, 39, 129, 131	7019159.....	101	7022812.....	101
70022593	129	7012972	37	7019160.....	101	7022813.....	107
70023370	137	7012998	37, 39	7019161.....	101	7022815.....	109
7002821	160, 183	7016319	54	7019162.....	101, 103	7024379.....	45
7002822	183	7016356	91	7019164.....	101, 103	7024380.....	45
7002823	160, 183	7016372	54	7019165.....	101, 103	7024381.....	45
7002826	183	7016652	183	7019167.....	101, 103	7024389.....	45
7002828	160	7016654	183	7019168.....	101	7024390.....	45
7003928	107, 109	7016655	184	7019170.....	107	7024453.....	45
7003933	101	7017007	16	7019174.....	107	7024738.....	15
7003935	101	7017009	15	7019191.....	101, 150	7024741.....	15
7003940	101	7017022	15	7019194.....	101, 103	7024883.....	37, 178
7003941	101, 103	701706	39	7019195.....	107, 150	7024884.....	129, 131
7003946	101	7017120	77	7019196.....	101	7024885.....	37, 39, 178
7003952	107	7017121	77	7019197.....	107	7026048.....	43
7003953	107	7017122	77	7019609.....	19	7026049.....	43
7003956	107	7017123	77	7020036.....	11	7026052.....	43
7003972	101, 103	7017126	77	7020037.....	11	7027350.....	43
7003973	101, 103	7017127	77	7020038.....	11	7027351.....	43
7003974	101, 107	7017165	79	7020039.....	11	7027352.....	43
7003976	107	7017167	79	7020040.....	11	7027353.....	43
7003977	107	7017168	79	7020041.....	11	7027359.....	43
7003980	101, 103	7017172	77, 79	7020042.....	11	7027900.....	77
7003982	101, 103, 178	7017178	79	7020054.....	11	7027901.....	77
7003983	101, 103	7017179	79	7020055.....	11	7116691.....	41
7003986	101	7017192	77, 79	7020137.....	11	8310146.....	70
7003989	101, 103	7017196	77	7020140.....	11	8310668.....	71
7003992	101, 107	7017402	37, 39	7020149.....	19	8750011.....	85
7003993	101, 107	7017406	37	7020150.....	19	88662523.....	35
7003994	101	7017418	39	7020151.....	19	88662530.....	70
7004035	45	7017421	39	7020175.....	48, 94, 97	8896941.....	183
7004043	45	7017433	37	7020176.....	48, 94, 97		
7004044	45	7017452	39	7020184.....	19		
7004275	183	7017471	39	7020185.....	19		



3121254



An Oshkosh Corporation Company

Corporate Office
JLG Industries, Inc.
1 JLG Drive
McConnellsburg, PA 17233-9533 USA
☎ (717) 485-5161 (Corporate)
☎ (877) 554-5438 (Customer Support)
📠 (717) 485-6417

Visit our website for JLG Worldwide Locations.
www.jlg.com