



Illustrated Parts Manual

**Model
H340AJ**

**PVC
2307**

**P/N
31222335**

July 1, 2023 - Rev A

ANSI

CE



**UK
CA**

AS/NZS

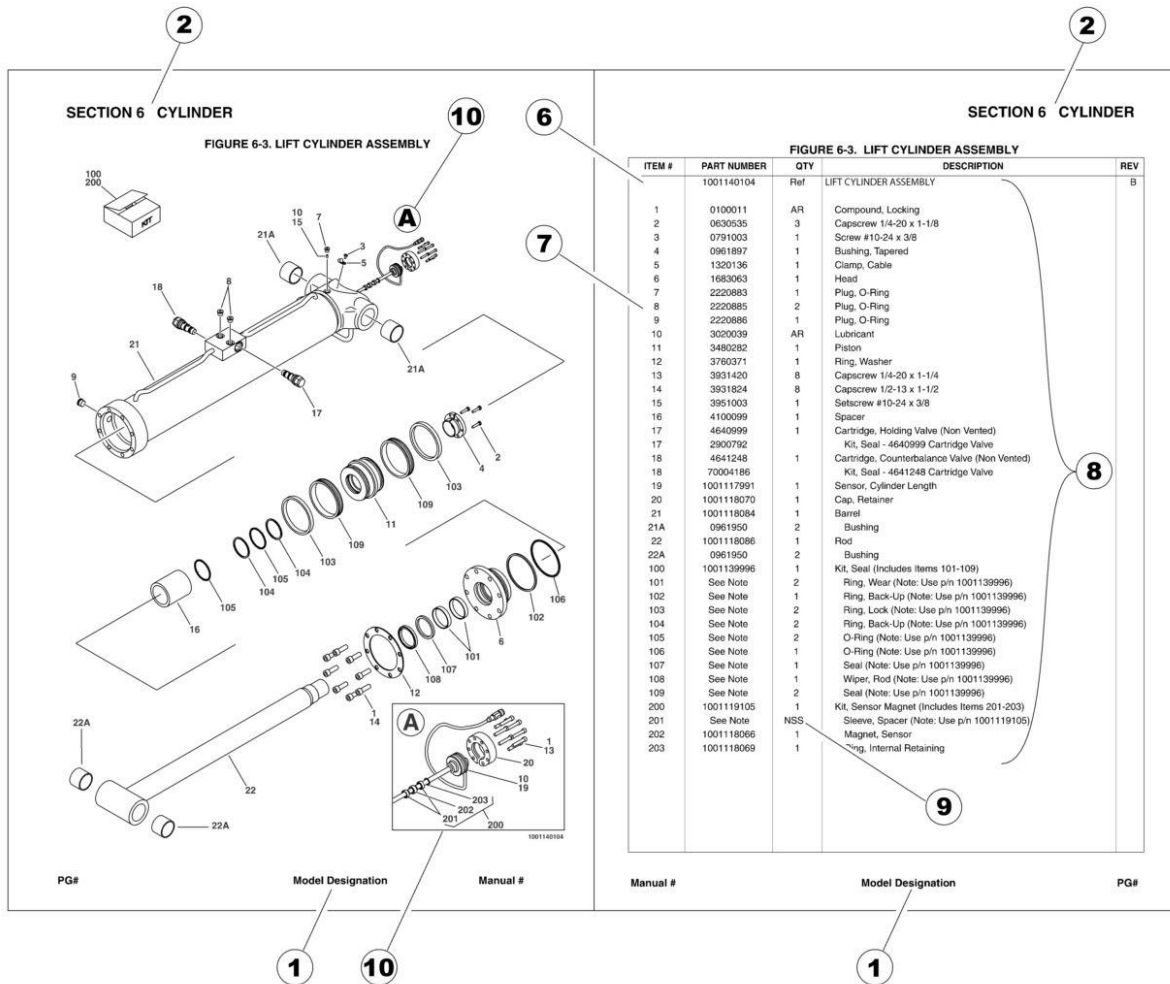


An Oshkosh Corporation Company

REVISION LOG

July 1, 2023 - A - Original Issue of Manual (Edited to B/M 1001247761 Rev K)

GENERAL INFORMATION



1) MACHINE IDENTIFICATION

Machines are identified by model and in some cases a combination of models, serial number (SN) or regional standard (i.e ANSI, CE, CSA). Components may also be identified by SN or manufacturer. Common components that may be identified by these characteristics are engines and hydraulic components.

2) PARTS MANUAL ORGANIZATION

Product information in this manual is organized under section titles. Frame, Cylinder, Hydraulic and Electrical are a few examples. Each section is organized by figure and page number. The information within the Figure is then organized by item number, part number, description and corresponding illustration (s).

3) TABLE OF CONTENTS (NOT SHOWN)

A table of contents is found toward the beginning of the manual. Figure number, description and page number are provided for quick reference to the page containing the related information.

4) RECOMMENDED SPARE PARTS (NOT SHOWN)

The Recommended Spare Parts List, located near the end of the manual, reference most frequently used maintenance parts.

5) PART NUMBER INDEX (NOT SHOWN)

A numerical index listing all part numbers and the corresponding page number(s) appears at the back of the manual.

GENERAL INFORMATION

6) NON-SERVICED PARTS

In some instances, it is necessary to display non-serviced parts, assemblies or installations. In the case of assemblies and installations there will be a Ref in the Qty. column. In case of parts that are not available for service within assemblies or components, there will be a NSS (Not Sold Separately) or NLA (No Longer Available) listed in the Qty. column of the manual.

7) PARTS LIST ITEM NUMBERS

Numbers shown in the item# column correspond to numbers used in the associated illustration (s). Item numbers which are missing from the sequence in the parts list are not used on that page.

8) INDENTED PARTS DESCRIPTION

An indented part description is included in the item under which it is indented.

9) ABBREVIATION AND SYMBOLS

AC.....	Alternating Current	L.....	Liter
ADE.....	Advanced Design Electronics	LB(LBS).....	Pounds
AG.....	Agricultural	LCD.....	Liquid Crystal Display
ANSI.....	American National Standards Institute	LED.....	Light Emitting Diodes
AR.....	As Required	LH.....	Left Hand
ASSY.....	Assembly	LRC.....	Low Rated Countries
AUS.....	Australia	LSS.....	Load Sensing System
AUX.....	Auxiliary	M(m).....	Metric/Meter
AWG.....	American Wire Gauge	MM(mm).....	Milimeter
B/M.....	Bill of Material	mA.....	Miliamps
CAC.....	Charge Air Cooler	NLA.....	No Longer Available
CE.....	European Conformity	NPT.....	National Pipe Threads
CCW.....	Counter Clockwise	NSS.....	Not Sold Separately
CM.....	Centimeter	OD.....	Outside Diameter
CW.....	Clockwise	ORB.....	O-Ring Boss
CSA.....	Canadian Standards Association	ORFS.....	O-Ring Face Seal
CYL.....	Cylinder	OZ (oz).....	Ounces
DIA.....	Diameter	PG.....	Page
DC.....	Direct Current	PN.....	Part Number
DEF.....	Diesel Exhaust Fluid	QT(qt.).....	Quarts
EMS.....	Emergency Stop	QTY.....	Quantity
ENG.....	Engine	REF.....	Reference
FT(ft).....	Feet	REV.....	Revision Level
GA(Ga).....	Gauge	RH.....	Right Hand
HRC.....	High Rated Countries	SAE.....	Society of Automotive Engineers
HVAC.....	Heating, Ventilating, and Air Conditioning	SN.....	Serial Number
HYD.....	Hydraulic	SPEC(S).....	Specifications
Hz.....	Hertz	T/T.....	Turntable
ID.....	Inside Diameter	UGM.....	Universal Ground Module
IN.....	inches	V.....	Volts
ISO.....	International Organization for Standards	W.....	Watts
JIC.....	Joint Industry Council	#.....	Number
KG.....	Kilogram		

10) ILLUSTRATION REFERENCE LETTERS

When necessary, illustrations may contain reference letters that are intended to track information (i. e. hoses, harnesses) from one point to another or to track visual enlargement of components to show details that may be located in another area on the illustration.

Note: Due to continuous product improvements, JLG Industries, Inc. reserves the right to make specification changes without prior notification. Contact JLG Industries, Inc. for updated information.

TABLE OF CONTENTS

SECTION 1 - FRAME.....	11
FIGURE 1-1. STEERING INSTALLATION	12
FIGURE 1-2. OSCILLATING AXLE INSTALLATION.....	14
FIGURE 1-3. CONTROL VALVES INSTALLATION - FRAME	16
FIGURE 1-4. OSCILLATING AXLE VALVE ASSEMBLY	18
FIGURE 1-5. DRIVE INSTALLATION.....	20
FIGURE 1-6. DRIVE MOTOR ASSEMBLY	22
FIGURE 1-7. DRIVE HUB ASSEMBLY	24
FIGURE 1-8. TIRE AND WHEEL INSTALLATION - 7X18 SOLID	26
FIGURE 1-9. TIRE AND WHEEL INSTALLATION - 7X18 SOLID NON-MARKING	28
FIGURE 1-10. TIRE AND WHEEL INSTALLATION - 9X20 FOAM-FILLED	30
FIGURE 1-11. TIRE AND WHEEL INSTALLATION - 9X20 FOAM-FILLED NON-MARKING	32
FIGURE 1-12. BATTERIES INSTALLATION.....	34
FIGURE 1-13. ELECTRICAL PLATE ASSEMBLY	36
FIGURE 1-14. FRAME SHIELDS INSTALLATION.....	38
SECTION 2 - TURNTABLE	41
FIGURE 2-1. CONTROL VALVE INSTALLATION - TURNTABLE	42
FIGURE 2-2. MAIN CONTROL VALVE ASSEMBLY	44
FIGURE 2-3. SWING DRIVE INSTALLATION	46
FIGURE 2-4. SWING MOTOR ASSEMBLY	48
FIGURE 2-5. SWING BEARING ASSEMBLY	50
FIGURE 2-6. TANKS AND PUMP ASSEMBLY	52
FIGURE 2-7. HYDRAULIC PUMP MOTOR ASSEMBLY	54
FIGURE 2-8. GROUND CONTROLS INSTALLATION - ALL SPECS EXCEPT CE & UK CA SPECS.....	56
FIGURE 2-9. GROUND CONTROL BOX ASSEMBLY - DISPLAY WITH BUTTONS (ALL SPECS EXCEPT CE & UK CA SPECS)	58
FIGURE 2-10. GROUND CONTROL BOX ASSEMBLY - DISPLAY WITHOUT BUTTONS (ALL SPECS EXCEPT CE & UK CA SPECS)	60
FIGURE 2-11. GROUND CONTROL INSTALLATION - CE & UK CA SPEC	62
FIGURE 2-12. GROUND CONTROL BOX ASSEMBLY - DISPLAY WITH BUTTONS (CE & UK CA SPECS).....	64
FIGURE 2-13. GROUND CONTROL BOX ASSEMBLY - DISPLAY WITHOUT BUTTONS (CE & UK CA SPECS)	66
FIGURE 2-14. LIGHT PANEL INSTALLATION	68
FIGURE 2-15. BATTERY CHARGER INSTALLATION - 110V PLUG	70
FIGURE 2-16. BATTERY CHARGER INSTALLATION - LOCALLY SUPPLIED PLUG.....	72
FIGURE 2-17. BATTERY CHARGER ASSEMBLY	74
FIGURE 2-18. ELECTRICAL COMPONENTS INSTALLATION	76
FIGURE 2-19. BEACON LIGHT INSTALLATION - AMBER (OPTIONAL).....	80
FIGURE 2-20. BEACON LIGHT INSTALLATION - BLUE	82
FIGURE 2-21. BEACON LIGHT INSTALLATION - RED	84
FIGURE 2-22. WHITE NOISE ALARM INSTALLATION (AMBIENT)	86
FIGURE 2-23. WHITE NOISE ALARM INSTALLATION (CONSTANT).....	88
FIGURE 2-24. HOODS INSTALLATION	90
FIGURE 2-25. HOOD ASSEMBLY - TANK SIDE	94
FIGURE 2-26. HOOD ASSEMBLY - ENGINE SIDE.....	96

TABLE OF CONTENTS

SECTION 3 - ENGINE	99
FIGURE 3-1. KUBOTA ENGINE INSTALLATION.....	100
FIGURE 3-2. KUBOTA ENGINE AND GENERATOR SUB-ASSEMBLY	104
FIGURE 3-3. KUBOTA ENGINE ASSEMBLY.....	106
FIGURE 3-4. KUBOTA ENGINE COMPONENTS.....	110
FIGURE 3-5. ENGINE COUPLING ASSEMBLY	114
FIGURE 3-6. GENERATOR ASSEMBLY.....	116
FIGURE 3-7. CATALYTIC MUFFLER INSTALLATION - OPTIONAL	118
SECTION 4 - BOOM.....	121
FIGURE 4-1. BOOM AND CYLINDERS INSTALLATION - WITHOUT ARCTIC PACKAGE	122
FIGURE 4-2. BOOM AND CYLINDERS INSTALLATION - WITH ARCTIC PACKAGE	124
FIGURE 4-3. TOWER BOOM ASSEMBLY	126
FIGURE 4-4. MAIN BOOM ASSEMBLY	128
FIGURE 4-5. JIB ASSEMBLY - WITHOUT ARCTIC PACKAGE.....	130
FIGURE 4-6. JIB ASSEMBLY - WITH ARCTIC PACKAGE	132
FIGURE 4-7. PLATFORM ROTATOR ASSEMBLY - WITHOUT ARCTIC PACKAGE	134
FIGURE 4-8. PLATFORM ROTATOR ASSEMBLY - WITH ARCTIC PACKAGE	136
FIGURE 4-9. PLATFORM SUPPORT INSTALLATION - WITH 1 CELL LSS	138
FIGURE 4-10. POWER TRACK INSTALLATION.....	140
FIGURE 4-11. CONTROL VALVES INSTALLATION - BOOM.....	142
FIGURE 4-12. FLY BOOM VALVE ASSEMBLY	144
FIGURE 4-13. BOOM UPRIGHT VALVE ASSEMBLY.....	146
SECTION 5 - PLATFORM	149
FIGURE 5-1. PLATFORM ASSEMBLY - 30IN X 4FT (76CM X 1.22M) - GATE ENTRY	150
FIGURE 5-2. PLATFORM ASSEMBLY - 30IN X 5FT (76CM X 1.52M) - GATE ENTRY	152
FIGURE 5-3. PLATFORM ASSEMBLY - 30IN X 4FT (76CM X 1.22M) - DROP BAR ENTRY	154
FIGURE 5-4. PLATFORM ASSEMBLY - 30IN X 5FT (76CM X 1.52M) - DROP BAR ENTRY	156
FIGURE 5-5. PLATFORM ASSEMBLY - 30IN X 3FT (76CM X 91.5CM) - WITH DROP BAR.....	158
FIGURE 5-6. TRAY INSTALLATION.....	160
FIGURE 5-7. CONSOLE AND FOOTSWITCH INSTALLATION	162
FIGURE 5-8. CONSOLE AND FOOTSWITCH ASSEMBLY	164
FIGURE 5-9. LIGHT PANEL INSTALLATION.....	168
FIGURE 5-10. FOOTSWITCH ASSEMBLY	170
FIGURE 5-11. USB CHARGER INSTALLATION.....	172
FIGURE 5-12. SKYGUARD SYSTEM INSTALLATION	174
FIGURE 5-13. SKYEYE INSTALLATION.....	176
FIGURE 5-14. SKYLINE INSTALLATION	178
SECTION 6 - CYLINDER.....	181
FIGURE 6-1. AXLE LOCKOUT CYLINDER ASSEMBLY.....	182
FIGURE 6-2. LEVEL (PLATFORM SLAVE) CYLINDER ASSEMBLY	184
FIGURE 6-3. LIFT (JIB) CYLINDER ASSEMBLY	186
FIGURE 6-4. LIFT (MAIN BOOM) CYLINDER ASSEMBLY.....	188
FIGURE 6-5. LIFT (TOWER BOOM) CYLINDER ASSEMBLY	190

TABLE OF CONTENTS

FIGURE 6-6. MASTER CYLINDER ASSEMBLY	192
FIGURE 6-7. STEER CYLINDER ASSEMBLY	194
FIGURE 6-8. TELESCOPE CYLINDER ASSEMBLY	196
SECTION 7 - HYDRAULIC	199
FIGURE 7-1. HYDRAULIC SYSTEM INSTALLATION - WITHOUT ARCTIC PACKAGE	200
SECTION 8 - ELECTRICAL	207
FIGURE 8-1. AC BOX AT PLATFORM INSTALLATION - LOCALLY SUPPLIED COMPONENTS (ANSI EXPORT, AUSTRALIAN AND CHINA SPECS).....	208
FIGURE 8-2. AC BOX AT PLATFORM INSTALLATION - LOCALLY SUPPLIED (CE & UK CA SPEC).....	210
FIGURE 8-3. AC BOX AT PLATFORM INSTALLATION - 110V (ANSI, ANSI EXPORT, CSA, JAPANESE AND CHINA SPECS)	212
FIGURE 8-4. AC BOX AT PLATFORM INSTALLATION - 110V IEC YELLOW (CE & UK CA SPEC)	214
FIGURE 8-5. AC BOX AT PLATFORM INSTALLATION - 220V (CSA SPEC)	216
FIGURE 8-6. AC BOX AT PLATFORM INSTALLATION - 220V IEC BLUE (CE & UK CA SPEC).....	218
FIGURE 8-7. AC BOX AT PLATFORM INSTALLATION - 220V CEE7 POST GROUND WITH 70MM X 70MM BOX (CE & UK CA SPEC).....	220
FIGURE 8-8. AC BOX AT PLATFORM INSTALLATION - 220V CEE7 SIDE GROUND WITH 70MM X 70MM BOX (CE & UK CA SPEC).....	222
FIGURE 8-9. AC BOX AT PLATFORM INSTALLATION - 220V CEE7 POST GROUND WITH 2IN X 4IN BOX (CE & UK CA SPEC).....	224
FIGURE 8-10. AC BOX AT PLATFORM INSTALLATION - 220V CEE7 SIDE GROUND WITH 2IN X 4IN BOX (CE & UK CA SPEC).....	226
FIGURE 8-11. AC BOX AT PLATFORM INSTALLATION - 220V AFSINT 107 KEYED GROUND WITH 2IN X 4IN BOX (CE & UK CA SPEC).....	228
FIGURE 8-12. AC POWER TO PLATFORM CABLE - MAIN BOOM (WITHOUT ARCTIC PACKAGE)	230
FIGURE 8-13. AC POWER TO PLATFORM CABLE - MAIN BOOM (WITH ARCTIC PACKAGE)	232
FIGURE 8-14. AC POWER TO PLATFORM CABLE - TOWER BOOM (WITHOUT ARCTIC PACKAGE)	234
FIGURE 8-15. AC POWER TO PLATFORM CABLE - TOWER BOOM (WITH ARCTIC PACKAGE).....	236
FIGURE 8-16. BOOM CABLES, HARNESSES AND CLAMPS INSTALLATION - WITHOUT ARCTIC PACKAGE	238
FIGURE 8-17. BOOM CABLES, HARNESSES AND CLAMPS INSTALLATION - WITH ARCTIC PACKAGE	242
FIGURE 8-18. BOOM HARNESS - MAIN.....	246
FIGURE 8-19. BOOM HARNESS - TOWER	248
FIGURE 8-20. BREAKER BOX KIT (CE & UK CA SPEC)	250
FIGURE 8-21. CHARGER HARNESS.....	252
FIGURE 8-22. CLEARSKY INSTALLATION	254
FIGURE 8-23. DRIVE CABLES INSTALLATION.....	256
FIGURE 8-24. DRIVE HARNESS - REAR RIGHT.....	258
FIGURE 8-25. DRIVE HARNESS - REAR LEFT	260
FIGURE 8-26. DRIVE HARNESS - FRONT WITH STEER	262
FIGURE 8-27. DRIVE HARNESS - FRONT WITHOUT STEER.....	264
FIGURE 8-28. ENGINE CABLES INSTALLATION.....	266
FIGURE 8-29. ENGINE HARNESS.....	268
FIGURE 8-30. GENERATOR HARNESS	270
FIGURE 8-31. GROUND CONTROL HARNESS	272
FIGURE 8-32. GROUND TO PLATFORM CABLE - MAIN BOOM (WITHOUT ARCTIC PACKAGE)	276
FIGURE 8-33. GROUND TO PLATFORM CABLE - MAIN BOOM (WITH ARCTIC PACKAGE)	278

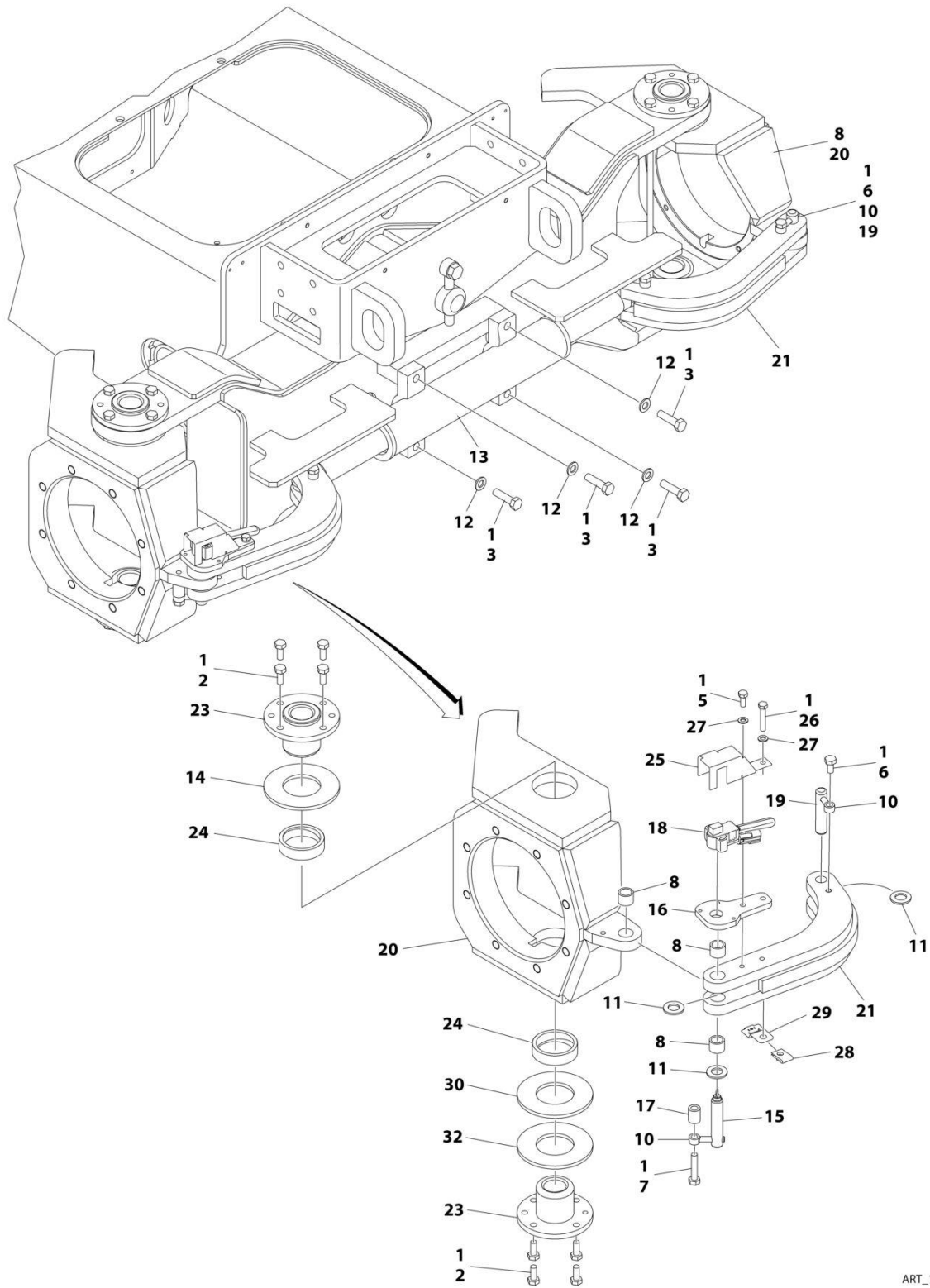
TABLE OF CONTENTS

FIGURE 8-34. GROUND TO PLATFORM CABLE - TOWER BOOM (WITHOUT ARCTIC PACKAGE).....	280
FIGURE 8-35. GROUND TO PLATFORM CABLE - TOWER BOOM (WITH ARCTIC PACKAGE)	282
FIGURE 8-36. PLATFORM CONSOLE HARNESS - WITH SKYGUARD	284
FIGURE 8-37. PLATFORM INTERFACE HARNESS.....	288
FIGURE 8-38. PLATFORM TO BOOM VALVE HARNESS	290
FIGURE 8-39. AC BOX AT PLATFORM INSTALLATION - 110V IEC YELLOW (CE & UK CA SPEC).....	292
FIGURE 8-40. RECEPTACLE BOX KIT - 220V IEC BLUE (CE & UK CA SPEC)	294
FIGURE 8-41. RECEPTACLE BOX KIT - 220V CEE7 POST GROUND 70MM X 70MM BOX (CE & UK CA SPEC)	296
FIGURE 8-42. RECEPTACLE BOX KIT - 220V CEE7 SIDE GROUND 70MM X 70MM BOX (CE & UK CA SPEC)	298
FIGURE 8-43. RECEPTACLE BOX KIT - 220V CEE7 POST GROUND 2IN X 4IN BOX (CE & UK CA SPEC).....	300
FIGURE 8-44. RECEPTACLE BOX KIT - 220V CEE7 SIDE GROUND 2IN X 4IN BOX (CE & UK CA SPEC)	302
FIGURE 8-45. RECEPTACLE BOX KIT - 220V AFSINT 107 (CE & UK CA SPEC)	304
FIGURE 8-46. RECEPTACLE INSTALLATION - 12V.....	306
FIGURE 8-47. SKYLINE HARNESS	308
FIGURE 8-48. SKYEYE INTERMEDIATE HARNESS	310
FIGURE 8-49. SKYEYE RECEIVER HARNESS.....	312
FIGURE 8-50. SKYEYE EMITTER HARNESS	314
FIGURE 8-51. STROBE LIGHT HARNESS (BLUE AND RED LIGHTS)	316
FIGURE 8-52. TRACTION HARNESS	318
FIGURE 8-53. TURNTABLE HARNESS	320
FIGURE 8-54. VALVE HARNESS.....	324
SECTION 9 - DECALS	327
FIGURE 9-1. DECALS INSTALLATION – ANSI, ANSI EXPORT CSA AND CHINA SPECS (ENGLISH)	328
FIGURE 9-2. DECALS INSTALLATION - AUSTRALIAN SPEC (ENGLISH)	330
FIGURE 9-3. DECALS INSTALLATION - BRAZIL SPEC (PORTUGUESE/SPANISH)	332
FIGURE 9-4. DECALS INSTALLATION - CE & UK CA SPECS (ENGLISH)	334
FIGURE 9-5. DECALS INSTALLATION - CSA SPEC (FRENCH/ENGLISH).....	336
FIGURE 9-6. DECALS INSTALLATION - CHINESE SPEC (CHINESE/ENGLISH)	338
FIGURE 9-7. DECALS INSTALLATION - JAPANESE SPEC (JAPANESE/ENGLISH).....	340
FIGURE 9-8. DECALS INSTALLATION - KOREAN SPEC (KOREAN/ENGLISH).....	342
FIGURE 9-9. DECALS INSTALLATION - LATIN AMERICA SPEC (SPANISH/ENGLISH).....	344
FIGURE 9-10. DECALS INSTALLATION - OPTIONS.....	346
SECTION 10 - RECOMMENDED SERVICE PARTS STOCK.....	349
FIGURE 10-1. RECOMMENDED SERVICE PARTS STOCK.....	350
SECTION 11 - SPECIAL OPTIONS/ACCESSORIES/KITS.....	353
FIGURE 11-1. SPECIAL OPTIONS/ACCESSORIES/KITS.....	354
PART NUMBER INDEX.....	357

SECTION 1 - FRAME

SECTION 1 - FRAME

FIGURE 1-1. STEERING INSTALLATION



ART_1001161115

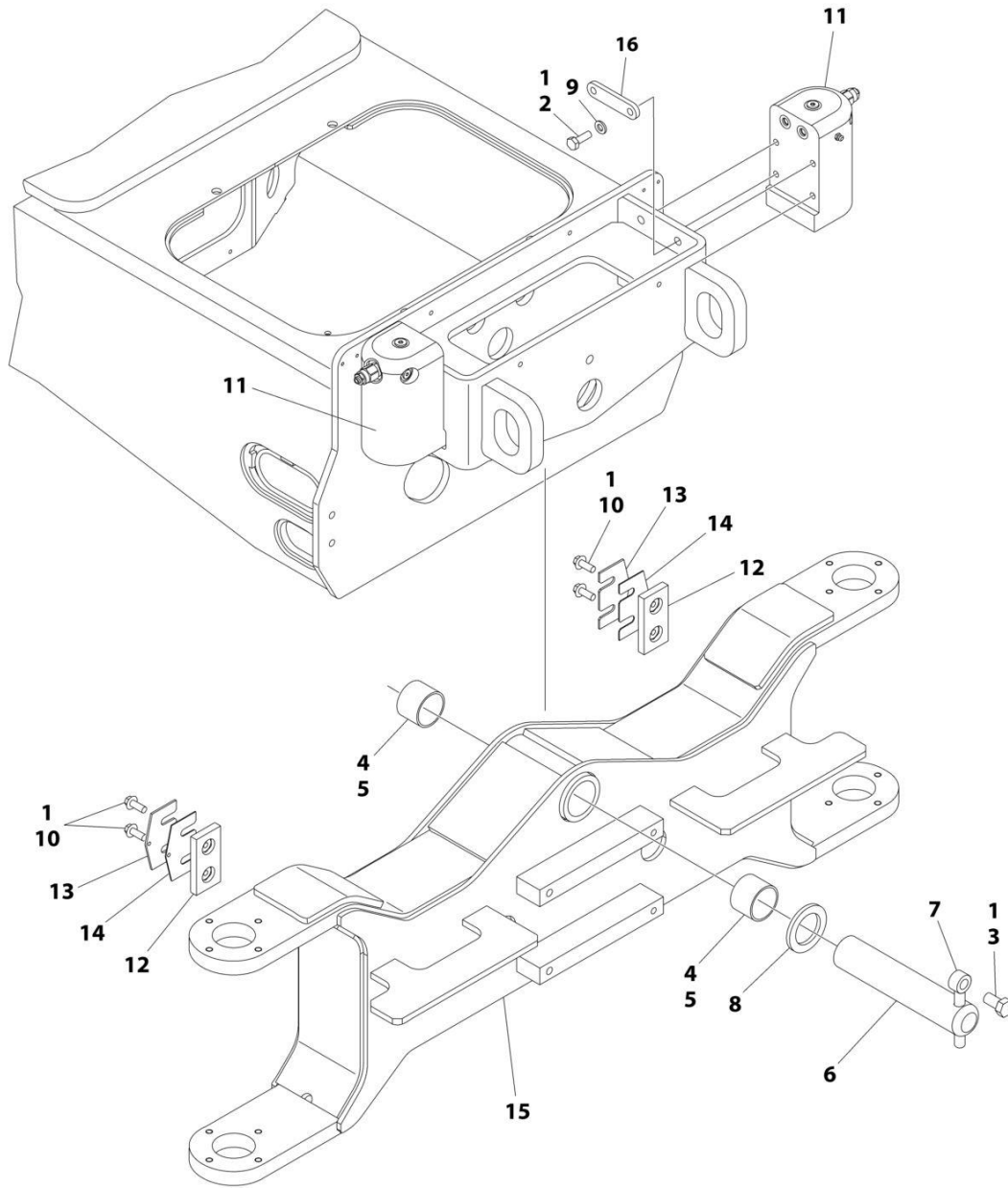
SECTION 1 - FRAME

FIGURE 1-1. STEERING INSTALLATION

ITEM	PART NUMBER	QTY	DESCRIPTION	REV
	1001161115	Ref	STEERING INSTALLATION	K
1	0100011	AR	Compound, Locking	
2	0701012	16	Bolt M10 X 25	
3	0701217	4	Bolt M12 X 45	
5	0760810	1	Bolt M8 X 20	
6	0761010	3	Bolt M10 X 20	
7	0761018	1	Bolt M10 X 50	
8	0962140	6	Bearing	
10	3841520	4	Keeper, Pin	
11	4740086	5	Washer, Thrust	
12	4812100	4	Washer M12	
13	1001116788	1	Steer Cylinder Assembly (See Separate Breakdown in CYLINDER Section)	
14	4740505	2	Washer, Thrust	
15	1001161110	1	Pin, Sensor	
16	1001161113	1	Bracket, Sensor Pin	
17	1001161114	1	Spacer	
18	1001161117	1	Switch, Rotary Angle Sensor	
18	4460536	1	Receptacle, Female - 3 Position	
18	4460464	1	Pin, Male	
19	1001168669	3	Pin	
20	1001169015	2	Spindle	
21	1001169028	2	Link, Tie Rod	
23	1001169030	4	Kingpin	
24	1001169129	4	Bearing	
25	1001188866	1	Bracket, Sensor	
26	0760818	1	Bolt M8 x 50	
27	4811900	2	Washer M8	
28	1001149160	1	Nut, Tinnerman M8	
29	1001155967	1	Holder, Connector	
30	1001208285	2	Washer	
31	4240018	2	Tie-Strap (Not Shown)	
32	1001164885	AR	Washer, Shim	

SECTION 1 - FRAME

FIGURE 1-2. OSCILLATING AXLE INSTALLATION



ART_1001169213

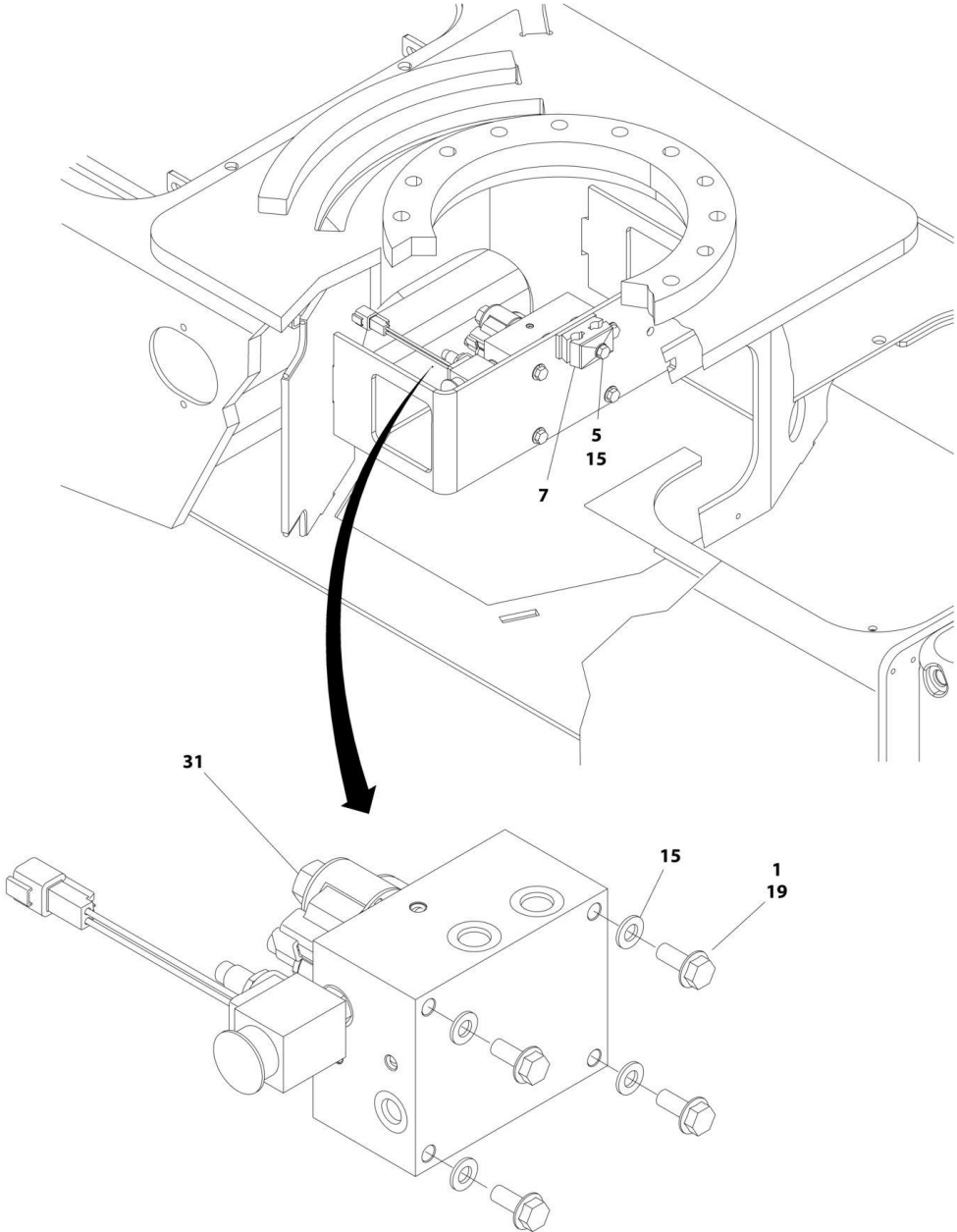
SECTION 1 - FRAME

FIGURE 1-2. OSCILLATING AXLE INSTALLATION

ITEM	PART NUMBER	QTY	DESCRIPTION	REV
	1001169213	Ref	OSCILLATING AXLE INSTALLATION	C
1	0100011	AR	Compound, Locking	
2	0761015	1	Bolt M10 x 35	
3	0761614	1	Bolt M16 x 30	
4	0961950	2	Bushing	
5	3020029	AR	Lubricant	
6	3422592	1	Pin, Axle Pivot	
7	3841258	1	Keeper, Pin	
8	4740158	1	Thrustwasher	
9	5241000	8	Washer M10	
10	5251012	4	Bolt M10 x 25	
11	1001116361	2	Lockout Cylinder Assembly (See Separate Breakdown in CYLINDER Section)	
12	1001118511	2	Pad, Wear	
13	1001118518	2	Shim 11Ga	
14	1001118519	4	Shim 16Ga	
15	1001169027	1	Axle	
16	1001210981	4	Shim	

SECTION 1 - FRAME

FIGURE 1-3. CONTROL VALVES INSTALLATION - FRAME



ART_1001167238_1OF3

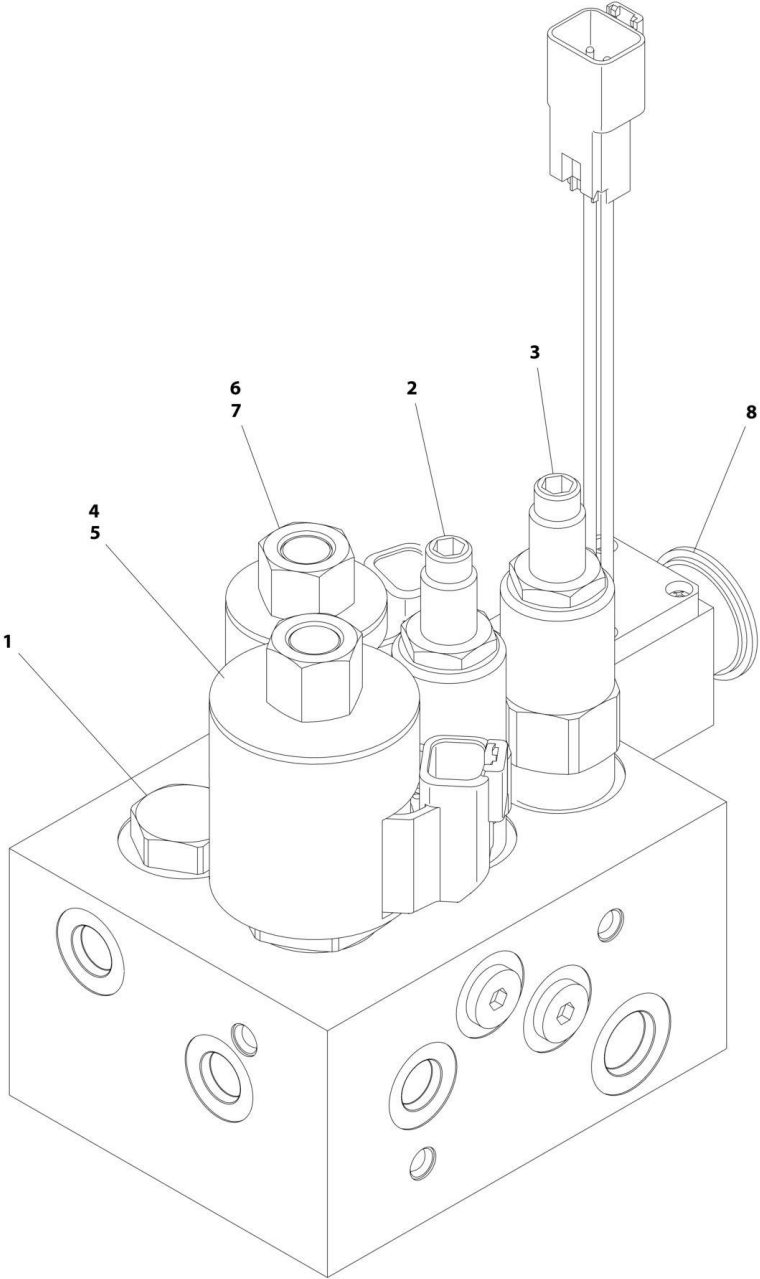
SECTION 1 - FRAME

FIGURE 1-3. CONTROL VALVES INSTALLATION - FRAME

ITEM	PART NUMBER	QTY	DESCRIPTION	REV
	1001167238	Ref	CONTROL VALVES INSTALLATION - FRAME	I
1	0100011	AR	Compound, Locking	
5	0700815	1	Bolt M8 x 35	
7	1320159	1	Clamp	
15	4811900	5	Washer M8	
19	5250810	14	Bolt M8 x 20	
31	1001165144	1	Oscillating Axle Valve Assembly (See Separate Breakdown in this Section)	

SECTION 1 - FRAME

FIGURE 1-4. OSCILLATING AXLE VALVE ASSEMBLY



ART_1001165144

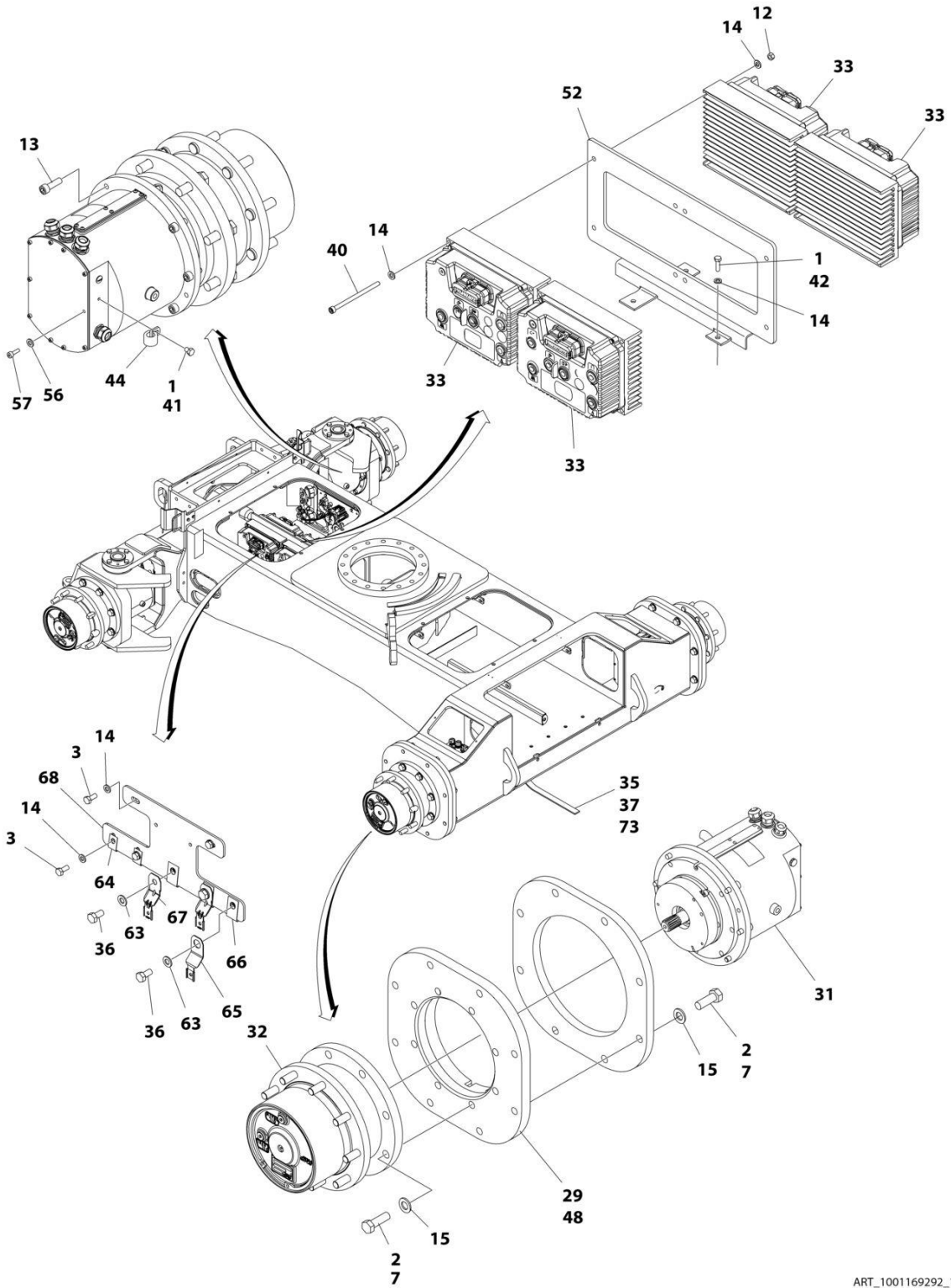
SECTION 1 - FRAME

FIGURE 1-4. OSCILLATING AXLE VALVE ASSEMBLY

ITEM	PART NUMBER	QTY	DESCRIPTION	REV
	1001165144	Ref	OSCILLATING AXLE VALVE ASSEMBLY	D
1	4641129	1	Cartridge, Check Valve	
1	7012540	1	Seal Kit - 4641129 Valve	
2	70004787	1	Cartridge, Valve	
2	7021653	1	Seal Kit - 70004787 Valve	
3	70004788	1	Cartridge, Relief Valve	
3	7012998	1	Seal Kit - 70004788 Valve	
4	7017455	1	Cartridge, Valve Less Coil (Primary Axle Release)	
4	7017463	1	Seal Kit - 7017455 Valve	
5	70050516	1	Coil	
6	7017408	1	Cartridge, Valve Less Coil (Secondary Axle Release)	
6	7012907	1	Seal Kit - 7017408 Valve	
7	70002963	1	Coil	
8	70004789	1	Switch, Pressure	

SECTION 1 - FRAME

FIGURE 1-5. DRIVE INSTALLATION



ART_1001169292_10F2

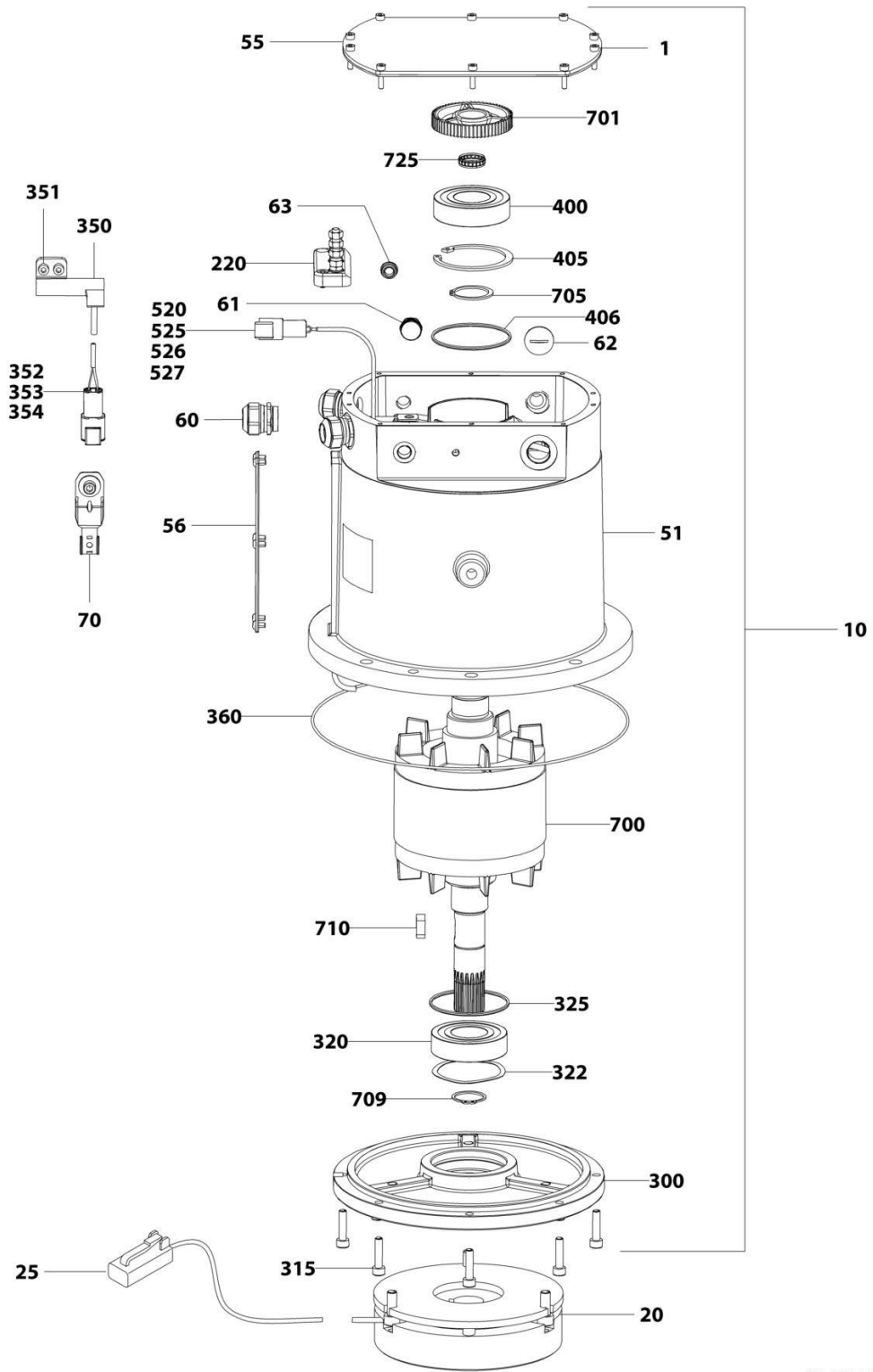
SECTION 1 - FRAME

FIGURE 1-5. DRIVE INSTALLATION

ITEM	PART NUMBER	QTY	DESCRIPTION	REV
	1001169292	Ref	DRIVE INSTALLATION	S
1	0100011	AR	Compound, Locking	
2	0100019	AR	Compound, Locking	
3	0760607	2	Bolt M6 x 14	
7	0771618	48	Bolt M16 x 50	
12	3290601	8	Nut M6	
13	4032009	24	Capscrew M10 x 25	
14	4811700	30	Washer M6	
15	5241600	48	Washer M16	
29	1001168400	2	Flange	
31	1001169683	4	Drive Motor Assembly (See Separate Breakdown in this Section)	
32	1001242519	4	Drive Hub Assembly (See Separate Breakdown in this Section)	
33	1001170140	4	Module, Drive	
35	4240084	1	Strap, Anti-Static	
36	0760808	AR	Bolt M8 x 16	
37	4811902	1	Washer M8	
40	5271723	8	Capscrew M6 x 100	
41	0760605	4	Bolt M6 X 10	
42	0760610	4	Bolt M6 x 20	
44	1320041	2	Clamp	
48	3020039	AR	Lubricant	
52	1001179948	1	Plate, Mounting	
56	4811400	1	Washer M4	
57	4031507	1	Capscrew M4 x 16	
63	4811900	5	Washer M8	
64	1001130220	6	Nut, Tinnerman M6	
65	1001141581	1	Mount, Connector	
66	1001149160	3	Nut, Tinnerman M8	
67	1001155743	2	Holder	
68	1001197294	1	Plate	
73	4191707	1	Screw M6 x 16	

SECTION 1 - FRAME

FIGURE 1-6. DRIVE MOTOR ASSEMBLY



ART_1001169683

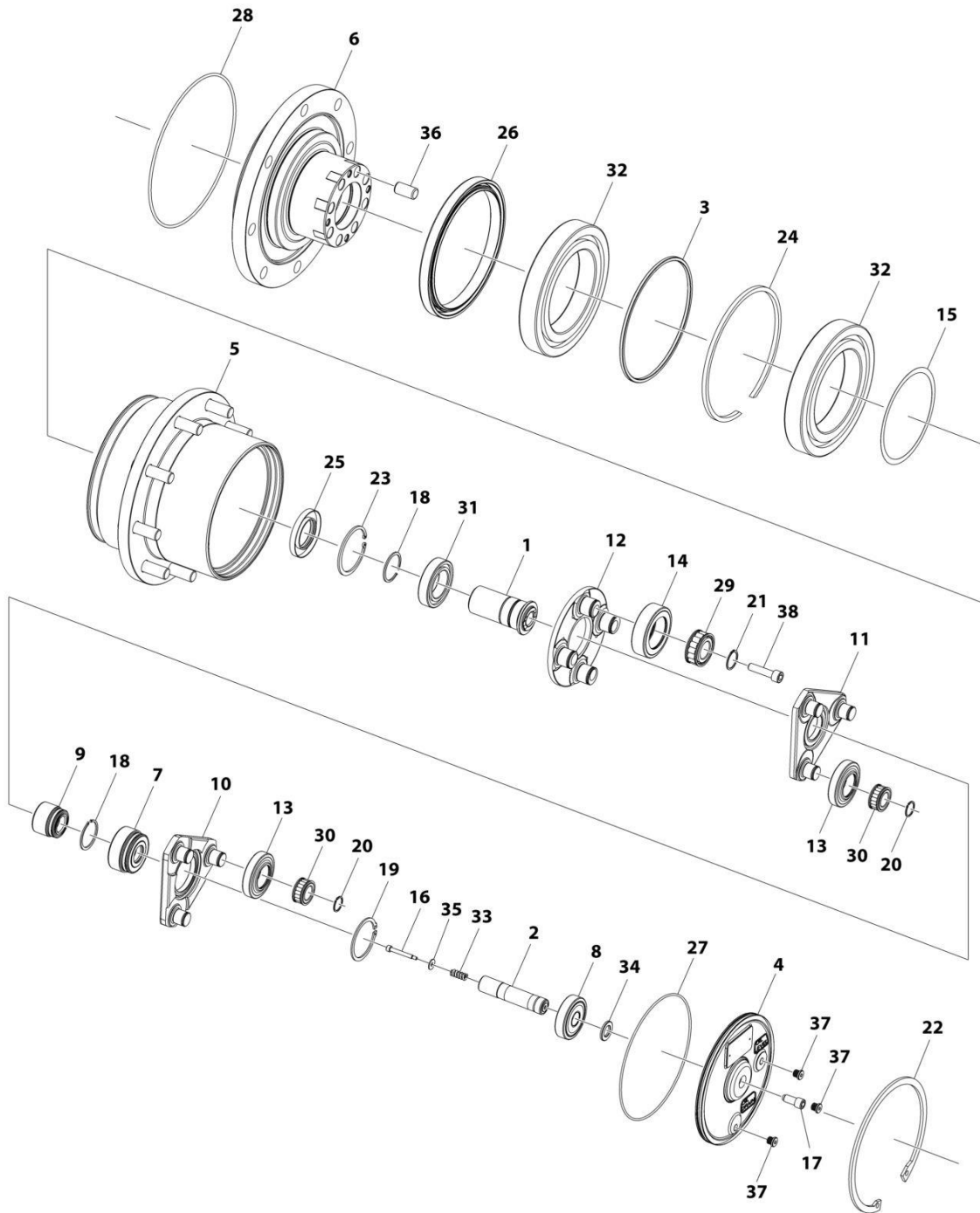
SECTION 1 - FRAME

FIGURE 1-6. DRIVE MOTOR ASSEMBLY

ITEM	PART NUMBER	QTY	DESCRIPTION	REV
	1001169683	Ref	DRIVE MOTOR ASSEMBLY	H
1	4031507	10	Capscrew M4 x 16	
10	70004797	1	Motor, Replacement without Brake (Includes Items 51-63, 220-325 & 360-725)	
20	70004798	1	Brake Assembly	
25	4461290	1	Plug, Male - 2 Position	
25	4460516	1	Pin, Male	
51	See Note	1	Stator (Note: Not Available - Use p/n 70004797)	
55	70004799	1	Cover, End	
56	70004800	1	Cover, Access	
60	70004801	4	Connector, Strain Relief	
61	70004802	1	Plug, Pressure	
62	70004803	1	Plug	
63	70004804	1	Plug	
70	70004805	3	Clip, Mounting	
220	70004806	1	Board, Terminal	
300	70004807	1	Cap, End	
315	70004808	6	Capscrew M6 x 25	
320	70004809	1	Bearing, Ball	
322	70004810	1	Washer, Wavy	
325	70004811	1	O-Ring	
350	70004812	1	Sensor, Speed	
351	70004813	2	Capscrew M5 x 16	
352	4460516	4	Pin, Male	
353	See Note	1	Lock, Wedge (Note: Include in Item 354 - Use p/n 4461076)	
354	4461076	1	Receptacle, Female - 4 Position	
360	70004814	1	O-Ring	
400	70004809	1	Bearing, Ball	
405	70004815	1	Circle-Clip	
406	70004811	1	O-Ring	
520	70004816	1	Sensor, Temperature	
525	4460516	1	Pin, Male	
526	See Note	1	Lock, Wedge (Note: Included with Item 527 - Use p/n 70004827)	
527	70004827	1	Receptacle, Female - 2 Position	
700	70004817	1	Armature	
701	70004818	1	Wheel, Sensor	
705	70004819	1	Circle-Clip	
709	70004820	1	Circle-Clip	
710	70004821	1	Key	
725	70004822	1	Ring, Tolerance	

SECTION 1 - FRAME

FIGURE 1-7. DRIVE HUB ASSEMBLY



ART_1001242519

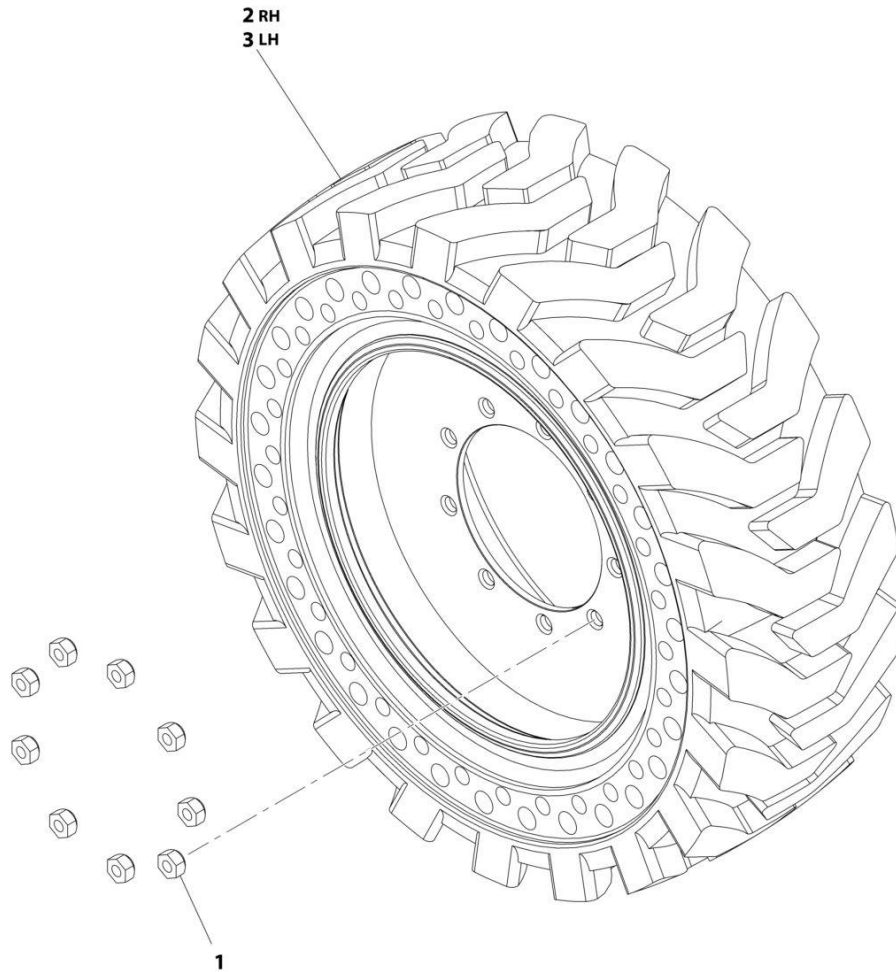
SECTION 1 - FRAME

FIGURE 1-7. DRIVE HUB ASSEMBLY

ITEM	PART NUMBER	QTY	DESCRIPTION	REV
	1001242519	Ref	HUB ASSEMBLY	A
1	70005063	1	Shaft, Input	
2	70005062	1	Shaft, Internal	
3	70007221	1	Spacer	
4	70007220	1	Cover	
5	See Note	NSS	Body, Wheel	
6	70007219	1	Spindle	
7	70007218	1	Sun Gear (Intermediate Stage)	
8	70007217	1	Sun Gear (Fast Stage)	
9	70007216	1	Sun Gear (Power Stage)	
10	70007215	1	Carrier (Fast Stage)	
11	70007214	1	Carrier (Intermediate Stage)	
12	70007213	1	Carrier (Power Stage)	
13	70007212	6	Planet Gear (Fast Stage)	
14	70007211	4	Planet Gear (Power Stage)	
15	70005047	1	Shim	
16	70005045	1	Screw M4	
17	70005044	1	Screw M10 x 1	
18	70005043	2	Ring, Retaining	
19	70005042	1	Ring, Retaining	
20	70005041	6	Ring, Retaining	
21	70005040	4	Ring, Retaining	
22	70005038	1	Ring, Retaining	
23	70005037	1	Ring, Retaining	
24	70007210	1	Ring, Retaining	
25	70005035	1	Seal	
26	70007209	1	Seal	
27	70005032	1	O-Ring	
28	70005031	1	O-Ring	
29	70005029	4	Bearing, Roller	
30	70005028	6	Bearing, Roller	
31	70005027	1	Bearing, Ball	
32	70007208	2	Bearing, Ball	
33	70005025	1	Spring	
34	70005024	1	Washer	
35	70005022	1	Washer M5	
36	70005560	8	Pin	
37	70005020	3	Plug M10	
38	70005019	4	Capscrew M10 x 40	

SECTION 1 - FRAME

FIGURE 1-8. TIRE AND WHEEL INSTALLATION - 7X18 SOLID



ART_100118641

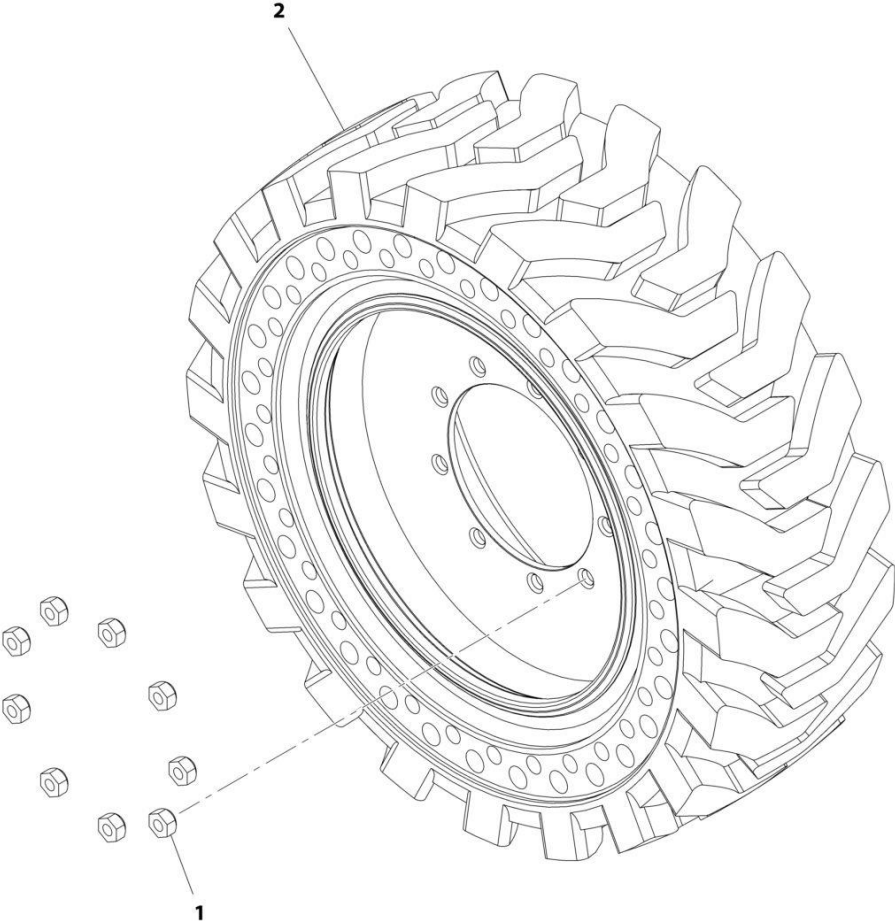
SECTION 1 - FRAME

FIGURE 1-8. TIRE AND WHEEL INSTALLATION - 7X18 SOLID

ITEM	PART NUMBER	QTY	DESCRIPTION	REV
	1001118641	Ref	TIRE AND WHEEL INSTALLATION - 7X18 SOLID	C
		Ref	Note: Due to critical stability weights, only replace tire and wheel assemblies with like components.	
1	3300106	36	Lugnut (9 per Wheel)	
2	1001118649	2	Tire and Wheel Assembly - 7 x 18 Solid Right Side (Note: No Serviceable Parts - Replace Complete Sets per Axle)	
3	1001121678	2	Tire and Wheel Assembly - 7 x 18 Solid Left Side (Note: No Serviceable Parts - Replace Complete Sets per Axle)	

SECTION 1 - FRAME

FIGURE 1-9. TIRE AND WHEEL INSTALLATION - 7X18 SOLID NON-MARKING



ART_100118644

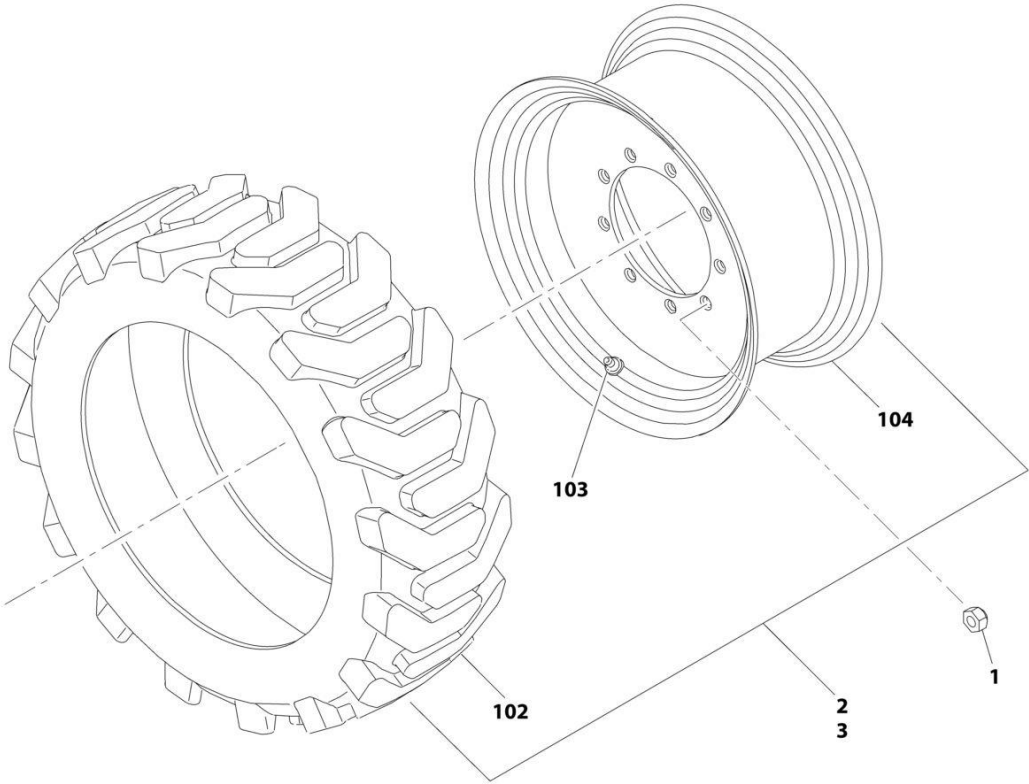
SECTION 1 - FRAME

FIGURE 1-9. TIRE AND WHEEL INSTALLATION - 7X18 SOLID NON-MARKING

ITEM	PART NUMBER	QTY	DESCRIPTION	REV
	1001118644	Ref	TIRE AND WHEEL INSTALLATION - 7X18 SOLID NON-MARKING	C
		Ref	Note: Due to critical stability weights, only replace tire and wheel assemblies with like components.	
1	3300106	36	Lugnut (9 per Wheel)	
2	1001118654	2	Tire and Wheel Assembly - 7 x 18 Solid (RH) (Note: No Serviceable Parts - Replace Complete Sets per Axle)	
2	1001121672	2	Tire and Wheel Assembly - 7 x 18 Solid (LH) (Note: No Serviceable Parts - Replace Complete Sets per Axle)	

SECTION 1 - FRAME

FIGURE 1-10. TIRE AND WHEEL INSTALLATION - 9X20 FOAM-FILLED



ART_1001115773

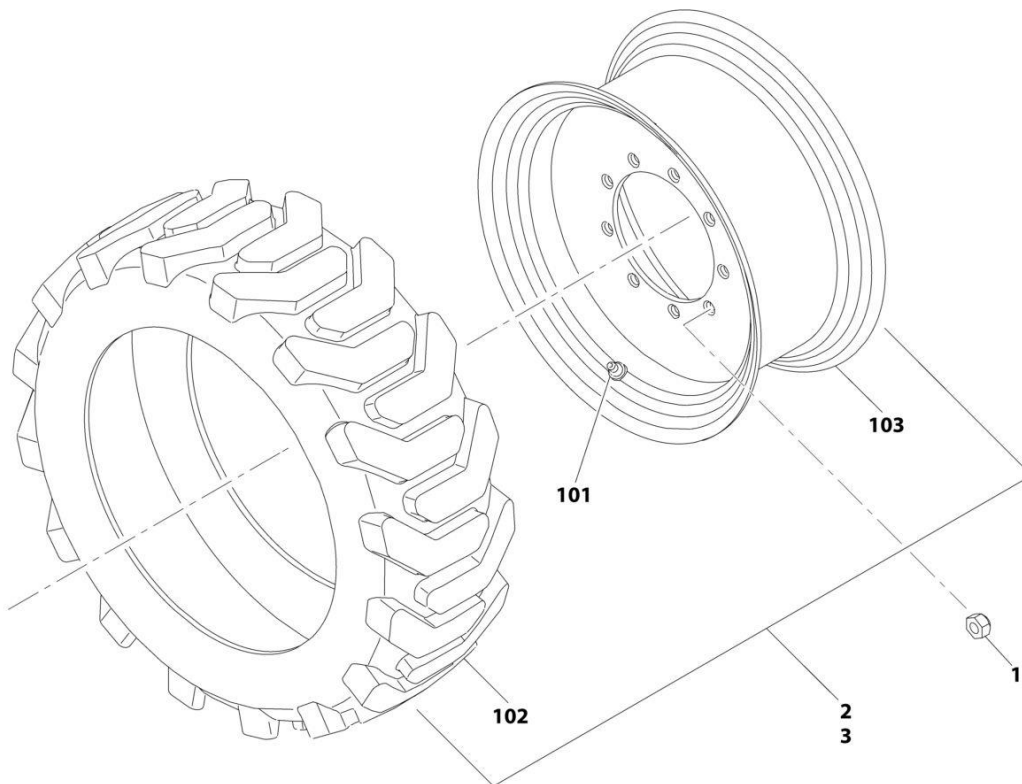
SECTION 1 - FRAME

FIGURE 1-10. TIRE AND WHEEL INSTALLATION - 9X20 FOAM-FILLED

ITEM	PART NUMBER	QTY	DESCRIPTION	REV
	1001115773	Ref	TIRE AND WHEEL INSTALLATION - 9X20 FOAM-FILLED	B
		Ref	Note: Due to critical stability weights, only replace tire and wheel assemblies with like components.	
1	3300106	36	Lugnut (9 per Wheel)	
2	1001117131	2	Tire and Wheel Assembly - 9 x 20 Foam-Filled Left Side	E
3	1001117132	2	Tire and Wheel Assembly - 9 x 20 Foam-Filled Right Side	D
		Ref	Note: Assemblies may require ballast/foam filling to manufacture's specifications prior to installing on a machine. Refer to Operation and Safety or Service and Maintenance Manuals. Purchase individual tire and/or rim only if able to foam fill tire and wheel assembly, otherwise, purchase complete assembly.	
102	4520605	4	Tire - IN265/50D20	
103	4640113	4	Valve, Air	
104	1001117129	4	Rim for 20 x 9 (Use with IN265/50D20 Tires)	

SECTION 1 - FRAME

FIGURE 1-11. TIRE AND WHEEL INSTALLATION - 9X20 FOAM-FILLED NON-MARKING



ART_100118642

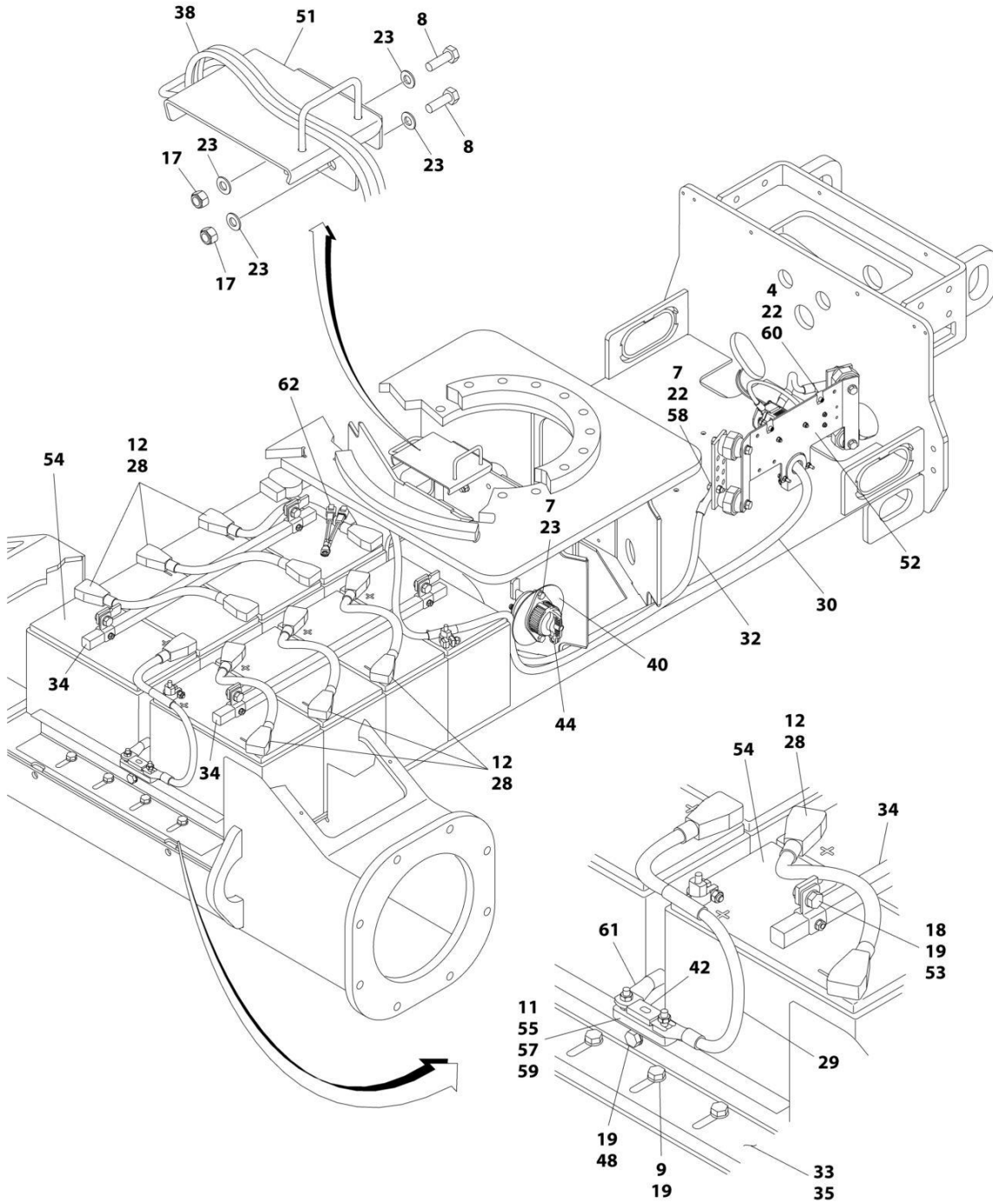
SECTION 1 - FRAME

FIGURE 1-11. TIRE AND WHEEL INSTALLATION - 9X20 FOAM-FILLED NON-MARKING

ITEM	PART NUMBER	QTY	DESCRIPTION	REV
	1001118642	Ref	TIRE AND WHEEL INSTALLATION - 9X20 FOAM-FILLED NON-MARKING	B
		Ref	Note: Due to critical stability weights, only replace tire and wheel assemblies with like components.	
1	3300106	36	Lugnut (9 per Wheel)	
2	1001118650	2	Tire and Wheel Assembly - 9 x 20 Foam-Filled Non-Marking Right Side	D
3	1001118651	2	Tire and Wheel Assembly - 9 x 20 Foam-Filled Non-Marking Left Side	D
		Ref	Note: Assemblies may require ballast/foam filling to manufacturer's specifications prior to installing on a machine. Refer to Operation and Safety or Service and Maintenance Manuals. Purchase individual tire and/or rim only if able to foam fill tire and wheel assembly, otherwise, purchase complete assembly.	
101	4640113	4	Valve, Air	
102	1001118660	4	Tire - IN265/50D20 Non-Marking	
103	1001117129	4	Rim for 20 x 9 (Use with IN265/50D20 Tires)	

SECTION 1 - FRAME

FIGURE 1-12. BATTERIES INSTALLATION



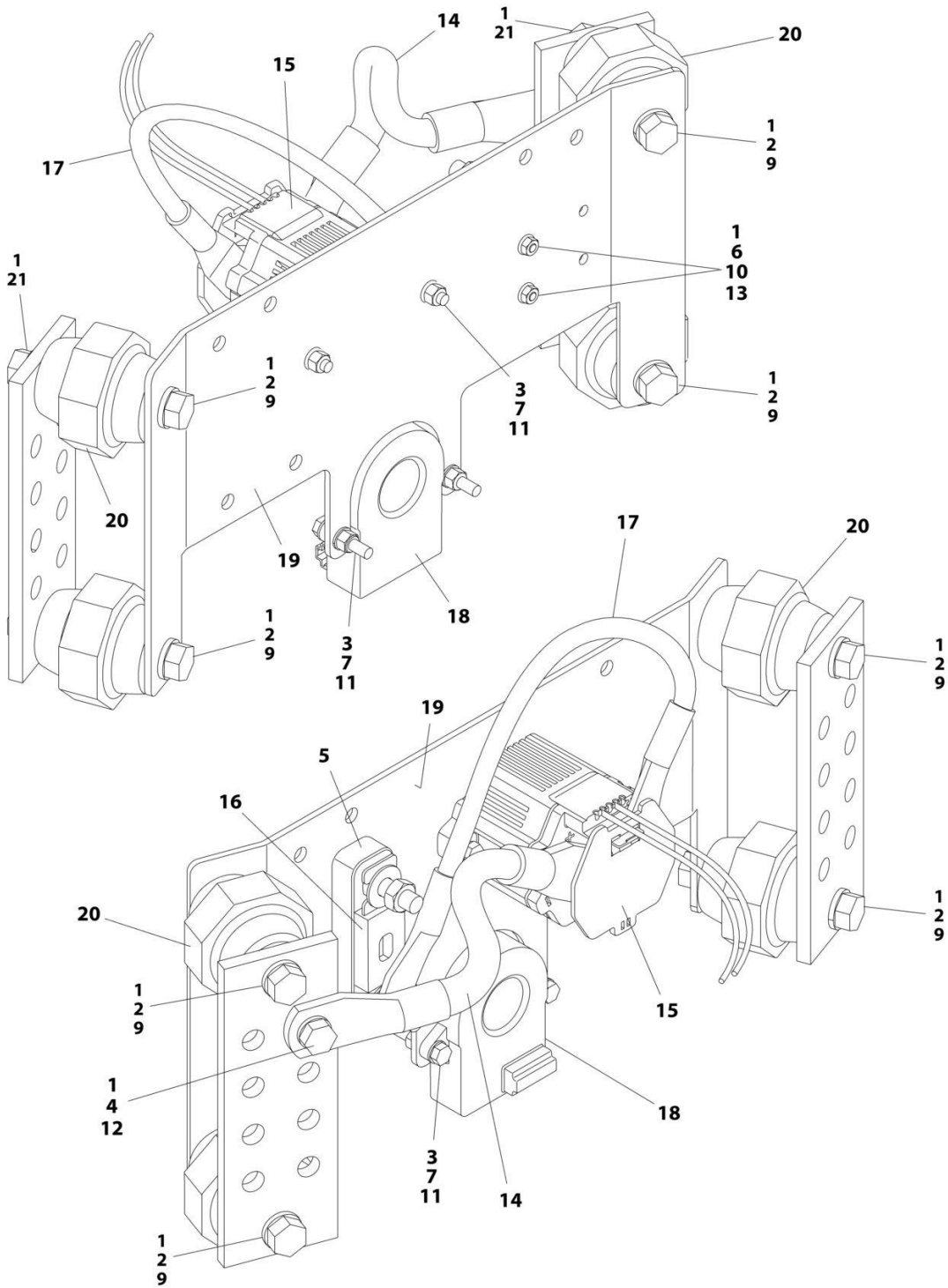
ART_1001162045

FIGURE 1-12. BATTERIES INSTALLATION

ITEM	PART NUMBER	QTY	DESCRIPTION	REV
	1001162045	Ref	BATTERIES INSTALLATION	K
4	0700610	2	Bolt M6 x 20	
7	0760808	4	Bolt M8 x 16	
8	0760812	2	Bolt M8 x 25	
9	0761010	4	Bolt M10 x 20	
11	2400044	1	Block, Fuse Mounting	
12	0100051	AR	Grease, Terminal	
17	3290805	2	Nut M8	
18	3291005	4	Nut M10	
19	4812000	13	Washer M10	
22	4811700	2	Washer M6	
23	4811900	6	Washer M8	
28	1001161935	6	Cable, Battery (Battery – to Battery +)	
29	1001161936	1	Cable, Battery (Battery + to Fuse)	
30	1001161937	1	Cable, Battery (Fuse to Contactor)	
32	1001161947	1	Cable, Battery (Battery – to Bussbar)	
33	1001162046	1	Support, Stop	
34	1001162047	2	Holddown Assembly - Battery	
34	1001162048	2	Rod, Holddown (1 per Assembly)	
34	1001162049	4	Bracket, Holddown (2 per Assembly)	
35	1001162050	2	Liner, Tray	
38	1001167538	1	Harness, Battery Charger (See Separate Breakdown in ELECTRICAL Section)	
40	1001170102	1	Plate, Disconnect Cover	
42	1001170365	1	Fuse, 400 Amp	
44	1001170483	1	Switch, Battery Disconnect	
48	0761020	1	Bolt M10 x 60	
51	1001171777	1	Mount, Cable Routing	
52	1001184133	1	Electrical Plate Assembly (See Separate Breakdown in this Section)	
53	0761012	4	Bolt M10 x 25	
54	0400209	8	Battery	
55	3290401	2	Nut M4	
57	4811400	2	Washer M4	
58	4831900	2	Washer M8	
59	8310612	2	Screw M4 x 20	
60	1001130220	2	Nut, Tinnerman M6	
61	1001184022	1	Cable, Battery (Fuse to Disconnect)	
62	1001225131	2	Harness, Temp Sensor	
62	1001102771	1	Sensor, Temperature	
62	4460897	1	Connector - 2 Position	
62	4460464	2	Pin, Male	

SECTION 1 - FRAME

FIGURE 1-13. ELECTRICAL PLATE ASSEMBLY



ART_1001184133

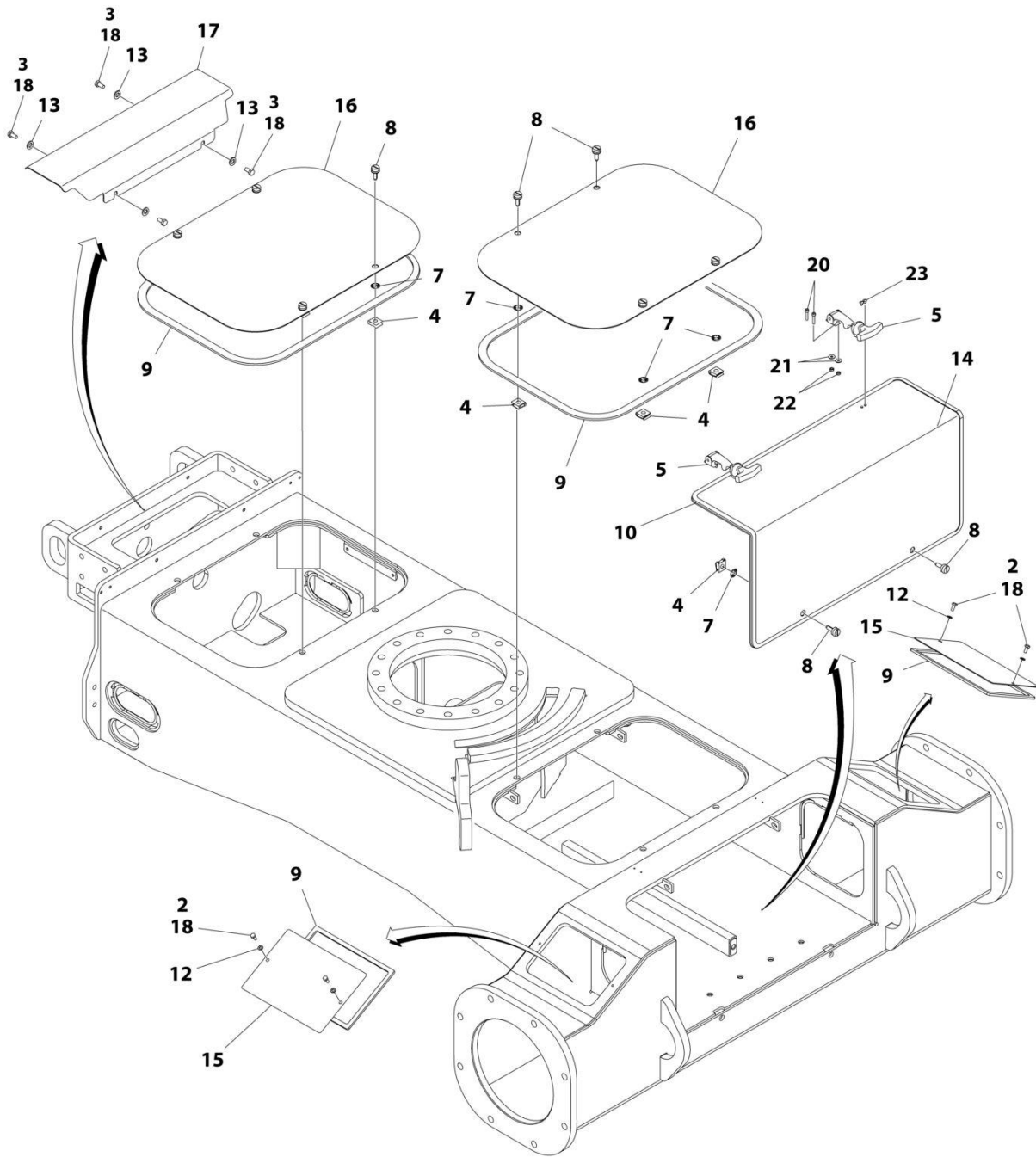
SECTION 1 - FRAME

FIGURE 1-13. ELECTRICAL PLATE ASSEMBLY

ITEM	PART NUMBER	QTY	DESCRIPTION	REV
	1001184133	Ref	ELECTRICAL PLATE ASSEMBLY	H
1	0100011	AR	Compound, Locking	
2	0641606	8	Bolt 3/8-16 x 3/4	
3	0760512	4	Bolt M5 x 25	
4	0760808	1	Bolt M8 x 16	
5	2400044	1	Block, Fuse Mounting	
6	3290401	2	Nut M4	
7	3290505	4	Nut M5	
9	4761600	8	Washer 3/8	
10	4811400	2	Washer M4	
11	4811600	6	Washer M5	
12	4831900	1	Washer M8	
13	8310612	2	Screw M4 x 20	
14	1001161938	1	Cable, Battery (Fuse to Bussbar)	
15	1001272006	1	Contactor	
16	1001170484	1	Fuse 125 Amp	
17	1001170861	1	Cable, Battery (Contactor to Fuse)	
18	1001183548	1	Sensor, Current	
19	1001184135	1	Plate	
20	1001184137	2	Bussbar Assembly	
21	0641608	4	Bolt 3/8-16 x 1	

SECTION 1 - FRAME

FIGURE 1-14. FRAME SHIELDS INSTALLATION



ART_1001161872

SECTION 1 - FRAME

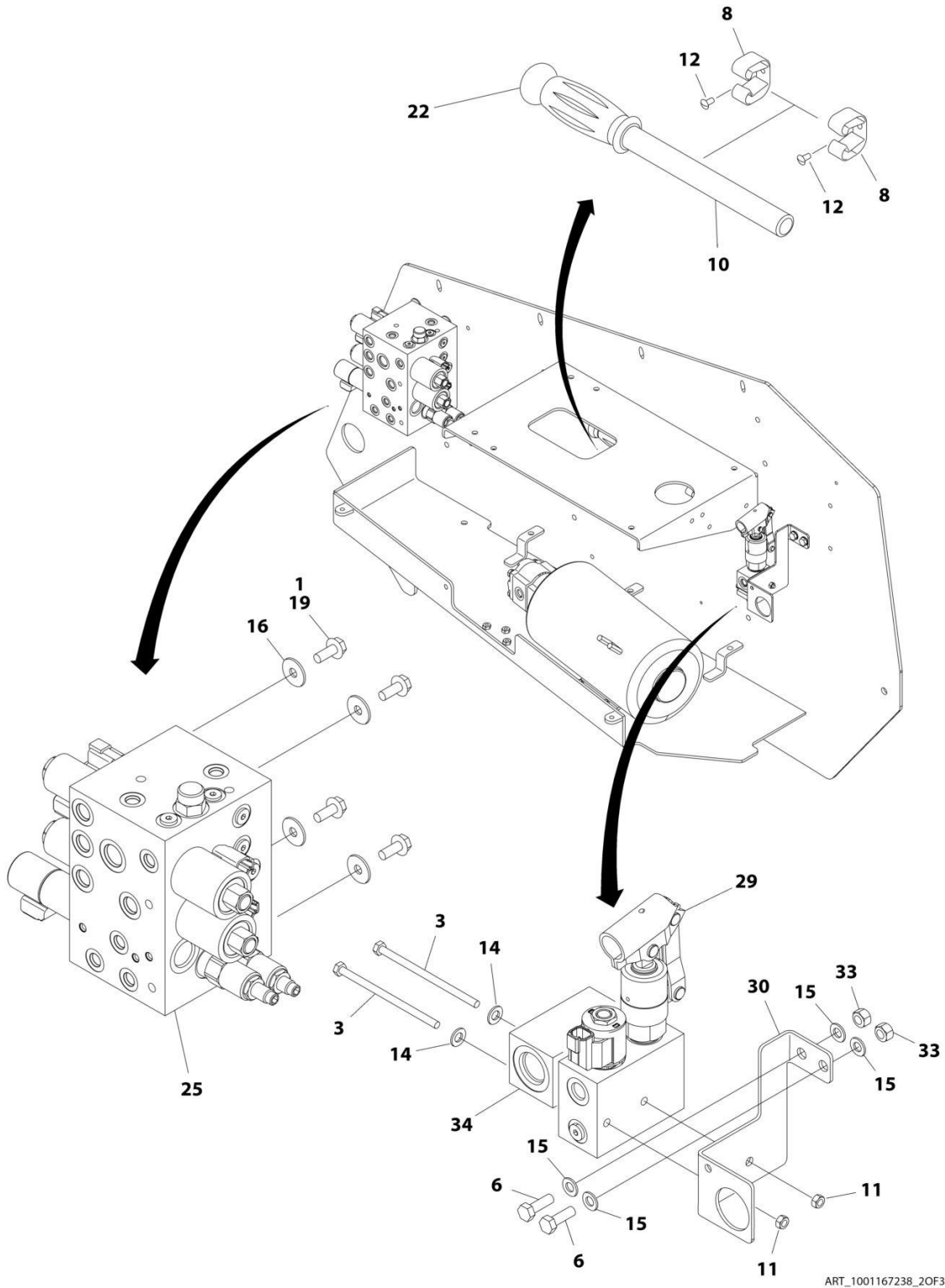
FIGURE 1-14. FRAME SHIELDS INSTALLATION

ITEM	PART NUMBER	QTY	DESCRIPTION	REV
	1001161872	Ref	FRAME SHIELDS INSTALLATION	E
2	0760607	4	Bolt M6 x 14	
3	0760808	4	Bolt M8 x 16	
4	1380138	10	Clip	
5	2940095	2	Latch, Rubber Tee	
7	3760308	10	Retainer	
8	3900174	10	Screw, Thumb	
9	1001113047	18.7 ft /5.7m	Seal	
10	3960447	7.8 ft /2.4m	Seal	
12	4811700	4	Washer M6	
13	4812000	4	Washer M10	
14	1001161873	1	Cover, Rear Axle	
15	1001161874	2	Cover, Rear Motor	
16	1001161876	2	Cover, Battery	
17	1001161878	1	Cover, Front Frame	
18	0100011	AR	Compound, Locking	
20	5271609	4	Capscrew M5 x 25	
21	4811602	4	Washer M5	
22	3290505	4	Nut M5	
23	3820019	4	Rivet	

SECTION 2 - TURNTABLE

SECTION 2 - TURNTABLE

FIGURE 2-1. CONTROL VALVE INSTALLATION - TURNTABLE



ART_1001167238_20F3

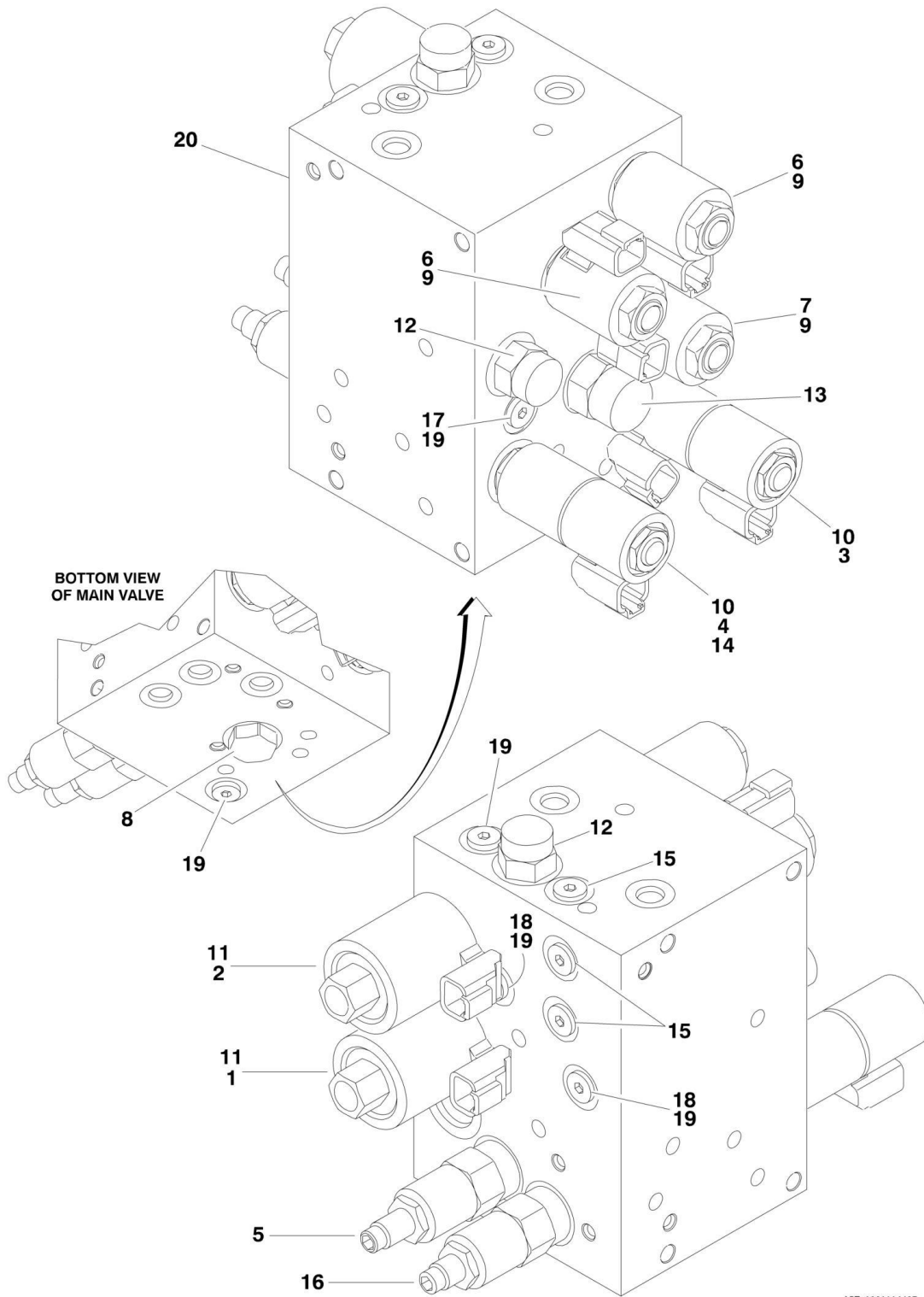
SECTION 2 - TURNTABLE

FIGURE 2-1. CONTROL VALVE INSTALLATION - TURNTABLE

ITEM	PART NUMBER	QTY	DESCRIPTION	REV
	1001167238	Ref	CONTROL VALVES INSTALLATION - TURNTABLE	I
1	0100011	AR	Compound, Locking	
3	0700628	2	Bolt M6 x 110	
6	0760812	2	Bolt M8 x 25	
8	1380136	2	Clip, Gripper	
10	2560122	1	Handle, Pump	
11	3290601	2	Nut M6	
12	3820020	2	Rivet	
14	4811700	2	Washer M6	
15	4811900	5	Washer M8	
16	4811902	4	Washer M8	
19	5250810	14	Bolt M8 x 20	
22	1001114761	1	Grip, Handle	
25	1001116487	1	Main Control Valve Assembly (See Separate Breakdown in this Section)	
29	1001210829	1	Manual Pump Assembly	
29	70005722	1	Cartridge, Hand Pump	
29	7017496	1	Seal Kit - Hand Pump	
29	7017467	1	Cartridge, Solenoid Valve Less Coil	
29	7012967	1	Seal Kit - Cartridge	
29	70002386	1	Coil	
30	1001162614	1	Bracket	
33	3290805	2	Nut M8	
34	1001183406	1	Valve, Junction	

SECTION 2 - TURNTABLE

FIGURE 2-2. MAIN CONTROL VALVE ASSEMBLY



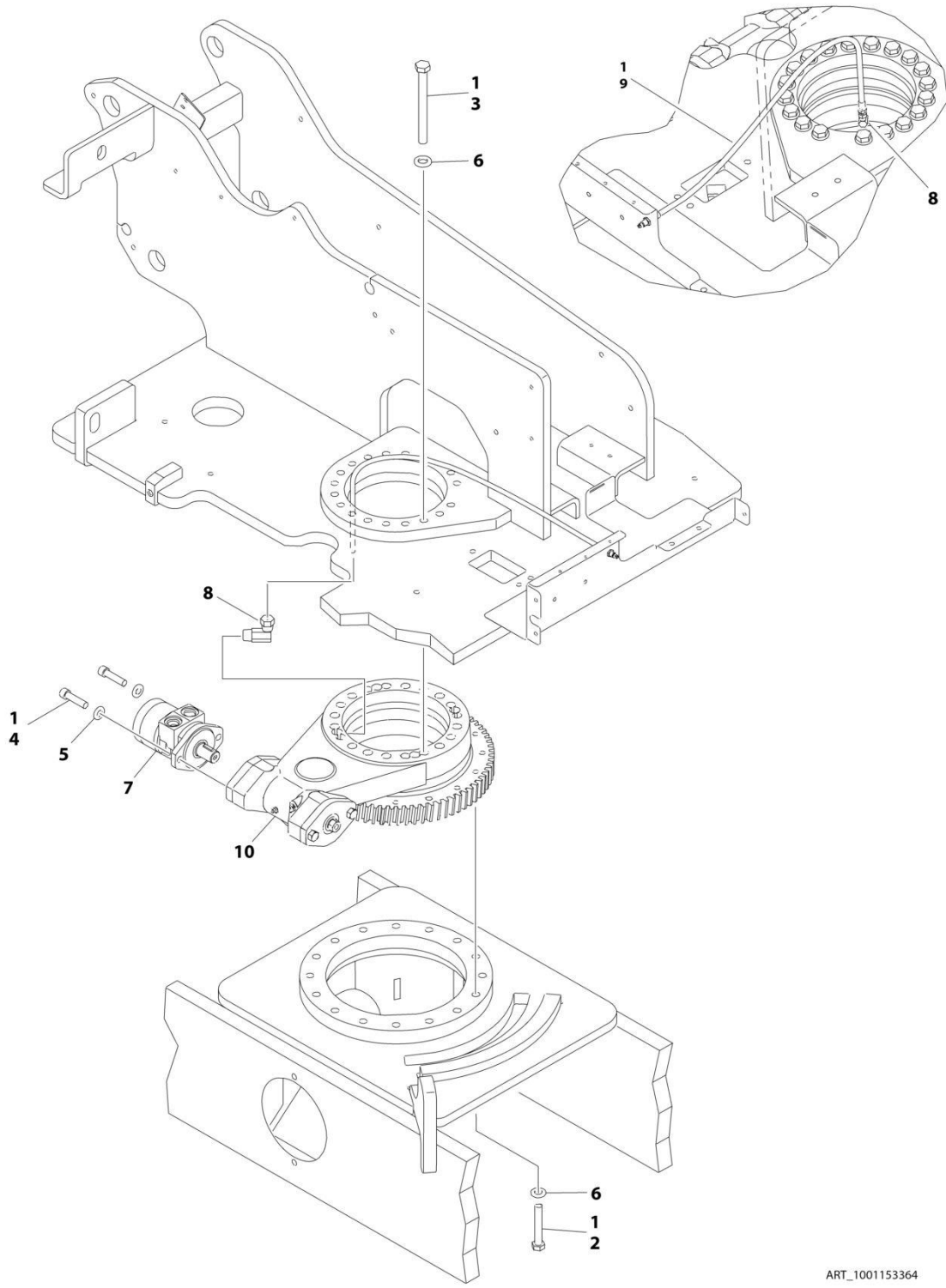
SECTION 2 - TURNTABLE

FIGURE 2-2. MAIN CONTROL VALVE ASSEMBLY

ITEM	PART NUMBER	QTY	DESCRIPTION	REV
	1001116487	Ref	MAIN VALVE ASSEMBLY	I
1	70002964	1	Cartridge, Solenoid Valve with Relief (without Coil)	
1	7017496	1	Seal Kit - 70002964 Cartridge	
2	70002965	1	Cartridge, Solenoid Valve with Relief (without Coil)	
2	7017496	1	Seal Kit - 70002965 Cartridge	
3	70002966	1	Cartridge, Solenoid Valve (without Coil) (Swing)	
3	70002967	1	Seal Kit - 70002966 Cartridge	
4	70002966	1	Cartridge, Solenoid Valve (without Coil) (Steer)	
4	70002967	1	Seal Kit - 70002966 Cartridge	
5	70002968	1	Cartridge, Relief Valve	
5	7012998	1	Seal Kit - 70002968 Cartridge	
6	70002969	2	Cartridge, Solenoid Valve (without Coil) (Upper and Lower Lift)	
6	7010543	2	Seal Kit - Cartridge	
7	70002970	1	Cartridge, Solenoid Valve (without Coil) (Flow Control)	
7	7010543	1	Seal Kit - 70002970 Cartridge	
8	10837580	1	Cartridge, Shuttle Valve	
8	7010543	1	Seal Kit - 108377580 Cartridge	
9	70002971	3	Coil	
10	70002386	4	Coil	
11	70003788	2	Coil	
12	70002972	2	Cartridge, Pressure Compensator Valve	
12	7010543	2	Seal Kit - 70002972 Cartridge	
13	70002973	1	Cartridge, Pressure Compensator Valve	
13	7010543	1	Seal Kit - 70002973 Cartridge	
14	70002974	1	Disc, Check Valve	
15	70003757	3	Cartridge, Check Valve	
15	70002976	3	Seal Kit - 70003757 Cartridges	
16	70002977	1	Cartridge, Crossover Relief	
16	7021653	1	Seal Kit - 70002977 Cartridge	
17	See Note	1	Orifice .060 (Note: Not Available for Purchase)	
18	See Note	2	Orifice .100 (Note: Not Available for Purchase)	
19	7017406	5	Plug	
20	See Note	1	Block (Note: Not Available for Purchase)	

SECTION 2 - TURNTABLE

FIGURE 2-3. SWING DRIVE INSTALLATION



ART_1001153364

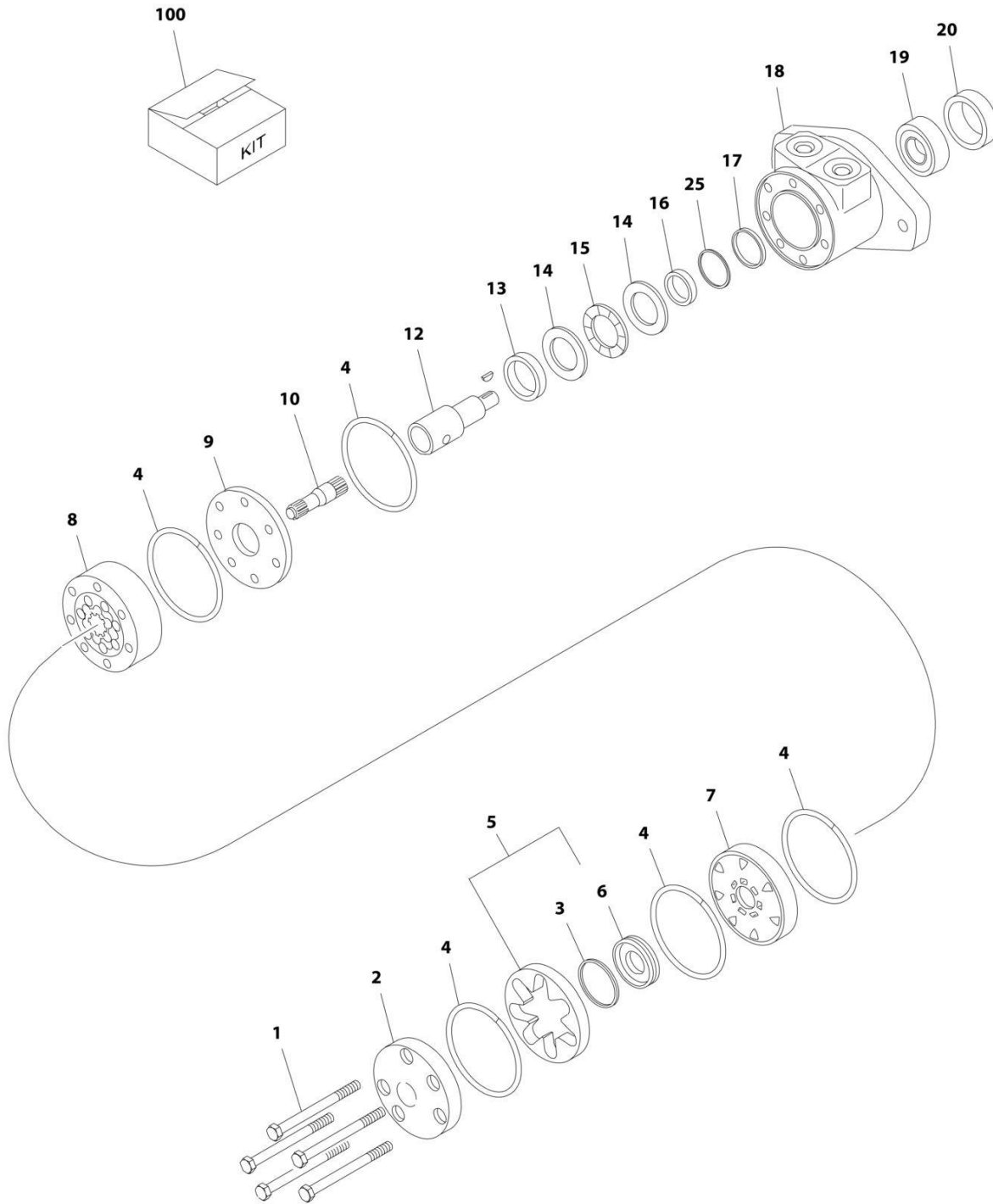
SECTION 2 - TURNTABLE

FIGURE 2-3. SWING DRIVE INSTALLATION

ITEM	PART NUMBER	QTY	DESCRIPTION	REV
	1001153364	Ref	SWING DRIVE INSTALLATION	C
1	0100019	AR	Compound, Locking	
2	0711426	16	Bolt M14 x 90 Grade 10.9	
3	0711432	19	Bolt M14 x 150 Grade 10.9	
4	3931832	2	Capscrew 1/2-13 x 2	
5	4740171	2	Washer 1/2	
6	5241400	2	Washer M14	
7	1001107781	1	Swing Motor Assembly (See Separate Breakdown in this Section)	
8	2220124	1	Fitting, Adapter NPT	
9	1001118961	1	Hose, Remote Grease Line (Includes Grease Fitting)	
10	1001153015	1	Swing Bearing and Rotation Box Assembly (See Separate Breakdown in this Section)	

SECTION 2 - TURNTABLE

FIGURE 2-4. SWING MOTOR ASSEMBLY



ART_1001107781

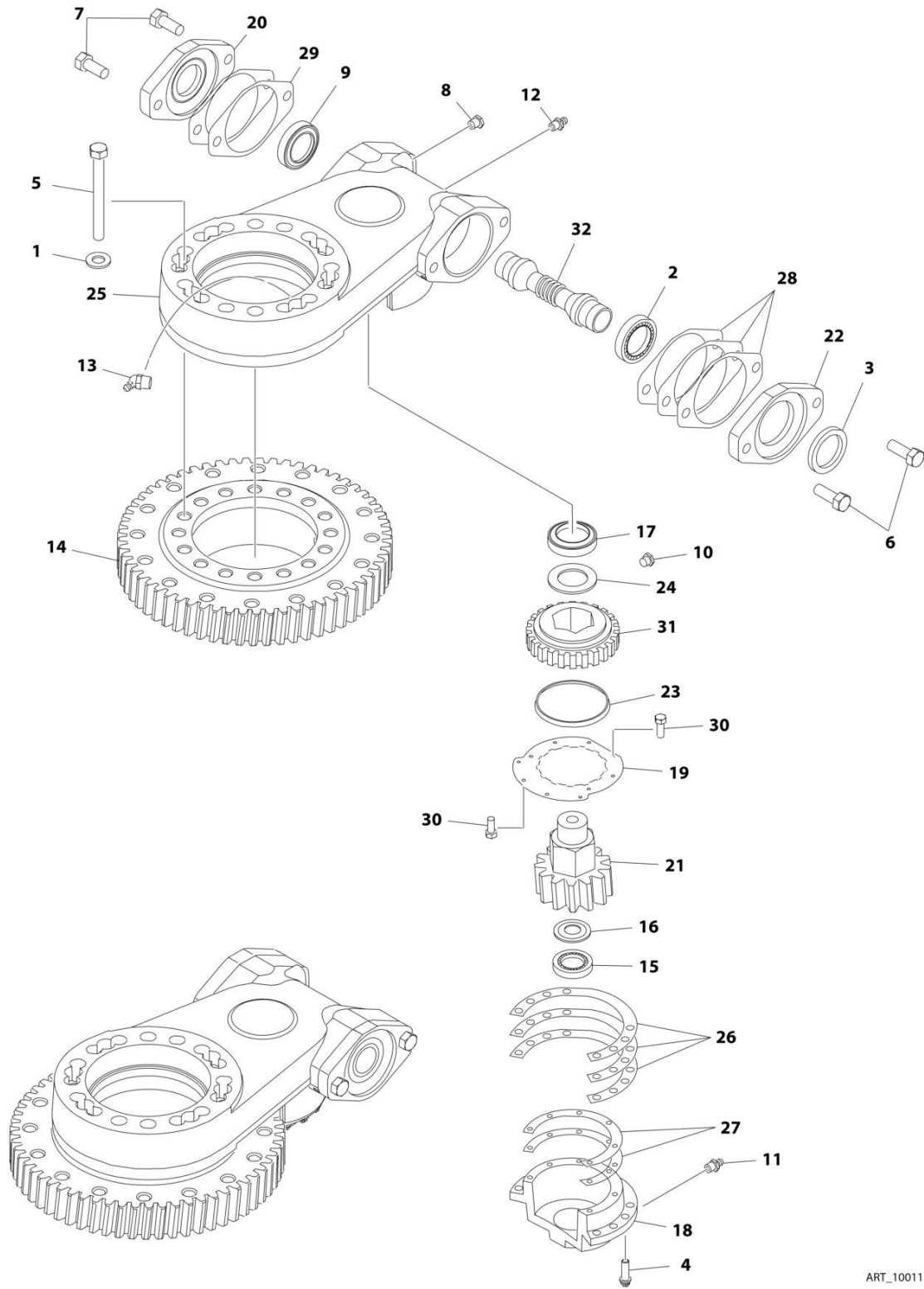
SECTION 2 - TURNTABLE

FIGURE 2-4. SWING MOTOR ASSEMBLY

ITEM	PART NUMBER	QTY	DESCRIPTION	REV
	1001107781	Ref	SWING MOTOR ASSEMBLY	A
1	70002311	5	Bolt	
2	7004035	1	Cover, End	
3	See Note	1	Seal, Commutator (Note: Use p/n 7024389)	
4	See Note	5	Seal, Ring (Note: Use p/n 7024389)	
5	7024453	1	Commutator and Ring Assembly	
6	See Note	1	Ring (Note: Use p/n 7024453)	
7	7024379	1	Manifold	
8	70002312	1	Rotor Set	
9	7024380	1	Plate, Wear	
10	70002313	1	Link, Drive	
12	70000088	1	Shaft, Coupling	
12	70000089	1	Key, Woodruff	
13	7024381	1	Bushing, Bronze	
14	7004043	2	Washer, Thrust	
15	7004044	1	Bearing, Thrust	
16	See Note	1	Seal, Inner (Note: Use p/n 7024389)	
17	See Note	1	Washer, Back-up (Note: Use p/n 7024389)	
18	See Note	1	Housing (Note: Not Available - Purchase Complete Assembly)	
19	7024390	1	Bearing	
20	See Note	1	Seal (Note: Use p/n 7024389)	
25	See Note	1	Washer, Back-up (Note: Use p/n 7024389)	
100	7024389	1	Seal Kit (Includes Items 3, 4, 16, 17, 20 & 25)	

SECTION 2 - TURNTABLE

FIGURE 2-5. SWING BEARING ASSEMBLY



ART_1001153015

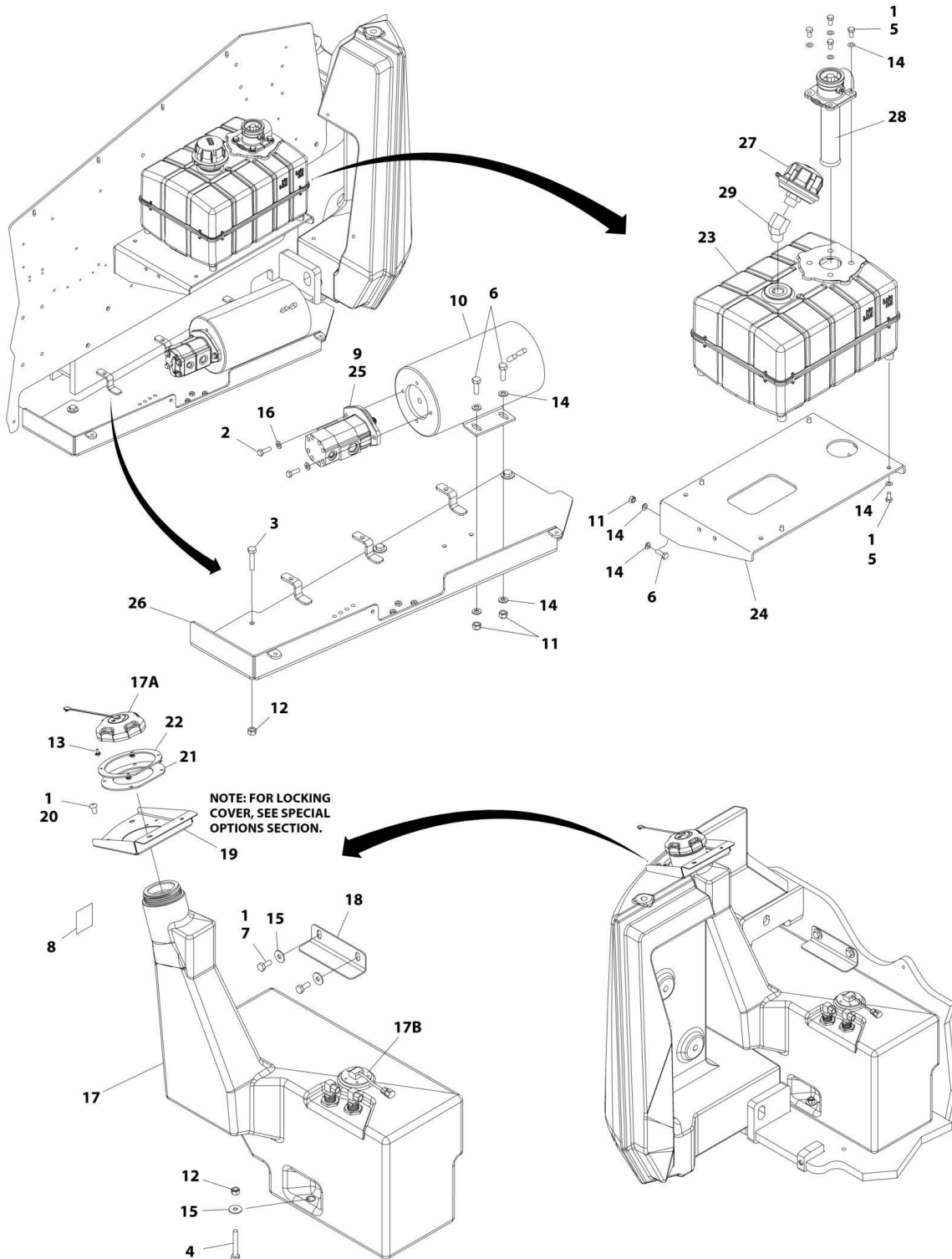
SECTION 2 - TURNTABLE

FIGURE 2-5. SWING BEARING ASSEMBLY

ITEM	PART NUMBER	QTY	DESCRIPTION	REV
	1001153015	Ref	SWING BEARING ASSEMBLY	B
1	7026041	2	Washer 5/16	
2	70002643	2	Cup, Bearing	
2	70002644	2	Cone, Bearing	
3	70002645	1	Seal	
4	70002646	8	Bolt 5/16 x 7/8	
5	70003138	2	Bolt 5/16 x 2-1/2	
6	70002647	2	Bolt 1/2 x 1	
7	70002648	2	Bolt 1/2 x 1-1/4	
8	70002649	1	Vent, Pressure	
9	70002650	1	Seal	
10	70003139	1	Plug 1/4	
11	70002651	1	Fitting, Grease 1/4	
12	70002652	1	Fitting, Grease 1/8 Straight	
13	7027359	1	Fitting, Grease 1/8 90	
14	1001160531	1	Turntable Bearing Kit (Includes Bearing and Hardware (was p/n 1001143932 & 70003140)	
15	70002656	1	Cup, Bearing	
15	70002657	1	Cone, Bearing	
16	70002658	1	Ring, Grease	
17	7026048	1	Cup, Bearing	
17	7026049	1	Cone, Bearing	
18	70002659	1	Cap, Gear	
19	70003141	1	Plate, Cover	
20	70002661	1	Cap, Worm	
21	70003142	1	Pinion, Output	
22	70002663	1	Adapter, Motor	
23	70002664	1	Seal, Face	
24	7026052	1	Spacer, Washer	
25	See Note	1	Housing (Note: Not Available - Purchase Complete Assembly)	
26	70002665	1	Shim .0075 Natural	
26	70002666	1	Shim .005 Blue	
26	70002667	1	Shim .003 Green	
27	70002668	1	Shim .005 Blue	
27	70002669	1	Shim .020 Yellow	
28	7027352	1	Gasket .010 Brown	
28	7027351	1	Gasket .0075 Clear	
28	7027350	1	Gasket .005 Blue	
29	7027353	1	Gasket .020 Yellow	
30	70000681	10	Bolt #6 x 3/8	
31	70002670	1	Gear, Worm	
32	70002671	1	Shaft, Worm	

SECTION 2 - TURNTABLE

FIGURE 2-6. TANKS AND PUMP ASSEMBLY



ART_1001169196

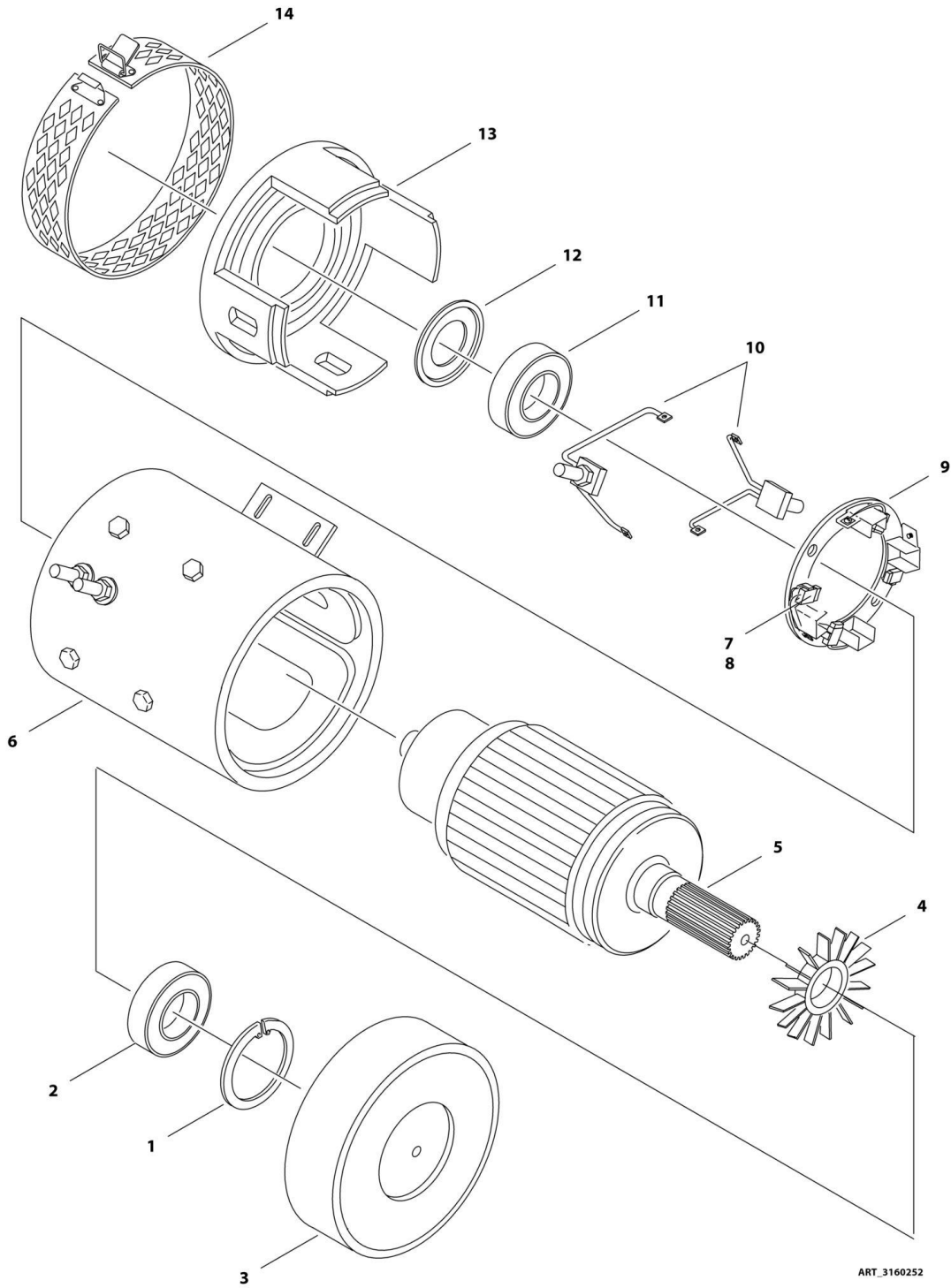
SECTION 2 - TURNTABLE

FIGURE 2-6. TANKS AND PUMP ASSEMBLY

ITEM	PART NUMBER	QTY	DESCRIPTION	REV
	1001169196	Ref	TANKS AND PUMP INSTALLATION	H
1	0100011	AR	Compound, Locking	
2	0700812	2	Bolt M8 x 25	
3	0701018	3	Bolt M10 x 50	
4	0701022	1	Bolt M10 x 70	
5	0760808	8	Bolt M8 x 16	
6	0760812	8	Bolt M8 x 25	
7	0761012	2	Bolt M10 x 25	
8	1701505	1	Decal - Diesel Fuel	
9	3020037	AR	Lubricant, Coupling	
10	3160252	1	Hydraulic Pump Motor Assembly (See Separate Breakdown in this Section)	
11	3290805	8	Nut M8	
12	3291005	4	Nut M10	
13	3820032	4	Rivet	
14	4811900	24	Washer M8	
15	4812002	9	Washer M10	
16	4891500	2	Washer 5/16	
17	1001117897	1	Fuel Tank Assembly (Note: Parts listed below are the only service parts available. For any other parts, source locally or purchase complete tank p/n 1001117897)	
17A	1001128798	1	Cap, Fill	
17B	1001118262	1	Sender (Includes Seal - Seal Not Sold Separately)	
17B	0721004	5	Screw #10-24 x 1/2	
18	1001118509	1	Support, Tank	
19	1001118510	1	Shield, Tank Neck	
20	1001119527	2	Screw M10 x 12	
21	1001128781	1	Seal, Tank Neck	
22	1001128782	1	Ring, Tank Neck	
23	1001162117	1	Tank, Hydraulic	
24	1001162748	1	Bracket, Tank	
25	1001205844	1	Hydraulic Pump Assembly (Note: Seal Kit is only replacement part. For all other components, replace complete assembly)	
25	70005818	1	Seal Kit - 1001205844 Pump	
26	1001169195	1	Shield	
27	1001178594	1	Filler/Air Breather Filter	
28	1001178731	1	Filter, Oil Return	
28	1001178595	1	Element, Filter	
29	1001205158	1	Fitting, 45 NPT	

SECTION 2 - TURNTABLE

FIGURE 2-7. HYDRAULIC PUMP MOTOR ASSEMBLY



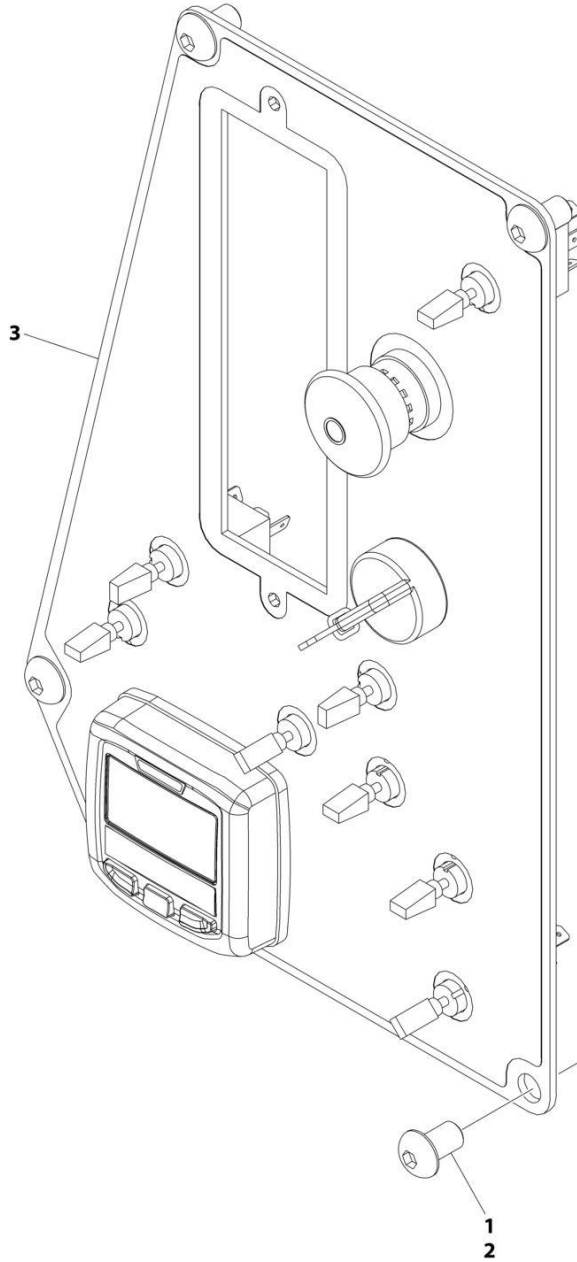
SECTION 2 - TURNTABLE

FIGURE 2-7. HYDRAULIC PUMP MOTOR ASSEMBLY

ITEM	PART NUMBER	QTY	DESCRIPTION	REV
	3160252	Ref	MOTOR ASSEMBLY	C
1	7020291	1	Ring, Retaining	
2	7020292	1	Bearing (Shaft End)	
3	7020293	1	Endhead, Shaft	
4	7020294	1	Fan	
5	7020295	1	Armature Assembly	
6	7020296	1	Field Coil/Case Kit	
7	7012548	8	Spring, Brush	
8	7020297	8	Brush	
9	7020298	1	Box Assembly - Brush	
10	7020299	1	Lead Kit, Brush Wire	
11	7012545	1	Bearing (Commutator End)	
12	7012549	1	Washer	
13	7023200	1	Endhead, Commutator	
14	7023272	1	Headband Assembly	

SECTION 2 - TURNTABLE

FIGURE 2-8. GROUND CONTROLS INSTALLATION - ALL SPECS EXCEPT CE & UK CA SPECS



ART_1001247069_B

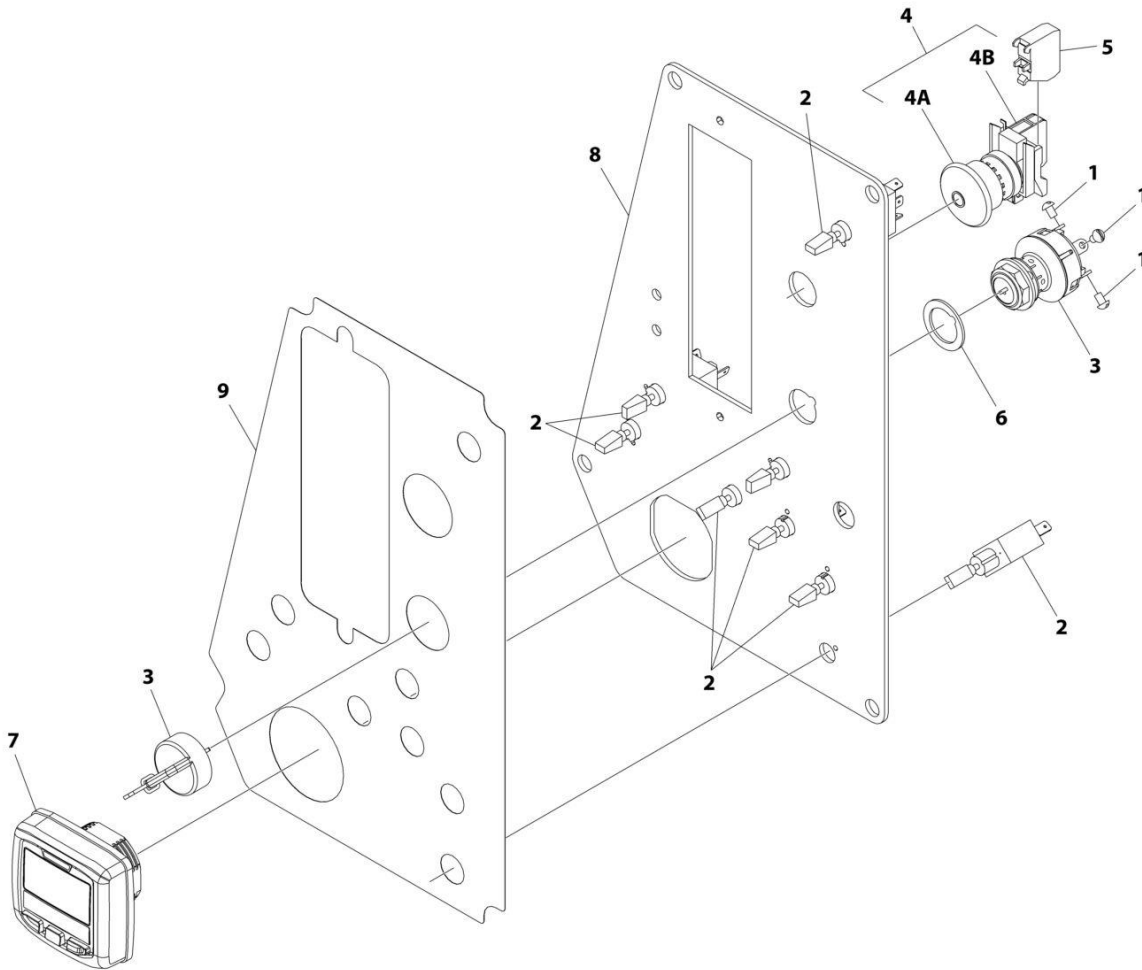
SECTION 2 - TURNTABLE

FIGURE 2-8. GROUND CONTROLS INSTALLATION - ALL SPECS EXCEPT CE & UK CA SPECS

ITEM	PART NUMBER	QTY	DESCRIPTION	REV
	1001247069	Ref	GROUND CONTROL PANEL INSTALLATION	B
1	0100011	AR	Compound, Locking	
2	1001119527	4	Screw M10 x 16	
3	1001266046	1	Ground Control Assembly (See Separate Breakdown in this Section)	

SECTION 2 - TURNTABLE

FIGURE 2-9. GROUND CONTROL BOX ASSEMBLY - DISPLAY WITH BUTTONS (ALL SPECS EXCEPT CE & UK CA SPECS)



ART_1001266046

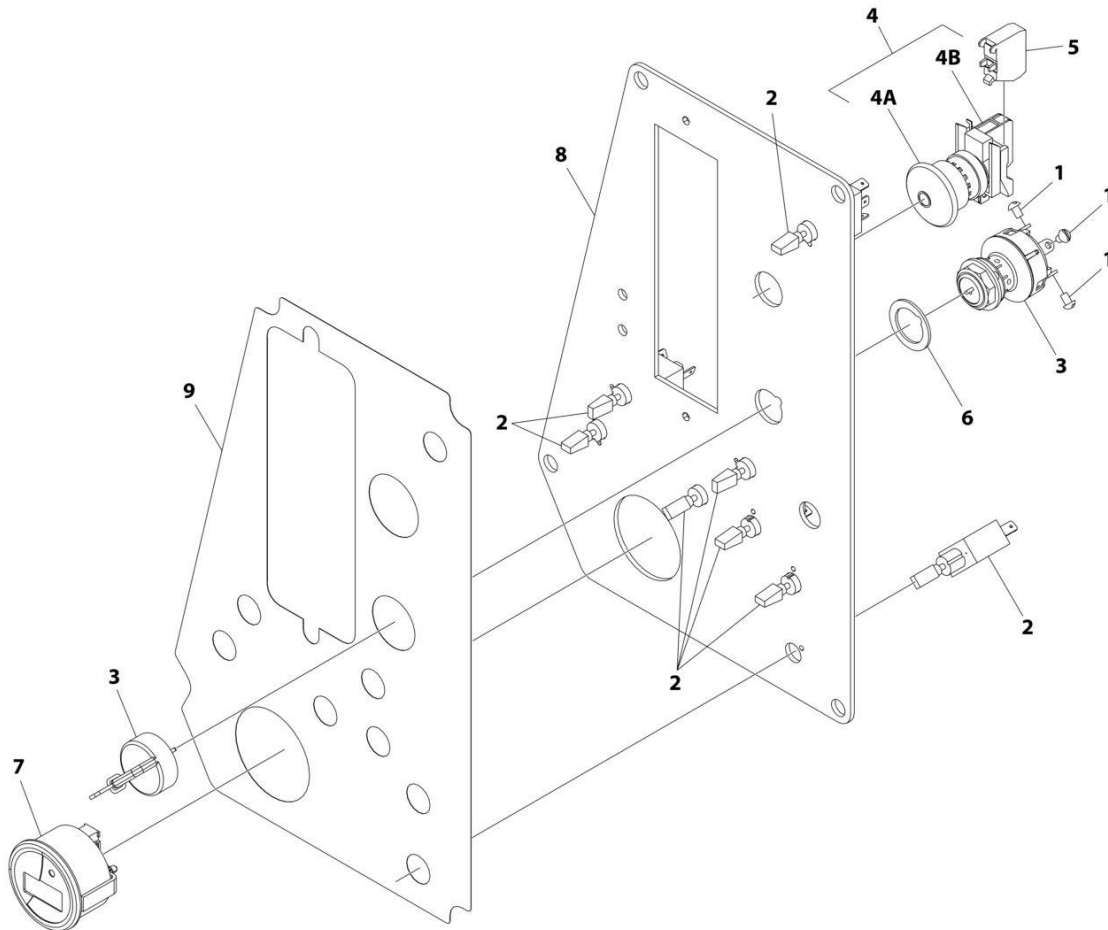
SECTION 2 - TURNTABLE

FIGURE 2-9. GROUND CONTROL BOX ASSEMBLY - DISPLAY WITH BUTTONS (ALL SPECS EXCEPT CE & UK CA SPECS)

ITEM	PART NUMBER	QTY	DESCRIPTION	REV
	1001266046	Ref	GROUND CONTROL ASSEMBLY	A
1	3910804	6	Screw #8-32 x 1/4	
2	4360328	8	Switch, Toggle	
3	4360469	1	Switch, Key	
3	2860030	1	Key, Replacement	
4	4360475	1	Switch, Emergency Stop	
4A	7020175	1	Cap	
4B	7020176	1	Block, Switch Contact	
5	4360476	1	Block, Switch Contact	
6	1001151393	1	Shim	
7	1001171482	1	Display	
8	1001266040	1	Panel	
9	1001266041	1	Decal - Ground Control	

SECTION 2 - TURNTABLE

FIGURE 2-10. GROUND CONTROL BOX ASSEMBLY - DISPLAY WITHOUT BUTTONS (ALL SPECS EXCEPT CE & UK CA SPECS)



ART_1001266046_B

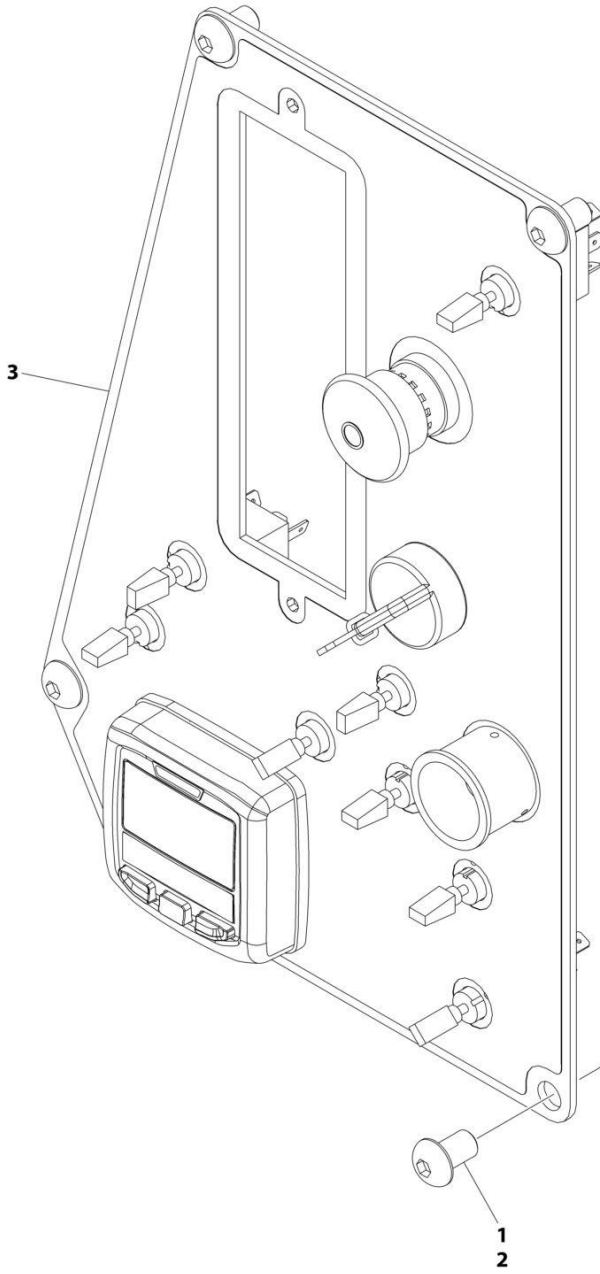
SECTION 2 - TURNTABLE

FIGURE 2-10. GROUND CONTROL BOX ASSEMBLY - DISPLAY WITHOUT BUTTONS (ALL SPECS EXCEPT CE & UK CA SPECS)

ITEM	PART NUMBER	QTY	DESCRIPTION	REV
	1001266046	Ref	GROUND CONTROL ASSEMBLY	B
1	3910804	6	Screw #8-32 x 1/4	
2	4360328	8	Switch, Toggle	
3	4360469	1	Switch, Key	
3	2860030	1	Key, Replacement	
4	4360475	1	Switch, Emergency Stop	
4A	7020175	1	Cap	
4B	7020176	1	Block, Switch Contact	
5	4360476	1	Block, Switch Contact	
6	1001151393	1	Shim	
7	1001109503	1	Display	
8	1001280406	1	Panel	
9	1001266041	1	Decal - Ground Control	

SECTION 2 - TURNTABLE

FIGURE 2-11. GROUND CONTROL INSTALLATION - CE & UK CA SPEC



ART_1001247071_B

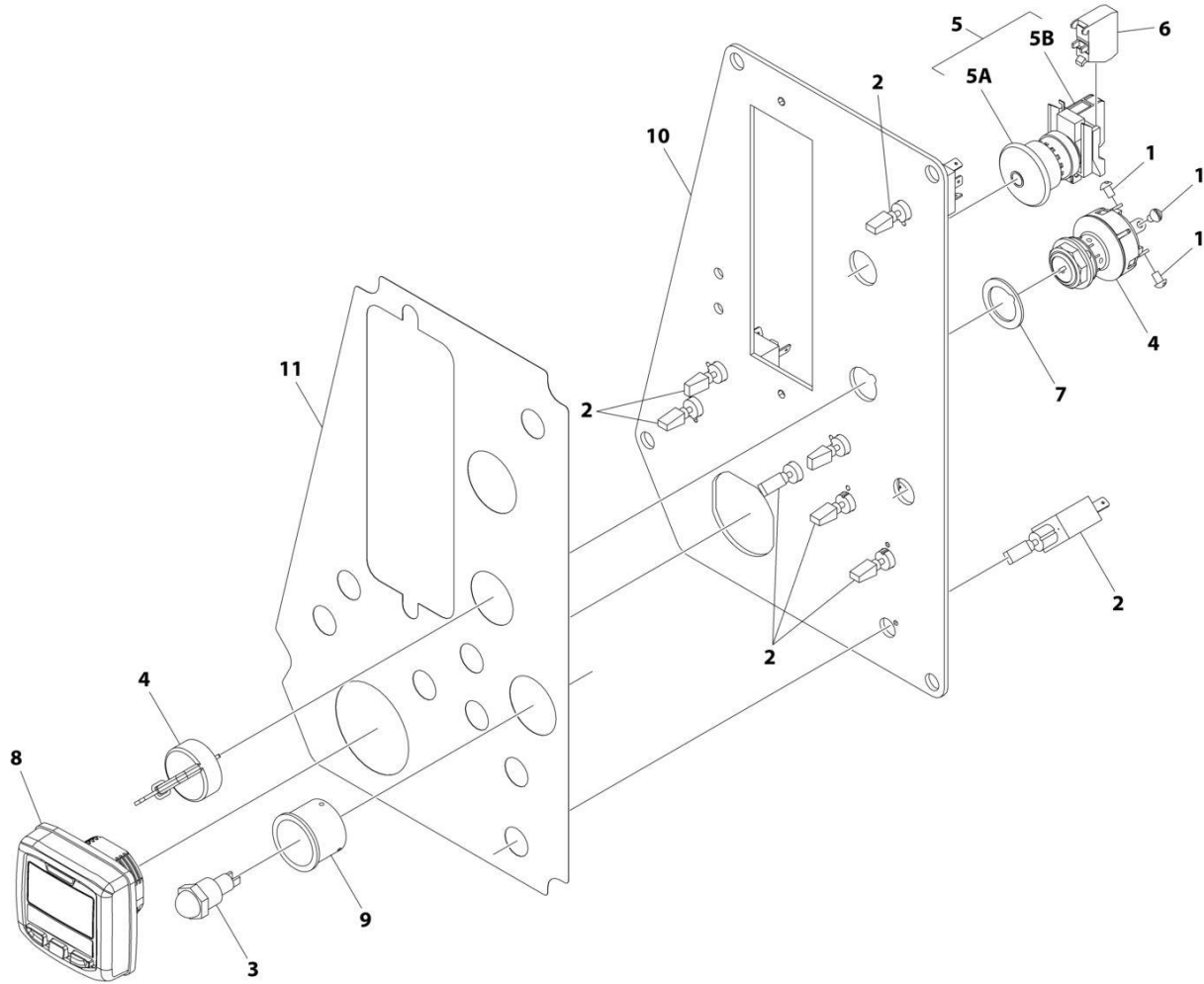
SECTION 2 - TURNTABLE

FIGURE 2-11. GROUND CONTROL INSTALLATION - CE & UK CA SPEC

ITEM	PART NUMBER	QTY	DESCRIPTION	REV
	1001247071	Ref	GROUND CONTROL PANEL INSTALLATION (MSSO)	B
1	0100011	AR	Compound, Locking	
2	1001119527	4	Screw M10 x 16	
3	1001266047	1	Ground Control Assembly (See Separate Breakdown in this Section)	

SECTION 2 - TURNTABLE

FIGURE 2-12. GROUND CONTROL BOX ASSEMBLY - DISPLAY WITH BUTTONS (CE & UK CA SPECS)



ART_1001266047

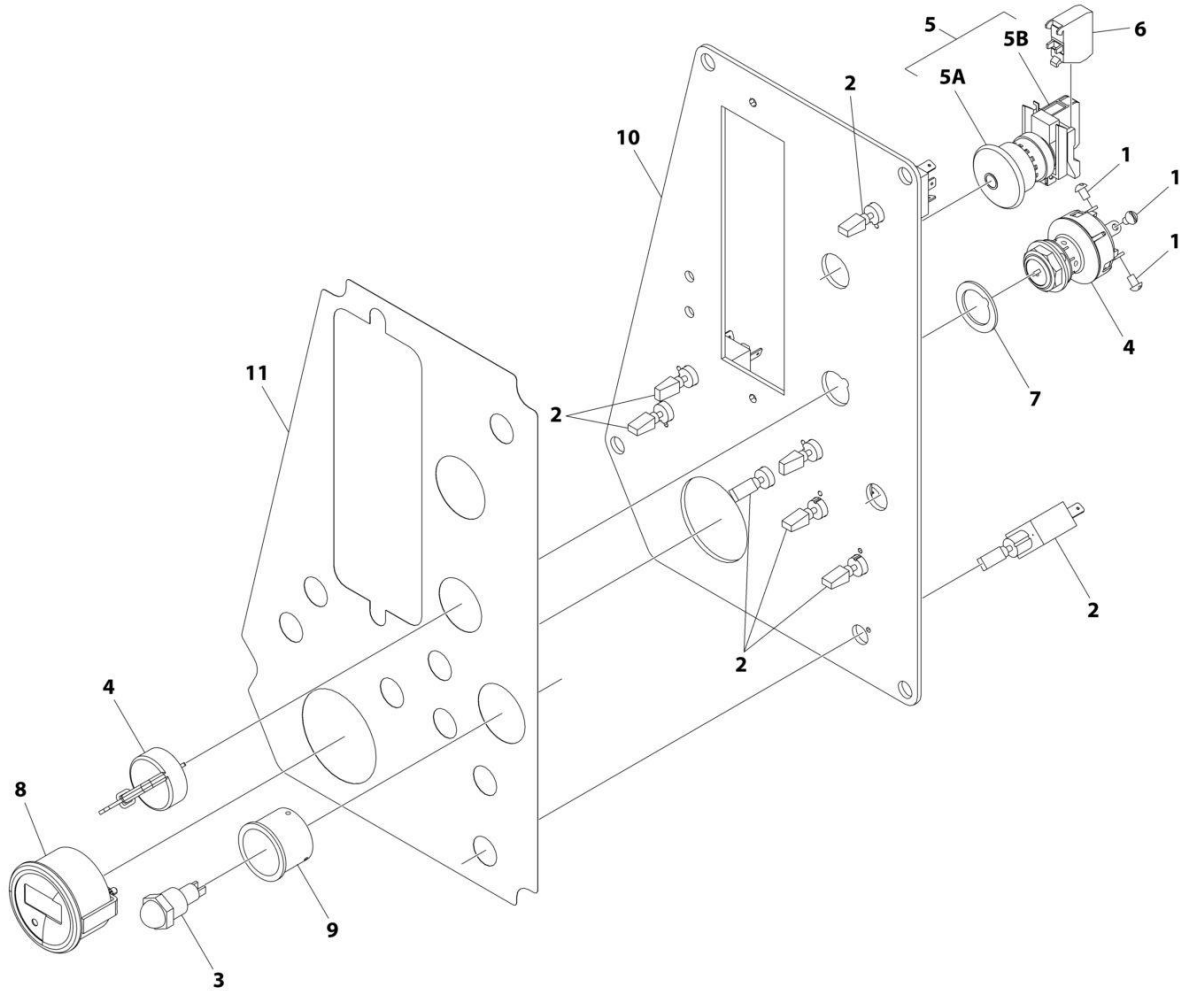
SECTION 2 - TURNTABLE

FIGURE 2-12. GROUND CONTROL BOX ASSEMBLY - DISPLAY WITH BUTTONS (CE & UK CA SPECS)

ITEM	PART NUMBER	QTY	DESCRIPTION	REV
	1001266047	Ref	GROUND CONTROL ASSEMBLY	A
1	3910804	6	Screw #8-32 x 1/4	
2	4360328	8	Switch, Toggle	
3	4360387	1	Switch, Push Button	
4	4360469	1	Switch, Key	
4	2860030	1	Key, Replacement	
5	4360475	1	Switch, Emergency Stop	
5A	7020175	1	Cap	
5B	7020176	1	Block, Switch Contact	
6	4360476	1	Block, Switch Contact	
7	1001151393	1	Shim	
8	1001171482	1	Display	
9	1001176469	1	Shroud	
10	1001266040	1	Panel	
11	1001266043	1	Decal - Ground Control	

SECTION 2 - TURNTABLE

FIGURE 2-13. GROUND CONTROL BOX ASSEMBLY - DISPLAY WITHOUT BUTTONS (CE & UK CA SPECS)



ART_1001266047_B

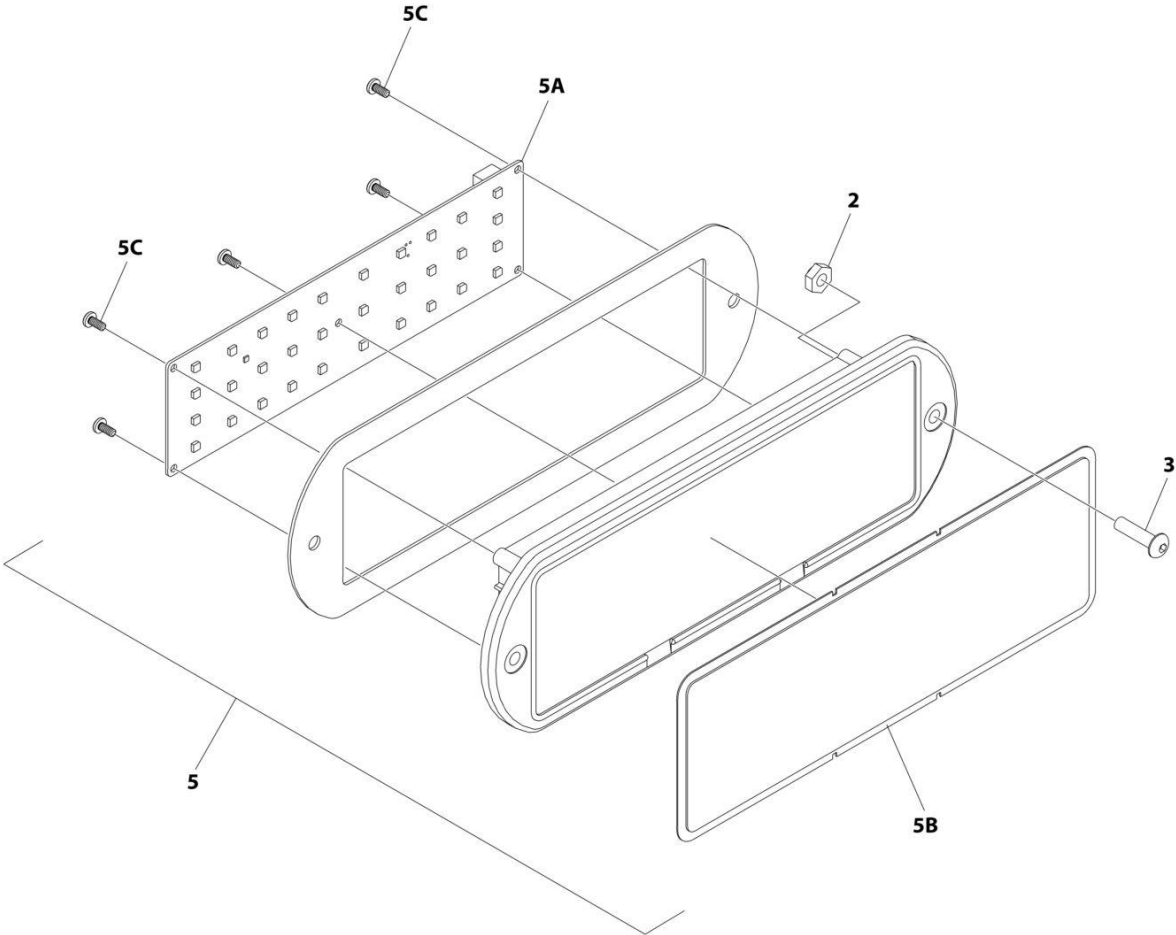
SECTION 2 - TURNTABLE

FIGURE 2-13. GROUND CONTROL BOX ASSEMBLY - DISPLAY WITHOUT BUTTONS (CE & UK CA SPECS)

ITEM	PART NUMBER	QTY	DESCRIPTION	REV
	1001266047	Ref	GROUND CONTROL ASSEMBLY	B
1	3910804	6	Screw #8-32 x 1/4	
2	4360328	8	Switch, Toggle	
3	4360387	1	Switch, Push Button	
4	4360469	1	Switch, Key	
4	2860030	1	Key, Replacement	
5	4360475	1	Switch, Emergency Stop	
5A	7020175	1	Cap	
5B	7020176	1	Block, Switch Contact	
6	4360476	1	Block, Switch Contact	
7	1001151393	1	Shim	
8	1001109503	1	Display	
9	1001176469	1	Shroud	
10	1001280406	1	Panel	
11	1001266043	1	Decal - Ground Control	

SECTION 2 - TURNTABLE

FIGURE 2-14. LIGHT PANEL INSTALLATION



ART_1001245178_1OF2

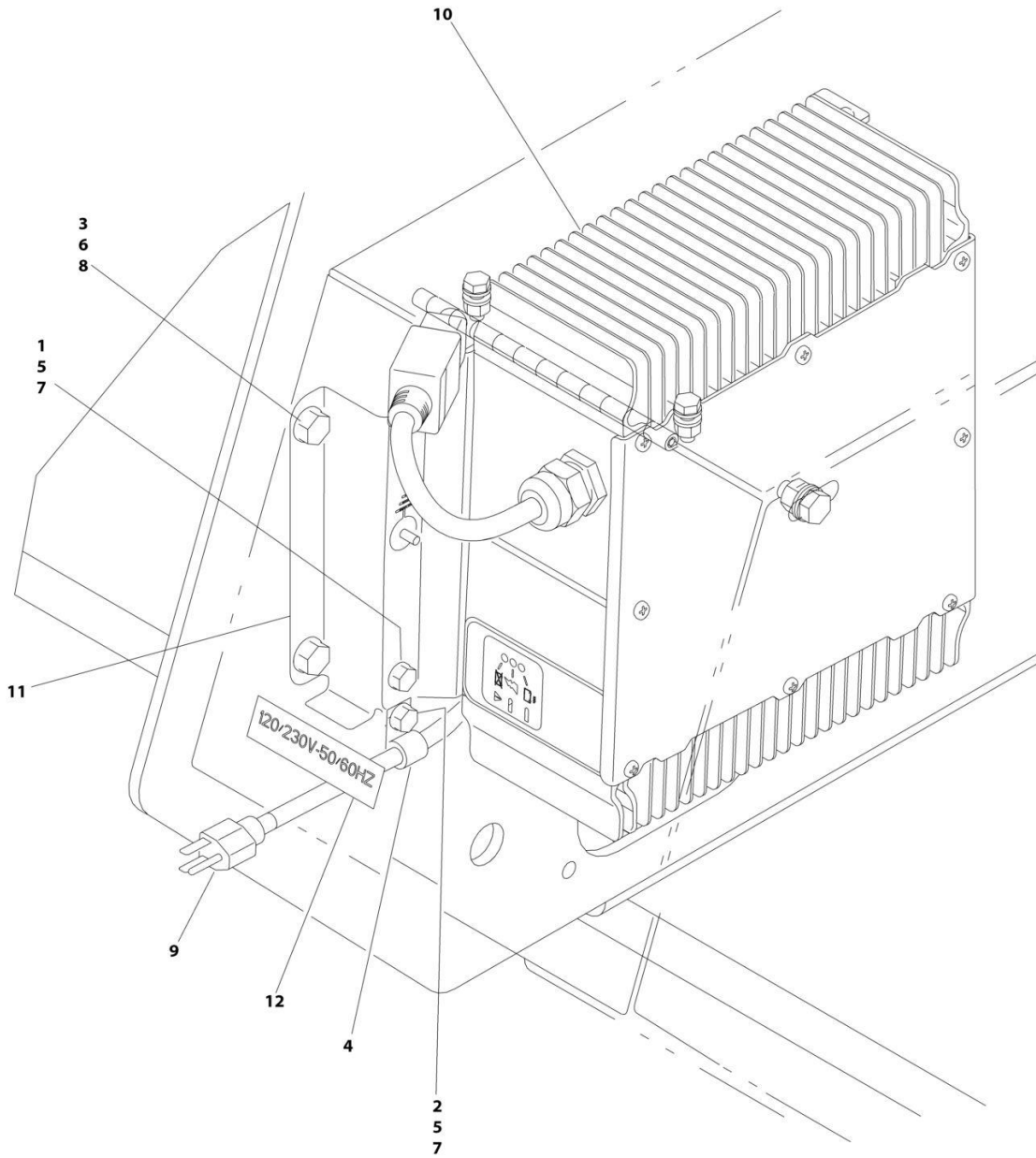
SECTION 2 - TURNTABLE

FIGURE 2-14. LIGHT PANEL INSTALLATION

ITEM	PART NUMBER	QTY	DESCRIPTION	REV
	1001245178	Ref	LIGHT PANEL INSTALLTION - GROUND CONTROL	B
2	3300408	2	Nut, Nylon Insert	
3	0630518	1	Screw #10 x 3/4	
5	1001245209	1	Light Panel Assembly	F
5A	1001238732	1	Panel, LED Light	
5B	1001245163	1	Lens, I-Con	
5C		Ref	Screw	

SECTION 2 - TURNTABLE

FIGURE 2-15. BATTERY CHARGER INSTALLATION - 110V PLUG



ART_1001174019

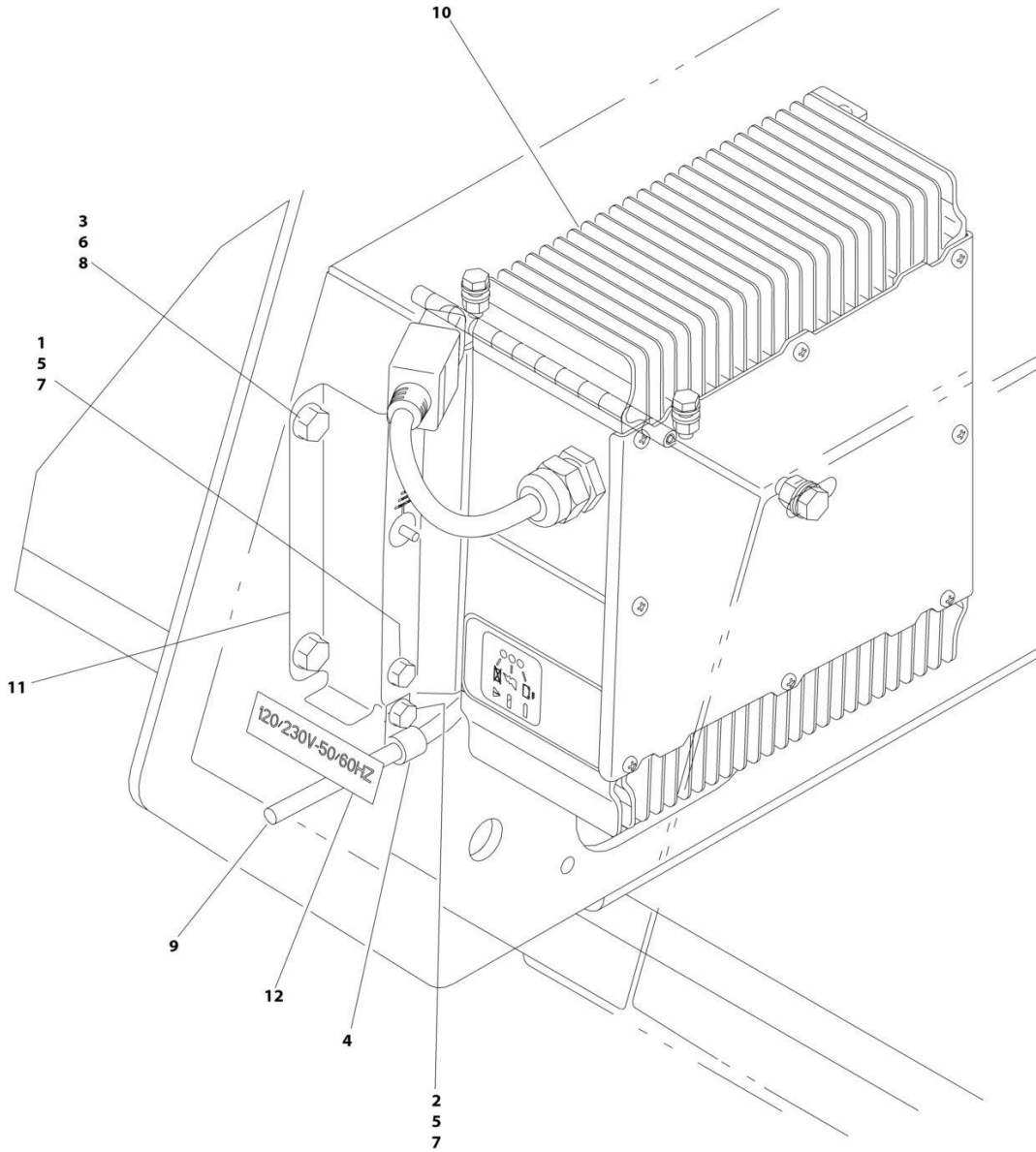
SECTION 2 - TURNTABLE

FIGURE 2-15. BATTERY CHARGER INSTALLATION - 110V PLUG

ITEM	PART NUMBER	QTY	DESCRIPTION	REV
	1001174019	Ref	BATTERY CHARGER INSTALLATION - 110V PLUG	C
1	0760608	4	Bolt M6 x 16	
2	0760610	1	Bolt M6 x 20	
3	0760812	4	Bolt M8 x 25	
4	1321293	1	Clamp	
5	3290605	5	Nut M6	
6	3290805	4	Nut M8	
7	4811700	10	Washer M6	
8	4811900	8	Washer M8	
9	1001103257	1	Cable, AC Battery Charger Input	
10	1001197707	1	Battery Charger Assembly (See Separate Breakdown in this Section)	
11	1001169420	2	Plate	
12	1001186845	1	Decal - 120/230V - 50/60Hz	

SECTION 2 - TURNTABLE

FIGURE 2-16. BATTERY CHARGER INSTALLATION - LOCALLY SUPPLIED PLUG



ART_1001174020

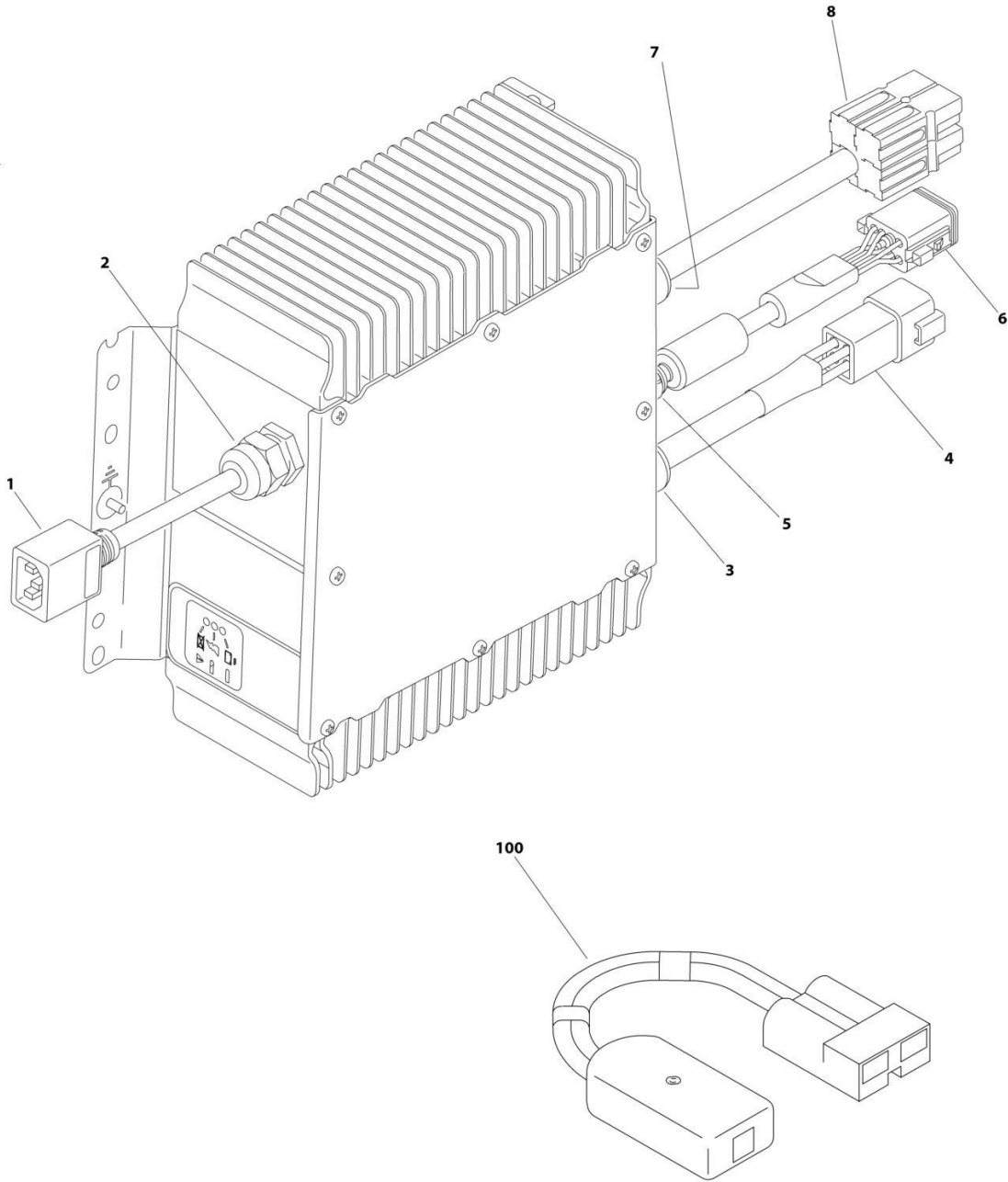
SECTION 2 - TURNTABLE

FIGURE 2-16. BATTERY CHARGER INSTALLATION - LOCALLY SUPPLIED PLUG

ITEM	PART NUMBER	QTY	DESCRIPTION	REV
	1001174020	Ref	BATTERY CHARGER INSTALLATION - LOCALLY SUPPLIED PLUG	C
1	0760608	4	Bolt M6 x 16	
2	0760610	1	Bolt M6 x 20	
3	0760812	4	Bolt M8 x 25	
4	1321293	1	Clamp	
5	3290605	5	Nut M6	
6	3290805	4	Nut M8	
7	4811700	10	Washer M6	
8	4811900	8	Washer M8	
9	1001103258	1	Cable, AC Input Charger	
10	1001197707	1	Battery Charger Assembly (See Separate Breakdown in this Section)	
11	1001169420	2	Plate	
12	1001186845	1	Decal - 120/230V - 50/60Hz	

SECTION 2 - TURNTABLE

FIGURE 2-17. BATTERY CHARGER ASSEMBLY



ART_1001197707

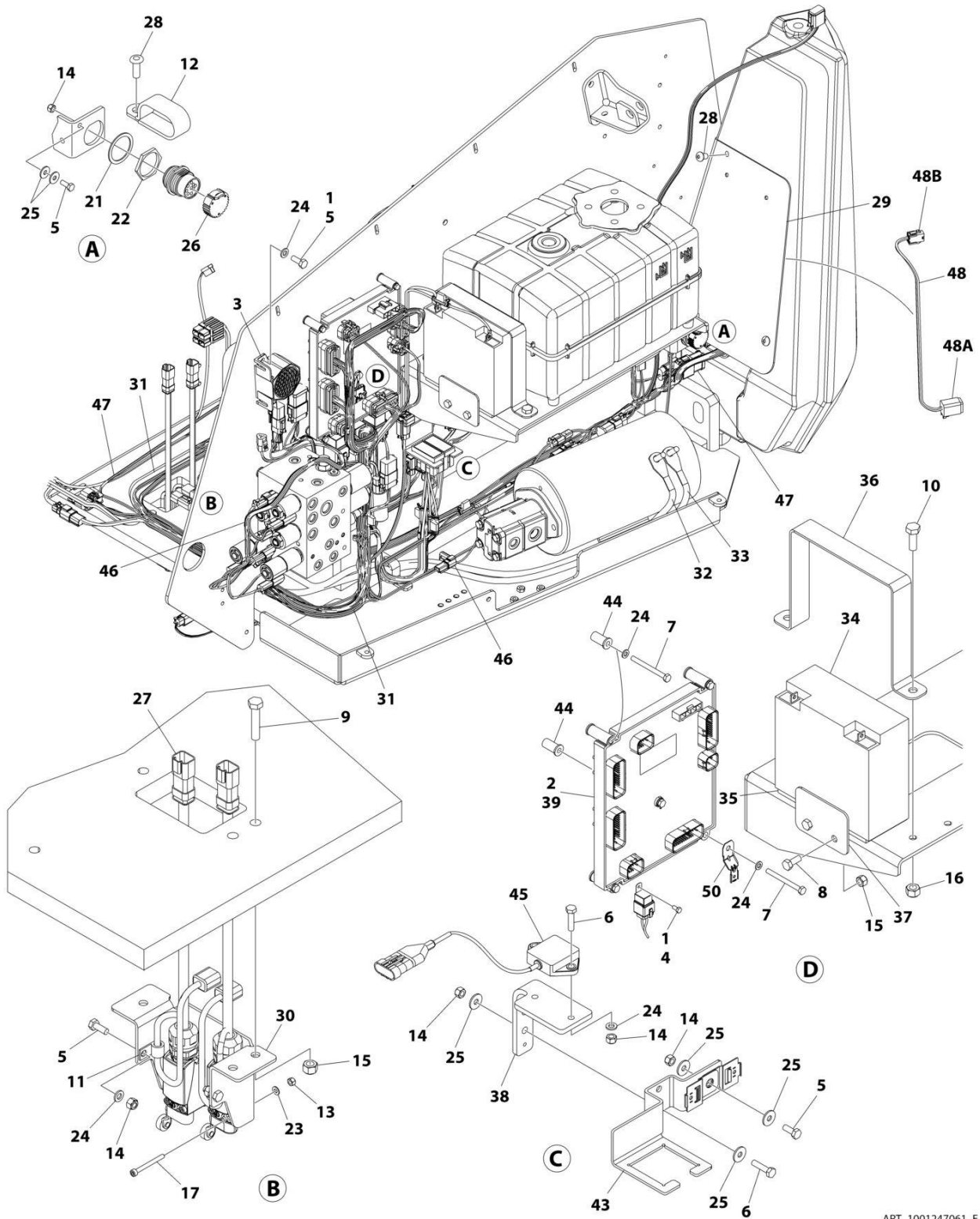
SECTION 2 - TURNTABLE

FIGURE 2-17. BATTERY CHARGER ASSEMBLY

ITEM	PART NUMBER	QTY	DESCRIPTION	REV
	1001197707	Ref	BATTERY CHARGER ASSEMBLY	C
1	See Note	1	Harness with Connector (Note: Not Available for Purchase)	
2	See Note	1	Connector, Strain Relief (Note: Not Available for Purchase)	
3	See Note	1	Connector, Strain Relief (Note: Not Available for Purchase)	
4	1001116811	1	Receptacle, Female - 4 Position	
5	See Note	1	Connector, Strain Relief (Note: Not Available for Purchase)	
6	4460930	1	Plug, Male - 8 Position	
7	See Note	1	Connector, Strain Relief (Note: Not Available for Purchase)	
8	See Note	1	Connector - 4 Position	
100	2915230	1	BATTERY CHARGER REPROGRAM CONTROLLER KIT (Includes Controller, Software and Instructions)	

SECTION 2 - TURNTABLE

FIGURE 2-18. ELECTRICAL COMPONENTS INSTALLATION



ART_1001247061_E

SECTION 2 - TURNTABLE

FIGURE 2-18. ELECTRICAL COMPONENTS INSTALLATION

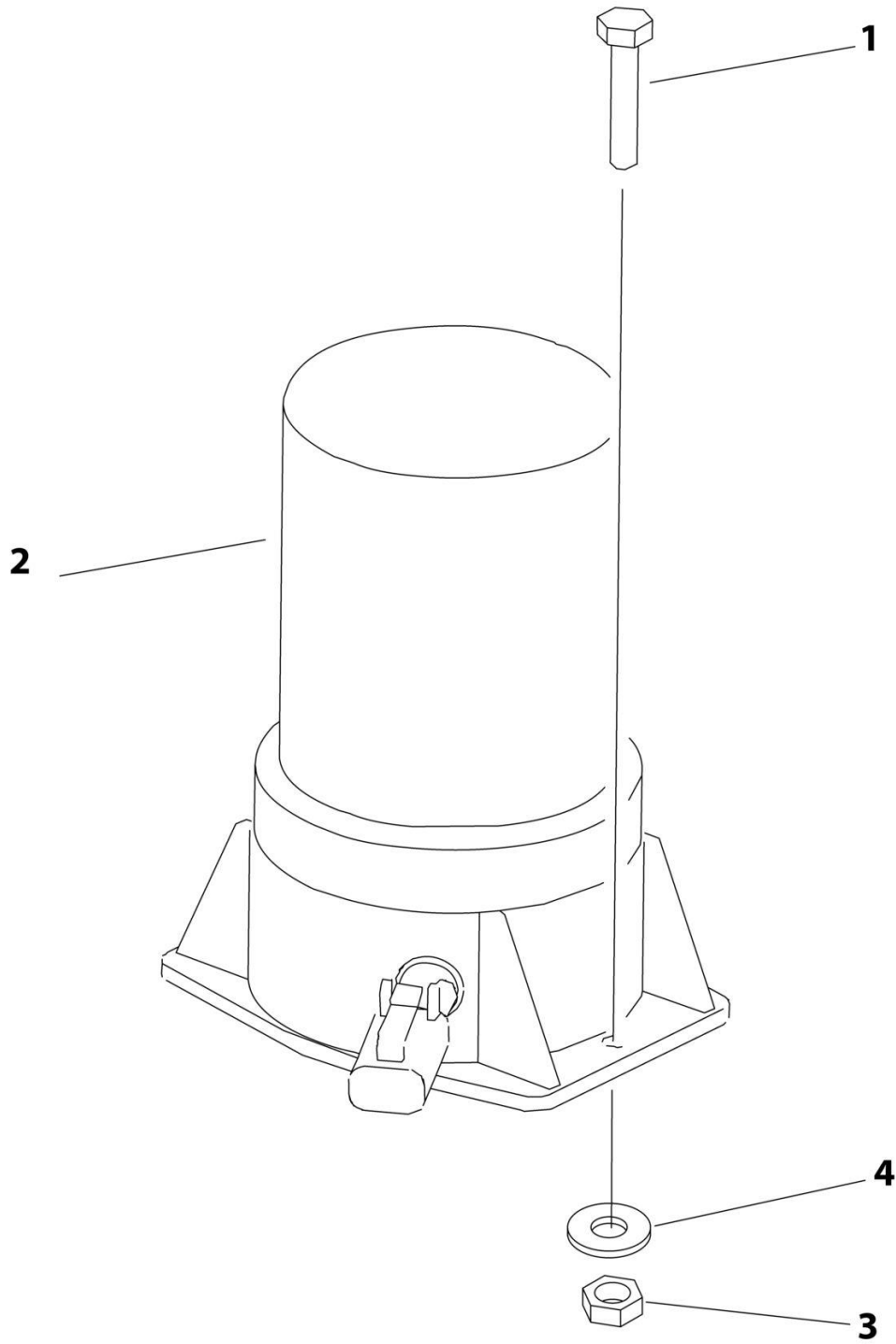
ITEM	PART NUMBER	QTY	DESCRIPTION	REV
	1001247061	Ref	ELECTRICAL COMPONENTS INSTALLATION	E
1	0100011	AR	Compound, Locking	
2	0100048	AR	Grease, Terminal	
3	0140043	1	Alarm	
4	0760505	3	Bolt M5 x 10	
5	0760608	6	Bolt M6 x 16	
6	0760612	4	Bolt M6 x 25	
7	0760621	5	Bolt M6 x 65	
8	0760810	2	Bolt M8 x 20	
9	0760816	3	Bolt M8 x 40	
10	0761014	2	Bolt M10 x 30	
11	1321293	2	Clamp	
12	1321716	AR	Clamp	
13	3290405	4	Nut M4	
14	3290605	8	Nut M6	
15	3290805	5	Nut M8	
16	3291005	2	Nut M10	
17	4031512	4	Capscrew M4 x 40	
18	4240018	AR	Tie-Strap (Not Shown)	
19	4240032	AR	Tie-Strap (Not Shown)	
20	4460234	AR	Mount, Tie-Strap (Not Shown)	
21	4460496	1	Washer	
22	4460497	1	Nut	
23	4811400	4	Washer M4	
24	4811700	11	Washer M6	
25	4811702	7	Washer M6	
26	1001106736	1	Cap, Dust	
27	1001119176	2	Switch, Limit	
27	4460464	4	Pin, Male	
27	1001119170	1	Switch, Limit (Roller)	
27	1001129407	1	Receptacle, Female - 4 Position	
28	1001119527	3	Screw M10 x 12	
29	1001125291	1	Shield	
30	1001141710	1	Plate	
31	1001165923	1	Turntable Harness Assembly (See Separate Breakdown in ELECTRICAL Section)	
32	1001168662	1	Cable, Pump Motor (+)	
33	1001168663	1	Cable, Pump Motor (-)	
34	1001172394	1	Battery	
35	1001172395	1	Insulation	
36	1001172396	1	Strap, Battery	
37	1001172541	1	Bracket	
38	1001180464	1	Plate, Mounting	
39	1001284340	1	Module, UGM	
40	1001197941	1	Ferrite (Not Shown - Located on Items 37 & 38)	
41	1001197942	1	Ferrite (Not Shown - Located on Item 34)	
42	1001197943	1	Ferrite (Not Shown - Located on Item 36)	
43	1001201939	1	Bracket	
44	1001203719	5	Nut M6	
45	1001219601	1	Sensor	

SECTION 2 - TURNTABLE

ITEM	PART NUMBER	QTY	DESCRIPTION	REV
46	1001283534	1	Valve Harness Assembly (See Separate Breakdown in ELECTRICAL Section)	
47	1001283533	1	Ground Control Harness (See Separate Breakdown in ELECTRICAL Section)	
48	1001266066	1	Harness, Display (For Display with Buttons only)	
48A	4460894	1	Connector	
48A	4460465	4	Socket	
48A	4460466	2	Plug	
48B	1001132049	1	Connector	
48B	1001132050	4	Pin	
50	1001155743	1	Mount, Connector	

SECTION 2 - TURNTABLE

FIGURE 2-19. BEACON LIGHT INSTALLATION - AMBER (OPTIONAL)



ART_1001172773

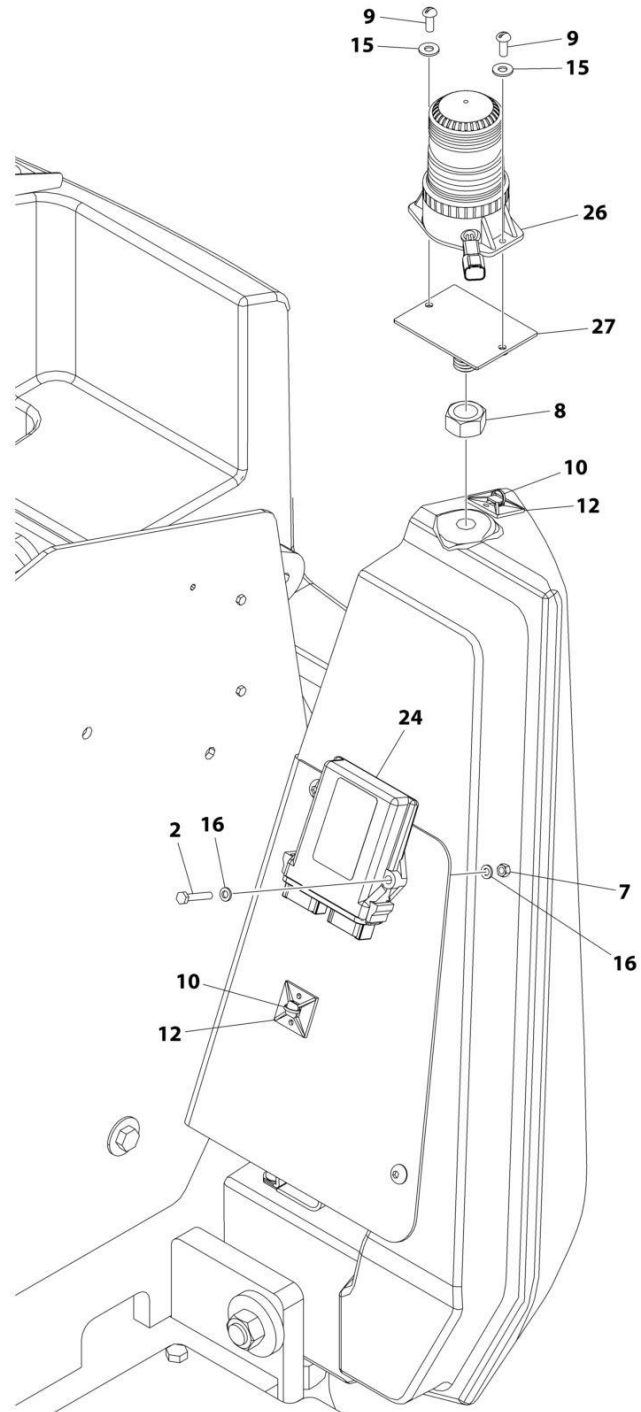
SECTION 2 - TURNTABLE

FIGURE 2-19. BEACON LIGHT INSTALLATION - AMBER (OPTIONAL)

ITEM	PART NUMBER	QTY	DESCRIPTION	REV
	1001172773	Ref	STROBE LIGHT INSTALLATION - AMBER (OPTIONAL)	C
1	4031509	2	Bolt M4 X 25	
2	1001270594	1	Strobe Light Assembly	
2	7016319	1	Bulb	
2	7016372	1	Lens	
2	4460891	1	Plug, Male - 2 Position	
2	4460465	1	Socket, Female	
3	3290405	2	Nut M4	
4	4811400	4	Washer M4	
5	3292001	1	Nut M20	
6	1001283776	1	Strobe Light Harness Jumper	
7	1001286584	1	CSB Mount	

SECTION 2 - TURNTABLE

FIGURE 2-20. BEACON LIGHT INSTALLATION - BLUE



ART_1001242849

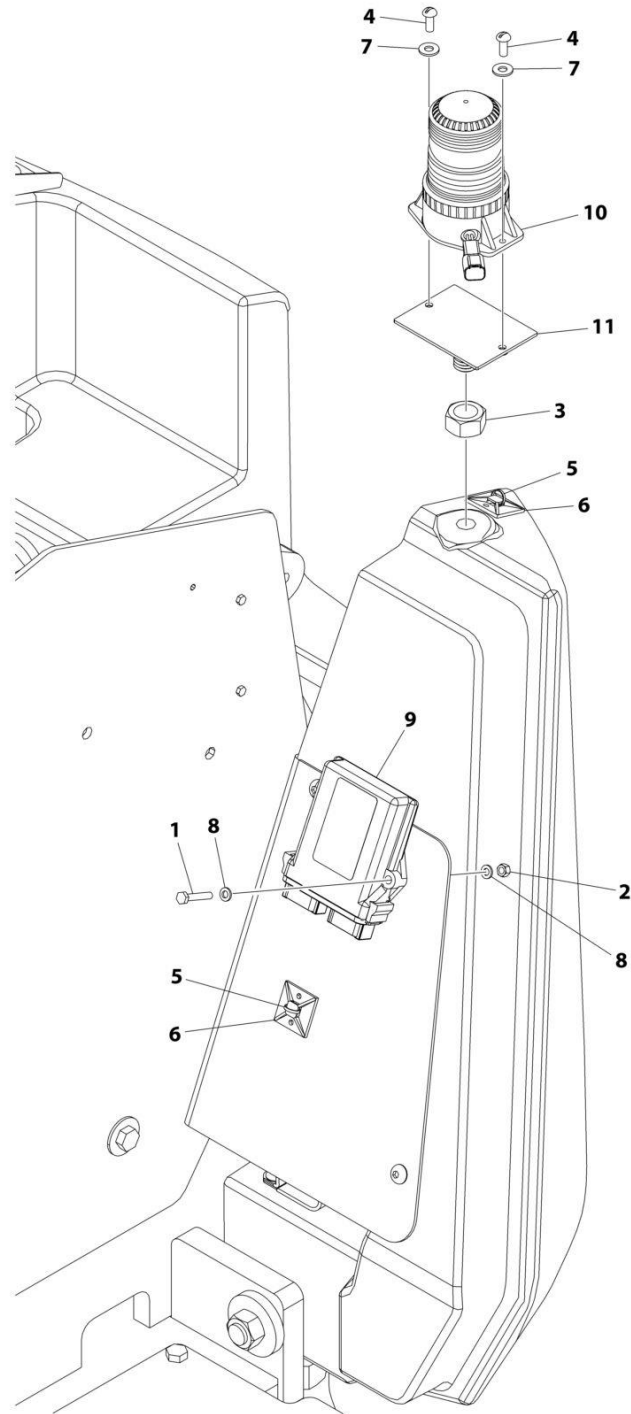
SECTION 2 - TURNTABLE

FIGURE 2-20. BEACON LIGHT INSTALLATION - BLUE

ITEM	PART NUMBER	QTY	DESCRIPTION	REV
	1001242849	Ref	BEACON LIGHT INSTALLATION - BLUE	D
2	0700615	2	Bolt M6 x 35	
7	3290607	2	Nut M6	
9	4031509	2	Bolt M4 x 25	
10	4240032	2	Tie-Strap	
12	4460488	2	Base, Mounting	
15	4811400	4	Washer M4	
16	4811700	4	Washer M6	
24	1001142683	1	Module, Beacon Control	
26	1001272681	1	Light, Strobe	
26	7028909	1	Connector - 2 Position	
26	4460943	2	Pin, Male	
28	1001142736	1	Strobe Light Control Harness (Not Shown - See Separate Breakdown in ELECTRICAL Section)	
29	3290405	1	Nut M4	
30	1001285733	1	Alert Beacon Jumper Harness	
31	2540020	1	Grommet	

SECTION 2 - TURNTABLE

FIGURE 2-21. BEACON LIGHT INSTALLATION - RED



ART_1001242850

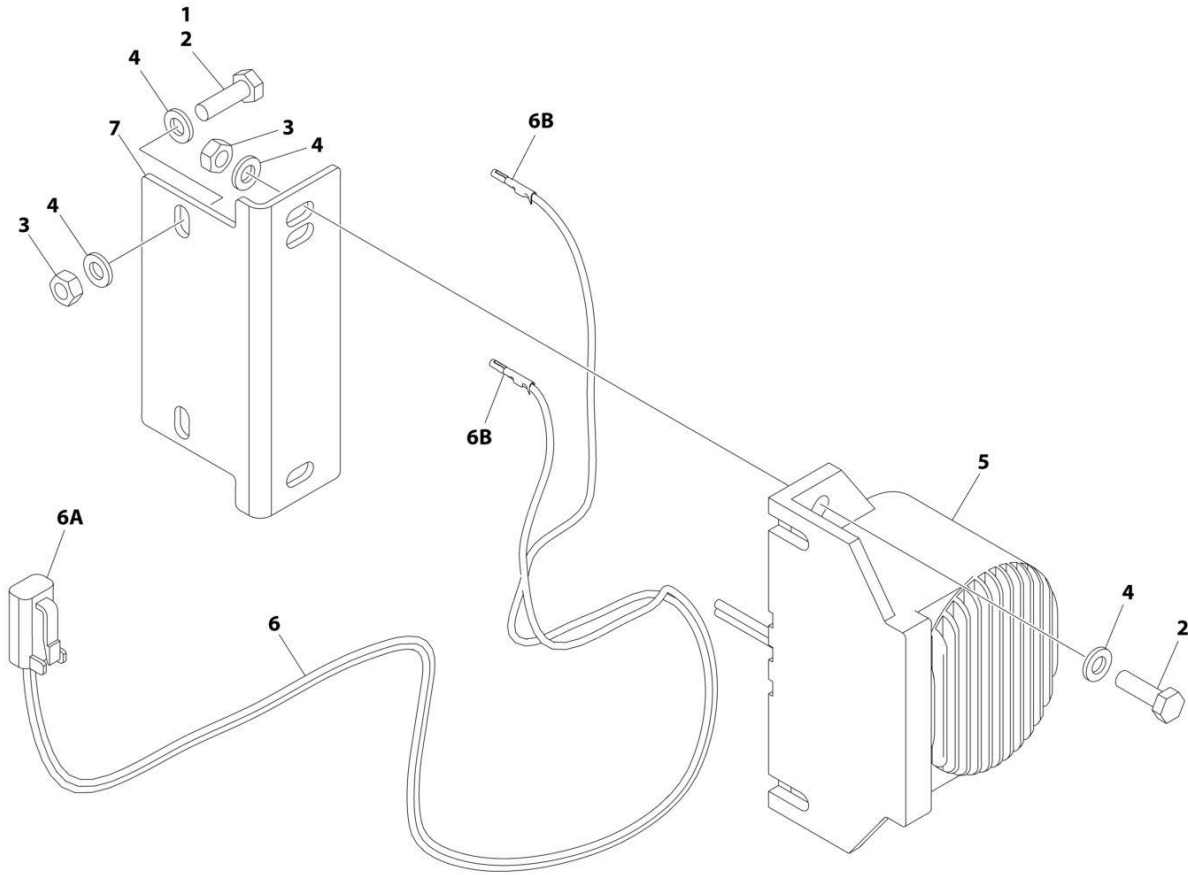
SECTION 2 - TURNTABLE

FIGURE 2-21. BEACON LIGHT INSTALLATION - RED

ITEM	PART NUMBER	QTY	DESCRIPTION	REV
	1001242850	Ref	BEACON LIGHT INSTALLATION - RED	B
1	0700615	2	Bolt M6 x 35	
2	3290607	2	Nut M6	
13	3290405	2	Nut M4	
4	4031509	1	Screw #10 x 1/2	
5	4240032	2	Tie-Strap	
6	4460488	2	Base, Mounting	
7	4811400	2	Washer #10	
8	4811700	4	Washer M6	
9	1001142683	1	Module, Beacon Control	
10	1001272682	1	Light, Strobe	
10	7028909	1	Connector - 2 Position	
10	4460943	2	Pin, Male	
12	1001142736	1	Strobe Light Control Harness (Not Shown - See Separate Breakdown in ELECTRICAL Section)	
14	1001285733	1	Beacon Jumper Harness	
15	2540020	1	Grommet	

SECTION 2 - TURNTABLE

FIGURE 2-22. WHITE NOISE ALARM INSTALLATION (AMBIENT)



ART_1001206737

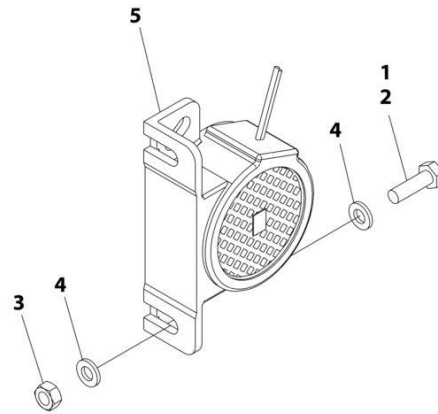
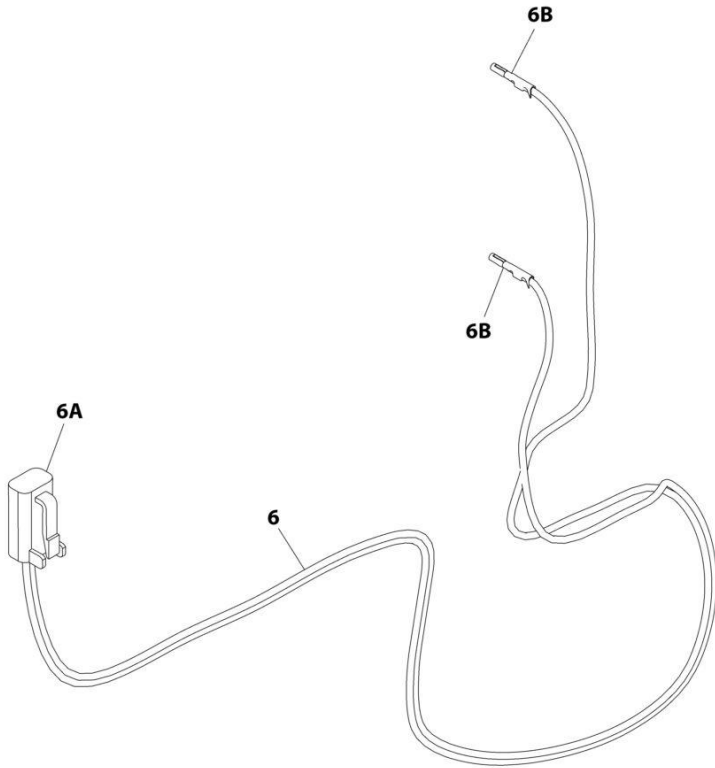
SECTION 2 - TURNTABLE

FIGURE 2-22. WHITE NOISE ALARM INSTALLATION (AMBIENT)

ITEM	PART NUMBER	QTY	DESCRIPTION	REV
	1001206737	Ref	WHITE NOISE ALARM INSTALLATION	C
1	0100011	AR	Compound, Locking	
2	0760610	4	Bolt M6 x 20	
3	3290601	4	Nut M6	
4	4811700	8	Washer M6	
5	1001182806	1	Alarm	
6	1001190663	1	White Noise Motion Alarm Harness	
6A	4460891	1	Plug, Male - 2 Position	
6A	4460465	1	Socket, Female	
6B	4460871	2	Socket, Female	
7	1001231886	1	Plate	

SECTION 2 - TURNTABLE

FIGURE 2-23. WHITE NOISE ALARM INSTALLATION (CONSTANT)



ART_1001263178

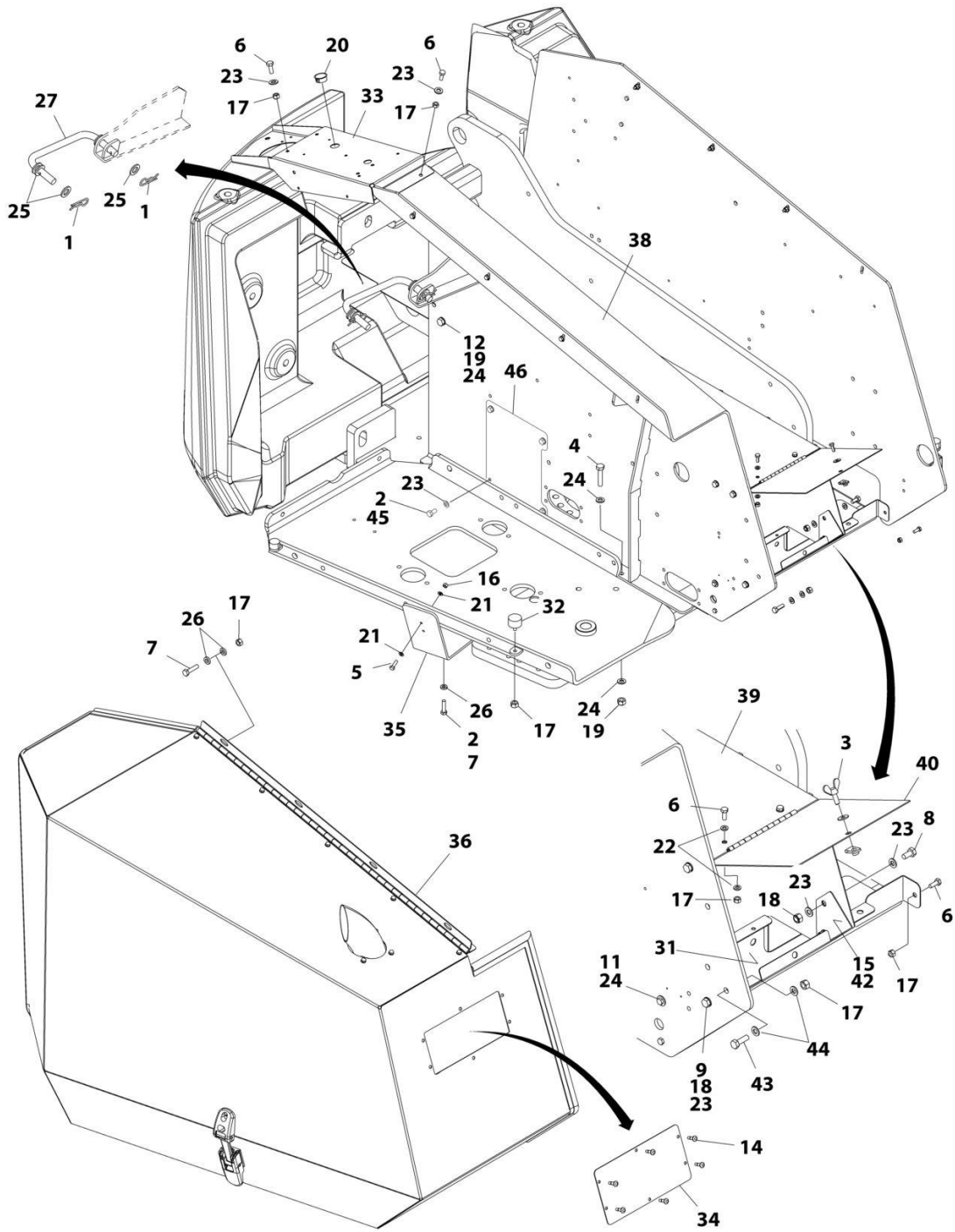
SECTION 2 - TURNTABLE

FIGURE 2-23. WHITE NOISE ALARM INSTALLATION (CONSTANT)

ITEM	PART NUMBER	QTY	DESCRIPTION	REV
	1001263178	Ref	WHITE NOISE ALARM INSTALLATION (CONSTANT)	A
1	0100011	AR	Compound, Locking	
2	0760610	2	Bolt M6 x 20	
3	3290601	2	Nut M6	
4	4811700	4	Washer M6	
5	1001184682	1	Alarm	
6	1001190663	1	White Noise Motion Alarm Harness	
6A	4460891	1	Plug, Male - 2 Position	
6A	4460465	1	Socket, Female	
6B	4460871	2	Socket, Female	

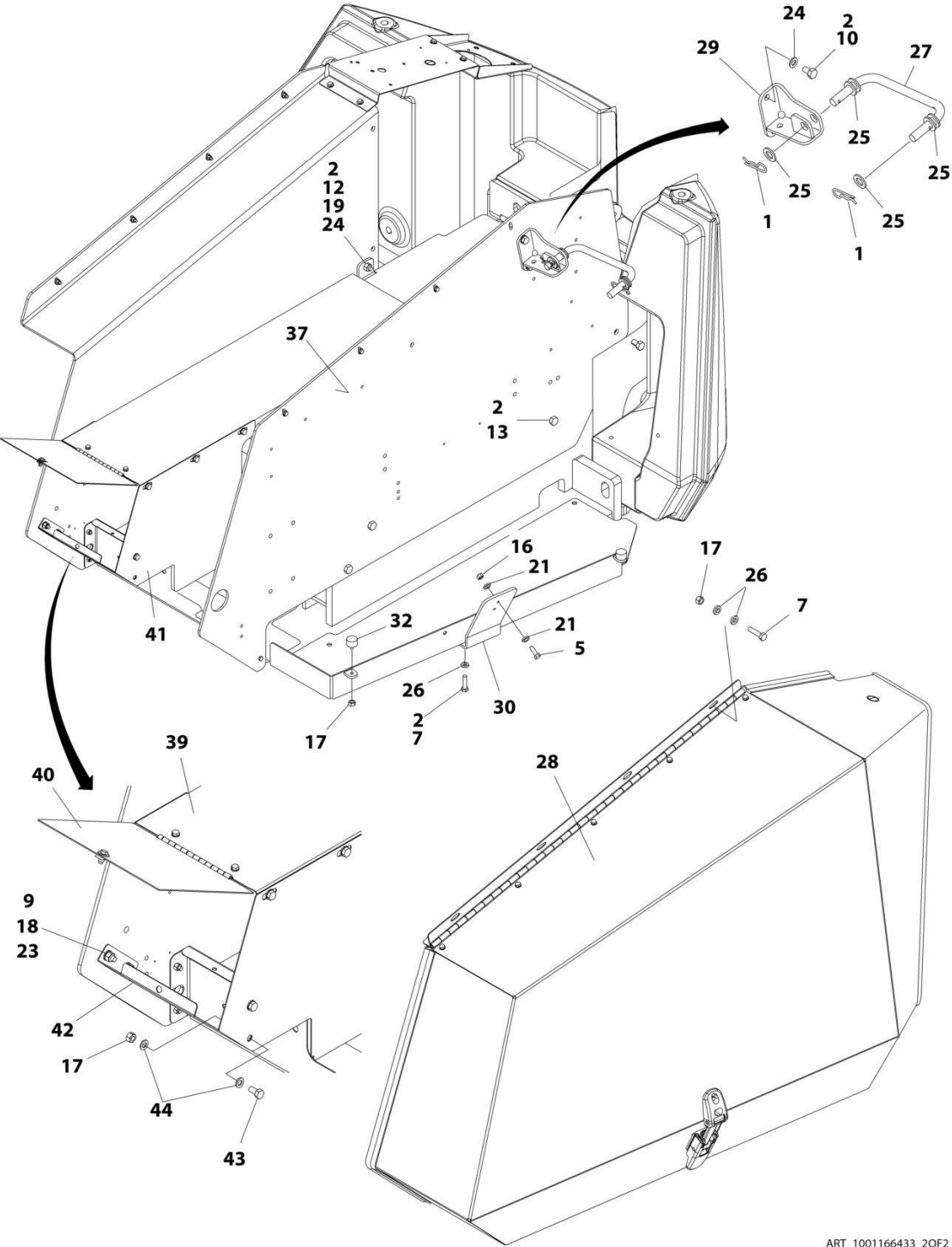
SECTION 2 - TURNTABLE

FIGURE 2-24. HOODS INSTALLATION



ART_1001166433_10F2

SECTION 2 - TURNTABLE



ART_1001166433_20F2

SECTION 2 - TURNTABLE

FIGURE 2-24. HOODS INSTALLATION

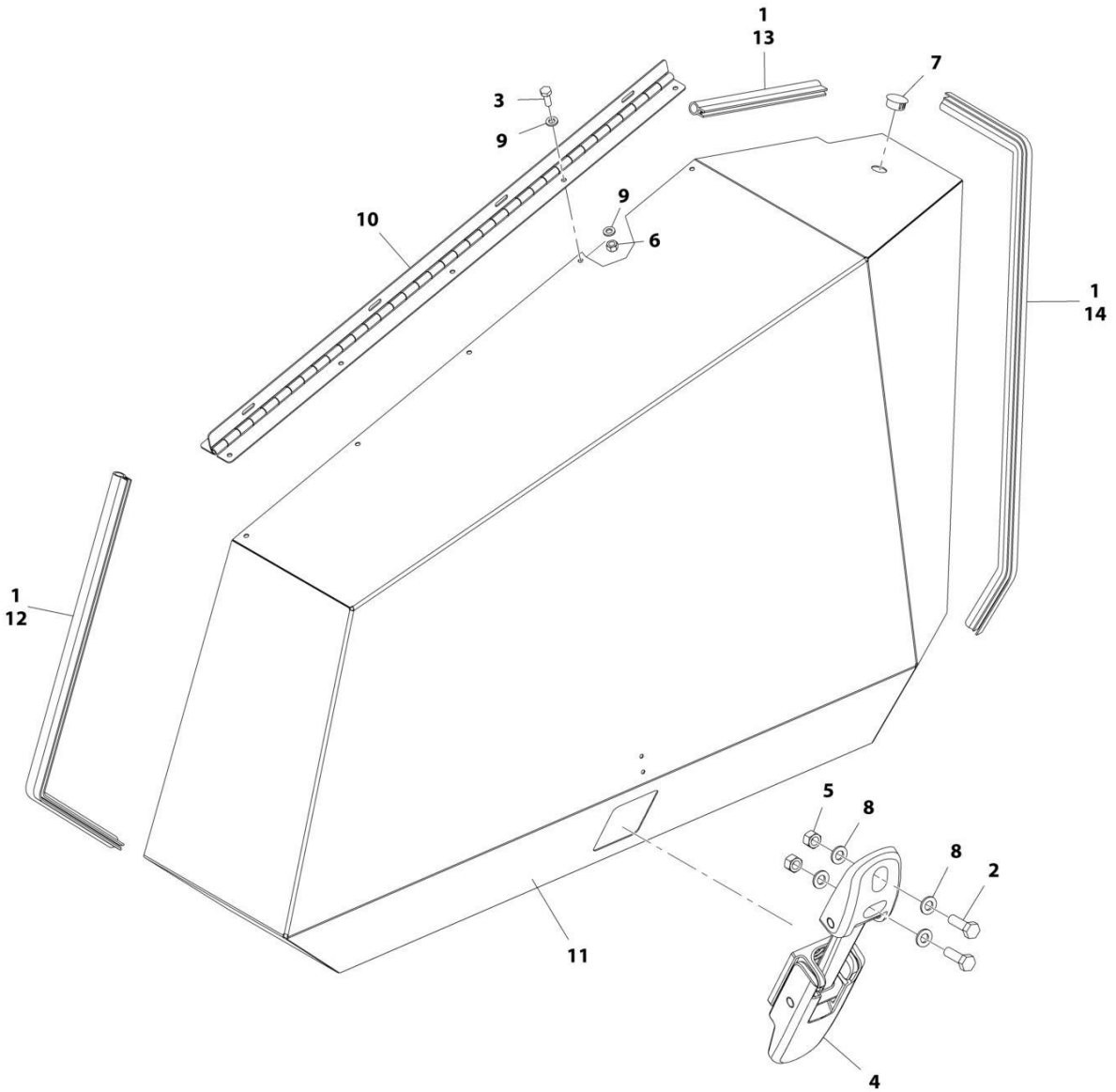
ITEM	PART NUMBER	QTY	DESCRIPTION	REV
	1001166433	Ref	HOODS INSTALLATION	I
1	80325	4	Hairpin	
2	0100011	AR	Compound, Locking	
3	0641506	1	Bolt 5/16-18 x 3/4	
3	0700608	1	Bolt M6 x 16	
3	1001204948	1	Wing-Bolt M6	
4	0701019	2	Bolt M10 x 55	
5	0760508	4	Bolt M5 x 16	
6	0760608	8	Bolt M6 x 16	
7	0760612	14	Bolt M6 x 25	
8	0760808	5	Bolt M8 x 16	
9	0760812	4	Bolt M8 x 25	
10	0761009	2	Bolt M10 x 18	
11	0761011	3	Bolt M10 x 22	
12	0761014	1	Bolt M10 x 30	
13	0761210	4	Bolt M12 x 20	
14	2080040	6	Huck, Fastener	
15	2080050	1	Rivnut	
15	1001130220	1	Nut, Tinnerman	
16	3290505	4	Nut M5	
17	3290605	21	Nut M6	
18	3290805	9	Nut M8	
19	3291005	3	Nut M10	
20	3520030	1	Plug	
21	4811600	8	Washer M5	
22	4811700	4	Washer M6	
23	4811900	26	Washer M8	
24	4812000	10	Washer M10	
25	4812300	8	Washer M16	
26	5240600	22	Washer M6	
27	1001117282	2	Rod, Prop	
28	1001118361	1	Hood Assembly - Tank Side (See Separate Breakdown in this Section)	
29	1001119080	1	Bracket	
30	1001119083	1	Mount, Latch	
31	1001119085	1	Tray	
32	1001119092	4	Bumper	
33	1001286749	1	Panel, Filler	
34	1001137451	1	Panel	
35	1001146824	1	Mount, Latch	
36	1001147441	1	Hood Assembly - Engine Side (See Separate Breakdown in this Section)	
37	1001161537	1	Plate, Hood	
38	1001168234	1	Mount	
39	1001169415	1	Plate, Cover	
40	1001169417	1	Plate, Cover	
41	1001169418	1	Plate, Cover	
42	1001169419	1	Plate, Cover	
43	0760610	1	Bolt M6 x 20	
44	4811702	2	Washer M6	

SECTION 2 - TURNTABLE

ITEM	PART NUMBER	QTY	DESCRIPTION	REV
45	0700808	4	Bolt M8 x 16	
46	1001207961	1	Plate	

SECTION 2 - TURNTABLE

FIGURE 2-25. HOOD ASSEMBLY - TANK SIDE



NOTE: REPLACEMENT DECALS MUST BE ORDERED SEPERATELY - SEE DECALS SECTION FOR BREAKDOWN

ART_1001118361

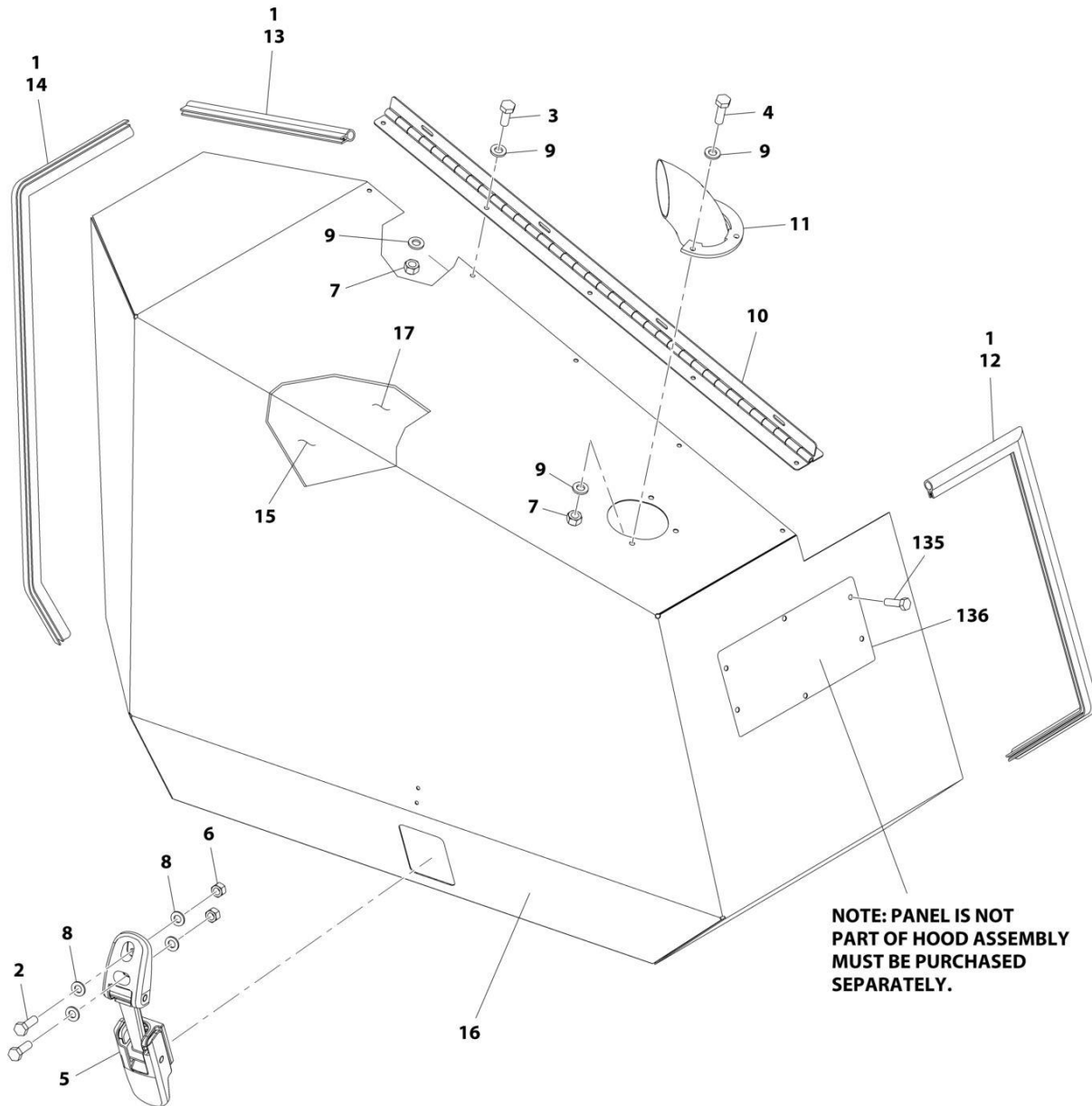
SECTION 2 - TURNTABLE

FIGURE 2-25. HOOD ASSEMBLY - TANK SIDE

ITEM	PART NUMBER	QTY	DESCRIPTION	REV
	1001118361	Ref	HOOD ASSEMBLY - TANK SIDE	B
1	0100081	AR	Adhesive	
2	0760508	2	Bolt M5 x 16	
3	0760608	5	Bolt M6 x 16	
4	2940109	1	Latch	
5	3290505	2	Nut M5	
6	3290605	5	Nut M6	
7	3520030	1	Plug, Hole	
8	4811600	4	Washer M5	
9	4811700	10	Washer M6	
10	1001117281	1	Hinge	
11	See Note	NSS	Hood, Replacement (Note: Use p/n 1001118361)	
12	1001119089	1	Seal	
13	1001119090	1	Seal	
14	1001119091	1	Seal	

SECTION 2 - TURNTABLE

FIGURE 2-26. HOOD ASSEMBLY - ENGINE SIDE



NOTE: REPLACEMENT DECALS MUST BE ORDERED SEPERATELY - SEE DECALS SECTION FOR BREAKDOWN

ART_1001147441

SECTION 2 - TURNTABLE

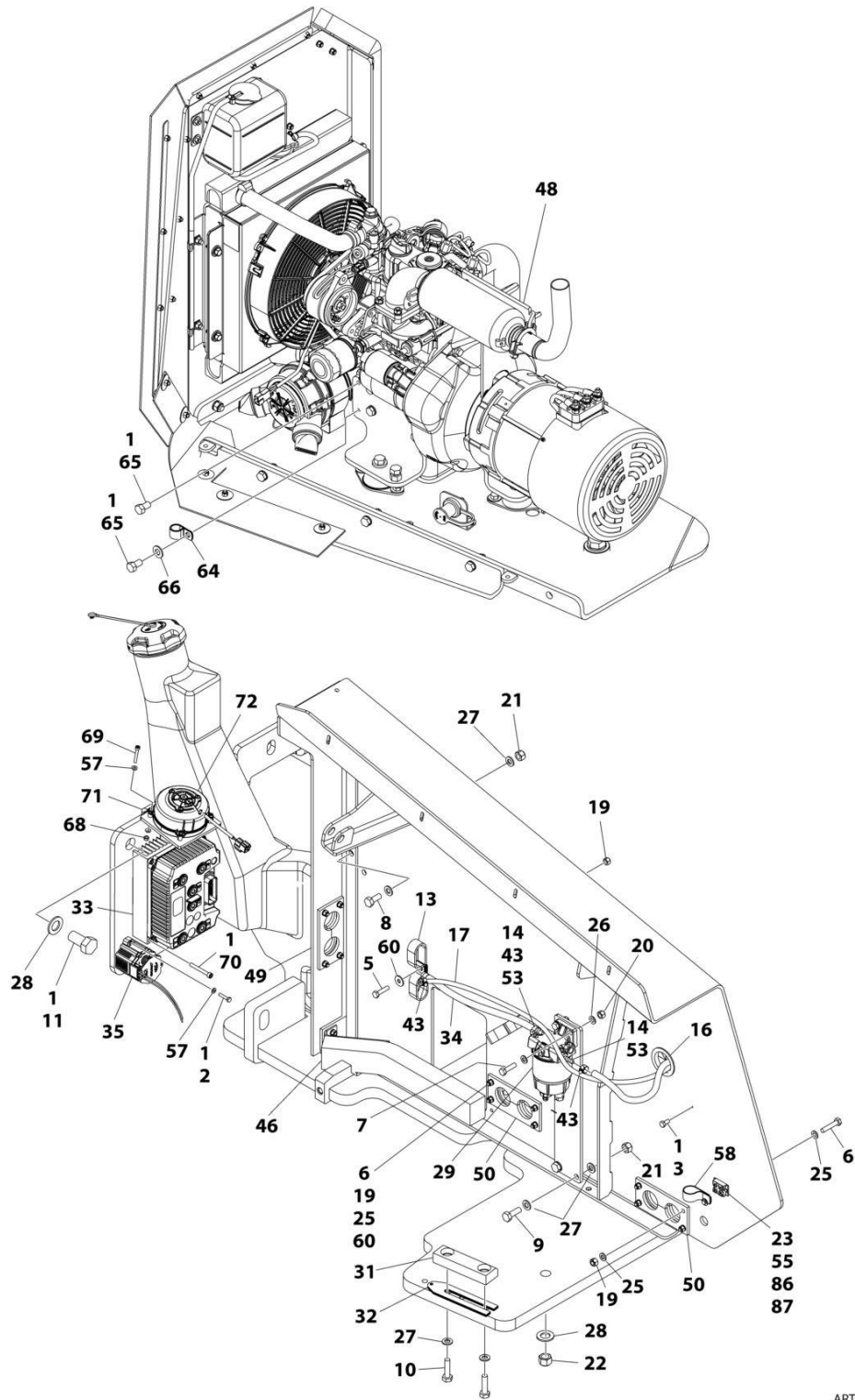
FIGURE 2-26. HOOD ASSEMBLY - ENGINE SIDE

ITEM	PART NUMBER	QTY	DESCRIPTION	REV
	1001147441	Ref	HOOD ASSEMBLY - ENGINE SIDE	A
1	0100081	AR	Adhesive	
2	0760508	2	Bolt M5 x 16	
3	0760608	5	Bolt M6 x 16	
4	0760610	3	Bolt M6 x 20	
5	2940109	1	Latch	
6	3290505	2	Nut M5	
7	3290605	8	Nut M6	
8	4811600	4	Washer M5	
9	4811700	16	Washer M6	
10	1001117281	1	Hinge	
11	1001119077	1	Pipe, Exhaust	
12	1001119086	1	Seal	
13	1001119087	1	Seal	
14	1001119088	1	Seal	
15	1001120749	1	Insulate, Heat Shield	
16	See Note	1	Hood, Replacement (Note: Use p/n 1001147441)	
17	1001147440	1	Insulate, Heat Shield	
135	2080040	10	Fastener, Huck	
136	1001137451	1	Panel (Note: Not Part of Hood Assembly. Must be Purchased separately)	

SECTION 3 - ENGINE

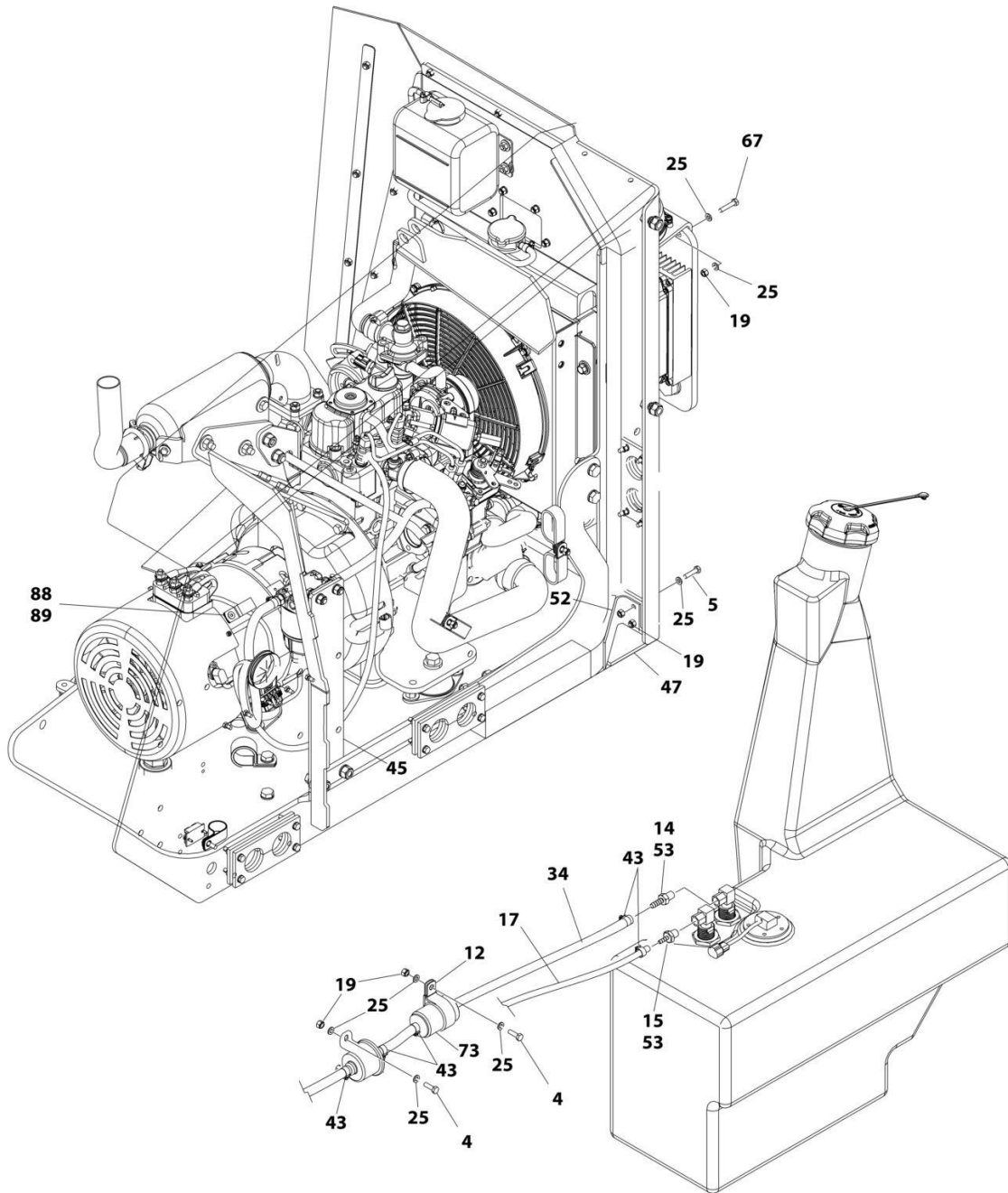
SECTION 3 - ENGINE

FIGURE 3-1. KUBOTA ENGINE INSTALLATION



ART_1001168098_10F3

SECTION 3 - ENGINE



ART_1001168098_2OF3

SECTION 3 - ENGINE

FIGURE 3-1. KUBOTA ENGINE INSTALLATION

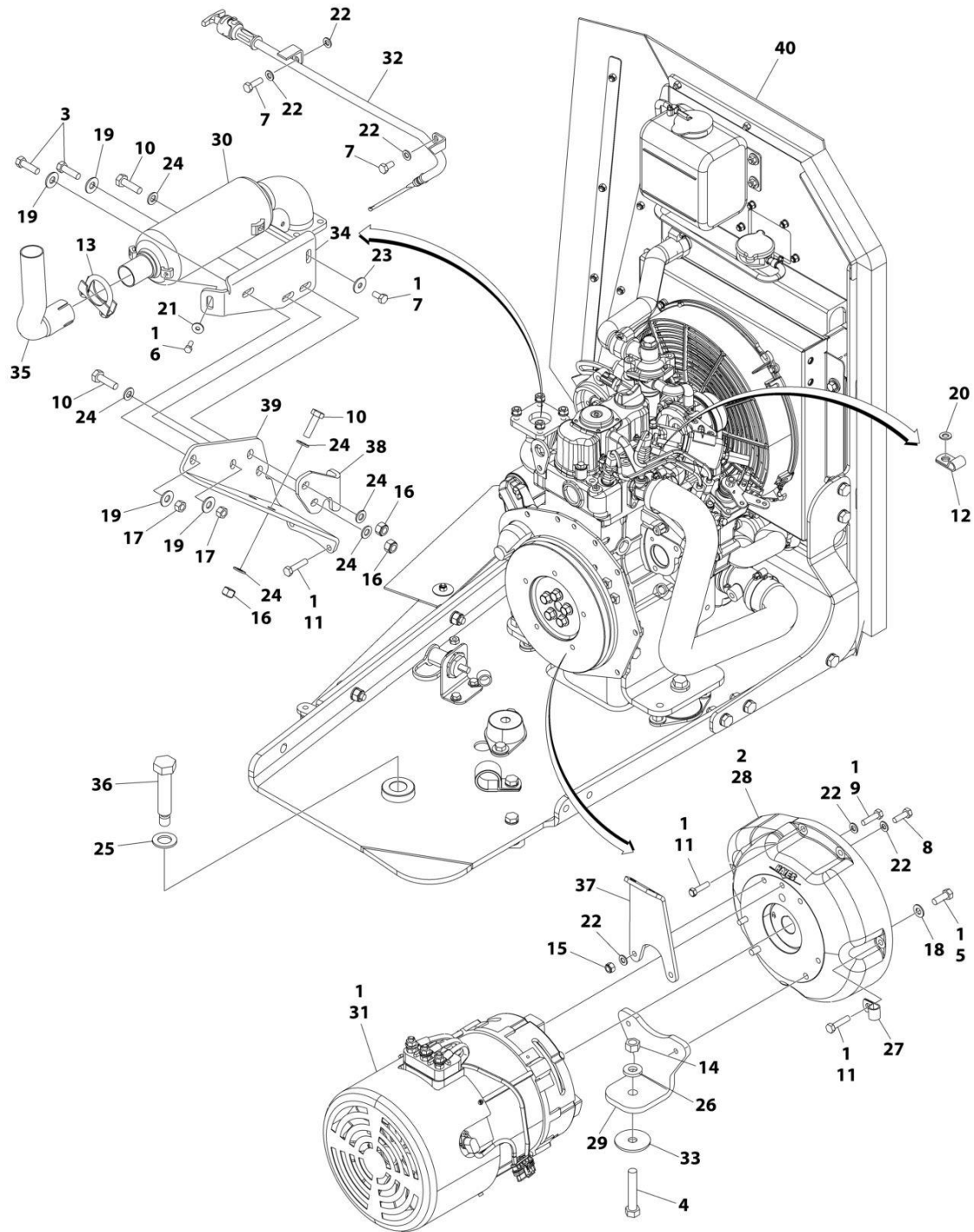
ITEM	PART NUMBER	QTY	DESCRIPTION	REV
	1001168098	Ref	KUBOTA ENGINE INSTALLATION	K
1	0100011	AR	Compound, Locking	
2	0760410	2	Bolt M4 x 20	
3	0760505	5	Bolt M5 x 10	
4	0760610	3	Bolt M6 x 20	
5	0760612	4	Bolt M6 x 25	
6	0760614	12	Bolt M6 x 30	
7	0760814	2	Bolt M8 x 30	
8	0761012	2	Bolt M10 x 25	
9	0761014	2	Bolt M10 x 30	
10	0761016	2	Bolt M10 x 40	
11	0762016	2	Bolt M20 x 40	
12	1320265	1	Clamp	
13	1321716	4	Clamp, Double	
14	2180348	3	Fitting NPT X BARB	
15	2180666	1	Fitting NPT X BARB	
16	2540045	1	Grommet	
17	2720271	70 in/1.6m	Hose	
19	3290605	21	Nut M6	
20	3290805	2	Nut M8	
21	3291005	4	Nut M10	
22	3291605	1	Nut M16	
23	0760306	2	Capscrew M3 x 12	
25	4811700	38	Washer M6	
26	4811900	4	Washer M8	
27	4812000	8	Washer M10	
28	4812500	3	Washer M20	
29	1001190609	1	Fuel Filter/Water Separator Assembly	
29	70005293	1	Head, Mounting	
29	70005294	1	Plug, Vent	
29	70005296	1	Element & Gasket Kit (Includes Element, Head Gasket & Bowl O-Ring)	
29	70005295	1	Gasket, Head	
29	70005297	1	O-Ring, Bowl	
29	70002901	1	Bowl Kit - Water Separator (Includes Bowl, Drain & Plug)	
29	70004070	1	Drain, Self-Vented	
29	70004069	1	Plug, Drain	
31	1001120087	1	Pad, Wear	
32	1001120090	AR	Shim M1.5	
33	1001155934	1	Controller, Generator	
34	2720058	45 in/ 1.2m	Hose	
35	1001159665	1	Relay, Contactor	
42	1001168237	1	Plate, Mounting	
43	1320022	10	Clamp	
45	1001168236	1	Plate, Mounting	
46	1001168242	1	Seal, Foam	
47	1001168240	1	Shield, Rubber	
48	1001238241	1	Engine and Generator Assembly (See Separate Breakdown in this Section)	

SECTION 3 - ENGINE

ITEM	PART NUMBER	QTY	DESCRIPTION	REV
49	1001168239	1	Bracket, Mounting	
50	1001168244	6	Shield, Cable	
52	1001168241	1	Bracket, Mounting	
53	0100020	AR	Sealant	
54	4240018	AR	Tie-Strap (Not Shown)	
55	1001159754	1	Module, Diode	
57	4811400	10	Washer M4	
58	1320130	1	Clamp	
60	4811702	2	Washer M6	
61	0100083	1	Grease, Terminal	
64	91043147	1	Support	
65	0641605	2	Bolt 3/8-16 x 5/8	
66	4711600	1	Washer 3/8	
67	0700614	2	Bolt M6 x 30	
68	3290405	4	Nut M4	
69	4031510	4	Capscrew M4 x 30	
70	4031714	4	Capscrew M6 x 50	
71	1001189105	1	Bracket	
72	1001189108	1	Fan, Controller Cooling	
73	1001190545	1	Strainer, Fuel	
86	3290301	2	Nut M3	
87	1001110544	2	Washer M3	
88	8406201	1	Clip	
89	1001091102	1	Washer M4	

SECTION 3 - ENGINE

FIGURE 3-2. KUBOTA ENGINE AND GENERATOR SUB-ASSEMBLY



ART_1001238241

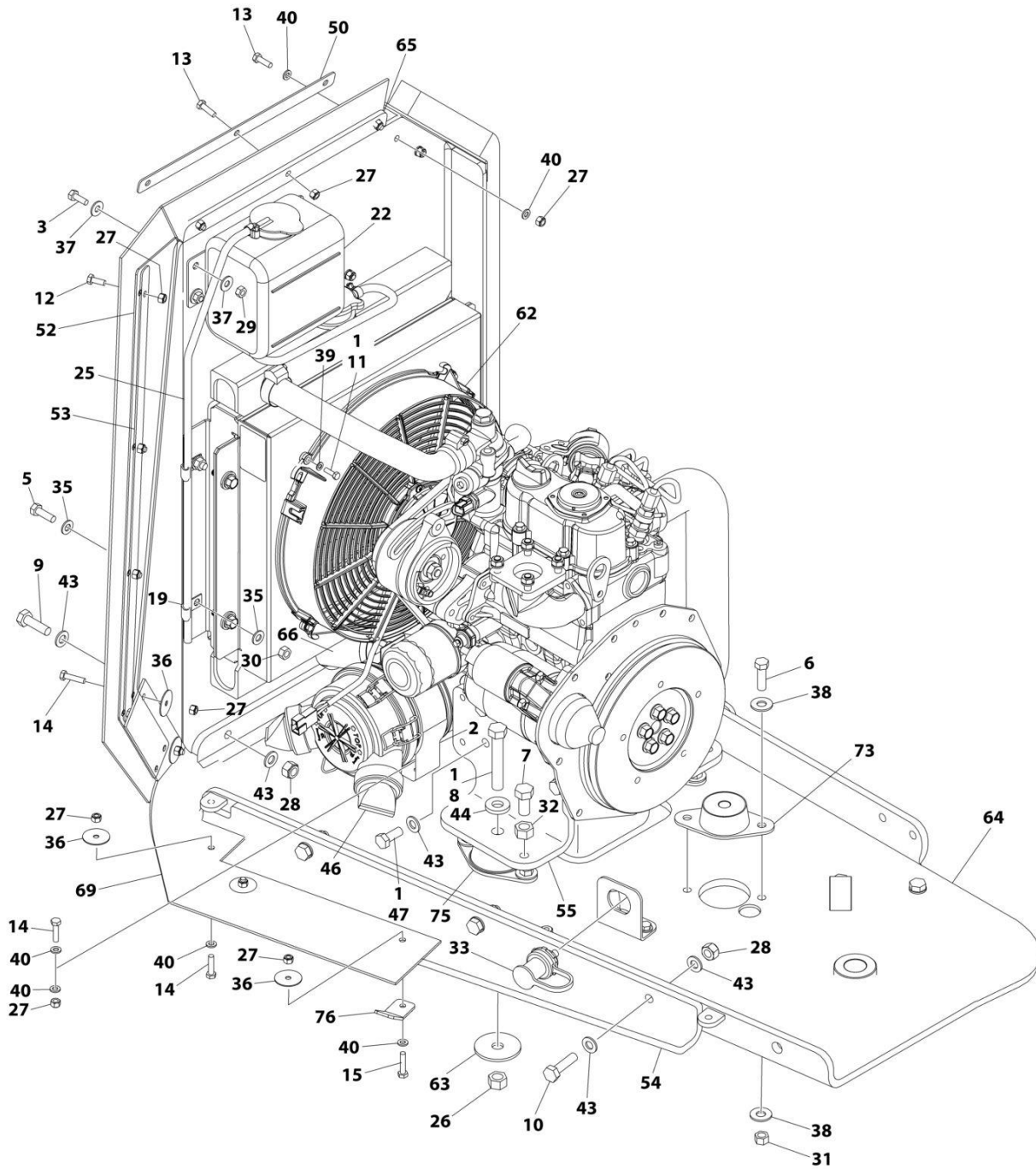
SECTION 3 - ENGINE

FIGURE 3-2. KUBOTA ENGINE AND GENERATOR SUB-ASSEMBLY

ITEM	PART NUMBER	QTY	DESCRIPTION	REV
	1001238241	Ref	KUBOTA ENGINE AND GENERATOR SUB-ASSEMBLY	D
1	0100011	AR	Compound, Locking	
2	0100019	AR	Compound, Locking (Not Shown)	
3	0641610	2	Bolt 3/8 x 1-1/4	
4	0641822	1	Bolt 1/2 x 2-3/4	
5	0681608	2	Bolt 3/8 x 1 (Grade 8)	
6	0760608	1	Bolt M6 x 16	
7	0760808	2	Bolt M8 x 16	
8	0760812	4	Bolt M8 x 25	
9	0760814	2	Bolt M8 x 30	
10	0761015	4	Bolt M10 x 35	
11	0770815	3	Bolt M8 x 35 Grade 10.5	
12	1320136	1	Clamp	
13	1320274	1	Clamp	
14	3271801	1	Nut 1/2-13	
15	3290805	2	Nut M8	
16	3291005	4	Nut M10	
17	3311605	2	Nut 3/8	
18	4711600	2	Washer 3/8	
19	4751600	4	Washer 3/8	
20	4811600	1	Washer M5	
21	4811702	1	Washer M6	
22	4811900	10	Washer M8	
23	4811902	1	Washer M8	
24	4812000	8	Washer M10	
25	4812500	1	Washer M20	
26	4891800	1	Washer 1/2	
27	85941016	1	Clamp	
28	1001157406	1	Engine Coupling Assembly (See Separate Breakdown in this Section)	
29	1001157903	1	Mount, Rear Engine	
30	1001162823	1	Muffler, Standard	
31	1001165751	1	Generator Assembly (See Separate Breakdown in this Section)	
32	1001167516	1	Dipstick	
33	1001168018	1	Washer	
34	1001168232	1	Bracket	
35	1001168233	1	Pipe, Exhaust	
36	1001176304	1	Bolt 2 x 80	
37	1001189794	1	Bracket	
38	1001189795	1	Bracket	
39	1001189868	1	Bracket	
40	1001238239	1	Engine Assembly without Generator (See Separate Breakdown in this Section)	

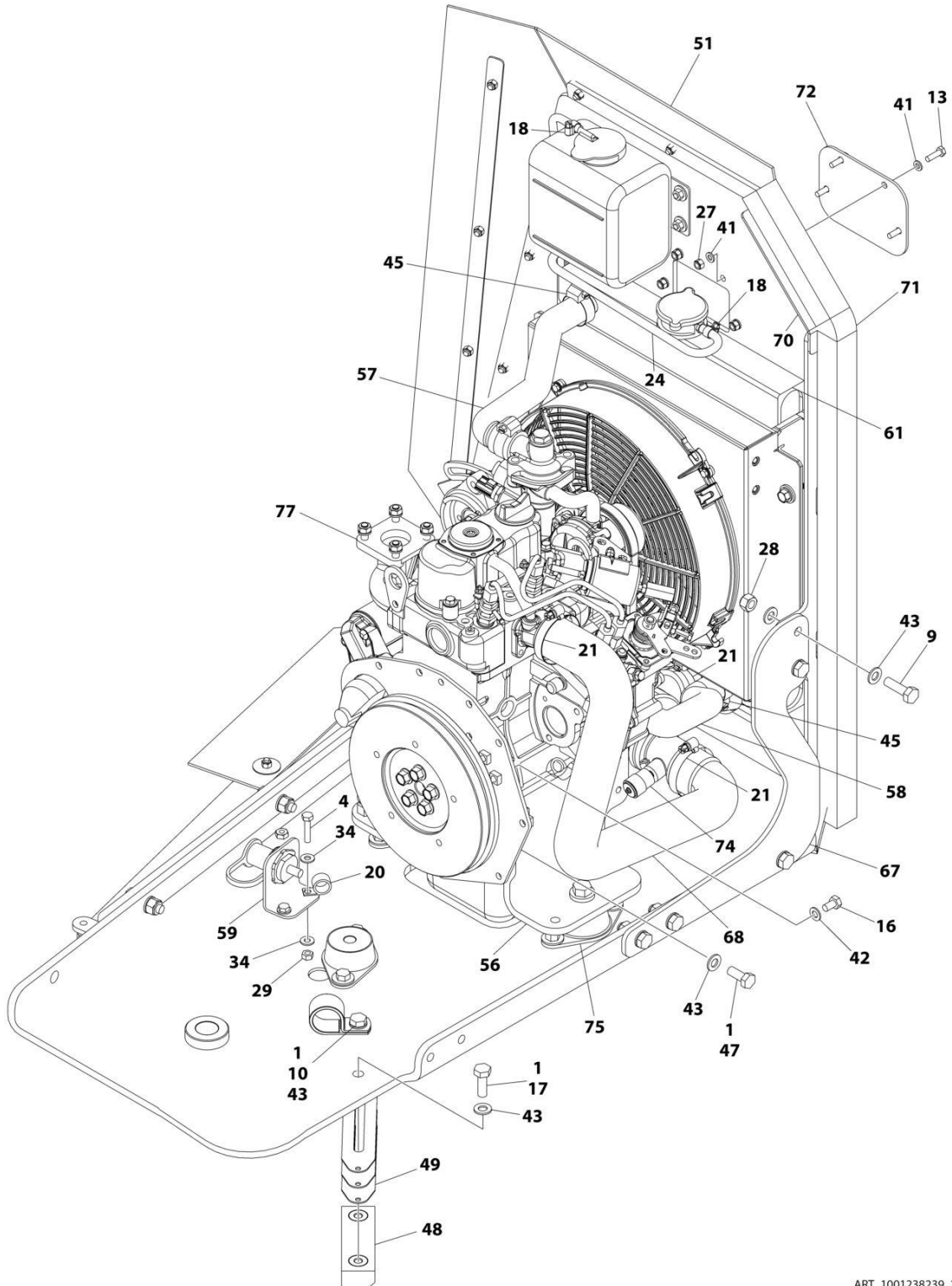
SECTION 3 - ENGINE

FIGURE 3-3. KUBOTA ENGINE ASSEMBLY



ART_1001238239_10F2

SECTION 3 - ENGINE



ART_1001238239_2OF2

SECTION 3 - ENGINE

FIGURE 3-3. KUBOTA ENGINE ASSEMBLY

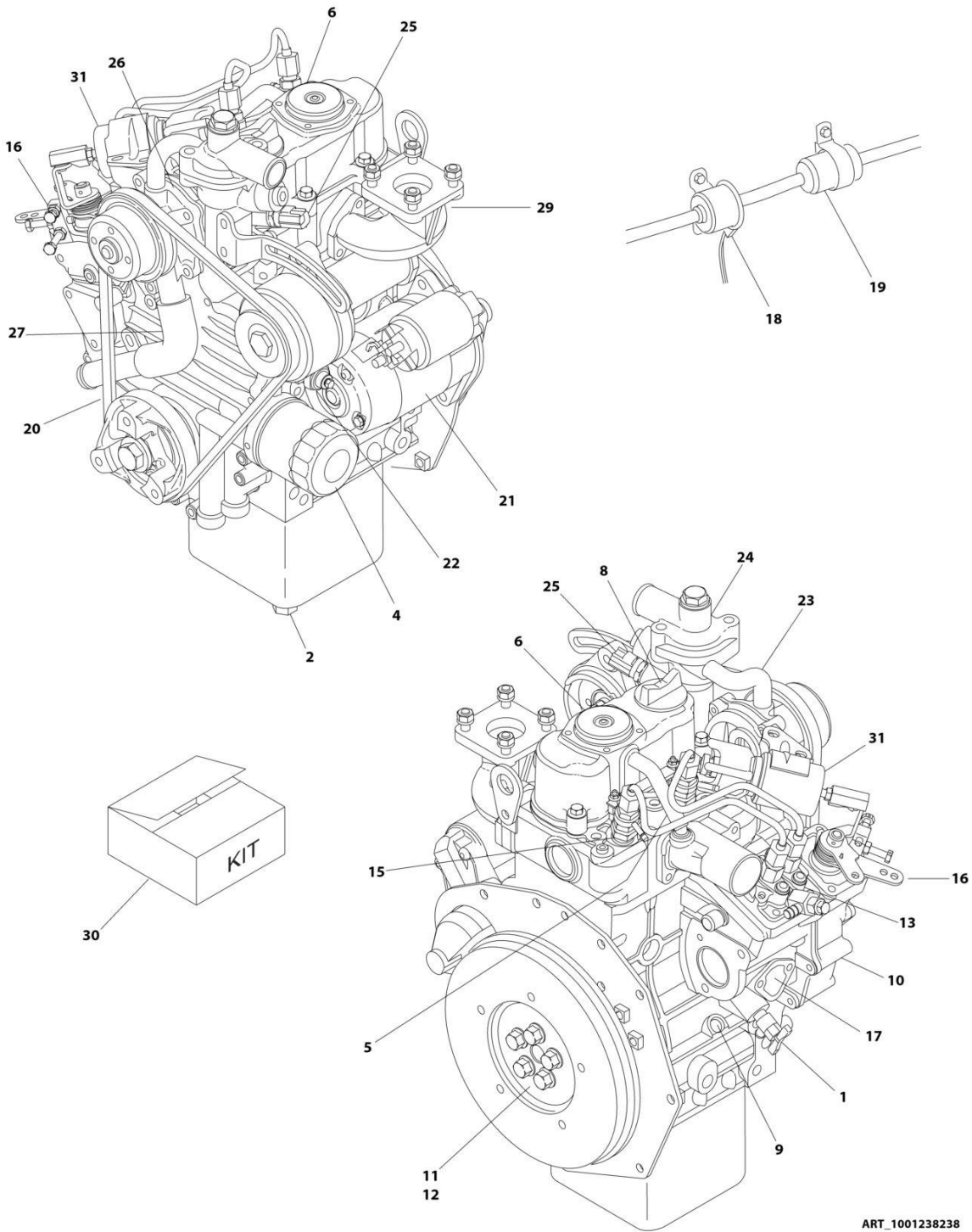
ITEM	PART NUMBER	QTY	DESCRIPTION	REV
	1001238239	Ref	KUBOTA ENGINE ASSEMBLY	D
1	0100011	AR	Compound, Locking	
2	0340045	1	Band, Mounting	
3	0641406	4	Bolt 1/4-20 x 3/4	
4	0641410	2	Bolt 1/4-20 x 1-1/4	
5	0641508	4	Bolt 5/16-18 x 1	
6	0641610	6	Bolt 3/8-16 x 1-1/4	
7	0641808	1	Bolt 1/2-13 x 1	
8	0641824	2	Bolt 1/2-13 x 3	
9	0701015	5	Bolt M10 x 35	
10	0701016	4	Bolt M10 x 40	
11	0760508	4	Bolt M5 x 16	
12	0760608	5	Bolt M6 x 16	
13	0760610	12	Bolt M6 x 20	
14	0760612	5	Bolt M6 x 25	
15	0760613	2	Bolt M6 x 28	
16	0760807	2	Bolt M8 x 14	
17	0761014	1	Bolt M10 x 30	
18	1320022	3	Clamp	
19	1320222	2	Clamp	
20	1320224	1	Clamp	
21	1321682	3	Clamp	
22	1580011	1	Tank, Overflow	
24	2720058	20 in/ 51cm	Hose	
25	2720271	29 in/ 74cm	Hose	
26	3271801	2	Nut 1/2-13	
27	3290605	24	Nut M6	
28	3291005	10	Nut M10	
29	3311405	6	Nut 1/4-20	
30	3311501	4	Nut 5/16-18	
31	3311605	6	Nut 3/8-16	
32	3311801	1	Nut 1/2-13	
33	4460611	1	Terminal, Battery	
34	4711400	4	Washer 1/4	
35	4711500	8	Washer 5/16	
36	4740362	5	Washer 1/4	
37	4751400	8	Washer 1/4	
38	4751600	12	Washer 3/8	
39	4811600	4	Washer M5	
40	4811700	11	Washer M6	
41	4811702	8	Washer M8	
42	4811900	2	Washer M8	
43	4812000	30	Washer M10	
44	4891800	2	Washer 1/2	
45	8405102	4	Clamp	
46	1001118280	1	Air Filter Assembly	
46	7015004	1	Element, Air Filter	
46	1340069	1	Valve, Vacuum	

SECTION 3 - ENGINE

ITEM	PART NUMBER	QTY	DESCRIPTION	REV
46	7015005	1	Cover	
47	1001118746	8	Bolt M10 x 25	
48	1001120087	1	Pad, Wear	
49	1001120090	3	Shim M1.5	
50	1001123018	1	Plate, Support	
51	1001147365	1	Seal	
52	1001147642	1	Plate, Support	
53	1001147643	1	Plate, Support	
54	1001148975	1	Plate	
55	1001156603	1	Bracket, Engine Mounting (LH)	
56	1001156604	1	Bracket, Engine Mounting (RH)	
57	1001158075	1	Hose, Radiator (Top)	
58	1001158076	1	Hose, Radiator (Bottom)	
59	1001158314	1	Mount, Battery Post	
61	1001271310	1	Radiator	
61	70007885	1	Cap, Radiator	
62	1001163363	1	Fan	
63	1001168018	2	Washer	
64	1001168222	1	Tray	
65	1001168224	1	Mount, Radiator	
66	1001168225	1	Hose	
67	1001168226	1	Gusset	
68	1001168227	1	Hose	
69	1001168228	1	Shield, Rubber	
70	1001168229	1	Bracket	
71	1001168230	1	Seal	
72	1001168238	1	Plate	
73	1001170571	1	Mount, Motor	
74	1001170981	1	Indicator, Air Intake Restriction	
75	1001187235	2	Mount, Motor	
76	1001202223	2	Bracket	
77	1001238238	1	Engine, Kubota (See Separate Breakdown in this Section)	

SECTION 3 - ENGINE

FIGURE 3-4. KUBOTA ENGINE COMPONENTS



ART_1001238238

SECTION 3 - ENGINE

FIGURE 3-4. KUBOTA ENGINE COMPONENTS

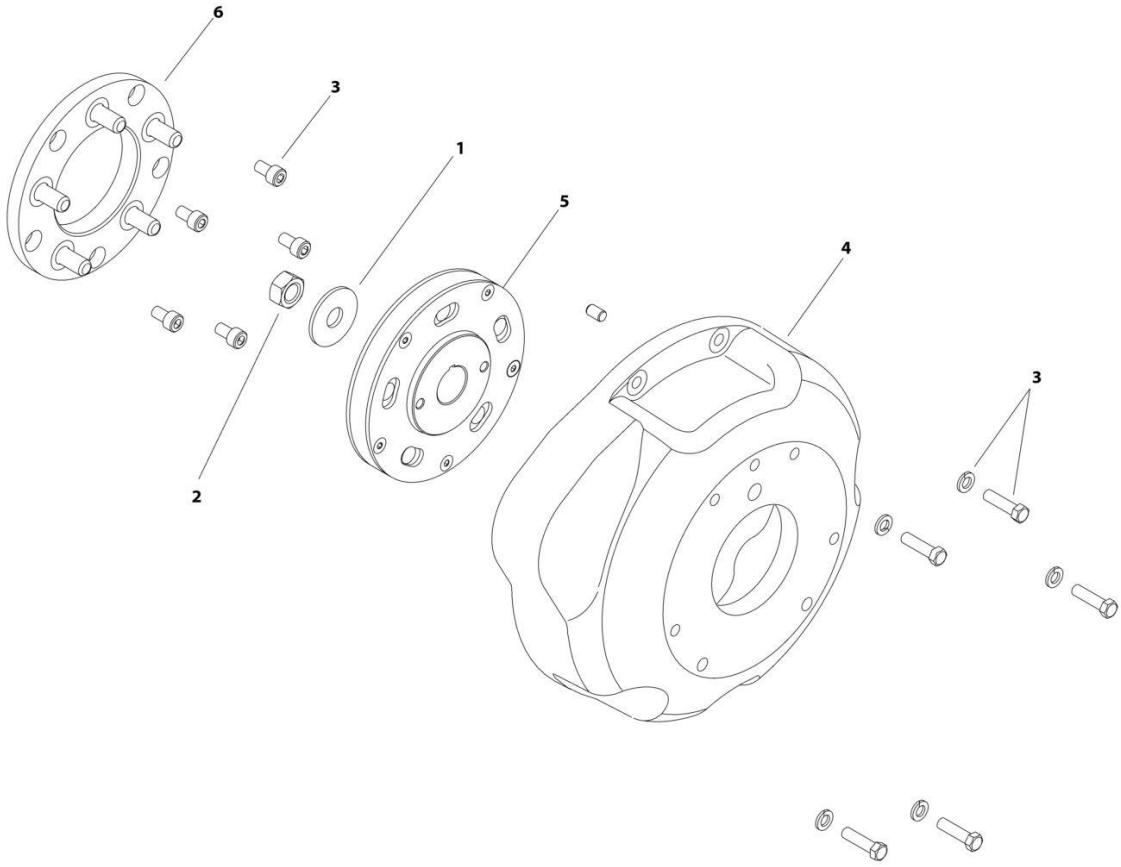
ITEM	PART NUMBER	QTY	DESCRIPTION	REV
	1001238238	Ref	KUBOTA ENGINE COMPONENTS	A
1	70004524	1	Valve, Drain	
2	7023154	1	Plug, Drain	
2	70002315	1	Gasket, Oil Pan Drain	
3	70004828	1	Gasket, Cylinder Head (Not Shown)	
4	7017980	1	Filter, Oil	
4	7017914	1	Fitting, Oil Filter	
5	70004829	1	Pipe (Inserts into Valve Cover)	
5	70004832	1	Tube, Breather	
5	70004855	1	Pipe (Inserts into Inlet Manifold)	
6	70003060	1	Valve, Breather Compensation	
6	70003061	1	Cover, Breather	
6	7017934	4	Screw	
7	70004830	1	Gasket, Cylinder Head (Not Shown)	
8	70002318	1	Cap, Oil Fill	
8	70004311	1	O-Ring, Oil Filler Cap	
9	1001167516	1	Dipstick	
10	70004294	1	Pump, Oil	
10	70004295	1	Gasket, Oil Pump	
10	70004296	1	Key, Oil Pump Shaft	
11	7017982	1	Gasket, Rear Bearing Case	
11	7017983	1	Seal, Rear Main	
11	7017984	1	Gasket, Rear Case	
12	70004833	1	Flywheel Assembly (Includes Ring Gear)	
12	70004297	1	Ring Gear	
12	70004834	5	Bolt, Flywheel	
13	70004836	1	Injection Pump Assembly	
13	70004837	AR	Shim .175mm	
13	70004838	AR	Shim .200mm	
13	70004839	AR	Shim .250mm	
13	70004840	AR	Shim .300mm	
13	70004841	AR	Shim .350mm	
14	7017988	1	Gasket, Speed Control Plate (Not Shown)	
15	70004540	2	Nut	
15	7023167	2	Gasket, Nozzle	
15	7023168	2	Seal, Nozzle Heat	
15	70004539	1	Pipe, Overflow (Includes Clips)	
15	70004537	1	Screw, Air Bleeder	
15	70004538	1	Gasket, Bleeder Screw	
15	70004398	2	Glow Plug	
16	70004843	1	Spring, Start	
16	70004844	1	Spring	
16	70004846	1	Spring, Governer	
16	70004847	1	Fork Assembly	
17	70004849	1	Pump, Fuel	
17	7017995	1	Gasket, Fuel Pump	
17	70004848	2	Bolt, Fuel Pump	
18	70005228	1	Pump, Electric Fuel	
19	7017992	1	Filter, Inline Fuel	
20	7023107	1	V-Belt	

SECTION 3 - ENGINE

ITEM	PART NUMBER	QTY	DESCRIPTION	REV
21	70006008	1	Starter	
21	70004305	1	Switch, Starter	
22	7017901	1	Switch, Oil	
23	70004829	1	Pipe, Water Return (Short)	
23	70004851	1	Pipe, Water Return (Long)	
24	70004852	1	Cover, Thermostat/Water Outlet	
24	7023170	1	Thermostat	
24	7023114	1	Gasket, Thermostat	
24	70004306	1	Gasket, Water Flange to Cylinder Head	
25	70003064	1	Sensor, Water Temperature	
25	70003063	1	Seal, Water Temperature Sensor	
26	70004853	1	Pump, Water	
26	70004854	1	Gasket, Water Pump to Block	
27	70004912	1	Hose	
27	70004913	2	Clamp, Band	
28	70004856	1	Gasket, Inlet Manifold (Not Shown)	
29	7023124	1	Gasket, Exhaust Manifold to Muffler	
29	70004859	4	Stud (Manifold to Muffler)	
29	70004857	1	Gasket, Exhaust (Manifold to Cylinder Head)	
29	70004858	4	Stud (Manifold to Cylinder Head)	
30	70004860	1	Gasket Kit - Upper	
30	70004861	1	Gasket Kit - Lower	
31	70006007	1	Solenoid, Stop	

SECTION 3 - ENGINE

FIGURE 3-5. ENGINE COUPLING ASSEMBLY



ART_1001157406

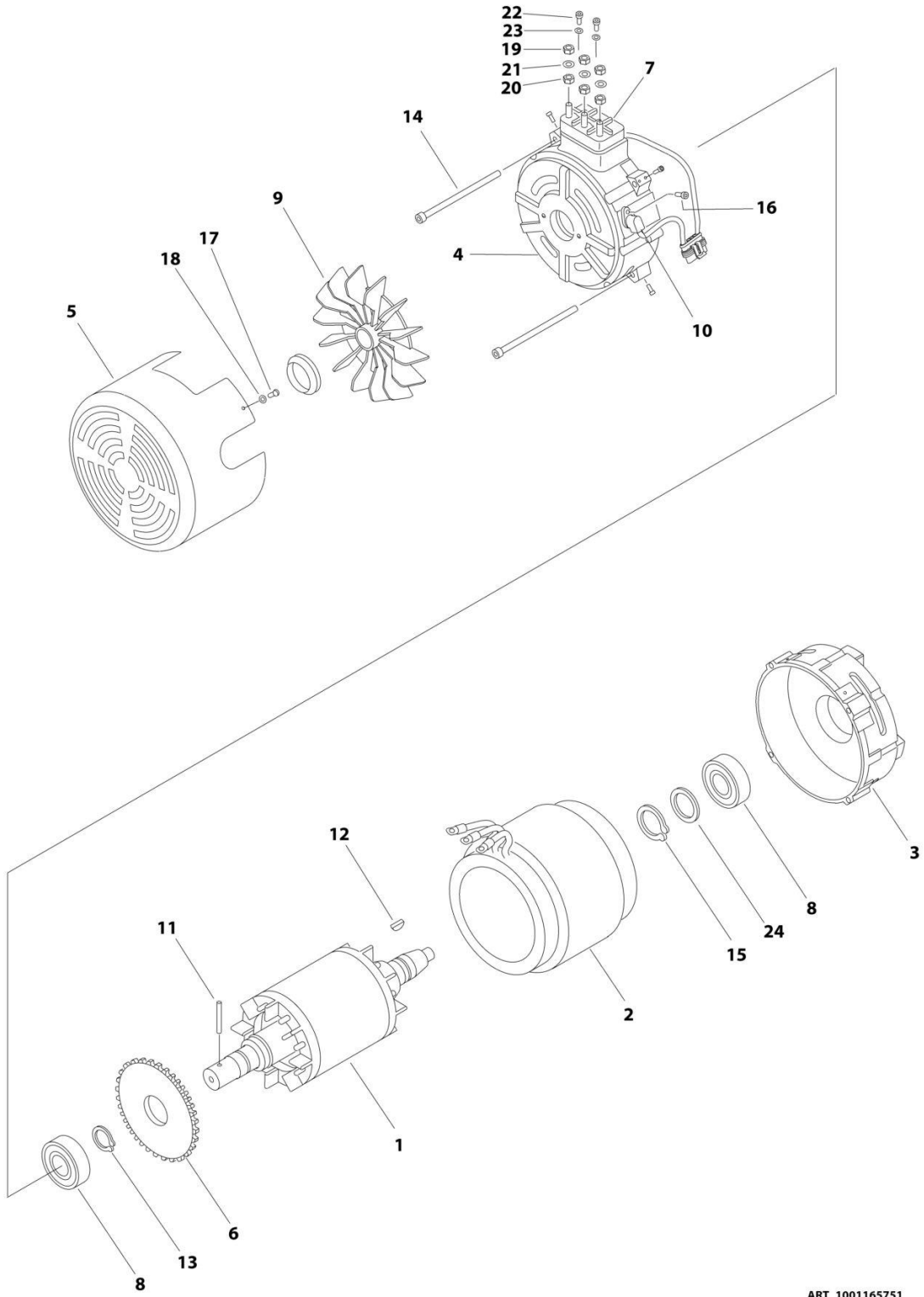
SECTION 3 - ENGINE

FIGURE 3-5. ENGINE COUPLING ASSEMBLY

ITEM	PART NUMBER	QTY	DESCRIPTION	REV
	1001157406	Ref	ENGINE COUPLING ASSEMBLY	B
1	See Note	1	Washer M14 (Note: Not Available - Purchase Locally)	
2	See Note	1	Nut M14 (Note: Not Available - Purchase Locally)	
3	70004790	1	Bolt Kit (Includes qty 5 each of M8 Lockwashers, 16mm Length Capscrews & 30mm Length Capscrews)	
4	70004791	1	Cover, Coupling	
5	70004792	1	Hub Coupling Assembly	
6	70004793	1	Plate, Mounting	

SECTION 3 - ENGINE

FIGURE 3-6. GENERATOR ASSEMBLY



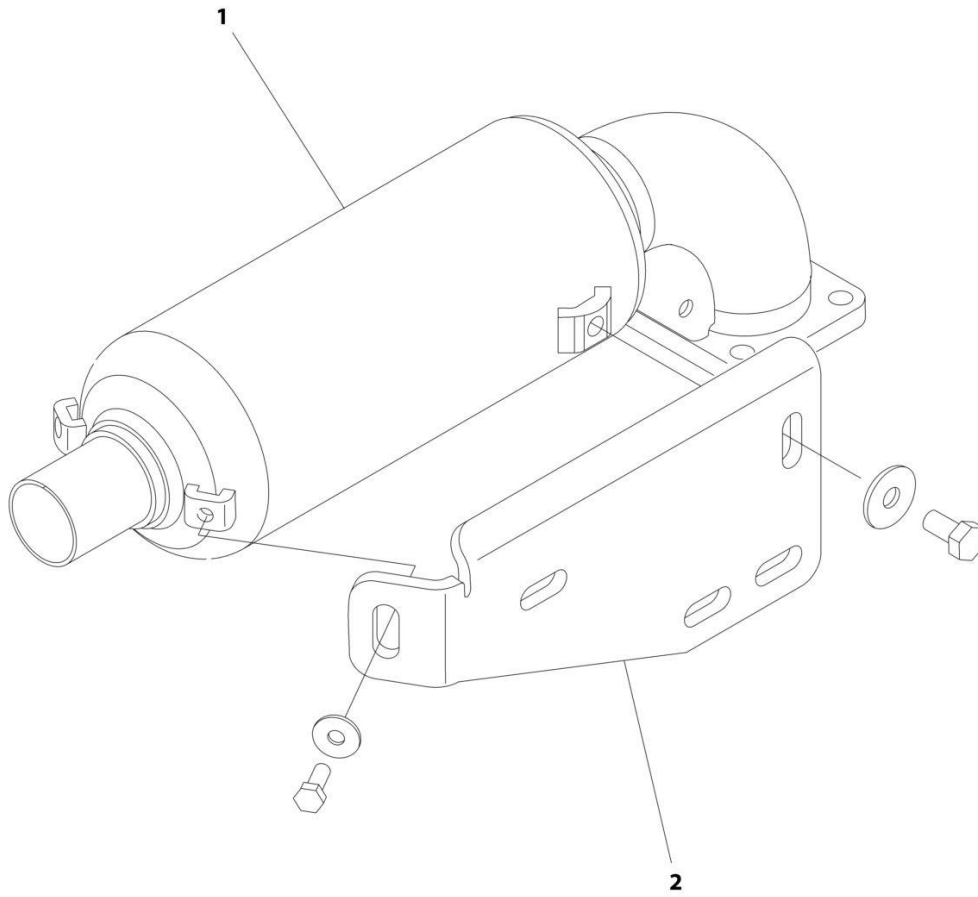
ART_1001165751

FIGURE 3-6. GENERATOR ASSEMBLY

ITEM	PART NUMBER	QTY	DESCRIPTION	REV
	1001165751	Ref	GENERATOR ASSEMBLY	C
1	70004984	1	Rotor	
2	70004985	1	Stator	
3	70004986	1	Flange	
4	70004987	1	Flange	
5	70004988	1	Cover, Fan	
6	70004989	1	Wheel, Impulse	
7	70004990	1	Block, Terminal	
8	70004991	1	Bearing	
9	70004992	1	Fan with Lock Ring	
10	70004993	1	Sensor	
11	70004994	1	Rollpin	
12	70004995	1	Key	
13	70004996	1	Ring, Retaining	
14	70004997	4	Screw M8 x 150	
15	70004998	1	Ring, Retaining	
16	70004999	1	Screw M6 x 16	
17	70005000	4	Screw M5 x 8	
18	70005001	4	Washer M5	
19	70005002	3	Nut M8	
20	70005003	3	Nut M8	
21	70005004	3	Spacer	
22	70005005	2	Screw M8 x 16	
23	70005006	2	Washer	
24	70005007	1	Ring	

SECTION 3 - ENGINE

FIGURE 3-7. CATALYTIC MUFFLER INSTALLATION - OPTIONAL



ART_1001169719

SECTION 3 - ENGINE

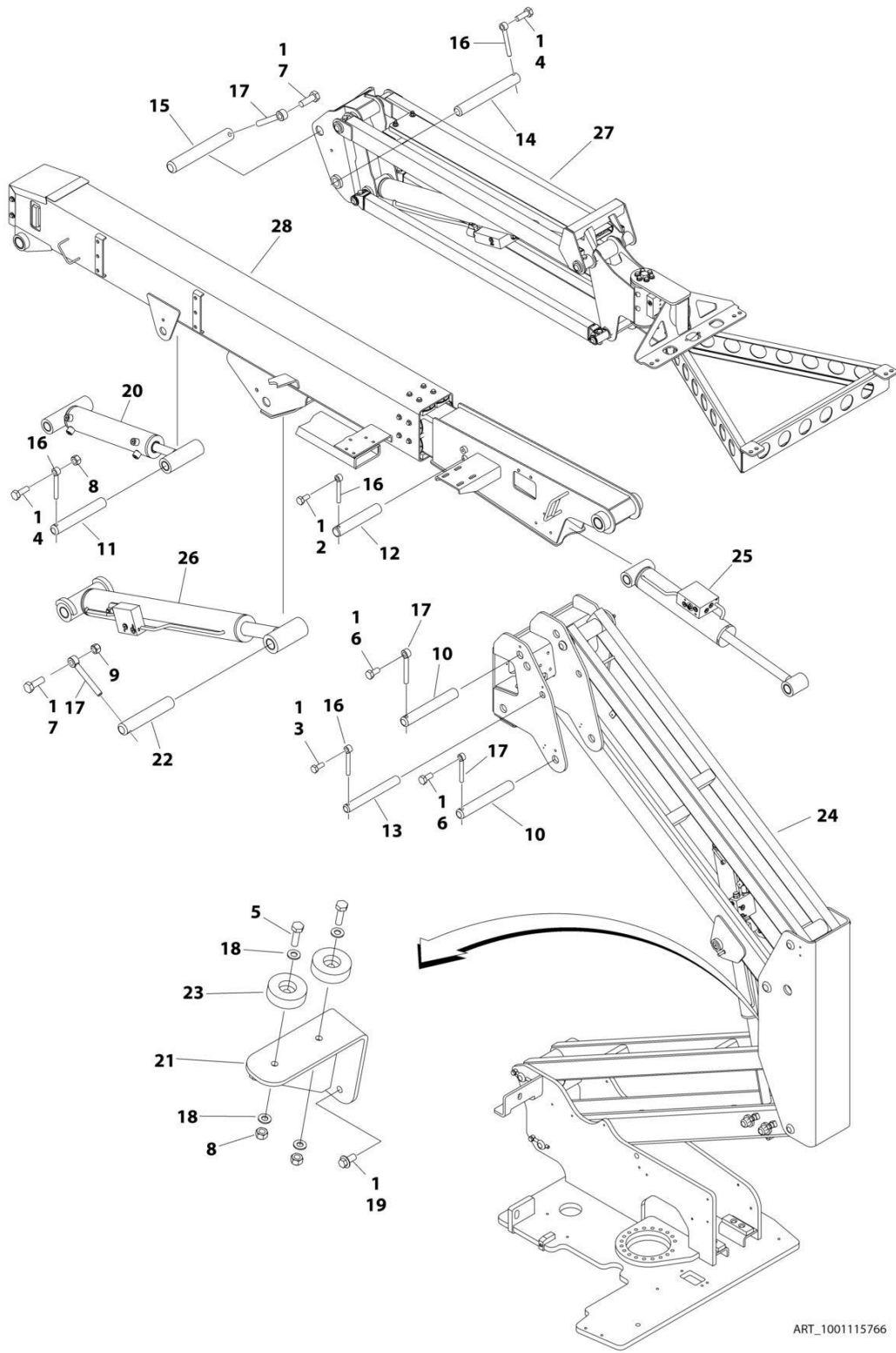
FIGURE 3-7. CATALYTIC MUFFLER INSTALLATION - OPTIONAL

ITEM	PART NUMBER	QTY	DESCRIPTION	REV
	1001169719	Ref	CATALYTIC MUFFLER INSTALLATION - OPTIONAL	B
1	1001171823	1	Muffler, Spark Arresting/Catalytic	
2	1001171914	1	Bracket	

SECTION 4 - BOOM

SECTION 4 - BOOM

FIGURE 4-1. BOOM AND CYLINDERS INSTALLATION - WITHOUT ARCTIC PACKAGE



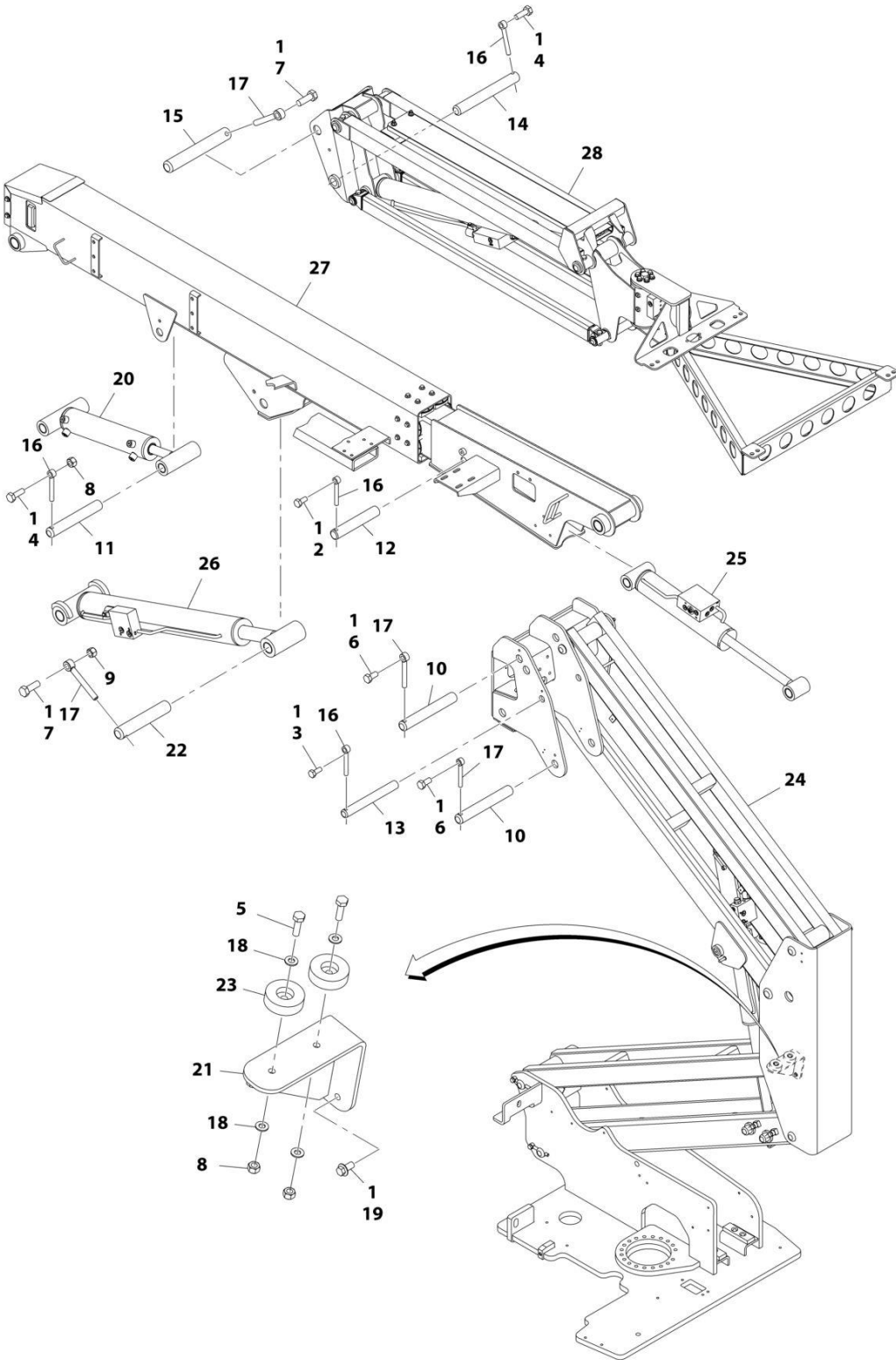
SECTION 4 - BOOM

FIGURE 4-1. BOOM AND CYLINDERS INSTALLATION - WITHOUT ARCTIC PACKAGE

ITEM	PART NUMBER	QTY	DESCRIPTION	REV
	1001115766	Ref	BOOM AND CYLINDERS INSTALLATION - WITHOUT ARCTIC PACKAGE	D
1	0100011	AR	Compound, Locking	
2	0761011	1	Bolt M10 x 22	
3	0761012	1	Bolt M10 x 25	
4	0761014	2	Bolt M10 x 30	
5	0761015	2	Bolt M10 x 35	
6	0761212	2	Bolt M12 x 25	
7	0761215	2	Bolt M12 x 35	
8	3291005	3	Nut M10	
9	3291205	1	Nut M12	
10	3422576	2	Pin	
11	3422582	1	Pin	
12	3422709	1	Pin	
13	3422790	1	Pin	
14	3422792	1	Pin	
15	3422814	1	Pin	
16	3841143	4	Keeper, Pin	
17	3841203	4	Keeper, Pin	
18	4812000	4	Washer M10	
19	5251010	3	Bolt M10 x 20	
20	1001120976	1	Master Cylinder Assembly (See Separate Breakdown in CYLINDER Section)	
21	1001125235	1	Rest, Boom	
22	1001109528	1	Pin	
23	1001112607	2	Pad, Boom Rest	
24	1001115672	1	Tower Boom Assembly (See Separate Breakdown in this Section)	
25	1001225990	1	Level Cylinder Assembly - Platform (Slave) (See Separate Breakdown in CYLINDER Section)	
26	1001117640	1	Lift Cylinder Assembly - Main Boom (See Separate Breakdown in CYLINDER Section)	
27	1001117884	1	Jib Assembly (See Separate Breakdown in this Section)	
28	1001117885	1	Main Boom Assembly (See Separate Breakdown in this Section)	

SECTION 4 - BOOM

FIGURE 4-2. BOOM AND CYLINDERS INSTALLATION - WITH ARCTIC PACKAGE



ART_1001119371

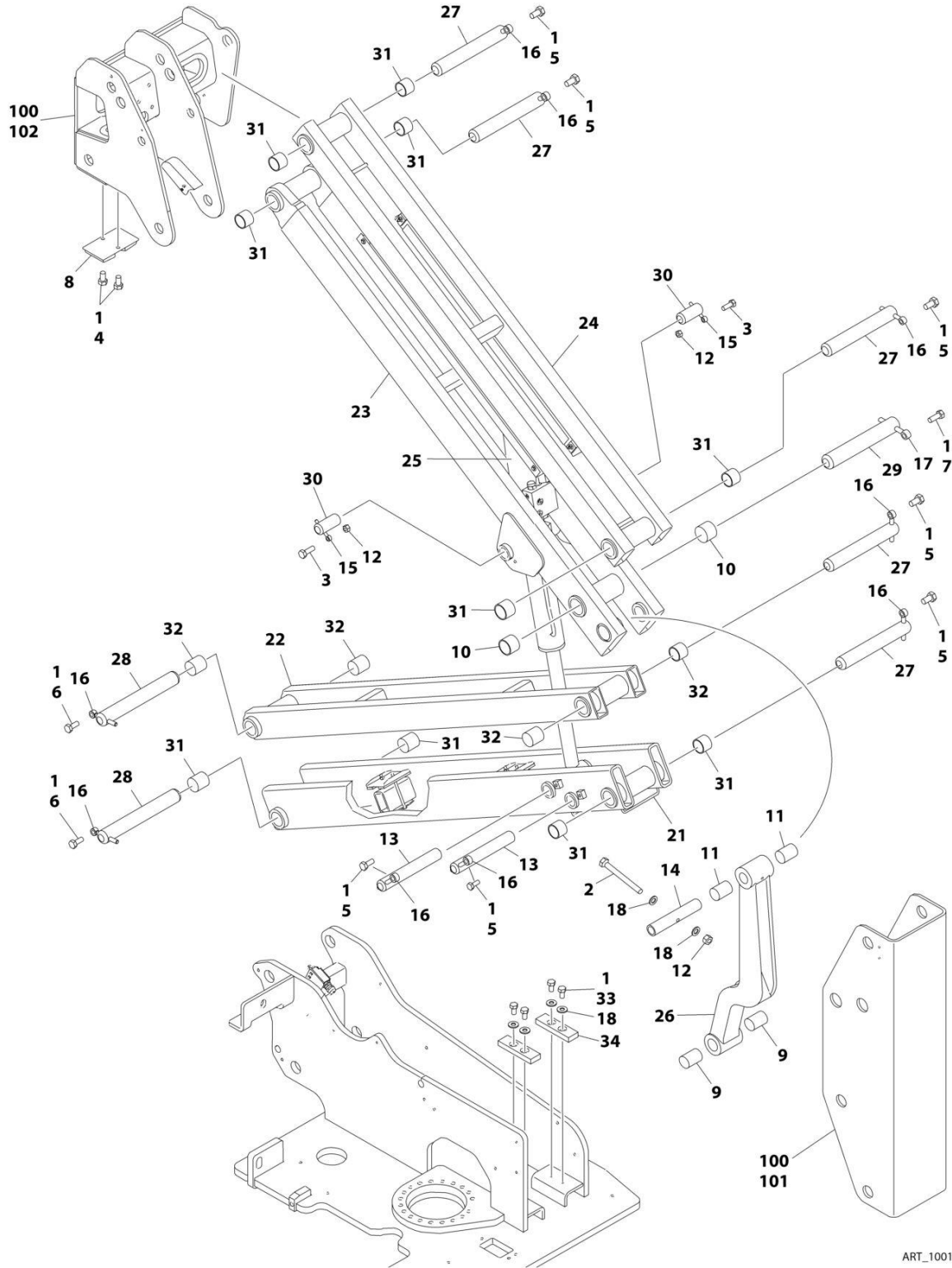
SECTION 4 - BOOM

FIGURE 4-2. BOOM AND CYLINDERS INSTALLATION - WITH ARCTIC PACKAGE

ITEM	PART NUMBER	QTY	DESCRIPTION	REV
	1001119371	Ref	BOOM AND CYLINDERS INSTALLATION - WITH ARCTIC PACKAGE	D
1	0100011	AR	Compound, Locking	
2	0761011	1	Bolt M10 x 22	
3	0761012	1	Bolt M10 x 25	
4	0761014	2	Bolt M10 x 30	
5	0761015	2	Bolt M10 x 35	
6	0761212	2	Bolt M12 x 25	
7	0761215	2	Bolt M12 x 35	
8	3291005	3	Nut M10	
9	3291205	1	Nut M12	
10	3422576	2	Pin	
11	3422582	1	Pin	
12	3422709	1	Pin	
13	3422790	1	Pin	
14	3422792	1	Pin	
15	3422814	1	Pin	
16	3841143	4	Keeper, Pin	
17	3841203	4	Keeper, Pin	
18	4812000	4	Washer M10	
19	5251010	3	Bolt M10 x 20	
20	1001120976	1	Master Cylinder Assembly (See Separate Breakdown in CYLINDER Section)	
21	1001125235	1	Rest, Boom	
22	1001109528	1	Pin	
23	1001112607	2	Pad, Boom Rest	
24	1001115672	1	Tower Boom Assembly (See Separate Breakdown in this Section)	
25	1001225990	1	Level Cylinder Assembly - Platform (Slave) (See Separate Breakdown in CYLINDER Section)	
26	1001117640	1	Lift Cylinder Assembly - Main Boom (See Separate Breakdown in CYLINDER Section)	
27	1001117885	1	Main Boom Assembly Options (See Separate Breakdown in this Section)	
28	1001119370	1	Jib Assembly (See Separate Breakdown in this Section)	

SECTION 4 - BOOM

FIGURE 4-3. TOWER BOOM ASSEMBLY



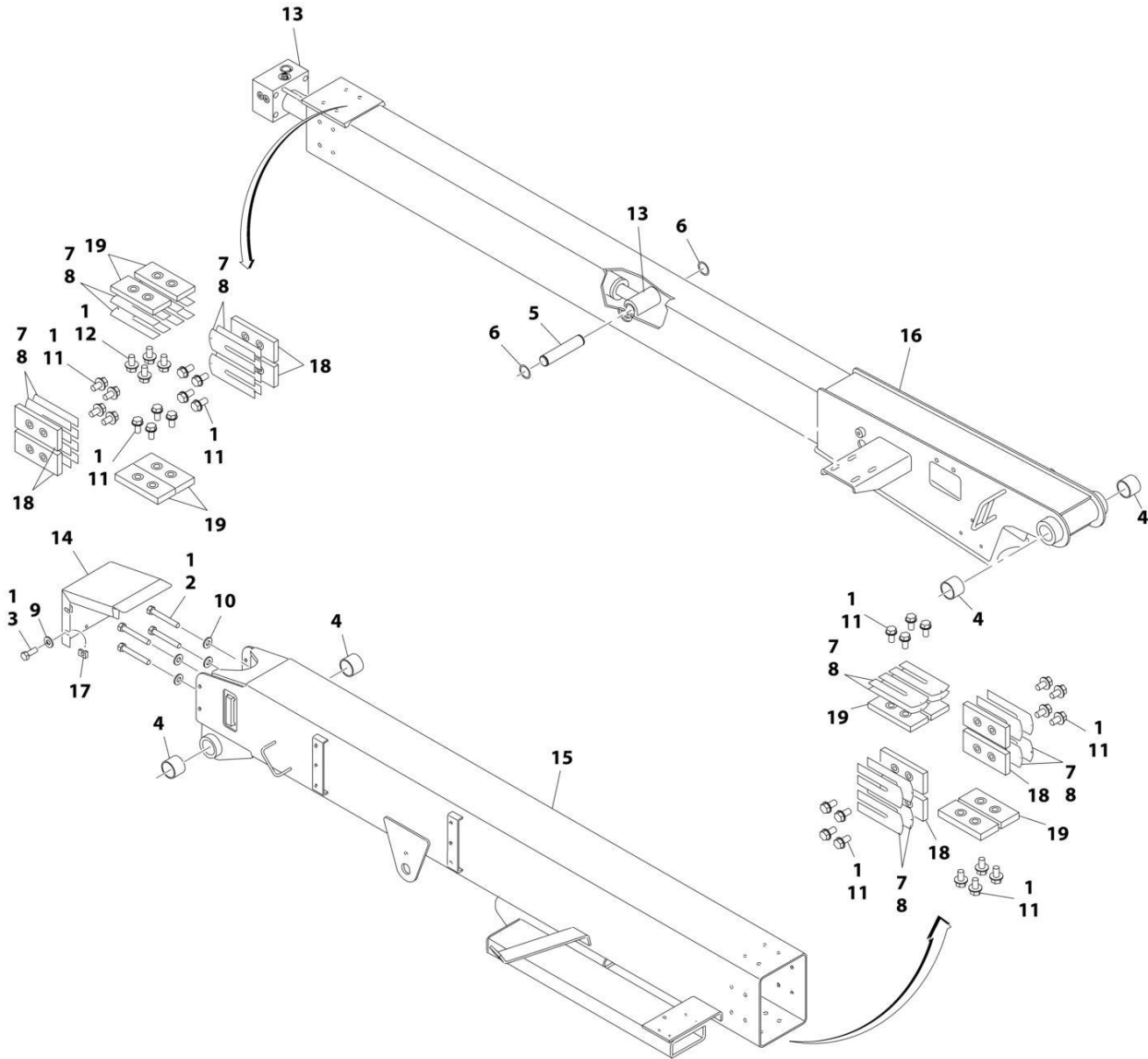
ART_1001115672

FIGURE 4-3. TOWER BOOM ASSEMBLY

ITEM	PART NUMBER	QTY	DESCRIPTION	REV
	1001115672	Ref	TOWER BOOM ASSEMBLY	D
1	0100011	AR	Compound, Locking	
2	0701027	1	Bolt M10 x 100	
3	0761015	2	Bolt M10 x 35	
4	0761210	2	Bolt M12 x 20	
5	0761212	7	Bolt M12 x 25	
6	0761214	2	Bolt M12 x 30	
7	0761615	2	Bolt M16 x 35	
8	0940048	1	Bumper	
9	0961948	2	Bearing	
10	0962224	2	Bearing	
11	0962259	2	Bearing	
12	3291005	3	Nut M10	
13	3422787	2	Pin	
14	3422788	1	Pin	
15	3841143	2	Keeper, Pin	
16	3841203	9	Keeper, Pin	
17	3841258	1	Keeper, Pin	
18	4812000	6	Washer M10	
21	1001115657	1	Link, Lower Boom (Bottom)	
22	1001115661	1	Link, Lower Boom (Top)	
23	1001115663	1	Link, Mid Boom (Bottom)	
24	1001115669	1	Link, Mid Boom (Top)	
25	1001122527	1	Lift Cylinder Assembly - Tower Boom (See Separate Breakdown in CYLINDER Section)	
26	1001115870	1	Link, Timing	
27	1001116546	5	Pin	
28	1001116547	2	Pin	
29	1001116548	1	Pin	
30	1001116549	2	Pin	
31	1001118665	10	Bearing	
32	1001118666	4	Bearing	
33	0761010	4	Bolt M10 x 20	
34	3340758	2	Pad, Wear	
100	1001231153	1	Lower Upright Boom Kit	
101	1001115649	1	Upright, Lower	
102	1001115650	1	Upright, Upper	

SECTION 4 - BOOM

FIGURE 4-4. MAIN BOOM ASSEMBLY



ART_1001117885

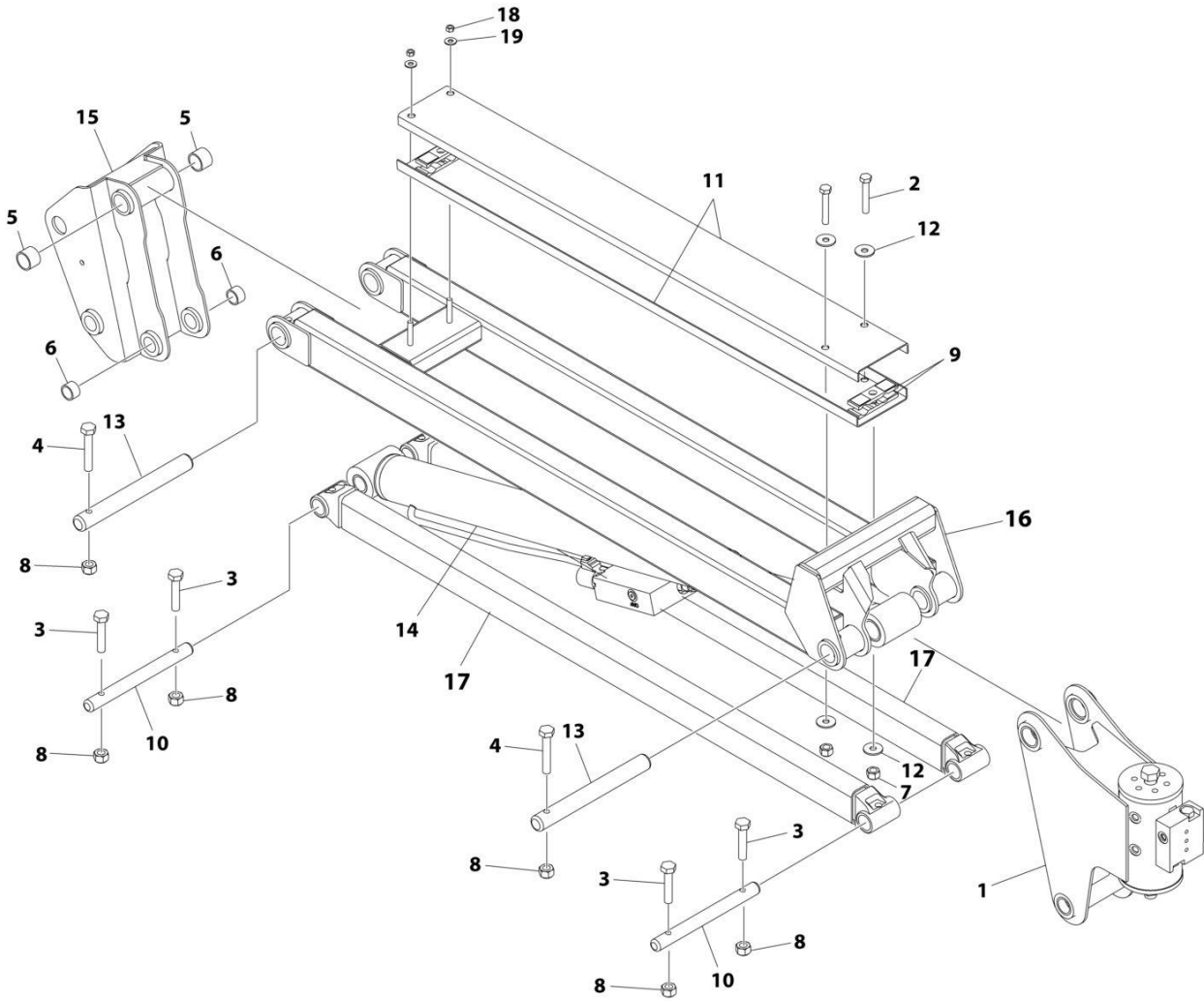
SECTION 4 - BOOM

FIGURE 4-4. MAIN BOOM ASSEMBLY

ITEM	PART NUMBER	QTY	DESCRIPTION	REV
	1001117885	Ref	MAIN BOOM ASSEMBLY	C
1	0100011	AR	Compound, Locking	
2	0711227	4	Bolt M12 x 100 Grade 10.9	
3	0760812	4	Bolt M8 x 25	
4	0961948	4	Bushing	
5	3422745	1	Pin	
6	3760115	2	Ring, Retaining	
7	4070897	16	Shim 18Ga	
8	4070898	12	Shim 11Ga	
9	4811902	4	Washer M8	
10	5241200	4	Washer M12	
11	5251010	28	Bolt M10 x 20	
12	5251012	4	Bolt M10 x 25	
13	1001120974	1	Telescope Cylinder Assembly (See Separate Breakdown in CYLINDER Section)	
14	1001108290	1	Cover, Boom End	
15	1001116876	1	Boom, Base	
16	1001116877	1	Boom, Fly	
17	1001118274	4	Nut, Retainer M8	
18	1001118287	8	Pad, Wear	
19	1001118288	8	Pad, Wear	

SECTION 4 - BOOM

FIGURE 4-5. JIB ASSEMBLY - WITHOUT ARCTIC PACKAGE



ART_1001117884_D

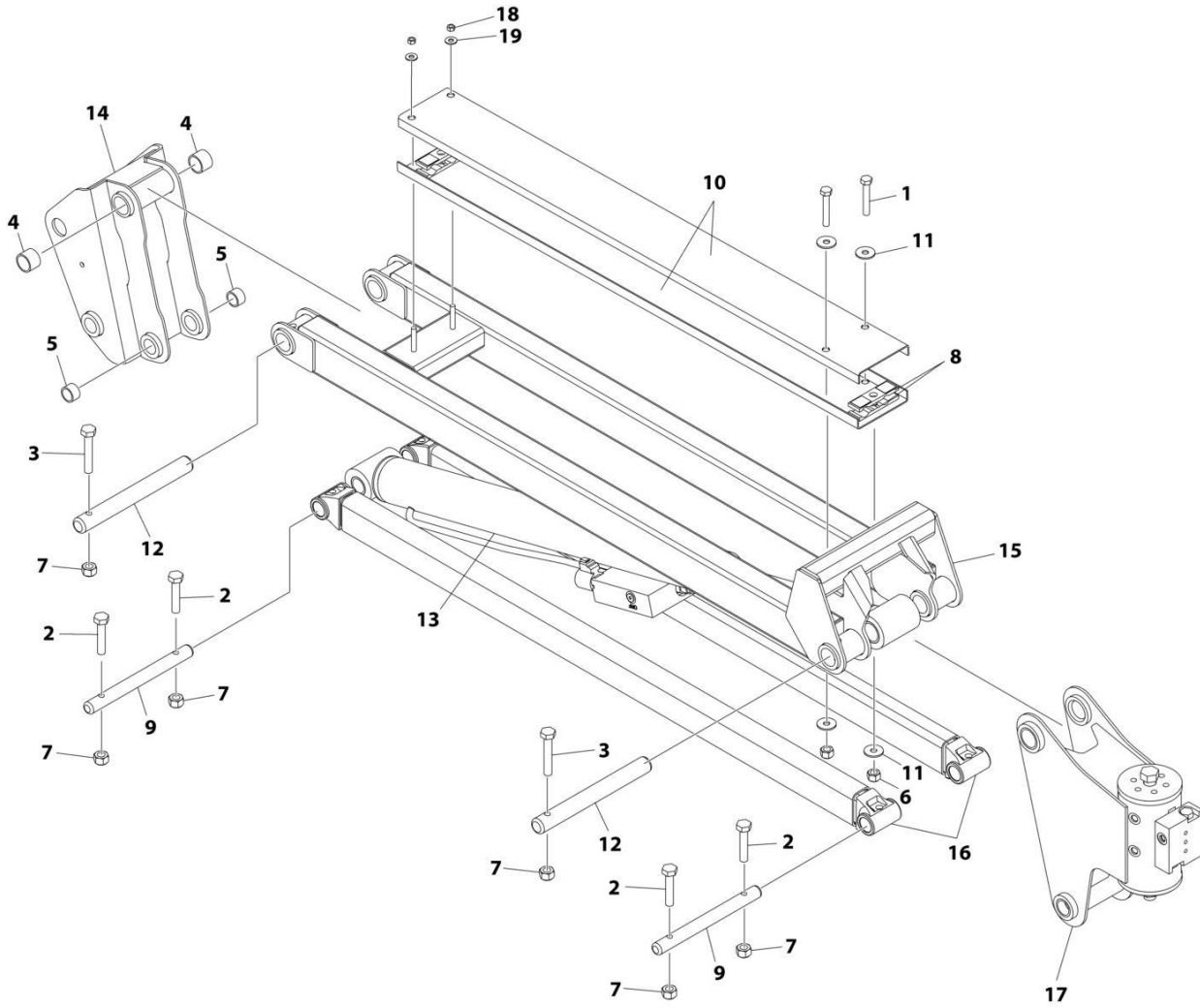
SECTION 4 - BOOM

FIGURE 4-5. JIB ASSEMBLY - WITHOUT ARCTIC PACKAGE

ITEM	PART NUMBER	QTY	DESCRIPTION	REV
	1001117884	Ref	JIB ASSEMBLY - WITHOUT ARCTIC PACKAGE	D
1	0060044	1	Platform Rotator Assembly (See Separate Breakdown in this Section)	
2	0700818	2	Bolt M8 x 50	
3	0701018	4	Bolt M10 x 50	
4	0701020	2	Bolt M10 x 60	
5	0961951	2	Bushing	
6	0962292	2	Bushing	
7	3290805	2	Nut M8	
8	3291005	6	Nut M10	
9	3340860	4	Pad, Rubber	
10	3422791	2	Pin	
11	3572551	2	Channel, Hose Carrier	
12	4811902	4	Washer M8	
13	3422794	2	Pin	
14	1001123004	1	Lift Cylinder Assembly - Jib (See Separate Breakdown in CYLINDER Section)	
15	1001118394	1	Pivot, Jib	
16	4846278	1	Link, Jib (Top)	
17	1001094670	2	Link, Jib (Bottom)	
18	3311501	2	Nut 5/16	
19	4751500	2	Washer 5/16	

SECTION 4 - BOOM

FIGURE 4-6. JIB ASSEMBLY - WITH ARCTIC PACKAGE



ART_1001119370_D

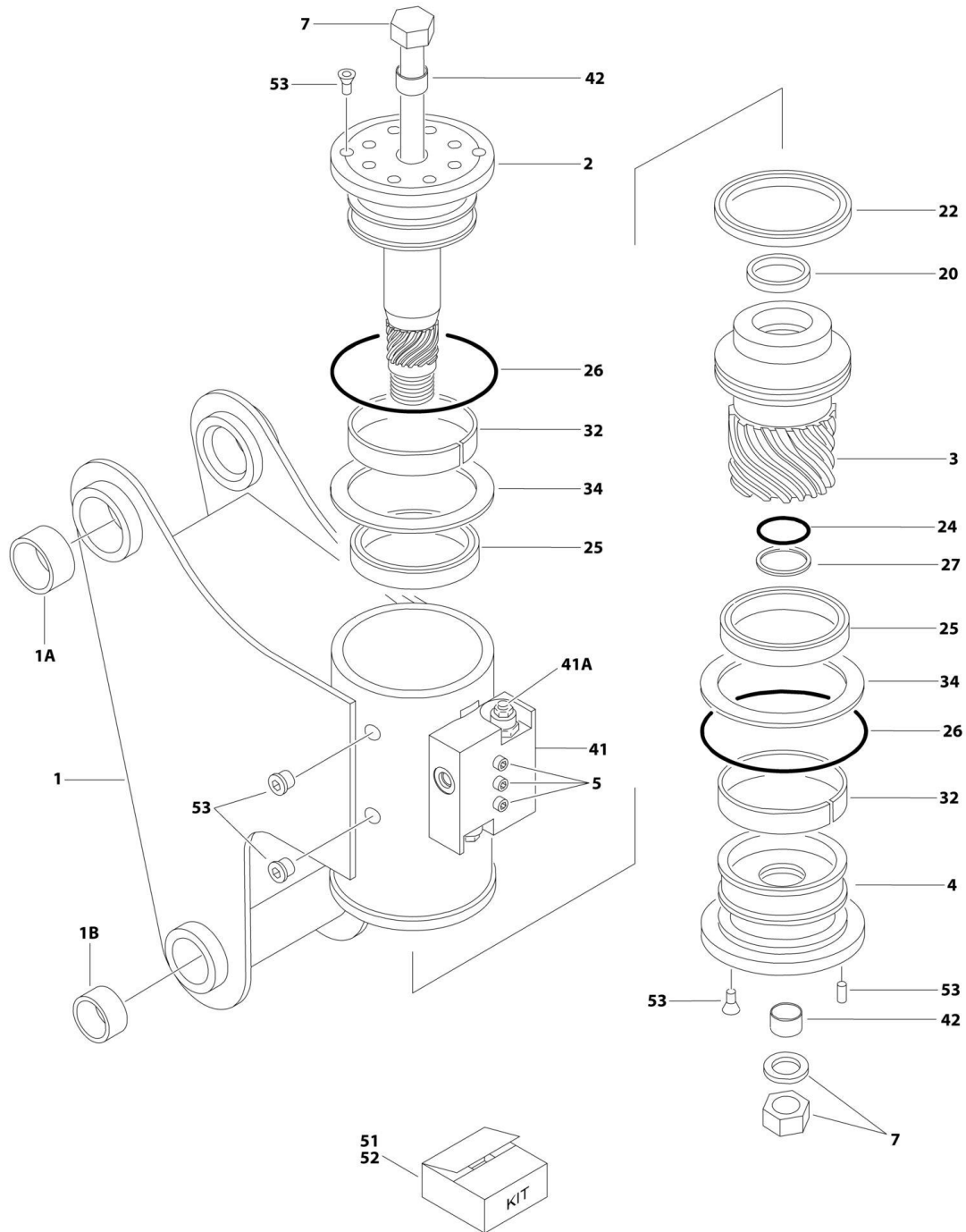
SECTION 4 - BOOM

FIGURE 4-6. JIB ASSEMBLY - WITH ARCTIC PACKAGE

ITEM	PART NUMBER	QTY	DESCRIPTION	REV
	1001119370	Ref	JIB ASSEMBLY - WITH ARCTIC PACKAGE	D
1	0700818	2	Bolt M8 x 50	
2	0701018	4	Bolt M10 x 50	
3	0701020	2	Bolt M10 x 60	
4	0961951	2	Bushing	
5	0962292	2	Bushing	
6	3290805	2	Nut M8	
7	3291005	6	Nut M10	
8	3340860	4	Pad, Rubber	
9	3422791	2	Pin	
10	3572551	2	Channel, Hose Carrier	
11	4811902	4	Washer M8	
12	3422794	2	Pin	
13	1001123004	1	Lift Cylinder Assembly - Jib (See Separate Breakdown in CYLINDER Section)	
14	1001118394	1	Pivot, Jib	
15	4846278	1	Link, Jib (Top)	
16	1001094670	2	Link, Jib (Bottom)	
17	1001119369	1	Platform Rotator Assembly (See Separate Breakdown in this Section)	
18	3311501	2	Nut 5/16	
19	4751500	2	Washer 5/16	

SECTION 4 - BOOM

FIGURE 4-7. PLATFORM ROTATOR ASSEMBLY - WITHOUT ARCTIC PACKAGE



ART_0060044

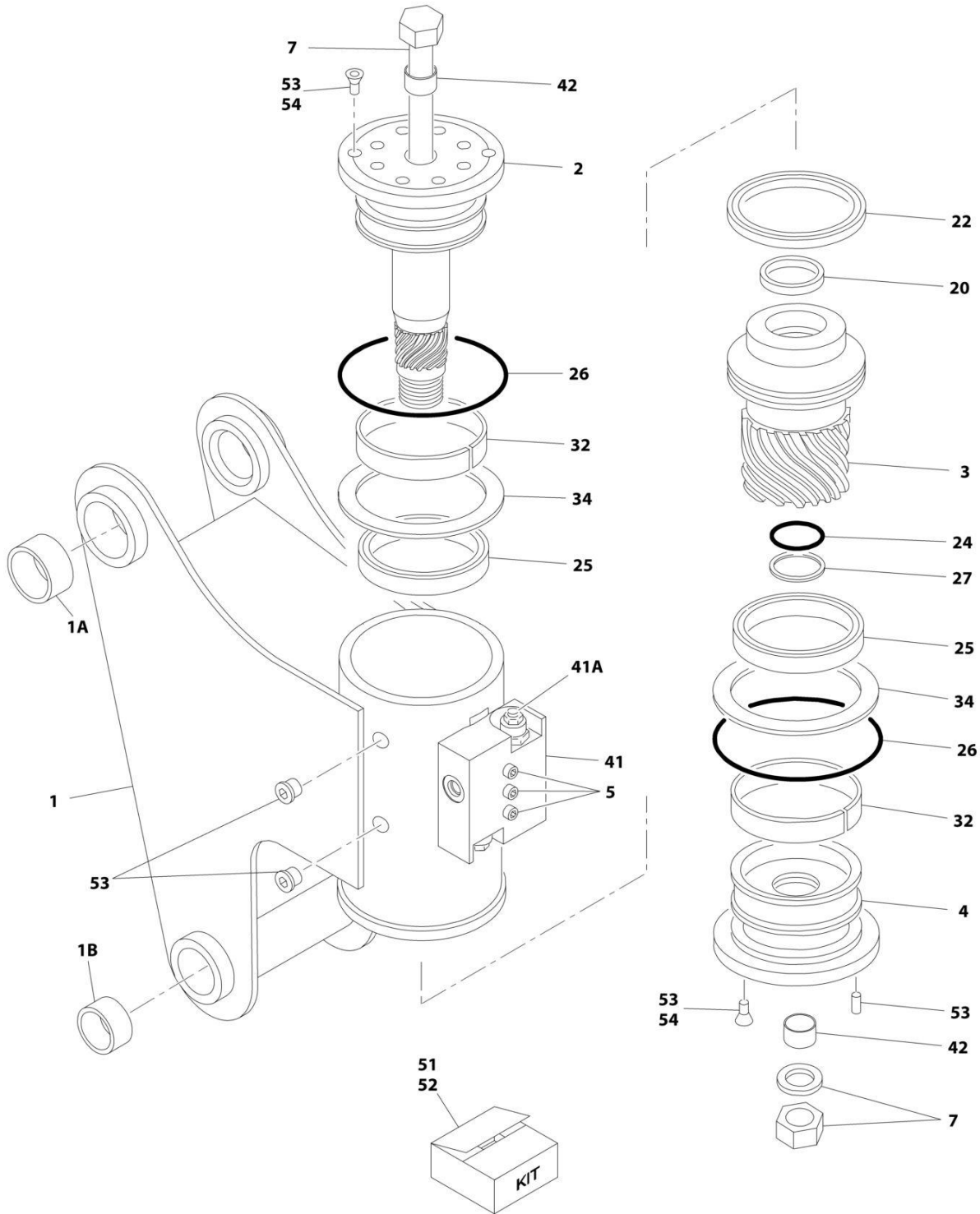
SECTION 4 - BOOM

FIGURE 4-7. PLATFORM ROTATOR ASSEMBLY - WITHOUT ARCTIC PACKAGE

ITEM	PART NUMBER	QTY	DESCRIPTION	REV
	0060044	Ref	ROTATOR ASSEMBLY	D
1	See Note	1	Case/Bracket Weldment (Note: Not Available - Purchase Complete Assembly)	
1A	0962257	2	Bushing	
1B	0961947	2	Bushing	
2	7017120	1	Shaft (Rotator with Helac Control #25928)	
2	7017196	1	Shaft (Rotator with Helac Control #26962)	
3	7017121	1	Piston Sleeve (Rotator with Helac Control #25928)	
3	7027900	1	Piston Sleeve (Rotator with Helac Control #26962)	
4	See Note	1	Cap, End (Rotator with Helac Control #25928) (Note: Use p/n 0060044)	
4	7027901	1	Cap, End (Rotator with Helac Control #26962)	
5	See Note	3	Capscrew 1/4 x 1-1/2, Grade 8 (Note: Not Available - Purchase Locally)	
7	7017126	1	Tie Rod Assembly	
20	See Note	NSS	Seal, Rod (Note: Use Item 52)	
22	See Note	NSS	Seal, Piston (Note: Use Item 52)	
24	See Note	NSS	Seal, Cap (Note: Use Item 52)	
25	See Note	NSS	Packing, Bearing (Note: Use Item 52)	
26	See Note	NSS	Seal (Note: Use Item 52)	
27	See Note	NSS	Ring, Back-Up Cap (Note: Use Item 52)	
32	See Note	NSS	Bearing, Shaft (Note: Use Item 51)	
34	See Note	2	Washer, Thrust (Note: Use Item 51)	
41	7017172	1	Counterbalance Valve Assembly (Helac p/n 24327, 26553 or 26554 Stamped Beside Mounting Screws)	
41A	7011323	2	Valve, Cartridge (Helac p/n 24327 Valve)	
41A	2900770	2	Seal Kit - 7011323 Cartridge (1 Per Assembly)	
41A	7017192	2	Valve Cartridge (Helac p/n 26553 or 26554) (No Seal Kit Available)	
42	70004323	1	Bushing, Shaft	
51	7017122	1	Bearing Kit (Includes Items 32-34)	
52	7017127	1	Seal Kit - Standard (Includes Items 20,22,24,25,26 & 27)	
52	70000341	1	Seal Kit - Low Temperature (Includes Items 20,22,24,25,26 & 27)	
53	7017123	1	Hardware Kit	

SECTION 4 - BOOM

FIGURE 4-8. PLATFORM ROTATOR ASSEMBLY - WITH ARCTIC PACKAGE



ART_1001119369

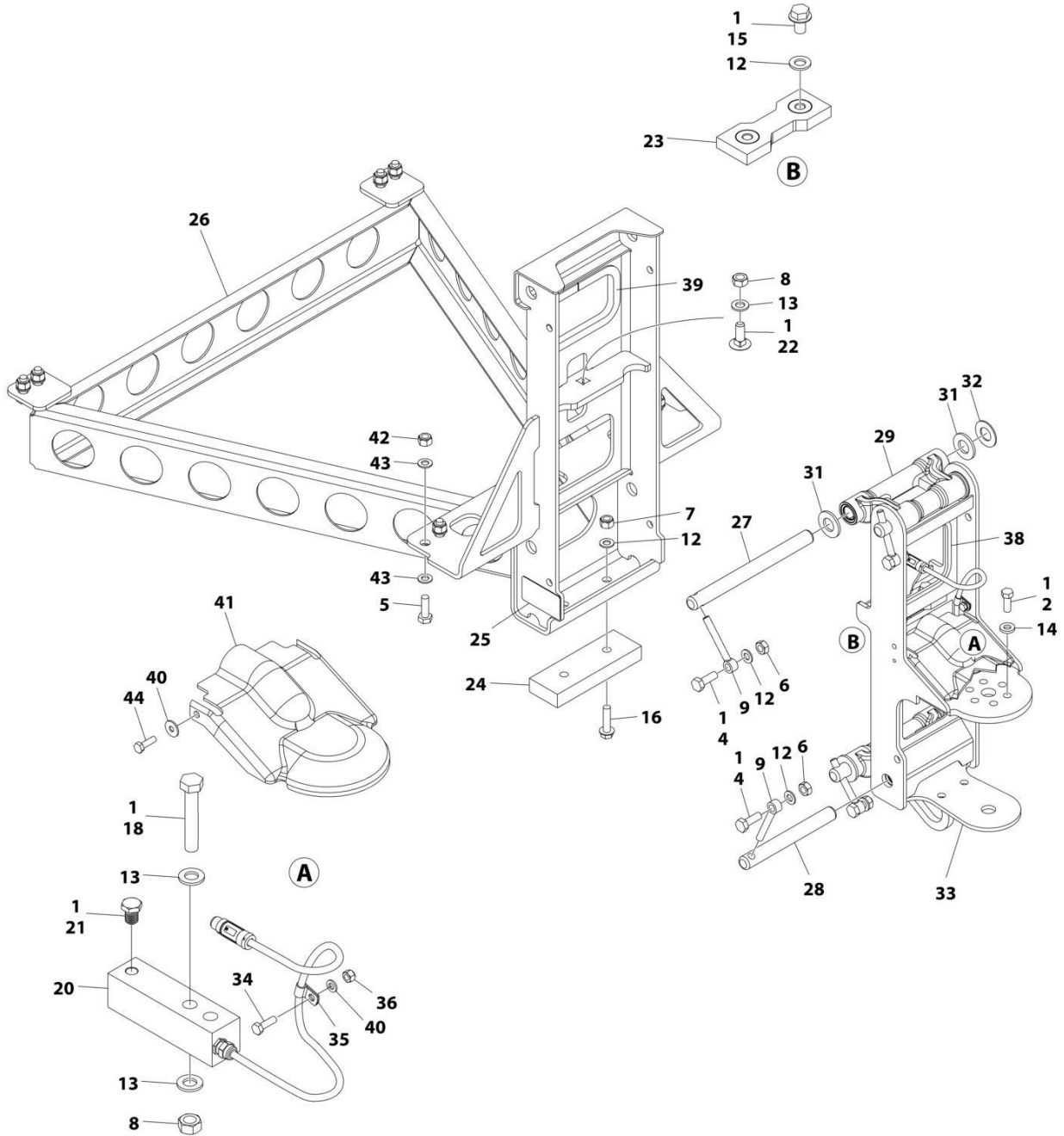
SECTION 4 - BOOM

FIGURE 4-8. PLATFORM ROTATOR ASSEMBLY - WITH ARCTIC PACKAGE

ITEM	PART NUMBER	QTY	DESCRIPTION	REV
	1001119369	Ref	PLATFORM ROTATOR ASSEMBLY - WITH ARCTIC PACKAGE	B
1	See Note	1	Case/Bracket Weldment (Note: Not Available - Purchase Complete Assembly)	
1A	0962257	2	Bushing	
1B	0961947	2	Bushing	
2	7017196	1	Shaft	
3	7027900	1	Piston Sleeve	
4	7027901	1	Cap, End	
5	See Note	3	Capscrew, 1/4 x 1-1/2 Grade 8 (Note: Not Available - Purchase Locally)	
7	7017126	1	Tie Rod Assembly	
20	See Note	1	Seal, Rod (Note: Use Item 52)	
22	See Note	1	Seal, Piston (Note: Use Item 52)	
24	See Note	1	Seal, Cap (Note: Use Item 52)	
25	See Note	2	Packing, Bearing (Note: Use Item 52)	
26	See Note	2	Seal (Note: Use Item 52)	
27	See Note	1	Ring, Back-up Cap (Note: Use Item 52)	
32	See Note	2	Bearing, Shaft (Note: Use Item 51)	
34	See Note	2	Washer, Thrust (Note: Use Item 51)	
41	7017172	1	Counterbalance Valve Assembly	
41A	7017192	2	Valve Cartridge (No Seal Kit Available)	
42	70004323	2	Bushing, Shaft	
51	7017122	1	Bearing Kit (Includes Items 32-34)	
52	70004322	1	Seal Kit (Includes Items 20, 22, 24, 25, 26 & 27)	
53	7017123	1	Hardware Kit	
54	70001697	4	Screw 1/4 x 3/8 Grade 8	

SECTION 4 - BOOM

FIGURE 4-9. PLATFORM SUPPORT INSTALLATION - WITH 1 CELL LSS



ART_1001217227_F

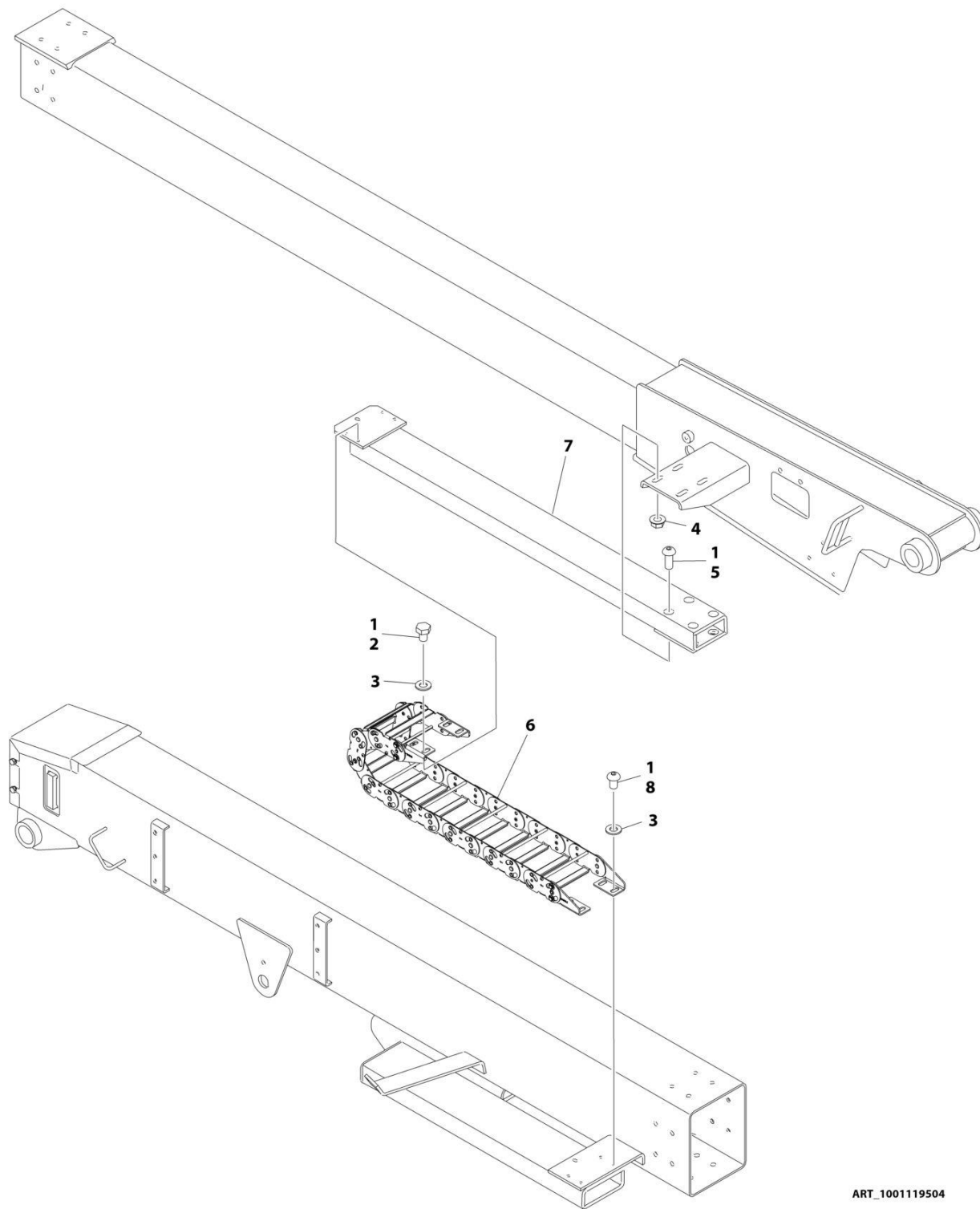
SECTION 4 - BOOM

FIGURE 4-9. PLATFORM SUPPORT INSTALLATION - WITH 1 CELL LSS

ITEM	PART NUMBER	QTY	DESCRIPTION	REV
	1001217227	Ref	PLATFORM SUPPORT INSTALLATION - WITH 1 CELL LSS	F
1	0100011	AR	Compound, Locking	
2	0681608	6	Bolt 3/8 x 1	
4	0761014	4	Bolt M10 x 30	
5	0761215	8	Bolt M12 x 35	
6	3291001	4	Nut M10	
7	3291005	2	Nut M10	
8	3291201	3	Nut M12	
9	3841143	4	Keeper, Pin	
12	4812000	8	Washer M10	
13	4812100	5	Washer M12	
14	4891600	6	Washer 3/8	
15	5251008	2	Bolt M10 x 16	
16	5251016	2	Bolt M10 x 40	
18	1001098828	2	Bolt M12 x 70 Grade 10.9	
20	1001247468	1	Gauge, Load Sensing	
21	1001188622	1	Screw	
22	1001188844	1	Bolt M12 x 35	
23	1001190985	1	Pad, Wear	
24	1001200491	1	Pad, Wear	
25	1001216630	2	Decal - Tie Down/No Lift	
26	1001217228	1	Platform Support	
27	1001217242	2	Pin	
28	1001217243	2	Pin	
29	1001217244	2	Link	
31	1001217253	8	Bearing, Thrust	
32	1001217254	4	Bearing, Thrust	
33	1001217267	1	Support	
34	0760610	1	Bolt M6 x 20	
35	1320136	1	Clamp	
36	3290605	1	Nut M6	
38	4060804	14.4 in/ 36.5cm	Shield	
39	4060805	15.9 in/ 40.5 cm	Shield	
40	4811702	3	Washer M6	
41	1001228627	1	Cover	
42	3291205	8	Nut M12	
43	5241200	16	Washer M12	
44	0760606	2	Bolt M6 x 12	

SECTION 4 - BOOM

FIGURE 4-10. POWER TRACK INSTALLATION



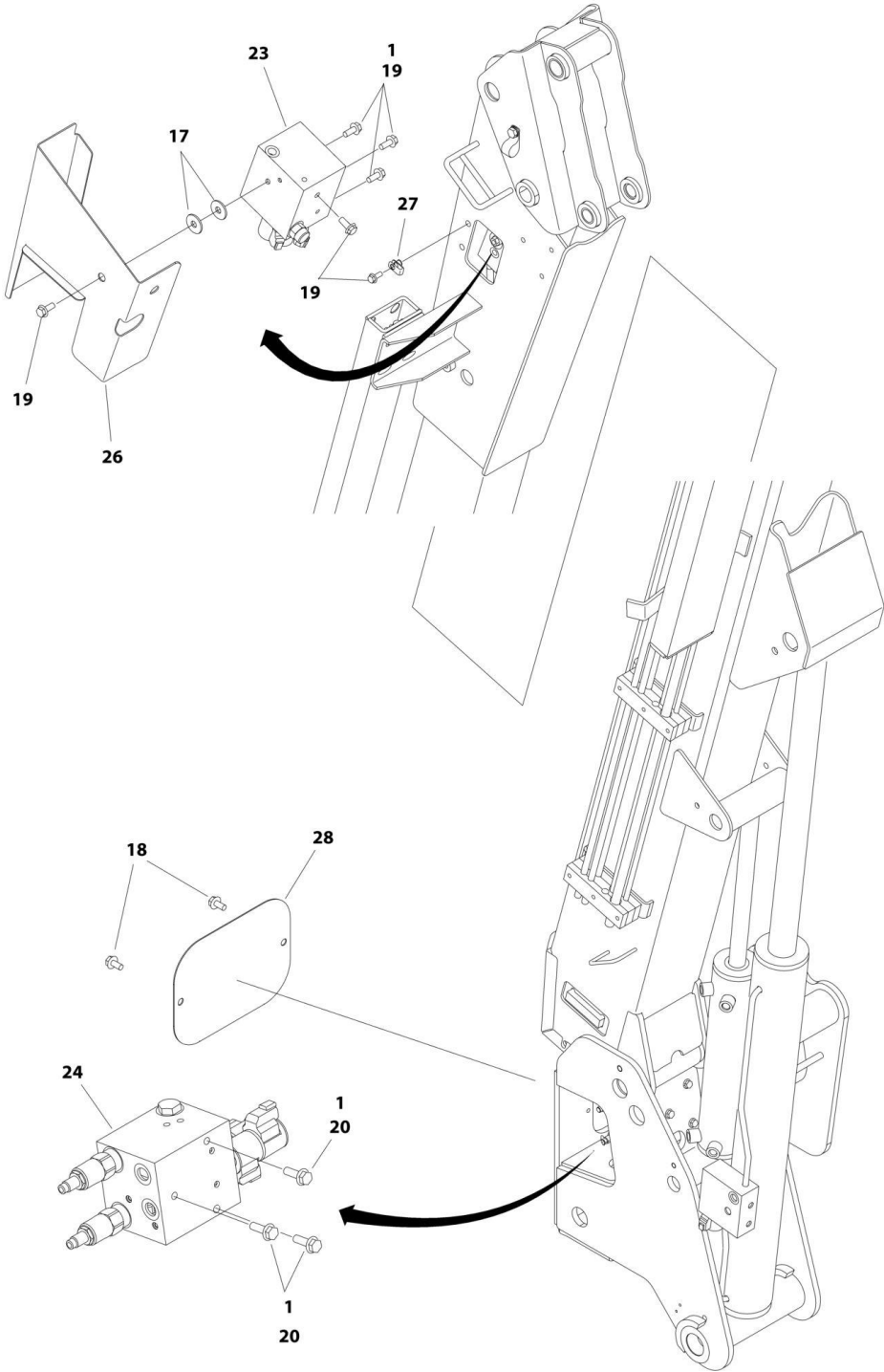
ART_1001119504

FIGURE 4-10. POWER TRACK INSTALLATION

ITEM	PART NUMBER	QTY	DESCRIPTION	REV
	1001119504	Ref	POWER TRACK INSTALLATION	C
1	0100011	AR	Compound, Locking	
2	0761007	4	Bolt M10 x 14	
3	4812000	8	Washer M10	
4	5221000	4	Nut M10 Grade 10.9	
5	8310668	4	Screw M10 x 25 Grade 10.9	
6	1001224891	1	Carrier, Power Track	
6	70006269	1	Repair Kit (Includes 10 Link Section of Track)	
6	70006280	1	Bracket Kit (Includes 4 Mounting Feet and Hardware to Attach to Track)	
7	1001119513	1	Tube, Support	
8	1001119527	4	Screw M10 x 16	

SECTION 4 - BOOM

FIGURE 4-11. CONTROL VALVES INSTALLATION - BOOM



ART_1001167238_30F3

SECTION 4 - BOOM

FIGURE 4-11. CONTROL VALVES INSTALLATION - BOOM

ITEM	PART NUMBER	QTY	DESCRIPTION	REV
	1001167238	Ref	CONTROL VALVES INSTALLATION - BOOM	I
1	0100011	AR	Compound, Locking	
17	4812002	2	Washer M10	
18	5250808	2	Bolt M8 x 16	
19	5250810	14	Bolt M8 x 20	
20	5250812	3	Bolt M8 x 25	
23	1001116228	1	Fly Boom Valve Assembly (See Separate Breakdown in this Section)	
24	1001136244	1	Boom Upright Valve Assembly (See Separate Breakdown in this Section)	
26	1001116835	1	Shield	
27	1001118274	1	Nut M8	
28	1001118595	1	Cover	

SECTION 4 - BOOM

FIGURE 4-12. FLY BOOM VALVE ASSEMBLY

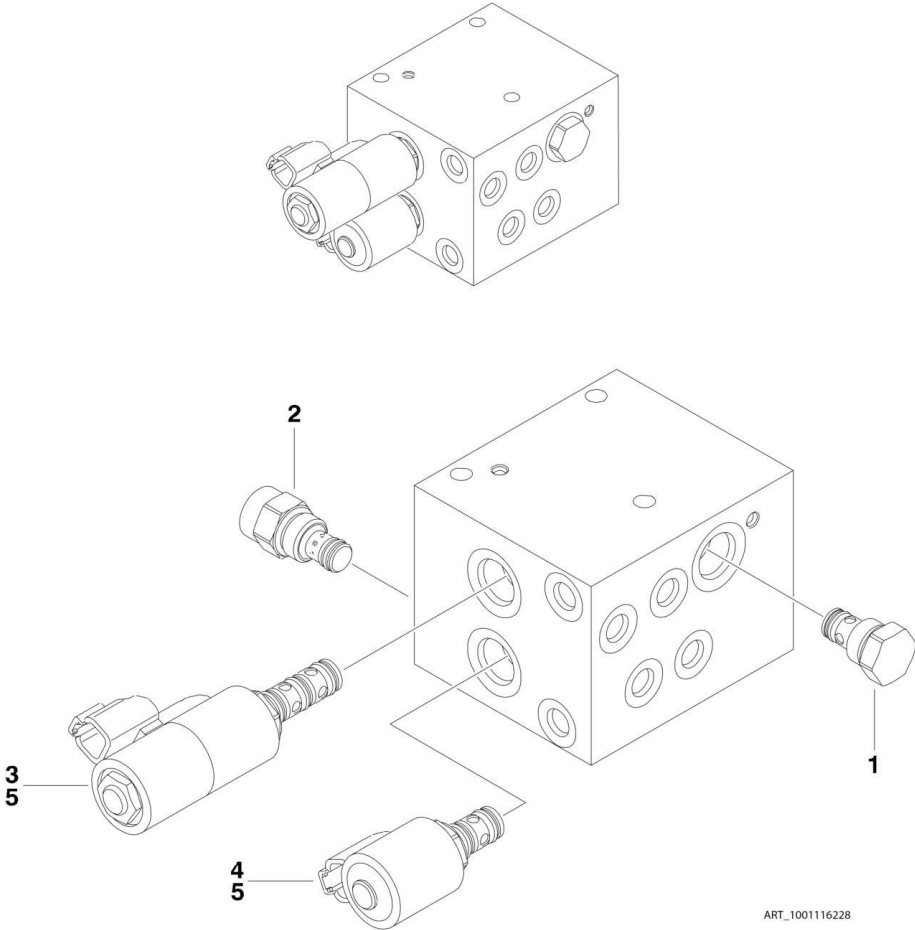
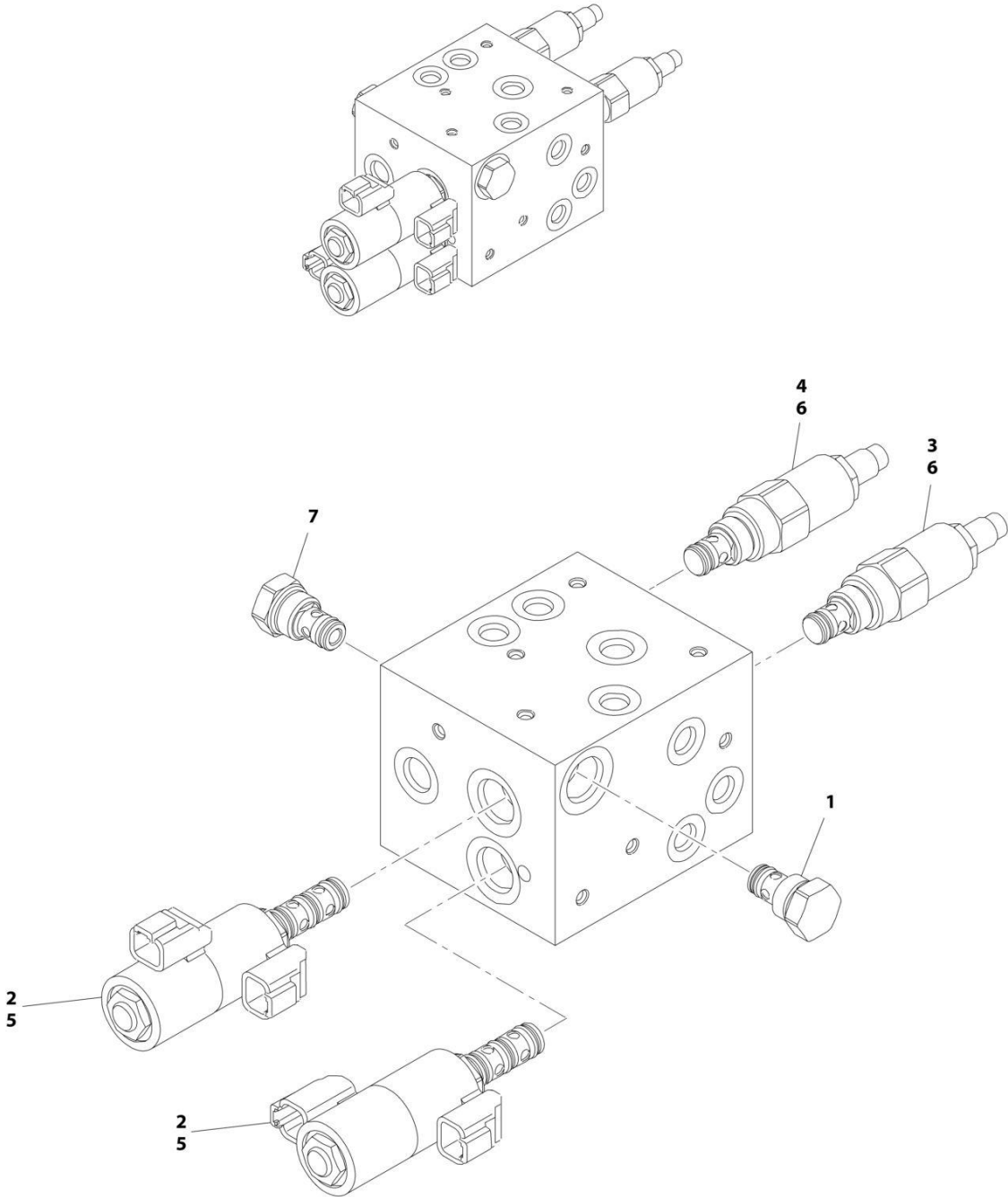


FIGURE 4-12. FLY BOOM VALVE ASSEMBLY

ITEM	PART NUMBER	QTY	DESCRIPTION	REV
	1001116228	Ref	FLY BOOM VALVE ASSEMBLY	D
1	7012955	1	Cartridge, Check Valve	
1	7012967	1	Seal Kit - 7012955 Cartridge	
2	7023970	1	Cartridge, Flow Regulator	
2	7012953	1	Seal Kit - 7023970 Cartridge	
3	7017452	1	Cartridge, Solenoid Valve (without Coil) (Rotate)	
3	7017402	1	Seal Kit - 7017452 Cartridge	
4	7012941	1	Cartridge, Solenoid Valve (without Coil) (Jib)	
4	7010543	1	Seal Kit - 7012941 Cartridge	
5	70002386	3	Coil	

SECTION 4 - BOOM

FIGURE 4-13. BOOM UPRIGHT VALVE ASSEMBLY



ART_1001136244

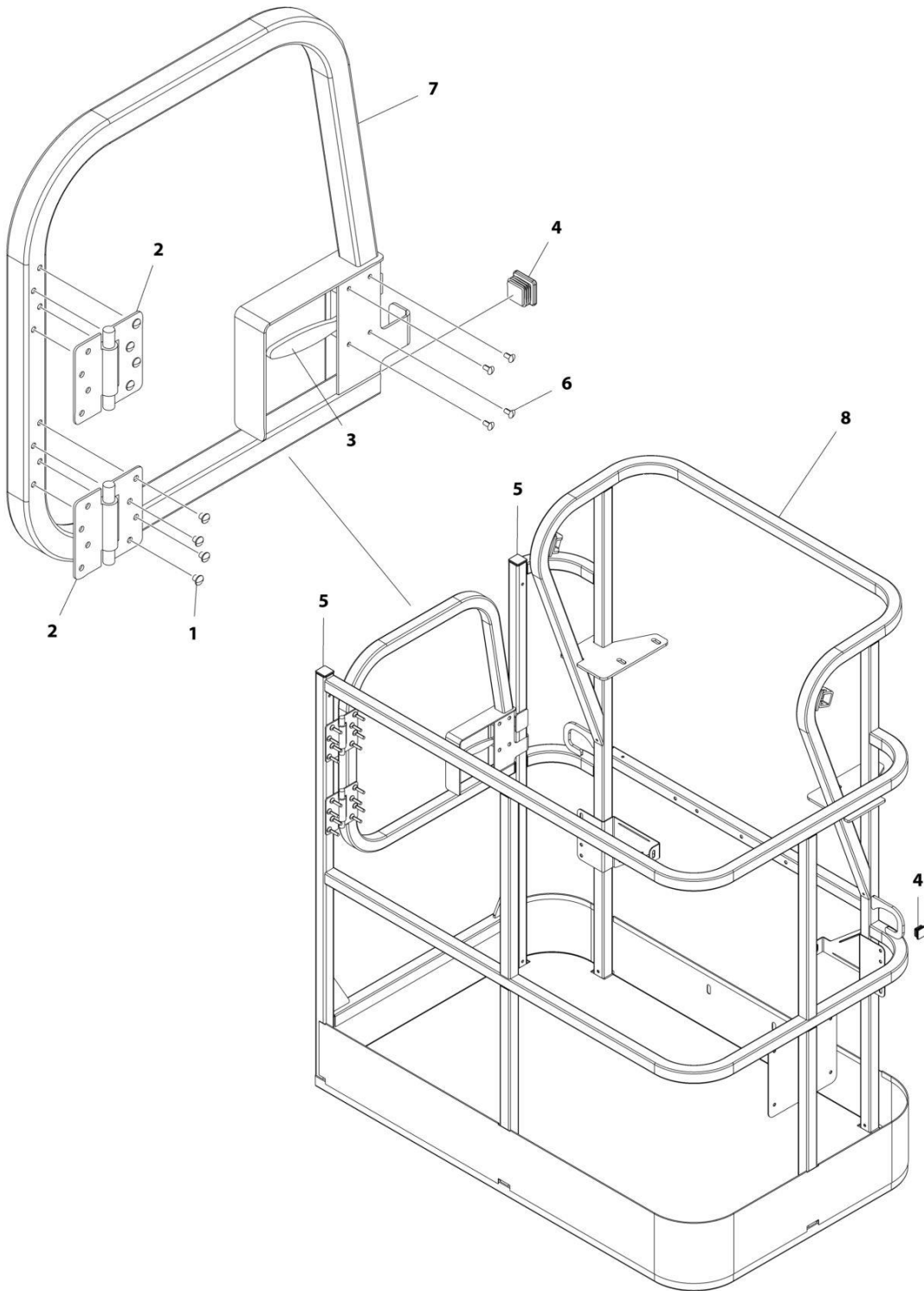
FIGURE 4-13. BOOM UPRIGHT VALVE ASSEMBLY

ITEM	PART NUMBER	QTY	DESCRIPTION	REV
	1001136244	Ref	BOOM UPRIGHT VALVE ASSEMBLY	C
1	7012955	2	Cartridge, Check Valve	
1	7012967	2	Seal Kit - 7012955 Cartridge	
2	7017452	2	Cartridge, Solenoid Valve (without Coil) (Telescope/Platform Level)	
2	7017402	2	Seal Kit - 7017452 Cartridge	
3	7017427	1	Cartridge, Relief	
3	7012998	1	Seal Kit - 7017427 Cartridge	
4	70002954	1	Cartridge, Relief	
4	7012998	1	Seal Kit - 70002954 Cartridge	
5	70002963	4	Coil	
6	See Note	2	Orifice (Note: Not Available for Purchase)	
7	7017498	1	Piston, Pilot	

SECTION 5 - PLATFORM

SECTION 5 - PLATFORM

FIGURE 5-1. PLATFORM ASSEMBLY - 30IN X 4FT (76CM X 1.22M) - GATE ENTRY



ART_1001186387

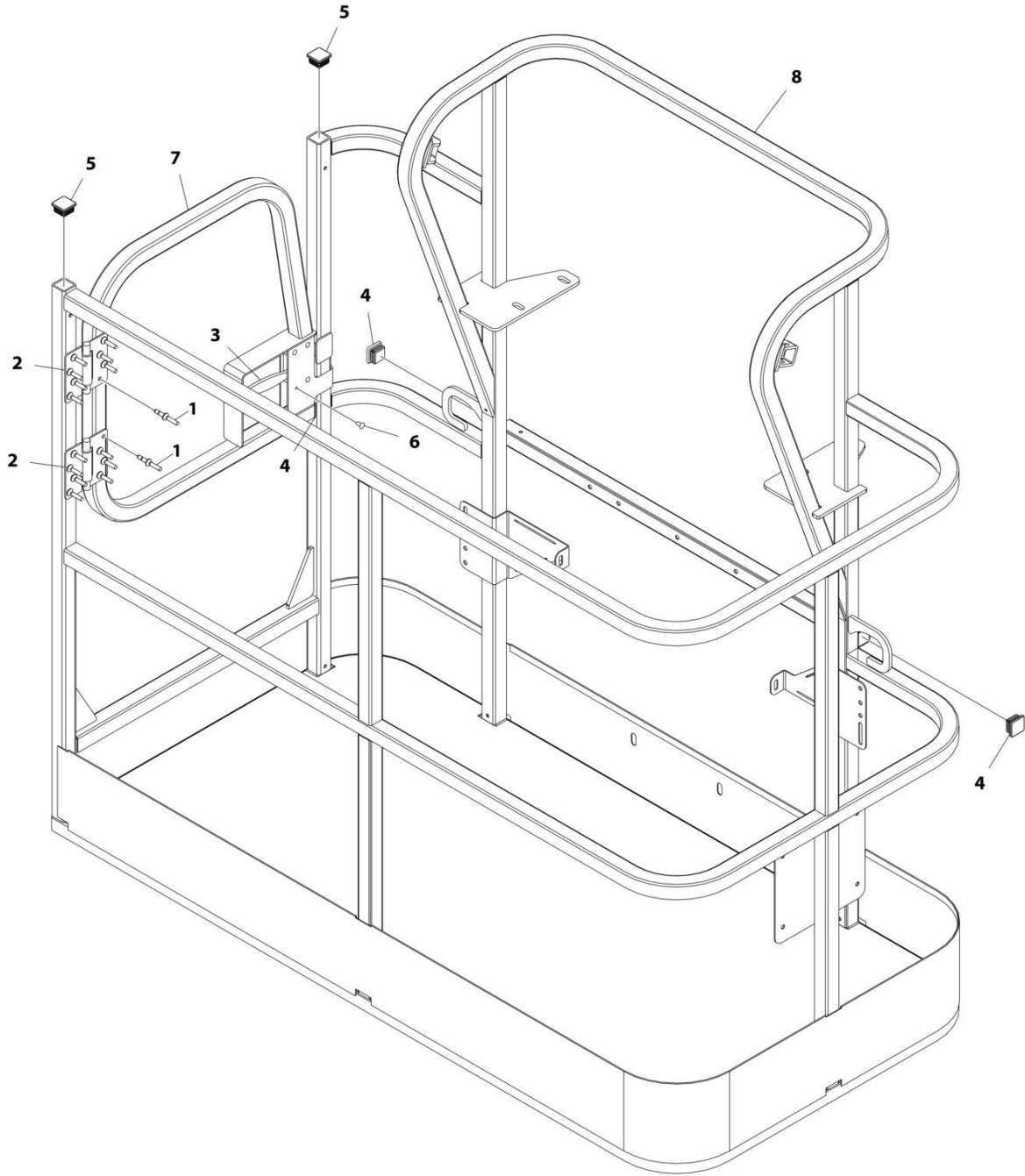
SECTION 5 - PLATFORM

FIGURE 5-1. PLATFORM ASSEMBLY - 30IN X 4FT (76CM X 1.22M) - GATE ENTRY

ITEM	PART NUMBER	QTY	DESCRIPTION	REV
	1001186387	Ref	PLATFORM ASSEMBLY	C
		Ref	Note: Platform and Mesh must be ordered separately for Platforms with Mesh. See SPECIAL OPTIONS SECTION for Mesh Installations.	
		Ref	Note: Replacement Decals Must be Ordered Separately - See DECALS SECTION.	
1	2080040	16	Fastener, Huck	
2	2600281	2	Hinge, Self-Closing	
3	2940074	1	Latch	
4	3520072	3	Plug	
5	3520198	2	Plug	
6	3820020	4	Rivet	
7	1001144629	1	Gate	
8	See Note	1	Platform (Note: Not Available - Purchase Platform Assembly)	

SECTION 5 - PLATFORM

FIGURE 5-2. PLATFORM ASSEMBLY - 30IN X 5FT (76CM X 1.52M) - GATE ENTRY



ART_1001186386

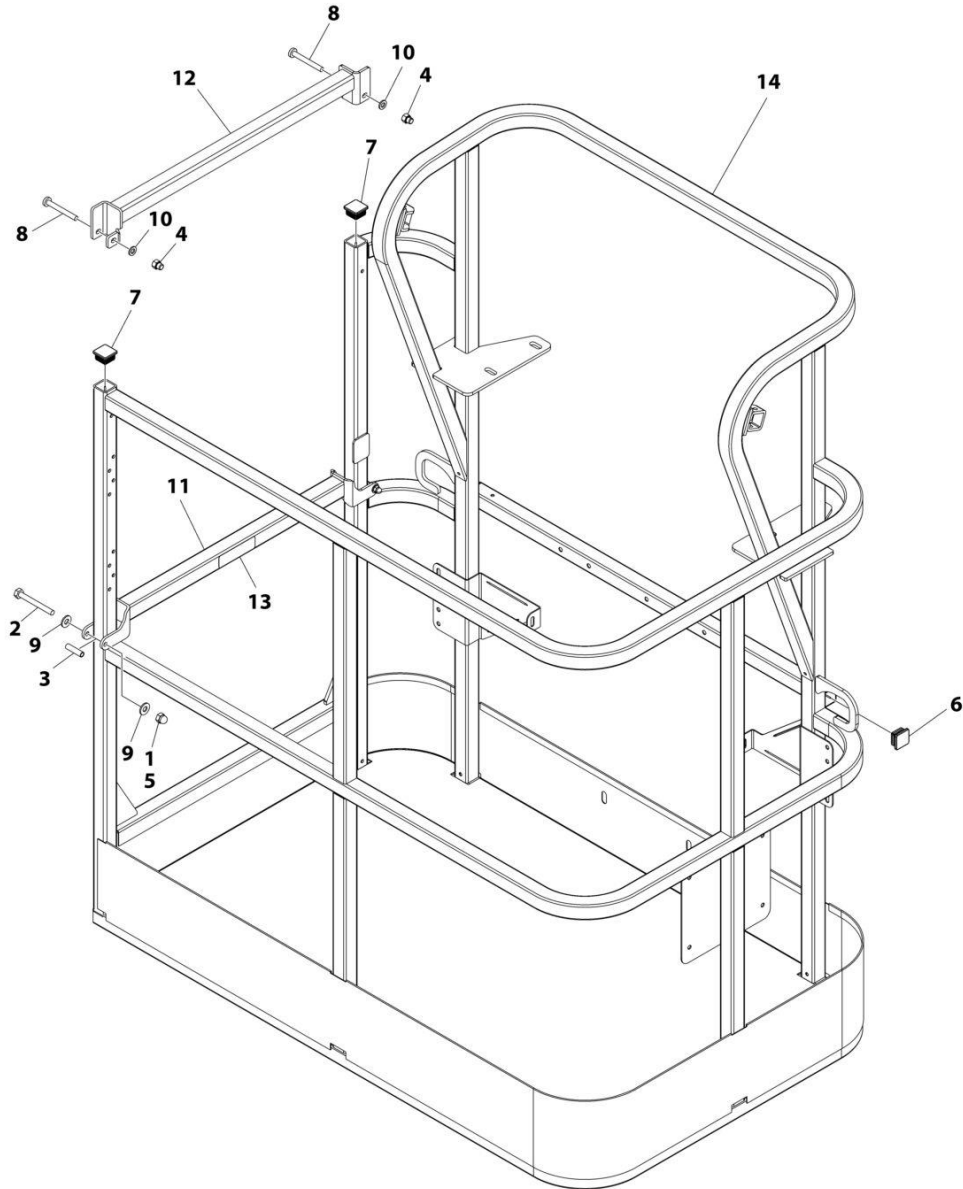
SECTION 5 - PLATFORM

FIGURE 5-2. PLATFORM ASSEMBLY - 30IN X 5FT (76CM X 1.52M) - GATE ENTRY

ITEM	PART NUMBER	QTY	DESCRIPTION	REV
	1001186386	Ref	PLATFORM ASSEMBLY	C
		Ref	Note: Platform and Mesh must be ordered separately for Platforms with Mesh. See SPECIAL OPTIONS SECTION for Mesh Installations.	
		Ref	Note: Replacement Decals Must be Ordered Separately - See DECALS SECTION.	
1	2080040	16	Fastener, Huck	
2	2600281	2	Hinge, Self-Closing	
3	2940074	1	Latch	
4	3520072	3	Plug	
5	3520198	2	Plug	
6	3820020	4	Rivet	
7	1001144629	1	Gate	
8	See Note	NSS	Platform (Note: Not Available - Purchase Platform Assembly)	

SECTION 5 - PLATFORM

FIGURE 5-3. PLATFORM ASSEMBLY - 30IN X 4FT (76CM X 1.22M) - DROP BAR ENTRY



ART_1001186375

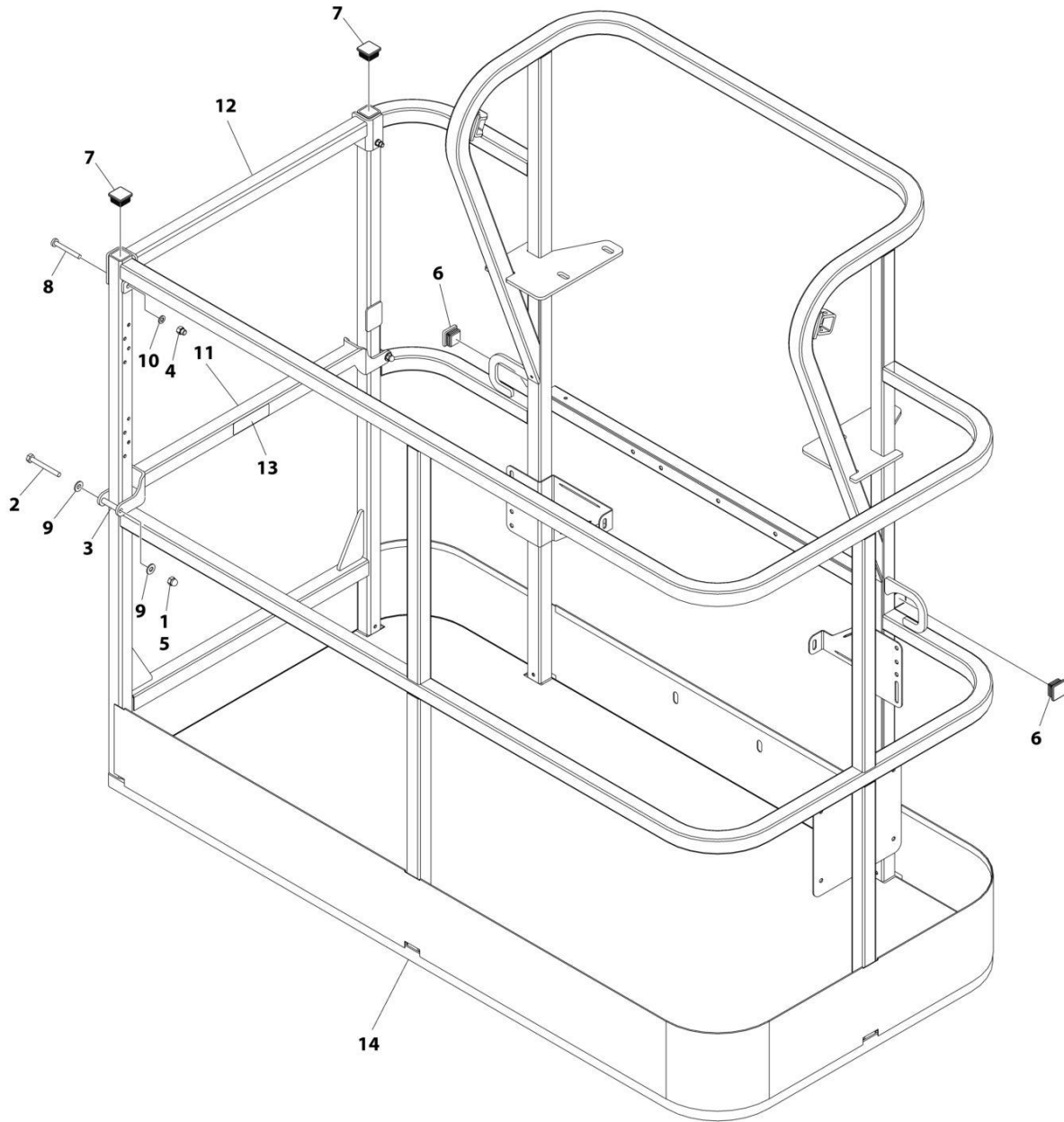
SECTION 5 - PLATFORM

FIGURE 5-3. PLATFORM ASSEMBLY - 30IN X 4FT (76CM X 1.22M) - DROP BAR ENTRY

ITEM	PART NUMBER	QTY	DESCRIPTION	REV
	1001186375	Ref	PLATFORM ASSEMBLY	B
		Ref	Note: Platform and Mesh must be ordered separately for Platforms with Mesh. See SPECIAL OPTIONS SECTION for Mesh Installations.	
		Ref	Note: Replacement Decals Must be Ordered Separately - See DECALS SECTION.	
1	0100011	AR	Compound, Locking	
2	0641418	2	Bolt 1/4 x 2-1/4	
3	0961845	2	Bushing	
4	3290606	2	Nut M6	
5	3300151	2	Nut 1/4	
6	3520072	2	Plug	
7	3520198	2	Plug	
8	4010618	2	Screw M6 x 50	
9	4711400	4	Washer 1/4	
10	4811700	2	Washer M6	
11	1001138494	1	Bar, Drop	
12	1001138514	1	Rail - Top	
13	1001140429	1	Decal - Drop Bar	
14	See Note	1	Platform (Note: Not Available - Purchase Platform Assembly)	

SECTION 5 - PLATFORM

FIGURE 5-4. PLATFORM ASSEMBLY - 30IN X 5FT (76CM X 1.52M) - DROP BAR ENTRY



ART_1001186377

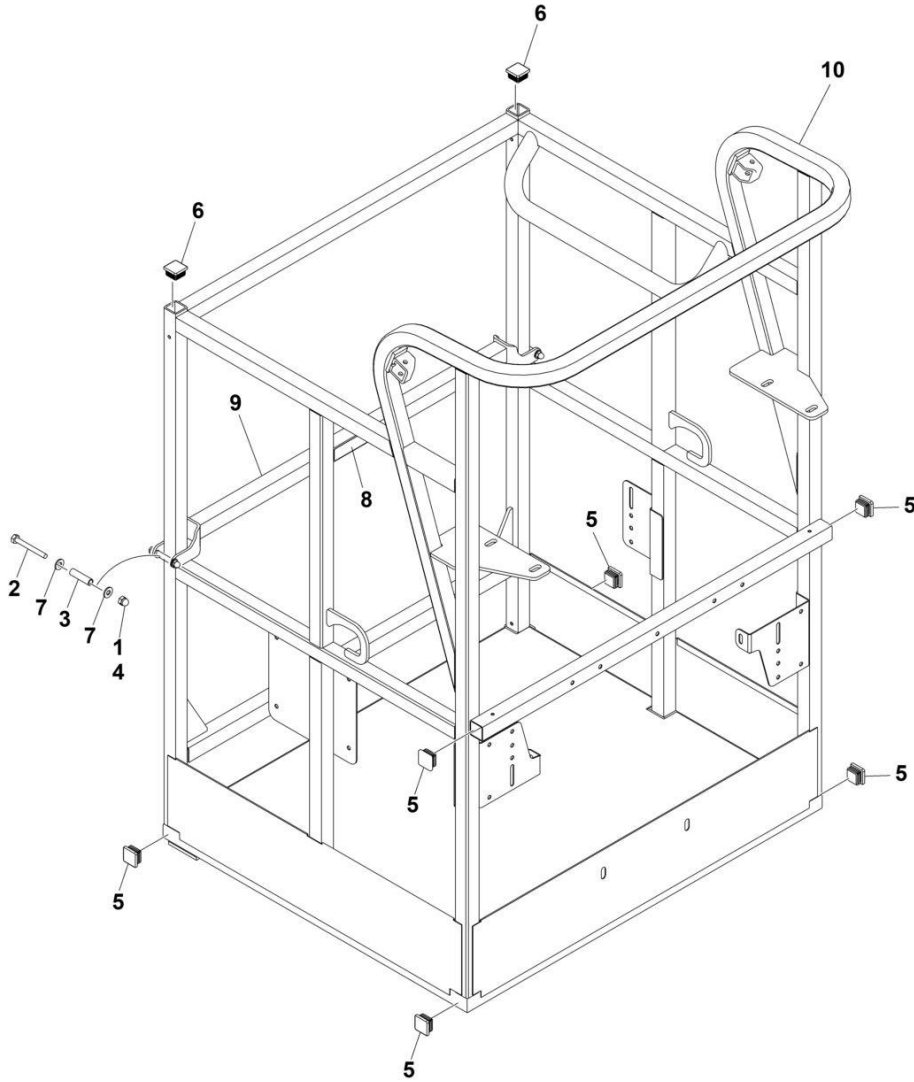
SECTION 5 - PLATFORM

FIGURE 5-4. PLATFORM ASSEMBLY - 30IN X 5FT (76CM X 1.52M) - DROP BAR ENTRY

ITEM	PART NUMBER	QTY	DESCRIPTION	REV
	1001186377	Ref	PLATFORM ASSEMBLY	C
		Ref	Note: Platform and Mesh must be ordered separately for Platforms with Mesh. See SPECIAL OPTIONS SECTION for Mesh Installations.	
		Ref	Note: Replacement Decals Must be Ordered Separately - See DECALS SECTION.	
1	0100011	AR	Compound, Locking	
2	0641420	2	Bolt 1/4 x 2-1/2	
3	0961845	2	Bushing	
4	3290606	2	Nut M6	
5	3300151	2	Nut 1/4	
6	3520072	2	Plug	
7	3520198	2	Plug	
8	4010618	2	Screw M6 x 50	
9	4711400	4	Washer 1/4	
10	4811700	2	Washer M6	
11	1001138494	1	Bar, Drop	
12	1001138514	1	Rail (Top)	
13	1001140429	1	Decal - Drop Bar	
14	See Note	NSS	Platform (Note: Not Available - Purchase Platform Assembly)	

SECTION 5 - PLATFORM

FIGURE 5-5. PLATFORM ASSEMBLY - 30IN X 3FT (76CM X 91.5CM) - WITH DROP BAR



ART_1001228215

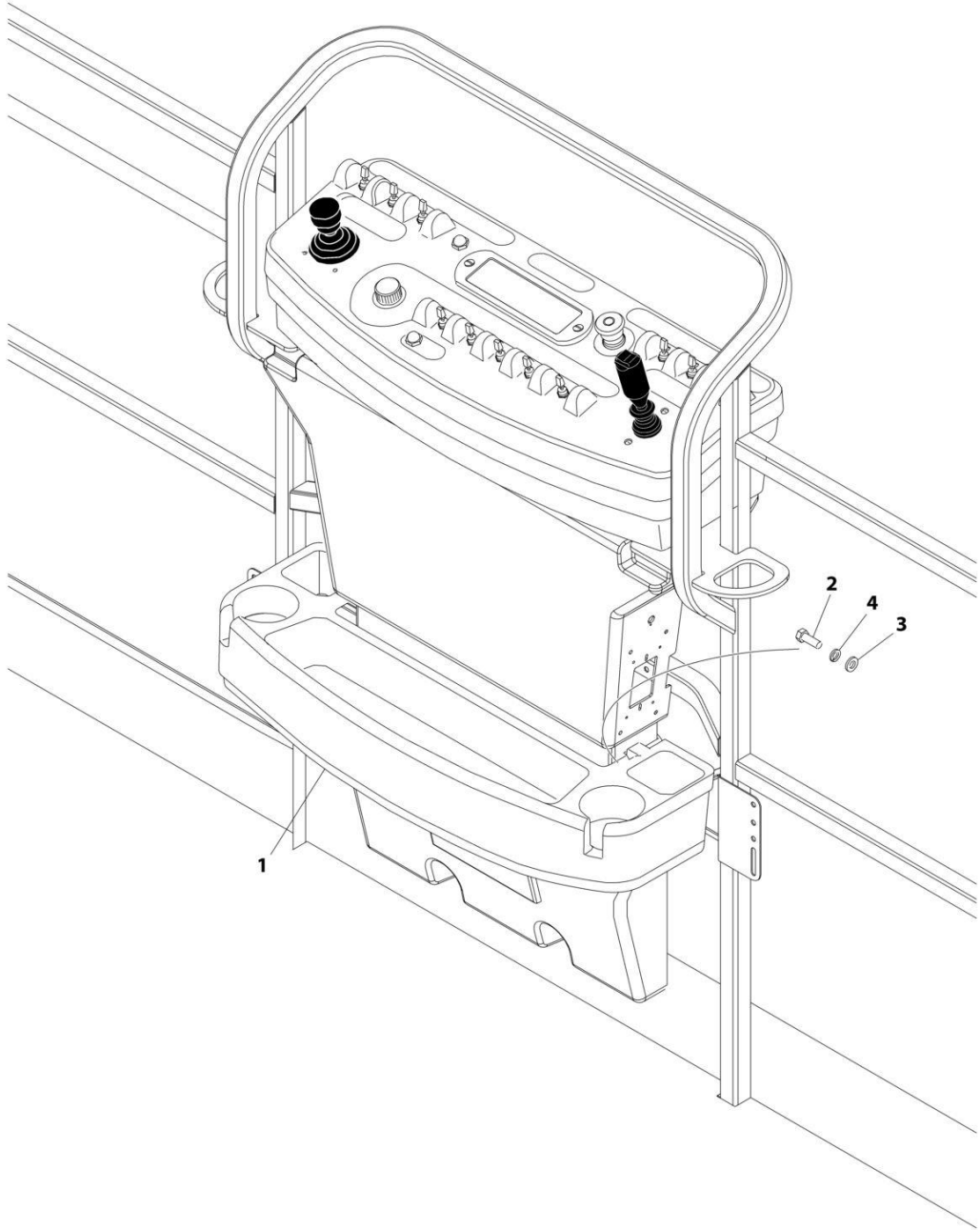
SECTION 5 - PLATFORM

FIGURE 5-5. PLATFORM ASSEMBLY - 30IN X 3FT (76CM X 91.5CM) - WITH DROP BAR

ITEM	PART NUMBER	QTY	DESCRIPTION	REV
	1001228215	Ref	PLATFORM ASSEMBLY	A
	See Note	Ref	Note: Platform and Mesh must be ordered separately for Platforms with Mesh. See SPECIAL OPTIONS SECTION for Mesh Installations.	
	See Note	Ref	Note: Replacement Decals Must be Ordered Separately - See DECAL SECTION.	
1	0100011	AR	Compound, Locking	
2	0641418	2	Bolt 1/4 x 2-1/4	
3	0961845	2	Bushing	
4	3300151	2	Nut 1/4	
5	3520072	6	Cap, Plug	
6	3520198	2	Cap, Plug	
7	4711400	4	Washer 1/4	
8	1001140429	1	Decal - Drop Bar	
9	1001226872	1	Bar, Drop	
10	See Note	NSS	Platform (Note: Not Available - Purchase Platform Assembly)	

SECTION 5 - PLATFORM

FIGURE 5-6. TRAY INSTALLATION



ART_1580012

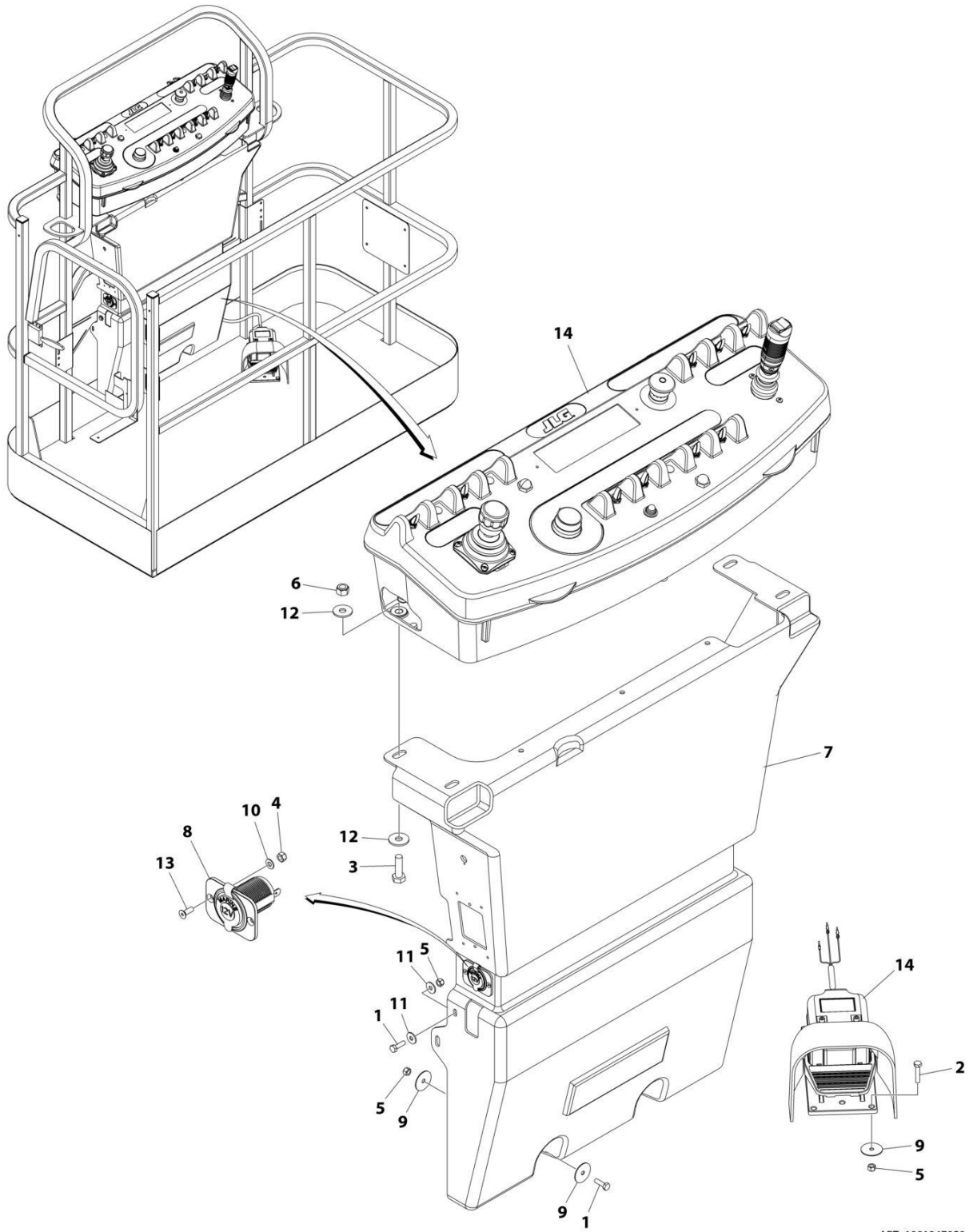
SECTION 5 - PLATFORM

FIGURE 5-6. TRAY INSTALLATION

ITEM	PART NUMBER	QTY	DESCRIPTION	REV
	1580012	Ref	TRAY ASSEMBLY	C
1	See Note	NSS	Tray, Storage (Center) (Note: Purchase p/n 1580012)	
2	0641406	2	Bolt 1/4 x 3/4	
3	4751400	2	Washer 1/4	
4	4761400	2	Washer 1/4	

SECTION 5 - PLATFORM

FIGURE 5-7. CONSOLE AND FOOTSWITCH INSTALLATION



ART_1001247059

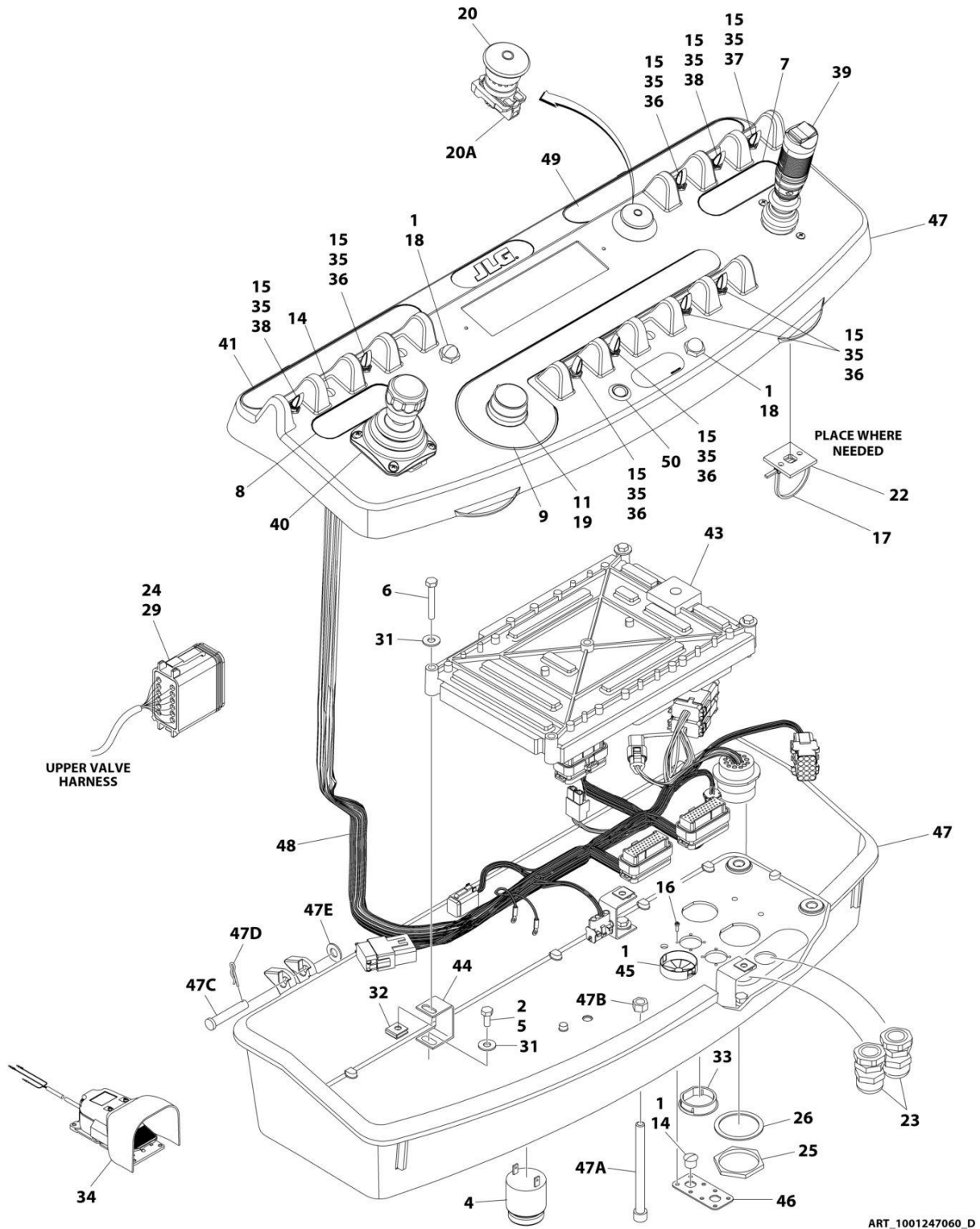
SECTION 5 - PLATFORM

FIGURE 5-7. CONSOLE AND FOOTSWITCH INSTALLATION

ITEM	PART NUMBER	QTY	DESCRIPTION	REV
	1001247059	Ref	CONSOLE AND FOOTSWITCH INSTALLATION	B
1	0700610	4	Bolt M6 x 20	
2	0760614	4	Bolt M6 x 30	
3	0761015	4	Bolt M10 x 35	
4	3290405	2	Nut M4	
5	3290605	8	Nut M6	
6	3291005	4	Nut M10	
7	3380434	1	Panel, Decal Mount	
8	4461012	1	Terminal, Receptacle	
9	4740362	8	Washer 1/4	
10	4811400	2	Washer M4	
11	4811702	4	Washer M6	
12	4812002	8	Washer M10	
13	1001097244	2	Screw M4 x 12	
14	1001247060	1	Console and Footswitch Assembly (See Separate Breakdown in this Section)	

SECTION 5 - PLATFORM

FIGURE 5-8. CONSOLE AND FOOTSWITCH ASSEMBLY



SECTION 5 - PLATFORM

FIGURE 5-8. CONSOLE AND FOOTSWITCH ASSEMBLY

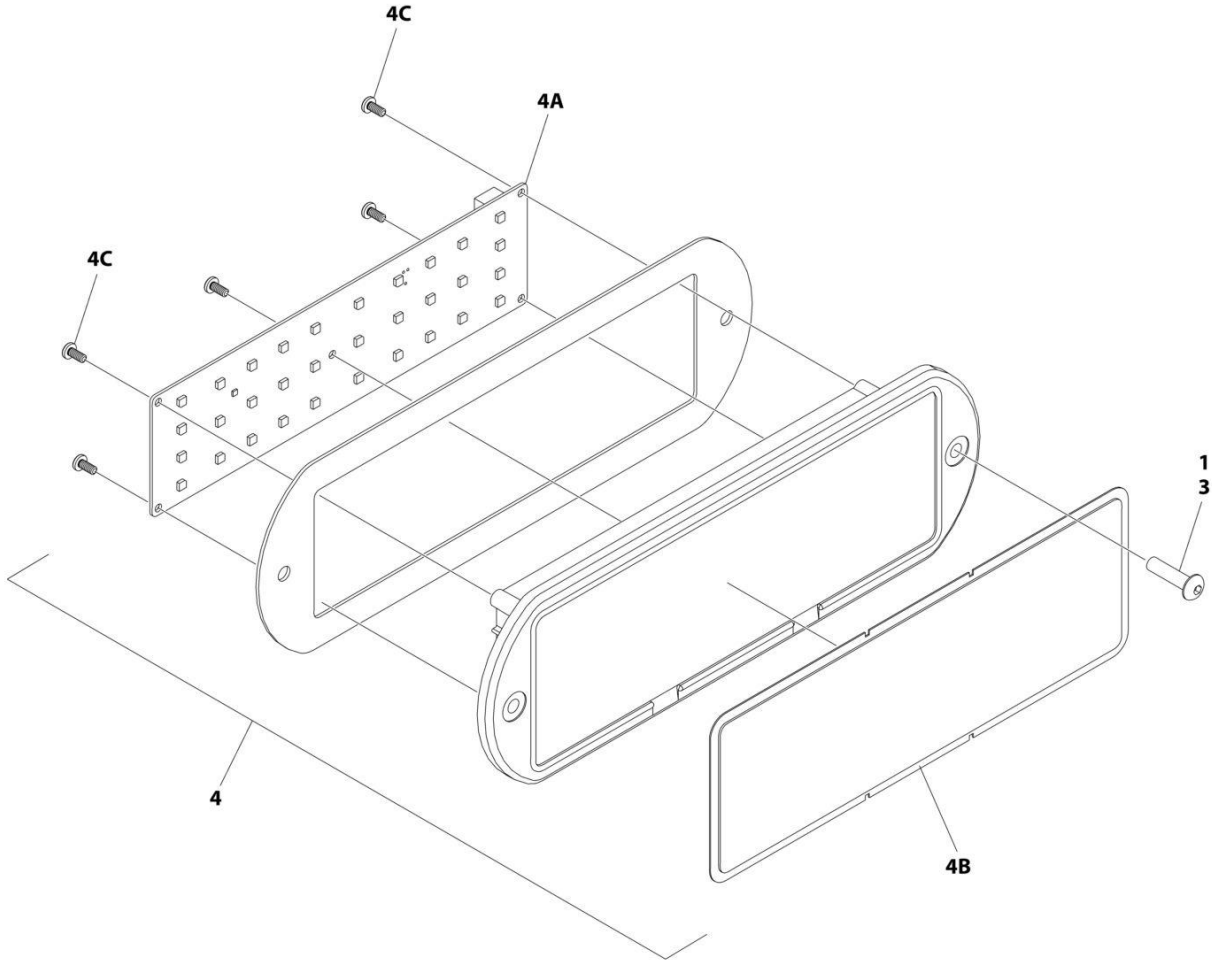
ITEM	PART NUMBER	QTY	DESCRIPTION	REV
	1001247060	Ref	CONSOLE AND FOOTSWITCH ASSEMBLY	D
1	0100009	AR	Sealant	
2	0100035	AR	Compound, Locking	
4	0140011	1	Alarm	
5	0641405	4	Bolt 1/4 x 5/8	
6	0641414	4	Bolt 1/4 x 1-3/4	
7	1702565	1	Decal (Drive and Steer)	
8	1702566	1	Decal (Lift and Swing)	
9	1702567	1	Decal (Function Speed)	
10	1704260	1	Decal (EMS)	
11	2560136	1	Handle, Knob	
14	3520054	4	Plug, Hole	
15	3790012	9	O-Ring	
16	3900349	8	Capscrew M2.5	
17	4240099	AR	Tie-Strap (Not Shown)	
18	4360387	2	Switch, Pushbutton	
19	4360407	1	Controller, Speed	
19	4460224	1	Receptacle, Female - 6 Position	
19	4460226	6	Socket, Female	
19	See Note	NSS	Gasket "Top Hat" (Included with Switch) (Note: Not Available - Purchase Complete Controller.)	
19	70003784	1	Seal	
20	1001274559	1	Switch, Emergency Stop	
20	7020175	1	Cap, Red	
20A	7020176	1	Contact Block	
22	4460234	6	Base, Mounting	
23	4460428	2	Connector, Strain Relief	
24	4460466	7	Seal, Plug	
25	4460470	1	Nut	
26	4460471	1	Washer	
29	4460933	1	Plug, Male - 12 Position	
31	4751400	8	Washer 1/4	
32	3300353	4	Nut, Tinnerman	
33	1001110434	1	Plug, Hole	
34	1001117174	1	Footswitch Assembly (Not Shown - See Separate Breakdown in this Section)	
35	1001155044	9	Nut 15/32	
36	1001155045	6	Switch, Toggle	
37	1001159256	1	Switch, Toggle	
38	1001161710	2	Switch, Toggle	
39	1001275628	1	Drive/Steer Controller Assembly	
40	1001275629	1	Lift/Swing Controller Assembly	
41	1001169092	1	Decal (Horn)	
42	1001169422	1	Platform to Boom Valves Harness Assembly (Not Shown - See Separate Breakdown in ELECTRICAL SECTION)	
43	1001169594	1	Module, Platform (Note: Re-calibration Required when Replaced)	
44	1001172760	4	Bracket, Support	
45	1001185281	1	Plug, Hole	
46	1001213882	1	Mount	
47	1001215228	1	Box, Console	

SECTION 5 - PLATFORM

ITEM	PART NUMBER	QTY	DESCRIPTION	REV
47A	0630568	1	Capscrew 3/8 x 4-1/2	
47B	3311601	1	Nut 3/8	
47C	3430616	2	Pin	
47D	3470003	2	Pin, Cotter	
47E	4711600	2	Washer 3/8	
48	1001245668	1	Platform Console Harness Assembly (See Separate Breakdown in ELECTRICAL Section)	
49	1001247540	1	Decal - Stop and Start	
50	1001206532	1	Lamp, Indicator	

SECTION 5 - PLATFORM

FIGURE 5-9. LIGHT PANEL INSTALLATION



ART_1001245178_2OF2

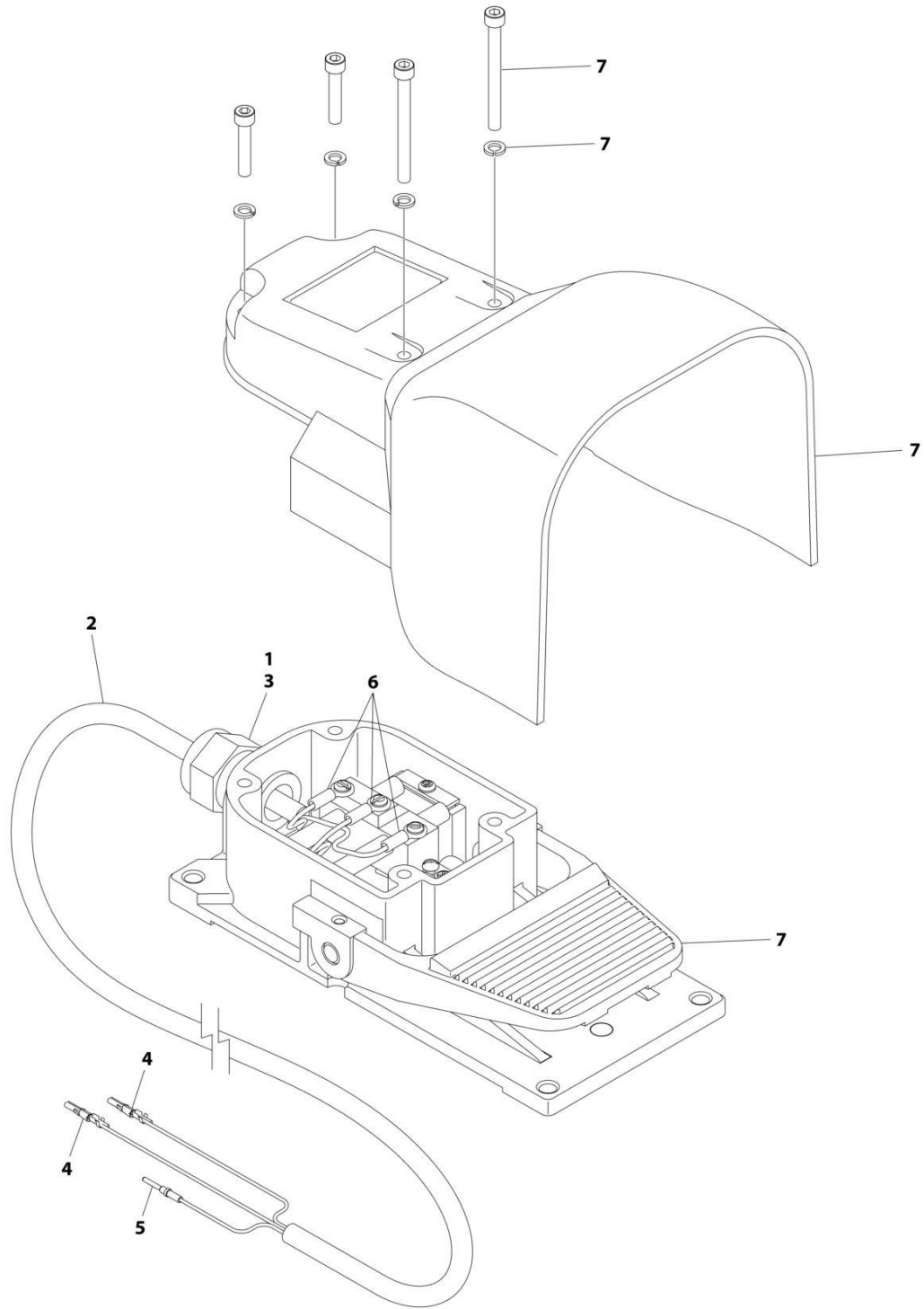
SECTION 5 - PLATFORM

FIGURE 5-9. LIGHT PANEL INSTALLATION

ITEM	PART NUMBER	QTY	DESCRIPTION	REV
	1001245178	Ref	LIGHT PANEL INSTALLATION - PLATFORM CONSOLE	B
1	0100035	AR	Compound, Locking	
3	0630518	1	Screw #10 x 3/4	
5	1001245207	1	Light Panel Assembly	F
4A	1001238732	1	Panel, LED Light	
4B	1001245161	1	Lens, I-Con	
4C		Ref	Screw	

SECTION 5 - PLATFORM

FIGURE 5-10. FOOTSWITCH ASSEMBLY



ART_1001117174

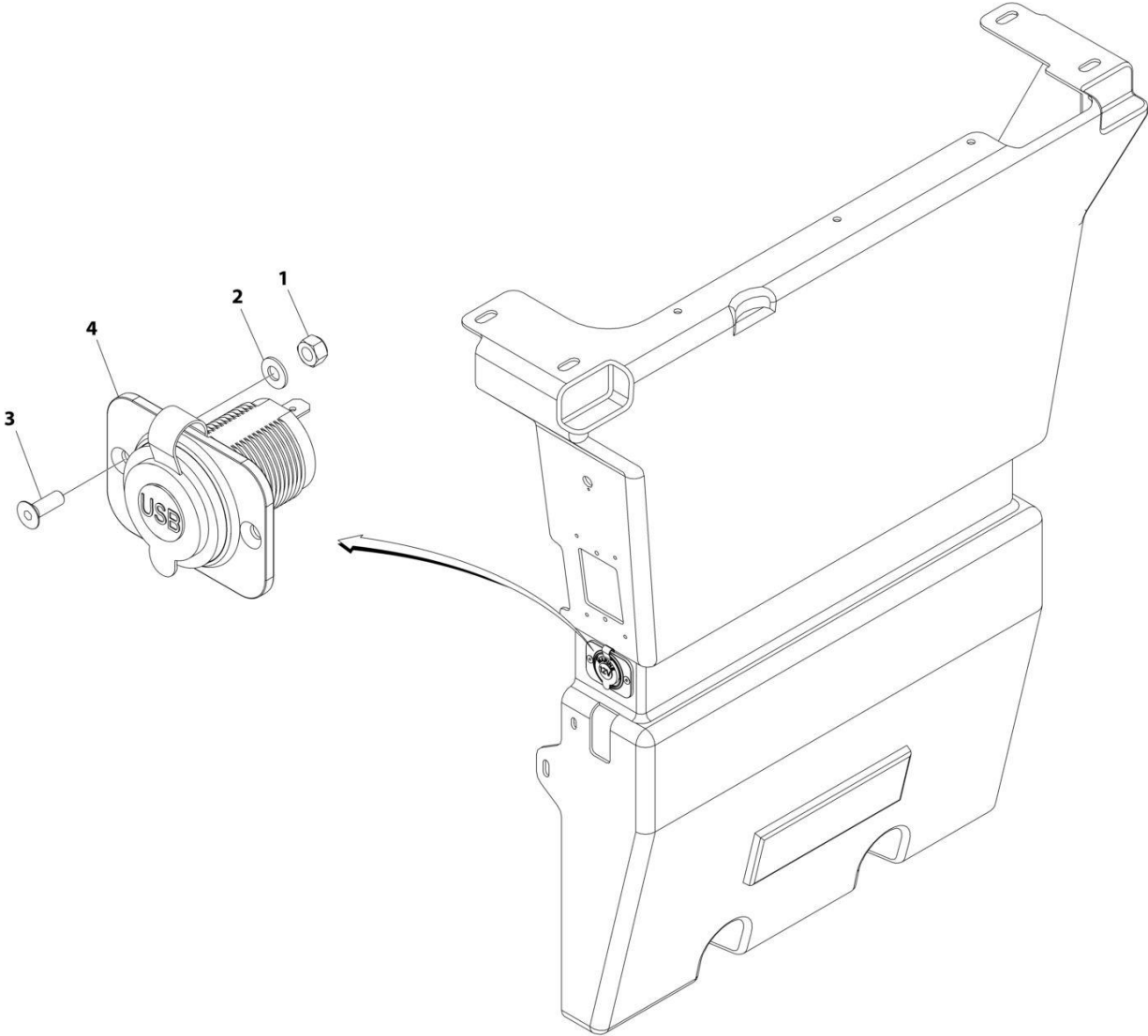
SECTION 5 - PLATFORM

FIGURE 5-10. FOOTSWITCH ASSEMBLY

ITEM	PART NUMBER	QTY	DESCRIPTION	REV
	1001117174	Ref	FOOTSWITCH ASSEMBLY	C
1	0100020	AR	Sealant	
2	1060918	7.5 ft/ 2.3m	Cable, Electrical - 18/3	
3	4460071	1	Connector, Strain Relief	
4	4460226	2	Socket, Female	
5	4460464	1	Pin, Male	
6	1001098122	3	Terminal	
7	1001117172	1	Footswitch	
7	70002902	1	Switch, 20Amp	
7	70002903	1	Gasket	
7	70002905	1	Cover	
7	70002904	1	Kit, Replacement Bolt	

SECTION 5 - PLATFORM

FIGURE 5-11. USB CHARGER INSTALLATION



ART_1001274828

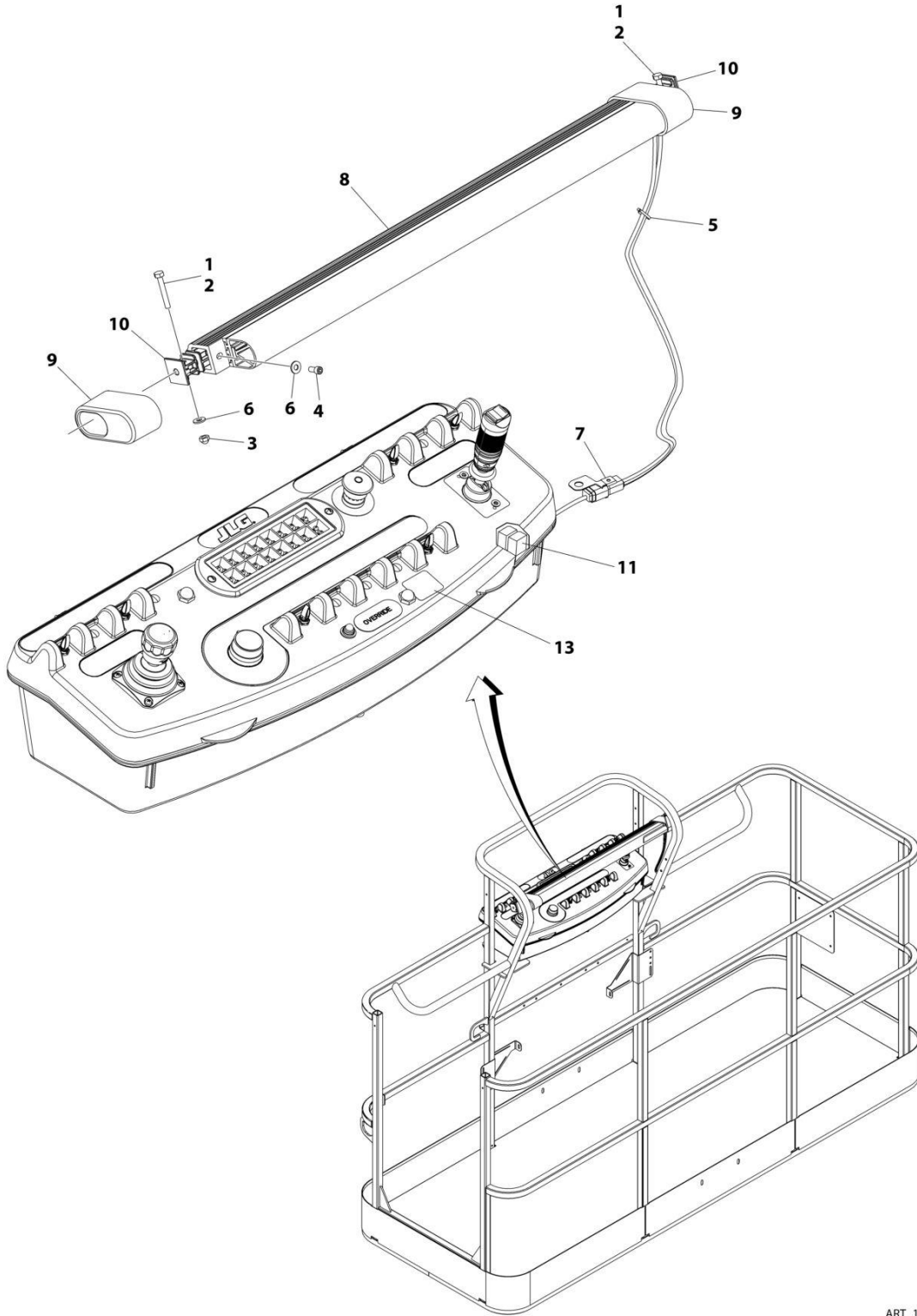
SECTION 5 - PLATFORM

FIGURE 5-11. USB CHARGER INSTALLATION

ITEM	PART NUMBER	QTY	DESCRIPTION	REV
	1001274828	Ref	USB CHARGER INSTALLATION	A
1	3290405	2	Nut M4	
2	4811400	2	Washer M4	
3	1001097244	2	Screw M4 x 12	
4	1001210636	1	Receptacle, USB	

SECTION 5 - PLATFORM

FIGURE 5-12. SKYGUARD SYSTEM INSTALLATION



ART_1001238495

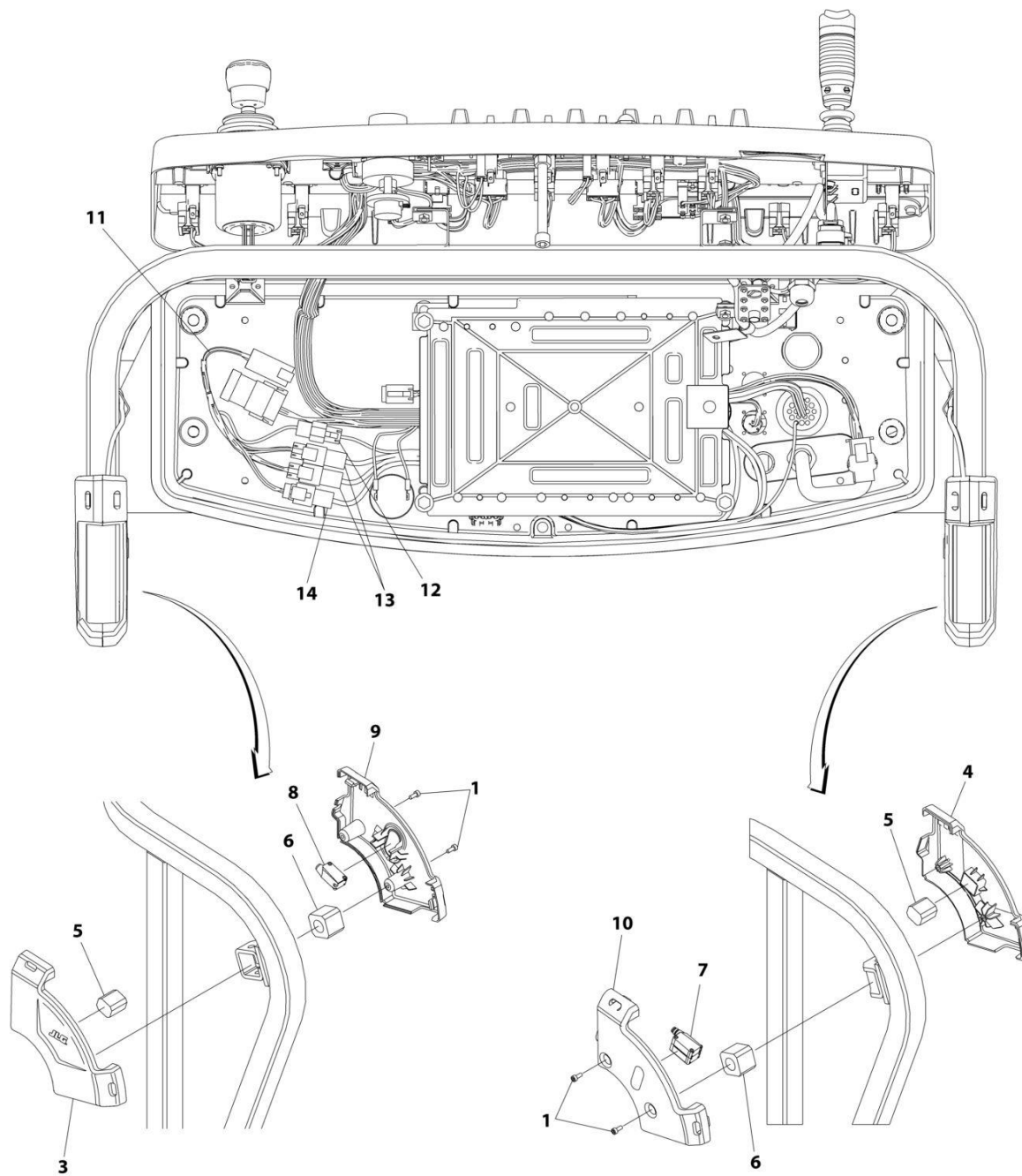
SECTION 5 - PLATFORM

FIGURE 5-12. SKYGUARD SYSTEM INSTALLATION

ITEM	PART NUMBER	QTY	DESCRIPTION	REV
	1001238495	Ref	SKYGUARD BAR INSTALLATION	A
1	0100011	AR	Compound, Locking	
2	0641414	2	Bolt 1/4 x 1-3/4	
3	3300430	2	Nut 1/4	
4	3931408	2	Capscrew 1/4 x 1/2	
5	4240033	8	Tie-Strap	
6	4711400	6	Washer 1/4	
7	1001120328	1	Mount	
8	1001137673	1	SkyGuard Switch Assembly	
9	1001186517	2	Cover, Platform Sensor	
10	1001209664	2	Support, Block	
11	1001186431	2	Relay	
12	1001225580	1	Interface Harness Assembly (Not Shown - Located Inside Console Box) (See Separate Breakdown in ELECTRICAL Section)	
13	1001144433	1	Decal - No Weight SkyGuard	

SECTION 5 - PLATFORM

FIGURE 5-13. SKYEYE INSTALLATION



ART_1001229341

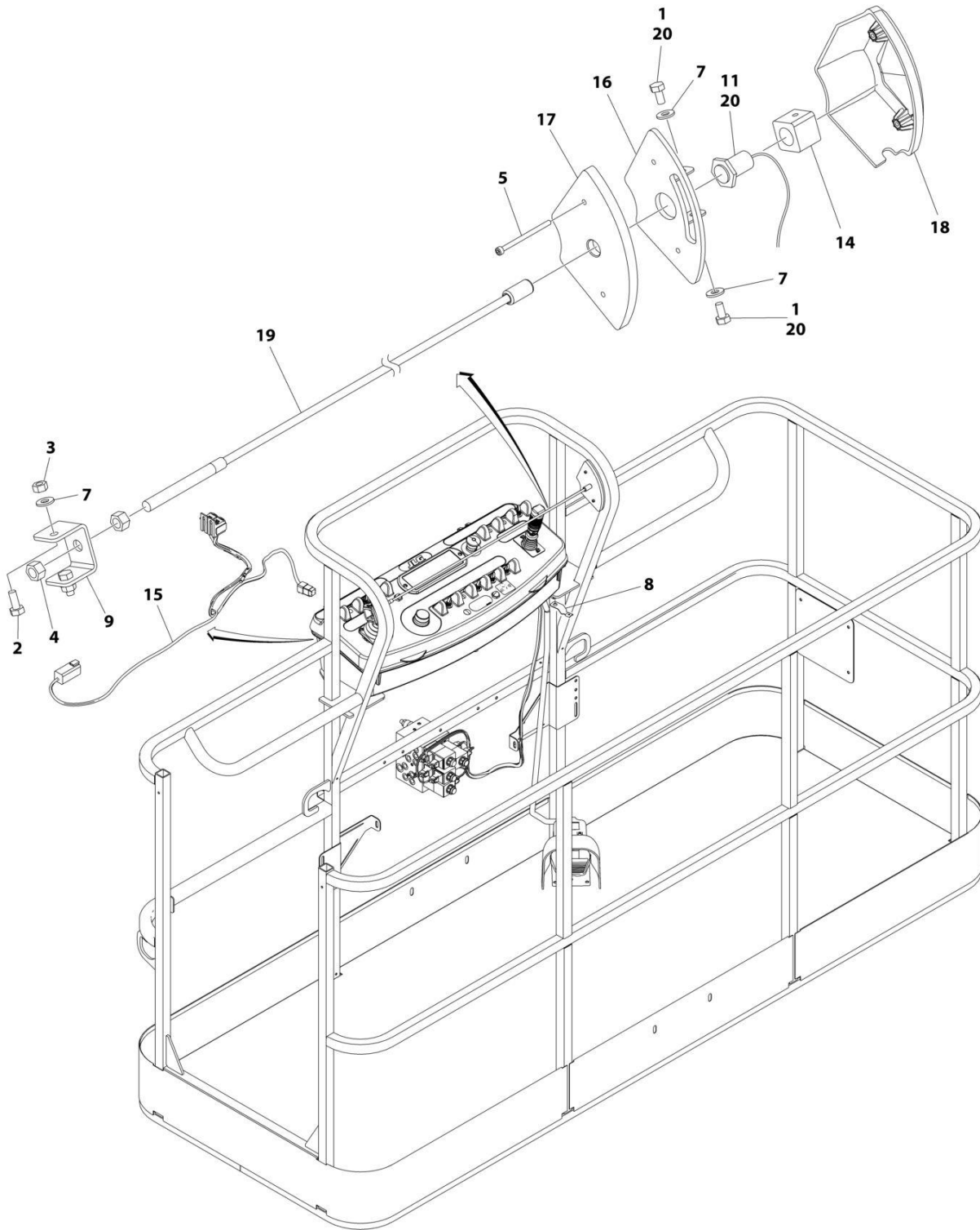
SECTION 5 - PLATFORM

FIGURE 5-13. SKYEYE INSTALLATION

ITEM	PART NUMBER	QTY	DESCRIPTION	REV
	1001229341	Ref	SKYEYE INSTALLATION	B
1	4031505	4	Bolt M4 x 10	
2	4240033	AR	Tie-Strap (Not Shown)	
3	1001227633	1	Housing, LH Outer	
4	1001227634	1	Housing, RH Outer	
5	1001227985	2	Shim	
6	1001227987	2	Shim	
7	1001228224	2	Sensor, Receiver	
8	1001228225	1	Sensor, Emitter	
9	1001232164	1	Housing, LH Inner	
10	1001232165	1	Housing, RH Inner	
11	1001237865	1	Harness, Skyeeye Intermediate (See Separate Breakdown in ELECTRICAL Section)	
12	1001238319	NLA	Harness, Skyeeye Drain Jumper	
12	1001187674	1	Plug, Male - 2 Position	
12	4460942	1	Terminal	
12	4460466	1	Plug, Terminal	
12	4460508	1	Pin, Male	
13	1001237863	2	Harness, Skyeeye Receiver (See Separate Breakdown in ELECTRICAL Section)	
14	1001237864	1	Harness, Skyeeye Emitter (See Separate Breakdown in ELECTRICAL Section)	

SECTION 5 - PLATFORM

FIGURE 5-14. SKYLINE INSTALLATION



ART_1001238559_D

SECTION 5 - PLATFORM

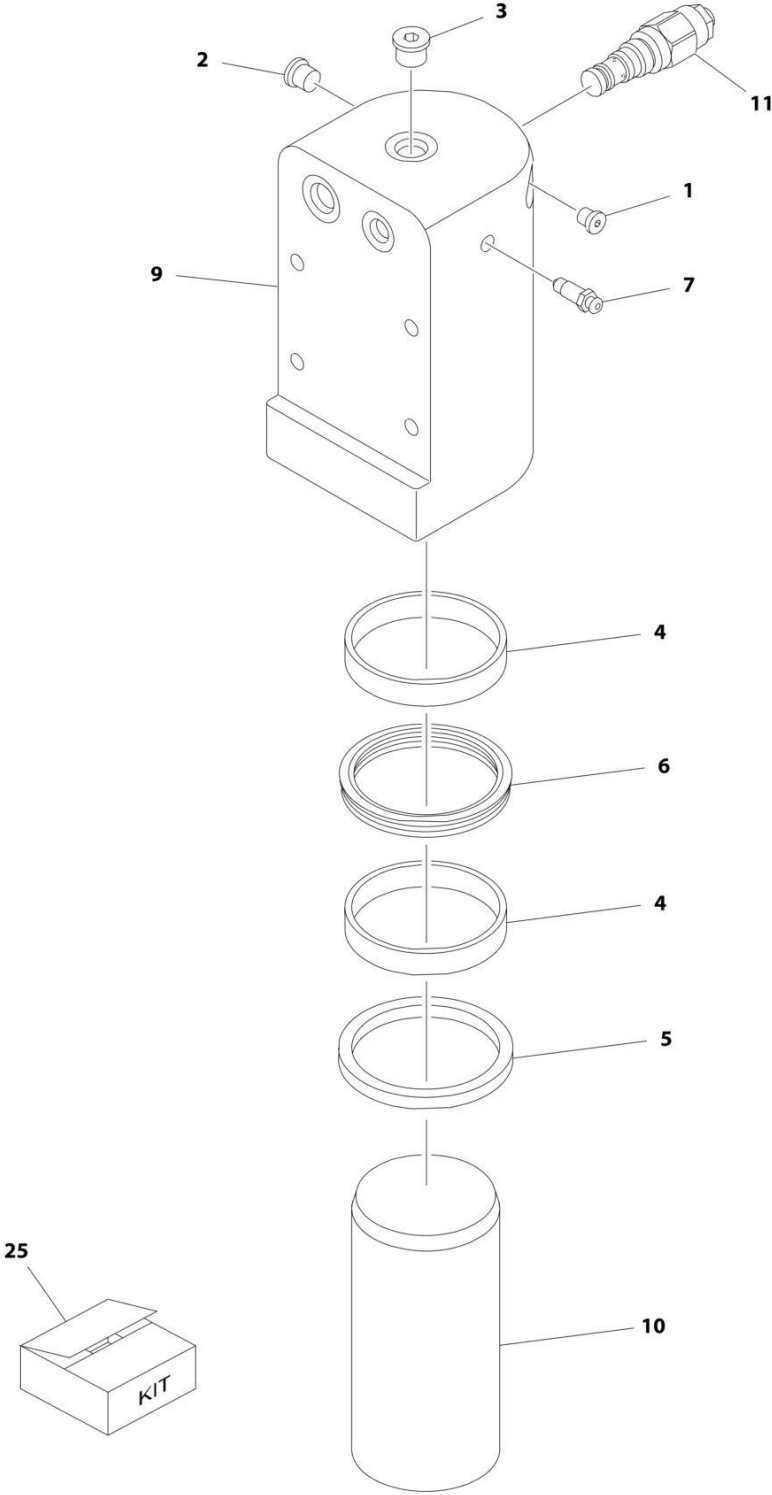
FIGURE 5-14. SKYLINE INSTALLATION

ITEM	PART NUMBER	QTY	DESCRIPTION	REV
	1001238559	Ref	SKYLINE INSTALLATION	D
1	0641404	2	Bolt 1/4 x 1/2	
2	0641405	2	Bolt 1/4 x 5/8	
3	3311405	2	Nut 1/4	
4	3311601	2	Nut 3/8	
5	4031516	2	Capscrew M4 x 60	
6	4240033	AR	Tie-Strap (Not Shown)	
7	4711400	4	Washer 1/4	
8	1001120328	1	Mount	
9	1001232642	1	Bracket	
11	1001232667	1	Sensor, Proximity	
14	1001236552	1	Block	
15	1001238418	1	Harness, Skyline (See Separate Breakdown in ELECTRICAL Section)	
16	1001238472	1	Mount	
17	1001254473	1	Housing, LH	
18	1001241965	1	Housing, RH	
19	1001254472	1	Rod	
20	0100011	AR	Compound, Locking	

SECTION 6 - CYLINDER

SECTION 6 - CYLINDER

FIGURE 6-1. AXLE LOCKOUT CYLINDER ASSEMBLY



ART_1001116361

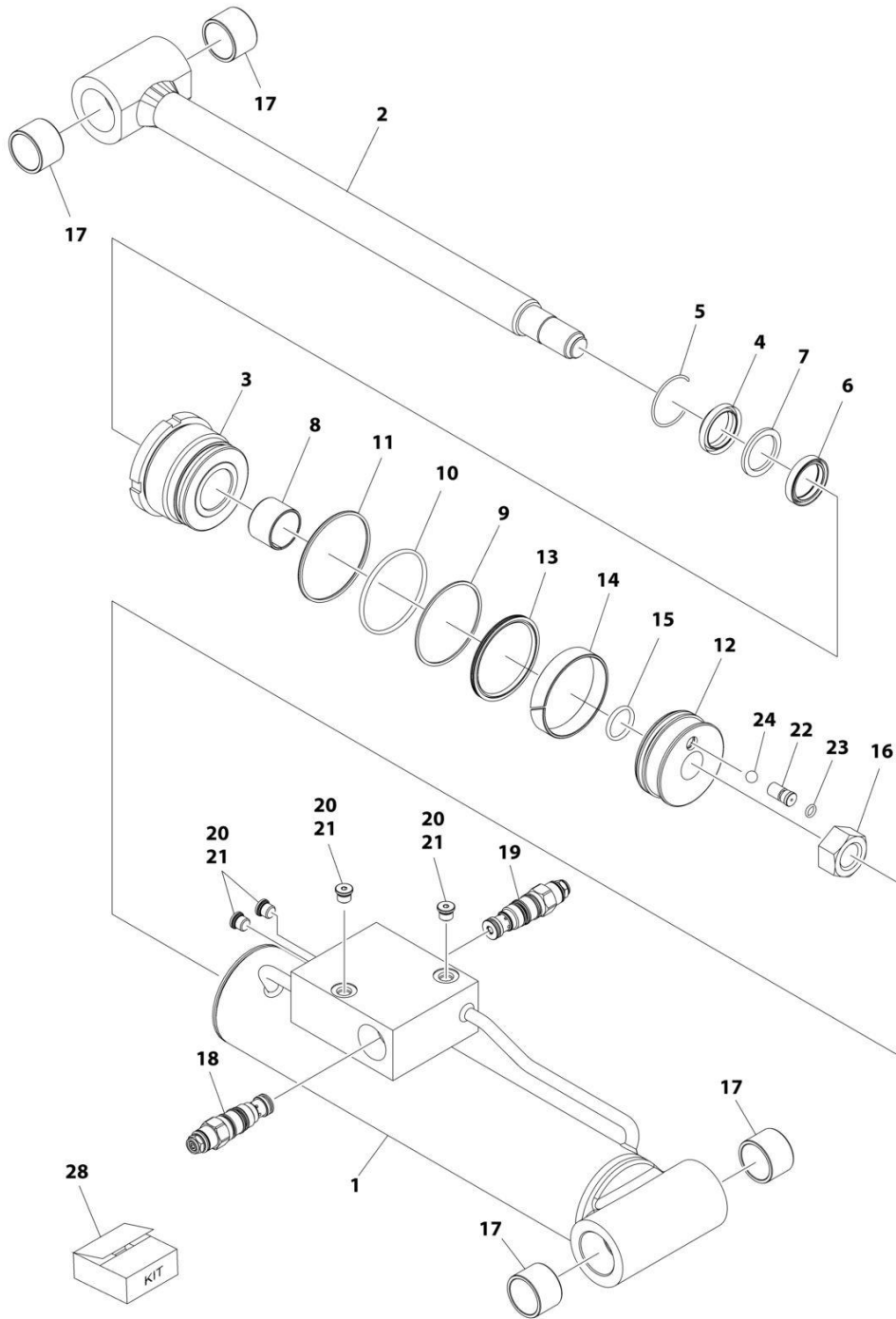
SECTION 6 - CYLINDER

FIGURE 6-1. AXLE LOCKOUT CYLINDER ASSEMBLY

ITEM	PART NUMBER	QTY	DESCRIPTION	REV
	1001116361	Ref	AXLE LOCKOUT CYLINDER ASSEMBLY	G
		Ref	Note: Original Cylinder May Have Been Replaced with Service Replacement. Identify PN Stamped on Cylinder Before Ordering Parts.	
1	2220881	1	Plug, O-Ring	
2	2220883	1	Plug, O-Ring	
3	2220885	1	Plug, O-Ring	
4	See Note	NSS	Ring, Wear (Note: Use Item 25)	
5	See Note	NSS	Wiper (Note: Use Item 25)	
6	See Note	NSS	Seal, Rod (Note: Use Item 25)	
7	4640858	1	Bleeder	
9	1001117365	1	Barrel	
10	1001117366	1	Rod	
11	1001117372	1	Cartridge, Valve	
11	70002842	1	Seal Kit - 1001117372 Valve	
25	1001116378	1	Seal Kit (Includes Items 4-6)	

SECTION 6 - CYLINDER

FIGURE 6-2. LEVEL (PLATFORM SLAVE) CYLINDER ASSEMBLY



ART_1001225990

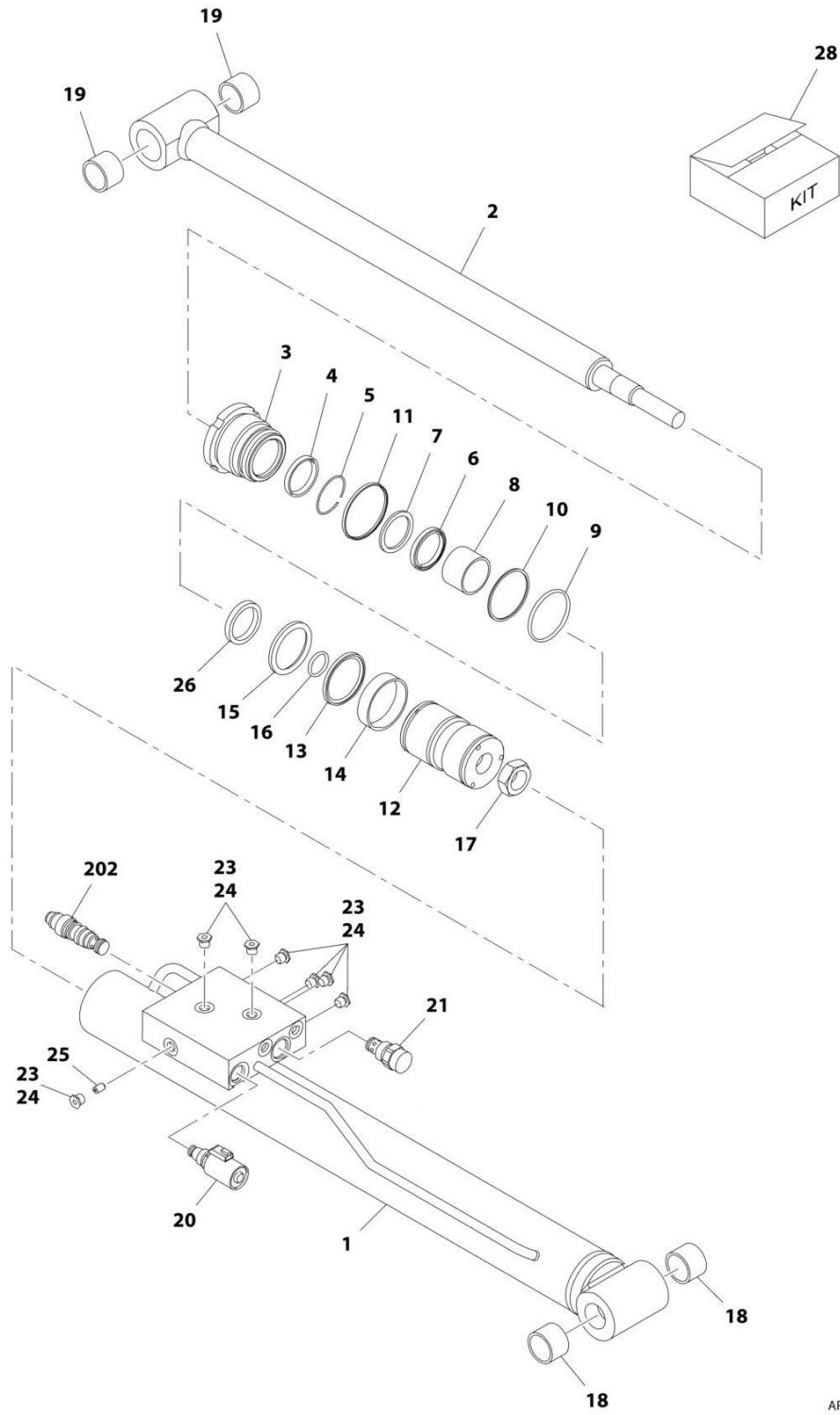
SECTION 6 - CYLINDER

FIGURE 6-2. LEVEL (PLATFORM SLAVE) CYLINDER ASSEMBLY

ITEM	PART NUMBER	QTY	DESCRIPTION	REV
	1001225990	Ref	LEVEL (PLATFORM SLAVE) CYLINDER ASSEMBLY	B
		Ref	Note: Original Cylinder may have been replaced with Service Replacement. Identify PN Stamped on Cylinder Before Ordering Parts.	
1	70003131	1	Barrel	
2	70003132	1	Rod	
3	70003085	1	Head	
4	See Note	NSS	Wiper (Note: Use Item 28)	
5	70002366	1	Ring, Retaining	
6	See Note	NSS	Seal, Rod (Note: Use Item 28)	
7	See Note	NSS	Ring, Back-up (Note: Use Item 28)	
8	70005695	1	Bearing	
9	See Note	NSS	O-Ring (Note: Use Item 28)	
10	See Note	NSS	Ring, Back-up (Note: Use Item 28)	
11	See Note	NSS	O-Ring (Note: Use Item 28)	
12	70003133	1	Piston	
13	See Note	NSS	Seal, Piston (Note: Use Item 28)	
14	See Note	NSS	Ring, Wear (Note: Use Item 28)	
15	See Note	NSS	Ring, Wear (Note: Use Item 28)	
16	70002335	1	Nut	
17	0961951	4	Bushing, Garmax	
18	70002413	1	Cartridge, Valve	
18	2900770	1	Seal Kit - 70002413 Valve	
19	1001168210	1	Cartridge, Valve	
19	2900770	1	Seal Kit - 1001168210 Valve	
20	2220883	4	Plug	
21	See Note	NSS	O-Ring (Note: Not Available - Purchase Locally)	
22	70005973	1	Valve Seat	
23	70005974	1	O-Ring	
24	70006353	1	Steel Ball	
28	70003134	1	Seal Kit (Includes Items 4, 6, 7, 9, 10, 11, 13, 14 & 15)	
100		Ref	REPAIR TOOLS (NOT SHOWN)	
100	70003089	1	Press, Wiper	
100	70003090	1	Press, Bushing (Use with Rod Bearing)	
100	70003091	1	Tool, Bushing Removal (Use with Rod Bearing)	
100	70003092	1	Tool, Head Seal Protection	
100	70003081	1	Tool, Piston Seal Protection	
100	70003093	1	Press, Bushing (Use with Pin Mounting Bushings)	
100	70003094	1	Tool, Bushing Removal (Use with Pin Mounting Bushings)	

SECTION 6 - CYLINDER

FIGURE 6-3. LIFT (JIB) CYLINDER ASSEMBLY



ART_1001123004

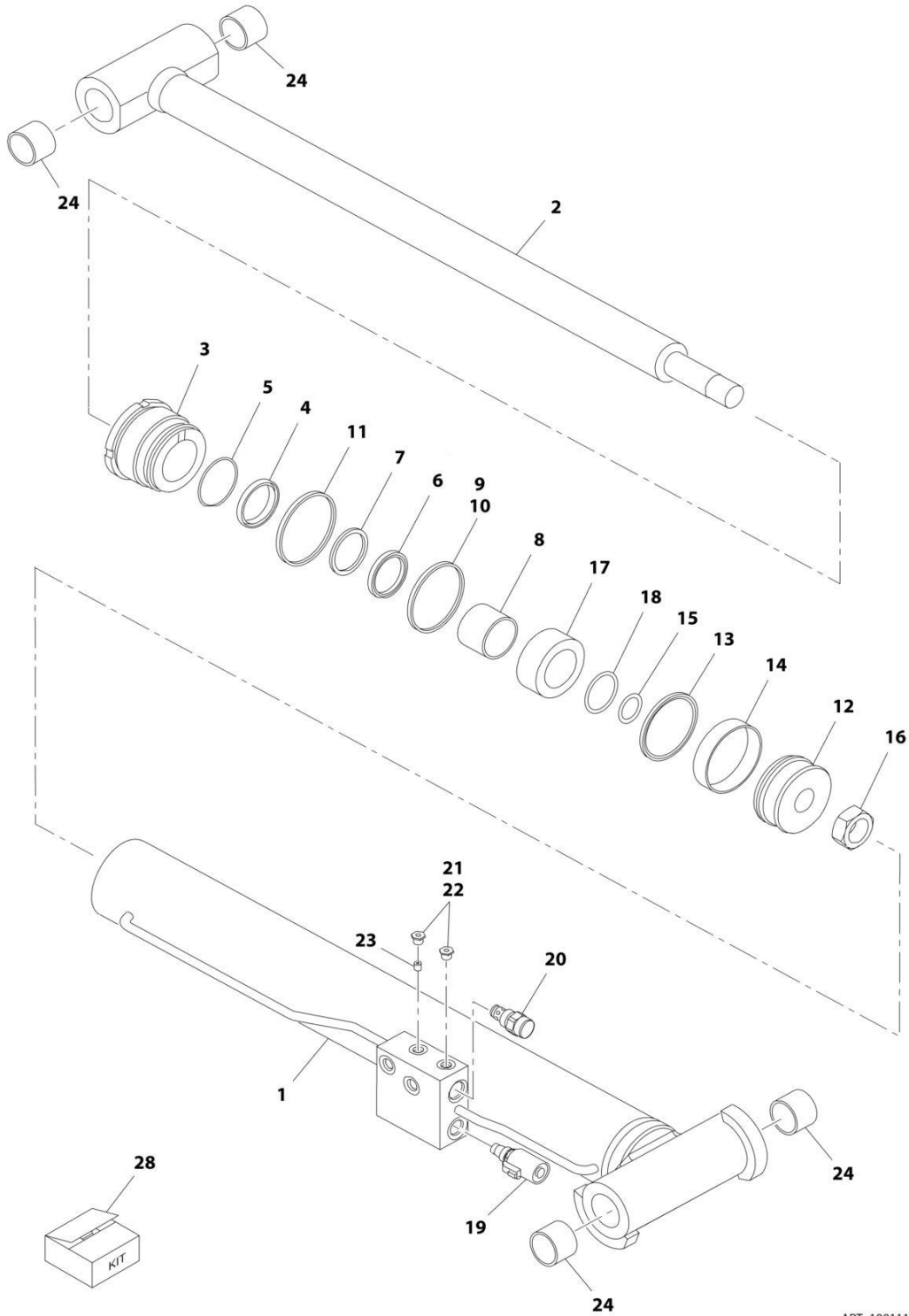
SECTION 6 - CYLINDER

FIGURE 6-3. LIFT (JIB) CYLINDER ASSEMBLY

ITEM	PART NUMBER	QTY	DESCRIPTION	REV
	1001123004	Ref	LIFT (JIB) CYLINDER ASSEMBLY	D
		Ref	Note: Original Cylinder may have been replaced with Service Replacement. Identify PN Stamped on Cylinder Before Ordering Parts.	
1	70003122	1	Barrel	
2	70002375	1	Rod	
3	70003123	1	Head	
4	See Note	NSS	Wiper (Note: Use Item 28)	
5	70002373	1	Ring, Retaining	
6	See Note	NSS	Seal, Rod (Note: Use Item 28)	
7	See Note	NSS	Ring, Back-up (Note: Use Item 28)	
8	70002372	1	Bearing	
9	See Note	NSS	O-Ring (Note: Use Item 28)	
10	See Note	NSS	Ring, Back-up (Note: Use Item 28)	
11	See Note	NSS	O-Ring (Note: Use Item 28)	
12	70003124	1	Piston	
13	70003125	1	Seal, Piston	
14	See Note	NSS	Ring, Wear (Note: Use Item 28)	
15	See Note	NSS	O-Ring (Note: Use Item 28)	
16	See Note	NSS	Ring, Piston (Note: Use Item 28)	
17	70002335	1	Nut	
18	70003118	2	Bushing	
19	0961951	2	Bushing, Garmax (was p/n 70003087)	
20	7024884	1	Cartridge, Solenoid Valve	
20	7012967	1	Seal Kit - 7024884 Valve	
20	70002386	1	Coil	
21	70003076	1	Cartridge, Check Valve	
21	7017496	1	Seal Kit - 70003076 Valve	
23	70023370	7	Plug	
24	See Note	7	O-Ring (Note: Not Available - Purchase Locally)	
25	70002334	1	Orifice	
26	70003453	1	Spacer	
28	70003125	1	Seal Kit (Includes Items 4, 6, 7, 9, 10, 11, 13, 14, 15 & 16)	
100		Ref	REPAIR TOOLS (NOT SHOWN)	
100	70003126	1	Press, Wiper	
100	70003127	1	Press, Bushing (Use with Rod Bearing)	
100	70003128	1	Tool, Bushing Removal (Use with Rod Bearing)	
100	70003129	1	Tool, Head Seal Protection	
100	70003130	1	Tool, Piston Seal Protection	
100	70003093	1	Press, Bushing (Use with Pin Mounting Bushings)	
100	70003094	1	Tool, Bushing Removal (Use with Pin Mounting Bushings)	
	1001199460	Ref	JIB LIFT CYLINDER ASSEMBLY	A
202	1001199306	1	Cartridge, Counter Balance Valve	
202	2900770	1	Seal Kit - 1001199306 Valve	

SECTION 6 - CYLINDER

FIGURE 6-4. LIFT (MAIN BOOM) CYLINDER ASSEMBLY



ART_1001117640

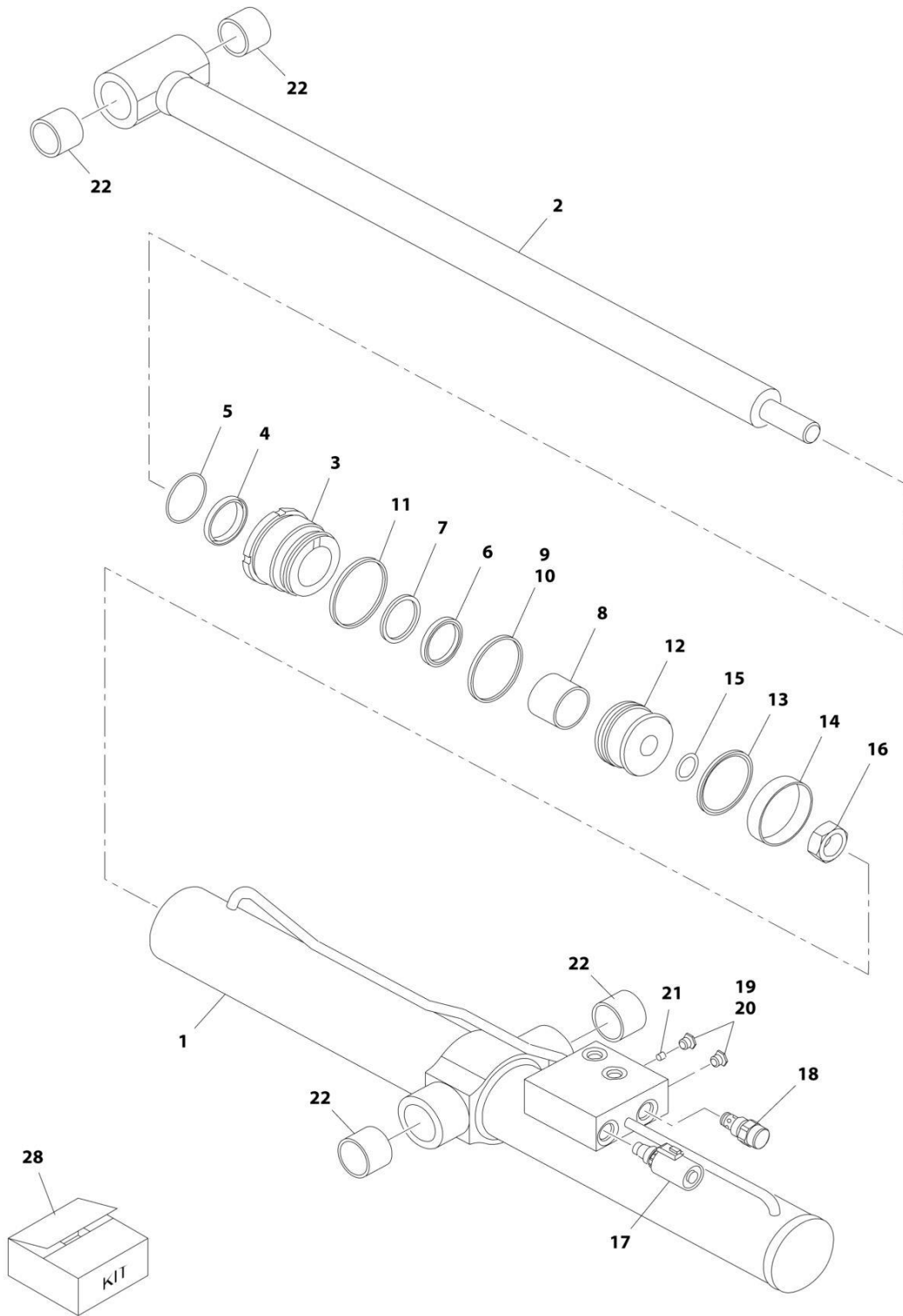
SECTION 6 - CYLINDER

FIGURE 6-4. LIFT (MAIN BOOM) CYLINDER ASSEMBLY

ITEM	PART NUMBER	QTY	DESCRIPTION	REV
	1001117640	Ref	MAIN BOOM LIFT CYLINDER ASSEMBLY	H
		Ref	Note: Original Cylinder May Have Been Replaced with Service Replacement. Identify PN Stamped on Cylinder Before Ordering Parts.	
1	70003103	1	Barrel	
2	70003104	1	Rod	
3	70003105	1	Head	
4	See Note	NSS	Wiper (Note: Use Item 28)	
5	70002412	1	Ring, Retaining	
6	See Note	NSS	Seal, Rod (Note: Use Item 28)	
7	See Note	NSS	Ring, Back-up (Note: Use Item 28)	
8	70022565	1	Bearing	
9	See Note	NSS	O-Ring (Note: Use Item 28)	
10	See Note	NSS	Ring, Back-up (Note: Use Item 28)	
11	See Note	NSS	O-Ring (Note: Use Item 28)	
12	70003106	1	Piston	
13	See Note	NSS	Seal, Piston (Note: Use Item 28)	
14	See Note	NSS	Ring, Wear (Note: Use Item 28)	
15	See Note	NSS	O-Ring (Note: Use Item 28)	
16	70002335	1	Nut	
17	70002344	1	Spacer	
18	See Note	NSS	O-Ring (Note: Use Item 28)	
19	7024884	1	Cartridge, Solenoid Valve	
19	7012967	1	Seal Kit - 7024884 Valve	
19	70002386	1	Coil	
20	70003076	1	Cartridge, Check Valve	
20	7017496	1	Seal Kit - 70003076 Valve	
21	70023370	7	Plug	
22	See Note	7	O-Ring (Note: Not Available - Purchase Locally)	
23	70002334	1	Orifice	
24	0961948	2	Bushing, Garmax (was p/n 70003107)	
28	70003108	1	Seal Kit (Includes Items 4, 6, 7, 9, 10, 11, 13, 14, 15 & 18)	
100		Ref	REPAIR TOOLS (NOT SHOWN)	
100	70003109	1	Press, Wiper	
100	70003110	1	Press, Bushing (Use with Rod Bearing)	
100	70003111	1	Tool, Bushing Removal (Use with Rod Bearing)	
100	70003112	1	Tool, Head Seal Protection	
100	70003113	1	Tool, Piston Seal Protection	
100	70003082	1	Press, Bushing (Use with Pin Mounting Bushings)	
100	70003083	1	Tool, Bushing Removal (Use with Pin Mounting Bushings)	

SECTION 6 - CYLINDER

FIGURE 6-5. LIFT (TOWER BOOM) CYLINDER ASSEMBLY



ART_1001122527

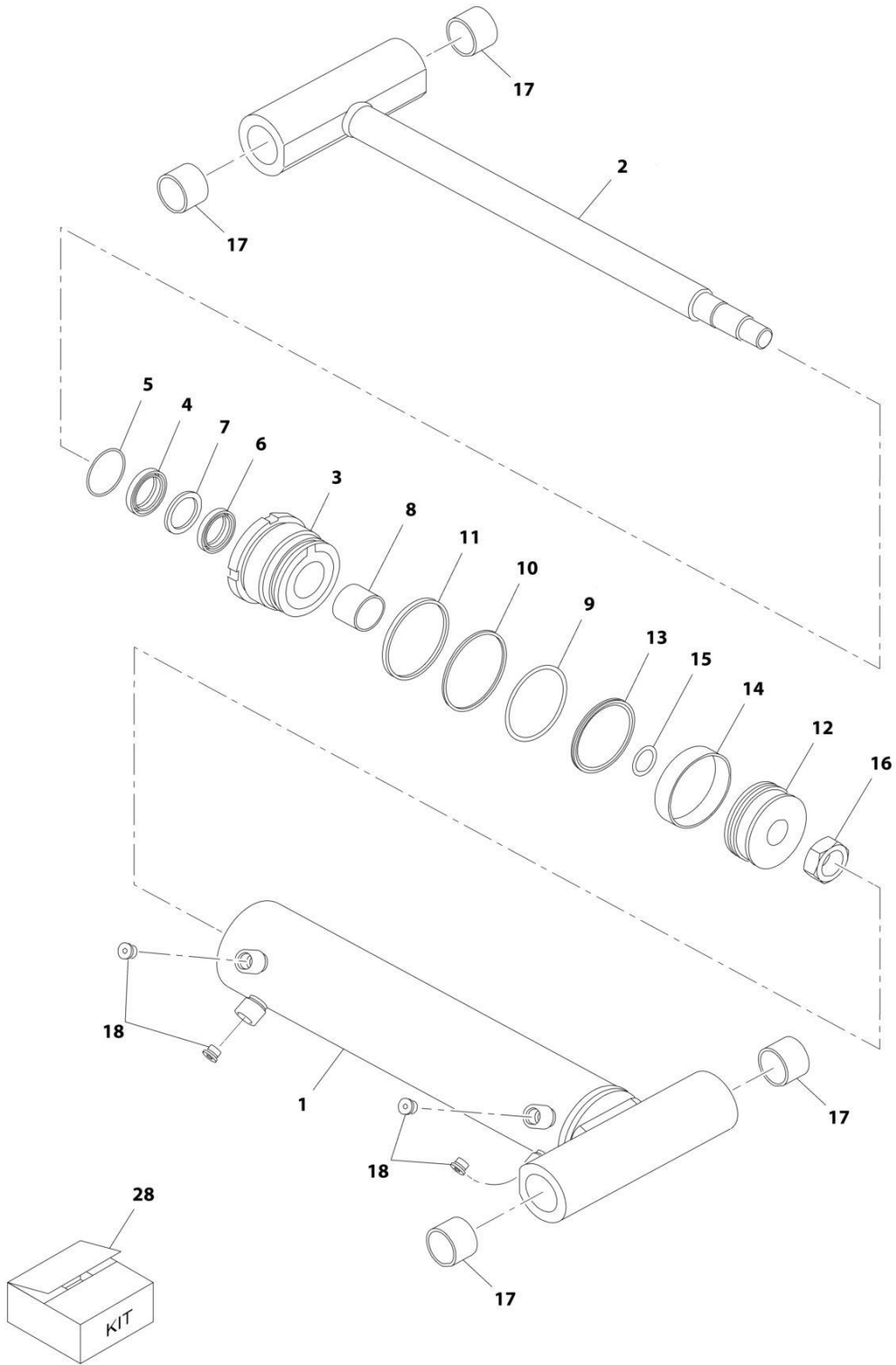
SECTION 6 - CYLINDER

FIGURE 6-5. LIFT (TOWER BOOM) CYLINDER ASSEMBLY

ITEM	PART NUMBER	QTY	DESCRIPTION	REV
	1001122527	Ref	LIFT (TOWER BOOM) CYLINDER ASSEMBLY	D
		Ref	Note: Original Cylinder may have been replaced with Service Replacement. Identify PN Stamped on Cylinder Before Ordering Parts.	
1	70003071	1	Barrel	
2	70003072	1	Rod	
3	70003073	1	Head	
4	See Note	NSS	Wiper (Note: Use Item 28)	
5	70002410	1	Ring, Retaining	
6	See Note	NSS	Seal, Rod (Note: Use Item 28)	
7	See Note	NSS	Ring, Back-up (Note: Use Item 28)	
8	70002337	1	Bearing	
9	See Note	NSS	O-Ring (Note: Use Item 28)	
10	See Note	NSS	Ring, Back-up (Note: Use Item 28)	
11	See Note	NSS	O-Ring (Note: Use Item 28)	
12	70003074	1	Piston	
13	See Note	NSS	Seal, Piston (Note: Use Item 28)	
14	See Note	NSS	Ring, Wear (Note: Use Item 28)	
15	See Note	NSS	O-Ring (Note: Use Item 28)	
16	70002335	1	Nut	
17	7024884	1	Cartridge, Solenoid Valve	
17	7012967	1	Seal Kit - 7024884 Valve	
17	70002386	1	Coil	
18	70003076	1	Cartridge, Check Valve	
18	7017496	1	Seal Kit - 70003076 Valve	
19	70023370	2	Plug	
20	See Note	2	O-Ring (Note: Not Available - Purchase Locally)	
21	70002334	1	Orifice	
22	0961948	4	Bushing, Garmax (was p/n 70003107)	
28	70003075	1	Seal Kit (Includes Items 4, 6, 7, 9, 10, 11, 13, 14 & 15)	
100		Ref	REPAIR TOOLS (NOT SHOWN)	
100	70003077	1	Press, Wiper	
100	70003078	1	Press, Bushing (Use with Rod Bearing)	
100	70003079	1	Tool, Bushing Removal (Use with Rod Bearing)	
100	70003080	1	Tool, Head Seal Protection	
100	70003081	1	Tool, Piston Seal Protection	
100	70003082	1	Press, Bushing (Use with Pin Mounting Bushings)	
100	70003083	1	Tool, Bushing Removal (Use with Pin Mounting Bushings)	

SECTION 6 - CYLINDER

FIGURE 6-6. MASTER CYLINDER ASSEMBLY



ART_1001120976

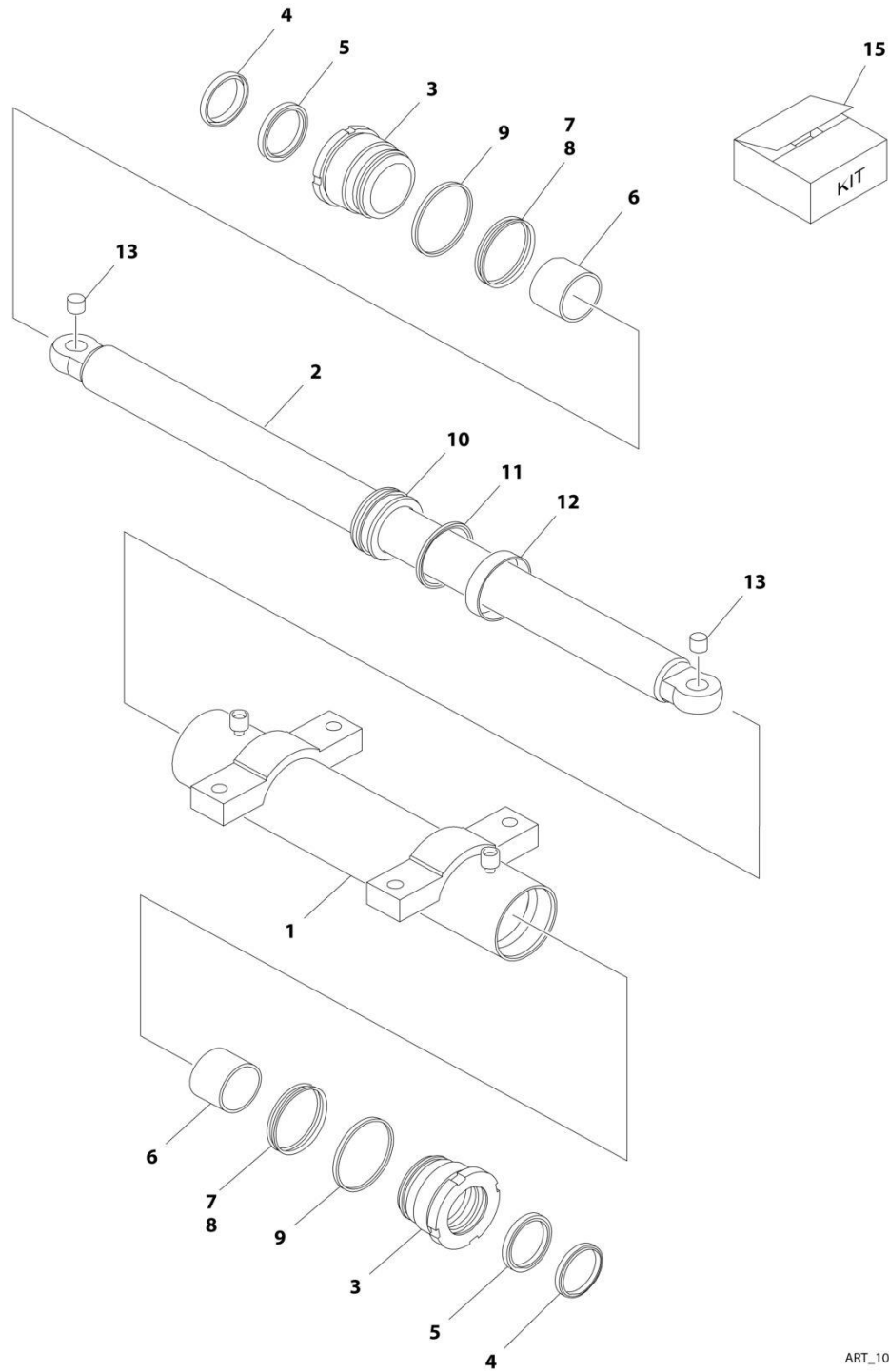
SECTION 6 - CYLINDER

FIGURE 6-6. MASTER CYLINDER ASSEMBLY

ITEM	PART NUMBER	QTY	DESCRIPTION	REV
	1001120976	Ref	MASTER CYLINDER ASSEMBLY	B
		Ref	Note: Original Cylinder may have been replaced with Service Replacement. Identify PN Stamped on Cylinder Before Ordering Parts.	
1	70003084	1	Barrel	
2	70002354	1	Rod	
3	70003085	1	Head	
4	See Note	NSS	Wiper (Note: Use Item 28)	
5	70002366	1	Ring, Retaining	
6	See Note	NSS	Seal, Rod (Note: Use Item 28)	
7	See Note	NSS	Ring, Back-up (Note: Use Item 28)	
8	70002352	1	Bearing	
9	See Note	NSS	O-Ring (Note: Use Item 28)	
10	See Note	NSS	Ring, Back-up (Note: Use Item 28)	
11	See Note	NSS	O-Ring (Note: Use Item 28)	
12	70003086	1	Piston	
13	See Note	NSS	Seal, Piston (Note: Use Item 28)	
14	See Note	NSS	Ring, Wear (Note: Use Item 28)	
15	See Note	NSS	O-Ring (Note: Use Item 28)	
16	70002335	1	Nut	
17	0961951	4	Bushing, Garmax (was p/n 70003087)	
18	70023371	4	Plug	
28	70003088	1	Seal Kit (Includes Items 4, 6, 7, 9, 10, 11, 13, 14 & 15)	
100		Ref	REPAIR TOOLS (NOT SHOWN)	
100	70003089	1	Press, Wiper	
100	70003090	1	Press, Bushing (Use with Rod Bearing)	
100	70003091	1	Tool, Bushing Removal (Use with Rod Bearing)	
100	70003092	1	Tool, Head Seal Protection	
100	70003081	1	Tool, Piston Seal Protection	
100	70003093	1	Press, Bushing (Use with Pin Mounting Bushings)	
100	70003094	1	Tool, Bushing Removal (Use with Pin Mounting Bushings)	

SECTION 6 - CYLINDER

FIGURE 6-7. STEER CYLINDER ASSEMBLY



ART_1001116788

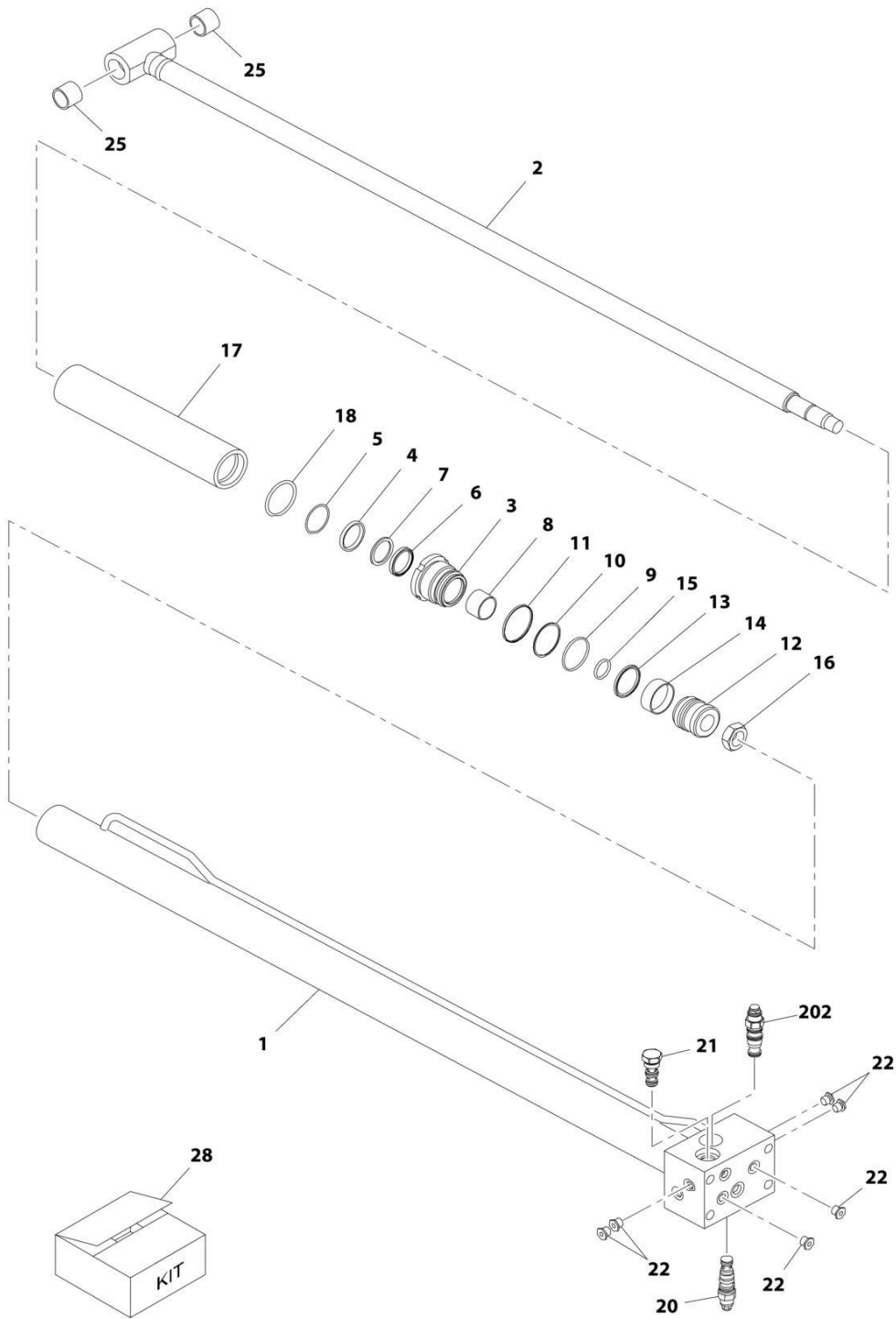
SECTION 6 - CYLINDER

FIGURE 6-7. STEER CYLINDER ASSEMBLY

ITEM	PART NUMBER	QTY	DESCRIPTION	REV
	1001116788	Ref	STEER CYLINDER ASSEMBLY	C
		Ref	Note: Original Cylinder may have been replaced with Service Replacement. Identify PN Stamped on Cylinder Before Ordering Parts.	
1	70003095	1	Barrel	
2	70003096	1	Rod	
3	70003098	2	Head	
4	See Note	NSS	Wiper (Note: Use Item 15)	
5	See Note	NSS	Seal, Rod (Note: Use Item 15)	
6	70002337	2	Bearing	
7	See Note	NSS	O-Ring (Note: Use Item 15)	
8	See Note	NSS	Ring, Back-up (Note: Use Item 15)	
9	See Note	NSS	O-Ring (Note: Use Item 15)	
10	70003097	1	Piston	
11	See Note	NSS	Seal, Piston (Note: Use Item 15)	
12	See Note	NSS	Ring, Wear (Note: Use Item 15)	
13	70002380	4	Bushing, Garmax	
15	70003099	1	Seal Kit (Includes Items 4, 5, 7, 8, 9, 11 & 12)	
100		Ref	REPAIR TOOLS (NOT SHOWN)	
100	70003077	1	Press, Wiper	
100	70003078	1	Press, Bushing (Use with Rod Bearing)	
100	70003079	1	Tool, Bushing Removal (Use with Rod Bearing)	
100	70003080	1	Tool, Head Seal Protection	
100	70003100	1	Tool, Piston Seal Protection	
100	70003101	1	Press, Bushing (Use with Pin Mounting Bushings)	
100	70003102	1	Tool, Bushing Removal (Use with Pin Mounting Bushings)	

SECTION 6 - CYLINDER

FIGURE 6-8. TELESCOPE CYLINDER ASSEMBLY



ART_1001120974

SECTION 6 - CYLINDER

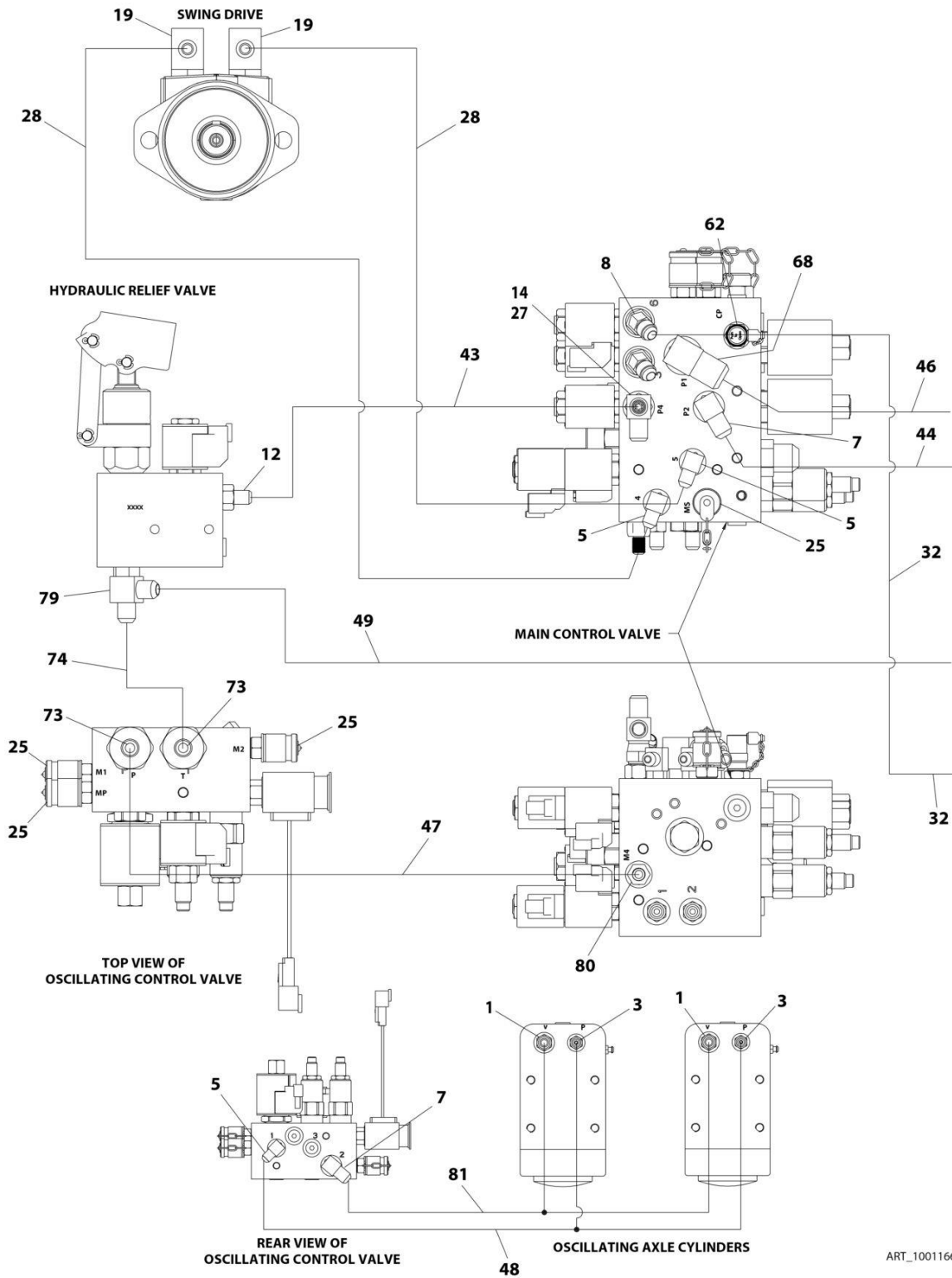
FIGURE 6-8. TELESCOPE CYLINDER ASSEMBLY

ITEM	PART NUMBER	QTY	DESCRIPTION	REV
	1001120974	Ref	TELESCOPE CYLINDER ASSEMBLY	C
		Ref	Note: Original Cylinder may have been replaced with Service Replacement. Identify PN Stamped on Cylinder Before Ordering Parts.	
1	70003114	1	Barrel	
2	70003115	1	Rod	
3	70003116	1	Head	
4	See Note	NSS	Wiper (Note: Use Item 28)	
5	70002366	1	Ring, Retaining	
6	See Note	NSS	Seal, Rod (Note: Use Item 28)	
7	See Note	NSS	Ring, Back-up (Note: Use Item 28)	
8	70002352	1	Bearing	
9	See Note	NSS	O-Ring (Note: Use Item 28)	
10	See Note	NSS	Ring, Back-up (Note: Use Item 28)	
11	See Note	NSS	O-Ring (Note: Use Item 28)	
12	70003117	1	Piston	
13	See Note	NSS	Seal, Piston (Note: Use Item 28)	
14	See Note	NSS	Ring, Wear (Note: Use Item 28)	
15	See Note	NSS	O-Ring (Note: Use Item 28)	
16	70002335	1	Nut	
17	70002364	1	Spacer	
18	See Note	NSS	O-Ring (Note: Use Item 28)	
20	70002389	1	Cartridge, Counterbalance Valve	
20	2900770	1	Seal Kit - 70002389 Valve	
21	10837580	1	Cartridge, Load Shuttle Valve	
21	7010543	1	Seal Kit - 10837580 Valve	
22	70023370	6	Plug	
25	70003118	2	Bushing	
28	70003119	1	Seal Kit (Includes Items 4, 6, 7, 9, 10, 11, 13, 14, 15 & 18)	
100		Ref	REPAIR TOOLS (NOT SHOWN)	
100	70003089	1	Press, Wiper	
100	70003090	1	Press, Bushing (Use with Rod Bearing)	
100	70003091	1	Tool, Bushing Removal (Use with Rod Bearing)	
100	70003092	1	Tool, Head Seal Protection	
100	70003120	1	Press, Bushing (Use with Pin Mounting Bushings)	
100	70003121	1	Tool, Bushing Removal (Use with Pin Mounting Bushings)	
	1001199461	Ref	TELESCOPE CYLINDER ASSEMBLY	A
202	1001199306	1	Cartridge, Counter Balance Valve	
202	2900770	1	Seal Kit - 1001199306 Valve	

SECTION 7 - HYDRAULIC

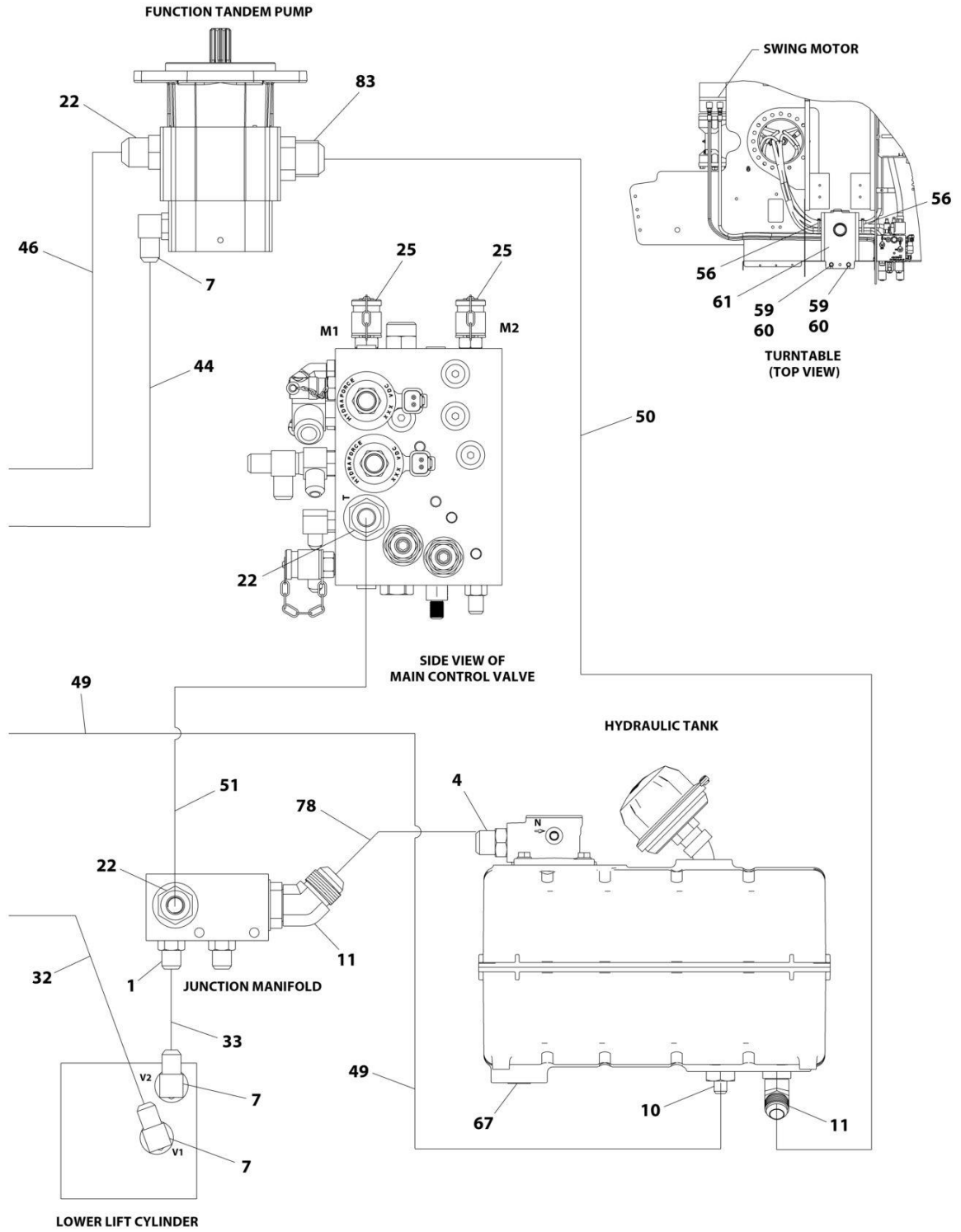
SECTION 7 - HYDRAULIC

FIGURE 7-1. HYDRAULIC SYSTEM INSTALLATION - WITHOUT ARCTIC PACKAGE



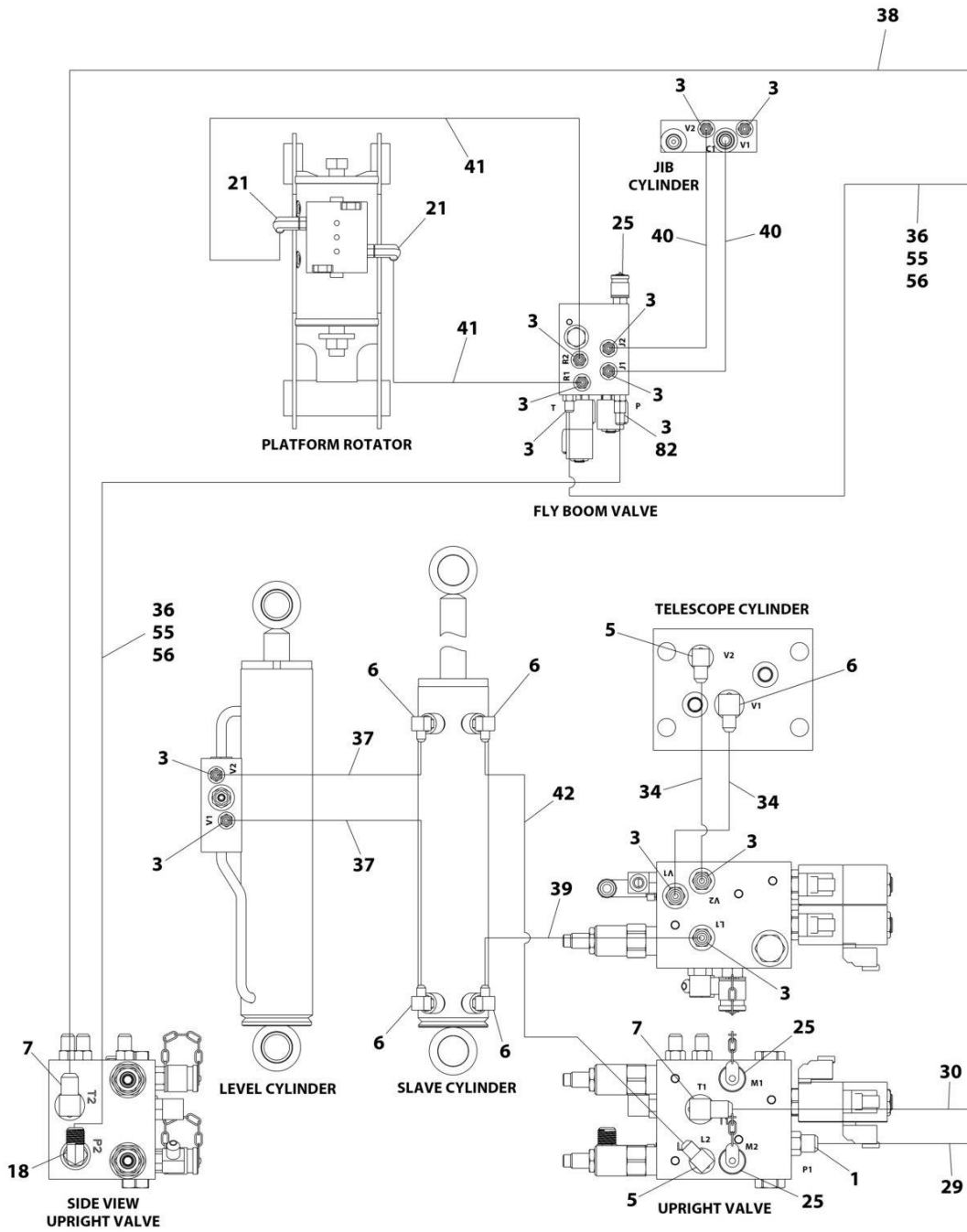
ART_1001166848_1OF4

SECTION 7 - HYDRAULIC



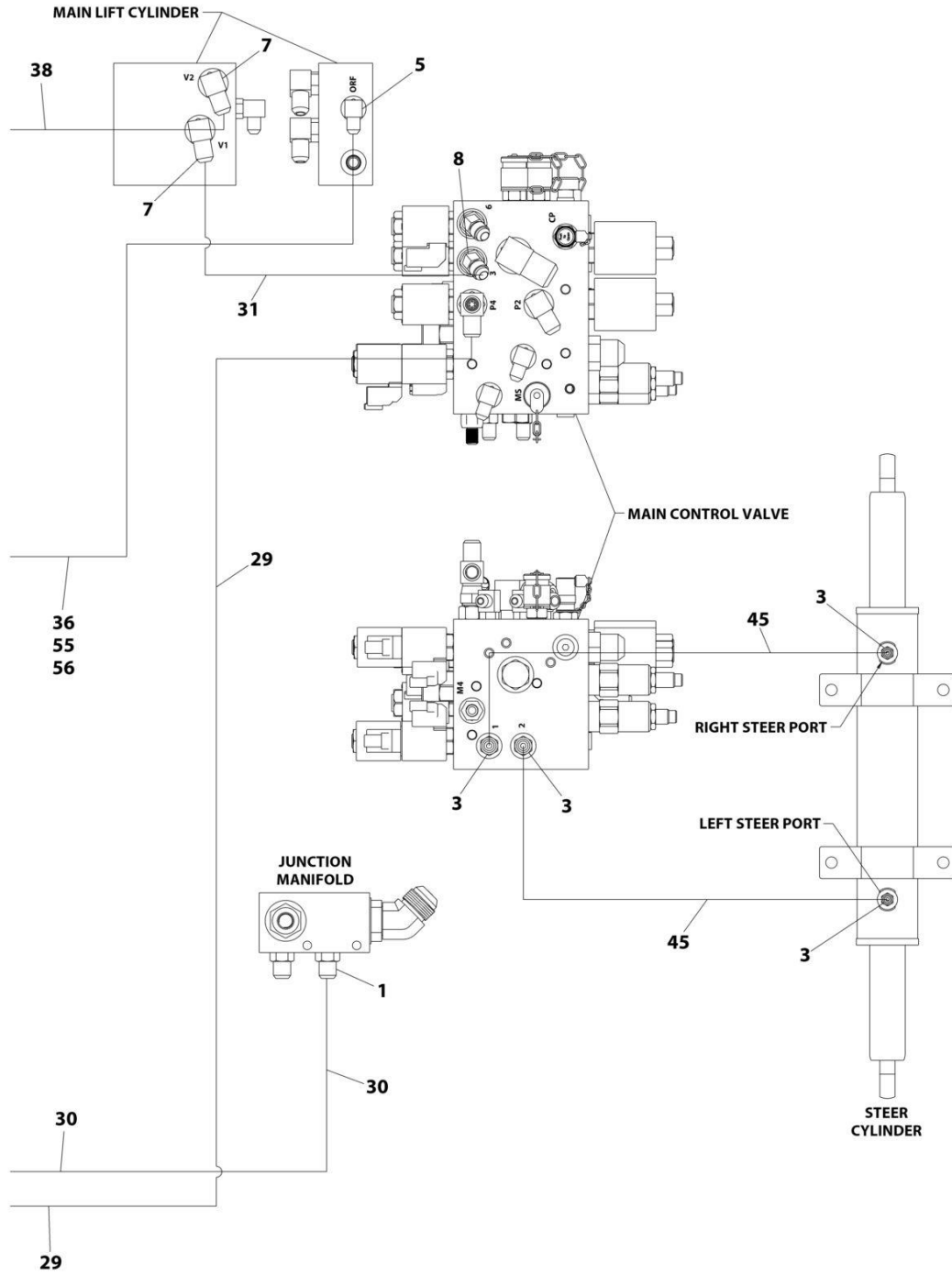
ART_1001166848_2OF4

SECTION 7 - HYDRAULIC



ART_1001166848_3OF4

SECTION 7 - HYDRAULIC



ART_1001166848_40F4

SECTION 7 - HYDRAULIC

FIGURE 7-1. HYDRAULIC SYSTEM INSTALLATION - WITHOUT ARCTIC PACKAGE

ITEM	PART NUMBER	QTY	DESCRIPTION	REV
	1001166848	Ref	HYDRAULIC SYSTEM INSTALLATION - WITHOUT ARCTIC PACKAGE	M
1	2220371	5	Fitting, Straight JIC/ORB	
3	2220415	19	Fitting, Straight JIC/ORB	
4	2220451	1	Fitting, Straight JIC/ORB	
5	2220466	6	Fitting, 90 JIC/ORB	
6	2220472	5	Fitting, 90 JIC/ORB	
7	2220473	9	Fitting, 90 JIC/ORB	
8	2220501	2	Fitting, 45 JIC/ORB	
10	2220577	1	Fitting, Straight JIC/ORB	
11	2220498	2	Fitting, 45 JIC/ORB	
12	2220582	1	Fitting, Straight JIC/ORB	
14	2220635	1	Fitting, Tee JIC/FSJIC/JIC	
18	2220819	1	Fitting, 90 JIC/ORB	
19	2220828	2	Fitting, 90 JIC/ORB	
21	2220940	2	Fitting, 90 JIC/ORB	
22	2220947	3	Fitting, Straight JIC/ORB	
25	2221086	9	Fitting, Test Port	
27	80233041	1	Fitting, Check	
28	1001119525	2	Hose	
29	1001119572	1	Hose	
30	1001119577	1	Hose	
31	1001119593	1	Hose	
32	1001119594	1	Hose	
33	1001119595	1	Hose	
34	1001119596	2	Hose	
35	1001119597	1	Hose	
36	1001119598	1	Hose	
37	1001119600	2	Hose	
38	1001119602	1	Hose	
39	1001119603	1	Hose	
40	1001119604	2	Hose	
41	1001119605	2	Hose	
42	1001121966	1	Hose	
43	1001127705	1	Hose	
44	1001167206	1	Hose	
45	1001167207	2	Hose	
46	1001167208	1	Hose	
47	1001167210	1	Hose	
48	1001168702	1	Hose	
49	1001172556	1	Hose	
50	1001172557	1	Hose	
51	1001172558	1	Hose	
55	4100066	1	Sleeve, Hose Wrap	
56	4240018	AR	Tie-Strap	
59	5250810	2	Bolt M8 X 20	
60	8310686	2	Retainer M8	
61	1001121221	1	Cover, Tray	
62	1001119455	1	Valve, Oil Sampling	
67	2220887	1	Plug ORB	

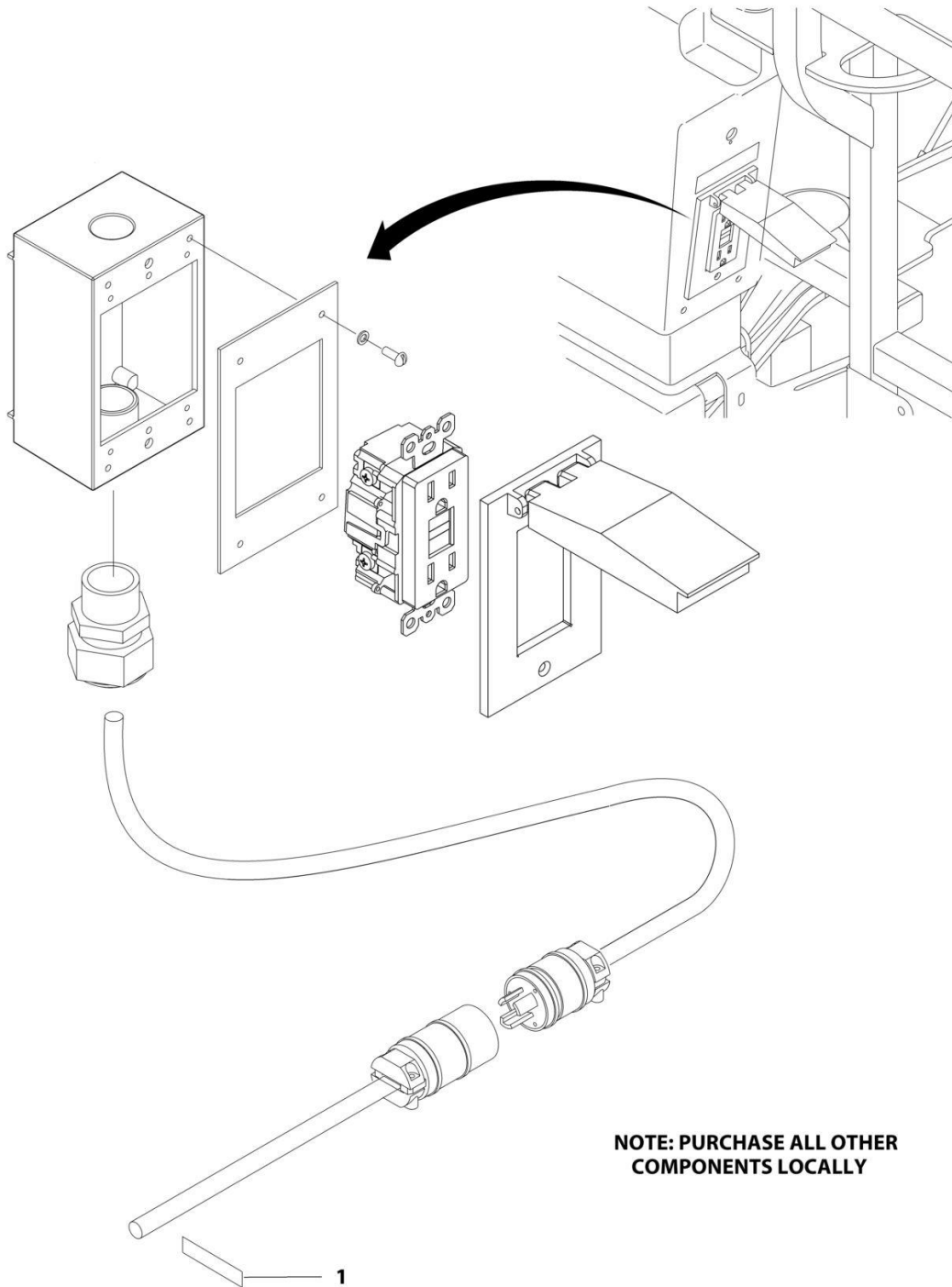
SECTION 7 - HYDRAULIC

ITEM	PART NUMBER	QTY	DESCRIPTION	REV
68	2221042	1	Fitting, 90 JIC/ORB	
73	1001152155	2	Fitting, Straight JIC/ORB	
74	1001178795	1	Hose	
78	1001183675	1	Hose	
79	2220606	1	Fitting, Tee JIC/ORB/JIC	
80	1001189611	1	Valve, Check	
81	1001197509	1	Hose	
82	2220914	1	Orifice	
83	2220408	1	Fitting, Straight JIC/ORB	

SECTION 8 - ELECTRICAL

SECTION 8 - ELECTRICAL

FIGURE 8-1. AC BOX AT PLATFORM INSTALLATION - LOCALLY SUPPLIED COMPONENTS (ANSI EXPORT, AUSTRALIAN AND CHINA SPECS)



**NOTE: PURCHASE ALL OTHER
COMPONENTS LOCALLY**

ART_1001119870

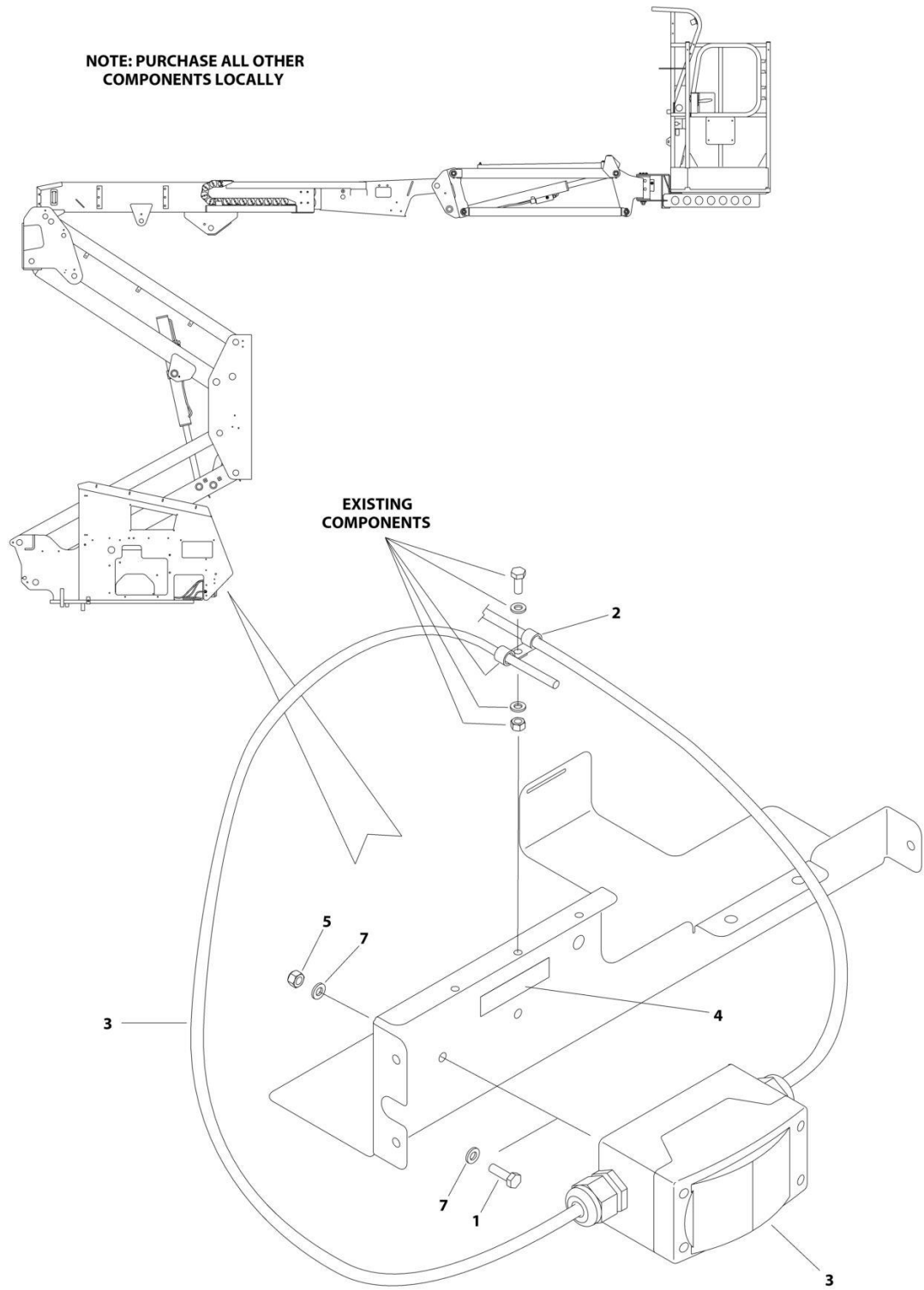
SECTION 8 - ELECTRICAL

FIGURE 8-1. AC BOX AT PLATFORM INSTALLATION - LOCALLY SUPPLIED COMPONENTS (ANSI EXPORT, AUSTRALIAN AND CHINA SPECS)

ITEM	PART NUMBER	QTY	DESCRIPTION	REV
	1001119870	Ref	AC BOX AT PLATFORM INSTALLATION - LOCALLY SUPPLIED COMPONENTS	A
1	3251243	1	Decal - 120V-60Hz	

SECTION 8 - ELECTRICAL

FIGURE 8-2. AC BOX AT PLATFORM INSTALLATION - LOCALLY SUPPLIED (CE & UK CA SPEC)



ART_1001130588

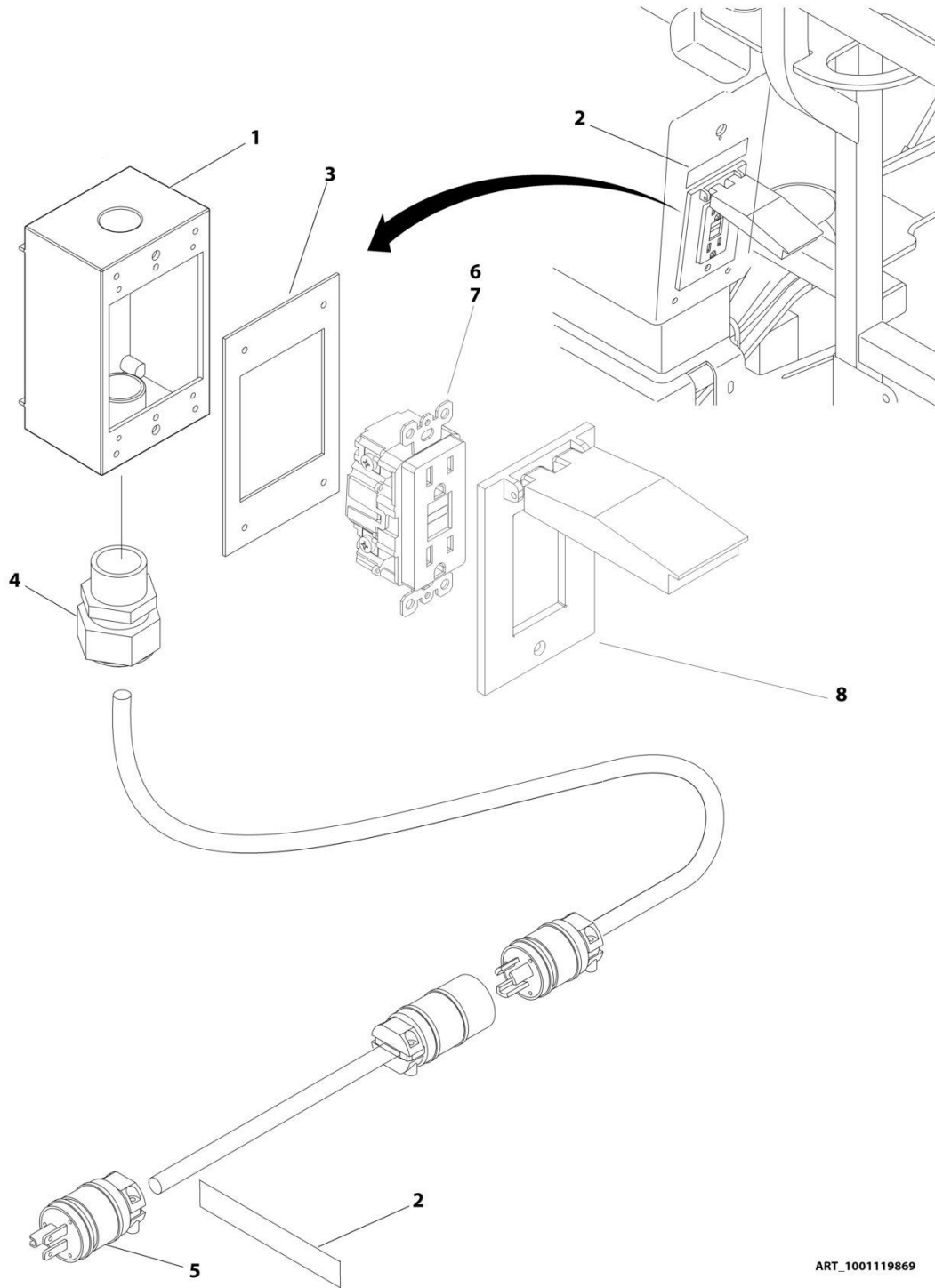
SECTION 8 - ELECTRICAL

FIGURE 8-2. AC BOX AT PLATFORM INSTALLATION - LOCALLY SUPPLIED (CE & UK CA SPEC)

ITEM	PART NUMBER	QTY	DESCRIPTION	REV
	1001130588	Ref	AC BOX AT PLATFORM INSTALLATION - LOCALLY SUPPLIED COMPONENTS	A
1	0760610	2	Bolt M6 x 20	
2	1320043	1	Clamp	
3	2902549	1	Breaker Box Kit (See Separate Breakdown in this Section)	
4	3252507	1	Decal - 220V - 50/60Hz	
5	3290605	2	Nut M6	
6	4460121	3	Cap, Wire (Not Shown - Located inside Receptacle Box)	
7	4811700	4	Washer M6	

SECTION 8 - ELECTRICAL

FIGURE 8-3. AC BOX AT PLATFORM INSTALLATION - 110V (ANSI, ANSI EXPORT, CSA, JAPANESE AND CHINA SPECS)



ART_100119869

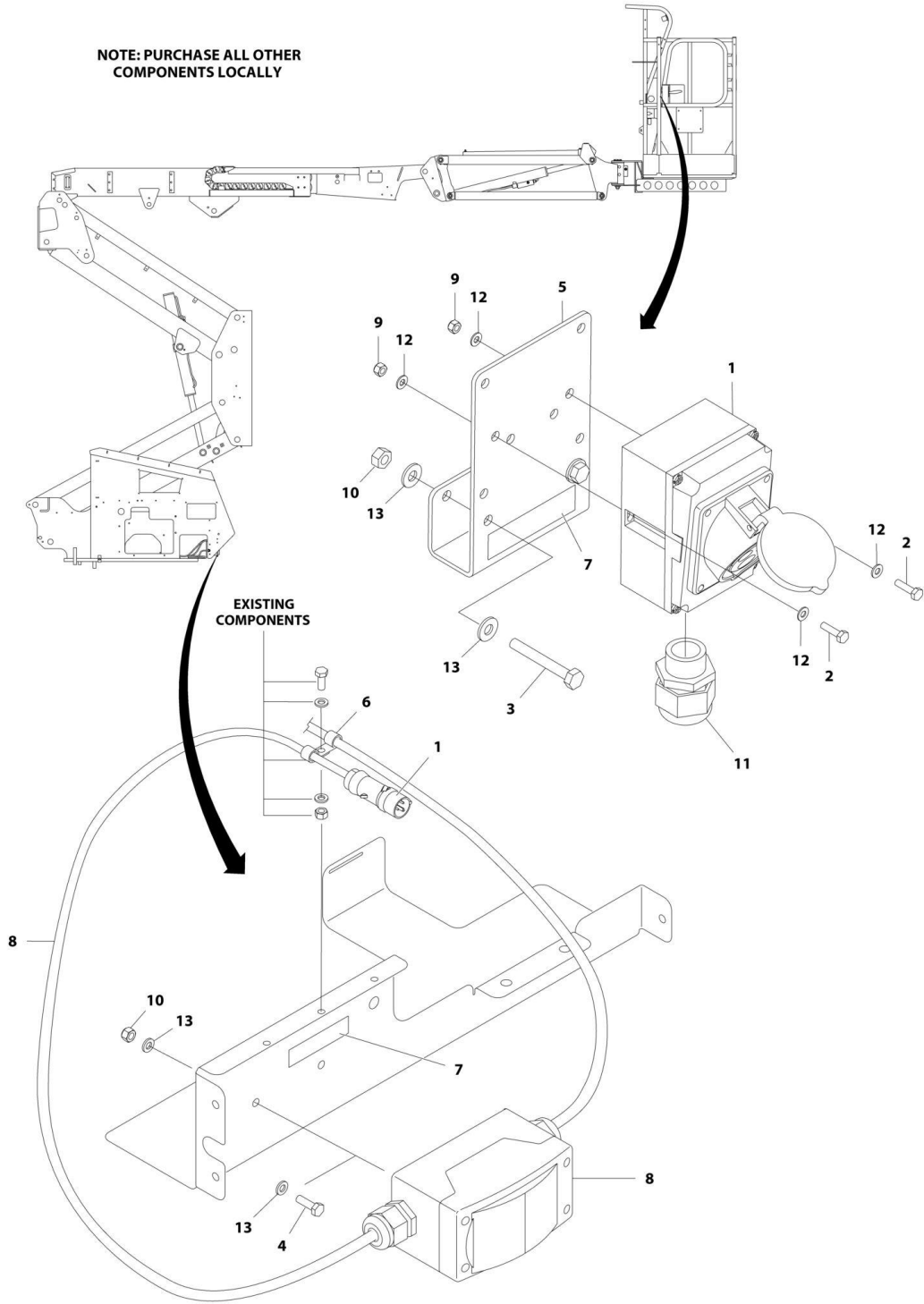
SECTION 8 - ELECTRICAL

FIGURE 8-3. AC BOX AT PLATFORM INSTALLATION - 110V (ANSI, ANSI EXPORT, CSA, JAPANESE AND CHINA SPECS)

ITEM	PART NUMBER	QTY	DESCRIPTION	REV
	1001119869	Ref	AC BOX AT PLATFORM INSTALLATION - 110V	A
1	0860038	1	Box, Switch	
2	3251243	2	Decal - 120V - 60Hz	
3	3960422	1	Gasket	
4	4460071	1	Connector, Strain Relief	
5	4460205	1	Plug, Male	
6	4460315	3	Terminal, Spade	
7	4460346	1	Receptacle	
8	1001110873	1	Shield, Cover	

SECTION 8 - ELECTRICAL

FIGURE 8-4. AC BOX AT PLATFORM INSTALLATION - 110V IEC YELLOW (CE & UK CA SPEC)



ART_1001119875

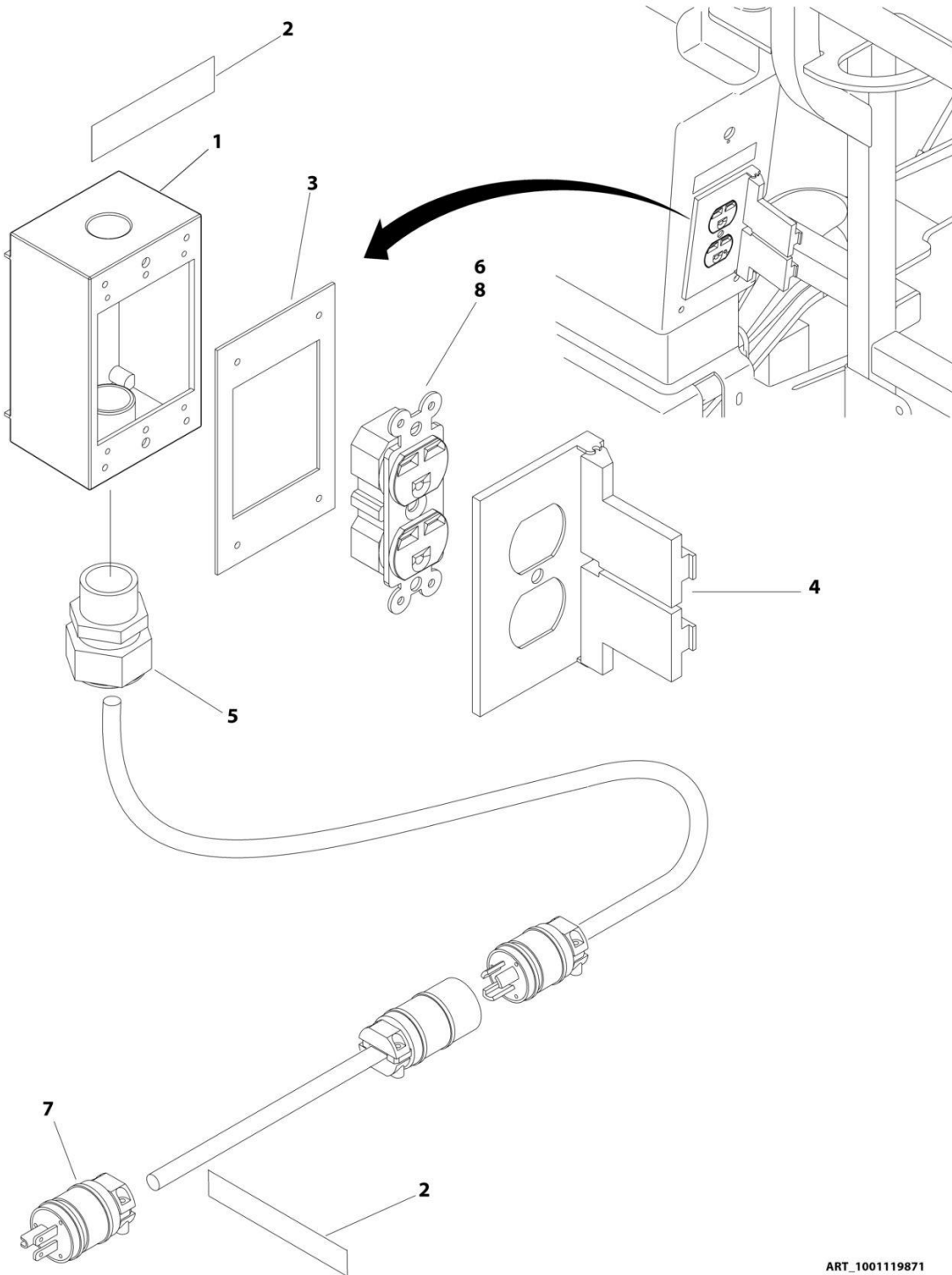
SECTION 8 - ELECTRICAL

FIGURE 8-4. AC BOX AT PLATFORM INSTALLATION - 110V IEC YELLOW (CE & UK CA SPEC)

ITEM	PART NUMBER	QTY	DESCRIPTION	REV
	1001119875	Ref	AC BOX AT PLATFORM INSTALLATION - 110V IEC YELLOW	B
1	0275216	1	Receptacle Box Kit (See Separate Breakdown in this Section)	
2	0700408	2	Bolt M4 x 16	
3	0700618	2	Bolt M6 x 50	
4	0760610	2	Bolt M6 x 20	
5	1001193018	1	Bracket	
6	1320043	1	Clamp	
7	1705325	2	Decal - 120V - 50Hz	
8	2902549	1	Breaker Box Kit (See Separate Breakdown in this Section)	
9	3290405	2	Nut M4	
10	3290605	4	Nut M6	
11	4460968	1	Connector, Strain Relief	
12	4811400	4	Washer M4	
13	4811700	8	Washer M6	

SECTION 8 - ELECTRICAL

FIGURE 8-5. AC BOX AT PLATFORM INSTALLATION - 220V (CSA SPEC)



ART_100119871

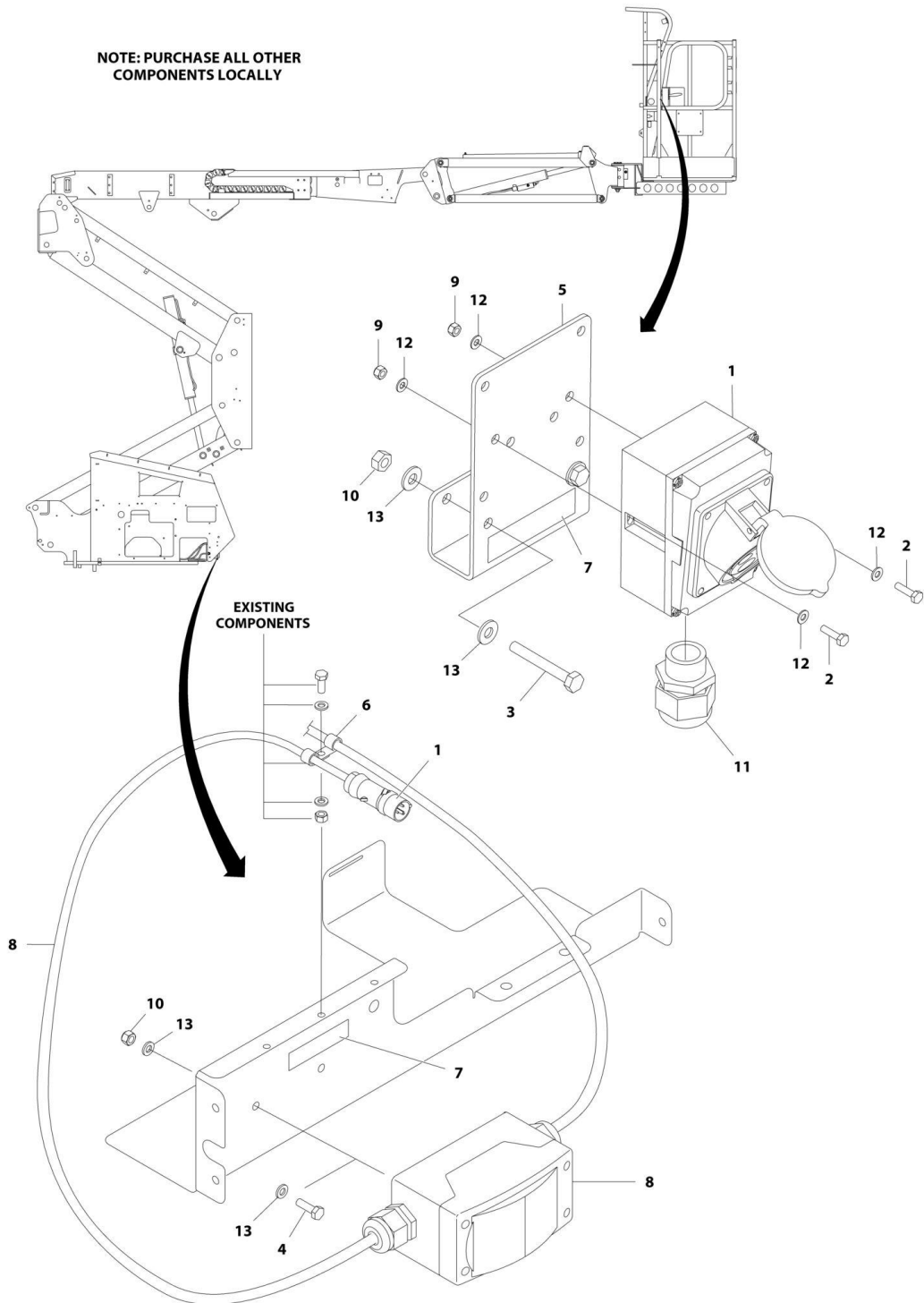
SECTION 8 - ELECTRICAL

FIGURE 8-5. AC BOX AT PLATFORM INSTALLATION - 220V (CSA SPEC)

ITEM	PART NUMBER	QTY	DESCRIPTION	REV
	1001119871	Ref	AC BOX AT PLATFORM INSTALLATION - 220V	A
1	0860038	1	Box, Switch	
2	3252507	2	Decal - 220V - 50/60Hz	
3	3960422	1	Gasket	
4	4060092	1	Shield, Weather	
5	4460071	1	Connector, Strain Relief	
6	4460125	1	Receptacle	
7	4460233	1	Plug, Male	
8	4460315	3	Terminal, Spade	

SECTION 8 - ELECTRICAL

FIGURE 8-6. AC BOX AT PLATFORM INSTALLATION - 220V IEC BLUE (CE & UK CA SPEC)



ART_1001119876

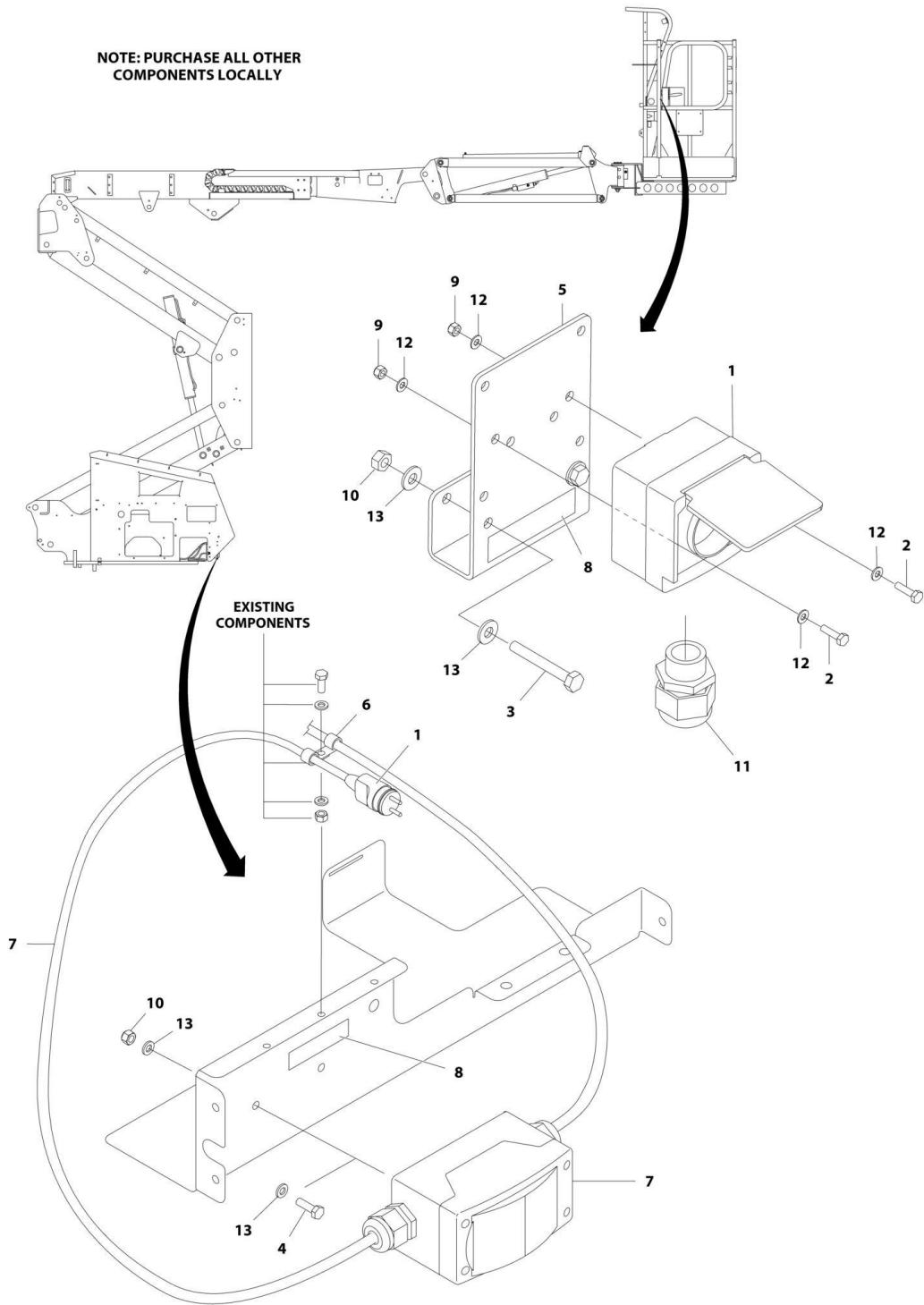
SECTION 8 - ELECTRICAL

FIGURE 8-6. AC BOX AT PLATFORM INSTALLATION - 220V IEC BLUE (CE & UK CA SPEC)

ITEM	PART NUMBER	QTY	DESCRIPTION	REV
	1001119876	Ref	AC BOX AT PLATFORM INSTALLATION - 220V IEC BLUE	B
1	0275217	1	Receptacle Box Kit (See Separate Breakdown in this Section)	
2	0700408	2	Bolt M4 x 16	
3	0700618	2	Bolt M6 x 50	
4	0760610	2	Bolt M6 x 20	
5	1001193018	1	Bracket	
6	1320043	1	Clamp	
7	3252507	2	Decal - 220V - 50/60Hz	
8	2902549	1	Breaker Box Kit (See Separate Breakdown in this Section)	
9	3290405	2	Nut M4	
10	3290605	4	Nut M6	
11	4460968	1	Connector, Strain Relief	
12	4811400	4	Washer M4	
13	4811700	8	Washer M6	

SECTION 8 - ELECTRICAL

FIGURE 8-7. AC BOX AT PLATFORM INSTALLATION - 220V CEE7 POST GROUND WITH 70MM X 70MM BOX (CE & UK CA SPEC)



ART_1001115788

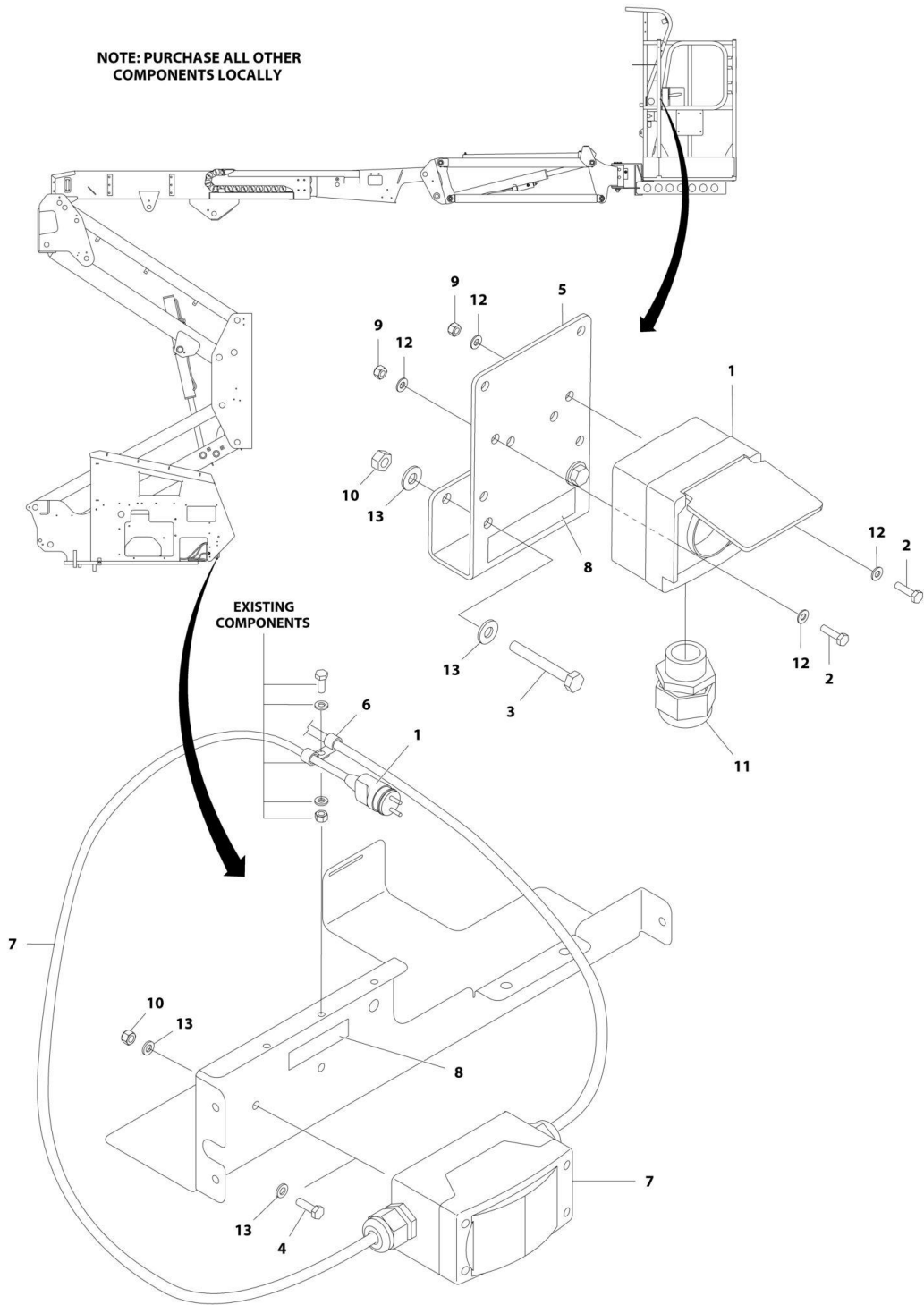
SECTION 8 - ELECTRICAL

FIGURE 8-7. AC BOX AT PLATFORM INSTALLATION - 220V CEE7 POST GROUND WITH 70MM X 70MM BOX (CE & UK CA SPEC)

ITEM	PART NUMBER	QTY	DESCRIPTION	REV
	1001115788	Ref	AC BOX AT PLATFORM INSTALLATION - 220V CEE7 POST GROUND WITH 70MM X 70MM BOX (CE & UK CA SPEC)	B
1	0275218	1	Receptacle Box Kit (See Separate Breakdown in this Section)	
2	0700408	2	Bolt M4 x 16	
3	0700618	2	Bolt M6 x 50	
4	0760610	2	Bolt M6 x 20	
5	1001193018	1	Bracket	
6	1320043	1	Clamp	
7	2902549	1	Breaker Box Kit (See Separate Breakdown in this Section)	
8	3252507	2	Decal - 220V - 50/60Hz	
9	3290405	2	Nut M4	
10	3290605	4	Nut M6	
11	4460968	1	Connector, Strain Relief	
12	4811400	4	Washer M4	
13	4811700	8	Washer M6	

SECTION 8 - ELECTRICAL

FIGURE 8-8. AC BOX AT PLATFORM INSTALLATION - 220V CEE7 SIDE GROUND WITH 70MM X 70MM BOX (CE & UK CA SPEC)



ART_100119877

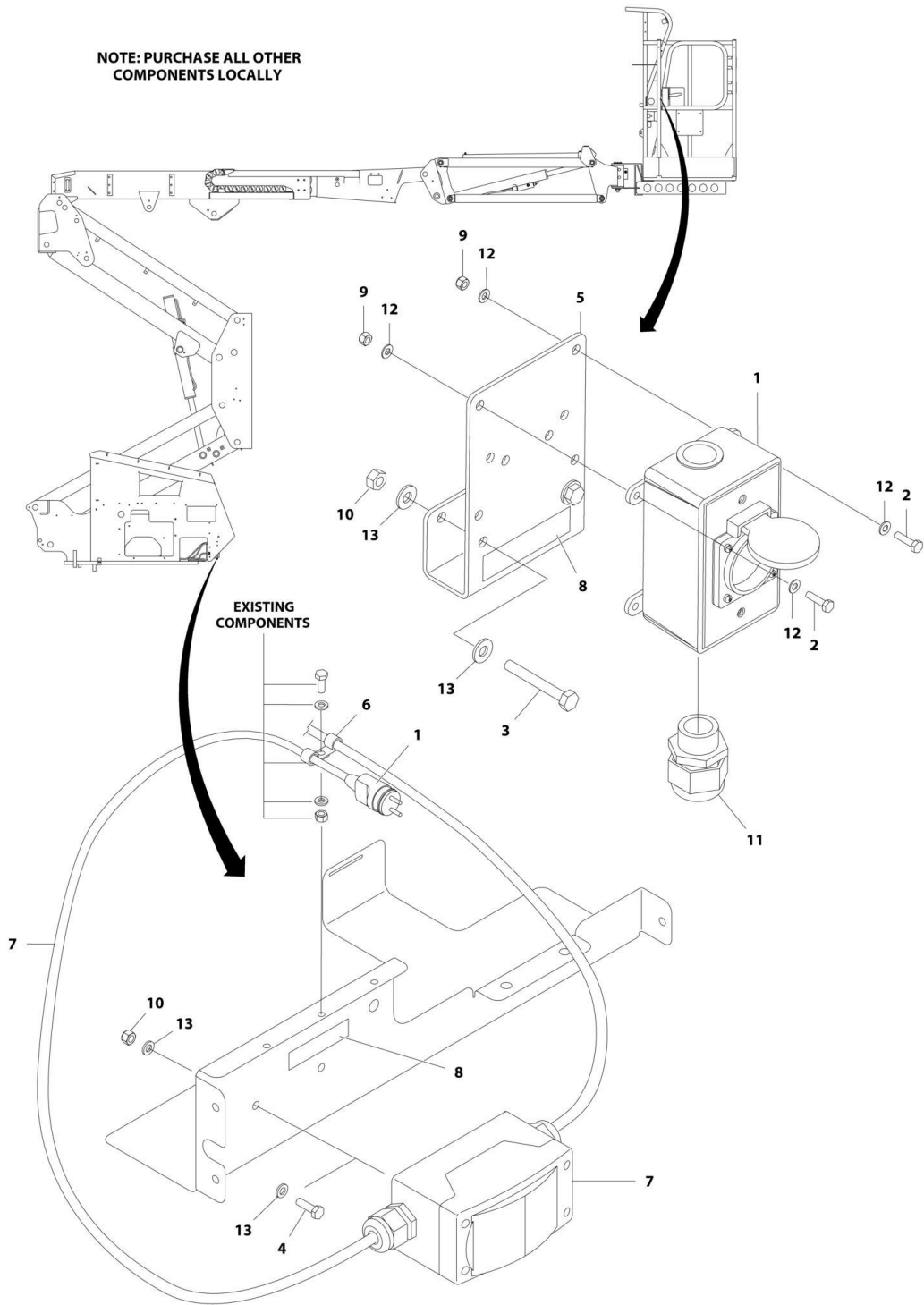
SECTION 8 - ELECTRICAL

FIGURE 8-8. AC BOX AT PLATFORM INSTALLATION - 220V CEE7 SIDE GROUND WITH 70MM X 70MM BOX (CE & UK CA SPEC)

ITEM	PART NUMBER	QTY	DESCRIPTION	REV
	1001119877	Ref	AC BOX AT PLATFORM INSTALLATION - 220V CEE7 SIDE GROUND WITH 70MM X 70MM BOX	B
1	0275219	1	Receptacle Box Kit (See Separate Breakdown in this Section)	
2	0700408	2	Bolt M4 x 16	
3	0700618	2	Bolt M6 x 50	
4	0760610	2	Bolt M6 x 20	
5	1001193018	1	Bracket	
6	1320043	1	Clamp	
7	2902549	1	Breaker Box Kit (See Separate Breakdown in this Section)	
8	3252507	2	Decal - 220V - 50/60Hz	
9	3290405	2	Nut M4	
10	3290605	4	Nut M6	
11	4460968	1	Connector, Strain Relief	
12	4811400	4	Washer M4	
13	4811700	8	Washer M6	

SECTION 8 - ELECTRICAL

FIGURE 8-9. AC BOX AT PLATFORM INSTALLATION - 220V CEE7 POST GROUND WITH 2IN X 4IN BOX (CE & UK CA SPEC)



ART_1001119872

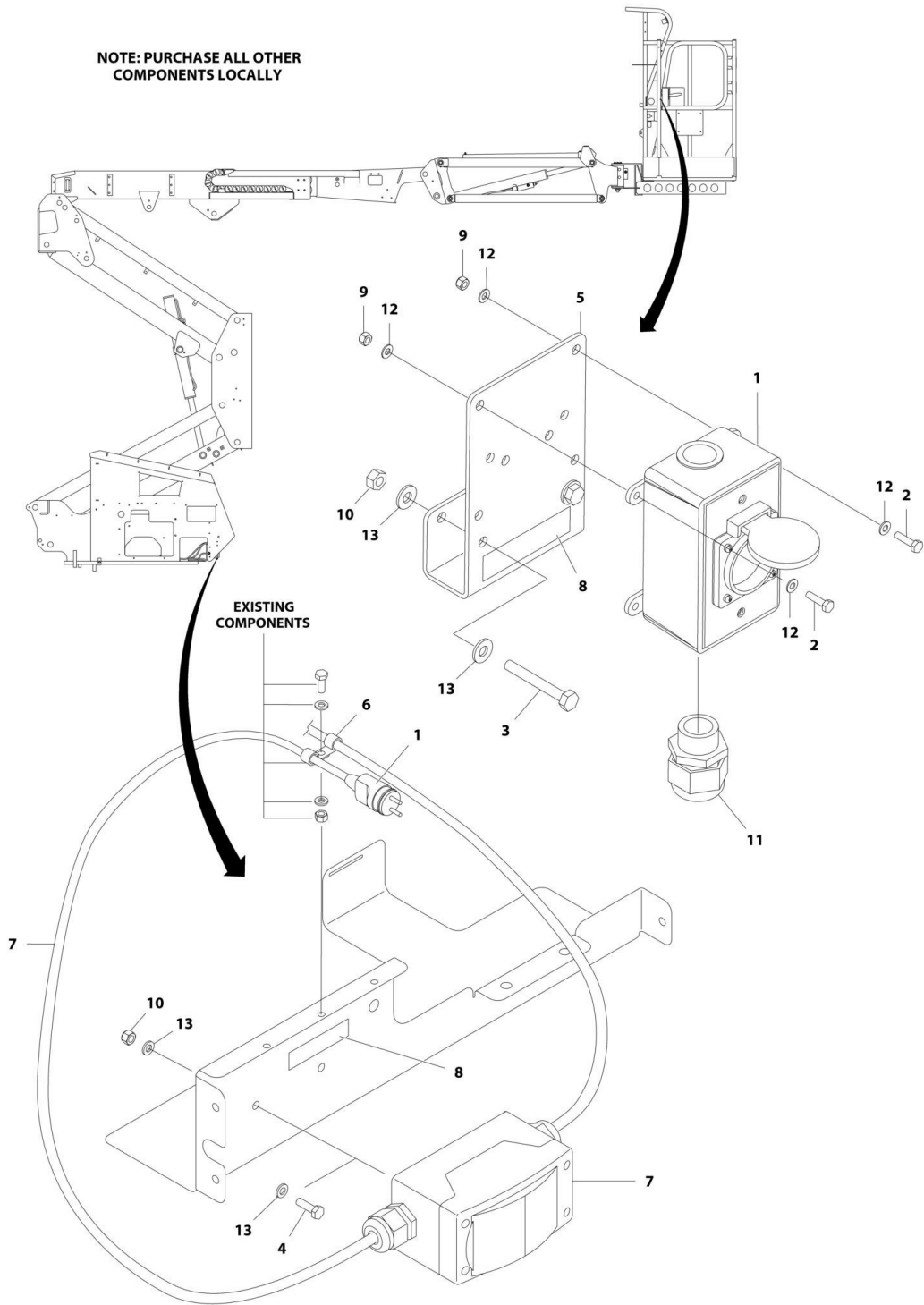
SECTION 8 - ELECTRICAL

FIGURE 8-9. AC BOX AT PLATFORM INSTALLATION - 220V CEE7 POST GROUND WITH 2IN X 4IN BOX (CE & UK CA SPEC)

ITEM	PART NUMBER	QTY	DESCRIPTION	REV
	1001119872	Ref	AC BOX AT PLATFORM INSTALLATION - 220V CEE7 POST GROUND WITH 2IN X 4IN BOX	C
1	0275452	1	Receptacle Box Kit (See Separate Breakdown in this Section)	
2	0700408	4	Bolt M4 x 16	
3	0700618	2	Bolt M6 x 50	
4	0760610	2	Bolt M6 x 20	
5	1001193018	1	Bracket	
6	1320043	1	Clamp	
7	2902549	1	Breaker Box Kit (See Separate Breakdown in this Section)	
8	3252507	2	Decal - 220V - 50/60Hz	
9	3290405	4	Nut M4	
10	3290605	4	Nut M6	
11	4460662	1	Connector, Strain Relief	
12	4811400	8	Washer M4	
13	4811700	8	Washer M6	

SECTION 8 - ELECTRICAL

FIGURE 8-10. AC BOX AT PLATFORM INSTALLATION - 220V CEE7 SIDE GROUND WITH 2IN X 4IN BOX (CE & UK CA SPEC)



ART_1001119873

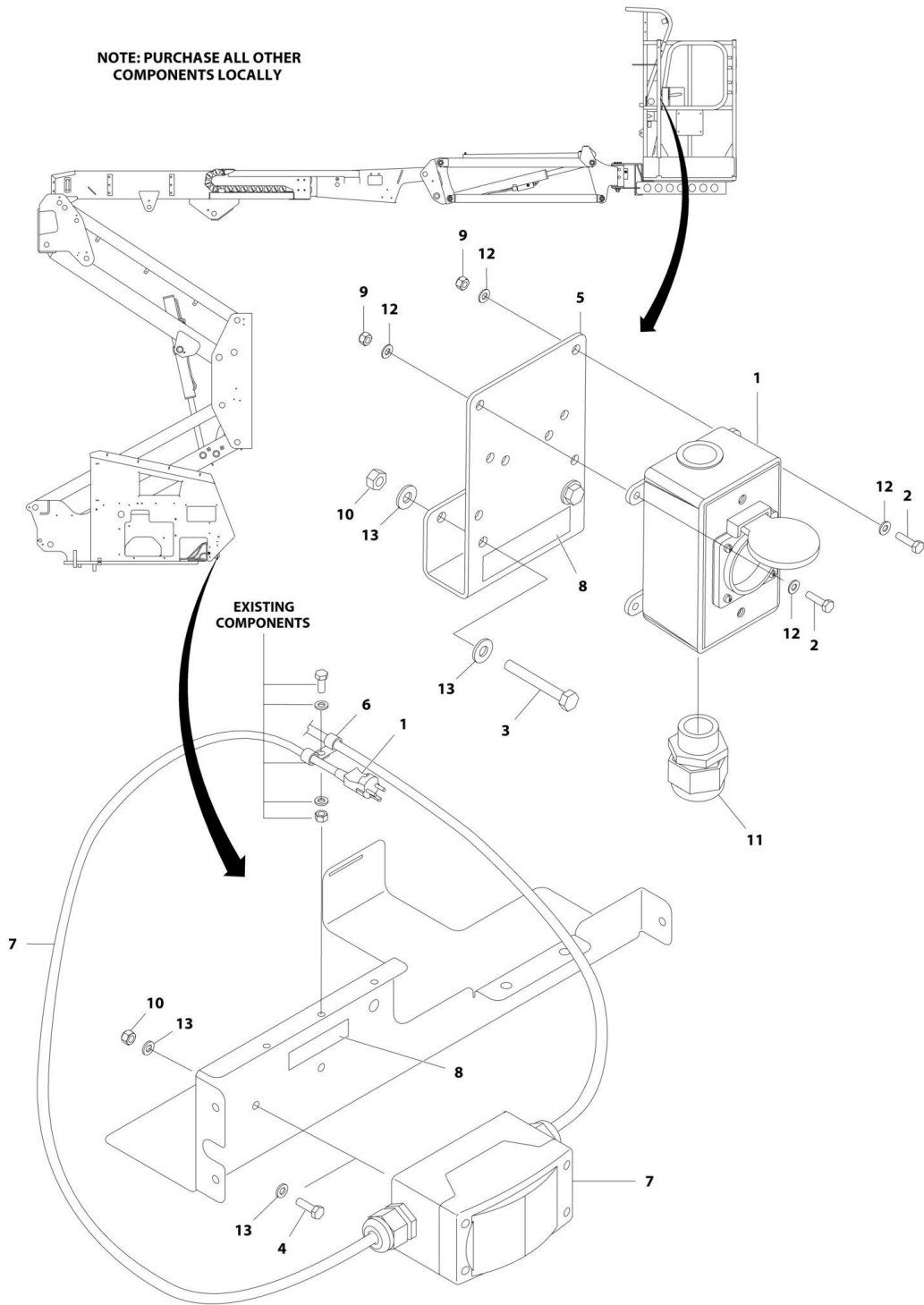
SECTION 8 - ELECTRICAL

FIGURE 8-10. AC BOX AT PLATFORM INSTALLATION - 220V CEE7 SIDE GROUND WITH 2IN X 4IN BOX (CE & UK CA SPEC)

ITEM	PART NUMBER	QTY	DESCRIPTION	REV
	1001119873	Ref	AC BOX AT PLATFORM INSTALLATION - 220V CEE7 SIDE GROUND WITH 2IN X 4IN BOX	B
1	0275453	1	Receptacle Box Kit (See Separate Breakdown in this Section)	
2	0700408	4	Bolt, M4 x 16	
3	0700618	2	Bolt M6 x 50	
4	0760610	2	Bolt M6 x 20	
5	1001193018	1	Bracket	
6	1320043	1	Clamp	
7	2902549	1	Breaker Box Kit (See Separate Breakdown in this Section)	
8	3252507	2	Decal - 220V - 50/60Hz	
9	3290405	4	Nut M4	
10	3290605	4	Nut M6	
11	4460968	1	Connector, Strain Relief	
12	4811400	8	Washer M4	
13	4811700	8	Washer M6	

SECTION 8 - ELECTRICAL

FIGURE 8-11. AC BOX AT PLATFORM INSTALLATION - 220V AFSINT 107 KEYED GROUND WITH 2IN X 4IN BOX (CE & UK CA SPEC)



ART_100119874

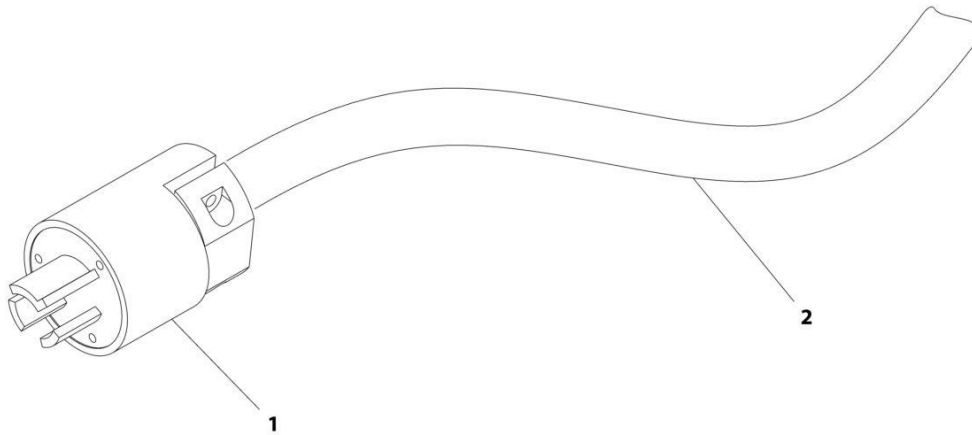
SECTION 8 - ELECTRICAL

FIGURE 8-11. AC BOX AT PLATFORM INSTALLATION - 220V AFSINT 107 KEYED GROUND WITH 2IN X 4IN BOX (CE & UK CA SPEC)

ITEM	PART NUMBER	QTY	DESCRIPTION	REV
	1001119874	Ref	AC BOX AT PLATFORM INSTALLATION - 220V AFSINT 107 KEYED GROUND WITH 2IN X 4IN BOX	C
1	0275454	1	Receptacle Box Kit (See Separate Breakdown in this Section)	
2	0700408	4	Bolt M4 x 16	
3	0700618	2	Bolt M6 x 50	
4	0760610	2	Bolt M6 x 20	
5	1001193018	1	Bracket	
6	1320043	1	Clamp	
7	2902549	1	Breaker Box Kit (See Separate Breakdown in this Section)	
8	3252507	2	Decal - 220V - 50/60Hz	
9	3290405	4	Nut M4	
10	3290605	4	Nut M6	
11	4460662	1	Connector, Strain Relief	
12	4811400	8	Washer M4	
13	4811700	8	Washer M6	

SECTION 8 - ELECTRICAL

FIGURE 8-12. AC POWER TO PLATFORM CABLE - MAIN BOOM (WITHOUT ARTIC PACKAGE)



ART_1001119140

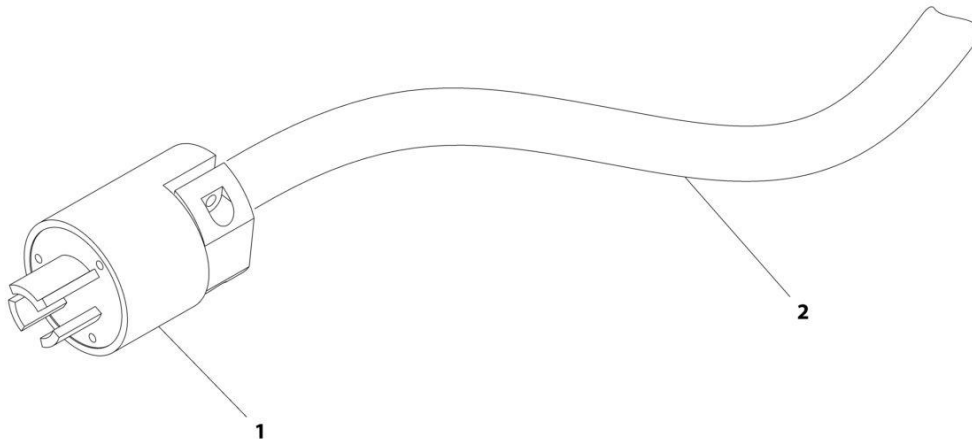
SECTION 8 - ELECTRICAL

FIGURE 8-12. AC POWER TO PLATFORM CABLE - MAIN BOOM (WITHOUT ARTIC PACKAGE)

ITEM	PART NUMBER	QTY	DESCRIPTION	REV
	1001119140	Ref	AC POWER TO PLATFORM CABLE - MAIN BOOM (WITHOUT ARCTIC PACKAGE)	C
1	1001120204	1	Plug, Male	
2	4923505	1	Cable, 14/3	

SECTION 8 - ELECTRICAL

FIGURE 8-13. AC POWER TO PLATFORM CABLE - MAIN BOOM (WITH ARCTIC PACKAGE)



ART_1001119955

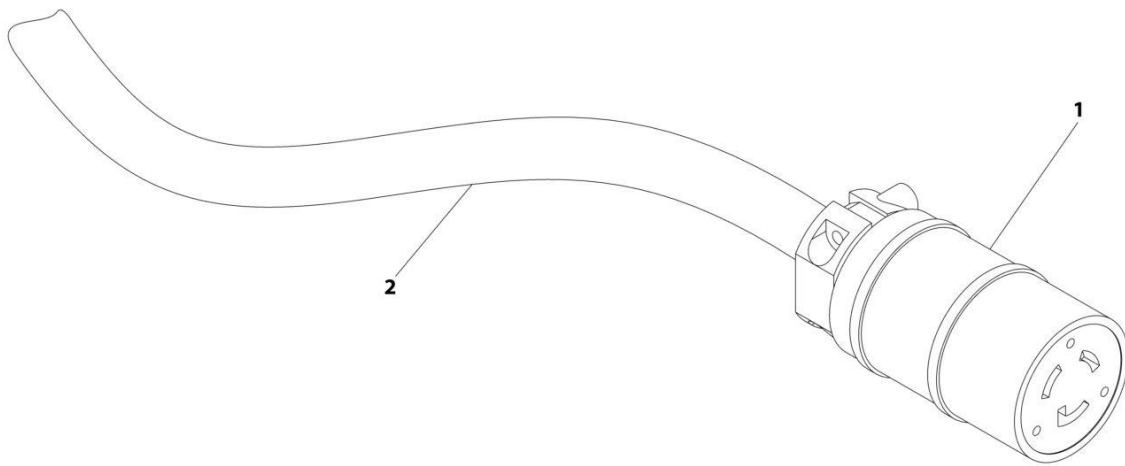
SECTION 8 - ELECTRICAL

FIGURE 8-13. AC POWER TO PLATFORM CABLE - MAIN BOOM (WITH ARCTIC PACKAGE)

ITEM	PART NUMBER	QTY	DESCRIPTION	REV
	1001119955	Ref	AC POWER TO PLATFORM CABLE - MAIN BOOM (WITH ARCTIC PACKAGE)	B
1	1001120204	1	Plug, Male	
2	4923463	1	Cable, 12/3	

SECTION 8 - ELECTRICAL

FIGURE 8-14. AC POWER TO PLATFORM CABLE - TOWER BOOM (WITHOUT ARTIC PACKAGE)



ART_1001119139

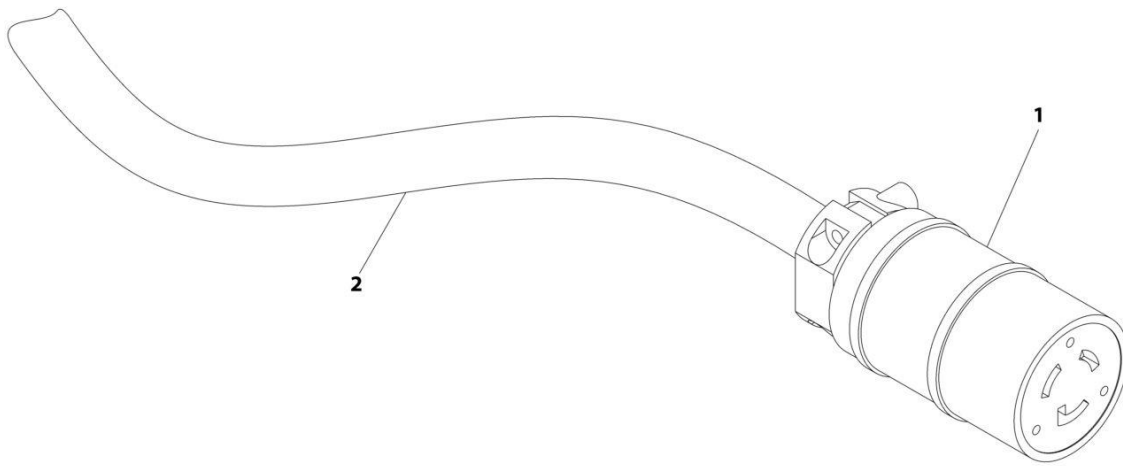
SECTION 8 - ELECTRICAL

FIGURE 8-14. AC POWER TO PLATFORM CABLE - TOWER BOOM (WITHOUT ARTIC PACKAGE)

ITEM	PART NUMBER	QTY	DESCRIPTION	REV
	1001119139	Ref	AC POWER TO PLATFORM CABLE - TOWER BOOM (WITHOUT ARTIC PACKAGE)	B
1	1001120205	1	Connector, Female	
2	4923505	1	Cable, 14/3	

SECTION 8 - ELECTRICAL

FIGURE 8-15. AC POWER TO PLATFORM CABLE - TOWER BOOM (WITH ARTIC PACKAGE)



ART_1001119956

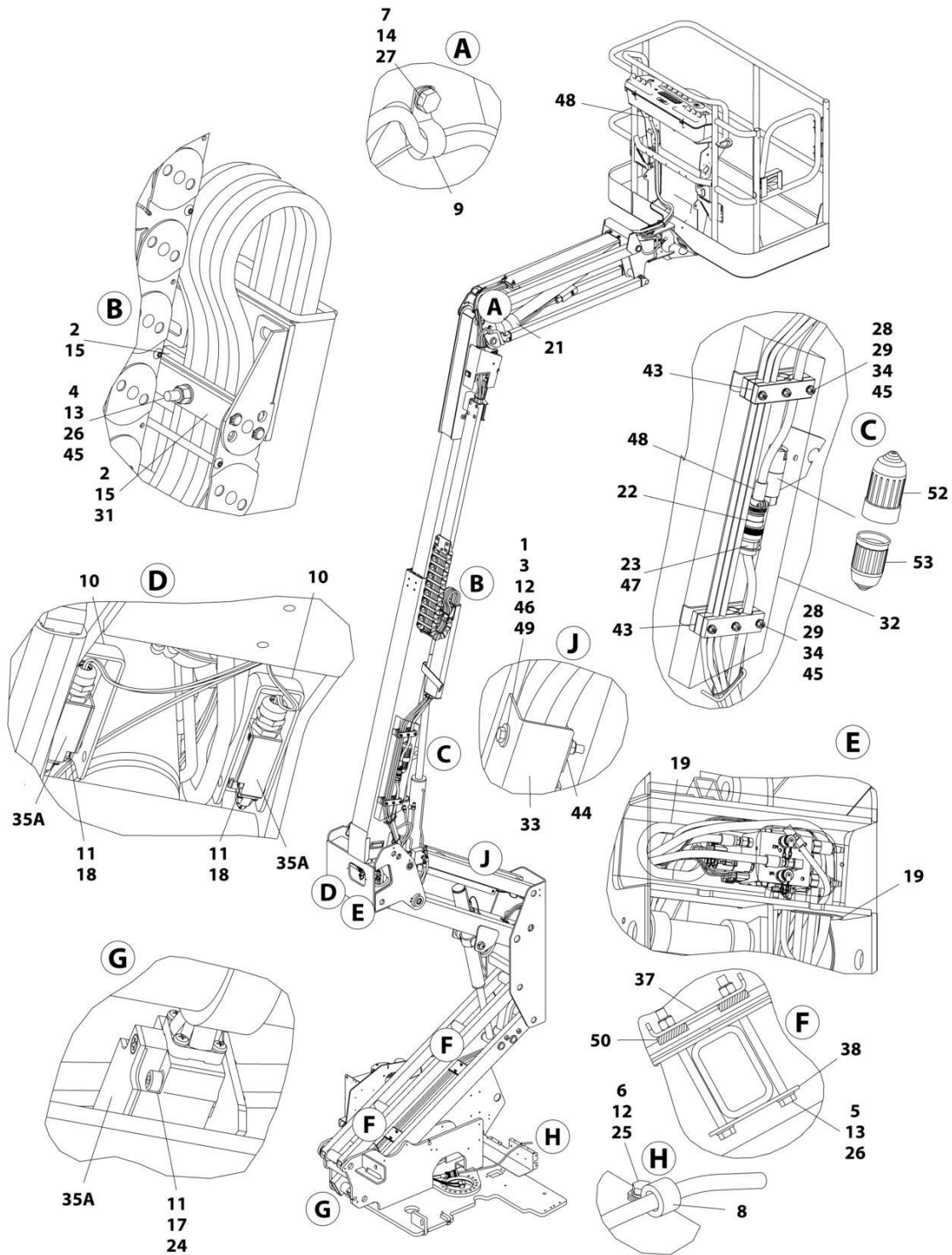
SECTION 8 - ELECTRICAL

FIGURE 8-15. AC POWER TO PLATFORM CABLE - TOWER BOOM (WITH ARTIC PACKAGE)

ITEM	PART NUMBER	QTY	DESCRIPTION	REV
	1001119956	Ref	AC POWER TO PLATFORM CABLE - TOWER BOOM (WITH ARTIC PACKAGE)	A
1	1001120205	1	Connector, Female	
2	4923463	1	Cable, 12/3	

SECTION 8 - ELECTRICAL

FIGURE 8-16. BOOM CABLES, HARNESSES AND CLAMPS INSTALLATION - WITHOUT ARCTIC PACKAGE



ART_1001115784

SECTION 8 - ELECTRICAL

FIGURE 8-16. BOOM CABLES, HARNESSSES AND CLAMPS INSTALLATION - WITHOUT ARCTIC PACKAGE

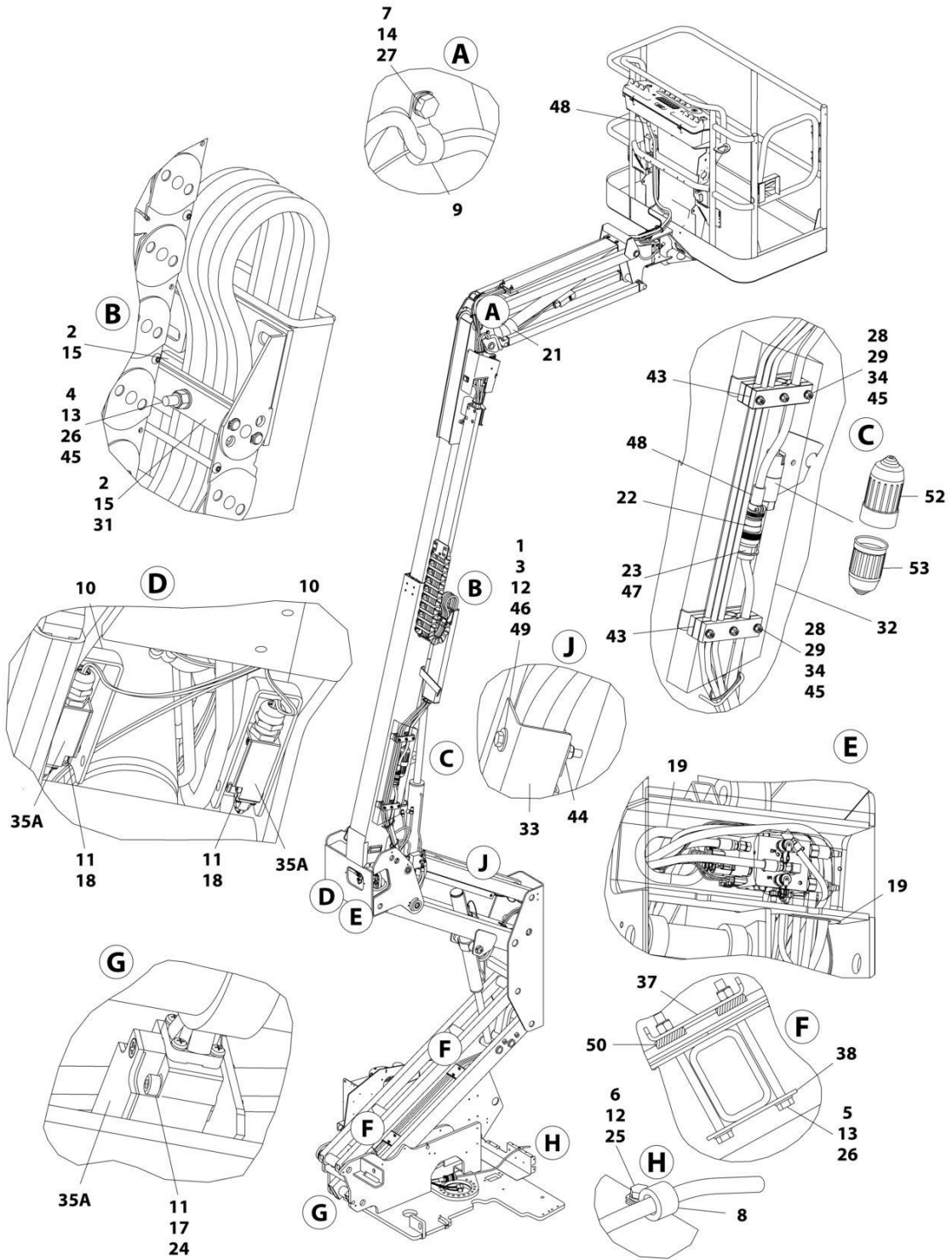
ITEM	PART NUMBER	QTY	DESCRIPTION	REV
	1001115784	Ref	BOOM CABLES, HARNESSSES AND CLAMPS INSTALLATION - WITHOUT ARCTIC PACKAGE	G
1	0100011	AR	Compound, Locking	
2	0100081	1	Adhesive	
3	0760621	4	Bolt M6 x 65	
4	0700820	2	Bolt M8 x 60	
5	0700829	4	Bolt M8 x 120	
6	0760608	1	Bolt M6 x 16 (Not Shown - Use with Item 8)	
7	0761012	1	Bolt M10 x 25	
8	1320043	1	Clamp (Not Shown - Located at Rear of T/T)	
9	1320130	1	Clamp	
10	1670899	2	Cover, Switch	
11	3290405	6	Nut M4	
12	3290605	5	Nut M6	
13	3290805	6	Nut M8	
14	3291005	1	Nut M10	
15	3340939	4	Pad, Rubber	
17	4031510	2	Capscrew M4 x 30	
18	4031512	4	Capscrew M4 x 40	
19	4060808	1.8 ft /55cm	Flex-Trim	
20	4240018	AR	Tie-Strap (Not Shown)	
21	4240156	1	Strap, Cinch	
22	4460865	1	Connector - 19 Position	
23	4460866	1	Connector - 19 Position	
24	4811400	2	Washer M4	
25	4811700	2	Washer M6 (Not Shown - Use with Item 8)	
26	4811900	8	Washer M8	
27	4812000	2	Washer M10	
28	5260800	6	Nut M8	
29	5281920	6	Screw M8 x 80	
31	1001106757	2	Plate	
32	1001107152	1	Plate	
33	1001116433	2	Guard, Hose	
34	1001118274	6	Nut M8	
35	1001118292	1	Tower Boom Harness Assembly (Not Shown - See Separate Breakdown in this Section)	
35A	4360548	3	Switch, Limit	
37	1001118592	2	Plate, Hose Clamp	
38	1001118593	2	Plate, Hose Clamp	
39	1001119018	1	Ground to Platform Cable - Main (Not Shown - See Separate Breakdown in this Section)	
40	1001119019	1	Ground to Platform Cable - Tower (Not Shown - See Separate Breakdown in this Section)	
41	1001119139	1	AC Power to Platform Cable - Tower Boom (Not Shown - See Separate Breakdown in this Section)	
42	1001119140	1	AC Power to Platform Cable - Main Boom (Not Shown - See Separate Breakdown in this Section)	
43	1001119194	2	Clamp	
44	1001119197	4	Clamp	

SECTION 8 - ELECTRICAL

ITEM	PART NUMBER	QTY	DESCRIPTION	REV
45	1001119228	8	Nut M8	
46	0760605	2	Bolt M6 x 10	
47	2820031	AR	Heat Shrink	
48	4460473	1	Clamp, Cable	
49	4811702	10	Washer M6	
50	3340901	4	Pad, Rubber	
51	1001140524	1	Main Boom Harness Assembly (Not Shown - See Separate Breakdown in this Section)	
52	1671092	1	Cover, Connection	
53	1671093	1	Cover, Plug	

SECTION 8 - ELECTRICAL

FIGURE 8-17. BOOM CABLES, HARNESSES AND CLAMPS INSTALLATION - WITH ARCTIC PACKAGE



ART_1001119937

SECTION 8 - ELECTRICAL

FIGURE 8-17. BOOM CABLES, HARNESSES AND CLAMPS INSTALLATION - WITH ARCTIC PACKAGE

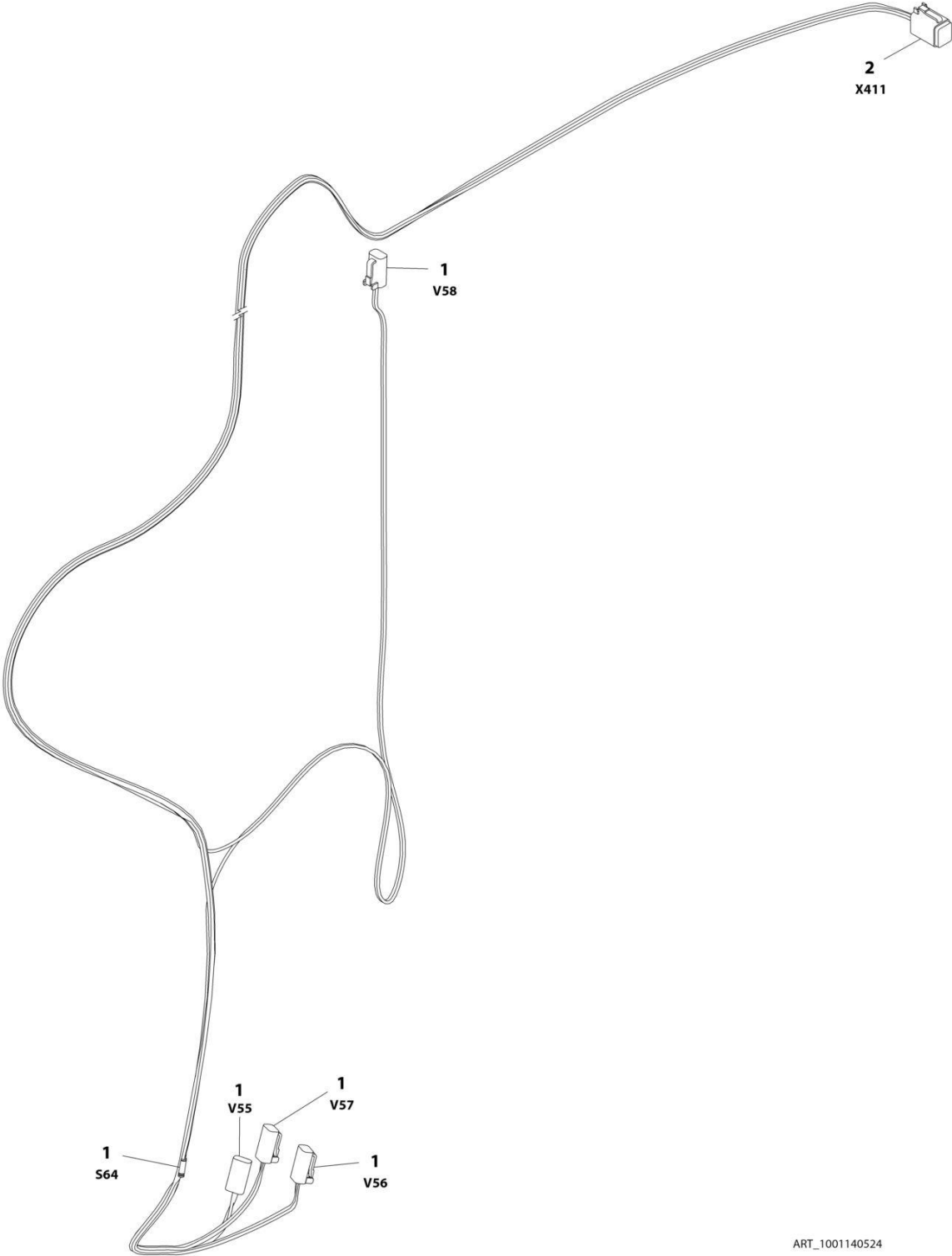
ITEM	PART NUMBER	QTY	DESCRIPTION	REV
	1001119937	Ref	BOOM CABLES, HARNESSES AND CLAMPS INSTALLATION - WITH ARCTIC PACKAGE	G
1	0100011	AR	Compound, Locking	
2	0100081	1	Adhesive	
3	0760621	4	Bolt M6 x 65	
4	0700820	2	Bolt M8 x 60	
5	0700829	4	Bolt M8 x 120	
6	0760608	1	Bolt M6 x 16 (Not Shown - Use with Item 8)	
7	0761012	1	Bolt M10 x 25	
8	1320041	1	Clamp	
9	1320130	1	Clamp	
10	1670899	2	Cover, Switch	
11	3290405	6	Nut M4	
12	3290605	5	Nut M6	
13	3290805	6	Nut M8	
14	3291005	1	Nut M10	
15	3340939	4	Pad, Rubber	
17	4031510	2	Capscrew M4 x 30	
18	4031512	4	Capscrew M4 x 40	
19	4060808	1.8 ft /55cm	Flex-Trim	
20	4240018	AR	Tie-Strap (Not Shown)	
21	4240156	1	Strap, Cinch	
22	4460865	1	Connector - 19 Position	
23	4460866	1	Connector - 19 Position	
24	4811400	2	Washer M4	
25	4811700	2	Washer M6 (Not Shown - Use with Item 8)	
26	4811900	8	Washer M8	
27	4812000	2	Washer M10	
28	5260800	6	Nut M8	
29	5281920	6	Screw M8 x 80	
31	1001106757	2	Plate	
32	1001107152	1	Plate	
33	1001116433	2	Guard, Hose	
34	1001118274	6	Nut M8	
35	1001118292	1	Tower Boom Harness Assembly (Not Shown - See Separate Breakdown in this Section)	
35A	4360548	3	Switch, Limit	
37	1001118592	2	Plate, Hose Clamp	
38	1001118593	2	Plate, Hose Clamp	
39	1001119953	1	Ground to Platform Cable - Main (Not Shown - See Separate Breakdown in this Section)	
40	1001119954	1	Ground to Platform Cable - Tower (Not Shown - See Separate Breakdown in this Section)	
41	1001119955	1	AC Power to Platform Cable - Main Boom (Not Shown - See Separate Breakdown in this Section)	
42	1001119956	1	AC Power to Platform Cable - Tower Boom (Not Shown - See Separate Breakdown in this Section)	
43	1001119195	2	Clamp	
44	1001119197	4	Clamp	

SECTION 8 - ELECTRICAL

ITEM	PART NUMBER	QTY	DESCRIPTION	REV
45	1001119228	8	Nut M8	
46	0760605	2	Bolt M6 x 10	
47	2820031	AR	Heat Shrink	
48	4460473	1	Clamp, Cable	
49	4811702	10	Washer M6	
50	3340901	4	Pad, Rubber	
51	1001140524	1	Main Boom Harness Assembly (Not Shown - See Separate Breakdown in this Section)	
52	1671092	1	Cover, Connection	
53	1671093	1	Cover, Plug	

SECTION 8 - ELECTRICAL

FIGURE 8-18. BOOM HARNESS - MAIN



ART_1001140524

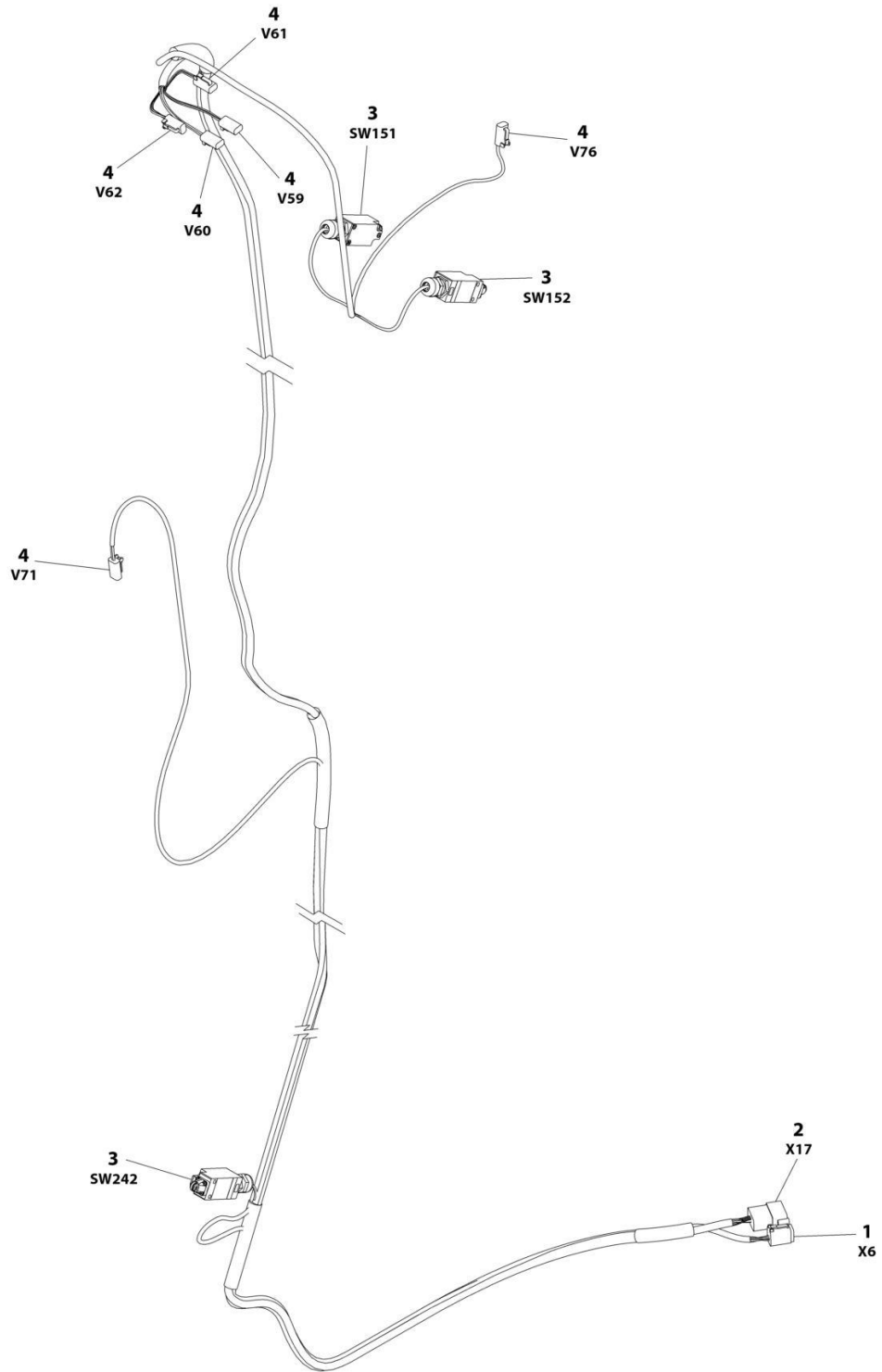
SECTION 8 - ELECTRICAL

FIGURE 8-18. BOOM HARNESS - MAIN

ITEM	PART NUMBER	QTY	DESCRIPTION	REV
	1001140524	Ref	BOOM HARNESS - MAIN	A
1	4460891	4	Plug, Male - 2 Position	
1	4460465	8	Socket, Female	
2	4460894	1	Plug, Male - 6 Position	
2	4460465	5	Socket, Female	
2	4460466	1	Plug, Terminal	

SECTION 8 - ELECTRICAL

FIGURE 8-19. BOOM HARNESS - TOWER



ART_1001118292

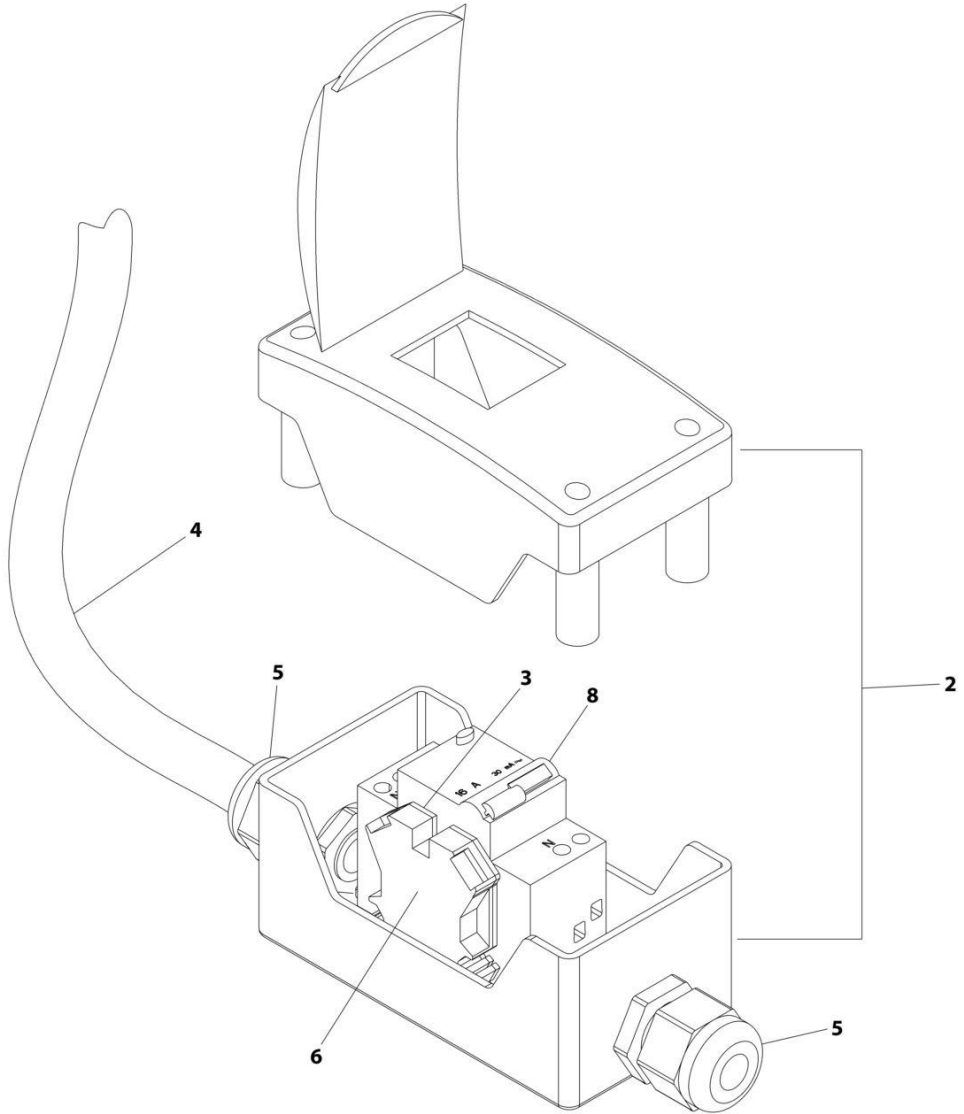
SECTION 8 - ELECTRICAL

FIGURE 8-19. BOOM HARNESS - TOWER

ITEM	PART NUMBER	QTY	DESCRIPTION	REV
	1001118292	Ref	BOOM HARNESS - LIMIT SWITCHES AND UPRIGHT VALVE	D
1	4460894	1	Plug, Male - 6 Position	
1	4460465	6	Socket, Female	
2	4460970	1	Receptacle, Female - 12 Position	
2	4460464	9	Pin, Male	
2	4460466	3	Plug, Terminal	
3	4360548	3	Switch, Limit	
3	4460968	3	Connector, Strain Relief	
3	0962449	3	Bushing	
4	4460891	6	Plug, Male - 2 Position	
4	4460465	12	Socket, Female	
5	1001257690	1	Connector, Strain Relief 90 (Not Shown)	

SECTION 8 - ELECTRICAL

FIGURE 8-20. BREAKER BOX KIT (CE & UK CA SPEC)



ART_2902549

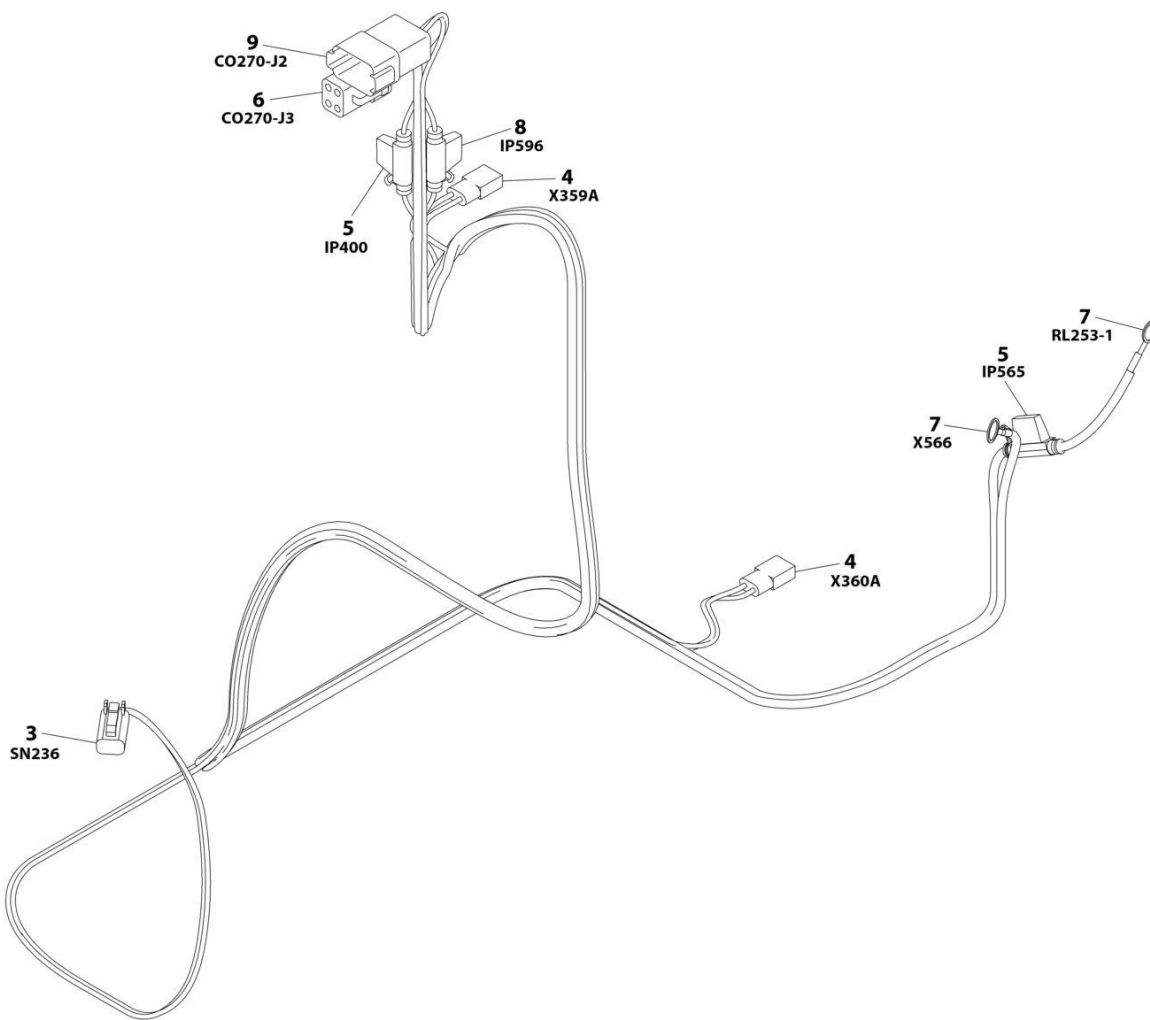
SECTION 8 - ELECTRICAL

FIGURE 8-20. BREAKER BOX KIT (CE & UK CA SPEC)

ITEM	PART NUMBER	QTY	DESCRIPTION	REV
	2902549	Ref	BREAKER BOX KIT - 110/220V 16AMP BREAKER	F
2	0861880	1	Box	
3	4460956	1	Barrier, Terminal	
4	1060908	6 ft/1.8m	Cable, 12/3	
5	1001097150	2	Connector, Strain Relief	
6	4460957	1	Block, Terminal	
8	1001181045	1	Breaker, Combination 16Amp/30mAmp	

SECTION 8 - ELECTRICAL

FIGURE 8-21. CHARGER HARNESS



ART_1001167538

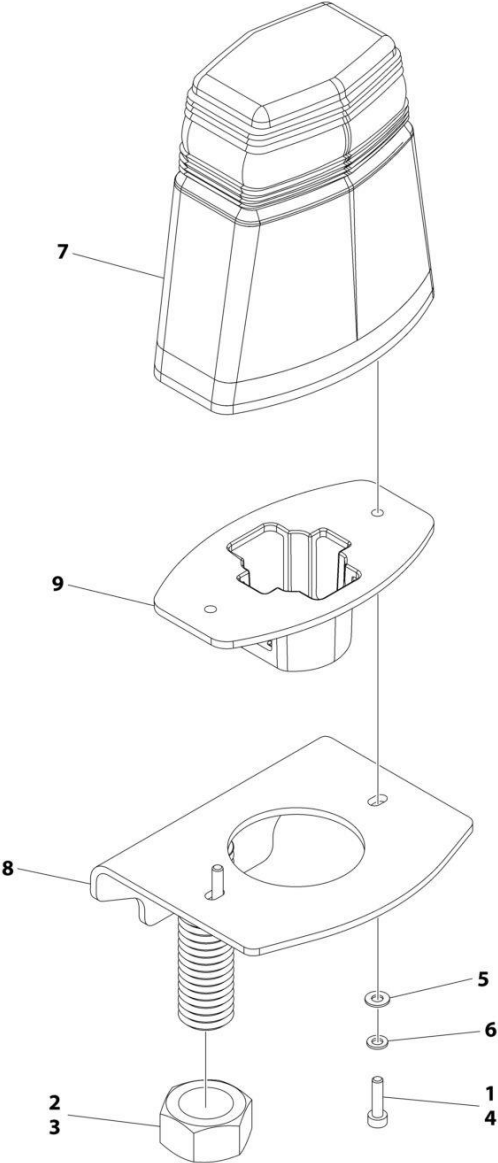
SECTION 8 - ELECTRICAL

FIGURE 8-21. CHARGER HARNESS

ITEM	PART NUMBER	QTY	DESCRIPTION	REV
	1001167538	Ref	CHARGER HARNESS	H
3	4460891	1	Connector - 2 Position	
3	4460942	2	Socket, Female	
4	4460424	2	Connector - 2 Position	
4	4460268	4	Socket, Female	
5	1001170763	2	Fuseholder Less Fuse	
5	1001170762	2	Fuse 30Amp	
6	1001116810	1	Connector - 4 Position	
6	4460509	4	Terminal	
7	4460019	2	Ring, Terminal	
8	2400060	1	Fuseholder Less Fuse	
8	1001186489	1	Fuse 2Amp	
9	4460931	1	Connector - 8 Position	
9	4460464	2	Pin, Male	
9	4460466	6	Plug, Terminal	

SECTION 8 - ELECTRICAL

FIGURE 8-22. CLEARSKY INSTALLATION



ART_1001289851

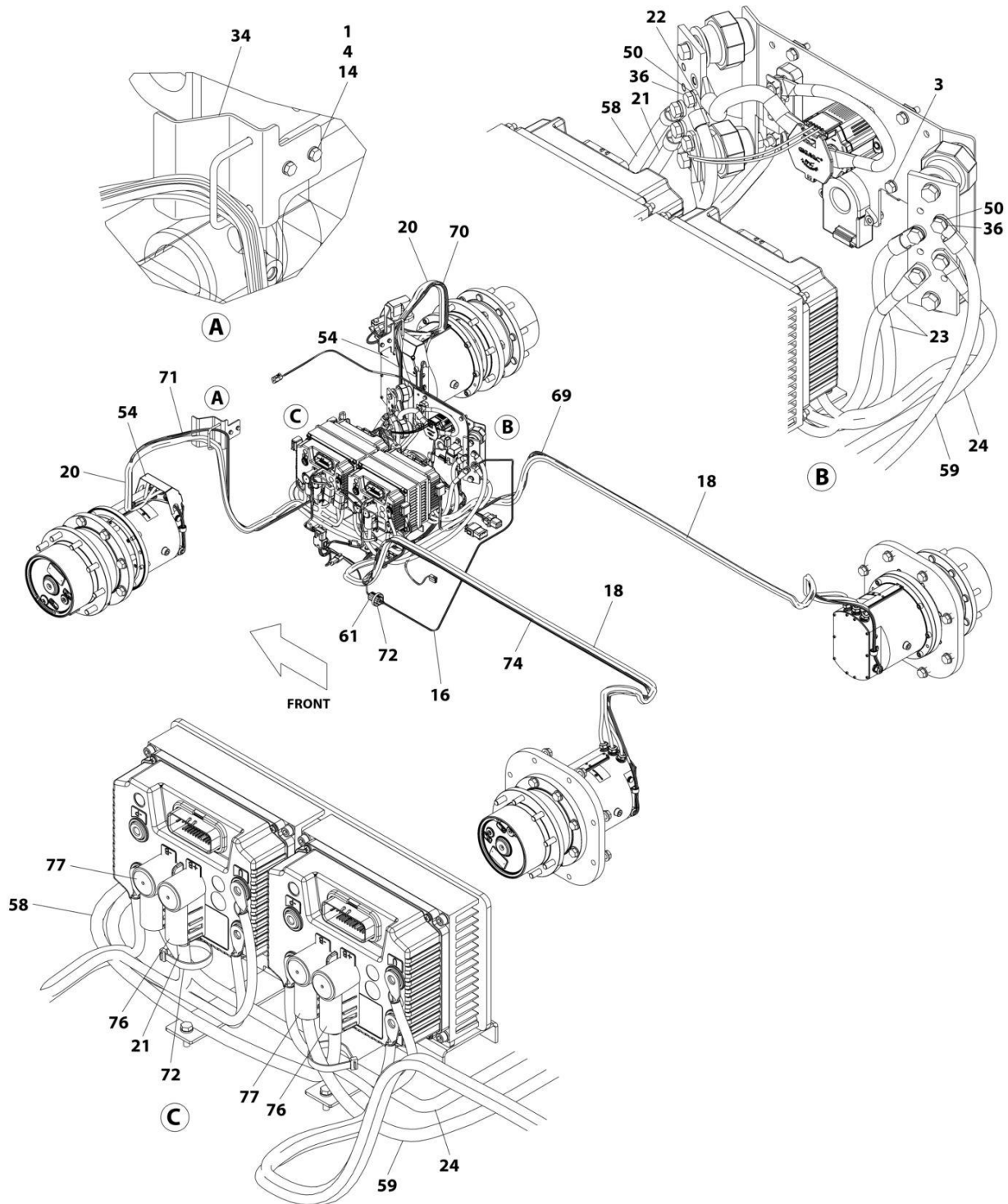
SECTION 8 - ELECTRICAL

FIGURE 8-22. CLEARSKY INSTALLATION

ITEM	PART NUMBER	QTY	DESCRIPTION	REV
	1001289851	Ref	CLEARSKY INSTALLATION	A
1	0100011	AR	Compound, Locking	
2	3020043	AR	Lube, Anti-Seize	
3	3292001	1	Nut M20	
4	4031507	2	Capscrew M4 x 16	
5	4811400	2	Washer M4	
6	4831400	2	Washer M4	
7	1001280661	1	Module, ClearSky	
8	1001286584	1	Bracket, ClearSky Mounting	
9	1001289648	1	Plate, Anti-Tamper	

SECTION 8 - ELECTRICAL

FIGURE 8-23. DRIVE CABLES INSTALLATION



ART_1001169292_2OF2

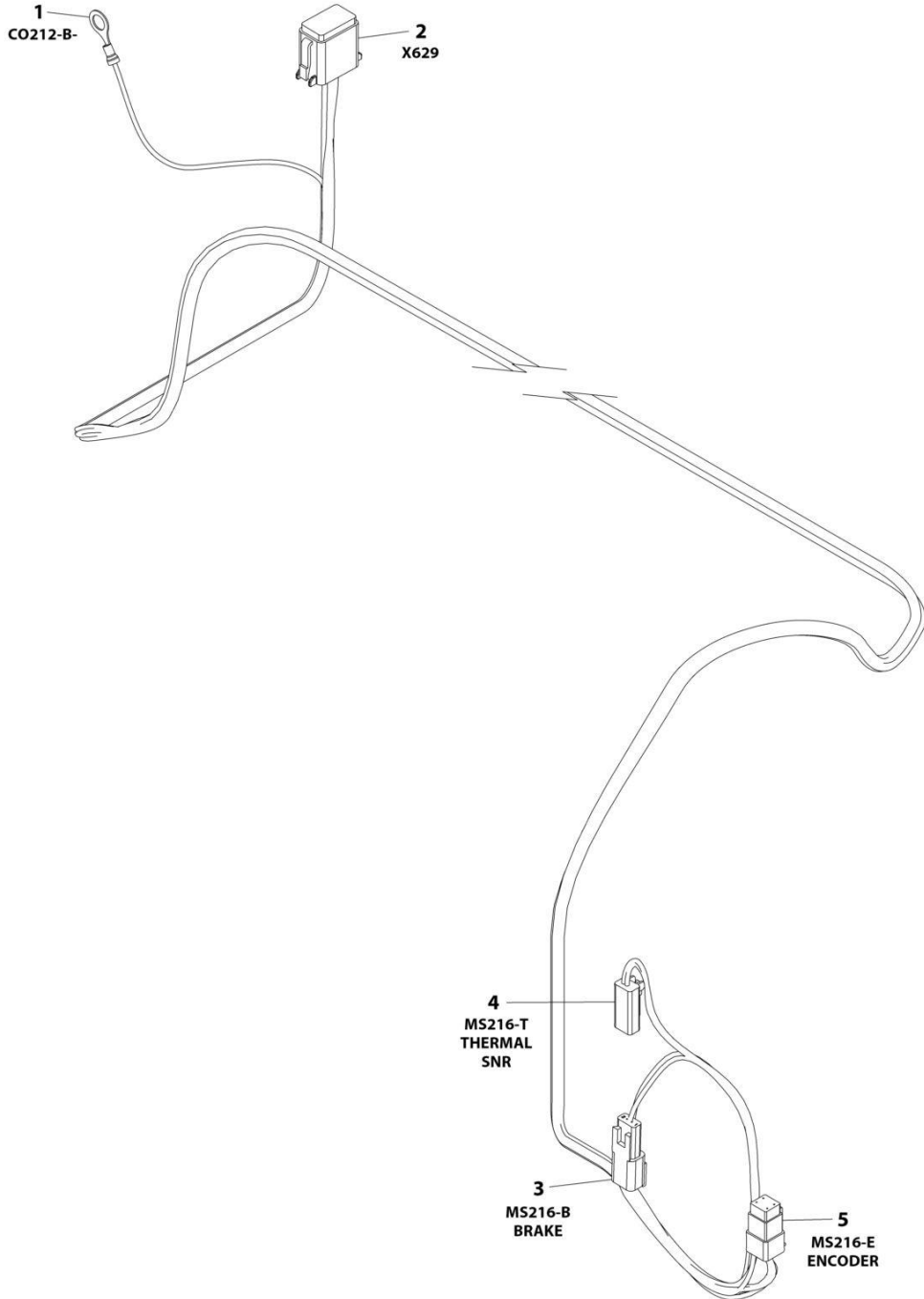
SECTION 8 - ELECTRICAL

FIGURE 8-23. DRIVE CABLES INSTALLATION

ITEM	PART NUMBER	QTY	DESCRIPTION	REV
	1001169292	Ref	DRIVE CABLES INSTALLATION	T
1	0100011	AR	Compound, Locking	
3	0760607	2	Bolt M6 x 14	
4	0760608	4	Bolt M6 x 16	
14	4811700	4	Washer M6	
16	1001161871	1	Harness, Traction (See Separate Breakdown in this Section)	
18	1001161891	2	Cable, Rear Drive	
20	1001161924	2	Cable, Front Drive	
21	1001161943	1	Cable, Bussbar to Controller B+ (Operators LH Side)	
22	1001161944	2	Cable, Bussbar to Controller B+ (Operators RH Side)	
23	1001161948	2	Cable, Bussbar B- to Controller B- (Operators RH Side)	
24	1001161949	1	Cable, Bussbar B- to Controller B- (Operators LH Side)	
34	1001171301	2	Bracket	
36	0760808	AR	Bolt M8 x 16	
50	4831900	8	Washer M8	
54	1001184793	2	Bracket	
58	1001193549	1	Cable, Bussbar to Controller B+ (Operators LH Side)	
59	1001193550	1	Cable, Bussbar to Controller B+ (Operators LH Side)	
61	1001197942	AR	Ferrite	
69	1001190529	1	Harness, Rear Right Drive (See Separate Breakdown in this Section)	
70	1001190530	1	Harness, Front Drive with Steer (See Separate Breakdown in this Section)	
71	1001190531	1	Harness, Front Drive without Steer (See Separate Breakdown in this Section)	
72	4240018	AR	Tie-Strap	
74	1001211947	1	Harness, Rear Left Drive (See Separate Breakdown in this Section)	
76	1001225558	4	Boot, Red	
77	1001225557	4	Boot, Black	

SECTION 8 - ELECTRICAL

FIGURE 8-24. DRIVE HARNESS - REAR RIGHT



ART_1001190529

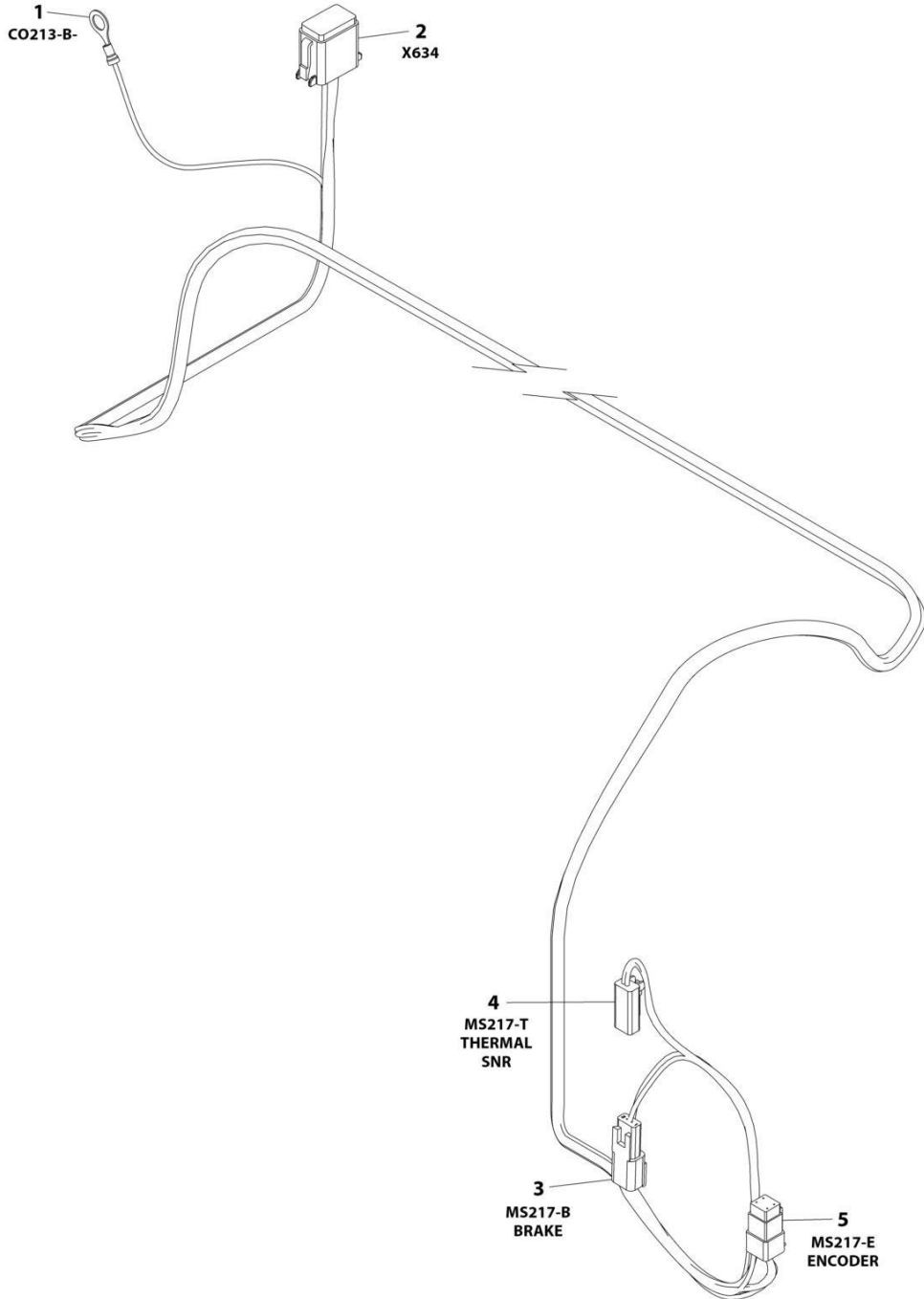
SECTION 8 - ELECTRICAL

FIGURE 8-24. DRIVE HARNESS - REAR RIGHT

ITEM	PART NUMBER	QTY	DESCRIPTION	REV
	1001190529	Ref	DRIVE HARNESS - REAR RIGHT	F
1	4460702	1	Terminal, Ring	
2	4460930	1	Plug, Male - 8 Position	
2	4460465	8	Socket, Female	
3	1001153612	1	Receptacle, Female - 2 Position	
3	4460929	2	Pin, Male	
4	4461290	1	Plug, Male - 2 Position	
4	4460928	2	Socket, Female	
5	4461077	1	Plug, Male - 4 Position	
5	4460928	4	Socket, Female	

SECTION 8 - ELECTRICAL

FIGURE 8-25. DRIVE HARNESS - REAR LEFT



ART_1001211947

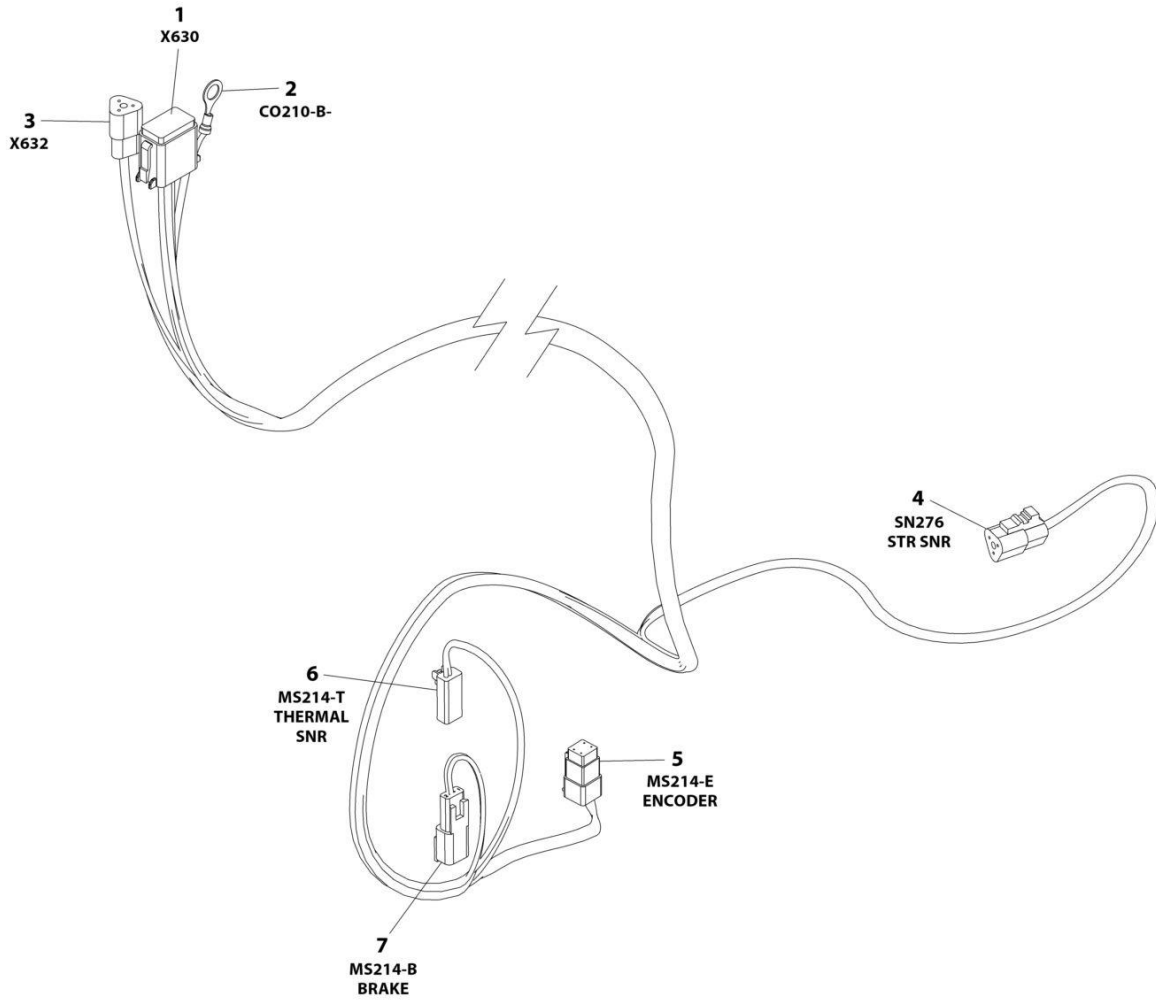
SECTION 8 - ELECTRICAL

FIGURE 8-25. DRIVE HARNESS - REAR LEFT

ITEM	PART NUMBER	QTY	DESCRIPTION	REV
	1001211947	Ref	DRIVE HARNESS - REAR LEFT	B
1	4460702	1	Terminal, Ring	
2	4460930	1	Plug, Male - 8 Position	
2	4460465	8	Socket, Female	
3	1001153612	1	Receptacle, Female - 2 Position	
3	4460929	2	Pin, Male	
4	4461290	1	Plug, Male - 2 Position	
4	4460928	2	Socket, Female	
5	4461077	1	Plug, Male - 4 Position	
5	4460928	4	Socket, Female	

SECTION 8 - ELECTRICAL

FIGURE 8-26. DRIVE HARNESS - FRONT WITH STEER



ART_1001190530

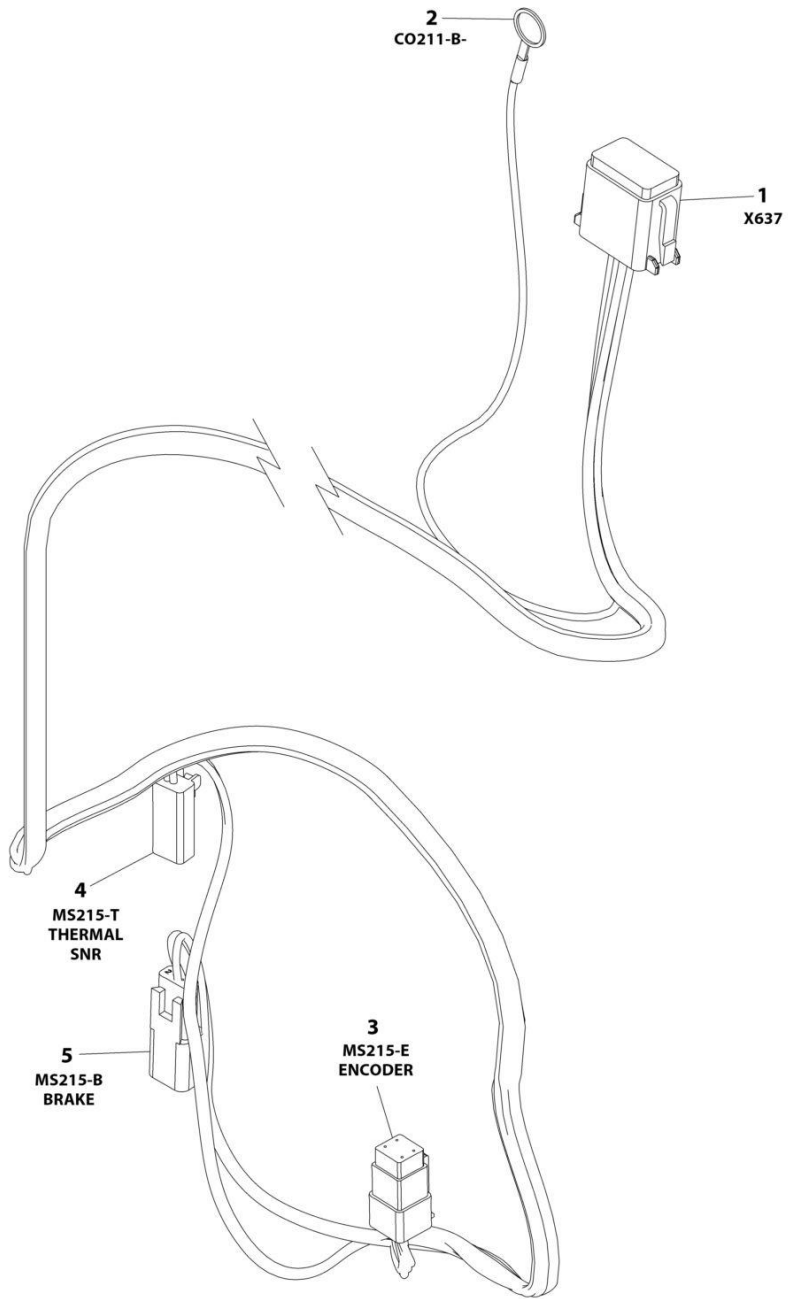
SECTION 8 - ELECTRICAL

FIGURE 8-26. DRIVE HARNESS - FRONT WITH STEER

ITEM	PART NUMBER	QTY	DESCRIPTION	REV
	1001190530	Ref	DRIVE HARNESS - FRONT WITH STEER	E
1	4460930	1	Plug, Male - 8 Position	
1	4460465	8	Socket, Female	
2	4460702	1	Terminal, Ring	
3	4460539	2	Plug, Male - 3 Position	
3	4460465	4	Socket, Female	
4	4460539	2	Plug, Male - 3 Position	
4	4460944	4	Socket, Female	
5	4461077	1	Plug, Male - 4 Position	
5	4460928	4	Socket, Female	
6	4461290	1	Plug, Male - 2 Position	
6	4460928	2	Socket, Female	
7	1001153612	1	Receptacle, Female - 2 Position	
7	4460929	2	Pin, Male	

SECTION 8 - ELECTRICAL

FIGURE 8-27. DRIVE HARNESS - FRONT WITHOUT STEER



ART_1001190531

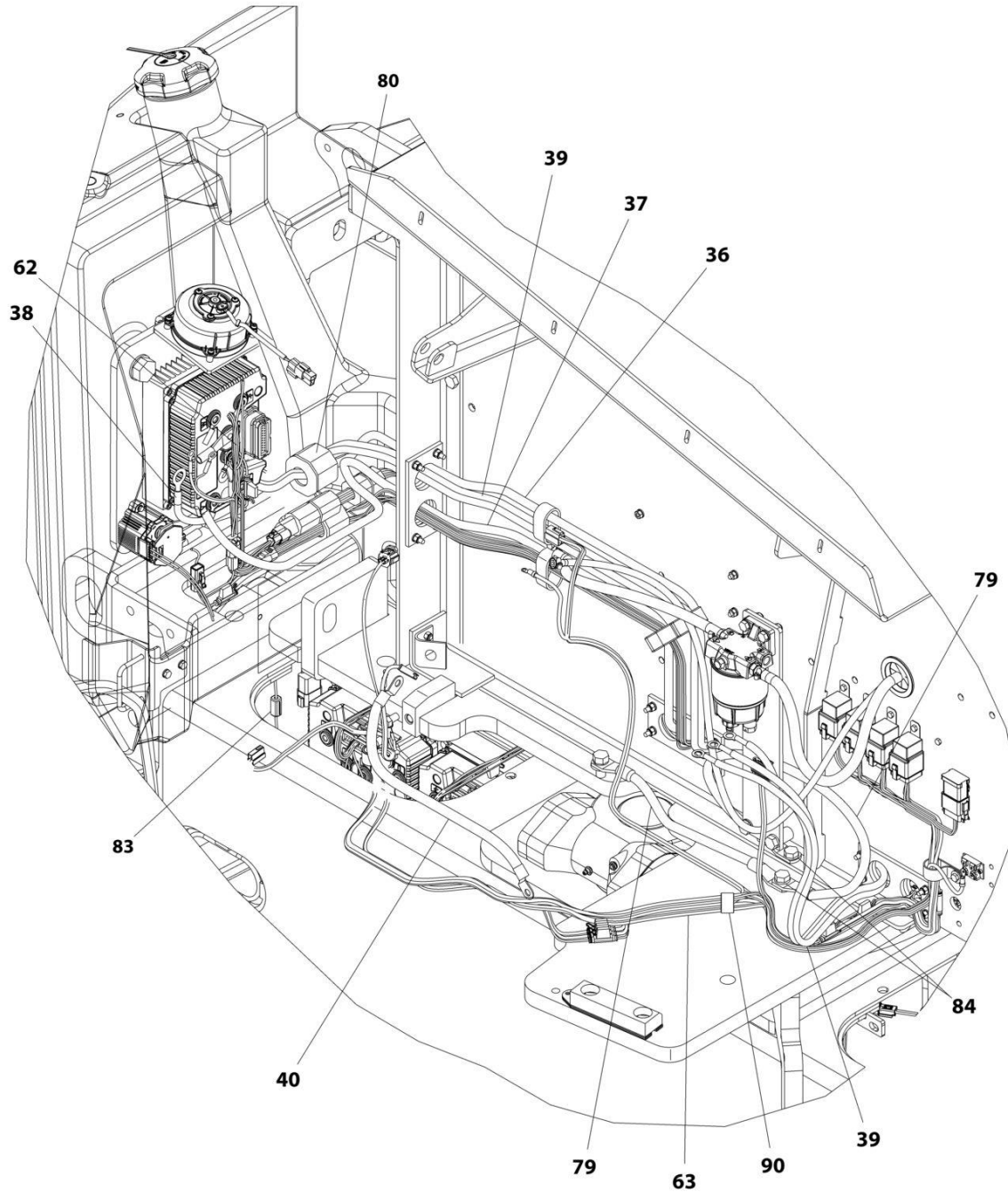
SECTION 8 - ELECTRICAL

FIGURE 8-27. DRIVE HARNESS - FRONT WITHOUT STEER

ITEM	PART NUMBER	QTY	DESCRIPTION	REV
	1001190531	Ref	DRIVE HARNESS - FRONT WITHOUT STEER	F
1	4460930	1	Plug, Male - 8 Position	
1	4460465	8	Socket, Female	
2	4460702	1	Terminal, Ring	
3	4461077	1	Plug, Male - 4 Position	
3	4460928	4	Socket, Female	
4	4461290	1	Plug, Male - 2 Position	
4	4460928	2	Socket, Female	
5	1001153612	1	Receptacle, Female - 2 Position	
5	4460929	2	Pin, Male	

SECTION 8 - ELECTRICAL

FIGURE 8-28. ENGINE CABLES INSTALLATION



ART_1001168098_30F3

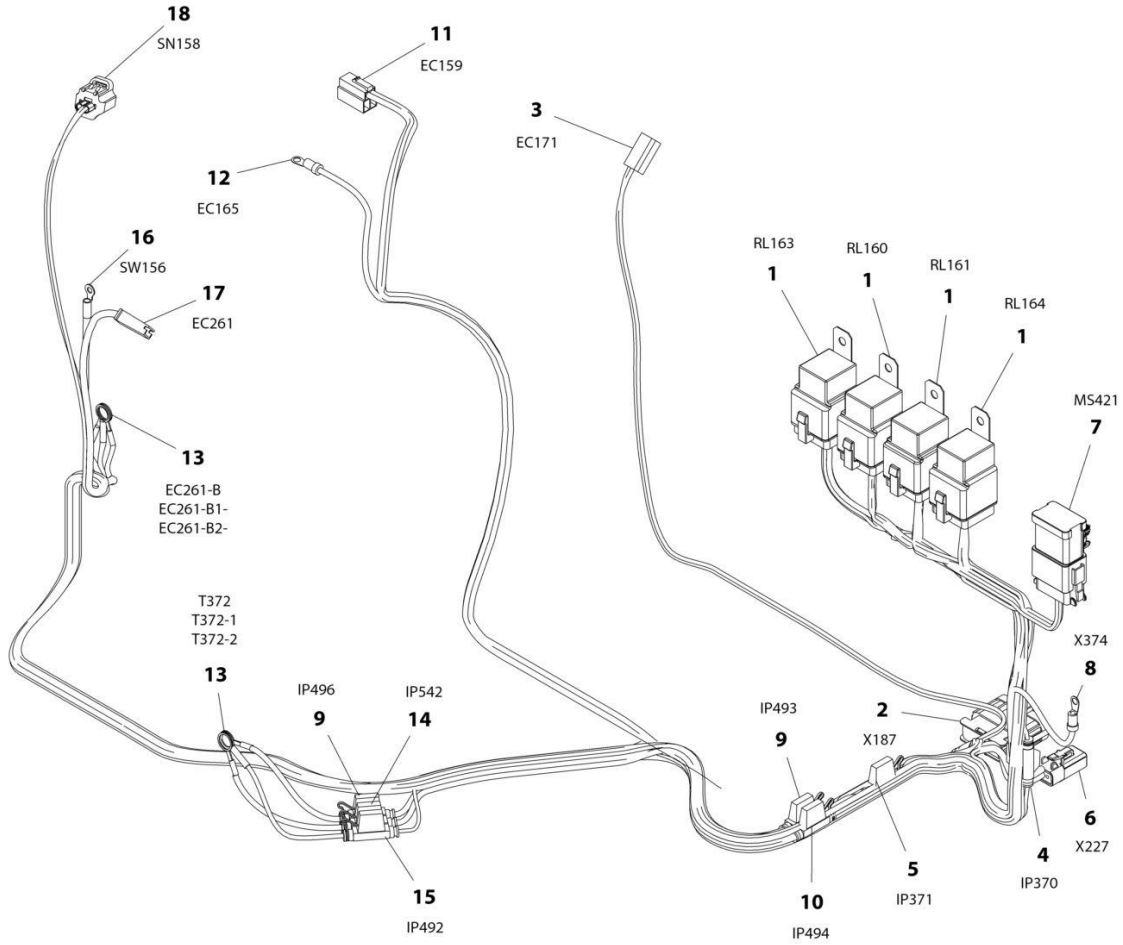
SECTION 8 - ELECTRICAL

FIGURE 8-28. ENGINE CABLES INSTALLATION

ITEM	PART NUMBER	QTY	DESCRIPTION	REV
	1001168098	Ref	ENGINE CABLES INSTALLATION	K
36	1001164412	1	Cable, Drive Controller Positive to Zapi Controller	
37	1001164418	1	Cable, Drive Controller Negative to Zapi Controller	
38	1001164494	1	Cable, Controller to Zapi Controller	
39	1001164495	1	Cable, Generator	
40	1001164654	1	Cable, Positive Jumper	
62	1001177378	1	Generator Harness Assembly (See Separate Breakdown in this Section)	
63	1001177433	1	Engine Harness Assembly (See Separate Breakdown in this Section)	
74	0760808	2	Bolt M8 x 16 (Not Shown - Attaches Item 37 at Frame Module and Item 79 to Engine)	
75	4831900	2	Washer M8 (Not Shown - Attaches Item 37 at Frame Module and Item 79 to Engine)	
77	4240033	AR	Tie-Strap (Not Shown)	
79	1001197652	1	Strap, Ground	
80	1001197941	1	Ferrite	
83	1001197944	1	Ferrite	
84	4872000	2	Washer M10	
85	4792000	1	Washer 5/8 (Not Shown - Use with Item 74)	
90	85031405	1	Support	

SECTION 8 - ELECTRICAL

FIGURE 8-29. ENGINE HARNESS



ART_1001177433

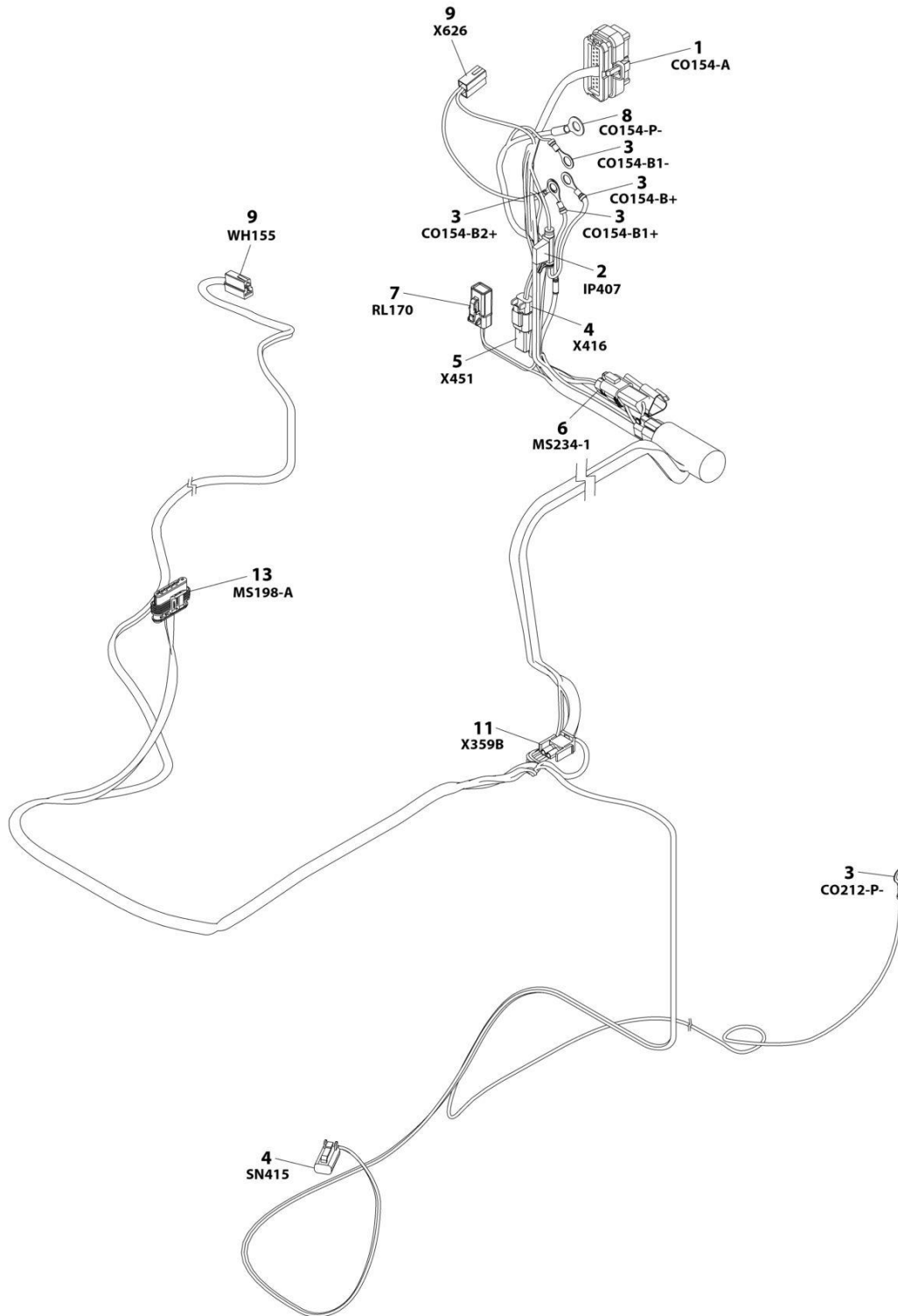
SECTION 8 - ELECTRICAL

FIGURE 8-29. ENGINE HARNESS

ITEM	PART NUMBER	QTY	DESCRIPTION	REV
	1001177433	Ref	ENGINE HARNESS	G
1	1001118282	5	Plug, Male - 5 Position	
1	1001116734	6	Terminal, Female	
1	1001116733	2	Terminal, Female	
1	1001116732	8	Terminal, Female	
2	4461109	1	Plug, Male - 16 Position	
2	4461111	9	Pin, Male	
2	4461222	7	Plug, Terminal	
3	1001118744	1	Receptacle, Female - 2 Position	
3	1001116720	2	Terminal	
4	2400060	1	Fuseholder with Cover	
4	See Note	1	Fuse - 10Amp (Note: Not Available Purchase Locally)	
5	2400060	1	Fuseholder with Cover	
5	See Note	1	Fuse - 3Amp (Note: Not Available Purchase Locally)	
6	4461018	2	Connector - 2 Position	
6	4460509	1	Socket, Female	
7	4460836	5	Connector - 12 Position	
7	4460465	7	Socket, Female	
7	4460466	1	Plug, Terminal	
7	4460837	1	Connector, Bussbar	
7	1001121172	1	Bracket, Mounting	
8	4460142	1	Terminal, Ring	
9	2400066	2	Fuseholder with Cover	
9	8229245	2	Fuse 30Amp	
10	2400066	1	Fuseholder with Cover	
10	8229247	1	Fuse 25Amp	
11	1001172074	1	Connector - 3 Position	
11	1001125033	2	Terminal	
11	1001118745	1	Terminal	
12	4460142	1	Terminal, Ring	
13	4460019	6	Terminal, Ring	
14	2400066	1	Fuseholder with Cover	
14	8229246	1	Fuse - 20Amp	
15	2400066	1	Fuseholder with Cover	
15	See Note	1	Fuse - 2Amp	
16	8220007	1	Terminal, Ring	
17	4460260	1	Housing, Terminal	
17	4460259	1	Terminal	
18	1001118657	1	Connector - 2 Position	
18	1001118658	2	Terminal	

SECTION 8 - ELECTRICAL

FIGURE 8-30. GENERATOR HARNESS



ART_1001177378

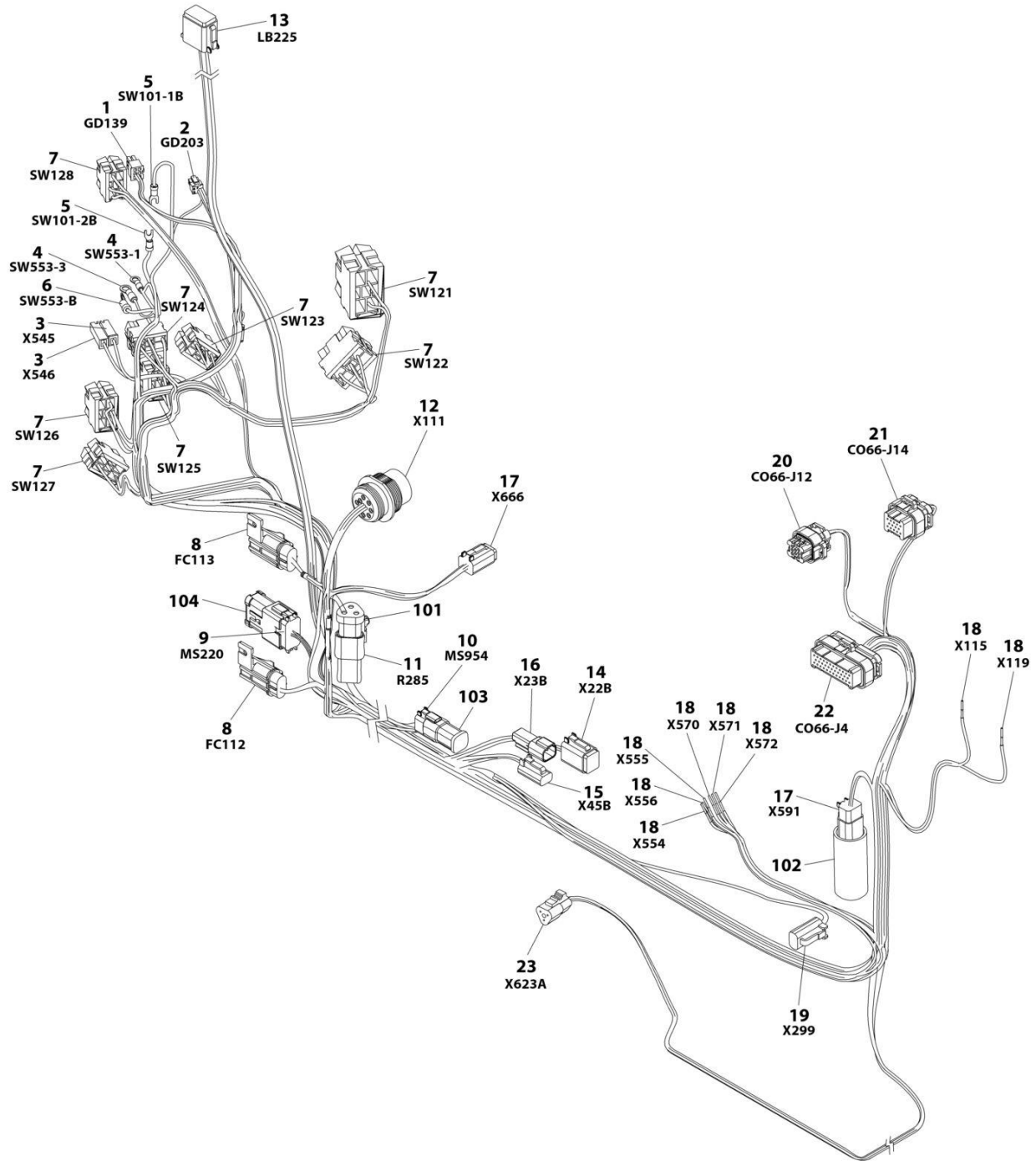
SECTION 8 - ELECTRICAL

FIGURE 8-30. GENERATOR HARNESS

ITEM	PART NUMBER	QTY	DESCRIPTION	REV
	1001177378	Ref	GENERATOR HARNESS	1
1	4460873	1	Connector - 35 Position	
1	4460871	12	Socket, Female	
1	4460905	23	Plug, Terminal	
2	2400060	1	Fuseholder	
2	1001170760	1	Fuse 10Amp	
3	4460670	5	Terminal, Ring	
4	4460891	2	Plug, Male - 2 Position	
4	4460465	4	Socket, Female	
5	4460897	1	Receptacle, Female	
5	See Note	1	Resistor 10K Ohm 1/4Watt (Note: Not Available - Purchase Locally)	
5	1001135350	1	Cap, Heat Shrink	
6	1001116812	1	Plug, Male - 3 Position	
6	4460944	3	Socket, Female	
6	1001220644	1	Harness, Jumper	
6	1001186231	1	Connector, Fuse/Resistor	
7	4461290	1	Plug, Male - 2 Position	
7	1001126008	2	Terminal	
8	8220045	1	Terminal, Ring	
9	4460994	2	Receptacle, Female - 2 Position	
9	1001116723	4	Terminal, Female	
11	4460320	1	Plug, Male - 2 Position	
11	4460267	2	Pin, Male	
13	4461117	1	Connector - 6 Position	

SECTION 8 - ELECTRICAL

FIGURE 8-31. GROUND CONTROL HARNESS



ART_1001283533

SECTION 8 - ELECTRICAL

FIGURE 8-31. GROUND CONTROL HARNESS

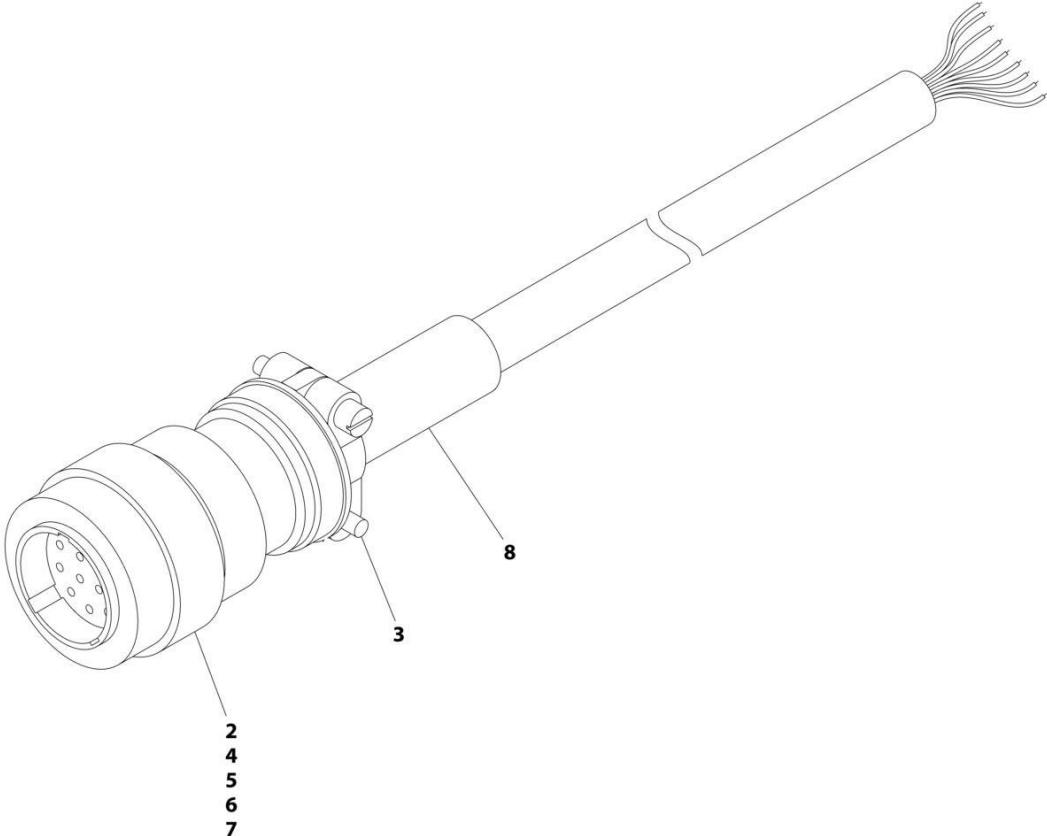
ITEM	PART NUMBER	QTY	DESCRIPTION	REV
	1001283533	REF	GROUND CONTROL HARNESS	A
1	4460868	1	Connector - 6 Position	
1	4460877	4	Terminal	
2	1001237667	1	Connector - 6 Position	
2	1001237668	5	Terminal	
3	4460260	2	Housing, Terminal	
3	4460259	2	Terminal	
4	4460313	2	Terminal, Ring	
5	4460115	2	Terminal, Fork	
6	4460042	1	Terminal, Ring	
7	4460418	8	Connector - 3 Position	
7	4460419	31	Terminal	
8	1001117078	2	Fuse Assembly (Includes Fuse, Holder, Cover)	
8	See Note	2	Fuse - 5Amp ATO (Note: Not Available - Purchase p/n 1001117078)	
8	4460419	4	Terminal	
9	4460933	1	Plug, Male - 12 Position	
9	4460465	11	Socket, Female	
9	4460466	1	Plug, Terminal	
10	4460894	1	Connector - 6 Position	
10	4460465	6	Socket, Female	
11	1001144147	1	Connector	
11	4460943	2	Pin, Male	
11	4460466	1	Plug, Terminal	
12	1001112612	1	Connector - 9 Position	
12	4460464	3	Pin, Male	
12	4460943	3	Pin, Male	
12	4460466	3	Plug, Terminal	
12	4460496	1	Washer	
12	4460497	1	Nut	
13	4460930	1	Connector - 8 Position	
13	4460465	8	Socket, Female	
14	4460894	1	Connector - 6 Position	
14	4460465	3	Socket, Female	
14	4460466	3	Plug, Terminal	
15	4460891	2	Connector - 2 Position	
15	4460465	2	Socket, Female	
16	4460897	1	Connector - 2 Position	
16	4460464	2	Pin, Male	
17	4460884	2	Connector - 4 Position	
17	4460465	8	Socket, Female	
18	4460465	8	Socket, Female	
19	4460891	1	Connector - 2 Position	
19	4460465	1	Socket, Female	
19	4460466	1	Plug, Terminal	
20	1001113961	1	Connector - 8 Position	
20	4460905	5	Plug, Terminal	
20	4460871	3	Socket, Female	
21	1001246859	1	Connector	
21	4460871	4	Socket, Female	

SECTION 8 - ELECTRICAL

ITEM	PART NUMBER	QTY	DESCRIPTION	REV
21	4460905	10	Plug, Terminal	
22	4460876	1	Connector - 35 Position	
22	4460905	16	Plug, Terminal	
22	4460871	19	Socket, Female	
23	4460539	1	Connector - 3 Position	
23	4460944	3	Socket, Female	
101	1001116815	1	Connector - 3 Position	
102	1001186231	1	Connector, Fuse/Resistor	
103	1001226541	1	Connector, DT 6 Pin 2X3 Bussbar	
104	1001259130	1	Connector, 4X3 Bussbar	

SECTION 8 - ELECTRICAL

FIGURE 8-32. GROUND TO PLATFORM CABLE - MAIN BOOM (WITHOUT ARCTIC PACKAGE)



ART_1001119018

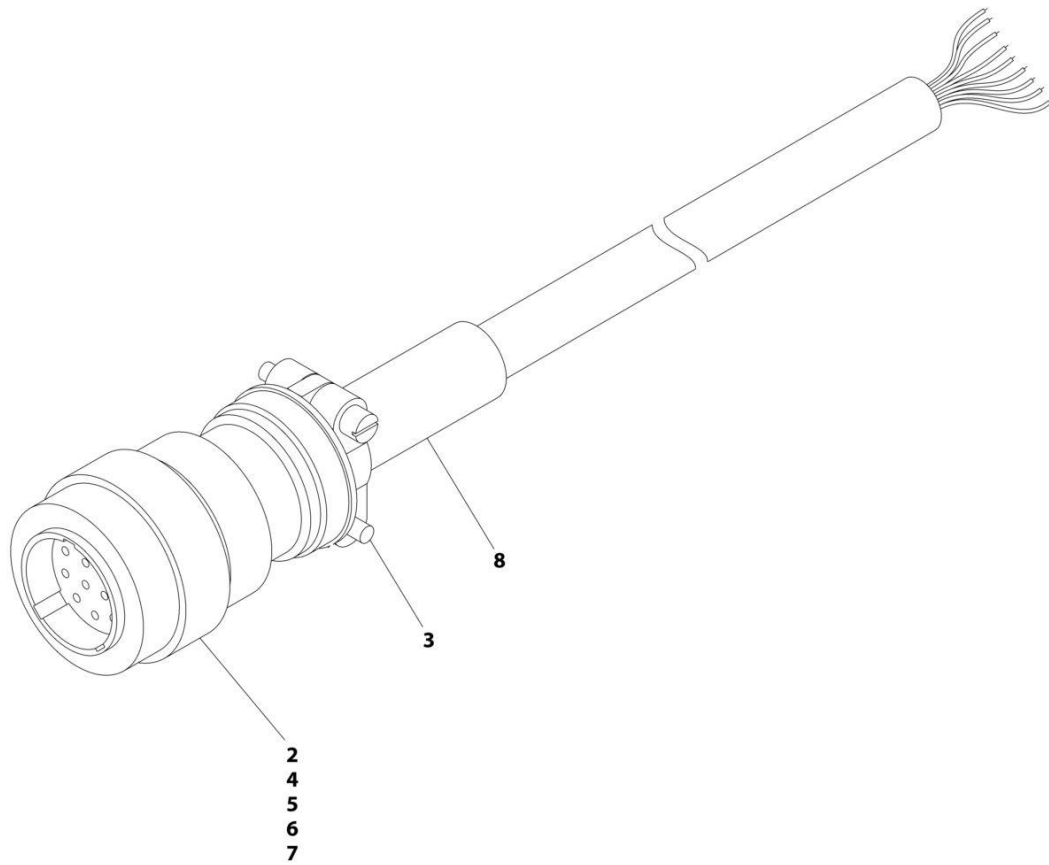
SECTION 8 - ELECTRICAL

FIGURE 8-32. GROUND TO PLATFORM CABLE - MAIN BOOM (WITHOUT ARCTIC PACKAGE)

ITEM	PART NUMBER	QTY	DESCRIPTION	REV
	1001119018	Ref	GROUND TO PLATFORM CABLE - MAIN BOOM (WITHOUT ARCTIC PACKAGE)	C
2	4460865	1	Connector - 19 Position	
3	4460473	1	Clamp, Cable	
4	4460465	22	Socket, Female	
5	4460509	8	Socket, Female	
6	4460466	4	Plug, Terminal	
7	2820118	AR	Heat Shrink	
8	1001226400	1	Heat Shrink	

SECTION 8 - ELECTRICAL

FIGURE 8-33. GROUND TO PLATFORM CABLE - MAIN BOOM (WITH ARCTIC PACKAGE)



ART_100119953

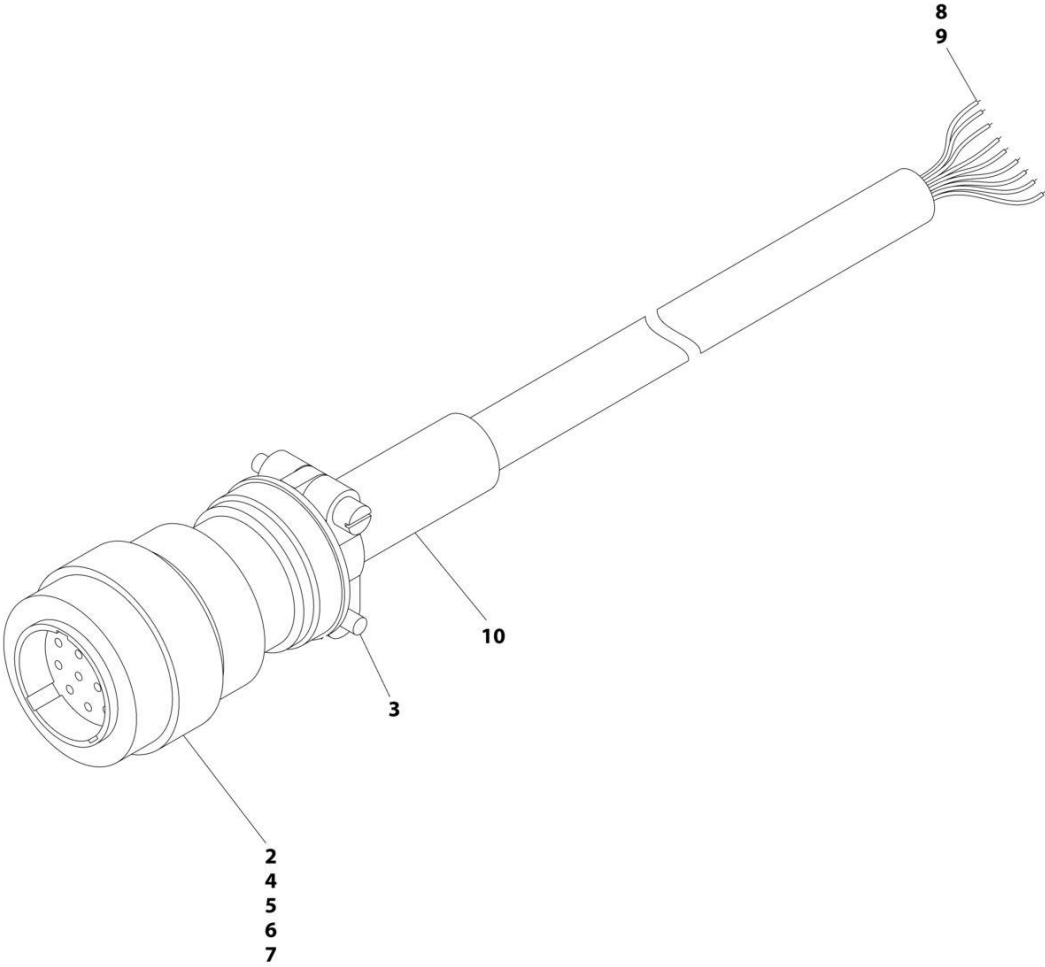
SECTION 8 - ELECTRICAL

FIGURE 8-33. GROUND TO PLATFORM CABLE - MAIN BOOM (WITH ARCTIC PACKAGE)

ITEM	PART NUMBER	QTY	DESCRIPTION	REV
	1001119953	Ref	GROUND TO PLATFORM CABLE - MAIN BOOM (WITH ARCTIC PACKAGE)	D
2	4460865	1	Connector - 19 Position	
3	4460473	1	Clamp, Cable	
4	4460465	22	Socket, Female	
5	4460509	8	Socket, Female	
6	4460466	4	Plug, Terminal	
7	2820118	AR	Heat Shrink	
8	1001226400	1	Heat Shrink	

SECTION 8 - ELECTRICAL

FIGURE 8-34. GROUND TO PLATFORM CABLE - TOWER BOOM (WITHOUT ARCTIC PACKAGE)



ART_100119019

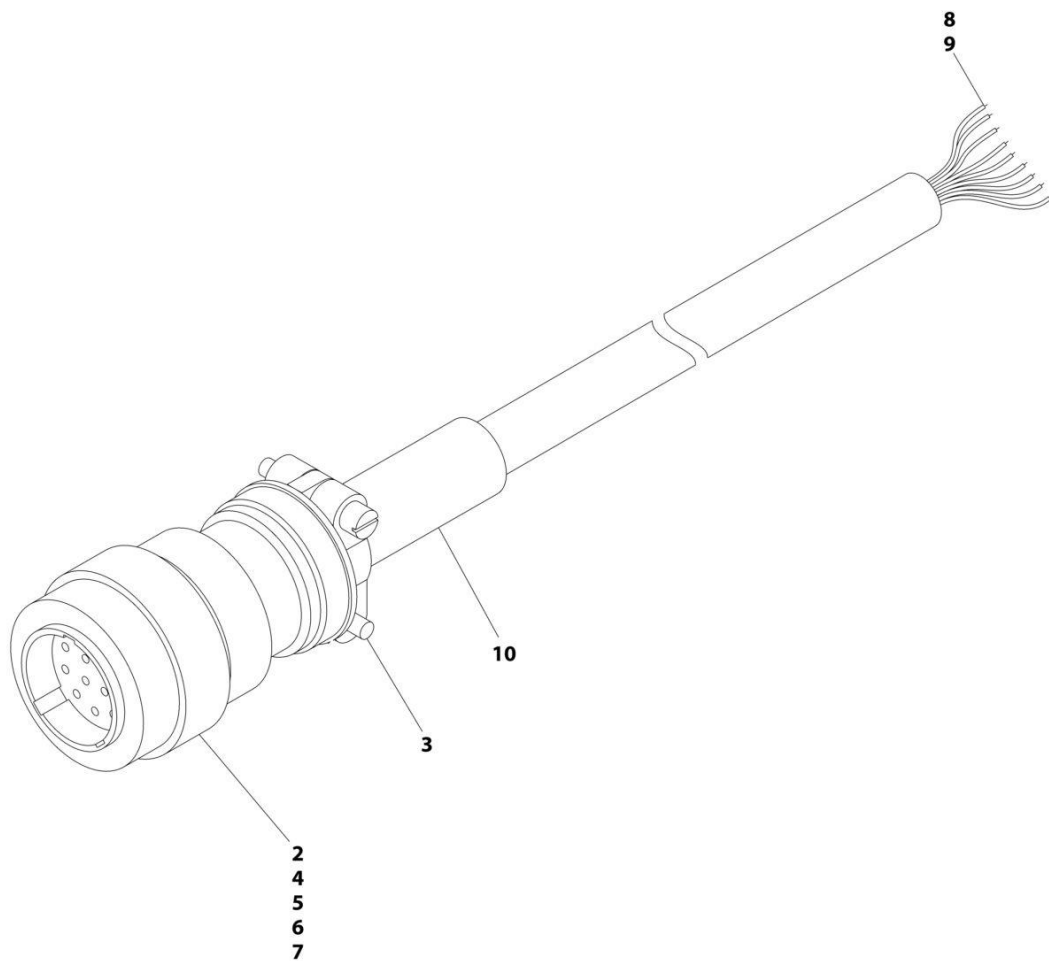
SECTION 8 - ELECTRICAL

FIGURE 8-34. GROUND TO PLATFORM CABLE - TOWER BOOM (WITHOUT ARCTIC PACKAGE)

ITEM	PART NUMBER	QTY	DESCRIPTION	REV
	1001119019	Ref	GROUND TO PLATFORM CABLE - TOWER BOOM (WITHOUT ARCTIC PACKAGE)	B
2	4460865	1	Connector - 19 Position	
3	4460473	1	Clamp, Cable	
4	4460465	11	Socket, Female	
5	4460509	4	Socket, Female	
6	4460466	4	Plug, Terminal	
7	2820118	AR	Heat Shrink	
8	4460464	11	Pin, Male	
9	4460508	4	Pin, Male	
10	1001226400	1	Heat Shrink	

SECTION 8 - ELECTRICAL

FIGURE 8-35. GROUND TO PLATFORM CABLE - TOWER BOOM (WITH ARCTIC PACKAGE)



ART_100119954

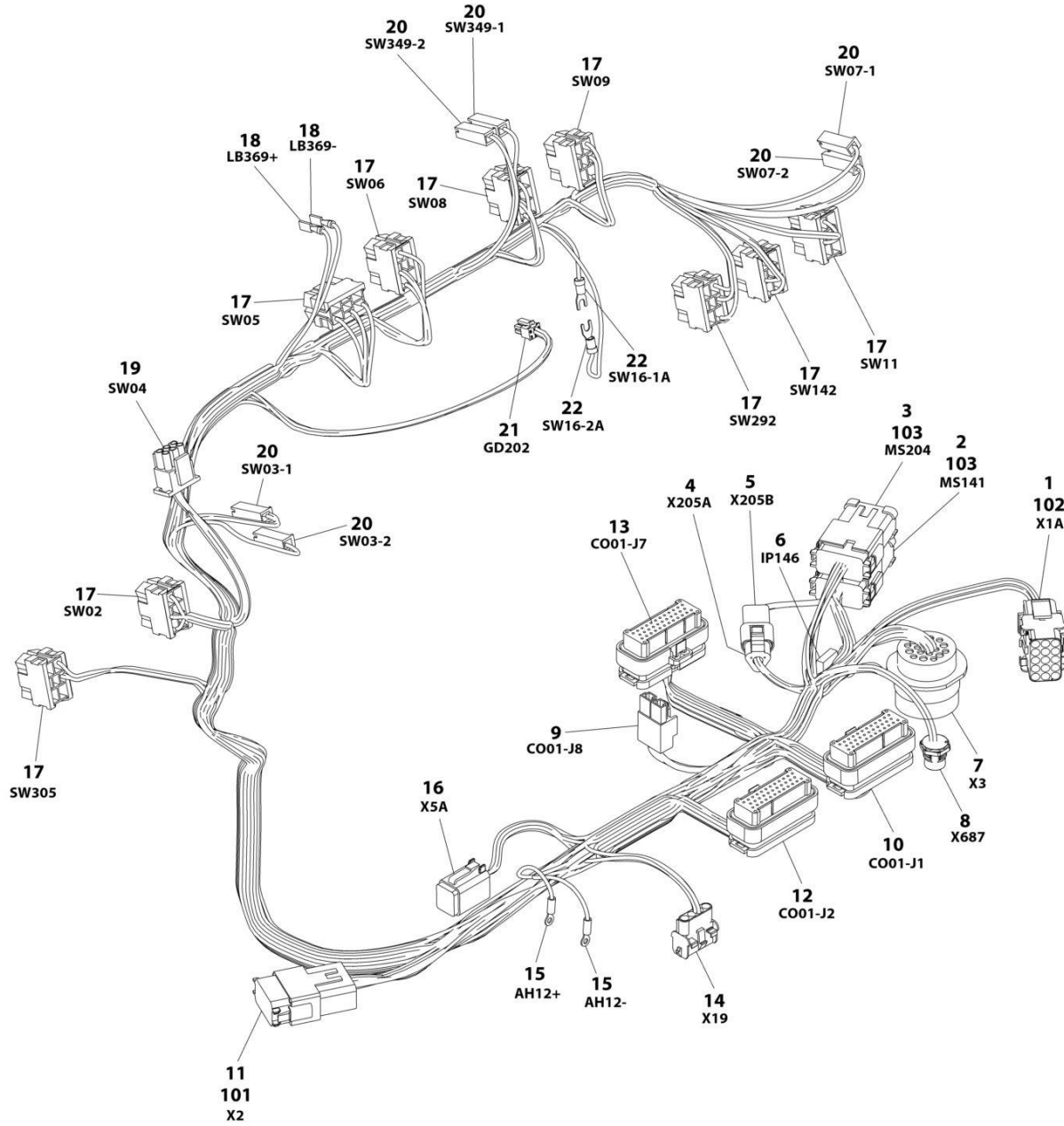
SECTION 8 - ELECTRICAL

FIGURE 8-35. GROUND TO PLATFORM CABLE - TOWER BOOM (WITH ARCTIC PACKAGE)

ITEM	PART NUMBER	QTY	DESCRIPTION	REV
	1001119954	Ref	GROUND TO PLATFORM CABLE - TOWER BOOM (WITH ARCTIC PACKAGE)	C
2	4460865	1	Connector - 19 Position	
3	4460473	1	Clamp, Cable	
4	4460465	11	Socket, Female	
5	4460509	4	Socket, Female	
6	4460466	4	Plug, Terminal	
7	2820118	AR	Heat Shrink	
8	4460464	11	Pin, Male	
9	4460508	4	Pin, Male	
10	1001226400	1	Heat Shrink	

SECTION 8 - ELECTRICAL

FIGURE 8-36. PLATFORM CONSOLE HARNESS - WITH SKYGUARD



ART_1001245668

SECTION 8 - ELECTRICAL

FIGURE 8-36. PLATFORM CONSOLE HARNESS - WITH SKYGUARD

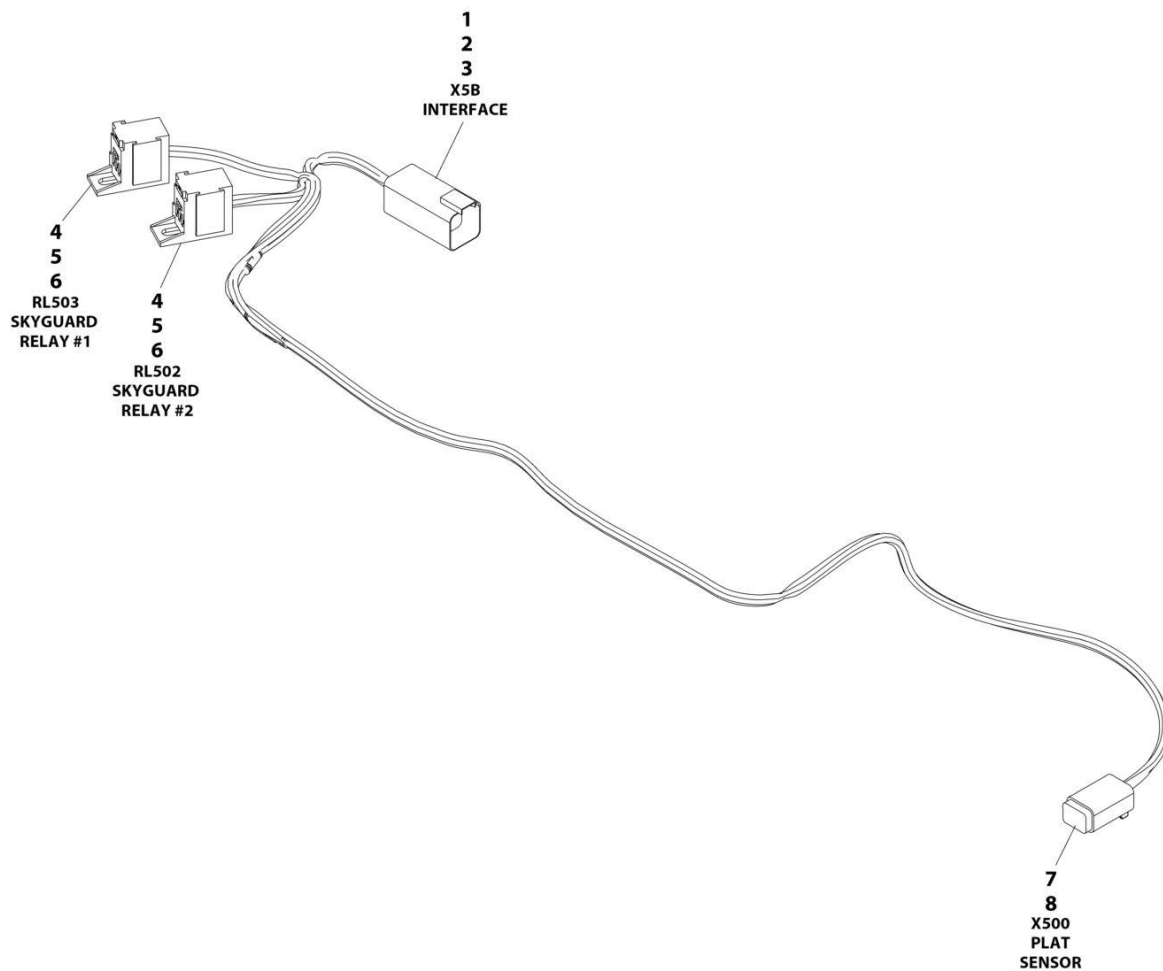
ITEM	PART NUMBER	QTY	DESCRIPTION	REV
	1001245668	REF	PLATFORM CONSOLE HARNESS	C
1	4460434	1	Connector - 15 Position	
1	4460267	8	Pin, Male	
2	4460933	1	Connector - 12 Position	
2	4460944	9	Socket, Female	
2	4460466	3	Plug, Terminal	
3	4460933	1	Connector - 12 Position	
3	4460944	11	Socket, Female	
3	4460466	1	Plug, Terminal	
4	4460539	1	Connector - 3 Position	
4	4460465	3	Socket, Female	
5	4460536	1	Connector - 3 Position	
5	4460464	3	Pin, Male	
6	1001170763	1	Fuseholder	
7	4460866	1	Connector - 19 Position	
7	4460943	3	Pin, Male	
7	4460508	2	Pin, Male	
7	4460466	11	Plug, Terminal	
8	1001213447	1	Connector - 5 Position	
9	4460879	1	Connector - 2 Position	
9	4460887	2	Terminal	
10	4460874	1	Connector - 35 Position (Natural)	
10	4460871	24	Socket, Female	
10	4460905	11	Plug, Terminal	
11	4460970	1	Connector - 12 Position	
11	4460464	9	Pin, Male	
11	4460943	3	Pin, Male	
12	4460875	1	Connector - 35 Position (Gray	
12	4460871	12	Socket, Female	
12	4460905	23	Plug, Terminal	
13	4460873	1	Connector - 35 Position (Black)	
13	4460871	21	Socket, Female	
13	4460905	14	Plug, Terminal	
14	4460761	1	Connector - 4 Position	
14	4460227	4	Pin, Male	
15	1001098122	2	Terminal, Ring	
16	4460894	1	Connector - 6 Position	
16	4460465	6	Socket, Female	
17	4460418	9	Connector - 6 Position	
17	4460419	29	Terminal	
18	4460016	2	Terminal	
19	4460225	5	Connector - 6 Position	
19	4460227	6	Pin, Male	
20	4460260	6	Connector - 1 Position	
20	4460259	6	Terminal	
21	1001237667	1	Connector - 6 Position	
21	1001237668	4	Terminal	
22	4460183	2	Terminal, Fork	
101	4460933	1	Connector - 12 Position	
102	4460708	1	Receptacle, Female 15 Position	

SECTION 8 - ELECTRICAL

ITEM	PART NUMBER	QTY	DESCRIPTION	REV
103	1001119020	2	Connector - 12 Position Buss Bar	

SECTION 8 - ELECTRICAL

FIGURE 8-37. PLATFORM INTERFACE HARNESS



ART_1001225580_E

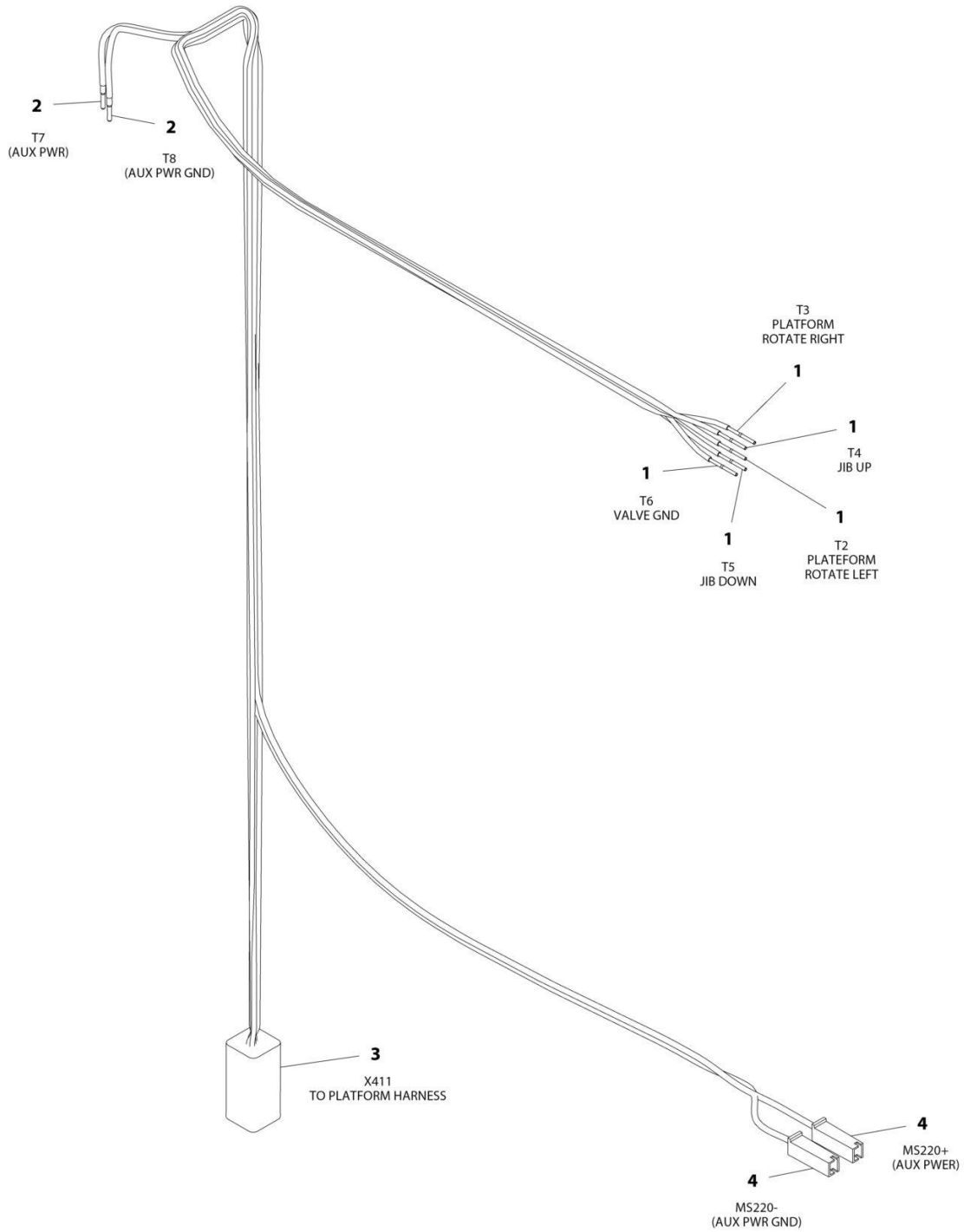
SECTION 8 - ELECTRICAL

FIGURE 8-37. PLATFORM INTERFACE HARNESS

ITEM	PART NUMBER	QTY	DESCRIPTION	REV
	1001225580	Ref	PLATFORM INTERFACE HARNESS - WITH 1 CELL LSS	E
1	4460899	1	Connector	
2	4460464	4	Terminal	
3	4460466	2	Plug	
4	1001186432	2	Connector	
5	1001253375	4	Terminal	
6	1001104519	4	Terminal	
7	4460884	1	Connector	
8	4460465	4	Terminal	

SECTION 8 - ELECTRICAL

FIGURE 8-38. PLATFORM TO BOOM VALVE HARNESS



ART_1001169422

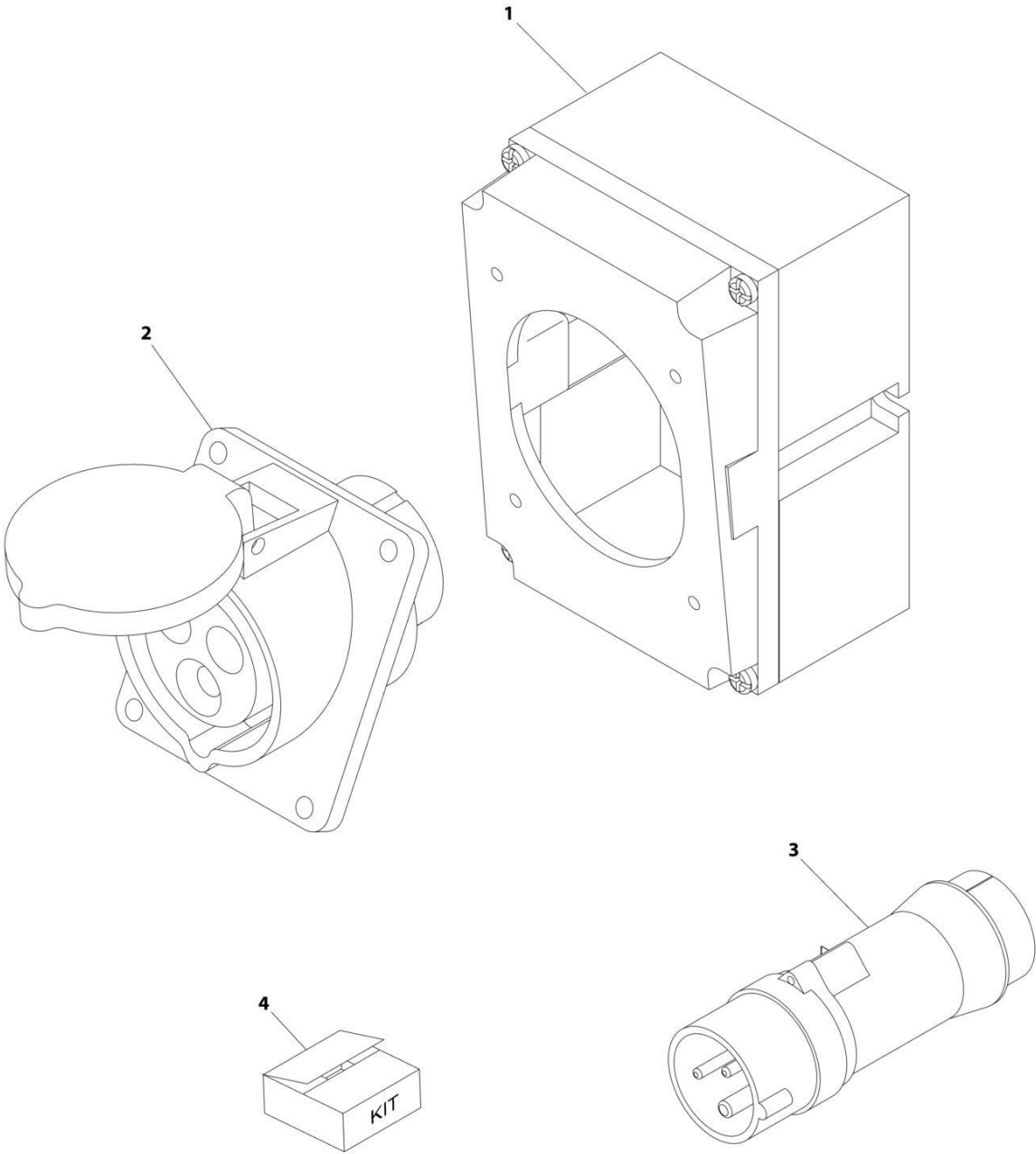
SECTION 8 - ELECTRICAL

FIGURE 8-38. PLATFORM TO BOOM VALVE HARNESS

ITEM	PART NUMBER	QTY	DESCRIPTION	REV
	1001169422	Ref	PLATFORM TO BOOM HARNESS	A
1	4460465	5	Socket, Female	
2	4460508	2	Pin, Male	
3	4460899	1	Connector - 6 Position	
3	4460464	5	Pin, Male	
3	4460466	1	Plug, Terminal	
4	4460260	2	Connector - 1 Position	
4	4460259	2	Terminal	

SECTION 8 - ELECTRICAL

FIGURE 8-39. AC BOX AT PLATFORM INSTALLATION - 110V IEC YELLOW (CE & UK CA SPEC)



ART_0275216

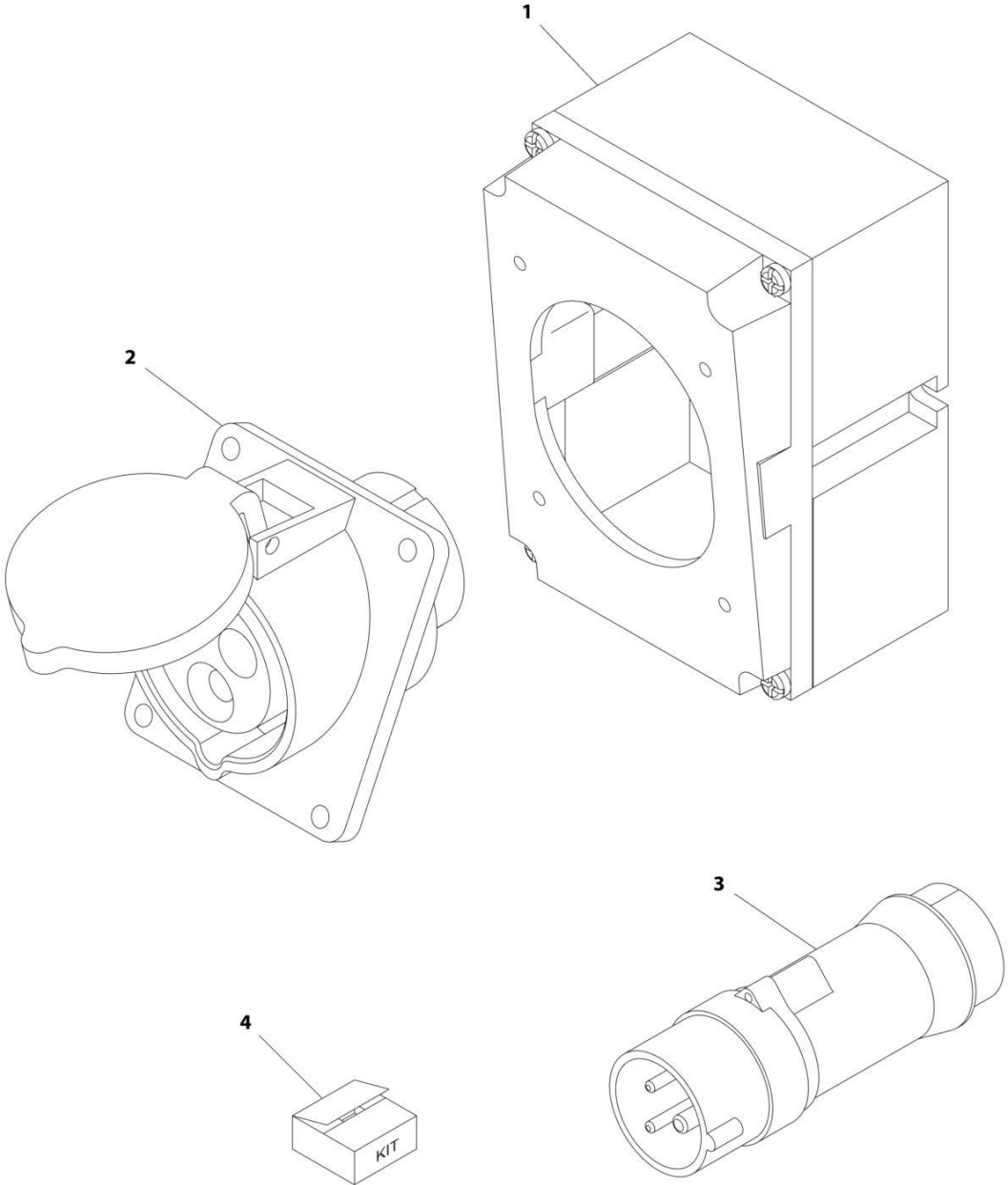
SECTION 8 - ELECTRICAL

FIGURE 8-39. AC BOX AT PLATFORM INSTALLATION - 110V IEC YELLOW (CE & UK CA SPEC)

ITEM	PART NUMBER	QTY	DESCRIPTION	REV
	0275216	Ref	RECEPTACLE BOX KIT - 110V IEC YELLOW	B
1	0861781	1	Box, Switch	
2	4461198	1	Receptacle	
3	4461196	1	Plug, Male	
4	1001100341	1	Plug and Socket Kit (Includes Items 1-3 and Female Plug p/n 4461197)	

SECTION 8 - ELECTRICAL

FIGURE 8-40. RECEPTACLE BOX KIT - 220V IEC BLUE (CE & UK CA SPEC)



ART_0275217

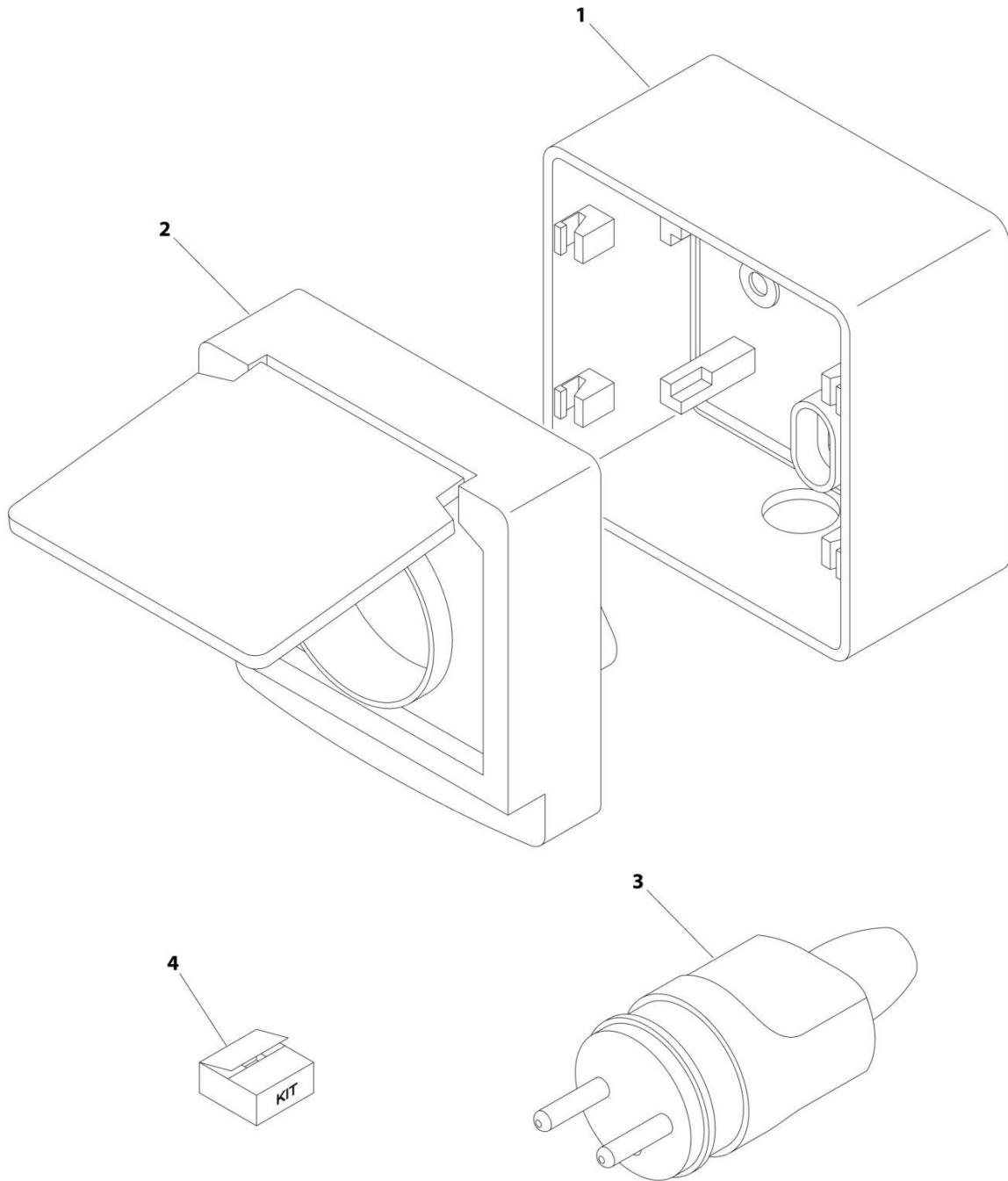
SECTION 8 - ELECTRICAL

FIGURE 8-40. RECEPTACLE BOX KIT - 220V IEC BLUE (CE & UK CA SPEC)

ITEM	PART NUMBER	QTY	DESCRIPTION	REV
	0275217	Ref	RECEPTACLE BOX KIT - 220V IEC BLUE	B
1	0861781	1	Box, Switch	
2	4461201	1	Receptacle	
3	4461199	1	Plug, Male	
4	1001100342	1	Plug and Socket Kit (Includes Items 1-3 and Female Plug p/n 4461200)	

SECTION 8 - ELECTRICAL

FIGURE 8-41. RECEPTACLE BOX KIT - 220V CEE7 POST GROUND 70MM X 70MM BOX (CE & UK CA SPEC)



ART_0275218_C

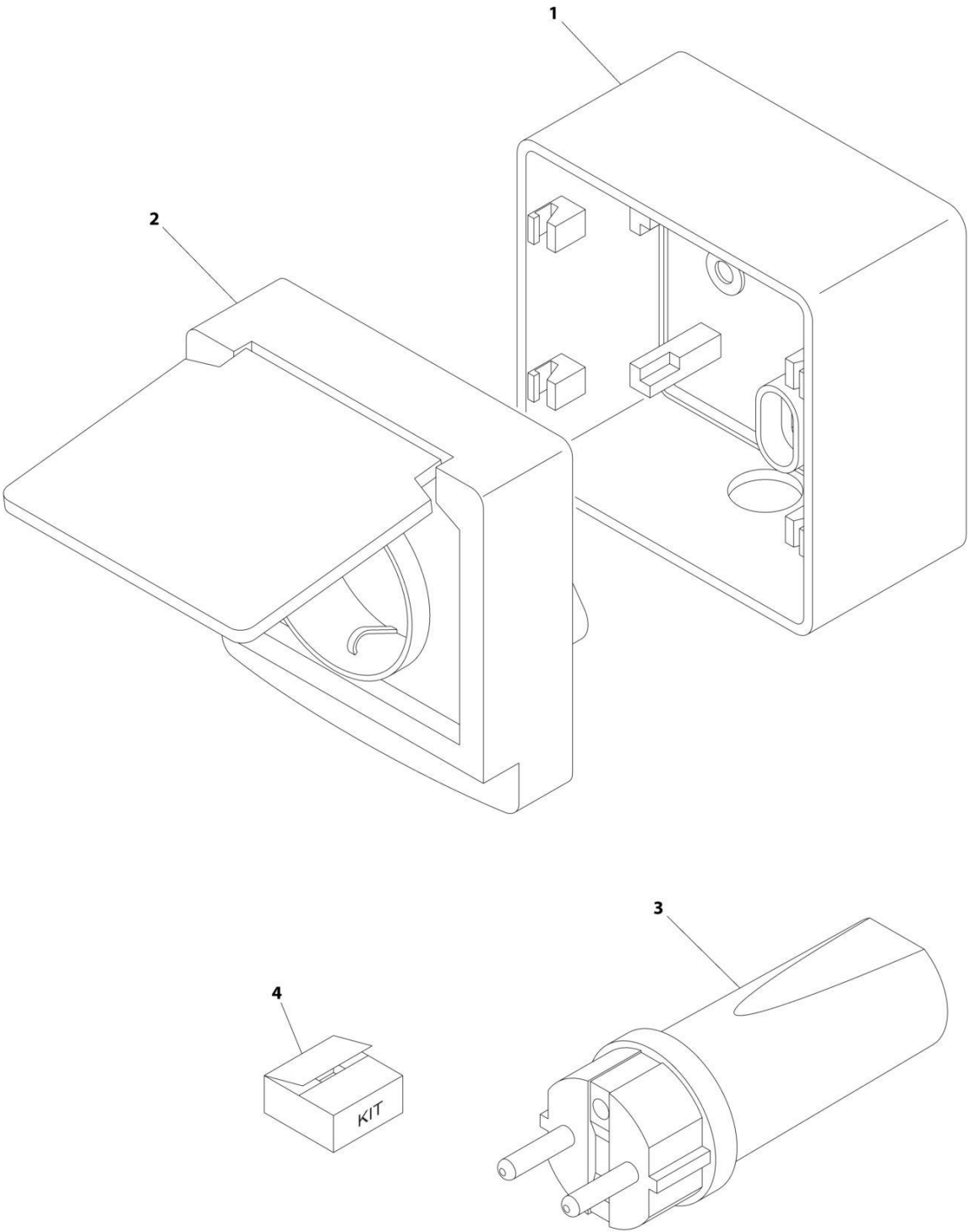
SECTION 8 - ELECTRICAL

FIGURE 8-41. RECEPTACLE BOX KIT - 220V CEE7 POST GROUND 70MM X 70MM BOX (CE & UK CA SPEC)

ITEM	PART NUMBER	QTY	DESCRIPTION	REV
	0275218	Ref	RECEPTACLE BOX KIT - 220V CEE7 POST GROUND 70MM X 70MM BOX	C
1	1001141967	1	Box, Switch	
2	1001141968	1	Receptacle	
3	4461205	1	Plug, Male	
4	1001141971	1	Plug and Socket Kit (Includes Items 1-3 and Female Plug p/n 4461206)	

SECTION 8 - ELECTRICAL

FIGURE 8-42. RECEPTACLE BOX KIT - 220V CEE7 SIDE GROUND 70MM X 70MM BOX (CE & UK CA SPEC)



ART_0275219

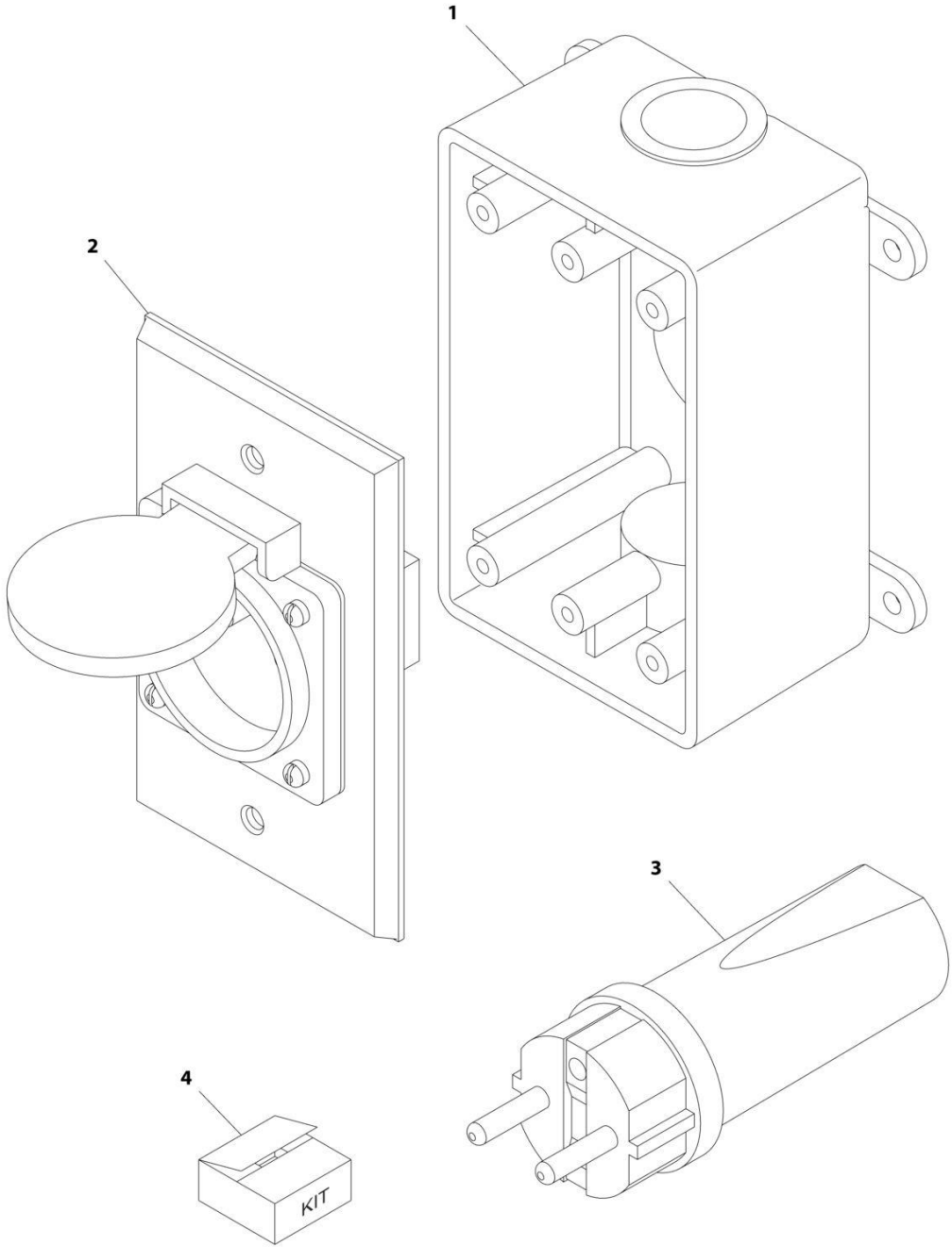
SECTION 8 - ELECTRICAL

FIGURE 8-42. RECEPTACLE BOX KIT - 220V CEE7 SIDE GROUND 70MM X 70MM BOX (CE & UK CA SPEC)

ITEM	PART NUMBER	QTY	DESCRIPTION	REV
	0275219	Ref	RECEPTACLE BOX KIT - 220V CEE7 SIDE GROUND 70MM X 70MM BOX	B
1	1001141967	1	Box, Switch	
2	1001141969	1	Receptacle	
3	4461205	1	Plug, Male	
4	1001141970	1	Plug and Socket Kit (Includes Items 1-3 and Female Plug p/n 4461206)	

SECTION 8 - ELECTRICAL

FIGURE 8-43. RECEPTACLE BOX KIT - 220V CEE7 POST GROUND 2IN X 4IN BOX (CE & UK CA SPEC)



ART_0275452

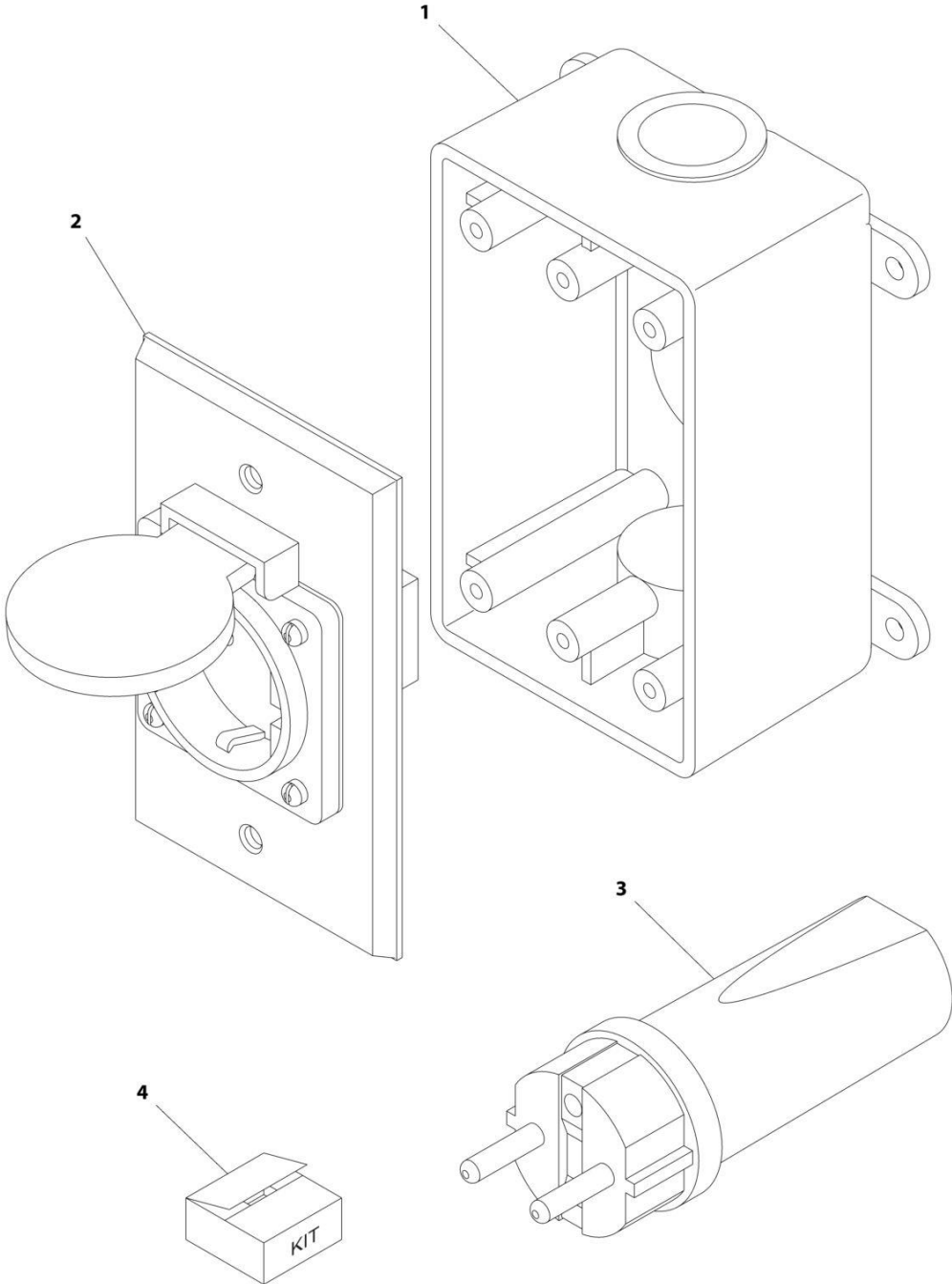
SECTION 8 - ELECTRICAL

FIGURE 8-43. RECEPTACLE BOX KIT - 220V CEE7 POST GROUND 2IN X 4IN BOX (CE & UK CA SPEC)

ITEM	PART NUMBER	QTY	DESCRIPTION	REV
	0275452	Ref	RECEPTACLE BOX KIT - 220V CEE7 POST GROUND	C
1	0861731	1	Box, Switch	
2	4461244	1	Receptacle	
3	4461205	1	Plug, Male	
4	1001100345	1	Plug and Socket Kit (Includes Items 1-3 and Female Plug p/n 4461206)	

SECTION 8 - ELECTRICAL

FIGURE 8-44. RECEPTACLE BOX KIT - 220V CEE7 SIDE GROUND 2IN X 4IN BOX (CE & UK CA SPEC)



ART_0275453

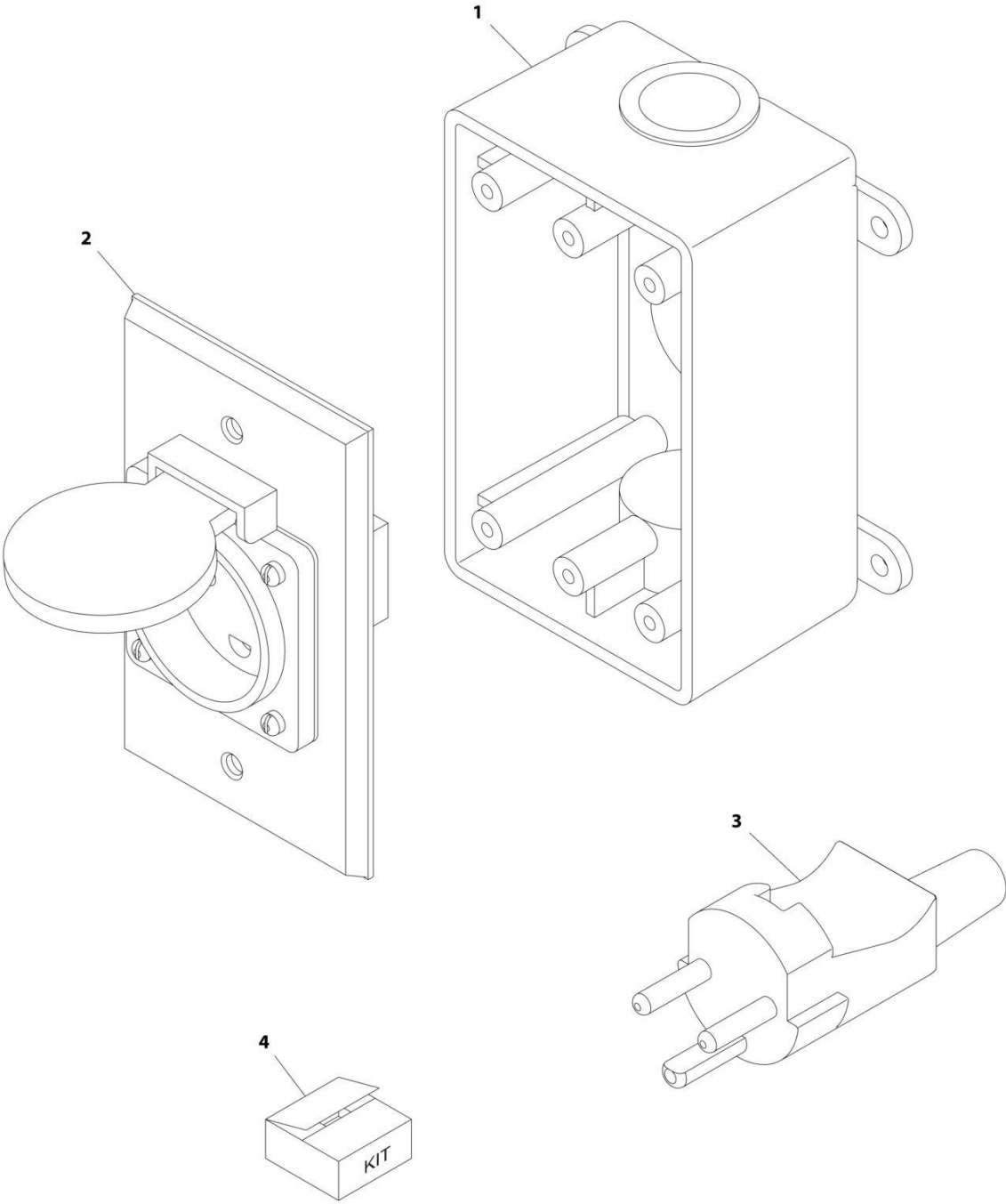
SECTION 8 - ELECTRICAL

FIGURE 8-44. RECEPTACLE BOX KIT - 220V CEE7 SIDE GROUND 2IN X 4IN BOX (CE & UK CA SPEC)

ITEM	PART NUMBER	QTY	DESCRIPTION	REV
	0275453	Ref	RECEPTACLE BOX KIT - 220V CEE7 SIDE GROUND	B
1	0861731	1	Box, Switch	
2	4461245	1	Receptacle	
3	4461205	1	Plug, Male	
4	1001100347	1	Plug and Socket Kit (Includes Items 1-3 and Female Plug p/n 4461206)	

SECTION 8 - ELECTRICAL

FIGURE 8-45. RECEPTACLE BOX KIT - 220V AFSINT 107 (CE & UK CA SPEC)



ART_0275454

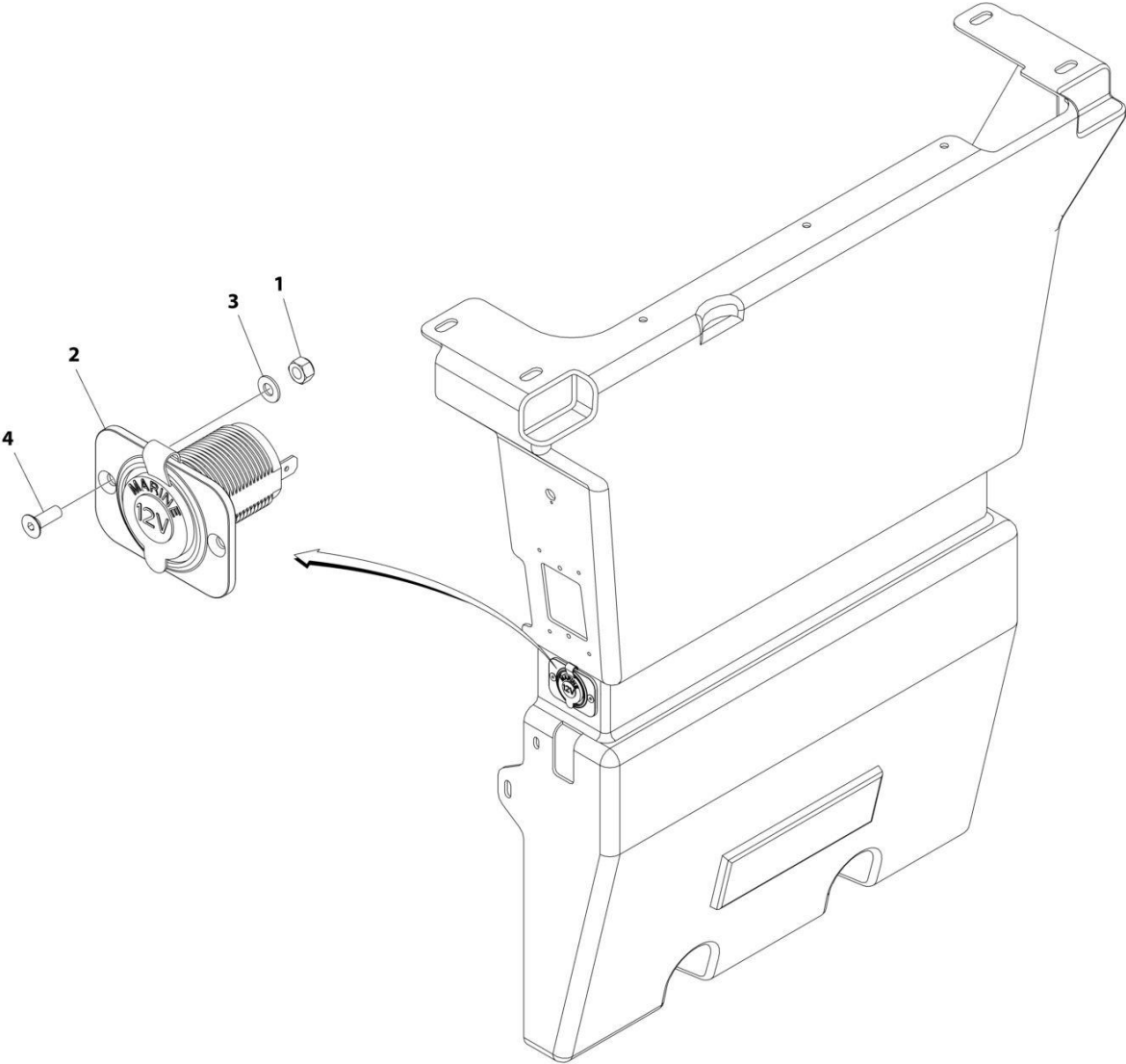
SECTION 8 - ELECTRICAL

FIGURE 8-45. RECEPTACLE BOX KIT - 220V AFSINT 107 (CE & UK CA SPEC)

ITEM	PART NUMBER	QTY	DESCRIPTION	REV
	0275454	Ref	RECEPTACLE BOX KIT - 220V AFSINT 107	B
1	0861731	1	Box, Switch	
2	4461246	1	Receptacle	
3	4461249	1	Plug, Male	
4	1001100346	1	Plug and Socket Kit (Includes Items 1-3 and Female Plug p/n 4461250)	

SECTION 8 - ELECTRICAL

FIGURE 8-46. RECEPTACLE INSTALLATION - 12V



ART_1001274814

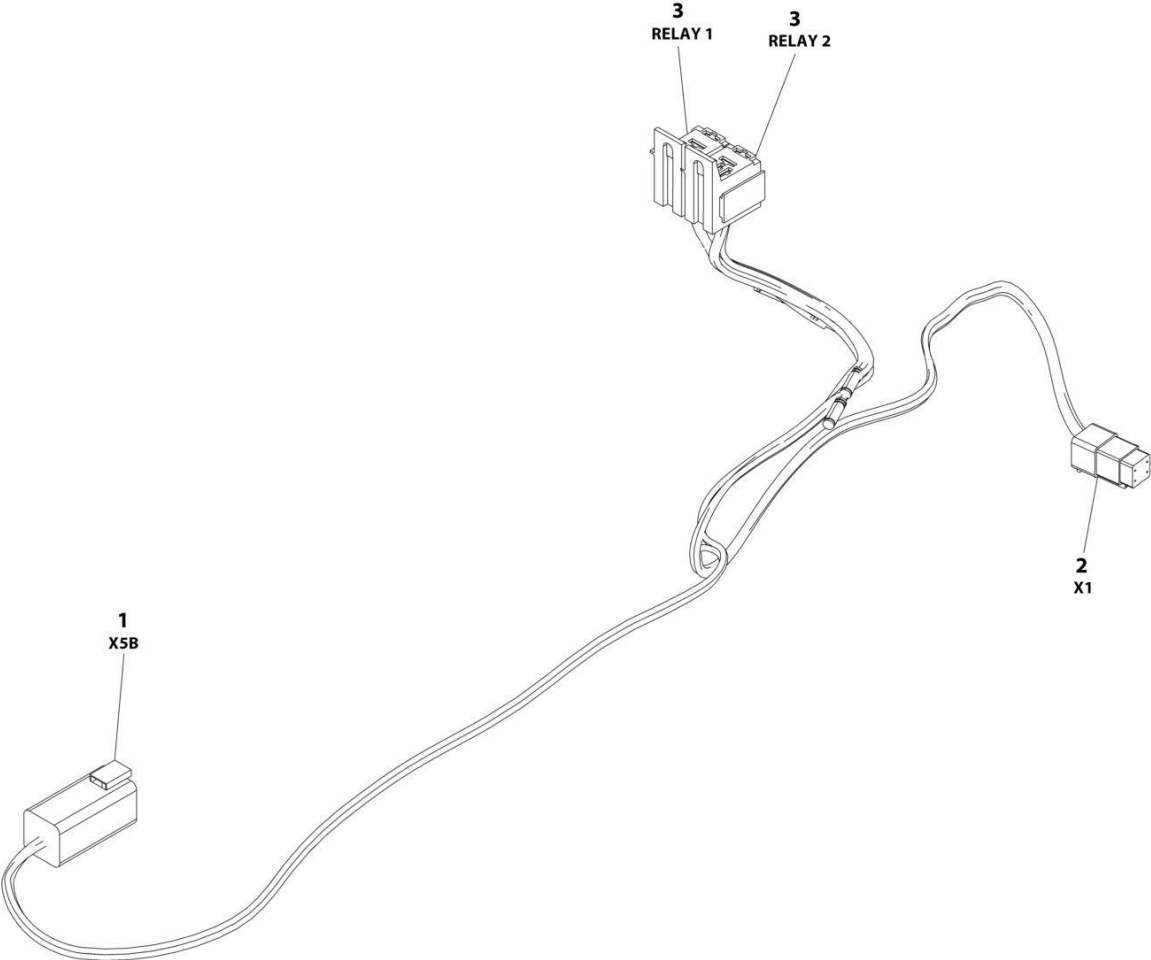
SECTION 8 - ELECTRICAL

FIGURE 8-46. RECEPTACLE INSTALLATION - 12V

ITEM	PART NUMBER	QTY	DESCRIPTION	REV
	1001274814	Ref	RECEPTACLE INSTALLATION - 12V	A
1	3290405	2	Nut M4	
2	4461012	1	Receptacle - 12V	
3	4811400	2	Washer M4	
4	1001097244	2	Screw M4 x 12	

SECTION 8 - ELECTRICAL

FIGURE 8-47. SKYLINE HARNESS



ART_1001238418

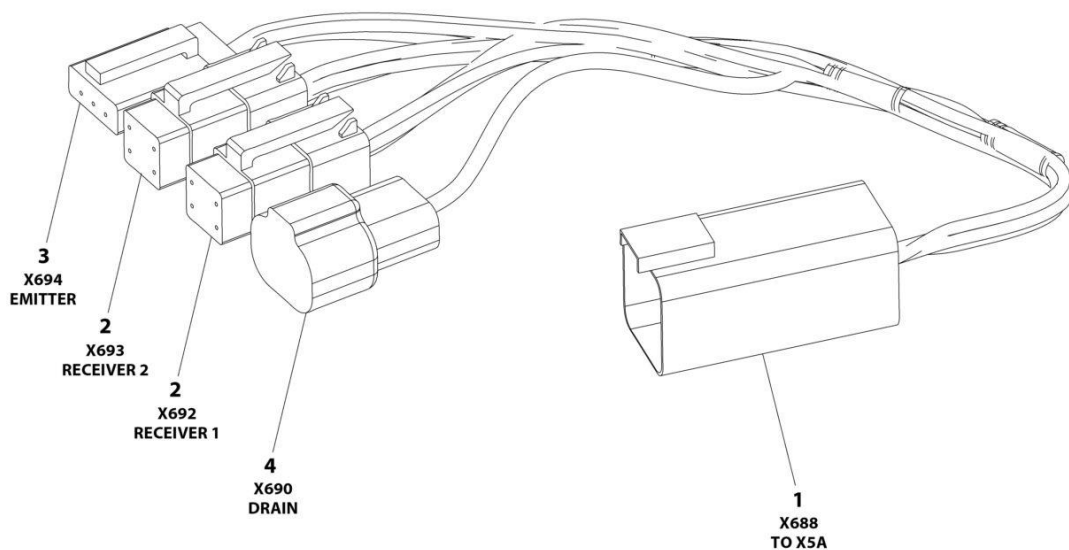
SECTION 8 - ELECTRICAL

FIGURE 8-47. SKYLINE HARNESS

ITEM	PART NUMBER	QTY	DESCRIPTION	REV
	1001238418	Ref	SKYLINE HARNESS	B
1	4460899	1	Connector - 6 Position	
1	4460464	4	Pin, Male	
1	4460466	2	Plug, Terminal	
2	4461077	1	Connector - 4 Position	
2	1001126009	4	Socket, Female	
3	1001186432	2	Plug, Relay	
3	1001118388	5	Terminal	
3	1001118384	3	Terminal	
3	3740086	2	Relay	

SECTION 8 - ELECTRICAL

FIGURE 8-48. SKYEYE INTERMEDIATE HARNESS



ART_1001237865

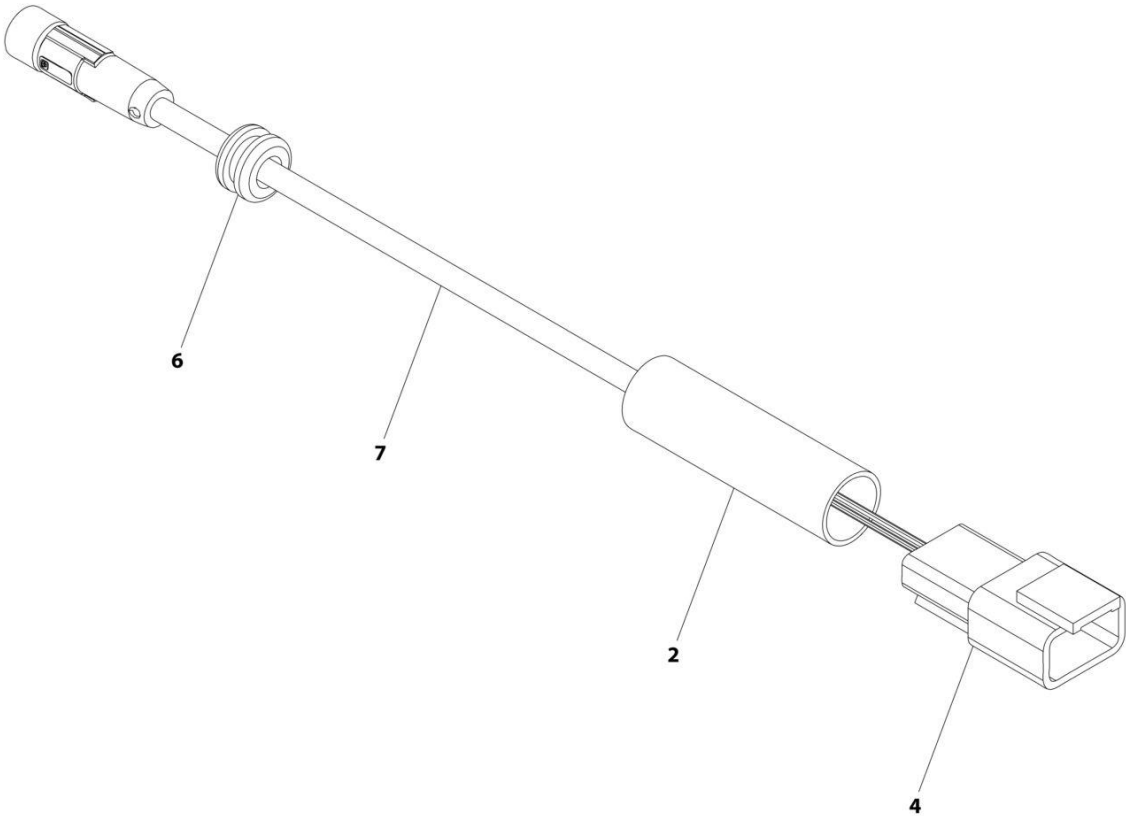
SECTION 8 - ELECTRICAL

FIGURE 8-48. SKYEYE INTERMEDIATE HARNESS

ITEM	PART NUMBER	QTY	DESCRIPTION	REV
	1001237865	Ref	SKYEYE INTERMEDIATE HARNESS	A
1	4460899	1	Connector - 6 Position	
1	4460943	4	Pin, Male	
1	4460466	2	Plug, Terminal	
2	4461077	2	Connector - 4 Position	
2	1001119619	8	Socket, Female	
3	4460911	1	Connector - 3 Position	
3	1001119619	3	Socket, Female	
4	1001187681	1	Connector - 2 Position	
4	4460941	1	Pin, Male	
4	4460466	1	Plug, Terminal	

SECTION 8 - ELECTRICAL

FIGURE 8-49. SKYEYE RECEIVER HARNESS



ART_1001237863_B

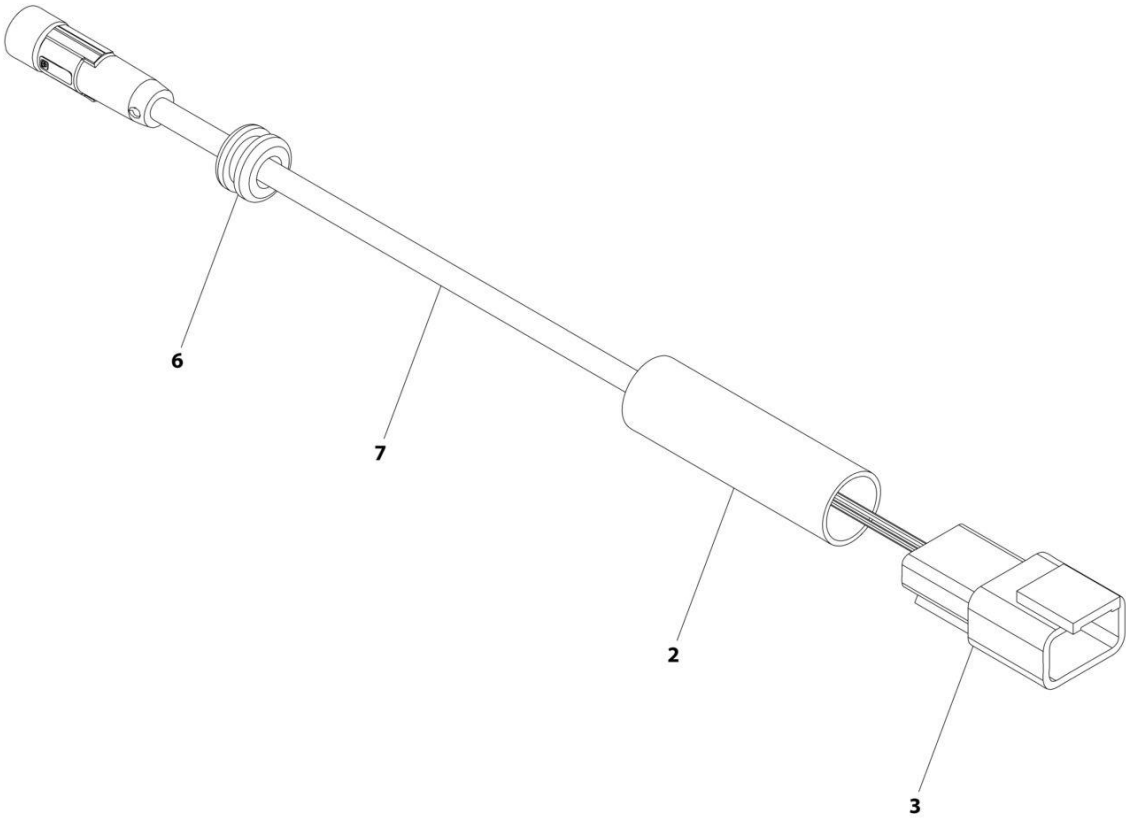
SECTION 8 - ELECTRICAL

FIGURE 8-49. SKYEYE RECEIVER HARNESS

ITEM	PART NUMBER	QTY	DESCRIPTION	REV
	1001237863	Ref	SKYEYE RECEIVER HARNESS	B
2	2820247	AR	Tubing, Heat Shrink	
4	1001097051	1	Connector - 4 Position	
4	1001119620	4	Pin, Male	
6	1001227996	1	Grommet	
7	1001258495	1	Cable, M8 Female Cordset	

SECTION 8 - ELECTRICAL

FIGURE 8-50. SKYEYE EMITTER HARNESS



ART_1001237864_B

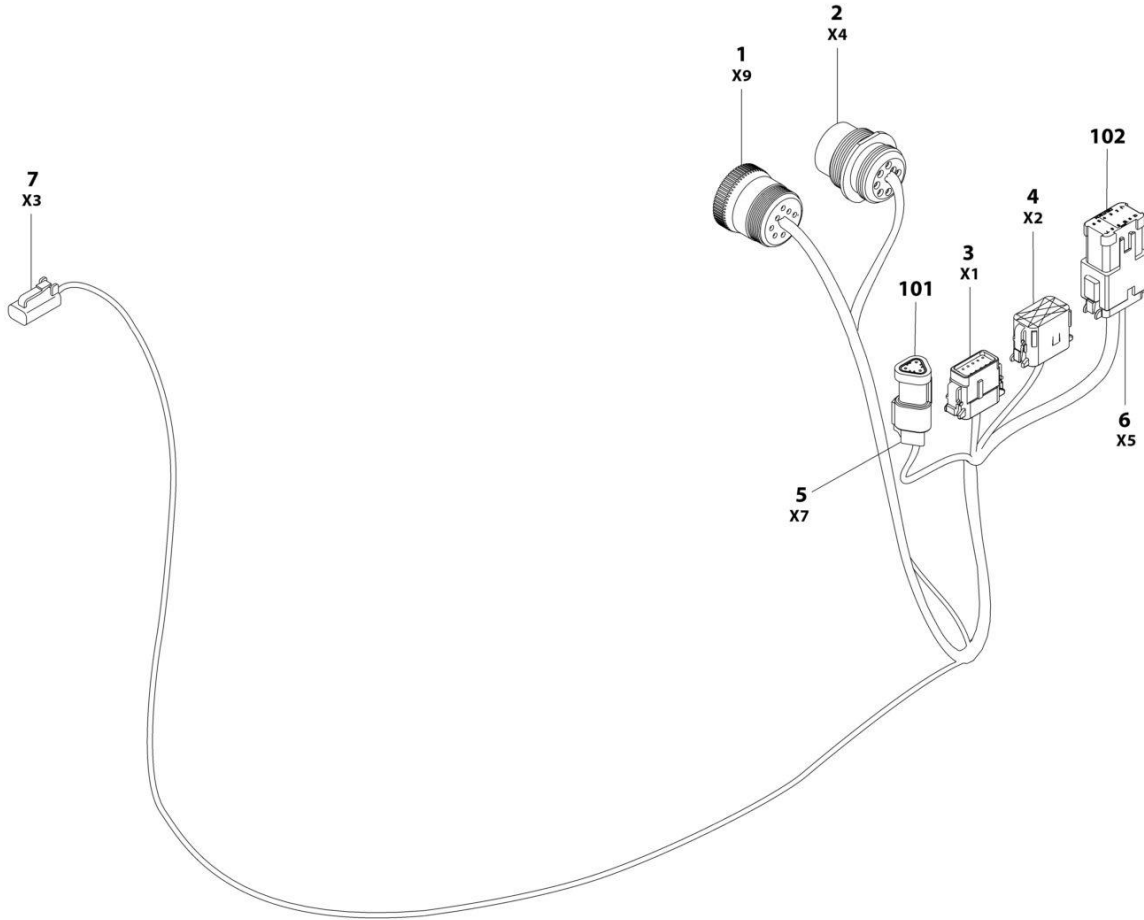
SECTION 8 - ELECTRICAL

FIGURE 8-50. SKYEYE EMITTER HARNESS

ITEM	PART NUMBER	QTY	DESCRIPTION	REV
	1001237864	Ref	SKYEYE EMITTER HARNESS	B
2	2820247	AR	Tubing, Heat Shrink	
3	4460910	1	Connector - 3 Position	
3	1001119620	3	Pin, Male	
6	1001227996	1	Grommet	
7	1001258495	1	Cable, M8 Female Cordset	

SECTION 8 - ELECTRICAL

FIGURE 8-51. STROBE LIGHT HARNESS (BLUE AND RED LIGHTS)



ART_1001142736

SECTION 8 - ELECTRICAL

FIGURE 8-51. STROBE LIGHT HARNESS (BLUE AND RED LIGHTS)

ITEM	PART NUMBER	QTY	DESCRIPTION	REV
	1001142736	Ref	STROBE LIGHT HARNESS (BLUE AND RED LIGHTS)	F
1	1001112796	1	Connector - 9 Position	
1	4460465	6	Socket, Female	
1	4460466	3	Plug, Socket	
2	1001112612	1	Connector - 9 Position	
2	4460464	6	Pin, Male	
2	4460466	3	Plug, Socket	
3	1001116808	1	Connector - 12 Position	
3	4460928	3	Socket, Female	
3	4460518	9	Plug, Socket	
4	1001116774	1	Connector - 12 Position	
4	4460928	3	Socket, Female	
4	4460518	9	Plug, Socket	
5	4461095	1	Connector - 3 Position	
5	4460465	3	Socket, Female	
6	4460933	1	Connector - 12 Position	
6	4460465	12	Socket, Female	
7	4460891	1	Connector - 2 Position	
7	4460465	2	Socket, Female	
101	4461070	1	Connector - 3 Position	
102	1001119020	1	Connector, Female Bussbar - 12 Position	

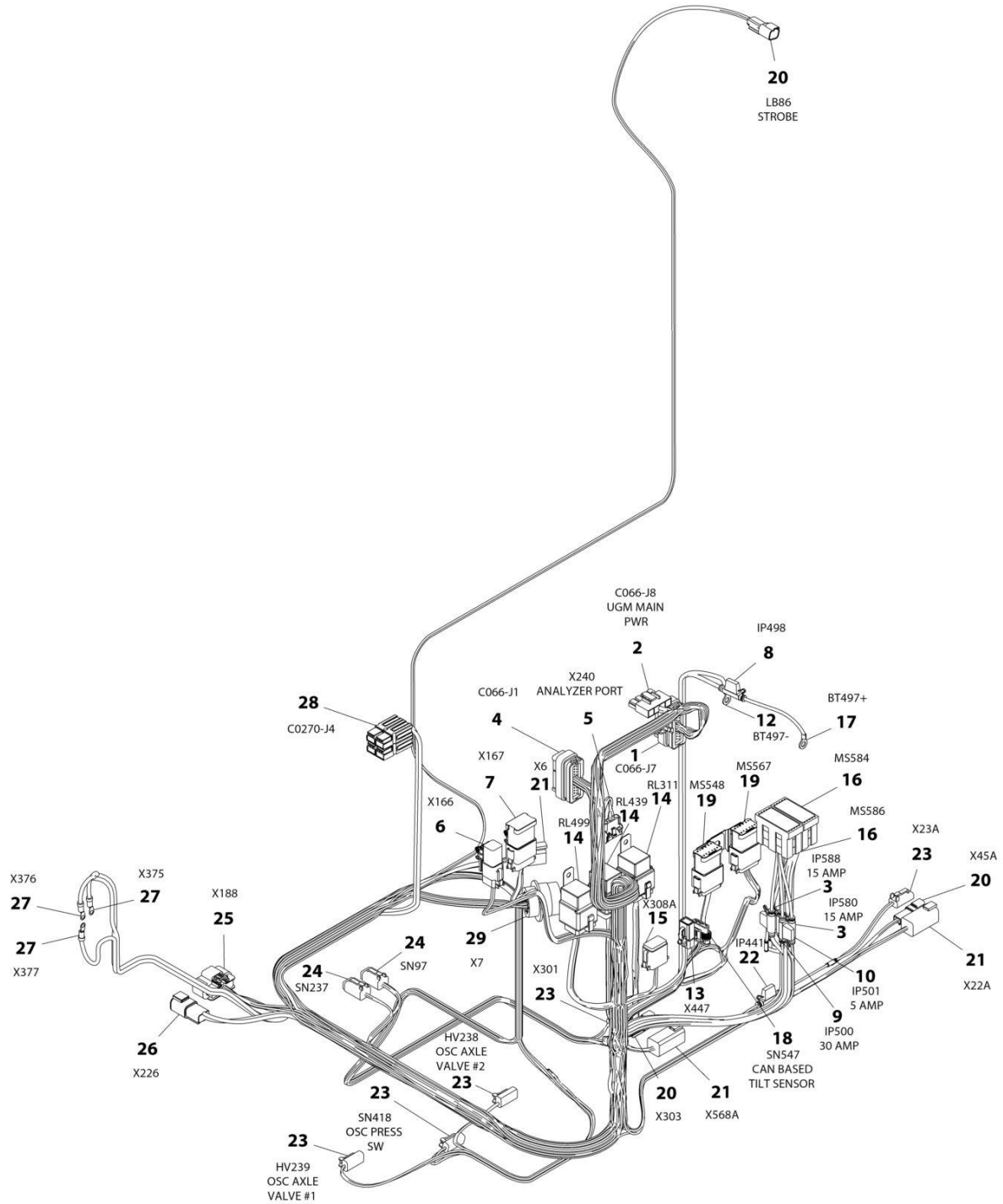
SECTION 8 - ELECTRICAL

FIGURE 8-52. TRACTION HARNESS

ITEM	PART NUMBER	QTY	DESCRIPTION	REV
	1001161871	Ref	TRACTION HARNESS	K
1	4460873	4	Connector - 35 Position	
1	4460871	59	Socket, Female	
1	4460905	81	Plug, Terminal	
2	1001255901	9	Fuseholder with Cover	
2	1001170760	9	Fuse 10Amp	
3	4460670	7	Terminal, Ring	
4	4460931	4	Receptacle, Female - 8 Position	
4	4460464	32	Pin, Male	
5	4460703	4	Terminal, Ring	
6	4460536	2	Receptacle, Female - 3 Position	
6	4460464	6	Pin, Male	
7	1001117057	1	Connector, Relay	
7	1001116732	3	Terminal	
7	1001166733	1	Terminal	
7	1001171295	1	Relay	
8	4460897	1	Receptacle, Female - 2 Position	
8	4460464	2	Pin, Male	
9	4460320	1	Plug, Male - 2 Position	
9	4460267	2	Terminal	
10	4460891	1	Plug, Male - 2 Position	
10	4460465	1	Socket, Female	
10	4460466	1	Plug, Terminal	
11	4460894	1	Plug, Male - 6 Position	
11	4460465	5	Socket, Female	
11	4460466	1	Plug, Terminal	
12	4460994	1	Receptacle, Female - 2 Position	
12	1001116723	2	Terminal	
13	4460851	1	Plug, Male - 12 Position	
13	4460465	7	Socket, Female	
13	4460466	1	Plug, Terminal	
13	4460852	1	Bussbar - 12 Position	
14	4460933	1	Plug, Male - 12 Position	
14	4460944	12	Socket, Female	
14	1001119020	2	Bussbar - 12 Position	
15	1001117057	1	Connector, Relay	
15	1001116732	4	Terminal	
15	1001171295	1	Relay	
16	1001183402	1	Connector - 4 Position	
16	1001183405	4	Terminal	
17	1001255901	1	Fuseholder with Cover	
17	8229242	1	Fuse 5Amp	
18	1001126245	1	Receptacle, Female - 2 Position	
18	1001126008	2	Terminal	

SECTION 8 - ELECTRICAL

FIGURE 8-53. TURNTABLE HARNESS



ART_1001165923

SECTION 8 - ELECTRICAL

FIGURE 8-53. TURNTABLE HARNESS

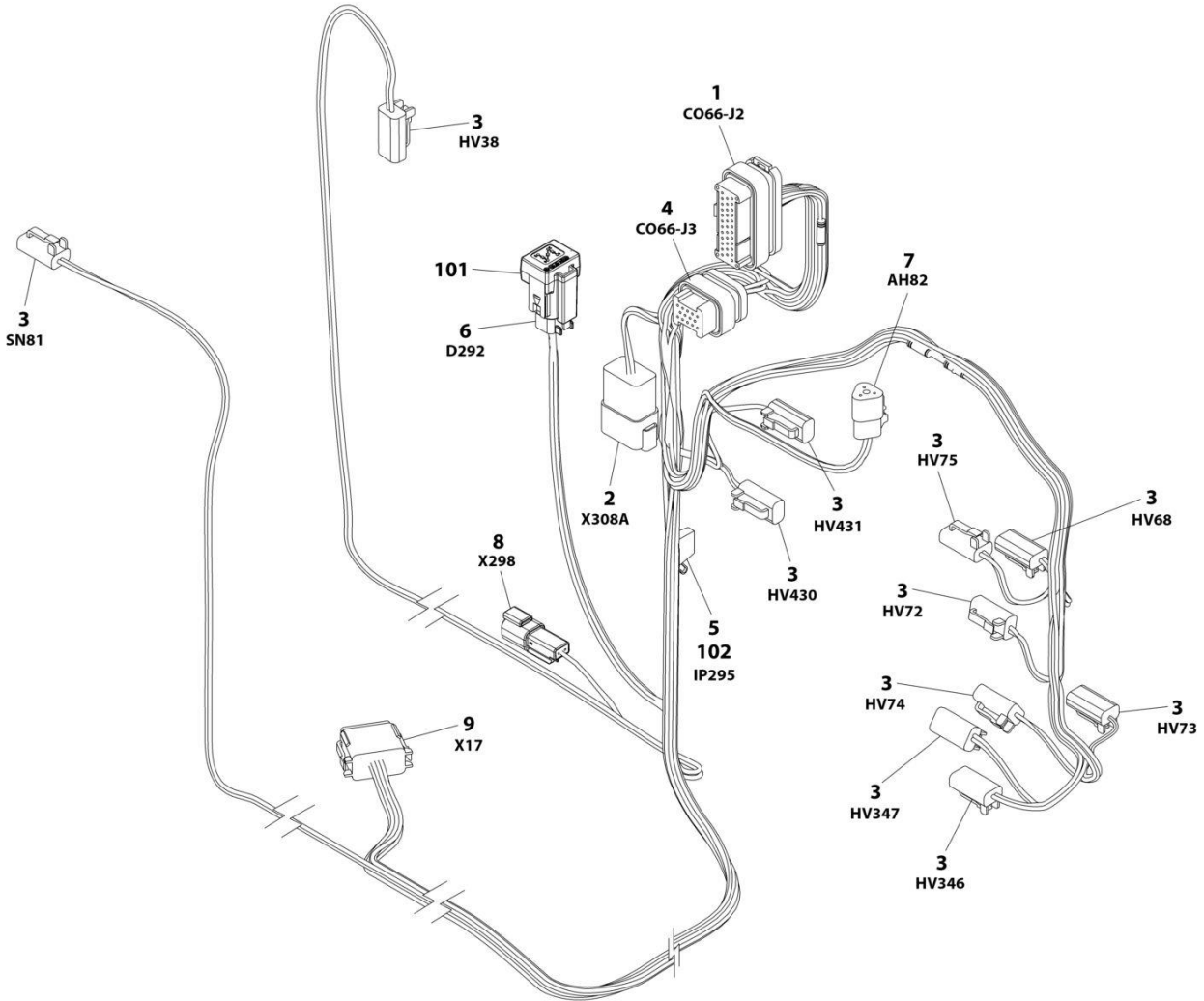
ITEM	PART NUMBER	QTY	DESCRIPTION	REV
	1001165923	Ref	TURNTABLE HARNESS	H
1	4460873	1	Connector - 35 Position (Black)	
1	4460871	24	Socket, Female	
1	4460905	11	Plug, Terminal	
2	4460878	1	Connector - 4 Position	
2	4460887	4	Terminal	
3	2400066	2	Fuseholder Less Fuse	
3	8229244	2	Fuse 15Amp	
4	4460874	1	Connector - 35 Position (Natural)	
4	4460871	20	Socket, Female	
4	4460905	15	Plug, Terminal	
5	4460761	1	Connector - 4 Position	
5	4460227	4	Pin, Male	
6	4460894	1	Connector - 6 Position	
6	4460465	4	Socket, Female	
6	4460466	2	Plug, Terminal	
6	4460892	1	Connector - 6 Position Bussbar	
6	1001121172	1	Mount, Terminal	
7	4460836	1	Connector - 12 Position	
7	4460465	5	Socket, Female	
7	4460466	7	Plug, Terminal	
7	4460837	1	Connector - 12 Position Bussbar	
7	1001121172	1	Mount, Terminal	
8	1001172064	1	Fuseholder Less Fuse	
8	1001172227	1	Fuse 40Amp ATO	
9	2400066	1	Fuseholder Less Fuse	
9	2400065	1	Fuse 30 Amp	
10	2400066	1	Fuseholder Less Fuse	
10	2400064	1	Fuse 5Amp	
11	3990010	2	Diode 6Amp	
12	4460312	1	Ring, Terminal	
12	1001176230	1	Boot, Battery	
13	4461018	1	Connector - 2 Position	
13	4460509	2	Socket, Female	
14	1001117025	3	Connector - 5 Position Relay	
14	1001116734	4	Terminal, Female	
14	1001116732	6	Terminal, Female	
14	1001116733	2	Terminal, Female	
15	4460930	1	Connector - 8 Position	
15	4460465	3	Socket, Female	
15	4460466	3	Plug, Terminal	
16	1001184846	2	Connector - 10 Position Bussbar	
16	4460509	15	Socket, Female	
16	4460466	5	Plug, Terminal	
17	4460312	1	Ring, Terminal	
17	1001176229	1	Boot, Battery	
18	1001103012	1	Connector - 4 Position	
18	1001107854	1	Socket, Female	
19	4460933	2	Connector - 12 Position	
19	4460465	14	Socket, Female	

SECTION 8 - ELECTRICAL

ITEM	PART NUMBER	QTY	DESCRIPTION	REV
19	4460466	10	Plug, Terminal	
19	1001119020	2	Connector, Bussbar	
19	1001155967	2	Bracket, Mounting	
20	4460897	3	Connector - 2 Position	
20	4460464	6	Pin, Male	
21	4460899	3	Connector - 6 Position	
21	4460464	14	Pin, Male	
21	4460466	4	Plug, Terminal	
22	2400060	1	Fuseholder Less Fuse	
22	See Note	1	Fuse 10Amp (Note: Not Available - Purchase Locally)	
23	4460891	5	Connector - 2 Position	
23	4460465	10	Socket, Female	
24	4460884	2	Connector - 4 Position	
24	4460465	7	Socket, Female	
24	4460466	1	Plug, Terminal	
25	4461110	1	Connector - 16 Position	
25	4461112	9	Terminal, Female	
25	4461222	7	Plug, Terminal	
26	4461017	1	Connector - 2 Position	
26	4460508	2	Pin, Male	
27	4460142	3	Ring, Terminal	
28	1001151788	1	Connector - 4 Position	
28	1001151824	2	Terminal	
29	4460866	1	Connector - 19 Position	
29	4460943	3	Pin, Male	
29	4460508	4	Pin, Male	
29	4460464	4	Pin, Male	
29	4460466	8	Plug, Terminal	

SECTION 8 - ELECTRICAL

FIGURE 8-54. VALVE HARNESS



ART_1001283534

SECTION 8 - ELECTRICAL

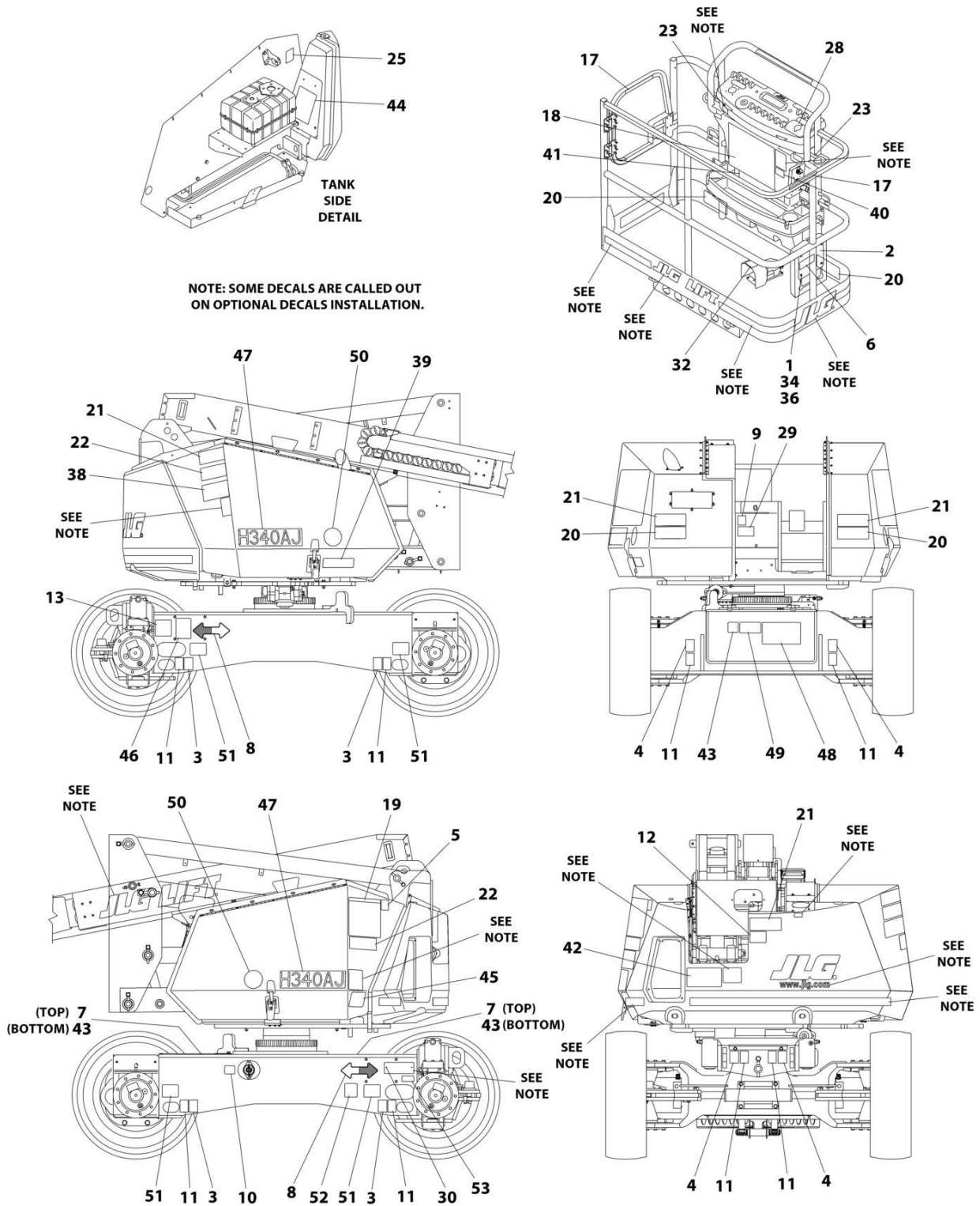
FIGURE 8-54. VALVE HARNESS

ITEM	PART NUMBER	QTY	DESCRIPTION	REV
	1001283534	Ref	VALVE HARNESS	A
1	4460875	1	Connector - 35 Position	
1	4460871	27	Socket, Female	
1	4460905	8	Plug, Terminal	
2	4460931	1	Connector - 8 Position	
2	4460464	3	Pin, Male	
2	4460466	5	Plug, Terminal	
3	4460891	11	Connector - 2 Position	
3	4460465	22	Socket, Female	
4	4460872	1	Connector - 14 Position	
4	4460871	7	Socket, Female	
4	4460905	7	Plug, Terminal	
5	2400060	1	Fuse Holder	
6	4460884	1	Plug, Male - 4 Position	
7	4460539	1	Connector - 3 Position	
7	4460465	3	Socket, Female	
8	4460897	1	Receptacle, Female - 2 Position	
8	4460464	1	Pin, Male	
8	4460466	1	Plug, Terminal	
9	4460933	1	Connector - 12 Position	
9	4460465	9	Socket, Female	
9	4460466	3	Plug, Terminal	
101	1001152266	1	Connector - 4 Position	
102	1001196636	1	Connector with Diode	

SECTION 9 - DECALS

SECTION 9 - DECALS

FIGURE 9-1. DECALS INSTALLATION – ANSI, ANSI EXPORT CSA AND CHINA SPECS (ENGLISH)



ART_1001247062

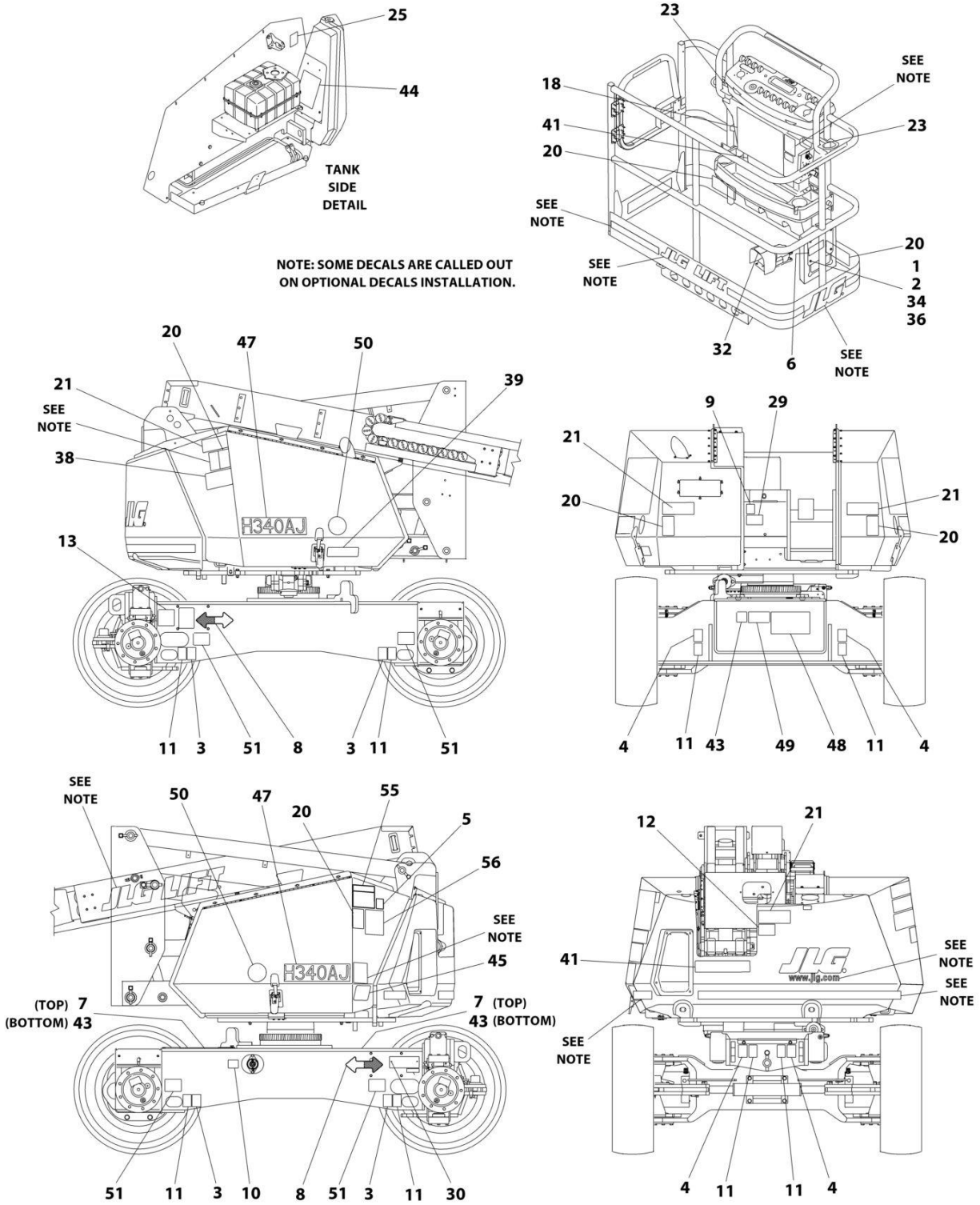
SECTION 9 - DECALS

FIGURE 9-1. DECALS INSTALLATION – ANSI, ANSI EXPORT CSA AND CHINA SPECS (ENGLISH)

ITEM	PART NUMBER	QTY	DESCRIPTION	REV
	1001289743	Ref	DECAL INSTALLATION - REFERENCE CHART	A
	1001247062	Ref	DECALS INSTALLATION	F
1	0760610	4	Bolt M6 x 20	
2	0860520	1	Box, Manual Storage	
3	1701499	4	Decal - No Tie-Down/No Lift	
4	1701500	4	Decal - Lift	
5	1701504	1	Decal - Hydraulic Oil	
6	1701509	1	Decal - Manual	
7	1701529	2	Decal - Arrow	
8	1701642	2	Decal - Arrow	
9	1701644	1	Decal - Battery Charger	
10	1702155	1	Decal - Battery Disconnect	
11	1702300	8	Decal - Tie-Down	
12	1702391	1	Decal - Crushing	
13	See Note	1	Decal - Bar Code (Note: Not Available for Purchase)	
17	1702868	2	Decal - No Hands	
18	1703797	1	Decal - Danger/Warning	
19	1703798	1	Decal - Danger/Warning	
20	1703804	4	Decal - Warning Crushing	
21	1703805	4	Decal - Electrocution	
22	1703953	2	Decal - Warning Crushing	
23	1704277	2	Decal - Lanyard Attach	
25	1704412	1	Decal - Hydraulic Oil	
28	1705351	1	Decal - Drive/Steer Instructions	
29	1705929	1	Decal - Charger	
30	2080057	2	Fastener	
32	3252347	1	Nameplate - Footswitch	
34	3290605	4	Nut M6	
36	4811700	8	Washer M6	
38	1001284677	1	Decal - Lift Diagram	
39	1001119981	1	Decal - Manual Turntable Rotate	
40	1001120002	1	Decal - No Pipe Racks	
41	1001253920	1	Decal - Warning Single Cap	
42	1001253921	1	Decal - Warning Single Cap	
43	1001125483	3	Decal - Pressure Wash	
44	1001127549	1	Decal - Manual Descent	
45	1001127588	1	Decal - Manual Descent	
46	1001131269	1	Decal - Patent	
47	1001267324	2	Decal - H340AJ	
48	1001170061	1	Decal - Cable Routing	
49	1001170676	1	Decal - Tip Over	
50	1001174449	2	Decal - Hybrid	
51	1001182809	4	Decal - Tire Load	
52	1001223055	1	Decal - Yearly Inspection	
53	1001228370	1	Decal - ICES	

SECTION 9 - DECALS

FIGURE 9-2. DECALS INSTALLATION - AUSTRALIAN SPEC (ENGLISH)



ART_1001169311

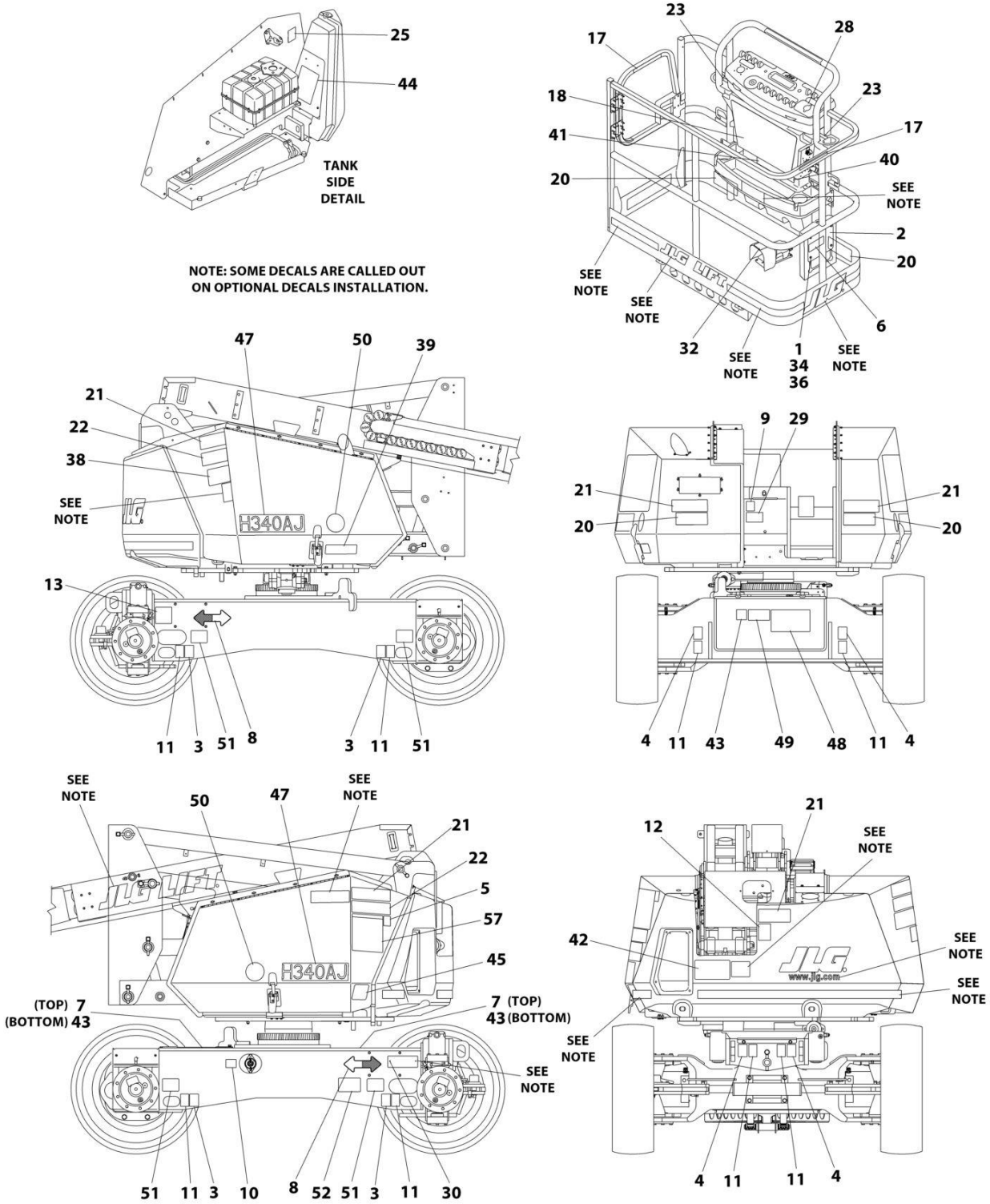
SECTION 9 - DECALS

FIGURE 9-2. DECALS INSTALLATION - AUSTRALIAN SPEC (ENGLISH)

ITEM	PART NUMBER	QTY	DESCRIPTION	REV
	1001289743	Ref	DECAL INSTALLATION - REFERENCE CHART	A
	1001169311	Ref	DECALS INSTALLATION - AUSTRALIAN SPEC (ENGLISH)	J
1	0760610	4	Bolt M6 x 20	
2	0860520	1	Box, Manual Storage	
3	1701499	4	Decal - No Tie-Down/No Lift	
4	1701500	4	Decal - Lift	
5	1701504	1	Decal - Hydraulic Oil	
6	1701509	1	Decal - Manual	
7	1701529	2	Decal - Arrow	
8	1701642	2	Decal - Arrow	
9	1701644	1	Decal - Battery Charger	
10	1702155	1	Decal - Battery Disconnect	
11	1702300	8	Decal - Tie-Down	
12	1701517	1	Decal - Crushing	
13	See Note	1	Decal - Bar Code (Note: Not Available for Purchase)	
18	1705921	1	Decal - Tipping/Electrocution	
20	1701518	6	Decal - Crushing	
21	1705961	4	Decal - Electrocution	
23	1704277	2	Decal - Lanyard Attach	
25	1704412	1	Decal - Hydraulic Oil	
29	1706077	1	Decal - Battery Charger	
30	2080057	2	Fastener	
32	1705828	1	Decal - Footswitch	
34	3290605	4	Nut M6	
36	4811700	8	Washer M6	
38	1001284677	1	Decal - Lift Diagram	
39	1001119981	1	Decal - Manual Turntable Rotate	
41	1705978	2	Decal - Capacity 230KG	
43	1001125483	3	Decal - Pressure Wash	
44	1001127549	1	Decal - Manual Descent	
45	1001127588	1	Decal - Manual Descent	
47	1001267324	2	Decal - H340AJ	
48	1001170061	1	Decal - Cable Routing	
49	1001170060	1	Decal - Tip Over	
50	1001174449	2	Decal - Hybrid	
51	1001182809	4	Decal - Tire Load	
55	1705822	1	Decal - Electrocution/Safety Manual	
56	1001112551	1	Decal - Emergency Controls	

SECTION 9 - DECALS

FIGURE 9-3. DECALS INSTALLATION - BRAZIL SPEC (PORTUGUESE/SPANISH)



ART_1001247067

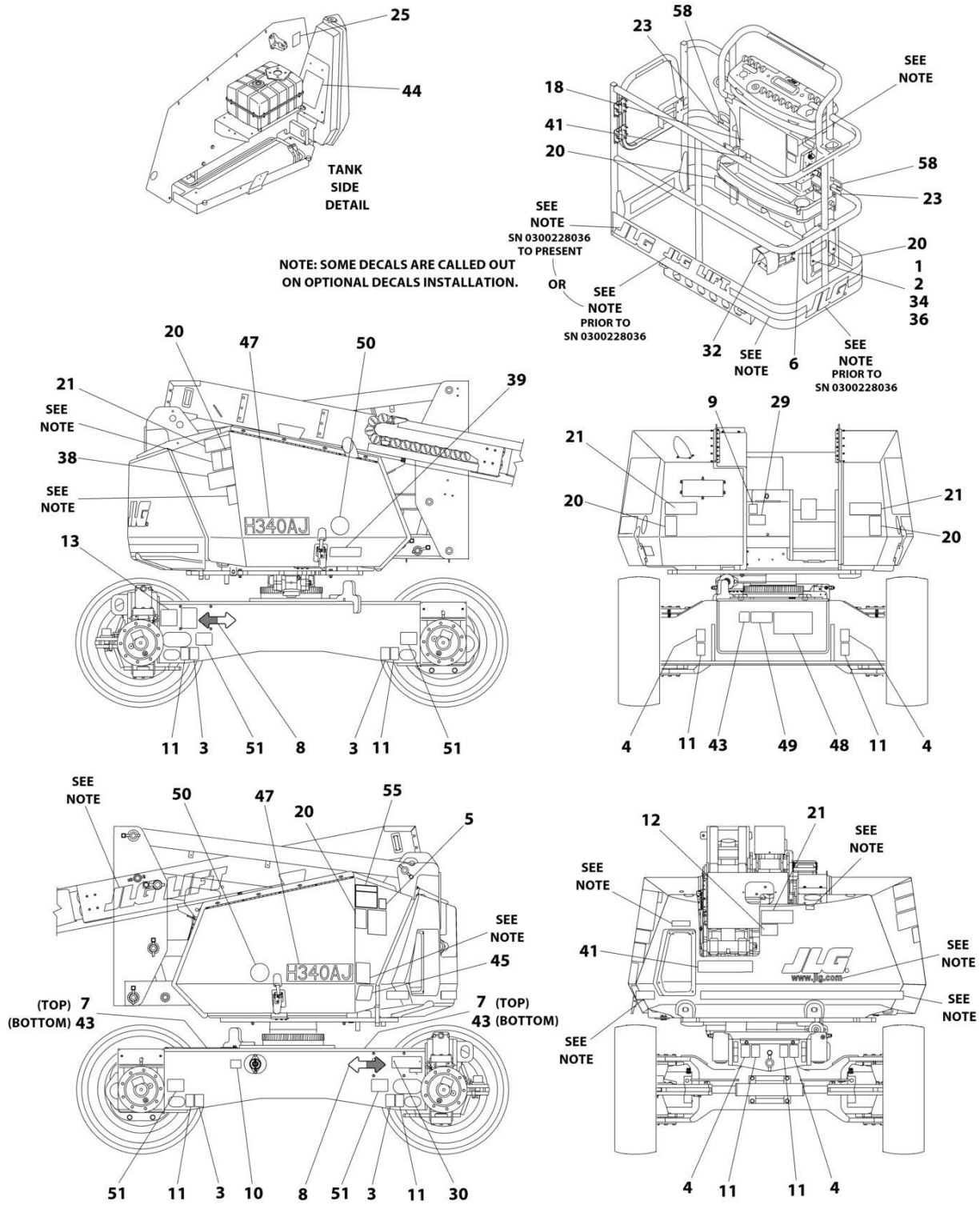
SECTION 9 - DECALS

FIGURE 9-3. DECALS INSTALLATION - BRAZIL SPEC (PORTUGUESE/SPANISH)

ITEM	PART NUMBER	QTY	DESCRIPTION	REV
	1001289743	Ref	DECAL INSTALLATION - REFERENCE CHART	A
	1001247067	Ref	DECALS INSTALLATION	E
1	0760610	4	Bolt M6 x 20	
2	0860520	1	Box, Manual Storage	
3	1701499	4	Decal - No Tie-Down/No Lift	
4	1701500	4	Decal - Lift	
5	1701504	1	Decal - Hydraulic Oil	
6	1701509	1	Decal - Manual	
7	1701529	2	Decal - Arrow	
8	1701642	2	Decal - Arrow	
9	1701644	1	Decal - Battery Charger	
10	1702155	1	Decal - Battery Disconnect	
11	1702300	8	Decal - Tie-Down	
12	1001113170	1	Decal - Hand Crushing	
13	See Note	1	Decal - Bar Code (Note: Not Available for Purchase)	
17	1704002	2	Decal - No Hand	
18	1703928	1	Decal - Danger/Warning	
20	1703952	4	Decal - Warning Crushing	
21	1703940	5	Decal - Electrocution	
22	1703946	2	Decal - Warning Crushing	
23	1704277	2	Decal - Lanyard Attach	
25	1704412	1	Decal - Hydraulic Oil Chart	
28	1001113680	1	Decal - Drive/Steer Instructions	
29	1706089	1	Decal - Battery Charging Instructions	
30	2080057	2	Fastener	
32	1703985	1	Decal, Foot Switch	
34	3290605	4	Nut M6	
36	4811700	8	Washer M6	
38	1001284677	1	Decal - Lift Diagram	
39	1001119981	1	Decal - Manual Turntable Rotate	
40	1001120282	1	Decal - No Pipe Racks	
41	1001253928	1	Decal - Warning Single Cap	
42	1001253929	1	Decal - Warning Single Cap	
43	1001125483	3	Decal - Pressure Wash	
44	1001127549	1	Decal - Manual Descent	
45	1001127588	1	Decal - Manual Descent	
47	1001267324	2	Decal - H340AJ	
48	1001170061	1	Decal - Cable Routing	
49	1001170670	1	Decal - Tip-over	
50	1001174449	2	Decal - Hybrid	
51	1001182809	4	Decal - Tire Load	
52	1001224052	1	Decal - Yearly Inspection	
57	1705349	1	Decal - Warning Inspection	

SECTION 9 - DECALS

FIGURE 9-4. DECALS INSTALLATION - CE & UK CA SPECS (ENGLISH)



ART_1001169317

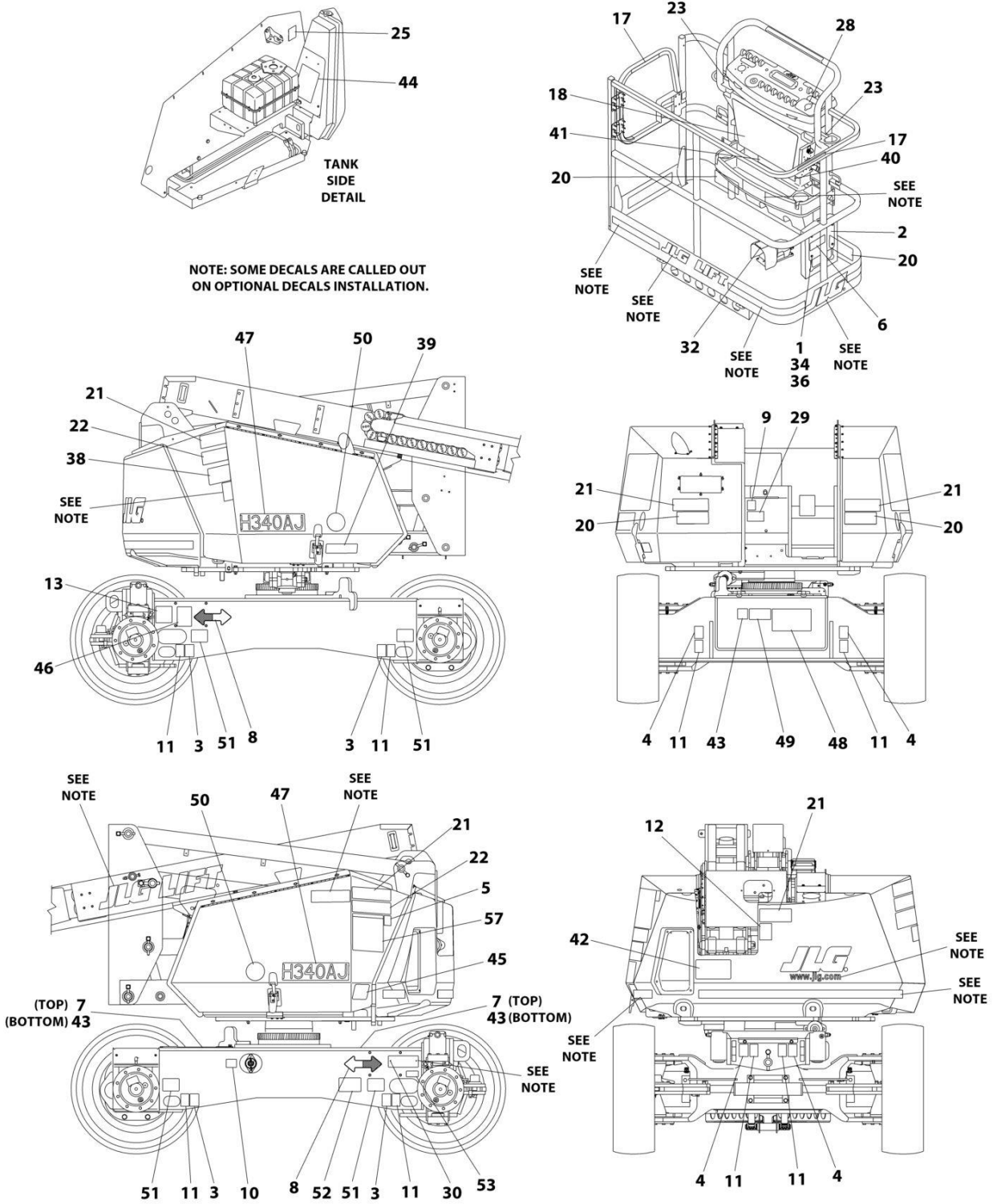
SECTION 9 - DECALS

FIGURE 9-4. DECALS INSTALLATION - CE & UK CA SPECS (ENGLISH)

ITEM	PART NUMBER	QTY	DESCRIPTION	REV
	1001289743	Ref	DECAL INSTALLATION - REFERENCE CHART	A
	1001169317	Ref	DECALS INSTALLATION - CE & UK CA SPEC (ENGLISH)	K
1	0760610	4	Bolt M6 x 20	
2	0860520	1	Box, Manual Storage	
3	1701499	4	Decal - No Tie-Down/No Lift	
4	1701500	4	Decal - Lift	
5	1701504	1	Decal - Hydraulic Oil	
6	1701509	1	Decal - Manual	
7	1701529	2	Decal - Arrow	
8	1701642	2	Decal - Arrow	
9	1701644	1	Decal - Battery Charger	
10	1702155	1	Decal - Battery Disconnect	
11	1702300	8	Decal - Tie-Down	
12	1701517	1	Decal - Crushing	
13	See Note	1	Decal - Bar Code (Note: Not Available for Purchase)	
18	1705921	1	Decal - Tipping/Electrocution	
20	1701518	6	Decal - Crushing	
21	1705961	4	Decal - Electrocution	
23	1704277	2	Decal - Lanyard Attach	
25	1704412	1	Decal - Hydraulic Oil	
29	1706077	1	Decal - Battery Charger	
30	2080057	2	Fastener	
32	1705828	1	Decal - Footswitch	
34	3290605	4	Nut M6	
36	4811700	8	Washer M6	
38	1001284677	1	Decal - Lift Diagram	
39	1001119981	1	Decal - Manual Turntable Rotate	
41	1705978	2	Decal - Capacity 230KG	
43	1001125483	3	Decal - Pressure Wash	
44	1001127549	1	Decal - Manual Descent	
45	1001127588	1	Decal - Manual Descent	
47	1001267324	2	Decal - H340AJ	
48	1001170061	1	Decal - Cable Routing	
49	1001170060	1	Decal - Tip Over	
50	1001174449	2	Decal - Hybrid	
51	1001182809	4	Decal - Tire Load	
55	1705822	1	Decal - Electrocution/Safety Manual	
58	1001141678	2	Plate, Lanyard	

SECTION 9 - DECALS

FIGURE 9-5. DECALS INSTALLATION - CSA SPEC (FRENCH/ENGLISH)



ART_1001247065

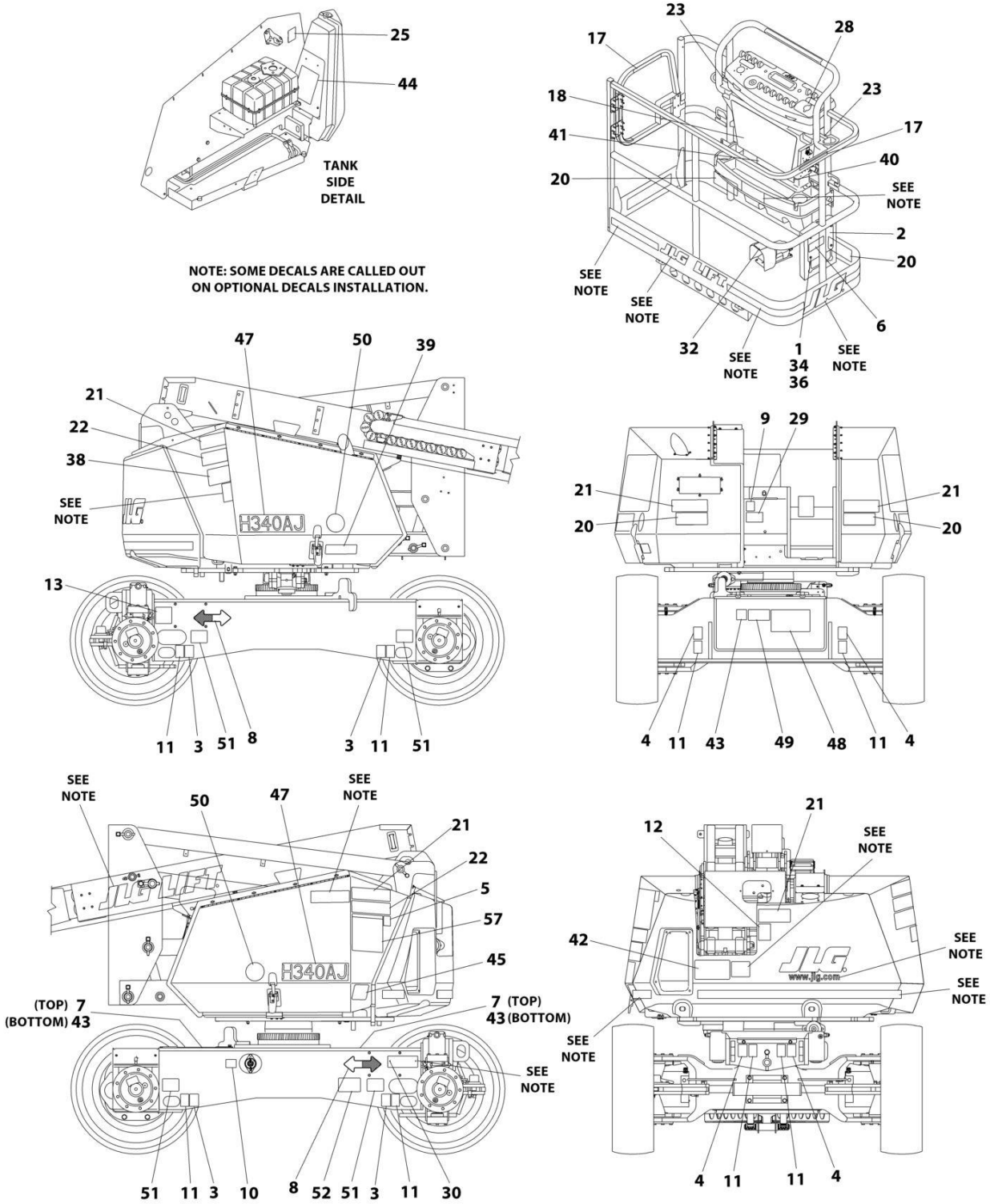
SECTION 9 - DECALS

FIGURE 9-5. DECALS INSTALLATION - CSA SPEC (FRENCH/ENGLISH)

ITEM	PART NUMBER	QTY	DESCRIPTION	REV
	1001289743	Ref	DECAL INSTALLATION - REFERENCE CHART	A
	1001247065	Ref	DECALS INSTALLATION	E
1	0760610	4	Bolt M6 x 20	
2	0860520	1	Box, Manual Storage	
3	1701499	4	Decal - No Tie-Down/No Lift	
4	1701500	4	Decal - Lift	
5	1701504	1	Decal - Hydraulic Oil	
6	1701509	1	Decal - Manual	
7	1701529	2	Decal - Arrow	
8	1701642	2	Decal - Arrow	
9	1701644	1	Decal - Battery Charger	
10	1702155	1	Decal - Battery Disconnect	
11	1702300	8	Decal - Tie-Down	
12	1001113169	1	Decal - Hand Crushing	
13	See Note	1	Decal - Bar Code (Note: Not Available for Purchase)	
17	1704000	2	Decal - No Hand	
18	1703924	1	Decal - Danger/Warning	
20	1703948	4	Decal - Warning Crushing	
21	1703936	5	Decal - Electrocution	
22	1703942	2	Decal - Warning Crushing	
23	1704277	2	Decal - Lanyard Attach	
25	1704412	1	Decal - Hydraulic Oil Chart	
28	1705429	1	Decal - Drive/Steer Instructions	
29	1706097	1	Decal - Battery Charging Instructions	
30	2080057	2	Fastener	
32	1703984	1	Decal - Foot Switch	
34	3290605	4	Nut M6	
36	4811700	8	Washer M6	
38	1001284677	1	Decal - Lift Diagram	
39	1001119981	1	Decal - Manual Turntable Rotate	
40	1001120004	1	Decal - No Pipe Racks	
41	1001253922	1	Decal - Warning Single Cap	
42	1001253923	1	Decal - Warning Single Cap	
43	1001125483	3	Decal - Pressure Wash	
44	1001127549	1	Decal - Manual Descent	
45	1001127588	1	Decal - Manual Descent	
46	1001131269	1	Decal - Patent Boom Lifts	
47	1001267324	2	Decal - H340AJ	
48	1001170061	1	Decal - Cable Routing	
49	1001170672	1	Decal - Tip-over	
50	1001174449	2	Decal - Hybrid	
51	1001182809	4	Decal - Tire Load	
52	1001223971	1	Decal - Yearly Inspection	
53	1001228370	1	Decal - ICES	
57	1705347	1	Decal - Warning Inspection	

SECTION 9 - DECALS

FIGURE 9-6. DECALS INSTALLATION - CHINESE SPEC (CHINESE/ENGLISH)



ART_1001247066

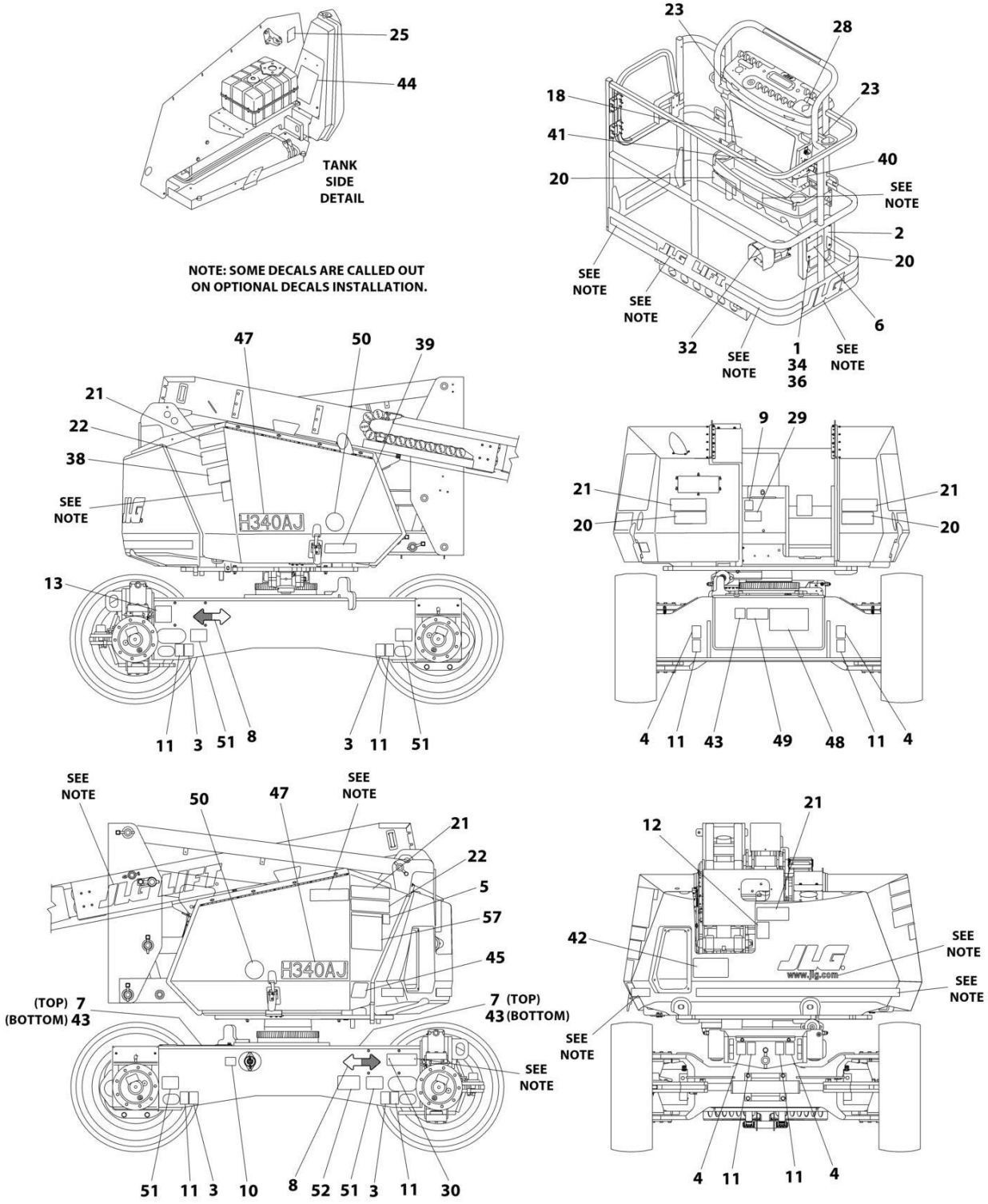
SECTION 9 - DECALS

FIGURE 9-6. DECALS INSTALLATION - CHINESE SPEC (CHINESE/ENGLISH)

ITEM	PART NUMBER	QTY	DESCRIPTION	REV
	1001289743	Ref	DECAL INSTALLATION - REFERENCE CHART	A
	1001247066	Ref	DECALS INSTALLATION	F
1	0760610	4	Bolt M6 x 20	
2	0860520	1	Box, Manual Storage	
3	1701499	4	Decal - No Tie-Down/No Lift	
4	1701500	4	Decal - Lift	
5	1701504	1	Decal - Hydraulic Oil	
6	1701509	1	Decal - Manual	
7	1701529	2	Decal - Arrow	
8	1701642	2	Decal - Arrow	
9	1701644	1	Decal - Battery Charger	
10	1702155	1	Decal - Battery Disconnect	
11	1702300	8	Decal - Tie-Down	
12	1001113168	1	Decal - Hand Crushing	
13	See Note	1	Decal - Bar Code (Note: Not Available for Purchase)	
17	1705968	2	Decal - No Hand	
18	1703925	1	Decal - Danger/Warning	
20	1703949	4	Decal - Warning Crushing	
21	1703937	5	Decal - Drive/Steer Instructions	
22	1703943	2	Decal - Warning Crushing	
23	1704277	2	Decal - Lanyard Attach	
25	1704412	1	Decal - Hydraulic Oil Chart	
28	1705430	1	Decal - Drive/Steer Instructions	
29	1706093	1	Decal - Battery Charging Instructions	
30	2080057	2	Fastener	
32	1703982	1	Decal - Foot Switch	
34	3290605	4	Nut M6	
36	4811700	8	Washer M6	
38	1001284677	1	Decal - Lift Diagram	
39	1001119981	1	Decal - Manual Turntable Rotate	
40	1001120281	1	Decal - No Pipe Racks	
41	1001253926	1	Decal - Warning Single Cap	
42	1001253927	1	Decal - Warning Single Cap	
43	1001125483	3	Decal - Pressure Wash	
44	1001127549	1	Decal - Manual Descent	
45	1001127588	1	Decal - Manual Descent	
47	1001267324	2	Decal - H340AJ	
48	1001170061	1	Decal - Cable Routing	
49	1001170671	1	Decal - Tip-over	
50	1001174449	2	Decal - Hybrid	
51	1001182809	4	Decal - Tire Load	
52	1001224050	1	Decal - Yearly Inspection	
57	1705348	1	Decal - Electrocution	

SECTION 9 - DECALS

FIGURE 9-7. DECALS INSTALLATION - JAPANESE SPEC (JAPANESE/ENGLISH)



ART_1001247063

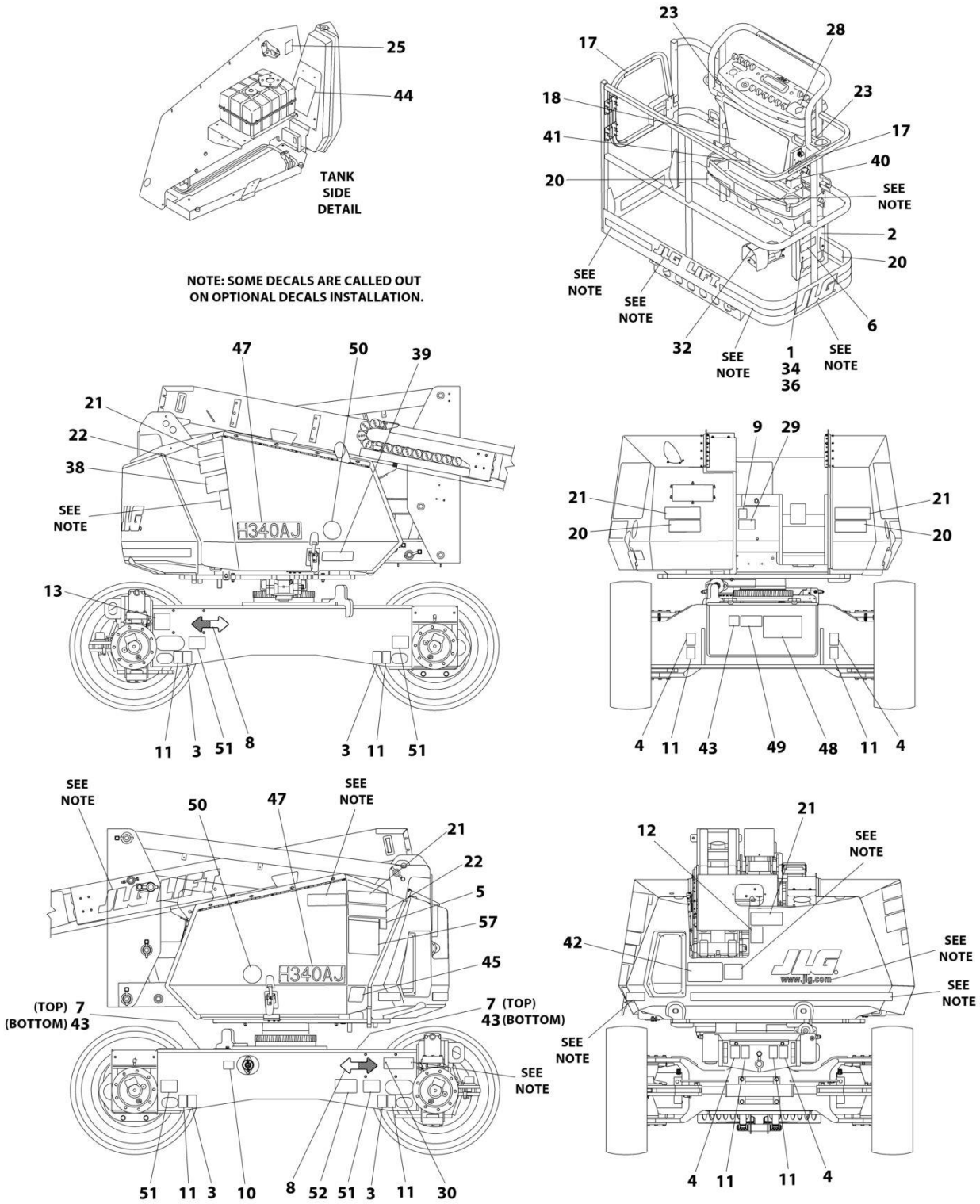
SECTION 9 - DECALS

FIGURE 9-7. DECALS INSTALLATION - JAPANESE SPEC (JAPANESE/ENGLISH)

ITEM	PART NUMBER	QTY	DESCRIPTION	REV
	1001289743	Ref	DECAL INSTALLATION - REFERENCE CHART	A
	1001247063	Ref	DECALS INSTALLATION	F
1	0760610	4	Bolt M6 x 20	
2	0860520	1	Box, Manual Storage	
3	1701499	4	Decal - No Tie-Down/No Lift	
4	1701500	4	Decal - Lift	
5	1701504	1	Decal - Hydraulic Oil	
6	1701509	1	Decal - Manual	
7	1701529	2	Decal - Arrow	
8	1701642	2	Decal - Arrow	
9	1701644	1	Decal - Battery Charger	
10	1702155	1	Decal - Battery Disconnect	
11	1702300	8	Decal - Tie-Down	
12	1001113166	1	Decal - Hand Crushing	
13	See Note	1	Decal - Bar Code (Note: Not Available for Purchase)	
18	1703926	1	Decal - Danger/Warning	
20	1703950	4	Decal - Warning Crushing	
21	1703938	5	Decal - Electrocution	
22	1703944	2	Decal - Warning Crushing	
23	1704277	2	Decal - Lanyard Attach	
25	1704412	1	Decal - Hydraulic Oil Chart	
28	1705426	1	Decal - Drive/Steer Instructions	
29	1706077	1	Decal - Battery Charging Instructions	
30	2080057	2	Fastener	
32	1703980	1	Decal - Foot Switch	
34	3290605	4	Nut M6	
36	4811700	8	Washer M6	
38	1001284677	1	Decal - Lift Diagram	
39	1001119981	1	Decal - Manual Turntable Rotate	
40	1001120279	1	Decal - No Pipe Racks	
41	1001253932	1	Decal - Warning Single Cap	
42	1001253933	1	Decal - Warning Single Cap	
43	1001125483	3	Decal - Pressure Wash	
44	1001127549	1	Decal - Manual Descent	
45	1001127588	1	Decal - Manual Descent	
47	1001267324	2	Decal - H340AJ	
48	1001170061	1	Decal - Cable Routing	
49	1001170674	1	Decal - Tip-over	
50	1001174449	2	Decal - Hybrid	
51	1001182809	4	Decal - Tire Load	
52	1001224053	1	Decal - Yearly Inspection	
57	1705344	1	Decal - Warning Inspection	

SECTION 9 - DECALS

FIGURE 9-8. DECALS INSTALLATION - KOREAN SPEC (KOREAN/ENGLISH)



ART_1001247064

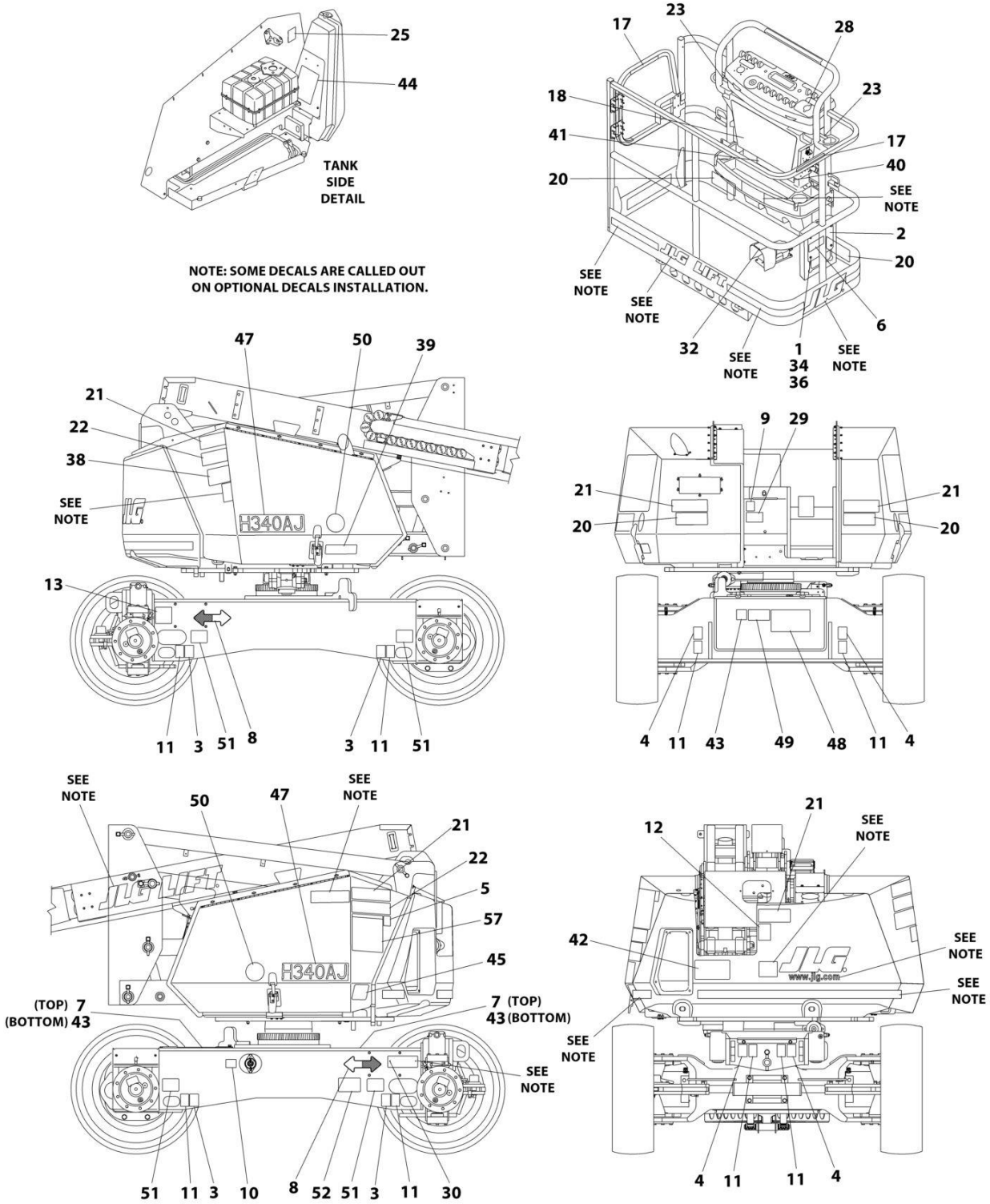
SECTION 9 - DECALS

FIGURE 9-8. DECALS INSTALLATION - KOREAN SPEC (KOREAN/ENGLISH)

ITEM	PART NUMBER	QTY	DESCRIPTION	REV
	1001289743	Ref	DECAL INSTALLATION - REFERENCE CHART	A
	1001247064	Ref	DECALS INSTALLATION	F
1	0760610	4	Bolt M6 x 20	
2	0860520	1	Box, Manual Storage	
3	1701499	4	Decal - No Tie-Down/No Lift	
4	1701500	4	Decal - Lift	
5	1701504	1	Decal - Hydraulic Oil	
6	1701509	1	Decal - Manual	
7	1701529	2	Decal - Arrow	
8	1701642	2	Decal - Arrow	
9	1701644	1	Decal - Battery Charger	
10	1702155	1	Decal - Battery Disconnect	
11	1702300	8	Decal - Tie-Down	
12	1001113509	1	Decal - Hand Crushing	
13	See Note	1	Decal - Bar Code (Note: Not Available for Purchase)	
17	1705969	2	Decal - Caution No Hands	
18	1703927	1	Decal - Danger/Warning	
20	1703951	4	Decal - Warning Crushing	
21	1703939	5	Decal - Electrocution	
22	1703945	2	Decal - Warning Crushing	
23	1704277	2	Decal - Lanyard Attach	
25	1704412	1	Decal - Hydraulic Oil Chart	
28	1705427	1	Decal - Drive/Steer Instructions	
29	1001171296	1	Decal - Charging/Fire	
30	2080057	2	Fastener	
32	1703981	1	Decal - Foot Switch	
34	3290605	4	Nut M6	
36	4811700	8	Washer M6	
38	1001284677	1	Decal - Lift Diagram	
39	1001119981	1	Decal - Manual Turntable Rotate	
40	1001120280	1	Decal - No Pipe Racks	
41	1001253924	1	Decal - Warning Single Cap	
42	1001253925	1	Decal - Warning Single Cap	
43	1001125483	3	Decal - Pressure Wash	
44	1001127549	1	Decal - Manual Descent	
45	1001127588	1	Decal - Manual Descent	
47	1001267324	2	Decal - H340AJ	
48	1001170061	1	Decal - Cable Routing	
49	1001170673	1	Decal - Tip-over	
50	1001174449	2	Decal - Hybrid	
51	1001182809	4	Decal - Tire Load	
52	1001224048	1	Decal - Yearly Inspection	
57	1705345	1	Decal - Warning Inspection	

SECTION 9 - DECALS

FIGURE 9-9. DECALS INSTALLATION - LATIN AMERICA SPEC (SPANISH/ENGLISH)



ART_1001247068

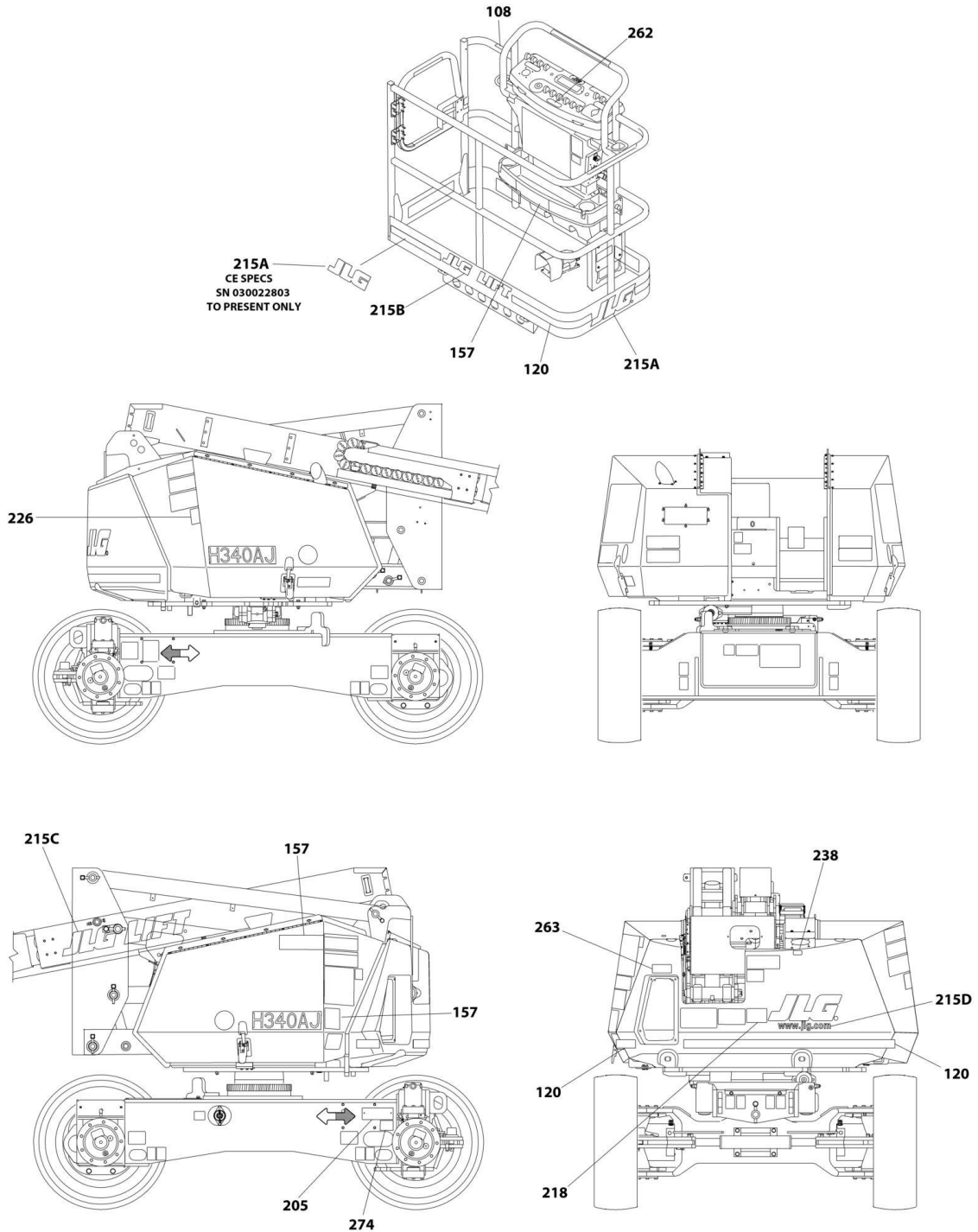
SECTION 9 - DECALS

FIGURE 9-9. DECALS INSTALLATION - LATIN AMERICA SPEC (SPANISH/ENGLISH)

ITEM	PART NUMBER	QTY	DESCRIPTION	REV
	1001289743	Ref	DECAL INSTALLATION - REFERENCE CHART	A
	1001247068	Ref	DECAL INSTALLATION	E
1	0760610	4	Bolt M6 x 20	
2	0860520	1	Box, Manual Storage	
3	1701499	4	Decal - No Tie-Down/No Lift	
4	1701500	4	Decal - Lift	
5	1701504	1	Decal - Hydraulic Oil	
6	1701509	1	Decal - Manual	
7	1701529	2	Decal - Arrow	
8	1701642	2	Decal - Arrow	
9	1701644	1	Decal - Battery Charger	
10	1702155	1	Decal - Battery Disconnect	
11	1702300	8	Decal - Tie-Down	
12	1001113171	1	Decal - Hand Crushing	
13	See Note	1	Decal - Bar Code (Note: Not Available for Purchase)	
17	1704001	2	Decal - No Hand	
18	1703923	1	Decal - Danger/Warning	
20	1703947	4	Decal - Warning Crushing	
21	1703935	5	Decal - Electrocution	
22	1703941	2	Decal - Warning Crushing	
23	1704277	2	Decal - Lanyard Attach	
25	1704412	1	Decal - Hydraulic Oil Chart	
28	1705910	1	Decal - Drive/Steer Instructions	
29	1706085	1	Decal - Battery Charging Instructions	
30	2080057	2	Fastener	
32	1703983	1	Decal, Foot Switch	
34	3290605	4	Nut M6	
36	4811700	8	Washer M6	
38	1001284677	1	Decal - Lift Diagram	
39	1001119981	1	Decal - Manual Turntable Rotate	
40	1001120283	1	Decal - No Pipe Racks	
41	1001253930	1	Decal - Warning Single Cap	
42	1001253931	1	Decal - Warning Single Cap	
43	1001125483	3	Decal - Pressure Wash	
44	1001127549	1	Decal - Manual Descent	
45	1001127588	1	Decal - Manual Descent	
47	1001267324	2	Decal - H340AJ	
48	1001170061	1	Decal - Cable Routing	
49	1001170669	1	Decal - Tip-over	
50	1001174449	2	Decal - Hybrid	
51	1001182809	4	Decal - Tire Load	
52	1001224049	1	Decal - Yearly Inspection	
57	1705917	1	Decal - Warning Inspection	

SECTION 9 - DECALS

FIGURE 9-10. DECALS INSTALLATION - OPTIONS



ART_DECAL_OPTIONS

SECTION 9 - DECALS

FIGURE 9-10. DECALS INSTALLATION - OPTIONS

ITEM	PART NUMBER	QTY	DESCRIPTION	REV
		Ref	OPTIONAL DECALS INSTALLATION	
60	1001170059	1	Decal - Sound Power Level	
108	1001231801	1	Decal - Warning Proposition 65 (ANSI Specs)	
120	4420051	AR	Tape, Safety	
157	1704286	2	Decal - Generator Warning (ANSI, ANSI Export, CSA and China Specs)	
157	1001093687	2	Decal - Generator Warning (Australian, CE & UK CA Specs)	
157	1704373	2	Decal - Generator Warning (Brazil Specs)	
157	1704368	2	Decal - Generator Warning (CSA Specs)	
157	1704372	2	Decal - Generator Warning (Chinese Specs)	
157	1704369	2	Decal - Generator Warning (Japanese Specs)	
157	1704370	2	Decal - Generator Warning (Korean Specs)	
157	1704371	2	Decal - Generator Warning (Latin America Specs)	
205	See Note	1	Nameplate - Manufacturers Serial Number (Note: Not Available for Purchase)	
215	1001110613	Ref	JLG Logo Installation	B
215A	1702773	1	Decal - JLG	
215B	1702774	1	Decal - JLG Lift (3in)	
215C	1702860	1	Decal - JLG Lift (5in)	
215D	1704885	1	Decal - Website	
218	3251813	1	Decal - USA (ANSI, ANSI Export & CSA Specs)	
226	1704972	1	Decal - Warning Explosion/Fire (ANSI & CSA Specs)	
226	1706098	1	Decal - Warning Explosion/Fire (Australian, CE & UK CA Specs)	
226	1706059	1	Decal - Warning Explosion/Fire (Brazil Specs)	
226	1706064	1	Decal - Warning Explosion/Fire (CSA Specs)	
226	1706060	1	Decal - Warning Explosion/Fire (Chinese Specs)	
226	1706062	1	Decal - Warning Explosion/Fire (Japanese Specs)	
226	1706061	1	Decal - Warning Explosion/Fire (Korean Specs)	
226	1706063	1	Decal - Warning Explosion/Fire (Latin America Specs)	
238	1001108923	1	Decal - Low Sulfur Fuel Spec (ANSI & CSA Specs Only)	
238	1001139654	1	Decal - Ultra Low Sulphur Diesel Fuel (Japanese, CE & UK CA Specs Only)	
245	1001294762	Ref	Clearsky Smart Fleet Decal Installation	
245A	1001120989	1	Decal - Radio Frequency	
245B	1001294815	1	Decal - ClearSky	
262	1001141300	1	Decal - SkyGuard Override	
263	1001189882	1	Decal - MSSO	
274	1001214029	Ref	EAC Decal Installation (Russia/CIS Specs)	
274	1001173703	1	Decal - EAC	

SECTION 10 - RECOMMENDED SERVICE PARTS STOCK

SECTION 10 - RECOMMENDED SERVICE PARTS STOCK

SECTION 10 - RECOMMENDED SERVICE PARTS STOCK

FIGURE 10-1. RECOMMENDED SERVICE PARTS STOCK

ITEM	PART NUMBER	QTY	DESCRIPTION	REV
		Ref	Note: The following list will service one machine (built to current production per date on the front cover) with emergency repair parts which can be installed in the field. Parts from the list should be replaced when inventory is depleted to keep service parts stock supplied. For further information, contact your JLG dealer or the JLG Industries Parts Department.	
	1001181045	1	Breaker, Combination 16Amp/30mAmp (CE & UK CA Specs)	
	1001178594	12	Air Breather Filter (Hydraulic Tank)	
	70050516	1	Coil (Oscillating Axle Valve)	
	70002963	1	Coil (Upright & Oscillating Axle Valves)	
	70002386	1	Coil (Boom, Manual Pump & Main Control Valves & Lift Cylinders)	
	70002971	1	Coil (Main Control Valves)	
	70003788	1	Coil (Main Control Valves)	
	1001272006	1	Contactactor (Frame)	
	1001212415	1	Drive/Steer Controller Assembly	
	1001129555	1	Lift/Swing Controller Assembly	
	4360407	1	Controller, Speed	
	3990010	2	Diode 6Amp	
	1001178595	12	Element, Filter (Hudraulic Tank)	
		Ref	Engine Componets - Kubota	
	1001155934	1	Controller, Generator	
	7015004	12	Element, Air Filter	
	7017980	12	Filter, Oil	
	7017992	12	Filter, Inline Fuel	
	1001159665	1	Relay, Contactactor	
	1001170365	2	Fuse, 400 Amp (at Batteries)	
	1001170484	2	Fuse 125 Amp (Electrical Plate)	
	1001186489	2	Fuse 2Amp (Charger Harness)	
	1001170762	2	Fuse 30Amp (Charger Harness)	
	8229245	2	Fuse 30Amp (Engine Harness)	
	8229247	2	Fuse 25Amp (Engine Harness)	
	8229246	2	Fuse - 20Amp (Engine Harness)	
	1001170760	2	Fuse 10Amp (Traction Harness)	
	8229242	2	Fuse 5Amp (Traction Harness)	
	8229244	2	Fuse 15Amp (Turntable Harness)	
	1001172227	2	Fuse 40Amp ATO (Turntable Harness)	
	2400065	2	Fuse 30 Amp (Turntable Harness)	
	2400064	2	Fuse 5Amp (Turntable Harness)	
	2860030	1	Key, Replacement (Ground Controls)	
	2940074	1	Latch (Gate Entry Platform)	
	1001170140	1	Module, Drive	
	1001183213	1	Module, UGM	
	1001142683	1	Module, Beacon Control (Blue and Red Beacons)	
	1001159754	2	Module, Diode	
	1001169594	1	Module, Platform	
	1001186431	1	Relay (SkyGuard)	
	3740086	1	Relay (SkyLine)	
	1001171295	1	Relay	
	1001161117	1	Switch, Rotary Angle Sensor (Steer)	

SECTION 10 - RECOMMENDED SERVICE PARTS STOCK

ITEM	PART NUMBER	QTY	DESCRIPTION	REV
	70004812	1	Sensor, Speed (Drive Motor)	
	70004816	1	Sensor, Temperature (Drive Motor)	
	1001102771	1	Sensor, Temperature (Battery)	
	1001183548	1	Sensor, Current (Electrical Plate)	
	1001219601	1	Sensor (Tilt)	
	70004993	1	Sensor (Generator)	
	1001228225	1	Sensor, Emitter (SkyEye)	
	1001228224	1	Sensor, Receiver (SkyEye)	
	1001232667	1	Sensor, Proximity (SkyLine)	
	1001170483	1	Switch, Battery Disconnect	
	4360328	1	Switch, Toggle (Ground Controls)	
	4360469	1	Switch, Key (Ground Controls)	
	4360475	1	Switch, Emergency Stop (Ground Controls Controls)	
	1001274559	1	Switch, Emergency Stop (Platform Controls)	
	4360476	1	Block, Switch Contact (Ground Controls & Platform Controls)	
	4360387	1	Switch, Pushbutton (Ground Controls & Platform Controls)	
	1001117174	1	Footswitch Assembly Platform)	
	1001155045	1	Switch, Toggle (Platform Controls)	
	1001159256	1	Switch, Toggle (Platform Controls)	
	1001161710	1	Switch, Toggle (Platform Controls)	
	1001137673	1	Switch, SkyGuard Bar	
	1001119170	1	Switch, Limit (Electrical Components)	
	4460548	1	Switch, Limit (Boom)	

SECTION 11 - SPECIAL OPTIONS/ACCESSORIES/KITS

SECTION 11 - SPECIAL OPTIONS/ACCESSORIES/KITS

SECTION 11 - SPECIAL OPTIONS/ACCESSORIES/KITS

FIGURE 11-1. SPECIAL OPTIONS/ACCESSORIES/KITS

ITEM	PART NUMBER	QTY	DESCRIPTION	REV
	1001287192	Ref	No Strobe Light Installation	
		Ref	Note: This list is to accommodate machines ordered with special equipment. Options may not be applicable to all models. For more specific parts information contact JLG Parts Department.	
		Ref	SPECIAL OPTIONS/ACCESSORIES/KITS	
	1001119028	Ref	Airline Installation (Machines without Arctic Package)	
	1001119378	Ref	Airline Installation (Machines with Arctic Package)	
	1001119803	Ref	Bellows Installation (Boom & Chassis)	
	1001119962	Ref	Boom Wipers Installation	
	1001172045	Ref	Cable Carrier Tray Installation	
	1001270716	Ref	White Noise Alarm (Constant) Add-on Kit (Dealer Installed)	
		Ref	ClearSky Telematics Add-on Kits (Dealer Installed)	
	1001276923	Ref	ClearSky (Telematics) Add-on Kit (Dealer Installed) - 3 Wire Connection	
		Ref	ClearSky Telematics Installations (Factory Installed)	
	1001227454	Ref	ClearSky (Telematics) Installation (Factory Installed) - Canbus Connection (All Specs Except China Specs)	
	1001228956	Ref	ClearSky (Telematics) Installation (Factory Installed) - Canbus Connection (ANSI Export, CE & UK CA Specs) ClearSky (Telematics) Installation (Factory Installed) - Canbus Connection (Australian Specs)	
	1001246486	Ref	ClearSky (Telematics) Installation (Factory Installed) - Canbus Connection (Australian Specs)	
	1001246487	Ref	ClearSky (Telematics) Installation (Factory Installed) - Canbus Connection (China Specs)	
	1001276610	Ref	ClearSky (Telematics) Installation (Factory Installed) - 3 Wire Connection	
	1001169720	Ref	Cold Weather Package	
	1001276007	Ref	Controller Service Kit - Drive/Steer	
	1001276008	Ref	Controller Service Kit - Lift/Swing	
	1001169732	Ref	Cribbing Switch Installation (ANSI Specs)	
	1001119459	Ref	Decals - ClearSky (All Specs Except Japanese Specs)	
	1001117294	Ref	Footswitch Shield Installation	
	1001209659	Ref	Fuel Cap Cover (Lockable) (Black)	
	1001209658	Ref	Fuel Cap Cover (Lockable) (Green)	
	1001120103	Ref	Ground Control Cover Installation	
	1001173326	Ref	Hot Weather Package	
	1001173140	Ref	Inverter Installation - 110V-50Hz (ANSI Export Spec)	
	1001169725	Ref	Inverter Installation - 120V-50/60Hz (ANSI, ANSI Export, CSA, Japanese and China Spec)	
	1001173139	Ref	Inverter Installation - 230V-50Hz (CE & UK CA Spec)	
	1001169724	Ref	Inverter Installation - 240V-50Hz (ANSI Export, CSA and China Spec)	
	1001169723	Ref	Lights Installation - Chassis Worklights	
	1001170104	Ref	Lights Installation - Headlights and Taillights	
	1001120466	Ref	Lights Installation - Platform Worklights	
	1001282215	Ref	Platform Worklight Kit	
	1001183407	Ref	Low Temperature Cutout Installation (Russian Specs)	
	1001272166	Ref	Pipe Rack Add-on Kit (Dealer Installed)	
	1001195304	Ref	Platform Console Cover Installation	
	1580013	Ref	Platform Corner Storage Tray	

SECTION 11 - SPECIAL OPTIONS/ACCESSORIES/KITS

ITEM	PART NUMBER	QTY	DESCRIPTION	REV
	1001274833	Ref	Platform Floormat Add-on Kit - 30IN x 48IN Platform (Dealer Installed)	
	1001274832	Ref	Platform Floormat Add-on Kit - 30IN x 60IN Platform (Dealer Installed)	
		Ref	Platform Mesh Add-on Kits (Dealer Installed):	
	1001281461	Ref	Platform Mesh to Midrail Add-on Kit - 30in x 48in Platforms (Dealer Installed)	
	1001281460	Ref	Platform Mesh to Midrail Add-on Kit - 30in x 60in Platforms (Dealer Installed)	
	1001281456	Ref	Platform Mesh to Top Add-on Kit - 30in x 48in Platforms (Dealer Installed)	
	1001281455	Ref	Platform Mesh to Top Add-on Kit - 30in x 60in Platforms (Dealer Installed)	
		Ref	Platform Mesh Installations (Factory Installed):	
	1001140318	Ref	Platform Mesh to Midrail Installation - 30in x 48in Platforms (Factory Installed)	
	1001140315	Ref	Platform Mesh to Midrail Installation - 30in x 60in Platforms (Factory Installed)	
	0273147	Ref	Platform Mesh to Toprail Installation - 30in x 48in Platforms (Factory Installed)	
	0273146	Ref	Platform Mesh to Toprail Installation - 30in x 60in Platforms (Factory Installed)	
	1001266969	Ref	Platform Plastic Mesh to Midrail Installation - 30in x 48in Platforms (Factory Installed)	
	1001266799	Ref	Platform Plastic Mesh to Midrail Installation - 30in x 60in Platforms (Factory Installed)	
	1001266807	Ref	Platform Plastic Mesh to Toprail Installation - 30in x 48in Platforms (Factory Installed)	
	1001266801	Ref	Platform Plastic Mesh to Toprail Installation - 30in x 60in Platforms (Factory Installed)	
	1001103617	Ref	Platform Rail Extension Installation (30in x 48in Platforms)	
	1001103558	Ref	Platform Rail Extension Installation (30in x 60in Platforms)	
	1001209059	Ref	Platform Work Surface	
	1001169726	Ref	Security Lock (Programmable) Installation	
	1001279422	Ref	Service Tools & Kits	C
	1001277842	Ref	UGM2 Module Kit	
	1001274249	Ref	USB Charger Port Add-on Kit (Dealer Installed)	
	1001270755	Ref	White Noise Alarm (Ambient) Add-on Kit (Dealer Installed)	

SECTION 11 - SPECIAL OPTIONS/ACCESSORIES/KITS

PART NUMBER INDEX

SECTION 11 - SPECIAL OPTIONS/ACCESSORIES/KITS

0060044.....	131, 135	0701018.....	53, 131, 133	0861731.....	301, 303, 305	1001115657.....	127
0100009.....	165	0701019.....	92	0861781.....	293, 295	1001115661.....	127
0100011.....	13, 15, 17, 21, 37, 39, 43, 53, 57, 63, 77, 87, 89, 92, 102, 105, 108, 123, 125, 127, 129, 139, 141, 143, 155, 157, 159, 175, 179, 239, 243, 255, 257	0701020.....	131, 133	0861880.....	251	1001115663.....	127
0100019.....	21, 47, 105	0701022.....	53	0940048.....	127	1001115669.....	127
0100020.....	103, 171	0701027.....	127	0961845.....	155, 157, 159	1001115672.....	123, 125, 127
0100035.....	165, 169	0701217.....	13	0961947.....	135, 137	1001115766.....	123
0100048.....	77	0711227.....	129	0961948.....	127, 129, 189, 191	1001115773.....	31
0100051.....	35	0711426.....	47	0961950.....	15	1001115784.....	239
0100081.....	95, 97, 239, 243	0711432.....	47	0961951.....	131, 133, 185, 187, 193	1001115788.....	221
0100083.....	103	0721004.....	53	0962140.....	13	1001115870.....	127
0140011.....	165	0760306.....	102	0962224.....	127	1001116228.....	143, 145
0140043.....	77	0760410.....	102	0962257.....	135, 137	1001116361.....	15, 183
0273146.....	355	0760505.....	77, 102	0962259.....	127	1001116378.....	183
0273147.....	355	0760508.....	92, 95, 97, 108	0962292.....	131, 133	1001116433.....	239, 243
0275216.....	215, 293	0760512.....	37	0962449.....	249	1001116487.....	43, 45
0275217.....	219, 295	0760605.....	21, 240, 244	1001091102.....	103	1001116546.....	127
0275218.....	221, 297	0760606.....	139	1001093687.....	347	1001116547.....	127
0275219.....	223, 299	0760607.....	21, 39, 257	1001094670.....	131, 133	1001116548.....	127
0275452.....	225, 301	0760608.....	71, 73, 77, 92, 95, 97, 105, 108, 239, 243, 257	1001097051.....	313	1001116549.....	127
0275453.....	227, 303	0760610.....	21, 71, 73, 87, 89, 92, 97, 102, 108, 139, 211, 215, 219, 221, 223, 225, 227, 229, 329, 331, 333, 335, 337, 339, 341, 343, 345	1001097150.....	251	1001116720.....	269
0275454.....	229, 305	0760612.....	77, 92, 102, 108	1001097244.....	163, 173, 307	1001116723.....	271, 319
0340045.....	108	0760613.....	108	1001098122.....	171, 285	1001116732.....	269, 319, 321
0400209.....	35	0760614.....	102, 163	1001098828.....	139	1001116733.....	269, 321
0630518.....	69, 169	0760621.....	77, 239, 243	1001100341.....	293	1001116734.....	269, 321
0630568.....	166	0760807.....	108	1001100342.....	295	1001116774.....	317
0641404.....	179	0760808.....	21, 35, 37, 39, 53, 92, 105, 257, 267	1001100345.....	301	1001116788.....	13, 195
0641405.....	165, 179	0760810.....	13, 77	1001100346.....	305	1001116808.....	317
0641406.....	108, 161	0760812.....	35, 43, 53, 71, 73, 92, 105, 129	1001100347.....	303	1001116811.....	75
0641410.....	108	0760814.....	102, 105	1001102771.....	35, 351	1001116812.....	271
0641414.....	165, 175	0760816.....	77	1001103012.....	321	1001116815.....	274
0641418.....	155, 159	0760818.....	13	1001103257.....	71	1001116835.....	143
0641420.....	157	0761007.....	141	1001103258.....	73	1001116876.....	129
0641506.....	92	0761009.....	92	1001103558.....	355	1001116877.....	129
0641508.....	108	0761010.....	13, 35, 127	1001103617.....	355	1001117025.....	321
0641605.....	103	0761011.....	92, 123, 125	1001104519.....	289	1001117057.....	319
0641606.....	37	0761012.....	35, 53, 102, 123, 125, 239, 243	1001106736.....	77	1001117078.....	273
0641608.....	37	0761014.....	77, 92, 102, 108, 123, 125, 139	1001106757.....	239, 243	1001117129.....	31, 33
0641610.....	105, 108	0761015.....	15, 105, 123, 125, 127, 163	1001107152.....	239, 243	1001117131.....	31
0641808.....	108	0761016.....	102	1001107781.....	47, 49	1001117132.....	31
0641822.....	105	0761018.....	13	1001107854.....	321	1001117172.....	171
0641824.....	108	0761020.....	35	1001108290.....	129	1001117174.....	165, 171, 351
0681608.....	105, 139	0761210.....	92, 127	1001108923.....	347	1001117281.....	95, 97
0700408.....	215, 219, 221, 223, 225, 227, 229	0761212.....	123, 125, 127	1001109503.....	61, 67	1001117282.....	92
0700608.....	92	0761214.....	127	1001109528.....	123, 125	1001117294.....	354
0700610.....	35, 163	0761215.....	123, 125, 139	1001110434.....	165	1001117365.....	183
0700614.....	103	0761614.....	15	1001110544.....	103	1001117366.....	183
0700615.....	83, 85	0761615.....	127	1001110613.....	347	1001117372.....	183
0700618.....	215, 219, 221, 223, 225, 227, 229	0762016.....	102	1001110873.....	213	1001117640.....	123, 125, 189
0700628.....	43	0770815.....	105	1001112551.....	331	1001117884.....	123, 131
0700808.....	93	0771618.....	21	1001112607.....	123, 125	1001117885.....	123, 125, 129
0700812.....	53	0860038.....	213, 217	1001112612.....	273, 317	1001117897.....	53
0700815.....	17	0860520.....	329, 331, 333, 335, 337, 339, 341, 343, 345	1001112796.....	317	1001118262.....	53
0700818.....	131, 133			1001113047.....	39	1001118274.....	129, 143, 239, 243
0700820.....	239, 243			1001113166.....	341	1001118280.....	108
0700829.....	239, 243			1001113168.....	339	1001118282.....	269
0701012.....	13			1001113169.....	337	1001118287.....	129
0701015.....	108			1001113170.....	333	1001118288.....	129
0701016.....	108			1001113171.....	345	1001118292.....	239, 243, 249
				1001113509.....	343	1001118361.....	92, 95
				1001113680.....	333		
				1001113961.....	273		
				1001114761.....	43		
				1001115649.....	127		
				1001115650.....	127		

SECTION 11 - SPECIAL OPTIONS/ACCESSORIES/KITS

1001118384.....	309	1001119596.....	204	1001127549.....	329, 331,	1001156603.....	109
1001118388.....	309	1001119597.....	204	333, 335, 337, 339,		1001156604.....	109
1001118394.....	131, 133	1001119598.....	204	341, 343, 345		1001157406.....	105, 115
1001118509.....	53	1001119600.....	204	1001127588.....	329, 331,	1001157903.....	105
1001118510.....	53	1001119602.....	204	333, 335, 337, 339,		1001158075.....	109
1001118511.....	15	1001119603.....	204	341, 343, 345		1001158076.....	109
1001118518.....	15	1001119604.....	204	1001127705.....	204	1001158314.....	109
1001118519.....	15	1001119605.....	204	1001128781.....	53	1001159256.....	165, 351
1001118592.....	239, 243	1001119619.....	311	1001128782.....	53	1001159665.....	102, 350
1001118593.....	239, 243	1001119620.....	313, 315	1001128798.....	53	1001159754.....	103, 350
1001118595.....	143	1001119803.....	354	1001129407.....	77	1001160531.....	51
1001118641.....	27	1001119869.....	213	1001129555.....	350	1001161110.....	13
1001118642.....	33	1001119870.....	209	1001130220.....	21, 35, 92	1001161113.....	13
1001118644.....	29	1001119871.....	217	1001130588.....	211	1001161114.....	13
1001118649.....	27	1001119872.....	225	1001131269.....	329, 337	1001161115.....	13
1001118650.....	33	1001119873.....	227	1001132049.....	78	1001161117.....	13, 350
1001118651.....	33	1001119874.....	229	1001132050.....	78	1001161537.....	92
1001118654.....	29	1001119875.....	215	1001135350.....	271	1001161710.....	165, 351
1001118657.....	269	1001119876.....	219	1001136244.....	143, 147	1001161871.....	257, 319
1001118658.....	269	1001119877.....	223	1001137451.....	92, 97	1001161872.....	39
1001118660.....	33	1001119937.....	243	1001137673.....	175, 351	1001161873.....	39
1001118665.....	127	1001119953.....	243, 279	1001138494.....	155, 157	1001161874.....	39
1001118666.....	127	1001119954.....	243, 283	1001138514.....	155, 157	1001161876.....	39
1001118744.....	269	1001119955.....	233, 243	1001139654.....	347	1001161878.....	39
1001118745.....	269	1001119956.....	237, 243	1001140315.....	355	1001161891.....	257
1001118746.....	109	1001119962.....	354	1001140318.....	355	1001161924.....	257
1001118961.....	47	1001119981.....	329, 331,	1001140429.....	155, 157,	1001161935.....	35
1001119018.....	239, 277	333, 335, 337, 339,		159		1001161936.....	35
1001119019.....	239, 281	341, 343, 345		1001140524.....	240, 244,	1001161937.....	35
1001119020.....	286, 317,	1001120002.....	329	247		1001161938.....	37
319, 322		1001120004.....	337	1001141300.....	347	1001161943.....	257
1001119028.....	354	1001120087.....	102, 109	1001141581.....	21	1001161944.....	257
1001119077.....	97	1001120090.....	102, 109	1001141678.....	335	1001161947.....	35
1001119080.....	92	1001120103.....	354	1001141710.....	77	1001161948.....	257
1001119083.....	92	1001120204.....	231, 233	1001141967.....	297, 299	1001161949.....	257
1001119085.....	92	1001120205.....	235, 237	1001141968.....	297	1001162045.....	35
1001119086.....	97	1001120279.....	341	1001141969.....	299	1001162046.....	35
1001119087.....	97	1001120280.....	343	1001141970.....	299	1001162047.....	35
1001119088.....	97	1001120281.....	339	1001141971.....	297	1001162048.....	35
1001119089.....	95	1001120282.....	333	1001142683.....	83, 85, 350	1001162049.....	35
1001119090.....	95	1001120283.....	345	1001142736.....	83, 85, 317	1001162050.....	35
1001119091.....	95	1001120328.....	175, 179	1001144147.....	273	1001162117.....	53
1001119092.....	92	1001120466.....	354	1001144433.....	175	1001162614.....	43
1001119139.....	235, 239	1001120749.....	97	1001144629.....	151, 153	1001162748.....	53
1001119140.....	231, 239	1001120974.....	129, 197	1001146824.....	92	1001162823.....	105
1001119170.....	77, 351	1001120976.....	123, 125,	1001147365.....	109	1001163363.....	109
1001119176.....	77	193		1001147440.....	97	1001164412.....	267
1001119194.....	239	1001120989.....	347	1001147441.....	92, 97	1001164418.....	267
1001119195.....	243	1001121172.....	269, 321	1001147642.....	109	1001164494.....	267
1001119197.....	239, 243	1001121221.....	204	1001147643.....	109	1001164495.....	267
1001119228.....	240, 244	1001121672.....	29	1001148975.....	109	1001164654.....	267
1001119369.....	133, 137	1001121678.....	27	1001149160.....	13, 21	1001164885.....	13
1001119370.....	125, 133	1001121966.....	204	1001151393.....	59, 61, 65,	1001165144.....	17, 19
1001119371.....	125	1001122527.....	127, 191	67		1001165751.....	105, 117
1001119378.....	354	1001123004.....	131, 133,	1001151788.....	322	1001165923.....	77, 321
1001119455.....	204	187		1001151824.....	322	1001166433.....	92
1001119459.....	354	1001123018.....	109	1001152155.....	205	1001166733.....	319
1001119504.....	141	1001125033.....	269	1001152266.....	325	1001166848.....	204
1001119513.....	141	1001125235.....	123, 125	1001153015.....	47, 51	1001167206.....	204
1001119525.....	204	1001125291.....	77	1001153364.....	47	1001167207.....	204
1001119527.....	53, 57, 63,	1001125483.....	329, 331,	1001153612.....	259, 261,	1001167208.....	204
77, 141		333, 335, 337, 339,		263, 265		1001167210.....	204
1001119572.....	204	341, 343, 345		1001155044.....	165	1001167238.....	17, 43, 143
1001119577.....	204	1001126008.....	271, 319	1001155045.....	165, 351	1001167516.....	105, 111
1001119593.....	204	1001126009.....	309	1001155743.....	21, 78	1001167538.....	35, 253
1001119594.....	204	1001126245.....	319	1001155934.....	102, 350	1001168018.....	105, 109
1001119595.....	204			1001155967.....	13, 322	1001168098.....	102, 267

SECTION 11 - SPECIAL OPTIONS/ACCESSORIES/KITS

1001168210.....185	1001170672.....337	1001184682.....89	1001210829.....43
1001168222.....109	1001170673.....343	1001184793.....257	1001210981.....15
1001168224.....109	1001170674.....341	1001184846.....321	1001211947.....257, 261
1001168225.....109	1001170676.....329	1001185281.....165	1001212415.....350
1001168226.....109	1001170760.....271, 319, 350	1001186231.....271, 274	1001213447.....285
1001168227.....109	1001170762.....253, 350	1001186375.....155	1001213882.....165
1001168228.....109	1001170763.....253, 285	1001186377.....157	1001214029.....347
1001168229.....109	1001170861.....37	1001186386.....153	1001215228.....165
1001168230.....109	1001170981.....109	1001186387.....151	1001216630.....139
1001168232.....105	1001171295.....319, 350	1001186431.....175, 350	1001217227.....139
1001168233.....105	1001171296.....343	1001186432.....289, 309	1001217228.....139
1001168234.....92	1001171301.....257	1001186489.....253, 350	1001217242.....139
1001168236.....102	1001171482.....59, 65	1001186517.....175	1001217243.....139
1001168237.....102	1001171777.....35	1001186845.....71, 73	1001217244.....139
1001168238.....109	1001171823.....119	1001187235.....109	1001217253.....139
1001168239.....103	1001171914.....119	1001187674.....177	1001217254.....139
1001168240.....102	1001172045.....354	1001187681.....311	1001217267.....139
1001168241.....103	1001172064.....321	1001188622.....139	1001219601.....77, 351
1001168242.....102	1001172074.....269	1001188844.....139	1001220644.....271
1001168244.....103	1001172227.....321, 350	1001188866.....13	1001223055.....329
1001168400.....21	1001172394.....77	1001189105.....103	1001223971.....337
1001168662.....77	1001172395.....77	1001189108.....103	1001224048.....343
1001168663.....77	1001172396.....77	1001189611.....205	1001224049.....345
1001168669.....13	1001172541.....77	1001189794.....105	1001224050.....339
1001168702.....204	1001172556.....204	1001189795.....105	1001224052.....333
1001169015.....13	1001172557.....204	1001189868.....105	1001224053.....341
1001169027.....15	1001172558.....204	1001189882.....347	1001224891.....141
1001169028.....13	1001172760.....165	1001190529.....257, 259	1001225131.....35
1001169030.....13	1001172773.....81	1001190530.....257, 263	1001225557.....257
1001169092.....165	1001173139.....354	1001190531.....257, 265	1001225558.....257
1001169129.....13	1001173140.....354	1001190545.....103	1001225580.....175, 289
1001169195.....53	1001173326.....354	1001190609.....102	1001225990.....123, 125, 185
1001169196.....53	1001173703.....347	1001190663.....87, 89	1001226400.....277, 279, 281, 283
1001169213.....15	1001174019.....71	1001190985.....139	1001226541.....274
1001169292.....21, 257	1001174020.....73	1001193018.....215, 219, 221, 223, 225, 227, 229	1001226872.....159
1001169311.....331	1001174449.....329, 331, 333, 335, 337, 339, 341, 343, 345	1001193549.....257	1001227454.....354
1001169317.....335	1001176229.....321	1001193550.....257	1001227633.....177
1001169415.....92	1001176230.....321	1001195304.....354	1001227634.....177
1001169417.....92	1001176230.....321	1001196636.....325	1001227985.....177
1001169418.....92	1001176304.....105	1001197294.....21	1001227987.....177
1001169419.....92	1001176469.....65, 67	1001197509.....205	1001227996.....313, 315
1001169420.....71, 73	1001177378.....267, 271	1001197652.....267	1001228215.....159
1001169422.....165, 291	1001177433.....267, 269	1001197707.....71, 73, 75	1001228224.....177, 351
1001169594.....165, 350	1001178594.....53, 350	1001197941.....77, 267	1001228225.....177, 351
1001169683.....21, 23	1001178595.....53, 350	1001197942.....77, 257	1001228370.....329, 337
1001169719.....119	1001178731.....53	1001197943.....77	1001228627.....139
1001169720.....354	1001178795.....205	1001197944.....267	1001228956.....354
1001169723.....354	1001179948.....21	1001199306.....187, 197	1001229341.....177
1001169724.....354	1001180464.....77	1001199460.....187	1001231153.....127
1001169725.....354	1001181045.....251, 350	1001199461.....197	1001231801.....347
1001169726.....355	1001182806.....87	1001200491.....139	1001231886.....87
1001169732.....354	1001182809.....329, 331, 333, 335, 337, 339, 341, 343, 345	1001201939.....77	1001232164.....177
1001170059.....347	1001183213.....350	1001202223.....109	1001232165.....177
1001170060.....331, 335	1001183402.....319	1001203719.....77	1001232642.....179
1001170061.....329, 331, 333, 335, 337, 339, 341, 343, 345	1001183405.....319	1001204948.....92	1001232667.....179, 351
1001170102.....35	1001183406.....43	1001205158.....53	1001236552.....179
1001170104.....354	1001183407.....354	1001205844.....53	1001237667.....273, 285
1001170140.....21, 350	1001183548.....37, 351	1001206532.....166	1001237668.....273, 285
1001170365.....35, 350	1001183675.....205	1001206737.....87	1001237863.....177, 313
1001170483.....35, 351	1001184022.....35	1001207961.....93	1001237864.....177, 315
1001170484.....37, 350	1001184133.....35, 37	1001208285.....13	1001237865.....177, 311
1001170571.....109	1001184135.....37	1001209059.....355	1001238238.....109, 111
1001170669.....345	1001184137.....37	1001209658.....354	1001238239.....105, 108
1001170670.....333		1001209659.....354	1001238241.....102, 105
1001170671.....339		1001209664.....175	1001238319.....177
		1001210636.....173	

SECTION 11 - SPECIAL OPTIONS/ACCESSORIES/KITS

1001238418 179, 309	1001270594..... 81	1380138.....39	1703947 345
1001238472 179	1001270716.....354	1580011.....108	1703948 337
1001238495 175	1001270755.....355	1580012.....161	1703949 339
1001238559 179	1001271310..... 109	1580013.....354	1703950 341
1001238732 69, 169	1001272006..... 37, 350	1670899.....239, 243	1703951 343
1001241965 179	1001272166.....354	1671092.....240, 244	1703952 333
1001242519 21, 25	1001272681..... 83	1671093.....240, 244	1703953 329
1001242849 83	1001272682..... 85	1701499....329, 331, 333,	1703980 341
1001242850 85	1001274249.....355	335, 337, 339, 341,	1703981 343
1001245161 169	1001274559..... 165, 351	343, 345	1703982 339
1001245163 69	1001274814.....307	1701500....329, 331, 333,	1703983 345
1001245178 69, 169	1001274828..... 173	335, 337, 339, 341,	1703984 337
1001245207 169	1001274832.....355	343, 345	1703985 333
1001245209 69	1001274833.....355	1701504....329, 331, 333,	1704000 337
1001245668 166, 285	1001275628..... 165	335, 337, 339, 341,	1704001 345
1001246486 354	1001275629..... 165	343, 345	1704002 333
1001246487 354	1001276007.....354	1701505.....53	1704260 165
1001246859 273	1001276008.....354	1701509....329, 331, 333,	1704277 ... 329, 331, 333,
1001247059 163	1001276610.....354	335, 337, 339, 341,	335, 337, 339, 341,
1001247060 163, 165	1001276923.....354	343, 345	343, 345
1001247061 77	1001277842.....355	1701517 331, 335	1704286 347
1001247062 329	1001279422.....355	1701518 331, 335	1704368 347
1001247063 341	1001280406..... 61, 67	1701529....329, 331, 333,	1704369 347
1001247064 343	1001280661.....255	335, 337, 339, 341,	1704370 347
1001247065 337	1001281455.....355	343, 345	1704371 347
1001247066 339	1001281456.....355	1701642....329, 331, 333,	1704372 347
1001247067 333	1001281460.....355	335, 337, 339, 341,	1704373 347
1001247068 345	1001281461.....355	343, 345	1704412 ... 329, 331, 333,
1001247069 57	1001282215.....354	1701644....329, 331, 333,	335, 337, 339, 341,
1001247071 63	1001283533..... 78, 273	335, 337, 339, 341,	343, 345
1001247468 139	1001283534..... 78, 325	343, 345	1704885 347
1001247540 166	1001283776..... 81	1702155....329, 331, 333,	1704972 347
1001253375 289	1001284340..... 77	335, 337, 339, 341,	1705325 215
1001253920 329	1001284677..... 329, 331,	343, 345	1705344 341
1001253921 329	333, 335, 337, 339,	1702300....329, 331, 333,	1705345 343
1001253922 337	341, 343, 345	335, 337, 339, 341,	1705347 337
1001253923 337	1001285733..... 83, 85	343, 345	1705348 339
1001253924 343	1001286584..... 81, 255	1702391 329	1705349 333
1001253925 343	1001286749..... 92	1702565.....165	1705351 329
1001253926 339	1001287192.....354	1702566.....165	1705426 341
1001253927 339	1001289648.....255	1702567.....165	1705427 343
1001253928 333	1001289743..... 329, 331,	1702773.....347	1705429 337
1001253929 333	333, 335, 337, 339,	1702774347	1705430 339
1001253930 345	341, 343, 345	1702860.....347	1705822 331, 335
1001253931 345	1001289851.....255	1702868.....329	1705828 331, 335
1001253932 341	1001294762.....347	1703797.....329	1705910 345
1001253933 341	1001294815.....347	1703798.....329	1705917 345
1001254472 179	1060908 251	1703804.....329	1705921 331, 335
1001254473 179	1060918 171	1703805.....329	1705929 329
1001255901 319	10837580 45, 197	1703923.....345	1705961 331, 335
1001257690 249	1320022 102, 108	1703924.....337	1705968 339
1001258495 313, 315	1320041 21, 243	1703925.....339	1705969 343
1001259130 274	1320043 ... 211, 215, 219,	1703926.....341	1705978 331, 335
1001263178 89	221, 223, 225, 227,	1703927343	1706059 347
1001266040 59, 65	229, 239	1703928.....333	1706060 347
1001266041 59, 61	1320130 ... 103, 239, 243	1703935.....345	1706061 347
1001266043 65, 67	1320136 105, 139	1703936.....337	1706062 347
1001266046 57, 59, 61	1320159 17	1703937.....339	1706063 347
1001266047 63, 65, 67	1320222 108	1703938.....341	1706064 347
1001266066 78	1320224 108	1703939.....343	1706077 ... 331, 335, 341
1001266799 355	1320265 102	1703940.....333	1706085 345
1001266801 355	1320274 105	1703941.....345	1706089 333
1001266807 355	1321293 71, 73, 77	1703942.....337	1706093 339
1001266969 355	1321682 108	1703943.....339	1706097 337
1001267324 329, 331,	1321716 77, 102	1703944.....341	1706098 347
333, 335, 337, 339,	1340069 108	1703945.....343	2080040.92, 97, 151, 153
341, 343, 345	1380136 43	1703946.....333	2080050 92

SECTION 11 - SPECIAL OPTIONS/ACCESSORIES/KITS

2080057 329, 331, 333, 335, 337, 339, 341, 343, 345	3252507 ... 211, 217, 219, 221, 223, 225, 227, 229	3520198 ... 151, 153, 155, 157, 159	4460142.....269, 322
2180348.....102	3271801 105, 108	3572551 131, 133	4460183.....285
2180666.....102	3290301 103	3740086 309, 350	4460205.....213
222012447	3290401 35, 37	3760115 129	4460224.....165
2220371204	3290405 ... 77, 81, 83, 85, 103, 163, 173, 215,	3760308 39	4460225.....285
2220408.....205	219, 221, 223, 225,	3790012 165	4460226.....165, 171
2220415.....204	227, 229, 239, 243, 307	3820019 39	4460227.....285, 321
2220451.....204	3290505 ... 37, 39, 92, 95, 97	3820020 43, 151, 153	4460233.....217
2220466.....204	3290601 ... 21, 43, 87, 89	3820032 53	4460234.....77, 165
2220472.....204	3290605 ... 71, 73, 77, 92, 95, 97, 102, 108, 139,	3841143 ... 123, 125, 127, 139	4460259....269, 273, 285, 291
2220473.....204	163, 211, 215, 219,	3841203 123, 125, 127	4460260....269, 273, 285, 291
2220498.....204	221, 223, 225, 227,	3841258 15, 127	4460267.....271, 285, 319
2220501.....204	229, 239, 243, 329,	3841520 13	4460268.....253
2220577.....204	331, 333, 335, 337, 339, 341, 343, 345	3900174 39	4460312.....321
2220582.....204	3290606 155, 157	3900349 165	4460313.....273
2220606.....205	3290607 83, 85	3910804 59, 61, 65, 67	4460315.....213, 217
2220635.....204	3290805 ... 35, 43, 53, 71, 73, 77, 92, 102, 105, 131, 133, 239, 243	3931408 175	4460320.....271, 319
2220819.....204	3291001 139	3931832 47	4460346.....213
2220828.....204	3291005 ... 35, 53, 77, 92, 102, 105, 108, 123,	3960422 213, 217	4460418.....273, 285
2220881.....183	125, 127, 131, 133, 139, 163, 239, 243	3960447 39	4460419.....273, 285
2220883.....183, 185	3291201 139	3990010 321, 350	4460424.....253
2220885.....183	3291205 123, 125, 139	4010618 155, 157	4460428.....165
2220887.....204	3291605 102	4031505 177	4460434.....285
2220914.....205	3292001 81, 255	4031507 21, 23, 255	4460464..13, 35, 77, 171, 249, 253, 273, 281, 283, 285, 289, 291, 309, 317, 319, 322, 325
2220940.....204	3300106 ... 27, 29, 31, 33	4031509 81, 83, 85	4460465....78, 81, 87, 89, 247, 249, 259, 261, 263, 265, 269, 271, 273, 277, 279, 281, 283, 285, 289, 291, 317, 319, 321, 322, 325
2220947.....204	3300151 155, 157, 159	4031510 103, 239, 243	4460466.....78, 165, 177, 247, 249, 253, 269, 273, 277, 279, 281, 283, 285, 289, 291, 309, 311, 317, 319, 321, 322, 325
2221042.....205	3300353 165	4031512 77, 239, 243	4460470.....165
2221086.....204	3300408 69	4031516 179	4460471.....165
2400044.....35, 37	3300430 175	4031714 103	4460473....240, 244, 277, 279, 281, 283
2400060....253, 269, 271, 322, 325	3311405 108, 179	4032009 21	4460488.....83, 85
2400064.....321, 350	3311501 ... 108, 131, 133	4060092 217	4460496.....77, 273
2400065.....321, 350	3311601 166, 179	4060804 139	4460497.....77, 273
2400066.....269, 321	3311605 105, 108	4060805 139	4460508....177, 281, 283, 285, 291, 322
2540020.....83, 85	3311801 108	4060808 239, 243	4460509....253, 269, 277, 279, 281, 283, 321
2540045.....102	3340758 127	4070897 129	4460516.....23
2560122.....43	3340860 131, 133	4070898 129	4460518.....317
2560136.....165	3340901 240, 244	4100066 204	4460536.....13, 285, 319
2600281.....151, 153	3340939 239, 243	4191707 21	4460539....263, 274, 285, 325
2720058.....102, 108	3380434 163	4240018 13, 77, 103, 204, 239, 243, 257	4460548.....351
2720271.....102, 108	3422576 123, 125	4240032 77, 83, 85	4460611.....108
2820031.....240, 244	3422582 123, 125	4240033 ... 175, 177, 179, 267	4460662.....225, 229
2820118....277, 279, 281, 283	3422592 15	4240084 21	4460670.....271, 319
2820247.....313, 315	3422709 123, 125	4240099 165	4460702....259, 261, 263, 265
2860030....59, 61, 65, 67, 350	3422745 129	4240156 239, 243	4460703.....319
2900770....135, 185, 187, 197	3422787 127	4360328 ... 59, 61, 65, 67, 351	4460708.....285
2902549....211, 215, 219, 221, 223, 225, 227, 229, 251	3422788 127	4360387 65, 67, 165, 351	4460761.....285, 321
2915230.....75	3422790 123, 125	4360407 165, 350	4460836.....269, 321
2940074....151, 153, 350	3422791 131, 133	4360469 ... 59, 61, 65, 67, 351	
2940095.....39	3422792 123, 125	4360475 ... 59, 61, 65, 67, 351	
2940109.....95, 97	3422794 131, 133	4360476 ... 59, 61, 65, 67, 351	
3020029.....15	3422814 123, 125	4360548 239, 243, 249	
3020037.....53	3430616 166	4420051 347	
3020039.....21	3470003 166	4460016 285	
3020043.....255	3520030 92, 95	4460019 253, 269	
3160252.....53, 55	3520054 165	4460042 273	
3251243.....209, 213	3520072 ... 151, 153, 155, 157, 159	4460071 171, 213, 217	
3251813.....347		4460115 273	
3252347.....329		4460121 211	
		4460125 217	

SECTION 11 - SPECIAL OPTIONS/ACCESSORIES/KITS

4460837 269, 321	4461111 269	4831900.35, 37, 257, 267	70002659..... 51
4460851 319	4461112 322	4846278..... 131, 133	70002661..... 51
4460852 319	4461117 271	4872000..... 267	70002663..... 51
4460865 ... 239, 243, 277, 279, 281, 283	4461196 293	4891500..... 53	70002664..... 51
4460866 ... 239, 243, 285, 322	4461198 293	4891600..... 139	70002665..... 51
4460868 273	4461199 295	4891800..... 105, 108	70002666..... 51
4460871 87, 89, 271, 273, 274, 285, 319, 321, 325	4461201 295	4923463..... 233, 237	70002667..... 51
4460872 325	4461205 ... 297, 299, 301, 303	4923505..... 231, 235	70002668..... 51
4460873 ... 271, 285, 319, 321	4461222 269, 322	5221000..... 141	70002669..... 51
4460874 285, 321	4461244 301	5240600..... 92	70002670..... 51
4460875 285, 325	4461245 303	5241000..... 15	70002671..... 51
4460876 274	4461246 305	5241200..... 129, 139	70002842..... 183
4460877 273	4461249 305	5241400..... 47	70002901..... 102
4460878 321	4461290 23, 259, 261, 263, 265, 271	5241600..... 21	70002902..... 171
4460879 285	4520605 31	5250808..... 143	70002903..... 171
4460884 ... 273, 289, 322, 325	4640113 31, 33	5250810.17, 43, 143, 204	70002904..... 171
4460887 285, 321	4640858 183	5250812..... 143	70002905..... 171
4460891 . 81, 87, 89, 247, 249, 253, 271, 273, 317, 319, 322, 325	4641129 19	5251008..... 139	70002954..... 147
4460892 321	4711400 ... 108, 155, 157, 159, 175, 179	5251010.... 123, 125, 129	70002963.... 19, 147, 350
4460894 78, 247, 249, 273, 285, 319, 321	4711500 108	5251012..... 15, 129	70002964..... 45
4460897 35, 271, 273, 319, 322, 325	4711600 103, 105, 166	5251016..... 139	70002965..... 45
4460899 ... 289, 291, 309, 311, 322	4740086 13	5260800..... 239, 243	70002966..... 45
4460905 ... 271, 273, 274, 285, 319, 321, 325	4740158 15	5271609..... 39	70002967..... 45
4460910 315	4740171 47	5271723..... 21	70002968..... 45
4460911 311	4740362 108, 163	5281920..... 239, 243	70002969..... 45
4460928 ... 259, 261, 263, 265, 317	4740505 13	70000088..... 49	70002970..... 45
4460929 ... 259, 261, 263, 265	4751400 108, 161, 165	70000089..... 49	70002971 45, 350
4460930 75, 259, 261, 263, 265, 273, 321	4751500 131, 133	70000341..... 135	70002972..... 45
4460931 ... 253, 319, 325	4751600 105, 108	70000681..... 51	70002973..... 45
4460933 ... 165, 273, 285, 317, 319, 321, 325	4761400 161	70001697..... 137	70002974..... 45
4460941 311	4761600 37	70002311..... 49	70002976..... 45
4460942 177, 253	4792000 267	70002312..... 49	70002977..... 45
4460943 83, 85, 273, 285, 311, 322	4811400 ... 21, 35, 37, 77, 81, 83, 85, 103, 163, 173, 215, 219, 221, 223, 225, 227, 229, 239, 243, 255, 307	70002313..... 49	70003060..... 111
4460944 ... 263, 271, 274, 285, 319	4811600 ... 37, 92, 95, 97, 105, 108	70002315..... 111	70003061..... 111
4460956 251	4811602 39	70002318..... 111	70003063..... 112
4460957 251	4811700 ... 21, 35, 39, 43, 71, 73, 77, 83, 85, 87, 89, 92, 95, 97, 102, 108, 155, 157, 211, 215, 219, 221, 223, 225, 227, 229, 239, 243, 257, 329, 331, 333, 335, 337, 339, 341, 343, 345	70002334... 187, 189, 191	70003064..... 112
4460968 ... 215, 219, 221, 223, 227, 249	4811702 77, 92, 103, 105, 108, 139, 163, 240, 244	70002335.. 185, 187, 189, 191, 193, 197	70003071..... 191
4460970 249, 285	4811900 ... 13, 17, 21, 35, 43, 53, 71, 73, 92, 102, 105, 108, 239, 243	70002337..... 191, 195	70003072..... 191
4460994 271, 319	4811902 21, 43, 105, 129, 131, 133	70002344..... 189	70003073..... 191
4461012 163, 307	4812000 .35, 39, 92, 102, 105, 108, 123, 125, 127, 139, 141, 239, 243	70002352..... 193, 197	70003074..... 191
4461017 322	4812002 53, 143, 163	70002354..... 193	70003075..... 191
4461018 269, 321	4812100 13, 139	70002364..... 197	70003076.. 187, 189, 191
4461070 317	4812300 92	70002366... 185, 193, 197	70003077 191, 195
4461076 23	4812500 102, 105	70002372..... 187	70003078..... 191, 195
4461077 ... 259, 261, 263, 265, 309, 311	4831400 255	70002373..... 187	70003079..... 191, 195
4461095 317		70002375..... 187	70003080..... 191, 195
4461109 269		70002380..... 195	70003081.. 185, 191, 193
4461110 322		70002386..... 43, 45, 145, 187, 189, 191, 350	70003082..... 189, 191
		70002389..... 197	70003083..... 189, 191
		70002410..... 191	70003084..... 193
		70002412..... 189	70003085..... 185, 193
		70002413..... 185	70003086..... 193
		70002643..... 51	70003088..... 193
		70002644..... 51	70003089.. 185, 193, 197
		70002645..... 51	70003090.. 185, 193, 197
		70002646..... 51	70003091.. 185, 193, 197
		70002647..... 51	70003092.. 185, 193, 197
		70002648..... 51	70003093.. 185, 187, 193
		70002649..... 51	70003094.. 185, 187, 193
		70002650..... 51	70003095..... 195
		70002651..... 51	70003096..... 195
		70002652..... 51	70003097..... 195
		70002656..... 51	70003098..... 195
		70002657..... 51	70003099..... 195
		70002658..... 51	70003100..... 195
			70003101..... 195
			70003102..... 195

SECTION 11 - SPECIAL OPTIONS/ACCESSORIES/KITS

70003103.....	189	70004801.....	23	70004997.....	117	70023370..	187, 189, 191, 197
70003104.....	189	70004802.....	23	70004998.....	117	70023371.....	193
70003105.....	189	70004803.....	23	70004999.....	117	7004035.....	49
70003106.....	189	70004804.....	23	70005000.....	117	7004043.....	49
70003108.....	189	70004805.....	23	70005001.....	117	7004044.....	49
70003109.....	189	70004806.....	23	70005002.....	117	70050516.....	19, 350
70003110.....	189	70004807.....	23	70005003.....	117	7010543.....	45, 145, 197
70003111.....	189	70004808.....	23	70005004.....	117	7011323.....	135
70003112.....	189	70004809.....	23	70005005.....	117	7012540.....	19
70003113.....	189	70004810.....	23	70005006.....	117	7012545.....	55
70003114.....	197	70004811.....	23	70005007.....	117	7012548.....	55
70003115.....	197	70004812.....	23, 351	70005019.....	25	7012549.....	55
70003116.....	197	70004813.....	23	70005020.....	25	7012907.....	19
70003117.....	197	70004814.....	23	70005022.....	25	7012941.....	145
70003118.....	187, 197	70004815.....	23	70005024.....	25	7012953.....	145
70003119.....	197	70004816.....	23, 351	70005025.....	25	7012955.....	145, 147
70003120.....	197	70004817.....	23	70005027.....	25	7012967.....	43, 145, 147, 187, 189, 191
70003121.....	197	70004818.....	23	70005028.....	25	7012998.....	19, 45, 147
70003122.....	187	70004819.....	23	70005029.....	25	7015004.....	108, 350
70003123.....	187	70004820.....	23	70005031.....	25	7015005.....	109
70003124.....	187	70004821.....	23	70005032.....	25	7016319.....	81
70003125.....	187	70004822.....	23	70005035.....	25	7016372.....	81
70003126.....	187	70004827.....	23	70005037.....	25	7017120.....	135
70003127.....	187	70004828.....	111	70005038.....	25	7017121.....	135
70003128.....	187	70004829.....	111, 112	70005040.....	25	7017122.....	135, 137
70003129.....	187	70004830.....	111	70005041.....	25	7017123.....	135, 137
70003130.....	187	70004832.....	111	70005042.....	25	7017126.....	135, 137
70003131.....	185	70004833.....	111	70005043.....	25	7017127.....	135
70003132.....	185	70004834.....	111	70005044.....	25	7017172.....	135, 137
70003133.....	185	70004836.....	111	70005045.....	25	7017192.....	135, 137
70003134.....	185	70004837.....	111	70005047.....	25	7017196.....	135, 137
70003138.....	51	70004838.....	111	70005062.....	25	7017402.....	145, 147
70003139.....	51	70004839.....	111	70005063.....	25	7017406.....	45
70003141.....	51	70004840.....	111	70005228.....	111	7017408.....	19
70003142.....	51	70004841.....	111	70005293.....	102	7017427.....	147
70003453.....	187	70004843.....	111	70005294.....	102	7017452.....	145, 147
70003757.....	45	70004844.....	111	70005295.....	102	7017455.....	19
70003784.....	165	70004846.....	111	70005296.....	102	7017463.....	19
70003788.....	45, 350	70004847.....	111	70005297.....	102	7017467.....	43
70004069.....	102	70004848.....	111	70005560.....	25	7017496	43, 45, 187, 189, 191
70004070.....	102	70004849.....	111	70005695.....	185	7017498.....	147
70004294.....	111	70004851.....	112	70005722.....	43	7017901.....	112
70004295.....	111	70004852.....	112	70005818.....	53	7017914.....	111
70004296.....	111	70004853.....	112	70005973.....	185	7017934.....	111
70004297.....	111	70004854.....	112	70005974.....	185	7017980.....	111, 350
70004305.....	112	70004855.....	111	70006007.....	112	7017982.....	111
70004306.....	112	70004856.....	112	70006008.....	112	7017983.....	111
70004311.....	111	70004857.....	112	70006269.....	141	7017984.....	111
70004322.....	137	70004858.....	112	70006280.....	141	7017988.....	111
70004323.....	135, 137	70004859.....	112	70006353.....	185	7017992.....	111, 350
70004398.....	111	70004860.....	112	70007208.....	25	7017995.....	111
70004524.....	111	70004861.....	112	70007209.....	25	7020175.....	59, 61, 65, 67, 165
70004537.....	111	70004912.....	112	70007210.....	25	7020176.....	59, 61, 65, 67, 165
70004538.....	111	70004913.....	112	70007211.....	25	7020291.....	55
70004539.....	111	70004984.....	117	70007212.....	25	7020292.....	55
70004540.....	111	70004985.....	117	70007213.....	25	7020293.....	55
70004787.....	19	70004986.....	117	70007214.....	25	7020294.....	55
70004788.....	19	70004987.....	117	70007215.....	25	7020295.....	55
70004789.....	19	70004988.....	117	70007216.....	25	7020296.....	55
70004790.....	115	70004989.....	117	70007217.....	25	7020297.....	55
70004791.....	115	70004990.....	117	70007218.....	25	7020298.....	55
70004792.....	115	70004991.....	117	70007219.....	25	7020299.....	55
70004793.....	115	70004992.....	117	70007220.....	25		
70004797.....	23	70004993.....	117, 351	70007221.....	25		
70004798.....	23	70004994.....	117	70007885.....	109		
70004799.....	23	70004995.....	117	70022565.....	189		
70004800.....	23	70004996.....	117				

SECTION 11 - SPECIAL OPTIONS/ACCESSORIES/KITS

7021653	19, 45	7024380	49	7027352.....	51	8229245	269, 350
7023107	111	7024381	49	7027353.....	51	8229246	269, 350
7023114	112	7024389	49	7027359.....	51	8229247	269, 350
7023124	112	7024390	49	7027900.....	135, 137	8310612	35, 37
7023154	111	7024453	49	7027901.....	135, 137	8310668	141
7023167	111	7024884	187, 189, 191	7028909.....	83, 85	8310686	204
7023168	111	7026041	51	80233041.....	204	8405102	108
7023170	112	7026048	51	80325.....	92	8406201	103
7023200	55	7026049	51	8220007.....	269	85031405.....	267
7023272	55	7026052	51	8220045.....	271	85941016.....	105
7023970	145	7027350	51	8229242.....	319, 350	91043147.....	103
7024379	49	7027351	51	8229244.....	321, 350		



**Corporate Office
JLG Industries, Inc.
1 JLG Drive
McConnellsburg, PA 17233-9533 USA
☎ (717) 485-5161 (Corporate)
☎ (877) 554-5438 (Customer Support)
📠 (717) 485-6417**

**Visit our website for JLG Worldwide Locations.
www.jlg.com**



OSHKOSH™