



---

# Illustrated Parts Manual

## *Models* *E400Anarrow* *E400AJPnarrow*

PVC  
2307

P/N  
31222344

July 1, 2023 - Rev A

**ANSI**

**CE**



**UK  
CA**

**AS/NZS**



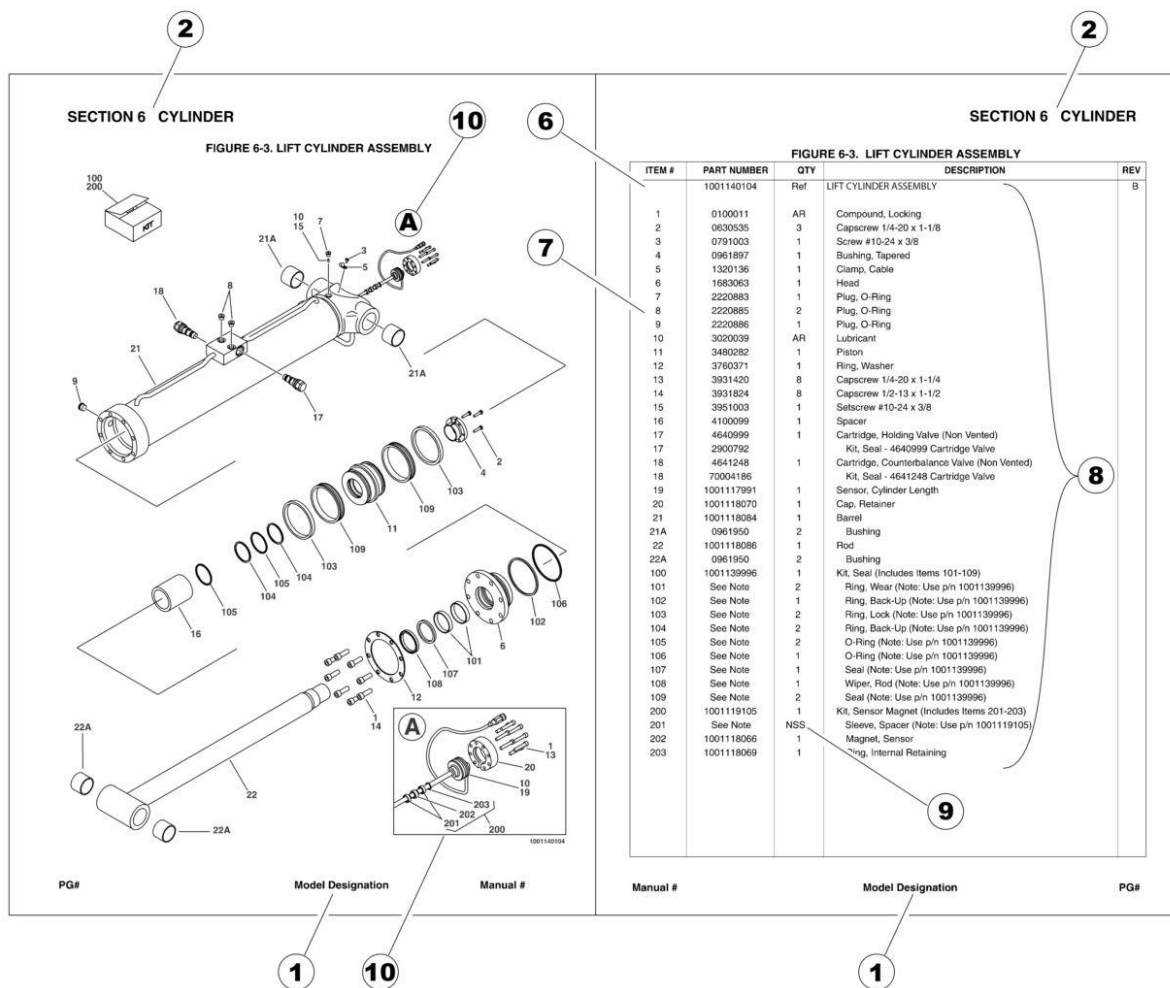
An Oshkosh Corporation Company



## **REVISION LOG**

July 1, 2023 - A - Original Issue of Manual (Edited to B/M 1001247556 Revision O)

# GENERAL INFORMATION



## 1) MACHINE IDENTIFICATION

Machines are identified by model and in some cases a combination of models, serial number (SN) or regional standard (i.e ANSI, CE, CSA). Components may also be identified by SN or manufacturer. Common components that may be identified by these characteristics are engines and hydraulic components.

## 2) PARTS MANUAL ORGANIZATION

Product information in this manual is organized under section titles. Frame, Cylinder, Hydraulic and Electrical are a few examples. Each section is organized by figure and page number. The information within the Figure is then organized by item number, part number, description and corresponding illustration (s).

## 3) TABLE OF CONTENTS (NOT SHOWN)

A table of contents is found toward the beginning of the manual. Figure number, description and page number are provided for quick reference to the page containing the related information.

## 4) RECOMMENDED SPARE PARTS (NOT SHOWN)

The Recommended Spare Parts List, located near the end of the manual, reference most frequently used maintenance parts.

## 5) PART NUMBER INDEX (NOT SHOWN)

A numerical index listing all part numbers and the corresponding page number(s) appears at the back of the manual.



## GENERAL INFORMATION

### 6) NON-SERVICED PARTS

In some instances, it is necessary to display non-serviced parts, assemblies or installations. In the case of assemblies and installations there will be a Ref in the Qty. column. In case of parts that are not available for service within assemblies or components, there will be a NSS (Not Sold Separately) or NLA (No Longer Available) listed in the Qty. column of the manual.

### 7) PARTS LIST ITEM NUMBERS

Numbers shown in the item# column correspond to numbers used in the associated illustration (s). Item numbers which are missing from the sequence in the parts list are not used on that page.

### 8) INDENTED PARTS DESCRIPTION

An indented part description is included in the item under which it is indented.

### 9) ABBREVIATION AND SYMBOLS

AC.....	Alternating Current	L.....	Liter
ADE.....	Advanced Design Electronics	LB(LBS).....	Pounds
AG.....	Agricultural	LCD.....	Liquid Crystal Display
ANSI.....	American National Standards Institute	LED.....	Light Emitting Diodes
AR.....	As Required	LH.....	Left Hand
ASSY.....	Assembly	LRC.....	Low Rated Countries
AUS.....	Australia	LSS.....	Load Sensing System
AUX.....	Auxiliary	M(m).....	Metric/Meter
AWG.....	American Wire Gauge	MM(mm).....	Milimeter
B/M.....	Bill of Material	mA.....	Miliamps
CAC.....	Charge Air Cooler	NLA.....	No Longer Available
CE.....	European Conformity	NPT.....	National Pipe Threads
CCW.....	Counter Clockwise	NSS.....	Not Sold Separately
CM.....	Centimeter	OD.....	Outside Diameter
CW.....	Clockwise	ORB.....	O-Ring Boss
CSA.....	Canadian Standards Association	ORFS.....	O-Ring Face Seal
CYL.....	Cylinder	OZ (oz).....	Ounces
DIA.....	Diameter	PG.....	Page
DC.....	Direct Current	PN.....	Part Number
DEF.....	Diesel Exhaust Fluid	QT(qt.).....	Quarts
EMS.....	Emergency Stop	QTY.....	Quantity
ENG.....	Engine	REF.....	Reference
FT(ft).....	Feet	REV.....	Revision Level
GA(Ga).....	Gauge	RH.....	Right Hand
HRC.....	High Rated Countries	SAE.....	Society of Automotive Engineers
HVAC.....	Heating, Ventilating, and Air Conditioning	SN.....	Serial Number
HYD.....	Hydraulic	SPEC(S).....	Specifications
Hz.....	Hertz	T/T.....	Turntable
ID.....	Inside Diameter	UGM.....	Universal Ground Module
IN.....	inches	V.....	Volts
ISO.....	International Organization for Standards	W.....	Watts
JIC.....	Joint Industry Council	#.....	Number
KG.....	Kilogram		

### 10) ILLUSTRATION REFERENCE LETTERS

When necessary, illustrations may contain reference letters that are intended to track information (i. e. hoses, harnesses) from one point to another or to track visual enlargement of components to show details that may be located in another area on the illustration.

*Note: Due to continuous product improvements, JLG Industries, Inc. reserves the right to make specification changes without prior notification. Contact JLG Industries, Inc. for updated information.*



# TABLE OF CONTENTS

SECTION 1 - FRAME.....	11
FIGURE 1-1. STEERING INSTALLATION .....	12
FIGURE 1-2. HUB - SPINDLE ASSEMBLY - RH .....	14
FIGURE 1-3. HUB - SPINDLE ASSEMBLY - LH.....	16
FIGURE 1-4. DRIVE INSTALLATION - NON-UL SPECS.....	18
FIGURE 1-5. DRIVE INSTALLATION - UL SPECS.....	22
FIGURE 1-6. DRIVE HUB ASSEMBLY .....	26
FIGURE 1-7. DRIVE MOTOR ASSEMBLY .....	30
FIGURE 1-8. ELECTRICAL PLATE ASSEMBLY - LH.....	32
FIGURE 1-9. ELECTRICAL PLATE ASSEMBLY - LH - UL SPECS.....	34
FIGURE 1-10. ELECTRICAL PLATE ASSEMBLY - RH.....	36
FIGURE 1-11. ELECTRICAL PLATE ASSEMBLY - RH - UL SPECS .....	38
FIGURE 1-12. TIRE/WHEEL - SOLID NON-MARKING .....	40
FIGURE 1-13. MOTOR/PUMP/TANK - NON-UL SPECS.....	42
FIGURE 1-14. MOTOR/PUMP/TANK INSTALLATION - UL SPECS.....	44
FIGURE 1-15. MOTOR/PUMP ASSEMBLY .....	46
FIGURE 1-16. HYDRAULIC TANK ASSEMBLY.....	48
FIGURE 1-17. VALVE INSTALLATION - FRAME MOUNTED - E400ANARROW .....	50
FIGURE 1-18. VALVE INSTALLATION - FRAME MOUNTED - E400AJPNARROW.....	52
FIGURE 1-19. BRAKE/STEER VALVE ASSEMBLY .....	54
FIGURE 1-20. BATTERY BOX INSTALLATION - STANDARD.....	56
FIGURE 1-21. BATTERY BOX INSTALLATION - AGM BATTERIES .....	58
FIGURE 1-22. BATTERY CHARGER INSTALLATION (ALL SPECS EXCEPT AUSTRALIAN, CE & UK CA SPECS) .....	60
FIGURE 1-23. BATTERY CHARGER INSTALLATION (ANSI EXPORT, CE, CHINA & UK CA SPECS) .....	62
FIGURE 1-24. BATTERY CHARGER INSTALLATION (ANSI EXPORT, CE, CHINA & UK CA SPECS) .....	64
FIGURE 1-25. INVERTER INSTALLATION .....	66
FIGURE 1-26. FRAME COVER INSTALLATION .....	68
SECTION 2 - TURNTABLE .....	71
FIGURE 2-1. VALVE INSTALLATION- TURNTABLE MOUNTED - E400ANARROW .....	72
FIGURE 2-2. VALVE INSTALLATION - TURNTABLE MOUNTED - E400AJPNARROW .....	74
FIGURE 2-3. MAIN CONTROL VALVE ASSEMBLY.....	76
FIGURE 2-4. RELEVELING VALVE ASSEMBLY.....	78
FIGURE 2-5. JIB VALVE ASSEMBLY .....	80
FIGURE 2-6. MOTION ALARM INSTALLATION.....	82
FIGURE 2-7. TURNTABLE BEARING AND SWING DRIVE INSTALLATION.....	84
FIGURE 2-8. SWING MOTOR ASSEMBLY .....	86
FIGURE 2-9. SWING BEARING ASSEMBLY .....	88
FIGURE 2-10. REMOTE BEARING LUBE INSTALLATION - OPTIONAL.....	90
FIGURE 2-11. DRIVE ORIENTATION INSTALLATION .....	92
FIGURE 2-12. GROUND CONTROL BOX INSTALLATION - E400ANARROW (ALL SPECS EXCEPT AUSTRALIAN, CE & UK CA SPECS).....	94
FIGURE 2-13. GROUND CONTROL BOX INSTALLATION - E400ANARROW (CE & UK CA SPEC) .....	96
FIGURE 2-14. GROUND CONTROL BOX INSTALLATION - E400AJPNARROW (ALL SPECS EXCEPT CE & UK CA SPEC) ..	98
FIGURE 2-15. GROUND CONTROL BOX INSTALLATION - E400AJPNARROW (CE & UK CA SPEC).....	100
FIGURE 2-16. GROUND CONTROL BOX ELECTRICAL ASSEMBLY - DISPLAY WITHOUT BUTTONS - E400ANARROW (ALL SPECS EXCEPT AUSTRALIAN, CE & UK CA SPECS) .....	102
FIGURE 2-17. GROUND CONTROL BOX ELECTRICAL ASSEMBLY - DISPLAY WITHOUT BUTTONS - E400ANARROW (CE & UK CA SPECS) .....	104
FIGURE 2-18. GROUND CONTROL BOX ELECTRICAL ASSEMBLY - DISPLAY WITHOUT BUTTONS - E400AJPNARROW (ALL SPECS EXCEPT CE & UK CA SPECS) .....	106
FIGURE 2-19. GROUND CONTROL BOX ELECTRICAL ASSEMBLY - DISPLAY WITHOUT BUTTONS - E400AJPNARROW (CE & UK CA SPECS).....	108
FIGURE 2-20. STROBE LIGHT INSTALLATION - AMBER .....	110
FIGURE 2-21. BEACON LIGHT INSTALLATION - BLUE .....	112
FIGURE 2-22. BEACON LIGHT INSTALLATION - RED .....	114
FIGURE 2-23. HOOD PLUGS INSTALLATION.....	116
FIGURE 2-24. HOOD INSTALLATION.....	118
SECTION 3 - BOOM .....	121
FIGURE 3-1. BOOM AND CYLINDERS INSTALLATION - E400ANARROW .....	122
FIGURE 3-2. BOOM AND CYLINDERS INSTALLATION - E400AJPNARROW .....	124
FIGURE 3-3. MAIN BOOM ASSEMBLY - E400ANARROW.....	128

# TABLE OF CONTENTS

FIGURE 3-4. MAIN BOOM ASSEMBLY - E400AJPNARROW .....	130
FIGURE 3-5. JIB INSTALLATION .....	134
FIGURE 3-6. ROTATOR ASSEMBLY - E400ANARROW.....	136
FIGURE 3-7. ROTATOR ASSEMBLY - PLATFORM SUPPORT TO JIB - E400AJPNARROW .....	138
FIGURE 3-8. ROTATOR ASSEMBLY - MAIN BOOM TO JIB - E400AJPNARROW .....	140
FIGURE 3-9. PLATFORM SUPPORT INSTALLATION .....	142
FIGURE 3-10. BOOM LIMIT SWITCHES INSTALLATION .....	144
 SECTION 4 - PLATFORM .....	 147
FIGURE 4-1. PLATFORM ASSEMBLY - 4FT/1.22M - SIDE GATE ENTRY .....	148
FIGURE 4-2. PLATFORM ASSEMBLY - 5FT/1.52M - SIDE GATE ENTRY .....	150
FIGURE 4-3. PLATFORM ASSEMBLY - 5FT/1.52M - SIDE GATE ENTRY - W/STOP AND 1 CELL LSS.....	152
FIGURE 4-4. PLATFORM ASSEMBLY - 4FT/1.22M - DROP BAR ENTRY .....	154
FIGURE 4-5. PLATFORM ASSEMBLY - 5FT/1.52M - DROP BAR ENTRY .....	156
FIGURE 4-6. PLATFORM ASSEMBLY - 5FT/1.52M - DROP BAR ENTRY .....	158
FIGURE 4-7. PLATFORM CONSOLE AND FOOTSWITCH INSTALLATION - E400ANARROW - NON-UL LISTED (ALL SPEC EXCEPT AUSTRALIAN AND UL SPECS) .....	160
FIGURE 4-8. PLATFORM CONSOLE AND FOOTSWITCH INSTALLATION - E400ANARROW - UL LISTED (ALL SPECS EXCEPT AUSTRALIAN, CE, JAPANESE & UK CA SPECS) .....	162
FIGURE 4-9. PLATFORM CONSOLE AND FOOTSWITCH INSTALLATION - E400AJPNARROW - NON-UL LISTED (ALL SPECS EXCEPT UL SPECS) .....	164
FIGURE 4-10. PLATFORM CONSOLE AND FOOTSWITCH INSTALLATION - E400AJPNARROW - UL LISTED (ALL SPECS EXCEPT AUSTRALIAN, CE, JAPANESE & UK CA SPECS) .....	166
FIGURE 4-11. PLATFORM CONSOLE ASSEMBLY - E400ANARROW - NON-UL LISTED (ALL SPECS EXCEPT AUSTRALIAN AND UL SPECS).....	168
FIGURE 4-12. PLATFORM CONSOLE ASSEMBLY - E400ANARROW/E400AJPNARROW - UL LISTED (ALL SPECS EXCEPT AUSTRALIAN, CE, JAPANESE & UK CA SPECS).....	170
FIGURE 4-13. PLATFORM CONSOLE ASSEMBLY - E400ANARROW/E400AJPNARROW - UL LISTED (ALL SPECS EXCEPT AUSTRALIAN, CE, JAPANESE & UK CA SPECS).....	172
FIGURE 4-14. PLATFORM CONSOLE ASSEMBLY - E400AJPNARROW - NON-UL LISTED (ALL SPECS EXCEPT UL SPECS) .....	176
FIGURE 4-15. LIGHT PANEL INSTALLATION.....	180
FIGURE 4-16. FOOTSWITCH ASSEMBLY .....	182
FIGURE 4-17. TRAY ASSEMBLY.....	184
FIGURE 4-18. SKYEYE INSTALLATION.....	186
FIGURE 4-19. SKYGUARD BAR INSTALLATION.....	188
FIGURE 4-20. SKYLINE INSTALLATION.....	190
FIGURE 4-21. SKYSENSE MID TUBE SENSOR ASSEMBLY .....	192
FIGURE 4-22. SKYSENSE OVERHEAD SENSOR ASSEMBLY .....	194
FIGURE 4-23. USB CHARGER INSTALLATION.....	196
 SECTION 5 - CYLINDER.....	 199
FIGURE 5-1. LEVEL (PLATFORM SLAVE) CYLINDER ASSEMBLY - E400ANARROW.....	200
FIGURE 5-2. LEVEL (PLATFORM SLAVE) CYLINDER ASSEMBLY - E400AJPNARROW .....	202
FIGURE 5-3. LIFT CYLINDER ASSEMBLY - JIB - E400AJPNARROW .....	204
FIGURE 5-4. LIFT CYLINDER ASSEMBLY - LOWER - E400ANARROW .....	206
FIGURE 5-5. CYLINDER ASSEMBLY - LOWER - E400AJPNARROW.....	208
FIGURE 5-6. LIFT CYLINDER ASSEMBLY - MID - E400ANARROW .....	210
FIGURE 5-7. LIFT CYLINDER ASSEMBLY - MID - E400AJPNARROW.....	212
FIGURE 5-8. LIFT CYLINDER - UPPER - E400ANARROW .....	214
FIGURE 5-9. LIFT CYLINDER - UPPER - E400AJPNARROW .....	216
FIGURE 5-10. MASTER CYLINDER ASSEMBLY - E400ANARROW .....	218
FIGURE 5-11. MASTER CYLINDER ASSEMBLY - E400AJPNARROW .....	220
FIGURE 5-12. STEER CYLINDER ASSEMBLY .....	222
FIGURE 5-13. TELESCOPE CYLINDER ASSEMBLY - E400ANARROW.....	224
FIGURE 5-14. TELESCOPE CYLINDER ASSEMBLY - E400AJPNARROW .....	226
FIGURE 5-15. COUNTERBALANCE VALVE ASSEMBLY .....	228
 SECTION 6 - HYDRAULIC .....	 231
FIGURE 6-1. HYDRAULIC DIAGRAM - E400ANARROW .....	232
FIGURE 6-2. HYDRAULIC DIAGRAM - E400AJPNARROW .....	236
 SECTION 7 - ELECTRICAL.....	 241

# TABLE OF CONTENTS

FIGURE 7-1. AC PLUGS AND SOCKETS INSTALLATION - AFSINT 107-2-01 KEYED GROUND - 2 X 4 BOX (CE & UK CA SPEC).....	242
FIGURE 7-2. AC PLUGS AND SOCKETS INSTALLATION - CEE7 POST GROUND (CE & UK CA SPEC) .....	244
FIGURE 7-3. AC PLUGS AND SOCKETS INSTALLATION - CEE 7 SIDE GROUND (CE & UK CA SPEC).....	246
FIGURE 7-4. AC PLUGS AND SOCKETS INSTALLATION - CEE7 POST GROUND - 2 X 4 BOX (CE & UK CA SPEC) .....	248
FIGURE 7-5. AC PLUGS AND SOCKETS INSTALLATION - CEE7 SIDE GROUND - 2 X 4 BOX (CE & UK CA SPEC).....	250
FIGURE 7-6. AC PLUGS AND SOCKETS INSTALLATION - IEC 60309 BLUE (CE & UK CA SPEC) .....	252
FIGURE 7-7. AC PLUGS AND SOCKETS INSTALLATION - IEC 60309 YELLOW (CE & UK CA SPEC).....	254
FIGURE 7-8. BATTERY CABLE KIT - E400ANARROW AND E400AJPNARROW .....	256
FIGURE 7-9. BATTERY CABLE KIT - E400ANARROW AND E400AJPNARROW - UL SPECS .....	258
FIGURE 7-10. BOOM CABLE - LOWER .....	260
FIGURE 7-11. BOOM CABLE - UPPER.....	262
FIGURE 7-12. BOOM LIMIT SWITCH HARNESS - LOWER .....	264
FIGURE 7-13. BOOM LIMIT SWITCH HARNESS - UPPER.....	266
FIGURE 7-14. BREAKER BOX KIT WITH ONE BREAKERS - CE & UK CA SPEC .....	268
FIGURE 7-15. BREAKER BOX KIT WITH TWO BREAKERS - CE & UK CA SPEC.....	270
FIGURE 7-16. CABLES AND CLAMPS INSTALLATION - E400ANARROW.....	272
FIGURE 7-17. CABLES AND CLAMPS INSTALLATION - E400AJPNARROW .....	274
FIGURE 7-18. CHARGER HARNESS.....	276
FIGURE 7-19. CHARGER CORD PLUG INSTALLATION - 110V - IEC 60309 - YELLOW (CE & UK CA SPEC) .....	278
FIGURE 7-20. CHARGER CORD PLUG INSTALLATION - 220V - AFSINT 107 KEYED GROUND (CE & UK CA SPEC).....	280
FIGURE 7-21. CHARGER CORD PLUG INSTALLATION - 220V - CEE7 POST GROUND (CE & UK CA SPEC).....	282
FIGURE 7-22. CHARGER CORD PLUG INSTALLATION - 220V - CEE7 SIDE GROUND (CE & UK CA SPEC).....	284
FIGURE 7-23. CHARGER CORD PLUG INSTALLATION - 220V - IEC 60309 - BLUE (CE & UK CA SPEC) .....	286
FIGURE 7-24. CHARGER DC CONNECTION HARNESS.....	288
FIGURE 7-25. CHASSIS TO TURNTABLE HARNESS.....	290
FIGURE 7-26. CLEARSKY INSTALLATION - 3G CANBUS CONNECTION (ANSI EXPORT, CE & UK CA SPECS).....	292
FIGURE 7-27. CLEARSKY INSTALLATION - 3G CANBUS CONNECTION (AUSTRALIAN SPECS).....	294
FIGURE 7-28. CLEARSKY INSTALLATION - 4G CANBUS CONNECTION (ALL SPECS EXCEPT CHINA SPECS) .....	296
FIGURE 7-29. CLEARSKY INSTALLATION - 4G CANBUS CONNECTION (CHINA SPECS) .....	298
FIGURE 7-30. CLEARSKY INSTALLATION 3WIRE CONNECTION (ALL SPECS UL & CHINA SPECS) .....	300
FIGURE 7-31. CLEARSKY HARNESS - 3G & 4G CANBUS CONNECTIONS .....	302
FIGURE 7-32. CLEARSKY HARNESS - 3 WIRE CONNECTION .....	304
FIGURE 7-33. STROBE LIGHT JUMPER HARNESS.....	306
FIGURE 7-34. GROUND CONTROL PANEL HARNESS.....	308
FIGURE 7-35. INVERTER HARNESS.....	310
FIGURE 7-36. INVERTER IGNITION HARNESS.....	312
FIGURE 7-37. LOWER BOOM 110V HARNESS ASSEMBLY .....	314
FIGURE 7-38. LOWER BOOM 220V HARNESS ASSEMBLY - CE & UK CA SPEC.....	316
FIGURE 7-39. LOWER BOOM 220V HARNESS ASSEMBLY - CE & UK CA SPEC.....	318
FIGURE 7-40. PLATFORM CONSOLE HARNESS (NON-UL SPECS).....	320
FIGURE 7-41. PLATFORM CONSOLE HARNESS .....	322
FIGURE 7-42. PLUG AND RECEPTACLE INSTALLATION - 110V.....	326
FIGURE 7-43. PLUG AND RECEPTACLE INSTALLATION - 220V.....	328
FIGURE 7-44. PLUG AND RECEPTACLE INSTALLATION - SUPPLIED LOCALLY.....	330
FIGURE 7-45. PLUG AND RECEPTACLE 110V INSTALLATION - IEC 60309 - YELLOW (CE & UK CA SPEC).....	332
FIGURE 7-46. PLUG AND RECEPTACLE 220V INSTALLATION - AFSINT 107 KEYED GROUND - 2 X 4 BOX (CE & UK CA SPEC).....	334
FIGURE 7-47. PLUG AND RECEPTACLE 220V INSTALLATION - CEE7 POST GROUND - 2 X 4 BOX (CE & UK CA SPEC).....	336
FIGURE 7-48. PLUG AND RECEPTACLE 220VINSTALLATION - CEE7 POST GROUND - 70MM X 70MM BOX (CE & UK CA SPEC).....	338
FIGURE 7-49. PLUG AND RECEPTACLE 220 INSTALLATION - CEE7 SIDE GROUND - 2 X 4 BOX (CE & UK CA SPEC) ...	340
FIGURE 7-50. PLUG AND RECEPTACLE 220VINSTALLATION - CEE7 SIDE GROUND - 70MM X 70MM BOX (CE & UK CA SPEC).....	342
FIGURE 7-51. PLUG AND RECEPTACLE 220VINSTALLATION - IEC 60309 - BLUE (CE & UK CA SPEC) .....	344
FIGURE 7-52. SKYEYE INTERMEDIATE HARNESS.....	346
FIGURE 7-53. SKYEYE RECEIVER HARNESS .....	348
FIGURE 7-54. SKYEYE EMITTER HARNESS.....	350
FIGURE 7-55. SKYGUARD HARNESS - WITH 1 CELL LSS.....	352
FIGURE 7-56. SKYLINE HARNESS.....	354
FIGURE 7-57. STEER/BRAKE HARNESS.....	356
FIGURE 7-58. TRACTION HARNESS .....	358
FIGURE 7-59. TURNTABLE HARNESS .....	360
FIGURE 7-60. UPPER BOOM 110V HARNESS ASSEMBLY .....	364
FIGURE 7-61. UPPER BOOM 220V HARNESS ASSEMBLY - CE & UK CA SPEC.....	366
FIGURE 7-62. VALVE HARNESS .....	368

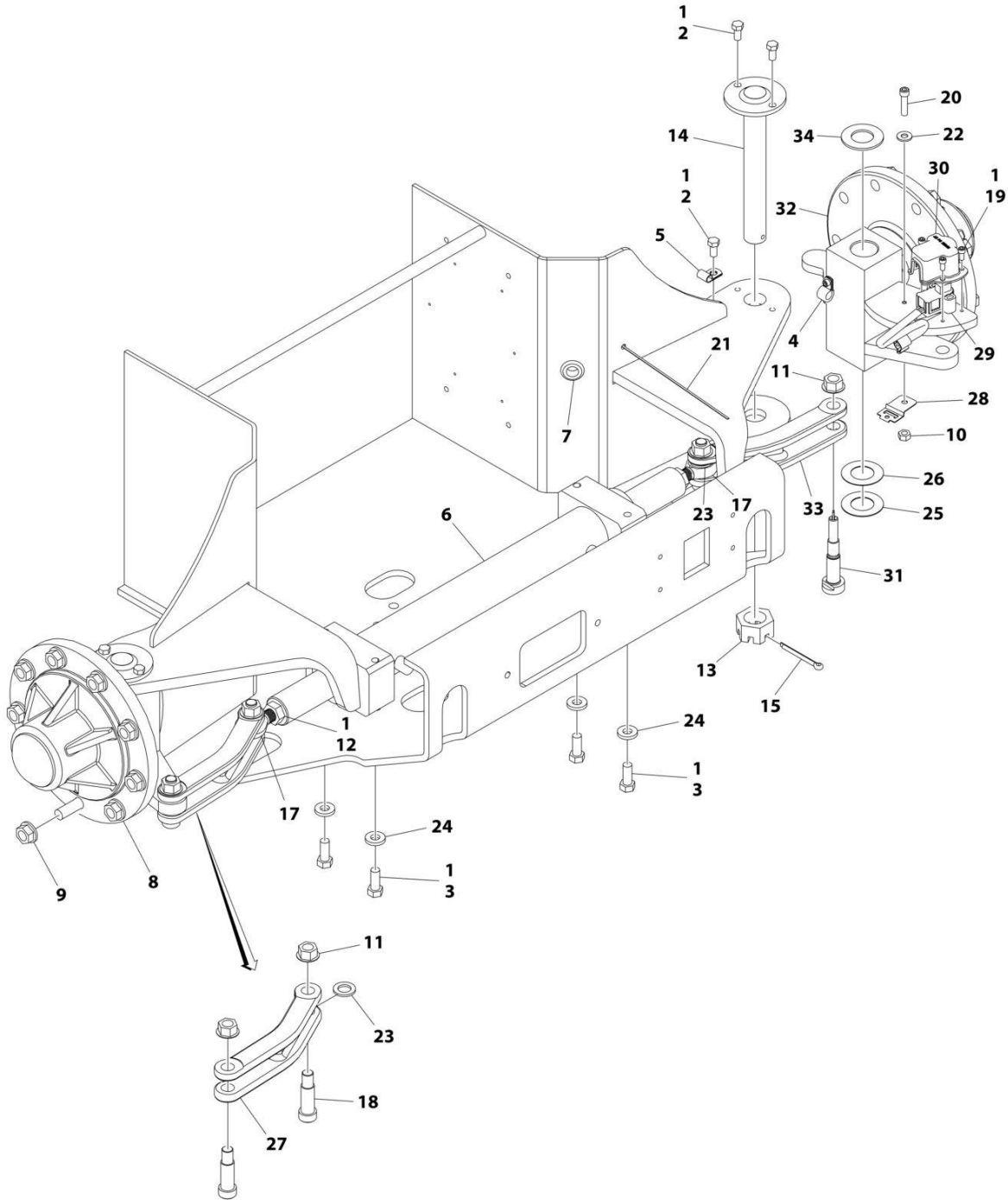
# TABLE OF CONTENTS

SECTION 8 - DECALS .....	371
FIGURE 8-1. DECAL INSTALLATION - ANSI SPEC .....	372
FIGURE 8-2. DECAL INSTALLATION - AUSTRALIAN SPEC .....	374
FIGURE 8-3. DECAL INSTALLATION - CE & UK CA SPEC .....	376
FIGURE 8-4. DECAL INSTALLATION - CHINESE/ENGLISH .....	378
FIGURE 8-5. DECAL INSTALLATION - FRENCH/ENGLISH SPECS .....	380
FIGURE 8-6. DECAL INSTALLATION - JAPANESE SPEC.....	382
FIGURE 8-7. DECAL INSTALLATION - KOREAN SPEC .....	384
FIGURE 8-8. DECAL INSTALLATION - SPANISH/ENGLISH SPECS.....	386
FIGURE 8-9. DECAL INSTALLATION - SPANISH/PORTUGUESE SPECS .....	388
FIGURE 8-10. DECAL INSTALLATION - OPTIONS .....	390
SECTION 9 - RECOMMENDED SERVICE PARTS STOCK .....	393
FIGURE 9-1. RECOMMENDED SERVICE PARTS STOCK .....	394
SECTION 10 - SPECIAL OPTIONS/ACCESSORIES/KITS .....	397
FIGURE 10-1. SPECIAL OPTIONS/ACCESSORIES/KITS.....	398
PART NUMBER INDEX.....	403

**SECTION 1 - FRAME**

# SECTION 1 - FRAME

## FIGURE 1-1. STEERING INSTALLATION



ART\_1001232204



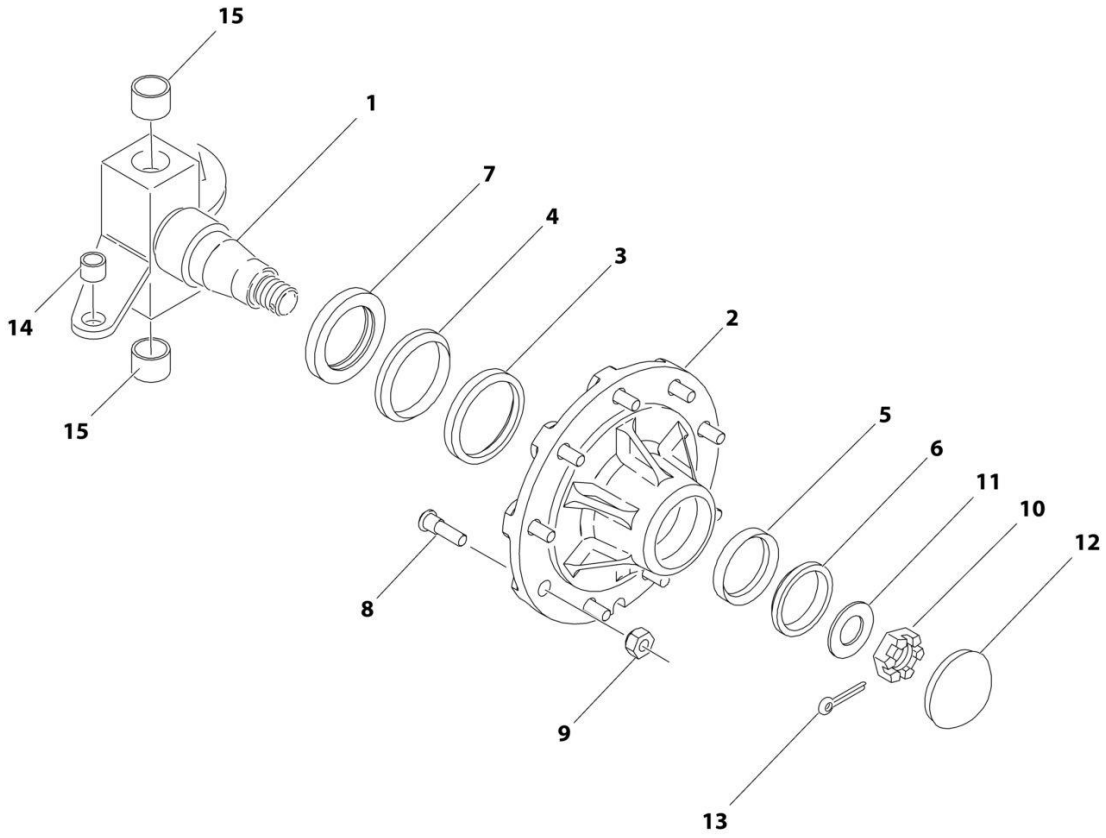
# SECTION 1 - FRAME

## FIGURE 1-1. STEERING INSTALLATION

ITEM	PART NUMBER	QTY	DESCRIPTION	REV
	1001232204	Ref	STEERING INSTALLATION	A
1	0100011	AR	Compound, Locking	
2	0641606	5	Bolt 3/8 X 3/4	
3	0681810	4	Bolt 1/2 X 1-1/4 Grade 8	
4	1320041	1	Clamp	
5	1320263	1	Clamp, Cable	
6	1683591	1	Steer Cylinder Assembly (See Separate Breakdown in CYLINDER SECTION)	
7	2540038	1	Grommet	
8	2780251	1	Hub - Spindle Assembly - RH (See Separate Breakdown in this Section)	
9	3300426	18	Nut 5/8	
10	3311405	1	Nut 1/4	
11	3312008	4	Nut 5/8	
12	3322202	2	Nut	
13	3323003	2	Nut 1-1/4	
14	3422692	2	Kingpin	
15	3450810	2	Pin, Cotter	
17	3841517	2	End, Tie-Rod	
18	3900109	3	Screw, Shoulder	
19	3931408	4	Capscrew 1/4 X 1/2	
20	3931416	1	Capscrew 1/4 x 1	
21	4240175	1	Tie-Strap	
22	4711400	1	Washer 1/4	
23	4740156	2	Washer	
24	4891800	4	Washer 1/2	
25	1001151395	1	Shim 18Ga	
26	1001151428	1	Shim 20Ga	
27	1001153023	1	Link	
28	1001153749	1	Clip, Connector	
29	1001161117	1	Switch, Angle Sensor	
29	4460536	1	Receptacle, Female - 3 Position	
29	4460464	3	Pin, Male	
30	1001169423	1	Cover	
31	1001180835	1	Pin	
32	1001180838	1	Hub - Spindle Assembly - LH (See Separate Breakdown in this Section)	
33	1001180840	1	Link	
34	1001193047	2	Bearing, Thrust	

# SECTION 1 - FRAME

## FIGURE 1-2. HUB - SPINDLE ASSEMBLY - RH



ART\_2780251

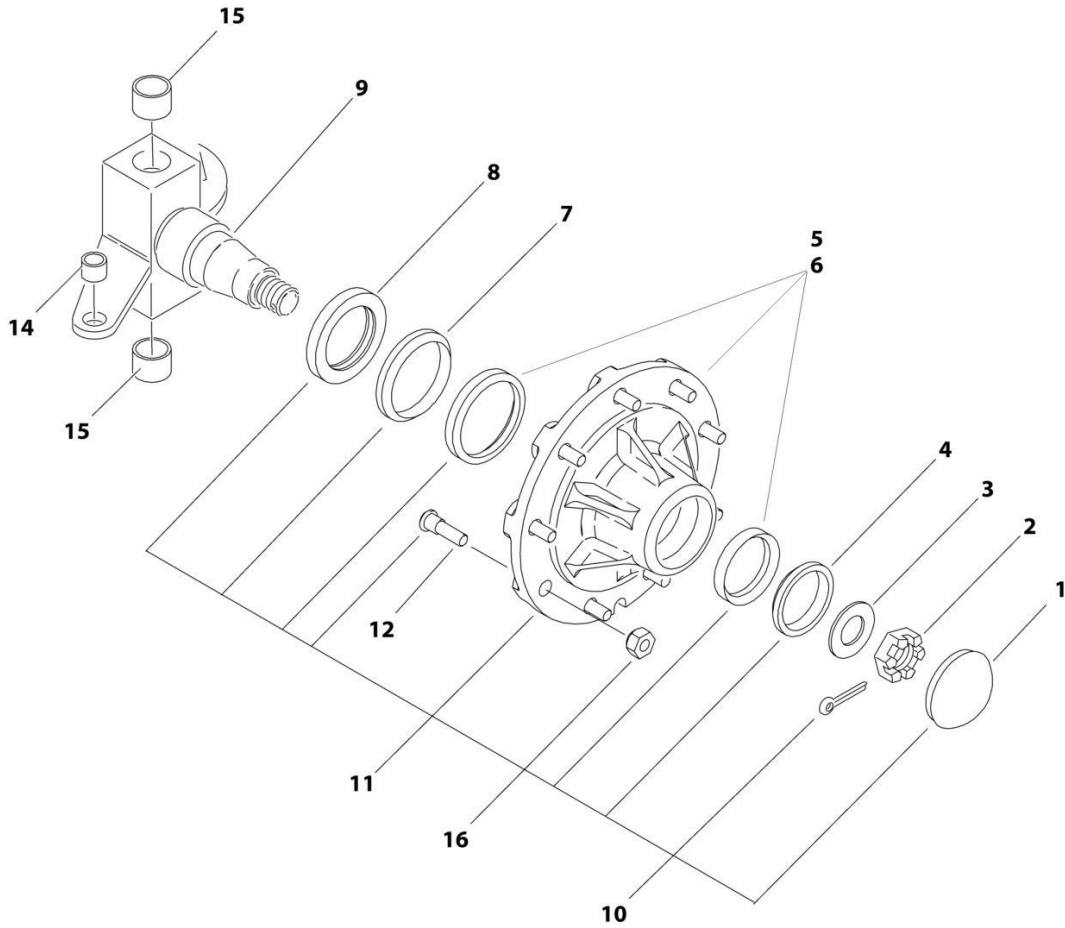
# SECTION 1 - FRAME

**FIGURE 1-2. HUB - SPINDLE ASSEMBLY - RH**

ITEM	PART NUMBER	QTY	DESCRIPTION	REV
	2780251	Ref	HUB - SPINDLE ASSEMBLY, RH	C
1	7023217	1	Spindle, R.H.	
2	7020035	1	Hub	
3	7020036	1	Cup, Bearing - Inner	
4	7020037	1	Cone, Bearing - Inner	
5	7020038	1	Cup, Bearing - Outer	
6	7020039	1	Cone, Bearing - Outer	
7	7020040	1	Seal	
8	7020041	9	Stud, Wheel	
9	7020042	9	Lugnut	
10	7020054	1	Nut, Castle	
11	7020055	1	Washer, Spindle	
12	7020137	1	Dust Cap	
13	7020140	1	Pin, Cotter	
14	0962140	1	Bushing	
15	0961951	2	Bushing	

# SECTION 1 - FRAME

## FIGURE 1-3. HUB - SPINDLE ASSEMBLY - LH



ART\_1001180838

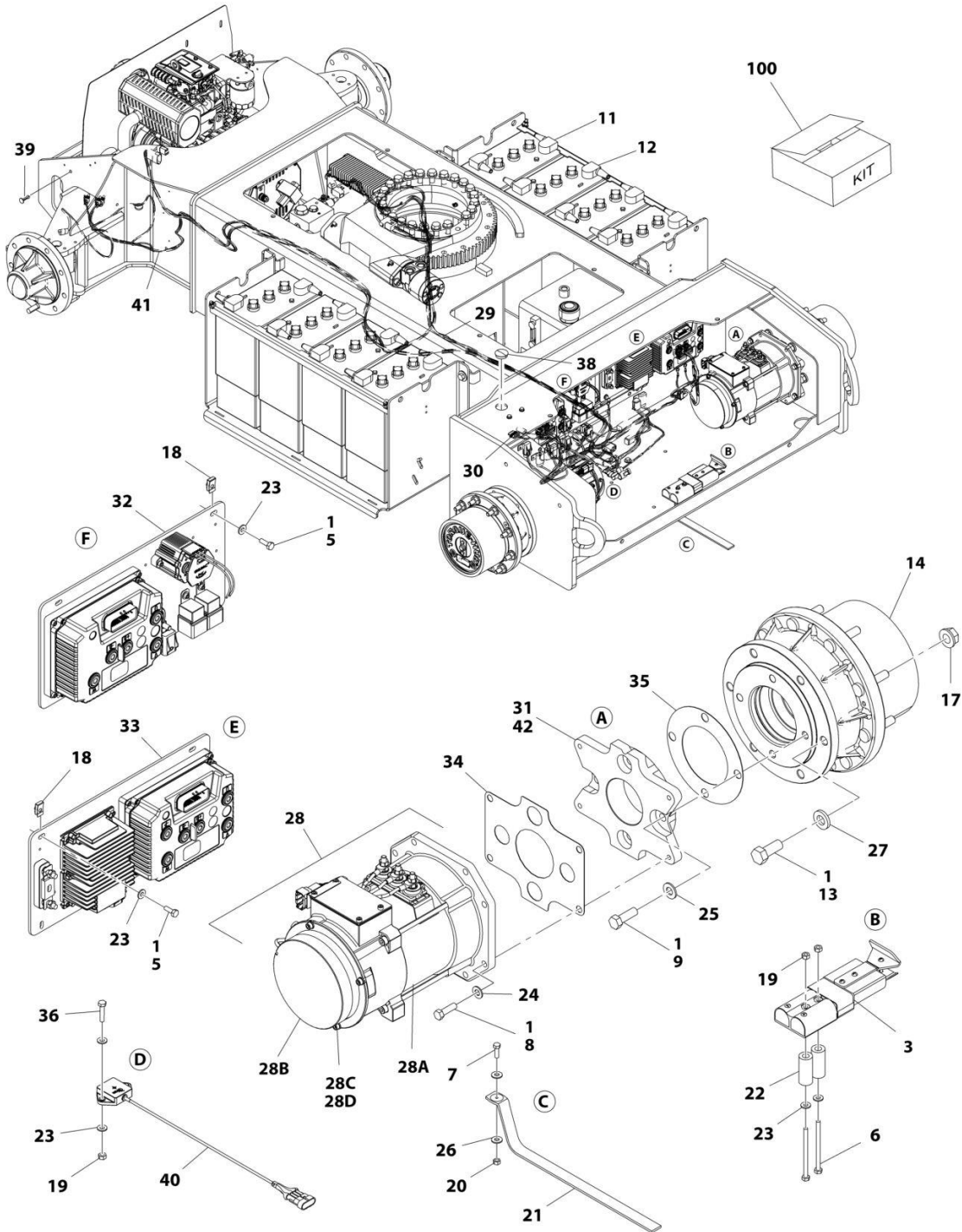
## SECTION 1 - FRAME

**FIGURE 1-3. HUB - SPINDLE ASSEMBLY - LH**

ITEM	PART NUMBER	QTY	DESCRIPTION	REV
	1001180838	Ref	SPINDLE, HUB	B
1	7020137	1	Dust Cap	
2	7020054	1	Nut, Castle	
3	7020055	1	Washer, Spindle	
4	7020039	1	Cone, Bearing - Outer	
5	See Note	NLA	Hub (Note: Use Item 11)	
6	See Note	1	Grease, Lithium (Note: Purchase Locally)	
7	7020037	1	Cone, Bearing - Inner	
8	7020040	1	Seal	
9	70005214	1	Spindle	
10	7020140	1	Pin, Cotter	
11	70005215	1	Hub Assembly (Includes Items 1,4,5,7,8 & 12))	
12	0630490	9	Stud, Wheel	
14	0962140	1	Bearing	
15	0961951	2	Bearing	
16	3300426	9	Lugnut (Note: Must be Purchased Separately)	

# SECTION 1 - FRAME

## FIGURE 1-4. DRIVE INSTALLATION - NON-UL SPECS



ART\_1001179134

# SECTION 1 - FRAME

## FIGURE 1-4. DRIVE INSTALLATION - NON-UL SPECS

ITEM	PART NUMBER	QTY	DESCRIPTION	REV
	1001179134	Ref	DRIVE INSTALLATION	K
1	0100011	AR	Compound, Locking	
3	0100048	AR	Compound, Silicone	
5	0641406	8	Bolt 1/4 X 3/4	
6	0641430	2	Bolt 1/4 X 3-3/4	
7	0641508	1	Bolt 5/16 X 1	
8	0641610	8	Bolt 3/8 X 1-1/4	
9	0641812	8	Bolt 1/2 X 1-1/2	
11	0840031	8	Boot, Terminal - "d" Shaped	
12	0840032	8	Boot, Terminal - "b" Shaped	
13	0682014	12	Bolt 5/8 X 1-3/4 Grade 8	
14	2780282	2	Drive Hub Assembly (See Separate Breakdown in this Section)	
17	3300426	18	Nut 5/8	
18	3300454	8	Nut 1/4	
19	3311401	4	Nut 1/4	
20	3311505	1	Nut 5/16	
21	4240084	1	Strap, Anti-Static	
22	4568114	2	Tube, Spacer	
23	4711400	14	Washer 1/4	
24	4711600	8	Washer 3/8	
25	4711800	8	Washer 1/2	
26	4751500	2	Washer 5/16	
27	4892000	12	Washer 5/8	
28	1001184854	2	Drive Motor and Brake Assembly	
28A	1001182550	2	Drive Motor Assembly (See Separate Breakdown in this Section)	
28B	1001184852	2	Drive Brake Assembly	
28B	70005415	2	O-Ring Between Brake and Motor (1 Per Assembly) (Not Shown)	
28C	4031707	8	Capscrew M6 x 16	
28D	1001109892	8	Washer M6	
29	1001178405	1	Chassis to Turntable Harness (See Separate Breakdown in ELECTRICAL Section)	
30	1001178629	1	Traction Harness (See Separate Breakdown in ELECTRICAL Section)	
31	1001219722	2	Adapter, Motor	
32	1001179060	1	Electrical Plate Assembly - LH (See Separate Breakdown in this Section)	
33	1001179061	1	Electrical Plate Assembly - RH (See Separate Breakdown in this Section)	
34	1001220271	2	Seal	
35	1001182960	2	Seal	
36	0641408	2	Bolt 1/4-20 x 1	
38	3520035	1	Cap-Plug	
39	4240175	1	Tie-Strap Clamp	
40	1001219601	1	Sensor	
40	See Note	1	Receptacle, Female - 4 Position (Note: Not Available for Purchase)	
40	1001196589	4	Terminal	
41	1001188528	1	Steer/Brake Harness (See Separate Breakdown in ELECTRICAL Section)	
42	0100020	AR	Sealant	

## SECTION 1 - FRAME

ITEM	PART NUMBER	QTY	DESCRIPTION	REV
100	1001190088	1	Battery Cable Kit (See Separate Breakdown in ELECTRICAL Section)	







# SECTION 1 - FRAME

## FIGURE 1-5. DRIVE INSTALLATION - UL SPECS

ITEM	PART NUMBER	QTY	DESCRIPTION	REV
	1001212453	Ref	DRIVE INSTALLATION	F
1	0100011	AR	Compound, Locking	
3	0100048	AR	Compound, Silicone	
5	0641406	8	Bolt 1/4 x 3/4	
6	0641408	2	Bolt 1/4 x 1	
7	0641430	2	Bolt 1/4 x 3-3/4	
8	0641508	1	Bolt 5/16 x 1	
9	0641610	8	Bolt 3/8 x 1-1/4	
11	0641812	8	Bolt 1/2 x 1-1/2	
12	0682014	12	Bolt 5/8 x 1-3/4 Grade 8	
13	0721006	4	Bolt #10 x 3/4	
14	0840031	8	Boot, Terminal - "d" Shaped	
15	0840032	8	Boot, Terminal - "b" Shaped	
16	0861375	1	Box	
17	2400044	1	Block, Fuse	
18	2540037	2	Grommet	
19	2780282	2	Drive Hub Assembly (See Separate Breakdown in this Section)	
22	3300426	18	Nut 5/8	
23	3300454	8	Nut 1/4	
24	3311001	6	Nut #10	
25	3311401	4	Nut 1/4	
26	3311505	1	Nut 5/16	
27	3520035	1	Cap-Plug	
28	4240084	1	Strap, Anti-Static	
29	4568114	2	Tube, Spacer	
30	4711400	14	Washer 1/4	
31	4711600	8	Washer 3/8	
32	4711800	8	Washer 1/2	
33	4751000	10	Washer, 10	
34	4751500	2	Washer 5/16	
35	4892000	12	Washer 5/8	
36	1001170365	1	Fuse 400 Amp	
38	1001178405	1	Chassis to Turntable Harness (See Separate Breakdown in ELECTRICAL Section)	
39	1001178629	1	Traction Harness (See Separate Breakdown in ELECTRICAL Section)	
40	1001219722	2	Adapter, Motor	
41	1001219601	1	Sensor	
41	See Note	1	Receptacle, Female - 4 Position (Note: Not Available for Purchase)	
41	1001196589	4	Terminal	
42	1001220271	2	Seal	
43	1001182960	2	Seal	
44	1001184854	2	Drive Motor and Brake Assembly	
44A	1001182550	2	Drive Motor Assembly (See Separate Breakdown in this Section)	
44B	1001184852	2	Drive Brake Assembly	
44B	70005415	2	O-Ring Between Brake and Motor (1 Per Assembly) (Not Shown)	
44C	4031707	8	Capscrew M6 x 16	
44D	1001109892	8	Washer M6	

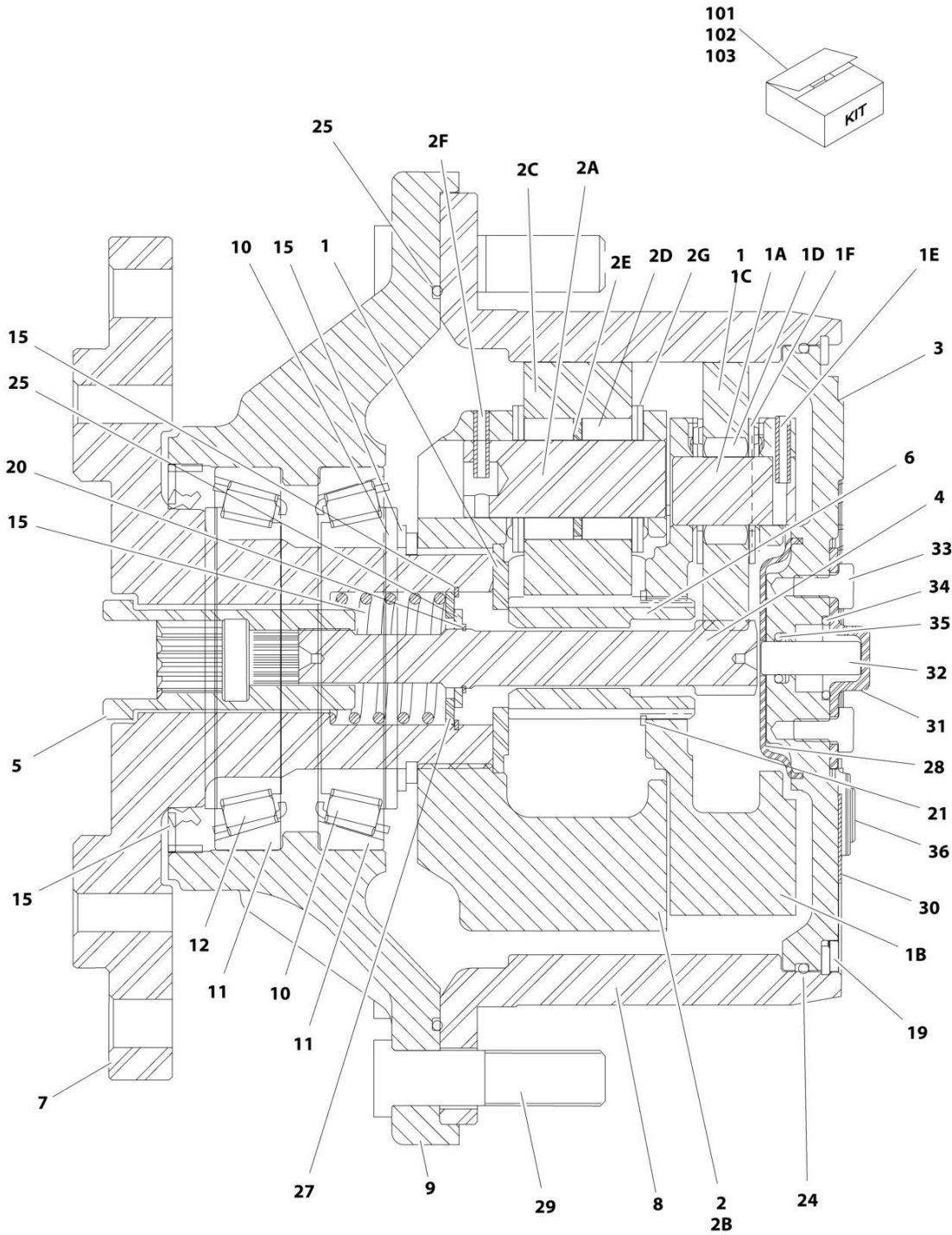
## SECTION 1 - FRAME

ITEM	PART NUMBER	QTY	DESCRIPTION	REV
45	1001188528	1	Steer/Brake Harness (See Separate Breakdown in ELECTRICAL Section)	
46	1001212456	1	Electrical Plate Assembly - RH (See Separate Breakdown in this Section)	
47	1001213626	1	Decal - 400 Amp Fuse	
48	1001214668	1	Electrical Plate Assembly - LH (See Separate Breakdown in this Section)	
49	4240175	1	Tie-Strap Clamp	
50	0100020	AR	Sealant	
100	1001212454	1	Battery Cable Kit (See Separate Breakdown in ELECTRICAL Section)	



# SECTION 1 - FRAME

## FIGURE 1-6. DRIVE HUB ASSEMBLY



ART\_2780282

# SECTION 1 - FRAME

## FIGURE 1-6. DRIVE HUB ASSEMBLY

ITEM	PART NUMBER	QTY	DESCRIPTION	REV
	2780282	Ref	DRIVE HUB ASSEMBLY	D
1	70001366	1	Carrier Sub Assembly	
1A	See Note	NSS	Shaft, Planet (Note: Use Item 1)	
1B	See Note	NSS	Carrier (Note: Use Item 1)	
1C	See Note	NSS	Gear, Planet (Note: Use Item 1)	
1D	See Note	NSS	Bearing, Needle (Note: Use Item 1)	
1E	See Note	NSS	Rollpin (Note: Use Item 1)	
1F	See Note	NSS	Thrustwasher (Note: Use Item 1)	
2	70001367	1	Carrier, Input	
2A	See Note	NSS	Shaft, Planet (Note: Use Item 2)	
2B	See Note	NSS	Carrier (Note: Use Item 2)	
2C	See Note	NSS	Gear, Planet (Note: Use Item 2)	
2D	See Note	NSS	Bearing, Needle (Note: Use Item 2)	
2E	See Note	NSS	Spacer, Thrust (Note: Use Item 2)	
2F	See Note	NSS	Rollpin (Note: Use Item 2)	
2G	See Note	NSS	Thrustwasher (Note: Use Item 2)	
2H	See Note	NSS	Thrustwasher (Note: Use Item 2)	
3	See Note	NSS	Cover (Note: Use Item 103)	
4	70001369	1	Shaft, Input	
5	70001370	1	Coupling	
6	70001371	1	Shaft, Sun Gear	
7	70001372	1	Spindle	
8	70001373	1	Gear, Ring	
9	See Note	NSS	Housing (Note: Not Available - Purchase Complete Assembly)	
10	See Note	NSS	Cone, Bearing (Note: Use Item 101)	
11	See Note	NSS	Cup, Bearing (Note: Use Item 101)	
12	See Note	NSS	Cone, Bearing (Note: Use Item 101)	
13	7017009	1	Thrustwasher	
15	See Note	NSS	Seal, Lip (Note: Use Item 102)	
16	70001374	1	Spring	
17	70001375	1	Ring, Retaining (Internal)	
18	See Note	NSS	Ring, Retaining (Note: Use Item 102)	
19	7024738	1	Ring, Retaining (Note: Use Item 102)	
20	70001376	1	Ring, Retaining (External)	
21	70001377	1	Ring, Retaining (External)	
22	7000281	4	Screw (Not Shown - ID Plate Screws)	
23	7017022	3	Screw (Not Shown - Located on Front of Hub)	
24	See Note	NSS	O-Ring (Note: Use Item 102)	
25	See Note	NSS	O-Ring (Note: Use Item 102)	
26	70001378	1	Spacer, Thrust	
27	70001379	1	Thrustwasher	
28	7024741	1	Spacer, Thrust	
29	7007640	9	Stud, Wheel	
30	See Note	NSS	Flange, Plate (Note: Use Item 103)	
31	See Note	NSS	Cap, Disengage (Note: Use Item 103)	
32	See Note	NSS	Pin, Dowel (Note: Use Item 103)	
33	See Note	NSS	Bolt (Note: Use Item 103)	
34	See Note	NSS	O-Ring (Note: Use Item 103)	
35	See Note	NSS	O-Ring (Note: Use Item 103)	
36	See Note	NSS	O-Ring (Note: Use Item 103)	

## SECTION 1 - FRAME

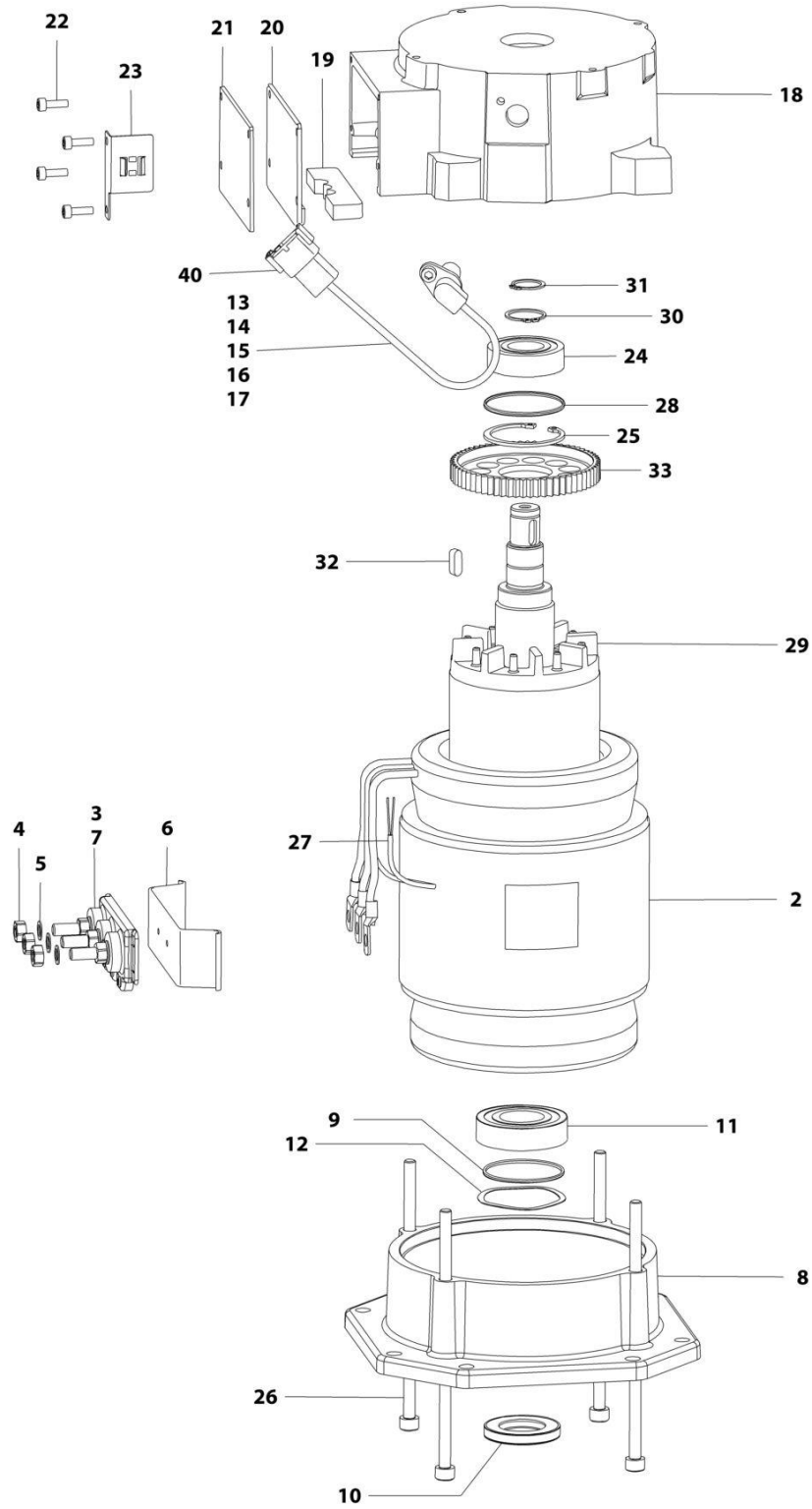
ITEM	PART NUMBER	QTY	DESCRIPTION	REV
101	7017007	1	Planet Gear Bearing Kit (Includes Items 10-12)	
102	70001380	1	Planet Gear Seal Kit (Includes Items 15, 18, 24 & 25)	
103	70001368	1	Cover/Cap/Disengage Kit (Includes Items 3 & 30-36)	





# SECTION 1 - FRAME

## FIGURE 1-7. DRIVE MOTOR ASSEMBLY



ART\_1001182550

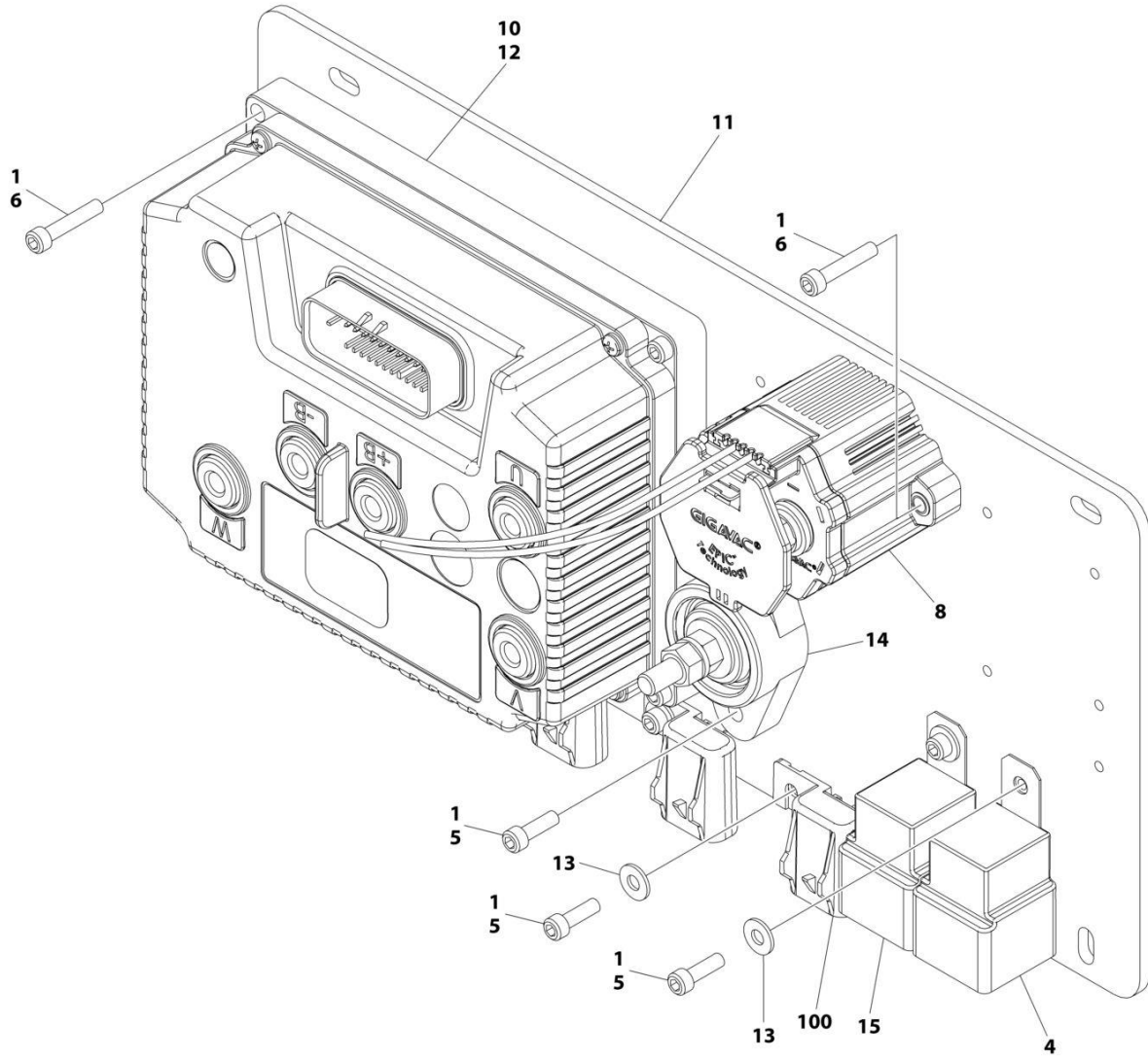
# SECTION 1 - FRAME

## FIGURE 1-7. DRIVE MOTOR ASSEMBLY

ITEM	PART NUMBER	QTY	DESCRIPTION	REV
	1001182550	Ref	DRIVE MOTOR ASSEMBLY	F
2	70005385	1	Stator	
3	70005386	1	Board, Terminal	
4	70005387	3	Nut M8	
5	70005388	3	Washer M8	
6	70005389	1	Base, Terminal	
7	70005390	2	Screw M5 x 14	
8	70005391	1	Plate, Drive End	
9	70004811	1	O-Ring	
10	70005392	1	Seal, Shaft	
11	70004809	1	Bearing	
12	70005393	1	Washer, Wavy	
13	70005394	1	Sensor (Includes Items 14-17)	
14	70005395	1	Screw M8 x 16	
15	70005396	1	Wedge	
16	70005397	1	Connector	
17	4460516	4	Pin, Male	
18	70005398	1	Shield, End	
19	70005399	1	Seal	
20	70005400	1	Seal	
21	70005401	1	Cover	
22	70005402	4	Screw M5 x 16	
23	70005403	1	Plate, Retaining	
24	70005404	1	Bearing	
25	70005405	1	Clip, Retainer	
26	70005406	4	Screw M8 x 180	
27	70005407	1	Temperature, Sensor	
28	70005408	1	O-Ring	
29	70005409	1	Rotor	
30	70004820	1	Clip, Retainer	
31	70005410	1	Clip, Retainer	
32	70005411	1	Key	
33	70005412	1	Gear	
40	1001190577	1	Connector - 8 Position	
40	4460516	8	Pin	

# SECTION 1 - FRAME

## FIGURE 1-8. ELECTRICAL PLATE ASSEMBLY - LH



ART\_1001179060\_I

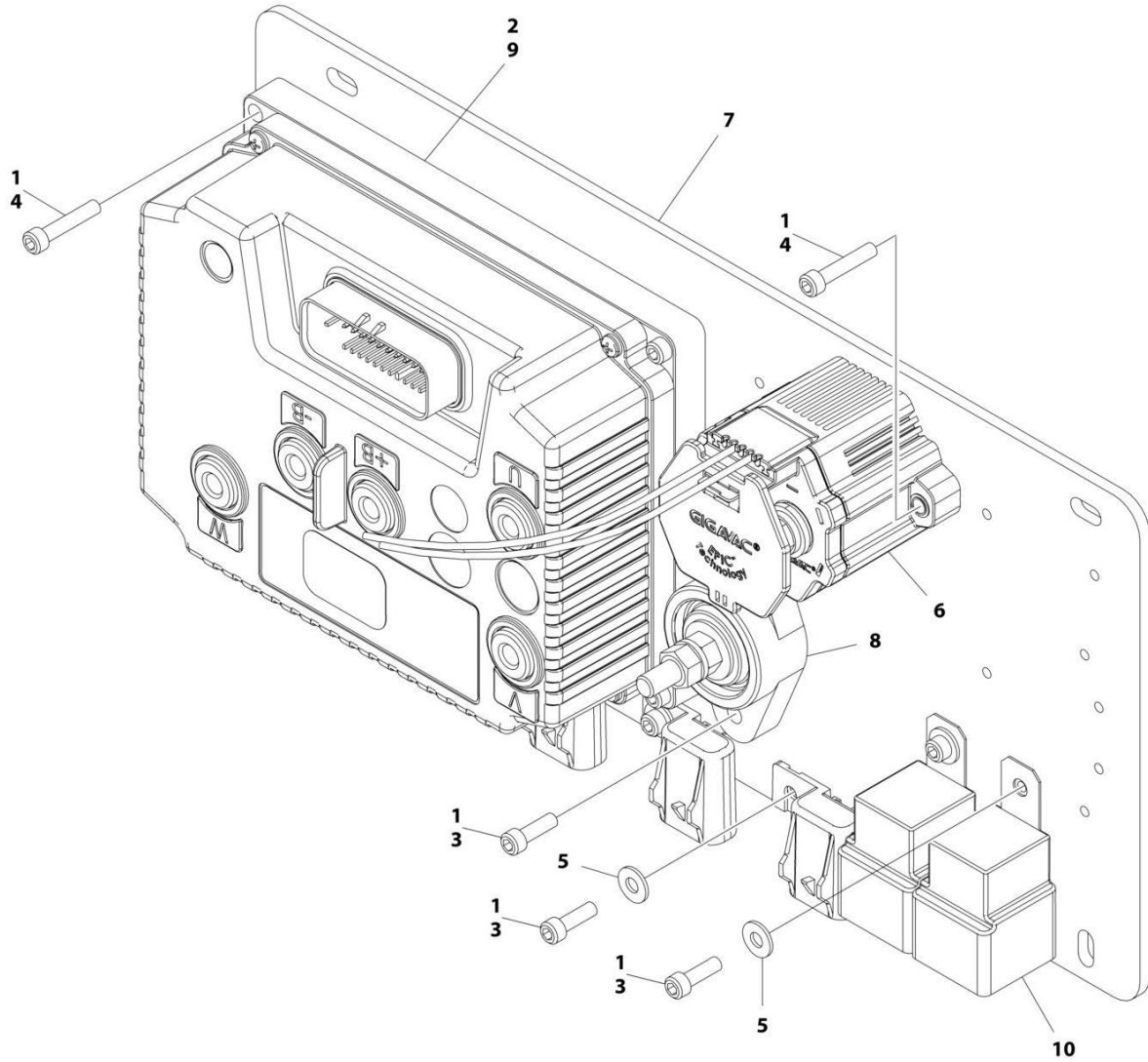
## SECTION 1 - FRAME

**FIGURE 1-8. ELECTRICAL PLATE ASSEMBLY - LH**

ITEM	PART NUMBER	QTY	DESCRIPTION	REV
	1001179060	Ref	ELECTRICAL PLATE ASSEMBLY	I
1	0100035	AR	Compound, Locking	
4	3740080	1	Relay	
5	3931010	8	Capscrew #10 x 5/8	
6	3931016	6	Capscrew #10 x 1	
8	1001272006	1	Relay, Contacter	
8	1001153612	1	Receptacle, Female - 2 Position	
10	1001192212	1	Module, Drive	
11	1001179064	1	Plate	
12	0100083	AR	Grease, Heat Transfer	
13	4711000	6	Washer #10	
14	1001186860	1	Stud, Power Distribution	
15	1001214667	1	Relay	
100	1001217842	4	Fuseholder	

# SECTION 1 - FRAME

## FIGURE 1-9. ELECTRICAL PLATE ASSEMBLY - LH - UL SPECS



ART\_1001214668

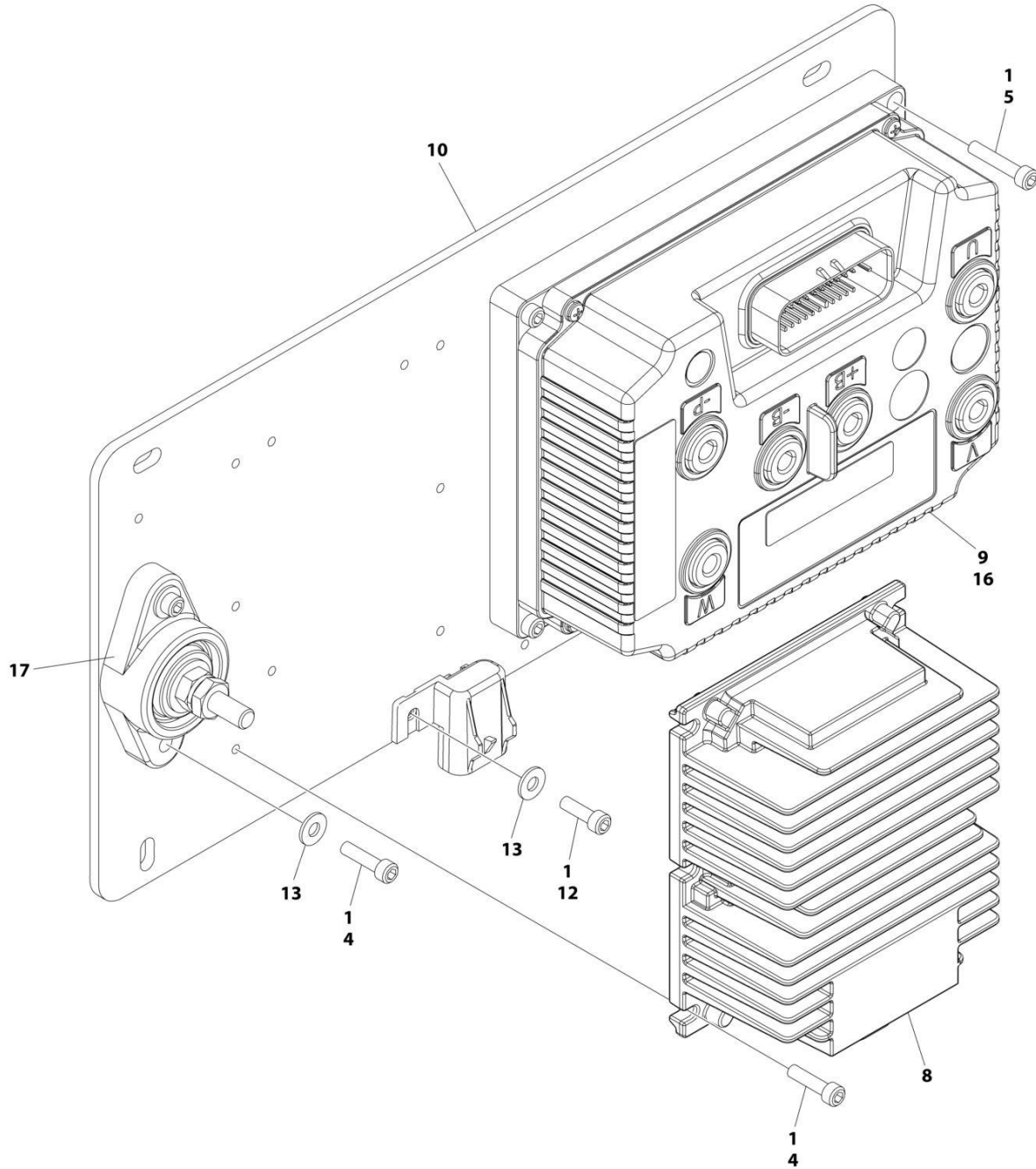
## SECTION 1 - FRAME

**FIGURE 1-9. ELECTRICAL PLATE ASSEMBLY - LH - UL SPECS**

ITEM	PART NUMBER	QTY	DESCRIPTION	REV
	1001214668	Ref	ELECTRICAL PLATE ASSEMBLY - LH	B
1	0100035	AR	Compound, Locking	
2	0100083	AR	Grease, Heat Transfer	
3	3931010	8	Capscrew #10 x 5/8	
4	3931016	6	Capscrew #10 x 1	
5	4711000	6	Washer #10	
6	1001272006	1	Relay, Contactor	
6	1001153612	1	Receptacle, Female - 2 Position	
7	1001179064	1	Plate	
8	1001186860	1	Stud, Power Distribution	
9	1001192212	1	Module, Drive	
10	1001214667	2	Relay	

# SECTION 1 - FRAME

## FIGURE 1-10. ELECTRICAL PLATE ASSEMBLY - RH



ART\_1001179061



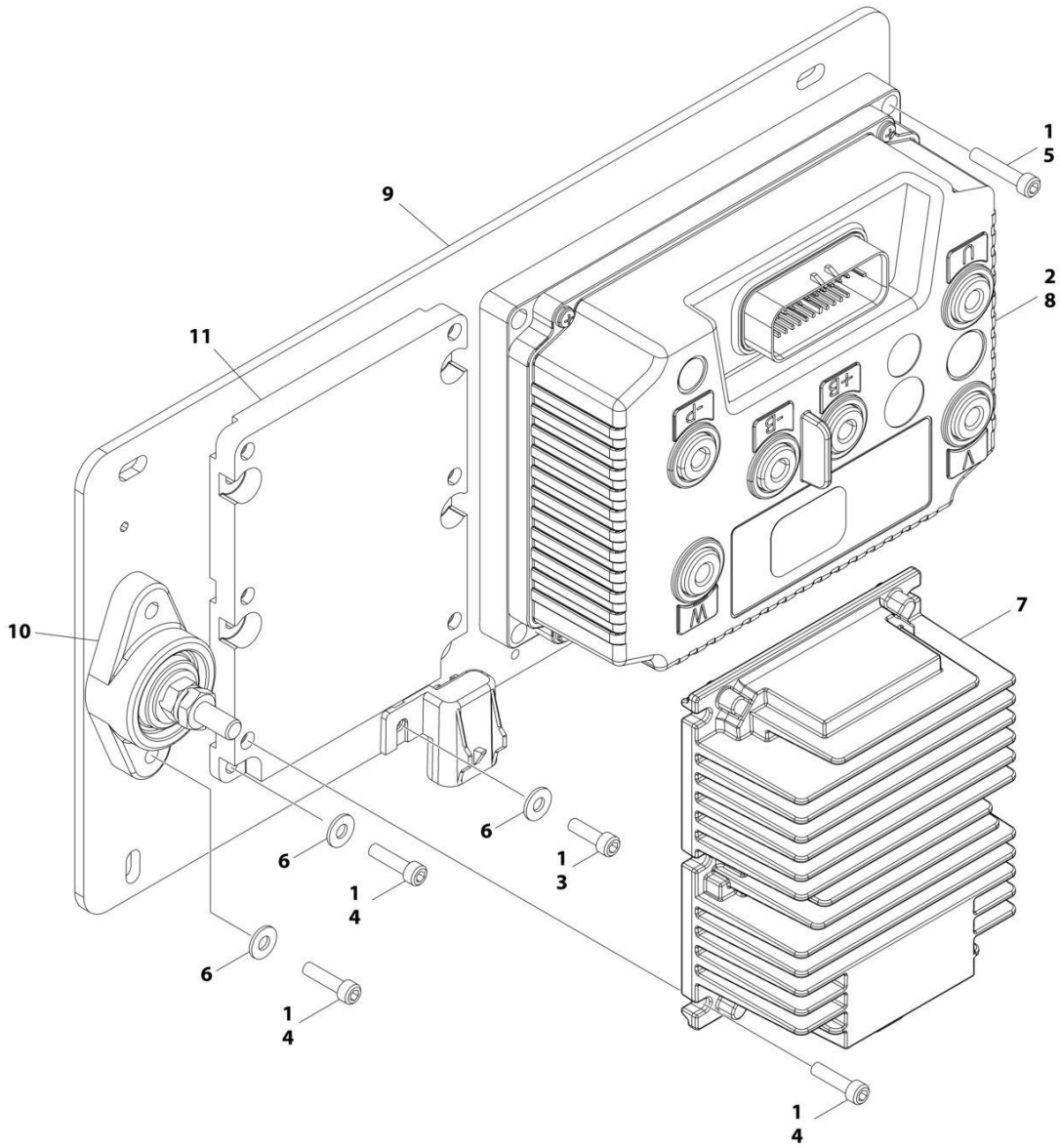
## SECTION 1 - FRAME

### FIGURE 1-10. ELECTRICAL PLATE ASSEMBLY - RH

ITEM	PART NUMBER	QTY	DESCRIPTION	REV
	1001179061	Ref	ELECTRICAL PLATE ASSEMBLY - RH	F
1	0100035	AR	Compound, Locking	
4	3931012	8	Capscrew #10 X 3/4	
5	3931016	4	Capscrew #10 X 1	
8	1001174447	1	Converter	
9	1001178339	1	Module, Drive	
10	1001179064	1	Plate	
12	3931010	1	Capscrew #10 X 5/8	
13	4711000	3	Washer #10	
16	0100083	AR	Grease, Heat Transfer	
17	1001212359	1	Stud, Power Distribution	

# SECTION 1 - FRAME

## FIGURE 1-11. ELECTRICAL PLATE ASSEMBLY - RH - UL SPECS



ART\_1001212456

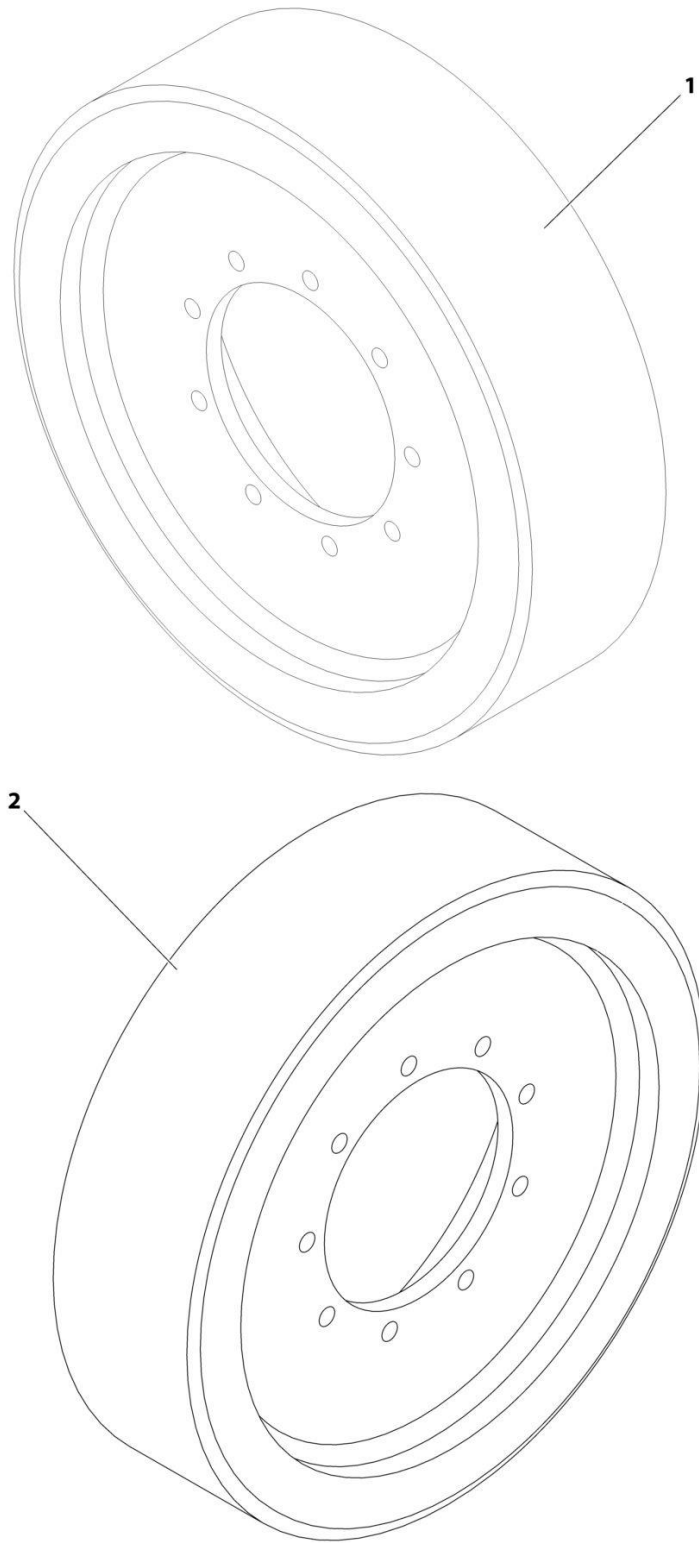
## SECTION 1 - FRAME

### FIGURE 1-11. ELECTRICAL PLATE ASSEMBLY - RH - UL SPECS

ITEM	PART NUMBER	QTY	DESCRIPTION	REV
	1001212456	Ref	ELECTRICAL PLATE ASSEMBLY - RH	A
1	0100035	AR	Compound, Locking	
2	0100083	AR	Grease, Heat Transfer	
3	3931010	1	Capscrew #10 X 5/8	
4	3931012	14	Capscrew #10 X 3/4	
5	3931016	4	Capscrew #10 X 1	
6	4711000	9	Washer #10	
7	1001174447	1	Converter	
8	1001178339	1	Module, Drive	
9	1001179064	1	Plate	
10	1001212359	1	Stud	
11	1001212450	1	Insulate	

# SECTION 1 - FRAME

FIGURE 1-12. TIRE/WHEEL - SOLID NON-MARKING



ART\_0270028

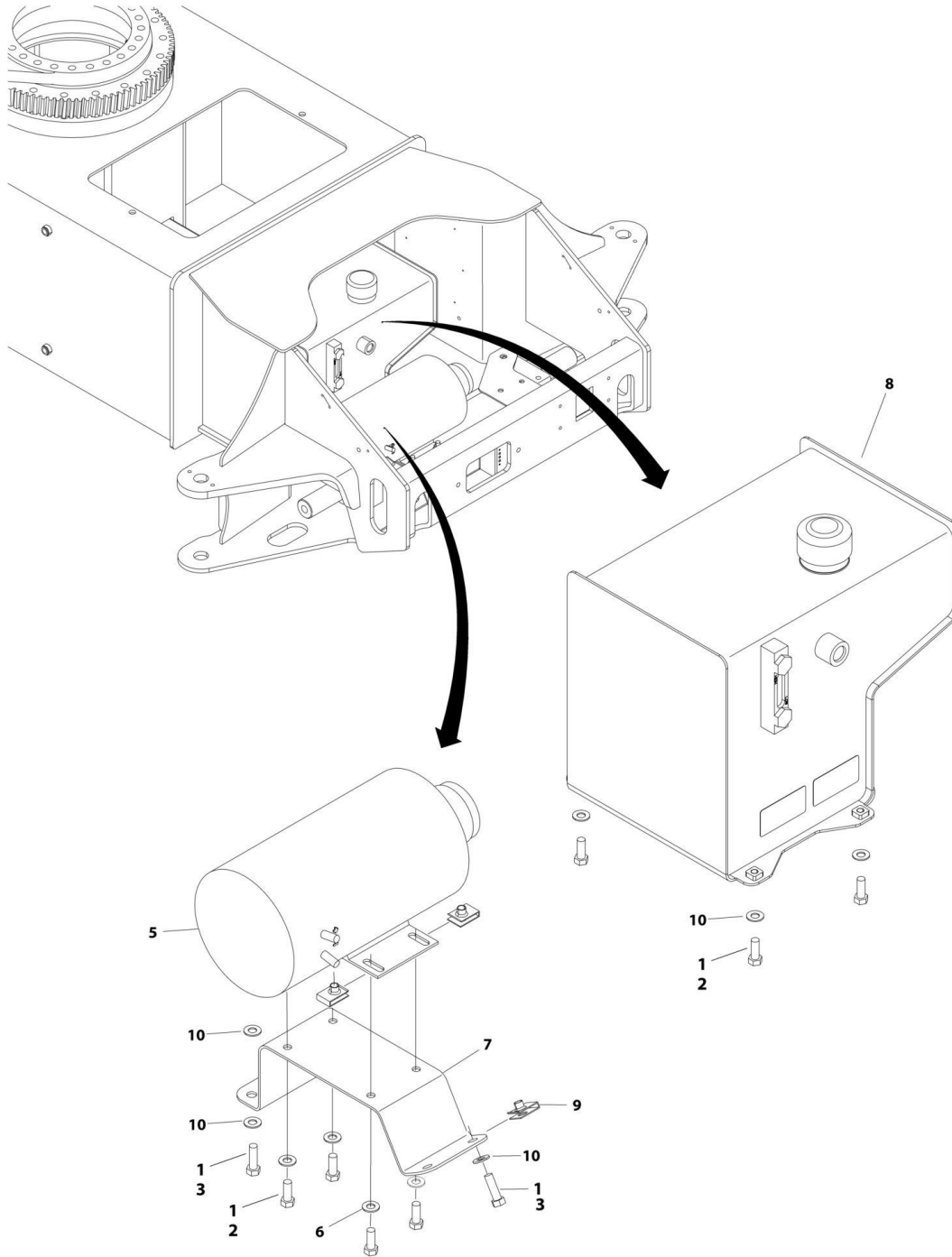
**SECTION 1 - FRAME**

**FIGURE 1-12. TIRE/WHEEL - SOLID NON-MARKING**

ITEM	PART NUMBER	QTY	DESCRIPTION	REV
	0270028	Ref	TIRE/WHEEL INSTALLATION - NON MARKING	C
		Ref	E400Anarrow/E400AJPnarrow Machines Only	
		Ref	Note: Must replace Tire and Wheel Assemblies in pairs per axle.	
1	1001110772	2	25 x 7 x 16 - Solideal Tire and Wheel (Drive Axle Tire)	
2	1001110774	2	22 x 6 x 17.75 - Solideal Tire and Wheel (Steer Axle Tire)	

# SECTION 1 - FRAME

## FIGURE 1-13. MOTOR/PUMP/TANK - NON-UL SPECS



ART\_1001166417

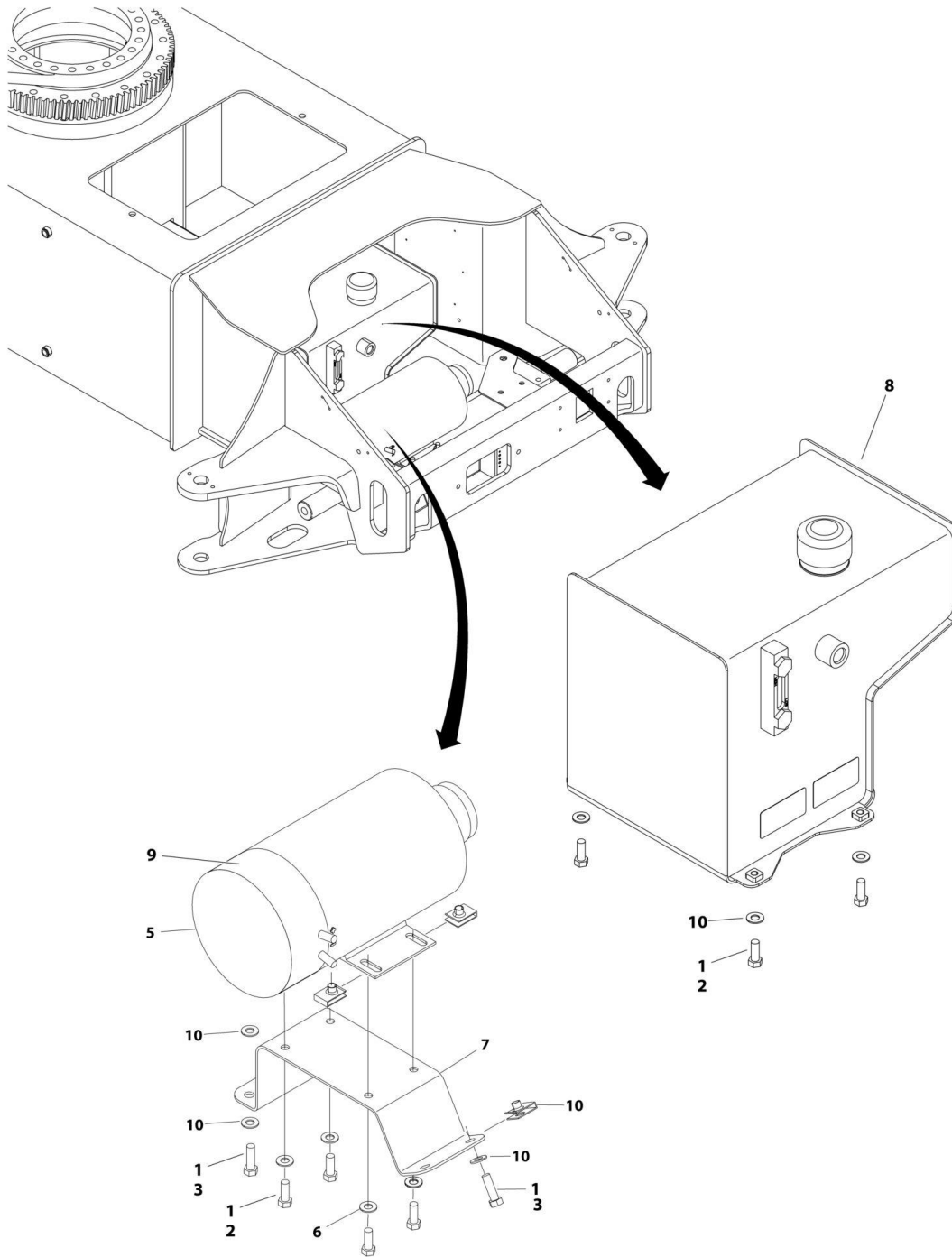
## SECTION 1 - FRAME

### FIGURE 1-13. MOTOR/PUMP/TANK - NON-UL SPECS

ITEM	PART NUMBER	QTY	DESCRIPTION	REV
	1001166417	Ref	MOTOR/PUMP/TANK INSTALLATION	F
1	0100011	AR	Compound, Locking	
2	0641608	8	Bolt 3/8 x 1	
3	0641610	4	Bolt 3/8 x 1-1/4	
5	3600289	1	Motor/Pump Assembly (See Separate Breakdown in this Section)	
6	4711600	4	Washer 3/8	
7	1001166419	1	Plate, Mounting	
8	1001171213	1	Tank, Hydraulic (See Separate Breakdown in this Section)	
9	88662523	8	Nut, Tinnerman	
10	4891600	8	Washer 3/8 Hardened	

# SECTION 1 - FRAME

## FIGURE 1-14. MOTOR/PUMP/TANK INSTALLATION - UL SPECS



ART\_1001167487



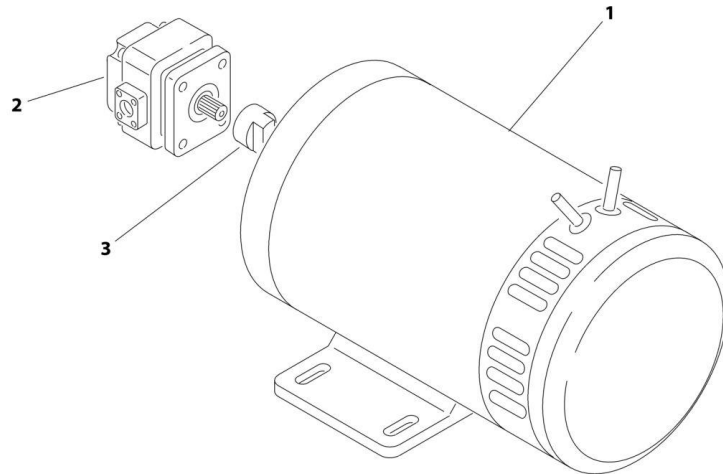
## SECTION 1 - FRAME

**FIGURE 1-14. MOTOR/PUMP/TANK INSTALLATION - UL SPECS**

ITEM	PART NUMBER	QTY	DESCRIPTION	REV
	1001167487	Ref	MOTOR/PUMP/TANK INSTALLATION	F
1	0100011	AR	Compound, Locking	
2	0641608	8	Bolt 3/8 x 1	
3	0641610	4	Bolt 3/8 x 1-1/4	
5	3600289	1	Motor/Pump Assembly (See Separate Breakdown in this Section)	
6	4751600	4	Washer 3/8	
7	1001166419	1	Plate, Mounting	
8	1001171213	1	Tank Hydraulic (See Separate Breakdown in this Section)	
9	0340048	1	Band, Motor	
10	88662523	8	Nut, Tinnerman	
11	4891600	8	Washer, 3/8 Hardened	

# SECTION 1 - FRAME

## FIGURE 1-15. MOTOR/PUMP ASSEMBLY



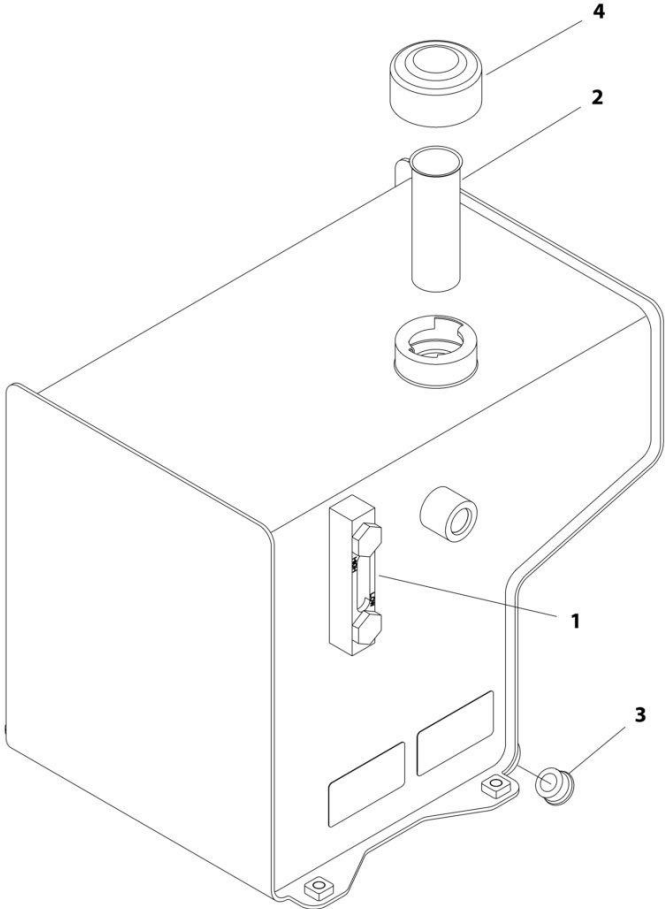
ART\_3600289

FIGURE 1-15. MOTOR/PUMP ASSEMBLY

ITEM	PART NUMBER	QTY	DESCRIPTION	REV
	3600289	Ref	MOTOR/PUMP ASSEMBLY	A
1	7021318	1	Motor Assembly	
1	7021361	1	Brush Kit	
1	70003171	1	Spring, Brush	
1	70001961	1	Seal, Oil	
2	7021319	1	Pump Assembly	
2	7021377	1	Seal Kit	
3	70002523	1	Coupling	

**SECTION 1 - FRAME**

**FIGURE 1-16. HYDRAULIC TANK ASSEMBLY**



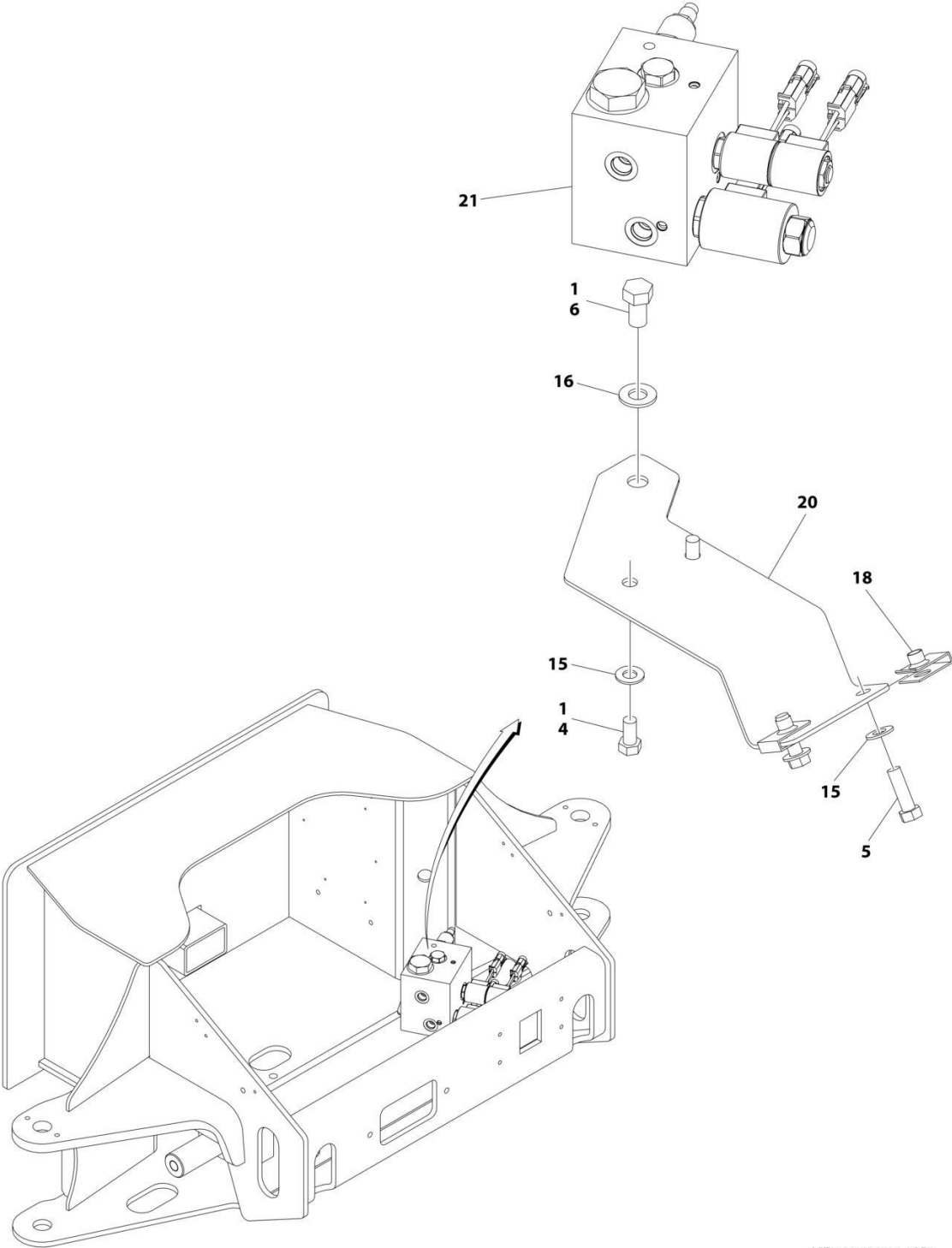
ART\_1001171213

FIGURE 1-16. HYDRAULIC TANK ASSEMBLY

ITEM	PART NUMBER	QTY	DESCRIPTION	REV
	1001171213	Ref	HYDRAULIC TANK ASSEMBLY	A
1	70005101	1	Gauge, Sight	
2	7024445	1	Strainer	
3	70002112	1	Plug, Drain	
4	7024444	1	Cap, Filler	

**SECTION 1 - FRAME**

**FIGURE 1-17. VALVE INSTALLATION - FRAME MOUNTED - E400ANARROW**



ART\_1001180930\_10F2

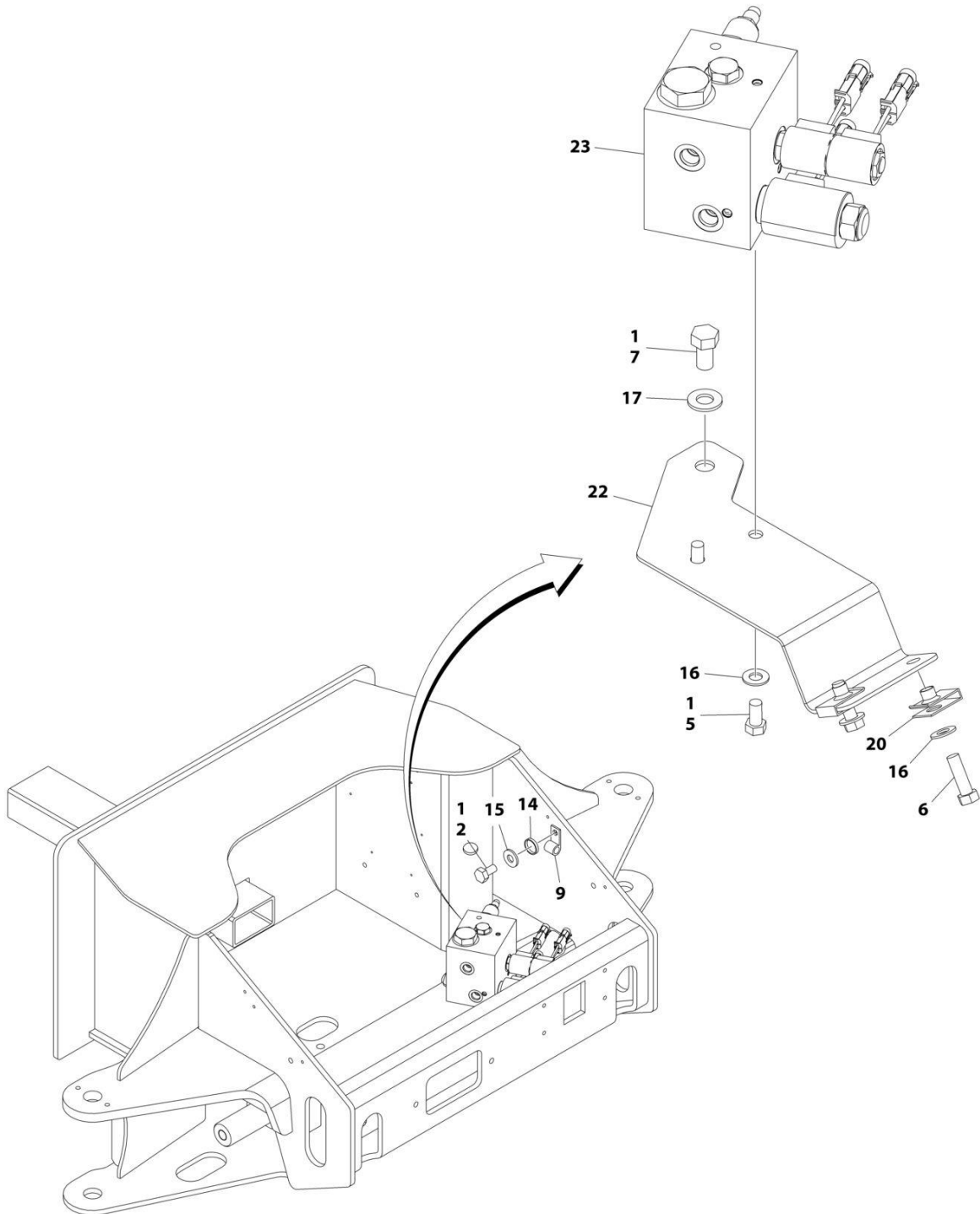
## SECTION 1 - FRAME

**FIGURE 1-17. VALVE INSTALLATION - FRAME MOUNTED - E400ANARROW**

ITEM	PART NUMBER	QTY	DESCRIPTION	REV
	1001180930	Ref	VALVE INSTALLATION - FRAME MOUNTED	B
1	0100011	AR	Compound, Locking	
4	0641606	2	Bolt 3/8 X 3/4	
5	0641610	2	Bolt 3/8 X 1-1/4	
6	0641807	1	Bolt 1/2 X 7/8	
15	4711600	4	Washer 3/8	
16	4711800	1	Washer 1/2	
18	88662523	2	Nut, Tinnerman	
20	1001166420	1	Bracket, Mounting	
21	1001177364	1	Steer/Brake Valve Assembly (See Separate Breakdown in this Section)	

# SECTION 1 - FRAME

## FIGURE 1-18. VALVE INSTALLATION - FRAME MOUNTED - E400AJPNARROW



ART\_1001218367\_10F2



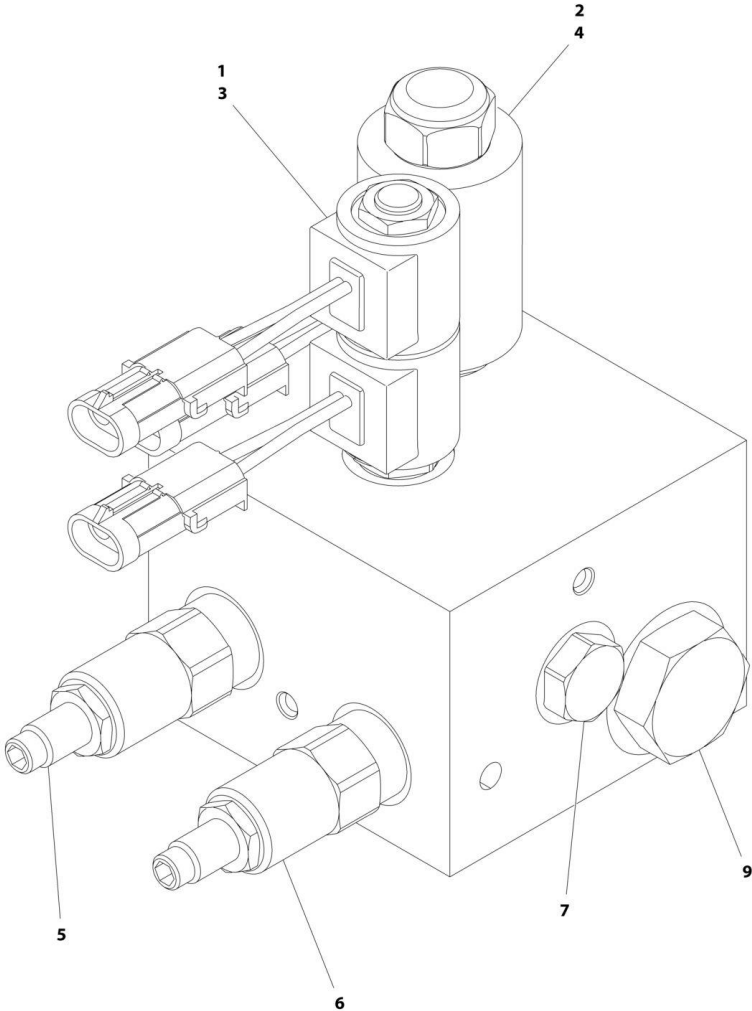
## SECTION 1 - FRAME

**FIGURE 1-18. VALVE INSTALLATION - FRAME MOUNTED - E400AJPNARROW**

ITEM	PART NUMBER	QTY	DESCRIPTION	REV
	1001218367	Ref	VALVE INSTALLATION - FRAME MOUNTED - E400AJPnarrow	A
1	0100011	AR	Compound, Locking	
2	0641404	1	Bolt, 1/4 x 1/2	
5	0641606	2	Bolt, 3/8 X 3/4	
6	0641610	2	Bolt, 3/8 X 1-1/4	
7	0641807	1	Bolt, 1/2 X 7/8	
9	1320040	1	Clamp	
14	4240032	1	Tie, Strap	
15	4711400	1	Washer, 1/4	
16	4711600	6	Washer, 3/8	
17	4711800	1	Washer, 1/2	
20	88662523	2	Nut, Tinnerman	
22	1001166420	1	Bracket, Mounting	
23	1001177364	1	Steer/Brake Valve Assembly (See Separate Breakdown in this Section)	

**SECTION 1 - FRAME**

**FIGURE 1-19. BRAKE/STEER VALVE ASSEMBLY**



ART\_1001177364

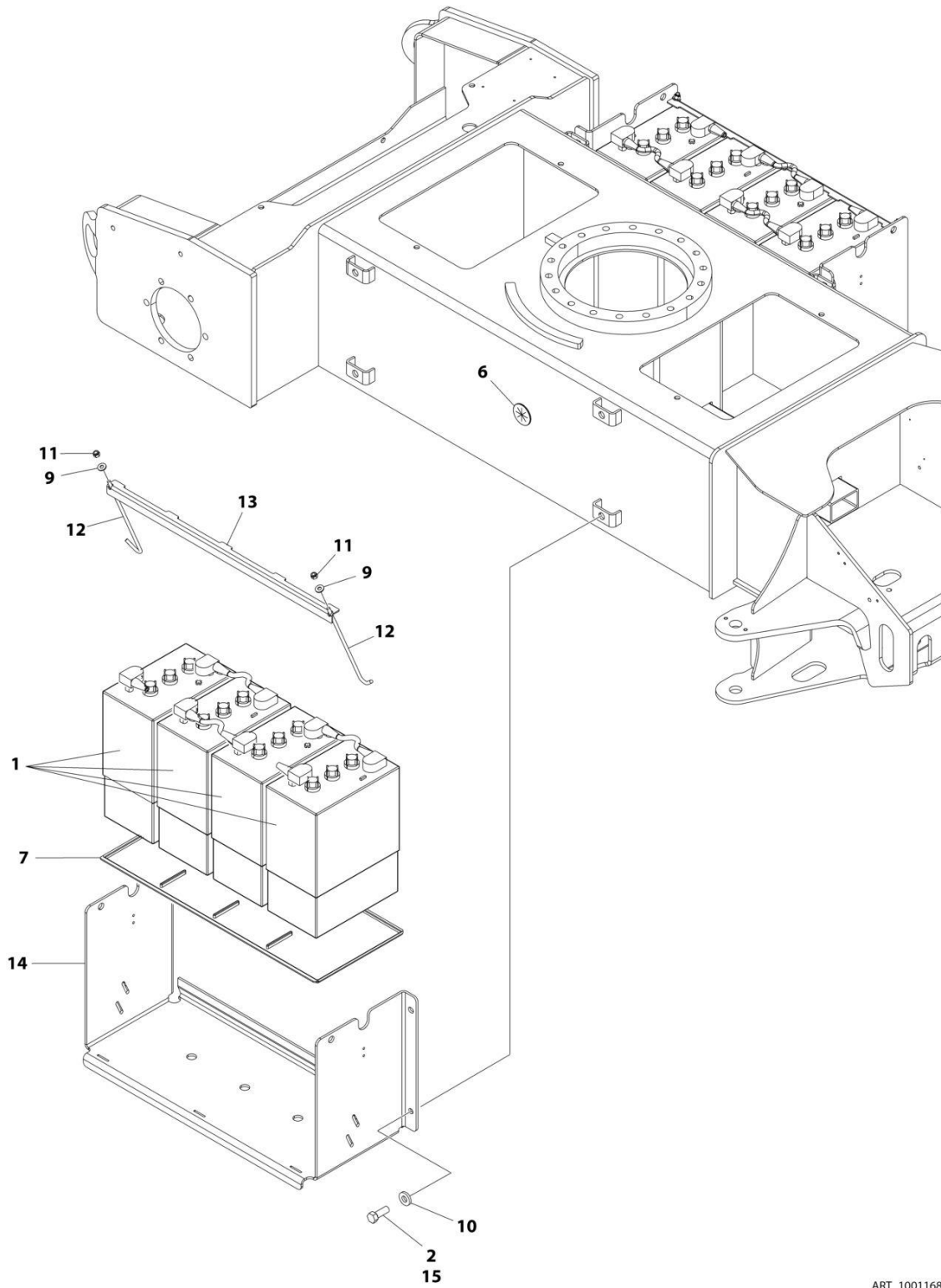
## SECTION 1 - FRAME

**FIGURE 1-19. BRAKE/STEER VALVE ASSEMBLY**

ITEM	PART NUMBER	QTY	DESCRIPTION	REV
	1001177364	Ref	BRAKE/STEER VALVE ASSEMBLY	G
1	7017433	1	Cartridge, without Coil (Steer)	
1	7017402	1	Seal Kit - 7017433 Cartridge	
2	7021611	1	Cartridge, Proportional without Coil (Flow Control)	
2	7012518	1	Seal Kit - 7021611 Cartridge	
3	7021609	2	Coil	
4	7021618	1	Coil	
5	7021659	1	Cartridge, Relief (Main)	
5	7012972	1	Seal Kit - 7021659	
6	7017488	1	Cartridge, Relief (Steer)	
6	7012998	1	Seal Kit - 7017488 Cartridge	
7	10837580	1	Cartridge, Load Shuttle	
7	7010543	1	Seal Kit - 7012941 Cartridge	
9	7021616	1	Cartridge, Filter	

# SECTION 1 - FRAME

## FIGURE 1-20. BATTERY BOX INSTALLATION - STANDARD



ART\_1001168670\_D

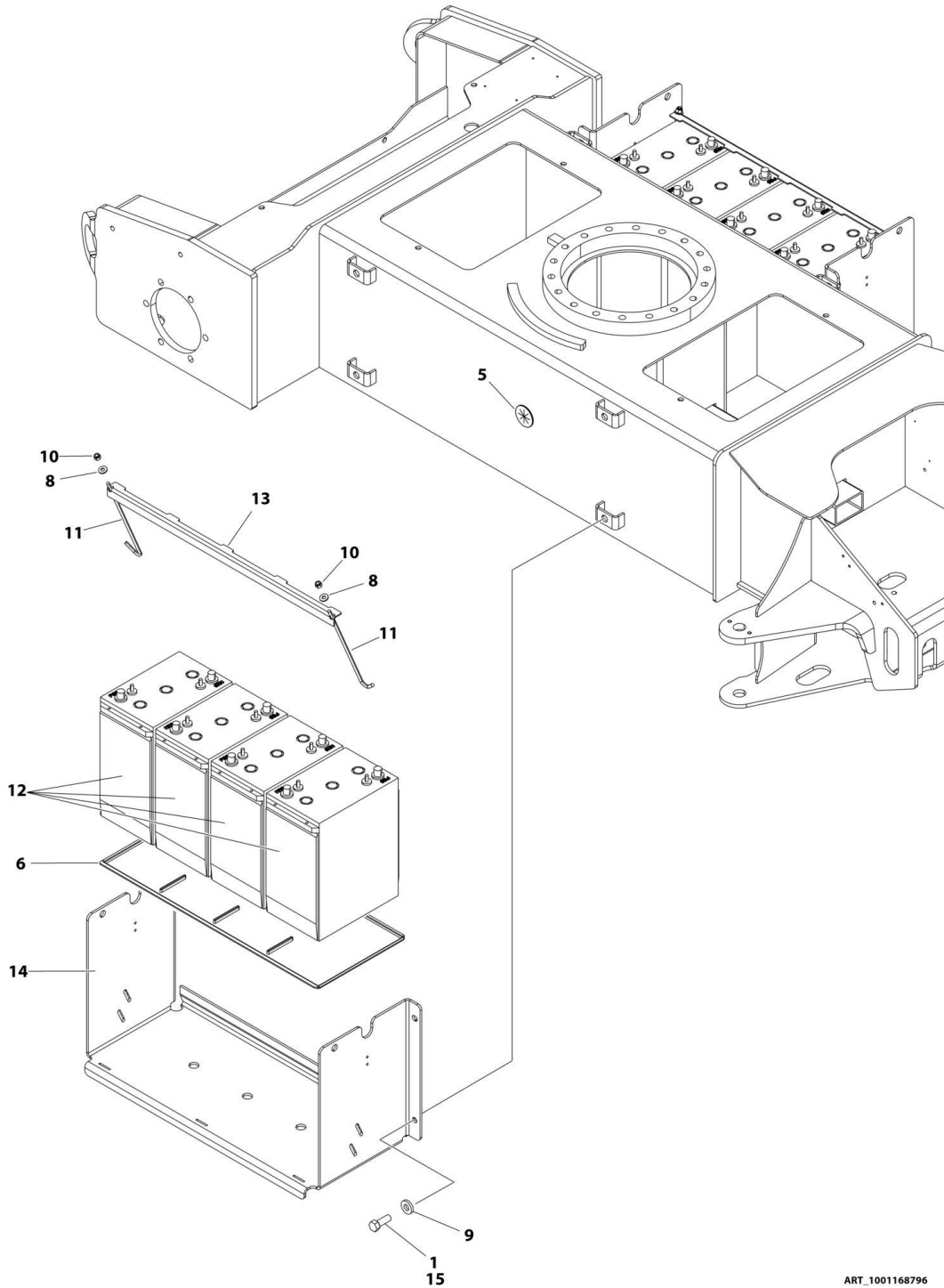
## SECTION 1 - FRAME

**FIGURE 1-20. BATTERY BOX INSTALLATION - STANDARD**

ITEM	PART NUMBER	QTY	DESCRIPTION	REV
	1001168670	Ref	BATTERY BOX INSTALLATION	D
1	1001293088	8	Battery (Wet)	
1	7016177	8	Battery (Dry)	
2	0641811	8	Bolt 1/2 x 1-3/8	
6	2540045	2	Grommet	
7	3000003	2	Liner, Battery Box	
9	4751500	4	Washer 5/16	
10	4891800	8	Washer 1/2 Hardened	
11	88521205	4	Nut 5/16	
12	1001093382	4	Bolt, J-Bolt	
13	1001166496	2	Battery Hold Down	
14	1001168800	2	Tray, Battery	
15	0100011	AR	Compound, Locking	

# SECTION 1 - FRAME

## FIGURE 1-21. BATTERY BOX INSTALLATION - AGM BATTERIES



ART\_1001168796

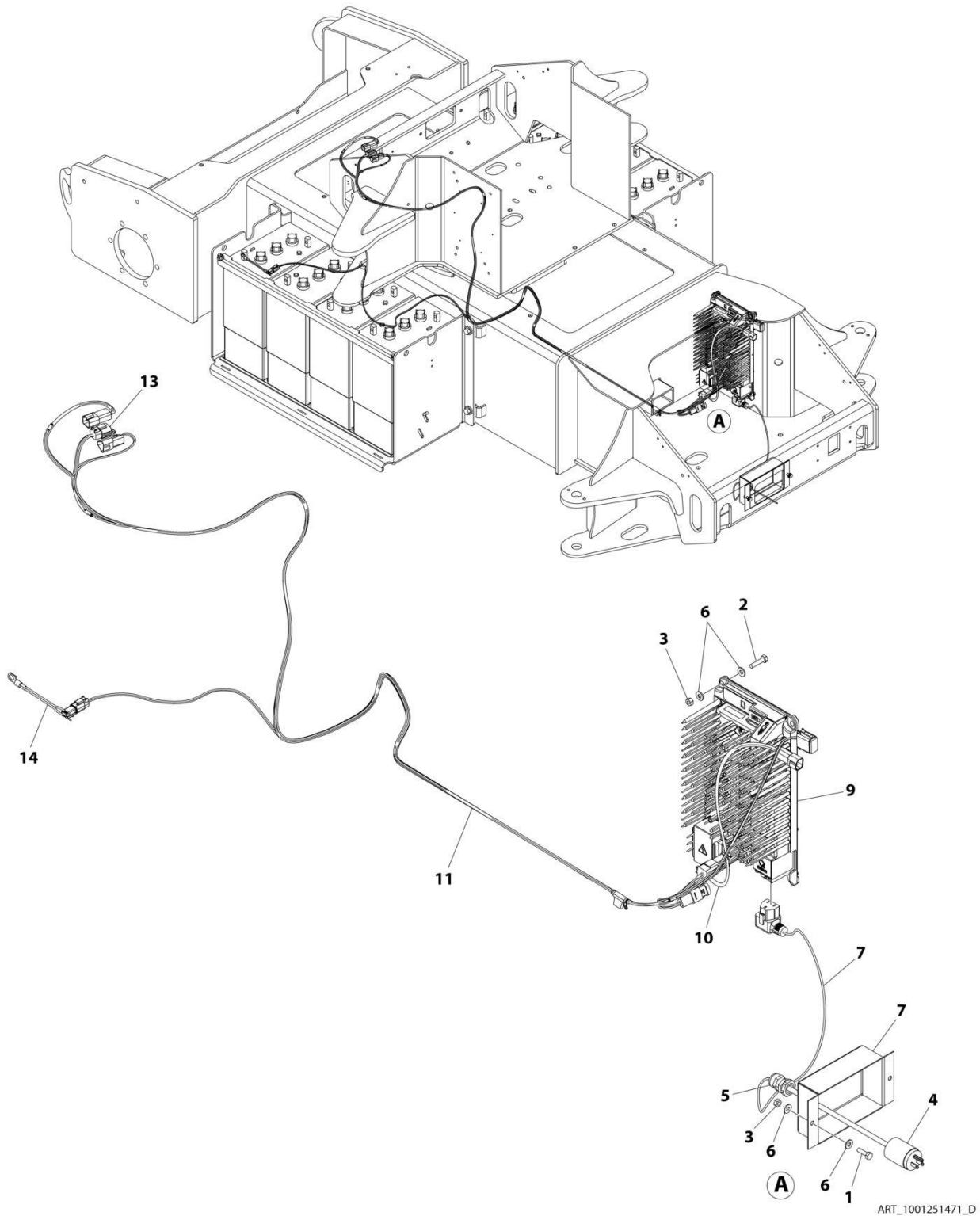
## SECTION 1 - FRAME

### FIGURE 1-21. BATTERY BOX INSTALLATION - AGM BATTERIES

ITEM	PART NUMBER	QTY	DESCRIPTION	REV
	1001168796	Ref	BATTERY BOX INSTALLATION - AGM BATTERIES	C
1	0641811	8	Bolt 1/2 X 1-3/8	
5	2540045	2	Grommet	
6	3000003	2	Liner, Battery Box	
8	4751500	4	Washer 5/16	
9	4751800	8	Washer 1/2	
10	88521205	4	Nut 5/16	
11	1001093382	4	Bolt, J-Bolt	
12	1001114782	8	Battery	
13	1001166496	2	Battery Hold Down	
14	1001168800	2	Tray, Battery	
15	0100011	AR	Compound, Locking	

# SECTION 1 - FRAME

FIGURE 1-22. BATTERY CHARGER INSTALLATION (ALL SPECS EXCEPT AUSTRALIAN, CE & UK CA SPECS)





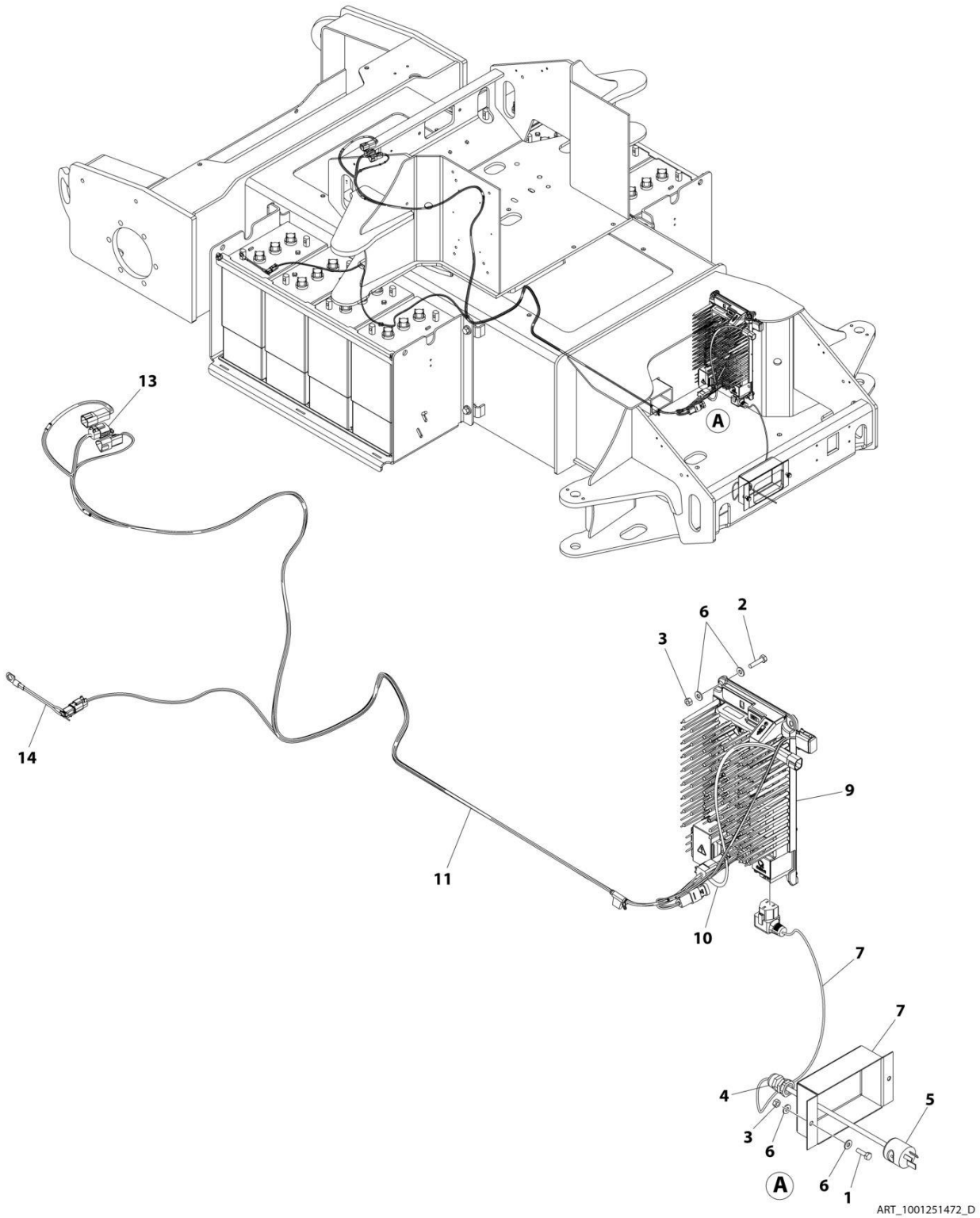
## SECTION 1 - FRAME

**FIGURE 1-22. BATTERY CHARGER INSTALLATION (ALL SPECS EXCEPT AUSTRALIAN, CE & UK CA SPECS)**

ITEM	PART NUMBER	QTY	DESCRIPTION	REV
	1001251471	Ref	BATTERY CHARGER INSTALLATION	D
1	0641407	2	Bolt 1/4 x 7/8	
2	0641409	4	Bolt 1/4 x 1-1/8	
3	3311405	6	Nut 1/4	
4	4460138	1	Plug, AC	
5	4460428	1	Connector, Strain Relief	
6	4711400	12	Washer 1/4	
7	1001191212	1	Panel, Cable	
8	1001289788	1	AC Cord	
9	1001251382	1	Battery Charger Assembly	
10	1001260408	1	Harness, Charger DC Connection (See Separate Breakdown in ELECTRICAL Section)	
11	1001290079	1	Harness, Charger (See Separate Breakdown in ELECTRICAL Section)	
13	1001192401	1	Cap, Dust	
14	1001225131	1	Harness, Temperature Sensor	

# SECTION 1 - FRAME

FIGURE 1-23. BATTERY CHARGER INSTALLATION (ANSI EXPORT, CE, CHINA & UK CA SPECS)



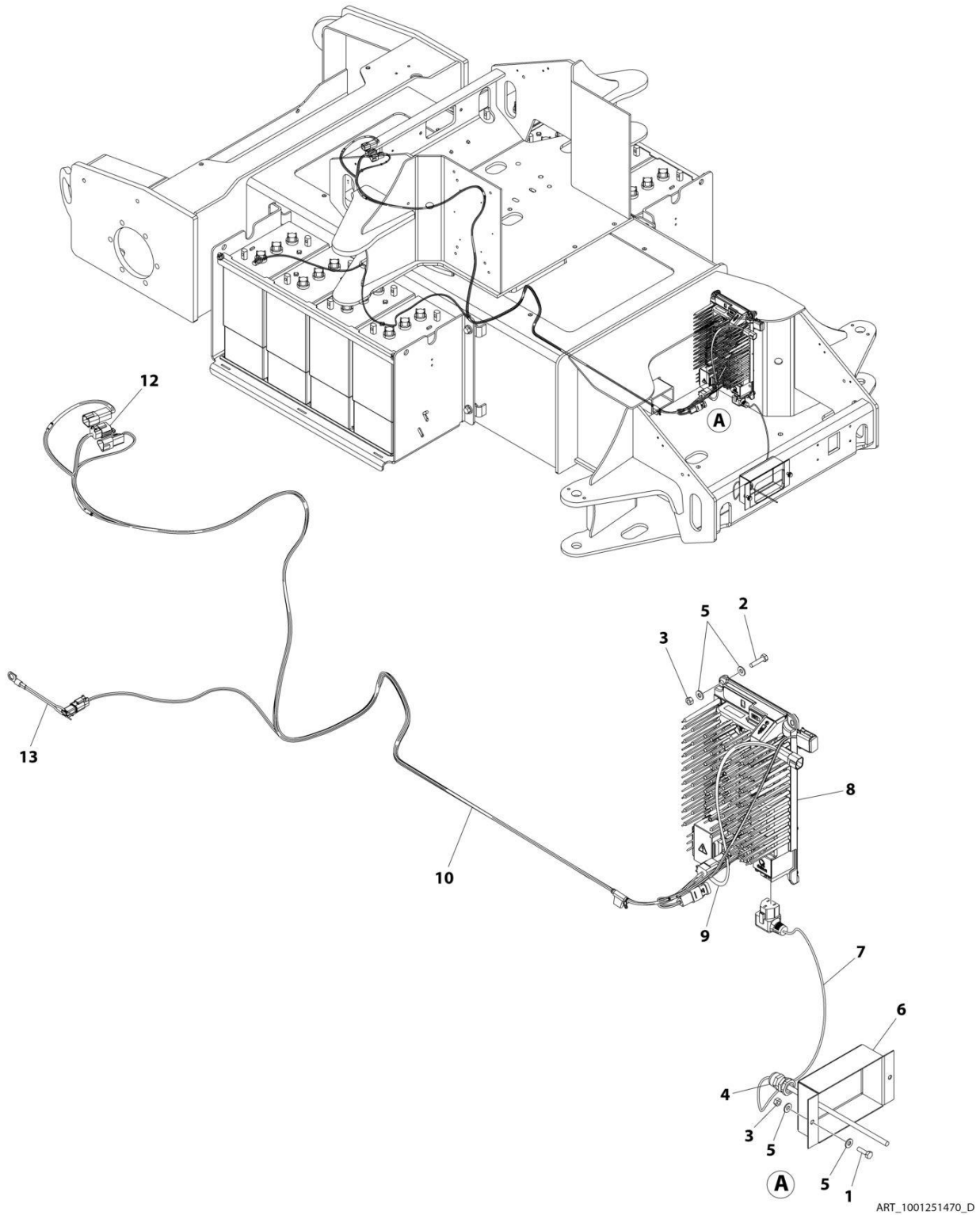
## SECTION 1 - FRAME

**FIGURE 1-23. BATTERY CHARGER INSTALLATION (ANSI EXPORT, CE, CHINA & UK CA SPECS)**

ITEM	PART NUMBER	QTY	DESCRIPTION	REV
	1001251472	Ref	BATTERY CHARGER INSTALLATION	D
1	0641407	2	Bolt 1/4 x 7/8	
2	0641409	4	Bolt 1/4 x 1-1/8	
3	3311405	6	Nut 1/4	
4	4460428	1	Connector, Strain Relief	
5	4460805	1	Plug	
6	4711400	12	Washer 1/4	
7	1001191212	1	Panel, Cable	
8	1001289788	1	AC Cord	
9	1001251382	1	Battery Charger Assembly	
10	1001260408	1	Harness, Charger DC Connection (See Separate Breakdown in ELECTRICAL Section)	
11	1001290079	1	Harness, Charger (See Separate Breakdown in ELECTRICAL Section)	
13	1001192401	1	Cap, Dust	
14	1001225131	1	Harness, Temperature Sensor	

# SECTION 1 - FRAME

FIGURE 1-24. BATTERY CHARGER INSTALLATION (ANSI EXPORT, CE, CHINA & UK CA SPECS)



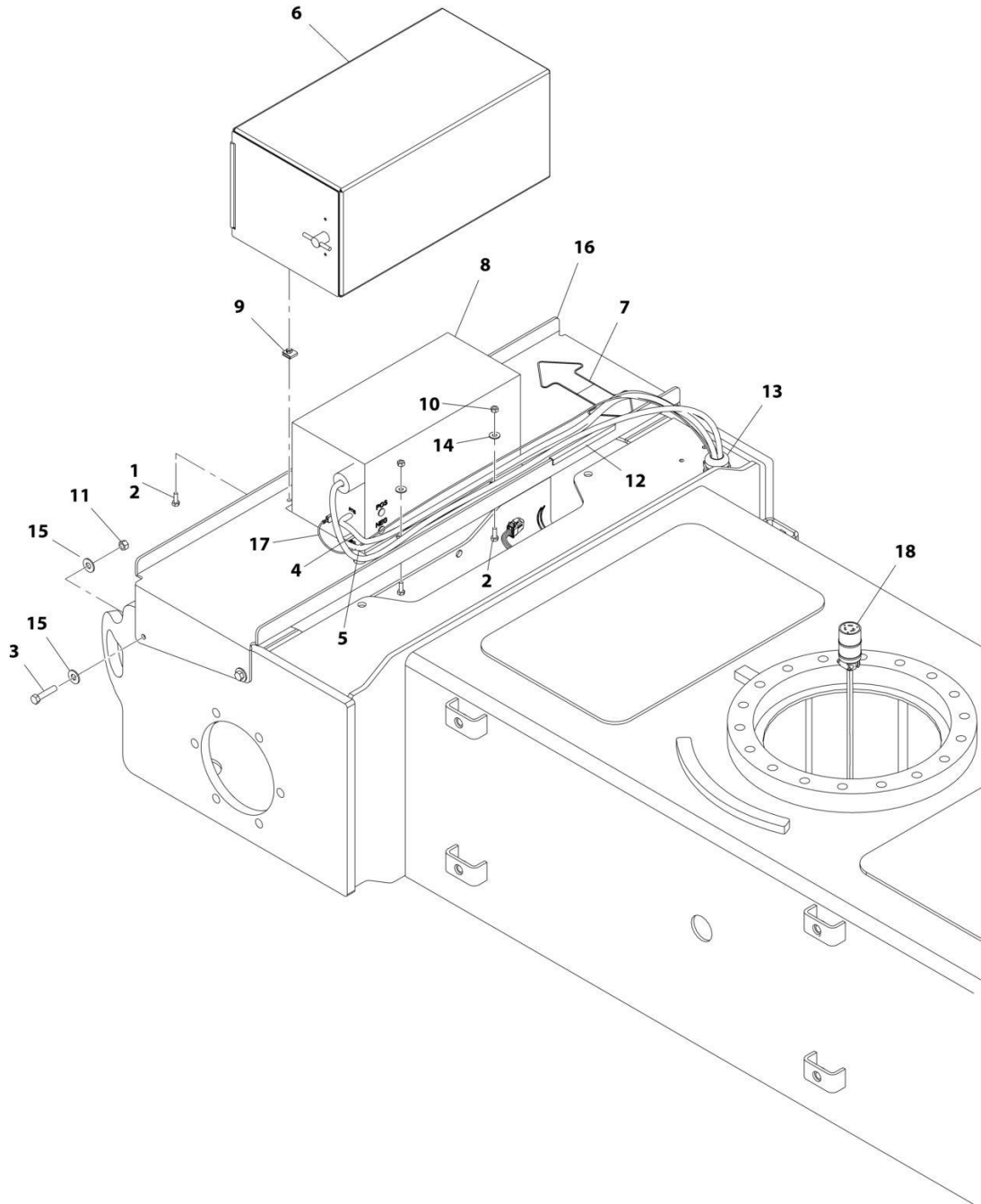
## SECTION 1 - FRAME

**FIGURE 1-24. BATTERY CHARGER INSTALLATION (ANSI EXPORT, CE, CHINA & UK CA SPECS)**

ITEM	PART NUMBER	QTY	DESCRIPTION	REV
	1001251470	Ref	BATTERY CHARGER INSTALLATION	D
1	0641407	2	Bolt 1/4 x 7/8	
2	0641409	4	Bolt 1/4 x 1-1/8	
3	3311405	6	Nut 1/4	
4	4460428	1	Connector, Strain Relief	
5	4711400	12	Washer 1/4	
6	1001191212	1	Panel, Cable	
7	1001289788	1	AC Cord	
8	1001251382	1	Battery Charger Assembly	
9	1001260408	1	Harness, Charger DC Connection (See Separate Breakdown in ELECTRICAL Section)	
10	1001290079	1	Harness, Charger (See Separate Breakdown in ELECTRICAL Section)	
12	1001192401	1	Cap, Dust	
13	1001225131	1	Harness, Temperature Sensor	

# SECTION 1 - FRAME

## FIGURE 1-25. INVERTER INSTALLATION



ART\_1001192501

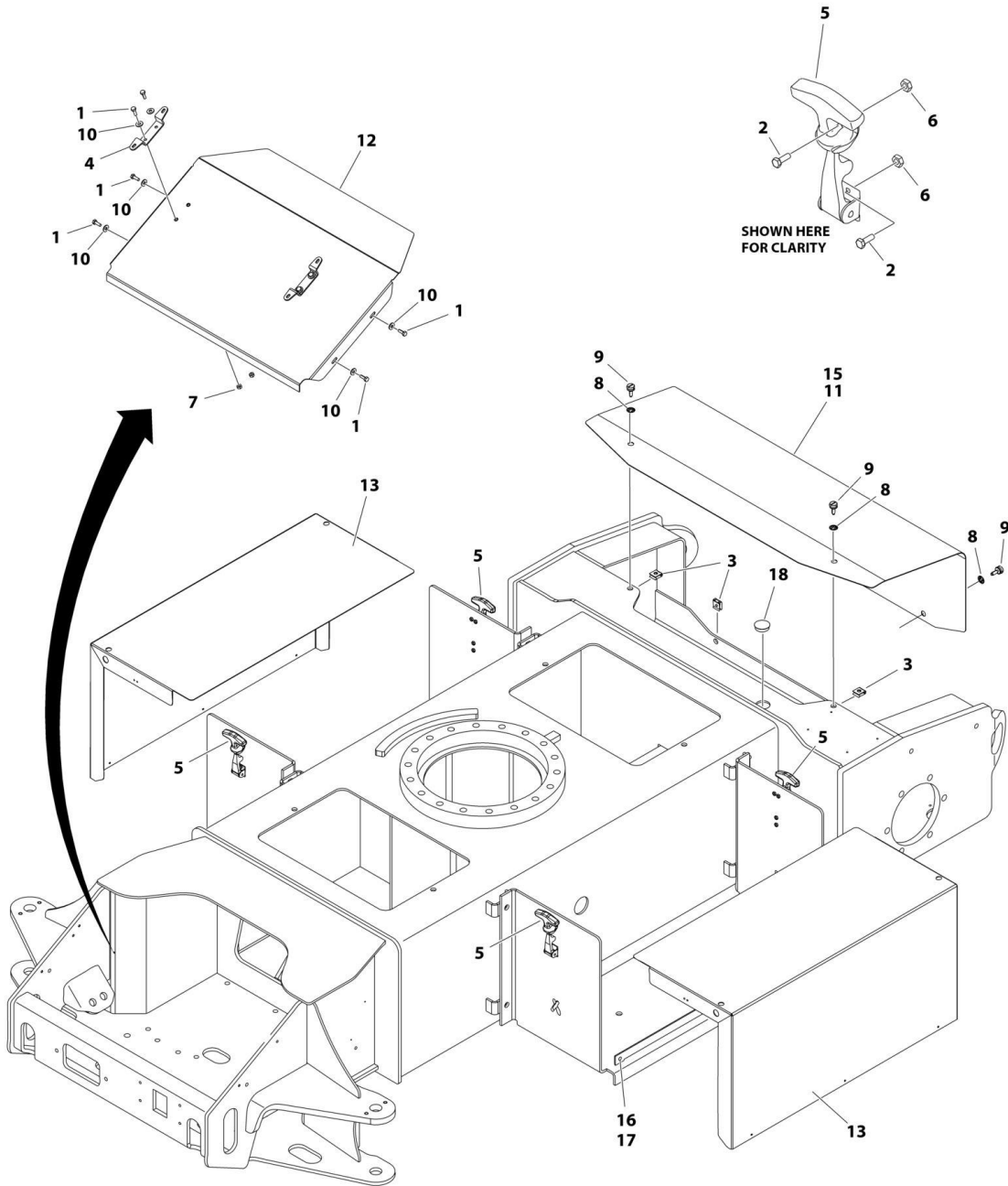
# SECTION 1 - FRAME

## FIGURE 1-25. INVERTER INSTALLATION

ITEM	PART NUMBER	QTY	DESCRIPTION	REV
	1001192501	Ref	INVERTER INSTALLATION	A
1	0100011	AR	Compound, Locking	
2	0641406	8	Bolt 1/4 X 3/4	
3	0641614	4	Bolt 3/8 X 1-3/4	
4	1060801	1	Cable, Battery	
5	1060802	1	Cable, Ground	
6	1670953	1	Cover	
7	1701642	1	Decal - Arrow	
8	2460037	1	Inverter	
9	3300353	4	Nut, Tinnerman	
10	3311405	4	Nut 1/4	
11	3311605	4	Nut 3/8	
12	4060805	6 in /150mm	Shield, Flex Trim	
13	4460426	1	Connector, Strain Relief	
14	4751400	4	Washer 1/4	
15	4751600	8	Washer 3/8	
16	1001167013	1	Bracket	
17	1001192293	1	Inverter Ignition Harness (See Separate Breakdown in ELECTRICAL SECTION)	
18	1001182296	1	Inverter Harness (See Separate Breakdown in ELECTRICAL SECTION)	

# SECTION 1 - FRAME

## FIGURE 1-26. FRAME COVER INSTALLATION



ART\_1001166312



## SECTION 1 - FRAME

**FIGURE 1-26. FRAME COVER INSTALLATION**

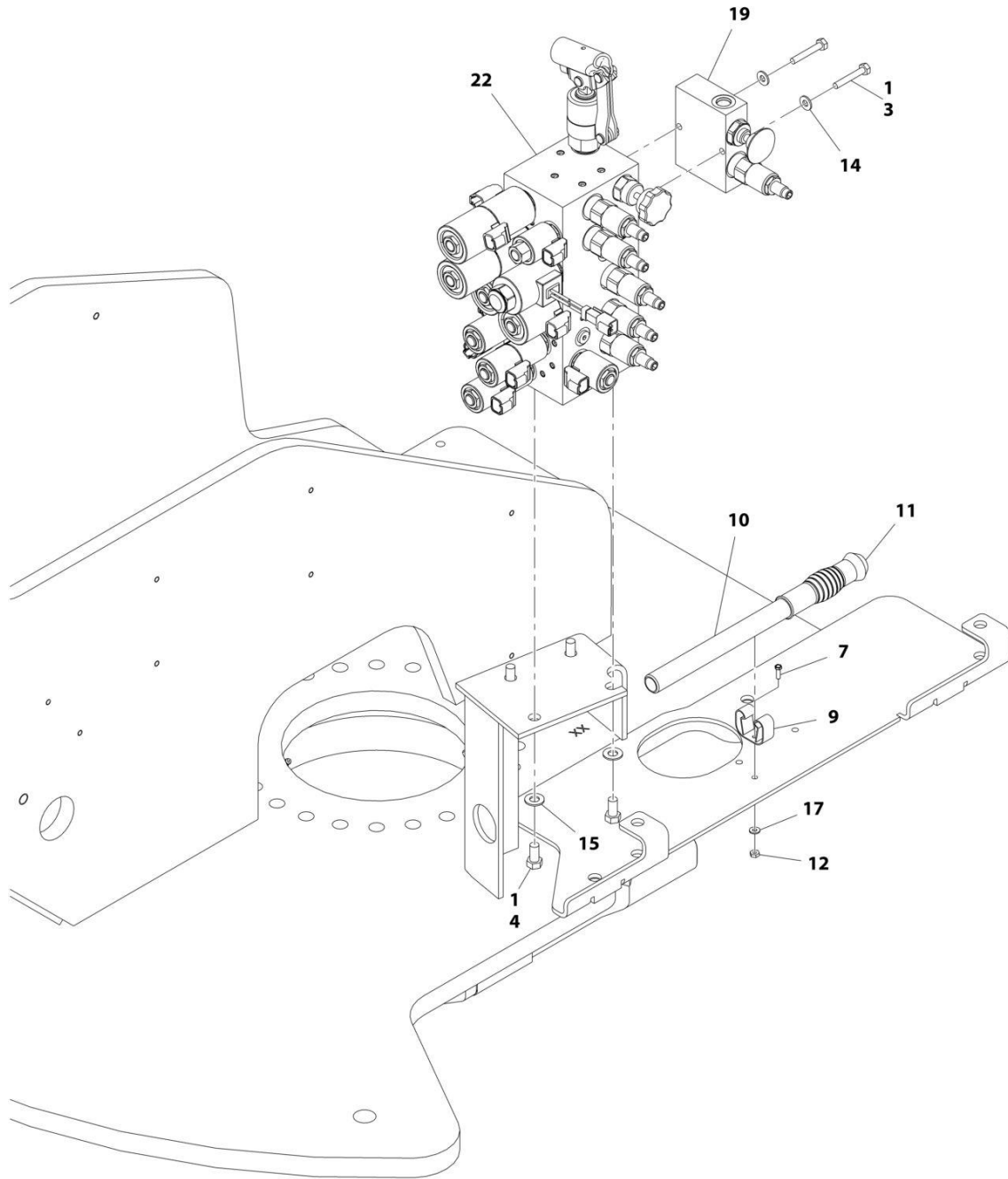
ITEM	PART NUMBER	QTY	DESCRIPTION	REV
	1001166312	Ref	FRAME COVER INSTALLATION	D
1	0641406	8	Bolt, 1/4 X 3/4	
2	0721004	16	Bolt, #10 X .500	
3	1380138	4	Clip, Receptacle	
4	2700093	2	Hook	
5	2940095	4	Latch	
6	3311005	16	Nut #10	
7	3311405	5	Nut 1/4	
8	3760308	4	Retainer	
9	3900174	4	Screw, Special	
10	4751400	8	Washer 1/4	
11	1001166296	1	Axle Cover	
12	1001166321	1	Cover	
13	1001166493	2	Battery Cover	
15	3960447	9.5 ft /2.9m	Seal	
16	3820019	6	Rivet	
17	1001175025	2	Brace, Battery Tray	
18	3520035	1	Plug, Cap	



**SECTION 2 - TURNTABLE**

# SECTION 2 - TURNTABLE

## FIGURE 2-1. VALVE INSTALLATION- TURNTABLE MOUNTED - E400ANARROW



ART\_1001180930\_20F2

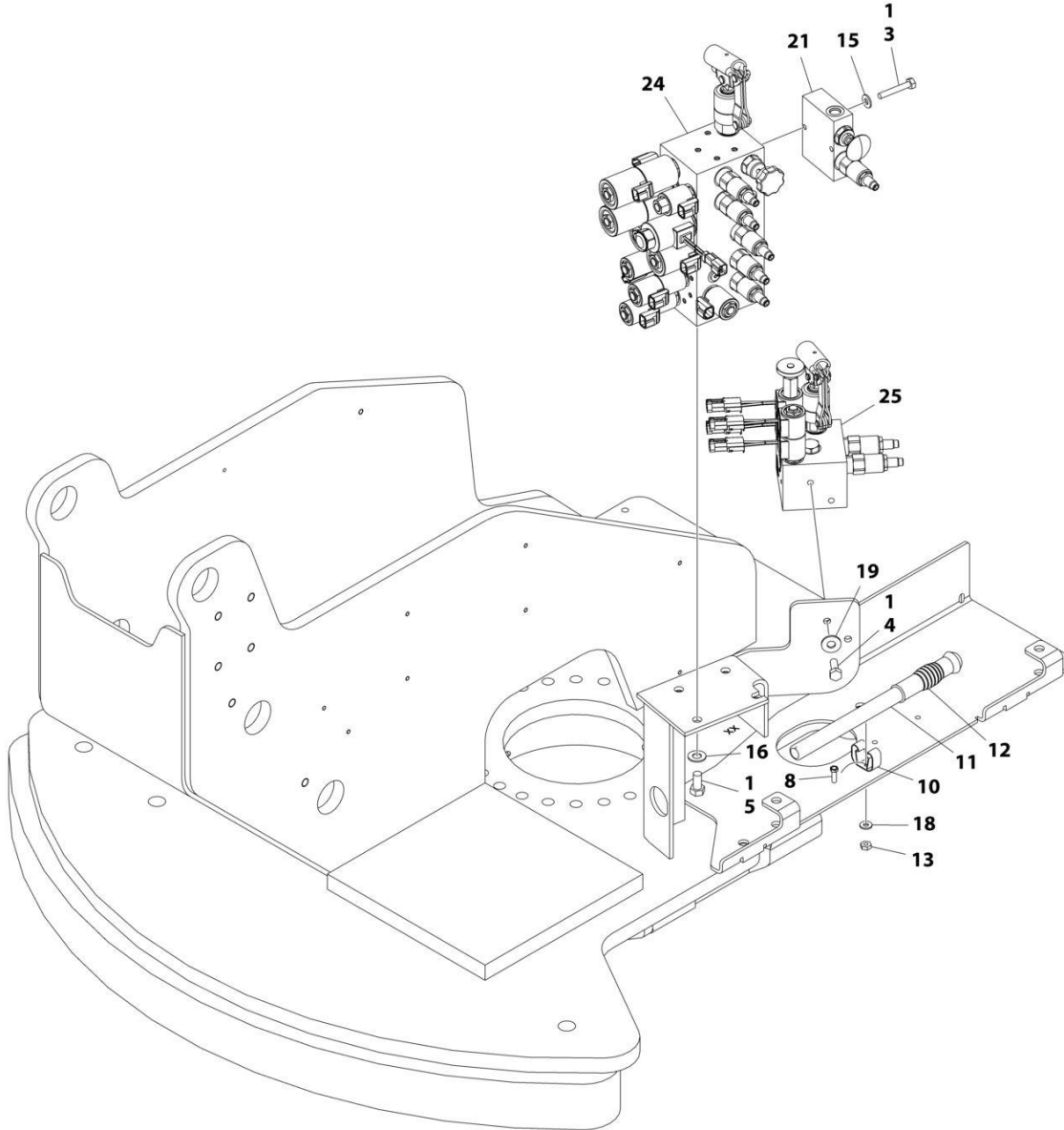
# SECTION 2 - TURNTABLE

**FIGURE 2-1. VALVE INSTALLATION- TURNTABLE MOUNTED - E400ANARROW**

ITEM	PART NUMBER	QTY	DESCRIPTION	REV
	1001180930	Ref	VALVE INSTALLATION- TURNTABLE MOUNTED	B
1	0100011	AR	Compound, Locking	
3	0641413	2	Bolt 1/4 X 1-5/8	
4	0641606	4	Bolt 3/8 X 3/4	
7	0720804	1	Bolt #8 X .500	
9	1380136	1	Clip, Gripper	
10	2560122	1	Handle	
11	2560123	1	Handle, Grip	
12	3310805	1	Nut #8	
14	4711400	2	Washer 1/4	
15	4711600	4	Washer 3/8	
17	4750800	1	Washer #8	
19	1001097777	1	Releveling Valve Assembly (See Separate Breakdown in this Section)	
22	1001180554	1	Main Control Valve Assembly (See Separate Breakdown in this Section)	

# SECTION 2 - TURNTABLE

## FIGURE 2-2. VALVE INSTALLATION - TURNTABLE MOUNTED - E400AJPNARROW



ART\_1001218367\_20F2

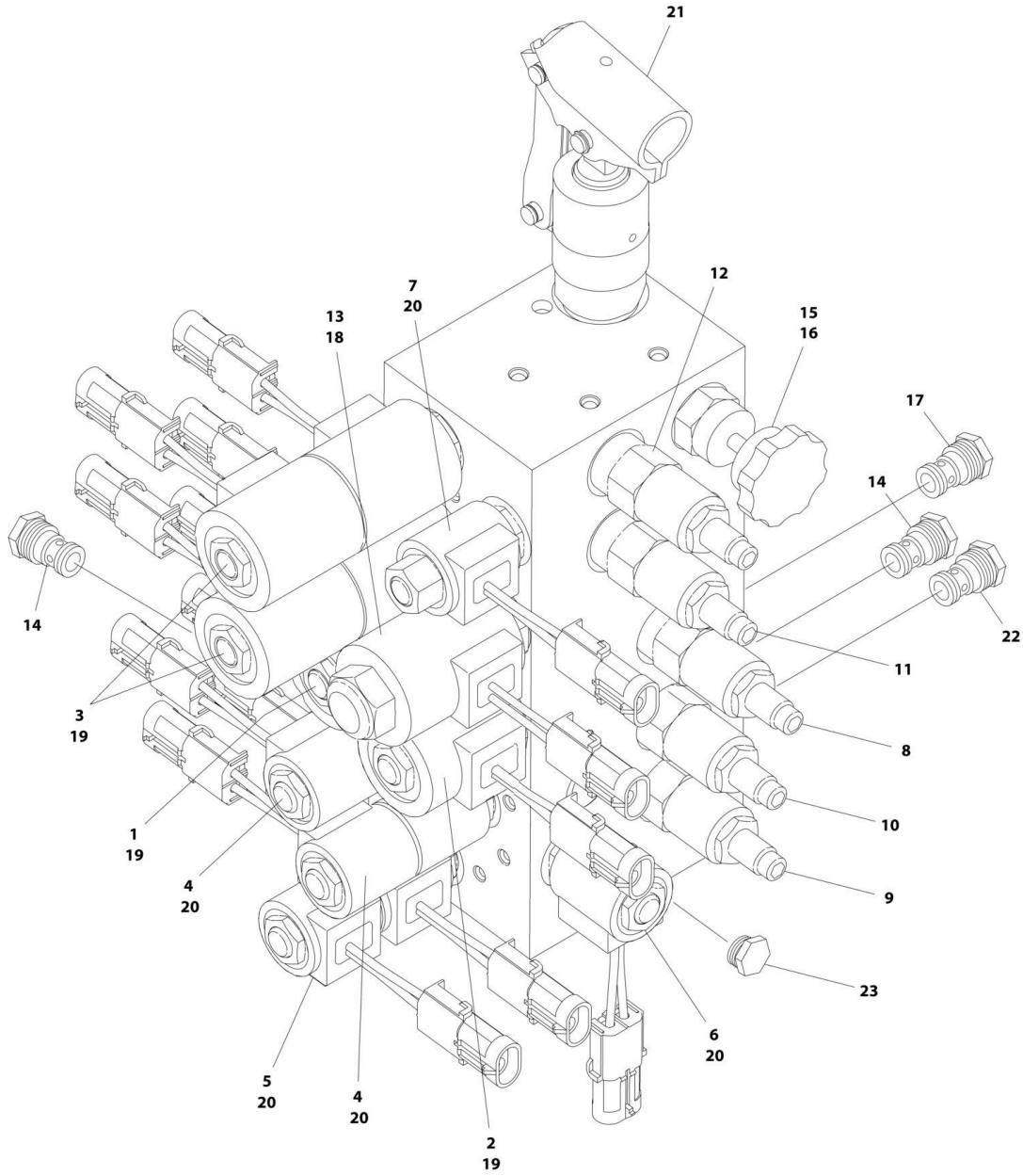
## SECTION 2 - TURNTABLE

**FIGURE 2-2. VALVE INSTALLATION - TURNTABLE MOUNTED - E400AJPNARROW**

ITEM	PART NUMBER	QTY	DESCRIPTION	REV
	1001218367	Ref	VALVE INSTALLATION - TURNTABLE MOUNTED	A
1	0100011	AR	Compound, Locking	
3	0641413	2	Bolt 1/4 X 1-5/8	
4	0641507	2	Bolt 5/16 X 7/8	
5	0641606	4	Bolt 3/8 X 3/4	
8	0720804	1	Bolt #8 X .500	
10	1380136	1	Clip, Gripper	
11	2560122	1	Handle	
12	2560123	1	Handle, Grip	
13	3310805	1	Nut #8	
15	4711400	2	Washer 1/4	
16	4711600	2	Washer 3/8	
18	4750800	1	Washer #8	
19	4751500	2	Washer 5/16	
21	1001097777	1	Releveling Valve Assembly (See Separate Breakdown in this Section)	
24	1001180554	1	Main Control Valve Assembly (See Separate Breakdown in this Section)	
25	1001216921	1	Jib Valve Assembly (See Separate Breakdown in this Section)	

# SECTION 2 - TURNTABLE

## FIGURE 2-3. MAIN CONTROL VALVE ASSEMBLY



ART\_1001180554



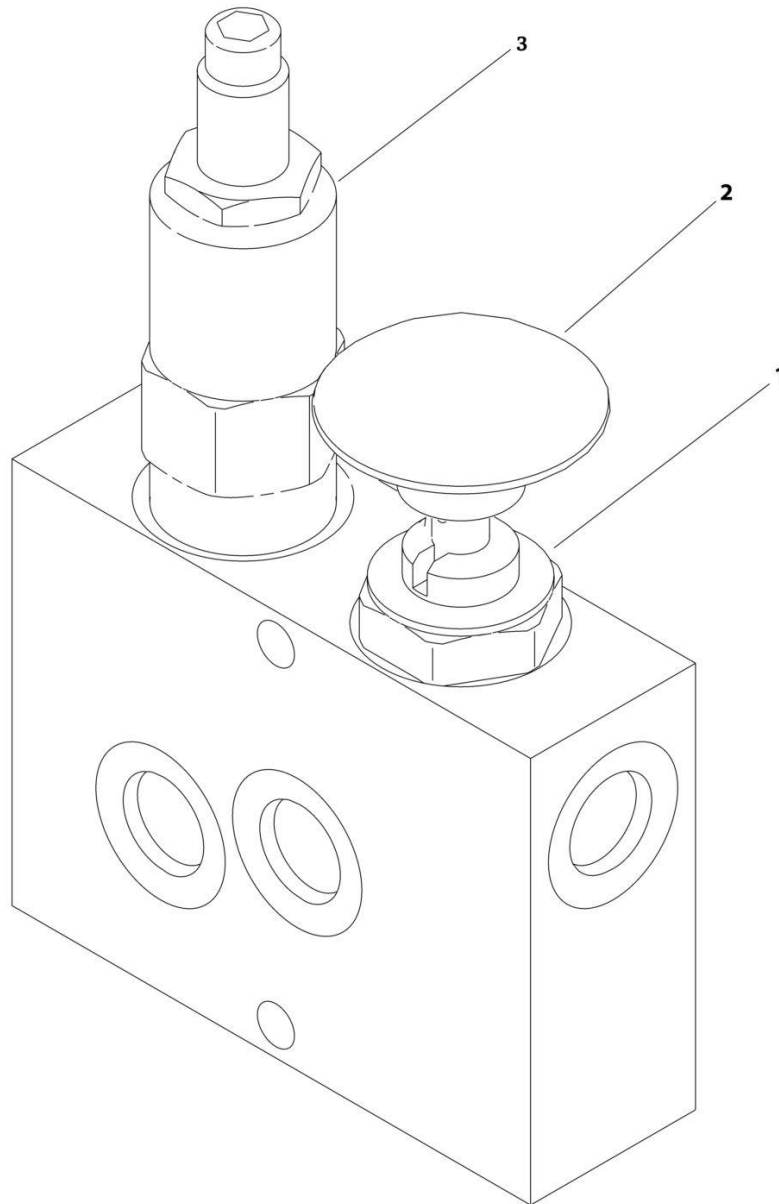
## SECTION 2 - TURNTABLE

**FIGURE 2-3. MAIN CONTROL VALVE ASSEMBLY**

ITEM	PART NUMBER	QTY	DESCRIPTION	REV
	1001180554	Ref	MAIN CONTROL VALVE ASSEMBLY	F
1	7022394	1	Cartridge without Coil (Telescope In)	
1	7012518	1	Seal Kit - 7022394 Cartridge	
2	7012995	1	Cartridge without Coil (Telescope Out)	
2	7012518	1	Seal Kit - 7012995 Cartridge	
3	7021603	2	Cartridge without Coil (Lower and Upper Lift)	
3	7012903	2	Seal Kit - 7021603 Cartridge	
4	7017452	2	Cartridge without Coil (Platform Level)	
4	7017402	2	Seal Kit - 7017452 Cartridge	
5	7017433	1	Cartridge without Coil (Swing)	
5	7017402	1	Seal Kit - 7017433 Cartridge	
6	7021604	1	Cartridge without Coil (Swing Arrest)	
6	7012953	1	Seal Kit - 7021604 Cartridge	
7	7017410	1	Cartridge without Coil (Bypass Unloading)	
7	7012967	1	Seal Kit - 7017410 Cartridge	
8	7017418	1	Cartridge (Telescope)	
8	7012998	1	Seal Kit - 7017418 Cartridge	
9	7017421	1	Cartridge (Platform Level Backward Piston End)	
9	7012998	1	Seal Kit - 7017421 Cartridge	
10	7017418	1	Cartridge (Platform Level Forward Rod End)	
10	7012998	1	Seal Kit - 7017418 Cartridge	
11	70001876	1	Cartridge (Lower Lift Down)	
11	7012998	1	Seal Kit - 70001876 Cartridge	
12	70002806	1	Cartridge (Upper Lift Down)	
12	7012998	1	Seal Kit - 70002806 Cartridge	
13	7021611	1	Cartridge without Coil (Flow Regulator)	
13	7012518	1	Seal Kit - 7021611 Cartridge	
14	7012914	2	Cartridge (Platform Level)	
14	7012918	2	Seal Kit - 7012914 Cartridge	
15	7012947	1	Cartridge (Emergency Descent)	
15	7012518	1	Seal Kit - 7012947 Cartridge	
16	7012961	1	Knob	
17	10837580	1	Cartridge (Telescope)	
17	7010543	1	Seal Kit - 10837580 Cartridge	
18	70005210	1	Coil	
19	7024883	6	Coil	
20	7024885	8	Coil	
21	70004019	1	Pump, Manual	
21	2900756	1	Seal Kit - 70004019 Pump	
21	2560122	1	Handle (Not Shown)	
21	1001114761	1	Handle, Grip (Red) (Not Shown)	
21	2560123	1	Handle, Grip (Black) (Not Shown)	
22	7012975	1	Cartridge (Check)	
22	7012540	1	Seal Kit - 7012975 Cartridge	
23	70000381	1	Plug, Cartridge	
24	70005091	1	Orifice (Swing) (Not Shown)	
25	70004884	1	Orifice (Platform) (Not Shown)	

## SECTION 2 - TURNTABLE

FIGURE 2-4. RELEVELING VALVE ASSEMBLY



ART\_100109777

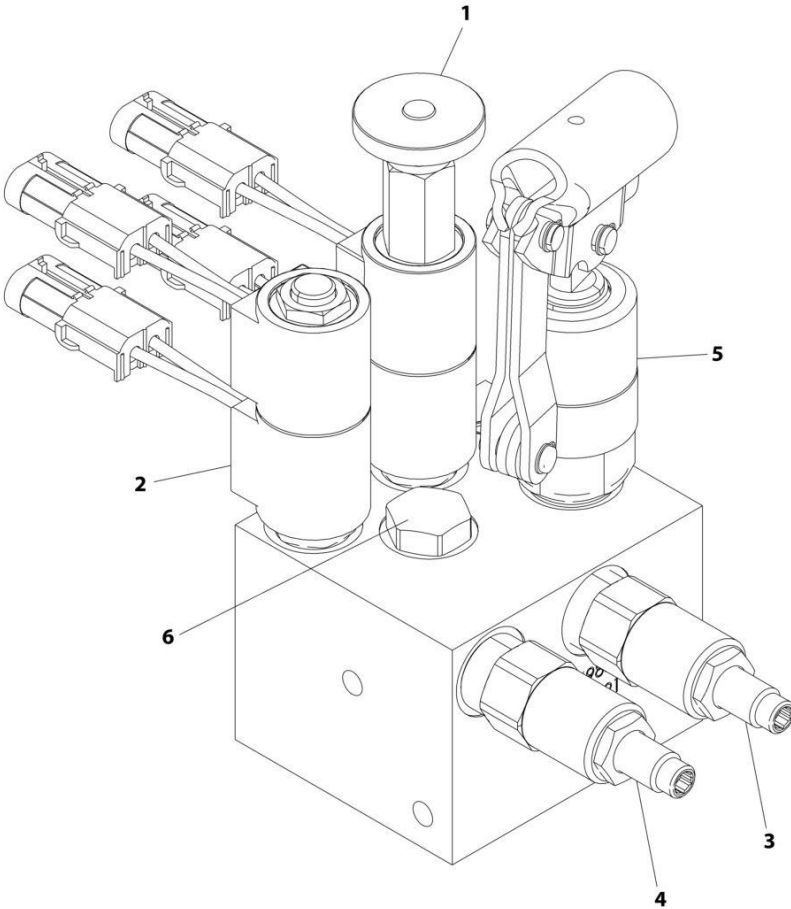
**SECTION 2 - TURNTABLE**

**FIGURE 2-4. RELEVELING VALVE ASSEMBLY**

<b>ITEM</b>	<b>PART NUMBER</b>	<b>QTY</b>	<b>DESCRIPTION</b>	<b>REV</b>
	1001097777	Ref	RELEVELING VALVE ASSEMBLY	C
1	7017466	1	Cartridge	
1	7017496	1	Seal Kit - 7017466 Cartridge	
2	7012959	1	Knob	
3	7024891	1	Cartridge	
3	7012953	1	Seal Kit - 7024891 Cartridge	

**SECTION 2 - TURNTABLE**

**FIGURE 2-5. JIB VALVE ASSEMBLY**



ART\_1001216921

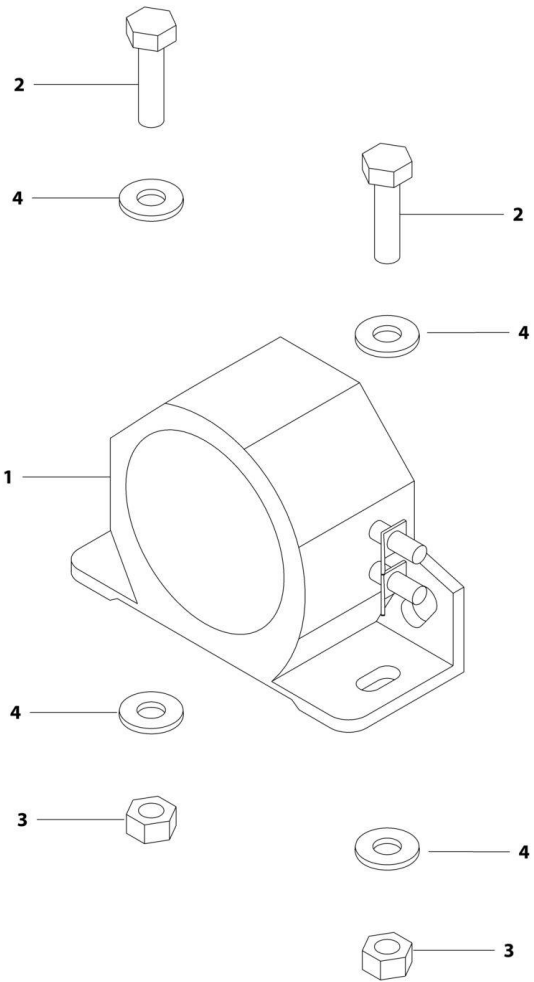
**SECTION 2 - TURNTABLE**

**FIGURE 2-5. JIB VALVE ASSEMBLY**

ITEM	PART NUMBER	QTY	DESCRIPTION	REV
	1001216921	Ref	JIB VALVE ASSEMBLY	B
1	70006346	1	Cartridge (Manual Override)	
1	7017402	1	Seal Kit - 70006346 Cartridge	
1	70006348	1	Coil Spacer	
1	7021609	1	Coil	
1	70006347	1	Coil Nut	
2	7017452	1	Cartridge	
2	7017402	1	Seal Kit - 7017452 Cartridge	
2	70006348	1	Coil Spacer	
2	7021609	1	Coil	
2	7022390	1	Coil Nut	
3	70006349	1	Cartridge	
3	7021653	1	Seal Kit - 70006349 Cartridge	
4	70002808	1	Cartridge	
4	7021653	1	Seal Kit - 70002808 Cartridge	
5	70005722	1	Cartridge	
5	7017496	1	Seal Kit - 70005722 Cartridge	
5	2560122	1	Handle	
5	1001114761	1	Grip, Handle (Red)	
5	2560123	1	Grip, Handle (Black)	
6	7024887	1	Cartridge	
6	7012998	1	Seal Kit - 7024887 Cartridge	

**SECTION 2 - TURNTABLE**

**FIGURE 2-6. MOTION ALARM INSTALLATION**



ART\_1001183367

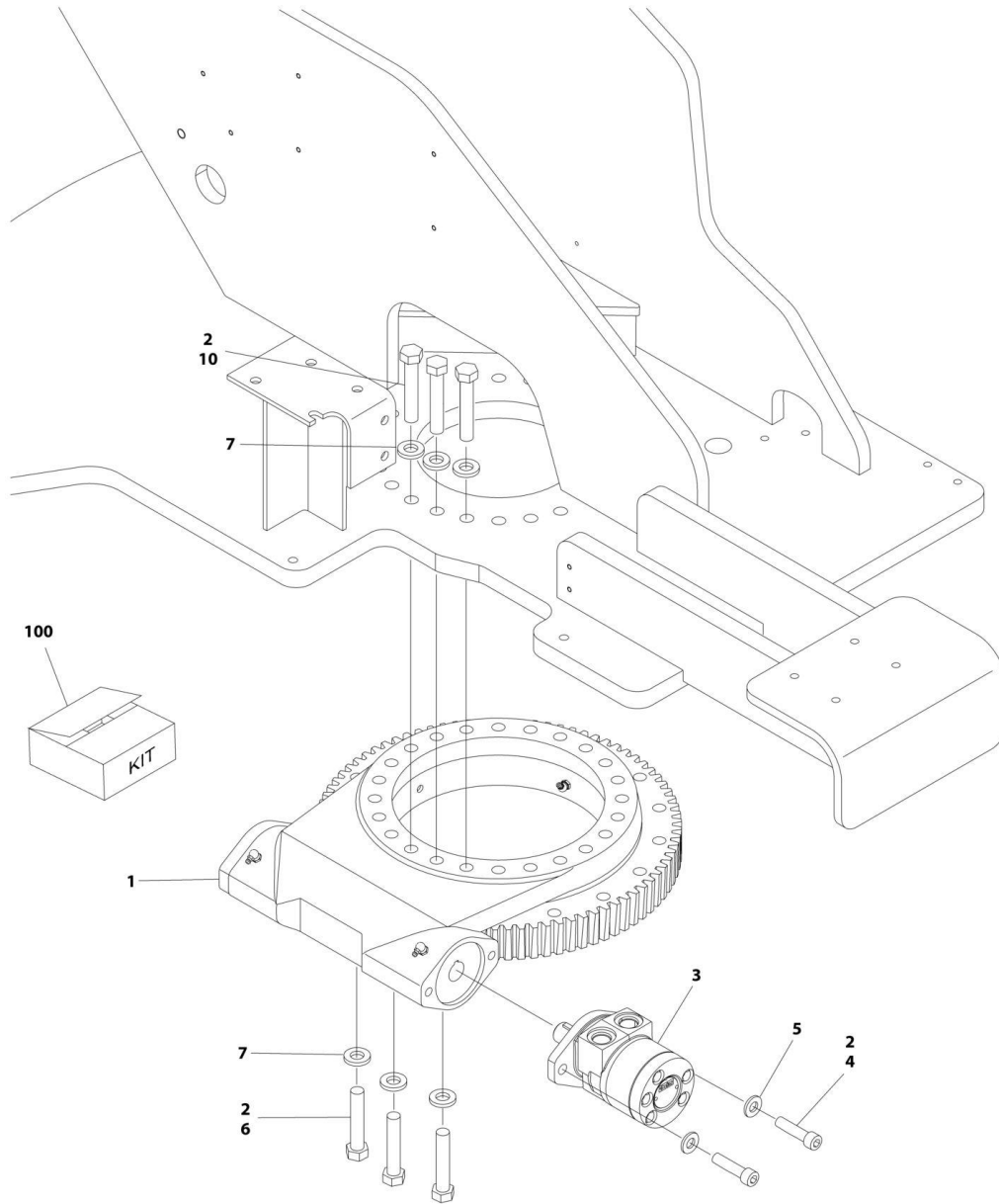
**SECTION 2 - TURNTABLE**

**FIGURE 2-6. MOTION ALARM INSTALLATION**

<b>ITEM</b>	<b>PART NUMBER</b>	<b>QTY</b>	<b>DESCRIPTION</b>	<b>REV</b>
	1001183367	Ref	MOTION ALARM INSTALLATION	A
1	0140043	1	Alarm, Motion	
2	0641406	2	Bolt 1/4 X 3/4	
3	3311405	2	Nut 1/4-20	
4	4711400	2	Washer 1/4	

# SECTION 2 - TURNTABLE

## FIGURE 2-7. TURNTABLE BEARING AND SWING DRIVE INSTALLATION



ART\_1001166395



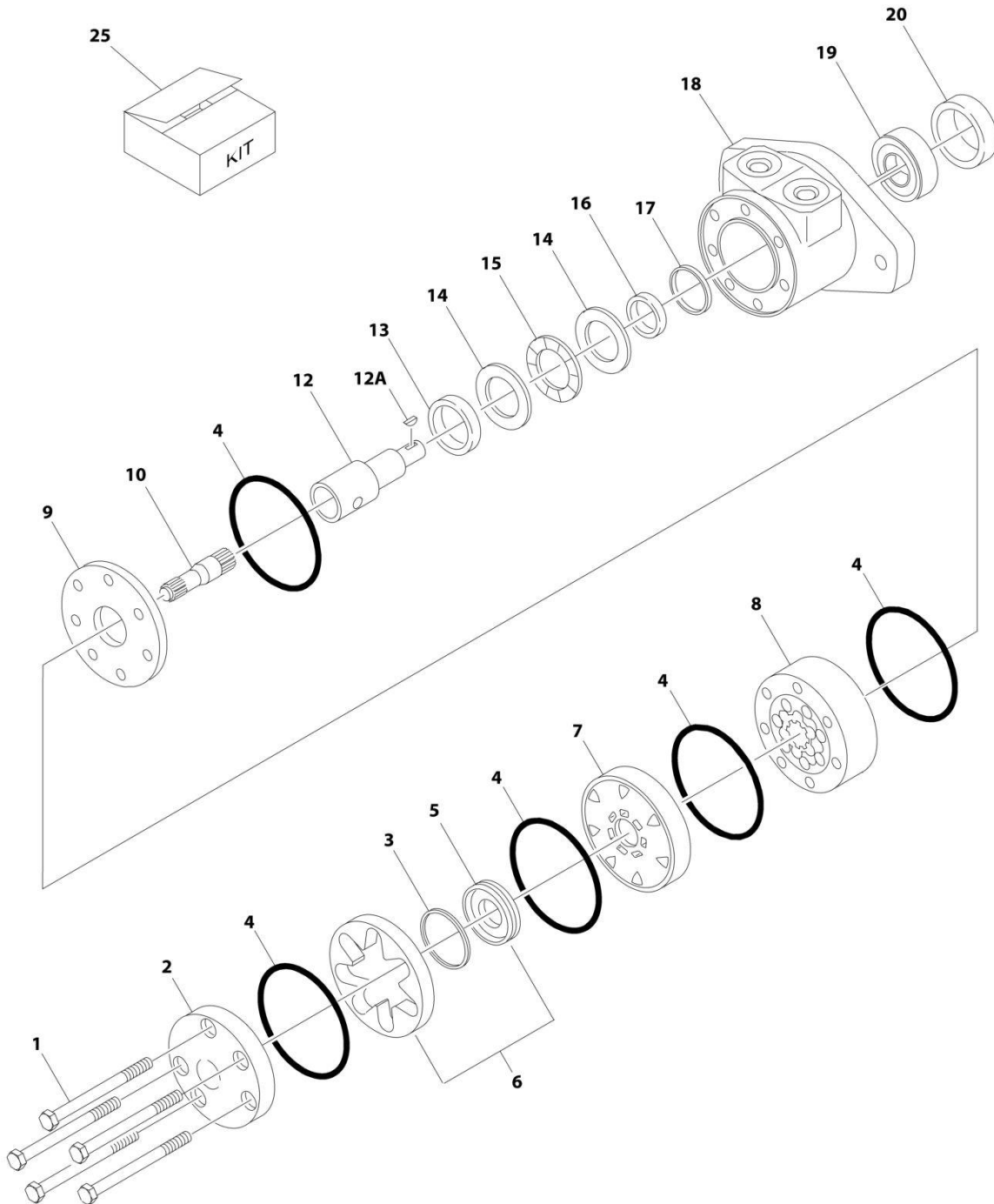
# SECTION 2 - TURNTABLE

**FIGURE 2-7. TURNTABLE BEARING AND SWING DRIVE INSTALLATION**

ITEM	PART NUMBER	QTY	DESCRIPTION	REV
	1001166395	Ref	TURNTABLE BEARING AND SWING DRIVE INSTALLATION	C
1	1001153017	1	Turntable Bearing and Worm Gear Assembly (See Separate Breakdown in this Section)	
2	0100019	AR	Compound, Locking	
3	1001104850	1	Swing Motor Assembly (See Separate Breakdown in this Section)	
4	3931832	2	Bolt 1/2 X 2	
5	4740171	2	Washer	
6	0682026	18	Bolt 5/8 X 3-1/4, Grade 8	
7	4892000	41	Washer 5/8	
10	0682028	23	Bolt 5/8 X 3-1/2, Grade 8	
100	1001160527	1	Turntable Bearing Replacement Kit (Includes Items 1, 4, 5, 6, 7 & 10)	

# SECTION 2 - TURNTABLE

## FIGURE 2-8. SWING MOTOR ASSEMBLY



ART\_1001104850

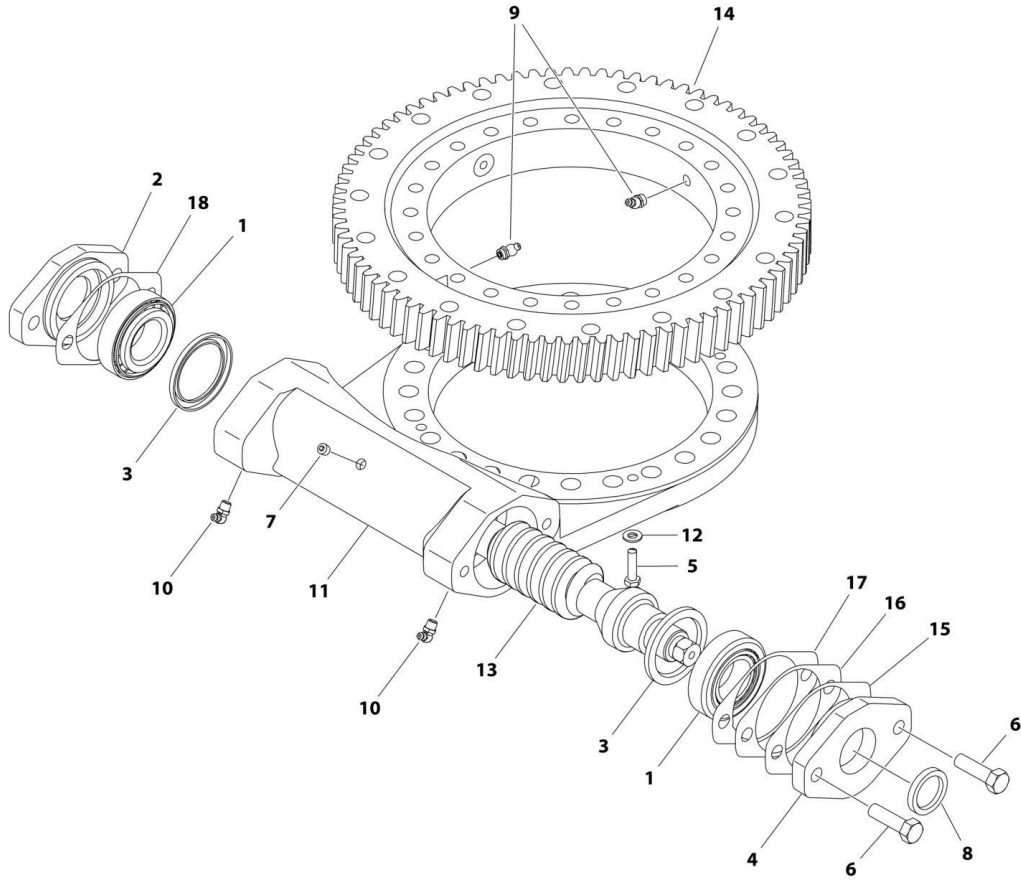
**SECTION 2 - TURNTABLE**

**FIGURE 2-8. SWING MOTOR ASSEMBLY**

ITEM	PART NUMBER	QTY	DESCRIPTION	REV
	1001104850	Ref	SWING MOTOR ASSEMBLY	A
1	See Note	5	Bolt (Note: Not Available for Purchase)	
2	7004035	1	Cover, End	
3	7023318	1	Seal, Commutator	
4	7004036	5	O-Ring	
5	See Note	NSS	Commutator (Note: Use Item 6)	
6	7024453	1	Commutator and Ring Assembly (Includes Item 5)	
7	7024379	1	Manifold	
8	70002206	1	Rotor Set	
9	7024380	1	Plate, Wear	
10	70002207	1	Link, Drive	
12	70000088	1	Shaft, Coupling	
12A	70000089	1	Key	
13	7024381	1	Bushing, Inner	
14	7004043	1	Thrustwasher	
15	7004044	1	Bearing, Thrust	
16	7004049	1	Seal, Inner Shaft	
17	7004045	1	Ring, Back-up	
18	See Note	NSS	Housing (Note: Not Available - Purchase Complete Motor)	
19	7024390	1	Bearing	
20	7004047	1	Seal, Outer Shaft	
25	7024389	1	Seal Kit (Includes Items 3, 4, 16, 17 & 20)	

# SECTION 2 - TURNTABLE

## FIGURE 2-9. SWING BEARING ASSEMBLY



ART\_1001153017

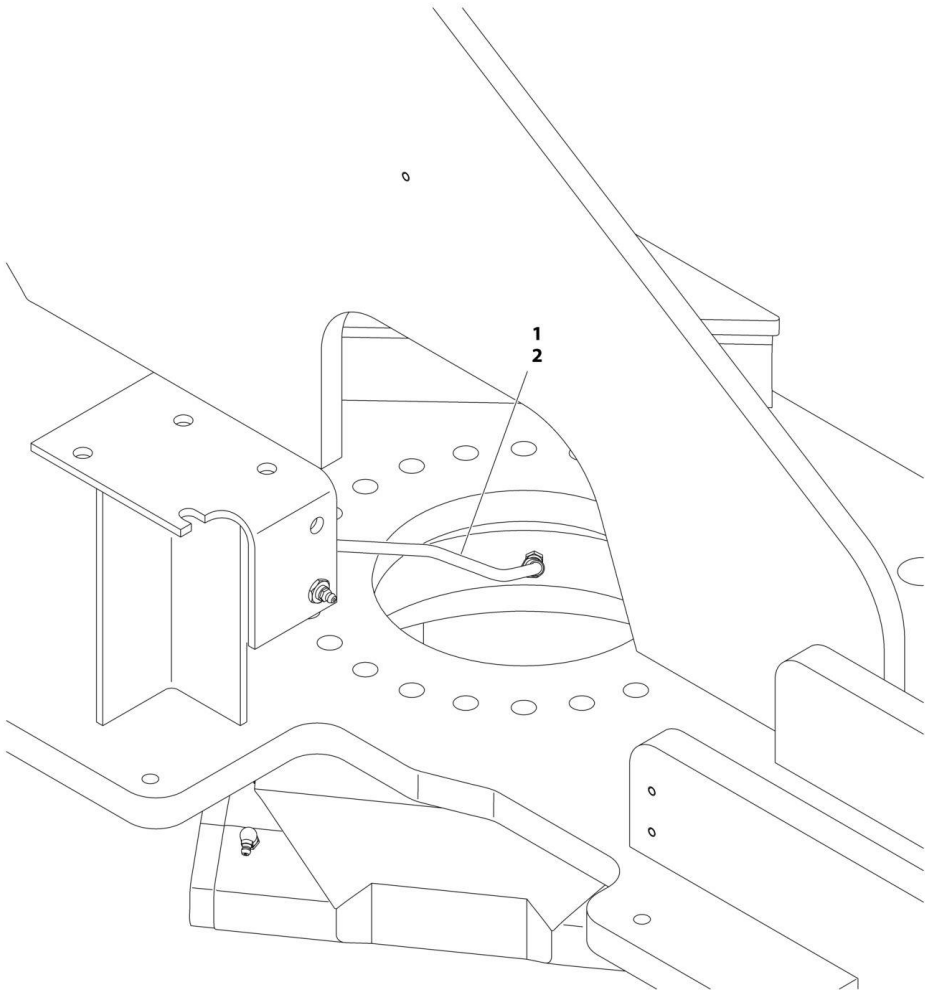
**SECTION 2 - TURNTABLE**

**FIGURE 2-9. SWING BEARING ASSEMBLY**

ITEM	PART NUMBER	QTY	DESCRIPTION	REV
	1001153017	Ref	SWING BEARING ASSEMBLY	B
1	7026042	2	Bearing, Cup	
1	7026043	2	Bearing, Cone	
2	7027356	1	Adapter, Motor	
3	7027361	2	Seal	
4	7027354	1	Cap, End	
5	0641510	2	Bolt 5/16 x 1-1/4	
6	0641812	2	Bolt 1/2 x 1-1/2	
7	70000865	1	Plug	
8	7027360	1	Seal	
9	2160003	2	Fitting, Grease - 45	
10	7027358	2	Fitting, Grease - 90	
11	See Note	NSS	Housing (Note: Not Sold Separate - Use 1001153017)	
12	4891500	1	Washer 5/16	
13	7027363	1	Gear, Worm	
14	70004159	1	Ring Gear	
15	7027352	AR	Gasket (.010 - Brown)	
16	7027351	AR	Gasket (.0075 - Clear)	
17	7027350	AR	Gasket (.005 - Blue)	
18	7027353	1	Gasket (.020 - Yellow)	

**SECTION 2 - TURNTABLE**

**FIGURE 2-10. REMOTE BEARING LUBE INSTALLATION - OPTIONAL**



ART\_1001166341

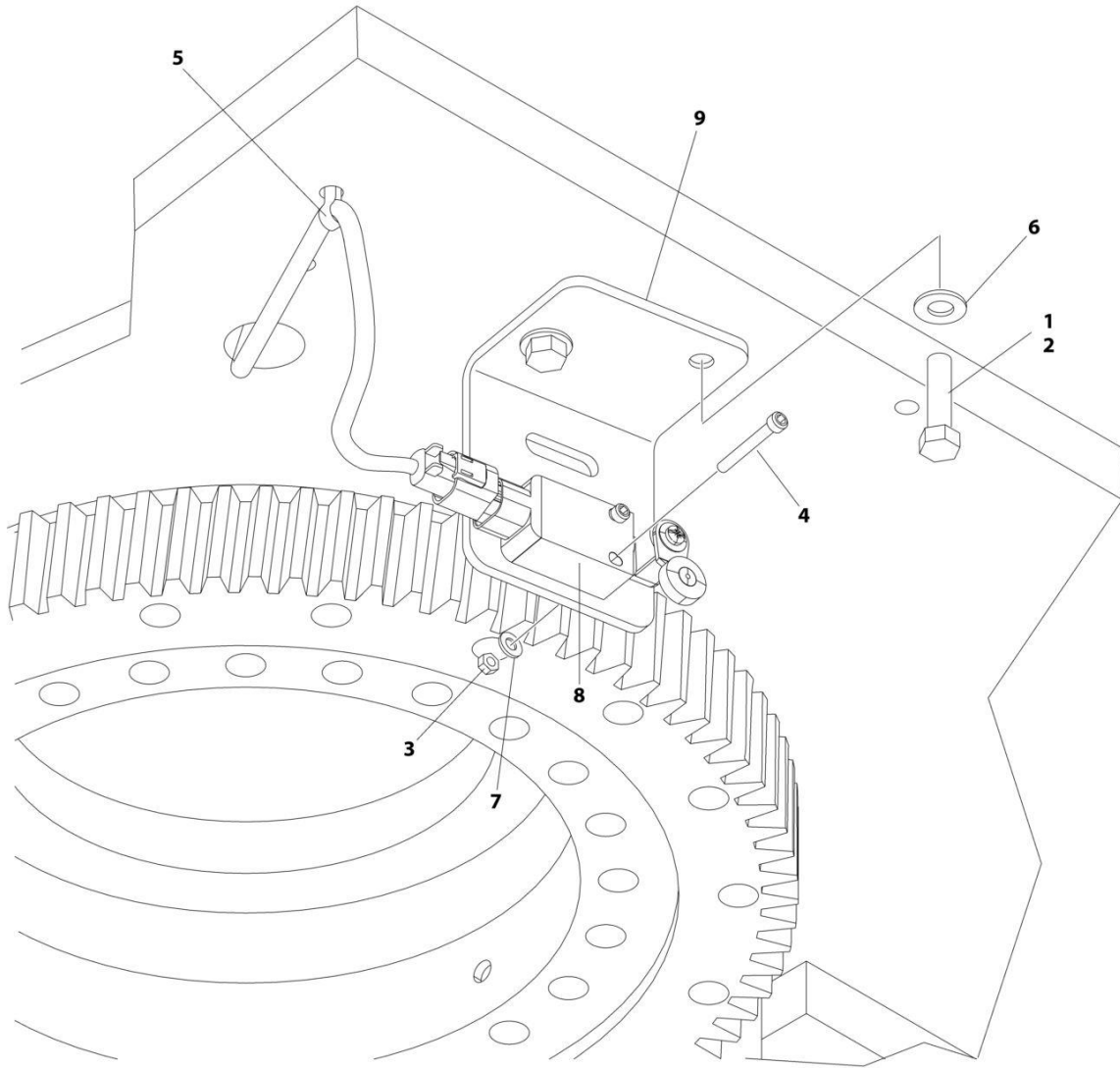
**SECTION 2 - TURNTABLE**

**FIGURE 2-10. REMOTE BEARING LUBE INSTALLATION - OPTIONAL**

<b>ITEM</b>	<b>PART NUMBER</b>	<b>QTY</b>	<b>DESCRIPTION</b>	<b>REV</b>
	1001166341	Ref	REMOTE BEARING LUBE INSTALLATION - OPTIONAL	B
1	1001157058	1	Hose, Remote Grease Line	
2	0100011	AR	Compound, Locking	

# SECTION 2 - TURNTABLE

## FIGURE 2-11. DRIVE ORIENTATION INSTALLATION



ART\_1001187790\_C



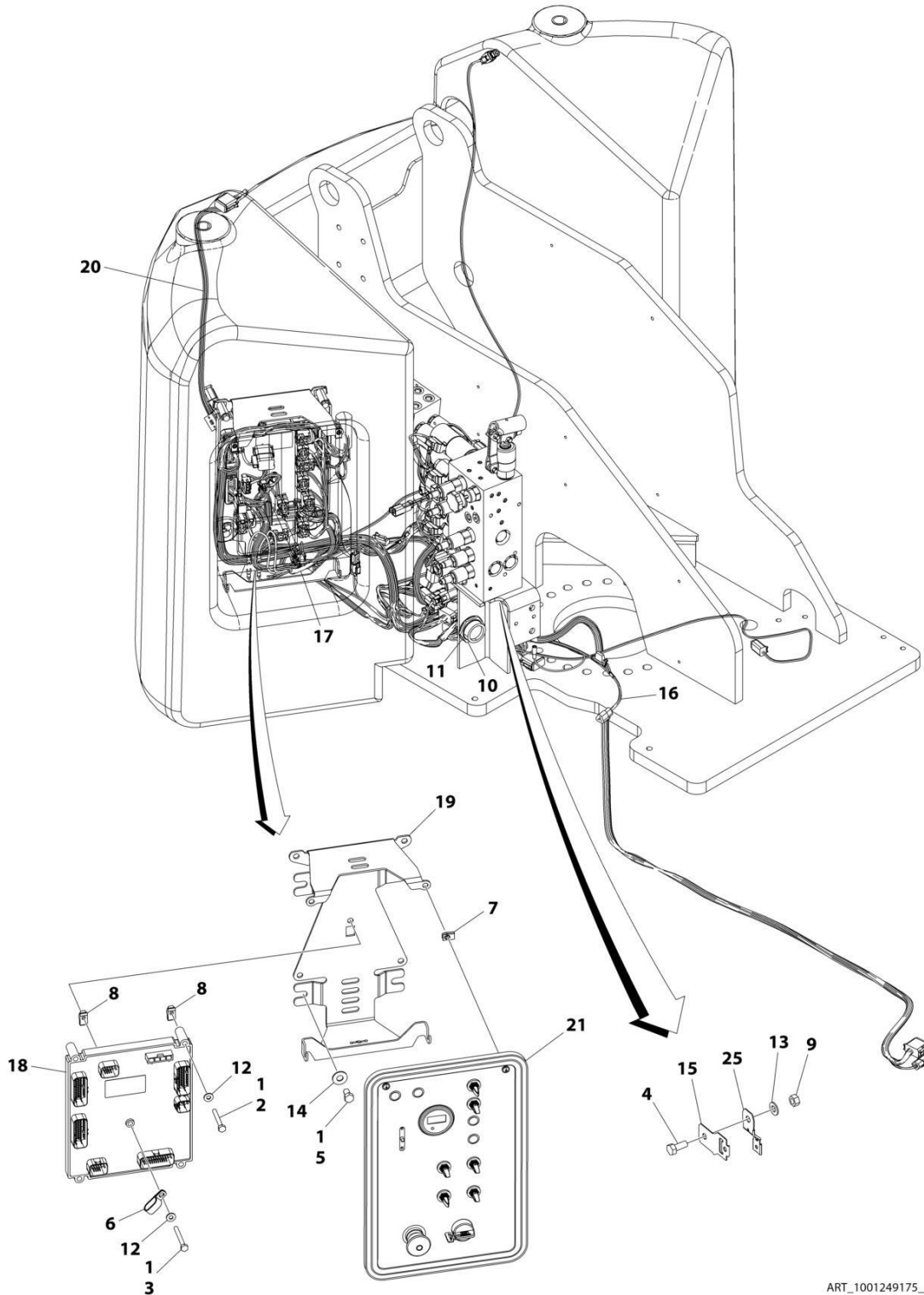
**SECTION 2 - TURNTABLE**

**FIGURE 2-11. DRIVE ORIENTATION INSTALLATION**

<b>ITEM</b>	<b>PART NUMBER</b>	<b>QTY</b>	<b>DESCRIPTION</b>	<b>REV</b>
	1001187790	Ref	DRIVE ORIENTATION INSTALLATION	C
1	0100011	AR	Compound, Locking	
2	0641608	2	Bolt 3/8 X 1	
3	3310805	2	Nut #8	
4	3930824	2	Bolt #8 X 1-1/2	
5	4240175	1	Tie, Strap	
6	4711600	2	Washer 3/8	
7	4750800	2	Washer #8	
8	1001284971	1	Switch, Limit	
9	1001171298	1	Bracket, Mounting	

## SECTION 2 - TURNTABLE

FIGURE 2-12. GROUND CONTROL BOX INSTALLATION - E400ANARROW (ALL SPECS EXCEPT AUSTRALIAN, CE & UK CA SPECS)



ART\_1001249175\_D

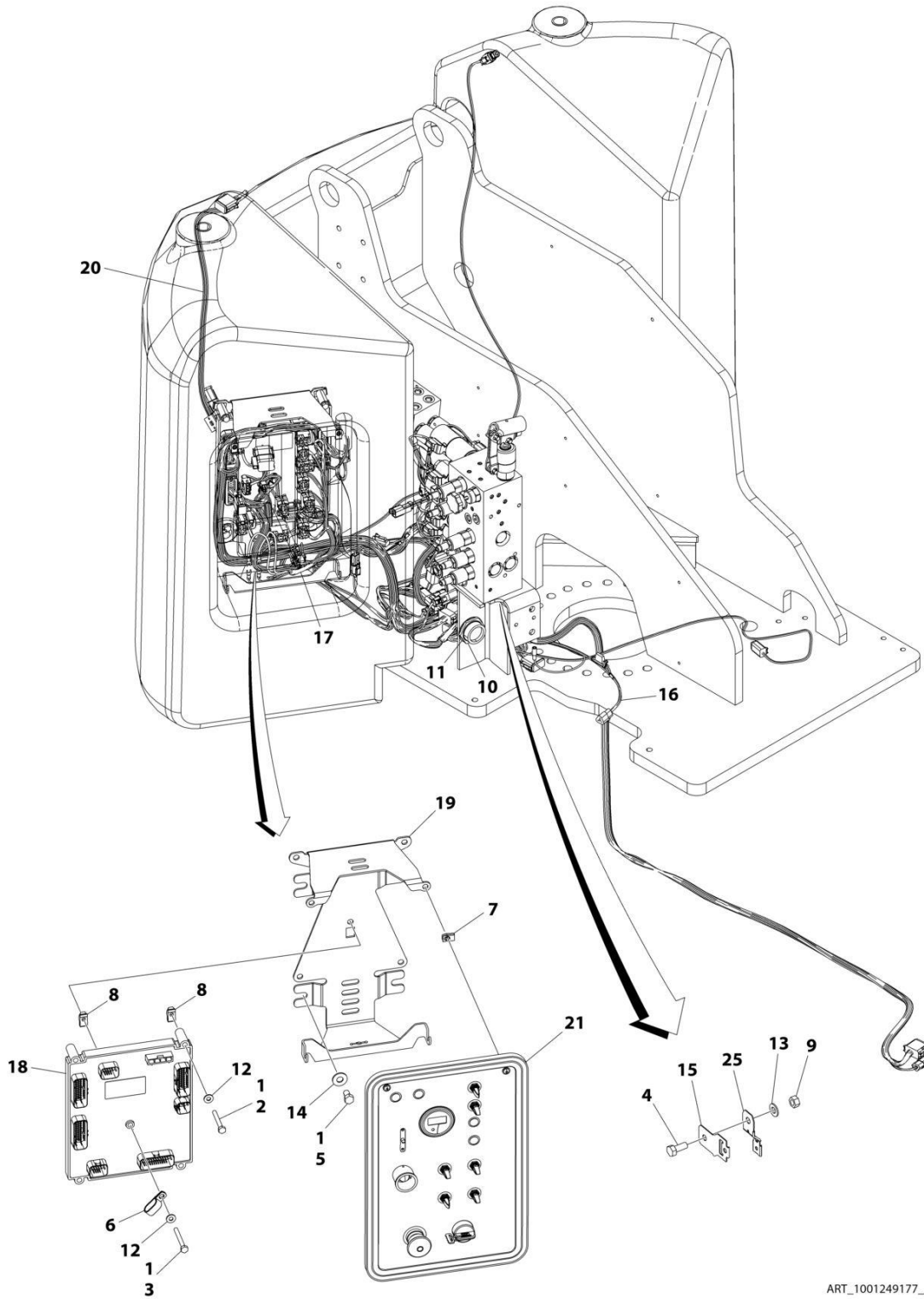
## SECTION 2 - TURNTABLE

**FIGURE 2-12. GROUND CONTROL BOX INSTALLATION - E400ANARROW (ALL SPECS EXCEPT AUSTRALIAN, CE & UK CA SPECS)**

ITEM	PART NUMBER	QTY	DESCRIPTION	REV
	1001249175	Ref	GROUND CONTROL BOX INSTALLATION	D
1	0100011	AR	Compound, Locking	
2	0641416	4	Bolt 1/4 x 2	
3	0641418	1	Bolt 1/4 x 2-1/4	
4	0641506	1	Bolt 5/16 x 3/4	
5	0641605	4	Bolt 3/8 x 5/8	
6	1321385	1	Clamp	
7	3300365	2	Nut, Special	
8	3300454	5	Nut, 1/4-20	
9	3311505	1	Nut 5/16	
10	4460470	1	Nut, Terminal	
11	4460471	1	Washer, Lock	
12	4711400	5	Washer 1/4	
13	4711500	1	Washer 5/16	
14	4751600	4	Washer 3/8	
15	1001153749	1	Clip	
16	1001285732	1	Harness, Valve (See Separate Breakdown in ELECTRICAL Section)	
17	1001290078	1	Harness, Ground Panel (See Separate Breakdown in ELECTRICAL Section)	
18	1001283300	1	Module, Ground Control (Note: Re-calibration Required when Replaced)	
19	1001188065	1	Bracket	
20	1001290077	1	Harness, Turntable (See Separate Breakdown in ELECTRICAL Section)	
21	1001266304	1	Ground Control Box Electrical Assembly (See Separate Breakdown in this Section)	
23	4240032	AR	Tie-Strap (Not Shown)	
24	4460234	AR	Mount, Tie-Strap (Not Shown)	
25	1001155743	1	Holder, Connector	

## SECTION 2 - TURNTABLE

FIGURE 2-13. GROUND CONTROL BOX INSTALLATION - E400ANARROW (CE & UK CA SPEC)



ART\_1001249177\_D

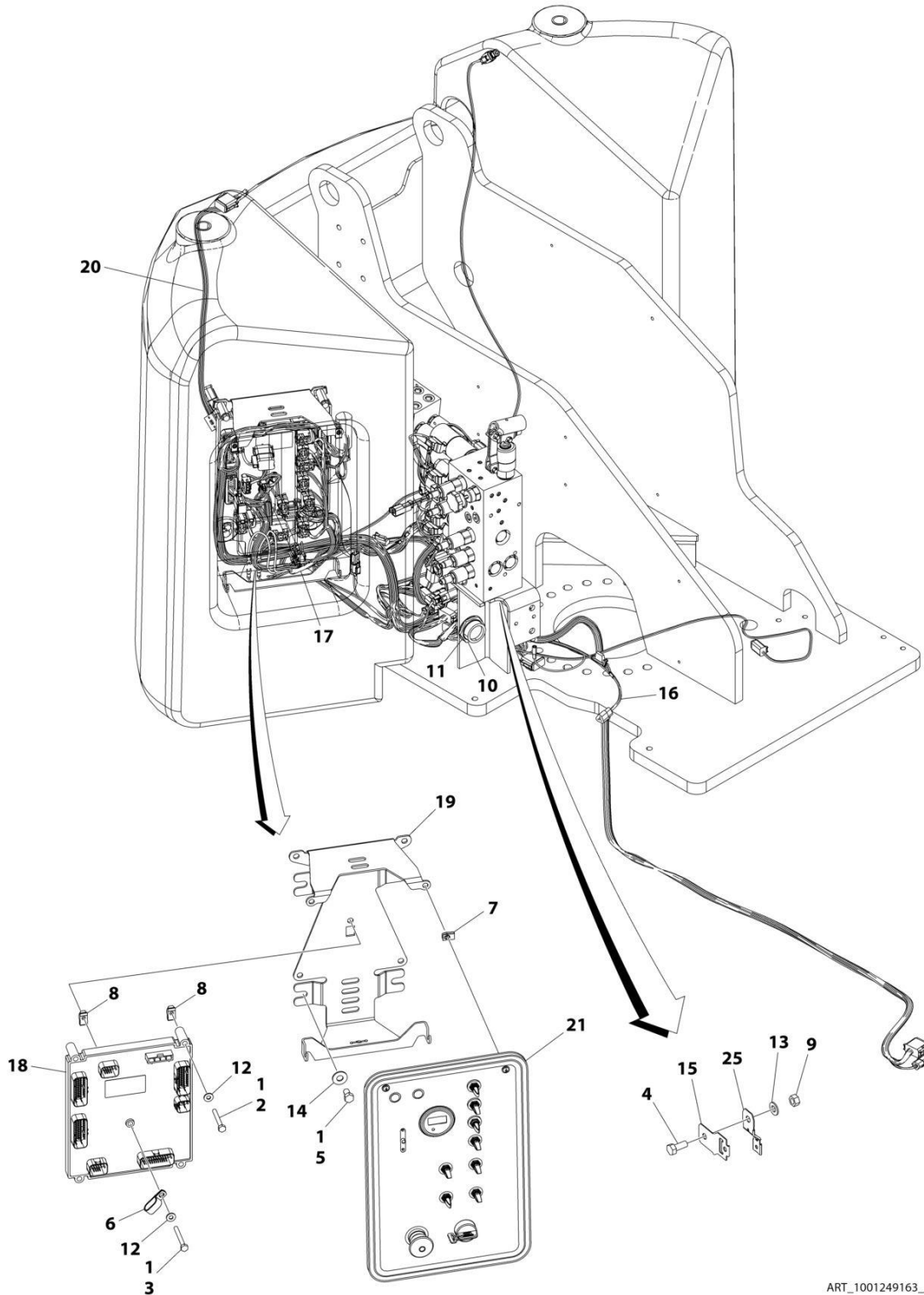
## SECTION 2 - TURNTABLE

**FIGURE 2-13. GROUND CONTROL BOX INSTALLATION - E400ANARROW (CE & UK CA SPEC)**

ITEM	PART NUMBER	QTY	DESCRIPTION	REV
	1001249177	Ref	GROUND CONTROL BOX INSTALLATION	D
1	0100011	AR	Compound, Locking	
2	0641416	4	Bolt 1/4 x 2	
3	0641418	1	Bolt 1/4 x 2-1/4	
4	0641506	1	Bolt 5/16 x 3/4	
5	0641605	4	Bolt 3/8 x 5/8	
6	1321385	1	Clamp	
7	3300365	2	Nut, Special	
8	3300454	5	Nut, 1/4-20	
9	3311505	1	Nut 5/16	
10	4460470	1	Nut, Terminal	
11	4460471	1	Washer, Lock	
12	4711400	5	Washer 1/4	
13	4711500	1	Washer 5/16	
14	4751600	4	Washer 3/8	
15	1001153749	1	Clip	
16	1001285732	1	Harness, Valve (See Separate Breakdown in ELECTRICAL Section)	
17	1001290078	1	Harness, Ground Panel (See Separate Breakdown in ELECTRICAL Section)	
18	1001283300	1	Module, Ground Control (Note: Re-calibration Required when Replaced)	
19	1001188065	1	Bracket	
20	1001290077	1	Harness, Turntable (See Separate Breakdown in ELECTRICAL Section)	
21	1001266305	1	Ground Control Box Electrical Assembly (See Separate Breakdown in this Section)	
23	4240032	AR	Tie-Strap (Not Shown)	
24	4460234	AR	Mount, Tie-Strap (Not Shown)	
25	1001155743	1	Holder, Connector	

## SECTION 2 - TURNTABLE

FIGURE 2-14. GROUND CONTROL BOX INSTALLATION - E400AJPNARROW (ALL SPECS EXCEPT CE & UK CA SPEC)



ART\_1001249163\_D

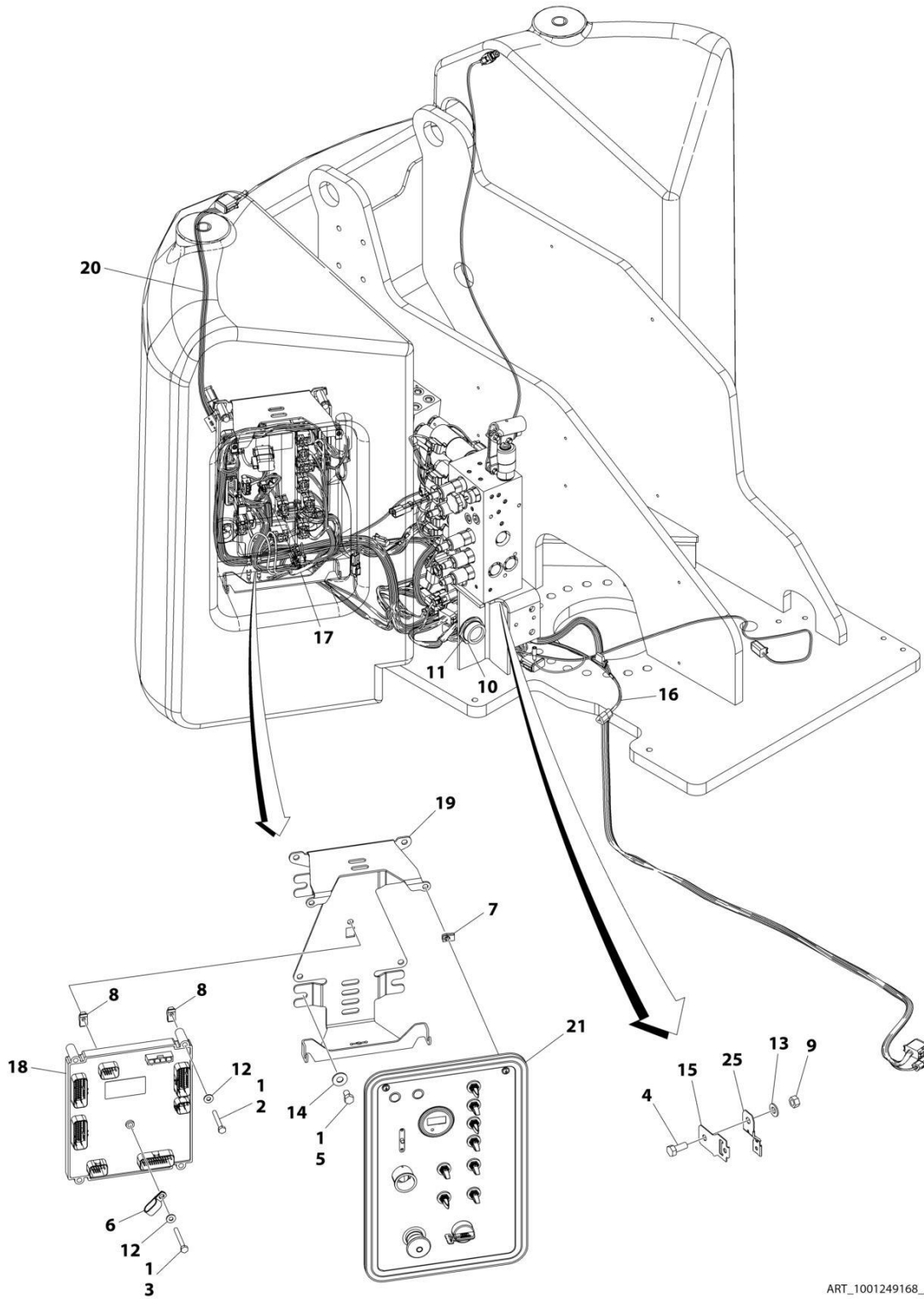
## SECTION 2 - TURNTABLE

**FIGURE 2-14. GROUND CONTROL BOX INSTALLATION - E400AJPNARROW (ALL SPECS EXCEPT CE & UK CA SPEC)**

ITEM	PART NUMBER	QTY	DESCRIPTION	REV
	1001249163	Ref	GROUND CONTROL BOX INSTALLATION	D
1	0100011	AR	Compound, Locking	
2	0641416	4	Bolt 1/4 X 2	
3	0641418	1	Bolt 1/4 X 2-1/4	
4	0641506	1	Bolt 5/16 X 3/4	
5	0641605	4	Bolt 3/8 X 5/8	
6	1321385	1	Clamp	
7	3300365	2	Nut, Special	
8	3300454	5	Nut, 1/4-20	
9	3311505	1	Nut 5/16	
10	4460470	1	Nut, Terminal	
11	4460471	1	Washer, Lock	
12	4711400	5	Washer 1/4	
13	4711500	1	Washer 5/16	
14	4751600	4	Washer 3/8	
15	1001153749	1	Clip	
16	1001285732	1	Harness, Valve (See Separate Breakdown in ELECTRICAL Section)	
17	1001290078	1	Harness, Ground Panel (See Separate Breakdown in ELECTRICAL Section)	
18	1001283300	1	Module, Ground Control (Note: Re-calibration Required when Replaced)	
19	1001188065	1	Bracket	
20	1001290077	1	Harness, Turntable (See Separate Breakdown in ELECTRICAL Section)	
21	1001266302	1	Ground Control Box Electrical Assembly (See Separate Breakdown in this Section)	
23	4240032	AR	Tie-Strap (Not Shown)	
24	4460234	AR	Mount, Tie-Strap (Not Shown)	
25	1001155743	1	Holder, Connector	

## SECTION 2 - TURNTABLE

FIGURE 2-15. GROUND CONTROL BOX INSTALLATION - E400AJPNARROW (CE & UK CA SPEC)



ART\_1001249168\_D



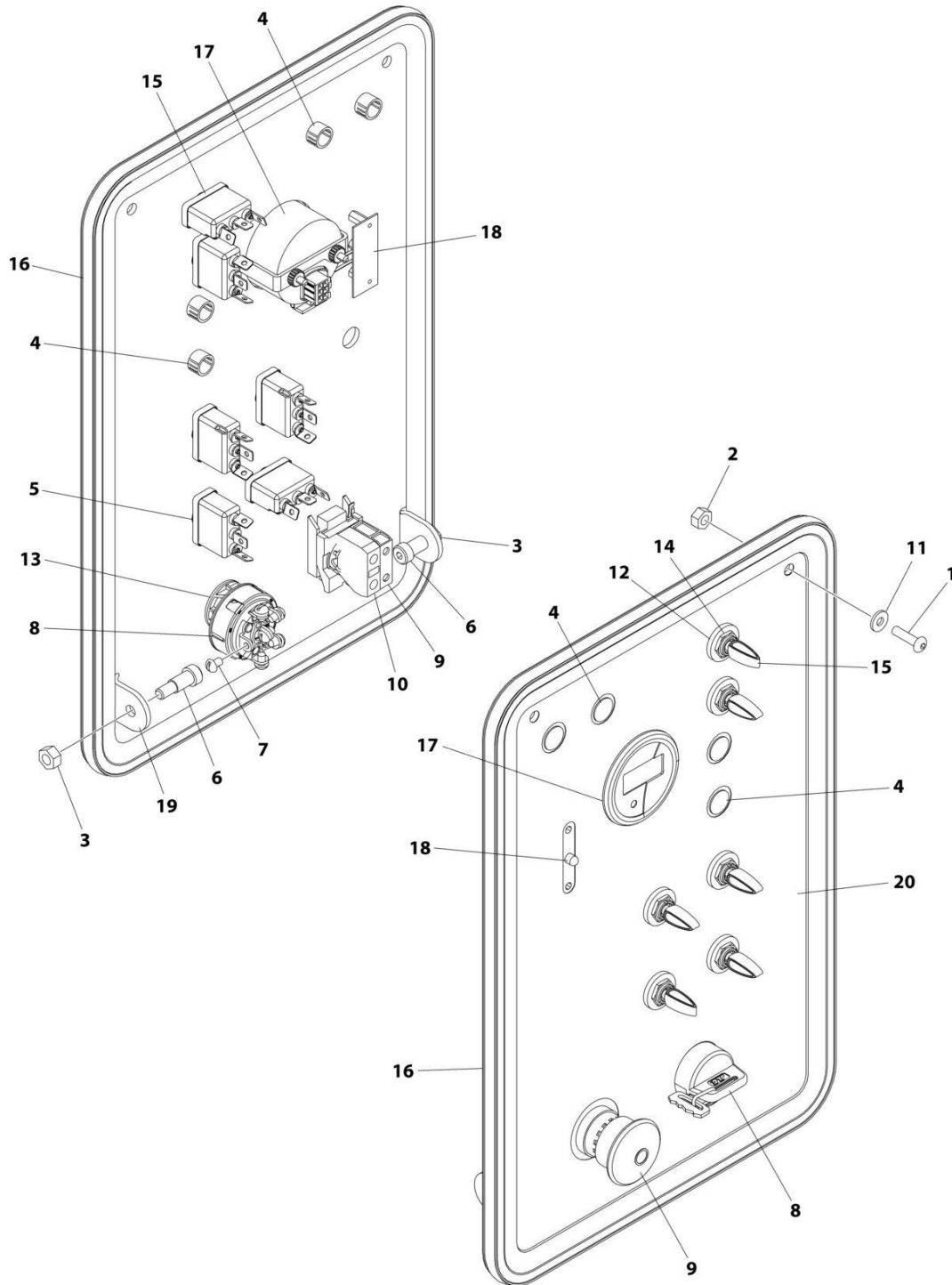
## SECTION 2 - TURNTABLE

**FIGURE 2-15. GROUND CONTROL BOX INSTALLATION - E400AJPNARROW (CE & UK CA SPEC)**

ITEM	PART NUMBER	QTY	DESCRIPTION	REV
	1001249168	Ref	GROUND CONTROL BOX INSTALLATION	D
1	0100011	AR	Compound, Locking	
2	0641416	4	Bolt 1/4 x 2	
3	0641418	1	Bolt 1/4 x 2-1/4	
4	0641506	1	Bolt 5/16 x 3/4	
5	0641605	4	Bolt 3/8 x 5/8	
6	1321385	1	Clamp	
7	3300365	2	Nut, Special	
8	3300454	5	Nut, 1/4-20	
9	3311505	1	Nut 5/16	
10	4460470	1	Nut, Terminal	
11	4460471	1	Washer, Lock	
12	4711400	5	Washer 1/4	
13	4711500	1	Washer 5/16	
14	4751600	4	Washer 3/8	
15	1001153749	1	Clip	
16	1001285732	1	Harness, Valve (See Separate Breakdown in ELECTRICAL Section)	
17	1001290078	1	Harness, Ground Panel (See Separate Breakdown in ELECTRICAL Section)	
18	1001283300	1	Module, Ground Control (Note: Re-calibration Required when Replaced)	
19	1001188065	1	Bracket	
20	1001290077	1	Harness, Turntable (See Separate Breakdown in ELECTRICAL Section)	
21	1001266303	1	Ground Control Box Electrical Assembly (See Separate Breakdown in this Section)	
23	4240032	AR	Tie-Strap (Not Shown)	
24	4460234	AR	Mount, Tie-Strap (Not Shown)	
25	1001155743	1	Holder, Connector	

## SECTION 2 - TURNTABLE

FIGURE 2-16. GROUND CONTROL BOX ELECTRICAL ASSEMBLY - DISPLAY WITHOUT BUTTONS - E400ANARROW (ALL SPECS EXCEPT AUSTRALIAN, CE & UK CA SPECS)



ART\_1001266304\_B

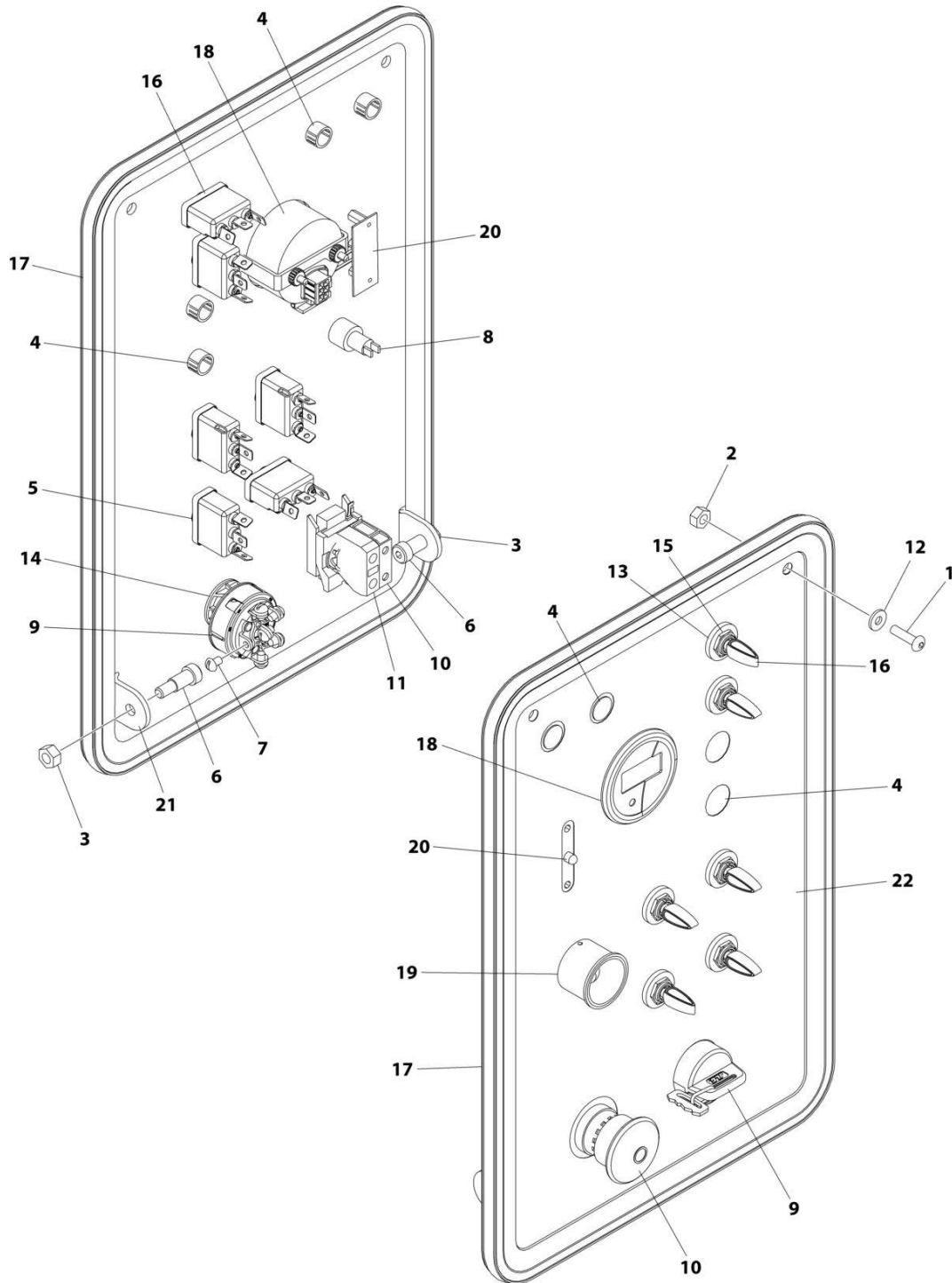
## SECTION 2 - TURNTABLE

**FIGURE 2-16. GROUND CONTROL BOX ELECTRICAL ASSEMBLY - DISPLAY WITHOUT BUTTONS - E400ANARROW (ALL SPECS EXCEPT AUSTRALIAN, CE & UK CA SPECS)**

ITEM	PART NUMBER	QTY	DESCRIPTION	REV
	1001266304	Ref	GROUND CONTROL BOX ELECTRICAL ASSEMBLY	B
1	0630518	2	Bolt #10 x 3/4	
2	3311011	2	Nut	
3	3311405	2	Nut 1/4	
4	3520028	4	Plug, Hole 1/2	
5	3790012	6	O-Ring	
6	3900187	2	Screw	
7	3910804	6	Screw #8 x 1/4	
8	4360469	1	Keyswitch	
8	2860030	1	Key, Replacement (Set of 2)	
9	4360475	1	Switch, Emergency Stop	
9	7020175	1	Cap, Mushroom Head	
9	7020176	1	Block, Contact	
10	4360476	1	Block, Contact	
11	4740120	2	Washer	
12	4740397	6	Spacer	
13	1001151393	1	Shim, .063	
14	1001155044	6	Nut 15/32	
15	1001155045	6	Switch, Toggle	
16	1001166394	4 ft/1.2m	Seal	
17	1001109503	1	Display	
18	1001259489	1	P/C Board, Battery Charger	
19	1001280407	1	Panel, Ground Control	
20	1001266309	1	Decal - Ground Control	

## SECTION 2 - TURNTABLE

FIGURE 2-17. GROUND CONTROL BOX ELECTRICAL ASSEMBLY - DISPLAY WITHOUT BUTTONS - E400ANARROW (CE & UK CA SPECS)



ART\_1001266305\_B

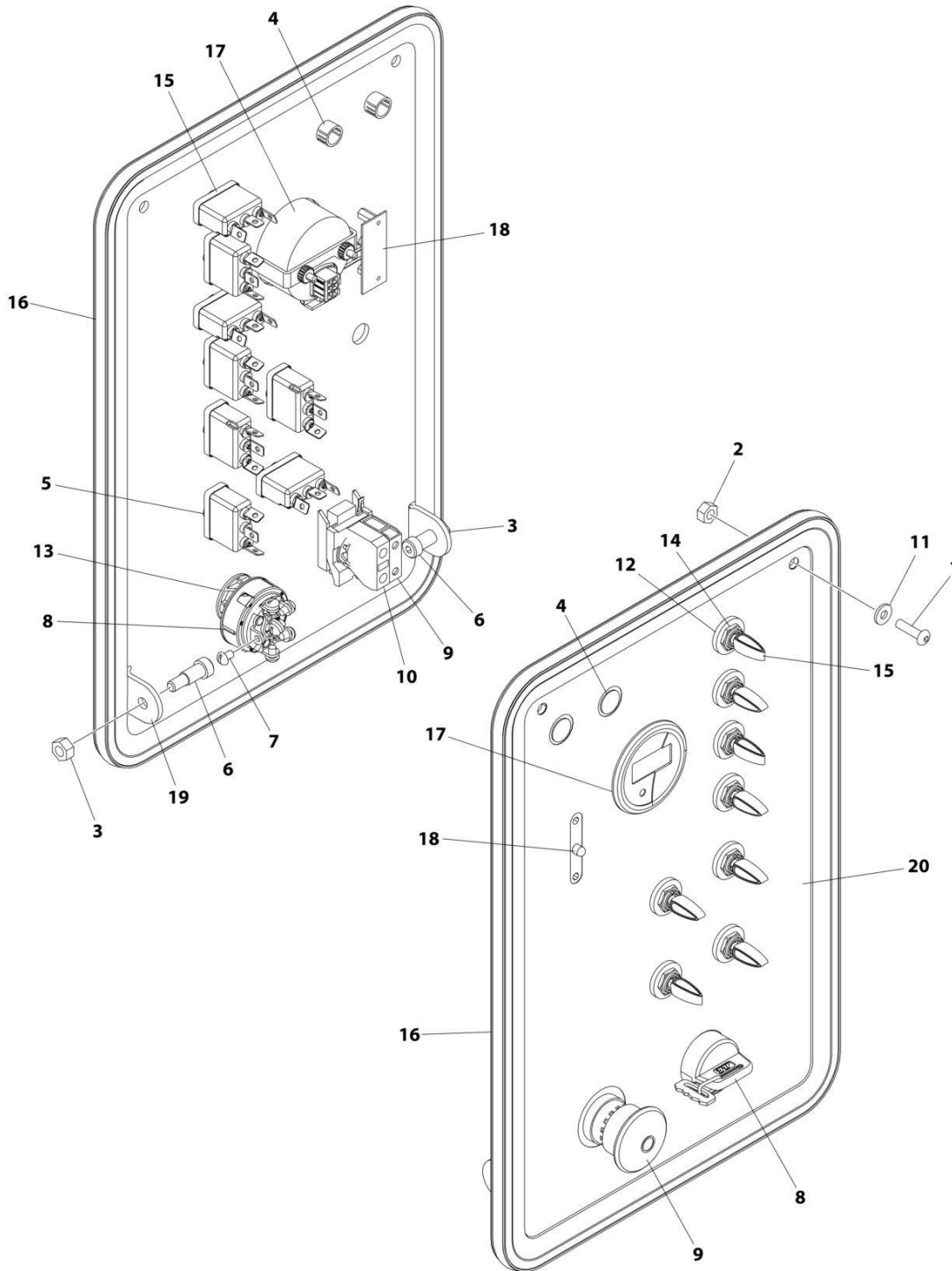
**SECTION 2 - TURNTABLE**

**FIGURE 2-17. GROUND CONTROL BOX ELECTRICAL ASSEMBLY - DISPLAY WITHOUT BUTTONS - E400ANARROW (CE & UK CA SPECS)**

ITEM	PART NUMBER	QTY	DESCRIPTION	REV
	1001266305	Ref	GROUND CONTROL BOX ELECTRICAL ASSEMBLY	B
1	0630518	2	Bolt #10 x 3/4	
2	3311011	2	Nut	
3	3311405	2	Nut 1/4	
4	3520028	4	Plug, Hole 1/2	
5	3790012	6	O-Ring	
6	3900187	2	Screw	
7	3910804	6	Screw #8 x 1/4	
8	4360387	1	Switch, Push Button	
9	4360469	1	Keyswitch	
9	2860030	1	Key, Replacement (Set of 2)	
10	4360475	1	Switch, Emergency Stop	
10	7020175	1	Cap, Mushroom Head	
10	7020176	1	Block, Contact	
11	4360476	1	Block, Contact	
12	4740120	2	Washer	
13	4740397	6	Spacer	
14	1001151393	1	Shim, .063	
15	1001155044	6	Nut 15/32	
16	1001155045	6	Switch, Toggle	
17	1001166394	4 ft/1.2m	Seal	
18	1001109503	1	Display	
19	1001176469	1	Shroud	
20	1001259489	1	P/C Board, Battery Charger	
21	1001280407	1	Panel, Ground Control	
22	1001266310	1	Decal - Ground Control	

## SECTION 2 - TURNTABLE

FIGURE 2-18. GROUND CONTROL BOX ELECTRICAL ASSEMBLY - DISPLAY WITHOUT BUTTONS - E400AJPNARROW (ALL SPECS EXCEPT CE & UK CA SPECS)



ART\_1001266302\_B

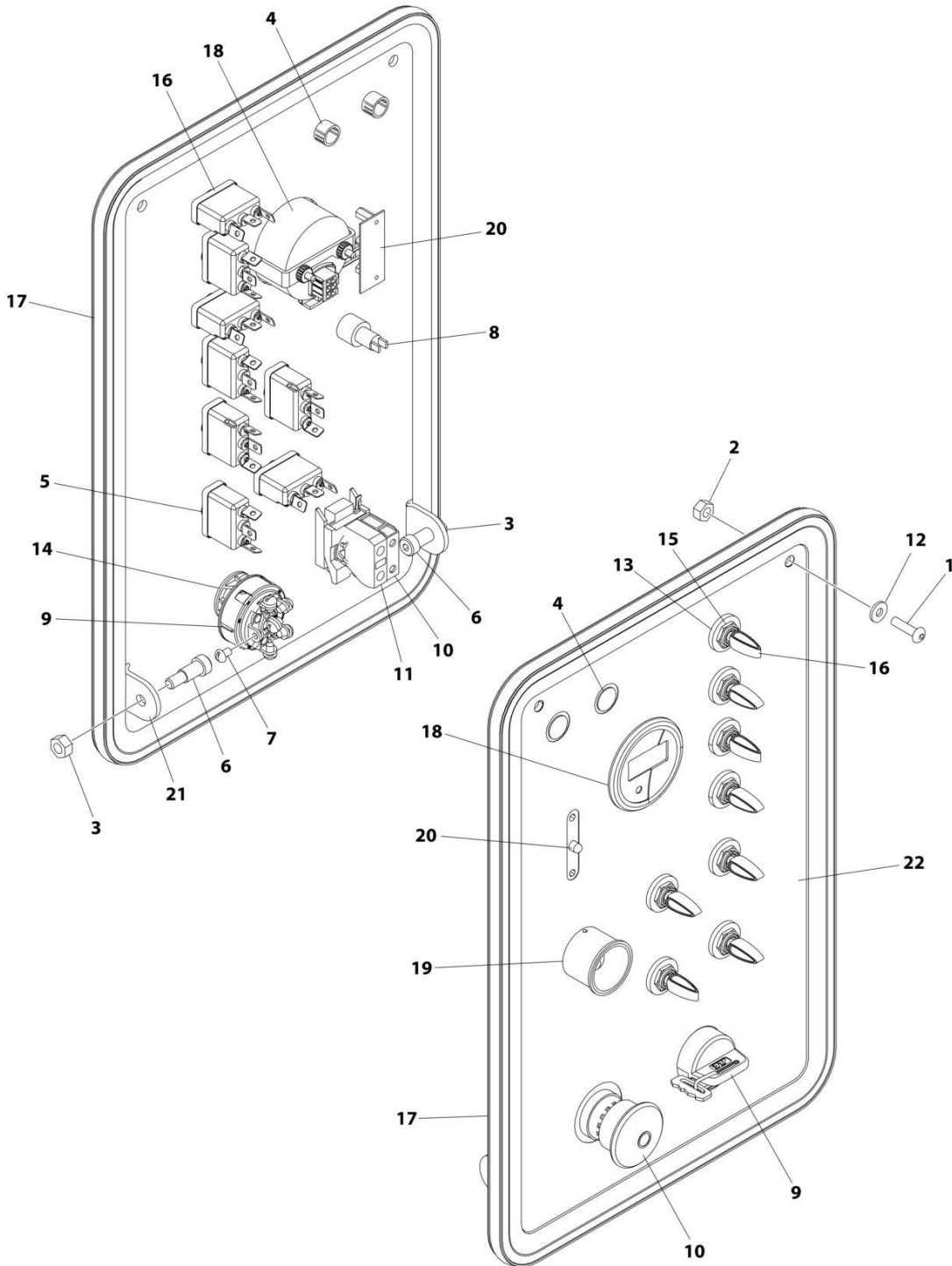
## SECTION 2 - TURNTABLE

**FIGURE 2-18. GROUND CONTROL BOX ELECTRICAL ASSEMBLY - DISPLAY WITHOUT BUTTONS - E400AJPNARROW (ALL SPECS EXCEPT CE & UK CA SPECS)**

ITEM	PART NUMBER	QTY	DESCRIPTION	REV
	1001266302	Ref	GROUND CONTROL BOX ELECTRICAL ASSEMBLY	B
1	0630518	2	Bolt #10 x 3/4	
2	3311011	2	Nut	
3	3311405	2	Nut 1/4	
4	3520028	2	Plug, Hole 1/2	
5	3790012	8	O-Ring	
6	3900187	2	Screw	
7	3910804	6	Screw #8 x 1/4	
8	4360469	1	Keyswitch	
8	2860030	1	Key, Replacement (Set of 2)	
9	4360475	1	Switch, Emergency Stop	
9	7020175	1	Cap, Mushroom Head	
9	7020176	1	Block, Contact	
10	4360476	1	Block, Contact	
11	4740120	2	Washer	
12	4740397	8	Spacer	
13	1001151393	1	Shim, .063	
14	1001155044	8	Nut 15/32	
15	1001155045	8	Switch, Toggle	
16	1001166394	4 ft/1.2m	Seal	
17	1001109503	1	Display	
18	1001259489	1	P/C Board, Battery Charger	
19	1001280407	1	Panel, Ground Control	
20	1001266309	1	Decal - Ground Control	

## SECTION 2 - TURNTABLE

FIGURE 2-19. GROUND CONTROL BOX ELECTRICAL ASSEMBLY - DISPLAY WITHOUT BUTTONS - E400AJPNARROW (CE & UK CA SPECS)



ART\_1001266303\_B



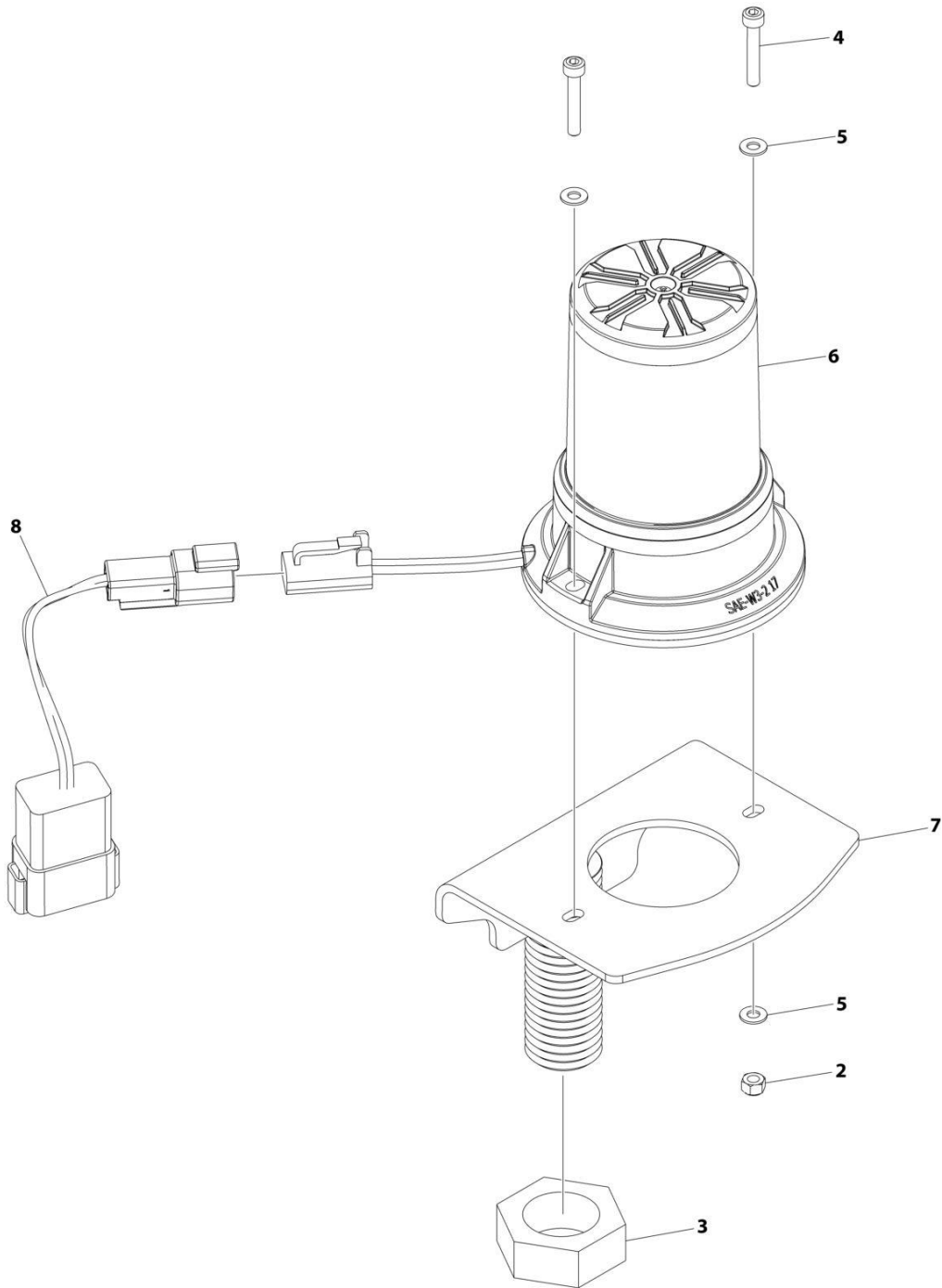
## SECTION 2 - TURNTABLE

**FIGURE 2-19. GROUND CONTROL BOX ELECTRICAL ASSEMBLY - DISPLAY WITHOUT BUTTONS - E400AJPNARROW (CE & UK CA SPECS)**

ITEM	PART NUMBER	QTY	DESCRIPTION	REV
	1001266303	Ref	GROUND CONTROL BOX ELECTRICAL ASSEMBLY	B
1	0630518	2	Bolt #10 x 3/4	
2	3311011	2	Nut	
3	3311405	2	Nut 1/4	
4	3520028	2	Plug, Hole 1/2	
5	3790012	8	O-Ring	
6	3900187	2	Screw	
7	3910804	6	Screw #8 x 1/4	
8	4360387	1	Switch, Push Button	
9	4360469	1	Keyswitch	
9	2860030	1	Key, Replacement (Set of 2)	
10	4360475	1	Switch, Emergency Stop	
10	7020175	1	Cap, Mushroom Head	
10	7020176	1	Block, Contact	
11	4360476	1	Block, Contact	
12	4740120	2	Washer	
13	4740397	8	Spacer	
14	1001151393	1	Shim, .063	
15	1001155044	8	Nut 15/32	
16	1001155045	8	Switch, Toggle	
17	1001166394	4 ft/1.2m	Seal	
18	1001109503	1	Display	
19	1001176469	1	Shroud	
20	1001259489	1	P/C Board, Battery Charger	
21	1001280407	1	Panel, Ground Control	
22	1001266310	1	Decal - Ground Control	

# SECTION 2 - TURNTABLE

## FIGURE 2-20. STROBE LIGHT INSTALLATION - AMBER



ART\_1001191142\_D

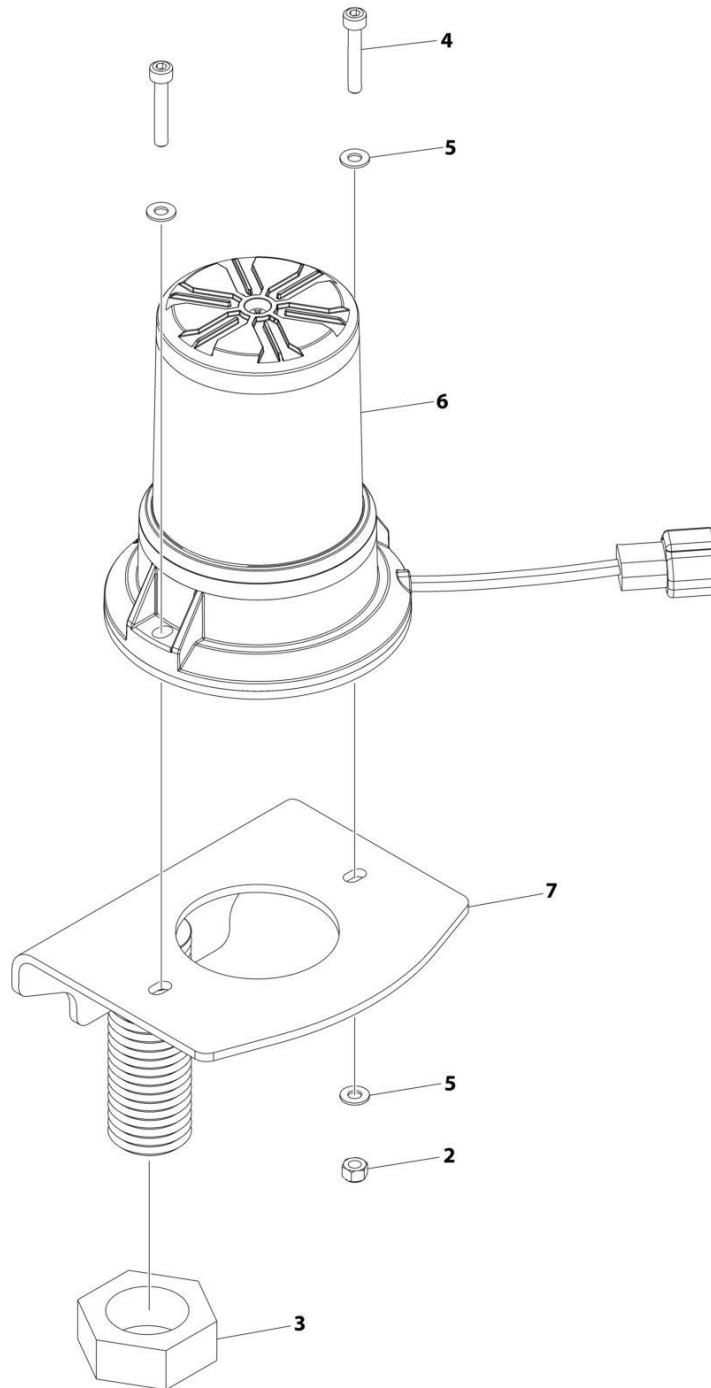
**SECTION 2 - TURNTABLE**

**FIGURE 2-20. STROBE LIGHT INSTALLATION - AMBER**

ITEM	PART NUMBER	QTY	DESCRIPTION	REV
	1001191142	Ref	STROBE LIGHT INSTALLATION - AMBER	D
2	3290405	2	Nut M4	
3	3312602	1	Nut 1	
4	4031509	2	Capscrew M4 x 25	
5	4811400	2	Washer M4	
6	1001270594	1	Light, Beacon	
6	4460891	1	Connector	
6	4460465	2	Socket	
7	1001275149	1	Mount	
8	1001283776	1	Harness, Strobe Light Jumper (See Separate Breakdown in ELECTRICAL Section)	

## SECTION 2 - TURNTABLE

FIGURE 2-21. BEACON LIGHT INSTALLATION - BLUE



ART\_1001238557\_C

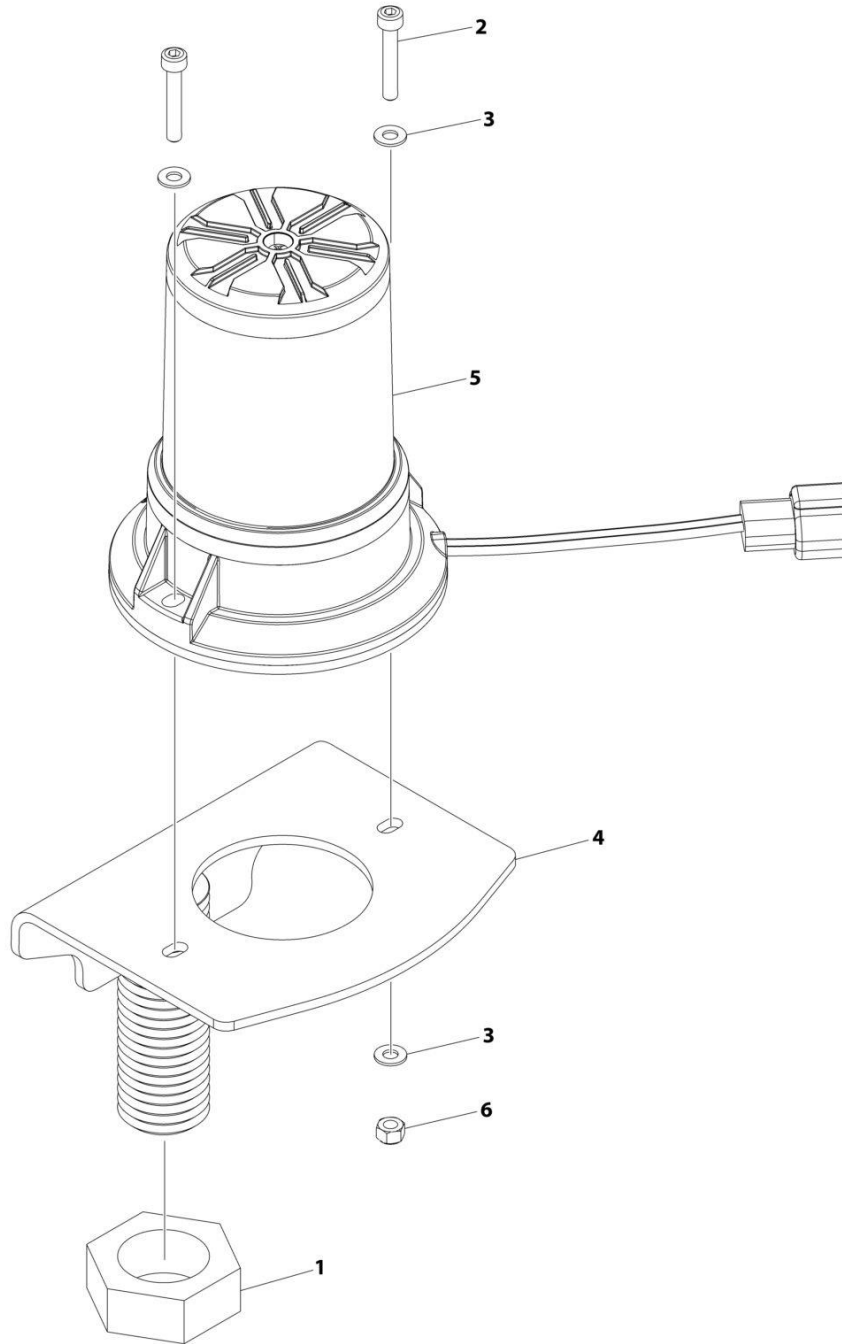
**SECTION 2 - TURNTABLE**

**FIGURE 2-21. BEACON LIGHT INSTALLATION - BLUE**

ITEM	PART NUMBER	QTY	DESCRIPTION	REV
	1001238557	Ref	BEACON LIGHT INSTALLATION - BLUE	C
2	3290405	2	Nut M4	
3	3312602	1	Nut 1	
4	4031509	2	Capscrew M4 x 25	
5	4811400	4	Washer M4	
6	1001272681	1	Light, Beacon	
6	4460897	1	Connector	
6	4460464	2	Pin	
7	1001275149	1	Mount	

# SECTION 2 - TURNTABLE

## FIGURE 2-22. BEACON LIGHT INSTALLATION - RED



ART\_1001238558\_C

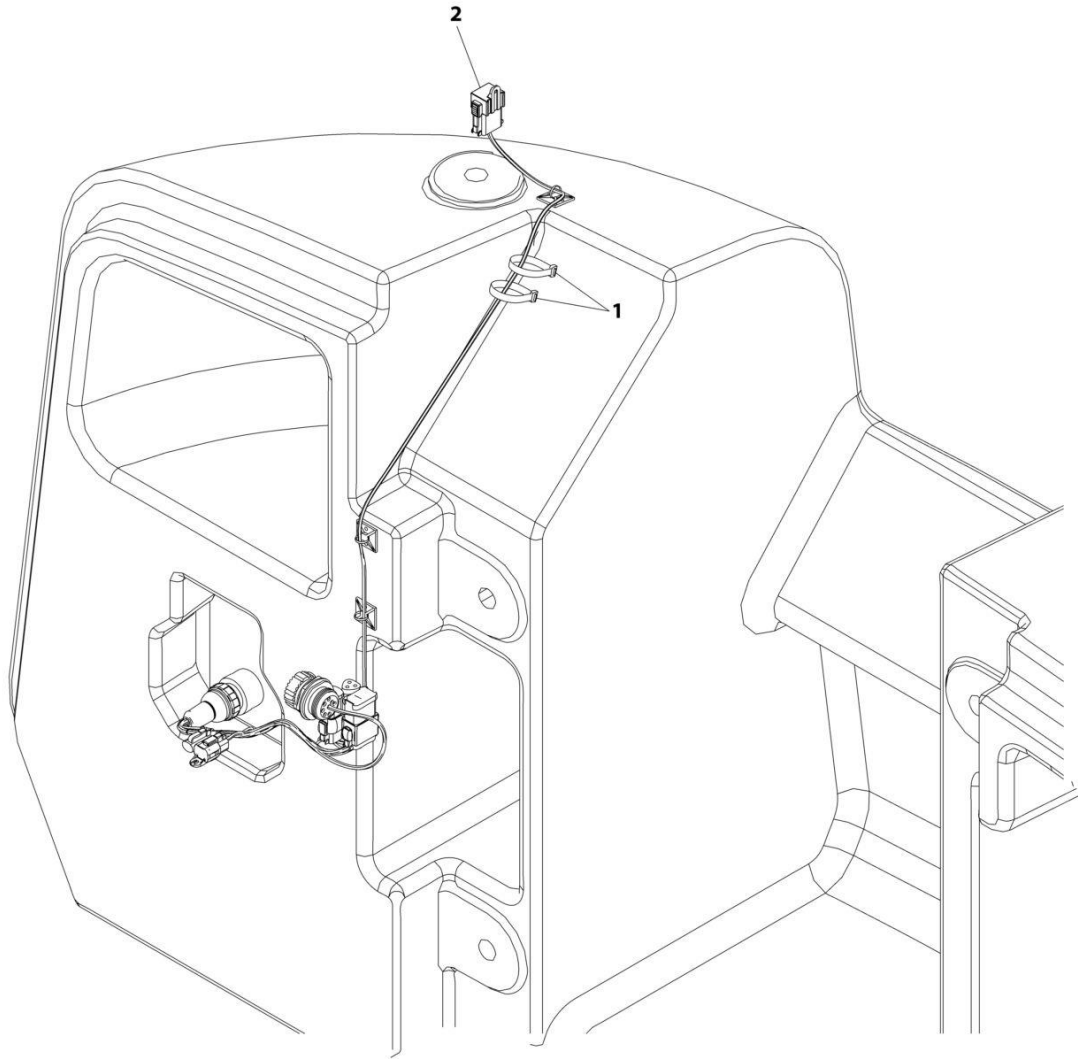
**SECTION 2 - TURNTABLE**

**FIGURE 2-22. BEACON LIGHT INSTALLATION - RED**

<b>ITEM</b>	<b>PART NUMBER</b>	<b>QTY</b>	<b>DESCRIPTION</b>	<b>REV</b>
	1001238558	Ref	BEACON LIGHT INSTALLATION - RED	C
1	3312602	1	Nut 1	
2	4031509	2	Capscrew M4 x 25	
3	4811400	4	Washer M4	
4	1001275149	1	Mount	
5	1001272682	1	Light, Beacon	
5	4460897	1	Connector	
5	4460464	2	Pin	
6	3290405	2	Nut M4	

## SECTION 2 - TURNTABLE

FIGURE 2-23. HOOD PLUGS INSTALLATION



ART\_1001293369



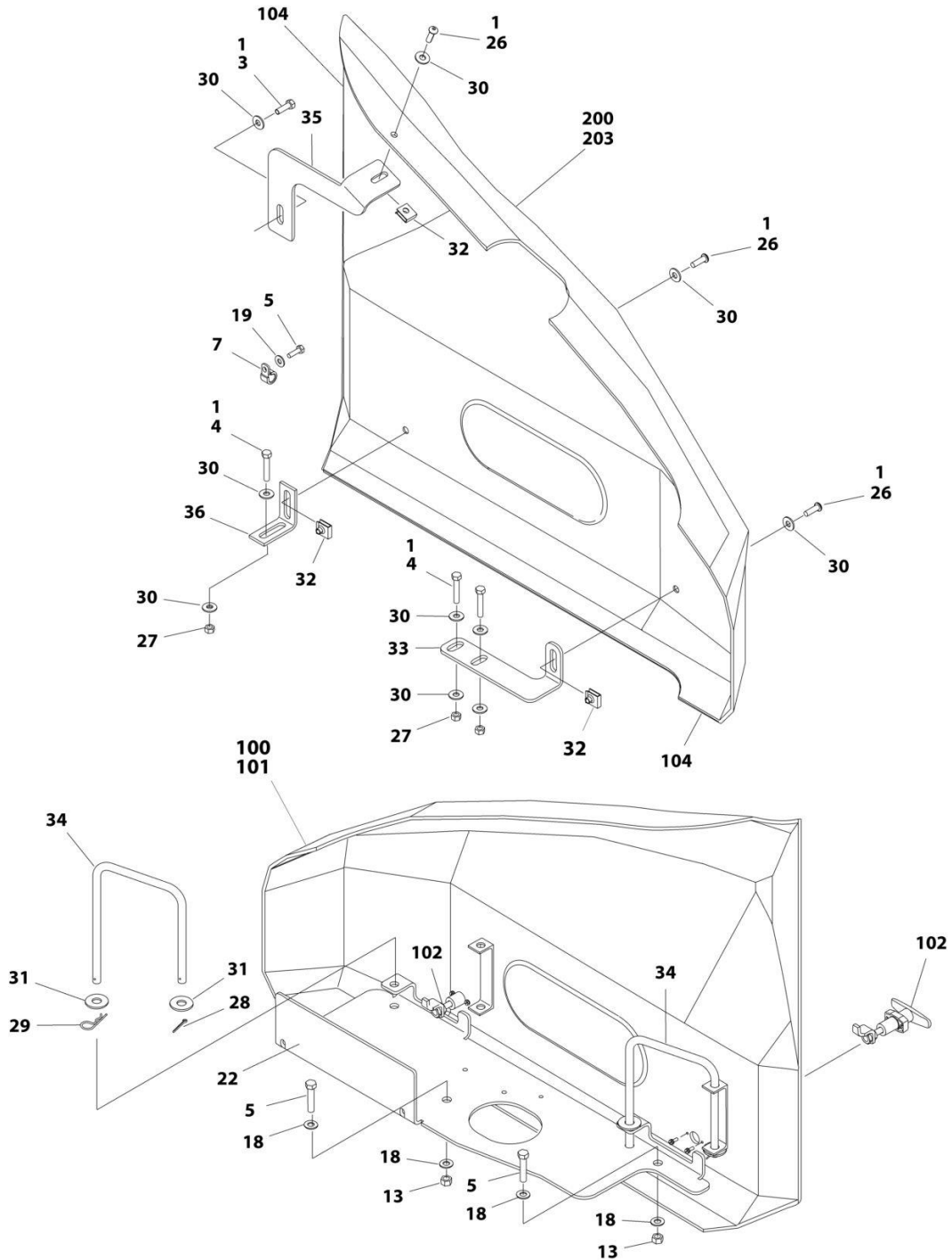
**SECTION 2 - TURNTABLE**

**FIGURE 2-23. HOOD PLUGS INSTALLATION**

<b>ITEM</b>	<b>PART NUMBER</b>	<b>QTY</b>	<b>DESCRIPTION</b>	<b>REV</b>
	1001293369	Ref	NO BECON INSTALLATION	A
1	4240018	2	Strap, Cable Tie	
2	1001244462	1	Connector, Dust Cap	

# SECTION 2 - TURNTABLE

## FIGURE 2-24. HOOD INSTALLATION



ART\_1001166738

**SECTION 2 - TURNTABLE**

**FIGURE 2-24. HOOD INSTALLATION**

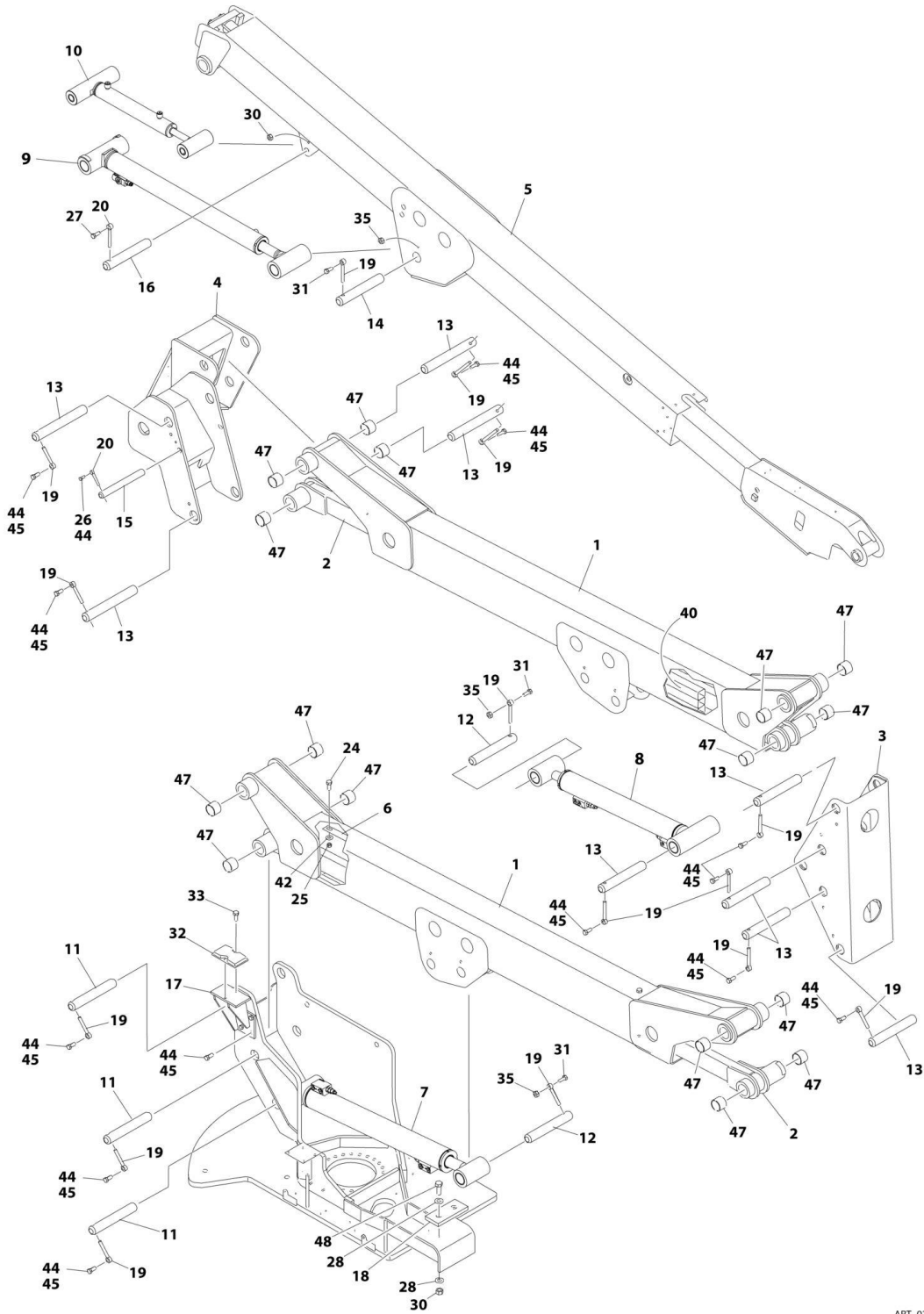
ITEM	PART NUMBER	QTY	DESCRIPTION	REV
	1001166738	Ref	HOOD INSTALLATION	D
1	0100011	AR	Compound, Locking	
3	0641508	1	Bolt 5/16 X 1	
4	0641514	3	Bolt 5/16 X 1-3/4	
5	0641614	2	Bolt 3/8 x 1 3/4	
7	1320041	1	Clamp	
13	3311601	2	Nut 3/8	
15	0641407	1	Bolt 1/4 X 7/8	
18	4711600	4	Washer 3/8	
19	4751400	1	Washer 1/4	
22	1001165963	1	Plate, Tray	
26	88261024	3	Screw 5/16 x 1	
27	3311501	3	Nut 5/16	
28	3420156	2	Pin, Cotter	
29	3450304	2	Pin, Cotter	
30	4751500	10	Washer 5/16	
31	4751800	2	Washer 1/2	
32	88662530	3	Nut, Tinnerman	
33	1001165981	1	Mount, Hood - Lower	
34	1001165985	2	Mount, Hood Swing	
35	1001182725	1	Mount, Hood	
36	1001183212	1	Bracket, Hood Mount	
100	1001176417	1	LH Side Hood Kit (Includes Items 101-104)	B
	See Note	Ref	Note: Replacement Decals Must be Ordered Separately - See DECAL SECTION.	
101	See Note	1	Hood, LH (Note: Use Item 100)	
102	2940071	2	Latch	
104	3960453	AR	Seal, Door	
200	1001176441	1	RH Side Hood Kit (Includes Items 203 & 205)	C
	See Note	Ref	Note: Replacement Decals Must be Ordered Separately - See DECAL SECTION.	
203	See Note	1	Hood, RH (Use Item 200)	
205	3960453	AR	Seal, Door	



**SECTION 3 - BOOM**

# SECTION 3 - BOOM

## FIGURE 3-1. BOOM AND CYLINDERS INSTALLATION - E400ANARROW



ART\_0270724

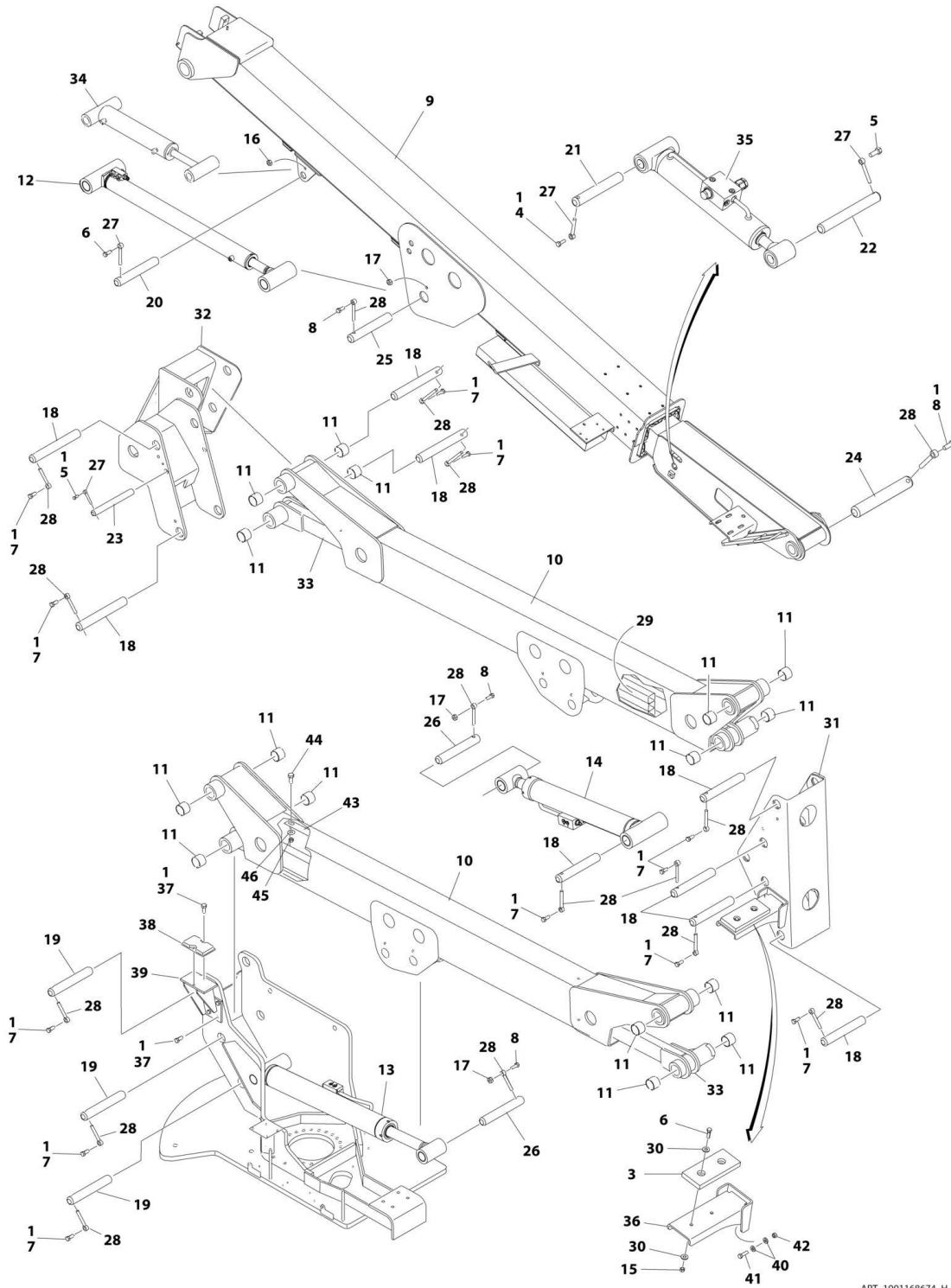
## SECTION 3 - BOOM

**FIGURE 3-1. BOOM AND CYLINDERS INSTALLATION - E400ANARROW**

ITEM	PART NUMBER	QTY	DESCRIPTION	REV
	0270724	Ref	BOOM AND CYLINDERS INSTALLATION	K
1	0801262	2	Boom Assembly - Tower	
2	4846209	2	Level Link	
3	4844303	1	Upright Weldment - Lower	
4	4844304	1	Upright Weldment - Upper	
5	0270725	1	Boom Assembly - Main (See Separate Breakdown in this Section)	
6	3536491	1	Plate	
7	1001228037	1	Lift Cylinder Assembly - Lower (See Separate Breakdown in CYLINDER SECTION)	
8	1001228038	1	Lift Cylinder Assembly - Mid (See Separate Breakdown in CYLINDER SECTION)	
9	1001251018	1	Lift Cylinder Assembly - Upper (See Separate Breakdown in CYLINDER SECTION)	
10	1001140597	1	Master Cylinder Assembly (See Separate Breakdown in CYLINDER SECTION)	
11	3422175	3	Pin	
12	3422176	2	Pin	
13	3422177	9	Pin	
14	3422178	1	Pin	
15	3422179	1	Pin	
16	3422180	1	Pin	
17	4844467	1	Boom Rest Weldment	
18	0561076	1	Block, Boom Rest	
19	3841203	15	Keeper, Pin - 1/2	
20	3841143	2	Keeper, Pin - 3/8	
24	0641506	4	Bolt 5/16 x 3/4	
25	3311505	4	Nut 5/16	
26	0641608	1	Bolt 3/8 x 1	
27	0641610	1	Bolt 3/8 x 1-1/4	
28	4751600	4	Washer 3/8	
30	3311605	3	Nut 3/8	
31	0641812	3	Bolt 1/2 x 1-1/2	
32	0940048	1	Bumper	
33	0641806	2	Bolt 1/2 x 3/4	
35	3311805	3	Nut 1/2	
40	4566427	1	Tube	
42	4751500	4	Washer 5/16	
44	0100011	AR	Compound, Locking	
45	0641810	15	Bolt 1/2 x 1-1/4	
47	0961950	16	Bushing	
48	0641614	2	Bolt 3/8 x 1-3/4	

# SECTION 3 - BOOM

## FIGURE 3-2. BOOM AND CYLINDERS INSTALLATION - E400AJPNARROW



ART\_1001168674\_H



## SECTION 3 - BOOM

**FIGURE 3-2. BOOM AND CYLINDERS INSTALLATION - E400AJPNARROW**

ITEM	PART NUMBER	QTY	DESCRIPTION	REV
	1001168674	Ref	BOOM AND CYLINDERS INSTALLATION	H
1	0100011	AR	Compound, Locking	
2	0271649	1	Jib Installation (Not Shown - See Separate Breakdown in this Section)	
3	0561076	1	Block, Boom Rest	
4	0641607	1	Bolt 3/8 x 7/8	
5	0641608	2	Bolt 3/8 x 1	
6	0641610	3	Bolt 3/8 x 1-1/4	
7	0641808	12	Bolt 1/2 x 1	
8	0641810	13	Bolt 1/2 x 1-1/4	
9	0801225	1	Boom Assembly - Main (See Separate Breakdown in this Section)	
10	0801227	1	Boom Assembly - Tower	
11	0961950	16	Bushing	
12	1001251016	1	Lift Cylinder Assembly - Upper (See Separate Breakdown in CYLINDER SECTION)	
13	1001228035	1	Lift Cylinder Assembly - Lower (See Separate Breakdown in CYLINDER SECTION)	
14	1001228036	1	Lift Cylinder Assembly - Mid (See Separate Breakdown in CYLINDER SECTION)	
15	3311601	2	Nut 3/8	
16	3311605	1	Nut 3/8	
17	3311805	3	Nut 1/2	
18	3422480	9	Pin	
19	3422481	3	Pin	
20	3422582	1	Pin	
21	3422669	1	Pin	
22	3422792	1	Pin	
23	3422806	1	Pin	
24	3422814	1	Pin	
25	3422844	1	Pin	
26	3422845	2	Pin	
27	3841143	4	Keeper, 3/8	
28	3841203	16	Keeper, 1/2	
29	4566427	1	Tube	
30	4751600	4	Washer 3/8	
31	4844427	1	Upright Weldment - Lower	
32	4846026	1	Upright Weldment - Upper	
33	4846209	2	Level Link	
34	1001140278	1	Master Cylinder Assembly (See Separate Breakdown in CYLINDER SECTION)	
35	1001140279	1	Platform Level Cylinder (See Separate Breakdown in CYLINDER SECTION)	
36	1001177483	1	Support, Boom Rest	
37	0641806	5	Bolt 1/2 x 3/4	
38	0940048	1	Bumper	
39	4844467	1	Boom Rest Weldment	
40	4891600	8	Washer 3/8	
41	0681610	4	Bolt 3/8 x 1-1/4, Grd 8	
42	3271605	4	Nut 3/8 Grd 8	
43	3536491	1	Plate	
44	0641506	4	Bolt 5/16 x 3/4	

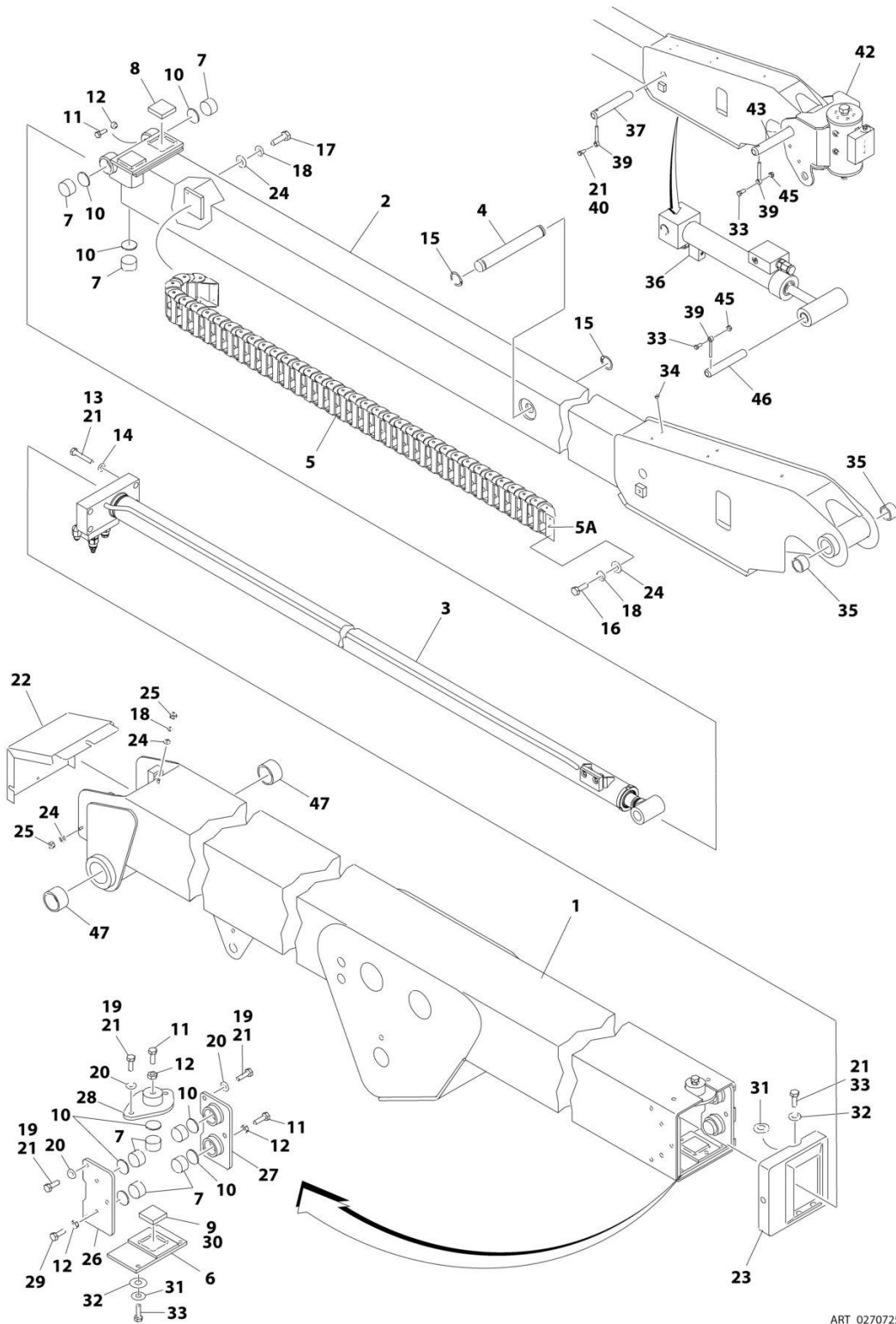
## SECTION 3 - BOOM

ITEM	PART NUMBER	QTY	DESCRIPTION	REV
45	3311505	4	Nut 5/16	
46	4751500	4	Washer 5/16	



# SECTION 3 - BOOM

## FIGURE 3-3. MAIN BOOM ASSEMBLY - E400ANARROW



ART\_0270725\_F

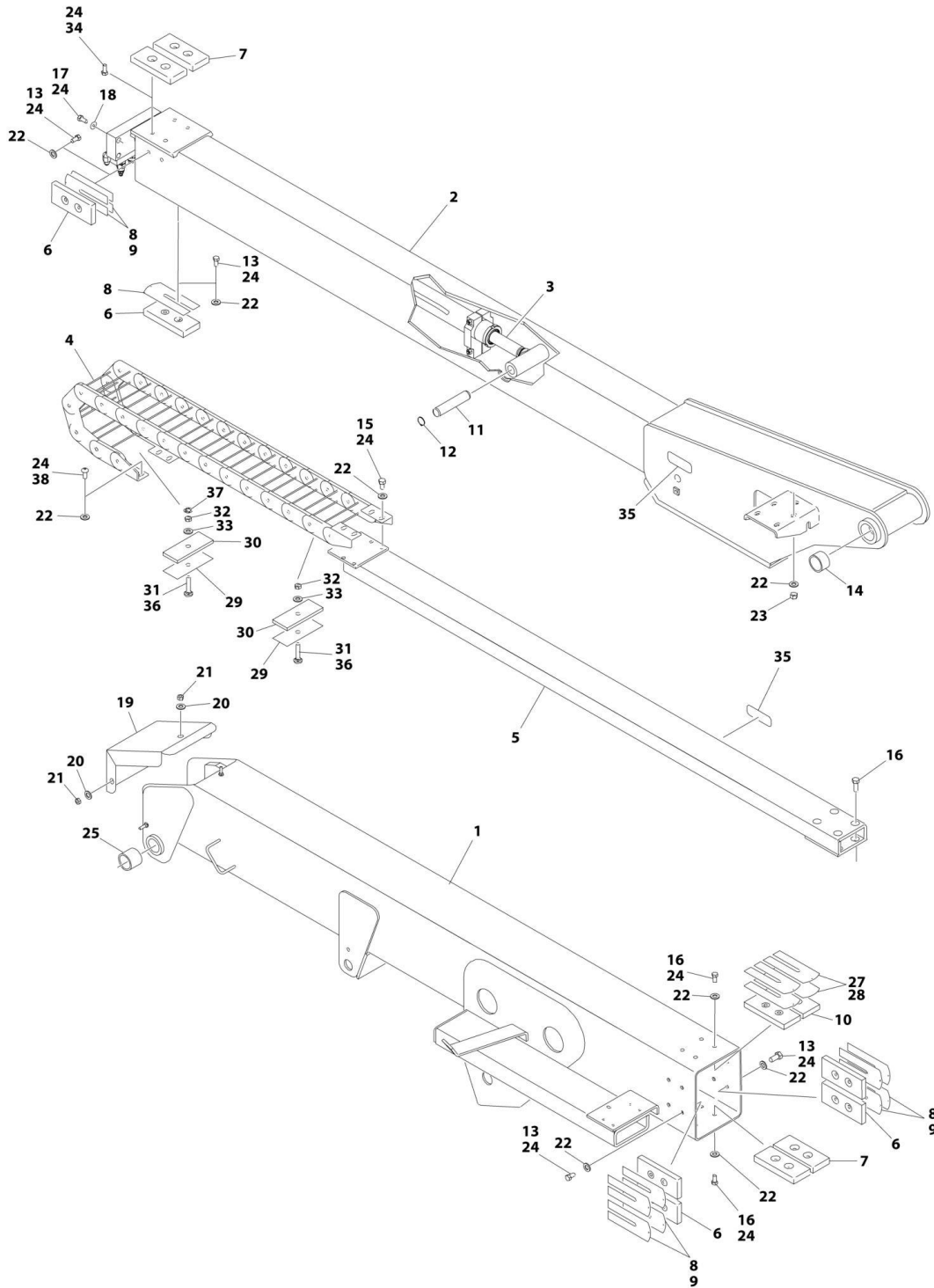
## SECTION 3 - BOOM

**FIGURE 3-3. MAIN BOOM ASSEMBLY - E400ANARROW**

ITEM	PART NUMBER	QTY	DESCRIPTION	REV
	0270725	Ref	MAIN BOOM ASSEMBLY - E400Anarrow	F
1	0801263	1	Base, Weldment	
2	0801267	1	Fly, Weldment	
3	1001251063	1	Telescope Cylinder Assembly (See Separate Breakdown in CYLINDER Section)	
4	3422901	1	Pin	
5	1180302	1	Powertrack Assembly	
5	7019698	1	Link, Repair	
5A	7019699	1	Feet, Mounting	
6	4844579	1	Holder, Wear Pad	
7	3340663	8	Pad, Wear (Base Front Top and Sides/Fly Rear Sides and Bottom)	
8	3340820	2	Pad, Wear (Fly Rear Top)	
9	3340682	1	Pad, Wear (Base Front Bottom)	
10	1760160	8	Disc	
11	0630487	6	Bolt 3/8 x 1-3/8	
12	3311602	8	Nut 3/8	
13	0641818	4	Bolt 1/2 x 2-1/4	
14	4761800	4	Washer 1/2	
15	3760115	2	Ring, Snap	
16	0641405	2	Bolt 1/4 x 5/8	
17	0641404	2	Bolt 1/4 x 1/2	
18	4761400	7	Washer 1/4	
19	0641606	7	Bolt 3/8 x 3/4	
20	4761600	7	Washer 3/8	
21	0100011	AR	Compound, Locking	
22	1670679	1	Cover, boom	
23	1670698	1	Cover, Boom	
24	4751400	7	Washer 1/4	
25	3311401	3	Nut 1/4	
26	1220038	1	Holder, Wear Pad (Base Front Left Side)	
27	1220039	1	Holder, Wear Pad (Base Front Right Side)	
28	1220040	1	Holder, Wear Pad (Base Front Top)	
29	0630399	2	Bolt 3/8 x 2-1/4	
30	0100009	AR	Silicone	
31	4740413	5	Washer, Spacer	
32	4751600	5	Washer 3/8	
33	0641608	7	Bolt 3/8 x 1	
34	3520034	4	Plug, Hole	
35	0961951	2	Bearing	
36	1001140598	1	Platform Level Cylinder Assembly (See Separate Breakdown in CYLINDER Section)	
37	3422181	1	Shaft, Pin	
39	3841143	3	Keeper	
40	0641607	1	Bolt 3/8 x 7/8	
42	0060052	1	Rotator Assembly (See Separate Breakdown in this Section)	
43	3422709	1	Shaft, Pin	
45	3311605	2	Nut 3/8-16	
46	3422180	1	Shaft, Pin	
47	0961950	2	Bearing	

# SECTION 3 - BOOM

## FIGURE 3-4. MAIN BOOM ASSEMBLY - E400AJPNARROW



ART\_0801225

## SECTION 3 - BOOM

**FIGURE 3-4. MAIN BOOM ASSEMBLY - E400AJPNARROW**

ITEM	PART NUMBER	QTY	DESCRIPTION	REV
	0801225	Ref	MAIN BOOM ASSEMBLY	M
1	0801224	1	Base Weldment	
2	0801226	1	Weldment, Fly Boom	
3	1001251015	1	Cylinder, Telescope (See Separate Breakdown in CYLINDER SECTION)	
4	1001224891	1	Powertrack	
4	70001996	1	2ft Repair Section (Used on p/n 1001099834) (Includes 4 links, 10 pins, 10 washers, 10 snap rings, 2 Rod Carriers and 4 self-tapping screws)	
4	70001998	1	Bracket Kit (Used on p/n 1001099834) (Includes 2 Left and 2 Right Mounting Feet, 4 center pins, 4 center pin snap rings, 8 pins for bracket lockout, 8 washers and 8 snap rings)	
4	70006269	1	2ft Repair Section (Used on p/n 1001224891) (Includes 4 links, 10 pins, 10 washers, 10 snap rings, 2 Rod Carriers and 4 self-tapping screws)	
4	70006280	1	Bracket Kit (Used on p/n 1001224891) (Includes 2 Left and 2 Right Mounting Feet, 4 center pins, 4 center pin snap rings, 8 pins for bracket lockout, 8 washers and 8 snap rings)	
5	4846180	1	Weldment, Push Tube	
6	3340878	10	Pad, Wear	
7	3340884	4	Pad, Wear	
8	4070864	12	Shim 18 Gauge	
9	4070863	8	Shim 11 Gauge	
10	3340886	2	Pad, Wear	
11	3422804	1	Pin	
12	3760115	2	Ring, Retaining	
13	0641606	30	Bolt 3/8 x 3/4	
13	0641607	30	Bolt 3/8 x 7/8	
14	0961948	2	Bearing	
15	0641605	4	Bolt 3/8 x 5/8	
16	0641608	16	Bolt 3/8 x 1	
17	0641818	4	Bolt 1/2 x 2-1/4	
18	4761800	4	Washer 1/2	
19	1670959	1	Cover	
20	4761400	3	Washer 1/4	
21	3311401	3	Nut 1/4	
22	4711600	54	Washer 3/8	
23	3311605	4	Nut 3/8	
24	0100011	AR	Compound, Locking	
25	0961950	2	Bearing	
27	4070997	2	Shim 16 Gauge	
28	4070998	2	Shim 18 Gauge	
29	1001106757	2	Plate, Clamp	
30	3340939	4	Pad, Rubber	
31	0630401	2	Bolt 5/16 x 2	
32	3311505	2	Nut 5/16/18	
33	4711500	2	Washer 5/16	
34	0741606	6	Screw, Countersunk, 3/8 x 3/4	
35	4060804	16 in /41cm	Flex-Trim	
36	0100081	AR	Adhesive	
37	1001119228	1	Nut M8	

## SECTION 3 - BOOM

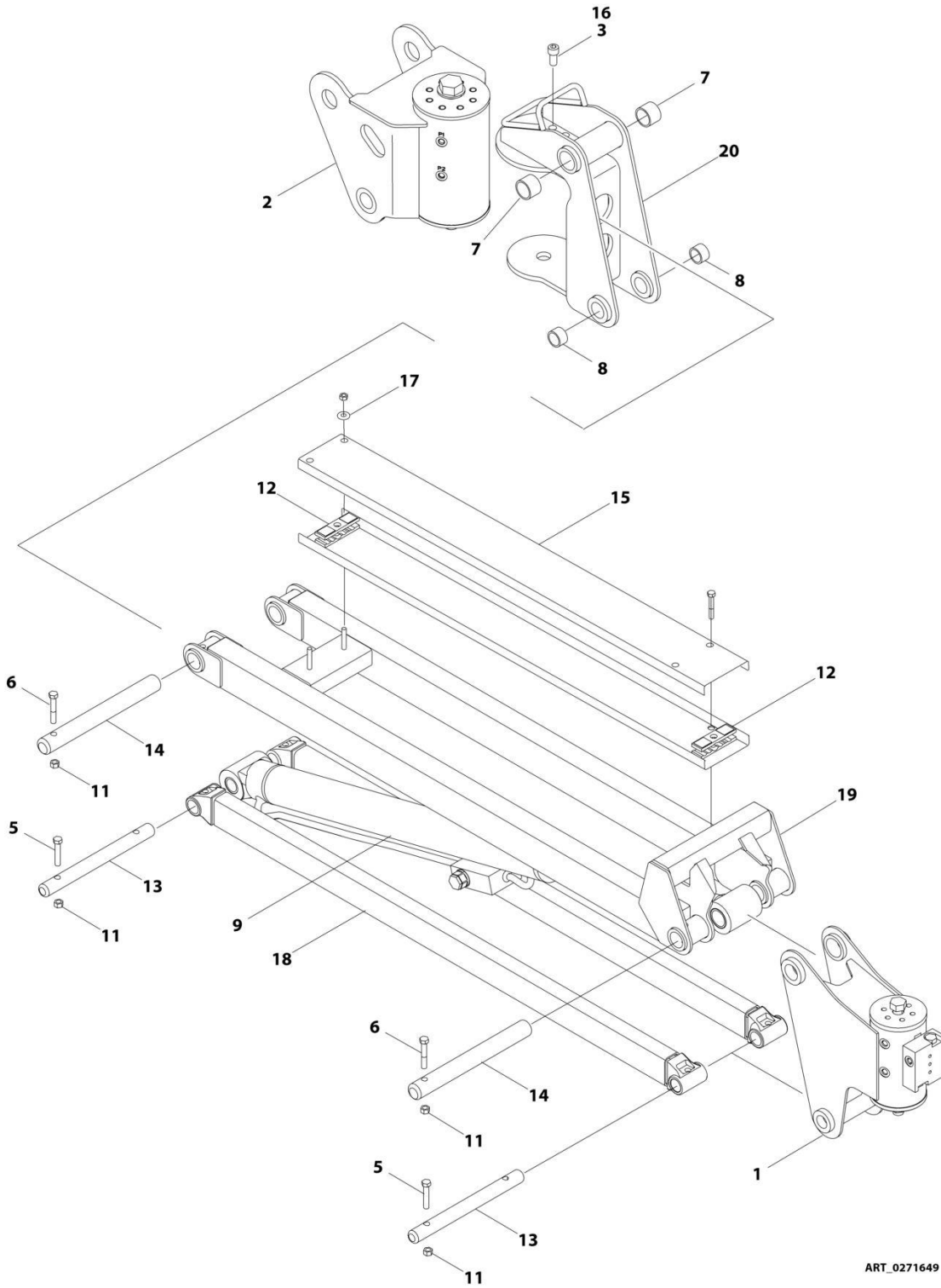
ITEM	PART NUMBER	QTY	DESCRIPTION	REV
38	0641605	4	Bolt 3/8 x 5/8	
38	88261026	4	Bolt 3/8 x 5/8	





# SECTION 3 - BOOM

## FIGURE 3-5. JIB INSTALLATION



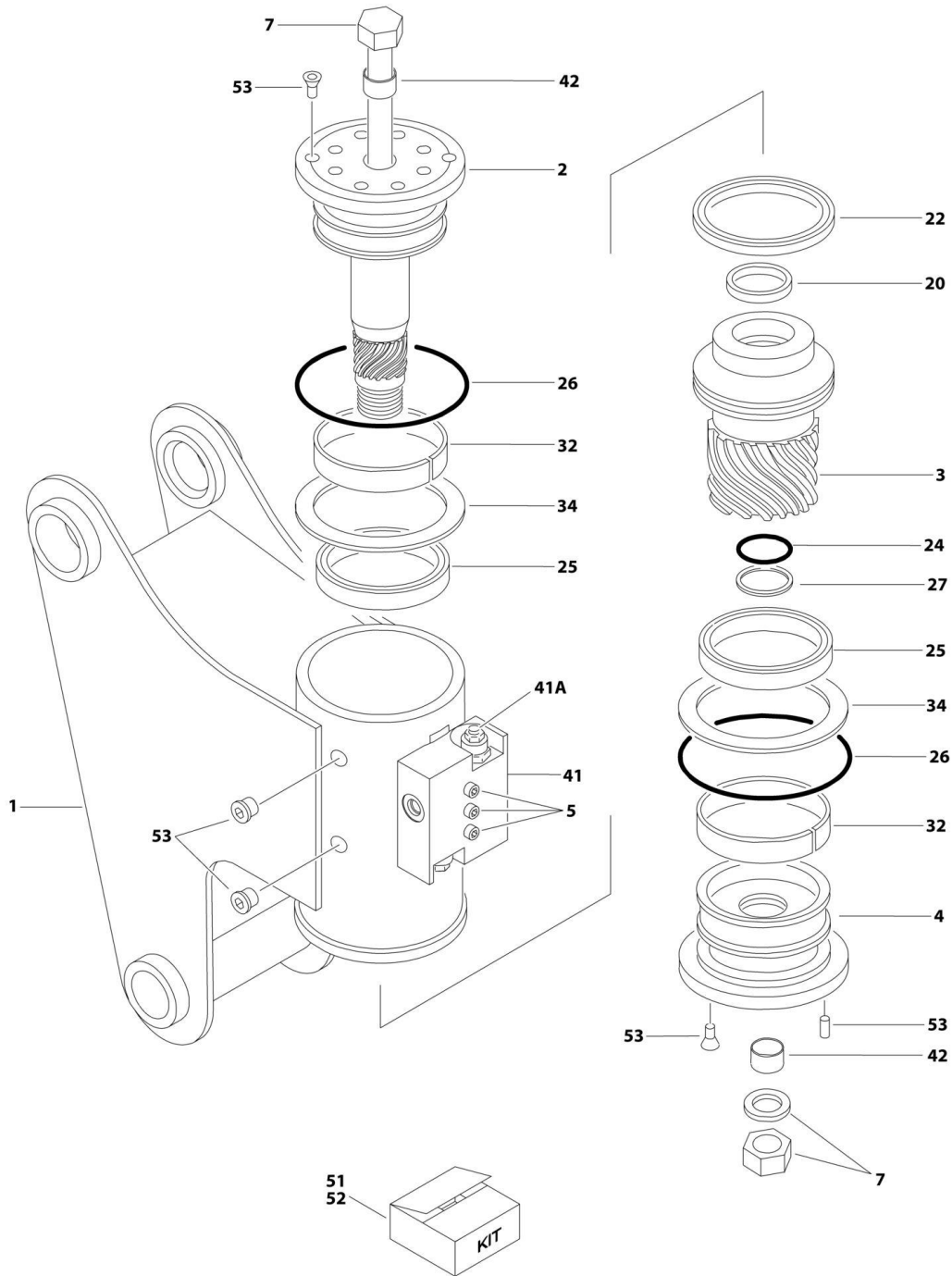
ART\_0271649

FIGURE 3-5. JIB INSTALLATION

ITEM	PART NUMBER	QTY	DESCRIPTION	REV
	0271649	Ref	JIB INSTALLATION	D
1	0060044	1	Rotator Assembly - Jib to Platform Support (See Separate Breakdown in this Section)	
2	0060065	1	Rotator Assembly - Main Boom to Jib (See Separate Breakdown in this Section)	
3	0100011	AR	Compound, Locking	
4	0641516	2	Bolt 5/16 x 2	
5	0641616	4	Bolt 3/8 x 2	
6	0641618	2	Bolt 3/8 x 2-1/4	
7	0962292	2	Bushing	
8	0961951	2	Bushing	
9	1001140280	1	Jib Cylinder Assembly (See Separate Breakdown in CYLINDER SECTION)	
10	3311501	4	Nut 5/16	
11	3311605	6	Nut 3/8	
12	3340860	4	Clamp, Block	
13	3422791	2	Pin	
14	3422794	2	Pin	
15	3572551	2	Plate, Jib Cover	
16	3931816	8	Bolt 1/2 x 1	
17	4751500	4	Washer 5/16	
18	1001094670	2	Link, Lower	
19	4846278	1	Link, Upper	
20	4846502	1	Pivot	

# SECTION 3 - BOOM

## FIGURE 3-6. ROTATOR ASSEMBLY - E400ANARROW



ART\_0060052

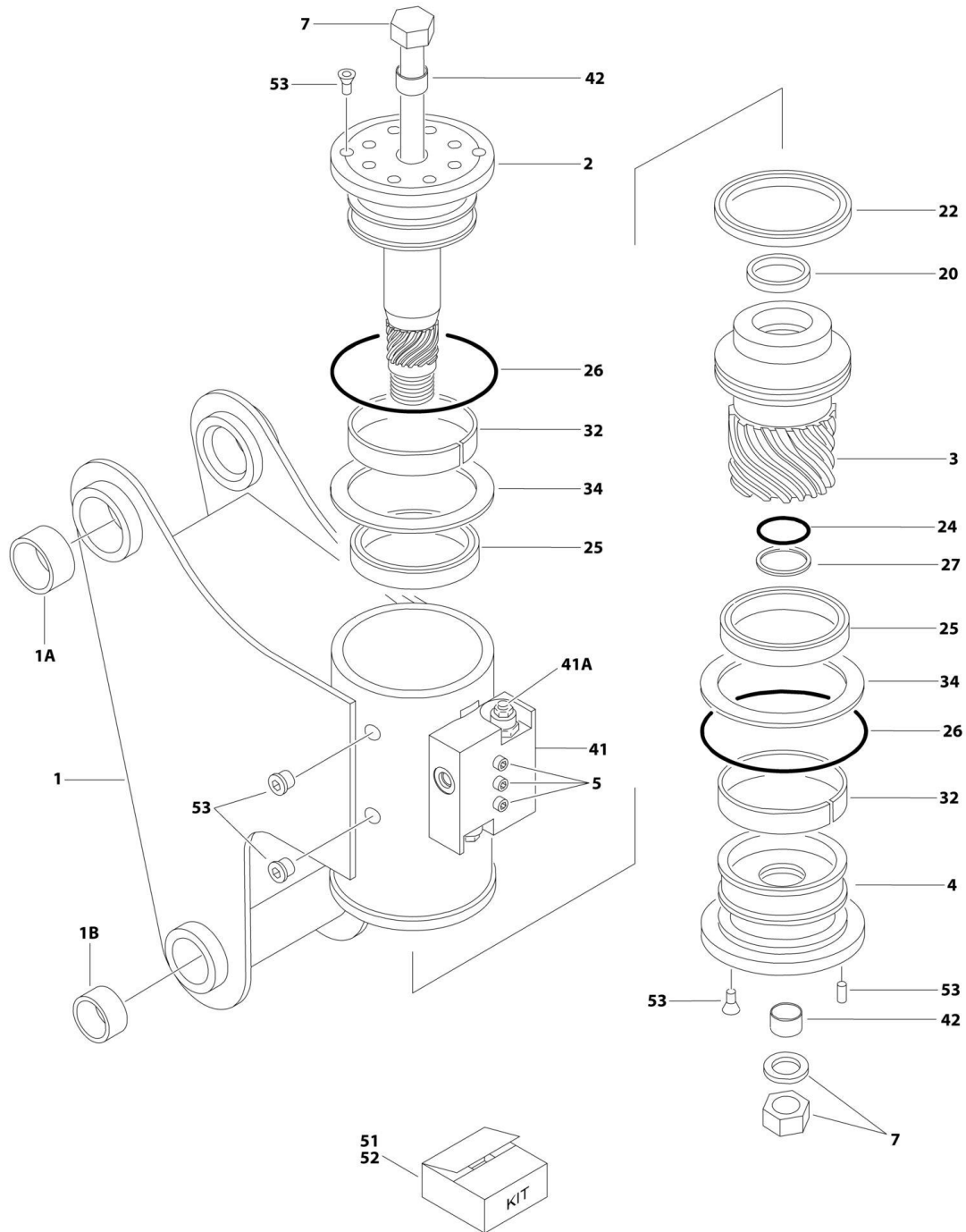
**SECTION 3 - BOOM**

**FIGURE 3-6. ROTATOR ASSEMBLY - E400ANARROW**

ITEM	PART NUMBER	QTY	DESCRIPTION	REV
	0060052	Ref	ROTATOR ASSEMBLY	F
1	See Note	1	Case/Bracket Weldment (Note: Not Available - Purchase Complete Assembly)	
2	7017120	1	Shaft (Rotator with Helac Control #26409)	
2	7017196	1	Shaft (Rotator with Helac Control #26966)	
3	7017121	1	Piston Sleeve (Rotator with Helac Control #26409)	
3	7027900	1	Piston Sleeve (Rotator with Helac Control #26966)	
4	7017153	1	Cap, End (Rotator with Helac Control #26409)	
4	7027901	1	Cap, End (Rotator with Helac Control #26966)	
5	See Note	3	Capscrew 1/4 x 1-1/2, Grade 8 (Note: Not Available - Purchase Locally)	
7	7017126	1	Tie Rod Assembly	
20	See Note	NSS	Seal, Rod (Note: Use Items 52)	
22	See Note	NSS	Seal, Piston (Note: Use Item 52)	
24	See Note	NSS	Seal, Cap (Note: Use Item 52)	
25	See Note	NSS	Packing, Bearing (Note: Use Item 52)	
26	See Note	NSS	Seal (Note: Use Item 52)	
27	See Note	NSS	Ring, Back-Up Cap (Note: Use Item 52)	
32	See Note	NSS	Bearing, Shaft (Note: Use Item 51)	
34	See Note	2	Washer, Thrust (Note: Use Item 51)	
41	7017172	1	Counterbalance Valve Assembly (Helac p/n 24327, 26553 or 26554 Stamped Beside Mounting Screws)	
41A	7011323	2	Valve, Cartridge (Helac p/n 24327 Valve)	
41A	2900770	2	Seal Kit - 7011323 Cartridge ( 1 Per Assembly)	
41A	7017192	2	Valve Cartridge (Helac p/n 26553 or 26554) (No Seal Kit Available)	
42	See Note	2	Bushing, Shaft (Note: Not Available for Purchase)	
51	7017122	1	Bearing Kit (Includes Items 32-34)	
52	7017127	1	Seal Kit - Standard (Includes Items 20,22,24,25,26 & 27)	
52	70000341	1	Seal Kit - Low Temperature (Includes Items 20,22,24,25,26 & 27)	
53	7017123	1	Hardware Kit	

# SECTION 3 - BOOM

## FIGURE 3-7. ROTATOR ASSEMBLY - PLATFORM SUPPORT TO JIB - E400AJPNARROW



ART\_0060044

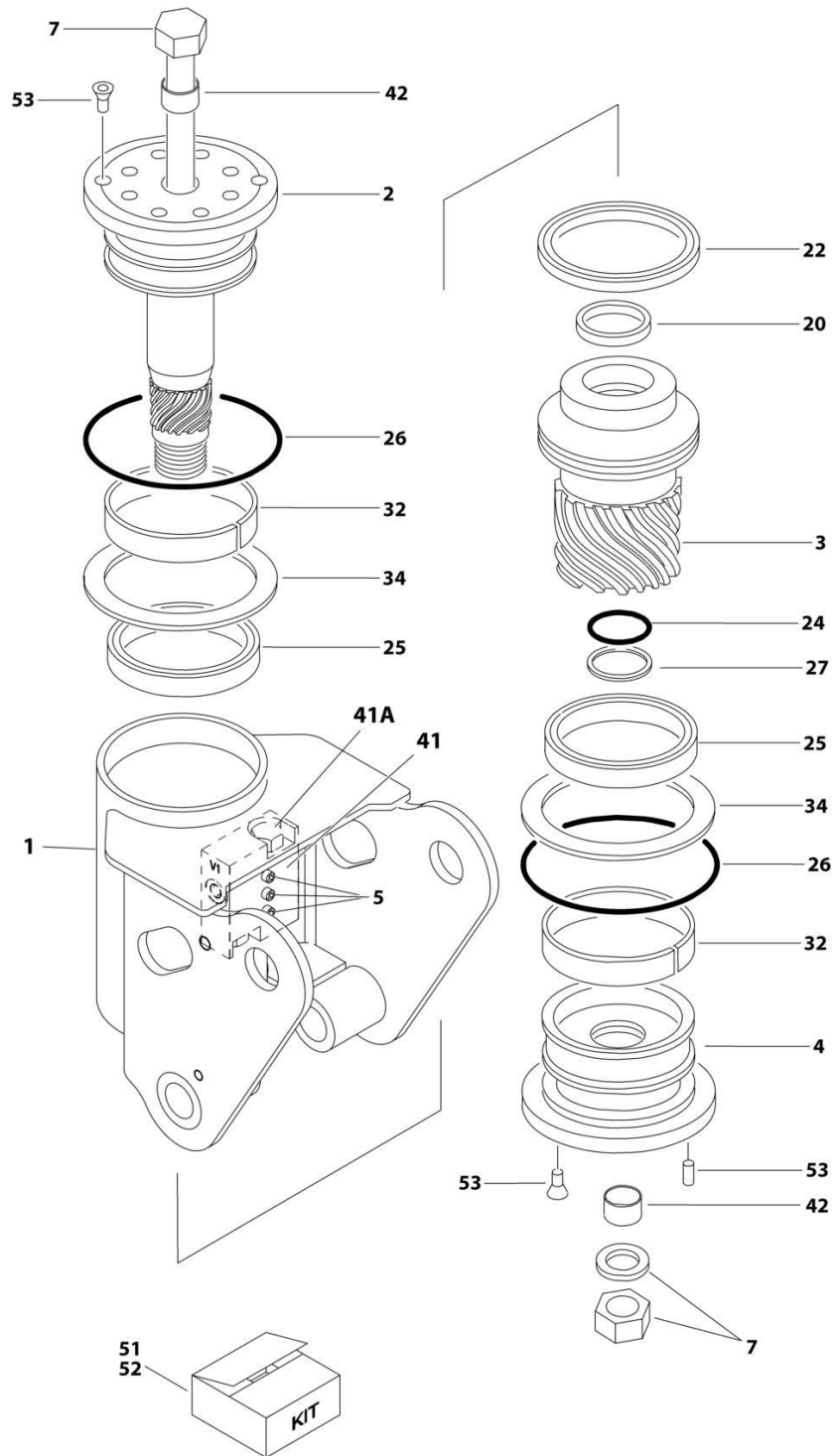
## SECTION 3 - BOOM

**FIGURE 3-7. ROTATOR ASSEMBLY - PLATFORM SUPPORT TO JIB - E400AJPNARROW**

ITEM	PART NUMBER	QTY	DESCRIPTION	REV
	0060044	Ref	ROTATOR ASSEMBLY	D
1	See Note	1	Case/Bracket Weldment (Note: Not Available - Purchase Complete Assembly)	
1A	0962257	2	Bushing	
1B	0961947	2	Bushing	
2	7017120	1	Shaft (Rotator with Helac Control #25928)	
2	7017196	1	Shaft (Rotator with Helac Control #26962)	
3	7017121	1	Piston Sleeve (Rotator with Helac Control #25928)	
3	7027900	1	Piston Sleeve (Rotator with Helac Control #26962)	
4	See Note	1	Cap, End (Rotator with Helac Control #25928) (Note: Use p/n 0060044)	
4	7027901	1	Cap, End (Rotator with Helac Control #26962)	
5	See Note	3	Capscrew 1/4 x 1-1/2, Grade 8 (Note: Not Available - Purchase Locally)	
7	7017126	1	Tie Rod Assembly	
20	See Note	NSS	Seal, Rod (Note: Use Item 52)	
22	See Note	NSS	Seal, Piston (Note: Use Item 52)	
24	See Note	NSS	Seal, Cap (Note: Use Item 52)	
25	See Note	NSS	Packing, Bearing (Note: Use Item 52)	
26	See Note	NSS	Seal (Note: Use Item 52)	
27	See Note	NSS	Ring, Back-Up Cap (Note: Use Item 52)	
32	See Note	NSS	Bearing, Shaft (Note: Use Item 51)	
34	See Note	2	Washer, Thrust (Note: Use Item 51)	
41	7017172	1	Counterbalance Valve Assembly (Helac p/n 24327, 26553 or 26554 Stamped Beside Mounting Screws)	
41A	7011323	2	Valve, Cartridge (Helac p/n 24327 Valve)	
41A	2900770	2	Seal Kit - 7011323 Cartridge (1 Per Assembly)	
41A	7017192	2	Valve Cartridge (Helac p/n 26553 or 26554) (No Seal Kit Available)	
42	70004323	1	Bushing, Shaft	
51	7017122	1	Bearing Kit (Includes Items 32-34)	
52	7017127	1	Seal Kit - Standard (Includes Items 20,22,24,25,26 & 27)	
52	70000341	1	Seal Kit - Low Temperature (Includes Items 20,22,24,25,26 & 27)	
53	7017123	1	Hardware Kit	

# SECTION 3 - BOOM

## FIGURE 3-8. ROTATOR ASSEMBLY - MAIN BOOM TO JIB - E400AJPNARROW



ART\_0060065



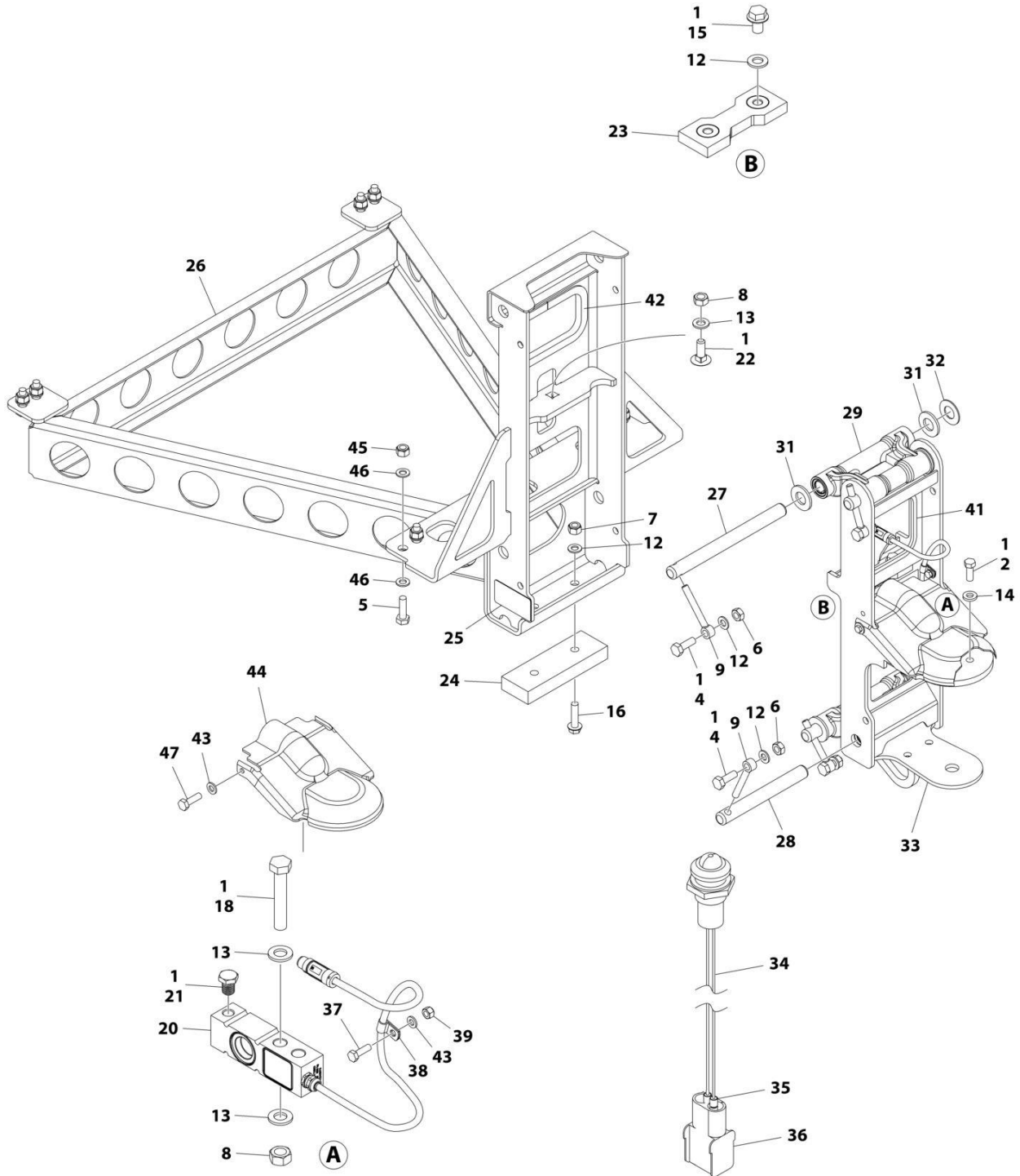
## SECTION 3 - BOOM

**FIGURE 3-8. ROTATOR ASSEMBLY - MAIN BOOM TO JIB - E400AJPNARROW**

ITEM	PART NUMBER	QTY	DESCRIPTION	REV
	0060065	Ref	ROTATOR ASSEMBLY - MAIN BOOM TO JIB	C
1	See Note	1	Case/Bracket Weldment (Note: Not Available - Purchase Complete Assembly)	
2	7017167	1	Shaft	
3	7017168	1	Piston Sleeve	
4	7017169	1	Cap, End	
5	See Note	3	Capscrew 1/4, Grade 8 (Note: Not Available - Purchase Locally)	
7	7017173	1	Tie Rod Assembly	
20	See Note	1	Seal, Rod (Note: Use Item 52)	
22	See Note	1	Seal, Piston (Note: Use Item 52)	
24	See Note	1	Seal, Cap (Note: Use Item 52)	
25	See Note	2	Packing, Bearing (Note: Use Item 52)	
26	See Note	2	Seal (Note: Use Item 52)	
27	See Note	1	Ring, Back-up (Note: Use Item 52)	
32	See Note	2	Bearing, Shaft (Note: Use Item 51)	
34	See Note	2	Washer, Thrust (Note: Use Item 51)	
41	7017172	1	Counterbalance Valve Assembly	
41A	7017192	2	Valve, Cartridge (No Seal Kit Available)	
42	See Note	2	Bushing, Shaft (Note: Not Available for Purchase)	
51	7017178	1	Bearing Kit (Includes Items 32-34)	
52	7017165	1	Seal Kit - Standard (Includes Items 20, 22 & 24-27,	
52	70000340	1	Seal Kit - Low Temperature (Includes Items 20,22 & 24-27)	
53	7017179	1	Hardware Kit	

# SECTION 3 - BOOM

## FIGURE 3-9. PLATFORM SUPPORT INSTALLATION



ART\_1001219016\_F

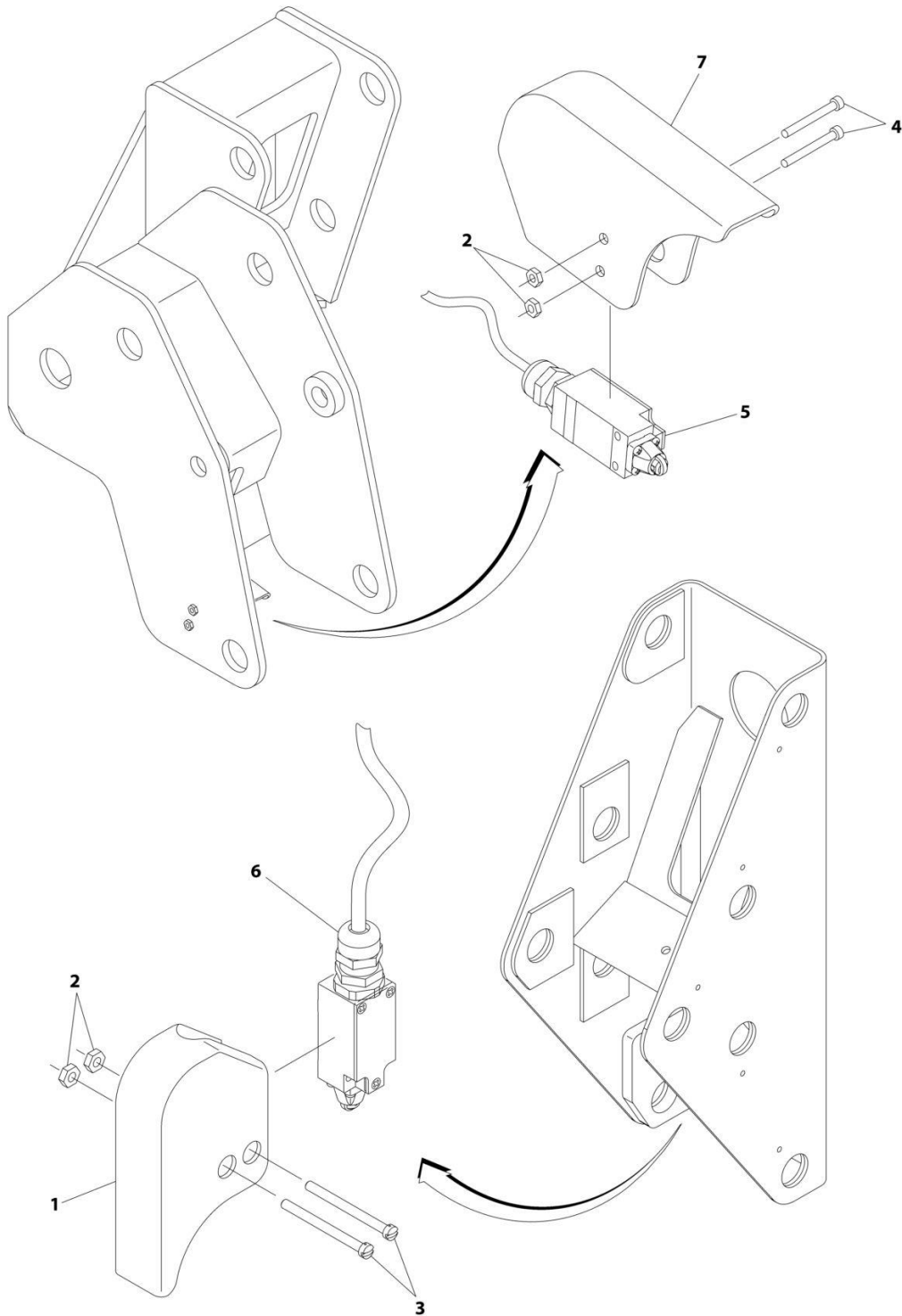
## SECTION 3 - BOOM

### FIGURE 3-9. PLATFORM SUPPORT INSTALLATION

ITEM	PART NUMBER	QTY	DESCRIPTION	REV
	1001219016	Ref	PLATFORM SUPPORT INSTALLATION	F
1	0100011	AR	Compound, Locking	
2	0681608	6	Bolt 3/8 x 1	
4	0761014	4	Bolt M10 x 30	
5	0761215	8	Bolt M12 x 35	
6	3291001	4	Nut M10	
7	3291005	2	Nut M10	
8	3291201	3	Nut M12	
9	3841143	4	Keeper	
12	4812000	8	Washer M10	
13	4812100	5	Washer M12	
14	4891600	6	Washer 3/8	
15	5251008	2	Bolt M10 x 16	
16	5251016	2	Bolt M10 x 40	
18	1001098828	2	Bolt M12 x 70 Grade 10.9	
20	1001247468	1	Sensor, Load Cell	
21	1001188622	1	Screw M12	
22	1001188844	1	Bolt M12 x 35	
23	1001190985	1	Pad, Wear	
24	1001200491	1	Plate	
25	1001216630	2	Decal - Tie Down/No Lift	
26	1001217228	1	Platform Support	
27	1001217242	2	Pin	
28	1001217243	2	Pin	
29	1001217244	2	Link, LSS Assembly	
29	1001217413	4	Bearing	
29	1001217249	1	Seal	
31	1001217253	8	Bearing	
32	1001217254	4	Bearing	
33	1001217267	1	Support, Rotary	
34	2920151	1	Light	
35	4460226	2	Socket, Female	
36	4460424	1	Connector - 2 Position	
37	0760610	1	Bolt M6 x 20	
38	1320136	1	Clamp	
39	3290605	1	Nut	
41	4060804	1.5 ft/ 0.5m	Flex-Trim	
42	4060805	1.5 ft/ 0.5m	Flex-Trim	
43	4811702	3	Washer M6	
44	1001228627	1	Cover, Platform Support and LSS	
45	3291205	8	Nut M12	
46	5241200	16	Washer M12	
47	0760606	2	Bolt M6 x 12	

# SECTION 3 - BOOM

## FIGURE 3-10. BOOM LIMIT SWITCHES INSTALLATION



ART\_1001187788

FIGURE 3-10. BOOM LIMIT SWITCHES INSTALLATION

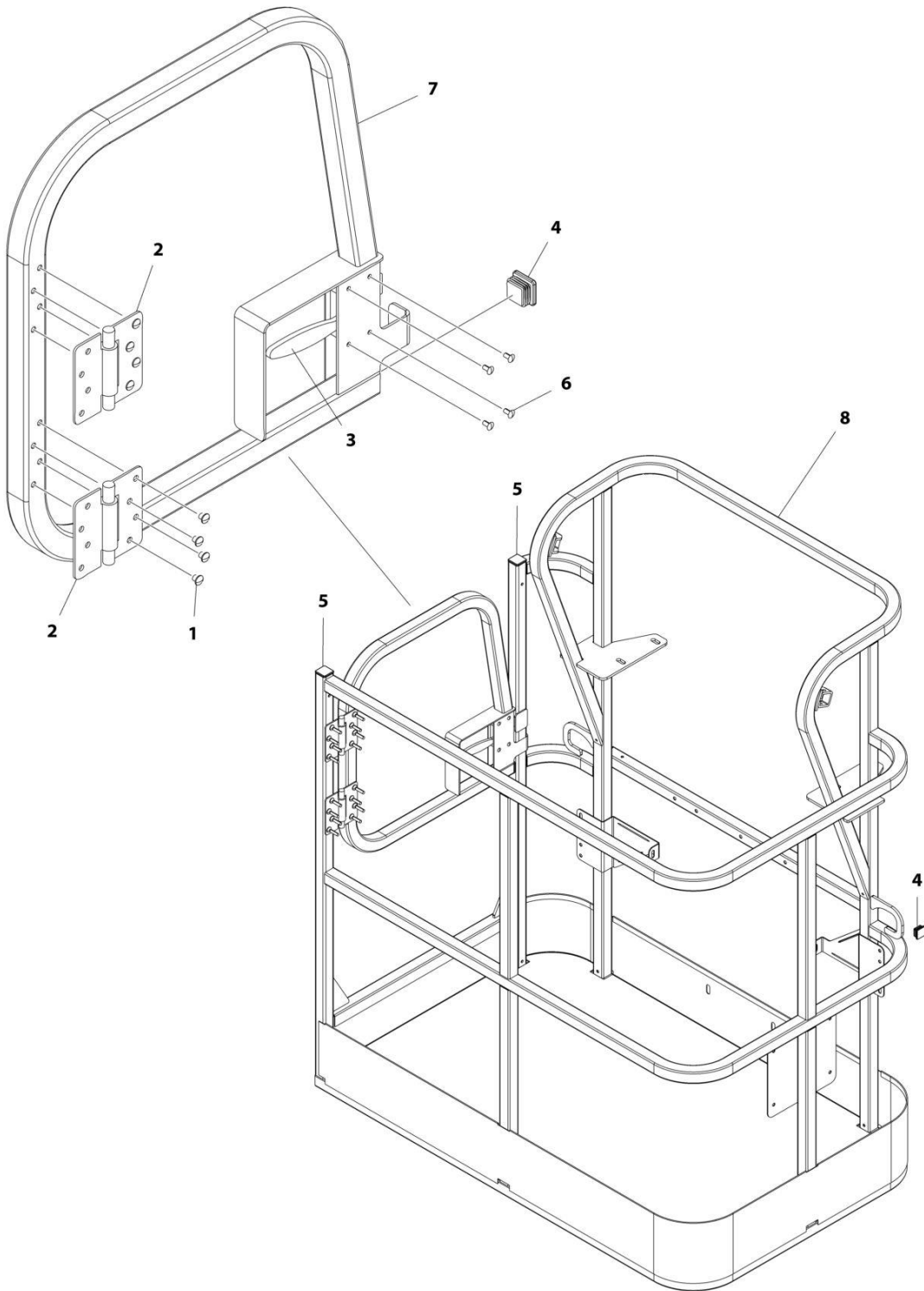
ITEM	PART NUMBER	QTY	DESCRIPTION	REV
	1001187788	Ref	BOOM LIMIT SWITCHES INSTALLATION	F
1	1670832	1	Cover, Switch - Lower	
2	3311005	AR	Nut #10	
2	3310805	AR	Nut #8	
3	3900104	AR	Screw #10 x 2-1/4	
3	3930828	AR	Screw #8 x 1-3/4	
4	3931028	2	Screw #10 x 1-3/4	
4	3930836	2	Screw #8 x 2-1/4	
5	1001187775	1	Limit Switch Harness - Upper (Includes Limit Switch) (See Separate Breakdown in ELECTRICAL SECTION)	
6	1001187776	1	Limit Switch Harness - Lower (Includes Limit Switch) (See Separate Breakdown in ELECTRICAL SECTION)	
7	1670833	1	Cover, Switch	
8	3310805	AR	Nut #8	



**SECTION 4 - PLATFORM**

# SECTION 4 - PLATFORM

## FIGURE 4-1. PLATFORM ASSEMBLY - 4FT/1.22M - SIDE GATE ENTRY



ART\_1001186387



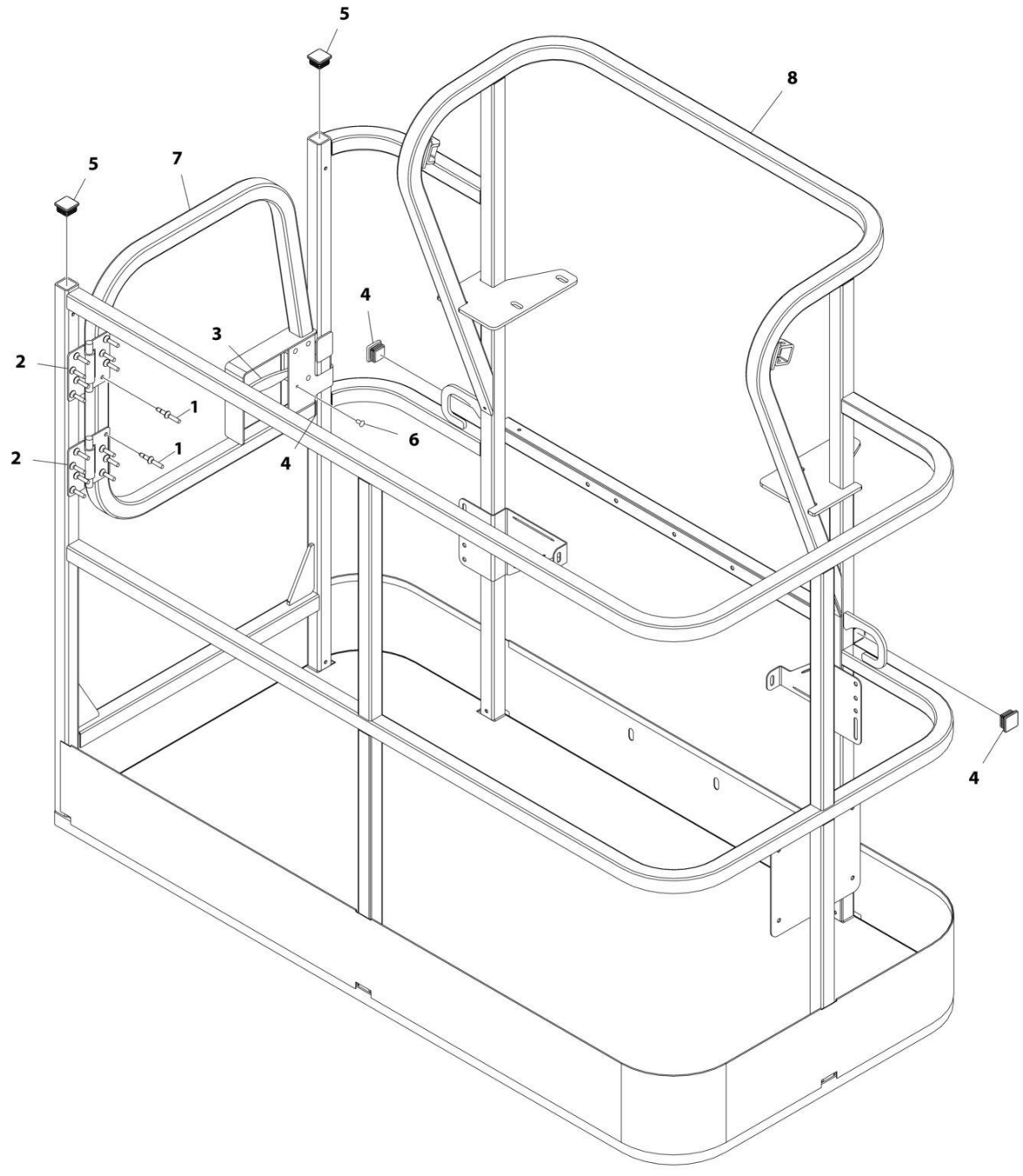
## SECTION 4 - PLATFORM

**FIGURE 4-1. PLATFORM ASSEMBLY - 4FT/1.22M - SIDE GATE ENTRY**

ITEM	PART NUMBER	QTY	DESCRIPTION	REV
	1001186387	Ref	PLATFORM ASSEMBLY	C
		Ref	Note: Platform and Mesh must be ordered separately for Platforms with Mesh. See SPECIAL OPTIONS SECTION for Mesh Installations.	
		Ref	Note: Replacement Decals Must be Ordered Separately - See DECALS SECTION.	
1	2080040	16	Fastener, Huck	
2	2600281	2	Hinge, Self-Closing	
3	2940074	1	Latch	
4	3520072	3	Plug	
5	3520198	2	Plug	
6	3820020	4	Rivet	
7	1001144629	1	Gate	
8	See Note	1	Platform (Note: Not Available - Purchase Platform Assembly)	

# SECTION 4 - PLATFORM

## FIGURE 4-2. PLATFORM ASSEMBLY - 5FT/1.52M - SIDE GATE ENTRY



ART\_1001186386

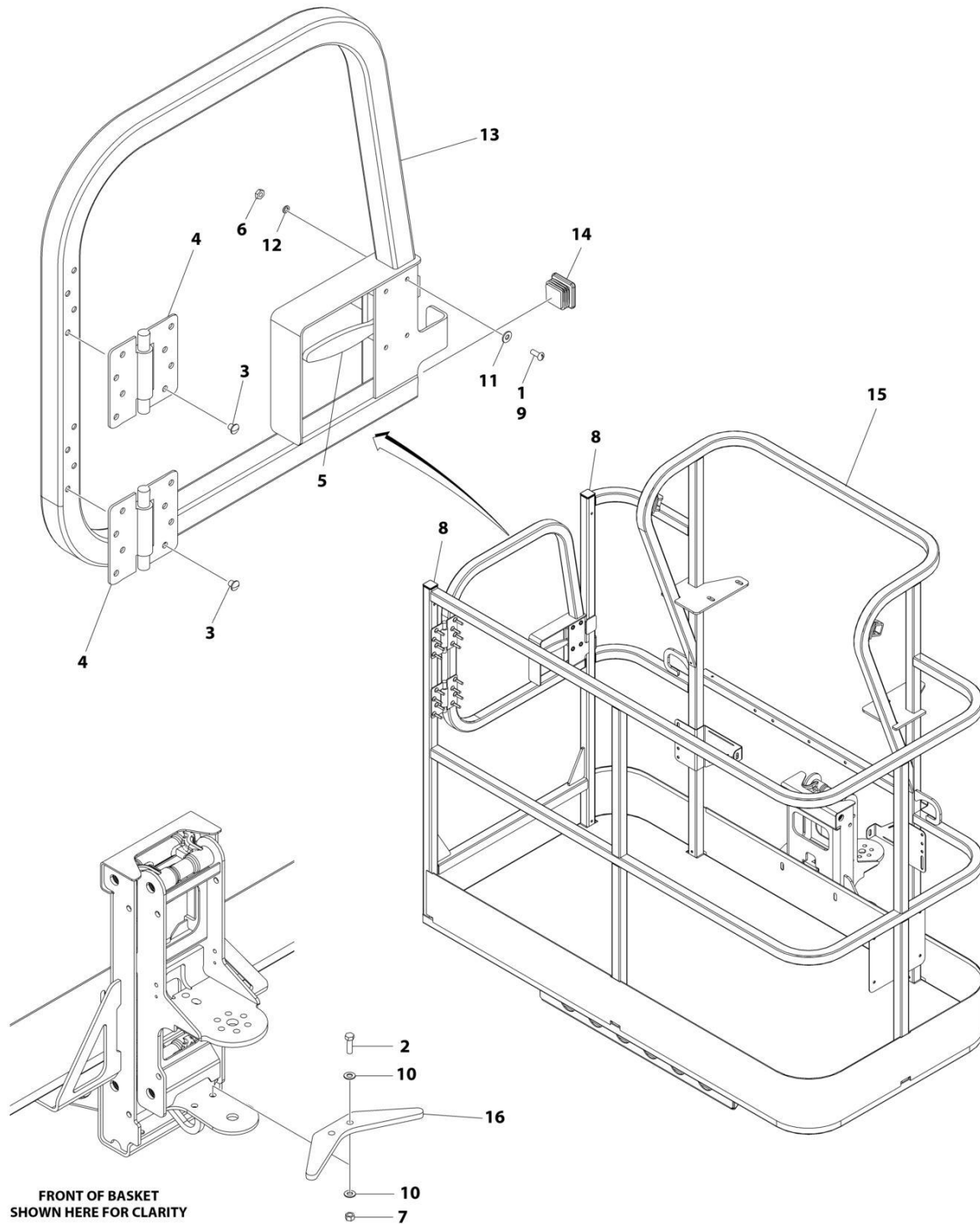
## SECTION 4 - PLATFORM

**FIGURE 4-2. PLATFORM ASSEMBLY - 5FT/1.52M - SIDE GATE ENTRY**

ITEM	PART NUMBER	QTY	DESCRIPTION	REV
	1001186386	Ref	PLATFORM ASSEMBLY	C
		Ref	Note: Platform and Mesh must be ordered separately for Platforms with Mesh. See SPECIAL OPTIONS SECTION for Mesh Installations.	
		Ref	Note: Replacement Decals Must be Ordered Separately - See DECALS SECTION.	
1	2080040	16	Fastener, Huck	
2	2600281	2	Hinge, Self-Closing	
3	2940074	1	Latch	
4	3520072	3	Plug	
5	3520198	2	Plug	
6	3820020	4	Rivet	
7	1001144629	1	Gate	
8	See Note	NSS	Platform (Note: Not Available - Purchase Platform Assembly)	

# SECTION 4 - PLATFORM

FIGURE 4-3. PLATFORM ASSEMBLY - 5FT/1.52M - SIDE GATE ENTRY - W/STOP AND 1 CELL LSS



ART\_1001222685

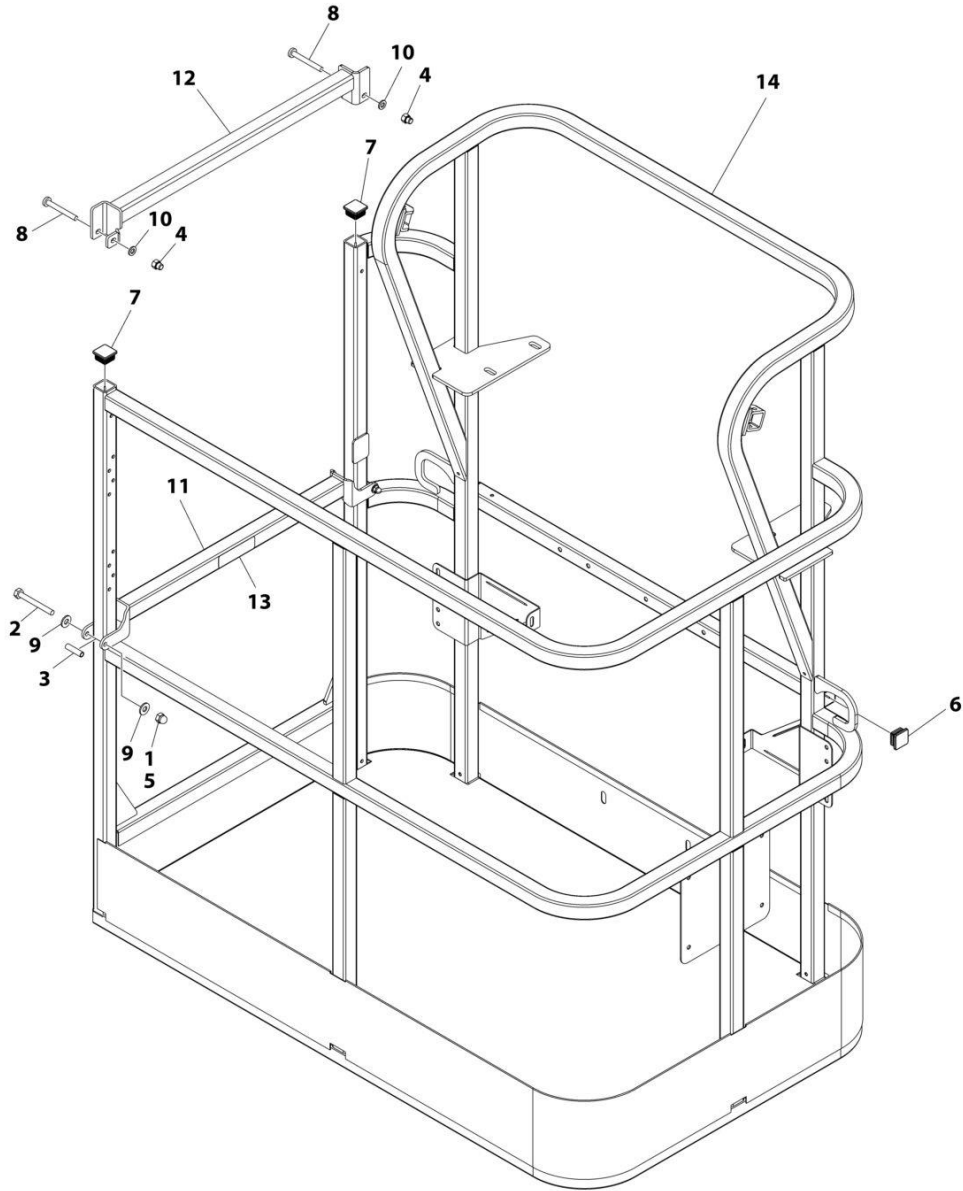
## SECTION 4 - PLATFORM

**FIGURE 4-3. PLATFORM ASSEMBLY - 5FT/1.52M - SIDE GATE ENTRY - W/STOP AND 1 CELL LSS**

ITEM	PART NUMBER	QTY	DESCRIPTION	REV
	1001222685	Ref	PLATFORM ASSEMBLY - 5ft/1.52m - SIDE GATE ENTRY - W/STOP AND 1 CELL LSS	A
		Ref	Note: Platform and Mesh must be ordered separately for Platforms with Mesh. See SPECTIAL OPTIONS SECTION for Mesh Installations.	
		Ref	Note: Replacement Decals Must be Ordered Separately - See DECAL SECTION.	
1	0100011	AR	Compound, Locking	
2	0641610	2	Bolt 3/8 x 1-1/4	
3	2080040	16	Fastener, Huck	
4	2600281	2	Hinge, Self-Closing	
5	2940074	1	Latch	
6	3311001	4	Nut #10	
7	3311605	2	Nut 3/8	
8	3520198	2	Cap-Plug	
9	3911008	4	Screw #10 x 1	
10	4711600	4	Washer 3/8	
11	4751000	4	Washer #10	
12	4761000	4	Washer #10	
13	1001144629	1	Gate Weldment	
14	1001144630	1	Cap-Plug	
15	See Note	1	Platform Weldment (Note: Not Available - Purchase Platform Assembly)	
16	1001217598	1	Stop	

# SECTION 4 - PLATFORM

FIGURE 4-4. PLATFORM ASSEMBLY - 4FT/1.22M - DROP BAR ENTRY



ART\_1001186375

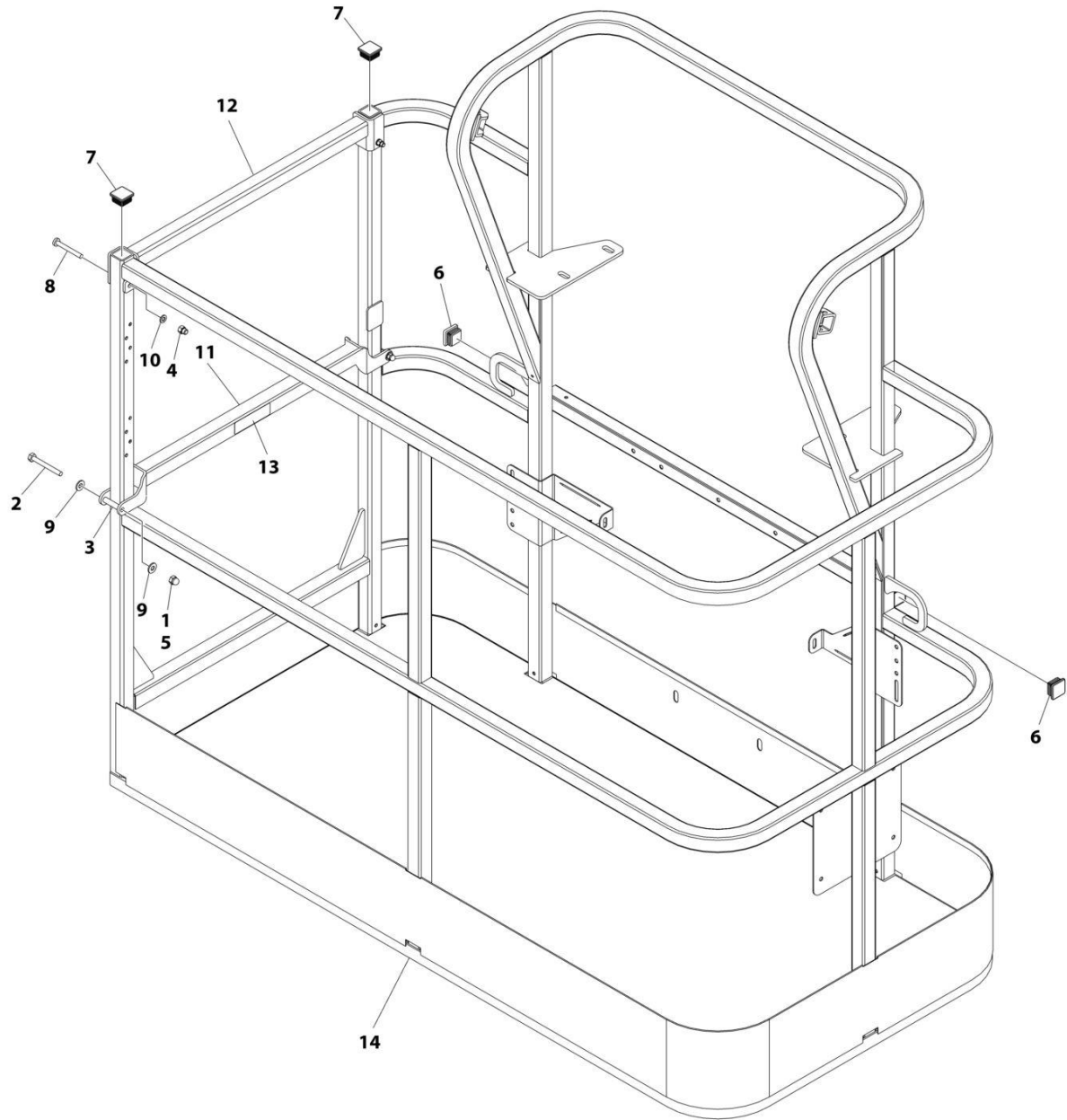
## SECTION 4 - PLATFORM

**FIGURE 4-4. PLATFORM ASSEMBLY - 4FT/1.22M - DROP BAR ENTRY**

ITEM	PART NUMBER	QTY	DESCRIPTION	REV
	1001186375	Ref	PLATFORM ASSEMBLY	B
		Ref	Note: Platform and Mesh must be ordered separately for Platforms with Mesh. See SPECIAL OPTIONS SECTION for Mesh Installations.	
		Ref	Note: Replacement Decals Must be Ordered Separately - See DECALS SECTION.	
1	0100011	AR	Compound, Locking	
2	0641418	2	Bolt 1/4 x 2-1/4	
3	0961845	2	Bushing	
4	3290606	2	Nut M6	
5	3300151	2	Nut 1/4	
6	3520072	2	Plug	
7	3520198	2	Plug	
8	4010618	2	Screw M6 x 50	
9	4711400	4	Washer 1/4	
10	4811700	2	Washer M6	
11	1001138494	1	Bar, Drop	
12	1001138514	1	Rail - Top	
13	1001140429	1	Decal - Drop Bar	
14	See Note	1	Platform (Note: Not Available - Purchase Platform Assembly)	

# SECTION 4 - PLATFORM

FIGURE 4-5. PLATFORM ASSEMBLY - 5FT/1.52M - DROP BAR ENTRY



ART\_1001186377



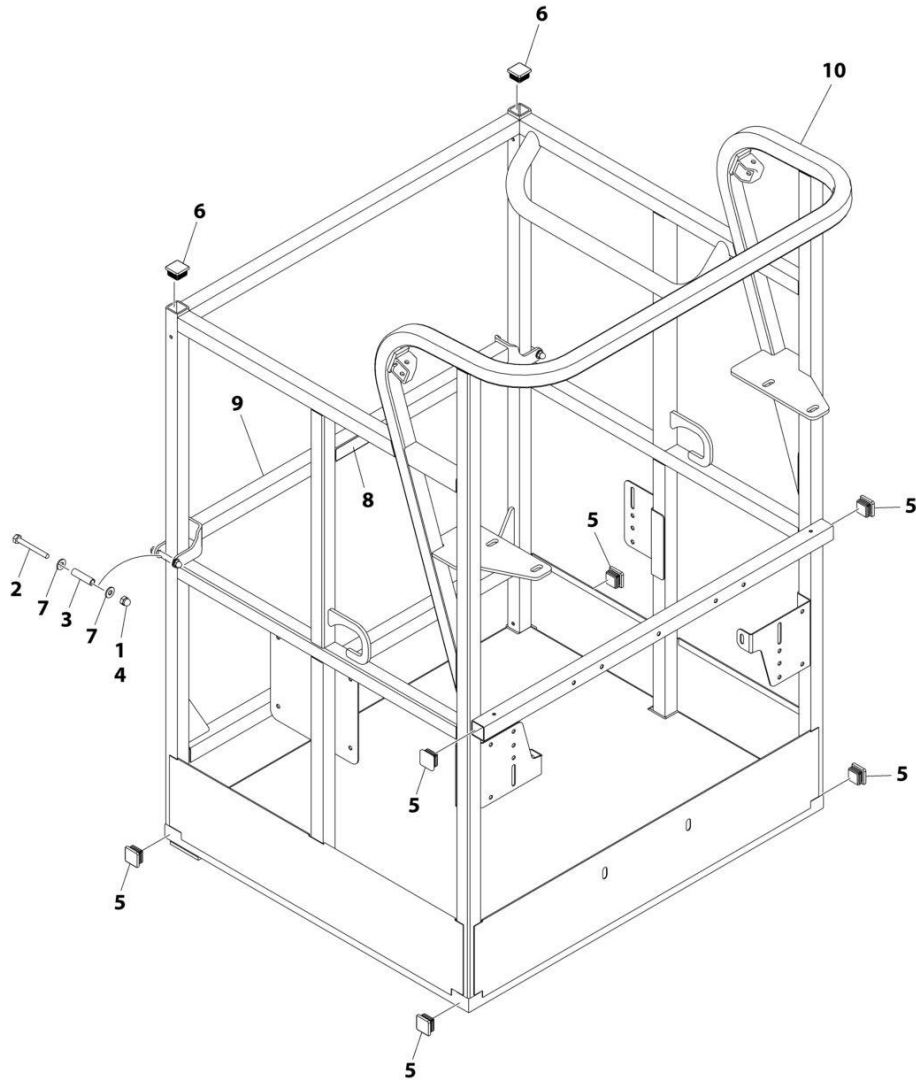
## SECTION 4 - PLATFORM

**FIGURE 4-5. PLATFORM ASSEMBLY - 5FT/1.52M - DROP BAR ENTRY**

ITEM	PART NUMBER	QTY	DESCRIPTION	REV
	1001186377	Ref	PLATFORM ASSEMBLY	C
		Ref	Note: Platform and Mesh must be ordered separately for Platforms with Mesh. See SPECIAL OPTIONS SECTION for Mesh Installations.	
		Ref	Note: Replacement Decals Must be Ordered Separately - See DECALS SECTION.	
1	0100011	AR	Compound, Locking	
2	0641420	2	Bolt 1/4 x 2-1/2	
3	0961845	2	Bushing	
4	3290606	2	Nut M6	
5	3300151	2	Nut 1/4	
6	3520072	2	Plug	
7	3520198	2	Plug	
8	4010618	2	Screw M6 x 50	
9	4711400	4	Washer 1/4	
10	4811700	2	Washer M6	
11	1001138494	1	Bar, Drop	
12	1001138514	1	Rail (Top)	
13	1001140429	1	Decal - Drop Bar	
14	See Note	NSS	Platform (Note: Not Available - Purchase Platform Assembly)	

# SECTION 4 - PLATFORM

FIGURE 4-6. PLATFORM ASSEMBLY - 5FT/1.52M - DROP BAR ENTRY



ART\_1001228215

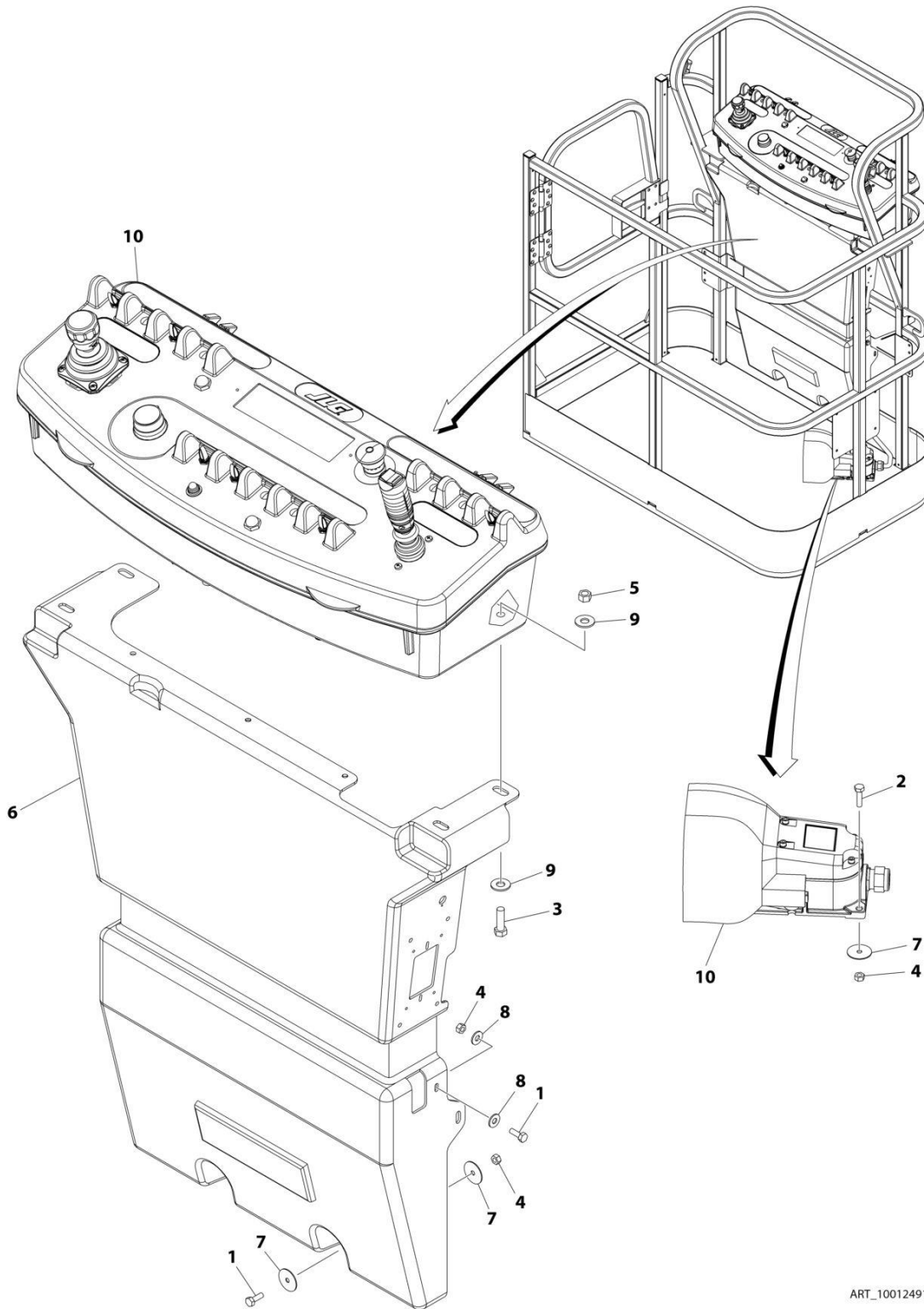
## SECTION 4 - PLATFORM

**FIGURE 4-6. PLATFORM ASSEMBLY - 5FT/1.52M - DROP BAR ENTRY**

ITEM	PART NUMBER	QTY	DESCRIPTION	REV
	1001228215	Ref	PLATFORM ASSEMBLY	A
	See Note	Ref	Note: Platform and Mesh must be ordered separately for Platforms with Mesh. See SPECIAL OPTIONS SECTION for Mesh Installations.	
	See Note	Ref	Note: Replacement Decals Must be Ordered Separately - See DECAL SECTION.	
1	0100011	AR	Compound, Locking	
2	0641418	2	Bolt 1/4 x 2-1/4	
3	0961845	2	Bushing	
4	3300151	2	Nut 1/4	
5	3520072	6	Cap, Plug	
6	3520198	2	Cap, Plug	
7	4711400	4	Washer 1/4	
8	1001140429	1	Decal - Drop Bar	
9	1001226872	1	Bar, Drop	
10	See Note	NSS	Platform (Note: Not Available - Purchase Platform Assembly)	

# SECTION 4 - PLATFORM

FIGURE 4-7. PLATFORM CONSOLE AND FOOTSWITCH INSTALLATION - E400ANARROW - NON-UL LISTED (ALL SPEC EXCEPT AUSTRALIAN AND UL SPECS)



ART\_1001249159

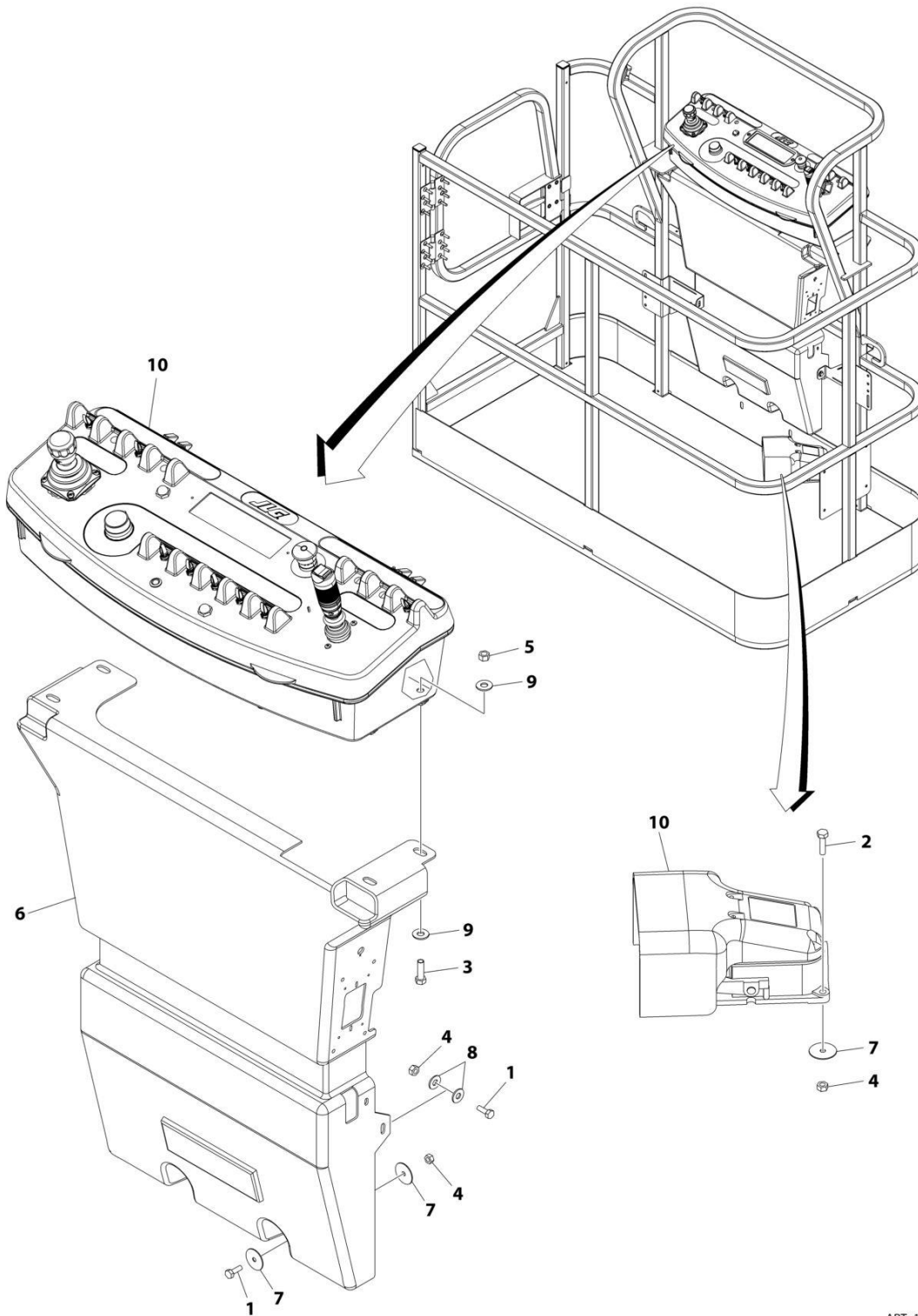
## SECTION 4 - PLATFORM

**FIGURE 4-7. PLATFORM CONSOLE AND FOOTSWITCH INSTALLATION - E400ANARROW - NON-UL LISTED (ALL SPEC EXCEPT AUSTRALIAN AND UL SPECS)**

ITEM	PART NUMBER	QTY	DESCRIPTION	REV
	1001249159	Ref	PLATFORM CONSOLE AND FOOTSWITCH INSTALLATION	A
1	0641406	4	Bolt 1/4 x 3/4	
2	0641408	3	Bolt 1/4 x 1	
3	0641610	4	Bolt 3/8 x 1	
4	3311405	7	Nut 1/4	
5	3311605	4	Nut 3/8	
6	3380434	1	Panel, Pedestal	
7	4740362	7	Washer 1/4	
8	4751400	4	Washer 1/4	
9	4751600	8	Washer 3/8	
10	1001249162	1	Platform Console Assembly (See Separate Breakdown in this Section)	

## SECTION 4 - PLATFORM

FIGURE 4-8. PLATFORM CONSOLE AND FOOTSWITCH INSTALLATION - E400ANARROW - UL LISTED (ALL SPECS EXCEPT AUSTRALIAN, CE, JAPANESE & UK CA SPECS)



ART\_1001249153\_B

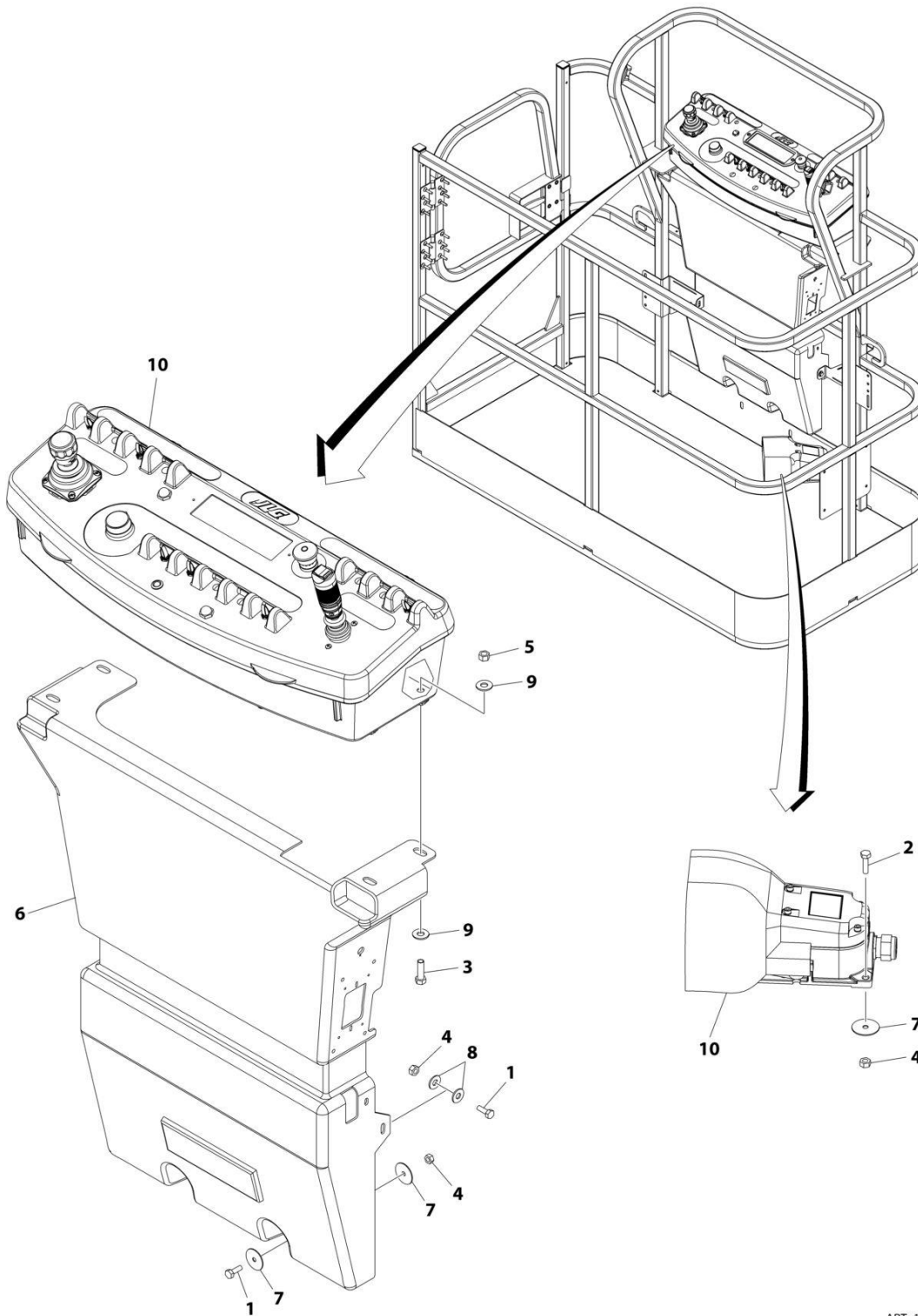
## SECTION 4 - PLATFORM

**FIGURE 4-8. PLATFORM CONSOLE AND FOOTSWITCH INSTALLATION - E400ANARROW - UL LISTED (ALL SPECS EXCEPT AUSTRALIAN, CE, JAPANESE & UK CA SPECS)**

ITEM	PART NUMBER	QTY	DESCRIPTION	REV
	1001249153	Ref	PLATFORM CONSOLE AND FOOTSWITCH INSTALLATION	B
1	0641406	4	Bolt 1/4 X 3/4	
2	0641408	3	Bolt 1/4 X 1	
3	0641610	4	Bolt 3/8 X 1-1/4	
4	3311405	7	Nut 1/4	
5	3311605	4	Nut, 3/8	
6	3380434	1	Panel, Pedestal	
7	4740362	7	Washer 1/4	
8	4751400	4	Washer 1/4	
9	4751600	8	Washer 3/8	
10	1001249419	1	Platform Console Assembly (See Separate Breakdown in this Section)	

# SECTION 4 - PLATFORM

FIGURE 4-9. PLATFORM CONSOLE AND FOOTSWITCH INSTALLATION - E400AJPNARROW - NON-UL LISTED (ALL SPECS EXCEPT UL SPECS)



ART\_1001249157\_B



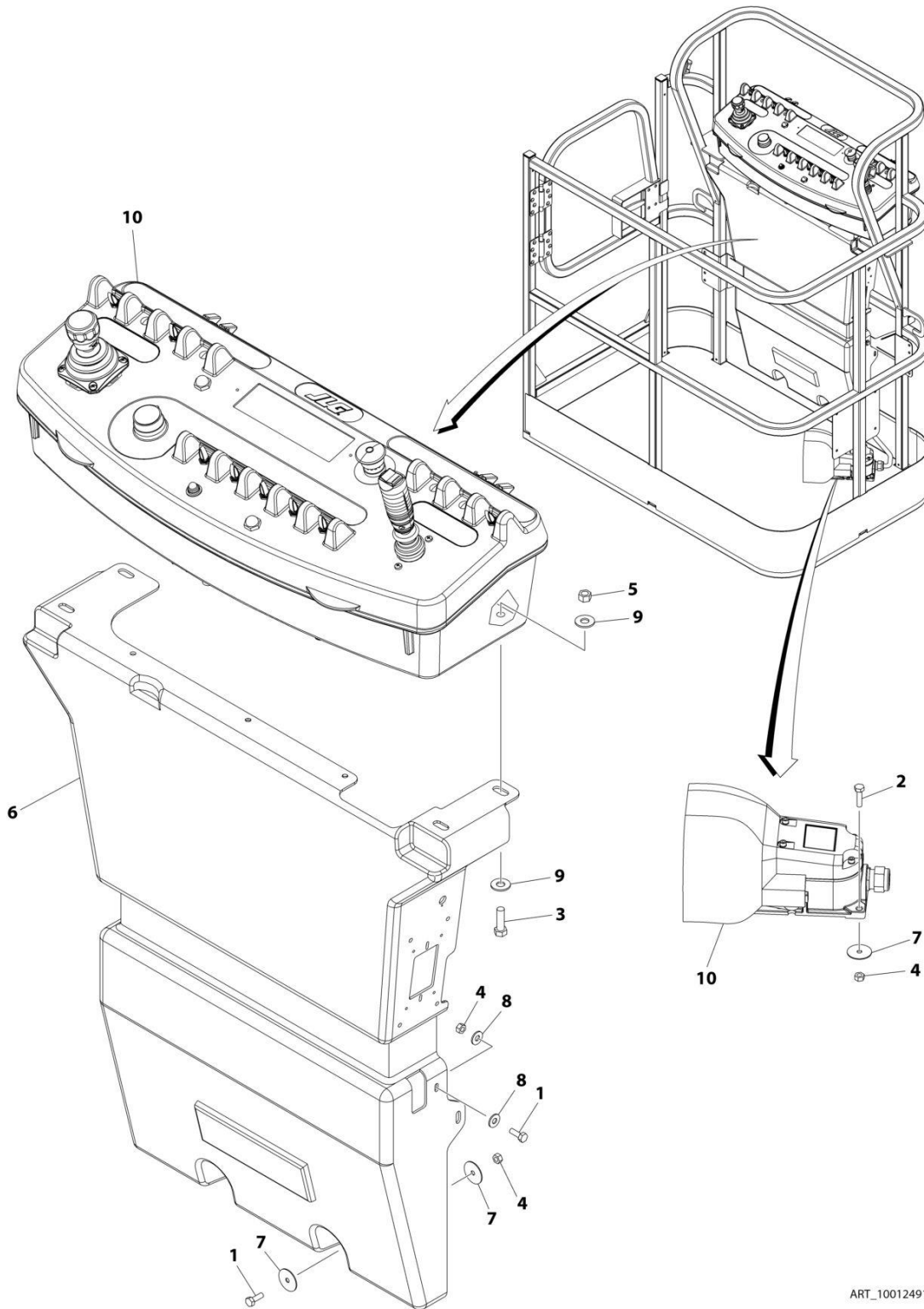
## SECTION 4 - PLATFORM

**FIGURE 4-9. PLATFORM CONSOLE AND FOOTSWITCH INSTALLATION - E400AJPNARROW - NON-UL LISTED (ALL SPECS EXCEPT UL SPECS)**

ITEM	PART NUMBER	QTY	DESCRIPTION	REV
	1001249157	Ref	PLATFORM CONSOLE AND FOOTSWITCH INSTALLATION	B
1	0641406	4	Bolt 1/4 X 3/4	
2	0641408	3	Bolt 1/4 X 1	
3	0641610	4	Bolt 3/8 X 1-1/4	
4	3311405	7	Nut 1/4	
5	3311605	4	Nut, 3/8	
6	3380434	1	Panel, Pedestal	
7	4740362	7	Washer 1/4	
8	4751400	4	Washer 1/4	
9	4751600	8	Washer 3/8	
10	1001249418	1	Platform Console Assembly (See Separate Breakdown in this Section)	

# SECTION 4 - PLATFORM

FIGURE 4-10. PLATFORM CONSOLE AND FOOTSWITCH INSTALLATION - E400AJPNARROW - UL LISTED (ALL SPECS EXCEPT AUSTRALIAN, CE, JAPANESE & UK CA SPECS)



ART\_1001249155

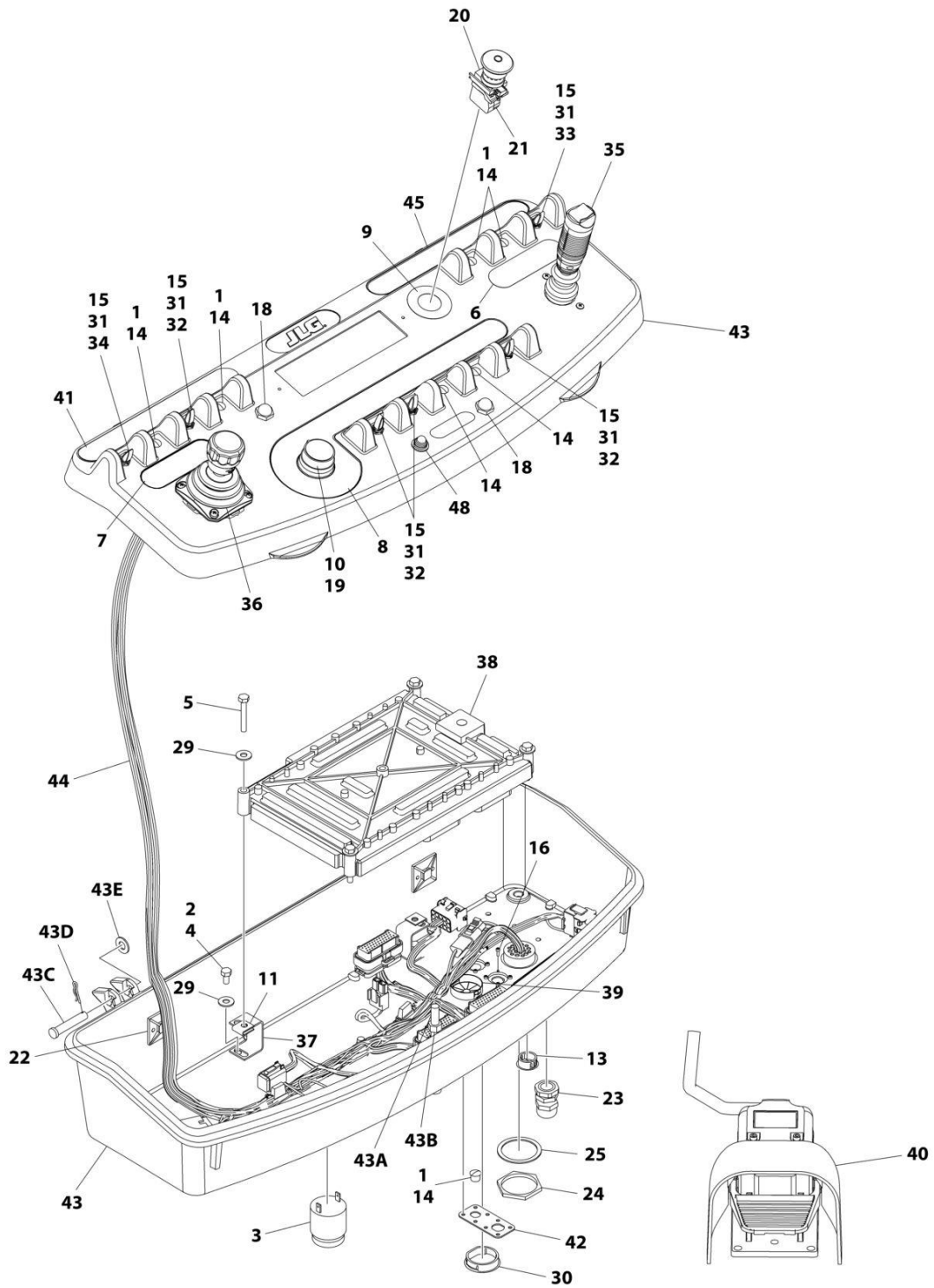
## SECTION 4 - PLATFORM

**FIGURE 4-10. PLATFORM CONSOLE AND FOOTSWITCH INSTALLATION - E400AJPNARROW - UL LISTED (ALL SPECS EXCEPT AUSTRALIAN, CE, JAPANESE & UK CA SPECS)**

ITEM	PART NUMBER	QTY	DESCRIPTION	REV
	1001249155	Ref	PLATFORM CONSOLE AND FOOTSWITCH INSTALLATION	B
1	0641406	4	Bolt 1/4 X 3/4	
2	0641408	3	Bolt 1/4 X 1	
3	0641610	4	Bolt 3/8 X 1-1/4	
4	3311405	7	Nut 1/4	
5	3311605	4	Nut 3/8	
6	3380434	1	Panel, Pedestal	
7	4740362	7	Washer 1/4	
8	4751400	4	Washer 1/4	
9	4751600	8	Washer 3/8	
10	1001249154	1	Platform Console Assembly (See Separate Breakdown in this Section)	

# SECTION 4 - PLATFORM

FIGURE 4-11. PLATFORM CONSOLE ASSEMBLY - E400ANARROW - NON-UL LISTED (ALL SPECS EXCEPT AUSTRALIAN AND UL SPECS)



ART\_1001249162\_D

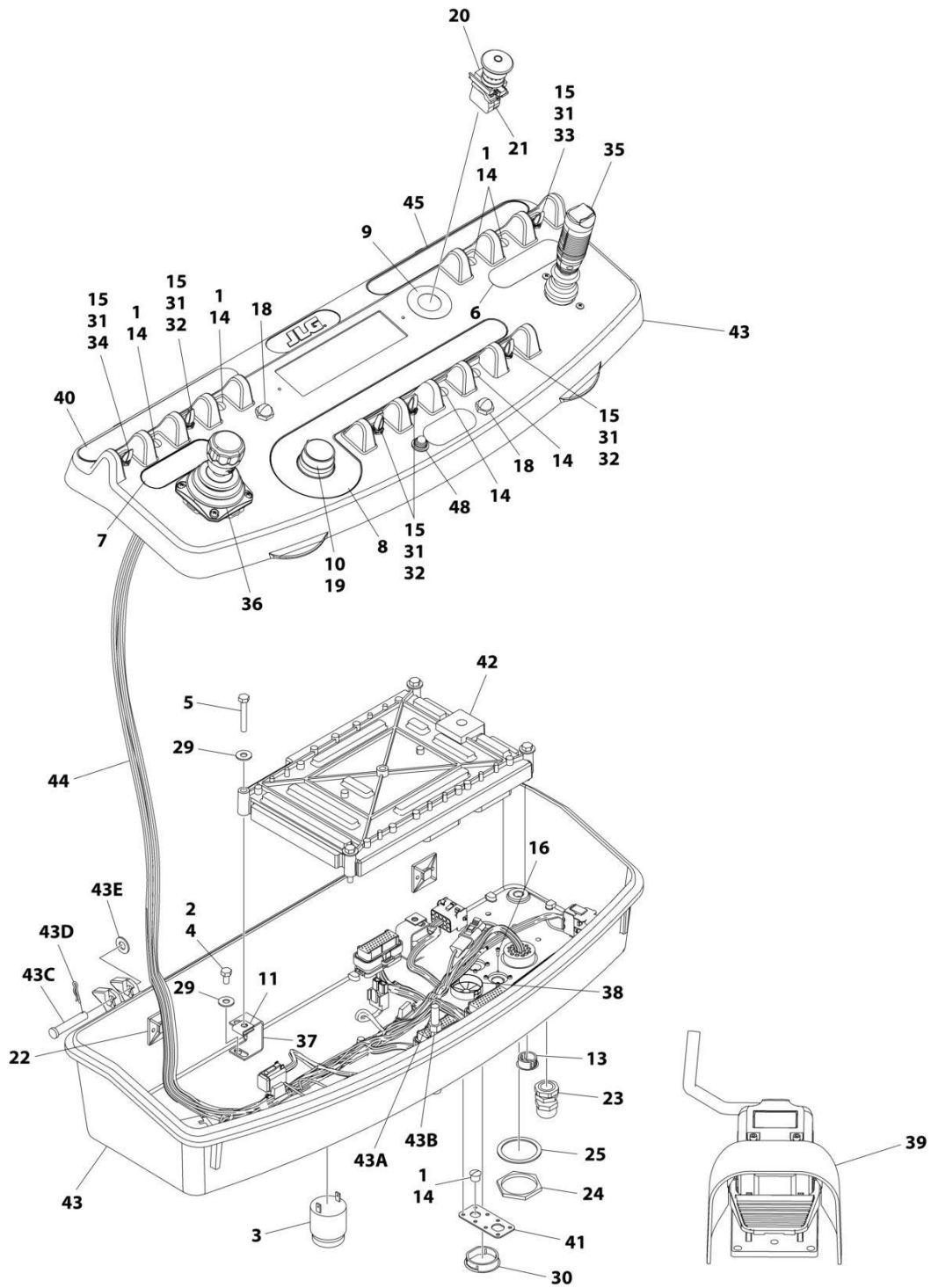
## SECTION 4 - PLATFORM

**FIGURE 4-11. PLATFORM CONSOLE ASSEMBLY - E400ANARROW - NON-UL LISTED (ALL SPECS EXCEPT AUSTRALIAN AND UL SPECS)**

ITEM	PART NUMBER	QTY	DESCRIPTION	REV
	1001249162	Ref	PLATFORM CONSOLE ASSEMBLY	D
1	0100009	AR	Sealant	
2	0100035	AR	Compound, Locking	
3	0140011	1	Alarm	
4	0641405	1	Bolt 1/4 x 5/8	
5	0641414	4	Bolt 1/4 x 1-3/4	
6	1702565	1	Decal - Drive and Steer	
7	1702566	1	Decal - Lift and Swing	
8	1702567	1	Decal - Function Speed	
9	1704260	1	Decal - EMS	
10	2560136	1	Handle, Knob	
11	3300353	4	Nut, Tinnerman	
13	3520030	1	Plug, Hole	
14	3520054	7	Plug, Hole	
15	3790012	6	O-Ring	
16	3900349	8	Screw M2.5	
17	4240099	AR	Tie-Strap (Not Shown)	
18	4360387	2	Switch, Push Button	
19	4360407	1	Switch, Potentiometer	
20	1001274559	1	Switch, Emergency Stop	
21	4360476	1	Block, Contact	
22	4460234	6	Mount, Tie-Strap (Not Shown)	
23	4460428	1	Connector, Strain Relief	
24	4460470	1	Nut, Terminal	
25	4460471	1	Washer, Lock Terminal	
29	4751400	8	Washer 1/4	
30	1001110434	1	Plug, D-Shaped	
31	1001155044	6	Nut 15/32	
32	1001155045	4	Switch, Toggle	
33	1001159256	1	Switch, Toggle	
34	1001161710	1	Switch, Toggle	
35	1001275628	1	Controller Assembly - Drive and Steer	
36	1001275629	1	Controller Assembly - Lift and Swing	
37	1001172760	4	Bracket, Module	
38	1001182724	1	Module, PC (Note: Re-calibration Required when Replaced)	
39	1001185281	1	Plug, Bushing	
40	1001117174	1	Footswitch Assembly (See Separate Breakdown in this Section)	
41	1001193987	1	Decal - Horn and Drive Select	
42	1001213882	1	Mount, Connector	
43	1001215228	1	Console Box Assembly	
43A	0630568	1	Capscrew 3/8 x 4-1/2	
43B	3311601	1	Nut 3/8	
43C	3430616	2	Pin, Clevis	
43D	3470003	2	Pin, Cotter	
43E	4711600	2	Washer 3/8	
44	1001272279	1	Platform Console Box Harness (See Separate Breakdown in ELECTRICAL Section)	
45	1001247538	1	Decal - Stop - Generator	
48	1001206532	1	Light, Indicator	

# SECTION 4 - PLATFORM

**FIGURE 4-12. PLATFORM CONSOLE ASSEMBLY - E400ANARROW/E400AJPNARROW - UL LISTED  
(ALL SPECS EXCEPT AUSTRALIAN, CE, JAPANESE & UK CA SPECS)**



ART\_1001249154\_E

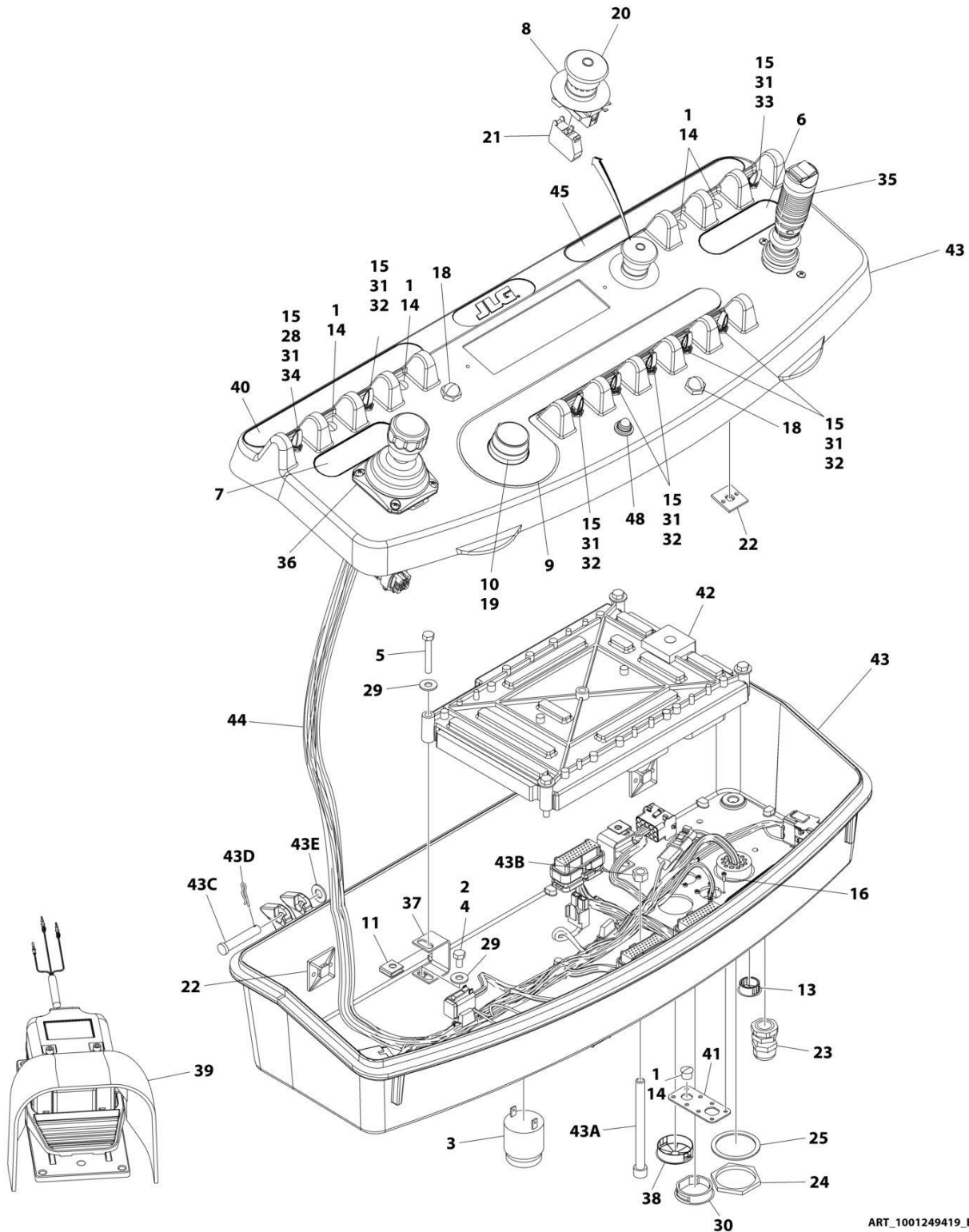
## SECTION 4 - PLATFORM

**FIGURE 4-12. PLATFORM CONSOLE ASSEMBLY - E400ANARROW/E400AJPNARROW - UL LISTED  
(ALL SPECS EXCEPT AUSTRALIAN, CE, JAPANESE & UK CA SPECS)**

ITEM	PART NUMBER	QTY	DESCRIPTION	REV
	1001249154	Ref	PLATFORM CONSOLE ASSEMBLY	E
1	0100009	AR	Sealant	
2	0100035	AR	Compound, Locking	
3	0140011	1	Alarm	
4	0641405	4	Bolt 1/4 x 5/8	
5	0641414	4	Bolt 1/4 x 1-3/4	
6	1702565	1	Decal - Drive and Steer	
7	1702566	1	Decal - Lift and Swing	
8	1702567	1	Decal - Function Speed	
9	1704260	1	Decal - EMS	
10	2560136	1	Handle, Knob	
11	3300353	4	Nut	
13	3520030	1	Plug, Hole	
14	3520054	5	Plug, Hole	
15	3790012	8	O-Ring	
16	3900349	8	Screw M2.5	
17	4240099	AR	Tie-Strap (Not Shown)	
18	4360387	2	Switch, Push Button	
19	4360407	1	Switch, Potentiometer	
20	1001274559	1	Switch, Emergency Stop	
21	4360476	1	Block, Contact	
22	4460234	6	Mount, Tie-Strap (Not Shown)	
23	4460428	1	Connector, Strain Relief	
24	4460470	1	Nut	
25	4460471	1	Washer, Lock Terminal	
29	4751400	8	Washer 1/4	
30	1001110434	1	Plug, D-Shaped	
31	1001155044	8	Nut 15/32	
32	1001155045	6	Switch, Toggle	
33	1001159256	1	Switch, Toggle	
34	1001161710	1	Switch, Toggle	
35	1001275628	1	Controller Assembly - Drive and Steer	
36	1001275629	1	Controller Assembly - Lift and Swing	
37	1001172760	4	Bracket, Module	
38	1001185281	1	Plug, Bushing	
39	1001117174	1	Footswitch Assembly (See Separate Breakdown in this Section)	
40	1001193987	1	Decal - Horn and Drive Select	
41	1001213882	1	Mount, Connector	
42	1001215835	1	Module, PC (Note: Re-calibration Required when Replaced)	
43	1001215228	1	Console Box Assembly	
43A	0630568	1	Capscrew 3/8 x 4-1/2	
43B	3311601	1	Nut 3/8	
43C	3430616	2	Pin, Clevis	
43D	3470003	2	Pin, Cotter	
43E	4711600	2	Washer 3/8	
44	1001272279	1	Harness, Platform Console Box (With 1 Cell LSS) (See Separate Breakdown in ELECTRICAL Section)	
45	1001247538	1	Decal - Stop - Generator	
48	1001206532	1	Light, Indicator	

# SECTION 4 - PLATFORM

FIGURE 4-13. PLATFORM CONSOLE ASSEMBLY - E400ANARROW/E400AJPNARROW - UL LISTED  
(ALL SPECS EXCEPT AUSTRALIAN, CE, JAPANESE & UK CA SPECS)



ART\_1001249419\_E



## SECTION 4 - PLATFORM

**FIGURE 4-13. PLATFORM CONSOLE ASSEMBLY - E400ANARROW/E400AJPNARROW - UL LISTED  
(ALL SPECS EXCEPT AUSTRALIAN, CE, JAPANESE & UK CA SPECS)**

ITEM	PART NUMBER	QTY	DESCRIPTION	REV
	1001249419	Ref	PLATFORM CONSOLE ASSEMBLY	E
1	0100009	AR	Sealant	
2	0100035	AR	Compound, Locking	
3	0140011	1	Alarm	
4	0641405	1	Bolt 1/4 x 5/8	
5	0641414	4	Bolt 1/4 x 1-3/4	
6	1702565	1	Decal - Drive and Steer	
7	1702566	1	Decal - Lift and Swing	
8	1704260	1	Decal - Emergency Stop	
9	1704422	1	Decal - Function Speed	
10	2560136	1	Handle, Knob	
11	3300353	4	Nut, Tinnerman	
13	3520030	1	Plug, Hole	
14	3520054	5	Plug, Hole	
15	3790012	8	O-Ring	
16	3900349	8	Capscrew M2.5	
17	4240099	AR	Tie-Strap (Not Shown)	
18	4360387	2	Switch, Push Button	
19	4360407	1	Switch, Potentiometer	
19	70003784	1	Seal, O-Ring	
19	4460224	1	Plug, Male - 6 Position	
19	4460267	6	Pin, Male	
20	1001274559	1	Switch, Emergency Stop	
21	4360476	1	Block, Contact	
22	4460234	6	Base, Mounting	
23	4460428	1	Connector, Strain Relief	
24	4460470	1	Nut	
25	4460471	1	Washer	
29	4751400	8	Washer 1/4	
30	1001110434	1	Plug	
31	1001155044	8	Nut 15/32	
32	1001155045	6	Switch, Toggle	
33	1001159256	1	Switch, Toggle	
34	1001161710	1	Switch, Toggle	
35	1001275628	1	Controller Assembly - Drive and Steer	
36	1001275629	1	Controller Assembly - Lift and Swing	
37	1001172760	4	Bracket, Module	
38	1001185281	1	Plug	
39	1001117174	1	Footswitch Assembly (See Separate Breakdown in this Section)	
40	1001193987	1	Decal - Horn	
41	1001213882	1	Mount	
42	1001215835	1	Module, Platform (Note: Recalibration Required when Replaced.)	
43	1001215228	1	Box, Console	C
43A	0630568	1	Capscrew 3/8 x 4-1/2	
43B	3311601	1	Nut 3/8	
43C	3430616	2	Pin	
43D	3470003	2	Hair Pin	
43E	4711600	2	Washer 3/8	
44	1001272279	1	Platform Console Harness (See Separate Breakdown in	

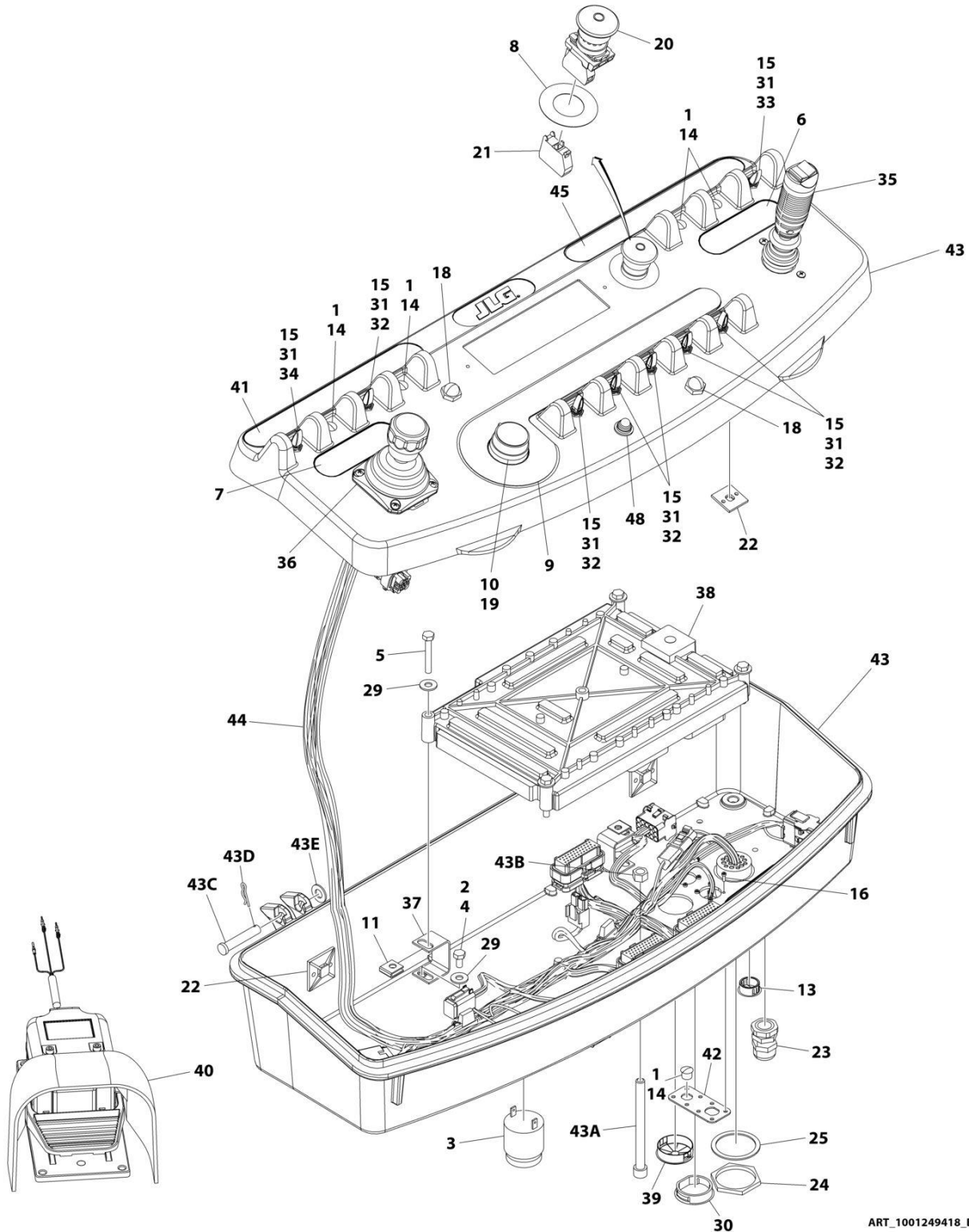
## SECTION 4 - PLATFORM

ITEM	PART NUMBER	QTY	DESCRIPTION	REV
45	1001247538	1	ELECTRICAL Section) Decal - Stop/Generator	
48	1001206532	1	Light, Indicator	



# SECTION 4 - PLATFORM

FIGURE 4-14. PLATFORM CONSOLE ASSEMBLY - E400AJPNARROW - NON-UL LISTED (ALL SPECS EXCEPT UL SPECS)



## SECTION 4 - PLATFORM

**FIGURE 4-14. PLATFORM CONSOLE ASSEMBLY - E400AJPNARROW - NON-UL LISTED (ALL SPECS EXCEPT UL SPECS)**

ITEM	PART NUMBER	QTY	DESCRIPTION	REV
	1001249418	Ref	PLATFORM CONSOLE ASSEMBLY	D
1	0100009	AR	Sealant	
2	0100035	AR	Compound, Locking	
3	0140011	1	Alarm	
4	0641405	4	Bolt 1/4 x 5/8	
5	0641414	4	Bolt 1/4 x 1-3/4	
6	1702565	1	Decal - Drive and Steer	
7	1702566	1	Decal - Lift and Swing	
8	1704260	1	Decal - Emergency Stop	
9	1704422	1	Decal - Function Speed	
10	2560136	1	Handle, Knob	
11	3300353	4	Nut, Tinnerman	
13	3520030	1	Plug, Hole	
14	3520054	5	Plug, Hole	
15	3790012	8	O-Ring	
16	3900349	8	Capscrew M2.5	
17	4240099	AR	Tie-Strap (Not Shown)	
18	4360387	2	Switch, Push Button	
19	4360407	1	Switch, Potentiometer	
19	70003784	1	Seal, O-Ring	
19	4460224	1	Plug, Male - 6 Position	
19	4460267	6	Pin, Male	
20	1001274559	1	Switch, Emergency Stop	
21	4360476	1	Block, Contact	
22	4460234	6	Base, Mounting	
23	4460428	1	Connector, Strain Relief	
24	4460470	1	Nut	
25	4460471	1	Washer	
29	4751400	8	Washer 1/4	
30	1001110434	1	Plug	
31	1001155044	8	Nut 15/32	
32	1001155045	6	Switch, Toggle	
33	1001159256	1	Switch, Toggle	
34	1001161710	1	Switch, Toggle	
35	1001275628	1	Controller Assembly - Drive and Steer	
36	1001275629	1	Controller Assembly - Lift and Swing	
37	1001172760	4	Bracket, Module	
38	1001182724	1	Module, Platform (Note: Recalibration Required when Replaced)	
39	1001185281	1	Plug	
40	1001117174	1	Footswitch Assembly (See Separate Breakdown in this Section)	
41	1001193987	1	Decal - Horn	
42	1001213882	1	Mount	
43	1001215228	1	Box, Console	C
43A	0630568	1	Capscrew 3/8 x 4-1/2	
43B	3311601	1	Nut 3/8	
43C	3430616	2	Pin	
43D	3470003	2	Hair Pin	
43E	4711600	2	Washer 3/8	
44	1001272279	1	Platform Console Harness (See Separate Breakdown in	

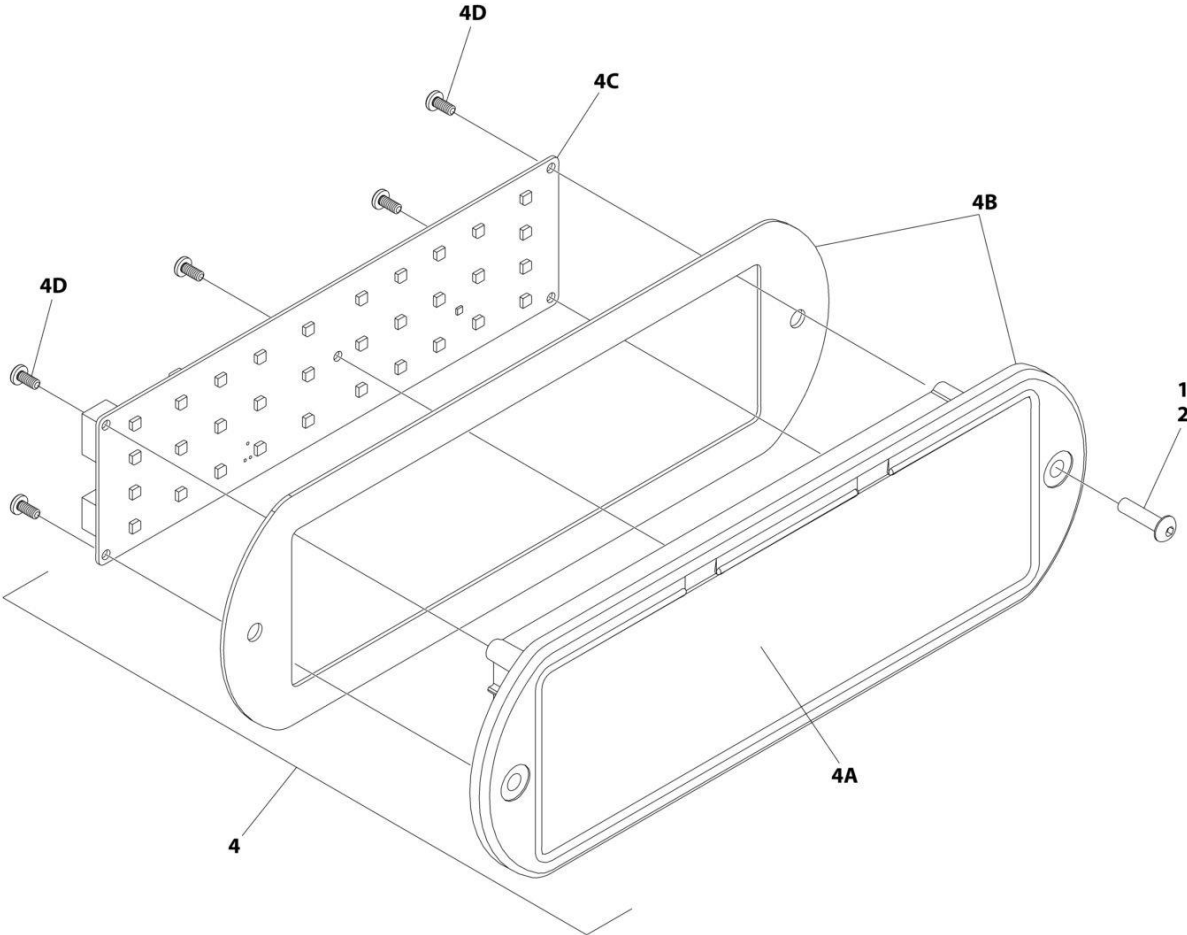
## SECTION 4 - PLATFORM

ITEM	PART NUMBER	QTY	DESCRIPTION	REV
45	1001247538	1	ELECTRICAL Section) Decal - Stop/Generator	
48	1001206532	1	Light, Indicator	



**SECTION 4 - PLATFORM**

**FIGURE 4-15. LIGHT PANEL INSTALLATION**



ART\_1001245179



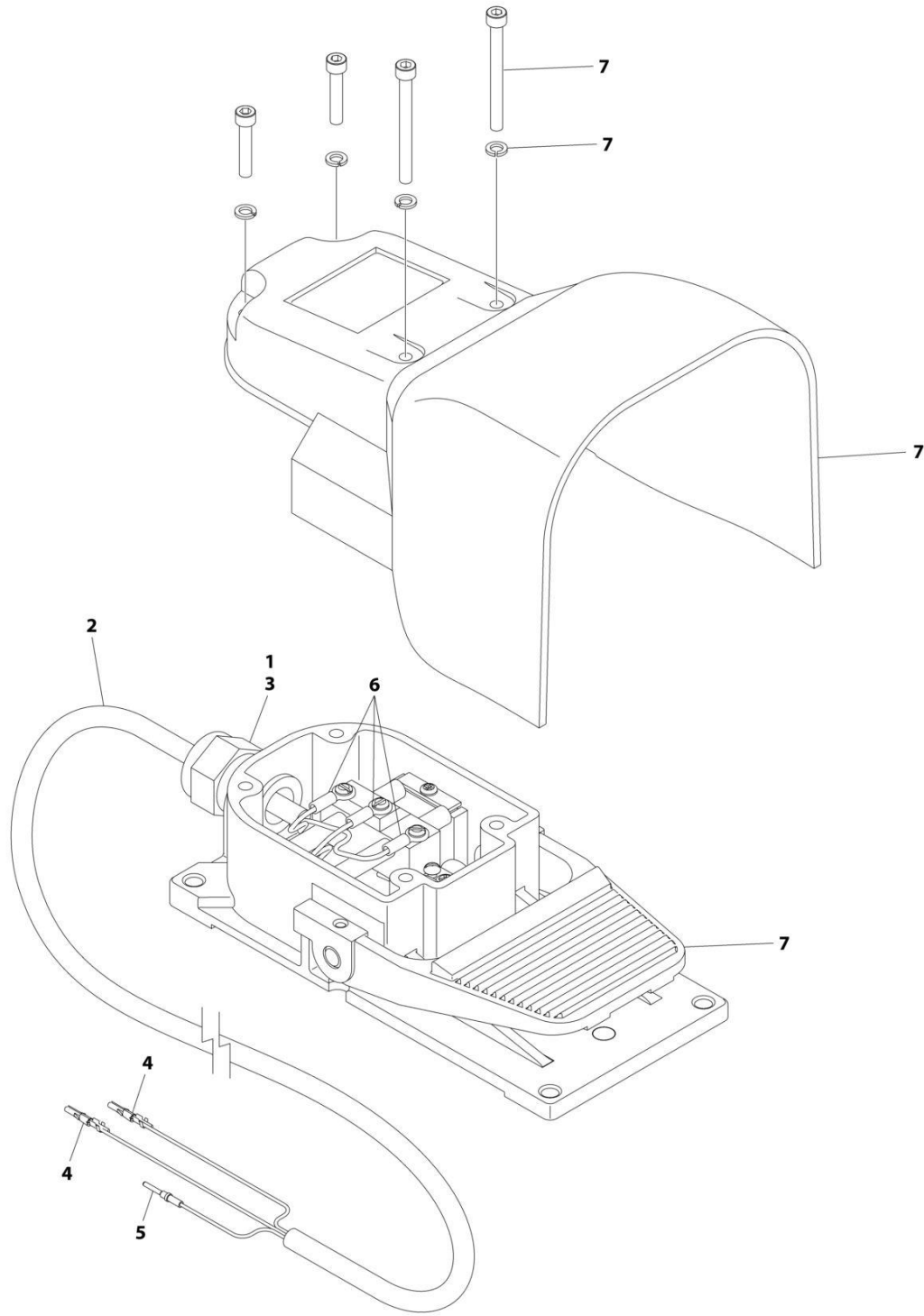
## SECTION 4 - PLATFORM

### FIGURE 4-15. LIGHT PANEL INSTALLATION

ITEM	PART NUMBER	QTY	DESCRIPTION	REV
	1001245179	Ref	LIGHT PANEL INSTALLATION	B
1	0100035	AR	Compound, Locking	
2	3911010	2	Screw #10 x 5/8	
4	1001245210	1	Light Panel Assembly	
4A	1001245164	1	Lens, I-Con	
4B	1001245173	1	Bezel (Includes Gasket)	
4C	1001238732	1	Panel, LED Light	
4D		Ref	Screw	

# SECTION 4 - PLATFORM

## FIGURE 4-16. FOOTSWITCH ASSEMBLY



ART\_1001117174

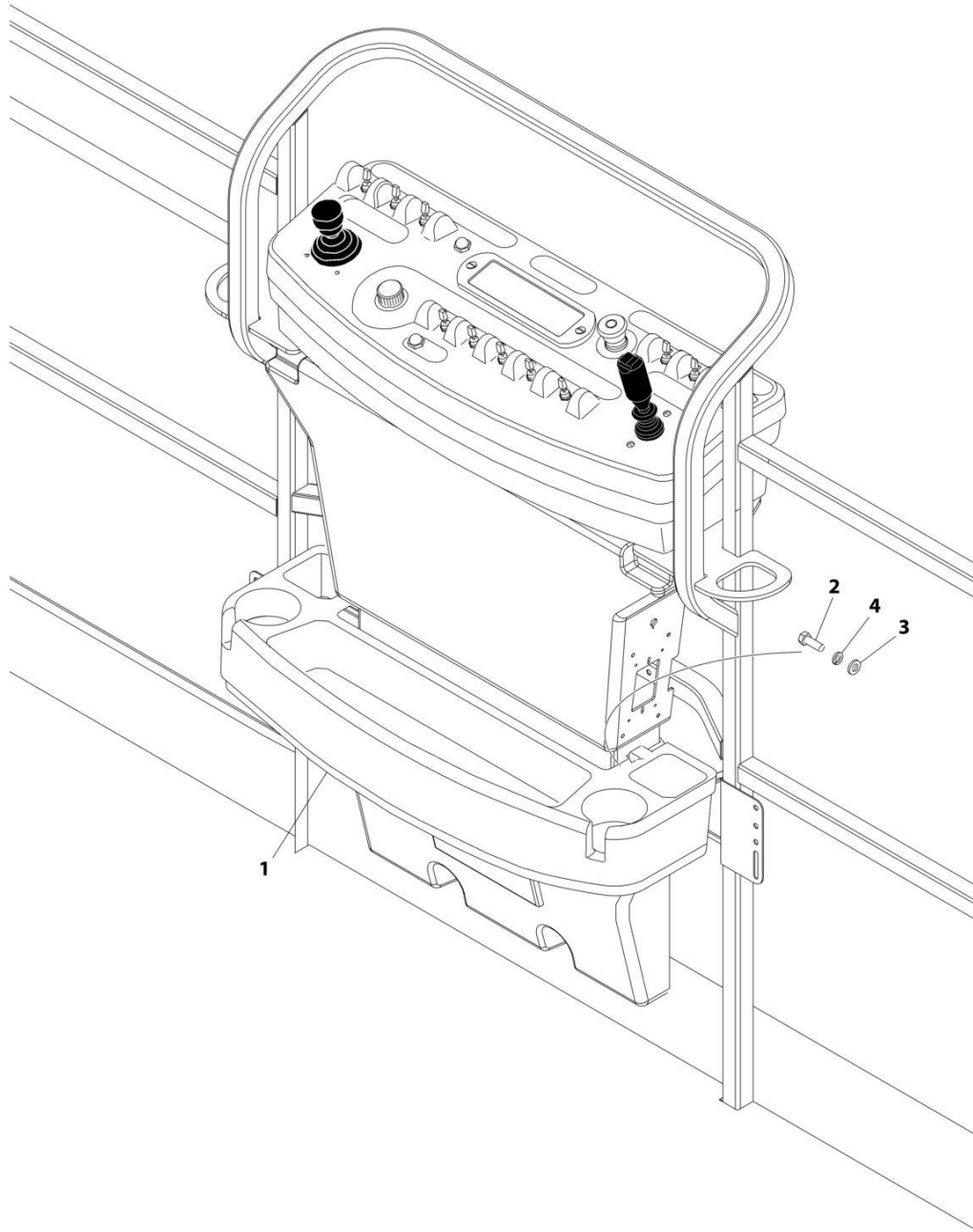
## SECTION 4 - PLATFORM

**FIGURE 4-16. FOOTSWITCH ASSEMBLY**

ITEM	PART NUMBER	QTY	DESCRIPTION	REV
	1001117174	Ref	FOOTSWITCH ASSEMBLY	C
1	0100020	AR	Sealant	
2	1060918	7.5 ft/ 2.3m	Cable, Electrical - 18/3	
3	4460071	1	Connector, Strain Relief	
4	4460226	2	Socket, Female	
5	4460464	1	Pin, Male	
6	1001098122	3	Terminal	
7	1001117172	1	Footswitch	
7	70002902	1	Switch, 20Amp	
7	70002903	1	Gasket	
7	70002905	1	Cover	
7	70002904	1	Kit, Replacement Bolt	

# SECTION 4 - PLATFORM

## FIGURE 4-17. TRAY ASSEMBLY



ART\_1580012

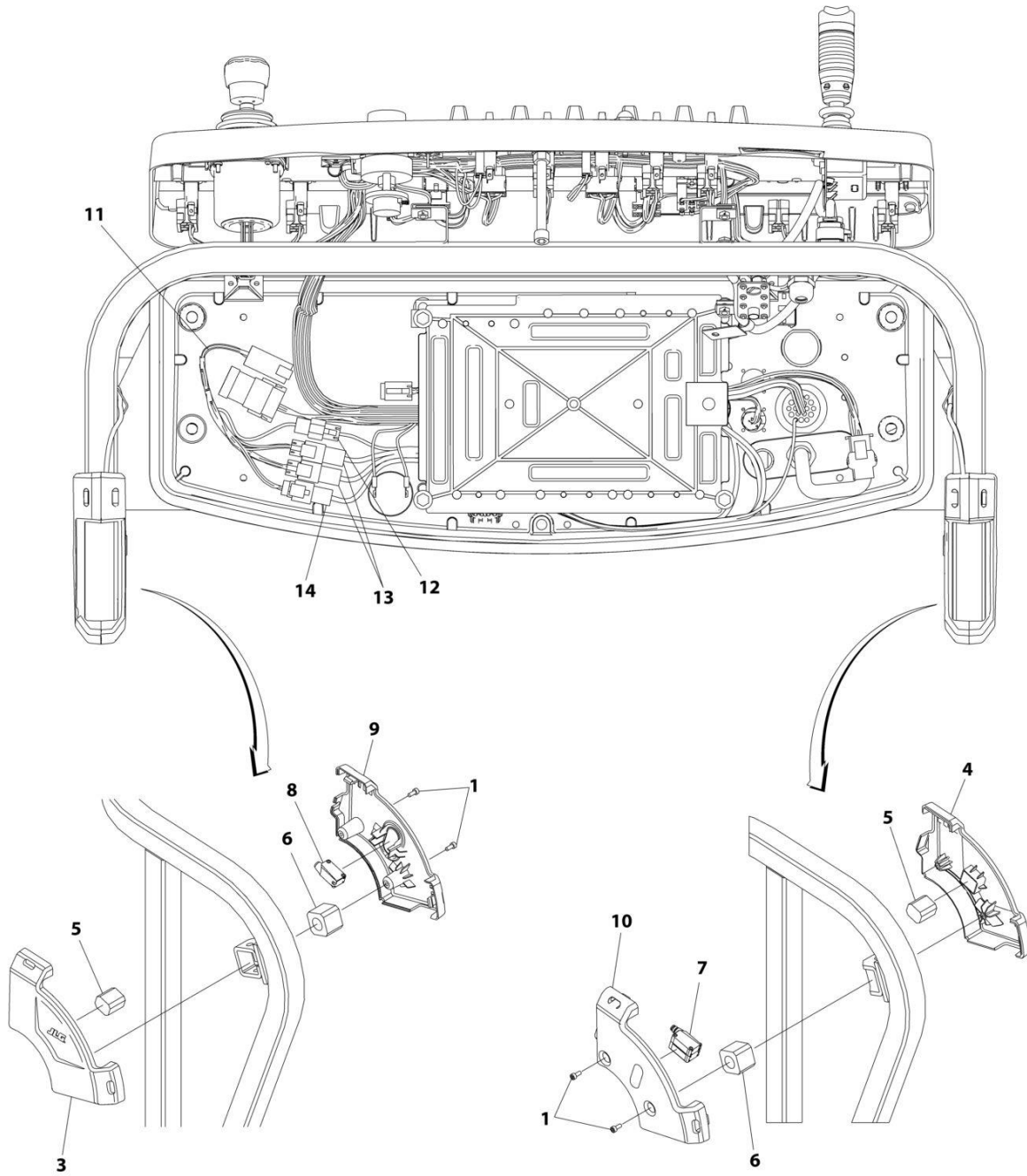
## SECTION 4 - PLATFORM

### FIGURE 4-17. TRAY ASSEMBLY

ITEM	PART NUMBER	QTY	DESCRIPTION	REV
	1580012	Ref	TRAY ASSEMBLY	C
1	See Note	NSS	Tray, Storage (Center) (Note: Purchase p/n 1580012)	
2	0641406	2	Bolt 1/4 x 3/4	
3	4751400	2	Washer 1/4	
4	4761400	2	Washer 1/4	

# SECTION 4 - PLATFORM

## FIGURE 4-18. SKYEYE INSTALLATION



ART\_1001229341

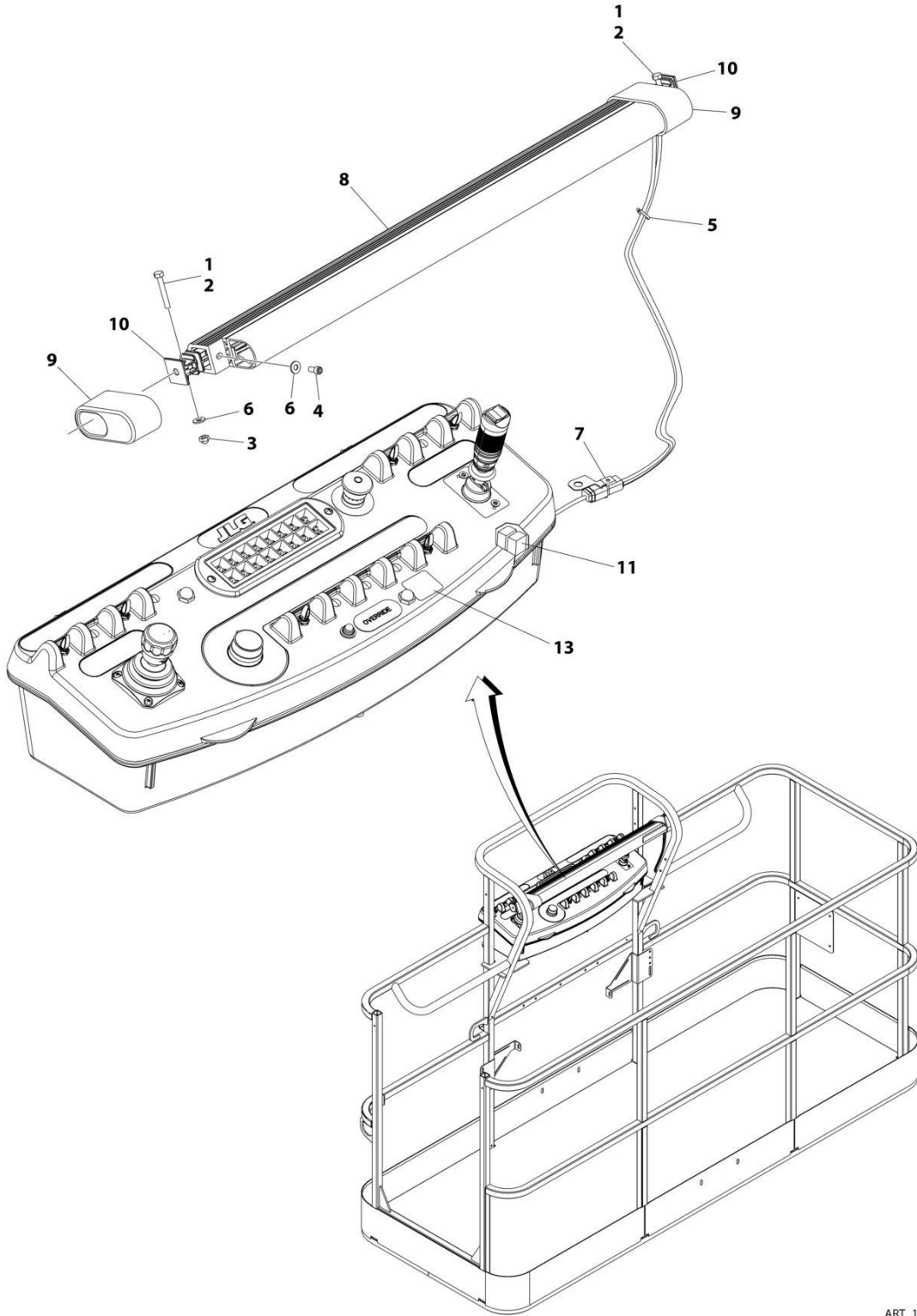
## SECTION 4 - PLATFORM

**FIGURE 4-18. SKYEYE INSTALLATION**

ITEM	PART NUMBER	QTY	DESCRIPTION	REV
	1001229341	Ref	SKYEYE INSTALLATION	B
1	4031505	4	Bolt M4 x 10	
2	4240033	AR	Tie-Strap (Not Shown)	
3	1001227633	1	Housing, LH Outer	
4	1001227634	1	Housing, RH Outer	
5	1001227985	2	Shim	
6	1001227987	2	Shim	
7	1001228224	2	Sensor, Receiver	
8	1001228225	1	Sensor, Emitter	
9	1001232164	1	Housing, LH Inner	
10	1001232165	1	Housing, RH Inner	
11	1001237865	1	Harness, Skyeeye Intermediate (See Separate Breakdown in ELECTRICAL Section)	
12	1001238319	NLA	Harness, Skyeeye Drain Jumper	
12	1001187674	1	Plug, Male - 2 Position	
12	4460942	1	Terminal	
12	4460466	1	Plug, Terminal	
12	4460508	1	Pin, Male	
13	1001237863	2	Harness, Skyeeye Receiver (See Separate Breakdown in ELECTRICAL Section)	
14	1001237864	1	Harness, Skyeeye Emitter (See Separate Breakdown in ELECTRICAL Section)	

# SECTION 4 - PLATFORM

## FIGURE 4-19. SKYGUARD BAR INSTALLATION



ART\_1001238495



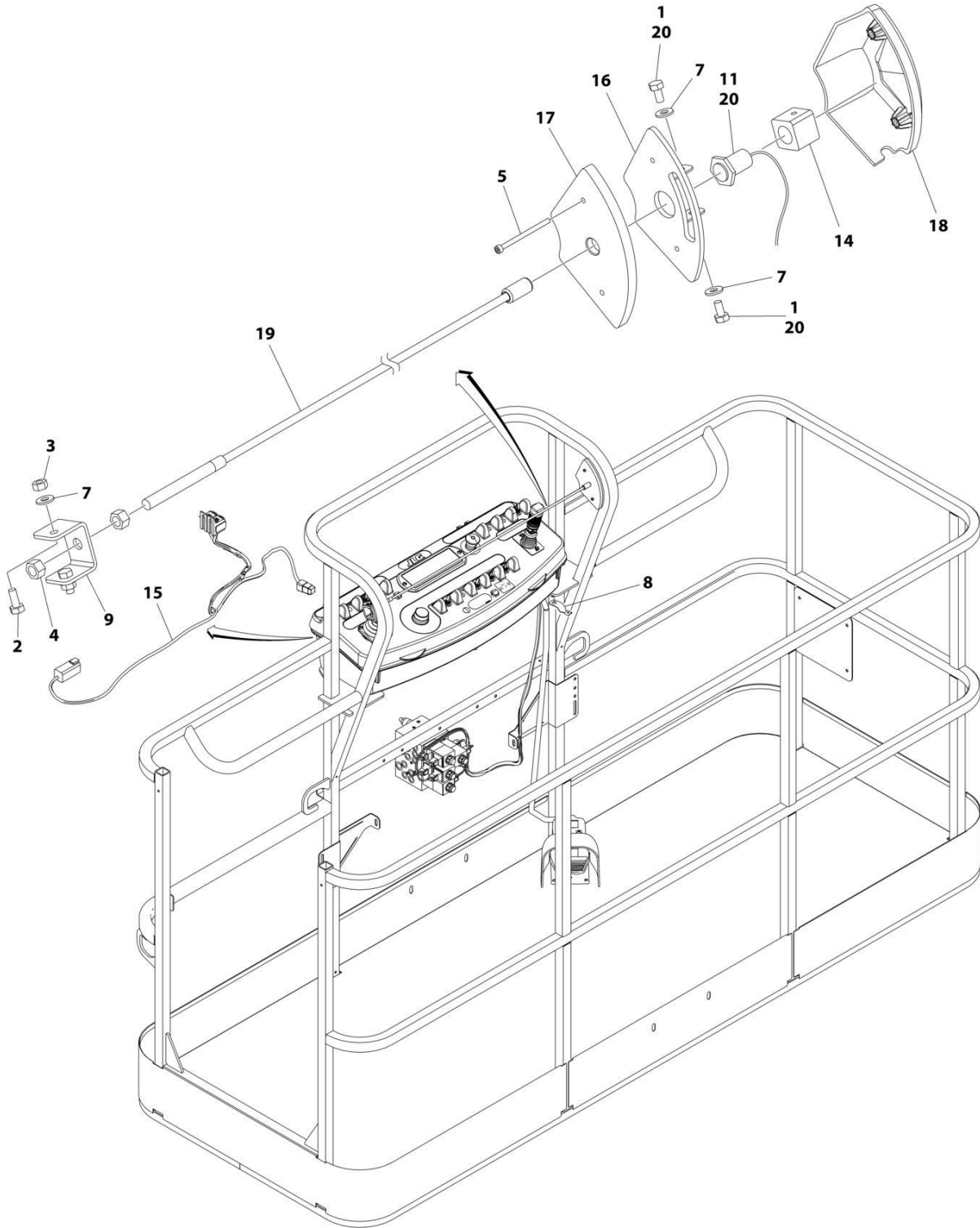
## SECTION 4 - PLATFORM

**FIGURE 4-19. SKYGUARD BAR INSTALLATION**

ITEM	PART NUMBER	QTY	DESCRIPTION	REV
	1001238495	Ref	SKYGUARD BAR INSTALLATION	A
1	0100011	AR	Compound, Locking	
2	0641414	2	Bolt 1/4 x 1-3/4	
3	3300430	2	Nut 1/4	
4	3931408	2	Capscrew 1/4 x 1/2	
5	4240033	8	Tie-Strap	
6	4711400	6	Washer 1/4	
7	1001120328	1	Mount	
8	1001137673	1	SkyGuard Switch Assembly	
9	1001186517	2	Cover, Platform Sensor	
10	1001209664	2	Support, Block	
11	1001186431	2	Relay	
12	1001225580	1	Interface Harness Assembly (Not Shown - Located Inside Console Box) (See Separate Breakdown in ELECTRICAL Section)	
13	1001144433	1	Decal - No Weight SkyGuard	

# SECTION 4 - PLATFORM

## FIGURE 4-20. SKYLINE INSTALLATION



ART\_1001238559\_D

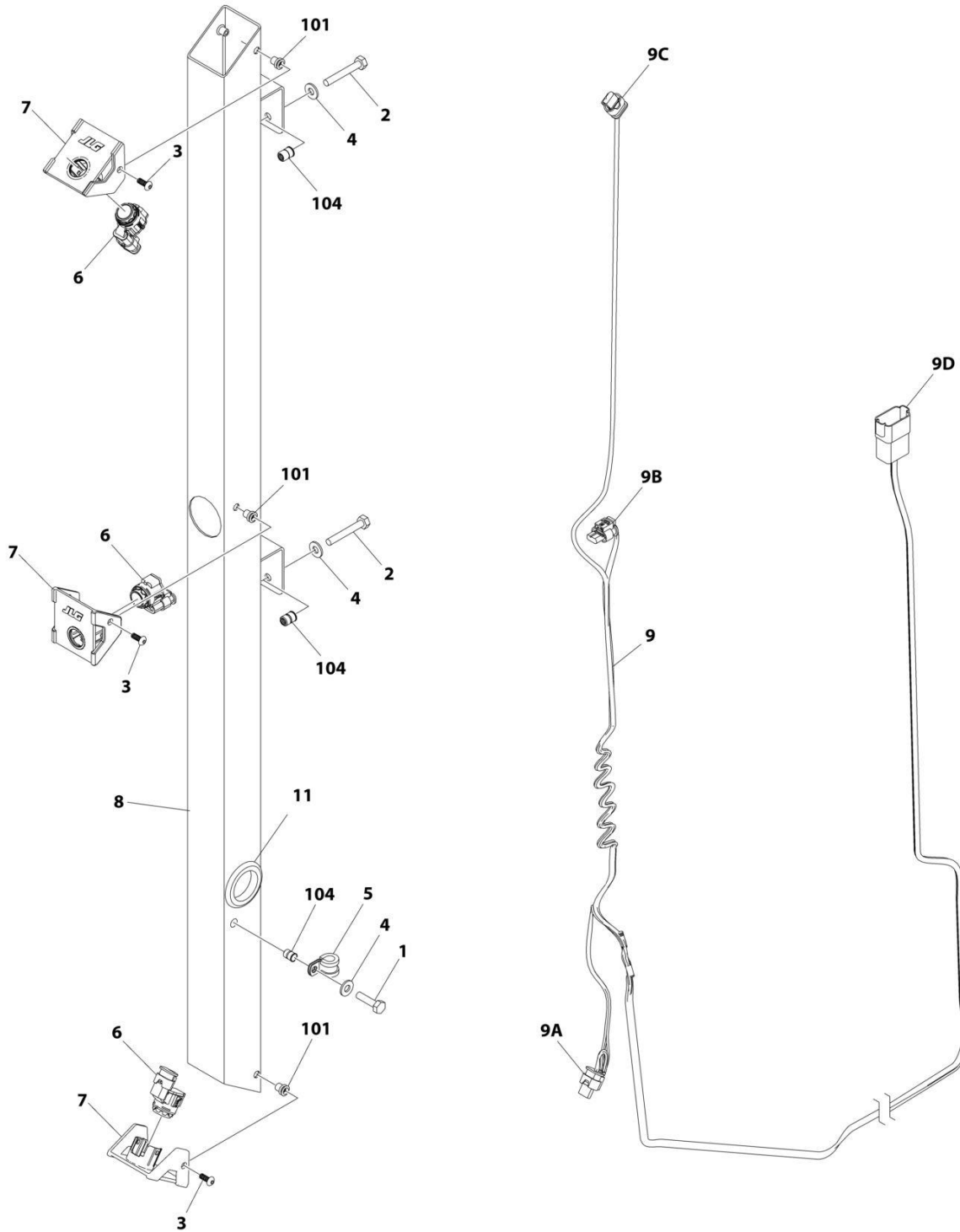
## SECTION 4 - PLATFORM

**FIGURE 4-20. SKYLINE INSTALLATION**

ITEM	PART NUMBER	QTY	DESCRIPTION	REV
	1001238559	Ref	SKYLINE INSTALLATION	D
1	0641404	2	Bolt 1/4 x 1/2	
2	0641405	2	Bolt 1/4 x 5/8	
3	3311405	2	Nut 1/4	
4	3311601	2	Nut 3/8	
5	4031516	2	Capscrew M4 x 60	
6	4240033	AR	Tie-Strap (Not Shown)	
7	4711400	4	Washer 1/4	
8	1001120328	1	Mount	
9	1001232642	1	Bracket	
11	1001232667	1	Sensor, Proximity	
14	1001236552	1	Block	
15	1001238418	1	Harness, Skyline (See Separate Breakdown in ELECTRICAL Section)	
16	1001238472	1	Mount	
17	1001254473	1	Housing, LH	
18	1001241965	1	Housing, RH	
19	1001254472	1	Rod	
20	0100011	AR	Compound, Locking	

# SECTION 4 - PLATFORM

## FIGURE 4-21. SKYSENSE MID TUBE SENSOR ASSEMBLY



ART\_1001243205

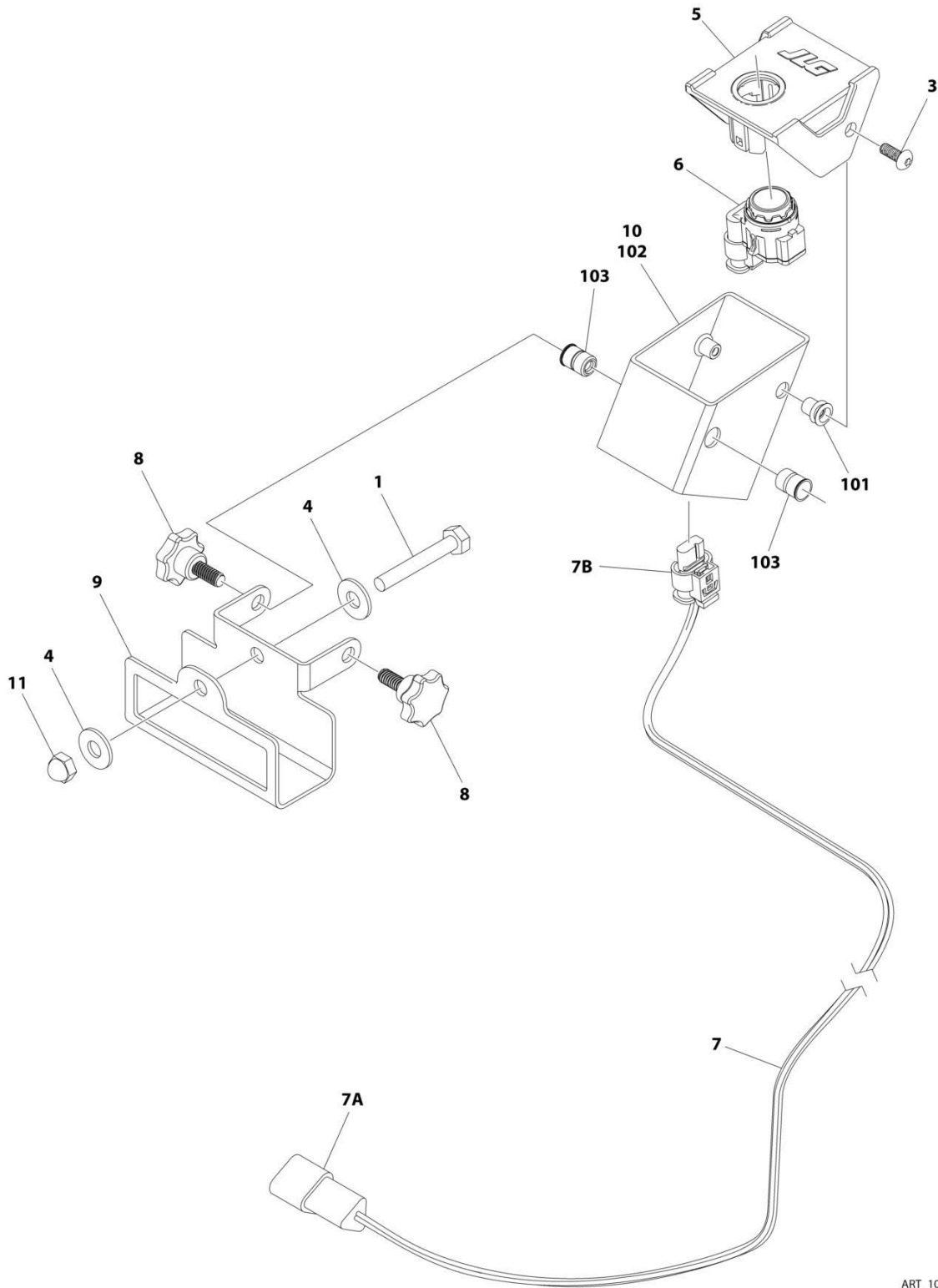
## SECTION 4 - PLATFORM

**FIGURE 4-21. SKYSENSE MID TUBE SENSOR ASSEMBLY**

ITEM	PART NUMBER	QTY	DESCRIPTION	REV
	1001243205	Ref	SKYSENSE MID TUBE SENSOR ASSEMBLY	C
1	0641408	1	Bolt 1/4 x 1	
2	0641414	2	Bolt 1/4 x 1-3/4	
3	1001260525	6	Screw #10 x 1/2	
4	4711400	3	Washer 1/4	
5	1001260524	1	Clamp	
6	1001237902	3	Sensor, SkySense	
7	1001241162	3	Mount, Sensor	
8	1001243092	1	Tube Assembly (Includes items 101 through 104)	C
9	1001244336	1	Harness, SkySense Mid Tube	D
9A	1001237898	1	Connector	
9A	1001237888	3	Terminal	
9B	1001237898	1	Connector	
9B	1001237888	3	Terminal	
9C	1001237898	1	Connector	
9C	1001237888	3	Terminal	
9D	4460931	1	Connector	
9D	4460943	7	Pin	
9D	4460466	1	Plug	
10	1001246389	1	Decal (Not Shown)	
11	1001247252	1	Grommet	
101	2080069	6	Fastener	
104	1001258730	3	Rivnut	

# SECTION 4 - PLATFORM

## FIGURE 4-22. SKYSENSE OVERHEAD SENSOR ASSEMBLY



ART\_1001244733

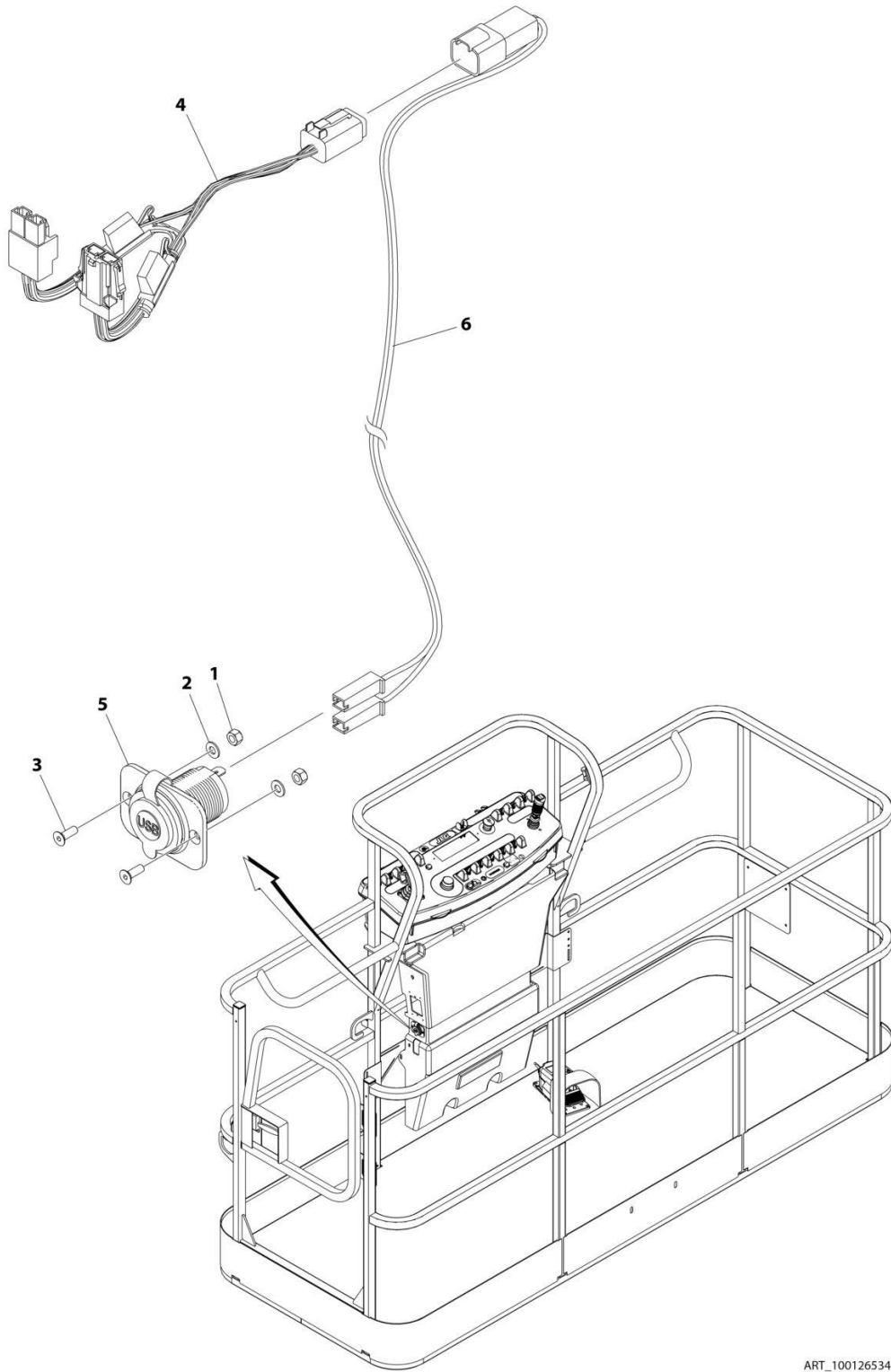
## SECTION 4 - PLATFORM

**FIGURE 4-22. SKYSENSE OVERHEAD SENSOR ASSEMBLY**

ITEM	PART NUMBER	QTY	DESCRIPTION	REV
	1001244733	Ref	SKYSENSE OVERHEAD SENSOR ASSEMBLY	D
1	0641414	1	Bolt 1/4 x 1-3/4	
3	1001260525	2	Screw #10 x 1/2	
4	4751400	2	Washer 1/4	
5	1001237891	1	Mount, Sensor	
6	1001237902	1	Sensor, SkySense	
7	1001244335	1	Harness, SkySense Overhead	D
7A	4460536	1	Connector	
7A	4460943	3	Pin	
7B	1001237898	1	Connector	
7B	1001237888	1	Terminal	
8	1001244671	2	Knob	
9	1001244709	1	Bracket, Mounting	
10	1001244732	1	Housing Assembly (Includes items 101 through 103)	B
11	3300430	1	Nut	
101	2080069	2	Fastener	
102	1001244710	1	Housing, Sensor	
103	1001258730	2	Rivnut	

# SECTION 4 - PLATFORM

## FIGURE 4-23. USB CHARGER INSTALLATION



ART\_1001265342



## SECTION 4 - PLATFORM

**FIGURE 4-23. USB CHARGER INSTALLATION**

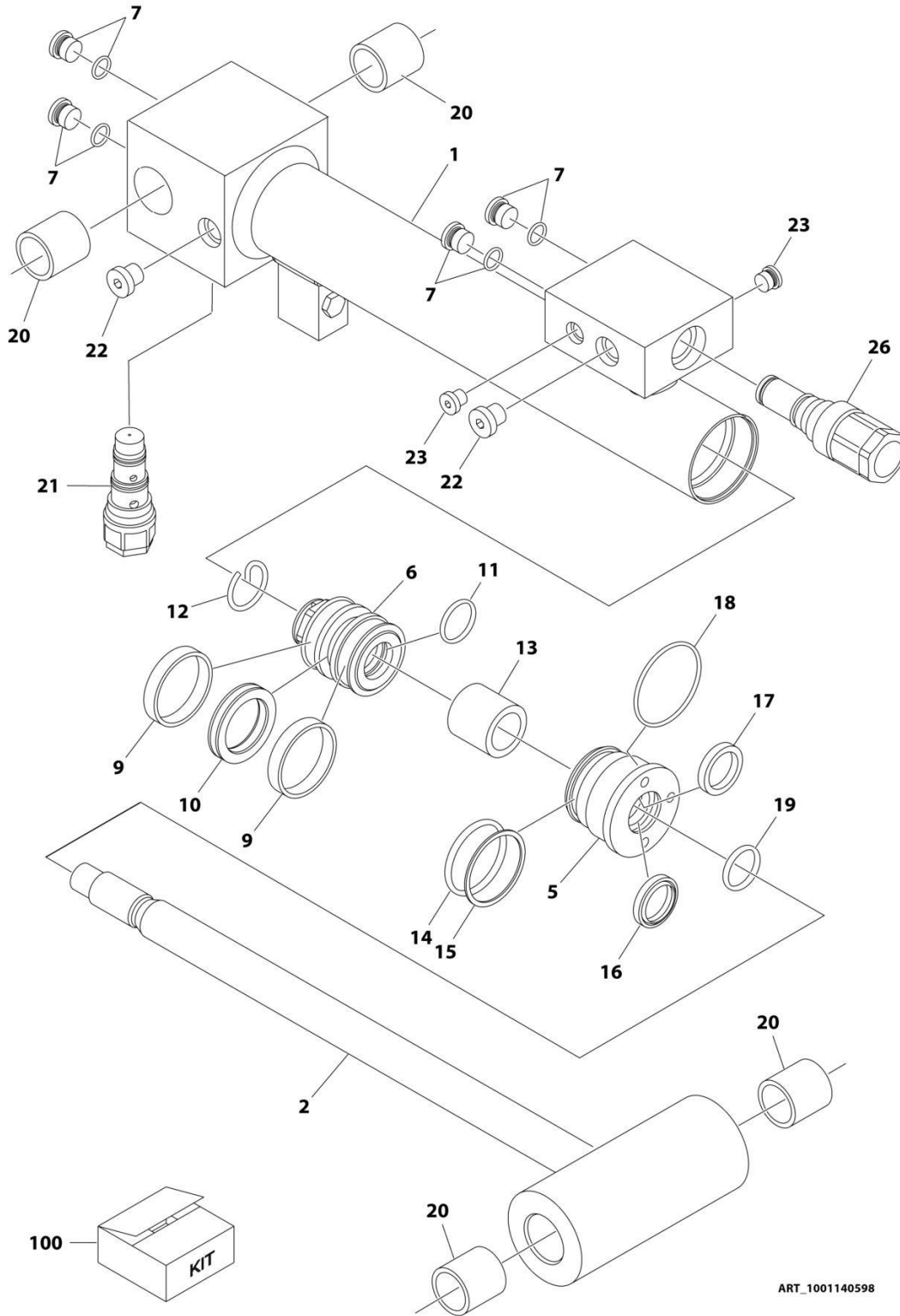
ITEM	PART NUMBER	QTY	DESCRIPTION	REV
	1001265342	Ref	USB CHARGER INSTALLATION	A
1	3290405	2	Nut M4	
2	4811400	2	Washer M4	
3	1001097244	2	Screw M4 x 12	
4	1001120484	1	Harness, Work Lights	
4	4460879	1	Plug, Male - 2 Position	
4	4460887	2	Terminal	
4	2400060	2	Fuseholder Includes Cover	
4	8229249	2	Fuse, 3 Amp	
4	4460884	1	Connector - 4 Position	
4	4460465	4	Socket, Female	
4	1001120471	1	Connector - 2 Position	
4	1001120477	2	Terminal	
5	1001210636	1	Receptacle, USB	
6	1001265163	1	Harness, USB	A
6	4460260	2	Cover, Terminal	
6	4460259	2	Terminal	
6	4460932	1	Receptacle, Bussbar - 4 Position	
6	4460464	2	Pin, Male	
6	4460466	2	Plug, Terminal	



**SECTION 5 - CYLINDER**

# SECTION 5 - CYLINDER

## FIGURE 5-1. LEVEL (PLATFORM SLAVE) CYLINDER ASSEMBLY - E400ANARROW



ART\_1001140598

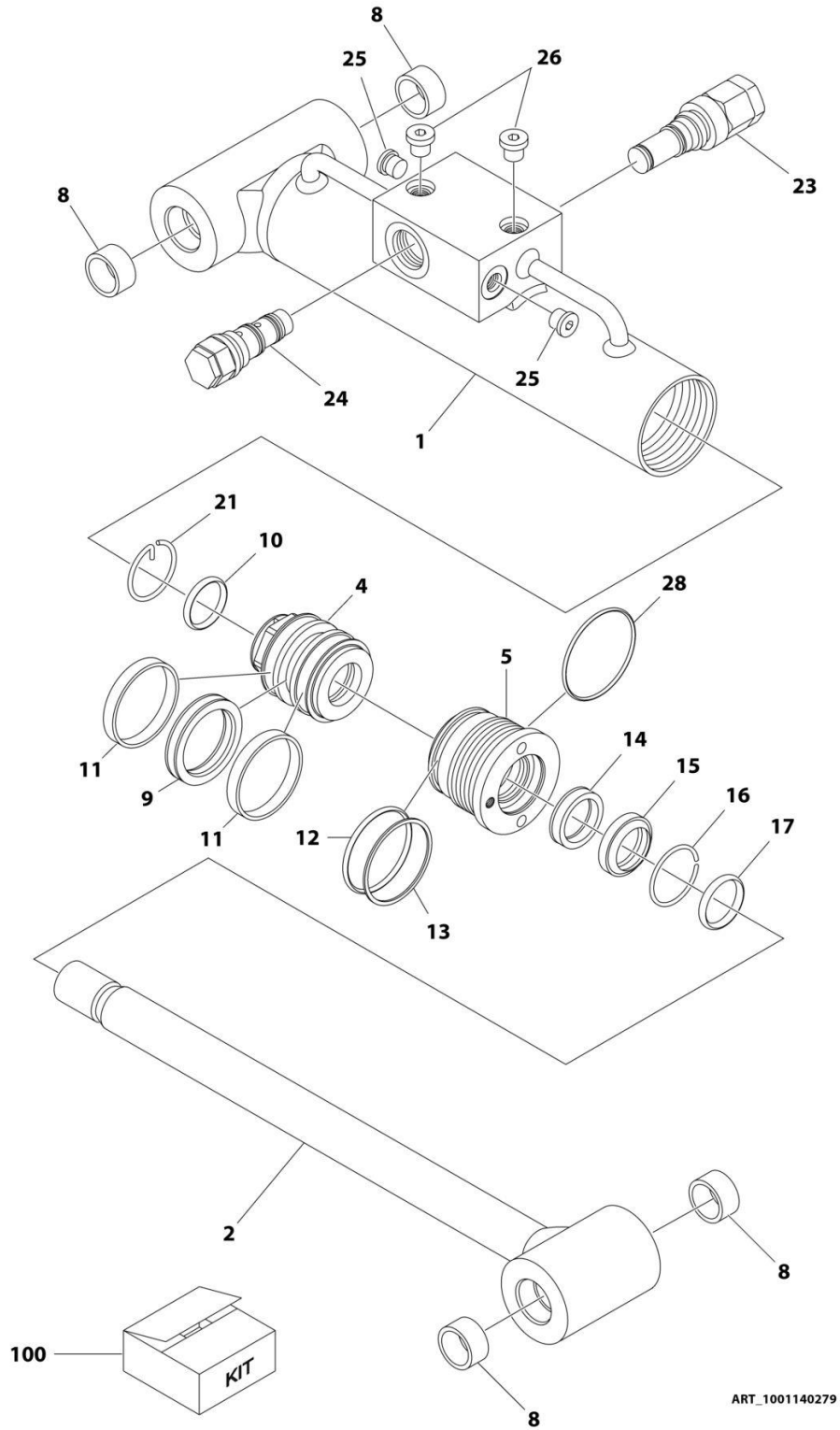
## SECTION 5 - CYLINDER

**FIGURE 5-1. LEVEL (PLATFORM SLAVE) CYLINDER ASSEMBLY - E400ANARROW**

ITEM	PART NUMBER	QTY	DESCRIPTION	REV
	1001140598	Ref	LEVEL (PLATFORM SLAVE) CYLINDER ASSEMBLY	B
		Ref	Note: Original Cylinder May Have Been Replaced with Service Replacement. Identify PN Stamped on Cylinder Before Ordering Parts.	
1	70004146	1	Barrel	
2	70004147	1	Rod	
5	70000739	1	Head	
6	70004141	1	Piston	
7	See Note	4	Plug (Note: Not Available for Purchase)	
9	See Note	NSS	Ring, Wear (Note: Use p/n 70004131)	
10	See Note	NSS	Seal, Piston (Note: Use p/n 70004131)	
11	70023094	NSS	O-Ring (Note: Use p/n 70004131)	
12	70004142	1	Retainer	
13	70004143	1	Spacer	
14	See Note	NSS	O-Ring (Note: Use p/n 70004131)	
15	See Note	NSS	Ring, Back-Up (Note: Use p/n 70004131)	
16	See Note	NSS	Wiper, Rod (Note: Use p/n 70004131)	
17	See Note	NSS	Seal, Rod (Note: Use p/n 70004131)	
18	See Note	NSS	O-Ring (Note: Use p/n 70004131)	
19	70000740	1	O-Ring	
20	0962356	4	Bushing	
21	4640509	1	Cartridge, Counterbalance Valve	
21	2900792	1	Seal Kit - 4640509 Valve	
22	70024262	2	Plug	
23	See Note	2	Plug (Note: Not Available for Purchase)	
26	4640932	1	Cartridge, Counterbalance Valve	
26	7011112	1	Seal Kit - 4640932 Valve	
100	70004131	1	Seal Kit (Includes Items 9-11 & 14-18)	

# SECTION 5 - CYLINDER

## FIGURE 5-2. LEVEL (PLATFORM SLAVE) CYLINDER ASSEMBLY - E400AJPNARROW



ART\_1001140279

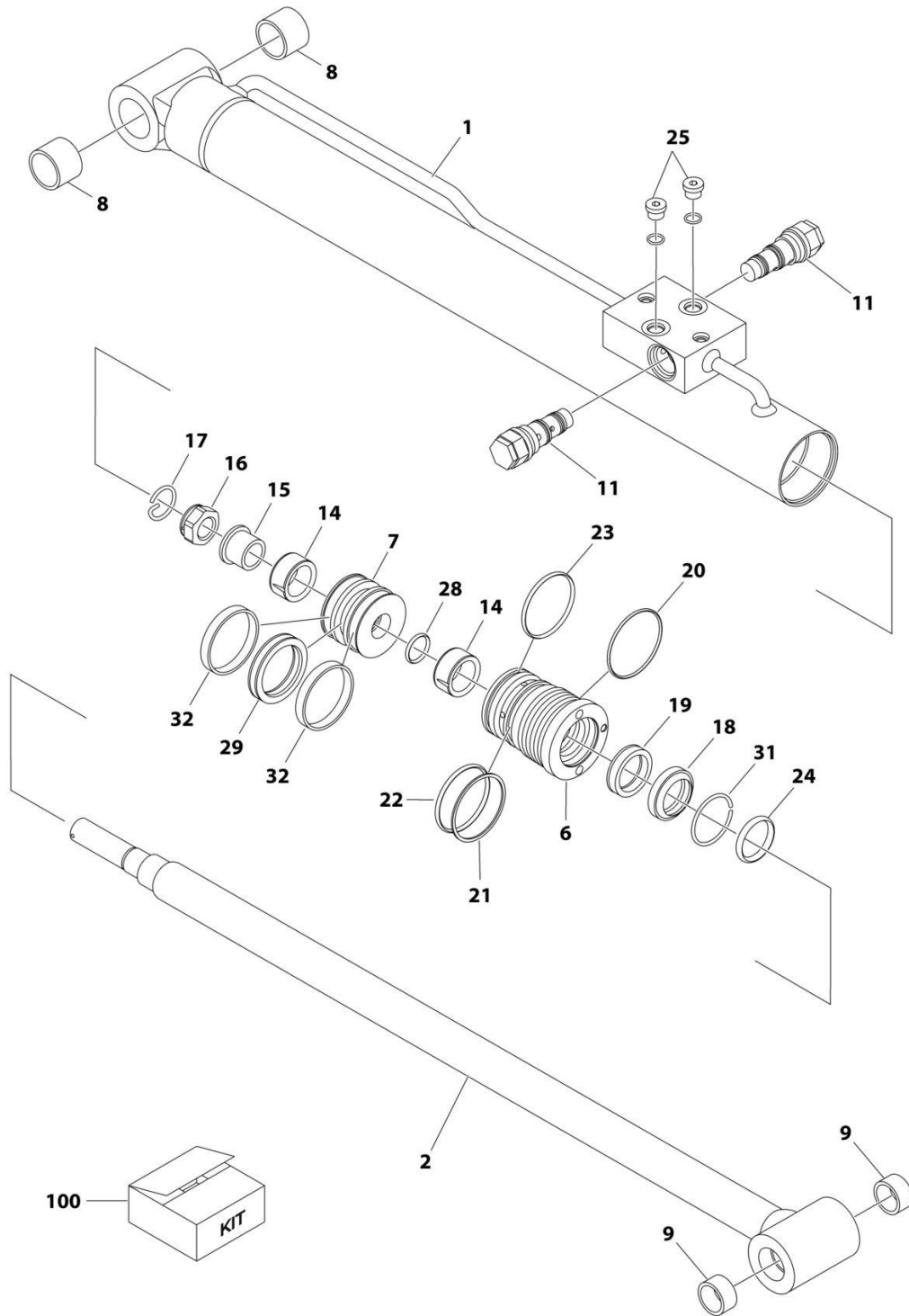
## SECTION 5 - CYLINDER

**FIGURE 5-2. LEVEL (PLATFORM SLAVE) CYLINDER ASSEMBLY - E400AJPNARROW**

ITEM	PART NUMBER	QTY	DESCRIPTION	REV
	1001140279	Ref	LEVEL (PLATFORM SLAVE) CYLINDER ASSEMBLY	B
		Ref	Note: Original Cylinder may have been replaced with Service Replacement. Identify PN Stamped on Cylinder Before Ordering Parts.	
1	70003846	1	Barrel	
2	70003847	1	Rod	
4	70003819	1	Piston	
5	7026082	1	Head	
8	0961951	4	Bushing	
9	See Note	NSS	Seal, Piston (Note: Use p/n 70003845)	
10	See Note	NSS	O-Ring (Note: Use p/n 70003845)	
11	See Note	NSS	Ring, Wear (Note: Use p/n 70003845)	
12	See Note	NSS	O-Ring (Note: Use p/n 70003845)	
13	See Note	NSS	Ring, Back-Up (Note: Use p/n 70003845)	
14	See Note	NSS	Seal, Rod (Note: Use p/n 70003845)	
15	See Note	NSS	Wiper, Rod (Note: Use p/n 70003845)	
16	70002217	1	Ring, Retaining	
17	7026084	1	O-Ring	
21	70002216	1	Retainer	
23	4640932	1	Cartridge, Counterbalance Valve	
23	7011112	1	Seal Kit - 4640932 Valve	
24	4641086	1	Cartridge, Counterbalance Valve	
24	2900792	1	Seal Kit - 4641086 Valve	
25	7024844	2	Plug	
26	See Note	2	Plug (Note: Not Available for Purchase)	
28	See Note	NSS	O-Ring (Note: Use p/n 70003845)	
100	70003845	1	Seal Kit (Includes Items 9-15 & 28)	

# SECTION 5 - CYLINDER

## FIGURE 5-3. LIFT CYLINDER ASSEMBLY - JIB - E400AJPNARROW



ART\_1001140280\_A



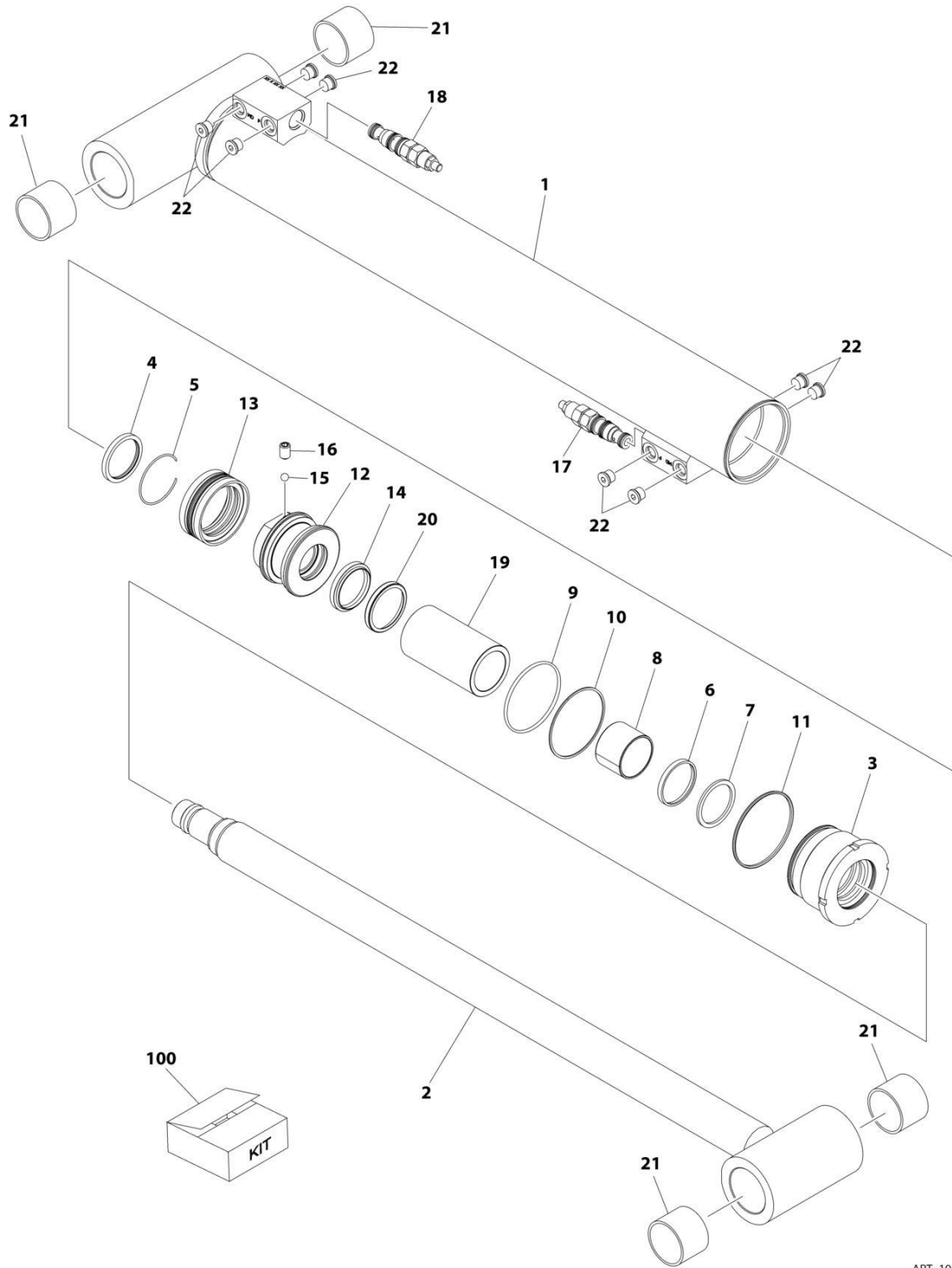
## SECTION 5 - CYLINDER

**FIGURE 5-3. LIFT CYLINDER ASSEMBLY - JIB - E400AJPNARROW**

ITEM	PART NUMBER	QTY	DESCRIPTION	REV
	1001140280	Ref	LIFT CYLINDER ASSEMBLY - JIB	A
		Ref	Note: Original Cylinder May Have Been Replaced with Service Replacement. Identify PN Stamped on Cylinder Before Ordering Parts.	
		Ref	Note: For Jib Cylinder with Manual Descent Valve see SPECIAL OPTIONS.	
1	70003863	1	Barrel	
2	70003864	1	Rod	
6	7026088	1	Head	
7	70003833	1	Piston	
8	0961951	2	Bushing	
9	0961947	2	Bushing	
11	4640509	2	Cartridge, Counterbalance Valve	
11	2900792	2	Seal Kit - 4640509	
14	7026090	2	Bushing	
15	7026091	1	Sleeve	
16	7026092	1	Nut	
17	70002223	1	Retainer	
18	See Note	NSS	Wiper, Rod (Note: Use p/n 70003836)	
19	See Note	NSS	Seal, Rod (Note: Use p/n 70003836)	
20	See Note	NSS	O-Ring (Note: Use p/n 70003836)	
21	See Note	NSS	Ring, Back-Up (Note: Use p/n 70003836)	
22	See Note	NSS	O-Ring (Note: Use p/n 70003836)	
23	See Note	1	O-Ring (Note: Use p/n 70003836)	
24	7026068	1	O-Ring	
25	7024844	2	Plug	
28	See Note	NSS	O-Ring (Note: Use p/n 70003836)	
29	See Note	NSS	Seal, Piston (Note: Use p/n 70003836)	
31	70002220	1	Ring, Retaining	
32	See Note	NSS	Ring, Wear (Note: Use p/n 70003836)	
100	70003836	1	Seal Kit (Includes Items 18-23, 28, 29 & 32)	

# SECTION 5 - CYLINDER

## FIGURE 5-4. LIFT CYLINDER ASSEMBLY - LOWER - E400ANARROW



ART\_1001228037

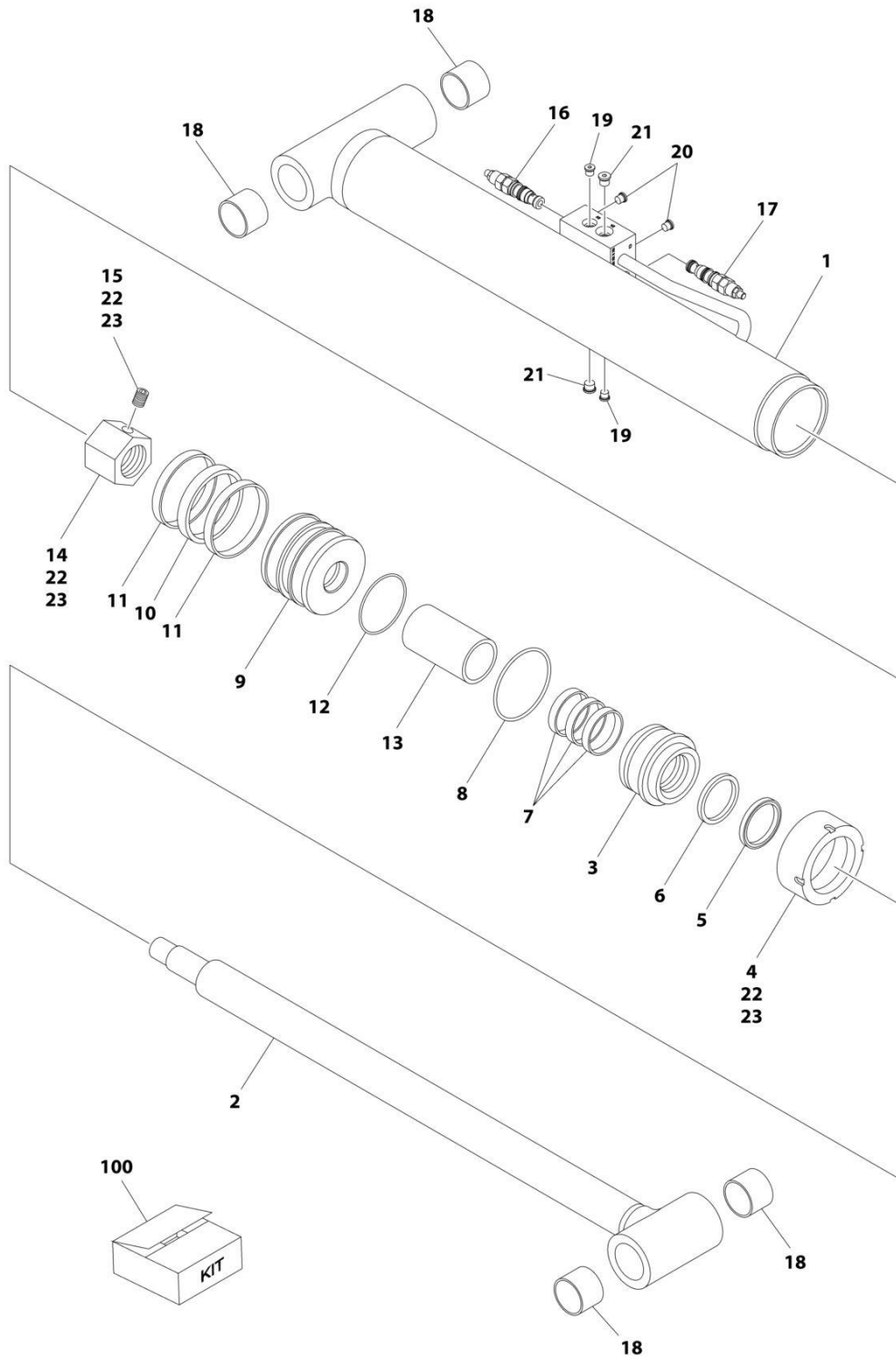
## SECTION 5 - CYLINDER

**FIGURE 5-4. LIFT CYLINDER ASSEMBLY - LOWER - E400ANARROW**

ITEM	PART NUMBER	QTY	DESCRIPTION	REV
	1001228037	Ref	LIFT CYLINDER ASSEMBLY - LOWER	A
		Ref	Note: Original Cylinder may have been replaced with Service Replacement. Identify PN Stamped on Cylinder Before Ordering Parts.	
1	See Note	NSS	Barrel (Note: Not Available for Purchase)	
2	70006593	1	Rod	
3	70006592	1	Head	
4	See Note	NSS	Wiper (Note: Use Item 100)	
5	70002412	1	Retainer	
6	See Note	NSS	Seal, Rod (Note: Use Item 100)	
7	See Note	NSS	Ring, Back-up (Note: Use Item 100)	
8	70006591	1	Bearing	
9	See Note	NSS	O-Ring (Note: Use Item 100)	
10	See Note	NSS	Ring, Back-up (Note: Use Item 100)	
11	70050801	1	O-Ring	
12	70006590	1	Piston	
13	See Note	NSS	Seal (Note: Use Item 100)	
14	See Note	NSS	O-Ring (Note: Use Item 100)	
15	70022564	1	Ball, Steel	
16	70006601	1	Setscrew	
17	4640634	1	Cartridge, Holding Valve	
17	2900770	1	Seal Kit - 4640634 Valve	
18	4641386	1	Cartridge, Holding Valve	
18	7011376	1	Seal Kit - 4641386 Valve	
19	70006589	1	Spacer	
20	70006588	1	O-Ring	
21	0961950	4	Bushing	
22	2220883	8	Plug, O-Ring	
100	70006587	1	Seal Kit (Includes Items 4, 6, 7, 9, 10, 13 & 14)	

# SECTION 5 - CYLINDER

## FIGURE 5-5. CYLINDER ASSEMBLY - LOWER - E400AJPNARROW



ART\_1001228035

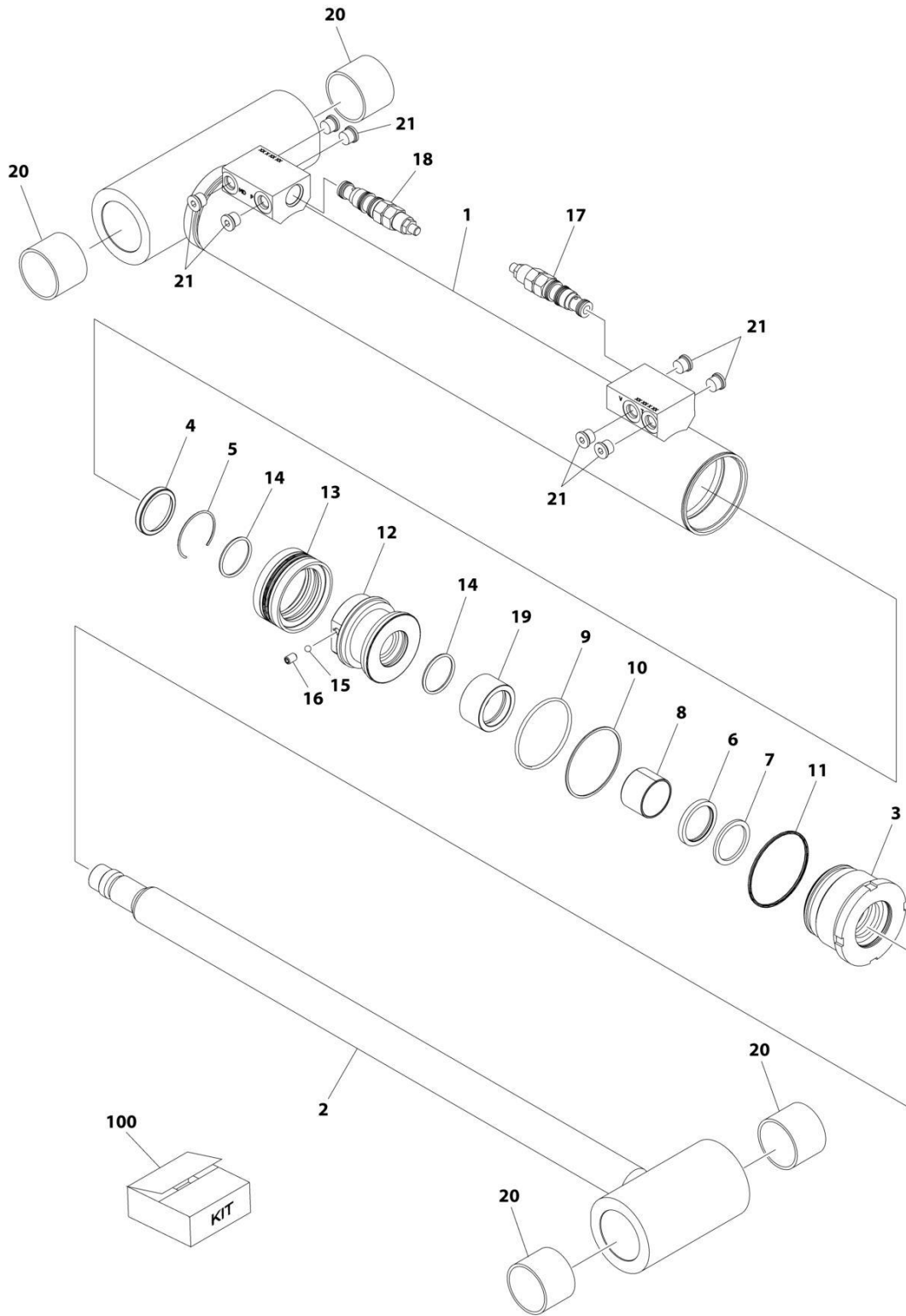
## SECTION 5 - CYLINDER

**FIGURE 5-5. CYLINDER ASSEMBLY - LOWER - E400AJPNARROW**

ITEM	PART NUMBER	QTY	DESCRIPTION	REV
	1001228035	Ref	LIFT CYLINDER ASSEMBLY - LOWER	C
		Ref	Note: Original Cylinder may have been replaced with Service Replacement. Identify PN Stamped on Cylinder Before Ordering Parts.	
1	See Note	NSS	Barrel Weldment (Note: Not Available for Purchase)	
2	70006535	1	Rod Weldment	
3	70006533	1	Head	
4	70006533	1	Retainer	
5	See Note	NSS	Wiper (Note: Use Item 100)	
6	See Note	NSS	Seal, Rod (Note: Use Item 100)	
7	See Note	NSS	Ring, Wear (Note: Use Item 100)	
8	See Note	NSS	O-Ring (Note: Use Item 100)	
9	70006532	1	Piston	
10	See Note	NSS	Seal (Note: Use Item 100)	
11	See Note	NSS	Ring, Wear (Note: Use Item 100)	
12	See Note	NSS	O-Ring (Note: Use Item 100)	
13	70006531	1	Spacer	
14	3300281	1	Nut	
15	3900170	1	Setscrew	
16	4640634	1	Cartridge, Holding Valve	
16	2900770	1	Seal Kit - 4640634 Valve	
17	4641386	1	Cartridge, Holding Valve	
17	7011376	1	Seal Kit - 4641386 Valve	
18	0961950	4	Bushing	
19	2220883	2	Plug, O-Ring	
20	2220883	2	Plug, O-Ring	
21	2220885	2	Plug, O-Ring	
22	0100011	AR	Compound, Locking	
23	0100038	AR	Primer, Locking	
100	2901806	1	Seal Kit (Includes Items 5-8 & 10-12)	

# SECTION 5 - CYLINDER

## FIGURE 5-6. LIFT CYLINDER ASSEMBLY - MID - E400ANARROW



ART\_1001228038

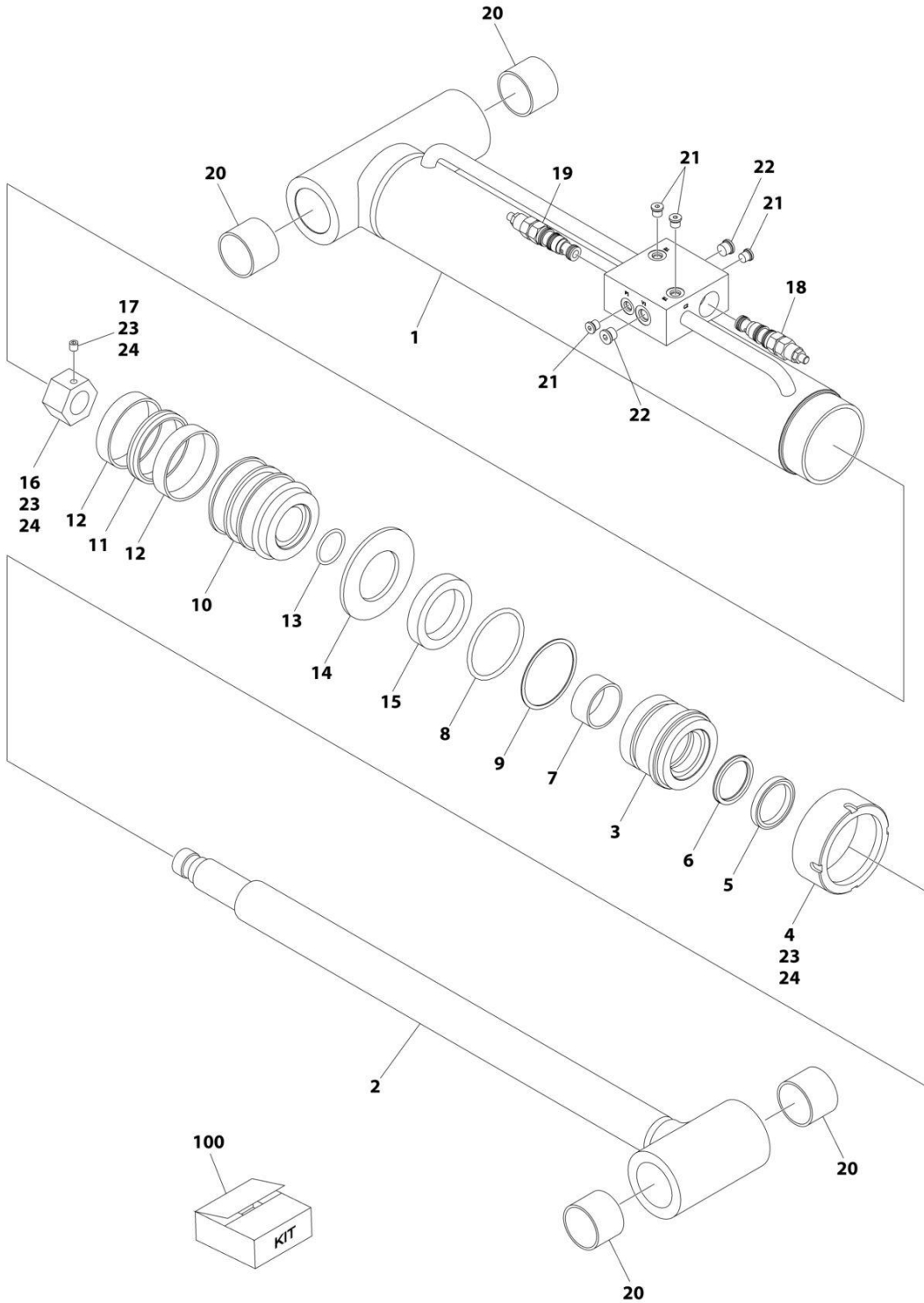
## SECTION 5 - CYLINDER

**FIGURE 5-6. LIFT CYLINDER ASSEMBLY - MID - E400ANARROW**

ITEM	PART NUMBER	QTY	DESCRIPTION	REV
	1001228038	Ref	LIFT CYLINDER ASSEMBLY - MID	A
		Ref	Note: Original Cylinder may have been replaced with Service Replacement. Identify PN Stamped on Cylinder Before Ordering Parts.	
1	See Note	NSS	Barrel Weldment (Note: Not Available for Purchase)	
2	70006600	1	Rod Weldment	
3	70006599	1	Head	
4	See Note	1	Wiper (Note: Use Item 100)	
5	70002373	1	Retainer	
6	See Note	NSS	Seal, Rod (Note: Use Item 100)	
7	See Note	NSS	Ring, Back-up (Note: Use Item 100)	
8	70005143	1	Bearing	
9	See Note	NSS	O-Ring (Note: Use Item 100)	
10	See Note	NSS	Ring, Back-up (Note: Use Item 100)	
11	70006598	1	O-Ring	
12	70006597	1	Piston	
13	See Note	NSS	Seal (Note: Use Item 100)	
14	See Note	NSS	O-Ring (Note: Use Item 100)	
15	70022564	1	Ball, Steel	
16	70006596	1	Setscrew	
17	4640634	1	Cartridge, Holding Valve	
17	2900770	1	Seal Kit - 4640634 Valve	
18	4641386	1	Cartridge, Holding Valve	
18	7011376	1	Seal Kit - 4641386 Valve	
19	70006595	1	Spacer	
20	0961950	4	Bushing	
21	2220885	8	Plug, O-Ring	
100	70006594	1	Seal Kit (Includes 4, 6, 7, 9, 10, 13 & 14)	

# SECTION 5 - CYLINDER

## FIGURE 5-7. LIFT CYLINDER ASSEMBLY - MID - E400AJPNARROW



ART\_1001228036



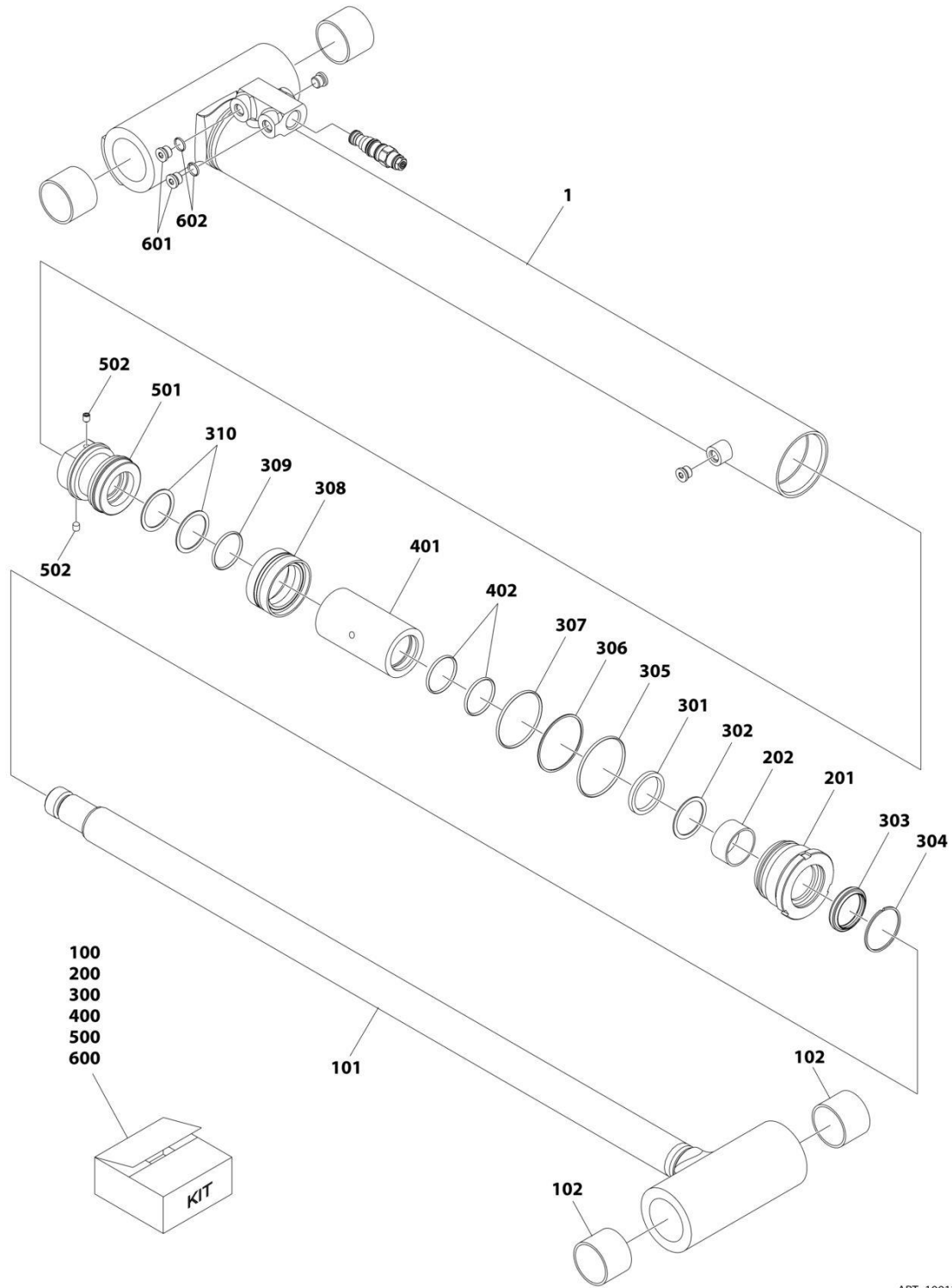
## SECTION 5 - CYLINDER

**FIGURE 5-7. LIFT CYLINDER ASSEMBLY - MID - E400AJPNARROW**

ITEM	PART NUMBER	QTY	DESCRIPTION	REV
	1001228036	Ref	LIFT CYLINDER ASSEMBLY - MID	F
		Ref	Note: Original Cylinder may have been replaced with Service Replacement. Identify PN Stamped on Cylinder Before Ordering Parts.	
1	See Note	NSS	Barrel Weldment (Note: Not Available for Purchase)	
2	70006543	1	Rod Weldment	
3	70006542	1	Head	
4	70006533	1	Retainer	
5	See Note	NSS	Wiper (Note: Use Item 100)	
6	See Note	NSS	Seal, Rod (Note: Use Item 100)	
7	See Note	NSS	Ring, Wear (Note: Use Item 100)	
8	See Note	NSS	O-Ring (Note: Use Item 100)	
9	See Note	NSS	Ring, Back-up (Note: Use Item 100)	
10	70006532	1	Piston	
11	See Note	NSS	Seal (Note: Use Item 100)	
12	See Note	NSS	Ring, Wear (Note: Use Item 100)	
13	See Note	NSS	O-Ring (Note: Use Item 100)	
14	4740207	1	Washer	
15	70006539	1	Spacer	
16	3300281	1	Nut	
17	3900170	1	Setscrew	
18	4640634	1	Cartridge, Holding Valve	
18	2900770	1	Seal Kit - 4640634 Valve	
19	4641386	1	Cartridge, Holding Valve	
19	7011376	1	Seal Kit - 4641386 Valve	
20	0961950	4	Bushing	
21	2220883	4	Plug, O-Ring	
22	2220885	2	Plug, O-Ring	
23	0100011	AR	Compound, Locking	
24	0100038	AR	Primer, Locking	
100	2901805	1	Seal Kit (Includes Items 5-9 & 11-13)	

# SECTION 5 - CYLINDER

## FIGURE 5-8. LIFT CYLINDER - UPPER - E400ANARROW



ART\_1001251018

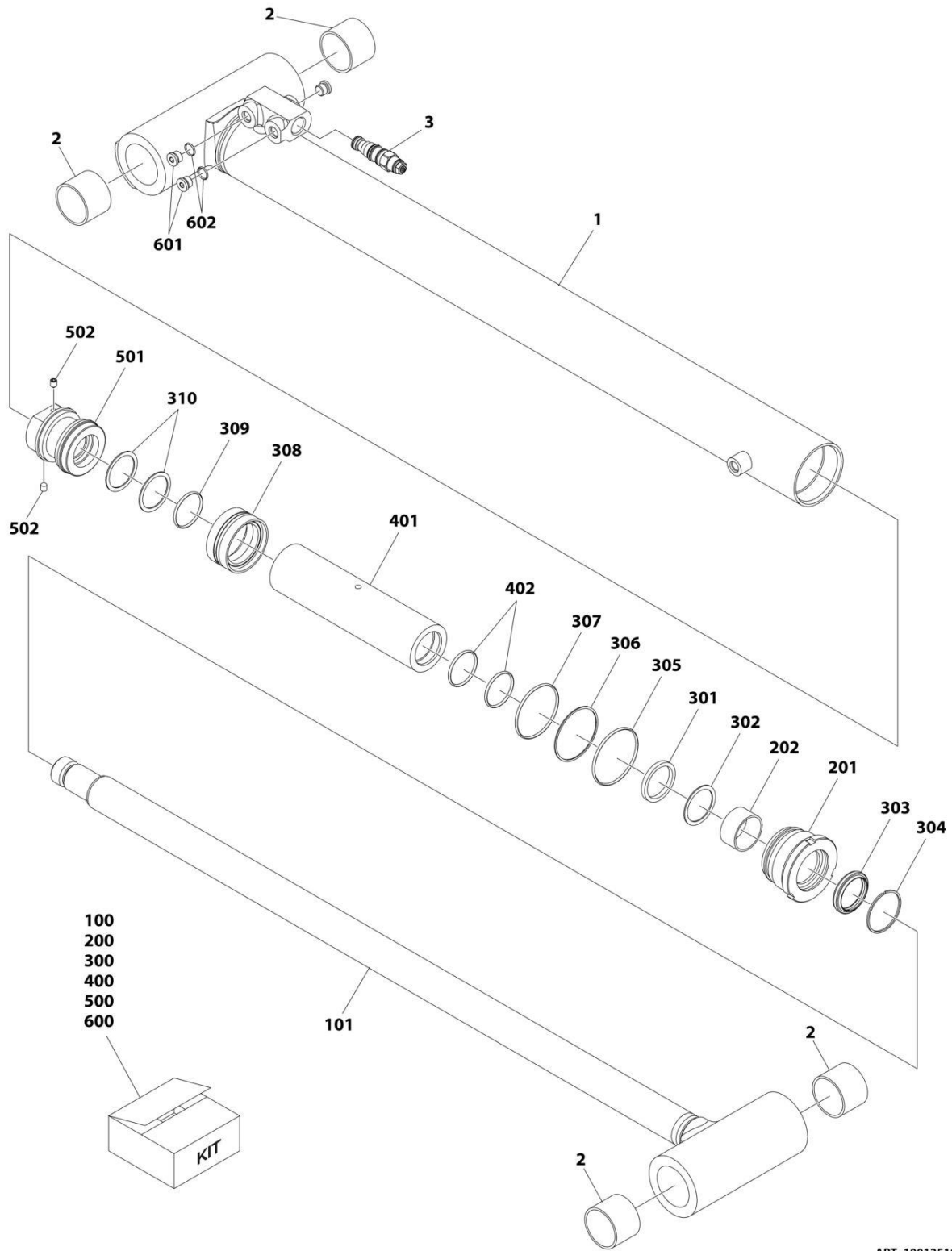
## SECTION 5 - CYLINDER

**FIGURE 5-8. LIFT CYLINDER - UPPER - E400ANARROW**

ITEM	PART NUMBER	QTY	DESCRIPTION	REV
	1001251018	Ref	LIFT CYLINDER ASSEMBLY - UPPER	B
		Ref	Note: Original Cylinder may have been replaced with Service Replacement. Identify PN Stamped on Cylinder Before Ordering Parts.	
1	See Note	NSS	Barrel (Note: Not Available for Purchase)	
100	70007367	1	Rod Assembly Kit (Includes Item 101)	
101	See Note	NSS	Rod Assembly (Note: Use p/n 70007367)	
102	See Note	NSS	Bushing (Note: Use p/n 70007367)	
200	70007368	1	Head Kit (Includes Items 201-202)	
201	See Note	NSS	Head (Note: Use p/n 70007368)	
202	See Note	NSS	Bushing (Note: Use p/n 70007368)	
300	70007369	1	Seal Kit (Includes Items 301-310)	
301	See Note	NSS	U-Packing (Note: Use Item 70007369)	
302	See Note	NSS	Ring, Back-up (Note: Use Item 7007369)	
303	See Note	NSS	Wiper, Rod (Note: Use Item 7007369)	
304	See Note	NSS	Ring, Retaining (Note: Use Item 7007369)	
305	See Note	NSS	O-Ring (Note: Use Item 7007369)	
306	See Note	NSS	Ring, Back-up (Note: Use Item 7007369)	
307	See Note	NSS	O-Ring (Note: Use Item 7007369)	
308	See Note	NSS	Seal, Compact (Note: Use Item 7007369)	
309	See Note	NSS	O-Ring (Note: Use Item 7007369)	
310	See Note	NSS	Ring, Back-up (Note: Use Item 7007369)	
400	70007370	1	Spacer Kit (Includes Items 401-402)	
401	See Note	NSS	Spacer (Note: Use p/n 70007370)	
402	See Note	NSS	O-Ring (Note: Use p/n 70007370)	
500	70007371	1	Piston Kit (Includes Items 501-502)	
501	See Note	NSS	Piston (Note: Use Item 7007371)	
502	See Note	NSS	Set Screw (Note: Use Item 7007371)	
600	70007372	1	Plug Kit (Includes Items 601-602)	
601	See Note	NSS	Plug (Note: Use Item 7007372)	
602	See Note	NSS	O-Ring (Note: Use Item 7007372)	

# SECTION 5 - CYLINDER

## FIGURE 5-9. LIFT CYLINDER - UPPER - E400AJPNARROW



ART\_1001251016

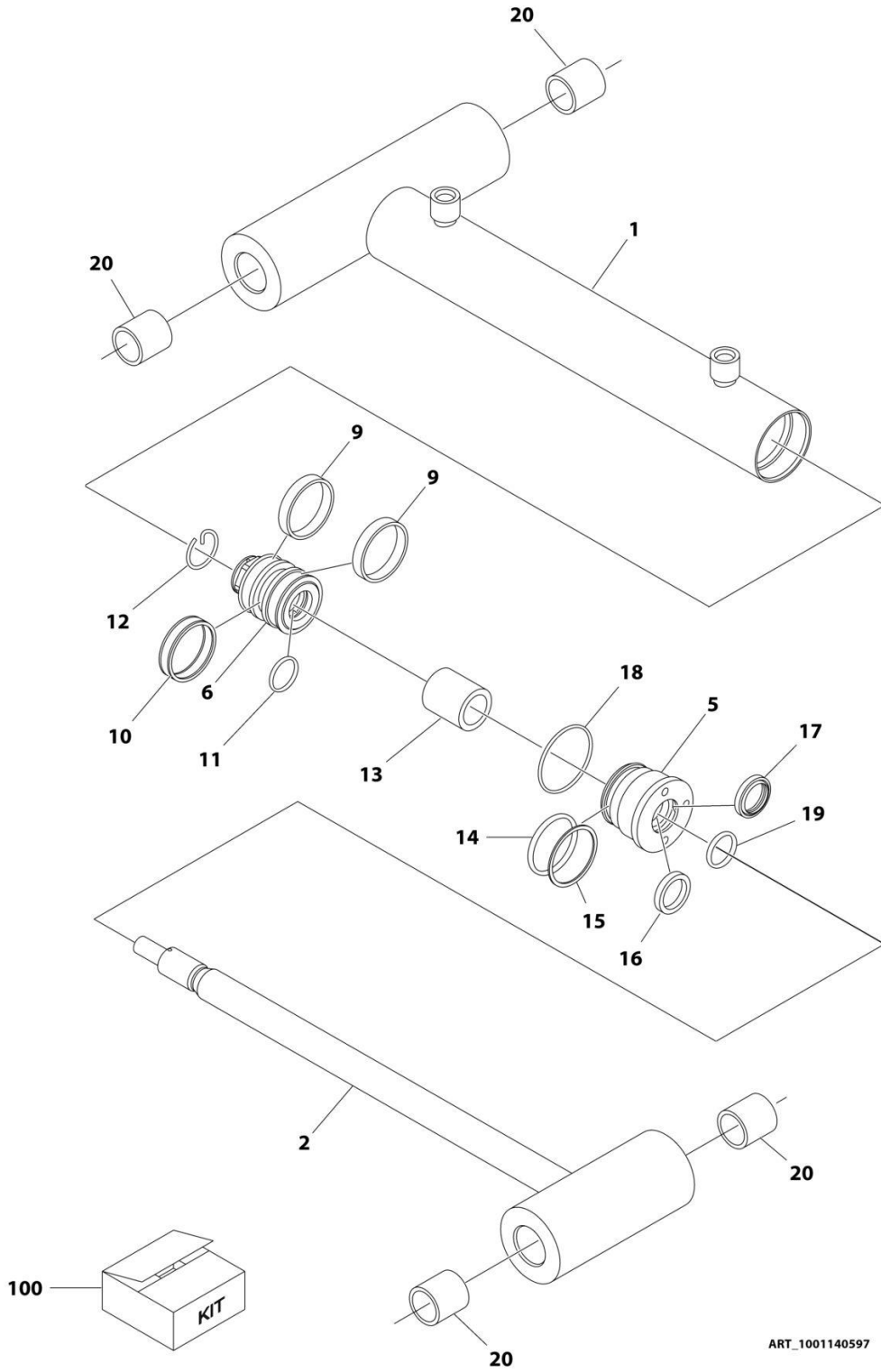
## SECTION 5 - CYLINDER

### FIGURE 5-9. LIFT CYLINDER - UPPER - E400AJPNARROW

ITEM	PART NUMBER	QTY	DESCRIPTION	REV
	1001251016	Ref	LIFT CYLINDER ASSEMBLY - UPPER	B
		Ref	Note: Original Cylinder may have been replaced with Service Replacement. Identify PN Stamped on Cylinder Before Ordering Parts.	
1	See Note	NSS	Barrel Weldment (Note: Not Available for Purchase)	
2	0961950	4	Bushing	
3	4640936	1	Valve, Counterbalance	
3	2900770	1	Seal Kit - 4640936 Valve	
100	70007373	1	Rod Assembly Kit (Includes Item 101)	
101	See Note	NSS	Rod Assembly (Note: Use p/n 70007373)	
200	70007368	1	Head Kit (Includes Items 201-202)	
201	See Note	NSS	Head (Note: Use p/n 70007368)	
202	See Note	NSS	Bushing (Note: Use p/n 70007368)	
300	70007369	1	Seal Kit (Includes Items 301-310)	
301	See Note	NSS	U-Packing (Note: Use Item 70007369)	
302	See Note	NSS	Ring, Back-up (Note: Use Item 7007369)	
303	See Note	NSS	Wiper, Rod (Note: Use Item 7007369)	
304	See Note	NSS	Ring, Retaining (Note: Use Item 7007369)	
305	See Note	NSS	O-Ring (Note: Use Item 7007369)	
306	See Note	NSS	Ring, Back-up (Note: Use Item 7007369)	
307	See Note	NSS	O-Ring (Note: Use Item 7007369)	
308	See Note	NSS	Seal, Compact (Note: Use Item 7007369)	
309	See Note	NSS	O-Ring (Note: Use Item 7007369)	
310	See Note	NSS	Ring, Back-up (Note: Use Item 7007369)	
400	70007374	1	Spacer Kit (Includes Items 401-402)	
401	See Note	NSS	Spacer (Note: Use Item 7007374)	
402	See Note	NSS	O-Ring (Note: Use Item 7007374)	
500	70007371	1	Piston Kit (Includes Items 501-502)	
501	See Note	NSS	Piston (Note: Use Item 7007371)	
502	See Note	NSS	Set Screw (Note: Use Item 7007371)	
600	70007372	1	Plug Kit (Includes Items 601-602)	
601	See Note	NSS	Plug (Note: Use Item 7007372)	
602	See Note	NSS	O-Ring (Note: Use Item 7007372)	

# SECTION 5 - CYLINDER

## FIGURE 5-10. MASTER CYLINDER ASSEMBLY - E400ANARROW



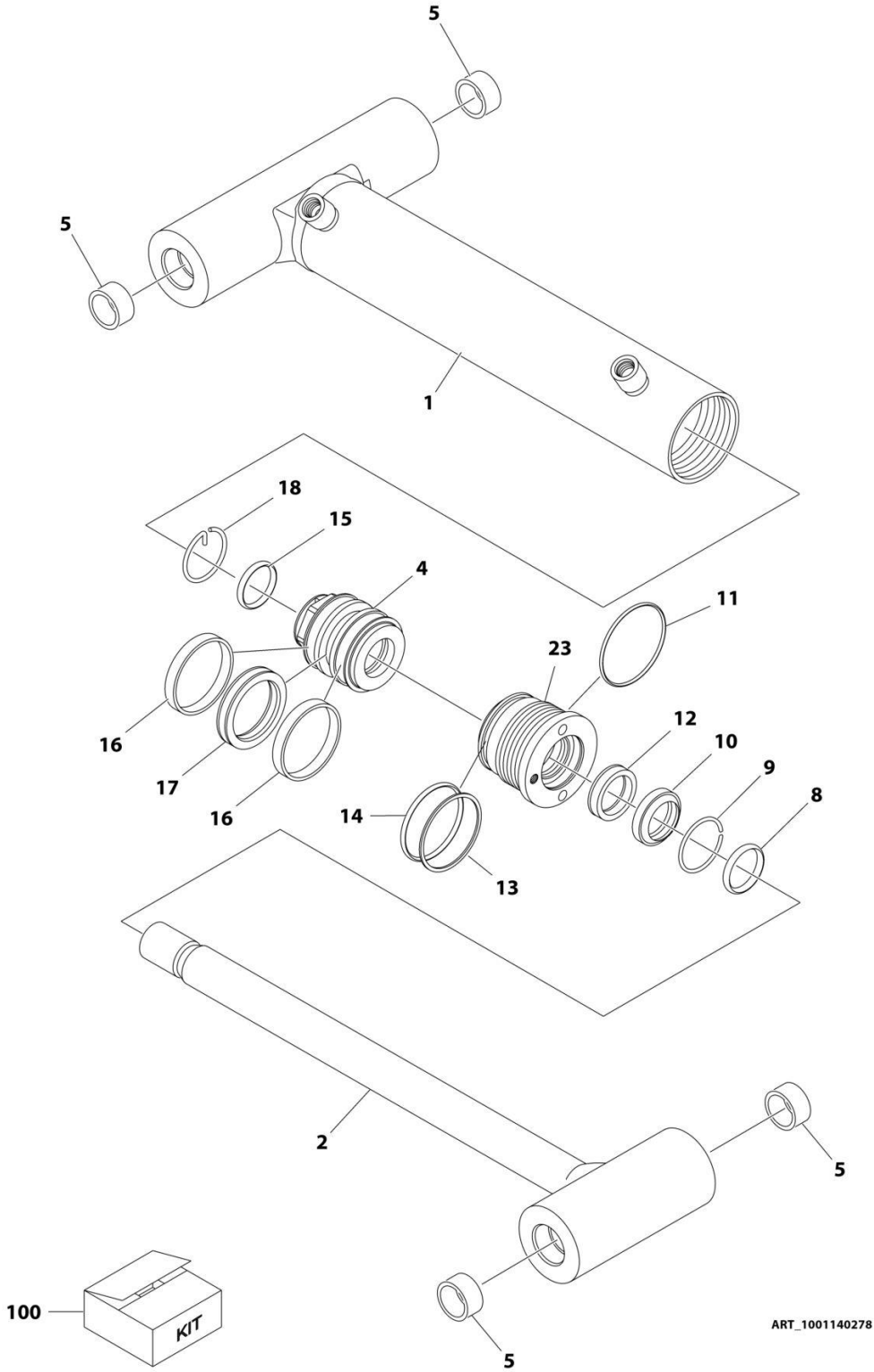
## SECTION 5 - CYLINDER

**FIGURE 5-10. MASTER CYLINDER ASSEMBLY - E400ANARROW**

ITEM	PART NUMBER	QTY	DESCRIPTION	REV
	1001140597	Ref	MASTER CYLINDER ASSEMBLY	A
		Ref	Note: Original Cylinder May Have Been Replaced with Service Replacement. Identify PN Stamped on Cylinder Before Ordering Parts.	
1	70004144	1	Barrel	
2	70004145	1	Rod	
5	70000739	1	Head	
6	70004141	1	Piston	
9	See Note	NSS	Ring, Wear (Note: Use p/n 70004130)	
10	See Note	NSS	Seal, Piston (Note: Use p/n 70004130)	
11	70023094	1	O-Ring	
12	70004142	1	Retainer	
13	70004143	1	Spacer	
14	See Note	NSS	O-Ring (Note: Use p/n 70004130)	
15	See Note	NSS	Ring, Back-Up (Note: Use p/n 70004130)	
16	See Note	NSS	Seal, Rod (Note: Use p/n 70004130)	
17	See Note	NSS	Wiper, Rod (Note: Use p/n 70004130)	
18	See Note	NSS	O-Ring (Note: Use p/n 70004130)	
19	See Note	NSS	O-Ring (Note: Use p/n 70004130)	
20	0962356	4	Bushing	
100	70004130	1	Seal Kit (Includes Items 9-11 & 14-18)	

# SECTION 5 - CYLINDER

## FIGURE 5-11. MASTER CYLINDER ASSEMBLY - E400AJPNARROW





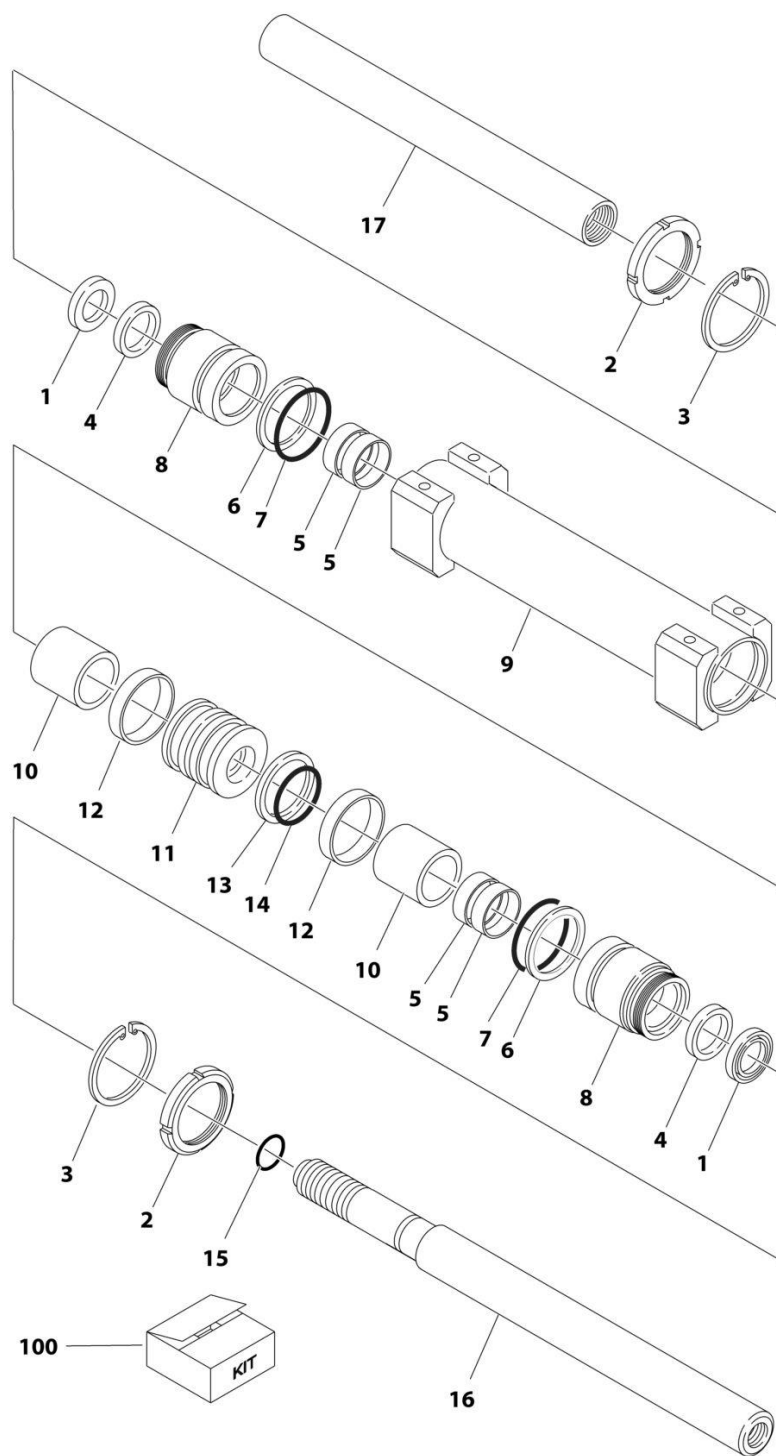
## SECTION 5 - CYLINDER

**FIGURE 5-11. MASTER CYLINDER ASSEMBLY - E400AJPNARROW**

ITEM	PART NUMBER	QTY	DESCRIPTION	REV
	1001140278	Ref	MASTER CYLINDER ASSEMBLY	A
		Ref	Note: Original Cylinder may have been replaced with Service Replacement. Identify PN Stamped on Cylinder Before Ordering Parts.	
1	70003843	1	Barrel	
2	70003844	1	Rod	
4	70003819	1	Piston	
5	0961951	4	Bushing	
8	7026084	1	O-Ring	
9	70002217	1	Ring, Retaining	
10	See Note	NSS	Wiper, Rod (Note: Use p/n 70003845)	
11	See Note	NSS	O-Ring (Note: Use p/n 70003845)	
12	See Note	NSS	Seal, Rod (Note: Use p/n 70003845)	
13	See Note	NSS	Ring, Back-Up (Note: Use p/n 70003845)	
14	See Note	NSS	O-Ring (Note: Use p/n 70003845)	
15	See Note	NSS	O-Ring (Note: Use p/n 70003845)	
16	See Note	NSS	Ring, Wear (Note: Use p/n 70003845)	
17	See Note	NSS	Seal, Piston (Note: Use p/n 70003845)	
18	70002216	1	Retainer	
23	7026082	1	Head	
100	70003845	1	Seal Kit (Includes Items 10-17)	

# SECTION 5 - CYLINDER

## FIGURE 5-12. STEER CYLINDER ASSEMBLY



ART\_1683591

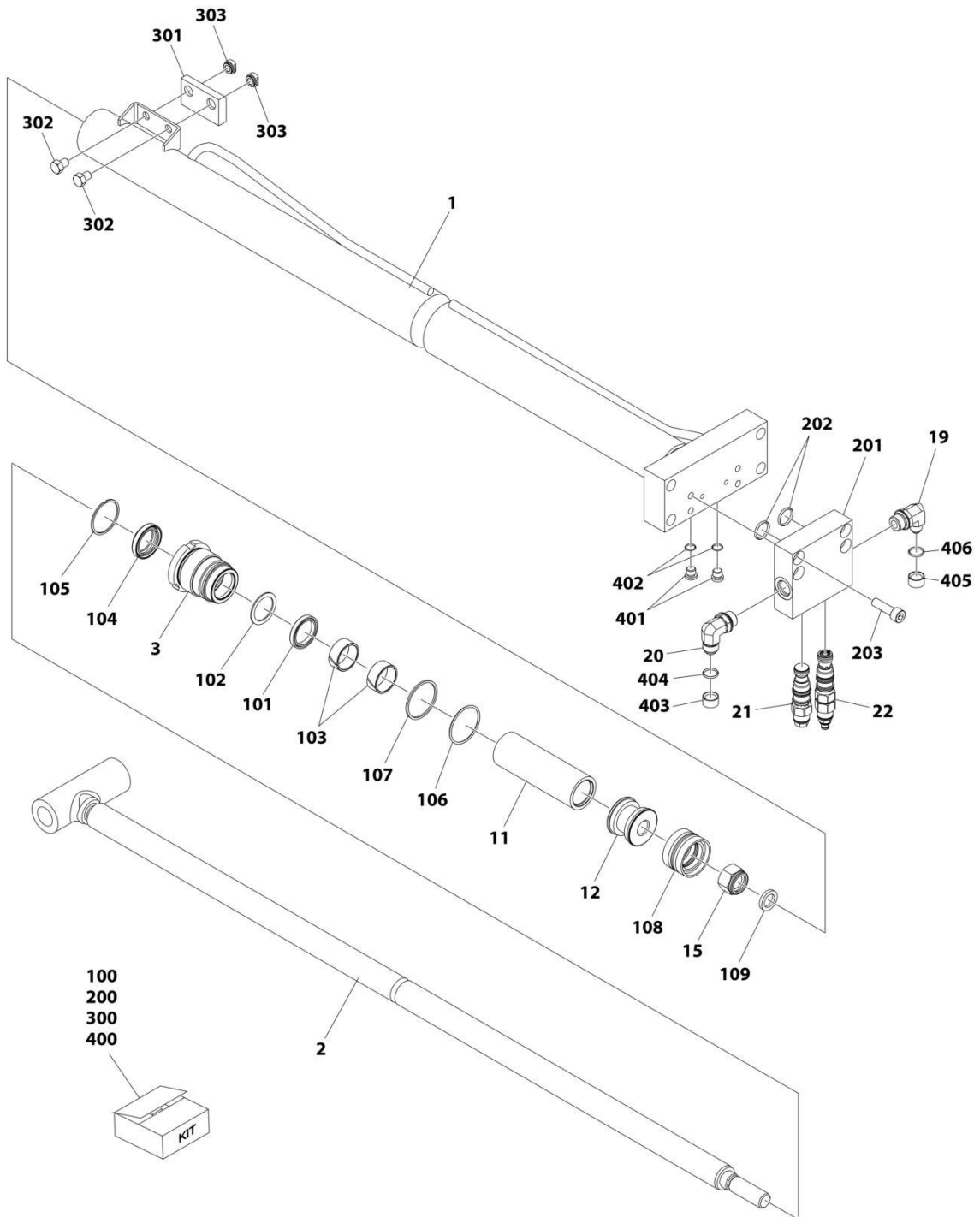
## SECTION 5 - CYLINDER

### FIGURE 5-12. STEER CYLINDER ASSEMBLY

ITEM	PART NUMBER	QTY	DESCRIPTION	REV
	1683591	Ref	STEER CYLINDER ASSEMBLY	B
		Ref	Note: Original Cylinder May Have Been Replaced with Service Replacement. Identify PN Stamped on Cylinder Before Ordering Parts.	
1	See Note	2	Wiper (Note: Use p/n 7017246)	
2	7001630	2	Nut, Spanner	
3	7017247	2	Ring, Retaining	
4	See Note	2	Seal, Lip (Note: Use p/n 7017246)	
5	See Note	4	Ring, Wear (Note: Use p/n 7017246)	
6	See Note	2	Ring, Back-Up (Note: Use p/n 7017246)	
7	See Note	2	O-Ring (Note: Use p/n 7017246)	
8	7017248	2	Guide	
9	70003341	1	Barrel	
10	7017249	2	Tube	
11	7017250	1	Piston	
12	See Note	2	Ring, Wear (Note: Use p/n 7017246)	
13	See Note	1	Seal (Note: Use p/n 7017246)	
14	See Note	1	O-Ring (Note: Use p/n 7017246)	
15	See Note	1	O-Ring (Note: Use p/n 7017246)	
16	7017251	1	Rod - Male End	
17	7017252	1	Rod - Female End	
100	7017246	1	Seal Kit (Includes Items 1,4-7 & 12-15)	

# SECTION 5 - CYLINDER

## FIGURE 5-13. TELESCOPE CYLINDER ASSEMBLY - E400ANARROW



ART\_1001251063

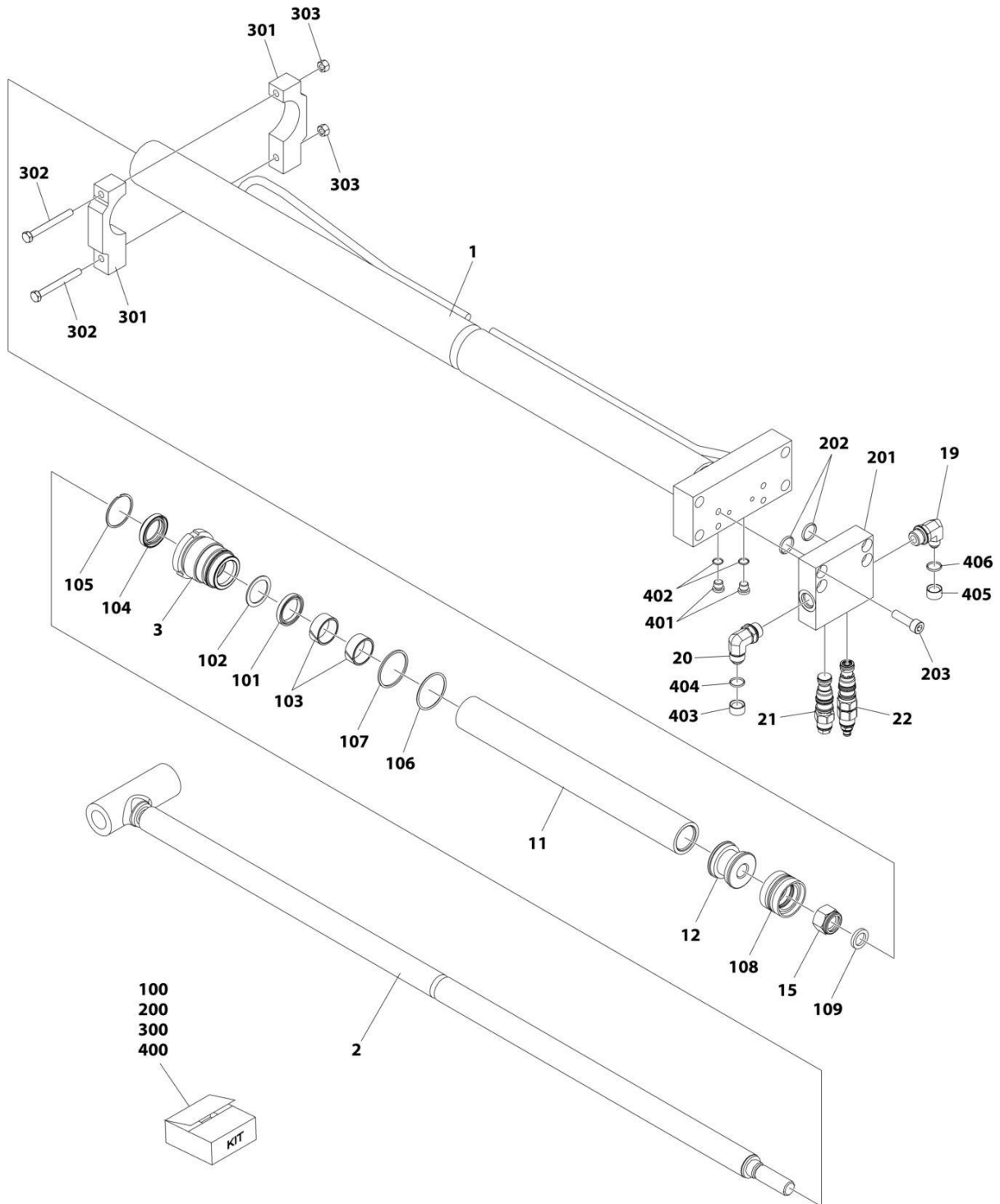
## SECTION 5 - CYLINDER

**FIGURE 5-13. TELESCOPE CYLINDER ASSEMBLY - E400ANARROW**

ITEM	PART NUMBER	QTY	DESCRIPTION	REV
	1001251063	Ref	TELESCOPE CYLINDER ASSEMBLY	B
		Ref	Note: Original Cylinder may have been replaced with Service Replacement. Identify PN Stamped on Cylinder Before Ordering Parts.	
1	See Note	NSS	Barrel (Note: Not Available for Purchase)	
2	70007378	1	Rod Assembly	
3	70007357	1	Rod Cover	
11	70007358	1	Spacer	
12	70007359	1	Piston	
15	70007360	1	Nut	
19	70007361	1	Port	
20	70007362	1	Port	
21	4640709	1	Cartridge	
22	4640495	1	Cartridge	
100	70007363	1	Seal Kit (Includes Items 100-109)	
101	See Note	NSS	U-Packing (Note: Use p/n 70007363)	
102	See Note	NSS	Ring, Back-up (Note: Use p/n 70007363)	
103	See Note	NSS	Ring, Wear (Note: Use p/n 70007363)	
104	See Note	NSS	Wiper, Dust (Note: Use p/n 70007363)	
105	See Note	NSS	Ring, Retaining (Note: Use p/n 70007363)	
106	See Note	NSS	O-Ring (Note: Use p/n 70007363)	
107	See Note	NSS	Ring, Back-up (Note: Use p/n 70007363)	
108	See Note	NSS	Seal, Compact (Note: Use p/n 70007363)	
109	See Note	NSS	O-Ring (Note: Use p/n 70007363)	
200	70007364	1	Block Kit (Includes Items 201-203)	
201	See Note	NSS	Block (Note: Use p/n 70007364)	
202	See Note	NSS	O-Ring (Note: Use p/n 70007364)	
203	See Note	NSS	Bolt (Note: Use p/n 70007364)	
300	70007365	1	Wear Pad Kit (Includes Items 301-303)	
301	See Note	NSS	Guide (Note: Use p/n 70007365)	
302	See Note	NSS	Bolt (Note: Use p/n 70007365)	
303	See Note	NSS	Nut (Note: Use p/n 70007365)	
400	70007366	1	Plug Kit (Includes Items 401-406)	
401	See Note	NSS	Plug (Note: Use p/n 70007366)	
402	See Note	NSS	O-Ring (Note: Use p/n 70007366)	
403	See Note	NSS	Dust Cap (Note: Use p/n 70007366)	
404	See Note	NSS	O-Ring (Note: Use p/n 70007366)	
405	See Note	NSS	Dust Cap (Note: Use p/n 70007366)	
406	See Note	NSS	O-Ring (Note: Use p/n 70007366)	

# SECTION 5 - CYLINDER

## FIGURE 5-14. TELESCOPE CYLINDER ASSEMBLY - E400AJPNARROW



ART\_1001251015

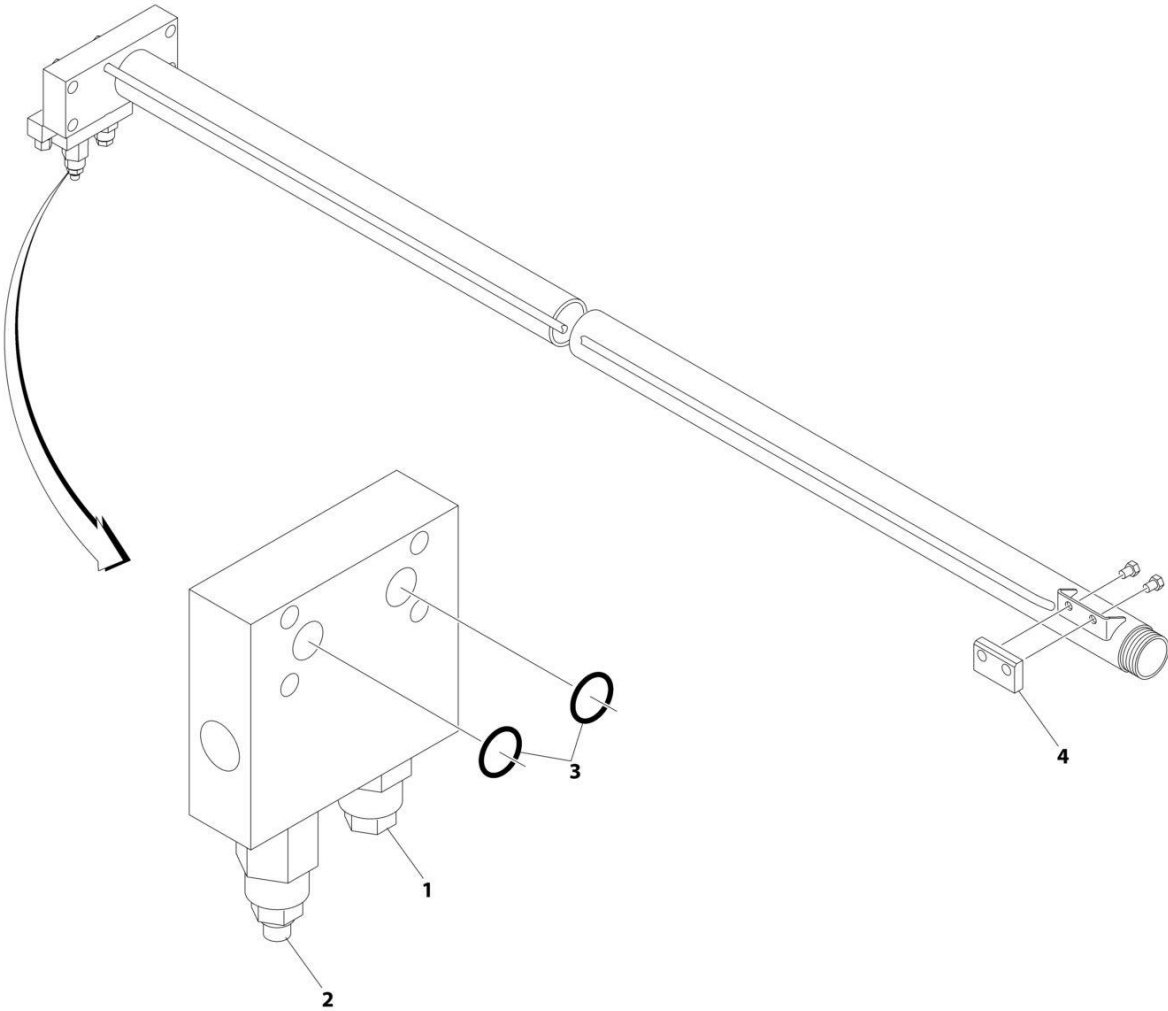
## SECTION 5 - CYLINDER

**FIGURE 5-14. TELESCOPE CYLINDER ASSEMBLY - E400AJPNARROW**

ITEM	PART NUMBER	QTY	DESCRIPTION	REV
	1001251015	Ref	TELESCOPE CYLINDER ASSEMBLY	B
		Ref	Note: Original Cylinder may have been replaced with Service Replacement. Identify PN Stamped on Cylinder Before Ordering Parts.	
1	See Note	NSS	Barrel Weldment (Note: Not Available for Purchase)	
2	70007379	1	Rod	
3	70007357	1	Head	
11	70007381	1	Spacer	
12	70007359	1	Piston	
15	70007360	2	Nut	
19	70007361	1	Fitting, 90 JIC/ORB	
20	70007362	1	Fitting, 90 JIC/ORB	
100	70007363	1	Seal Kit (Includes Items 101-109)	
101	See Note	NSS	U-Packing (Note: Use p/n 70007363)	
102	See Note	NSS	Ring, Back-up (Note: Use p/n 70007363)	
103	See Note	NSS	Ring, Wear (Note: Use p/n 70007363)	
104	See Note	NSS	Wiper, Rod (Note: Use p/n 70007363)	
105	See Note	NSS	Ring, Retaining (Note: Use p/n 70007363)	
106	See Note	NSS	O-Ring (Note: Use p/n 70007363)	
107	See Note	NSS	Ring, Back-up (Note: Use p/n 70007363)	
108	See Note	NSS	Seal, Compact (Note: Use p/n 70007363)	
109	See Note	NSS	O-Ring (Note: Use p/n 70007363)	
200	70007364	1	Block Kit (Includes Items 201-203)	
201	See Note	NSS	Block (Note: Use p/n 70007364)	
202	See Note	NSS	O-Ring (Note: Use p/n 70007364)	
203	See Note	NSS	Bolt (Note: Use p/n 70007364)	
300	70007380	1	Wear Pad Kit (Includes Items 301-303)	
301	See Note	NSS	Bracket (Note: Use p/n 70007380)	
302	See Note	NSS	Bolt (Note: Use p/n 70007380)	
303	See Note	NSS	Nut (Note: (Use p/n 70007380)	
400	70007366	1	Plug Kit (Includes Items 401-406)	
401	See Note	NSS	Plug (Note: Use p/n 70007366)	
402	See Note	NSS	O-Ring (Note: Use p/n 70007366)	
403	See Note	NSS	Dust Cap (Note: Use p/n 70007366)	
404	See Note	NSS	O-Ring (Note: Use p/n 70007366)	
405	See Note	NSS	Dust Cap (Note: Use p/n 70007366)	
406	See Note	NSS	O-Ring (Note: Use p/n 70007366)	

**SECTION 5 - CYLINDER**

**FIGURE 5-15. COUNTERBALANCE VALVE ASSEMBLY**



ART\_4640807



## SECTION 5 - CYLINDER

### FIGURE 5-15. COUNTERBALANCE VALVE ASSEMBLY

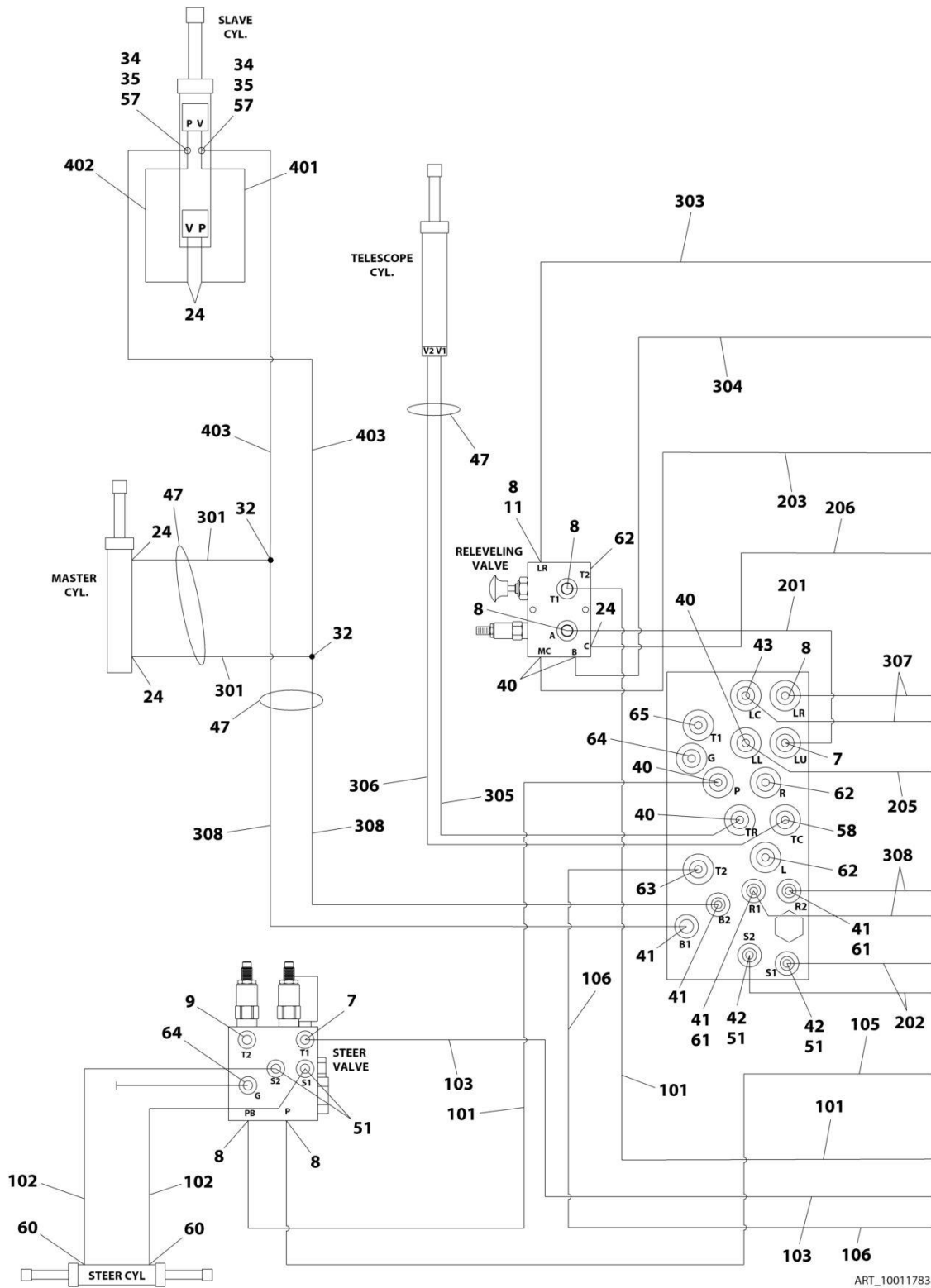
ITEM	PART NUMBER	QTY	DESCRIPTION	REV
	4640807	Ref	COUNTERBALANCE VALVE ASSEMBLY	D
1	4640771	1	Cartridge, Counterbalance	
1	2900770	1	Seal Kit - 4640771 Cartridge	
2	4640709	1	Cartridge, Vented Counterbalance	
2	2900770	1	Seal Kit - 4640709 Cartridge	
3	3790113	2	O-Ring (Between Valve and Cylinder Block)	



**SECTION 6 - HYDRAULIC**

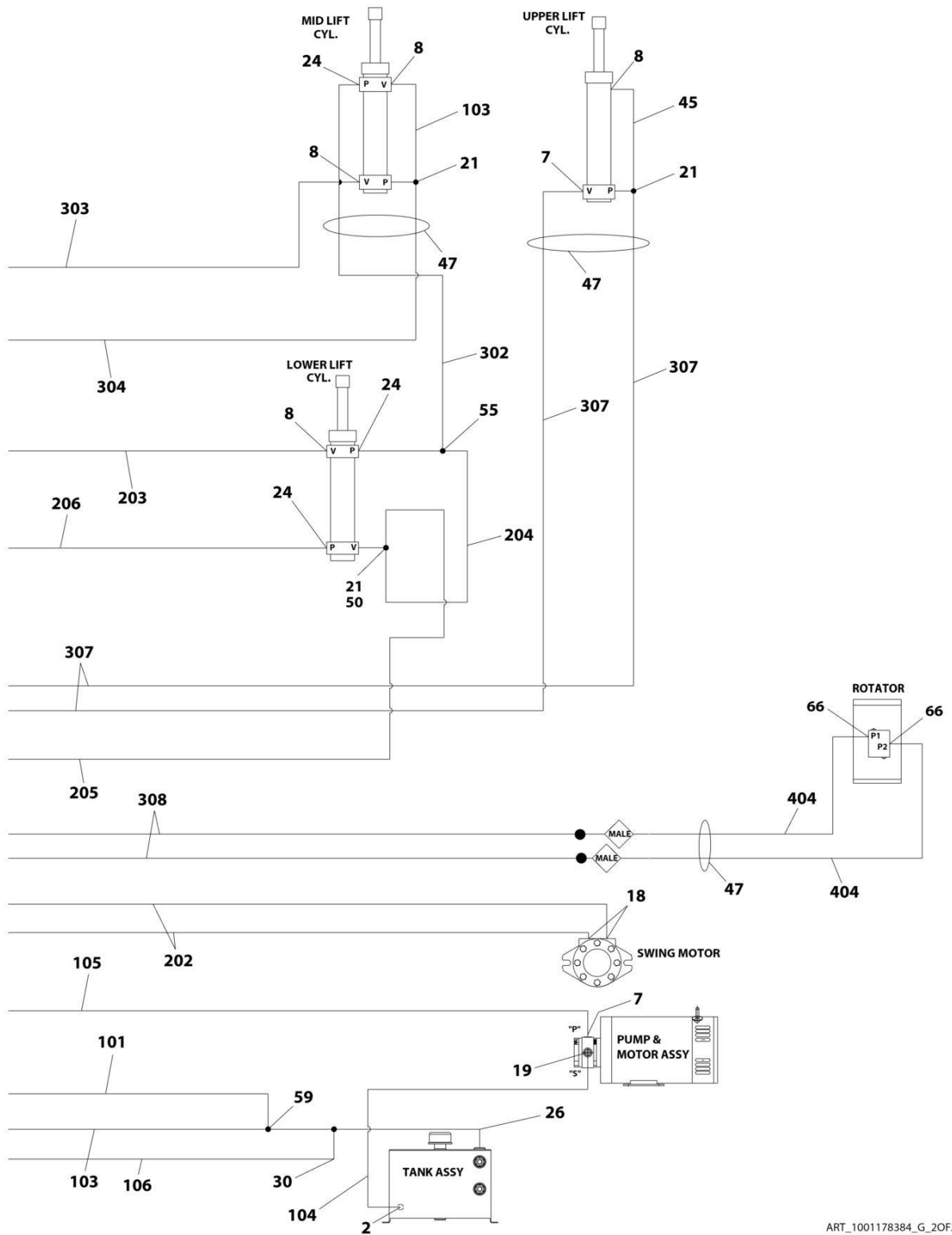
# SECTION 6 - HYDRAULIC

## FIGURE 6-1. HYDRAULIC DIAGRAM - E400ANARROW



ART\_1001178384\_G\_10F2

# SECTION 6 - HYDRAULIC



ART\_1001178384\_G\_2OF2

# SECTION 6 - HYDRAULIC

## FIGURE 6-1. HYDRAULIC DIAGRAM - E400ANARROW

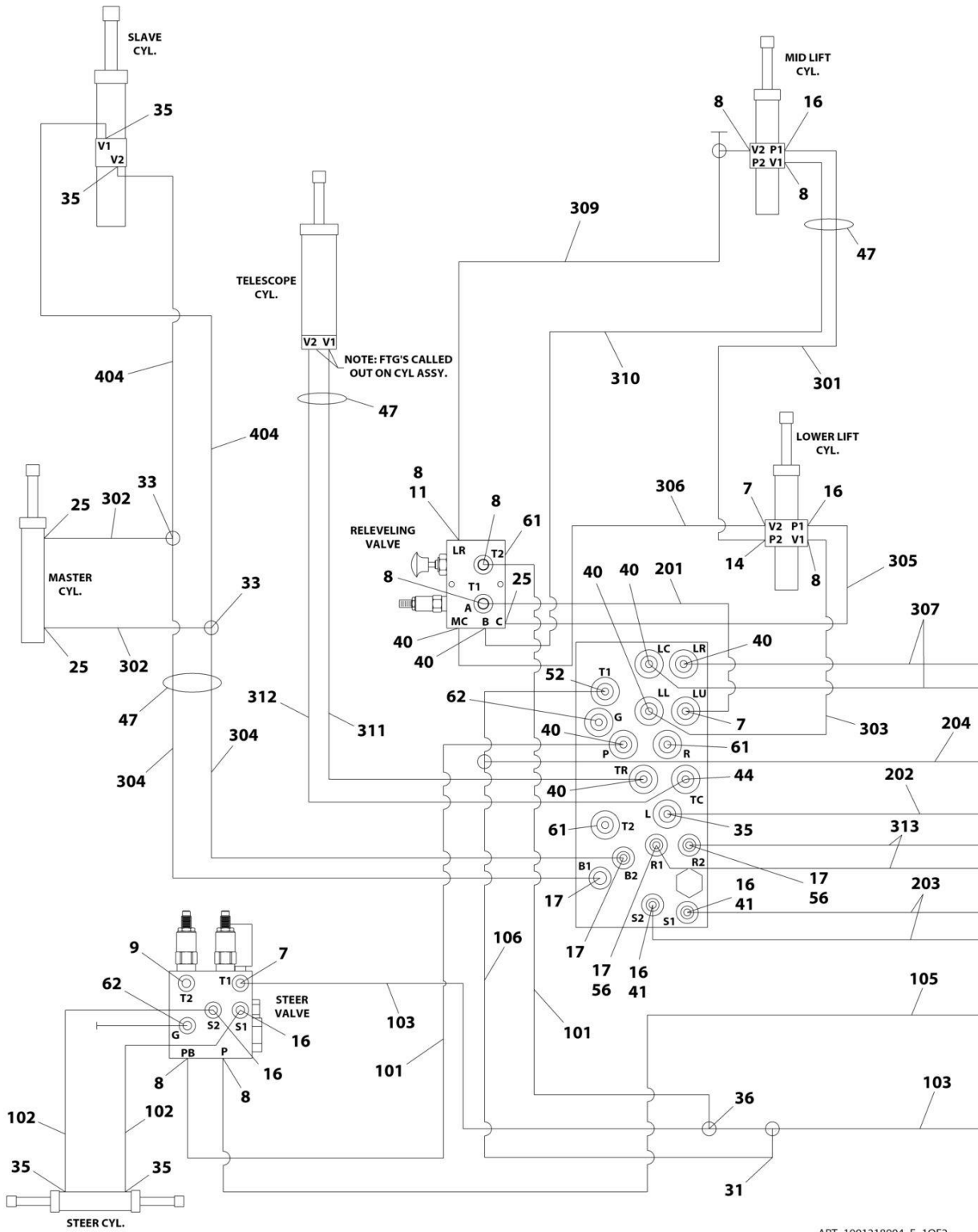
ITEM	PART NUMBER	QTY	DESCRIPTION	REV
	1001178384	Ref	HYDRAULIC DIAGRAM - E400AN	G
2	2220498	1	Fitting, 45 JIC/ORB	
7	2220371	4	Fitting, Straight, JIC/ORB	
8	2220473	10	Fitting, 90 JIC/ORB	
9	2220885	1	Plug	
11	2220507	1	Fitting, 90 JIC/JIC	
18	2221033	2	Fitting, Straight JIC/ORB	
19	2220593	1	Fitting, Straight JIC/ORB	
21	2220899	3	Fitting, Tee JIC/ORB/JIC	
24	2220472	8	Fitting, 90 JIC/ORB	
26	2220999	1	Fitting, Tee JIC/ORB/JIC	
30	2220386	1	Fitting, 90 JIC/JIC	
32	2220504	2	Fitting, Tee JIC/JIC/JIC	
34	2220727	2	Fitting, Reducer ORB	
35	2220684	2	Fitting, Tee NPT/JIC/JIC	
40	2220501	5	Fitting, 45 JIC/ORB	
41	2220502	4	Fitting, 45 JIC/ORB	
42	2220677	2	Fitting, 45 JIC/JIC	
43	2221147	1	Fitting, 90 JIC/ORB	
45	4566188	1	Tube	
47	4100026	13.7 ft /4.2m	Nylon, Sleeve	
49	1702124	1	Hose, Tag (Not Shown)	
50	2220609	1	Fitting, Straight JIC/JIC	
51	2220415	4	Fitting, Straight JIC/ORB	
55	2220605	1	Fitting, Tee JIC/JIC/JIC	
57	0100020	AR	Sealant	
58	2220600	1	Fitting, Straight JIC/ORB	
59	2221054	1	Fitting, Tee JIC/JIC/JIC	
60	2220582	2	Fitting, Straight JIC/ORB	
61	2220909	2	Fitting, Restrictor	
62	2220237	3	Plug, ORB	
63	1001136881	1	Fitting, 45 JIC/ORB	
64	2221086	2	Fitting, Nipple	
65	2220239	1	Plug, ORB	
66	2220940	2	Fitting, 90 JIC/ORB	
100	1001269310	1	Hose Kit - Frame (Not Shown)	
101	2750915	2	Hose	
102	2752453	2	Hose	
103	2752467	2	Hose	
104	2753973	1	Hose	
105	1001152635	1	Hose	
106	1001177666	1	Hose	
200	1001269311	1	Hose Kit - Turntable (Not Shown)	
201	2750910	1	Hose	
202	2752459	2	Hose	
203	2752475	1	Hose	
204	2752581	1	Hose	
205	2752620	1	Hose	
206	2752983	1	Hose	

## SECTION 6 - HYDRAULIC

ITEM	PART NUMBER	QTY	DESCRIPTION	REV
300	1001269312	1	Hose Kit - Boom (Lower) (Not Shown)	
301	2752437	2	Hose	
302	2752440	1	Hose	
303	2753334	1	Hose	
304	2753335	1	Hose	
305	2753474	1	Hose	
306	2753475	1	Hose	
307	2753519	2	Hose	
308	2753520	4	Hose	
400	1001269313	1	Hose Kit - Boom (Upper) (Not Shown)	
401	2752435	1	Hose	
402	2752573	1	Hose	
403	2753535	2	Hose	
404	1001185828	2	Hose	

# SECTION 6 - HYDRAULIC

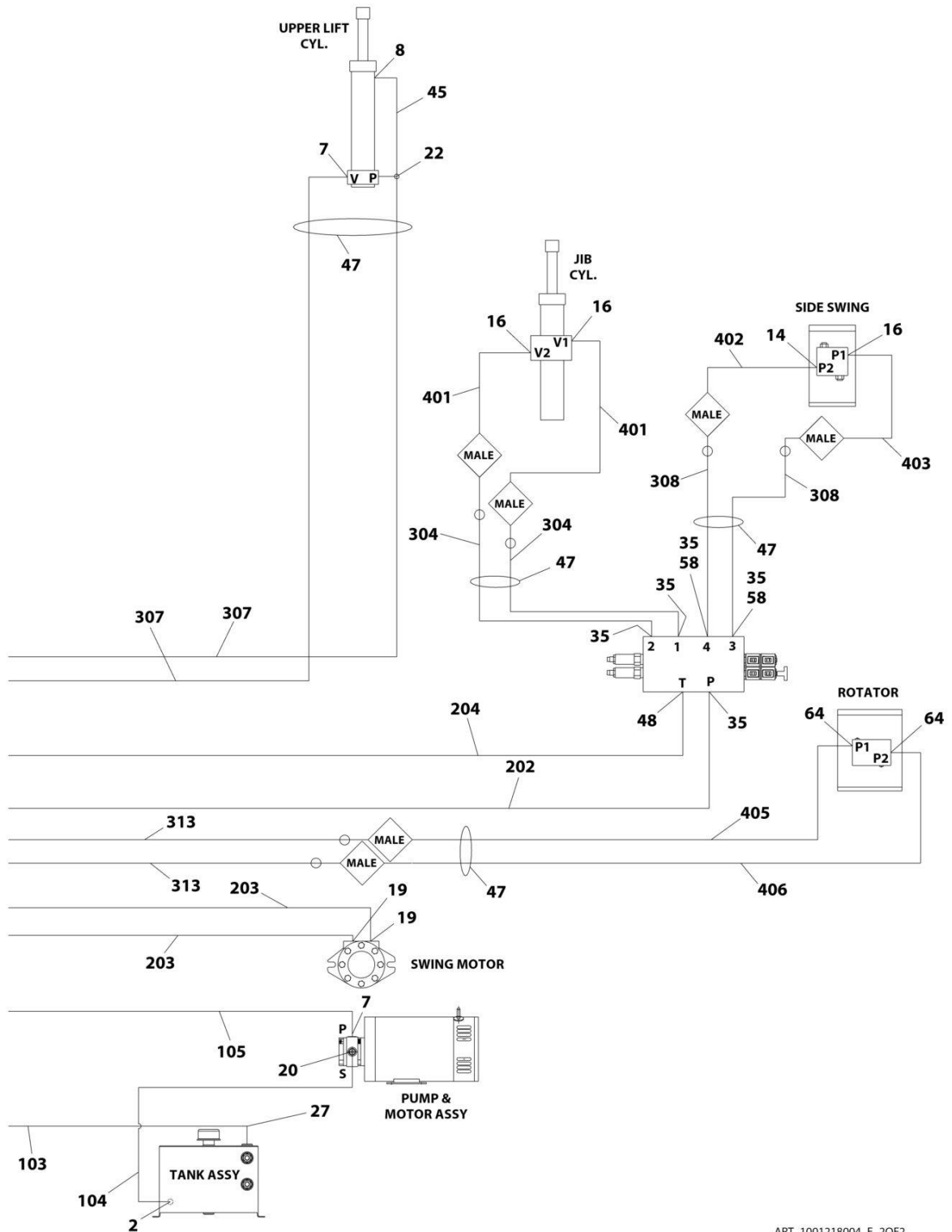
## FIGURE 6-2. HYDRAULIC DIAGRAM - E400AJPNARROW



ART\_1001218004\_E\_10F2



# SECTION 6 - HYDRAULIC



ART\_1001218004\_E\_2OF2

# SECTION 6 - HYDRAULIC

## FIGURE 6-2. HYDRAULIC DIAGRAM - E400AJPNARROW

ITEM	PART NUMBER	QTY	DESCRIPTION	REV
	1001218004	Ref	HYDRAULIC DIAGRAM - E400AJP/E400AJPnarrow	E
2	2220498	1	Fitting, 45 JIC/ORB	
7	2220371	4	Fitting, Straight JIC/ORB	
8	2220473	9	Fitting, 90 JIC/ORB	
9	2220885	1	Plug	
11	2220507	1	Fitting, 90 JIC/JIC	
14	2220466	2	Fitting, 90 JIC/ORB	
16	2220415	9	Fitting, Straight JIC/ORB	
17	2220502	4	Fitting, 45 JIC/ORB	
19	2221033	2	Fitting, Straight JIC/ORB	
20	2220593	1	Fitting, Straight JIC/ORB	
22	2220899	1	Fitting, Tee JIC/ORB/JIC	
25	2220472	3	Fitting, 90 JIC/ORB	
27	2220999	1	Fitting, Tee JIC/ORB/JIC	
31	2220386	1	Fitting, 90 JIC/JIC	
33	2220504	2	Fitting, Tee JIC/JIC/JIC	
35	2220582	11	Fitting, Straight JIC/ORB	
36	2221054	1	Fitting, Tee JIC/JIC/JIC	
40	2220501	7	Fitting, 45 JIC/ORB	
41	2220677	2	Fitting, 45 JIC/JIC	
44	2220600	1	Fitting, Straight JIC/ORB	
45	4567946	1	Tube	
47	4100026	17.2 ft/ 5.2m	Nylon, Sleeve	
48	2220373	1	Fitting, Straight JIC/ORB	
49	1702124	1	Hose, Tag (Not Shown)	
52	8760554	1	Fitting, Tee JIC/JIC/ ORB	
56	2220909	2	Fitting, Restrictor	
58	2221039	2	Fitting, Orifice	
61	2220237	3	Plug, ORB	
62	2221086	2	Fitting, Nipple	
64	2220940	2	Fitting, 90 JIC/ORB	
100	1001269314	1	Hose Kit - Frame (Not Shown)	
101	2750915	2	Hose	
102	2752453	2	Hose	
103	2752467	1	Hose	
104	2753973	1	Hose	
105	1001152635	1	Hose	
106	1001177666	1	Hose	
200	1001269315	1	Hose Kit - Turntable (Not Shown)	
201	2750910	1	Hose	
202	2752442	1	Hose	
203	2752459	2	Hose	
204	2752493	1	Hose	
300	1001269316	1	Hose Kit - Boom (Lower) (Not Shown)	
301	2751890	1	Hose	
302	2752437	2	Hose	
303	2752466	1	Hose	
304	2752571	4	Hose	
305	2752600	1	Hose	

## SECTION 6 - HYDRAULIC

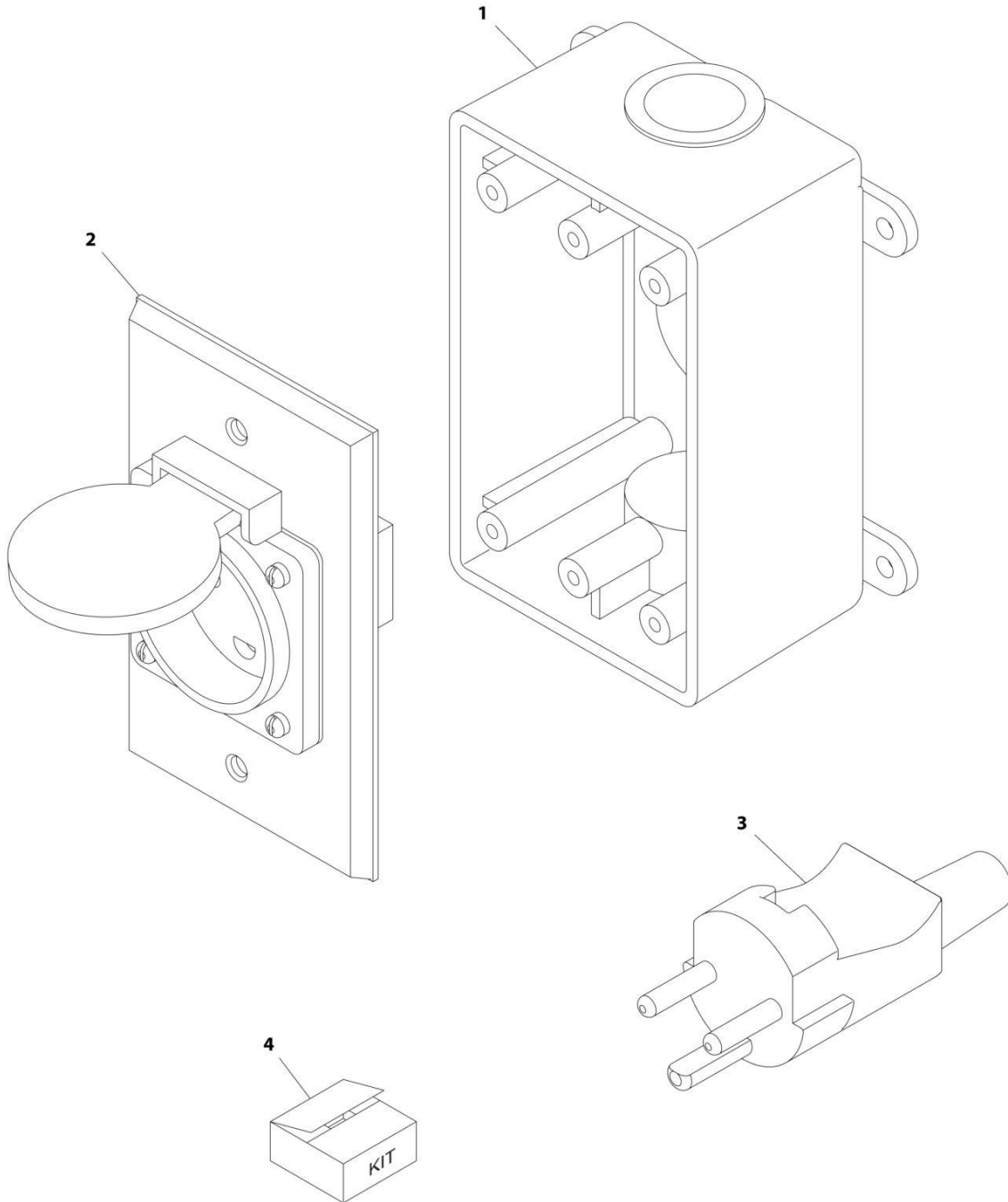
ITEM	PART NUMBER	QTY	DESCRIPTION	REV
306	2752611	1	Hose	
307	2752619	2	Hose	
308	2753332	2	Hose	
309	2753334	1	Hose	
310	2753335	1	Hose	
311	2753474	1	Hose	
312	2753475	1	Hose	
313	2753520	2	Hose	
400	1001269317	1	Hose Kit - Boom (Upper) (Not Shown)	
401	2753329	2	Hose	
402	2753330	1	Hose	
403	2753331	1	Hose	
404	2753333	2	Hose	
405	1001185828	1	Hose	
406	1001185829	1	Hose	



**SECTION 7 - ELECTRICAL**

# SECTION 7 - ELECTRICAL

FIGURE 7-1. AC PLUGS AND SOCKETS INSTALLATION - AFSINT 107-2-01 KEYED GROUND - 2 X 4 BOX (CE & UK CA SPEC)



ART\_0275454

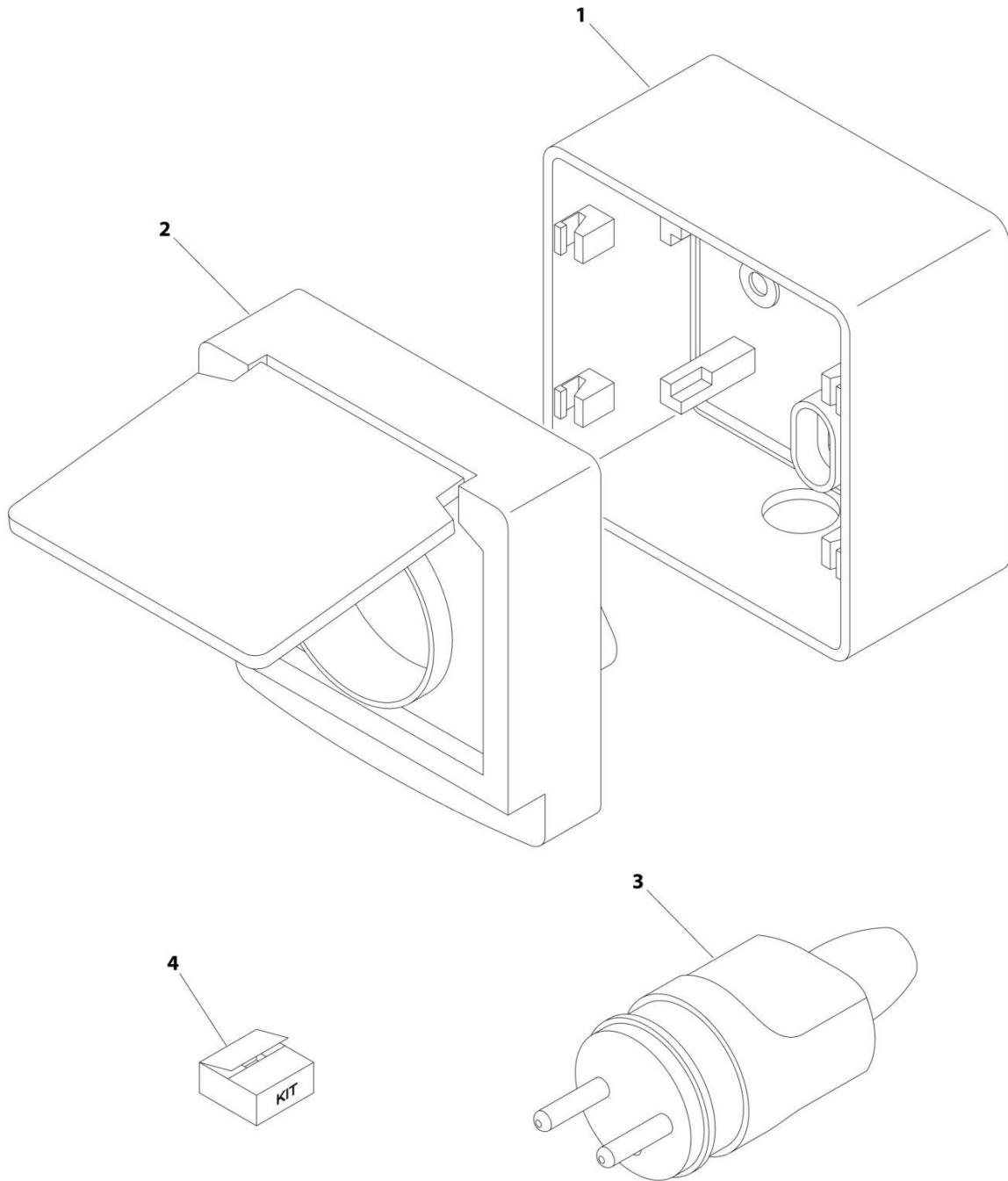
## SECTION 7 - ELECTRICAL

**FIGURE 7-1. AC PLUGS AND SOCKETS INSTALLATION - AFSINT 107-2-01 KEYED GROUND - 2 X 4 BOX (CE & UK CA SPEC)**

ITEM	PART NUMBER	QTY	DESCRIPTION	REV
	0275454	Ref	RECEPTACLE BOX KIT - 220V AFSINT 107	B
1	0861731	1	Box, Switch	
2	4461246	1	Receptacle	
3	4461249	1	Plug, Male	
4	1001100346	1	Plug and Socket Kit (Includes Items 1-3 and Female Plug p/n 4461250)	

## SECTION 7 - ELECTRICAL

FIGURE 7-2. AC PLUGS AND SOCKETS INSTALLATION - CEE7 POST GROUND (CE & UK CA SPEC)



ART\_0275218\_C



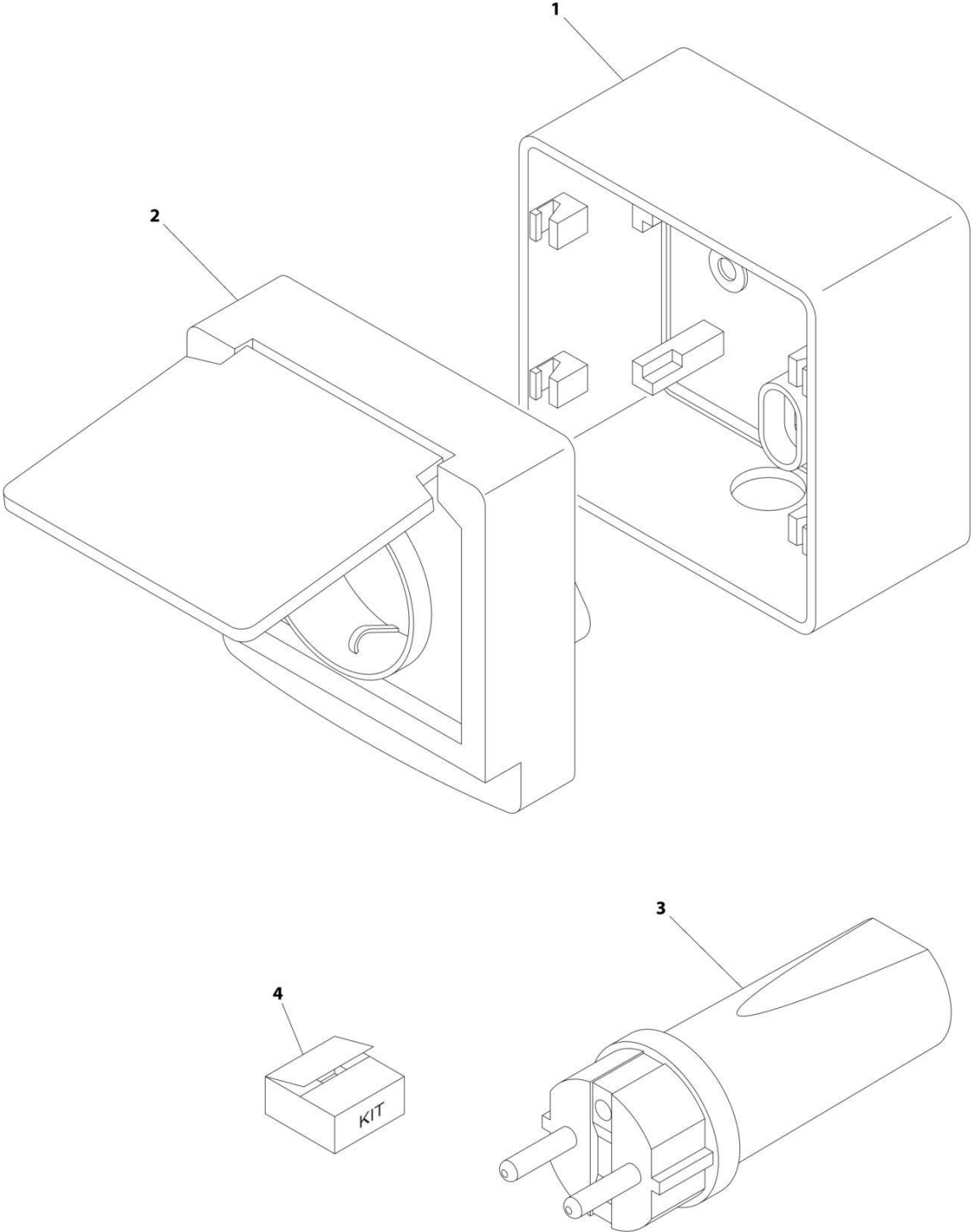
## SECTION 7 - ELECTRICAL

**FIGURE 7-2. AC PLUGS AND SOCKETS INSTALLATION - CEE7 POST GROUND (CE & UK CA SPEC)**

ITEM	PART NUMBER	QTY	DESCRIPTION	REV
	0275218	Ref	RECEPTACLE BOX KIT - 220V CEE7 POST GROUND 70MM X 70MM BOX	C
1	1001141967	1	Box, Switch	
2	1001141968	1	Receptacle	
3	4461205	1	Plug, Male	
4	1001141971	1	Plug and Socket Kit (Includes Items 1-3 and Female Plug p/n 4461206)	

**SECTION 7 - ELECTRICAL**

**FIGURE 7-3. AC PLUGS AND SOCKETS INSTALLATION - CEE 7 SIDE GROUND (CE & UK CA SPEC)**



ART\_0275219

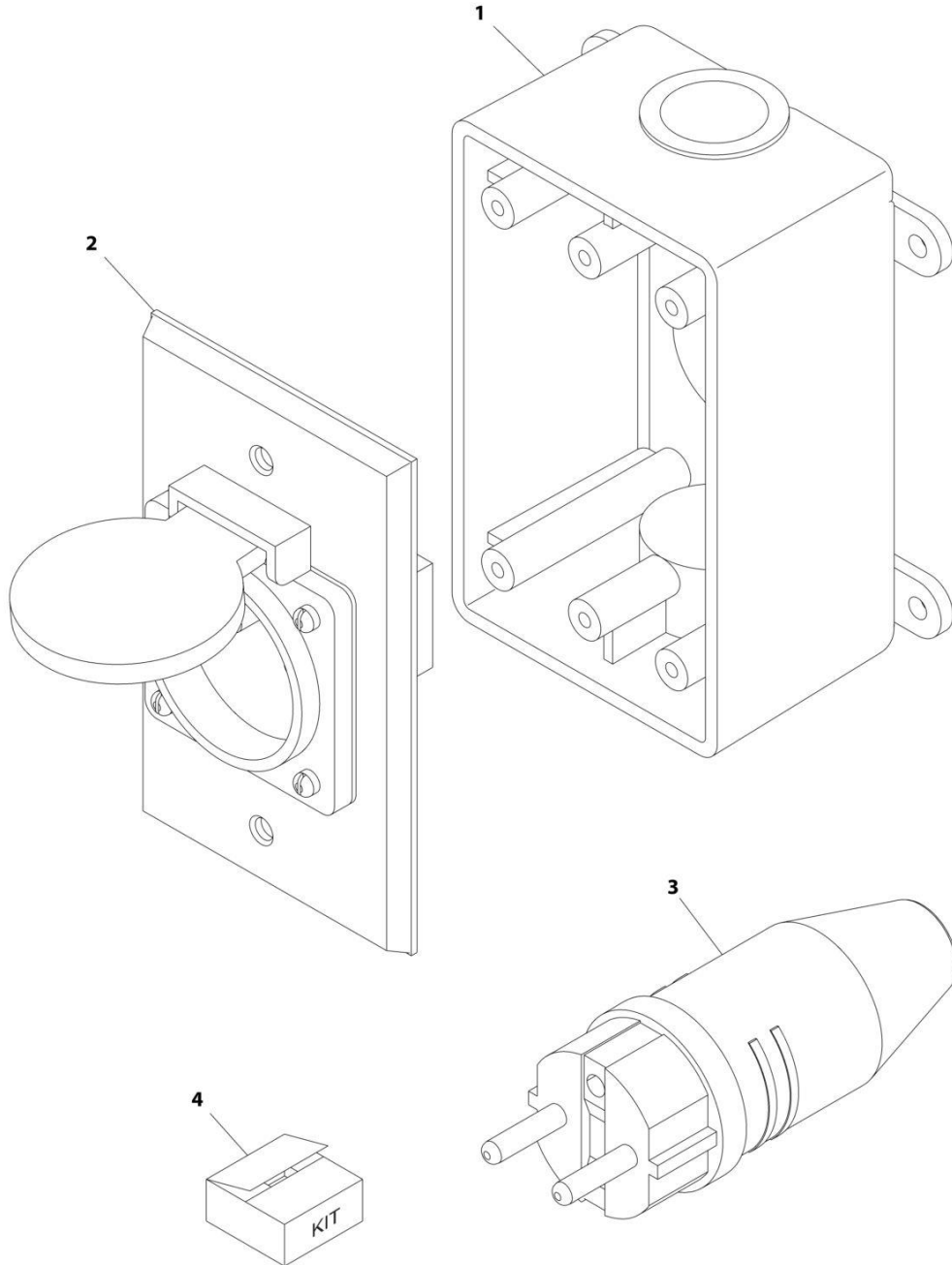
## SECTION 7 - ELECTRICAL

**FIGURE 7-3. AC PLUGS AND SOCKETS INSTALLATION - CEE 7 SIDE GROUND (CE & UK CA SPEC)**

ITEM	PART NUMBER	QTY	DESCRIPTION	REV
	0275219	Ref	RECEPTACLE BOX KIT - 220V CEE7 SIDE GROUND 70MM X 70MM BOX	B
1	1001141967	1	Box, Switch	
2	1001141969	1	Receptacle	
3	4461205	1	Plug, Male	
4	1001141970	1	Plug and Socket Kit (Includes Items 1-3 and Female Plug p/n 4461206)	

## SECTION 7 - ELECTRICAL

FIGURE 7-4. AC PLUGS AND SOCKETS INSTALLATION - CEE7 POST GROUND - 2 X 4 BOX (CE & UK CA SPEC)



ART\_0275452-C

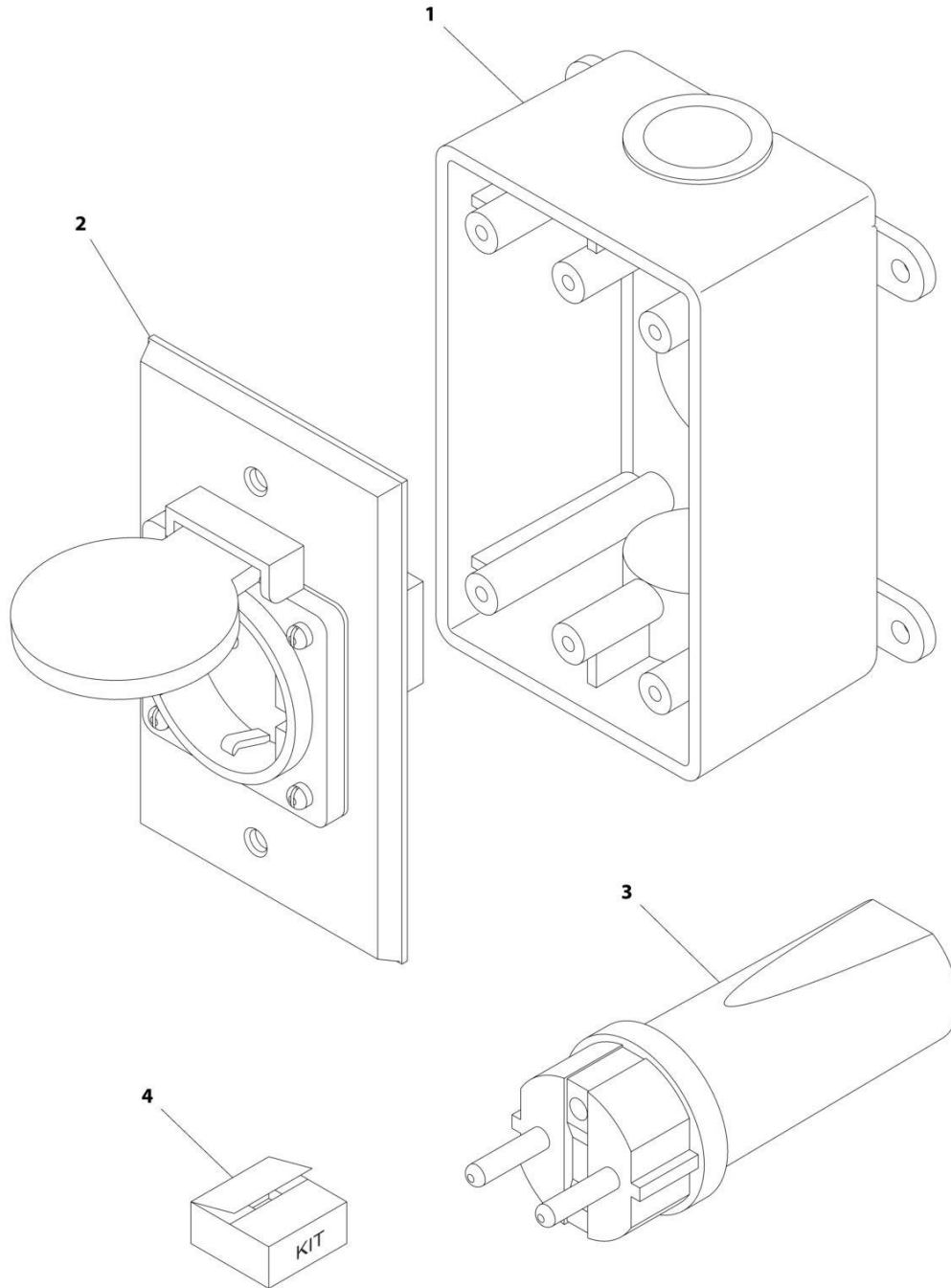
## SECTION 7 - ELECTRICAL

**FIGURE 7-4. AC PLUGS AND SOCKETS INSTALLATION - CEE7 POST GROUND - 2 X 4 BOX (CE & UK CA SPEC)**

ITEM	PART NUMBER	QTY	DESCRIPTION	REV
	0275452	Ref	RECEPTACLE BOX KIT - 220V CEE7 POST GROUND 2IN X 4IN BOX	C
1	0861731	1	Box, Switch	
2	4461244	1	Receptacle	
3	4461205	1	Plug, Male	
4	1001100345	1	Plug and Socket Kit (Includes Items 1-3 and Female Plug p/n 4461203)	

# SECTION 7 - ELECTRICAL

FIGURE 7-5. AC PLUGS AND SOCKETS INSTALLATION - CEE7 SIDE GROUND - 2 X 4 BOX (CE & UK CA SPEC)



ART\_0275453

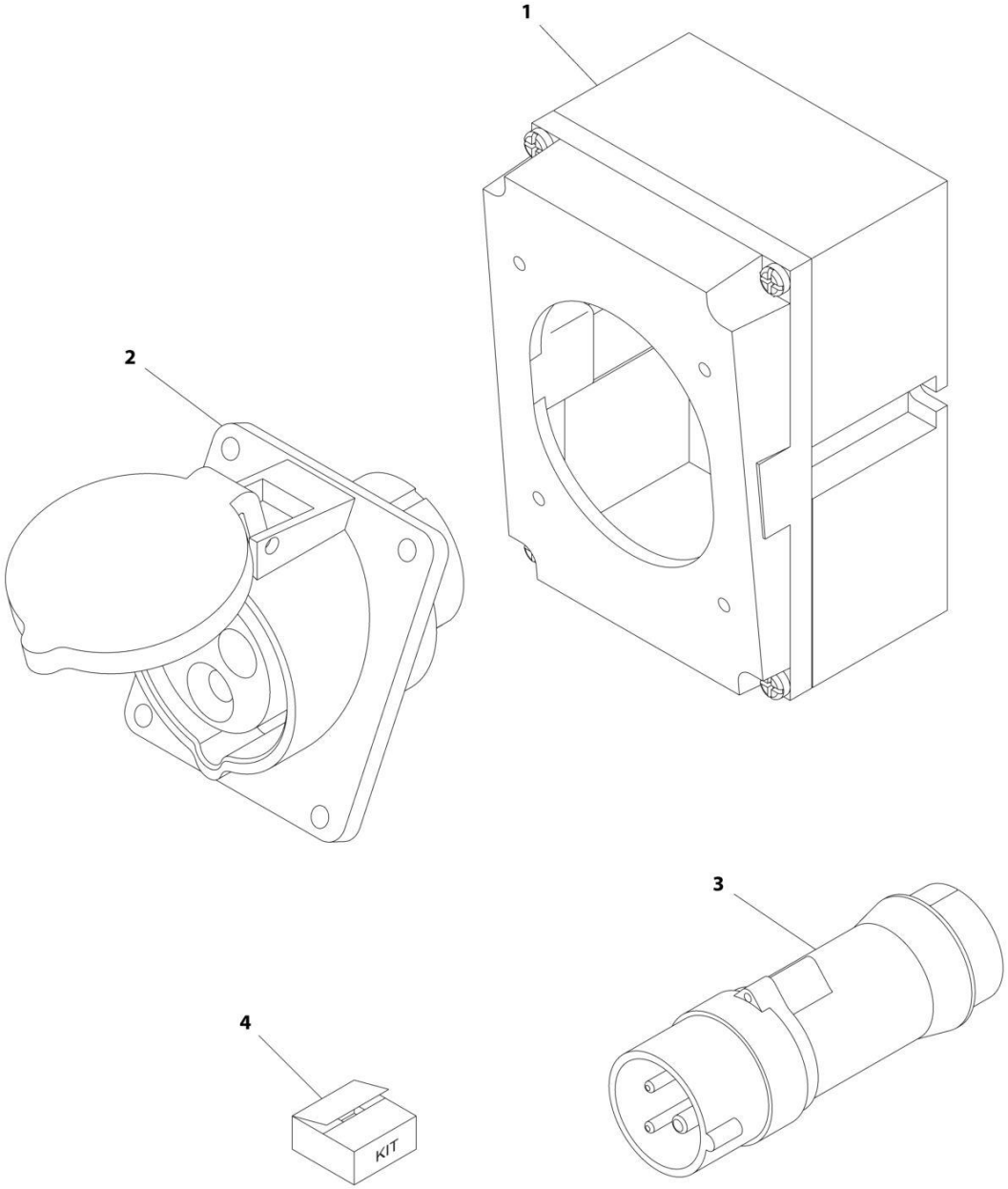
## SECTION 7 - ELECTRICAL

**FIGURE 7-5. AC PLUGS AND SOCKETS INSTALLATION - CEE7 SIDE GROUND - 2 X 4 BOX (CE & UK CA SPEC)**

ITEM	PART NUMBER	QTY	DESCRIPTION	REV
	0275453	Ref	RECEPTACLE BOX KIT - 220V CEE7 SIDE GROUND	B
1	0861731	1	Box, Switch	
2	4461245	1	Receptacle	
3	4461205	1	Plug, Male	
4	1001100347	1	Plug and Socket Kit (Includes Items 1-3 and Female Plug p/n 4461206)	

# SECTION 7 - ELECTRICAL

FIGURE 7-6. AC PLUGS AND SOCKETS INSTALLATION - IEC 60309 BLUE (CE & UK CA SPEC)



ART\_0275217



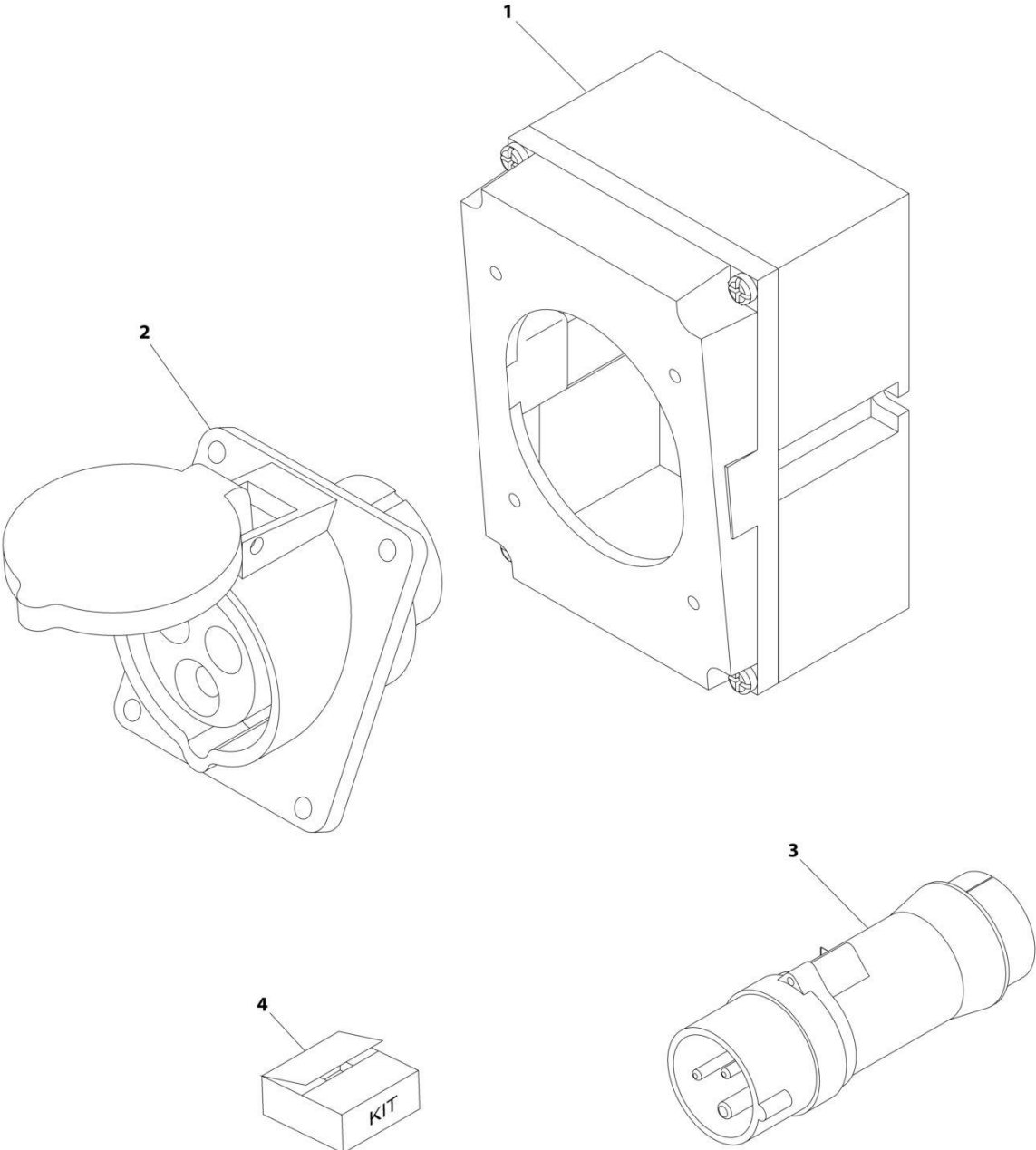
## SECTION 7 - ELECTRICAL

**FIGURE 7-6. AC PLUGS AND SOCKETS INSTALLATION - IEC 60309 BLUE (CE & UK CA SPEC)**

ITEM	PART NUMBER	QTY	DESCRIPTION	REV
	0275217	Ref	RECEPTACLE BOX KIT - 220V IEC BLUE	B
1	0861781	1	Box, Switch	
2	4461201	1	Receptacle	
3	4461199	1	Plug, Male	
4	1001100342	1	Plug and Socket Kit (Includes Items 1-3 and Female Plug p/n 4461200)	

**SECTION 7 - ELECTRICAL**

**FIGURE 7-7. AC PLUGS AND SOCKETS INSTALLATION - IEC 60309 YELLOW (CE & UK CA SPEC)**



ART\_0275216

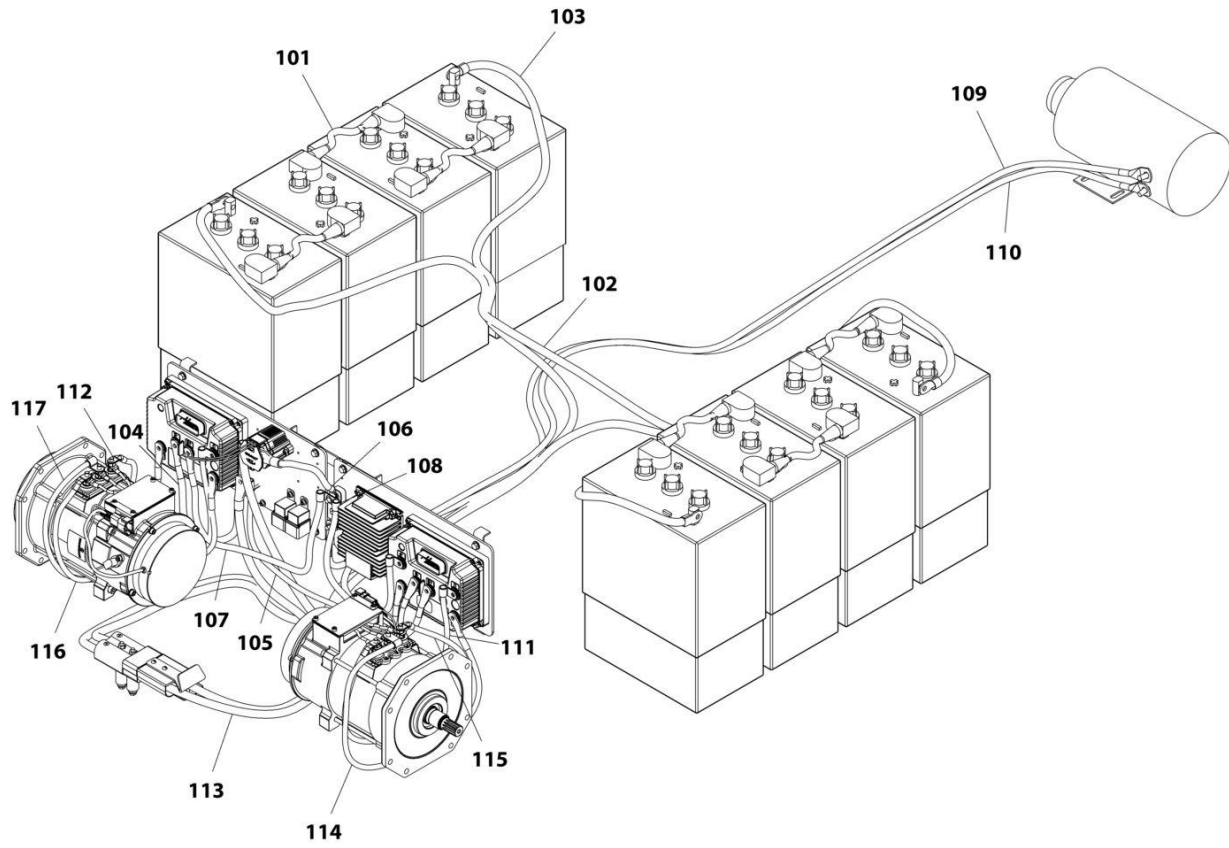
## SECTION 7 - ELECTRICAL

**FIGURE 7-7. AC PLUGS AND SOCKETS INSTALLATION - IEC 60309 YELLOW (CE & UK CA SPEC)**

ITEM	PART NUMBER	QTY	DESCRIPTION	REV
	0275216	Ref	RECEPTACLE BOX KIT - 110V IEC YELLOW	B
1	0861781	1	Box, Switch	
2	4461198	1	Receptacle	
3	4461196	1	Plug, Male	
4	1001100341	1	Plug and Socket Kit (Includes Items 1-3 and Female Plug p/n 4461197)	

# SECTION 7 - ELECTRICAL

## FIGURE 7-8. BATTERY CABLE KIT - E400ANARROW AND E400AJPNARROW



ART\_1001190088

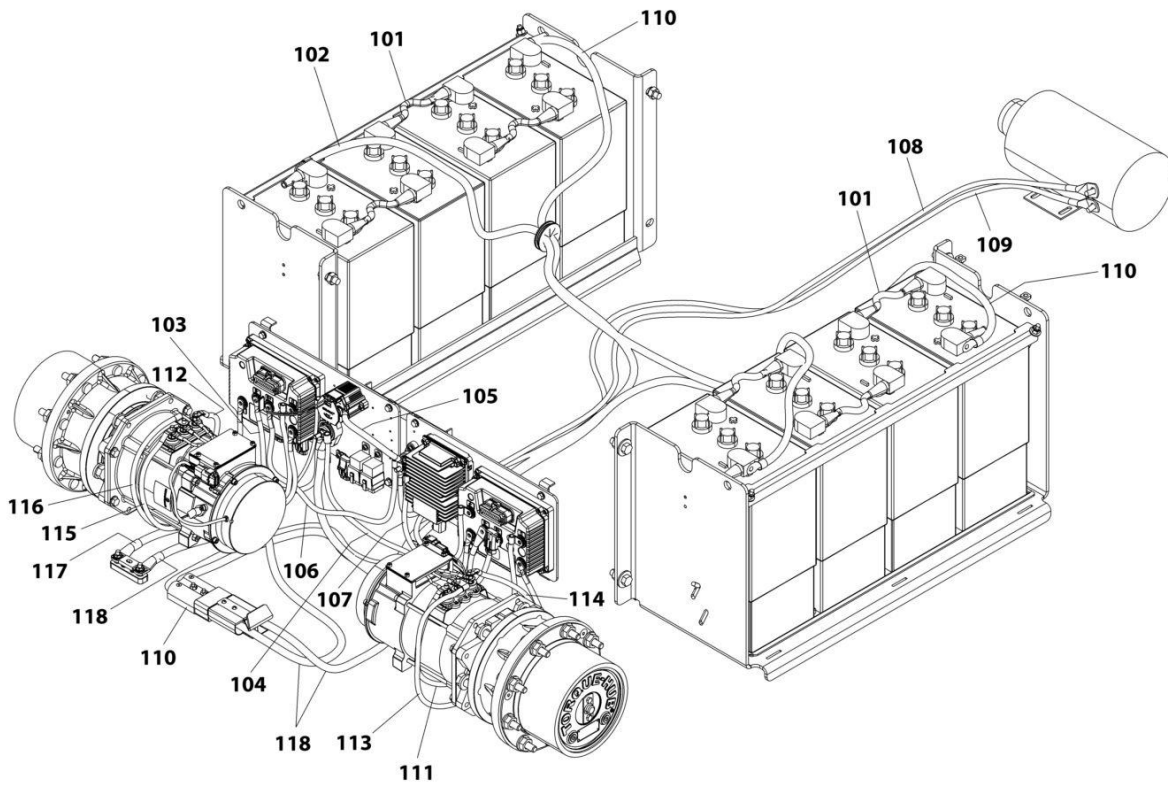
## SECTION 7 - ELECTRICAL

**FIGURE 7-8. BATTERY CABLE KIT - E400ANARROW AND E400AJPNARROW**

ITEM	PART NUMBER	QTY	DESCRIPTION	REV
	1001190088	Ref	BATTERY CABLE KIT	K
101	1001109833	6	Cable, Battery	
102	1001177245	1	Cable, Interconnect	
103	1001177246	1	Cable, Battery	
104	1001178394	1	Cable, Negative to LH Module	
105	1001178395	1	Cable, Negative to RH Module	
106	1001178396	1	Cable, Positive to Pump Motor Fuse	
107	1001178398	1	Cable, Positive to LH Module	
108	1001178399	1	Cable, Positive to RH Module	
109	1001178400	1	Cable, Pump Motor Positive	
110	1001178401	1	Cable, Pump Motor Negative	
111	1001178402	1	Cable, Motor R U	
112	1001178403	1	Cable, Motor L U	
113	1001178660	1	Cable, Battery	
114	1001189027	1	Cable, Motor R V	
115	1001189030	1	Cable, Motor R W	
116	1001189031	1	Cable, Motor L W	
117	1001189032	1	Cable, Motor L V	

# SECTION 7 - ELECTRICAL

## FIGURE 7-9. BATTERY CABLE KIT - E400ANARROW AND E400AJPNARROW - UL SPECS



ART\_1001212454

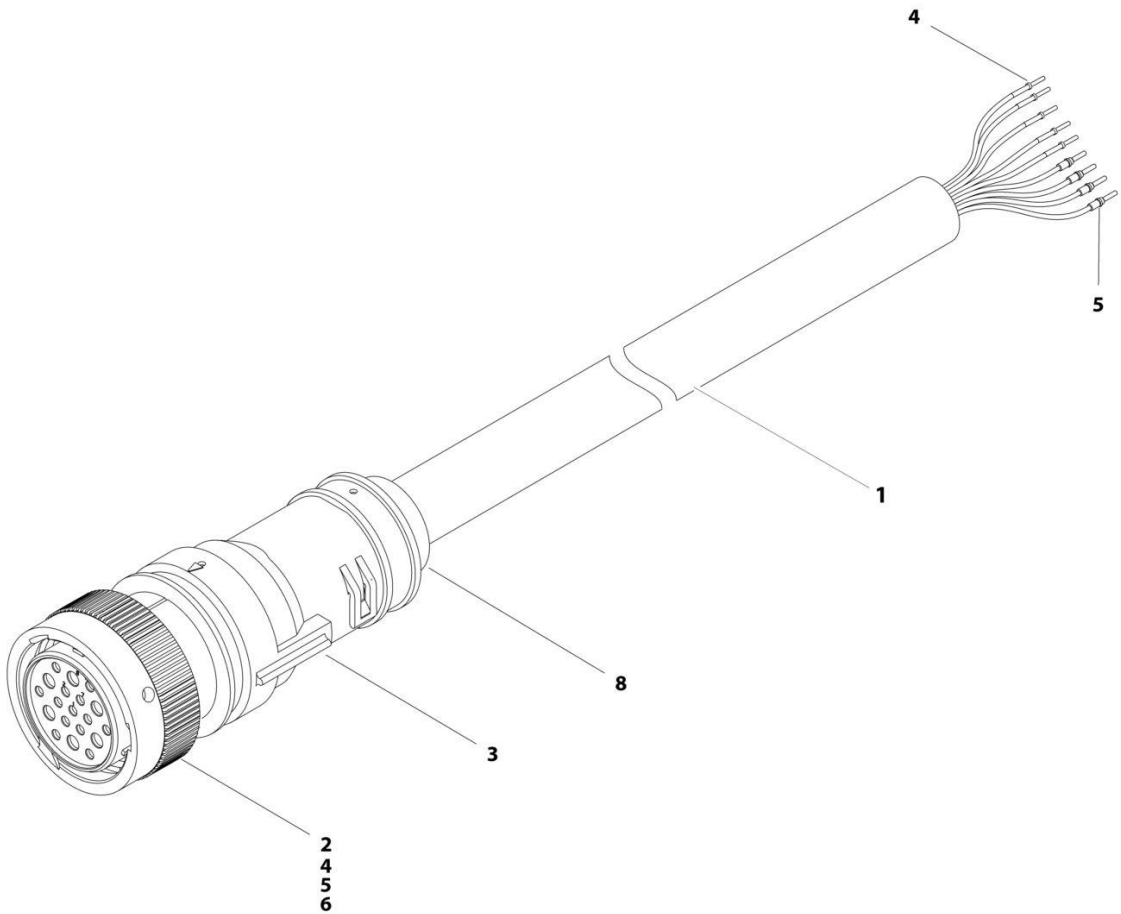
## SECTION 7 - ELECTRICAL

**FIGURE 7-9. BATTERY CABLE KIT - E400ANARROW AND E400AJPNARROW - UL SPECS**

ITEM	PART NUMBER	QTY	DESCRIPTION	REV
	1001212454	Ref	BATTERY CABLE KIT	F
101	1001109833	6	Cable, Battery	
102	1001177245	1	Cable, Interconnect	
103	1001178394	1	Cable, Negative to LH Module	
104	1001178395	1	Cable, Negative to RH Module	
105	1001178396	1	Cable, Positive to Pump Motor Fuse	
106	1001178398	1	Cable, Positive to LH Module	
107	1001178399	1	Cable, Positive to RH Module	
108	1001178400	1	Cable, Pump Motor Positive	
109	1001178401	1	Cable, Pump Motor Negative	
110	1001177246	1	Cable, Battery	
111	1001178402	1	Cable, Motor R U	
112	1001178403	1	Cable, Motor L U	
113	1001189027	1	Cable, Motor R V	
114	1001189030	1	Cable, Motor R W	
115	1001189031	1	Cable, Motor L W	
116	1001189032	1	Cable, Motor L V	
117	1001212455	1	Cable, Drive Jumper	
118	1001212480	1	Cable, Battery	

**SECTION 7 - ELECTRICAL**

**FIGURE 7-10. BOOM CABLE - LOWER**



ART\_1001183868



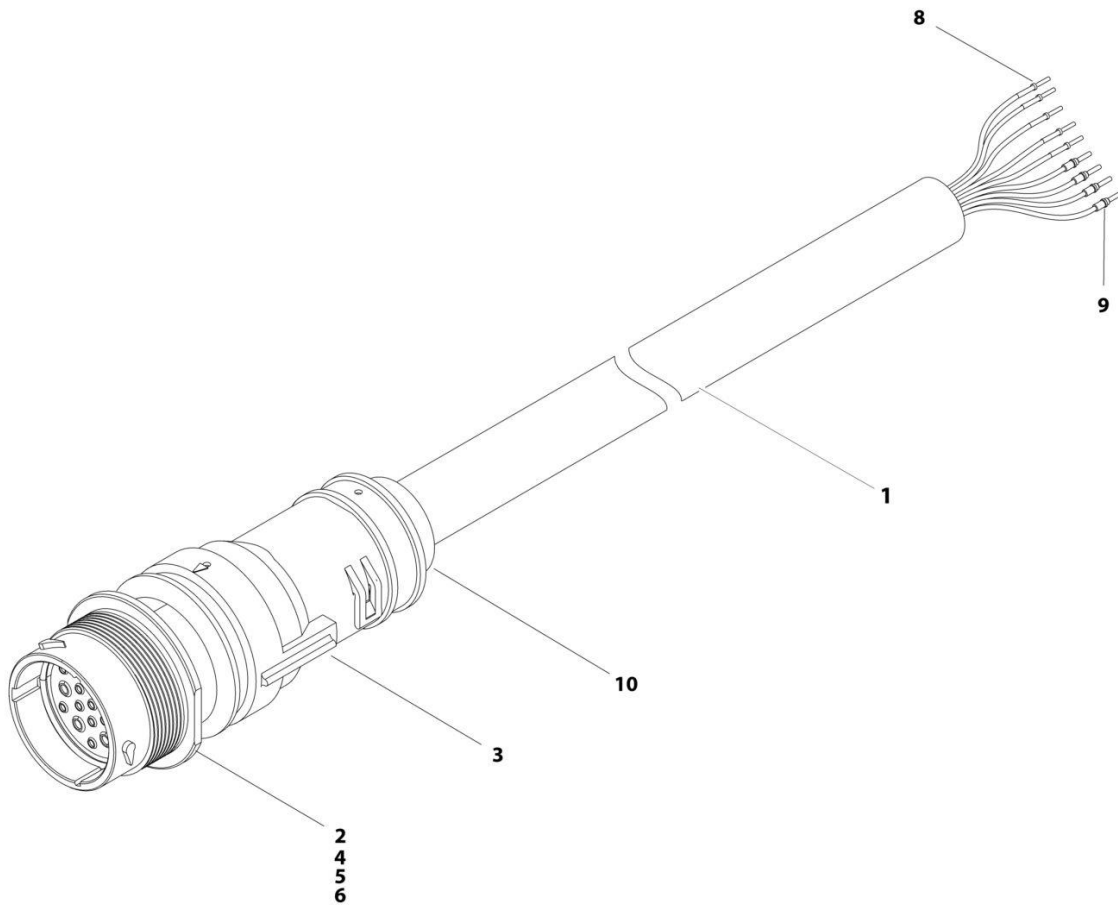
## SECTION 7 - ELECTRICAL

**FIGURE 7-10. BOOM CABLE - LOWER**

ITEM	PART NUMBER	QTY	DESCRIPTION	REV
1	1001183868	Ref	BOOM CABLE - LOWER	C
	1060896	32 ft /9.8m	Cable, Electrical	
2	1001188292	1	Connector - 19 Position	
3	1001188291	1	Connector, Backshell	
4	4460465	22	Socket, Female	
5	4460509	8	Socket, Female	
6	4460466	4	Plug, Seal	
7	2820118	6 in /15.3 cm	Insulator, Tubing (Not Shown)	
8	1001188354	1	Grommet	
9	4240033	2	Tie-Strap (Not Shown)	

# SECTION 7 - ELECTRICAL

## FIGURE 7-11. BOOM CABLE - UPPER



ART\_1001183867

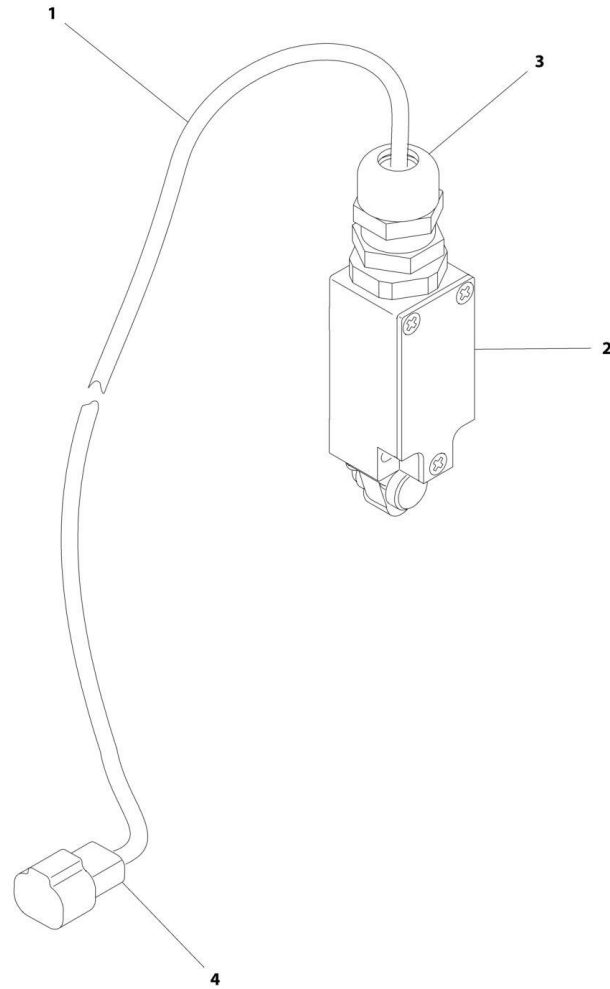
## SECTION 7 - ELECTRICAL

### FIGURE 7-11. BOOM CABLE - UPPER

ITEM	PART NUMBER	QTY	DESCRIPTION	REV
1	1001183867	Ref	BOOM CABLE - UPPER	D
	1060896	25.5 ft /7.8m	Cable, Electrical	
2	1001188293	1	Connector - 19 Position	
3	1001188291	1	Connector, Backshell	
4	4460465	11	Socket, Female	
5	4460509	4	Socket, Female	
6	4460466	4	Plug, Seal	
7	2820118	6 in /15.3 cm	Insulator, Tubing (Not Shown)	
8	4460464	11	Pin, Male	
9	4460508	4	Pin, Male	
10	1001188354	1	Grommet	
11	4240033	2	Tie-Strap (Not Shown)	

# SECTION 7 - ELECTRICAL

## FIGURE 7-12. BOOM LIMIT SWITCH HARNESS - LOWER



ART\_1001187776

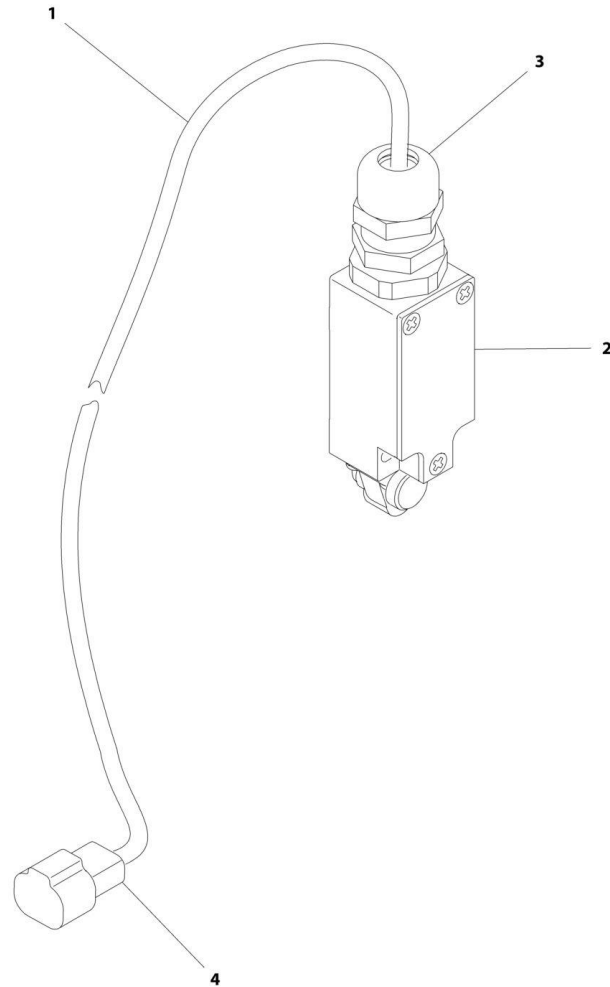
## SECTION 7 - ELECTRICAL

### FIGURE 7-12. BOOM LIMIT SWITCH HARNESS - LOWER

ITEM	PART NUMBER	QTY	DESCRIPTION	REV
	1001187776	Ref	BOOM LIMIT SWITCH HARNESS - LOWER	D
1	1060341	14 ft /4.3m	Cable, Electrical - 16/2	
2	4360548	1	Switch, Limit	
3	4460968	1	Connector, Strain Relief	
4	4460897	1	Connector- 2 Position	
4	4460464	2	Pin, Male	

# SECTION 7 - ELECTRICAL

## FIGURE 7-13. BOOM LIMIT SWITCH HARNESS - UPPER



ART\_100118775

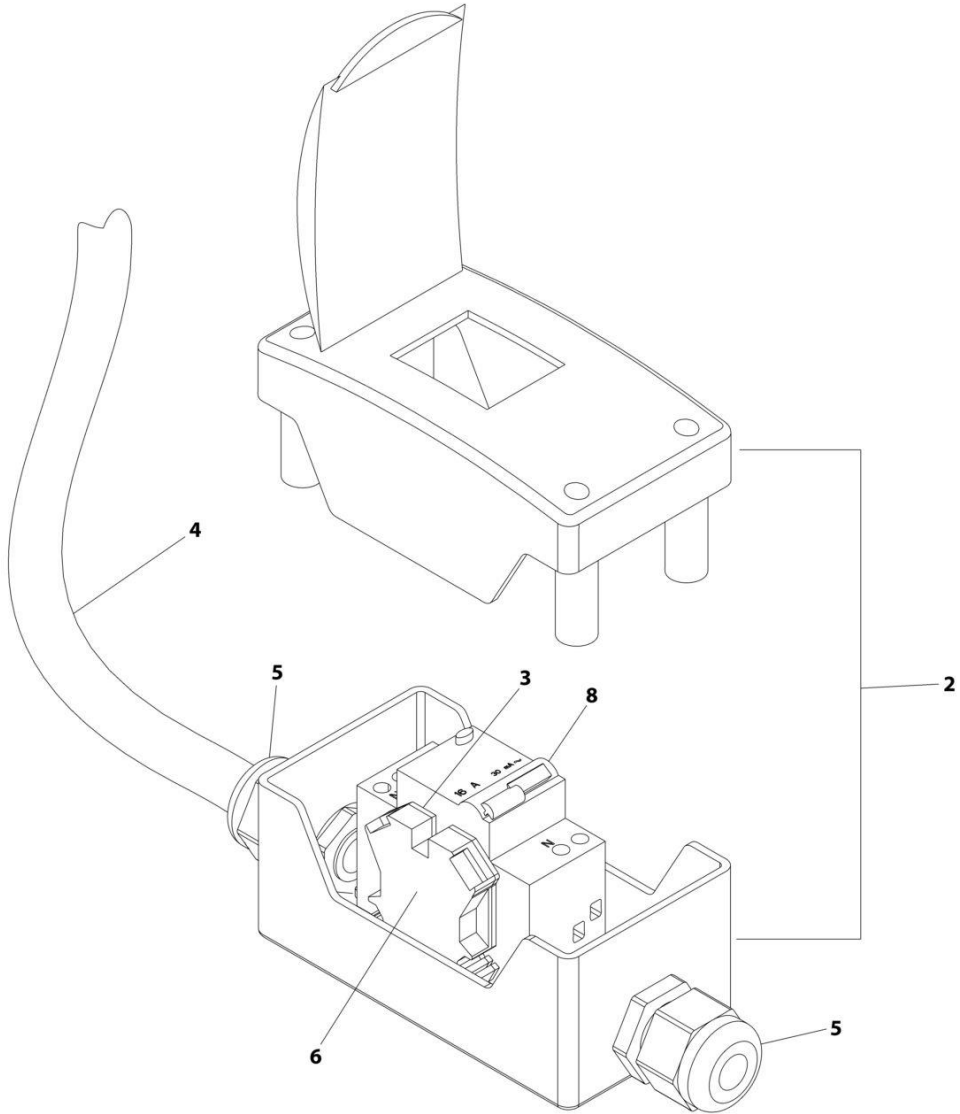
## SECTION 7 - ELECTRICAL

### FIGURE 7-13. BOOM LIMIT SWITCH HARNESS - UPPER

ITEM	PART NUMBER	QTY	DESCRIPTION	REV
	1001187775	Ref	BOOM LIMIT SWITCH HARNESS - UPPER	C
1	1060341	27 ft /8.23m	Cable, Electrical - 16/2	
2	4360548	1	Switch, Limit	
3	4460968	1	Connector, Strain Relief	
4	4460897	1	Connector - 2 Position	
4	4460464	2	Pin, Male	

**SECTION 7 - ELECTRICAL**

**FIGURE 7-14. BREAKER BOX KIT WITH ONE BREAKERS - CE & UK CA SPEC**



ART\_2902549\_F



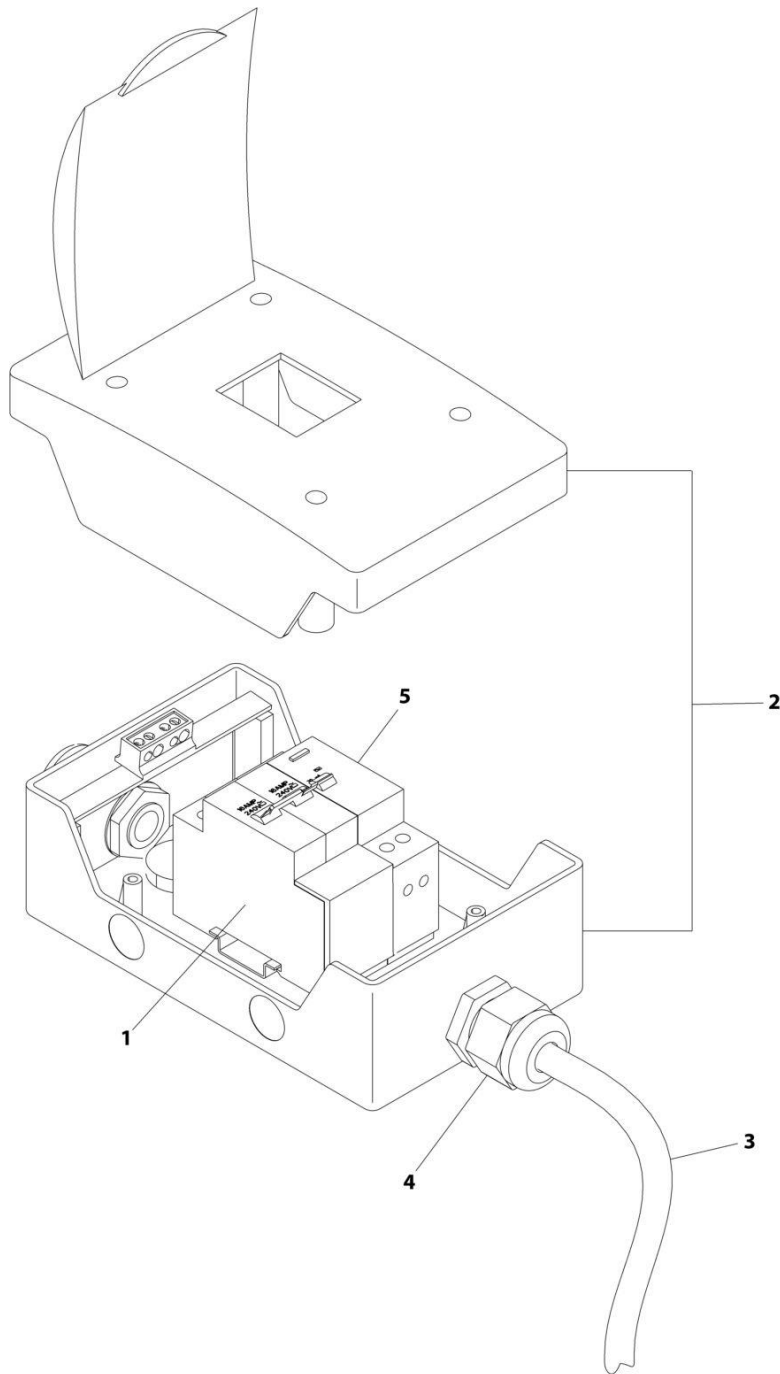
## SECTION 7 - ELECTRICAL

**FIGURE 7-14. BREAKER BOX KIT WITH ONE BREAKERS - CE & UK CA SPEC**

ITEM	PART NUMBER	QTY	DESCRIPTION	REV
	2902549	Ref	BREAKER BOX KIT	F
2	0861880	1	Box	
3	4460956	1	Barrier, Terminal	
4	1060908	6 ft/1.8m	Cable, 12/3	
5	1001097150	2	Connector, Strain Relief	
6	4460957	1	Block, Terminal	
8	1001181045	1	Breaker, 16Amp	

# SECTION 7 - ELECTRICAL

FIGURE 7-15. BREAKER BOX KIT WITH TWO BREAKERS - CE & UK CA SPEC



ART\_1001152485\_F

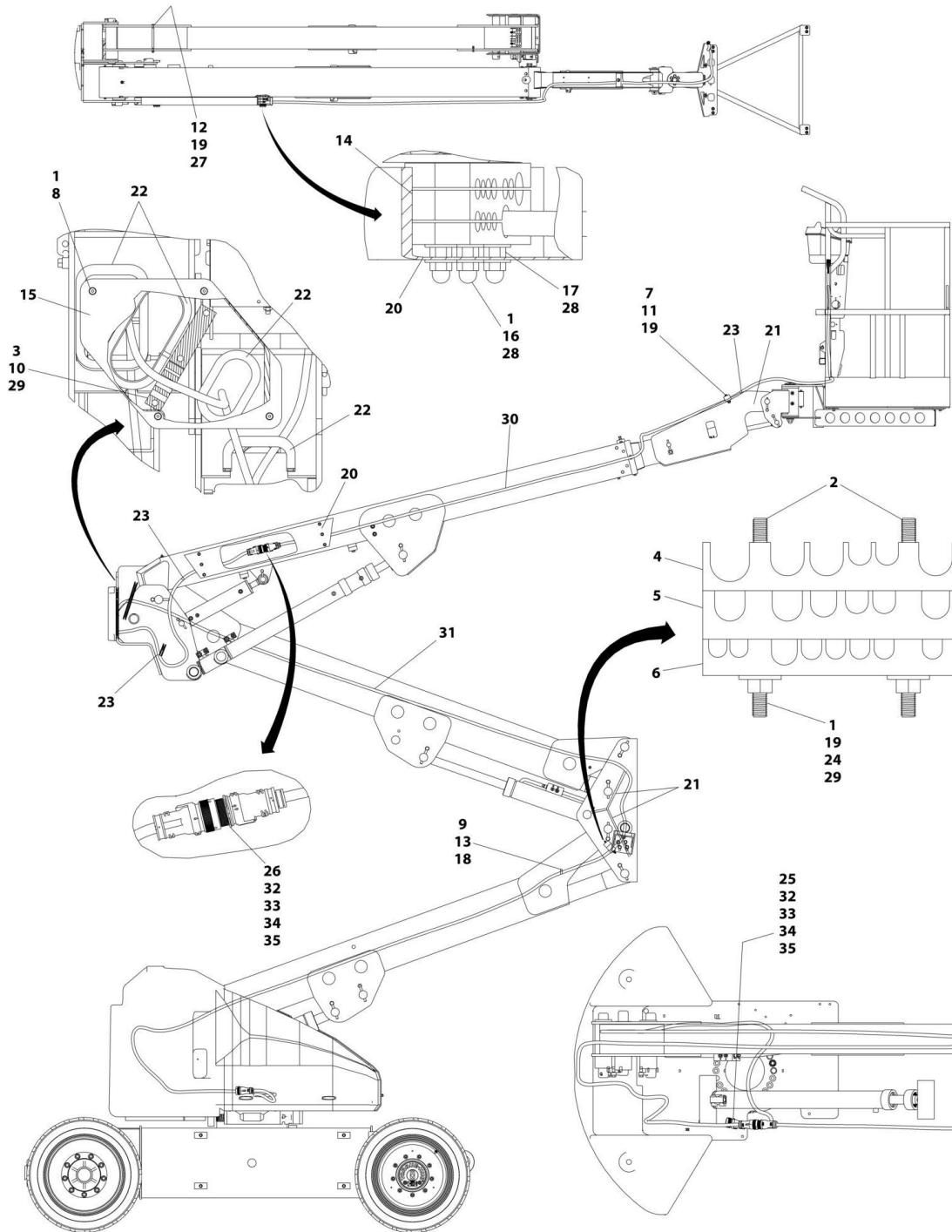
## SECTION 7 - ELECTRICAL

**FIGURE 7-15. BREAKER BOX KIT WITH TWO BREAKERS - CE & UK CA SPEC**

ITEM	PART NUMBER	QTY	DESCRIPTION	REV
	1001152485	Ref	BREAKER BOX KIT WITH TWO BREAKERS	F
1	1001189172	1	Breaker 16Amp Double	
2	1001152483	1	Box	
3	1060908	6 ft/1.8m	Cable, 12/3	
4	1001097150	2	Connector, Strain Relief	
5	1001189171	1	Breaker, 30mA	

# SECTION 7 - ELECTRICAL

## FIGURE 7-16. CABLES AND CLAMPS INSTALLATION - E400ANARROW



ART\_1001183521

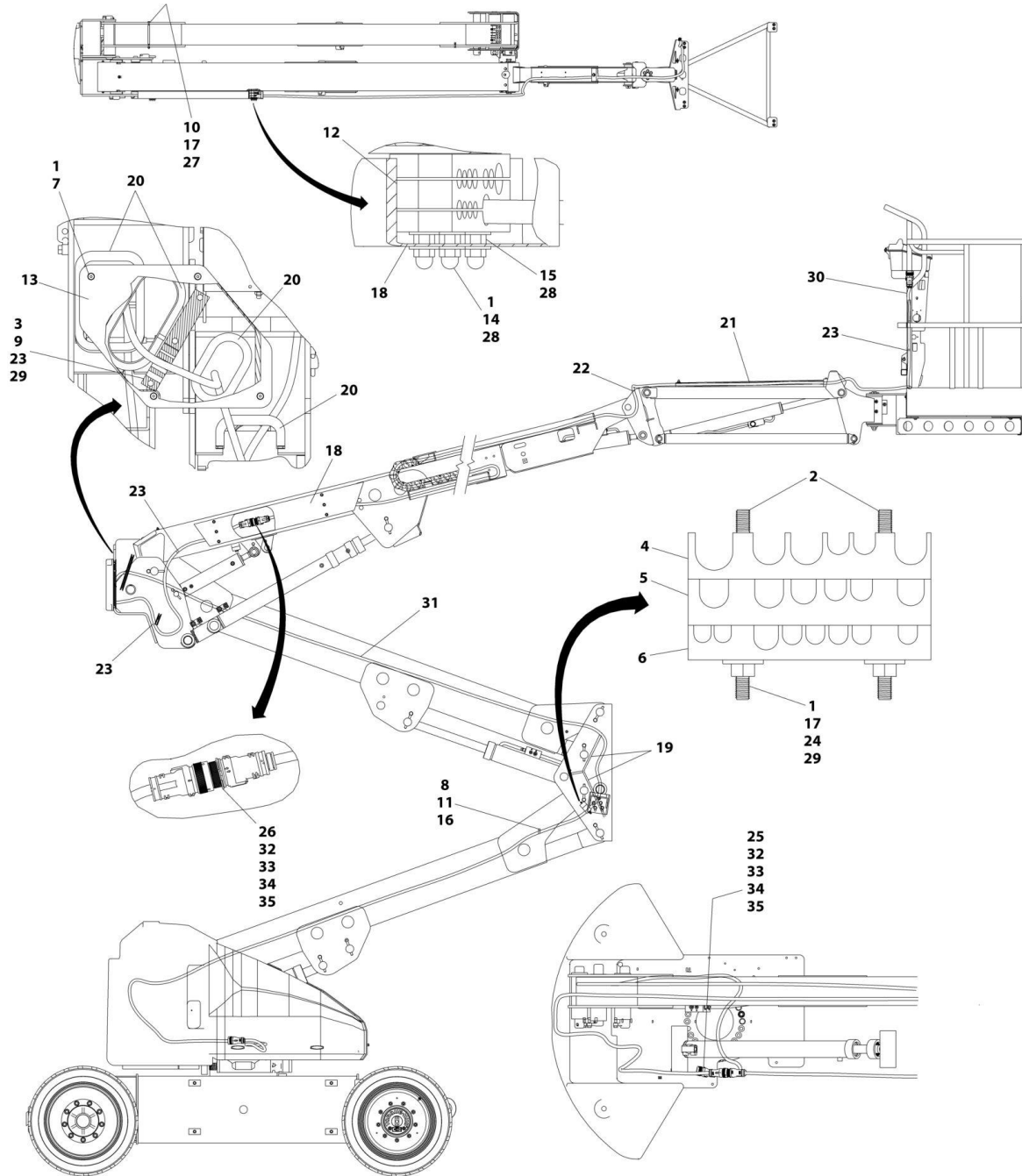
## SECTION 7 - ELECTRICAL

**FIGURE 7-16. CABLES AND CLAMPS INSTALLATION - E400ANARROW**

ITEM	PART NUMBER	QTY	DESCRIPTION	REV
	1001183521	Ref	CABLES AND CLAMPS INSTALLATION	C
1	0100011	AR	Compound, Locking	
2	0100019	AR	Compound, Locking	
3	0561317	1	Block, Hose Clamp	
4	0561384	1	Block, Hose Clamp	
5	0561385	1	Block, Hose Clamp	
6	0561386	1	Block, Hose Clamp	
7	0561424	1	Block, Hose Clamp	
8	0630467	4	Capscrew, Button 5-16 x 1/2	
9	0641410	1	Bolt 1/4 x 1-1/4	
10	0641514	3	Bolt 5/16 x 1-3/4	
11	0641516	1	Bolt 5/16 x 2	
12	0641560	1	Bolt 5/16 x 7-1/2	
13	1320043	1	Clamp, Cable	
14	1320260	2	Block, Hose Clamp	
15	1670697	1	Cover, Hose	
16	3300151	6	Nut 1/4	
17	3311401	6	Nut 1/4	
18	3311405	1	Nut 1/4	
19	3311505	4	Nut 5/16	
20	3536999	1	Shield	
21	4060805	2 ft /0.61m	Trim, Flex	
22	4060808	6 ft /1.83m	Trim, Flex	
23	4240099	AR	Tie, Strap	
24	4300140	2	Stud 5/16 x 3-5/8	
25	1001188292	1	Connector - 19 Position	
26	1001188293	1	Connector - 19 Position	
27	4566243	1	Roller	
28	4751400	12	Washer 1/4	
29	4751500	8	Washer 5/16	
30	1001183867	1	Harness Assembly - Upper Boom (See Separate Breakdown in this Section)	
31	1001183868	1	Harness Assembly - Lower Boom (See Separate Breakdown in this Section)	
32	4240033	AR	Tie-Strap	
33	4460466	8	Terminal	
34	1001188291	2	Connector, Backshell	
35	1001188354	2	Grommet	

# SECTION 7 - ELECTRICAL

## FIGURE 7-17. CABLES AND CLAMPS INSTALLATION - E400AJPNARROW



ART\_1001183520

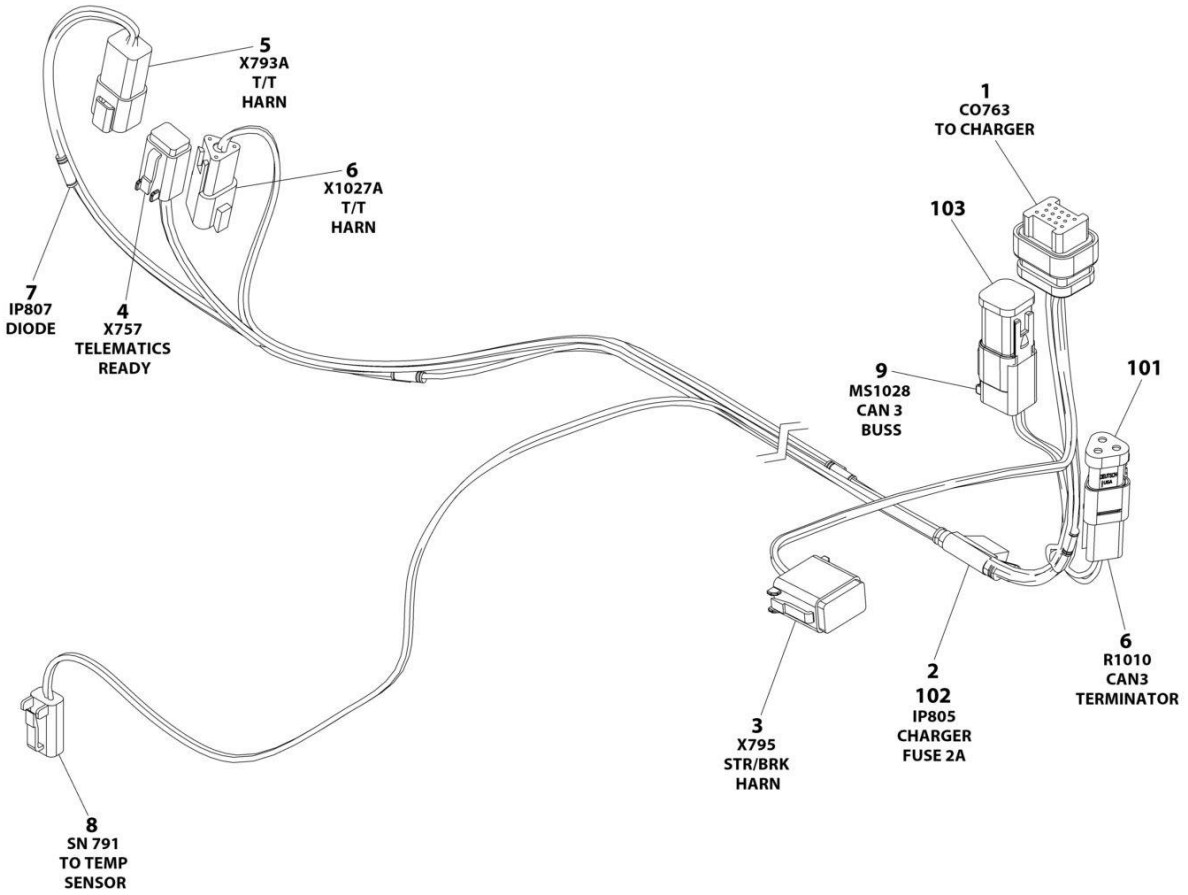
## SECTION 7 - ELECTRICAL

**FIGURE 7-17. CABLES AND CLAMPS INSTALLATION - E400AJPNARROW**

ITEM	PART NUMBER	QTY	DESCRIPTION	REV
	1001183520	Ref	CABLES AND CLAMPS INSTALLATION	C
1	0100011	AR	Compound, Locking	
2	0100019	AR	Compound, Locking	
3	0561317	1	Block, Hose Clamp	
4	0561384	1	Block, Hose Clamp	
5	0561385	1	Block, Hose Clamp	
6	0561386	1	Block, Hose Clamp	
7	0630467	4	Capscrew, Button 5-16 x 1/2	
8	0641410	1	Bolt 1/4 x 1-1/4	
9	0641514	3	Bolt 5/16 x 1-3/4	
10	0641560	1	Bolt 5/16 x 7-1/2	
11	1320043	1	Clamp, Cable	
12	1320260	2	Block, Hose Clamp	
13	1670697	1	Cover, Hose	
14	3300151	6	Nut 1/4	
15	3311401	6	Nut 1/4	
16	3311405	1	Nut 1/4	
17	3311505	3	Nut 5/16	
18	3571462	1	Shield	
19	4060805	1.5 ft /0.46m	Trim, Flex	
20	4060808	6 ft /1.83m	Trim, Flex	
21	4100065	1	Sleeve, Hose	
22	4100067	AR	Sleeve, Hose	
23	4240099	AR	Tie, Strap	
24	4300140	2	Stud 5/16 x 3-5/8	
25	1001188292	1	Connector - 19 Position	
26	1001188293	1	Connector - 19 Position	
27	4566243	1	Roller	
28	4751400	12	Washer 1/4	
29	4751500	5	Washer 5/16	
30	1001183867	1	Harness Assembly - Upper Boom (See Separate Breakdown in this Section)	
31	1001183868	1	Harness Assembly - Lower Boom (See Separate Breakdown in this Section)	
32	4240033	AR	Tie-Strap	
33	4460466	8	Terminal	
34	1001188291	2	Connector, Backshell	
35	1001188354	2	Grommet	

# SECTION 7 - ELECTRICAL

## FIGURE 7-18. CHARGER HARNESS



ART\_1001290079



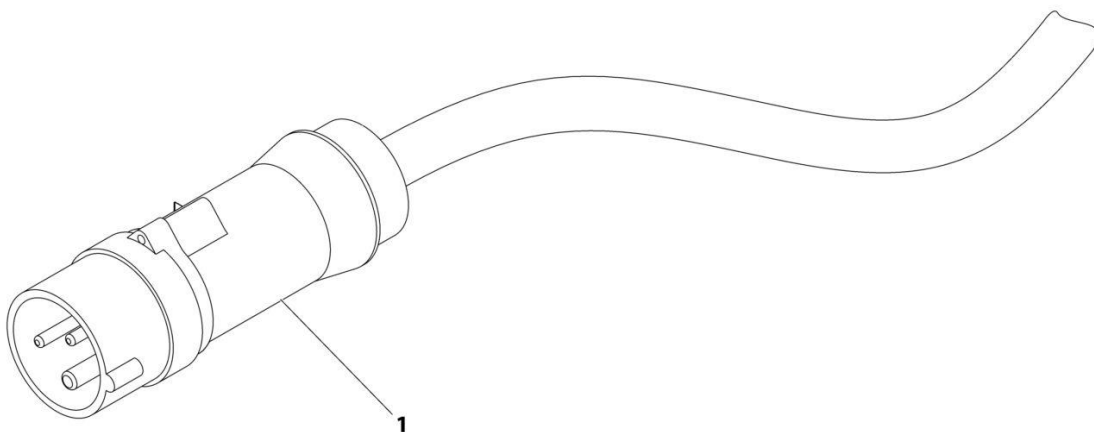
## SECTION 7 - ELECTRICAL

### FIGURE 7-18. CHARGER HARNESS

ITEM	PART NUMBER	QTY	DESCRIPTION	REV
	1001290079	Ref	CHARGER HARNESS	A
1	4460872	1	Connector	
1	4460905	4	Plug	
1	4460871	10	Socket	
2	2400060	1	Fuse Holder	
3	4460930	1	Connector	
3	4460465	3	Socket	
3	4460466	5	Plug	
4	4460884	1	Connector	
4	4460465	4	Socket	
5	4460932	1	Connector	
5	4460464	4	Pin	
6	1001144147	2	Connector	
6	4460464	4	Pin	
6	4460466	2	Plug	
7	3990001	1	Diode	
8	4460891	1	Connector	
8	4460465	2	Socket	
9	4460894	1	Connector	
9	4460465	6	Socket	
101	1001116815	1	Plug, Male - 3 Position	
102	1001196634	1	Fuse, 2AMP	
103	1001226541	1	Buss Bar	

## SECTION 7 - ELECTRICAL

FIGURE 7-19. CHARGER CORD PLUG INSTALLATION - 110V - IEC 60309 - YELLOW (CE & UK CA SPEC)



ART\_0275666

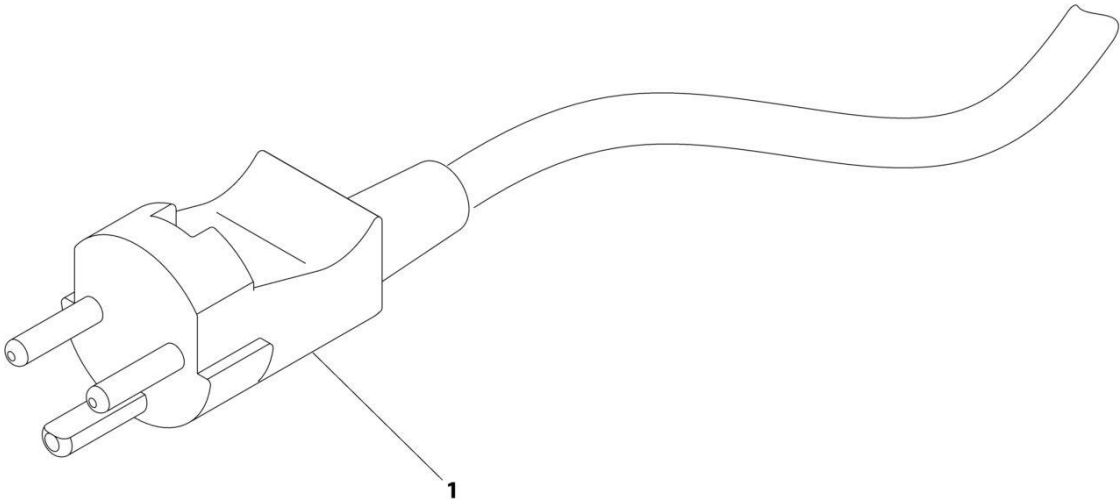
## SECTION 7 - ELECTRICAL

**FIGURE 7-19. CHARGER CORD PLUG INSTALLATION - 110V - IEC 60309 - YELLOW (CE & UK CA SPEC)**

ITEM	PART NUMBER	QTY	DESCRIPTION	REV
	0275666	Ref	CHARGER CORD PLUG INSTALLATION - 110V IEC YELLOW PLUG	B
1	4461196	1	Plug	

**SECTION 7 - ELECTRICAL**

**FIGURE 7-20. CHARGER CORD PLUG INSTALLATION - 220V - AFSINT 107 KEYED GROUND (CE & UK CA SPEC)**



ART\_0275665

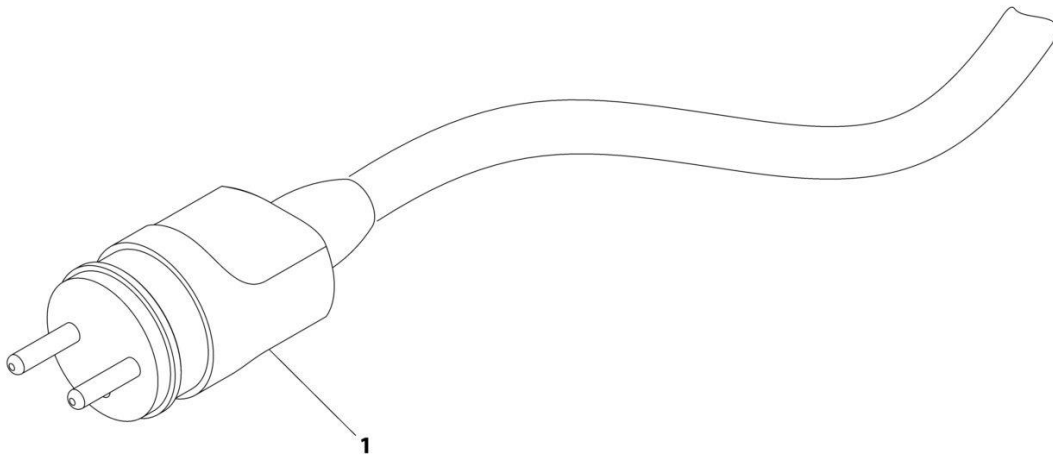
## SECTION 7 - ELECTRICAL

**FIGURE 7-20. CHARGER CORD PLUG INSTALLATION - 220V - AFSINT 107 KEYED GROUND (CE & UK CA SPEC)**

ITEM	PART NUMBER	QTY	DESCRIPTION	REV
	0275665	Ref	CHARGER CORD PLUG INSTALLATION - 220V AFSINT 107 KEYED GROUND	B
1	4461249	1	Plug	

## SECTION 7 - ELECTRICAL

FIGURE 7-21. CHARGER CORD PLUG INSTALLATION - 220V - CEE7 POST GROUND (CE & UK CA SPEC)



ART\_0275663-C

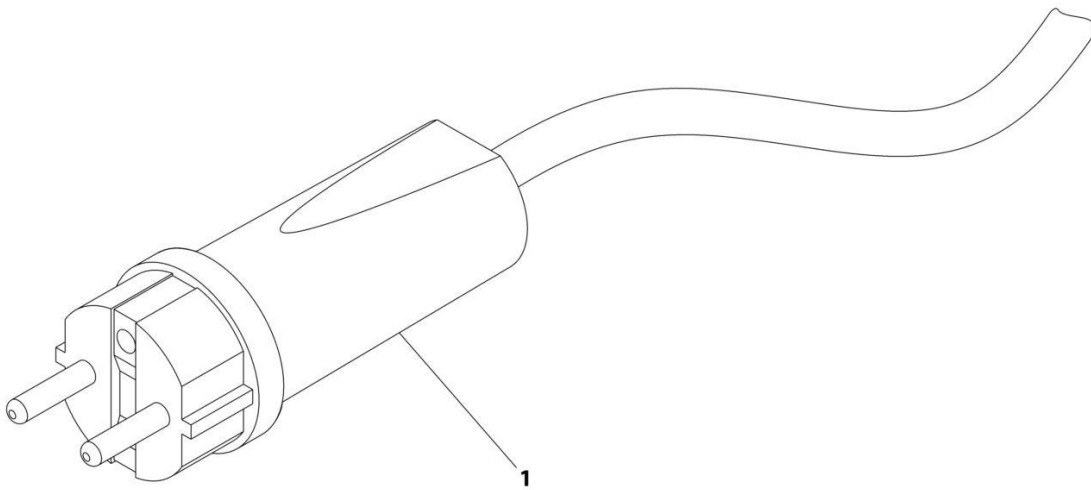
## SECTION 7 - ELECTRICAL

**FIGURE 7-21. CHARGER CORD PLUG INSTALLATION - 220V - CEE7 POST GROUND (CE & UK CA SPEC)**

ITEM	PART NUMBER	QTY	DESCRIPTION	REV
1	0275663 4461205	Ref 1	CHARGER CORD PLUG INSTALLATION - 220V POST GROUND Plug	C

## SECTION 7 - ELECTRICAL

FIGURE 7-22. CHARGER CORD PLUG INSTALLATION - 220V - CEE7 SIDE GROUND (CE & UK CA SPEC)



ART\_0275664



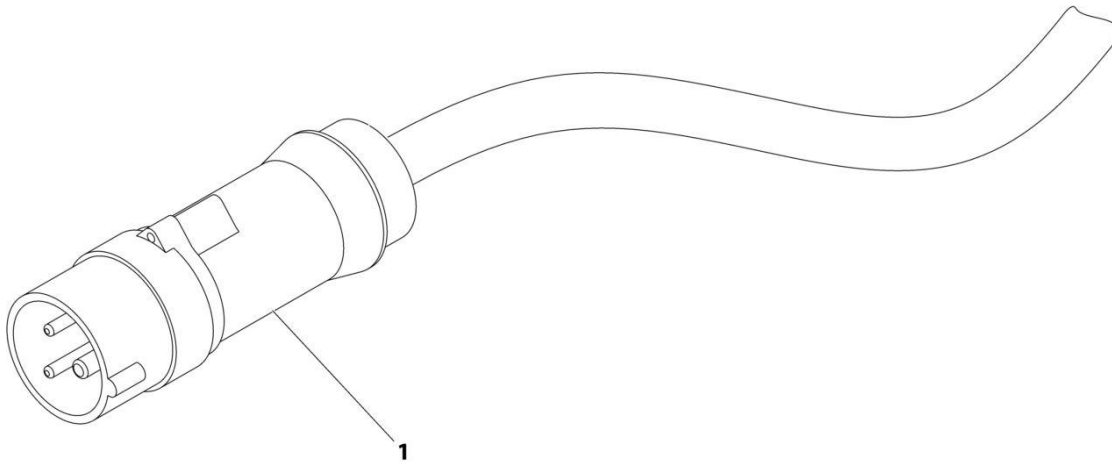
## SECTION 7 - ELECTRICAL

**FIGURE 7-22. CHARGER CORD PLUG INSTALLATION - 220V - CEE7 SIDE GROUND (CE & UK CA SPEC)**

ITEM	PART NUMBER	QTY	DESCRIPTION	REV
	0275664	Ref	CHARGER CORD PLUG INSTALLATION - 220V CEE7 SIDE GROUND	A
1	4461205	1	Plug	

## SECTION 7 - ELECTRICAL

FIGURE 7-23. CHARGER CORD PLUG INSTALLATION - 220V - IEC 60309 - BLUE (CE & UK CA SPEC)



ART\_0275667

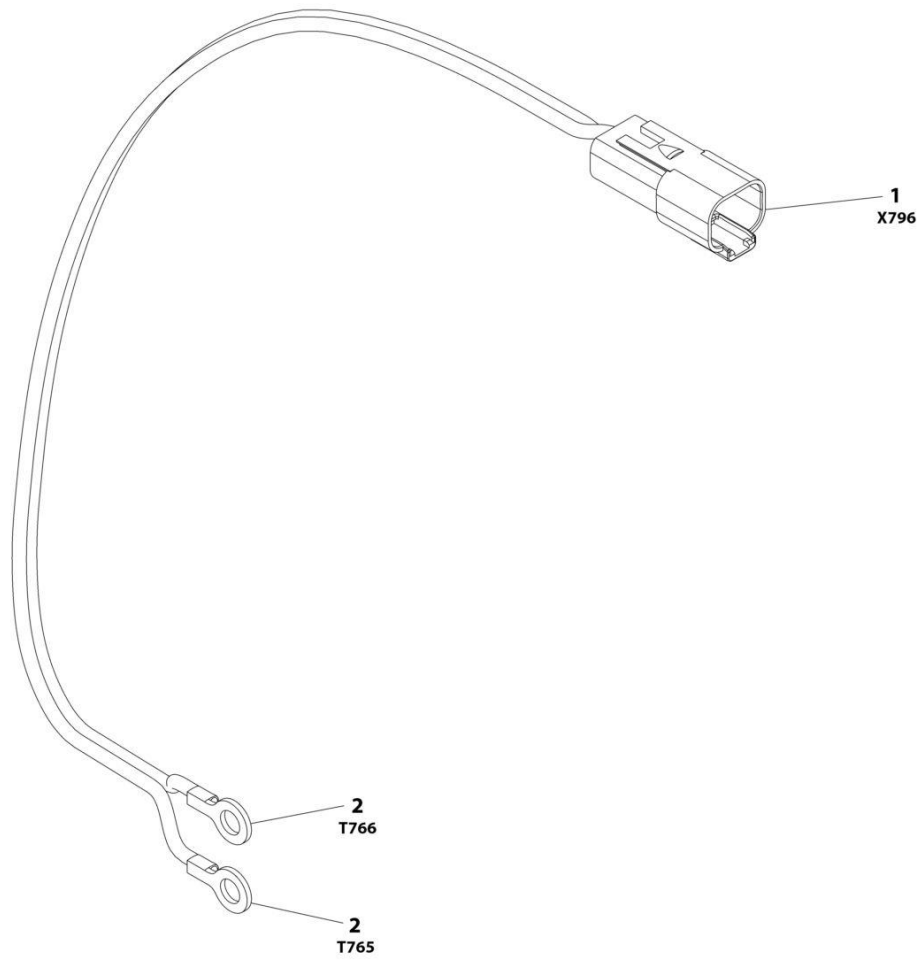
## SECTION 7 - ELECTRICAL

**FIGURE 7-23. CHARGER CORD PLUG INSTALLATION - 220V - IEC 60309 - BLUE (CE & UK CA SPEC)**

ITEM	PART NUMBER	QTY	DESCRIPTION	REV
1	0275667 4461199	Ref 1	CHARGER CORD PLUG INSTALLATION - 220V IEC BLUE PLUG Plug	B

# SECTION 7 - ELECTRICAL

## FIGURE 7-24. CHARGER DC CONNECTION HARNESS



ART\_1001260408

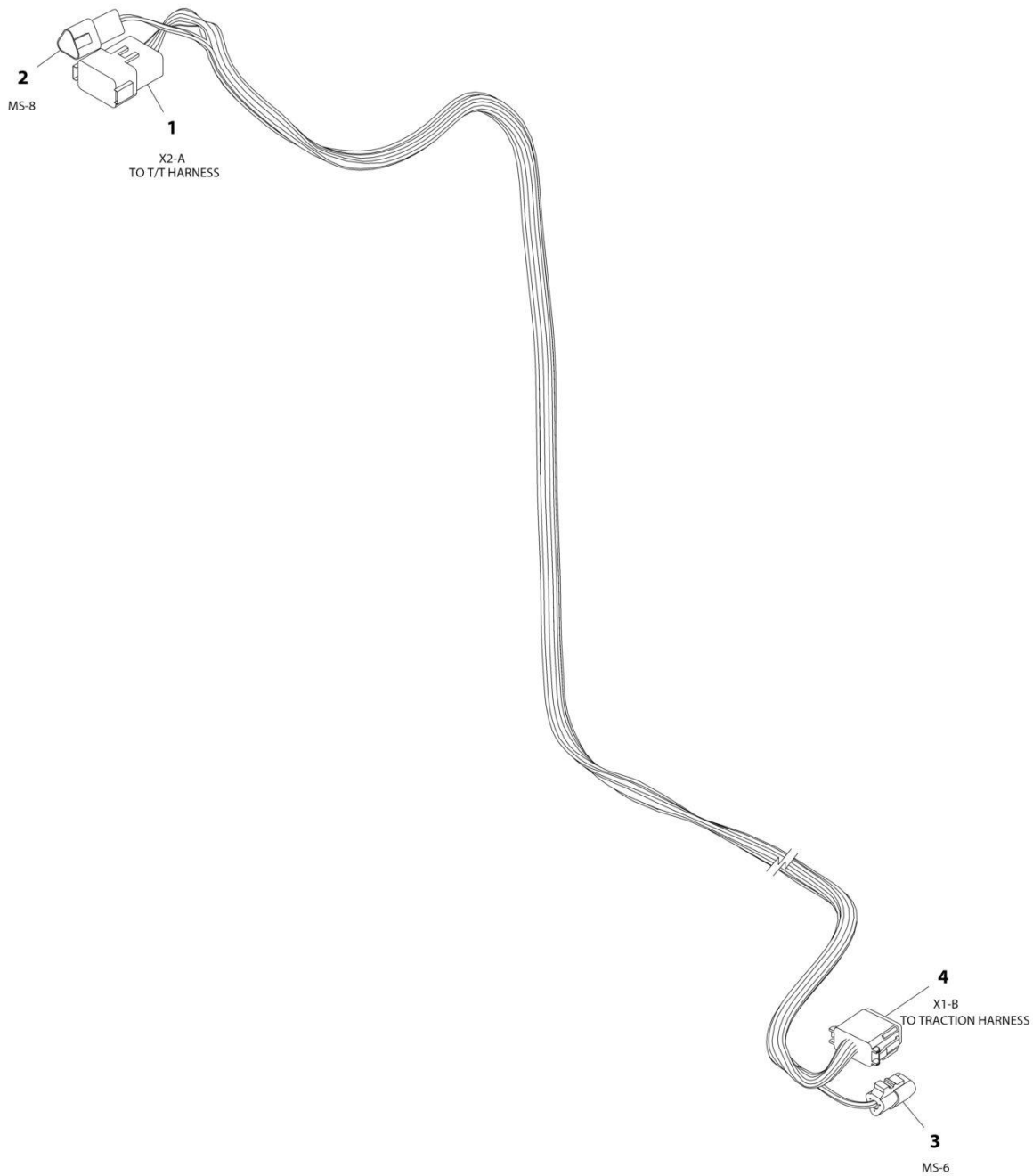
## SECTION 7 - ELECTRICAL

### FIGURE 7-24. CHARGER DC CONNECTION HARNESS

ITEM	PART NUMBER	QTY	DESCRIPTION	REV
	1001260408	Ref	CHARGER DC CONNECTION HARNESS	A
1	1001116811	1	Connector	
1	4460508	2	Pin	
1	4460466	2	Plug	
2	4460312	2	Terminal Ring	

# SECTION 7 - ELECTRICAL

## FIGURE 7-25. CHASSIS TO TURNTABLE HARNESS



ART\_1001178405

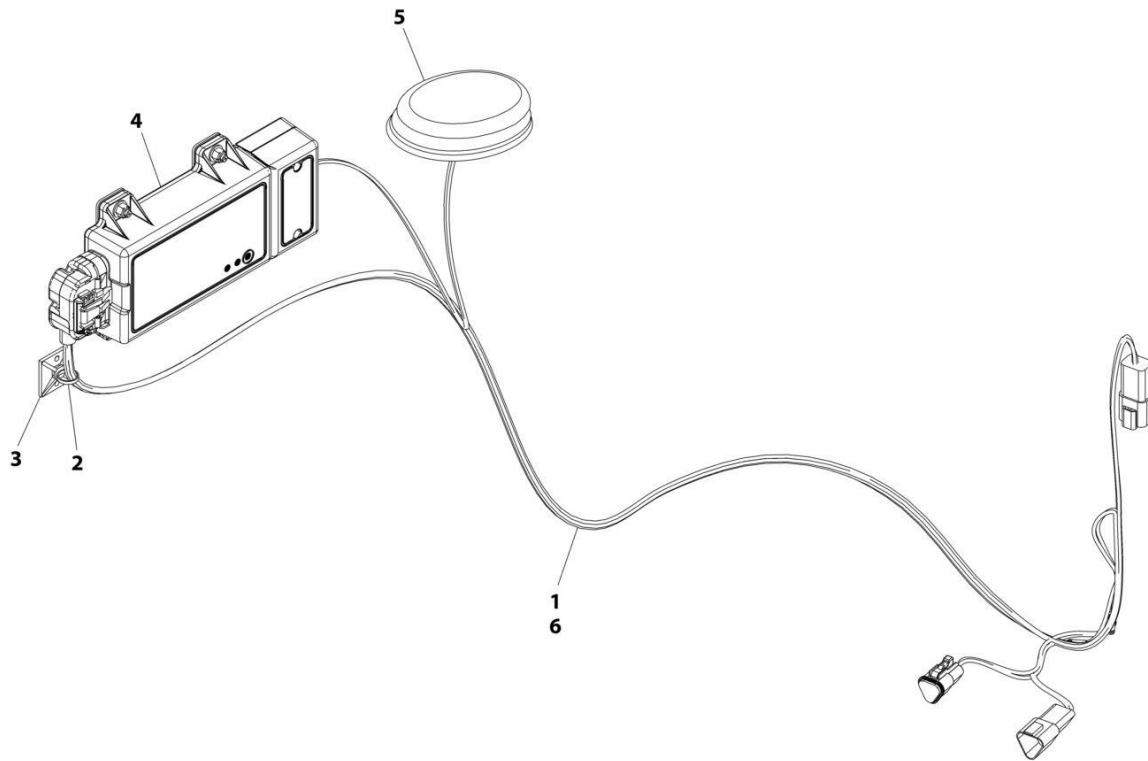
## SECTION 7 - ELECTRICAL

**FIGURE 7-25. CHASSIS TO TURNTABLE HARNESS**

ITEM	PART NUMBER	QTY	DESCRIPTION	REV
	1001178405	Ref	CHASSIS TO TURNTABLE HARNESS	G
1	4460950	1	Connector - 12 Position	
1	1001157891	4	Terminal	
1	4460464	5	Pin, Male	
1	4460941	1	Terminal	
1	4460943	2	Pin, Male	
2	1001144147	1	Receptacle, Female - 3 Position	
2	4460943	3	Pin, Male	
3	4460539	1	Plug, Male - 3 Position	
3	4460944	3	Socket, Female	
4	4460836	1	Connector - 12 Position	
4	1001157890	4	Terminal	
4	4460465	5	Socket, Female	
4	4460942	1	Terminal	
4	4460944	2	Socket, Female	

# SECTION 7 - ELECTRICAL

FIGURE 7-26. CLEARSKY INSTALLATION - 3G CANBUS CONNECTION (ANSI EXPORT, CE & UK CA SPECS)



ART\_1001236535



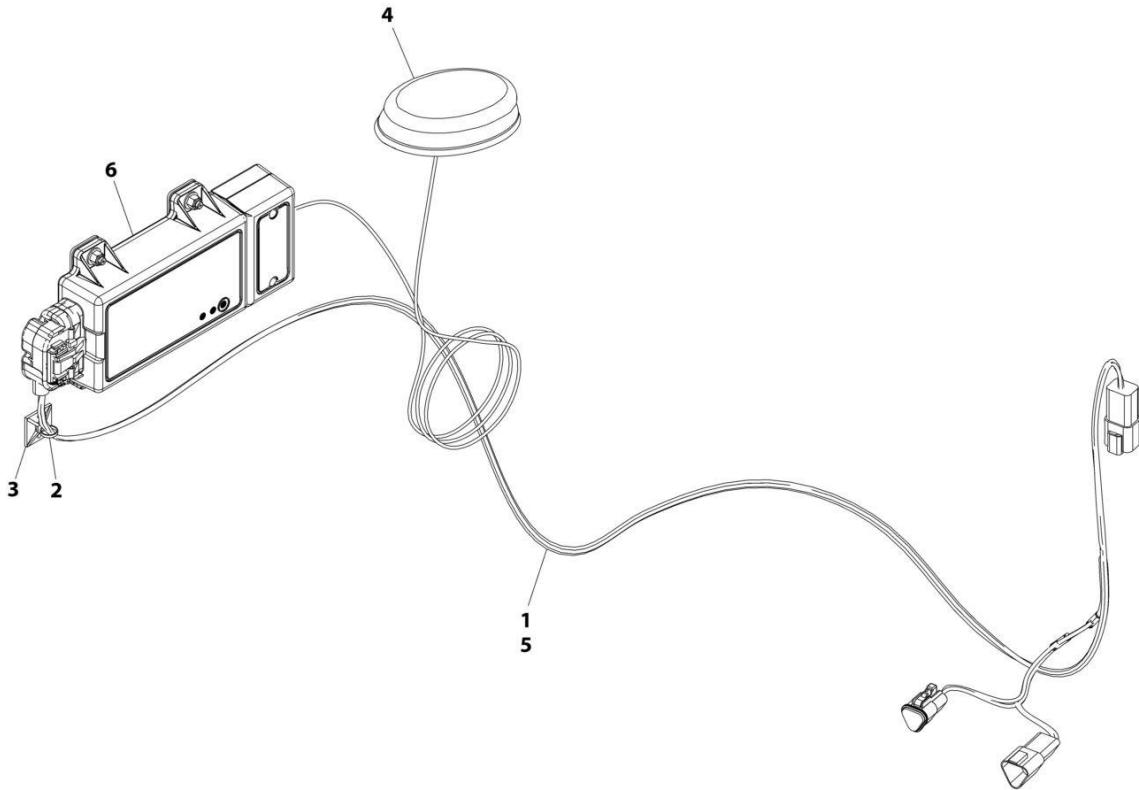
## SECTION 7 - ELECTRICAL

**FIGURE 7-26. CLEARSKY INSTALLATION - 3G CANBUS CONNECTION (ANSI EXPORT, CE & UK CA SPECS)**

ITEM	PART NUMBER	QTY	DESCRIPTION	REV
	1001236535	Ref	CLEARSKY INSTALLATION CANBUS CONNECTION	A
1	1062255	AR	Tie, Strap	
2	4240032	AR	Tie, Strap	
3	4460234	AR	Strap, Cable Tie	
4	1001228954	1	Telematics Control Module (Note: Re-calibration Required when Replaced)	
5	1001226799	1	Antenna	
6	1001235091	1	ClearSky Harness (See Separate Breakdown in this section)	

# SECTION 7 - ELECTRICAL

FIGURE 7-27. CLEARSKY INSTALLATION - 3G CANBUS CONNECTION (AUSTRALIAN SPECS)



ART\_1001246541

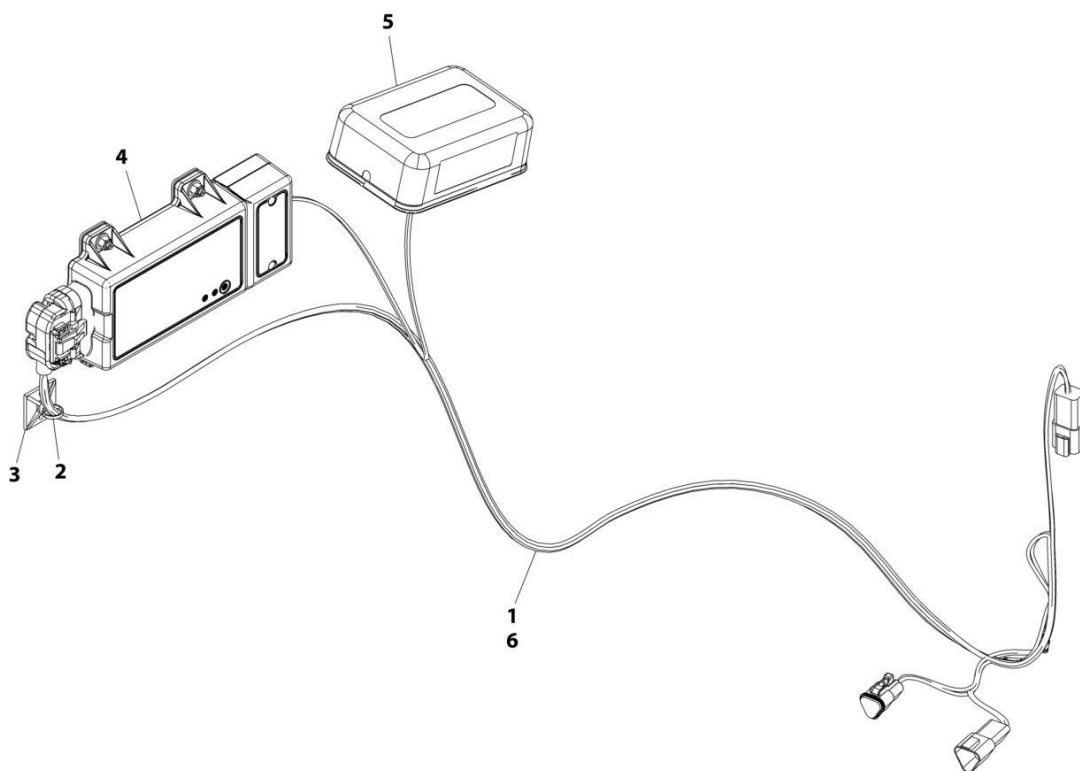
## SECTION 7 - ELECTRICAL

**FIGURE 7-27. CLEARSKY INSTALLATION - 3G CANBUS CONNECTION (AUSTRALIAN SPECS)**

ITEM	PART NUMBER	QTY	DESCRIPTION	REV
	1001246541	Ref	CLEARSKY INSTALLATION CANBUS CONNECTION	A
1	1062255	AR	Tie, Strap	
2	4240032	AR	Tie, Strap	
3	4460234	AR	Strap, Cable Tie	
4	1001226799	1	Antenna	
5	1001235091	1	ClearSky Harness (See Separate Breakdown in this section)	
6	1001246144	1	Telematics Control Module (Note: Re-calibration Required when Replaced)	

## SECTION 7 - ELECTRICAL

FIGURE 7-28. CLEARSKY INSTALLATION - 4G CANBUS CONNECTION (ALL SPECS EXCEPT CHINA SPECS)



ART\_1001235649

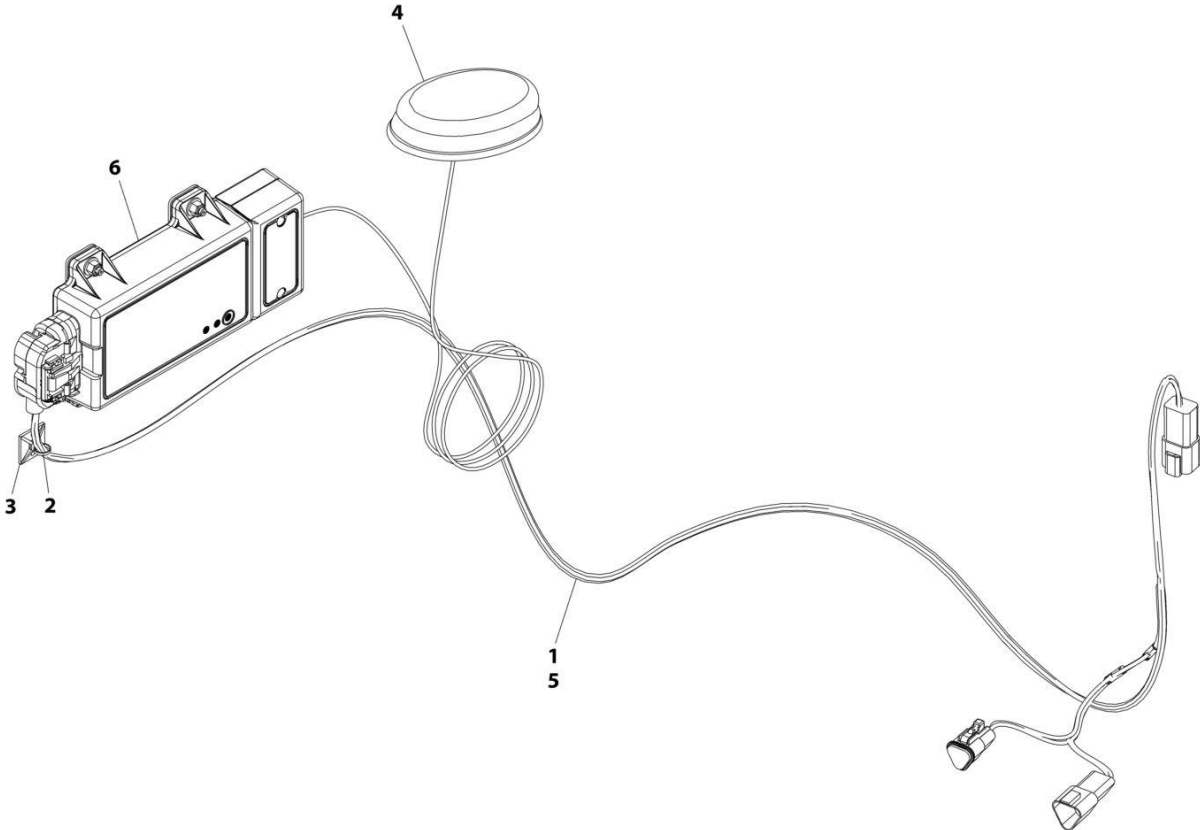
## SECTION 7 - ELECTRICAL

**FIGURE 7-28. CLEARSKY INSTALLATION - 4G CANBUS CONNECTION (ALL SPECS EXCEPT CHINA SPECS)**

ITEM	PART NUMBER	QTY	DESCRIPTION	REV
	1001235649	Ref	CLEARSKY INSTALLATION CANBUS CONNECTION	B
1	1062255	AR	Tie, Strap	
2	4240032	AR	Tie, Strap	
3	4460234	AR	Strap, Cable Tie	
4	1001262322	1	Telematics Control Module (Note: Re-calibration Required when Replaced)	
5	1001262326	1	Antenna	
6	1001235091	1	ClearSky Harness (See Separate Breakdown in this section)	

**SECTION 7 - ELECTRICAL**

**FIGURE 7-29. CLEARSKY INSTALLATION - 4G CANBUS CONNECTION (CHINA SPECS)**



ART\_1001246542

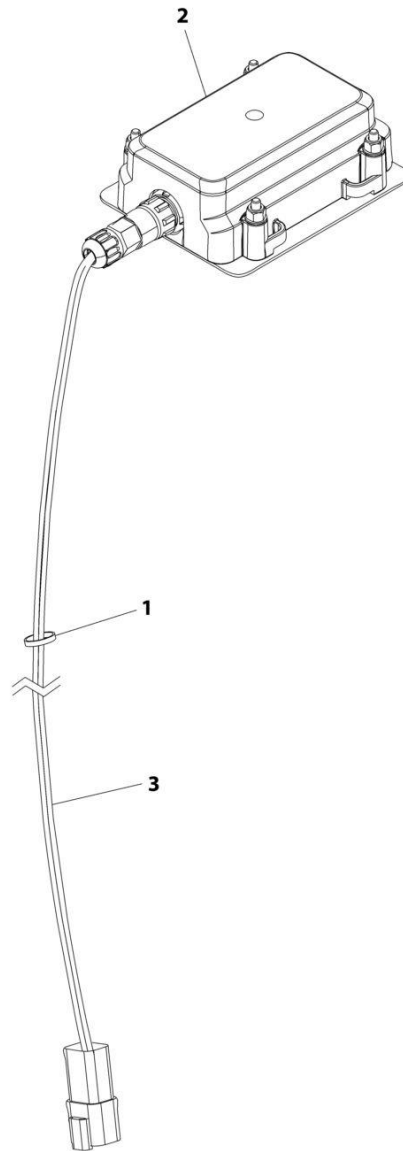
## SECTION 7 - ELECTRICAL

**FIGURE 7-29. CLEARSKY INSTALLATION - 4G CANBUS CONNECTION (CHINA SPECS)**

ITEM	PART NUMBER	QTY	DESCRIPTION	REV
	1001246542	Ref	CLEARSKY INSTALLATION CANBUS CONNECTION	A
1	1062255	AR	Tie, Strap	
2	4240032	AR	Tie, Strap	
3	4460234	AR	Strap, Cable Tie	
4	1001226799	1	Antenna	
5	1001235091	1	ClearSky Harness (See Separate Breakdown in this section)	
6	1001246145	1	Telematics Control Module (Note: Re-calibration Required when Replaced)	

## SECTION 7 - ELECTRICAL

FIGURE 7-30. CLEARSKY INSTALLATION 3WIRE CONNECTION (ALL SPECS UL & CHINA SPECS)



ART\_1001276610



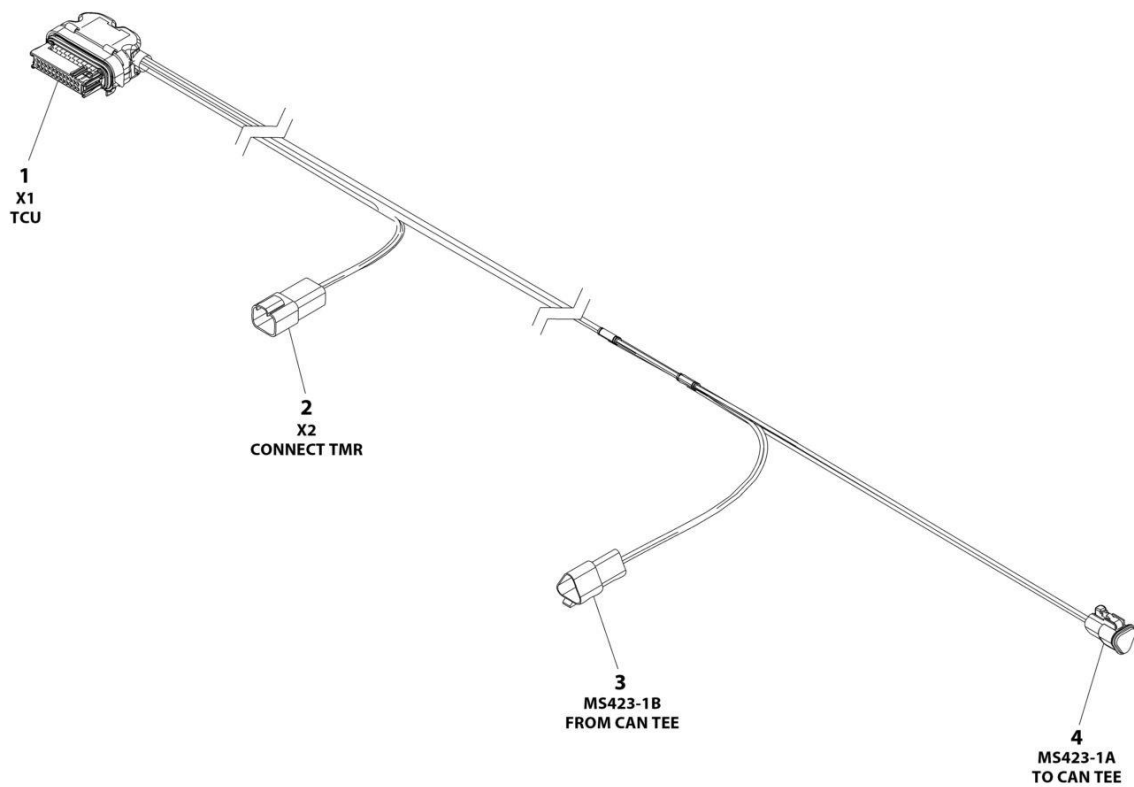
## SECTION 7 - ELECTRICAL

**FIGURE 7-30. CLEARSKY INSTALLATION 3WIRE CONNECTION (ALL SPECS UL & CHINA SPECS)**

ITEM	PART NUMBER	QTY	DESCRIPTION	REV
	1001276610	Ref	CLEARSKY INSTALLATION 3-WIRE CONNECTION	A
1	4240032	AR	Tie-Strap	
2	1001272659	1	Telematics Control Module Assembly (Note: Re-calibration Required when Replaced)	
3	1001273012	1	ClearSky Harness (See Separate Breakdown in this Section)	

# SECTION 7 - ELECTRICAL

## FIGURE 7-31. CLEARSKY HARNESS - 3G & 4G CANBUS CONNECTIONS



ART\_1001235091

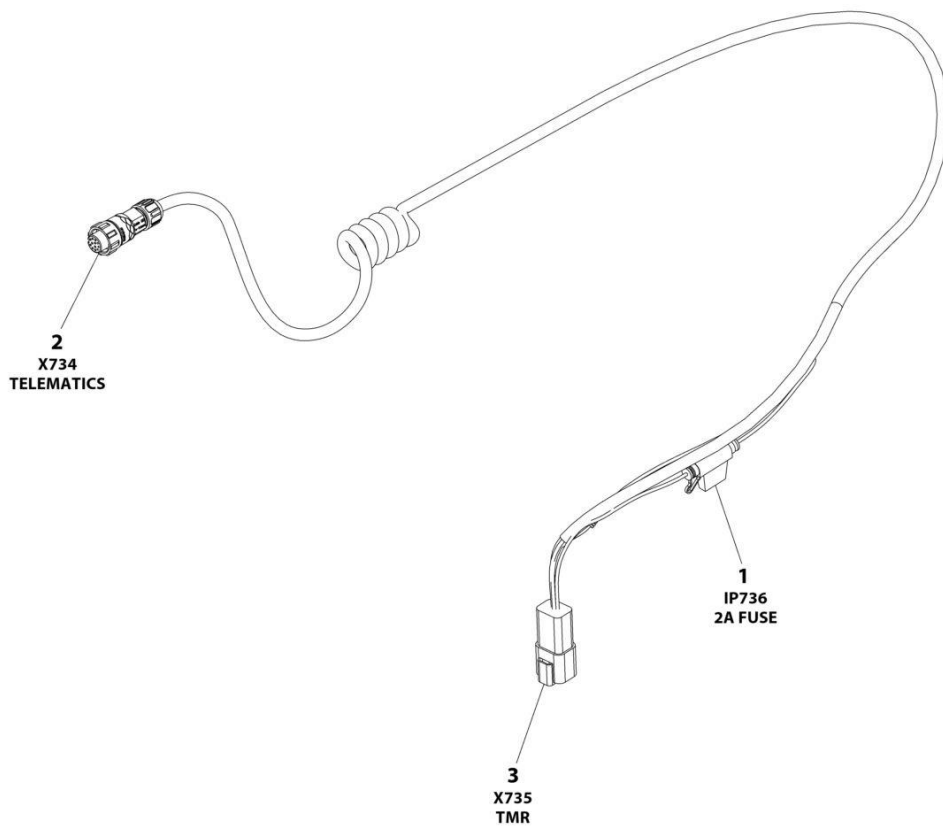
## SECTION 7 - ELECTRICAL

**FIGURE 7-31. CLEARSKY HARNESS - 3G & 4G CANBUS CONNECTIONS**

ITEM	PART NUMBER	QTY	DESCRIPTION	REV
	1001235091	1	CLEARSKY HARNESS	A
1	1001226636	1	Connector	
1	1001116731	19	Plug	
1	1001226637	5	Terminal	
2	4460932	1	Connector	
2	4460464	3	Terminal	
2	4460466	1	Plug	
3	1001144147	1	Connector	
3	4460464	2	Terminal	
3	4460466	1	Plug	
4	1001116812	1	Connector	
4	4460465	2	Terminal	
4	4460466	1	Plug	

# SECTION 7 - ELECTRICAL

## FIGURE 7-32. CLEARSKY HARNESS - 3 WIRE CONNECTION



ART\_1001273012

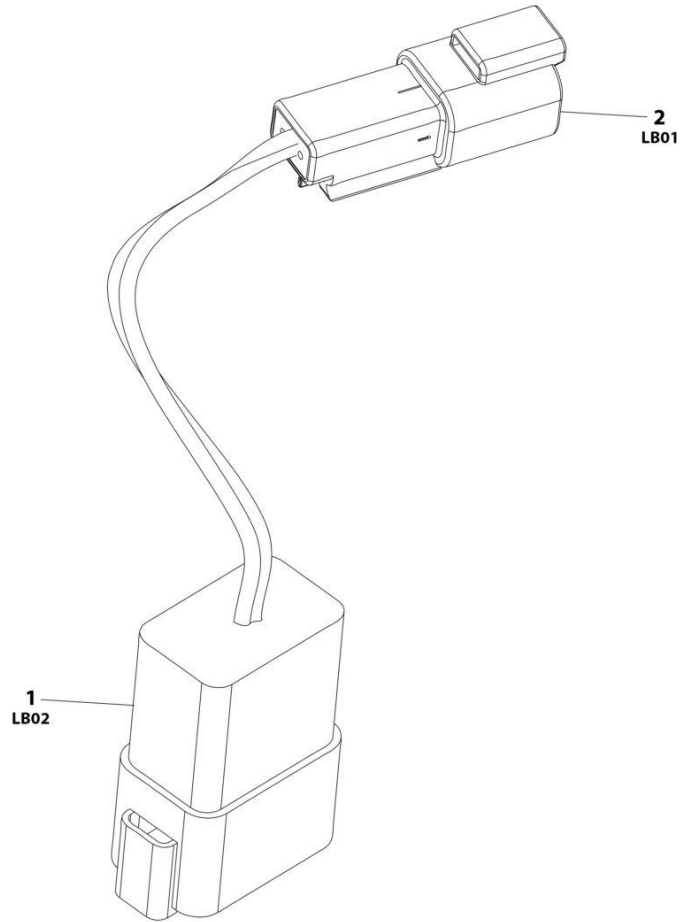
## SECTION 7 - ELECTRICAL

### FIGURE 7-32. CLEARSKY HARNESS - 3 WIRE CONNECTION

ITEM	PART NUMBER	QTY	DESCRIPTION	REV
	1001273012	Ref	CLEARSKY TELEMATICS HARNESS - GT1030	D
1	1001255901	1	Fuseholder	
1	1001196634	1	Fuse - 2Amp	
2	1001272997	1	Connector - 12 Position	
2		Ref	Terminal	
3	4460932	1	Receptacle, Female - 4 Position	
3	4460464	4	Pin, Male	

# SECTION 7 - ELECTRICAL

## FIGURE 7-33. STROBE LIGHT JUMPER HARNESS



ART\_1001283776

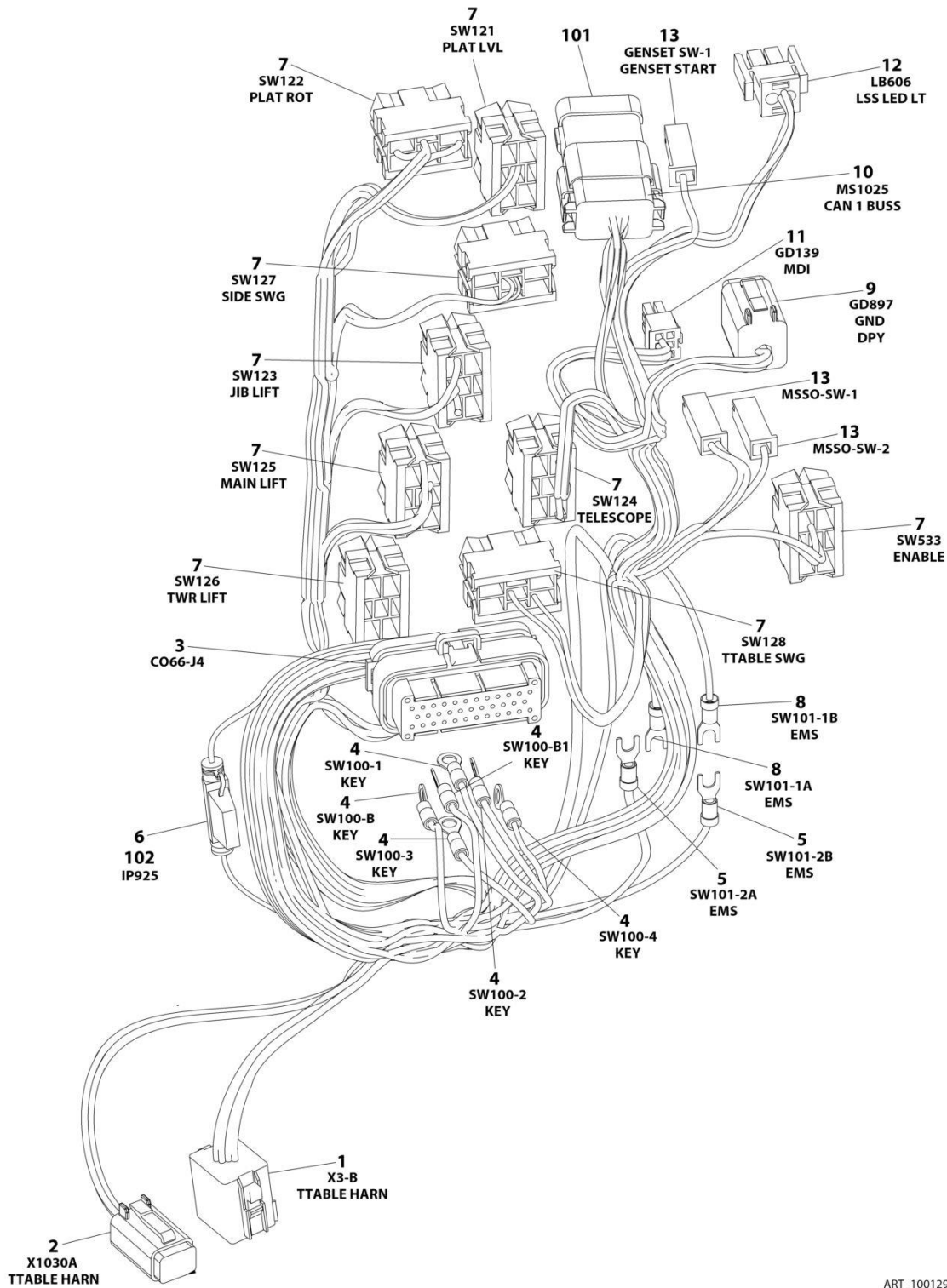
## SECTION 7 - ELECTRICAL

### FIGURE 7-33. STROBE LIGHT JUMPER HARNESS

ITEM	PART NUMBER	QTY	DESCRIPTION	REV
	1001283776	Ref	STROBE LIGHT HARNESS (AMBER)	A
1	4460931	1	Connector	
1	4460464	2	Pin	
1	4460466	6	Plug	
2	4460897	1	Connector	
2	4460464	2	Pin	

# SECTION 7 - ELECTRICAL

## FIGURE 7-34. GROUND CONTROL PANEL HARNESS



ART\_1001290078



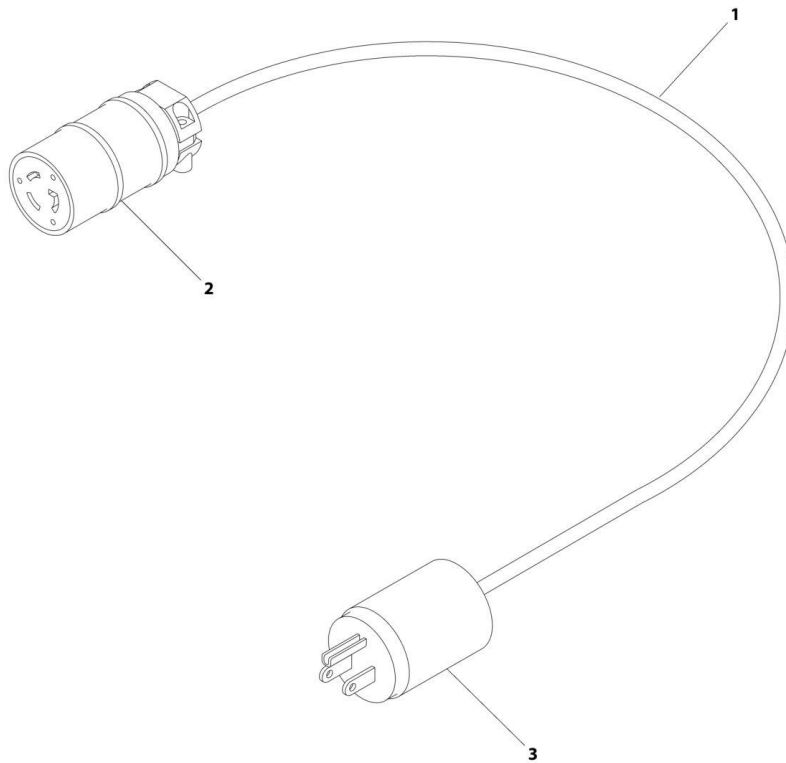
## SECTION 7 - ELECTRICAL

**FIGURE 7-34. GROUND CONTROL PANEL HARNESS**

ITEM	PART NUMBER	QTY	DESCRIPTION	REV
	1001290078	Ref	GROUND CONTROL PANEL HARNESS	A
1	4460851	1	Connector - 8 Position	
1	1001157890	2	Socket, Female	
1	1001116692	5	Socket, Female	
1	4460466	1	Plug, Terminal	
2	4460884	1	Plug, Male - 4 Position	
2	4460465	4	Socket, Female	
3	4460876	1	Connector - 35 Position	
3	4460871	22	Socket, Female	
3	4460905	13	Plug, Terminal	
4	4460313	6	Terminal, Ring	
5	4460183	2	Terminal, Fork	
6	2400060	1	Fuseholder (Includes Cover)	
7	4460418	9	Connector - 6 Position	
7	4460419	18	Terminal	
7	1001159186	17	Terminal	
8	4460806	2	Terminal, Fork	
9	4460894	1	Connector	
9	4460465	4	Socket, Female	
9	4460466	2	Plug, Terminal	
10	4460930	1	Plug, Male - 8 Position	
10	4460465	8	Socket, Female	
11	4460868	1	Plug, Male - 6 Position	
11	4460877	4	Terminal	
12	4460320	1	Plug, Male - 2 Position	
12	4460227	2	Pin, Male	
13	4460260	3	Housing, Terminal	
13	4460259	3	Terminal	
101	4460984	1	Receptacle, Female - 8 Position	
102	8229242	1	Fuse - 5Amp	

# SECTION 7 - ELECTRICAL

## FIGURE 7-35. INVERTER HARNESS



ART\_1001182296

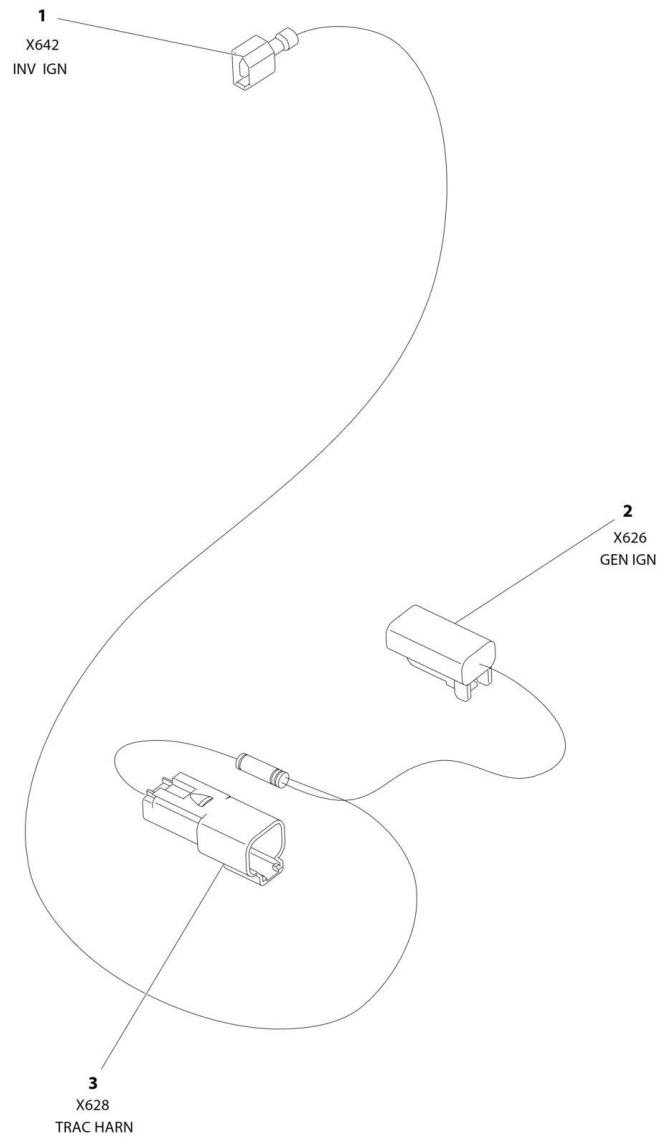
## SECTION 7 - ELECTRICAL

### FIGURE 7-35. INVERTER HARNESS

ITEM	PART NUMBER	QTY	DESCRIPTION	REV
1	1001182296 1060494	Ref 115 in /292cm	INVERTER HARNESS Cable, Electrical 12/3	A
2	4460134	1	Connector, Female	
3	4460138	1	Plug, Connector	

# SECTION 7 - ELECTRICAL

## FIGURE 7-36. INVERTER IGNITION HARNESS



ART\_1001192293

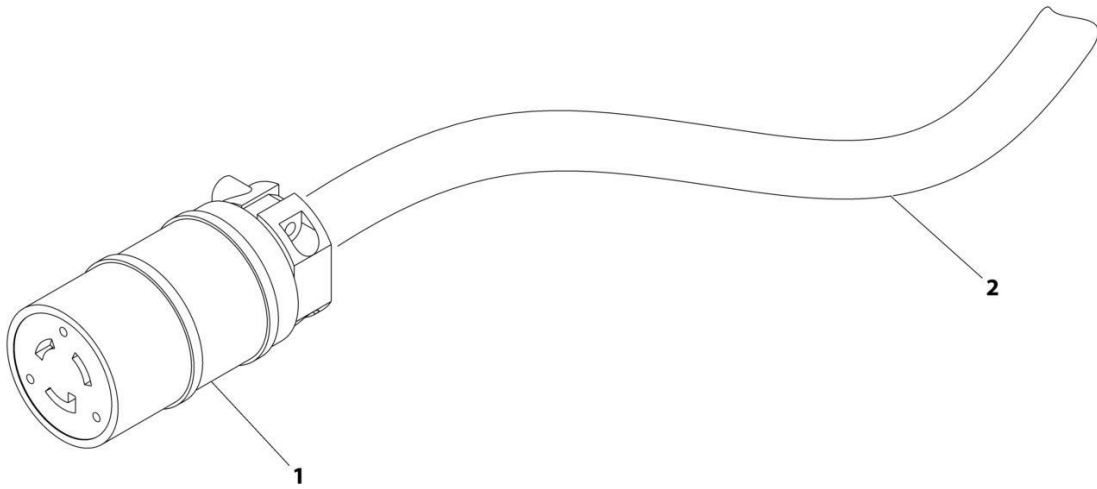
## SECTION 7 - ELECTRICAL

### FIGURE 7-36. INVERTER IGNITION HARNESS

ITEM	PART NUMBER	QTY	DESCRIPTION	REV
	1001192293	Ref	INVERTER IGNITION HARNESS	C
1	1001193545	1	Terminal	
2	4460891	1	Plug, Male - 2 Position	
2	4460465	1	Socket, Female	
2	4460466	1	Plug, Terminal	
3	4460897	1	Receptacle, Female - 2 Position	
3	4460464	1	Pin, Male	
3	4460466	1	Plug, Seal	

# SECTION 7 - ELECTRICAL

## FIGURE 7-37. LOWER BOOM 110V HARNESS ASSEMBLY



ART\_4922611

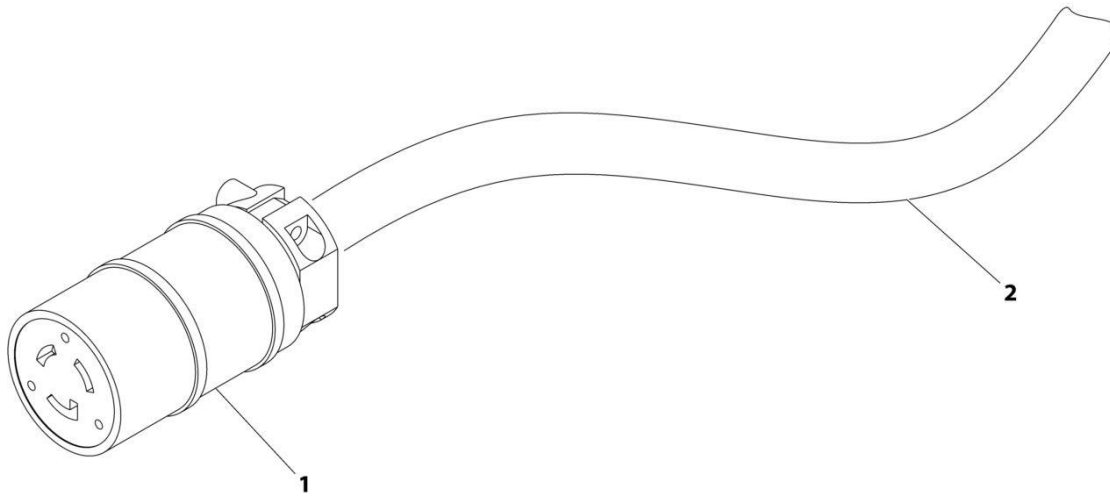
## SECTION 7 - ELECTRICAL

### FIGURE 7-37. LOWER BOOM 110V HARNESS ASSEMBLY

ITEM	PART NUMBER	QTY	DESCRIPTION	REV
	4922611	Ref	LOWER BOOM 110V HARNESS ASSEMBLY	1
1	4460134	1	Connector, Female	
2	1060494	32.5 ft /9.9m	Electrical Cable, 12/3	

## SECTION 7 - ELECTRICAL

FIGURE 7-38. LOWER BOOM 220V HARNESS ASSEMBLY - CE & UK CA SPEC



ART\_4922609



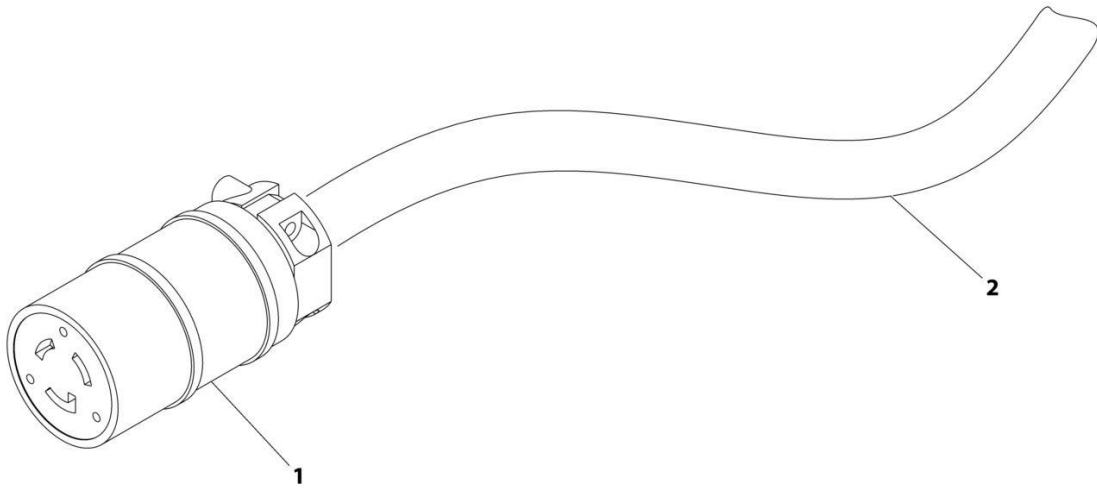
## SECTION 7 - ELECTRICAL

**FIGURE 7-38. LOWER BOOM 220V HARNESS ASSEMBLY - CE & UK CA SPEC**

ITEM	PART NUMBER	QTY	DESCRIPTION	REV
	4922609	Ref	LOWER BOOM 220V HARNESS ASSEMBLY - CE SPEC	1
1	4460710	1	Connector, Female	
2	1060461	37 ft /11.3m	Electrical Cable, 12/3	

## SECTION 7 - ELECTRICAL

FIGURE 7-39. LOWER BOOM 220V HARNESS ASSEMBLY - CE & UK CA SPEC



ART\_4922612

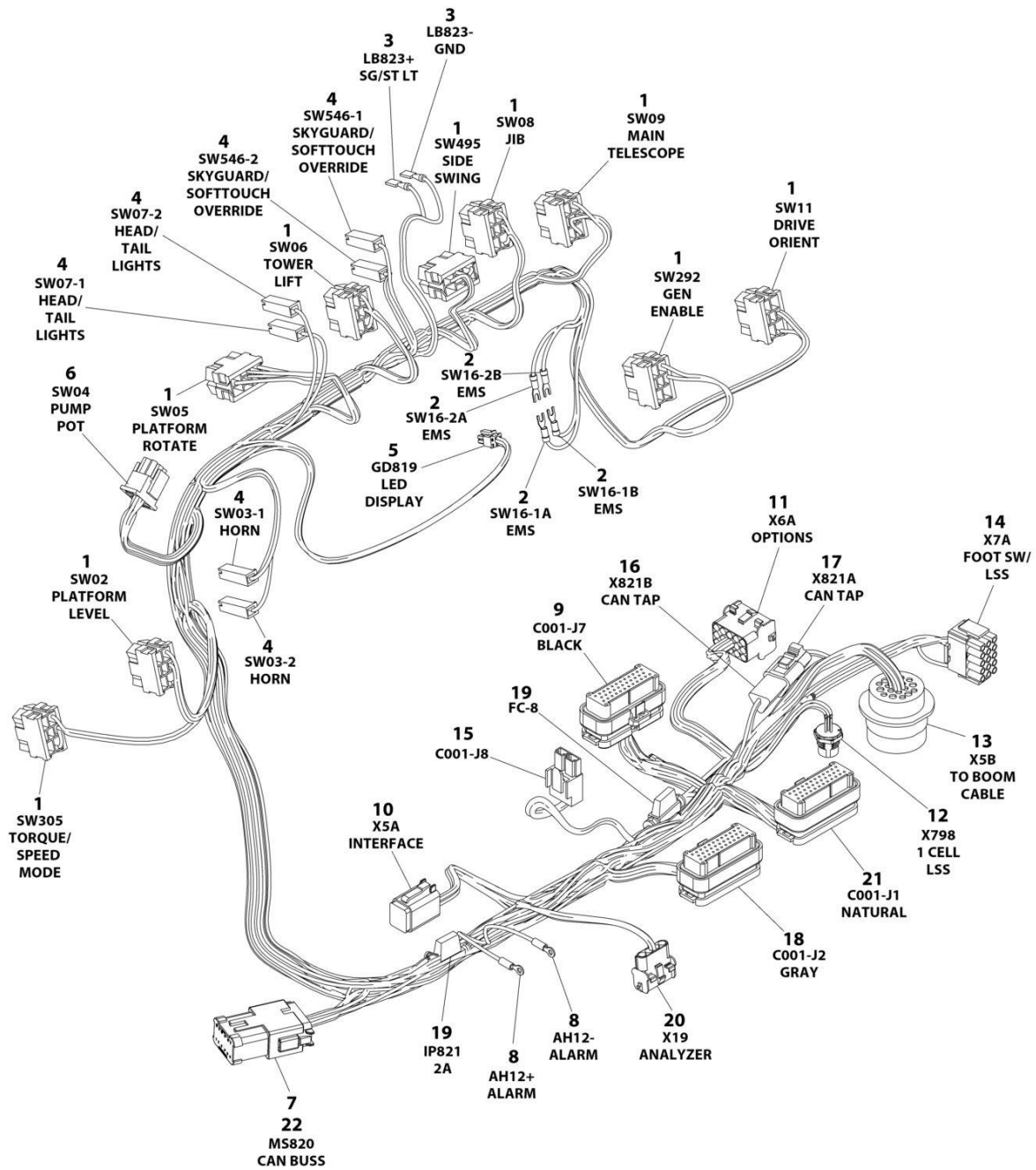
## SECTION 7 - ELECTRICAL

**FIGURE 7-39. LOWER BOOM 220V HARNESS ASSEMBLY - CE & UK CA SPEC**

ITEM	PART NUMBER	QTY	DESCRIPTION	REV
	4922612	Ref	LOWER BOOM 220V HARNESS ASSEMBLY	2
1	4460710	1	Connector, Female	
2	1060461	32.5 ft /9.9m	Electrical Cable, 12/3	

# SECTION 7 - ELECTRICAL

## FIGURE 7-40. PLATFORM CONSOLE HARNESS (NON-UL SPECS)



ART\_1001245673\_D

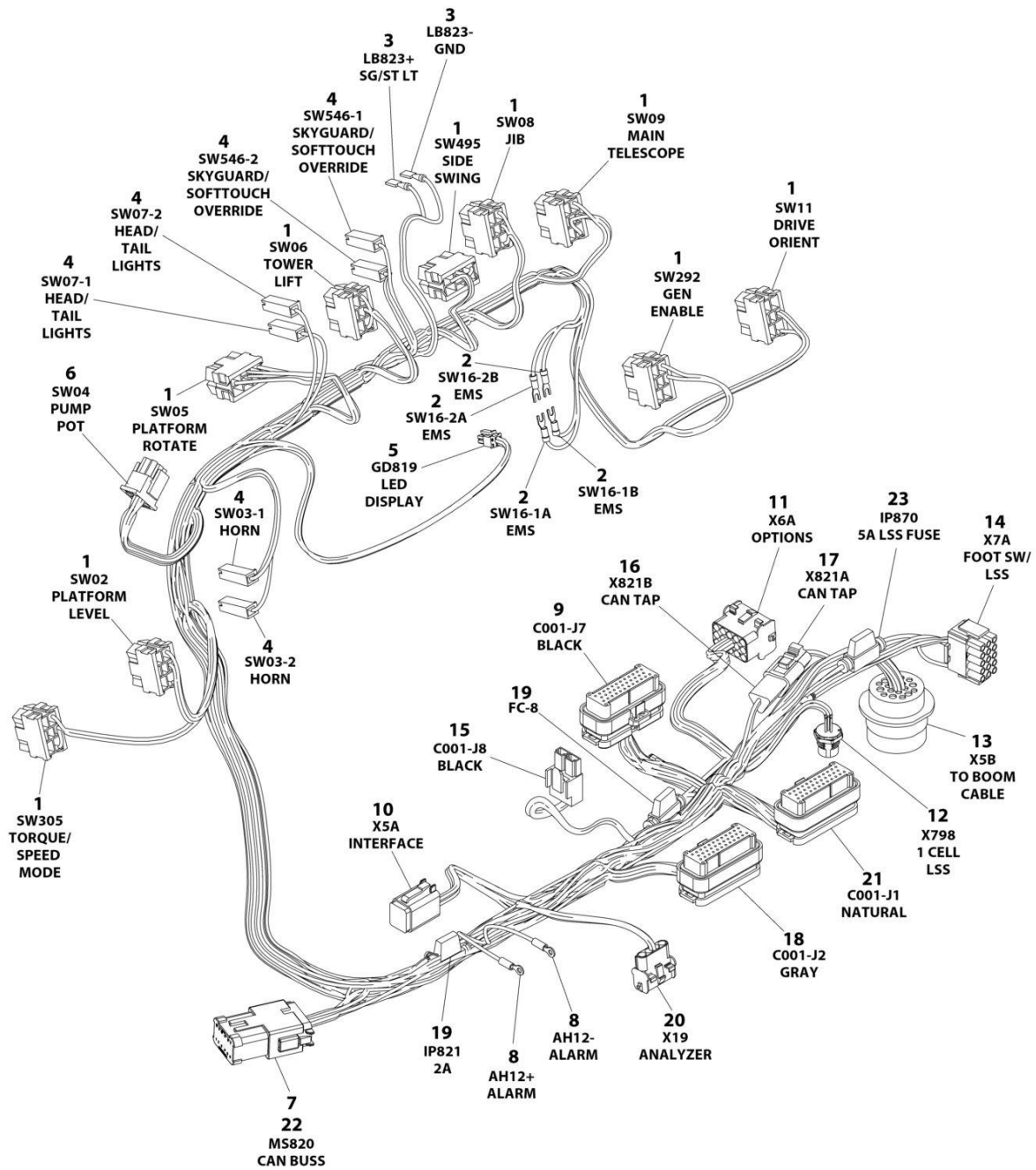
## SECTION 7 - ELECTRICAL

**FIGURE 7-40. PLATFORM CONSOLE HARNESS (NON-UL SPECS)**

ITEM	PART NUMBER	QTY	DESCRIPTION	REV
	1001245673	Ref	PLATFORM CONSOLE HARNESS	D
1	4460418	9	Connector - 6 Position	
1	4460419	14	Terminal	
1	1001159186	18	Terminal	
2	4460888	4	Terminal, Fork	
3	4460016	2	Terminal	
4	4460260	6	Housing, Terminal	
4	4460259	8	Terminal	
5	1001237667	1	Connector - 6 Position	
5	1001237668	4	Terminal	
6	4460225	1	Connector - 6 Position	
6	4460267	7	Socket, Female	
7	4460933	1	Plug, Male - 12 Position	
7	4460465	10	Socket, Female	
7	4460466	2	Plug, Terminal	
8	1001098122	2	Terminal, Ring	
9	4460873	1	Connector - 35 Position	
9	4460871	21	Socket, Female	
9	4460905	14	Plug, Terminal	
10	4460894	1	Plug, Male - 6 Position	
10	4460465	6	Socket, Female	
11	4460708	1	Connector - 15 Position	
11	4460268	10	Socket, Female	
12	1001213447	1	Connector, Female - 5 Position	
13	4460866	1	Connector - 19 Position	
13	4460466	7	Plug, Terminal	
13	4460464	10	Pin, Male	
13	4460508	2	Pin, Male	
14	4460434	1	Plug, Male - 15 Position	
14	4460294	9	Pin, Male	
15	4460879	1	Plug, Male - 2 Position	
15	4460887	2	Terminal	
16	4460536	1	Receptacle, Female - 3 Position	
16	4460464	2	Pin, Male	
16	4460466	1	Plug, Terminal	
17	4460539	1	Plug, Male - 3 Position	
17	4460465	2	Socket, Female	
17	4460466	1	Plug, Terminal	
18	4460875	1	Connector - 35 Position	
18	4460905	24	Plug, Terminal	
18	4460871	11	Socket, Female	
19	2400060	2	Holder, Fuse	
19	8229242	1	Fuse - 5Amp	
19	See Note	1	Fuse - 2Amp (Note: Purchase Locally)	
20	4460761	1	Receptacle, Female - 4 Position	
20	4460294	4	Pin, Male	
21	4460874	1	Connector - 35 Position	
21	4460871	24	Socket, Female	
21	4460905	11	Plug, Terminal	
22	1001125677	1	Connector, Bussbar	

# SECTION 7 - ELECTRICAL

## FIGURE 7-41. PLATFORM CONSOLE HARNESS



ART\_1001272279

## SECTION 7 - ELECTRICAL

### FIGURE 7-41. PLATFORM CONSOLE HARNESS

ITEM	PART NUMBER	QTY	DESCRIPTION	REV
	1001272279	Ref	PLATFORM CONSOLE HARNESS (UL SPECS)	B
1	4460418	9	Connector - 6 Position	
1	4460419	14	Terminal	
1	1001159186	17	Terminal	
2	4460888	4	Terminal, Fork	
3	4460016	2	Terminal	
4	4460260	6	Housing, Terminal	
4	4460259	8	Terminal	
5	1001237667	1	Connector - 6 Position	
5	1001237668	4	Terminal	
6	4460225	1	Connector - 6 Position	
6	4460267	7	Socket, Female	
7	4460933	1	Plug, Male - 12 Position	
7	4460465	10	Socket, Female	
7	4460466	2	Plug, Terminal	
8	1001098122	2	Terminal, Ring	
9	4460873	1	Connector - 35 Position	
9	4460871	21	Socket, Female	
9	4460905	14	Plug, Terminal	
10	4460894	1	Plug, Male - 6 Position	
10	4460465	6	Socket, Female	
11	4460708	1	Connector - 15 Position	
11	4460268	10	Socket, Female	
12	1001213447	1	Connector, Female - 5 Position	
13	4460866	1	Connector - 19 Position	
13	4460466	7	Plug, Terminal	
13	4460464	10	Pin, Male	
13	4460508	2	Pin, Male	
14	4460434	1	Plug, Male - 15 Position	
14	4460294	9	Pin, Male	
15	4460879	1	Plug, Male - 2 Position	
15	4460887	2	Terminal	
16	4460536	1	Receptacle, Female - 3 Position	
16	4460464	2	Pin, Male	
16	4460466	1	Plug, Terminal	
17	4460539	1	Plug, Male - 3 Position	
17	4460465	2	Socket, Female	
17	4460466	1	Plug, Terminal	
18	4460875	1	Connector - 35 Position	
18	4460905	24	Plug, Terminal	
18	4460871	11	Socket, Female	
19	2400060	2	Holder, Fuse	
19	8229242	1	Fuse - 5Amp	
19	See Note	1	Fuse - 2Amp (Note: Purchase Locally)	
20	4460761	1	Receptacle, Female - 4 Position	
20	4460294	4	Pin, Male	
21	4460874	1	Connector - 35 Position	
21	4460871	24	Socket, Female	
21	4460905	11	Plug, Terminal	
22	1001125677	1	Connector, Bussbar	

## SECTION 7 - ELECTRICAL

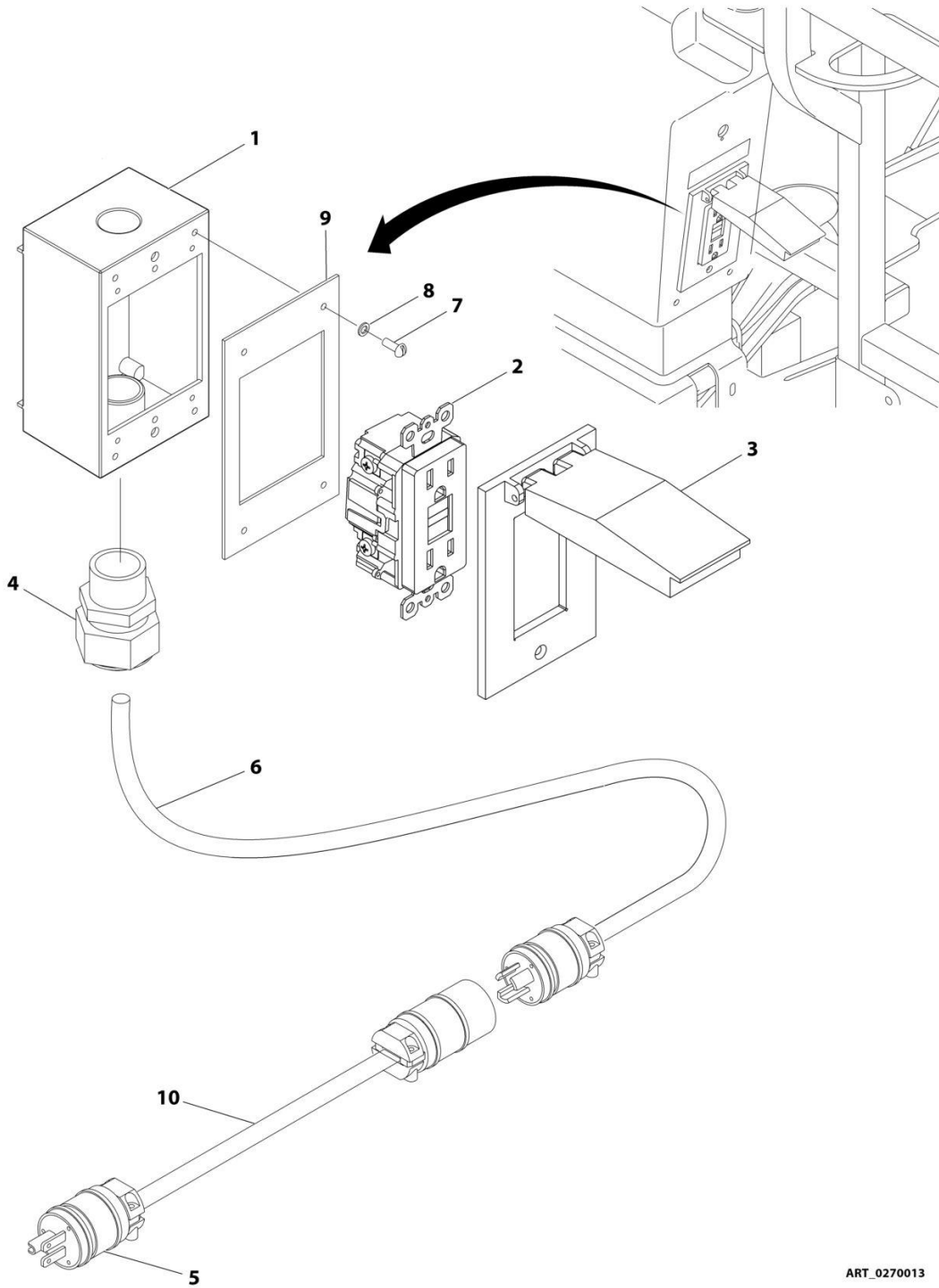
ITEM	PART NUMBER	QTY	DESCRIPTION	REV
23	2400060	1	Fuse Holder	
23	8229242	1	Fuse, 5A	





# SECTION 7 - ELECTRICAL

## FIGURE 7-42. PLUG AND RECEPTACLE INSTALLATION - 110V



ART\_0270013

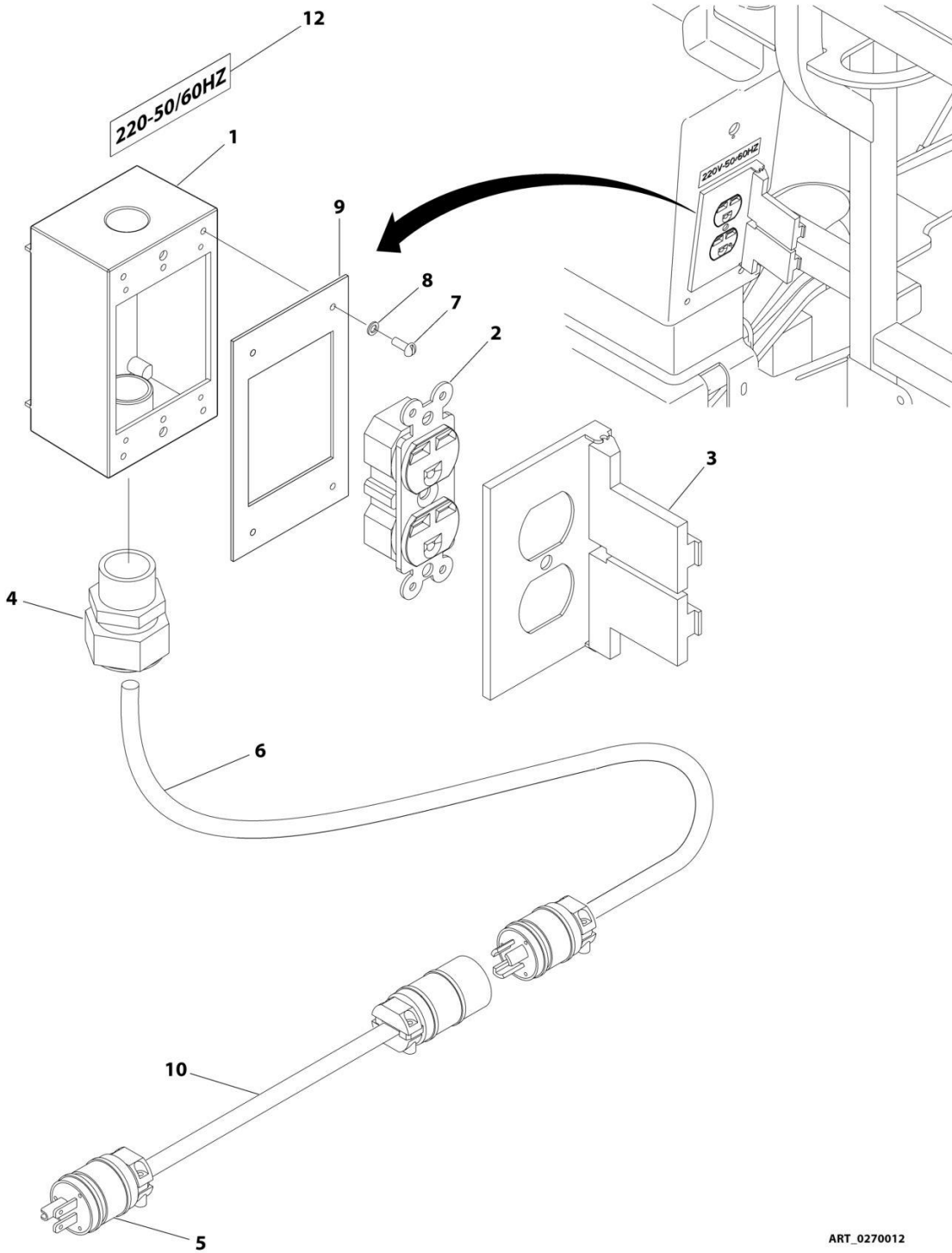
## SECTION 7 - ELECTRICAL

**FIGURE 7-42. PLUG AND RECEPTACLE INSTALLATION - 110V**

ITEM	PART NUMBER	QTY	DESCRIPTION	REV
	0270013	Ref	PLUG AND RECEPTACLE INSTALLATION - 110V	5
1	0860038	1	Box, Switch	
2	4460346	1	Receptacle	
3	1001110873	1	Shield, Cover	
4	4460071	1	Connector, Strain Relief	
5	4460205	1	Plug, Male	
6	4922608	1	Main Boom 110V Harness Assembly (See Separate Breakdown in this Section)	
7	3910610	4	Screw, Self-tapping, #6 x 5/8	
8	4760600	4	Washer #6	
9	3960422	1	Gasket	
10	4922611	1	Lower Boom 110V Harness Assembly (See Separate Breakdown in this Section)	

# SECTION 7 - ELECTRICAL

## FIGURE 7-43. PLUG AND RECEPTACLE INSTALLATION - 220V



ART\_0270012

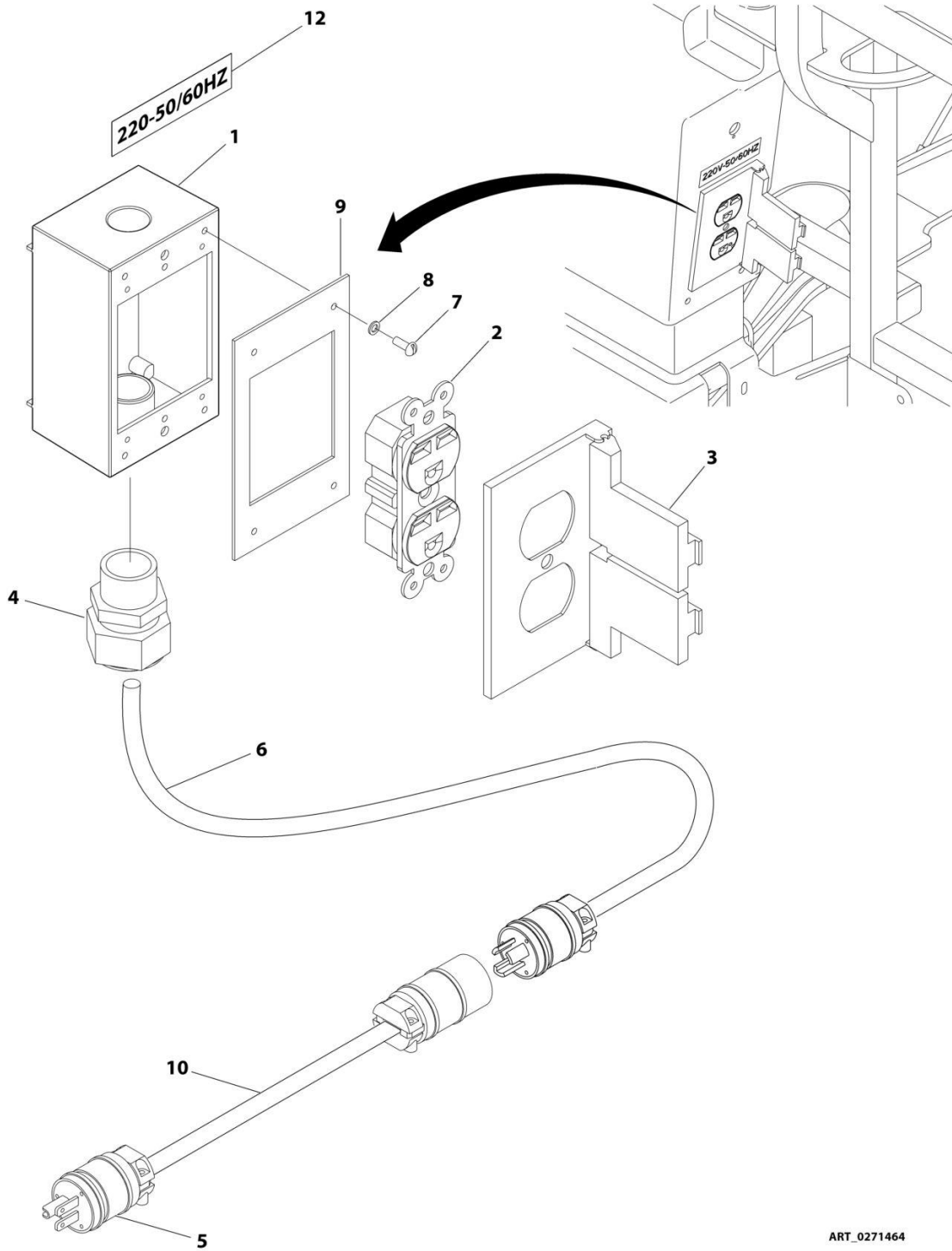
## SECTION 7 - ELECTRICAL

**FIGURE 7-43. PLUG AND RECEPTACLE INSTALLATION - 220V**

ITEM	PART NUMBER	QTY	DESCRIPTION	REV
	0270012	Ref	PLUG AND RECEPTACLE INSTALLATION - 220V	4
1	0860038	1	Box, Switch	
2	4460125	1	Receptacle	
3	4060092	1	Shield, Cover	
4	4460071	1	Connector, Strain Relief	
5	4460233	1	Plug, Male	
6	4922608	1	Main Boom 110V Harness Assembly (See Separate Breakdown in this Section)	
7	3910610	4	Screw, Self-tapping, #6 x 5/8	
8	4760600	4	Washer #6	
9	3960422	1	Gasket	
10	4922611	1	Lower Boom 110V Harness Assembly (See Separate Breakdown in this Section)	
12	3252507	1	Decal - 220V-50/60 Hz	

# SECTION 7 - ELECTRICAL

## FIGURE 7-44. PLUG AND RECEPTACLE INSTALLATION - SUPPLIED LOCALLY



ART\_0271464

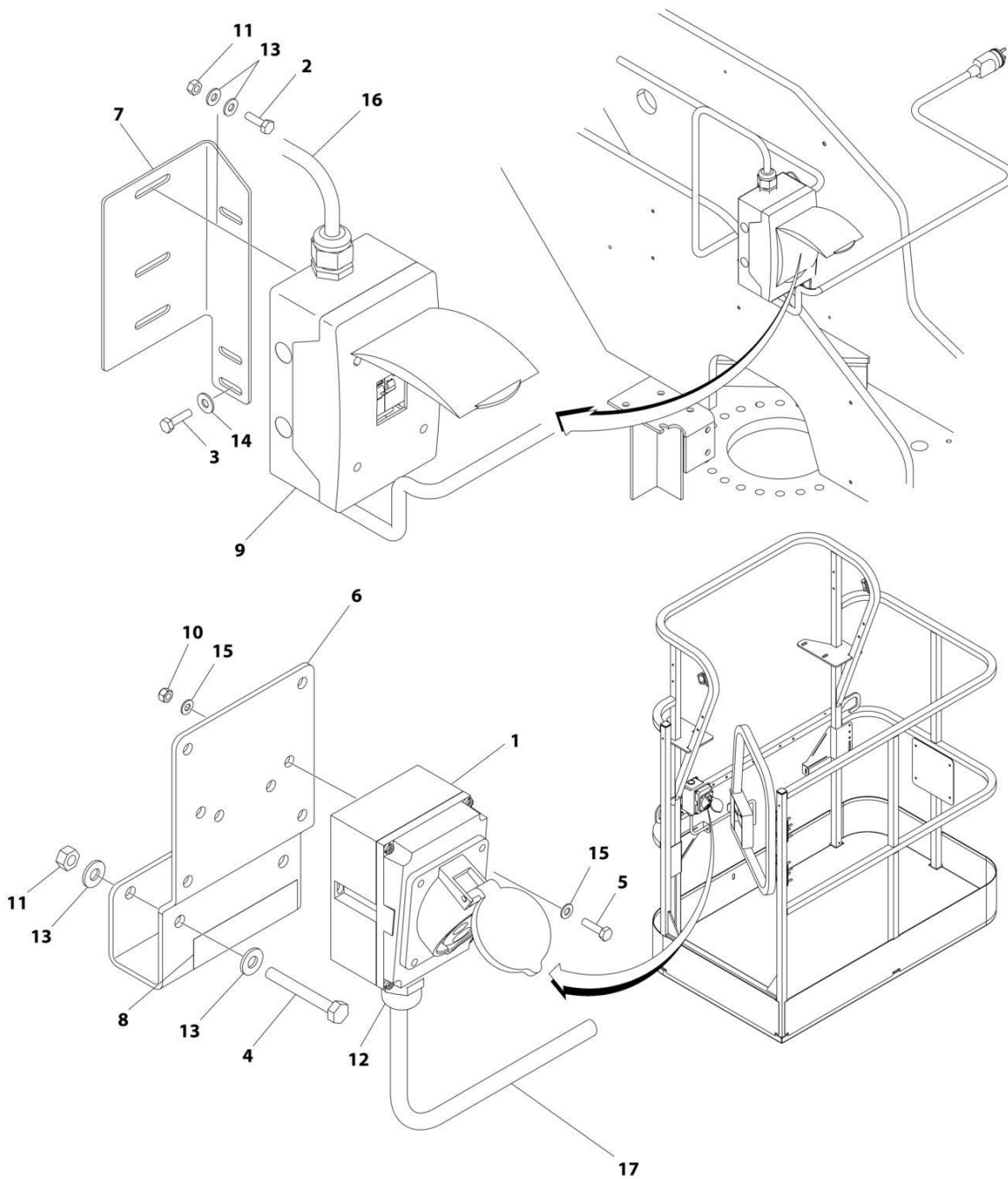
## SECTION 7 - ELECTRICAL

**FIGURE 7-44. PLUG AND RECEPTACLE INSTALLATION - SUPPLIED LOCALLY**

ITEM	PART NUMBER	QTY	DESCRIPTION	REV
	0271464	Ref	PLUG AND RECEPTACLE INSTALLATION - SUPPLIED LOCALLY	2
1	See Note	1	Box, Switch (Note: Supplied Locally)	
2	See Note	1	Receptacle (Note: Supplied Locally)	
3	See Note	1	Shield, Cover (Note: Supplied Locally)	
4	See Note	1	Connector, Strain Relief (Note: Supplied Locally)	
5	See Note	1	Plug, Male (Note: Supplied Locally)	
6	4922610	1	Main Boom 220V Harness Assembly - CE Spec (See Separate Breakdown in this Section)	
7	See Note	4	Screw, Self-tapping, #6 x 5/8 (Note: Supplied Locally)	
8	See Note	4	Washer #6 (Note: Supplied Locally)	
9	See Note	1	Gasket (Note: Supplied Locally)	
10	4922612	1	Lower Boom 220V Harness Assembly - CE Spec (See Separate Breakdown in this Section)	
12	See Note	1	Decal - 220V-50/60Hz (Note: Supplied Locally)	

# SECTION 7 - ELECTRICAL

FIGURE 7-45. PLUG AND RECEPTACLE 110V INSTALLATION - IEC 60309 - YELLOW (CE & UK CA SPEC)



ART\_1001166263



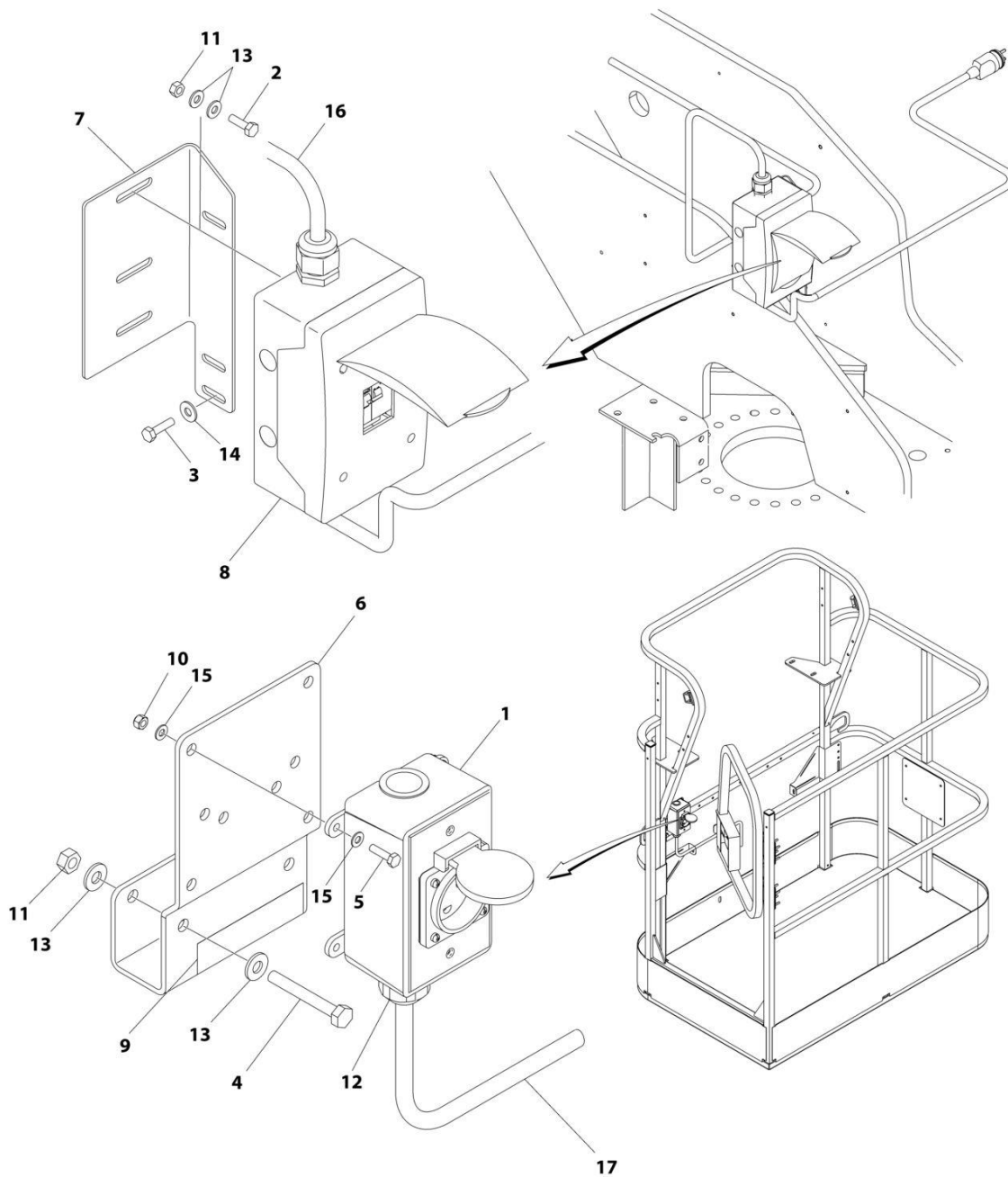
## SECTION 7 - ELECTRICAL

**FIGURE 7-45. PLUG AND RECEPTACLE 110V INSTALLATION - IEC 60309 - YELLOW (CE & UK CA SPEC)**

ITEM	PART NUMBER	QTY	DESCRIPTION	REV
	1001166263	Ref	PLUG AND RECEPTACLE 110V INSTALLATION - IEC 60309 - YELLOW	C
1	0275216	1	AC Plugs and Sockets Installation (See Separate Breakdown in this Section)	
2	0641407	2	Bolt 1/4 x 7/8	
3	0641408	2	Bolt 1/4 x 1	
4	0641416	2	Bolt 1/4 x 2	
5	0700408	2	Bolt M4 x 16	
6	1001193018	1	Bracket	
7	1001178491	1	Bracket	
8	1705325	2	Decal - 120V - 50 Hz	
9	2902549	1	Breaker Box Kit with Two Breakers (See Separate Breakdown in this Section)	
10	3290405	2	Nut M4	
11	3311405	4	Nut 1/4	
12	4460968	1	Connector, Strain Relief	
13	4711400	8	Washer 1/4	
14	4751400	2	Washer 1/4	
15	4811400	4	Washer M4	
16	4922609	1	Lower Boom 220V Harness Assembly (See Separate Breakdown in this Section)	
17	4922610	1	Main Boom 220V Harness Assembly (See Separate Breakdown in this Section)	

# SECTION 7 - ELECTRICAL

FIGURE 7-46. PLUG AND RECEPTACLE 220V INSTALLATION - AFSINT 107 KEYED GROUND - 2 X 4 BOX (CE & UK CA SPEC)



ART\_1001166259

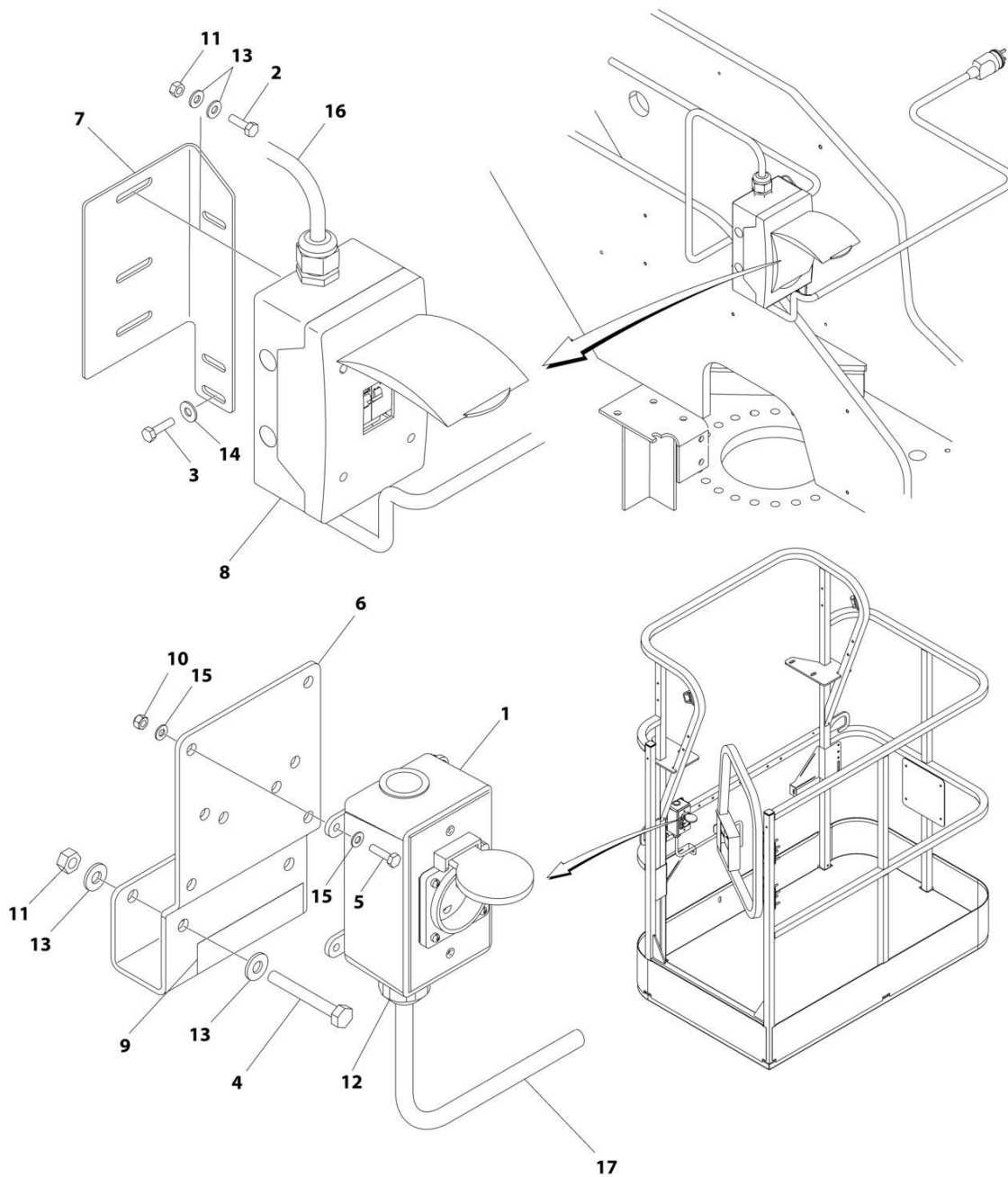
## SECTION 7 - ELECTRICAL

**FIGURE 7-46. PLUG AND RECEPTACLE 220V INSTALLATION - AFSINT 107 KEYED GROUND - 2 X 4 BOX (CE & UK CA SPEC)**

ITEM	PART NUMBER	QTY	DESCRIPTION	REV
	1001166259	Ref	PLUG AND RECEPTACLE 220V INSTALLATION - AFSINT 107 KEYED GROUND - 2 X 4 BOX	C
1	0275454	1	AC Plugs and Sockets Installation (See Separate Breakdown in this Section)	
2	0641407	2	Bolt 1/4 x 7/8	
3	0641408	2	Bolt 1/4 x 1	
4	0641416	2	Bolt 1/4 x 2	
5	0700408	4	Bolt M4 x 16	
6	1001193018	1	Bracket	
7	1001178491	1	Bracket	
8	2902549	1	Breaker Box Kit with Two Breakers (See Separate Breakdown in this Section)	
9	3252507	2	Decal - 220V - 50/60 Hz	
10	3290405	4	Nut M4	
11	3311405	4	Nut 1/4	
12	4460662	1	Connector, Strain Relief	
13	4711400	8	Washer 1/4	
14	4751400	2	Washer 1/4	
15	4811400	8	Washer M4	
16	4922609	1	Lower Boom 220V Harness Assembly (See Separate Breakdown in this Section)	
17	4922610	1	Main Boom 220V Harness Assembly (See Separate Breakdown in this Section)	

# SECTION 7 - ELECTRICAL

FIGURE 7-47. PLUG AND RECEPTACLE 220V INSTALLATION - CEE7 POST GROUND - 2 X 4 BOX  
(CE & UK CA SPEC)



ART\_1001166251

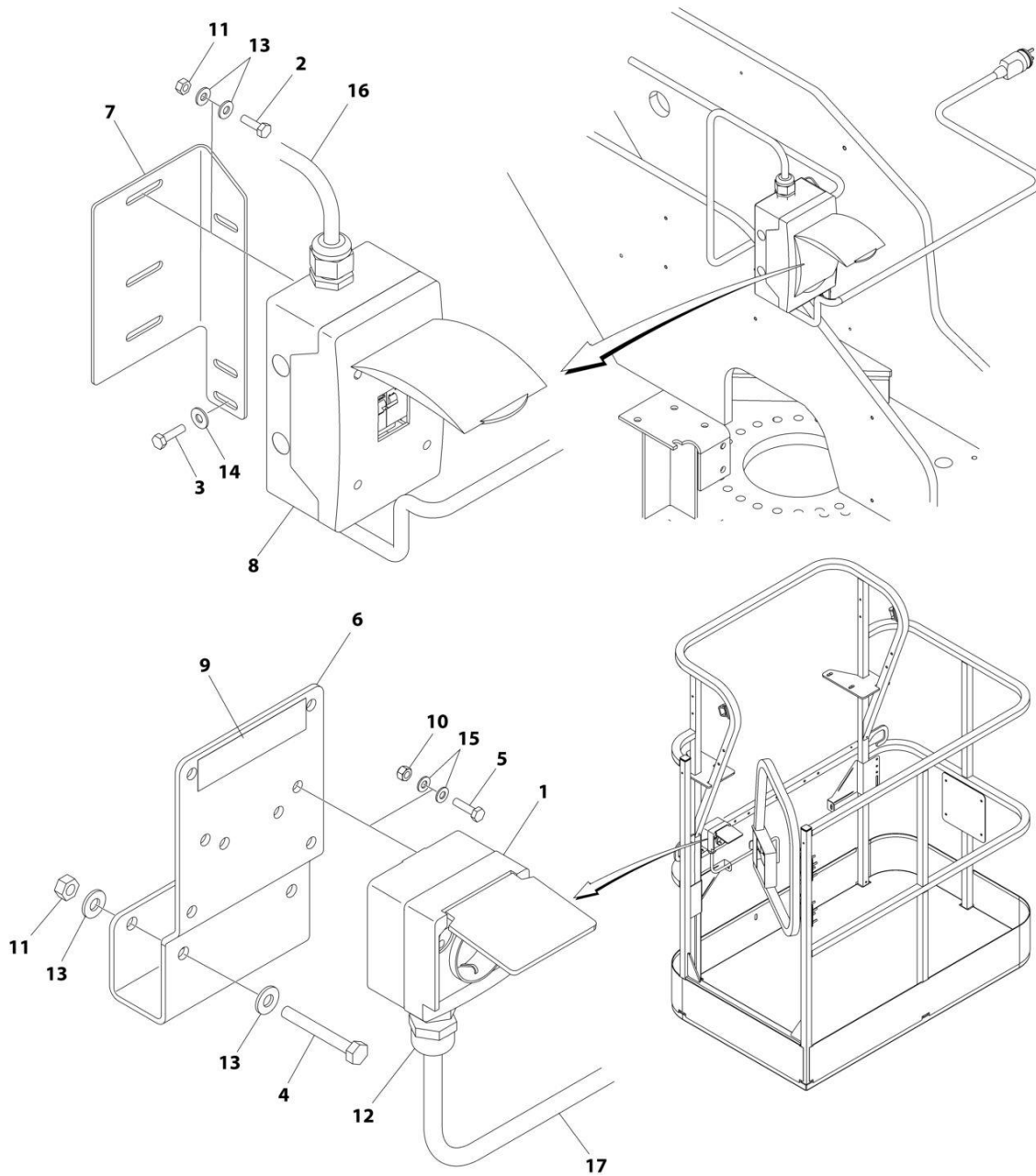
## SECTION 7 - ELECTRICAL

**FIGURE 7-47. PLUG AND RECEPTACLE 220V INSTALLATION - CEE7 POST GROUND - 2 X 4 BOX  
(CE & UK CA SPEC)**

ITEM	PART NUMBER	QTY	DESCRIPTION	REV
	1001166251	Ref	PLUG AND RECEPTACLE 220V INSTALLATION - CEE7 POST GROUND - 2 X 4 BOX	C
1	0275452	1	AC Plugs and Sockets Installation (See Separate Breakdown in this Section)	
2	0641407	2	Bolt 1/4 x 7/8	
3	0641408	2	Bolt 1/4 x 1	
4	0641416	2	Bolt 1/4 x 2	
5	0700408	4	Bolt M4 x 16	
6	1001193018	1	Bracket	
7	1001178491	1	Bracket	
8	2902549	1	Breaker Box Kit with Two Breakers (See Separate Breakdown in this Section)	
9	3252507	2	Decal - 220V - 50/60Hz	
10	3290405	4	Nut M4	
11	3311405	4	Nut 1/4	
12	4460662	1	Connector, Strain Relief	
13	4711400	8	Washer 1/4	
14	4751400	2	Washer 1/4	
15	4811400	8	Washer M4	
16	4922609	1	Lower Boom 220V Harness Assembly (See Separate Breakdown in this Section)	
17	4922610	1	Main Boom 220V Harness Assembly (See Separate Breakdown in this Section)	

# SECTION 7 - ELECTRICAL

FIGURE 7-48. PLUG AND RECEPTACLE 220V INSTALLATION - CEE7 POST GROUND - 70MM X 70MM BOX (CE & UK CA SPEC)



ART\_1001166261

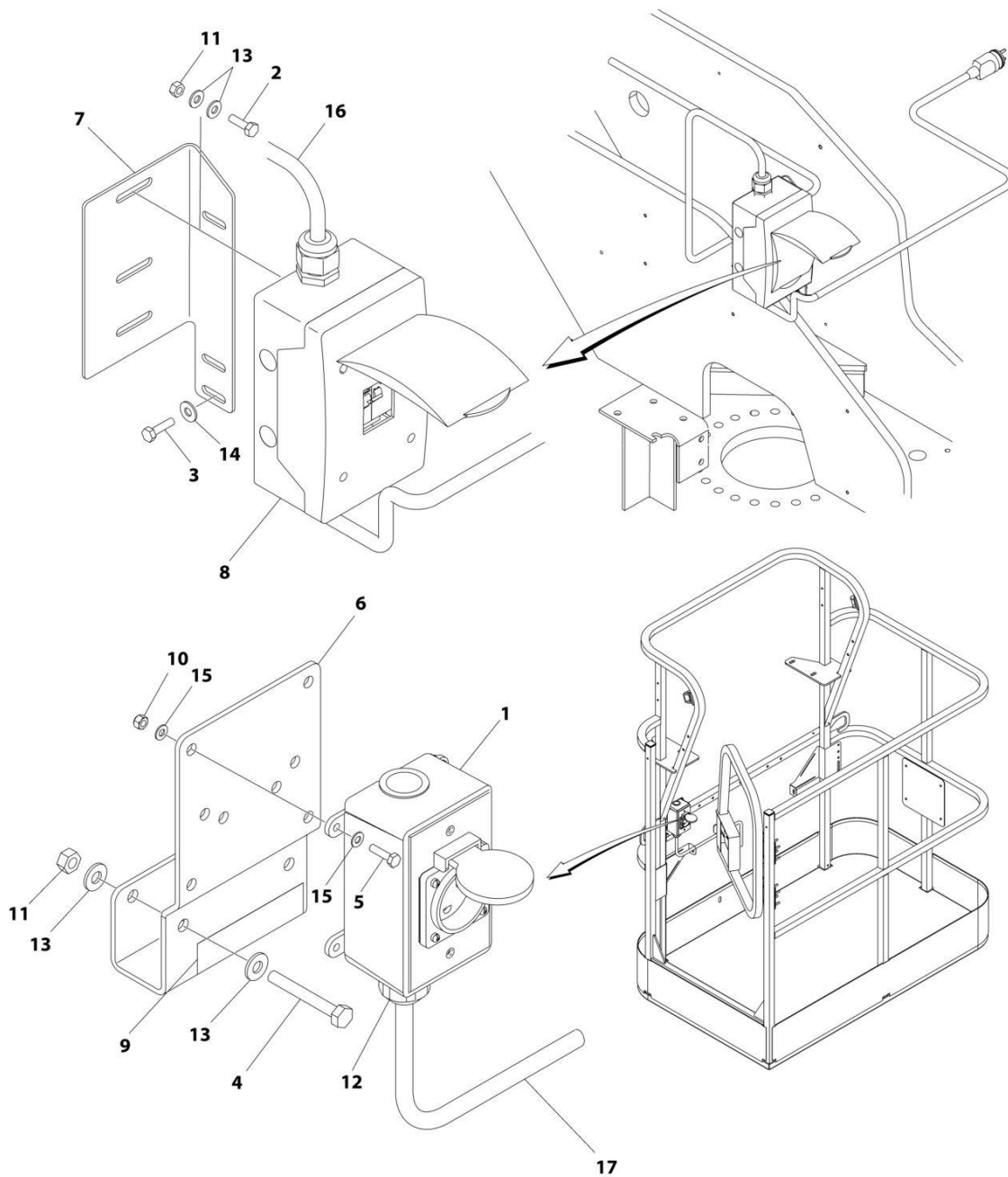
## SECTION 7 - ELECTRICAL

**FIGURE 7-48. PLUG AND RECEPTACLE 220V INSTALLATION - CEE7 POST GROUND - 70MM X 70MM BOX (CE & UK CA SPEC)**

ITEM	PART NUMBER	QTY	DESCRIPTION	REV
	1001166261	Ref	PLUG AND RECEPTACLE 220V INSTALLATION - CEE7 POST GROUND - 70MM X 70MM BOX	C
1	0275218	1	AC Plugs and Sockets Installation (See Separate Breakdown in this Section)	
2	0641407	2	Bolt 1/4 x 7/8	
3	0641408	2	Bolt 1/4 x 1	
4	0641416	2	Bolt 1/4 x 2	
5	0700408	2	Bolt M4 x 16	
6	1001193018	1	Bracket	
7	1001178491	1	Bracket	
8	2902549	1	Breaker Box Kit with Two Breakers (See Separate Breakdown in this Section)	
9	3252507	2	Decal - 220V - 50/60 Hz	
10	3290405	2	Nut M4	
11	3311405	4	Nut 1/4	
12	4460968	1	Connector, Strain Relief	
13	4711400	8	Washer 1/4	
14	4751400	2	Washer 1/4	
15	4811400	4	Washer 4mm	
16	4922609	1	Lower Boom 220V Harness Assembly (See Separate Breakdown in this Section)	
17	4922610	1	Main Boom 220V Harness Assembly (See Separate Breakdown in this Section)	

# SECTION 7 - ELECTRICAL

FIGURE 7-49. PLUG AND RECEPTACLE 220 INSTALLATION - CEE7 SIDE GROUND - 2 X 4 BOX (CE & UK CA SPEC)



ART\_1001166258



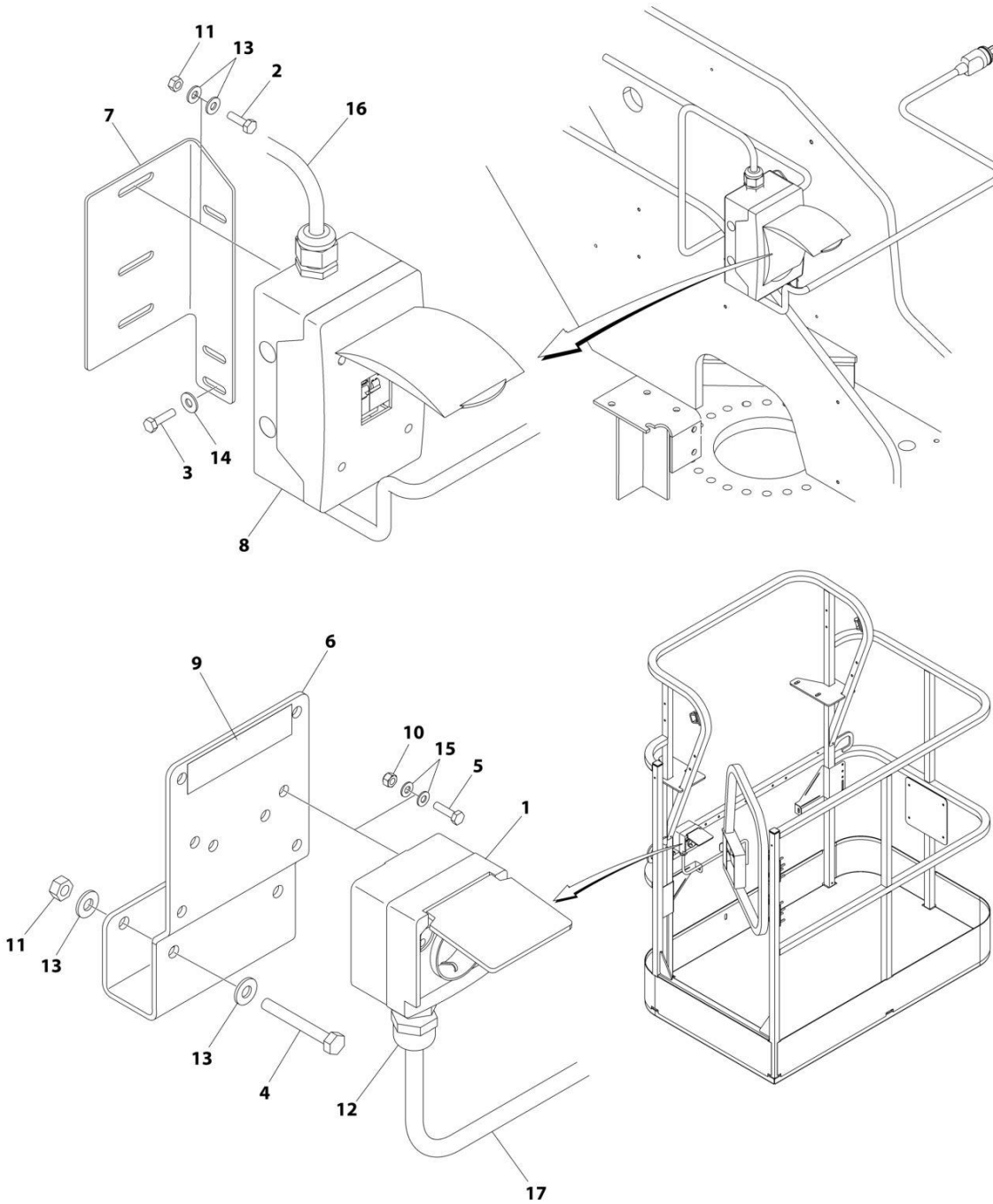
## SECTION 7 - ELECTRICAL

**FIGURE 7-49. PLUG AND RECEPTACLE 220 INSTALLATION - CEE7 SIDE GROUND - 2 X 4 BOX (CE & UK CA SPEC)**

ITEM	PART NUMBER	QTY	DESCRIPTION	REV
	1001166258	Ref	PLUG AND RECEPTACLE 220 INSTALLATION - CEE7 SIDE GROUND - 2 X 4 BOX	D
1	0275453	1	AC Plugs and Sockets Installation (See Separate Breakdown in this Section)	
2	0641407	2	Bolt 1/4 x 7/8	
3	0641408	2	Bolt 1/4 x 1	
4	0641416	2	Bolt 1/4 x 2	
5	0700408	4	Bolt M4 x 16	
6	1001193018	1	Bracket	
7	1001178491	1	Bracket	
8	1001152485	1	Breaker Box Kit with Three Breakers (See Separate Breakdown in this Section)	
9	3252507	2	Decal - 220V - 50/60 Hz	
10	3290405	4	Nut M4	
11	3311405	4	Nut 1/4	
12	4460662	1	Connector, Strain Relief	
13	4711400	8	Washer 1/4	
14	4751400	2	Washer 1/4	
15	4811400	8	Washer M4	
16	4922609	1	Lower Boom 220V Harness Assembly (See Separate Breakdown in this Section)	
17	4922610	1	Main Boom 220V Harness Assembly (See Separate Breakdown in this Section)	

# SECTION 7 - ELECTRICAL

FIGURE 7-50. PLUG AND RECEPTACLE 220V INSTALLATION - CEE7 SIDE GROUND - 70MM X 70MM BOX (CE & UK CA SPEC)



ART\_1001166262

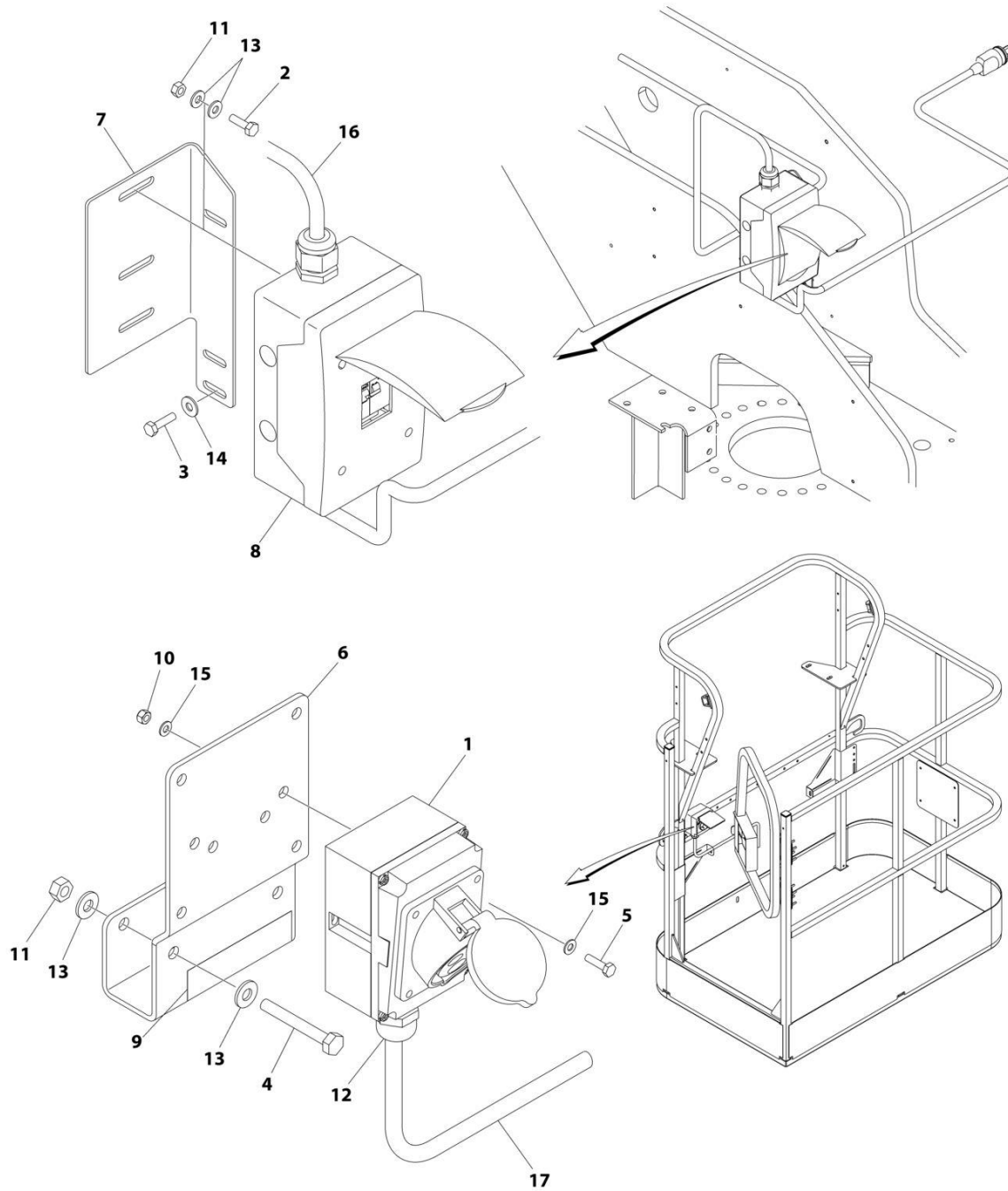
## SECTION 7 - ELECTRICAL

**FIGURE 7-50. PLUG AND RECEPTACLE 220V INSTALLATION - CEE7 SIDE GROUND - 70MM X 70MM BOX (CE & UK CA SPEC)**

ITEM	PART NUMBER	QTY	DESCRIPTION	REV
	1001166262	Ref	PLUG AND RECEPTACLE 220V INSTALLATION - CEE7 SIDE GROUND - 70MM X 70MM BOX	C
1	0275219	1	AC Plugs and Sockets Installation (See Separate Breakdown in this Section)	
2	0641407	2	Bolt 1/4 x 7/8	
3	0641408	2	Bolt 1/4 x 1	
4	0641416	2	Bolt 1/4 x 2	
5	0700408	2	Bolt M4 x 16	
6	1001193018	1	Bracket	
7	1001178491	1	Bracket	
8	1001152485	1	Breaker Box Kit with Three Breakers (See Separate Breakdown in this Section)	
9	3252507	2	Decal - 220V - 50/60 Hz	
10	3290405	2	Nut M4	
11	3311405	4	Nut M4	
12	4460968	1	Connector, Strain Relief	
13	4711400	8	Washer 1/4	
14	4751400	2	Washer 1/4	
15	4811400	4	Washer M4	
16	4922609	1	Lower Boom 220V Harness Assembly (See Separate Breakdown in this Section)	
17	4922610	1	Main Boom 220V Harness Assembly (See Separate Breakdown in this Section)	

# SECTION 7 - ELECTRICAL

FIGURE 7-51. PLUG AND RECEPTACLE 220V INSTALLATION - IEC 60309 - BLUE (CE & UK CA SPEC)



ART\_1001166260

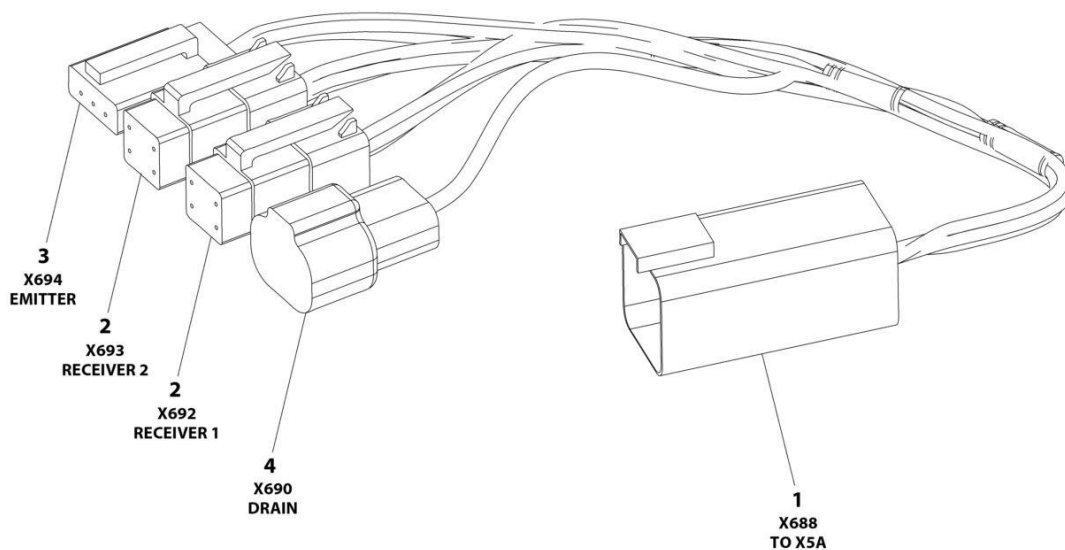
## SECTION 7 - ELECTRICAL

**FIGURE 7-51. PLUG AND RECEPTACLE 220V INSTALLATION - IEC 60309 - BLUE (CE & UK CA SPEC)**

ITEM	PART NUMBER	QTY	DESCRIPTION	REV
	1001166260	Ref	PLUG AND RECEPTACLE 220V INSTALLATION - IEC 60309 - BLUE	C
1	0275217	1	AC Plugs and Sockets Installation (See Separate Breakdown in this Section)	
2	0641407	2	Bolt 1/4 x 7/8	
3	0641408	2	Bolt 1/4 x 1	
4	0641416	2	Bolt 1/4 x 2	
5	0700408	2	Bolt M4 x 16	
6	1001193018	1	Bracket	
7	1001178491	1	Bracket	
8	2902549	1	Breaker Box Kit with One Breakers (See Separate Breakdown in this Section)	
9	3252507	2	Decal - 220V - 50/60 Hz	
10	3290405	2	Nut M4	
11	3311405	4	Nut M4	
12	4460968	1	Connector, Strain Relief	
13	4711400	8	Washer 1/4	
14	4751400	2	Washer 1/4	
15	4811400	4	Washer M4	
16	4922609	1	Lower Boom 220V Harness Assembly (See Separate Breakdown in this Section)	
17	4922610	1	Main Boom 220V Harness Assembly (See Separate Breakdown in this Section)	

# SECTION 7 - ELECTRICAL

## FIGURE 7-52. SKYEYE INTERMEDIATE HARNESS



ART\_1001237865

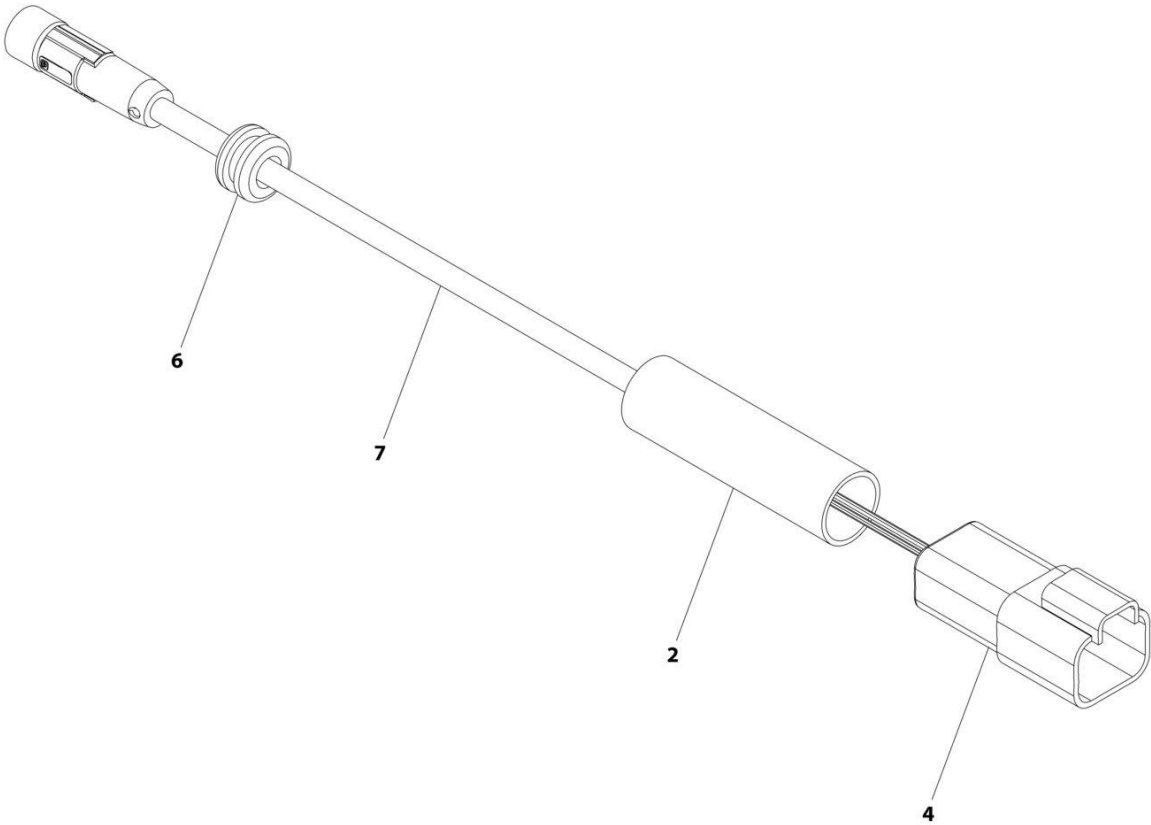
## SECTION 7 - ELECTRICAL

### FIGURE 7-52. SKYEYE INTERMEDIATE HARNESS

ITEM	PART NUMBER	QTY	DESCRIPTION	REV
	1001237865	Ref	SKYEYE INTERMEDIATE HARNESS	A
1	4460899	1	Connector - 6 Position	
1	4460943	4	Pin, Male	
1	4460466	2	Plug, Terminal	
2	4461077	2	Connector - 4 Position	
2	1001119619	8	Socket, Female	
3	4460911	1	Connector - 3 Position	
3	1001119619	3	Socket, Female	
4	1001187681	1	Connector - 2 Position	
4	4460941	1	Pin, Male	
4	4460466	1	Plug, Terminal	

**SECTION 7 - ELECTRICAL**

**FIGURE 7-53. SKYEYE RECEIVER HARNESS**



ART\_1001237863



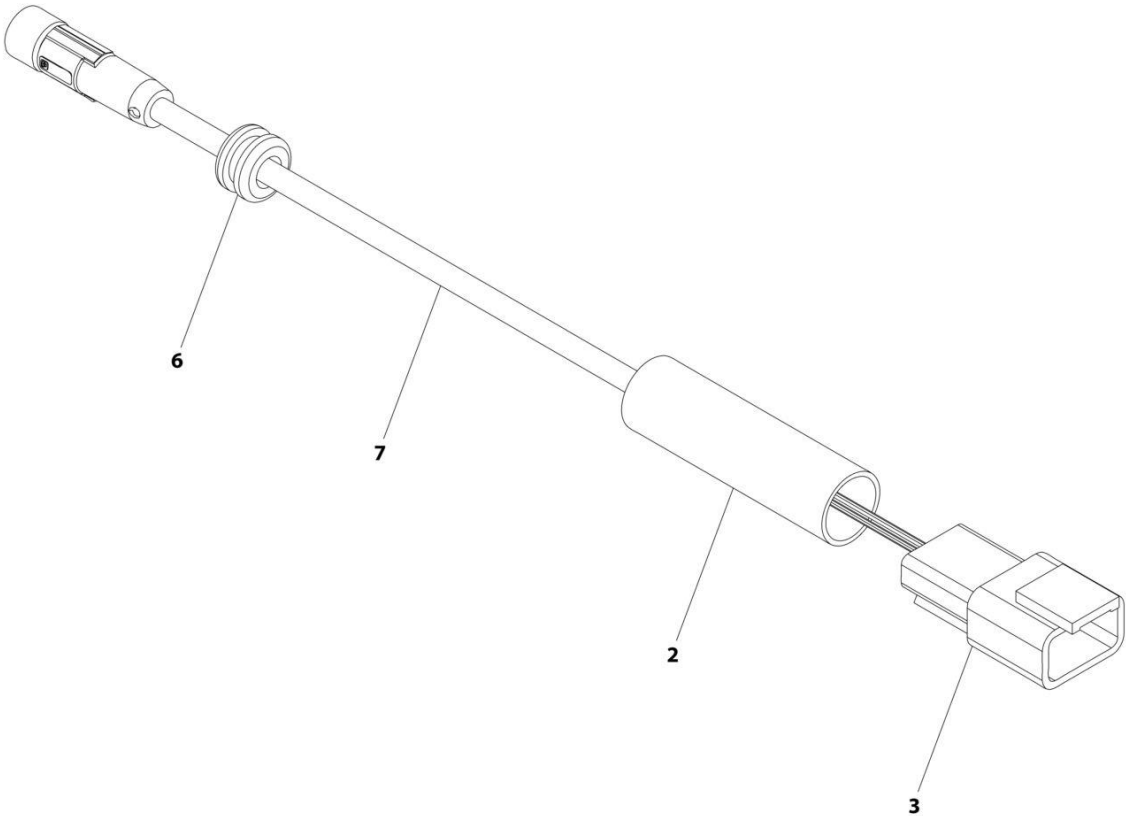
## SECTION 7 - ELECTRICAL

### FIGURE 7-53. SKYEYE RECEIVER HARNESS

ITEM	PART NUMBER	QTY	DESCRIPTION	REV
	1001237863	Ref	SKYEYE RECEIVER HARNESS	A
2	2820247	AR	Tubing, Heat Shrink	
4	1001097051	1	Connector - 4 Position	
4	1001119620	4	Pin, Male	
6	1001227996	1	Grommet	
7	1001237862	1	Cable, M8 Female Cordset	

**SECTION 7 - ELECTRICAL**

**FIGURE 7-54. SKYEYE EMITTER HARNESS**



ART\_1001237864

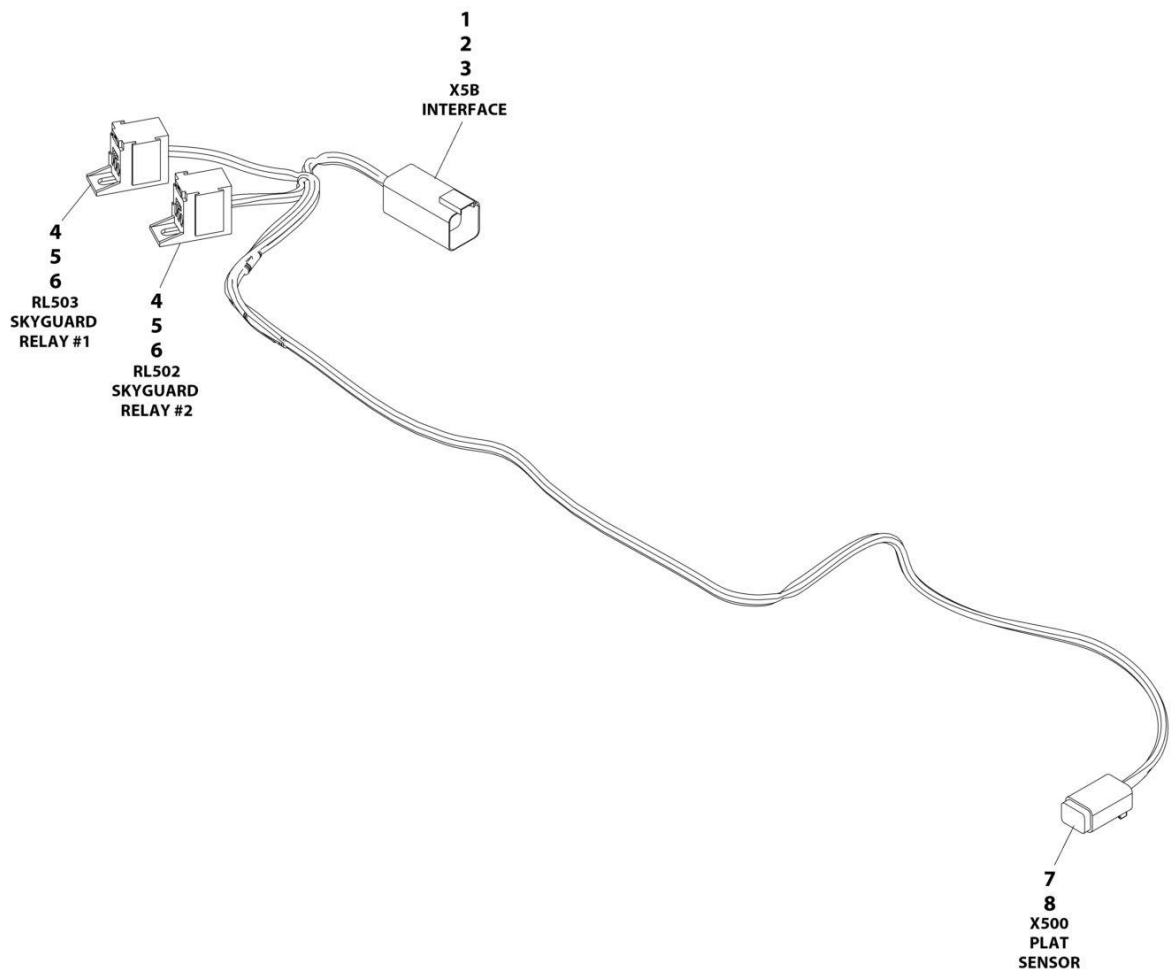
## SECTION 7 - ELECTRICAL

### FIGURE 7-54. SKYEYE EMITTER HARNESS

ITEM	PART NUMBER	QTY	DESCRIPTION	REV
	1001237864	Ref	SKYEYE EMITTER HARNESS	A
2	2820247	AR	Tubing, Heat Shrink	
3	4460910	1	Connector - 3 Position	
3	1001119620	3	Pin, Male	
6	1001227996	1	Grommet	
7	1001237862	1	Cable, M8 Female Cordset	

# SECTION 7 - ELECTRICAL

## FIGURE 7-55. SKYGUARD HARNESS - WITH 1 CELL LSS



ART\_1001225580

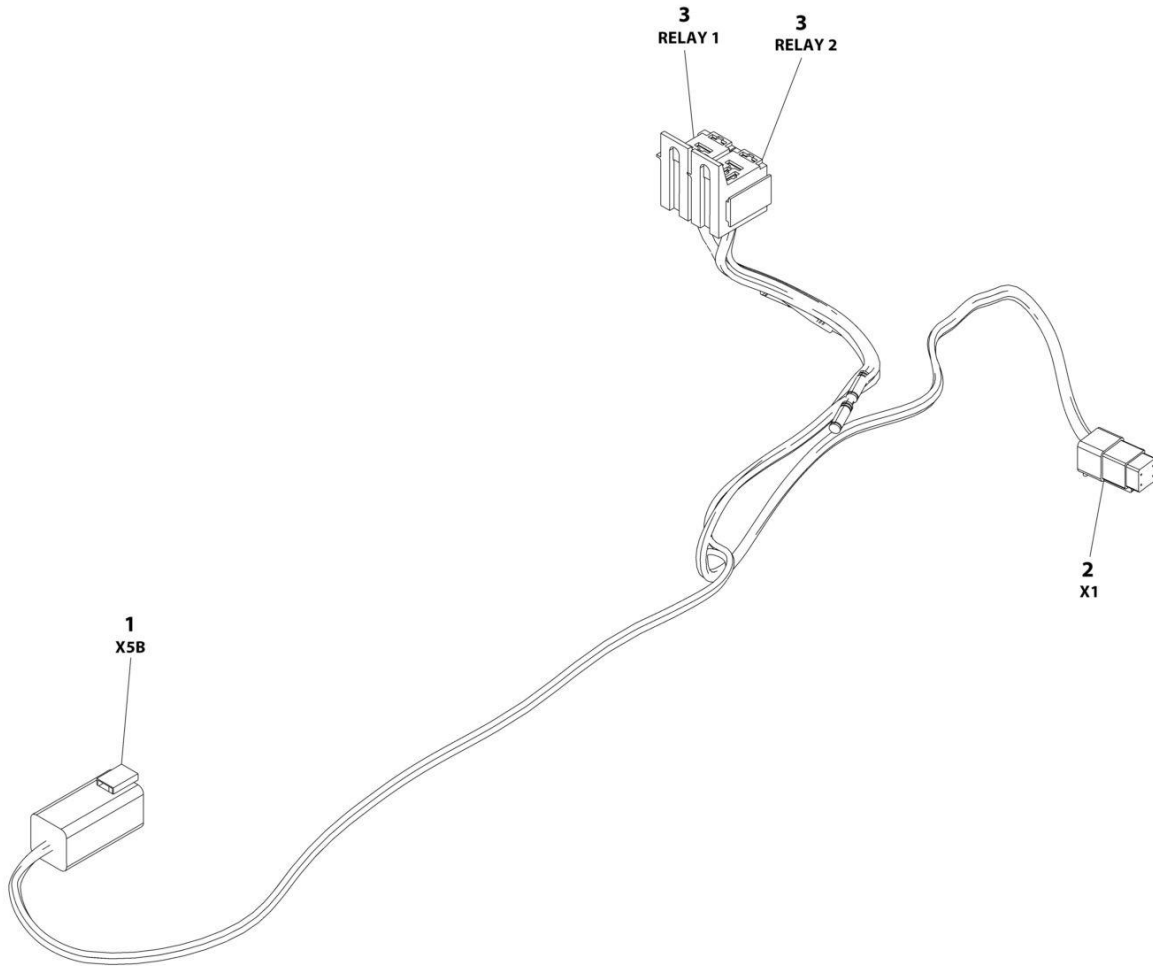
## SECTION 7 - ELECTRICAL

### FIGURE 7-55. SKYGUARD HARNESS - WITH 1 CELL LSS

ITEM	PART NUMBER	QTY	DESCRIPTION	REV
	1001225580	Ref	INTERFACE HARNESS - WITH 1 CELL LSS	D
1	4460899	1	Connector	
2	4460464	4	Terminal	
3	4460466	2	Plug	
4	1001186432	2	Connector	
5	1001116720	4	Terminal	
6	1001118388	4	Terminal	
7	4460884	1	Connector	
8	4460465	4	Terminal	

# SECTION 7 - ELECTRICAL

## FIGURE 7-56. SKYLINE HARNESS



ART\_1001238418

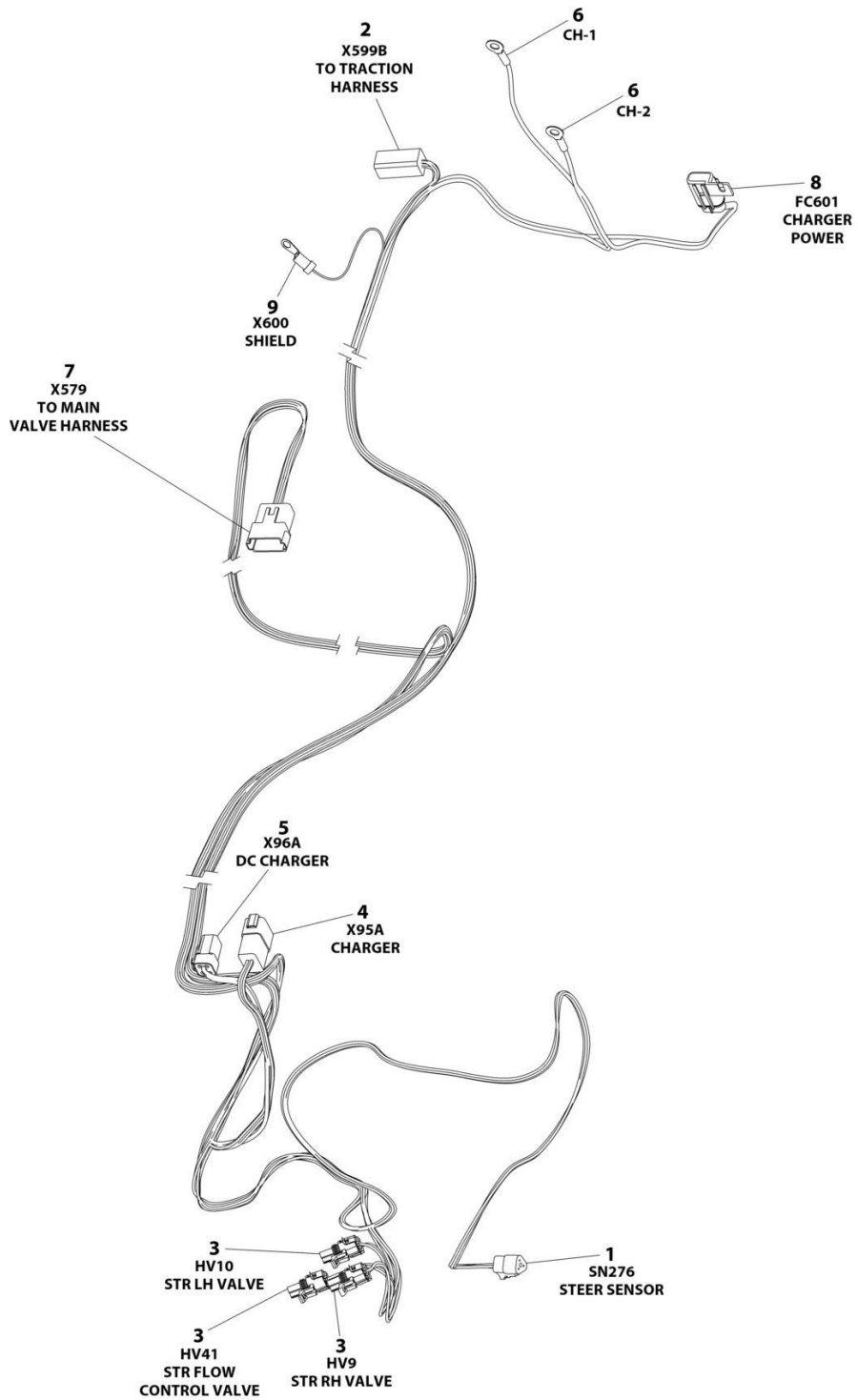
## SECTION 7 - ELECTRICAL

**FIGURE 7-56. SKYLINE HARNESS**

ITEM	PART NUMBER	QTY	DESCRIPTION	REV
	1001238418	Ref	SKYLINE HARNESS	B
1	4460899	1	Connector - 6 Position	
1	4460464	4	Pin, Male	
1	4460466	2	Plug, Terminal	
2	4461077	1	Connector - 4 Position	
2	1001126009	4	Socket, Female	
3	1001186432	2	Plug, Relay	
3	1001118388	5	Terminal	
3	1001118384	3	Terminal	
3	3740086	2	Relay	

# SECTION 7 - ELECTRICAL

## FIGURE 7-57. STEER/BRAKE HARNESS



ART\_1001188528\_J



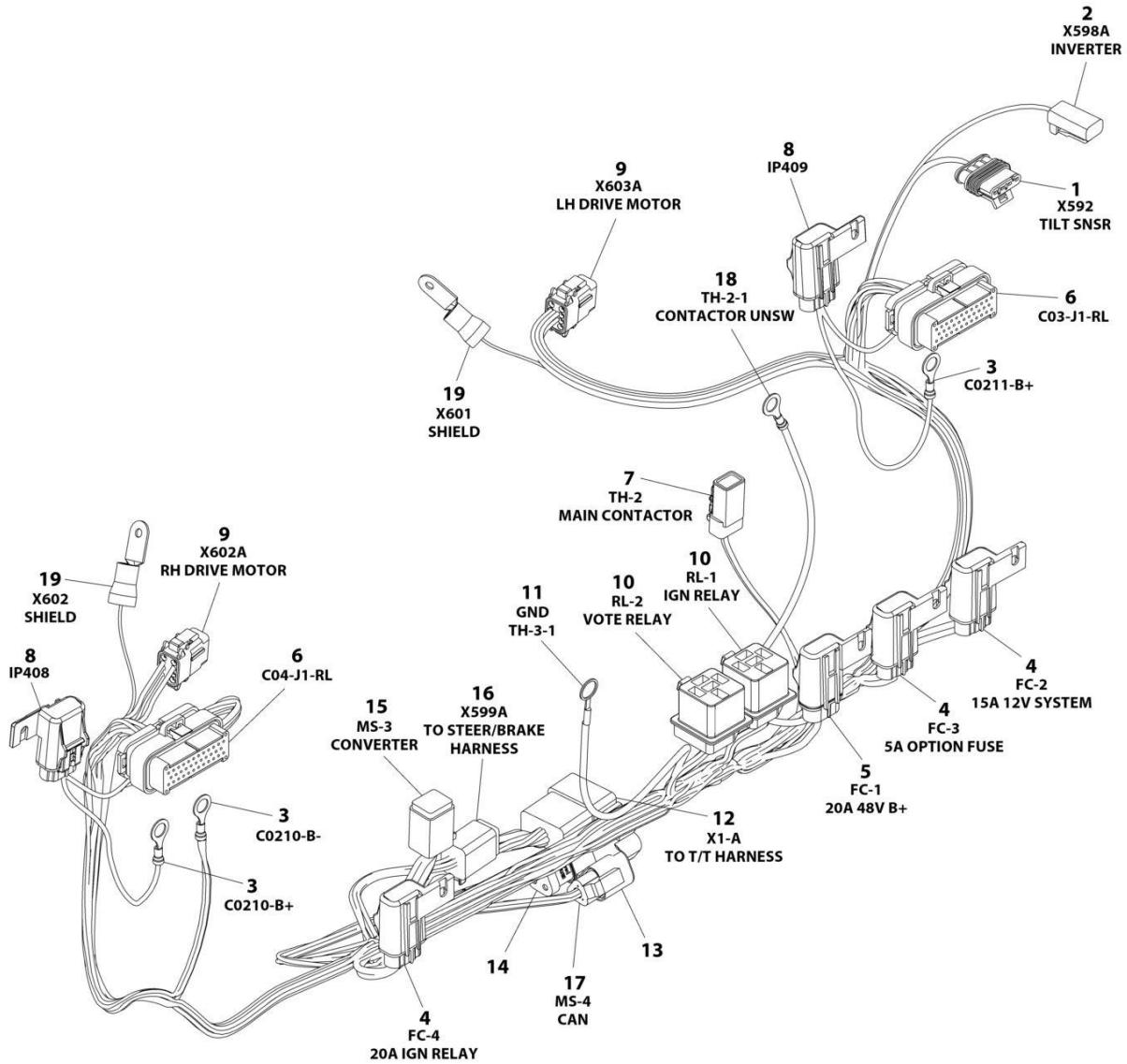
## SECTION 7 - ELECTRICAL

### FIGURE 7-57. STEER/BRAKE HARNESS

ITEM	PART NUMBER	QTY	DESCRIPTION	REV
	1001188528	Ref	STEER/BRAKE HARNESS	J
1	4460539	1	Plug, Male - 4 Position	
1	4460465	3	Socket, Female	
2	4460899	1	Receptacle, Female - 6 Position	
2	4460464	5	Pin, Male	
2	4460466	1	Plug, Terminal	
3	4460742	3	Plug, Male - 2 Position	
3	4460743	6	Socket, Female	
4	4460931	1	Receptacle, Female - 8 Position	
4	4460464	3	Pin, Male	
4	4460466	5	Plug, Terminal	
5	1001116810	1	Plug, Male - 4 Position	
5	4460509	2	Terminal	
5	4460466	2	Plug, Terminal	
6	8220045	2	Ring, Terminal	
7	4460970	1	Receptacle, Female - 12 Position	
7	4460464	9	Pin, Male	
7	4460466	3	Plug, Terminal	
8	1001217844	1	Fuseholder	
8	1001217842	1	Cover	
8	8229236	1	Fuse - 30Amp	
8	1001116734	2	Terminal, Female	
9	4460142	1	Terminal, Ring	

# SECTION 7 - ELECTRICAL

## FIGURE 7-58. TRACTION HARNESS



ART\_1001178629

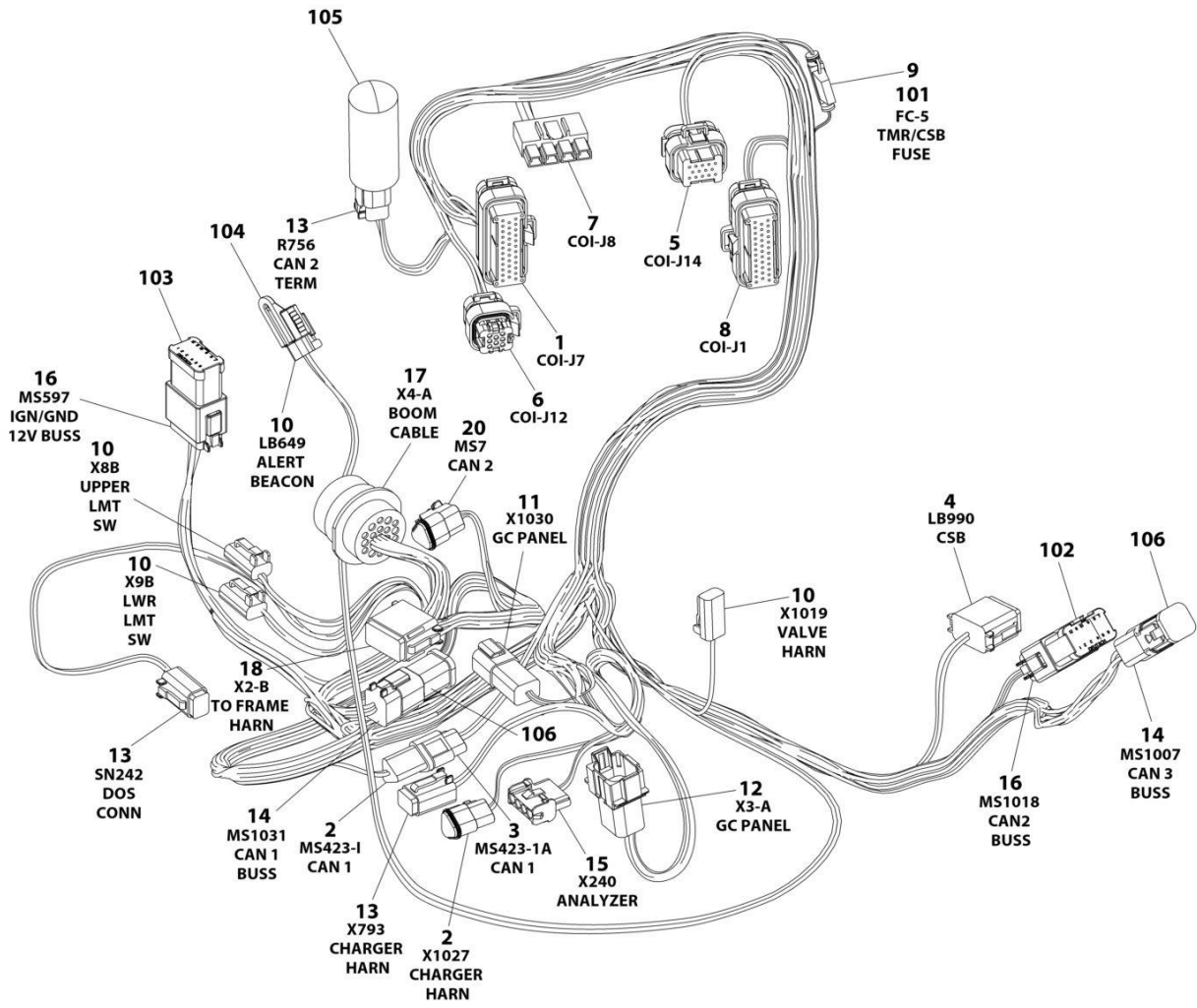
## SECTION 7 - ELECTRICAL

### FIGURE 7-58. TRACTION HARNESS

ITEM	PART NUMBER	QTY	DESCRIPTION	REV
	1001178629	Ref	TRACTION HARNESS	N
1	1001103012	1	Connector - 4 Position	
1	1001107854	4	Socket, Female	
2	4460891	1	Plug, Male - 2 Position	
2	4460465	1	Socket, Female	
2	4460466	1	Plug, Terminal	
3	4460670	3	Terminal, Ring	
4	1001217844	3	Fuseholder	
4	1001217842	3	Cover	
4	8229261	1	Fuse - 5Amp	
4	8229237	1	Fuse - 15Amp	
4	8229235	1	Fuse - 20Amp	
4	1001170761	1	Fuse - 20Amp	
4	1001116734	6	Terminal, Female	
5	1001217844	1	Fuseholder	
5	1001217842	1	Cover	
5	8229235	1	Fuse - 20Amp	
5	1001116734	2	Terminal, Female	
6	4460873	1	Connector - 35 Position	
6	4460871	11	Terminal, Female	
6	4460905	24	Seal, Terminal	
7	1001126245	1	Connector - 2 Position	
7	1001126008	2	Terminal	
8	1001217843	2	Fuseholder	
8	1001217842	2	Cover	
8	8229234	2	Fuse - 10Amp	
8	1001116733	4	Terminal	
9	1001190577	2	Plug, Male - 8 Position	
9	1001126008	16	Terminal	
10	1001203734	2	Plug, Relay	
10	1001116732	8	Terminal	
11	4460019	1	Terminal, Ring	
12	4460950	1	Connector - 12 Position	
12	1001157891	4	Terminal	
12	1001116693	4	Pin, Male	
12	4460464	2	Pin, Male	
12	4460943	2	Pin, Male	
13	4460945	1	Receptacle, 3 Way	
14	1001116815	1	Resistor, 3 Position	
15	4460894	1	Plug, Male - 6 Position	
15	1001157890	5	Terminal	
15	1001116692	1	Socket, Female	
16	4460894	1	Plug, Male - 6 Position	
16	4460465	4	Socket, Female	
16	4460466	2	Plug, Terminal	
17	1001116812	1	Plug, Male - 3 Position	
17	4460944	3	Socket, Female	
18	4460738	1	Terminal, Ring	
19	1001260275	2	Terminal, Ring	

# SECTION 7 - ELECTRICAL

## FIGURE 7-59. TURNTABLE HARNESS



ART\_1001290077

## SECTION 7 - ELECTRICAL

### FIGURE 7-59. TURNTABLE HARNESS

ITEM	PART NUMBER	QTY	DESCRIPTION	REV
	1001290077	Ref	TURNTABLE HARNESS	A
1	4460873	1	Connector - 35 Position	
1	4460871	16	Socket, Female	
1	4460905	19	Plug, Terminal	
2	1001116812	1	Plug, Male -3 Position	
2	4460465	4	Socket, Female	
2	4460466	2	Plug, Terminal	
3	1001144147	1	Receptacle, Female - 3 Position	
3	4460464	2	Pin, Male	
3	4460466	1	Plug, Terminal	
4	4460930	1	Plug, Male - 8 Position	
4	4460942	2	Socket, Female	
4	4460465	6	Socket, Female	
5	1001246859	1	Connector - 14 Position	
5	4460871	4	Terminal	
5	4460905	10	Plug, Terminal	
6	1001113961	1	Plug, Male - 8 Position	
6	4460871	3	Socket, Female	
6	4460905	5	Plug, Terminal	
7	4460878	1	Connector - 4 Position	
7	4460887	4	Terminal	
8	4460874	1	Connector - 35 Position	
8	4460871	10	Socket, Female	
8	4460905	25	Plug, Terminal	
9	2400066	1	Fuseholder with Cover	
10	4460891	4	Plug, Male - 2 Position	
10	4460465	8	Socket, Female	
11	4460932	1	Receptacle, Female - 4 Position	
11	4460464	4	Pin, Male	
12	1001116813	1	Receptacle, Female - 8 Position	
12	1001116693	5	Pin, Male	
12	1001157891	2	Terminal	
12	4460466	1	Plug, Terminal	
13	4460884	3	Plug, Male - 4 Position	
13	4460465	8	Socket, Female	
13	4460942	2	Socket, Female	
13	4460466	2	Plug, Terminal	
14	4460894	2	Plug, Male - 6 Position	
14	4460465	12	Socket, Female	
15	4460761	1	Connector - 4 Position	
15	4460227	4	Pin, Male	
16	4460933	2	Plug, Male - 12 Position	
16	4460942	5	Socket, Female	
16	4460465	10	Socket, Female	
16	4460466	9	Plug, Terminal	
17	4460866	1	Connector - 19 Position	
17	4460943	2	Pin, Male	
17	4460508	4	Pin, Male	
17	4460464	7	Pin, Male	
17	4460466	6	Plug, Terminal	

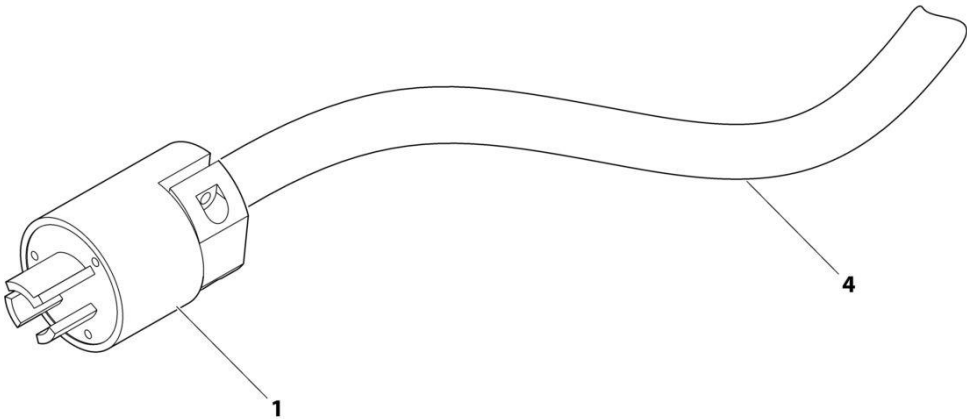
## SECTION 7 - ELECTRICAL

ITEM	PART NUMBER	QTY	DESCRIPTION	REV
18	4460836	1	Plug, Male - 12 Position	
18	1001157890	5	Socket, Female	
18	4460944	2	Socket, Female	
18	1001116692	5	Socket, Female	
20	1001116812	1	Plug, Male -3 Position	
20	4460944	3	Socket, Female	
101	8229242	1	Fuse - 5Amp	
102	1001119020	1	Buss Bar	
103	1001125677	1	Buss Bar	
104	1001144295	1	Cap	
105	1001186231	1	Connector	
106	1001226541	2	Buss Bar	



**SECTION 7 - ELECTRICAL**

**FIGURE 7-60. UPPER BOOM 110V HARNESS ASSEMBLY**



ART\_4922608



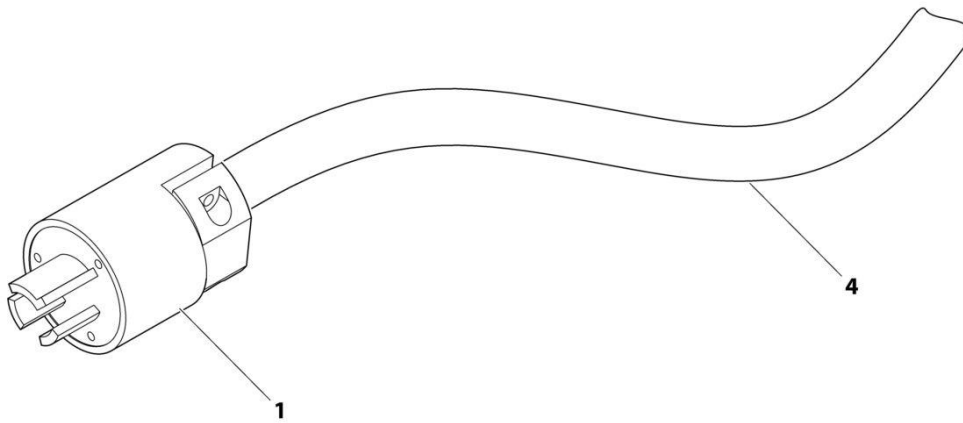
## SECTION 7 - ELECTRICAL

### FIGURE 7-60. UPPER BOOM 110V HARNESS ASSEMBLY

ITEM	PART NUMBER	QTY	DESCRIPTION	REV
	4922608	Ref	UPPER BOOM 110V HARNESS ASSEMBLY	2
1	4460205	1	Plug, Male	
4	1060494	27.2 ft /8.3m	Electrical Cable, 12/3	

## SECTION 7 - ELECTRICAL

FIGURE 7-61. UPPER BOOM 220V HARNESS ASSEMBLY - CE & UK CA SPEC



ART\_4922610

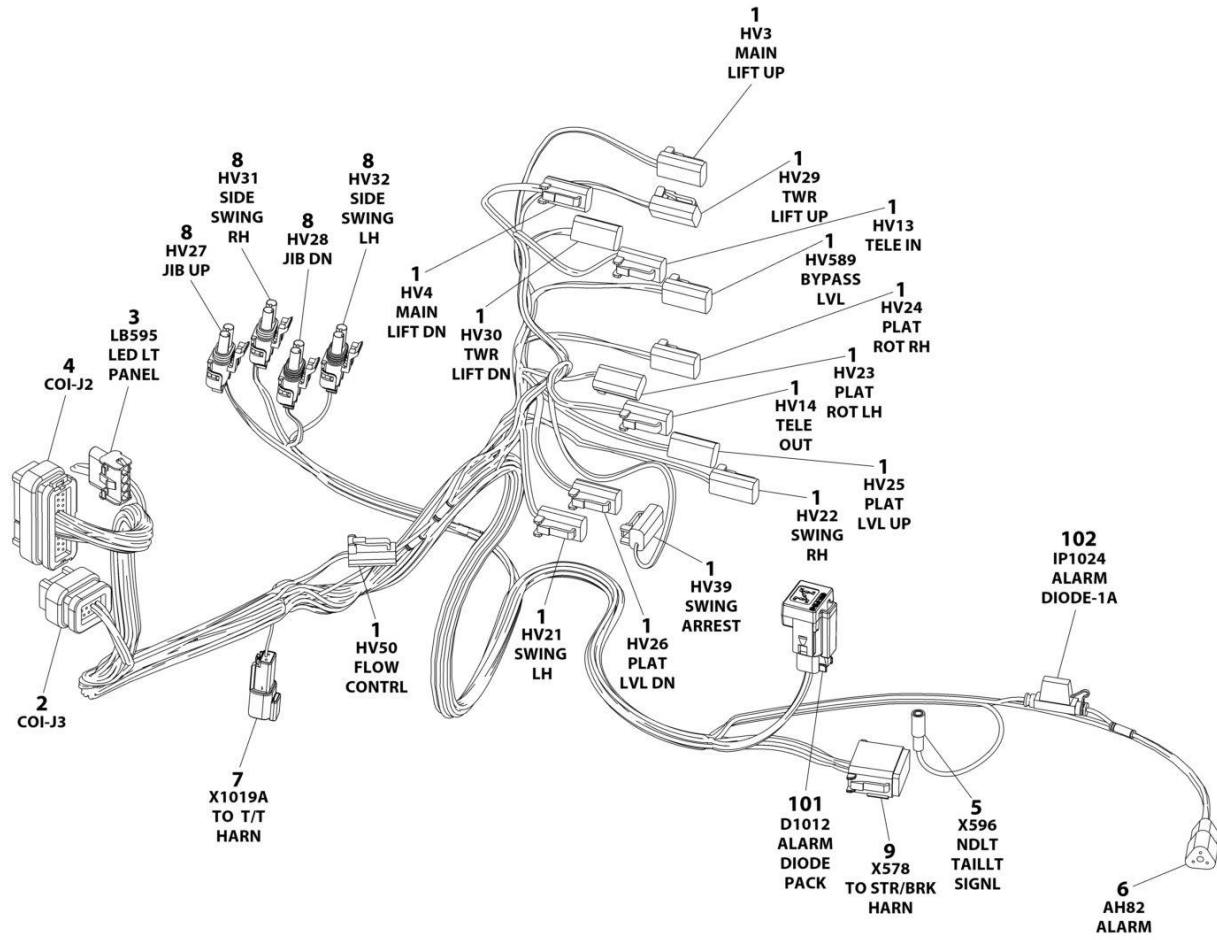
## SECTION 7 - ELECTRICAL

**FIGURE 7-61. UPPER BOOM 220V HARNESS ASSEMBLY - CE & UK CA SPEC**

ITEM	PART NUMBER	QTY	DESCRIPTION	REV
	4922610	Ref	BOOM 220V HARNESS ASSEMBLY - CE SPEC	1
1	4460709	1	Plug, Male	
4	1060461	28 ft/8.5m	Electrical Cable, 12/3	

# SECTION 7 - ELECTRICAL

## FIGURE 7-62. VALVE HARNESS



ART\_1001285732

## SECTION 7 - ELECTRICAL

### FIGURE 7-62. VALVE HARNESS

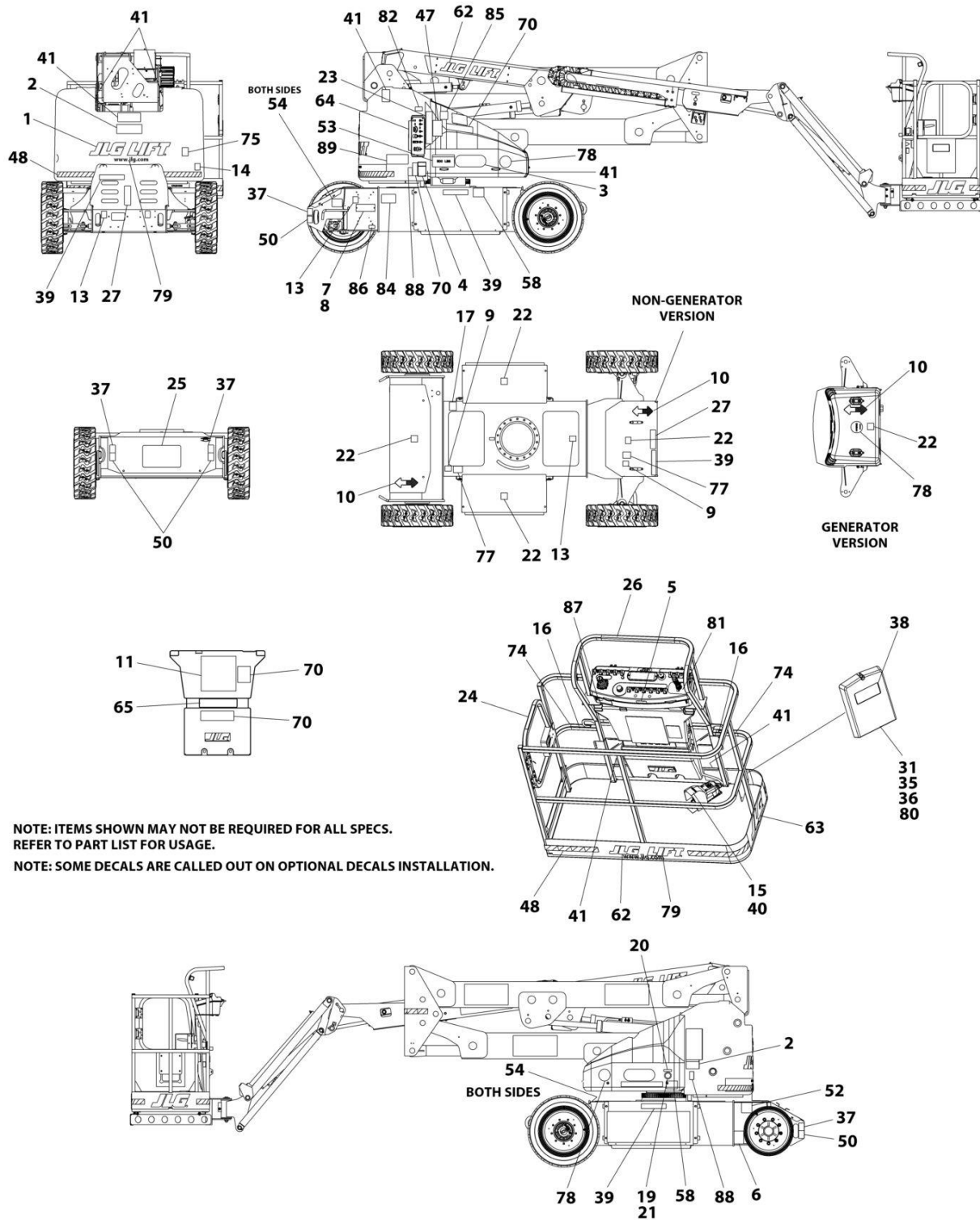
ITEM	PART NUMBER	QTY	DESCRIPTION	REV
	1001285732	Ref	VALVE HARNESS	B
1	4460891	15	Plug, Male - 2 Position	
1	4460465	30	Socket, Female	
2	4460872	1	Connector - 14 Position	
2	4460871	6	Socket, Female	
2	4460905	8	Plug, Terminal	
3	4460761	1	Connector - 4 Position	
3	4460226	2	Socket, Female	
4	4460875	1	Connector - 35 Position	
4	4460871	30	Socket, Female	
4	4460905	5	Plug, Terminal	
5	8220068	1	Connector - 1 Position	
6	4460539	1	Plug, Male - 3 Position	
6	4460465	3	Socket, Female	
7	4460897	1	Receptacle, Female - 2 Position	
7	4460464	1	Pin, Male	
7	4460466	1	Plug, Terminal	
8	4460742	4	Plug, Male - 2 Position	
8	4460743	8	Socket, Female	
8	4460458	8	Seal, Terminal	
9	4460933	1	Plug, Male - 12 Position	
9	1001116692	7	Socket, Female	
9	4460466	5	Plug, Terminal	
101	1001152266	1	Connector with Diode	
102	1001196636	1	Connector, 1 Amp Diode	



**SECTION 8 - DECALS**

# SECTION 8 - DECALS

## FIGURE 8-1. DECAL INSTALLATION - ANSI SPEC



ART\_1001249184



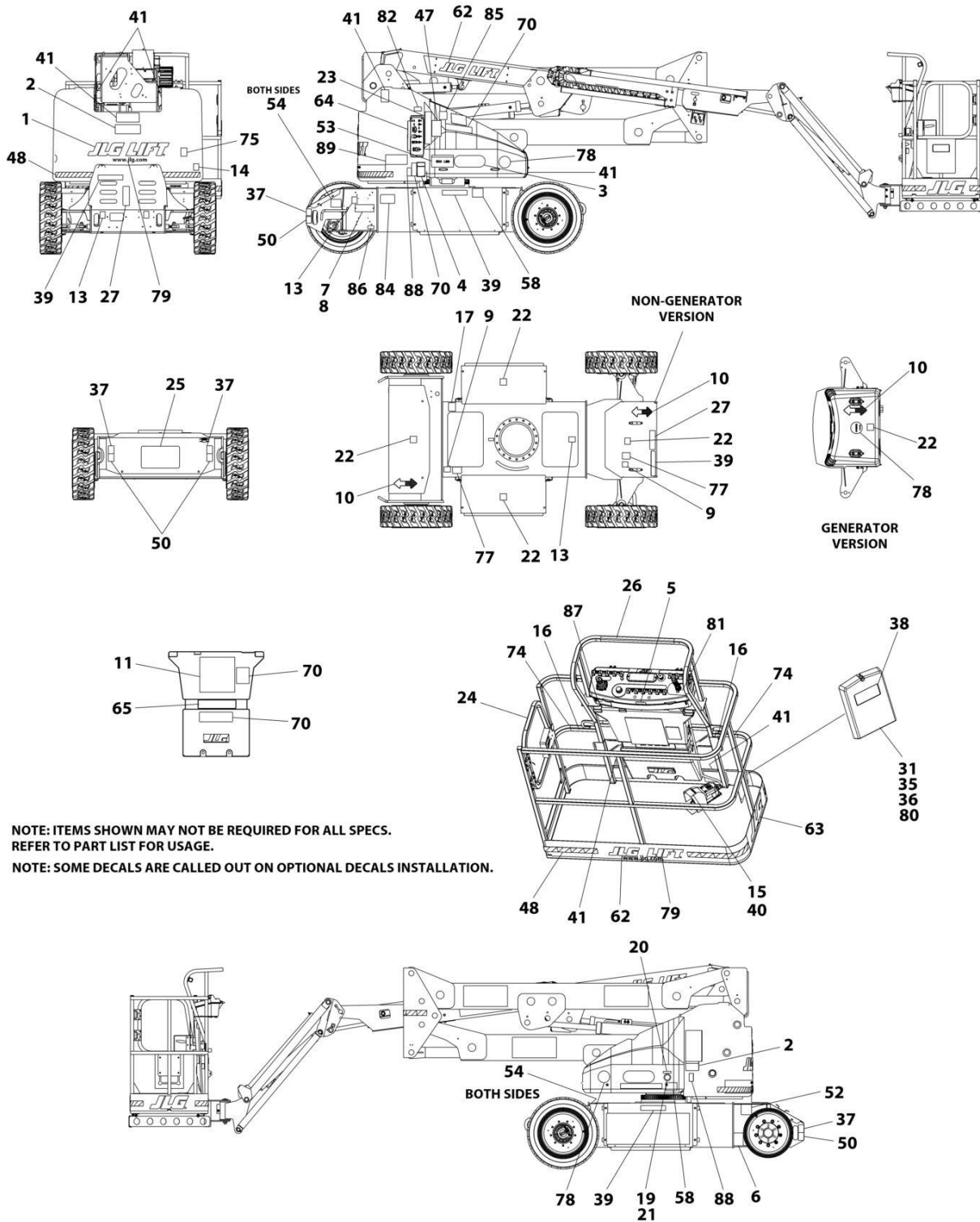
## SECTION 8 - DECALS

**FIGURE 8-1. DECAL INSTALLATION - ANSI SPEC**

ITEM	PART NUMBER	QTY	DESCRIPTION	REV
	1001248659	Ref	DECAL INSTALLATION - REFERENCE CHART	G
	1001249184	Ref	DECAL INSTALLATION	D
2	1703805	2	Decal - Electrocution	
4	1703798	1	Decal - Crushing	
6	1001131269	1	Decal - Patent	
8	3820001	2	Rivet	
9	1701504	1	Decal - Hydraulic Oil	
10	1701642	2	Decal - Arrow	
11	1703797	1	Decal - Caution/Danger	
13	1701644	2	Decal - Charger	
16	1704277	2	Decal - Attach Lanyard	
19	0961127	1	Bushing, Snap	
20	3251243	1	Nameplate 120V-60Hz	
21	0100010	AR	Adhesive	
22	1701691	4	Decal - No Step	
23	1001104864	1	Decal - Manual Descent	
24	1702868	2	Decal - No Hands	
25	1001193949	1	Decal - Cable Routing	
27	1704446	1	Decal - Charger	
31	0860520	1	Box, Manual Storage	
35	4751400	4	Washer 1/4	
36	3311405	4	Nut 1/4	
37	1701500	4	Decal - Lift	
38	1701509	1	Decal - Manual	
39	1703813	3	Decal - Danger	
40	3252347	1	Nameplate - Footswitch	
41	1703804	6	Decal - Crushing Hazard	
47	1702265	1	Decal - Boom Sequence	
50	1702300	4	Decal - Tie Down	
52	See Note	1	Decal - Bar Code (Note: Not Available for Purchase)	
53	1001253921	1	Decal - 500 LBS Max Capacity	
65	1001253920	1	Decal - 500 LBS Max Capacity	
77	1704412	1	Decal - Oil Type	
80	0641406	4	Bolt 1/4 x 3/4	
81	1705351	1	Decal - Drive/Steer Instruction	
84	1001223055	1	Decal - Yearly Inspection	
85	1001222801	1	Decal - Manual Jib Pump	
86	1001228370	1	Decal - CSA ICES	
87	1001231801	1	Decal - Prop 65 Warning	

# SECTION 8 - DECALS

## FIGURE 8-2. DECAL INSTALLATION - AUSTRALIAN SPEC



NOTE: ITEMS SHOWN MAY NOT BE REQUIRED FOR ALL SPECS.  
REFER TO PART LIST FOR USAGE.  
NOTE: SOME DECALS ARE CALLED OUT ON OPTIONAL DECALS INSTALLATION.

ART\_1001178378

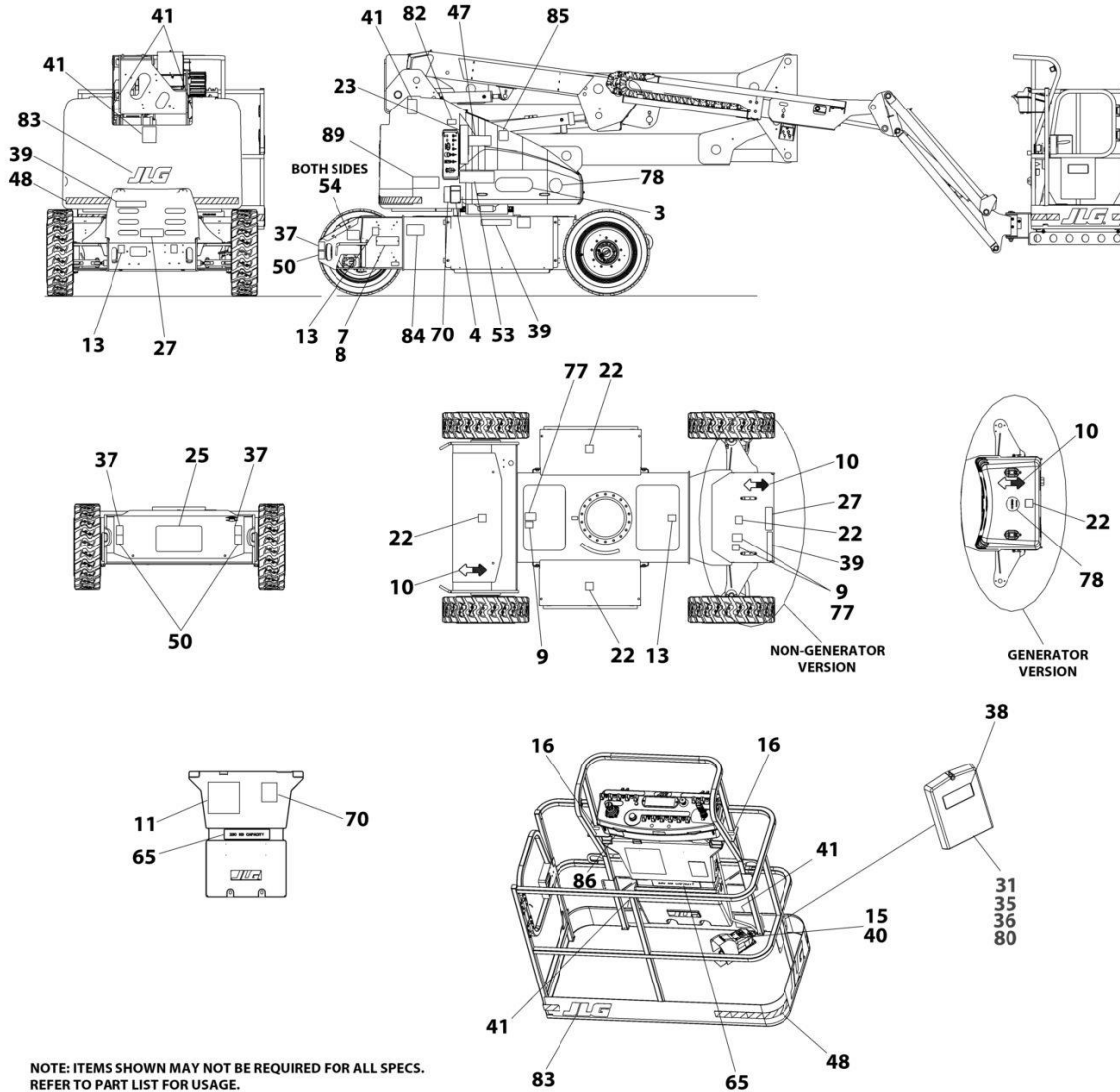
## SECTION 8 - DECALS

**FIGURE 8-2. DECAL INSTALLATION - AUSTRALIAN SPEC**

ITEM	PART NUMBER	QTY	DESCRIPTION	REV
	1001248659	Ref	DECAL INSTALLATION - REFERENCE CHART	G
	1001178378	Ref	DECAL INSTALLATION	J
4	1705822	1	Decal - Danger/Caution	
8	3820001	2	Rivet	
9	1701504	1	Decal - Hydraulic Oil	
10	1701642	2	Decal - Arrow	
11	1705921	1	Decal - Danger/Caution	
13	1701644	2	Decal - Charger	
15	1705828	1	Decal - Footswitch	
16	1704277	2	Decal - Attach Lanyard	
19	0961127	1	Bushing, Snap	
21	0100010	AR	Adhesive	
22	1701691	4	Decal - No Step	
23	1001104864	1	Decal - Manual Descent	
25	1001193949	1	Decal - Cable Routing	
27	1706378	1	Decal - Charging Instructions	
31	0860520	1	Box, Manual Storage	
35	4751400	4	Washer 1/4	
36	3311405	4	Nut 1/4	
37	1703811	4	Decal - Lift	
38	1701509	1	Decal - Manual	
39	1705670	AR	Decal - Explosion Warning	
41	1701518	6	Decal - Crushing Hazard	
47	1705977	1	Decal - Upright Level Over-Ride	
50	1703814	4	Decal - Tie Down	
52	See Note	1	Decal - Bar Code (Note: Not Available for Purchase)	
53	1705978	2	Decal - Capacity	
77	1704412	1	Decal - Oil Type	
80	0641406	4	Bolt 1/4 x 3/4	
85	1001222801	1	Decal - Manual Jib Pump	

# SECTION 8 - DECALS

## FIGURE 8-3. DECAL INSTALLATION - CE & UK CA SPEC



NOTE: ITEMS SHOWN MAY NOT BE REQUIRED FOR ALL SPECS.  
REFER TO PART LIST FOR USAGE.

NOTE: SOME DECALS ARE CALLED OUT ON OPTIONAL DECALS INSTALLATION.

ART\_1001190003

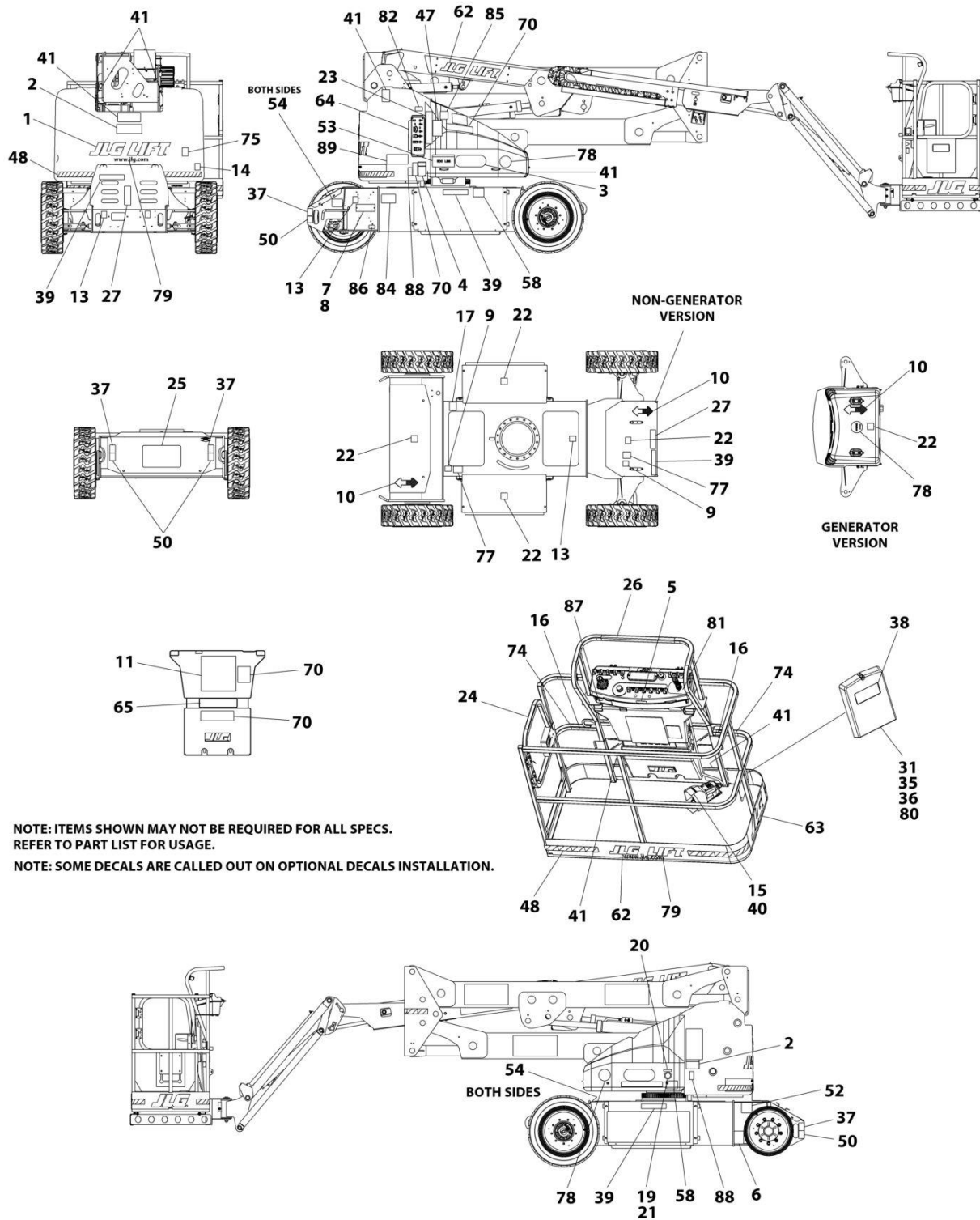
## SECTION 8 - DECALS

**FIGURE 8-3. DECAL INSTALLATION - CE & UK CA SPEC**

ITEM	PART NUMBER	QTY	DESCRIPTION	REV
	1001217465	Ref	DECAL INSTALLATION - REFERENCE CHART	G
	1001190003	Ref	DECAL INSTALLATION	I
4	1705822	1	Decal - Danger/Caution	
8	3820001	2	Rivet	
9	1701504	1	Decal - Hydraulic Oil	
10	1701642	2	Decal - Arrow	
11	1705921	1	Decal - Danger/Caution	
13	1701644	2	Decal - Charger	
15	1705828	1	Decal - Footswitch	
16	1704277	2	Decal - Attach Lanyard	
19	0961127	1	Bushing, Snap	
21	0100010	AR	Adhesive	
22	1701691	4	Decal - No Step	
23	1001104864	1	Decal - Manual Descent	
25	1001193949	1	Decal - Cable Routing	
27	1706378	1	Decal - Charging Instructions	
31	0860520	1	Box, Manual Storage	
35	4751400	4	Washer 1/4	
36	3311405	4	Nut 1/4	
37	1703811	4	Decal - Lift	
38	1701509	1	Decal - Manual	
39	1705670	3	Decal - Explosion Warning	
41	1701518	6	Decal - Crushing Hazard	
47	1705977	1	Decal - Upright Level Over-Ride	
50	1703814	4	Decal - Tie Down	
52	See Note	1	Decal - Bar Code (Note: Not Available for Purchase)	
53	1705978	2	Decal - Capacity	
77	1704412	1	Decal - Oil Type	
80	0641406	4	Bolt 1/4 x 3/4	
83	1702773	3	Decal - JLG 5in	
85	1001222801	1	Decal - Manual Jib Pump	

# SECTION 8 - DECALS

## FIGURE 8-4. DECAL INSTALLATION - CHINESE/ENGLISH



NOTE: ITEMS SHOWN MAY NOT BE REQUIRED FOR ALL SPECS.  
REFER TO PART LIST FOR USAGE.  
NOTE: SOME DECALS ARE CALLED OUT ON OPTIONAL DECALS INSTALLATION.

ART\_1001254179

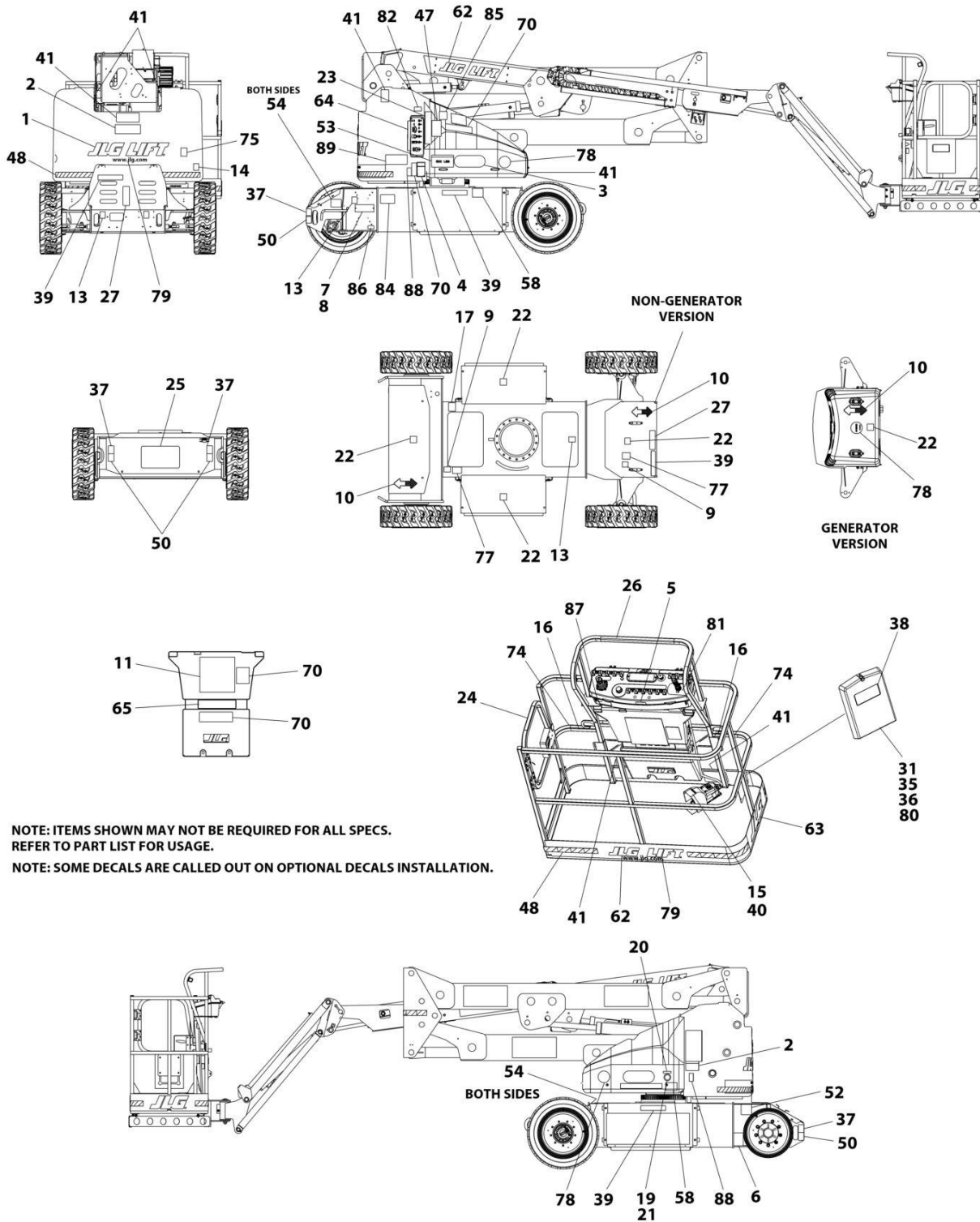
## SECTION 8 - DECALS

**FIGURE 8-4. DECAL INSTALLATION - CHINESE/ENGLISH**

ITEM	PART NUMBER	QTY	DESCRIPTION	REV
	1001248659	Ref	DECAL INSTALLATION - REFERENCE CHART	G
	1001254179	Ref	DECAL INSTALLATION - CHINESE/ENGLISH	C
2	1703937	2	Decal - Electrocutation	
4	1703931	1	Decal - Danger/Caution	
8	3820001	2	Rivet	
9	1701504	1	Decal - Hydraulic Oil	
10	1701642	2	Decal - Arrow	
11	1703925	1	Decal - Caution/Danger	
13	1701644	2	Decal - Charger	
15	1703982	1	Decal - Footswitch	
16	1704277	2	Decal - Attach Lanyard	
19	0961127	1	Bushing, Snap	
21	0100010	AR	Adhesive	
22	1701691	4	Decal - No Step	
23	1001104864	1	Decal - Manual Descent	
25	1001193949	1	Decal - Cable Routing	
27	1704419	1	Decal - Charger	
31	0860520	1	Box, Manual Storage	
35	4751400	4	Washer 1/4	
36	3311405	4	Nut 1/4	
37	1701500	4	Decal - Lift	
38	1701509	1	Decal - Manual	
39	1704344	3	Decal - Explosion Warning	
41	1703949	6	Decal - Crushing Hazard	
47	1703988	1	Decal - Upright Level Override	
50	1702300	4	Decal - Tie Down	
52	See Note	1	Decal - Bar Code (Note: Not Available for Purchase)	
53	1001253927	1	Decal - 500 LBS. Max Capacity	
65	1001253926	2	Decal - 500 LBS. Max Capacity	
77	1704412	1	Decal - Oil Type	
80	0641406	4	Bolt 1/4 x 3/4	
81	1705430	1	Decal - Drive/Steer Instruction	
84	1001224050	1	Decal - Yearly Inspection	
85	1001222801	1	Decal - Manual Jib Pump	

# SECTION 8 - DECALS

## FIGURE 8-5. DECAL INSTALLATION - FRENCH/ENGLISH SPECS



NOTE: ITEMS SHOWN MAY NOT BE REQUIRED FOR ALL SPECS.  
REFER TO PART LIST FOR USAGE.  
NOTE: SOME DECALS ARE CALLED OUT ON OPTIONAL DECALS INSTALLATION.

ART\_1001249186



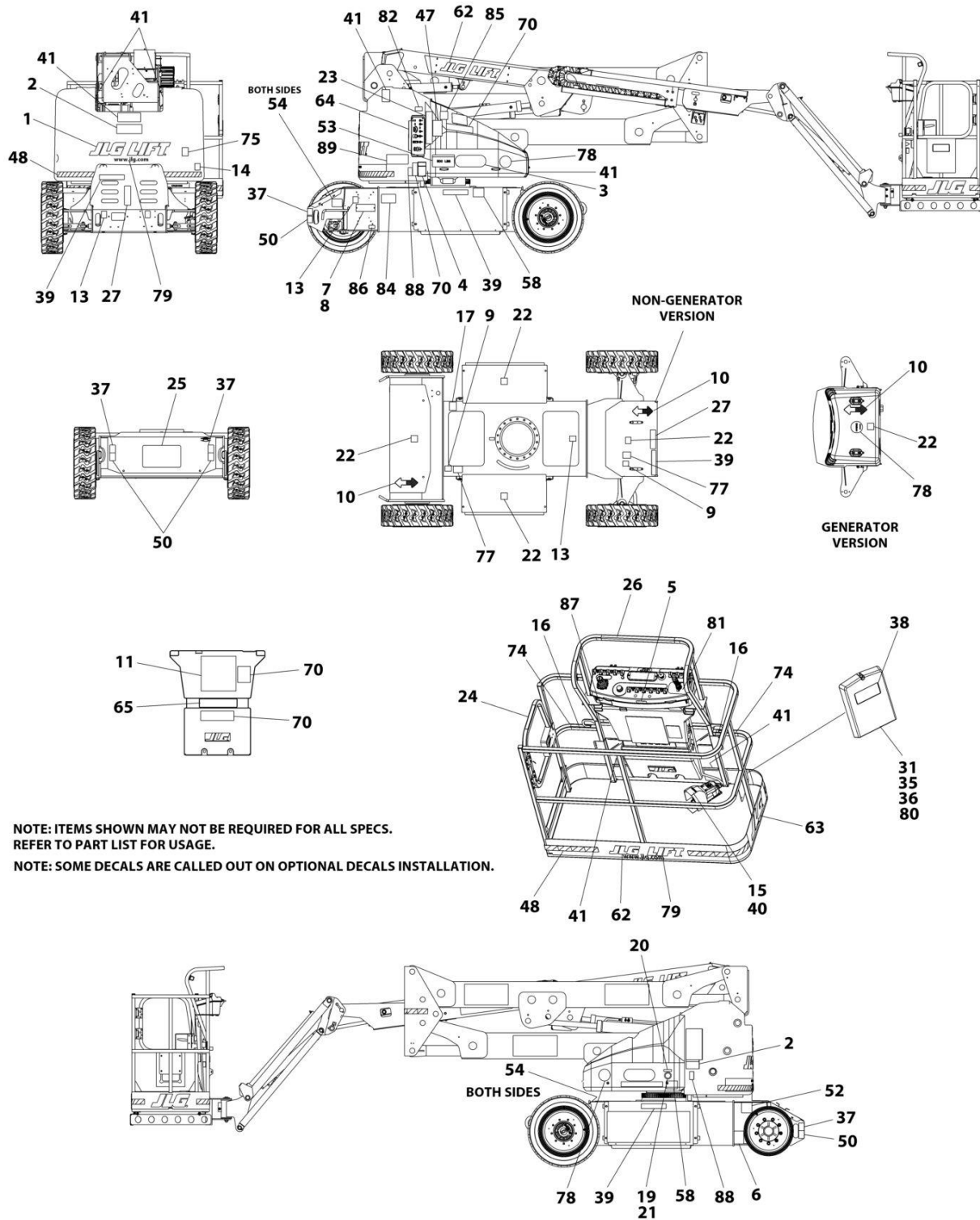
## SECTION 8 - DECALS

**FIGURE 8-5. DECAL INSTALLATION - FRENCH/ENGLISH SPECS**

ITEM	PART NUMBER	QTY	DESCRIPTION	REV
	1001248659	Ref	DECAL INSTALLATION - REFERENCE CHART	G
	1001249186	Ref	DECAL INSTALLATION	D
2	1703936	2	Decal - Electrocution	
4	1703930	1	Decal - Danger/Caution	
6	1700584	1	Decal - Patent	
8	3820001	2	Rivet	
9	1701504	1	Decal - Hydraulic Oil	
10	1701642	2	Decal - Arrow	
11	1703924	1	Decal - Caution/Danger	
13	1701644	2	Decal - Charger	
15	1703984	1	Decal - Footswitch	
16	1704277	2	Decal - Attach Lanyard	
19	0961127	1	Bushing, Snap	
20	3251243	1	Nameplate - 120V/60HZ	
21	0100010	AR	Adhesive	
22	1701691	4	Decal - No Step	
23	1001104864	1	Decal - Manual Descent	
24	1704000	2	Decal - No Hands	
25	1001193949	1	Decal - Cable Routing	
27	1704452	1	Decal - Charger	
31	0860520	1	Box, Manual Storage	
35	4751400	4	Washer 1/4	
36	3311405	4	Nut 1/4	
37	1701500	4	Decal - Lift	
38	1701509	1	Decal - Manual	
39	1704340	3	Decal - Explosion Warning	
41	1703948	6	Decal - Crushing Hazard	
47	1702265	1	Decal - Boom Sequence	
50	1702300	4	Decal - Tie Down	
52	See Note	1	Decal - Bar Code (Note: Not Available for Purchase)	
53	1001253923	1	Decal - 500 LBS. Max Capacity	
65	1001253922	1	Decal - 500 LBS. Max Capacity	
77	1704412	1	Decal - Oil Type	
80	0641406	4	Bolt 1/4 x 3/4	
81	1705429	1	Decal - Drive/Steer Instruction	
84	1001223971	1	Decal - Yearly Inspection	
85	1001222801	1	Decal - Manual Jib Pump	
86	1001228370	1	Decal - CSA ICES	

# SECTION 8 - DECALS

## FIGURE 8-6. DECAL INSTALLATION - JAPANESE SPEC



ART\_1001249187

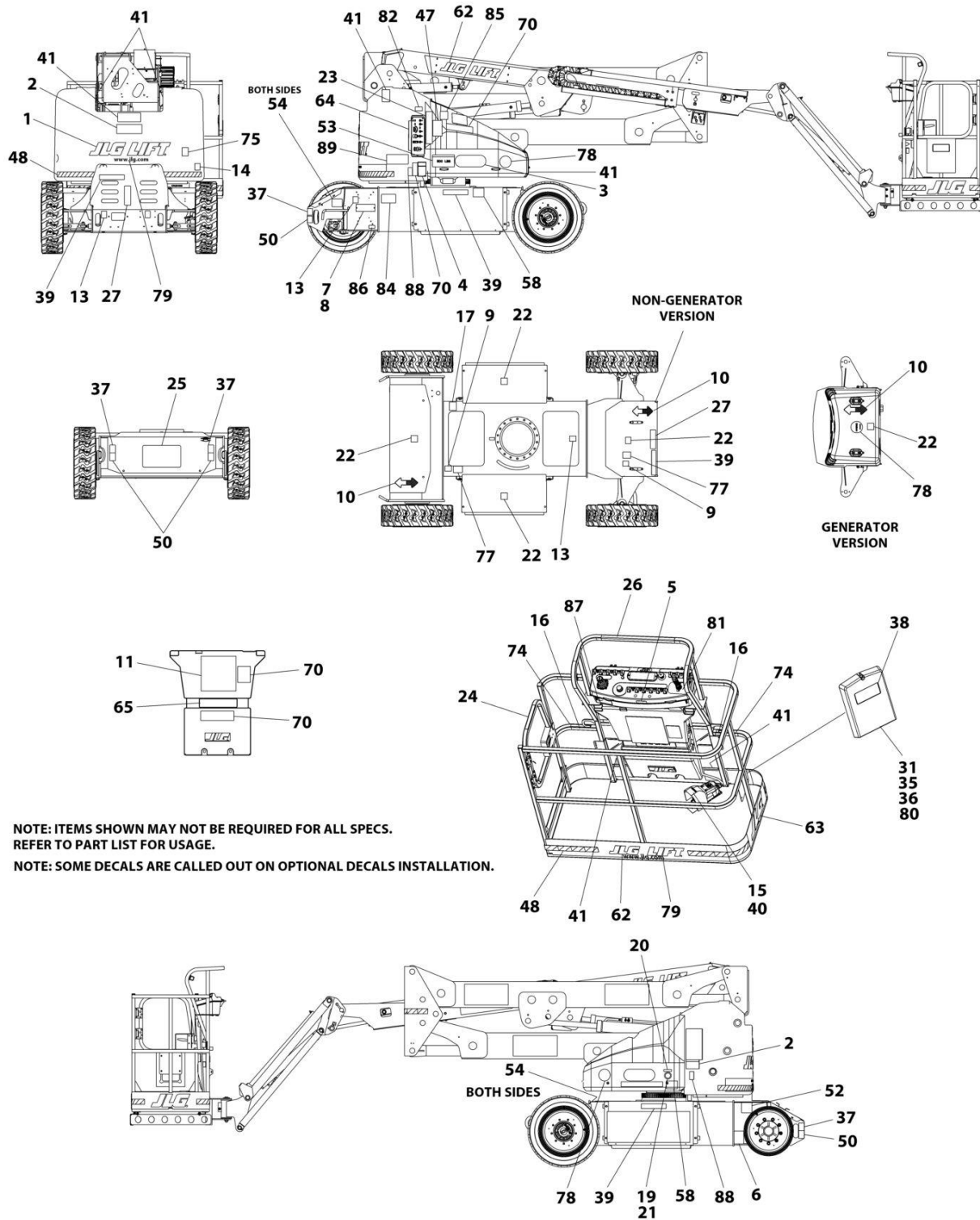
## SECTION 8 - DECALS

**FIGURE 8-6. DECAL INSTALLATION - JAPANESE SPEC**

ITEM	PART NUMBER	QTY	DESCRIPTION	REV
	1001248659	Ref	DECAL INSTALLATION - REFERENCE CHART	G
	1001249187	Ref	DECAL INSTALLATION	E
2	1703938	2	Decal - Electrocution	
4	1703932	1	Decal - Danger/Caution	
8	3820001	2	Rivet	
9	1701504	1	Decal - Hydraulic Oil	
10	1701642	2	Decal - Arrow	
11	1703926	1	Decal - Caution/Danger	
13	1701644	2	Decal - Charger	
15	1703980	1	Decal - Footswitch	
16	1704277	2	Decal - Attach Lanyard	
19	0961127	1	Bushing, Snap	
21	0100010	AR	Adhesive	
22	1701691	4	Decal - No Step	
23	1001104864	1	Decal - Manual Descent	
25	1001193949	1	Decal - Cable Routing	
27	1704417	1	Decal - Charger	
31	0860520	1	Box, Manual Storage	
35	4751400	4	Washer 1/4	
36	3311405	4	Nut 1/4	
37	1701500	4	Decal - Lift	
38	1701509	1	Decal - Manual	
39	1704342	3	Decal - Explosion Warning	
41	1703950	6	Decal - Crushing Hazard	
47	1702271	1	Decal	
50	1702300	4	Decal - Tie Down	
52	See Note	1	Decal - Bar Code (Note: Not Available for Purchase)	
53	1001253933	1	Decal - 500 LBS. Max Capacity	
65	1001253932	2	Decal - 500 LBS. Max Capacity	
77	1704412	1	Decal - Oil Type	
80	0641406	4	Bolt 1/4 x 3/4	
81	1705426	1	Decal - Drive/Steer Instruction	
84	1001224053	1	Decal - Yearly Inspection	
85	1001222801	1	Decal - Manual Jib Pump	

# SECTION 8 - DECALS

## FIGURE 8-7. DECAL INSTALLATION - KOREAN SPEC



NOTE: ITEMS SHOWN MAY NOT BE REQUIRED FOR ALL SPECS.  
REFER TO PART LIST FOR USAGE.  
NOTE: SOME DECALS ARE CALLED OUT ON OPTIONAL DECALS INSTALLATION.

ART\_1001254178

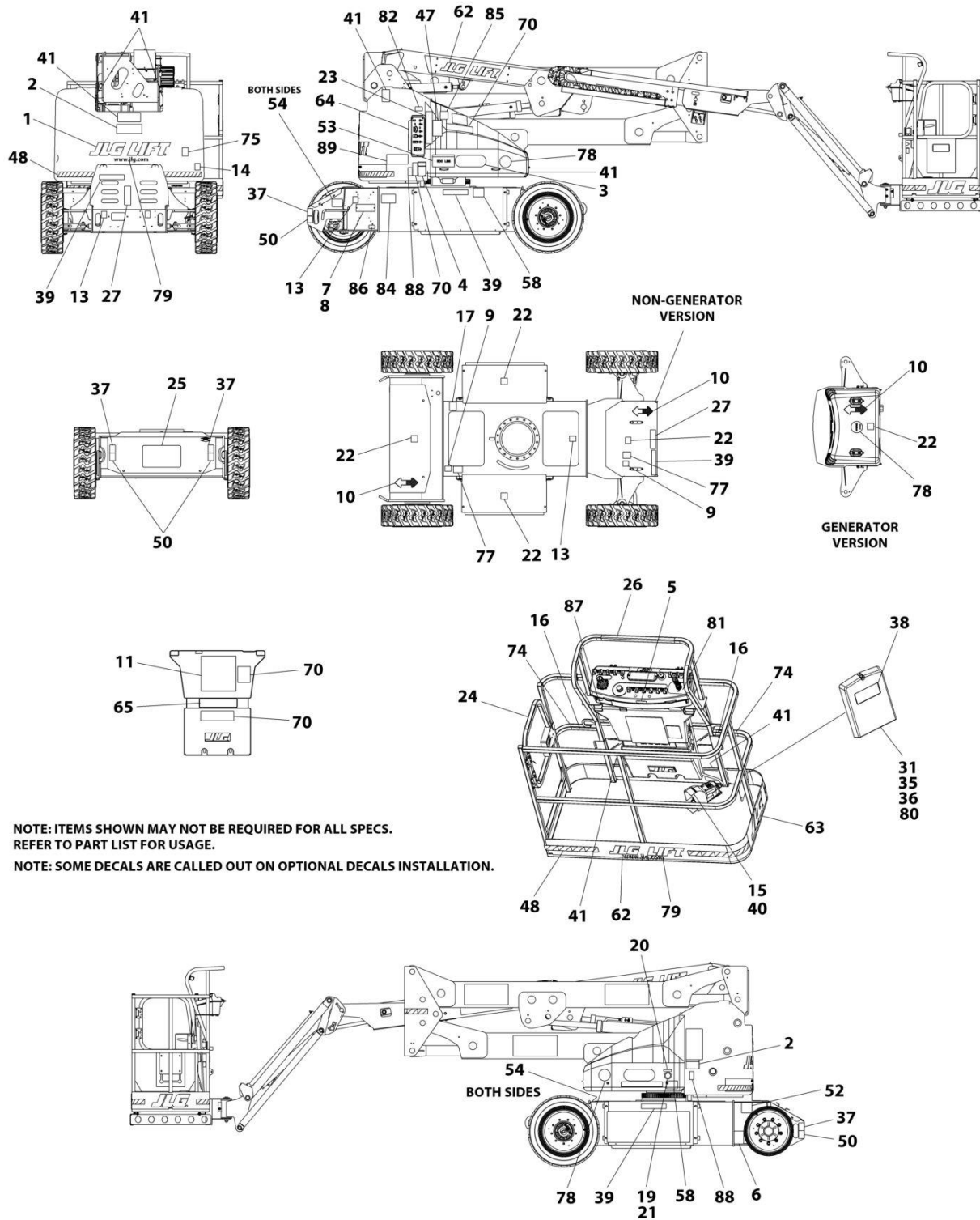
## SECTION 8 - DECALS

**FIGURE 8-7. DECAL INSTALLATION - KOREAN SPEC**

ITEM	PART NUMBER	QTY	DESCRIPTION	REV
	1001248659	Ref	DECAL INSTALLATION - REFERENCE CHART	G
	1001254178	Ref	DECAL INSTALLATION - KOREAN SPEC	C
2	1703939	2	Decal - Electrocution	
4	1703933	1	Decal - Danger/Caution	
8	3820001	2	Rivet	
9	1701504	1	Decal - Hydraulic Oil	
10	1701642	2	Decal - Arrow	
11	1703927	1	Decal - Caution/Danger	
13	1701644	2	Decal - Charger	
15	1703981	1	Decal - Footswitch	
16	1704277	2	Decal - Attach Lanyard	
19	0961127	1	Bushing, Snap	
21	0100010	AR	Adhesive	
22	1701691	4	Decal - No Step	
23	1001104864	1	Decal - Manual Descent	
25	1001193949	1	Decal - Cable Routing	
27	1704418	1	Decal - Charger	
31	0860520	1	Box, Manual Storage	
35	4751400	4	Washer 1/4	
36	3311405	4	Nut 1/4	
37	1701500	4	Decal - Lift	
38	1701509	1	Decal - Manual	
39	1704343	3	Decal - Explosion Warning	
41	1703951	6	Decal - Crushing Hazard	
47	1703987	1	Decal - Upright Level Override	
50	1702300	4	Decal - Tie Down	
52	See Note	1	Decal - Bar Code (Note: Not Available for Purchase)	
53	1001253925	1	Decal - 500 LBS. Max Capacity	
65	1001253924	1	Decal - 500 LBS. Max Capacity	
77	1704412	1	Decal - Oil Type	
80	0641406	4	Bolt 1/4 x 3/4	
81	1705427	1	Decal - Drive/Steer Instruction	
84	1001224048	1	Decal - Yearly Inspection	
85	1001222801	1	Decal - Manual Jib Pump	

# SECTION 8 - DECALS

## FIGURE 8-8. DECAL INSTALLATION - SPANISH/ENGLISH SPECS



NOTE: ITEMS SHOWN MAY NOT BE REQUIRED FOR ALL SPECS.  
REFER TO PART LIST FOR USAGE.  
NOTE: SOME DECALS ARE CALLED OUT ON OPTIONAL DECALS INSTALLATION.

ART\_1001249189

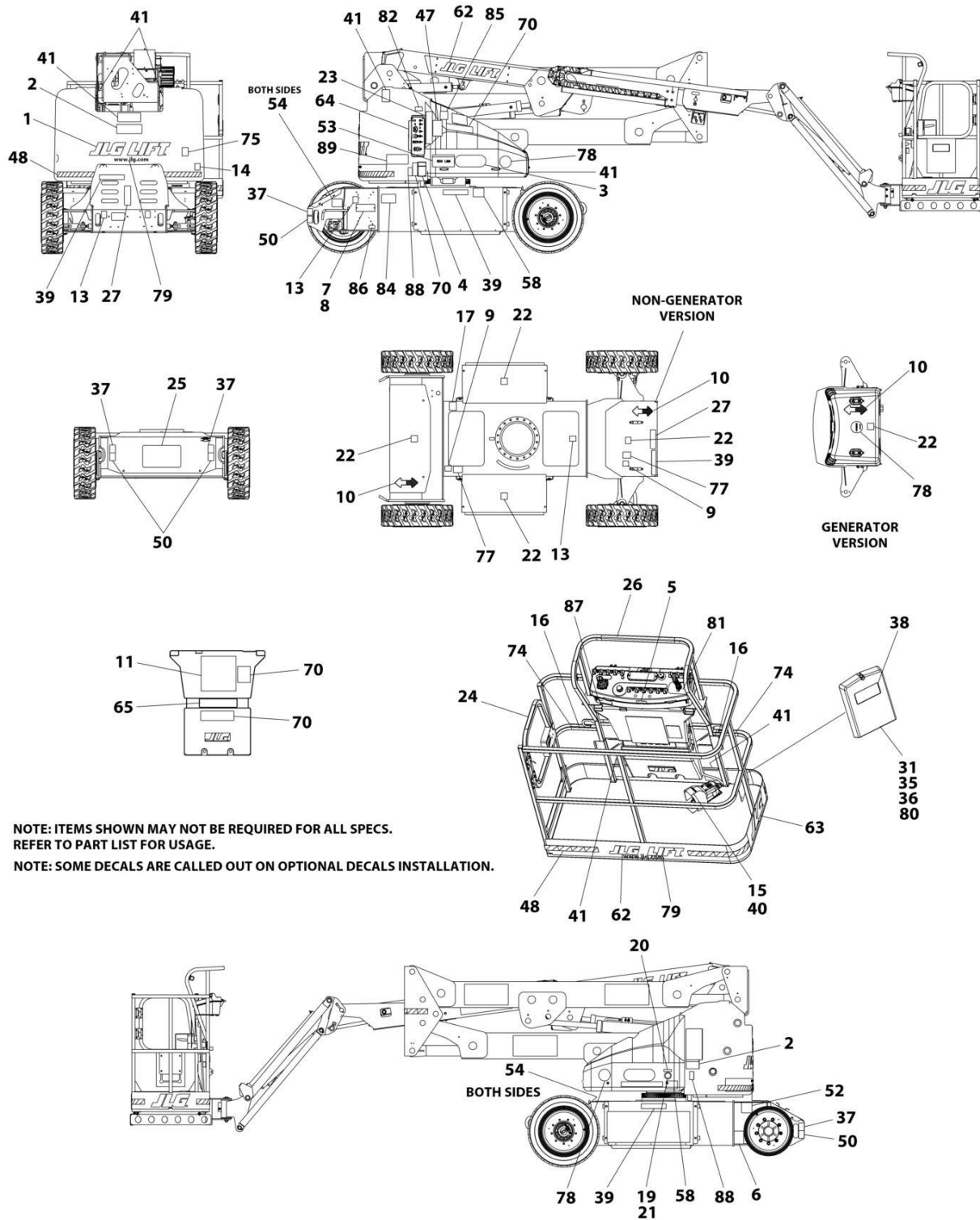
## SECTION 8 - DECALS

**FIGURE 8-8. DECAL INSTALLATION - SPANISH/ENGLISH SPECS**

ITEM	PART NUMBER	QTY	DESCRIPTION	REV
	1001248659	Ref	DECAL INSTALLATION - REFERENCE CHART	G
	1001249189	Ref	DECAL INSTALLATION	D
2	1703935	2	Decal - Electrocution	
4	1703929	1	Decal - Danger/Caution	
8	3820001	2	Rivet	
9	1701504	1	Decal - Hydraulic Oil	
10	1701642	2	Decal - Arrow	
11	1703923	1	Decal - Caution/Danger	
13	1701644	2	Decal - Charger	
15	1703983	1	Decal - Footswitch	
16	1704277	2	Decal - Attach Lanyard	
19	0961127	1	Bushing, Snap	
20	3251243	1	Nameplate - 120V/60HZ	
21	0100010	AR	Adhesive	
22	1701691	4	Decal - No Step	
23	1001104864	1	Decal - Manual Descent	
24	1704001	2	Decal - No Hands	
25	1001193949	1	Decal - Cable Routing	
27	1704454	1	Decal - Charger	
31	0860520	1	Box, Manual Storage	
35	4751400	4	Washer 1/4	
36	3311405	4	Nut 1/4	
37	1701500	4	Decal - Lift	
38	1701509	1	Decal - Manual	
39	1704339	3	Decal - Explosion Warning	
41	1703947	6	Decal - Crushing Hazard	
47	1702265	1	Decal - Boom Sequence	
50	1702300	4	Decal - Tie Down	
52	See Note	1	Decal - Bar Code (Note: Not Available for Purchase)	
53	1001253931	1	Decal - 500 LBS. Max Capacity	
65	1001253930	2	Decal - 500 LBS. Max Capacity	
77	1704412	1	Decal - Oil Type	
80	0641406	4	Bolt 1/4 x 3/4	
81	1705910	1	Decal - Drive/Steer Instruction	
84	1001224049	1	Decal - Yearly Inspection	
85	1001222801	1	Decal - Manual Jib Pump	

# SECTION 8 - DECALS

## FIGURE 8-9. DECAL INSTALLATION - SPANISH/PORTUGUESE SPECS



NOTE: ITEMS SHOWN MAY NOT BE REQUIRED FOR ALL SPECS.  
REFER TO PART LIST FOR USAGE.  
NOTE: SOME DECALS ARE CALLED OUT ON OPTIONAL DECALS INSTALLATION.

ART\_1001248655



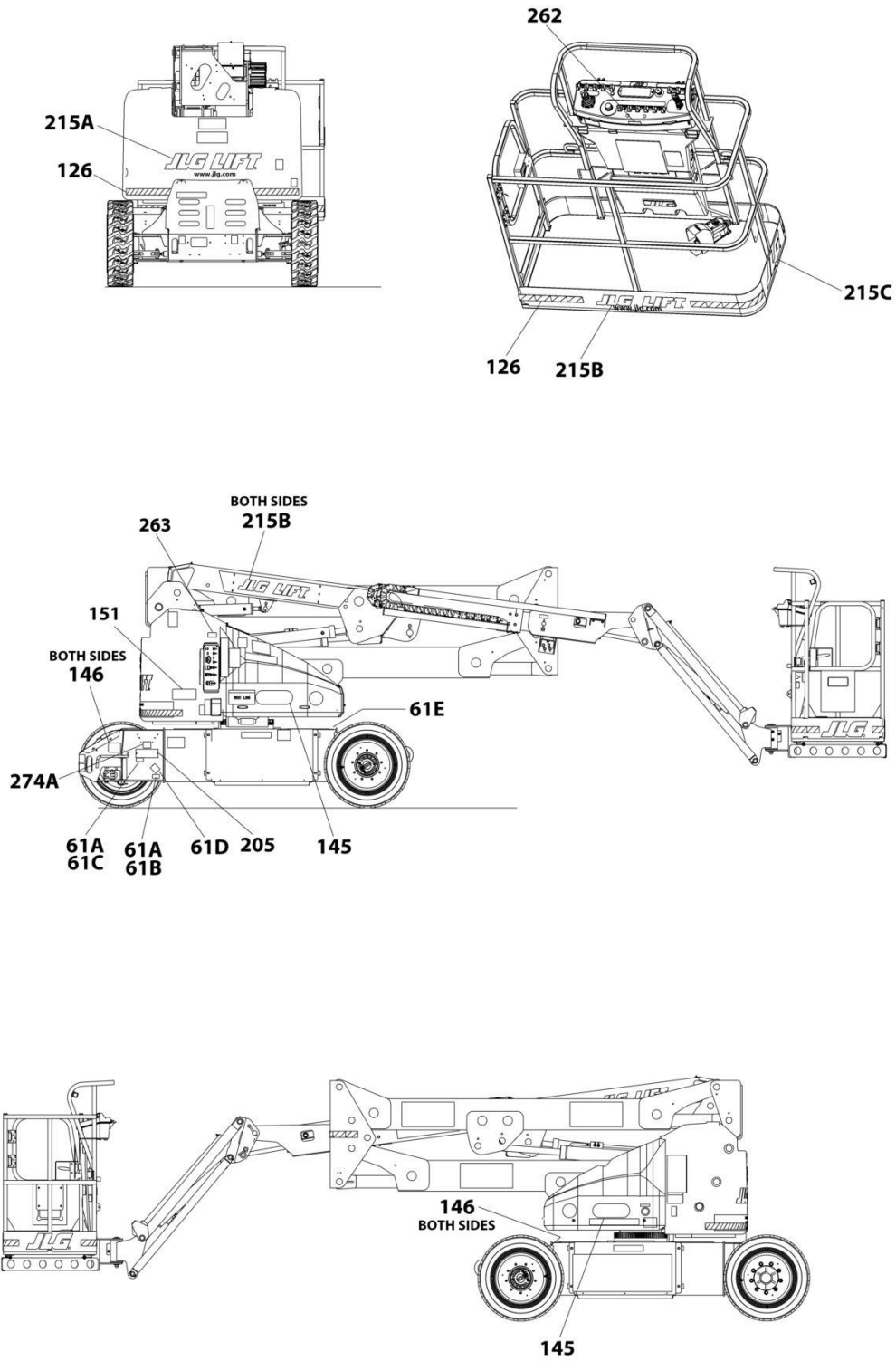
## SECTION 8 - DECALS

**FIGURE 8-9. DECAL INSTALLATION - SPANISH/PORTUGUESE SPECS**

ITEM	PART NUMBER	QTY	DESCRIPTION	REV
	1001248659	Ref	DECAL INSTALLATION - REFERENCE CHART	G
	1001248655	Ref	DECAL INSTALLATION	F
2	1703940	2	Decal - Electrocution	
4	1703934	1	Decal - Danger/Caution	
8	3820001	2	Rivet	
9	1701504	1	Decal - Hydraulic Oil	
10	1701642	1	Decal - Arrow	
11	1703928	1	Decal - Caution/Danger	
13	1701644	2	Decal - Charger	
15	1703985	1	Decal - Footswitch	
16	1704277	2	Decal - Footswitch	
19	0961127	1	Bushing, Snap	
20	3251243	1	Nameplate - 120V/60HZ	
21	0100010	AR	Adhesive	
22	1701691	4	Decal - No Step	
23	1001104864	1	Decal - Manual Descent	
24	1704002	2	Decal - No Hands	
25	1001193949	1	Decal - Cable Routing	
27	1704453	1	Decal - Charger	
31	0860520	1	Box, Manual Storage	
35	4751400	4	Washer 1/4	
36	3311405	4	Nut 1/4	
37	1701500	4	Decal - Lift	
38	1701509	1	Decal - Manual	
39	1704341	3	Decal - Explosion Warning	
41	1703952	6	Decal - Crushing Hazard	
47	1703991	1	Decal - Boom Sequence	
50	1702300	4	Decal - Tie Down	
52	See Note	1	Decal - Bar Code (Note: Not Available for Purchase)	
53	1001253929	1	Decal - 500 LBS. Max Capacity	
65	1001253928	2	Decal - 500 LBS. Max Capacity	
77	1704412	1	Decal - Oil Type	
79	1704885	2	Decal - Website	
80	0641406	4	Bolt 1/4 x 3/4	
81	1001113680	1	Decal - Drive/Steer Instruction	
84	1001224052	1	Decal - Yearly Inspection	
85	1001222801	1	Decal - Manual Jib Pump	

# SECTION 8 - DECALS

## FIGURE 8-10. DECAL INSTALLATION - OPTIONS



ART\_DECAL\_OPTIONS

## SECTION 8 - DECALS

**FIGURE 8-10. DECAL INSTALLATION - OPTIONS**

ITEM	PART NUMBER	QTY	DESCRIPTION	REV
	1001247556	Ref	DECAL INSTALLATION - REFERENCE CHART	N
	1001248659	Ref	DECAL INSTALLATION - OPTIONS	E
61	0270433	Ref	Decal Installation - UL Tags	B
61A	3820001	8	Rivet	
61B	3252331	1	Nameplate, Battery Information	
61C	3252780	1	Nameplate, UL Certification	
61D	1702251	2	Nameplate, EE	
61E	1001213625	1	Decal - Replacement Fuse 400 Amp	
126	0259550	Ref	Warning Strip Installation (Not Shown)	2
126	4420051	17.5 ft/ 5.33m	Tape, Safety	
145	1001272054	2	Decal - Model Designation (E400Anarrow)	
145	1001272053	2	Decal - Model Designation (E400AJPnarrow)	
146	1001262663	4	Decal - Tire Load	
151	1001285689	1	Decal - Lift Diagram	
205	See Note	1	Nameplate - Serial Number (Note: Not Available for Purchase)	
215	0270273	Ref	Decal Installation - JLG Logo (E400Anarrow) (Not Shown)	D
215	0270274	Ref	Decal Installation - JLG Logo (E400AJPnarrow) (Not Shown)	D
215A	1702773	3	Decal - JLG (E400Anarrow)	
215B	1705754	2	Decal - JLG Lift	
215C	1704200	1	Decal - Jib Plus (E400AJPnarrow)	
245	1001294759	Ref	Clearsky Smart Fleet Decal Installation	
245A	1001120989	1	Decal - Radio Frequency	
245B	1001294815	1	Decal - ClearSky	
262	1001141300	1	Decal - Platform Sensor Override	
263	1001189882	1	Decal - MSSO Instructions	
274	1001214031	Ref	Decal - EAC Installation (CIS and Russia Specs)	
274A	1001173703	1	Decal - EAC	



## **SECTION 9 - RECOMMENDED SERVICE PARTS STOCK**

## **SECTION 9 - RECOMMENDED SERVICE PARTS STOCK**

# SECTION 9 - RECOMMENDED SERVICE PARTS STOCK

FIGURE 9-1. RECOMMENDED SERVICE PARTS STOCK

ITEM	PART NUMBER	QTY	DESCRIPTION	REV
		Ref	Note: The following list will service one machine (built to current production per date on the front cover) with emergency repair parts which can be installed in the field. Parts from the list should be replaced when inventory is depleted to keep service parts stock supplied. For further information, contact your JLG dealer or the JLG Industries Parts Department.	
	1001181045	1	Breaker, 16Amp (CE Specs)	
	1001189172	1	Breaker 16Amp Double (CE Specs)	
	1001189171	1	Breaker, 30mA (CE Specs)	
	7021609	1	Coil (Brake/Steer & Jib Valves)	
	7021618	1	Coil (Brake/Steer Valve)	
	70005210	1	Coil (Main Valve)	
	7024883	1	Coil (Main Valve)	
	7024885	1	Coil (Main Valve)	
	1001212415	1	Controller Assembly - Drive and Steer	
	1001129555	1	Controller Assembly - Lift and Swing	
	7021616	1	Filter, Cartridge (Main Valve)	
	1001117174	1	Footswitch Assembly	
	1001170365	2	Fuse 400 Amp (UL Specs) (Drive)	
	8229249	2	Fuse, 3 Amp (USB Charger)	
	1001196635	2	Fuse, 3 Amp (Bluetooth Module)	
	1001196634	2	Fuse 2Amp (Charger Harness)	
	8229242	2	Fuse 5Amp (Console Harness)	
	8229236	2	Fuse - 30Amp (Steer/Barke Harness)	
	1001170762	2	Fuse - 30Amp (Steer/Barke Harness)	
	8229261	2	Fuse - 5Amp (Traction Harness)	
	8229237	2	Fuse - 15Amp (Traction Harness)	
	8229235	2	Fuse - 20Amp (Traction Harness)	
	1001170761	2	Fuse - 20Amp (Traction Harness)	
	8229234	2	Fuse 10 Amp (Traction Harness)	
	2860030	1	Key, Replacement	
	2940074	1	Latch (Platforms with Side Entry Gates)	
	1001192212	1	Module, Drive (LH)	
	1001178339	1	Module, Drive (RH)	
	1001283300	1	Module, Ground Control	
	1001182724	1	Module, PC (Non-UL Listed Machines)	
	1001215835	1	Module, PC (UL Listed Machines)	
	1001245293	1	Module, Bluetooth Control	
	3740080	1	Relay	
	1001214667	1	Relay	
	1001272006	1	Relay, Contactor	
	1001186431	1	Relay (SkyGuard)	
	3740086	1	Relay (SkyLine)	
	1001161117	1	Switch, Angle Sensor (Steer)	
	1001116232	1	Switch (Drive Orientation)	
	4360469	1	Keyswitch (Ground Controls)	
	1001274559	1	Switch, Emergency Stop (Ground Controls & Console Box)	
	4360476	1	Switch, Contact Block (Ground Controls & Console Box)	
	1001155045	1	Switch, Toggle (Ground Controls & Console Box)	

## SECTION 9 - RECOMMENDED SERVICE PARTS STOCK

ITEM	PART NUMBER	QTY	DESCRIPTION	REV
	4360387	1	Switch, Push Button (Console Box)	
	4360407	1	Switch, Potentiometer (Console Box)	
	1001159256	1	Switch, Toggle (Console Box)	
	1001161710	1	Switch, Toggle (Console Box)	
	1001137673	1	Switch, Bar (SkyGuard)	
	4460548	1	Switch, Limit (Boom Harness)	
	1001219601	1	Sensor (Drive)	
	70005394	1	Sensor (Drive Motor)	
	70005407	1	Sensor, Temperature (Drive Motor)	
	1001247468	1	Sensor, Load Cell (Platform)	
	1001228224	1	Sensor, Receiver (SkyEye)	
	1001228225	1	Sensor, Emitter (SkyEye)	
	1001232667	1	Sensor, Proximity (SkyLine)	
	1001237902	1	Sensor (SkySense)	
	1001102771	1	Sensor, Temperature (Charger Harness)	





**SECTION 10 - SPECIAL OPTIONS/ACCESSORIES/KITS**

**SECTION 10 - SPECIAL OPTIONS/ACCESSORIES/KITS**

# SECTION 10 - SPECIAL OPTIONS/ACCESSORIES/KITS

FIGURE 10-1. SPECIAL OPTIONS/ACCESSORIES/KITS

ITEM	PART NUMBER	QTY	DESCRIPTION	REV
		Ref	SPECIAL OPTIONS/ACCESSORIES/KITS	
		Ref	Note: This list is to accommodate machines ordered with special equipment. Options may not be applicable to all models. For more specific parts information contact JLG Parts Department.	
	0271801	Ref	Airline Installation - 1/2in (E400Anarrow Model)	
	1001218503	Ref	Alert Beacon Kit (Red)	
	1001269900	Ref	Battery Charger Add-on Kit (Smart Charger) (Dealer installed)	
	1001270715	Ref	Battery Charger Add-on Kit with Disconnect (Dealer installed)	
	1001268351	Ref	Battery Isolator Add-on Kit (Dealer Installed)	
		Ref	ClearSky (Telematics) Add-on Kits (Dealer Installed)	
	1001243575	Ref	ClearSky (Telematics) Access Control Add-on (Dealer Installed) (ANSI, ANSI Export, CE, CSA & UK CA Specs)	
	1001250537	Ref	ClearSky (Telematics) Canbus Added-on Kit (Dealer Installed) (ANSI and CSA Specs)	
	1001247426	Ref	ClearSky (Telematics) Canbus Added-on Kit (Dealer Installed) (Australian Specs)	
	1001254285	Ref	ClearSky (Telematics) Canbus Added-on Kit (Dealer Installed) (CE & UK CA Specs)	
	1001247427	Ref	ClearSky (Telematics) Canbus Added-on Kit (Dealer Installed) (Chinese Specs)	
	1001230504	Ref	ClearSky Telematics 3 Wire Connection Add-on Kit (Dealer Installed) (ANSI Specs)	
	1001234102	Ref	ClearSky Telematics 3 Wire Connection Add-on Kit (Dealer Installed) (ANSI Export & CE & UK CA Specs)	
	1001276923	Ref	ClearSky Telematics 3 Wire Connection GT1030 Add-on Kit (Dealer Installed)	
	1001265360	Ref	ClearSky Telematics Canbus Add-on Kit (Dealer Installed) (ANSI Specs)	
	1001237110	Ref	ClearSky Telematics Canbus Add-on Kit (Dealer Installed) (ANSI Export, CE & UK CA Specs)	
		Ref	ClearSky Telematics (Factory Installed)	
	1001276610	Ref	ClearSky Telematics Installation - 3 Wire Connection (Factory Installed)	
	1001235649	Ref	ClearSky Telematics Installation - Canbus (Factory Installed) (All Specs Except China)	
	1001246541	Ref	ClearSky Telematics Installation - Canbus (Factory Installed) (Australian Specs)	
	1001236535	Ref	ClearSky Telematics Installation - Canbus (Factory Installed) (ANSI Export, CE & UK CA Specs)	
	1001246542	Ref	ClearSky Telematics Installation - Canbus (Factory Installed) (China Specs)	
	1001293501	Ref	ClearSky Telematics Installation - CS550	
	1001195304	Ref	Console Cover	
	1001270482	Ref	Console Cover (Lockable) Kit	
	1001276007	Ref	Controller Service Kit - Drive/Steer	
	1001276008	Ref	Controller Service Kit - Lift/Swing	
		Ref	Cylinder Bellows Installations	
	0259397	Ref	Cylinder Bellows Installations (E400Anarrow)	
	0271251	Ref	Cylinder Bellows Installations (E400AJNarrow)	
		Ref	Decal Installations	
	1001229690	Ref	Decal - ClearSky Installation (ANSI, ANSI Export, Australian, CE, China, CSA & UK CA Specs Only)	

## SECTION 10 - SPECIAL OPTIONS/ACCESSORIES/KITS

ITEM	PART NUMBER	QTY	DESCRIPTION	REV
	1702868	Ref	Decal - No Hands (English) (ANSI Spec) (Used with Platform Padding or Mesh to Top Rail)	
	1704000	Ref	Decal - No Hands (English and French) (CSA Spec) (Used with Platform Padding or Mesh to Top Rail)	
	1001108727	Ref	Decal Kit - Platform	
	1001223824	Ref	Decal Kit - Platform Console	
	1001152523	Ref	Fire Extinguisher Installation (Platform Mounted)	
	1001281743	Ref	Gateway Plus Installation	
	1001191314	Ref	Headlight and Taillights Installation	
	1001251369	Ref	Hood Kit	
		Ref	Hose Kits:	
	1001269312	Ref	Hose Kit - Boom (Lower & Mid) (E400Anarrow)	
	1001269316	Ref	Hose Kit - Boom (Lower & Mid) (E400AJNarrow)	
	1001269313	Ref	Hose Kit - Boom (Upper) (E400Anarrow)	
	1001269317	Ref	Hose Kit - Boom (Upper) (E400AJNarrow)	
	1001269310	Ref	Hose Kit - Frame (E400Anarrow)	
	1001269314	Ref	Hose Kit - Frame (E400AJNarrow)	
	1001269311	Ref	Hose Kit - Turntable (E400Anarrow)	
	1001269315	Ref	Hose Kit - Turntable (E400AJNarrow)	
	1001151286	Ref	Jib Cylinder with Manual Descent Valve Kit	
	1001237443	Ref	Mid Lift Cylinder Service Kit (E400Anarrow Only)	
	1001148971	Ref	Lanyard Add-on Kit - Bolt-on (Dealer Installed)	
	1001272166	Ref	Pipe Rack Add-on Kit (Dealer Installed)	
		Ref	Platform Entry Kits	
	1001142504	Ref	Drop Bar (Replacing Swing Gate with Drop Bar)	
	1001142505	Ref	Swing Gate (Replacing Drop Bar with Swing Gate)	
	1001274833	Ref	Platform Floormat Add-on Kit - 30x48 Platform (Dealer Installed)	
	1001274832	Ref	Platform Floormat Add-on Kit - 30x60 Platform (Dealer Installed)	
		Ref	Platform Mesh To Mid Rail Add-on Kits	
	1001281461	Ref	30in X 4ft (76cm x 1.22m)	
	1001281460	Ref	30in X 5ft (76cm x 1.52m)	
		Ref	Platform Mesh To Mid Rail Installations	
	1001272274	Ref	30in x 4ft (76cm x 1.22m)	
	1001272178	Ref	30in x 5ft (76cm x 1.52m)	
		Ref	Platform Plastic Mesh To Mid Rail Installations	
	1001266969	Ref	30in x 4ft (76cm x 1.22m)	
	1001266799	Ref	30in x 5ft (76cm x 1.52m)	
		Ref	Platform Mesh Top Rail Add-on Kits	
	1001281456	Ref	30in X 4ft (76cm x 1.22m)	
	1001281455	Ref	30in X 5ft (76cm x 1.52m)	
	1001281454	Ref	30in X 6ft (76cm x 1.83m)	
		Ref	Platform Mesh Top Rail Installations	
	1001272182	Ref	30in x 4ft (76cm x 1.22m)	
	1001271888	Ref	30in x 5ft (76cm x 1.52m)	
		Ref	Platform Plastic Mesh Top Rail Installations	
	1001266807	Ref	30in x 4ft (76cm x 1.22m)	
	1001266801	Ref	30in x 5ft (76cm x 1.52m)	
	1001103617	Ref	Platform Rail Extension Installation - 30x48 Platform	
	1001103558	Ref	Platform Rail Extension Installation - 30x60 Platform	
	1001250035	Ref	Platform Sensor Retrofit Kit	
	1001239570	Ref	Platform Valve Service Kit E400AJNarrow	
	1001282215	Ref	Platform Worklights Kit	

## SECTION 10 - SPECIAL OPTIONS/ACCESSORIES/KITS

ITEM	PART NUMBER	QTY	DESCRIPTION	REV
	1001120466	Ref	Platform Worklights Installation	
	1001209059	Ref	Platform Work Surface Installation	
	1001212202	Ref	Rotator Actuator Protection Kit	
	1001269762	Ref	Rotator (Jib Side Swing) Service Kit	
	1001190896	Ref	Service Tools/Kits	V
	1001241547	Ref	SkyEye Housing Kit - LH Side	
	1001241548	Ref	SkyEye Housing Kit - RH Side	
	1001247073	Ref	SkyEye Retrofit Kit	
	1001218502	Ref	SkyGuard with Beacon (Blue)	
	1001218499	Ref	SkyGuard without Beacon	
	1001250959	Ref	SkyGuard 6-Pin Retrofit Installation Kit	
	1001249052	Ref	SkyGuard Retrofit Kit	
	1001262016	Ref	SkyLine Add-on Kit	
	1001289905	1	SkySense Enhanced Detection System (EDS) Level 1 (2-Bar) Add-on Kit (Dealer Installed)	
	1001289906	1	SkySense Enhanced Detection System (EDS) Level 2 (3-Bar) Add-on Kit (Dealer Installed)	
	1001250465	Ref	SkySense Enhanced Detection System (EDS) Level 1 (2-Bar) Installation (Factory Installed)	
	1001250466	Ref	SkySense Enhanced Detection System (EDS) Level 2 (3-Bar) Installation (Factory Installed)	
	1001191144	Ref	Strobe Light Installation (Amber) Platform Mounted	
	1001293369	1	No Strobe Light Installation	
	1001243183	Ref	Telematics Access Control Canbus Add-on Kit (ANSI & CSA Specs)	
	1001243184	Ref	Telematics Access Control Canbus Add-on Kit (CE & UK CA Specs)	
		Ref	Tools for Service	
	1001249695	Ref	Analyzer and Cable Kit	
	1001249941	Ref	Analyzer and Cable Kit (Battery Powered)	
	2915230	Ref	Battery Charger Reprogram Controller Kit	
	1001137005	Ref	Software Cable Kit	
	7002828	Ref	Stripper, Wire	
	7002821	Ref	Crimper, Wire	
	7002823	Ref	Pin Extractor - Universal (For Electrical Connectors with Pins and Sockets)	
	4460467	Ref	Extractor - 16-18 Gauge (For Removal of Pin/Sockets from Deutsch Connectors)	
	4460510	Ref	Extractor - 12-14 Gauge (For Removal of Pin/Sockets from Deutsch Connectors)	
	7004275	Ref	Seal Tool 1in (For Cylinders)	
	7004276	Ref	Seal Tool 1-1/2in (For Cylinders)	
	7016654	Ref	Screwdriver, Magnetic	
	70004185	Ref	Torque Multiplier	
	7016655	Ref	Wire Rope Sheave Gauge	
	1001160527	Ref	Turntable Bearing Replacement Kit	
	1001277843	Ref	UGM2 Retrofit Kit	
	1001274249	Ref	USB Charger Add-on Kit (Dealer Installed)	
	1001286328	Ref	USB For DC Drive Kit	
	1001239568	Ref	Upper Powertrack Service Kit E400 Narrow	
	1001198659	Ref	Upper Powertrack Service Kit E400AJnarrow	
	1001239569	Ref	Upper Powertrack Service Kit E400AJPnarrow	
	1001262959	Ref	Voltage Relocation Kit	

## SECTION 10 - SPECIAL OPTIONS/ACCESSORIES/KITS

ITEM	PART NUMBER	QTY	DESCRIPTION	REV
	1001241268	Ref	Wear Pad Kit E400Anarrow	
	1001241269	Ref	Wear Pad Kit E400AJPnarrow	
	1001235847	Ref	White Noise Alarm (Dealer Installed)	
	1001231804	Ref	White Noise Alarm (Factory Installed)	
	1001235848	Ref	White Noise Ambient Alarm (Dealer Installed)	
	1001231870	Ref	White Noise Ambient Alarm (Factory Installed)	



## SECTION 10 - SPECIAL OPTIONS/ACCESSORIES/KITS

### PART NUMBER INDEX

## SECTION 10 - SPECIAL OPTIONS/ACCESSORIES/KITS

0060044.....	135, 139	0630518 ...	103, 105, 107, 109	0700408 ...	333, 335, 337, 339, 341, 343, 345	1001107854.....	359
0060052.....	129, 137	0630568 ...	169, 171, 173, 177	0720804 .....	73, 75	1001108727.....	399
0060065.....	135, 141	0641404 .....	53, 129, 191	0721004 .....	69	1001109503.....	103, 105, 107, 109
0100009.....	129, 169, 171, 173, 177	0641405 ...	129, 169, 171, 173, 177, 191	0721006 .....	23	1001109833.....	257, 259
0100010.....	373, 375, 377, 379, 381, 383, 385, 387, 389	0641406 ...	19, 23, 67, 69, 83, 161, 163, 165, 167, 185, 373, 375, 377, 379, 381, 383, 385, 387, 389	0741606 .....	131	1001109892.....	19, 23
0100011.....	13, 19, 23, 43, 45, 51, 53, 57, 59, 67, 73, 75, 91, 93, 95, 97, 99, 101, 119, 123, 125, 129, 131, 135, 143, 153, 155, 157, 159, 189, 191, 209, 213, 273, 275	0641407 .	61, 63, 65, 119, 333, 335, 337, 339, 341, 343, 345	0760606 .....	143	1001110434.....	169, 171, 173, 177
0100019.....	85, 273, 275	0641408 19, 23, 161, 163, 165, 167, 193, 333, 335, 337, 339, 341, 343, 345	0641409 .....	0760610 .....	143	1001110772.....	41
0100020 .	19, 24, 183, 234	0641410 .....	61, 63, 65	0761014 .....	143	1001110774.....	41
0100035.....	33, 35, 37, 39, 169, 171, 173, 177, 181	0641411 .....	273, 275	0761215 .....	143	1001110873.....	327
0100038.....	209, 213	0641413 .....	73, 75	0801224 .....	131	1001113680.....	389
0100048.....	19, 23	0641414 ...	169, 171, 173, 177, 189, 193, 195	0801225 .....	125, 131	1001113961.....	361
0100081.....	131	0641416 .	95, 97, 99, 101, 333, 335, 337, 339, 341, 343, 345	0801226 .....	131	1001114761.....	77, 81
0100083.....	33, 35, 37, 39	0641418 .	95, 97, 99, 101, 155, 159	0801227 .....	125	1001114782.....	59
0140011 ....	169, 171, 173, 177	0641420 .....	157	0801262 .....	123	1001116232.....	394
0140043.....	83	0641430 .....	19, 23	0801267 .....	129	1001116692.....	309, 359, 362, 369
0259397.....	398	0641506 .	95, 97, 99, 101, 123, 125	0840031 .....	19, 23	1001116693.....	359, 361
0259550.....	391	0641507 .....	75	0840032 .....	19, 23	1001116720.....	353
0270012.....	329	0641508 .....	19, 23, 119	0860038 .....	327, 329	1001116731.....	303
0270013.....	327	0641510 .....	89	0860520 ...	373, 375, 377, 379, 381, 383, 385, 387, 389	1001116732.....	359
0270028.....	41	0641514 ....	119, 273, 275	0861375 .....	23	1001116733.....	359
0270273.....	391	0641516 .....	135, 273	0861731 ....	243, 249, 251	1001116734.....	357, 359
0270274.....	391	0641560 .....	273, 275	0861781 .....	253, 255	1001116810.....	357
0270433.....	391	0641605 .	95, 97, 99, 101, 131, 132	0861880 .....	269	1001116811.....	289
0270724.....	123	0641606 ...	13, 51, 53, 73, 75, 129, 131	0940048 .....	123, 125	1001116812.....	303, 359, 361, 362
0270725.....	123, 129	0641607 ...	125, 129, 131	0961127 ...	373, 375, 377, 379, 381, 383, 385, 387, 389	1001116813.....	361
0271251.....	398	0641608 .	43, 45, 93, 123, 125, 129, 131	0961947 .....	139, 205	1001116815.....	277, 359
0271464.....	331	0641610 ...	19, 23, 43, 45, 51, 53, 123, 125, 153, 161, 163, 165, 167	0961948 .....	131	1001117172.....	183
0271649.....	125, 135	0641614 .....	67, 119, 123	0961950 ...	123, 125, 129, 131, 207, 209, 211, 213, 217	1001117174.....	169, 171, 173, 177, 183, 394
0271801.....	398	0641616 .....	135	0961951 15, 17, 129, 135, 203, 205, 221	0961951 .....	1001118384.....	355
0275216.....	255, 333	0641618 .....	135	0962140 .....	15, 17	1001118388.....	353, 355
0275217.....	253, 345	0641806 .....	123, 125	0962257 .....	139	1001119020.....	362
0275218.....	245, 339	0641807 .....	51, 53	0962292 .....	135	1001119228.....	131
0275219.....	247, 343	0641808 .....	125	0962356 .....	201, 219	1001119619.....	347
0275452.....	249, 337	0641810 .....	123, 125	1001093382 .....	57, 59	1001119620.....	349, 351
0275453.....	251, 341	0641811 .....	57, 59	1001094670 .....	135	1001120328.....	189, 191
0275454.....	243, 335	0641812 ...	19, 23, 89, 123	1001097051 .....	349	1001120466.....	400
0275663.....	283	0641818 .....	129, 131	1001097150 .....	269, 271	1001120471.....	197
0275664.....	285	0681608 .....	143	1001097244 .....	197	1001120477.....	197
0275665.....	281	0681610 .....	125	1001097777 ...	73, 75, 79	1001120484.....	197
0275666.....	279	0681810 .....	13	1001098122 ....	183, 321, 323	1001120989.....	391
0275667.....	287	0682014 .....	19, 23	1001098828 .....	143	1001125677.....	321, 323, 362
0340048.....	45	0682026 .....	85	1001100341 .....	255	1001126008.....	359
0561076.....	123, 125	0682028 .....	85	1001100342 .....	253	1001126009.....	355
0561317.....	273, 275			1001100345 .....	249	1001126245.....	359
0561384.....	273, 275			1001100346 .....	243	1001129555.....	394
0561385.....	273, 275			1001100347 .....	251	1001131269.....	373
0561386.....	273, 275			1001102771 .....	395	1001136881.....	234
0561424.....	273			1001103012 .....	359	1001137005.....	400
0630399.....	129			1001103558 .....	399	1001137673.....	189, 395
0630401.....	131			1001103617 .....	399	1001138494.....	155, 157
0630467.....	273, 275			1001104850 .....	85, 87	1001138514.....	155, 157
0630487.....	129			1001104864 ....	373, 375, 377, 379, 381, 383, 385, 387, 389	1001140278.....	125, 221
0630490.....	17			1001106757 .....	131	1001140280.....	135, 205
						1001140429.....	155, 157, 159
						1001140597.....	123, 219
						1001140598.....	129, 201
						1001141300.....	391
						1001141967.....	245, 247



## SECTION 10 - SPECIAL OPTIONS/ACCESSORIES/KITS

1001141968 ..... 245	1001166395..... 85	1001183367.....83	1001193949..... 373, 375,
1001141969 ..... 247	1001166417..... 43	1001183520.....275	377, 379, 381, 383,
1001141970 ..... 247	1001166419..... 43, 45	1001183521.....273	385, 387, 389
1001141971 ..... 245	1001166420..... 51, 53	1001183867.....263, 273,	1001193987..... 169, 171,
1001142504 ..... 399	1001166493..... 69	275	173, 177
1001142505 ..... 399	1001166496..... 57, 59	1001183868.....261, 273,	1001195304 ..... 398
1001144147 ..... 277, 291,	1001166738..... 119	275	1001196589 ..... 19, 23
303, 361	1001167013..... 67	1001184852..... 19, 23	1001196634 ..... 277, 305,
1001144295 ..... 362	1001167487..... 45	1001184854..... 19, 23	394
1001144433 ..... 189	1001168670..... 57	1001185281..... 169, 171,	1001196635 ..... 394
1001144629 ..... 149, 151,	1001168674..... 125	173, 177	1001196636 ..... 369
153	1001168796..... 59	1001185828..... 235, 239	1001198659 ..... 400
1001144630 ..... 153	1001168800..... 57, 59	1001185829..... 239	1001200491 ..... 143
1001148971 ..... 399	1001169423..... 13	1001186231..... 362	1001203734 ..... 359
1001151286 ..... 399	1001170365..... 23, 394	1001186375..... 155	1001206532 ..... 169, 171,
1001151393 ..... 103, 105,	1001170761..... 359, 394	1001186377..... 157	174, 178
107, 109	1001170762..... 394	1001186386..... 151	1001209059 ..... 400
1001151395 ..... 13	1001171213..... 43, 45, 49	1001186387..... 149	1001209664 ..... 189
1001151428 ..... 13	1001171298..... 93	1001186431..... 189, 394	1001210636 ..... 197
1001152266 ..... 369	1001172760..... 169, 171,	1001186432..... 353, 355	1001212202 ..... 400
1001152483 ..... 271	173, 177	1001186517..... 189	1001212359 ..... 37, 39
1001152485 ..... 271, 341,	1001173703..... 391	1001186860..... 33, 35	1001212415 ..... 394
343	1001174447..... 37, 39	1001187674..... 187	1001212450 ..... 39
1001152523 ..... 399	1001175025..... 69	1001187681..... 347	1001212453 ..... 23
1001152635 ..... 234, 238	1001176417..... 119	1001187775..... 145, 267	1001212454 ..... 24, 259
1001153017 ..... 85, 89	1001176441..... 119	1001187776..... 145, 265	1001212455 ..... 259
1001153023 ..... 13	1001176469..... 105, 109	1001187788..... 145	1001212456 ..... 24, 39
1001153612 ..... 33, 35	1001177245..... 257, 259	1001187790..... 93	1001212480 ..... 259
1001153749 ... 13, 95, 97,	1001177246..... 257, 259	1001188065..... 95, 97, 99,	1001213447 ..... 321, 323
99, 101	1001177364..... 51, 53, 55	101	1001213625 ..... 391
1001155044 ..... 103, 105,	1001177483..... 125	1001188291..... 261, 263,	1001213626 ..... 24
107, 109, 169, 171,	1001177666..... 234, 238	273, 275	1001213882 ..... 169, 171,
173, 177	1001178339... 37, 39, 394	1001188292..... 261, 273,	173, 177
1001155045 ..... 103, 105,	1001178378..... 375	275	1001214031 ..... 391
107, 109, 169, 171,	1001178384..... 234	1001188293..... 263, 273,	1001214667 .. 33, 35, 394
173, 177, 394	1001178394..... 257, 259	275	1001214668 ..... 24, 35
1001155743 ... 95, 97, 99,	1001178395..... 257, 259	1001188354..... 261, 263,	1001215228 ..... 169, 171,
101	1001178396..... 257, 259	273, 275	173, 177
1001157058 ..... 91	1001178398..... 257, 259	1001188528... 19, 24, 357	1001215835 ..... 171, 173,
1001157890 ..... 291, 309,	1001178399..... 257, 259	1001188622..... 143	394
359, 362	1001178400..... 257, 259	1001188844..... 143	1001216630 ..... 143
1001157891 ..... 291, 359,	1001178401..... 257, 259	1001189027..... 257, 259	1001216921 ..... 75, 81
361	1001178402..... 257, 259	1001189030..... 257, 259	1001217228 ..... 143
1001159186 ..... 309, 321,	1001178403..... 257, 259	1001189031..... 257, 259	1001217242 ..... 143
323	1001178405... 19, 23, 291	1001189032..... 257, 259	1001217243 ..... 143
1001159256 ..... 169, 171,	1001178491..... 333, 335,	1001189171..... 271, 394	1001217244 ..... 143
173, 177, 395	337, 339, 341, 343, 345	1001189172..... 271, 394	1001217249 ..... 143
1001160527 ..... 85, 400	1001178629... 19, 23, 359	1001189882..... 391	1001217253 ..... 143
1001161117 ..... 13, 394	1001178660..... 257	1001190003..... 377	1001217254 ..... 143
1001161710 ..... 169, 171,	1001179060..... 19, 33	1001190088..... 20, 257	1001217267 ..... 143
173, 177, 395	1001179061..... 19, 37	1001190577..... 31, 359	1001217413 ..... 143
1001165963 ..... 119	1001179064... 33, 35, 37,	1001190896..... 400	1001217465 ..... 377
1001165981 ..... 119	39	1001190985 ..... 143	1001217598 ..... 153
1001165985 ..... 119	1001179134..... 19	1001191142..... 111	1001217842 33, 357, 359
1001166251 ..... 337	1001180554..... 73, 75, 77	1001191144..... 400	1001217843 ..... 359
1001166258 ..... 341	1001180835..... 13	1001191212..... 61, 63, 65	1001217844 ..... 357, 359
1001166259 ..... 335	1001180838..... 13, 17	1001191314..... 399	1001218004 ..... 238
1001166260 ..... 345	1001180840..... 13	1001192212... 33, 35, 394	1001218367 ..... 53, 75
1001166261 ..... 339	1001180930..... 51, 73	1001192293..... 67, 313	1001218499 ..... 400
1001166262 ..... 343	1001181045..... 269, 394	1001192401 ..... 61, 63, 65	1001218502 ..... 400
1001166263 ..... 333	1001182296..... 67, 311	1001192501 ..... 67	1001218503 ..... 398
1001166296 ..... 69	1001182550..... 19, 23, 31	1001193018..... 333, 335,	1001219016 ..... 143
1001166312 ..... 69	1001182724..... 169, 177,	337, 339, 341, 343, 345	1001219601 .. 19, 23, 395
1001166321 ..... 69	394	1001193047 ..... 13	1001219722 ..... 19, 23
1001166341 ..... 91	1001182725..... 119	1001193545..... 313	1001220271 ..... 19, 23
1001166394 ..... 103, 105,	1001182960..... 19, 23		1001222685 ..... 153
107, 109	1001183212..... 119		

## SECTION 10 - SPECIAL OPTIONS/ACCESSORIES/KITS

1001222801.....373, 375, 377, 379, 381, 383, 385, 387, 389	1001238319..... 187	1001249187..... 383	1001269310.....234, 399
1001223055.....373	1001238418..... 191, 355	1001249189..... 387	1001269311.....234, 399
1001223824.....399	1001238472..... 191	1001249418..... 165, 177	1001269312.....235, 399
1001223971.....381	1001238495..... 189	1001249419..... 163, 173	1001269313.....235, 399
1001224048.....385	1001238557..... 113	1001249695..... 400	1001269314.....238, 399
1001224049.....387	1001238558..... 115	1001249941..... 400	1001269315.....238, 399
1001224050.....379	1001238559..... 191	1001250035..... 399	1001269316.....238, 399
1001224052.....389	1001238732..... 181	1001250465..... 400	1001269317.....239, 399
1001224053.....383	1001239568..... 400	1001250466..... 400	1001269762..... 400
1001224891..... 131	1001239569..... 400	1001250537..... 398	1001269900.....398
1001225131.....61, 63, 65	1001239570..... 399	1001250959..... 400	1001270482.....398
1001225580..... 189, 353	1001241162..... 193	1001251015..... 131, 227	1001270594.....111
1001226541.....277, 362	1001241268..... 401	1001251016..... 125, 217	1001270715.....398
1001226634.....303	1001241269..... 401	1001251018..... 123, 215	1001271888.....399
1001226637.....303	1001241547..... 400	1001251063..... 129, 225	1001272006...33, 35, 394
1001226799.....293, 295, 299	1001241548..... 400	1001251369..... 399	1001272053.....391
1001226872..... 159	1001241965..... 191	1001251382..... 61, 63, 65	1001272054.....391
1001227633..... 187	1001243092..... 193	1001251470..... 65	1001272166.....399
1001227634..... 187	1001243183..... 400	1001251471..... 61	1001272178.....399
1001227985..... 187	1001243184..... 400	1001251472..... 63	1001272182.....399
1001227987..... 187	1001243205..... 193	1001253920..... 373	1001272274.....399
1001227996.....349, 351	1001243575..... 398	1001253921..... 373	1001272279.....169, 171, 173, 177, 323
1001228035..... 125, 209	1001244335..... 195	1001253922..... 381	1001272659.....301
1001228036..... 125, 213	1001244336..... 193	1001253923..... 381	1001272681.....113
1001228037..... 123, 207	1001244462..... 117	1001253924..... 385	1001272682.....115
1001228038..... 123, 211	1001244671..... 195	1001253925..... 385	1001272997.....305
1001228215..... 159	1001244709..... 195	1001253926..... 379	1001273012.....301, 305
1001228224..... 187, 395	1001244710..... 195	1001253927..... 379	1001274249.....400
1001228225..... 187, 395	1001244732..... 195	1001253928..... 389	1001274559.....169, 171, 173, 177, 394
1001228370.....373, 381	1001244733..... 195	1001253929..... 389	1001274832.....399
1001228627..... 143	1001245164..... 181	1001253930..... 387	1001274833.....399
1001228954.....293	1001245173..... 181	1001253931..... 387	1001275149.....111, 113, 115
1001229341..... 187	1001245179..... 181	1001253932..... 383	1001275628.....169, 171, 173, 177
1001229690.....398	1001245210..... 181	1001253933..... 383	1001275629.....169, 171, 173, 177
1001230504.....398	1001245293..... 394	1001254178..... 385	1001276007.....398
1001231801.....373	1001245673..... 321	1001254179..... 379	1001276008.....398
1001231804.....401	1001246144..... 295	1001254285..... 398	1001276610.....301, 398
1001231870.....401	1001246145..... 299	1001254472..... 191	1001276923.....398
1001232164..... 187	1001246389..... 193	1001254473..... 191	1001277843.....400
1001232165..... 187	1001246541..... 295, 398	1001255901..... 305	1001280407.....103, 105, 107, 109
1001232204..... 13	1001246542..... 299, 398	1001258730..... 193, 195	1001281454.....399
1001232642..... 191	1001246859..... 361	1001259489..... 103, 105, 107, 109	1001281455.....399
1001232667..... 191, 395	1001247073..... 400	1001260275..... 359	1001281456.....399
1001234102.....398	1001247252..... 193	1001260408... 61, 63, 65, 289	1001281460.....399
1001235091.....293, 295, 297, 299, 303	1001247426..... 398	1001260524..... 193	1001281461.....399
1001235649.....297, 398	1001247427..... 398	1001260525..... 193, 195	1001281743.....399
1001235847.....401	1001247468..... 143, 395	1001262016..... 400	1001282215.....399
1001235848.....401	1001247538..... 169, 171, 174, 178	1001262322..... 297	1001283300.....95, 97, 99, 101, 394
1001236535.....293, 398	1001247556..... 391	1001262326..... 297	1001283776.....111, 307
1001236552..... 191	1001248655..... 389	1001262663..... 391	1001284971.....93
1001237110.....398	1001248659..... 373, 375, 379, 381, 383, 385, 387, 389, 391	1001262695..... 400	1001285689.....391
1001237443.....399	1001249052..... 400	1001265163..... 197	1001285732...95, 97, 99, 101, 369
1001237667.....321, 323	1001249153..... 163	1001265342..... 197	1001286328.....400
1001237668.....321, 323	1001249154..... 167, 171	1001265360..... 398	1001289788.....61, 63, 65
1001237862.....349, 351	1001249155..... 167	1001266302..... 99, 107	1001289905.....400
1001237863..... 187, 349	1001249157..... 165	1001266303..... 101, 109	1001289906.....400
1001237864..... 187, 351	1001249159..... 161	1001266304..... 95, 103	1001290077...95, 97, 99, 101, 361
1001237865..... 187, 347	1001249162..... 161, 169	1001266305..... 97, 105	
1001237888..... 193, 195	1001249163..... 99	1001266309..... 103, 107	
1001237891..... 195	1001249163..... 99	1001266310..... 105, 109	
1001237898..... 193, 195	1001249168..... 101	1001266799..... 399	
1001237902.....193, 195, 395	1001249175..... 95	1001266801..... 399	
	1001249177..... 97	1001266807..... 399	
	1001249184..... 373	1001266969..... 399	
	1001249186..... 381	1001268351..... 398	

## SECTION 10 - SPECIAL OPTIONS/ACCESSORIES/KITS

1001290078 ... 95, 97, 99, 101, 309	1702565 ... 169, 171, 173, 177	1704419.....379	2540045..... 57, 59
1001290079 ... 61, 63, 65, 277	1702566 ... 169, 171, 173, 177	1704422.....173, 177	2560122 .... 73, 75, 77, 81
1001293088 ..... 57	1702567 ..... 169, 171	1704446.....373	2560123 .... 73, 75, 77, 81
1001293369 ..... 117, 400	1702773 ..... 377, 391	1704452.....381	2560136... 169, 171, 173, 177
1001293501 ..... 398	1702868 ..... 373, 399	1704453.....389	2600281 .... 149, 151, 153
1001294759 ..... 391	1703797 ..... 373	1704454.....387	2700093 ..... 69
1001294815 ..... 391	1703798 ..... 373	1704885.....389	2750910 ..... 234, 238
1060341 ..... 265, 267	1703804 ..... 373	1705325.....333	2750915 ..... 234, 238
1060461 ... 317, 319, 367	1703805 ..... 373	1705426.....383	2751890 ..... 238
1060494 ... 311, 315, 365	1703811 ..... 375, 377	1705427.....385	2752435 ..... 235
1060801 ..... 67	1703813 ..... 373	1705429.....381	2752437 ..... 235, 238
1060802 ..... 67	1703814 ..... 375, 377	1705430.....379	2752440 ..... 235
1060896 ..... 261, 263	1703923 ..... 387	1705670.....375, 377	2752442 ..... 238
1060908 ..... 269, 271	1703924 ..... 381	1705754.....391	2752453 ..... 234, 238
1060918 ..... 183	1703925 ..... 379	1705822..... 375, 377	2752459 ..... 234, 238
1062255 ... 293, 295, 297, 299	1703926 ..... 383	1705828..... 375, 377	2752466 ..... 238
10837580 ..... 55, 77	1703927 ..... 385	1705910.....387	2752467 ..... 234, 238
1180302 ..... 129	1703928 ..... 389	1705921..... 375, 377	2752475 ..... 234
1220038 ..... 129	1703929 ..... 387	1705977..... 375, 377	2752493 ..... 238
1220039 ..... 129	1703930 ..... 381	1705978..... 375, 377	2752571 ..... 238
1220040 ..... 129	1703931 ..... 379	1706378..... 375, 377	2752573 ..... 235
1320040 ..... 53	1703932 ..... 383	1760160.....129	2752581 ..... 234
1320041 ..... 13, 119	1703933 ..... 385	2080040.... 149, 151, 153	2752600 ..... 238
1320043 ..... 273, 275	1703934 ..... 389	2080069..... 193, 195	2752611 ..... 239
1320136 ..... 143	1703935 ..... 387	2160003..... 89	2752619 ..... 239
1320260 ..... 273, 275	1703936 ..... 381	2220237 ..... 234, 238	2752620 ..... 234
1320263 ..... 13	1703937 ..... 379	2220239 ..... 234	2752983 ..... 234
1321385 .. 95, 97, 99, 101	1703938 ..... 383	2220371 ..... 234, 238	2753329 ..... 239
1380136 ..... 73, 75	1703939 ..... 385	2220386..... 234, 238	2753330 ..... 239
1380138 ..... 69	1703940 ..... 389	2220415..... 234, 238	2753331 ..... 239
1580012 ..... 185	1703947 ..... 387	2220466..... 238	2753332 ..... 239
1670679 ..... 129	1703948 ..... 381	2220472..... 234, 238	2753333 ..... 239
1670697 ..... 273, 275	1703949 ..... 379	2220473..... 234, 238	2753334 ..... 235, 239
1670698 ..... 129	1703950 ..... 383	2220498..... 234, 238	2753335 ..... 235, 239
1670832 ..... 145	1703951 ..... 385	2220501..... 234, 238	2753474 ..... 235, 239
1670833 ..... 145	1703952 ..... 389	2220502..... 234, 238	2753475 ..... 235, 239
1670953 ..... 67	1703980 ..... 383	2220504..... 234, 238	2753519 ..... 235
1670959 ..... 131	1703981 ..... 385	2220507..... 234, 238	2753520 ..... 235, 239
1683591 ..... 13, 223	1703982 ..... 379	2220508..... 234, 238	2753535 ..... 235
1700584 ..... 381	1703983 ..... 387	2220582..... 234, 238	2753973 ..... 234, 238
1701500 ... 373, 379, 381, 383, 385, 387, 389	1703984 ..... 381	2220593..... 234, 238	2780251 ..... 13, 15
1701504 ... 373, 375, 377, 379, 381, 383, 385, 387, 389	1703985 ..... 389	2220600..... 234, 238	2780282 ..... 19, 23, 27
1701509 ... 373, 375, 377, 379, 381, 383, 385, 387, 389	1703987 ..... 385	2220605..... 234	2820118 ..... 261, 263
1701518 ..... 375, 377	1703988 ..... 379	2220609..... 234	2820247 ..... 349, 351
1701642 ..... 67, 373, 375, 377, 379, 381, 383, 385, 387, 389	1703991 ..... 389	2220677 ..... 234, 238	2860030 ... 103, 105, 107, 109, 394
1701644 ... 373, 375, 377, 379, 381, 383, 385, 387, 389	1704000 ..... 381, 399	2220684..... 234	2900756 ..... 77
1701691 ... 373, 375, 377, 379, 381, 383, 385, 387, 389	1704001 ..... 387	2220727 ..... 234	2900770 ... 137, 139, 207, 209, 211, 213, 217, 229
1702124 ..... 234, 238	1704002 ..... 389	2220883.... 207, 209, 213	2900792 .... 201, 203, 205
1702251 ..... 391	1704200 ..... 391	2220885.... 209, 211, 213, 234, 238	2901805 ..... 213
1702265 .... 373, 381, 387	1704260 ... 169, 171, 173, 177	2220899..... 234, 238	2901806 ..... 209
1702271 ..... 383	1704277 ... 373, 375, 377, 379, 381, 383, 385, 387, 389	2220909..... 234, 238	2902549 ... 269, 333, 335, 337, 339, 345
1702300 ... 373, 379, 381, 383, 385, 387, 389	1704339 ..... 387	2220940..... 234, 238	2915230 ..... 400
	1704340 ..... 381	2220999..... 234, 238	2920151 ..... 143
	1704341 ..... 389	2221033..... 234, 238	2940071 ..... 119
	1704342 ..... 383	2221039..... 238	2940074 ... 149, 151, 153, 394
	1704343 ..... 385	2221054..... 234, 238	2940095 ..... 69
	1704344 ..... 379	2221086..... 234, 238	3000003 ..... 57, 59
	1704412 ... 373, 375, 377, 379, 381, 383, 385, 387, 389	2221147 ..... 234	3251243 ... 373, 381, 387, 389
	1704417 ..... 383	2400044..... 23	3252331 ..... 391
	1704418 ..... 385	2400060.... 197, 277, 309, 321, 323, 324	3252347 ..... 373
		2400066..... 361	
		2460037 ..... 67	
		2540037 ..... 23	
		2540038..... 13	

## SECTION 10 - SPECIAL OPTIONS/ACCESSORIES/KITS

3252507 .... 329, 335, 337, 339, 341, 343, 345	3422178 ..... 123	3910804 ... 103, 105, 107, 109	4460183..... 309
3252780..... 391	3422179 ..... 123	3911008 ..... 153	4460205..... 327, 365
3271605..... 125	3422180 ..... 123, 129	3911010 ..... 181	4460224..... 173, 177
3290405 .... 111, 113, 115, 197, 333, 335, 337, 339, 341, 343, 345	3422181 ..... 129	3930824 ..... 93	4460225..... 321, 323
3290605..... 143	3422480 ..... 125	3930828 ..... 145	4460226.... 143, 183, 369
3290606..... 155, 157	3422481 ..... 125	3930836 ..... 145	4460227..... 309, 361
3291001..... 143	3422582 ..... 125	3931010 ... 33, 35, 37, 39	4460233..... 329
3291005..... 143	3422669 ..... 125	3931012 ..... 37, 39	4460234.. 95, 97, 99, 101, 169, 171, 173, 177, 293, 295, 297, 299
3291201..... 143	3422709 ..... 129	3931016 ... 33, 35, 37, 39	4460259.... 197, 309, 321, 323
3291205..... 143	3422791 ..... 135	3931028 ..... 145	4460260.... 197, 309, 321, 323
3300151 .... 155, 157, 159, 273, 275	3422792 ..... 125	3931408 ..... 13, 189	4460267.... 173, 177, 321, 323
3300281 ..... 209, 213	3422794 ..... 135	3931416 ..... 13	4460268..... 321, 323
3300353..... 67, 169, 171, 173, 177	3422804 ..... 131	3931816 ..... 135	4460294..... 321, 323
3300365... 95, 97, 99, 101	3422806 ..... 125	3931832 ..... 85	4460312..... 289
3300426.... 13, 17, 19, 23	3422814 ..... 125	3960422 ..... 327, 329	4460313..... 309
3300430..... 189, 195	3422844 ..... 125	3960447 ..... 69	4460320..... 309
3300454.... 19, 23, 95, 97, 99, 101	3422845 ..... 125	3960453 ..... 119	4460346..... 327
3310805... 73, 75, 93, 145	3422901 ..... 129	3990001 ..... 277	4460418.... 309, 321, 323
3311001..... 23, 153	3430616 ... 169, 171, 173, 177	4010618 ..... 155, 157	4460419.... 309, 321, 323
3311005..... 69, 145	3450304 ..... 119	4031505 ..... 187	4460424..... 143
3311011.... 103, 105, 107, 109	3450810 ..... 13	4031509 ... 111, 113, 115	4460426..... 67
3311401 19, 23, 129, 131, 273, 275	3470003 ... 169, 171, 173, 177	4031516 ..... 191	4460428.. 61, 63, 65, 169, 171, 173, 177
3311405.... 13, 61, 63, 65, 67, 69, 83, 103, 105, 107, 109, 161, 163, 165, 167, 191, 273, 275, 333, 335, 337, 339, 341, 343, 345, 373, 375, 377, 379, 381, 383, 385, 387, 389	3520028 ... 103, 105, 107, 109	4031707 ..... 19, 23	4460434..... 321, 323
3311501 ..... 119, 135	3520030 ... 169, 171, 173, 177	4060092 ..... 329	4460458..... 369
3311505.... 19, 23, 95, 97, 99, 101, 123, 126, 131, 273, 275	3520034 ..... 129	4060804 ..... 131, 143	4460464..... 13, 113, 115, 183, 197, 263, 265, 267, 277, 291, 303, 305, 307, 313, 321, 323, 353, 355, 357, 359, 361, 369
3311601.... 119, 125, 169, 171, 173, 177, 191	3520035 ..... 19, 23, 69	4060805 .... 67, 143, 273, 275	4460465.... 111, 197, 261, 263, 277, 291, 303, 309, 313, 321, 323, 353, 357, 359, 361, 369
3311602..... 129	3520054 ... 169, 171, 173, 177	4070863 ..... 273, 275	4460466.... 187, 193, 197, 261, 263, 273, 275, 277, 289, 303, 307, 309, 313, 321, 323, 347, 353, 355, 357, 359, 361, 369
3311605..... 67, 123, 125, 129, 131, 135, 153, 161, 163, 165, 167	3520072 ... 149, 151, 155, 157, 159	4070864 ..... 131	4460467..... 400
3311805..... 123, 125	3520198 ... 149, 151, 153, 155, 157, 159	4070997 ..... 131	4460470.. 95, 97, 99, 101, 169, 171, 173, 177
3312008..... 13	3536491 ..... 123, 125	4070998 ..... 131	4460471.. 95, 97, 99, 101, 169, 171, 173, 177
3312602.... 111, 113, 115	3536999 ..... 273	4100026 ..... 234, 238	4460508.... 187, 263, 289, 321, 323, 361
3322202..... 13	3571462 ..... 275	4100065 ..... 275	4460509.... 261, 263, 357
3323003..... 13	3572551 ..... 135	4100067 ..... 275	4460510..... 400
3340663..... 129	3600289 ..... 43, 45, 47	4240018 ..... 117	4460516..... 31
3340682..... 129	3740080 ..... 33, 394	4240032 ... 53, 95, 97, 99, 101, 293, 295, 297, 299, 301	4460536..... 13, 195, 321, 323
3340820..... 129	3740086 ..... 355, 394	4240033 ... 187, 189, 191, 261, 263, 273, 275	4460539.... 291, 321, 323, 357, 369
3340860..... 135	3760115 ..... 129, 131	4240084 ..... 19, 23	4460548..... 395
3340878..... 131	3760308 ..... 69	4240099 ... 169, 171, 173, 177, 273, 275	4460662.... 335, 337, 341
3340884..... 131	3790012 ... 103, 105, 107, 109, 169, 171, 173, 177	4300140 ..... 273, 275	4460670..... 359
3340886..... 131	3790113 ..... 229	4360387 ... 105, 109, 169, 171, 173, 177, 395	4460677.... 183, 327, 329
3340939..... 131	3820001 ... 373, 375, 377, 379, 381, 383, 385, 387, 389, 391	4360407 ... 169, 171, 173, 177, 395	4460125 ..... 329
3380434.... 161, 163, 165, 167	3820019 ..... 69	4360469 ... 103, 105, 107, 109, 394	4460134 ..... 311, 315
3420156..... 119	3820020 ..... 149, 151	4360475 ... 103, 105, 107, 109	4460138 ..... 61, 311
3422175..... 123	3841143 ... 123, 125, 129, 143	4360476 ... 103, 105, 107, 109, 169, 171, 173, 177, 394	4460142 ..... 357
3422176..... 123	3841203 ..... 123, 125	4360548 ..... 265, 267	
3422177..... 123	3841517 ..... 13	4420051 ..... 391	
	3900104 ..... 145	4460016 ..... 321, 323	
	3900109 ..... 13	4460019 ..... 359	
	3900170 ..... 209, 213	4460071 .... 183, 327, 329	
	3900174 ..... 69	4460125 ..... 329	
	3900187 ... 103, 105, 107, 109	4460134 ..... 311, 315	
	3900349 ... 169, 171, 173, 177	4460138 ..... 61, 311	
	3910610 ..... 327, 329	4460142 ..... 357	

## SECTION 10 - SPECIAL OPTIONS/ACCESSORIES/KITS

4460742 .....	357, 369	4461249 .....	243, 281	4811700.....	155, 157	70002808.....	81
4460743 .....	357, 369	4566188 .....	234	4811702.....	143	7000281 .....	27
4460761 ...	321, 323, 361, 369	4566243 .....	273, 275	4812000.....	143	70002902.....	183
4460805 .....	63	4566427 .....	123, 125	4812100.....	143	70002903.....	183
4460806 .....	309	4567946 .....	238	4844303.....	123	70002904.....	183
4460836 .....	291, 362	4568114 .....	19, 23	4844304.....	123	70002905.....	183
4460851 .....	309	4640495 .....	225	4844427.....	125	70003171.....	47
4460866 ....	321, 323, 361	4640509 .....	201, 205	4844467.....	123, 125	70003341.....	223
4460868 .....	309	4640634 ...	207, 209, 211, 213	4844579.....	129	70003784.....	173, 177
4460871 ...	277, 309, 321, 323, 359, 361, 369	4640709 .....	225, 229	4846026.....	125	70003819.....	203, 221
4460872 .....	277, 369	4640771 .....	229	4846180.....	131	70003833.....	205
4460873 ...	321, 323, 359, 361	4640807 .....	229	4846209.....	123, 125	70003836.....	205
4460874 ....	321, 323, 361	4640807 .....	229	4846278.....	135	70003843.....	221
4460875 ....	321, 323, 369	4640932 .....	201, 203	4846502.....	135	70003844.....	221
4460876 .....	309	4640936 .....	217	4891500.....	89	70003845.....	203, 221
4460877 .....	309	4641086 .....	203	4891600.43, 45, 125, 143		70003846.....	203
4460878 .....	361	4641386 ...	207, 209, 211, 213	4891800.....	13, 57	70003847.....	203
4460879 ....	197, 321, 323	4711000 ....	33, 35, 37, 39	4892000.....	19, 23, 85	70003863.....	205
4460884 ...	197, 277, 309, 353, 361	4711400 ...	13, 19, 23, 53, 61, 63, 65, 73, 75, 83, 95, 97, 99, 101, 155, 157, 159, 189, 191, 193, 333, 335, 337, 339, 341, 343, 345	4922608.....	327, 329, 365	70003864.....	205
4460887 ...	197, 321, 323, 361	4711400 ...	13, 19, 23, 53, 61, 63, 65, 73, 75, 83, 95, 97, 99, 101, 155, 157, 159, 189, 191, 193, 333, 335, 337, 339, 341, 343, 345	4922609....	317, 333, 335, 337, 339, 341, 343, 345	70003843.....	221
4460888 .....	321, 323	4711500 .95, 97, 99, 101, 131		4922610....	331, 333, 335, 337, 339, 341, 343, 345, 367	70003844.....	221
4460891 ...	111, 277, 313, 359, 361, 369	4711600 ...	19, 23, 43, 51, 53, 73, 75, 93, 119, 131, 153, 169, 171, 173, 177	4922611.....	315, 327, 329	70003845.....	203, 221
4460894 ...	277, 309, 321, 323, 359, 361	4711600 ...	19, 23, 43, 51, 53, 73, 75, 93, 119, 131, 153, 169, 171, 173, 177	4922612.....	319, 331	70003846.....	203
4460897 ...	113, 115, 265, 267, 307, 313, 369	4740120 ...	103, 105, 107, 109	5241200.....	143	70003847.....	203
4460899 ...	347, 353, 355, 357	4740156 .....	13	5251008.....	143	70003863.....	205
4460905 ...	277, 309, 321, 323, 359, 361, 369	4740171 .....	85	5251016.....	143	70003864.....	205
4460910 .....	351	4740207 .....	213	7000088.....	87	70004019.....	77
4460911 .....	347	4740362 ...	161, 163, 165, 167	7000089.....	87	70004130.....	219
4460930 ....	277, 309, 361	4740397 ...	103, 105, 107, 109	70000340.....	141	70004131.....	201
4460931 ....	193, 307, 357	4740413 .....	129	70000341.....	137, 139	70004141.....	201, 219
4460932 ...	197, 277, 303, 305, 361	4750800 .....	73, 75, 93	70000381.....	77	70004142.....	201, 219
4460933 ...	321, 323, 361, 369	4751000 .....	23, 153	70000739.....	201, 219	70004143.....	201, 219
4460941 .....	291, 347	4751400 67, 69, 119, 129, 161, 163, 165, 167, 169, 171, 173, 177, 185, 195, 273, 275, 333, 335, 337, 339, 341, 343, 345, 373, 375, 377, 379, 381, 383, 385, 387, 389		70000740.....	201	70004144.....	219
4460942 ....	187, 291, 361	4751500 ...	19, 23, 57, 59, 75, 119, 123, 126, 135, 273, 275	70000865.....	89	70004145.....	219
4460943 ...	193, 195, 291, 347, 359, 361	4751600 ...	45, 67, 95, 97, 99, 101, 123, 125, 129, 161, 163, 165, 167	70001366.....	27	70004146.....	201
4460944 ....	291, 359, 362	4751800 .....	59, 119	70001367.....	27	70004147.....	201
4460945 .....	359	4760600 .....	327, 329	70001368.....	28	70004159.....	89
4460950 .....	291, 359	4761000 .....	153	70001369.....	27	70004185.....	400
4460956 .....	269	4761400 ....	129, 131, 185	70001370.....	27	70004323.....	139
4460957 .....	269	4761600 .....	129	70001371.....	27	70004809.....	31
4460968 ...	265, 267, 333, 339, 343, 345	4761800 .....	129, 131	70001372.....	27	70004811.....	31
4460970 .....	357	4811400 ...	111, 113, 115, 197, 333, 335, 337, 339, 341, 343, 345	70001373.....	27	70004820.....	31
4460984 .....	309			70001374.....	27	70004884.....	77
4461077 .....	347, 355			70001375.....	27	70005091.....	77
4461196 .....	255, 279			70001376.....	27	70005101.....	49
4461198 .....	255			70001377.....	27	70005143.....	211
4461199 .....	253, 287			70001378.....	27	70005210.....	77, 394
4461201 .....	253			70001379.....	27	70005214.....	17
4461205 ...	245, 247, 249, 251, 283, 285			70001380.....	28	70005215.....	17
4461244 .....	249			70001876.....	77	70005385.....	31
4461245 .....	251			70001961.....	47	70005386.....	31
4461246 .....	243			70001996.....	131	70005387.....	31
				70001998.....	131	70005388.....	31
				70002112.....	49	70005389.....	31
				70002206.....	87	70005390.....	31
				70002207.....	87	70005391.....	31
				70002216.....	203, 221	70005392.....	31
				70002217.....	203, 221	70005393.....	31
				70002220.....	205	70005394.....	31, 395
				70002223.....	205	70005395.....	31
				70002373.....	211	70005396.....	31
				70002412.....	207	70005397.....	31
				70002523.....	47	70005398.....	31
				70002806.....	77	70005399.....	31
						70005400.....	31
						70005401.....	31
						70005402.....	31
						70005403.....	31
						70005404.....	31
						70005405.....	31
						70005406.....	31
						70005407.....	31, 395
						70005408.....	31
						70005409.....	31

## SECTION 10 - SPECIAL OPTIONS/ACCESSORIES/KITS

70005410.....31	7001630..... 223	7017173..... 141	7024379.....87
70005411.....31	70022564..... 207, 211	7017178..... 141	7024380.....87
70005412.....31	70023094..... 201, 219	7017179..... 141	7024381.....87
70005415.....19, 23	70024262..... 201	7017192.... 137, 139, 141	7024389.....87
70005722.....81	7002821..... 400	7017196..... 137, 139	7024390.....87
70006269.....131	7002823..... 400	7017246..... 223	7024444.....49
70006280.....131	7002828..... 400	7017247..... 223	7024445.....49
70006346.....81	7004035..... 87	7017248..... 223	7024453.....87
70006347.....81	7004036..... 87	7017249..... 223	7024738.....27
70006348.....81	7004043..... 87	7017250..... 223	7024741.....27
70006349.....81	7004044..... 87	7017251..... 223	7024844..... 203, 205
70006531.....209	7004045..... 87	7017252..... 223	7024883..... 77, 394
70006532.....209, 213	7004047..... 87	7017402..... 55, 77, 81	7024885..... 77, 394
70006533.....209, 213	7004049..... 87	7017410..... 77	7024887.....81
70006535.....209	7004275..... 400	7017418..... 77	7024891.....79
70006539.....213	7004276..... 400	7017421..... 77	7026042.....89
70006542.....213	70050801..... 207	7017433..... 55, 77	7026043.....89
70006543.....213	7007640..... 27	7017452..... 77, 81	7026068.....205
70006587.....207	7010543..... 55, 77	7017466..... 79	7026082..... 203, 221
70006588.....207	7011112..... 201, 203	7017488..... 55	7026084..... 203, 221
70006589.....207	7011323..... 137, 139	7017496..... 79, 81	7026088.....205
70006590.....207	7011376... 207, 209, 211, 213	7019698..... 129	7026090.....205
70006591.....207	7012518..... 55, 77	7019699..... 129	7026091.....205
70006592.....207	7012540..... 77	7020035..... 15	7026092.....205
70006593.....207	7012903..... 77	7020036..... 15	7027350.....89
70006594.....211	7012914..... 77	7020037..... 15, 17	7027351.....89
70006595.....211	7012918..... 77	7020038..... 15	7027352.....89
70006596.....211	7012918..... 77	7020039..... 15, 17	7027353.....89
70006597.....211	7012947..... 77	7020040..... 15, 17	7027354.....89
70006598.....211	7012953..... 77, 79	7020041..... 15	7027356.....89
70006599.....211	7012959..... 79	7020042..... 15	7027358.....89
70006600.....211	7012961..... 77	7020054..... 15, 17	7027360.....89
70006601.....207	7012967..... 77	7020055..... 15, 17	7027361.....89
70007357.....225, 227	7012972..... 55	7020137..... 15, 17	7027363.....89
70007358.....225	7012975..... 77	7020140..... 15, 17	7027900..... 137, 139
70007359.....225, 227	7012995..... 77	7020175... 103, 105, 107, 109	7027901..... 137, 139
70007360.....225, 227	7012998..... 55, 77, 81	7020176... 103, 105, 107, 109	8220045.....357
70007361.....225, 227	7016177..... 57	7021318..... 47	8220068.....369
70007362.....225, 227	7016654..... 400	7021319..... 47	8229234.....359, 394
70007363.....225, 227	7016655..... 400	7021361..... 47	8229235.....359, 394
70007364.....225, 227	7017007..... 28	7021377..... 47	8229236.....357, 394
70007365.....225	7017009..... 27	7021603..... 77	8229237.....359, 394
70007366.....225, 227	7017022..... 27	7021604..... 77	8229242... 309, 321, 323, 324, 362, 394
70007367.....215	7017120..... 137, 139	7021609..... 55, 81, 394	8229249..... 197, 394
70007368.....215, 217	7017121..... 137, 139	7021611..... 55, 77	8229261.....359, 394
70007369.....215, 217	7017122..... 137, 139	7021616..... 55, 394	8760554.....238
70007370.....215	7017123..... 137, 139	7021618..... 55, 394	88261024.....119
70007371.....215, 217	7017126..... 137, 139	7021653..... 81	88261026.....132
70007372.....215, 217	7017127..... 137, 139	7021659..... 55	88521205.....57, 59
70007373.....217	7017153..... 137	7022390..... 81	88662523... 43, 45, 51, 53
70007374.....217	7017165..... 141	7022394..... 77	88662530.....119
70007378.....225	7017167..... 141	7023217..... 15	
70007379.....227	7017168..... 141	7023318..... 87	
70007380.....227	7017169..... 141		
70007381.....227	7017172.... 137, 139, 141		





**Corporate Office  
JLG Industries, Inc.  
1 JLG Drive  
McConnellsburg, PA 17233-9533 USA  
☎ (717) 485-5161 (Corporate)  
☎ (877) 554-5438 (Customer Support)  
📠 (717) 485-6417**

**Visit our website for JLG Worldwide Locations.  
[www.jlg.com](http://www.jlg.com)**



**OSHKOSH™**