



Illustrated Parts Manual

**Model
340AJ**

**PVC
2307**

**P/N
31222353**

November 1, 2023 - Rev B

ANSI

CE



**UK
CA**

AS/NZS

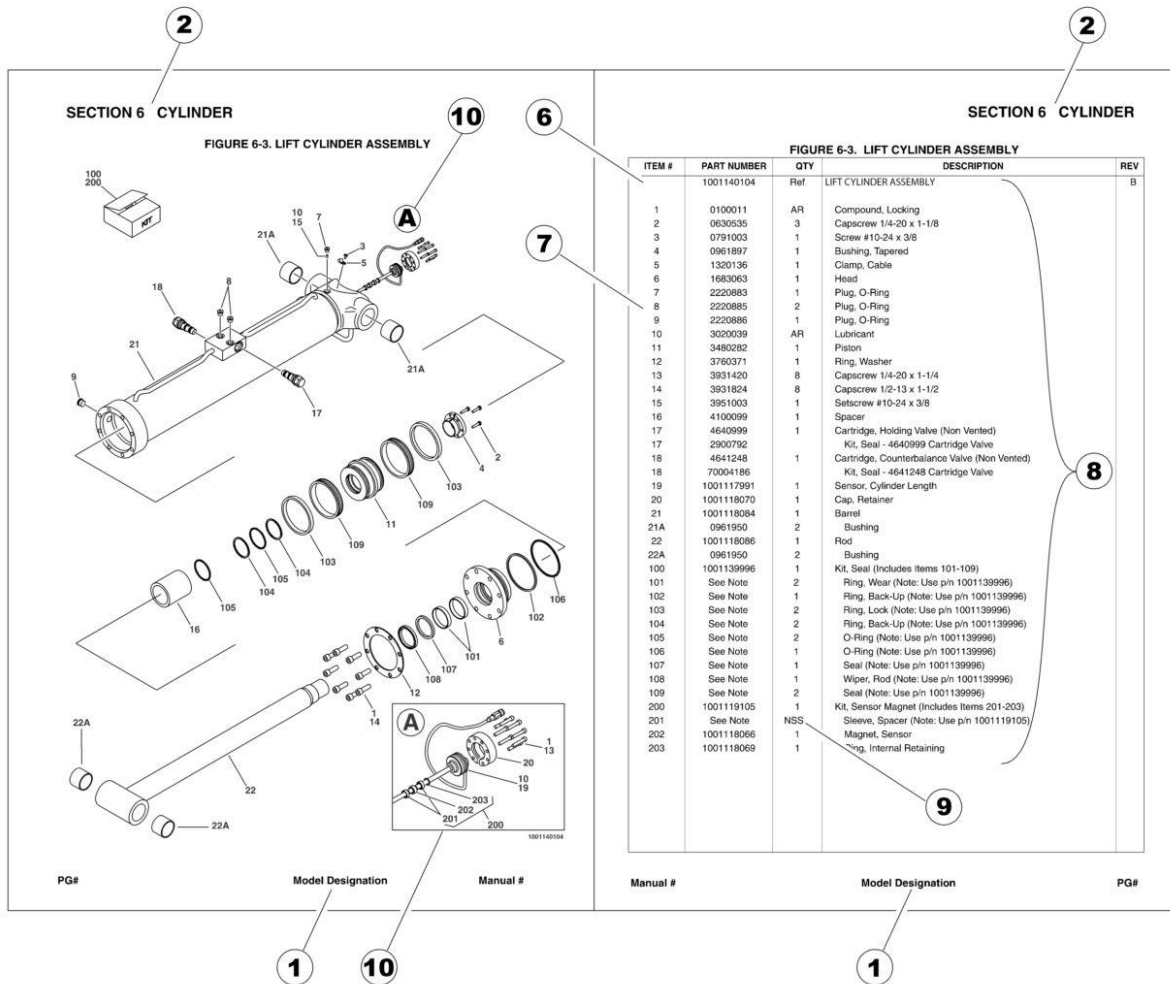


An Oshkosh Corporation Company

REVISION LOG

July 1, 2023 - A - Original Issue of Manual (Edited to B/M 1001247170 Rev K)
November 1, 2023 - B - Revised Manual (Edited to B/M 1001247170 Rev K)

GENERAL INFORMATION



1) MACHINE IDENTIFICATION

Machines are identified by model and in some cases a combination of models, serial number (SN) or regional standard (i.e ANSI, CE, CSA). Components may also be identified by SN or manufacturer. Common components that may be identified by these characteristics are engines and hydraulic components.

2) PARTS MANUAL ORGANIZATION

Product information in this manual is organized under section titles. Frame, Cylinder, Hydraulic and Electrical are a few examples. Each section is organized by figure and page number. The information within the Figure is then organized by item number, part number, description and corresponding illustration (s).

3) TABLE OF CONTENTS (NOT SHOWN)

A table of contents is found toward the beginning of the manual. Figure number, description and page number are provided for quick reference to the page containing the related information.

4) RECOMMENDED SPARE PARTS (NOT SHOWN)

The Recommended Spare Parts List, located near the end of the manual, reference most frequently used maintenance parts.

5) PART NUMBER INDEX (NOT SHOWN)

A numerical index listing all part numbers and the corresponding page number(s) appears at the back of the manual.

GENERAL INFORMATION

6) NON-SERVICED PARTS

In some instances, it is necessary to display non-serviced parts, assemblies or installations. In the case of assemblies and installations there will be a Ref in the Qty. column. In case of parts that are not available for service within assemblies or components, there will be a NSS (Not Sold Separately) or NLA (No Longer Available) listed in the Qty. column of the manual.

7) PARTS LIST ITEM NUMBERS

Numbers shown in the item# column correspond to numbers used in the associated illustration (s). Item numbers which are missing from the sequence in the parts list are not used on that page.

8) INDENTED PARTS DESCRIPTION

An indented part description is included in the item under which it is indented.

9) ABBREVIATION AND SYMBOLS

AC.....	Alternating Current	L.....	Liter
ADE.....	Advanced Design Electronics	LB(LBS).....	Pounds
AG.....	Agricultural	LCD.....	Liquid Crystal Display
ANSI.....	American National Standards Institute	LED.....	Light Emitting Diodes
AR.....	As Required	LH.....	Left Hand
ASSY.....	Assembly	LRC.....	Low Rated Countries
AUS.....	Australia	LSS.....	Load Sensing System
AUX.....	Auxiliary	M(m).....	Metric/Meter
AWG.....	American Wire Gauge	MM(mm).....	Milimeter
B/M.....	Bill of Material	mA.....	Miliamps
CAC.....	Charge Air Cooler	NLA.....	No Longer Available
CE.....	European Conformity	NPT.....	National Pipe Threads
CCW.....	Counter Clockwise	NSS.....	Not Sold Separately
CM.....	Centimeter	OD.....	Outside Diameter
CW.....	Clockwise	ORB.....	O-Ring Boss
CSA.....	Canadian Standards Association	ORFS.....	O-Ring Face Seal
CYL.....	Cylinder	OZ (oz).....	Ounces
DIA.....	Diameter	PG.....	Page
DC.....	Direct Current	PN.....	Part Number
DEF.....	Diesel Exhaust Fluid	QT(qt.).....	Quarts
EMS.....	Emergency Stop	QTY.....	Quantity
ENG.....	Engine	REF.....	Reference
FT(ft).....	Feet	REV.....	Revision Level
GA(Ga).....	Gauge	RH.....	Right Hand
HRC.....	High Rated Countries	SAE.....	Society of Automotive Engineers
HVAC.....	Heating, Ventilating, and Air Conditioning	SN.....	Serial Number
HYD.....	Hydraulic	SPEC(S).....	Specifications
Hz.....	Hertz	T/T.....	Turntable
ID.....	Inside Diameter	UGM.....	Universal Ground Module
IN.....	inches	V.....	Volts
ISO.....	International Organization for Standards	W.....	Watts
JIC.....	Joint Industry Council	#.....	Number
KG.....	Kilogram		

10) ILLUSTRATION REFERENCE LETTERS

When necessary, illustrations may contain reference letters that are intended to track information (i. e. hoses, harnesses) from one point to another or to track visual enlargement of components to show details that may be located in another area on the illustration.

Note: Due to continuous product improvements, JLG Industries, Inc. reserves the right to make specification changes without prior notification. Contact JLG Industries, Inc. for updated information.

TABLE OF CONTENTS

SECTION 1 - FRAME.....	13
FIGURE 1-1. STEERING INSTALLATION	14
FIGURE 1-2. OSCILLATING AXLE INSTALLATION.....	16
FIGURE 1-3. DRIVE VALVES INSTALLATION.....	18
FIGURE 1-4. FLOW DIVIDER VALVE ASSEMBLY	20
FIGURE 1-5. DRIVE INSTALLATION.....	22
FIGURE 1-6. DRIVE MOTOR ASSEMBLY	24
FIGURE 1-7. DRIVE HUB/BRAKE ASSEMBLY	26
FIGURE 1-8. TIRE AND WHEEL INSTALLATION - 7X18 SOLID CUSHION	30
FIGURE 1-9. TIRE AND WHEEL INSTALLATION - 7X18 SOLID CUSHION NON-MARKING.....	32
FIGURE 1-10. TIRE AND WHEEL INSTALLATION - 9X20 FOAM-FILLED.....	34
FIGURE 1-11. TIRE AND WHEEL INSTALLATION - 9X20 FOAM-FILLED NON-MARKING	36
FIGURE 1-12. TIRE AND WHEEL INSTALLATION - 33 X 12LL500 TURF/SAND FOAM FILLED.....	38
FIGURE 1-13. FRAME SHIELDS INSTALLATION.....	40
FIGURE 1-14. LP TANK ASSEMBLY.....	42
SECTION 2 - TURNTABLE.....	45
FIGURE 2-1. CONTROL VALVE AND CHARGE FILTER INSTALLATION	46
FIGURE 2-2. MAIN CONTROL VALVE ASSEMBLY.....	48
FIGURE 2-3. SWING DRIVE INSTALLATION (JING WEI)	50
FIGURE 2-4. SWING MOTOR ASSEMBLY	52
FIGURE 2-5. SWING BEARING ASSEMBLY	54
FIGURE 2-6. TANK INSTALLATION (DIESEL MACHINES).....	56
FIGURE 2-7. TANK INSTALLATION (GAS MACHINES)	58
FIGURE 2-8. HYDRAULIC TANK ASSEMBLY.....	60
FIGURE 2-9. FUEL TANK ASSEMBLY (DIESEL MACHINES).....	62
FIGURE 2-10. FUEL TANK ASSEMBLY (GAS MACHINES)	64
FIGURE 2-11. ELECTRICAL COMPONENTS INSTALLATION (ALL SPECS EXCEPT CE & UK CA).....	66
FIGURE 2-12. ELECTRICAL COMPONENTS INSTALLATION (CE & UK CA SPEC).....	68
FIGURE 2-13. GROUND CONTROL BOX ASSEMBLY - DISPLAY WITH BUTTONS (ALL SPECS EXCEPT CE & UK CA SPECS)	70
FIGURE 2-14. GROUND CONTROL BOX ASSEMBLY - DISPLAY WITHOUT BUTTONS (ALL SPECS EXCEPT CE & UK CA SPECS)	72
FIGURE 2-15. GROUND CONTROL BOX ASSEMBLY - DISPLAY WITH BUTTONS (CE & UK CA SPECS).....	74
FIGURE 2-16. GROUND CONTROL BOX ASSEMBLY - DISPLAY WITHOUT BUTTONS (CE & UK CA SPECS)	76
FIGURE 2-17. LIGHT PANEL INSTALLATION	78
FIGURE 2-18. KEY SWITCH INSTALLATION	80
FIGURE 2-19. BATTERY INSTALLATION	82
FIGURE 2-20. WHITE NOISE ALARM INSTALLATION (AMBIENT)	84
FIGURE 2-21. WHITE NOISE ALARM INSTALLATION (CONSTANT).....	86
FIGURE 2-22. STROBE LIGHT INSTALLATION (AMBER)	88
FIGURE 2-23. STROBE LIGHT INSTALLATION (BLUE) (OPTIONAL)	90
FIGURE 2-24. STROBE LIGHT INSTALLATION (RED) (OPTIONAL)	92
FIGURE 2-25. GATEWAY INSTALLATION.....	94
FIGURE 2-26. NO BEACON INSTALLATION	96

TABLE OF CONTENTS

FIGURE 2-27. TURNTABLE FLOODLIGHT INSTALLATION (OPTIONAL).....	98
FIGURE 2-28. HEAD AND TAIL LIGHT INSTALLATION (OPTIONAL)	100
FIGURE 2-29. HOODS INSTALLATION	102
FIGURE 2-30. HOODS INSTALLATION (SN 0300297926 to Present).....	106
FIGURE 2-31. ENGINE SIDE HOOD ASSEMBLY.....	110
FIGURE 2-32. TANK SIDE HOOD ASSEMBLY.....	112
FIGURE 2-33. HOOD COMPONENTS - KUBOTA ENGINE (WITHOUT ARCTIC PACKAGE)	114
FIGURE 2-34. HOOD COMPONENTS - KUBOTA ENGINE (WITH ARCTIC PACKAGE).....	116
FIGURE 2-35. HOOD COMPONENTS - KUBOTA ENGINE WITH 4000W GENERATOR (WITHOUT ARCTIC PACKAGE)	118
FIGURE 2-36. HOOD COMPONENTS - KUBOTA ENGINE WITH 4000W GENERATOR (WITH ARCTIC PACKAGE).....	120
FIGURE 2-37. HOOD COMPONENTS - GM ENGINE (WITHOUT ARCTIC PACKAGE)	122
FIGURE 2-38. HOOD COMPONENTS - GM ENGINE (WITH ARCTIC PACKAGE)	124
SECTION 3 - ENGINE	127
FIGURE 3-1. GM ENGINE INSTALLATION (WITHOUT ARCTIC PACKAGE)	128
FIGURE 3-2. GM ENGINE INSTALLATION (WITH ARCTIC PACKAGE).....	130
FIGURE 3-3. GM ENGINE AND PUMP SUB-ASSEMBLY	132
FIGURE 3-4. GM ENGINE ASSEMBLY.....	134
FIGURE 3-5. KUBOTA ENGINE INSTALLATION (WITHOUT ARCTIC PACKAGE)	138
FIGURE 3-6. KUBOTA ENGINE INSTALLATION WITH 4000W GENERATOR (WITHOUT ARCTIC PACKAGE)	142
FIGURE 3-7. KUBOTA ENGINE INSTALLATION (WITH ARCTIC PACKAGE).....	146
FIGURE 3-8. KUBOTA ENGINE INSTALLATION WITH 4000W GENERATOR (WITH ARCTIC PACKAGE).....	150
FIGURE 3-9. KUBOTA ENGINE AND PUMP SUB-ASSEMBLY	154
FIGURE 3-10. KUBOTA ENGINE WITH 4000W GENERATOR AND PUMP SUB-ASSEMBLY	156
FIGURE 3-11. KUBOTA ENGINE ASSEMBLY.....	158
FIGURE 3-12. KUBOTA ENGINE ASSEMBLY WITH 4000W GENERATOR.....	162
FIGURE 3-13. KUBOTA ENGINE COMPONENTS	168
FIGURE 3-14. QUICKFIT OIL DRAIN INSTALLATION (KUBOTA 2.5L DF) (SN 0300297926 to Present)	172
FIGURE 3-15. CATALYTIC MUFFLER INSTALLATION - KUBOTA ENGINE (OPTIONAL).....	174
FIGURE 3-16. FUEL/WATER SEPARATOR ASSEMBLY (KUBOTAT ENGNIES) (PVC2007)	176
FIGURE 3-17. AXIAL PUMP ASSEMBLY.....	178
FIGURE 3-18. GEAR PUMP ASSEMBLY.....	182
FIGURE 3-19. 2800W GENERATOR INSTALLATION - GM ENGINE MACHINES 220V/50HZ GENERATOR (ANSI EXPORT AND CHINA SPECS)	184
FIGURE 3-20. 2800W GENERATOR INSTALLATION - KUBOTA ENGINE MACHINES 120V/50HZ GENERATOR	188
FIGURE 3-21. 2800W GENERATOR INSTALLATION - KUBOTA ENGINE MACHINES 220V/50HZ GENERATOR (ANSI EXPORT, AUSTRALIAN, CHINA, CE & UK CA SPECS)	192
FIGURE 3-22. 3500W GENERATOR INSTALLATION - GM ENGINE MACHINES 120V/60HZ GENERATOR (ANSI, ANSI EXPORT, CHINA, CSA AND JAPANESE SPECS).....	196
FIGURE 3-23. 3500W GENERATOR INSTALLATION - GM ENGINE MACHINES 220V/60HZ GENERATOR (ANSI EXPORT, CHINA AND CSA SPECS).....	200
FIGURE 3-24. 3500W GENERATOR INSTALLATION - KUBOTA ENGINE MACHINES 120V/60HZ GENERATOR (ANSI, ANSI EXPORT, CHINA, CSA AND JAPANESE SPECS).....	204
FIGURE 3-25. 3500W GENERATOR INSTALLATION - KUBOTA ENGINE MACHINES 220V/60HZ GENERATOR (ANSI EXPORT, CHINA AND CSA SPECS)	208
FIGURE 3-26. 4000W GENERATOR INSTALLATION - KUBOTA ENGINE MACHINES 220V/50HZ GENERATOR (ANSI EXPORT, AUSTRALIAN, CHINA, JAPANESE, CE & UK CA SPECS).....	212

TABLE OF CONTENTS

FIGURE 3-27. 4000W GENERATOR INSTALLATION - KUBOTA ENGINE MACHINES 110V/60HZ GENERATOR (ANSI, ANSI EXPORT, CHINA, CSA AND JAPANESE SPECS).....	216
SECTION 4 - BOOM.....	219
FIGURE 4-1. BOOM AND CYLINDERS INSTALLATION - WITHOUT ARCTIC PACKAGE	220
FIGURE 4-2. BOOM AND CYLINDERS INSTALLATION - WITH ARCTIC PACKAGE.....	222
FIGURE 4-3. TOWER BOOM ASSEMBLY	224
FIGURE 4-4. MAIN BOOM ASSEMBLY.....	226
FIGURE 4-5. JIB ASSEMBLY - WITHOUT ARCTIC PACKAGE	228
FIGURE 4-6. JIB ASSEMBLY - WITH ARCTIC PACKAGE.....	230
FIGURE 4-7. PLATFORM ROTATOR ASSEMBLY - WITHOUT ARCTIC PACKAGE	232
FIGURE 4-8. PLATFORM ROTATOR ASSEMBLY - WITH ARCTIC PACKAGE.....	234
FIGURE 4-9. PLATFORM SUPPORT INSTALLATION - WITH 1 CELL LSS (PVC 2001)	236
FIGURE 4-10. PLATFORM SUPPORT INSTALLATION - WITH 1 CELL LSS (PVC 2007)	238
FIGURE 4-11. POWER TRACK INSTALLATION.....	240
FIGURE 4-12. CONTROL VALVES INSTALLATION - BOOM.....	242
FIGURE 4-13. FLY BOOM VALVE ASSEMBLY.....	244
FIGURE 4-14. BOOM UPRIGHT VALVE ASSEMBLY	246
SECTION 5 - PLATFORM.....	249
FIGURE 5-1. PLATFORM ASSEMBLY - 30IN X 4FT (76CM X 1.22M) - GATE ENTRY.....	250
FIGURE 5-2. PLATFORM ASSEMBLY - 30IN X 5FT (76CM X 1.52M) - GATE ENTRY.....	252
FIGURE 5-3. PLATFORM ASSEMBLY - 30IN X 4FT (76CM X 1.22M) - DROP BAR ENTRY.....	254
FIGURE 5-4. PLATFORM ASSEMBLY - 30IN X 5FT (76CM X 1.52M) - DROP BAR ENTRY.....	256
FIGURE 5-5. PLATFORM ASSEMBLY - 30IN X 3FT (76CM X .91M) - DROP BAR ENTRY.....	258
FIGURE 5-6. TRAY INSTALLATION.....	260
FIGURE 5-7. CONSOLE AND FOOTSWITCH INSTALLATION - DIESEL MACHINES.....	262
FIGURE 5-8. CONSOLE AND FOOTSWITCH INSTALLATION - GAS MACHINES.....	264
FIGURE 5-9. CONSOLE ASSEMBLY	266
FIGURE 5-10. CONSOLE ASSEMBLY	270
FIGURE 5-11. LIGHT PANEL INSTALLATION	274
FIGURE 5-12. FOOTSWITCH ASSEMBLY.....	276
FIGURE 5-13. USB CHARGER INSTALLATION	278
FIGURE 5-14. SKYEYE INSTALLATION	280
FIGURE 5-15. SKYGUARD BAR INSTALLATION	282
FIGURE 5-16. SKYLINE INSTALLATION	284
FIGURE 5-17. WORKLIGHTS INSTALLATION (OPTIONAL).....	286
SECTION 6 - CYLINDER.....	289
FIGURE 6-1. AXLE LOCKOUT CYLINDER ASSEMBLY	290
FIGURE 6-2. LEVEL (PLATFORM SLAVE) CYLINDER ASSEMBLY	292
FIGURE 6-3. LIFT (JIB) CYLINDER ASSEMBLY.....	294
FIGURE 6-4. LIFT (MAIN BOOM) CYLINDER ASSEMBLY	296
FIGURE 6-5. LIFT (TOWER BOOM) CYLINDER ASSEMBLY.....	298
FIGURE 6-6. MASTER CYLINDER ASSEMBLY.....	300
FIGURE 6-7. STEER CYLINDER ASSEMBLY.....	302
FIGURE 6-8. TELESCOPE CYLINDER ASSEMBLY	304

TABLE OF CONTENTS

SECTION 7 - HYDRAULIC	307
FIGURE 7-1. HYDRAULIC INSTALLATION - WITHOUT ARCTIC PACKAGE	308
FIGURE 7-2. HYDRAULIC INSTALLATION - WITH ARCTIC PACKAGE.....	318
SECTION 8 - ELECTRICAL.....	329
FIGURE 8-1. AC BOX AT PLATFORM INSTALLATION - LOCALLY SUPPLIED COMPONENTS (ANSI EXPORT, AUSTRALIAN AND CHINA SPECS)	330
FIGURE 8-2. AC BOX AT PLATFORM INSTALLATION - LOCALLY SUPPLIED (CE & UK CA SPEC)	332
FIGURE 8-3. AC BOX AT PLATFORM INSTALLATION - 110V (ANSI, ANSI EXPORT, CHINA, CSA AND JAPANESE SPECS)	334
FIGURE 8-4. AC BOX AT PLATFORM INSTALLATION - 110V IEC YELLOW WITHOUT 4000W GENERATOR (CE & UK CA SPEC)	336
FIGURE 8-5. AC BOX AT PLATFORM INSTALLATION - 110V IEC YELLOW WITH 4000W GENERATOR (CE & UK CA SPECS)	338
FIGURE 8-6. AC BOX AT PLATFORM INSTALLATION - 220V (CSA SPEC).....	340
FIGURE 8-7. AC BOX AT PLATFORM INSTALLATION - 220V IEC BLUE WITHOUT 4000W GENERATOR (CE & UK CA SPEC)	342
FIGURE 8-8. AC BOX AT PLATFORM INSTALLATION - 220V IEC BLUE WITH 4000W GENERATOR (CE & UK CA SPECS)	344
FIGURE 8-9. AC BOX AT PLATFORM INSTALLATION - 220V CEE7 POST GROUND 2 X 4 BOX WITHOUT 4000W GENERATOR (CE & UK CA SPEC)	346
FIGURE 8-10. AC BOX AT PLATFORM INSTALLATION - 220V CEE7 POST GROUND 2 X 4 BOX WITH 4000W GENERATOR (CE & UK CA SPECS)	348
FIGURE 8-11. AC BOX AT PLATFORM INSTALLATION - 220V CEE7 SIDE GROUND 2 X 4 BOX WITHOUT 4000W GENERATOR (CE & UK CA SPEC)	350
FIGURE 8-12. AC BOX AT PLATFORM INSTALLATION - 220V CEE7 SIDE GROUND 2 X 4 BOX WITH 4000W GENERATOR (CE & UK CA SPECS)	352
FIGURE 8-13. AC BOX AT PLATFORM INSTALLATION - 220V AFSINT 107 KEYED GROUND WITHOUT 4000W GENERATOR (CE & UK CA SPEC)	354
FIGURE 8-14. AC BOX AT PLATFORM INSTALLATION - 220V AFSINT 107 KEYED GROUND WITH 4000W GENERATOR (CE & UK CA SPECS).....	356
FIGURE 8-15. AC BOX AT PLATFORM INSTALLATION - BOX WITH COVER WITH 4000W GENERATOR (ANSI EXPORT, AUSTRALIAN, CHINA AND JAPANESE SPECS)	358
FIGURE 8-16. AC POWER TO PLATFORM CABLE - MAIN BOOM (WITHOUT ARCTIC PACKAGE) (50HZ)	360
FIGURE 8-17. AC POWER TO PLATFORM CABLE - MAIN BOOM (WITH ARCTIC PACKAGE) (50HZ).....	362
FIGURE 8-18. AC POWER TO PLATFORM CABLE - MAIN BOOM (60HZ).....	364
FIGURE 8-19. AC POWER TO PLATFORM CABLE - TOWER BOOM (WITHOUT ARCTIC PACKAGE) (50HZ).....	366
FIGURE 8-20. AC POWER TO PLATFORM CABLE - TOWER BOOM (WITH ARCTIC PACKAGE) (50HZ)	368
FIGURE 8-21. AC POWER TO PLATFORM CABLE - TOWER BOOM (60HZ)	370
FIGURE 8-22. BATTERY DISCONNECT SWITCH	372
FIGURE 8-23. BOOM CABLES, HARNESSES AND CLAMPS INSTALLATION - WITHOUT ARCTIC PACKAGE	374
FIGURE 8-24. BOOM CABLES, HARNESSES AND CLAMPS INSTALLATION - WITH ARCTIC PACKAGE	378
FIGURE 8-25. BOOM CABLES AND CLAMPS INSTALLATION - 4000W, 50HZ - WITHOUT ARCTIC PACKAGE	382
FIGURE 8-26. BOOM CABLES AND CLAMPS INSTALLATION - 4000W, 50HZ - WITH ARCTIC PACKAGE.....	386
FIGURE 8-27. BOOM CABLES AND CLAMPS INSTALLATION - 4000W, 60HZ - WITHOUT ARCTIC PACKAGE	390
FIGURE 8-28. BOOM CABLES AND CLAMPS INSTALLATION - 4000W, 60HZ - WITH ARCTIC PACKAGE.....	394
FIGURE 8-29. BOOM HARNESS - LIMIT SWITCHES AND UPRIGHT VALVE	398
FIGURE 8-30. BOOM HARNESS - MAIN	400
FIGURE 8-31. BREAKER BOX INSTALLATION	402
FIGURE 8-32. BREAKER BOX KIT (CE & UK CA SPEC).....	404

TABLE OF CONTENTS

FIGURE 8-33. CHASSIS HARNESS ASSEMBLY	406
FIGURE 8-34. CHASSIS LIGHT HARNESS	410
FIGURE 8-35. CLEARSKY INSTALLATION	412
FIGURE 8-36. ENGINE HARNESS - KUBOTA ENGINE	414
FIGURE 8-37. FUEL PUMP HARNESS - GM ENGINES	416
FIGURE 8-38. GENERATOR HARNESS - 2500W.....	418
FIGURE 8-39. GENERATOR HARNESS - 4000W.....	420
FIGURE 8-40. GENERATOR CONTROL HARNESS - 4000W	422
FIGURE 8-41. GENERATOR TO AC PLUG HARNESS - 2800W GENERATOR 220/50HZ (ANSI EXPORT, AUSTRALIAN, CHINA, CE & UK CA SPECS).....	424
FIGURE 8-42. GENERATOR TO AC PLUG HARNESS - 2800W GENERATOR 110/50HZ (CE & UK CA SPECS ONLY)	426
FIGURE 8-43. GENERATOR TO AC PLUG HARNESS - 2800W GENERATOR 220/50HZ (ANSI EXPORT, AUSTRALIAN, CHINA, CE & UK CA SPECS).....	428
FIGURE 8-44. GENERATOR TO AC PLUG HARNESS - 3500W GENERATOR 220/60HZ (ANSI EXPORT, CHINA AND CSA SPECS)	430
FIGURE 8-45. GENERATOR TO AC PLUG HARNESS - 3500W GENERATOR 110/60HZ (ANSI, ANSI EXPORT, CHINA, CSA AND JAPANESE SPECS).....	432
FIGURE 8-46. GENERATOR TO AC PLUG HARNESS - 3500W GENERATOR 220/60HZ (ANSI EXPORT, CHINA AND CSA SPECS)	434
FIGURE 8-47. GROUND TO PLATFORM CABLE - MAIN BOOM (WITHOUT ARCTIC PACKAGE)	436
FIGURE 8-48. GROUND TO PLATFORM CABLE - MAIN BOOM (WITH ARCTIC PACKAGE).....	438
FIGURE 8-49. GROUND TO PLATFORM CABLE - TOWER BOOM (WITHOUT ARCTIC PACKAGE).....	440
FIGURE 8-50. GROUND TO PLATFORM CABLE - TOWER BOOM (WITH ARCTIC PACKAGE).....	442
FIGURE 8-51. GROUND CONTROL HARNESS	444
FIGURE 8-52. GENERATOR TO PLATFORM HARNESS.....	448
FIGURE 8-53. LIMIT SWITCH HARNESS	450
FIGURE 8-54. LSS HARNESS.....	452
FIGURE 8-55. MID ENGINE HARNESS	454
FIGURE 8-56. PLATFORM BOX HARNESS.....	458
FIGURE 8-57. RECEPTACLE BOX KIT - 110V IEC YELLOW (CE & UK CA SPEC)	460
FIGURE 8-58. RECEPTACLE BOX KIT - 220V IEC BLUE (CE & UK CA SPEC).....	462
FIGURE 8-59. RECEPTACLE BOX KIT - 220V CEE7 POST GROUND 70MM X 70MM BOX (CE & UK CA SPEC).....	464
FIGURE 8-60. RECEPTACLE BOX KIT - 220V CEE7 SIDE GROUND 70MM X 70MM BOX (CE & UK CA SPEC).....	466
FIGURE 8-61. RECEPTACLE BOX KIT - 220V CEE7 POST GROUND 2IN X 4IN BOX (CE & UK CA SPEC)	468
FIGURE 8-62. RECEPTACLE BOX KIT - 220V CEE7 SIDE GROUND 2IN X 4IN BOX (CE & UK CA SPEC).....	470
FIGURE 8-63. RECEPTACLE BOX KIT - 220V AFSINT 107 (CE & UK CA SPEC).....	472
FIGURE 8-64. RECEPTACLE INSTALLATION - 12V	474
FIGURE 8-65. SKYEYE EMITTER HARNESS.....	476
FIGURE 8-66. SKYEYE INTERMEDIATE HARNESS.....	478
FIGURE 8-67. SKYEYE RECEIVER HARNESS	480
FIGURE 8-68. SKYLINE HARNESS.....	482
FIGURE 8-69. STROBE LIGHT JUMPER HARNESS	484
FIGURE 8-70. STROBE LIGHT CONTROL (BLUE STROBE LIGHT)	486
FIGURE 8-71. STROBE LIGHT EXTENSION HARNESS (BLUE STROBE LIGHT ONLY)	488
FIGURE 8-72. VALVE HARNESS - BOOM VALVE.....	490
FIGURE 8-73. VALVE HARNESS	492
FIGURE 8-74. TILT SENSOR HARNESS	494

TABLE OF CONTENTS

SECTION 9 - DECALS	497
FIGURE 9-1. DECALS INSTALLATION - ANSI AND ANSI EXPORT SPECS (ENGLISH).....	498
FIGURE 9-2. DECALS INSTALLATION - AUSTRALIAN SPEC (ENGLISH)	500
FIGURE 9-3. DECALS INSTALLATION - BRAZIL SPEC (PORTUGUESE/SPANISH)	502
FIGURE 9-4. DECALS INSTALLATION - CE & UK CA SPECS (ENGLISH)	504
FIGURE 9-5. DECALS INSTALLATION - CHINESE SPEC (CHINESE/ENGLISH)	506
FIGURE 9-6. DECALS INSTALLATION - CSA SPEC (FRENCH/ENGLISH).....	508
FIGURE 9-7. DECALS INSTALLATION - JAPANESE SPEC (JAPANESE)	510
FIGURE 9-8. DECALS INSTALLATION - KOREAN SPEC (KOREAN/ENGLISH).....	512
FIGURE 9-9. DECALS INSTALLATION - LATIN AMERICA SPEC (SPANISH/ENGLISH).....	514
FIGURE 9-10. OPTIONAL DECALS INSTALLATION.....	516
SECTION 10 - RECOMMENDED SERVICE PARTS STOCK	519
FIGURE 10-1. RECOMMEDED SERVICE PARTS STOCK	520
SECTION 11 - SPECIAL OPTIONS/ACCESSORIES/KITS	523
FIGURE 11-1. SPECIAL OPTIONS/ACCESSORIES/KITS.....	524
PART NUMBER INDEX.....	527

SECTION 1 - FRAME

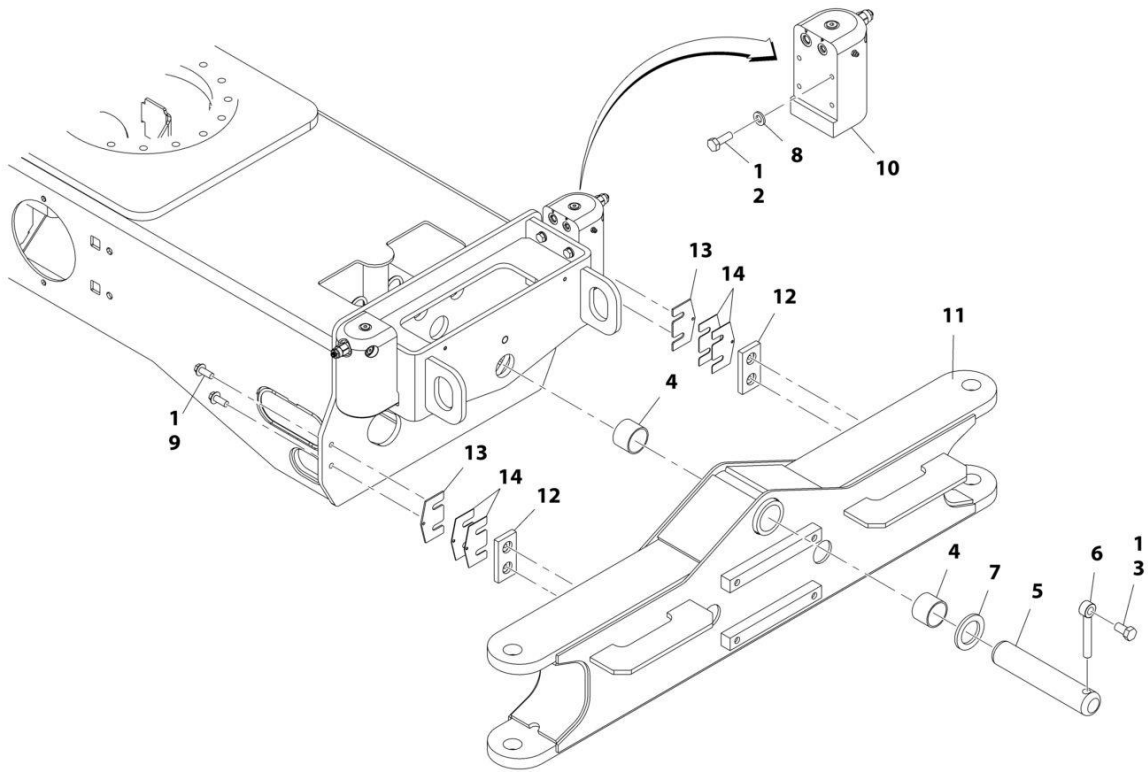
SECTION 1 - FRAME

FIGURE 1-1. STEERING INSTALLATION

ITEM	PART NUMBER	QTY	DESCRIPTION	REV
	1001115771	Ref	STEERING INSTALLATION	C
1	0100011	AR	Compound, Locking	
2	0440271	2	Thrustwasher .250	
3	0440274	2	Bearing	
4	0440291	2	Bearing	
5	0701220	4	Bolt M12 x 60	
6	0761010	20	Bolt M16 x 20	
7	0962140	2	Bushing	
9	3423081	4	Kingpin	
10	3780182	2	O-Ring	
11	3841520	4	Keeper, Pin	
12	4740086	4	Thrustwasher .0625	
13	4740537	2	Thrustwasher .625	
14	4740538	2	Thrustwasher .125	
15	4740539	2	Thrustwasher .188	
16	4740540	2	Thrustwasher .250	
17	4812100	4	Washer M12	
18	1001116788	1	Steer Cylinder Assembly (See Separate Breakdown in CYLINDER SECTION)	
19	1001116867	4	Pin, Pivot	
20	1001116871	2	Link, Tie-Rod	
21	1001117142	2	Spindle	

SECTION 1 - FRAME

FIGURE 1-2. OSCILLATING AXLE INSTALLATION



ART_1001115772

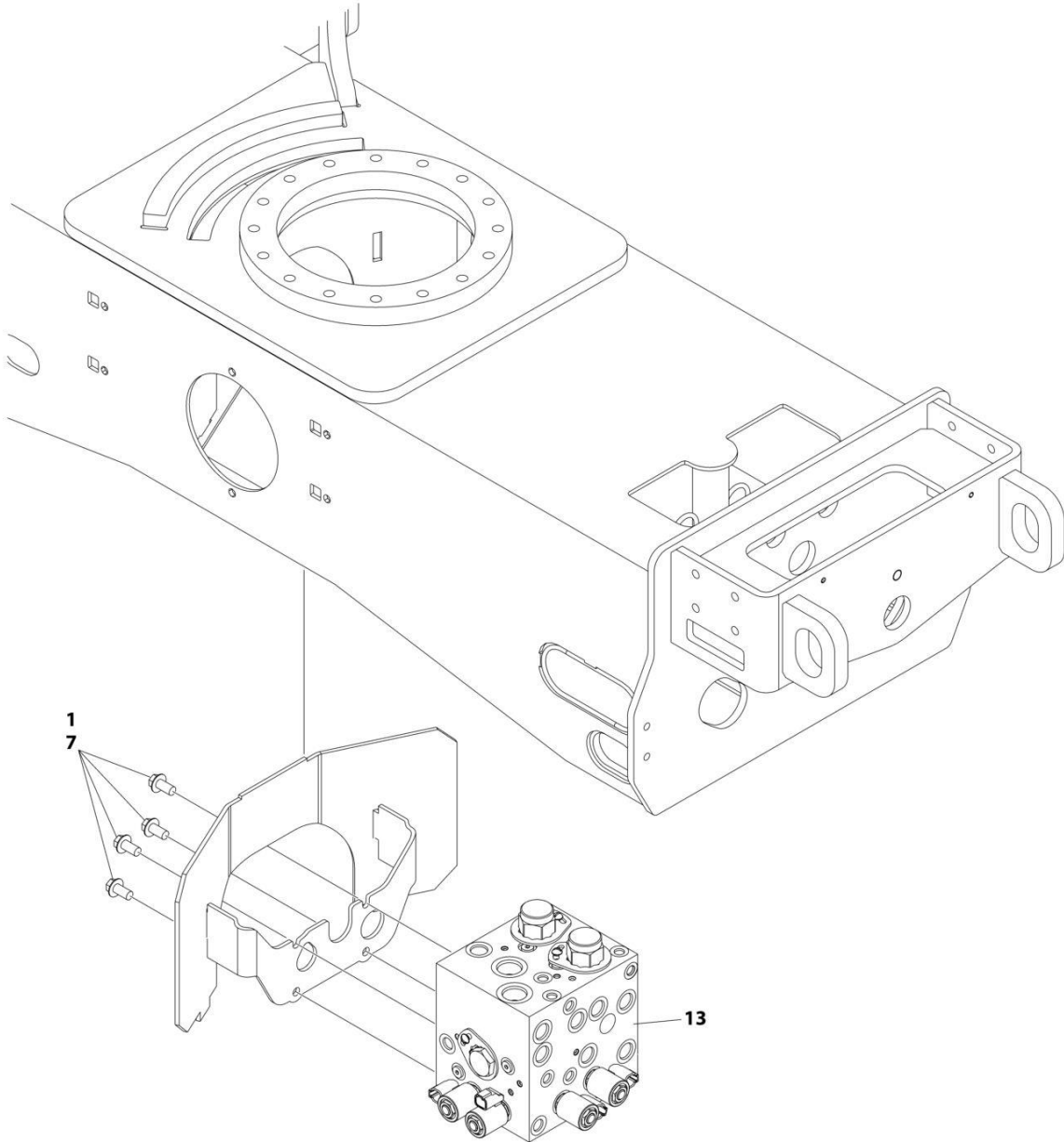
SECTION 1 - FRAME

FIGURE 1-2. OSCILLATING AXLE INSTALLATION

ITEM	PART NUMBER	QTY	DESCRIPTION	REV
	1001115772	Ref	OSCILLATING AXLE INSTALLATION	C
1	0100011	AR	Compound, Locking	
2	0761014	8	Bolt M10 x 30	
3	0761614	1	Bolt M16 x 30	
4	0961950	2	Bushing	
5	1001185030	1	Pin, Axle Pivot	
6	3841258	1	Keeper, Pin	
7	4740158	1	Thrustwasher	
8	5241000	8	Washer M10	
9	5251012	4	Bolt M10 x 25	
10	1001116361	2	Lockout Cylinder Assembly (See Separate Breakdown in CYLINDER SECTION)	
11	1001117869	1	Axle Weldment	
12	1001118511	2	Pad, Wear	
13	1001118518	2	Shim 11Ga	
14	1001118519	4	Shim 16Ga	

SECTION 1 - FRAME

FIGURE 1-3. DRIVE VALVES INSTALLATION



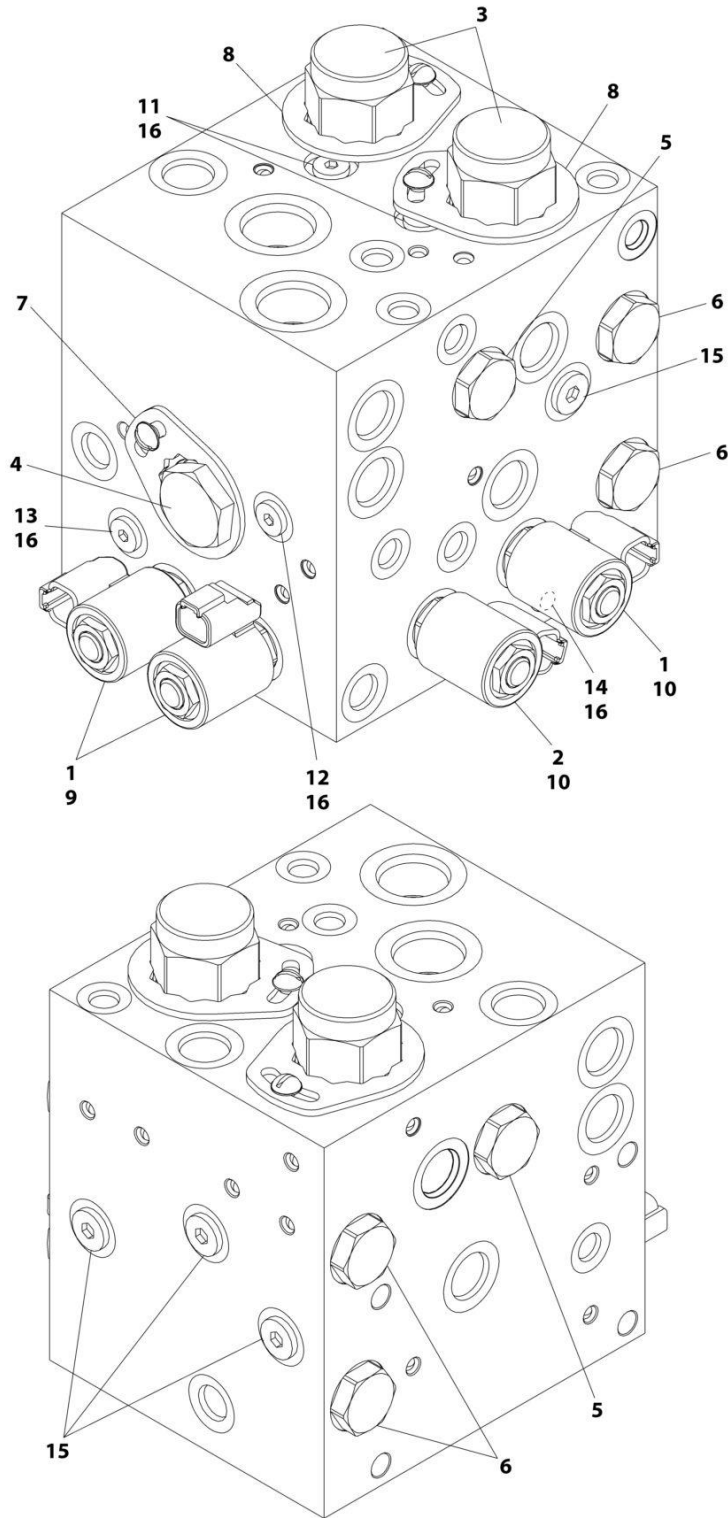
ART_1001115780_10F3

FIGURE 1-3. DRIVE VALVES INSTALLATION

ITEM	PART NUMBER	QTY	DESCRIPTION	REV
	1001115780	Ref	DRIVE VALVES INSTALLATION	G
1	0100011	AR	Compound, Locking	
7	5251010	4	Bolt M10 x 20	
13	1001118029	1	Flow Divider Valve Assembly (See Separate Breakdown in this Section)	

SECTION 1 - FRAME

FIGURE 1-4. FLOW DIVIDER VALVE ASSEMBLY



ART_1001118029

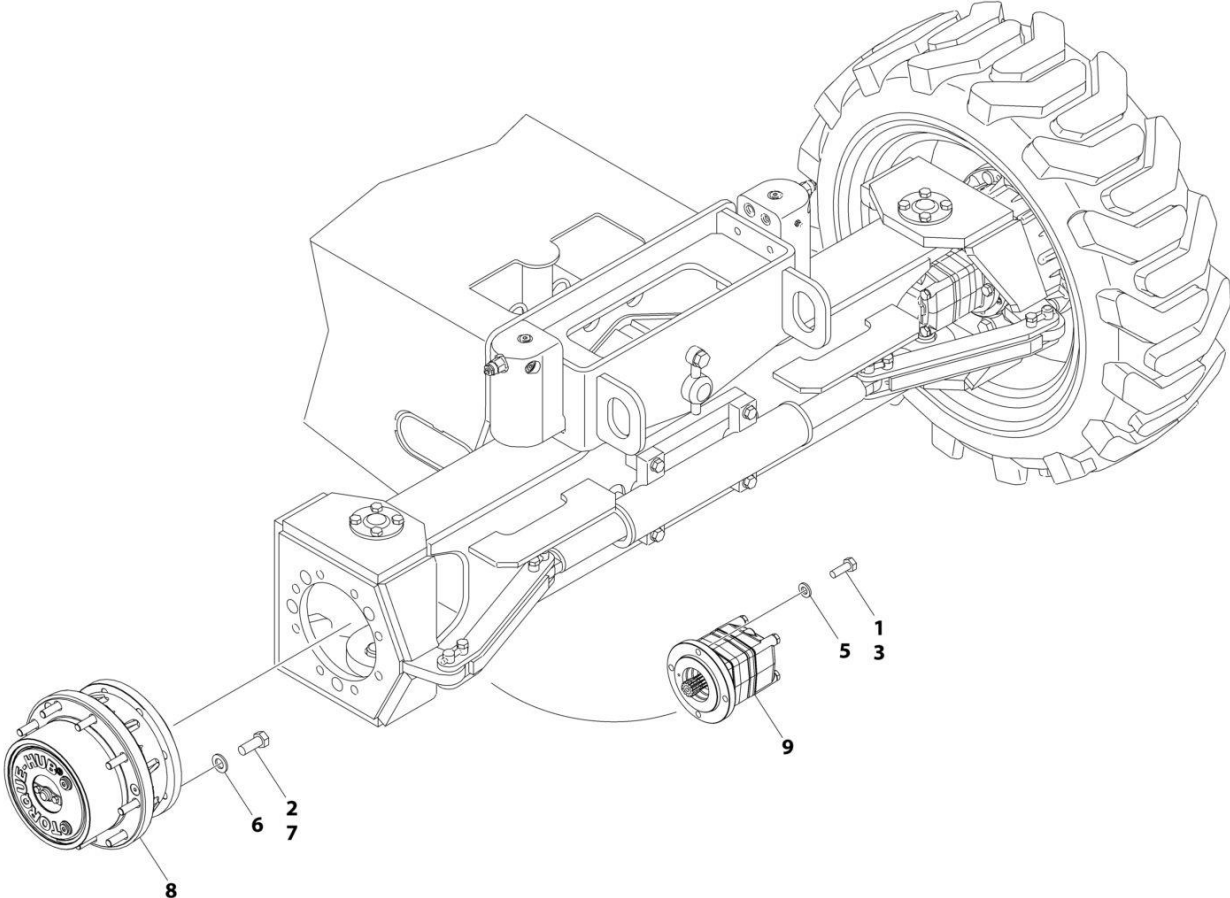
SECTION 1 - FRAME

FIGURE 1-4. FLOW DIVIDER VALVE ASSEMBLY

ITEM	PART NUMBER	QTY	DESCRIPTION	REV
	1001118029	Ref	FLOW DIVIDER VALVE ASSEMBLY	D
1	7012941	3	Valve, Solenoid Cartridge (Without Coil) (Traction, Brake and Secondary Oscillating)	
1	7010543	3	Seal Kit - 7012941 Cartridge	
2	70002955	1	Valve, Solenoid Cartridge (Without Coil) (Primary Oscillating)	
2	7012953	1	Seal Kit - 70002955 Cartridge	
3	70002956	2	Valve, Solenoid Cartridge	
3	70002957	2	Seal Kit - 70002956 Cartridge	
4	70002958	1	Valve, Flow Divider Cartridge	
4	70002959	1	Seal Kit - 70002958 Cartridge	
5	70002960	1	Valve, Flow Divider Cartridge	
5	70002978	1	Seal Kit - 70002960 Cartridge	
6	70002961	4	Valve, Check Cartridge	
6	7017496	4	Seal Kit - 70002961 Check Cartridge	
7	70002962	1	Lock Kit	
8	70000781	2	Lock Kit	
9	70002386	2	Coil	
10	70002963	2	Coil	
11	See Note	2	Orifice .031 (Note: Not Available for Purchase)	
12	See Note	1	Orifice .025 (Note: Not Available for Purchase)	
13	See Note	1	Orifice .040 (Note: Not Available for Purchase)	
14	70002063	1	Orifice .062	
15	7024844	4	Plug	
16	7017406	5	Plug	

SECTION 1 - FRAME

FIGURE 1-5. DRIVE INSTALLATION



ART_1001115770

FIGURE 1-5. DRIVE INSTALLATION

ITEM	PART NUMBER	QTY	DESCRIPTION	REV
	1001115770	Ref	WHEEL DRIVE INSTALLATION	D
1	0100011	AR	Compound, Locking	
2	0100019	AR	Compound, Locking	
3	0761015	16	Bolt M10 x 35	
3	0761014	16	Bolt M10 x 30	
5	5241000	16	Washer M10	
6	5241600	32	Washer M16	
7	1001110922	32	Bolt M16 x 40 Grade 10.9	
8	1001116793	4	Drive Hub/Brake Assembly (See Separate Breakdown in this Section)	
9	1001117030	4	Drive Motor Assembly (See Separate Breakdown in this Section)	

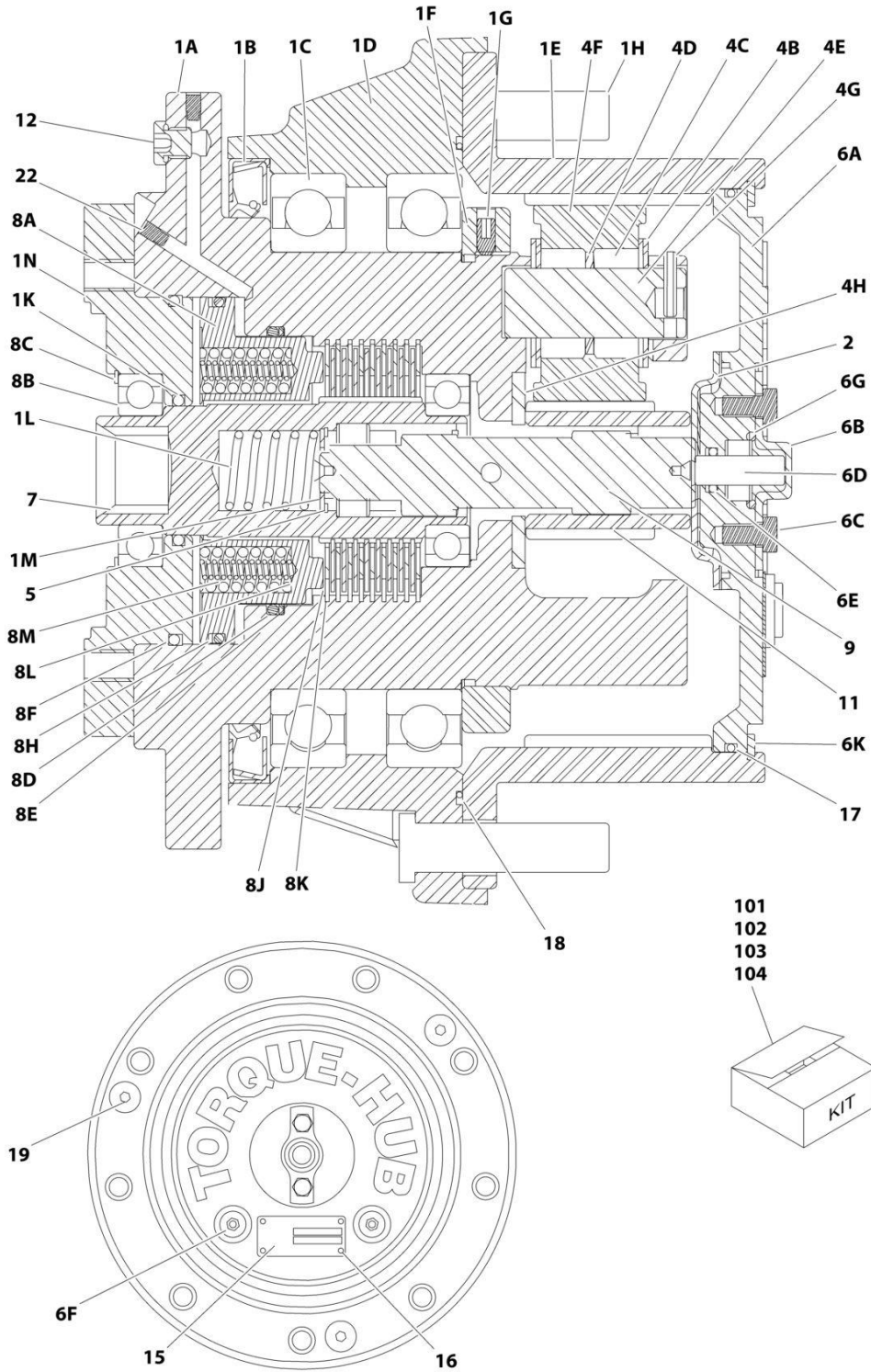
SECTION 1 - FRAME

FIGURE 1-6. DRIVE MOTOR ASSEMBLY

ITEM	PART NUMBER	QTY	DESCRIPTION	REV
	1001117030	Ref	DRIVE MOTOR ASSEMBLY	B
1	70003005	1	Plug	
2	8007941	1	Washer	
3	See Note	NSS	Flange (Note: Not Available - Purchase p/n 1001117030)	
4	70003006	1	O-Ring	
5	70003007	1	Shaft	
6	70003008	3	O-Ring	
7	70003009	1	Gear Set	
8	70003010	1	Shaft, Coupling	
9	70003011	1	Plate, Port	
10	70003012	1	Ring, Stop	
11	7027955	1	Disc, Valve	
12	7027956	1	Plate, Pressure	
13	7027957	1	Pin, Spring	
14	70003013	1	O-Ring	
15	70003014	1	O-Ring	
16	7027958	1	Spacer	
17	7027959	1	Washer, Crinkle	
18	See Note	NSS	Cover, End (Note: Not Available - Purchase p/n 1001117030)	
19	70003016	4	Screw	
20	80334555	2	Ball	
21	See Note	NSS	Nameplate (Note: Not Available for Purchase)	

SECTION 1 - FRAME

FIGURE 1-7. DRIVE HUB/BRAKE ASSEMBLY



ART_100116793

SECTION 1 - FRAME

FIGURE 1-7. DRIVE HUB/BRAKE ASSEMBLY

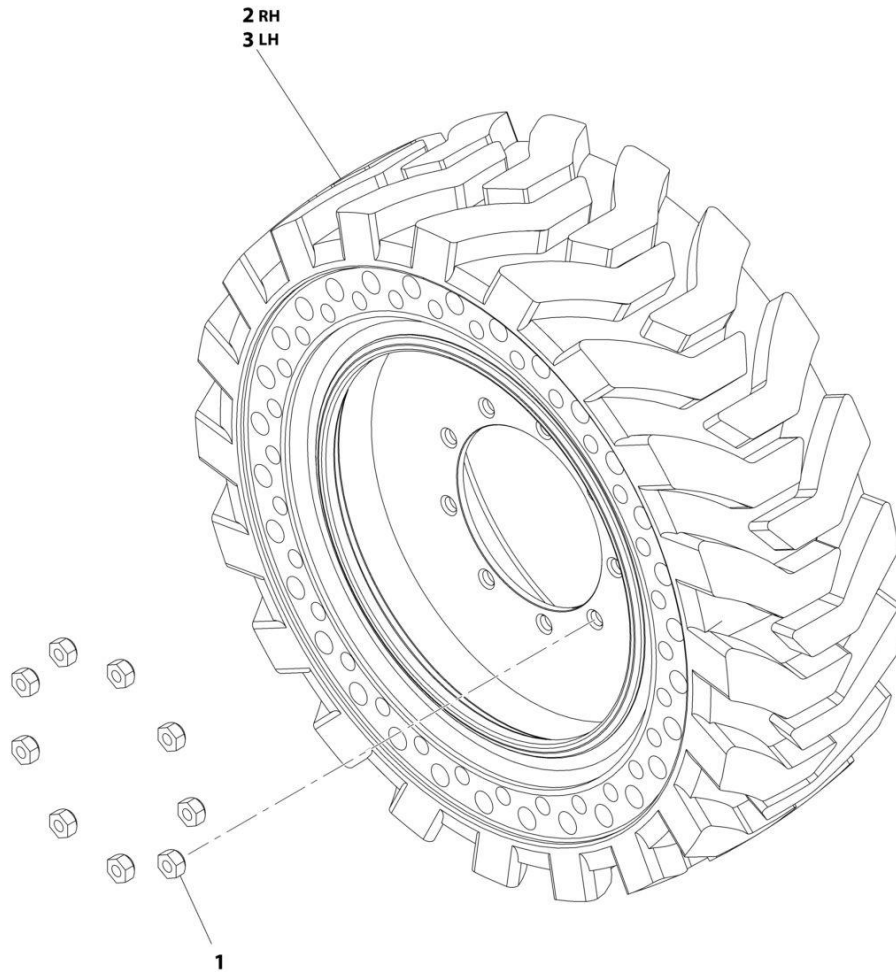
ITEM	PART NUMBER	QTY	DESCRIPTION	REV
	1001116793	Ref	DRIVE HUB/BRAKE ASSEMBLY	C
1	See Note	NLA	Spindle/Housing Assembly (Note: Not Available - Purchase Individual Components)	
1A	70002987	1	Spindle	
1B	70001119	1	Seal, Lip (Part of Item 104)	
1C	70002991	2	Bearing, Ball	
1D	See Note	NSS	Housing (Note: Use p/n 1001116793)	
1E	70002989	1	Ring Gear	
1F	70003000	1	Nut, Bearing (Part of Item 104)	
1G	70002996	2	Setscrew 1/4-28 x 1/2 (Part of Item 104)	
1H	7007640	9	Bolt, Mounting	
1K	See Note	NSS	Seal (Note: Use Item 102 or 103)	
1L	70002992	1	Spring	
1M	70002999	1	Thrustwasher	
1N	70002988	1	Adapter	
2	7024741	1	Spacer, Thrust	
4	70002983	1	Planet Gear Assembly (Includes Items 4B-4G)	
4B	See Note	NSS	Spacer, Washer (Note: Use Item 4)	
4C	See Note	NSS	Bearing (Note: Use Item 4)	
4D	See Note	NSS	Spacer (Note: Use Item 4)	
4E	See Note	NSS	Shaft, Planet (Note: Use Item 4)	
4F	See Note	NSS	Gear, Planet (Note: Use Item 4)	
4G	7001913	3	Rollpin	
4H	7024742	1	Spacer, Thrust	
5	70002995	1	Ring, Retaining	
6	70001368	1	Cover Assembly (Includes Items 6A-6G)	
6A	See Note	NSS	Cover (Note: Use Item 6)	
6B	See Note	NSS	Cap (Note: Use Item 6)	
6C	See Note	NSS	Bolt (Note: Use Item 6)	
6D	See Note	NSS	Pin (Note: Use Item 6)	
6E	See Note	NSS	Washer Seal (Note: Use Item 6)	
6F	See Note	NSS	Plug (Note: Not Available for Purchase)	
6G	See Note	NSS	Retainer (Note: Use Item 6)	
6K	7024738	1	Ring, Retaining	
7	70002985	1	Coupling	
8	See Note	NLA	Brake Assembly (Includes Items 8A-8M) (Note: Not Available - Purchase Individual Components)	
8A	70002993	1	Piston, Brake	
8B	70002990	2	Bearing, Ball	
8C	70002994	1	Ring, Retaining	
8D	See Note	NSS	O-Ring (Note: Use Item 103)	
8E	See Note	NSS	Ring, Back-up (Note: Use Item 103)	
8F	See Note	NSS	O-Ring (Note: Use Item 102 or 103)	
8H	See Note	NSS	Ring, Back-up (Note: Use Item 103)	
8J	See Note	NSS	Disc, Brake Reaction (Note: Use Item 101)	
8K	See Note	NSS	Disc, Brake Friction (Note: Use Item 101)	
8L	See Note	NSS	Spring (Note: Use Item 102)	
8M	See Note	NSS	Spring (Note: Use Item 102)	
9	70002984	1	Shaft, Input	
11	70002986	1	Gear, Sun	

SECTION 1 - FRAME

ITEM	PART NUMBER	QTY	DESCRIPTION	REV
12	70002998	1	Plug, Pipe	
15	See Note	NSS	Nameplate (Note: Not Available for Purchase)	
16	7000281	2	Drivescrew	
17	7024134	1	O-Ring (Part of Item 104)	
18	70002997	1	O-Ring (Part of Item 104)	
19	7017022	NSS	Capscrew 3/8-16 (Part of Item 104)	
21	See Note	8	Capscrew 3/8-16 x 7/8 Grade 8 (Note: Use Item 102 or 103)	
22	7024108	2	Plug, Pressure	
101	70002980	1	Brake Disc Kit (Includes Items 8J & 8K)	
102	70002982	1	Brake Spring Kit (Includes Items 1K, 8F, 8L, 8M & 21)	
103	70002981	1	Brake Seal Kit (Includes Items 1K, 8D, 8E, 8F, 8H & 21)	
104	7024744	1	Hub Seal Kit (Includes Items 1B, 1F, 1G & 17-19)	

SECTION 1 - FRAME

FIGURE 1-8. TIRE AND WHEEL INSTALLATION - 7X18 SOLID CUSHION



ART_100118641

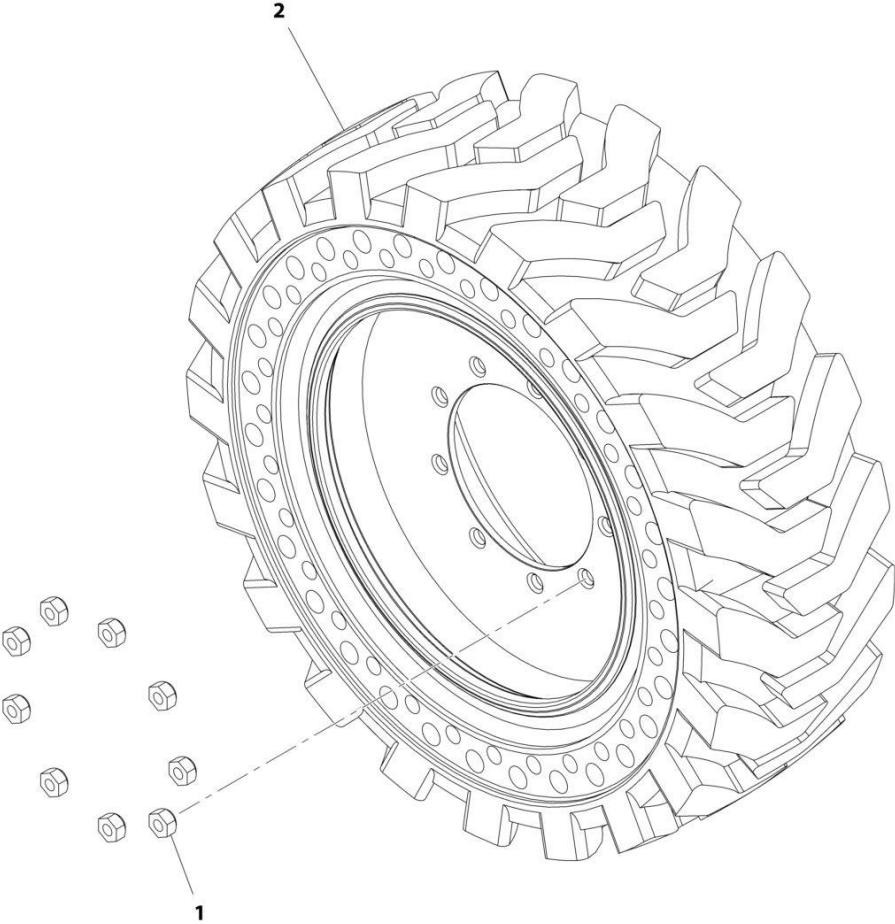
SECTION 1 - FRAME

FIGURE 1-8. TIRE AND WHEEL INSTALLATION - 7X18 SOLID CUSHION

ITEM	PART NUMBER	QTY	DESCRIPTION	REV
	1001118641	Ref	TIRE AND WHEEL INSTALLATION - 7X18 SOLID	C
		Ref	Note: Due to critical stability weights, only replace tire and wheel assemblies with like components.	
1	3300106	36	Lugnut (9 per Wheel)	
2	1001118649	2	Tire and Wheel Assembly - 7 x 18 Solid Right Side (Note: No Serviceable Parts - Replace Complete Sets per Axle)	
3	1001121678	2	Tire and Wheel Assembly - 7 x 18 Solid Left Side (Note: No Serviceable Parts - Replace Complete Sets per Axle)	

SECTION 1 - FRAME

FIGURE 1-9. TIRE AND WHEEL INSTALLATION - 7X18 SOLID CUSHION NON-MARKING



ART_100118644

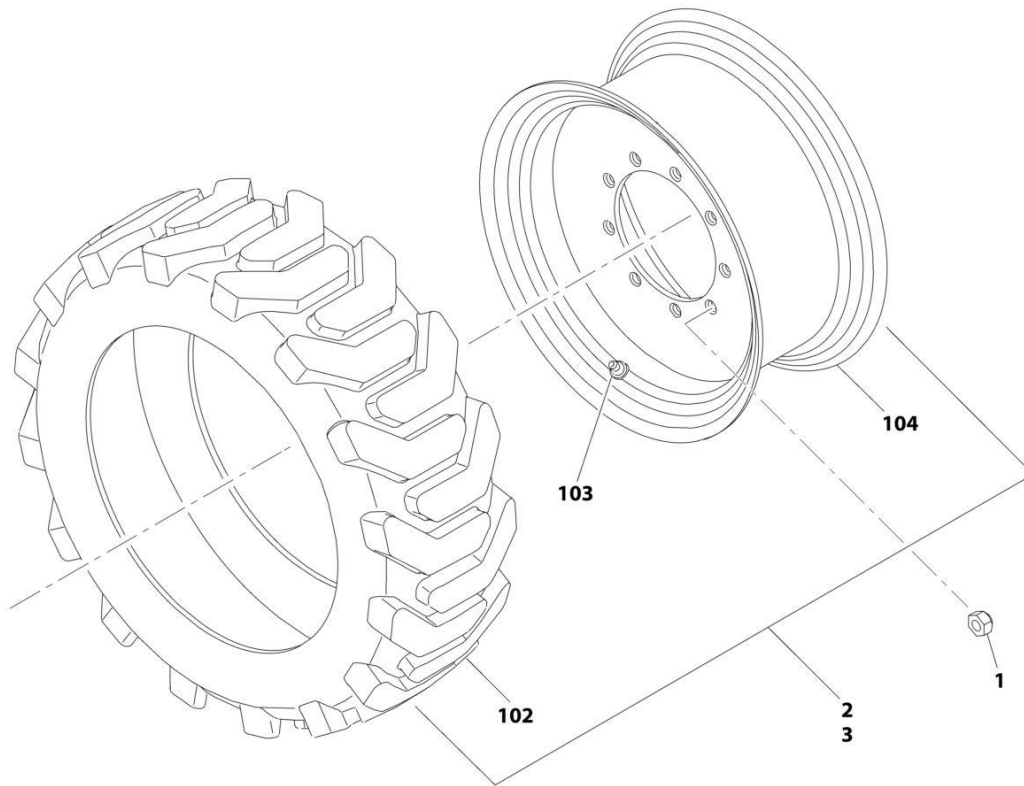
SECTION 1 - FRAME

FIGURE 1-9. TIRE AND WHEEL INSTALLATION - 7X18 SOLID CUSHION NON-MARKING

ITEM	PART NUMBER	QTY	DESCRIPTION	REV
	1001118644	Ref	TIRE AND WHEEL INSTALLATION - 7X18 SOLID NON-MARKING	C
		Ref	Note: Due to critical stability weights, only replace tire and wheel assemblies with like components.	
1	3300106	36	Lugnut (9 per Wheel)	
2	1001118654	2	Tire and Wheel Assembly - 7 x 18 Solid (RH) (Note: No Serviceable Parts - Replace Complete Sets per Axle)	
2	1001121672	2	Tire and Wheel Assembly - 7 x 18 Solid (LH) (Note: No Serviceable Parts - Replace Complete Sets per Axle)	

SECTION 1 - FRAME

FIGURE 1-10. TIRE AND WHEEL INSTALLATION - 9X20 FOAM-FILLED



ART_1001115773

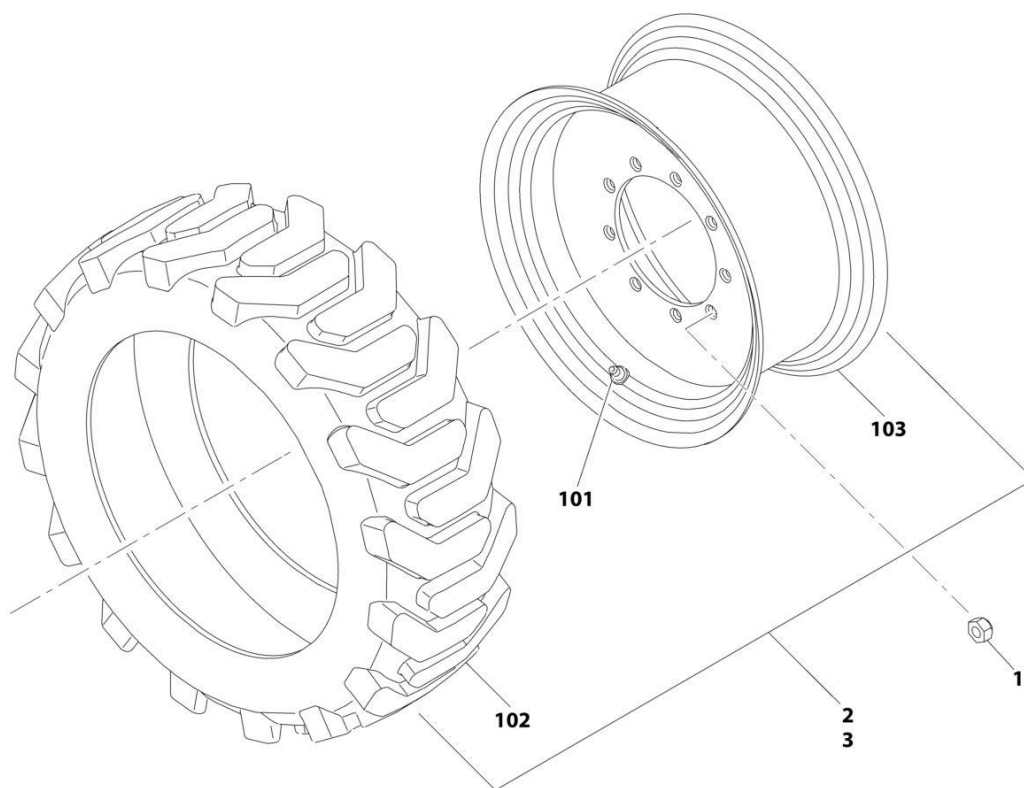
SECTION 1 - FRAME

FIGURE 1-10. TIRE AND WHEEL INSTALLATION - 9X20 FOAM-FILLED

ITEM	PART NUMBER	QTY	DESCRIPTION	REV
	1001115773	Ref	TIRE AND WHEEL INSTALLATION - 9X20 FOAM-FILLED	B
		Ref	Note: Due to critical stability weights, only replace tire and wheel assemblies with like components.	
1	3300106	36	Lugnut (9 per Wheel)	
2	1001117131	2	Tire and Wheel Assembly - 9 x 20 Foam-Filled Left Side	E
3	1001117132	2	Tire and Wheel Assembly - 9 x 20 Foam-Filled Right Side	D
		Ref	Note: Assemblies may require ballast/foam filling to manufacture's specifications prior to installing on a machine. Refer to Operation and Safety or Service and Maintenance Manuals. Purchase individual tire and/or rim only if able to foam fill tire and wheel assembly, otherwise, purchase complete assembly.	
102	4520605	4	Tire - IN265/50D20	
103	4640113	4	Valve, Air	
104	1001117129	4	Rim for 20 x 9 (Use with IN265/50D20 Tires)	

SECTION 1 - FRAME

FIGURE 1-11. TIRE AND WHEEL INSTALLATION - 9X20 FOAM-FILLED NON-MARKING



ART_100118642

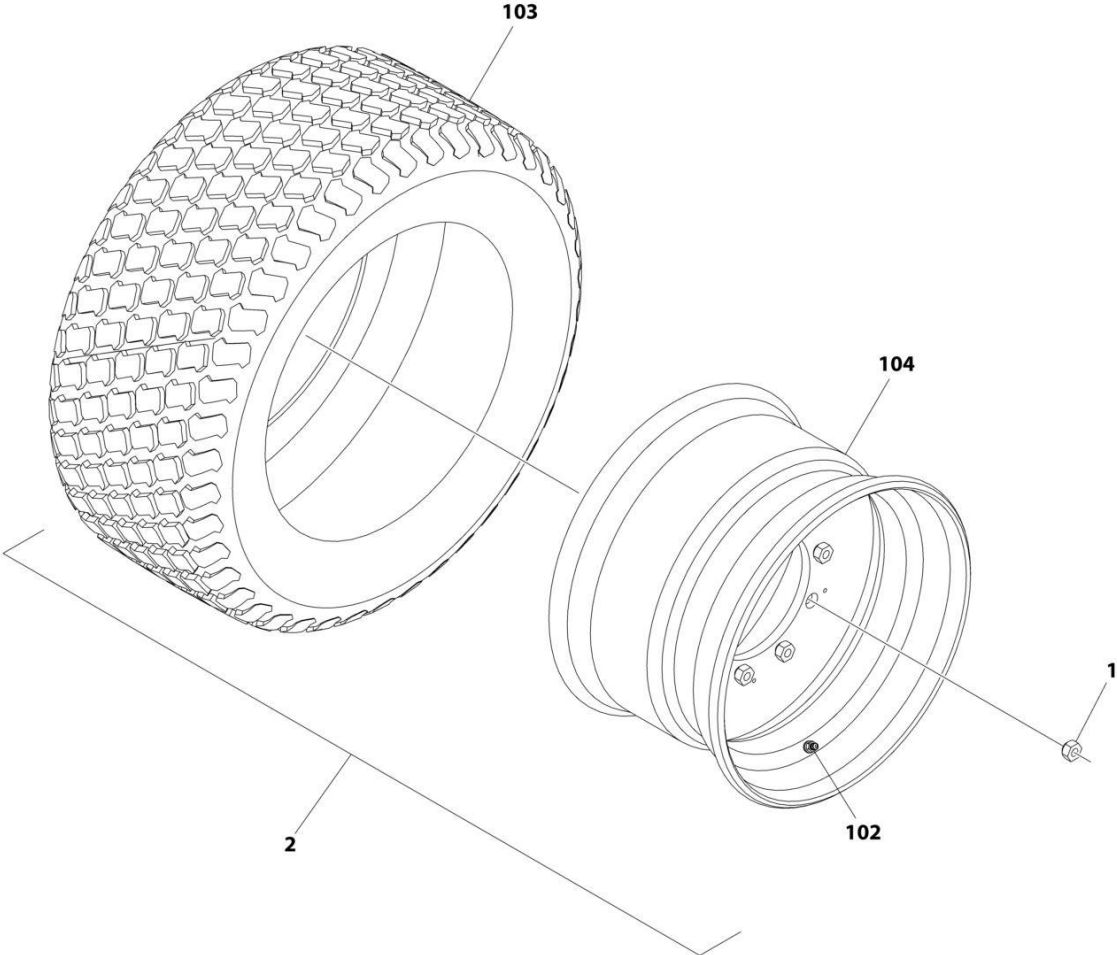
SECTION 1 - FRAME

FIGURE 1-11. TIRE AND WHEEL INSTALLATION - 9X20 FOAM-FILLED NON-MARKING

ITEM	PART NUMBER	QTY	DESCRIPTION	REV
	1001118642	Ref	TIRE AND WHEEL INSTALLATION - 9X20 FOAM-FILLED NON-MARKING	B
		Ref	Note: Due to critical stability weights, only replace tire and wheel assemblies with like components.	
1	3300106	36	Lugnut (9 per Wheel)	
2	1001118650	2	Tire and Wheel Assembly - 9 x 20 Foam-Filled Non-Marking Right Side	D
3	1001118651	2	Tire and Wheel Assembly - 9 x 20 Foam-Filled Non-Marking Left Side	D
		Ref	Note: Assemblies may require ballast/foam filling to manufacturer's specifications prior to installing on a machine. Refer to Operation and Safety or Service and Maintenance Manuals. Purchase individual tire and/or rim only if able to foam fill tire and wheel assembly, otherwise, purchase complete assembly.	
101	4640113	4	Valve, Air	
102	1001118660	4	Tire - IN265/50D20 Non-Marking	
103	1001117129	4	Rim for 20 x 9 (Use with IN265/50D20 Tires)	

SECTION 1 - FRAME

FIGURE 1-12. TIRE AND WHEEL INSTALLATION - 33 X 12LL500 TURF/SAND FOAM FILLED



ART_1001239804

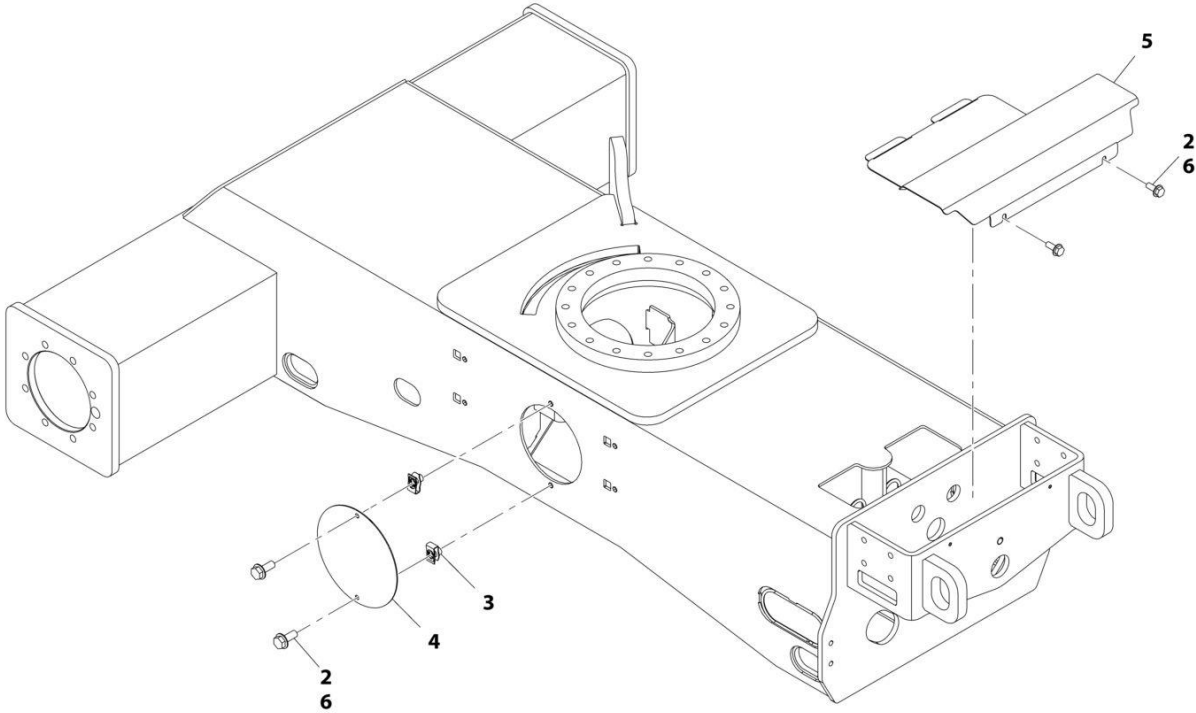
SECTION 1 - FRAME

FIGURE 1-12. TIRE AND WHEEL INSTALLATION - 33 X 12LL500 TURF/SAND FOAM FILLED

ITEM	PART NUMBER	QTY	DESCRIPTION	REV
	1001239804	Ref	TIRE AND WHEEL INSTALLATION - 33 x 12LL500 TURF/SAND FOAM FILLED	B
1	3300106	36	Nut, Wheel	
2	1001272533	4	Tire & Wheel Assembly - 33 X 12LL500 TURF/SAND	
		Ref	Note: Assemblies may require ballast/foam filling to manufacture's specifications prior to installing on a machine. Refer to Operation and Safety or Service and Maintenance Manuals. Purchase individual tire and/or rim only if able to foam fill tire and wheel assembly, otherwise, purchase complete assembly.	
102	4640113	4	Valve, Tire	
103	1001231609	1	Tire, 33 X 12LL500 TURF/SAND	
104	1001231610	1	Rim	

SECTION 1 - FRAME

FIGURE 1-13. FRAME SHIELDS INSTALLATION



ART_1001115781

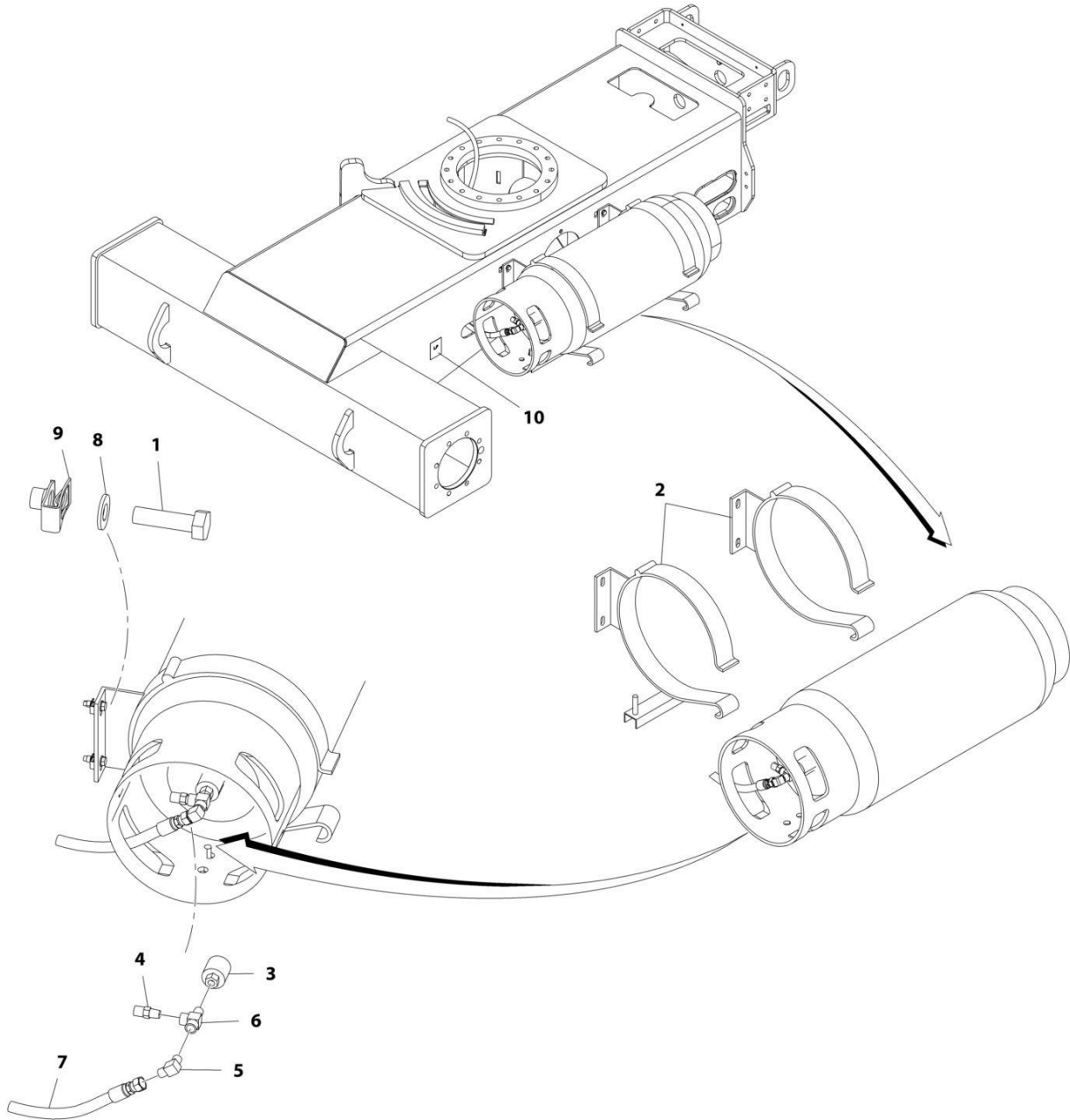
SECTION 1 - FRAME

FIGURE 1-13. FRAME SHIELDS INSTALLATION

ITEM	PART NUMBER	QTY	DESCRIPTION	REV
	1001115781	Ref	FRAME SHIELDS INSTALLATION	C
2	5250810	6	Bolt M8 x 20	
3	1001118274	4	Nut, Clip M8	
4	1001118915	2	Cover, Frame (Side)	
5	1001118916	1	Cover, Frame (Top)	
6	0100011	AR	Compound, Locking	

SECTION 1 - FRAME

FIGURE 1-14. LP TANK ASSEMBLY



ART_1001118975

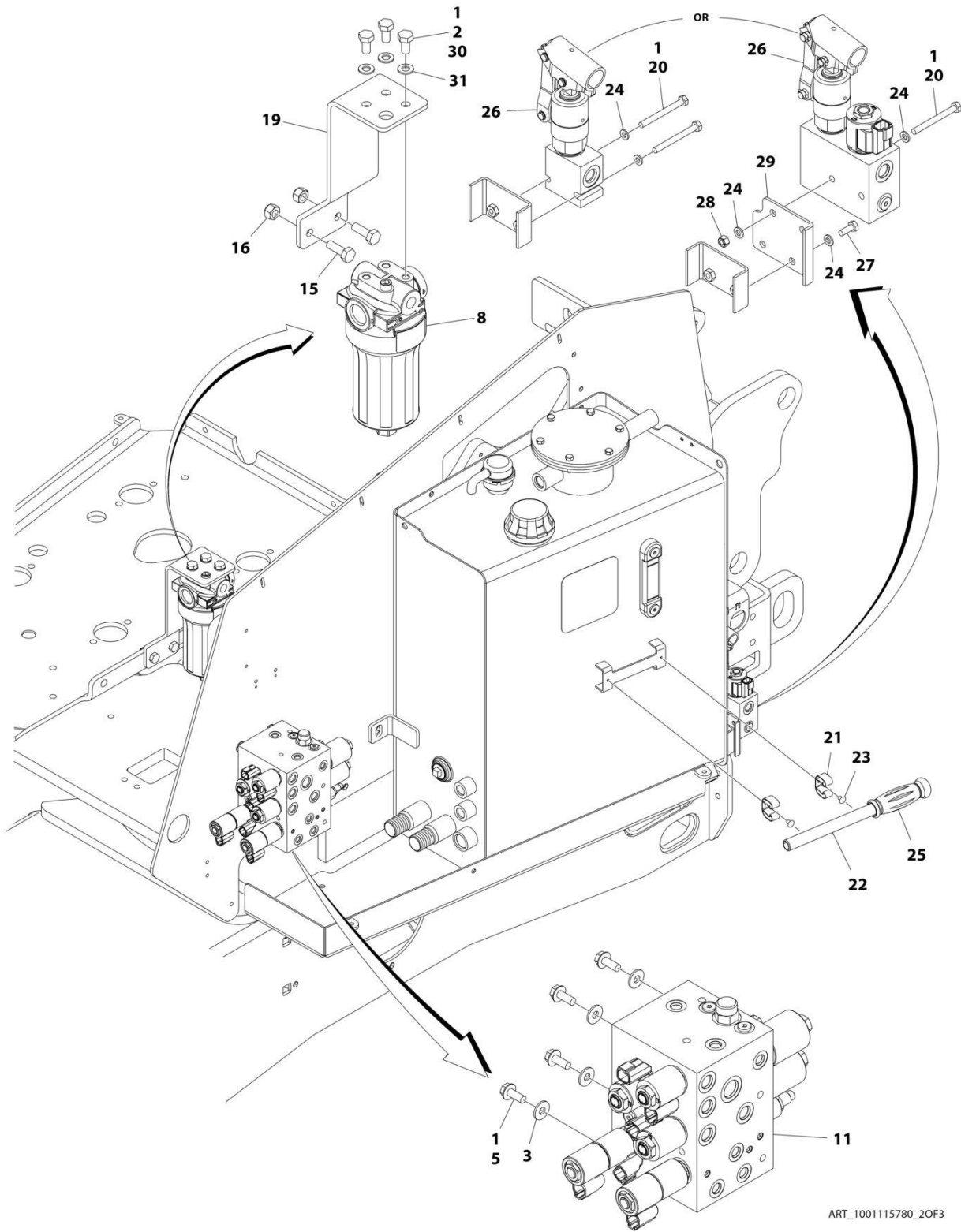
FIGURE 1-14. LP TANK ASSEMBLY

ITEM	PART NUMBER	QTY	DESCRIPTION	REV
	1001118975	Ref	LP TANK ASSEMBLY (GAS MACHINES ONLY)	C
1	0760814	4	Bolt M8 x 30	
2	1320220	1	LP Tank Clamp Kit	
3	2180387	1	Fitting, LP	
4	2180389	1	Fitting, Relief Valve	
5	2180504	1	Fitting, Elbow	
6	2220290	1	Fitting, Adapter	
7	2720175	1	Hose	
8	4811900	4	Washer M8	
9	1001118274	4	Nut, Retainer	
10	1701543	1	Decal - LP	
100	1001196242	1	Bracket Kit for Shorter Tank (Not Shown - Includes Bracket & Hardware Only)	
200	4400275	1	Tank, LP - Aluminum (Not Shown)	

SECTION 2 - TURNTABLE

SECTION 2 - TURNTABLE

FIGURE 2-1. CONTROL VALVE AND CHARGE FILTER INSTALLATION



ART_1001115780_2OF3

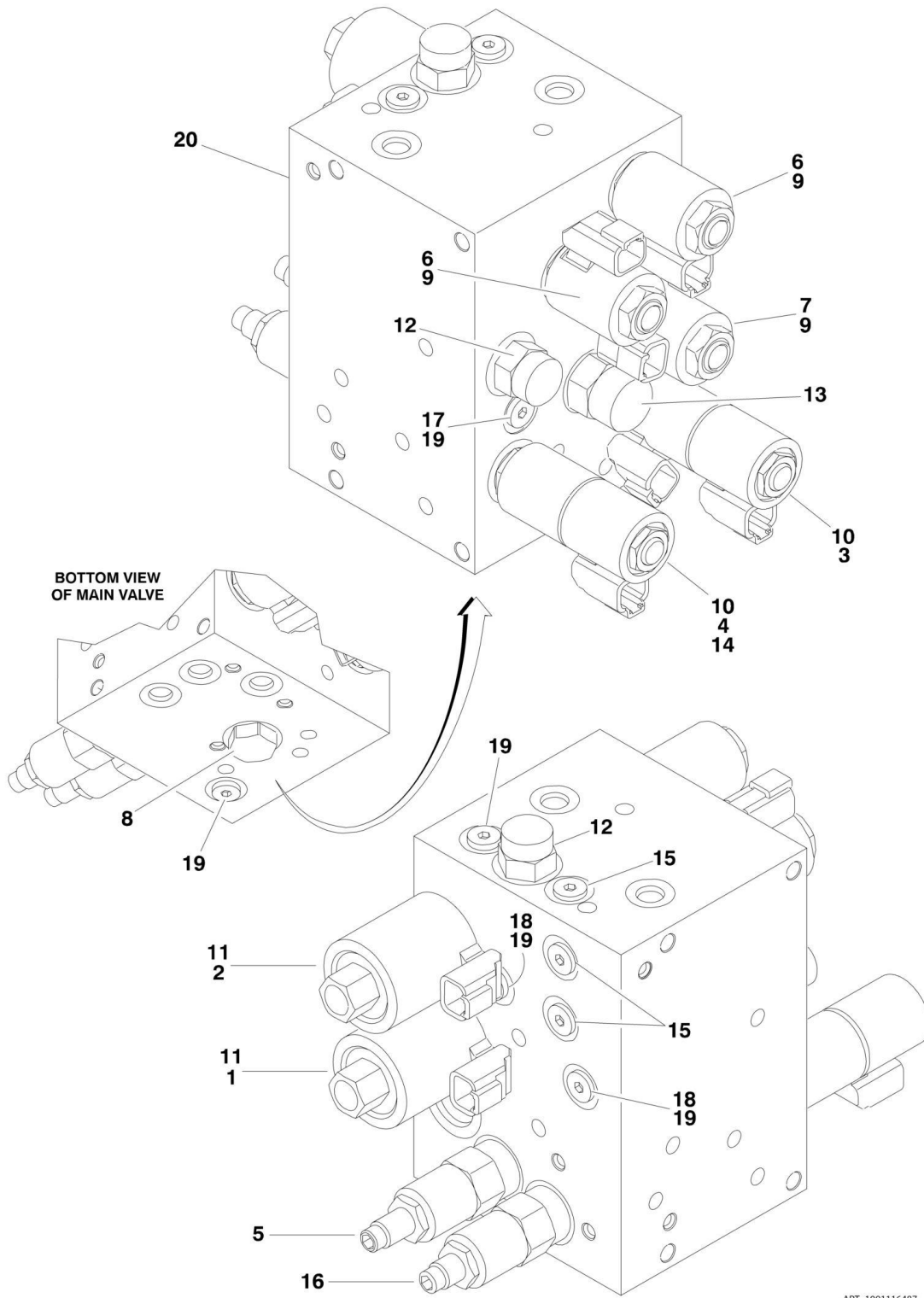
SECTION 2 - TURNTABLE

FIGURE 2-1. CONTROL VALVE AND CHARGE FILTER INSTALLATION

ITEM	PART NUMBER	QTY	DESCRIPTION	REV
	1001115780	Ref	CONTROL VALVE AND CHARGE FILTER INSTALLATION - TURNTABLE	H
1	0100011	AR	Compound, Locking	
2	0641605	4	Bolt 3/8 x 5/8	
3	4811902	4	Washer M8	
5	5250810	4	Bolt M8 x 20	
8	1001102987	1	Charge Pump Filter Assembly	C
8	1001208874	1	Charge Pump Filter Assembly	
8	70010383	1	Element, Filter (Includes O-Ring)	
8	See Note	1	Indicator (Note: Not Available for Purchase)	
11	1001116487	1	Main Control Valve Assembly (See Separate Breakdown in this Section)	
15	0761014	2	Bolt M10 x 30	
16	3291005	2	Nut M10	
19	1001118751	1	Bracket, Filter	
20	0700620	2	Bolt M6 x 60	
21	1380136	2	Clip	
22	2560122	1	Handle	
23	3820019	2	Rivet	
24	4811700	6	Washer M6	
25	1001114761	1	Grip, Handle	
26	1001127115	1	Manual Pump Assembly	C
26	7017496	1	Seal Kit - 1001127115 Pump	
26	1001210829	1	Manual Pump Assembly	
26	70005722	1	Cartridge, Hand Pump	
26	7017496	1	Seal Kit - Hand Pump	
26	7017467	1	Cartridge, Solenoid Valve Less Coil	
26	7012967	1	Seal Kit - Cartridge	
26	70002386	1	Coil	
27	0700608	2	Bolt M6 x 16	
28	3290605	2	Nut M6	
29	1001200472	1	Bracket	
30	0761010	AR	Bolt M10 x 20	
31	4812000	AR	Washer M10	

SECTION 2 - TURNTABLE

FIGURE 2-2. MAIN CONTROL VALVE ASSEMBLY



ART_1001116487

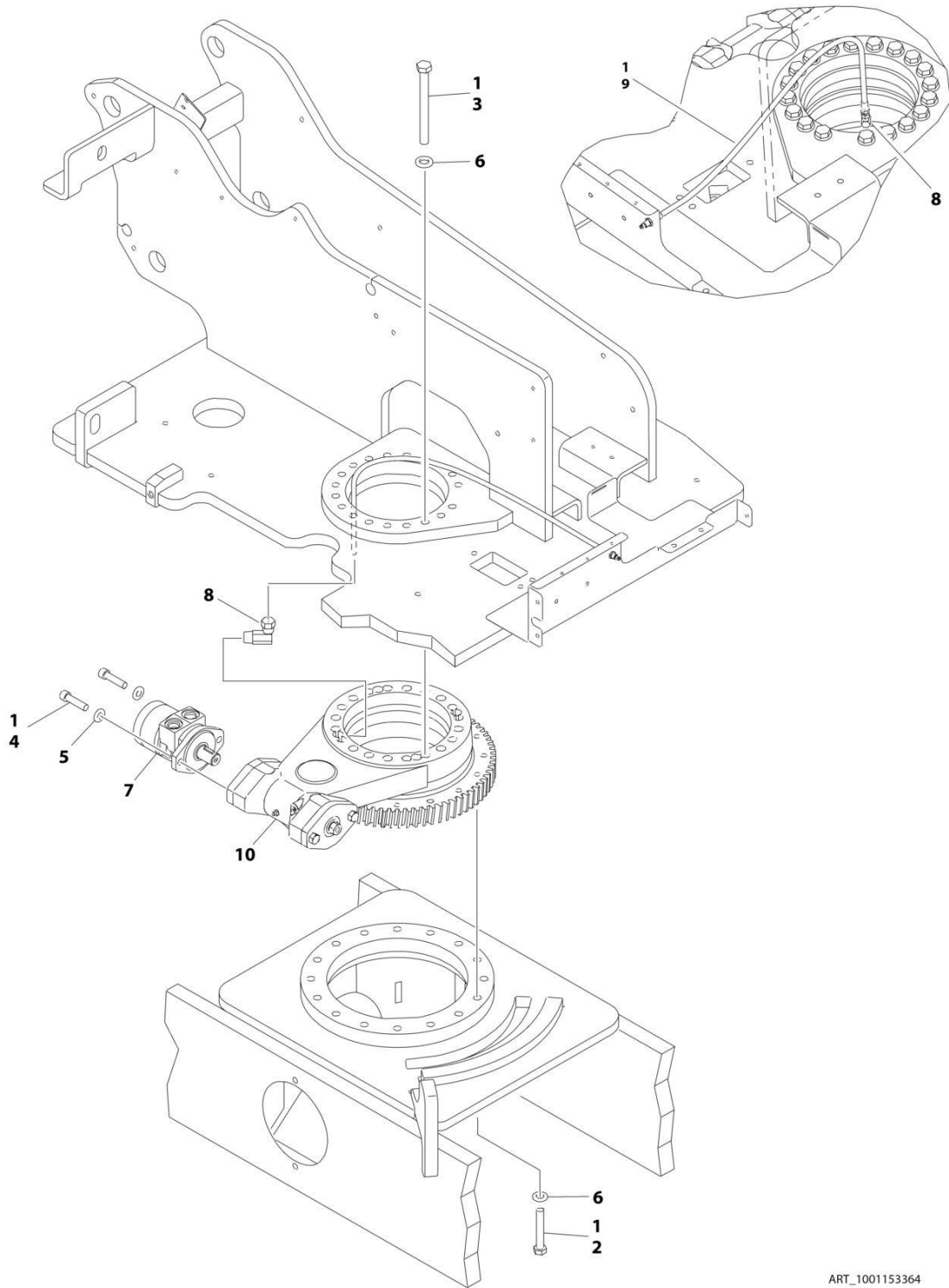
SECTION 2 - TURNTABLE

FIGURE 2-2. MAIN CONTROL VALVE ASSEMBLY

ITEM	PART NUMBER	QTY	DESCRIPTION	REV
	1001116487	Ref	MAIN VALVE ASSEMBLY	I
1	70002964	1	Cartridge, Solenoid Valve with Relief (without Coil)	
1	7017496	1	Seal Kit - 70002964 Cartridge	
2	70002965	1	Cartridge, Solenoid Valve with Relief (without Coil)	
2	7017496	1	Seal Kit - 70002965 Cartridge	
3	70002966	1	Cartridge, Solenoid Valve (without Coil) (Swing)	
3	70002967	1	Seal Kit - 70002966 Cartridge	
4	70002966	1	Cartridge, Solenoid Valve (without Coil) (Steer)	
4	70002967	1	Seal Kit - 70002966 Cartridge	
5	70002968	1	Cartridge, Relief Valve	
5	7012998	1	Seal Kit - 70002968 Cartridge	
6	70002969	2	Cartridge, Solenoid Valve (without Coil) (Upper and Lower Lift)	
6	7010543	2	Seal Kit - Cartridge	
7	70002970	1	Cartridge, Solenoid Valve (without Coil) (Flow Control)	
7	7010543	1	Seal Kit - 70002970 Cartridge	
8	10837580	1	Cartridge, Shuttle Valve	
8	7010543	1	Seal Kit - 108377580 Cartridge	
9	70002971	3	Coil	
10	70002386	4	Coil	
11	70003788	2	Coil	
12	70002972	2	Cartridge, Pressure Compensator Valve	
12	7010543	2	Seal Kit - 70002972 Cartridge	
13	70002973	1	Cartridge, Pressure Compensator Valve	
13	7010543	1	Seal Kit - 70002973 Cartridge	
14	70002974	1	Disc, Check Valve	
15	70003757	3	Cartridge, Check Valve	
15	70002976	3	Seal Kit - 70003757 Cartridges	
16	70002977	1	Cartridge, Crossover Relief	
16	7021653	1	Seal Kit - 70002977 Cartridge	
17	See Note	1	Orifice .060 (Note: Not Available for Purchase)	
18	See Note	2	Orifice .100 (Note: Not Available for Purchase)	
19	7017406	5	Plug	
20	See Note	1	Block (Note: Not Available for Purchase)	

SECTION 2 - TURNTABLE

FIGURE 2-3. SWING DRIVE INSTALLATION (JING WEI)



ART_1001153364

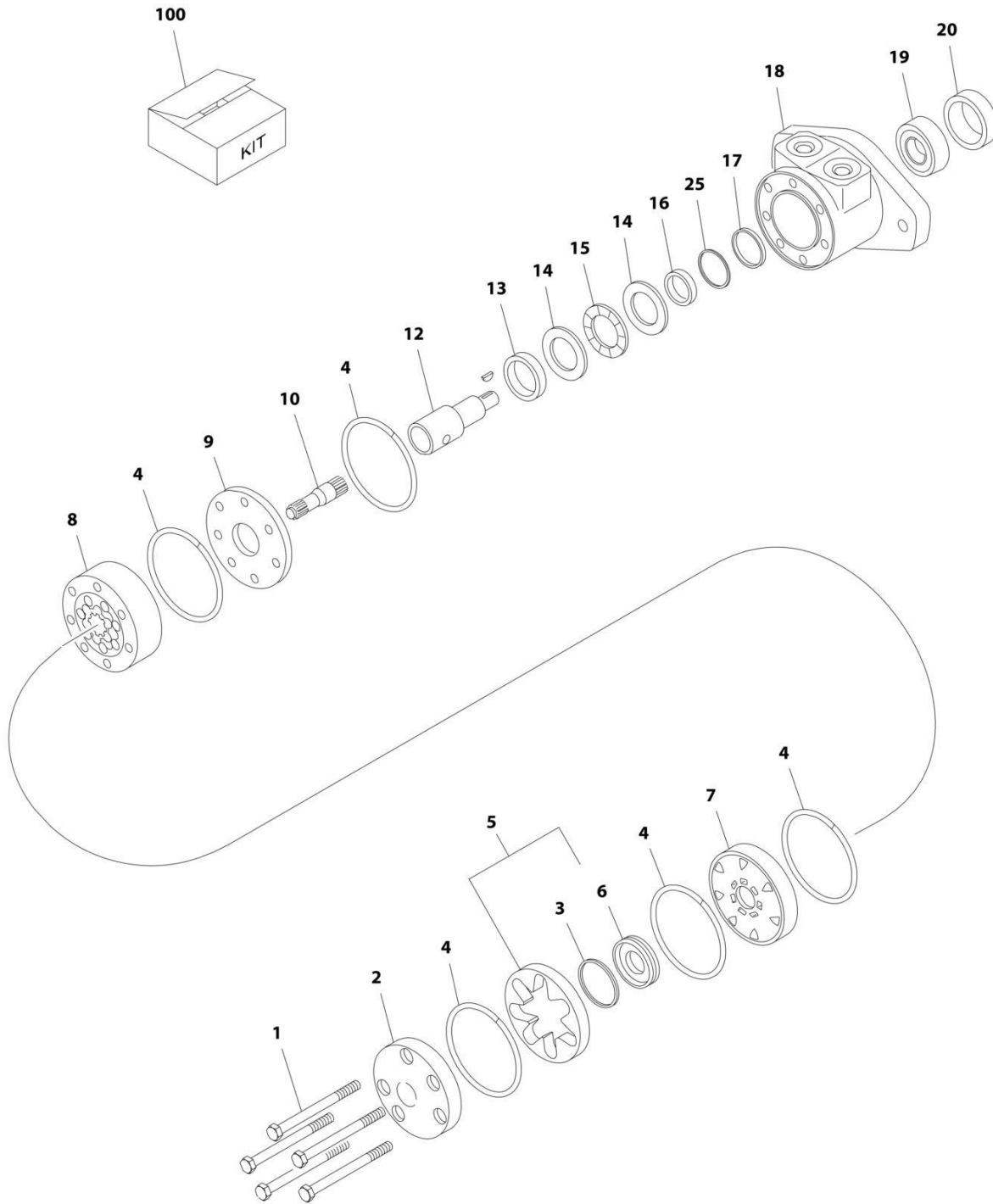
SECTION 2 - TURNTABLE

FIGURE 2-3. SWING DRIVE INSTALLATION (JING WEI)

ITEM	PART NUMBER	QTY	DESCRIPTION	REV
	1001153364	Ref	SWING DRIVE INSTALLATION	C
1	0100019	AR	Compound, Locking	
2	0711426	16	Bolt M14 x 90 Grade 10.9	
3	0711432	19	Bolt M14 x 150 Grade 10.9	
4	3931832	2	Capscrew 1/2-13 x 2	
5	4740171	2	Washer 1/2	
6	5241400	2	Washer M14	
7	1001107781	1	Swing Motor Assembly (See Separate Breakdown in this Section)	
8	2220124	1	Fitting, Adapter NPT	
9	1001118961	1	Hose, Remote Grease Line (Includes Grease Fitting)	
10	1001153015	1	Swing Bearing and Rotation Box Assembly (See Separate Breakdown in this Section)	

SECTION 2 - TURNTABLE

FIGURE 2-4. SWING MOTOR ASSEMBLY



ART_1001107781

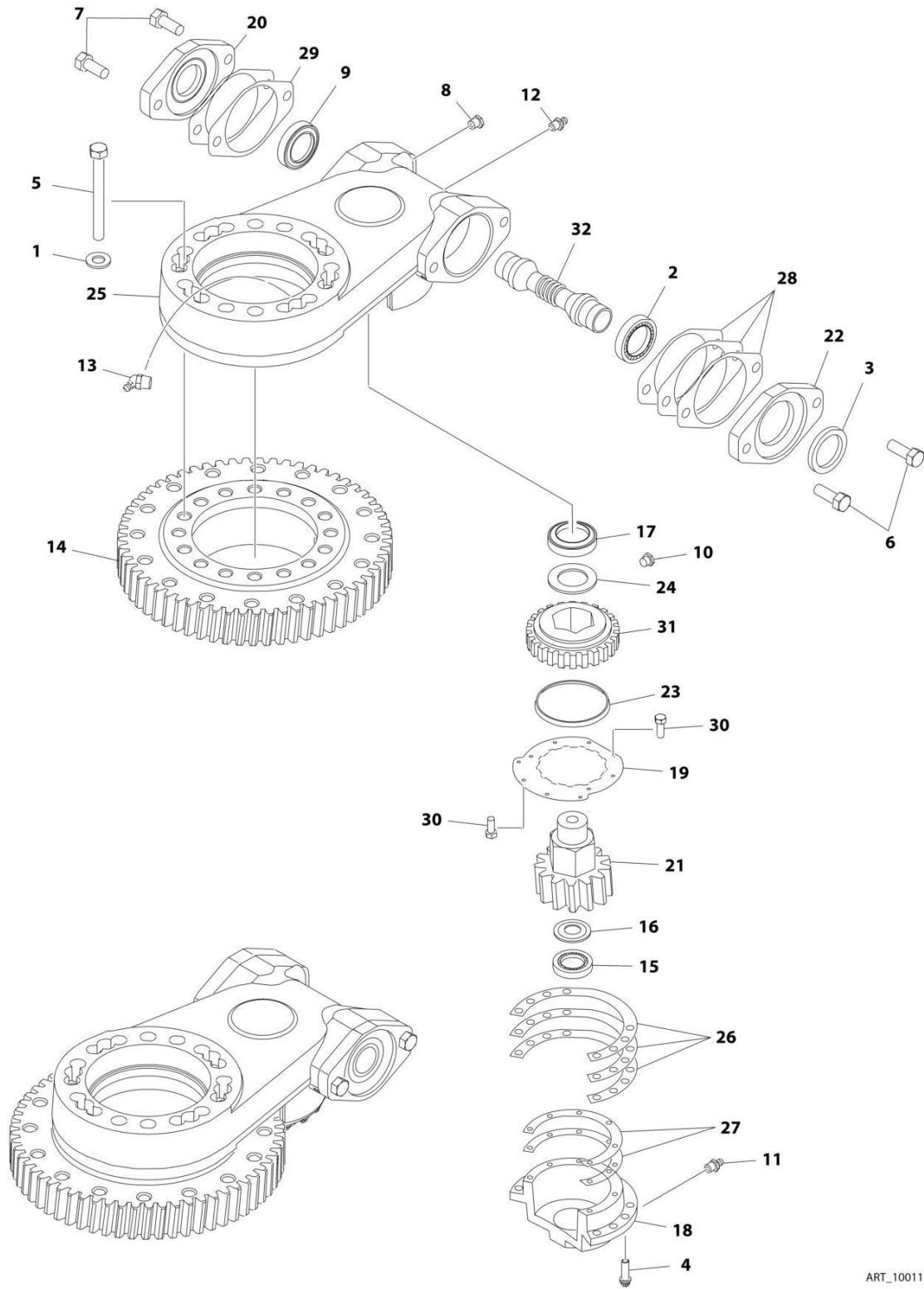
SECTION 2 - TURNTABLE

FIGURE 2-4. SWING MOTOR ASSEMBLY

ITEM	PART NUMBER	QTY	DESCRIPTION	REV
	1001107781	Ref	SWING MOTOR ASSEMBLY	A
1	70002311	5	Bolt	
2	7004035	1	Cover, End	
3	See Note	1	Seal, Commutator (Note: Use p/n 7024389)	
4	See Note	5	Seal, Ring (Note: Use p/n 7024389)	
5	7024453	1	Commutator and Ring Assembly	
6	See Note	1	Ring (Note: Use p/n 7024453)	
7	7024379	1	Manifold	
8	70002312	1	Rotor Set	
9	7024380	1	Plate, Wear	
10	70002313	1	Link, Drive	
12	70000088	1	Shaft, Coupling	
12	70000089	1	Key, Woodruff	
13	7024381	1	Bushing, Bronze	
14	7004043	2	Washer, Thrust	
15	7004044	1	Bearing, Thrust	
16	See Note	1	Seal, Inner (Note: Use p/n 7024389)	
17	See Note	1	Washer, Back-up (Note: Use p/n 7024389)	
18	See Note	1	Housing (Note: Not Available - Purchase Complete Assembly)	
19	7024390	1	Bearing	
20	See Note	1	Seal (Note: Use p/n 7024389)	
25	See Note	1	Washer, Back-up (Note: Use p/n 7024389)	
100	7024389	1	Seal Kit (Includes Items 3, 4, 16, 17, 20 & 25)	

SECTION 2 - TURNTABLE

FIGURE 2-5. SWING BEARING ASSEMBLY



ART_1001153015

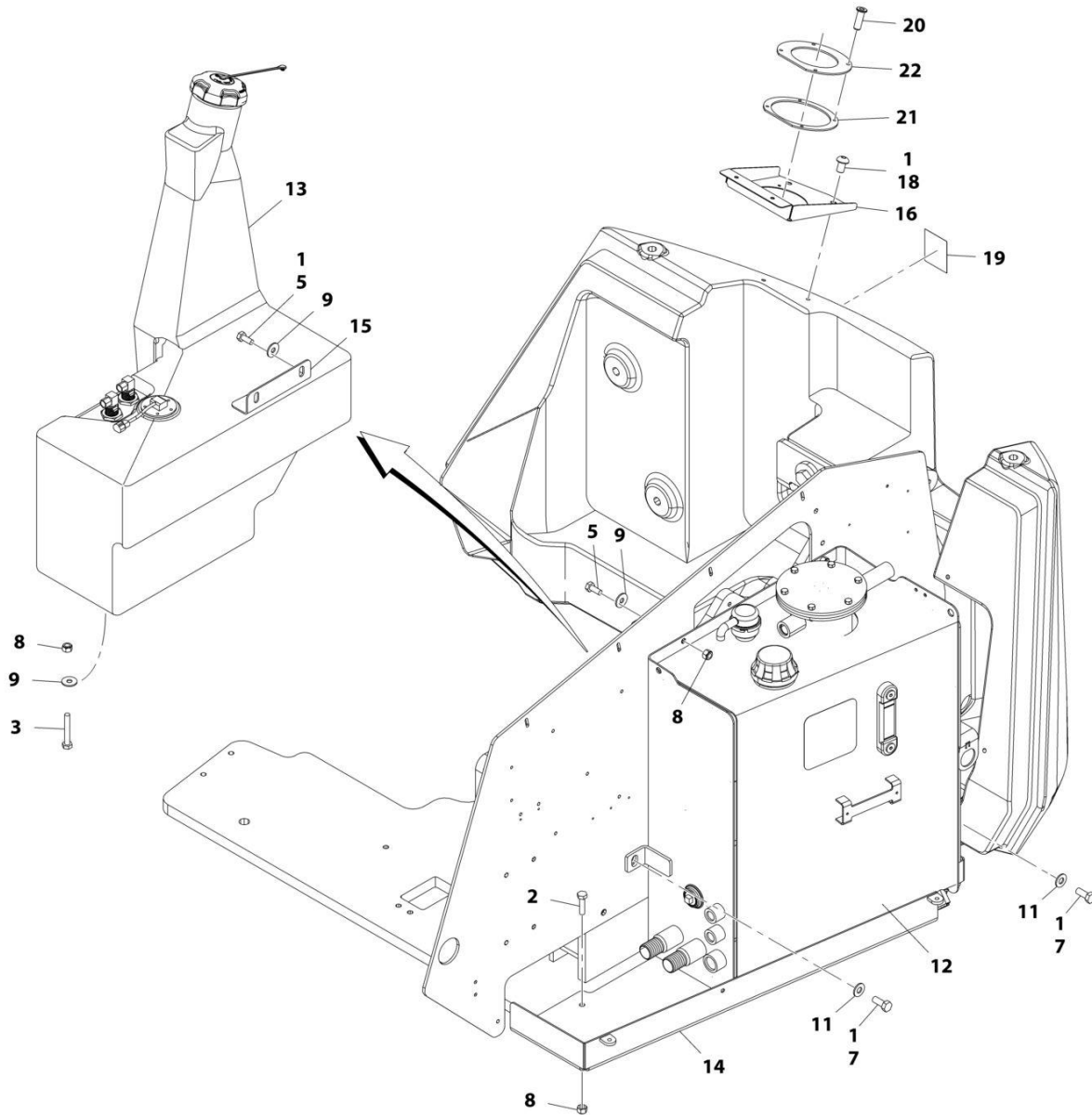
SECTION 2 - TURNTABLE

FIGURE 2-5. SWING BEARING ASSEMBLY

ITEM	PART NUMBER	QTY	DESCRIPTION	REV
	1001153015	Ref	SWING BEARING ASSEMBLY	B
1	7026041	2	Washer 5/16	
2	70002643	2	Cup, Bearing	
2	70002644	2	Cone, Bearing	
3	70002645	1	Seal	
4	70002646	8	Bolt 5/16 x 7/8	
5	70003138	2	Bolt 5/16 x 2-1/2	
6	70002647	2	Bolt 1/2 x 1	
7	70002648	2	Bolt 1/2 x 1-1/4	
8	70002649	1	Vent, Pressure	
9	70002650	1	Seal	
10	70003139	1	Plug 1/4	
11	70002651	1	Fitting, Grease 1/4	
12	70002652	1	Fitting, Grease 1/8 Straight	
13	7027359	1	Fitting, Grease 1/8 90	
14	1001160531	1	Turntable Bearing Kit (Includes Bearing and Hardware (was p/n 1001143932 & 70003140)	
15	70002656	1	Cup, Bearing	
15	70002657	1	Cone, Bearing	
16	70002658	1	Ring, Grease	
17	7026048	1	Cup, Bearing	
17	7026049	1	Cone, Bearing	
18	70002659	1	Cap, Gear	
19	70003141	1	Plate, Cover	
20	70002661	1	Cap, Worm	
21	70003142	1	Pinion, Output	
22	70002663	1	Adapter, Motor	
23	70002664	1	Seal, Face	
24	7026052	1	Spacer, Washer	
25	See Note	1	Housing (Note: Not Available - Purchase Complete Assembly)	
26	70002665	1	Shim .0075 Natural	
26	70002666	1	Shim .005 Blue	
26	70002667	1	Shim .003 Green	
27	70002668	1	Shim .005 Blue	
27	70002669	1	Shim .020 Yellow	
28	7027352	1	Gasket .010 Brown	
28	7027351	1	Gasket .0075 Clear	
28	7027350	1	Gasket .005 Blue	
29	7027353	1	Gasket .020 Yellow	
30	70000681	10	Bolt #6 x 3/8	
31	70002670	1	Gear, Worm	
32	70002671	1	Shaft, Worm	

SECTION 2 - TURNTABLE

FIGURE 2-6. TANK INSTALLATION (DIESEL MACHINES)



ART_1001115769

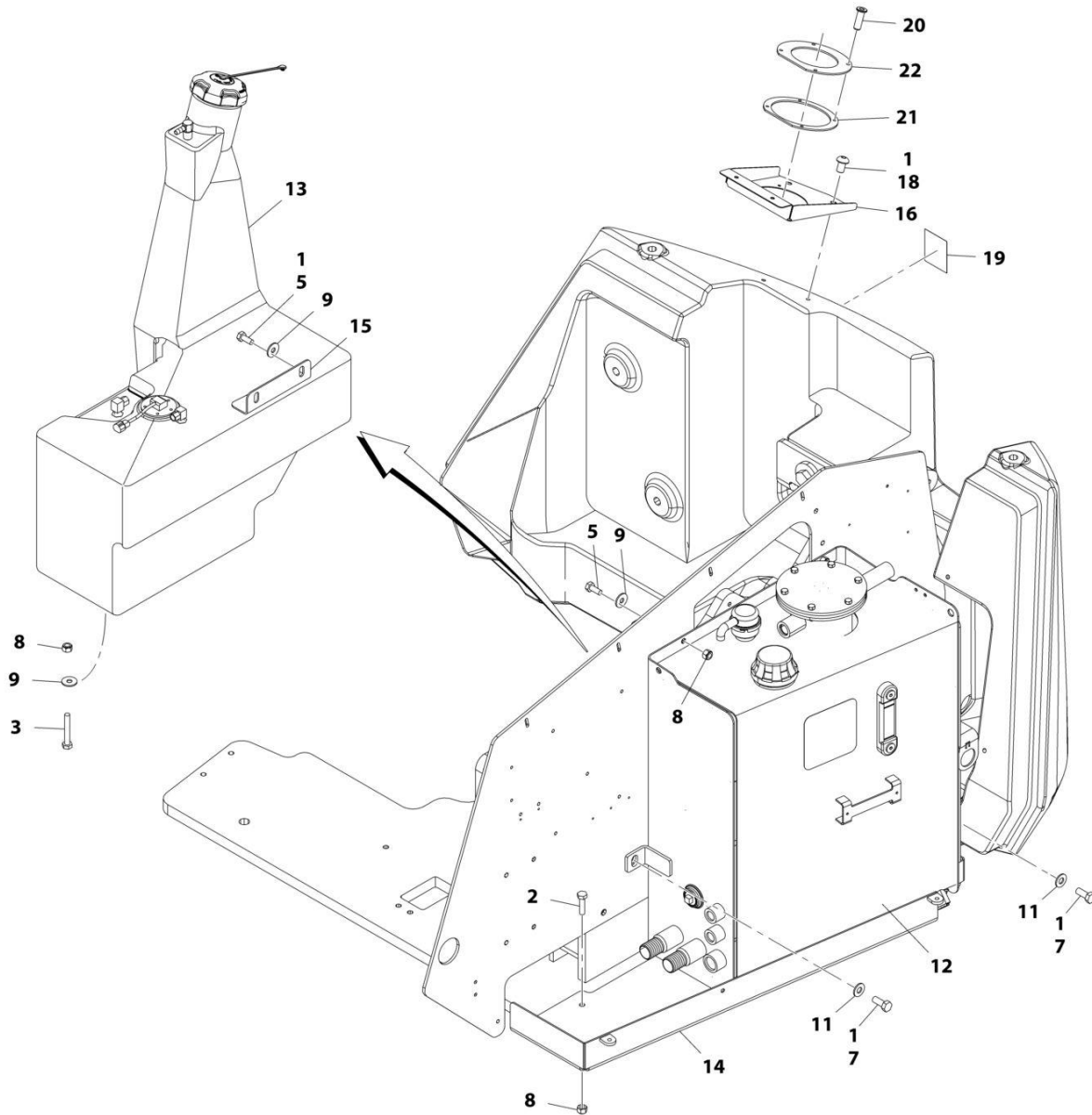
SECTION 2 - TURNTABLE

FIGURE 2-6. TANK INSTALLATION (DIESEL MACHINES)

ITEM	PART NUMBER	QTY	DESCRIPTION	REV
	1001115769	Ref	TANK INSTALLATION (DIESEL MACHINES)	E
1	0100011	AR	Compound, Locking	
2	0701016	2	Bolt M10 x 40	
3	0701022	1	Bolt M10 x 70	
5	0761012	4	Bolt M10 x 25	
7	0761214	2	Bolt M12 x 30	
8	3291005	5	Nut M10	
9	4812002	5	Washer M10	
11	4812102	2	Washer M12	
12	1001116339	1	Hydraulic Tank Assembly (See Separate Breakdown in this Section)	
13	1001117897	1	Fuel Tank Assembly (See Separate Breakdown in this Section)	
14	1001118502	1	Shield, Bottom Tank	
15	1001118509	1	Support, Tank	
16	1001118510	1	Shield, Tank Neck	
18	1001119527	2	Screw M10 x 16	
19	1701505	1	Decal - Diesel Fuel	
20	3820032	4	Rivet	
21	1001128781	1	Seal, Neck	
22	1001128782	1	Ring, Neck	

SECTION 2 - TURNTABLE

FIGURE 2-7. TANK INSTALLATION (GAS MACHINES)



ART_1001119102

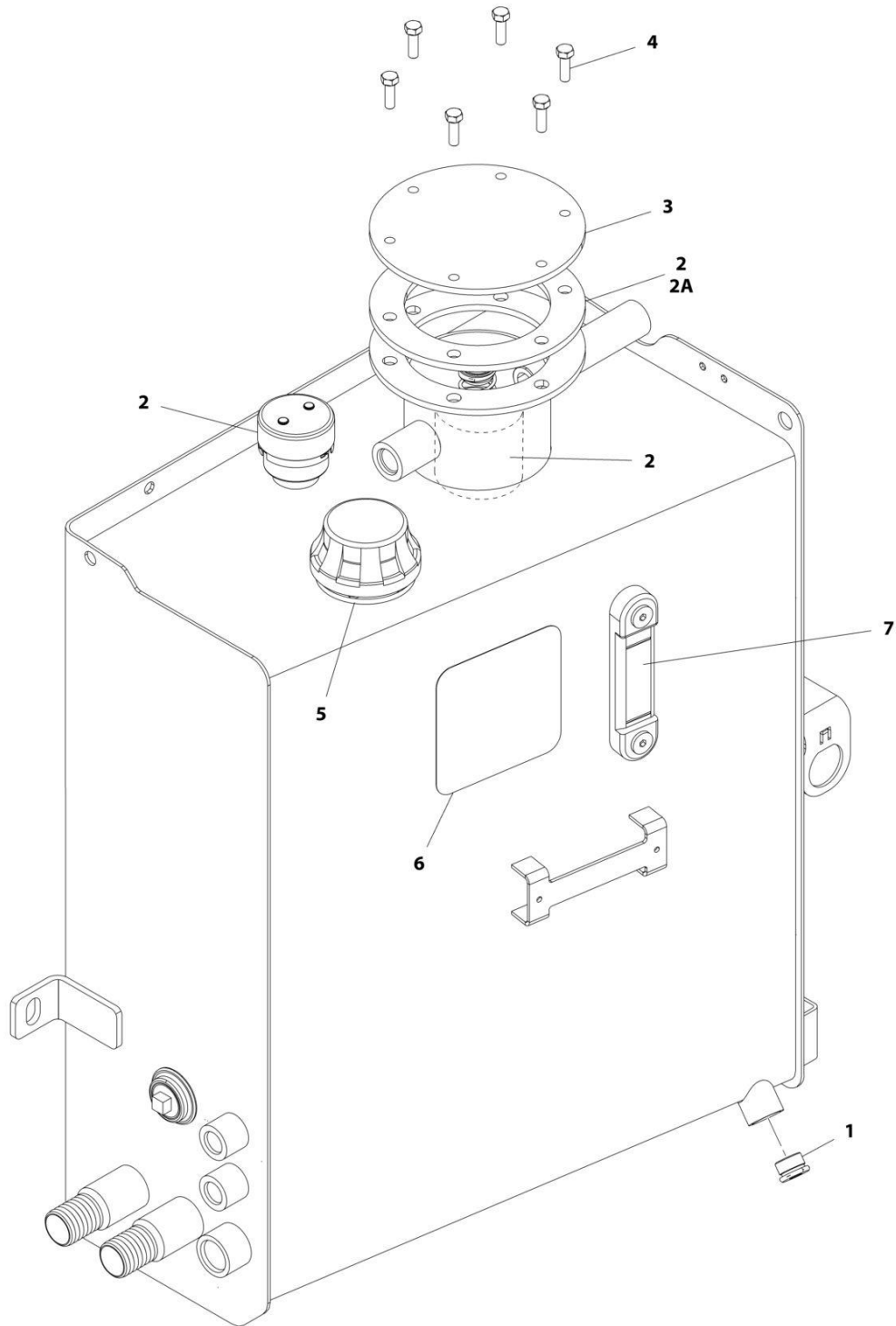
SECTION 2 - TURNTABLE

FIGURE 2-7. TANK INSTALLATION (GAS MACHINES)

ITEM	PART NUMBER	QTY	DESCRIPTION	REV
	1001119102	Ref	TANK INSTALLATION (GAS MACHINES)	F
1	0100011	AR	Compound, Locking	
2	0701016	2	Bolt M10 x 40	
3	0701022	1	Bolt M10 x 70	
5	0761012	4	Bolt M10 x 25	
7	0761214	2	Bolt M12 x 30	
8	3291005	5	Nut M10	
9	4812002	5	Washer M10	
11	4812102	2	Washer M12	
12	1001116339	1	Hydraulic Tank Assembly (See Separate Breakdown in this Section)	
13	1001211509	1	Fuel Tank Assembly (See Separate Breakdown in this Section)	
14	1001118502	1	Shield, Bottom Tank	
15	1001118509	1	Support, Tank	
16	1001118510	1	Shield, Tank Neck	
18	1001119527	2	Screw M10 x 16	
19	1701542	1	Decal - Gas Fuel	
20	3820032	4	Rivet	
21	1001128781	1	Seal, Neck	
22	1001128782	1	Ring, Neck	

SECTION 2 - TURNTABLE

FIGURE 2-8. HYDRAULIC TANK ASSEMBLY



ART_1001116339

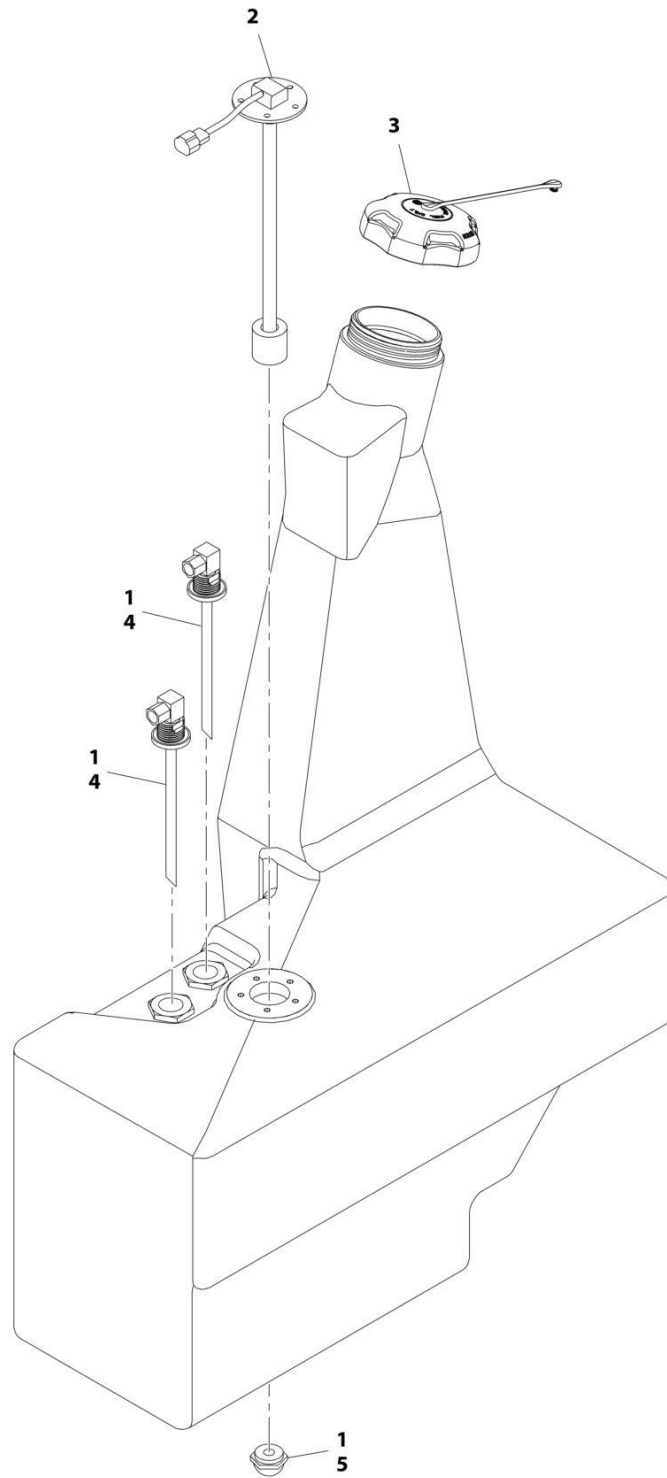
SECTION 2 - TURNTABLE

FIGURE 2-8. HYDRAULIC TANK ASSEMBLY

ITEM	PART NUMBER	QTY	DESCRIPTION	REV
	1001116339	Ref	HYDRAULIC TANK ASSEMBLY	F
1	70002112	1	Plug, Magnetic	
2	70002812	1	Hydraulic Breather/Filter Kit	
2A	70002839	1	Gasket	
3	See Note	NSS	Cover (Note: Use p/n 1001116339)	
4	See Note	NSS	Bolt (Note: Not Available - Purchase Locally)	
5	70002838	1	Cap, Fill	
6	70002840	1	Decal - Filter Replacement	
7	7024441	1	Gauge, Sight	

SECTION 2 - TURNTABLE

FIGURE 2-9. FUEL TANK ASSEMBLY (DIESEL MACHINES)



ART_1001117897

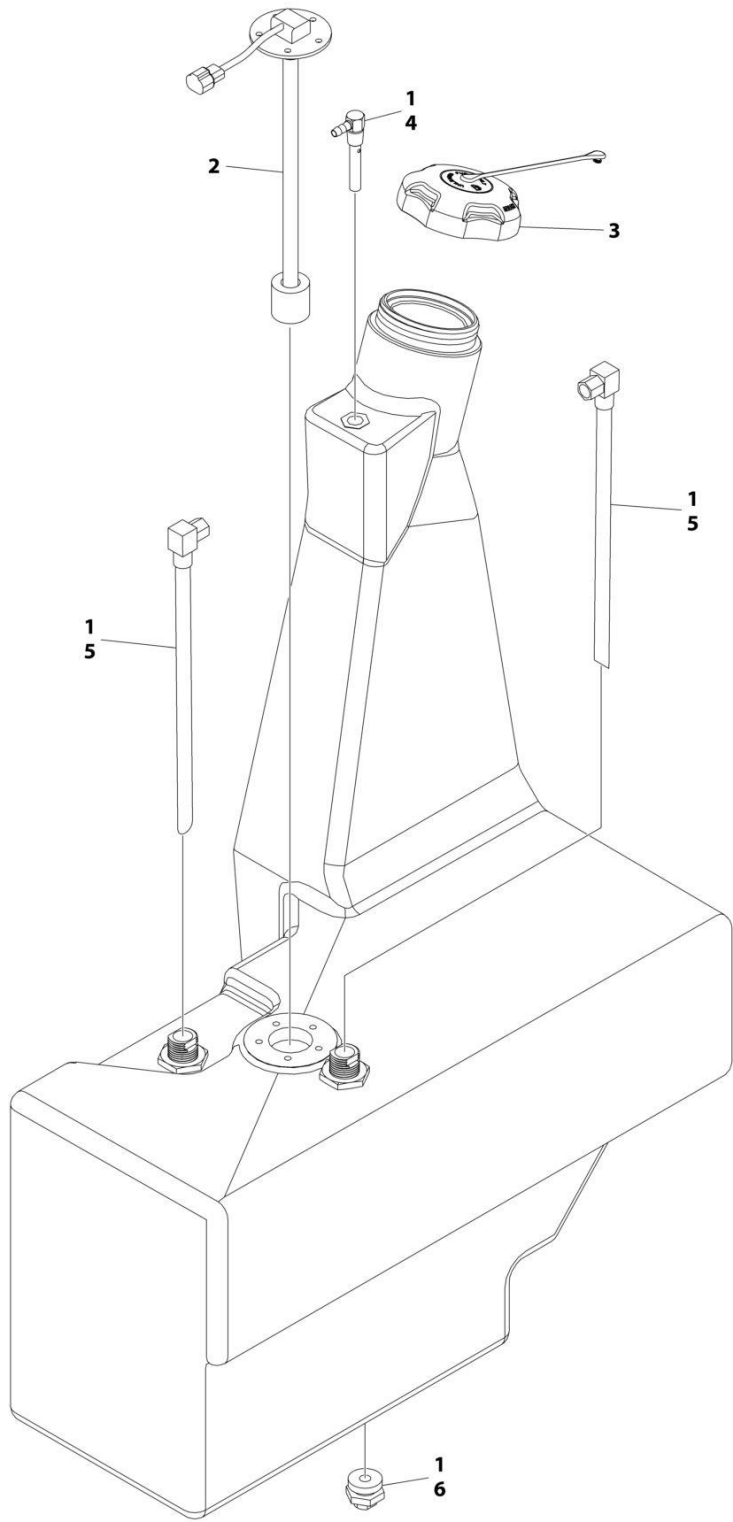
SECTION 2 - TURNTABLE

FIGURE 2-9. FUEL TANK ASSEMBLY (DIESEL MACHINES)

ITEM	PART NUMBER	QTY	DESCRIPTION	REV
	1001117897	Ref	FUEL TANK ASSEMBLY (DIESEL MACHINES)	G
1	0100020	AR	Sealant	
2	1001118262	1	Sender	
2	See Note	NSS	Seal, Sender (Note: Use p/n 1001118262)	
2	0721004	5	Screw #10 x 1/2	
3	1001128798	1	Cap, Fuel - Diesel	
4	See Note	NSS	Tube, Steel with Elbow Fitting (Note: Use p/n 1001117897)	
5	See Note	NSS	Plug (Note: Not Available - Purchase Locally)	

SECTION 2 - TURNTABLE

FIGURE 2-10. FUEL TANK ASSEMBLY (GAS MACHINES)



ART_1001211509

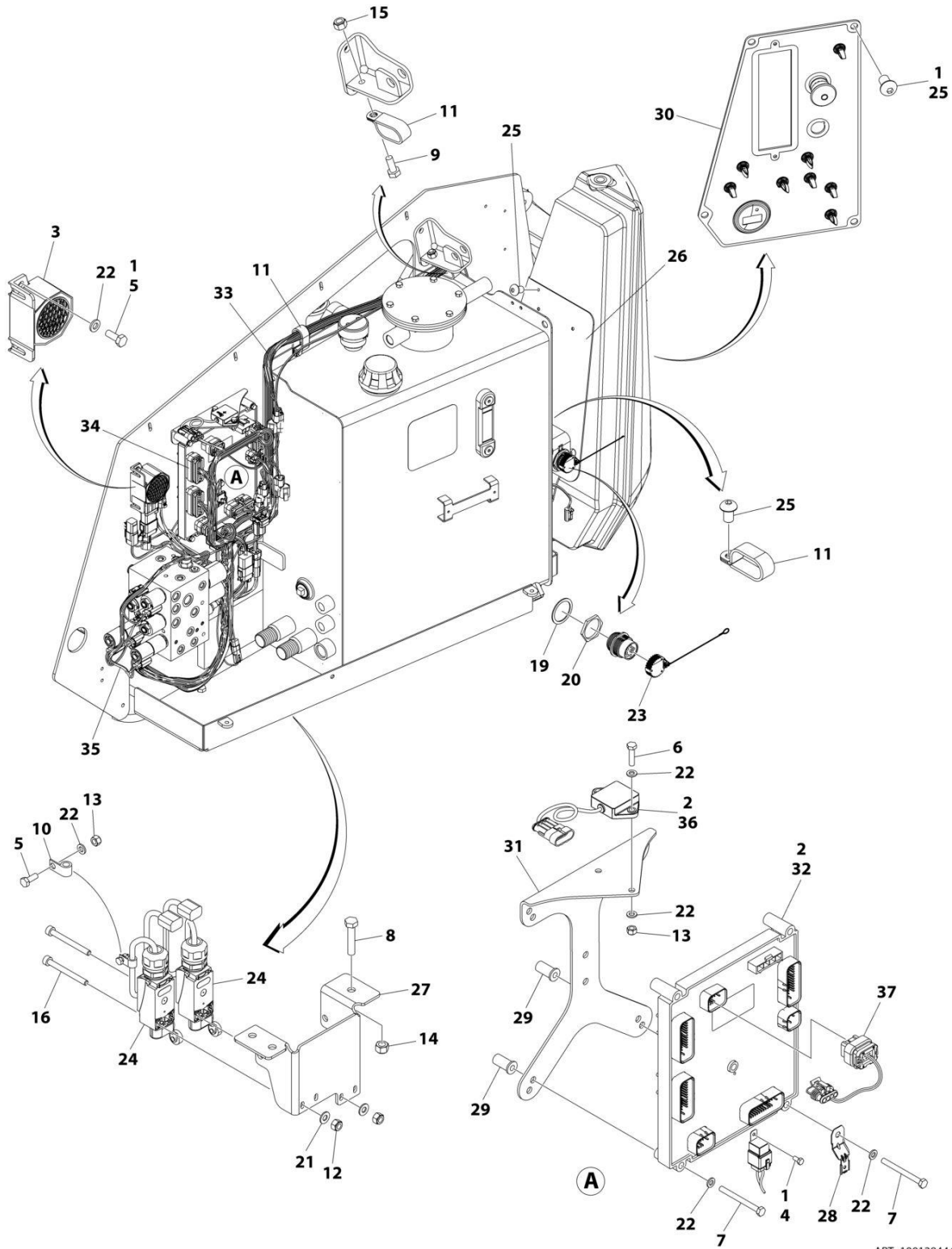
SECTION 2 - TURNTABLE

FIGURE 2-10. FUEL TANK ASSEMBLY (GAS MACHINES)

ITEM	PART NUMBER	QTY	DESCRIPTION	REV
	1001211509	Ref	FUEL TANK ASSEMBLY (GAS MACHINES)	A
1	0100020	AR	Sealant	
2	1001118262	1	Sender	
2	0721004	5	Screw #10 x 1/2	
3	1001128799	1	Cap, Fuel - Gas	
4	1001129043	1	Valve, Fuel Vent	

SECTION 2 - TURNTABLE

FIGURE 2-11. ELECTRICAL COMPONENTS INSTALLATION (ALL SPECS EXCEPT CE & UK CA)



ART_1001284443

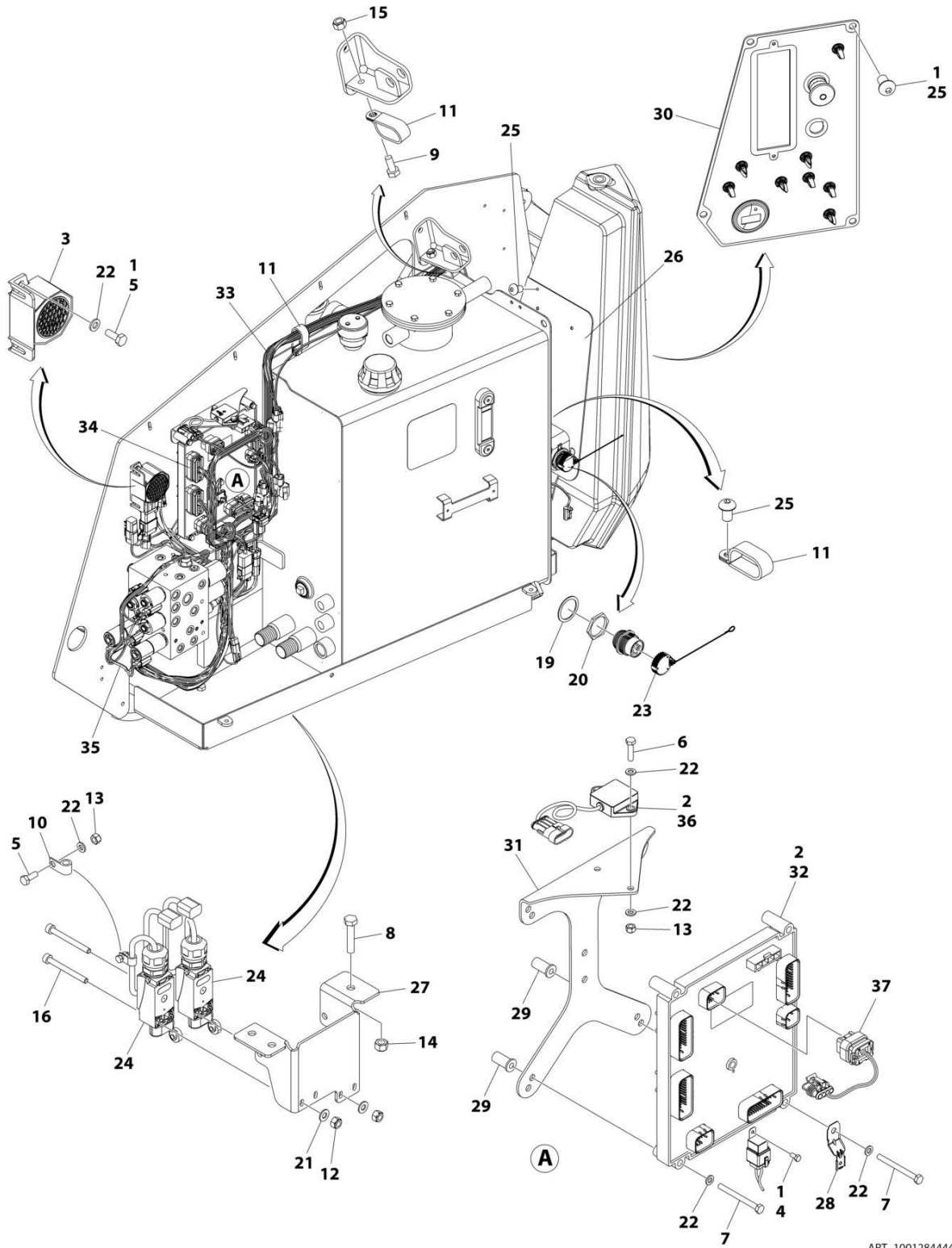
SECTION 2 - TURNTABLE

FIGURE 2-11. ELECTRICAL COMPONENTS INSTALLATION (ALL SPECS EXCEPT CE & UK CA)

ITEM	PART NUMBER	QTY	DESCRIPTION	REV
	1001284443	Ref	ELECTRICAL COMPONENTS INSTALLATION	A
1	0100011	AR	Compound, Locking	
2	0100048	AR	Sealant, Silicone	
3	0140043	1	Alarm	
4	0760505	1	Bolt M5 x 10	
5	0760608	4	Bolt M6 x 16	
6	0760612	2	Bolt M6 x 25	
7	0760621	5	Bolt M6 x 65	
8	0760816	3	Bolt M8 x 40	
9	0761012	1	Bolt M10 x 25	
10	1321293	2	Clamp	
11	1321716	3	P-Clamp	
12	3290405	4	Nut M4	
13	3290605	4	Nut M6	
14	3290805	3	Nut M8	
15	3291005	1	Nut M10	
16	4031512	4	Capscrew M4 x 40	
17	4240032	AR	Tie-Strap (Not Shown)	
18	4460234	AR	Mount, Tie-Strap (Not Shown)	
19	4460496	1	Washer	
20	4460497	1	Nut	
21	4811400	4	Washer M4	
22	4811700	13	Washer M6	
23	1001106736	1	Cap, Dust	
24	1001119176	2	Limit Switch and Harness Assembly (See Separate Breakdown in ELECTRICAL Section)	
24	1001119170	2	Switch, Limit (1 per Assembly)	
25	1001119527	7	Screw, Button Head M10 x 16	
26	1001125291	1	Shield, Ground Controls	
27	1001141710	1	Bracket, Switch	
28	1001155743	1	Mount, Connector	
29	1001203719	5	Nut M6	
30	1001266044	1	Ground Control Assembly (See Separate Breakdown in this Section)	
31	1001271794	1	Bracket, Tilt Sensor	
32	1001280340	1	Module, Ground Control (Note: Re-calibration Required when Replaced)	
33	1001286091	1	Harness, Ground Control (See Separate Breakdown in ELECTRICAL Section)	
34	1001286171	1	Mid-Engine Harness (See Separate Breakdown in ELECTRICAL Section)	
35	1001291530	1	Valve Harness (See Separate Breakdown in ELECTRICAL Section)	
36	1001219601	1	Sensor, Tilt Dual Axis CAN	
37	1001276143	1	Harness, Tilt Sensor (See Separate breakdown in ELECTRICAL Section)	

SECTION 2 - TURNTABLE

FIGURE 2-12. ELECTRICAL COMPONENTS INSTALLATION (CE & UK CA SPEC)



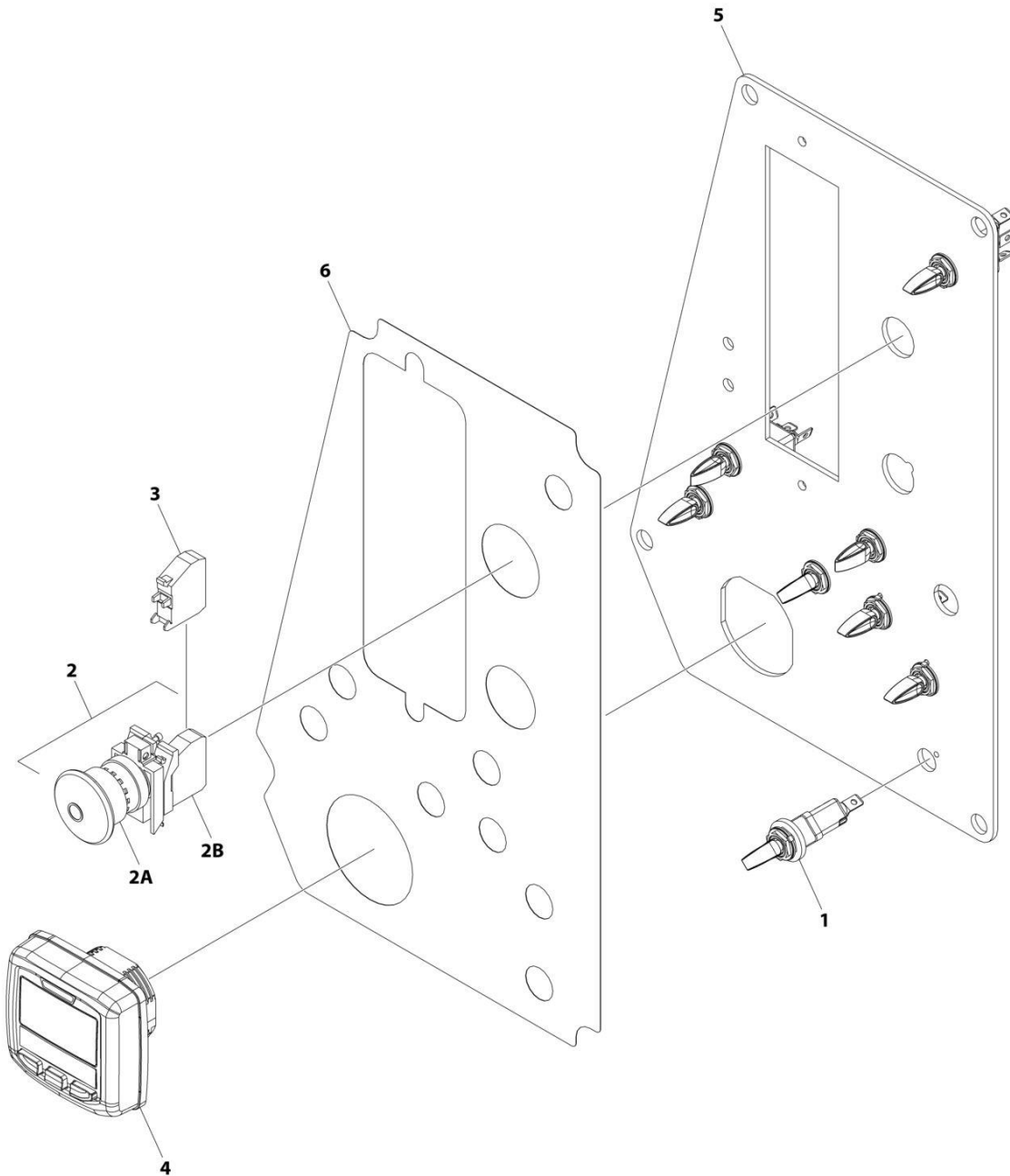
SECTION 2 - TURNTABLE

FIGURE 2-12. ELECTRICAL COMPONENTS INSTALLATION (CE & UK CA SPEC)

ITEM	PART NUMBER	QTY	DESCRIPTION	REV
	1001284444	Ref	ELECTRICAL COMPONENTS INSTALLATION	A
1	0100011	AR	Compound, Locking	
2	0100048	AR	Sealant, Silicone	
3	0140043	1	Alarm	
4	0760505	1	Bolt M5 x 10	
5	0760608	4	Bolt M6 x 16	
6	0760612	2	Bolt M6 x 25	
7	0760621	5	Bolt M6 x 65	
8	0760816	3	Bolt M8 x 40	
9	0761012	1	Bolt M10 x 25	
10	1321293	2	Clamp	
11	1321716	3	P-Clamp	
12	3290405	4	Nut M4	
13	3290605	4	Nut M6	
14	3290805	3	Nut M8	
15	3291005	1	Nut M10	
16	4031512	4	Capscrew M4 x 40	
17	4240032	AR	Tie-Strap (Not Shown)	
18	4460234	AR	Mount, Tie-Strap (Not Shown)	
19	4460496	1	Washer, Terminal	
20	4460497	1	Nut, Terminal	
21	4811400	4	Washer M4	
22	4811700	13	Washer M6	
23	1001106736	1	Cap, Dust	
24	1001119176	2	Limit Switch and Harness Assembly (See Separate Breakdown in ELECTRICAL Section)	
24	1001119170	2	Switch, Limit (1 per Assembly)	
25	1001119527	7	Screw, Button Head M10 x 16	
26	1001125291	1	Shield, Ground Controls	
27	1001141710	1	Bracket, Switch	
28	1001155743	1	Mount, Connector	
29	1001203719	5	Nut M6	
30	1001266045	1	Ground Control Assembly (See Separate Breakdown in this Section)	
31	1001271794	1	Bracket, Tilt Sensor	
32	1001280340	1	Module, Ground Control (Note: Re-calibration Required when Replaced)	
33	1001286091	1	Harness, Ground Control (See Separate Breakdown in ELECTRICAL Section)	
34	1001286171	1	Mid-Engine Harness Assembly (See Separate Breakdown in ELECTRICAL Section)	
35	1001291530	1	Valve Harness (See Separate Breakdown in ELECTRICAL Section)	
36	1001219601	1	Sensor, Tilt Dual Axis CAN	
37	1001276143	1	Harness, Tilt Sensor (See Separate breakdown in ELECTRICAL Section)	

SECTION 2 - TURNTABLE

FIGURE 2-13. GROUND CONTROL BOX ASSEMBLY - DISPLAY WITH BUTTONS (ALL SPECS EXCEPT CE & UK CA SPECS)



ART_1001266044

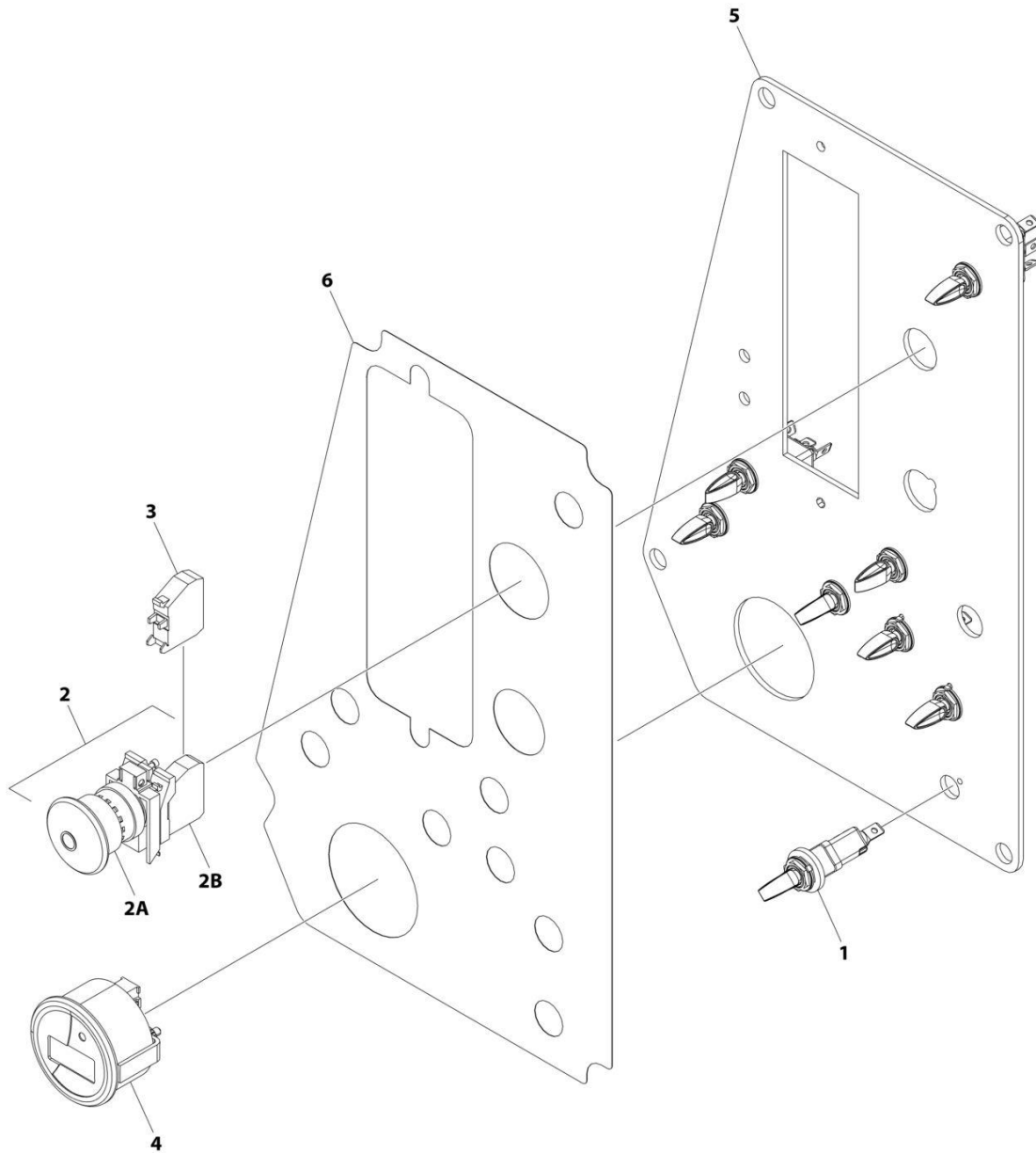
SECTION 2 - TURNTABLE

FIGURE 2-13. GROUND CONTROL BOX ASSEMBLY - DISPLAY WITH BUTTONS (ALL SPECS EXCEPT CE & UK CA SPECS)

ITEM	PART NUMBER	QTY	DESCRIPTION	REV
	1001266044	Ref	GROUND CONTROL ASSEMBLY	A
1	4360328	8	Switch, Toggle	
2	4360475	1	Switch, Emergency Stop	
2A	7020175	1	Cap, Mushroom Head	
2B	7020176	1	Block, Contact	
3	4360476	1	Switch, Contact	
4	1001171482	1	Display	
5	1001266040	1	Panel	
6	1001266041	1	Decal - Ground Control	

SECTION 2 - TURNTABLE

FIGURE 2-14. GROUND CONTROL BOX ASSEMBLY - DISPLAY WITHOUT BUTTONS (ALL SPECS EXCEPT CE & UK CA SPECS)



ART_1001266044_B

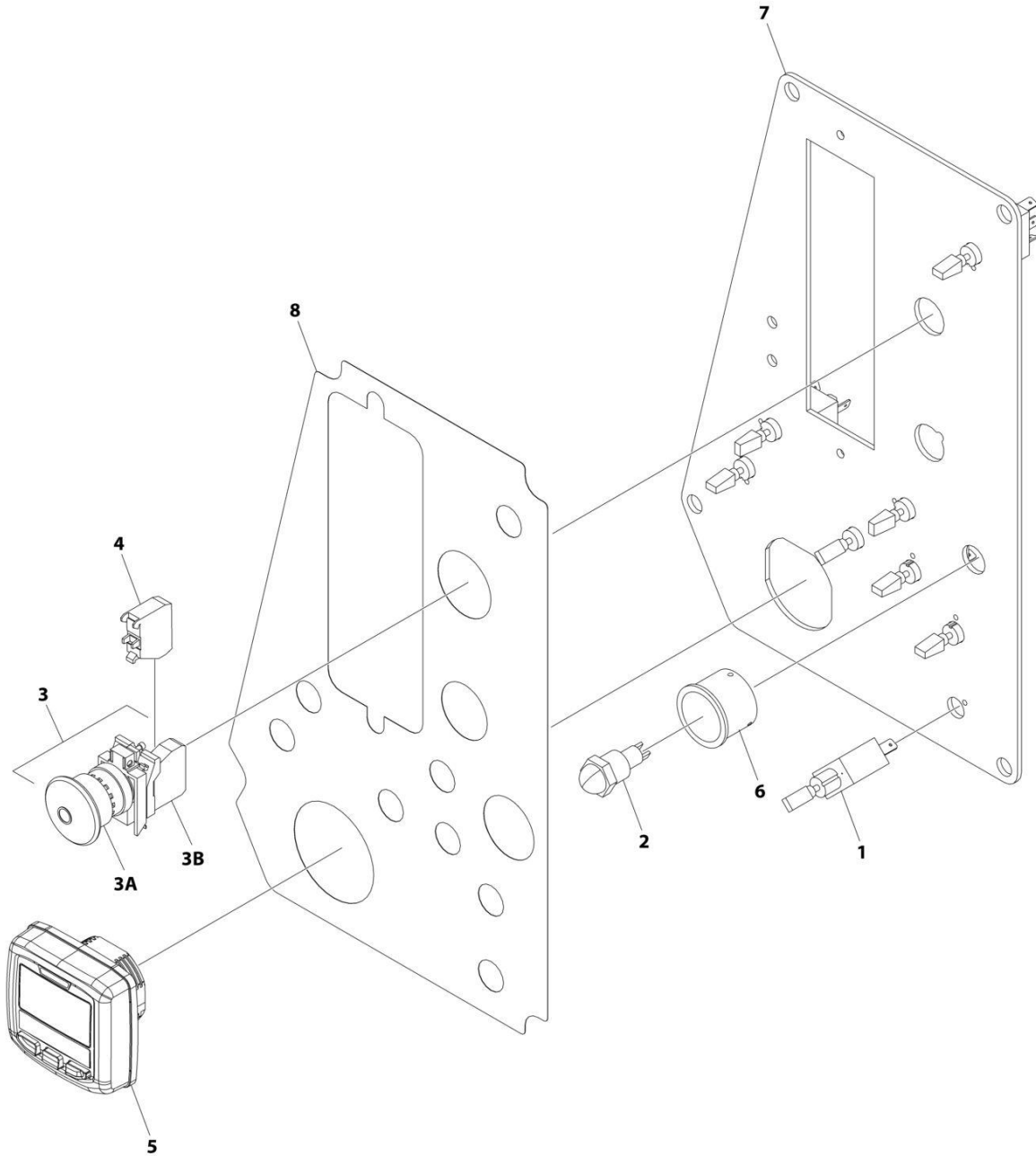
SECTION 2 - TURNTABLE

FIGURE 2-14. GROUND CONTROL BOX ASSEMBLY - DISPLAY WITHOUT BUTTONS (ALL SPECS EXCEPT CE & UK CA SPECS)

ITEM	PART NUMBER	QTY	DESCRIPTION	REV
	1001266044	Ref	GROUND CONTROL ASSEMBLY	B
1	4360328	8	Switch, Toggle	
2	4360475	1	Switch, Emergency Stop	
2A	7020175	1	Cap, Mushroom Head	
2B	7020176	1	Block, Contact	
3	4360476	1	Switch, Contact	
4	1001109503	1	Display	
5	1001280406	1	Panel	
6	1001266041	1	Decal - Ground Control	

SECTION 2 - TURNTABLE

FIGURE 2-15. GROUND CONTROL BOX ASSEMBLY - DISPLAY WITH BUTTONS (CE & UK CA SPECS)



ART_1001266045

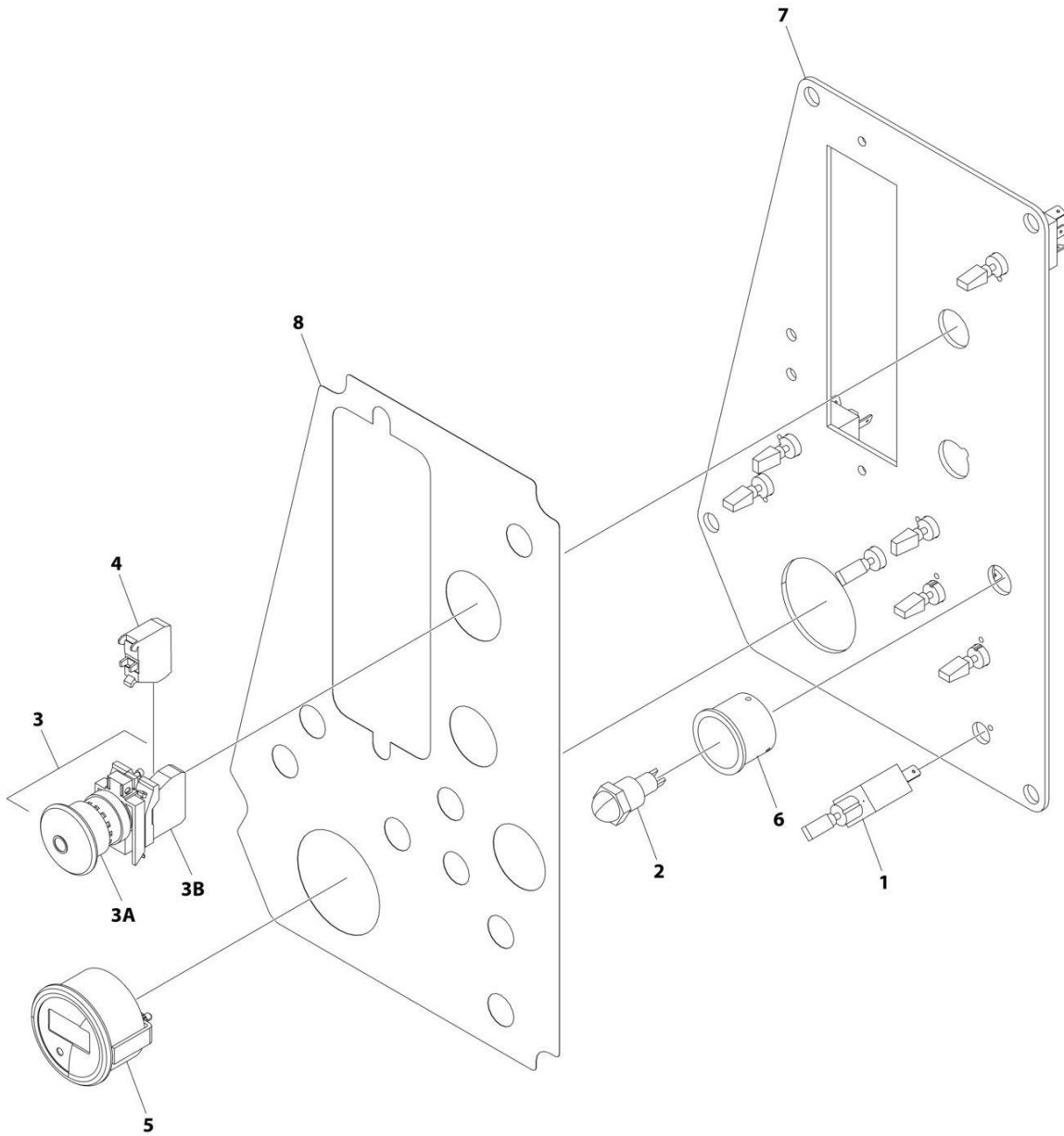
SECTION 2 - TURNTABLE

FIGURE 2-15. GROUND CONTROL BOX ASSEMBLY - DISPLAY WITH BUTTONS (CE & UK CA SPECS)

ITEM	PART NUMBER	QTY	DESCRIPTION	REV
	1001266045	Ref	GROUND CONTROL ASSEMBLY	A
1	4360328	8	Switch, Toggle	
2	4360387	1	Switch, Push Button	
3	4360475	1	Switch, Emergency Stop	
3A	7020175	1	Cap, Mushroom Head	
3B	7020176	1	Block, Contact	
4	4360476	1	Switch, Contact	
5	1001171482	1	Display	
6	1001176469	1	Shroud	
7	1001266040	1	Panel	
8	1001266043	1	Decal - Ground Control	

SECTION 2 - TURNTABLE

FIGURE 2-16. GROUND CONTROL BOX ASSEMBLY - DISPLAY WITHOUT BUTTONS (CE & UK CA SPECS)



ART_1001266045_B

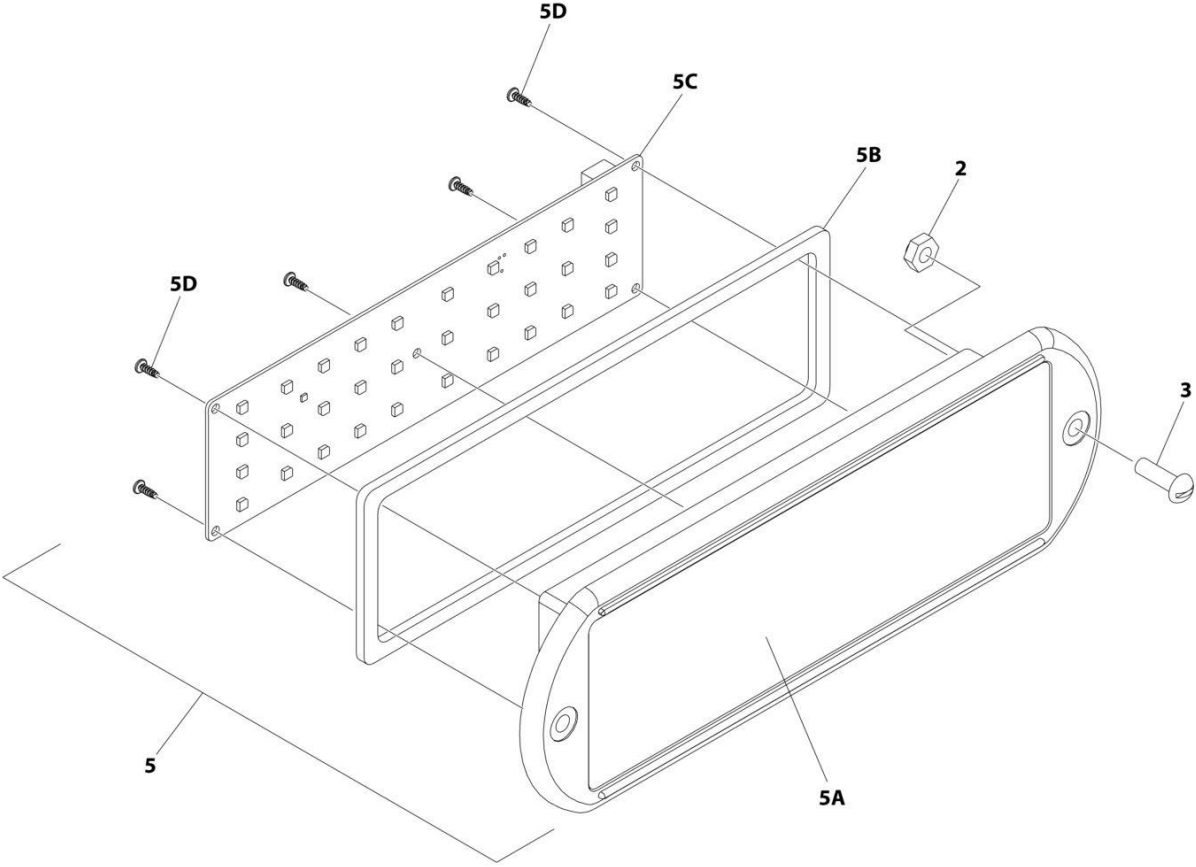
SECTION 2 - TURNTABLE

FIGURE 2-16. GROUND CONTROL BOX ASSEMBLY - DISPLAY WITHOUT BUTTONS (CE & UK CA SPECS)

ITEM	PART NUMBER	QTY	DESCRIPTION	REV
	1001266045	Ref	GROUND CONTROL ASSEMBLY	B
1	4360328	8	Switch, Toggle	
2	4360387	1	Switch, Push Button	
3	4360475	1	Switch, Emergency Stop	
3A	7020175	1	Cap, Mushroom Head	
3B	7020176	1	Block, Contact	
4	4360476	1	Switch, Contact	
5	1001109503	1	Display	
6	1001176469	1	Shroud	
7	1001280406	1	Panel	
8	1001266043	1	Decal - Ground Control	

SECTION 2 - TURNTABLE

FIGURE 2-17. LIGHT PANEL INSTALLATION



ART_1001241400_C_10F2

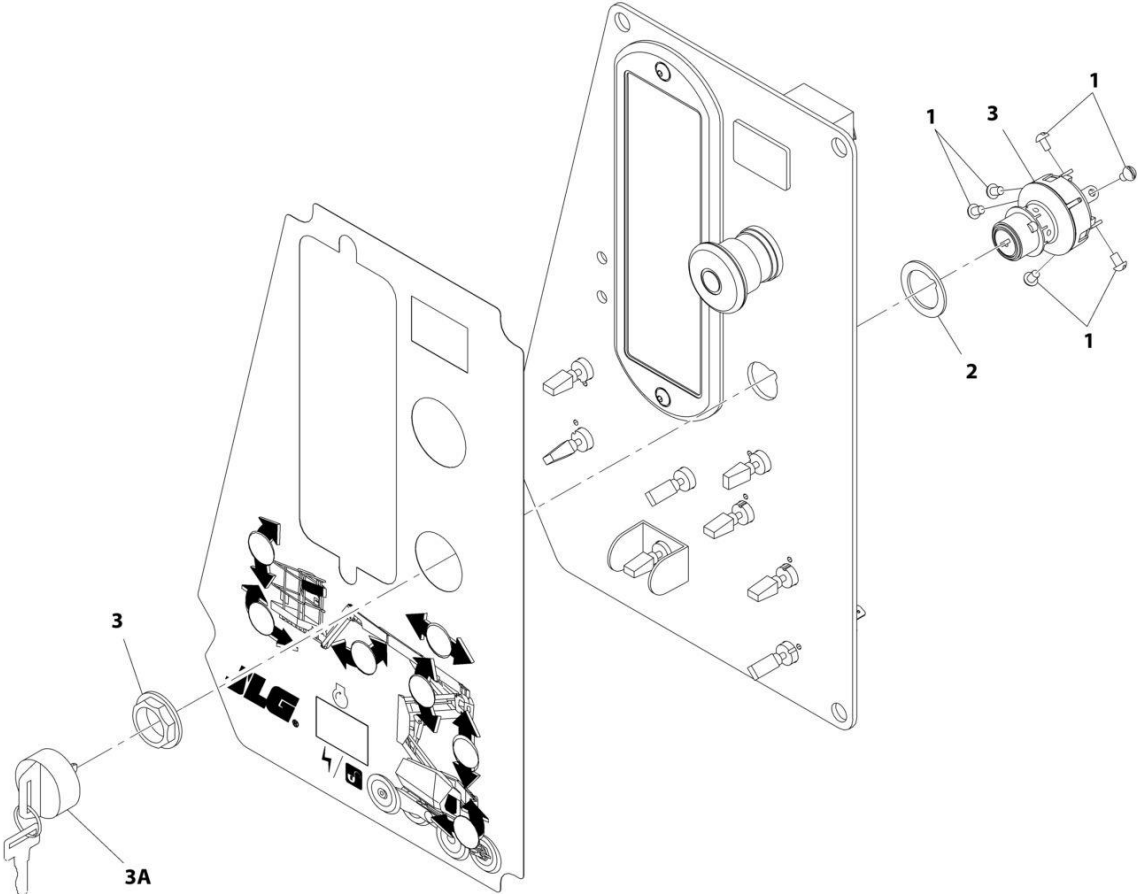
SECTION 2 - TURNTABLE

FIGURE 2-17. LIGHT PANEL INSTALLATION

ITEM	PART NUMBER	QTY	DESCRIPTION	REV
	1001241400	Ref	LIGHT PANEL INSTALLATION	C
2	3300408	2	Nut, Nylon Insert	
3	0630518	2	Screw #10 x 3/4	
5	1001236433	1	Light Panel Assembly	
5A	1001236093	1	Lens, I-Con	
5B	1001238749	1	Bezel (Includes Gasket)	
5C	1001187807	1	Panel, LED Light	
5D		Ref	Screw	

SECTION 2 - TURNTABLE

FIGURE 2-18. KEY SWITCH INSTALLATION



ART_1001119399

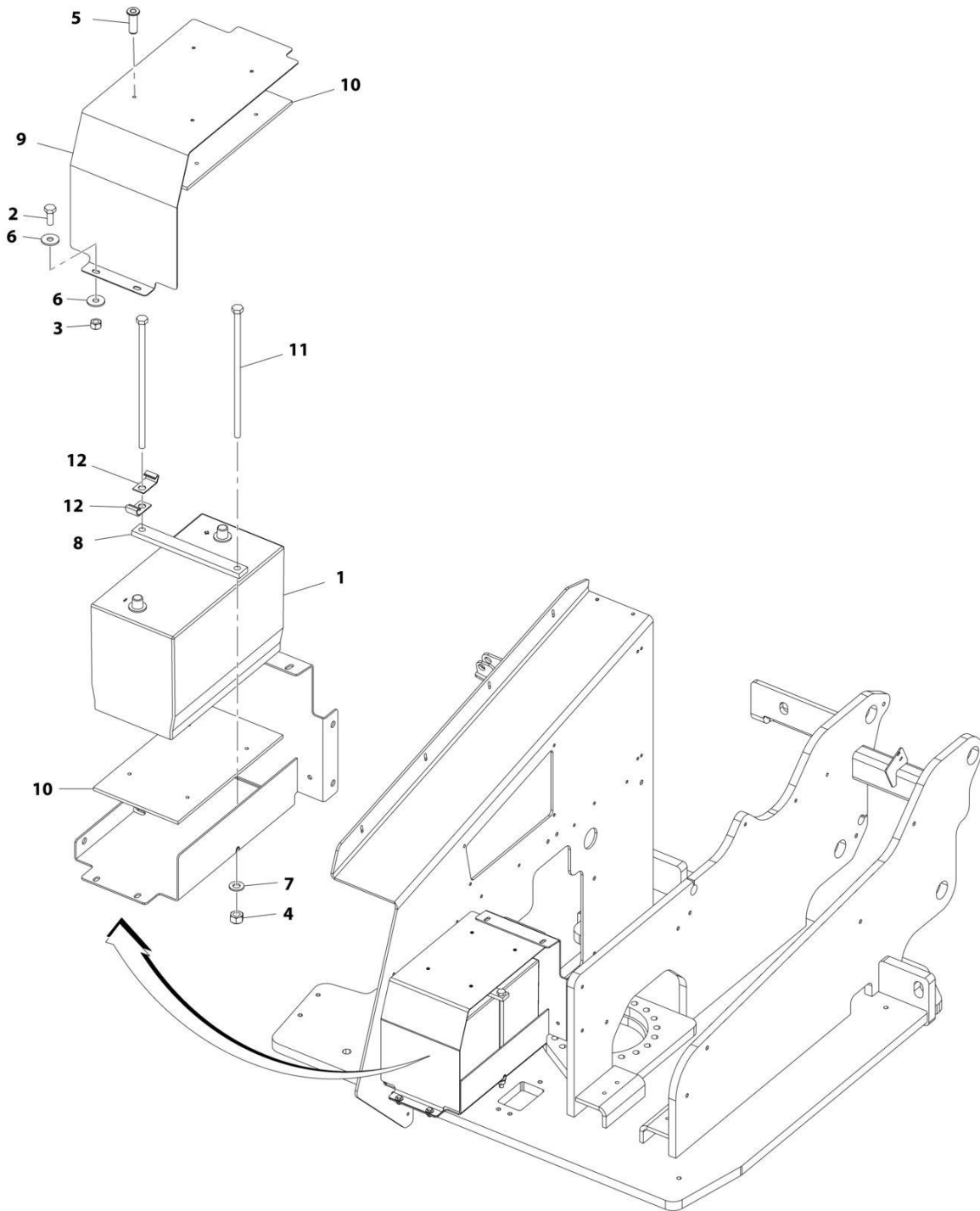
SECTION 2 - TURNTABLE

FIGURE 2-18. KEY SWITCH INSTALLATION

ITEM	PART NUMBER	QTY	DESCRIPTION	REV
	1001119399	Ref	KEY SWITCH INSTALLATION	C
1	3910804	6	Screw 8 x 1/4	
2	1001151393	1	Shim	
3	4360469	1	Switch, Key	
3A	2860030	1	Key, Replacement	

SECTION 2 - TURNTABLE

FIGURE 2-19. BATTERY INSTALLATION



ART_1001119277

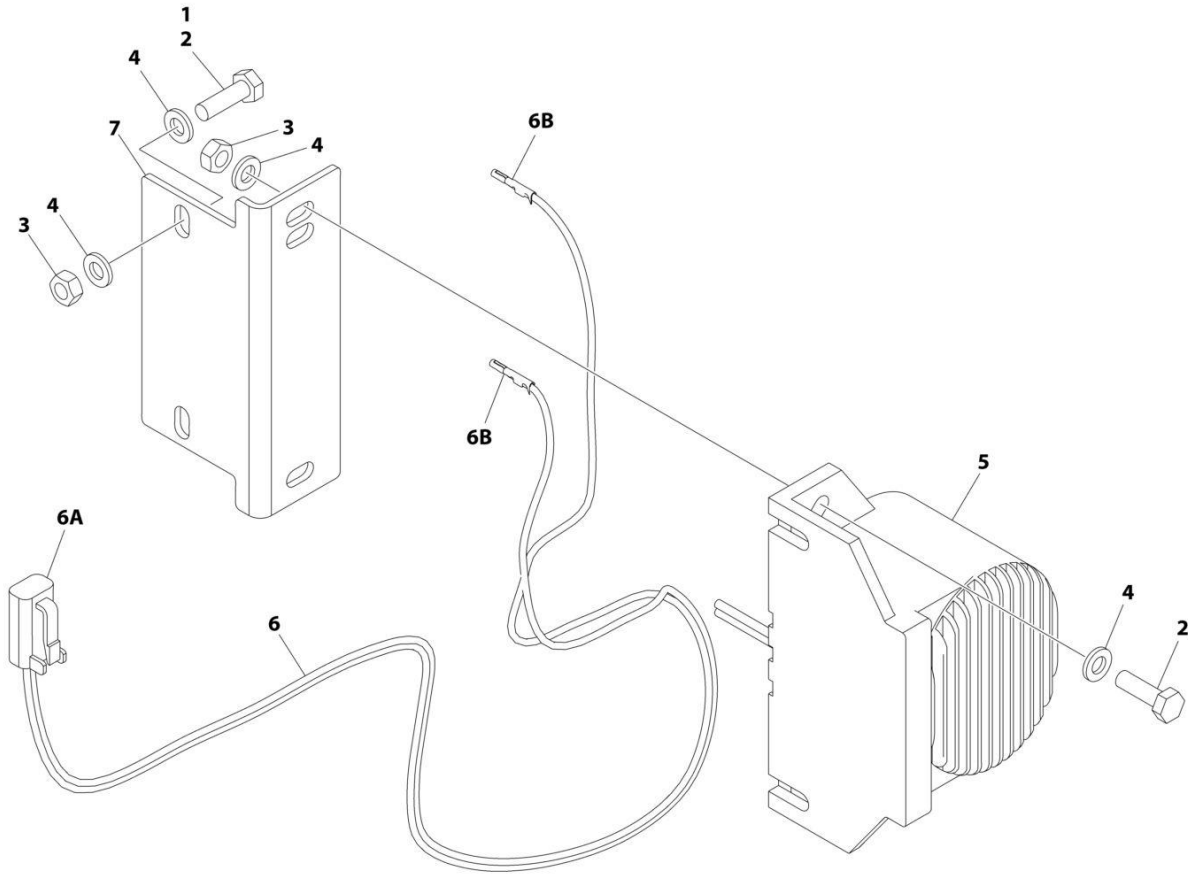
SECTION 2 - TURNTABLE

FIGURE 2-19. BATTERY INSTALLATION

ITEM	PART NUMBER	QTY	DESCRIPTION	REV
	1001119277	Ref	BATTERY INSTALLATION	D
1	0400075	1	Battery	
2	0760610	2	Bolt M6 x 20	
3	3290605	2	Nut M6	
4	3291005	2	Nut M10	
5	3820032	4	Rivet	
6	4811702	4	Washer M6	
7	4812000	2	Washer M10	
8	0361810	1	Bar, Hold-down	
9	1001117240	1	Cover	
10	1001119278	2	Insulate	
11	1001119280	2	Bolt M10 x 260	
12	1320223	2	J-Clip	

SECTION 2 - TURNTABLE

FIGURE 2-20. WHITE NOISE ALARM INSTALLATION (AMBIENT)



ART_1001206737

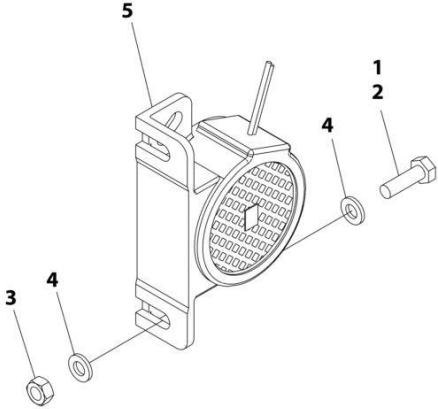
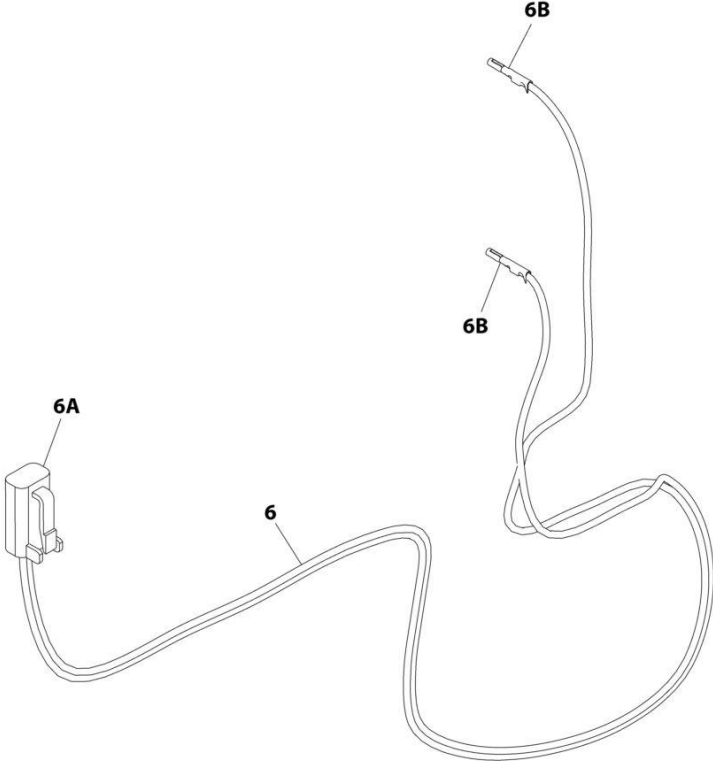
SECTION 2 - TURNTABLE

FIGURE 2-20. WHITE NOISE ALARM INSTALLATION (AMBIENT)

ITEM	PART NUMBER	QTY	DESCRIPTION	REV
	1001206737	Ref	WHITE NOISE ALARM INSTALLATION	C
1	0100011	AR	Compound, Locking	
2	0760610	4	Bolt M6 x 20	
3	3290601	4	Nut M6	
4	4811700	8	Washer M6	
5	1001182806	1	Alarm	
6	1001190663	1	White Noise Motion Alarm Harness	
6A	4460891	1	Plug, Male - 2 Position	
6A	4460465	1	Socket, Female	
6B	4460871	2	Socket, Female	
7	1001231886	1	Plate	

SECTION 2 - TURNTABLE

FIGURE 2-21. WHITE NOISE ALARM INSTALLATION (CONSTANT)



ART_1001263178

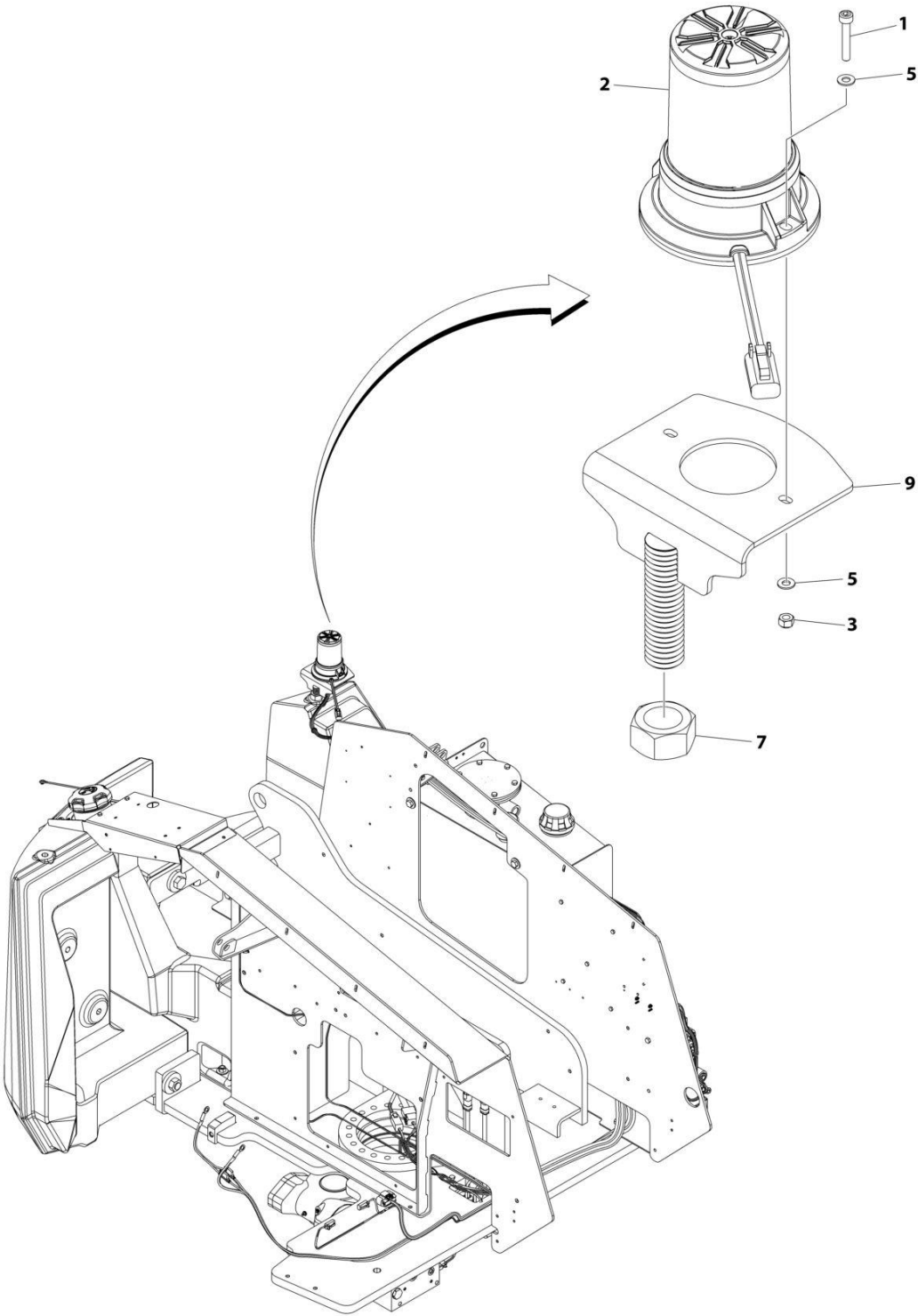
SECTION 2 - TURNTABLE

FIGURE 2-21. WHITE NOISE ALARM INSTALLATION (CONSTANT)

ITEM	PART NUMBER	QTY	DESCRIPTION	REV
	1001263178	Ref	WHITE NOISE ALARM INSTALLATION (CONSTANT)	A
1	0100011	AR	Compound, Locking	
2	0760610	2	Bolt M6 x 20	
3	3290601	2	Nut M6	
4	4811700	4	Washer M6	
5	1001184682	1	Alarm	
6	1001190663	1	White Noise Motion Alarm Harness	
6A	4460891	1	Plug, Male - 2 Position	
6A	4460465	1	Socket, Female	
6B	4460871	2	Socket, Female	

SECTION 2 - TURNTABLE

FIGURE 2-22. STROBE LIGHT INSTALLATION (AMBER)



ART_1001119268_E

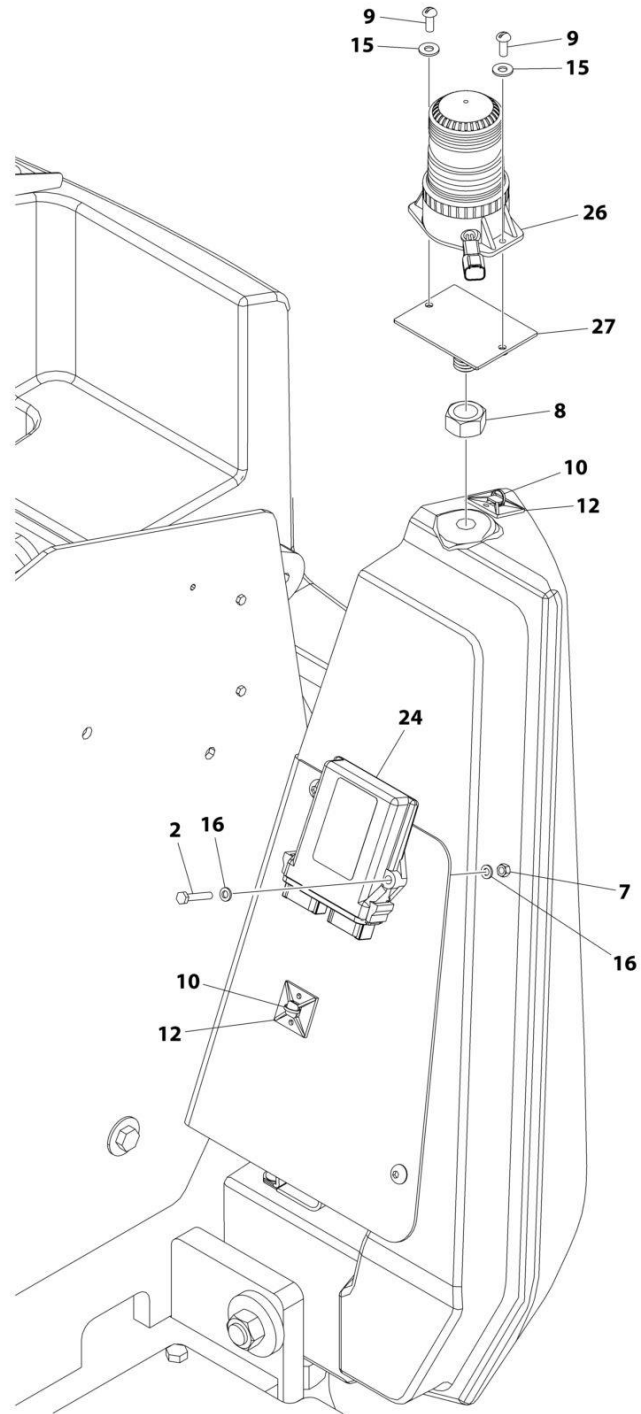
SECTION 2 - TURNTABLE

FIGURE 2-22. STROBE LIGHT INSTALLATION (AMBER)

ITEM	PART NUMBER	QTY	DESCRIPTION	REV
	1001119268	Ref	STROBE LIGHT INSTALLATION (AMBER)	E
1	4031509	2	Bolt M4 x 25	
2	1001270594	1	Strobe Light Assembly	
2	7016319	1	Bulb	
2	7016372	1	Lens	
2	4460891	1	Plug, Male - 2 Position	
2	4460465	1	Socket, Female	
3	3290405	2	Nut M4	
5	4811400	4	Washer M4	
6	4240032	AR	Tie-Strap (Not Shown)	
7	3292001	1	Nut M20	
8	1001283776	1	Harness, Strobe Light Jumper (Not Shown - See Separate Breakdown in ELECTRICAL Section)	
9	1001286584	1	Mount	

SECTION 2 - TURNTABLE

FIGURE 2-23. STROBE LIGHT INSTALLATION (BLUE) (OPTIONAL)



ART_1001242849

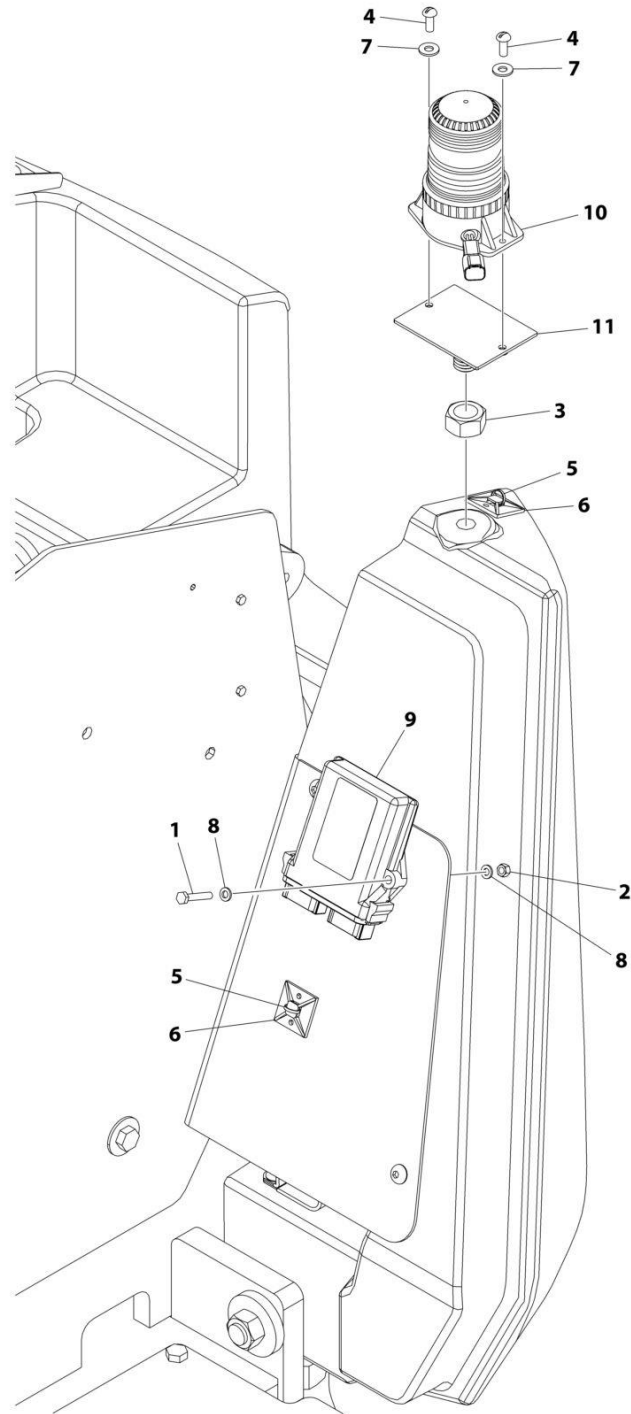
SECTION 2 - TURNTABLE

FIGURE 2-23. STROBE LIGHT INSTALLATION (BLUE) (OPTIONAL)

ITEM	PART NUMBER	QTY	DESCRIPTION	REV
	1001242849	Ref	BEACON LIGHT INSTALLATION - BLUE	D
2	0700615	2	Bolt M6 x 35	
7	3290607	2	Nut M6	
9	4031509	2	Bolt M4 x 25	
10	4240032	2	Tie-Strap	
12	4460488	2	Base, Mounting	
15	4811400	4	Washer M4	
16	4811700	4	Washer M6	
24	1001142683	1	Module, Beacon Control	
26	1001272681	1	Light, Strobe	
26	7028909	1	Connector - 2 Position	
26	4460943	2	Pin, Male	
28	1001142736	1	Strobe Light Control Harness (Not Shown - See Separate Breakdown in ELECTRICAL Section)	
29	3290405	1	Nut M4	
30	1001285733	1	Alert Beacon Jumper Harness	
31	2540020	1	Grommet	

SECTION 2 - TURNTABLE

FIGURE 2-24. STROBE LIGHT INSTALLATION (RED) (OPTIONAL)



ART_1001242850

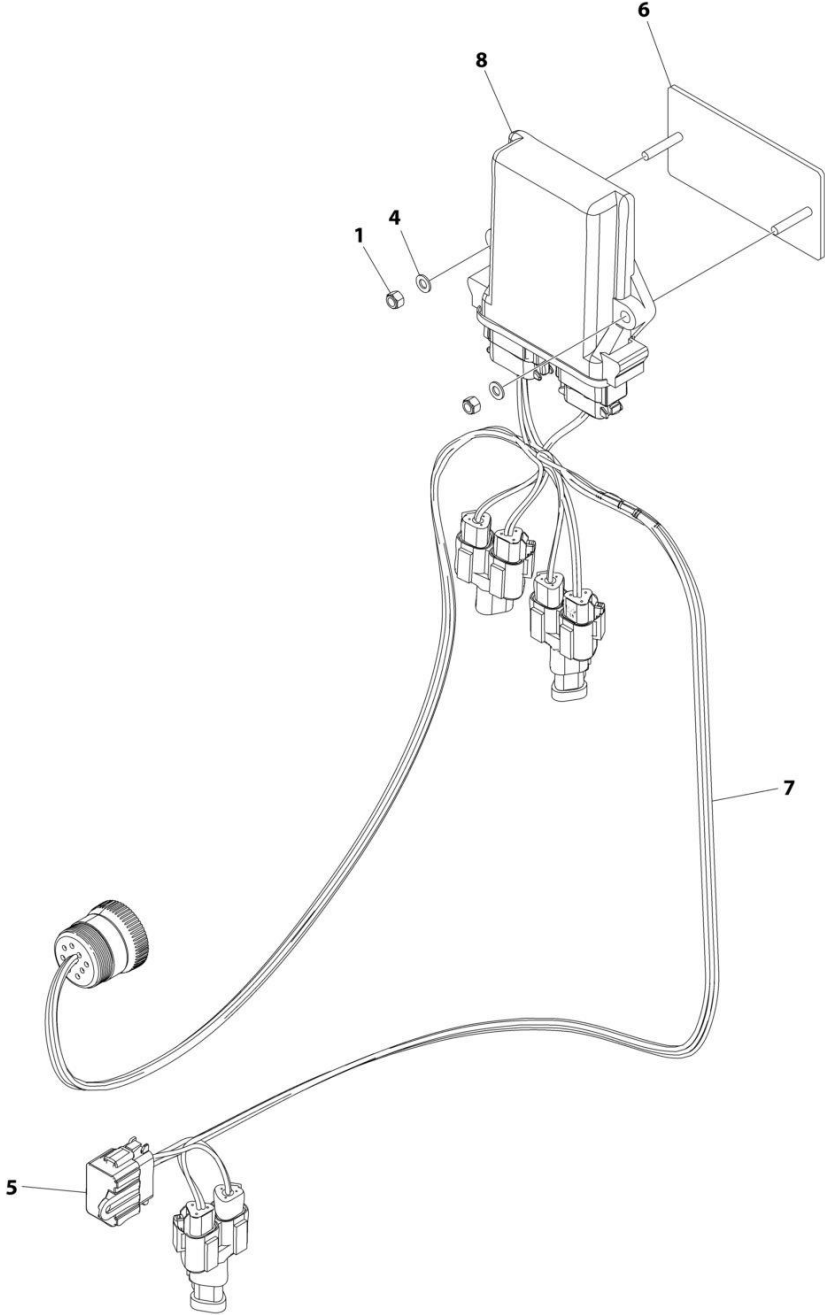
SECTION 2 - TURNTABLE

FIGURE 2-24. STROBE LIGHT INSTALLATION (RED) (OPTIONAL)

ITEM	PART NUMBER	QTY	DESCRIPTION	REV
	1001242850	Ref	BEACON LIGHT INSTALLATION - RED	B
1	0700615	2	Bolt M6 x 35	
2	3290607	2	Nut M6	
13	3290405	2	Nut M4	
4	4031509	1	Screw #10 x 1/2	
5	4240032	2	Tie-Strap	
6	4460488	2	Base, Mounting	
7	4811400	2	Washer #10	
8	4811700	4	Washer M6	
9	1001142683	1	Module, Beacon Control	
10	1001272682	1	Light, Strobe	
10	7028909	1	Connector - 2 Position	
10	4460943	2	Pin, Male	
12	1001142736	1	Strobe Light Control Harness (Not Shown - See Separate Breakdown in ELECTRICAL Section)	
14	1001285733	1	Beacon Jumper Harness	
15	2540020	1	Grommet	

SECTION 2 - TURNTABLE

FIGURE 2-25. GATEWAY INSTALLATION



ART_1001284514

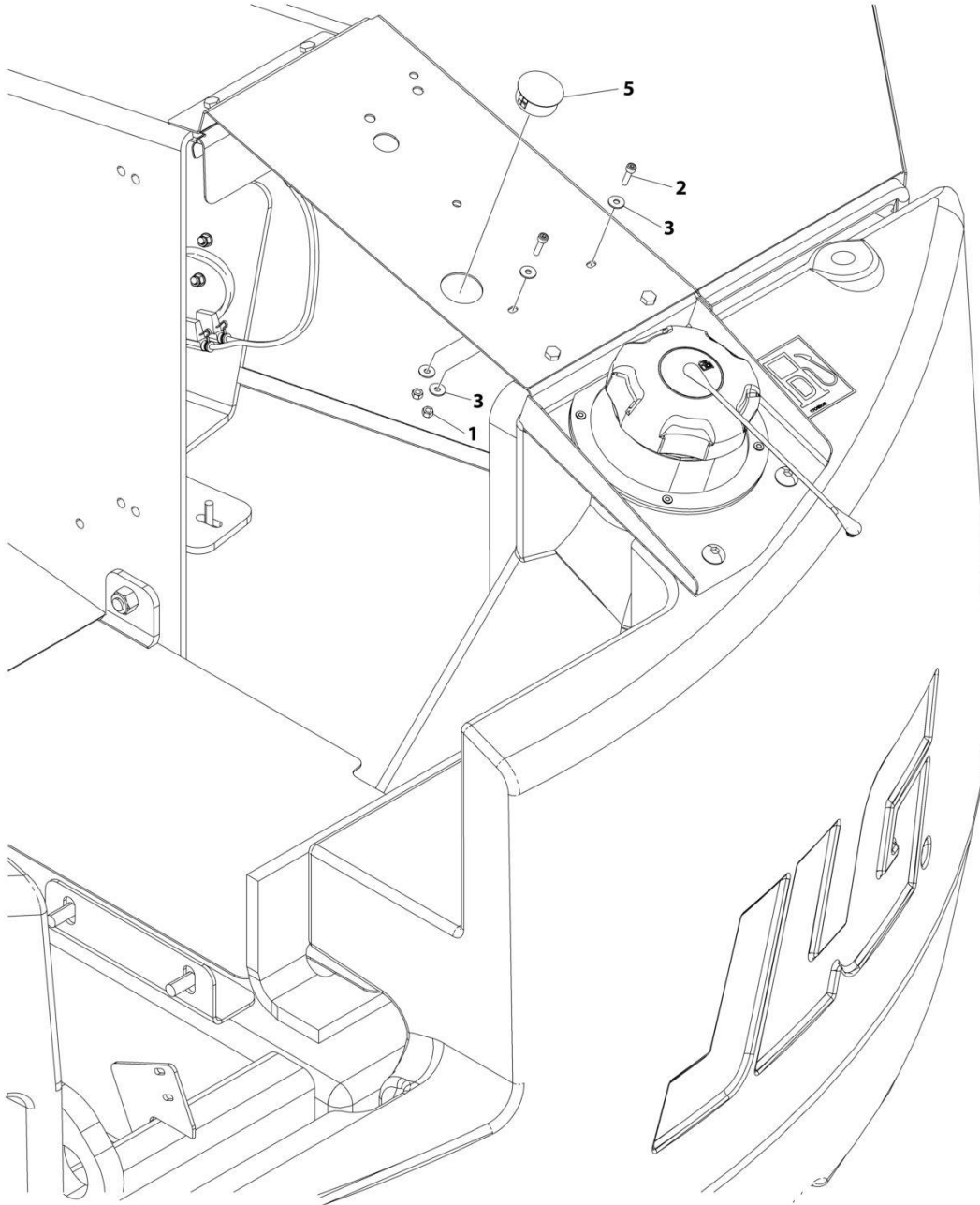
SECTION 2 - TURNTABLE

FIGURE 2-25. GATEWAY INSTALLATION

ITEM	PART NUMBER	QTY	DESCRIPTION	REV
	1001284514	Ref	GATEWAY PLUS INSTALLATION	A
1	3290505	2	Nut M5	
2	4240032	AR	Tie-Strap	
3	4460234	AR	Mount, Tie-Strap	
4	4811600	2	Washer M5	
5	1001215898	1	Connector, Dust Cap	
6	1001219082	1	Bracket	
7	1001226831	1	Telematics Gateway Harness (See Separate Breakdown in this Section)	
8	1001282260	1	Gateway Controller	

SECTION 2 - TURNTABLE

FIGURE 2-26. NO BEACON INSTALLATION



ART_1001287192

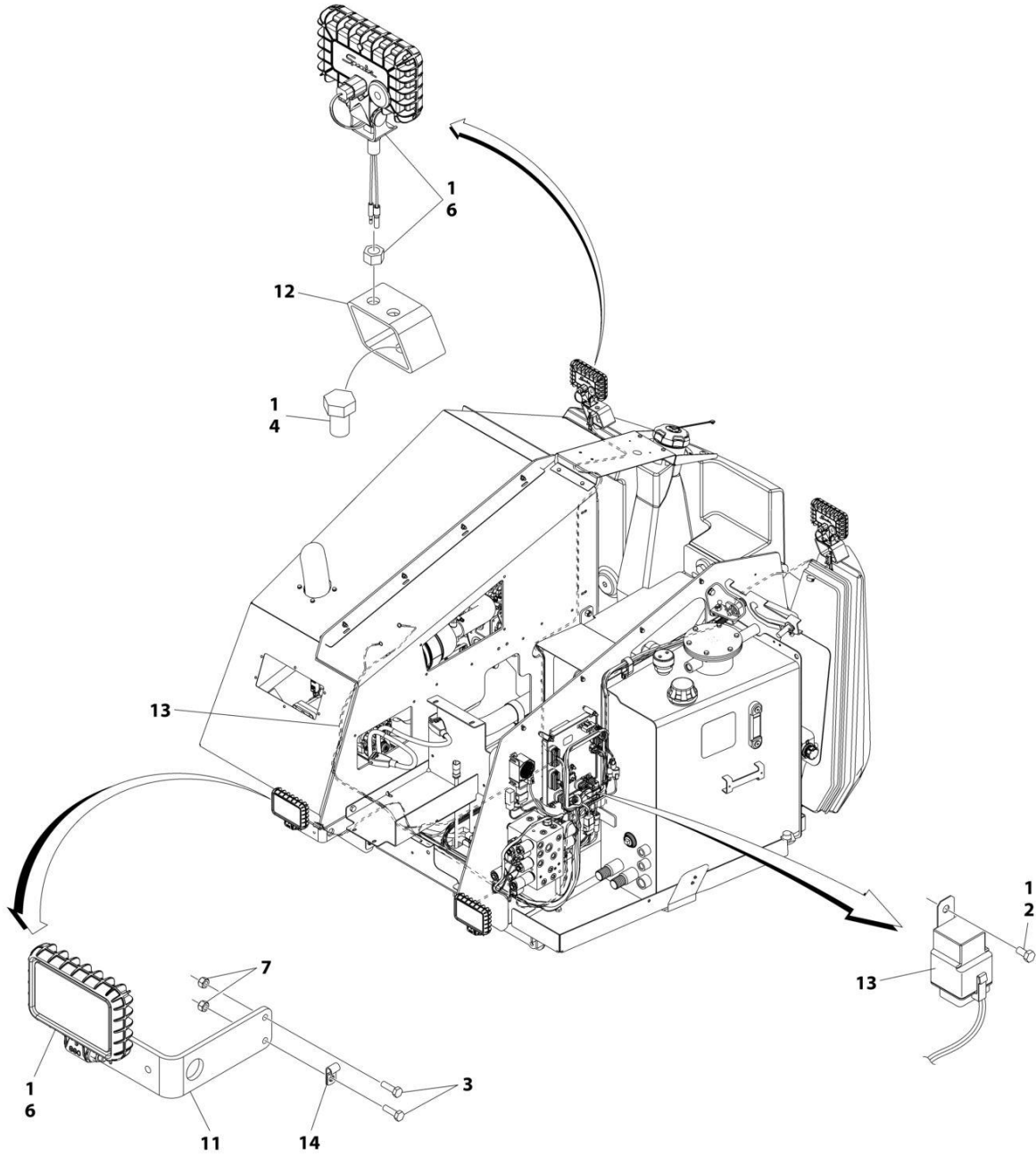
SECTION 2 - TURNTABLE

FIGURE 2-26. NO BEACON INSTALLATION

ITEM	PART NUMBER	QTY	DESCRIPTION	REV
	1001287192	Ref	NO BECON INSTALLATION	A
1	3290405	2	Nut M4	
2	4031507	2	Bolt M4 x 16	
3	1001091102	4	Washer M4	
4	1001244462	1	Connector, Dust Cap (Not Shown) (Note: Use for Beacon Harness Connector)	
5	1001285892	1	Plug	

SECTION 2 - TURNTABLE

FIGURE 2-27. TURNTABLE FLOODLIGHT INSTALLATION (OPTIONAL)



ART_1001120232_C

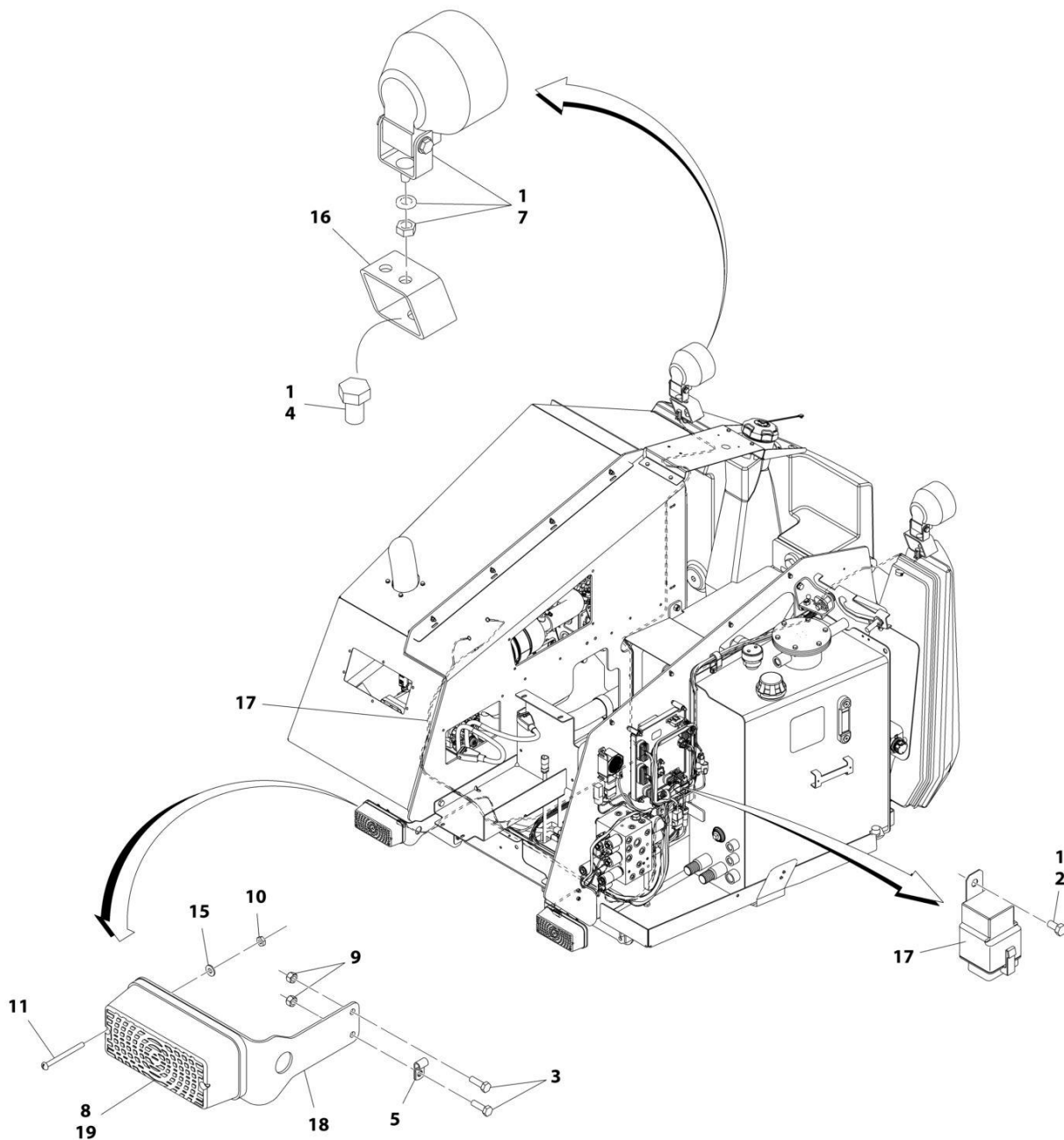
SECTION 2 - TURNTABLE

FIGURE 2-27. TURNTABLE FLOODLIGHT INSTALLATION (OPTIONAL)

ITEM	PART NUMBER	QTY	DESCRIPTION	REV
	1001120232	Ref	TURNTABLE FLOODLIGHT INSTALLATION (OPTIONAL)	C
1	0100011	AR	Compound, Locking	
2	0760505	1	Bolt M5 x 10	
3	0760610	4	Bolt M6 x 20	
4	0762014	2	Bolt M20 x 30	
5	1705170	1	Decal - Light (Not Shown - Located on Platform Console Box)	
6	1001236816	4	Floodlight	
7	3290605	4	Nut M6	
8	4240032	2	Tie-Strap (Not Shown)	
9	4240033	4	Tie-Strap (Not Shown)	
10	4360522	1	Switch, Push Button (Not Shown - Located on Platform Console Box)	
11	1001120287	2	Mount, Light	
12	1001120288	2	Mount, Light	
13	1001120299	1	Chassis Light Harness (See Separate Breakdown in ELECTRICAL Section)	
13	3740080	1	Relay	
14	1320136	2	Clamp, Cable	

SECTION 2 - TURNTABLE

FIGURE 2-28. HEAD AND TAIL LIGHT INSTALLATION (OPTIONAL)



ART_1001149144

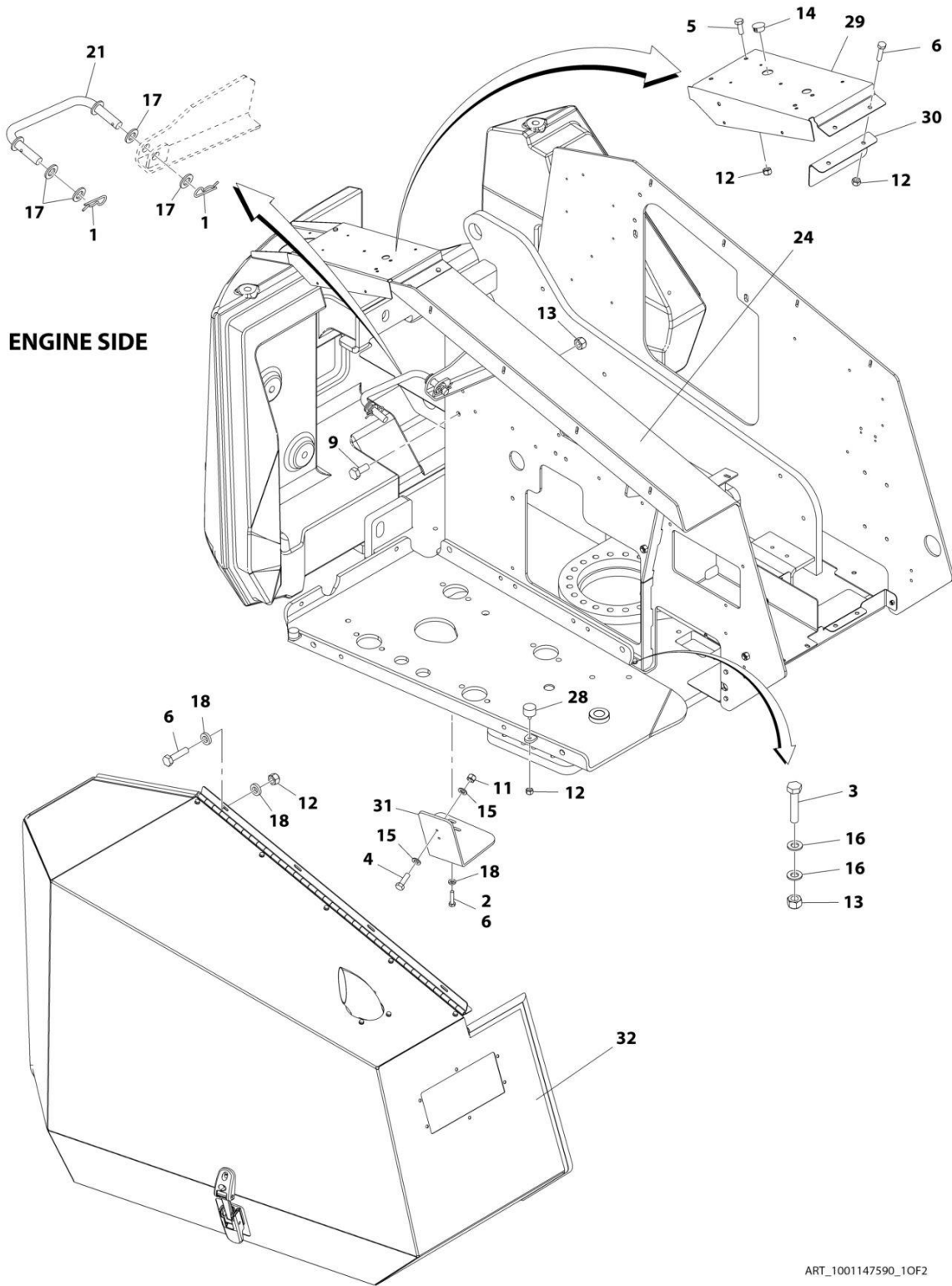
SECTION 2 - TURNTABLE

FIGURE 2-28. HEAD AND TAIL LIGHT INSTALLATION (OPTIONAL)

ITEM	PART NUMBER	QTY	DESCRIPTION	REV
	1001149144	Ref	HEAD AND TAIL LIGHT INSTALLATION (OPTIONAL)	A
1	0100011	AR	Compound, Locking	
2	0760505	1	Bolt M5 x 10	
3	0760610	4	Bolt M6 x 20	
4	0762014	2	Bolt M20 x 30	
5	1320136	2	Clamp, Cable	
6	1705170	1	Decal - Light (Not Shown - Located on Platform Console Box)	
7	2920110	2	Light, Head	
7	7016628	2	Bulb, Replacement (1 Per Assembly)	
8	2920113	2	Light, Tail	
9	3290605	4	Nut M6	
10	3311005	4	Nut M10	
11	3911036	4	Bolt M10 x 2-1/4	
12	4240032	2	Tie-Strap (Not Shown)	
13	4240033	4	Tie-Strap (Not Shown)	
14	4360522	1	Switch, Push Button (Not Shown - Located on Platform Console Box)	
15	4751000	4	Washer M10	
16	1001120288	2	Mount, Light	
17	1001120299	1	Chassis Light Harness (See Separate Breakdown in ELECTRICAL Section)	
17	3740080	1	Relay	
18	1001149147	2	Mount, Light	
19	4460121	2	Cap, Wire	

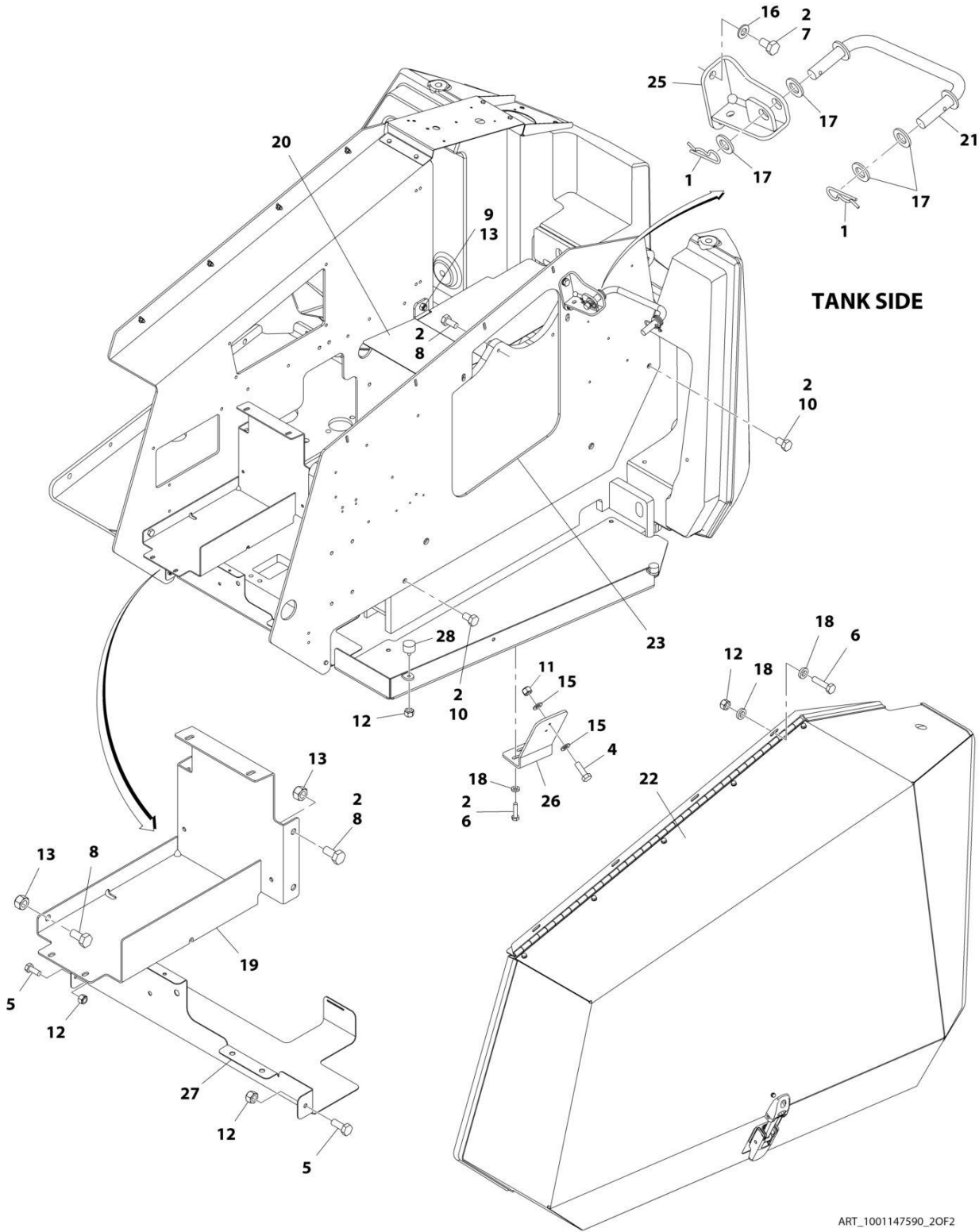
SECTION 2 - TURNTABLE

FIGURE 2-29. HOODS INSTALLATION



ART_1001147590_10F2

SECTION 2 - TURNTABLE



ART_1001147590_20F2

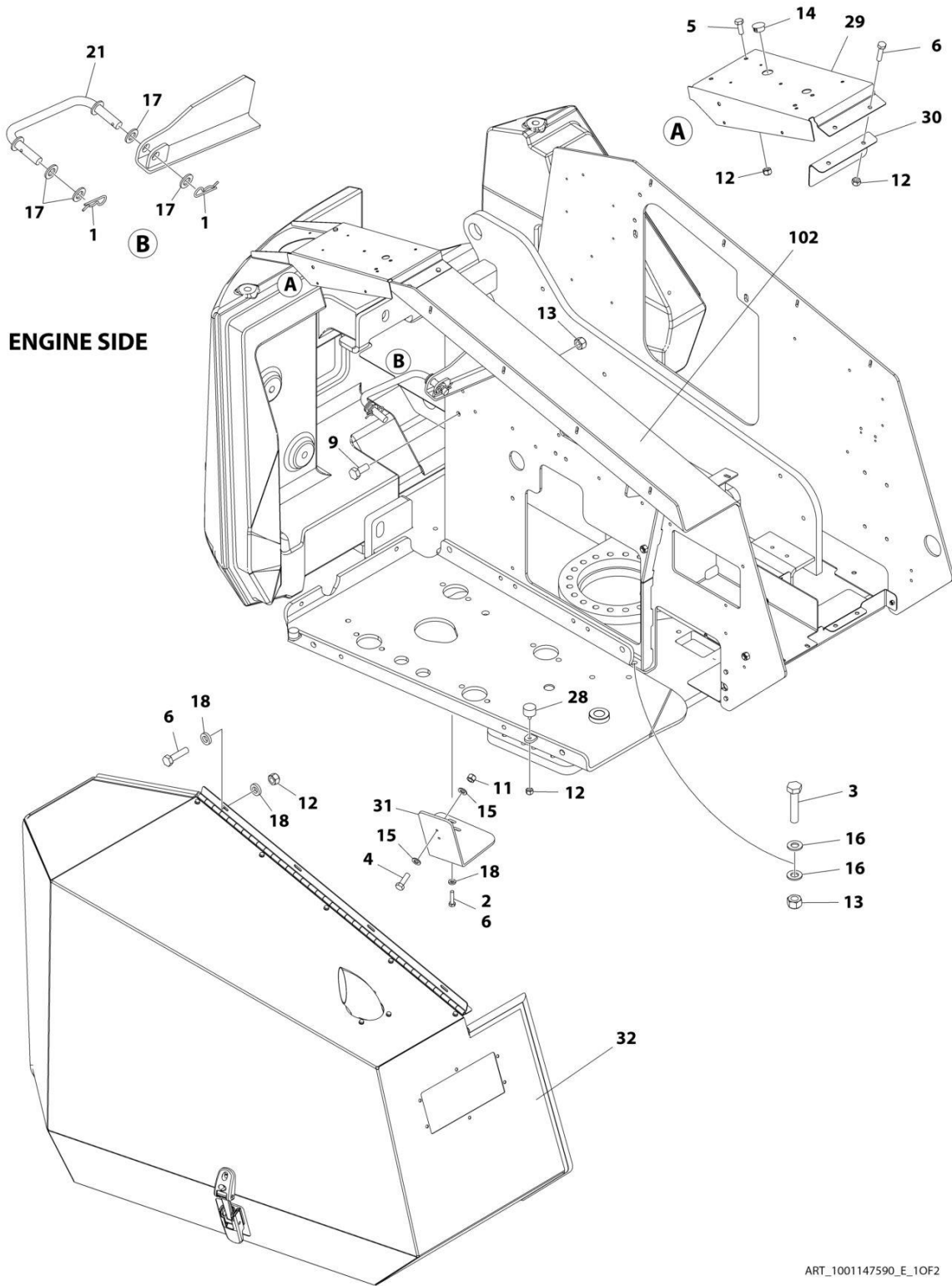
SECTION 2 - TURNTABLE

FIGURE 2-29. HOODS INSTALLATION

ITEM	PART NUMBER	QTY	DESCRIPTION	REV
	1001147590	Ref	HOODS INSTALLATION	B
1	80325	4	Hairpin, Cotter	
2	0100011	AR	Compound, Locking	
3	0701018	2	Bolt M10 x 50	
4	0760508	4	Bolt M5 x 16	
5	0760608	5	Bolt M6 x 16	
6	0760612	16	Bolt M6 x 25	
7	0761009	2	Bolt M10 x 18	
8	0761011	6	Bolt M10 x 22	
9	0761012	1	Bolt M10 x 25	
10	0761210	2	Bolt M12 x 20	
11	3290505	4	Nut M5	
12	3290605	19	Nut M6	
13	3291005	6	Nut M10	
14	3520030	1	Plug	
15	4811600	8	Washer M5	
16	4812000	6	Washer M10	
17	4812300	8	Washer M16	
18	5240600	22	Washer M6	
19	1001117239	1	Box, Battery	
20	1001117243	1	Cover, Turntable Center	
21	1001117282	2	Rod, Prop	
22	1001118361	1	Tank Side Hood Assembly (See Separate Breakdown in this Section)	
23	1001118459	1	Plate, Hood Mount	
24	1001119072	1	Plate, Engine Side	
25	1001119080	1	Bracket	
26	1001119083	1	Mount, Latch	
27	1001119085	1	Tray	
28	1001119092	4	Bumper	
29	1001286749	1	Panel, Filler	
30	1001119104	1	Panel, Filler	
31	1001146824	1	Mount, Latch	
32	1001147441	1	Engine Side Hood Assembly (See Separate Breakdown in this Section)	

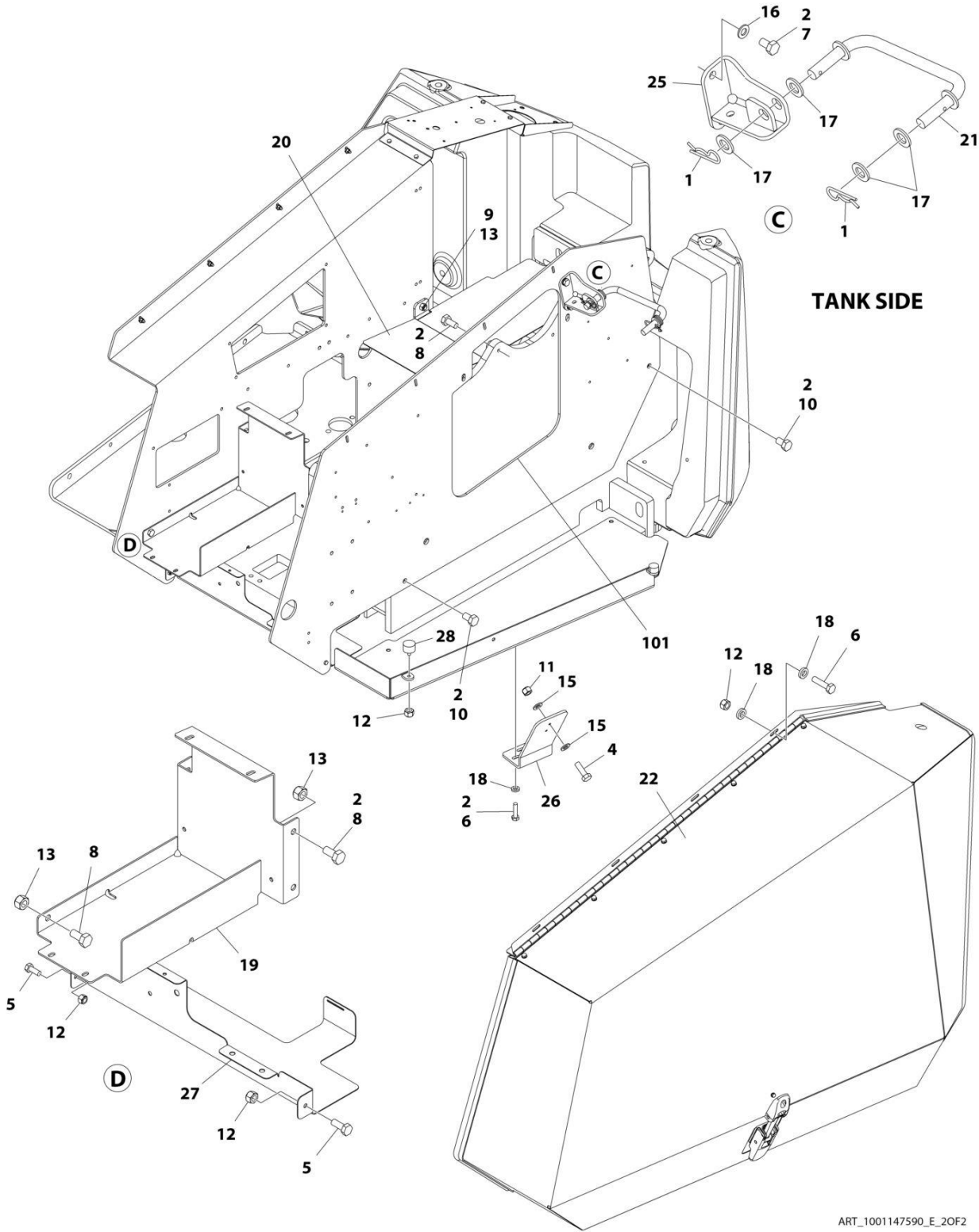
SECTION 2 - TURNTABLE

FIGURE 2-30. HOODS INSTALLATION (SN 0300297926 to Present)



ART_1001147590_E_10F2

SECTION 2 - TURNTABLE



TANK SIDE

ART_1001147590_E_20F2

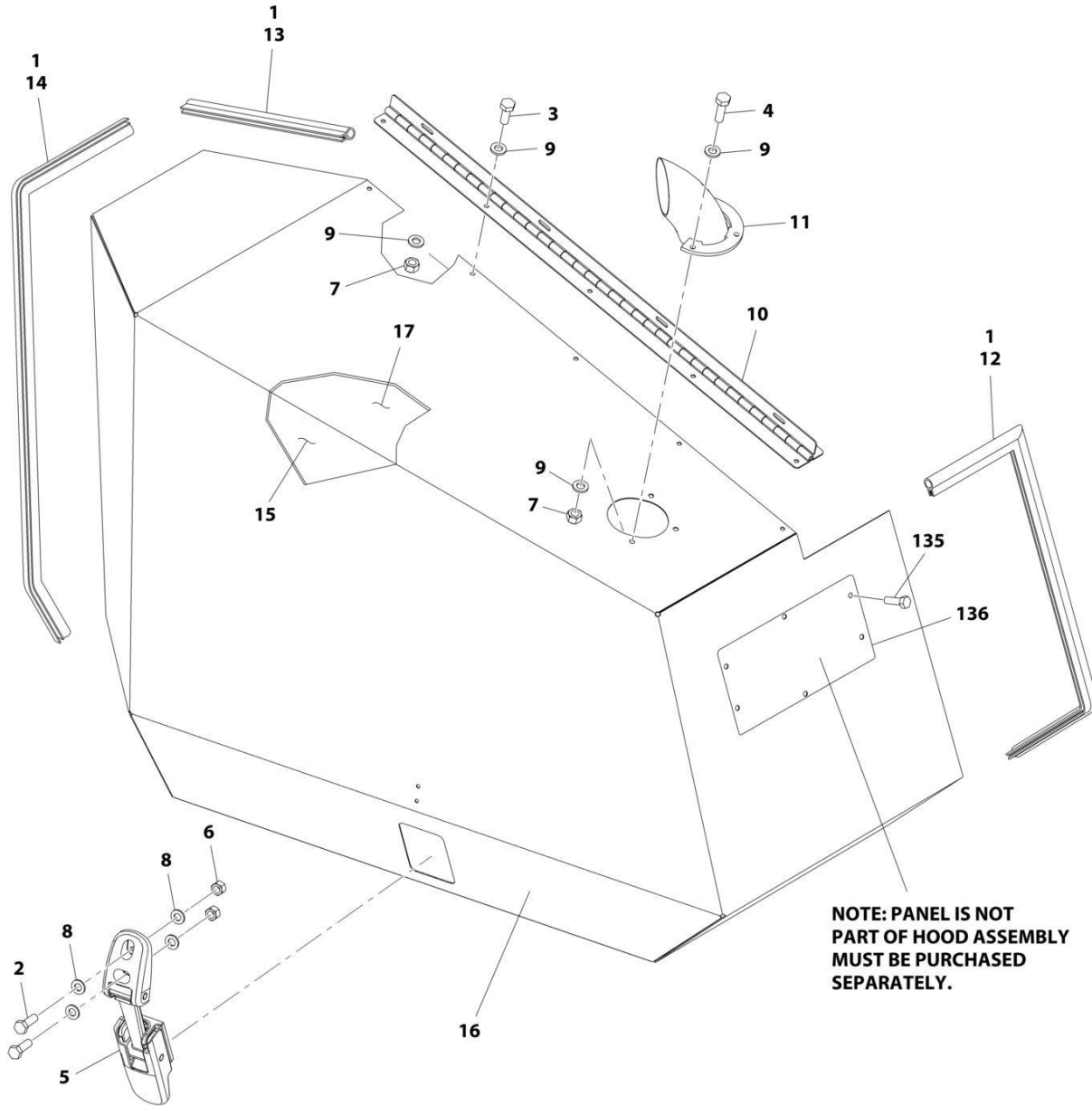
SECTION 2 - TURNTABLE

FIGURE 2-30. HOODS INSTALLATION (SN 0300297926 to Present)

ITEM	PART NUMBER	QTY	DESCRIPTION	REV
	1001147590	Ref	HOODS INSTALLATION	E
1	80325	4	Hairpin, Cotter	
2	0100011	AR	Compound, Locking	
3	0701018	2	Bolt M10 x 50	
4	0760508	4	Bolt M5 x 16	
5	0760608	5	Bolt M6 x 16	
6	0760612	16	Bolt M6 x 25	
7	0761009	2	Bolt M10 x 18	
8	0761011	6	Bolt M10 x 22	
9	0761012	1	Bolt M10 x 25	
10	0761210	2	Bolt M12 x 20	
11	3290505	4	Nut M5	
12	3290605	19	Nut M6	
13	3291005	6	Nut M10	
15	4811600	8	Washer M5	
16	4812000	6	Washer M10	
17	4812300	8	Washer M16	
18	5240600	22	Washer M6	
19	1001117239	1	Box, Battery	
20	1001117243	1	Cover, Turntable Center	
21	1001117282	2	Rod, Prop	
22	1001118361	1	Tank Side Hood Assembly (See Separate Breakdown in this Section)	
25	1001119080	1	Bracket	
26	1001119083	1	Mount, Latch	
27	1001119085	1	Tray	
28	1001119092	4	Bumper	
29	1001286749	1	Panel, Filler	
30	1001119104	1	Panel, Filler	
31	1001146824	1	Mount, Latch	
32	1001147441	1	Engine Side Hood Assembly (See Separate Breakdown in this Section)	
100	1001220187	1	Side Sheet Support Kit (Not Shown)	
101	1001118459	1	Plate, Hood Mount	
102	1001119072	1	Plate, Engine Side	

SECTION 2 - TURNTABLE

FIGURE 2-31. ENGINE SIDE HOOD ASSEMBLY



NOTE: REPLACEMENT DECALS MUST BE ORDERED SEPERATELY - SEE DECALS SECTION FOR BREAKDOWN

ART_1001147441

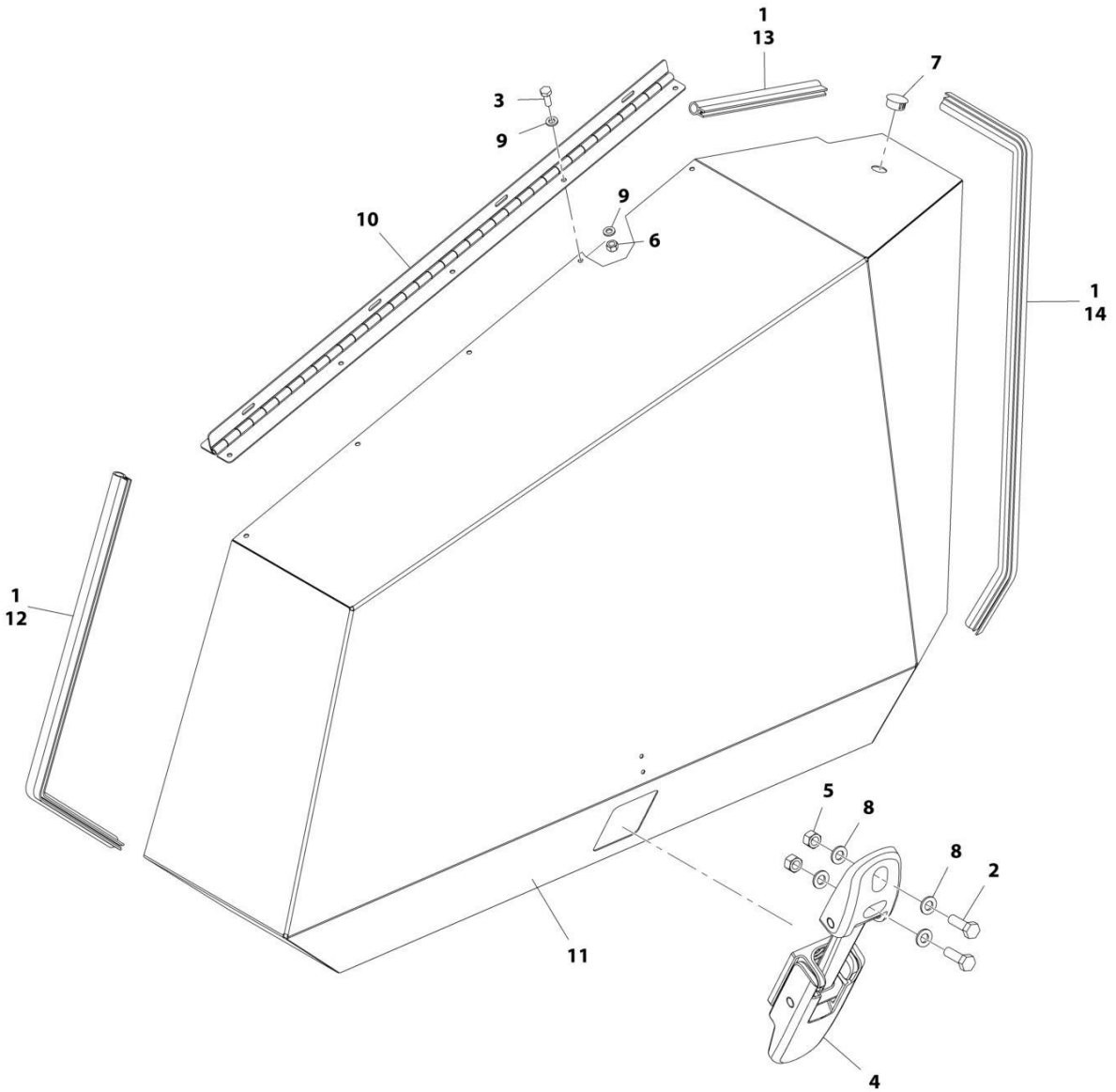
SECTION 2 - TURNTABLE

FIGURE 2-31. ENGINE SIDE HOOD ASSEMBLY

ITEM	PART NUMBER	QTY	DESCRIPTION	REV
	1001147441	Ref	HOOD ASSEMBLY - ENGINE SIDE	A
1	0100081	AR	Adhesive	
2	0760508	2	Bolt M5 x 16	
3	0760608	5	Bolt M6 x 16	
4	0760610	3	Bolt M6 x 20	
5	2940109	1	Latch	
6	3290505	2	Nut M5	
7	3290605	8	Nut M6	
8	4811600	4	Washer M5	
9	4811700	16	Washer M6	
10	1001117281	1	Hinge	
11	1001119077	1	Pipe, Exhaust	
12	1001119086	1	Seal	
13	1001119087	1	Seal	
14	1001119088	1	Seal	
15	1001120749	1	Insulate, Heat Shield	
16	See Note	1	Hood, Replacement (Note: Use p/n 1001147441)	
17	1001147440	1	Insulate, Heat Shield	
135	2080040	10	Fastener, Huck	
136	1001137451	1	Panel (Note: Not Part of Hood Assembly. Must be Purchased separately)	

SECTION 2 - TURNTABLE

FIGURE 2-32. TANK SIDE HOOD ASSEMBLY



NOTE: REPLACEMENT DECALS MUST BE ORDERED SEPERATELY - SEE DECALS SECTION FOR BREAKDOWN

ART_1001118361

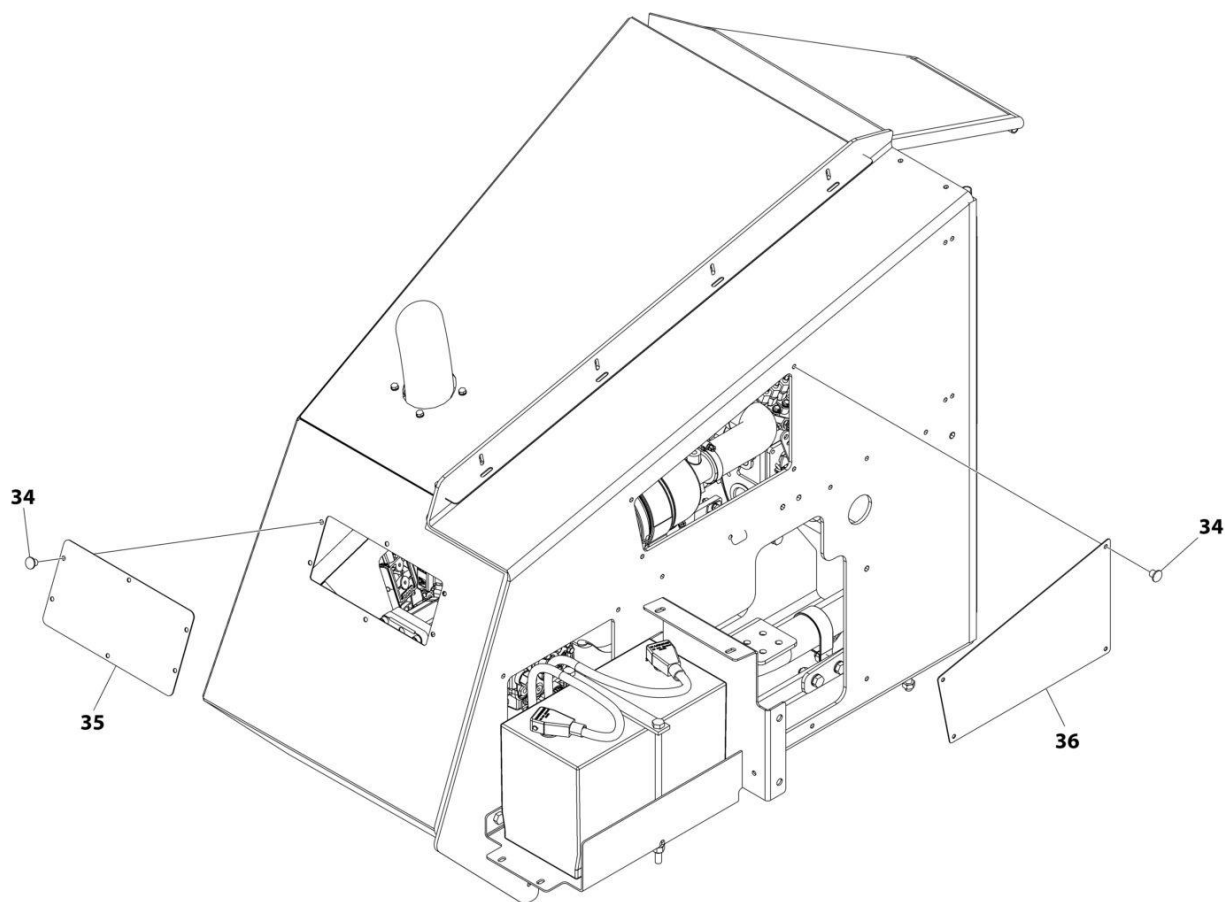
SECTION 2 - TURNTABLE

FIGURE 2-32. TANK SIDE HOOD ASSEMBLY

ITEM	PART NUMBER	QTY	DESCRIPTION	REV
	1001118361	Ref	HOOD ASSEMBLY - TANK SIDE	B
1	0100081	AR	Adhesive	
2	0760508	2	Bolt M5 x 16	
3	0760608	5	Bolt M6 x 16	
4	2940109	1	Latch	
5	3290505	2	Nut M5	
6	3290605	5	Nut M6	
7	3520030	1	Plug, Hole	
8	4811600	4	Washer M5	
9	4811700	10	Washer M6	
10	1001117281	1	Hinge	
11	See Note	NSS	Hood, Replacement (Note: Use p/n 1001118361)	
12	1001119089	1	Seal	
13	1001119090	1	Seal	
14	1001119091	1	Seal	

SECTION 2 - TURNTABLE

FIGURE 2-33. HOOD COMPONENTS - KUBOTA ENGINE (WITHOUT ARCTIC PACKAGE)



ART_1001161433_I_10F3

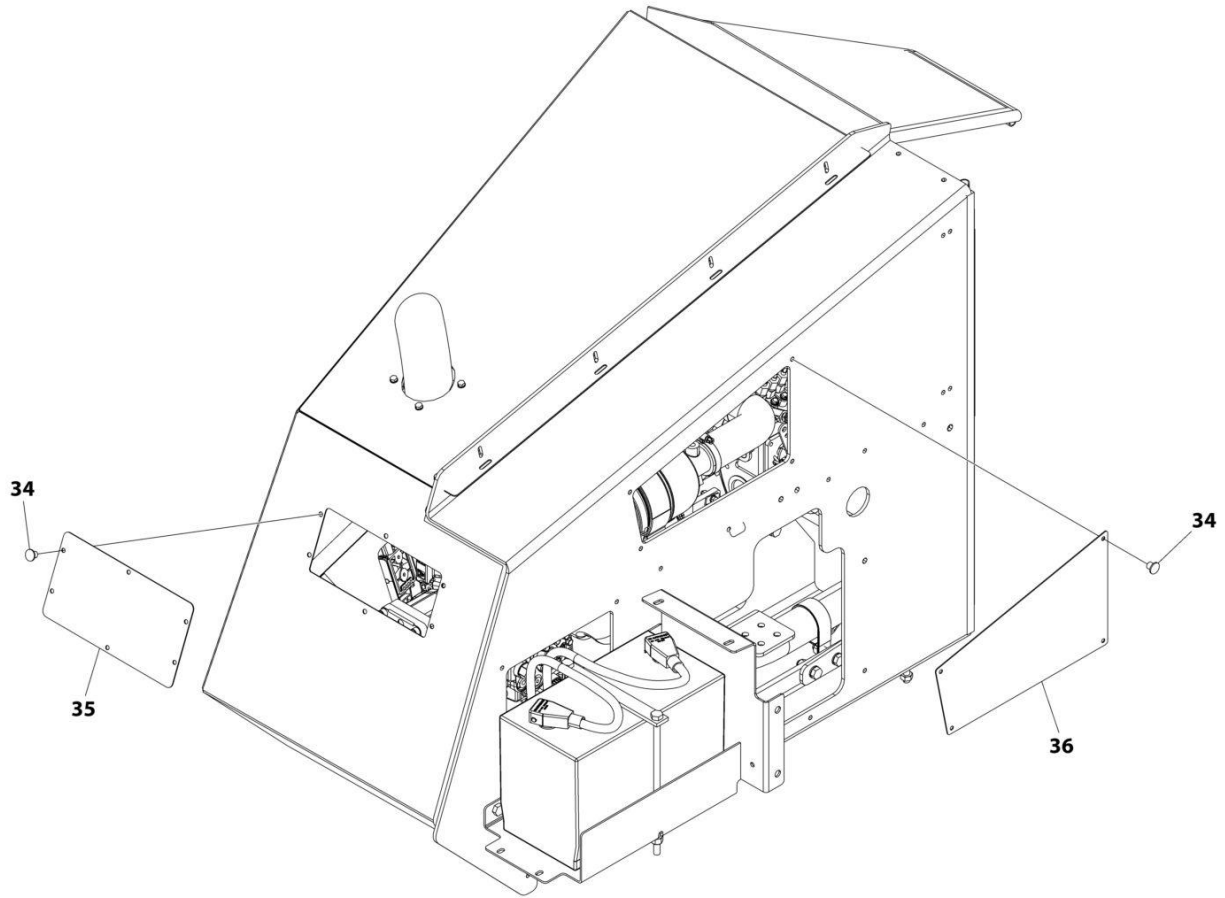
SECTION 2 - TURNTABLE

FIGURE 2-33. HOOD COMPONENTS - KUBOTA ENGINE (WITHOUT ARCTIC PACKAGE)

ITEM	PART NUMBER	QTY	DESCRIPTION	REV
	1001161433	Ref	KUBOTA ENGINE HOOD COMPONENTS (WITHOUT ARCTIC PACKAGE)	I
34	2080040	10	Blind Fastener	
35	1001137451	1	Panel, Engine Hood	
36	1001137452	1	Panel, Engine Hood Mount	

SECTION 2 - TURNTABLE

FIGURE 2-34. HOOD COMPONENTS - KUBOTA ENGINE (WITH ARCTIC PACKAGE)



ART_1001161434_L_10F3

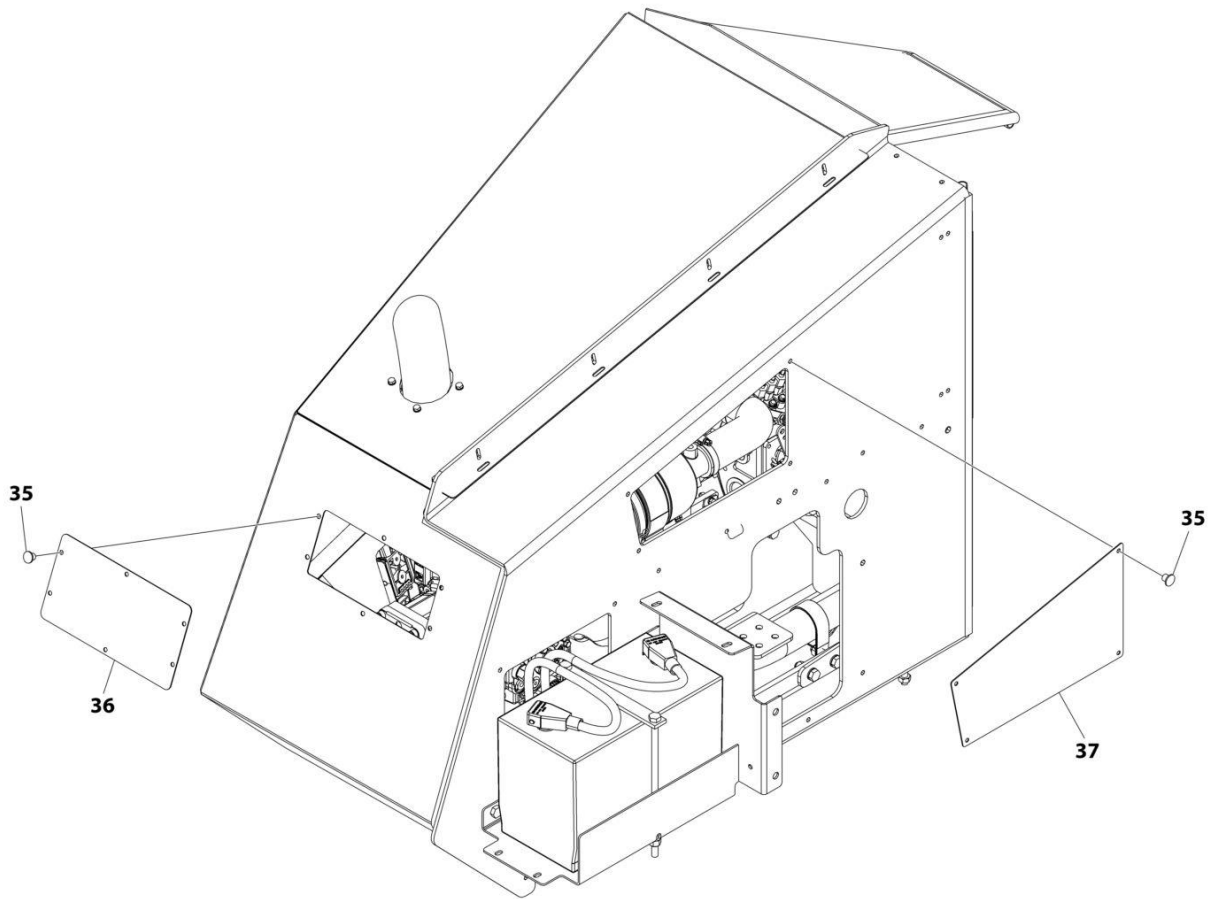
SECTION 2 - TURNTABLE

FIGURE 2-34. HOOD COMPONENTS - KUBOTA ENGINE (WITH ARCTIC PACKAGE)

ITEM	PART NUMBER	QTY	DESCRIPTION	REV
	1001161434	Ref	KUBOTA ENGINE HOOD COMPONENTS (WITH ARCTIC PACKAGE)	I
34	2080040	10	Blind Fastener	
35	1001137451	1	Panel, Engine Hood	
36	1001137452	1	Panel, Engine Hood Mount	

SECTION 2 - TURNTABLE

FIGURE 2-35. HOOD COMPONENTS - KUBOTA ENGINE WITH 4000W GENERATOR (WITHOUT ARCTIC PACKAGE)



ART_1001147470_H_10F3

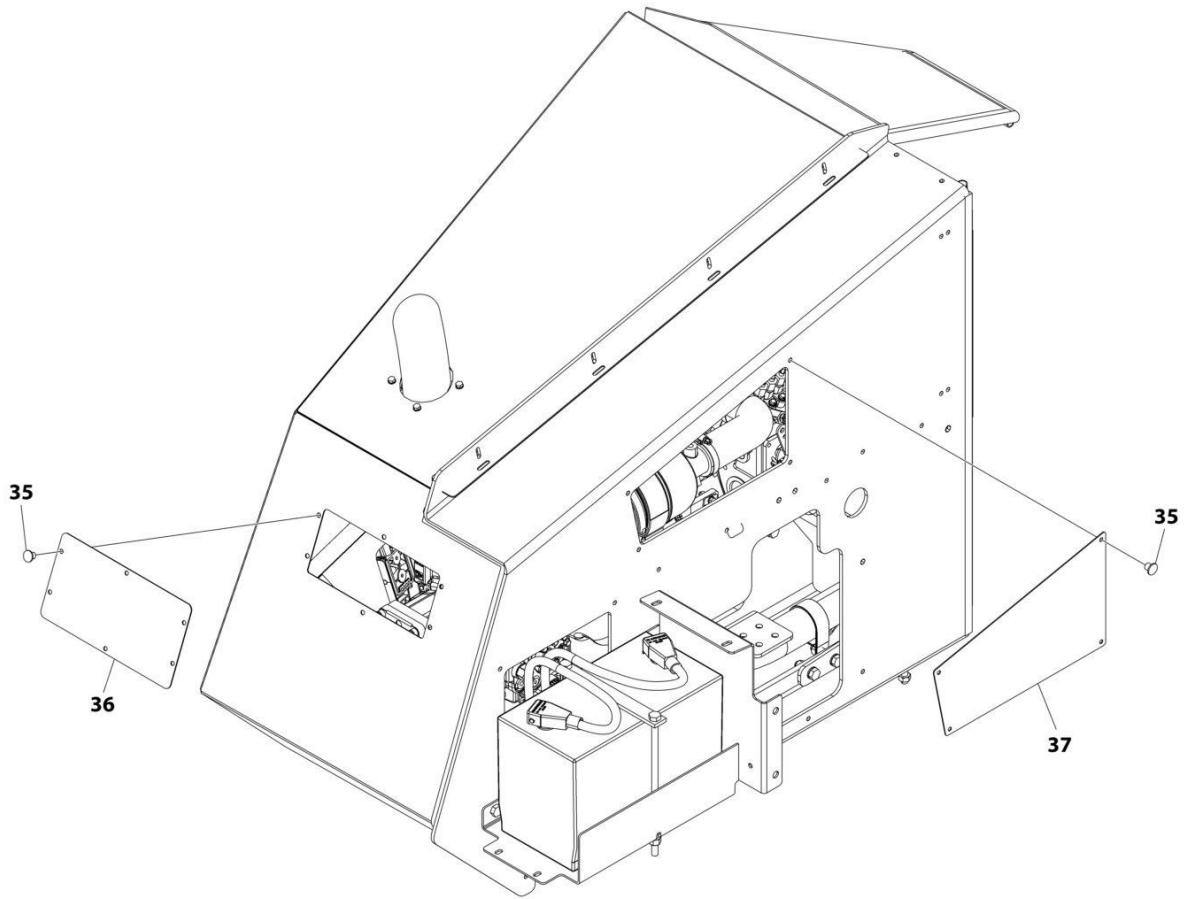
SECTION 2 - TURNTABLE

FIGURE 2-35. HOOD COMPONENTS - KUBOTA ENGINE WITH 4000W GENERATOR (WITHOUT ARCTIC PACKAGE)

ITEM	PART NUMBER	QTY	DESCRIPTION	REV
	1001147470	Ref	KUBOTA ENGINE WITH 4000W GENERATOR HOOD COMPONENTS (WITHOUT ARCTIC PACKAGE)	H
35	2080040	10	Blind Fastener	
36	1001137451	1	Panel, Engine Hood	
37	1001137452	1	Panel, Engine Hood Mount	

SECTION 2 - TURNTABLE

FIGURE 2-36. HOOD COMPONENTS - KUBOTA ENGINE WITH 4000W GENERATOR (WITH ARCTIC PACKAGE)



ART_1001147471_H_10F3

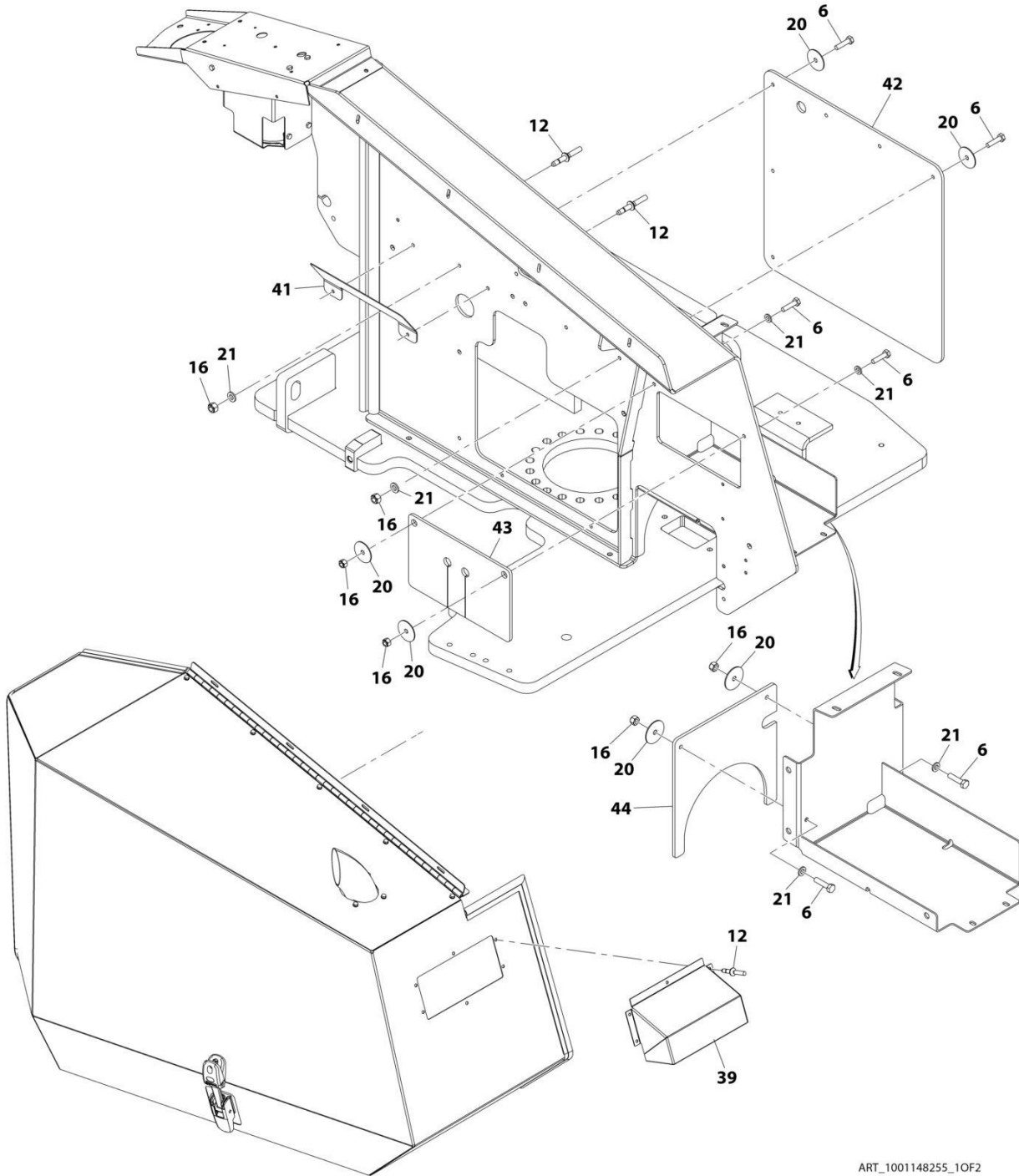
SECTION 2 - TURNTABLE

FIGURE 2-36. HOOD COMPONENTS - KUBOTA ENGINE WITH 4000W GENERATOR (WITH ARCTIC PACKAGE)

ITEM	PART NUMBER	QTY	DESCRIPTION	REV
	1001147471	Ref	KUBOTA ENGINE WITH 4000W GENERATOR HOOD COMPONENTS (WITH ARCTIC PACKAGE)	H
35	2080040	10	Blind Fastener	
36	1001137451	1	Panel, Engine Hood	
37	1001137452	1	Panel, Engine Hood Mount	

SECTION 2 - TURNTABLE

FIGURE 2-37. HOOD COMPONENTS - GM ENGINE (WITHOUT ARCTIC PACKAGE)



ART_1001148255_10F2

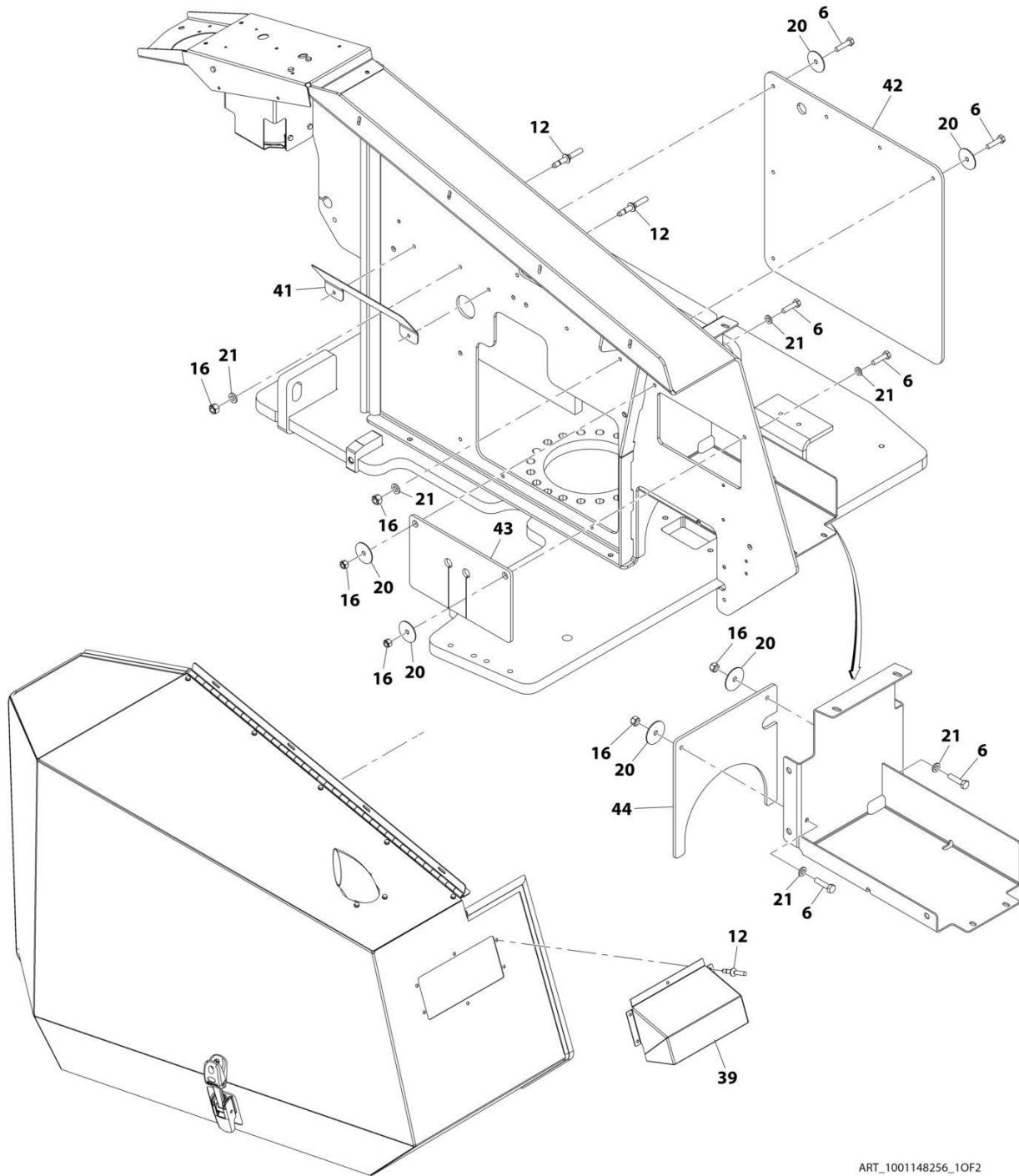
SECTION 2 - TURNTABLE

FIGURE 2-37. HOOD COMPONENTS - GM ENGINE (WITHOUT ARCTIC PACKAGE)

ITEM	PART NUMBER	QTY	DESCRIPTION	REV
	1001148255	Ref	GM ENGINE HOOD COMPONENTS (WITHOUT ARCTIC PACKAGE)	J
6	0760612	10	Bolt M6 x 25	
12	2080040	7	Fastener, Huck	
16	3290605	10	Nut M6	
20	4740362	10	Washer, Fender	
21	4811700	10	Washer M6	
39	1001137337	1	Vent	
41	1001137369	1	Plate	
42	1001137397	1	Shield, Rubber	
43	1001137401	1	Shield, Rubber	
44	1001137402	1	Shield, Rubber	

SECTION 2 - TURNTABLE

FIGURE 2-38. HOOD COMPONENTS - GM ENGINE (WITH ARCTIC PACKAGE)



ART_1001148256_10F2

SECTION 2 - TURNTABLE

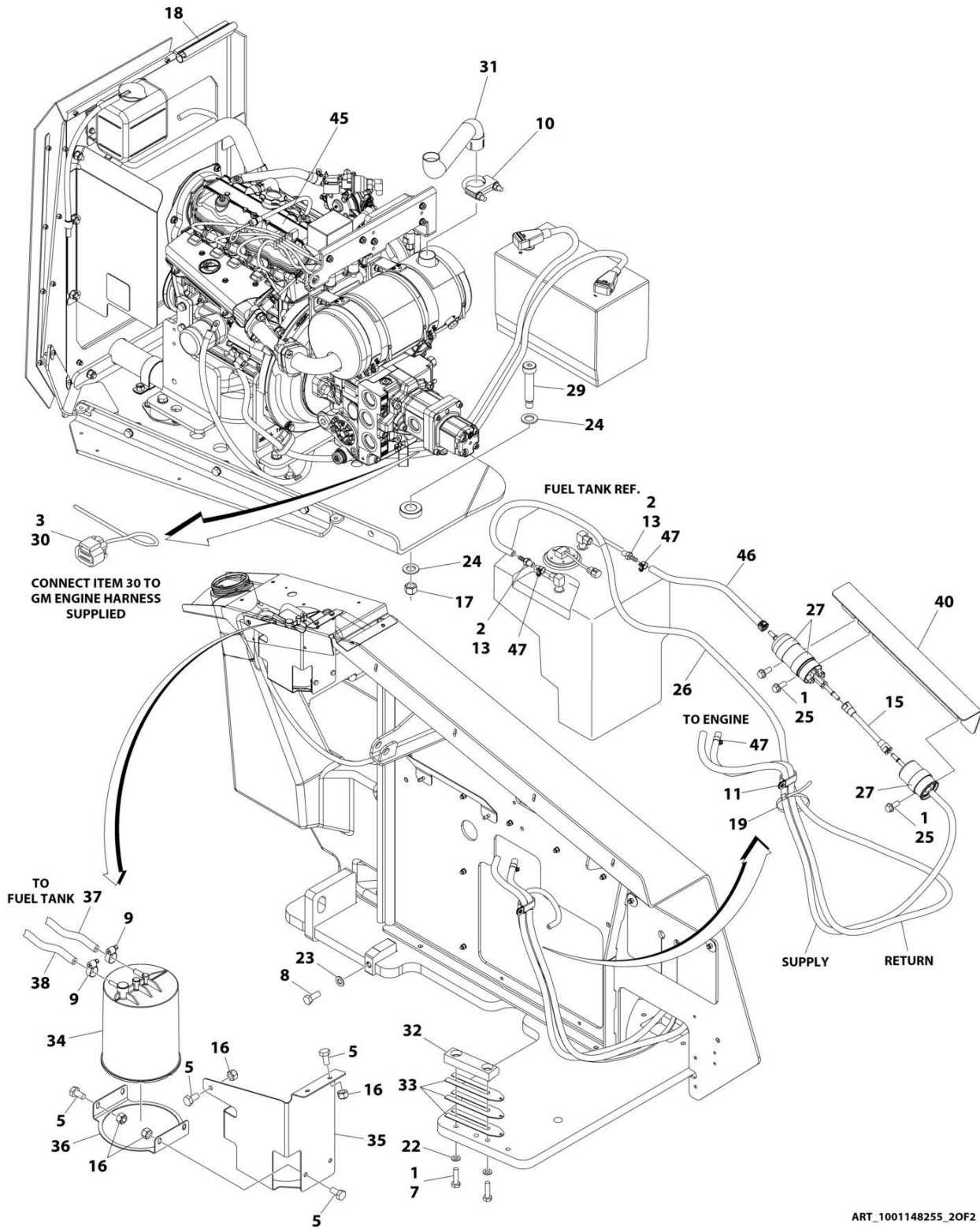
FIGURE 2-38. HOOD COMPONENTS - GM ENGINE (WITH ARCTIC PACKAGE)

ITEM	PART NUMBER	QTY	DESCRIPTION	REV
	1001148256	Ref	GM ENGINE HOOD COMPONENTS (WITH ARCTIC PACKAGE)	I
6	0760612	10	Bolt M6 x 25	
12	2080040	7	Fastener, Huck	
16	3290605	10	Nut M6	
20	4740362	10	Washer, Fender	
21	4811700	10	Washer M6	
39	1001137337	1	Vent	
41	1001137369	1	Plate	
42	1001137397	1	Shield, Rubber	
43	1001137401	1	Shield, Rubber	
44	1001137402	1	Shield, Rubber	

SECTION 3 - ENGINE

SECTION 3 - ENGINE

FIGURE 3-1. GM ENGINE INSTALLATION (WITHOUT ARCTIC PACKAGE)



ART_1001148255_20F2

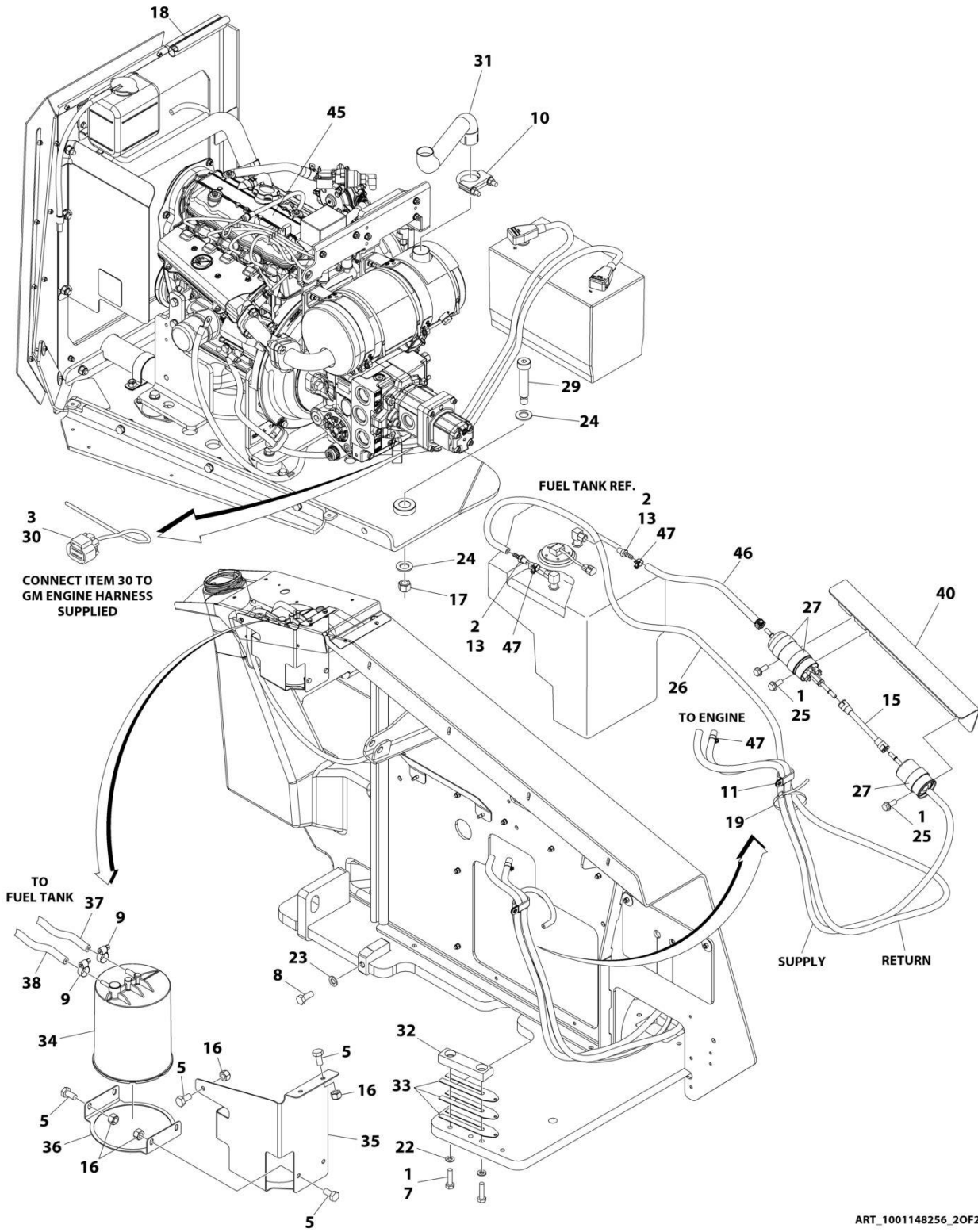
SECTION 3 - ENGINE

FIGURE 3-1. GM ENGINE INSTALLATION (WITHOUT ARCTIC PACKAGE)

ITEM	PART NUMBER	QTY	DESCRIPTION	REV
	1001148255	Ref	GM ENGINE INSTALLATION (WITHOUT ARCTIC PACKAGE)	J
1	0100011	AR	Compound, Locking	
2	0100020	AR	Sealant, Pipe	
3	0100048	AR	Grease, Dielectric	
4	0100051	AR	Grease, Battery Terminal	
5	0760606	7	Bolt M6 x 12	
7	0761016	2	Bolt M10 x 40	
8	0761214	1	Bolt M12 x 30	
8	0761217	1	Bolt M12 x 45	
9	1320022	4	Clamp, Fuel Line	
10	1320026	1	Clamp, Muffler	
11	1321283	1	Clamp	
13	2180348	2	Fitting, Barbed	
15	1001156823	1	Hose	
16	3290605	7	Nut M6	
17	3291605	1	Nut M16	
18	3960464	3 ft/0.9m	Seal	
19	4240033	AR	Tie-Strap	
22	4812000	2	Washer M10	
23	4812102	1	Washer M12	
24	4812500	2	Washer M20	
25	5251012	3	Bolt M10 x 25	
26	1001156819	76 in /1.9m	Hose, Fuel Line	
27	1001097588	3	Clip, Tube	
29	1001118646	1	Bolt M20 x 80	
30	1001119778	1	Harness, Fuel Pump (See Separate Breakdown in ELECTRICAL Section)	
31	1001119902	1	Pipe, Exhaust	
32	1001120087	1	Pad, Wear	
33	1001120090	3	Shim 1.5	
34	1001128801	1	Canister, Carbon	
35	1001128931	1	Bracket, Mounting	
36	1001128936	1	Ring	
37	1001129255	7 in/17cm	Hose	
38	1001129256	9.5 ft /2.9m	Hose	
40	1001137367	1	Shield, Fuel Line	
45	1001148254	1	GM Engine and Pump Sub-Assembly (See Separate Breakdown in this Section)	
46	1001177156	1	Hose	
47	1001174486	4	Clamp, Hose	

SECTION 3 - ENGINE

FIGURE 3-2. GM ENGINE INSTALLATION (WITH ARCTIC PACKAGE)



ART_1001148256_20F2

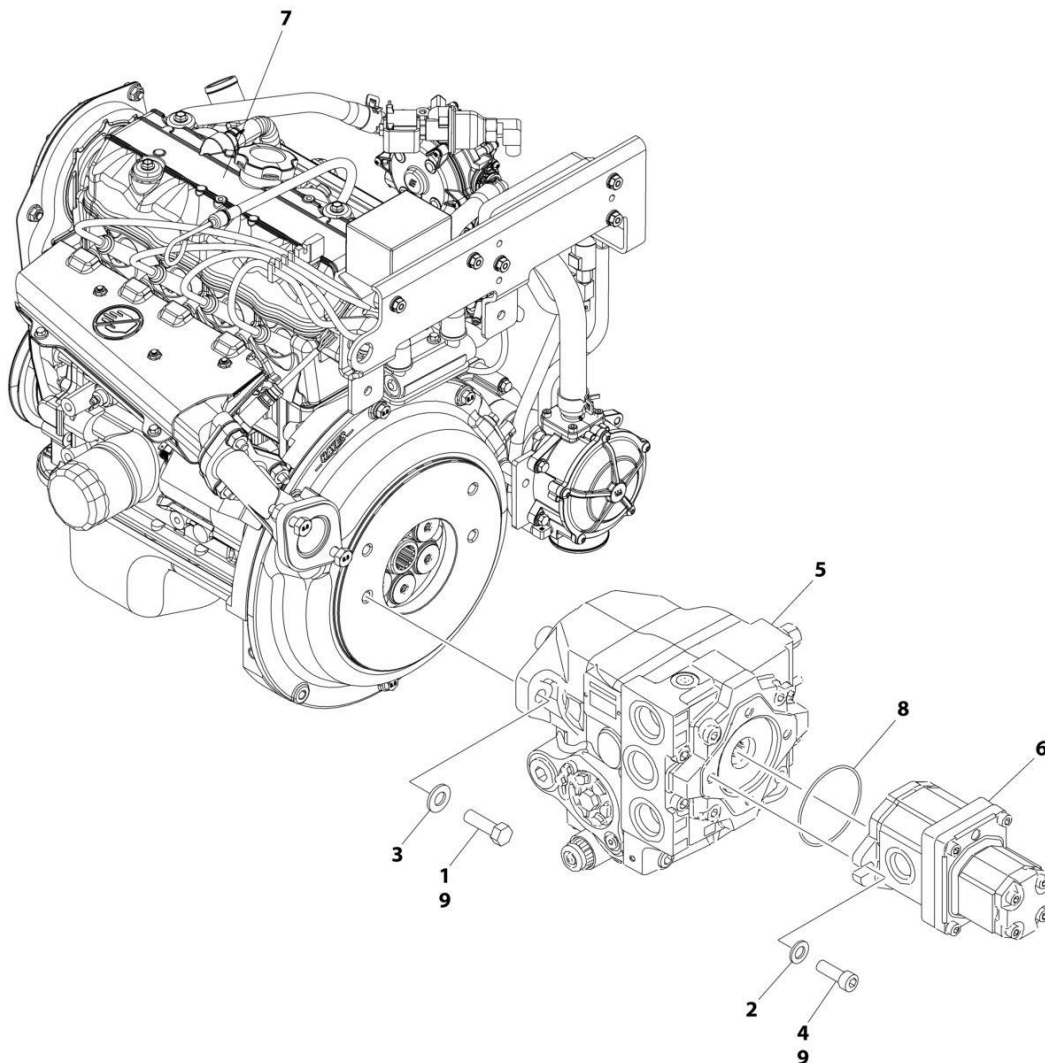
SECTION 3 - ENGINE

FIGURE 3-2. GM ENGINE INSTALLATION (WITH ARCTIC PACKAGE)

ITEM	PART NUMBER	QTY	DESCRIPTION	REV
	1001148256	Ref	GM ENGINE INSTALLATION (WITH ARCTIC PACKAGE)	I
1	0100011	AR	Compound, Locking	
2	0100020	AR	Sealant, Pipe	
3	0100048	AR	Grease, Dielectric	
4	0100051	AR	Grease, Battery Terminal	
5	0760606	7	Bolt M6 x 12	
7	0761016	2	Bolt M10 x 40	
8	0761214	1	Bolt M12 x 30	
8	0761217	1	Bolt M12 x 45	
9	1320022	4	Clamp, Fuel Line	
10	1320026	1	Clamp, Muffler	
11	1321283	1	Clamp	
13	2180348	2	Fitting, Barbed	
15	1001156823	1	Hose	
16	3290605	7	Nut M6	
17	3291605	1	Nut M16	
18	3960464	8 ft /2.4m	Seal	
19	4240033	AR	Tie-Strap	
22	4812000	2	Washer M10	
23	4812102	1	Washer M12	
24	4812500	2	Washer M20	
25	5251012	3	Bolt M10 x 25	
26	1001156819	76 in /1.9m	Hose, Fuel Line	
27	1001097588	3	Clip, Tube	
29	1001118646	1	Bolt M20 x 80	
30	1001119778	1	Harness, Fuel Pump (See Separate Breakdown in ELECTRICAL Section)	
31	1001119902	1	Pipe, Exhaust	
32	1001120087	1	Pad, Wear	
33	1001120090	3	Shim 1.5	
34	1001128801	1	Canister, Carbon	
35	1001128931	1	Bracket, Mounting	
36	1001128936	1	Ring	
37	1001129255	7 in/17cm	Hose	
38	1001129256	9.5 ft /2.9m	Hose	
40	1001137367	1	Shield, Fuel Line	
45	1001148254	1	GM Engine and Pump Sub-Assembly (See Separate Breakdown in this Section)	
46	1001177156	1	Hose	
47	1001174486	4	Clamp, Hose	

SECTION 3 - ENGINE

FIGURE 3-3. GM ENGINE AND PUMP SUB-ASSEMBLY



ART_1001148254

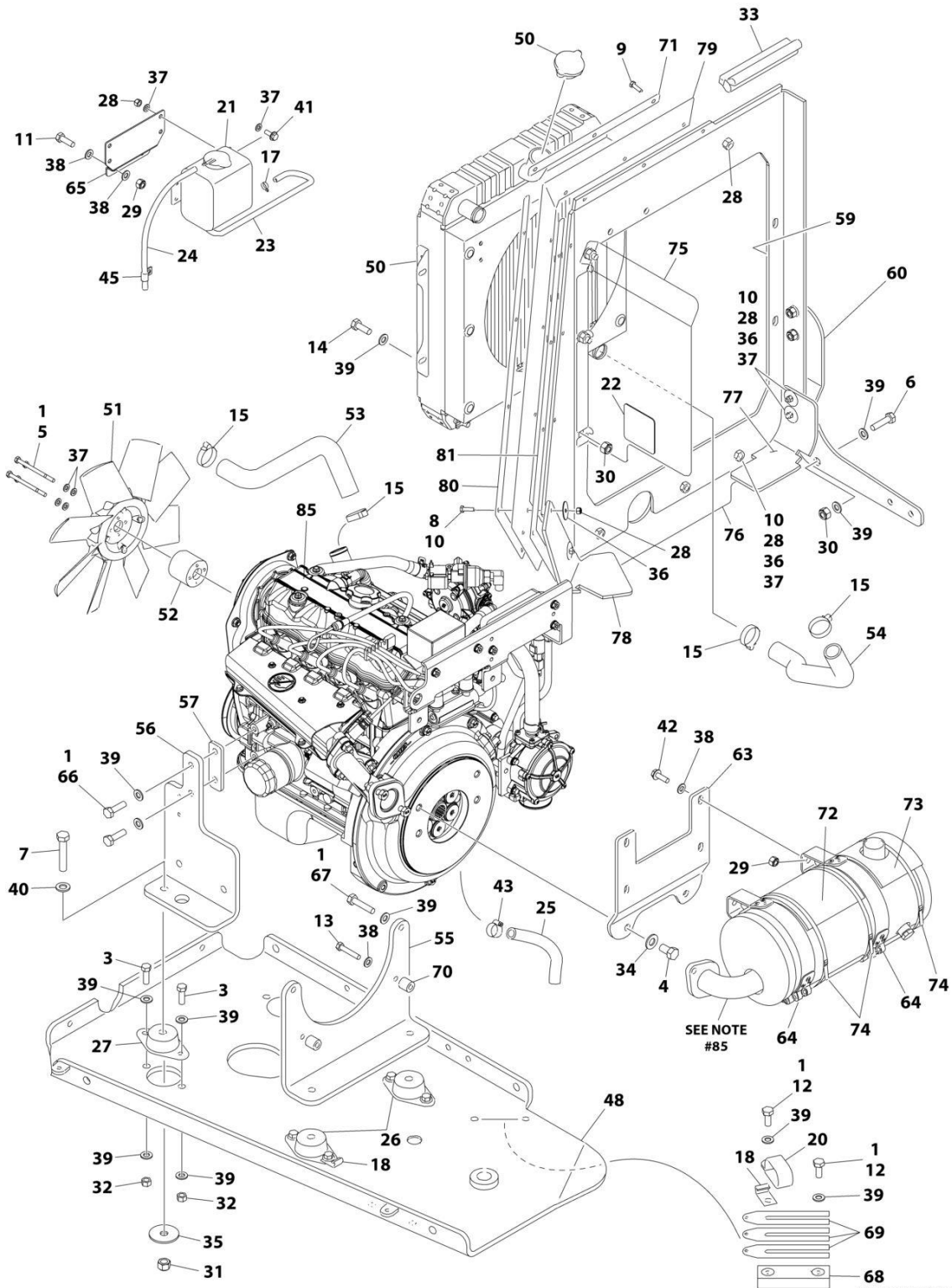
SECTION 3 - ENGINE

FIGURE 3-3. GM ENGINE AND PUMP SUB-ASSEMBLY

ITEM	PART NUMBER	QTY	DESCRIPTION	REV
	1001148254	Ref	GM ENGINE AND PUMP SUB-ASSEMBLY	F
1	0641813	2	Bolt 1/2 x 1-5/8	
2	4891600	2	Washer 3/8	
3	4891800	2	Washer 1/2	
4	83191040	2	Capscrew M10 x 30	
5	1001117028	1	Axial Pump Assembly (See Separate Breakdown in this Section)	
6	1001117029	1	Gear Pump Assembly (See Separate Breakdown in this Section)	
7	1001195234	1	GM Engine Assembly (See Separate Breakdown in this Section)	
8	3790152	1	O-Ring	
9	0100011	AR	Compound, Locking	

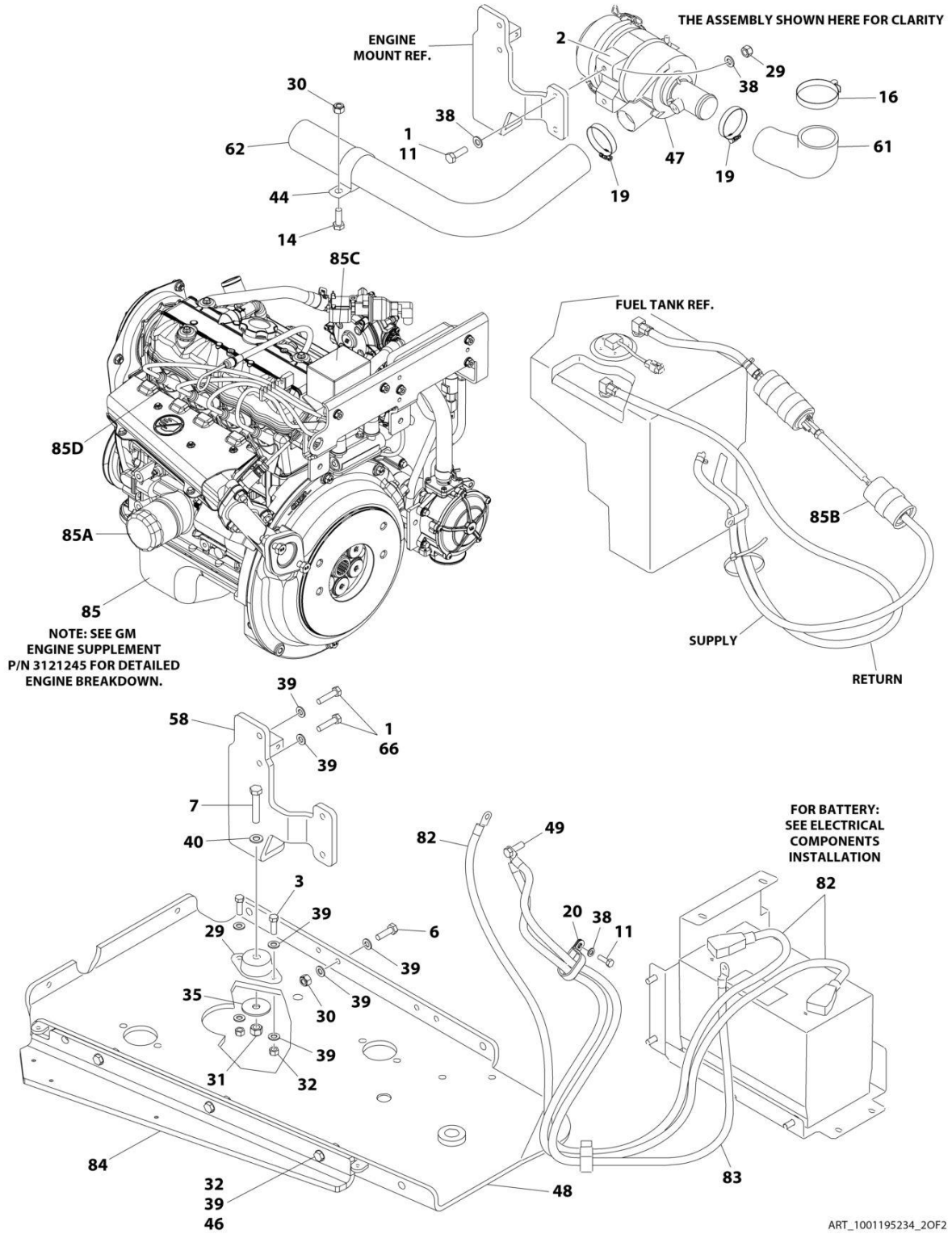
SECTION 3 - ENGINE

FIGURE 3-4. GM ENGINE ASSEMBLY



ART_1001195234_10F2

SECTION 3 - ENGINE



SECTION 3 - ENGINE

FIGURE 3-4. GM ENGINE ASSEMBLY

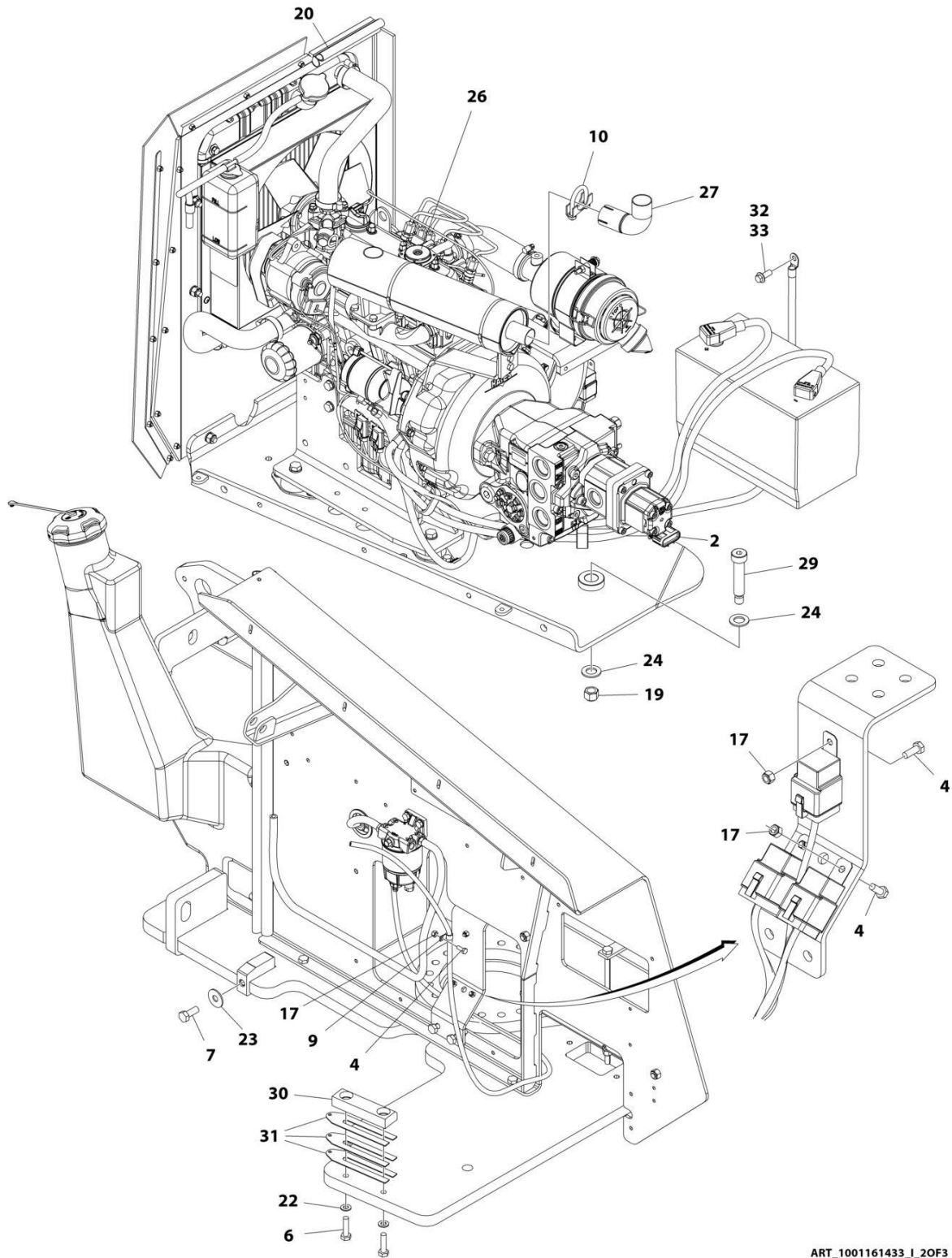
ITEM	PART NUMBER	QTY	DESCRIPTION	REV
	1001195234	Ref	GM ENGINE ASSEMBLY	E
1	0100011	AR	Compound, Locking	
2	0340045	2	Band, Mounting	
3	0641609	8	Bolt 3/8 x 1-1/8	
4	0641807	2	Bolt 1/2 x 7/8	
5	0700621	4	Bolt M6 x 65	
6	0701015	7	Bolt M10 x 35	
7	0701221	4	Bolt M12 x 65	
8	0760608	5	Bolt M6 x 16	
9	0760610	6	Bolt M6 x 20	
10	0760612	7	Bolt M6 x 25	
11	0760812	6	Bolt M8 x 25	
12	0760814	2	Bolt M8 x 30	
13	0760817	2	Bolt M8 x 45	
14	0761014	8	Bolt M10 x 30	
15	1320012	4	Clamp	
16	1320016	1	Clamp	
17	1320022	3	Clamp	
18	1320223	2	J-Clip	
19	1321682	2	Clamp	
20	1321716	2	Clamp	
21	1580011	1	Container, Coolant Overflow	
22	1703162	2	Decal - Fan Blade	
23	2720058	18 in /46cm	Hose	
24	2720271	19 in /47cm	Hose	
25	2720615	6.5 in /17cm	Hose	
26	3200378	2	Mount, Motor	
27	3200425	2	Mount, Engine	
28	3290605	22	Nut M6	
29	3290805	8	Nut M8	
30	3291005	16	Nut M10	
31	3291205	4	Nut M12	
32	3311605	8	Nut 3/8	
33	3960464	6.5 in /17cm	Seal	
34	4711800	2	Washer 1/2	
35	4740274	4	Washer	
36	4740362	7	Washer	
37	4811700	13	Washer M6	
38	4811900	18	Washer M8	
39	4812000	54	Washer M10	
40	4812100	4	Washer M12	
41	5250608	4	Bolt M6 x 16	
42	5250812	4	Bolt M8 x 25	
43	8405006	1	Clamp	
44	80673025	1	P-Clamp	
45	85941016	1	Clamp	

SECTION 3 - ENGINE

ITEM	PART NUMBER	QTY	DESCRIPTION	REV
46	0761016	3	Bolt M10 x 40	
47	1001118280	1	Air Filter Assembly	A
47	7015004	1	Element, Air Filter	
47	1340069	1	Valve, Vacuum	
47	7015005	1	Cover	
48	1001118453	1	Tray, Engine	
49	1001118746	1	Bolt M10 x 25	
50	1001119494	1	Radiator	
50	70002899	1	Cap, Radiator	
51	1001119495	1	Fan	
52	1001119496	1	Spacer, Fan	
53	1001119635	1	Hose, Upper Radiator	
54	1001119636	1	Hose, Lower Radiator	
55	1001119640	1	Plate, Rear Engine	
56	1001119641	1	Plate, LH Front Engine	
57	1001119643	1	Spacer, Mounting	
58	1001119644	1	Plate, RH Front Engine	
59	1001119649	1	Mount, Radiator	
60	1001119698	1	Gusset, Radiator	
61	1001119699	1	Elbow, Air Intake	
62	1001119700	1	Hose, Air Intake	
63	1001119701	1	Bracket, Muffler Mounting	
64	1001119727	2	Clamp, Muffler	
65	1001119730	1	Bracket, Coolant Overflow Tank	
66	1001119929	4	Bolt M10 x 35	
67	1001119930	2	Bolt M10 x 50	
68	1001120087	1	Pad, Wear	
69	1001120090	3	Shim	
70	1001120454	2	Housing, Spacer	
71	1001123018	1	Plate, Seal Support	
72	1001137326	1	Insulate, Muffler	
73	1001137327	1	Insulate, Muffler	
74	1001137336	3	Strap	
75	1001137371	1	Deflector	
76	1001137398	1	Shield, Rubber	
77	1001137399	1	Shield, Rubber	
78	1001137400	1	Shield, Rubber	
79	1001147365	1	Seal, Radiator Hood	
80	1001147642	1	Plate, Seal Support	
81	1001147643	1	Plate, Seal Support	
82	1001118594	1	Battery Cable Kit	B
82	4461231	1	Battery Terminal and Red Cover Only (No Cable)	
82	4461232	1	Battery Terminal and Black Cover Only (No Cable)	
83	1001120450	1	Cable, Ground	
84	1001148975	1	Plate, Engine Tray	
85	1001194741	1	Engine, GM (See GM Engine Supplement P/N 3121245 for Breakdown of Additional Components)	
85A	70002979	1	Filter, Oil	
85B	7027972	1	Filter, Fuel	
85C	70003178	1	Module, Control	
85D	70003179	4	Plug, Spark	

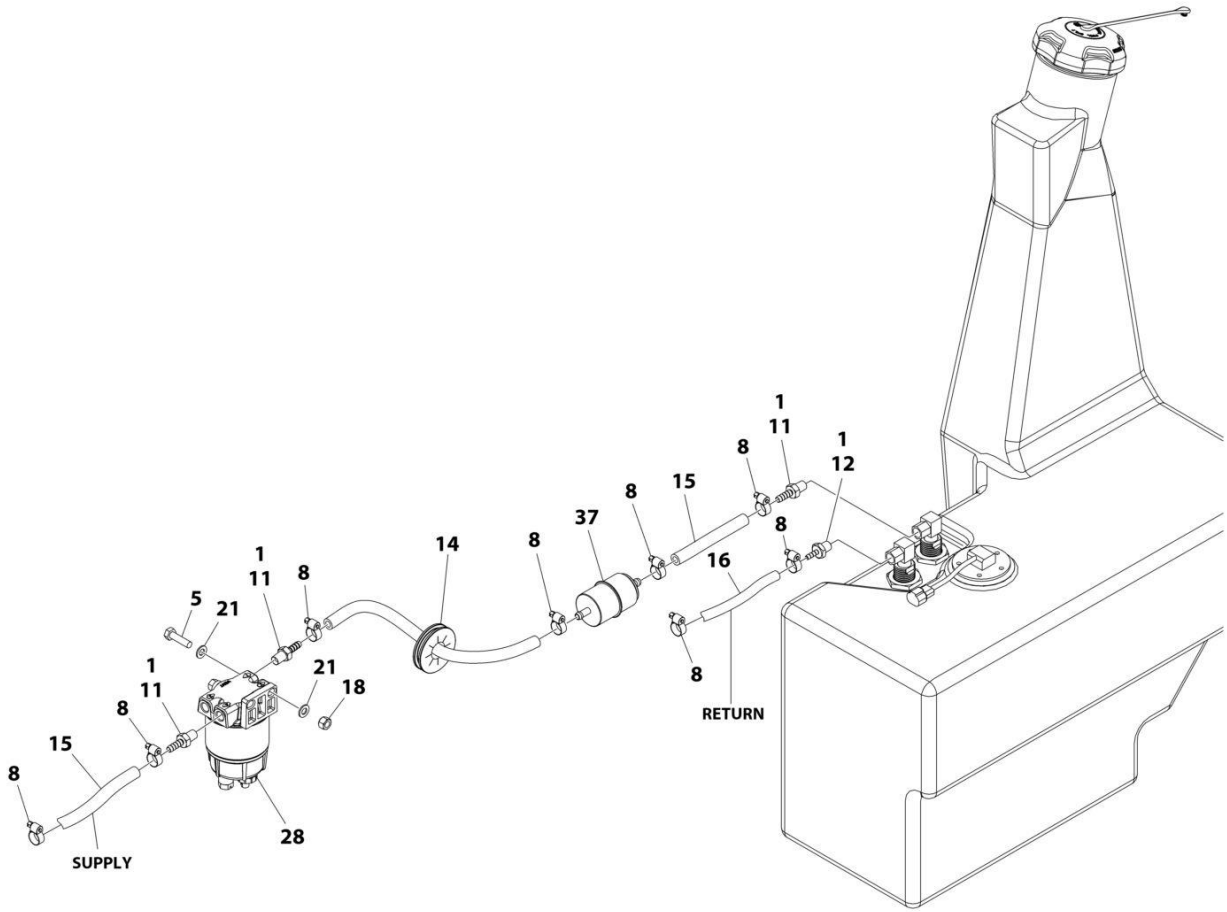
SECTION 3 - ENGINE

FIGURE 3-5. KUBOTA ENGINE INSTALLATION (WITHOUT ARCTIC PACKAGE)



ART_1001161433_I_20F3

SECTION 3 - ENGINE



ART_1001161433_I_30F3

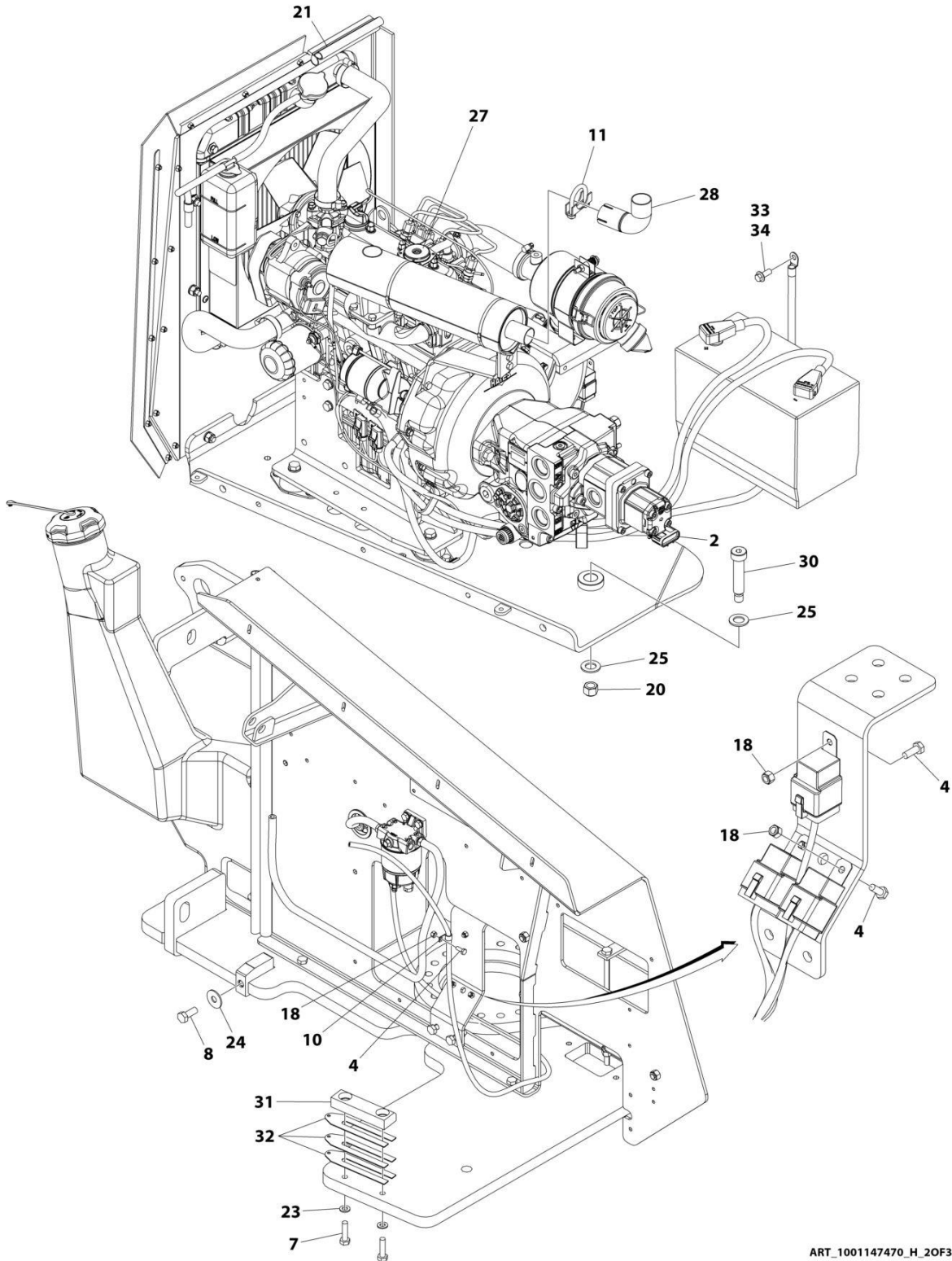
SECTION 3 - ENGINE

FIGURE 3-5. KUBOTA ENGINE INSTALLATION (WITHOUT ARCTIC PACKAGE)

ITEM	PART NUMBER	QTY	DESCRIPTION	REV
	1001161433	Ref	KUBOTA ENGINE INSTALLATION (WITHOUT ARCTIC PACKAGE)	I
1	0100020	AR	Sealant, Pipe	
2	0100048	AR	Grease, Dielectric	
4	0760608	4	Bolt M6 x 16	
5	0760814	2	Bolt M8 x 30	
6	0761016	2	Bolt M10 x 40	
7	0761214	1	Bolt M12 x 30	
7	0761217	1	Bolt M12 x 45	
8	1320022	8	Clamp, Fuel Line	
9	1320043	1	Clamp, Cable	
10	1320274	1	Clamp, Muffler	
11	2180348	3	Fitting, Barbed	
12	2180666	1	Fitting, Barbed	
14	2540045	1	Grommet	
15	2720058	6.6 ft/2.0m	Hose	
16	2720271	6.5 ft /2m	Hose	
17	3290605	4	Nut M6	
18	3290805	2	Nut M8	
19	3291605	1	Nut M16	
20	3960464	33 in /84cm	Seal	
21	4811900	4	Washer M8	
22	4812000	2	Washer M10	
23	4812102	1	Washer M12	
24	4812500	2	Washer M20	
26	1001238004	1	Kubota Engine and Pump Sub-Assembly (See Separate Breakdown in this Section)	
27	1001118548	1	Tube, Exhaust	
28	1001190609	1	Fuel Filter/Water Separator Assembly (See Separate Breakdown in this Section)	
29	1001118646	1	Bolt M20 x 80	
30	1001120087	1	Pad, Wear	
31	1001120090	3	Shim 1.5	
32	0100011	AR	Compound, Locking	
33	5251012	1	Bolt M10 x 25	
37	1001190545	1	Filter, Fuel	

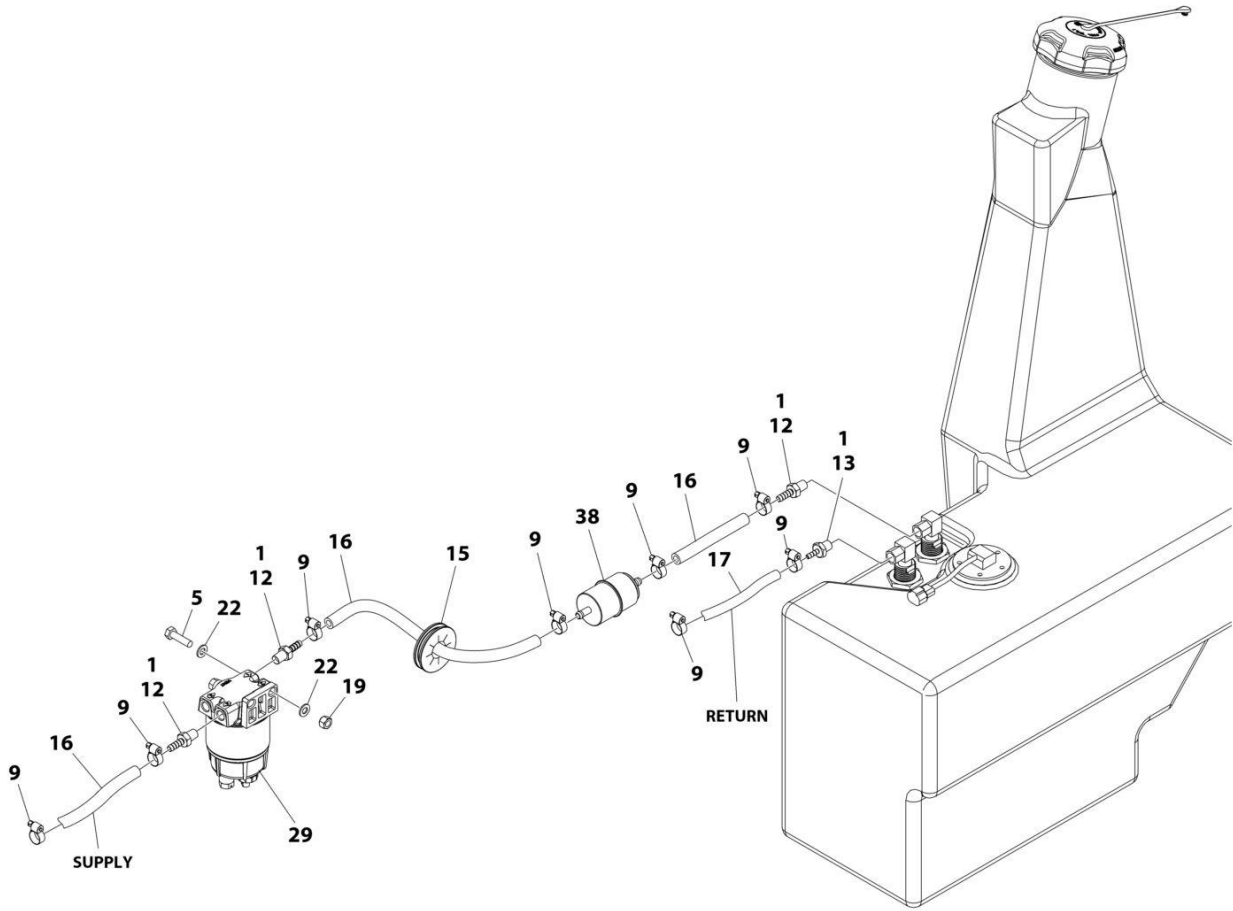
SECTION 3 - ENGINE

FIGURE 3-6. KUBOTA ENGINE INSTALLATION WITH 4000W GENERATOR (WITHOUT ARCTIC PACKAGE)



ART_1001147470_H_20F3

SECTION 3 - ENGINE



ART_1001147470_H_30F3

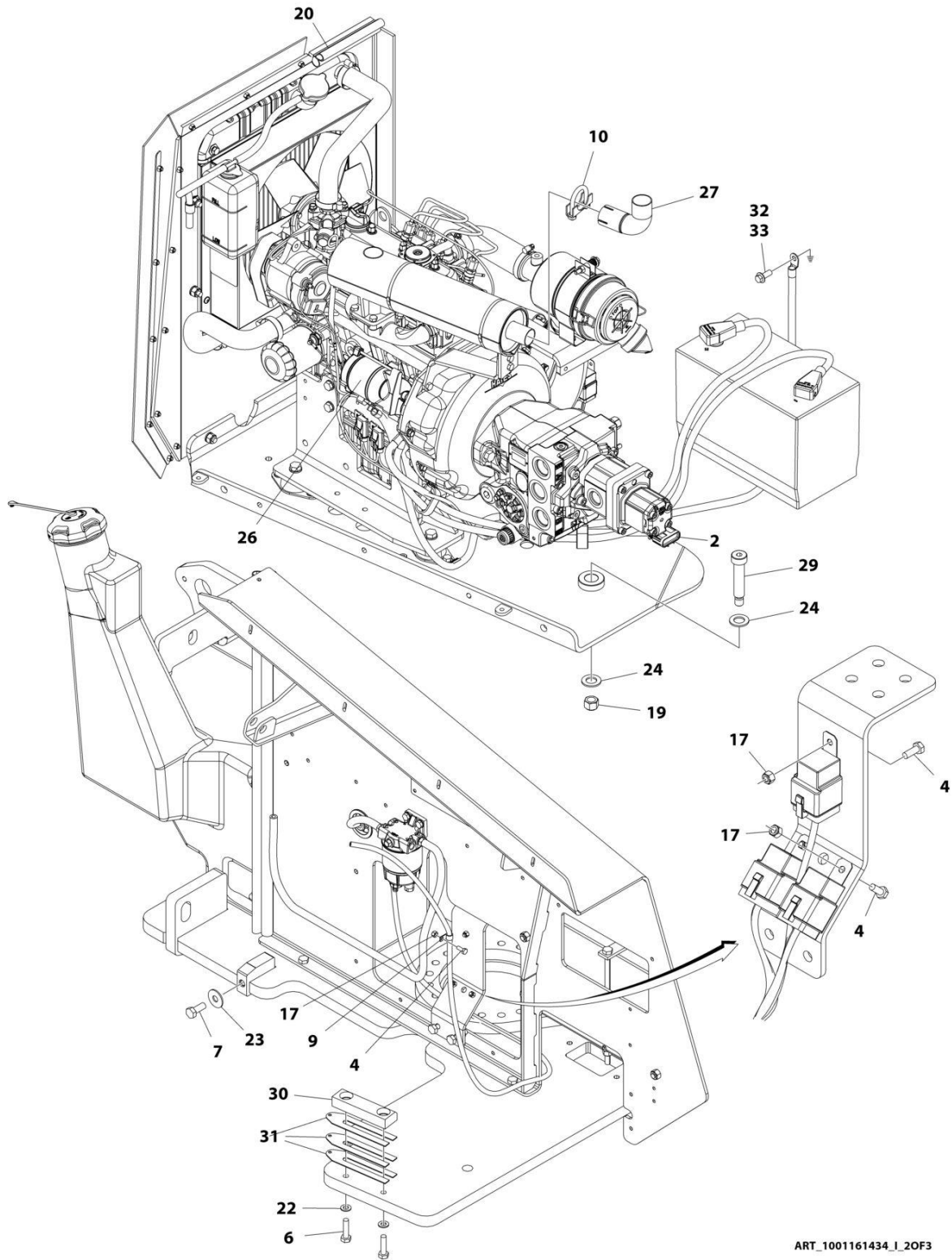
SECTION 3 - ENGINE

FIGURE 3-6. KUBOTA ENGINE INSTALLATION WITH 4000W GENERATOR (WITHOUT ARCTIC PACKAGE)

ITEM	PART NUMBER	QTY	DESCRIPTION	REV
	1001147470	Ref	KUBOTA ENGINE INSTALLATION WITH 4000W GENERATOR (WITHOUT ARCTIC PACKAGE)	H
1	0100020	AR	Sealant, Pipe	
2	0100048	AR	Grease, Dielectric	
4	0760608	4	Bolt M6 x 16	
6	0760814	2	Bolt M8 x 30	
7	0761016	2	Bolt M10 x 40	
8	0761214	1	Bolt M12 x 30	
9	1320022	8	Clamp, Fuel Line	
10	1320043	1	Clamp, Cable	
11	1320274	1	Clamp, Muffler	
12	2180348	3	Fitting, Barbed	
13	2180666	1	Fitting, Barbed	
15	2540045	1	Grommet	
16	2720058	6.6 ft/2.0m	Hose	
17	2720271	6.5 ft/2m	Hose	
18	3290605	4	Nut M6	
19	3290805	2	Nut M8	
20	3291605	1	Nut M16	
21	3960464	33 in /84cm	Seal	
22	4811900	4	Washer M8	
23	4812000	2	Washer M10	
24	4812102	1	Washer M12	
25	4812500	2	Washer M20	
27	1001238005	1	Kubota Engine and Pump Sub-Assembly (See Separate Breakdown in this Section)	
28	1001118548	1	Tube, Exhaust	
29	1001190609	1	Fuel Filter/Water Separator Assembly (See Separate Breakdown in this Section)	
30	1001118646	1	Bolt M20 x 80	
31	1001120087	1	Pad, Wear	
32	1001120090	3	Shim 1.5	
33	0100011	AR	Compound, Locking	
34	5251012	1	Bolt M10 x 25	
38	1001190545	1	Filter, Fuel	

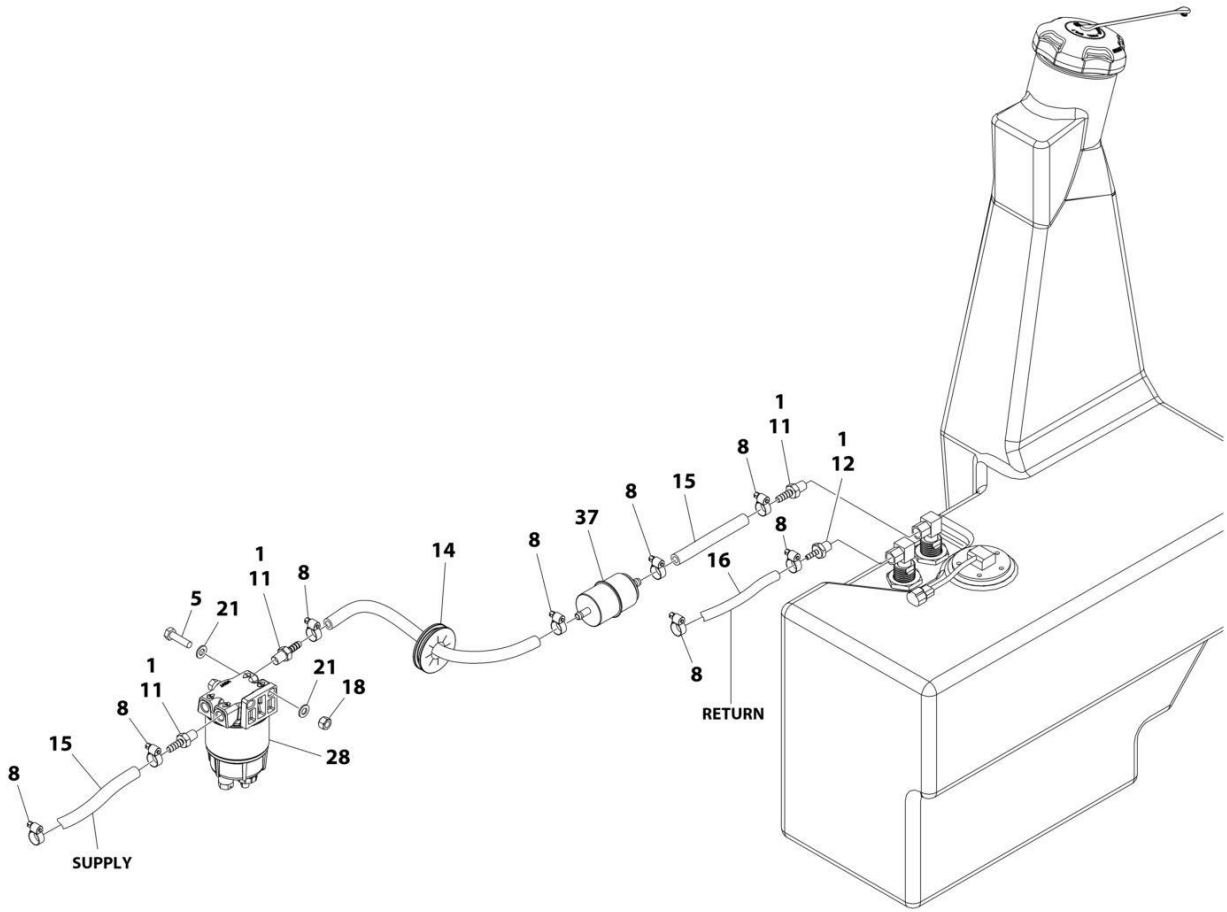
SECTION 3 - ENGINE

FIGURE 3-7. KUBOTA ENGINE INSTALLATION (WITH ARCTIC PACKAGE)



ART_1001161434_I_20F3

SECTION 3 - ENGINE



ART_1001161434_I_30F3

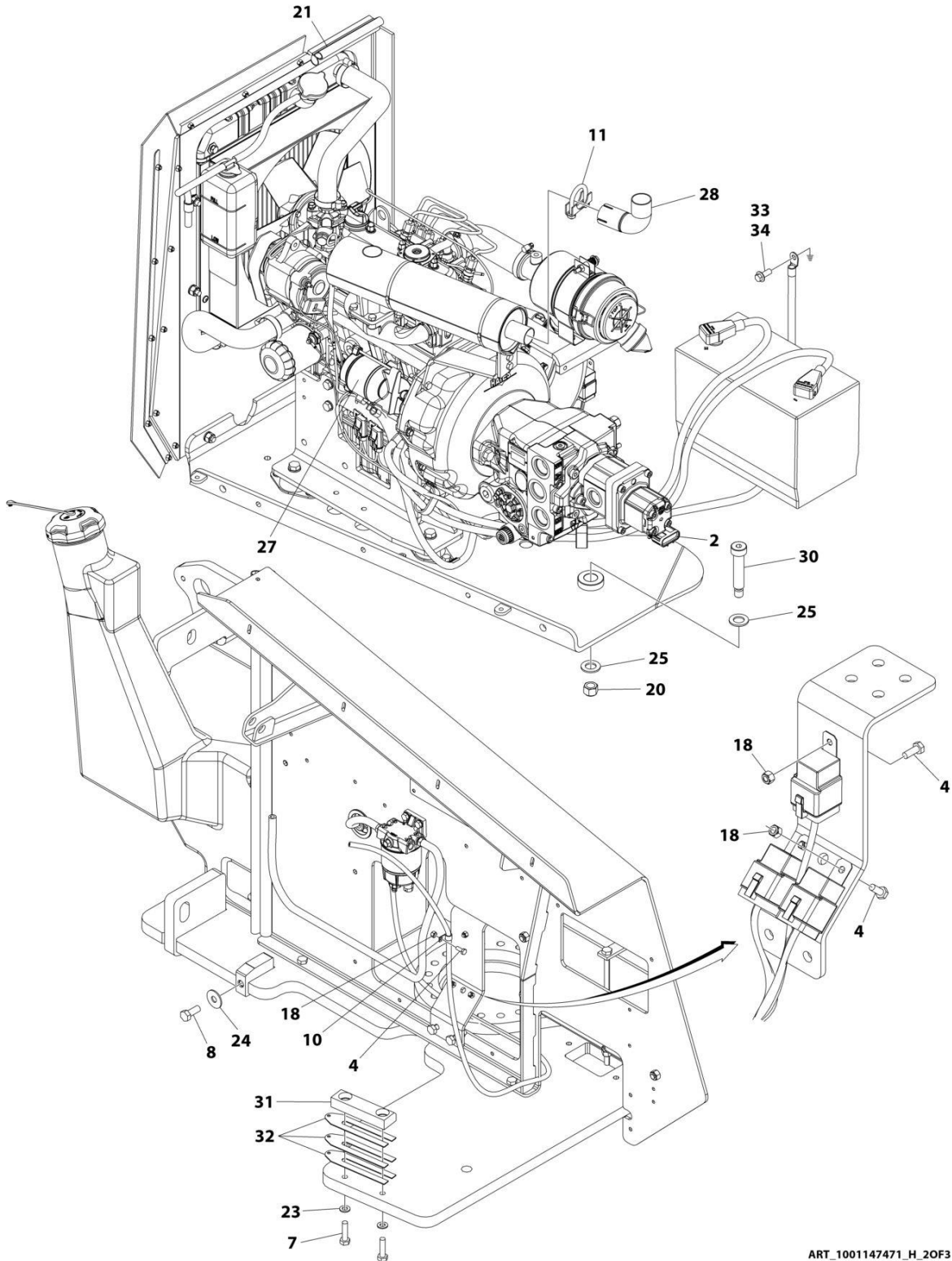
SECTION 3 - ENGINE

FIGURE 3-7. KUBOTA ENGINE INSTALLATION (WITH ARCTIC PACKAGE)

ITEM	PART NUMBER	QTY	DESCRIPTION	REV
	1001161434	Ref	KUBOTA ENGINE INSTALLATION (WITH ARCTIC PACKAGE)	I
1	0100020	AR	Sealant, Pipe	
2	0100048	AR	Grease, Dielectric	
4	0760608	4	Bolt M6 x 16	
5	0760814	2	Bolt M8 x 30	
6	0761016	2	Bolt M10 x 40	
7	0761214	1	Bolt M12 x 30	
7	0761217	1	Bolt M12 x 45	
8	1320022	8	Clamp, Fuel Line	
9	1320043	1	Clamp, Cable	
10	1320274	1	Clamp, Muffler	
11	2180348	3	Fitting, Barbed	
12	2180666	1	Fitting, Barbed	
14	2540045	1	Grommet	
15	2720058	6.6 ft/2.0m	Hose	
16	2720271	6.5 ft/2m	Hose	
17	3290605	4	Nut M6	
18	3290805	2	Nut M8	
19	3291605	1	Nut M16	
20	3960464	33 in /84cm	Seal	
21	4811900	4	Washer M8	
22	4812000	2	Washer M10	
23	4812102	1	Washer M12	
24	4812500	2	Washer M20	
26	1001238004	1	Kubota Engine and Pump Sub-Assembly (See Separate Breakdown in this Section)	
27	1001118548	1	Tube, Exhaust	
28	1001190609	1	Fuel Filter/Water Separator Assembly (See Separate Breakdown in this Section)	
29	1001118646	1	Bolt M20 x 80	
30	1001120087	1	Pad, Wear	
31	1001120090	3	Shim 1.5	
32	0100011	AR	Compound, Locking	
33	5251012	1	Bolt M10 x 25	
37	1001190545	1	Filter, Fuel	

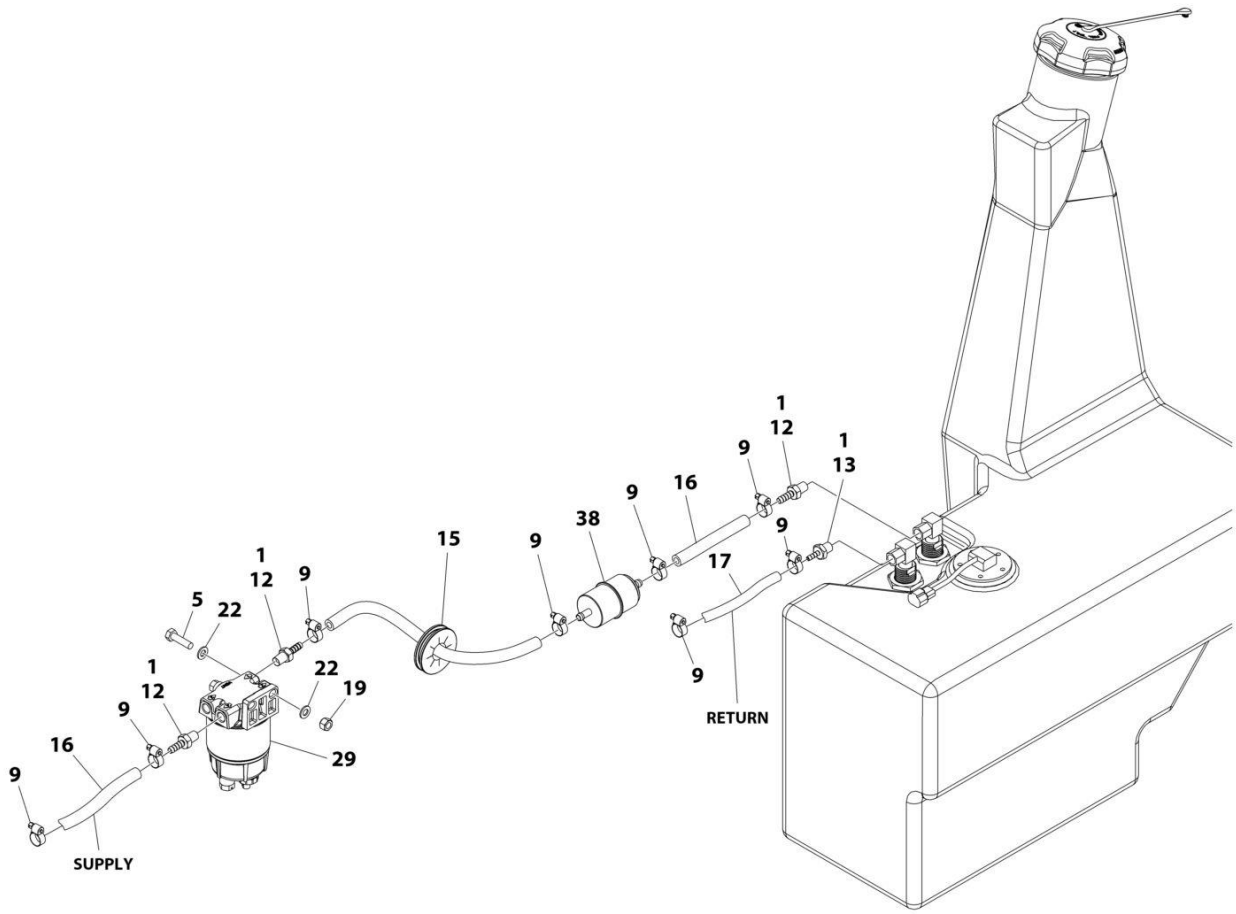
SECTION 3 - ENGINE

FIGURE 3-8. KUBOTA ENGINE INSTALLATION WITH 4000W GENERATOR (WITH ARCTIC PACKAGE)



ART_1001147471_H_20F3

SECTION 3 - ENGINE



ART_1001147471_H_30F3

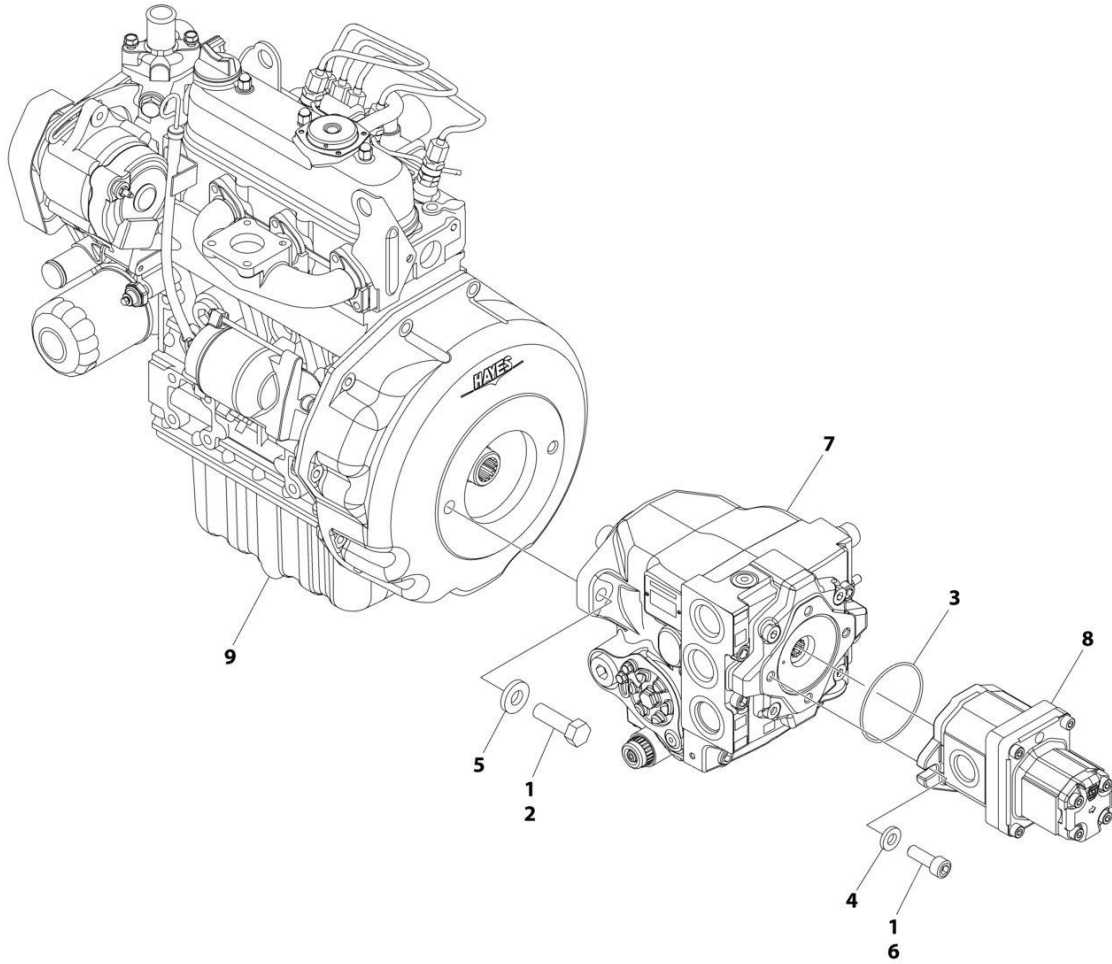
SECTION 3 - ENGINE

FIGURE 3-8. KUBOTA ENGINE INSTALLATION WITH 4000W GENERATOR (WITH ARCTIC PACKAGE)

ITEM	PART NUMBER	QTY	DESCRIPTION	REV
	1001147471	Ref	KUBOTA ENGINE INSTALLATION WITH 4000W GENERATOR (WITH ARCTIC PACKAGE)	H
1	0100020	AR	Sealant, Pipe	
2	0100048	AR	Grease, Dielectric	
4	0760608	4	Bolt M6 x 16	
5	0760814	2	Bolt M8 x 30	
7	0761016	2	Bolt M10 x 40	
8	0761214	1	Bolt M12 x 30	
9	1320022	8	Clamp, Fuel Line	
10	1320043	1	Clamp, Cable	
11	1320274	1	Clamp, Muffler	
12	2180348	3	Fitting, Barbed	
13	2180666	1	Fitting, Barbed	
15	2540045	1	Grommet	
16	2720058	6.6 ft/2.0m	Hose	
17	2720271	6.5 ft/2m	Hose	
18	3290605	4	Nut M6	
19	3290805	2	Nut M8	
20	3291605	1	Nut M16	
21	3960464	33 in /84cm	Seal	
22	4811900	4	Washer M8	
23	4812000	2	Washer M10	
24	4812102	1	Washer M12	
25	4812500	2	Washer M20	
27	1001238005	1	Kubota Engine and Pump Sub-Assembly (See Separate Breakdown in this Section)	
28	1001118548	1	Tube, Exhaust	
29	1001190609	1	Fuel Filter/Water Separator Assembly (See Separate Breakdown in this Section)	
30	1001118646	1	Bolt M20 x 80	
31	1001120087	1	Pad, Wear	
32	1001120090	3	Shim 1.5	
33	0100011	AR	Compound, Locking	
34	5251012	1	Bolt M10 x 25	
38	1001190545	1	Filter, Fuel	

SECTION 3 - ENGINE

FIGURE 3-9. KUBOTA ENGINE AND PUMP SUB-ASSEMBLY



ART_1001238004

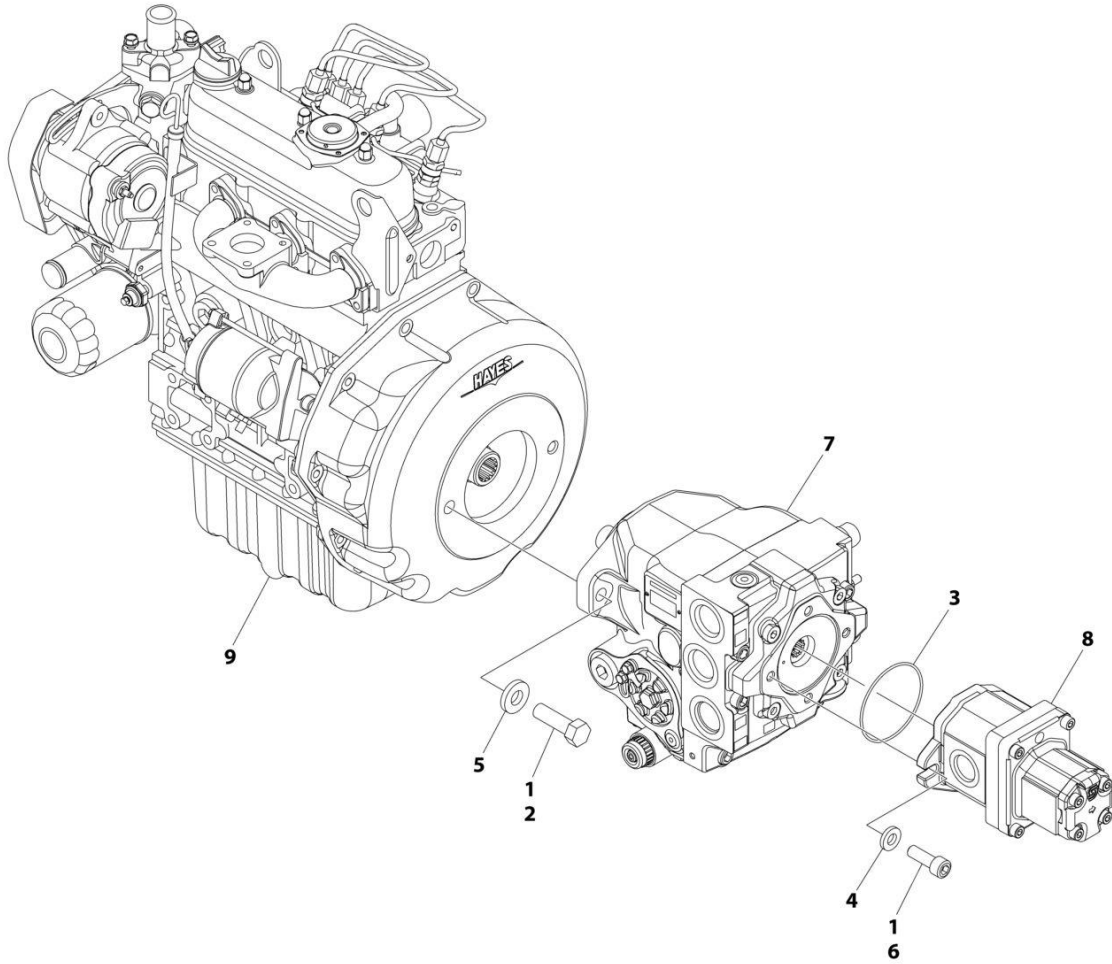
SECTION 3 - ENGINE

FIGURE 3-9. KUBOTA ENGINE AND PUMP SUB-ASSEMBLY

ITEM	PART NUMBER	QTY	DESCRIPTION	REV
	1001238004	Ref	KUBOTA ENGINE AND PUMP SUB-ASSEMBLY	B
1	0100011	AR	Compound, Locking	
2	0641813	2	Bolt 1/2 x 1-5/8	
3	3790152	1	O-Ring	
4	4891600	2	Washer 3/8	
5	4891800	2	Washer 1/2	
6	83191040	2	Capscrew M10 x 30	
7	1001117028	1	Axial Pump Assembly (See Separate Breakdown in this Section)	
8	1001117029	1	Gear Pump Assembly (See Separate Breakdown in this Section)	
9	1001238001	1	Kubota Engine Assembly (Use p/n 1001238001) (See Separate Breakdown in this Section)	

SECTION 3 - ENGINE

FIGURE 3-10. KUBOTA ENGINE WITH 4000W GENERATOR AND PUMP SUB-ASSEMBLY



ART_1001238005

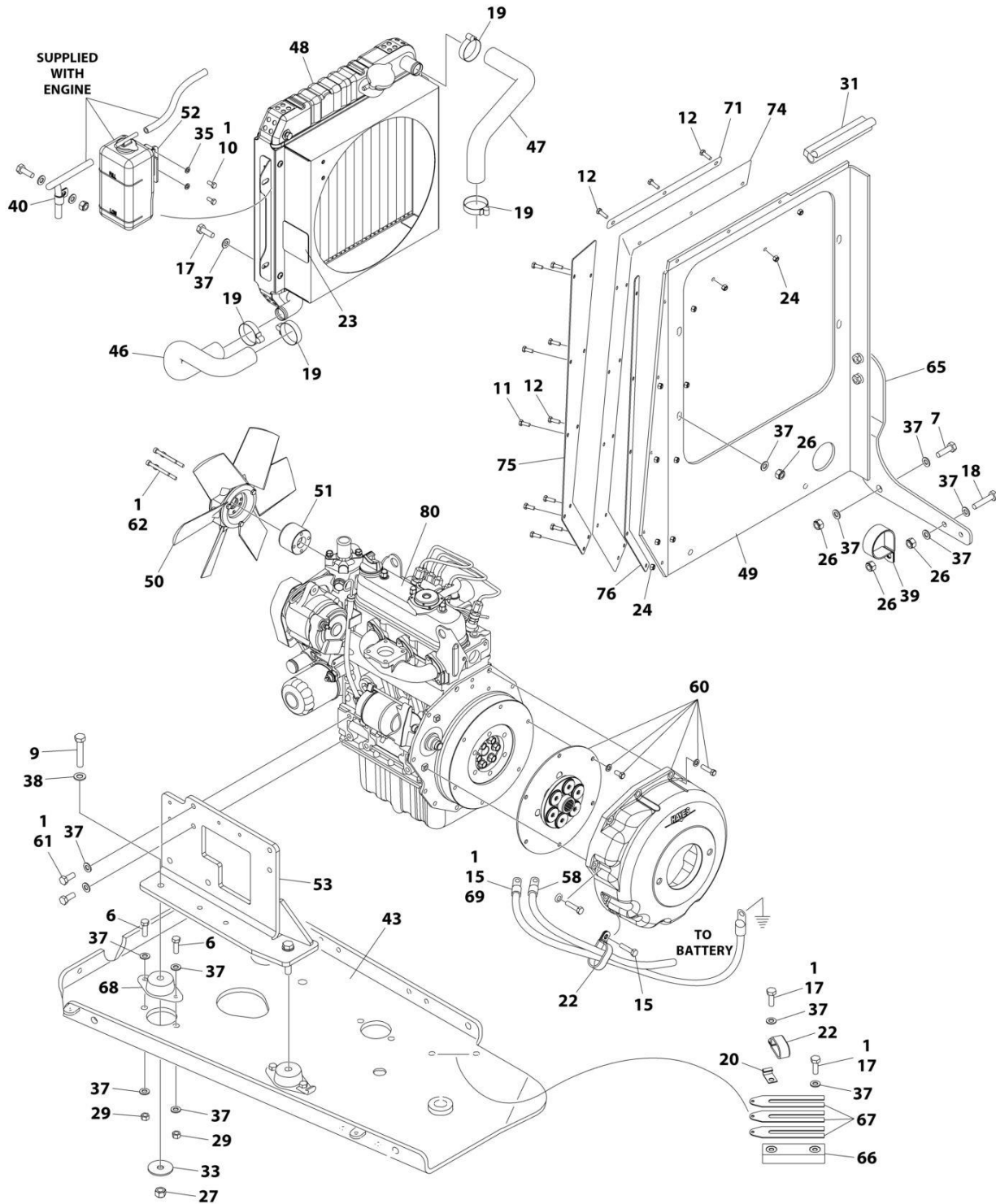
SECTION 3 - ENGINE

FIGURE 3-10. KUBOTA ENGINE WITH 4000W GENERATOR AND PUMP SUB-ASSEMBLY

ITEM	PART NUMBER	QTY	DESCRIPTION	REV
	1001238005	Ref	KUBOTA ENGINE WITH 4000W GENERATOR AND PUMP SUB-ASSEMBLY	B
1	0100011	AR	Compound, Locking	
2	0641813	2	Bolt 1/2 x 1-5/8	
3	3790152	1	O-Ring	
4	4891600	2	Washer 3/8	
5	4891800	2	Washer 1/2	
6	83191040	2	Capscrew M10 x 30	
7	1001117028	1	Axial Pump Assembly (See Separate Breakdown in this Section)	
8	1001117029	1	Gear Pump Assembly (See Separate Breakdown in this Section)	
9	1001238002	1	Kubota Engine Assembly with 4000W Generator (Use p/n 1001238002) (See Separate Breakdown in this Section)	

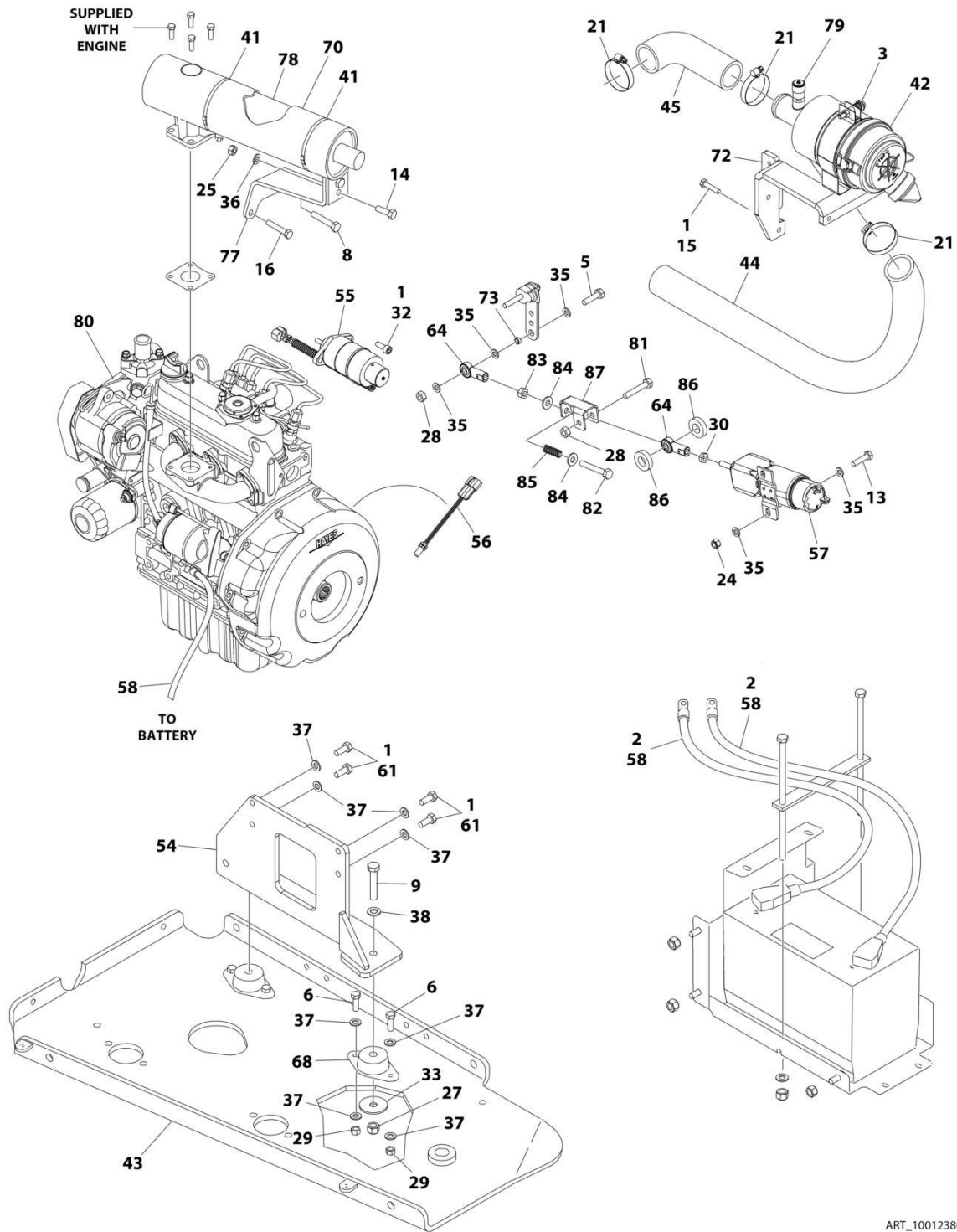
SECTION 3 - ENGINE

FIGURE 3-11. KUBOTA ENGINE ASSEMBLY



ART_1001238001_C_10F2

SECTION 3 - ENGINE



ART_1001238001_C_20F2

SECTION 3 - ENGINE

FIGURE 3-11. KUBOTA ENGINE ASSEMBLY

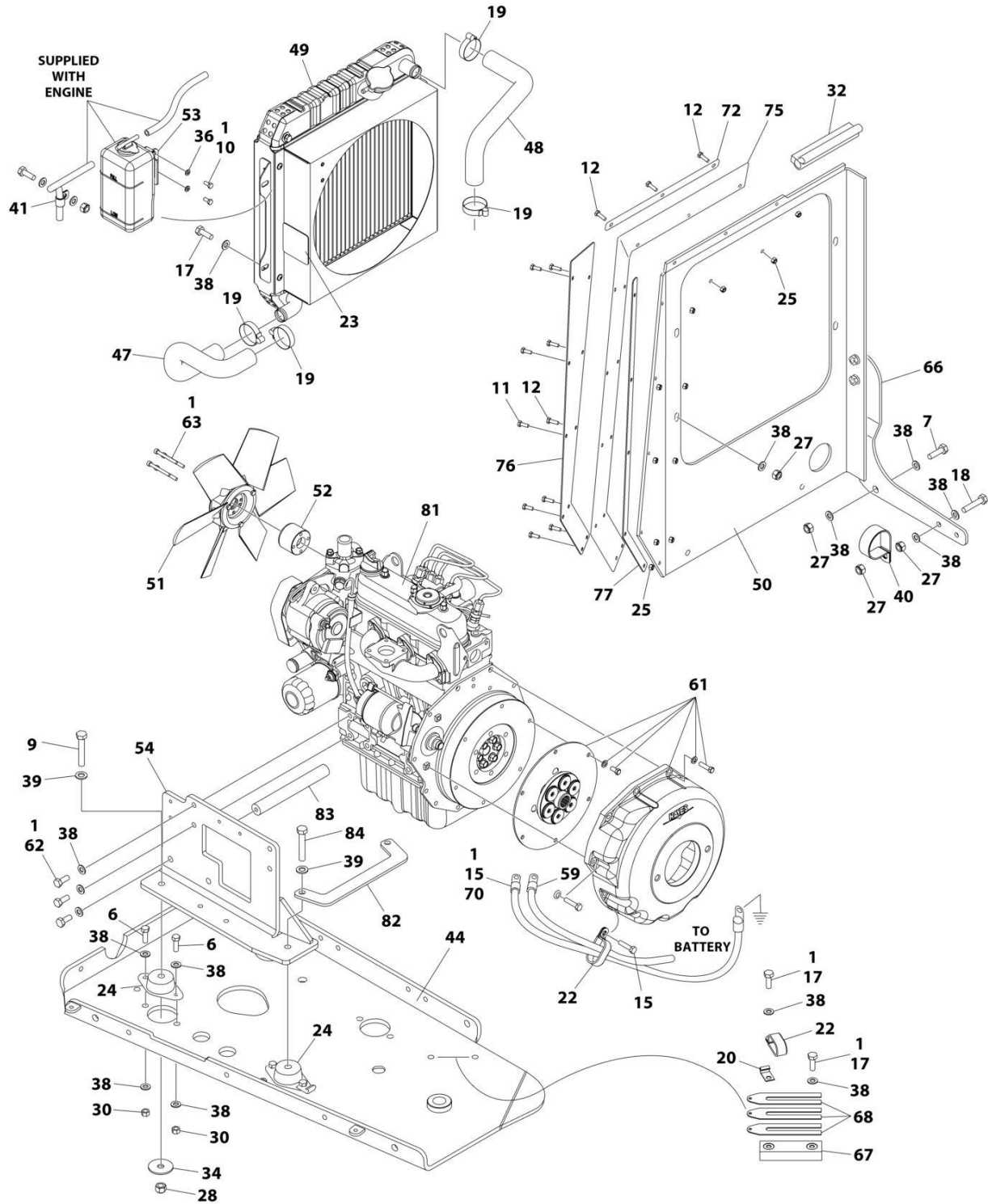
ITEM	PART NUMBER	QTY	DESCRIPTION	REV
	1001238001	Ref	KUBOTA ENGINE ASSEMBLY	C
1	0100011	AR	Compound, Locking	
2	0100048	AR	Grease, Dielectric	
3	0340045	1	Band, Mounting	
5	0641408	1	Bolt 1/4 x 1	
6	0641609	8	Bolt 3/8 x 1-1/8	
7	0701015	6	Bolt M10 x 35	
8	0701017	1	Bolt M10 x 45	
9	0701221	4	Bolt M12 x 65	
10	0760607	2	Bolt M6 x 14	
11	0760608	5	Bolt M6 x 1.25	
12	0760610	8	Bolt M6 x 20	
13	0760612	4	Bolt M6 x 25	
14	0760812	2	Bolt M8 x 25	
15	0760815	4	Bolt M8 x 35	
16	0760817	1	Bolt M8 x 45	
17	0761014	6	Bolt M10 x 30	
18	0761018	1	Bolt M10 x 50	
19	1320012	4	Clamp	
20	1320223	2	J-Clip	
21	1321682	3	Clamp	
22	1321716	2	Clamp	
23	1703162	2	Decal - Fan Blade	
24	3290605	17	Nut M6	
25	3290807	2	Nut M8 x 1.25	
26	3291005	12	Nut M10	
27	3291205	4	Nut M12	
28	3311405	2	Nut 1/4	
29	3311605	8	Nut 3/8	
30	3321402	1	Nut 1/4	
31	3960464	6.5 in /17cm	Seal	
32	4031707	2	Capscrew M6 x 16	
33	4740274	4	Washer	
35	4811700	13	Washer M6	
36	4811900	2	Washer M8	
37	4812000	48	Washer M10	
38	4812100	4	Washer M12	
39	80673025	1	P-Clamp	
40	85941016	1	Clamp	
41	1001100825	2	Strap	
42	1001118280	1	Air Filter Assembly	A
42	7015004	1	Element, Air Filter	
42	1340069	1	Valve, Vacuum	
42	7015005	1	Cover	
43	1001118453	1	Tray, Engine	
44	1001118527	1	Hose, Air Intake	
45	1001118528	1	Hose, Air Intake	
46	1001118529	1	Hose, Lower Radiator	
47	1001118530	1	Hose, Upper Radiator	

SECTION 3 - ENGINE

ITEM	PART NUMBER	QTY	DESCRIPTION	REV
48	1001118531	1	Radiator	
48	70002899	1	Cap, Radiator	
49	1001118532	1	Mount, Radiator	
50	1001118538	1	Fan	
51	1001118539	1	Spacer, Fan	
52	1001118540	1	Bracket, Coolant Overflow Tank	
53	1001118542	1	Plate, LH Front Engine	
54	1001118543	1	Plate, RH Front Engine	
55	1001118579	1	Actuator, Kubota Governor	
55	7023134	1	Gasket, Mounting	
56	1001118580	1	Sensor, Speed	
57	1001274140	1	Actuator, Kubota Throttle	
58	1001118594	1	Battery Cable Kit	
58	4461231	1	Battery Terminal and Red Cover Only (No Cable)	
58	4461232	1	Battery Terminal and Black Cover Only (No Cable)	
59	1001118638	1	Harness, Engine (Not Shown - See Separate Breakdown in ELECTRICAL Section)	
60	1001118675	1	Flywheel Housing/Coupling Kit	
60	See Note	NSS	Coupling Assembly (Note: Use p/n 1001118675)	
60	See Note	NSS	Housing (Note: Use p/n 1001118675)	
60	See Note	NSS	Bolt Kit (Note: Use p/n 1001118675)	
61	1001118746	8	Bolt M10 x 25	
62	1001118878	4	Bolt M6 x 55	
64	1001118925	2	End, Rod with Bearing	
65	1001119698	1	Gusset, Radiator	
66	1001120087	1	Pad, Wear	
67	1001120090	3	Shim	
68	1001120307	4	Mount, Motor	
69	1001120450	1	Cable, Ground	
70	1001121531	1	Insulation, Muffler	
71	1001123018	1	Plate, Seal Support	
72	1001272666	1	Bracket, Air Filter	
73	1001128888	1	Spacer	
74	1001147365	1	Seal, Radiator Hood	
75	1001147642	1	Plate, Seal Support	
76	1001147643	1	Plate, Seal Support	
77	1001149379	1	Bracket	
78		Ref	Muffler Options:	
78	1001118547	NLA	Standard (Use p/n 1001151187)	
78	1001120007	NLA	Catalytic (Use p/n 1001151188)	
79	1001170981	1	Indicator, Air Intake Restriction	
80	1001237999	1	Kubota Engine Components (See Separate Breakdown in this Section)	
81	0641412	1	Bolt 1/4 x 1-1/2	
82	0651414	1	Bolt 1/4 x 1-3/4	
83	3321401	1	Nut 1/4	
84	4711400	2	Washer 1/4	
85	1001272948	1	Spring	
86	1001272950	2	Washer	
87	1001273101	1	Link	

SECTION 3 - ENGINE

FIGURE 3-12. KUBOTA ENGINE ASSEMBLY WITH 4000W GENERATOR



ART_1001238002_C_10F2

SECTION 3 - ENGINE

FIGURE 3-12. KUBOTA ENGINE ASSEMBLY WITH 4000W GENERATOR

ITEM	PART NUMBER	QTY	DESCRIPTION	REV
	1001238002	Ref	KUBOTA ENGINE ASSEMBLY WITH 4000W GENERATOR	C
1	0100011	AR	Compound, Locking	
2	0100048	AR	Grease, Dielectric	
3	0340045	1	Band, Mounting	
5	0641408	1	Bolt 1/4 x 1	
6	0641609	8	Bolt 3/8 x 1-1/8	
7	0701015	6	Bolt M10 x 35	
8	0701017	1	Bolt M10 x 45	
9	0701221	2	Bolt M12 x 65	
10	0760607	2	Bolt M6 x 14	
11	0760608	5	Bolt M6 x 1.25	
12	0760610	8	Bolt M6 x 20	
13	0760612	4	Bolt M6 x 25	
14	0760812	2	Bolt M8 x 25	
15	0760815	4	Bolt M8 x 35	
16	0760817	1	Bolt M8 x 45	
17	0761014	6	Bolt M10 x 30	
18	0761018	1	Bolt M10 x 50	
19	1320012	4	Clamp	
20	1320223	2	J-Clip	
21	1321682	3	Clamp	
22	1321716	2	Clamp	
23	1703162	2	Decal - Fan Blade	
24	3200378	4	Mount, Motor	
25	3290605	17	Nut M6	
26	3290807	2	Nut M8 x 1.25	
27	3291005	12	Nut M10	
28	3291205	4	Nut M12	
29	3311405	2	Nut 1/4	
30	3311605	8	Nut 3/8	
31	3321402	1	Nut 1/4	
32	3960464	6.5 in /17cm	Seal	
33	4031707	2	Capscrew M6 x 16	
34	4740274	4	Washer	
36	4811700	13	Washer M6	
37	4811900	2	Washer M8	
38	4812000	50	Washer M10	
39	4812100	4	Washer M12	
40	80673025	1	P-Clamp	
41	85941016	1	Clamp	
42	1001100825	2	Strap	
43	1001118280	1	Air Filter Assembly	A
43	7015004	1	Element, Air Filter	
43	1340069	1	Valve, Vacuum	
43	7015005	1	Cover	
44	1001118453	1	Tray, Engine	
45	1001118527	1	Hose, Air Intake	
46	1001118528	1	Hose, Air Intake	
47	1001118529	1	Hose, Lower Radiator	

SECTION 3 - ENGINE

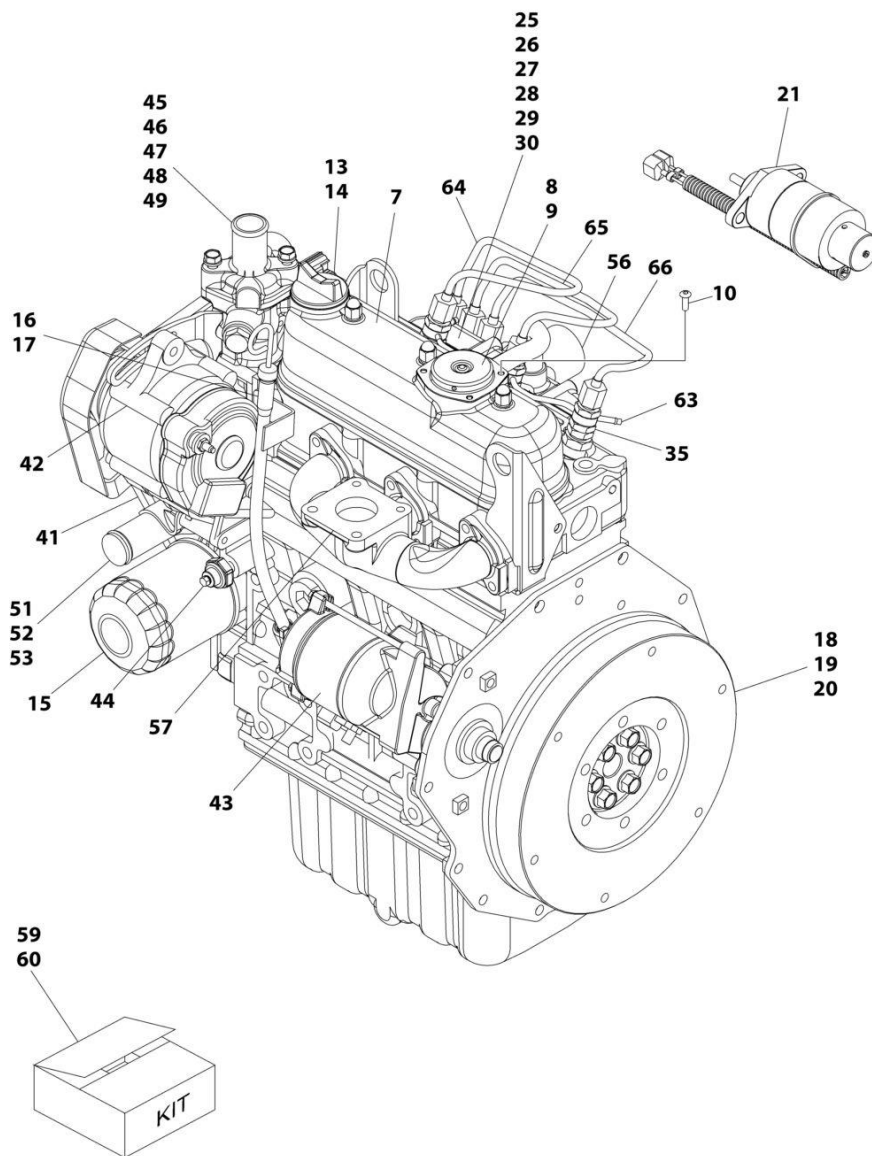
ITEM	PART NUMBER	QTY	DESCRIPTION	REV
48	1001118530	1	Hose, Upper Radiator	
49	1001118531	1	Radiator	
49	70002899	1	Cap, Radiator	
50	1001118532	1	Mount, Radiator	
51	1001118538	1	Fan	
52	1001118539	1	Spacer, Fan	
53	1001118540	1	Bracket, Coolant Overflow Tank	
54	1001118542	1	Plate, LH Front Engine	
55	1001118543	1	Plate, RH Front Engine	
56	1001118579	1	Actuator, Kubota Governor	
56	7023134	1	Gasket, Mounting	
57	1001118580	1	Sensor, Speed	
58	1001274140	1	Actuator, Kubota Throttle	
59	1001118594	1	Battery Cable Kit	
59	4461231	1	Battery Terminal and Red Cover Only (No Cable)	
59	4461232	1	Battery Terminal and Black Cover Only (No Cable)	
60	1001118638	1	Harness, Engine (Not Shown - See Separate Breakdown in ELECTRICAL Section)	
61	1001118675	1	Flywheel Housing/Coupling Kit	
61	See Note	NSS	Coupling Assembly (Note: Use p/n 1001118675)	
61	See Note	NSS	Housing (Note: Use p/n 1001118675)	
61	See Note	NSS	Bolt Kit (Note: Use p/n 1001118675)	
62	1001118746	10	Bolt M10 x 25	
63	1001118878	4	Bolt M6 x 55	
65	1001118925	2	End, Rod with Bearing	
66	1001119698	1	Gusset, Radiator	
67	1001120087	1	Pad, Wear	
68	1001120090	3	Shim	
70	1001120450	1	Cable, Ground	
71	1001121531	1	Insulation, Muffler	
72	1001123018	1	Plate, Seal Support	
73	1001272666	1	Bracket, Air Filter	
74	1001128888	1	Spacer	
75	1001147365	1	Seal, Radiator Hood	
76	1001147642	1	Plate, Seal Support	
77	1001147643	1	Plate, Seal Support	
78	1001149379	1	Bracket	
79		Ref	Muffler Options:	
79	1001118547	NLA	Standard (Use p/n 1001151187)	
79	1001120007	NLA	Catalytic (Use p/n 1001151188)	
80	1001170981	1	Indicator, Air Intake Restriction	
81	1001237999	1	Kubota Engine Components (See Separate Breakdown in this Section)	
82	1001243034	1	Brace	
83	1001243035	1	Brace	
84	0701222	2	Bolt M12 x 70	
85	0641412	1	Bolt 1/4 x 1-1/2	
86	0651414	1	Bolt 1/4 x 1-3/4	
87	3321401	1	Nut 1/4	
88	4711400	2	Washer 1/4	
89	1001272948	1	Spring	
90	1001272950	2	Washer	

SECTION 3 - ENGINE

ITEM	PART NUMBER	QTY	DESCRIPTION	REV
91	1001273101	1	Link	

SECTION 3 - ENGINE

FIGURE 3-13. KUBOTA ENGINE COMPONENTS



ART_1001237999

SECTION 3 - ENGINE

FIGURE 3-13. KUBOTA ENGINE COMPONENTS

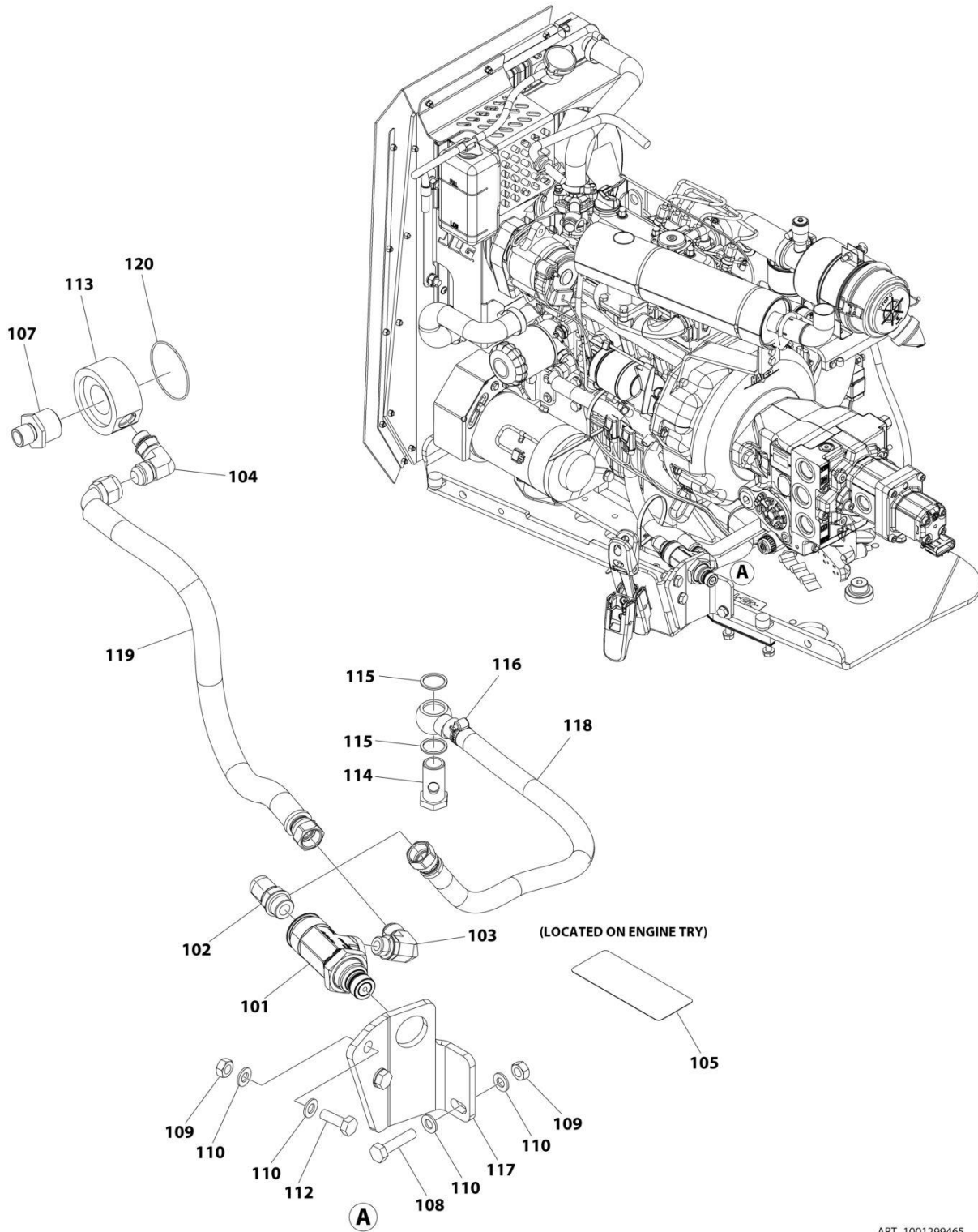
ITEM	PART NUMBER	QTY	DESCRIPTION	REV
	1001237999	Ref	KUBOTA ENGINE COMPONENTS	A
1	7017954	22	Bolt, Oil Pan (Not Shown)	
2	7023154	1	Plug, Drain (Not Shown)	
3	70002315	1	Gasket, Oil Pan (Not Shown)	
4	7017911	14	Bolt, Cylinder Head (Not Shown)	
5	7023156	1	Gasket, Gear Case (Not Shown)	
6	7023157	1	Seal, Oil (Not Shown)	
7	7023132	1	Gasket, Valve Cover	
8	70003060	1	Breather, Comp Valve	
9	70003061	1	Cover, Breather	
10	7017934	4	Screw, Pan Head	
11	70002316	1	Pipe, Water Return (Not Shown)	
12	70002317	1	Tube, Breather (Not Shown)	
13	70002318	1	Plug, Oil Fill	
14	70004311	1	O-Ring, Oil Fill Plug	
15	70004395	1	Filter, Oil	
16	7023160	1	Dipstick	
17	70003062	1	Tube, Dipstick	
18	70001934	1	Flywheel Assembly	
19	70001140	1	Gear, Ring	
20	70001935	6	Bolt, Flywheel	
21	7025479	NLA	Solenoid, Stop (Use p/n 1001118579)	
22	7017945	1	Joint, Eye (Not Shown)	
23	7023162	1	Tube, Fuel Assembly (Not Shown)	
24	7023163	1	Tube, Fuel (Not Shown)	
25	7023164	1	Pump, Fuel Injection	
26	70002319	1	Shim .175mm	
27	70002320	1	Shim .200mm	
28	70002321	1	Shim .250mm	
29	70002322	1	Shim .300mm	
30	70002323	1	Shim .350mm	
31	7023136	1	Spring, Governor (Not Shown)	
32	7023165	1	Gasket, Governor (Not Shown)	
33	70004396	1	Plate Assembly, Control (Not Shown)	
34	70004397	6	Gasket, Speed Control Plate (Not Shown)	
35	70004399	3	Nozzle Holder Kit	
35	7023167	3	Gasket, Glow Plug	
35	7023168	3	Seal	
37	70004398	3	Plug, Glow (Not Shown)	
37	70004544	3	Cord, Glow Plug (Not Shown)	
38	70004399	1	Kit, Nozzle Holder	
39	7023139	1	Fuel Pump Assembly	
40	70004400	1	Gasket, Fuel Pump	
41	7023141	1	V-Belt	
42	7017955	1	Alternator	
43	7023144	1	Starter	
44	7017901	1	Switch, Oil	
45	70003064	1	Sensor, Water Temperature	
46	70003063	1	Seal, Water Temperature Sensor	
47	7023145	1	Gasket, Water Flange	

SECTION 3 - ENGINE

ITEM	PART NUMBER	QTY	DESCRIPTION	REV
48	7023170	1	Thermostat	
49	7022326	1	Gasket, Thermostat Housing to Engine Block	
50	70002327	1	Pump, Water (Not Shown)	
51	70002328	1	Gasket, Water Pump	
52	7017963	1	Pipe, Water (Lower)	
53	70002330	1	Pipe, Water (Upper)	
54	4400498	1	Reserve Tank (Not Shown)	
55	70004401	1	Decal - Caution (Not Shown)	
56	7023149	1	Gasket, Air Intake Manifold	
57	7023148	1	Gasket, Exhaust Manifold to Engine Block	
58	7023124	1	Gasket, Exhaust Manifold to Muffler (Not Shown)	
59	70003066	1	Upper Gasket Kit (Includes Qty 1 Each of Cylinder Head, Valve Cover, Intake Manifold to Block, Exhaust Manifold to Block, Exhaust Manifold Gasket to Muffler, Thermostat Housing to Block, Thermostat Housing to Neck Gaskets and Fuel System Seals and O-Rings and Qty 6 Valve Stem Seals.)	
60	70003067	1	Lower Gasket Kit (Includes Qty 1 Each of Gear Case, Brg. Case, Gasket, Fuel Pump Gasket, Water Pump Gasket, Oil Pan Gasket, Oil Seal, O-Rings and Qty 6 Valve Stem Seals.)	
61	70004524	1	Valve, Drain (Not Shown)	
62	70005220	1	Gasket, Cylinder Head (Not Shown)	
63	70004536	1	Pipe, Over Flow	
63	70004537	1	Screw (Air Bleeder)	
63	70004538	1	Seal	
63	70004539	1	Pipe, Over Flow (Injector to Rail)	
64	70004541	1	Pipe, Injection	
65	70004542	1	Pipe, Injection	
66	70004543	1	Pipe, Injection	

SECTION 3 - ENGINE

FIGURE 3-14. QUICKFIT OIL DRAIN INSTALLATION (KUBOTA 2.5L DF) (SN 0300297926 to Present)



ART_1001299465

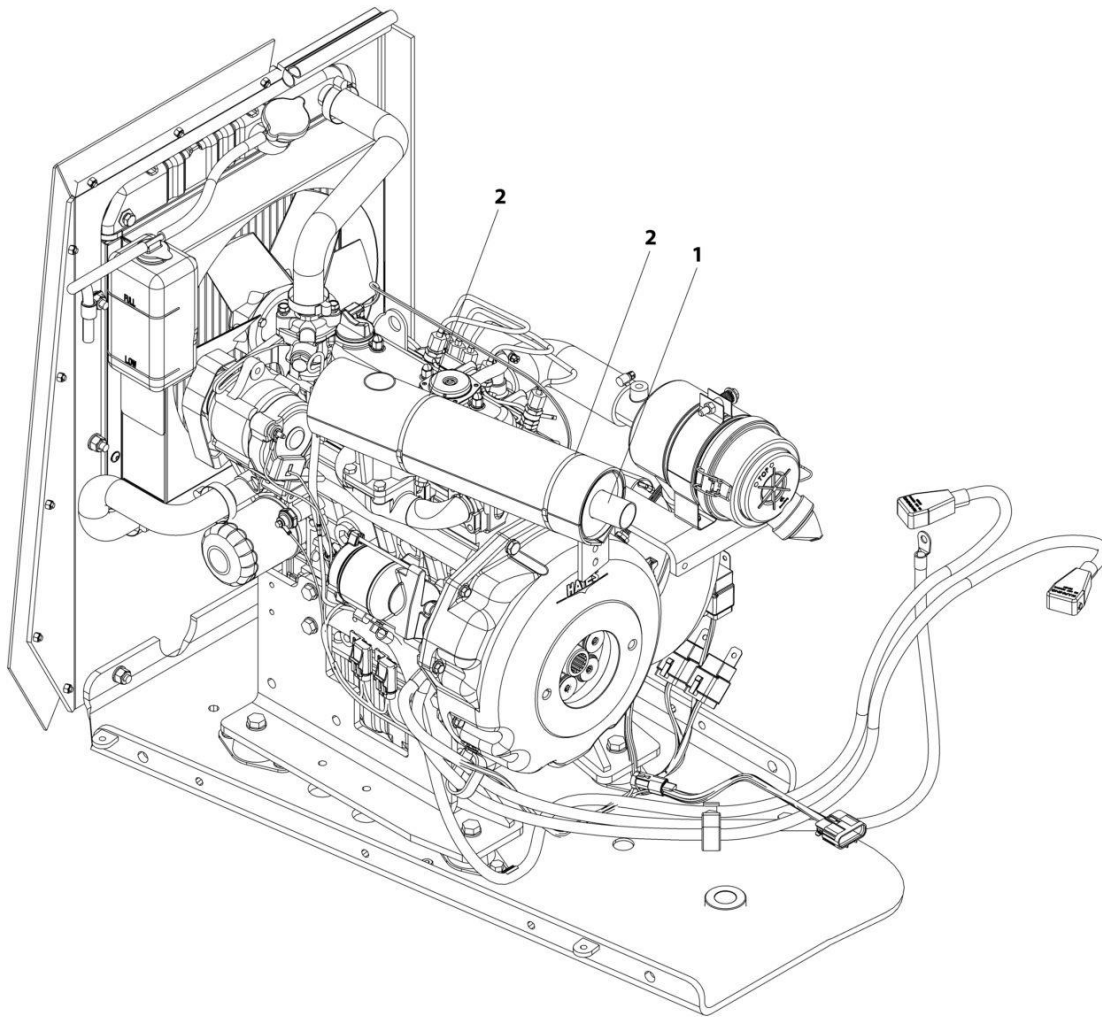
SECTION 3 - ENGINE

FIGURE 3-14. QUICKFIT OIL DRAIN INSTALLATION (KUBOTA 2.5L DF) (SN 0300297926 to Present)

ITEM	PART NUMBER	QTY	DESCRIPTION	REV
	1001299465	Ref	QUICKFIT OIL DRAIN INSTALLATION (KUBOTA)	B
1	1001299466	1	Valve, Quickfit (Kubota 1.1L DL) (Not Shown)	
101	1001281298	1	Valve, Small Quickfit	
102	1001281301	1	Fitting, 90	
103	1001281307	1	Fitting, 90	
104	1001281359	1	Valve, Check Valve	
105	1001281360	1	Decal - Quickfit	
106	1001281656	AR	Tie-Strap (Not Shown)	
107	1001290257	1	Fitting, Nipple Filter	
108	1001290378	1	Bolt M10 x 45	
109	1001290381	3	Nut M10	
110	1001290384	6	Washer M10	
111	1001290385	5	Mount, Tie-Strap (Not Shown)	
112	1001291852	2	Bolt M10 x 30	
113	1001295066	1	Filter	
114	1001297092	1	Bolt M22 x 1.5	
115	1001297093	2	Washer	
116	1001297094	1	Clamp	
117	1001299467	1	Bracket	
118	1001299468	1	Hose	
119	1001299470	1	Hose	
120	1001299890	1	O-Ring	

SECTION 3 - ENGINE

FIGURE 3-15. CATALYTIC MUFFLER INSTALLATION - KUBOTA ENGINE (OPTIONAL)



ART_1001120013

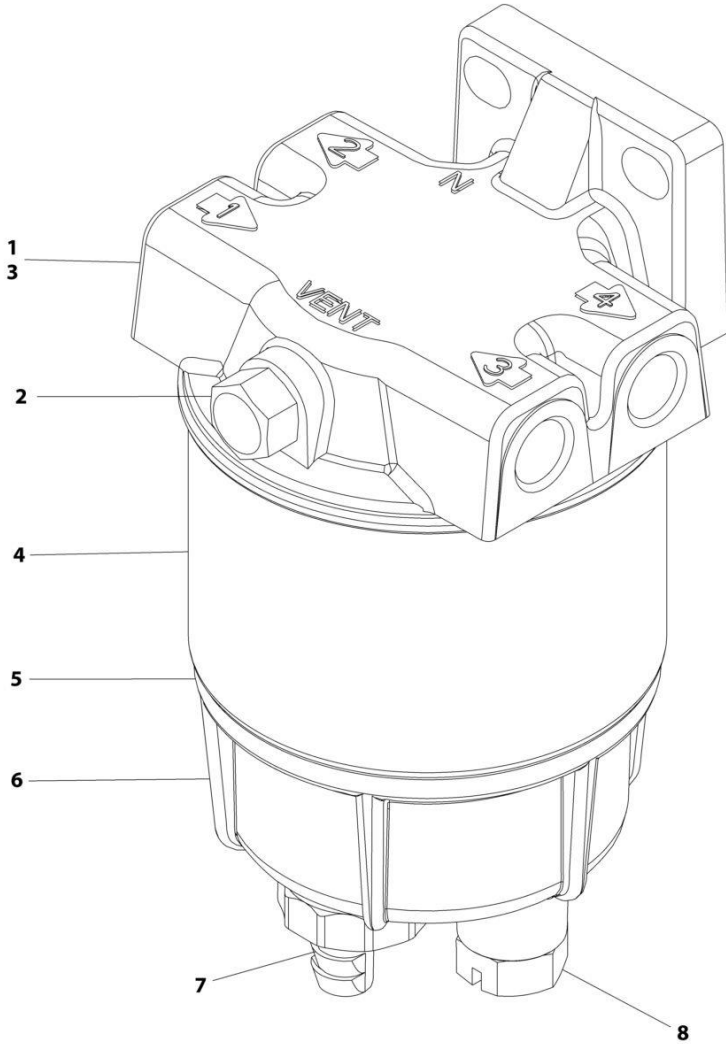
SECTION 3 - ENGINE

FIGURE 3-15. CATALYTIC MUFFLER INSTALLATION - KUBOTA ENGINE (OPTIONAL)

ITEM	PART NUMBER	QTY	DESCRIPTION	REV
	1001120013	Ref	CATALYTIC MUFFLER INSTALLATION - KUBOTA ENGINES (OPTIONAL)	C
1	1001151188	1	Muffler, Catalytic	
2	1001100825	2	Strap, Ball-Lok Tie	

SECTION 3 - ENGINE

FIGURE 3-16. FUEL/WATER SEPARATOR ASSEMBLY (KUBOTA ENGINES) (PVC2007)



ART_1001190609

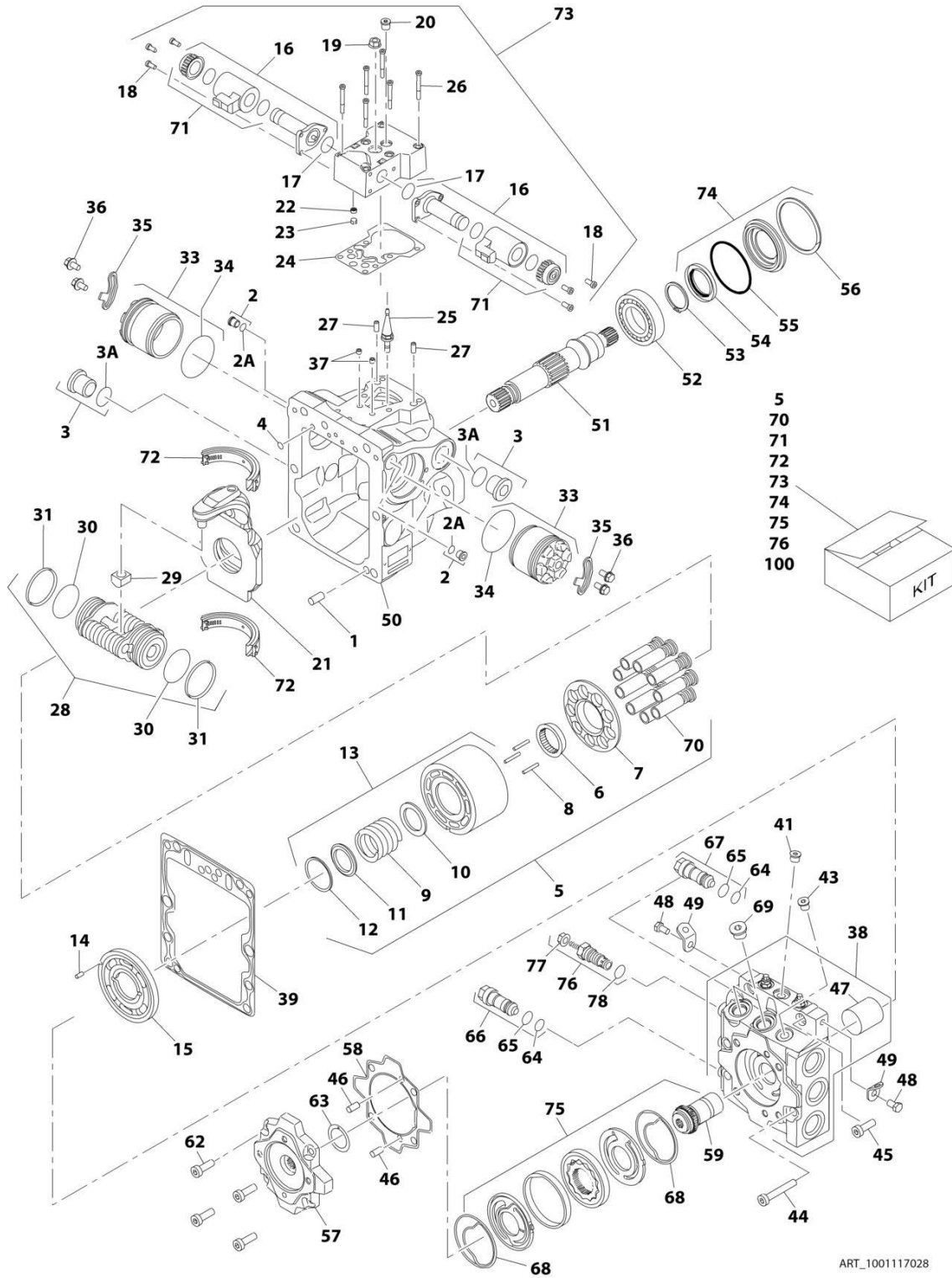
SECTION 3 - ENGINE

FIGURE 3-16. FUEL/WATER SEPARATOR ASSEMBLY (KUBOTAT ENGINES) (PVC2007)

ITEM	PART NUMBER	QTY	DESCRIPTION	REV
	1001190609	Ref	FUEL/WATER SEPARATOR ASSEMBLY - DIESEL ENGINES	B
1	70005293	1	Head, Mounting	
2	70005294	1	Plug	
3	70005295	1	Gasket, Head	
4	70005296	1	Element	
5	70005297	1	O-Ring	
6	70002901	1	Bowl	
7	70004070	1	Drain, Self Venting	
8	70004069	1	Plug	

SECTION 3 - ENGINE

FIGURE 3-17. AXIAL PUMP ASSEMBLY



ART_1001117028

SECTION 3 - ENGINE

FIGURE 3-17. AXIAL PUMP ASSEMBLY

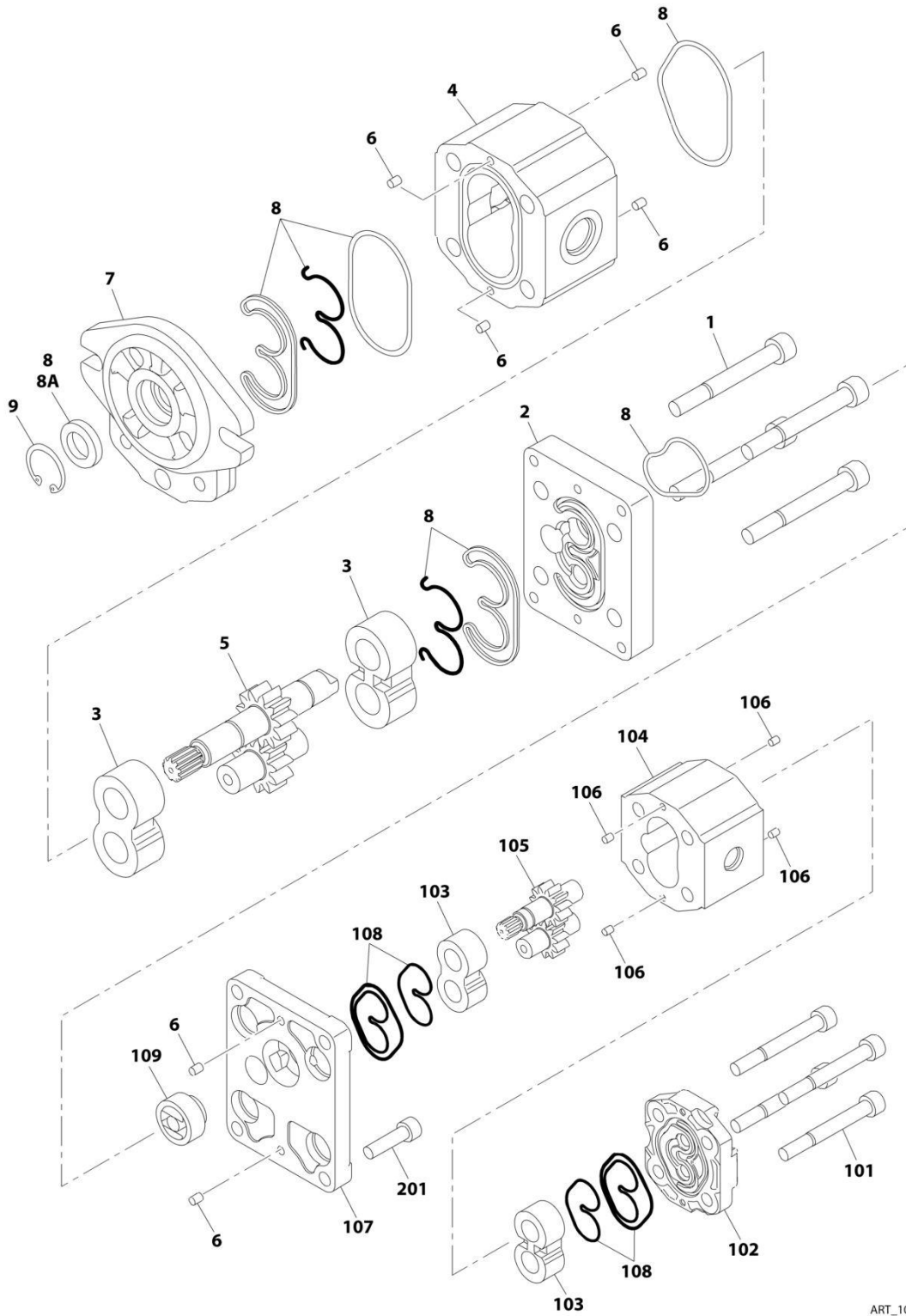
ITEM	PART NUMBER	QTY	DESCRIPTION	REV
	1001117028	Ref	AXIAL PUMP ASSEMBLY	F
1	70002132	2	Pin	
2	70002133	2	Plug	
2A	See Note	NSS	O-Ring (Note: Use Item 2)	
3	7007439	2	Plug	
3A	See Note	NSS	O-Ring (Note: Use Item 3)	
4	70002134	2	Screen	
5	70002135	1	Cylinder Block and Piston Kit (Includes Items 6-9 & 70)	
6	70002137	1	Guide	
7	70002138	1	Retainer	
8	7021275	3	Pin	
9	See Note	NSS	Cylinder Block Assembly (Includes Items 10-13) (Note: Use Item 5)	
10	70002140	1	Washer	
11	70002141	1	Washer	
12	70002142	1	Ring, Retaining	
13	70002139	1	Spring	
14	7007446	1	Pin	
15	70002601	1	Plate, Valve	
16	70002147	2	Solenoid Valve Assembly (Includes Items 17, 18 & 71)	
17	70002148	2	O-Ring (Part of Item 16)	
18	70002150	6	Screw (Part of Item 73)	
19	7022301	1	Nut, Seal (Part of Item 73)	
20	70002151	1	Plug (Part of Item 73)	
21	70002152	1	Swash Plate	
22	70002134	1	Screen (Part of Item 73)	
23	70002153	1	Ring, Locking (Part of Item 73)	
24	70002154	1	Gasket (Part of Item 73)	
25	70002155	1	Link	
26	70002156	6	Screw	
27	70002157	2	Pin	
28	70002158	1	Servo Piston Assembly (Includes Items 29-31)	
29	70002159	1	Block, Slider (Part of Item 28)	
30	70002160	2	O-Ring (Part of Item 28)	
31	70002161	2	Ring, Piston (Part of Item 28)	
33	70002603	2	Servo Cylinder Assembly (Includes Item 34)	
34	70002163	2	O-Ring (Part of Item 33)	
35	70002164	2	Plate, Locking	
36	70002165	4	Screw	
37	70002166	2	Orifice	
38	70002863	1	Cap, End (Includes Item 47)	
39	70002168	1	Gasket	
40	70001958	1	Plug (Not Shown)	
41	70001958	1	Plug	
42	70001958	1	Plug (Not Shown)	
43	70001958	2	Plug	
44	70002169	4	Screw	
45	70002170	2	Screw	
46	70002132	2	Pin	
47	70002172	1	Bearing, Journal (Part of Item 38)	

SECTION 3 - ENGINE

ITEM	PART NUMBER	QTY	DESCRIPTION	REV
48	70002165	2	Screw	
49	7022340	2	Bracket, Lifting	
50	See Note	NSS	Housing (Note: Not Available - Purchase Complete Assembly)	
51	70002175	1	Shaft	
52	70002176	1	Bearing	
53	7007439	1	Ring, Retaining	
54	70002177	1	Seal, Lip (Part of Item 74)	
55	70002178	1	O-Ring (Part of Item 74)	
56	70002179	1	Ring, Retaining (Part of Item 74)	
57	70002180	1	Adapter, Pump	
58	70002181	1	Seal	
59	70002864	1	Coupling	
62	70002185	4	Screw	
63	70002186	1	Plate, Thrust	
64	70002187	2	O-Ring (Part of Items 66 & 67)	
65	70002865	2	O-Ring (Part of Items 66 & 67)	
66	70002866	1	Valve, Relief	
67	70002866	1	Valve, Relief	
68	70002867	2	Ring, Seal (Part of Item 68)	
69	7023964	2	Plug	
70	70002136	1	Piston Kit (Includes Qty 9 Pistons) (Part of Item 5)	
71	70002149	2	Coil Kit (Part of Items 16 & 73)	
72	70002145	1	Bearing Kit	
73	70002146	1	EDC Kit (Includes Items 16-20, 22-24, 26 & 71)	
74	70002174	1	Shaft Seal Kit (Includes Items 54, 55 & 56) (Note: This is a universal kit and will contain extra pieces that are not used on this pump assembly)	
75	70002868	1	Charge Pump Kit (Includes Item 68)	
76	70002191	1	Charge Relief Valve Kit (Includes Items 77 & 78)	
77	70222301	1	Nut, Seal (Part of Item 76)	
78	7007415	1	O-Ring (Part of Item 76)	
100	70002192	1	Seal Kit (Includes Items 24, 30, 31, 34, 39, 54, 55, 58, 64, 65, 68, 77 & 78)	

SECTION 3 - ENGINE

FIGURE 3-18. GEAR PUMP ASSEMBLY



ART_1001117029

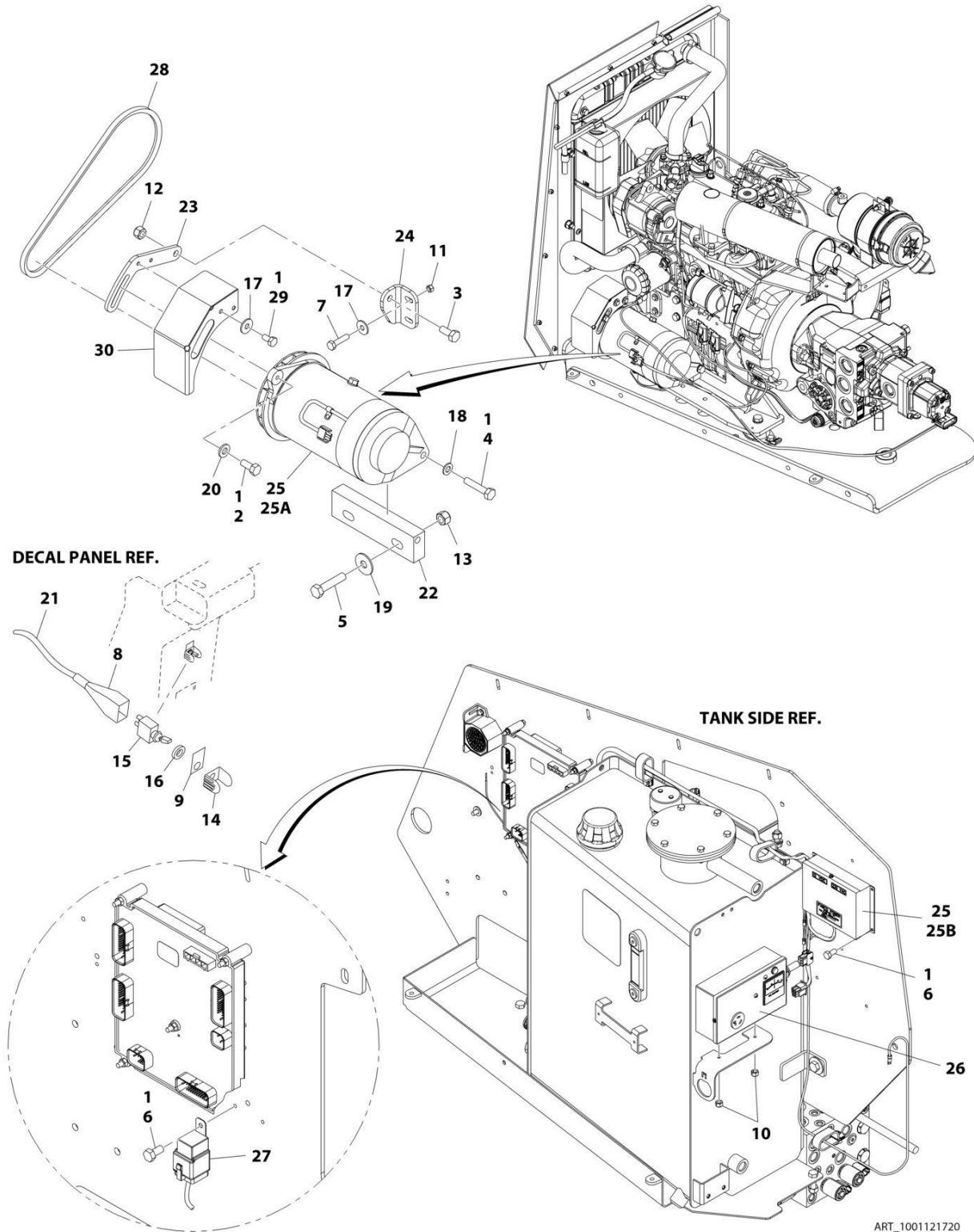
SECTION 3 - ENGINE

FIGURE 3-18. GEAR PUMP ASSEMBLY

ITEM	PART NUMBER	QTY	DESCRIPTION	REV
	1001117029	Ref	GEAR PUMP ASSEMBLY	A
		Ref	Note: For Items without P/Ns, replace complete pump.	
		Ref	Front Section Components	
1	See Note	4	Bolt	
2	See Note	1	Plate, End	
3	See Note	2	Bearing	
4	See Note	1	Housing	
5	See Note	1	Drive Shaft Set	
6	See Note	6	Pin, Dowel	
7	See Note	1	Plate, Front	
8	70002860	1	Seal Kit	
8A	70002577	NLA	Seal, Lip (Use Item 8)	
9	70002862	1	Ring, Retaining	
		Ref	Rear Section Components	
101	See Note	4	Bolt	
102	See Note	1	Plate, End	
103	See Note	2	Bearing	
104	See Note	1	Housing	
105	See Note	1	Drive Shaft Set	
106	See Note	4	Pin, Dowel	
107	See Note	1	Plate, Front	
108	70002861	1	Seal Kit	
109	See Note	1	Coupling	
201	See Note	4	Bolt	

SECTION 3 - ENGINE

FIGURE 3-19. 2800W GENERATOR INSTALLATION - GM ENGINE MACHINES 220V/50HZ GENERATOR (ANSI EXPORT AND CHINA SPECS)



SECTION 3 - ENGINE

**FIGURE 3-19. 2800W GENERATOR INSTALLATION - GM ENGINE MACHINES 220V/50HZ
GENERATOR (ANSI EXPORT AND CHINA SPECS)**

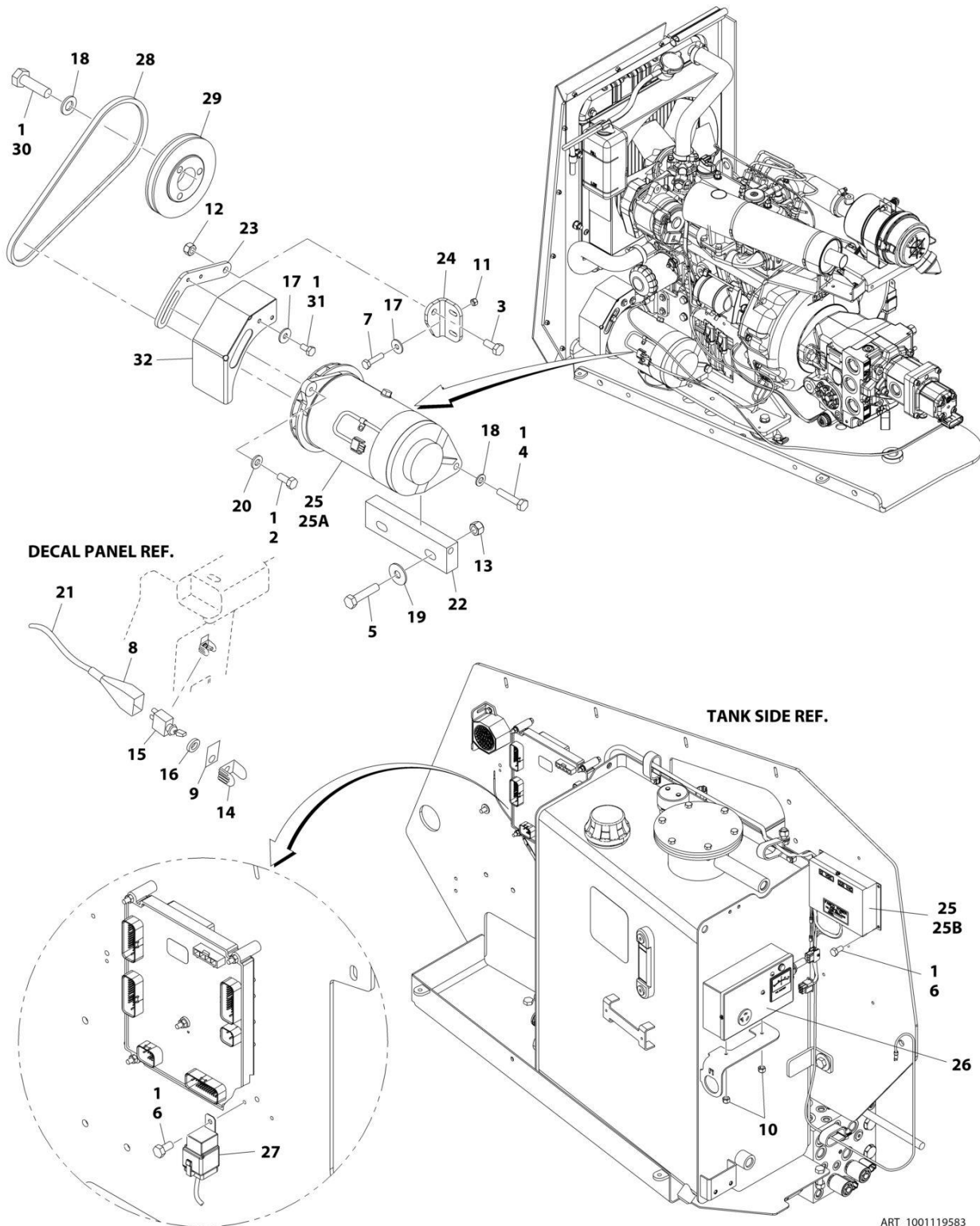
ITEM	PART NUMBER	QTY	DESCRIPTION	REV
	1001121720	Ref	2800W GENERATOR INSTALLATION - GM ENGINE MACHINES 220V/50HZ GENERATOR	D
1	0100011	AR	Compound, Locking	
2	0641506	1	Bolt 5/16-18 x 3/4	
3	0701012	1	Bolt M10 x 25	
4	0701018	2	Bolt M10 x 50	
5	0701219	2	Bolt M12 x 55	
6	0760505	5	Bolt M5 x 10	
7	0760612	2	Bolt M6 x 25	
8	2820031	AR	Heat Shrink	
9	3251102	1	Nameplate - Generator	
10	3290505	2	Nut M5	
11	3290605	2	Nut M6	
12	3291005	1	Nut M10	
13	3291205	2	Nut M12	
14	4060802	1	Guard, Switch	
15	4360336	1	Switch, Toggle	
16	4740397	1	Washer	
17	4811702	4	Washer M6	
18	4812000	2	Washer M10	
19	4812102	2	Washer M12	
20	4891500	1	Washer 5/16	
21	4922641	1	Harness, On/Off Switch	
22	1001119551	1	Mount, Generator	
23	1001119553	1	Arm, Adjustment	
24	1001119554	1	Support, Arm	
25	1001119589	1	Generator and Voltage Regulator Assembly	C
25A	1001100321	1	Generator	
25A	70000123	1	Armature with Slip Rings	
25A	7020109	4	Holder, Brush	
25A	7020108	4	Brush	
25A	7012513	4	Cap, Brush Holder	
25A	7012514	1	Fan	
25A	7020190	2	Bearing	
25A	7020110	1	End Bell, Front	
25A	7020111	1	End Bell, Rear	
25A	70003069	1	Cord, Power	
25A	70003070	1	Pulley	
25A	7027887	1	Key, Woodruff	
25B	70002238	1	Regulator, Voltage	
26	1001119634	1	Control Box Assembly	B
26	70000126	1	Circuit Breaker	
26	7020192	1	Voltmeter	
26	70000124	1	Receptacle, Double	
26	70000125	1	Receptacle, Single Twist Lock	
26	2920162	1	Lamp	
26	70002237	1	Diode	
26	3520028	1	Plug, Hole	

SECTION 3 - ENGINE

ITEM	PART NUMBER	QTY	DESCRIPTION	REV
27	1001119773	1	Harness, Generator (See Separate Breakdown in ELECTRICAL SECTION)	
28	1001119882	1	V-Belt	
29	0760606	2	Bolt M6 x 12	
30	1001125118	1	Shield, Pulley	

SECTION 3 - ENGINE

FIGURE 3-20. 2800W GENERATOR INSTALLATION - KUBOTA ENGINE MACHINES 120V/50HZ GENERATOR



SECTION 3 - ENGINE

FIGURE 3-20. 2800W GENERATOR INSTALLATION - KUBOTA ENGINE MACHINES 120V/50HZ GENERATOR

ITEM	PART NUMBER	QTY	DESCRIPTION	REV
	1001119583	Ref	2800W GENERATOR INSTALLATION - KUBOTA ENGINE MACHINES 120V/50HZ GENERATOR	E
1	0100011	AR	Compound, Locking	
2	0641506	1	Bolt 5/16-18 x 3/4	
3	0701012	1	Bolt M10 x 25	
4	0701018	2	Bolt M10 x 50	
5	0701219	2	Bolt M12 x 55	
6	0760505	5	Bolt M5 x 10	
7	0760612	2	Bolt M6 x 25	
8	2820031	AR	Heat Shrink	
9	3251102	1	Nameplate - Generator	
10	3290505	2	Nut M5	
11	3290605	2	Nut M6	
12	3291005	1	Nut M10	
13	3291205	2	Nut M12	
14	4060802	1	Guard, Switch	
15	4360336	1	Switch, Toggle	
16	4740397	1	Washer	
17	4811702	4	Washer M6	
18	4812000	5	Washer M10	
19	4812102	2	Washer M12	
20	4891500	1	Washer 5/16	
21	4922641	1	Harness, On/Off Switch	
22	1001119551	1	Mount, Generator	
23	1001119553	1	Arm, Adjustment	
24	1001119554	1	Support, Arm	
25	1001119587	1	Generator Assembly	C
25A	2460049	1	Generator	
25A	70000122	1	Armature with Slip Rings	
25A	7020109	4	Holder, Brush	
25A	7020108	4	Brush	
25A	7012513	4	Cap, Brush Holder	
25A	7012514	1	Fan	
25A	7020190	2	Bearing	
25A	7020110	1	End Bell, Front	
25A	7020111	1	End Bell, Rear	
25A	70003069	1	Cord, Power	
25A	70003070	1	Pulley	
25A	7027887	1	Key, Woodruff	
25B	7026525	1	Regulator, Voltage	
26	1001119633	1	Control Box Assembly	B
26	70002240	1	Circuit Breaker	
26	2420203	1	Voltmeter	
26	7020152	1	Receptacle, Double	
26	70003137	1	Receptacle, Single Twist Lock	
26	2920162	1	Lamp	
26	70002237	1	Diode	
26	3520028	1	Plug, Hole	

SECTION 3 - ENGINE

ITEM	PART NUMBER	QTY	DESCRIPTION	REV
27	1001119773	1	Harness, Generator (See Separate Breakdown in ELECTRICAL SECTION)	
28	1001119882	1	V-Belt	
29	1001118720	1	Pulley	
30	1001119929	3	Bolt M10 x 35	
31	0760606	2	Bolt M6 x 12	
32	1001125118	1	Shield, Pulley	

SECTION 3 - ENGINE

FIGURE 3-21. 2800W GENERATOR INSTALLATION - KUBOTA ENGINE MACHINES 220V/50HZ GENERATOR (ANSI EXPORT, AUSTRALIAN, CHINA, CE & UK CA SPECS)

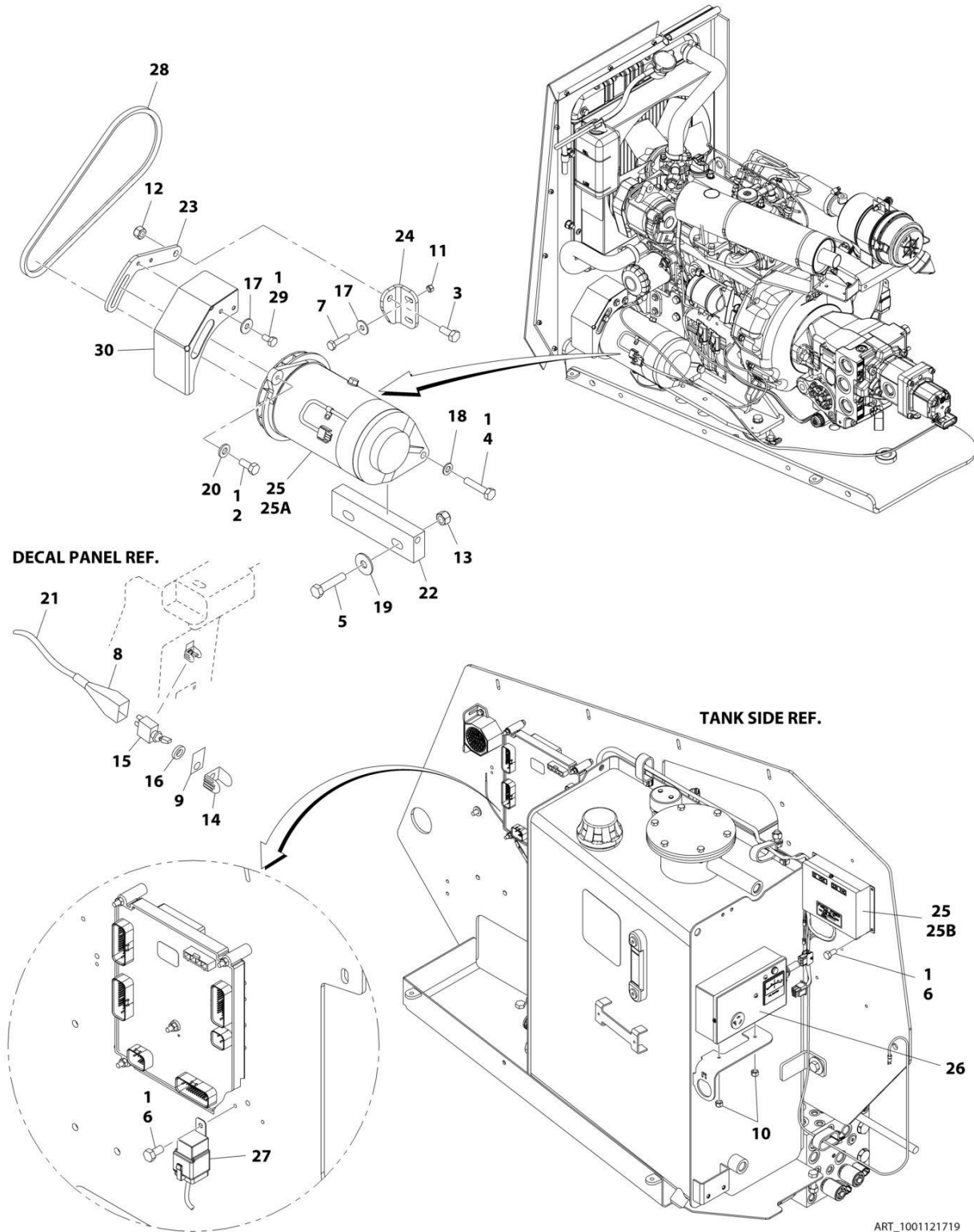
ITEM	PART NUMBER	QTY	DESCRIPTION	REV
	1001119585	Ref	2800W GENERATOR INSTALLATION - KUBOTA ENGINE MACHINES 220V/50HZ GENERATOR	E
1	0100011	AR	Compound, Locking	
2	0641506	1	Bolt 5/16 x 3/4	
3	0701012	1	Bolt M10 x 25	
4	0701018	2	Bolt M10 x 50	
5	0701219	2	Bolt M12 x 55	
6	0760505	5	Bolt M5 x 10	
7	0760612	2	Bolt M6 x 25	
8	2820031	AR	Heat Shrink	
9	3251102	1	Nameplate - Generator	
10	3290505	2	Nut M5	
11	3290605	2	Nut M6	
12	3291005	1	Nut M10	
13	3291205	2	Nut M12	
14	4060802	1	Guard, Switch	
15	4360336	1	Switch, Toggle	
16	4740397	1	Washer	
17	4811702	4	Washer M6	
18	4812000	5	Washer M10	
19	4812102	2	Washer M12	
20	4891500	1	Washer 5/16	
21	4922641	1	Harness, On/Off Switch	
22	1001119551	1	Mount, Generator	
23	1001119553	1	Arm, Adjustment	
24	1001119554	1	Support, Arm	
25	1001119589	1	Generator Assembly	C
25A	1001100321	1	Generator	
25A	70000123	1	Armature with Slip Rings	
25A	7020109	4	Holder, Brush	
25A	7020108	4	Brush	
25A	7012513	4	Cap, Brush Holder	
25A	7012514	1	Fan	
25A	7020190	2	Bearing	
25A	7020110	1	End Bell, Front	
25A	7020111	1	End Bell, Rear	
25A	70003069	1	Cord, Power	
25A	70003070	1	Pulley	
25A	7027887	1	Key, Woodruff	
25B	70002238	1	Regulator, Voltage	
26	1001119634	1	Control Box Assembly	B
26	70000126	1	Circuit Breaker	
26	7020192	1	Voltmeter	
26	70000124	1	Receptacle, Double	
26	70000125	1	Receptacle, Single Twist Lock	
26	2920162	1	Lamp	
26	70002237	1	Diode	
26	3520028	1	Plug, Hole	

SECTION 3 - ENGINE

ITEM	PART NUMBER	QTY	DESCRIPTION	REV
27	1001119773	1	Harness, Generator (See Separate Breakdown in ELECTRICAL SECTION)	
28	1001119882	1	V-Belt	
30	1001118720	1	Pulley	
31	1001119929	3	Bolt M10 x 35	
32	0760606	2	Bolt M6 x 12	
33	1001125118	1	Shield, Pulley	

SECTION 3 - ENGINE

FIGURE 3-22. 3500W GENERATOR INSTALLATION - GM ENGINE MACHINES 120V/60HZ GENERATOR (ANSI, ANSI EXPORT, CHINA, CSA AND JAPANESE SPECS)



SECTION 3 - ENGINE

**FIGURE 3-22. 3500W GENERATOR INSTALLATION - GM ENGINE MACHINES 120V/60HZ
GENERATOR (ANSI, ANSI EXPORT, CHINA, CSA AND JAPANESE SPECS)**

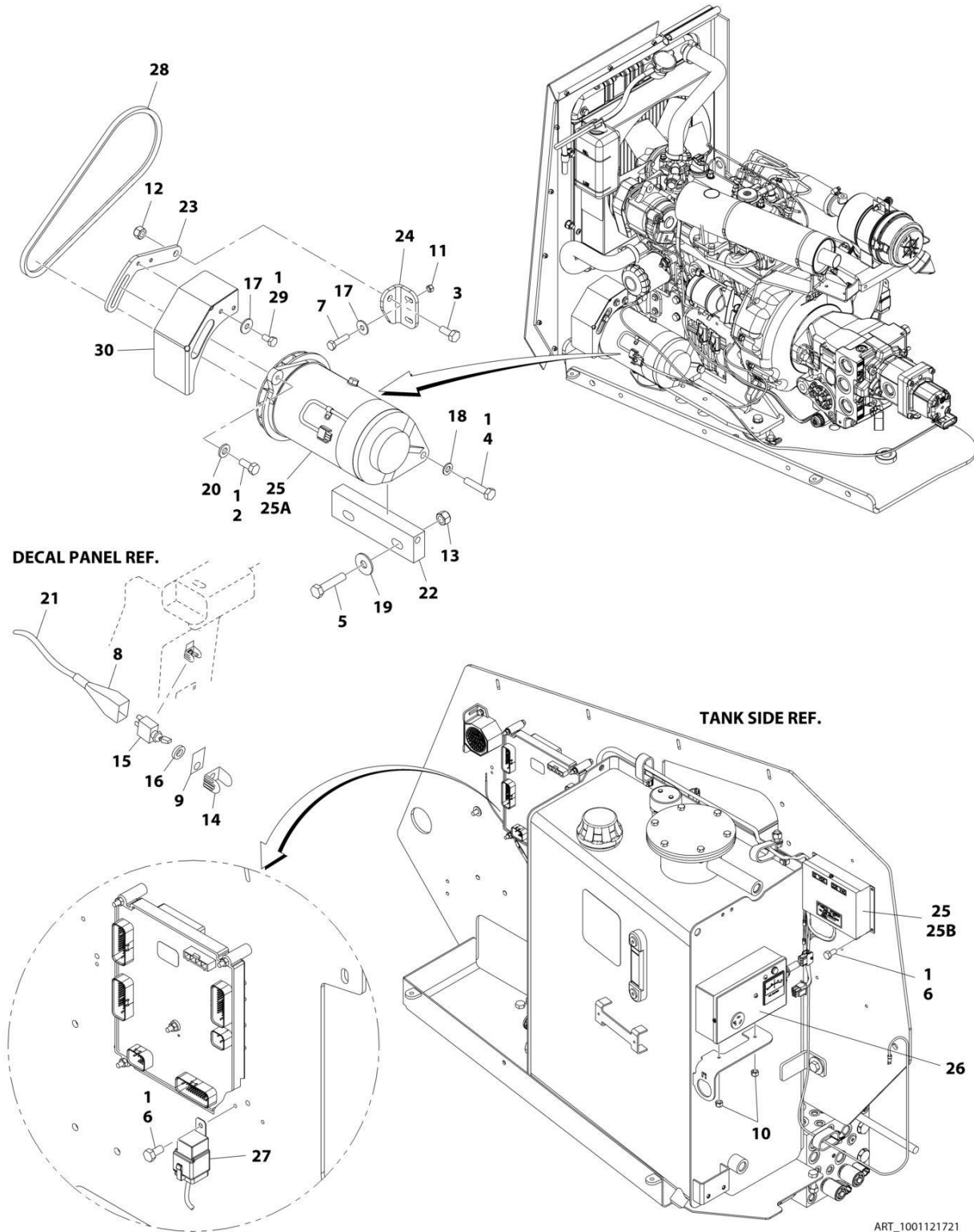
ITEM	PART NUMBER	QTY	DESCRIPTION	REV
	1001121719	Ref	3500W GENERATOR INSTALLATION - GM ENGINE MACHINES 120V/60HZ GENERATOR	D
1	0100011	AR	Compound, Locking	
2	0641506	1	Bolt 5/16 x 3/4	
3	0701012	1	Bolt M10 x 25	
4	0701018	2	Bolt M10 x 50	
5	0701219	2	Bolt M12 x 55	
6	0760505	5	Bolt M5 x 10	
7	0760612	2	Bolt M6 x 25	
8	2820031	AR	Heat Shrink	
9	3251102	1	Nameplate - Generator	
10	3290505	2	Nut M5	
11	3290605	2	Nut M6	
12	3291005	1	Nut M10	
13	3291205	2	Nut M12	
14	4060802	1	Guard, Switch	
15	4360336	1	Switch, Toggle	
16	4740397	1	Washer	
17	4811702	4	Washer M6	
18	4812000	2	Washer M10	
19	4812102	2	Washer M12	
20	4891500	1	Washer 5/16	
21	4922641	1	Harness, On/Off Switch	
22	1001119551	1	Mount, Generator	
23	1001119553	1	Arm, Adjustment	
24	1001119554	1	Support, Arm	
25	1001119586	1	Generator and Voltage Regulator Assembly	C
25A	2460049	1	Generator	
25A	70000122	1	Armature with Slip Rings	
25A	7020109	4	Holder, Brush	
25A	7020108	4	Brush	
25A	7012513	4	Cap, Brush Holder	
25A	7012514	1	Fan	
25A	7020190	2	Bearing	
25A	7020110	1	End Bell, Front	
25A	7020111	1	End Bell, Rear	
25A	70003069	1	Cord, Power	
25A	70003068	1	Pulley	
25A	7027887	1	Key, Woodruff	
25B	7026525	1	Regulator, Voltage	
26	1001119633	1	Control Box Assembly	B
26	70002240	1	Circuit Breaker	
26	2420203	1	Voltmeter	
26	7020152	1	Receptacle, Double	
26	70003137	1	Receptacle, Single Twist Lock	
26	2920162	1	Lamp	
26	70002237	1	Diode	
26	3520028	1	Plug, Hole	

SECTION 3 - ENGINE

ITEM	PART NUMBER	QTY	DESCRIPTION	REV
27	1001119773	1	Harness, Generator (See Separate Breakdown in ELECTRICAL SECTION)	
28	1001119881	1	V-Belt	
29	0760606	2	Bolt M6 x 12	
30	1001125118	1	Shield, Pulley	

SECTION 3 - ENGINE

FIGURE 3-23. 3500W GENERATOR INSTALLATION - GM ENGINE MACHINES 220V/60HZ GENERATOR (ANSI EXPORT, CHINA AND CSA SPECS)



SECTION 3 - ENGINE

**FIGURE 3-23. 3500W GENERATOR INSTALLATION - GM ENGINE MACHINES 220V/60HZ
GENERATOR (ANSI EXPORT, CHINA AND CSA SPECS)**

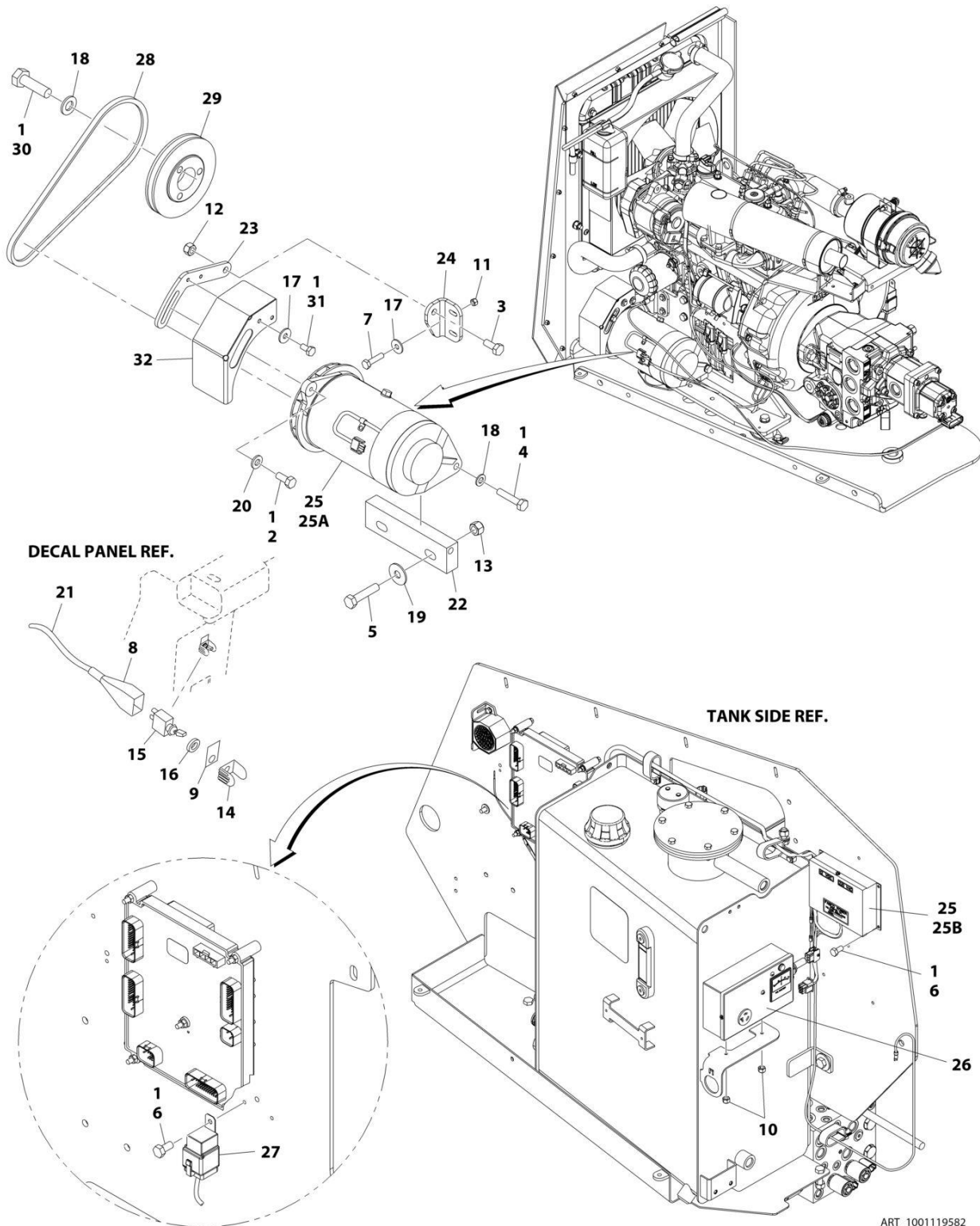
ITEM	PART NUMBER	QTY	DESCRIPTION	REV
	1001121721	Ref	3500W GENERATOR INSTALLATION - GM ENGINE MACHINES 220V/60HZ GENERATOR	D
1	0100011	AR	Compound, Locking	
2	0641506	1	Bolt 5/16 x 3/4	
3	0701012	1	Bolt M10 x 25	
4	0701018	2	Bolt M10 x 50	
5	0701219	2	Bolt M12 x 55	
6	0760505	5	Bolt M5 x 10	
7	0760612	2	Bolt M6 x 25	
8	2820031	AR	Heat Shrink	
9	3251102	1	Nameplate - Generator	
10	3290505	2	Nut M5	
11	3290605	2	Nut M6	
12	3291005	1	Nut M10	
13	3291205	2	Nut M12	
14	4060802	1	Guard, Switch	
15	4360336	1	Switch, Toggle	
16	4740397	1	Washer	
17	4811702	4	Washer M6	
18	4812000	2	Washer M10	
19	4812102	2	Washer M12	
20	4891500	1	Washer 5/16	
21	4922641	1	Harness, On/Off Switch	
22	1001119551	1	Mount, Generator	
23	1001119553	1	Arm, Adjustment	
24	1001119554	1	Support, Arm	
25	1001119588	1	Generator and Voltage Regulator Assembly	C
25A	1001100321	1	Generator	
25A	70000123	1	Armature with Slip Rings	
25A	7020109	4	Holder, Brush	
25A	7020108	4	Brush	
25A	7012513	4	Cap, Brush Holder	
25A	7012514	1	Fan	
25A	7020190	2	Bearing	
25A	7020110	1	End Bell, Front	
25A	7020111	1	End Bell, Rear	
25A	70003069	1	Cord, Power	
25A	70003068	1	Pulley	
25A	7027887	1	Key, Woodruff	
25B	70002238	1	Regulator, Voltage	
26	1001119634	1	Control Box Assembly	B
26	70000126	1	Circuit Breaker	
26	7020192	1	Voltmeter	
26	70000124	1	Receptacle, Double	
26	70000125	1	Receptacle, Single Twist Lock	
26	2920162	1	Lamp	
26	70002237	1	Diode	
26	3520028	1	Plug, Hole	

SECTION 3 - ENGINE

ITEM	PART NUMBER	QTY	DESCRIPTION	REV
27	1001119773	1	Harness, Generator (See Separate Breakdown in ELECTRICAL SECTION)	
28	1001119881	1	V-Belt	
29	0760606	2	Bolt M6 x 12	
30	1001125118	1	Shield, Pulley	

SECTION 3 - ENGINE

FIGURE 3-24. 3500W GENERATOR INSTALLATION - KUBOTA ENGINE MACHINES 120V/60HZ GENERATOR (ANSI, ANSI EXPORT, CHINA, CSA AND JAPANESE SPECS)



SECTION 3 - ENGINE

FIGURE 3-24. 3500W GENERATOR INSTALLATION - KUBOTA ENGINE MACHINES 120V/60HZ GENERATOR (ANSI, ANSI EXPORT, CHINA, CSA AND JAPANESE SPECS)

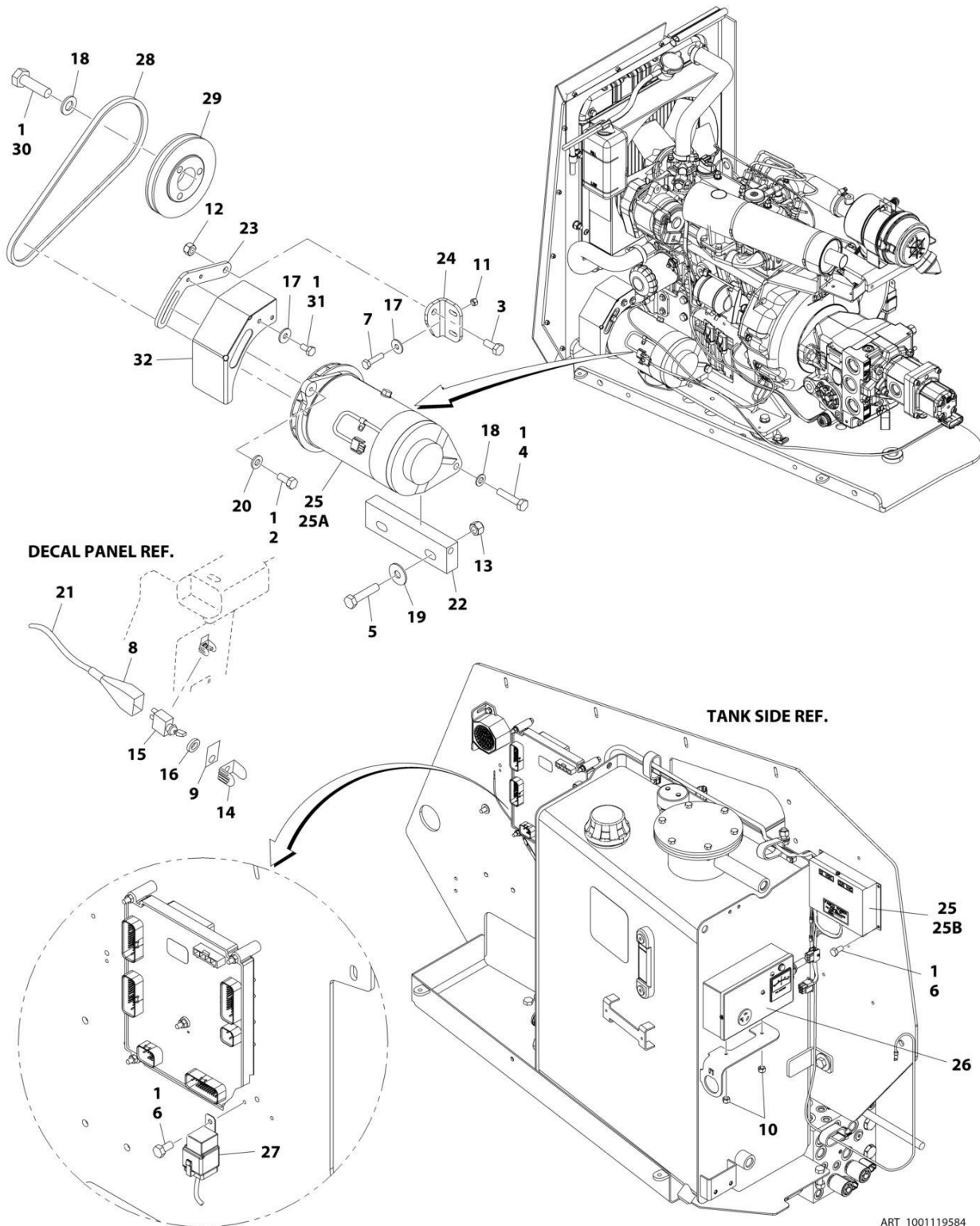
ITEM	PART NUMBER	QTY	DESCRIPTION	REV
	1001119582	Ref	3500W GENERATOR INSTALLATION - KUBOTA ENGINE MACHINES 120V/60HZ GENERATOR	E
1	0100011	AR	Compound, Locking	
2	0641506	1	Bolt 5/16 x 3/4	
3	0701012	1	Bolt M10 x 25	
4	0701018	2	Bolt M10 x 50	
5	0701219	2	Bolt M12 x 55	
6	0760505	5	Bolt M5 x 10	
7	0760612	2	Bolt M6 x 25	
8	2820031	AR	Heat Shrink	
9	3251102	1	Nameplate - Generator	
10	3290505	2	Nut M5	
11	3290605	2	Nut M6	
12	3291005	1	Nut M10	
13	3291205	2	Nut M12	
14	4060802	1	Guard, Switch	
15	4360336	1	Switch, Toggle	
16	4740397	1	Washer	
17	4811702	4	Washer M6	
18	4812000	5	Washer M10	
19	4812102	2	Washer M12	
20	4891500	1	Washer 5/16	
21	4922641	1	Harness, On/Off Switch	
22	1001119551	1	Mount, Generator	
23	1001119553	1	Arm, Adjustment	
24	1001119554	1	Support, Arm	
25	1001119586	1	Generator Assembly	C
25A	2460049	1	Generator	
25A	70000122	1	Armature with Slip Rings	
25A	7020109	4	Holder, Brush	
25A	7020108	4	Brush	
25A	7012513	4	Cap, Brush Holder	
25A	7012514	1	Fan	
25A	7020190	2	Bearing	
25A	7020110	1	End Bell, Front	
25A	7020111	1	End Bell, Rear	
25A	70003069	1	Cord, Power	
25A	70003068	1	Pulley	
25A	7027887	1	Key, Woodruff	
25B	7026525	1	Regulator, Voltage	
26	1001119633	1	Control Box Assembly	B
26	70002240	1	Circuit Breaker	
26	2420203	1	Voltmeter	
26	7020152	1	Receptacle, Double	
26	70003137	1	Receptacle, Single Twist Lock	
26	2920162	1	Lamp	
26	70002237	1	Diode	
26	3520028	1	Plug, Hole	

SECTION 3 - ENGINE

ITEM	PART NUMBER	QTY	DESCRIPTION	REV
27	1001119773	1	Harness, Generator (See Separate Breakdown in ELECTRICAL SECTION)	
28	1001119881	1	V-Belt	
29	1001118720	1	Pulley	
30	1001119929	3	Bolt M10 x 35	
31	0760606	2	Bolt M6 x 12	
32	1001125118	1	Shield, Pulley	

SECTION 3 - ENGINE

FIGURE 3-25. 3500W GENERATOR INSTALLATION - KUBOTA ENGINE MACHINES 220V/60HZ GENERATOR (ANSI EXPORT, CHINA AND CSA SPECS)



ART_1001119584

SECTION 3 - ENGINE

**FIGURE 3-25. 3500W GENERATOR INSTALLATION - KUBOTA ENGINE MACHINES 220V/60HZ
GENERATOR (ANSI EXPORT, CHINA AND CSA SPECS)**

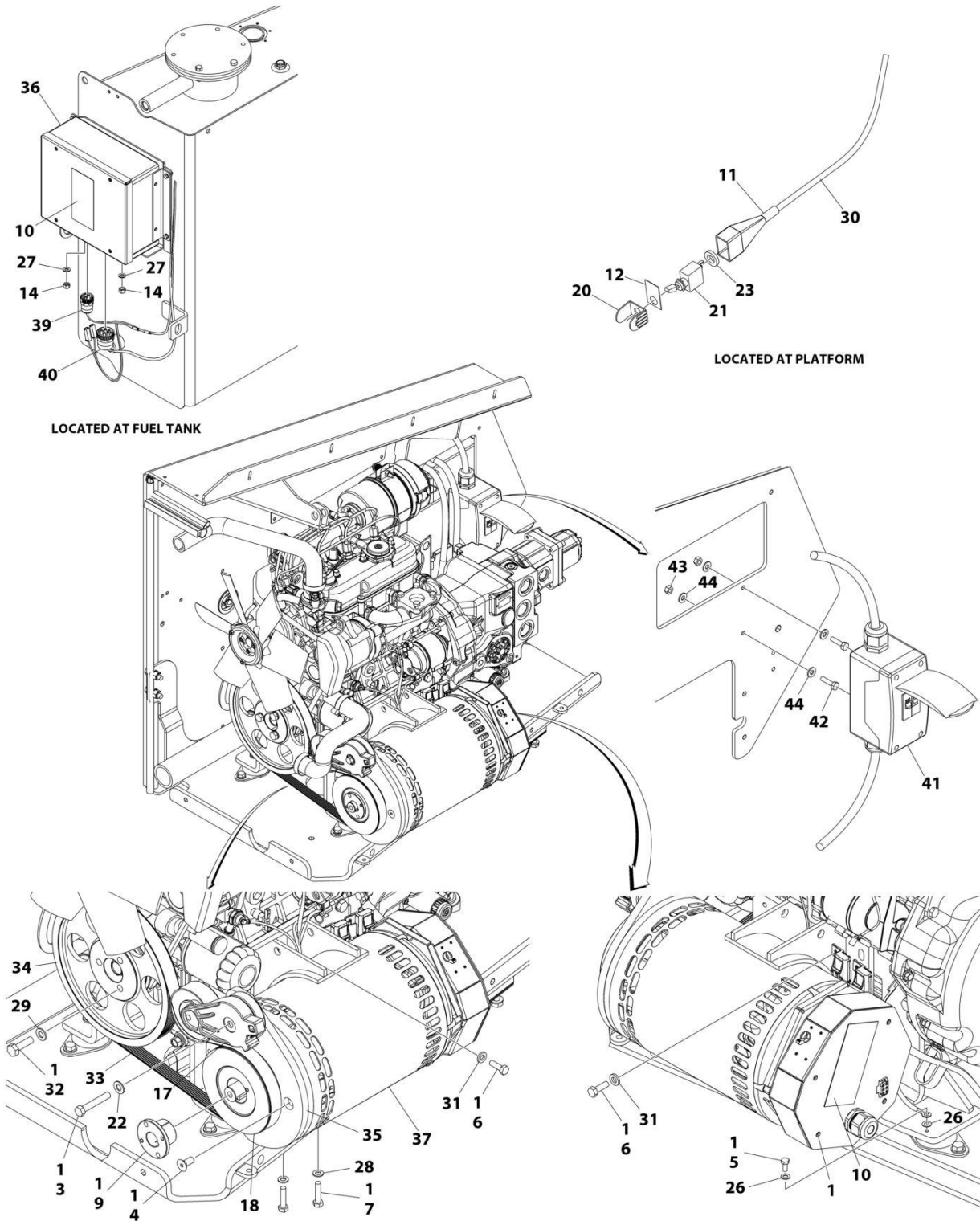
ITEM	PART NUMBER	QTY	DESCRIPTION	REV
	1001119584	Ref	3500W GENERATOR INSTALLATION - KUBOTA ENGINE MACHINES 220V/60HZ GENERATOR	E
1	0100011	AR	Compound, Locking	
2	0641506	1	Bolt 5/16 x 3/4	
3	0701012	1	Bolt M10 x 25	
4	0701018	2	Bolt M10 x 50	
5	0701219	2	Bolt M12 x 55	
6	0760505	5	Bolt M5 x 10	
7	0760612	2	Bolt M6 x 25	
8	2820031	AR	Heat Shrink	
9	3251102	1	Nameplate - Generator	
10	3290505	2	Nut M5	
11	3290605	2	Nut M6	
12	3291005	1	Nut M10	
13	3291205	2	Nut M12	
14	4060802	1	Guard, Switch	
15	4360336	1	Switch, Toggle	
16	4740397	1	Washer	
17	4811702	4	Washer M6	
18	4812000	5	Washer M10	
19	4812102	2	Washer M12	
20	4891500	1	Washer 5/16	
21	4922641	1	Harness, On/Off Switch	
22	1001119551	1	Mount, Generator	
23	1001119553	1	Arm, Adjustment	
24	1001119554	1	Support, Arm	
25	1001119588	1	Generator Assembly	C
25A	1001100321	1	Generator	
25A	70000123	1	Armature with Slip Rings	
25A	7020109	4	Holder, Brush	
25A	7020108	4	Brush	
25A	7012513	4	Cap, Brush Holder	
25A	7012514	1	Fan	
25A	7020190	2	Bearing	
25A	7020110	1	End Bell, Front	
25A	7020111	1	End Bell, Rear	
25A	70003069	1	Cord, Power	
25A	70003068	1	Pulley	
25A	7027887	1	Key, Woodruff	
25B	70002238	1	Regulator, Voltage	
26	1001119634	1	Control Box Assembly	B
26	70000126	1	Circuit Breaker	
26	7020192	1	Voltmeter	
26	70000124	1	Receptacle, Double	
26	70000125	1	Receptacle, Single Twist Lock	
26	2920162	1	Lamp	
26	70002237	1	Diode	
26	3520028	1	Plug, Hole	

SECTION 3 - ENGINE

ITEM	PART NUMBER	QTY	DESCRIPTION	REV
27	1001119773	1	Harness, Generator (See Separate Breakdown in ELECTRICAL SECTION)	
28	1001119881	1	V-Belt	
29	1001118720	1	Pulley	
30	1001119929	3	Bolt M10 x 35	
31	0760606	2	Bolt M6 x 12	
32	1001125118	1	Shield, Pulley	

SECTION 3 - ENGINE

FIGURE 3-26. 4000W GENERATOR INSTALLATION - KUBOTA ENGINE MACHINES 220V/50HZ GENERATOR (ANSI EXPORT, AUSTRALIAN, CHINA, JAPANESE, CE & UK CA SPECS)



ART_1001148660

SECTION 3 - ENGINE

FIGURE 3-26. 4000W GENERATOR INSTALLATION - KUBOTA ENGINE MACHINES 220V/50HZ GENERATOR (ANSI EXPORT, AUSTRALIAN, CHINA, JAPANESE, CE & UK CA SPECS)

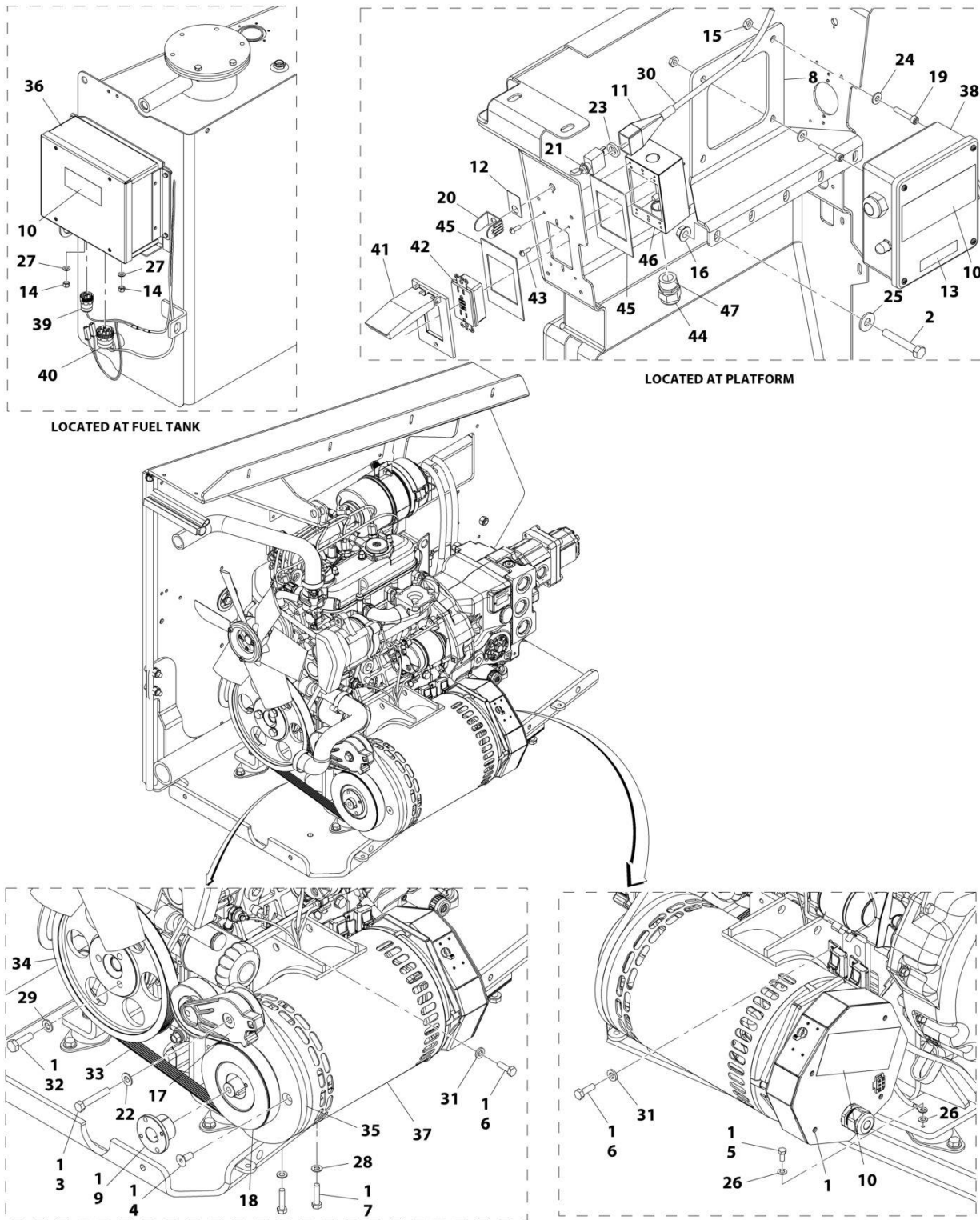
ITEM	PART NUMBER	QTY	DESCRIPTION	REV
	1001148660	Ref	4000W GENERATOR INSTALLATION - KUBOTA ENGINE MACHINES 220V/50HZ GENERATOR	D
1	0100011	AR	Compound, Locking	
3	0641618	1	Bolt 3/8 x 2-1/4	
4	0741607	3	Bolt 3/8 x 0.88	
5	0760607	1	Bolt M6 x 14	
6	0760812	2	Bolt M8 x 25	
7	0760815	2	Bolt M8 x 35	
9	0962520	1	Bushing, Split Taper	
10	1705489	AR	Decal - Hazardous Voltage	
11	2820031	AR	Heat Shrink	
12	3251102	1	Nameplate, Generator	
14	3290505	2	Nut M5	
17	3580317	1	Pulley, Belt Tensioner	
18	3580319	1	Pulley, Generator - 50Hz	
20	4060802	1	Guard, Switch	
21	4360336	1	Switch, Toggle	
22	4711600	1	Washer 3/8	
23	4740397	1	Washer	
26	4791400	2	Washer 1/4	
27	4811600	2	Washer M5	
28	4811900	2	Washer M8	
29	4812000	3	Washer M10	
30	4922641	1	Harness, On/Off Switch	
31	5240800	2	Washer M8	
32	1001119929	3	Bolt M10 x 35	
33	1001147141	1	Belt, 4000W - 50Hz	
34	1001147233	1	Pulley	
35	1001147234	1	Mount, Generator Tensioner	
36	1001147431	1	4000W Control Box Installation	
37	1001150619	1	Generator, 4000W - 50Hz	
37	70003709	1	Ring, Retaining - External (Shaft End)	
37	70003708	1	Ring, Retaining - Internal (Shaft End)	
37	70001966	1	Bearing (Shaft End)	
37	70004092	1	Endbell (Shaft End)	
37	70004099	1	Key, Shaft	
37	70004676	1	Rottor/Shaft Assembly	
37	70004688	1	Stator	
37	70004678	1	Endbell (Enclosure End)	
37	70004679	1	Cover, Endbell (Enclosure End)	
37	70004689	1	Enclosure, Wiring	
37	70004690	1	Cover, Enclosure	
37	70004682	1	Switch, On/Off/Reset	
37	70004683	1	Connector, Strain Relief	
39	1001157915	1	Harness, 4000W Generator Control (See Separate Breakdown in ELECTRICAL Section)	
40	1001157916	1	Harness, Generator (See Separate Breakdown in ELECTRICAL SECTION)	
41	1001096070	1	Kit, Box and Bracket	

SECTION 3 - ENGINE

ITEM	PART NUMBER	QTY	DESCRIPTION	REV
42	0641408	2	Bolt 1/4 x 1	
43	3311405	2	Nut 1/4	
44	4711400	4	Washer 1/4	

SECTION 3 - ENGINE

FIGURE 3-27. 4000W GENERATOR INSTALLATION - KUBOTA ENGINE MACHINES 110V/60HZ GENERATOR (ANSI, ANSI EXPORT, CHINA, CSA AND JAPANESE SPECS)



ART_1001148663

SECTION 3 - ENGINE

**FIGURE 3-27. 4000W GENERATOR INSTALLATION - KUBOTA ENGINE MACHINES 110V/60HZ
GENERATOR (ANSI, ANSI EXPORT, CHINA, CSA AND JAPANESE SPECS)**

ITEM	PART NUMBER	QTY	DESCRIPTION	REV
	1001148663	Ref	4000W GENERATOR INSTALLATION - KUBOTA ENGINE MACHINES 110V/60HZ GENERATOR	C
1	0100011	AR	Compound, Locking	
2	0641516	3	Bolt 5/16 x 2	
3	0641618	1	Bolt 3/8 x 2-1/4	
4	0741607	3	Bolt 3/8 x 0.88	
5	0760607	1	Bolt M6 x 14	
6	0760812	2	Bolt M8 x 25	
7	0760815	2	Bolt M8 x 35	
8	0902888	1	Bracket, Generator Junction Box	
9	0962520	1	Bushing, Split Taper	
10	1705387	3	Decal - Hazardous Voltage	
11	2820031	AR	Heat Shrink	
12	3251102	1	Nameplate, Generator	
13	3251243	1	Decal - 120V/60Hz	
14	3290505	2	Nut M5	
15	3311005	4	Nut #10	
16	3311508	3	Nut #5/16	
17	3580317	1	Pulley, Belt Tensioner	
18	3580318	1	Pulley, Generator - 60Hz	
19	3931016	4	Bolt #10 x 1	
20	4060802	1	Guard, Switch	
21	4360336	1	Switch, Toggle	
22	4711600	1	Washer 3/8	
23	4740397	1	Washer	
24	4751000	4	Washer #10	
25	4751500	3	Washer #5/16	
26	4791400	2	Washer 1/4	
27	4811600	2	Washer M5	
28	4811900	2	Washer M8	
29	4812000	3	Washer M10	
30	4922641	1	Harness, On/Off Switch	
31	5240800	2	Washer M8	
32	1001119929	3	Bolt M10 x 35	
33	1001153814	1	Belt, 4000W - 60Hz	
34	1001147233	1	Pulley	
35	1001147234	1	Mount, Generator Tensioner	
36	1001147431	1	4000W Control Box Installation	
37	1001147436	1	Generator 4000W - 60Hz	
37	70003709	1	Ring, Retaining - External (Shaft End)	
37	70003708	1	Ring, Retaining - Internal (Shaft End)	
37	70001966	1	Bearing (Shaft End)	
37	70004092	1	Endbell (Shaft End)	
37	70004099	1	Key, Shaft	
37	70004676	1	Rottor/Shaft Assembly	
37	70004691	1	Stator	
37	70004678	1	Endbell (Enclosure End)	
37	70004679	1	Cover, Endbell (Enclosure End)	
37	70004689	1	Enclosure, Wiring	

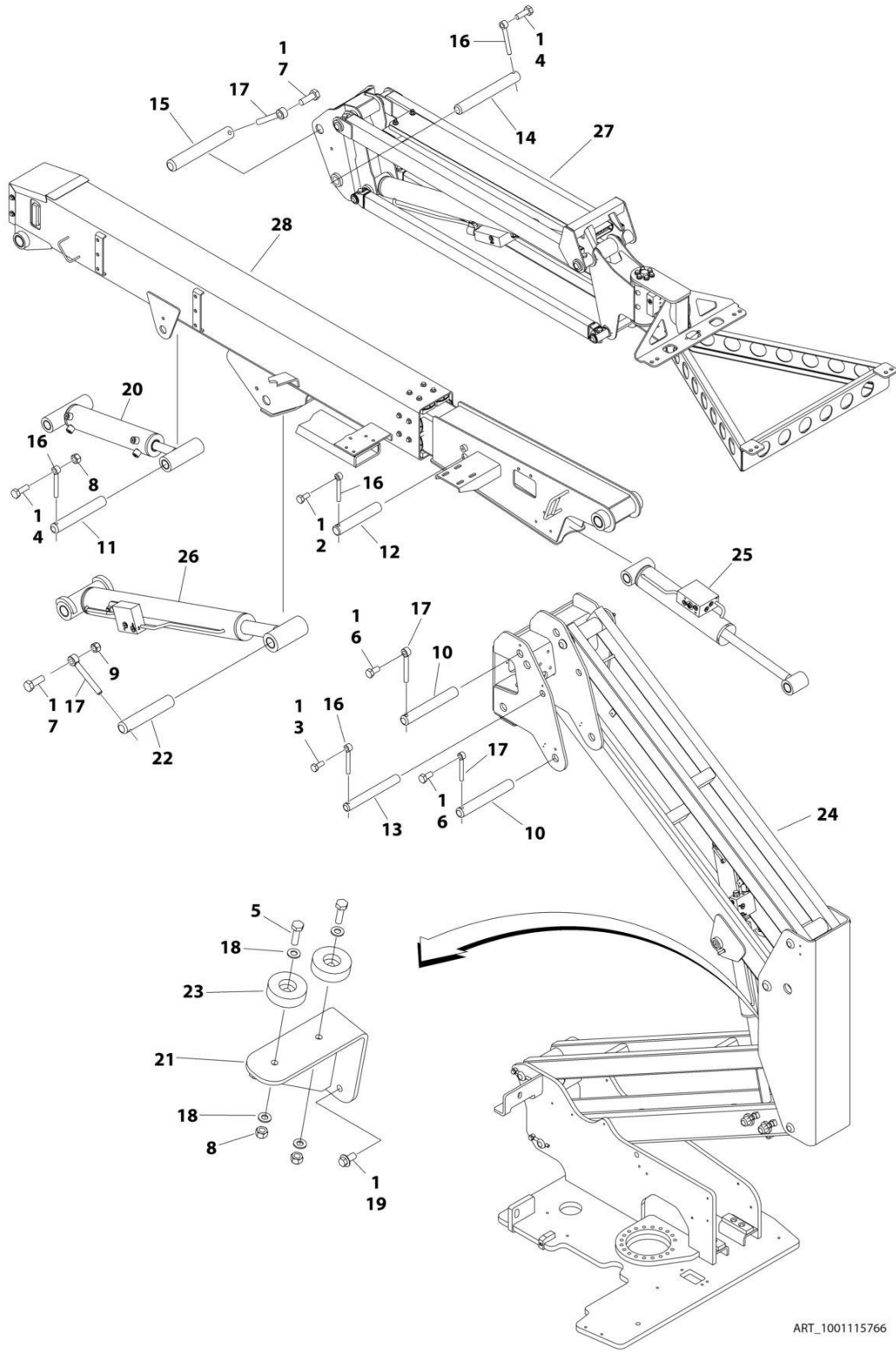
SECTION 3 - ENGINE

ITEM	PART NUMBER	QTY	DESCRIPTION	REV
37	70004692	1	Cover, Enclosure	
37	70004682	1	Switch, On/Off/Reset	
37	70004098	1	Connector, Strain Relief	
38	1001152457	1	Box, Junction Assembly	
39	1001157915	1	Harness, 4000W Generator Control (See Separate Breakdown in ELECTRICAL Section)	
40	1001157916	1	Harness, Generator (See Separate Breakdown in ELECTRICAL Section)	
41	1001110873	1	Cover	
42	4460346	1	Receptacle	
43	3910606	4	Bolt 6 x 3/8	
44	4460071	1	Connector	
45	3960422	1	Gasket	
46	0860038	1	Box, Switch-Weatherhead	
47	0100020	AR	Sealant, Pipe	

SECTION 4 - BOOM

SECTION 4 - BOOM

FIGURE 4-1. BOOM AND CYLINDERS INSTALLATION - WITHOUT ARCTIC PACKAGE



ART_1001115766

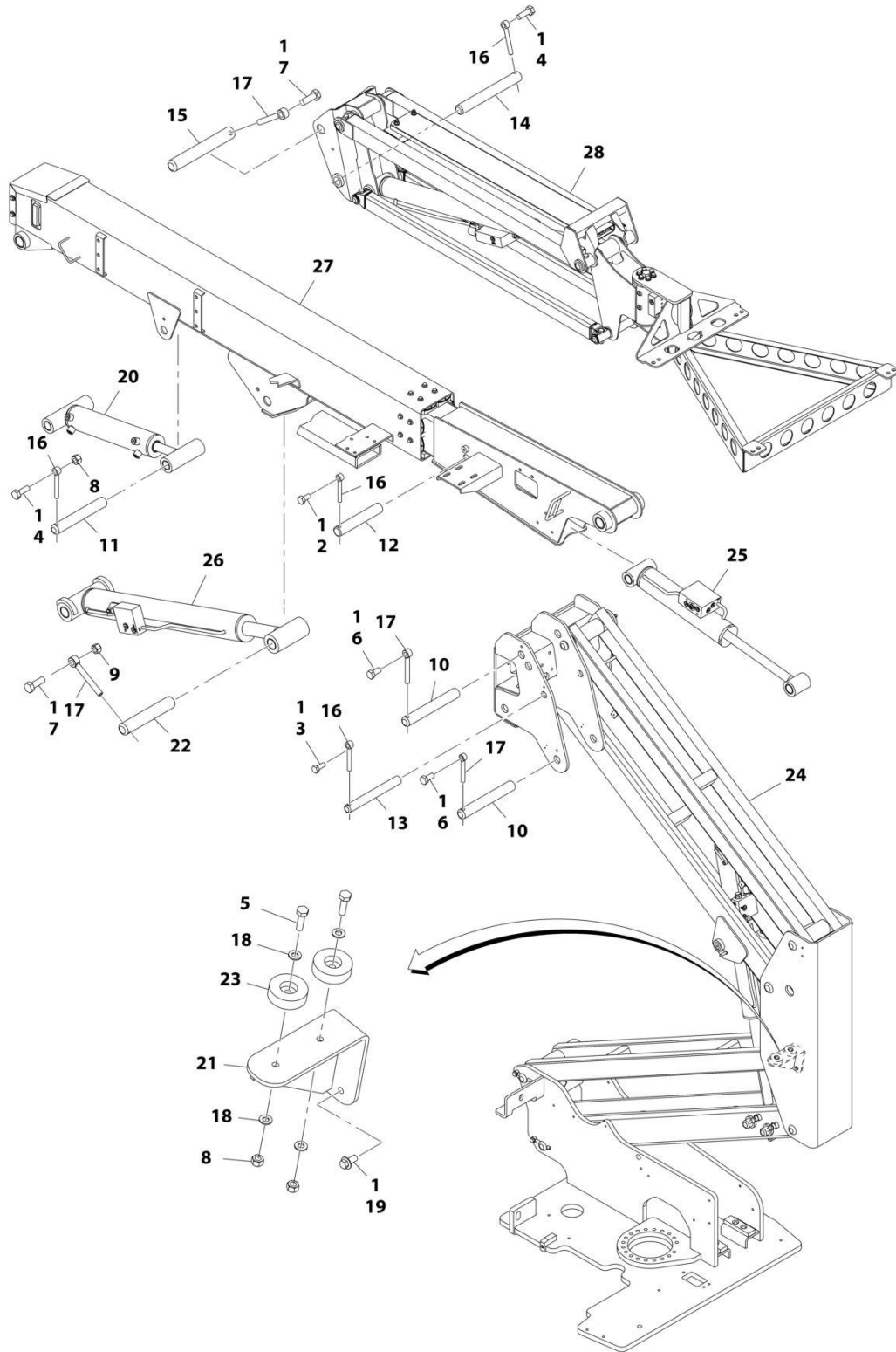
SECTION 4 - BOOM

FIGURE 4-1. BOOM AND CYLINDERS INSTALLATION - WITHOUT ARCTIC PACKAGE

ITEM	PART NUMBER	QTY	DESCRIPTION	REV
	1001115766	Ref	BOOM AND CYLINDERS INSTALLATION - WITHOUT ARCTIC PACKAGE	D
1	0100011	AR	Compound, Locking	
2	0761011	1	Bolt M10 x 22	
3	0761012	1	Bolt M10 x 25	
4	0761014	2	Bolt M10 x 30	
5	0761015	2	Bolt M10 x 35	
6	0761212	2	Bolt M12 x 25	
7	0761215	2	Bolt M12 x 35	
8	3291005	3	Nut M10	
9	3291205	1	Nut M12	
10	3422576	2	Pin	
11	3422582	1	Pin	
12	3422709	1	Pin	
13	3422790	1	Pin	
14	3422792	1	Pin	
15	3422814	1	Pin	
16	3841143	4	Keeper, Pin	
17	3841203	4	Keeper, Pin	
18	4812000	4	Washer M10	
19	5251010	3	Bolt M10 x 20	
20	1001120976	1	Master Cylinder Assembly (See Separate Breakdown in CYLINDER Section)	
21	1001125235	1	Rest, Boom	
22	1001109528	1	Pin	
23	1001112607	2	Pad, Boom Rest	
24	1001115672	1	Tower Boom Assembly (See Separate Breakdown in this Section)	
25	1001225990	1	Level Cylinder Assembly - Platform (Slave) (See Separate Breakdown in CYLINDER Section)	
26	1001117640	1	Lift Cylinder Assembly - Main Boom (See Separate Breakdown in CYLINDER Section)	
27	1001117884	1	Jib Assembly (See Separate Breakdown in this Section)	
28	1001117885	1	Main Boom Assembly (See Separate Breakdown in this Section)	

SECTION 4 - BOOM

FIGURE 4-2. BOOM AND CYLINDERS INSTALLATION - WITH ARCTIC PACKAGE



ART_1001119371

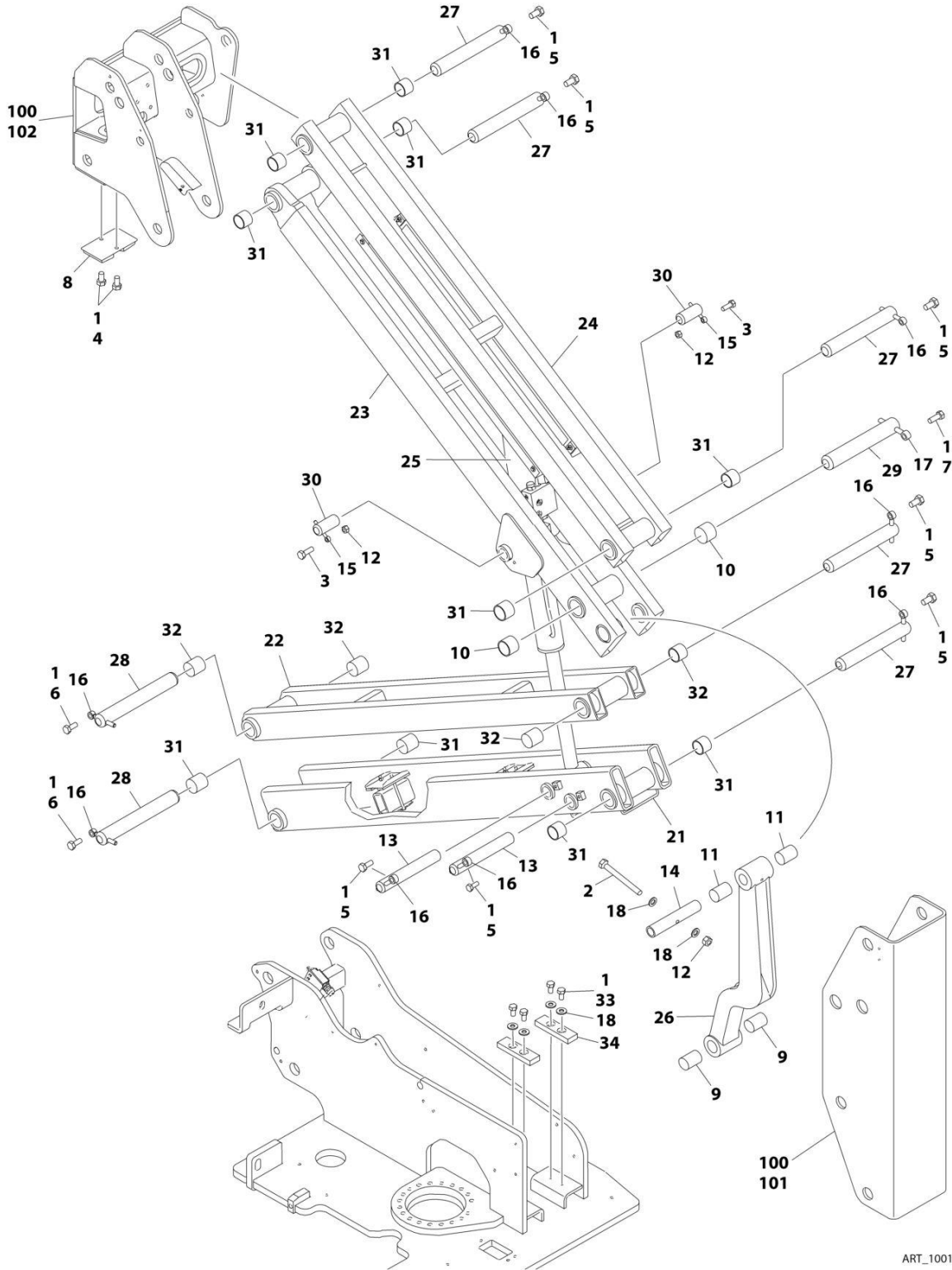
SECTION 4 - BOOM

FIGURE 4-2. BOOM AND CYLINDERS INSTALLATION - WITH ARCTIC PACKAGE

ITEM	PART NUMBER	QTY	DESCRIPTION	REV
	1001119371	Ref	BOOM AND CYLINDERS INSTALLATION - WITH ARCTIC PACKAGE	D
1	0100011	AR	Compound, Locking	
2	0761011	1	Bolt M10 x 22	
3	0761012	1	Bolt M10 x 25	
4	0761014	2	Bolt M10 x 30	
5	0761015	2	Bolt M10 x 35	
6	0761212	2	Bolt M12 x 25	
7	0761215	2	Bolt M12 x 35	
8	3291005	3	Nut M10	
9	3291205	1	Nut M12	
10	3422576	2	Pin	
11	3422582	1	Pin	
12	3422709	1	Pin	
13	3422790	1	Pin	
14	3422792	1	Pin	
15	3422814	1	Pin	
16	3841143	4	Keeper, Pin	
17	3841203	4	Keeper, Pin	
18	4812000	4	Washer M10	
19	5251010	3	Bolt M10 x 20	
20	1001120976	1	Master Cylinder Assembly (See Separate Breakdown in CYLINDER Section)	
21	1001125235	1	Rest, Boom	
22	1001109528	1	Pin	
23	1001112607	2	Pad, Boom Rest	
24	1001115672	1	Tower Boom Assembly (See Separate Breakdown in this Section)	
25	1001225990	1	Level Cylinder Assembly - Platform (Slave) (See Separate Breakdown in CYLINDER Section)	
26	1001117640	1	Lift Cylinder Assembly - Main Boom (See Separate Breakdown in CYLINDER Section)	
27	1001117885	1	Main Boom Assembly Options (See Separate Breakdown in this Section)	
28	1001119370	1	Jib Assembly (See Separate Breakdown in this Section)	

SECTION 4 - BOOM

FIGURE 4-3. TOWER BOOM ASSEMBLY



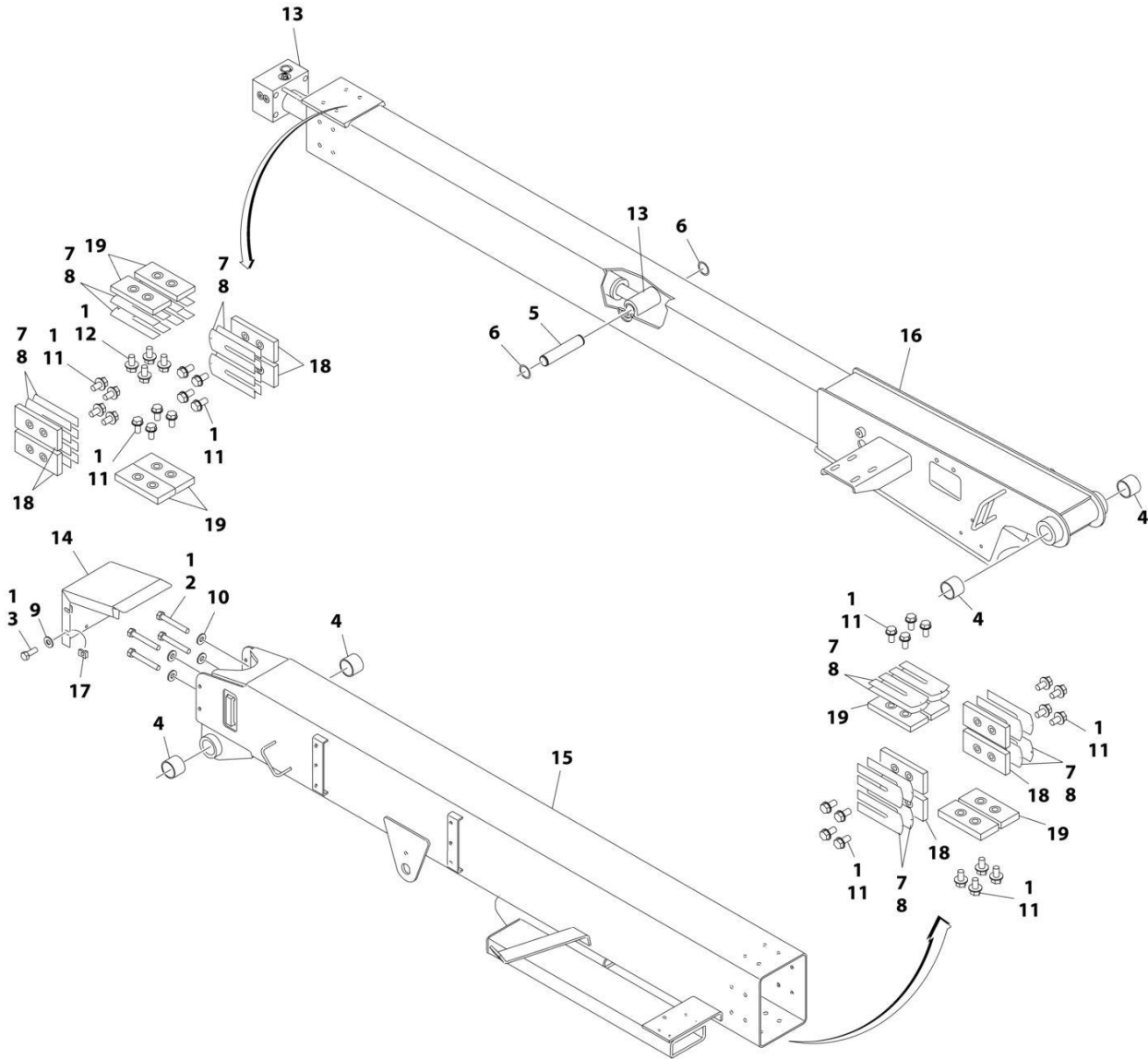
ART_1001115672

FIGURE 4-3. TOWER BOOM ASSEMBLY

ITEM	PART NUMBER	QTY	DESCRIPTION	REV
	1001115672	Ref	TOWER BOOM ASSEMBLY	D
1	0100011	AR	Compound, Locking	
2	0701027	1	Bolt M10 x 100	
3	0761015	2	Bolt M10 x 35	
4	0761210	2	Bolt M12 x 20	
5	0761212	7	Bolt M12 x 25	
6	0761214	2	Bolt M12 x 30	
7	0761615	2	Bolt M16 x 35	
8	0940048	1	Bumper	
9	0961948	2	Bearing	
10	0962224	2	Bearing	
11	0962259	2	Bearing	
12	3291005	3	Nut M10	
13	3422787	2	Pin	
14	3422788	1	Pin	
15	3841143	2	Keeper, Pin	
16	3841203	9	Keeper, Pin	
17	3841258	1	Keeper, Pin	
18	4812000	6	Washer M10	
21	1001115657	1	Link, Lower Boom (Bottom)	
22	1001115661	1	Link, Lower Boom (Top)	
23	1001115663	1	Link, Mid Boom (Bottom)	
24	1001115669	1	Link, Mid Boom (Top)	
25	1001122527	1	Lift Cylinder Assembly - Tower Boom (See Separate Breakdown in CYLINDER Section)	
26	1001115870	1	Link, Timing	
27	1001116546	5	Pin	
28	1001116547	2	Pin	
29	1001116548	1	Pin	
30	1001116549	2	Pin	
31	1001118665	10	Bearing	
32	1001118666	4	Bearing	
33	0761010	4	Bolt M10 x 20	
34	3340758	2	Pad, Wear	
100	1001231153	1	Lower Upright Boom Kit	
101	1001115649	1	Upright, Lower	
102	1001115650	1	Upright, Upper	

SECTION 4 - BOOM

FIGURE 4-4. MAIN BOOM ASSEMBLY



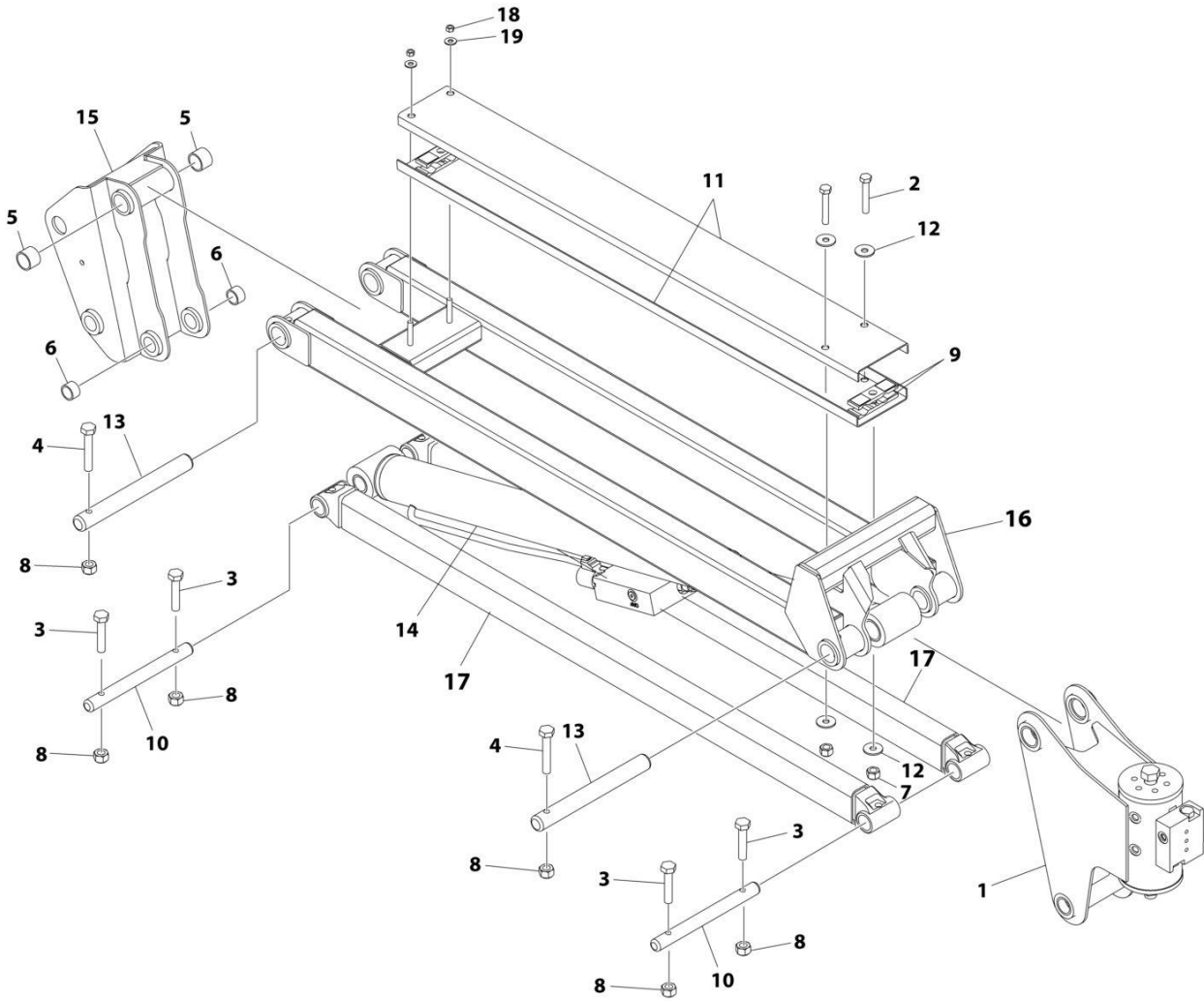
ART_1001117885_D

FIGURE 4-4. MAIN BOOM ASSEMBLY

ITEM	PART NUMBER	QTY	DESCRIPTION	REV
	1001117885	Ref	MAIN BOOM ASSEMBLY	D
1	0100011	AR	Compound, Locking	
2	0711227	4	Bolt M12 x 100 Grade 10.9	
3	0760812	4	Bolt M8 x 25	
4	0961948	4	Bushing	
5	3422745	1	Pin	
6	3760115	2	Ring, Retaining	
7	4070897	16	Shim 18Ga	
8	4070898	12	Shim 11Ga	
9	4811902	4	Washer M8	
10	5241200	4	Washer M12	
11	5251010	28	Bolt M10 x 20	
12	5251012	4	Bolt M10 x 25	
13	1001120974	1	Telescope Cylinder Assembly (See Separate Breakdown in CYLINDER Section)	
14	1001108290	1	Cover, Boom End	
15	1001271212	1	Boom, Base	
16	1001271234	1	Boom, Fly	
17	1001118274	4	Nut, Retainer M8	
18	1001118287	8	Pad, Wear	
19	1001118288	8	Pad, Wear	

SECTION 4 - BOOM

FIGURE 4-5. JIB ASSEMBLY - WITHOUT ARCTIC PACKAGE



ART_1001117884_D

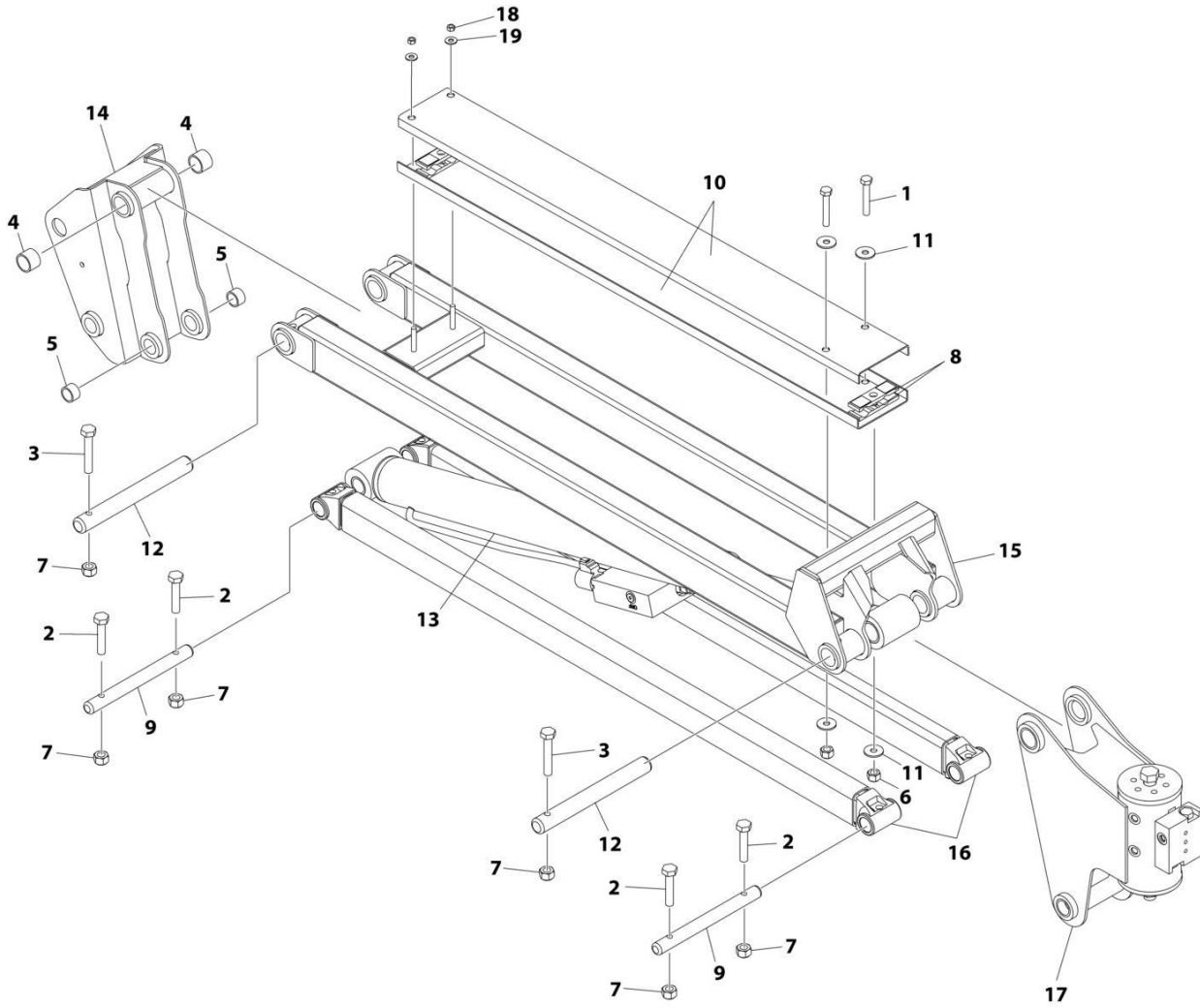
SECTION 4 - BOOM

FIGURE 4-5. JIB ASSEMBLY - WITHOUT ARCTIC PACKAGE

ITEM	PART NUMBER	QTY	DESCRIPTION	REV
	1001117884	Ref	JIB ASSEMBLY - WITHOUT ARCTIC PACKAGE	D
1	0060044	1	Platform Rotator Assembly (See Separate Breakdown in this Section)	
2	0700818	2	Bolt M8 x 50	
3	0701018	4	Bolt M10 x 50	
4	0701020	2	Bolt M10 x 60	
5	0961951	2	Bushing	
6	0962292	2	Bushing	
7	3290805	2	Nut M8	
8	3291005	6	Nut M10	
9	3340860	4	Pad, Rubber	
10	3422791	2	Pin	
11	3572551	2	Channel, Hose Carrier	
12	4811902	4	Washer M8	
13	3422794	2	Pin	
14	1001123004	1	Lift Cylinder Assembly - Jib (See Separate Breakdown in CYLINDER Section)	
15	1001118394	1	Pivot, Jib	
16	4846278	1	Link, Jib (Top)	
17	1001094670	2	Link, Jib (Bottom)	
18	3311501	2	Nut 5/16	
19	4751500	2	Washer 5/16	

SECTION 4 - BOOM

FIGURE 4-6. JIB ASSEMBLY - WITH ARCTIC PACKAGE



ART_1001119370_D

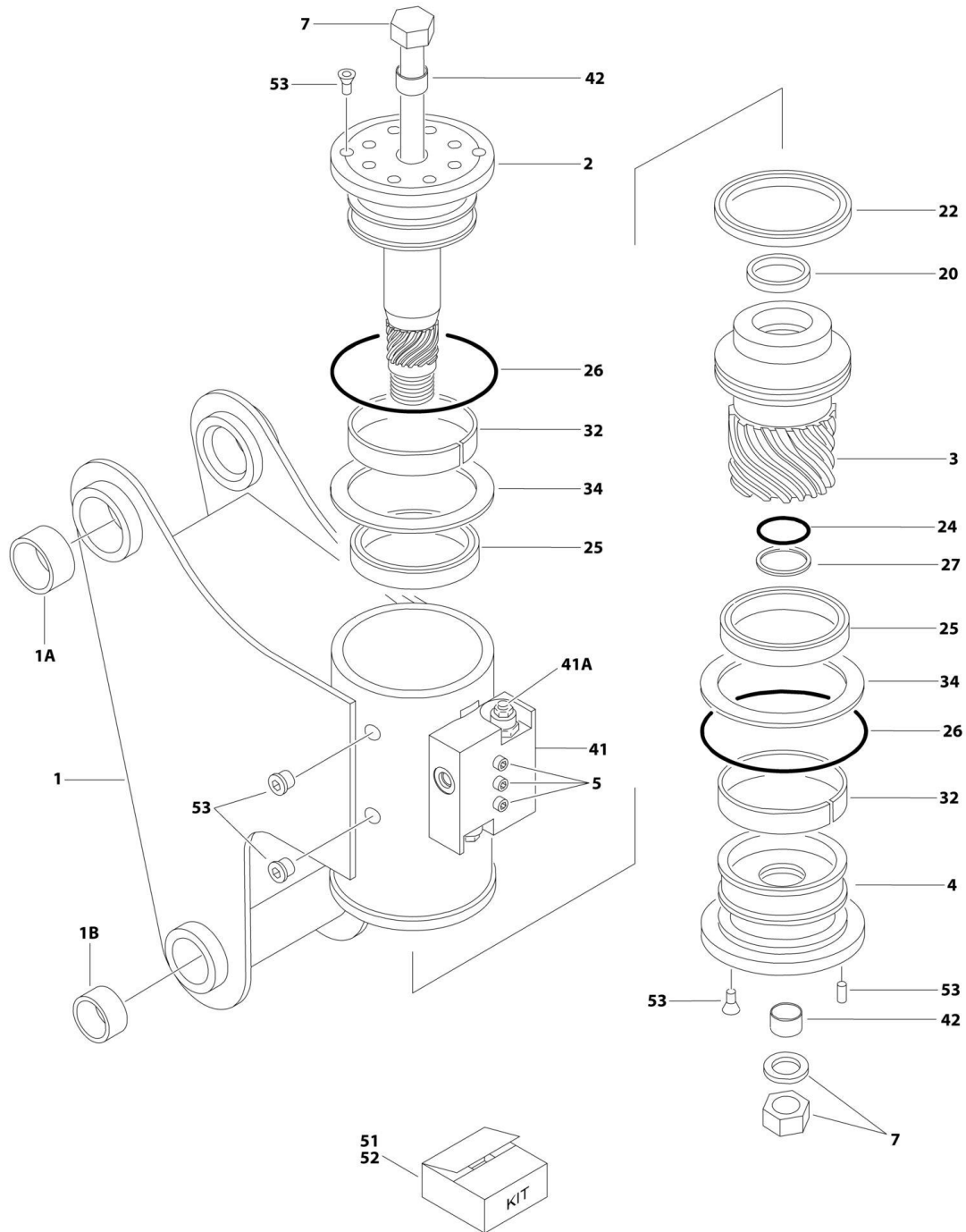
SECTION 4 - BOOM

FIGURE 4-6. JIB ASSEMBLY - WITH ARCTIC PACKAGE

ITEM	PART NUMBER	QTY	DESCRIPTION	REV
	1001119370	Ref	JIB ASSEMBLY - WITH ARCTIC PACKAGE	D
1	0700818	2	Bolt M8 x 50	
2	0701018	4	Bolt M10 x 50	
3	0701020	2	Bolt M10 x 60	
4	0961951	2	Bushing	
5	0962292	2	Bushing	
6	3290805	2	Nut M8	
7	3291005	6	Nut M10	
8	3340860	4	Pad, Rubber	
9	3422791	2	Pin	
10	3572551	2	Channel, Hose Carrier	
11	4811902	4	Washer M8	
12	3422794	2	Pin	
13	1001123004	1	Lift Cylinder Assembly - Jib (See Separate Breakdown in CYLINDER Section)	
14	1001118394	1	Pivot, Jib	
15	4846278	1	Link, Jib (Top)	
16	1001094670	2	Link, Jib (Bottom)	
17	1001119369	1	Platform Rotator Assembly (See Separate Breakdown in this Section)	
18	3311501	2	Nut 5/16	
19	4751500	2	Washer 5/16	

SECTION 4 - BOOM

FIGURE 4-7. PLATFORM ROTATOR ASSEMBLY - WITHOUT ARCTIC PACKAGE



ART_0060044

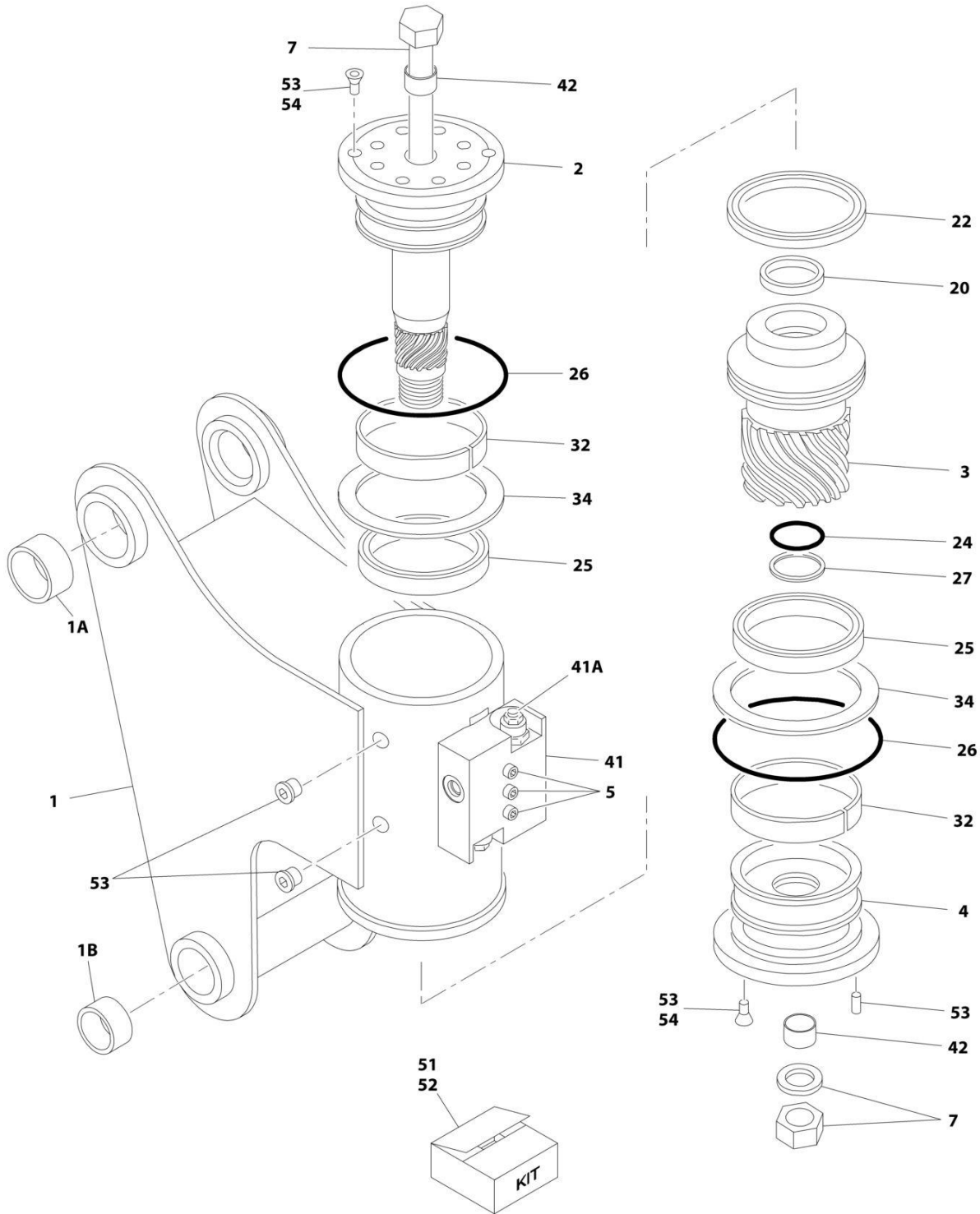
SECTION 4 - BOOM

FIGURE 4-7. PLATFORM ROTATOR ASSEMBLY - WITHOUT ARCTIC PACKAGE

ITEM	PART NUMBER	QTY	DESCRIPTION	REV
	0060044	Ref	ROTATOR ASSEMBLY	D
1	See Note	1	Case/Bracket Weldment (Note: Not Available - Purchase Complete Assembly)	
1A	0962257	2	Bushing	
1B	0961947	2	Bushing	
2	7017120	1	Shaft (Rotator with Helac Control #25928)	
2	7017196	1	Shaft (Rotator with Helac Control #26962)	
3	7017121	1	Piston Sleeve (Rotator with Helac Control #25928)	
3	7027900	1	Piston Sleeve (Rotator with Helac Control #26962)	
4	See Note	1	Cap, End (Rotator with Helac Control #25928) (Note: Use p/n 0060044)	
4	7027901	1	Cap, End (Rotator with Helac Control #26962)	
5	See Note	3	Capscrew 1/4 x 1-1/2, Grade 8 (Note: Not Available - Purchase Locally)	
7	7017126	1	Tie Rod Assembly	
20	See Note	NSS	Seal, Rod (Note: Use Item 52)	
22	See Note	NSS	Seal, Piston (Note: Use Item 52)	
24	See Note	NSS	Seal, Cap (Note: Use Item 52)	
25	See Note	NSS	Packing, Bearing (Note: Use Item 52)	
26	See Note	NSS	Seal (Note: Use Item 52)	
27	See Note	NSS	Ring, Back-Up Cap (Note: Use Item 52)	
32	See Note	NSS	Bearing, Shaft (Note: Use Item 51)	
34	See Note	2	Washer, Thrust (Note: Use Item 51)	
41	7017172	1	Counterbalance Valve Assembly (Helac p/n 24327, 26553 or 26554 Stamped Beside Mounting Screws)	
41A	7011323	2	Valve, Cartridge (Helac p/n 24327 Valve)	
41A	2900770	2	Seal Kit - 7011323 Cartridge (1 Per Assembly)	
41A	7017192	2	Valve Cartridge (Helac p/n 26553 or 26554) (No Seal Kit Available)	
42	70004323	1	Bushing, Shaft	
51	7017122	1	Bearing Kit (Includes Items 32-34)	
52	7017127	1	Seal Kit - Standard (Includes Items 20,22,24,25,26 & 27)	
52	70000341	1	Seal Kit - Low Temperature (Includes Items 20,22,24,25,26 & 27)	
53	7017123	1	Hardware Kit	

SECTION 4 - BOOM

FIGURE 4-8. PLATFORM ROTATOR ASSEMBLY - WITH ARCTIC PACKAGE



ART_1001119369

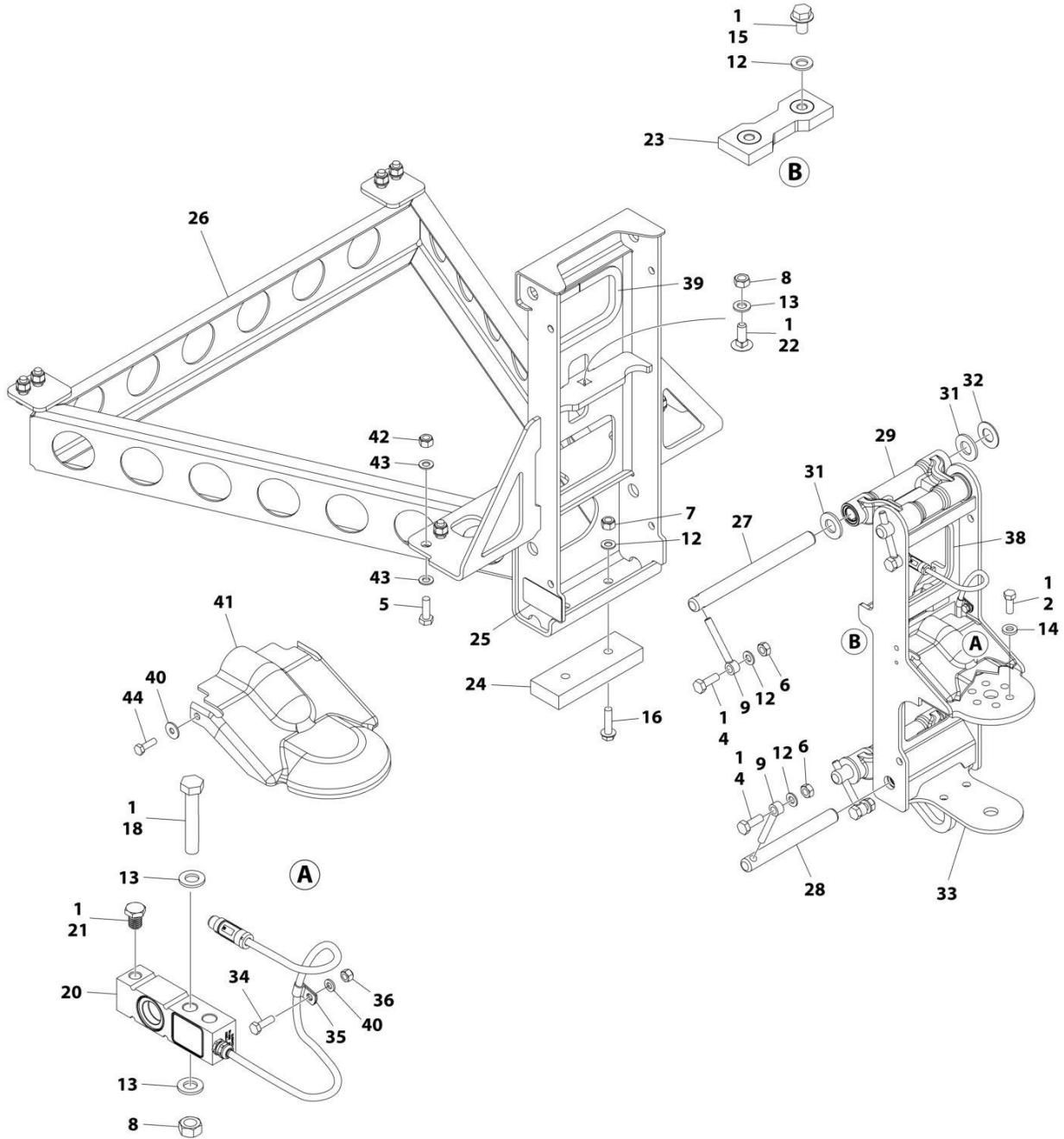
SECTION 4 - BOOM

FIGURE 4-8. PLATFORM ROTATOR ASSEMBLY - WITH ARCTIC PACKAGE

ITEM	PART NUMBER	QTY	DESCRIPTION	REV
	1001119369	Ref	PLATFORM ROTATOR ASSEMBLY - WITH ARCTIC PACKAGE	B
1	See Note	1	Case/Bracket Weldment (Note: Not Available - Purchase Complete Assembly)	
1A	0962257	2	Bushing	
1B	0961947	2	Bushing	
2	7017196	1	Shaft	
3	7027900	1	Piston Sleeve	
4	7027901	1	Cap, End	
5	See Note	3	Capscrew, 1/4 x 1-1/2 Grade 8 (Note: Not Available - Purchase Locally)	
7	7017126	1	Tie Rod Assembly	
20	See Note	1	Seal, Rod (Note: Use Item 52)	
22	See Note	1	Seal, Piston (Note: Use Item 52)	
24	See Note	1	Seal, Cap (Note: Use Item 52)	
25	See Note	2	Packing, Bearing (Note: Use Item 52)	
26	See Note	2	Seal (Note: Use Item 52)	
27	See Note	1	Ring, Back-up Cap (Note: Use Item 52)	
32	See Note	2	Bearing, Shaft (Note: Use Item 51)	
34	See Note	2	Washer, Thrust (Note: Use Item 51)	
41	7017172	1	Counterbalance Valve Assembly	
41A	7017192	2	Valve Cartridge (No Seal Kit Available)	
42	70004323	2	Bushing, Shaft	
51	7017122	1	Bearing Kit (Includes Items 32-34)	
52	70004322	1	Seal Kit (Includes Items 20, 22, 24, 25, 26 & 27)	
53	7017123	1	Hardware Kit	
54	70001697	4	Screw 1/4 x 3/8 Grade 8	

SECTION 4 - BOOM

FIGURE 4-9. PLATFORM SUPPORT INSTALLATION - WITH 1 CELL LSS (PVC 2001)



ART_1001217227

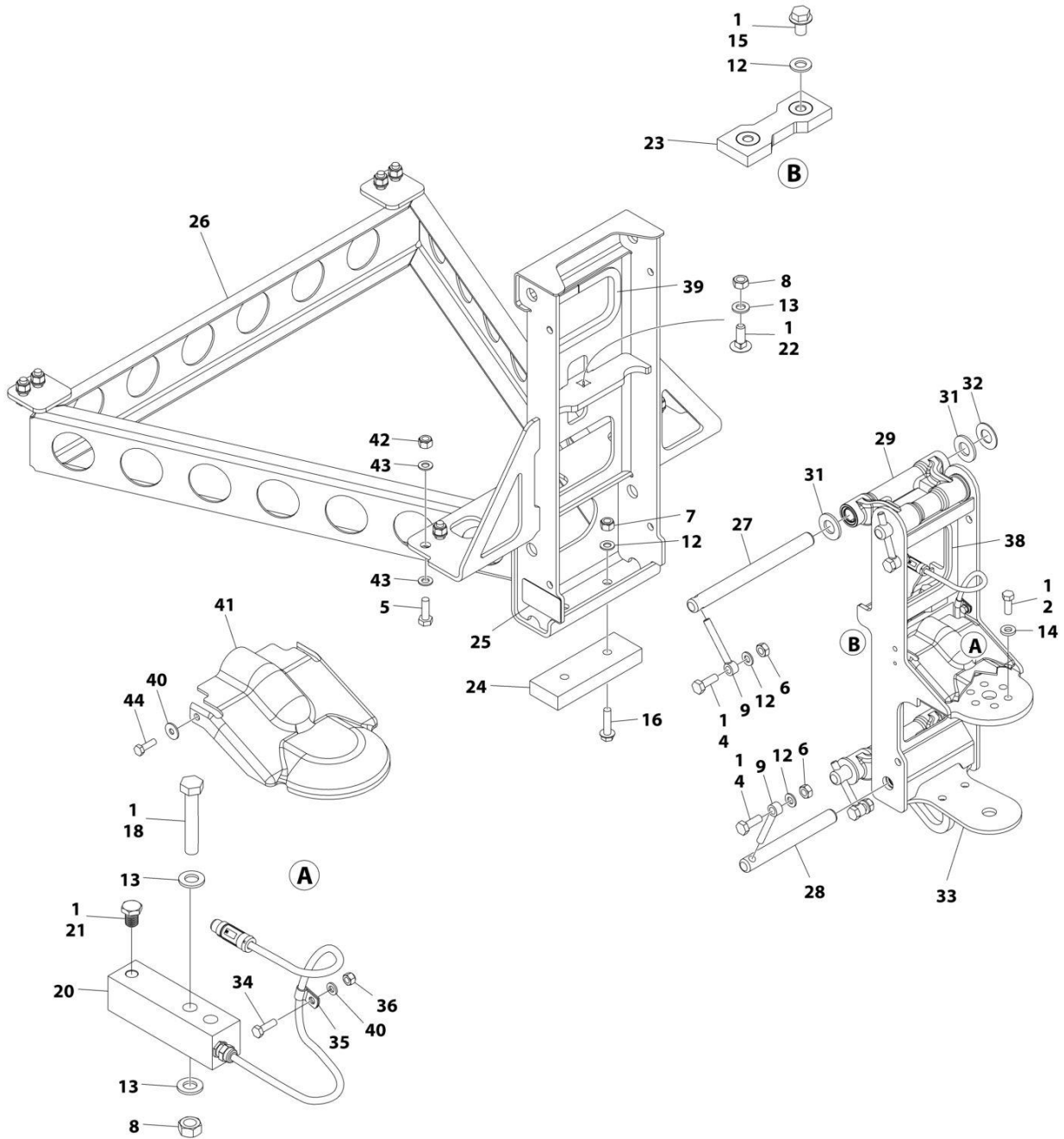
SECTION 4 - BOOM

FIGURE 4-9. PLATFORM SUPPORT INSTALLATION - WITH 1 CELL LSS (PVC 2001)

ITEM	PART NUMBER	QTY	DESCRIPTION	REV
	1001217227	Ref	PLATFORM SUPPORT INSTALLATION - WITH 1 CELL LSS	E
1	0100011	AR	Compound, Locking	
2	0681608	6	Bolt 3/8 x 1	
4	0761014	4	Bolt M10 x 30	
5	0761215	8	Bolt M12 x 35	
6	3291001	4	Nut M10	
7	3291005	AR	Nut M10	
8	3291201	3	Nut M12	
9	3841143	4	Keeper, Pin	
12	4812000	AR	Washer M10	
13	4812100	5	Washer M12	
14	4891600	6	Washer 3/8	
15	5251008	2	Bolt M10 x 16	
16	5251016	2	Bolt M10 x 40	
18	1001098828	2	Bolt M12 x 70 Grade 10.9	
20	1001172663	1	Cell, Load Sensing	
21	1001188622	1	Screw	
22	1001188844	1	Bolt M12 x 35	
23	1001190985	1	Pad, Wear	
24	1001200491	1	Pad, Wear	
25	1001216630	2	Decal - Tie Down/No Lift	
26	1001217228	1	Platform Support	
27	1001217242	2	Pin	
28	1001217243	2	Pin	
29	1001217244	2	Link	
31	1001217253	8	Bearing, Thrust	
32	1001217254	4	Bearing, Thrust	
33	1001217267	1	Support	
34	0760610	AR	Bolt M6 x 20	
35	1320136	1	Clamp	
36	3290605	1	Nut M6	
38	4060804	14.4 in/ 36.5cm	Shield	
39	4060805	15.9 in/ 40.5 cm	Shield	
40	4811702	3	Washer M6	
41	1001228627	1	Cover	
42	3291205	AR	Nut M12	
43	5241200	AR	Washer M12	
44	0760606	AR	Bolt M6 x 12	

SECTION 4 - BOOM

FIGURE 4-10. PLATFORM SUPPORT INSTALLATION - WITH 1 CELL LSS (PVC 2007)



ART_1001217227_F

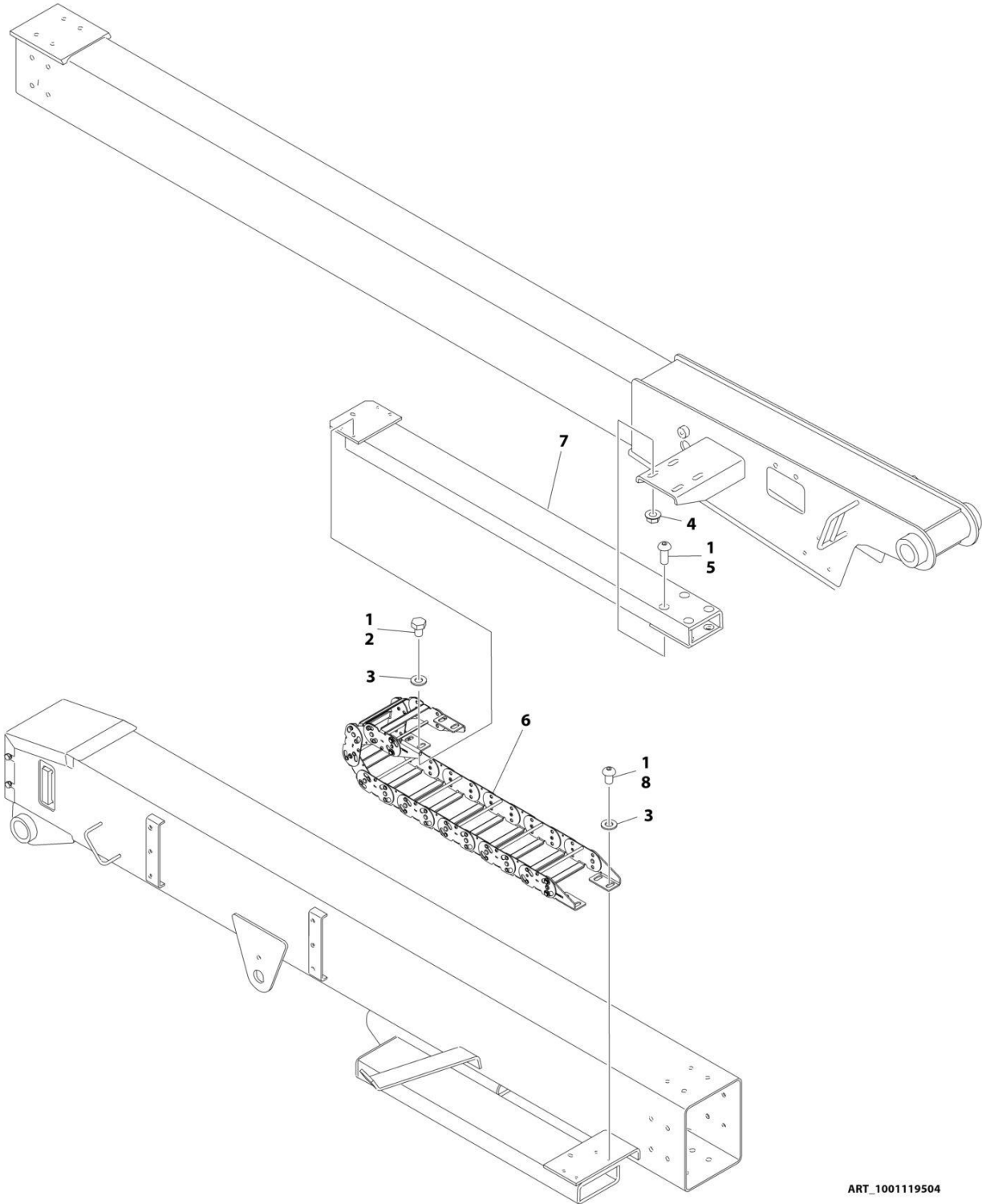
SECTION 4 - BOOM

FIGURE 4-10. PLATFORM SUPPORT INSTALLATION - WITH 1 CELL LSS (PVC 2007)

ITEM	PART NUMBER	QTY	DESCRIPTION	REV
	1001217227	Ref	PLATFORM SUPPORT INSTALLATION - WITH 1 CELL LSS	F
1	0100011	AR	Compound, Locking	
2	0681608	6	Bolt 3/8 x 1	
4	0761014	4	Bolt M10 x 30	
5	0761215	8	Bolt M12 x 35	
6	3291001	4	Nut M10	
7	3291005	2	Nut M10	
8	3291201	3	Nut M12	
9	3841143	4	Keeper, Pin	
12	4812000	8	Washer M10	
13	4812100	5	Washer M12	
14	4891600	6	Washer 3/8	
15	5251008	2	Bolt M10 x 16	
16	5251016	2	Bolt M10 x 40	
18	1001098828	2	Bolt M12 x 70 Grade 10.9	
20	1001247468	1	Gauge, Load Sensing	
21	1001188622	1	Screw	
22	1001188844	1	Bolt M12 x 35	
23	1001190985	1	Pad, Wear	
24	1001200491	1	Pad, Wear	
25	1001216630	2	Decal - Tie Down/No Lift	
26	1001217228	1	Platform Support	
27	1001217242	2	Pin	
28	1001217243	2	Pin	
29	1001217244	2	Link	
31	1001217253	8	Bearing, Thrust	
32	1001217254	4	Bearing, Thrust	
33	1001217267	1	Support	
34	0760610	1	Bolt M6 x 20	
35	1320136	1	Clamp	
36	3290605	1	Nut M6	
38	4060804	14.4 in/ 36.5cm	Shield	
39	4060805	15.9 in/ 40.5 cm	Shield	
40	4811702	3	Washer M6	
41	1001228627	1	Cover	
42	3291205	8	Nut M12	
43	5241200	16	Washer M12	
44	0760606	2	Bolt M6 x 12	

SECTION 4 - BOOM

FIGURE 4-11. POWER TRACK INSTALLATION



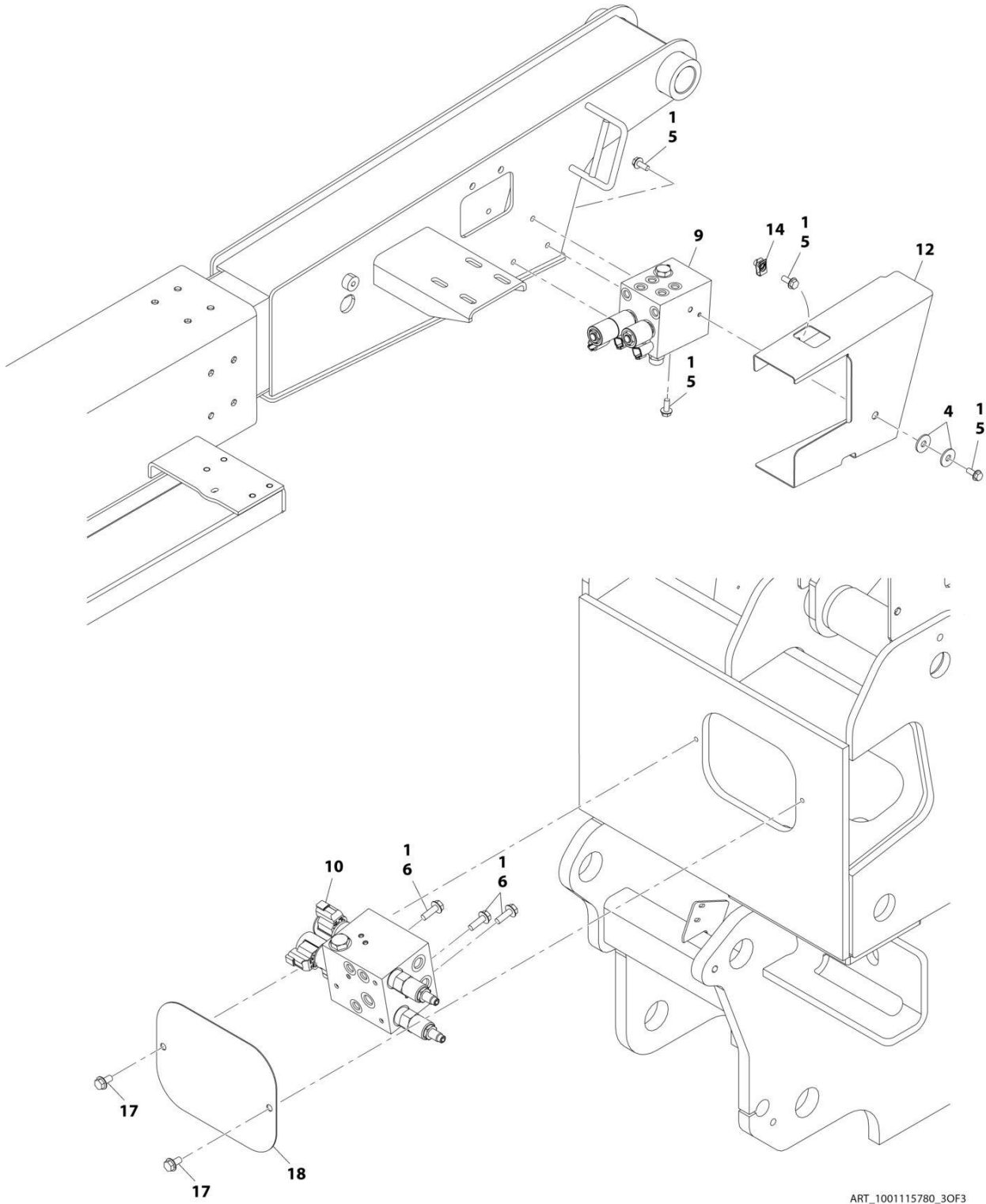
ART_1001119504

FIGURE 4-11. POWER TRACK INSTALLATION

ITEM	PART NUMBER	QTY	DESCRIPTION	REV
	1001119504	Ref	POWER TRACK INSTALLATION	C
1	0100011	AR	Compound, Locking	
2	0761007	4	Bolt M10 x 14	
3	4812000	8	Washer M10	
4	5221000	4	Nut M10 Grade 10.9	
5	8310668	4	Screw M10 x 25 Grade 10.9	
6	1001224891	1	Carrier, Power Track	
6	70006269	1	Repair Kit (Includes 10 Link Section of Track)	
6	70006280	1	Bracket Kit (Includes 4 Mounting Feet and Hardware to Attach to Track)	
7	1001119513	1	Tube, Support	
8	1001119527	4	Screw M10 x 16	

SECTION 4 - BOOM

FIGURE 4-12. CONTROL VALVES INSTALLATION - BOOM



ART_1001115780_30F3

SECTION 4 - BOOM

FIGURE 4-12. CONTROL VALVES INSTALLATION - BOOM

ITEM	PART NUMBER	QTY	DESCRIPTION	REV
	1001115780	Ref	CONTROL VALVES INSTALLATION - BOOM	G
1	0100011	AR	Compound, Locking	
4	4812002	2	Washer M10	
5	5250810	10	Bolt M8 x 20	
6	5250812	3	Bolt M8 x 25	
9	1001116228	1	Fly Boom Valve Assembly (See Separate Breakdown in this Section)	
10	1001136244	1	Boom Upright Valve Assembly (See Separate Breakdown in this Section)	
12	1001116835	1	Shield	
14	1001118274	1	Nut M8	
17	5250808	2	Bolt M8 x 16	
18	1001118595	1	Cover	

SECTION 4 - BOOM

FIGURE 4-13. FLY BOOM VALVE ASSEMBLY

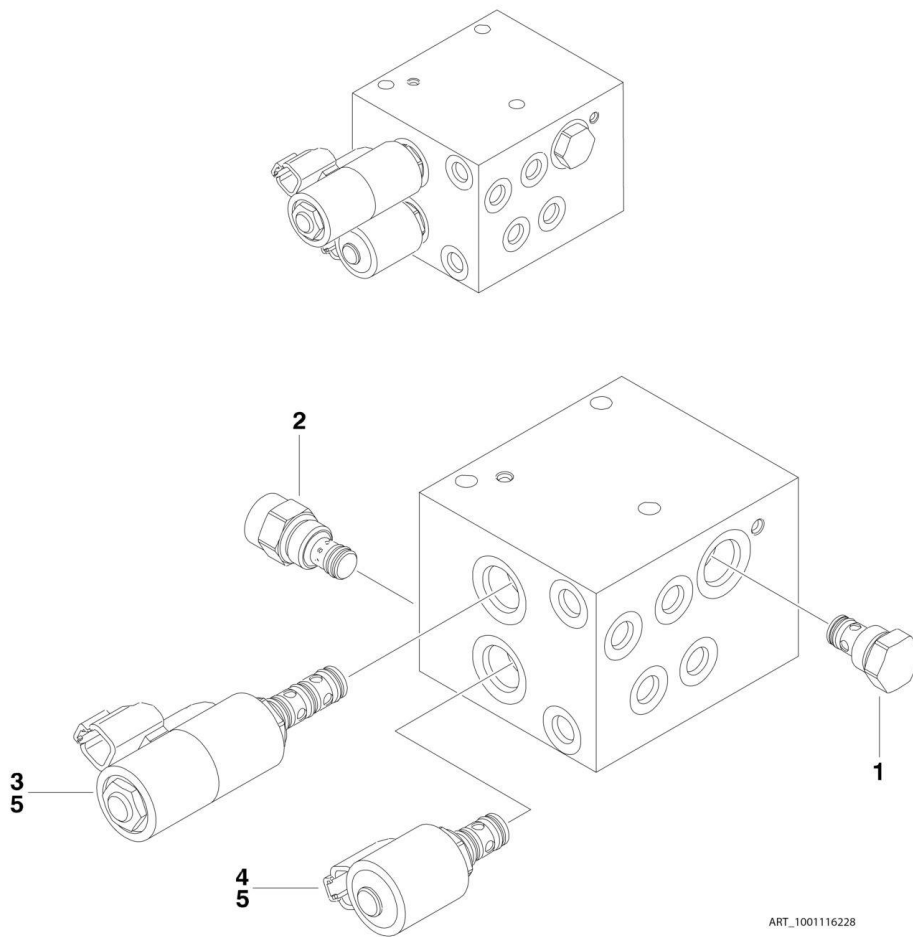
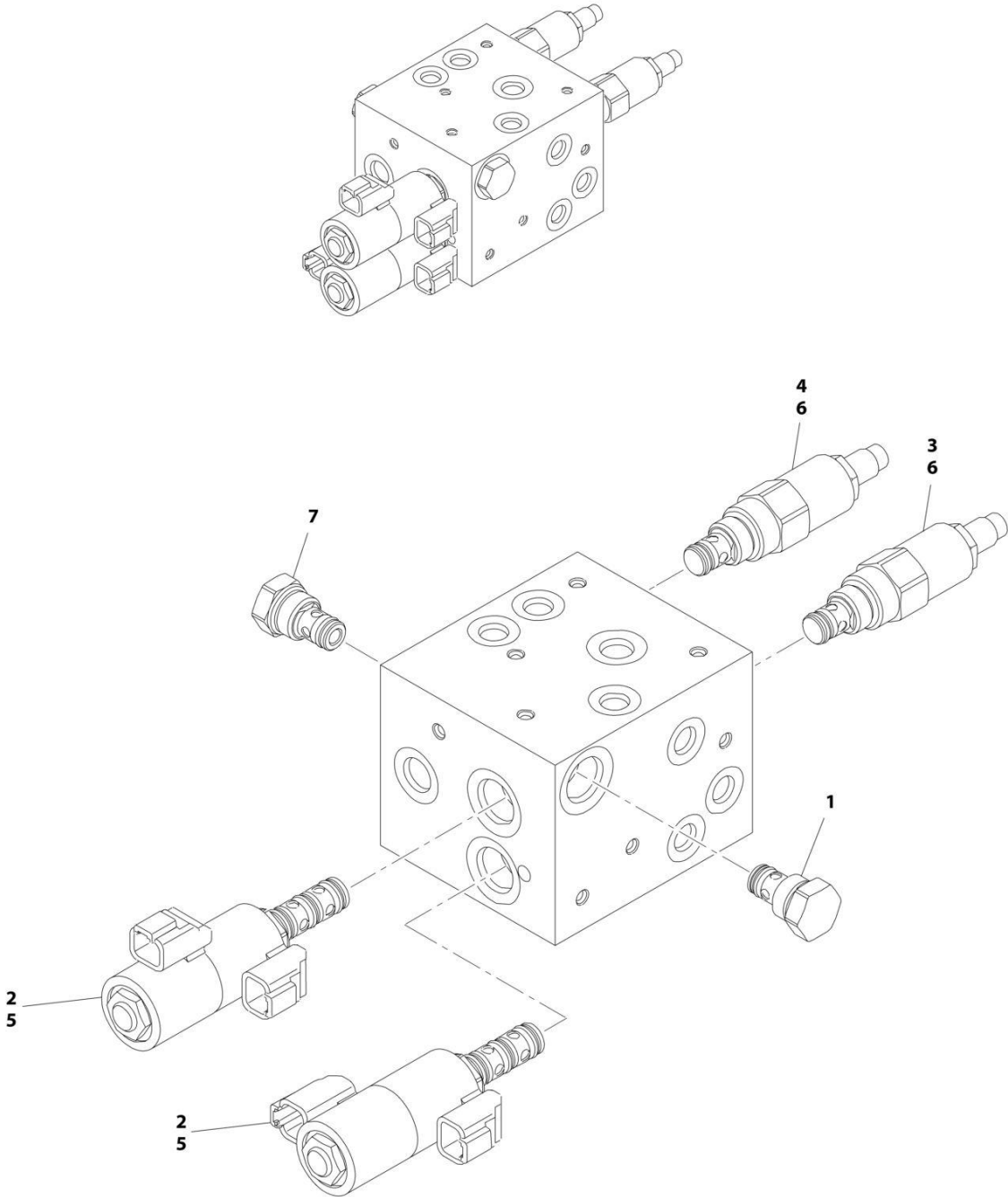


FIGURE 4-13. FLY BOOM VALVE ASSEMBLY

ITEM	PART NUMBER	QTY	DESCRIPTION	REV
	1001116228	Ref	FLY BOOM VALVE ASSEMBLY	D
1	7012955	1	Cartridge, Check Valve	
1	7012967	1	Seal Kit - 7012955 Cartridge	
2	7023970	1	Cartridge, Flow Regulator	
2	7012953	1	Seal Kit - 7023970 Cartridge	
3	7017452	1	Cartridge, Solenoid Valve (without Coil) (Rotate)	
3	7017402	1	Seal Kit - 7017452 Cartridge	
4	7012941	1	Cartridge, Solenoid Valve (without Coil) (Jib)	
4	7010543	1	Seal Kit - 7012941 Cartridge	
5	70002386	3	Coil	

SECTION 4 - BOOM

FIGURE 4-14. BOOM UPRIGHT VALVE ASSEMBLY



ART_1001136244

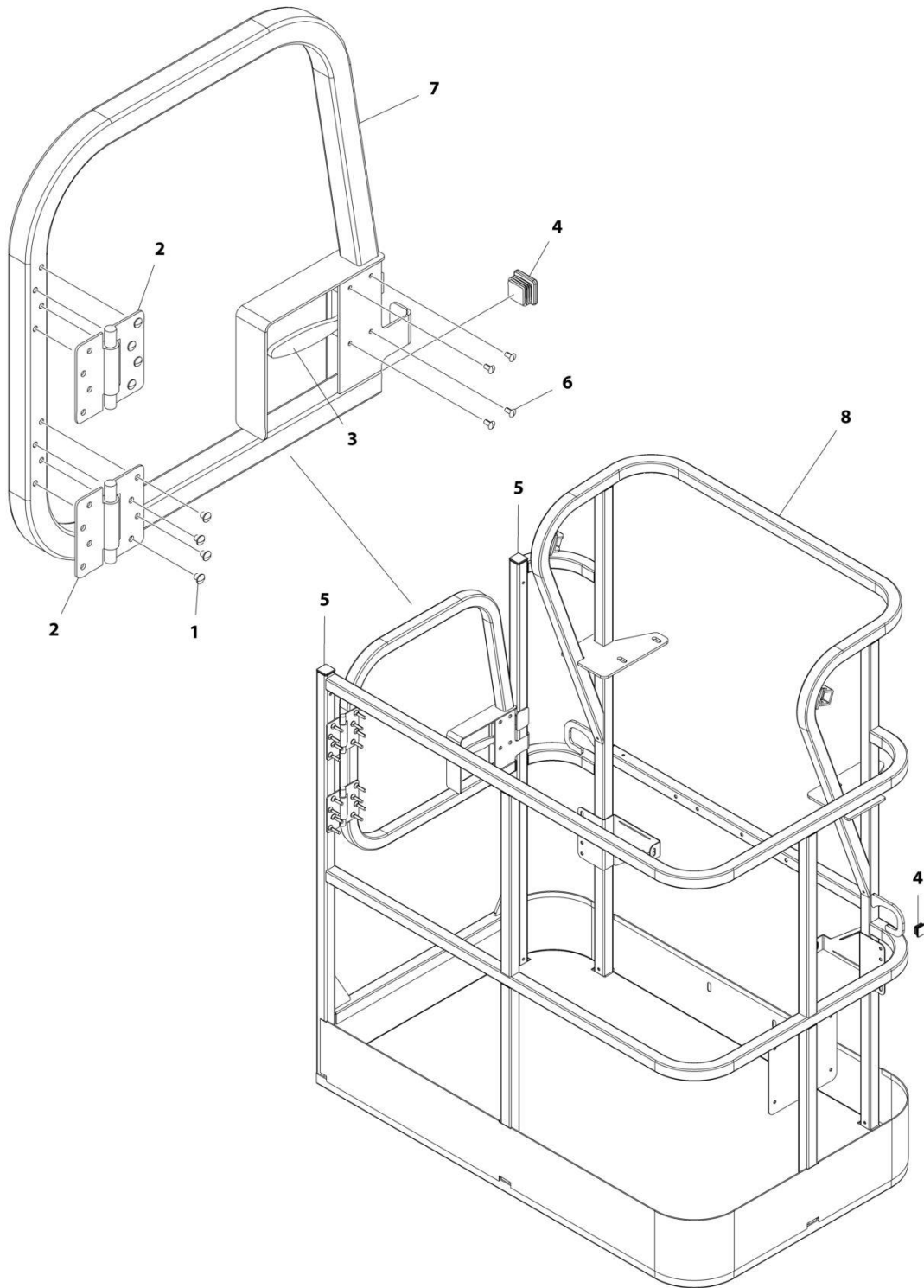
FIGURE 4-14. BOOM UPRIGHT VALVE ASSEMBLY

ITEM	PART NUMBER	QTY	DESCRIPTION	REV
	1001136244	Ref	BOOM UPRIGHT VALVE ASSEMBLY	C
1	7012955	2	Cartridge, Check Valve	
1	7012967	2	Seal Kit - 7012955 Cartridge	
2	7017452	2	Cartridge, Solenoid Valve (without Coil) (Telescope/Platform Level)	
2	7017402	2	Seal Kit - 7017452 Cartridge	
3	7017427	1	Cartridge, Relief	
3	7012998	1	Seal Kit - 7017427 Cartridge	
4	70002954	1	Cartridge, Relief	
4	7012998	1	Seal Kit - 70002954 Cartridge	
5	70002963	4	Coil	
6	See Note	2	Orifice (Note: Not Available for Purchase)	
7	7017498	1	Piston, Pilot	

SECTION 5 - PLATFORM

SECTION 5 - PLATFORM

FIGURE 5-1. PLATFORM ASSEMBLY - 30IN X 4FT (76CM X 1.22M) - GATE ENTRY



ART_1001186387

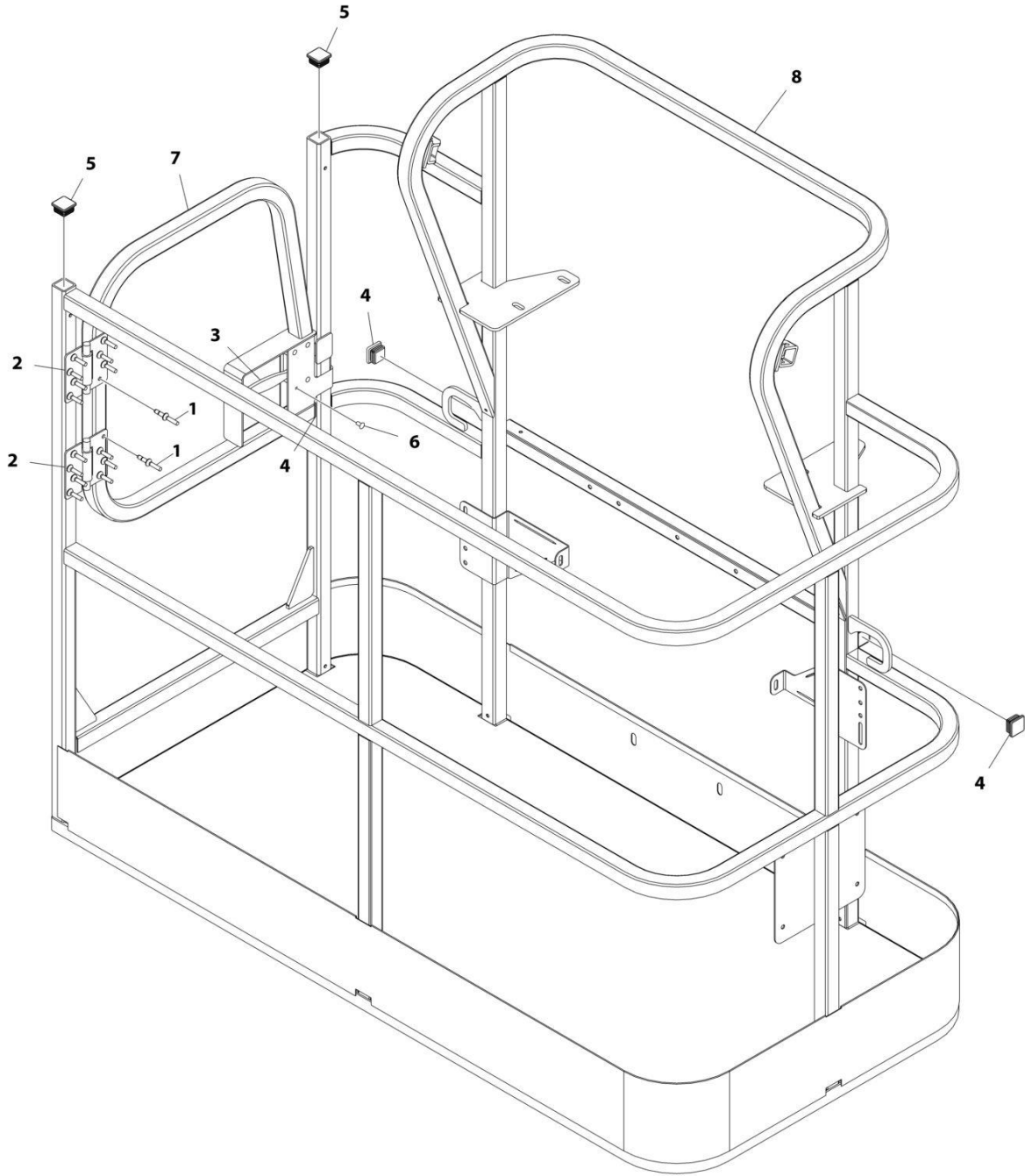
SECTION 5 - PLATFORM

FIGURE 5-1. PLATFORM ASSEMBLY - 30IN X 4FT (76CM X 1.22M) - GATE ENTRY

ITEM	PART NUMBER	QTY	DESCRIPTION	REV
	1001186387	Ref	PLATFORM ASSEMBLY	C
		Ref	Note: Platform and Mesh must be ordered separately for Platforms with Mesh. See SPECIAL OPTIONS SECTION for Mesh Installations.	
		Ref	Note: Replacement Decals Must be Ordered Separately - See DECALS SECTION.	
1	2080040	16	Fastener, Huck	
2	2600281	2	Hinge, Self-Closing	
3	2940074	1	Latch	
4	3520072	3	Plug	
5	3520198	2	Plug	
6	3820020	4	Rivet	
7	1001144629	1	Gate	
8	See Note	1	Platform (Note: Not Available - Purchase Platform Assembly)	

SECTION 5 - PLATFORM

FIGURE 5-2. PLATFORM ASSEMBLY - 30IN X 5FT (76CM X 1.52M) - GATE ENTRY



ART_1001186386

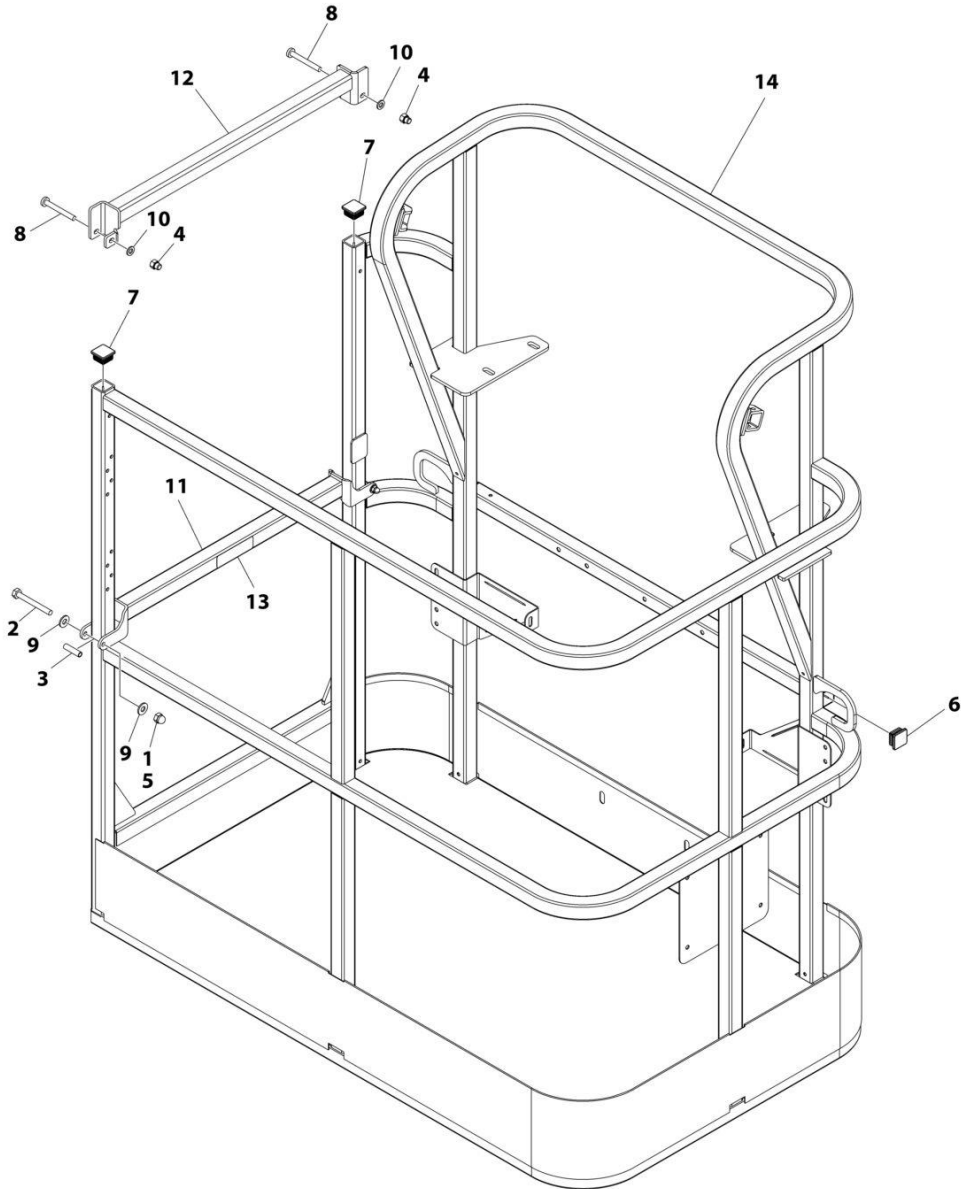
SECTION 5 - PLATFORM

FIGURE 5-2. PLATFORM ASSEMBLY - 30IN X 5FT (76CM X 1.52M) - GATE ENTRY

ITEM	PART NUMBER	QTY	DESCRIPTION	REV
	1001186386	Ref	PLATFORM ASSEMBLY	C
		Ref	Note: Platform and Mesh must be ordered separately for Platforms with Mesh. See SPECIAL OPTIONS SECTION for Mesh Installations.	
		Ref	Note: Replacement Decals Must be Ordered Separately - See DECALS SECTION.	
1	2080040	16	Fastener, Huck	
2	2600281	2	Hinge, Self-Closing	
3	2940074	1	Latch	
4	3520072	3	Plug	
5	3520198	2	Plug	
6	3820020	4	Rivet	
7	1001144629	1	Gate	
8	See Note	NSS	Platform (Note: Not Available - Purchase Platform Assembly)	

SECTION 5 - PLATFORM

FIGURE 5-3. PLATFORM ASSEMBLY - 30IN X 4FT (76CM X 1.22M) - DROP BAR ENTRY



ART_1001186375

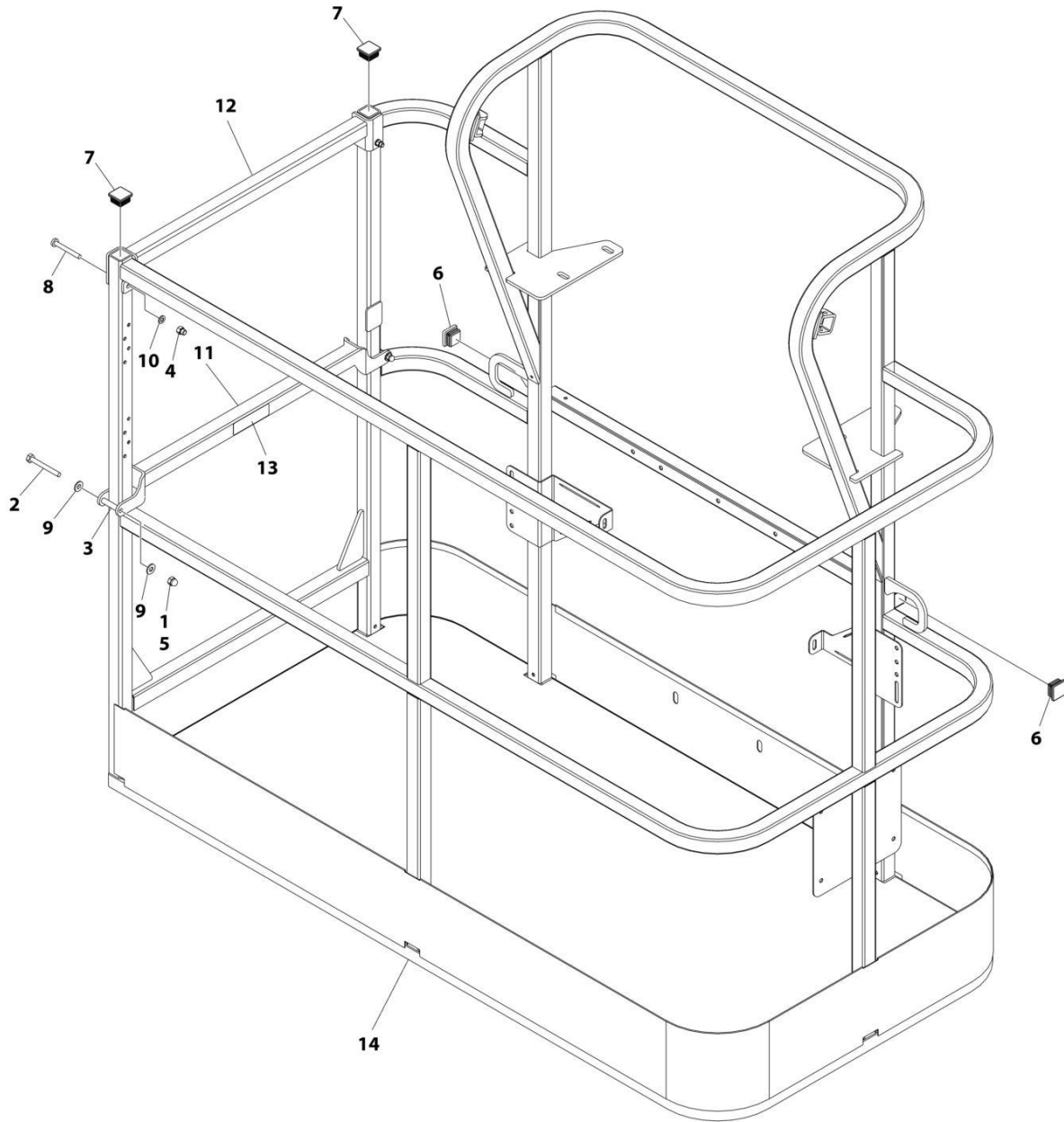
SECTION 5 - PLATFORM

FIGURE 5-3. PLATFORM ASSEMBLY - 30IN X 4FT (76CM X 1.22M) - DROP BAR ENTRY

ITEM	PART NUMBER	QTY	DESCRIPTION	REV
	1001186375	Ref	PLATFORM ASSEMBLY	B
		Ref	Note: Platform and Mesh must be ordered separately for Platforms with Mesh. See SPECIAL OPTIONS SECTION for Mesh Installations.	
		Ref	Note: Replacement Decals Must be Ordered Separately - See DECALS SECTION.	
1	0100011	AR	Compound, Locking	
2	0641418	2	Bolt 1/4 x 2-1/4	
3	0961845	2	Bushing	
4	3290606	2	Nut M6	
5	3300151	2	Nut 1/4	
6	3520072	2	Plug	
7	3520198	2	Plug	
8	4010618	2	Screw M6 x 50	
9	4711400	4	Washer 1/4	
10	4811700	2	Washer M6	
11	1001138494	1	Bar, Drop	
12	1001138514	1	Rail - Top	
13	1001140429	1	Decal - Drop Bar	
14	See Note	1	Platform (Note: Not Available - Purchase Platform Assembly)	

SECTION 5 - PLATFORM

FIGURE 5-4. PLATFORM ASSEMBLY - 30IN X 5FT (76CM X 1.52M) - DROP BAR ENTRY



ART_1001186377

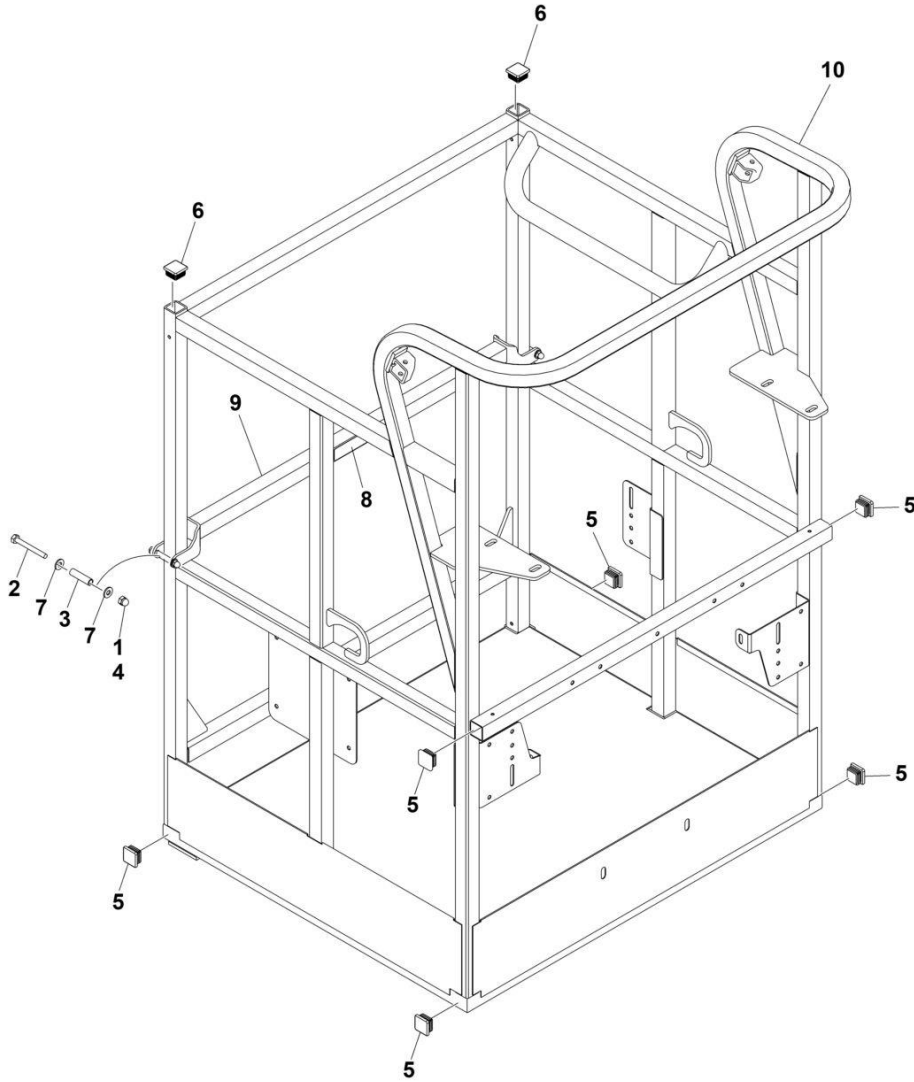
SECTION 5 - PLATFORM

FIGURE 5-4. PLATFORM ASSEMBLY - 30IN X 5FT (76CM X 1.52M) - DROP BAR ENTRY

ITEM	PART NUMBER	QTY	DESCRIPTION	REV
	1001186377	Ref	PLATFORM ASSEMBLY	C
		Ref	Note: Platform and Mesh must be ordered separately for Platforms with Mesh. See SPECIAL OPTIONS SECTION for Mesh Installations.	
		Ref	Note: Replacement Decals Must be Ordered Separately - See DECALS SECTION.	
1	0100011	AR	Compound, Locking	
2	0641420	2	Bolt 1/4 x 2-1/2	
3	0961845	2	Bushing	
4	3290606	2	Nut M6	
5	3300151	2	Nut 1/4	
6	3520072	2	Plug	
7	3520198	2	Plug	
8	4010618	2	Screw M6 x 50	
9	4711400	4	Washer 1/4	
10	4811700	2	Washer M6	
11	1001138494	1	Bar, Drop	
12	1001138514	1	Rail (Top)	
13	1001140429	1	Decal - Drop Bar	
14	See Note	NSS	Platform (Note: Not Available - Purchase Platform Assembly)	

SECTION 5 - PLATFORM

FIGURE 5-5. PLATFORM ASSEMBLY - 30IN X 3FT (76CM X .91M) - DROP BAR ENTRY



ART_1001228215

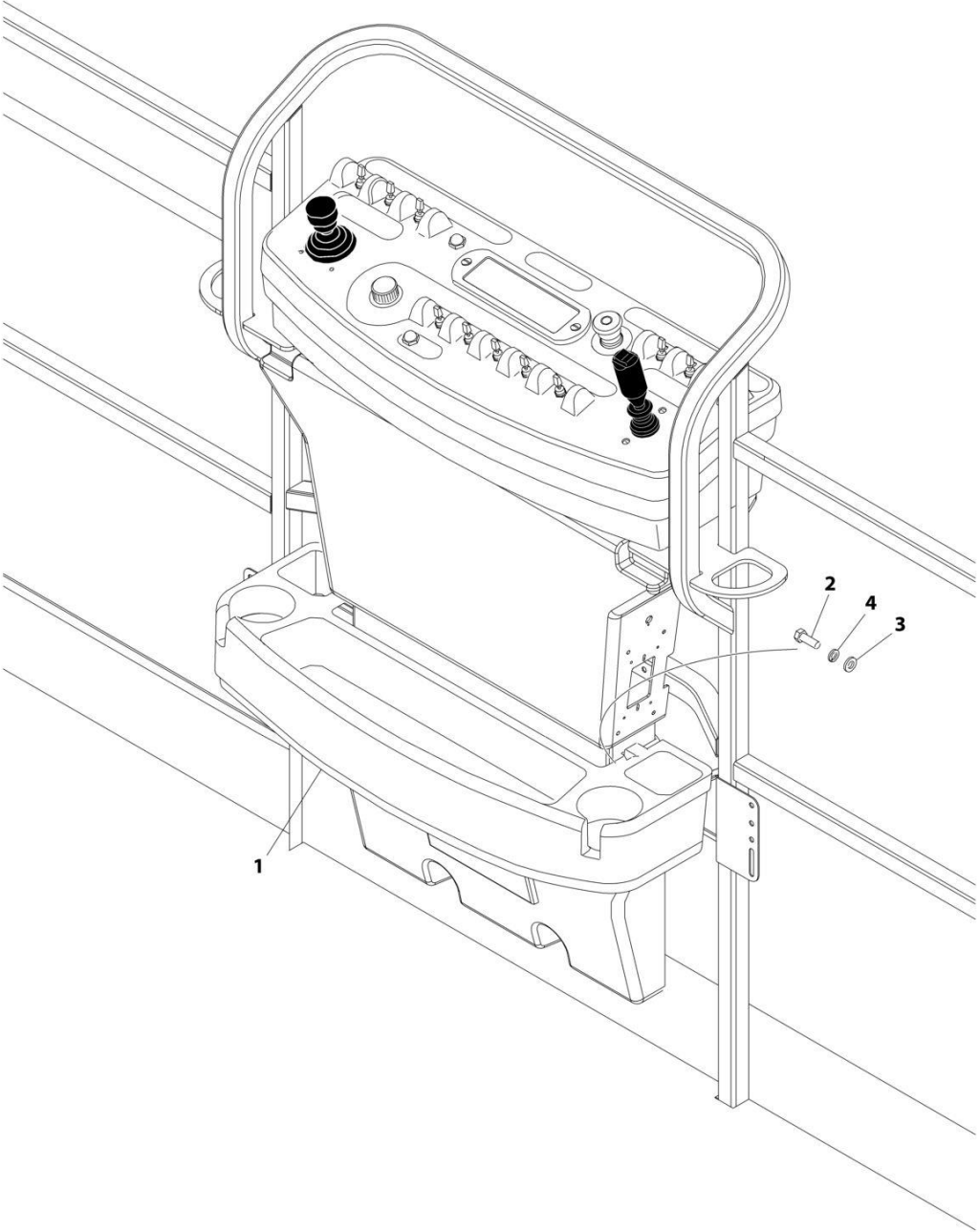
SECTION 5 - PLATFORM

FIGURE 5-5. PLATFORM ASSEMBLY - 30IN X 3FT (76CM X .91M) - DROP BAR ENTRY

ITEM	PART NUMBER	QTY	DESCRIPTION	REV
	1001228215	Ref	PLATFORM ASSEMBLY	A
	See Note	Ref	Note: Platform and Mesh must be ordered separately for Platforms with Mesh. See SPECIAL OPTIONS SECTION for Mesh Installations.	
	See Note	Ref	Note: Replacement Decals Must be Ordered Separately - See DECAL SECTION.	
1	0100011	AR	Compound, Locking	
2	0641418	2	Bolt 1/4 x 2-1/4	
3	0961845	2	Bushing	
4	3300151	2	Nut 1/4	
5	3520072	6	Cap, Plug	
6	3520198	2	Cap, Plug	
7	4711400	4	Washer 1/4	
8	1001140429	1	Decal - Drop Bar	
9	1001226872	1	Bar, Drop	
10	See Note	NSS	Platform (Note: Not Available - Purchase Platform Assembly)	

SECTION 5 - PLATFORM

FIGURE 5-6. TRAY INSTALLATION



ART_1580012

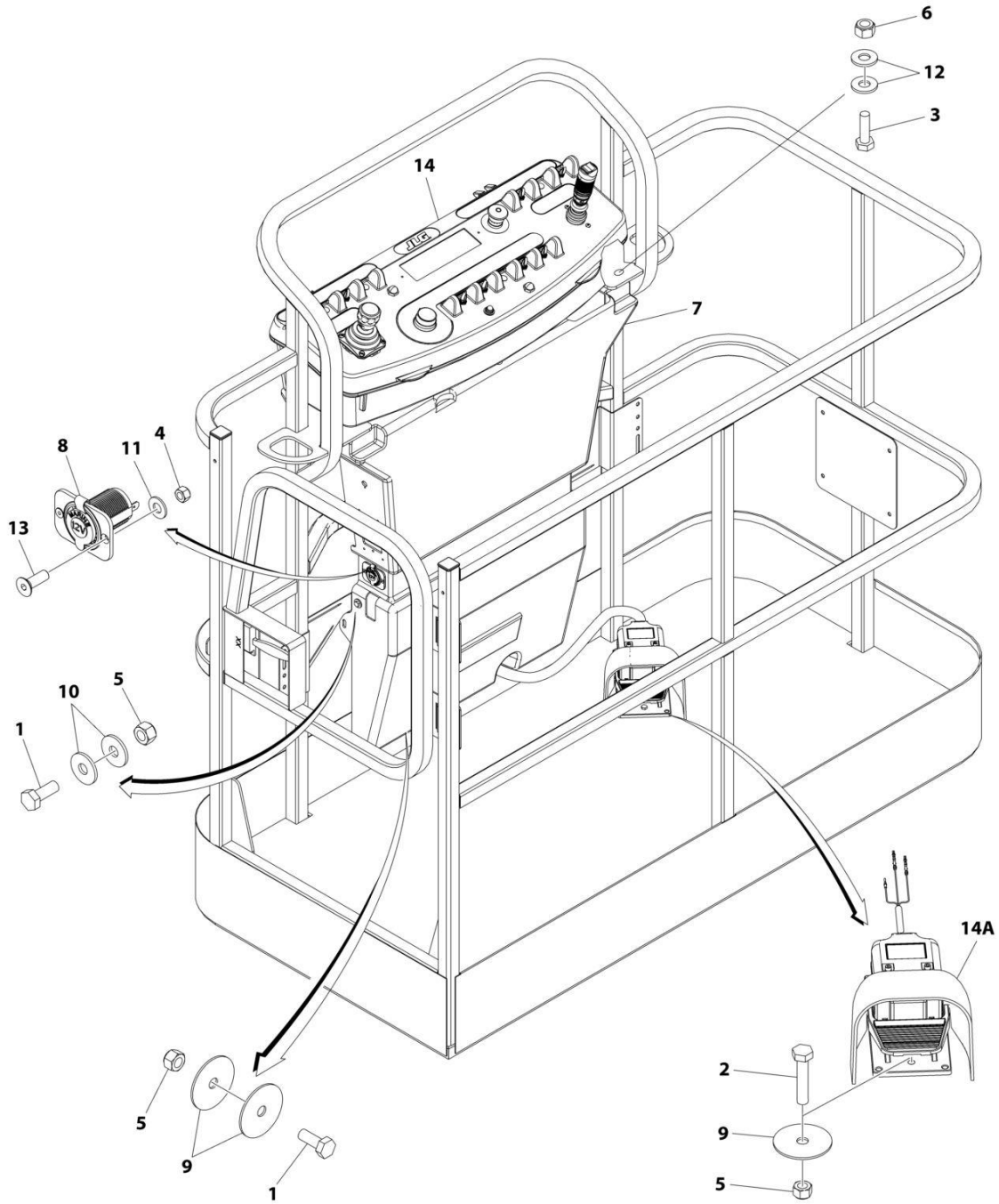
SECTION 5 - PLATFORM

FIGURE 5-6. TRAY INSTALLATION

ITEM	PART NUMBER	QTY	DESCRIPTION	REV
	1580012	Ref	TRAY ASSEMBLY	C
1	See Note	NSS	Tray, Storage (Center) (Note: Purchase p/n 1580012)	
2	0641406	2	Bolt 1/4 x 3/4	
3	4751400	2	Washer 1/4	
4	4761400	2	Washer 1/4	

SECTION 5 - PLATFORM

FIGURE 5-7. CONSOLE AND FOOTSWITCH INSTALLATION - DIESEL MACHINES



ART_1001245407

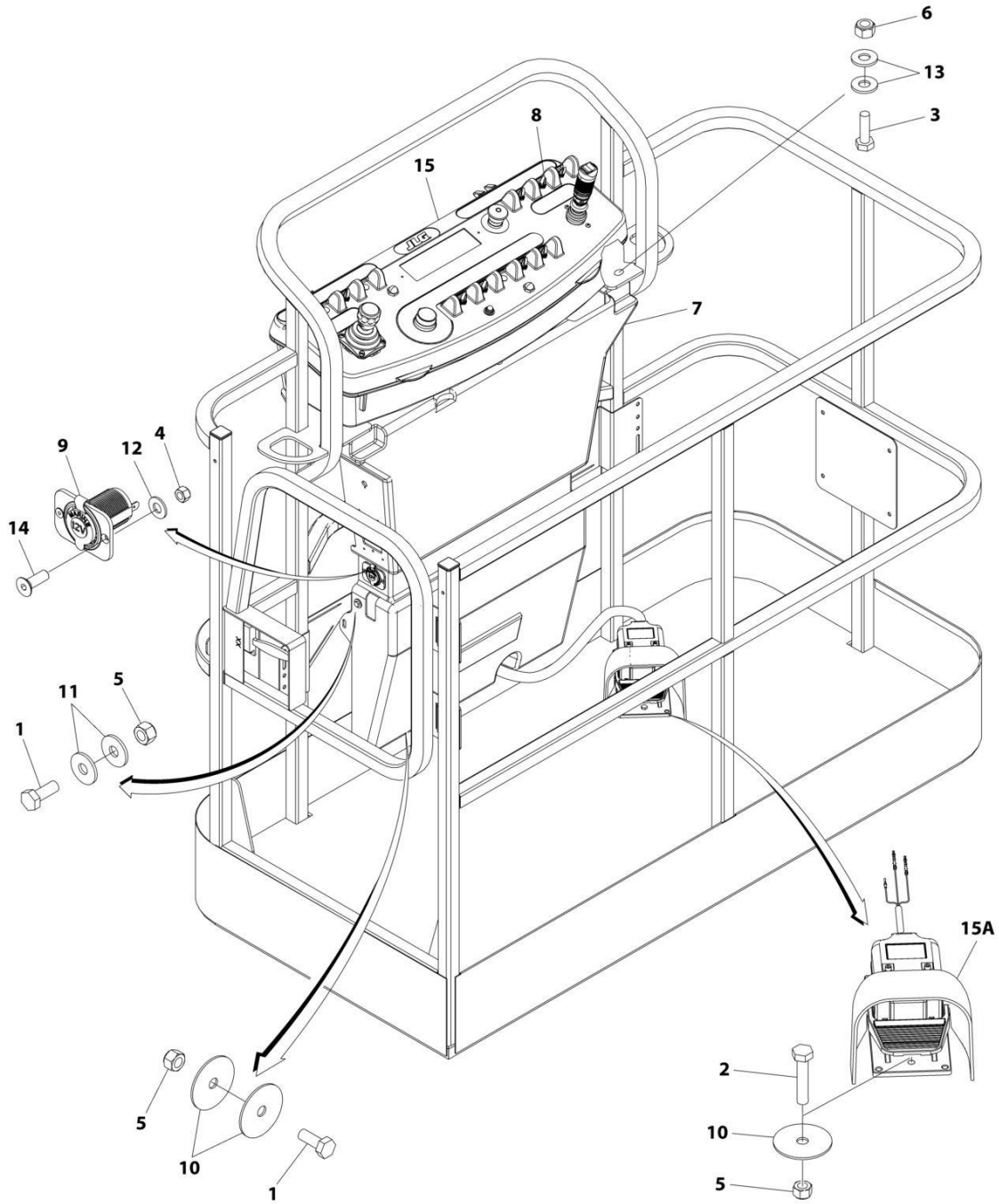
SECTION 5 - PLATFORM

FIGURE 5-7. CONSOLE AND FOOTSWITCH INSTALLATION - DIESEL MACHINES

ITEM	PART NUMBER	QTY	DESCRIPTION	REV
	1001245407	Ref	CONSOLE AND FOOTSWITCH INSTALLATION - DIESEL MACHINES WITHOUT SKYGUARD	C
1	0760610	4	Bolt M6 x 16	
2	0760614	3	Bolt M6 x 30	
3	0761015	4	Bolt M10 x 35	
4	3290405	AR	Nut M4	
5	3290605	7	Nut M6	
6	3291005	4	Nut M10	
7	3380434	1	Panel, Pedestal	
8	4461012	AR	Receptacle, 12V	
9	4740362	7	Washer 1/4	
10	4751400	2	Washer M4	
11	4811400	AR	Washer M4	
12	4812000	8	Washer M10	
13	1001097244	AR	Capscrew M4 x 12	
14	1001245389	2	Console Box Assembly (See Separate Breakdown in this Section)	
14A	1001117174	1	Footswitch Assembly	B
14A	1001117172	1	Footswitch Less Cable	
14A	70002902	1	Block, Contact	
14A	70002903	1	Gasket	
14A	70002905	1	Cover	
14A	70002904	1	Bolt Replacement Kit	
14A	1060918	7.5 ft /2.3m	Cable, Electrical - 18/3	
14A	4460071	1	Connector, Strain Relief	
14A	4460226	2	Socket, Female	
14A	4460464	1	Pin, Male	

SECTION 5 - PLATFORM

FIGURE 5-8. CONSOLE AND FOOTSWITCH INSTALLATION - GAS MACHINES



ART_1001245427

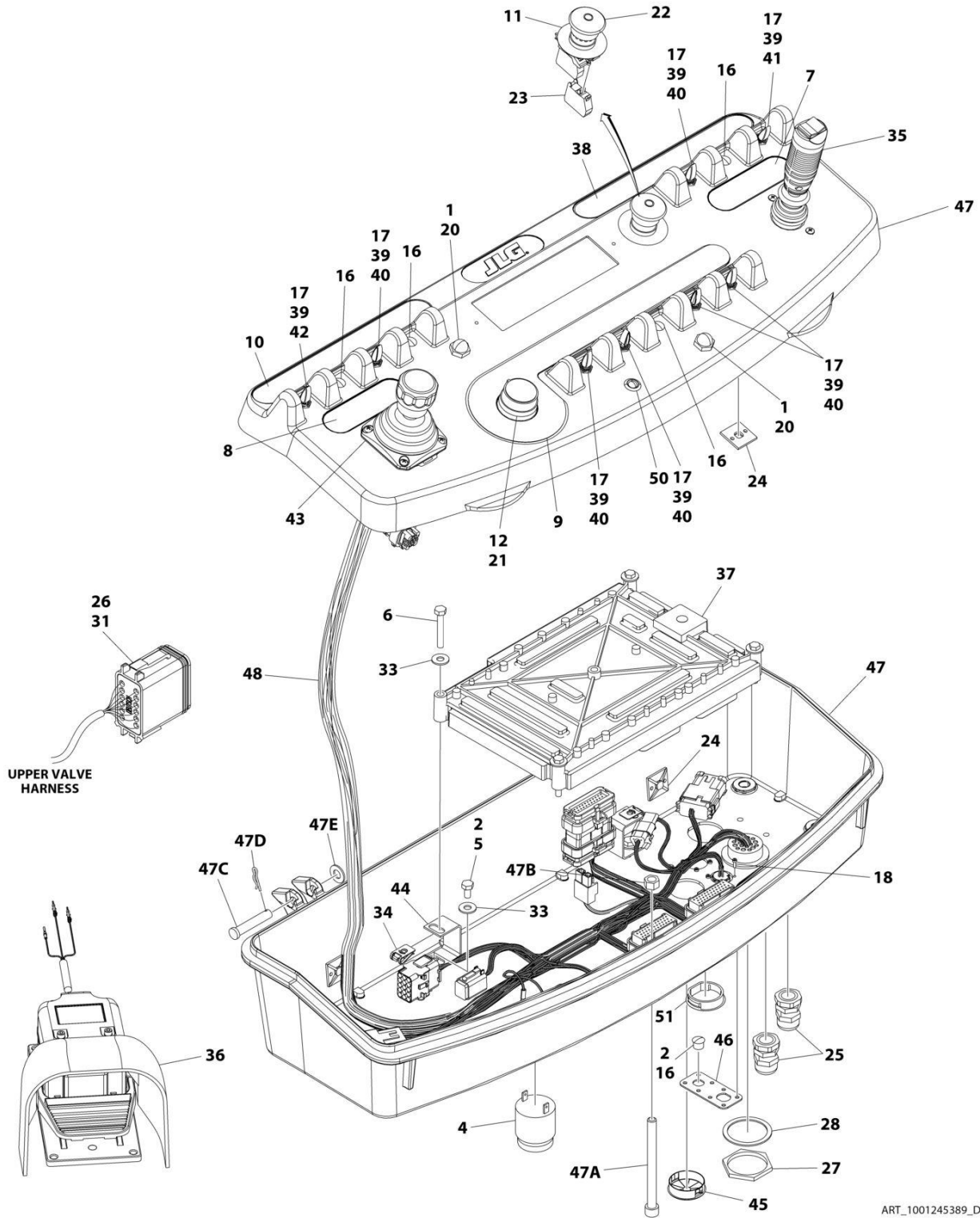
SECTION 5 - PLATFORM

FIGURE 5-8. CONSOLE AND FOOTSWITCH INSTALLATION - GAS MACHINES

ITEM	PART NUMBER	QTY	DESCRIPTION	REV
	1001245427	Ref	CONSOLE AND FOOTSWITCH INSTALLATION - GAS MACHINES WITHOUT SKYGUARD	B
1	0700610	4	Bolt M6 x 16	
2	0760614	3	Bolt M6 x 30	
3	0761015	4	Bolt M10 x 35	
4	3290405	2	Nut M4	
5	3290605	7	Nut M6	
6	3291005	4	Nut M10	
7	3380434	1	Panel, Pedestal	
8	4360336	1	Switch, Toggle	
9	4461012	1	Receptacle, 12V	
10	4740362	7	Washer 1/4	
11	4751400	2	Washer M4	
12	4811400	4	Washer M4	
13	4812000	8	Washer M10	
14	1001097244	1	Capscrew M4 x 12	
15	1001245389	2	Console Box Assembly (See Separate Breakdown in this Section)	
15A	1001117174	1	Footswitch Assembly	B
15A	1001117172	1	Footswitch Less Cable	
15A	70002902	1	Block, Contact	
15A	70002903	1	Gasket	
15A	70002905	1	Cover	
15A	70002904	1	Bolt Replacement Kit	
15A	1060918	7.5 ft /2.3m	Cable, Electrical - 18/3	
15A	4460071	1	Connector, Strain Relief	
15A	4460226	2	Socket, Female	
15A	4460464	1	Pin, Male	

SECTION 5 - PLATFORM

FIGURE 5-9. CONSOLE ASSEMBLY



ART_1001245389_D

SECTION 5 - PLATFORM

FIGURE 5-9. CONSOLE ASSEMBLY

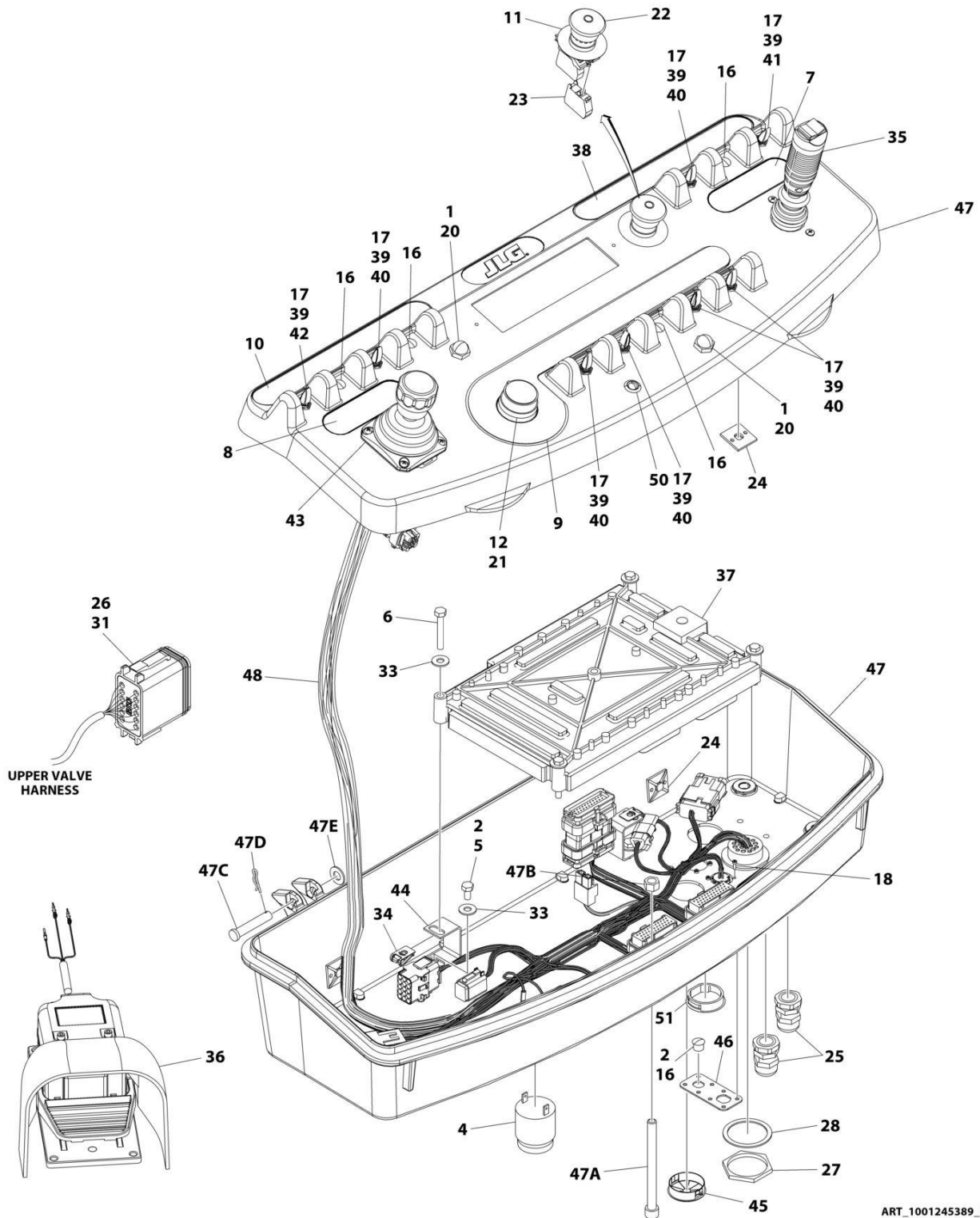
ITEM	PART NUMBER	QTY	DESCRIPTION	REV
	1001245389	Ref	CONSOLE ASSEMBLY - WITHOUT SKYGUARD	D
1	0100009	AR	Sealant	
2	0100035	AR	Compound, Locking	
4	0140011	1	Alarm	
5	0641405	4	Bolt 1/4 x 5/8	
6	0641414	4	Bolt 1/4 x 3/4	
7	1702565	1	Decal - Drive and Steer	
8	1702566	1	Decal - Lift and Swing	
9	1702567	1	Decal - Function Speed	
10	1001184626	1	Decal - Horn	
11	1704260	1	Decal - EMS	
12	2560136	1	Handle, Knob	
16	3520054	5	Plug, Hole	
17	3790012	8	O-Ring	
18	3900349	8	Capscrew M2.5	
19	4240099	AR	Tie-Strap (Not-Shown)	
20	4360387	2	Switch, Push-button	
21	4360407	1	Switch, Potentiometer	
22	1001274559	1	Switch, Emergency	
23	4360476	1	Block, Contact	
24	4460234	6	Mount, Tie-strap	
25	4460428	2	Connector, Strain Relief	
26	4460466	7	Plug, Terminal	
27	4460470	1	Nut, Terminal	
28	4460471	1	Washer, Terminal	
31	4460933	1	Plug, Male - 12 Position	
33	4751400	8	Washer 1/4	
34	3300353	4	Nut Tinnerman	
35	1001166538	1	Drive/Steer Controller Assembly (Use p/n 1001212415) (See Separate Breakdown in this Section)	
36	1001117174	1	Footswitch Assembly (See Separate Breakdown in this Section)	
37	1001118412	1	Module, Platform (Note: Re-calibration Required when Replaced)	
38	1001184618	1	Decal - Stop	
39	1001155044	8	Nut 15/32	
40	1001155045	6	Switch, Toggle	
41	1001159256	1	Switch, Toggle	
42	1001161709	1	Switch, Toggle	
43	1001166539	1	Lift/Swing Controller Assembly (Use p/n 1001129555) See Separate Breakdown in this Section)	
44	1001172760	4	Bracket	
45	1001185281	1	Plug	
46	1001213882	1	Mount, Connector	
47	1001215228	1	Platform Console Box	
47A	0630568	1	Capscrew 3/8 x 4-1/2	
47B	3311601	1	Nut 3/8	
47C	3430616	2	Pin	
47D	3470003	2	Hairpin	
47E	4711600	2	Washer 3/8	
48	1001244528	1	Platform Console Harness (See Separate Breakdown in ELECTRICAL Section)	

SECTION 5 - PLATFORM

ITEM	PART NUMBER	QTY	DESCRIPTION	REV
49	1001140525	1	Valve Harness - Platform to Boom Valves (Not Shown - See Separate Breakdown in ELECTRICAL Section)	
50	1001110434	1	Plug	
51	1001206532	1	Lamp, LED Indicator Yellow	

SECTION 5 - PLATFORM

FIGURE 5-10. CONSOLE ASSEMBLY



ART_1001245389_E

SECTION 5 - PLATFORM

FIGURE 5-10. CONSOLE ASSEMBLY

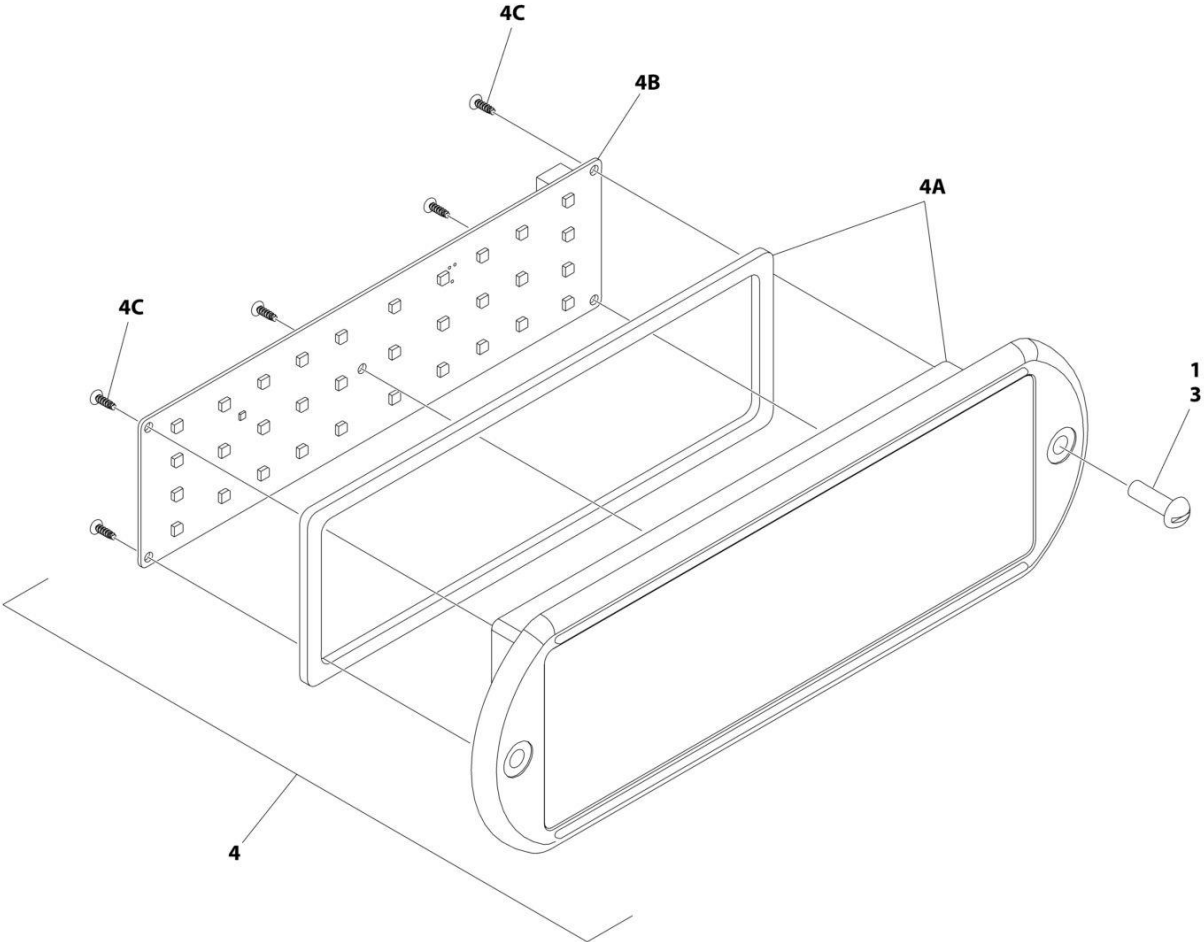
ITEM	PART NUMBER	QTY	DESCRIPTION	REV
	1001245389	Ref	CONSOLE ASSEMBLY - WITHOUT SKYGUARD	D
1	0100009	AR	Sealant	
2	0100035	AR	Compound, Locking	
4	0140011	1	Alarm	
5	0641405	4	Bolt 1/4 x 5/8	
6	0641414	4	Bolt 1/4 x 3/4	
7	1702565	1	Decal - Drive and Steer	
8	1702566	1	Decal - Lift and Swing	
9	1702567	1	Decal - Function Speed	
10	1001184626	1	Decal - Horn	
11	1704260	1	Decal - EMS	
12	2560136	1	Handle, Knob	
16	3520054	5	Plug, Hole	
17	3790012	8	O-Ring	
18	3900349	8	Capscrew M2.5	
19	4240099	AR	Tie-Strap (Not-Shown)	
20	4360387	2	Switch, Push-button	
21	4360407	1	Switch, Potentiometer	
22	1001274559	1	Switch, Emergency	
23	4360476	1	Block, Contact	
24	4460234	6	Mount, Tie-strap	
25	4460428	2	Connector, Strain Relief	
26	4460466	7	Plug, Terminal	
27	4460470	1	Nut, Terminal	
28	4460471	1	Washer, Terminal	
31	4460933	1	Plug, Male - 12 Position	
33	4751400	8	Washer 1/4	
34	3300353	4	Nut Tinnerman	
35	1001275628	1	Drive/Steer Controller Assembly	
36	1001117174	1	Footswitch Assembly (See Separate Breakdown in this Section)	
37	1001118412	1	Module, Platform (Note: Re-calibration Required when Replaced)	
38	1001184618	1	Decal - Stop	
39	1001155044	8	Nut 15/32	
40	1001155045	6	Switch, Toggle	
41	1001159256	1	Switch, Toggle	
42	1001161709	1	Switch, Toggle	
43	1001275629	1	Lift/Swing Controller Assembly	
44	1001172760	4	Bracket	
45	1001185281	1	Plug	
46	1001213882	1	Mount, Connector	
47	1001215228	1	Platform Console Box	
47A	0630568	1	Capscrew 3/8 x 4-1/2	
47B	3311601	1	Nut 3/8	
47C	3430616	2	Pin	
47D	3470003	2	Hairpin	
47E	4711600	2	Washer 3/8	
48	1001244528	1	Platform Console Harness (See Separate Breakdown in ELECTRICAL Section)	
49	1001140525	1	Valve Harness - Platform to Boom Valves (Not Shown - See Separate Breakdown in ELECTRICAL Section)	

SECTION 5 - PLATFORM

ITEM	PART NUMBER	QTY	DESCRIPTION	REV
50	1001110434	1	Plug	
51	1001206532	1	Lamp, LED Indicator Yellow	

SECTION 5 - PLATFORM

FIGURE 5-11. LIGHT PANEL INSTALLATION



ART_1001241400_C_2OF2

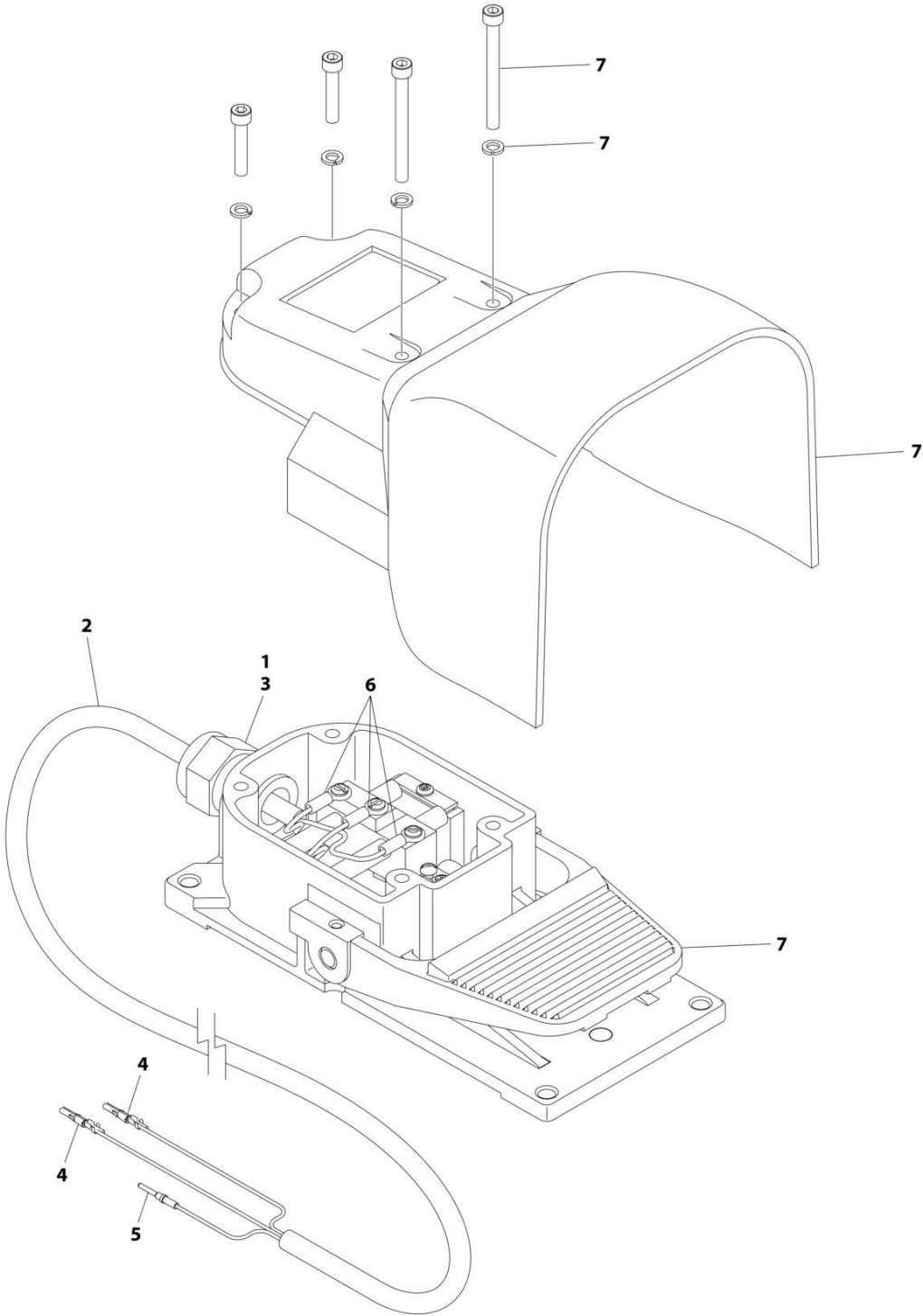
SECTION 5 - PLATFORM

FIGURE 5-11. LIGHT PANEL INSTALLATION

ITEM	PART NUMBER	QTY	DESCRIPTION	REV
	1001241400	Ref	LIGHT PANEL INSTALLATION - PLATFORM CONSOLE	C
1	0100035	AR	Compound, Locking	
3	0630518	2	Screw #10 x 3/4	
4	1001284583	1	Light Panel Assembly	
4A	1001284582	1	Lens, I-Con (Includes Gasket)	
4B	1001187807	1	Panel, LED Light	
4C		Ref	Screw #10 x 3/4	

SECTION 5 - PLATFORM

FIGURE 5-12. FOOTSWITCH ASSEMBLY



ART_100117174

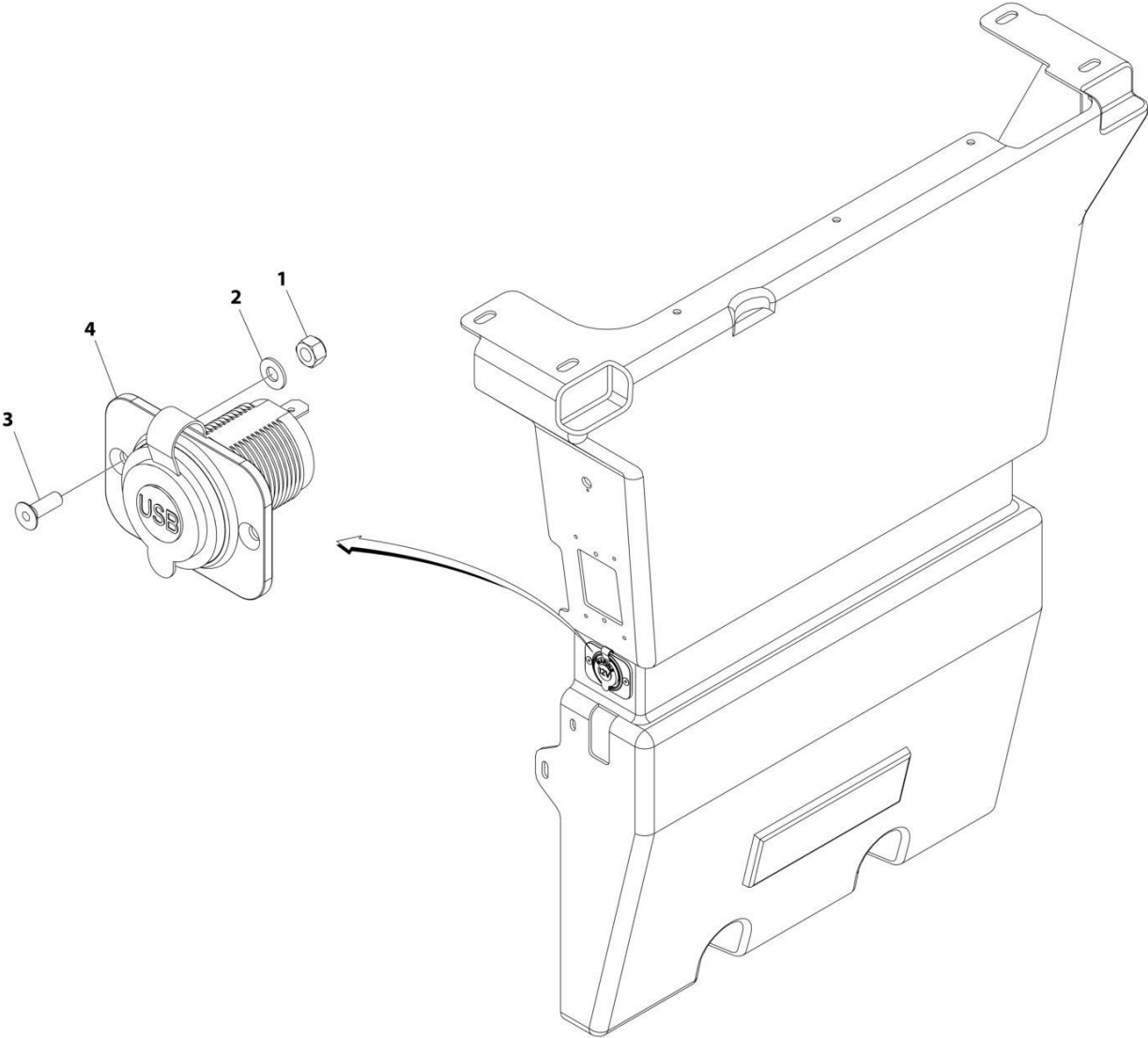
SECTION 5 - PLATFORM

FIGURE 5-12. FOOTSWITCH ASSEMBLY

ITEM	PART NUMBER	QTY	DESCRIPTION	REV
	1001117174	Ref	FOOTSWITCH ASSEMBLY	C
1	0100020	AR	Sealant	
2	1060918	7.5 ft/ 2.3m	Cable, Electrical - 18/3	
3	4460071	1	Connector, Strain Relief	
4	4460226	2	Socket, Female	
5	4460464	1	Pin, Male	
6	1001098122	3	Terminal	
7	1001117172	1	Footswitch	
7	70002902	1	Switch, 20Amp	
7	70002903	1	Gasket	
7	70002905	1	Cover	
7	70002904	1	Kit, Replacement Bolt	

SECTION 5 - PLATFORM

FIGURE 5-13. USB CHARGER INSTALLATION



ART_1001274828

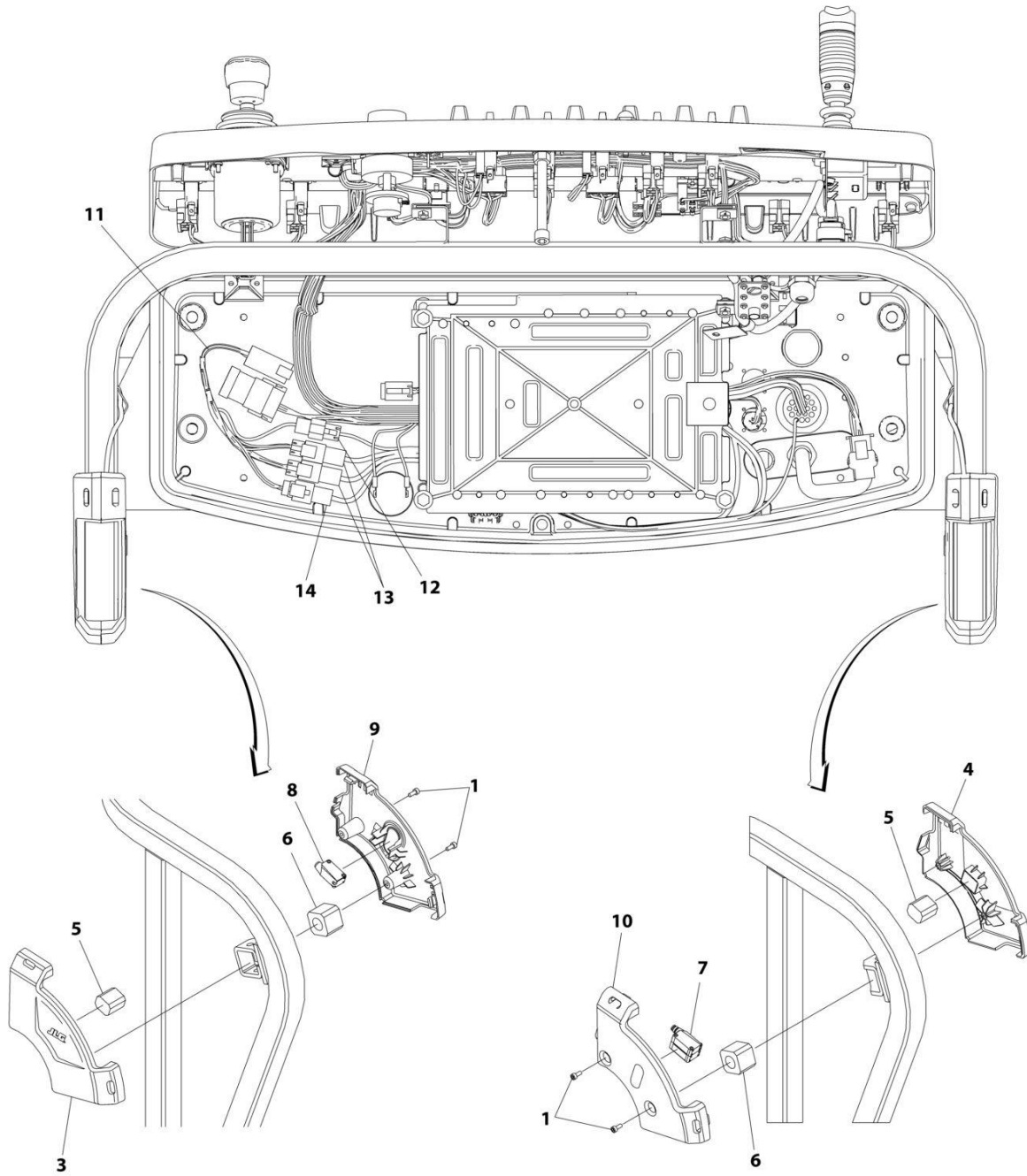
SECTION 5 - PLATFORM

FIGURE 5-13. USB CHARGER INSTALLATION

ITEM	PART NUMBER	QTY	DESCRIPTION	REV
	1001274828	Ref	USB CHARGER INSTALLATION	A
1	3290405	2	Nut M4	
2	4811400	2	Washer M4	
3	1001097244	2	Screw M4 x 12	
4	1001210636	1	Receptacle, USB	

SECTION 5 - PLATFORM

FIGURE 5-14. SKYEYE INSTALLATION



ART_1001229341

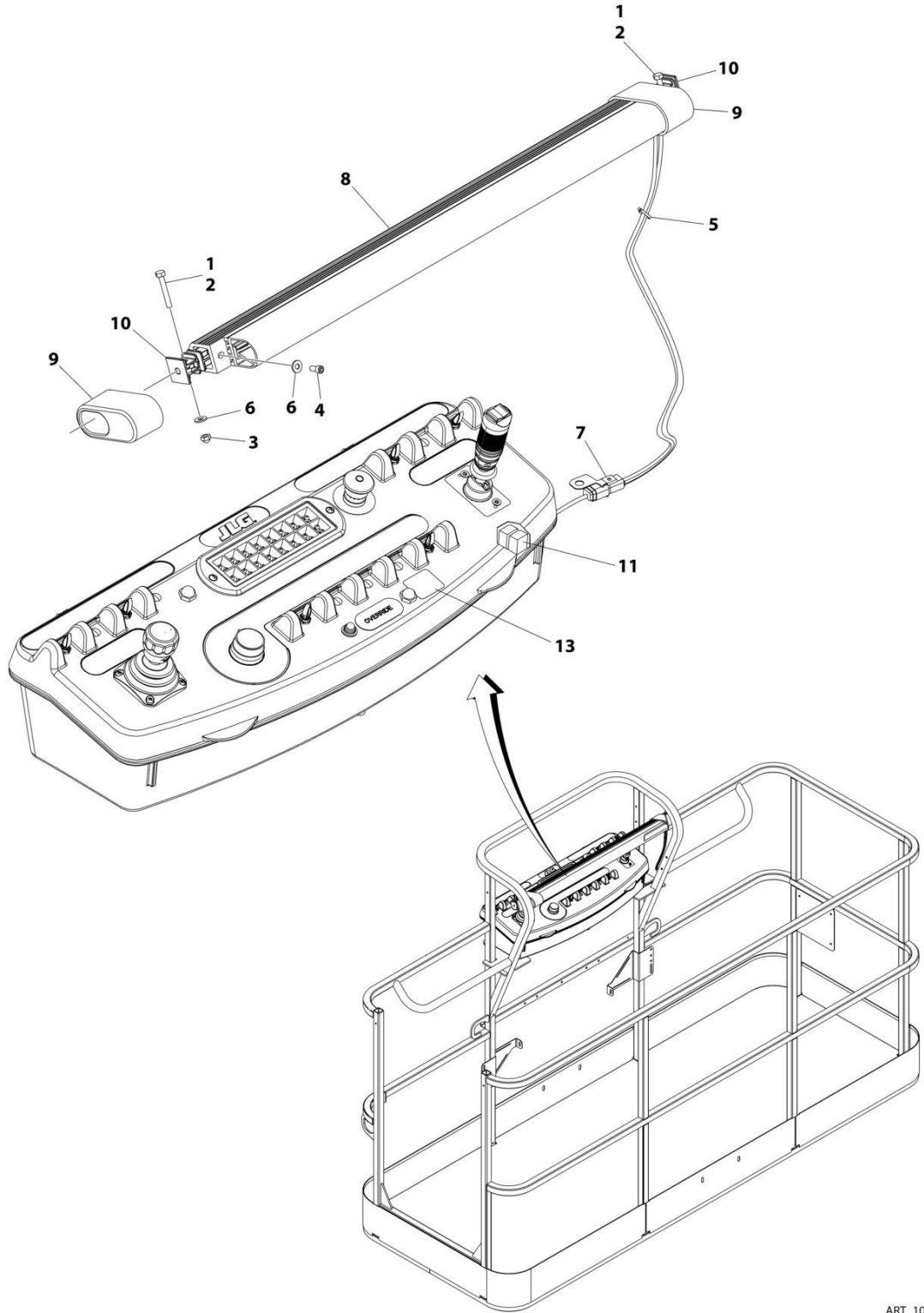
SECTION 5 - PLATFORM

FIGURE 5-14. SKYEYE INSTALLATION

ITEM	PART NUMBER	QTY	DESCRIPTION	REV
	1001229341	Ref	SKYEYE INSTALLATION	B
1	4031505	4	Bolt M4 x 10	
2	4240033	AR	Tie-Strap (Not Shown)	
3	1001227633	1	Housing, LH Outer	
4	1001227634	1	Housing, RH Outer	
5	1001227985	2	Shim	
6	1001227987	2	Shim	
7	1001228224	2	Sensor, Receiver	
8	1001228225	1	Sensor, Emitter	
9	1001232164	1	Housing, LH Inner	
10	1001232165	1	Housing, RH Inner	
11	1001237865	1	Harness, Skyeeye Intermediate (See Separate Breakdown in ELECTRICAL Section)	
12	1001238319	NLA	Harness, Skyeeye Drain Jumper	
12	1001187674	1	Plug, Male - 2 Position	
12	4460942	1	Terminal	
12	4460466	1	Plug, Terminal	
12	4460508	1	Pin, Male	
13	1001237863	2	Harness, Skyeeye Receiver (See Separate Breakdown in ELECTRICAL Section)	
14	1001237864	1	Harness, Skyeeye Emitter (See Separate Breakdown in ELECTRICAL Section)	

SECTION 5 - PLATFORM

FIGURE 5-15. SKYGUARD BAR INSTALLATION



ART_1001238495

SECTION 5 - PLATFORM

FIGURE 5-15. SKYGUARD BAR INSTALLATION

ITEM	PART NUMBER	QTY	DESCRIPTION	REV
	1001238495	Ref	SKYGUARD BAR INSTALLATION	A
1	0100011	AR	Compound, Locking	
2	0641414	2	Bolt 1/4 x 1-3/4	
3	3300430	2	Nut 1/4	
4	3931408	2	Capscrew 1/4 x 1/2	
5	4240033	8	Tie-Strap	
6	4711400	6	Washer 1/4	
7	1001120328	1	Mount	
8	1001137673	1	SkyGuard Switch Assembly	
9	1001186517	2	Cover, Platform Sensor	
10	1001209664	2	Support, Block	
11	1001186431	2	Relay	
12	1001225580	1	Interface Harness Assembly (Not Shown - Located Inside Console Box) (See Separate Breakdown in ELECTRICAL Section)	
13	1001144433	1	Decal - No Weight SkyGuard	

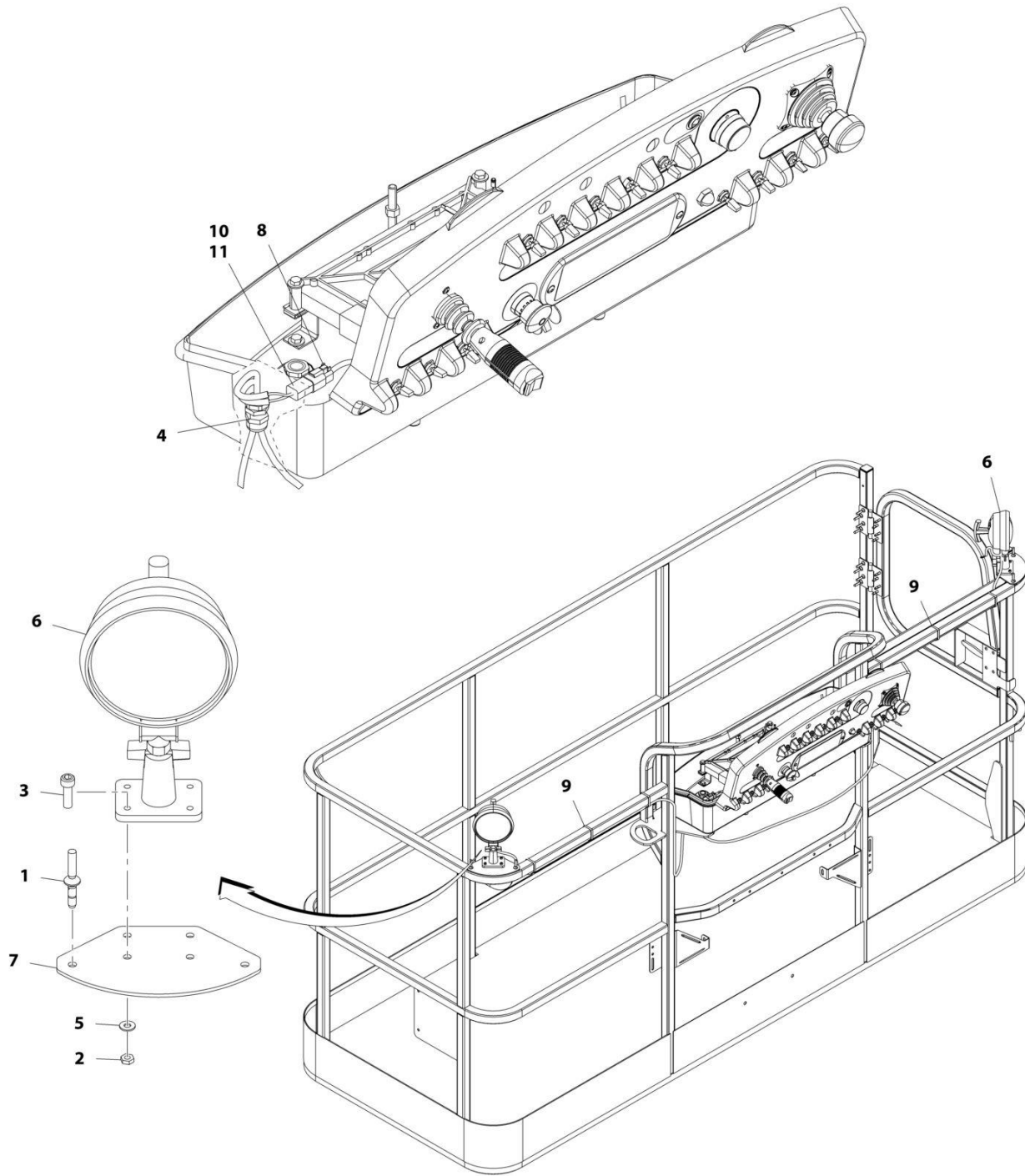
SECTION 5 - PLATFORM

FIGURE 5-16. SKYLINE INSTALLATION

ITEM	PART NUMBER	QTY	DESCRIPTION	REV
	1001238559	Ref	SKYLINE INSTALLATION	D
1	0641404	2	Bolt 1/4 x 1/2	
2	0641405	2	Bolt 1/4 x 5/8	
3	3311405	2	Nut 1/4	
4	3311601	2	Nut 3/8	
5	4031516	2	Capscrew M4 x 60	
6	4240033	AR	Tie-Strap (Not Shown)	
7	4711400	4	Washer 1/4	
8	1001120328	1	Mount	
9	1001232642	1	Bracket	
11	1001232667	1	Sensor, Proximity	
14	1001236552	1	Block	
15	1001238418	1	Harness, Skyline (See Separate Breakdown in ELECTRICAL Section)	
16	1001238472	1	Mount	
17	1001254473	1	Housing, LH	
18	1001241965	1	Housing, RH	
19	1001254472	1	Rod	
20	0100011	AR	Compound, Locking	

SECTION 5 - PLATFORM

FIGURE 5-17. WORKLIGHTS INSTALLATION (OPTIONAL)



ART_1001120466

SECTION 5 - PLATFORM

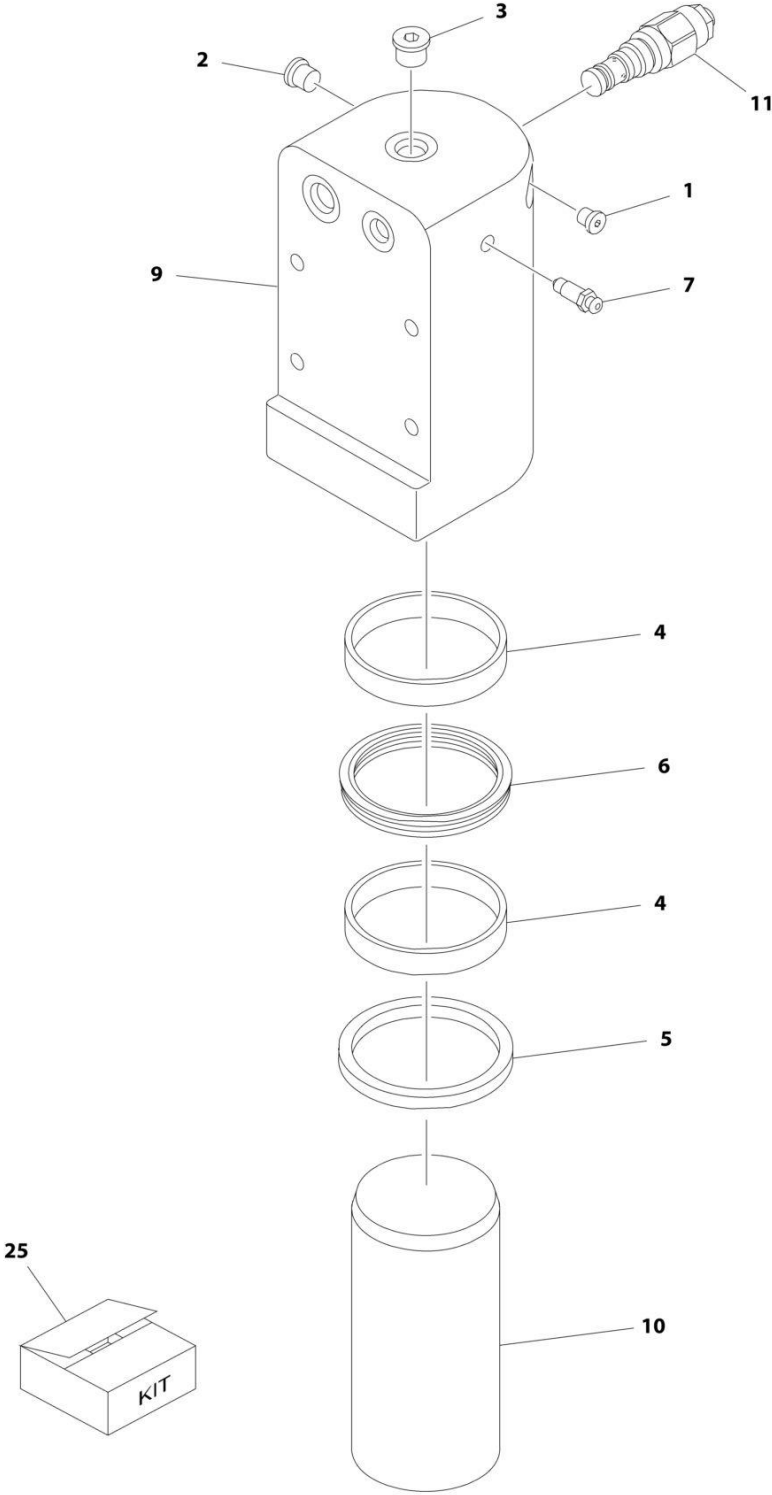
FIGURE 5-17. WORKLIGHTS INSTALLATION (OPTIONAL)

ITEM	PART NUMBER	QTY	DESCRIPTION	REV
	1001120466	Ref	WORKLIGHTS INSTALLATION (OPTIONAL)	A
1	2080040	4	Fastener, Huck	
2	3311005	8	Nut #10	
3	3931010	8	Capscrew #10 x 5/8	
4	4460428	1	Connector, Strain Relief	
5	4751000	8	Washer #10	
6	1001120474	2	Worklight Assembly	
7	1001120476	2	Plate, Mounting	
8	1001120484	1	Harness, Worklight	
9	4240099	AR	Tie-Strap	
10	4460464	4	Pin, Male Deutsch 16Ga	
11	4460932	1	Receptacle, Female - 4 Position	

SECTION 6 - CYLINDER

SECTION 6 - CYLINDER

FIGURE 6-1. AXLE LOCKOUT CYLINDER ASSEMBLY



ART_1001116361

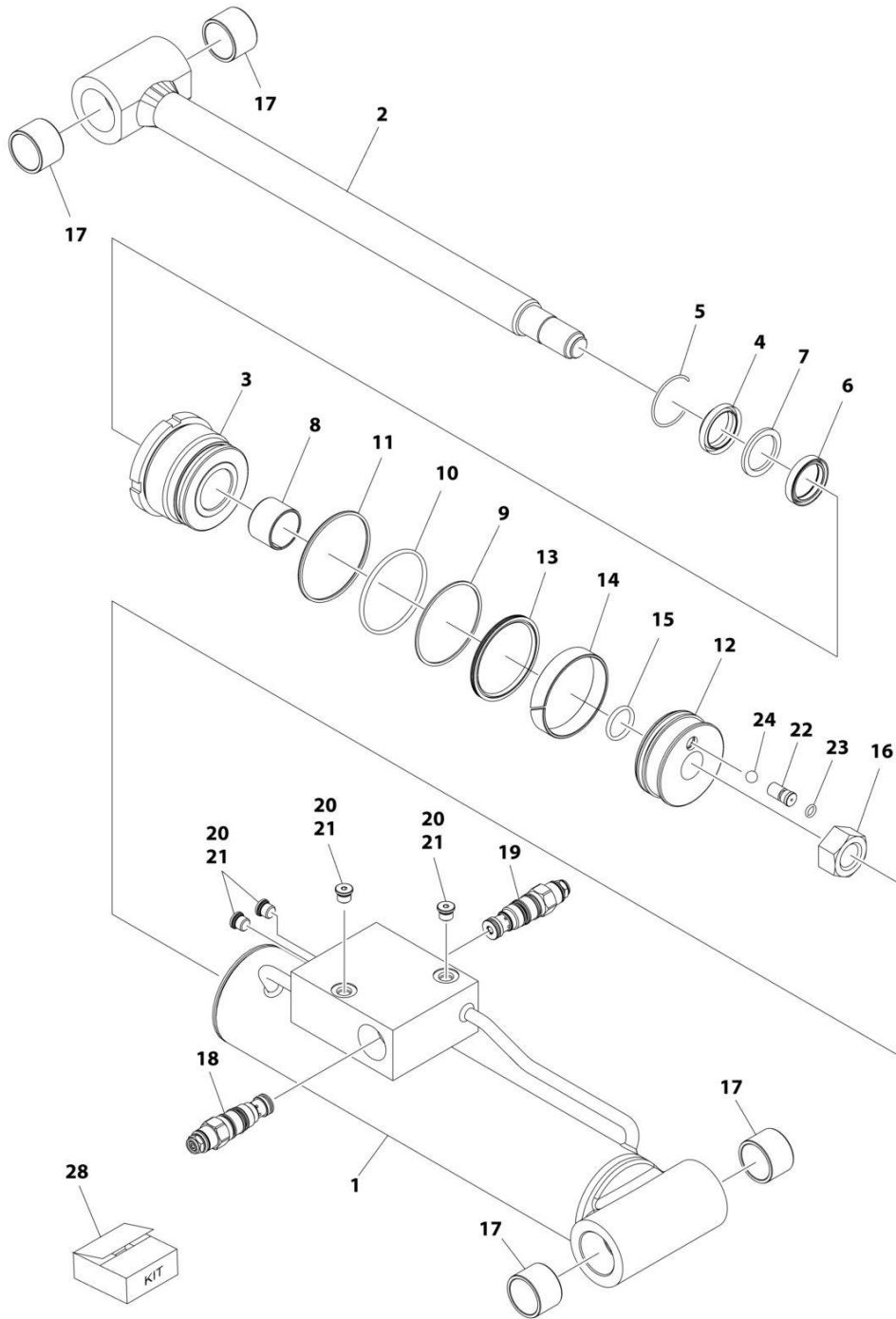
SECTION 6 - CYLINDER

FIGURE 6-1. AXLE LOCKOUT CYLINDER ASSEMBLY

ITEM	PART NUMBER	QTY	DESCRIPTION	REV
	1001116361	Ref	AXLE LOCKOUT CYLINDER ASSEMBLY	G
		Ref	Note: Original Cylinder May Have Been Replaced with Service Replacement. Identify PN Stamped on Cylinder Before Ordering Parts.	
1	2220881	1	Plug, O-Ring	
2	2220883	1	Plug, O-Ring	
3	2220885	1	Plug, O-Ring	
4	See Note	NSS	Ring, Wear (Note: Use Item 25)	
5	See Note	NSS	Wiper (Note: Use Item 25)	
6	See Note	NSS	Seal, Rod (Note: Use Item 25)	
7	4640858	1	Bleeder	
9	1001117365	1	Barrel	
10	1001117366	1	Rod	
11	1001117372	1	Cartridge, Valve	
11	70002842	1	Seal Kit - 1001117372 Valve	
25	1001116378	1	Seal Kit (Includes Items 4-6)	

SECTION 6 - CYLINDER

FIGURE 6-2. LEVEL (PLATFORM SLAVE) CYLINDER ASSEMBLY



ART_1001225990

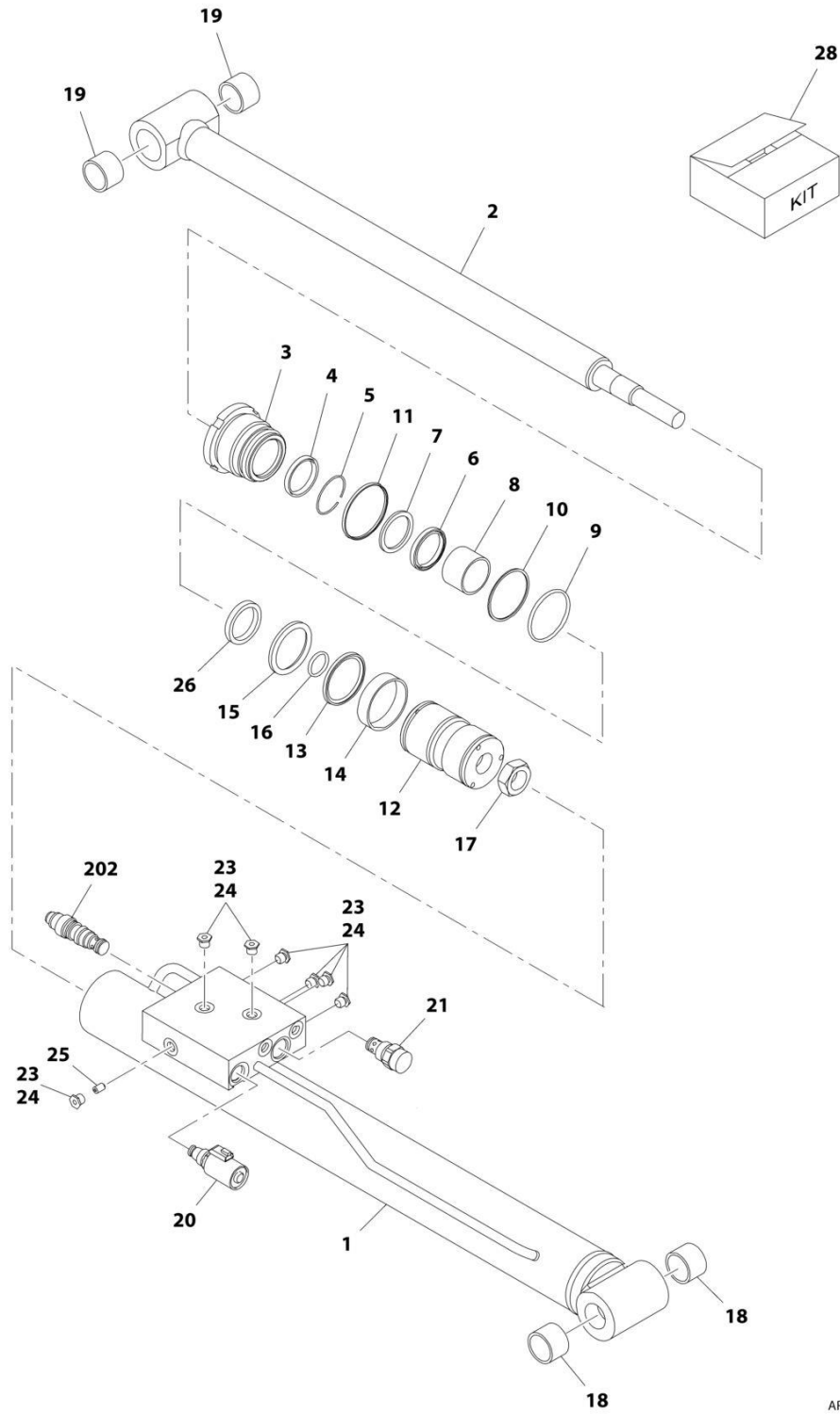
SECTION 6 - CYLINDER

FIGURE 6-2. LEVEL (PLATFORM SLAVE) CYLINDER ASSEMBLY

ITEM	PART NUMBER	QTY	DESCRIPTION	REV
	1001225990	Ref	LEVEL (PLATFORM SLAVE) CYLINDER ASSEMBLY	B
		Ref	Note: Original Cylinder may have been replaced with Service Replacement. Identify PN Stamped on Cylinder Before Ordering Parts.	
1	70003131	1	Barrel	
2	70003132	1	Rod	
3	70003085	1	Head	
4	See Note	NSS	Wiper (Note: Use Item 28)	
5	70002366	1	Ring, Retaining	
6	See Note	NSS	Seal, Rod (Note: Use Item 28)	
7	See Note	NSS	Ring, Back-up (Note: Use Item 28)	
8	70005695	1	Bearing	
9	See Note	NSS	O-Ring (Note: Use Item 28)	
10	See Note	NSS	Ring, Back-up (Note: Use Item 28)	
11	See Note	NSS	O-Ring (Note: Use Item 28)	
12	70003133	1	Piston	
13	See Note	NSS	Seal, Piston (Note: Use Item 28)	
14	See Note	NSS	Ring, Wear (Note: Use Item 28)	
15	See Note	NSS	Ring, Wear (Note: Use Item 28)	
16	70002335	1	Nut	
17	0961951	4	Bushing, Garmax	
18	70002413	1	Cartridge, Valve	
18	2900770	1	Seal Kit - 70002413 Valve	
19	1001168210	1	Cartridge, Valve	
19	2900770	1	Seal Kit - 1001168210 Valve	
20	2220883	4	Plug	
21	See Note	NSS	O-Ring (Note: Not Available - Purchase Locally)	
22	70005973	1	Valve Seat	
23	70005974	1	O-Ring	
24	70006353	1	Steel Ball	
28	70003134	1	Seal Kit (Includes Items 4, 6, 7, 9, 10, 11, 13, 14 & 15)	
100		Ref	REPAIR TOOLS (NOT SHOWN)	
100	70003089	1	Press, Wiper	
100	70003090	1	Press, Bushing (Use with Rod Bearing)	
100	70003091	1	Tool, Bushing Removal (Use with Rod Bearing)	
100	70003092	1	Tool, Head Seal Protection	
100	70003081	1	Tool, Piston Seal Protection	
100	70003093	1	Press, Bushing (Use with Pin Mounting Bushings)	
100	70003094	1	Tool, Bushing Removal (Use with Pin Mounting Bushings)	

SECTION 6 - CYLINDER

FIGURE 6-3. LIFT (JIB) CYLINDER ASSEMBLY



ART_1001123004

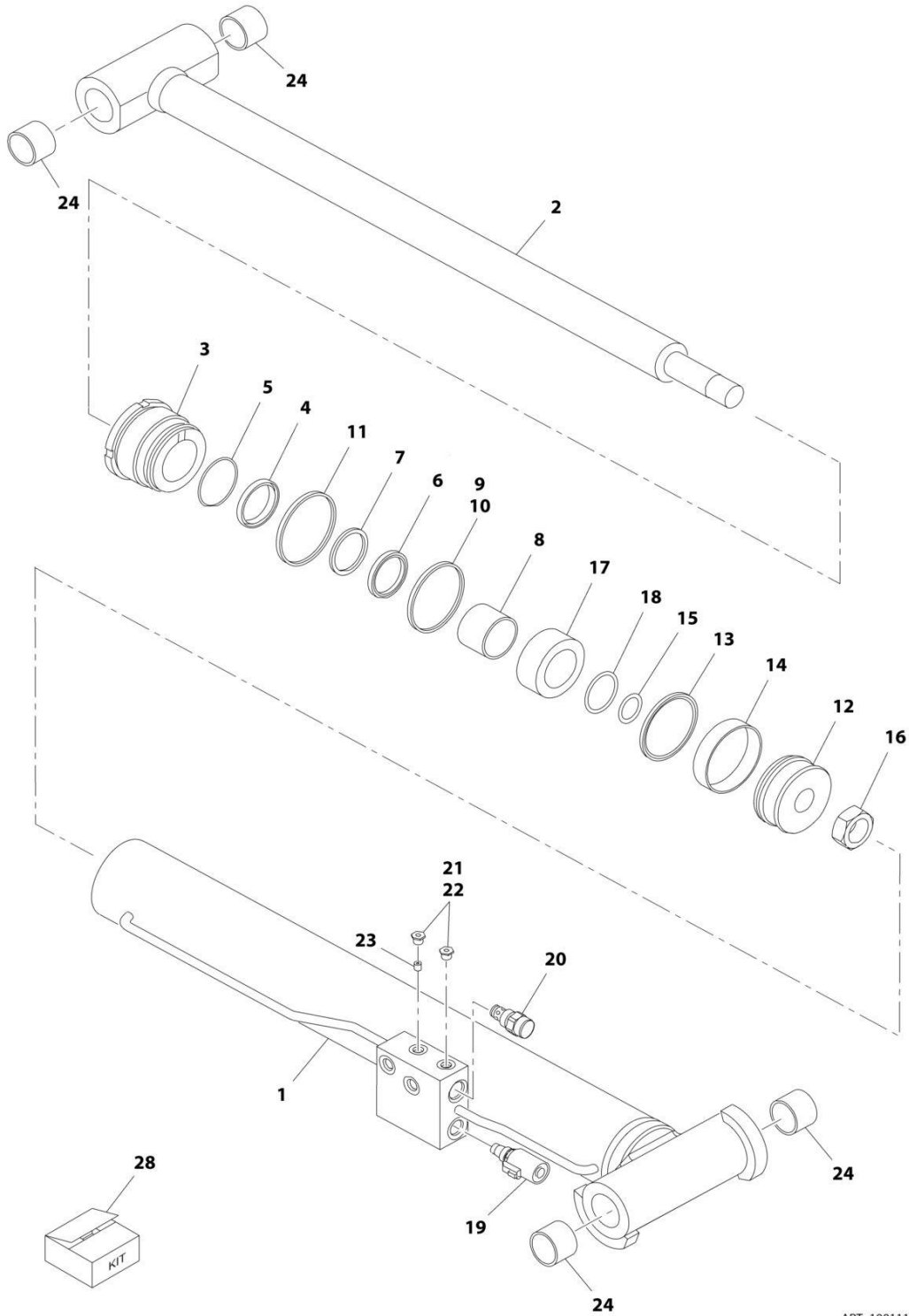
SECTION 6 - CYLINDER

FIGURE 6-3. LIFT (JIB) CYLINDER ASSEMBLY

ITEM	PART NUMBER	QTY	DESCRIPTION	REV
	1001123004	Ref	LIFT (JIB) CYLINDER ASSEMBLY	D
		Ref	Note: Original Cylinder may have been replaced with Service Replacement. Identify PN Stamped on Cylinder Before Ordering Parts.	
1	70003122	1	Barrel	
2	70002375	1	Rod	
3	70003123	1	Head	
4	See Note	NSS	Wiper (Note: Use Item 28)	
5	70002373	1	Ring, Retaining	
6	See Note	NSS	Seal, Rod (Note: Use Item 28)	
7	See Note	NSS	Ring, Back-up (Note: Use Item 28)	
8	70002372	1	Bearing	
9	See Note	NSS	O-Ring (Note: Use Item 28)	
10	See Note	NSS	Ring, Back-up (Note: Use Item 28)	
11	See Note	NSS	O-Ring (Note: Use Item 28)	
12	70003124	1	Piston	
13	70003125	1	Seal, Piston	
14	See Note	NSS	Ring, Wear (Note: Use Item 28)	
15	See Note	NSS	O-Ring (Note: Use Item 28)	
16	See Note	NSS	Ring, Piston (Note: Use Item 28)	
17	70002335	1	Nut	
18	70003118	2	Bushing	
19	0961951	2	Bushing, Garmax (was p/n 70003087)	
20	7024884	1	Cartridge, Solenoid Valve	
20	7012967	1	Seal Kit - 7024884 Valve	
20	70002386	1	Coil	
21	70003076	1	Cartridge, Check Valve	
21	7017496	1	Seal Kit - 70003076 Valve	
23	70023370	7	Plug	
24	See Note	7	O-Ring (Note: Not Available - Purchase Locally)	
25	70002334	1	Orifice	
26	70003453	1	Spacer	
28	70003125	1	Seal Kit (Includes Items 4, 6, 7, 9, 10, 11, 13, 14, 15 & 16)	
100		Ref	REPAIR TOOLS (NOT SHOWN)	
100	70003126	1	Press, Wiper	
100	70003127	1	Press, Bushing (Use with Rod Bearing)	
100	70003128	1	Tool, Bushing Removal (Use with Rod Bearing)	
100	70003129	1	Tool, Head Seal Protection	
100	70003130	1	Tool, Piston Seal Protection	
100	70003093	1	Press, Bushing (Use with Pin Mounting Bushings)	
100	70003094	1	Tool, Bushing Removal (Use with Pin Mounting Bushings)	
	1001199460	Ref	JIB LIFT CYLINDER ASSEMBLY	A
202	1001199306	1	Cartridge, Counter Balance Valve	
202	2900770	1	Seal Kit - 1001199306 Valve	

SECTION 6 - CYLINDER

FIGURE 6-4. LIFT (MAIN BOOM) CYLINDER ASSEMBLY



ART_1001117640

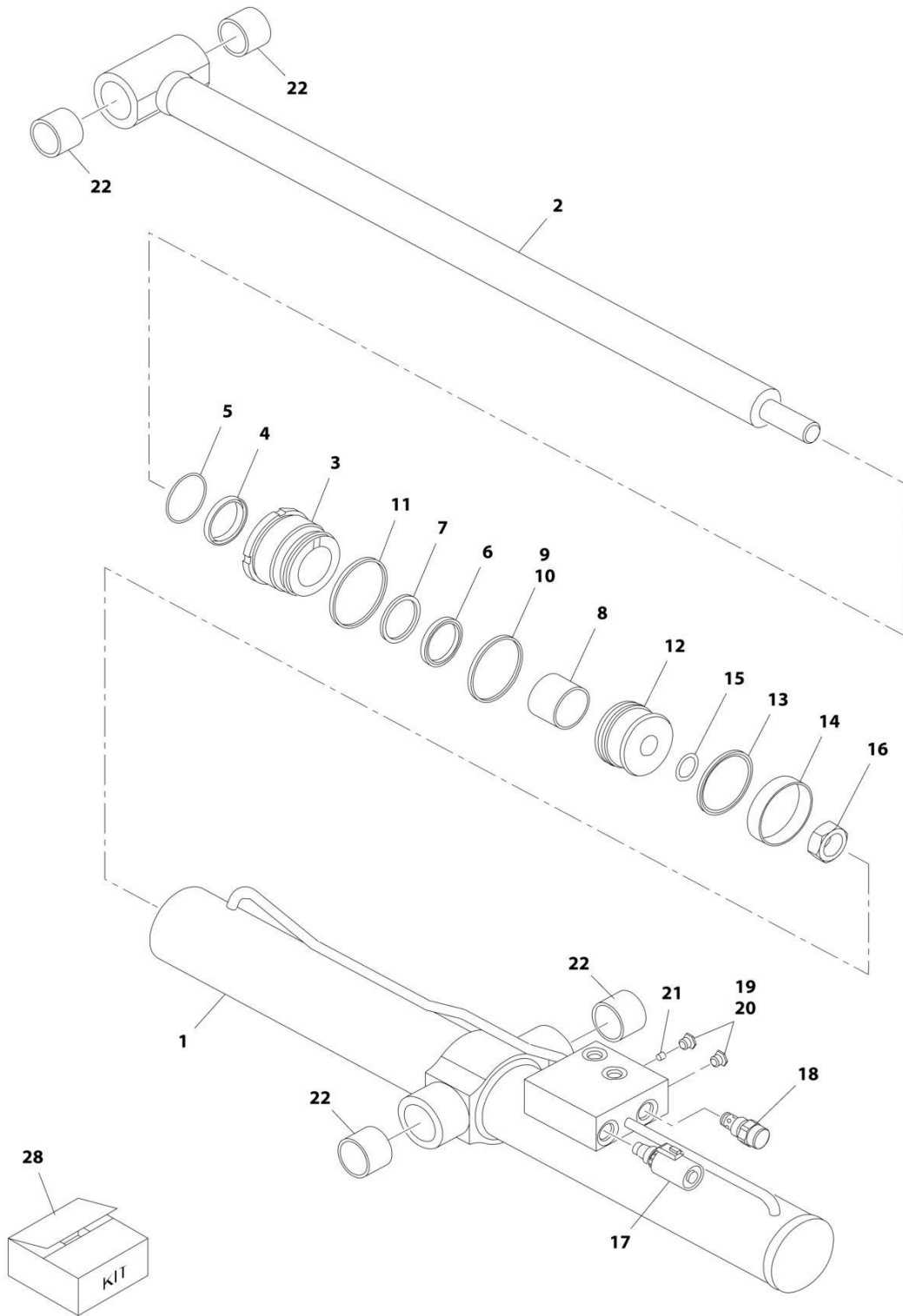
SECTION 6 - CYLINDER

FIGURE 6-4. LIFT (MAIN BOOM) CYLINDER ASSEMBLY

ITEM	PART NUMBER	QTY	DESCRIPTION	REV
	1001117640	Ref	MAIN BOOM LIFT CYLINDER ASSEMBLY	H
		Ref	Note: Original Cylinder May Have Been Replaced with Service Replacement. Identify PN Stamped on Cylinder Before Ordering Parts.	
1	70003103	1	Barrel	
2	70003104	1	Rod	
3	70003105	1	Head	
4	See Note	NSS	Wiper (Note: Use Item 28)	
5	70002412	1	Ring, Retaining	
6	See Note	NSS	Seal, Rod (Note: Use Item 28)	
7	See Note	NSS	Ring, Back-up (Note: Use Item 28)	
8	70022565	1	Bearing	
9	See Note	NSS	O-Ring (Note: Use Item 28)	
10	See Note	NSS	Ring, Back-up (Note: Use Item 28)	
11	See Note	NSS	O-Ring (Note: Use Item 28)	
12	70003106	1	Piston	
13	See Note	NSS	Seal, Piston (Note: Use Item 28)	
14	See Note	NSS	Ring, Wear (Note: Use Item 28)	
15	See Note	NSS	O-Ring (Note: Use Item 28)	
16	70002335	1	Nut	
17	70002344	1	Spacer	
18	See Note	NSS	O-Ring (Note: Use Item 28)	
19	7024884	1	Cartridge, Solenoid Valve	
19	7012967	1	Seal Kit - 7024884 Valve	
19	70002386	1	Coil	
20	70003076	1	Cartridge, Check Valve	
20	7017496	1	Seal Kit - 70003076 Valve	
21	70023370	7	Plug	
22	See Note	7	O-Ring (Note: Not Available - Purchase Locally)	
23	70002334	1	Orifice	
24	0961948	2	Bushing, Garmax (was p/n 70003107)	
28	70003108	1	Seal Kit (Includes Items 4, 6, 7, 9, 10, 11, 13, 14, 15 & 18)	
100		Ref	REPAIR TOOLS (NOT SHOWN)	
100	70003109	1	Press, Wiper	
100	70003110	1	Press, Bushing (Use with Rod Bearing)	
100	70003111	1	Tool, Bushing Removal (Use with Rod Bearing)	
100	70003112	1	Tool, Head Seal Protection	
100	70003113	1	Tool, Piston Seal Protection	
100	70003082	1	Press, Bushing (Use with Pin Mounting Bushings)	
100	70003083	1	Tool, Bushing Removal (Use with Pin Mounting Bushings)	

SECTION 6 - CYLINDER

FIGURE 6-5. LIFT (TOWER BOOM) CYLINDER ASSEMBLY



ART_1001122527

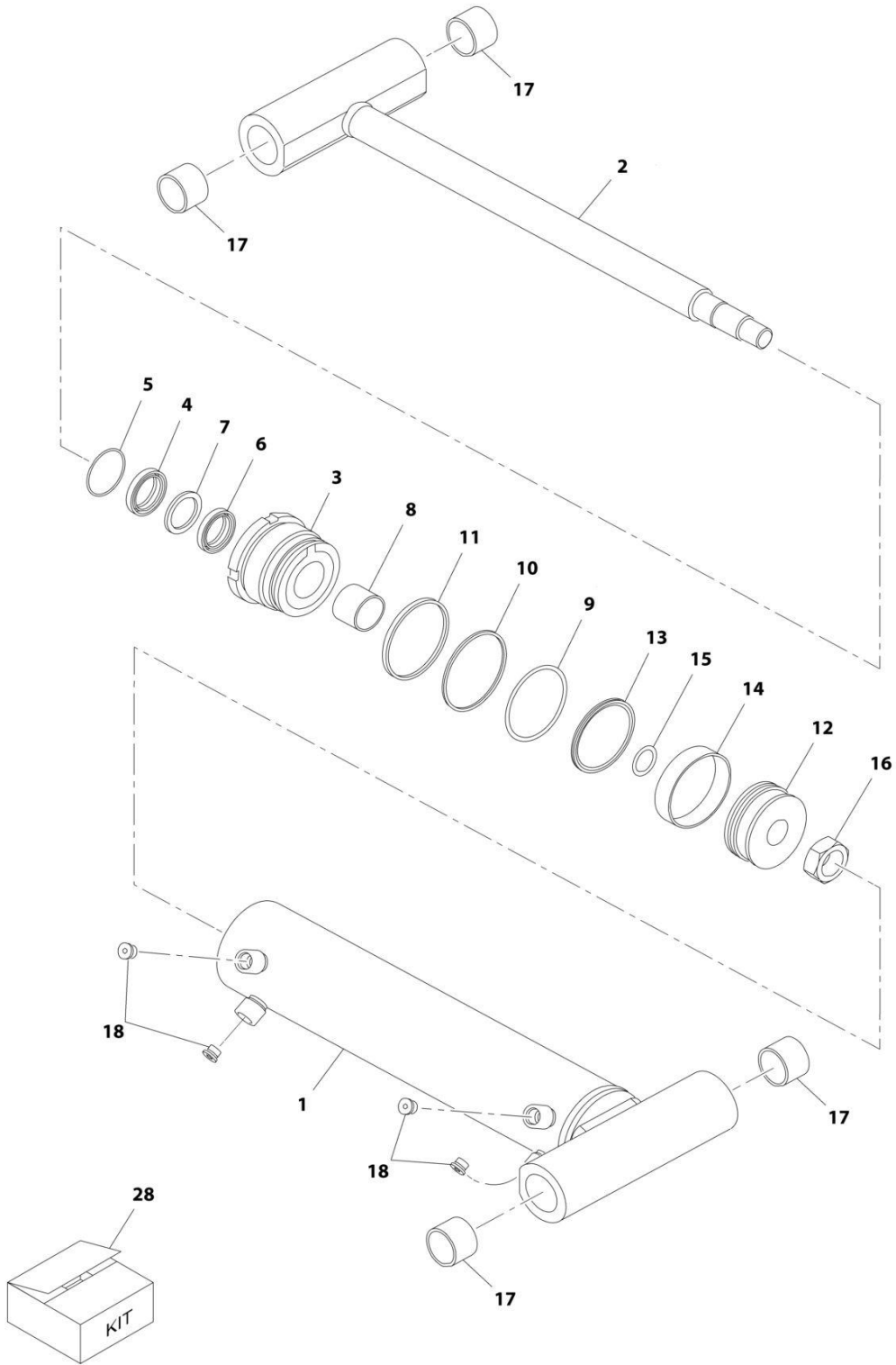
SECTION 6 - CYLINDER

FIGURE 6-5. LIFT (TOWER BOOM) CYLINDER ASSEMBLY

ITEM	PART NUMBER	QTY	DESCRIPTION	REV
	1001122527	Ref	LIFT (TOWER BOOM) CYLINDER ASSEMBLY	D
		Ref	Note: Original Cylinder may have been replaced with Service Replacement. Identify PN Stamped on Cylinder Before Ordering Parts.	
1	70003071	1	Barrel	
2	70003072	1	Rod	
3	70003073	1	Head	
4	See Note	NSS	Wiper (Note: Use Item 28)	
5	70002410	1	Ring, Retaining	
6	See Note	NSS	Seal, Rod (Note: Use Item 28)	
7	See Note	NSS	Ring, Back-up (Note: Use Item 28)	
8	70002337	1	Bearing	
9	See Note	NSS	O-Ring (Note: Use Item 28)	
10	See Note	NSS	Ring, Back-up (Note: Use Item 28)	
11	See Note	NSS	O-Ring (Note: Use Item 28)	
12	70003074	1	Piston	
13	See Note	NSS	Seal, Piston (Note: Use Item 28)	
14	See Note	NSS	Ring, Wear (Note: Use Item 28)	
15	See Note	NSS	O-Ring (Note: Use Item 28)	
16	70002335	1	Nut	
17	7024884	1	Cartridge, Solenoid Valve	
17	7012967	1	Seal Kit - 7024884 Valve	
17	70002386	1	Coil	
18	70003076	1	Cartridge, Check Valve	
18	7017496	1	Seal Kit - 70003076 Valve	
19	70023370	2	Plug	
20	See Note	2	O-Ring (Note: Not Available - Purchase Locally)	
21	70002334	1	Orifice	
22	0961948	4	Bushing, Garmax (was p/n 70003107)	
28	70003075	1	Seal Kit (Includes Items 4, 6, 7, 9, 10, 11, 13, 14 & 15)	
100		Ref	REPAIR TOOLS (NOT SHOWN)	
100	70003077	1	Press, Wiper	
100	70003078	1	Press, Bushing (Use with Rod Bearing)	
100	70003079	1	Tool, Bushing Removal (Use with Rod Bearing)	
100	70003080	1	Tool, Head Seal Protection	
100	70003081	1	Tool, Piston Seal Protection	
100	70003082	1	Press, Bushing (Use with Pin Mounting Bushings)	
100	70003083	1	Tool, Bushing Removal (Use with Pin Mounting Bushings)	

SECTION 6 - CYLINDER

FIGURE 6-6. MASTER CYLINDER ASSEMBLY



ART_1001120976

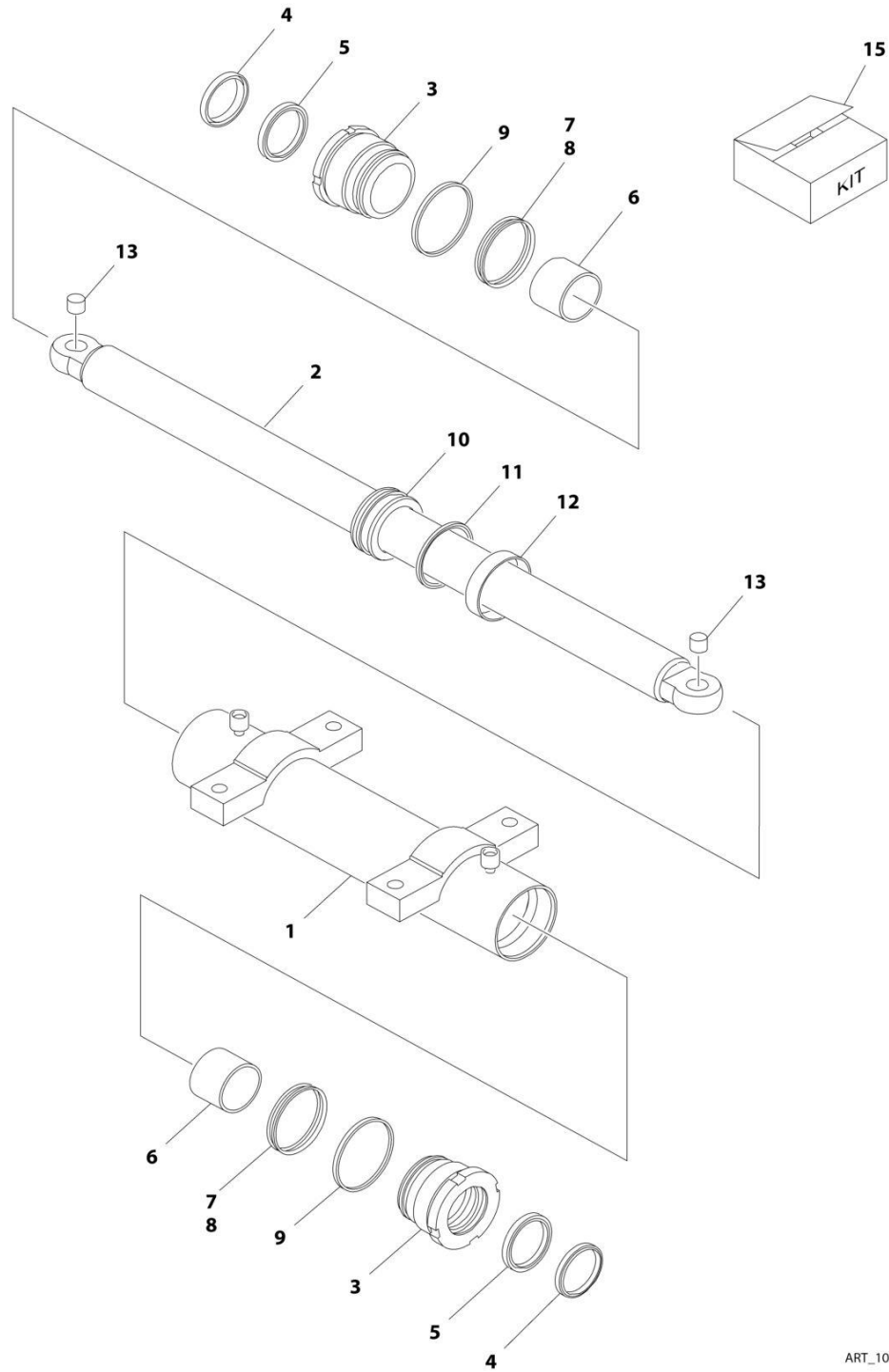
SECTION 6 - CYLINDER

FIGURE 6-6. MASTER CYLINDER ASSEMBLY

ITEM	PART NUMBER	QTY	DESCRIPTION	REV
	1001120976	Ref	MASTER CYLINDER ASSEMBLY	B
		Ref	Note: Original Cylinder may have been replaced with Service Replacement. Identify PN Stamped on Cylinder Before Ordering Parts.	
1	70003084	1	Barrel	
2	70002354	1	Rod	
3	70003085	1	Head	
4	See Note	NSS	Wiper (Note: Use Item 28)	
5	70002366	1	Ring, Retaining	
6	See Note	NSS	Seal, Rod (Note: Use Item 28)	
7	See Note	NSS	Ring, Back-up (Note: Use Item 28)	
8	70002352	1	Bearing	
9	See Note	NSS	O-Ring (Note: Use Item 28)	
10	See Note	NSS	Ring, Back-up (Note: Use Item 28)	
11	See Note	NSS	O-Ring (Note: Use Item 28)	
12	70003086	1	Piston	
13	See Note	NSS	Seal, Piston (Note: Use Item 28)	
14	See Note	NSS	Ring, Wear (Note: Use Item 28)	
15	See Note	NSS	O-Ring (Note: Use Item 28)	
16	70002335	1	Nut	
17	0961951	4	Bushing, Garmax (was p/n 70003087)	
18	70023371	4	Plug	
28	70003088	1	Seal Kit (Includes Items 4, 6, 7, 9, 10, 11, 13, 14 & 15)	
100		Ref	REPAIR TOOLS (NOT SHOWN)	
100	70003089	1	Press, Wiper	
100	70003090	1	Press, Bushing (Use with Rod Bearing)	
100	70003091	1	Tool, Bushing Removal (Use with Rod Bearing)	
100	70003092	1	Tool, Head Seal Protection	
100	70003081	1	Tool, Piston Seal Protection	
100	70003093	1	Press, Bushing (Use with Pin Mounting Bushings)	
100	70003094	1	Tool, Bushing Removal (Use with Pin Mounting Bushings)	

SECTION 6 - CYLINDER

FIGURE 6-7. STEER CYLINDER ASSEMBLY



ART_1001116788

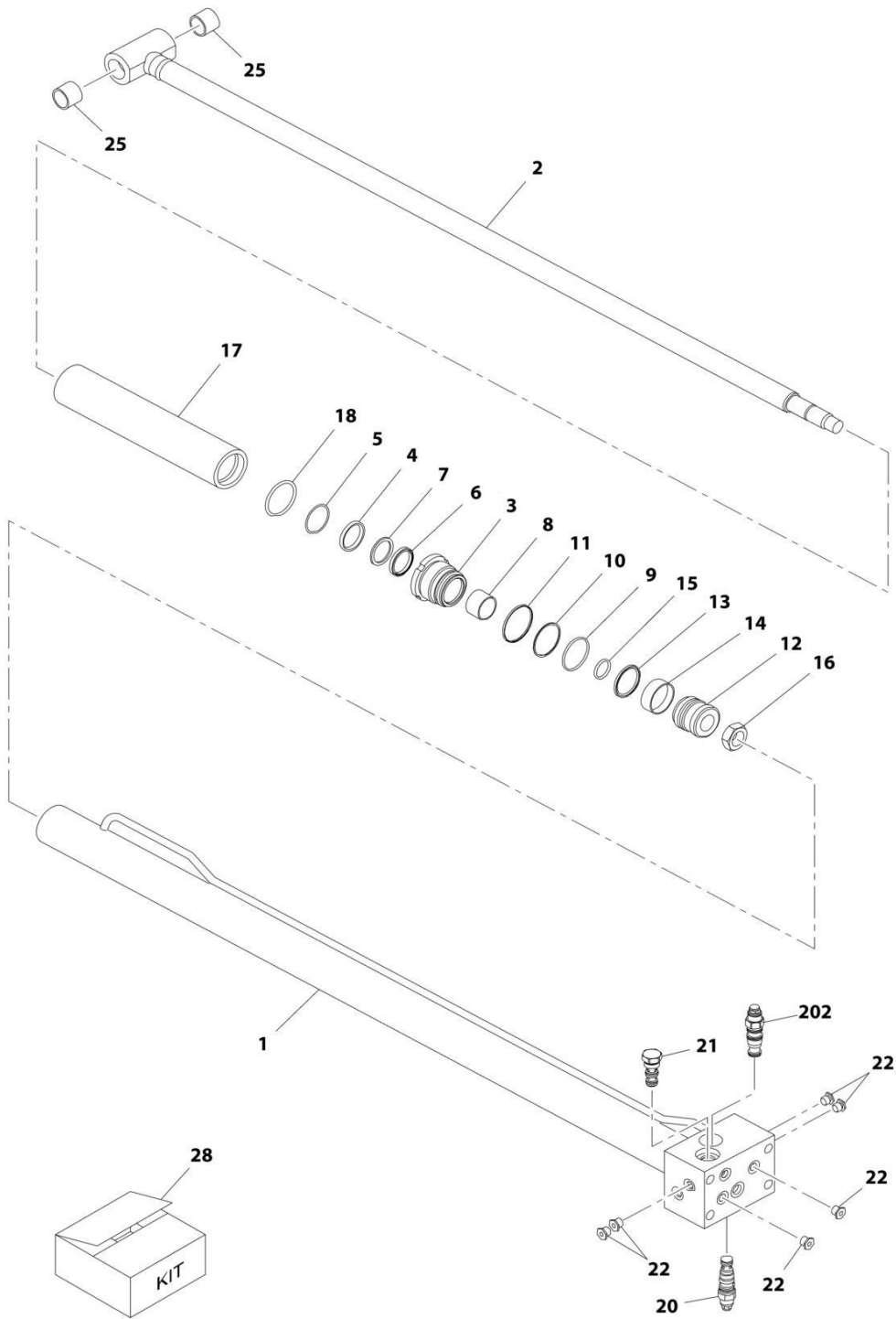
SECTION 6 - CYLINDER

FIGURE 6-7. STEER CYLINDER ASSEMBLY

ITEM	PART NUMBER	QTY	DESCRIPTION	REV
	1001116788	Ref	STEER CYLINDER ASSEMBLY	C
		Ref	Note: Original Cylinder may have been replaced with Service Replacement. Identify PN Stamped on Cylinder Before Ordering Parts.	
1	70003095	1	Barrel	
2	70003096	1	Rod	
3	70003098	2	Head	
4	See Note	NSS	Wiper (Note: Use Item 15)	
5	See Note	NSS	Seal, Rod (Note: Use Item 15)	
6	70002337	2	Bearing	
7	See Note	NSS	O-Ring (Note: Use Item 15)	
8	See Note	NSS	Ring, Back-up (Note: Use Item 15)	
9	See Note	NSS	O-Ring (Note: Use Item 15)	
10	70003097	1	Piston	
11	See Note	NSS	Seal, Piston (Note: Use Item 15)	
12	See Note	NSS	Ring, Wear (Note: Use Item 15)	
13	70002380	4	Bushing, Garmax	
15	70003099	1	Seal Kit (Includes Items 4, 5, 7, 8, 9, 11 & 12)	
100		Ref	REPAIR TOOLS (NOT SHOWN)	
100	70003077	1	Press, Wiper	
100	70003078	1	Press, Bushing (Use with Rod Bearing)	
100	70003079	1	Tool, Bushing Removal (Use with Rod Bearing)	
100	70003080	1	Tool, Head Seal Protection	
100	70003100	1	Tool, Piston Seal Protection	
100	70003101	1	Press, Bushing (Use with Pin Mounting Bushings)	
100	70003102	1	Tool, Bushing Removal (Use with Pin Mounting Bushings)	

SECTION 6 - CYLINDER

FIGURE 6-8. TELESCOPE CYLINDER ASSEMBLY



ART_1001120974

SECTION 6 - CYLINDER

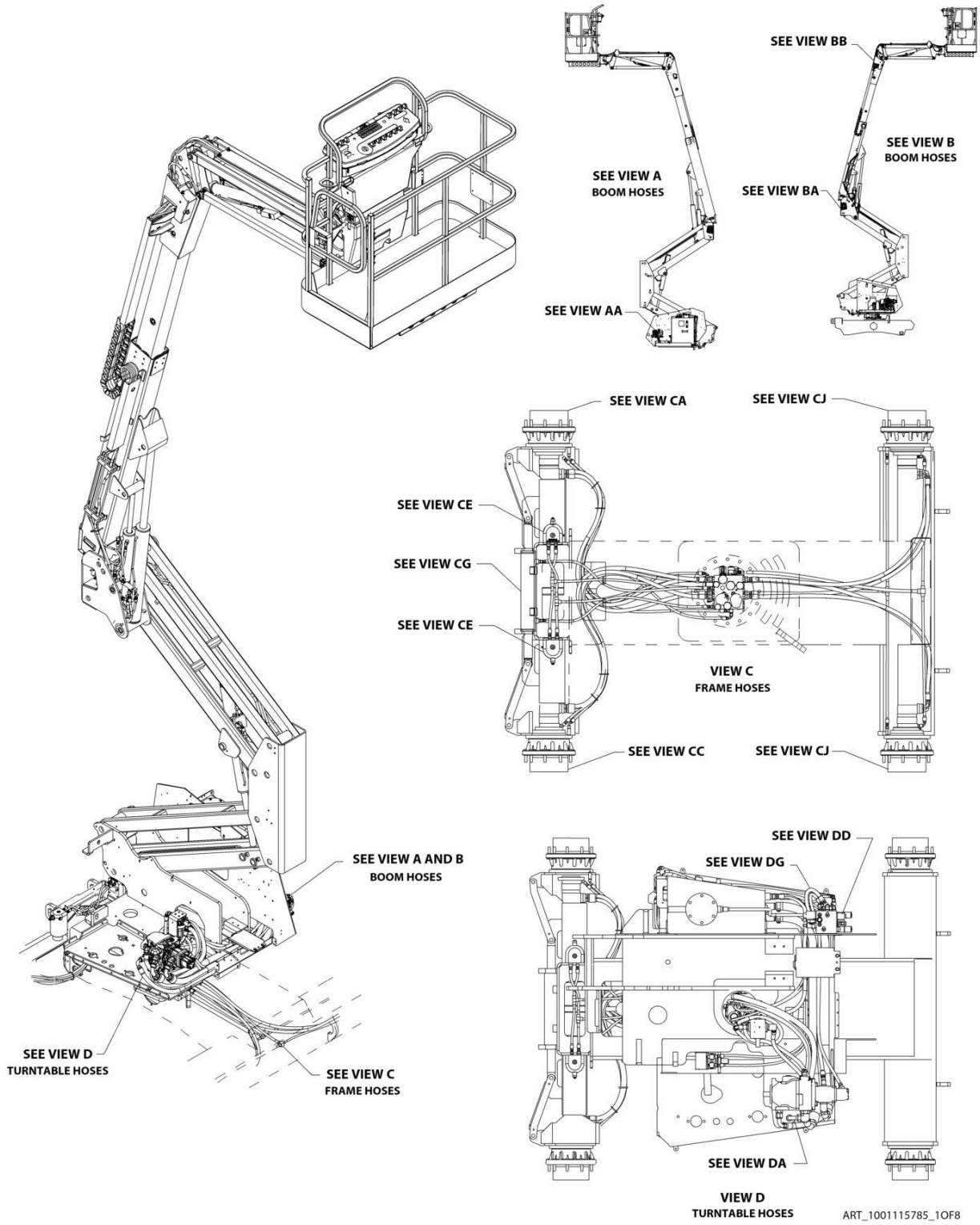
FIGURE 6-8. TELESCOPE CYLINDER ASSEMBLY

ITEM	PART NUMBER	QTY	DESCRIPTION	REV
	1001120974	Ref	TELESCOPE CYLINDER ASSEMBLY	C
		Ref	Note: Original Cylinder may have been replaced with Service Replacement. Identify PN Stamped on Cylinder Before Ordering Parts.	
1	70003114	1	Barrel	
2	70003115	1	Rod	
3	70003116	1	Head	
4	See Note	NSS	Wiper (Note: Use Item 28)	
5	70002366	1	Ring, Retaining	
6	See Note	NSS	Seal, Rod (Note: Use Item 28)	
7	See Note	NSS	Ring, Back-up (Note: Use Item 28)	
8	70002352	1	Bearing	
9	See Note	NSS	O-Ring (Note: Use Item 28)	
10	See Note	NSS	Ring, Back-up (Note: Use Item 28)	
11	See Note	NSS	O-Ring (Note: Use Item 28)	
12	70003117	1	Piston	
13	See Note	NSS	Seal, Piston (Note: Use Item 28)	
14	See Note	NSS	Ring, Wear (Note: Use Item 28)	
15	See Note	NSS	O-Ring (Note: Use Item 28)	
16	70002335	1	Nut	
17	70002364	1	Spacer	
18	See Note	NSS	O-Ring (Note: Use Item 28)	
20	70002389	1	Cartridge, Counterbalance Valve	
20	2900770	1	Seal Kit - 70002389 Valve	
21	10837580	1	Cartridge, Load Shuttle Valve	
21	7010543	1	Seal Kit - 10837580 Valve	
22	70023370	6	Plug	
25	70003118	2	Bushing	
28	70003119	1	Seal Kit (Includes Items 4, 6, 7, 9, 10, 11, 13, 14, 15 & 18)	
100		Ref	REPAIR TOOLS (NOT SHOWN)	
100	70003089	1	Press, Wiper	
100	70003090	1	Press, Bushing (Use with Rod Bearing)	
100	70003091	1	Tool, Bushing Removal (Use with Rod Bearing)	
100	70003092	1	Tool, Head Seal Protection	
100	70003120	1	Press, Bushing (Use with Pin Mounting Bushings)	
100	70003121	1	Tool, Bushing Removal (Use with Pin Mounting Bushings)	
	1001199461	Ref	TELESCOPE CYLINDER ASSEMBLY	A
202	1001199306	1	Cartridge, Counter Balance Valve	
202	2900770	1	Seal Kit - 1001199306 Valve	

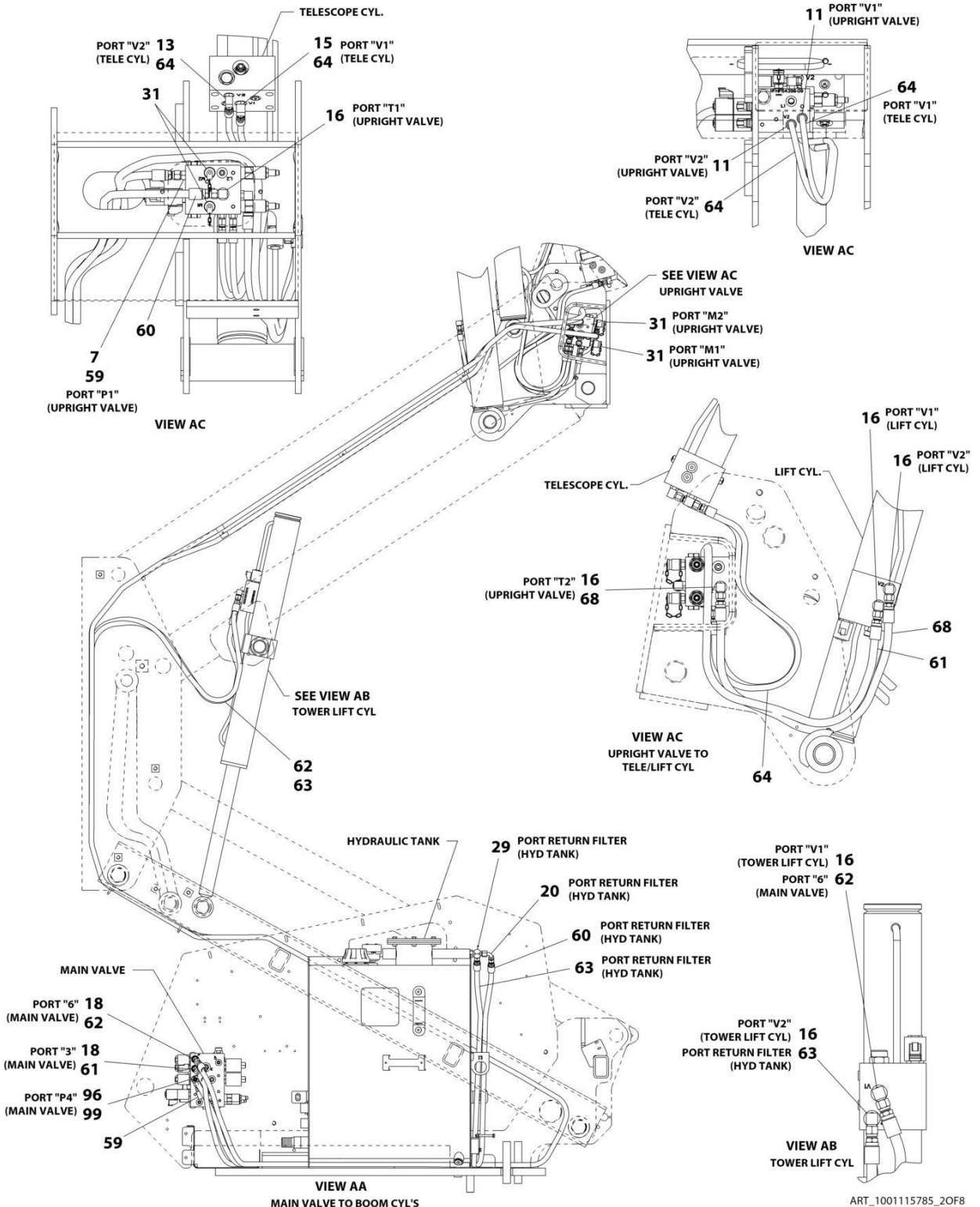
SECTION 7 - HYDRAULIC

SECTION 7 - HYDRAULIC

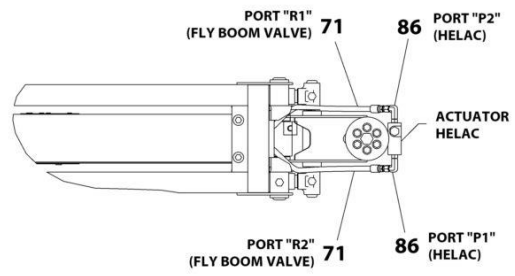
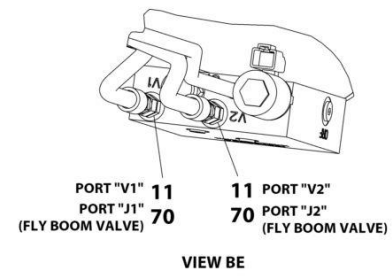
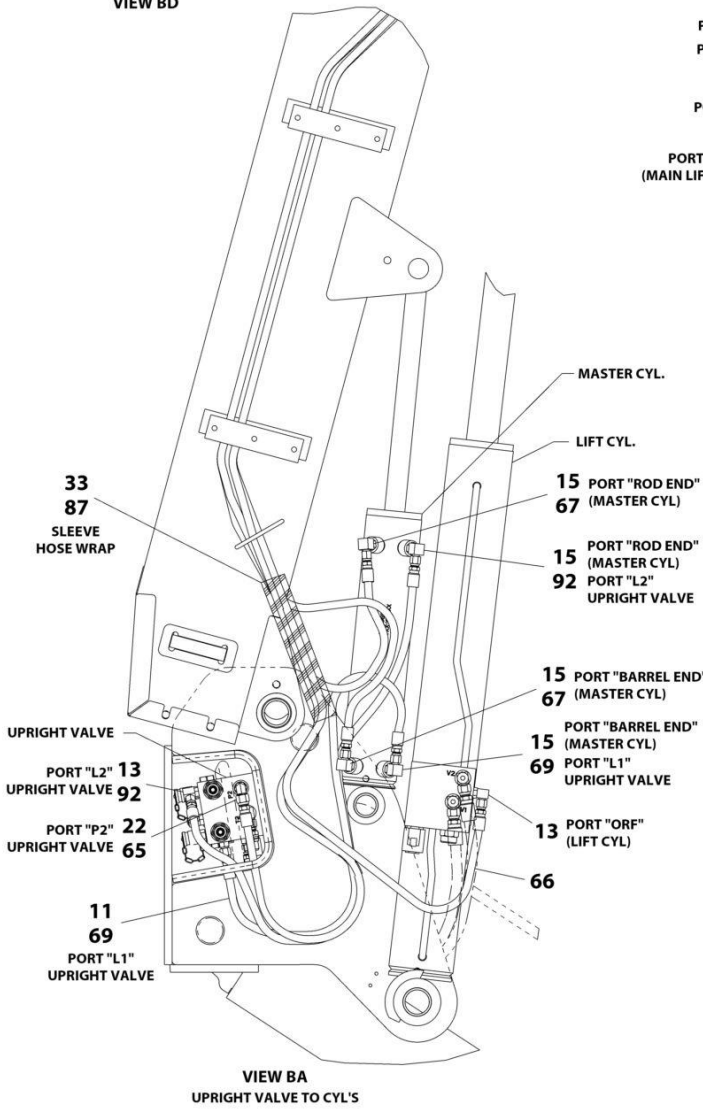
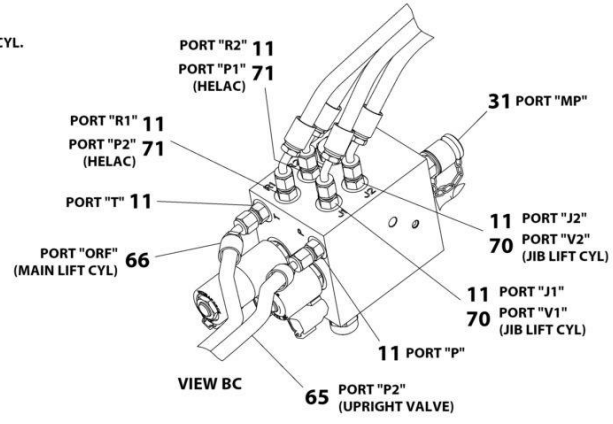
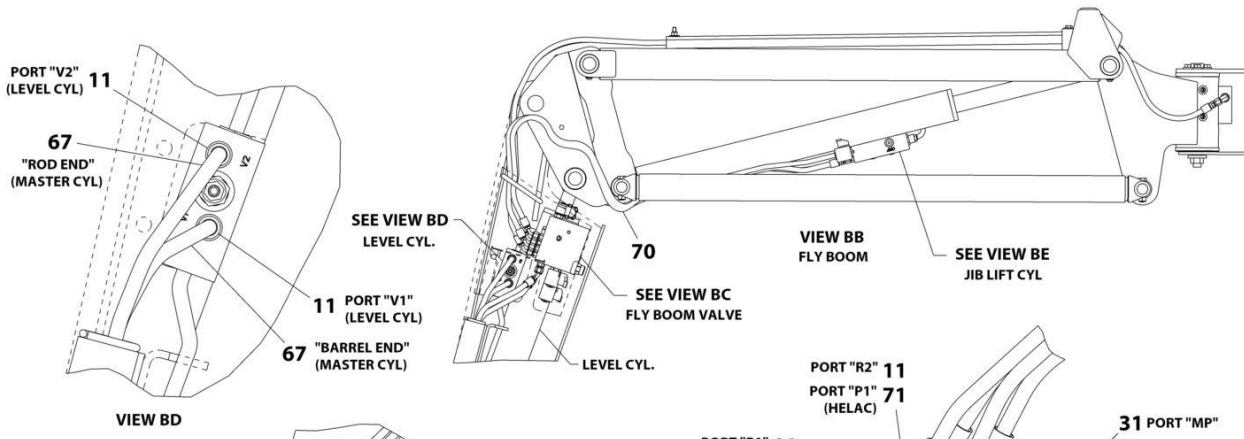
FIGURE 7-1. HYDRAULIC INSTALLATION - WITHOUT ARCTIC PACKAGE



SECTION 7 - HYDRAULIC

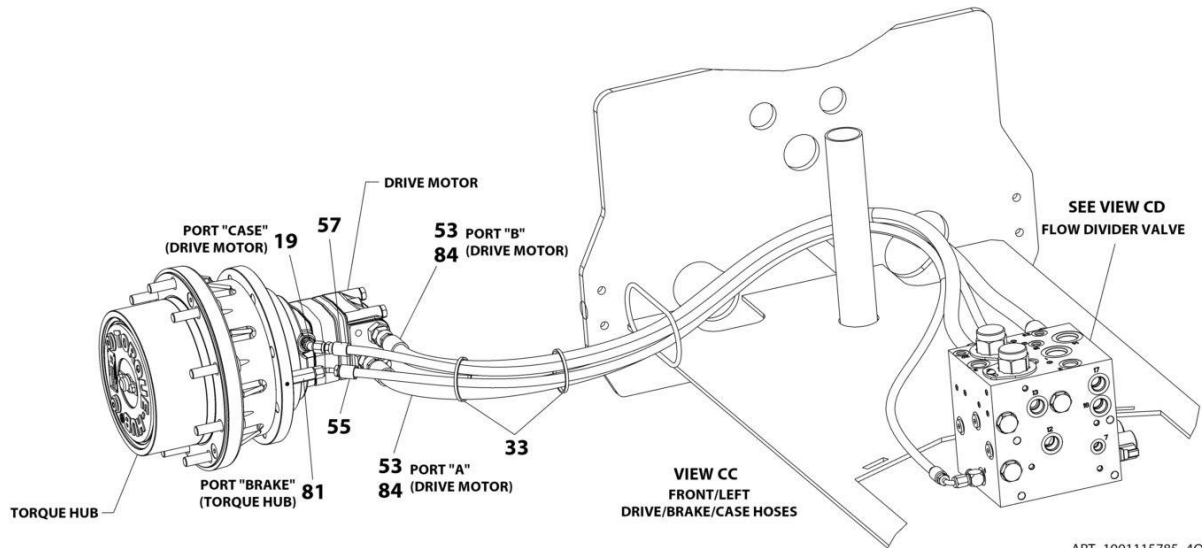
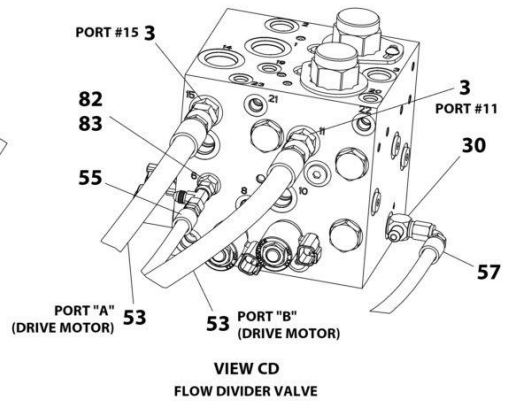
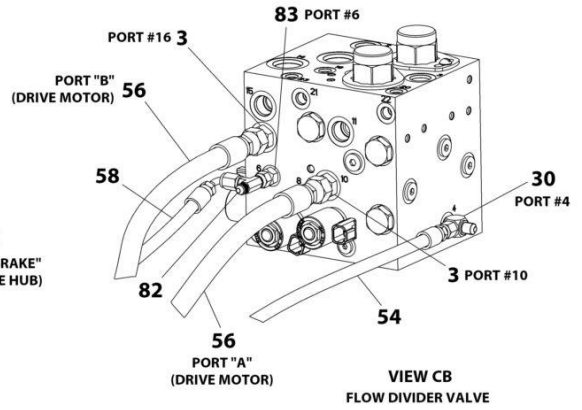
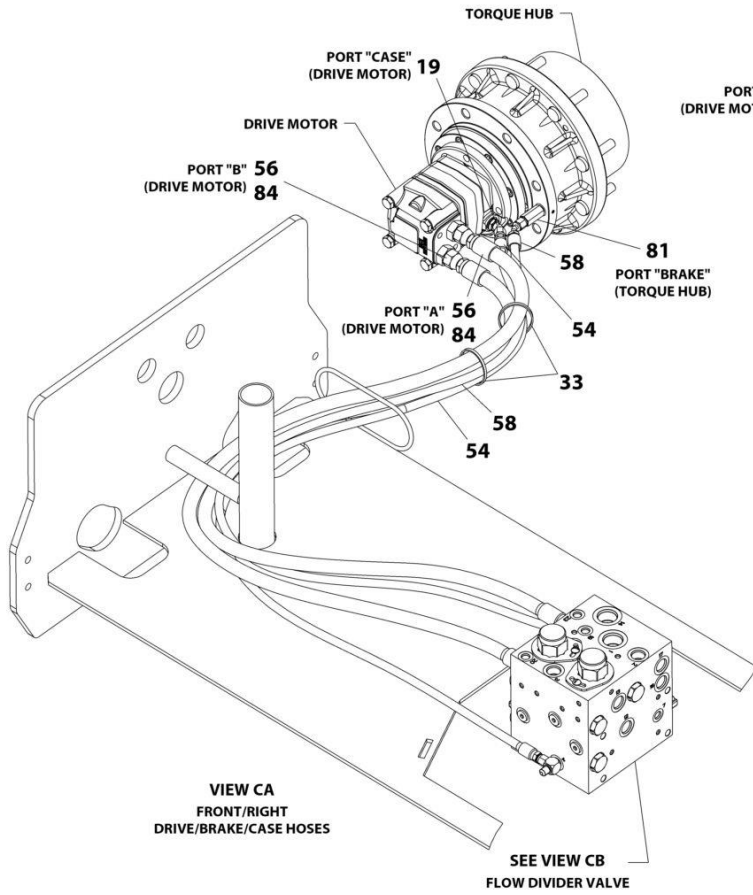


SECTION 7 - HYDRAULIC



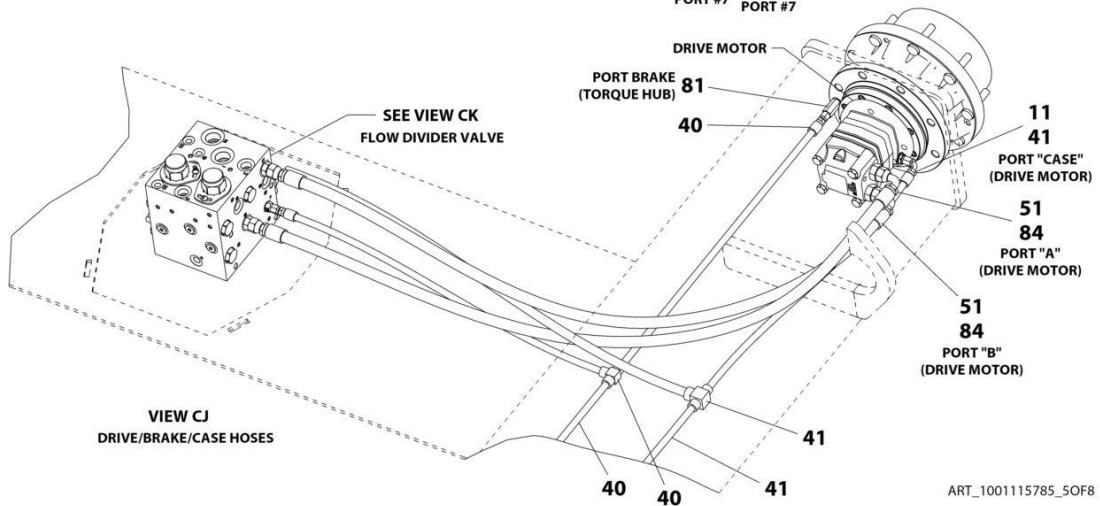
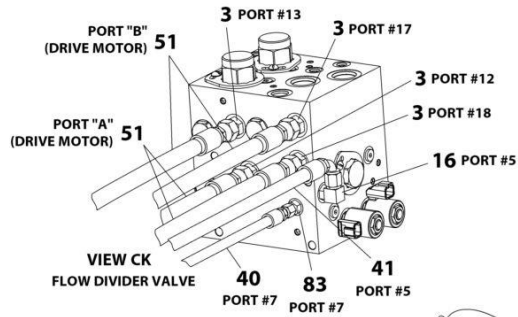
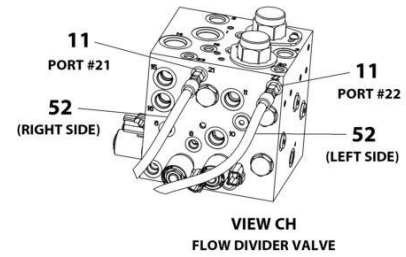
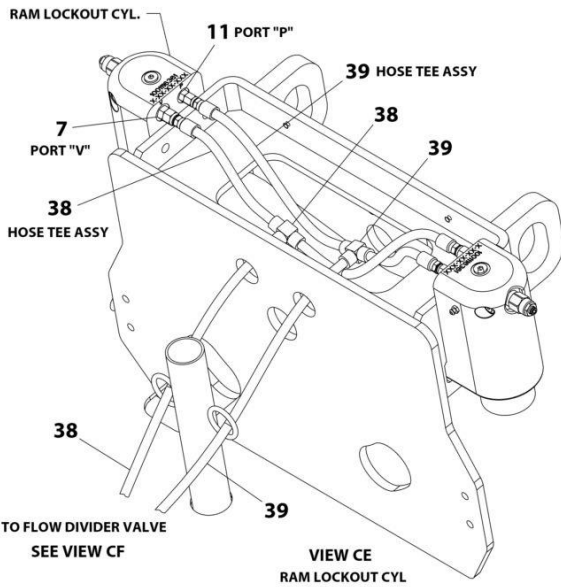
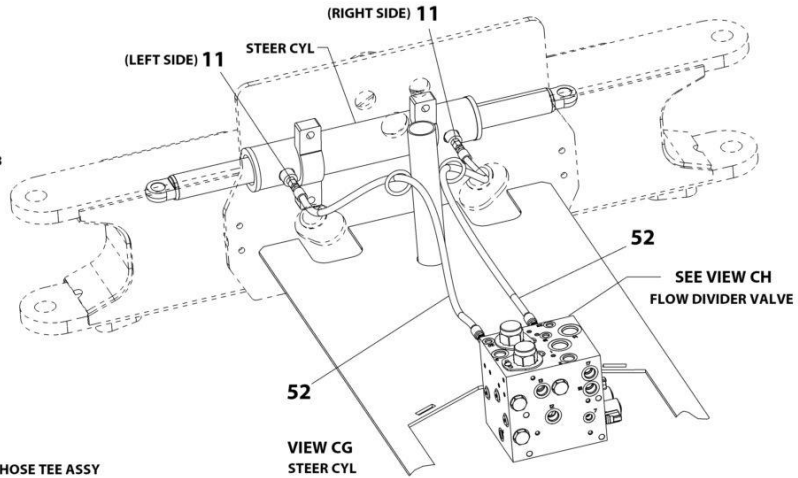
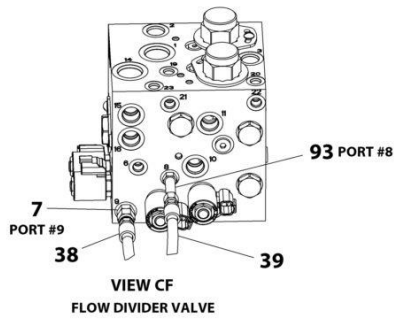
ART_100115785_30F8

SECTION 7 - HYDRAULIC



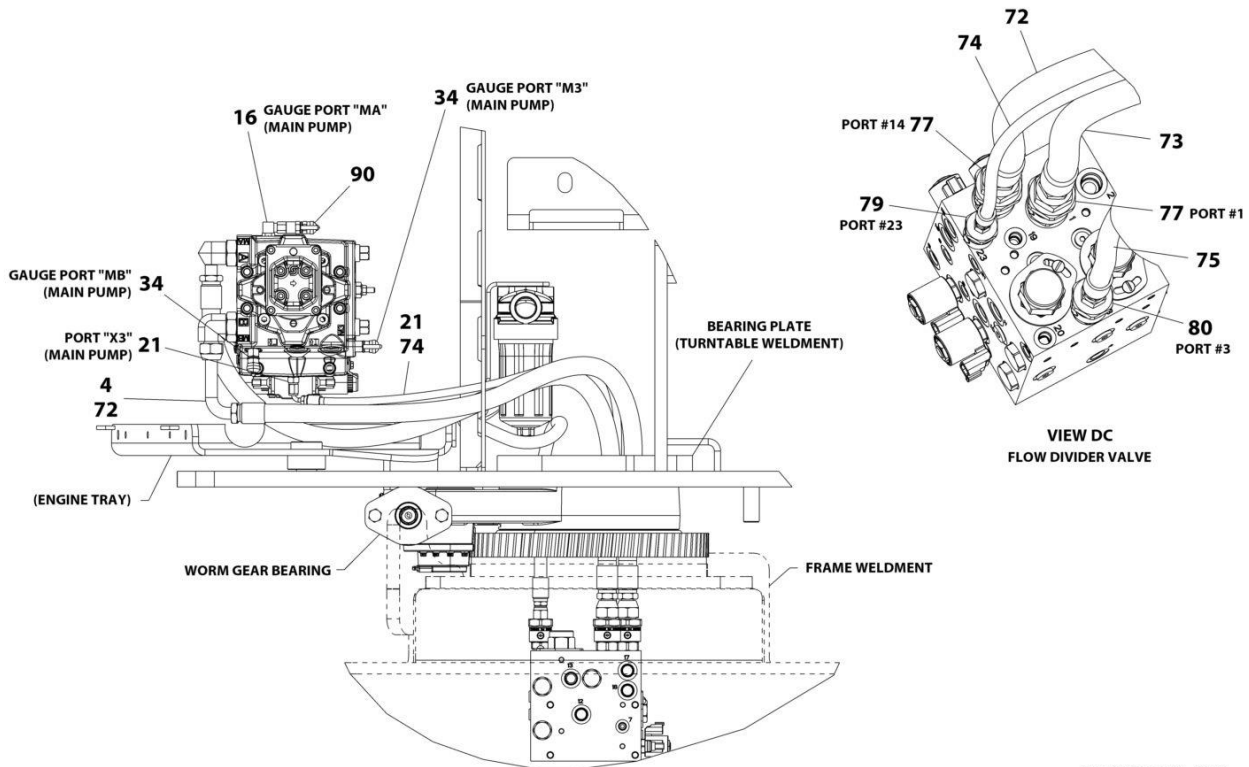
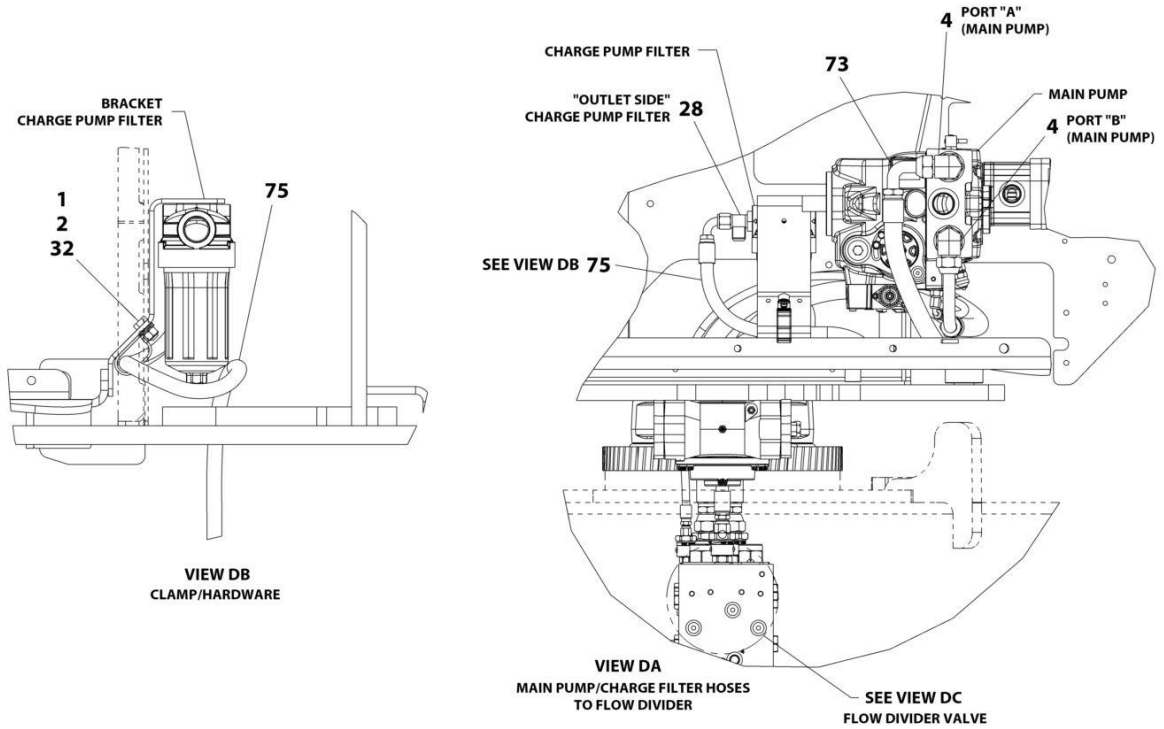
ART_1001115785_40F8

SECTION 7 - HYDRAULIC



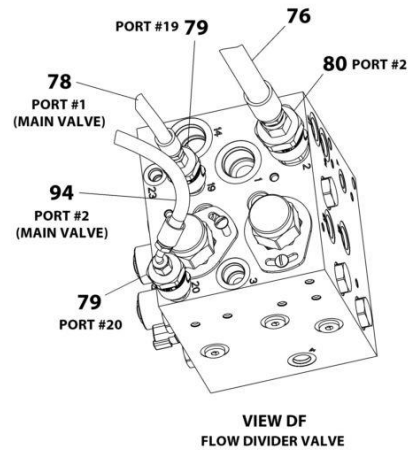
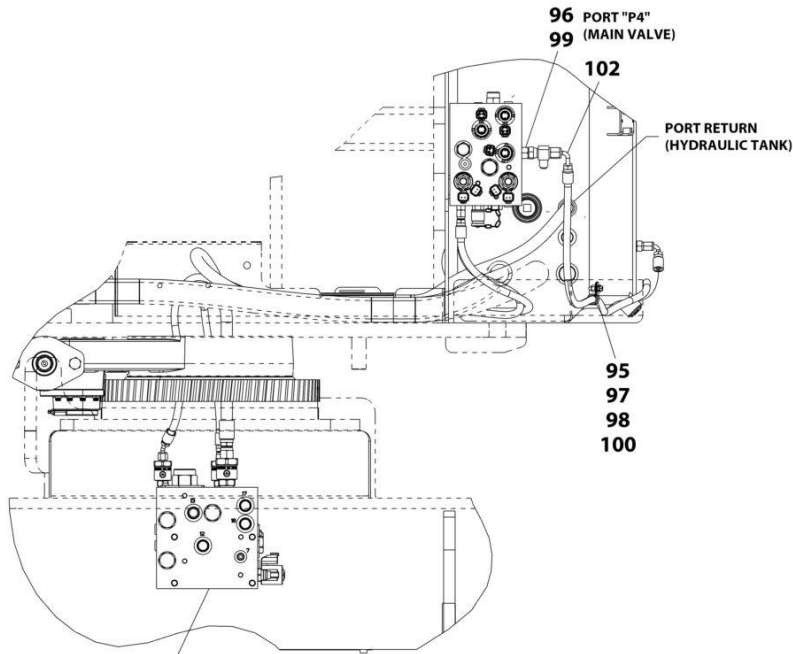
ART_1001115785_SOF8

SECTION 7 - HYDRAULIC

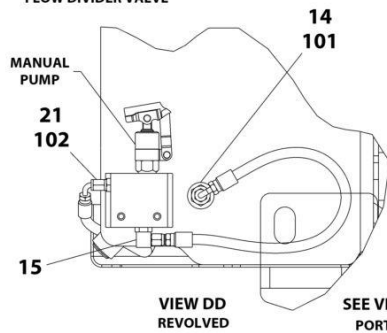


ART_100115785_60F8

SECTION 7 - HYDRAULIC



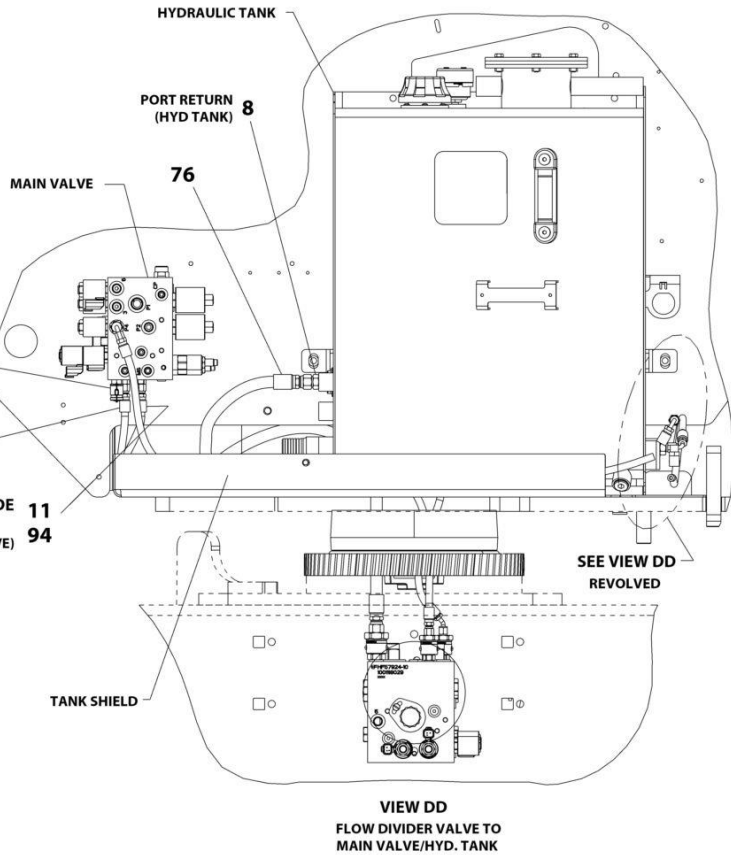
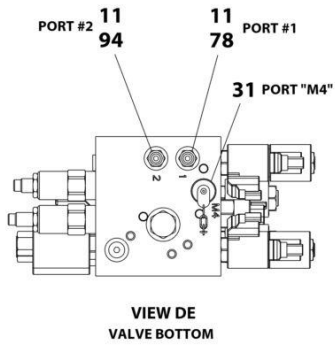
SEE VIEW DF
FLOW DIVIDER VALVE



SEE VIEW DE
PORT "M4"
(MAIN VALVE)

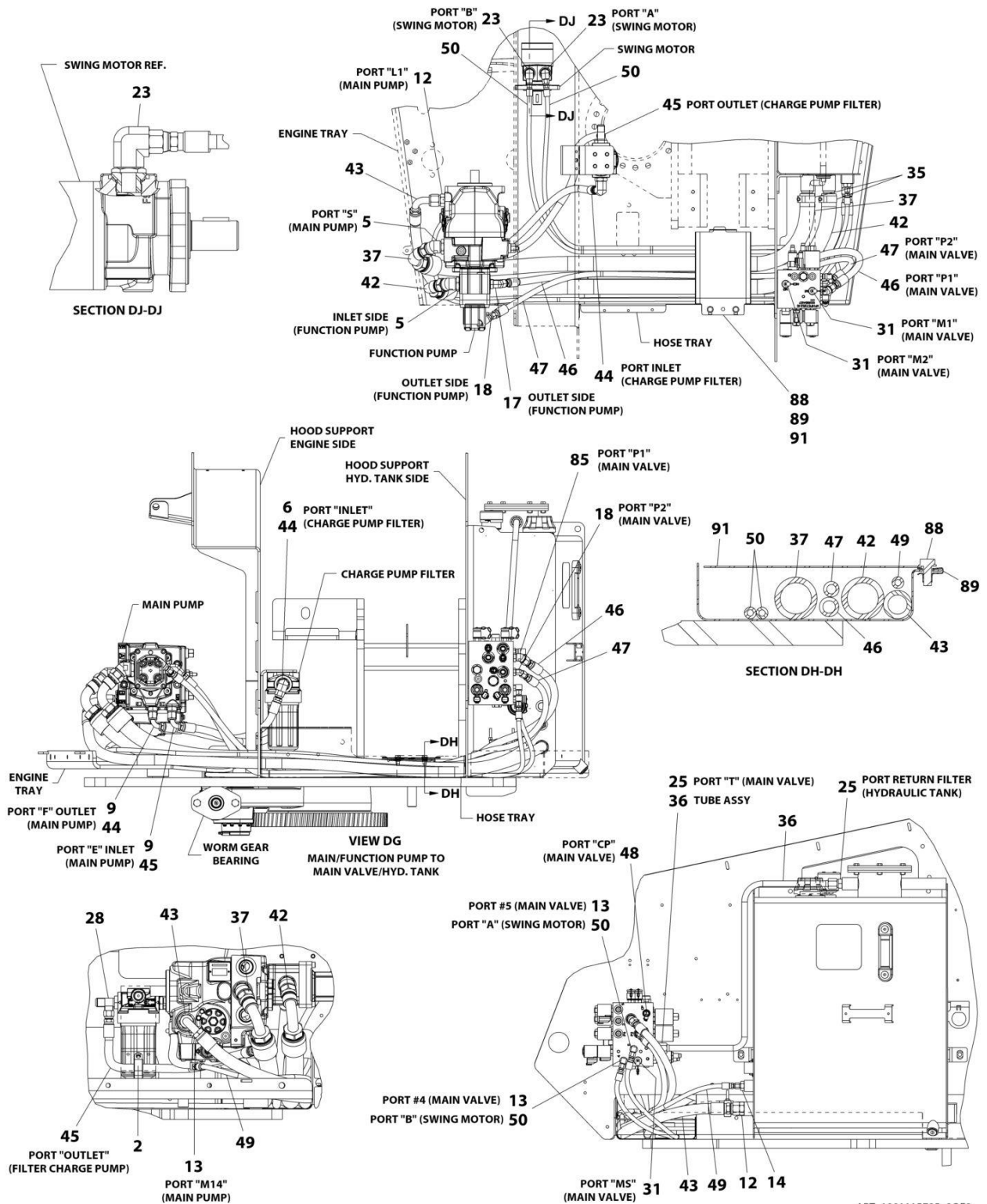
SEE VIEW DE
PORT #1
(MAIN VALVE)

SEE VIEW DE
PORT #2
(MAIN VALVE)



ART_1001115785_70F8

SECTION 7 - HYDRAULIC



SECTION 7 - HYDRAULIC

FIGURE 7-1. HYDRAULIC INSTALLATION - WITHOUT ARCTIC PACKAGE

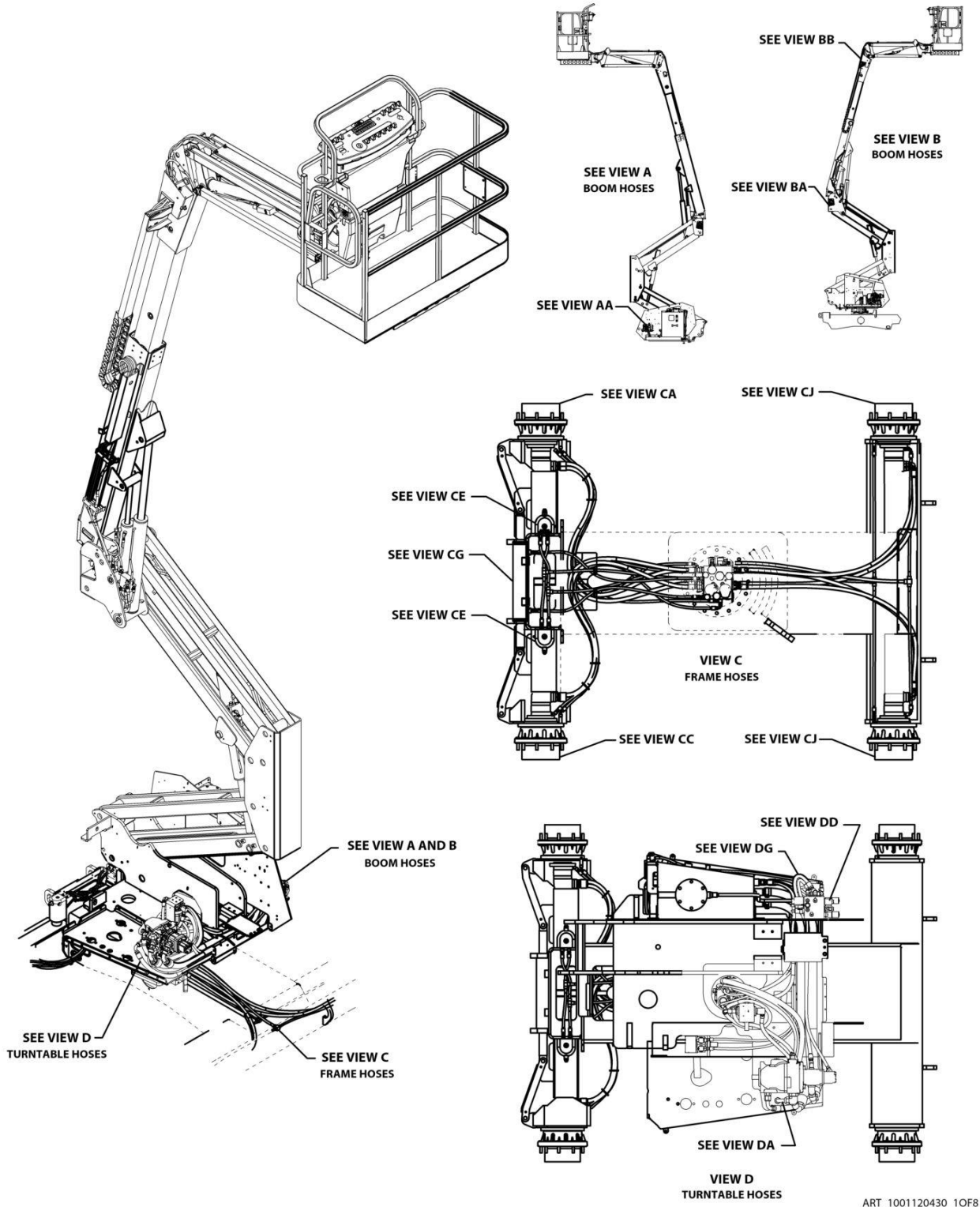
ITEM	PART NUMBER	QTY	DESCRIPTION	REV
	1001115785	Ref	HYDRAULIC INSTALLATION - WITHOUT ARCTIC PACKAGE	I
1	0761012	1	Bolt M10 x 25	
2	1321716	1	Clamp	
3	2110808	8	Fitting, Straight ORFS/ORB	
4	2131216	2	Fitting, 90 ORFS/ORB	
5	2220365	2	Fitting, 45 JIC/ORB	
6	2220366	1	Fitting, 90 JIC/ORB	
7	2220371	4	Fitting, Straight JIC/ORB	
8	2220373	1	Fitting, Straight JIC/ORB	
9	2220374	2	Fitting, Straight JIC/ORB	
11	2220415	23	Fitting, Straight JIC/ORB	
12	2220451	2	Fitting, Straight JIC/ORB	
13	2220466	6	Fitting, 90 JIC/ORB	
14	2220468	2	Fitting, Straight JIC/ORB	
15	2220472	6	Fitting, 90 JIC/ORB	
16	2220473	8	Fitting, 90 JIC/ORB	
17	2220499	1	Fitting, 45 JIC/ORB	
18	2220501	4	Fitting, 45 JIC/ORB	
19	2220502	2	Fitting, 45 JIC/ORB	
20	2220507	1	Fitting, 90 JIC/FSJIC	
21	2220582	2	Fitting, Straight JIC/ORB	
22	2220819	1	Fitting, 90 JIC/ORB	
23	2220828	2	Fitting, 90 JIC/ORB	
25	2220947	2	Fitting, Straight JIC/ORB	
28	2221041	1	Fitting, Tee	
29	2221053	1	Fitting, Run Tee	
30	2221060	1	Fitting, Run Tee JIC	
31	2221086	7	Fitting, Test Port	
32	3291005	1	Nut M10	
33	4240018	7	Tie-Strap	
34	77133089	2	Mini Check	
35	80633030	2	Clamp, Hose	
36	1001116905	1	Tube, Steel	
37	1001119035	1	Hose	
38	1001119068	1	Hose	
39	1001119069	1	Hose	
40	1001119070	1	Hose	
41	1001119071	1	Hose	
42	1001119143	1	Hose	
43	1001119237	1	Hose	
44	1001119324	1	Hose	
45	1001119365	1	Hose	
46	1001119404	1	Hose	
47	1001119449	1	Hose	
48	1001119455	1	Valve, Oil Sampling	
49	1001119489	1	Hose	
50	1001119525	2	Hose	
51	1001119546	4	Hose	
52	1001119547	2	Hose	
53	1001119548	2	Hose	

SECTION 7 - HYDRAULIC

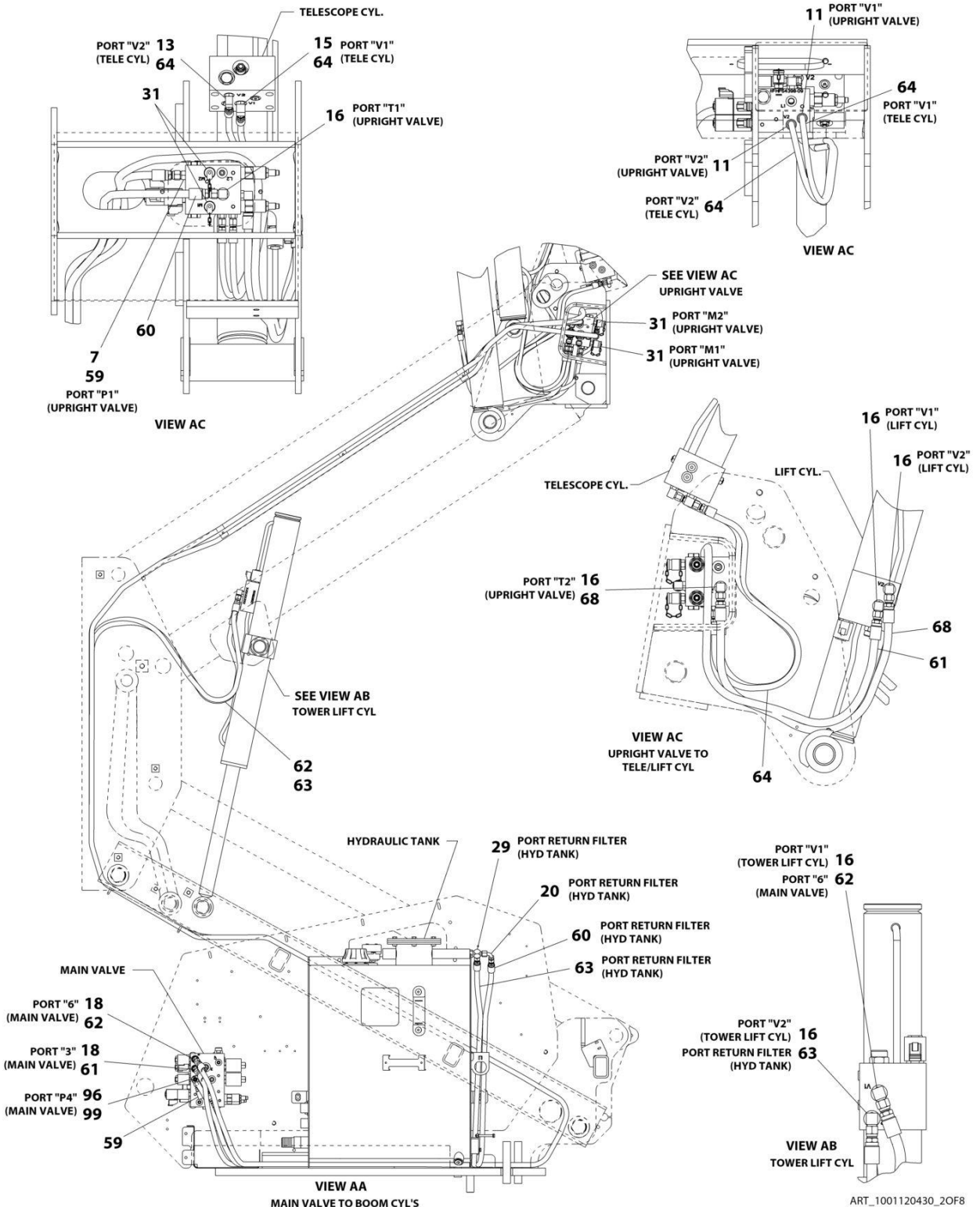
ITEM	PART NUMBER	QTY	DESCRIPTION	REV
54	1001119550	1	Hose	
55	1001119552	1	Hose	
56	1001119568	2	Hose	
57	1001119569	1	Hose	
58	1001119570	1	Hose	
59	1001119572	1	Hose	
60	1001119577	1	Hose	
61	1001119593	1	Hose	
62	1001119594	1	Hose	
63	1001119595	1	Hose	
64	1001119596	2	Hose	
65	1001119597	1	Hose	
66	1001119598	1	Hose	
67	1001119600	2	Hose	
68	1001119602	1	Hose	
69	1001119603	1	Hose	
70	1001119604	2	Hose	
71	1001119605	2	Hose	
72	1001119606	1	Hose	
73	1001119607	1	Hose	
74	1001119608	1	Hose	
75	1001119610	1	Hose	
76	1001119611	1	Hose	
77	1001119612	2	Fitting, Straight ORB/ORFS	
78	1001119613	1	Hose	
79	1001119626	3	Fitting, Straight JIC/ORB	
80	1001119627	2	Fitting, Straight JIC/ORB	
81	1001119630	4	Fitting, Straight JIC/MPP	
82	2220605	1	Fitting, Tee JIC/FSJIC/JIC	
83	4641284	2	Valve, Orifice Check	
84	2110810	8	Fitting, Straight ORFS/ORB	
85	2220500	1	Fitting, 45 JIC/ORB	
86	2220940	2	Fitting, 90 JIC/ORB	
87	4100066	1	Sleeve, Hose Wrap	
88	5250810	2	Bolt M8 x 20	
89	8310686	2	Retainer M8	
90	91143172	1	Coupling	
91	1001121221	1	Cover, Tray	
92	1001121966	1	Hose	
93	1001125108	1	Fitting, Straight JIC/ORB	
94	1001125249	1	Hose	
95	0700510	1	Bolt M5 x 20	
95	0700610	1	Bolt M6 x 20	
96	2220635	1	Fitting, Tee JIC/FSJIC/JIC	
97	3290605	1	Nut M6	
98	4811700	2	Washer M6	
99	80233041	1	Fitting, Check	
100	85941016	1	Clamp	
101	1001127703	1	Hose	
102	1001127705	1	Hose	

SECTION 7 - HYDRAULIC

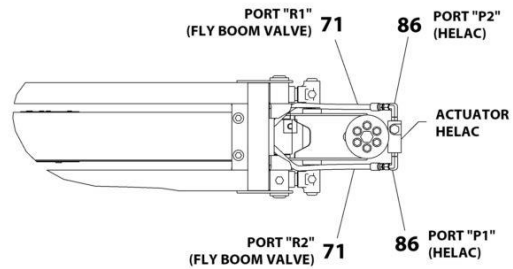
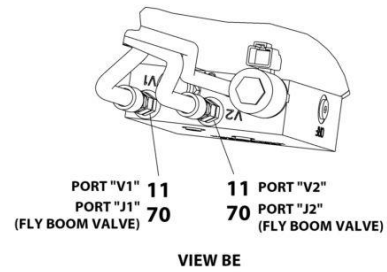
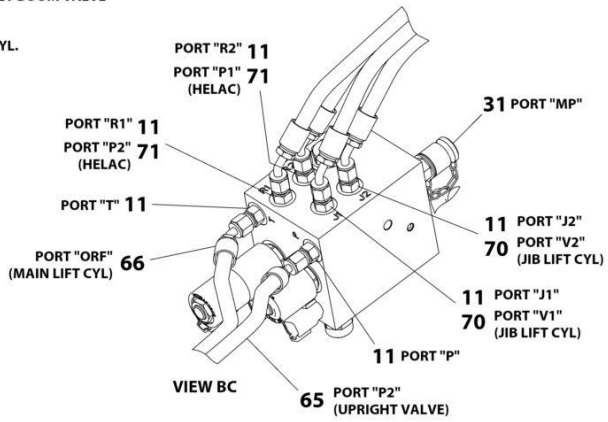
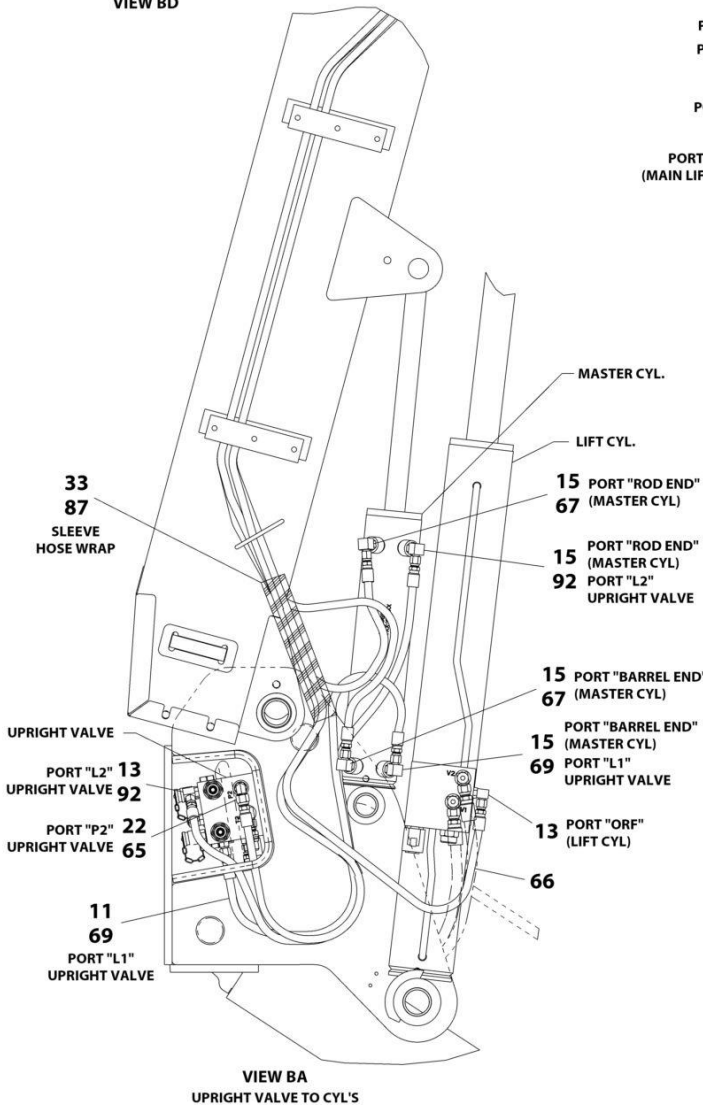
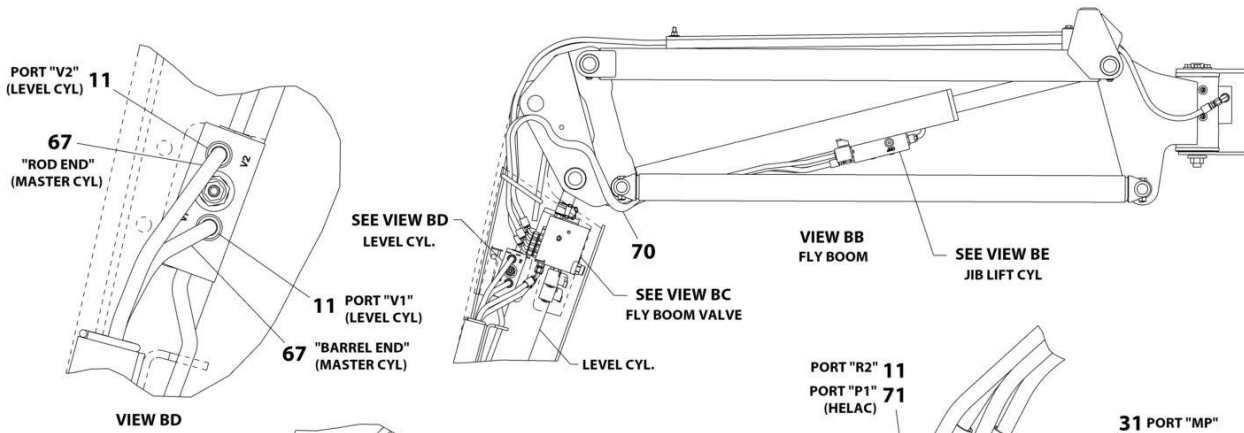
FIGURE 7-2. HYDRAULIC INSTALLATION - WITH ARCTIC PACKAGE



SECTION 7 - HYDRAULIC

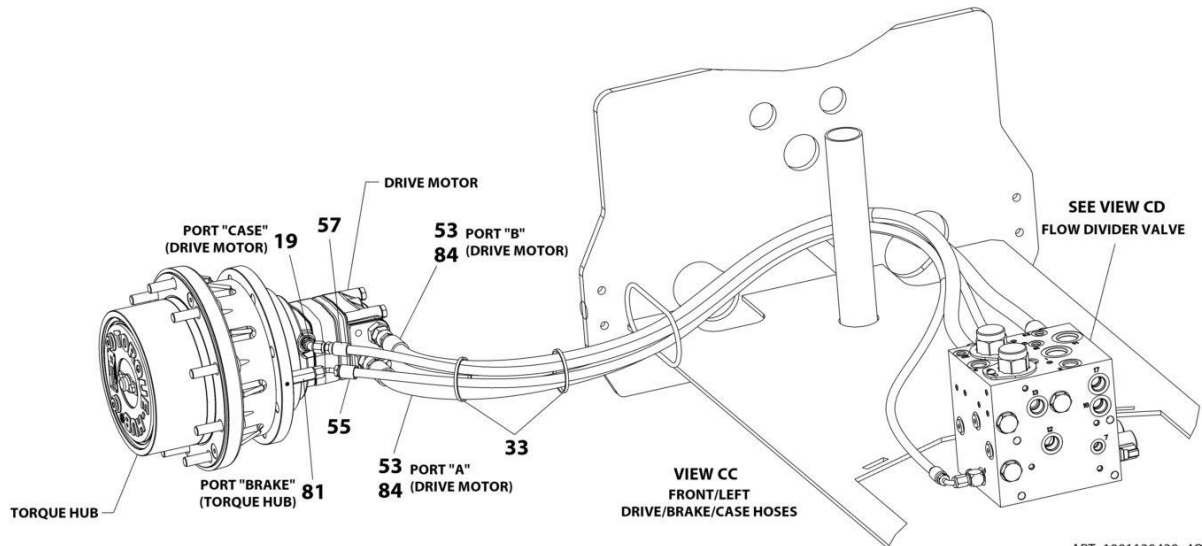
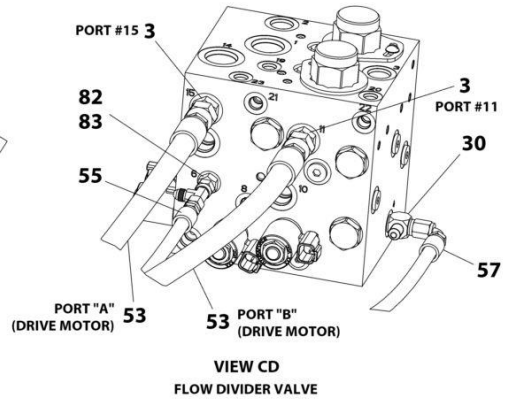
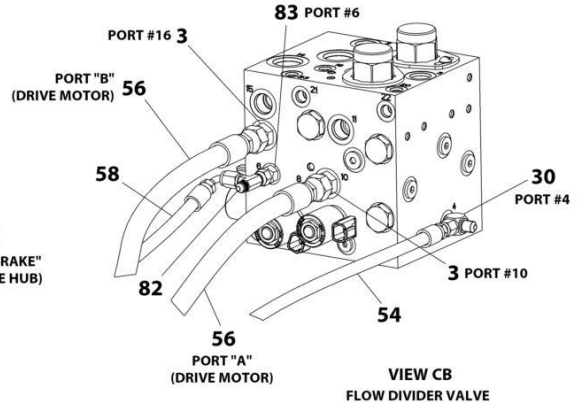
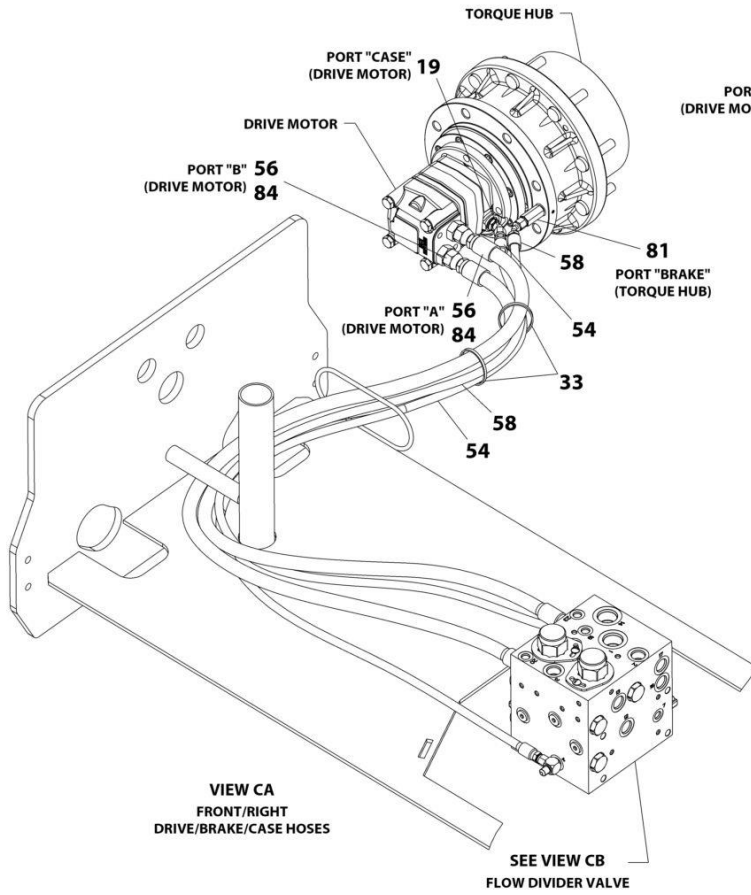


SECTION 7 - HYDRAULIC



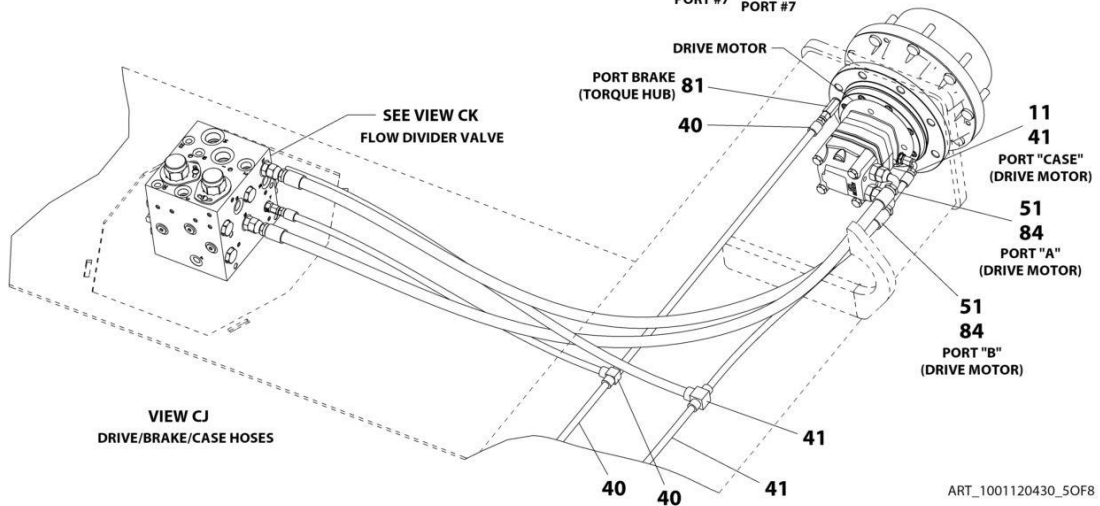
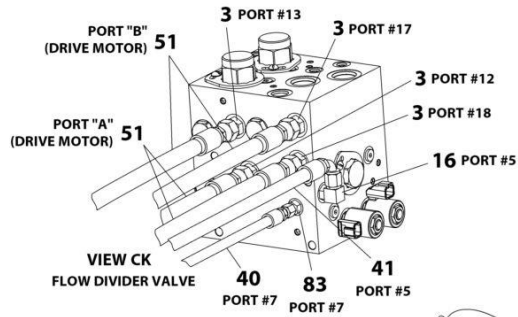
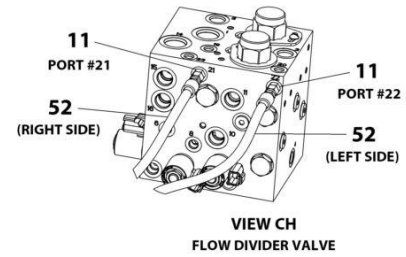
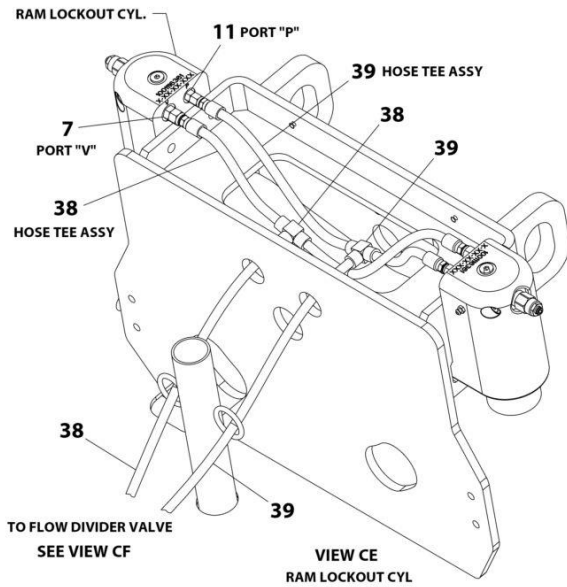
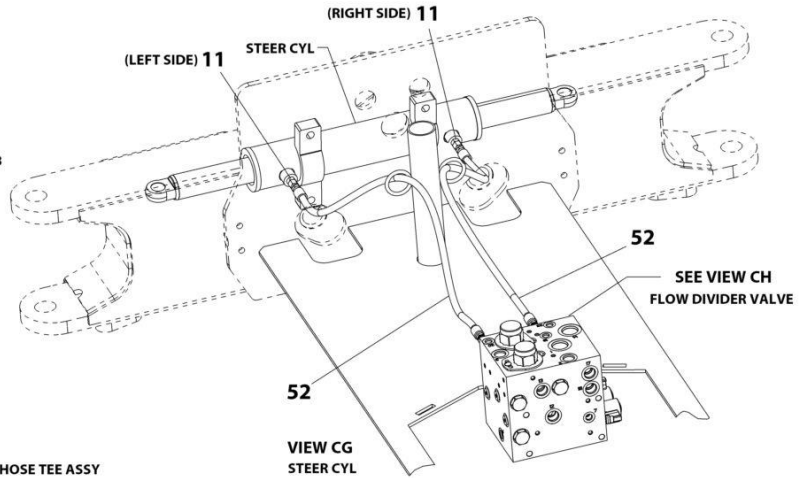
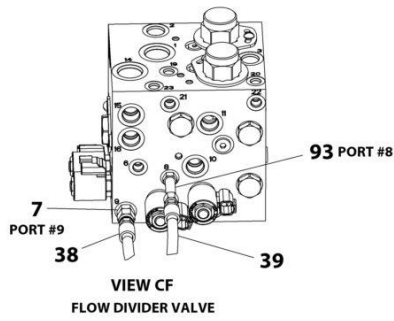
ART_1001120430_30F8

SECTION 7 - HYDRAULIC



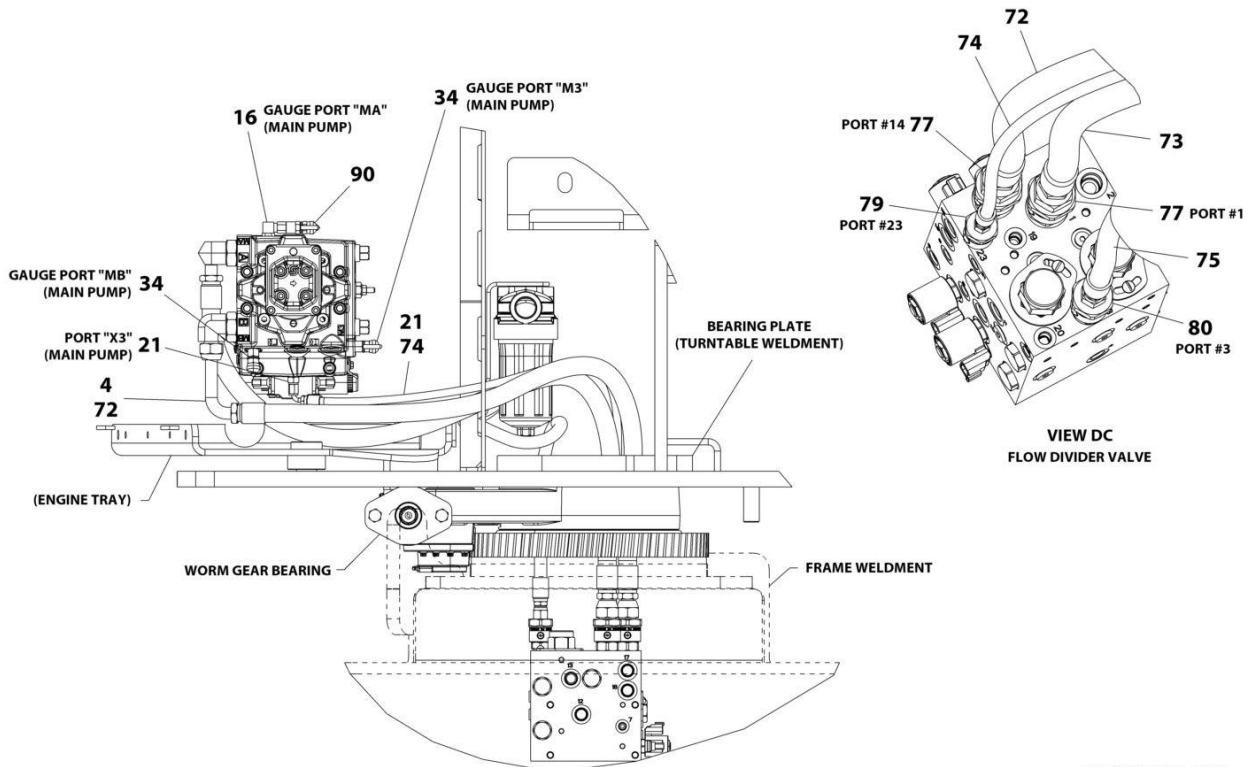
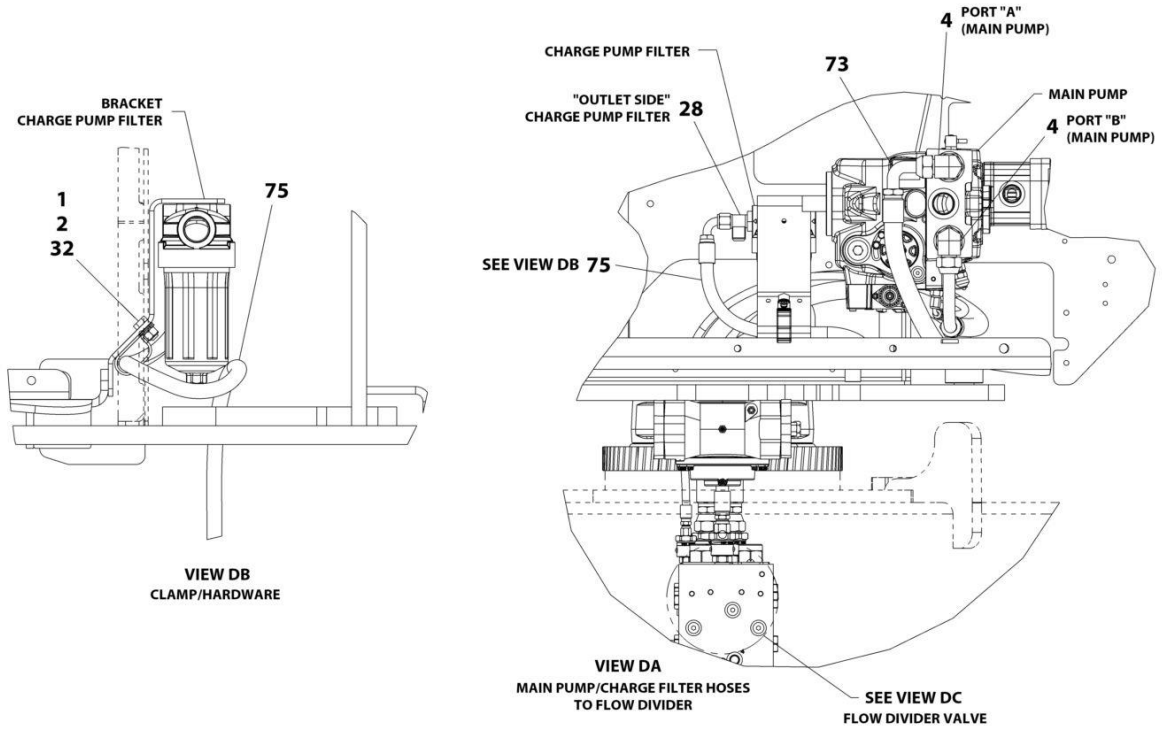
ART_1001120430_40F8

SECTION 7 - HYDRAULIC



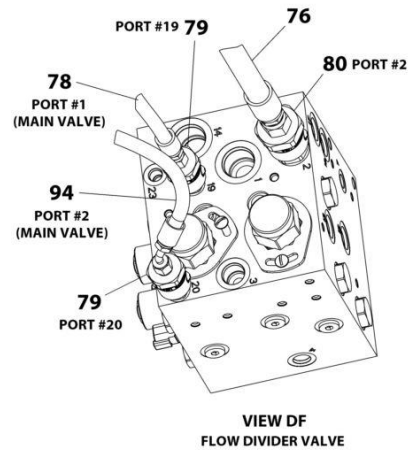
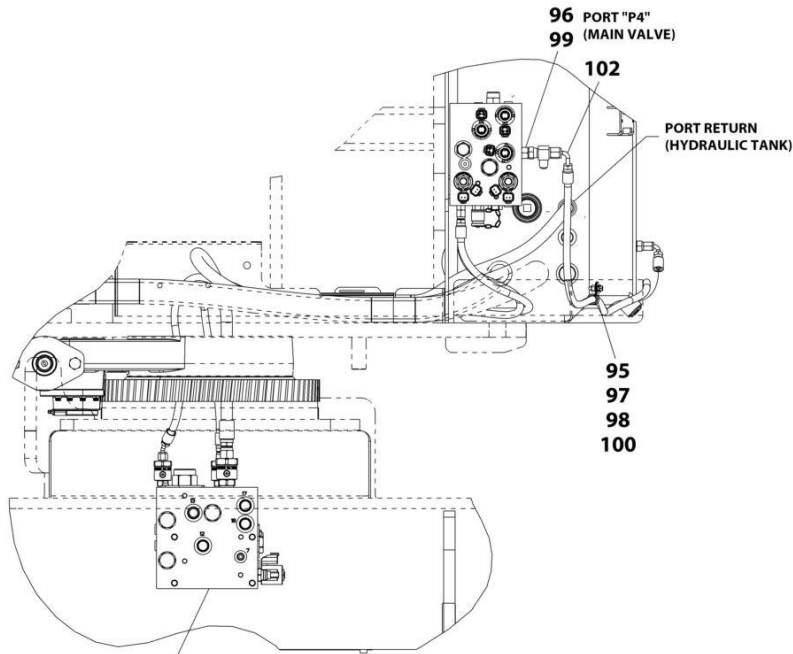
ART_1001120430_SOF8

SECTION 7 - HYDRAULIC

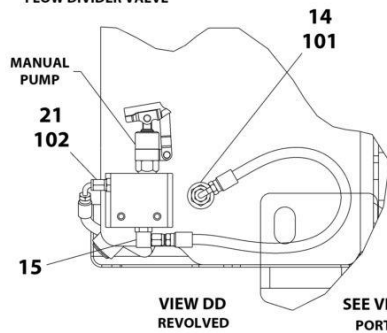


ART_1001120430_60F8

SECTION 7 - HYDRAULIC



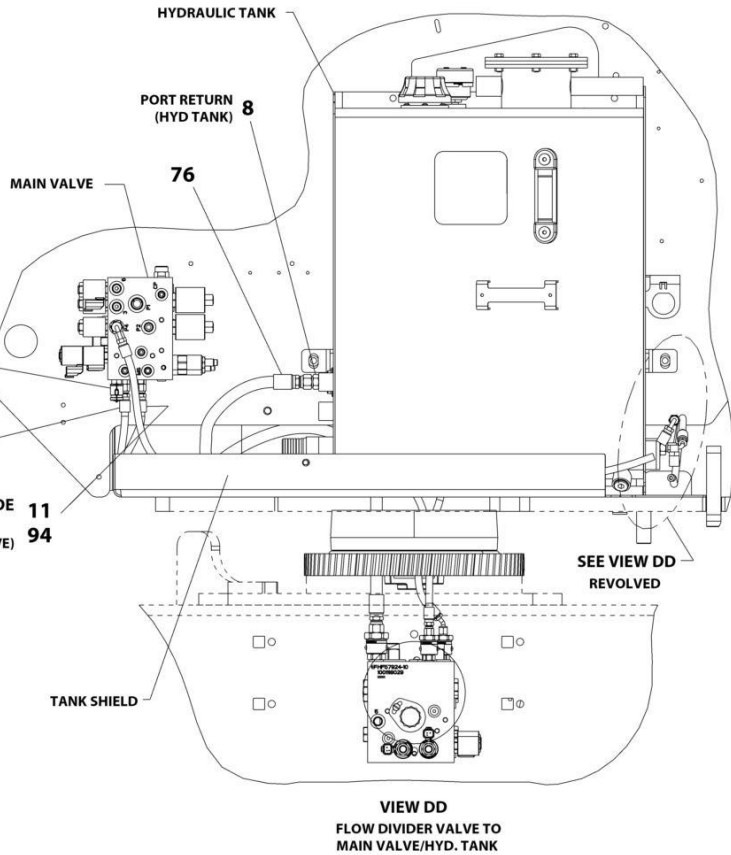
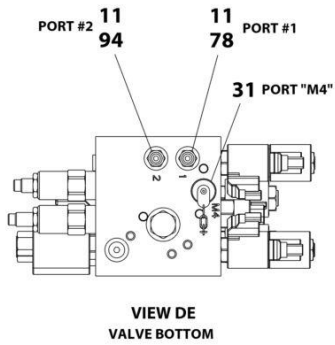
SEE VIEW DF
FLOW DIVIDER VALVE



SEE VIEW DE
PORT "M4"
(MAIN VALVE)
31

SEE VIEW DE
PORT #1
(MAIN VALVE)
78

SEE VIEW DE
PORT #2
(MAIN VALVE)
94



ART_1001120430_70F8

SECTION 7 - HYDRAULIC

FIGURE 7-2. HYDRAULIC INSTALLATION - WITH ARCTIC PACKAGE

ITEM	PART NUMBER	QTY	DESCRIPTION	REV
	1001120430	Ref	HYDRAULIC INSTALLATION - WITH ARCTIC PACKAGE	G
1	0761012	1	Bolt M10 x 25	
2	1321716	1	P-Clamp	
3	2110808	8	Fitting, Straight ORFS/ORB	
4	2131216	2	Fitting, 90 ORFS/ORB	
5	2220365	2	Fitting, 45 JIC/ORB	
6	2220366	1	Fitting, 90 JIC/ORB	
7	2220371	4	Fitting, Straight JIC/ORB	
8	2220373	1	Fitting, Straight JIC/ORB	
9	2220374	2	Fitting, Straight JIC/ORB	
11	2220415	23	Fitting, Straight JIC/ORB	
12	2220451	2	Fitting, Straight JIC/ORB	
13	2220466	6	Fitting, 90 JIC/ORB	
14	2220468	2	Fitting, Straight JIC/ORB	
15	2220472	6	Fitting, 90 JIC/ORB	
16	2220473	8	Fitting, 90 JIC/ORB	
17	2220499	1	Fitting, 45 JIC/ORB	
18	2220501	4	Fitting, 45 JIC/ORB	
19	2220502	2	Fitting, 45 JIC/ORB	
20	2220507	1	Fitting, 90 JIC/FSJIC	
21	2220582	2	Fitting, Straight JIC/ORB	
22	2220819	1	Fitting, 90 JIC/ORB	
23	2220828	2	Fitting, 90 JIC/ORB	
25	2220947	2	Fitting, Straight JIC/ORB	
28	2221041	1	Fitting, Tee	
29	2221053	1	Fitting, Run Tee	
30	2221060	1	Fitting, Run Tee JIC	
31	2221086	7	Fitting, Test Port	
32	3291005	1	Nut M10	
33	4240018	7	Tie-Strap	
34	77133089	2	Mini Check	
35	80633030	2	Clamp, Hose	
36	1001116905	1	Tube, Steel	
37	1001119035	1	Hose	
38	1001119068	1	Hose	
39	1001119069	1	Hose	
40	1001119070	1	Hose	
41	1001119071	1	Hose	
42	1001119143	1	Hose	
43	1001119237	1	Hose	
44	1001119324	1	Hose	
45	1001119365	1	Hose	
46	1001119404	1	Hose	
47	1001119449	1	Hose	
48	1001119455	1	Valve, Oil Sampling	
49	1001119489	1	Hose	
50	1001119525	2	Hose	
51	1001119546	4	Hose	
52	1001119547	2	Hose	
53	1001120424	2	Hose	

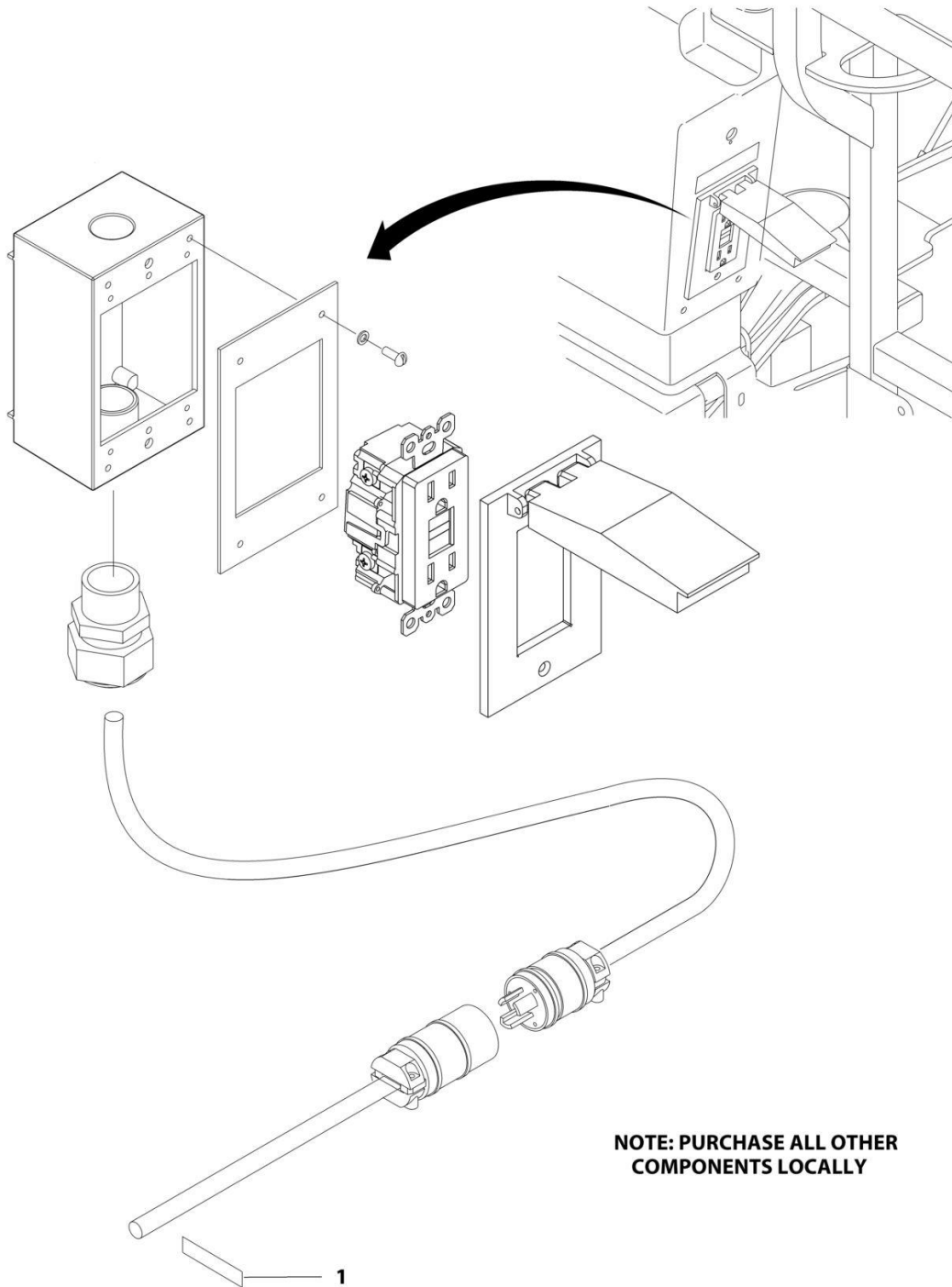
SECTION 7 - HYDRAULIC

ITEM	PART NUMBER	QTY	DESCRIPTION	REV
54	1001120425	1	Hose	
55	1001120426	1	Hose	
56	1001120427	2	Hose	
57	1001120428	1	Hose	
58	1001120429	1	Hose	
59	1001119572	1	Hose	
60	1001119577	1	Hose	
61	1001119593	1	Hose	
62	1001119594	1	Hose	
63	1001119595	1	Hose	
64	1001119596	2	Hose	
65	1001119597	1	Hose	
66	1001119598	1	Hose	
67	1001119600	2	Hose	
68	1001119602	1	Hose	
69	1001119603	1	Hose	
70	1001119604	2	Hose	
71	1001119605	2	Hose	
72	1001119606	1	Hose	
73	1001119607	1	Hose	
74	1001119608	1	Hose	
75	1001119610	1	Hose	
76	1001119611	1	Hose	
77	1001119612	2	Fitting, Straight ORB/ORFS	
78	1001119613	1	Hose	
79	1001119626	3	Fitting, Straight JIC/ORB	
80	1001119627	2	Fitting, Straight JIC/ORB	
81	1001119630	4	Fitting, Straight JIC/MPP	
82	2220605	1	Fitting, Tee JIC/FSJIC/JIC	
83	4641284	2	Valve, Orifice Check	
84	2110810	8	Fitting, Straight ORFS/ORB	
85	2220500	1	Fitting, 45 JIC/ORB	
86	2220940	2	Fitting, 90 JIC/ORB	
87	4100066	1	Sleeve, Hose Wrap	
88	5250810	2	Bolt M8 x 20	
89	8310686	2	Retainer M8	
90	91143172	1	Coupling	
91	1001121221	1	Cover, Tray	
92	1001121966	1	Hose	
93	1001125108	1	Fitting, Straight JIC/ORB	
94	1001125249	1	Hose	
95	0700510	1	Bolt M5 x 20	
95	0700610	1	Bolt M6 x 20	
96	2220635	1	Fitting, Tee JIC/FSJIC/JIC	
97	3290605	1	Nut M6	
98	4811700	2	Washer M6	
99	80233041	1	Fitting, Check	
100	85941016	1	Clamp	
101	1001127703	1	Hose	
102	1001127705	1	Hose	

SECTION 8 - ELECTRICAL

SECTION 8 - ELECTRICAL

FIGURE 8-1. AC BOX AT PLATFORM INSTALLATION - LOCALLY SUPPLIED COMPONENTS (ANSI EXPORT, AUSTRALIAN AND CHINA SPECS)



ART_1001119870

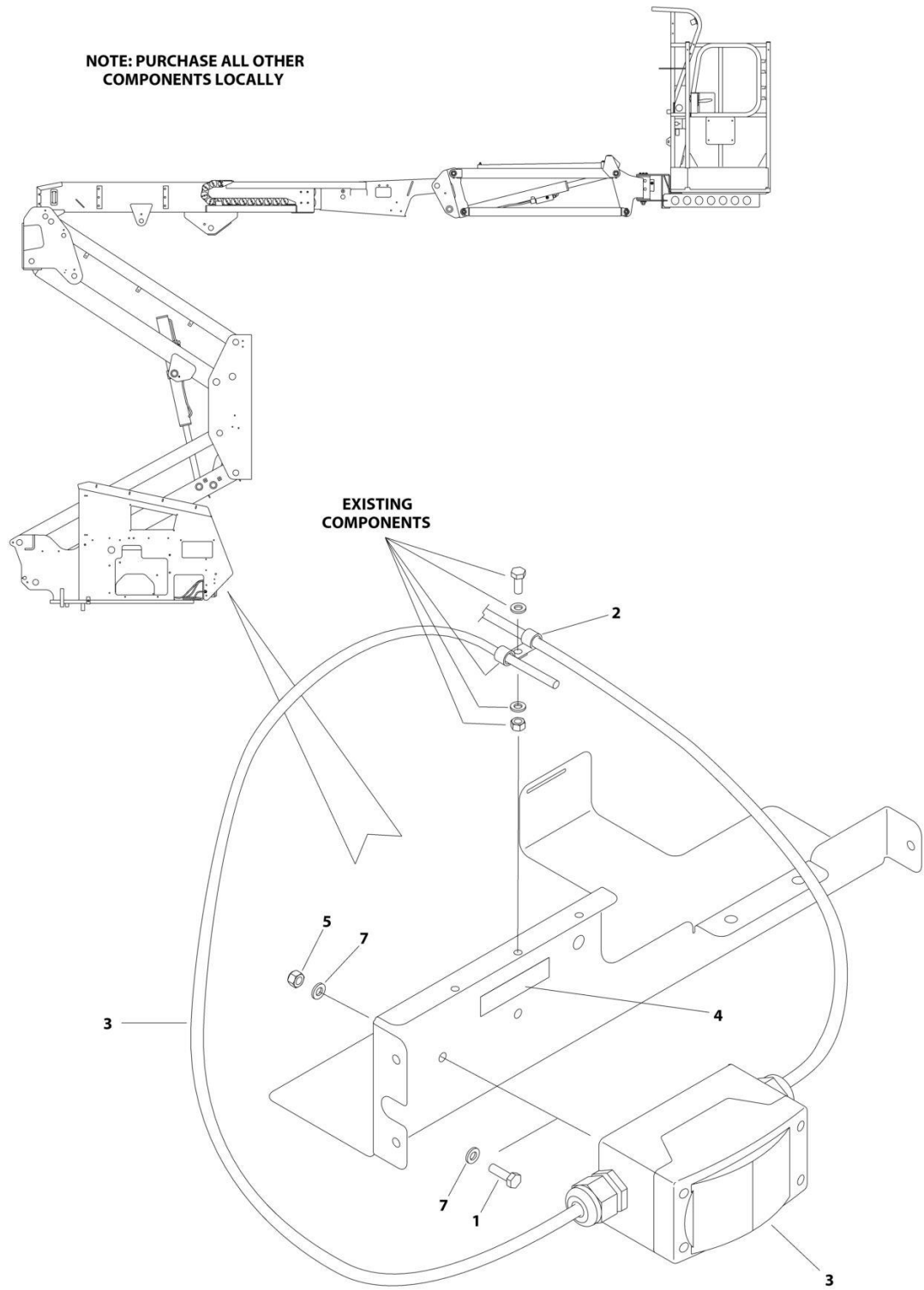
SECTION 8 - ELECTRICAL

FIGURE 8-1. AC BOX AT PLATFORM INSTALLATION - LOCALLY SUPPLIED COMPONENTS (ANSI EXPORT, AUSTRALIAN AND CHINA SPECS)

ITEM	PART NUMBER	QTY	DESCRIPTION	REV
	1001119870	Ref	AC BOX AT PLATFORM INSTALLATION - LOCALLY SUPPLIED COMPONENTS	A
1	3251243	1	Decal - 120V-60Hz	

SECTION 8 - ELECTRICAL

FIGURE 8-2. AC BOX AT PLATFORM INSTALLATION - LOCALLY SUPPLIED (CE & UK CA SPEC)



ART_1001130588

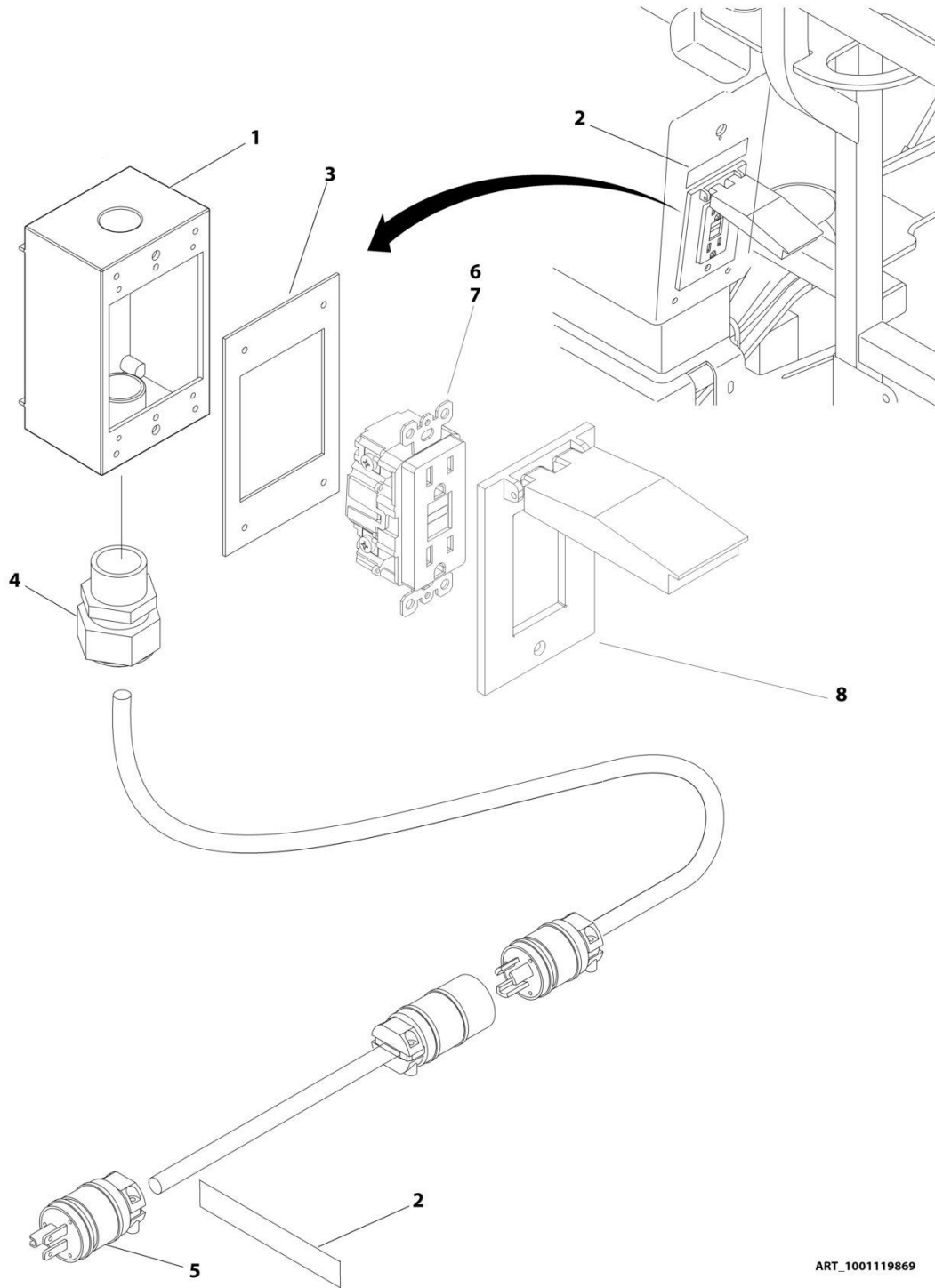
SECTION 8 - ELECTRICAL

FIGURE 8-2. AC BOX AT PLATFORM INSTALLATION - LOCALLY SUPPLIED (CE & UK CA SPEC)

ITEM	PART NUMBER	QTY	DESCRIPTION	REV
	1001130588	Ref	AC BOX AT PLATFORM INSTALLATION - LOCALLY SUPPLIED COMPONENTS	A
1	0760610	2	Bolt M6 x 20	
2	1320043	1	Clamp	
3	2902549	1	Breaker Box Kit (See Separate Breakdown in this Section)	
4	3252507	1	Decal - 220V - 50/60Hz	
5	3290605	2	Nut M6	
6	4460121	3	Cap, Wire (Not Shown - Located inside Receptacle Box)	
7	4811700	4	Washer M6	

SECTION 8 - ELECTRICAL

FIGURE 8-3. AC BOX AT PLATFORM INSTALLATION - 110V (ANSI, ANSI EXPORT, CHINA, CSA AND JAPANESE SPECS)



ART_100119869

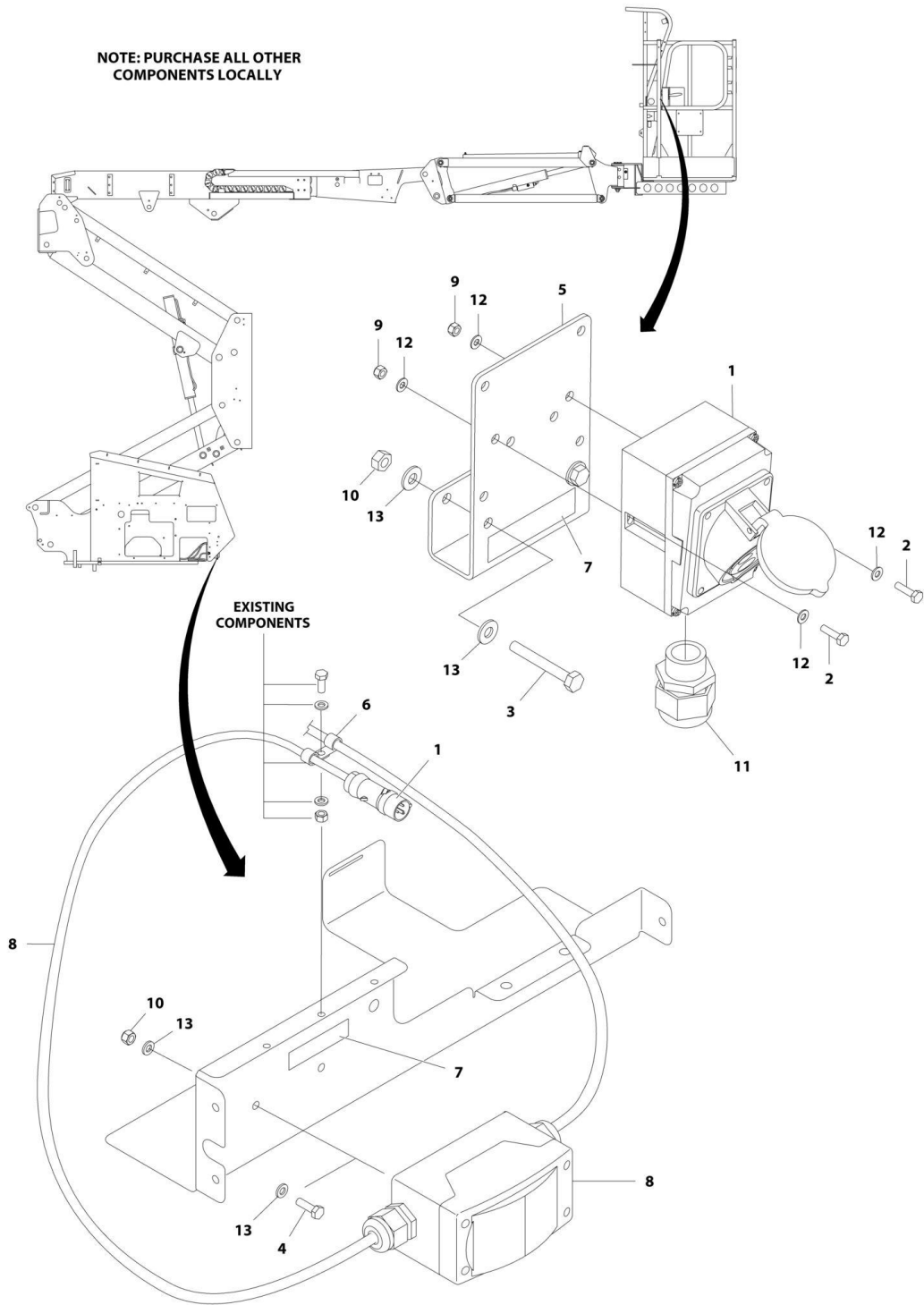
SECTION 8 - ELECTRICAL

FIGURE 8-3. AC BOX AT PLATFORM INSTALLATION - 110V (ANSI, ANSI EXPORT, CHINA, CSA AND JAPANESE SPECS)

ITEM	PART NUMBER	QTY	DESCRIPTION	REV
	1001119869	Ref	AC BOX AT PLATFORM INSTALLATION - 110V	A
1	0860038	1	Box, Switch	
2	3251243	2	Decal - 120V - 60Hz	
3	3960422	1	Gasket	
4	4460071	1	Connector, Strain Relief	
5	4460205	1	Plug, Male	
6	4460315	3	Terminal, Spade	
7	4460346	1	Receptacle	
8	1001110873	1	Shield, Cover	

SECTION 8 - ELECTRICAL

FIGURE 8-4. AC BOX AT PLATFORM INSTALLATION - 110V IEC YELLOW WITHOUT 4000W GENERATOR (CE & UK CA SPEC)



ART_1001119875

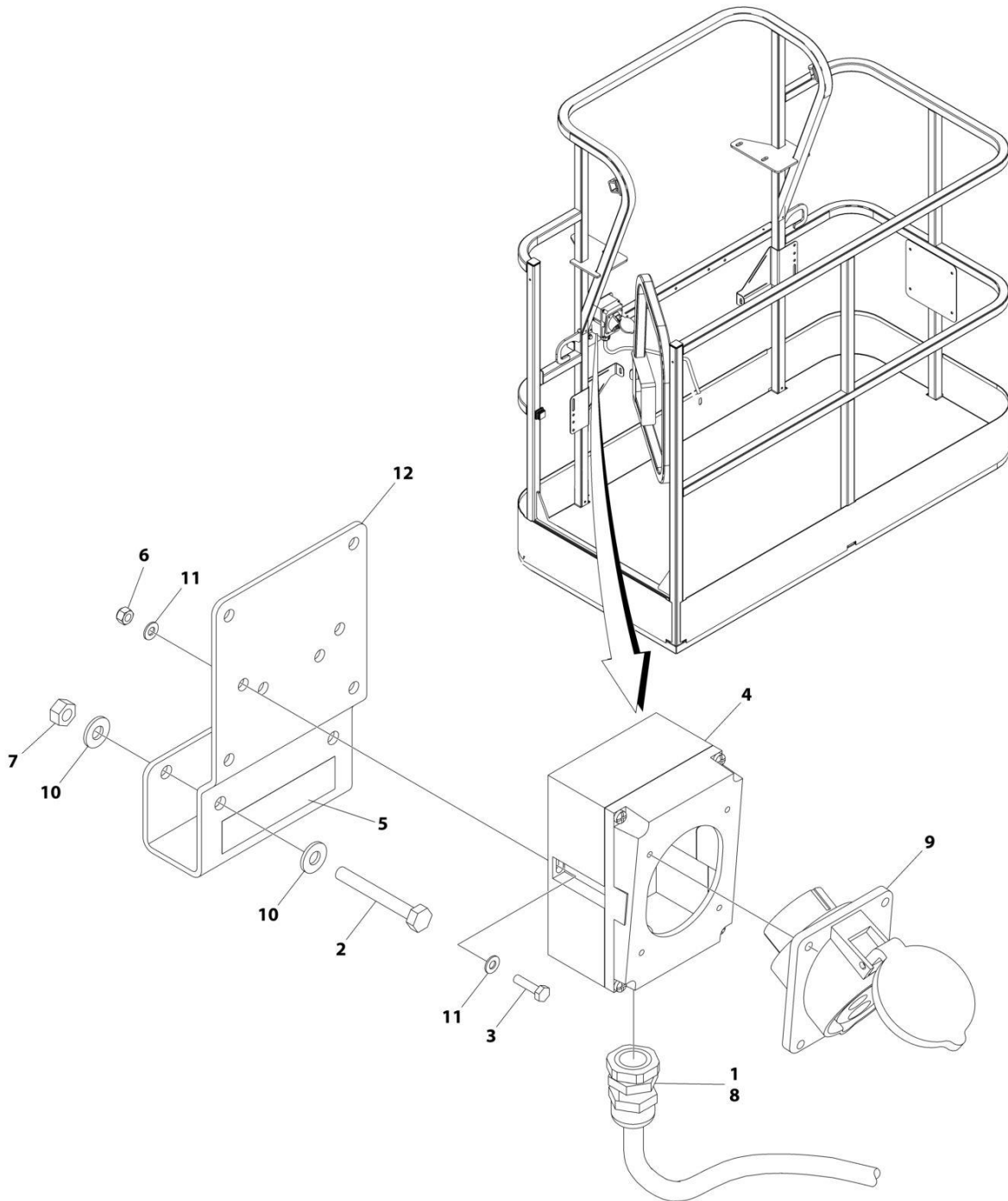
SECTION 8 - ELECTRICAL

FIGURE 8-4. AC BOX AT PLATFORM INSTALLATION - 110V IEC YELLOW WITHOUT 4000W GENERATOR (CE & UK CA SPEC)

ITEM	PART NUMBER	QTY	DESCRIPTION	REV
	1001119875	Ref	AC BOX AT PLATFORM INSTALLATION - 110V IEC YELLOW	B
1	0275216	1	Receptacle Box Kit (See Separate Breakdown in this Section)	
2	0700408	2	Bolt M4 x 16	
3	0700618	2	Bolt M6 x 50	
4	0760610	2	Bolt M6 x 20	
5	1001193018	1	Bracket	
6	1320043	1	Clamp	
7	1705325	2	Decal - 120V - 50Hz	
8	2902549	1	Breaker Box Kit (See Separate Breakdown in this Section)	
9	3290405	2	Nut M4	
10	3290605	4	Nut M6	
11	4460968	1	Connector, Strain Relief	
12	4811400	4	Washer M4	
13	4811700	8	Washer M6	

SECTION 8 - ELECTRICAL

FIGURE 8-5. AC BOX AT PLATFORM INSTALLATION - 110V IEC YELLOW WITH 4000W GENERATOR
(CE & UK CA SPECS)



ART_1001194203

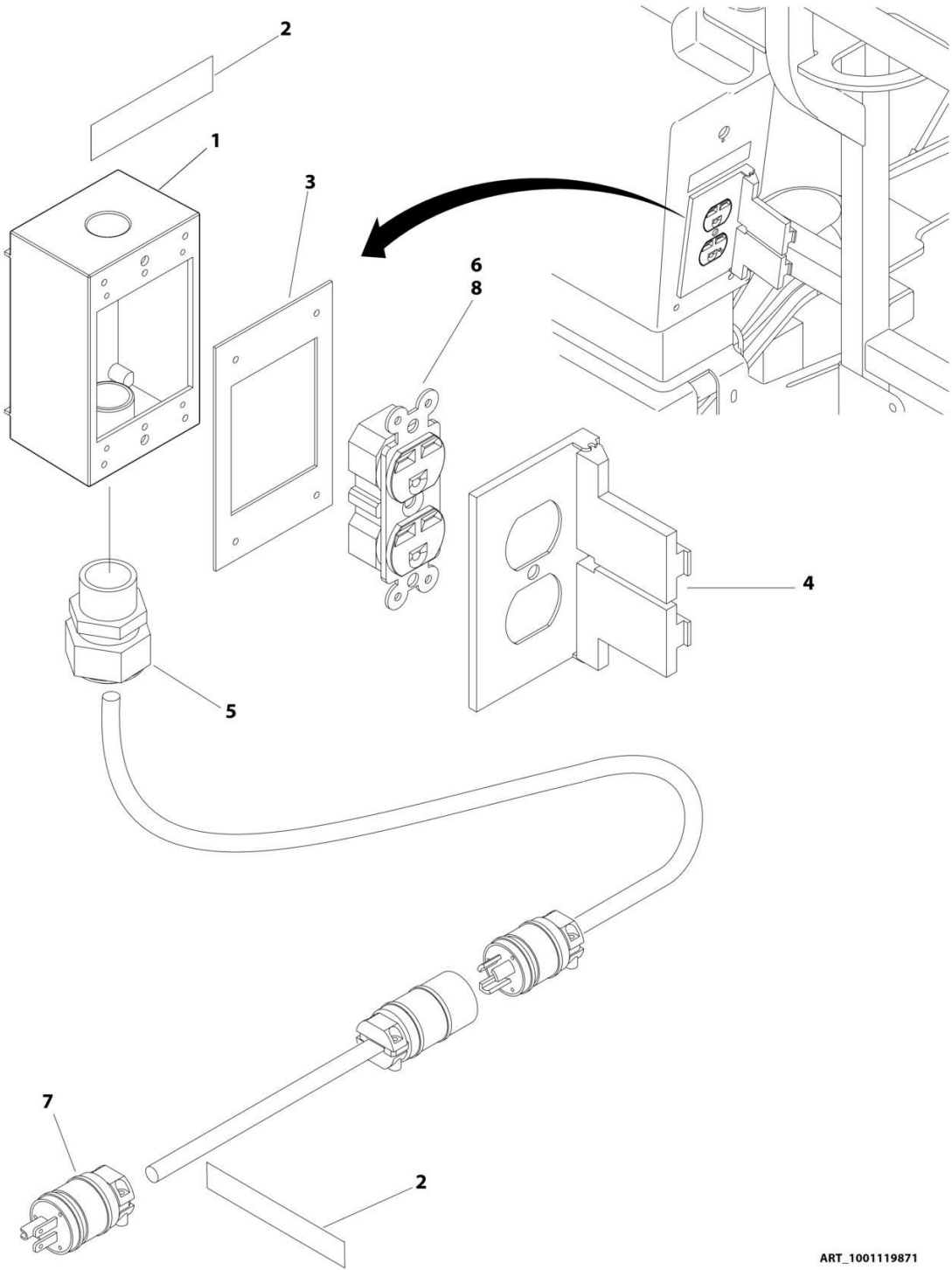
SECTION 8 - ELECTRICAL

**FIGURE 8-5. AC BOX AT PLATFORM INSTALLATION - 110V IEC YELLOW WITH 4000W GENERATOR
(CE & UK CA SPECS)**

ITEM	PART NUMBER	QTY	DESCRIPTION	REV
	1001194203	Ref	AC BOX AT PLATFORM INSTALLATION	B
1	0100020	AR	Sealant, Pipe	
2	0641416	2	Bolt 1/4 x 2	
3	0700408	2	Bolt M4 x 16	
4	0861781	1	Box, Switch	
5	1705325	1	Decal - 110V	
6	3290405	2	Nut M4	
7	3311405	2	Nut 1/4	
8	4460968	1	Connector, Strain Relief	
9	4461198	1	Receptacle	
10	4711400	4	Washer 1/4	
11	4811400	4	Washer M4	
12	1001193018	1	Bracket, AC Receptacle	

SECTION 8 - ELECTRICAL

FIGURE 8-6. AC BOX AT PLATFORM INSTALLATION - 220V (CSA SPEC)



ART_100119871

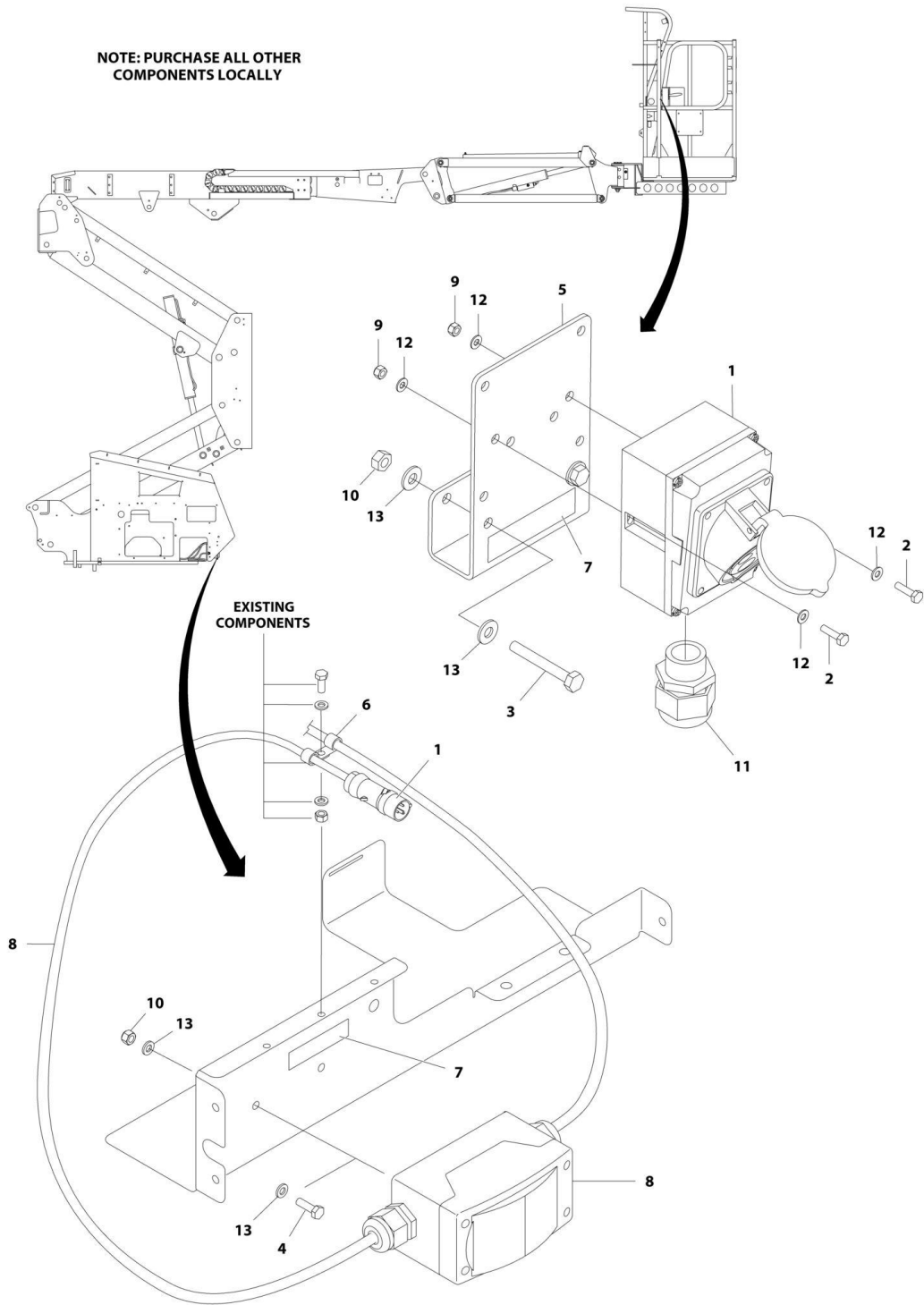
SECTION 8 - ELECTRICAL

FIGURE 8-6. AC BOX AT PLATFORM INSTALLATION - 220V (CSA SPEC)

ITEM	PART NUMBER	QTY	DESCRIPTION	REV
	1001119871	Ref	AC BOX AT PLATFORM INSTALLATION - 220V	A
1	0860038	1	Box, Switch	
2	3252507	2	Decal - 220V - 50/60Hz	
3	3960422	1	Gasket	
4	4060092	1	Shield, Weather	
5	4460071	1	Connector, Strain Relief	
6	4460125	1	Receptacle	
7	4460233	1	Plug, Male	
8	4460315	3	Terminal, Spade	

SECTION 8 - ELECTRICAL

FIGURE 8-7. AC BOX AT PLATFORM INSTALLATION - 220V IEC BLUE WITHOUT 4000W GENERATOR (CE & UK CA SPEC)



ART_1001119876

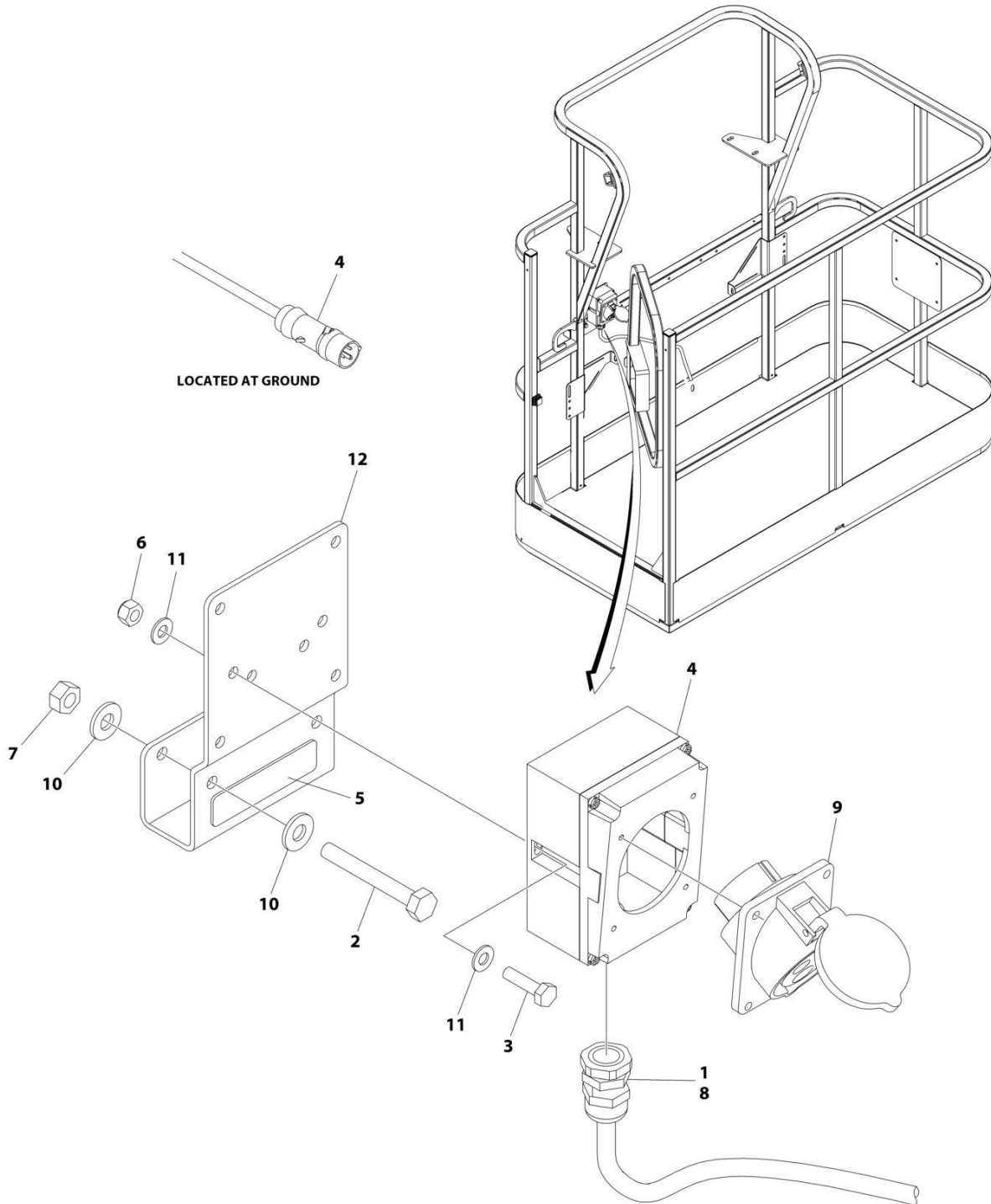
SECTION 8 - ELECTRICAL

FIGURE 8-7. AC BOX AT PLATFORM INSTALLATION - 220V IEC BLUE WITHOUT 4000W GENERATOR (CE & UK CA SPEC)

ITEM	PART NUMBER	QTY	DESCRIPTION	REV
	1001119876	Ref	AC BOX AT PLATFORM INSTALLATION - 220V IEC BLUE	B
1	0275217	1	Receptacle Box Kit (See Separate Breakdown in this Section)	
2	0700408	2	Bolt M4 x 16	
3	0700618	2	Bolt M6 x 50	
4	0760610	2	Bolt M6 x 20	
5	1001193018	1	Bracket	
6	1320043	1	Clamp	
7	3252507	2	Decal - 220V - 50/60Hz	
8	2902549	1	Breaker Box Kit (See Separate Breakdown in this Section)	
9	3290405	2	Nut M4	
10	3290605	4	Nut M6	
11	4460968	1	Connector, Strain Relief	
12	4811400	4	Washer M4	
13	4811700	8	Washer M6	

SECTION 8 - ELECTRICAL

FIGURE 8-8. AC BOX AT PLATFORM INSTALLATION - 220V IEC BLUE WITH 4000W GENERATOR
(CE & UK CA SPECS)



ART_1001194204

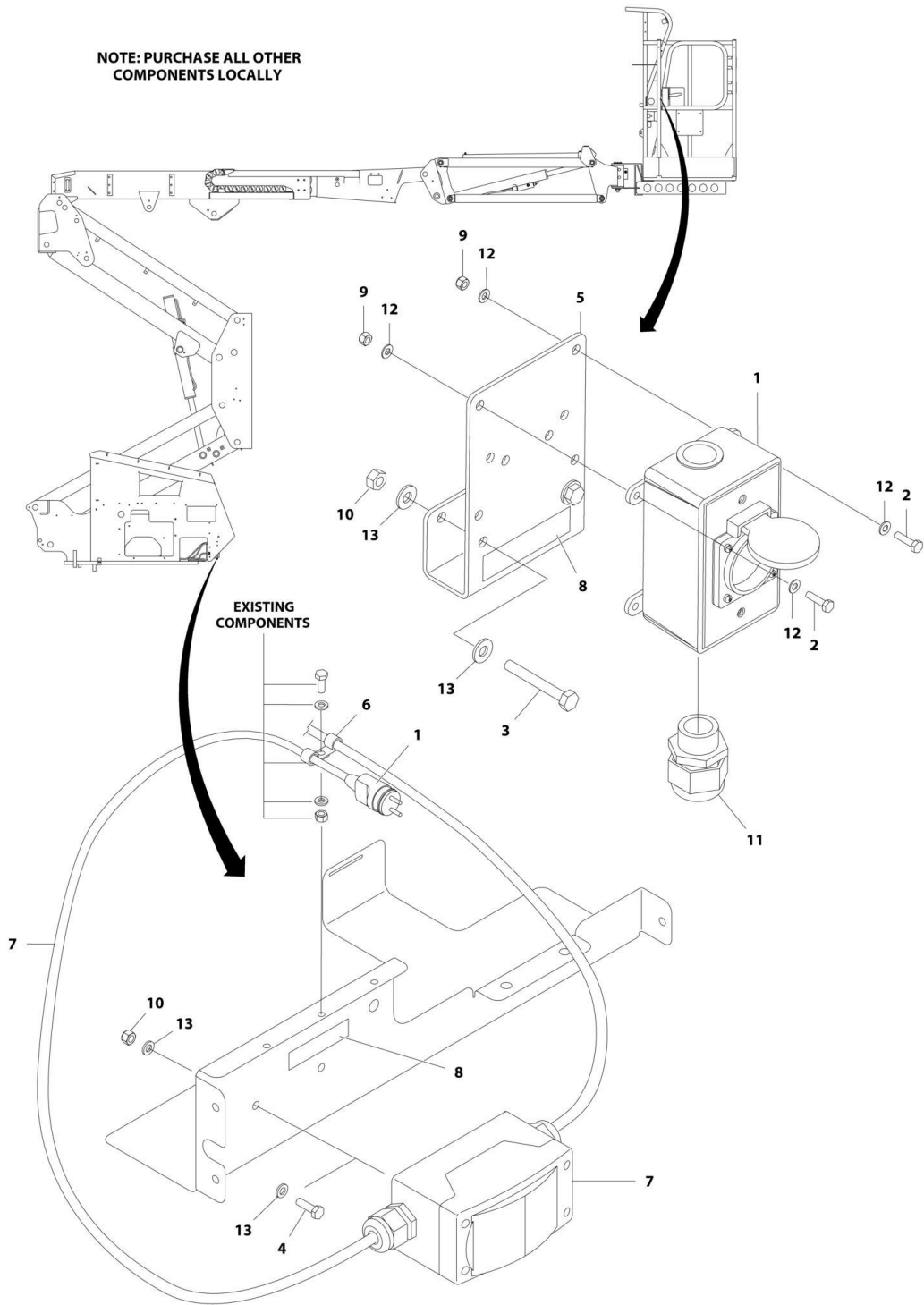
SECTION 8 - ELECTRICAL

**FIGURE 8-8. AC BOX AT PLATFORM INSTALLATION - 220V IEC BLUE WITH 4000W GENERATOR
(CE & UK CA SPECS)**

ITEM	PART NUMBER	QTY	DESCRIPTION	REV
	1001194204	Ref	AC BOX AT PLATFORM INSTALLATION	B
1	0100020	AR	Sealant, Pipe	
2	0641416	2	Bolt 1/4 x 2	
3	0700408	2	Bolt M4 x 16	
4	0861781	1	Box, Switch	
5	3251242	1	Decal - 240V/50Hz	
6	3290405	2	Nut M4	
7	3311405	2	Nut 1/4	
8	4460968	1	Connector, Strain Relief	
9	4461201	1	Receptacle	
10	4711400	4	Washer 1/4	
11	4811400	4	Washer M4	
12	1001193018	1	Bracket, AC Receptacle	

SECTION 8 - ELECTRICAL

FIGURE 8-9. AC BOX AT PLATFORM INSTALLATION - 220V CEE7 POST GROUND 2 X 4 BOX WITHOUT 4000W GENERATOR (CE & UK CA SPEC)



ART_100119872

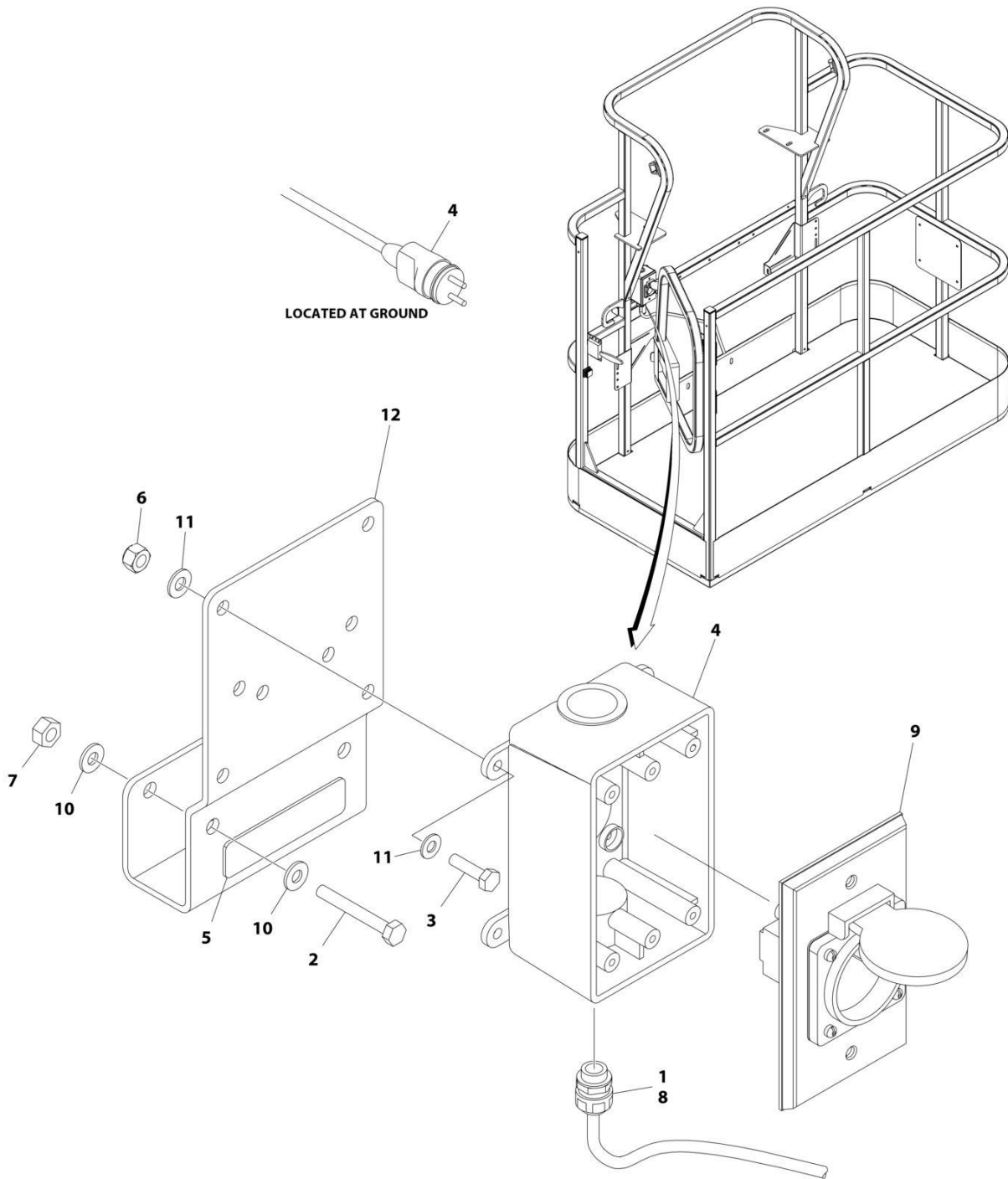
SECTION 8 - ELECTRICAL

**FIGURE 8-9. AC BOX AT PLATFORM INSTALLATION - 220V CEE7 POST GROUND 2 X 4 BOX
WITHOUT 4000W GENERATOR (CE & UK CA SPEC)**

ITEM	PART NUMBER	QTY	DESCRIPTION	REV
	1001119872	Ref	AC BOX AT PLATFORM INSTALLATION - 220V CEE7 POST GROUND WITH 2IN X 4IN BOX	C
1	0275452	1	Receptacle Box Kit (See Separate Breakdown in this Section)	
2	0700408	4	Bolt M4 x 16	
3	0700618	2	Bolt M6 x 50	
4	0760610	2	Bolt M6 x 20	
5	1001193018	1	Bracket	
6	1320043	1	Clamp	
7	2902549	1	Breaker Box Kit (See Separate Breakdown in this Section)	
8	3252507	2	Decal - 220V - 50/60Hz	
9	3290405	4	Nut M4	
10	3290605	4	Nut M6	
11	4460662	1	Connector, Strain Relief	
12	4811400	8	Washer M4	
13	4811700	8	Washer M6	

SECTION 8 - ELECTRICAL

FIGURE 8-10. AC BOX AT PLATFORM INSTALLATION - 220V CEE7 POST GROUND 2 X 4 BOX WITH 4000W GENERATOR (CE & UK CA SPECS)



ART_1001194197

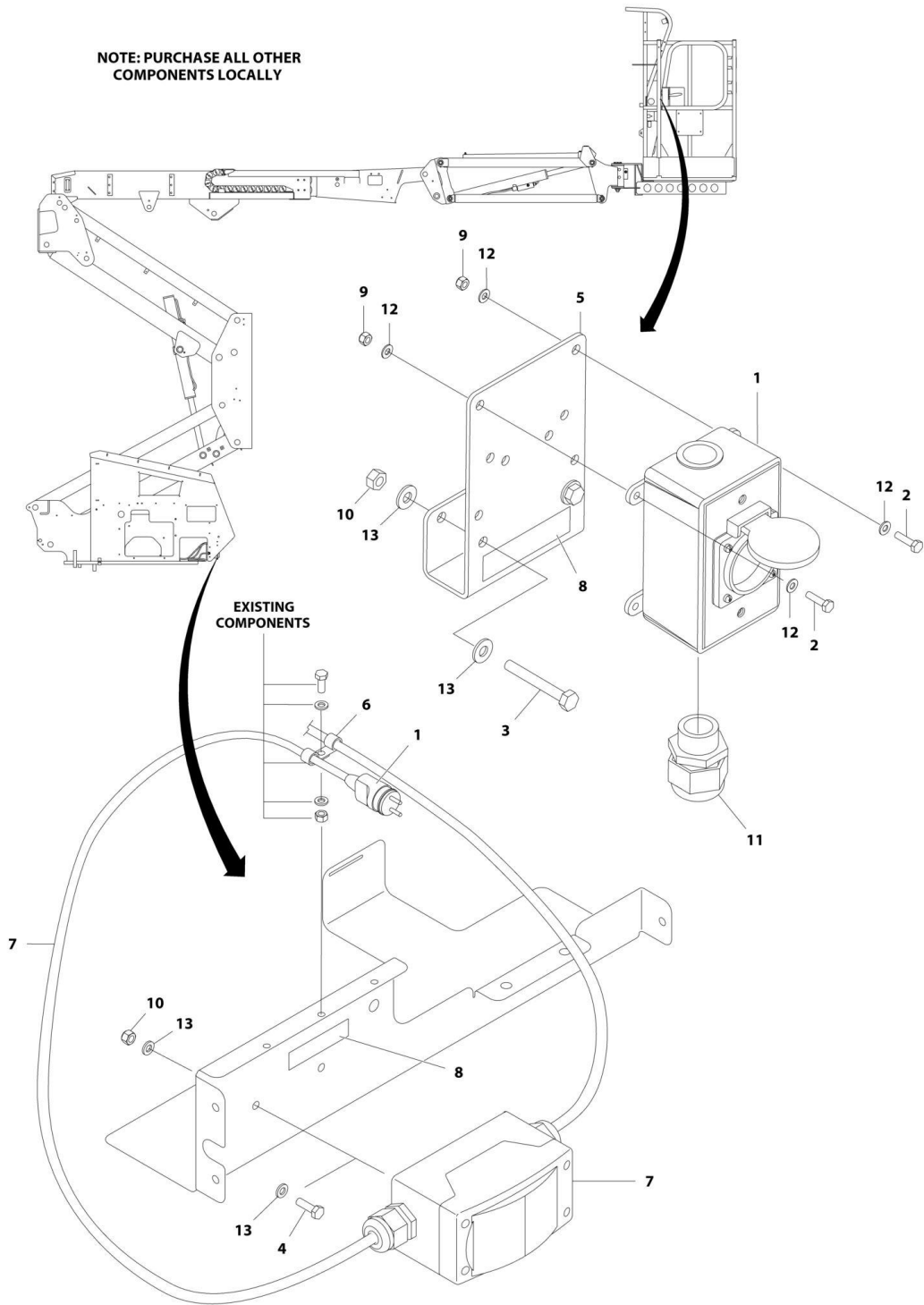
SECTION 8 - ELECTRICAL

**FIGURE 8-10. AC BOX AT PLATFORM INSTALLATION - 220V CEE7 POST GROUND 2 X 4 BOX WITH
4000W GENERATOR (CE & UK CA SPECS)**

ITEM	PART NUMBER	QTY	DESCRIPTION	REV
	1001194197	Ref	AC BOX AT PLATFORM INSTALLATION	B
1	0100020	AR	Sealant, Pipe	
2	0641416	2	Bolt 1/4 x 2	
3	0700408	4	Bolt M4 x 16	
4	0861731	1	Box, Switch	
5	3251242	1	Decal - 240V/50Hz	
6	3290405	4	Nut M4	
7	3311405	2	Nut 1/4	
8	4460662	1	Connector, Strain Relief	
9	4461244	1	Receptacle	
10	4711400	4	Washer 1/4	
11	4811400	8	Washer M4	
12	1001193018	1	Bracket, AC Receptacle	
13	4460806	2	Terminal, Fork (Not Shown)	
14	1001205958	1	Terminal (Not Shown)	

SECTION 8 - ELECTRICAL

FIGURE 8-11. AC BOX AT PLATFORM INSTALLATION - 220V CEE7 SIDE GROUND 2 X 4 BOX WITHOUT 4000W GENERATOR (CE & UK CA SPEC)



ART_100119873

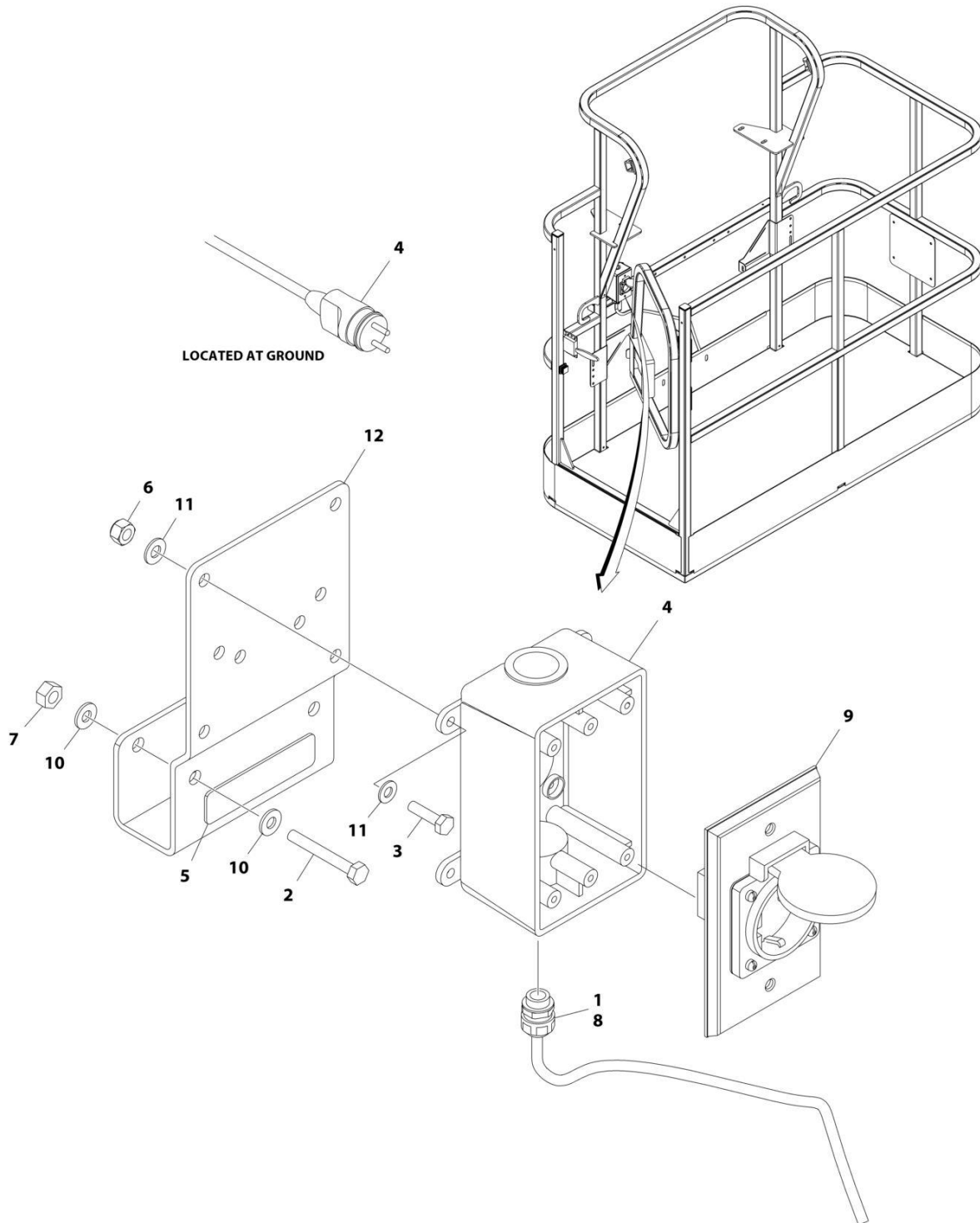
SECTION 8 - ELECTRICAL

**FIGURE 8-11. AC BOX AT PLATFORM INSTALLATION - 220V CEE7 SIDE GROUND 2 X 4 BOX
WITHOUT 4000W GENERATOR (CE & UK CA SPEC)**

ITEM	PART NUMBER	QTY	DESCRIPTION	REV
	1001119873	Ref	AC BOX AT PLATFORM INSTALLATION - 220V CEE7 SIDE GROUND WITH 2IN X 4IN BOX	B
1	0275453	1	Receptacle Box Kit (See Separate Breakdown in this Section)	
2	0700408	4	Bolt, M4 x 16	
3	0700618	2	Bolt M6 x 50	
4	0760610	2	Bolt M6 x 20	
5	1001193018	1	Bracket	
6	1320043	1	Clamp	
7	2902549	1	Breaker Box Kit (See Separate Breakdown in this Section)	
8	3252507	2	Decal - 220V - 50/60Hz	
9	3290405	4	Nut M4	
10	3290605	4	Nut M6	
11	4460968	1	Connector, Strain Relief	
12	4811400	8	Washer M4	
13	4811700	8	Washer M6	

SECTION 8 - ELECTRICAL

FIGURE 8-12. AC BOX AT PLATFORM INSTALLATION - 220V CEE7 SIDE GROUND 2 X 4 BOX WITH 4000W GENERATOR (CE & UK CA SPECS)



ART_1001194198

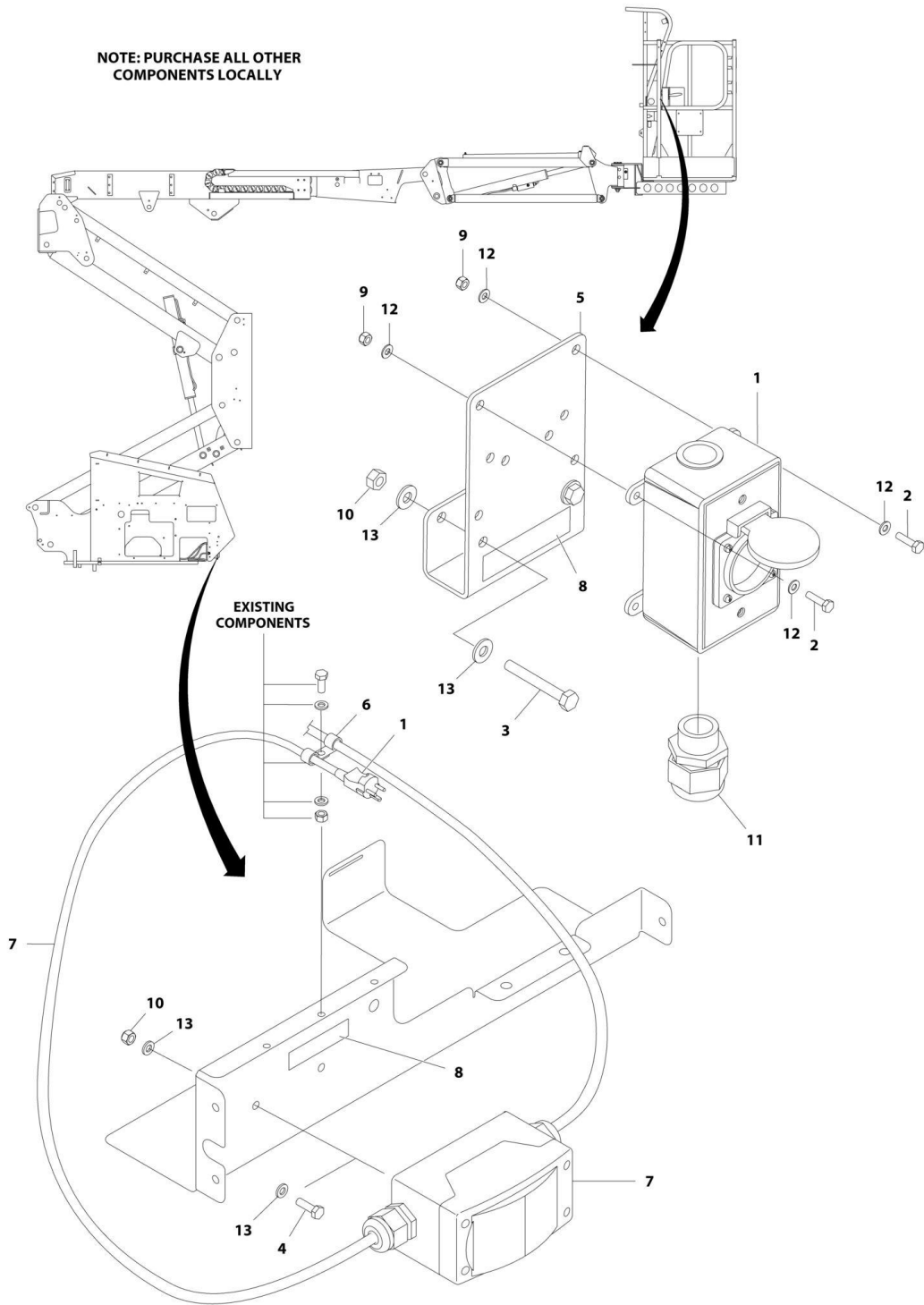
SECTION 8 - ELECTRICAL

FIGURE 8-12. AC BOX AT PLATFORM INSTALLATION - 220V CEE7 SIDE GROUND 2 X 4 BOX WITH 4000W GENERATOR (CE & UK CA SPECS)

ITEM	PART NUMBER	QTY	DESCRIPTION	REV
	1001194198	Ref	AC BOX AT PLATFORM INSTALLATION	B
1	0100020	AR	Sealant, Pipe	
2	0641416	2	Bolt 1/4 x 2	
3	0700408	4	Bolt M4 x 16	
4	0861731	1	Box, Switch	
5	3251242	1	Decal - 240V/50Hz	
6	3290405	4	Nut M4	
7	3311405	2	Nut 1/4	
8	4460662	1	Connector, Strain Relief	
9	4461245	1	Receptacle	
10	4711400	4	Washer 1/4	
11	4811400	8	Washer M4	
12	1001193018	1	Bracket, AC Receptacle	
13	4460806	2	Terminal, Fork (Not Shown)	
14	1001205958	1	Terminal (Not Shown)	

SECTION 8 - ELECTRICAL

FIGURE 8-13. AC BOX AT PLATFORM INSTALLATION - 220V AFSINT 107 KEYED GROUND WITHOUT 4000W GENERATOR (CE & UK CA SPEC)



ART_1001119874

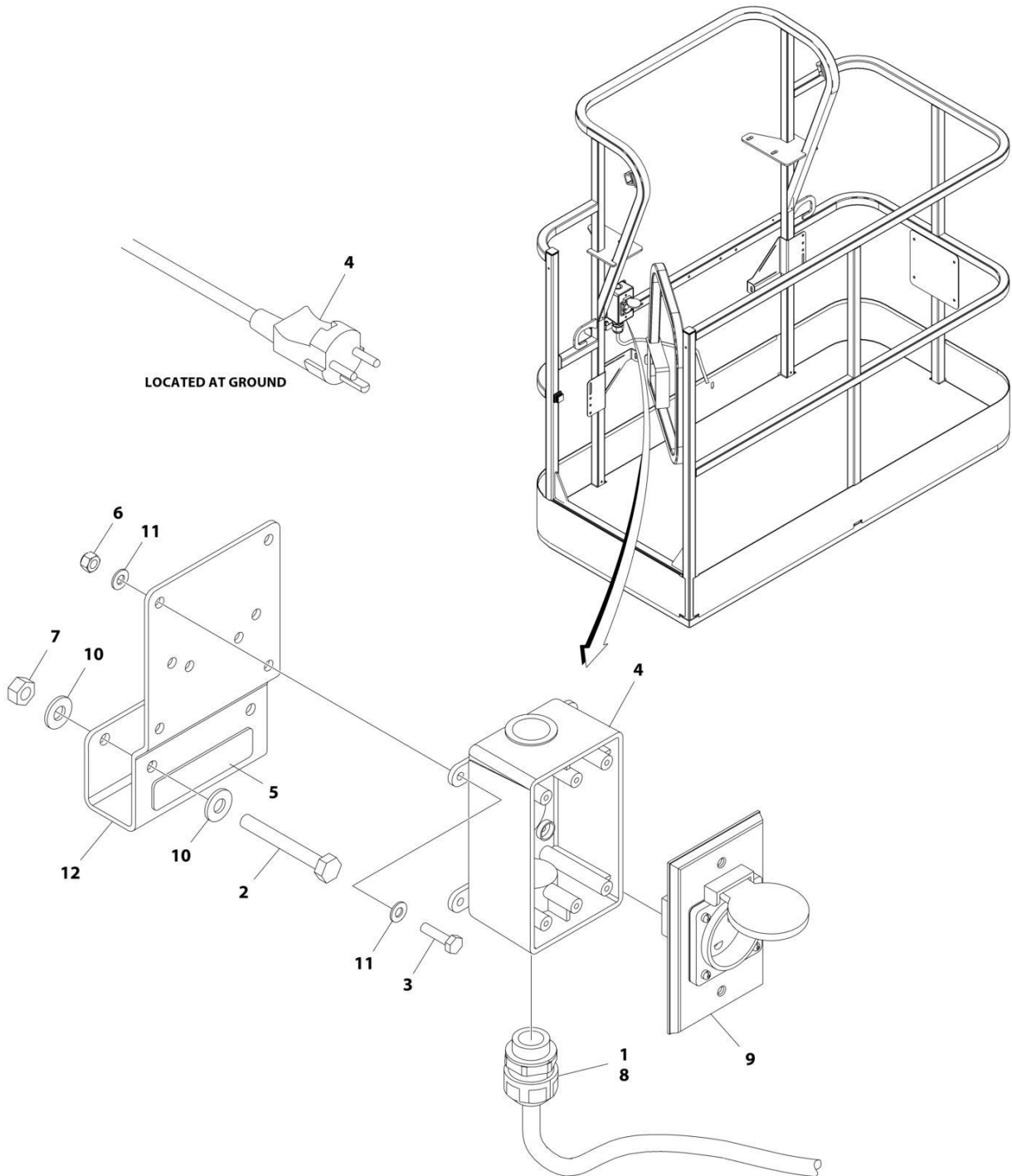
SECTION 8 - ELECTRICAL

**FIGURE 8-13. AC BOX AT PLATFORM INSTALLATION - 220V AFSINT 107 KEYED GROUND
WITHOUT 4000W GENERATOR (CE & UK CA SPEC)**

ITEM	PART NUMBER	QTY	DESCRIPTION	REV
	1001119874	Ref	AC BOX AT PLATFORM INSTALLATION - 220V AFSINT 107 KEYED GROUND WITH 2IN X 4IN BOX	C
1	0275454	1	Receptacle Box Kit (See Separate Breakdown in this Section)	
2	0700408	4	Bolt M4 x 16	
3	0700618	2	Bolt M6 x 50	
4	0760610	2	Bolt M6 x 20	
5	1001193018	1	Bracket	
6	1320043	1	Clamp	
7	2902549	1	Breaker Box Kit (See Separate Breakdown in this Section)	
8	3252507	2	Decal - 220V - 50/60Hz	
9	3290405	4	Nut M4	
10	3290605	4	Nut M6	
11	4460662	1	Connector, Strain Relief	
12	4811400	8	Washer M4	
13	4811700	8	Washer M6	

SECTION 8 - ELECTRICAL

FIGURE 8-14. AC BOX AT PLATFORM INSTALLATION - 220V AFSINT 107 KEYED GROUND WITH 4000W GENERATOR (CE & UK CA SPECS)



ART_1001194200

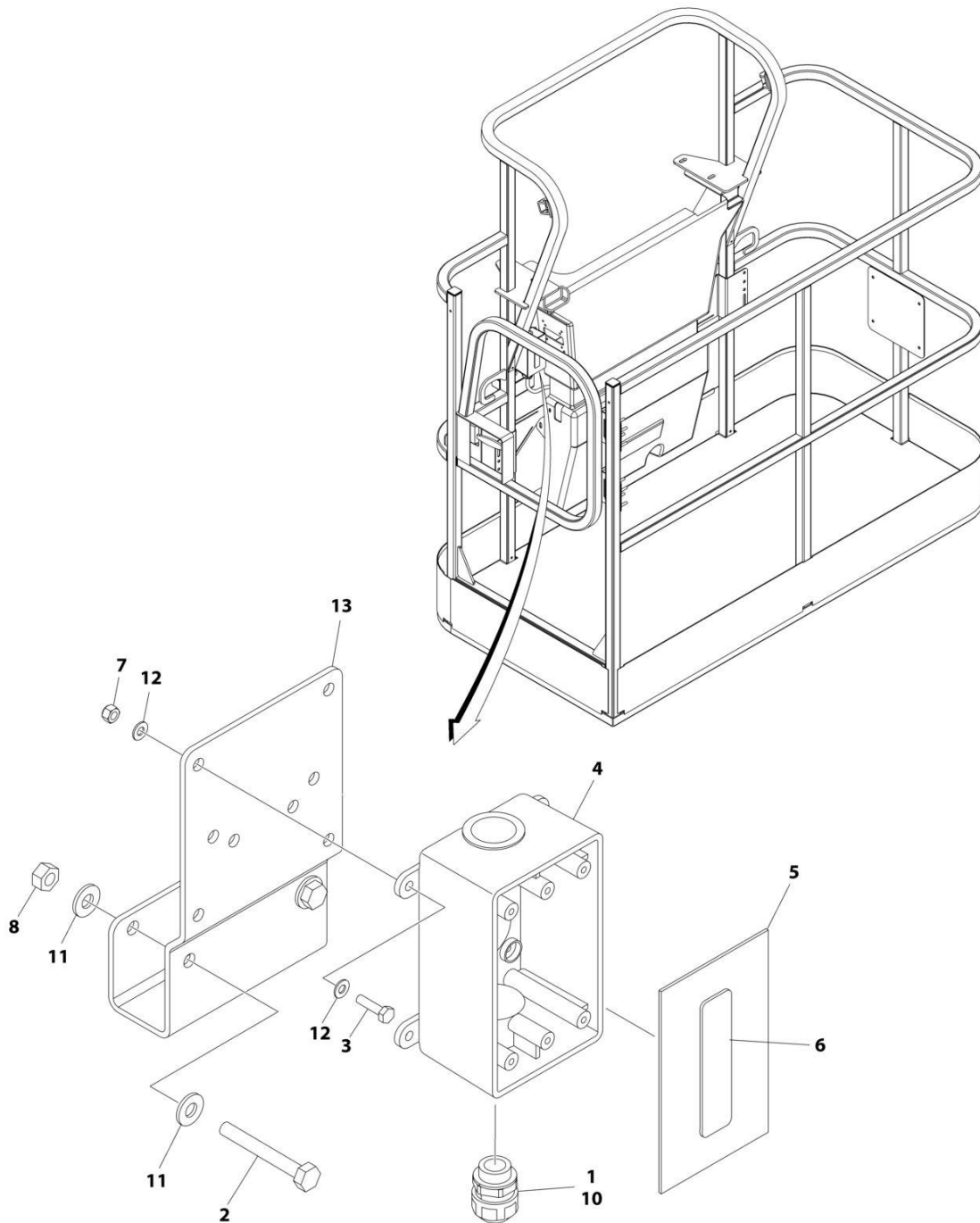
SECTION 8 - ELECTRICAL

FIGURE 8-14. AC BOX AT PLATFORM INSTALLATION - 220V AFSINT 107 KEYED GROUND WITH 4000W GENERATOR (CE & UK CA SPECS)

ITEM	PART NUMBER	QTY	DESCRIPTION	REV
	1001194200	Ref	AC BOX AT PLATFORM INSTALLATION	B
1	0100020	AR	Sealant, Pipe	
2	0641416	2	Bolt 1/4 x 2	
3	0700408	4	Bolt M4 x 16	
4	0861731	1	Box, Switch	
5	3251242	1	Decal - 240V/50Hz	
6	3290405	4	Nut M4	
7	3311405	2	Nut 1/4	
8	4460662	1	Connector, Strain Relief	
9	4461246	1	Receptacle	
10	4711400	4	Washer 1/4	
11	4811400	8	Washer M4	
12	1001193018	1	Bracket, AC Receptacle	
13	1001205958	1	Terminal (Not Shown)	

SECTION 8 - ELECTRICAL

FIGURE 8-15. AC BOX AT PLATFORM INSTALLATION - BOX WITH COVER WITH 4000W GENERATOR (ANSI EXPORT, AUSTRALIAN, CHINA AND JAPANESE SPECS)



ART_1001194365

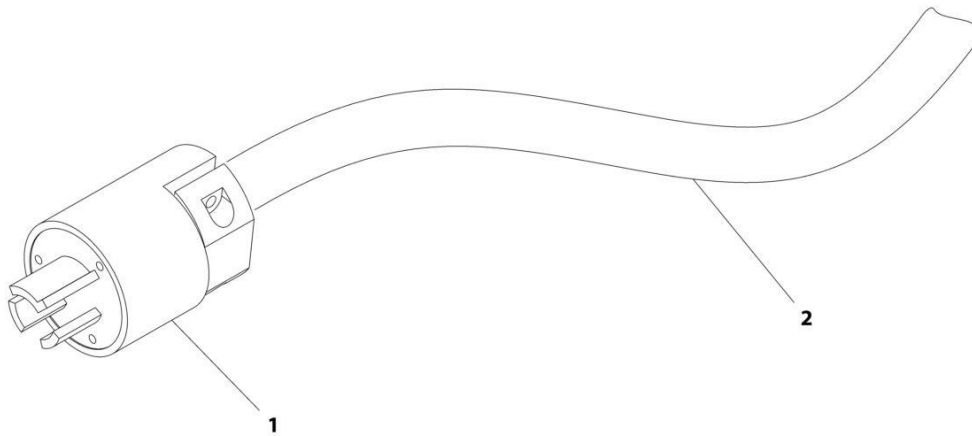
SECTION 8 - ELECTRICAL

FIGURE 8-15. AC BOX AT PLATFORM INSTALLATION - BOX WITH COVER WITH 4000W GENERATOR (ANSI EXPORT, AUSTRALIAN, CHINA AND JAPANESE SPECS)

ITEM	PART NUMBER	QTY	DESCRIPTION	REV
	1001194365	Ref	AC BOX AT PLATFORM INSTALLATION - BOX WITH COVER (2X4 BOX)	A
1	0100020	AR	Sealant	
2	0641416	2	Bolt 1/4 x 2	
3	0700408	4	Bolt M4 x 16	
4	0861731	1	Box, Switch	
5	1670603	1	Cover	
6	3251242	1	Decal - 240V/50Hz	
7	3290405	4	Nut M4	
8	3311405	2	Nut 1/4	
9	4460384	3	Terminal (Not Shown)	
10	4460662	1	Connector, Strain Relief	
11	4711400	4	Washer 1/4	
12	4811400	8	Washer M4	
13	1001193018	1	Bracket, AC Receptacle	

SECTION 8 - ELECTRICAL

FIGURE 8-16. AC POWER TO PLATFORM CABLE - MAIN BOOM (WITHOUT ARCTIC PACKAGE)
(50HZ)



ART_1001119140

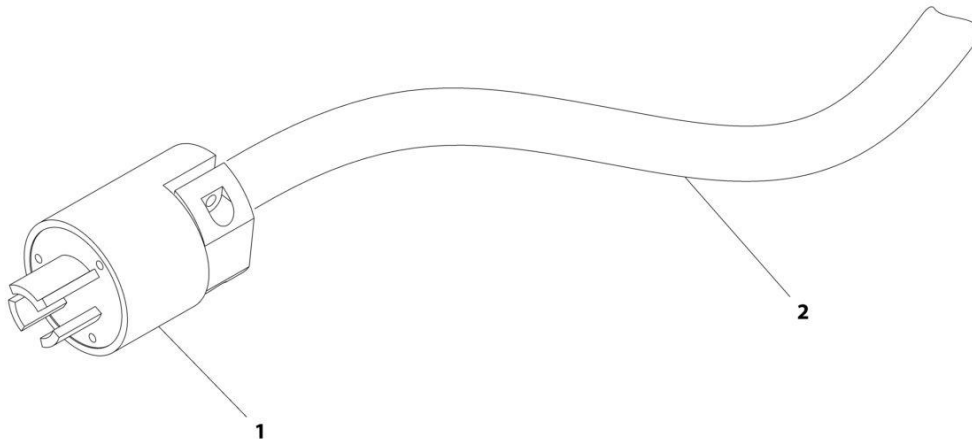
SECTION 8 - ELECTRICAL

**FIGURE 8-16. AC POWER TO PLATFORM CABLE - MAIN BOOM (WITHOUT ARCTIC PACKAGE)
(50HZ)**

ITEM	PART NUMBER	QTY	DESCRIPTION	REV
	1001119140	Ref	AC POWER TO PLATFORM CABLE - MAIN BOOM (WITHOUT ARCTIC PACKAGE)	C
1	1001120204	1	Plug, Male	
2	4923505	1	Cable, 14/3	

SECTION 8 - ELECTRICAL

FIGURE 8-17. AC POWER TO PLATFORM CABLE - MAIN BOOM (WITH ARCTIC PACKAGE) (50HZ)



ART_1001119955

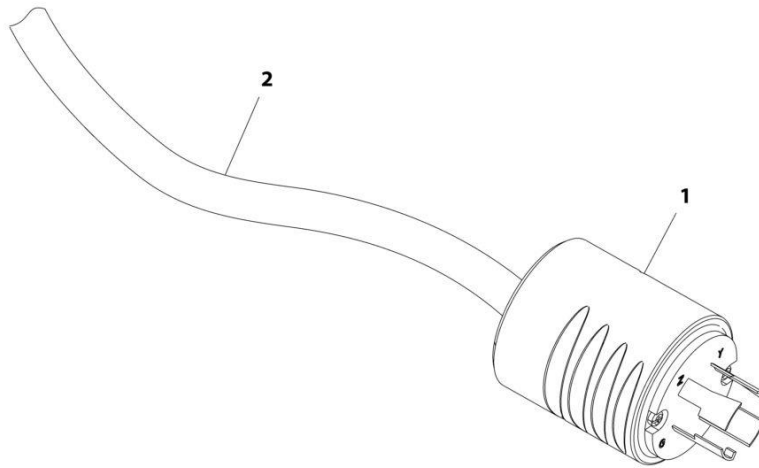
SECTION 8 - ELECTRICAL

FIGURE 8-17. AC POWER TO PLATFORM CABLE - MAIN BOOM (WITH ARCTIC PACKAGE) (50HZ)

ITEM	PART NUMBER	QTY	DESCRIPTION	REV
	1001119955	Ref	AC POWER TO PLATFORM CABLE - MAIN BOOM (WITH ARCTIC PACKAGE)	B
1	1001120204	1	Plug, Male	
2	4923463	1	Cable, 12/3	

SECTION 8 - ELECTRICAL

FIGURE 8-18. AC POWER TO PLATFORM CABLE - MAIN BOOM (60HZ)



ART_1001157311

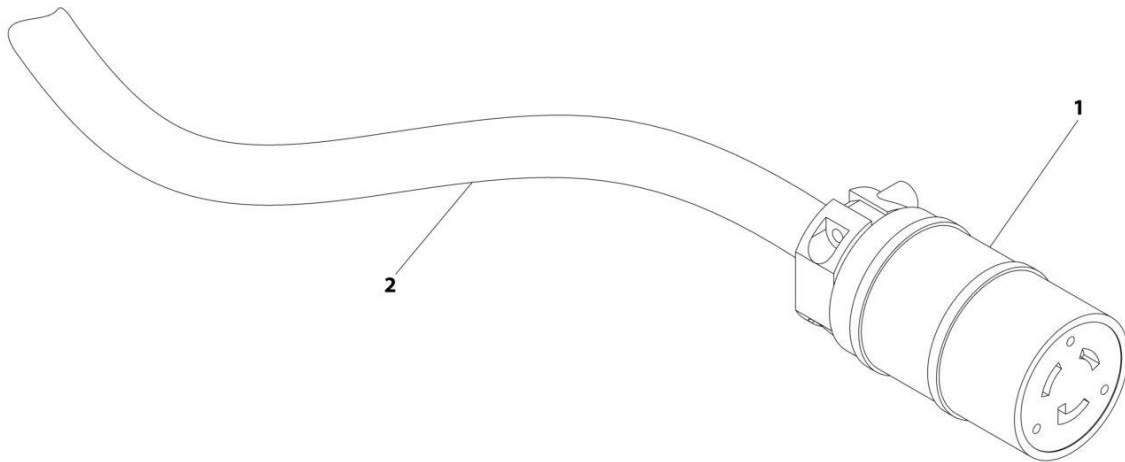
SECTION 8 - ELECTRICAL

FIGURE 8-18. AC POWER TO PLATFORM CABLE - MAIN BOOM (60HZ)

ITEM	PART NUMBER	QTY	DESCRIPTION	REV
1	1001157311 4460962	Ref 1	AC POWER TO PLATFORM CABLE - MAIN BOOM (60Hz) Terminal	A
2	1001131968	22.2 ft /6.8m	Cable, 10/4	

SECTION 8 - ELECTRICAL

FIGURE 8-19. AC POWER TO PLATFORM CABLE - TOWER BOOM (WITHOUT ARCTIC PACKAGE)
(50HZ)



ART_1001119139

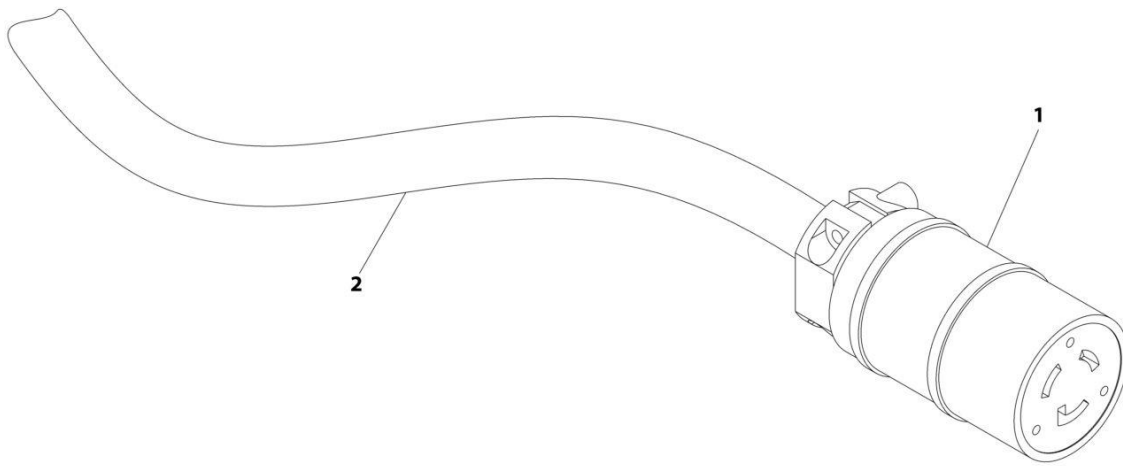
SECTION 8 - ELECTRICAL

**FIGURE 8-19. AC POWER TO PLATFORM CABLE - TOWER BOOM (WITHOUT ARCTIC PACKAGE)
(50HZ)**

ITEM	PART NUMBER	QTY	DESCRIPTION	REV
	1001119139	Ref	AC POWER TO PLATFORM CABLE - TOWER BOOM (WITHOUT ARCTIC PACKAGE)	B
1	1001120205	1	Connector, Female	
2	4923505	1	Cable, 14/3	

SECTION 8 - ELECTRICAL

FIGURE 8-20. AC POWER TO PLATFORM CABLE - TOWER BOOM (WITH ARCTIC PACKAGE) (50HZ)



ART_1001119956

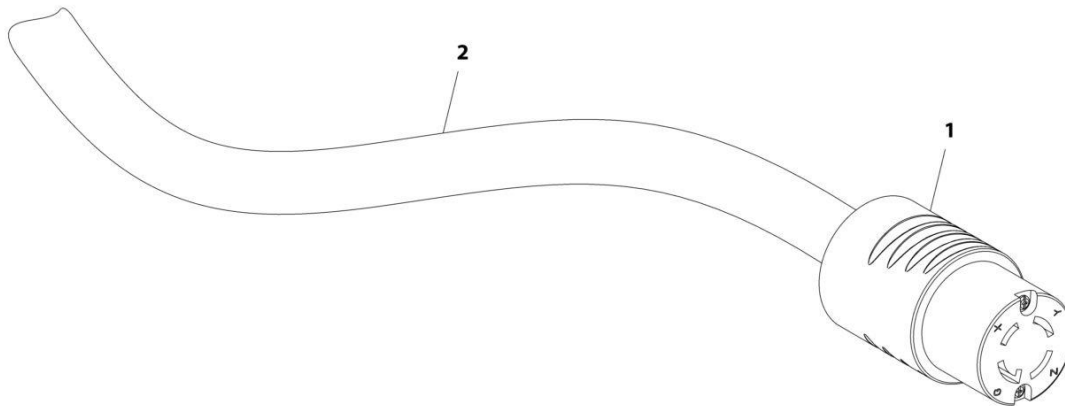
SECTION 8 - ELECTRICAL

FIGURE 8-20. AC POWER TO PLATFORM CABLE - TOWER BOOM (WITH ARCTIC PACKAGE) (50HZ)

ITEM	PART NUMBER	QTY	DESCRIPTION	REV
	1001119956	Ref	AC POWER TO PLATFORM CABLE - TOWER BOOM (WITH ARCTIC PACKAGE)	A
1	1001120205	1	Connector, Female	
2	4923463	1	Cable, 12/3	

SECTION 8 - ELECTRICAL

FIGURE 8-21. AC POWER TO PLATFORM CABLE - TOWER BOOM (60HZ)



ART_1001157310

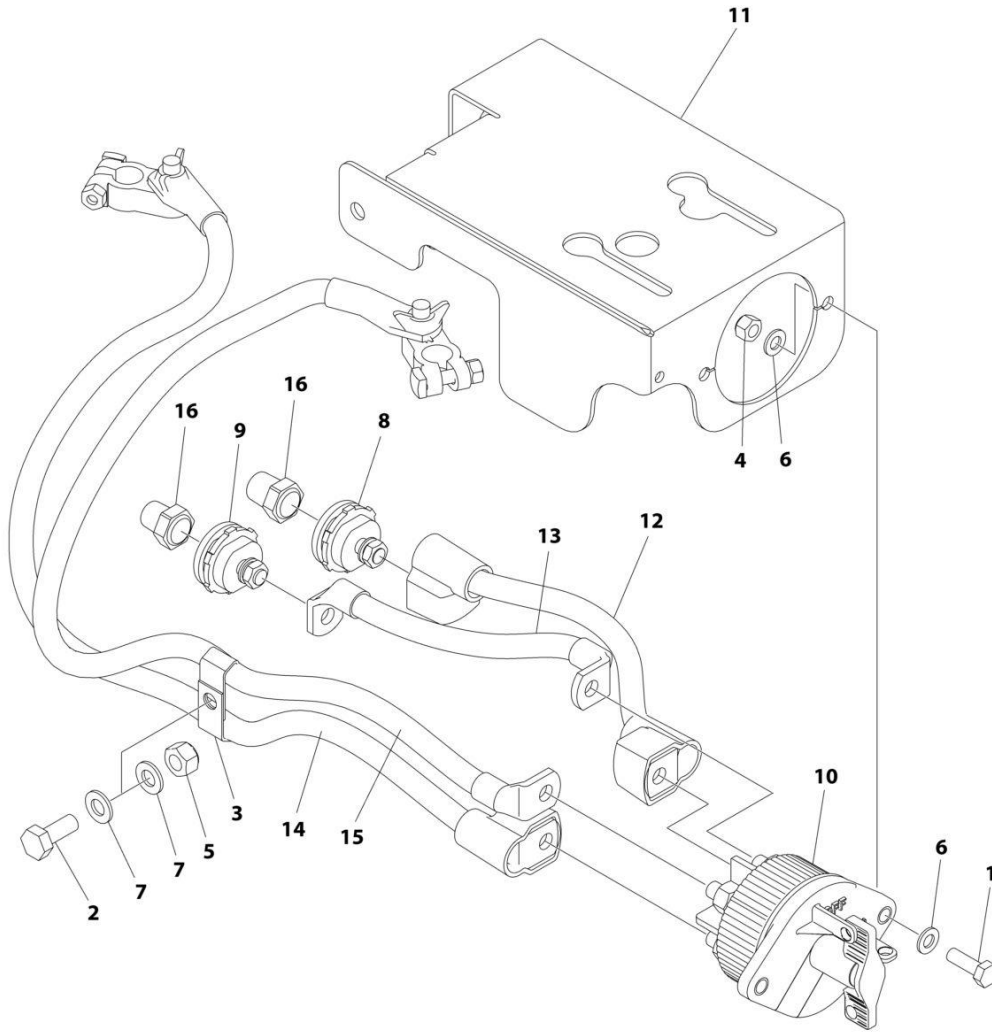
SECTION 8 - ELECTRICAL

FIGURE 8-21. AC POWER TO PLATFORM CABLE - TOWER BOOM (60HZ)

ITEM	PART NUMBER	QTY	DESCRIPTION	REV
1	1001157310 4460963	Ref 1	AC POWER TO PLATFORM CABLE - TOWER BOOM (60Hz) Terminal	A
2	1001131968	29.1 ft /8.9m	Cable, 10/4	

SECTION 8 - ELECTRICAL

FIGURE 8-22. BATTERY DISCONNECT SWITCH



ART_1001214397

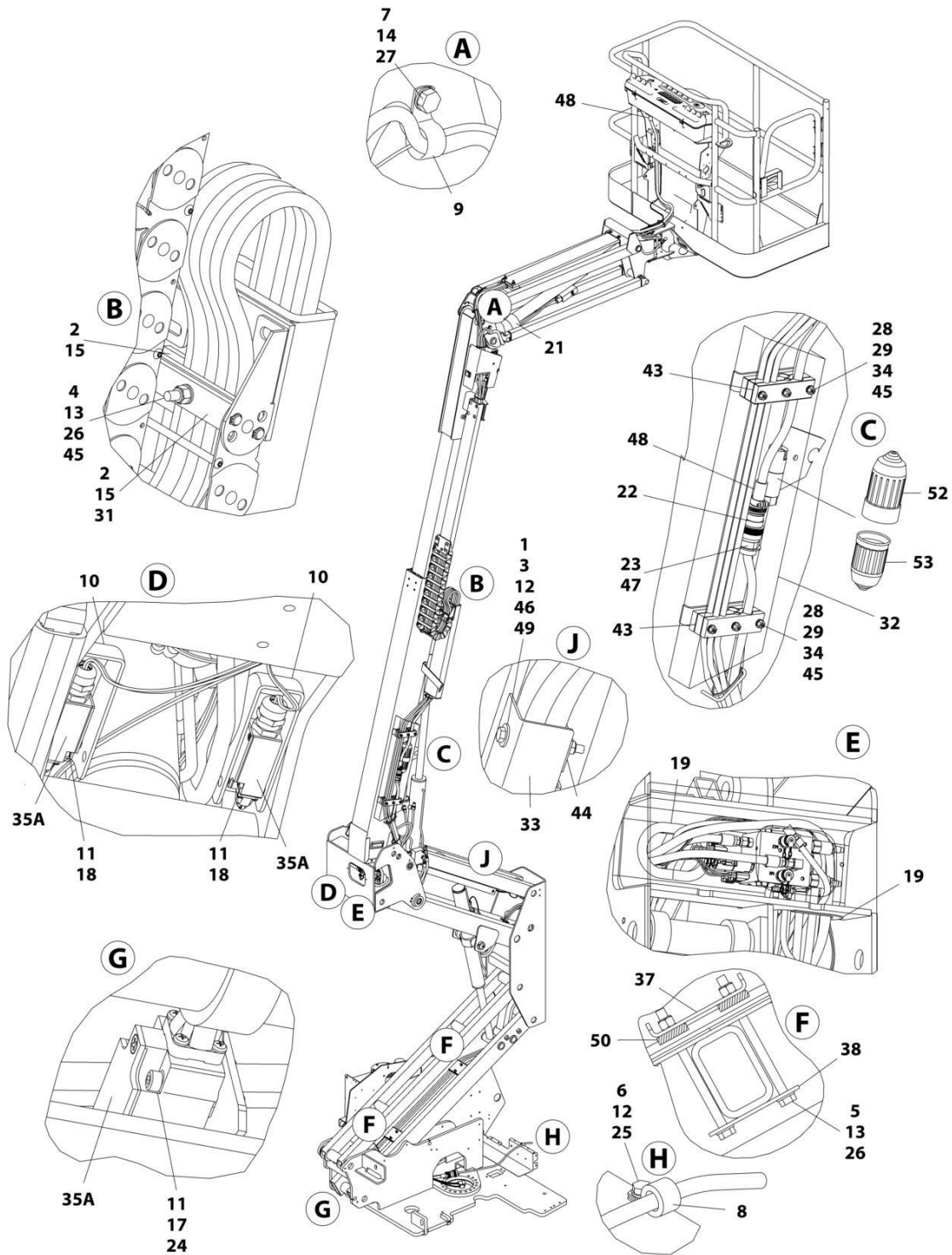
SECTION 8 - ELECTRICAL

FIGURE 8-22. BATTERY DISCONNECT SWITCH

ITEM	PART NUMBER	QTY	DESCRIPTION	REV
	1001214397	Ref	BATTERY DISCONNECT SWITCH	A
1	0760812	2	Bolt M8 x 25	
2	0761012	1	Bolt M10 x 25	
3	1320223	2	Clamp	
4	3290805	2	Nut M8	
5	3291005	1	Nut M10	
6	4811900	4	Washer M8	
7	4812000	2	Washer M10	
8	1001214570	1	Connector (Red)	
9	1001214571	1	Connector (Black)	
10	1001225346	1	Switch	
11	1001226530	1	Mount	
12	1001237878	1	Cable, Battery Disconnect (Positive)	
13	1001237879	1	Cable, Battery Disconnect (Negative)	
14	1001237880	1	Cable (Positive)	
15	1001237881	1	Cable (Negative)	
16	1001206476	1	Connector	

SECTION 8 - ELECTRICAL

FIGURE 8-23. BOOM CABLES, HARNESSES AND CLAMPS INSTALLATION - WITHOUT ARCTIC PACKAGE



ART_1001115784

SECTION 8 - ELECTRICAL

FIGURE 8-23. BOOM CABLES, HARNESSSES AND CLAMPS INSTALLATION - WITHOUT ARCTIC PACKAGE

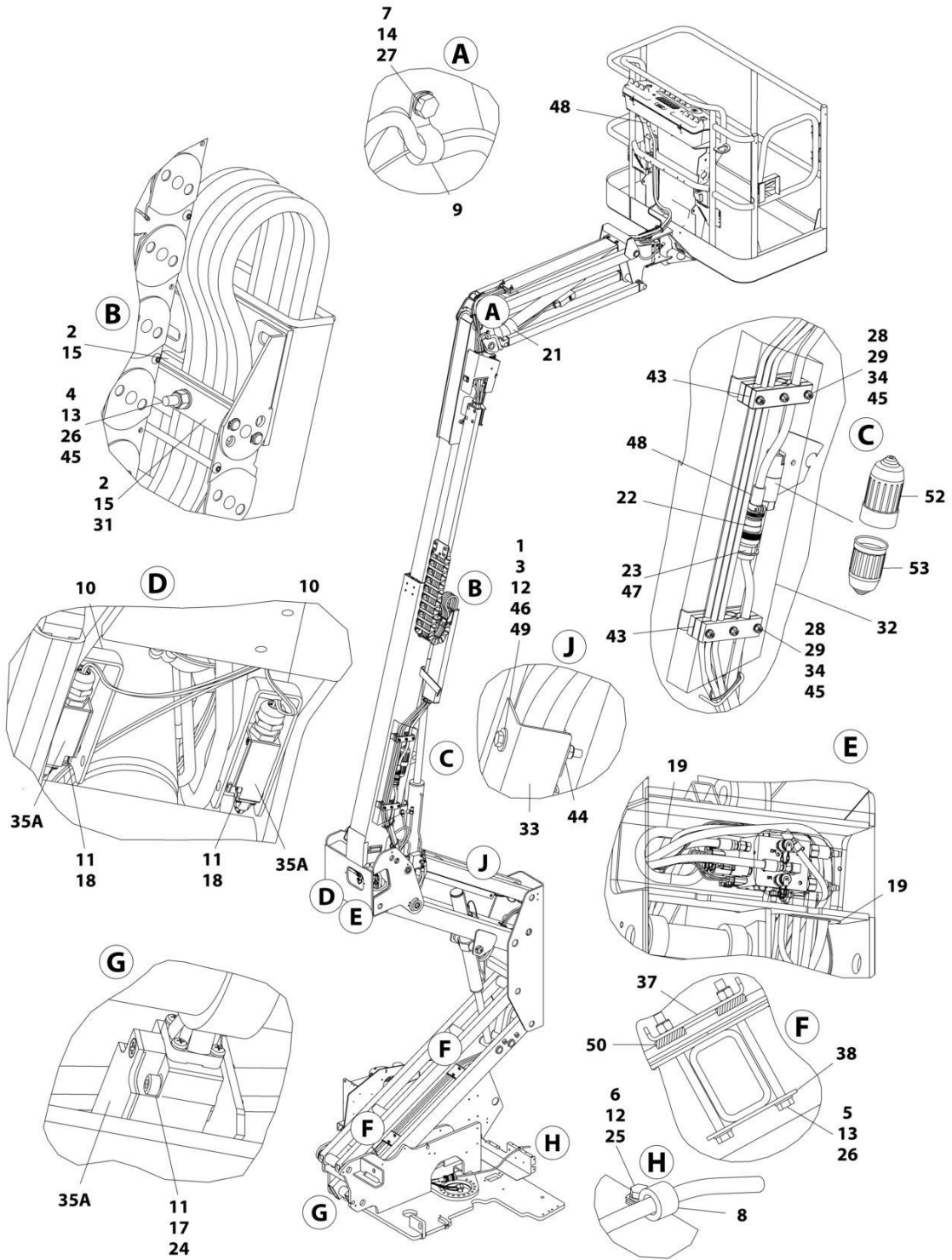
ITEM	PART NUMBER	QTY	DESCRIPTION	REV
	1001115784	Ref	BOOM CABLES, HARNESSSES AND CLAMPS INSTALLATION - WITHOUT ARCTIC PACKAGE	G
1	0100011	AR	Compound, Locking	
2	0100081	1	Adhesive	
3	0760621	4	Bolt M6 x 65	
4	0700820	2	Bolt M8 x 60	
5	0700829	4	Bolt M8 x 120	
6	0760608	1	Bolt M6 x 16 (Not Shown - Use with Item 8)	
7	0761012	1	Bolt M10 x 25	
8	1320043	1	Clamp (Not Shown - Located at Rear of T/T)	
9	1320130	1	Clamp	
10	1670899	2	Cover, Switch	
11	3290405	6	Nut M4	
12	3290605	5	Nut M6	
13	3290805	6	Nut M8	
14	3291005	1	Nut M10	
15	3340939	4	Pad, Rubber	
17	4031510	2	Capscrew M4 x 30	
18	4031512	4	Capscrew M4 x 40	
19	4060808	1.8 ft /55cm	Flex-Trim	
20	4240018	AR	Tie-Strap (Not Shown)	
21	4240156	1	Strap, Cinch	
22	4460865	1	Connector - 19 Position	
23	4460866	1	Connector - 19 Position	
24	4811400	2	Washer M4	
25	4811700	2	Washer M6 (Not Shown - Use with Item 8)	
26	4811900	8	Washer M8	
27	4812000	2	Washer M10	
28	5260800	6	Nut M8	
29	5281920	6	Screw M8 x 80	
31	1001106757	2	Plate	
32	1001107152	1	Plate	
33	1001116433	2	Guard, Hose	
34	1001118274	6	Nut M8	
35	1001118292	1	Tower Boom Harness Assembly (Not Shown - See Separate Breakdown in this Section)	
35A	4360548	3	Switch, Limit	
37	1001118592	2	Plate, Hose Clamp	
38	1001118593	2	Plate, Hose Clamp	
39	1001119018	1	Ground to Platform Cable - Main (Not Shown - See Separate Breakdown in this Section)	
40	1001119019	1	Ground to Platform Cable - Tower (Not Shown - See Separate Breakdown in this Section)	
41	1001119139	1	AC Power to Platform Cable - Tower Boom (Not Shown - See Separate Breakdown in this Section)	
42	1001119140	1	AC Power to Platform Cable - Main Boom (Not Shown - See Separate Breakdown in this Section)	
43	1001119194	2	Clamp	
44	1001119197	4	Clamp	

SECTION 8 - ELECTRICAL

ITEM	PART NUMBER	QTY	DESCRIPTION	REV
45	1001119228	8	Nut M8	
46	0760605	2	Bolt M6 x 10	
47	2820031	AR	Heat Shrink	
48	4460473	1	Clamp, Cable	
49	4811702	10	Washer M6	
50	3340901	4	Pad, Rubber	
51	1001140524	1	Main Boom Harness Assembly (Not Shown - See Separate Breakdown in this Section)	
52	1671092	1	Cover, Connection	
53	1671093	1	Cover, Plug	

SECTION 8 - ELECTRICAL

FIGURE 8-24. BOOM CABLES, HARNESSES AND CLAMPS INSTALLATION - WITH ARCTIC PACKAGE



ART_1001119937

SECTION 8 - ELECTRICAL

FIGURE 8-24. BOOM CABLES, HARNESSSES AND CLAMPS INSTALLATION - WITH ARCTIC PACKAGE

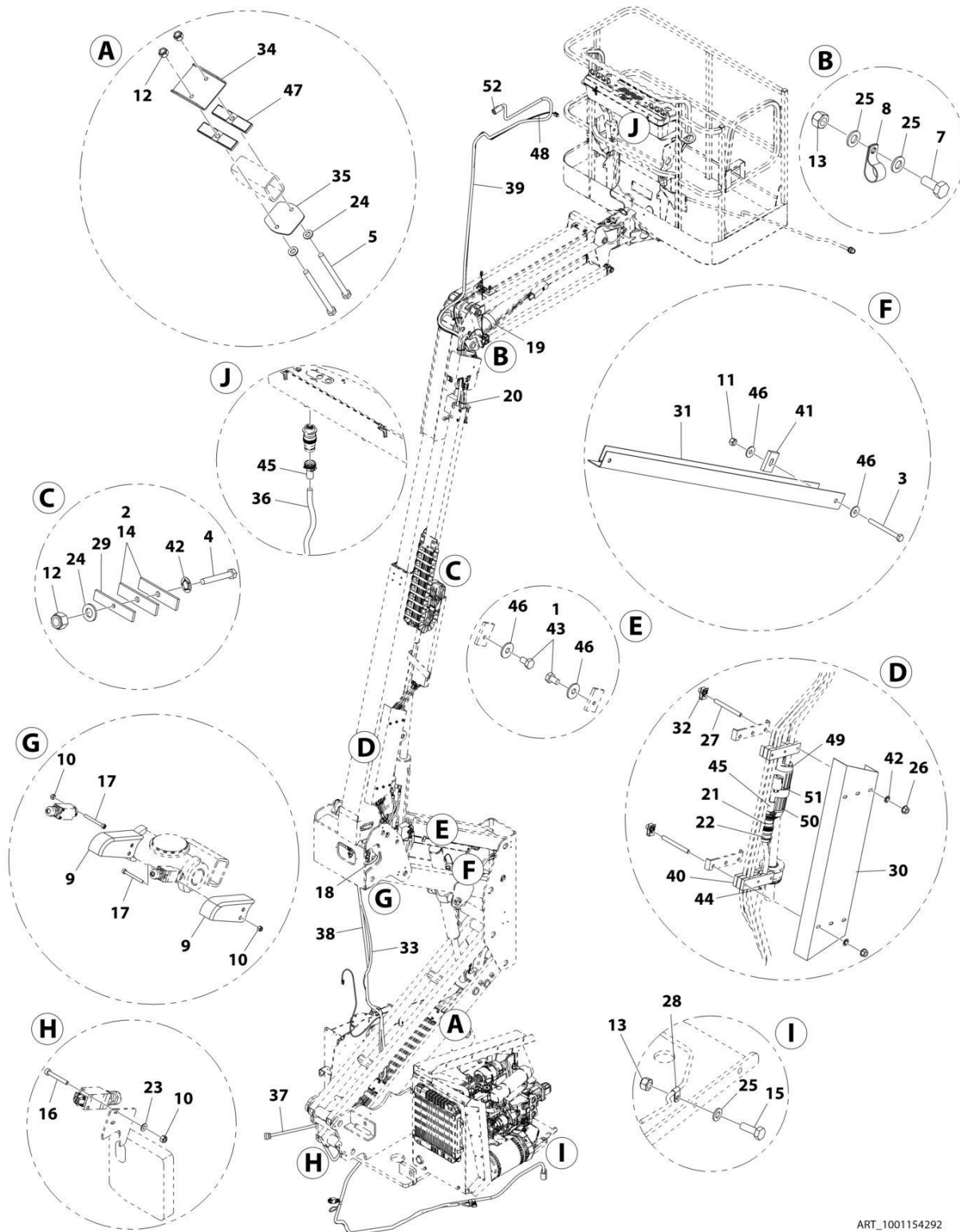
ITEM	PART NUMBER	QTY	DESCRIPTION	REV
	1001119937	Ref	BOOM CABLES, HARNESSSES AND CLAMPS INSTALLATION - WITH ARCTIC PACKAGE	G
1	0100011	AR	Compound, Locking	
2	0100081	1	Adhesive	
3	0760621	4	Bolt M6 x 65	
4	0700820	2	Bolt M8 x 60	
5	0700829	4	Bolt M8 x 120	
6	0760608	1	Bolt M6 x 16 (Not Shown - Use with Item 8)	
7	0761012	1	Bolt M10 x 25	
8	1320041	1	Clamp	
9	1320130	1	Clamp	
10	1670899	2	Cover, Switch	
11	3290405	6	Nut M4	
12	3290605	5	Nut M6	
13	3290805	6	Nut M8	
14	3291005	1	Nut M10	
15	3340939	4	Pad, Rubber	
17	4031510	2	Capscrew M4 x 30	
18	4031512	4	Capscrew M4 x 40	
19	4060808	1.8 ft /55cm	Flex-Trim	
20	4240018	AR	Tie-Strap (Not Shown)	
21	4240156	1	Strap, Cinch	
22	4460865	1	Connector - 19 Position	
23	4460866	1	Connector - 19 Position	
24	4811400	2	Washer M4	
25	4811700	2	Washer M6 (Not Shown - Use with Item 8)	
26	4811900	8	Washer M8	
27	4812000	2	Washer M10	
28	5260800	6	Nut M8	
29	5281920	6	Screw M8 x 80	
31	1001106757	2	Plate	
32	1001107152	1	Plate	
33	1001116433	2	Guard, Hose	
34	1001118274	6	Nut M8	
35	1001118292	1	Tower Boom Harness Assembly (Not Shown - See Separate Breakdown in this Section)	
35A	4360548	3	Switch, Limit	
37	1001118592	2	Plate, Hose Clamp	
38	1001118593	2	Plate, Hose Clamp	
39	1001119953	1	Ground to Platform Cable - Main (Not Shown - See Separate Breakdown in this Section)	
40	1001119954	1	Ground to Platform Cable - Tower (Not Shown - See Separate Breakdown in this Section)	
41	1001119955	1	AC Power to Platform Cable - Main Boom (Not Shown - See Separate Breakdown in this Section)	
42	1001119956	1	AC Power to Platform Cable - Tower Boom (Not Shown - See Separate Breakdown in this Section)	
43	1001119195	2	Clamp	
44	1001119197	4	Clamp	

SECTION 8 - ELECTRICAL

ITEM	PART NUMBER	QTY	DESCRIPTION	REV
45	1001119228	8	Nut M8	
46	0760605	2	Bolt M6 x 10	
47	2820031	AR	Heat Shrink	
48	4460473	1	Clamp, Cable	
49	4811702	10	Washer M6	
50	3340901	4	Pad, Rubber	
51	1001140524	1	Main Boom Harness Assembly (Not Shown - See Separate Breakdown in this Section)	
52	1671092	1	Cover, Connection	
53	1671093	1	Cover, Plug	

SECTION 8 - ELECTRICAL

FIGURE 8-25. BOOM CABLES AND CLAMPS INSTALLATION - 4000W, 50HZ - WITHOUT ARCTIC PACKAGE



ART_1001154292

SECTION 8 - ELECTRICAL

FIGURE 8-25. BOOM CABLES AND CLAMPS INSTALLATION - 4000W, 50HZ - WITHOUT ARCTIC PACKAGE

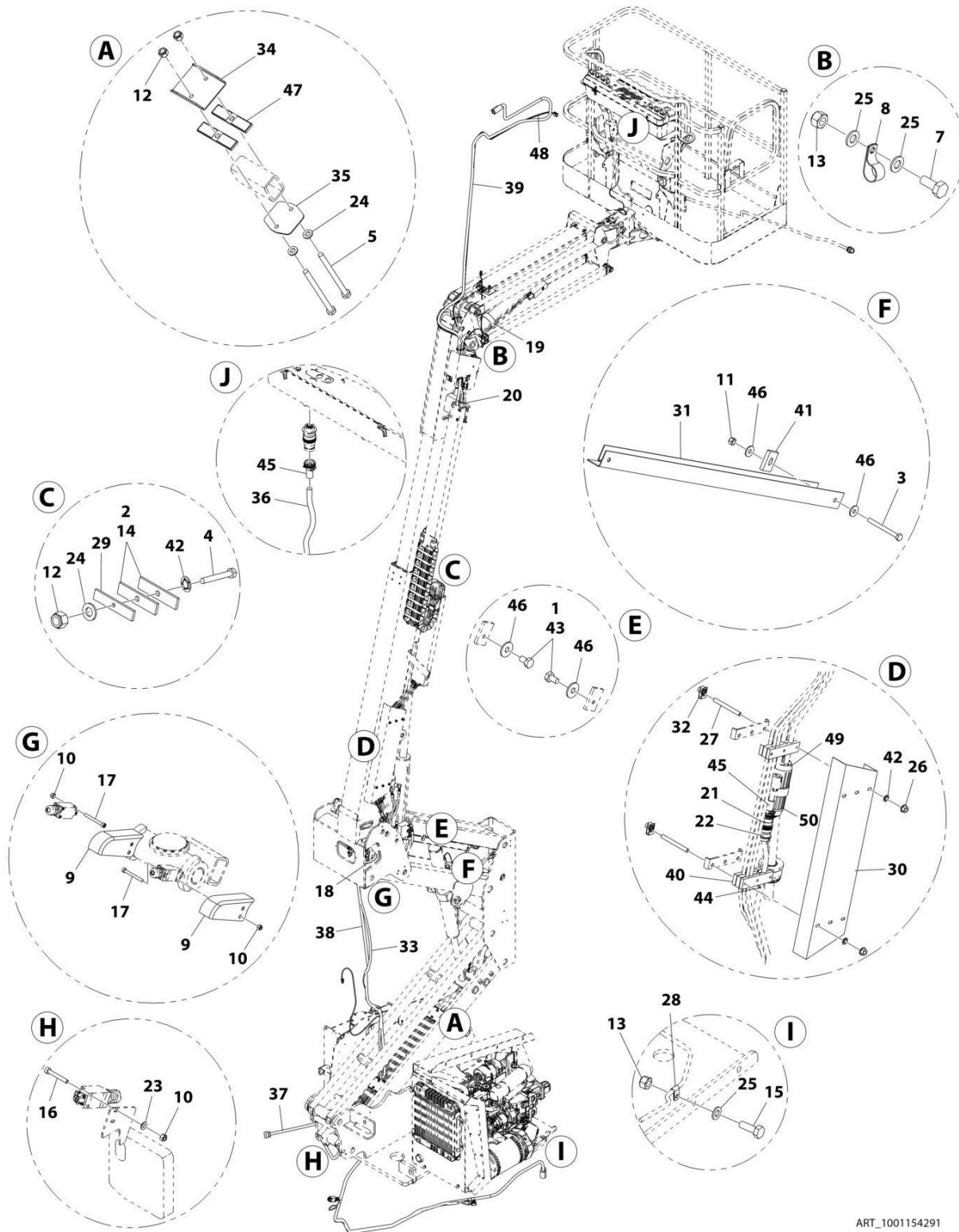
ITEM	PART NUMBER	QTY	DESCRIPTION	REV
	1001154292	Ref	BOOM CABLES AND CLAMPS INSTALLATION - 4000W, 50HZ - WITHOUT ARCTIC PACKAGE	B
1	0100011	AR	Compound, Locking	
2	0100081	AR	Adhesive	
3	0760621	4	Bolt M6 x 65	
4	0700820	2	Bolt M8 x 60	
5	0700829	4	Bolt M8 x 120	
7	0761012	1	Bolt M10 x 25	
8	1320130	1	Clamp	
9	1670899	2	Cover, Switch	
10	3290405	6	Nut M4	
11	3290605	4	Nut M6	
12	3290805	6	Nut M8	
13	3291005	2	Nut M10	
14	3340939	4	Pad, Rubber	
15	0761014	1	Bolt M10 x 30	
16	4031510	2	Capscrew M4 x 30	
17	4031512	4	Capscrew M4 x 40	
18	4060808	1.8 ft /55cm	Flex-Trim	
19	4240156	1	Strap, Cinch	
20	4240018	AR	Tie-Strap	
21	4460865	1	Connector - 19 Position	
22	4460866	1	Connector - 19 Position	
23	4811400	2	Washer M4	
24	4811900	8	Washer M8	
25	4812000	4	Washer M10	
26	5260800	6	Nut M8 Class 10	
27	5281920	6	Capscrew, Cup Point M8 x 80	
28	1320263	1	Clamp	
29	1001106757	2	Plate, Clamp	
30	1001107152	1	Plate, Shield	
31	1001116433	2	Guard, Hose	
32	1001118274	6	Nut M8	
33	1001118292	1	Harness, Tower Boom (See Separate Breakdown in this Section)	
34	1001118592	2	Plate, Hose Clamp	
35	1001118593	2	Plate, Hose Clamp	
36	1001119018	1	Harness Assembly - Main Boom (See Separate Breakdown in this Section)	
37	1001119019	1	Harness Assembly - Tower Boom (See Separate Breakdown in this Section)	
38	1001119139	1	Cable, AC Tower Boom (See Separate Breakdown in this Section)	
39	1001119140	1	Cable, AC Main Boom (See Separate Breakdown in this Section)	
40	1001119194	2	Plate, Hose Clamp	
41	1001119197	4	Clamp, Hose	
42	1001119228	8	Pushnut M8	
43	0760605	2	Bolt M6 x 10	
44	2820031	AR	Heat Shrink	
45	4460473	1	Clamp, Cable	
46	4811702	10	Washer M6	

SECTION 8 - ELECTRICAL

ITEM	PART NUMBER	QTY	DESCRIPTION	REV
47	3340901	4	Pad, Rubber	
48	1001140524	1	Main Boom Harness Assembly (Not Shown - See Separate Breakdown in this Section)	
49	1671092	1	Cover, Connector	
50	1671093	1	Cover, Plug	
51	4460709	1	Plug, Male - 250V	
52	4460710	1	Receptacle, Female - 250V	

SECTION 8 - ELECTRICAL

FIGURE 8-26. BOOM CABLES AND CLAMPS INSTALLATION - 4000W, 50HZ - WITH ARCTIC PACKAGE



ART_1001154291

SECTION 8 - ELECTRICAL

FIGURE 8-26. BOOM CABLES AND CLAMPS INSTALLATION - 4000W, 50HZ - WITH ARCTIC PACKAGE

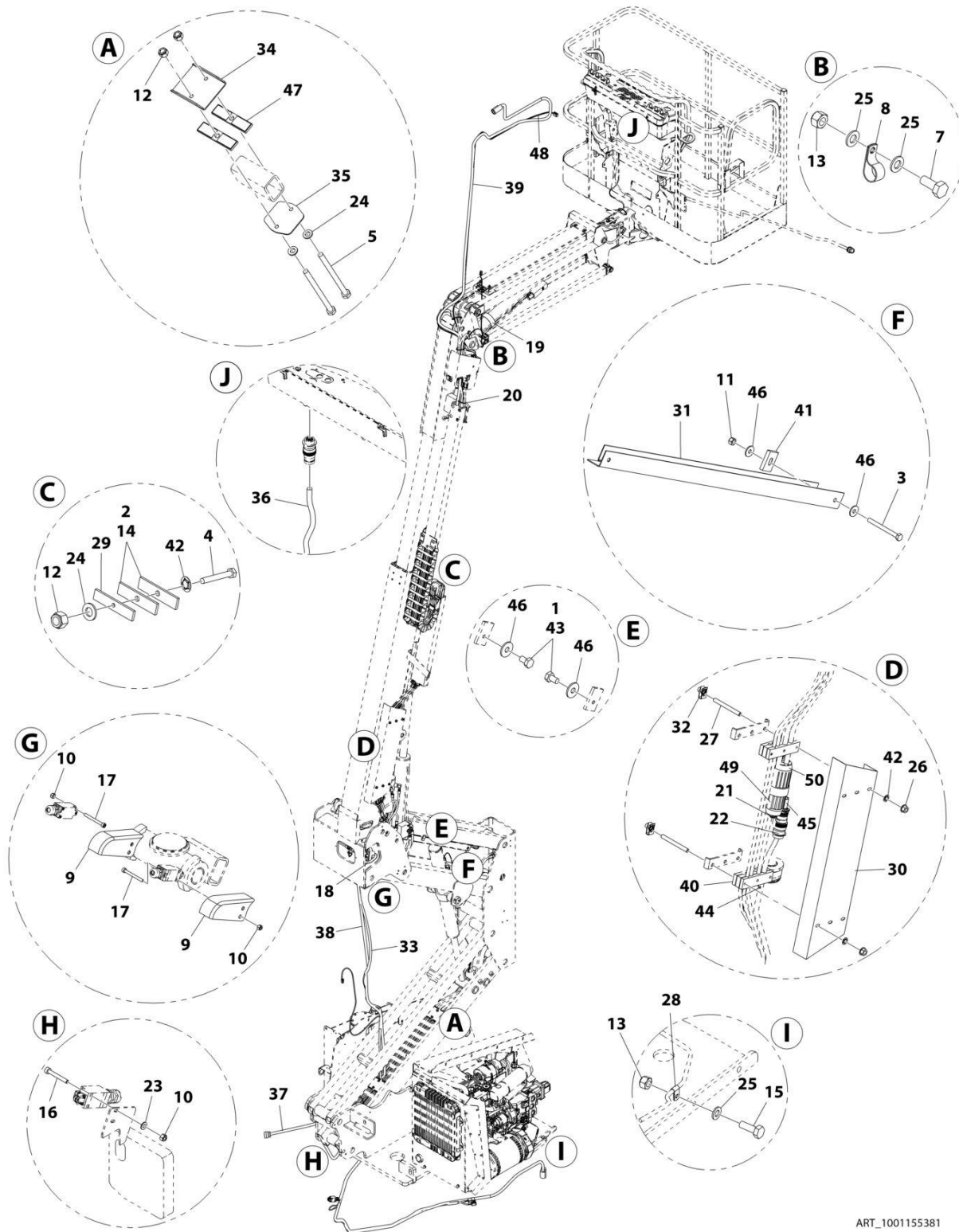
ITEM	PART NUMBER	QTY	DESCRIPTION	REV
	1001154291	Ref	BOOM CABLES AND CLAMPS INSTALLATION - 4000W, 50HZ - WITH ARCTIC PACKAGE	B
1	0100011	AR	Compound, Locking	
2	0100081	AR	Adhesive	
3	0760621	4	Bolt M6 x 65	
4	0700820	2	Bolt M8 x 60	
5	0700829	4	Bolt M8 x 120	
7	0761012	1	Bolt M10 x 25	
8	1320130	1	Clamp	
9	1670899	2	Cover, Switch	
10	3290405	6	Nut M4	
11	3290605	4	Nut M6	
12	3290805	6	Nut M8	
13	3291005	2	Nut M10	
14	3340939	4	Pad, Rubber	
15	0761014	1	Bolt M10 x 30	
16	4031510	2	Capscrew M4 x 30	
17	4031512	4	Capscrew M4 x 40	
18	4060808	1.8 ft /55cm	Flex-Trim	
19	4240156	1	Strap, Cinch	
20	4240018	AR	Tie-Strap	
21	4460865	1	Connector - 19 Position	
22	4460866	1	Connector - 19 Position	
23	4811400	2	Washer M4	
24	4811900	8	Washer M8	
25	4812000	4	Washer M10	
26	5260800	6	Nut M8 Class 10	
27	5281920	6	Capscrew, Cup Point M8 x 80	
28	1320263	1	Clamp	
29	1001106757	2	Plate, Clamp	
30	1001107152	1	Plate, Shield	
31	1001116433	2	Guard, Hose	
32	1001118274	6	Nut M8	
33	1001118292	1	Harness, Tower Boom (See Separate Breakdown in this Section)	
34	1001118592	2	Plate, Hose Clamp	
35	1001118593	2	Plate, Hose Clamp	
36	1001119953	1	Harness Assembly - Main Boom (See Separate Breakdown in this Section)	
37	1001119954	1	Harness Assembly - Tower Boom (See Separate Breakdown in this Section)	
38	1001119956	1	Cable, AC Tower Boom (See Separate Breakdown in this Section)	
39	1001119955	1	Cable, AC Main Boom (See Separate Breakdown in this Section)	
40	1001119195	2	Plate, Hose Clamp	
41	1001119197	4	Clamp, Hose	
42	1001119228	8	Pushnut M8	
43	0760605	2	Bolt M6 x 10	
44	2820031	AR	Heat Shrink	
45	4460473	1	Clamp, Cable	
46	4811702	10	Washer M6	

SECTION 8 - ELECTRICAL

ITEM	PART NUMBER	QTY	DESCRIPTION	REV
47	3340901	4	Pad, Rubber	
48	1001140524	1	Main Boom Harness Assembly (Not Shown - See Separate Breakdown in this Section)	
49	1001156351	1	Cover, Connector	
50	1001156352	1	Cover, Plug	

SECTION 8 - ELECTRICAL

FIGURE 8-27. BOOM CABLES AND CLAMPS INSTALLATION - 4000W, 60HZ - WITHOUT ARCTIC PACKAGE



ART_1001155381

SECTION 8 - ELECTRICAL

FIGURE 8-27. BOOM CABLES AND CLAMPS INSTALLATION - 4000W, 60HZ - WITHOUT ARCTIC PACKAGE

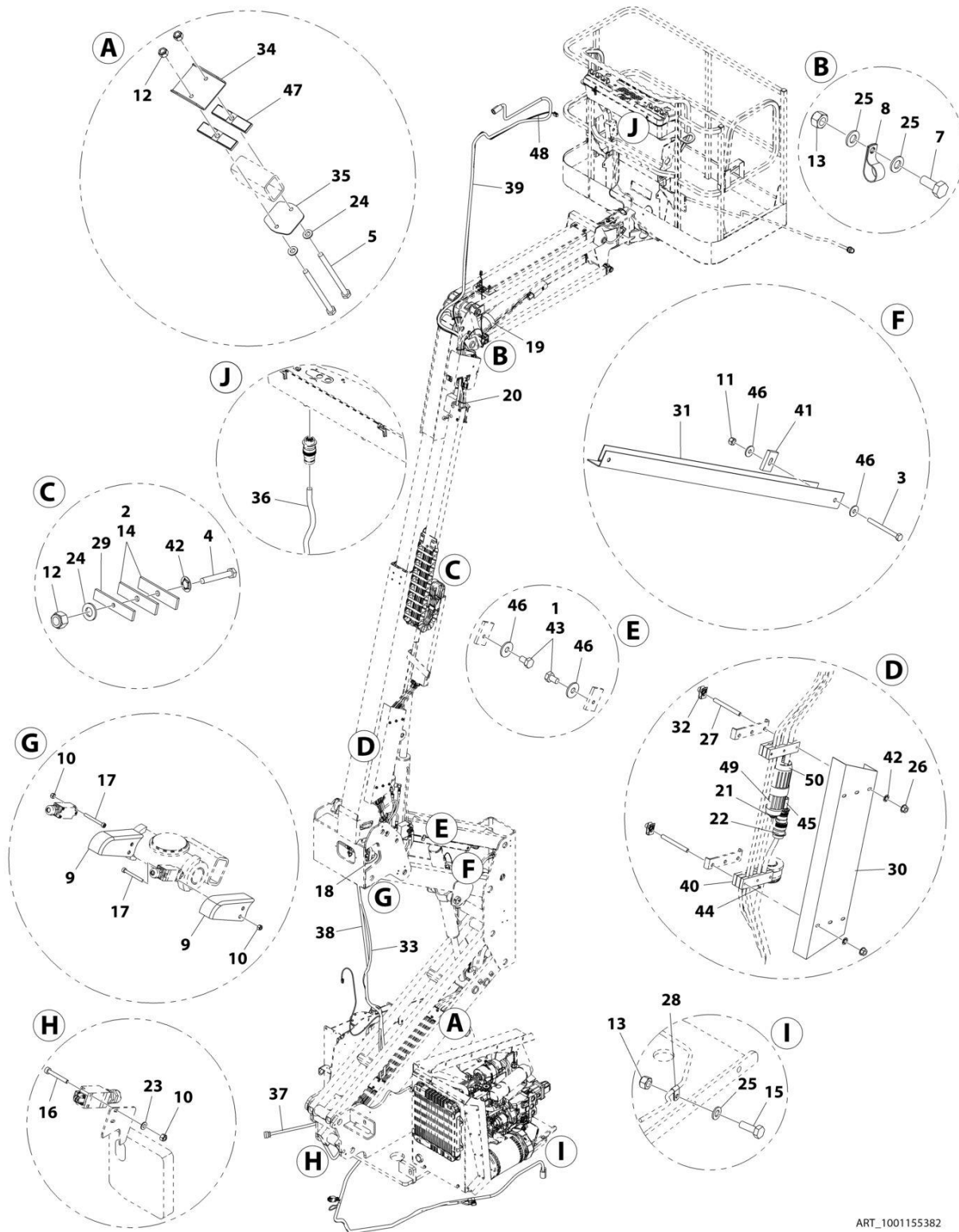
ITEM	PART NUMBER	QTY	DESCRIPTION	REV
	1001155381	Ref	BOOM CABLES AND CLAMPS INSTALLATION - 4000W, 60HZ - WITHOUT ARCTIC PACKAGE	B
1	0100011	AR	Compound, Locking	
2	0100081	AR	Adhesive	
3	0760621	4	Bolt M6 x 65	
4	0700820	2	Bolt M8 x 60	
5	0700829	4	Bolt M8 x 120	
7	0761012	1	Bolt M10 x 25	
8	1320130	1	Clamp	
9	1670899	2	Cover, Switch	
10	3290405	6	Nut M4	
11	3290605	4	Nut M6	
12	3290805	6	Nut M8	
13	3291005	2	Nut M10	
14	3340939	4	Pad, Rubber	
15	0761014	1	Bolt M10 x 30	
16	4031510	2	Capscrew M4 x 30	
17	4031512	4	Capscrew M4 x 40	
18	4060808	1.8 ft /55cm	Flex-Trim	
19	4240156	1	Strap, Cinch	
20	4240018	AR	Tie-Strap	
21	4460865	1	Connector - 19 Position	
22	4460866	1	Connector - 19 Position	
23	4811400	2	Washer M4	
24	4811900	8	Washer M8	
25	4812000	4	Washer M10	
26	5260800	6	Nut M8 Class 10	
27	5281920	6	Capscrew, Cup Point M8 x 80	
28	8406110	1	Clamp	
29	1001106757	2	Plate, Clamp	
30	1001107152	1	Plate, Shield	
31	1001116433	2	Guard, Hose	
32	1001118274	6	Nut M8	
33	1001118292	1	Harness, Tower Boom (See Separate Breakdown in this Section)	
34	1001118592	2	Plate, Hose Clamp	
35	1001118593	2	Plate, Hose Clamp	
36	1001119018	1	Harness Assembly - Main Boom (See Separate Breakdown in this Section)	
37	1001119019	1	Harness Assembly - Tower Boom (See Separate Breakdown in this Section)	
38	1001157310	1	Cable, AC Tower Boom	
39	1001157311	1	Cable, AC Main Boom	
40	1001119194	2	Plate, Hose Clamp	
41	1001119197	4	Clamp, Hose	
42	1001119228	8	Pushnut M8	
43	0760605	2	Bolt M6 x 10	
44	2820031	AR	Heat Shrink	
45	4460473	1	Clamp, Cable	
46	4811702	10	Washer M6	

SECTION 8 - ELECTRICAL

ITEM	PART NUMBER	QTY	DESCRIPTION	REV
47	3340901	4	Pad, Rubber	
48	1001140524	1	Main Boom Harness Assembly (Not Shown - See Separate Breakdown in this Section)	
49	1671092	1	Cover, Connector	
50	1671093	1	Cover, Plug	

SECTION 8 - ELECTRICAL

FIGURE 8-28. BOOM CABLES AND CLAMPS INSTALLATION - 4000W, 60HZ - WITH ARCTIC PACKAGE



ART_1001155382

SECTION 8 - ELECTRICAL

FIGURE 8-28. BOOM CABLES AND CLAMPS INSTALLATION - 4000W, 60HZ - WITH ARCTIC PACKAGE

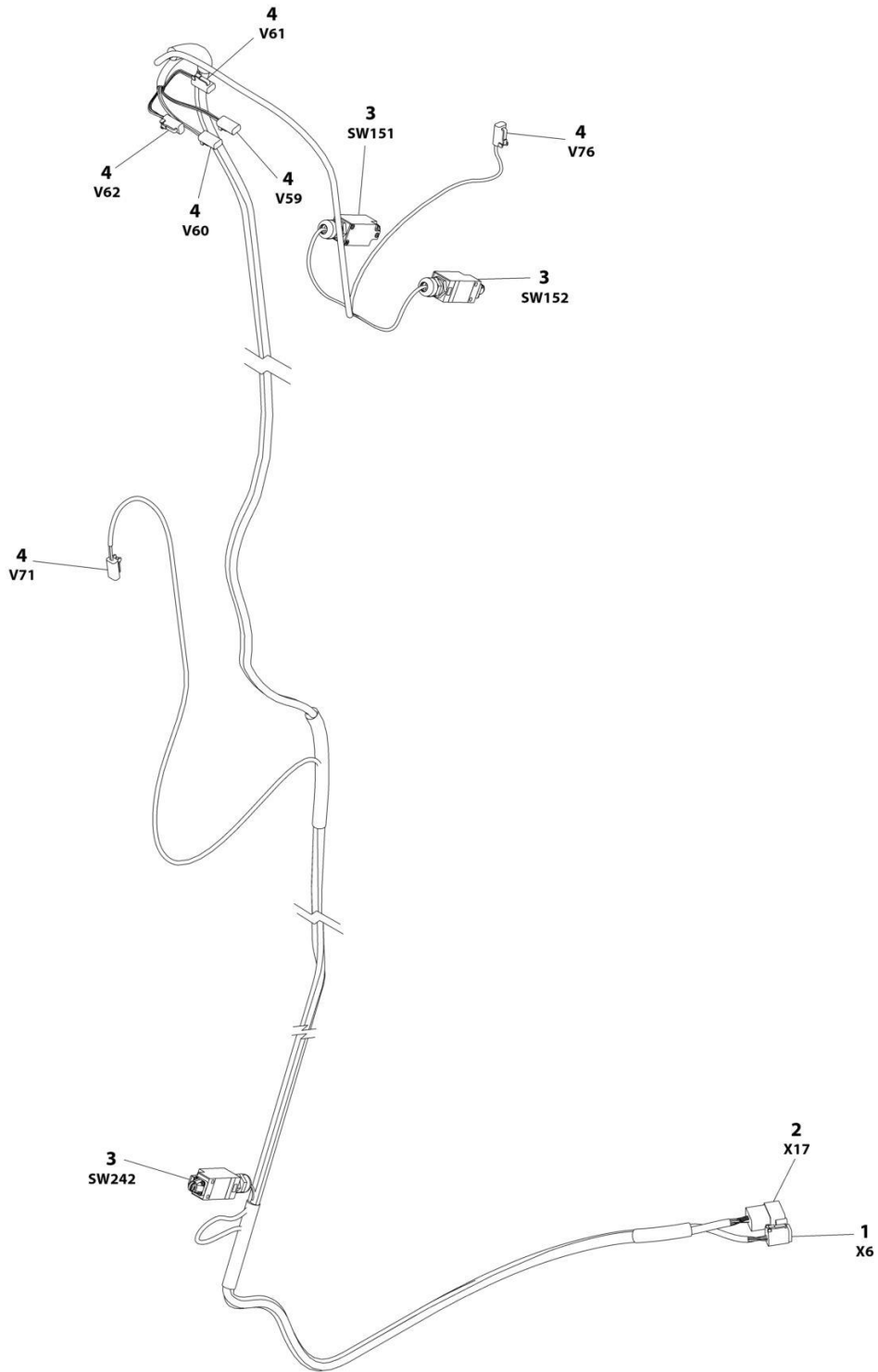
ITEM	PART NUMBER	QTY	DESCRIPTION	REV
	1001155382	Ref	BOOM CABLES AND CLAMPS INSTALLATION - 4000W, 60HZ - WITH ARCTIC PACKAGE	B
1	0100011	AR	Compound, Locking	
2	0100081	AR	Adhesive	
3	0760621	4	Bolt M6 x 65	
4	0700820	2	Bolt M8 x 60	
5	0700829	4	Bolt M8 x 120	
7	0761012	1	Bolt M10 x 25	
8	1320130	1	Clamp	
9	1670899	2	Cover, Switch	
10	3290405	6	Nut M4	
11	3290605	4	Nut M6	
12	3290805	6	Nut M8	
13	3291005	2	Nut M10	
14	3340939	4	Pad, Rubber	
15	0761014	1	Bolt M10 x 30	
16	4031510	2	Capscrew M4 x 30	
17	4031512	4	Capscrew M4 x 40	
18	4060808	1.8 ft /55cm	Flex-Trim	
19	4240156	1	Strap, Cinch	
20	4240018	AR	Tie-Strap	
21	4460865	1	Connector - 19 Position	
22	4460866	1	Connector - 19 Position	
23	4811400	2	Washer M4	
24	4811900	8	Washer M8	
25	4812000	4	Washer M10	
26	5260800	6	Nut M8 Class 10	
27	5281920	6	Capscrew, Cup Point M8 x 80	
28	8406110	1	Clamp	
29	1001106757	2	Plate, Clamp	
30	1001107152	1	Plate, Shield	
31	1001116433	2	Guard, Hose	
32	1001118274	6	Nut M8	
33	1001118292	1	Harness, Tower Boom (See Separate Breakdown in this Section)	
34	1001118592	2	Plate, Hose Clamp	
35	1001118593	2	Plate, Hose Clamp	
36	1001119953	1	Harness Assembly - Main Boom (See Separate Breakdown in this Section)	
37	1001119954	1	Harness Assembly - Tower Boom (See Separate Breakdown in this Section)	
38	1001157310	1	Cable, AC Tower Boom	
39	1001157311	1	Cable, AC Main Boom	
40	1001119195	2	Plate, Hose Clamp	
41	1001119197	4	Clamp, Hose	
42	1001119228	8	Pushnut M8	
43	0760605	2	Bolt M6 x 10	
44	2820031	AR	Heat Shrink	
45	4460473	1	Clamp, Cable	
46	4811702	10	Washer M6	

SECTION 8 - ELECTRICAL

ITEM	PART NUMBER	QTY	DESCRIPTION	REV
47	3340901	4	Pad, Rubber	
48	1001140524	1	Main Boom Harness Assembly (See Separate Breakdown in this Section)	
49	1671092	1	Cover, Connector	
50	1671093	1	Cover, Plug	

SECTION 8 - ELECTRICAL

FIGURE 8-29. BOOM HARNESS - LIMIT SWITCHES AND UPRIGHT VALVE



ART_1001118292

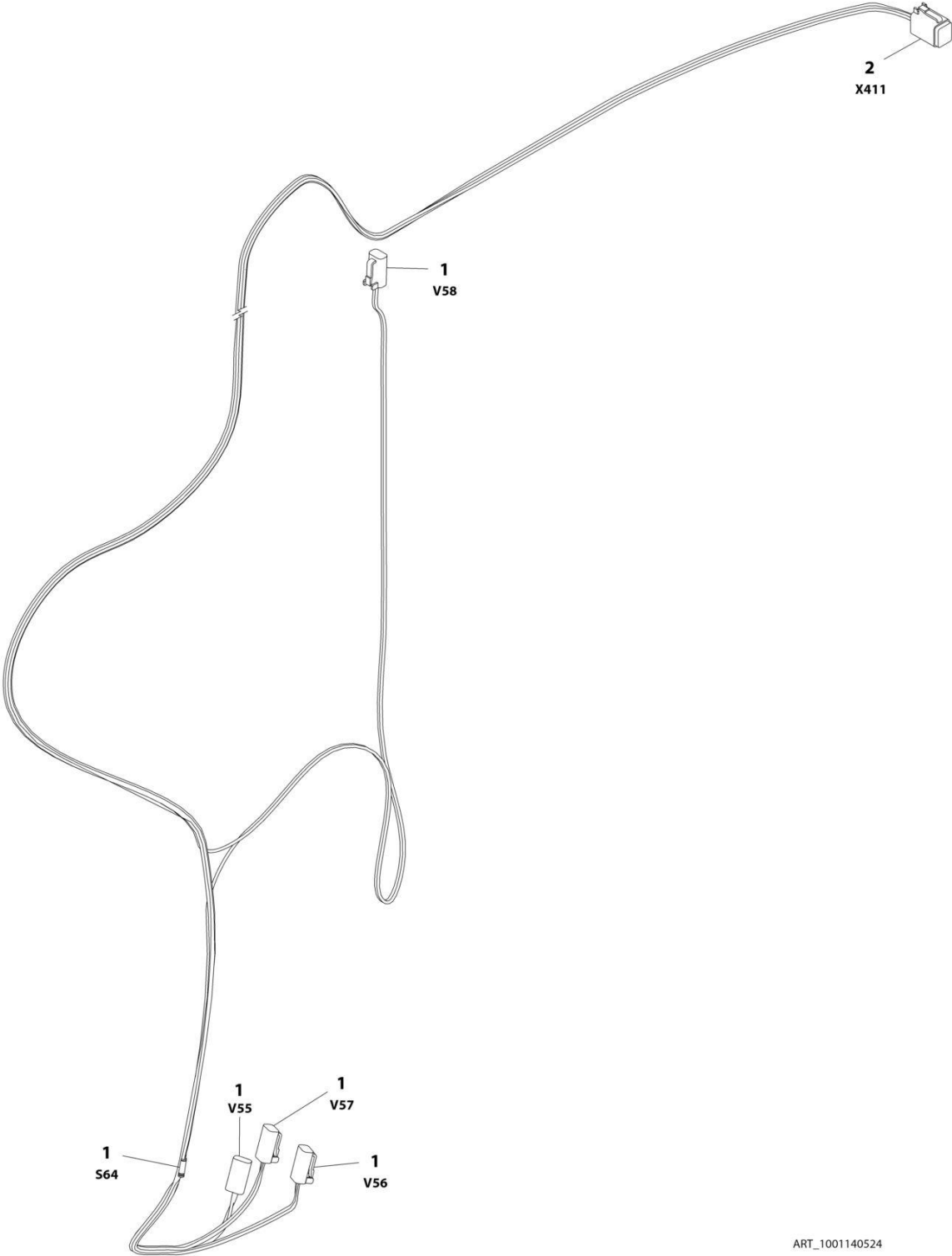
SECTION 8 - ELECTRICAL

FIGURE 8-29. BOOM HARNESS - LIMIT SWITCHES AND UPRIGHT VALVE

ITEM	PART NUMBER	QTY	DESCRIPTION	REV
	1001118292	Ref	BOOM HARNESS - LIMIT SWITCHES AND UPRIGHT VALVE	D
1	4460894	1	Plug, Male - 6 Position	
1	4460465	6	Socket, Female	
2	4460970	1	Receptacle, Female - 12 Position	
2	4460464	9	Pin, Male	
2	4460466	3	Plug, Terminal	
3	4360548	3	Switch, Limit	
3	4460968	3	Connector, Strain Relief	
3	0962449	3	Bushing	
4	4460891	6	Plug, Male - 2 Position	
4	4460465	12	Socket, Female	
5	1001257690	1	Connector, Strain Relief 90 (Not Shown)	

SECTION 8 - ELECTRICAL

FIGURE 8-30. BOOM HARNESS - MAIN



ART_1001140524

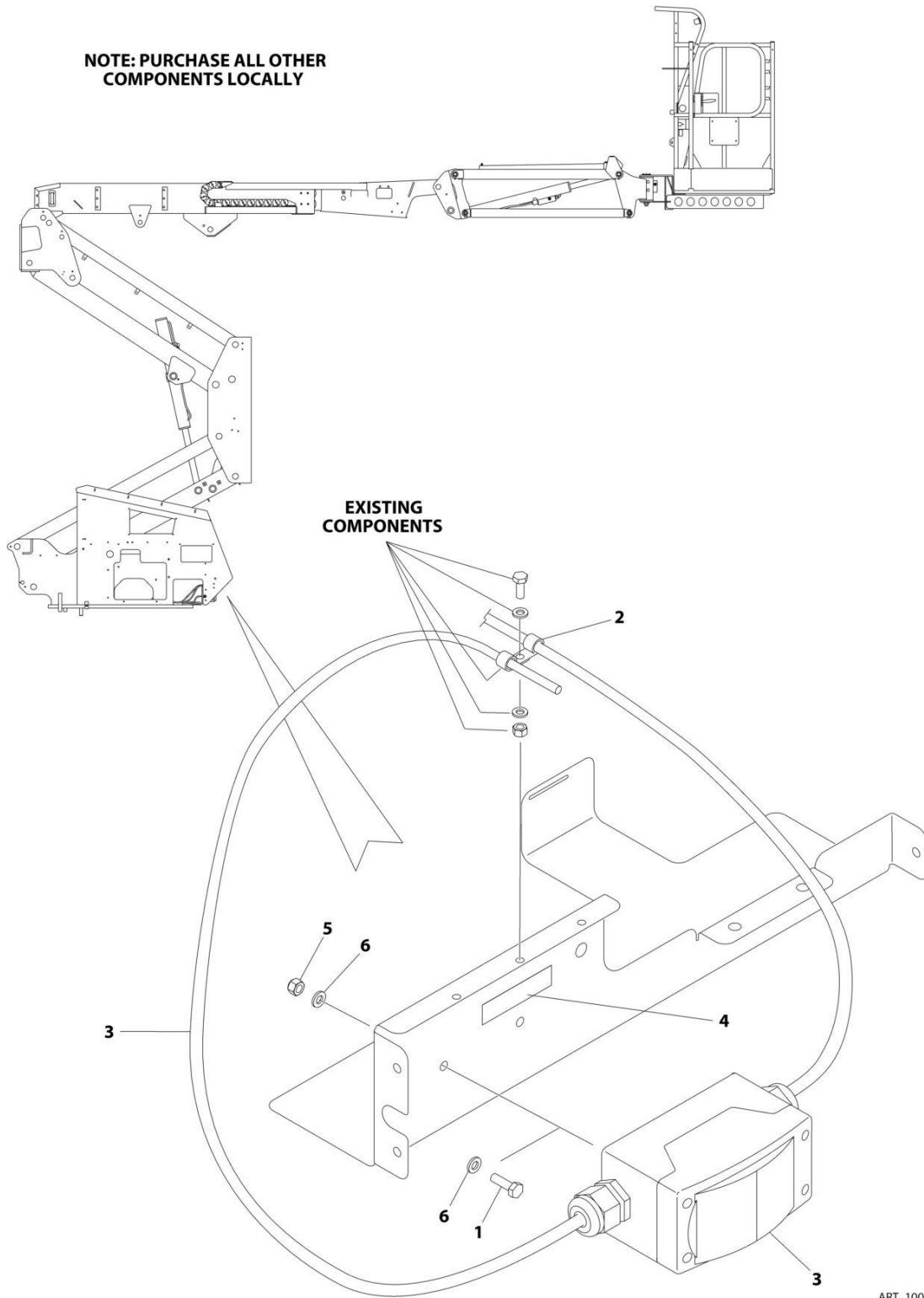
SECTION 8 - ELECTRICAL

FIGURE 8-30. BOOM HARNESS - MAIN

ITEM	PART NUMBER	QTY	DESCRIPTION	REV
	1001140524	Ref	BOOM HARNESS - MAIN	A
1	4460891	4	Plug, Male - 2 Position	
1	4460465	8	Socket, Female	
2	4460894	1	Plug, Male - 6 Position	
2	4460465	5	Socket, Female	
2	4460466	1	Plug, Terminal	

SECTION 8 - ELECTRICAL

FIGURE 8-31. BREAKER BOX INSTALLATION



ART_1001188322

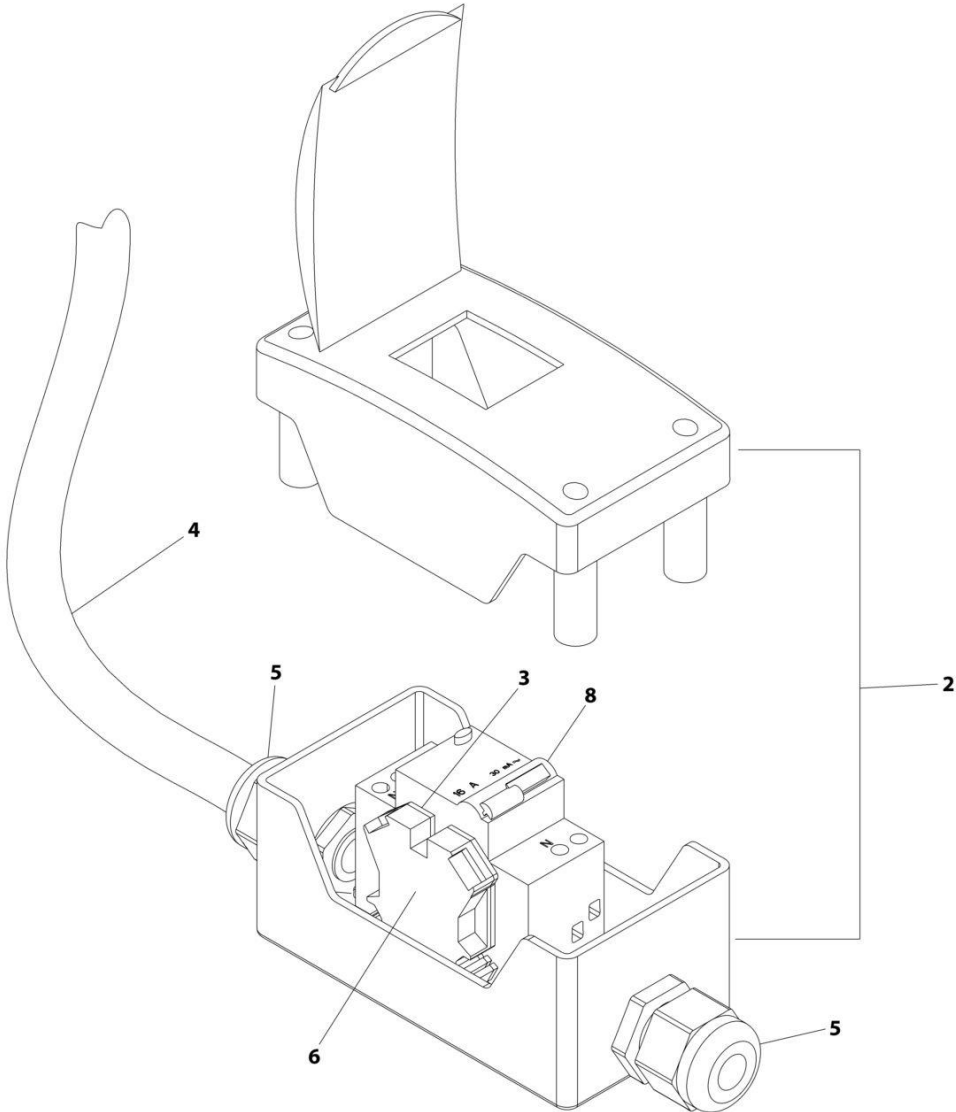
SECTION 8 - ELECTRICAL

FIGURE 8-31. BREAKER BOX INSTALLATION

ITEM	PART NUMBER	QTY	DESCRIPTION	REV
	1001188322	Ref	AC CIRCUIT BREAKER INSTALLATION	A
1	0760610	2	Bolt M6 x 20	
2	1320043	1	Clamp	
3	2902549	1	Breaker Box Kit (See Separate Breakdown in this Section)	
4	3252507	1	Decal - 220V-50/60Hz	
5	3290605	2	Nut M6	
6	4811700	4	Washer M6	

SECTION 8 - ELECTRICAL

FIGURE 8-32. BREAKER BOX KIT (CE & UK CA SPEC)



ART_2902549

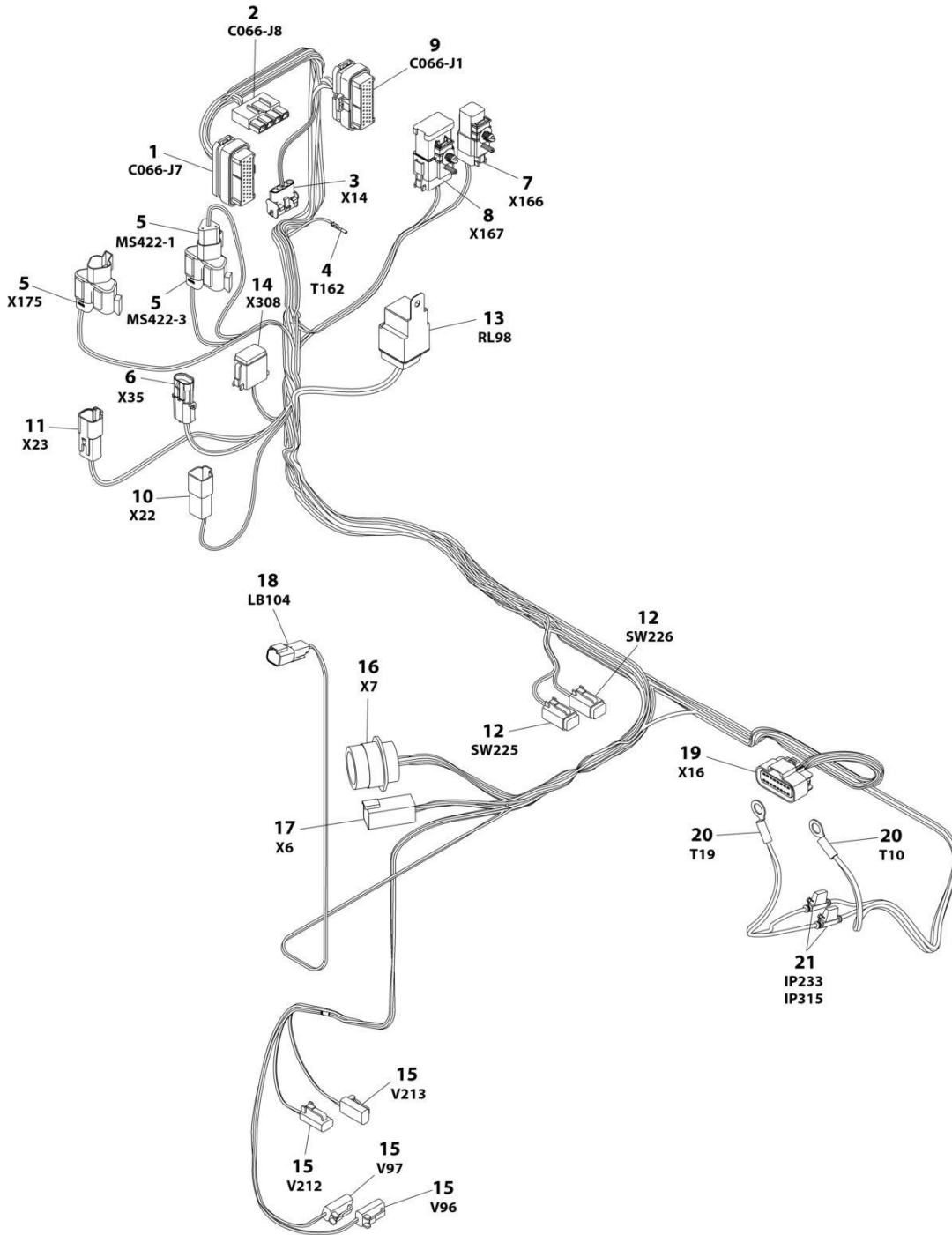
SECTION 8 - ELECTRICAL

FIGURE 8-32. BREAKER BOX KIT (CE & UK CA SPEC)

ITEM	PART NUMBER	QTY	DESCRIPTION	REV
	2902549	Ref	BREAKER BOX KIT - 110/220V 16AMP BREAKER	F
2	0861880	1	Box	
3	4460956	1	Barrier, Terminal	
4	1060908	6 ft/1.8m	Cable, 12/3	
5	1001097150	2	Connector, Strain Relief	
6	4460957	1	Block, Terminal	
8	1001181045	1	Breaker, Combination 16Amp/30mAmp	

SECTION 8 - ELECTRICAL

FIGURE 8-33. CHASSIS HARNESS ASSEMBLY



ART_1001188093

SECTION 8 - ELECTRICAL

FIGURE 8-33. CHASSIS HARNESS ASSEMBLY

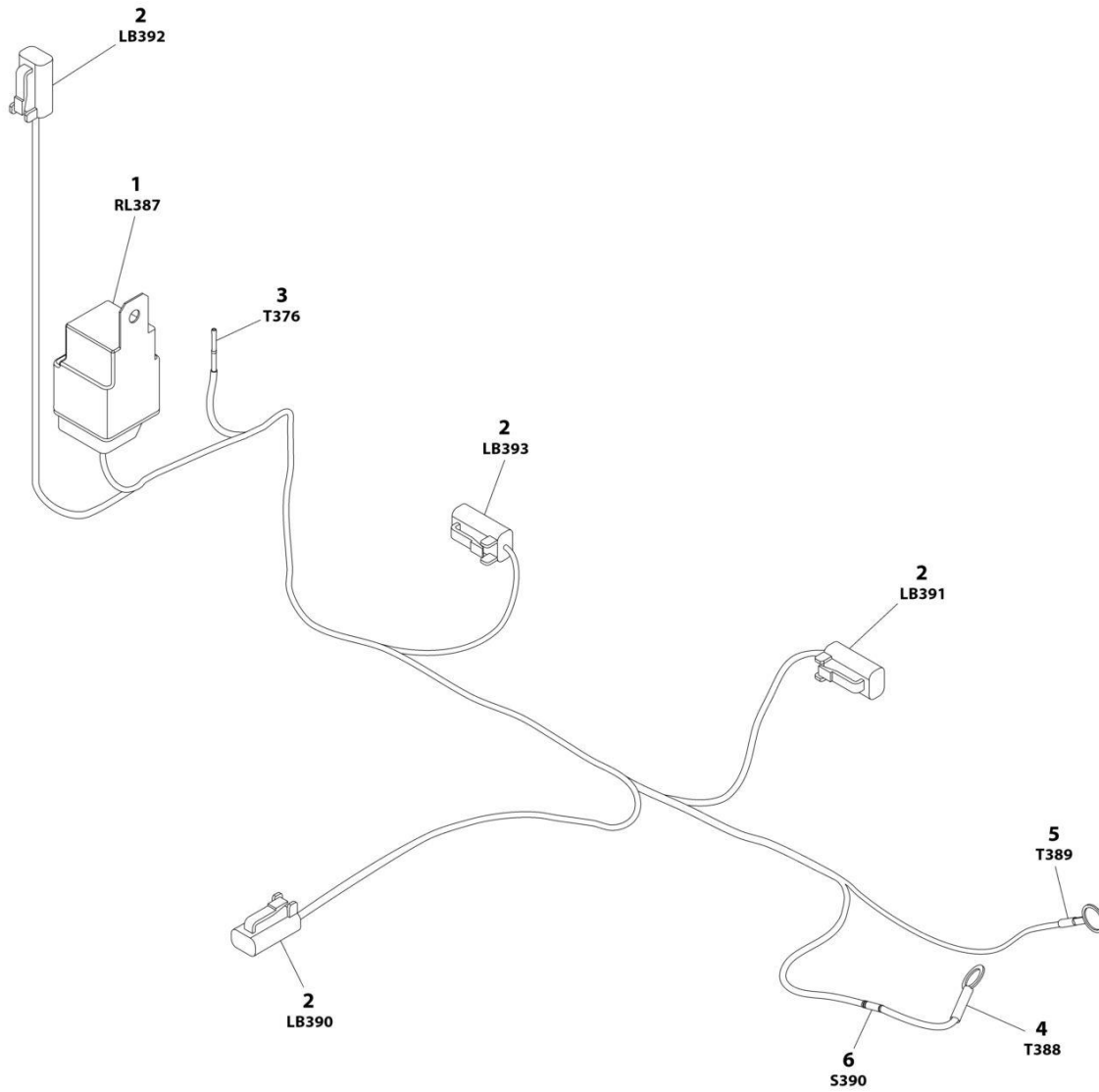
ITEM	PART NUMBER	QTY	DESCRIPTION	REV
	1001188093	Ref	CHASSIS HARNESS ASSEMBLY	D
1	4460873	1	Connector - 35 Position	
1	4460871	19	Socket, Female	
1	4460905	16	Seal, Plug	
2	4460878	1	Connector - 4 Position	
2	4460887	6	Terminal	
3	4460761	1	Connector - 4 Position	
3	4460227	4	Pin, Male	
4	4460871	1	Socket, Female	
5	1001116812	3	Plug, Male - 3 Position	
5	4460944	9	Socket, Female	
5	4460945	1	Receptacle, 3 Way	
6	4461157	1	Receptacle, Female - 2 Position	
6	4460979	1	Pin, Male	
6	1001116727	1	Seal, Plug	
7	4460894	1	Connector - 6 Position	
7	4460465	2	Socket, Female	
7	4460466	4	Plug, Terminal	
7	4460892	1	Connector - 6 Position Bussbar	
7	1001121172	1	Mount, Terminal	
8	4460836	1	Connector - 12 Position	
8	4460465	3	Socket, Female	
8	4460466	7	Plug, Terminal	
8	4460837	1	Connector	
8	1001121172	1	Mount, Terminal	
9	4460874	1	Connector - 35 Position	
9	4460871	21	Socket, Female	
9	4460905	14	Seal, Plug	
10	4460932	1	Receptacle, Female - 4 Position	
10	4460464	3	Pin, Female	
10	4460466	1	Plug, Terminal	
11	1001116811	1	Receptacle, Female - 4 Position	
11	4460508	3	Pin, Male	
11	4460466	1	Plug, Terminal	
12	4460884	2	Plug, Male - 4 Position	
12	4460465	6	Socket, Female	
12	4460466	2	Plug, Terminal	
13	1001117025	1	Relay and Connector Assembly	
13	1001116734	2	Terminal	
13	1001116732	2	Terminal	
14	4460930	1	Plug, Male - 8 Position	
14	4460465	2	Socket, Female	
14	4460466	6	Plug, Terminal	
15	4460891	4	Connector - 2 Position	
15	4460465	8	Socket, Female	
16	4460866	1	Connector - 19 Position	
16	4460943	3	Pin, Male	
16	4460464	6	Pin, Male	
16	4460508	4	Pin, Male	
16	4460466	6	Plug, Terminal	

SECTION 8 - ELECTRICAL

ITEM	PART NUMBER	QTY	DESCRIPTION	REV
17	4460899	1	Connector - 6 Position	
17	4460464	6	Pin, Male	
18	4460897	1	Connector - 2 Position	
18	4460464	2	Pin, Male	
19	4461110	1	Receptacle Female - 16 Position	
19	1001136231	1	Lock, Connector	
19	1001136232	1	Lock, Connector	
19	4461112	15	Terminal, Female	
19	4461113	15	Seal	
19	4461222	1	Plug	
20	8220164	2	Ring, Terminal	
21	2400066	2	Fuse Holder with Leads	

SECTION 8 - ELECTRICAL

FIGURE 8-34. CHASSIS LIGHT HARNESS



ART_1001120299

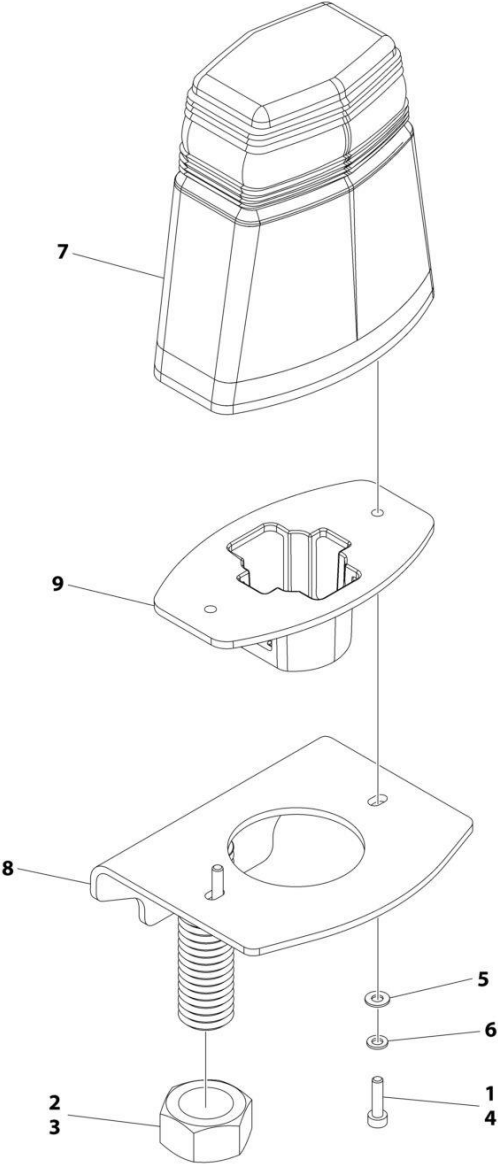
SECTION 8 - ELECTRICAL

FIGURE 8-34. CHASSIS LIGHT HARNESS

ITEM	PART NUMBER	QTY	DESCRIPTION	REV
	1001120299	Ref	CHASSIS LIGHT HARNESS	B
1	1001117025	1	Relay and Connector Assembly	
1	1001116734	2	Terminal	
1	1001116732	2	Terminal	
2	4460891	4	Plug, Male - 2 Position	
2	4460465	8	Socket, Female	
3	4460465	1	Socket, Female	
4	4460256	1	Ring, Terminal	
5	4460019	1	Ring, Terminal	
6	4460474	1	Terminal	

SECTION 8 - ELECTRICAL

FIGURE 8-35. CLEARSKY INSTALLATION



ART_1001289851

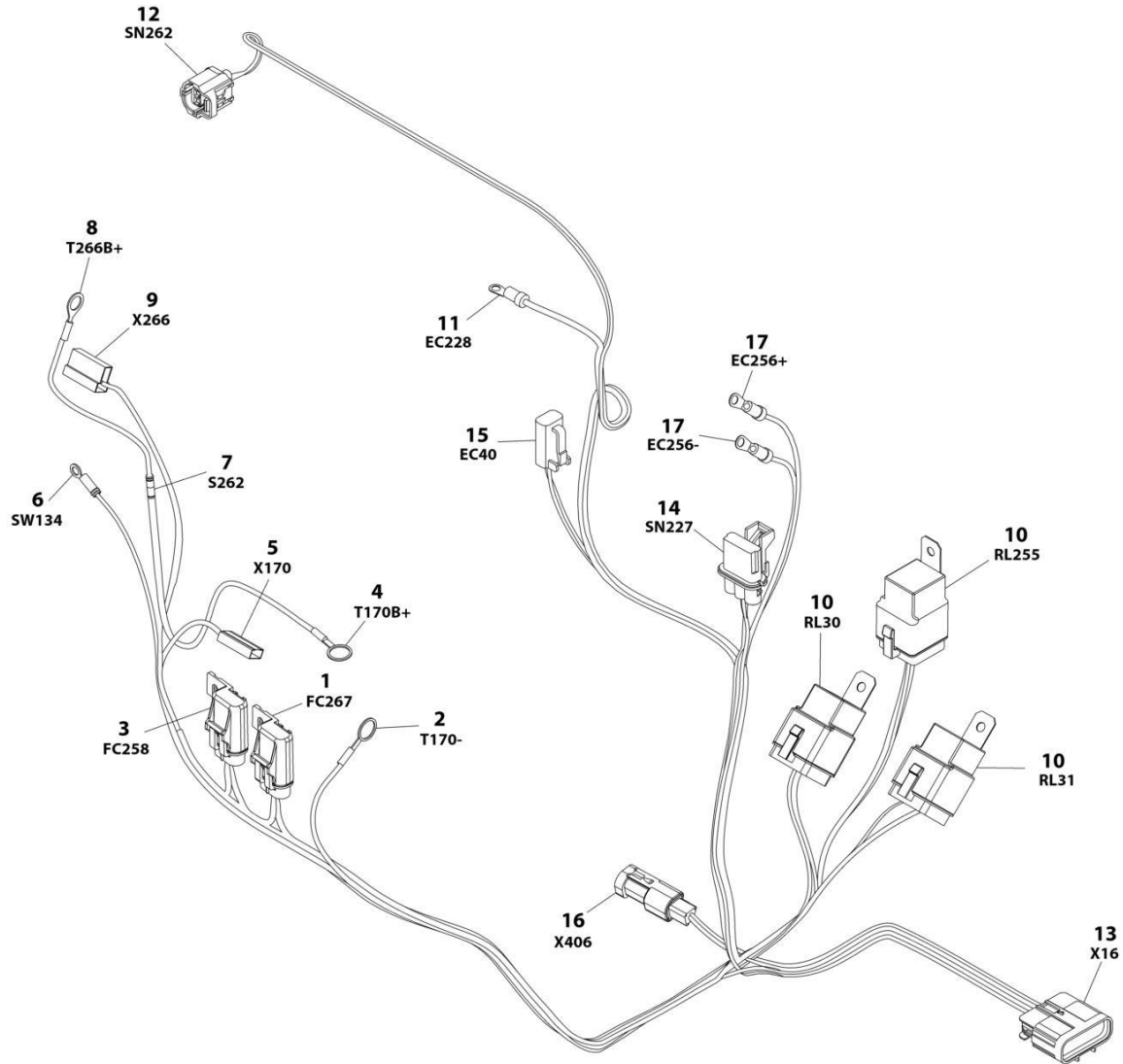
SECTION 8 - ELECTRICAL

FIGURE 8-35. CLEARSKY INSTALLATION

ITEM	PART NUMBER	QTY	DESCRIPTION	REV
	1001289851	Ref	CLEARSKY INSTALLATION	A
1	0100011	AR	Compound, Locking	
2	3020043	AR	Lube, Anti-Seize	
3	3292001	1	Nut M20	
4	4031507	2	Capscrew M4 x 16	
5	4811400	2	Washer M4	
6	4831400	2	Washer M4	
7	1001280661	1	Module, ClearSky	
8	1001286584	1	Bracket, ClearSky Mounting	
9	1001289648	1	Plate, Anti-Tamper	

SECTION 8 - ELECTRICAL

FIGURE 8-36. ENGINE HARNESS - KUBOTA ENGINE



ART_1001118638

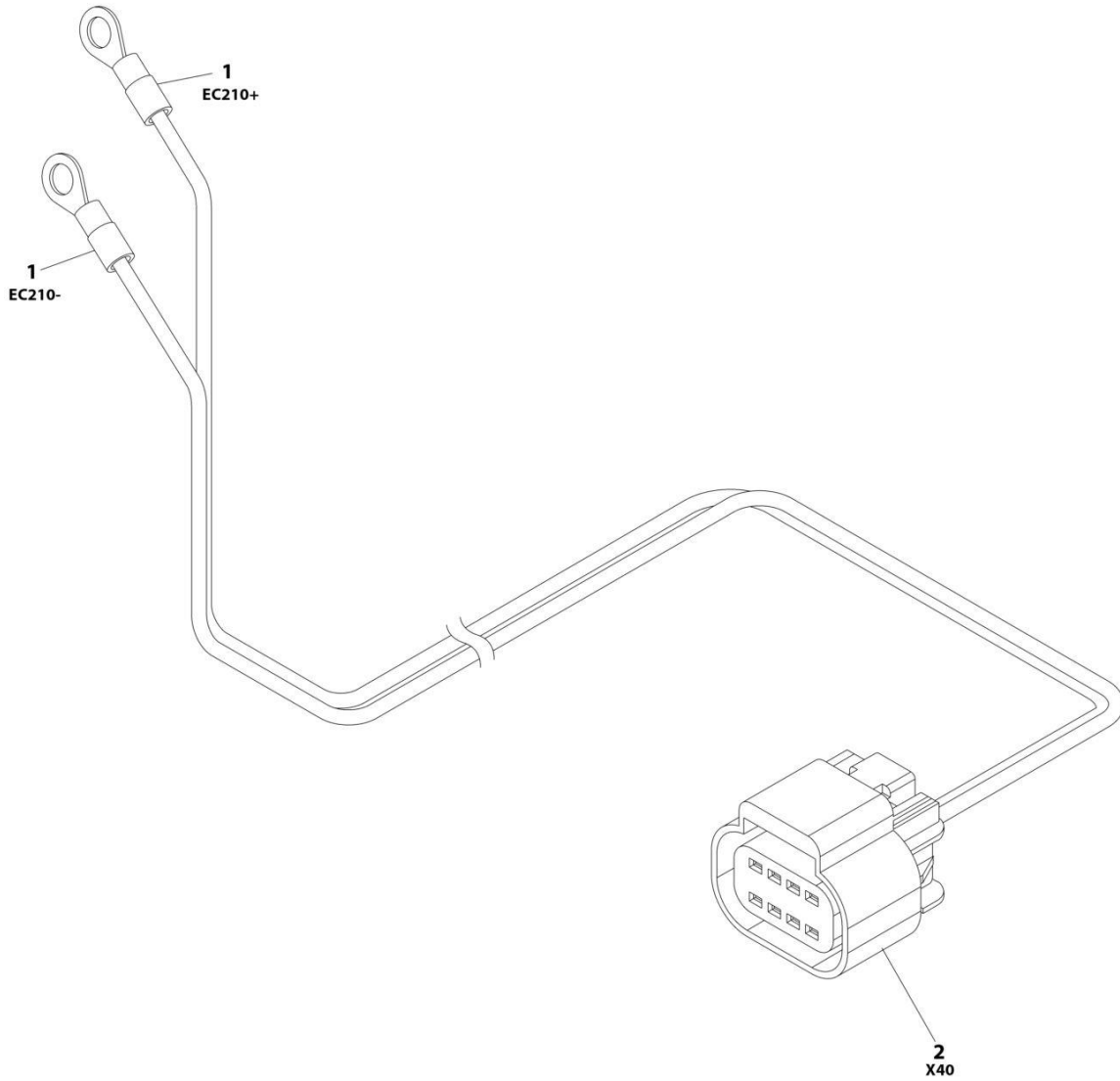
SECTION 8 - ELECTRICAL

FIGURE 8-36. ENGINE HARNESS - KUBOTA ENGINE

ITEM	PART NUMBER	QTY	DESCRIPTION	REV
	1001118638	Ref	KUBOTA ENGINE HARNESS	G
1	1001117070	1	Connector, Fuseholder (Includes Fuse and Cap)	
1	1001116752	2	Terminal, Female	
2	4460256	1	Terminal	
3	1001118938	1	Connector, Fuseholder (Includes Fuse and Cap)	
3	1001116752	2	Terminal, Female	
4	8220164	1	Terminal	
5	1001118743	1	Connector, Receptacle	
5	1001118748	1	Terminal	
6	4460247	1	Terminal, Ring	
7	4460474	1	Terminal	
8	4460043	1	Terminal, Ring	
8	1001121574	1	Lock, Connector	
9	1001118744	1	Receptacle, Female - 2 Position	
9	1001118745	1	Terminal	
10	1001117025	3	Relay and Connector Assembly	
10	1001116734	6	Terminal	
10	1001116732	6	Terminal	
11	4460142	1	Terminal, Ring	
12	1001118657	1	Plug, Male - 2 Position (Green)	
12	1001118658	2	Socket, Female	
13	4461109	1	Plug, Male - 16 Position	
13	1001136232	1	Lock, Connector	
13	4461111	14	Terminal, Male	
13	4461113	14	Seal	
13	4461222	2	Plug	
14	1001117055	1	Plug, Male - 3 Position	
14	4460746	3	Socket, Female	
15	4460891	1	Plug, Male - 2 Position (Gray)	
15	4460465	2	Socket, Female	
16	4461095	1	Plug, Male - 3 Position	
16	4460944	2	Terminal , Gold	
16	4460466	1	Plug, Terminal	
17	4460042	2	Terminal, Ring	

SECTION 8 - ELECTRICAL

FIGURE 8-37. FUEL PUMP HARNESS - GM ENGINES



ART_1001119778

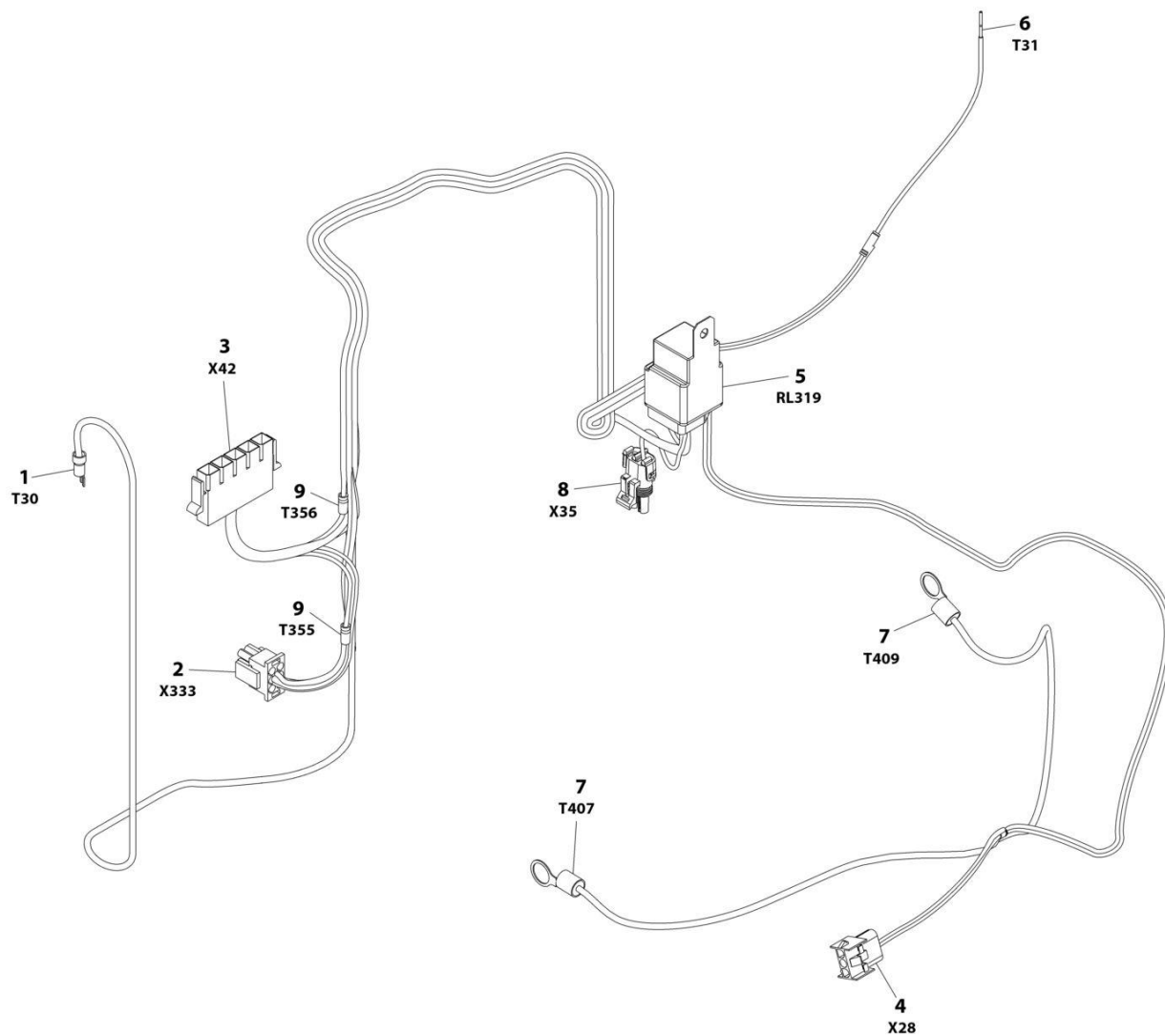
SECTION 8 - ELECTRICAL

FIGURE 8-37. FUEL PUMP HARNESS - GM ENGINES

ITEM	PART NUMBER	QTY	DESCRIPTION	REV
	1001119778	Ref	GM FUEL PUMP HARNESS	A
1	4460313	2	Terminal, Ring	
2	1001119799	1	Receptacle, Female - 8 Position	
2	4461112	2	Terminal, Female	
2	4461113	2	Seal	
2	4461222	6	Plug	

SECTION 8 - ELECTRICAL

FIGURE 8-38. GENERATOR HARNESS - 2500W



ART_1001119773

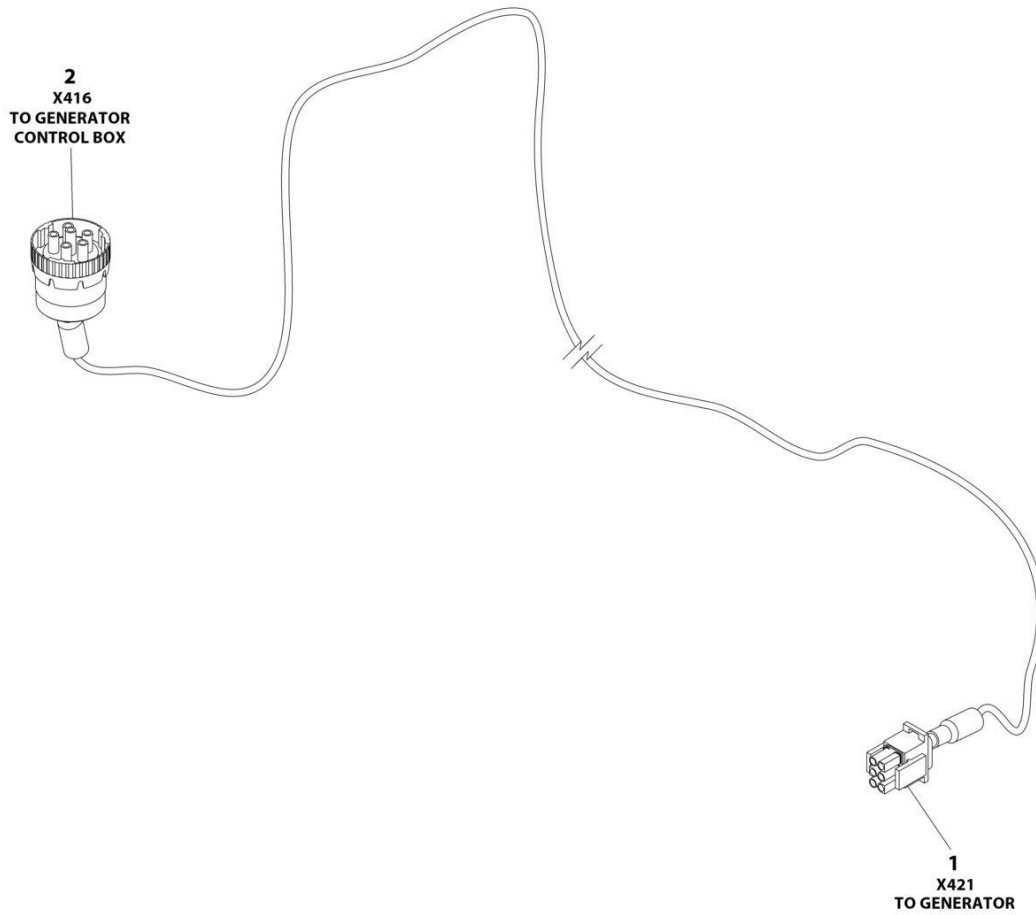
SECTION 8 - ELECTRICAL

FIGURE 8-38. GENERATOR HARNESS - 2500W

ITEM	PART NUMBER	QTY	DESCRIPTION	REV
	1001119773	Ref	GENERATOR HARNESS - 2500W	C
1	4460806	1	Terminal	
2	4460225	1	Plug, Male - 6 Position	
2	4460705	1	Pin, Male	
2	4460267	3	Pin, Male	
2	4460268	2	Socket, Female	
3	4460972	1	Plug, Male - 5 Position	
3	4460973	1	Terminal 12Ga	
3	4460974	4	Terminal 16Ga	
4	4460445	1	Receptacle, Female - 3 Position	
4	4460268	3	Socket, Female	
5	1001117025	1	Relay and Connector Assembly	
5	1001116734	2	Terminal	
5	1001116732	2	Terminal	
6	4460465	1	Socket, Female Deutsch 16Ga	
7	8220029	2	Terminal	
8	4460742	1	Plug, Male - 2 Position	
8	4460743	1	Socket, Female	
8	1001116727	1	Seal, Plug	
9	4460121	2	Cap, Wire	

SECTION 8 - ELECTRICAL

FIGURE 8-39. GENERATOR HARNESS - 4000W



ART_1001157916

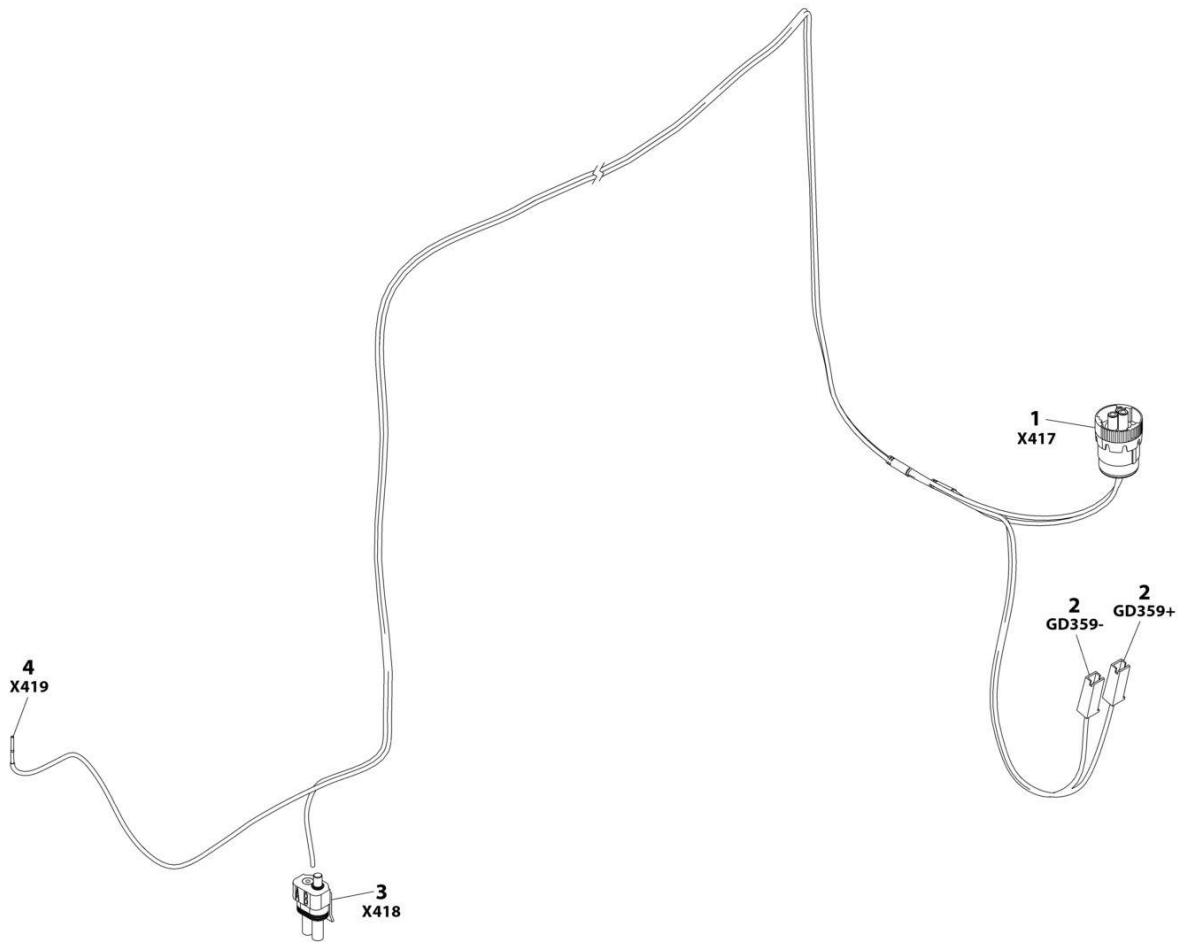
SECTION 8 - ELECTRICAL

FIGURE 8-39. GENERATOR HARNESS - 4000W

ITEM	PART NUMBER	QTY	DESCRIPTION	REV
	1001157916	Ref	GENERATOR HARNESS - 4000W	B
1	4460225	1	Plug, Male - 6 Position	
1	4460268	2	Socket, Female	
2	77363233	1	Connector	
2	4460465	2	Socket, Female	
2	4460466	4	Plug, Terminal	

SECTION 8 - ELECTRICAL

FIGURE 8-40. GENERATOR CONTROL HARNESS - 4000W



ART_1001157915

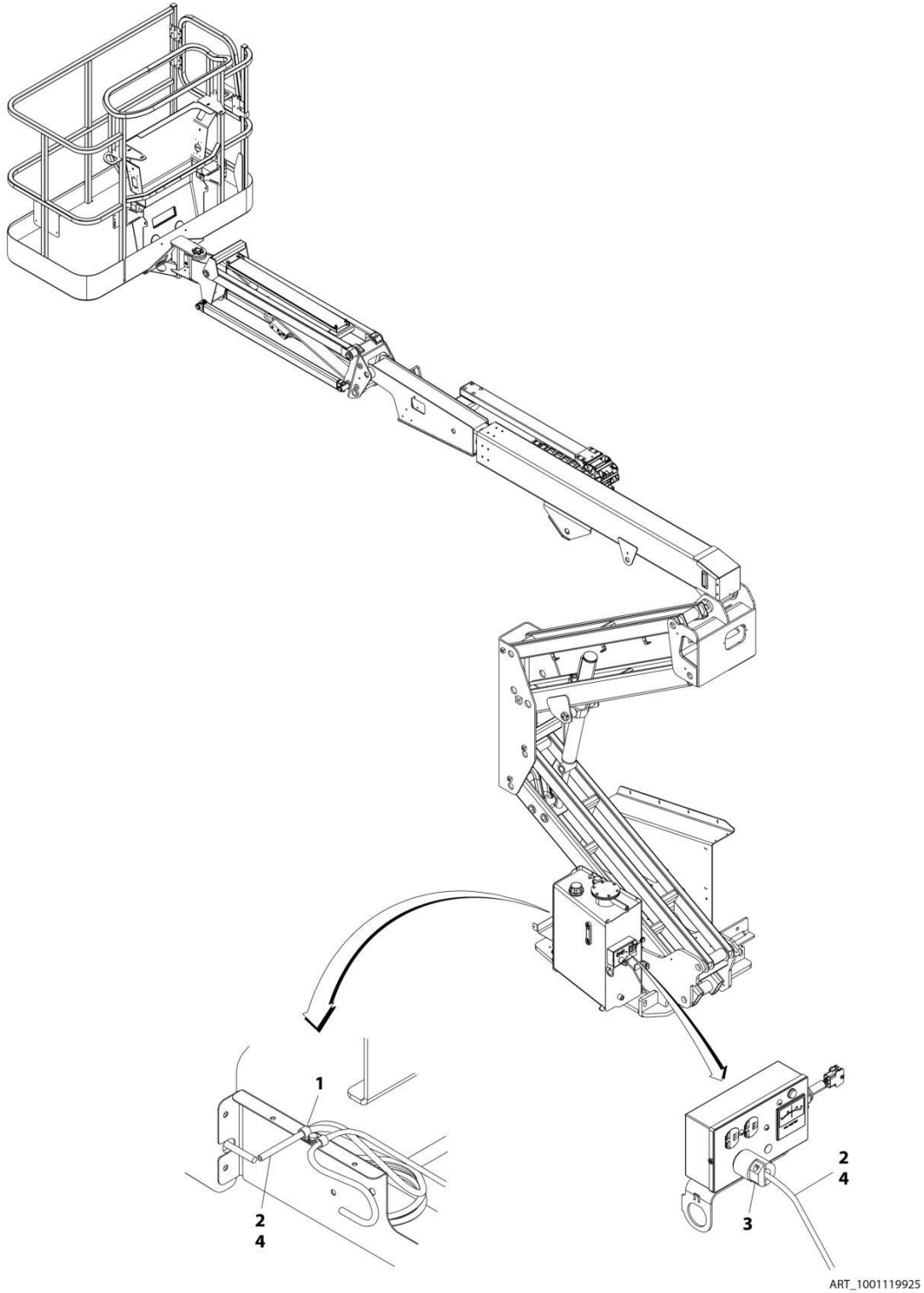
SECTION 8 - ELECTRICAL

FIGURE 8-40. GENERATOR CONTROL HARNESS - 4000W

ITEM	PART NUMBER	QTY	DESCRIPTION	REV
	1001157915	Ref	GENERATOR CONTROL HARNESS - 4000W	A
1	4460967	1	Connector	
1	4460466	1	Plug	
1	4460465	1	Socket	
2	4460260	2	Connector	
2	4460259	2	Terminal	
3	4460742	1	Connector	
3	4460457	1	Terminal	
3	1001116727	1	Plug	
4	4460465	1	Socket	

SECTION 8 - ELECTRICAL

FIGURE 8-41. GENERATOR TO AC PLUG HARNESS - 2800W GENERATOR 220/50HZ (ANSI EXPORT, AUSTRALIAN, CHINA, CE & UK CA SPECS)



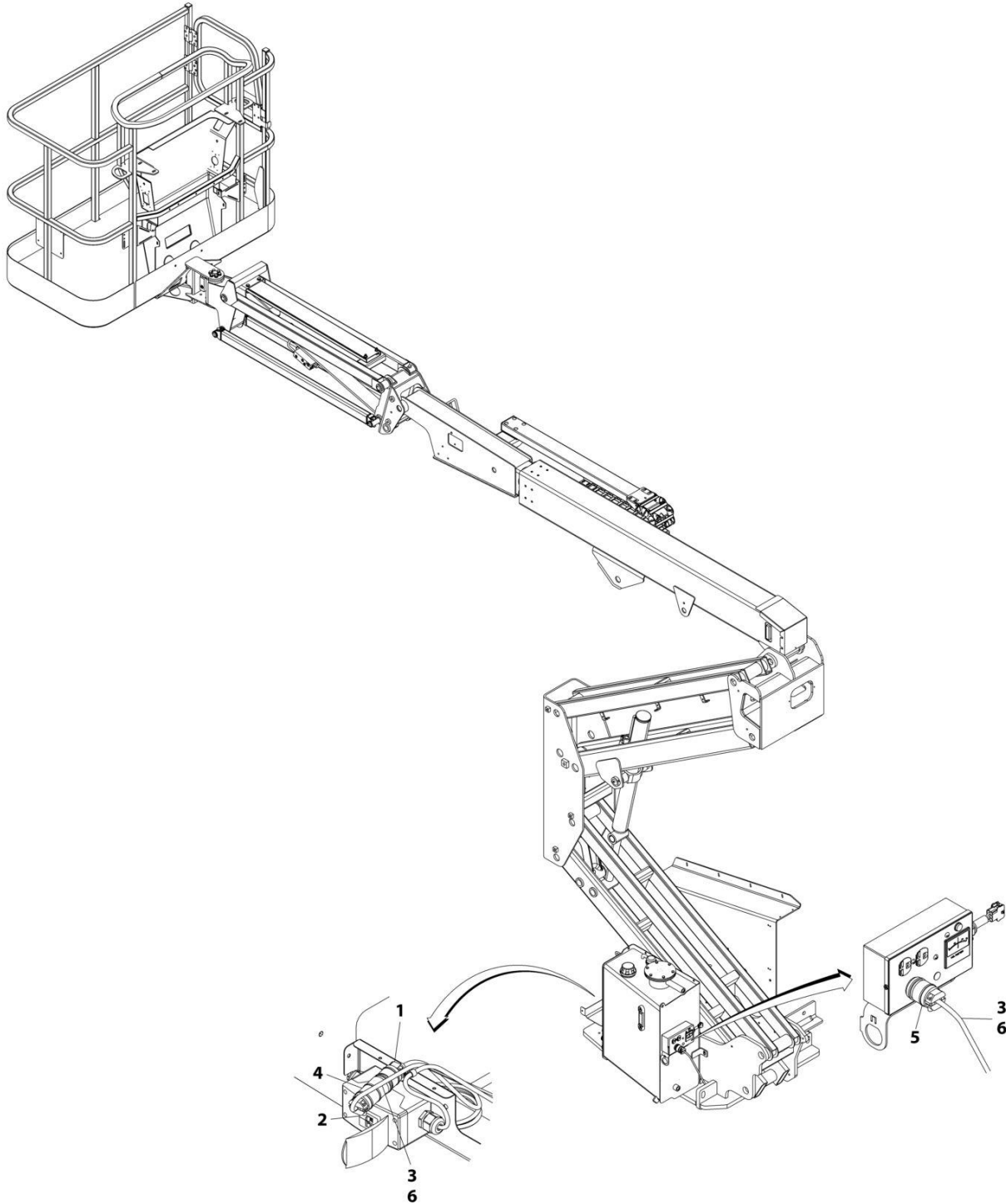
SECTION 8 - ELECTRICAL

FIGURE 8-41. GENERATOR TO AC PLUG HARNESS - 2800W GENERATOR 220/50HZ (ANSI EXPORT, AUSTRALIAN, CHINA, CE & UK CA SPECS)

ITEM	PART NUMBER	QTY	DESCRIPTION	REV
	1001119925	Ref	GENERATOR TO AC PLUG HARNESS - 2800W GENERATOR 220/50HZ	A
1	1320043	1	Clamp	
2	1001119922	1	Harness, Generator to AC Plug	B
3	4460709	1	Plug, Male	
4	4923505	7 ft/2.13m	Cable, 14/3	

SECTION 8 - ELECTRICAL

FIGURE 8-42. GENERATOR TO AC PLUG HARNESS - 2800W GENERATOR 110/50HZ (CE & UK CA SPECS ONLY)



ART_1001119927

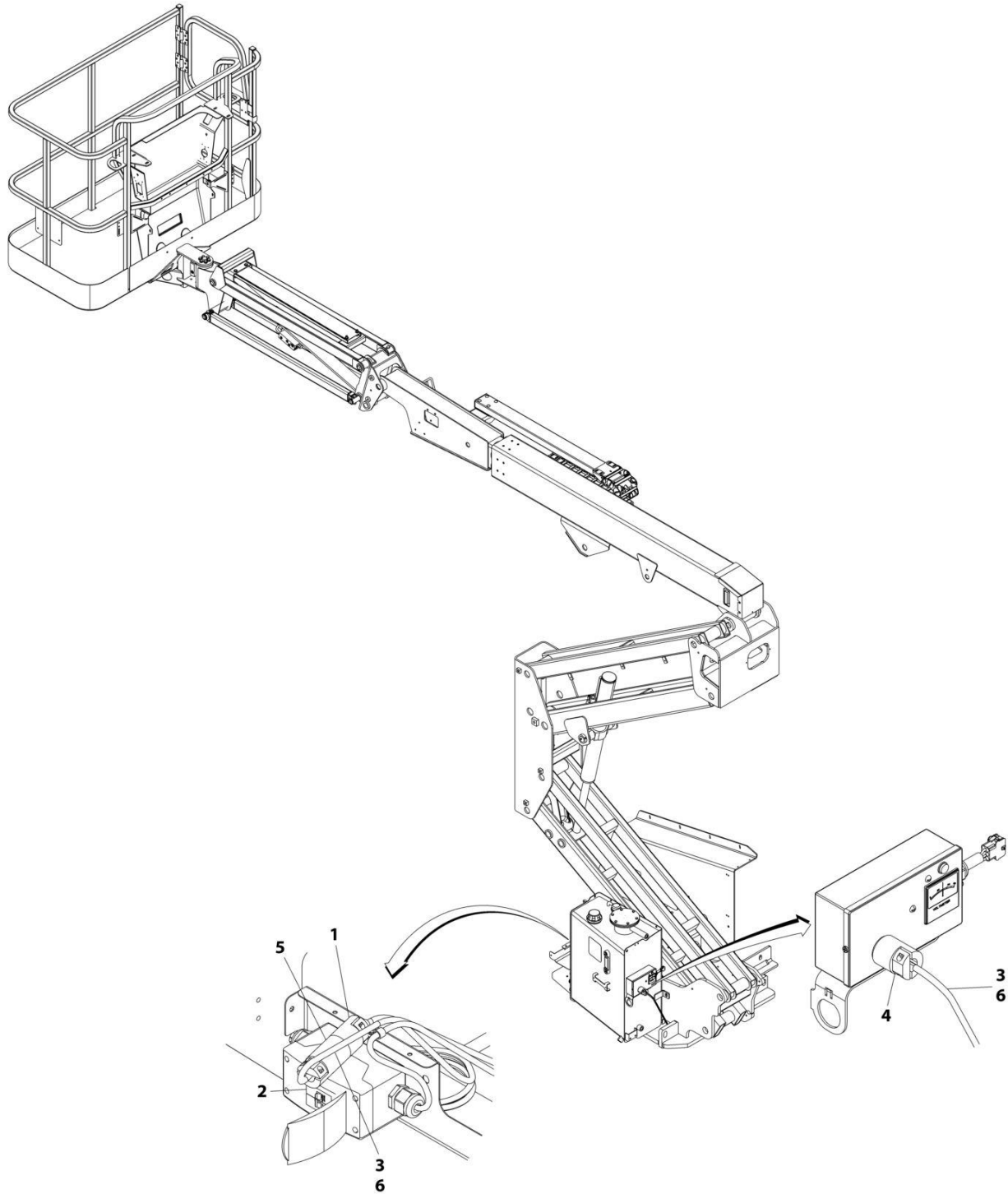
SECTION 8 - ELECTRICAL

FIGURE 8-42. GENERATOR TO AC PLUG HARNESS - 2800W GENERATOR 110/50HZ (CE & UK CA SPECS ONLY)

ITEM	PART NUMBER	QTY	DESCRIPTION	REV
	1001119927	Ref	GENERATOR TO AC PLUG HARNESS - 2800W GENERATOR 110/50HZ	A
1	4460205	1	Plug, Male	
2	1001109477	1	Breaker 10Amp	
3	1001119919	1	Harness, Generator to AC Plug	B
4	4460134	1	Plug, Female	
5	4460205	1	Plug, Male	
6	4923505	7 ft/2.13m	Cable, 14/3	

SECTION 8 - ELECTRICAL

FIGURE 8-43. GENERATOR TO AC PLUG HARNESS - 2800W GENERATOR 220/50HZ (ANSI EXPORT, AUSTRALIAN, CHINA, CE & UK CA SPECS)



ART_1001119928

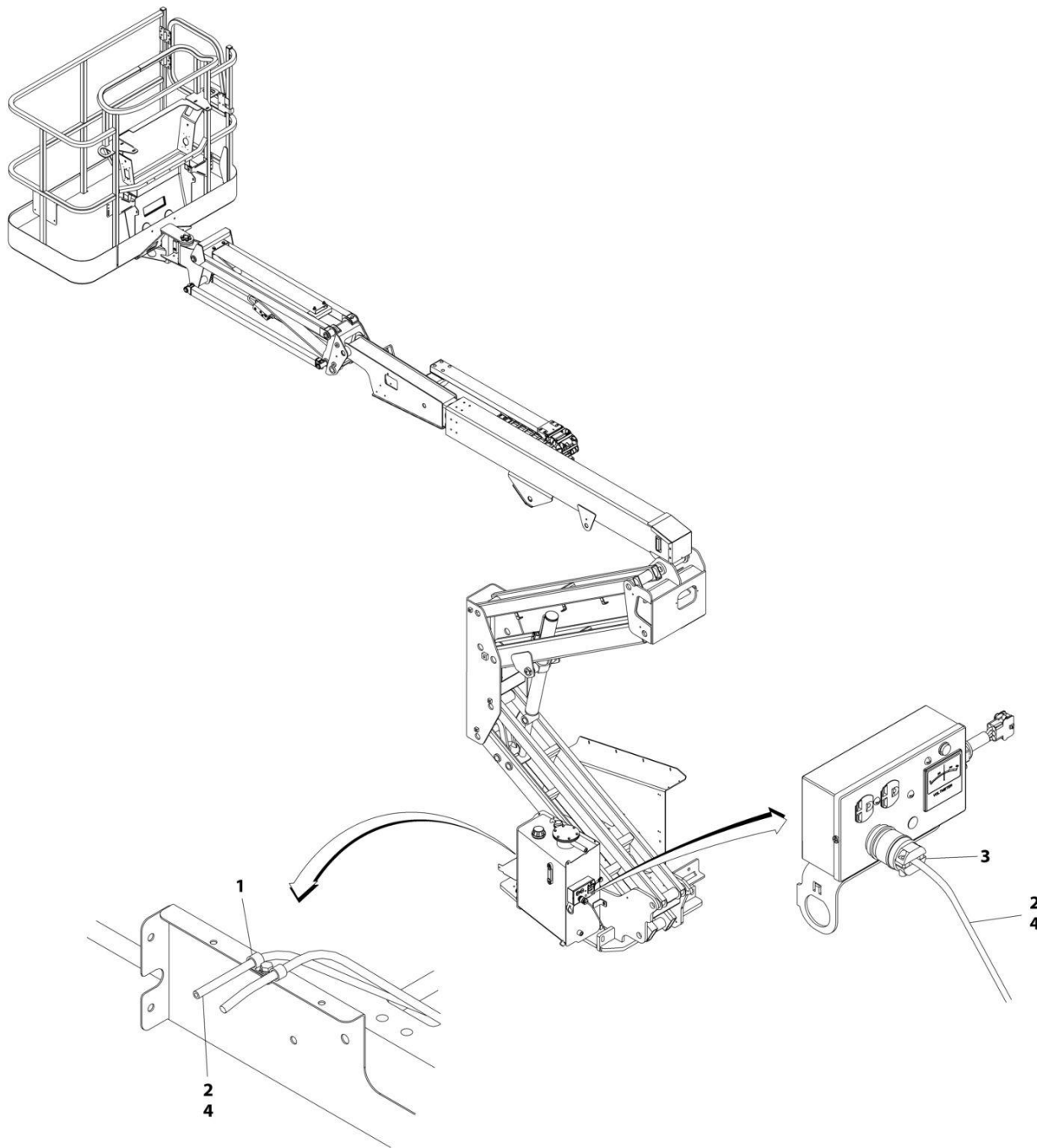
SECTION 8 - ELECTRICAL

FIGURE 8-43. GENERATOR TO AC PLUG HARNESS - 2800W GENERATOR 220/50HZ (ANSI EXPORT, AUSTRALIAN, CHINA, CE & UK CA SPECS)

ITEM	PART NUMBER	QTY	DESCRIPTION	REV
	1001119928	Ref	GENERATOR TO AC PLUG HARNESS - 2800W GENERATOR 220/50HZ	B
1	4460709	1	Plug, Male	
2	1001109477	1	Breaker 10 Amp	
3	1001119920	1	Harness, Generator to AC Plug	A
4	4460709	1	Plug, Male	
5	4460710	1	Plug, Female	
6	4923505	6.8 ft/ 2.0m	Cable, 14/3	

SECTION 8 - ELECTRICAL

FIGURE 8-44. GENERATOR TO AC PLUG HARNESS - 3500W GENERATOR 220/60HZ (ANSI EXPORT, CHINA AND CSA SPECS)



ART_1001119924

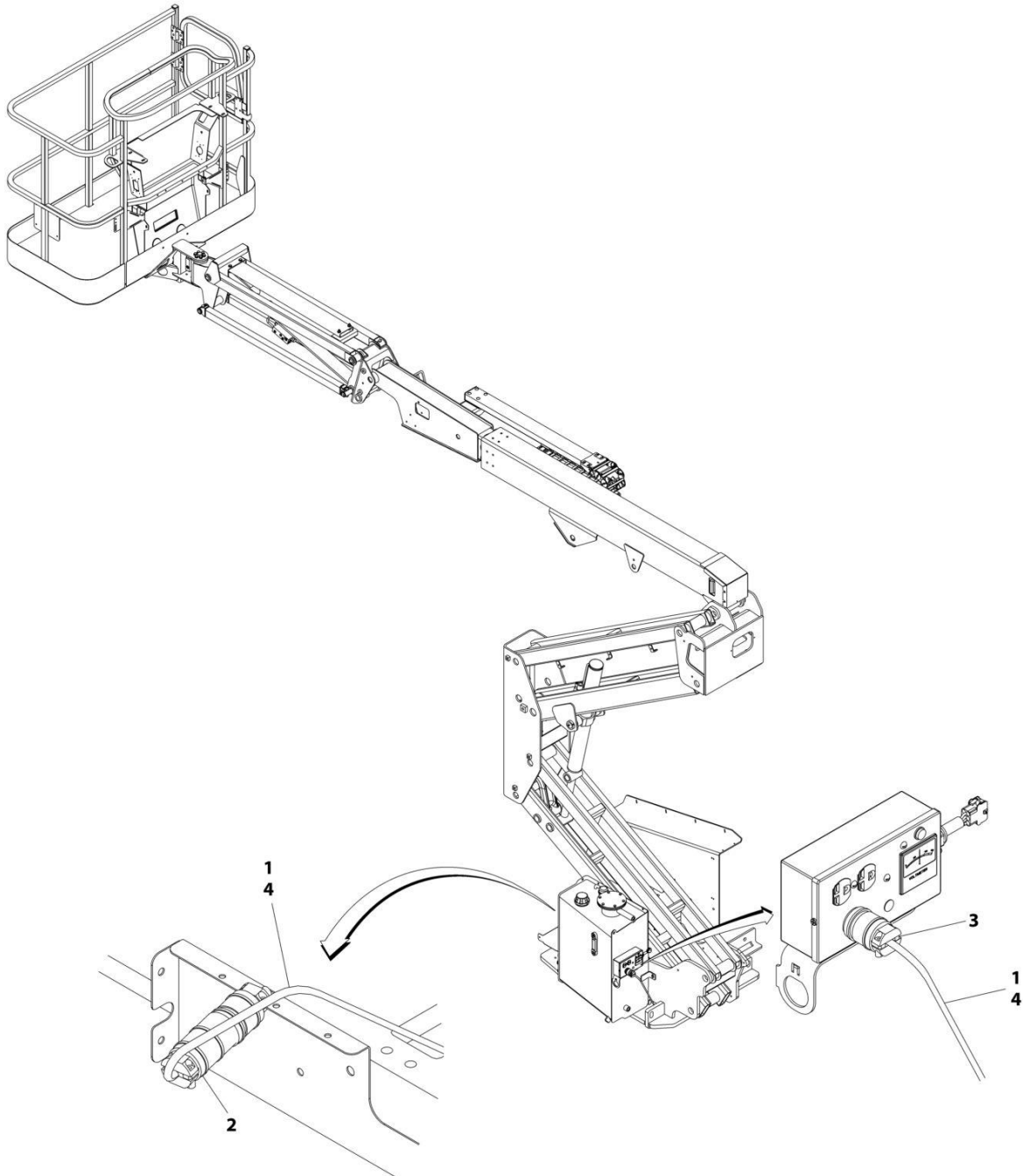
SECTION 8 - ELECTRICAL

FIGURE 8-44. GENERATOR TO AC PLUG HARNESS - 3500W GENERATOR 220/60HZ (ANSI EXPORT, CHINA AND CSA SPECS)

ITEM	PART NUMBER	QTY	DESCRIPTION	REV
	1001119924	Ref	GENERATOR TO AC PLUG HARNESS - 3500W GENERATOR 220/60HZ	A
1	1320043	1	Clamp	
2	1001119921	1	Harness, Generator to AC Plug	A
3	4460205	1	Plug, Male	
4	4923505	7 ft/2.13m	Cable, 14/3	

SECTION 8 - ELECTRICAL

FIGURE 8-45. GENERATOR TO AC PLUG HARNESS - 3500W GENERATOR 110/60HZ (ANSI, ANSI EXPORT, CHINA, CSA AND JAPANESE SPECS)



ART_1001119923

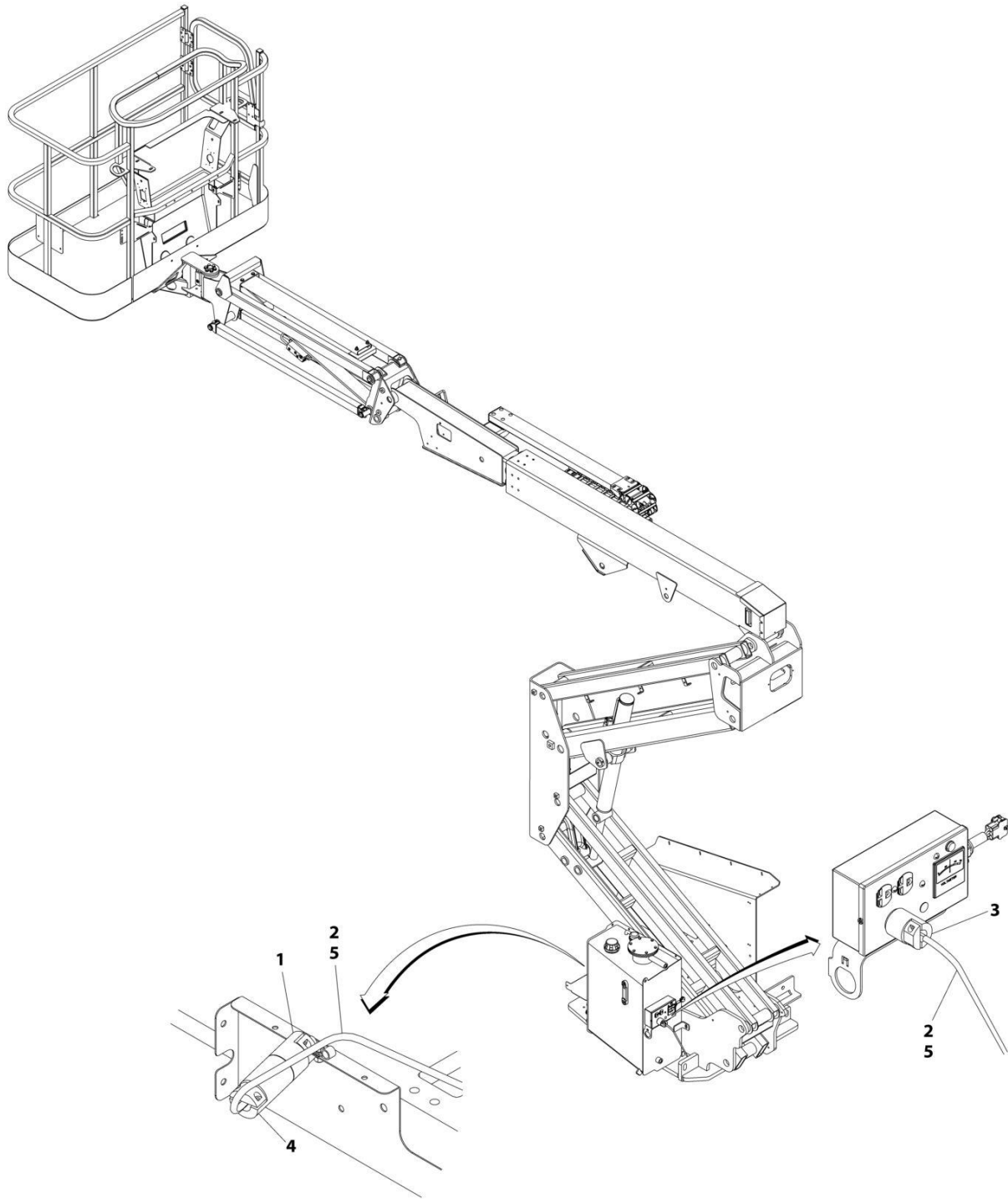
SECTION 8 - ELECTRICAL

FIGURE 8-45. GENERATOR TO AC PLUG HARNESS - 3500W GENERATOR 110/60HZ (ANSI, ANSI EXPORT, CHINA, CSA AND JAPANESE SPECS)

ITEM	PART NUMBER	QTY	DESCRIPTION	REV
	1001119923	Ref	GENERATOR TO AC PLUG HARNESS - 3500W GENERATOR 110/60HZ	A
1	1001119919	1	Harness, Generator to AC Plug	B
2	4460134	1	Plug, Female	
3	4460205	1	Plug, Male	
4	4923505	7 ft/2.13m	Cable, 14/3	

SECTION 8 - ELECTRICAL

FIGURE 8-46. GENERATOR TO AC PLUG HARNESS - 3500W GENERATOR 220/60HZ (ANSI EXPORT, CHINA AND CSA SPECS)



ART_1001119926

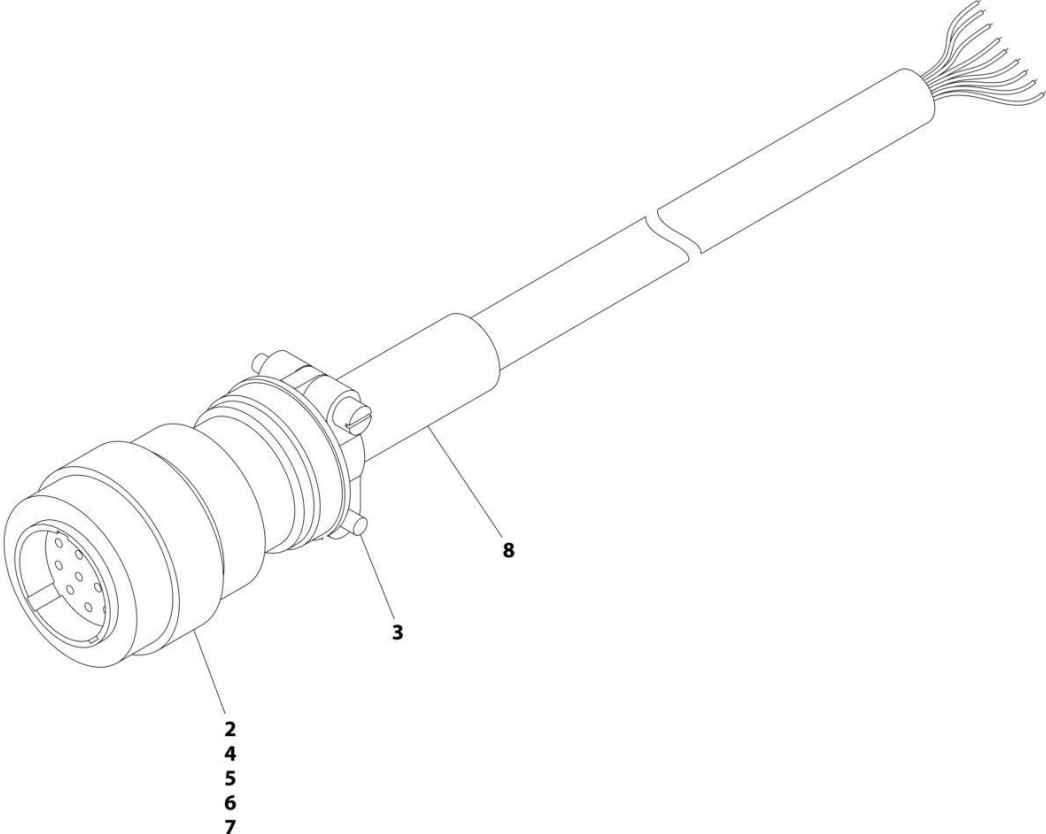
SECTION 8 - ELECTRICAL

FIGURE 8-46. GENERATOR TO AC PLUG HARNESS - 3500W GENERATOR 220/60HZ (ANSI EXPORT, CHINA AND CSA SPECS)

ITEM	PART NUMBER	QTY	DESCRIPTION	REV
	1001119926	Ref	GENERATOR TO AC PLUG HARNESS - 3500W GENERATOR 220/60HZ	A
1	4460709	1	Plug, Male	
2	1001119920	1	Harness, Generator to AC Plug	A
3	4460709	1	Plug, Male	
4	4460710	1	Plug, Female	
5	4923505	6.8 ft/ 2.06m	Cable, 14/3	

SECTION 8 - ELECTRICAL

FIGURE 8-47. GROUND TO PLATFORM CABLE - MAIN BOOM (WITHOUT ARCTIC PACKAGE)



ART_1001119018

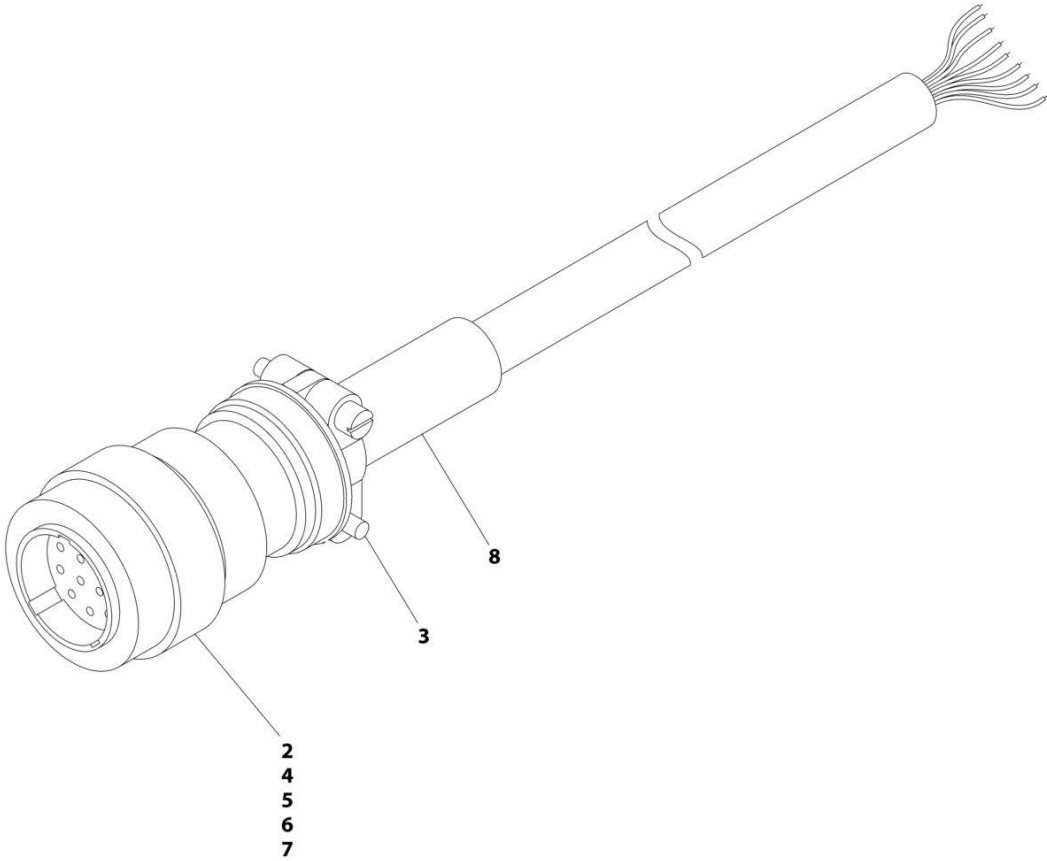
SECTION 8 - ELECTRICAL

FIGURE 8-47. GROUND TO PLATFORM CABLE - MAIN BOOM (WITHOUT ARCTIC PACKAGE)

ITEM	PART NUMBER	QTY	DESCRIPTION	REV
	1001119018	Ref	GROUND TO PLATFORM CABLE - MAIN BOOM (WITHOUT ARCTIC PACKAGE)	C
2	4460865	1	Connector - 19 Position	
3	4460473	1	Clamp, Cable	
4	4460465	22	Socket, Female	
5	4460509	8	Socket, Female	
6	4460466	4	Plug, Terminal	
7	2820118	AR	Heat Shrink	
8	1001226400	1	Heat Shrink	

SECTION 8 - ELECTRICAL

FIGURE 8-48. GROUND TO PLATFORM CABLE - MAIN BOOM (WITH ARCTIC PACKAGE)



ART_100119953

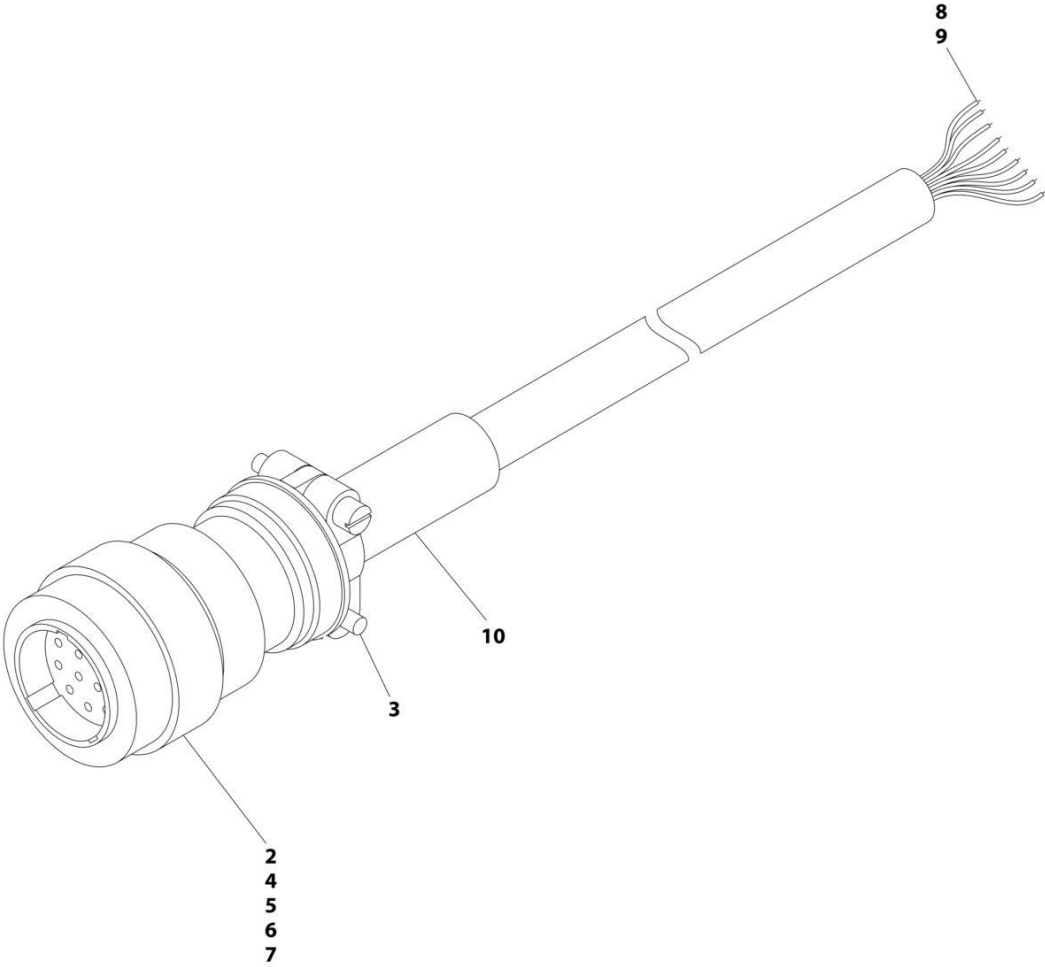
SECTION 8 - ELECTRICAL

FIGURE 8-48. GROUND TO PLATFORM CABLE - MAIN BOOM (WITH ARCTIC PACKAGE)

ITEM	PART NUMBER	QTY	DESCRIPTION	REV
	1001119953	Ref	GROUND TO PLATFORM CABLE - MAIN BOOM (WITH ARCTIC PACKAGE)	D
2	4460865	1	Connector - 19 Position	
3	4460473	1	Clamp, Cable	
4	4460465	22	Socket, Female	
5	4460509	8	Socket, Female	
6	4460466	4	Plug, Terminal	
7	2820118	AR	Heat Shrink	
8	1001226400	1	Heat Shrink	

SECTION 8 - ELECTRICAL

FIGURE 8-49. GROUND TO PLATFORM CABLE - TOWER BOOM (WITHOUT ARCTIC PACKAGE)



ART_100119019

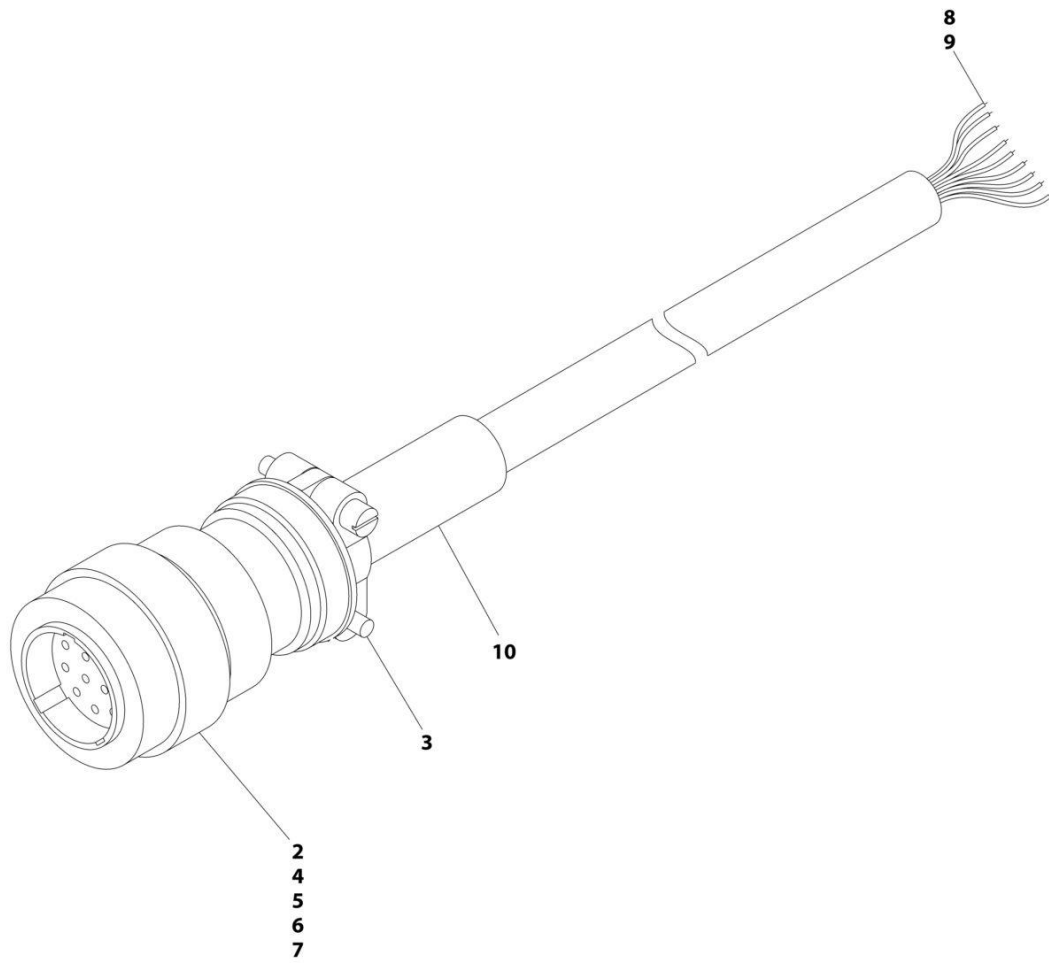
SECTION 8 - ELECTRICAL

FIGURE 8-49. GROUND TO PLATFORM CABLE - TOWER BOOM (WITHOUT ARCTIC PACKAGE)

ITEM	PART NUMBER	QTY	DESCRIPTION	REV
	1001119019	Ref	GROUND TO PLATFORM CABLE - TOWER BOOM (WITHOUT ARCTIC PACKAGE)	B
2	4460865	1	Connector - 19 Position	
3	4460473	1	Clamp, Cable	
4	4460465	11	Socket, Female	
5	4460509	4	Socket, Female	
6	4460466	4	Plug, Terminal	
7	2820118	AR	Heat Shrink	
8	4460464	11	Pin, Male	
9	4460508	4	Pin, Male	
10	1001226400	1	Heat Shrink	

SECTION 8 - ELECTRICAL

FIGURE 8-50. GROUND TO PLATFORM CABLE - TOWER BOOM (WITH ARCTIC PACKAGE)



ART_1001119954

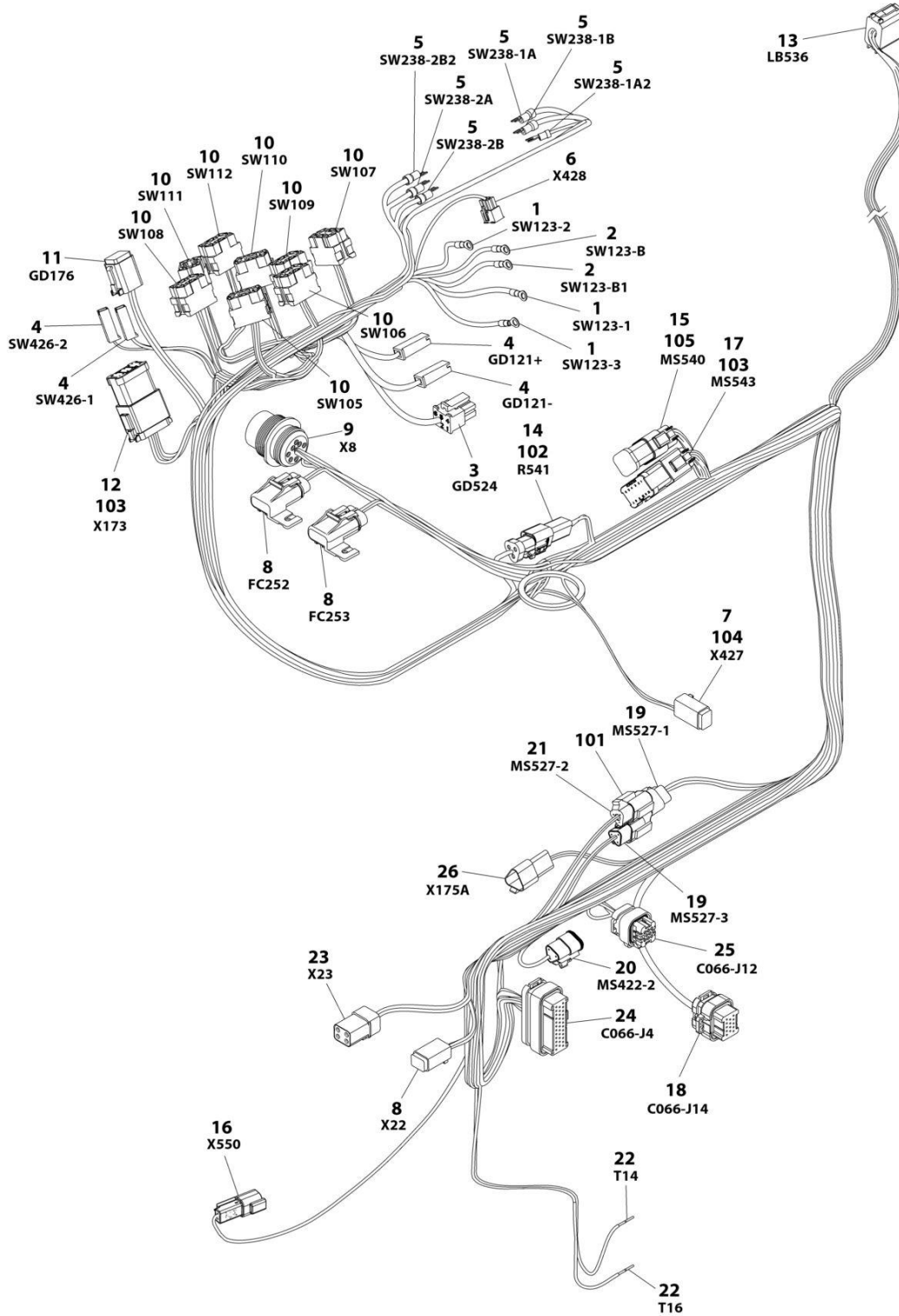
SECTION 8 - ELECTRICAL

FIGURE 8-50. GROUND TO PLATFORM CABLE - TOWER BOOM (WITH ARCTIC PACKAGE)

ITEM	PART NUMBER	QTY	DESCRIPTION	REV
	1001119954	Ref	GROUND TO PLATFORM CABLE - TOWER BOOM (WITH ARCTIC PACKAGE)	C
2	4460865	1	Connector - 19 Position	
3	4460473	1	Clamp, Cable	
4	4460465	11	Socket, Female	
5	4460509	4	Socket, Female	
6	4460466	4	Plug, Terminal	
7	2820118	AR	Heat Shrink	
8	4460464	11	Pin, Male	
9	4460508	4	Pin, Male	
10	1001226400	1	Heat Shrink	

SECTION 8 - ELECTRICAL

FIGURE 8-51. GROUND CONTROL HARNESS



ART_1001286091

SECTION 8 - ELECTRICAL

FIGURE 8-51. GROUND CONTROL HARNESS

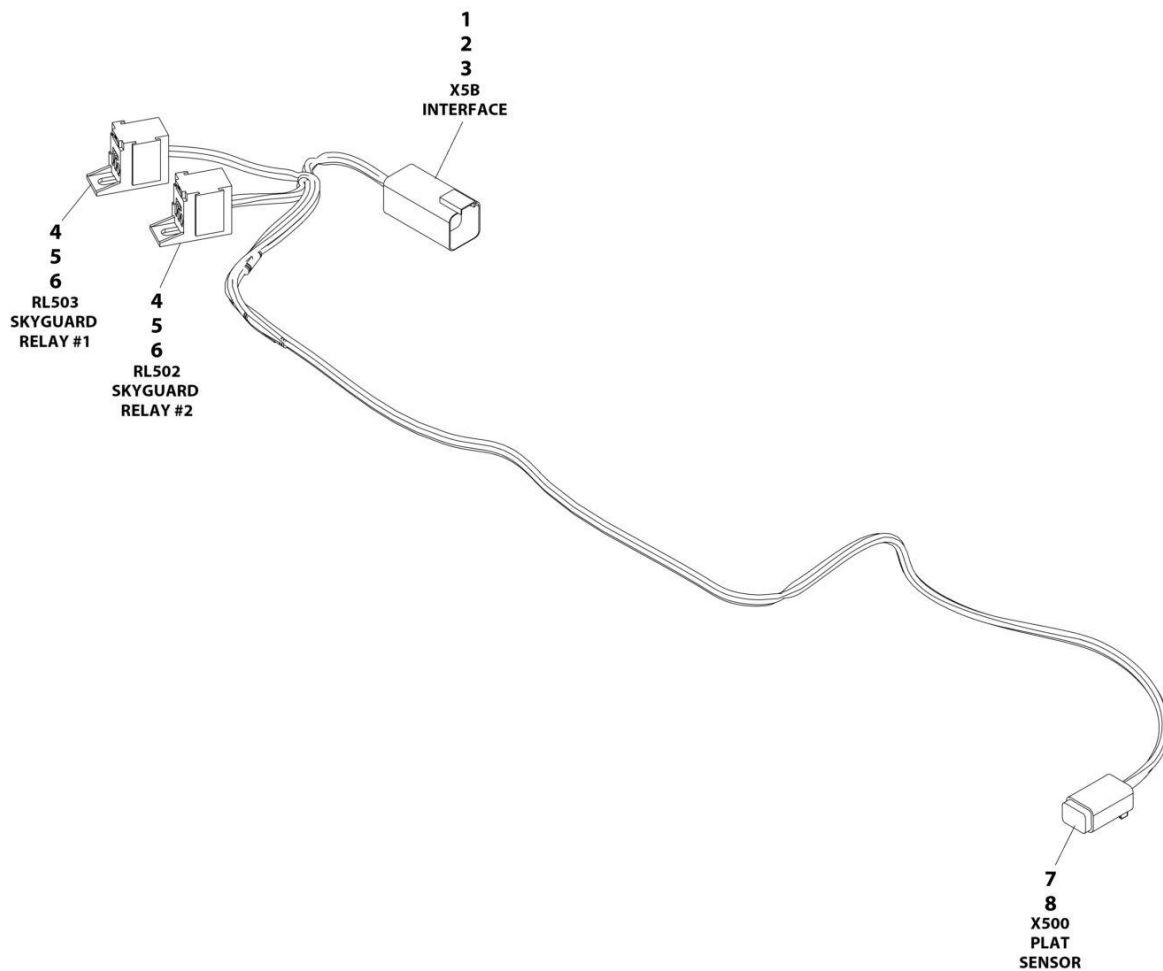
ITEM	PART NUMBER	QTY	DESCRIPTION	REV
	1001286091	Ref	GROUND CONTROL HARNESS	A
1	4460313	3	Terminal, Ring	
2	4460142	2	Terminal, Ring	
3	1001237667	1	Connector	
3	1001237668	5	Socket	
4	4460260	4	Connector	
4	4460259	4	Socket	
5	4460806	6	Terminal, Fork	
6	4460868	1	Connector	
6	4460877	4	Socket	
7	4460884	2	Connector	
7	4460465	8	Socket	
8	1001117078	2	Fuse Assembly with Cover	
8	1001116732	4	Socket	
9	1001112612	1	Connector	
9	4460464	6	Pin	
9	4460466	3	Plug	
10	4460418	8	Connector	
10	4460419	24	Socket	
11	4460894	1	Connector	
11	4460465	4	Socket	
11	4460466	2	Plug	
12	4460933	1	Connector	
12	4460465	9	Socket	
12	4460466	3	Plug	
13	4460930	1	Connector	
13	4460465	8	Socket	
14	1001144147	1	Connector	
14	4460943	2	Pin	
14	4460466	1	Plug	
15	4460894	1	Connector	
15	4460465	6	Socket	
16	4460897	1	Connector	
16	4460464	1	Socket	
16	4460466	1	Plug	
17	4460933	1	Connector	
17	4460465	12	Socket	
18	1001246859	1	Connector	
18	4460871	4	Socket	
18	4460905	10	Plug	
19	1001116812	1	Connector	
19	4460944	3	Socket	
20	4460539	1	Connector	
20	4460944	4	Socket	
21	4460539	1	Connector	
21	4460944	2	Socket	
21	4460466	1	Plug	
22	4460465	2	Socket	
23	1001116810	1	Connector	
23	4460509	3	Socket	

SECTION 8 - ELECTRICAL

ITEM	PART NUMBER	QTY	DESCRIPTION	REV
23	4460466	1	Plug	
24	4460876	8	Connector	
24	4460871	22	Socket	
24	4460905	13	Plug	
25	1001113961	1	Connector	
25	4460871	6	Socket	
25	4460905	1	Plug	
26	1001144147	1	Connector	
26	4460943	3	Pin	
101	4460945	1	Connector, 3-Way "T"	
102	1001116815	1	Connector (with Resistor)	
103	1001119020	2	Connector, Buss Bar	
104	1001192401	1	Cap, Dust	
105	1001226541	1	Connector, Buss Bar	

SECTION 8 - ELECTRICAL

FIGURE 8-52. GENERATOR TO PLATFORM HARNESS



ART_1001225580

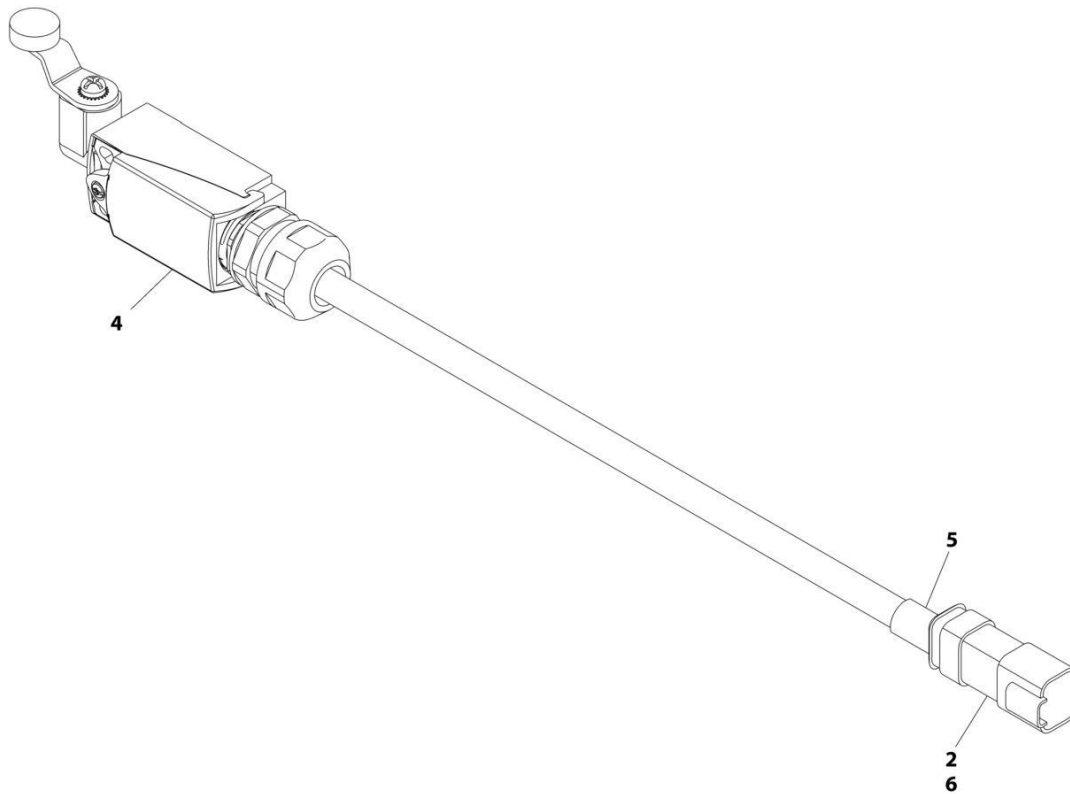
SECTION 8 - ELECTRICAL

FIGURE 8-52. GENERATOR TO PLATFORM HARNESS

ITEM	PART NUMBER	QTY	DESCRIPTION	REV
	1001225580	Ref	INTERFACE HARNESS - WITH 1 CELL LSS	D
1	4460899	1	Connector	
2	4460464	4	Terminal	
3	4460466	2	Plug	
4	1001186432	2	Connector	
5	1001116720	4	Terminal	
6	1001118388	4	Terminal	
7	4460884	1	Connector	
8	4460465	4	Terminal	

SECTION 8 - ELECTRICAL

FIGURE 8-53. LIMIT SWITCH HARNESS



ART_1001119176

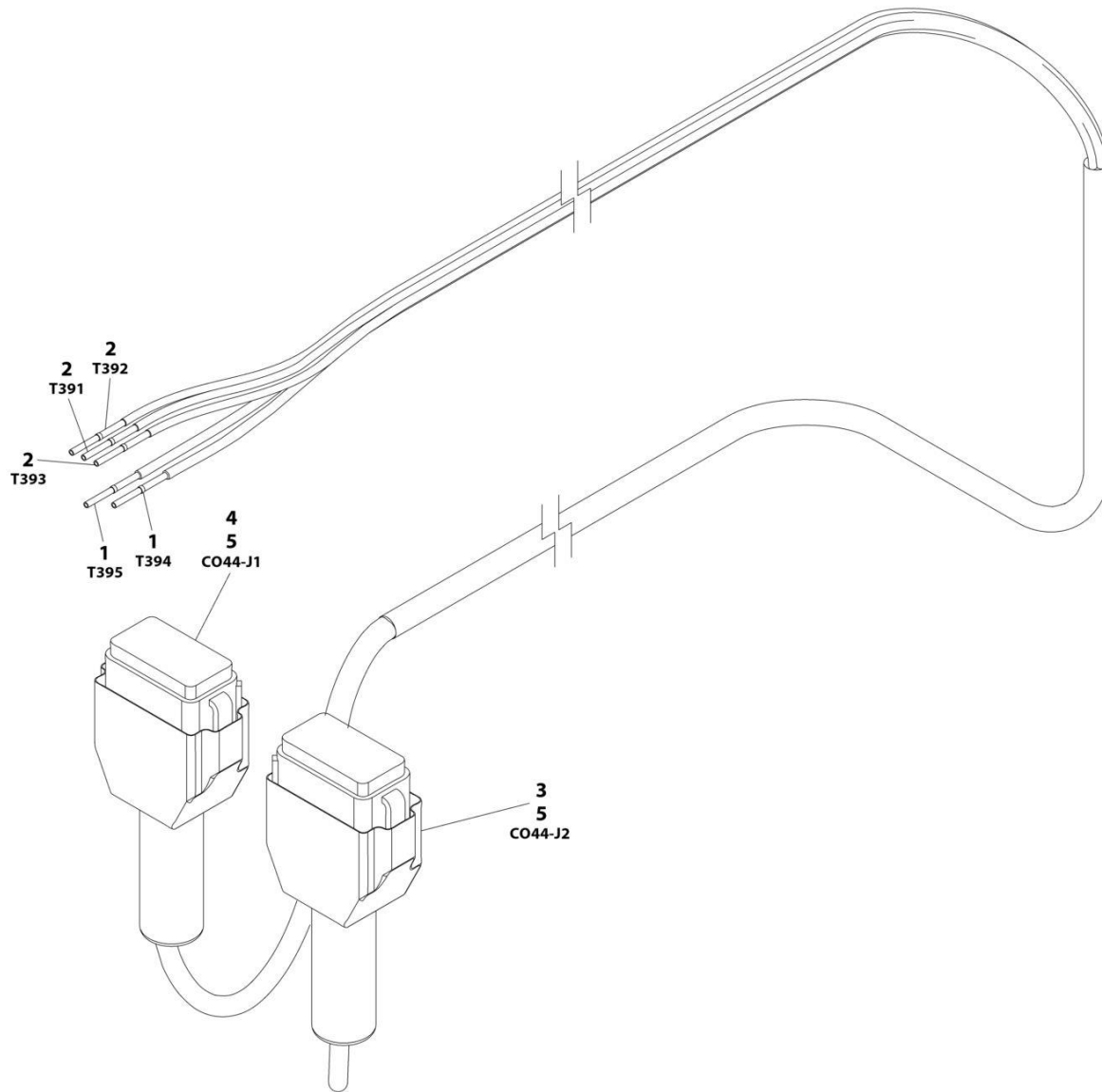
SECTION 8 - ELECTRICAL

FIGURE 8-53. LIMIT SWITCH HARNESS

ITEM	PART NUMBER	QTY	DESCRIPTION	REV
	1001119176	Ref	LIMIT SWITCH HARNESS	E
2	4460464	4	Pin, Male Deutsch 16Ga	
4	1001119170	1	Switch, Limit	
5	2820030	AR	Heat Shrink	
6	1001129407	1	Receptacle, Female - 4 Position	

SECTION 8 - ELECTRICAL

FIGURE 8-54. LSS HARNESS



ART_1001120371

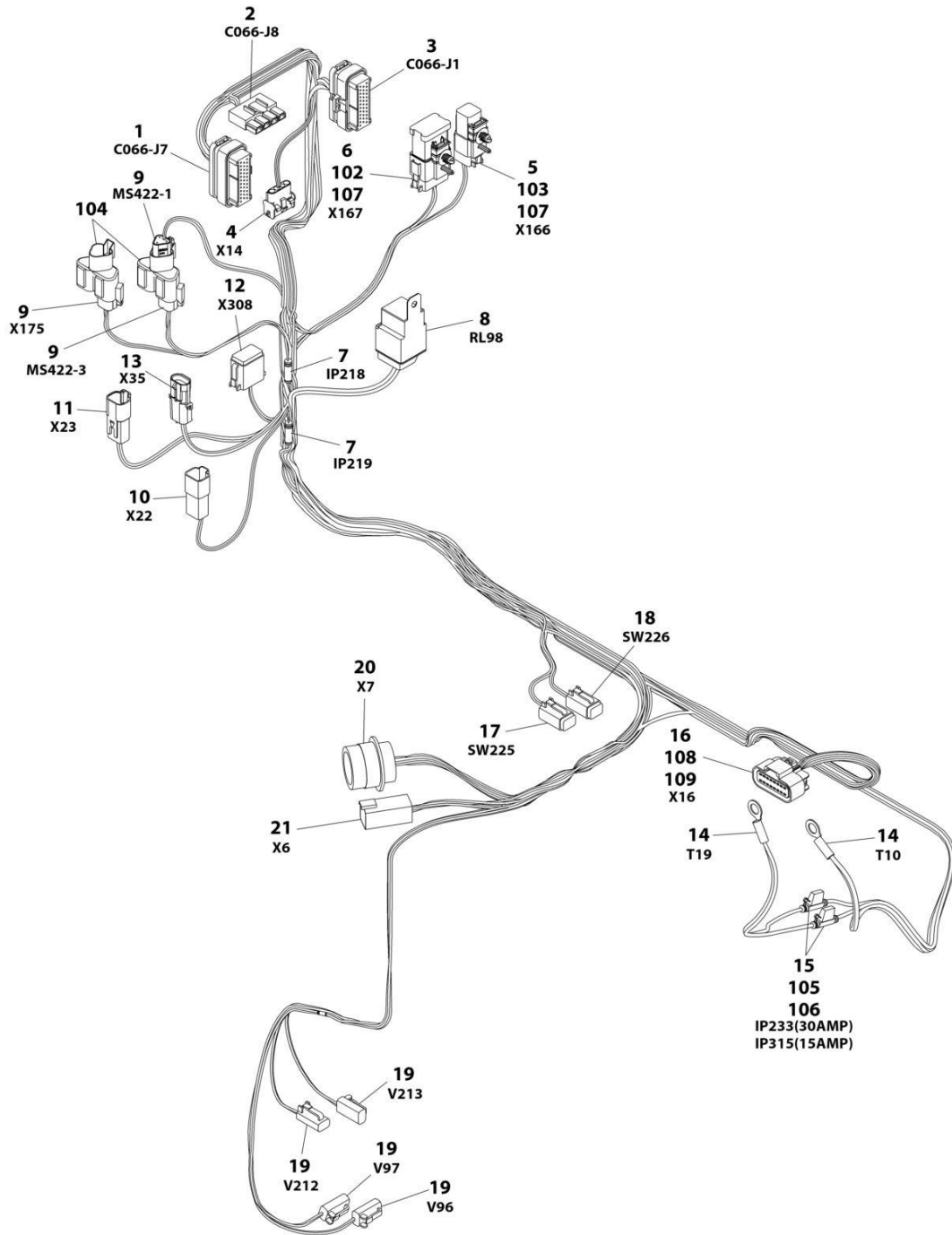
SECTION 8 - ELECTRICAL

FIGURE 8-54. LSS HARNESS

ITEM	PART NUMBER	QTY	DESCRIPTION	REV
	1001120371	Ref	LSS HARNESS	B
1	4460465	2	Socket, Female	
2	4460944	3	Socket, Female	
3	4460836	1	Connector - 12 Position	
3	4460944	3	Socket, Female	
3	4460466	9	Plug, Terminal	
3	0840055	1	Boot	
4	4460933	1	Connector - 12 Position	
4	4460465	2	Socket, Female	
4	4460466	10	Plug, Terminal	
4	0840055	1	Boot	
5	2820030	AR	Heat Shrink	

SECTION 8 - ELECTRICAL

FIGURE 8-55. MID ENGINE HARNESS



ART_1001286171

SECTION 8 - ELECTRICAL

FIGURE 8-55. MID ENGINE HARNESS

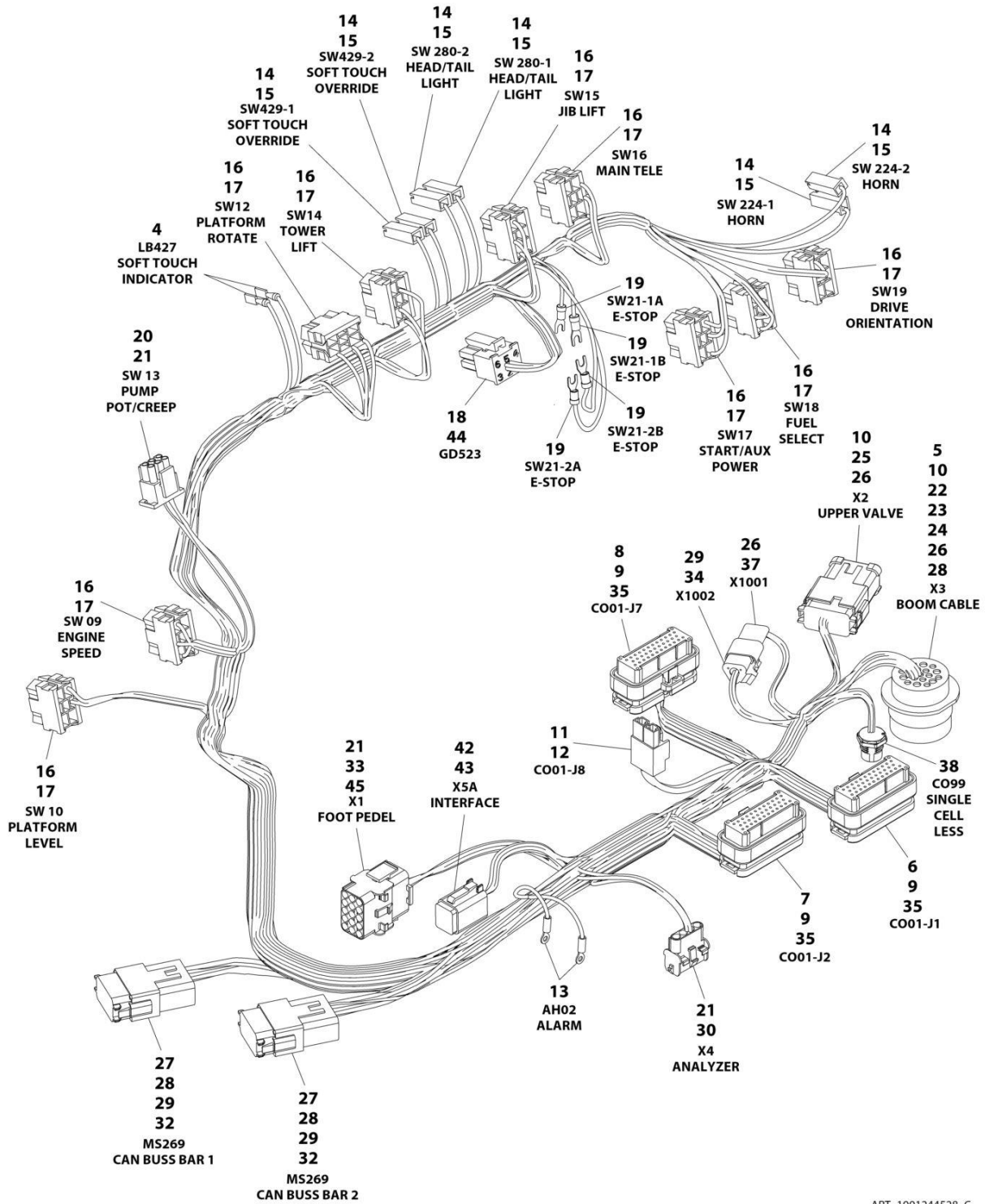
ITEM	PART NUMBER	QTY	DESCRIPTION	REV
	1001286171	Ref	MID ENGINE HARNESS	A
1	4460873	1	Connector	
1	4460871	19	Socket	
1	4460905	16	Plug	
2	4460878	1	Connector	
2	4460887	4	Socket	
3	4460874	1	Connector	
3	4460871	22	Socket	
3	4460905	13	Plug	
4	4460761	1	Connector	
4	4460227	4	Pin	
5	4460894	1	Connector	
5	4460465	2	Socket	
5	4460466	4	Plug	
6	4460836	1	Connector	
6	4460465	2	Socket	
6	4460466	10	Plug	
7	3990010	2	Diode	
8	1001117025	1	Connector	
8	1001116734	2	Socket (12AWG)	
8	1001116732	2	Socket (20-18AWG)	
9	1001116812	3	Connector	
9	4460944	9	Socket	
10	4460932	1	Connector	
10	4460464	4	Pin	
11	1001116811	1	Connector	
11	4460508	3	Pin	
11	4460466	1	Plug	
12	4460930	1	Connector	
12	4460465	3	Socket	
12	4460466	5	Plug	
13	4461157	1	Connector	
13	4460979	1	Pin	
13	4460458	1	Seal	
13	1001116727	1	Plug	
14	8220164	4	Terminal, Ring	
15	2400066	2	Fuse Holder	
16	4461110	1	Connector	
16	4461112	15	Socket	
16	4461113	15	Seal	
16	4461222	1	Plug	
17	4460884	1	Connector	
17	4460465	4	Socket	
18	4460884	1	Connector	
18	4460465	2	Socket	
18	4460466	2	Plug	
19	4460891	4	Connector	
19	4460465	8	Socket	
20	4460866	1	Connector	
20	4460943	3	Pin (20-16AWG, Gold)	

SECTION 8 - ELECTRICAL

ITEM	PART NUMBER	QTY	DESCRIPTION	REV
20	4460464	5	Pin (20-16AWG, Nickel)	
20	4460508	4	Pin (14-12AWG, Nickel)	
20	4460466	7	Plug	
21	4460899	1	Connector	
21	4460464	1	Pin	
102	4460837	1	Connector, Buss Bar	
103	4460892	1	Connector, Buss Bar	
104	4460945	2	Connector, 3 Way	
105	8229244	1	Fuse, 15AMP	
106	8229245	1	Fuse, 30AMP	
107	1001121172	2	Bracket, Mounting	
108	1001136231	1	Connector, Lock	
109	1001136232	1	Connector, Lock	

SECTION 8 - ELECTRICAL

FIGURE 8-56. PLATFORM BOX HARNESS



ART_1001244528_C

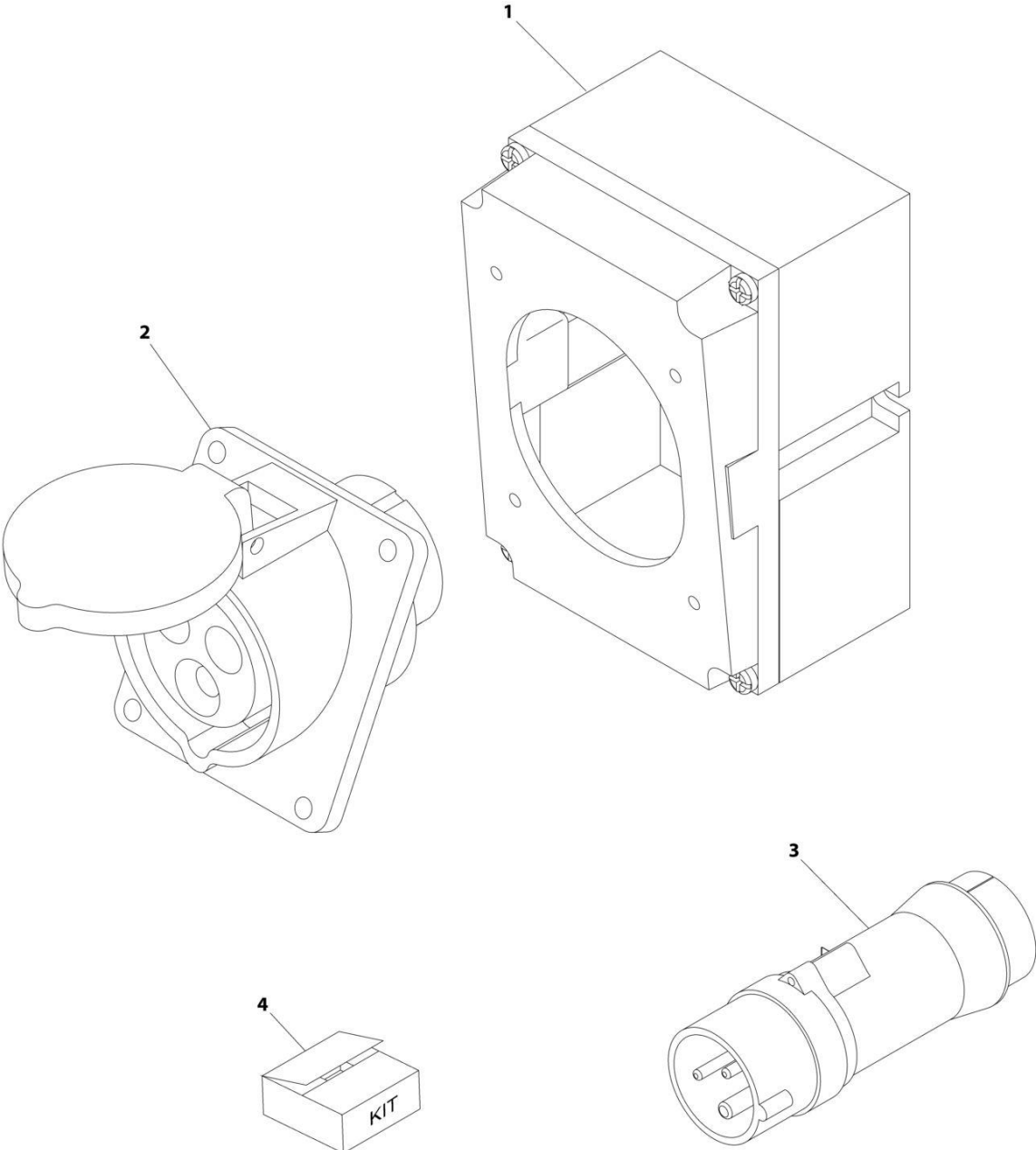
SECTION 8 - ELECTRICAL

FIGURE 8-56. PLATFORM BOX HARNESS

ITEM	PART NUMBER	QTY	DESCRIPTION	REV
	1001244528	Ref	PLATFORM BOX HARNESS	C
4	1001271497	2	Socket	
5	4460866	1	Connector - 19 Position	
6	4460874	1	Connector - 35 Position (Natural)	
7	4460875	1	Connector - 35 Position (Gray)	
8	4460873	1	Connector - 35 Position (Black)	
9	4460871	58	Socket, Female	
10	4460464	14	Pin, Male	
11	4460879	1	Connector - 2 Position	
12	4460887	2	Terminal	
13	1001098122	2	Terminal	
14	4460260	6	Connector - 1 Position	
15	4460259	6	Terminal	
16	4460418	9	Connector - 6 Position	
17	4460419	25	Terminal	
18	1001237667	15	Connector - 6 Position	
19	4460888	4	Terminal, Fork	
20	4460225	1	Connector - 6 Position	
21	4460227	15	Pin, Male	
22	2820118	AR	Heat Shrink	
23	2820019	AR	Heat Shrink	
24	4460508	2	Pin, Male	
25	4460970	1	Connector - 12 Position	
26	4460943	9	Pin, Male	
27	4460933	2	Connector - 12 Position	
28	4460466	14	Plug, Terminal	
29	4460944	22	Socket, Female	
30	4460761	1	Connector - 4 Position	
32	1001119020	2	Connector - 12 Position Bussbar	
33	4460434	1	Connector - 15 Position	
34	4460539	1	Plug, Male - 3 Position	
35	4460905	49	Plug, Terminal	
37	4460536	1	Receptacle, Female - 3 Position	
38	1001213447	1	Receptacle, Female - 5 Position	
42	4460894	1	Receptacle, Female - 6 Position	
43	4460465	6	Socket, Female	
44	1001237668	4	Socket, Female	
45	4460708	1	Connector, Female	

SECTION 8 - ELECTRICAL

FIGURE 8-57. RECEPTACLE BOX KIT - 110V IEC YELLOW (CE & UK CA SPEC)



ART_0275216

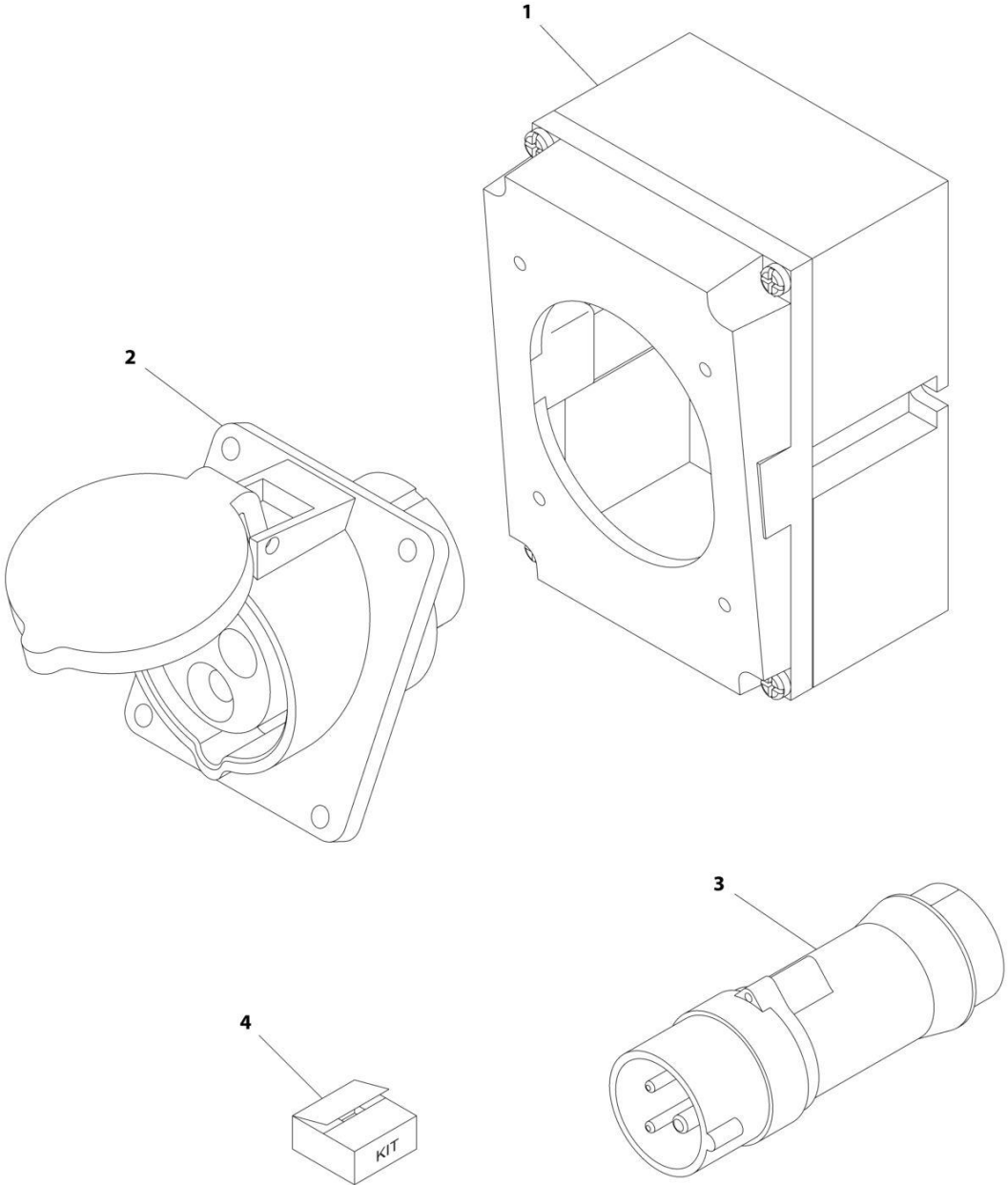
SECTION 8 - ELECTRICAL

FIGURE 8-57. RECEPTACLE BOX KIT - 110V IEC YELLOW (CE & UK CA SPEC)

ITEM	PART NUMBER	QTY	DESCRIPTION	REV
	0275216	Ref	RECEPTACLE BOX KIT - 110V IEC YELLOW	B
1	0861781	1	Box, Switch	
2	4461198	1	Receptacle	
3	4461196	1	Plug, Male	
4	1001100341	1	Plug and Socket Kit (Includes Items 1-3 and Female Plug p/n 4461197)	

SECTION 8 - ELECTRICAL

FIGURE 8-58. RECEPTACLE BOX KIT - 220V IEC BLUE (CE & UK CA SPEC)



ART_0275217

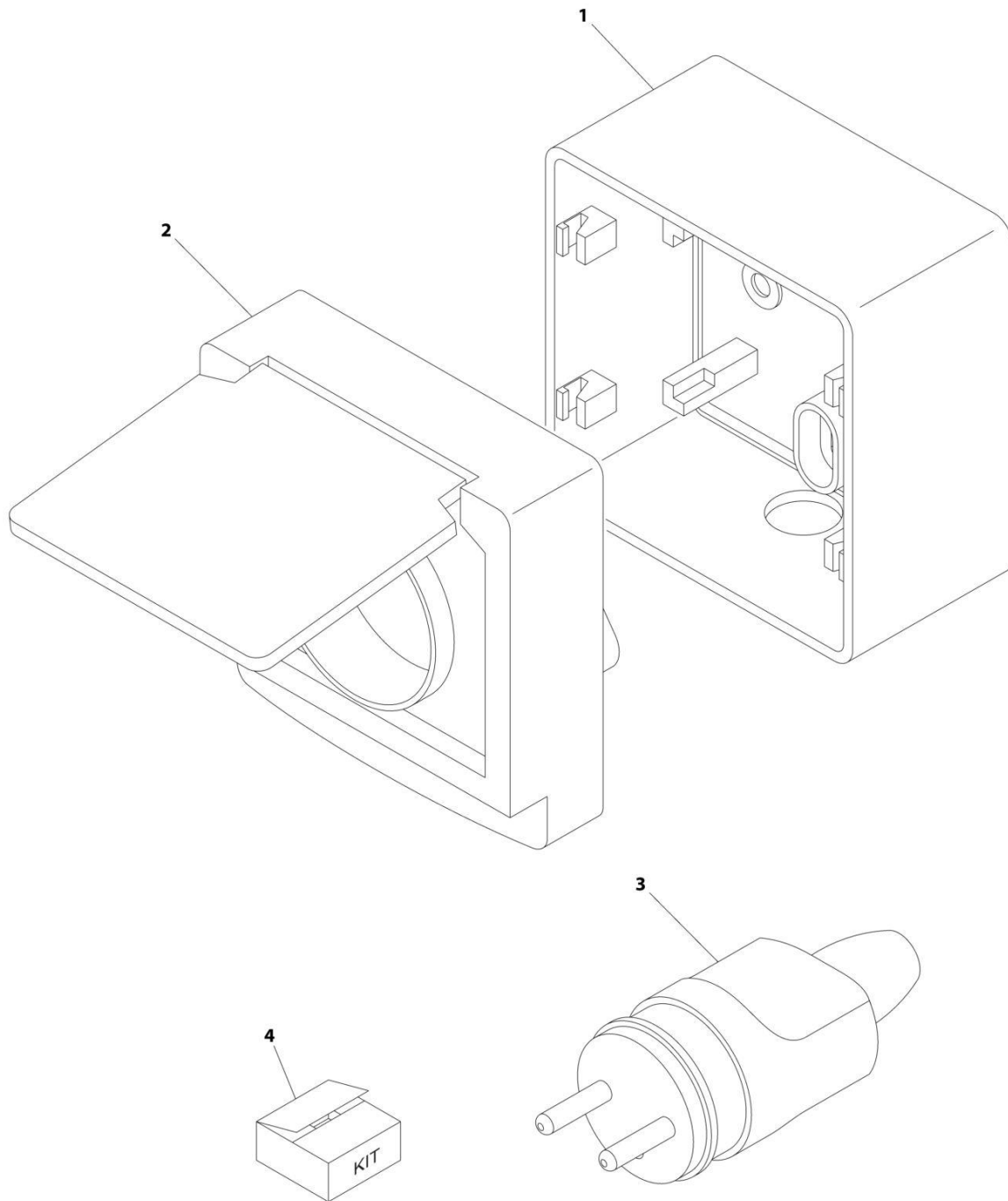
SECTION 8 - ELECTRICAL

FIGURE 8-58. RECEPTACLE BOX KIT - 220V IEC BLUE (CE & UK CA SPEC)

ITEM	PART NUMBER	QTY	DESCRIPTION	REV
	0275217	Ref	RECEPTACLE BOX KIT - 220V IEC BLUE	B
1	0861781	1	Box, Switch	
2	4461201	1	Receptacle	
3	4461199	1	Plug, Male	
4	1001100342	1	Plug and Socket Kit (Includes Items 1-3 and Female Plug p/n 4461200)	

SECTION 8 - ELECTRICAL

FIGURE 8-59. RECEPTACLE BOX KIT - 220V CEE7 POST GROUND 70MM X 70MM BOX (CE & UK CA SPEC)



ART_0275218

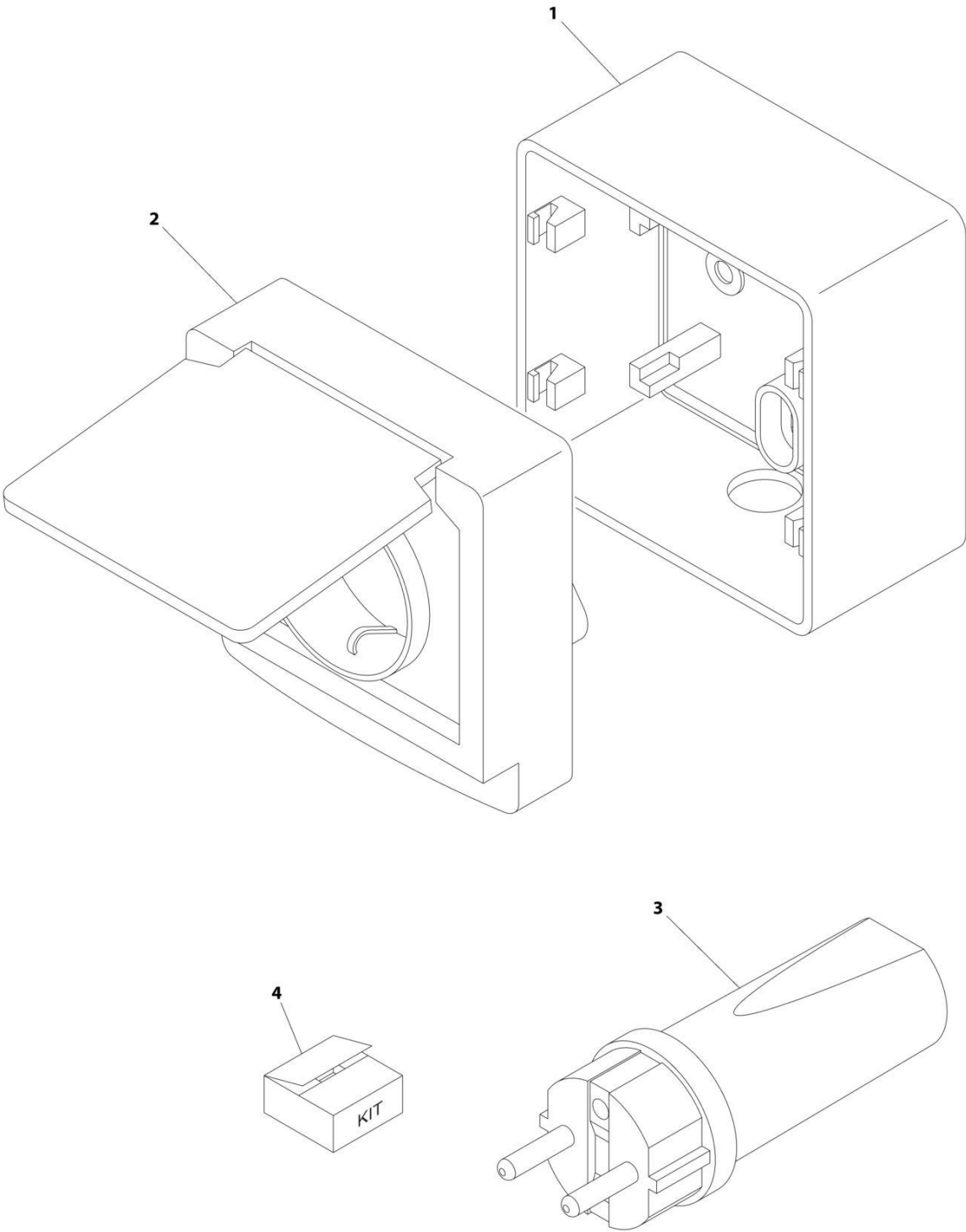
SECTION 8 - ELECTRICAL

FIGURE 8-59. RECEPTACLE BOX KIT - 220V CEE7 POST GROUND 70MM X 70MM BOX (CE & UK CA SPEC)

ITEM	PART NUMBER	QTY	DESCRIPTION	REV
	0275218	Ref	RECEPTACLE BOX KIT - 220V CEE7 POST GROUND 70X70 BOX	C
1	1001141967	1	Box, Switch	
2	1001141968	1	Receptacle	
3	4461205	1	Plug, Male	
4	1001141971	1	Plug and Socket Kit (Includes Items 1-3 and Female Plug p/n 4461206)	

SECTION 8 - ELECTRICAL

FIGURE 8-60. RECEPTACLE BOX KIT - 220V CEE7 SIDE GROUND 70MM X 70MM BOX (CE & UK CA SPEC)



ART_0275219

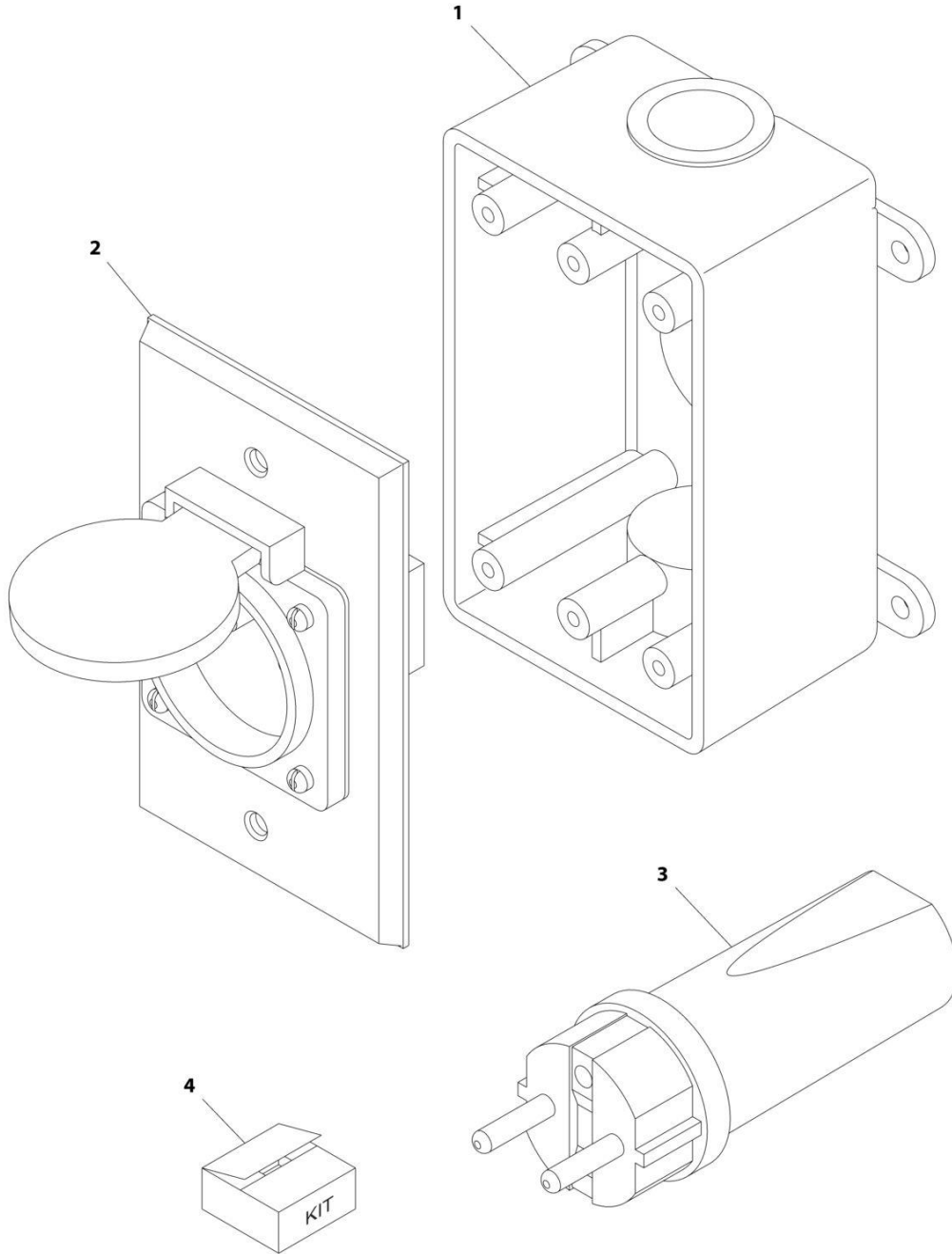
SECTION 8 - ELECTRICAL

FIGURE 8-60. RECEPTACLE BOX KIT - 220V CEE7 SIDE GROUND 70MM X 70MM BOX (CE & UK CA SPEC)

ITEM	PART NUMBER	QTY	DESCRIPTION	REV
	0275219	Ref	RECEPTACLE BOX KIT - 220V CEE7 SIDE GROUND 70MM X 70MM BOX	B
1	1001141967	1	Box, Switch	
2	1001141969	1	Receptacle	
3	4461205	1	Plug, Male	
4	1001141970	1	Plug and Socket Kit (Includes Items 1-3 and Female Plug p/n 4461206)	

SECTION 8 - ELECTRICAL

FIGURE 8-61. RECEPTACLE BOX KIT - 220V CEE7 POST GROUND 2IN X 4IN BOX (CE & UK CA SPEC)



ART_0275452

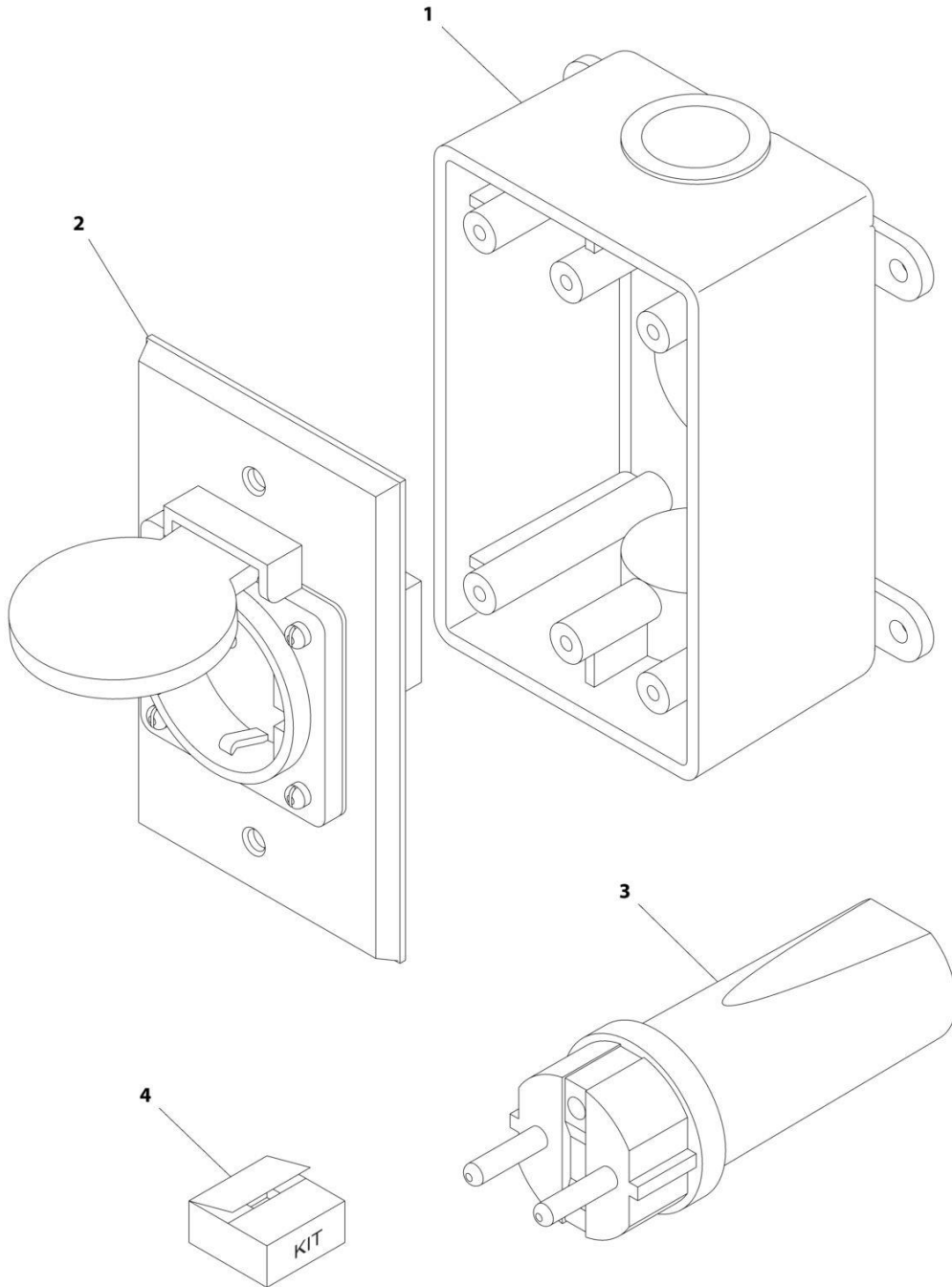
SECTION 8 - ELECTRICAL

FIGURE 8-61. RECEPTACLE BOX KIT - 220V CEE7 POST GROUND 2IN X 4IN BOX (CE & UK CA SPEC)

ITEM	PART NUMBER	QTY	DESCRIPTION	REV
	0275452	Ref	RECEPTACLE BOX KIT - 220V CEE7 POST GROUND	C
1	0861731	1	Box, Switch	
2	4461244	1	Receptacle	
3	4461205	1	Plug, Male	
4	1001100345	1	Plug and Socket Kit (Includes Items 1-3 and Female Plug p/n 4461206)	

SECTION 8 - ELECTRICAL

FIGURE 8-62. RECEPTACLE BOX KIT - 220V CEE7 SIDE GROUND 2IN X 4IN BOX (CE & UK CA SPEC)



ART_0275453

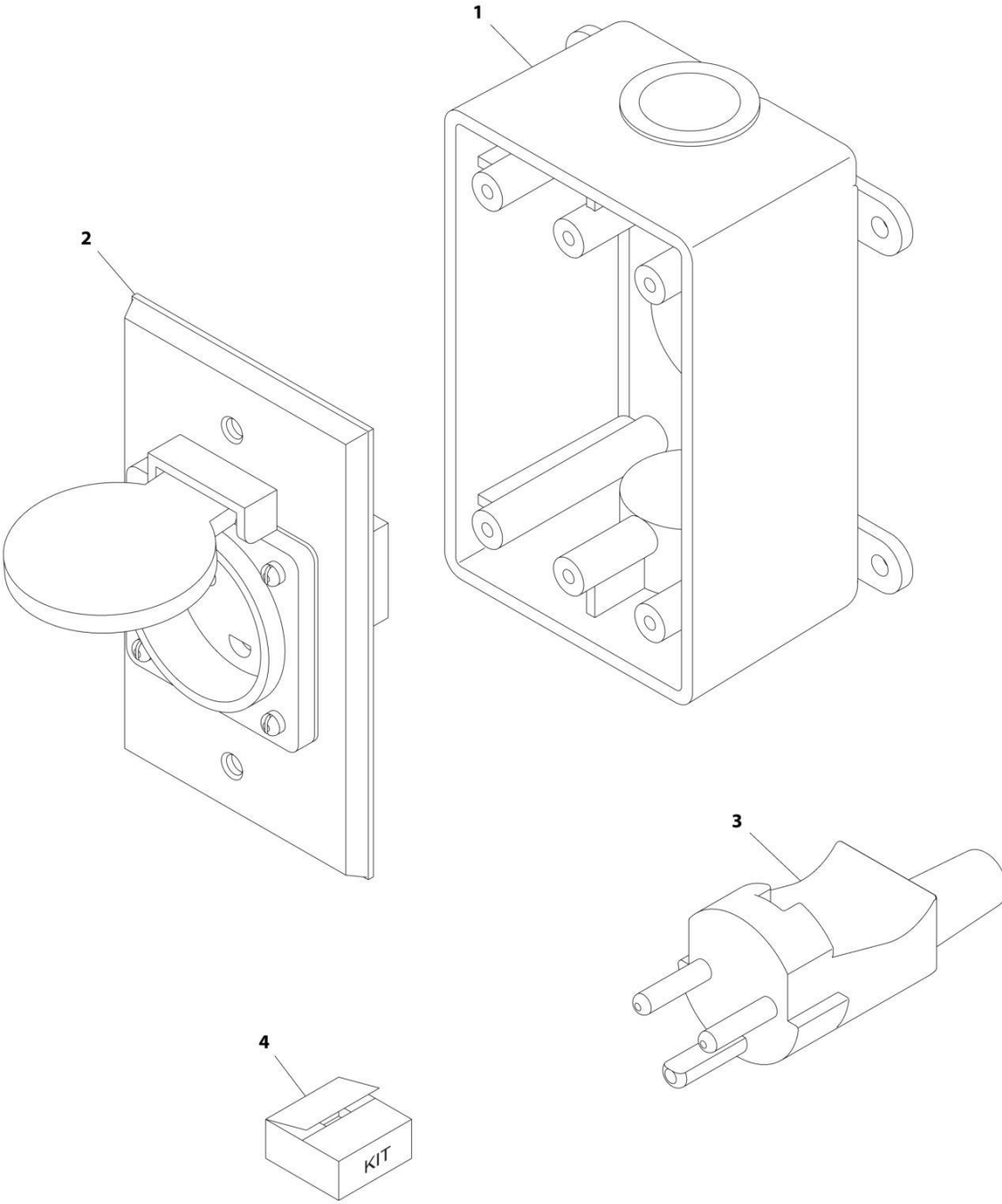
SECTION 8 - ELECTRICAL

FIGURE 8-62. RECEPTACLE BOX KIT - 220V CEE7 SIDE GROUND 2IN X 4IN BOX (CE & UK CA SPEC)

ITEM	PART NUMBER	QTY	DESCRIPTION	REV
	0275453	Ref	RECEPTACLE BOX KIT - 220V CEE7 SIDE GROUND	B
1	0861731	1	Box, Switch	
2	4461245	1	Receptacle	
3	4461205	1	Plug, Male	
4	1001100347	1	Plug and Socket Kit (Includes Items 1-3 and Female Plug p/n 4461206)	

SECTION 8 - ELECTRICAL

FIGURE 8-63. RECEPTACLE BOX KIT - 220V AFSINT 107 (CE & UK CA SPEC)



ART_0275454

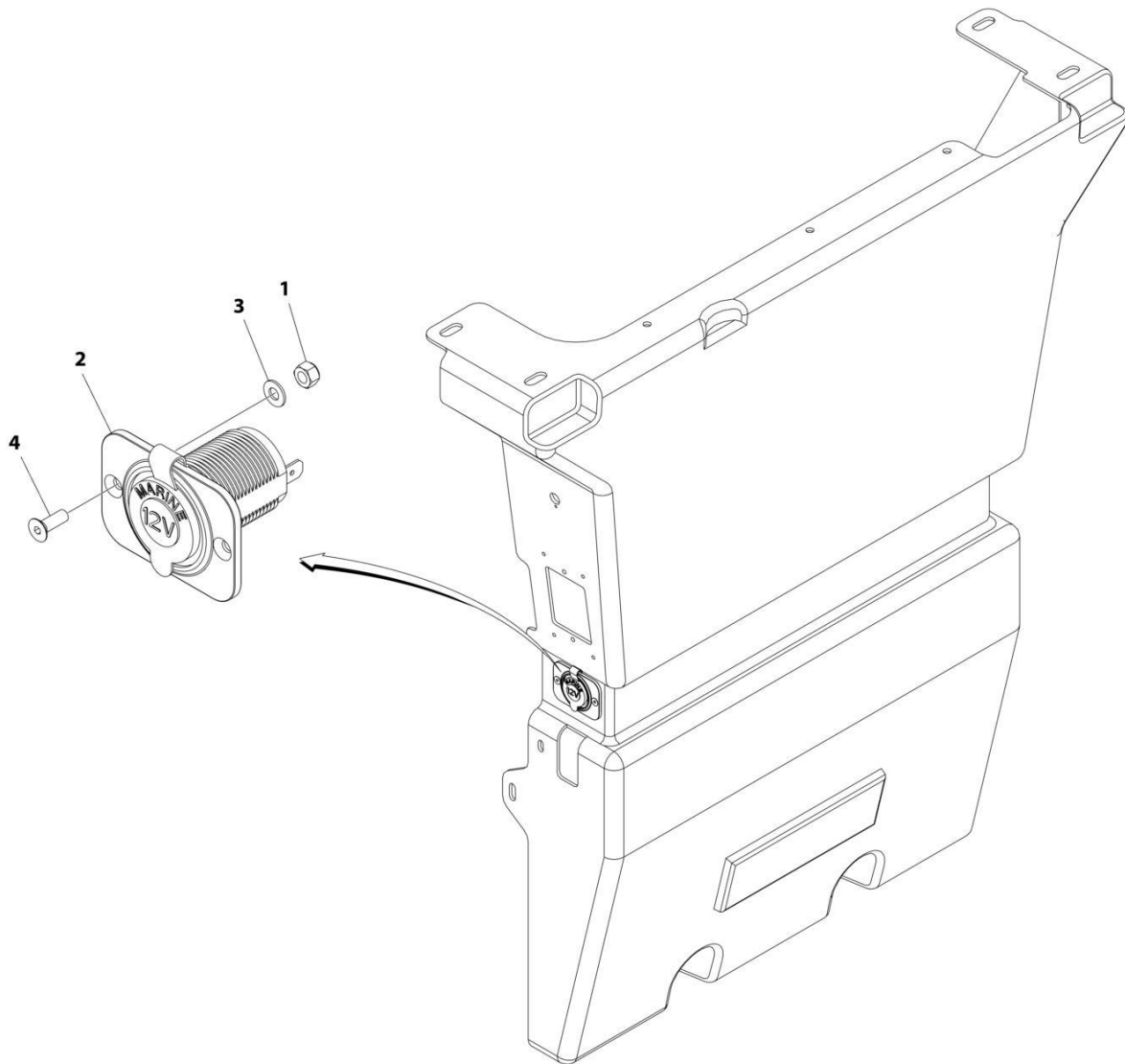
SECTION 8 - ELECTRICAL

FIGURE 8-63. RECEPTACLE BOX KIT - 220V AFSINT 107 (CE & UK CA SPEC)

ITEM	PART NUMBER	QTY	DESCRIPTION	REV
	0275454	Ref	RECEPTACLE BOX KIT - 220V AFSINT 107	B
1	0861731	1	Box, Switch	
2	4461246	1	Receptacle	
3	4461249	1	Plug, Male	
4	1001100346	1	Plug and Socket Kit (Includes Items 1-3 and Female Plug p/n 4461250)	

SECTION 8 - ELECTRICAL

FIGURE 8-64. RECEPTACLE INSTALLATION - 12V



ART_1001274814

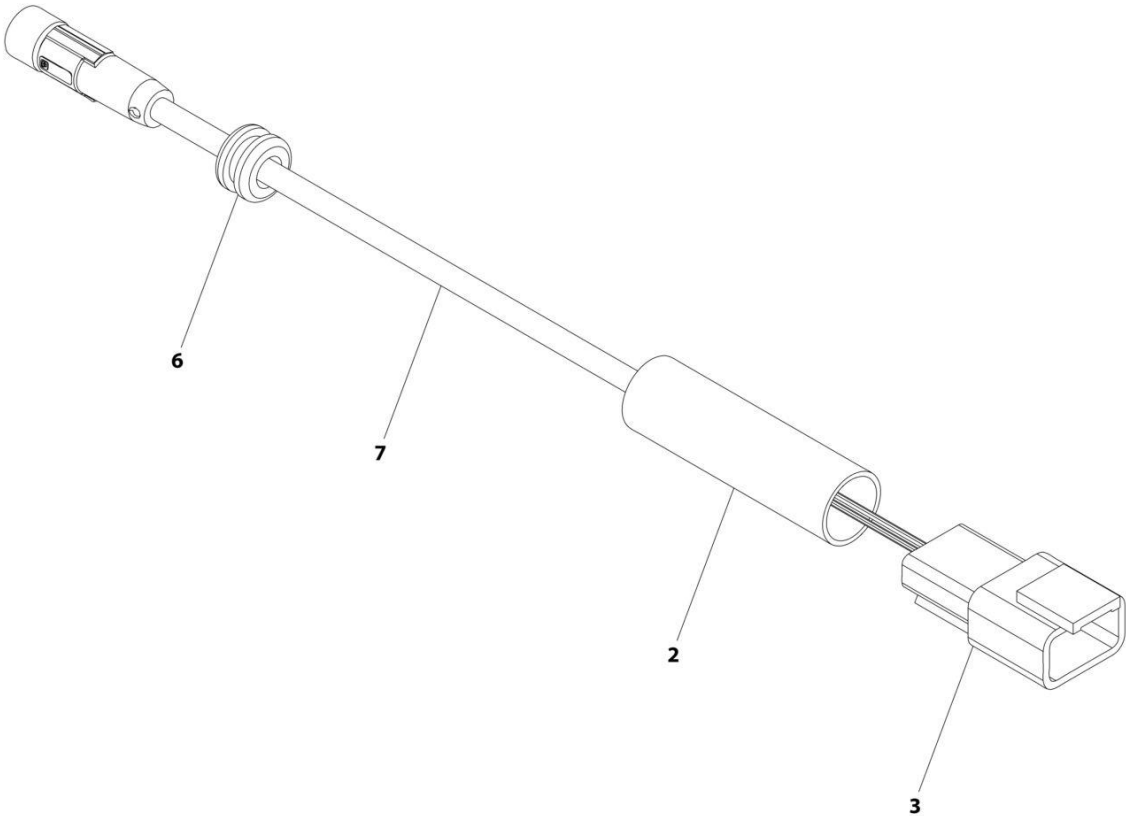
SECTION 8 - ELECTRICAL

FIGURE 8-64. RECEPTACLE INSTALLATION - 12V

ITEM	PART NUMBER	QTY	DESCRIPTION	REV
	1001274814	Ref	RECEPTACLE INSTALLATION - 12V	A
1	3290405	2	Nut M4	
2	4461012	1	Receptacle - 12V	
3	4811400	2	Washer M4	
4	1001097244	2	Screw M4 x 12	

SECTION 8 - ELECTRICAL

FIGURE 8-65. SKYEYE EMITTER HARNESS



ART_1001237864

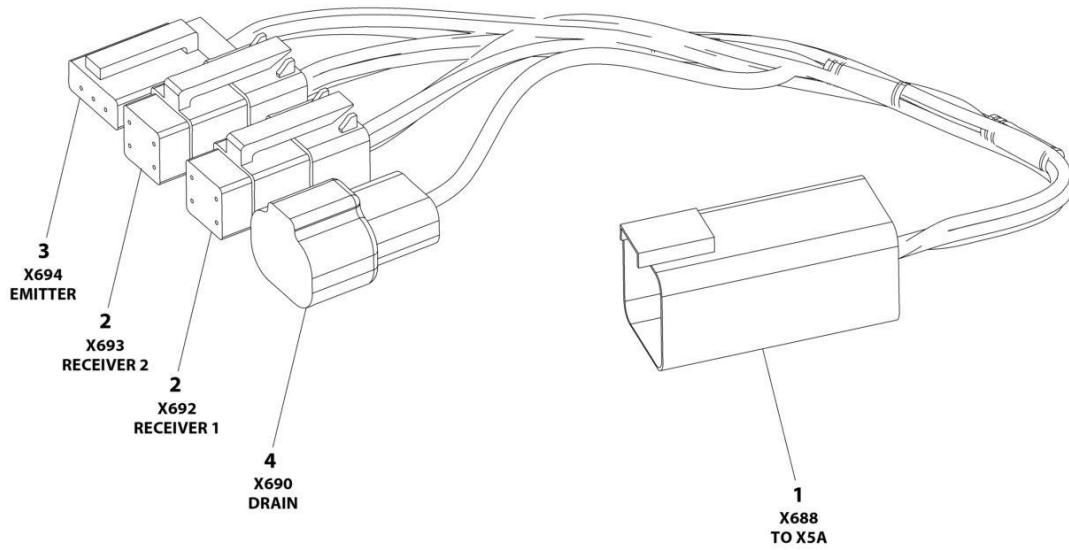
SECTION 8 - ELECTRICAL

FIGURE 8-65. SKYEYE EMITTER HARNESS

ITEM	PART NUMBER	QTY	DESCRIPTION	REV
	1001237864	Ref	SKYEYE EMITTER HARNESS	A
2	2820247	AR	Tubing, Heat Shrink	
3	4460910	1	Connector - 3 Position	
3	1001119620	3	Pin, Male	
6	1001227996	1	Grommet	
7	1001237862	1	Cable, M8 Female Cordset	

SECTION 8 - ELECTRICAL

FIGURE 8-66. SKYEYE INTERMEDIATE HARNESS



ART_1001237865

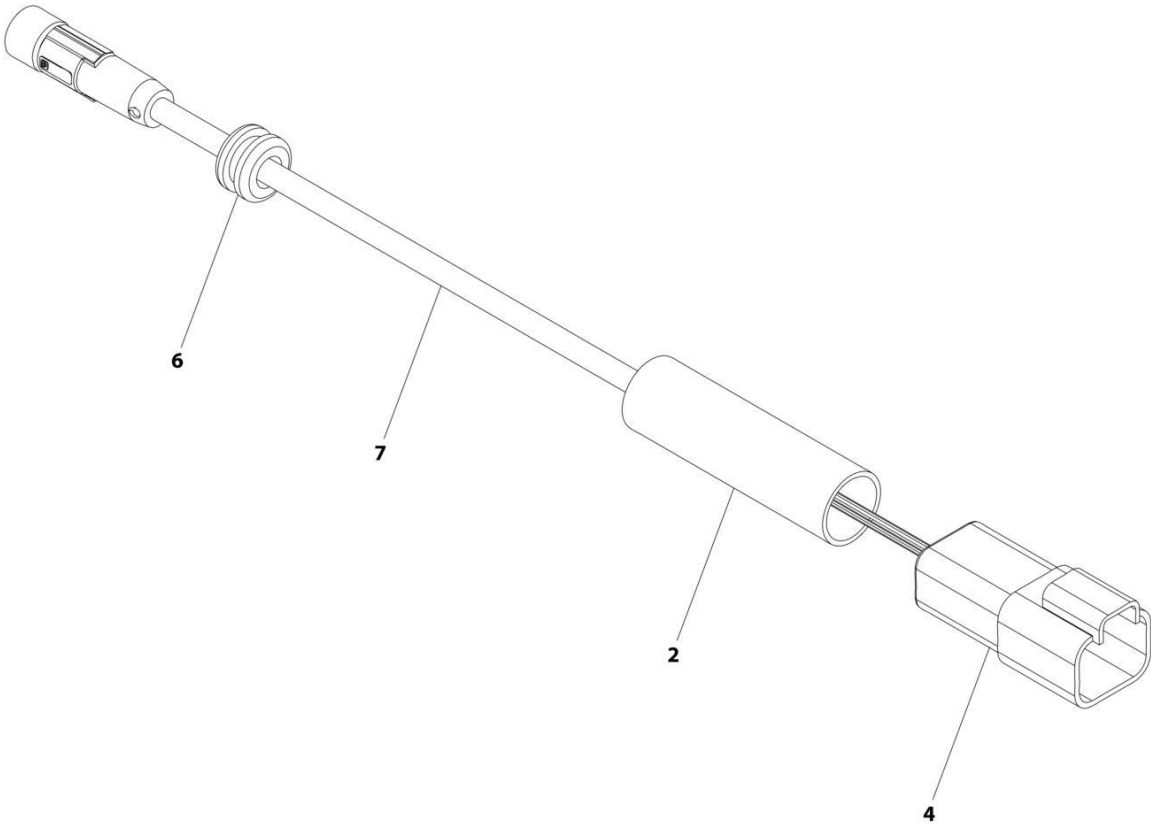
SECTION 8 - ELECTRICAL

FIGURE 8-66. SKYEYE INTERMEDIATE HARNESS

ITEM	PART NUMBER	QTY	DESCRIPTION	REV
	1001237865	Ref	SKYEYE INTERMEDIATE HARNESS	A
1	4460899	1	Connector - 6 Position	
1	4460943	4	Pin, Male	
1	4460466	2	Plug, Terminal	
2	4461077	2	Connector - 4 Position	
2	1001119619	8	Socket, Female	
3	4460911	1	Connector - 3 Position	
3	1001119619	3	Socket, Female	
4	1001187681	1	Connector - 2 Position	
4	4460941	1	Pin, Male	
4	4460466	1	Plug, Terminal	

SECTION 8 - ELECTRICAL

FIGURE 8-67. SKYEYE RECEIVER HARNESS



ART_1001237863

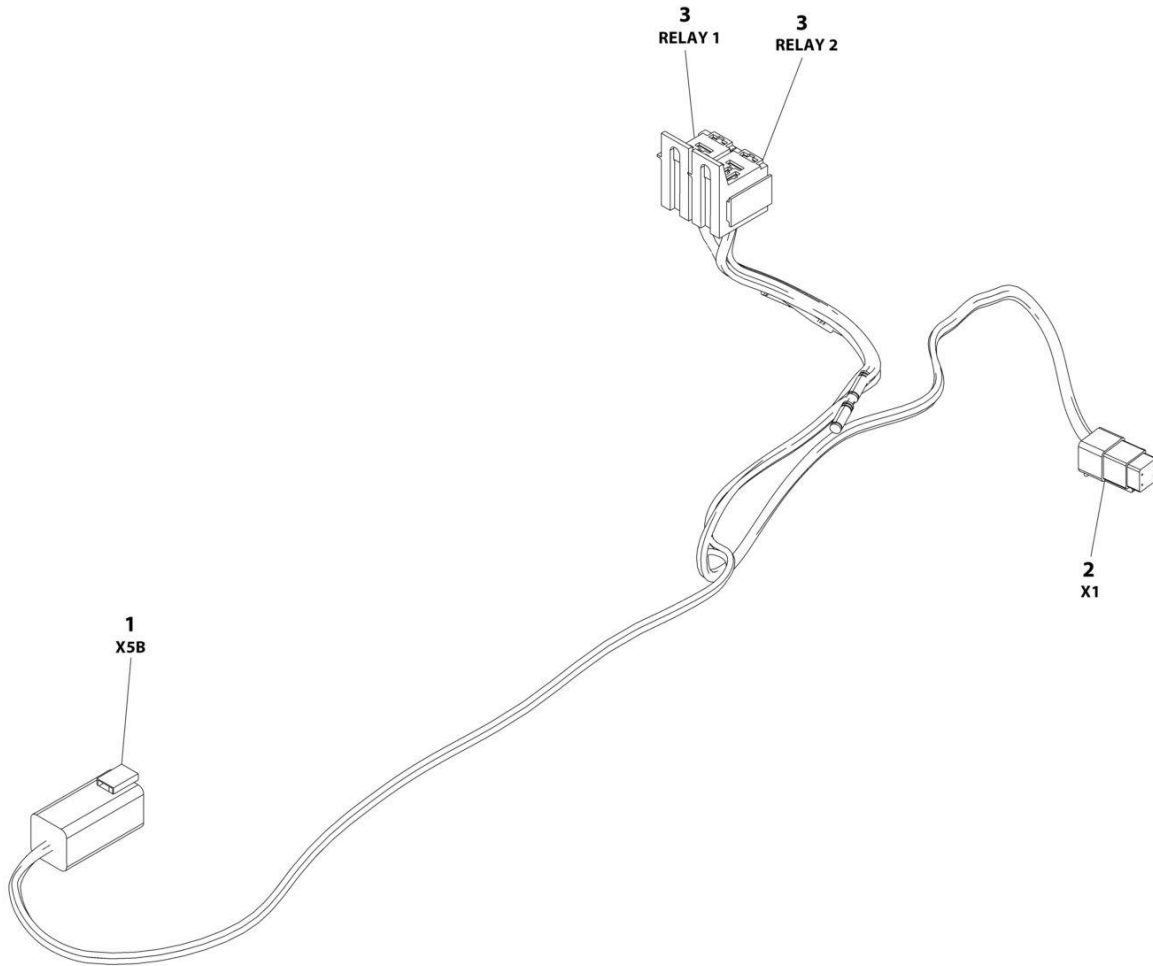
SECTION 8 - ELECTRICAL

FIGURE 8-67. SKYEYE RECEIVER HARNESS

ITEM	PART NUMBER	QTY	DESCRIPTION	REV
	1001237863	Ref	SKYEYE RECEIVER HARNESS	A
2	2820247	AR	Tubing, Heat Shrink	
4	1001097051	1	Connector - 4 Position	
4	1001119620	4	Pin, Male	
6	1001227996	1	Grommet	
7	1001237862	1	Cable, M8 Female Cordset	

SECTION 8 - ELECTRICAL

FIGURE 8-68. SKYLINE HARNESS



ART_1001238418

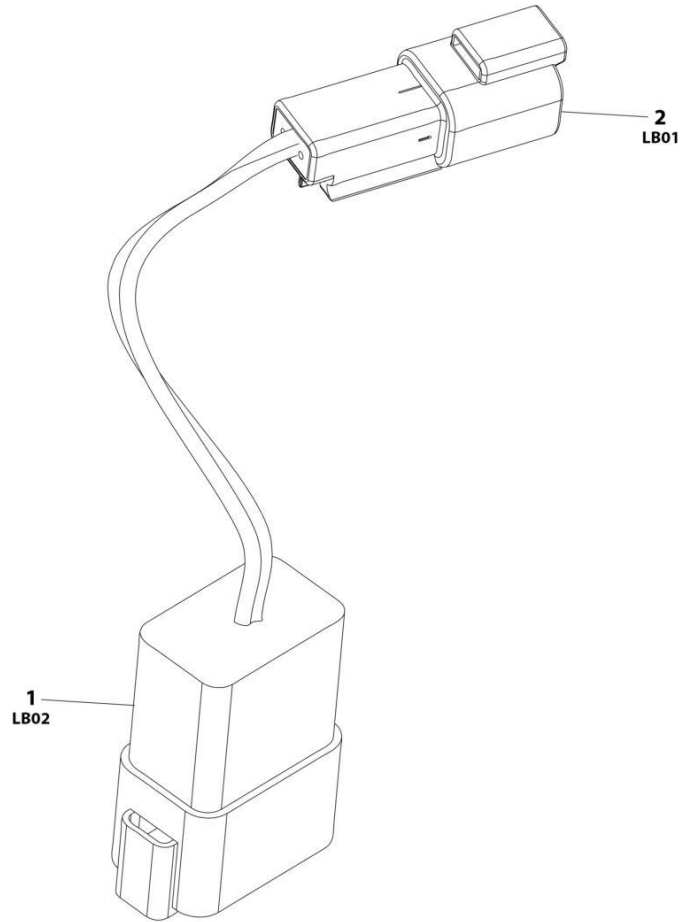
SECTION 8 - ELECTRICAL

FIGURE 8-68. SKYLINE HARNESS

ITEM	PART NUMBER	QTY	DESCRIPTION	REV
	1001238418	Ref	SKYLINE HARNESS	B
1	4460899	1	Connector - 6 Position	
1	4460464	4	Pin, Male	
1	4460466	2	Plug, Terminal	
2	4461077	1	Connector - 4 Position	
2	1001126009	4	Socket, Female	
3	1001186432	2	Plug, Relay	
3	1001118388	5	Terminal	
3	1001118384	3	Terminal	
3	3740086	2	Relay	

SECTION 8 - ELECTRICAL

FIGURE 8-69. STOBE LIGHT JUMPER HARNESS



ART_1001283776

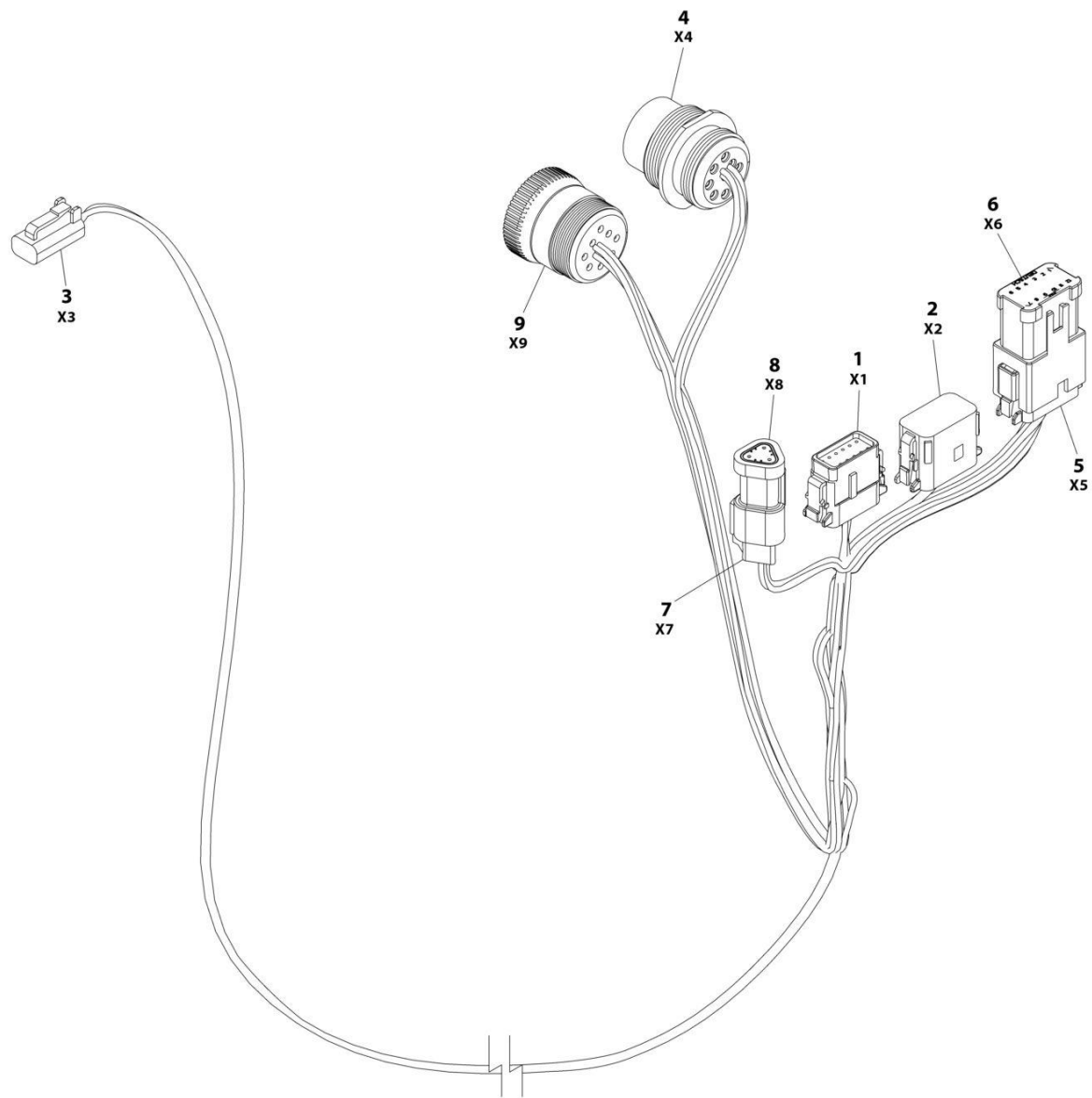
SECTION 8 - ELECTRICAL

FIGURE 8-69. STROBE LIGHT JUMPER HARNESS

ITEM	PART NUMBER	QTY	DESCRIPTION	REV
	1001283776	Ref	STROBE LIGHT HARNESS (AMBER)	A
1	4460931	1	Connector	
1	4460464	2	Pin	
1	4460466	6	Plug	
2	4460897	1	Connector	
2	4460464	2	Pin	

SECTION 8 - ELECTRICAL

FIGURE 8-70. STROBE LIGHT CONTROL (BLUE STROBE LIGHT)



ART_1001142736

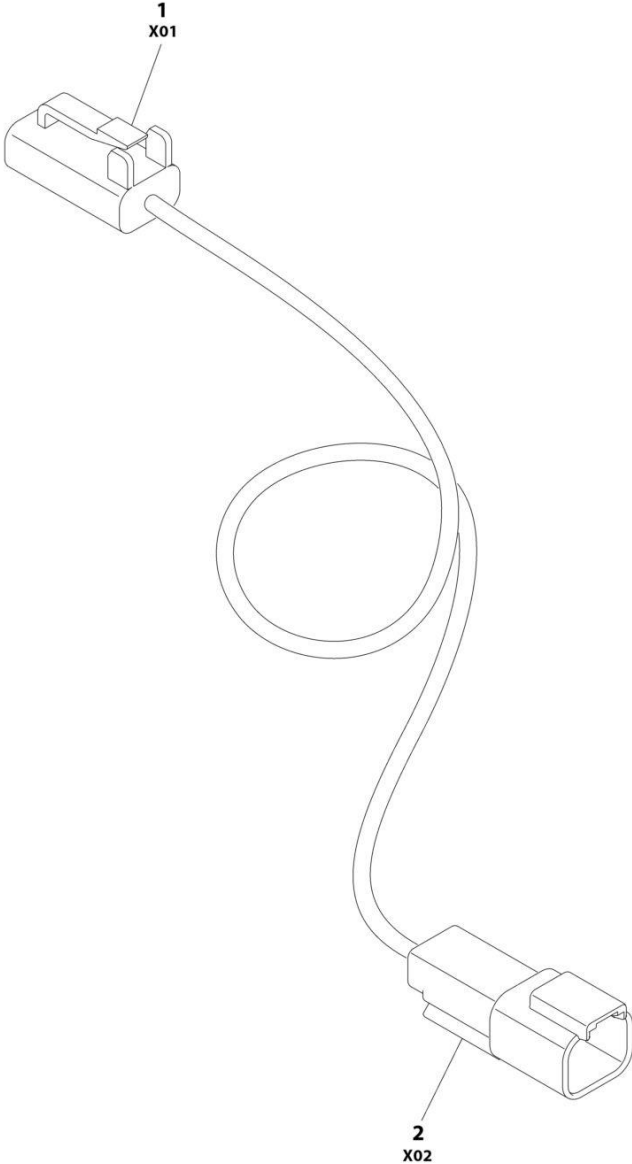
SECTION 8 - ELECTRICAL

FIGURE 8-70. STROBE LIGHT CONTROL (BLUE STROBE LIGHT)

ITEM	PART NUMBER	QTY	DESCRIPTION	REV
	1001142736	Ref	STROBE LIGHT HARNESS	F
1	1001116808	1	Plug, Male - 12 Position	
1	4460928	3	Socket, Female	
1	4460518	9	Plug, Terminal	
2	1001116774	1	Plug, Male - 12 Position	
2	4460928	3	Socket, Female	
2	4460518	9	Plug, Terminal	
3	4460891	1	Plug, Male - 2 Position	
3	4460465	2	Socket, Female	
4	1001112612	1	Connector - 9 Position	
4	4460464	6	Pin, Male	
4	4460466	3	Plug, Terminal	
5	4460933	1	Plug, Male - 12 Position	
5	4460465	12	Socket, Female	
6	1001119020	1	Bussbar - 12 Position	
7	4461095	1	Plug, Male - 3 Position	
7	4460465	3	Socket, Female	
8	4461070	1	Bussbar - 3 Position	
9	1001112796	1	Connector - 9 Position	
9	4460465	6	Socket, Female	
9	4460466	3	Plug, Terminal	

SECTION 8 - ELECTRICAL

FIGURE 8-71. STROBE LIGHT EXTENSION HARNESS (BLUE STROBE LIGHT ONLY)



ART_1001159027

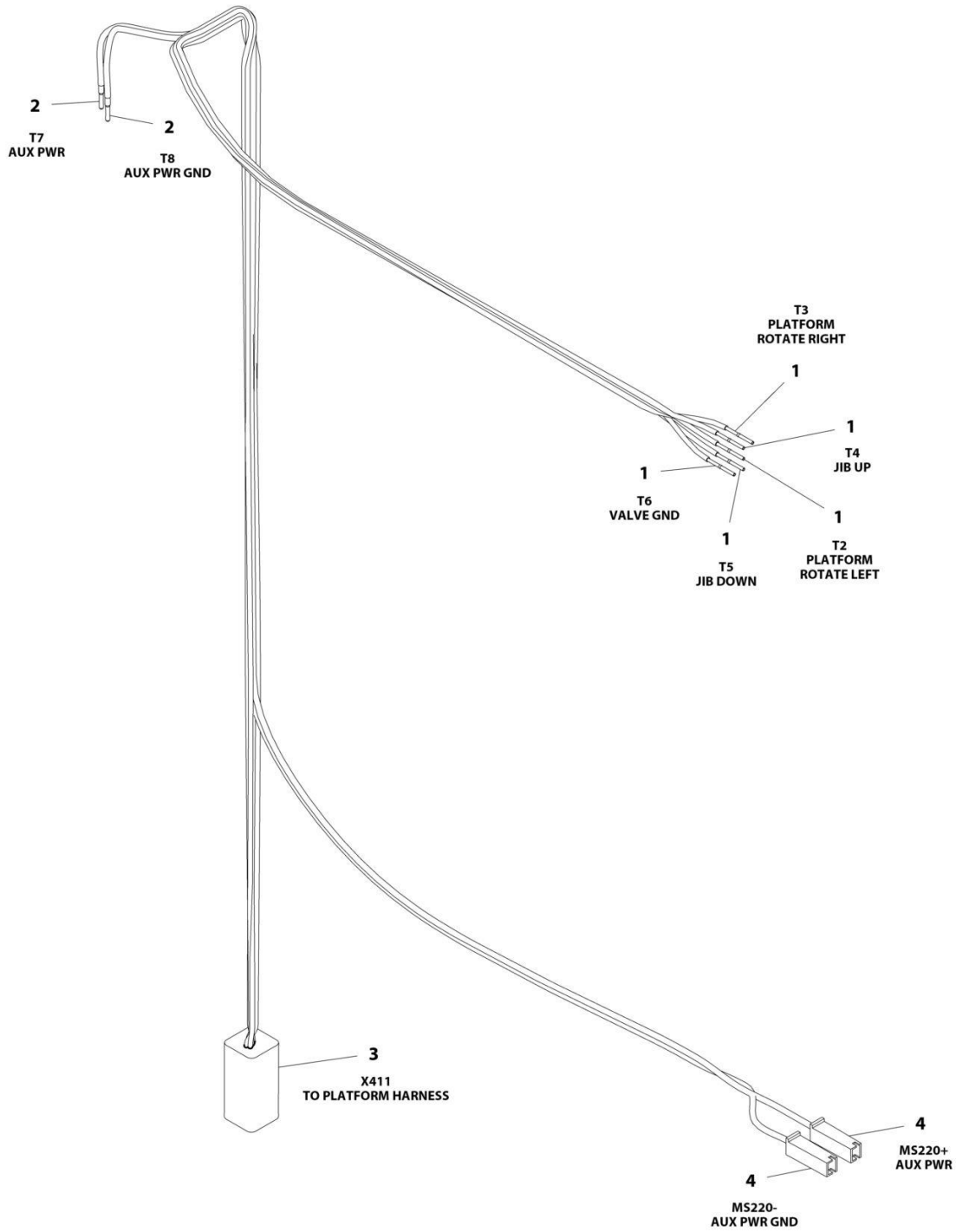
SECTION 8 - ELECTRICAL

FIGURE 8-71. STROBE LIGHT EXTENSION HARNESS (BLUE STROBE LIGHT ONLY)

ITEM	PART NUMBER	QTY	DESCRIPTION	REV
	1001159027	Ref	STROBE LIGHT EXTENSION HARNESS (BLUE STROBE LIGHT ONLY)	B
1	4460891	1	Plug, Male - 2 Position	
1	4460465	2	Socket, Female	
2	4460897	1	Receptacle, Female	
2	4460464	2	Pin, Male	

SECTION 8 - ELECTRICAL

FIGURE 8-72. VALVE HARNESS - BOOM VALVE



ART_1001140525

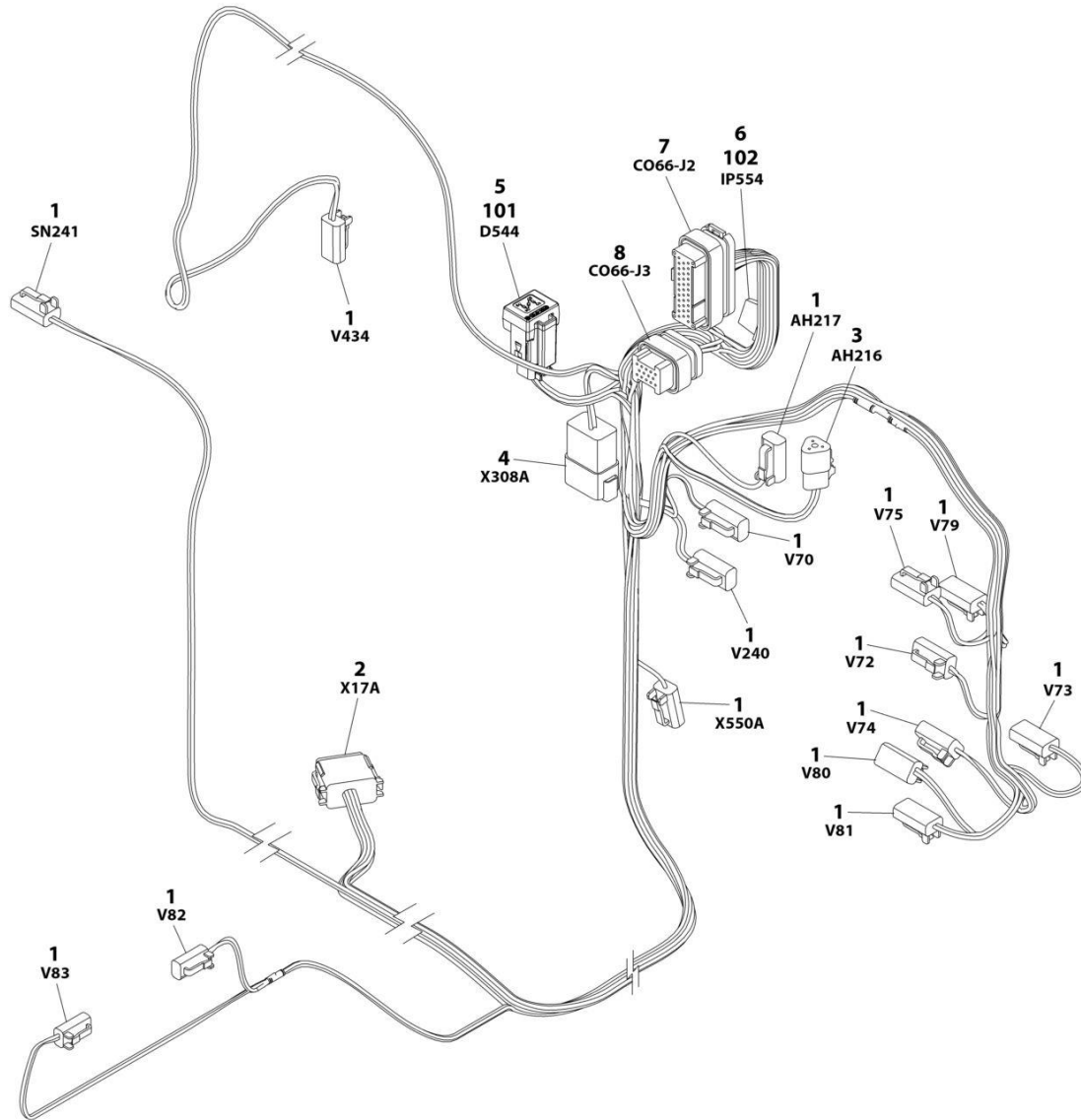
SECTION 8 - ELECTRICAL

FIGURE 8-72. VALVE HARNESS - BOOM VALVE

ITEM	PART NUMBER	QTY	DESCRIPTION	REV
	1001140525	Ref	BOOM HARNESS - UPPER BOOM VALVE	A
1	4460465	5	Socket, Female	
2	4460508	2	Pin, Male	
3	4460899	1	Connector - 6 Position	
3	4460464	5	Pin, Male	
3	4460466	1	Plug, Terminal	
4	4460260	2	Connector - 1 Position	
4	4460259	2	Terminal	

SECTION 8 - ELECTRICAL

FIGURE 8-73. VALVE HARNESS



ART_1001291530

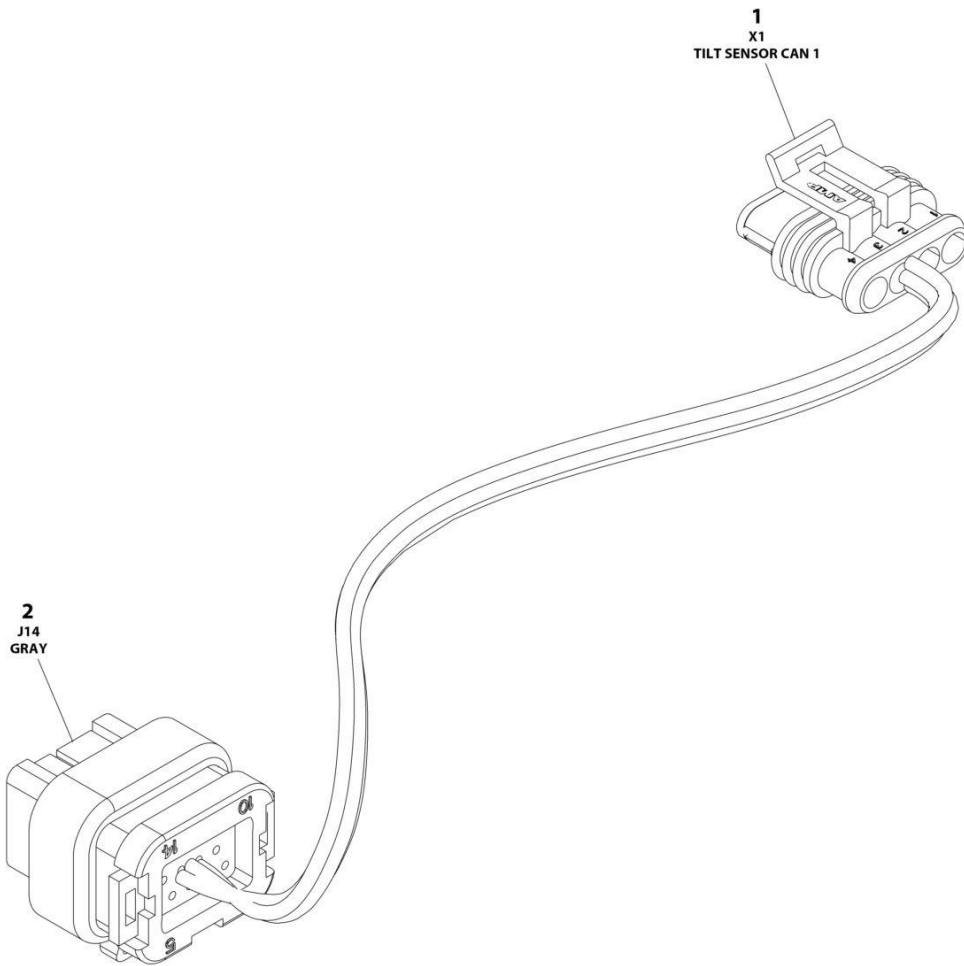
SECTION 8 - ELECTRICAL

FIGURE 8-73. VALVE HARNESS

ITEM	PART NUMBER	QTY	DESCRIPTION	REV
	1001291530	Ref	VALVE HARNESS	A
1	4460891	15	Connector	
1	4460465	29	Socket	
1	4460466	1	Plug	
2	4460933	1	Connector	
2	4460465	9	Socket	
2	4460466	3	Plug	
3	4460539	1	Connector	
3	4460465	3	Socket	
4	4460931	1	Connector	
4	4460464	5	Pin	
4	4460466	3	Plug	
5	4460884	1	Connector	
5	4460465	4	Socket	
6	1001170764	1	Holder, Fuse	
7	4460875	1	Connector	
7	4460871	28	Socket	
7	4460905	7	Plug	
8	4460872	1	Connector	
8	4460871	9	Socket	
8	4460905	5	Plug	
101	1001152266	1	Connector (with Diode)	
102	1001196636	1	Fuse, 1AMP	

SECTION 8 - ELECTRICAL

FIGURE 8-74. TILT SENSOR HARNESS



ART_1001276143

SECTION 8 - ELECTRICAL

FIGURE 8-74. TILT SENSOR HARNESS

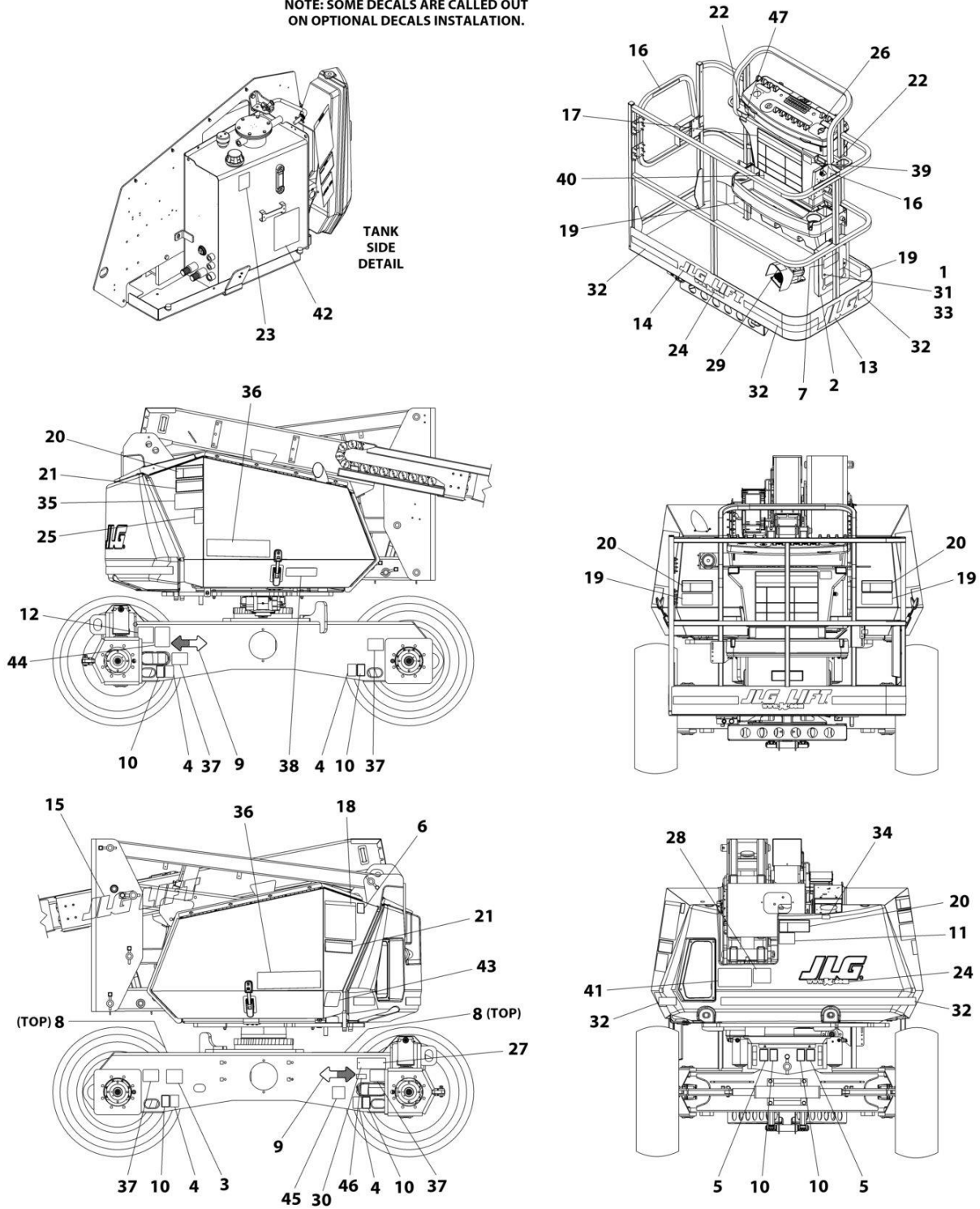
ITEM	PART NUMBER	QTY	DESCRIPTION	REV
	1001276143	Ref	TILT SENSOR HARNESS	B
1	1001103012	1	Connector - 4 Position	
1	1001107854	4	Terminal, Male	
1	1001104498	4	Terminal, Seal	
2	1001246859	1	Connector - 14 Position	
2	4460871	4	Socekt, Female	
2	4460905	10	Plug, Terminal	

SECTION 9 - DECALS

SECTION 9 - DECALS

FIGURE 9-1. DECALS INSTALLATION - ANSI AND ANSI EXPORT SPECS (ENGLISH)

NOTE: SOME DECALS ARE CALLED OUT ON OPTIONAL DECALS INSTALLATION.



ART_1001245868_G

SECTION 9 - DECALS

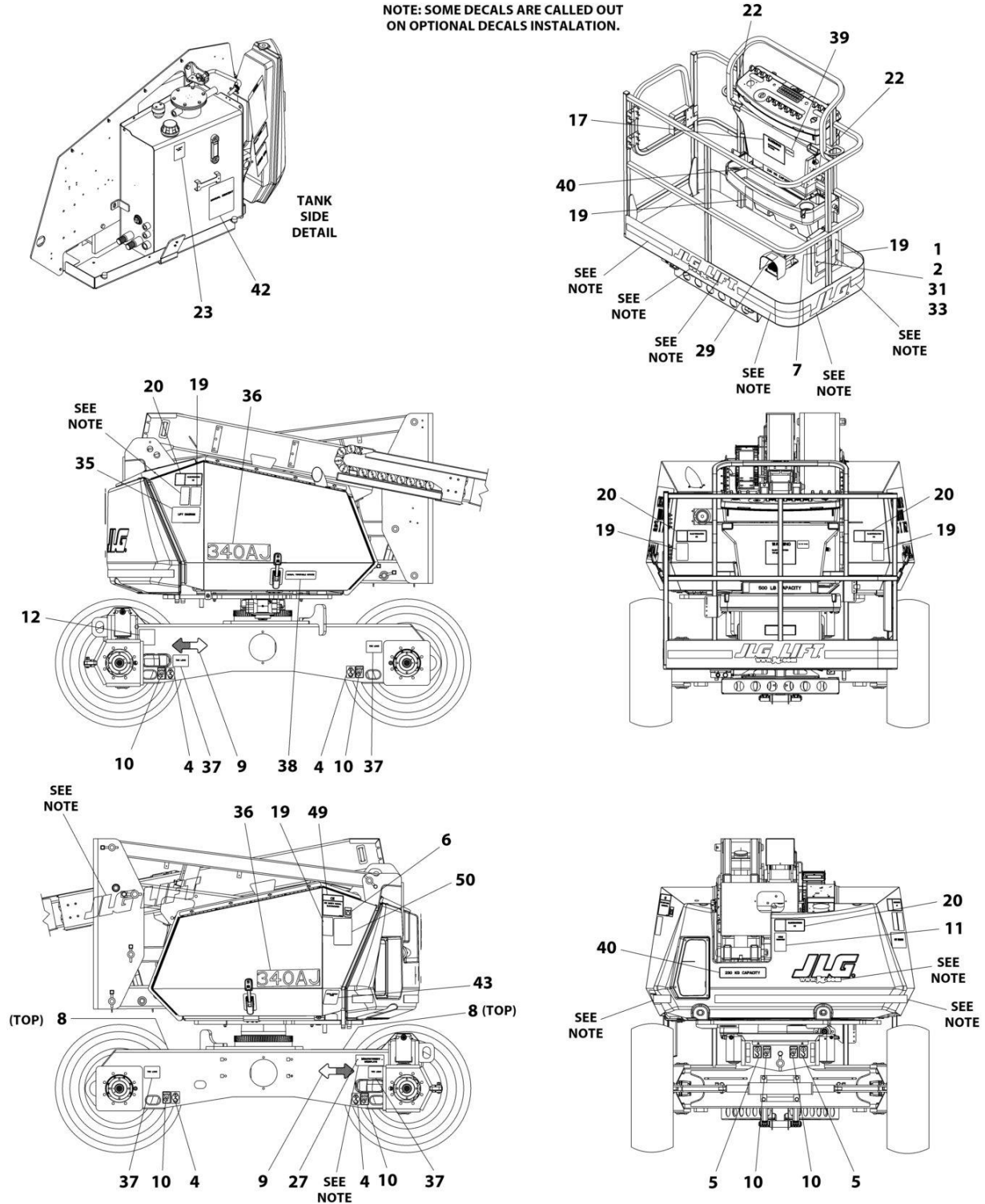
FIGURE 9-1. DECALS INSTALLATION - ANSI AND ANSI EXPORT SPECS (ENGLISH)

ITEM	PART NUMBER	QTY	DESCRIPTION	REV
	1001289742	Ref	DECAL INSTALLATION - REFERENCE CHART	A
	1001245868	Ref	DECALS INSTALLATION	G
1	0760610	4	Bolt M6 x 20	
2	0860520	1	Box, Manual Storage	
4	1701499	4	Decal - No Tie-Down/No Lift	
5	1701500	4	Decal - Lift	
6	1701504	1	Decal - Hydraulic Oil	
7	1701509	1	Decal - Manual	
8	1701529	2	Decal - Arrow	
9	1701642	2	Decal - Arrow	
10	1702300	8	Decal - Tie-Down	
11	1702391	1	Decal - Crushing	
12	See Note	1	Decal - Bar Code (Note: Not Available for Purchase)	
16	1702868	2	Decal - No Hands	
17	1703797	1	Decal - Danger/Warning	
18	1703798	1	Decal - Danger/Warning	
19	1703804	4	Decal - Warning Crushing	
20	1703805	4	Decal - Electrocution	
21	1703953	2	Decal - Warning Crushing	
22	1704277	2	Decal - Lanyard Attach	
23	1704412	1	Decal - Hydraulic Oil	
26	1705351	1	Decal - Drive/Steer Instructions	
27	2080057	2	Fastener	
29	3252347	1	Nameplate - Footswitch	
31	3290605	4	Nut M6	
33	4811700	8	Washer M6	
35	1001284677	1	Decal - Lift Diagram	
36	1001119578	2	Decal - 340AJ (Prior to SN 0300280427)	
36	1001267323	2	Decal - 340AJ (SN 0300280427 to Present)	
37	1001307236	4	Decal - Tire Load	
38	1001119981	1	Decal - Manual Turntable Rotate	
39	1001120002	1	Decal - No Pipe Racks	
40	1001253920	1	Decal - Warning Single Capacity	
41	1001253921	1	Decal - Warning Single Capacity	
42	1001127549	1	Decal - Manual Descent	
43	1001127588	1	Decal - Manual Descent	
44	1001131269	1	Decal - Patent	
45	1001223055	1	Decal - Yearly Inspection	
46	1001223453	1	Decal - ICES	

SECTION 9 - DECALS

FIGURE 9-2. DECALS INSTALLATION - AUSTRALIAN SPEC (ENGLISH)

NOTE: SOME DECALS ARE CALLED OUT ON OPTIONAL DECALS INSTALLATION.



ART_1001119733_K

SECTION 9 - DECALS

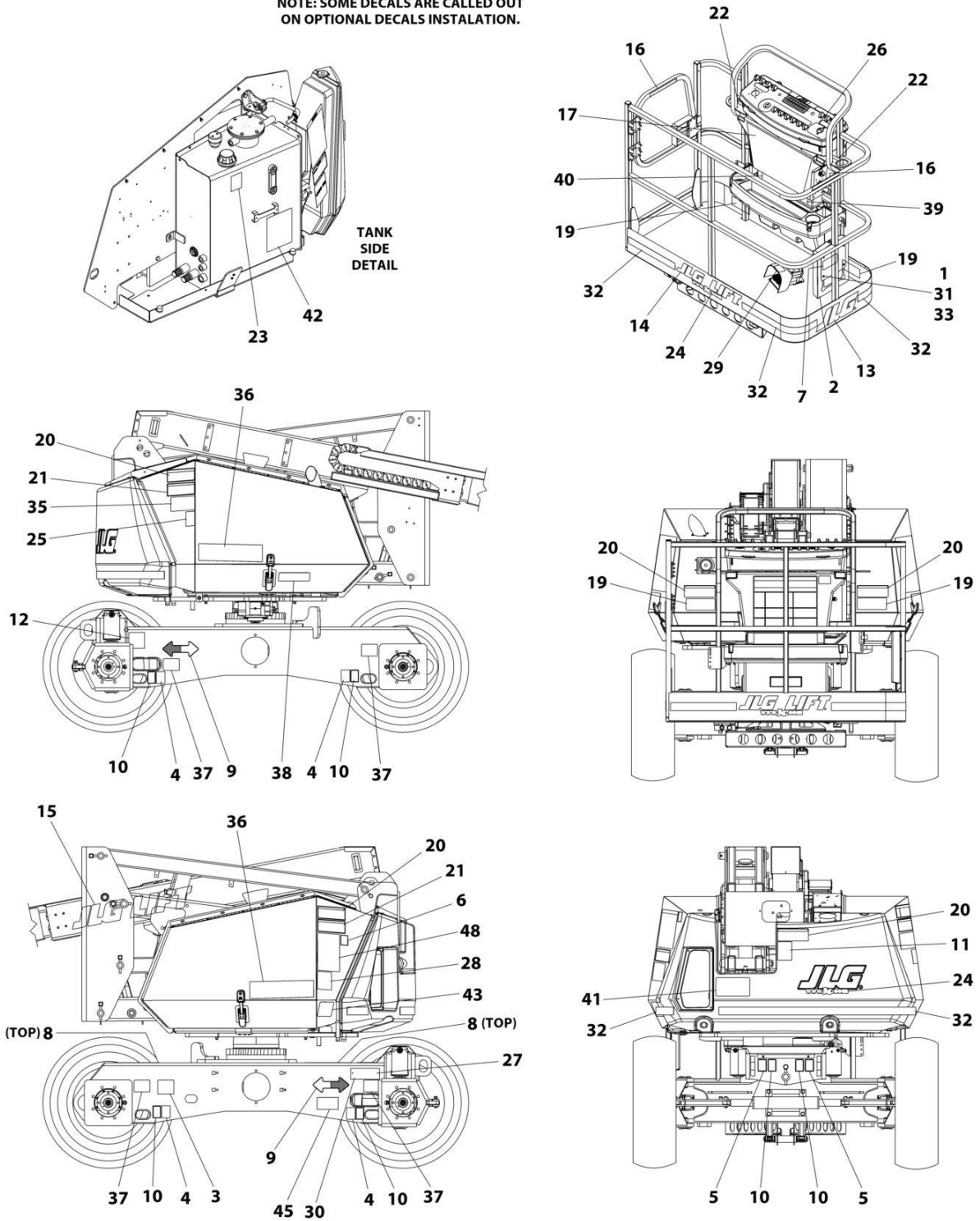
FIGURE 9-2. DECALS INSTALLATION - AUSTRALIAN SPEC (ENGLISH)

ITEM	PART NUMBER	QTY	DESCRIPTION	REV
	1001289742	Ref	DECAL INSTALLATION - REFERENCE CHART	A
	1001119733	Ref	DECALS INSTALLATION	K
1	0760610	4	Bolt M6 x 20	
2	0860520	1	Box, Manual Storage	
4	1701499	4	Decal - No Tie-Down/No Lift	
5	1701500	4	Decal - Lift	
6	1701504	1	Decal - Hydraulic Oil	
7	1701509	1	Decal - Manual	
8	1701529	2	Decal - Arrow	
9	1701642	2	Decal - Arrow	
10	1702300	8	Decal - Tie-Down	
11	1701517	1	Decal - Crushing	
12	See Note	1	Decal - Bar Code (Note: Not Available for Purchase)	
17	1705921	1	Decal - Tipping/Electrocution	
19	1701518	6	Decal - Crushing	
20	1705961	4	Decal - Electrocution	
22	1704277	2	Decal - Lanyard Attach	
23	1704412	1	Decal - Hydraulic Oil	
27	2080057	2	Fastener	
29	1705828	1	Decal - Footswitch	
31	3290605	4	Nut M6	
33	4811700	8	Washer M6	
35	1001284677	1	Decal - Lift Diagram	
36	1001119578	2	Decal - 340AJ (Prior to SN 0300280427)	
36	1001267323	2	Decal - 340AJ (SN 0300280427 to Present)	
37	1001307236	4	Decal - Tire Load	
38	1001119981	1	Decal - Manual Turntable Rotate	
39	1001120003	1	Decal - No Pipe Racks	
40	1705978	2	Decal - Capacity 230KG	
42	1001127549	1	Decal - Manual Descent	
43	1001127588	1	Decal - Manual Descent	
49	1705822	1	Decal - Electrocution/Safety Manual	
50	1001112551	1	Decal - Emergency Controls	

SECTION 9 - DECALS

FIGURE 9-3. DECALS INSTALLATION - BRAZIL SPEC (PORTUGUESE/SPANISH)

NOTE: SOME DECALS ARE CALLED OUT ON OPTIONAL DECALS INSTALLATION.



ART_1001246463_H

SECTION 9 - DECALS

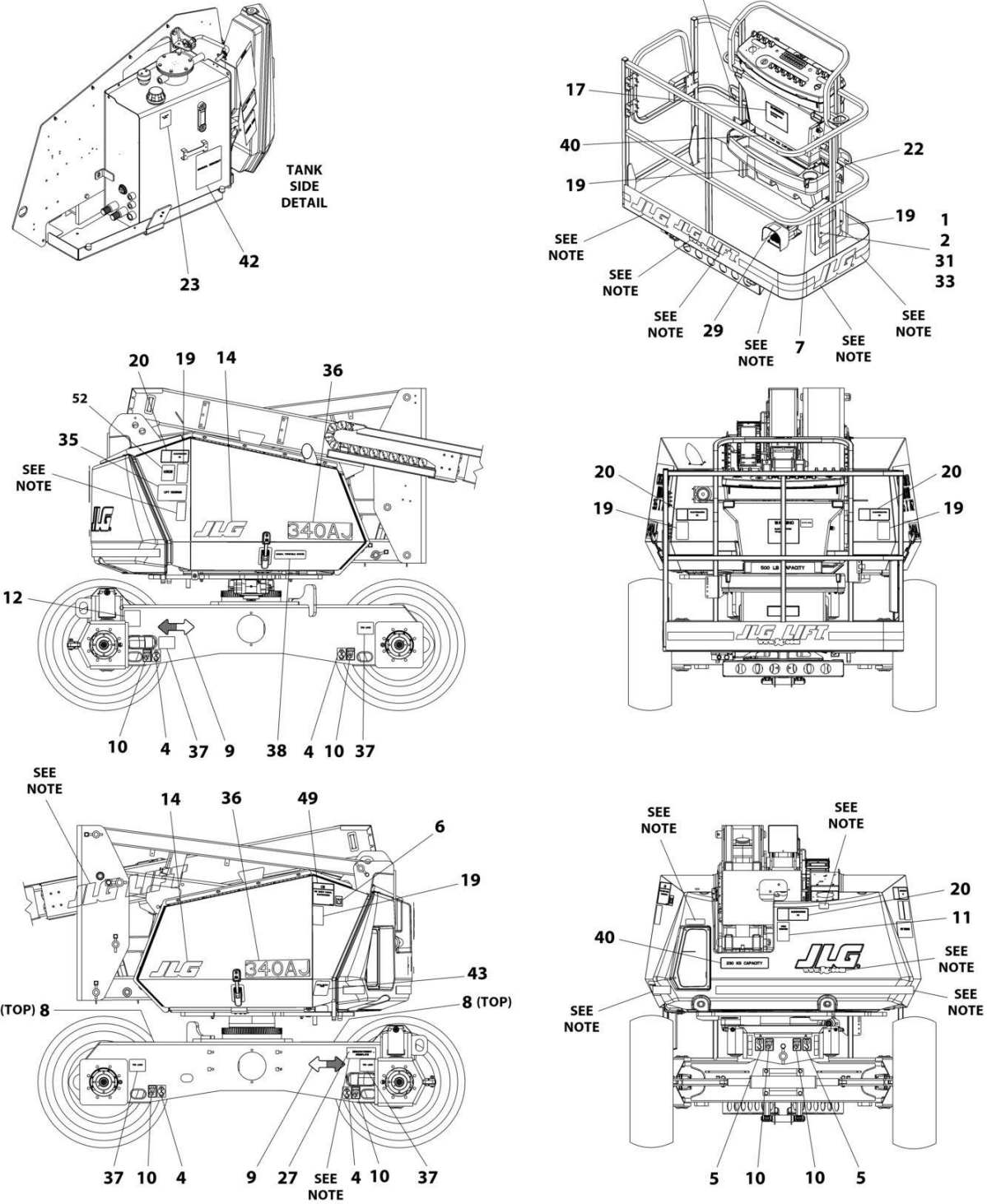
FIGURE 9-3. DECALS INSTALLATION - BRAZIL SPEC (PORTUGUESE/SPANISH)

ITEM	PART NUMBER	QTY	DESCRIPTION	REV
	1001289742	Ref	DECAL INSTALLATION - REFERENCE CHART	A
	1001246463	Ref	DECALS INSTALLATION	H
1	0760610	4	Bolt M6 x 20	
2	0860520	1	Box, Manual Storage	
4	1701499	4	Decal - No Tie-Down/No Lift	
5	1701500	4	Decal - Lift	
6	1701504	1	Decal - Hydraulic Oil	
7	1701509	1	Decal - Manual	
8	1701529	2	Decal - Arrow	
9	1701642	2	Decal - Arrow	
10	1702300	8	Decal - Tie-Down	
11	1001113170	1	Decal - Crushing	
12	See Note	NSS	Decal - Bar Code (Note: Not Available for Purchase)	
16	1704002	2	Decal - No Hands	
17	1703928	1	Decal - Danger/Warning	
19	1703952	4	Decal - Warning Crushing	
20	1703940	5	Decal - Electrocution	
21	1703946	2	Decal - Warning Crushing (Portuguese/Spanish)	
22	1704277	2	Decal - Lanyard Attach	
23	1704412	1	Decal - Hydraulic Oil	
26	1001113680	1	Decal - Drive/Steer Instructions	
27	2080057	2	Fastener	
29	1703985	1	Nameplate - Footswitch	
31	3290605	4	Nut M6	
33	4811700	8	Washer M6	
35	1001284677	1	Decal - Lift Diagram	
36	1001119578	2	Decal - 340AJ (Prior to SN 0300280427)	
36	1001267323	2	Decal - 340AJ (SN 0300280427 to Present)	
37	1001307236	4	Decal - Tire Load	
38	1001119981	1	Decal - Manual Turntable Rotate	
39	1001120282	1	Decal - No Pipe Racks	
40	1001253928	1	Decal - Warning Single Capacity	
41	1001253929	1	Decal - Warning Single Capacity	
42	1001127549	1	Decal - Manual Descent	
43	1001127588	1	Decal - Manual Descent	
45	1001224052	1	Decal - Yearly Inspection	
48	1705349	1	Decal - Warning Inspection	

SECTION 9 - DECALS

FIGURE 9-4. DECALS INSTALLATION - CE & UK CA SPECS (ENGLISH)

NOTE: SOME DECALS ARE CALLED OUT ON OPTIONAL DECALS INSTALLATION.



ART_1001115783_P

SECTION 9 - DECALS

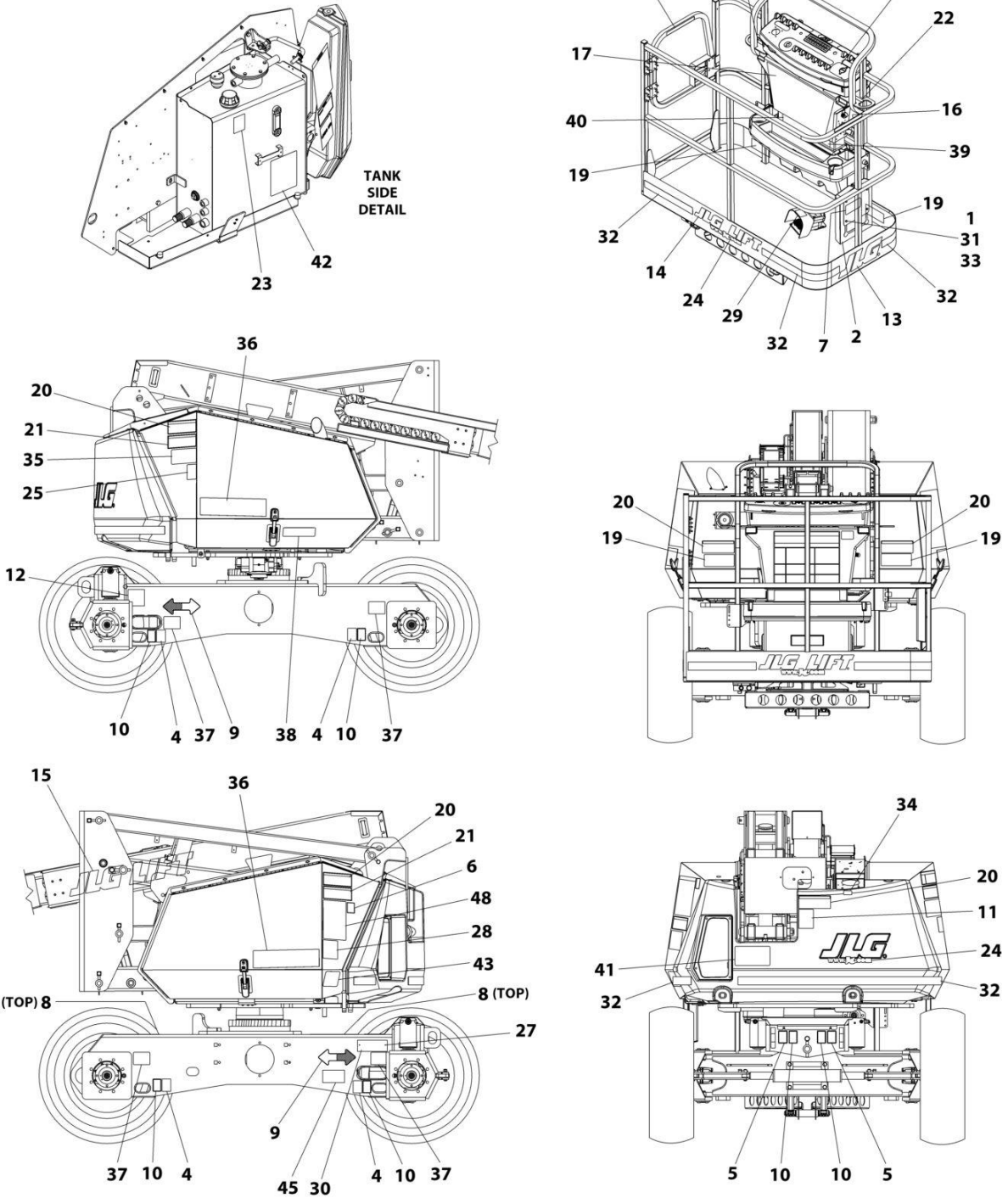
FIGURE 9-4. DECALS INSTALLATION - CE & UK CA SPECS (ENGLISH)

ITEM	PART NUMBER	QTY	DESCRIPTION	REV
	1001289742	Ref	DECAL INSTALLATION - REFERENCE CHART	A
	1001115783	Ref	DECALS INSTALLATION	P
1	0760610	4	Bolt M6 x 20	
2	0860520	1	Box, Manual Storage	
4	1701499	4	Decal - No Tie-Down/No Lift	
5	1701500	4	Decal - Lift	
6	1701504	1	Decal - Hydraulic Oil	
7	1701509	1	Decal - Manual	
8	1701529	2	Decal - Arrow	
9	1701642	2	Decal - Arrow	
10	1702300	8	Decal - Tie-Down	
11	1701517	1	Decal - Crushing	
12	See Note	1	Decal - Bar Code (Note: Not Available for Purchase)	
17	1705921	1	Decal - Tipping/Electrocution	
19	1701518	6	Decal - Crushing	
20	1705961	4	Decal - Electrocution	
22	1704277	2	Decal - Lanyard Attach	
23	1704412	1	Decal - Hydraulic Oil	
27	2080057	2	Fastener	
29	1705828	1	Decal - Footswitch	
31	3290605	4	Nut M6	
33	4811700	8	Washer M6	
35	1001284677	1	Decal - Lift Diagram	
36	1001119578	2	Decal - 340AJ (Prior to SN 0300280427)	
36	1001267323	2	Decal - 340AJ (SN 0300280427 to Present)	
37	1001307236	4	Decal - Tire Load	
38	1001119981	1	Decal - Manual Turntable Rotate	
40	1705978	2	Decal - Capacity 230KG	
42	1001127549	1	Decal - Manual Descent	
43	1001127588	1	Decal - Manual Descent	
49	1705822	1	Decal - Electrocution/Safety Manual	

SECTION 9 - DECALS

FIGURE 9-5. DECALS INSTALLATION - CHINESE SPEC (CHINESE/ENGLISH)

NOTE: SOME DECALS ARE CALLED OUT ON OPTIONAL DECALS INSTALLATION.



ART_1001246462_G

SECTION 9 - DECALS

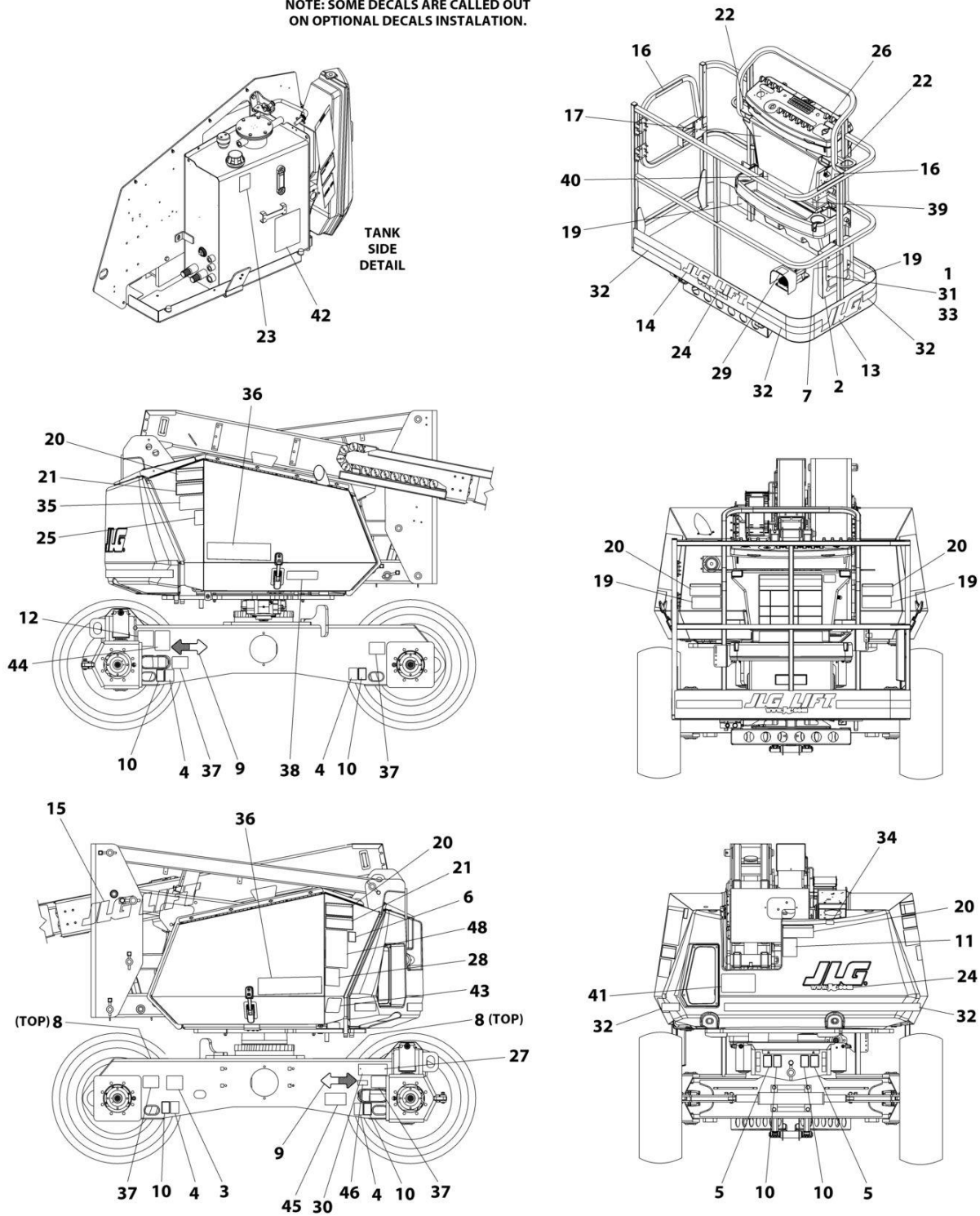
FIGURE 9-5. DECALS INSTALLATION - CHINESE SPEC (CHINESE/ENGLISH)

ITEM	PART NUMBER	QTY	DESCRIPTION	REV
	1001289742	Ref	DECAL INSTALLATION - REFERENCE CHART	A
	1001246462	Ref	DECALS INSTALLATION	G
1	0760610	4	Bolt M6 x 20	
2	0860520	1	Box, Manual Storage	
4	1701499	4	Decal - No Tie-Down/No Lift	
5	1701500	4	Decal - Lift	
6	1701504	1	Decal - Hydraulic Oil	
7	1701509	1	Decal - Manual	
8	1701529	2	Decal - Arrow	
9	1701642	2	Decal - Arrow	
10	1702300	8	Decal - Tie-Down	
11	1001113168	1	Decal - Crushing	
12	See Note	NSS	Decal - Bar Code (Note: Not Available for Purchase)	
16	1705968	2	Decal - No Hands	
17	1703925	1	Decal - Warning/Danger	
19	1703949	4	Decal - Warning Crushing	
20	1703937	5	Decal - Electrocution	
21	1703943	2	Decal - Warning Crushing	
22	1704277	2	Decal - Lanyard Attach	
23	1704412	1	Decal - Hydraulic Oil	
26	1705430	1	Decal - Drive/Steer Instructions	
27	2080057	2	Fastener	
29	1703982	1	Nameplate - Footswitch	
31	3290605	4	Nut M6	
33	4811700	8	Washer M6	
35	1001284677	1	Decal - Lift Diagram	
36	1001119578	2	Decal - 340AJ (Prior to SN 0300280427)	
36	1001267323	2	Decal - 340AJ (SN 0300280427 to Present)	
37	1001307236	4	Decal - Tire Load	
38	1001119981	1	Decal - Manual Turntable Rotate	
39	1001120281	1	Decal - No Pipe Racks	
40	1001253926	1	Decal - Warning Single Capacity	
41	1001253927	1	Decal - Warning Single Capacity	
42	1001127549	1	Decal - Manual Descent	
43	1001127588	1	Decal - Manual Descent	
45	1001224050	1	Decal - Yearly Inspection	
48	1705348	1	Decal - Warning Inspection	

SECTION 9 - DECALS

FIGURE 9-6. DECALS INSTALLATION - CSA SPEC (FRENCH/ENGLISH)

NOTE: SOME DECALS ARE CALLED OUT ON OPTIONAL DECALS INSTALLATION.



ART_1001245869_G

SECTION 9 - DECALS

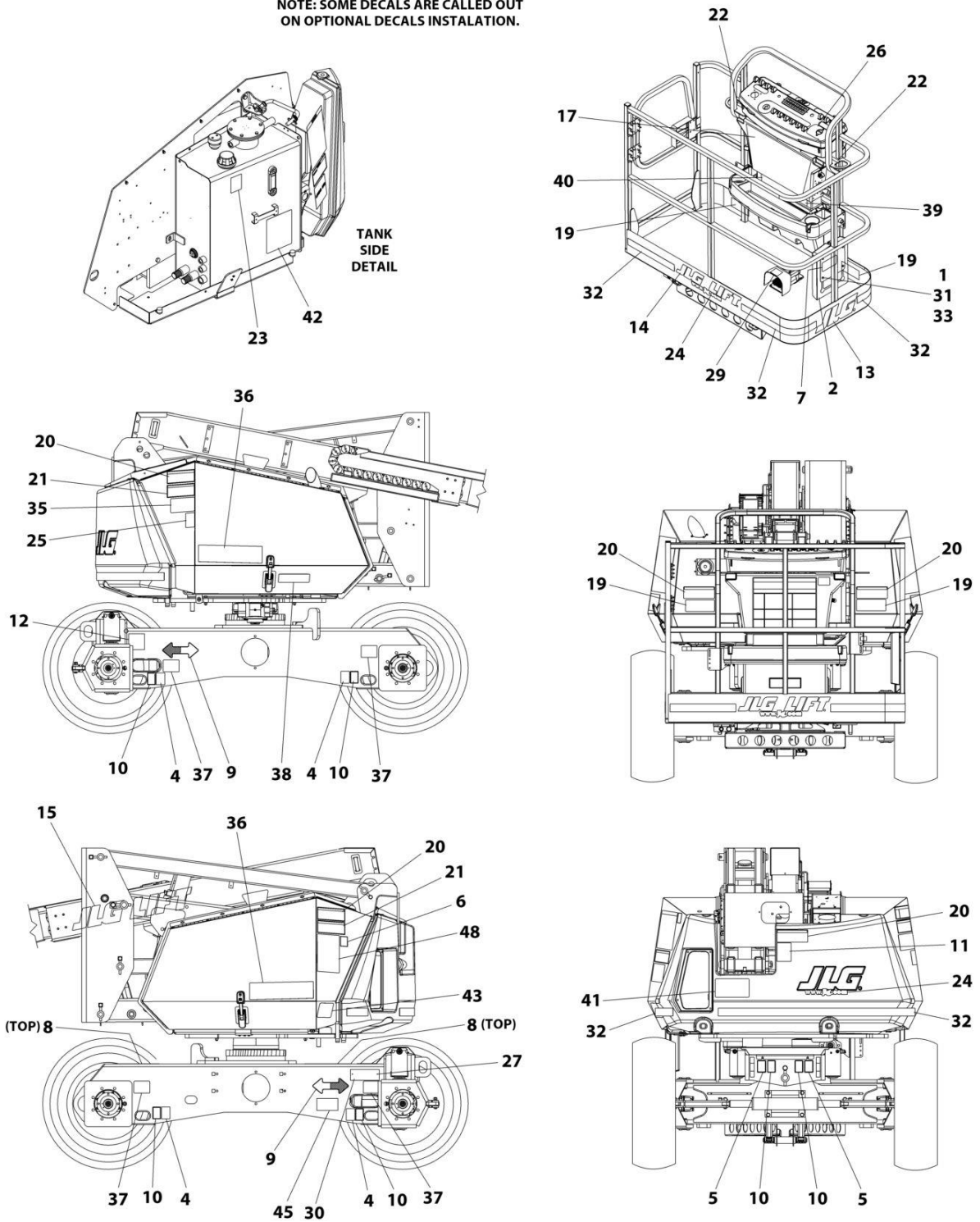
FIGURE 9-6. DECALS INSTALLATION - CSA SPEC (FRENCH/ENGLISH)

ITEM	PART NUMBER	QTY	DESCRIPTION	REV
	1001289742	Ref	DECAL INSTALLATION - REFERENCE CHART	A
	1001245869	Ref	DECALS INSTALLATION	G
1	0760610	4	Bolt M6 x 20	
2	0860520	1	Box, Manual Storage	
4	1701499	4	Decal - No Tie-Down/No Lift	
5	1701500	4	Decal - Lift	
6	1701504	1	Decal - Hydraulic Oil	
7	1701509	1	Decal - Manual	
8	1701529	2	Decal - Arrow	
9	1701642	2	Decal - Arrow	
10	1702300	8	Decal - Tie-Down	
11	1001113169	1	Decal - Crushing	
12	See Note	NSS	Decal - Bar Code (Note: Not Available for Purchase)	
16	1704000	2	Decal - No Hands	
17	1703924	1	Decal - Warning/Danger	
19	1703948	4	Decal - Warning Crushing	
20	1703936	5	Decal - Electrocution	
21	1703942	2	Decal - Warning Crushing	
22	1704277	2	Decal - Lanyard Attach	
23	1704412	1	Decal - Hydraulic Oil	
26	1705429	1	Decal - Drive/Steer Instructions	
27	2080057	2	Fastener	
29	1703984	1	Nameplate - Footswitch	
31	3290605	4	Nut M6	
33	4811700	8	Washer M6	
35	1001284677	1	Decal - Lift Diagram	
36	1001119578	2	Decal - 340AJ (Prior to SN 0300280427)	
36	1001267323	2	Decal - 340AJ (SN 0300280427 to Present)	
37	1001307236	4	Decal - Tire Load	
38	1001119981	1	Decal - Manual Turntable Rotate	
39	1001120004	1	Decal - No Pipe Racks	
40	1001253922	1	Decal - Warning Single Capacity	
41	1001253923	1	Decal - Warning Single Capacity	
42	1001127549	1	Decal - Manual Descent	
43	1001127588	1	Decal - Manual Descent	
44	1001131269	1	Decal - Patent	
45	1001223971	1	Decal - Yearly Inspection	
46	1001223453	1	Decal - ICES	
48	1705347	1	Decal - Warning Inspection	

SECTION 9 - DECALS

FIGURE 9-7. DECALS INSTALLATION - JAPANESE SPEC (JAPANESE)

NOTE: SOME DECALS ARE CALLED OUT ON OPTIONAL DECALS INSTALLATION.



ART_1001246460_H

SECTION 9 - DECALS

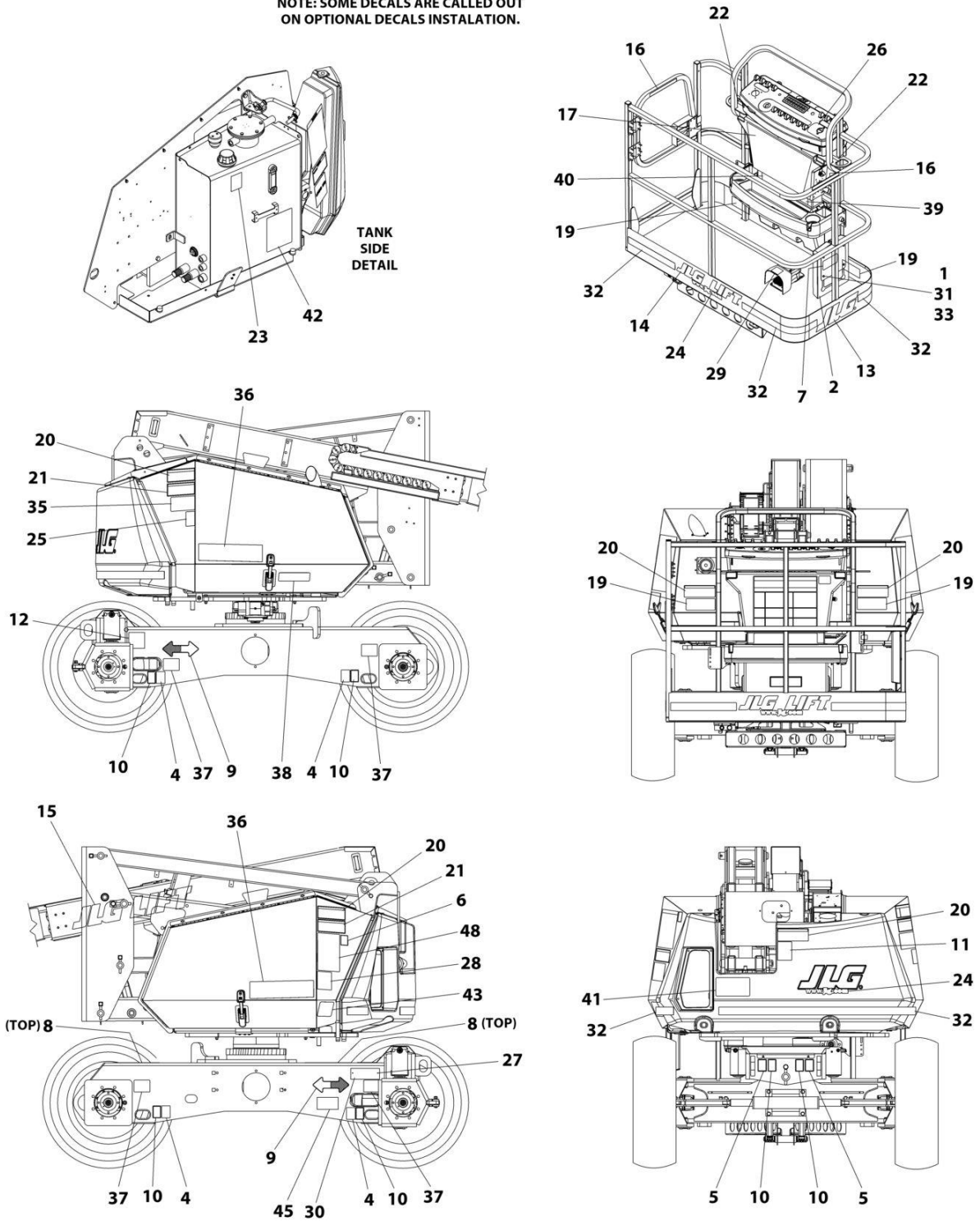
FIGURE 9-7. DECALS INSTALLATION - JAPANESE SPEC (JAPANESE)

ITEM	PART NUMBER	QTY	DESCRIPTION	REV
	1001289742	Ref	DECAL INSTALLATION - REFERENCE CHART	A
	1001246460	Ref	DECALS INSTALLATION	H
1	0760610	4	Bolt M6 x 20	
2	0860520	1	Box, Manual Storage	
4	1701499	4	Decal - No Tie-Down/No Lift	
5	1701500	4	Decal - Lift	
6	1701504	1	Decal - Hydraulic Oil	
7	1701509	1	Decal - Manual	
8	1701529	2	Decal - Arrow	
9	1701642	2	Decal - Arrow	
10	1702300	8	Decal - Tie-Down	
11	1001113166	1	Decal - Crushing	
12	See Note	NSS	Decal - Bar Code (Note: Not Available for Purchase)	
17	1703926	1	Decal - Danger/Warning	
19	1703950	4	Decal - Warning Crushing	
20	1703938	5	Decal - Electrocution	
21	1703944	2	Decal - Warning Crushing	
22	1704277	2	Decal - Lanyard Attach	
23	1704412	1	Decal - Hydraulic Oil	
26	1705426	1	Decal - Drive/Steer Instructions	
27	2080057	2	Fastener	
29	1703980	1	Nameplate - Footswitch	
31	3290605	4	Nut M6	
33	4811700	8	Washer M6	
35	1001284677	1	Decal - Lift Diagram	
36	1001119578	2	Decal - 340AJ (Prior to SN 0300280427)	
36	1001267323	2	Decal - 340AJ (SN 0300280427 to Present)	
37	1001307236	4	Decal - Tire Load	
38	1001119981	1	Decal - Manual Turntable Rotate	
39	1001120279	1	Decal - No Pipe Racks	
40	1001253932	1	Decal - Warning Single Capacity	
41	1001253933	1	Decal - Warning Single Capacity	
42	1001127549	1	Decal - Manual Descent	
43	1001127588	1	Decal - Manual Descent	
45	1001224053	1	Decal - Yearly Inspection	
48	1705344	1	Decal - Warning Inspection	

SECTION 9 - DECALS

FIGURE 9-8. DECALS INSTALLATION - KOREAN SPEC (KOREAN/ENGLISH)

NOTE: SOME DECALS ARE CALLED OUT ON OPTIONAL DECALS INSTALLATION.



ART_1001246461_H

SECTION 9 - DECALS

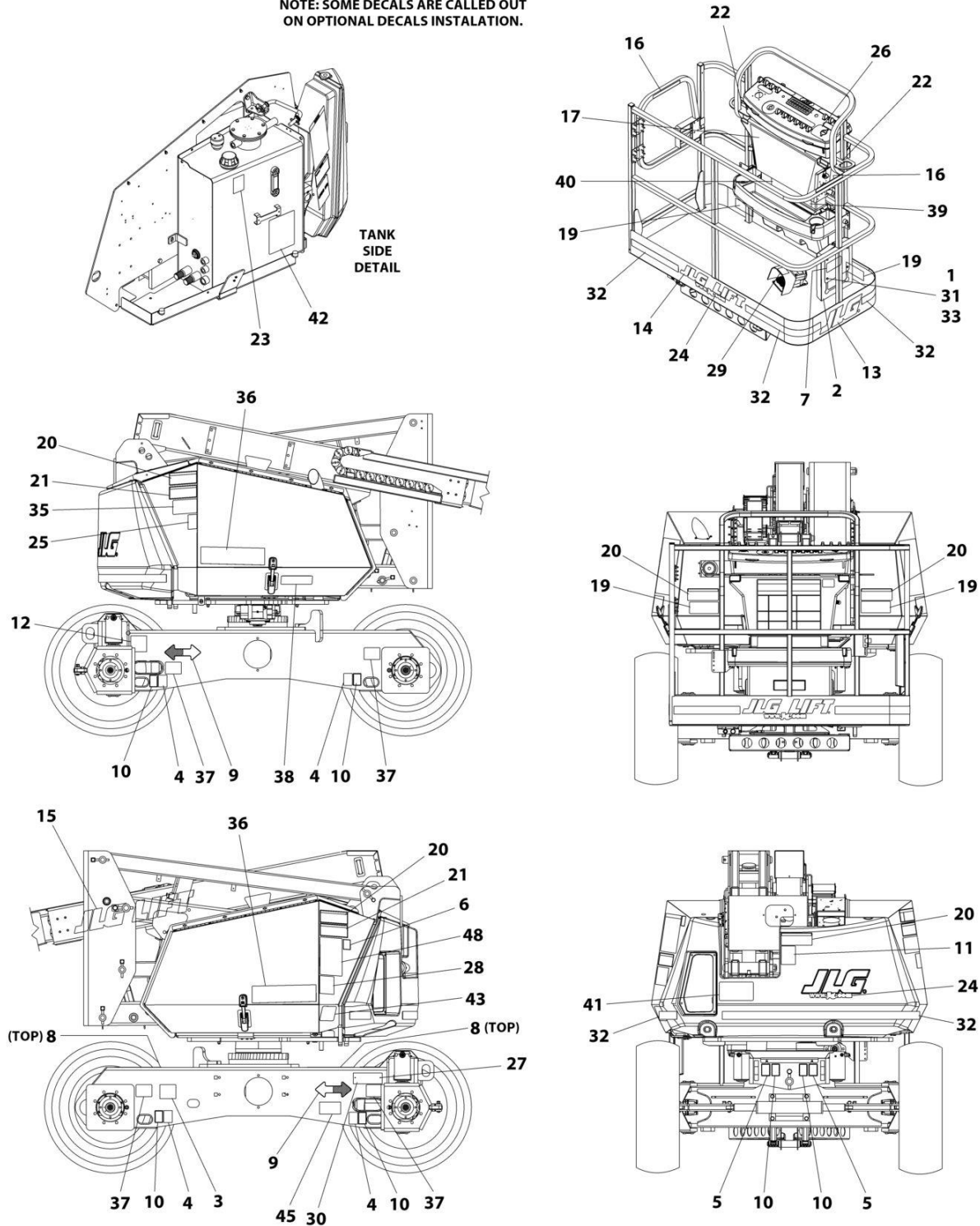
FIGURE 9-8. DECALS INSTALLATION - KOREAN SPEC (KOREAN/ENGLISH)

ITEM	PART NUMBER	QTY	DESCRIPTION	REV
	1001289742	Ref	DECAL INSTALLATION - REFERENCE CHART	A
	1001246461	Ref	DECALS INSTALLATION	H
1	0760610	4	Bolt M6 x 20	
2	0860520	1	Box, Manual Storage	
4	1701499	4	Decal - No Tie-Down/No Lift	
5	1701500	4	Decal - Lift	
6	1701504	1	Decal - Hydraulic Oil	
7	1701509	1	Decal - Manual	
8	1701529	2	Decal - Arrow	
9	1701642	2	Decal - Arrow	
10	1702300	8	Decal - Tie-Down	
11	1001113509	1	Decal - Crushing	
12	See Note	NSS	Decal - Bar Code (Note: Not Available for Purchase)	
16	1705969	2	Decal - No Hands	
17	1703927	1	Decal - Danger/Warning	
19	1703951	4	Decal - Warning Crushing	
20	1703939	5	Decal - Electrocutation	
21	1703945	2	Decal - Warning Crushing	
22	1704277	2	Decal - Lanyard Attach	
23	1704412	1	Decal - Hydraulic Oil	
26	1705427	1	Decal - Drive/Steer Instructions	
27	2080057	2	Fastener	
29	1703981	1	Nameplate - Footswitch	
31	3290605	4	Nut M6	
33	4811700	8	Washer M6	
35	1001284677	1	Decal - Lift Diagram	
36	1001119578	2	Decal - 340AJ (Prior to SN 0300280427)	
36	1001267323	2	Decal - 340AJ (SN 0300280427 to Present)	
37	1001307236	4	Decal - Tire Load	
38	1001119981	1	Decal - Manual Turntable Rotate	
39	1001120280	1	Decal - No Pipe Racks	
40	1001253924	1	Decal - Warning Single Capacity	
41	1001253925	1	Decal - Warning Single Capacity	
42	1001127549	1	Decal - Manual Descent	
43	1001127588	1	Decal - Manual Descent	
45	1001224048	1	Decal - Yearly Inspection	
48	1705345	1	Decal - Warning Inspection	

SECTION 9 - DECALS

FIGURE 9-9. DECALS INSTALLATION - LATIN AMERICA SPEC (SPANISH/ENGLISH)

NOTE: SOME DECALS ARE CALLED OUT ON OPTIONAL DECALS INSTALLATION.



ART_1001246464_G

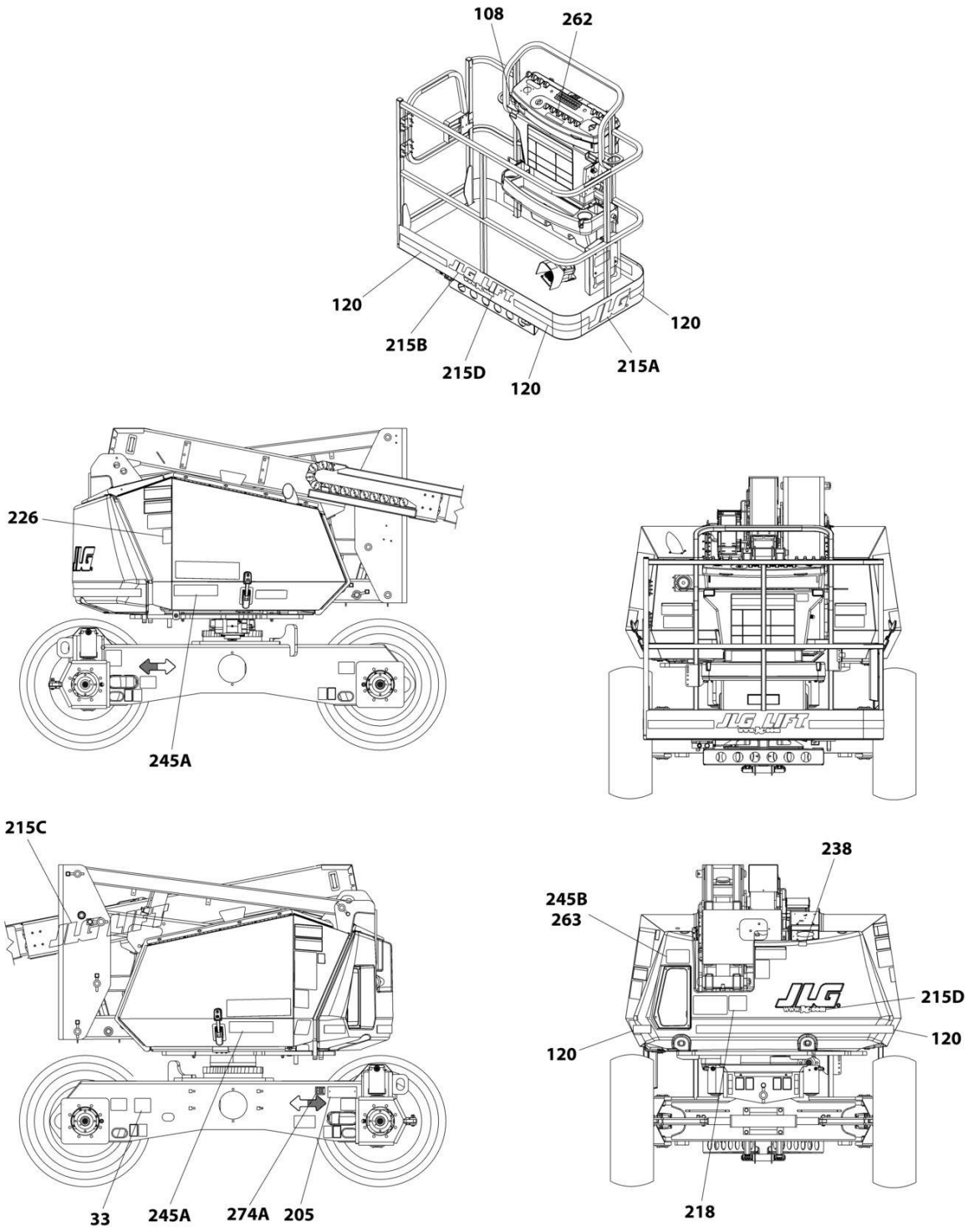
SECTION 9 - DECALS

FIGURE 9-9. DECALS INSTALLATION - LATIN AMERICA SPEC (SPANISH/ENGLISH)

ITEM	PART NUMBER	QTY	DESCRIPTION	REV
	1001289742	Ref	DECAL INSTALLATION - REFERENCE CHART	A
	1001246464	Ref	DECALS INSTALLATION	G
1	0760610	4	Bolt M6 x 20	
2	0860520	1	Box, Manual Storage	
4	1701499	4	Decal - No Tie-Down/No Lift	
5	1701500	4	Decal - Lift	
6	1701504	1	Decal - Hydraulic Oil	
7	1701509	1	Decal - Manual	
8	1701529	2	Decal - Arrow	
9	1701642	2	Decal - Arrow	
10	1702300	8	Decal - Tie-Down	
11	1001113171	1	Decal - Crushing	
12	See Note	NSS	Decal - Bar Code (Note: Not Available for Purchase)	
16	1704001	2	Decal - No Hands	
17	1703923	1	Decal - Danger/Warning	
19	1703947	4	Decal - Warning Crushing	
20	1703935	5	Decal - Electrocution	
21	1703941	2	Decal - Warning Crushing	
22	1704277	2	Decal - Lanyard Attach	
23	1704412	1	Decal - Hydraulic Oil	
26	1705910	1	Decal - Drive/Steer Instructions	
27	2080057	2	Fastener	
29	1703983	1	Nameplate - Footswitch	
31	3290605	4	Nut M6	
33	4811700	8	Washer M6	
35	1001284677	1	Decal - Lift Diagram	
36	1001119578	2	Decal - 340AJ (Prior to SN 0300280427)	
36	1001267323	2	Decal - 340AJ (SN 0300280427 to Present)	
37	1001307236	4	Decal - Tire Load	
38	1001119981	1	Decal - Manual Turntable Rotate	
39	1001120283	1	Decal - No Pipe Racks	
40	1001253930	1	Decal - Warning Single Capacity	
41	1001253931	1	Decal - Warning Single Capacity	
42	1001127549	1	Decal - Manual Descent	
43	1001127588	1	Decal - Manual Descent	
45	1001224049	1	Decal - Yearly Inspection	
48	1705917	1	Decal - Warning Inspection	

SECTION 9 - DECALS

FIGURE 9-10. OPTIONAL DECALS INSTALLATION



ART_DECAL_OPTIONS

SECTION 9 - DECALS

FIGURE 9-10. OPTIONAL DECALS INSTALLATION

ITEM	PART NUMBER	QTY	DESCRIPTION	REV
		Ref	OPTIONAL DECALS INSTALLATION	
33	1700818	2	Decal - Fuel (LP Gas Machines) (English Language) (ANSI, ANSI Export and CSA Specs)	
33	1704271	2	Decal - Fuel (LP Gas Machines) (English/French Languages) (CSA Specs)	
	1001119661	1	Decal - Fuel (LP Gas Machines) (English/Spanish Languages) (ANSI Export and China Specs)	
52	1001130492	1	Decal - Sound Power Level	
108	1001231801	1	Decal - Warning Proposition 65	
120	4420051	AR	Tape, Safety	
205	See Note	1	Nameplate - Manufacturers Serial Number (Note: Not Available for Purchase)	
215	1001110613	Ref	JLG Logo Installation	B
215A	1702773	1	Decal - JLG	
215B	1702774	1	Decal - JLG Lift	
215C	1702860	1	Decal - JLG Lift	
215D	1704885	2	Decal - Website	
218	3251813	1	Decal - USA (ANSI, ANSI Export and CSA Specs)	
226	1704972	1	Decal - Warning Explosion/Fire (ANSI Spec)	
226	1706098	1	Decal - Warning Explosion/Fire (Australian, CE & UK CA Spec)	
226	1706059	1	Decal - Warning Explosion/Fire (Brazil Spec)	
226	1706064	1	Decal - Warning Explosion/Fire (CSA Spec)	
226	1706060	1	Decal - Warning Explosion/Fire (Chinese Spec)	
226	1706062	1	Decal - Warning Explosion/Fire (Japanese Spec)	
226	1706061	1	Decal - Warning Explosion/Fire (Korean Spec)	
226	1706063	1	Decal - Warning Explosion/Fire (Latin America Spec)	
238	1001108923	1	Decal - Low Sulfur Fuel Spec (ANSI and CSA Specs Only)	
238	1001139654	1	Decal - Ultra Low Sulfur Fuel Spec (Japanese, CE & UK CA Specs Only)	
245	1001119459	Ref	Decal Installation - ClearSky (Machines with ClearSky Option)	
245A	1001116208	2	Decal - ClearSky	
245B	1001120989	1	Decal - Radio Frequency	
245	1001294762	Ref	Clearsky Smart Fleet Decal Installation	
245A	1001120989	1	Decal - Radio Frequency	
245B	1001294815	1	Decal - ClearSky	
262	1001141300	1	Decal - SkyGuard Override	
263	1001197408	1	Decal - MSSO	
274	1001214030	1	Decal - EAC Installation (CIS and Russia Specs)	
274A	1001173703	1	Decal - EAC	

SECTION 10 - RECOMMENDED SERVICE PARTS STOCK

SECTION 10 - RECOMMENDED SERVICE PARTS STOCK

SECTION 10 - RECOMMENDED SERVICE PARTS STOCK

FIGURE 10-1. RECOMMEDED SERVICE PARTS STOCK

ITEM	PART NUMBER	QTY	DESCRIPTION	REV
		Ref	Note: The following list will service one machine (built to current production per date on the front cover) with emergency repair parts which can be installed in the field. Parts from the list should be replaced when inventory is depleted to keep service parts stock supplied. For further information, contact your JLG dealer or the JLG Industries Parts Department.	
	70000126	1	Circuit Breaker (220V/50HZ Generators)	
	70002240	1	Circuit Breaker (120V/50HZ Generators)	
	1001181045	1	Breaker, Combination 16Amp/30mAmp (CE & UK CA Specs)	
	1001109477	1	Breaker, 10Amp (100119927 and 100119928 Generator Harness)	
	70002386	1	Coil (Boom, Flow Divider, Main Control & Manual Valves/Lift Cylinders)	
	70002963	1	Coil (Boom & Main Control Valves)	
	70002971	1	Coil (Flow Divider & Main Control Valves)	
	70002149	1	Coil Kit (Pump Assembly)	
	70003788	1	Coil (Main Control Valve)	
	1001212415	1	Drive/Steer Controller Assembly	
	1001129555	1	Lift/Swing Controller Assembly	
	70002237	2	Diode (Generators)	
	3990010	2	Diode 10 Amp (Mid Engine Harness)	
	70010383	1	Element, Filter (Includes O-Ring) (Charge Pump)	
		Ref	ENGINE COMPONENTS - GM	
	7015004	12	Element, Air Cleaner (GM Engines)	
	7027972	12	Filter, Fuel (GM Engines)	
	70002979	12	Filter, Oil (GM Engines)	
	70003178	1	Module, Control (GM Engines)	
		Ref	ENGINE COMPONENTS - KUBOTA	
	70005296	12	Element (Kubota Engines - Fuel/Water Separator)	
	7015004	12	Element, Air Cleaner (Kubota Engines)	
	1001190545	12	Filter, Fuel (Kubota Engines)	
	70004395	12	Filter, Oil (Kubota Engines)	
	70002812	12	Hydraulic Breather/Filter Kit	
	2860030	1	Key, Replacement	
	2940074	1	Latch (Machines with Platform Gate)	
	1001120431	1	Module, Ground Control	
	1001142683	1	Module, Beacon Control Blue & Red Beacons)	
	1001118412	1	Module, Platform	
	3740080	1	Relay (Head/Tail Lights and Turntable Floodlights)	
	1001186431	1	Relay (SkyGuard)	
	1001117025	1	Relay and Connector Assembly (Chassis & Engine & Generator Harnesses)	
	3740086	1	Relay (SkyLine)	
	1001219601	1	Sensor (Tilt Dual Axis CAN)	
	1001228225	1	Sensor, Emitter (SkyEye)	
	1001228224	1	Sensor, Receiver (SkyEye)	
	1001232667	1	Sensor, Proximity (SkyLine)	
	1001119170	1	Switch, Limit (Ground Components)	
	4360548	1	Switch, Limit (Boom)	
	4360328	1	Switch, Toggle (Ground Controls)	
	4360475	1	Switch, Emergency Stop (Ground Controls)	

SECTION 10 - RECOMMENDED SERVICE PARTS STOCK

ITEM	PART NUMBER	QTY	DESCRIPTION	REV
	1001274559	1	Switch, Emergency Stop (Platform Controls)	
	4360476	1	Switch, Contact Block, (Ground & Platform Controls)	
	4360387	1	Switch, Push Button (Ground & Platform Controls)	
	4360469	1	Switch, Key (Ground Controls)	
	4360522	1	Switch, Push Button (Head/Tail Lights and Turntable Floodlights) (Ground Controls)	
	4360336	1	Switch, Toggle (Machines with Generator & All Gas Powered Machines)	
	1001117174	1	Footswitch Assembly (Platform)	
	1001155045	1	Switch, Toggle (Platform Controls)	
	1001159256	1	Switch, Toggle (Platform Controls)	
	1001161709	1	Switch, Toggle (Platform Controls)	
	4360407	1	Switch, Potentiometer (Platform Controls)	
	1001137673	1	Switch, SkyGuard Bar (Platform Controls)	
	70004682	1	Switch, On/Off/Reset (4000W Generator)	

SECTION 11 - SPECIAL OPTIONS/ACCESSORIES/KITS

SECTION 11 - SPECIAL OPTIONS/ACCESSORIES/KITS

SECTION 11 - SPECIAL OPTIONS/ACCESSORIES/KITS

FIGURE 11-1. SPECIAL OPTIONS/ACCESSORIES/KITS

ITEM	PART NUMBER	QTY	DESCRIPTION	REV
		Ref	Note: This list is to accommodate machines ordered with special equipment. Options may not be applicable to all models. For more specific parts information contact JLG Parts Department.	
		Ref	MISCELLANEOUS SPECIAL OPTIONS	
		Ref	Air Line at Platform Installations	
	1001119028	Ref	Machines without Arctic Package	
	1001119378	Ref	Machines with Arctic Package	
	1001119803	Ref	Bellows Installations	
	1001148971	Ref	Bolt-on Lanyard Kit (Platform)	
	1001119962	Ref	Boom Wiper Installation	
	1001172045	Ref	Cable/Ladder Rack Installation	
		Ref	ClearSky Telematic Add-on Kits (Dealer Installed)	
	1001144010	Ref	ClearSky Add-on Kit - Gold (With UGM) (USA and Canada Specs Only)	
	1001118234	Ref	ClearSky Add-on Kit - Bronze (Without Non-ADE/UGM) (USA Specs Only)	
	1001118235	Ref	ClearSky Add-on Kit - Bronze (Without Non-ADE/UGM) (Canada Specs Only)	
	1001276923	Ref	ClearSky GT1030 Add-on Kit (Dealer Installed)	
	1001242192	Ref	ClearSky (Telematics) Access Control Add-on Kit (Dealer Installed) (ANSI, ANSI Export and CSA Specs)	
	1001243183	Ref	ClearSky (Telematics) Added-on Kit (Dealer Installed) (ANSI, ANSI Export and CSA Specs)	
	1001243184	Ref	ClearSky (Telematics) Added-on Kit (Dealer Installed) (CE & UK CA Specs)	
	1001246142	Ref	ClearSky (Telematics) Added-on Kit (Dealer Installed) (Australian Specs)	
		Ref	ClearSky Telematic Installation (Factory Installed)	
	1001227454	Ref	ClearSky (Telematics) Installation (Factory Installed) - Canbus Connection (ANSI and CSA Specs)	
	1001228956	Ref	ClearSky (Telematics) Installation (Factory Installed) - Canbus Connection (ANSI Export, CE & UK CA Specs)	
	1001276610	Ref	ClearSky (Telematics) Installation (Factory Installed) - 3 Wire Connection (All Specs except Australian & China Specs)	
	1001246486	Ref	ClearSky (Telematics) Installation (Factory Installed) - 3 Wire Connection (Australian Specs)	
	1001246487	Ref	ClearSky (Telematics) Installation (Factory Installed) - 3 Wire Connection (China Specs)	
	1001294762	1	Decal - ClearSky	
	1001262959	Ref	ClearSky Voltage Regulator Installation Kit	
		Ref	Cold Weather Start Kits (Not Available on Australian, CE & UK CA Spec Machines)	
	1001119989	Ref	Diesel Engine Machines	
	1001119987	Ref	Gas Engine Machines	
	1001276007	Ref	Controller Service Kit - Drive/Steer	
	1001276008	Ref	Controller Service Kit - Lift/Swing	
	1001119397	Ref	Cribbing Switch Installation	
		Ref	Decal Kit Options:	
	1001270523	Ref	Decal Kit - Machine	
	1001241332	Ref	Decal Kit - (Service) Platform	
	1001241338	Ref	Decal Kit - (Service) Platform Console Kit	
	1001138005	Ref	Engine Air Flow Improvement Kit - GM Engines	

SECTION 11 - SPECIAL OPTIONS/ACCESSORIES/KITS

ITEM	PART NUMBER	QTY	DESCRIPTION	REV
	1001119988	Ref	Engine Block Heater Installation (Gas Engine Machines)	
	1001186578	Ref	Fan Guard (Kubota Engines)	
		Ref	Filter Kits:	
		Ref	Combined Filter Kit (Hydraulic/Air and Fuel/Engine Oil)	
	1001133070	1	Kubota Engines	
	1001151649	1	GM Engines	
	1001117294	Ref	Foot Switch Shield	
	1001209659	Ref	Fuel Cap Cover (Lockable) (Black)	
	1001209658	Ref	Fuel Cap Cover (Lockable) (Green)	
	1001205441	Ref	Fuel Cap Cover (Lockable) (Red)	
	1001120103	Ref	Ground Control Cover Installation	
	1001120197	Ref	Hourmeter for Generator Installation	
	1001157918	Ref	Hourmeter for Generator Installation (Kubota Engines Only)	
		Ref	Hose Kits	
	1001239566	Ref	Hose Kits - Platform Valve	
	1001239565	Ref	Hose Kits - Power-Track (Upper)	
	1001241392	Ref	Hostile Environment Kit	
	1001236951	Ref	Low Temperature Cutout Installation (Russian Specs)	
	1001272166	Ref	Pipe Rack Add-on Kit (Dealer Installed)	
	1001195304	Ref	Platform Console Cover Installation	
	1580013	Ref	Platform Corner Storage Tray	
	1001274833	Ref	Platform Floor Matt Add-on Kit (30IN x 48IN Platform) (Dealer Installed)	
	1001274832	Ref	Platform Floor Matt Add-on Kit (30IN x 60IN Platform) (Dealer Installed)	
		Ref	Platform Mesh to Top Rail Installations (Side Entry Platforms) (ANSI, ANSI Export and China Specs)	
	0273147	Ref	30in x 4ft (76cm x 1.22m)	
	0273146	Ref	30in x 5ft (76cm x 1.52m)	
		Ref	Platform Plastic Mesh to Top Rail Installations (Side Entry Platforms) (ANSI, ANSI Export and CSA Specs)	
	1001266807	Ref	30in x 4ft (76cm x 1.22m)	
	1001266801	Ref	30in x 5ft (76cm x 1.52m)	
		Ref	Platform Mesh to Mid Rail Installations (Side Entry Platforms) (ANSI, ANSI Export, Australian and China Specs)	
	1001140318	Ref	30in x 4ft (76cm x 1.22m)	
	1001140315	Ref	30in x 5ft (76cm x 1.52m)	
		Ref	Platform Plastic Mesh to Mid Rail Installations (Side Entry Platforms) (ANSI, ANSI Export, and Australian Specs)	
	1001266969	Ref	30in x 4ft (76cm x 1.22m)	
	1001266799	Ref	30in x 5ft (76cm x 1.52m)	
	1001103558	Ref	Platform Rail Extension Installation (30in x 60in Platforms)	
	1001103617	Ref	Platform Rail Extension Installation (30in x 48in Platforms)	
	1001250035	Ref	Platform Sensor Retrofit Kit	
	1001209059	Ref	Platform Work Surface	
	1001282215	Ref	Platform Worklight Kit	
	1001120176	Ref	Security Lock (Programmable) (ANSI, CE & UK CA Specs)	
	1001190900	Ref	Service Kits/ Tools	O
	1001241547	Ref	SkyEye Housing Kit (Left Side)	
	1001241548	Ref	SkyEye Housing Kit (Right Side)	
	1001247073	Ref	SkyEye Retrofit kit	
		Ref	SkyGuard Components Options:	
	1001207138	Ref	SkyGuard Complete Add-on Kit (Blue Strobe Light)	

SECTION 11 - SPECIAL OPTIONS/ACCESSORIES/KITS

ITEM	PART NUMBER	QTY	DESCRIPTION	REV
	1001210035	Ref	SkyGuard Complete Add-on Kit (Red Strobe Light)	
	1001219694	Ref	SkyGuard Platform System Kit	
	1001149565	Ref	SkyGuard Platform Sensor Kit	
	1001207140	Ref	SkyGuard Strobe Light Kit (Blue)	
	1001210034	Ref	SkyGuard Strobe Light Kit (Red)	
	1001250595	Ref	SkyGuard 6-Pin Retrofit Installation Kit	
	1001249052	Ref	SkyGuard Retrofit Kit (Dealer Installed)	
	1001232643	Ref	SkyLine Add-on Kit (Dealer Installed)	
	1001289831	Ref	SkySense Level 1 Installation	
	1001289832	Ref	SkySense Level 2 Installation	
	1001228588	1	Telematics (Customer Supplied) Gateway	
	1001284514	1	Telematics (Customer Supplied) Gateway+	
		Ref	Tools for Service	
		Ref	Note: For cylinder repair tools, see individual cylinder assemblies.	
	1001249695	Ref	Analyzer and Cable Kit	
	1001249941	Ref	Analyzer and Cable Kit (Battery Powered)	
	1001160531	Ref	Turntable Bearing Kit	
	1001274249	Ref	USB Charger Add-on Kit (Dealer Installed)	
	1001188446	Ref	Wear Pad kit - Boom	
	1001270755	Ref	White Noise Alarm (Ambient) Add-on Kit (Dealer Installed)	
	1001270716	Ref	White Noise Alarm (Constant) Add-on Kit (Dealer Installed)	
	1001277838	Ref	UGM2 Retrofit Kit	

SECTION 11 - SPECIAL OPTIONS/ACCESSORIES/KITS

PART NUMBER INDEX

SECTION 11 - SPECIAL OPTIONS/ACCESSORIES/KITS

0060044.....229, 233	0700408 ... 337, 339, 343, 345, 347, 349, 351, 353, 355, 357, 359	0760812 ... 136, 160, 164, 213, 217, 227, 373	1001097150.....405
0100009.....267, 271	0700510 317, 327	0760814 43, 136, 140, 144, 148, 152	1001097244.....263, 265, 279, 475
0100011....15, 17, 19, 23, 41, 47, 57, 59, 67, 69, 85, 87, 99, 101, 104, 108, 129, 131, 133, 136, 140, 144, 148, 152, 155, 157, 160, 164, 185, 189, 193, 197, 201, 205, 209, 213, 217, 221, 223, 225, 227, 237, 239, 241, 243, 255, 257, 259, 283, 285, 375, 379, 383, 387, 391, 395, 413	0700608 47	0760815 ... 160, 164, 213, 217	1001097588..... 129, 131
0100019.....23, 51	0700610 265, 317, 327	0760816 67, 69	1001098122.....277, 459
010002063, 65, 129, 131, 140, 144, 148, 152, 218, 277, 339, 345, 349, 353, 357, 359	0700615 91, 93	0760817 136, 160, 164	1001098828.....237, 239
0100035.....267, 271, 275	0700618 ... 337, 343, 347, 351, 355	0761007 241	1001100321..... 185, 193, 201, 209
010004867, 69, 129, 131, 140, 144, 148, 152, 160, 164	0700620 47	0761009 104, 108	1001100341.....461
0100051 129, 131	0700621 136	0761010 15, 47, 225	1001100342.....463
0100081....111, 113, 375, 379, 383, 387, 391, 395	0700818 229, 231	0761011 ... 104, 108, 221, 223	1001100345.....469
0140011267, 271	0700820 ... 375, 379, 383, 387, 391, 395	0761012 ... 57, 59, 67, 69, 104, 108, 221, 223, 316, 326, 373, 375, 379, 383, 387, 391, 395	1001100346.....473
0140043.....67, 69	0700829 ... 375, 379, 383, 387, 391, 395	0761014 . 17, 23, 47, 136, 160, 164, 221, 223, 237, 239, 383, 387, 391, 395	1001100347.....471
0273146.....525	0701012 ... 185, 189, 193, 197, 201, 205, 209	0761015 23, 221, 223, 225, 263, 265	1001100825..... 160, 164, 175
0273147.....525	0701015 136, 160, 164	0761016 ... 129, 131, 137, 140, 144, 148, 152	1001102987.....47
0275216.....337, 461	0701016 57, 59	0761018 160, 164	1001103012.....495
0275217343, 463	0701017 160, 164	0761210 104, 108, 225	1001103558.....525
0275218.....465	0701018 ... 104, 108, 185, 189, 193, 197, 201, 205, 209, 229, 231	0761212 221, 223, 225	1001103617.....525
0275219.....467	0701020 229, 231	076121457, 59, 129, 131, 140, 144, 148, 152, 225	1001104498.....495
0275452.....347, 469	0701022 57, 59	0761215 ... 221, 223, 237, 239	1001106736.....67, 69
0275453.....351, 471	0701027 225	0761217 ... 129, 131, 140, 148	1001106757..... 375, 379, 383, 387, 391, 395
0275454.....355, 473	0701219 ... 185, 189, 193, 197, 201, 205, 209	0761614 17	1001107152.....375, 379, 383, 387, 391, 395
0340045.... 136, 160, 164	0701220 15	0761615 225	1001107781.....51, 53
0361810.....83	0701221 ... 136, 160, 164	0762014 99, 101	1001107854.....495
0400075.....83	0701222 165	0840055 453	1001108290.....227
0440271..... 15	0711227 227	0860038 218, 335, 341	1001108923.....517
0440274..... 15	0711426 51	0860520 ... 499, 501, 503, 505, 507, 509, 511, 513, 515	1001109477.....427, 429, 520
0440291.....15	0711432 51	0861731 ... 349, 353, 357, 359, 469, 471, 473	1001109503..... 73, 77
0630518.....79, 275	0721004 63, 65	0861781 ... 339, 345, 461, 463	1001109528..... 221, 223
0630568.....267, 271	0741607 213, 217	0861880 405	1001110434.....268, 272
0641404.....285	0760505 . 67, 69, 99, 101, 185, 189, 193, 197, 201, 205, 209	0902888 217	1001110613.....517
0641405.....267, 271, 285	0760508 ... 104, 108, 111, 113	0940048 225	1001110873.....218, 335
0641406.....261	0760605 ... 376, 380, 383, 387, 391, 395	0961845 255, 257, 259	1001110922.....23
0641408.... 160, 164, 214	0760606 ... 129, 131, 186, 190, 194, 198, 202, 206, 210, 237, 239	0961947 233, 235	1001112551.....501
0641412.....161, 165	0760607 ... 160, 164, 213, 217	0961948 ... 225, 227, 297, 299	1001112607.....221, 223
0641414....267, 271, 283	076060867, 69, 104, 108, 111, 113, 136, 140, 144, 148, 152, 160, 164, 375, 379	0961950 17	1001112612.....445, 487
0641416....339, 345, 349, 353, 357, 359	0760610 ... 83, 85, 87, 99, 101, 111, 136, 160, 164, 237, 239, 263, 333, 337, 343, 347, 351, 355, 403, 499, 501, 503, 505, 507, 509, 511, 513, 515	0961951 ... 229, 231, 293, 295, 301	1001112796.....487
0641418.....255, 259	076061267, 69, 104, 108, 123, 125, 136, 160, 164, 185, 189, 193, 197, 201, 205, 209	0962140 15	1001113166.....511
0641420.....257	0760614 263, 265	0962224 225	1001113168.....507
0641506.... 185, 189, 193, 197, 201, 205, 209	076062167, 69, 375, 379, 383, 387, 391, 395	0962257 233, 235	1001113169.....509
0641516.....217		0962259 225	1001113170.....503
0641605.....47		0962292 229, 231	1001113171.....515
0641609.... 136, 160, 164		0962449 399	1001113509.....513
0641618.....213, 217		0962520 213, 217	1001113680.....503
0641807.....136		1001091102 97	1001113961.....446
0641813.... 133, 155, 157		1001094670 229, 231	1001114761.....47
0651414.....161, 165		1001096070 213	1001115649.....225
0681608.....237, 239		1001097051 481	1001115650.....225
			1001115657.....225
			1001115661.....225
			1001115663.....225
			1001115669.....225
			1001115672.....221, 223, 225
			1001115766.....221
			1001115769.....57
			1001115770.....23
			1001115771.....15
			1001115772.....17
			1001115773.....35
			1001115780... 19, 47, 243
			1001115781.....41
			1001115783.....505

SECTION 11 - SPECIAL OPTIONS/ACCESSORIES/KITS

1001115784 375	1001117885..... 221, 223, 227	1001118658.....415	1001119280 83
1001115785 316	1001117897..... 57, 63	1001118660.....37	1001119324 316, 326
1001115870 225	1001118029..... 19, 21	1001118665.....225	1001119365 316, 326
1001116208 517	1001118234.....524	1001118666.....225	1001119369 231, 235
1001116228 243, 245	1001118235.....524	1001118675..... 161, 165	1001119370 223, 231
1001116339 57, 59, 61	1001118262..... 63, 65	1001118720..... 190, 194, 206, 210	1001119371 223
1001116361 17, 291	1001118274.. 41, 43, 227, 243, 375, 379, 383, 387, 391, 395	1001118743.....415	1001119378 524
1001116378 291	1001118280..... 137, 160, 164	1001118744.....415	1001119397 524
1001116433 375, 379, 383, 387, 391, 395	1001118287.....227	1001118745.....415	1001119399 81
1001116487 47, 49	1001118288.....227	1001118746..... 137, 161, 165	1001119404 316, 326
1001116546 225	1001118292..... 375, 379, 383, 387, 391, 395, 399	1001118748.....415	1001119449 316, 326
1001116547 225	1001118361..... 104, 108, 113	1001118751.....47	1001119455 316, 326
1001116548 225	1001118384.....483	1001118755.....161, 165	1001119459 517
1001116549 225	1001118388..... 449, 483	1001118878..... 161, 165	1001119489 316, 326
1001116720 449	1001118394..... 229, 231	1001118915.....41	1001119494 137
1001116727 407, 419, 423, 455	1001118412.....267, 271, 520	1001118916.....41	1001119495 137
1001116732 407, 411, 415, 419, 445, 455	1001118453..... 137, 160, 164	1001118925..... 161, 165	1001119496 137
1001116734 407, 411, 415, 419, 455	1001118459..... 104, 108	1001118938.....415	1001119504 241
1001116752 415	1001118502..... 57, 59	1001118961.....51	1001119513 241
1001116774 487	1001118509..... 57, 59	1001118961.....51	1001119525 316, 326
1001116788 15, 303	1001118510..... 57, 59	1001118975.....43	1001119527 ... 57, 59, 67, 69, 241
1001116793 23, 27	1001118511..... 17	1001119018.....375, 383, 391, 437	1001119546 316, 326
1001116808 487	1001118518..... 17	1001119019.....375, 383, 391, 441	1001119547 316, 326
1001116810 445	1001118519..... 17	1001119020.....446, 459, 487	1001119548 316
1001116811 407, 455	1001118527..... 160, 164	1001119028.....524	1001119550 317
1001116812 407, 445, 455	1001118528..... 160, 164	1001119035.....316, 326	1001119551 185, 189, 193, 197, 201, 205, 209
1001116815 446	1001118529..... 160, 164	1001119035.....316, 326	1001119552 317
1001116835 243	1001118530..... 160, 165	1001119068.....316, 326	1001119553 185, 189, 193, 197, 201, 205, 209
1001116867 15	1001118531..... 161, 165	1001119070.....316, 326	1001119554 185, 189, 193, 197, 201, 205, 209
1001116871 15	1001118532..... 161, 165	1001119071.....316, 326	1001119568 317
1001116905 316, 326	1001118538..... 161, 165	1001119072..... 104, 108	1001119569 317
1001117025 407, 411, 415, 419, 455, 520	1001118539..... 161, 165	1001119077 111	1001119570 317
1001117028 133, 155, 157, 179	1001118540..... 161, 165	1001119080..... 104, 108	1001119572 317, 327
1001117029 133, 155, 157, 183	1001118542..... 161, 165	1001119083..... 104, 108	1001119577 317, 327
1001117030 23, 25	1001118543..... 161, 165	1001119086.....111	1001119578 499, 501, 503, 505, 507, 509, 511, 513, 515
1001117055 415	1001118547..... 161, 165	1001119087.....111	1001119582 205
1001117070 415	1001118548..... 140, 144, 148, 152	1001119088..... 111	1001119583 189
1001117078 445	1001118579..... 161, 165	1001119089.....113	1001119584 209
1001117129 35, 37	1001118580..... 161, 165	1001119090.....113	1001119585 193
1001117131 35	1001118592..... 375, 379, 383, 387, 391, 395	1001119091..... 113	1001119586 197, 205
1001117132 35	1001118593..... 375, 379, 383, 387, 391, 395	1001119092..... 104, 108	1001119587 189
1001117142 15	1001118594..... 137, 161, 165	1001119099..... 113	1001119588 201, 209
1001117172 263, 265, 277	1001118595.....243	1001119099..... 113	1001119589 185, 193
1001117174 263, 265, 267, 271, 277, 521	1001118638..... 161, 165, 415	1001119102.....59	1001119593 317, 327
1001117239 104, 108	1001118641.....31	1001119104..... 104, 108	1001119594 317, 327
1001117240 83	1001118642.....37	1001119139.....367, 375, 383	1001119595 317, 327
1001117243 104, 108	1001118644.....33	1001119140.....361, 375, 383	1001119596 317, 327
1001117281 111, 113	1001118646..... 129, 131, 140, 144, 148, 152	1001119143.....316, 326	1001119597 317, 327
1001117282 104, 108	1001118649.....31	1001119170..67, 69, 451, 520	1001119598 317, 327
1001117294 525	1001118650.....37	1001119176...67, 69, 451	1001119599 317, 327
1001117365 291	1001118651.....37	1001119194.....375, 383, 391	1001119600 317, 327
1001117366 291	1001118654.....33	1001119195.....379, 387, 395	1001119602 317, 327
1001117372 291	1001118657.....415	1001119197.....375, 379, 383, 387, 391, 395	1001119603 317, 327
1001117640 221, 223, 297		1001119228.....376, 380, 383, 387, 391, 395	1001119604 317, 327
1001117869 17		1001119237316, 326	1001119605 317, 327
1001117884 221, 229		1001119268.....89	1001119606 317, 327
		100111927783	1001119607 317, 327
		1001119278.....83	1001119608 317, 327
			1001119610 317, 327
			1001119611 317, 327
			1001119612 317, 327
			1001119613 317, 327

SECTION 11 - SPECIAL OPTIONS/ACCESSORIES/KITS

1001119619.....479	1001119962..... 524	1001123004 229, 231, 295	1001140429.....255, 257, 259
1001119620.....477, 481	1001119981 499, 501, 503, 505, 507, 509, 511, 513, 515	1001123018 137, 161, 165	1001140524.....376, 380, 384, 388, 392, 396, 401
1001119626.....317, 327	1001119987 524	1001125108 317, 327	1001140525.....268, 271, 491
1001119627.....317, 327	1001119988 525	1001125118 186, 190, 194, 198, 202, 206, 210	1001141300.....517
1001119630.....317, 327	1001119989 524	1001125235 221, 223	1001141710.....67, 69
1001119633.....189, 197, 205	1001120002 499	1001125249 317, 327	1001141967.....465, 467
1001119634.....185, 193, 201, 209	1001120003 501	1001125291 67, 69	1001141968.....465
1001119635.....137	1001120004 509	1001126009 483	1001141969.....467
1001119636.....137	1001120007 161, 165	1001127115 47	1001141970.....467
1001119640.....137	1001120013 175	1001127549 499, 501, 503, 505, 507, 509, 511, 513, 515	1001141971.....465
1001119641.....137	1001120087 129, 131, 137, 140, 144, 148, 152, 161, 165	1001127588 499, 501, 503, 505, 507, 509, 511, 513, 515	1001142683...91, 93, 520
1001119643.....137	1001120090 129, 131, 137, 140, 144, 148, 152, 161, 165	1001127703 317, 327	1001142736...91, 93, 487
1001119644.....137	1001120103 525	1001127705 317, 327	1001144010.....524
1001119649.....137	1001120176 525	1001128781 57, 59	1001144147.....445, 446
1001119661.....517	1001120197 525	1001128782 57, 59	1001144433.....283
1001119698.....137, 161, 165	1001120204 361, 363	1001128798 63	1001144629.....251, 253
1001119699.....137	1001120205 367, 369	1001128799 65	1001146824.....104, 108
1001119700.....137	1001120232 99	1001128801 129, 131	1001147141.....213
1001119701.....137	1001120279 511	1001128888 161, 165	1001147233.....213, 217
1001119727.....137	1001120280 513	1001128931 129, 131	1001147234.....213, 217
1001119730.....137	1001120281 507	1001128936 129, 131	1001147365.....137, 161, 165
1001119733.....501	1001120282 503	1001129043 65	1001147431.....213, 217
1001119773.....186, 190, 194, 198, 202, 206, 210, 419	1001120283 515	1001129255 129, 131	1001147436.....217
1001119778.....129, 131, 417	1001120287 99	1001129256 129, 131	1001147440.....111
1001119799.....417	1001120288 99, 101	1001129407 451	1001147441.....104, 108, 111
1001119803.....524	1001120299 99, 101, 411	1001129555 520	1001147470.....119, 144
1001119869.....335	1001120307 161	1001130492 517	1001147471.....121, 152
1001119870.....331	1001120328 283, 285	1001130588 333	1001147590.....104, 108
1001119871.....341	1001120371 453	1001131269 499, 509	1001147642.....137, 161, 165
1001119872.....347	1001120424 326	1001131968 365, 371	1001147643.....137, 161, 165
1001119873.....351	1001120425 327	1001133070 525	1001148254.....129, 131, 133
1001119874.....355	1001120426 327	1001136231 408, 456	1001148255.....123, 129
1001119875.....337	1001120427 327	1001136232 408, 415, 456	1001148256.....125, 131
1001119876.....343	1001120428 327	1001136244 243, 247	1001148660.....213
1001119881198, 202, 206, 210	1001120429 327	1001137326 137	1001148663.....217
1001119882.....186, 190, 194	1001120430 326	1001137327 137	1001148971.....524
1001119902.....129, 131	1001120431 520	1001137336 137	1001148975.....137
1001119919.....427, 433	1001120450 137, 161, 165	1001137337 123, 125	1001149144.....101
1001119920.....429, 435	1001120454 137	1001137367 129, 131	1001149147.....101
1001119921.....431	1001120466 287	1001137369 123, 125	1001149379.....161, 165
1001119922.....425	1001120474 287	1001137371 137	1001149565.....526
1001119923.....433	1001120476 287	1001137397 123, 125	1001150619.....213
1001119924.....431	1001120484 287	1001137398 137	1001151188.....175
1001119925.....425	1001120749 111	1001137399 137	1001151393.....81
1001119926.....435	1001120974 227, 305	1001137400 137	1001151649.....525
1001119927.....427	1001120976 221, 223, 301	1001137401 123, 125	1001152266.....493
1001119928.....429	1001120989 517	1001137402 123, 125	1001152457.....218
1001119929.....137, 190, 194, 206, 210, 213, 217	1001121172 407, 456	1001137451 111, 115, 117, 119, 121	1001153015.....51, 55
1001119930.....137	1001121221 317, 327	1001137452 115, 117, 119, 121	1001153364.....51
1001119937.....379	1001121531 161, 165	1001137673 283, 521	1001153814.....217
1001119953.....379, 387, 395, 439	1001121574 415	1001138005 524	1001154291.....387
1001119954.....379, 387, 395, 443	1001121672 33	1001138494 255, 257	1001155044.....267, 271
1001119955.....363, 379, 387	1001121678 31	1001138514 255, 257	1001155045.....267, 271, 521
1001119956.....369, 379, 387	1001121719 197	1001139654 517	1001155381.....391
	1001121720 185	1001140315 525	1001155382.....395
	1001121721 201	1001140318 525	1001155743.....67, 69
	1001121966 317, 327		1001156351.....388
	1001122527 225, 299		

SECTION 11 - SPECIAL OPTIONS/ACCESSORIES/KITS

1001156352 388	1001194197..... 349	1001225346..... 373	1001241392 525
1001156819 129, 131	1001194198..... 353	1001225580..... 283, 449	1001241400 79, 275
1001156823 129, 131	1001194200..... 357	1001225990..... 221, 223,	1001241547 525
1001157310 371, 391,	1001194203..... 339	293	1001241548 525
395	1001194204..... 345	1001226400..... 437, 439,	1001241965 285
1001157311 365, 391,	1001194365..... 359	441, 443	1001242192 524
395	1001194741..... 137	1001226530..... 373	1001242849 91
1001157915 213, 218,	1001195234..... 133, 136	1001226541..... 446	1001242850 93
423	1001195304..... 525	1001226831..... 95	1001243034 165
1001157916 213, 218,	1001196242..... 43	1001226872..... 259	1001243035 165
421	1001196636..... 493	1001227454..... 524	1001243183 524
1001157918 525	1001197408..... 517	1001227633..... 281	1001243184 524
1001159027 489	1001199306..... 295, 305	1001227634..... 281	1001244462 97
1001159256 267, 271,	1001199460..... 295	1001227985..... 281	1001244528 267, 271,
521	1001199461..... 305	1001227987..... 281	459
1001160531 55, 526	1001200472..... 47	1001227996..... 477, 481	1001245389 263, 265,
1001161433 115, 140	1001200491..... 237, 239	1001228215..... 259	267, 271
1001161434 117, 148	1001203719..... 67, 69	1001228224..... 281, 520	1001245407 263
1001161709 267, 271,	1001205441..... 525	1001228225..... 281, 520	1001245427 265
521	1001205958..... 349, 353,	1001228588..... 526	1001245868 499
1001166538 267	357	1001228627..... 237, 239	1001245869 509
1001166539 267	1001206476..... 373	1001228956..... 524	1001246142 524
1001168210 293	1001206532..... 268, 272	1001229341..... 281	1001246460 511
1001170764 493	1001206737..... 85	1001231153 225	1001246461 513
1001170981 161, 165	1001207138..... 525	1001231609..... 39	1001246462 507
1001171482 71, 75	1001207140..... 526	1001231610..... 39	1001246463 503
1001172045 524	1001208874..... 47	1001231801..... 517	1001246464 515
1001172663 237	1001209059..... 525	1001231886..... 85	1001246486 524
1001172760 267, 271	1001209658..... 525	1001232164..... 281	1001246487 524
1001173703 517	1001209659..... 525	1001232165..... 281	1001246859 445, 495
1001174486 129, 131	1001209664..... 283	1001232642..... 285	1001247073 525
1001176469 75, 77	1001210034..... 526	1001232643..... 526	1001247468 239
1001177156 129, 131	1001210035..... 526	1001232667..... 285, 520	1001249052 526
1001181045 405, 520	1001210636..... 279	1001236093..... 79	1001249695 526
1001182806 85	1001210829..... 47	1001236433..... 79	1001249941 526
1001184618 267, 271	1001211509..... 59, 65	1001236552..... 285	1001250035 525
1001184626 267, 271	1001212415..... 520	1001236816..... 99	1001250595 526
1001184682 87	1001213447..... 459	1001236951..... 525	1001253920 499
1001185030 17	1001213882..... 267, 271	1001237667..... 445, 459	1001253921 499
1001185281 267, 271	1001214030..... 517	1001237668..... 445, 459	1001253922 509
1001186375 255	1001214397..... 373	1001237862..... 477, 481	1001253923 509
1001186377 257	1001214570..... 373	1001237863..... 281, 481	1001253924 513
1001186386 253	1001214571..... 373	1001237864..... 281, 477	1001253925 513
1001186387 251	1001215228..... 267, 271	1001237865..... 281, 479	1001253926 507
1001186431 283, 520	1001215898..... 95	1001237878..... 373	1001253927 507
1001186432 449, 483	1001216630..... 237, 239	1001237879..... 373	1001253928 503
1001186517 283	1001217227..... 237, 239	1001237880..... 373	1001253929 503
1001186578 525	1001217228..... 237, 239	1001237881..... 373	1001253930 515
1001187674 281	1001217242..... 237, 239	1001237999..... 161, 165,	1001253931 515
1001187681 479	1001217243..... 237, 239	169	1001253932 511
1001187807 79, 275	1001217244..... 237, 239	1001238001..... 155, 160	1001253933 511
1001188093 407	1001217253..... 237, 239	1001238002..... 157, 164	1001254472 285
1001188322 403	1001217254..... 237, 239	1001238004..... 140, 148,	1001254473 285
1001188446 526	1001217267..... 237, 239	155	1001257690 399
1001188622 237, 239	1001219082..... 95	1001238005..... 144, 152,	1001262959 524
1001188844 237, 239	1001219601... 67, 69, 520	157	1001263178 87
1001190545 140, 144,	1001219694..... 526	1001238319..... 281	1001266040 71, 75
148, 152, 520	1001220187..... 108	1001238418..... 285, 483	1001266041 71, 73
1001190609 140, 144,	1001223055..... 499	1001238472..... 285	1001266043 75, 77
148, 152, 177	1001223453..... 499, 509	1001238495..... 283	1001266044 67, 71, 73
1001190663 85, 87	1001223971..... 509	1001238559..... 285	1001266045 69, 75, 77
1001190900 525	1001224048..... 513	1001238749..... 79	1001266799 525
1001190985 237, 239	1001224049..... 515	1001239565..... 525	1001266801 525
1001192401 446	1001224050..... 507	1001239566..... 525	1001266807 525
1001193018 337, 339,	1001224052..... 503	1001239804..... 39	1001266969 525
343, 345, 347, 349,	1001224053..... 511	1001241332..... 524	
351, 353, 355, 357, 359	1001224891..... 241	1001241338..... 524	

SECTION 11 - SPECIAL OPTIONS/ACCESSORIES/KITS

1001267323.....499, 501, 503, 505, 507, 509, 511, 513, 515	1001289832 526	1701499 ... 499, 501, 503, 505, 507, 509, 511, 513, 515	1703983.....515
1001270523.....524	1001289851 413	1701500 ... 499, 501, 503, 505, 507, 509, 511, 513, 515	1703984.....509
1001270594.....89	1001290257 173	1701504 ... 499, 501, 503, 505, 507, 509, 511, 513, 515	1703985.....503
1001270716.....526	1001290378 173	1701509 ... 499, 501, 503, 505, 507, 509, 511, 513, 515	1704000.....509
1001270755.....526	1001290381 173	1701505 57	1704001.....515
1001271212.....227	1001290384 173	1701509 ... 499, 501, 503, 505, 507, 509, 511, 513, 515	1704002.....503
1001271234.....227	1001290385 173	1701517 501, 505	1704260.....267, 271
1001271497459	1001291530 .. 67, 69, 493	1701518 501, 505	1704271.....517
1001271794.....67, 69	1001291852 173	1701529 ... 499, 501, 503, 505, 507, 509, 511, 513, 515	1704277....499, 501, 503, 505, 507, 509, 511, 513, 515
1001272166.....525	1001294762 517, 524	1701542 59	1704412....499, 501, 503, 505, 507, 509, 511, 513, 515
1001272533.....39	1001294815 517	1701543 43	1704885.....517
1001272666.....161, 165	1001295066 173	1701642 ... 499, 501, 503, 505, 507, 509, 511, 513, 515	1704972.....517
100127268191	1001297092 173	1702300 ... 499, 501, 503, 505, 507, 509, 511, 513, 515	1705170.....99, 101
100127268293	1001297093 173	1702391 499	1705325.....337, 339
1001272948.....161, 165	1001297094 173	1702565 267, 271	1705344.....511
1001272950.....161, 165	1001299465 173	1702566 267, 271	1705345.....513
1001273101161, 166	1001299466 173	1702567 267, 271	1705347.....509
1001274140.....161, 165	1001299467 173	1702773 517	1705348.....507
1001274249.....526	1001299468 173	1702774 517	1705349.....503
1001274559.....267, 271, 521	1001299470 173	1702860 517	1705351.....499
1001274814.....475	1001299890 173	1702868 499	1705387.....217
1001274828.....279	1001307236 499, 501, 503, 505, 507, 509, 511, 513, 515	1703162 ... 136, 160, 164	1705426.....511
1001274832.....525	1060908 405	1703797 499	1705427.....513
1001274833.....525	1060918 263, 265, 277	1703798 499	1705429.....509
1001275628.....271	10837580 49, 305	1703804 499	1705430.....507
1001275629.....271	1320012 136, 160, 164	1703805 499	1705489.....213
1001275629.....271	1320016 136	1703923 515	1705822.....501, 505
1001276007524	1320022 ... 129, 131, 136, 140, 144, 148, 152	1703924 509	1705828.....501, 505
1001276008524	1320026 129, 131	1703925 507	1705910.....515
1001276143 ...67, 69, 495	1320041 379	1703926 511	1705917.....515
1001276610.....524	1320043 ... 140, 144, 148, 152, 333, 337, 343, 347, 351, 355, 375, 403, 425, 431	1703927 513	1705921.....501, 505
1001276923524	1320130 ... 375, 379, 383, 387, 391, 395	1703928 503	1705961.....501, 505
1001277838.....526	1320136 99, 101, 237, 239	1703935 515	1705968.....507
1001280340.....67, 69	1320220 43	1703936 509	1705978.....501, 505
1001280406.....73, 77	1320223 83, 136, 160, 164, 373	1703937 507	1706059.....517
1001280661413	1320263 383, 387	1703938 511	1706060.....517
1001281298173	1320274 ... 140, 144, 148, 152	1703939 513	1706061.....517
1001281301173	1321283 129, 131	1703940 503	1706062.....517
1001281307173	1321293 67, 69	1703941 515	1706063.....517
1001281359173	1321682 136, 160, 164	1703942 509	1706064.....517
1001281360173	132171667, 69, 136, 160, 164, 316, 326	1703943 507	1706098.....517
1001281656173	1340069 137, 160, 164	1703944 511	2080040....111, 115, 117, 119, 121, 123, 125, 251, 253, 287
1001282215525	1380136 47	1703945 513	2080057....499, 501, 503, 505, 507, 509, 511, 513, 515
1001282260.....95	1580011 136	1703946 503	2110808.....316, 326
1001283776.....89, 485	1580012 261	1703947 515	2110810.....317, 327
100128444367	1580013 525	1703948 509	2131216.....316, 326
100128444469	1670603 359	1703949 507	2180348....129, 131, 140, 144, 148, 152
1001284514.....95, 526	1670899 ... 375, 379, 383, 387, 391, 395	1703950 511	2180387.....43
1001284582.....275	1671092 ... 376, 380, 384, 392, 396	1703951 513	2180389.....43
1001284583.....275	1671093 ... 376, 380, 384, 392, 396	1703952 503	2180504.....43
1001284677499, 501, 503, 505, 507, 509, 511, 513, 515	1700818 517	1703953 499	2180666....140, 144, 148, 152
1001285733.....91, 93		1703980 511	2220124.....51
1001285892.....97		1703981 513	2220290.....43
1001286091 ...67, 69, 445		1703982 507	2220365.....316, 326
1001286171 ...67, 69, 455			2220366.....316, 326
1001286584 89, 413			2220371 316, 326
1001286749 104, 108			
1001287192.....97			
1001289648413			
1001289742.....499, 501, 503, 505, 507, 509, 511, 513, 515			
1001289831526			

SECTION 11 - SPECIAL OPTIONS/ACCESSORIES/KITS

2220373 316, 326	3251102 ... 185, 189, 193,	3311005.....101, 217, 287	3960464 ... 129, 131, 136,
2220374 316, 326	197, 201, 205, 209,	3311405....160, 164, 214,	140, 144, 148, 152,
2220415 316, 326	213, 217	285, 339, 345, 349,	160, 164
2220451 316, 326	3251242 ... 345, 349, 353,	353, 357, 359	3990010 455, 520
2220466 316, 326	357, 359	3311501.....229, 231	4010618 255, 257
2220468 316, 326	3251243 217, 331, 335	3311508.....217	4031505 281
2220472 316, 326	3251813 517	3311601.....267, 271, 285	4031507 97, 413
2220473 316, 326	3252347 499	3311605.....136, 160, 164	4031509 89, 91, 93
2220499 316, 326	3252507 ... 333, 341, 343,	3321401.....161, 165	4031510... 375, 379, 383,
2220500 317, 327	347, 351, 355, 403	3321402.....160, 164	387, 391, 395
2220501 316, 326	3290405 ... 67, 69, 89, 91,	3340758.....225	403151267, 69, 375, 379,
2220502 316, 326	93, 97, 263, 265, 279,	3340860.....229, 231	383, 387, 391, 395
2220507 316, 326	337, 339, 343, 345,	3340901....376, 380, 384,	4031516 285
2220582 316, 326	347, 349, 351, 353,	388, 392, 396	4031707 160, 164
2220605 317, 327	355, 357, 359, 375,	3340939....375, 379, 383,	4060092 341
2220635 317, 327	379, 383, 387, 391,	387, 391, 395	4060802... 185, 189, 193,
2220819 316, 326	395, 475	3380434.....263, 265	197, 201, 205, 209,
2220828 316, 326	3290505 95, 104, 108,	3422576.....221, 223	213, 217
2220881 291	111, 113, 185, 189,	3422582.....221, 223	4060804 237, 239
2220883 291, 293	193, 197, 201, 205,	3422709.....221, 223	4060805 237, 239
2220885 291	209, 213, 217	3422745.....227	4060808 ... 375, 379, 383,
2220940 317, 327	3290601 85, 87	3422787 225	387, 391, 395
2220947 316, 326	3290605 ... 47, 67, 69, 83,	3422788.....225	4070897 227
2221041 316, 326	99, 101, 104, 108, 111,	3422790.....221, 223	4070898 227
2221053 316, 326	113, 123, 125, 129,	3422791.....229, 231	4100066 317, 327
2221060 316, 326	131, 136, 140, 144,	3422792.....221, 223	4240018 ... 316, 326, 375,
2221086 316, 326	148, 152, 160, 164,	3422794.....229, 231	379, 383, 387, 391, 395
2400066 408, 455	185, 189, 193, 197,	3422814.....221, 223	4240032 ... 67, 69, 89, 91,
2420203 ... 189, 197, 205	201, 205, 209, 237,	3423081 15	93, 95, 99, 101
2460049 ... 189, 197, 205	239, 263, 265, 317,	3430616.....267, 271	4240033 99, 101, 129,
2540020 91, 93	327, 333, 337, 343,	3470003.....267, 271	131, 281, 283, 285
2540045 ... 140, 144, 148,	347, 351, 355, 375,	3520028....185, 189, 193,	4240099 ... 267, 271, 287
152	379, 383, 387, 391,	197, 201, 205, 209	4240156 ... 375, 379, 383,
2560122 47	395, 403, 499, 501,	3520030.....104, 113	387, 391, 395
2560136 267, 271	503, 505, 507, 509,	3520054.....267, 271	4360328 ... 71, 73, 75, 77,
2600281 251, 253	511, 513, 515	3520072....251, 253, 255,	520
2720058 ... 136, 140, 144,	3290606 255, 257	257, 259	4360336 ... 185, 189, 193,
148, 152	3290607 91, 93	3520198....251, 253, 255,	197, 201, 205, 209,
2720175 43	329080567, 69, 136, 140,	257, 259	213, 217, 265, 521
2720271 ... 136, 140, 144,	144, 148, 152, 229,	3572551.....229, 231	436038775, 77, 267, 271,
148, 152	231, 373, 375, 379,	3580317.....213, 217	521
2720615 136	383, 387, 391, 395	3580318.....217	4360407 ... 267, 271, 521
2820019 459	3290807 160, 164	3580319.....213	4360469 81, 521
2820030 451, 453	3291001 237, 239	3740080.....99, 101, 520	4360475 ... 71, 73, 75, 77,
2820031 ... 185, 189, 193,	3291005 ... 47, 57, 59, 67,	3740086.....483, 520	520
197, 201, 205, 209,	69, 83, 104, 108, 136,	3760115.....227	4360476 ... 71, 73, 75, 77,
213, 217, 376, 380,	160, 164, 185, 189,	3780182.....15	267, 271, 521
383, 387, 391, 395	193, 197, 201, 205,	3790012.....267, 271	4360522 99, 101, 521
2820118 ... 437, 439, 441,	209, 221, 223, 225,	3790152....133, 155, 157	4360548 ... 375, 379, 399,
443, 459	229, 231, 237, 239,	3820019.....47	520
2820247 477, 481	263, 265, 316, 326,	3820020.....251, 253	4400275 43
2860030 81, 520	373, 375, 379, 383,	3820032.....57, 59, 83	4400498 170
2900770 ... 233, 293, 295,	387, 391, 395	3841143....221, 223, 225,	4420051 517
305	3291201 237, 239	237, 239	4460019 411
2902549 ... 333, 337, 343,	3291205 ... 136, 160, 164,	3841203....221, 223, 225	4460042 415
347, 351, 355, 403, 405	185, 189, 193, 197,	3841258.....17, 225	4460043 415
2920110 101	201, 205, 209, 221,	3841520.....15	4460071 ... 218, 263, 265,
2920113 101	223, 237, 239	3900349.....267, 271	277, 335, 341
2920162 ... 185, 189, 193,	3291605 ... 129, 131, 140,	3910606.....218	4460121 ... 101, 333, 419
197, 201, 205, 209	144, 148, 152	3910804.....81	4460125 341
2940074 ... 251, 253, 520	3292001 89, 413	3911036.....101	4460134 427, 433
2940109 111, 113	3300106 ... 31, 33, 35, 37,	3931010.....287	4460142 415, 445
3020043 413	39	3931016.....217	4460205 ... 335, 427, 431,
3200378 136, 164	3300151 ... 255, 257, 259	3931408.....283	433
3200425 136	3300353 267, 271	3931832.....51	4460225 ... 419, 421, 459
	3300408 79	3960422....218, 335, 341	4460226 ... 263, 265, 277
	3300430 283		4460227 ... 407, 455, 459

SECTION 11 - SPECIAL OPTIONS/ACCESSORIES/KITS

4460233.....341	4460761 407, 455, 459	4461077 479, 483	347, 351, 355, 375,
4460234..67, 69, 95, 267, 271	4460806 ... 349, 353, 419, 445	4461095 415, 487	379, 403, 499, 501,
4460247.....415	4460836 407, 453, 455	4461109 415	503, 505, 507, 509,
4460256.....411, 415	4460837 407, 456	4461110 408, 455	511, 513, 515
4460259....423, 445, 459, 491	4460865 ... 375, 379, 383, 387, 391, 395, 437, 439, 441, 443	4461111 415	4811702.....83, 185, 189,
4460260....423, 445, 459, 491	4460866 ... 375, 379, 383, 387, 391, 395, 407, 455, 459	4461112 408, 417, 455	193, 197, 201, 205,
4460267.....419	4460868 445	4461113 ... 408, 415, 417, 455	209, 237, 239, 376,
4460268.....419, 421	4460871 85, 87, 407, 445, 446, 455, 459, 493, 495	4461157 407, 455	380, 383, 387, 391, 395
4460313.....417, 445	4460872 493	4461196 461	4811900.....43, 136, 140,
4460315.....335, 341	4460873 407, 455, 459	4461198 339, 461	144, 148, 152, 160,
4460346.....218, 335	4460874 407, 455, 459	4461199 463	164, 213, 217, 373,
4460384.....359	4460875 459, 493	4461201 345, 463	375, 379, 383, 387,
4460418.....445, 459	4460876 446	4461205 ... 465, 467, 469, 471	391, 395
4460419.....445, 459	4460877 445	4461222 ... 408, 415, 417, 455	4811902.....47, 227, 229, 231
4460428....267, 271, 287	4460878 407, 455	4461231 137, 161, 165	4812000 47, 83, 104, 108,
4460434.....459	4460879 459	4461232 137, 161, 165	129, 131, 136, 140,
4460445.....419	4460884 ... 407, 445, 449, 455, 493	4461244 349, 469	144, 148, 152, 160,
4460457.....423	4460887 407, 455, 459	4461245 353, 471	164, 185, 189, 193,
4460458.....455	4460888 459	4461246 357, 473	197, 201, 205, 209,
4460464....263, 265, 277, 287, 399, 407, 408, 441, 443, 445, 449, 451, 455, 456, 459, 483, 485, 487, 489, 491, 493	4460891 . 85, 87, 89, 399, 401, 407, 411, 415, 455, 487, 489, 493	4461249 473	213, 217, 221, 223,
4460465..85, 87, 89, 399, 401, 407, 411, 415, 419, 421, 423, 437, 439, 441, 443, 445, 449, 453, 455, 459, 487, 489, 491, 493	4460892 407, 456	4520605 35	225, 237, 239, 241,
4460466....267, 271, 281, 399, 401, 407, 415, 421, 423, 437, 439, 441, 443, 445, 446, 449, 453, 455, 456, 459, 479, 483, 485, 487, 491, 493	4460894 ... 399, 401, 407, 445, 455, 459	4640113 35, 37, 39	263, 265, 373, 375, 379, 383, 387, 391, 395
4460470.....267, 271	4460897 ... 408, 445, 485, 489	4640858 291	4812002.....57, 59, 243
4460471.....267, 271	4460899 ... 408, 449, 456, 479, 483, 491	4641284 317, 327	4812100.....15, 136, 160, 164, 237, 239
4460473....376, 380, 383, 387, 391, 395, 437, 439, 441, 443	4460905 ... 407, 445, 446, 455, 459, 493, 495	4711400 ... 161, 165, 214, 255, 257, 259, 283, 285, 339, 345, 349, 353, 357, 359	4812102 57, 59, 129, 131, 140, 144, 148, 152, 185, 189, 193, 197, 201, 205, 209
4460474.....411, 415	4460910 477	4711600 ... 213, 217, 267, 271	4812300.....104, 108
4460488.....91, 93	4460911 479	4711800 136	4812500....129, 131, 140, 144, 148, 152
4460496.....67, 69	4460928 487	4740086 15	4831400.....413
4460497.....67, 69	4460930 407, 445, 455	4740158 17	4846278.....229, 231
4460508....281, 407, 441, 443, 455, 456, 459, 491	4460931 485, 493	4740171 51	4891500....185, 189, 193, 197, 201, 205, 209
4460509....437, 439, 441, 443, 445	4460932 287, 407, 455	4740274 136, 160, 164	4891600....133, 155, 157, 237, 239
4460518.....487	4460933 ... 267, 271, 445, 453, 459, 487, 493	4740362 ... 123, 125, 136, 263, 265	4891800....133, 155, 157
4460536.....459	4460941 479	4740397 ... 185, 189, 193, 197, 201, 205, 209, 213, 217	4922641....185, 189, 193, 197, 201, 205, 209, 213, 217
4460539....445, 459, 493	4460942 281	4740537 15	4923463.....363, 369
4460662....347, 349, 353, 355, 357, 359	4460943 91, 93, 407, 445, 446, 455, 459, 479	4740538 15	4923505....361, 367, 425, 427, 429, 431, 433, 435
4460705.....419	4460944 ... 407, 415, 445, 453, 455, 459	4740540 15	5221000.....241
4460708.....459	4460945 407, 446, 456	4751000 101, 217, 287	5240600.....104, 108
4460709....384, 425, 429, 435	4460956 405	4751400 ... 261, 263, 265, 267, 271	5240800.....213, 217
4460710....384, 429, 435	4460957 405	4751500 217, 229, 231	5241000.....17, 23
4460742.....419, 423	4460962 365	4761400 261	5241200....227, 237, 239
4460743.....419	4460963 371	4791400 213, 217	5241400.....51
4460746.....415	4460967 423	4811400 ... 67, 69, 89, 91, 93, 263, 265, 279, 337, 339, 343, 345, 347, 349, 351, 353, 355, 357, 359, 375, 379, 383, 387, 391, 395, 413, 475	5241600.....23
	4460968 ... 337, 339, 343, 345, 351, 399	4811700 ... 47, 67, 69, 85, 87, 91, 93, 111, 113, 123, 125, 136, 160, 164, 255, 257, 317, 327, 333, 337, 343,	5250608.....136
	4460970 399, 459		5250808.....243
	4460972 419		5250810 41, 47, 243, 317, 327
	4460973 419		5250812.....136, 243
	4460974 419		5251008.....237, 239
	4460979 407, 455		5251010.....19, 221, 223, 227
	4461012 ... 263, 265, 475		5251012.....17, 129, 131, 140, 144, 148, 152, 227
	4461070 487		5251016.....237, 239
			5260800....375, 379, 383, 387, 391, 395

SECTION 11 - SPECIAL OPTIONS/ACCESSORIES/KITS

5281920 ... 375, 379, 383, 387, 391, 395	70002179 180	70002664 55	70002993 27
70000088 53	70002180 180	70002665 55	70002994 27
70000089 53	70002181 180	70002666 55	70002995 27
70000122 .. 189, 197, 205	70002185 180	70002667 55	70002996 27
70000123 . 185, 193, 201, 209	70002186 180	70002668 55	70002997 28
70000124 . 185, 193, 201, 209	70002187 180	70002669 55	70002998 28
70000125 . 185, 193, 201, 209	70002191 180	70002670 55	70002999 27
70000126 . 185, 193, 201, 209, 520	70002192 180	70002671 55	70003000 27
70000341 233	70002237 . 185, 189, 193, 197, 201, 205, 209, 520	7000281 28	70003005 25
70000681 55	70002238 . 185, 193, 201, 209	70002812 61, 520	70003006 25
70000781 21	70002240 . 189, 197, 205, 520	70002838 61	70003007 25
70001119 27	70002311 53	70002839 61	70003008 25
70001140 169	70002312 53	70002840 61	70003009 25
70001368 27	70002313 53	70002842 291	70003010 25
70001697 235	70002315 169	70002860 183	70003011 25
70001934 169	70002316 169	70002861 183	70003012 25
70001935 169	70002317 169	70002862 183	70003013 25
70001958 179	70002318 169	70002863 179	70003014 25
70001966 213, 217	70002319 169	70002864 180	70003016 25
70002063 21	70002320 169	70002865 180	70003060 169
70002112 61	70002321 169	70002866 180	70003061 169
70002132 179	70002322 169	70002867 180	70003062 169
70002133 179	70002323 169	70002868 180	70003063 169
70002134 179	70002327 170	70002899... 137, 161, 165	70003064 169
70002135 179	70002328 170	70002901 177	70003066 170
70002136 180	70002330 170	70002902... 263, 265, 277	70003067 170
70002137 179	70002334 .. 295, 297, 299	70002903... 263, 265, 277	70003068 . 197, 201, 205, 209
70002138 179	70002335 . 293, 295, 297, 299, 301, 305	70002904... 263, 265, 277	70003069 . 185, 189, 193, 197, 201, 205, 209
70002139 179	70002337 299, 303	70002905... 263, 265, 277	70003070 .. 185, 189, 193
70002140 179	70002344 297	70002954 247	70003071 299
70002141 179	70002352 301, 305	70002955 21	70003072 299
70002142 179	70002354 301	70002956 21	70003073 299
70002145 180	70002364 305	70002957 21	70003074 299
70002146 180	70002366 .. 293, 301, 305	70002958 21	70003075 299
70002147 179	70002372 295	70002959 21	70003076 .. 295, 297, 299
70002148 179	70002373 295	70002960 21	70003077 299, 303
70002149 180, 520	70002375 295	70002961 21	70003078 299, 303
70002150 179	70002380 303	70002962 21	70003079 299, 303
70002151 179	70002386 21, 47, 49, 245, 295, 297, 299, 520	70002963 21, 247, 520	70003080 299, 303
70002152 179	70002389 305	70002964 49	70003081 .. 293, 299, 301
70002153 179	70002410 299	70002965 49	70003082 297, 299
70002154 179	70002412 297	70002966 49	70003083 297, 299
70002155 179	70002413 293	70002967 49	70003084 301
70002156 179	70002577 183	70002968 49	70003085 293, 301
70002157 179	70002601 179	70002969 49	70003086 301
70002158 179	70002603 179	70002970 49	70003088 301
70002159 179	70002604 55	70002971 49, 520	70003089 .. 293, 301, 305
70002160 179	70002643 55	70002972 49	70003090 .. 293, 301, 305
70002161 179	70002644 55	70002973 49	70003091 .. 293, 301, 305
70002163 179	70002645 55	70002974 49	70003092 .. 293, 301, 305
70002164 179	70002646 55	70002975 49	70003093 .. 293, 295, 301
70002165 179, 180	70002647 55	70002976 49	70003094 .. 293, 295, 301
70002166 179	70002648 55	70002977 49	70003095 303
70002168 179	70002649 55	70002978 21	70003096 303
70002169 179	70002650 55	70002979 137, 520	70003097 303
70002170 179	70002651 55	70002980 28	70003098 303
70002172 179	70002652 55	70002981 28	70003099 303
70002174 180	70002656 55	70002982 28	70003100 303
70002175 180	70002657 55	70002983 27	70003101 303
70002176 180	70002658 55	70002984 27	70003102 303
70002177 180	70002659 55	70002985 27	70003103 297
70002178 180	70002661 55	70002986 27	70003104 297
	70002663 55	70002987 27	70003105 297
		70002988 27	70003106 297
		70002989 27	70003108 297
		70002990 27	
		70002991 27	
		70002992 27	

SECTION 11 - SPECIAL OPTIONS/ACCESSORIES/KITS

70003109.....	297	70004544	169	7017127	233	7023964.....	180
70003110.....	297	70004676	213, 217	7017172	233, 235	7023970.....	245
70003111.....	297	70004678	213, 217	7017192	233, 235	7024108.....	28
70003112.....	297	70004679	213, 217	7017196	233, 235	7024134.....	28
70003113.....	297	70004682 ..	213, 218, 521	7017402	245, 247	7024379.....	53
70003114.....	305	70004683	213	7017406	21, 49	7024380.....	53
70003115.....	305	70004688	213	7017427	247	7024381.....	53
70003116.....	305	70004689	213, 217	7017452	245, 247	7024389.....	53
70003117.....	305	70004690	213	7017467	47	7024390.....	53
70003118.....	295, 305	70004691	217	7017496 ..	21, 47, 49, 295,	7024441.....	61
70003119.....	305	70004692	218	297, 299		7024453.....	53
70003120.....	305	70005220	170	7017498	247	7024738.....	27
70003121.....	305	70005293	177	7017901	169	7024741.....	27
70003122.....	295	70005294	177	7017911	169	7024742.....	27
70003123.....	295	70005295	177	7017934	169	7024744.....	28
70003124.....	295	70005296	177, 520	7017945	169	7024844.....	21
70003125.....	295	70005297	177	7017954	169	7024884.....	295, 297, 299
70003126.....	295	70005695	293	7017955	169	7025479.....	169
70003127.....	295	70005722	47	7017963	170	7026041.....	55
70003128.....	295	70005973	293	7020108 ...	185, 189, 193,	7026048.....	55
70003129.....	295	70005974	293	197, 201, 205, 209		7026049.....	55
70003130.....	295	70006269	241	7020109 ...	185, 189, 193,	7026052.....	55
70003131.....	293	70006280	241	197, 201, 205, 209		7026525.....	189, 197, 205
70003132.....	293	70006353	293	7020110 ...	185, 189, 193,	7027350.....	55
70003133.....	293	70010383	47, 520	197, 201, 205, 209		7027351.....	55
70003134.....	293	7001913	27	7020111 ...	185, 189, 193,	7027352.....	55
70003137... 189, 197, 205		70022565	297	197, 201, 205, 209		7027353.....	55
70003138.....	55	70023370 ..	295, 297, 299,	7020152	189, 197, 205	7027359.....	55
70003139.....	55	305		7020175	71, 73, 75, 77	7027887....	185, 189, 193,
70003141.....	55	70023371	301	7020176	71, 73, 75, 77	197, 201, 205, 209	
70003142.....	55	7004035	53	7020190 ...	185, 189, 193,	7027900.....	233, 235
70003178.....	137, 520	7004043	53	197, 201, 205, 209		7027901.....	233, 235
70003179.....	137	7004044	53	7020192 ...	185, 193, 201,	7027955.....	25
70003453.....	295	7007415	180	209		7027956.....	25
70003708.....	213, 217	7007439	179, 180	7021275	179	7027957.....	25
70003709.....	213, 217	7007446	179	7021653	49	7027958.....	25
70003757.....	49	7007640	27	70222301	180	7027959.....	25
70003788.....	49, 520	7010543 ..	21, 49, 245, 305	7022301	179	7027972.....	137, 520
70004069.....	177	7011323	233	7022326	170	7028909.....	91, 93
70004070.....	177	7012513 ...	185, 189, 193,	7022340	180	77133089.....	316, 326
70004092.....	213, 217	197, 201, 205, 209		7023124	170	77363233.....	421
70004098.....	218	7012514 ...	185, 189, 193,	7023132	169	8007941.....	25
70004099.....	213, 217	197, 201, 205, 209		7023134	161, 165	80233041.....	317, 327
70004311.....	169	7012941	21, 245	7023136	169	80325.....	104, 108
70004322.....	235	7012953	21, 245	7023139	169	80334555.....	25
70004323.....	233, 235	7012955	245, 247	7023141	169	80633030.....	316, 326
70004395.....	169, 520	7012967	47, 245, 247,	7023144	169	80673025... 136, 160, 164	
70004396.....	169	295, 297, 299		7023145	169	8220029.....	419
70004397.....	169	7012998	49, 247	7023148	170	8220164....	408, 415, 455
70004398.....	169	7015004 ...	137, 160, 164,	7023149	170	8229244.....	456
70004399.....	169	520		7023154	169	8229245.....	456
70004400.....	169	7015005	137, 160, 164	7023156	169	8310668.....	241
70004401.....	170	7016319	89	7023157	169	8310686.....	317, 327
70004524.....	170	7016372	89	7023160	169	83191040... 133, 155, 157	
70004536.....	170	7016628	101	7023162	169	8405006.....	136
70004537.....	170	7017022	28	7023163	169	8406110.....	391, 395
70004538.....	170	7017120	233	7023164	169	85941016..	136, 160, 164,
70004539.....	170	7017121	233	7023165	169	317, 327	
70004541.....	170	7017122	233, 235	7023167	169	91143172.....	317, 327
70004542.....	170	7017123	233, 235	7023168	169		
70004543.....	170	7017126	233, 235	7023170	170		



**Corporate Office
JLG Industries, Inc.
1 JLG Drive
McConnellsburg, PA 17233-9533 USA
☎ (717) 485-5161 (Corporate)
☎ (877) 554-5438 (Customer Support)
📠 (717) 485-6417**

**Visit our website for JLG Worldwide Locations.
www.jlg.com**



OSHKOSH™