



Illustrated Parts Manual

Models
450A
450AJ

PVC
2307

P/N
31222362

October 8, 2023 - Rev B

ANSI

CE

EAC



UK
CA

AS/NZS



An Oshkosh Corporation Company

REVISION LOG

July 1, 2023 - A - Original Issue of Manual (Edited to B/M 1001247248 Revision AR)

October 8, 2023 - B - Revised Manual (Edited to B/M 1001247248 Revision AR)

GENERAL INFORMATION



1) MACHINE IDENTIFICATION

Machines are identified by model and in some cases a combination of models, serial number (SN) or regional standard (i.e ANSI, CE, CSA). Components may also be identified by SN or manufacturer. Common components that may be identified by these characteristics are engines and hydraulic components.

2) PARTS MANUAL ORGANIZATION

Product information in this manual is organized under section titles. Frame, Cylinder, Hydraulic and Electrical are a few examples. Each section is organized by figure and page number. The information within the Figure is then organized by item number, part number, description and corresponding illustration (s).

3) TABLE OF CONTENTS (NOT SHOWN)

A table of contents is found toward the beginning of the manual. Figure number, description and page number are provided for quick reference to the page containing the related information.

4) RECOMMENDED SPARE PARTS (NOT SHOWN)

The Recommended Spare Parts List, located near the end of the manual, reference most frequently used maintenance parts.

5) PART NUMBER INDEX (NOT SHOWN)

A numerical index listing all part numbers and the corresponding page number(s) appears at the back of the manual.

GENERAL INFORMATION

6) NON-SERVICED PARTS

In some instances, it is necessary to display non-serviced parts, assemblies or installations. In the case of assemblies and installations there will be a Ref in the Qty. column. In case of parts that are not available for service within assemblies or components, there will be a NSS (Not Sold Separately) or NLA (No Longer Available) listed in the Qty. column of the manual.

7) PARTS LIST ITEM NUMBERS

Numbers shown in the item# column correspond to numbers used in the associated illustration (s). Item numbers which are missing from the sequence in the parts list are not used on that page.

8) INDENTED PARTS DESCRIPTION

An indented part description is included in the item under which it is indented.

9) ABBREVIATION AND SYMBOLS

AC.....	Alternating Current	L.....	Liter
ADE.....	Advanced Design Electronics	LB(LBS).....	Pounds
AG.....	Agricultural	LCD.....	Liquid Crystal Display
ANSI.....	American National Standards Institute	LED.....	Light Emitting Diodes
AR.....	As Required	LH.....	Left Hand
ASSY.....	Assembly	LRC.....	Low Rated Countries
AUS.....	Australia	LSS.....	Load Sensing System
AUX.....	Auxiliary	M(m).....	Metric/Meter
AWG.....	American Wire Gauge	MM(mm).....	Milimeter
B/M.....	Bill of Material	mA.....	Miliamps
CAC.....	Charge Air Cooler	NLA.....	No Longer Available
CE.....	European Conformity	NPT.....	National Pipe Threads
CCW.....	Counter Clockwise	NSS.....	Not Sold Separately
CM.....	Centimeter	OD.....	Outside Diameter
CW.....	Clockwise	ORB.....	O-Ring Boss
CSA.....	Canadian Standards Association	ORFS.....	O-Ring Face Seal
CYL.....	Cylinder	OZ (oz).....	Ounces
DIA.....	Diameter	PG.....	Page
DC.....	Direct Current	PN.....	Part Number
DEF.....	Diesel Exhaust Fluid	QT(qt.).....	Quarts
EMS.....	Emergency Stop	QTY.....	Quantity
ENG.....	Engine	REF.....	Reference
FT(ft).....	Feet	REV.....	Revision Level
GA(Ga).....	Gauge	RH.....	Right Hand
HRC.....	High Rated Countries	SAE.....	Society of Automotive Engineers
HVAC.....	Heating, Ventilating, and Air Conditioning	SN.....	Serial Number
HYD.....	Hydraulic	SPEC(S).....	Specifications
Hz.....	Hertz	T/T.....	Turntable
ID.....	Inside Diameter	UGM.....	Universal Ground Module
IN.....	inches	V.....	Volts
ISO.....	International Organization for Standards	W.....	Watts
JIC.....	Joint Industry Council	#.....	Number
KG.....	Kilogram		

10) ILLUSTRATION REFERENCE LETTERS

When necessary, illustrations may contain reference letters that are intended to track information (i. e. hoses, harnesses) from one point to another or to track visual enlargement of components to show details that may be located in another area on the illustration.

Note: Due to continuous product improvements, JLG Industries, Inc. reserves the right to make specification changes without prior notification. Contact JLG Industries, Inc. for updated information.

TABLE OF CONTENTS

SECTION 1 - FRAME.....	17
FIGURE 1-1. AXLE INSTALLATION (MACHINES WITH SN STARTING WITH 03).....	18
FIGURE 1-2. AXLE INSTALLATION (MACHINES WITH SN STARTING WITH B3).....	20
FIGURE 1-3. STEER INSTALLATION WITHOUT TOW PACKAGE	22
FIGURE 1-4. STEER INSTALLATION WITH TOW PACKAGE	24
FIGURE 1-5. WHEEL DRIVE INSTALLATION (2WD).....	26
FIGURE 1-6. WHEEL DRIVE INSTALLATION (4WD) (DANFOSS MOTOR).....	28
FIGURE 1-7. WHEEL DRIVE INSTALLATION (4WD) (HENGLI MOTOR).....	30
FIGURE 1-8. HUB - SPINDLE ASSEMBLY.....	32
FIGURE 1-9. DRIVE HUB AND BRAKE ASSEMBLY - REAR	34
FIGURE 1-10. DRIVE HUB ASSEMBLY - FRONT.....	38
FIGURE 1-11. DRIVE MOTOR ASSEMBLY (2WD)	40
FIGURE 1-12. DRIVE MOTOR ASSEMBLY (4WD) (DANFOSS MOTOR)	42
FIGURE 1-13. DRIVE MOTOR ASSEMBLY (4WD) (HENGLI MOTOR)	44
FIGURE 1-14. FRAME SHIELD INSTALLATION	46
FIGURE 1-15. TIRE AND WHEEL INSTALLATION - 12 X 16.5 FOAM FILLED (AVAILABLE ON ANSI, ANSI EXPORT, CSA AND JAPANESE SPECS).....	48
FIGURE 1-16. TIRE AND WHEEL INSTALLATION - 12 X 16.5 FOAM FILLED NON MARKING (AVAILABLE ON ANSI, ANSI EXPORT, CSA AND JAPANESE SPECS).....	50
FIGURE 1-17. TIRE AND WHEEL INSTALLATION - 33 X 12-20 SOLID NON-MARKING (AVAILABLE ON ANSI EXPORT, AUSTRALIAN, CE AND RUSSIA SPECS).....	52
FIGURE 1-18. TIRE AND WHEEL INSTALLATION - 33 X 16L500 TURF AND SAND FOAM-FILLED (AVAILABLE ON ANSI, ANSI EXPORT & CSA SPECS).....	54
FIGURE 1-19. TIRE AND WHEEL INSTALLATION - 33/1550 X 16.5 FOAM-FILLED (AVAILABLE ON ALL SPECS).....	56
FIGURE 1-20. TIRE AND WHEEL INSTALLATION - 315/55 D20 FOAM FILLED (AVAILABLE ON ANSI EXPORT, AUSTRALIAN, CE, CHINA AND RUSSIA SPECS)	58
FIGURE 1-21. TIRE AND WHEEL INSTALLATION - 315/55 D20 FOAM FILLED NON-MARKING (AVAILABLE ON ANSI EXPORT, AUSTRALIAN, CE, CHINA AND RUSSIA SPECS)	60
FIGURE 1-22. TIRE AND WHEEL INSTALLATION - 33 X 12 FOAM FILLED (ALL SPECS)	62
FIGURE 1-23. 2WD VALVES INSTALLATION - 450A FRAME MOUNTED.....	64
FIGURE 1-24. 2WD VALVES INSTALLATION - 450AJ FRAME MOUNTED.....	66
FIGURE 1-25. 4WD VALVES INSTALLATION - 450A FRAME MOUNTED.....	68
FIGURE 1-26. 4WD VALVES INSTALLATION - 450AJ FRAME MOUNTED (MACHINES WITH SN STARTING WITH 03)	70
FIGURE 1-27. 4WD VALVES INSTALLATION - 450AJ FRAME MOUNTED (MACHINES WITH SN STARTING WITH B3).....	72
FIGURE 1-28. TRACTION VALVE ASSEMBLY - 2WD.....	74
FIGURE 1-29. TRACTION VALVE ASSEMBLY - 4WD.....	76
FIGURE 1-30. TOW PACKAGE INSTALLATION (OPTIONAL)	78
FIGURE 1-31. TOW BAR ASSEMBLY.....	80
SECTION 2 - TURNTABLE.....	83
FIGURE 2-1. 2WD VALVES INSTALLATION - 450A TURNTABLE MOUNTED.....	84
FIGURE 2-2. 2WD VALVES INSTALLATION - 450AJ TURNTABLE MOUNTED	86
FIGURE 2-3. 4WD VALVES INSTALLATION - 450A TURNTABLE MOUNTED.....	88
FIGURE 2-4. 4WD VALVES INSTALLATION - 450AJ TURNTABLE MOUNTED (MACHINES WITH SN STARTING WITH 03). 90	
FIGURE 2-5. 4WD VALVES INSTALLATION - 450AJ TURNTABLE MOUNTED (MACHINES WITH SN STARTING WITH B3) 92	
FIGURE 2-6. MAIN VALVE ASSEMBLY	94
FIGURE 2-7. AUXILIARY PUMP ASSEMBLY (MACHINES WITH SN STARTING WITH 03)	96

TABLE OF CONTENTS

FIGURE 2-8. AUXILIARY PUMP ASSEMBLY (MACHINES WITH SN STARTING WITH B3)	98
FIGURE 2-9. SWING DRIVE AND TURNTABLE BEARING INSTALLATION (MACHINES WITH SN STARTING WITH 03)	100
FIGURE 2-10. SWING DRIVE AND TURNTABLE BEARING INSTALLATION (MACHINES WITH SN STARTING WITH B3) ...	102
FIGURE 2-11. SWING MOTOR ASSEMBLY (MACHINES WITH SN STARTING WITH 03)	104
FIGURE 2-12. SWING MOTOR ASSEMBLY (MACHINES WITH SN STARTING WITH B3)	106
FIGURE 2-13. TURNTABLE BEARING ASSEMBLY (MACHINES WITH SN STARTING WITH 03).....	108
FIGURE 2-14. TURNTABLE BEARING ASSEMBLY (MACHINES WITH SN STARTING WITH B3)	110
FIGURE 2-15. TURNTABLE COVERS INSTALLATION.....	112
FIGURE 2-16. TURNTABLE LOCK INSTALLATION	114
FIGURE 2-17. TANKS INSTALLATION - DIESEL MACHINES (17 GAL HYDRAULIC TANK WITH 4 INCH BREATHER).....	116
FIGURE 2-18. TANKS INSTALLATION - DIESEL MACHINES (17 GAL HYDRAULIC TANK WITH 6 INCH BREATHER).....	118
FIGURE 2-19. TANKS INSTALLATION - DIESEL MACHINES (36 GAL HYDRAULIC TANK).....	120
FIGURE 2-20. TANKS INSTALLATION - GAS MACHINES.....	122
FIGURE 2-21. HYDRAULIC TANK ASSEMBLY - 17 GAL WITH 4 INCH BREATHER (DIESEL MACHINES).....	124
FIGURE 2-22. DRIVE ORIENTATION INSTALLATION.....	126
FIGURE 2-23. GROUND CONTROL ASSEMBLY - 450A (ANSI SPECS).....	128
FIGURE 2-24. GROUND CONTROL ASSEMBLY - 450AJ (ALL SPECS EXCEPT CE, RUSSIAN & UK CA SPECS)	130
FIGURE 2-25. GROUND CONTROL ASSEMBLY - 450AJ (CE, RUSSIA & UK CA SPECS).....	132
FIGURE 2-26. GROUND CONTROL ASSEMBLY - 450AJ (DEUTZ STAGE V) (CE & UK CA SPECS)	134
FIGURE 2-27. LIGHT PANEL INSTALLATION – GROUND CONTROLS	136
FIGURE 2-28. ELECTRICAL SYSTEM INSTALLATION	138
FIGURE 2-29. WHITE NOISE ALARM AMBIENT INSTALLATION	142
FIGURE 2-30. WHITE NOISE ALARM INSTALLATION	144
FIGURE 2-31. BEACON LIGHT INSTALLATION - AMBER.....	146
FIGURE 2-32. BEACON LIGHT INSTALLATION - ORANGE.....	148
FIGURE 2-33. BEACON LIGHT INSTALLATION - BLUE	150
FIGURE 2-34. BEACON LIGHT INSTALLATION - RED.....	152
FIGURE 2-35. BATTERY AND CABLE INSTALLATION	154
FIGURE 2-36. HOODS INSTALLATION (ABS) - 450A WITH DEUTZ ENGINES.....	156
FIGURE 2-37. HOODS INSTALLATION (ABS) - 450A WITH KUBOTA ENGINE	160
FIGURE 2-38. HOODS INSTALLATION (ABS) - 450AJ WITH DEUTZ ENGINES (ALL MACHINES WITH SN STARTING WITH 03) (MACHINES WITH SN STARTING WITH B3, JAPANESE & RUSSIA SPECS).....	164
FIGURE 2-39. HOODS INSTALLATION (ABS) - 450AJ WITH DEUTZ ENGINE (MACHINES WITH SN STARTING WITH B3, ALL SPECS EXCEPT JAPANESE & RUSSIA SPECS)	168
FIGURE 2-40. HOODS INSTALLATION (STEEL) - 450AJ WITH DEUTZ ENGINES (MACHINES WITH SN STARTING WITH B3)	172
FIGURE 2-41. HOODS INSTALLATION (ABS) - 450AJ WITH KUBOTA ENGINE.....	176
FIGURE 2-42. HOOD ASSEMBLY (ABS) - TANK SIDE (MACHINES WITH SN STARTING WITH 03).....	180
FIGURE 2-43. HOOD ASSEMBLY (ABS) - TANK SIDE (MACHINES WITH SN STARTING WITH B3)	182
FIGURE 2-44. HOOD ASSEMBLY (STEEL) - ENGINE SIDE (MACHINES WITH SN STARTING WITH B3).....	184
FIGURE 2-45. HOOD ASSEMBLY (ABS) - ENGINE SIDE (MACHINES WITH SN STARTING WITH 03)	186
FIGURE 2-46. HOOD ASSEMBLY (ABS) - ENGINE SIDE (MACHINES WITH SN STARTING WITH B3).....	188
FIGURE 2-47. HOOD ASSEMBLY (STEEL) - TANK SIDE (MACHINES WITH SN STARTING WITH B3).....	190
SECTION 3 - ENGINE	193
FIGURE 3-1. ENGINE INSTALLATION - DEUTZ D2.9L4 EMR4 ENGINE (WITHOUT ARCTIC PACKAGE) (ANSI, ANSI EXPORT, CSA AND JAPANESE SPECS)	194

TABLE OF CONTENTS

FIGURE 3-2. ENGINE INSTALLATION - DEUTZ D2.9L4 ERM5 ENGINE (WITHOUT ARCTIC PACKAGE) (ANSI, ANSI EXPORT, CSA AND JAPANESE SPECS).....	198
FIGURE 3-3. ENGINE AND PUMP SUB-ASSEMBLY - DEUTZ D2.9L4 EMR4 (WITHOUT ARCTIC PACKAGE) (ANSI, ANSI EXPORT, CSA AND JAPANESE SPECS).....	202
FIGURE 3-4. ENGINE AND PUMP SUB-ASSEMBLY - DEUTZ D2.9L4 ERM5 ENGINE (WITHOUT ARCTIC PACKAGE) (ANSI, ANSI EXPORT AND CSA SPECS).....	204
FIGURE 3-5. ENGINE ASSEMBLY - DEUTZ D2.9L4 EMR4 ENGINE (WITHOUT ARCTIC PACKAGE) (ANSI, ANSI EXPORT, CSA AND JAPANESE SPECS).....	206
FIGURE 3-6. ENGINE ASSEMBLY - DEUTZ D2.9L4 ERM5 ENGINE (WITHOUT ARCTIC PACKAGE) (ANSI, ANSI EXPORT AND CSA SPECS).....	212
FIGURE 3-7. ENGINE ASSEMBLY - DEUTZ D2.9L4 ERM5 ENGINE (WITH ARCTIC PACKAGE) (ANSI AND CSA SPECS) ..	218
FIGURE 3-8. ENGINE INSTALLATION - DEUTZ D2.9L4 EMR4 ENGINE (WITH 17GAL HYDRAULIC TANK & ARCTIC PACKAGE) (ANSI AND CSA SPECS).....	224
FIGURE 3-9. ENGINE INSTALLATION - DEUTZ D2.9L4 ERM5 ENGINE (WITH ARCTIC PACKAGE) (ANSI AND CSA SPECS).....	230
FIGURE 3-10. ENGINE INSTALLATION - DEUTZ D2.9L4 ENGINE (WITH 36GAL HYDRAULIC TANK & ARCTIC PACKAGE) (ANSI AND CSA SPECS).....	236
FIGURE 3-11. ENGINE AND PUMP SUB-ASSEMBLY - DEUTZ D2.9L4 EMR4 (WITH ARCTIC PACKAGE) (ANSI AND CSA SPECS).....	242
FIGURE 3-12. ENGINE AND PUMP SUB-ASSEMBLY - DEUTZ D2.9L4 ERM5 ENGINE (WITH ARCTIC PACKAGE) (ANSI AND CSA SPECS).....	244
FIGURE 3-13. ENGINE ASSEMBLY - DEUTZ D2.9L4 EMR4 ENGINE (WITH ARCTIC PACKAGE) (ANSI AND CSA SPECS)	246
FIGURE 3-14. ENGINE COMPONENTS - DEUTZ D2.9L4 EMR4 ENGINE (ANSI, ANSI EXPORT, CSA AND JAPANESE SPECS).....	252
FIGURE 3-15. ENGINE COMPONENTS - DEUTZ D2.9L4 ERM5 ENGINE (ANSI, ANSI EXPORT AND CSA SPECS).....	256
FIGURE 3-16. ENGINE INSTALLATION - DEUTZ D2.9L4 ENGINE (STAGE V) (CE & UK CA SPECS).....	260
FIGURE 3-17. ENGINE AND PUMP SUB-ASSEMBLY - DEUTZ D2.9L4 ENGINE (STAGE V) (CE & UK CA SPECS).....	266
FIGURE 3-18. ENGINE ASSEMBLY – DEUTZ D2.9L4 ENGINE (STAGE V) (CE & UK CA SPECS).....	268
FIGURE 3-19. ENGINE COMPONENTS - DEUTZ D2.9L4 ENGINE (STAGE V) (CE & UK CA SPECS).....	274
FIGURE 3-20. BRACKET ASSEMBLY - FUEL PUMP AND FILTER (DEUTZ D2.9L4 ENGINE).....	278
FIGURE 3-21. BRACKET ASSEMBLY - FUEL PUMP AND FILTER (DEUTZ D2.9L4 ENGINE) (STAGE V).....	280
FIGURE 3-22. BREATHER HEATER INSTALLATION - DEUTZ D2.9L4 ENGINE WITH ARCTIC PACKAGE.....	282
FIGURE 3-23. ENGINE MOUNT INSTALLATION - DEUTZ D2.9L4 WITHOUT GENERATOR.....	284
FIGURE 3-24. ENGINE MOUNT INSTALLATION - DEUTZ D2.9L4 WITH GENERATOR.....	286
FIGURE 3-25. ENGINE INSTALLATION - DEUTZ D2.9L4 ENGINE (CHINA IV).....	288
FIGURE 3-26. ENGINE AND PUMP SUB-ASSEMBLY - DEUTZ D2.9L4 ENGINE (CHINA IV).....	294
FIGURE 3-27. ENGINE ASSEMBLY - DEUTZ D2.9L4 ENGINE (CHINA IV).....	296
FIGURE 3-28. ENGINE COMPONENTS - DEUTZ D2.9L4 (CHINA IV).....	302
FIGURE 3-29. BRACKET ASSEMBLY - FUEL PUMP AND FILTER (DEUTZ D2.9L4 CHINA IV ENGINE).....	304
FIGURE 3-30. ENGINE INSTALLATION - DEUTZ D2011 ENGINE (WITHOUT ARCTIC PACKAGE) (ANSI EXPORT, AUSTRALIAN, CE (LRC), CHINA, RUSSIA & UK CA SPECS).....	306
FIGURE 3-31. ENGINE AND PUMP SUB-ASSEMBLY - DEUTZ D2011 (WITHOUT ARCTIC PACKAGE) (ANSI EXPORT, AUSTRALIAN, CE (LRC), CHINA, RUSSIA & UK CA SPECS).....	310
FIGURE 3-32. ENGINE ASSEMBLY - DEUTZ D2011 ENGINE (WITHOUT ARCTIC PACKAGE) (ANSI EXPORT, AUSTRALIAN, CE (LRC), CHINA, RUSSIA & UK CA SPECS).....	312
FIGURE 3-33. ENGINE INSTALLATION - DEUTZ D2011 ENGINE (WITH 17GAL HYDRAULIC TANK & ARCTIC PACKAGE) (ANSI EXPORT, CHINA & RUSSIA SPECS).....	316
FIGURE 3-34. ENGINE INSTALLATION - DEUTZ D2011 ENGINE (WITH 36GAL HYDRAULIC TANK & ARCTIC PACKAGE) (ANSI EXPORT & RUSSIA SPECS).....	320
FIGURE 3-35. ENGINE AND PUMP SUB-ASSEMBLY - DEUTZ D2011 (WITH ARCTIC PACKAGE) (ANSI EXPORT, CHINA, RUSSIA & UK CA SPECS).....	324

TABLE OF CONTENTS

FIGURE 3-36. ENGINE ASSEMBLY - DEUTZ D2011 ENGINE (WITH ARCTIC PACKAGE) (ANSI EXPORT, CHINA, RUSSIA & UK CA SPECS).....	326
FIGURE 3-37. ENGINE COMPONENTS - DEUTZ D2011.....	330
FIGURE 3-38. PUMP COUPLING KIT – DEUTZ ENGINES.....	334
FIGURE 3-39. ENGINE INSTALLATION - KUBOTA ENGINE (WITHOUT ARCTIC PACKAGE).....	336
FIGURE 3-40. ENGINE AND PUMP SUB-ASSEMBLY - KUBOTA ENGINE (WITHOUT ARCTIC PACKAGE).....	342
FIGURE 3-41. ENGINE ASSEMBLY - KUBOTA ENGINE (WITHOUT ARCTIC PACKAGE).....	344
FIGURE 3-42. ENGINE INSTALLATION - KUBOTA ENGINE (WITH ARCTIC PACKAGE).....	350
FIGURE 3-43. ENGINE AND PUMP SUB-ASSEMBLY - KUBOTA ENGINE (WITH ARCTIC PACKAGE).....	356
FIGURE 3-44. ENGINE ASSEMBLY - KUBOTA ENGINE (WITH ARCTIC PACKAGE).....	358
FIGURE 3-45. ENGINE COMPONENTS - KUBOTA.....	364
FIGURE 3-46. PUMP COUPLING KIT - KUBOTA ENGINE.....	368
FIGURE 3-47. PISTON PUMP ASSEMBLY.....	370
FIGURE 3-48. SPARK ARRESTOR INSTALLATION - DEUTZ D2011 ENGINE.....	374
FIGURE 3-49. ENGINE BAFFLE INSTALLATION - WITH DEUTZ ENGINES.....	376
FIGURE 3-50. ENGINE BAFFLE INSTALLATION - WITH KUBOTA ENGINE.....	378
FIGURE 3-51. FUEL/WATER SEPARATOR ASSEMBLY (DEUTZ D2.9L4 CHINA IV ENGINE).....	380
FIGURE 3-52. GENERATOR INSTALLATION - 2500W/50HZ (DEUTZ D2011 ENGINE).....	382
FIGURE 3-53. GENERATOR INSTALLATION - 2500W/60HZ (DEUTZ D2011 ENGINE).....	386
FIGURE 3-54. GENERATOR INSTALLATION - 2500W/60HZ (DEUTZ D2.9L4 ENGINE).....	390
FIGURE 3-55. GENERATOR INSTALLATION - 2500W/60HZ (KUBOTA ENGINE).....	394
FIGURE 3-56. GENERATOR INSTALLATION - 4000W/50HZ (DEUTZ D2011 ENGINE).....	398
FIGURE 3-57. GENERATOR INSTALLATION - 4000W/60HZ (DEUTZ D2011 ENGINE).....	402
FIGURE 3-58. GENERATOR INSTALLATION - 4000W/60HZ (DEUTZ D2.9L4 ENGINE).....	406
FIGURE 3-59. GENERATOR INSTALLATION - 4000W/50HZ (DEUTZ ENGINE) (STAGE V).....	410
FIGURE 3-60. GENERATOR INSTALLATION - 7500W/50HZ (DEUTZ D2011 ENGINE).....	414
FIGURE 3-61. GENERATOR INSTALLATION - 7500W/60HZ (DEUTZ D2011 ENGINE).....	418
FIGURE 3-62. GENERATOR INSTALLATION - 7500W/60HZ (DEUTZ D2.9L4 ENGINE).....	422
FIGURE 3-63. GENERATOR INSTALLATION - 7500W/60HZ (KUBOTA ENGINE).....	426
FIGURE 3-64. QUICKFIT OIL DRAIN INSTALLATION (DEUTZ ENGINES).....	430
FIGURE 3-65. QUICKFIT OIL DRAIN INSTALLATION (KUBOTA ENGINES).....	432
SECTION 4 - BOOM.....	435
FIGURE 4-1. CYLINDERS INSTALLATION - 450A.....	436
FIGURE 4-2. CYLINDERS INSTALLATION – 450AJ (MACHINES WITH SN STARTING WITH 03).....	438
FIGURE 4-3. CYLINDERS INSTALLATION – 450AJ (MACHINES WITH SN STARTING WITH B3).....	440
FIGURE 4-4. BOOM INSTALLATION - 450A.....	442
FIGURE 4-5. BOOM INSTALLATION - 450A (WITH AIRLINE).....	444
FIGURE 4-6. BOOM INSTALLATION - 450A (WITH SKYPOWER AND AIRLINE).....	446
FIGURE 4-7. BOOM INSTALLATION - 450A (WITH SKYPOWER).....	448
FIGURE 4-8. BOOM INSTALLATION KIT - 450A.....	450
FIGURE 4-9. BOOM INSTALLATION - 450AJ.....	452
FIGURE 4-10. JIB INSTALLATION - 450AJ.....	454
FIGURE 4-11. MAIN BOOM ASSEMBLY - 450A.....	456
FIGURE 4-12. MAIN BOOM ASSEMBLY - 450AJ.....	458
FIGURE 4-13. TOWER BOOM ASSEMBLY - 450A.....	460

TABLE OF CONTENTS

FIGURE 4-14. TOWER BOOM ASSEMBLY - 450AJ	462
FIGURE 4-15. ROTATOR ASSEMBLY	464
FIGURE 4-16. PLATFORM SUPPORT INSTALLATION.....	466
FIGURE 4-17. 2WD VALVES INSTALLATION - 450A BOOM MOUNTED	468
FIGURE 4-18. 2WD VALVES INSTALLATION - 450AJ BOOM MOUNTED	470
FIGURE 4-19. 4WD VALVES INSTALLATION - 450A BOOM MOUNTED	472
FIGURE 4-20. 4WD VALVES INSTALLATION - 450AJ BOOM MOUNTED (MACHINES WITH SN STARTING WITH 03).....	474
FIGURE 4-21. 4WD VALVES INSTALLATION - 450AJ BOOM MOUNTED (MACHINES WITH SN STARTING WITH B3).....	476
FIGURE 4-22. UPRIGHT VALVE ASSEMBLY	478
FIGURE 4-23. BOOM VALVE ASSEMBLY - 450A.....	480
FIGURE 4-24. BOOM VALVE ASSEMBLY - 450AJ.....	482
SECTION 5 - PLATFORM.....	485
FIGURE 5-1. PLATFORM ASSEMBLY - 30IN X 4FT (76CM X 1.22M) - SIDE GATE ENTRY	486
FIGURE 5-2. PLATFORM ASSEMBLY - 30IN X 5FT (76CM X 1.52M) - SIDE GATE ENTRY	488
FIGURE 5-3. PLATFORM ASSEMBLY - 30IN X 6FT (76CM X 1.83M) - SIDE GATE ENTRY	490
FIGURE 5-4. PLATFORM ASSEMBLY - 30IN X 3FT (76CM X .91M) - DROP BAR ENTRY.....	492
FIGURE 5-5. PLATFORM ASSEMBLY - 30IN X 4FT (76CM X 1.22M) - WITH DROP BAR.....	494
FIGURE 5-6. PLATFORM ASSEMBLY - 30IN X 5FT (76CM X 1.52M) - WITH DROP BAR.....	496
FIGURE 5-7. PLATFORM ASSEMBLY - 30IN X 6FT (76CM X 1.83M) - WITH DROP BAR.....	498
FIGURE 5-8. PLATFORM ASSEMBLY - 30IN X 5FT (76CM X 1.52M - FALL ARREST (ANSI, ANSI EXPORT AND CSA SPECS)	500
FIGURE 5-9. CONSOLE BOX INSTALLATION - 450A.....	502
FIGURE 5-10. CONSOLE BOX INSTALLATION - 450AJ	504
FIGURE 5-11. PLATFORM CONSOLE BOX ASSEMBLY - 450A.....	506
FIGURE 5-12. PLATFORM CONSOLE BOX ASSEMBLY - 450AJ.....	508
FIGURE 5-13. LIGHT PANEL INSTALLATION – PLATFORM CONSOLE	510
FIGURE 5-14. FOOTSWITCH ASSEMBLY.....	512
FIGURE 5-15. TRAY ASSEMBLY	514
FIGURE 5-16. SKYEYE INSTALLATION	516
FIGURE 5-17. SKYGUARD BAR INSTALLATION	518
FIGURE 5-18. SKYLINE INSTALLATION	520
FIGURE 5-19. USB CHARGER INSTALLATION	522
FIGURE 5-20. SKYGLAZIER INSTALLATION	524
FIGURE 5-21. SKYWELDER INSTALLATION (50HZ).....	526
FIGURE 5-22. SKYWELDER INSTALLATION (60HZ).....	528
FIGURE 5-23. SKYWELDER PREP PACKAGE INSTALLATION	530
FIGURE 5-24. WELDER ASSEMBLY	532
FIGURE 5-25. FALL ARREST INSTALLATION (BOLT-ON) (4FT/1.22M PLATFORM)	534
FIGURE 5-26. FALL ARREST INSTALLATION (BOLT-ON) (5FT/1.52M PLATFORM)	536
FIGURE 5-27. SOFT-TOUCH INSTALLATION (30X60)	538
FIGURE 5-28. SOFT-TOUCH INSTALLATION (30X72)	540
SECTION 6 - CYLINDER.....	543
FIGURE 6-1. AXLE LOCKOUT CYLINDER ASSEMBLY (MACHINES WITH SN STARTING WITH 03).....	544
FIGURE 6-2. AXLE LOCKOUT CYLINDER ASSEMBLY (MACHINES WITH SN STARTING WITH B3)	546

TABLE OF CONTENTS

FIGURE 6-3. LEVEL (PLATFORM SLAVE) CYLINDER ASSEMBLY - 450A AND 450AJ (MACHINES WITH SN STARTING WITH 03).....	548
FIGURE 6-4. LEVEL (PLATFORM SLAVE) CYLINDER ASSEMBLY - 450AJ (MACHINES WITH SN STARTING WITH B3).....	550
FIGURE 6-5. LIFT CYLINDER ASSEMBLY - 450AJ JIB (MACHINES WITH SN STARTING WITH 03).....	552
FIGURE 6-6. LIFT CYLINDER ASSEMBLY - 450AJ JIB (MACHINES WITH SN STARTING WITH B3).....	554
FIGURE 6-7. LIFT CYLINDER ASSEMBLY - 450A MAIN BOOM	556
FIGURE 6-8. LIFT CYLINDER ASSEMBLY - 450AJ MAIN BOOM.....	558
FIGURE 6-9. LIFT CYLINDER ASSEMBLY - 450A AND 450AJ TOWER BOOM	560
FIGURE 6-10. MASTER CYLINDER ASSEMBLY - 450A AND 450AJ (MACHINES WITH SN STARTING WITH 03).....	562
FIGURE 6-11. MASTER CYLINDER ASSEMBLY - 450AJ (MACHINES WITH SN STARTING WITH B3)	564
FIGURE 6-12. STEER CYLINDER ASSEMBLY	566
FIGURE 6-13. TELESCOPE CYLINDER ASSEMBLY - 450A	568
FIGURE 6-14. TELESCOPE CYLINDER ASSEMBLY - 450AJ	570
SECTION 7 - HYDRAULIC	573
FIGURE 7-1. 2WD HYDRAULIC SYSTEM INSTALLATION - 450A (WITH 17GAL HYDRAULIC TANK).....	574
FIGURE 7-2. 2WD HYDRAULIC SYSTEM INSTALLATION - 450A (WITH 36GAL HYDRAULIC TANK).....	580
FIGURE 7-3. 2WD HYDRAULIC SYSTEM INSTALLATION - 450AJ (WITH 17GAL HYDRAULIC TANK).....	586
FIGURE 7-4. 2WD HYDRAULIC SYSTEM INSTALLATION - 450AJ (WITH 36GAL HYDRAULIC TANK).....	592
FIGURE 7-5. 4WD HYDRAULIC SYSTEM INSTALLATION - 450A (WITH 17GAL HYDRAULIC TANK).....	598
FIGURE 7-6. 4WD HYDRAULIC SYSTEM INSTALLATION - 450A (WITH 36GAL HYDRAULIC TANK).....	604
FIGURE 7-7. 4WD HYDRAULIC SYSTEM INSTALLATION - 450AJ (WITH 17GAL HYDRAULIC TANK) (MACHINES WITH SN STARTING WITH 03).....	610
FIGURE 7-8. 4WD HYDRAULIC SYSTEM INSTALLATION - 450AJ (WITH 36GAL HYDRAULIC TANK) (MACHINES WITH SN STARTING WITH 03).....	616
FIGURE 7-9. 4WD HYDRAULIC SYSTEM INSTALLATION - 450AJ (WITH 17GAL HYDRAULIC TANK) (MACHINES WITH SN STARTING WITH B3)	622
SECTION 8 - ELECTRICAL.....	629
FIGURE 8-1. AC BOX AT PLATFORM INSTALLATION - 110V - ANSI, ANSI EXPORT, CHINA, CSA AND JAPANESE SPECS	630
FIGURE 8-2. AC BOX AT PLATFORM INSTALLATION - 110V IEC YELLOW (CE, RUSSIA & UK CA SPECS WITH 4000W/50HZ GENERATOR)	632
FIGURE 8-3. AC BOX AT PLATFORM INSTALLATION - 110V IEC 60309 YELLOW WITHOUT 2500W GENERATOR (CE, RUSSIA & UK CA SPECS)	634
FIGURE 8-4. AC BOX AT PLATFORM INSTALLATION - 220V IEC BLUE (CE, RUSSIA & UK CA WITH 4000W/50HZ GENERATOR)	636
FIGURE 8-5. AC BOX AT PLATFORM INSTALLATION - 220V IEC 60309 BLUE WITHOUT 2500W GENERATOR (CE, RUSSIA & UK CA SPECS).....	638
FIGURE 8-6. AC BOX AT PLATFORM INSTALLATION - 220V CEE7 POST GROUND (2X4 BOX) WITHOUT 2500W GENERATOR (CE, RUSSIA & UK CA SPECS)	640
FIGURE 8-7. AC BOX AT PLATFORM INSTALLATION - 220V CEE7 SIDE GROUND (2X4 BOX) WITHOUT 2500W GENERATOR (CE, RUSSIA & UK CA SPECS)	642
FIGURE 8-8. AC BOX AT PLATFORM INSTALLATION - 220V CEE7 2IN X 4IN POST GROUND (CE, RUSSIA & UK CA SPECS WITH 4000W/50HZ GENERATOR)	644
FIGURE 8-9. AC BOX AT PLATFORM INSTALLATION - 220V CEE7 2IN X 4IN SIDE GROUND (CCE, RUSSIA & UK CA SPECS WITH 4000W/50HZ GENERATOR)	646
FIGURE 8-10. AC BOX AT PLATFORM INSTALLATION - 220V AFSINT107 (CE, RUSSIA & UK CA SPECS WITH 4000W/50HZ GENERATOR)	648
FIGURE 8-11. AC BOX AT PLATFORM INSTALLATION - 220V AFSINT 107 KEYED GROUND (2X4 BOX) WITHOUT 2500W GENERATOR (CE, RUSSIA & UK CA SPECS)	650

TABLE OF CONTENTS

FIGURE 8-12. AC BOX AT PLATFORM INSTALLATION - 220V CUSTOMER SUPPLIED COMPONENTS (AUSTRALIAN, CE & UK CA SPECS)	652
FIGURE 8-13. AC BOX AT PLATFORM INSTALLATION - 240V (WITH 4000W GENERATOR) (ANSI, ANSI EXPORT, CSA AND JAPANESE SPECS).....	654
FIGURE 8-14. AC BOX AT PLATFORM INSTALLATION - 240V (WITH 7500W SKYPOWER GENERATOR) (ANSI, ANSI EXPORT, CSA AND JAPANESE SPECS)	656
FIGURE 8-15. AC CABLE INSTALLATION - WITH TWO BREAKERS (CE, RUSSIA & UK CA SPECS).....	658
FIGURE 8-16. AC CABLE INSTALLATION - WITH TWO BREAKERS (MACHINES WITH SN STARTING WITH B3)	660
FIGURE 8-17. AC CABLE INSTALLATION - WITH THREE BREAKERS (CE, RUSSIA & UK CA SPECS)	662
FIGURE 8-18. AC CABLE AND PLUG INSTALLATION (MACHINES WITH SN STARTING WITH B3).....	664
FIGURE 8-19. BATTERY DISCONNECT SWITCH.....	666
FIGURE 8-20. BEACON LIGHT HARNESS (BLUE AND RED BEACON LIGHT).....	668
FIGURE 8-21. BEACON JUMPER HARNESS	670
FIGURE 8-22. BOOM CABLES AND CLAMPS INSTALLATION - 450A (WITHOUT ARCTIC PACKAGE)	672
FIGURE 8-23. BOOM CABLES AND CLAMPS INSTALLATION - 450AJ (WITHOUT ARCTIC PACKAGE)	676
FIGURE 8-24. BOOM CABLES AND CLAMPS INSTALLATION - 450AJ (WITHOUT ARCTIC PACKAGE AND AC CABLES) (MACHINES WITH SN STARTING WITH B3).....	680
FIGURE 8-25. BOOM CABLES AND CLAMPS INSTALLATION - 450A (WITH ARCTIC PACKAGE).....	684
FIGURE 8-26. BOOM CABLES AND CLAMPS INSTALLATION - 450AJ (WITH ARCTIC PACKAGE)	688
FIGURE 8-27. BOOM CABLES AND CLAMPS INSTALLATION - 450AJ (MACHINES WITH 50HZ 4000W GENERATORS)....	692
FIGURE 8-28. BOOM CABLES AND CLAMPS INSTALLATION - 450AJ (MACHINES WITH 60HZ 4000W GENERATORS)....	696
FIGURE 8-29. BOOM CABLES AND CLAMPS INSTALLATION - 450A (MACHINES WITH 7500W GENERATOR AND WITHOUT ARCTIC PACKAGE).....	700
FIGURE 8-30. BOOM CABLES AND CLAMPS INSTALLATION - 450AJ (MACHINES WITH 7500W GENERATORS AND WITHOUT ARCTIC PACKAGE)	704
FIGURE 8-31. BOOM CABLES AND CLAMPS INSTALLATION - 450A (MACHINES WITH 7500W GENERATOR AND WITH ARCTIC PACKAGE).....	708
FIGURE 8-32. BOOM CABLES AND CLAMPS INSTALLATION - 450AJ (MACHINES WITH 7500W GENERATORS AND WITH ARCTIC PACKAGE).....	712
FIGURE 8-33. BOOM HARNESS - 450A (MAIN BOOM) (WITHOUT ARCTIC PACKAGE)	716
FIGURE 8-34. BOOM HARNESS - 450AJ (MAIN BOOM) (WITHOUT ARCTIC PACKAGE).....	718
FIGURE 8-35. BOOM HARNESS - 450A (MAIN BOOM) (WITH ARCTIC PACKAGE)	720
FIGURE 8-36. BOOM HARNESS - 450AJ (MAIN BOOM) (WITH ARCTIC PACKAGE)	722
FIGURE 8-37. BOOM HARNESS - 450A (MAIN BOOM AC CABLE) (WITHOUT ARCTIC PACKAGE).....	724
FIGURE 8-38. BOOM HARNESS - 450AJ (MAIN BOOM AC CABLE) (WITHOUT ARCTIC PACKAGE)	726
FIGURE 8-39. BOOM HARNESS - 450A (MAIN BOOM AC CABLE) (WITH ARCTIC PACKAGE)	728
FIGURE 8-40. BOOM HARNESS - 450AJ (MAIN BOOM AC CABLE) (WITH ARCTIC PACKAGE).....	730
FIGURE 8-41. BOOM HARNESS - TOWER BOOM (WITHOUT ARCTIC PACKAGE).....	732
FIGURE 8-42. BOOM HARNESS - TOWER BOOM (WITH ARCTIC PACKAGE)	734
FIGURE 8-43. BOOM HARNESS - TOWER BOOM AC CABLE (WITHOUT ARCTIC PACKAGE)	736
FIGURE 8-44. BOOM HARNESS - TOWER BOOM AC CABLE (WITH ARCTIC PACKAGE).....	738
FIGURE 8-45. BOOM VALVE HARNESS	740
FIGURE 8-46. BREAKER BOX KIT WITH SINGLE DOUBLE POLE BREAKER - CE, RUSSIA & UK CA SPECS	742
FIGURE 8-47. BREAKER BOX KIT.....	744
FIGURE 8-48. BREAKER BOX KIT WITH THREE BREAKERS - CE, RUSSIA & UK CA SPECS	746
FIGURE 8-49. BREAKER BOX KIT - 30MA/16 AMP.....	748
FIGURE 8-50. CHASSIS SOLENOID HARNESS.....	750
FIGURE 8-51. ENGINE HARNESS - DEUTZ D2011	752

TABLE OF CONTENTS

FIGURE 8-52. ENGINE HARNESS - DEUTZ D2.9L4	754
FIGURE 8-53. ENGINE HARNESS - DEUTZ D2.9L4 ENGINE (STAGE V)	758
FIGURE 8-54. ENGINE HARNESS - DEUTZ D2.9L4 ENGINE (CHINA IV)	762
FIGURE 8-55. ENGINE HARNESS - KUBOTA.....	766
FIGURE 8-56. FUEL HARNESS - DEUTZ D2.9L4 ENGINE	768
FIGURE 8-57. GENERATOR HARNESS - 2500W GENERATOR (60HZ)	770
FIGURE 8-58. GENERATOR HARNESS - 2500W GENERATOR (50HZ)	772
FIGURE 8-59. GENERATOR HARNESS - 4000W GENERATOR	774
FIGURE 8-60. GROUND CONTROL PANEL HARNESS	776
FIGURE 8-61. HOUR METER JUMPER HARNESS.....	778
FIGURE 8-62. KUBOTA D/F POWER HARNESS	780
FIGURE 8-63. PLATFORM CONSOLE BOX HARNESS.....	782
FIGURE 8-64. PLATFORM INTERFACE HARNESS.....	784
FIGURE 8-65. RECEPTACLE BOX KIT - 110V IEC YELLOW (CE, RUSSIA & UK CA SPECS)	786
FIGURE 8-66. RECEPTACLE BOX KIT - 220V IEC BLUE (CE, RUSSIA & UK CA SPECS).....	788
FIGURE 8-67. RECEPTACLE BOX KIT - 220V CEE7 POST GROUND 2IN X 4IN BOX (CE, RUSSIA & UK CA SPECS)	790
FIGURE 8-68. RECEPTACLE BOX KIT - 220V CEE7 SIDE GROUND 2IN X 4IN BOX (CE, RUSSIA & UK CA SPECS).....	792
FIGURE 8-69. RECEPTACLE BOX KIT - 220V AFSINT 107 (CE, RUSSIA & UK CA SPECS)	794
FIGURE 8-70. SKYEYE INTERMEDIATE HARNESS	796
FIGURE 8-71. SKYEYE RECEIVER HARNESS.....	798
FIGURE 8-72. SKYEYE EMITTER HARNESS	800
FIGURE 8-73. SKYLINE HARNESS	802
FIGURE 8-74. TURNTABLE HARNESS (Prior to SN 0300298591, Prior to SN B300017677, SN B300017715 through B300017717, Including B300017690, B300017705 and B300017709).....	804
FIGURE 8-75. TURNTABLE HARNESS (SN 0300298591 to Present, SN B300017677 to Present, Except SN B300017715 through B300017717, Excluding B300017690, B300017705 and B300017709)	808
FIGURE 8-76. VALVE HARNESS - MAIN VALVE (Prior to SN 0300298591, Prior to SN B300017677, SN B300017715 through B300017717, Including B300017690, B300017705 and B300017709).....	812
FIGURE 8-77. VALVE HARNESS - MAIN VALVE (SN 0300298591 to Present, SN B300017677 to Present, Except SN B300017715 through B300017717, Excluding B300017690, B300017705 and B300017709)	814
FIGURE 8-78. VALVE HARNESS - PLATFORM VALVE.....	816
SECTION 9 - DECALS	819
FIGURE 9-1. DECAL INSTALLATION – ANSI, ANSI EXPORT AND CSA SPECS WITH DEUTZ ENGINES (ENGLISH).....	820
FIGURE 9-2. DECAL INSTALLATION – ANSI AND ANSI EXPORT SPECS WITH KUBOTA ENGINES (ENGLISH)	822
FIGURE 9-3. DECAL INSTALLATION - AUSTRALIAN SPEC (ENGLISH).....	824
FIGURE 9-4. DECAL INSTALLATION - BRAZIL SPEC (ENGLISH).....	826
FIGURE 9-5. DECAL INSTALLATION - CE & UK CA SPEC (ENGLISH).....	828
FIGURE 9-6. DECAL INSTALLATION - CSA SPEC WITH DEUTZ ENGINES (FRENCH/ENGLISH)	830
FIGURE 9-7. DECAL INSTALLATION - CSA SPEC WITH KUBOTA ENGINES (FRENCH/ENGLISH)	832
FIGURE 9-8. DECAL INSTALLATION - CHINESE SPEC (CHINESE/ENGLISH)	834
FIGURE 9-9. DECAL INSTALLATION - JAPANESE SPEC (JAPANESE/ENGLISH)	836
FIGURE 9-10. DECAL INSTALLATION - KOREAN SPEC (KOREAN/ENGLISH)	838
FIGURE 9-11. DECAL INSTALLATION - LATIN AMERICA SPEC (SPANISH/ENGLISH)	840
FIGURE 9-12. DECAL INSTALLATION - OPTIONS.....	842
FIGURE 9-13. TOW BAR DECAL INSTALLATION - ENGLISH LANGUAGE (ANSI, ANSI EXPORT, CE, CHINA, JAPANESE AND RUSSIA SPECS).....	846

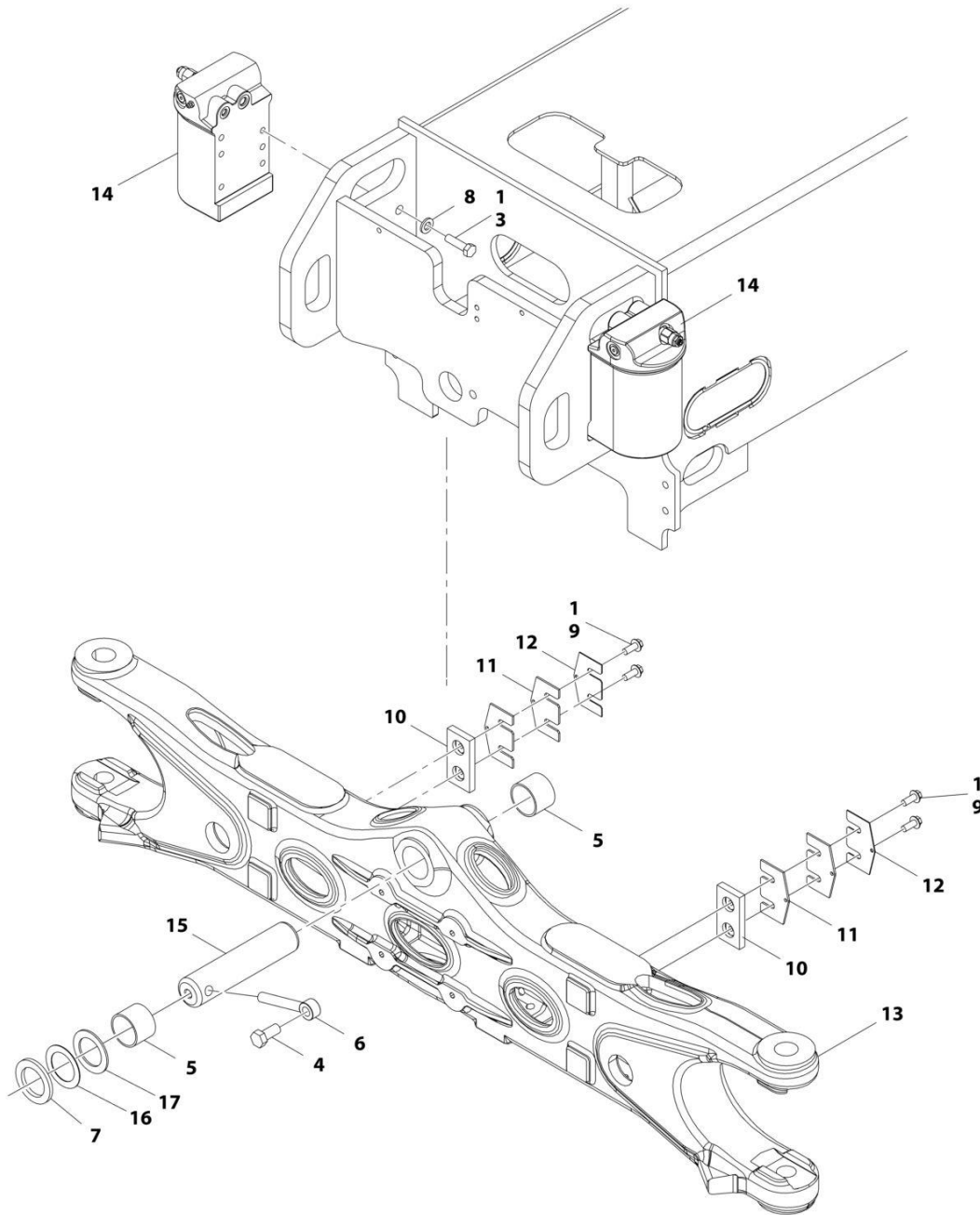
TABLE OF CONTENTS

FIGURE 9-14. TOW BAR DECAL INSTALLATION - ENGLISH/SPANISH LANGUAGE (ANSI EXPORT SPECS)	848
FIGURE 9-15. TOW BAR DECAL INSTALLATION - SPANISH LANGUAGE (ANSI EXPORT, CE AND RUSSIA SPECS)	850
FIGURE 9-16. SKYWELDER DECAL INSTALLATION – 50HZ (ANSI EXPORT SPECS)	852
FIGURE 9-17. SKYWELDER DECAL INSTALLATION - 60HZ (ANSI EXPORT SPECS).....	854
SECTION 10 - RECOMMENDED SERVICE PARTS STOCK	857
FIGURE 10-1. RECOMMENDED SERVICE PARTS STOCK	858
SECTION 11 - SPECIAL OPTIONS/ACCESSORIES/KITS	861
FIGURE 11-1. SPECIAL OPTIONS/ACCESSORIES/KITS	862
PART NUMBER INDEX	867

SECTION 1 - FRAME

SECTION 1 - FRAME

FIGURE 1-1. AXLE INSTALLATION (MACHINES WITH SN STARTING WITH 03)



ART_1001164093

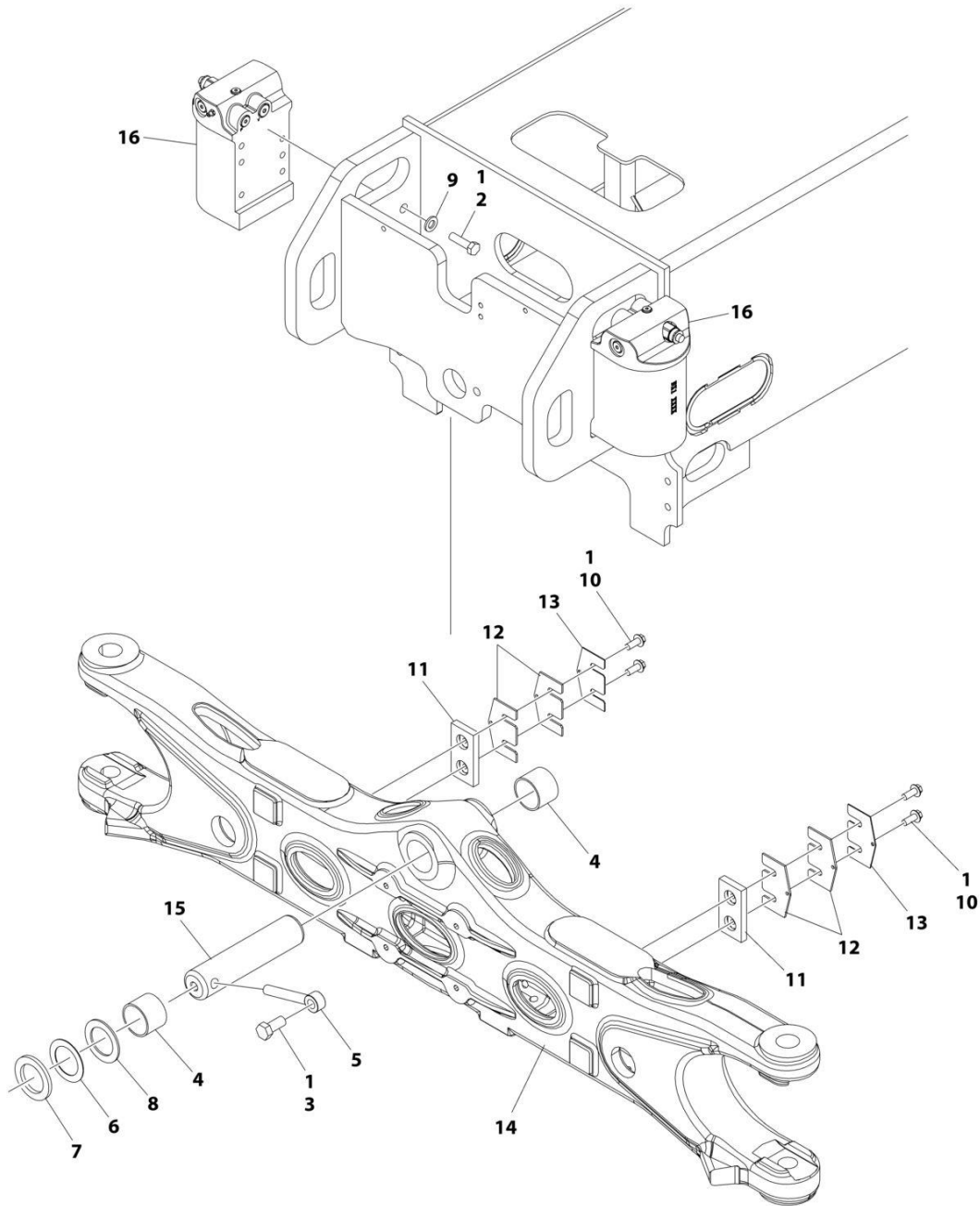
SECTION 1 - FRAME

FIGURE 1-1. AXLE INSTALLATION (MACHINES WITH SN STARTING WITH 03)

ITEM	PART NUMBER	QTY	DESCRIPTION	REV
	1001164093	Ref	AXLE INSTALLATION	D
1	0100011	AR	Compound, Locking	
3	0701217	8	Bolt M12 x 45	
4	0761615	1	Bolt M16 x 35	
5	0961950	2	Bearing	
6	3841258	1	Keeper, Pin	
7	4740158	AR	Washer	
8	5241200	8	Washer M12	
9	5251012	4	Bolt M10 x 25	
10	1001118511	2	Pad, Wear	
11	1001118518	4	Shim 11Ga	
12	1001118519	2	Shim 16Ga	
13	1001162995	1	Axle	
14	1001163580	2	Axle Lockout Cylinder Assembly (See Separate Breakdown in CYLINDER SECTION)	
15	1001185030	1	Pin	
16	4071101	AR	Shim	
17	4740229	AR	Washer	

SECTION 1 - FRAME

FIGURE 1-2. AXLE INSTALLATION (MACHINES WITH SN STARTING WITH B3)



ART_1001264981

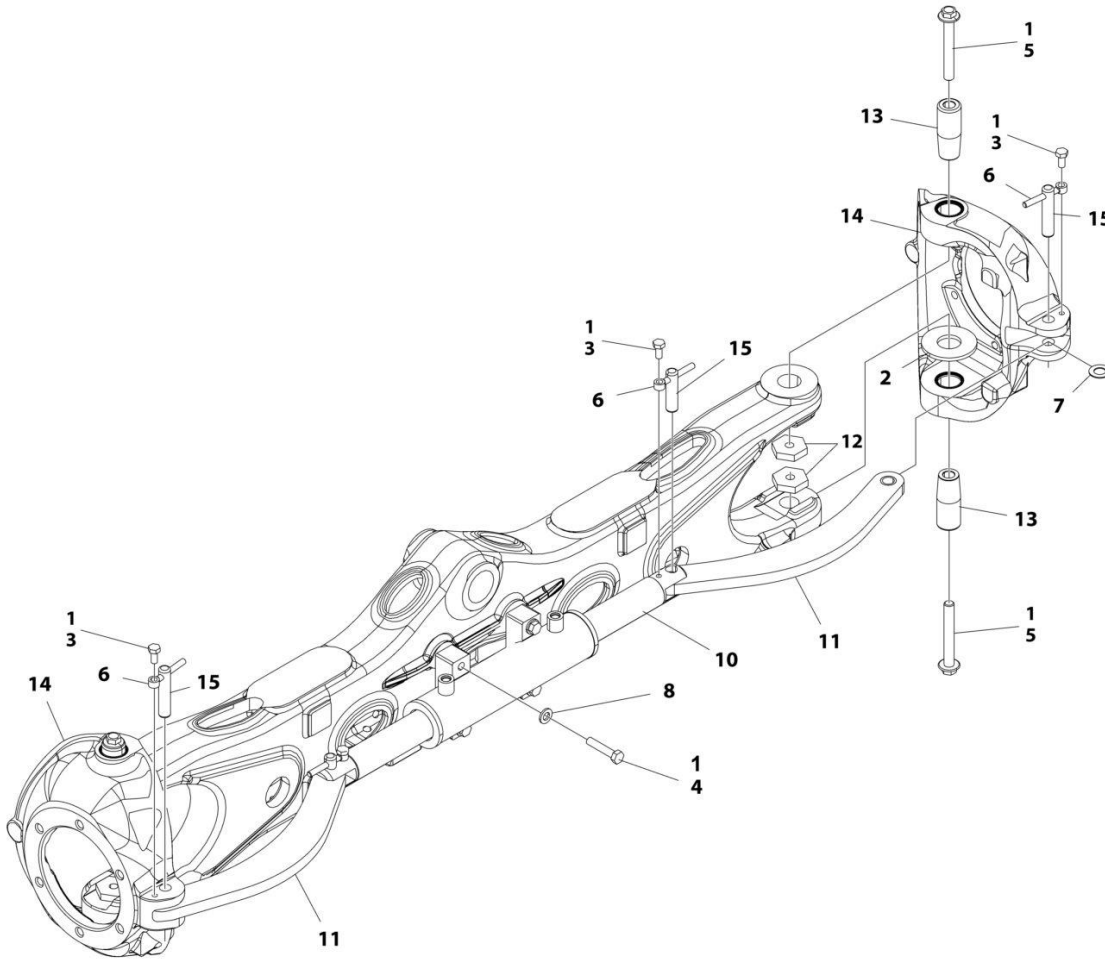
SECTION 1 - FRAME

FIGURE 1-2. AXLE INSTALLATION (MACHINES WITH SN STARTING WITH B3)

ITEM	PART NUMBER	QTY	DESCRIPTION	REV
	1001264981	Ref	AXLE INSTALLATION	B
1	0100011	AR	Compound, Locking	
2	0701217	8	Bolt M12 x 45	
3	0761615	1	Bolt M16 x 35	
4	0961950	2	Bearing	
5	3841258	1	Keeper, Pin	
6	4071101	AR	Shim	
7	4740158	AR	Washer	
8	4740229	AR	Washer	
9	5241200	8	Washer M12	
10	5251012	4	Bolt M10 x 25	
11	1001118511	2	Pad, Wear	
12	1001118518	AR	Shim 11Ga	
13	1001118519	AR	Shim 16Ga	
14	1001162995	1	Axle	
15	1001185030	1	Pin	
16	1001256179	2	Axle Lockout Cylinder Assembly (See Separate Breakdown in CYLINDER Section)	

SECTION 1 - FRAME

FIGURE 1-3. STEER INSTALLATION WITHOUT TOW PACKAGE



ART_1001164092

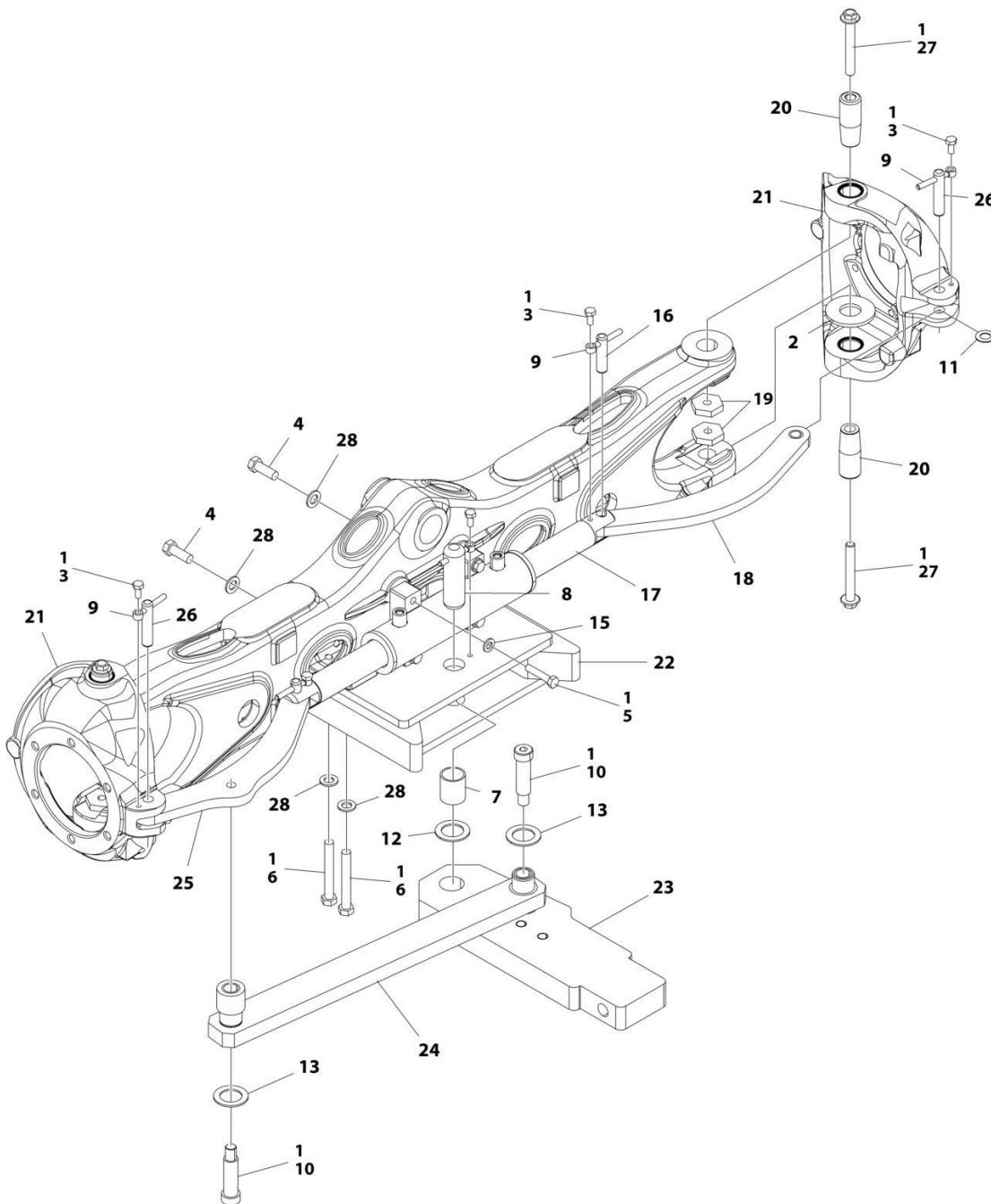
SECTION 1 - FRAME

FIGURE 1-3. STEER INSTALLATION WITHOUT TOW PACKAGE

ITEM	PART NUMBER	QTY	DESCRIPTION	REV
	1001164092	Ref	STEER INSTALLATION WITHOUT TOW PACKAGE	F
1	0100011	AR	Compound, Locking	
2	1001233139	2	Bearing, Thrust	
3	0761011	4	Bolt M10 x 22	
4	0711220	4	Bolt M12 x 60 Grade 10.9	
5	1001190368	4	Bolt M16 x 120	
6	3841143	4	Keeper, Pin	
7	4740086	4	Washer	
8	5241200	4	Washer M12	
10	1001163178	1	Steer Cylinder Assembly (See Separate Breakdown in CYLINDER SECTION)	
11	1001163179	2	Link	
11	1001164209	4	Bearing (2 Per Link)	
12	1001176848	4	Nut M16	
13	1001163405	4	Kingpin	
14	1001163715	2	Spindle	
14	0961948	4	Bearing (2 Per Spindle)	
14	1001163716	8	Seal (4 Per Spindle)	
15	3423304	4	Pin	

SECTION 1 - FRAME

FIGURE 1-4. STEER INSTALLATION WITH TOW PACKAGE



ART_1001164095

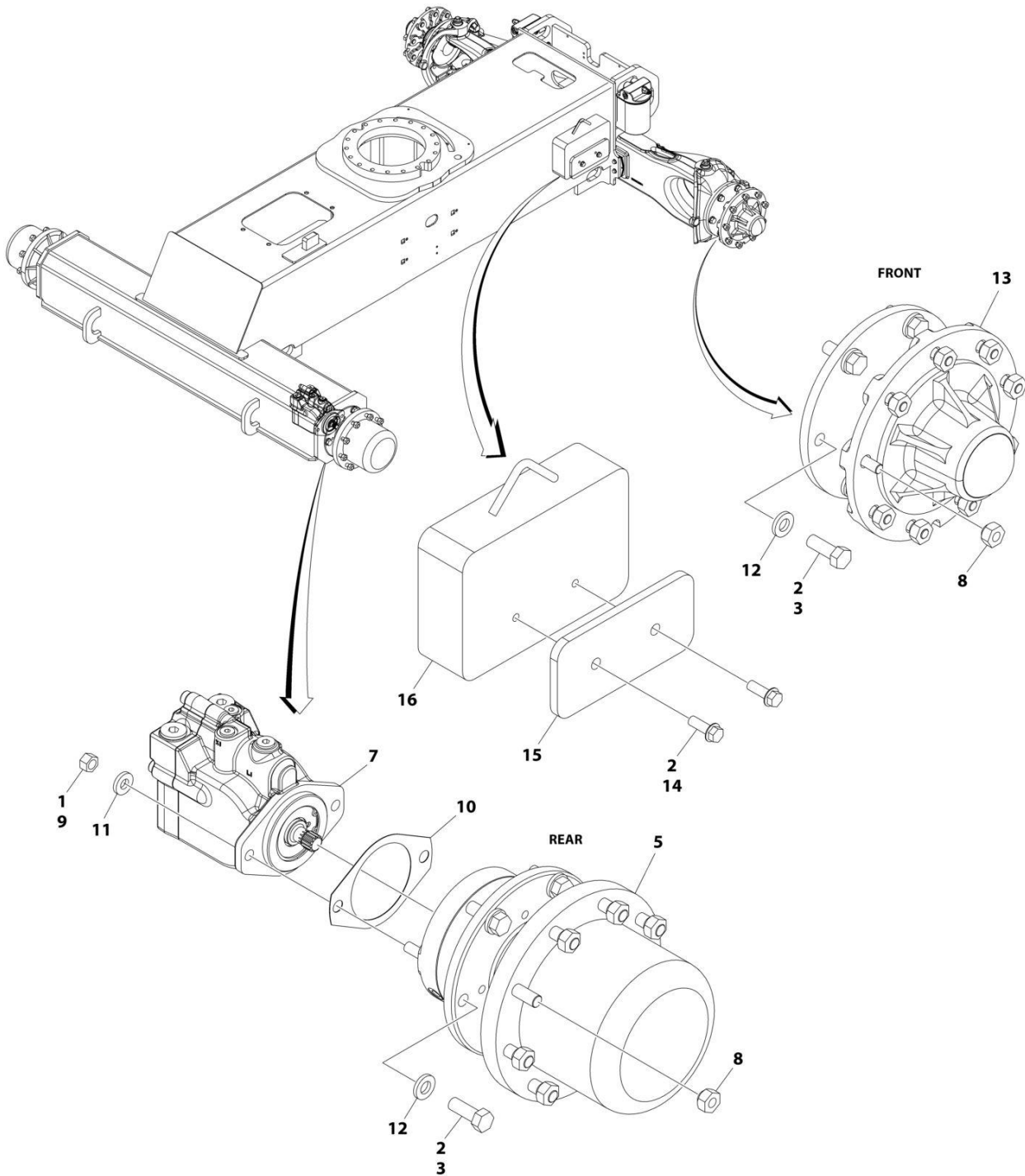
SECTION 1 - FRAME

FIGURE 1-4. STEER INSTALLATION WITH TOW PACKAGE

ITEM	PART NUMBER	QTY	DESCRIPTION	REV
	1001164095	Ref	STEER INSTALLATION WITH TOW PACKAGE	D
1	0100011	AR	Compound, Locking	
2	0440271	2	Bearing, Thrust	
3	0761011	5	Bolt M10 x 22	
4	0701617	2	Bolt M16 x 45	
5	0711220	4	Bolt M12 x 60 Grade 10.9	
6	0711629	4	Bolt M16 x 120	
7	0962348	1	Bearing	
8	3422848	1	Pin	
9	3841143	5	Keeper, Pin	
10	3900295	2	Bolt 1 X 3	
11	4740086	4	Washer	
12	4740155	1	Washer	
13	4740491	2	Washer	
15	5241200	4	Washer M12	
16	1001139586	2	Pin	
17	1001163178	1	Steer Cylinder Assembly (See Separate Breakdown in CYLINDER SECTION)	
18	1001163179	1	Link	
18	1001164209	2	Bearing	
19	1001176848	4	Nut M16	
20	1001163405	4	Kingpin	
21	1001163715	2	Spindle	
21	0961948	4	Bearing (2 per Spindle)	
21	1001163716	8	Seal (4 per Spindle)	
22	1001163717	1	Bracket, Tow	
23	1001163722	1	Plate	
24	1001163724	1	Link	
24	0962292	4	Bearing	
25	1001163726	1	Link	
25	1001164209	2	Bearing	
26	3423304	2	Pin	
27	1001190368	4	Bolt M16 x 120	
28	5241600	6	Washer M16	

SECTION 1 - FRAME

FIGURE 1-5. WHEEL DRIVE INSTALLATION (2WD)



ART_1001214159

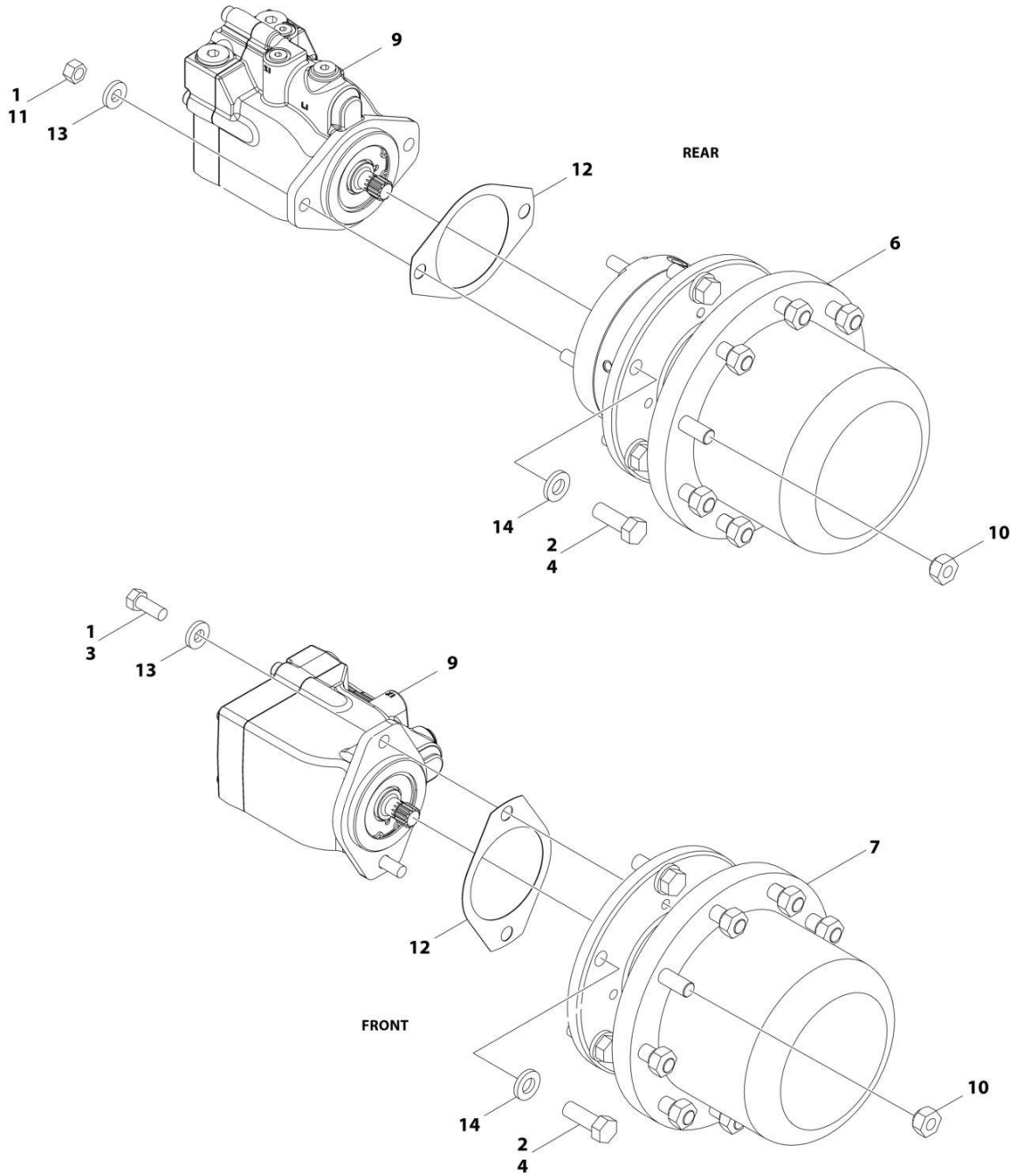
SECTION 1 - FRAME

FIGURE 1-5. WHEEL DRIVE INSTALLATION (2WD)

ITEM	PART NUMBER	QTY	DESCRIPTION	REV
	1001214159	Ref	WHEEL DRIVE INSTALLATION (2WD)	D
1	0100011	AR	Compound, Locking	
2	0100019	AR	Compound, Locking	
3	0682014	24	Bolt 5/8 x 1-3/4 Grade 8	
5	2780267	2	Drive Hub Assembly - Rear (See Separate Breakdown in this Section)	
7	3160351	2	Drive Motor Assembly (See Separate Breakdown in this Section)	
8	3300106	36	Lugnut	
9	3311801	4	Nut 1/2	
10	3960526	2	Gasket, Brake	
11	4891800	4	Washer 1/2	
12	4892000	24	Washer 5/8	
13	1001214174	2	Hub - Spindle Assembly (See Separate Breakdown in this Section)	
14	5251215	4	Bolt M12 x 35	
15	1001215503	2	Plate, Mounting	
16	1001215504	2	Weight, Counter	

SECTION 1 - FRAME

FIGURE 1-6. WHEEL DRIVE INSTALLATION (4WD) (DANFOSS MOTOR)



ART_1001166239

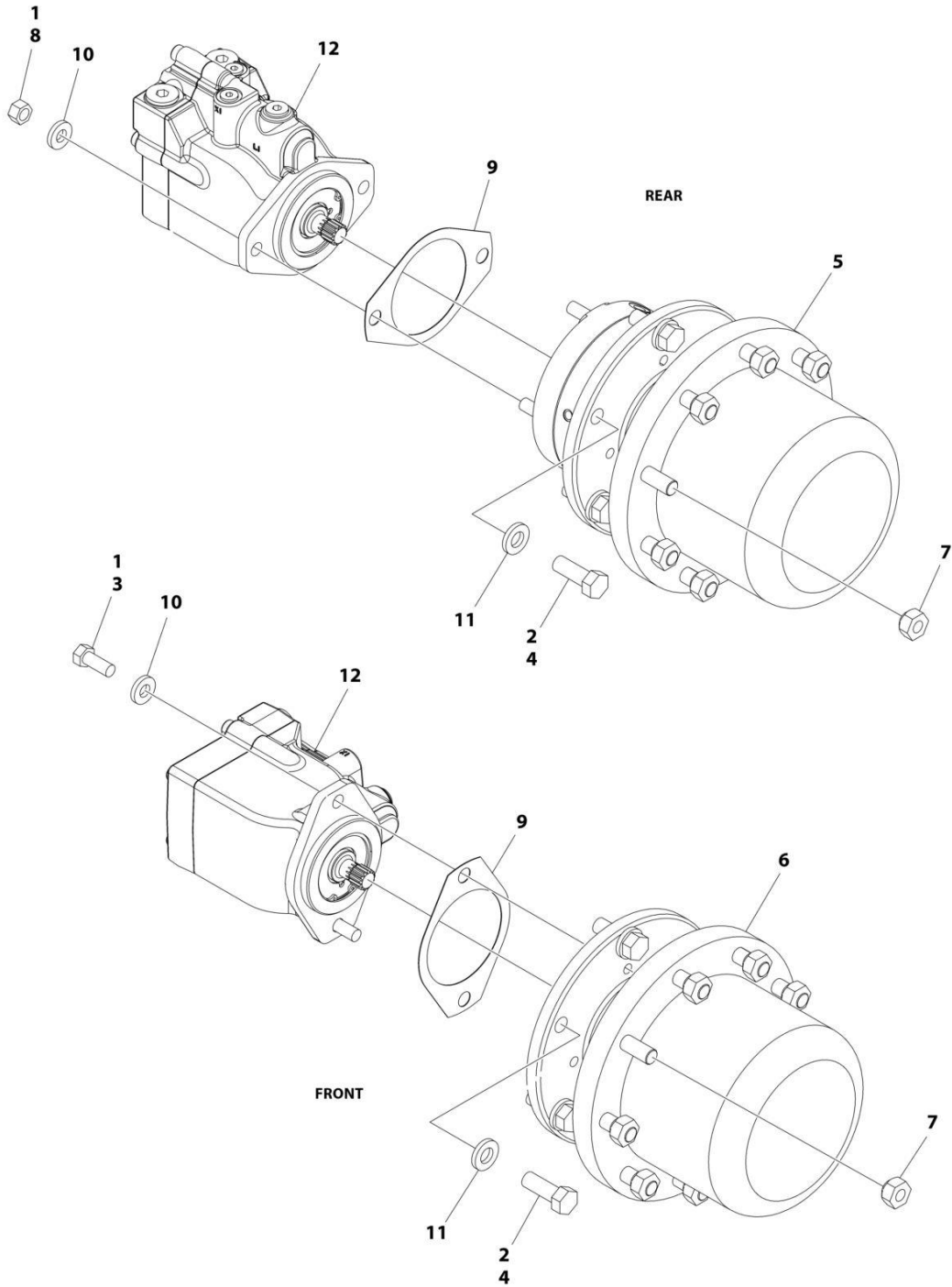
SECTION 1 - FRAME

FIGURE 1-6. WHEEL DRIVE INSTALLATION (4WD) (DANFOSS MOTOR)

ITEM	PART NUMBER	QTY	DESCRIPTION	REV
	1001166239	Ref	WHEEL DRIVE INSTALLATION (4WD)	E
1	0100011	AR	Compound, Locking	
2	0100019	AR	Compound, Locking	
3	0681810	4	Bolt 1/2 x 1-1/4 Grade 8	
4	0682014	24	Bolt 5/8 x 1-3/4 Grade 8	
6	2780267	2	Drive Hub Assembly - Rear (See Separate Breakdown in this Section)	
7	2780268	2	Drive Hub Assembly - Front (See Separate Breakdown in this Section)	
9	3160348	4	Drive Motor Assembly (See Separate Breakdown in this Section)	
10	3300106	36	Lugnut	
11	3311801	4	Nut 1/2	
12	3960526	4	Gasket, Brake	
13	4891800	8	Washer 1/2	
14	4892000	24	Washer 5/8	

SECTION 1 - FRAME

FIGURE 1-7. WHEEL DRIVE INSTALLATION (4WD) (HENGLI MOTOR)



ART_1001285012

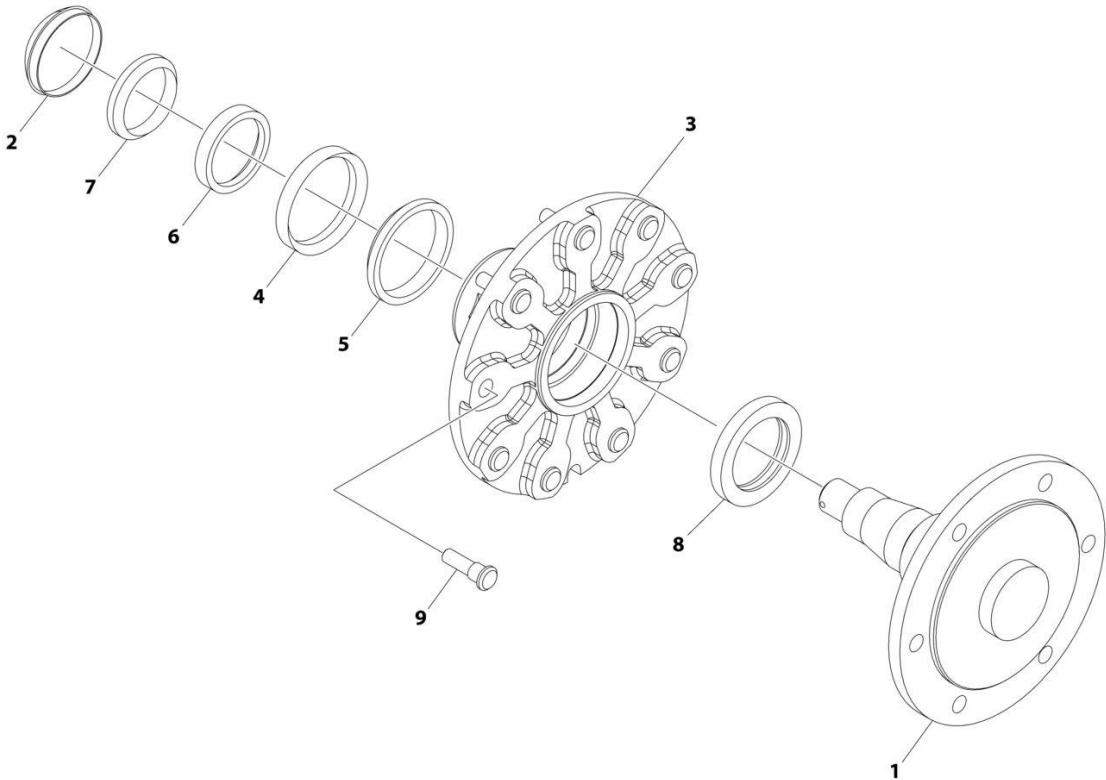
SECTION 1 - FRAME

FIGURE 1-7. WHEEL DRIVE INSTALLATION (4WD) (HENGLI MOTOR)

ITEM	PART NUMBER	QTY	DESCRIPTION	REV
	1001285012	Ref	WHEEL DRIVE INSTALLATION (4WD)	A
1	0100011	AR	Compound, Locking	
2	0100019	AR	Compound, Locking	
3	0681810	4	Bolt 1/2 x 1-1/4 Grade 8	
4	0682014	24	Bolt 5/8 x 1-3/4 Grade 8	
5	2780267	2	Drive Hub Assembly - Rear (See Separate Breakdown in this Section)	
6	2780268	2	Drive Hub Assembly - Front (See Separate Breakdown in this Section)	
7	3300106	36	Lugnut	
8	3311801	4	Nut 1/2	
9	3960526	4	Gasket, Brake	
10	4891800	8	Washer 1/2	
11	4892000	24	Washer 5/8	
12	1001278022	4	Drive Motor Assembly (See Separate Breakdown in this Section)	

SECTION 1 - FRAME

FIGURE 1-8. HUB - SPINDLE ASSEMBLY



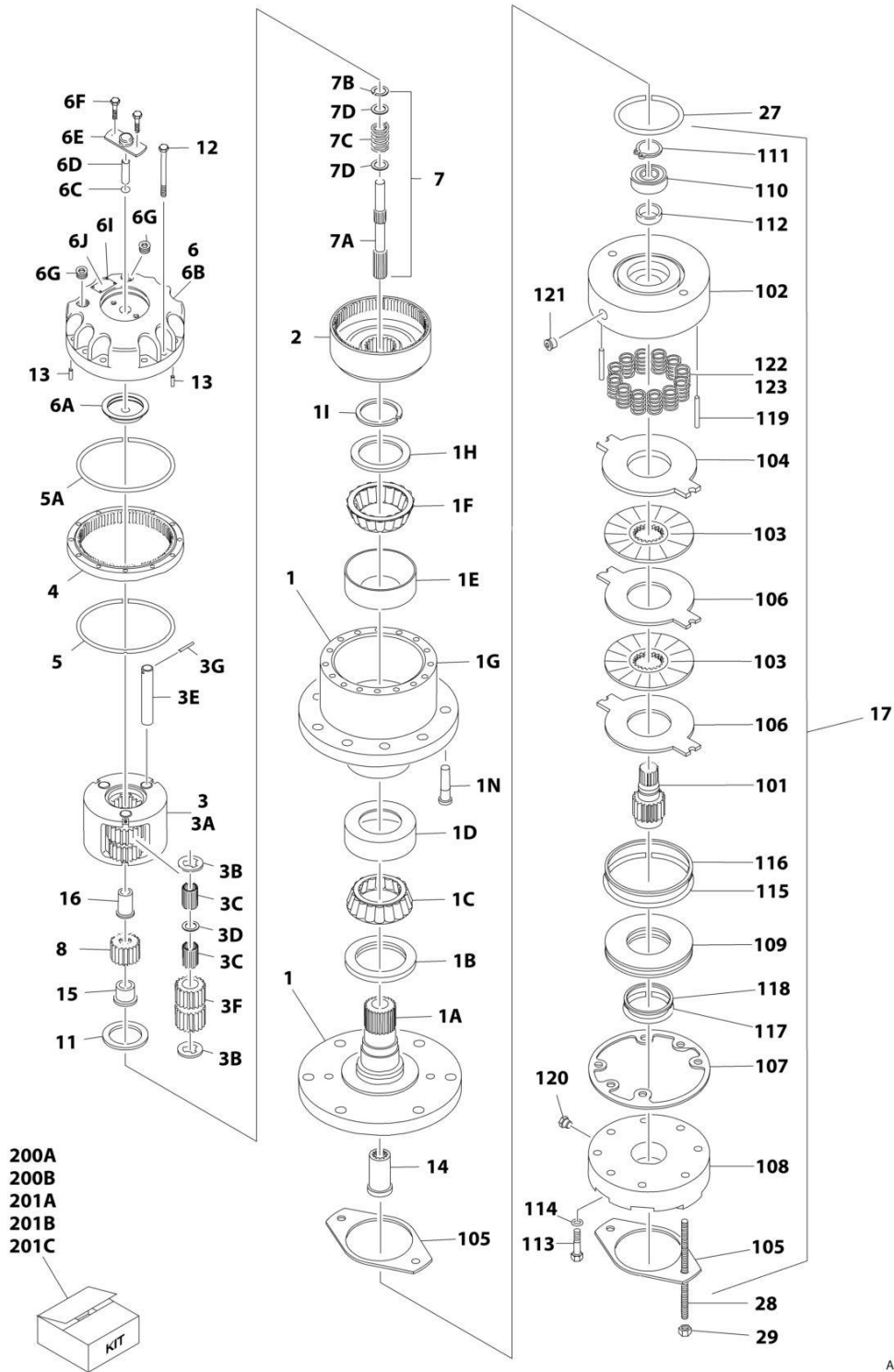
ART_1001214174

FIGURE 1-8. HUB - SPINDLE ASSEMBLY

ITEM	PART NUMBER	QTY	DESCRIPTION	REV
	1001214174	Ref	HUB - SPINDLE ASSEMBLY (2WD)	C
1	See Note	NSS	Spindle, Adapter (Note: Not Available for Purchase)	
2	7020033	1	Cap, Dust	
3	7020035	1	Hub, Casting	
4	7020036	1	Cup, Bearing	
5	7020037	1	Cone, Bearing	
6	7020038	1	Cup, Bearing	
7	7020039	1	Cone, Bearing	
8	7020040	1	Seal	
9	7020041	9	Stud	

SECTION 1 - FRAME

FIGURE 1-9. DRIVE HUB AND BRAKE ASSEMBLY - REAR



SECTION 1 - FRAME

FIGURE 1-9. DRIVE HUB AND BRAKE ASSEMBLY - REAR

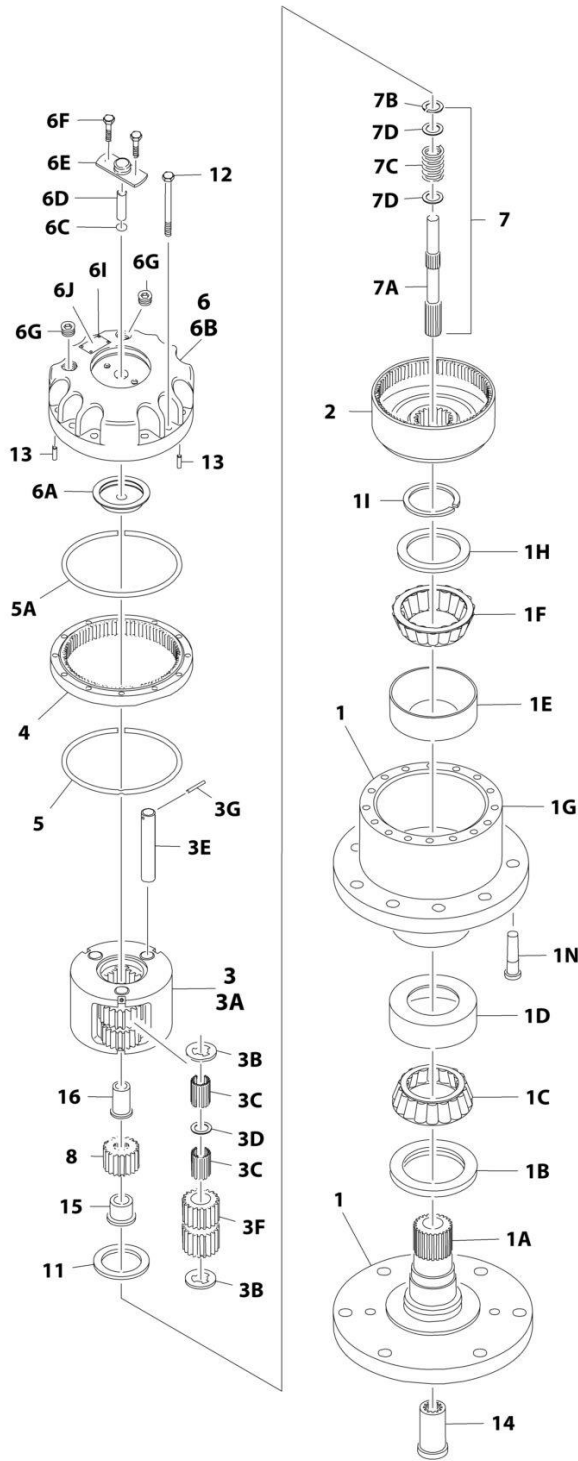
ITEM	PART NUMBER	QTY	DESCRIPTION	REV
	2780267	Ref	DRIVE HUB AND BRAKE ASSEMBLY - REAR	I
1	See Note	1	Spindle/Housing Assembly (Note: Purchase Individual Components)	
1A	7017059	1	Spindle	
1B	7001998	1	Seal	
1C	7010429	1	Cone, Bearing (Includes Item 1D)	
1D	7010429	1	Cup, Bearing (Includes Item 1C)	
1E	7000257	1	Cup, Bearing	
1F	7000258	1	Cone, Bearing	
1G	7007601	1	Housing/Ring Gear	
1H	7000232	1	Washer, Thrust	
1I	7000229	1	Ring, Retaining	
1N	7007640	9	Stud, Wheel	
2	7000246	1	Gear, Internal	
3	7024712	1	Carrier Assembly	
3A	See Note	1	Carrier (Note: Use Item 3)	
3B	See Note	6	Ring, Retaining (Note: Use Item 3)	
3C	See Note	AR	Bearing, Needle (Note: Use Item 3)	
3D	See Note	3	Washer, Thrust (Note: Use Item 3)	
3E	See Note	3	Shaft, Planet (Note: Use Item 3)	
3F	See Note	3	Gear, Planet (Note: Use Item 3)	
3G	See Note	3	Roll Pin (Note: Use Item 3)	
4	7000248	1	Ring Gear	
5	7000230	1	O-Ring	
5A	7017070	1	O-Ring	
6	70001349	1	Cover Assembly Kit	
6A	See Note	1	Spacer, Thrust (Note: Use Item 6)	
6B	See Note	1	Plate, Cover (Note: Use Item 6)	
6C	See Note	1	O-Ring (Note: Use Item 6)	
6D	See Note	1	Rod, Disconnect (Note: Use Item 6)	
6E	See Note	1	Cap, Disengage (Note: Use Item 6)	
6F	See Note	2	Bolt (Note: Use Item 6)	
6G	See Note	1	Plug, Pipe (Note: Use Item 6)	
6I	See Note	4	Rivet (Note: Not Available for Purchase)	
6J	See Note	1	Plate, ID (Note: Not Available for Purchase)	
7		Ref	Input Shaft Assembly	
7A	7024714	1	Shaft	
7B	7000261	1	Ring, Retaining	
7C	7000262	1	Spring	
7D	7000263	2	Spacer, Thrust	
8	7024713	1	Gear, Sun	
11	7000253	1	Washer, Thrust	
12	7017067	12	Bolt	
13	7017080	4	Pin, Dowel	
14	7000206	1	Coupling	
15	7024715	1	Spacer, Input	
16	7024716	1	Spacer, Input	
17	7024182	1	Brake Assembly (See Items 101-123 for Breakdown)	
27	7024705	1	O-Ring	
28	7024717	2	Rod, Threaded	

SECTION 1 - FRAME

ITEM	PART NUMBER	QTY	DESCRIPTION	REV
29	7024718	2	Nut 1/2in-13NC	
	7024182	Ref	BRAKE ASSEMBLY	
101	7024189	1	Shaft	
102	See Note	1	Housing (Note: Use Item 17)	
103	See Note	2	Plate, Friction (Note: Use Item 201B)	
104	See Note	1	Plate, Pressure (Note: Use Item 201B)	
105	7000731	2	Gasket	
106	See Note	2	Plate, Outer (Note: Use Item 201B)	
107	See Note	1	Gasket (Note: Use Item 200A, 201B or 201C)	
108	7024191	1	Cylinder	
109	7024192	1	Piston	
110	See Note	1	Bearing, Ball (Note: Use Item 201C)	
111	See Note	1	Ring, Retaining (Note: Use Item 201C)	
112	See Note	1	Seal, Shaft (Note: Use Item 201C)	
113	See Note	6	Capscrew (Note: Use Item 17)	
114	See Note	6	Lockwasher (Note: Use Item 17)	
115	See Note	1	O-Ring (Note: Use Item 200B)	
116	See Note	1	Ring, Back-up (Note: Use Item 200B)	
117	See Note	1	O-Ring (Note: Use Item 200B)	
118	See Note	1	Ring, Back-up (Note: Use Item 200B)	
119	7024190	2	Pin, Dowel	
120	See Note	1	Plug (Note: Use Item 17)	
121	See Note	2	Plug (Note: Use Item 17)	
122	See Note	12	Spring Kit (Natural) (Note: Use Item 201A)	
123	See Note	2	Spring Kit (Blue) (Note: Use Item 201A)	
		Ref	Kit Options	
200		Ref	Seal Kit Options:	
200A	See Note	1	Hub Seal Kit (Note: Purchase Individual Components)	
200B	7024194	1	Brake Seal Kit (Includes Items 105, 107 & 115-118)	
201		Ref	Repair Kit Options:	
201A	7024196	1	Brake Spring Kit (Includes 12 Natural Colored and 2 Blue Colored Springs Items 122 & 123)	
201B	7024193	1	Brake Friction Disc Kit (Includes Items 103, 104, 106 & 107)	
201C	7024197	1	Brake Bearing Kit (Includes Items 107 & 110-112)	

SECTION 1 - FRAME

FIGURE 1-10. DRIVE HUB ASSEMBLY - FRONT



ART_2780268

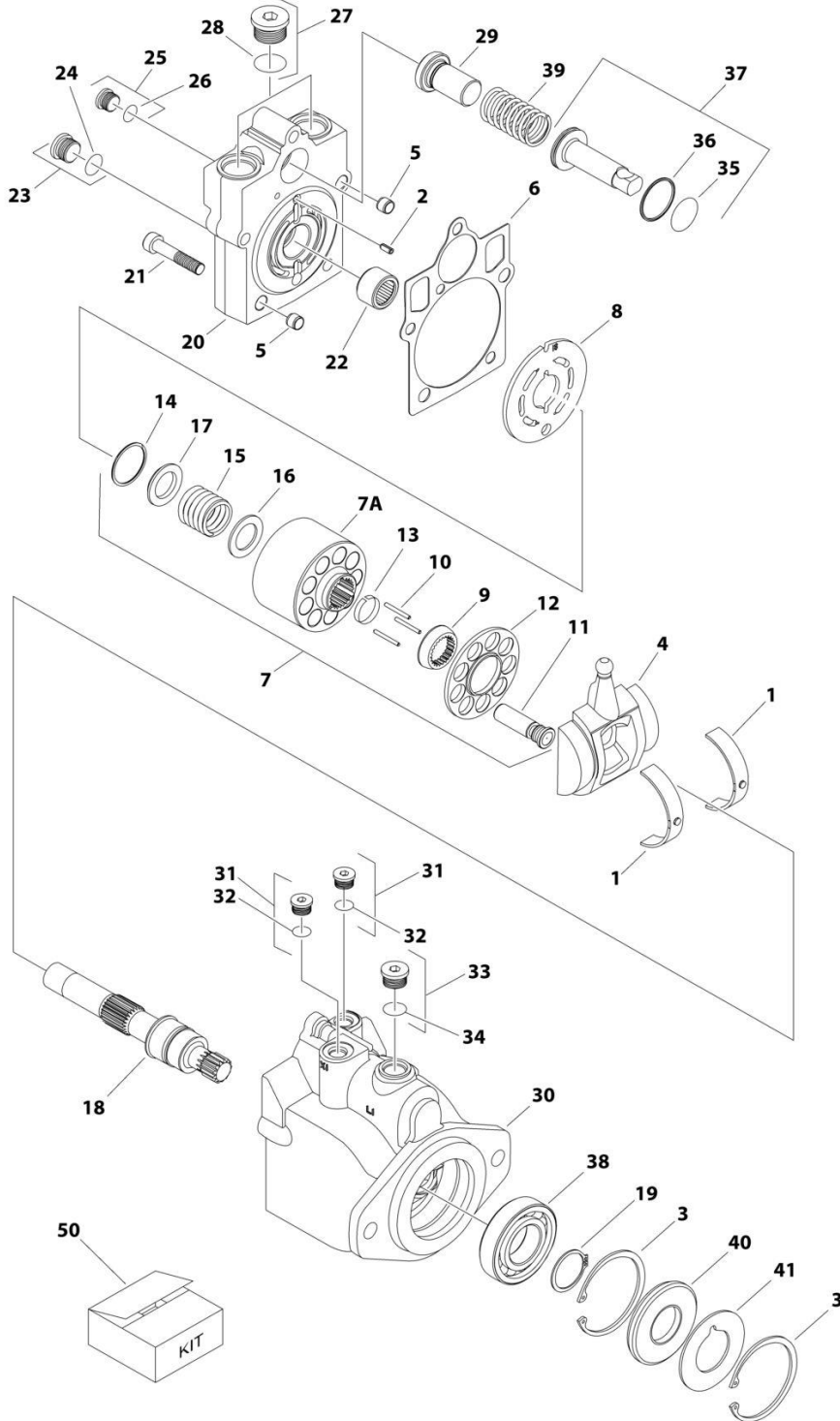
SECTION 1 - FRAME

FIGURE 1-10. DRIVE HUB ASSEMBLY - FRONT

ITEM	PART NUMBER	QTY	DESCRIPTION	REV
	2780268	Ref	DRIVE HUB ASSEMBLY - FRONT	F
1	See Note	1	Spindle/Housing Assembly (Note: Purchase Individual Components)	
1A	7017059	1	Spindle	
1B	7001998	1	Seal	
1C	7010429	1	Cone, Bearing (Includes Item 1D)	
1D	7010429	1	Cup, Bearing (Includes Item 1C)	
1E	7000257	1	Cup, Bearing	
1F	7000258	1	Cone, Bearing	
1G	7007601	1	Housing/Ring Gear	
1H	7000232	1	Washer, Thrust	
1I	7000229	1	Ring, Retaining	
1N	7007640	9	Stud, Wheel	
2	7000246	1	Gear, Internal	
3	7024712	1	Carrier Assembly	
3A	See Note	1	Carrier (Note: Use Item 3)	
3B	See Note	6	Ring, Retaining (Note: Use Item 3)	
3C	See Note	AR	Bearing, Needle (Note: Use Item 3)	
3D	See Note	3	Washer, Thrust (Note: Use Item 3)	
3E	See Note	3	Shaft, Planet (Note: Use Item 3)	
3F	See Note	3	Gear, Planet (Note: Use Item 3)	
3G	See Note	3	Roll Pin (Note: Use Item 3)	
4	7000248	1	Ring Gear	
5	7000230	1	O-Ring	
5A	7017070	1	O-Ring	
6	70001349	1	Cover Assembly Kit	
6A	See Note	1	Spacer, Thrust (Note: Use Item 6)	
6B	See Note	1	Plate, Cover (Note: Use Item 6)	
6C	See Note	1	O-Ring (Note: Use Item 6)	
6D	See Note	1	Rod, Disconnect (Note: Use Item 6)	
6E	See Note	1	Cap, Disengage (Note: Use Item 6)	
6F	See Note	2	Bolt (Note: Use Item 6)	
6G	See Note	1	Plug, Pipe (Note: Use Item 6)	
6I	See Note	4	Rivet (Note: Not Available for Purchase)	
6J	See Note	1	Plate, ID (Note: Not Available for Purchase)	
7		Ref	Input Shaft Assembly	
7A	7024714	1	Shaft	
7B	7000261	1	Ring, Retaining	
7C	7000262	1	Spring	
7D	7000263	2	Spacer, Thrust	
8	7024713	1	Gear, Sun	
11	7000253	1	Washer, Thrust	
12	7017067	12	Bolt	
13	7017080	4	Pin, Dowel	
14	7000206	1	Coupling	
15	7024715	1	Spacer, Input	
16	7024716	1	Spacer, Input	

SECTION 1 - FRAME

FIGURE 1-11. DRIVE MOTOR ASSEMBLY (2WD)



ART_3160351

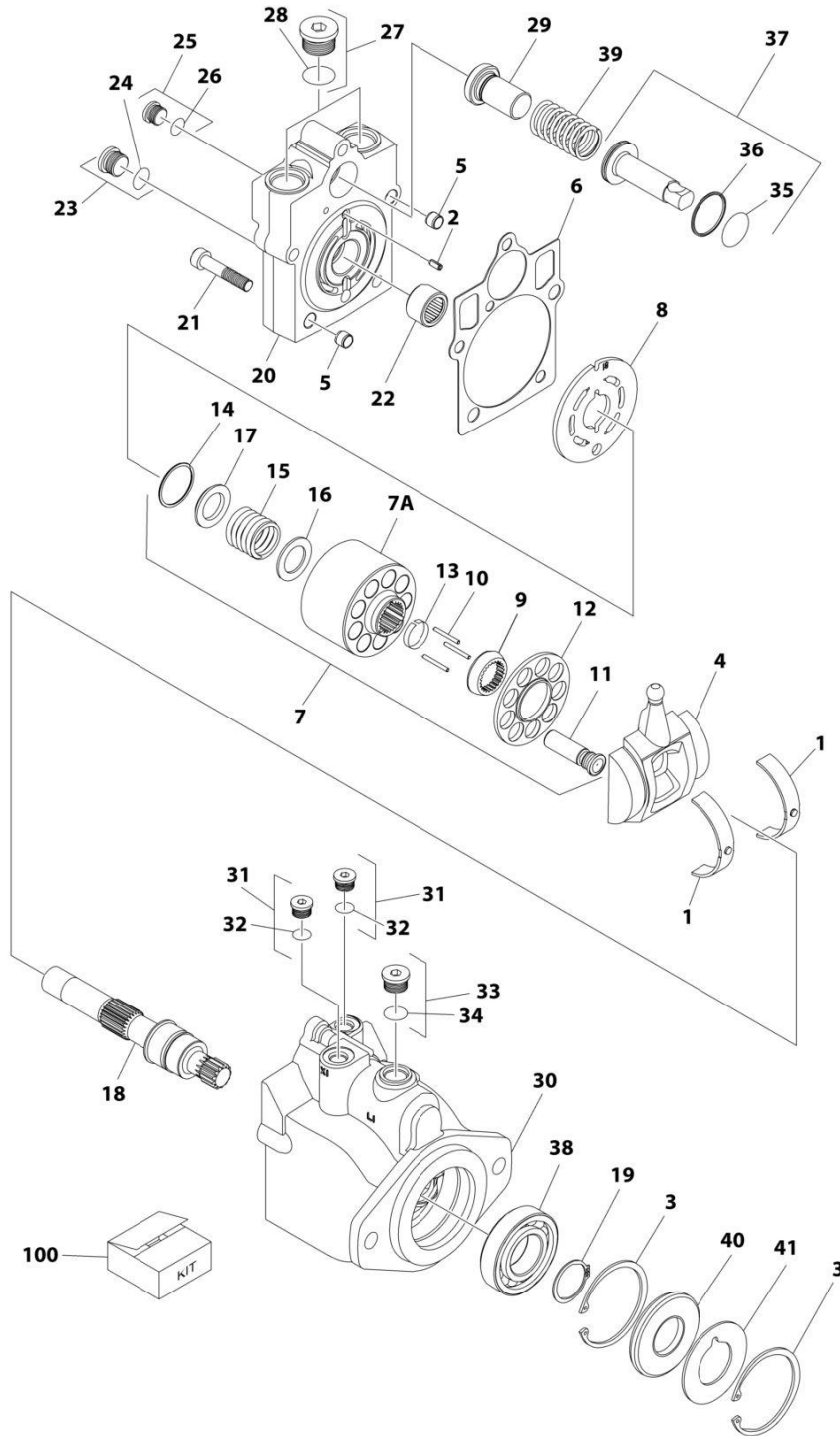
SECTION 1 - FRAME

FIGURE 1-11. DRIVE MOTOR ASSEMBLY (2WD)

ITEM	PART NUMBER	QTY	DESCRIPTION	REV
	3160351	Ref	DRIVE MOTOR ASSEMBLY (2WD)	D
1	7022302	2	Bearing, Journal	
2	7007446	1	Pin	
3	7007438	2	Ring, Retaining	
4	7022305	1	Swashplate	
5	See Note	2	Pin (Note: Not Available for Purchase)	
6	7022328	1	Gasket	
7	7023907	1	Cylinder Block Kit (Includes Items 7A & 9-17)	
7A	7023907	1	Block, Cylinder	
8	7023908	1	Plate, Valve	
9	7021277	1	Guide, Slipper Retainer	
10	7021275	3	Pin, Slipper Hold Down	
11	7023907	9	Piston Assembly	
12	7021276	1	Retainer, Hold Down Pin	
13	7023907	1	Retainer, Slipper	
14	7022311	1	Ring, Retaining	
15	7022312	1	Spring	
16	7024868	1	Washer	
17	7022314	1	Retainer, Spring	
18	7023910	1	Shaft	
19	7007439	1	Ring, Retaining	
20	70000797	1	Cap, End - Axial	
21	7022368	5	Screw	
22	7021249	1	Bearing, Needle	
23	2220886	1	Plug (Includes Item 24)	
24	7022328	1	O-Ring	
25	2220883	1	Plug (Includes Item 26)	
26	7022328	1	O-Ring	
27	7027419	2	Plug (Includes Item 28)	
28	7022328	2	O-Ring	
29	7024853	1	Seat, Spring	
30	See Note	NSS	Housing (Note: Not Available for Purchase – Purchase complete motor)	
31	2220883	2	Plug (Includes Item 32)	
32	7022328	2	O-Ring	
33	2220886	1	Plug (Includes Item 34)	
34	7022328	1	O-Ring	
35	7022328	1	O-Ring	
36	7022328	1	Ring, Seal	
37	7024854	1	Piston, Servo (Includes Items 35 & 36)	
38	7007437	1	Bearing	
39	7022326	1	Spring	
40	7022328	1	Seal, Lip	
41	7022371	1	Washer, Support	
50	7022328	1	Seal Kit (Includes Items 6, 24, 26, 28, 32, 34, 35, 36 & 40)	

SECTION 1 - FRAME

FIGURE 1-12. DRIVE MOTOR ASSEMBLY (4WD) (DANFOSS MOTOR)



ART_3160348

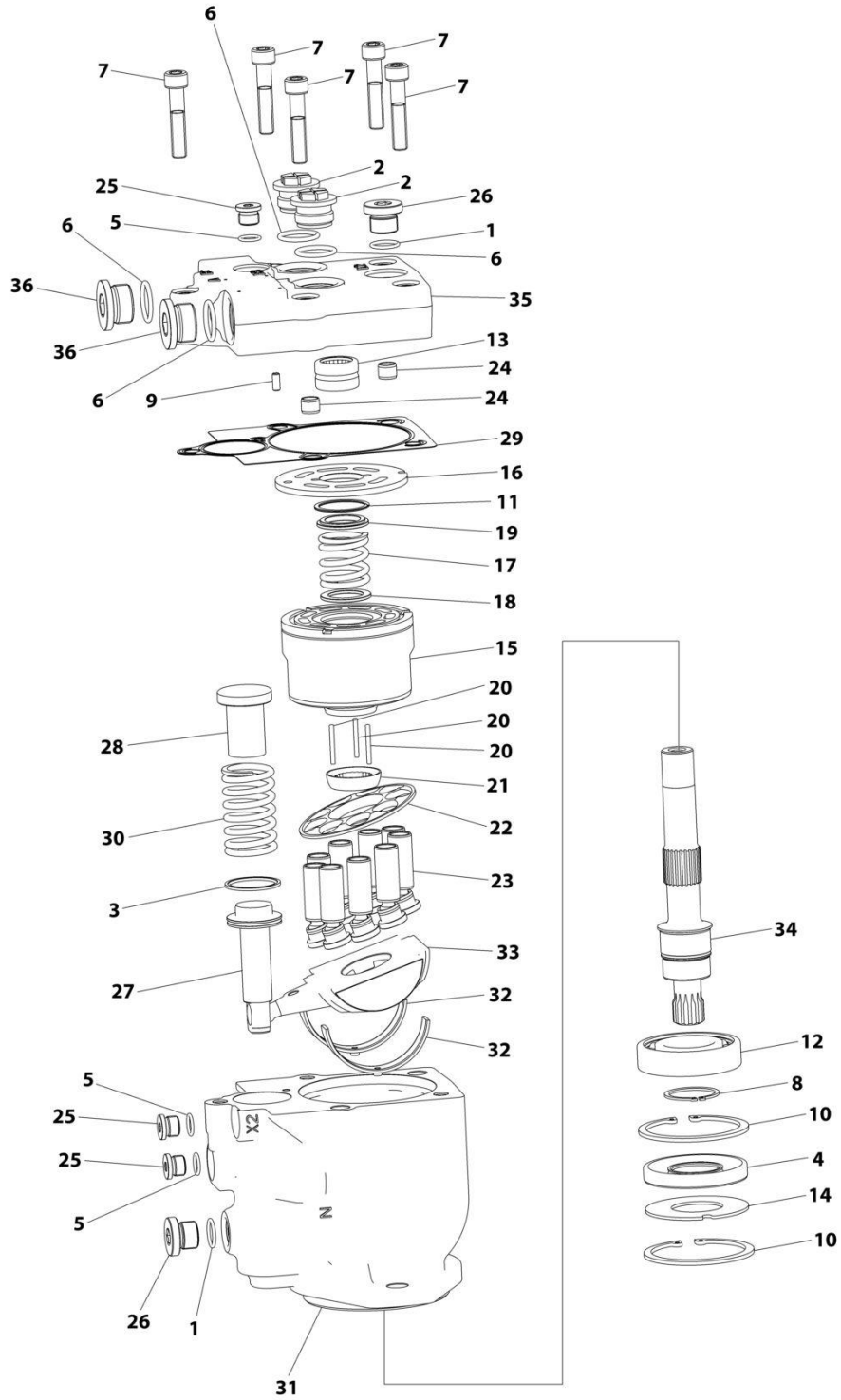
SECTION 1 - FRAME

FIGURE 1-12. DRIVE MOTOR ASSEMBLY (4WD) (DANFOSS MOTOR)

ITEM	PART NUMBER	QTY	DESCRIPTION	REV
	3160348	Ref	DRIVE MOTOR ASSEMBLY	D
1	7022302	2	Bearing, Journal	
2	7007446	1	Pin	
3	7007438	2	Ring, Retaining	
4	7022305	1	Swash Plate	
5	See Note	2	Pin (Note: Not Available for Purchase)	
6	See Note	NSS	Gasket (Note: Use Item 100)	
7	7023907	1	Cylinder Block Kit (Includes Items 7A & 9-17)	
7A	See Note	NSS	Block, Cylinder (Note: Use Item 7)	
8	7023908	1	Plate, Valve	
9	7021277	1	Guide, Slipper Retainer	
10	7021275	3	Pin, Slipper Hold Down	
11	See Note	NSS	Piston Assembly (Note: Use Item 7)	
12	7022310	1	Retainer, Slipper	
13	7021276	1	Retainer, Hold Down Pin	
14	7022311	1	Ring, Retaining	
15	7022312	1	Spring	
16	7024868	1	Washer	
17	7022314	1	Retainer, Spring	
18	7023910	1	Shaft	
19	7007439	1	Ring, Retaining	
20	70000797	1	Cap, End - Axial	
21	7022368	5	Screw	
22	7021249	1	Bearing, Needle	
23	2220886	1	Plug (Includes Item 24)	
24	See Note	1	O-Ring (Note: Use Item 23 or 100)	
25	2220883	1	Plug (Includes Item 26)	
26	See Note	NSS	O-Ring (Note: Use Item 25 or 100)	
27	2220888	2	Plug (Includes Item 28)	
28	See Note	NSS	O-Ring (Note: Use Item 27 or 100)	
29	7022372	1	Seat, Spring	
30	See Note	NSS	Housing (Note: Not Available - Purchase Complete Assembly)	
31	2220883	2	Plug (Includes Item 32)	
32	See Note	NSS	O-Ring (Note: Use Item 31 or 100)	
33	2220886	1	Plug (Includes Item 34)	
34	See Note	NSS	O-Ring (Note: Use Item 33 or 100)	
35	See Note	NSS	O-Ring (Note: Use Item 100)	
36	See Note	NSS	Ring, Seal (Note: Use Item 100)	
37	7024854	1	Piston, Servo (Includes Items 35 & 36)	
38	7007437	1	Bearing	
39	7022326	1	Spring	
40	See Note	1	Seal, Lip (Note: Use Item 100)	
41	7022371	1	Washer, Support	
		Ref	KIT OPTIONS:	
100	7022328	1	Seal Kit (Includes Items 6, 24, 26, 28, 32, 34, 35, 36 & 40)	

SECTION 1 - FRAME

FIGURE 1-13. DRIVE MOTOR ASSEMBLY (4WD) (HENGLI MOTOR)



ART_1001278022

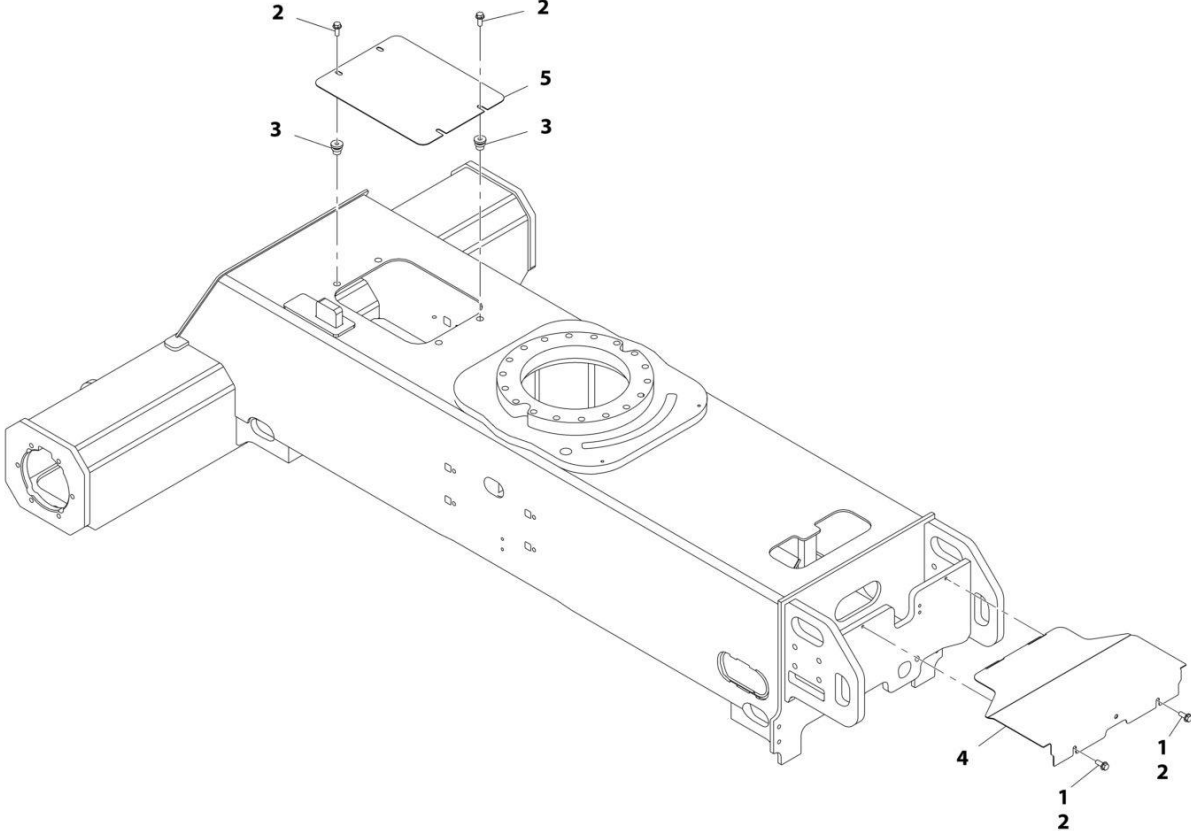
SECTION 1 - FRAME

FIGURE 1-13. DRIVE MOTOR ASSEMBLY (4WD) (HENGLI MOTOR)

ITEM	PART NUMBER	QTY	DESCRIPTION	REV
	1001278022	Ref	DRIVE MOTOR ASSEMBLY	B
1	70007847	2	O-Ring	
2	70007848	2	Plug	
3	70007849	1	Ring, Sealing	
4	70007850	1	Bearing	
5	70007851	3	O-Ring	
6	70007852	4	O-Ring	
7	70007853	5	Capscrew M10 x 50	
8	70007854	1	Circlip	
9	70007855	1	Pin	
10		Ref	Circlip	
11	70007856	1	Ring, Retaining	
12	70007857	1	Bearing	
13	70007858	1	Bearing	
14	70007859	1	Gasket	
15	70007860	1	Cylinder	
16	70007861	1	Plate, Valve	
17	70007862	1	Spring	
18	70007863	1	Gasket	
19	70007864	1	Gasket	
20	70007865	3	Pin	
21	70007866	1	Bushing	
22	70007867	1	Retainer	
23	70007868	9	Piston	
24	70007869	2	Pin	
25	70007870	3	Plug	
26	70007871	2	Plug	
27	70007872	1	Piston	
28	70007873	1	Seat, Spring	
29	70007874	1	Gasket	
30	70007875	1	Spring	
31	See Note	NSS	Housing (Note: Purchase Complete Assembly)	
32	70007876	2	Bushing	
33	70007877	1	Plate, Swash	
34	70007878	1	Shaft	
35	See Note	NSS	Cover (Note: Purchase Complete Assembly)	
36	See Note	Ref	Plug (Note: Shipping Use Only)	

SECTION 1 - FRAME

FIGURE 1-14. FRAME SHIELD INSTALLATION



ART_1001162105

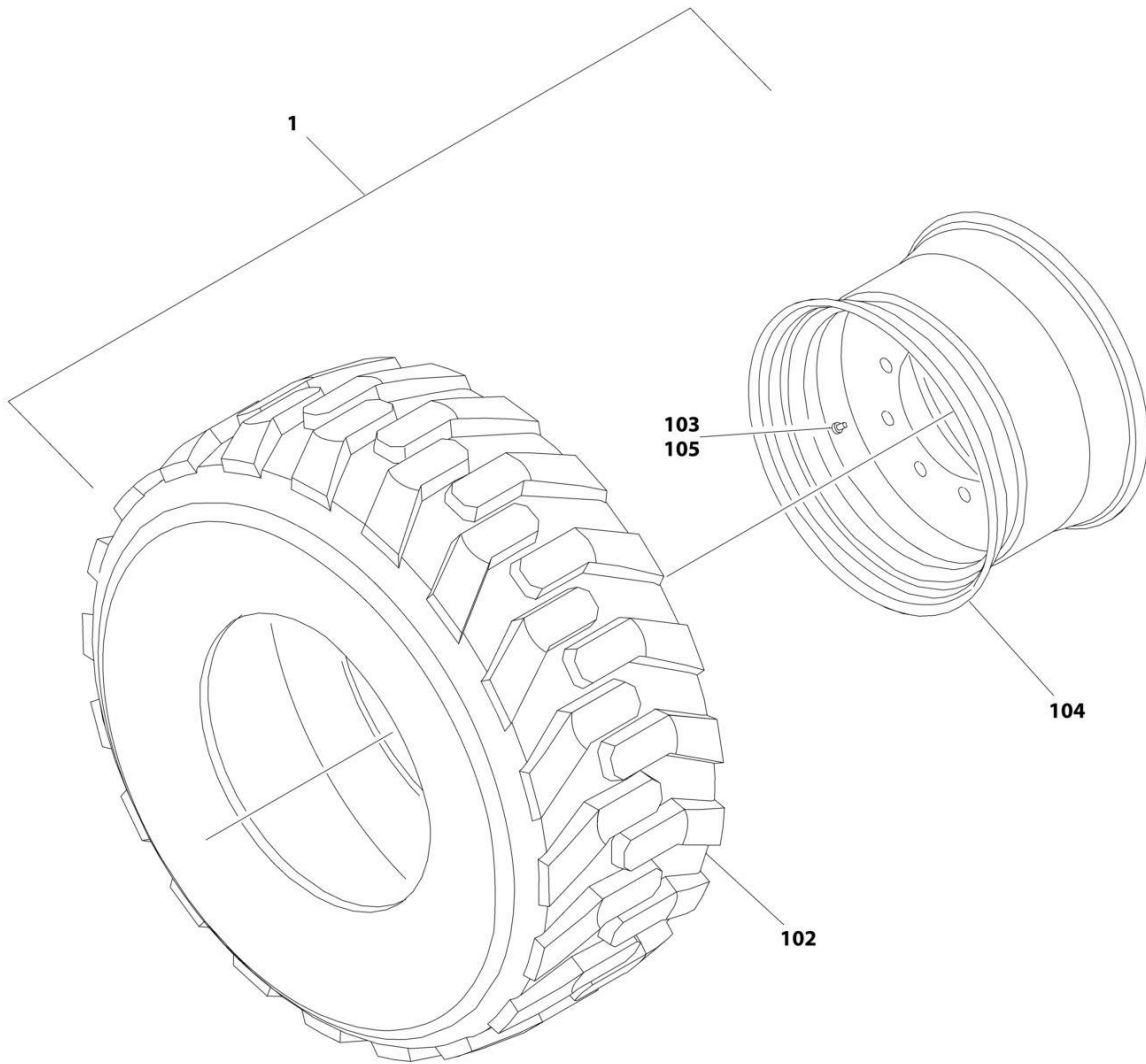
SECTION 1 - FRAME

FIGURE 1-14. FRAME SHIELD INSTALLATION

ITEM	PART NUMBER	QTY	DESCRIPTION	REV
	1001162105	Ref	FRAME SHIELD INSTALLATION	B
1	0100011	AR	Compound, Locking	
2	5251012	6	Bolt, M10 x 25	
3	1001180916	4	Nut	
4	1001162107	1	Plate, Valve Cover	
5	1001165968	1	Plate, Cover	

SECTION 1 - FRAME

FIGURE 1-15. TIRE AND WHEEL INSTALLATION - 12 X 16.5 FOAM FILLED (AVAILABLE ON ANSI, ANSI EXPORT, CSA AND JAPANESE SPECS)



ART_0270092

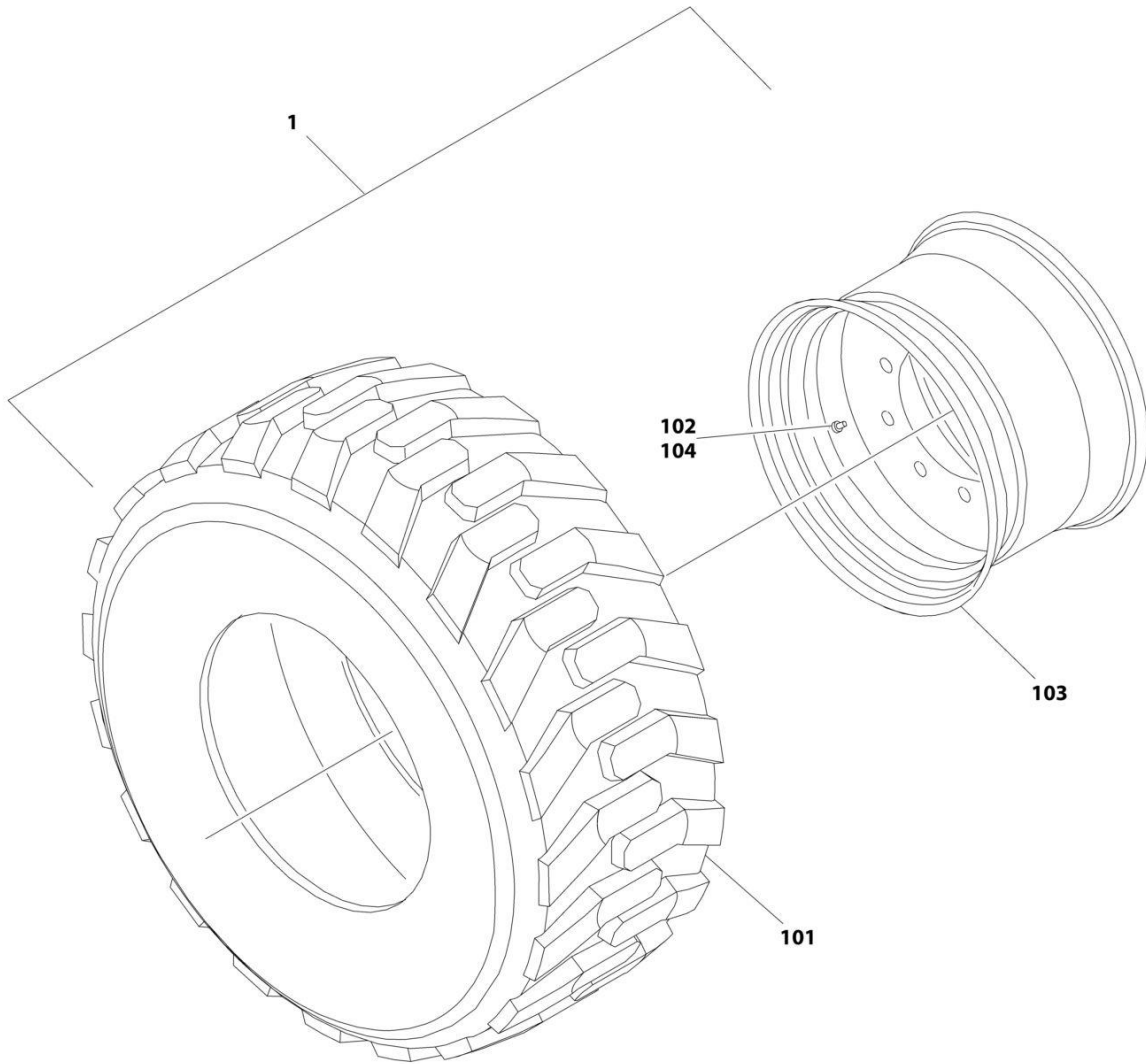
SECTION 1 - FRAME

FIGURE 1-15. TIRE AND WHEEL INSTALLATION - 12 X 16.5 FOAM FILLED (AVAILABLE ON ANSI, ANSI EXPORT, CSA AND JAPANESE SPECS)

ITEM	PART NUMBER	QTY	DESCRIPTION	REV
	0270092	Ref	TIRE AND WHEEL INSTALLATION - 12 X 16.5 FOAM FILLED Note: Assemblies may require ballast/foam filling to manufacturer's specifications prior to installing on a machine. Refer to Operation and Safety or Service and Maintenance Manuals. Purchase individual tire and/or rim only if able to foam fill tire and wheel assembly, otherwise, purchase complete assembly.	C
		Ref		
1	1001148865	2	Tire and Wheel Assembly - 12 x 16.5 (RH Side)	G
1	1001148866	2	Tire and Wheel Assembly - 12 x 16.5 (LH Side)	G
102	4520216	4	Tire - 12 x 16.5	
103	4641122	4	Valve	
104	1001147274	4	Rim, Wheel	
105	1001149953	4	Cap, Valve Stem	

SECTION 1 - FRAME

**FIGURE 1-16. TIRE AND WHEEL INSTALLATION - 12 X 16.5 FOAM FILLED NON MARKING
(AVAILABLE ON ANSI, ANSI EXPORT, CSA AND JAPANESE SPECS)**



ART_0270653

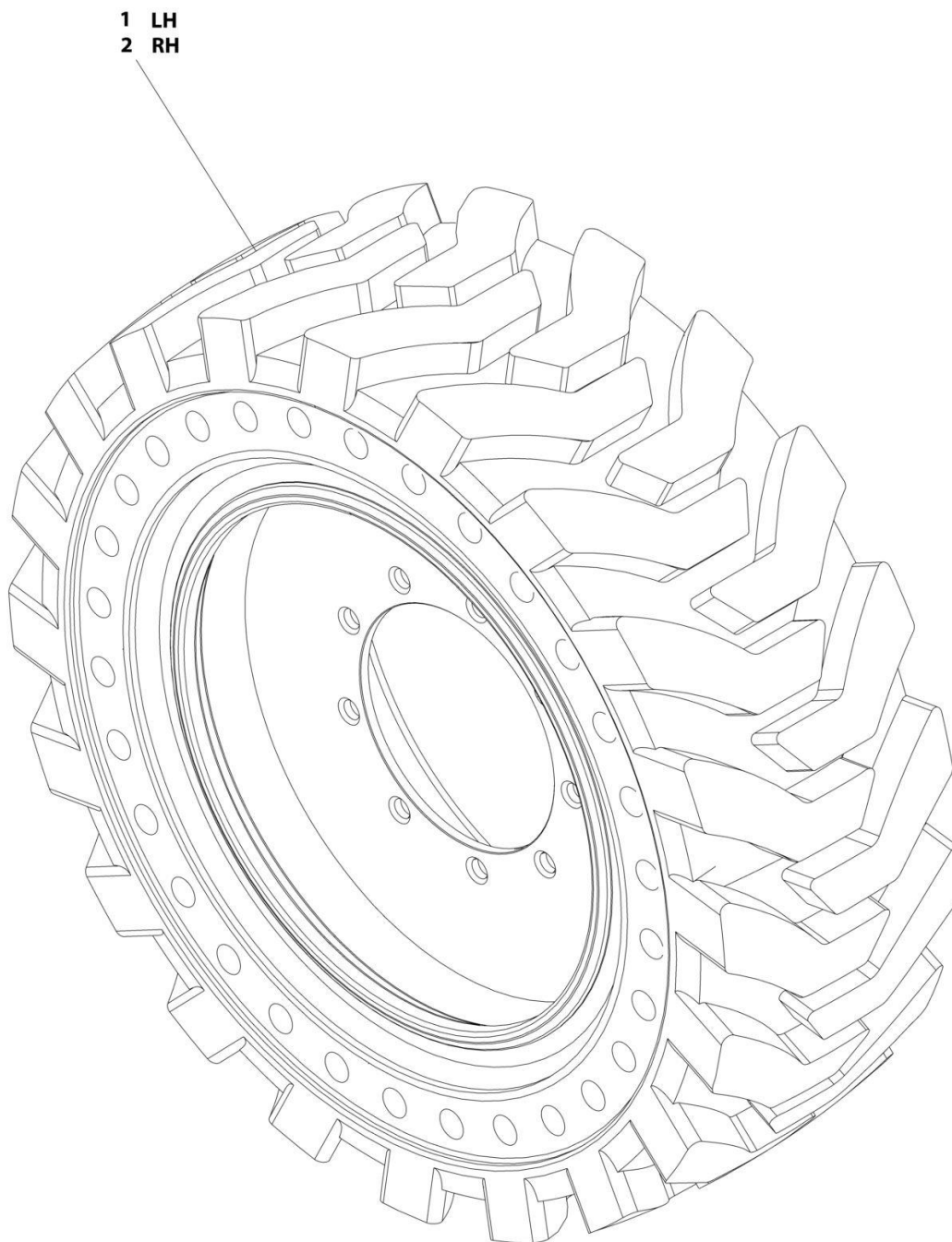
SECTION 1 - FRAME

**FIGURE 1-16. TIRE AND WHEEL INSTALLATION - 12 X 16.5 FOAM FILLED NON MARKING
(AVAILABLE ON ANSI, ANSI EXPORT, CSA AND JAPANESE SPECS)**

ITEM	PART NUMBER	QTY	DESCRIPTION	REV
	0270653	Ref Ref	TIRE AND WHEEL INSTALLATION - 12 X 16.5 FOAM FILLED Note: Assemblies may require ballast/foam filling to manufacturer's specifications prior to installing on a machine. Refer to Operation and Safety or Service and Maintenance Manuals. Purchase individual tire and/or rim only if able to foam fill tire and wheel assembly, otherwise, purchase complete assembly.	B
1	1001148869	1	Tire and Wheel Assembly - Right Side	H
1	1001148870	1	Tire and Wheel Assembly - Left Side	H
101	4520240	1	Tire 12 x 16.5 Non-Marking	
102	4641122	1	Valve	
103	1001147274	1	Rim, Wheel	
104	1001149953	1	Cap, Valve Stem	

SECTION 1 - FRAME

FIGURE 1-17. TIRE AND WHEEL INSTALLATION - 33 X 12-20 SOLID NON-MARKING (AVAILABLE ON ANSI EXPORT, AUSTRALIAN, CE AND RUSSIA SPECS)



ART_1001169062

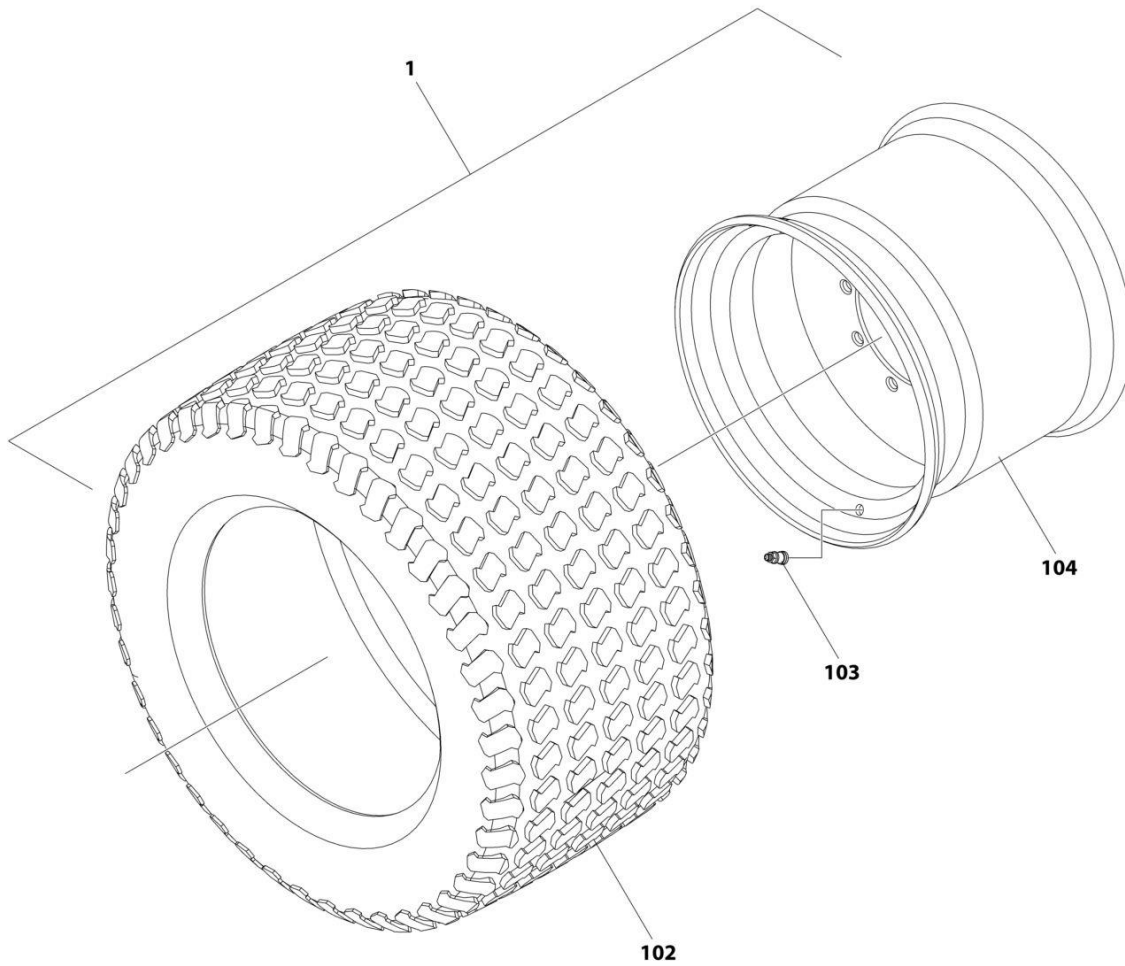
SECTION 1 - FRAME

FIGURE 1-17. TIRE AND WHEEL INSTALLATION - 33 X 12-20 SOLID NON-MARKING (AVAILABLE ON ANSI EXPORT, AUSTRALIAN, CE AND RUSSIA SPECS)

ITEM	PART NUMBER	QTY	DESCRIPTION	REV
	1001169062	Ref	TIRE AND WHEEL INSTALLATION - 33 X 12-20 SOLID NON-MARKING	A
		Ref	Note: Due to critical stable weights, only replace tire and wheel assemblies with like components.	
1	1001170098	2	Tire and Wheel Assembly - 33 x 12-20 Solid Non-Marking (LH Side)	
2	1001170099	2	Tire and Wheel Assembly - 33 x 12-20 Solid Non-Marking (RH Side)	

SECTION 1 - FRAME

FIGURE 1-18. TIRE AND WHEEL INSTALLATION - 33 X 16L500 TURF AND SAND FOAM-FILLED
(AVAILABLE ON ANSI, ANSI EXPORT & CSA SPECS)



ART_1001272447

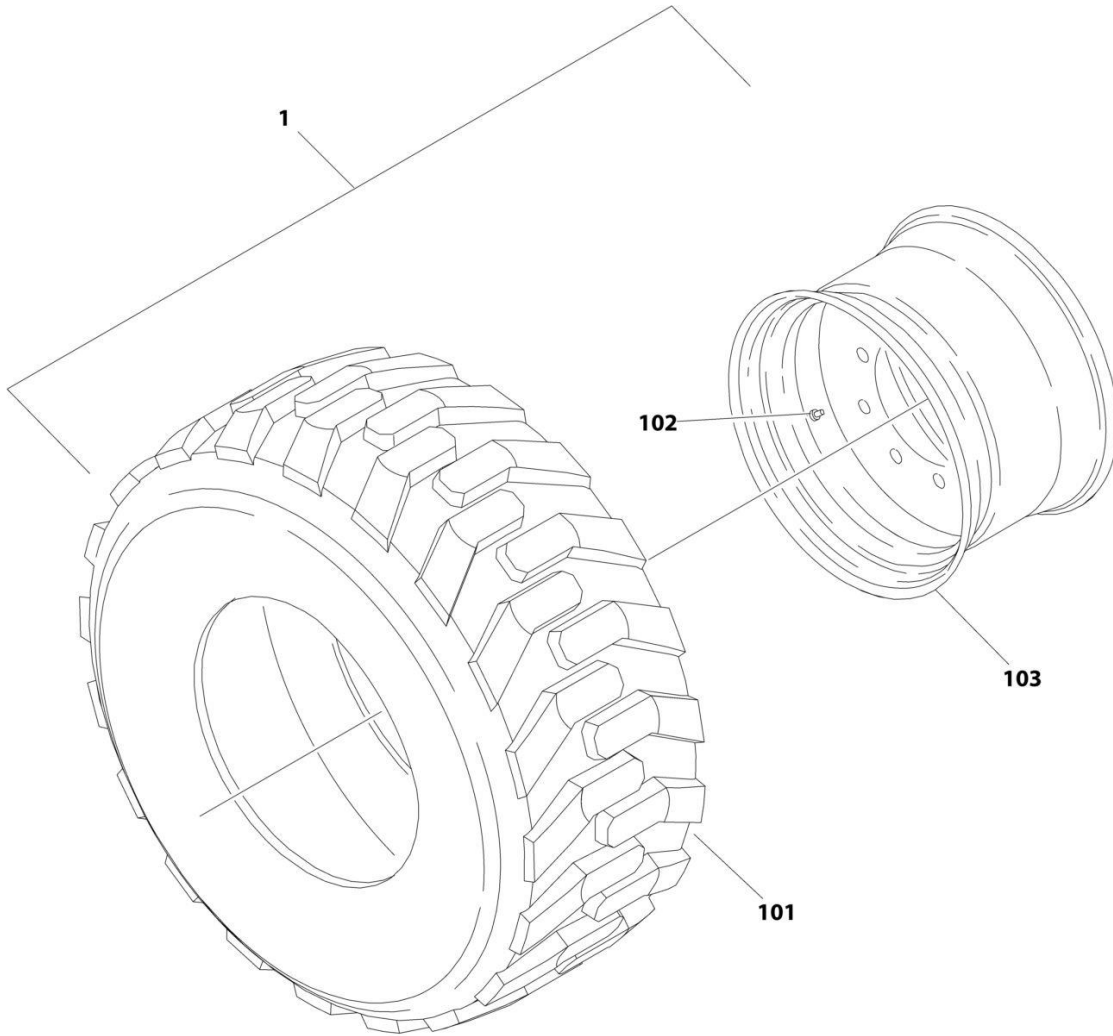
SECTION 1 - FRAME

**FIGURE 1-18. TIRE AND WHEEL INSTALLATION - 33 X 16L500 TURF AND SAND FOAM-FILLED
(AVAILABLE ON ANSI, ANSI EXPORT & CSA SPECS)**

ITEM	PART NUMBER	QTY	DESCRIPTION	REV
	1001272447	Ref	TIRE AND WHEEL INSTALLATION - 33 X 16L500 TURF AND SAND FOAM-FILLED (AVAILABLE ON ANSI, ANSI EXPORT & CSA SPECS)	A
		Ref	Note: Assemblies may require ballast/foam filling to manufacturer's specifications prior to installing on a machine. Refer to Operation and Safety or Service and Maintenance Manuals. Purchase individual tire and/or rim only if able to foam fill tire and wheel assembly, otherwise, purchase complete assembly.	
1	1001272446	4	Tire and Wheel Assembly	A
102	4520262	4	Tire, 33 x 16L500	
103	4640113	4	Valve, Stem	
104	4860237	4	Rim, Wheel	

SECTION 1 - FRAME

FIGURE 1-19. TIRE AND WHEEL INSTALLATION - 33/1550 X 16.5 FOAM-FILLED (AVAILABLE ON ALL SPECS)



ART_1001169075

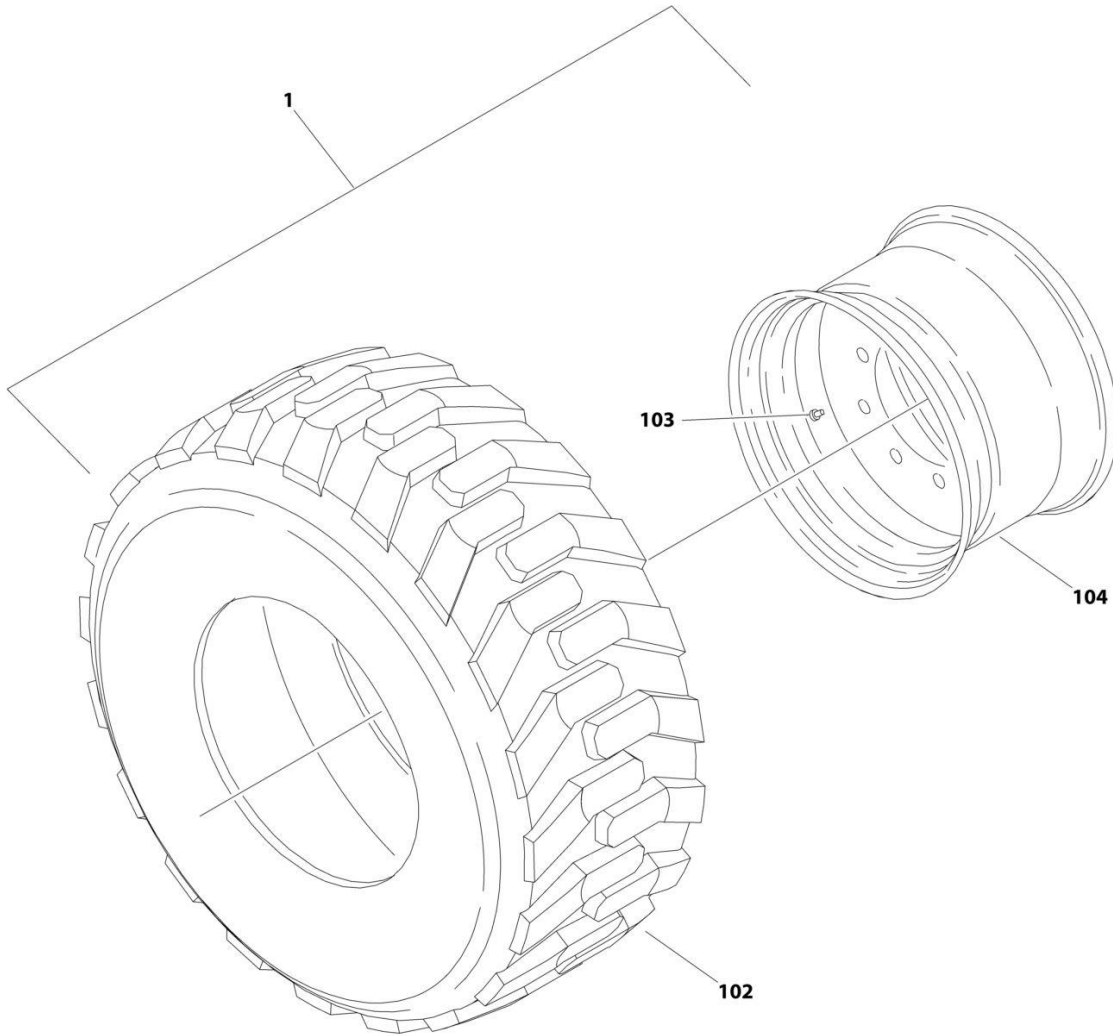
SECTION 1 - FRAME

FIGURE 1-19. TIRE AND WHEEL INSTALLATION - 33/1550 X 16.5 FOAM-FILLED (AVAILABLE ON ALL SPECS)

ITEM	PART NUMBER	QTY	DESCRIPTION	REV
	1001169075	Ref	TIRE AND WHEEL INSTALLATION - 33/1550 X 16.5 FOAM-FILLED	A
		Ref	Note: Assemblies may require ballast/foam filling to manufacturer's specifications prior to installing on a machine. Refer to Operation and Safety or Service and Maintenance Manuals. Purchase individual tire and/or rim only if able to foam fill tire and wheel assembly, otherwise, purchase complete assembly.	
1	0258011	2	Tire and Wheel Assembly (RH Side)	I
1	0258012	2	Tire and Wheel Assembly (LH Side)	I
101	4520217	4	Tire, 33/1550 x 16.5	
102	8786514	4	Valve, Stem	
103	4860179	4	Rim, Wheel	

SECTION 1 - FRAME

FIGURE 1-20. TIRE AND WHEEL INSTALLATION - 315/55 D20 FOAM FILLED (AVAILABLE ON ANSI EXPORT, AUSTRALIAN, CE, CHINA AND RUSSIA SPECS)



ART_1001166157

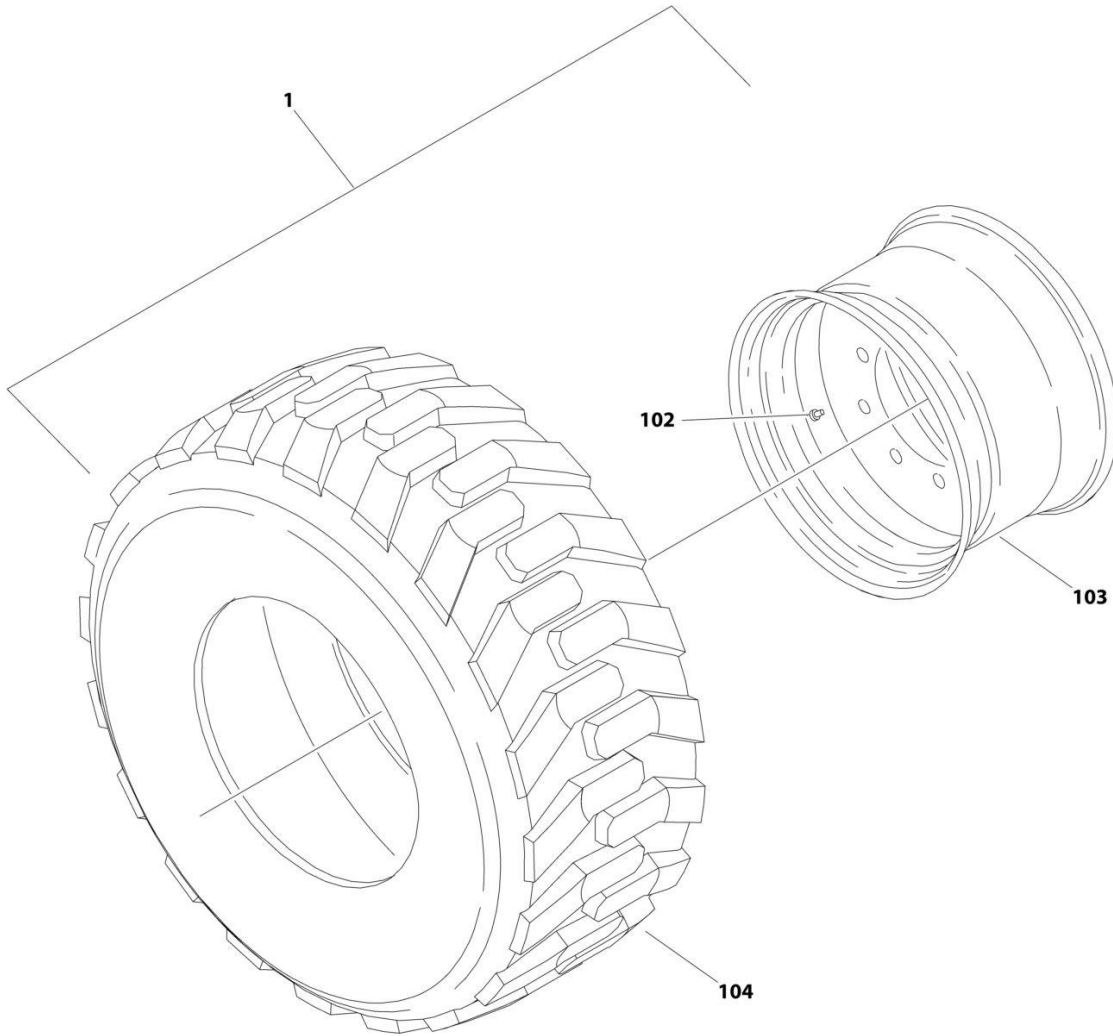
SECTION 1 - FRAME

FIGURE 1-20. TIRE AND WHEEL INSTALLATION - 315/55 D20 FOAM FILLED (AVAILABLE ON ANSI EXPORT, AUSTRALIAN, CE, CHINA AND RUSSIA SPECS)

ITEM	PART NUMBER	QTY	DESCRIPTION	REV
	1001166157	Ref Ref	TIRE AND WHEEL INSTALLATION - 315/55 D20 FOAM FILLED Note: Assemblies may require ballast/foam filling to manufacturer's specifications prior to installing on a machine. Refer to Operation and Safety or Service and Maintenance Manuals. Purchase individual tire and/or rim only if able to foam fill tire and wheel assembly, otherwise, purchase complete assembly.	A
1	1001166155	2	Tire and Wheel Assembly (LH Side)	I
1	1001166156	2	Tire and Wheel Assembly (RH Side)	I
102	4520608	4	Tire IN315/55/D20	
103	4641122	4	Valve, Stem	
104	1001166153	4	Rim, Wheel	

SECTION 1 - FRAME

FIGURE 1-21. TIRE AND WHEEL INSTALLATION - 315/55 D20 FOAM FILLED NON-MARKING
(AVAILABLE ON ANSI EXPORT, AUSTRALIAN, CE, CHINA AND RUSSIA SPECS)



ART_1001169058

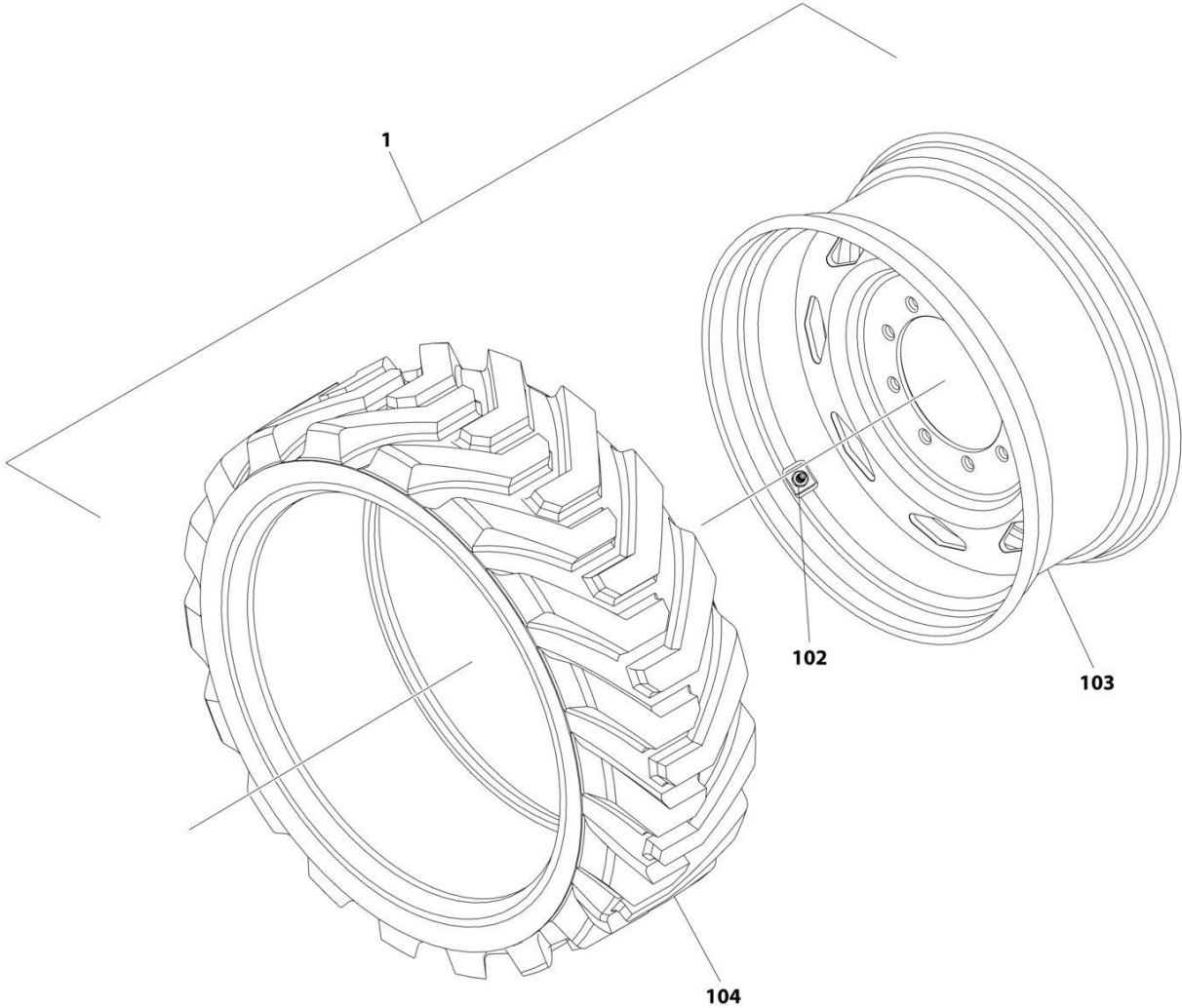
SECTION 1 - FRAME

**FIGURE 1-21. TIRE AND WHEEL INSTALLATION - 315/55 D20 FOAM FILLED NON-MARKING
(AVAILABLE ON ANSI EXPORT, AUSTRALIAN, CE, CHINA AND RUSSIA SPECS)**

ITEM	PART NUMBER	QTY	DESCRIPTION	REV
	1001169058	Ref	TIRE AND WHEEL INSTALLATION - 315/55 D20 FOAM FILLED NON-MARKING	A
		Ref	Note: Assemblies may require ballast/foam filling to manufacturer's specifications prior to installing on a machine. Refer to Operation and Safety or Service and Maintenance Manuals. Purchase individual tire and/or rim only if able to foam fill tire and wheel assembly, otherwise, purchase complete assembly.	
1	1001170459	2	Tire and Wheel Assembly (RH Side)	F
1	1001170460	2	Tire and Wheel Assembly (LH Side)	F
102	4641122	4	Valve, Stem	
103	1001166153	4	Rim, Wheel	
104	1001170458	4	Tire 315/55 D20 Non Marking	

SECTION 1 - FRAME

FIGURE 1-22. TIRE AND WHEEL INSTALLATION - 33 X 12 FOAM FILLED (ALL SPECS)



ART_1001245211

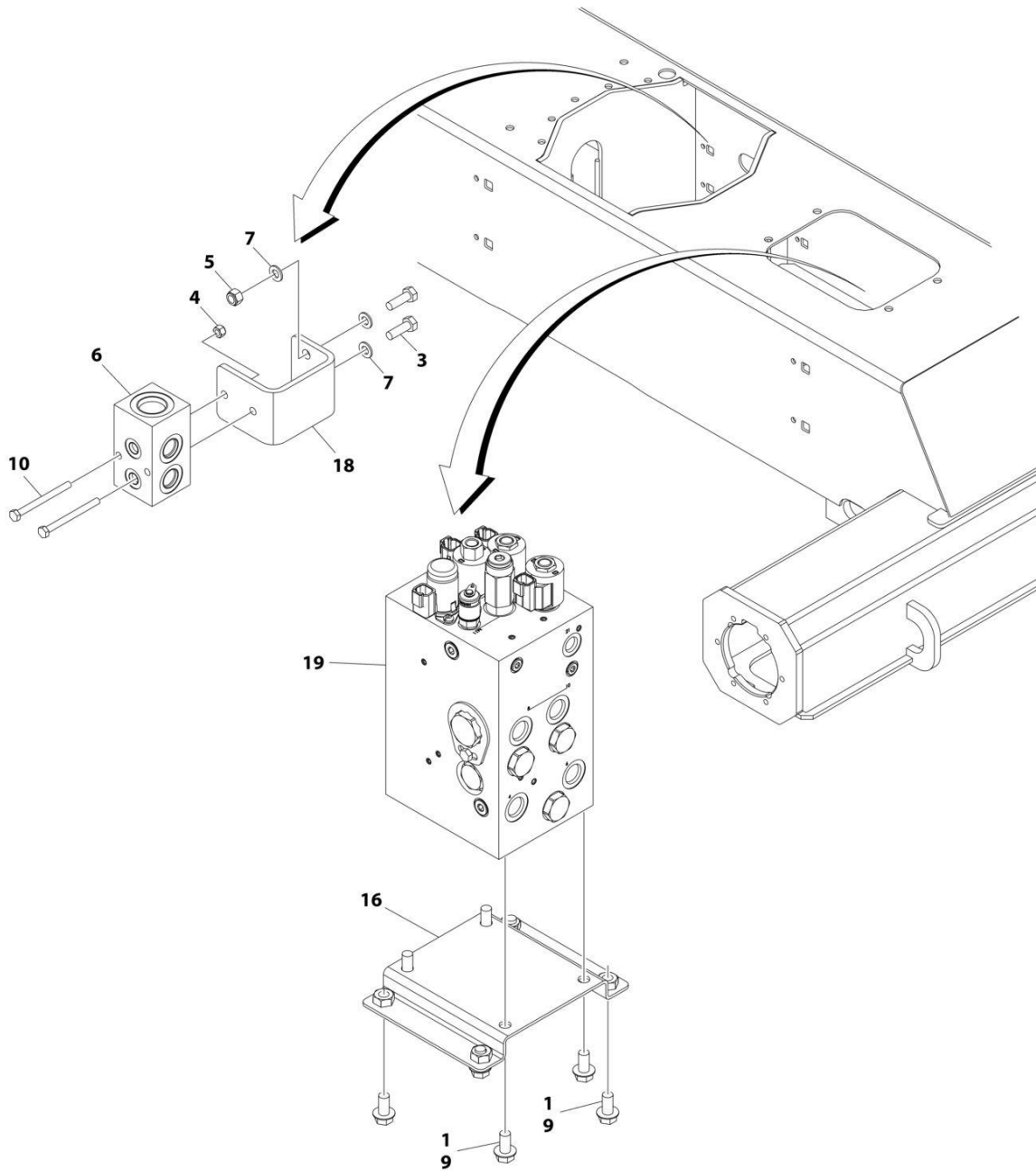
SECTION 1 - FRAME

FIGURE 1-22. TIRE AND WHEEL INSTALLATION - 33 X 12 FOAM FILLED (ALL SPECS)

ITEM	PART NUMBER	QTY	DESCRIPTION	REV
	1001245211	Ref	TIRE AND WHEEL INSTALLATION - 33 x 12D610 FOAM-FILLED	A
		Ref	Note: Assemblies may require ballast/foam filling to manufacturer's specifications prior to installing on a machine. Refer to Operation and Safety or Service and Maintenance Manuals.	
		Ref	Note: Purchase individual tire and/or rim only if able to foam fill tire and wheel assembly, otherwise, purchase complete assembly.	
1	1001245197	2	Tire and Wheel Assembly - 33 x 12 (RH Side)	
1	1001245198	2	Tire and Wheel Assembly - 33 x 12 (LH Side)	
102	4641122	1	Valve	
103	1001245195	1	Wheel	
104	1001245196	1	Tire - 33 x 12	

SECTION 1 - FRAME

FIGURE 1-23. 2WD VALVES INSTALLATION - 450A FRAME MOUNTED



ART_1001215659_10F3

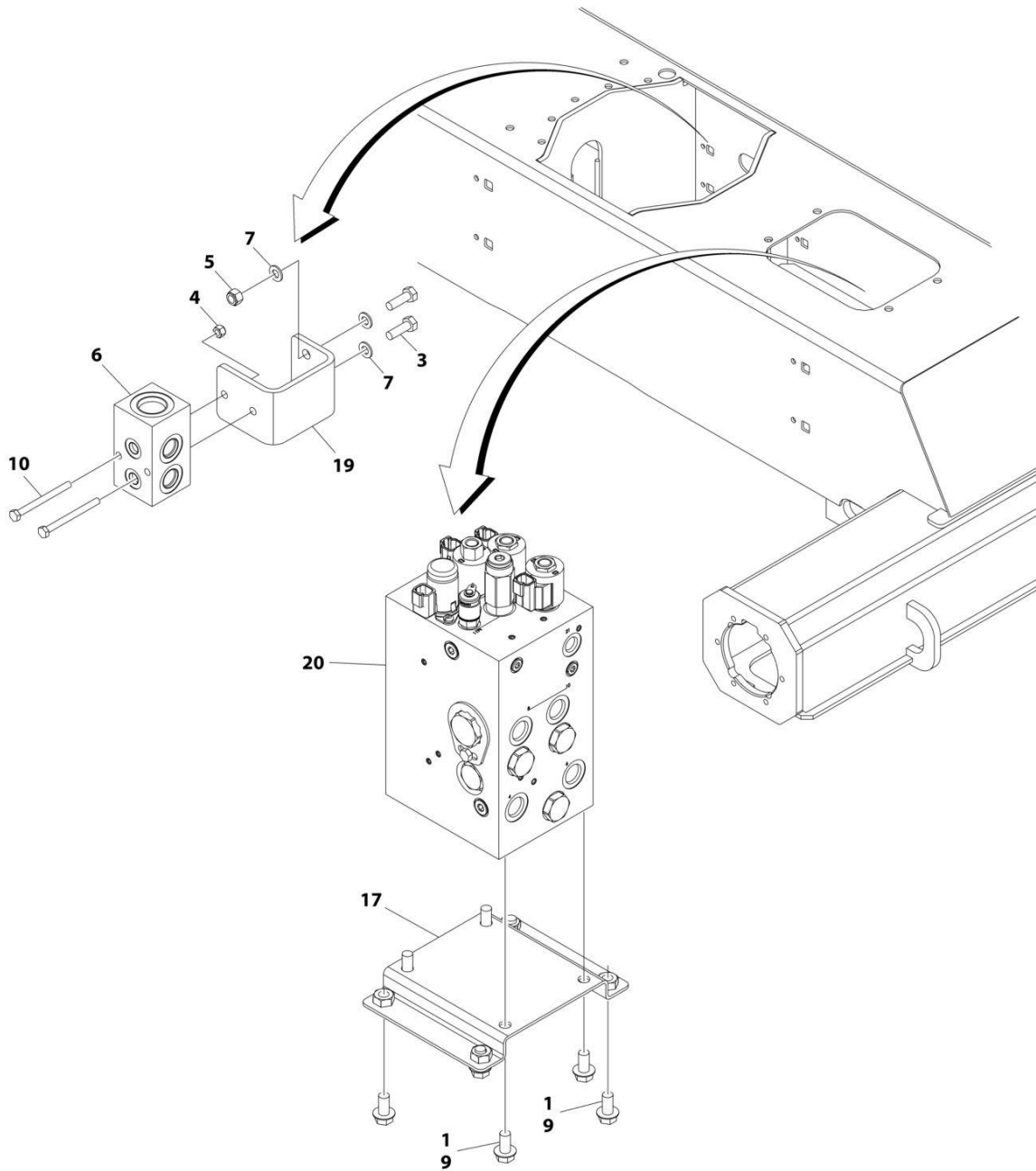
SECTION 1 - FRAME

FIGURE 1-23. 2WD VALVES INSTALLATION - 450A FRAME MOUNTED

ITEM	PART NUMBER	QTY	DESCRIPTION	REV
	1001215659	Ref	2WD VALVES INSTALLATION - 450A FRAME MOUNTED	D
1	0100011	AR	Compound, Locking	
3	0760812	2	Bolt M8 x 25	
4	3290605	2	Nut M6	
5	3290805	2	Nut M8	
6	4641155	1	Junction Valve Assembly	
7	4811900	4	Washer M8	
9	5251010	8	Bolt M10 x 20	
10	1001096653	2	Bolt M6 x 70	
16	1001179517	1	Bracket	
18	1001197221	1	Bracket	
19	1001214316	1	Traction Valve Assembly (See Separate Breakdown in this Section)	

SECTION 1 - FRAME

FIGURE 1-24. 2WD VALVES INSTALLATION - 450AJ FRAME MOUNTED



ART_1001214163_10F3

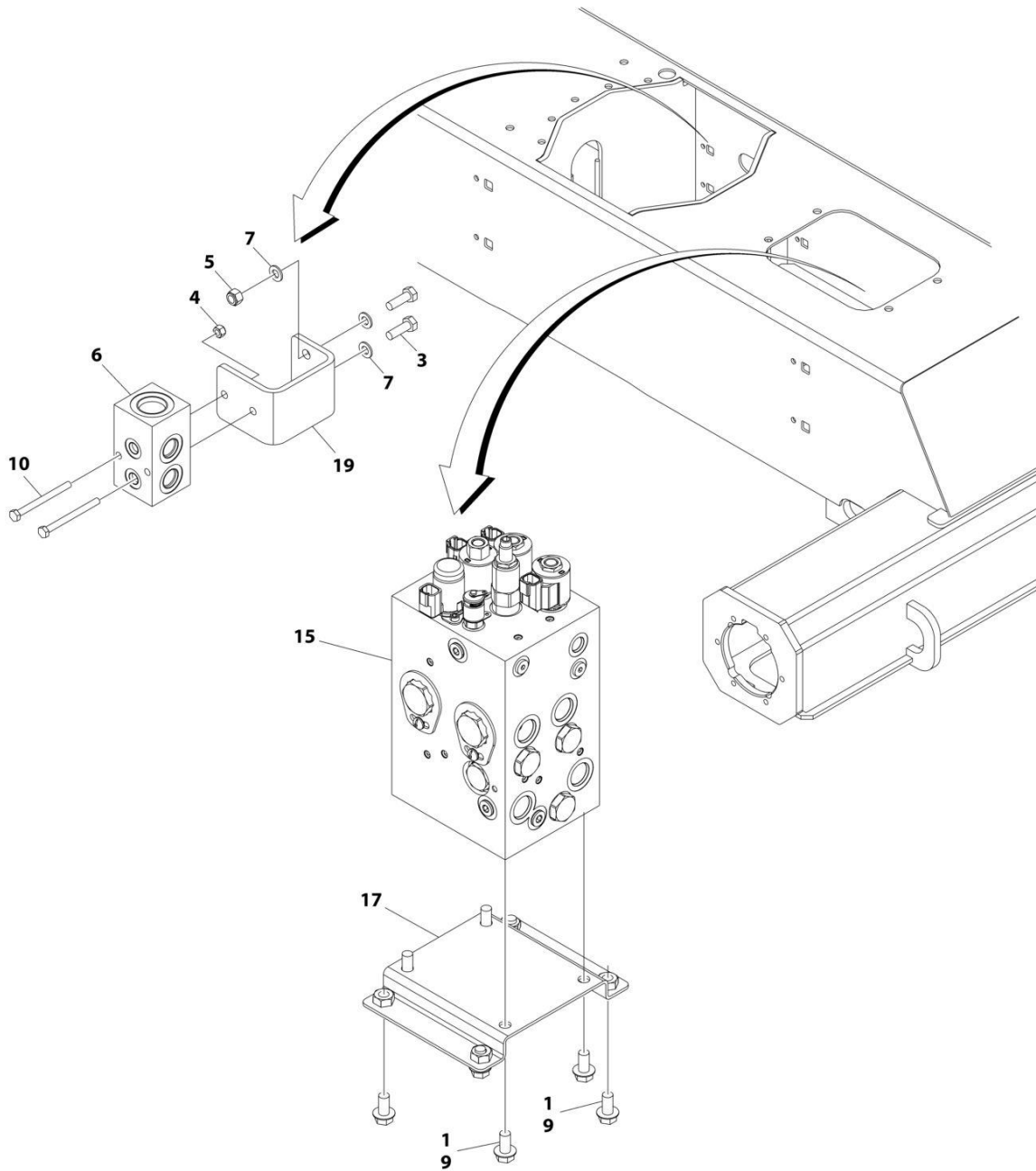
SECTION 1 - FRAME

FIGURE 1-24. 2WD VALVES INSTALLATION - 450AJ FRAME MOUNTED

ITEM	PART NUMBER	QTY	DESCRIPTION	REV
	1001214163	Ref	2WD VALVES INSTALLATION - 450AJ FRAME MOUNTED	C
1	0100011	AR	Compound, Locking	
3	0760812	2	Bolt M8 x 25	
4	3290605	2	Nut M6	
5	3290805	2	Nut M8	
6	4641155	1	Junction Valve Assembly	
7	4811900	4	Washer M8	
9	5251010	8	Bolt M10 x 20	
10	1001096653	2	Bolt M6 x 70	
17	1001179517	1	Bracket	
19	1001197221	1	Bracket	
20	1001214316	1	Traction Valve Assembly (See Separate Breakdown in this Section)	

SECTION 1 - FRAME

FIGURE 1-25. 4WD VALVES INSTALLATION - 450A FRAME MOUNTED



ART_1001215378_10F3

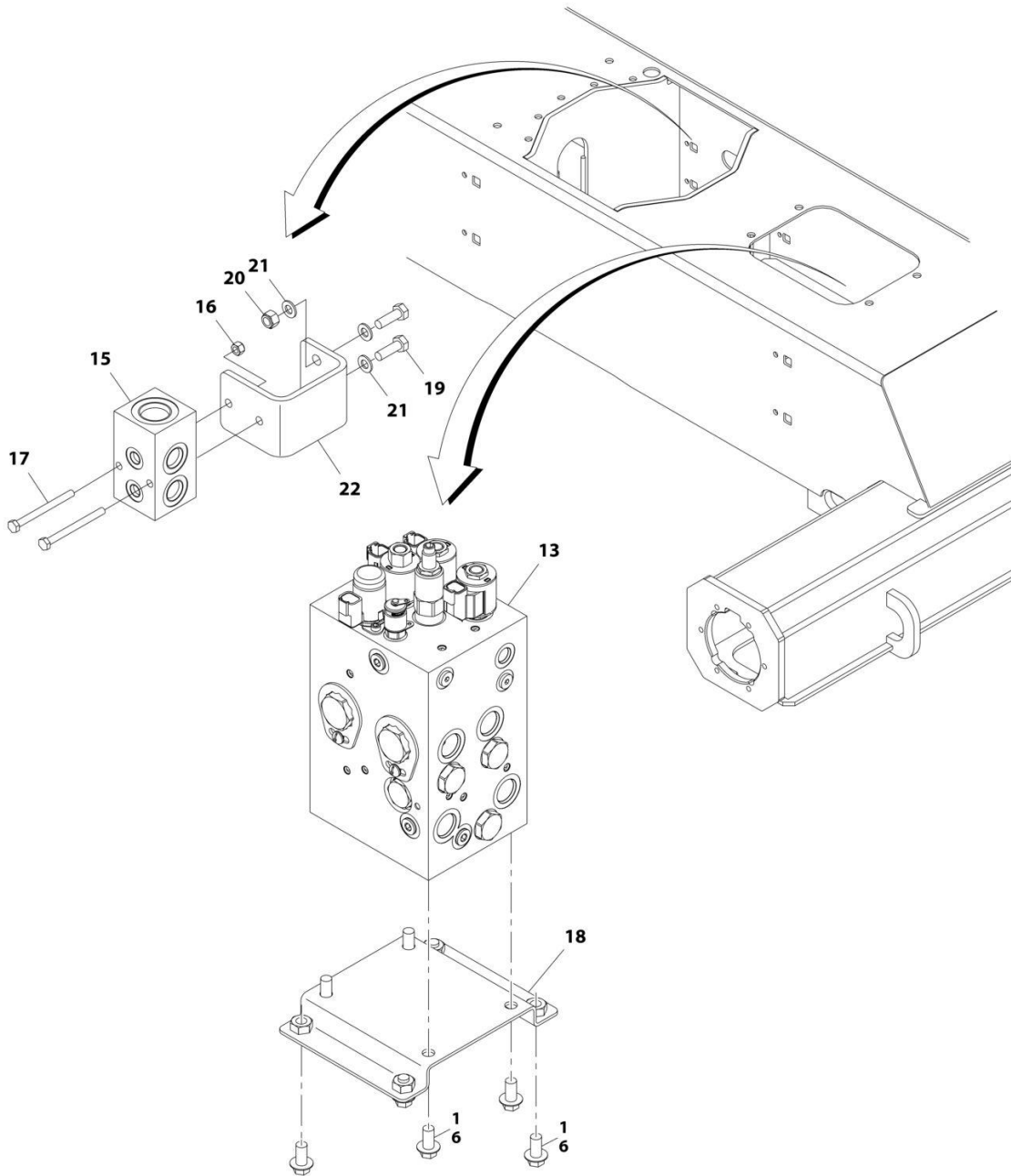
SECTION 1 - FRAME

FIGURE 1-25. 4WD VALVES INSTALLATION - 450A FRAME MOUNTED

ITEM	PART NUMBER	QTY	DESCRIPTION	REV
	1001215378	Ref	4WD VALVES INSTALLATION - 450A FRAME MOUNTED	D
1	0100011	AR	Compound, Locking	
3	0760812	2	Bolt M8 x 25	
4	3290605	2	Nut M6	
5	3290805	2	Nut M8	
6	4641155	1	Junction Valve Assembly	
7	4811900	4	Washer M8	
9	5251010	8	Bolt M10 x 20	
10	1001096653	2	Bolt M6 x 70	
15	1001162539	1	Traction Valve Assembly (See Separate Breakdown in this Section)	
17	1001179517	1	Bracket	
19	1001197221	1	Bracket	

SECTION 1 - FRAME

FIGURE 1-26. 4WD VALVES INSTALLATION - 450AJ FRAME MOUNTED (MACHINES WITH SN STARTING WITH 03)



ART_1001165948_1OF3

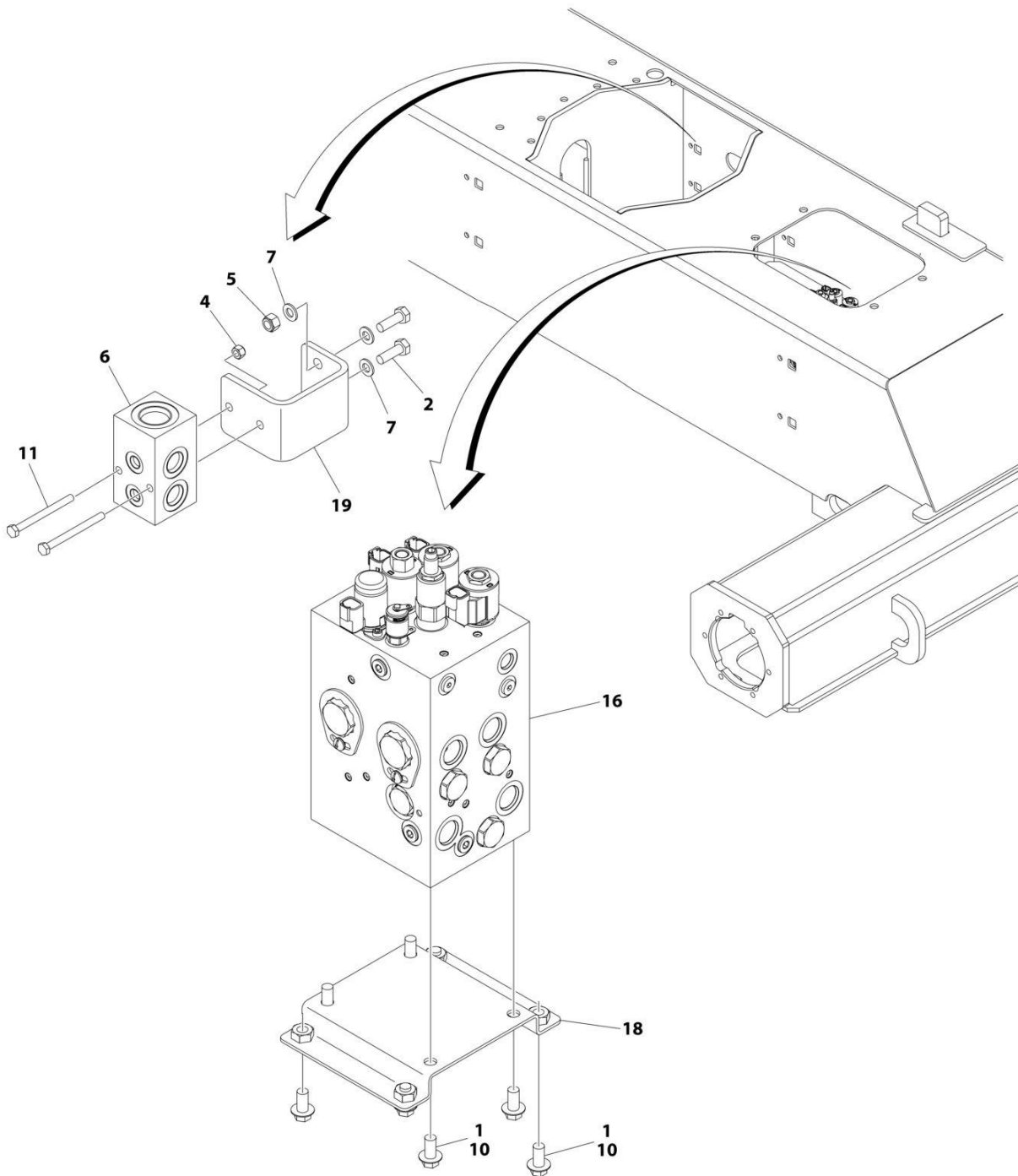
SECTION 1 - FRAME

FIGURE 1-26. 4WD VALVES INSTALLATION - 450AJ FRAME MOUNTED (MACHINES WITH SN STARTING WITH 03)

ITEM	PART NUMBER	QTY	DESCRIPTION	REV
	1001165948	Ref	4WD VALVES INSTALLATION - FRAME MOUNTED	J
1	0100011	AR	Compound, Locking	
3	0760812	1	Bolt M8 x 25	
6	5251010	4	Bolt M10 x 20 Class 10.9	
13	1001162539	1	Traction Valve Assembly (See Separate Breakdown in this Section)	
15	4641155	1	Junction Valve Assembly	
16	3290605	2	Nut, M6	
17	1001096653	2	Bolt M6 x 70	
18	1001179517	1	Bracket	
19	0760812	1	Bolt M8 x 25	
20	3290805	1	Nut M8	
21	4811900	1	Washer M8	
22	1001197221	1	Bracket	

SECTION 1 - FRAME

FIGURE 1-27. 4WD VALVES INSTALLATION - 450AJ FRAME MOUNTED (MACHINES WITH SN STARTING WITH B3)



ART_1001271413_B_10F3

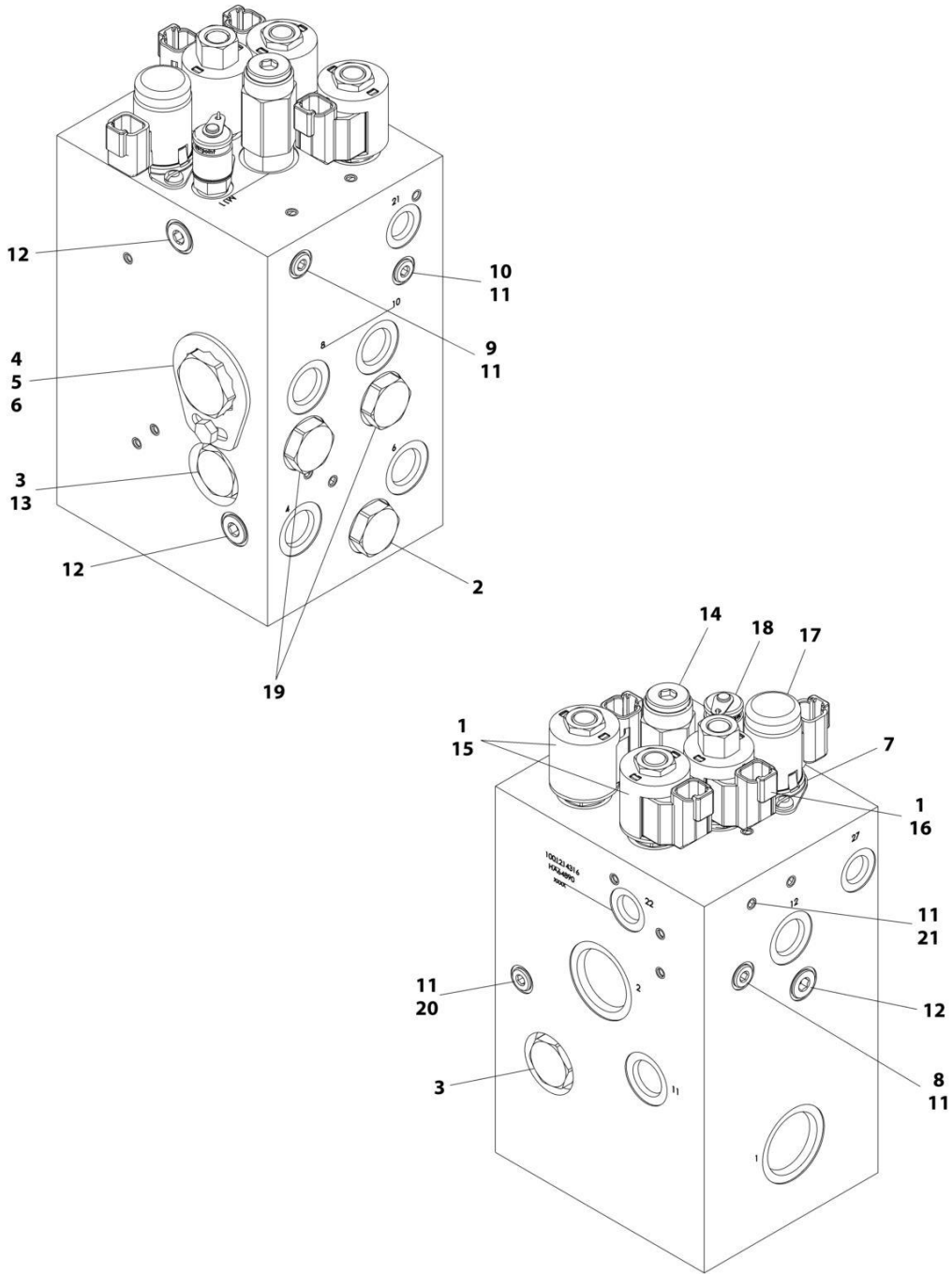
SECTION 1 - FRAME

FIGURE 1-27. 4WD VALVES INSTALLATION - 450AJ FRAME MOUNTED (MACHINES WITH SN STARTING WITH B3)

ITEM	PART NUMBER	QTY	DESCRIPTION	REV
	1001271413	Ref	4WD VALVES INSTALLATION - FRAME MOUNTED	B
1	0100011	AR	Compound, Locking	
2	0760812	2	Bolt M8 x 25	
4	3290605	2	Nut, Lock M6	
5	3290805	2	Nut, Lock M8	
6	4641155	1	Junction Valve Assembly	
7	4811900	4	Washer M8	
10	5251010	15	Bolt M10 x 20 Class 10.9	
11	1001096653	2	Bolt M6 x 70	
16	1001162539	1	Traction Valve Assembly (See Separate Breakdown in this Section)	
18	1001179517	1	Bracket	
19	1001197221	1	Bracket	

SECTION 1 - FRAME

FIGURE 1-28. TRACTION VALVE ASSEMBLY - 2WD



ART_1001214316

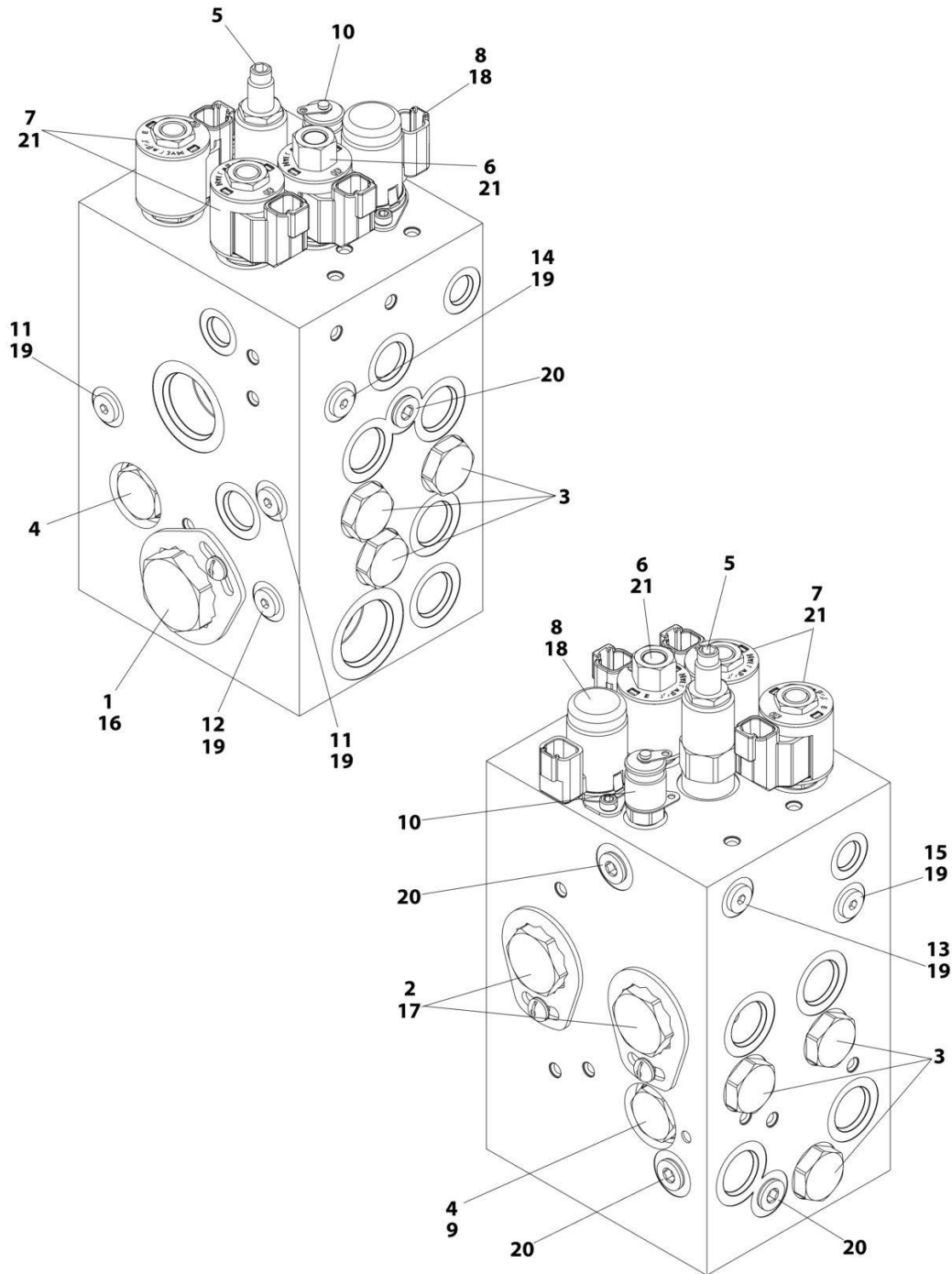
SECTION 1 - FRAME

FIGURE 1-28. TRACTION VALVE ASSEMBLY - 2WD

ITEM	PART NUMBER	QTY	DESCRIPTION	REV
	1001214316	Ref	TRACTION VALVE ASSEMBLY - 2WD	D
1	70002386	3	Coil	
2	7022397	1	Cartridge	
2	7022399	1	Seal Kit - 7022397 Valve	
3	70002390	2	Cartridge, Check Valve	
3	7022399	2	Seal Kit - 70002390 Valve	
4	70006000	1	Cartridge, Flow Divider	
4	70004577	1	Seal Kit - 70006000 Valve	
5	70000781	1	Locking Kit	
6	70005827	1	Screw	
7	70004888	2	Screw	
8	7024810	1	Orifice	
9	70005828	1	Orifice	
10	70005829	1	Orifice	
11	2220883	5	Plug #4	
12	70005830	3	Plug #6	
13	7024881	1	Piston, Pilot	
14	70005831	1	Cartridge, Relief Valve	
14	7017496	1	Seal Kit - 70005831 Valve	
15	7012941	2	Cartridge, Solenoid Less Coil	
15	7010543	2	Seal Kit - 7012941 Valve	
15	7022390	2	Nut, Coil	
16	7017410	1	Cartridge, Solenoid Less Coil	
16	7012967	1	Seal Kit - 7017410 Valve	
16	70003978	1	Nut, Coil	
17	70004887	1	Cartridge, Solenoid Less Coil	
17	70023606	1	Seal Kit - 70004887 Valve	
17	7024885	1	Coil	
18	70005832	1	Fitting, Diagnostic	
19	70026444	2	Cartridge	
19	7022399	2	Seal Kit - 70026444 Valve	
20	70006001	1	Orifice	
21	70006002	1	Orifice	

SECTION 1 - FRAME

FIGURE 1-29. TRACTION VALVE ASSEMBLY - 4WD



ART_1001162539

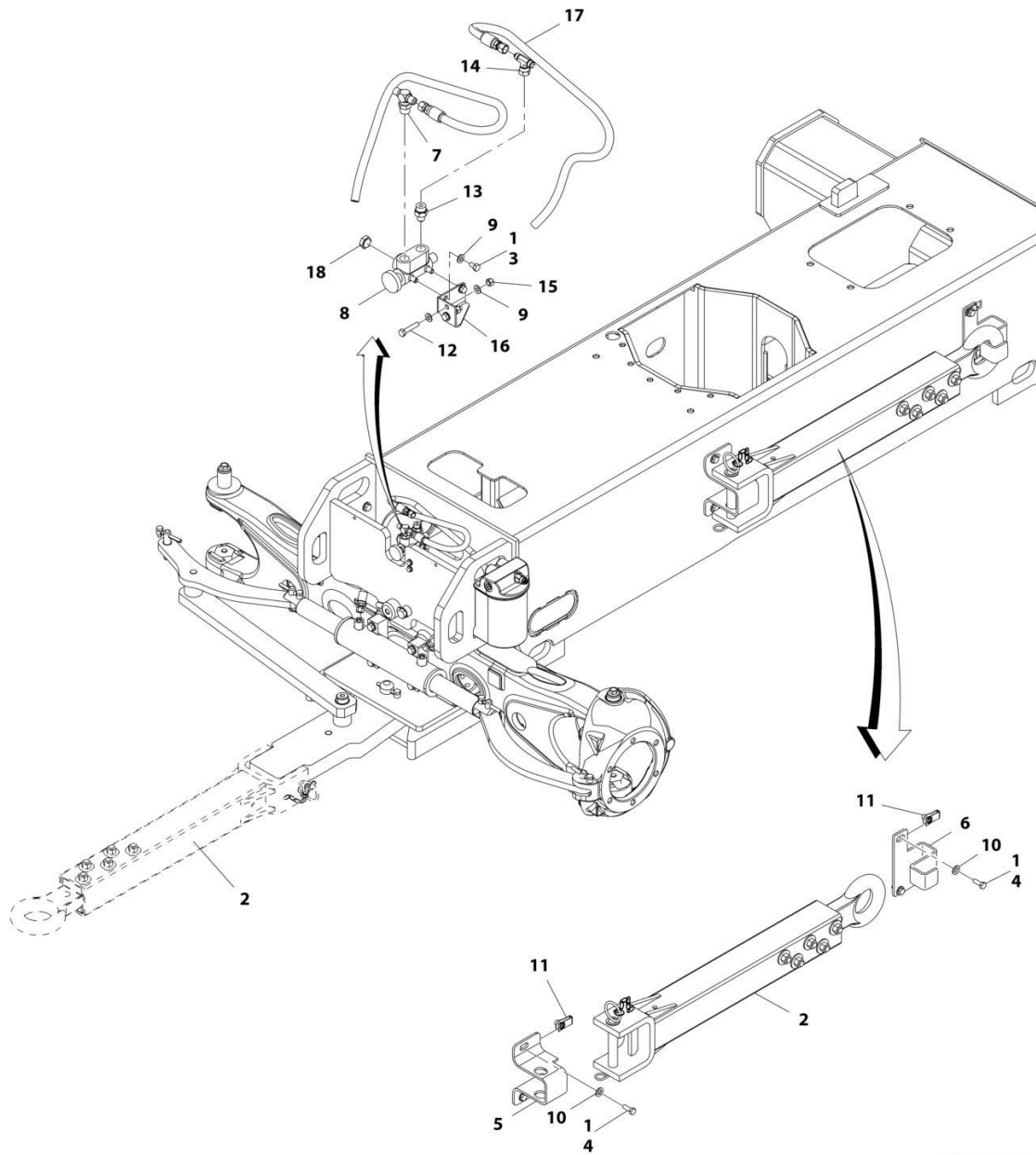
SECTION 1 - FRAME

FIGURE 1-29. TRACTION VALVE ASSEMBLY - 4WD

ITEM	PART NUMBER	QTY	DESCRIPTION	REV
	1001162539	Ref	TRACTION VALVE ASSEMBLY - 4WD	D
1	70004017	1	Cartridge, Flow Divider	
1	7021625	1	Seal Kit - 70004017 Valve	
2	70004885	2	Cartridge, Flow Divider	
2	70004577	2	Seal Kit - 70004885 Valve	
3	7022397	6	Cartridge, Check Valve	
3	7022399	6	Seal Kit - 7022397 Valve	
4	7021639	2	Cartridge, Check Valve	
4	2900756	2	Seal Kit - 7021639 Valve	
5	70004886	1	Cartridge, Relief Valve	
5	7017496	1	Seal Kit - 70004886 Valve	
6	7017410	1	Cartridge, Solenoid Less Coil	
6	7012967	1	Seal Kit - 7017410 Valve	
7	7012974	2	Cartridge, Solenoid Less Coil	
7	7010543	2	Seal Kit - 7012974 Valve	
8	70004887	1	Cartridge, Solenoid Less Coil	
8	70023606	1	Seal Kit - 70004887 Valve	
8	7024885	1	Coil	
9	7024881	1	Piston, Pilot	
10	2221086	1	Fitting, Diagnostic	
11	70003975	2	Orifice	
12	70002209	1	Orifice	
13	70002063	1	Orifice	
14	70004884	1	Orifice	
15	70004883	1	Orifice	
16	70000781	1	Locking Kit	
17	70002962	2	Locking Kit	
18	70004888	2	Screw	
19	2220883	6	Plug #4	
20	2220885	5	Plug #6	
21	70002386	3	Coil	

SECTION 1 - FRAME

FIGURE 1-30. TOW PACKAGE INSTALLATION (OPTIONAL)



ART_1001166232

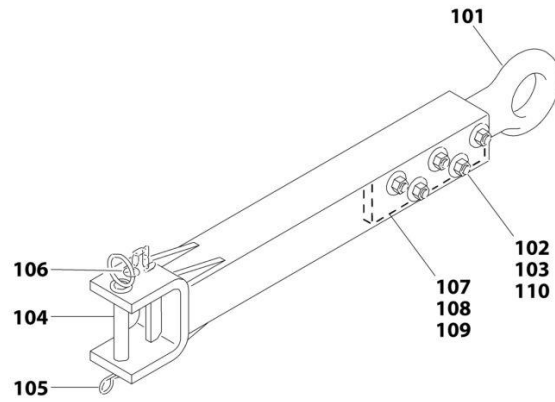
SECTION 1 - FRAME

FIGURE 1-30. TOW PACKAGE INSTALLATION (OPTIONAL)

ITEM	PART NUMBER	QTY	DESCRIPTION	REV
	1001166232	Ref	TOW PACKAGE INSTALLATION (OPTIONAL)	D
1	0100011	AR	Compound, Locking	
2	0363019	1	Tow Bar Assembly (See Separate Breakdown in this Section)	
3	0641504	2	Bolt 5/16 x 1/2	
4	0701014	4	Bolt M10 x 30	
5	0902733	1	Bracket	
6	0902734	1	Bracket	
7	2221052	1	Fitting, Tee JIC/ORB/JIC	
8	4640261	1	Steer/Tow Select Valve Assembly	
9	4711500	6	Washer 5/16	
10	5241200	4	Washer M12	
11	1001118972	4	Nut M10	
12	0700816	2	Bolt M8 x 40	
13	2220372	1	Fitting, Straight JIC/ORB	
14	2220579	1	Fitting, Tee JIC/FSJIC/JIC	
15	3290805	2	Nut M8	
16	1001181527	1	Bracket	
17	1001181913	2	Hose	
18	2220238	1	Plug	

SECTION 1 - FRAME

FIGURE 1-31. TOW BAR ASSEMBLY



ART_0363019

SECTION 1 - FRAME

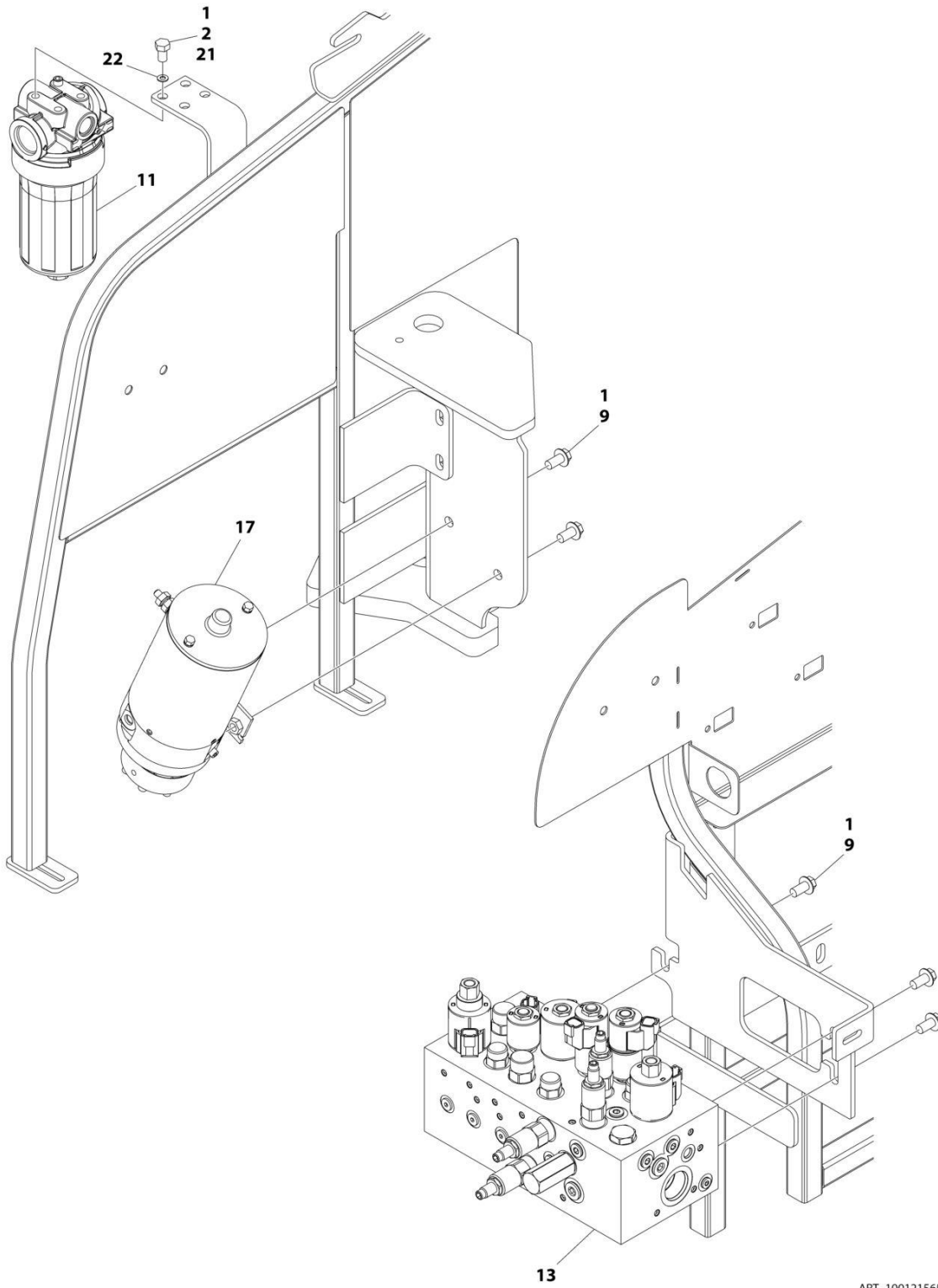
FIGURE 1-31. TOW BAR ASSEMBLY

ITEM	PART NUMBER	QTY	DESCRIPTION	REV
	0363019	Ref	TOW BAR ASSEMBLY	B
101	0360406	1	Pintle, Draw Eye	
102	0682040	5	Bolt 5/8 x 5	
103	3312005	5	Nut 5/8	
104	3420352	1	Pin, Towing	
105	3420372	1	Hairpin	
106	3760170	1	Ring, Split	
107	4070450	2	Shim (.07)	
108	4070560	2	Shim (.88)	
109	4070561	2	Shim (.12)	
110	4752000	10	Washer 5/8	

SECTION 2 - TURNTABLE

SECTION 2 - TURNTABLE

FIGURE 2-1. 2WD VALVES INSTALLATION - 450A TURNTABLE MOUNTED



ART_1001215659_20F3

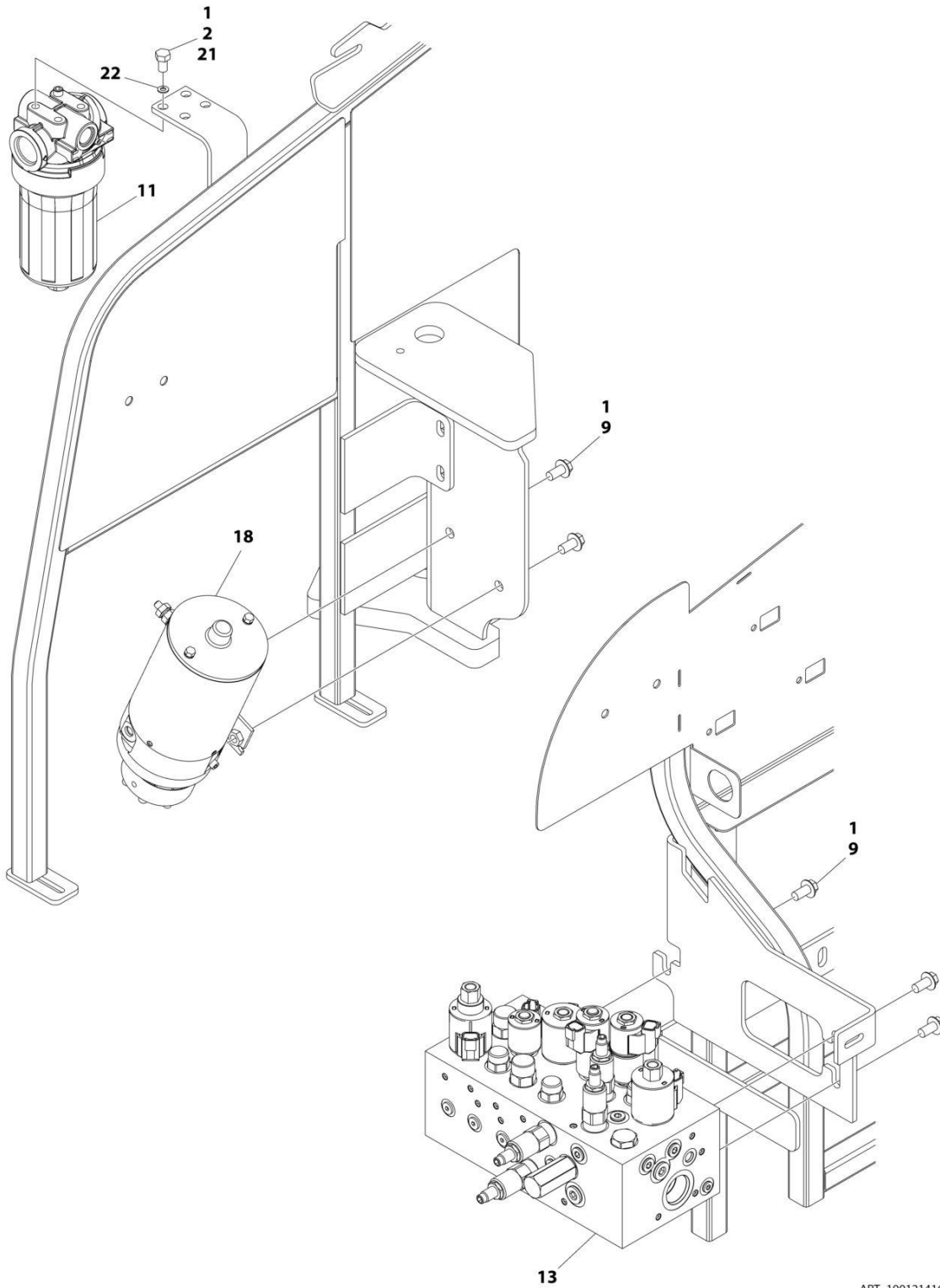
SECTION 2 - TURNTABLE

FIGURE 2-1. 2WD VALVES INSTALLATION - 450A TURNTABLE MOUNTED

ITEM	PART NUMBER	QTY	DESCRIPTION	REV
	1001215659	Ref	2WD VALVES INSTALLATION - 450A TURNTABLE MOUNTED	C
1	0100011	AR	Compound, Locking	
2	0641605	AR	Bolt 3/8 x 5/8	
9	5251010	5	Bolt M10 x 20	
11	1001208874	1	Filter, Charge Pump	
11	70010383	1	Element, Filter (Includes O-Ring)	
13	1001162534	1	Main Valve Assembly (See Separate Breakdown in this Section)	
17	1001185821	1	Auxiliary Pump Assembly (See Separate Breakdown in this Section)	
21	0761010	3	Bolt M10 x 20	
22	4812000	3	Washer M10	

SECTION 2 - TURNTABLE

FIGURE 2-2. 2WD VALVES INSTALLATION - 450AJ TURNTABLE MOUNTED



ART_1001214163_2OF3

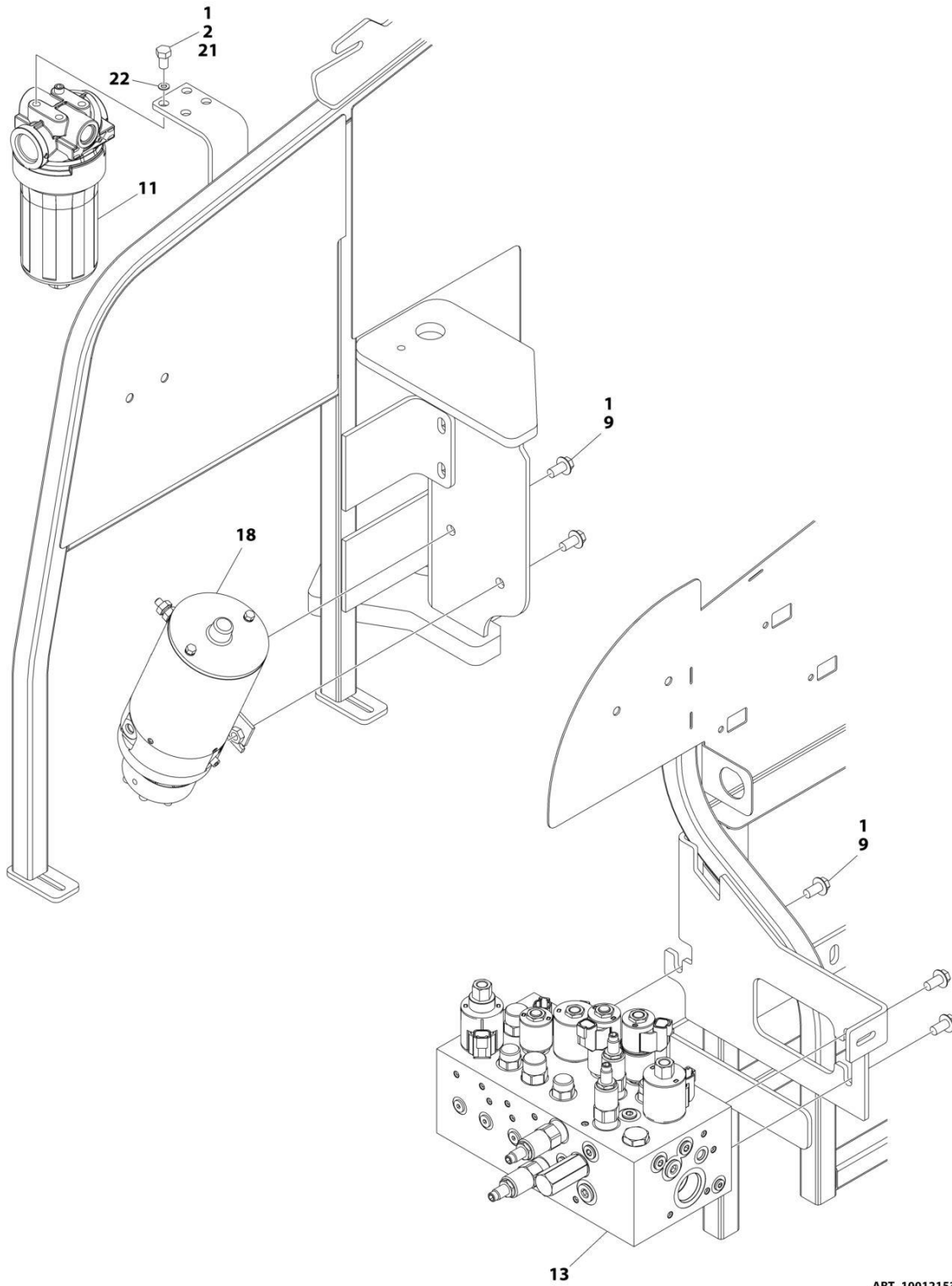
SECTION 2 - TURNTABLE

FIGURE 2-2. 2WD VALVES INSTALLATION - 450AJ TURNTABLE MOUNTED

ITEM	PART NUMBER	QTY	DESCRIPTION	REV
	1001214163	Ref	2WD VALVES INSTALLATION – 450AJ TURNTABLE MOUNTED	C
1	0100011	AR	Compound, Locking	
2	0641605	AR	Bolt 3/8 x 5/8	
9	5251010	5	Bolt M10 x 20	
11	1001208874	1	Filter, Charge Pump	
11	70010383	1	Element, Filter (Includes O-Ring)	
13	1001162534	1	Main Valve Assembly (See Separate Breakdown in this Section)	
18	1001185821	1	Auxiliary Pump Assembly (See Separate Breakdown in this Section)	
21	0761010	3	Bolt M10 x 20	
22	4812000	3	Washer M10	

SECTION 2 - TURNTABLE

FIGURE 2-3. 4WD VALVES INSTALLATION - 450A TURNTABLE MOUNTED



ART_1001215378_20F3

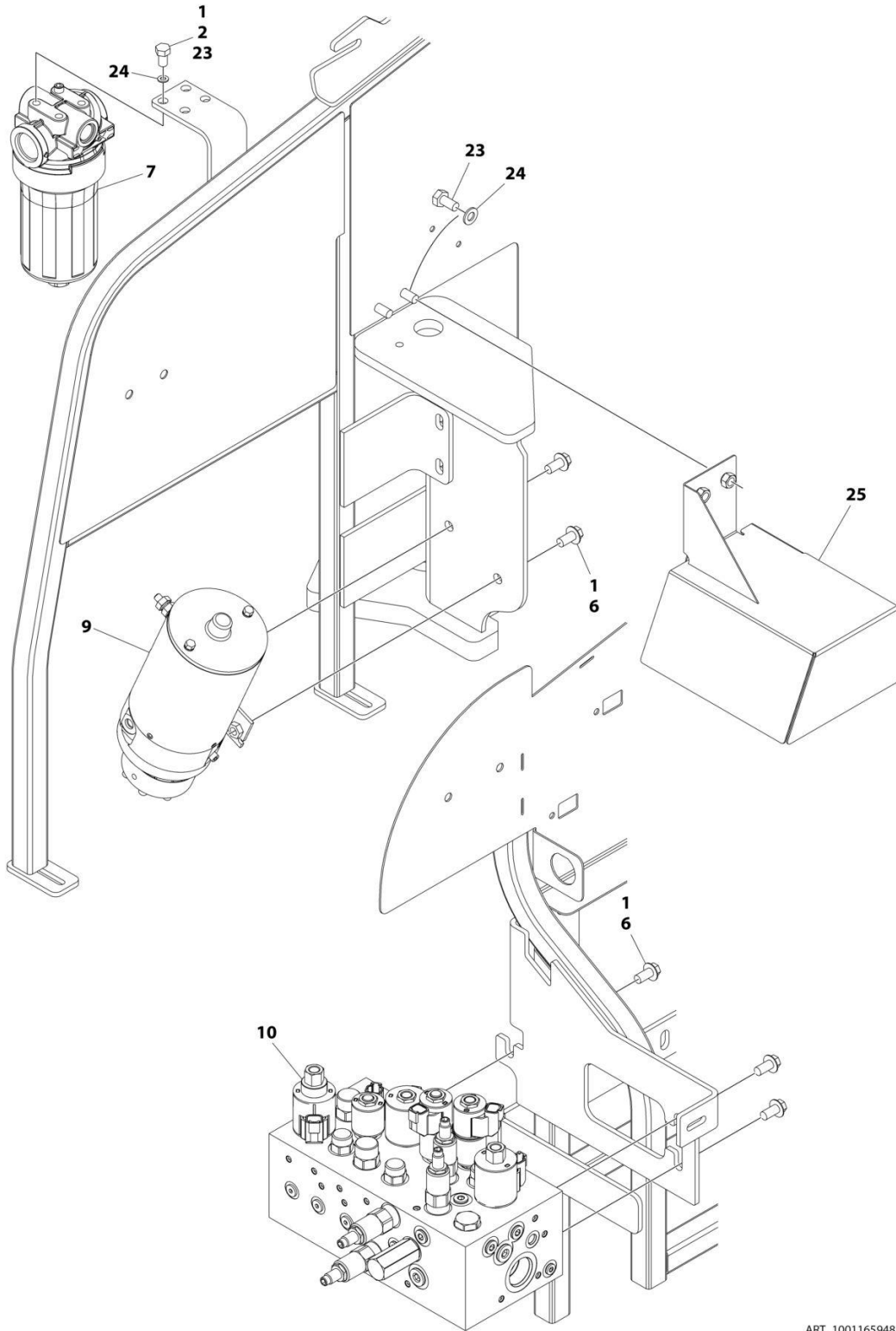
SECTION 2 - TURNTABLE

FIGURE 2-3. 4WD VALVES INSTALLATION - 450A TURNTABLE MOUNTED

ITEM	PART NUMBER	QTY	DESCRIPTION	REV
	1001215378	Ref	4WD VALVES INSTALLATION - 450A TURNTABLE MOUNTED	D
1	0100011	AR	Compound, Locking	
2	0641605	AR	Bolt 3/8 x 5/8	
9	5251010	5	Bolt M10 x 20	
11	1001208874	1	Filter, Charge Pump	
11	70010383	1	Element, Filter (Includes O-Ring)	
13	1001162534	1	Main Valve Assembly (See Separate Breakdown in this Section)	
18	1001185821	1	Auxiliary Pump Assembly (See Separate Breakdown in this Section)	
21	0761010	3	Bolt M10 x 20	
22	4812000	3	Washer M10	

SECTION 2 - TURNTABLE

FIGURE 2-4. 4WD VALVES INSTALLATION - 450AJ TURNTABLE MOUNTED (MACHINES WITH SN STARTING WITH 03)



ART_1001165948_2OF3

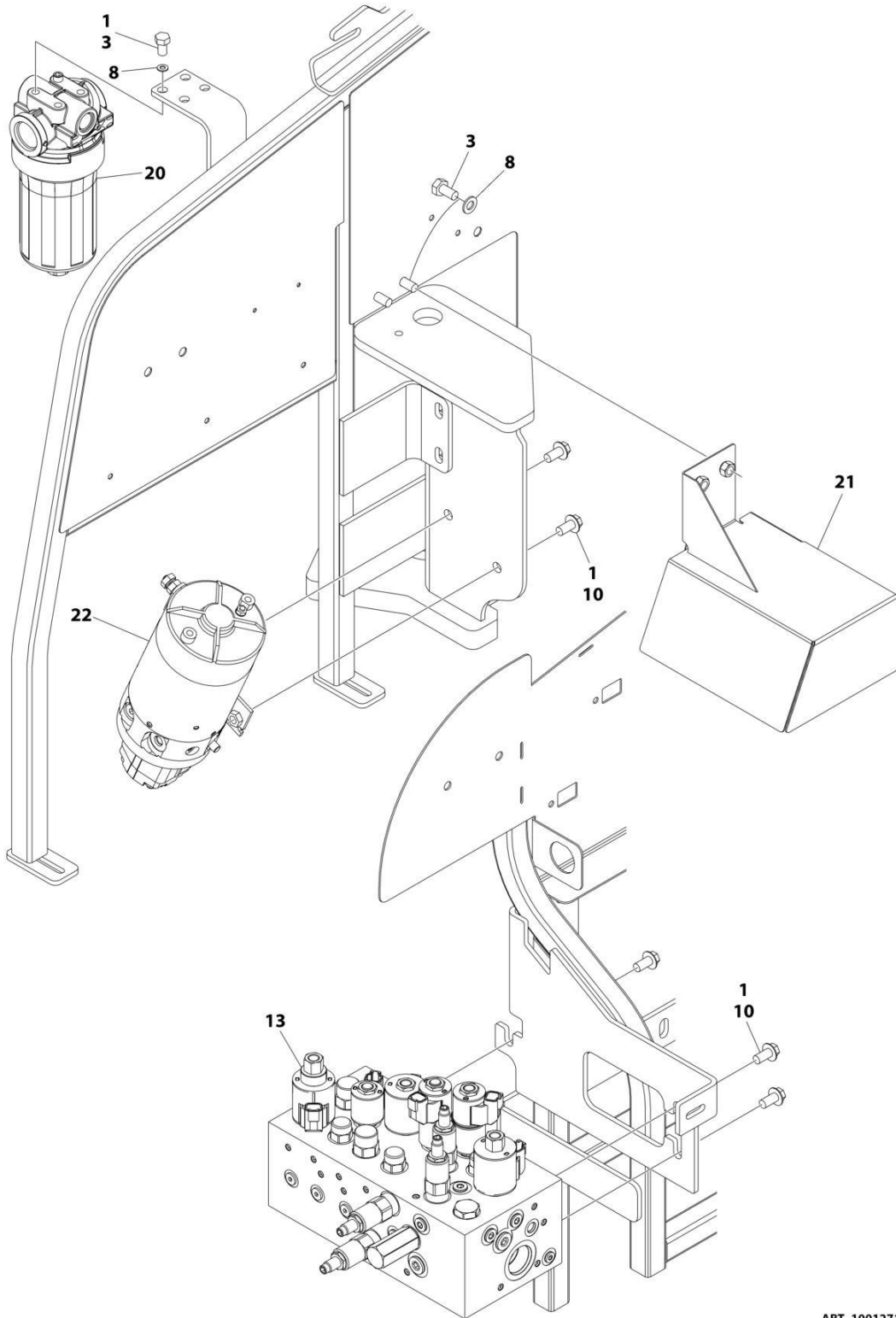
SECTION 2 - TURNTABLE

FIGURE 2-4. 4WD VALVES INSTALLATION - 450AJ TURNTABLE MOUNTED (MACHINES WITH SN STARTING WITH 03)

ITEM	PART NUMBER	QTY	DESCRIPTION	REV
	1001165948	Ref	4WD VALVES INSTALLATION - TURNTABLE MOUNTED	J
1	0100011	AR	Compound, Locking	
2	0641605	AR	Bolt 3/8 x 5/8	
6	5251010	15	Bolt M10 x 20 Class 10.9	
7	1001208874	1	Filter, Charge Pump	
7	70010383	1	Element, Filter (Includes O-Ring)	
9	1001185821	1	Auxiliary Pump Assembly (See Separate Breakdown in this Section)	
10	1001162534	1	Main Valve Assembly (See Separate Breakdown in this Section)	
23	0761010	AR	Bolt M10 x 20	
24	4812000	AR	Washer M10	
25	1001234295	1	Cover	

SECTION 2 - TURNTABLE

FIGURE 2-5. 4WD VALVES INSTALLATION - 450AJ TURNTABLE MOUNTED (MACHINES WITH SN STARTING WITH B3)



ART_1001271413_B_20F3

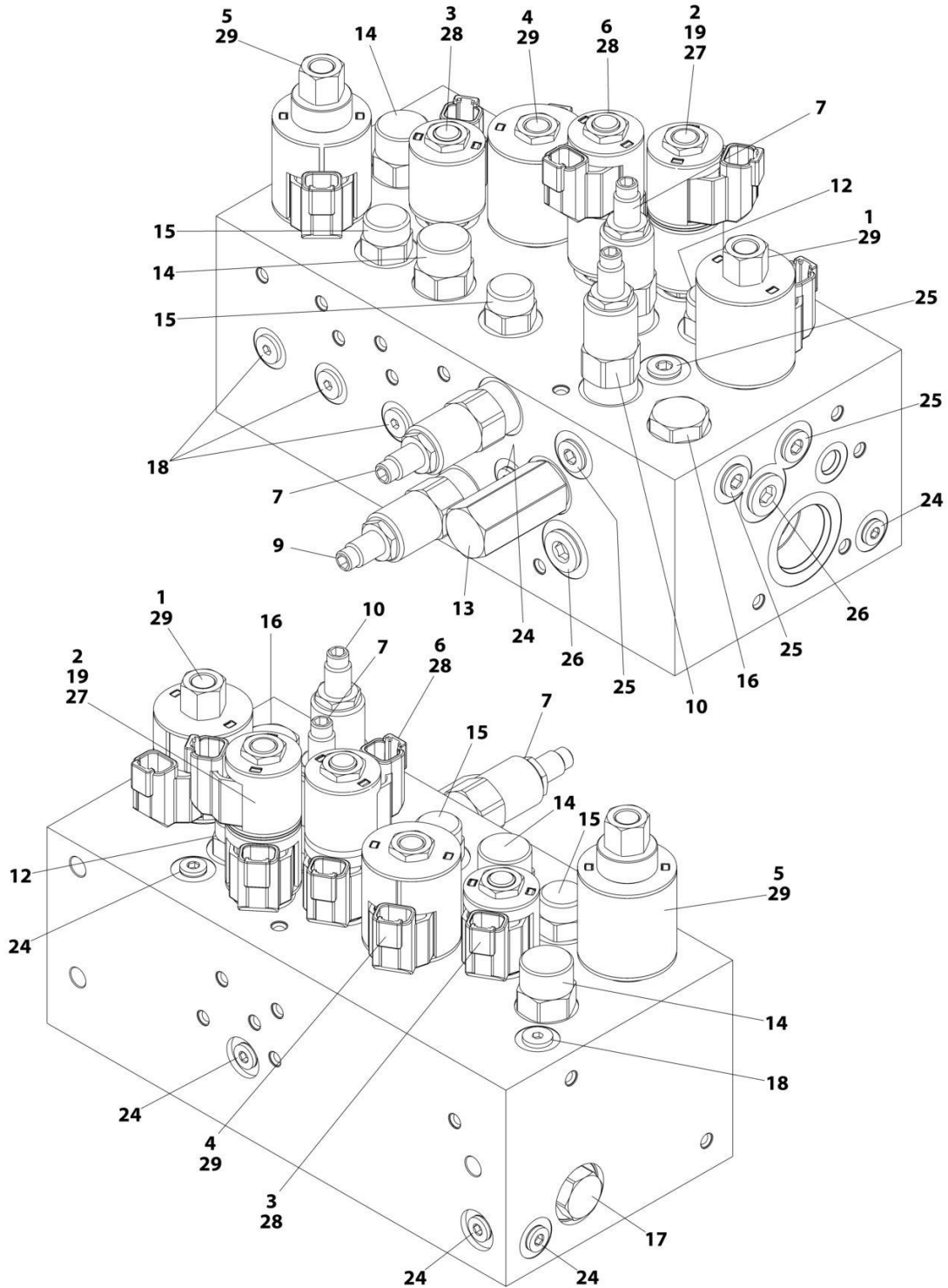
SECTION 2 - TURNTABLE

FIGURE 2-5. 4WD VALVES INSTALLATION - 450AJ TURNTABLE MOUNTED (MACHINES WITH SN STARTING WITH B3)

ITEM	PART NUMBER	QTY	DESCRIPTION	REV
	1001271413	Ref	4WD VALVES INSTALLATION - TURNTABLE MOUNTED	B
1	0100011	AR	Compound, Locking	
3	0761010	AR	Bolt M10 x 20	
8	4812000	AR	Washer M10	
10	5251010	15	Bolt M10 x 20 CLass 10.9	
13	1001162534	1	Main Valve Assembly (See Separate Breakdown in this Section)	
20	1001208874	1	Filter, Charge Pump	
20	70010383	1	Element, Filter (Includes O-Ring)	
21	1001234295	1	Cover	
22	1001271414	1	Auxiliary Pump Assemly (See Separate Breakdown in this Section)	

SECTION 2 - TURNTABLE

FIGURE 2-6. MAIN VALVE ASSEMBLY



ART_1001162534

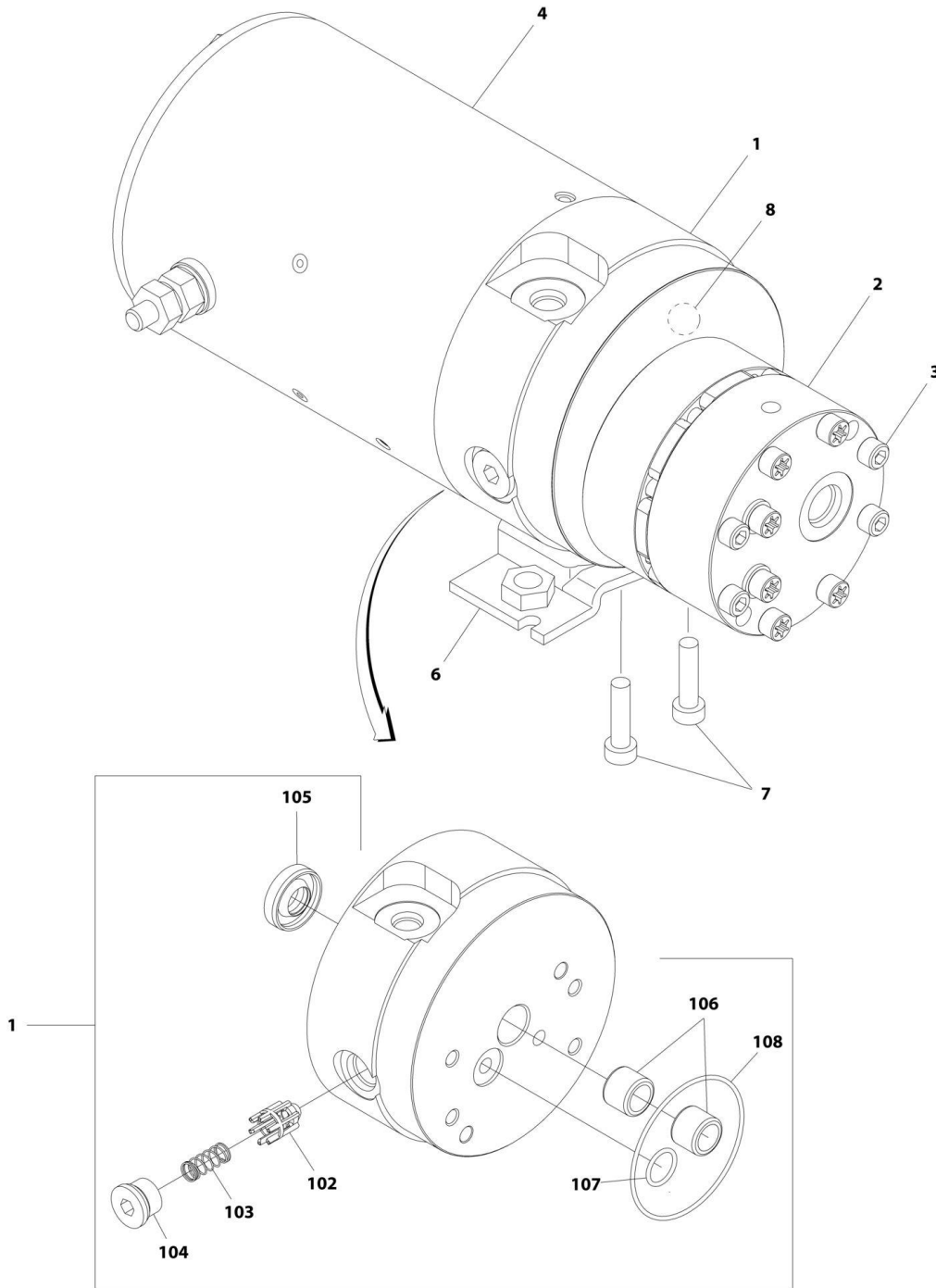
SECTION 2 - TURNTABLE

FIGURE 2-6. MAIN VALVE ASSEMBLY

ITEM	PART NUMBER	QTY	DESCRIPTION	REV
	1001162534	Ref	MAIN VALVE ASSEMBLY	F
1	70005069	1	Cartridge, Solenoid Less Coil (Main Dump)	
1	7022399	1	Seal Kit - 70005069 Valve	
1	70003977	1	Nut, Coil	
2	70005217	1	Cartridge, Solenoid Less Coil (Steer)	
2	70005071	1	Seal Kit - 70005217 Valve	
2	7022390	1	Nut, Coil	
3	70005094	1	Cartridge, Solenoid Less Coil (Main Lift Up)	
3	7023936	1	Seal Kit - 70005094 Valve	
3	7022390	1	Nut, Coil	
4	70005076	1	Cartridge, Solenoid Less Coil (Tower Lift Up)	
4	7022399	1	Seal Kit - 70005076 Valve	
4	7022390	1	Nut, Coil	
5	70005095	1	Cartridge, Solenoid Less Coil (Flow Control)	
5	7022399	1	Seal Kit - 70005095 Valve	
5	70003977	1	Nut, Coil	
6	70005096	1	Cartridge, Solenoid Less Coil (Swing)	
6	70005071	1	Seal Kit - 70005096 Valve	
7	70005097	1	Cartridge, Solenoid Less Coil	
7	70005082	2	Seal Kit - 70005097 Valve	
9	70005098	1	Cartridge, Relief Valve	
9	7023936	1	Seal Kit - 70005098 Valve	
10	70005080	1	Cartridge, Relief Valve	
10	7022399	1	Seal Kit - 70005080 Valve	
12	70005218	1	Cartridge, Valve	
12	70005082	1	Seal Kit - 70005218 Valve	
13	70005084	1	Cartridge, Valve	
13	70005085	1	Seal Kit - 70005084 Valve	
14	70005099	2	Cartridge, Valve	
14	70005087	2	Seal Kit - 70005099 Valve	
15	70005088	2	Cartridge, Valve	
15	7023900	2	Seal Kit - 70005088 Valve	
16	70005100	1	Cartridge, Check Valve	
16	7022399	1	Seal Kit - 70005100 Valve	
17	70005089	1	Cartridge, Check Valve	
17	7023936	1	Seal Kit - 70005089 Valve	
18	70005090	5	Cartridge, Check Valve	
18	70005092	5	Seal Kit - 70005092 Valve	
19	See Note	1	Disc, Check Valve (Note: Not Available for Purchase)	
24	91164059	7	Plug	
25	91164079	4	Plug	
26	91164057	2	Plug	
27	70005219	2	Coil	
28	70002386	3	Coil	
29	70003788	3	Coil	

SECTION 2 - TURNTABLE

FIGURE 2-7. AUXILIARY PUMP ASSEMBLY (MACHINES WITH SN STARTING WITH 03)



ART_1001185821

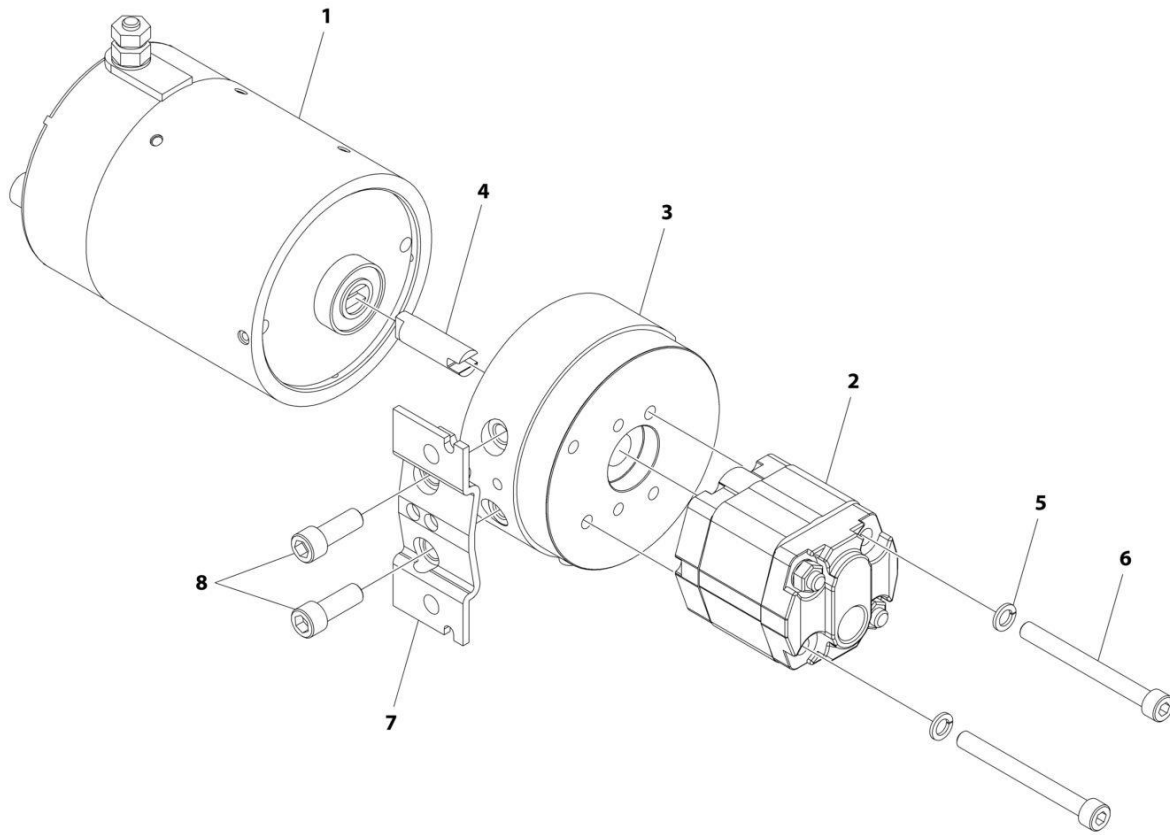
SECTION 2 - TURNTABLE

FIGURE 2-7. AUXILIARY PUMP ASSEMBLY (MACHINES WITH SN STARTING WITH 03)

ITEM	PART NUMBER	QTY	DESCRIPTION	REV
	1001185821	Ref	AUXILIARY PUMP ASSEMBLY	B
1	70005065	1	Base Assembly (See Items 102-108 for Breakdown)	
2	70005066	1	Pump Assembly (Note: No Seal Kit or Internal Components are Available - Purchase Complete Pump Assembly)	
3	70005067	4	Capscrew 1/4 x 2-3/4	
4	70004013	1	Motor Assembly (Note: No Internal Components are Available - Purchase Complete Motor Assembly)	
6	70004014	1	Bracket	
7	70004000	2	Capscrew 3/8 x 1	
8	70005068	1	Relief Valve Assembly	
	70005065	Ref	BASE ASSEMBLY	
102	See Note	NSS	Poppet, Check (Note: Use p/n 70005065)	
103	See Note	NSS	Spring (Note: Use p/n 70005065)	
104	See Note	NSS	Plug (Note: Use p/n 70005065)	
105	7026330	1	Seal, Shaft	
106	70005139	2	Bearing	
107	70003612	1	O-Ring	
108	70004267	1	O-Ring	

SECTION 2 - TURNTABLE

FIGURE 2-8. AUXILIARY PUMP ASSEMBLY (MACHINES WITH SN STARTING WITH B3)



ART_1001271414

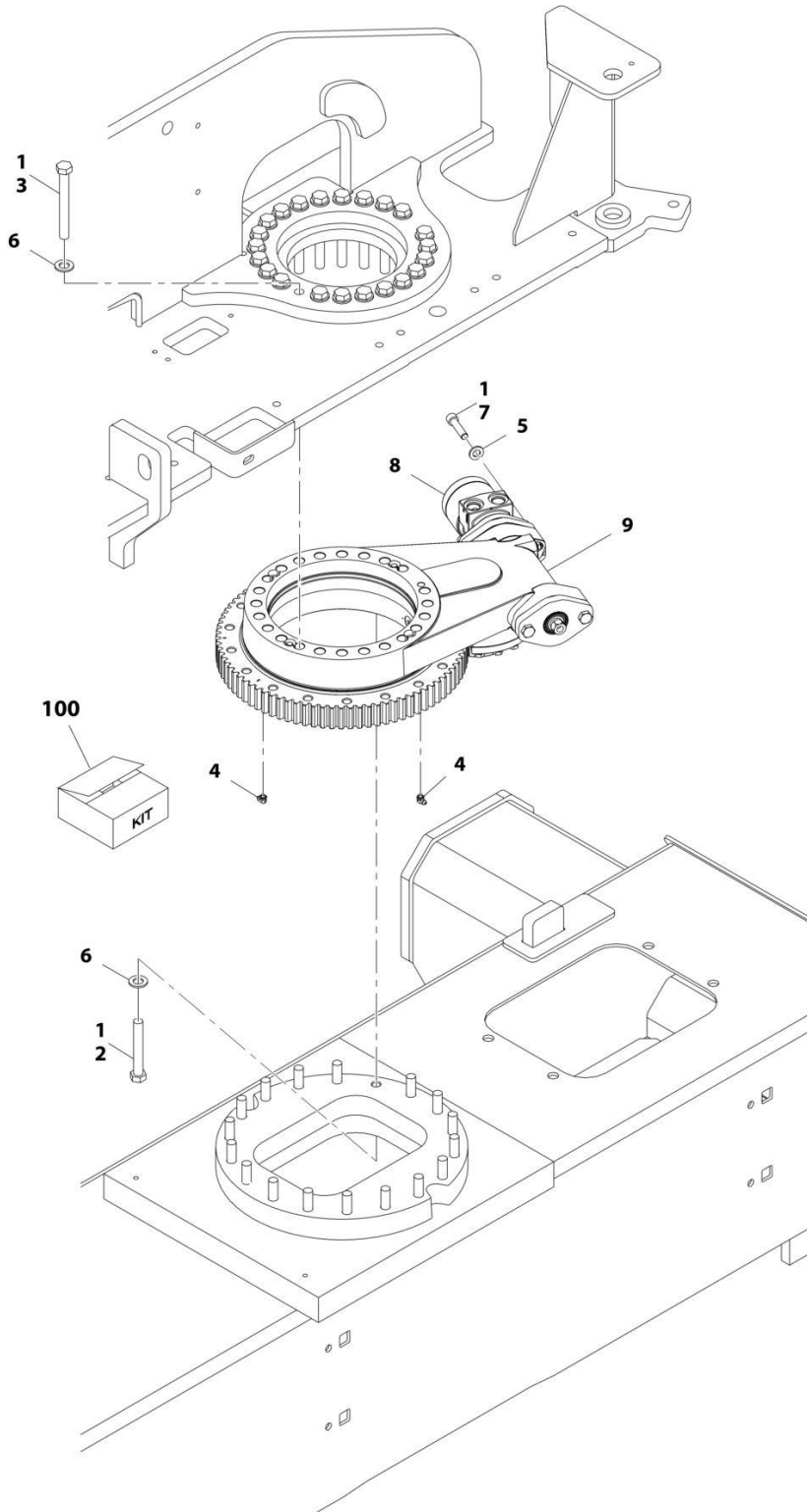
SECTION 2 - TURNTABLE

FIGURE 2-8. AUXILIARY PUMP ASSEMBLY (MACHINES WITH SN STARTING WITH B3)

ITEM	PART NUMBER	QTY	DESCRIPTION	REV
	1001271414	Ref	AUXILIARY MOTOR/PUMP ASSEMBLY	A
1	70008403	1	Motor	
2	70008404	1	Pump	
3	70008405	1	Block, Valve	
4	70008397	1	Shaft, Connecting	
5	70008400	2	Washer M8	
6	70008406	2	Capscrew M8 x 80	
7	70008407	1	Bracket	
8	70008408	2	Capscrew 3/8 x 1	

SECTION 2 - TURNTABLE

FIGURE 2-9. SWING DRIVE AND TURNTABLE BEARING INSTALLATION (MACHINES WITH SN STARTING WITH 03)



ART_1001165946

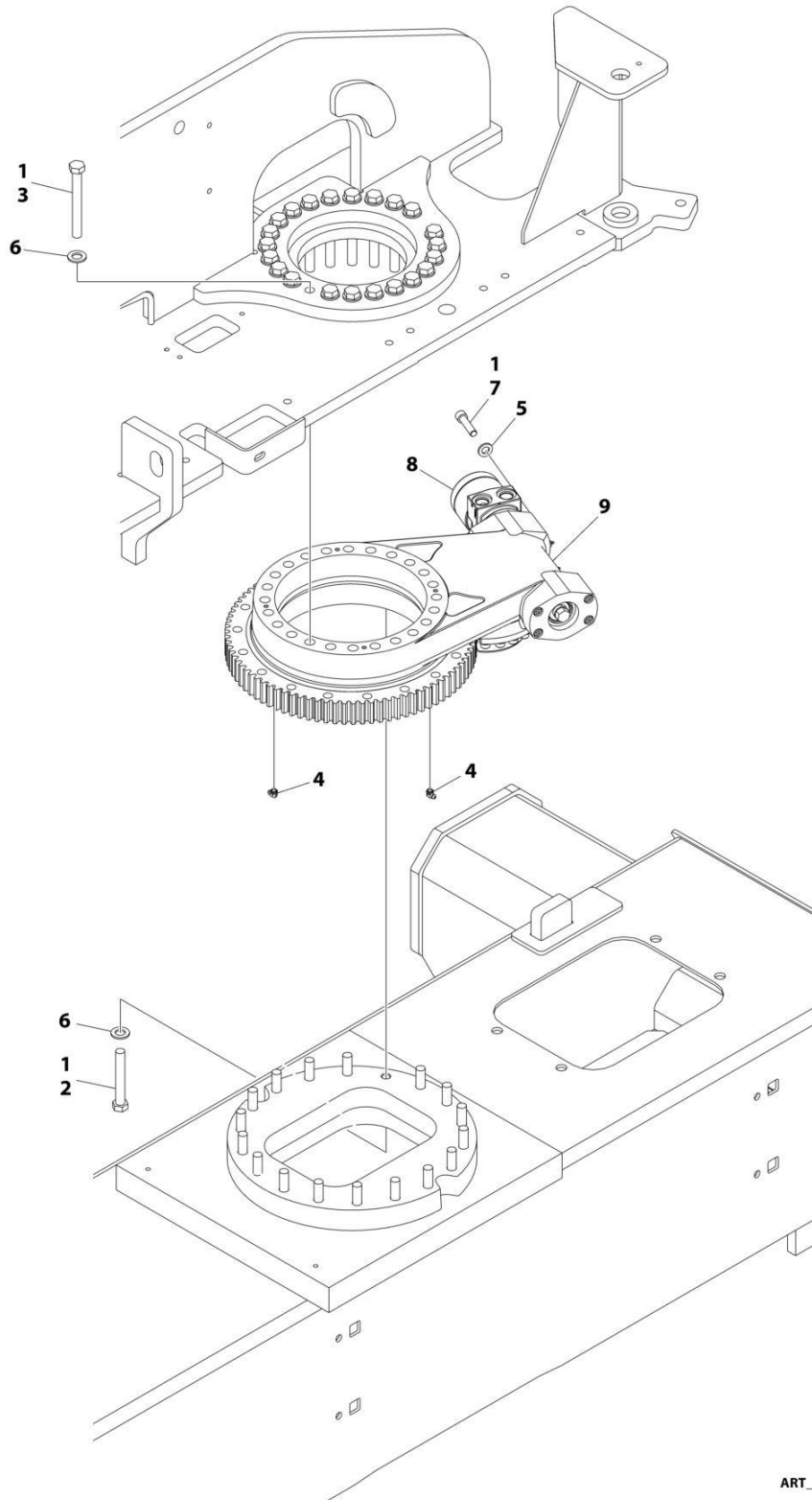
SECTION 2 - TURNTABLE

FIGURE 2-9. SWING DRIVE AND TURNTABLE BEARING INSTALLATION (MACHINES WITH SN STARTING WITH 03)

ITEM	PART NUMBER	QTY	DESCRIPTION	REV
	1001165946	Ref	SWING DRIVE AND TURNTABLE BEARING INSTALLATION	B
1	0100019	AR	Compound, Locking	
2	0711628	18	Bolt M16 x 110 Grade 10.9	
3	0711631	23	Bolt M16 x 140	
4	2160001	2	Fitting, Grease 90	
5	5241200	2	Washer M12	
6	5241600	41	Washer M16	
7	5272114	2	Capscrew M12 x 50 Grade 12.9	
8	1001104850	1	Swing Motor Assembly (See Separate Breakdown in this Section)	
9	1001133972	1	Turntable Bearing Assembly (See Separate Breakdown in this Section)	
100	1001206436	1	Turntable Bearing Kit (Includes Items 2-7 & 9)	

SECTION 2 - TURNTABLE

FIGURE 2-10. SWING DRIVE AND TURNTABLE BEARING INSTALLATION (MACHINES WITH SN STARTING WITH B3)



ART_1001277273_B

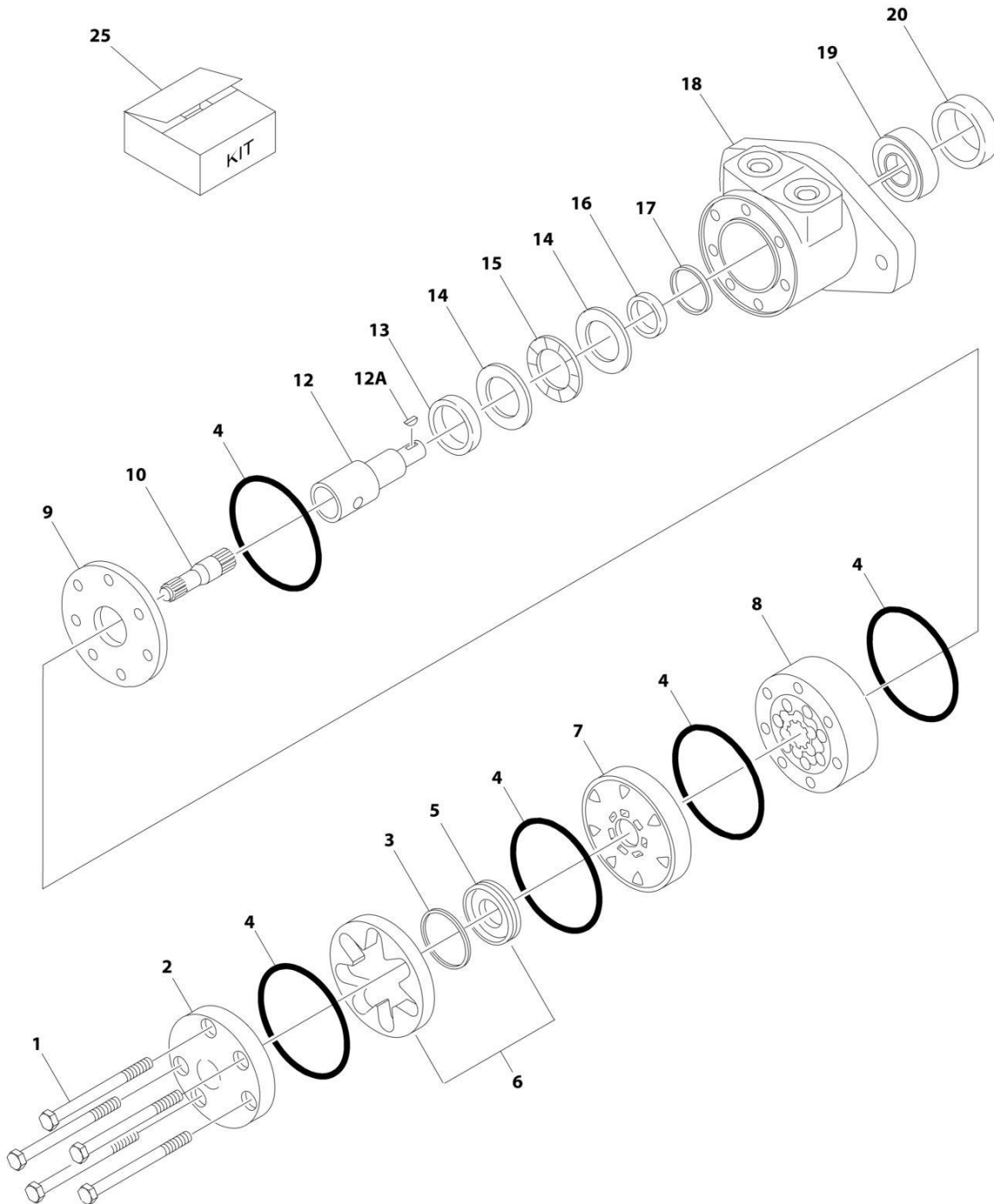
SECTION 2 - TURNTABLE

FIGURE 2-10. SWING DRIVE AND TURNTABLE BEARING INSTALLATION (MACHINES WITH SN STARTING WITH B3)

ITEM	PART NUMBER	QTY	DESCRIPTION	REV
	1001277273	Ref	SWING DRIVE AND TURNTABLE BEARING INSTALLATION	B
1	0100019	AR	Compound, Locking	
2	0711628	18	Bolt M16 x 110 Grade 10.9	
3	0711631	23	Bolt M16 x 140	
4	2160001	2	Fitting, Grease 90	
5	5241200	2	Washer M12	
6	5241600	41	Washer M16	
7	5272114	2	Capscrew M12 x 50 Grade 12.9	
8	1001286019	1	Swing Motor Assembly (See Separate Breakdown in this Section)	
9	1001277009	1	Turntable Bearing Assembly (See Separate Breakdown in this Section)	

SECTION 2 - TURNTABLE

FIGURE 2-11. SWING MOTOR ASSEMBLY (MACHINES WITH SN STARTING WITH 03)



ART_1001104850

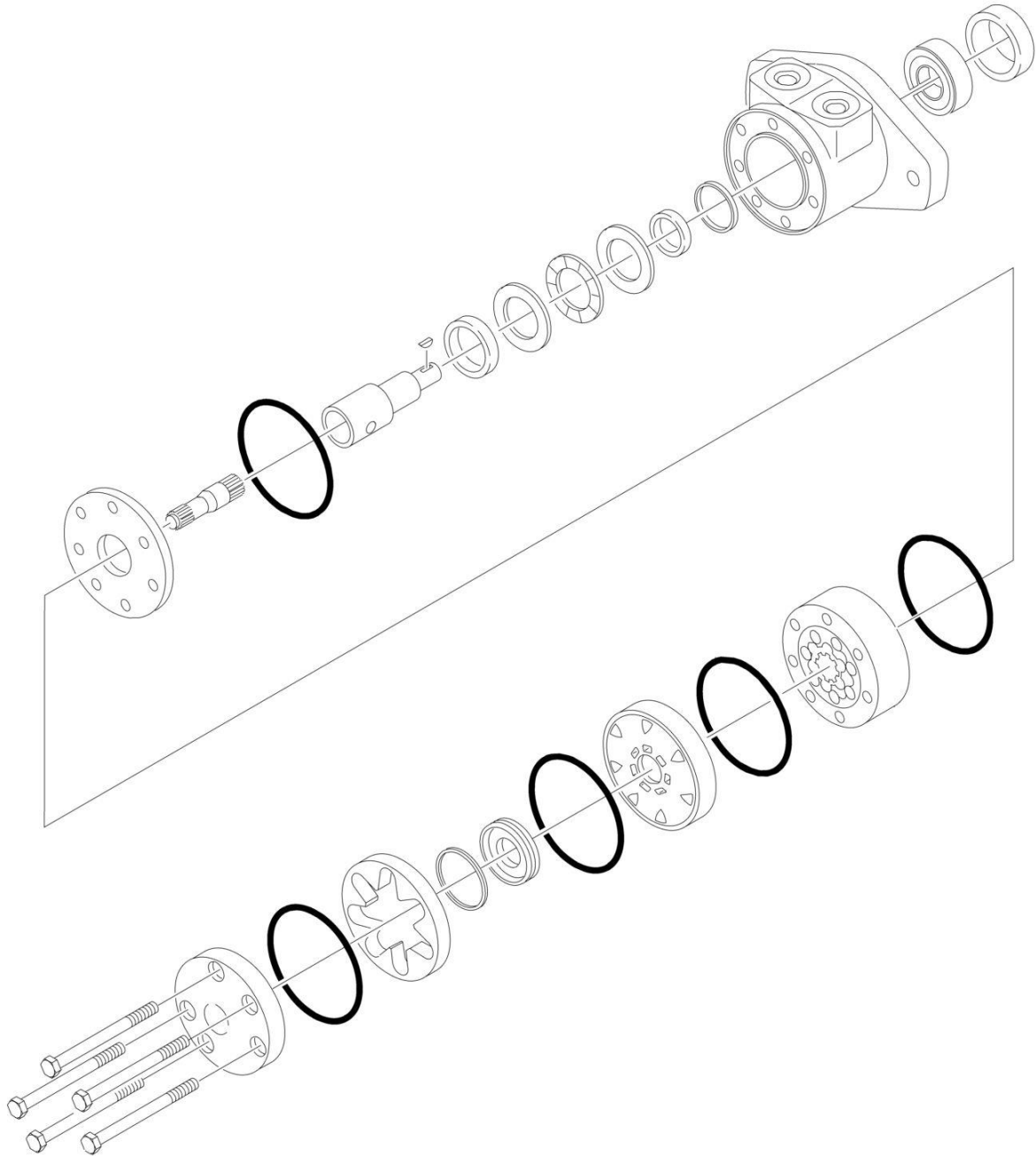
SECTION 2 - TURNTABLE

FIGURE 2-11. SWING MOTOR ASSEMBLY (MACHINES WITH SN STARTING WITH 03)

ITEM	PART NUMBER	QTY	DESCRIPTION	REV
	1001104850	Ref	SWING MOTOR ASSEMBLY	A
1	See Note	5	Bolt (Note: Not Available for Purchase)	
2	7004035	1	Cover, End	
3	7023318	1	Seal, Commutator	
4	7004036	5	O-Ring	
5	See Note	NSS	Commutator (Note: Use Item 6)	
6	7024453	1	Commutator and Ring Assembly (Includes Item 5)	
7	7024379	1	Manifold	
8	70002206	1	Rotor Set	
9	7024380	1	Plate, Wear	
10	70002207	1	Link, Drive	
12	70000088	1	Shaft, Coupling	
12A	70000089	1	Key	
13	7024381	1	Bushing, Inner	
14	7004043	1	Thrustwasher	
15	7004044	1	Bearing, Thrust	
16	7004049	1	Seal, Inner Shaft	
17	7004045	1	Ring, Back-up	
18	See Note	NSS	Housing (Note: Not Available - Purchase Complete Motor)	
19	7024390	1	Bearing	
20	7004047	1	Seal, Outer Shaft	
25	7024389	1	Seal Kit (Includes Items 3, 4, 16, 17 & 20)	

SECTION 2 - TURNTABLE

FIGURE 2-12. SWING MOTOR ASSEMBLY (MACHINES WITH SN STARTING WITH B3)



ART_1001286019

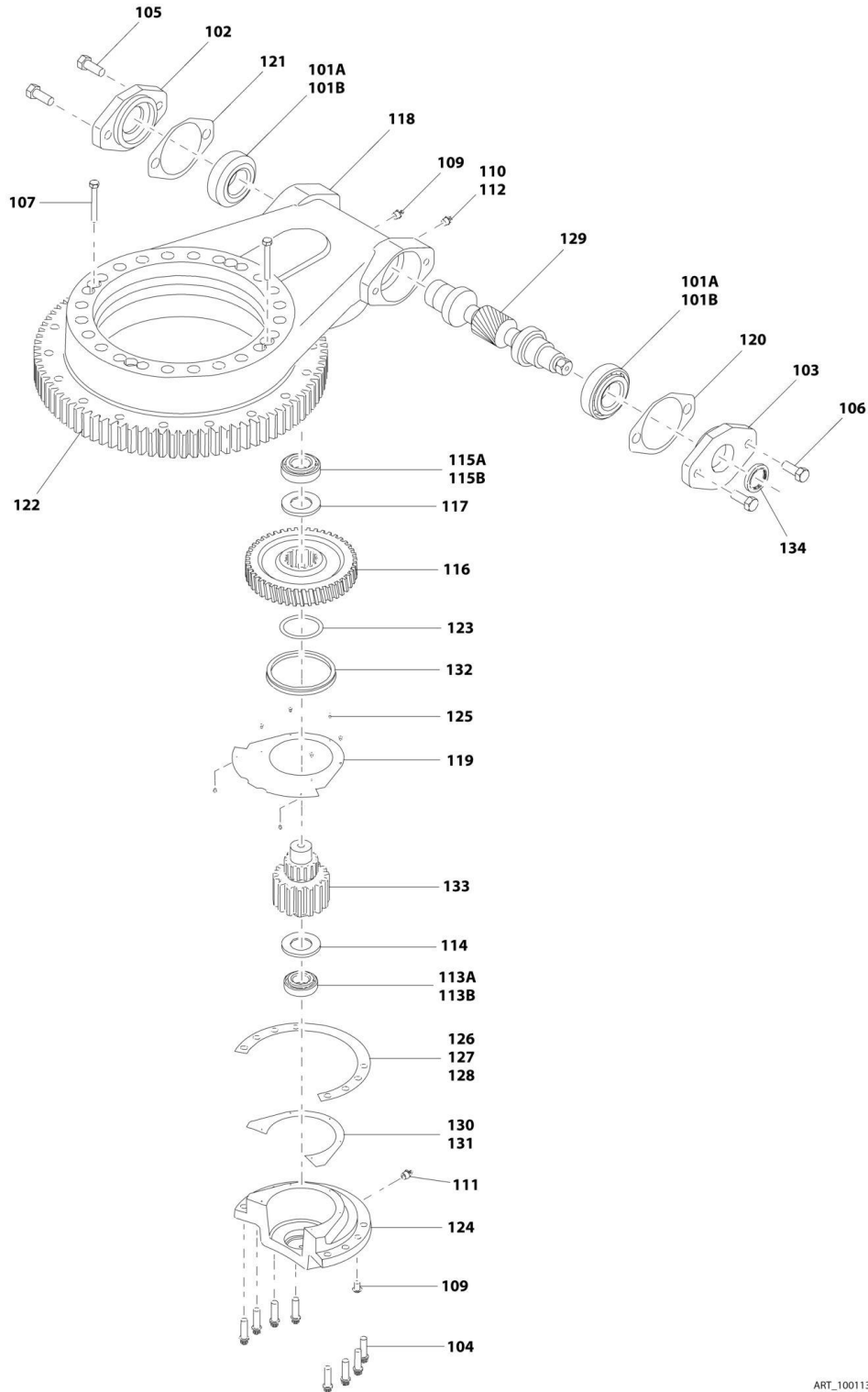
SECTION 2 - TURNTABLE

FIGURE 2-12. SWING MOTOR ASSEMBLY (MACHINES WITH SN STARTING WITH B3)

ITEM	PART NUMBER	QTY	DESCRIPTION	REV
1	1001286019 See Note	Ref Ref	SWING MOTOR ASSEMBLY Note: No Service Parts Available at Time of Printing	A

SECTION 2 - TURNTABLE

FIGURE 2-13. TURNTABLE BEARING ASSEMBLY (MACHINES WITH SN STARTING WITH 03)



ART_1001133972

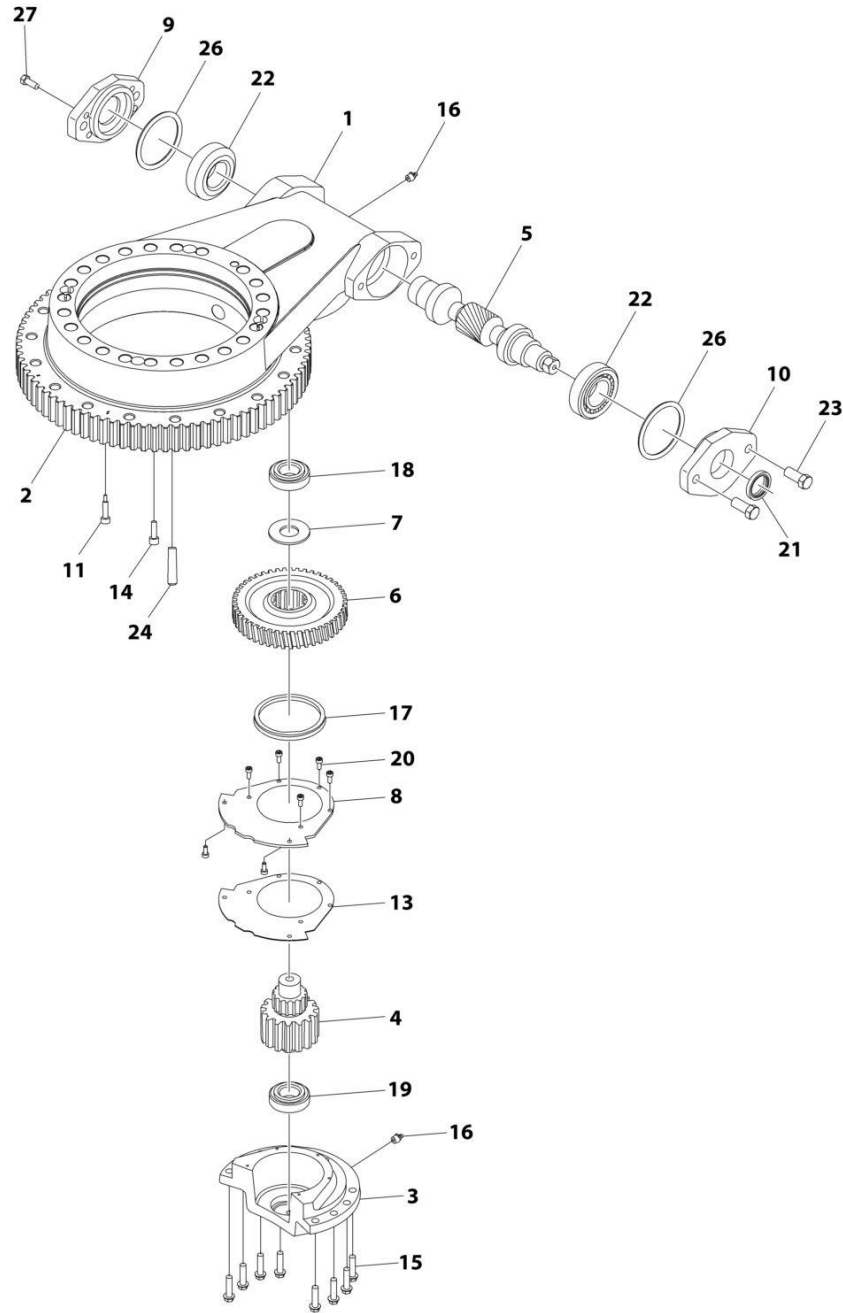
SECTION 2 - TURNTABLE

FIGURE 2-13. TURNTABLE BEARING ASSEMBLY (MACHINES WITH SN STARTING WITH 03)

ITEM	PART NUMBER	QTY	DESCRIPTION	REV
	1001133972	Ref	TURNTABLE BEARING ASSEMBLY	D
101A	7026042	2	Cup, Bearing	
101B	7026043	2	Cone, Bearing	
102	7027356	1	Adapter, Motor	
103	7027354	1	Cap, Worm	
104	70004249	8	Bolt M10 x 35 Grade 10.9	
105	70004250	2	Bolt M12 x 30 Grade 10.9	
106	70004251	2	Bolt M12 x 40 Grade 10.9	
107	70004252	2	Bolt M8 x 65mm	
109	70000865	1	Plug	
110	70002649	1	Vent, Pressure	
111	70002651	1	Fitting, Grease	
112	7026044	1	Bushing, Reducer	
113A	7026045	1	Cup, Bearing	
113B	7026047	1	Cone, Bearing	
114	7026046	1	Ring, Grease	
115A	7026048	1	Cup, Bearing	
115B	7026049	1	Cone, Bearing	
116	7026050	1	Worm-Gear	
117	7026052	1	Spacer, Washer	
118	See Note	1	Housing (Note: Not Available - Purchase Complete Assembly)	
119	7026053	1	Cover, Gear	
120	7027350	AR	Shim, Blue (.005in)	
120	7027351	AR	Shim, Clear (.0075in)	
120	7027352	AR	Shim, Brown (.010in)	
121	7027353		Shim, Yellow (.020in)	
122	70004253	1	Bearing, Turntable	
123	70004254	1	O-Ring	
124	70004255	1	Cap, Gear	
125	70004256	8	Bolt M4 x 8	
126	70004257	AR	Shim, Green (.003)	
127	70004258	AR	Shim, Blue (.005)	
128	70004259	AR	Shim, Natural (.0075)	
129	7026057	1	Gear, Worm	
130	70004260	AR	Shim, Blue (.005)	
131	70004261	AR	Shim, Yellow (.020)	
132	70004262	1	Seal, Oil	
133	7026051	1	Pinion, Output	
134	70004263	1	Seal, Oil	

SECTION 2 - TURNTABLE

FIGURE 2-14. TURNTABLE BEARING ASSEMBLY (MACHINES WITH SN STARTING WITH B3)



ART_1001277009

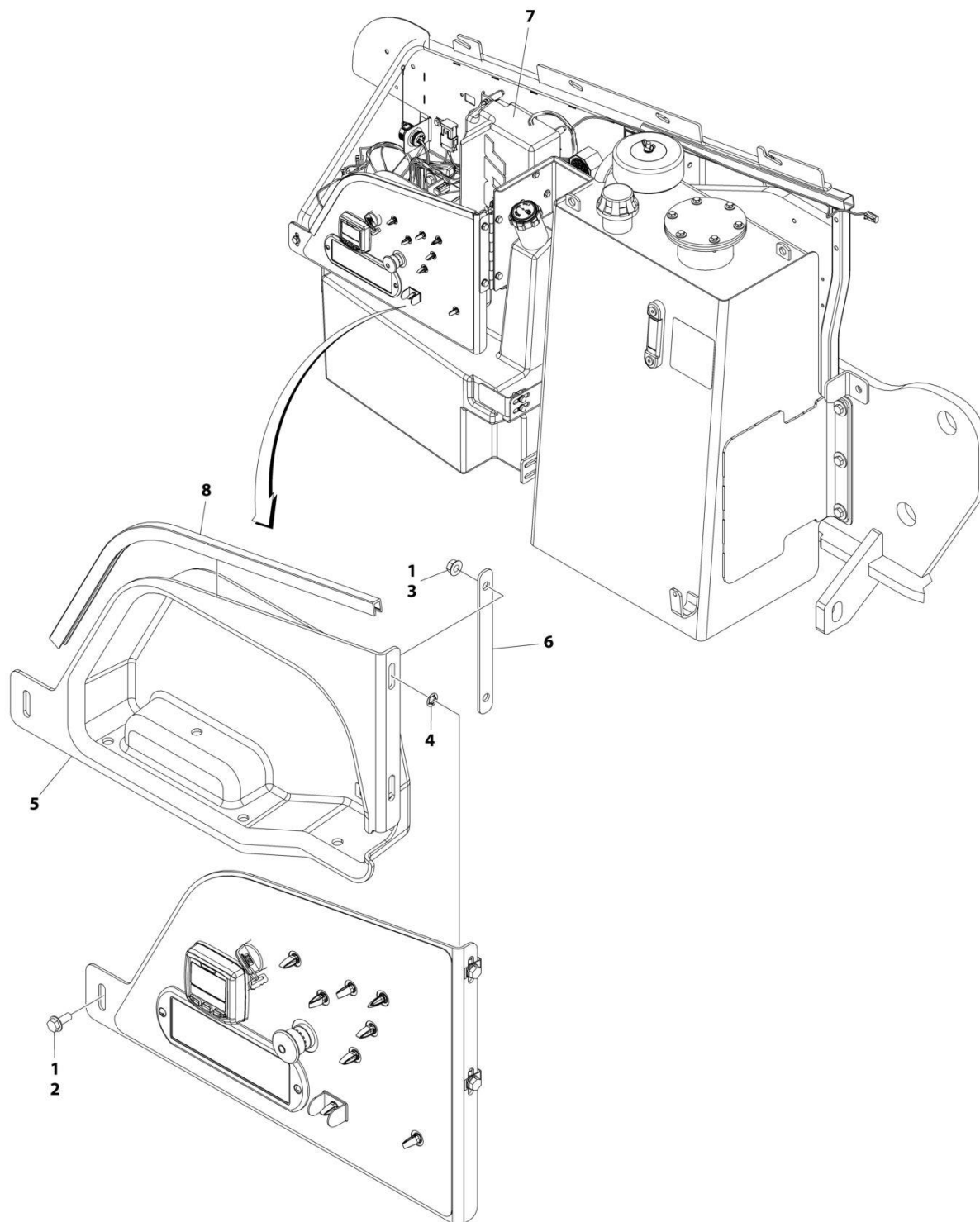
SECTION 2 - TURNTABLE

FIGURE 2-14. TURNTABLE BEARING ASSEMBLY (MACHINES WITH SN STARTING WITH B3)

ITEM	PART NUMBER	QTY	DESCRIPTION	REV
	1001277009	Ref	TURNTABLE BEARING ASSEMBLY	A
1	See Note	NSS	Housing (Note: Not Sold Separately)	
2	70008371	1	Ring, Slewing	
3	70008372	1	Cap, Gear	
4	70008373	1	Gear, Pinion	
5	70008374	1	Gear, Worm	
6	70008375	1	Gear, Worm Wheel	
7	70008376	1	Adapter, Worm Wheel Gear	
8	70008377	1	Cover, Gear	
9	70008378	1	Adapter, Motor	
10	70008379	1	Cover	
11	70008380	2	Bolt, Positioning	
12	See Note	NSS	Plate, Serial Number (Not Shown) (Note: Not Sold Separately)	
13	70008381	AR	Shim	
14	70008382	4	Bolt M8 x 40 Class 12.9	
15	70008383	8	Bolt M10 x 30 Class 12.9	
16	70008384	2	Fitting, Grease	
17	70008385	1	Seal	
18	70008386	1	Bearing	
19	70008387	1	Bearing	
20	70008388	7	Bolt M4 x 8	
21	70008389	1	Seal	
22	70008390	2	Bearing	
23	70008391	4	Bolt M12 x 35	
24	70008392	2	Cotter, Tapered	
25	See Note	NSS	Rivet (Not Shown) (Note: Not Sold Separately)	
26	70008393	AR	Shim	
27	4031707	4	Bolt M5 x 16	

SECTION 2 - TURNTABLE

FIGURE 2-15. TURNTABLE COVERS INSTALLATION



ART_1001219129

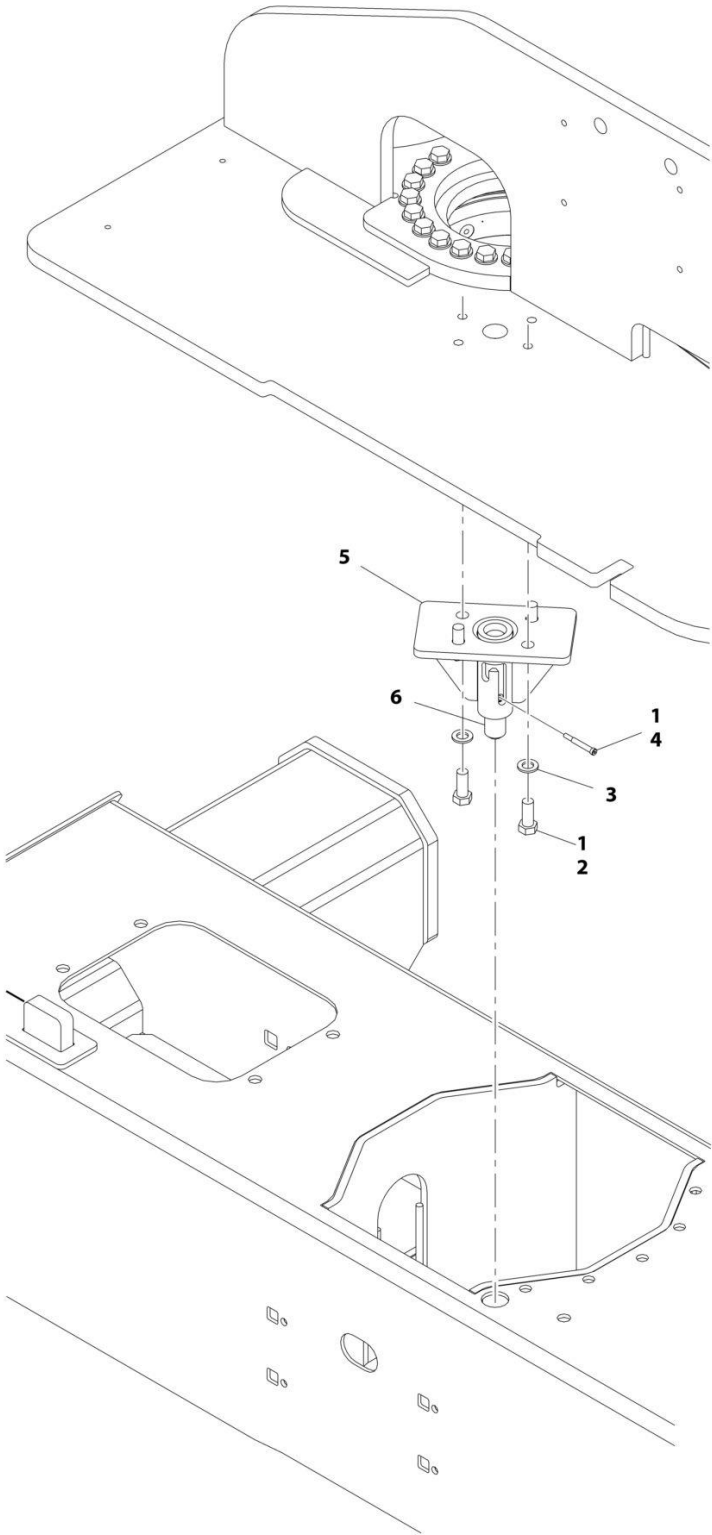
SECTION 2 - TURNTABLE

FIGURE 2-15. TURNTABLE COVERS INSTALLATION

ITEM	PART NUMBER	QTY	DESCRIPTION	REV
	1001219129	Ref	TURNTABLE COVERS INSTALLATION	A
1	0100011	AR	Compound, Locking	
2	5250812	1	Bolt M8 x 25	
3	5260800	2	Nut M8	
4	1001119228	2	Nut M8	
5	1001218533	1	Cover	
6	1001218535	1	Plate, Mounting	
7	1001218537	1	Cover	
8	4060806	2 ft/0.6m	Shield, Flex	

SECTION 2 - TURNTABLE

FIGURE 2-16. TURNTABLE LOCK INSTALLATION



ART_1001177820

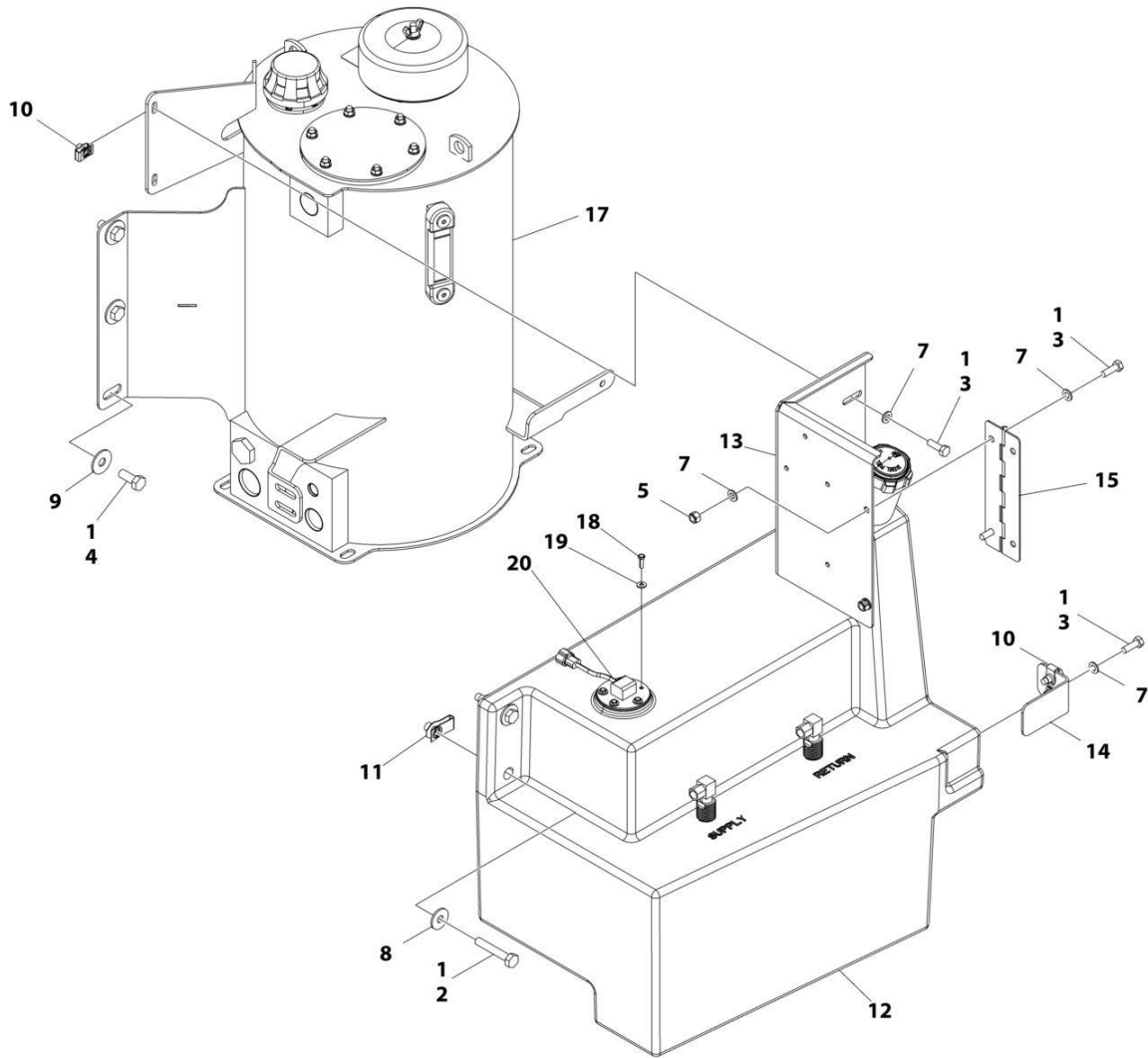
SECTION 2 - TURNTABLE

FIGURE 2-16. TURNTABLE LOCK INSTALLATION

ITEM	PART NUMBER	QTY	DESCRIPTION	REV
	1001177820	Ref	TURNTABLE LOCK INSTALLATION	B
1	0100011	AR	Compound, Locking	
2	0701616	4	Bolt M16 x 40	
3	4812300	4	Washer M16	
4	1001157466	1	Bolt M10 x 30	
5	1001177821	1	Support, Lock	
6	1001177834	1	Pin, Lock	
7	1001223118	1	Decal – Lift Diagram (Not Shown)	

SECTION 2 - TURNTABLE

FIGURE 2-17. TANKS INSTALLATION - DIESEL MACHINES (17 GAL HYDRAULIC TANK WITH 4 INCH BREATHER)



ART_1001282831_B

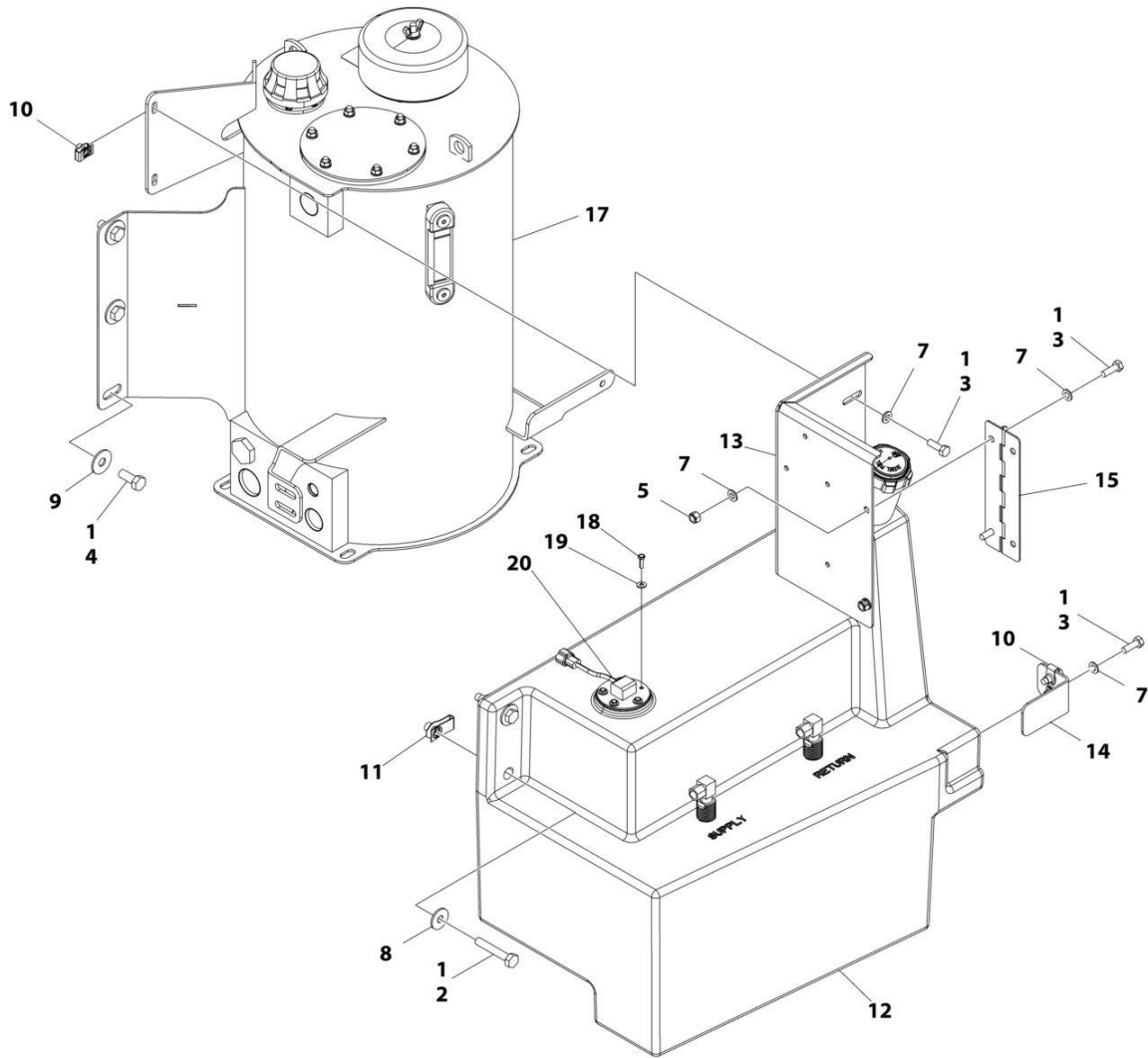
SECTION 2 - TURNTABLE

FIGURE 2-17. TANKS INSTALLATION - DIESEL MACHINES (17 GAL HYDRAULIC TANK WITH 4 INCH BREATHER)

ITEM	PART NUMBER	QTY	DESCRIPTION	REV
	1001282831	Ref	TANKS INSTALLATION - DIESEL MACHINES	B
1	0100011	AR	Compound, Locking	
2	0701020	2	Bolt M10 x 60	
3	0760812	6	Bolt M8 x 25	
4	0761214	6	Bolt M12 x 30	
5	3290805	2	Nut, Lock M8	
7	4811900	8	Washer M8	
8	4812002	2	Washer M10	
9	4812102	6	Washer M12	
10	1001118274	4	Nut M8	
11	1001118972	2	Nut M10	
12	1001284957	1	Fuel Tank Assembly	
12	0100020	AR	Compound, Locking	
12	1001193336	1	Cap, Fuel	
13	1001169898	1	Support, Ground Control	
14	1001170480	1	Support, Tank	
15	1001179339	1	Hinge	
17	1001274525	1	Hydraulic Tank Assembly (See Separate Breakdown in this Section)	
18	0731005	5	Bolt #10 x 5/8	
19	4751000	5	Washer #10	
20	1001274217	1	Gauge, Fuel Level	
20	4460897	1	Connector	
20	1001116693	2	Pin	

SECTION 2 - TURNTABLE

FIGURE 2-18. TANKS INSTALLATION - DIESEL MACHINES (17 GAL HYDRAULIC TANK WITH 6 INCH BREATHER)



ART_1001207347_C

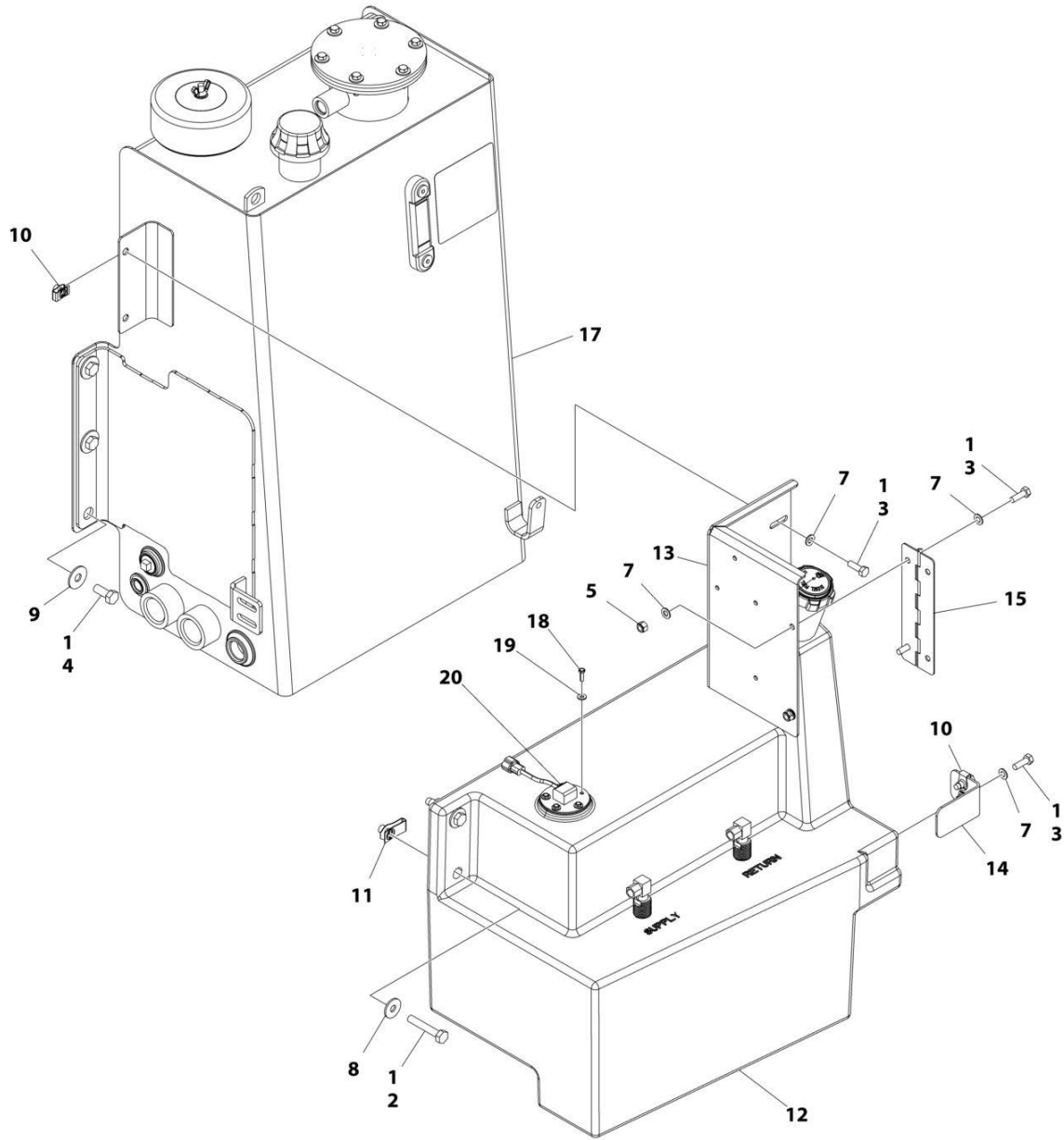
SECTION 2 - TURNTABLE

FIGURE 2-18. TANKS INSTALLATION - DIESEL MACHINES (17 GAL HYDRAULIC TANK WITH 6 INCH BREATHER)

ITEM	PART NUMBER	QTY	DESCRIPTION	REV
	1001207347	Ref	TANKS INSTALLATION - DIESEL MACHINES	C
1	0100011	AR	Compound, Locking	
2	0701020	2	Bolt M10 x 60	
3	0760812	6	Bolt M8 x 25	
4	0761214	6	Bolt M12 x 30	
5	3290805	2	Nut, Lock M8	
7	4811900	8	Washer M8	
8	4812002	2	Washer M10	
9	4812102	6	Washer M12	
10	1001118274	4	Nut M8	
11	1001118972	2	Nut M10	
12	1001284957	1	Fuel Tank Assembly	
12	0100020	AR	Compound, Locking	
12	1001193336	1	Cap, Fuel	
13	1001169898	1	Support, Ground Control	
14	1001170480	1	Support, Tank	
15	1001179339	1	Hinge	
16	1001182997	AR	Adhesive	
17	1001206916	1	Hydraulic Tank Assembly	
17	70003614	1	Filter Kit (Includes Hydraulic Element, Breather Element and Gasket)	
17	70002838	1	Fill Cap Assembly (Includes Cap, Chain and Fill Basket)	
17	7024441	1	Gauge, Sight	
17	70002112	1	Plug, Drain	
18	0731005	5	Bolt #10 x 5/8	
19	4751000	5	Washer #10	
20	1001274217	1	Gauge, Fuel Level	
20	4460897	1	Connector	
20	1001116693	2	Pin	

SECTION 2 - TURNTABLE

FIGURE 2-19. TANKS INSTALLATION - DIESEL MACHINES (36 GAL HYDRAULIC TANK)



ART_10012866501_B

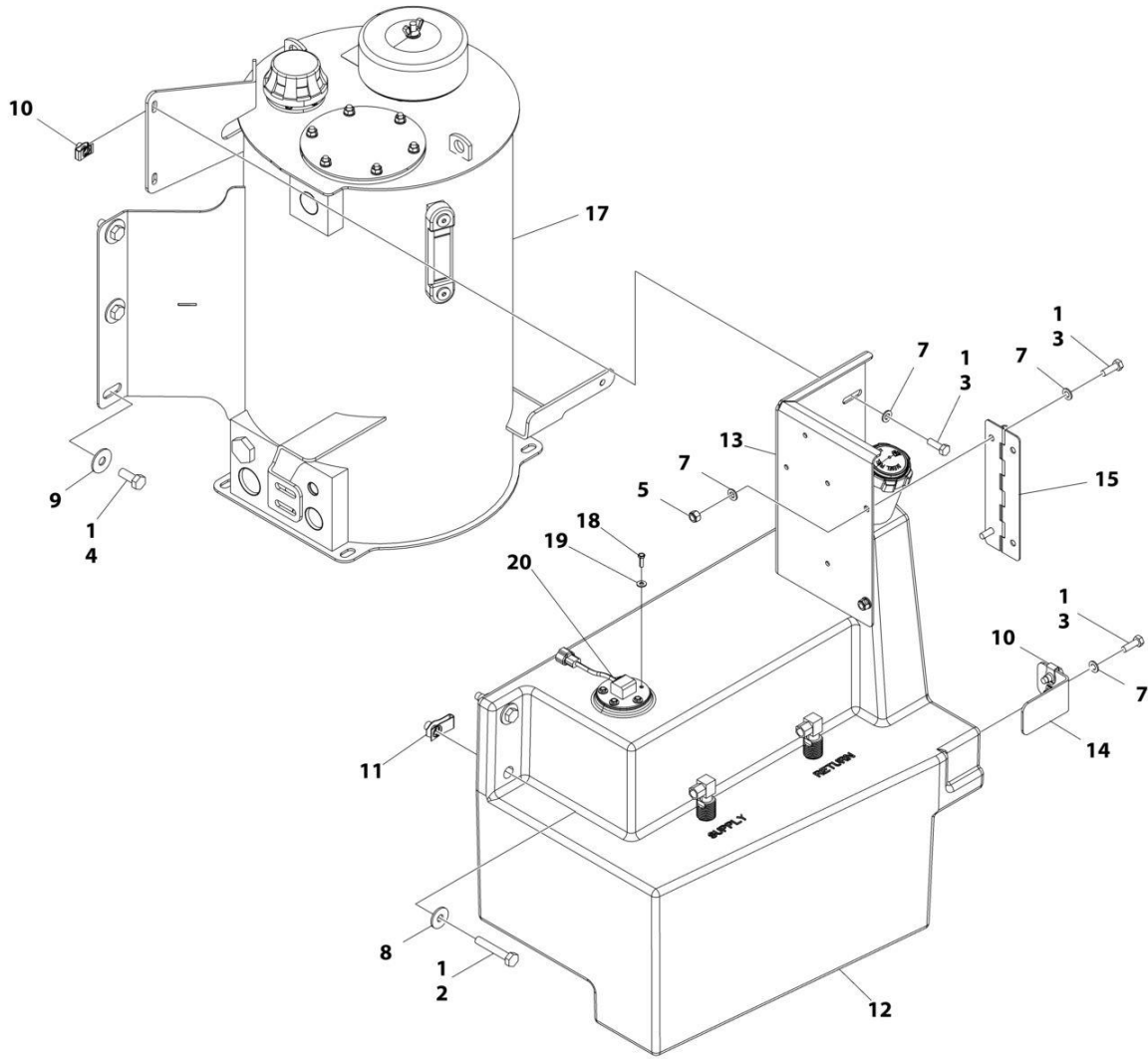
SECTION 2 - TURNTABLE

FIGURE 2-19. TANKS INSTALLATION - DIESEL MACHINES (36 GAL HYDRAULIC TANK)

ITEM	PART NUMBER	QTY	DESCRIPTION	REV
	1001286651	Ref	TANKS INSTALLATION - DIESEL MACHINES	B
1	0100011	AR	Compound, Locking	
2	0701020	2	Bolt M10 x 60	
3	0760812	6	Bolt M8 x 25	
4	0761214	6	Bolt M12 x 30	
5	3290805	2	Nut, Lock M8	
7	4811900	8	Washer M8	
8	4812002	2	Washer M10	
9	4812102	6	Washer M12	
10	1001118274	4	Nut M8	
11	1001118972	2	Nut M10	
12	1001284957	1	Fuel Tank Assembly	
12	0100020	AR	Compound, Locking	
12	1001193336	1	Cap, Fuel	
13	1001169898	1	Support, Ground Control	
14	1001170480	1	Support, Tank	
15	1001179339	1	Hinge	
17	1001286650	1	Hydraulic Tank Assembly	
17	70003614	1	Filter Kit (Includes Hydraulic Element, Breather Element and Gasket)	
18	0731005	5	Bolt #10 x 5/8	
19	4751000	5	Washer #10	
20	1001274217	1	Gauge, Fuel Level	
20	4460897	1	Connector	
20	1001116693	2	Pin	

SECTION 2 - TURNTABLE

FIGURE 2-20. TANKS INSTALLATION - GAS MACHINES



ART_1001207348_C

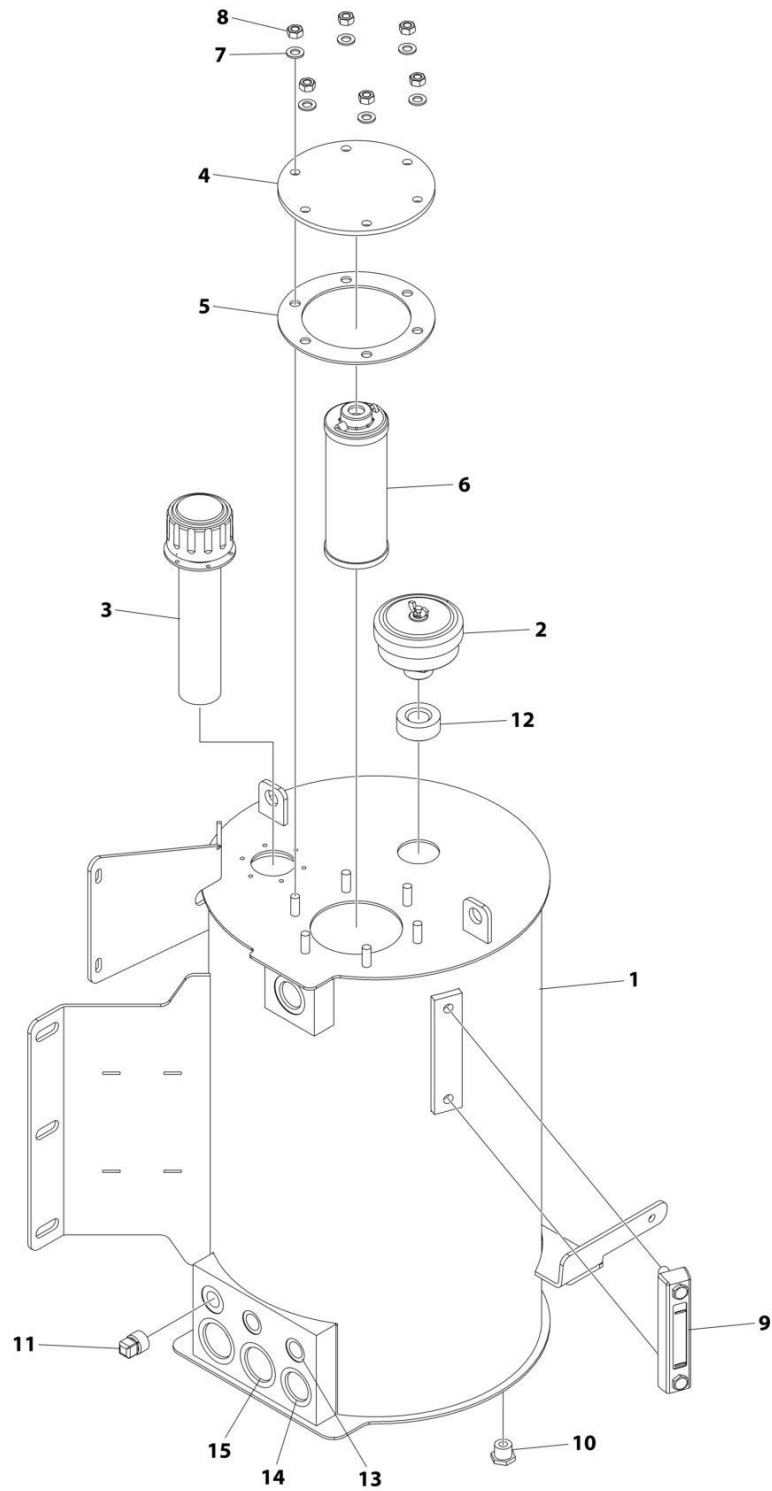
SECTION 2 - TURNTABLE

FIGURE 2-20. TANKS INSTALLATION - GAS MACHINES

ITEM	PART NUMBER	QTY	DESCRIPTION	REV
	1001207348	Ref	TANKS INSTALLATION - GAS MACHINES	C
1	0100011	AR	Compound, Locking	
2	0701020	2	Bolt M10 x 60	
3	0760812	6	Bolt M8 x 25	
4	0761214	6	Bolt M12 x 30	
5	3290805	2	Nut, Lock M8	
7	4811900	8	Washer M8	
8	4812002	2	Washer M10	
9	4812102	6	Washer M12	
10	1001118274	4	Nut M8	
11	1001118972	2	Nut M10	
12	1001284958	1	Fuel Tank Assembly	
12	0100020	AR	Compound, Locking	
12	1001211336	1	Cap, Fuel	
13	1001169898	1	Support, Ground Control	
14	1001170480	1	Support, Tank	
15	1001179339	1	Hinge	
16	1001182997	AR	Adhesive	
17	1001206916	1	Hydraulic Tank Assembly	
17	70003614	1	Filter Kit (Includes Hydraulic Element, Breather Element and Gasket)	
17	70002838	1	Fill Cap Assembly (Includes Cap, Chain and Fill Basket)	
17	7024441	1	Gauge, Sight	
17	70002112	1	Plug, Drain	
18	0731005	5	Bolt #10 x 5/8	
19	4751000	5	Washer #10	
20	1001274217	1	Gauge, Fuel Level	
20	4460897	1	Connector	
20	1001116693	2	Pin	

SECTION 2 - TURNTABLE

FIGURE 2-21. HYDRAULIC TANK ASSEMBLY - 17 GAL WITH 4 INCH BREATHER (DIESEL MACHINES)



ART_1001274525

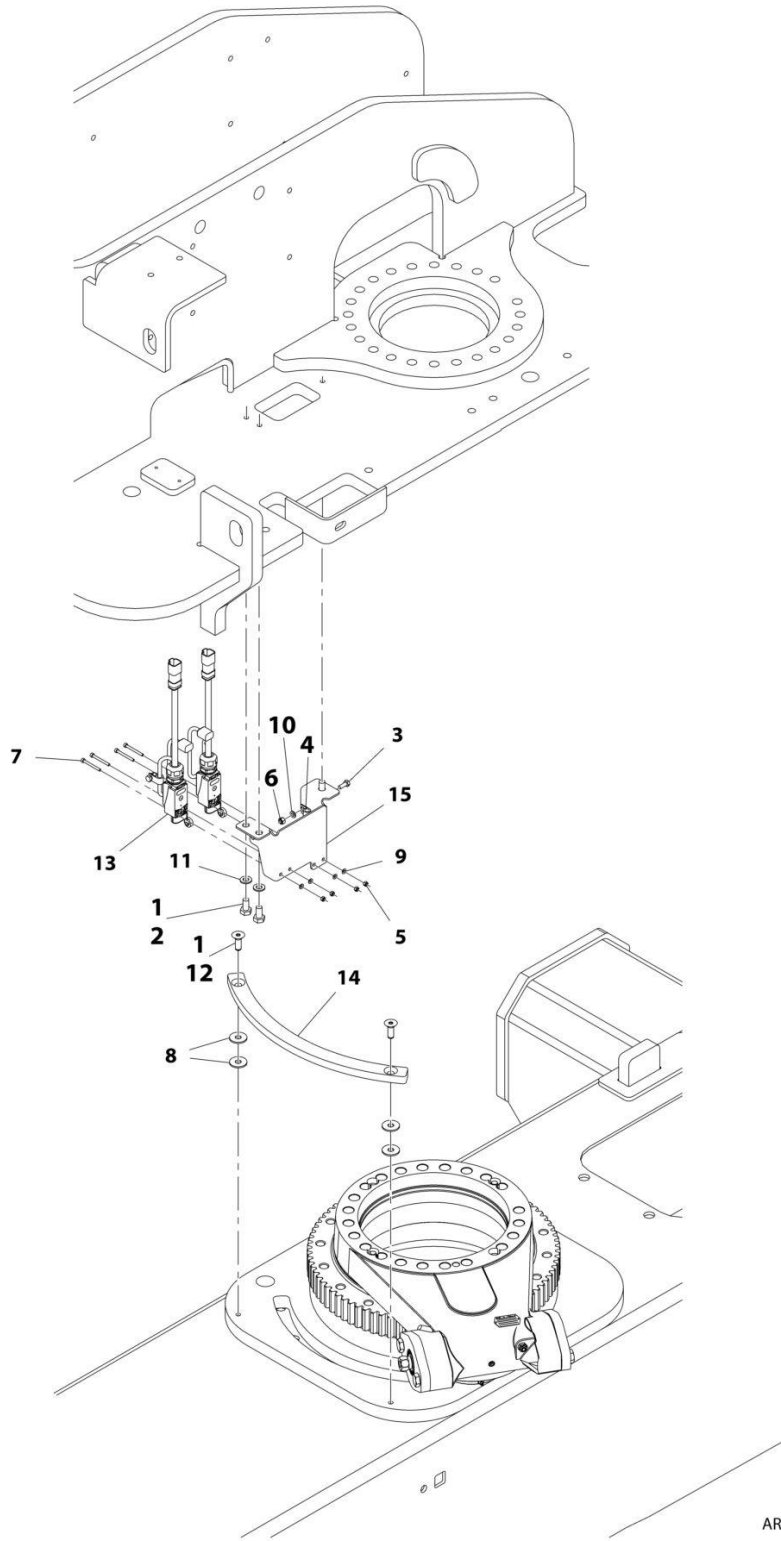
SECTION 2 - TURNTABLE

FIGURE 2-21. HYDRAULIC TANK ASSEMBLY - 17 GAL WITH 4 INCH BREATHER (DIESEL MACHINES)

ITEM	PART NUMBER	QTY	DESCRIPTION	REV
	1001274525	Ref	HYDRAULIC TANK ASSEMBLY	A
1	See Note	NSS	Tank (Note: Not Available for Purchase)	
2	70008258	1	Breather	
3	70008253	1	Cap, Fill	
4	70008259	1	Cover	
5	70008260	1	Gasket	
6	70008261	1	Filter	
7	70008262	6	Washer	
8	70008263	6	Nut M10	
9	70008264	1	Gauge, Level	
10	70008254	1	Plug 7/8	
11	70008265	1	Plug	
12	70008266	1	O-Ring	
13	70008256	2	Cover 3/4	
14	70008267	2	Cover 1-5/16	
15	70008268	2	Cover 1-5/8	

SECTION 2 - TURNTABLE

FIGURE 2-22. DRIVE ORIENTATION INSTALLATION



ART_1001166767

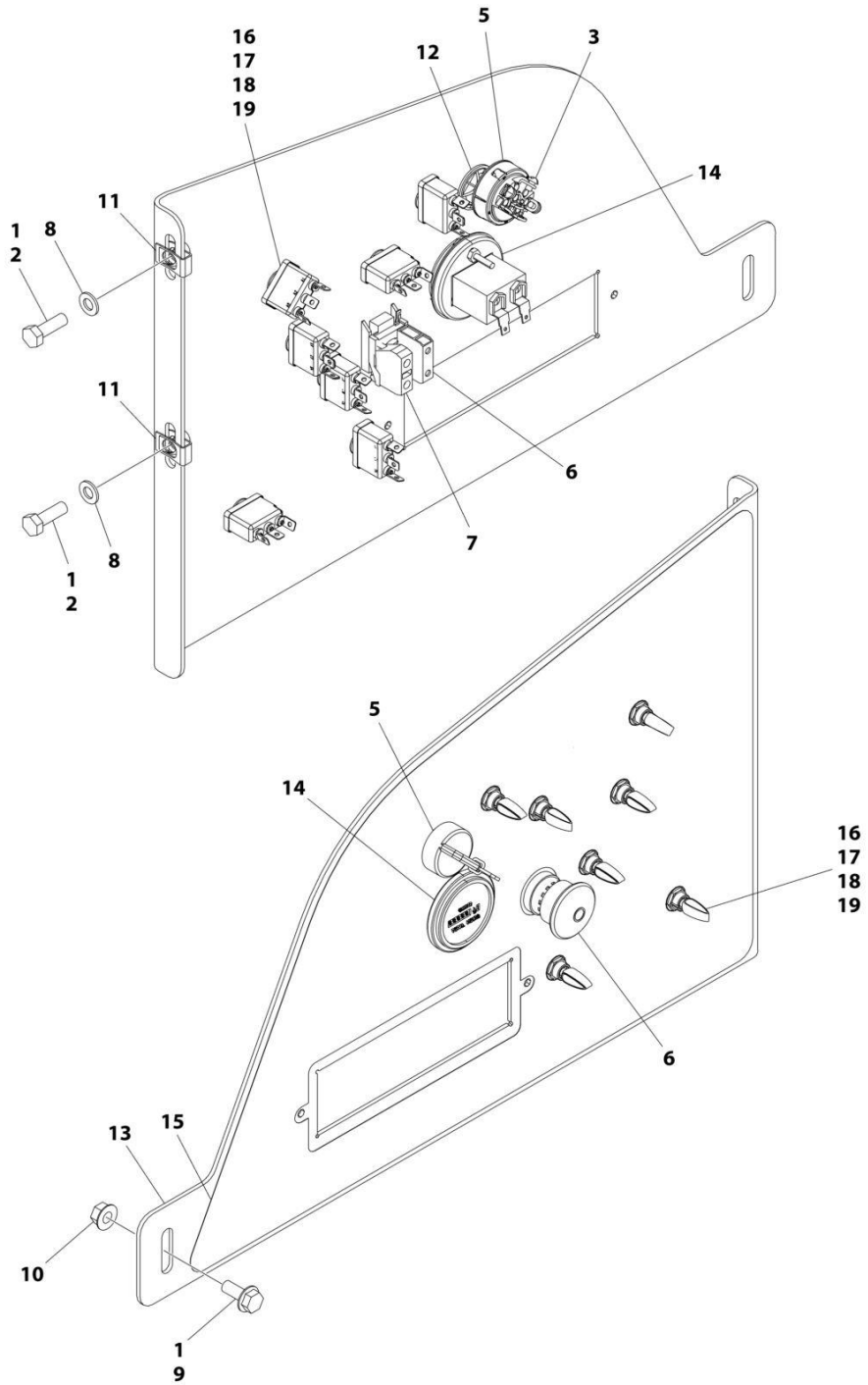
SECTION 2 - TURNTABLE

FIGURE 2-22. DRIVE ORIENTATION INSTALLATION

ITEM	PART NUMBER	QTY	DESCRIPTION	REV
	1001166767	Ref	DRIVE ORIENTATION INSTALLATION	F
1	0100011	AR	Compound, Locking	
2	0761010	3	Bolt M10 x 20	
3	0760608	2	Bolt M6 x 16	
4	1321293	2	Clamp, Cable	
5	3290405	4	Nut M4	
6	3290605	2	Nut M6	
7	4031512	4	Capscrew M4 x 40	
8	4812002	4	Washer M10	
9	4811400	4	Washer M4	
10	4811700	2	Washer M6	
11	4812000	3	Washer M10	
12	8310614	2	Screw M10 x 30	
13	1001119176	2	Switch, Limit	
13	1001129407	1	Receptacle, Female - 4 Position	
13	4460464	4	Pin, Male	
14	1001162106	1	Cam	
15	1001166768	1	Bracket	
16	8881800	AR	Tie-Strap (Not Shown)	

SECTION 2 - TURNTABLE

FIGURE 2-23. GROUND CONTROL ASSEMBLY - 450A (ANSI SPECS)



ART_1001246446_D

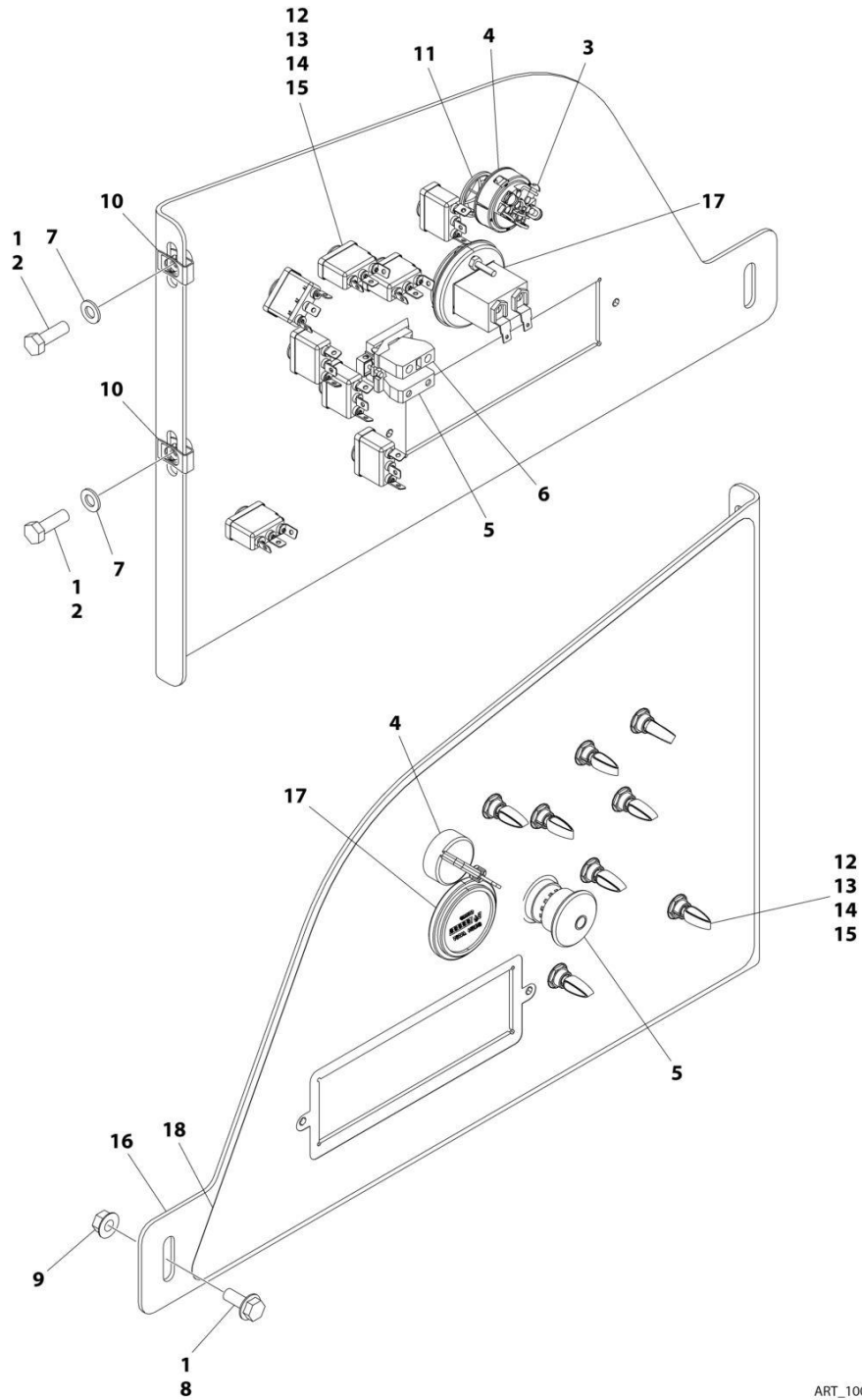
SECTION 2 - TURNTABLE

FIGURE 2-23. GROUND CONTROL ASSEMBLY - 450A (ANSI SPECS)

ITEM	PART NUMBER	QTY	DESCRIPTION	REV
	1001246446	Ref	GROUND CONTROL ASSEMBLY	D
1	0100011	AR	Compound, Locking	
2	0760812	2	Bolt M8 x 25	
3	3910804	3	Screw M8 x 1/4	
5	4360469	1	Switch, Key	
5	2860030	1	Key, Replacement	
6	1001274559	1	Switch, Emergency	
7	4360476	1	Block, Contact	
8	4811900	2	Washer M8	
9	5250810	1	Bolt M8 x 20	
10	5260800	1	Nut M8	
11	1001118274	2	Nut M8	
12	1001151393	1	Shim .063	
13	1001297389	1	Panel, Ground Control	
14	10836804	1	Gauge, Display	
15	1001264734	1	Decal - Ground Control	
16	1001155043	7	Washer	
17	1001155044	7	Spacer	
18	1001155045	7	Switch, Toggle	
19	1001162807	7	Washer	

SECTION 2 - TURNTABLE

FIGURE 2-24. GROUND CONTROL ASSEMBLY - 450AJ (ALL SPECS EXCEPT CE, RUSSIAN & UK CA SPECS)



ART_1001246450_D

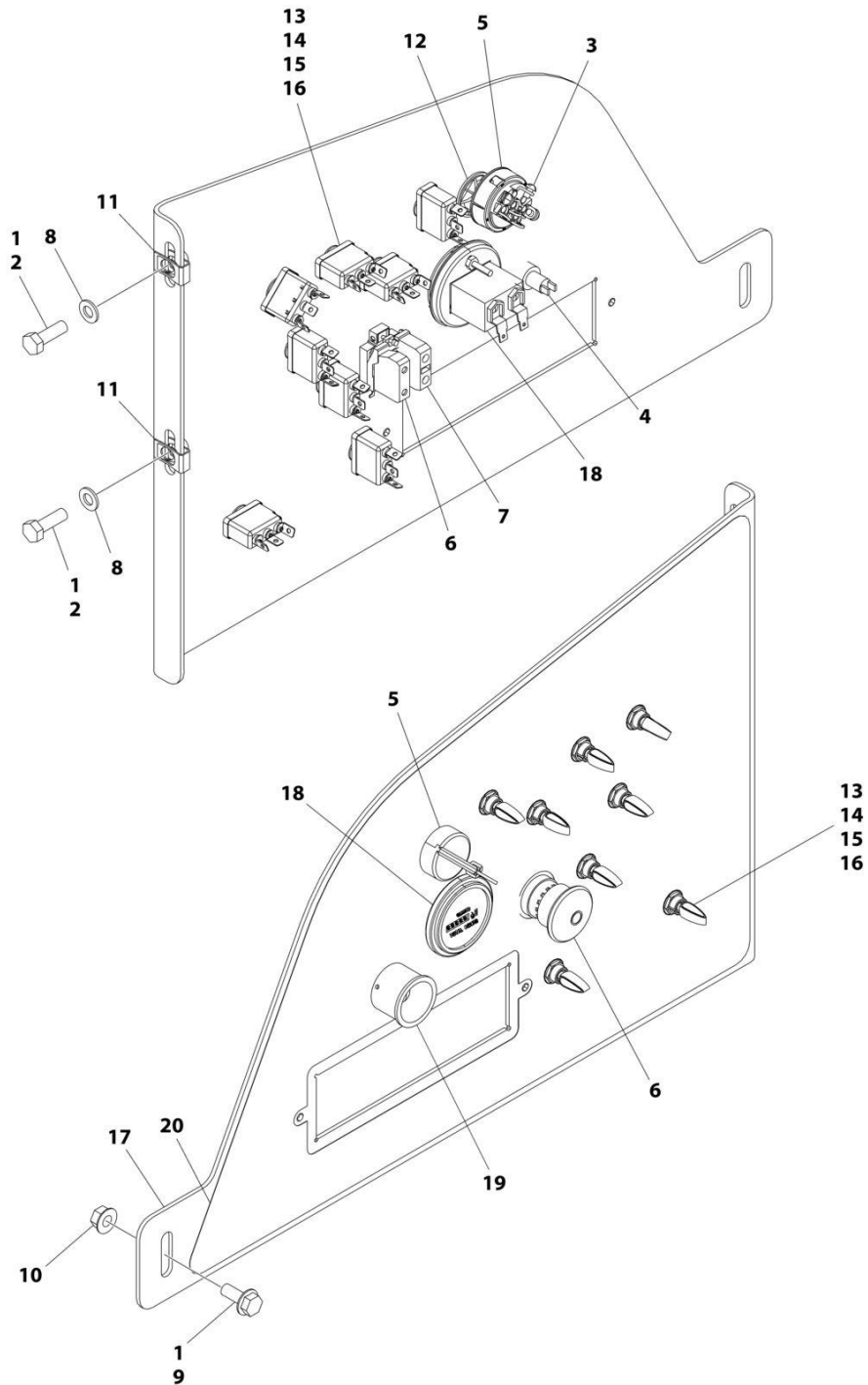
SECTION 2 - TURNTABLE

FIGURE 2-24. GROUND CONTROL ASSEMBLY - 450AJ (ALL SPECS EXCEPT CE, RUSSIAN & UK CA SPECS)

ITEM	PART NUMBER	QTY	DESCRIPTION	REV
	1001246450	Ref	GROUND CONTROL ASSEMBLY	D
1	0100011	AR	Compound, Locking	
2	0760812	2	Bolt M8 x 25	
3	3910804	3	Screw M8 x 1/4	
4	4360469	1	Switch, Key	
4	2860030	1	Key, Replacement	
5	1001274559	1	Switch, Emergency	
6	4360476	1	Block, Contact	
7	4811900	2	Washer M8	
8	5250810	1	Bolt M8 x 20	
9	5260800	1	Nut M8	
10	1001118274	2	Nut M8	
11	1001151393	1	Shim .063	
12	1001155043	8	Washer	
13	1001155044	8	Nut, Special 15/32-32	
14	1001155045	8	Switch, Toggle	
15	1001162807	8	Washer	
16	1001297389	1	Panel, Ground Control	
17	10836804	1	Gauge, Display	
18	1001264733	1	Decal - Ground Control	

SECTION 2 - TURNTABLE

FIGURE 2-25. GROUND CONTROL ASSEMBLY - 450AJ (CE, RUSSIA & UK CA SPECS)



ART_1001246451_D

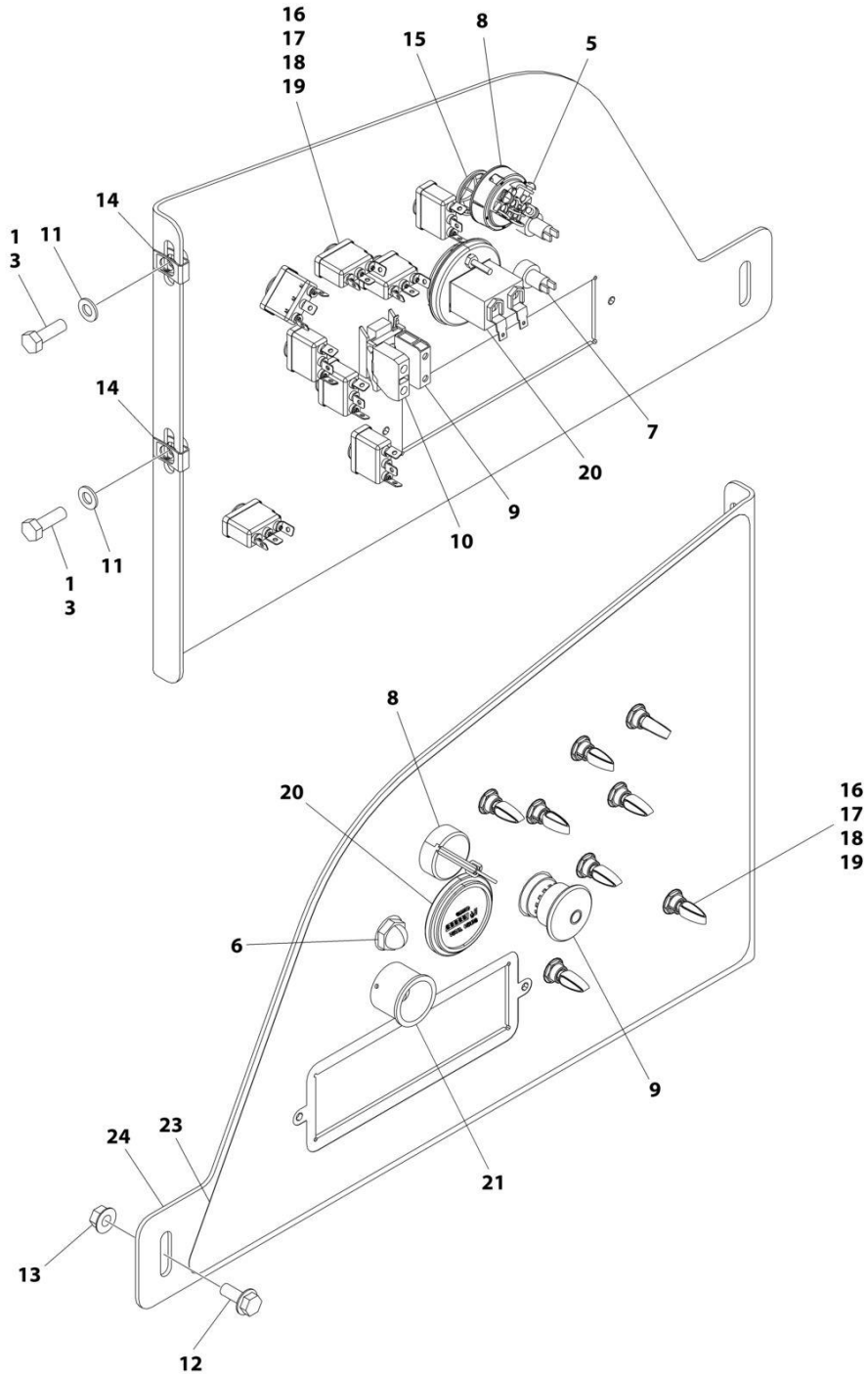
SECTION 2 - TURNTABLE

FIGURE 2-25. GROUND CONTROL ASSEMBLY - 450AJ (CE, RUSSIA & UK CA SPECS)

ITEM	PART NUMBER	QTY	DESCRIPTION	REV
	1001246451	Ref	GROUND CONTROL ASSEMBLY	D
1	0100011	AR	Compound, Locking	
2	0760812	2	Bolt M8 x 25	
3	3910804	3	Screw M8 x 1/4	
4	4360387	1	Switch, Push Button	
5	4360469	1	Switch, Key	
5	2860030	1	Key, Replacement	
6	1001274559	1	Switch, Emergency	
7	4360476	1	Block, Contact	
8	4811900	2	Washer M8	
9	5250810	1	Bolt M8 x 20	
10	5260800	1	Nut M8	
11	1001118274	2	Nut M8	
12	1001151393	1	Shim .063	
13	1001155043	8	Washer	
14	1001155044	8	Nut, Special 15/32-32	
15	1001155045	8	Switch, Toggle	
16	1001162807	8	Washer	
17	1001297389	1	Panel, Ground Control	
18	10836804	1	Gauge, Display	
19	1001176469	1	Shroud, Switch	
20	1001264732	1	Decal - Ground Control	

SECTION 2 - TURNTABLE

FIGURE 2-26. GROUND CONTROL ASSEMBLY - 450AJ (DEUTZ STAGE V) (CE & UK CA SPECS)



ART_1001245656_E

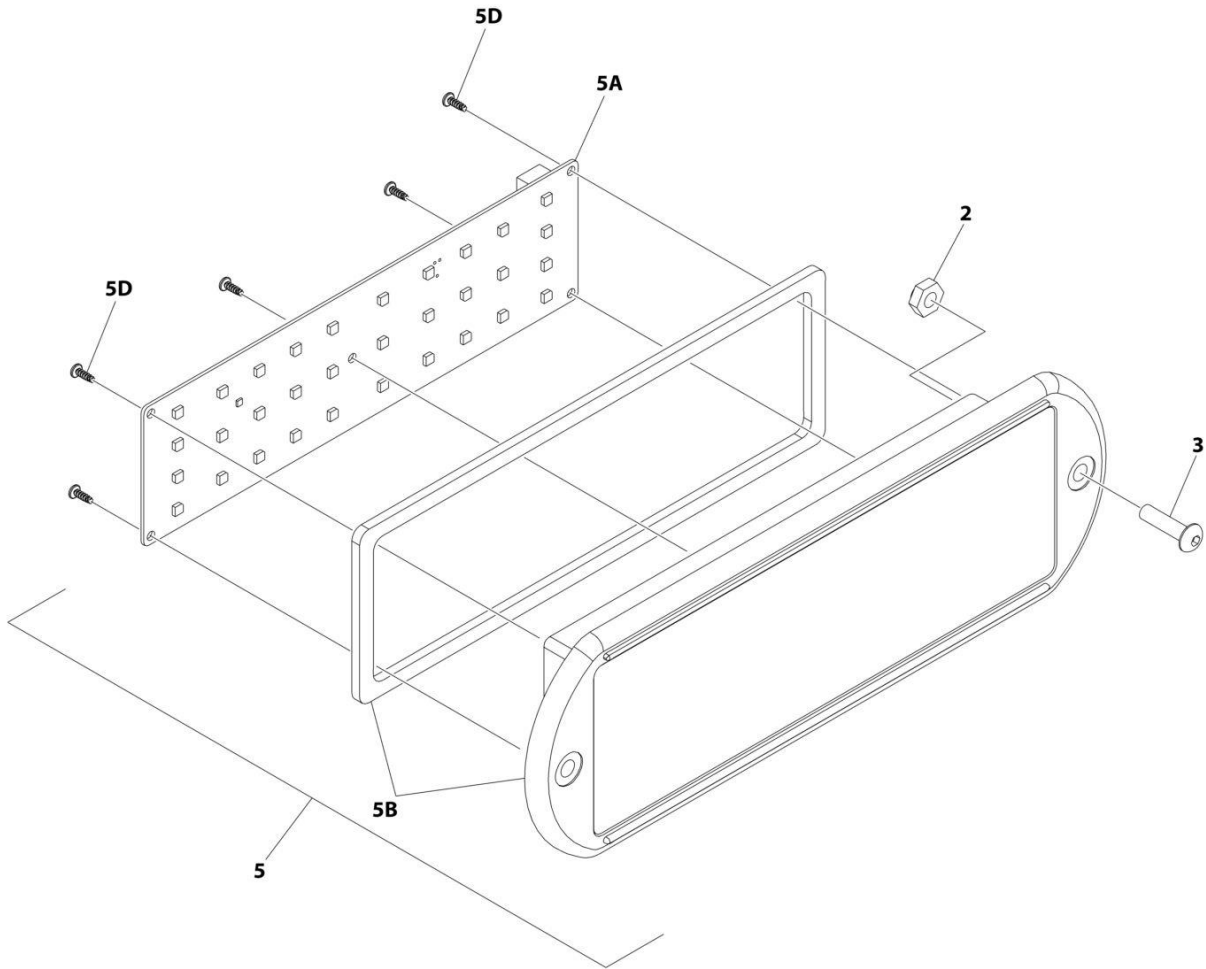
SECTION 2 - TURNTABLE

FIGURE 2-26. GROUND CONTROL ASSEMBLY - 450AJ (DEUTZ STAGE V) (CE & UK CA SPECS)

ITEM	PART NUMBER	QTY	DESCRIPTION	REV
	1001245656	Ref	GROUND CONTROL ASSEMBLY	E
1	0100011	AR	Compound, Locking	
3	0760812	2	Bolt M8 x 25	
5	3910804	3	Screw M8 x 1/4	
6	4360274	1	Switch, Push Button	
7	4360387	1	Switch, Push Button	
8	4360469	1	Switch, Key	
9	1001274559	1	Switch, Emergency	
10	4360476	1	Block, Contact	
11	4811900	2	Washer M8	
12	5250810	1	Bolt M8 x 20	
13	5260800	1	Nut M8	
14	1001118274	2	Nut M8	
15	1001151393	1	Shim .063	
16	1001155043	8	Washer	
17	1001155044	8	Nut, Special 15/32-32	
18	1001155045	8	Switch, Toggle	
19	1001162807	8	Washer	
20	10836804	1	Gauge, Display	
21	1001176469	1	Shroud, Switch	
23	1001264731	1	Decal - Ground Control	
24	1001297389	1	Panel, Ground Control	

SECTION 2 - TURNTABLE

FIGURE 2-27. LIGHT PANEL INSTALLATION – GROUND CONTROLS



ART_1001233959_D_10F2

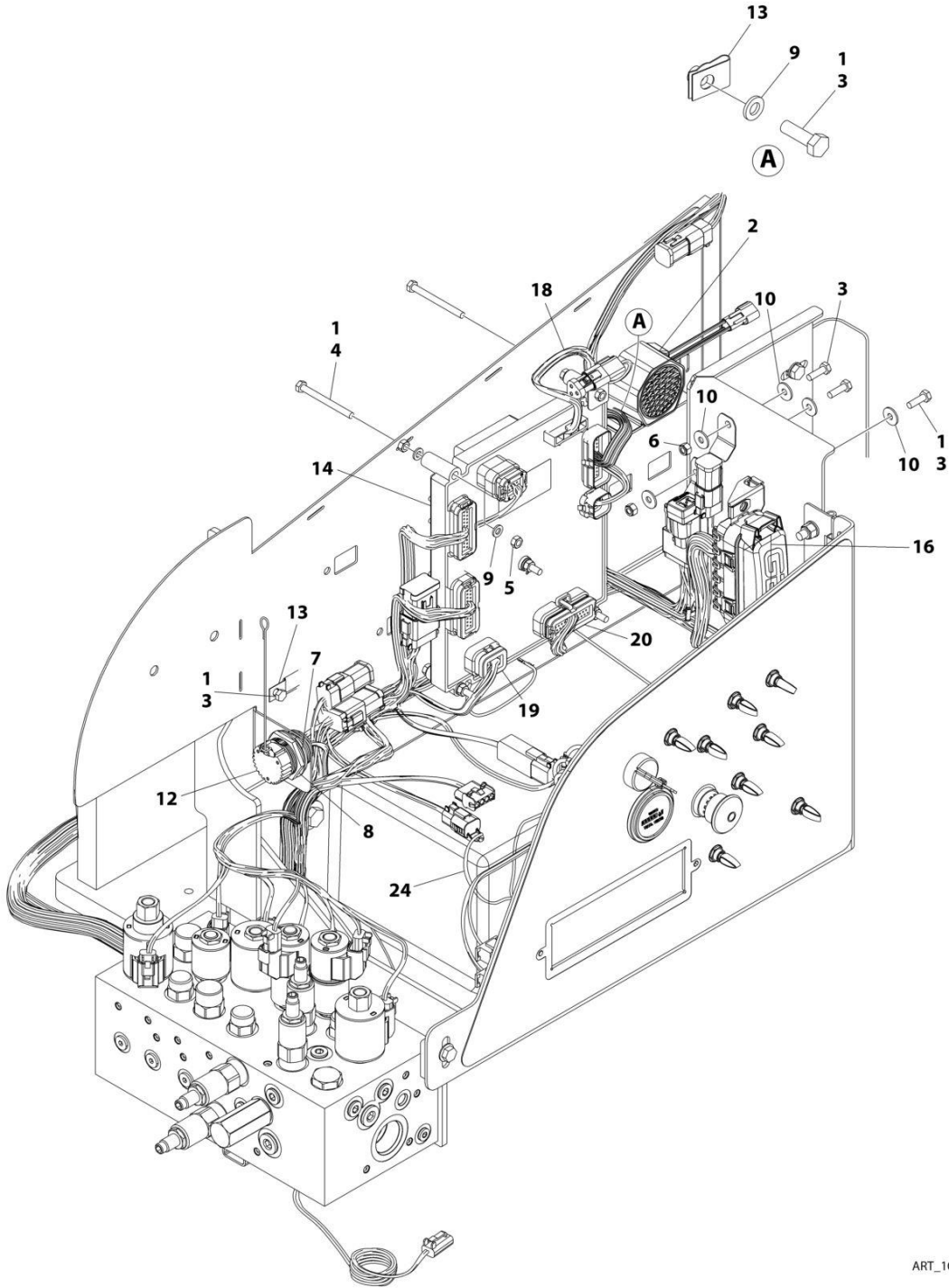
SECTION 2 - TURNTABLE

FIGURE 2-27. LIGHT PANEL INSTALLATION – GROUND CONTROLS

ITEM	PART NUMBER	QTY	DESCRIPTION	REV
	1001233959	Ref	LIGHT PANEL INSTALLATION	D
2	3300408	2	Nut, Nylon Insert	
3	0630518	2	Screw #10 x 3/4	
5	1001237546	1	Light Panel Assembly	J
5A	1001282106	1	Panel, LED Light	
5B	1001236091	1	Lens, Icon (Includes Gasket)	
5D		Ref	Screw	

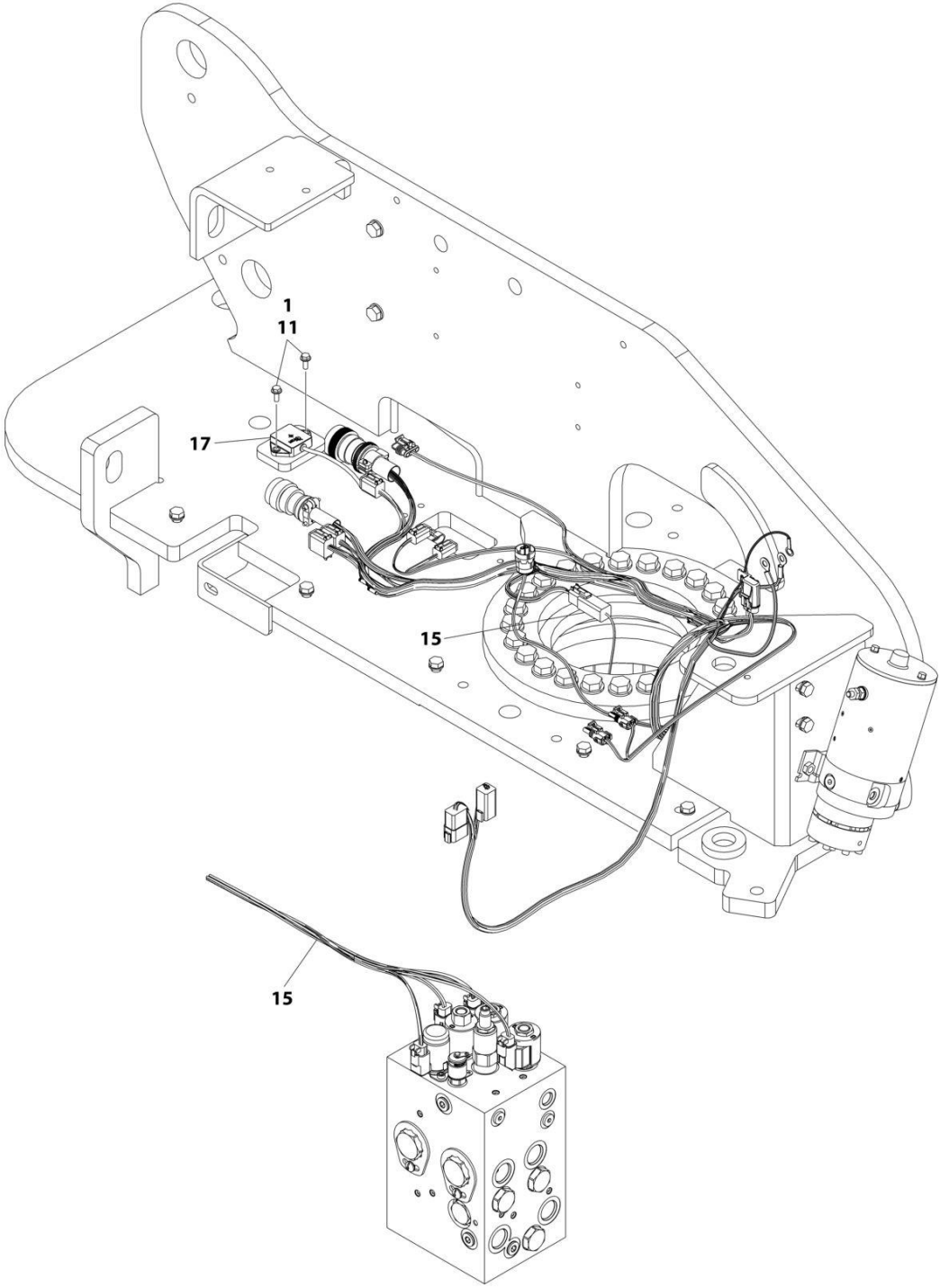
SECTION 2 - TURNTABLE

FIGURE 2-28. ELECTRICAL SYSTEM INSTALLATION



ART_1001246369_D_10F2

SECTION 2 - TURNTABLE



DETAIL OF TRACTION VALVE

ART_1001246369_D_20F2

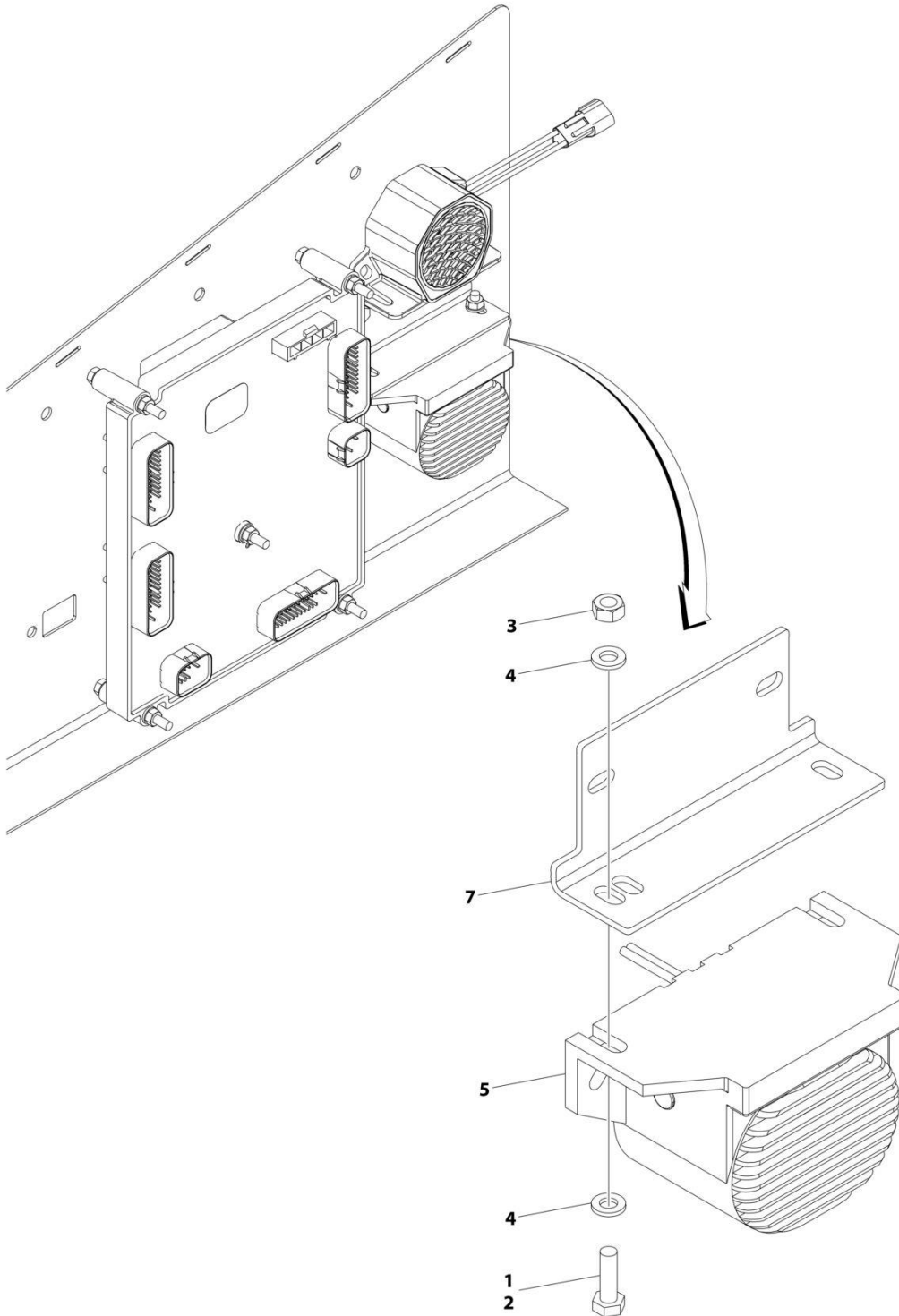
SECTION 2 - TURNTABLE

FIGURE 2-28. ELECTRICAL SYSTEM INSTALLATION

ITEM	PART NUMBER	QTY	DESCRIPTION	REV
	1001246369	Ref	ELECTRICAL SYSTEM INSTALLATION	D
1	0100011	AR	Compound, Locking	
2	0140043	1	Alarm	
3	0760610	7	Bolt M6 x 20	
4	0760621	5	Bolt M6 x 65	
5	3290601	10	Nut M6	
6	3290605	2	Nut, Lock M6	
7	4460496	1	Washer, Terminal	
8	4460497	1	Nut, Terminal	
9	4811700	12	Washer M6	
10	4811702	7	Washer M6	
11	5250608	2	Bolt M6 x 16	
12	1001106736	1	Cap, Dust	
13	1001130220	3	Nut, Tinnerman M6	
14	1001280340	1	Module, Ground Control (Note: Re-calibration Required when Replaced)	
15	1001179236	1	Chassis Solenoid Harness (See Separate Breakdown in ELECTRICAL Section)	
16	1001196637	1	Decal - Fuse Box	
17	1001219601	1	Sensor	
17	1001103013	1	Connector	
18	1001282492	1	Turntable Harness (See Separate Breakdown in ELECTRICAL Section)	
19	1001282533	1	Valve Harness - Main Valve (See Separate Breakdown in ELECTRICAL Section)	
20	1001244295	1	Ground Control Panel Harness (See Separate Breakdown in ELECTRICAL Section)	
22	4240032	AR	Tie-Strap (Not Shown)	
23	4460234	AR	Mount, Tie-Strap (Not Shown)	
24	1001296426	1	Hour Meter Jumper Harness (See Separate Breakdown in ELECTRICAL Section)	

SECTION 2 - TURNTABLE

FIGURE 2-29. WHITE NOISE ALARM AMBIENT INSTALLATION



ART_1001209617

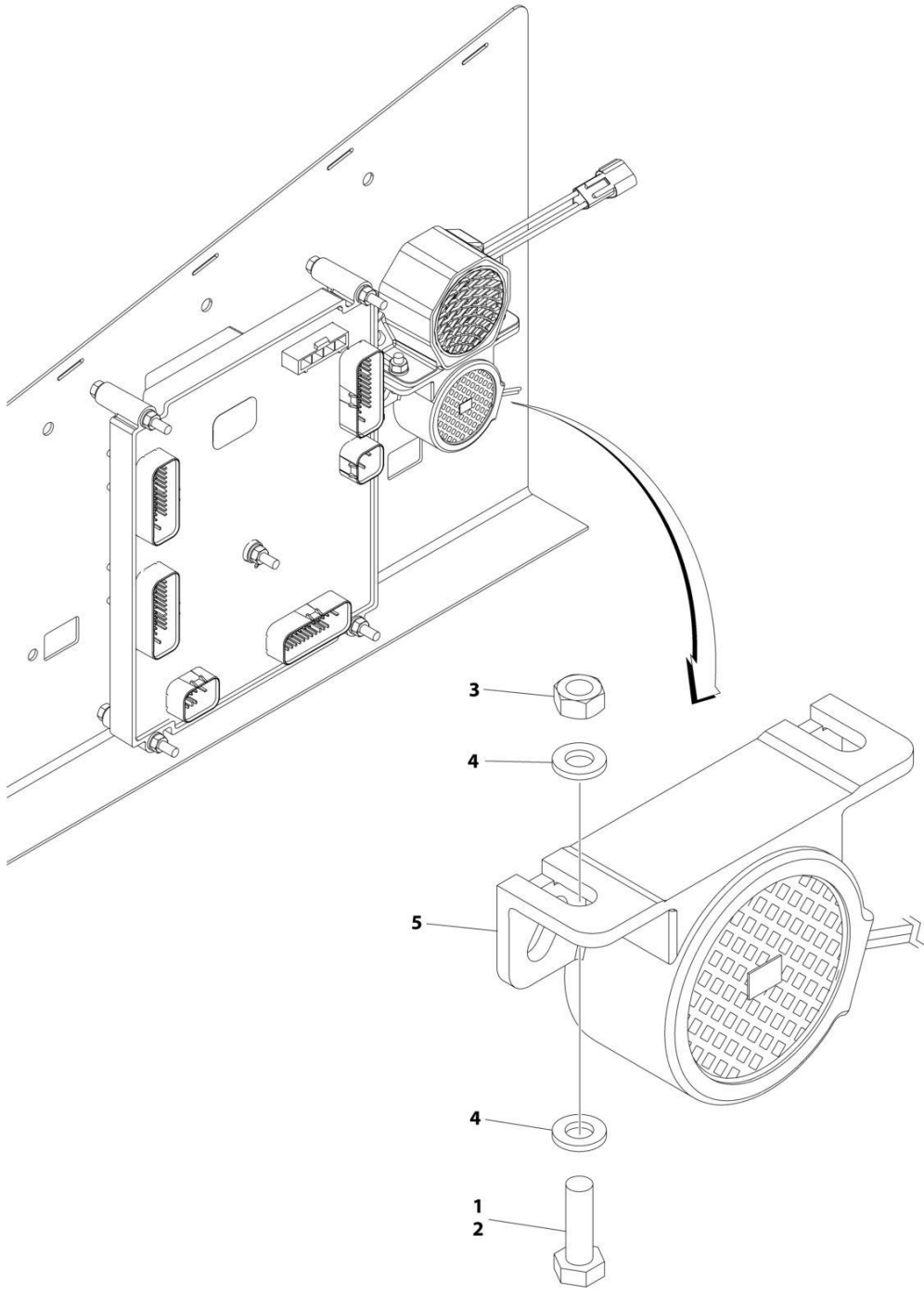
SECTION 2 - TURNTABLE

FIGURE 2-29. WHITE NOISE ALARM AMBIENT INSTALLATION

ITEM	PART NUMBER	QTY	DESCRIPTION	REV
	1001209617	Ref	WHITE NOISE AMBIENT ALARM INSTALLATION	C
1	0100011	AR	Compound, Locking	
2	0760610	2	Bolt M6 x 20	
3	3290601	2	Nut M6	
4	4811700	4	Washer M6	
5	1001182806	1	Alarm	
6	1001190663	1	Harness, Jumper (Not Shown)	
6	4460891	1	Connector – 2 Position	
6	4460465	2	Socket, Female	
6	4460871	2	Socket, Female	
7	1001231886	1	Plate	

SECTION 2 - TURNTABLE

FIGURE 2-30. WHITE NOISE ALARM INSTALLATION



ART_1001263174

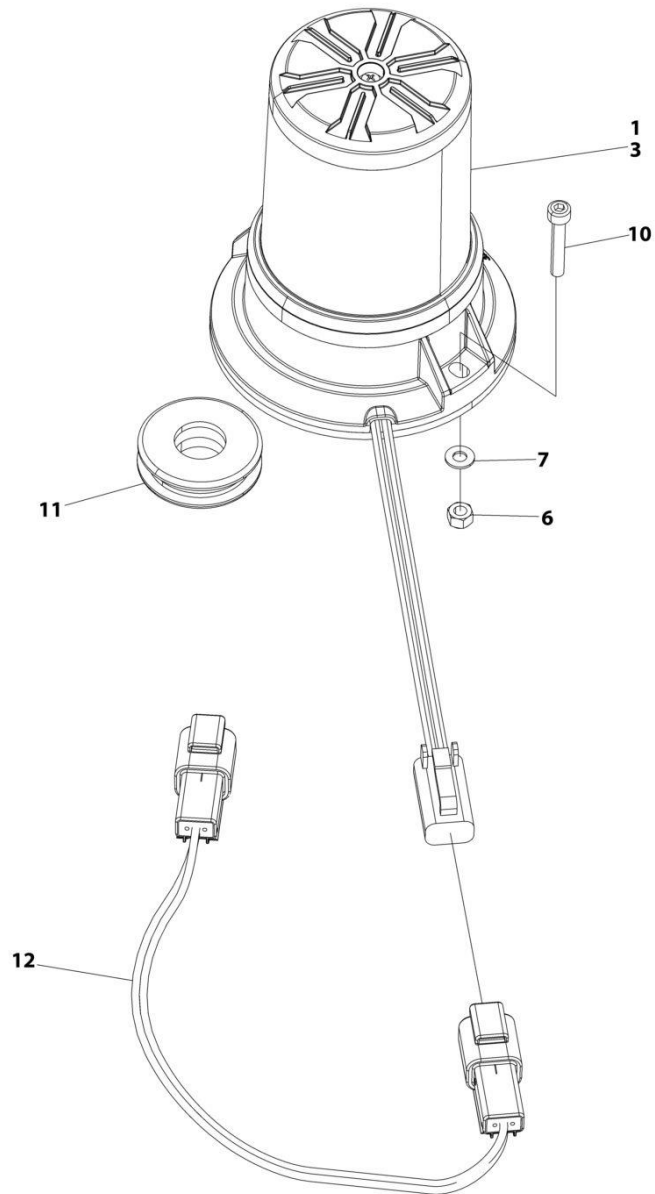
SECTION 2 - TURNTABLE

FIGURE 2-30. WHITE NOISE ALARM INSTALLATION

ITEM	PART NUMBER	QTY	DESCRIPTION	REV
	1001263174	Ref	WHITE NOISE ALARM INSTALLATION	A
1	0100011	AR	Compound, Locking	
2	0760610	2	Bolt M6 x 20	
3	3290601	2	Nut M6	
4	4811700	4	Washer M6	
5	1001184682	1	Alarm	
6	1001190663	1	Harness, Jumper (Not Shown)	
6	4460891	1	Connector – 2 Position	
6	4460465	2	Socket, Female	
6	4460871	2	Socket, Female	

SECTION 2 - TURNTABLE

FIGURE 2-31. BEACON LIGHT INSTALLATION - AMBER



ART_1001174976_F

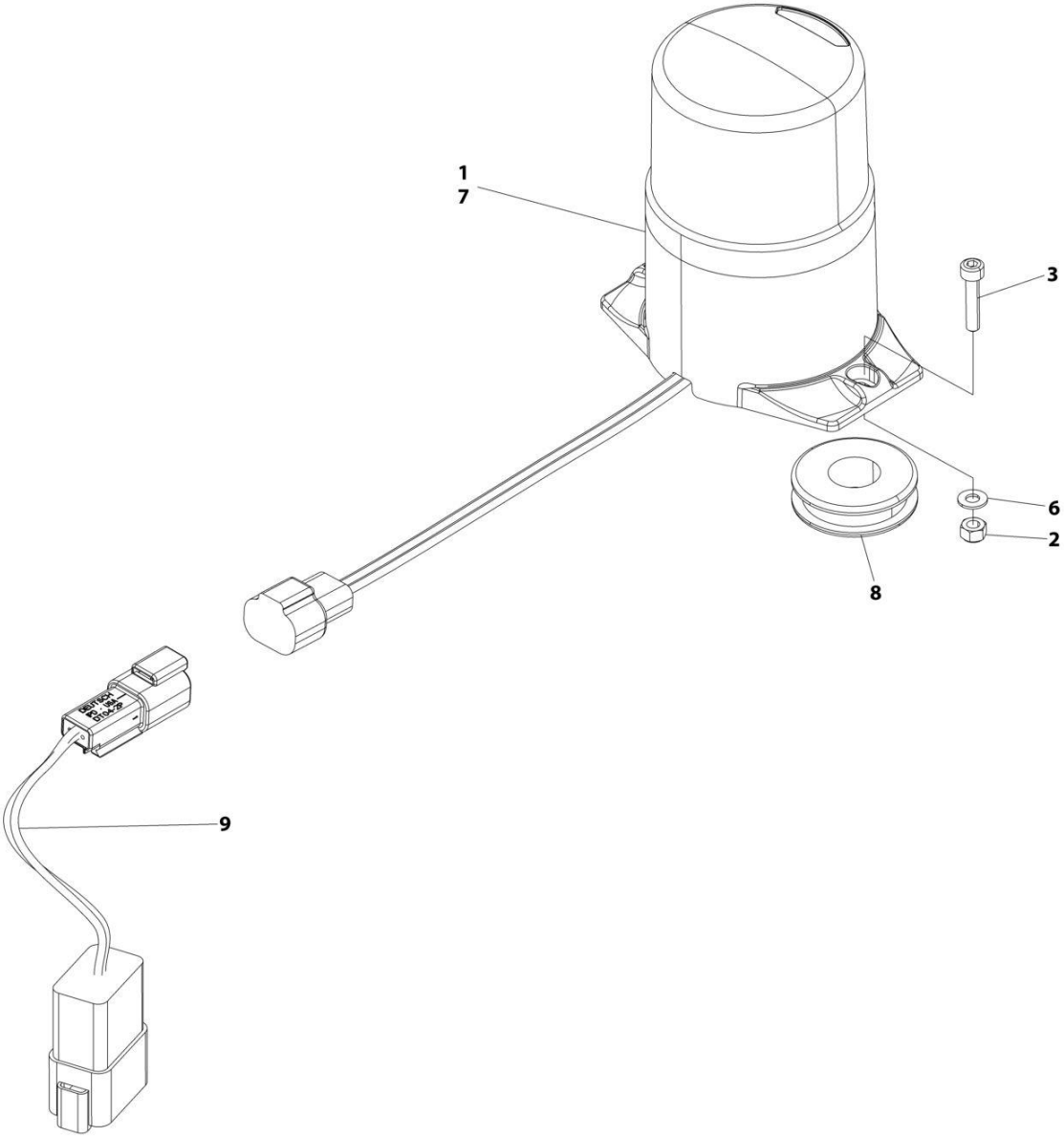
SECTION 2 - TURNTABLE

FIGURE 2-31. BEACON LIGHT INSTALLATION - AMBER

ITEM	PART NUMBER	QTY	DESCRIPTION	REV
	1001174976	Ref	BEACON LIGHT INSTALLATION - AMBER	F
1	0100048	AR	Compound, Silicone	
3	1001270594	1	Lamp, Strobe	
3	4460891	1	Connector	
3	4460465	2	Socket	
6	3290405	2	Nut, Lock M4	
7	4811400	2	Washer M4	
8	4240032	AR	Tie-Strap (Not Shown)	
9	4460234	AR	Mount, Tie-Strap (Noth Shown)	
10	4031509	1	Capscrew M4 x25	
11	2540020	1	Grommet	
12	1001283776	1	Harness, Beacon Jumper (See Separate Breakdown in ELECTRICAL Section)	

SECTION 2 - TURNTABLE

FIGURE 2-32. BEACON LIGHT INSTALLATION - ORANGE



ART_1001266664

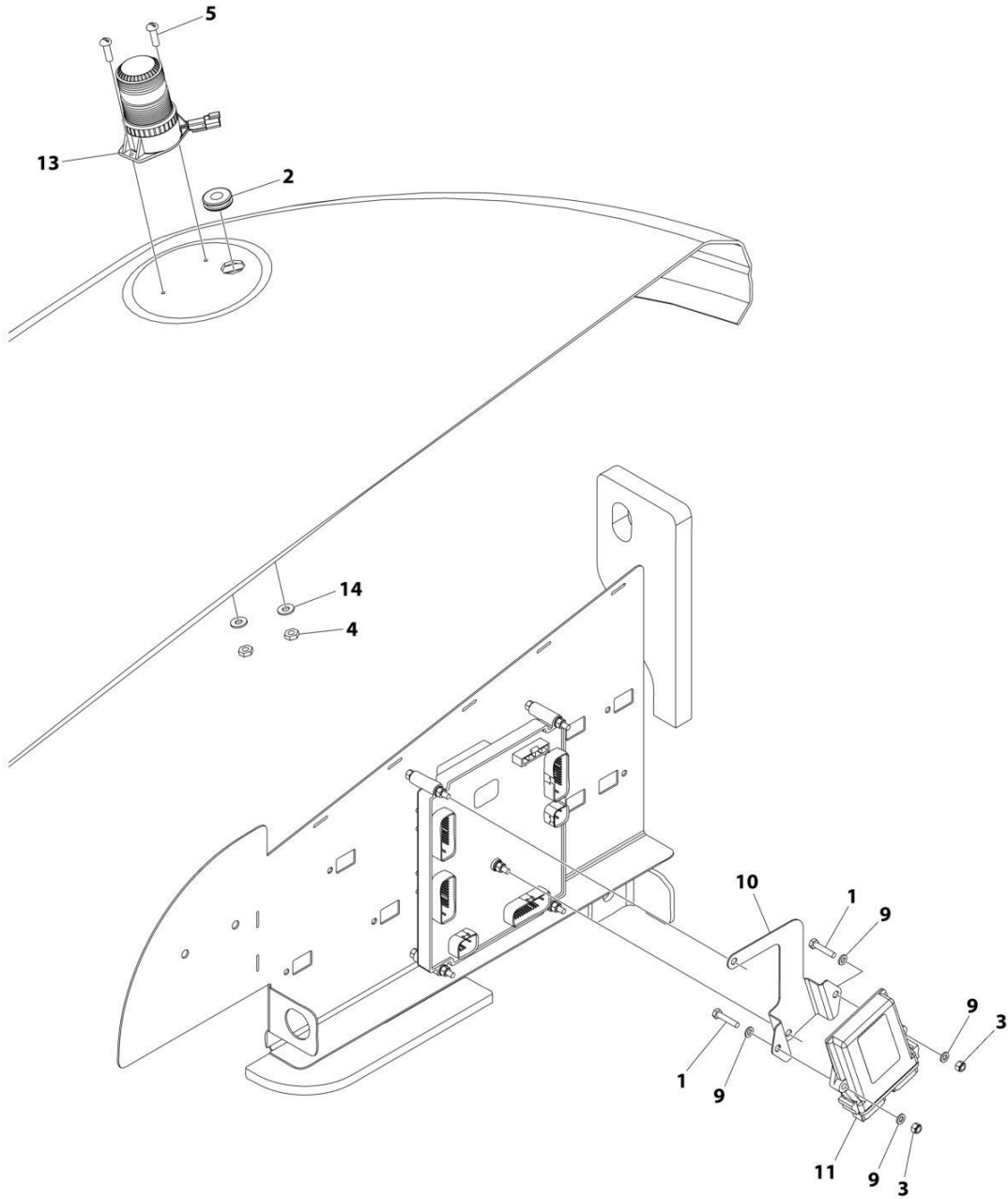
SECTION 2 - TURNTABLE

FIGURE 2-32. BEACON LIGHT INSTALLATION - ORANGE

ITEM	PART NUMBER	QTY	DESCRIPTION	REV
	1001266664	Ref	BEACON LIGHT INSTALLATION - AMBER	B
1	0100048	AR	Compound, Silicone	
2	3290405	2	Nut, Lock M4	
3	4031508	2	Capscrew M4 x 20	
4	4240032	AR	Tie-Strap (Not Shown)	
5	4460234	AR	Mount, Tie-Strap (Not Shown)	
6	4811400	2	Washer M4	
7	1001233479	1	Lamp, Strobe	
7	4460891	1	Connector	
7	4460465	2	Socket	
8	2540020	1	Grommet	
9	1001283776	1	Harness, Beacon Jumper (See Separate Breakdown in ELECTRICAL Section)	

SECTION 2 - TURNTABLE

FIGURE 2-33. BEACON LIGHT INSTALLATION - BLUE



ART_1001242855_C

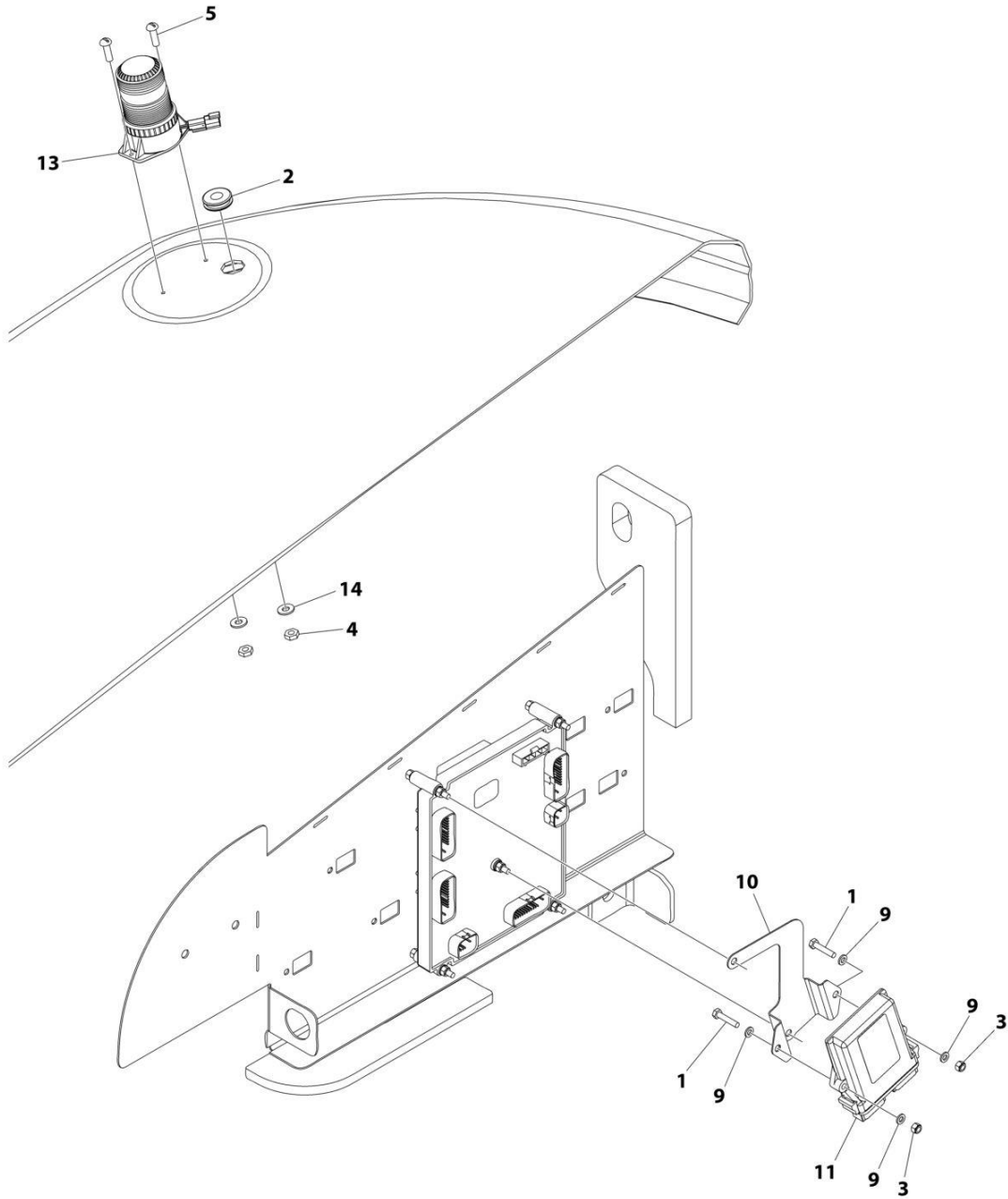
SECTION 2 - TURNTABLE

FIGURE 2-33. BEACON LIGHT INSTALLATION - BLUE

ITEM	PART NUMBER	QTY	DESCRIPTION	REV
	1001242855	Ref	BEACON LIGHT INSTALLATION - BLUE	C
1	0760614	2	Bolt M6 x 30	
2	2540020	1	Grommet	
3	3290605	2	Nut, Lock M6	
4	3290405	2	Nut, Lock M4	
5	4031509	2	Capscrew M4 x 25	
6	4240032	AR	Tie-Strap (Not Shown)	
7	4460488	AR	Mount, Tie-Strap (Not Shown)	
9	4811700	4	Washer M6	
10	1001276626	1	Mount, Module	
11	1001142683	1	Module, Control	
12	1001142736	1	Harness, Beacon (Not Shown - See Separate Breakdown in ELECTRICAL Section)	
13	1001272681	1	Lamp, Strobe	
13	4460897	1	Connector	
13	4460464	2	Pin	
14	4811400	2	Washer M4	

SECTION 2 - TURNTABLE

FIGURE 2-34. BEACON LIGHT INSTALLATION - RED



ART_1001242856_C

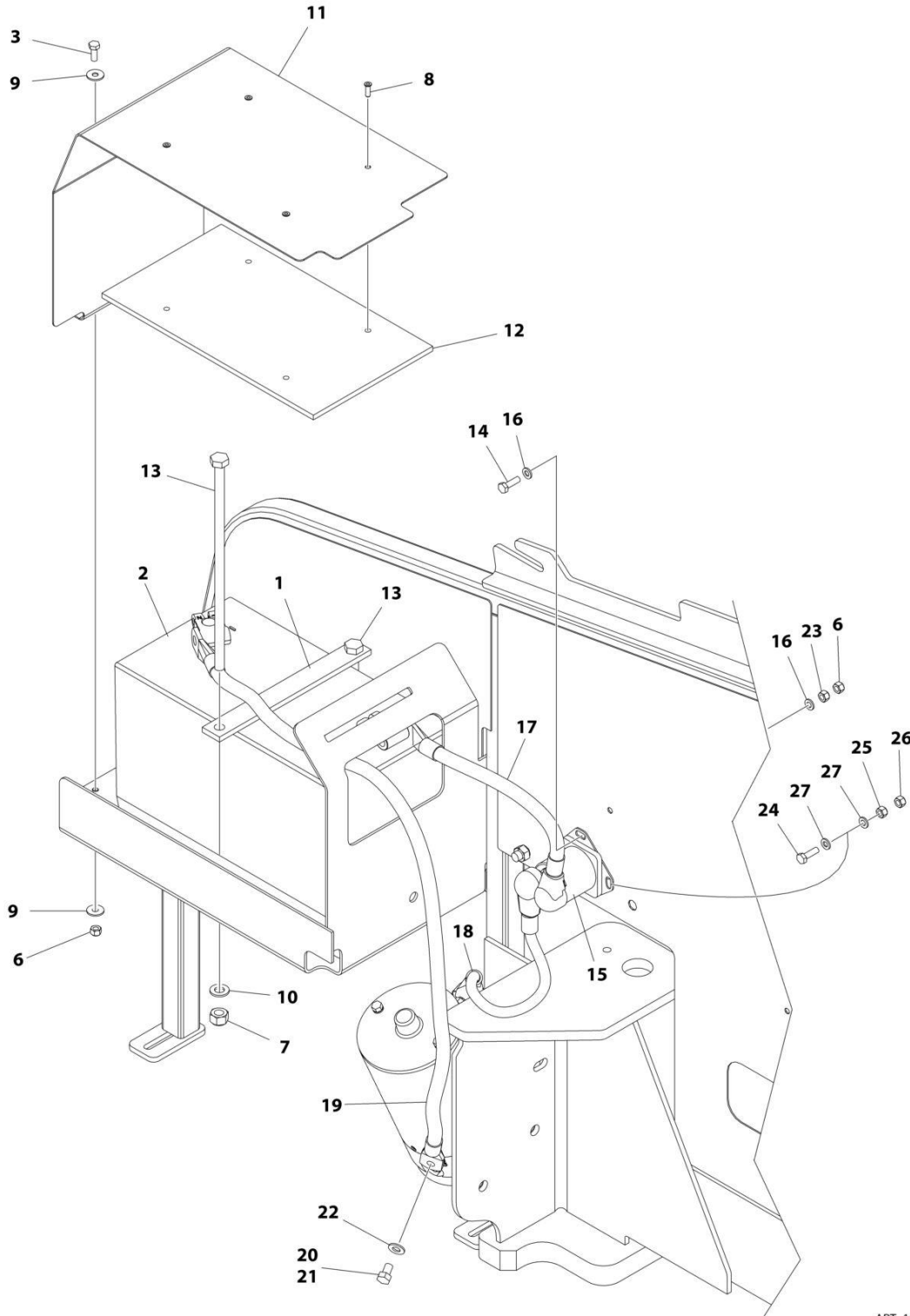
SECTION 2 - TURNTABLE

FIGURE 2-34. BEACON LIGHT INSTALLATION - RED

ITEM	PART NUMBER	QTY	DESCRIPTION	REV
	1001242856	Ref	BEACON LIGHT INSTALLATION - RED	C
1	0760614	2	Bolt M6 x 30	
2	2540020	1	Grommet	
3	3290605	2	Nut, Lock M6	
4	3290405	2	Nut, Lock M4	
5	4031509	2	Capscrew M4 x 25	
6	4240032	AR	Tie-Strap (Not Shown)	
7	4460488	AR	Mount, Tie-Strap (Not Shown)	
9	4811700	4	Washer M6	
10	1001276626	1	Mount, Module	
11	1001142683	1	Module, Control	
12	1001142736	1	Harness, Beacon (Not Shown - See Separate Breakdown in ELECTRICAL Section)	
13	1001272682	1	Lamp, Strobe	
13	4460897	1	Connector	
13	4460464	2	Pin	
14	4811400	2	Washer M4	

SECTION 2 - TURNTABLE

FIGURE 2-35. BATTERY AND CABLE INSTALLATION



ART_1001166316_H

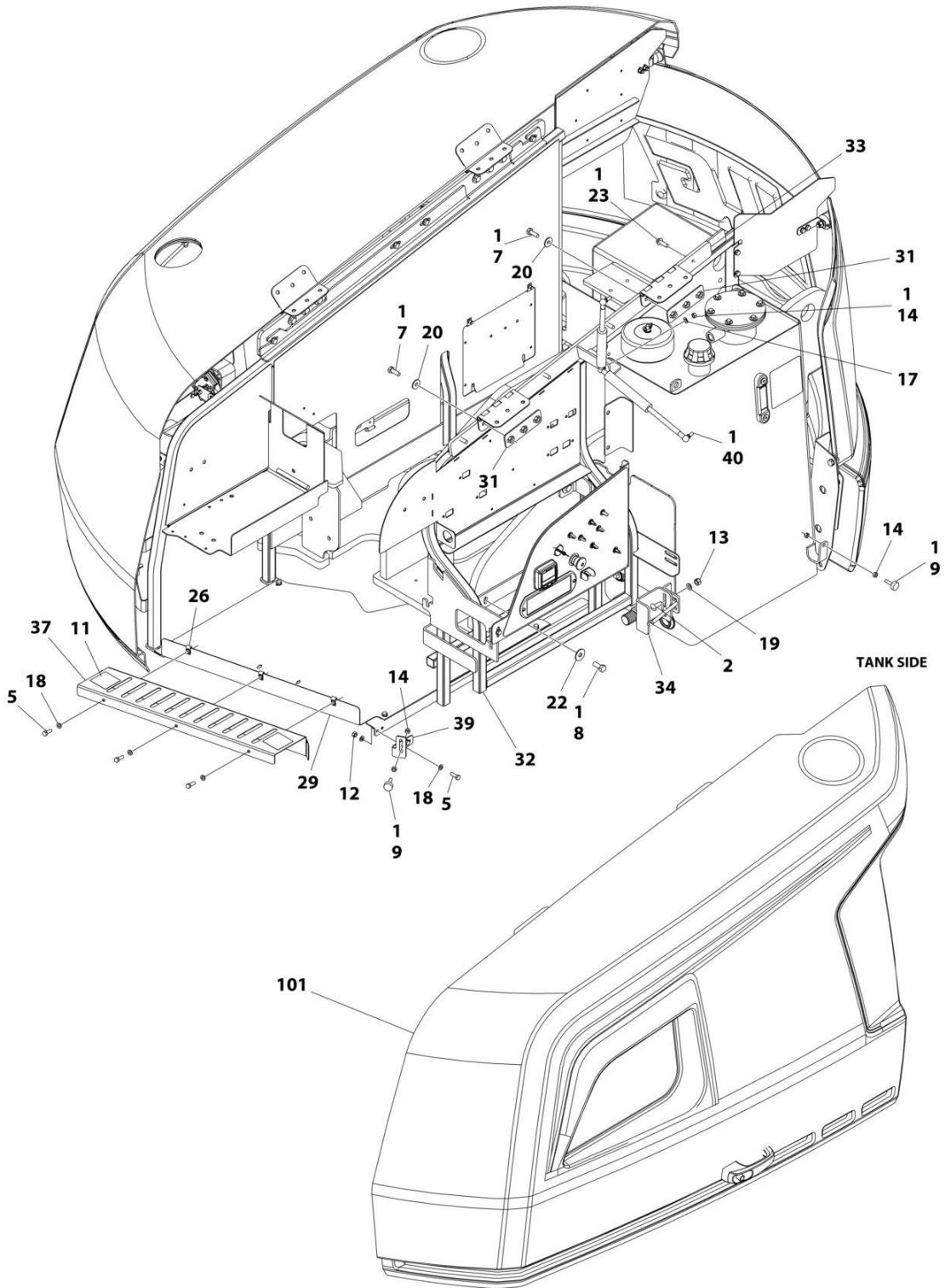
SECTION 2 - TURNTABLE

FIGURE 2-35. BATTERY AND CABLE INSTALLATION

ITEM	PART NUMBER	QTY	DESCRIPTION	REV
	1001166316	Ref	BATTERY AND CABLE INSTALLATION	H
1	0361810	1	Bar, Hold-down	
2	0400075	1	Battery	
3	0760610	2	Bolt M6 x 20	
6	3290605	3	Nut M6	
7	3291005	2	Nut M10	
8	3820032	4	Rivet	
9	4811702	4	Washer M6	
10	4812000	2	Washer M10	
11	1001117240	1	Cover	
12	1001119278	1	Insulation	
13	1001119280	2	Bolt M16 x 260	
14	0760612	1	Bolt M6 x 25	
15	3740067	1	Relay	
15	3300220	2	Nut 3/8	
15	1001111424	2	Washer 3/8	
15	3321001	1	Nut #10	
15	4761000	1	Washer #10	
16	4811700	2	Washer M6	
17	1001171678	1	Cable, Battery (Positive + to Aux Relay)	
18	1001171679	1	Cable, Battery (Aux Relay to Aux Pump)	
19	1001171680	1	Cable, Battery (Negative – to Aux Pump)	
20	0100011	AR	Compound, Locking	
21	0641504	1	Bolt 5/16 x 1/2	
22	4711500	1	Washer 5/16	
23	3290601	2	Nut M6	
24	0760512	1	Bolt M5 x 25	
25	3290501	1	Nut M5	
26	3290505	1	Nut M5	
27	4811600	2	Washer M5	

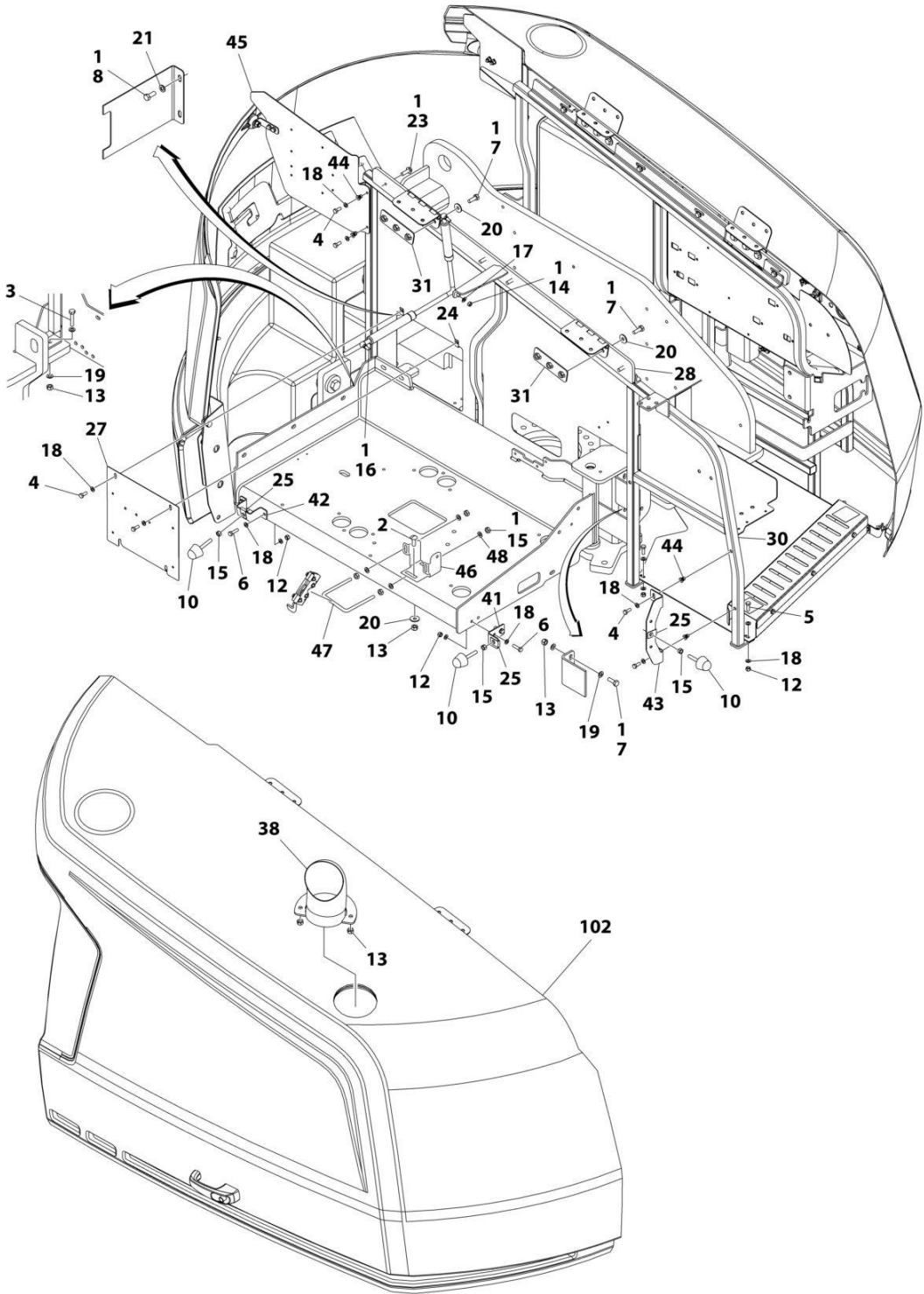
SECTION 2 - TURNTABLE

FIGURE 2-36. HOODS INSTALLATION (ABS) - 450A WITH DEUTZ ENGINES



ART_1001219201_F_10F2

SECTION 2 - TURNTABLE



ART_1001219201_F_20F2

SECTION 2 - TURNTABLE

FIGURE 2-36. HOODS INSTALLATION (ABS) - 450A WITH DEUTZ ENGINES

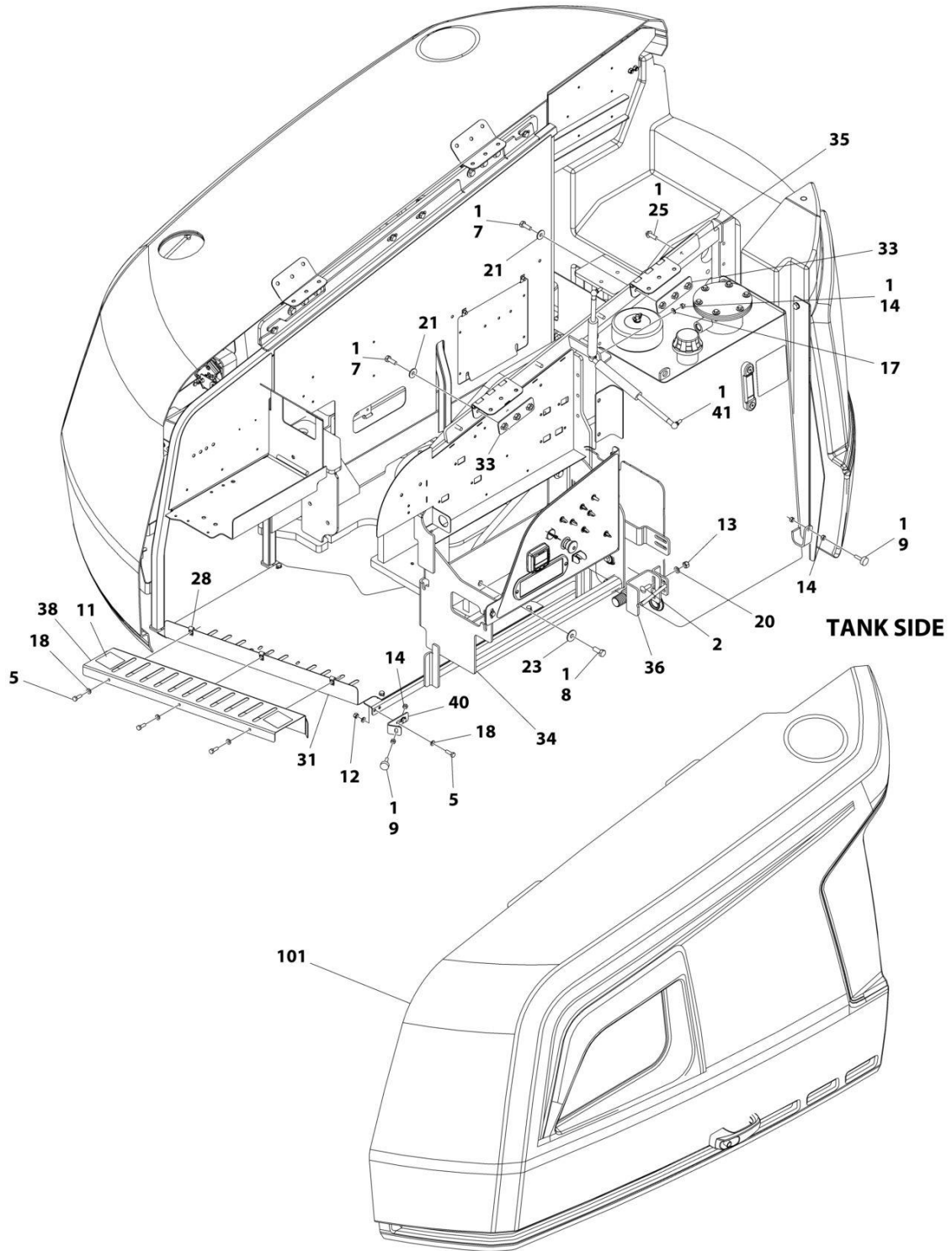
ITEM	PART NUMBER	QTY	DESCRIPTION	REV
	1001219201	Ref	HOODS INSTALLATION	F
1	0100011	AR	Compound, Locking	
2	0630613	4	Bolt M10 x 30	
3	0701018	5	Bolt M10 x 50	
4	0760810	4	Bolt M8 x 20	
5	0760812	11	Bolt M8 x 25	
6	0760814	4	Bolt M8 x 30	
7	0761014	14	Bolt M10 x 30	
8	0761214	6	Bolt M12 x 30	
9	0940049	2	Bumper	
10	0940071	3	Bumper	
11	1701691	2	Decal - No Step	
12	3290805	10	Nut M8	
13	3291005	14	Nut M10	
14	3311501	6	Nut 5/16	
15	3311601	7	Nut 3/8	
16	4160182	1	Spring, Gas	
17	4711500	2	Washer 5/16	
18	4811900	29	Washer M8	
19	4812000	16	Washer M10	
20	4812002	14	Washer M10	
21	4812100	2	Washer M12	
22	4812102	4	Washer M12	
23	5251014	8	Bolt M10 x 30	
24	8310686	2	Nut, Retainer M8	
25	88662523	3	Nut, Tinnerman	
26	1001118274	3	Nut M8	
27	1001167149	1	Panel, Filler	
28	1001167159	1	Mount	
29	1001167163	1	Tray	
30	1001167169	1	Mount	
31	1001169046	4	Nut	
32	1001211716	1	Support, Hood	
33	1001170018	1	Mount	
34	1001170022	1	Mount	
37	1001171216	1	Cover	
38	1001174098	1	Pipe, Exhaust	
39	1001179904	1	Mount	
40	1001182169	1	Spring, Gas	
41	1001182875	1	Mount	
42	1001182877	1	Mount	
43	1001182879	1	Mount	
44	1001191832	4	Rivnut M8	
45	1001211717	1	Support	
46	1001250291	1	Bracket	
47	1001243414	1	U-Bolt	
48	4891600	1	Washer 3/8	
100	1001285598	1	Hood Kit (Includes Items 101-102)	A
101	1001285597	1	Hood Assembly - Tank Side (See Separate Breakdown in this Section)	

SECTION 2 - TURNTABLE

ITEM	PART NUMBER	QTY	DESCRIPTION	REV
102	1001172833	1	Hood Assembly - Engine Side (See Separate Breakdown in this Section)	

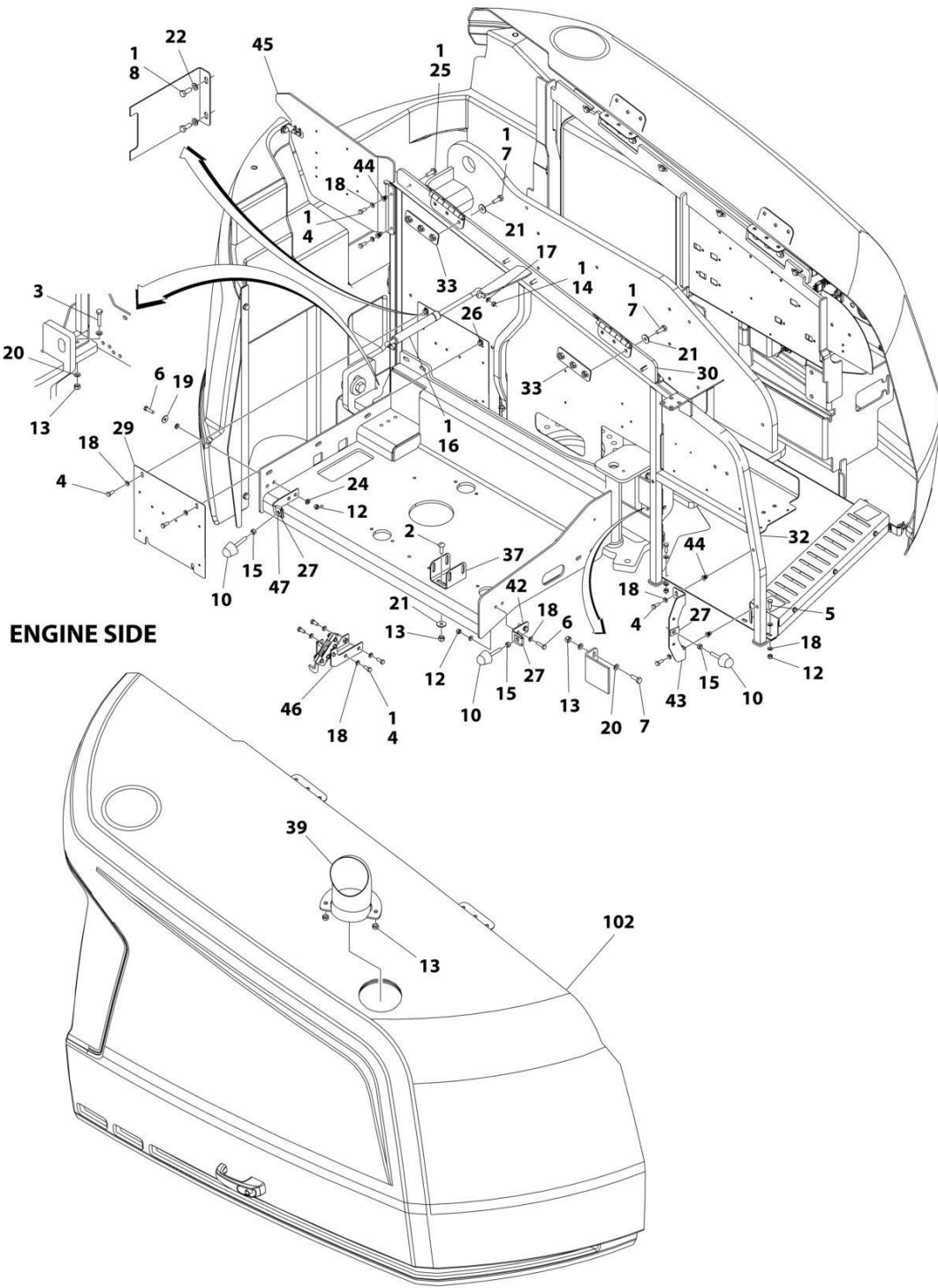
SECTION 2 - TURNTABLE

FIGURE 2-37. HOODS INSTALLATION (ABS) - 450A WITH KUBOTA ENGINE



ART_1001219202_10F2

SECTION 2 - TURNTABLE



ART_1001219202_20F2

SECTION 2 - TURNTABLE

FIGURE 2-37. HOODS INSTALLATION (ABS) - 450A WITH KUBOTA ENGINE

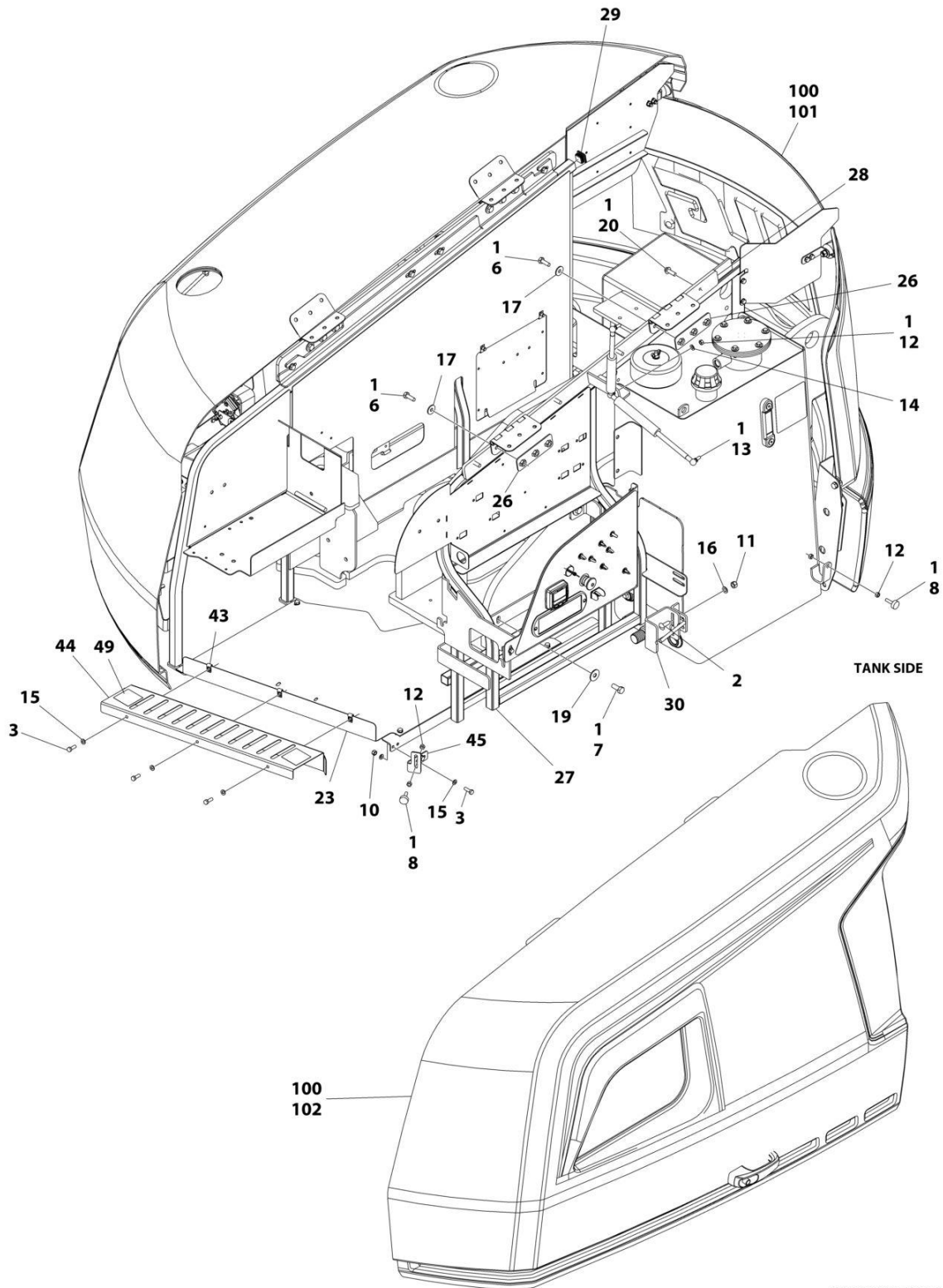
ITEM	PART NUMBER	QTY	DESCRIPTION	REV
	1001219202	Ref	HOODS INSTALLATION – 450A WITH KUBOTA ENGINE	D
1	0100011	AR	Compound, Locking	
2	0630613	4	Bolt M10 x 30	
3	0701018	5	Bolt M10 x 50	
4	0760810	10	Bolt M8 x 20	
5	0760812	11	Bolt M8 x 25	
6	0760814	4	Bolt M8 x 30	
7	0761014	14	Bolt M10 x 30	
8	0761214	6	Bolt M12 x 30	
9	0940049	2	Bumper	
10	0940071	3	Bumper	
11	1701691	2	Decal - No Step	
12	3290805	10	Nut M8	
13	3291005	14	Nut M10	
14	3311501	6	Nut 5/16	
15	3311601	3	Nut 3/8	
16	4160182	1	Spring, Gas	
17	4711500	2	Washer 5/16	
18	4811900	29	Washer M8	
19	4811902	2	Washer M8	
20	4812000	16	Washer M10	
21	4812002	14	Washer M10	
22	4812100	2	Washer M12	
23	4812102	4	Washer M12	
24	5240800	4	Washer M8	
25	5251014	8	Bolt M10 x 30	
26	8310686	2	Nut, Retainer M8	
27	88662523	3	Nut, Tinnerman	
28	1001118274	3	Nut M8	
29	1001167149	1	Panel, Filler	
30	1001167159	1	Mount	
31	1001167163	1	Tray	
32	1001167169	1	Mount	
33	1001169046	4	Nut	
34	1001211716	1	Support, Hood	
35	1001170018	1	Mount	
36	1001170022	1	Mount	
37	1001170859	1	Mount	
38	1001171216	1	Cover	
39	1001174098	1	Pipe, Exhaust	
40	1001179904	1	Mount	
41	1001182169	1	Spring, Gas	
42	1001182875	1	Mount	
43	1001182879	1	Mount	
44	1001191832	4	Rivnut M8	
45	1001211717	1	Support	
46	1001215394	1	Support	
47	1001216677	1	Bracket	
100	1001285598	1	Hood Kit (Includes Items 101-102)	A

SECTION 2 - TURNTABLE

ITEM	PART NUMBER	QTY	DESCRIPTION	REV
101	1001285597	1	Hood Assembly - Tank Side (See Separate Breakdown in this Section)	
102	1001172833	1	Hood Assembly - Engine Side (See Separate Breakdown in this Section)	

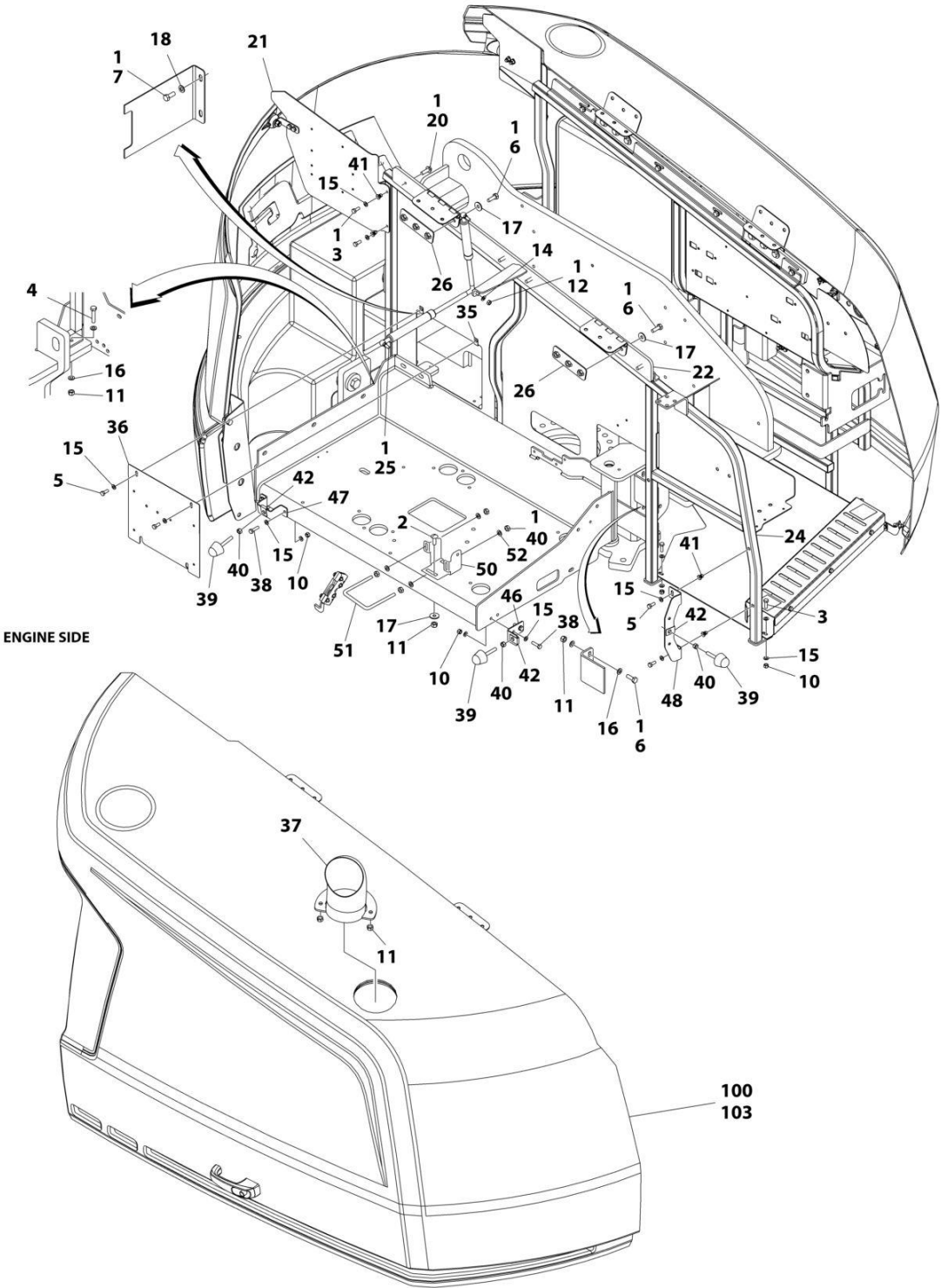
SECTION 2 - TURNTABLE

FIGURE 2-38. HOODS INSTALLATION (ABS) - 450AJ WITH DEUTZ ENGINES (ALL MACHINES WITH SN STARTING WITH 03) (MACHINES WITH SN STARTING WITH B3, JAPANESE & RUSSIA SPECS)



ART_1001165622_P_10F2

SECTION 2 - TURNTABLE



ART_1001165622_P_20F2

SECTION 2 - TURNTABLE

FIGURE 2-38. HOODS INSTALLATION (ABS) - 450AJ WITH DEUTZ ENGINES (ALL MACHINES WITH SN STARTING WITH 03) (MACHINES WITH SN STARTING WITH B3, JAPANESE & RUSSIA SPECS)

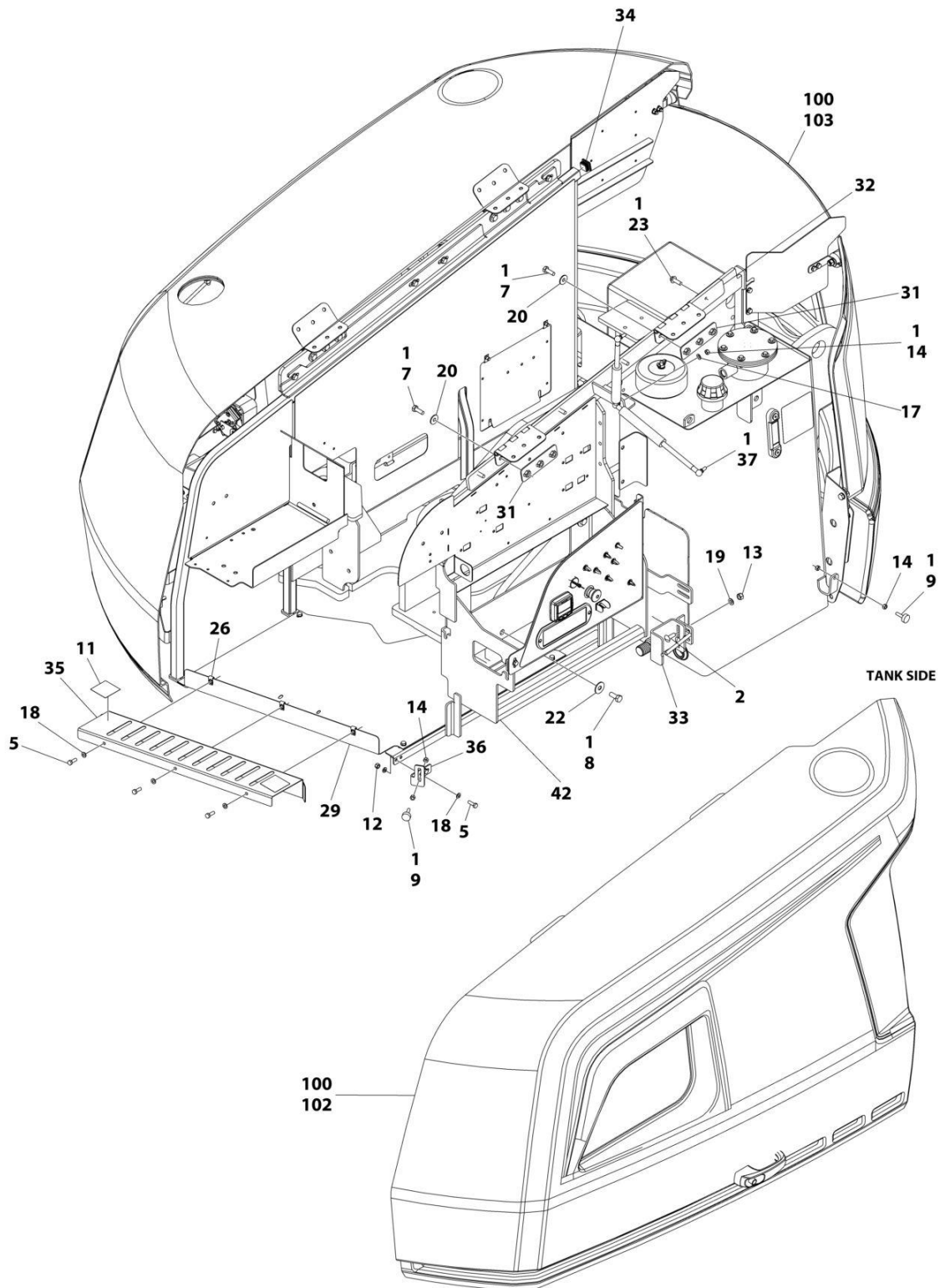
ITEM	PART NUMBER	QTY	DESCRIPTION	REV
	1001165622	Ref	HOODS INSTALLATION	P
1	0100011	AR	Compound, Locking	
2	0630613	4	Bolt M10 x 30	
3	0760812	11	Bolt M8 x 25	
4	0701018	5	Bolt M10 x 50	
5	0760810	4	Bolt M8 x 20	
6	0761014	14	Bolt M10 x 30	
7	0761214	6	Bolt M12 x 30	
8	0940049	2	Bumper	
10	3290805	10	Nut M8	
11	3291005	14	Nut M10	
12	3311501	6	Nut 5/16	
13	1001182169	1	Spring, Gas	
14	4711500	2	Washer 5/16	
15	4811900	29	Washer M8	
16	4812000	16	Washer M10	
17	4812002	14	Washer M10	
18	4812100	2	Washer M12	
19	4812102	4	Washer M12	
20	5251014	8	Bolt M10 x 30	
21	1001211717	1	Panel, Filler	
22	1001167159	1	Mount	
23	1001167163	1	Tray	
24	1001167169	1	Mount	
25	4160182	1	Spring, Gas	
26	1001169046	4	Nut	
27	1001211716	1	Support, Hood	
28	1001170018	1	Mount	
29	3520072	1	Plug	
30	1001170022	1	Mount	
35	8310686	2	Nut, Retainer M8	
36	1001167149	1	Panel, Filler	
37	1001233899	1	Pipe, Exhaust	
38	0760814	4	Bolt M8 x 30	
39	0940071	3	Bumper	
40	3311601	7	Nut 3/8	
41	1001191832	4	Rivnut M8	
42	88662523	3	Nut, Tinnerman	
43	1001118274	3	Nut M8	
44	1001171216	1	Cover	
45	1001179904	1	Mount	
46	1001182875	1	Mount	
47	1001182877	1	Mount	
48	1001182879	1	Mount	
49	1701691	2	Decal - No Step	
50	1001250291	1	Bracket	
51	1001243414	1	U-Bolt	
52	4891600	4	Washer 3/8	
100	1001285691	1	Hood Kit (Includes Items 33, 34 & 101)	A

SECTION 2 - TURNTABLE

ITEM	PART NUMBER	QTY	DESCRIPTION	REV
101	1001169183	1	Hood, Front	
102	1001285597	1	Hood Assembly - Tank Side (See Separate Breakdown in this Section)	
103	1001172833	1	Hood Assembly - Engine Side (See Separate Breakdown in this Section)	

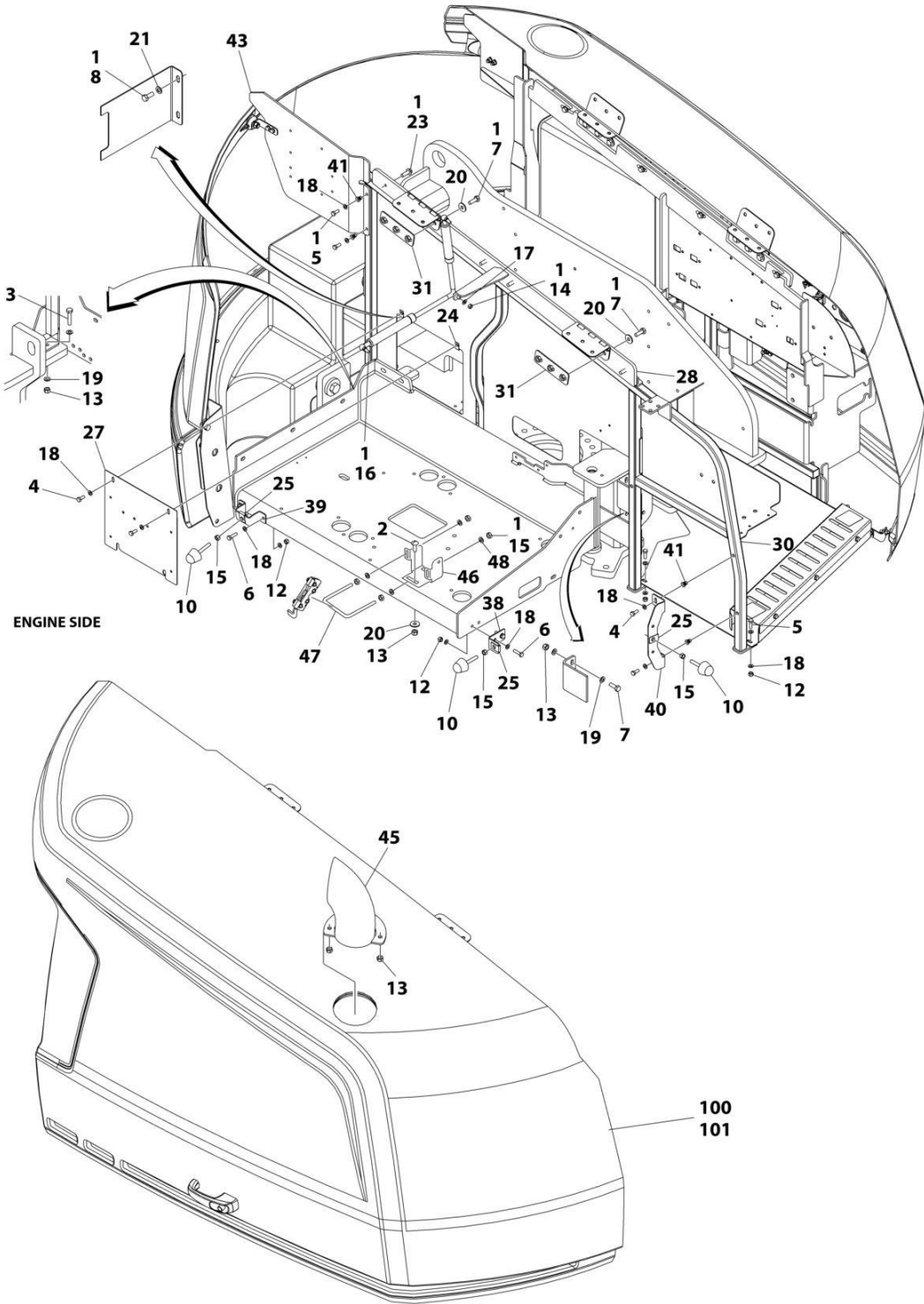
SECTION 2 - TURNTABLE

FIGURE 2-39. HOODS INSTALLATION (ABS) - 450AJ WITH DEUTZ ENGINE (MACHINES WITH SN STARTING WITH B3, ALL SPECS EXCEPT JAPANESE & RUSSIA SPECS)



ART_1001241284_E_10F2

SECTION 2 - TURNTABLE



ART_1001241284_E_20F2

SECTION 2 - TURNTABLE

FIGURE 2-39. HOODS INSTALLATION (ABS) - 450AJ WITH DEUTZ ENGINE (MACHINES WITH SN STARTING WITH B3, ALL SPECS EXCEPT JAPANESE & RUSSIA SPECS)

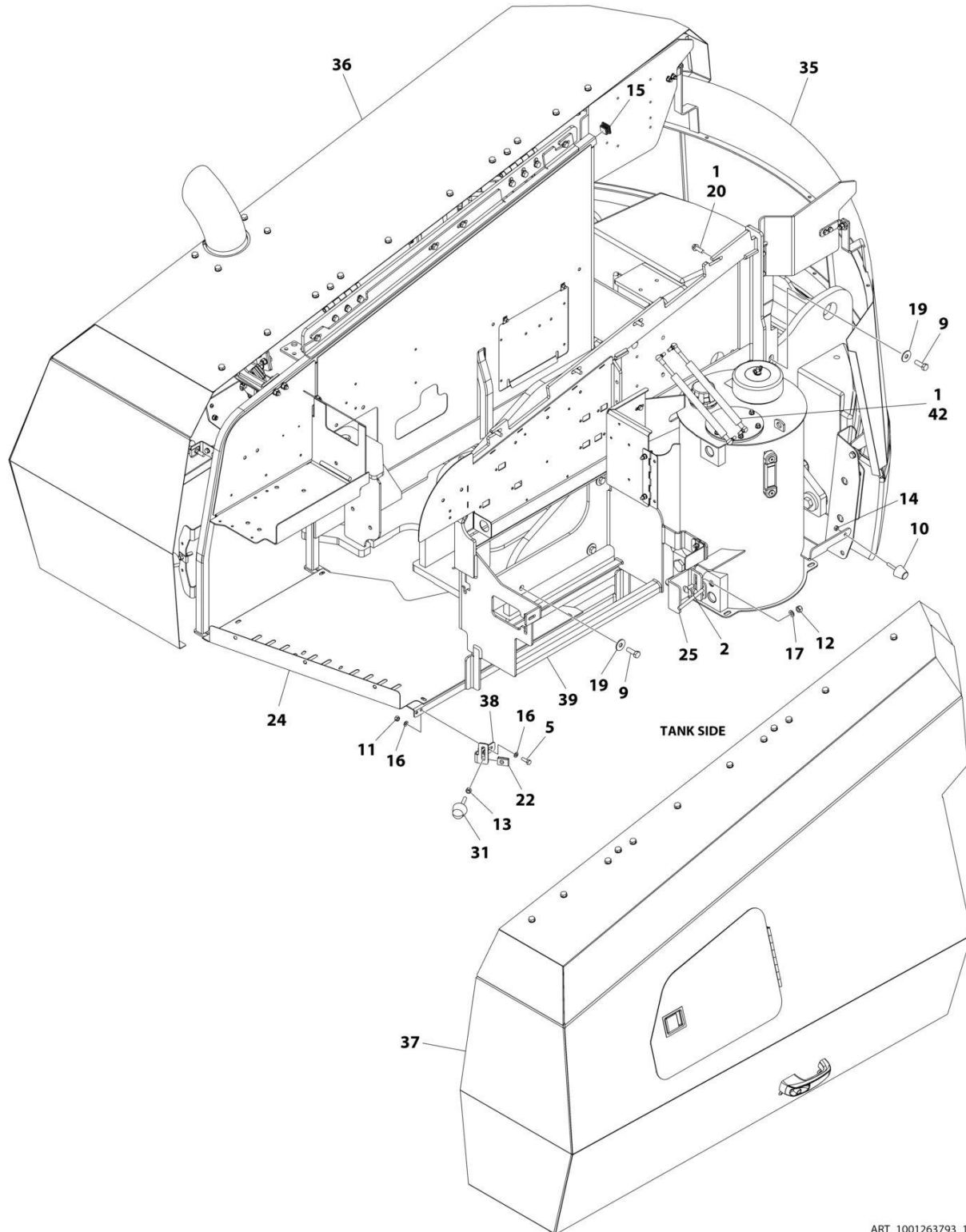
ITEM	PART NUMBER	QTY	DESCRIPTION	REV
	1001241284	Ref	HOODS INSTALLATION	E
1	0100011	AR	Compound, Locking	
2	0630613	4	Bolt M10 x 30	
3	0701018	5	Bolt M10 x 50	
4	0760810	4	Bolt M8 x 20	
5	0760812	11	Bolt M8 x 25	
6	0760814	4	Bolt M8 x 30	
7	0761014	14	Bolt M10 x 30	
8	0761214	6	Bolt M12 x 30	
9	0940049	2	Bumper	
10	0940071	3	Bumper	
11	1701691	2	Decal - No Step	
12	3290805	10	Nut M8	
13	3291005	14	Nut M10	
14	3311501	6	Nut 5/16	
15	3311601	7	Nut 3/8	
16	4160182	1	Spring, Gas	
17	4711500	2	Washer 5/16	
18	4811900	29	Washer M8	
19	4812000	16	Washer M10	
20	4812002	14	Washer M10	
21	4812100	2	Washer M12	
22	4812102	4	Washer M12	
23	5251014	8	Bolt M10 x 30	
24	8310686	2	Nut, Retainer M8	
25	88662523	3	Nut, Tinnerman	
26	1001118274	3	Nut M8	
27	1001167149	1	Panel, Filler	
28	1001167159	1	Mount	
29	1001167163	1	Tray	
30	1001167169	1	Mount	
31	1001169046	4	Nut	
32	1001170018	1	Mount	
33	1001170022	1	Mount	
34	3520072	1	Plug	
35	1001171216	1	Cover	
36	1001179904	1	Mount	
37	1001182169	1	Spring, Gas	
38	1001182875	1	Mount	
39	1001182877	1	Mount	
40	1001182879	1	Mount	
41	1001191832	4	Rivnut M8	
42	1001211716	1	Support, Hood	
43	1001211717	1	Panel, Filler	
45	1001233899	1	Pipe, Exhaust	
46	1001250291	1	Bracket	
47	1001243414	1	U-Bolt	
48	4891600	4	Washer 3/8	
100	1001285790	1	Hood Kit (Includes Items 101-103)	A

SECTION 2 - TURNTABLE

ITEM	PART NUMBER	QTY	DESCRIPTION	REV
101	1001241295	1	Hood Assembly - Engine Side (See Separate Breakdown in this Section)	
102	1001285788	1	Hood Assembly - Tank Side (See Separate Breakdown in this Section)	
103	1001241299	1	Hood Assembly - Front	

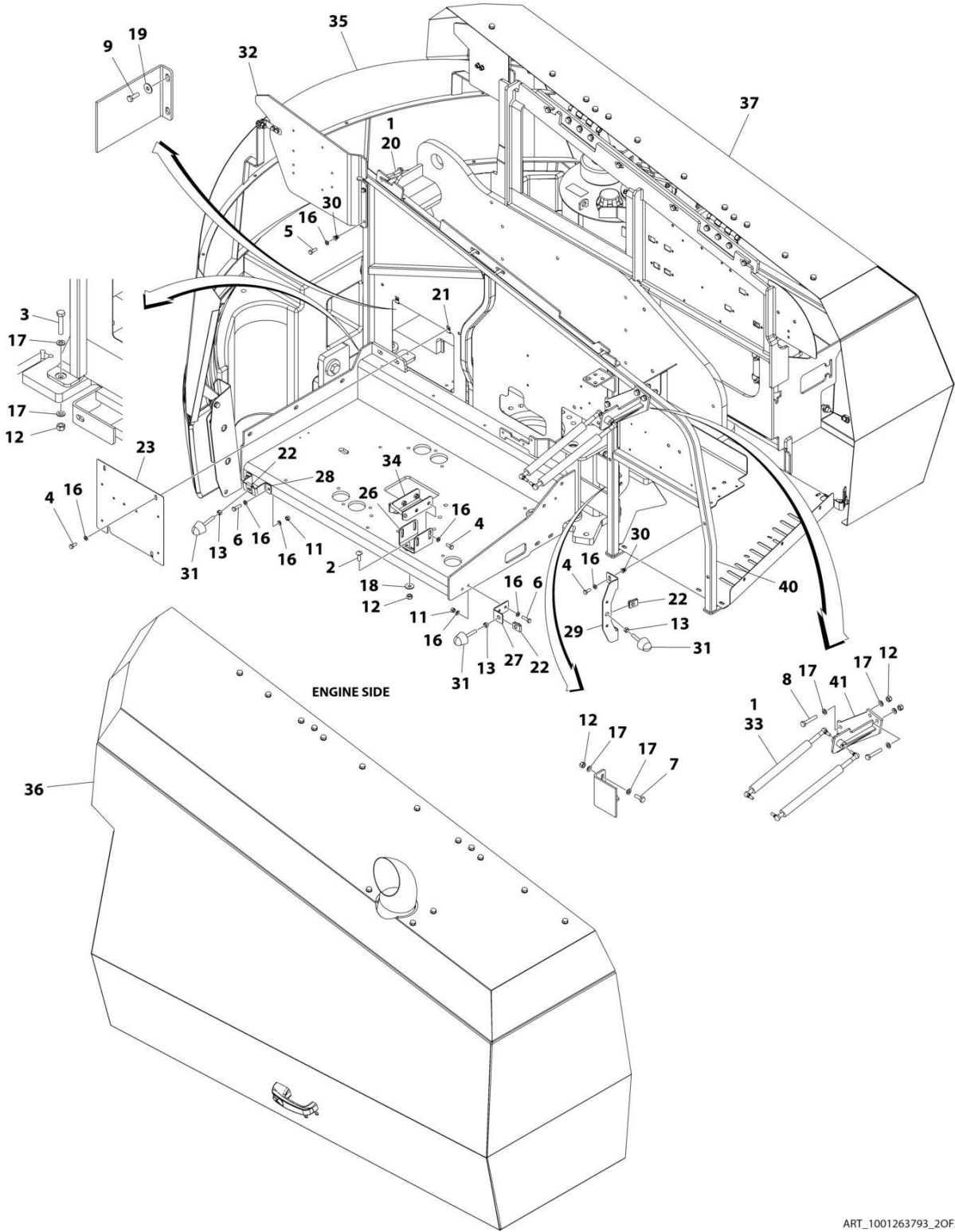
SECTION 2 - TURNTABLE

FIGURE 2-40. HOODS INSTALLATION (STEEL) - 450AJ WITH DEUTZ ENGINES (MACHINES WITH SN STARTING WITH B3)



ART_1001263793_1OF2

SECTION 2 - TURNTABLE



ART_1001263793_20F2

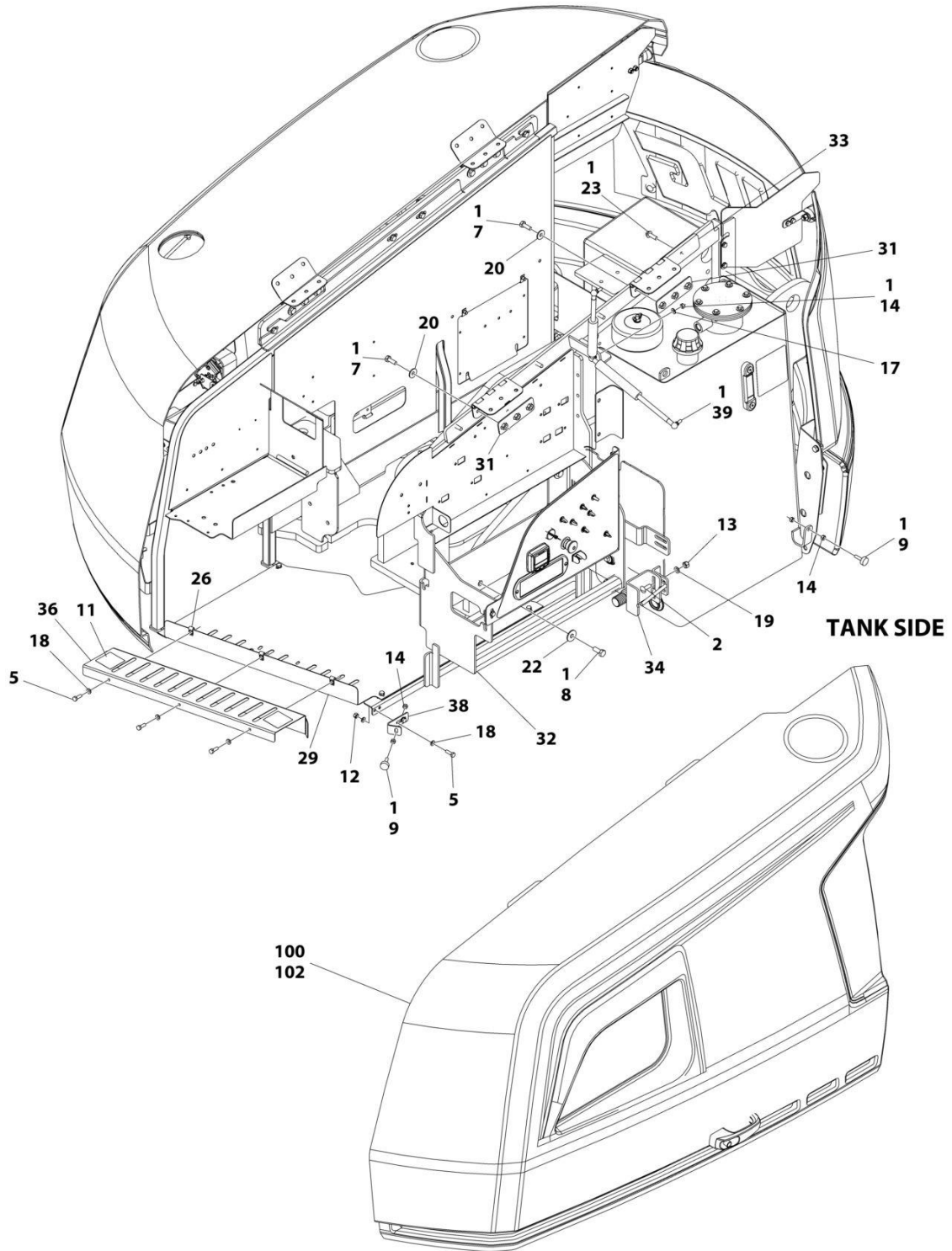
SECTION 2 - TURNTABLE

FIGURE 2-40. HOODS INSTALLATION (STEEL) - 450AJ WITH DEUTZ ENGINES (MACHINES WITH SN STARTING WITH B3)

ITEM	PART NUMBER	QTY	DESCRIPTION	REV
	1001263793	Ref	HOODS INSTALLATION (STEEL)	B
1	0100011	AR	Compound, Locking	
2	0630613	4	Bolt M10 x 30	
3	0701019	5	Bolt M10 x 55	
4	0760810	8	Bolt M8 x 20	
5	0760812	4	Bolt M8 x 25	
6	0760814	4	Bolt M8 x 30	
7	0761014	2	Bolt M10 x 30	
8	0761020	4	Bolt M12 x 60	
9	0761215	6	Bolt M12 x 35	
10	0940088	1	Bumper	
11	3290805	6	Nut M8	
12	3291005	15	Nut M10	
13	3311601	4	Nut 3/8	
14	3321501	1	Nut 5/16	
15	3520072	1	Plug	
16	4811900	22	Washer M8	
17	4812000	24	Washer M10	
18	4812002	2	Washer M10	
19	4812102	6	Washer M12	
20	5251014	8	Bolt M10 x 30	
21	8310686	2	Nut, Retainer M8	
22	88662523	4	Nut, Tinnerman	
23	1001167149	1	Panel, Filler	
24	1001167163	1	Tray	
25	1001170022	1	Mount	
26	1001170859	1	Mount	
27	1001182875	1	Mount	
28	1001182877	1	Mount	
29	1001182879	1	Mount	
30	1001191832	4	Rivnut M8	
31	1001206314	4	Bumper	
32	1001211717	1	Panel, Filler	
33	1001213794	2	Spring, Gas	
34	1001223777	1	Support, Striker	
35	1001263696	1	Hood Assembly - Front	
36	1001263699	1	Hood Assembly - Engine Side (See Separate Breakdown in this Section)	
37	1001285641	1	Hood Assembly - Tank Side (See Separate Breakdown in this Section)	
38	1001269476	1	Mount	
39	1001279651	1	Support, Hood	
40	1001280240	1	Mount	
41	1001280242	1	Mount	
42	1001280549	2	Spring, Gas	

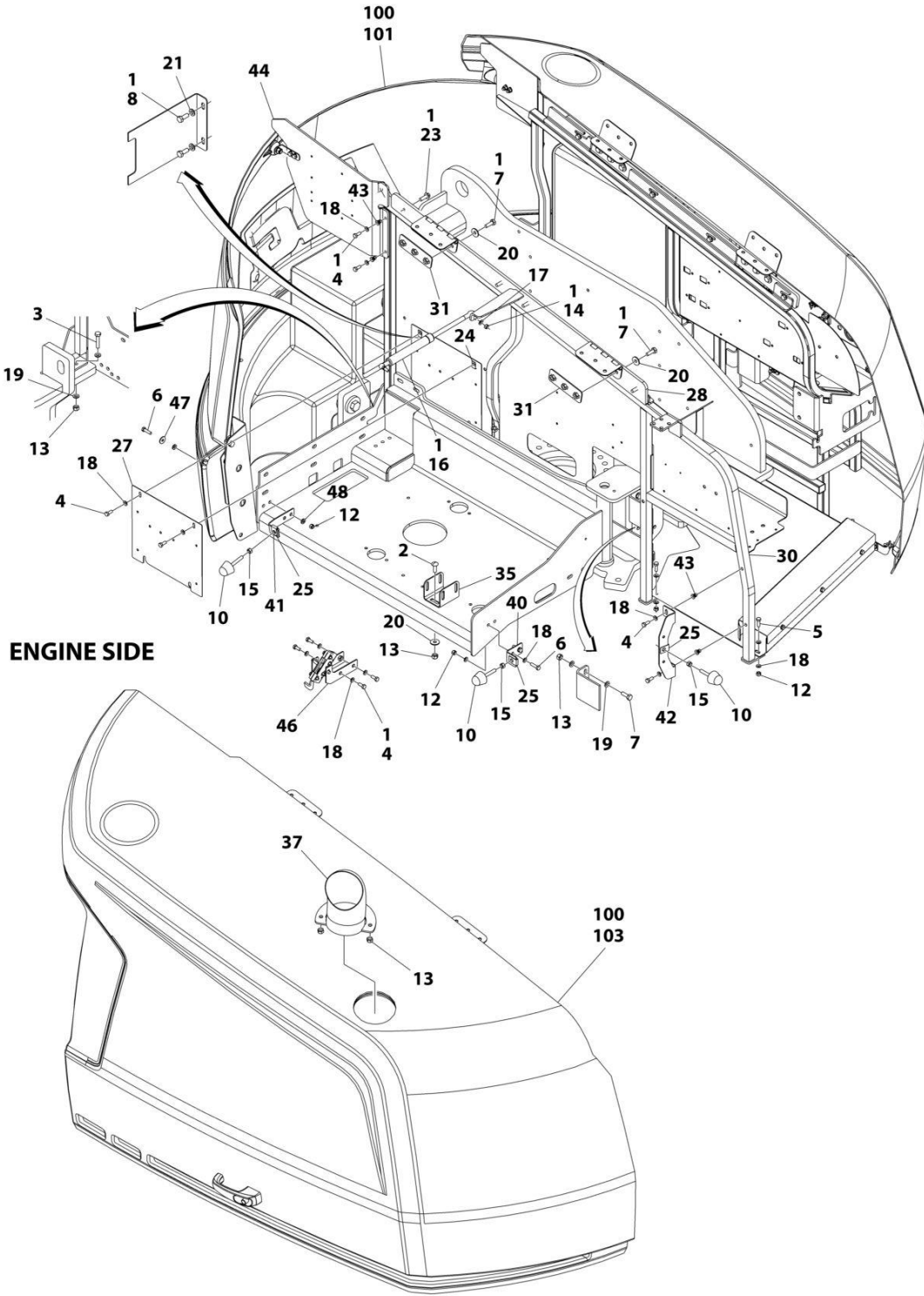
SECTION 2 - TURNTABLE

FIGURE 2-41. HOODS INSTALLATION (ABS) - 450AJ WITH KUBOTA ENGINE



ART_1001216599_10F2

SECTION 2 - TURNTABLE



ART_1001216599_20F2

SECTION 2 - TURNTABLE

FIGURE 2-41. HOODS INSTALLATION (ABS) - 450AJ WITH KUBOTA ENGINE

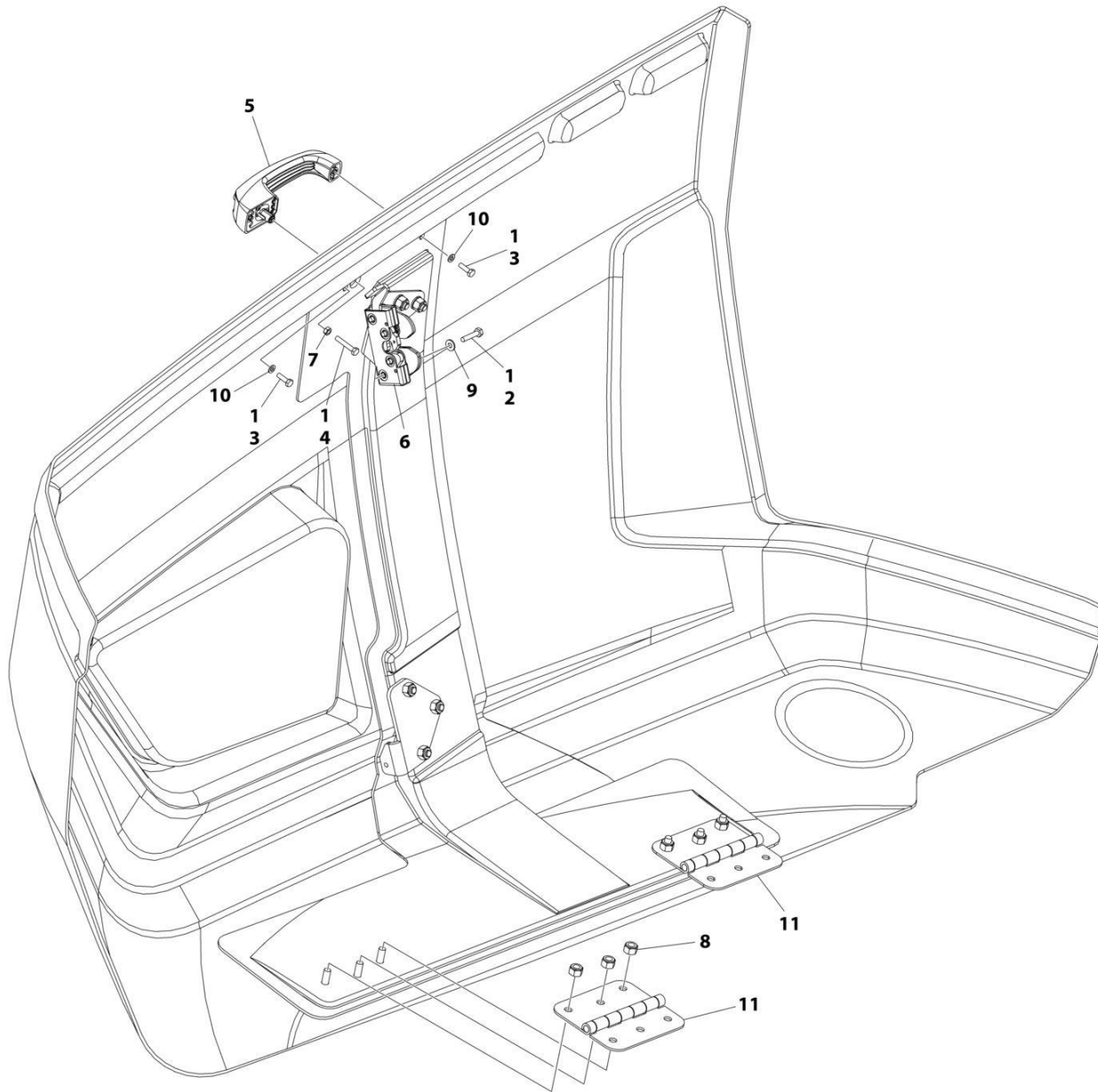
ITEM	PART NUMBER	QTY	DESCRIPTION	REV
	1001216599	Ref	HOODS INSTALLATION - KUBOTA ENGINE	E
1	0100011	AR	Compound, Locking	
2	0630613	4	Bolt M10 x 30	
3	0701018	5	Bolt M10 x 50	
4	0760810	8	Bolt M8 x 20	
5	0760812	11	Bolt M8 x 25	
6	0760814	4	Bolt M8 x 30	
7	0761014	14	Bolt M10 x 30	
8	0761214	6	Bolt M12 x 30	
9	0940049	2	Bumper	
10	0940071	6	Bumper	
11	1701691	2	Decal - No Step	
12	3290805	10	Nut M8	
13	3291005	14	Nut M10	
14	3311501	6	Nut 5/16	
15	3311601	3	Nut 3/8	
16	4160182	1	Spring, Gas	
17	4711500	2	Washer 5/16	
18	4811900	29	Washer M8	
19	4812000	19	Washer M10	
20	4812002	14	Washer M10	
21	4812100	2	Washer M12	
22	4812102	4	Washer M12	
23	5251014	8	Bolt M10 x 30	
24	8310686	2	Nut, Retainer M8	
25	88662523	3	Nut, Tinnerman	
26	1001118274	3	Nut M8	
27	1001167149	1	Panel, Filler	
28	1001167159	1	Mount	
29	1001167163	1	Tray	
30	1001167169	1	Mount	
31	1001169046	4	Nut	
32	1001211716	1	Support, Hood	
33	1001170018	1	Mount	
34	1001170022	1	Mount	
35	1001170859	1	Mount	
36	1001171216	1	Cover	
37	1001174098	1	Pipe, Exhaust	
38	1001179904	1	Mount	
39	1001182169	1	Spring, Gas	
40	1001182875	1	Mount	
41	1001216677	1	Bracket	
42	1001182879	1	Mount	
43	1001191832	4	Rivnut M8	
44	1001211717	1	Support	
46	1001215394	1	Support	
47	4811702	2	Washer M6	
48	5240800	4	Washer M8	
100	1001285691	1	Hood Kit (Includes Items 101-103)	A
101	1001169183	1	Hood, Front	

SECTION 2 - TURNTABLE

ITEM	PART NUMBER	QTY	DESCRIPTION	REV
102	1001285597	1	Hood Assembly - Tank Side (See Separate Breakdown in this Section)	
103	1001172833	1	Hood Assembly - Engine Side (See Separate Breakdown in this Section)	

SECTION 2 - TURNTABLE

FIGURE 2-42. HOOD ASSEMBLY (ABS) - TANK SIDE (MACHINES WITH SN STARTING WITH 03)



NOTE: REPLACEMENT DECALS MUST BE ORDERED SEPARATELY - SEE DECAL SECTION.

ART_1001285597

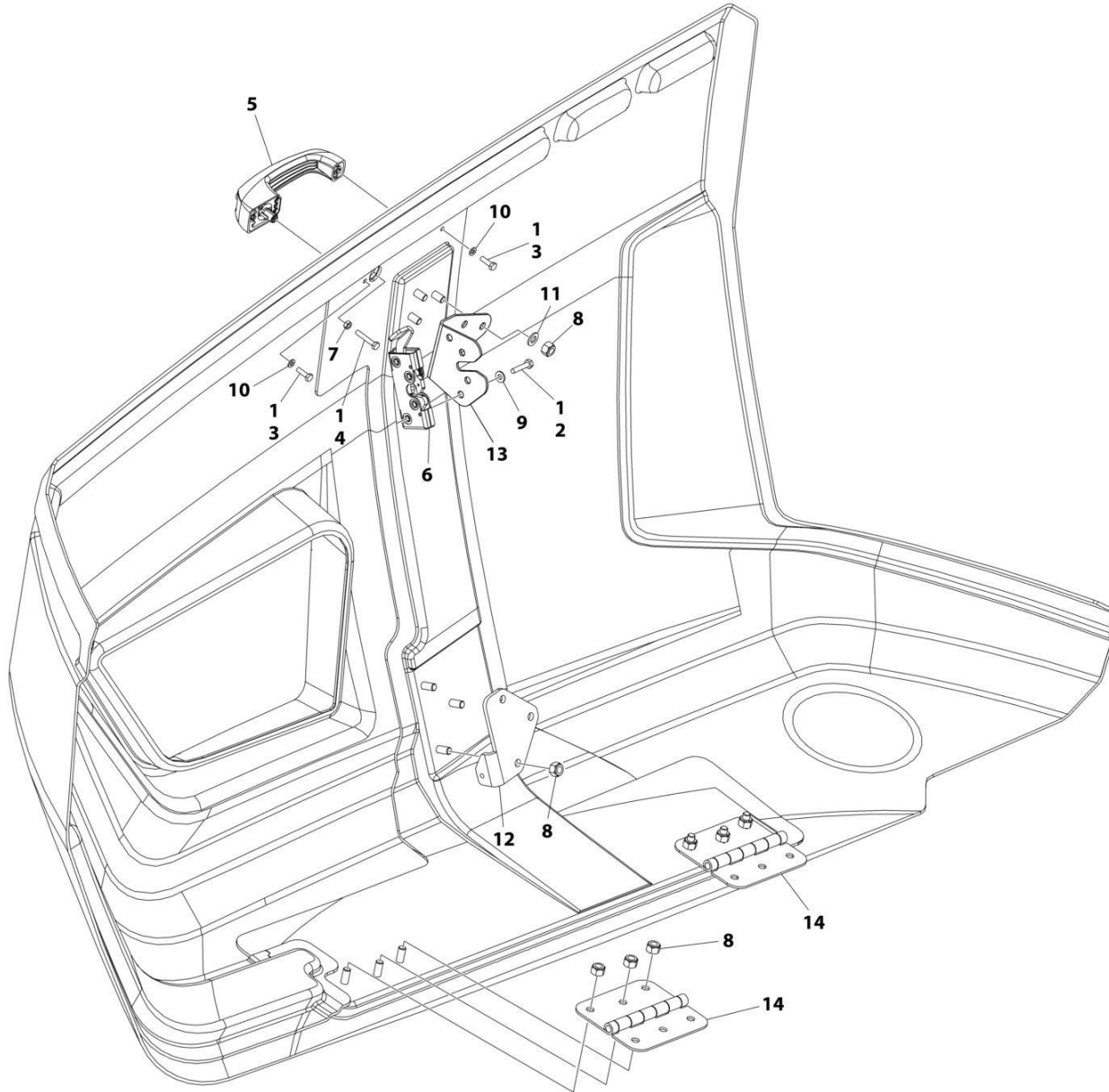
SECTION 2 - TURNTABLE

FIGURE 2-42. HOOD ASSEMBLY (ABS) - TANK SIDE (MACHINES WITH SN STARTING WITH 03)

ITEM	PART NUMBER	QTY	DESCRIPTION	REV
	1001285597	Ref	HOOD ASSEMBLY - TANK SIDE	A
1	0100011	AR	Compound, Locking	
2	0641410	4	Bolt 1/4 x 1-1/4	
3	0760610	2	Bolt M6 x 20	
4	0760615	1	Bolt M6 x 35	
5	2560187	1	Handle	
6	2940173	1	Latch	
7	3290601	1	Nut M6	
8	3291005	6	Nut, Lock M10	
9	4711400	4	Washer 1/4	
10	4811700	2	Washer M6	
11	1001139384	2	Hinge	

SECTION 2 - TURNTABLE

FIGURE 2-43. HOOD ASSEMBLY (ABS) - TANK SIDE (MACHINES WITH SN STARTING WITH B3)



NOTE: REPLACEMENT DECALS MUST BE ORDERED SEPARATELY - SEE DECAL SECTION.

ART_1001285788

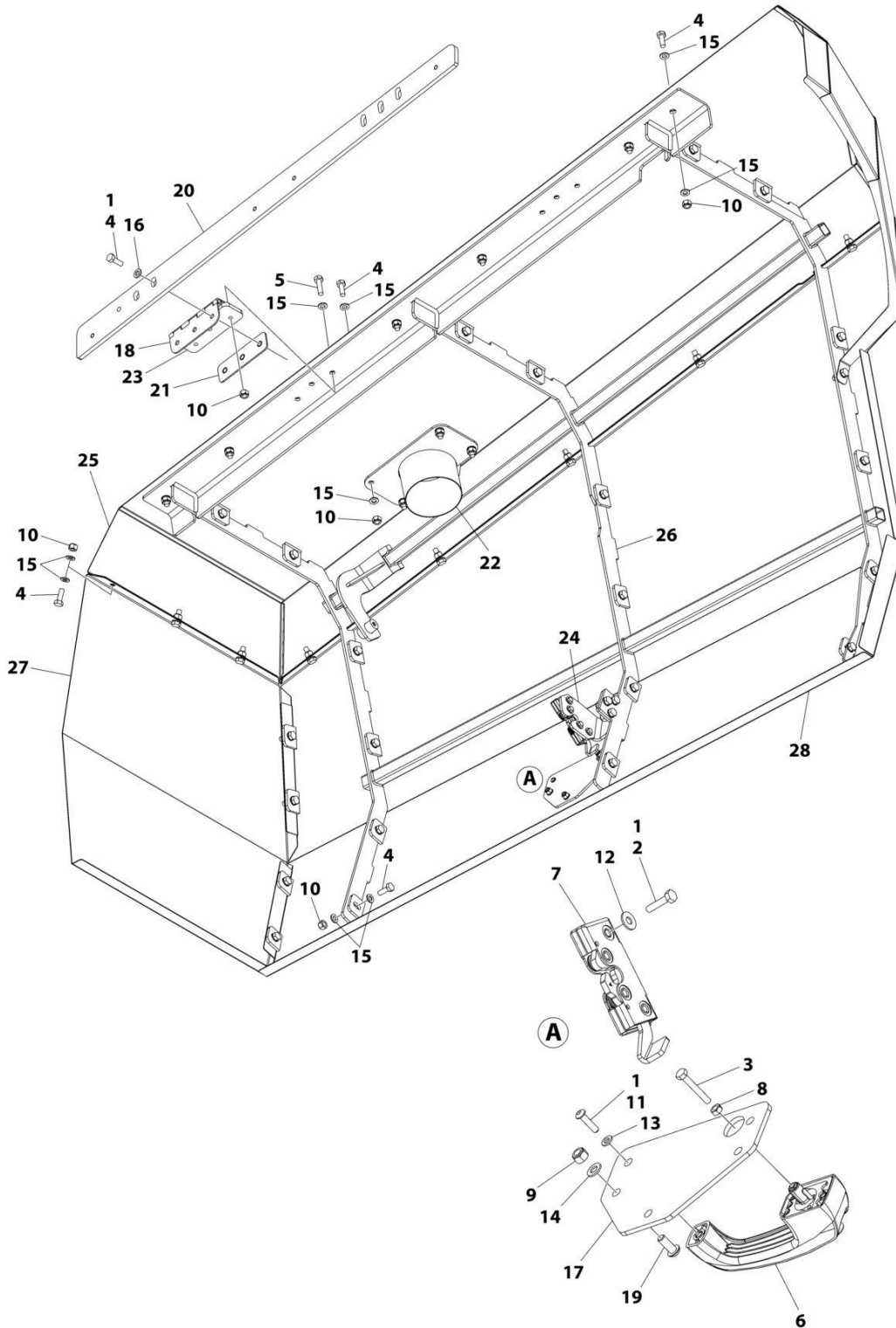
SECTION 2 - TURNTABLE

FIGURE 2-43. HOOD ASSEMBLY (ABS) - TANK SIDE (MACHINES WITH SN STARTING WITH B3)

ITEM	PART NUMBER	QTY	DESCRIPTION	REV
	1001285788	Ref	HOOD ASSEMBLY - TANK SIDE	A
1	0100011	AR	Compound, Locking	
2	0641410	4	Bolt 1/4 x 1-1/4	
3	0760610	2	Bolt M6 x 20	
4	0760615	1	Bolt M6 x 35	
5	2560187	1	Handle	
6	2940173	1	Latch	
7	3290601	1	Nut M6	
8	3291005	12	Nut, Lock M10	
9	4711400	4	Washer 1/4	
10	4811700	2	Washer M6	
11	4812000	3	Washer M10	
12	1001170475	1	Bracket	
13	1001203322	1	Support	
14	1001259230	2	Hinge	

SECTION 2 - TURNTABLE

FIGURE 2-44. HOOD ASSEMBLY (STEEL) - ENGINE SIDE (MACHINES WITH SN STARTING WITH B3)



ART_1001263699

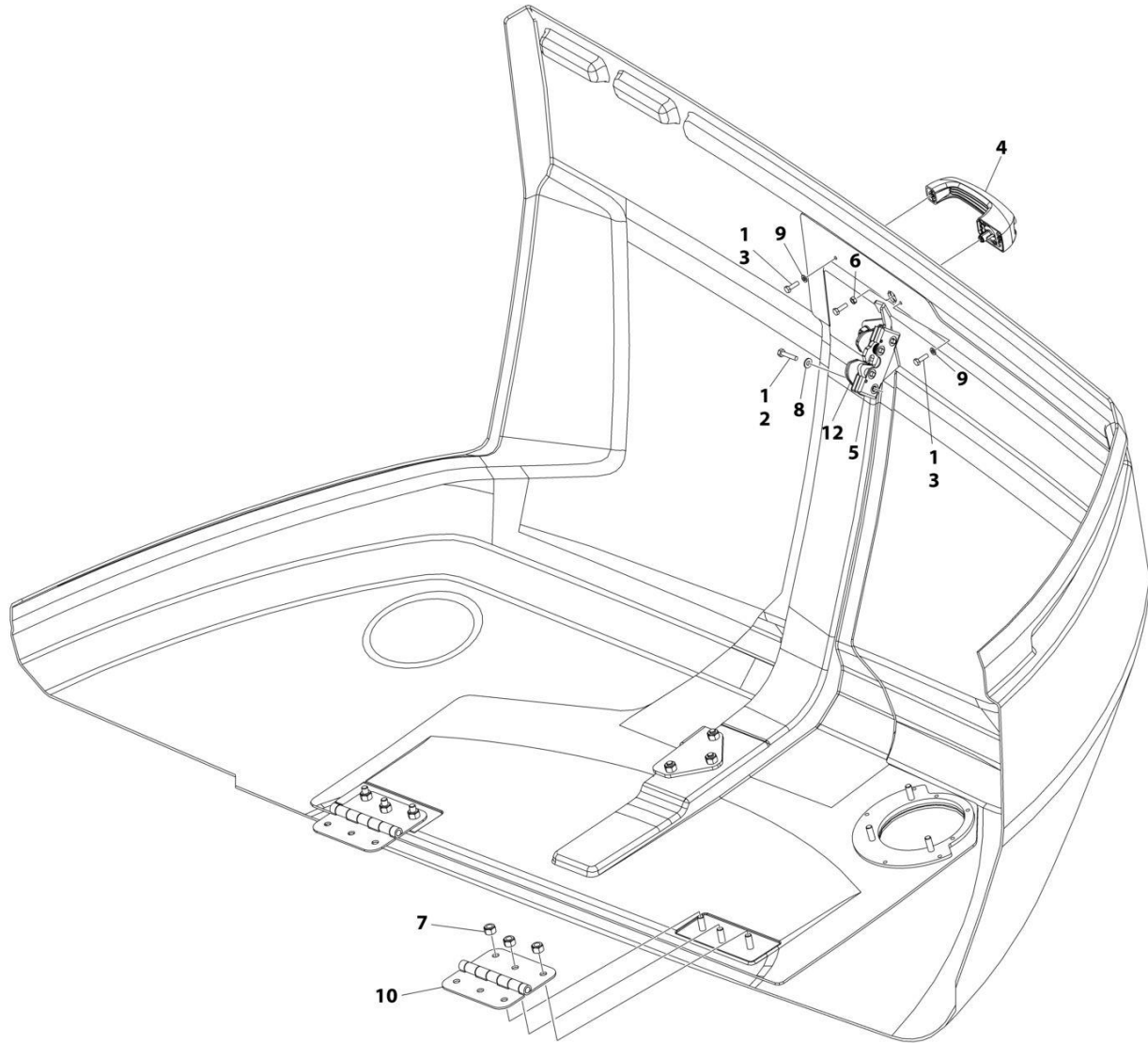
SECTION 2 - TURNTABLE

FIGURE 2-44. HOOD ASSEMBLY (STEEL) - ENGINE SIDE (MACHINES WITH SN STARTING WITH B3)

ITEM	PART NUMBER	QTY	DESCRIPTION	REV
	1001263699	Ref	HOOD ASSEMBLY (STEEL) - ENGINE SIDE	A
1	0100011	AR	Compound, Locking	
2	0641409	4	Bolt 1/4 x 1/8	
3	0700616	1	Bolt M6 x 40	
4	0761014	50	Bolt M10 x 30	
5	0761016	6	Bolt M10 x 40	
6	2560187	1	Handle	
7	2940173	1	Latch	
8	3290601	1	Nut M6	
9	3290805	3	Nut M8 x 1-1/4	
10	3291005	50	Nut M10 x 1-1/2	
11	3900363	2	Screw M6 x 25	
12	4751400	4	Washer 1/4	
13	4811700	2	Washer M6	
14	4811900	3	Washer M8	
15	4812000	94	Washer M10	
16	5241000	6	Washer M10	
17	1001116290	1	Plate	
18	1001139384	2	Hinge	
19	1001164726	3	Screw M8 x 20	
20	1001167157	1	Mount, Hood	
21	1001169046	2	Nut	
22	1001194888	1	Pipe, Exhaust	
23	1001202333	2	Plate, Nut	
24	1001263664	1	Bracket	
25	1001263669	1	Panel (Top)	
26	1001263677	1	Bracket	
27	1001263693	1	Panel (End)	
28	1001265389	1	Panel (Side)	

SECTION 2 - TURNTABLE

FIGURE 2-45. HOOD ASSEMBLY (ABS) - ENGINE SIDE (MACHINES WITH SN STARTING WITH 03)



NOTE: REPLACEMENT DECALS MUST BE ORDERED SEPARATELY - SEE DECAL SECTION.

ART_1001172833

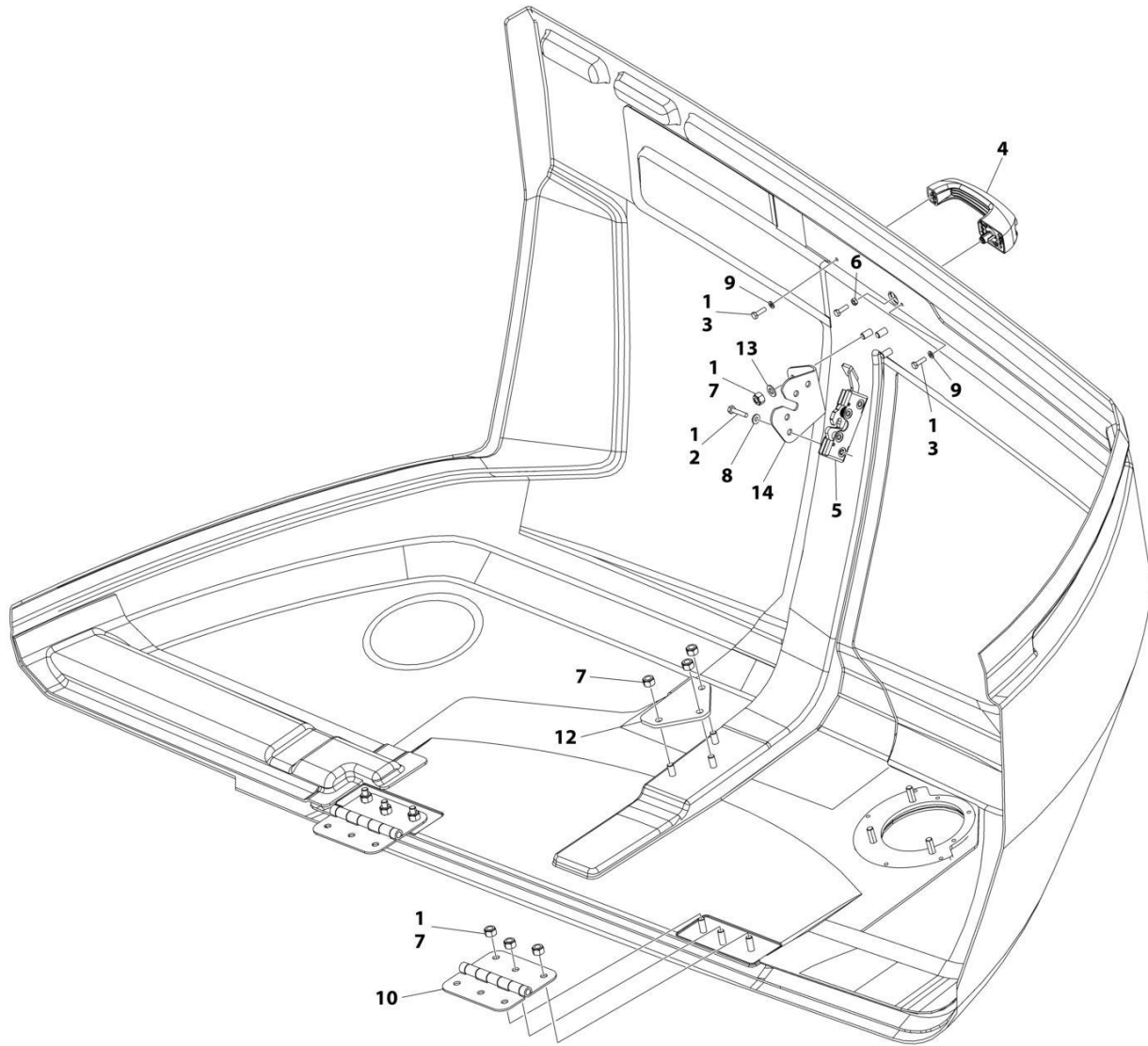
SECTION 2 - TURNTABLE

FIGURE 2-45. HOOD ASSEMBLY (ABS) - ENGINE SIDE (MACHINES WITH SN STARTING WITH 03)

ITEM	PART NUMBER	QTY	DESCRIPTION	REV
	1001172833	Ref	HOOD ASSEMBLY - ENGINE SIDE	C
1	0100011	AR	Compound, Locking	
2	0641410	4	Bolt 1/4 x 1-1/4	
3	0760610	3	Bolt M6 x 20	
4	2560187	1	Handle	
5	2940173	1	Latch	
6	3290601	1	Nut M6	
7	3291005	6	Nut M10	
8	4711400	4	Washer 1/4	
9	4811700	2	Washer M6	
10	1001139384	2	Hinge	
12	1001200458	1	Plate, Latch Guide	

SECTION 2 - TURNTABLE

FIGURE 2-46. HOOD ASSEMBLY (ABS) - ENGINE SIDE (MACHINES WITH SN STARTING WITH B3)



NOTE: REPLACEMENT DECALS MUST BE ORDERED SEPARATELY - SEE DECAL SECTION.

ART_1001241295

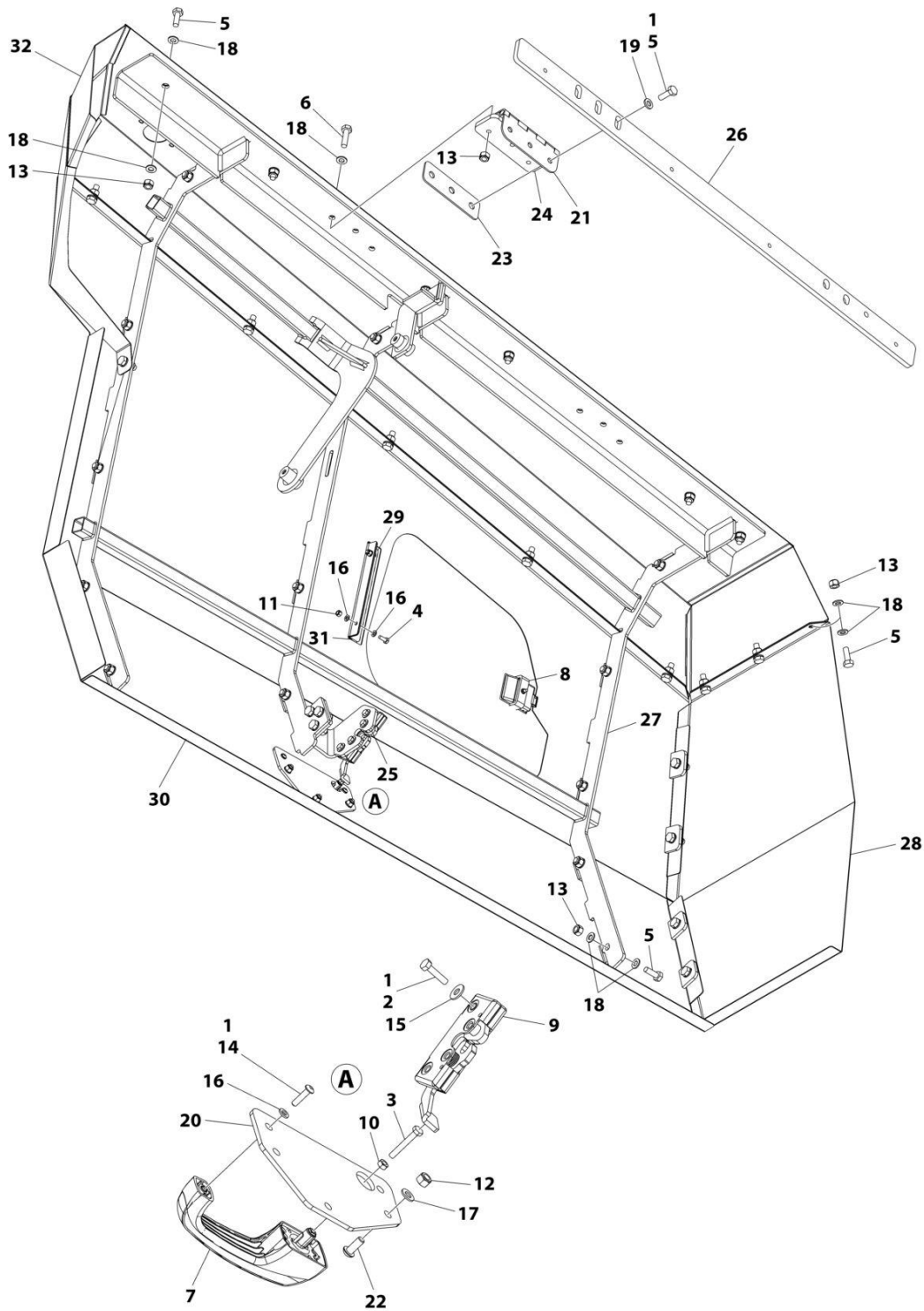
SECTION 2 - TURNTABLE

FIGURE 2-46. HOOD ASSEMBLY (ABS) - ENGINE SIDE (MACHINES WITH SN STARTING WITH B3)

ITEM	PART NUMBER	QTY	DESCRIPTION	REV
	1001241295	Ref	HOOD ASSEMBLY - ENGINE SIDE	C
1	0100011	AR	Compound, Locking	
2	0641410	4	Bolt 1/4 x 1-1/4	
3	0760610	3	Bolt M6 x 20	
4	2560187	1	Handle	
5	2940173	1	Latch	
6	3290601	1	Nut M6	
7	3291005	12	Nut M10	
8	4711400	4	Washer 1/4	
9	4811700	2	Washer M6	
10	1001259230	2	Hinge	
12	1001178228	1	Bracket	
13	4812000	3	Washer M10	
14	1001202830	1	Support	

SECTION 2 - TURNTABLE

FIGURE 2-47. HOOD ASSEMBLY (STEEL) - TANK SIDE (MACHINES WITH SN STARTING WITH B3)



ART_1001285641

SECTION 2 - TURNTABLE

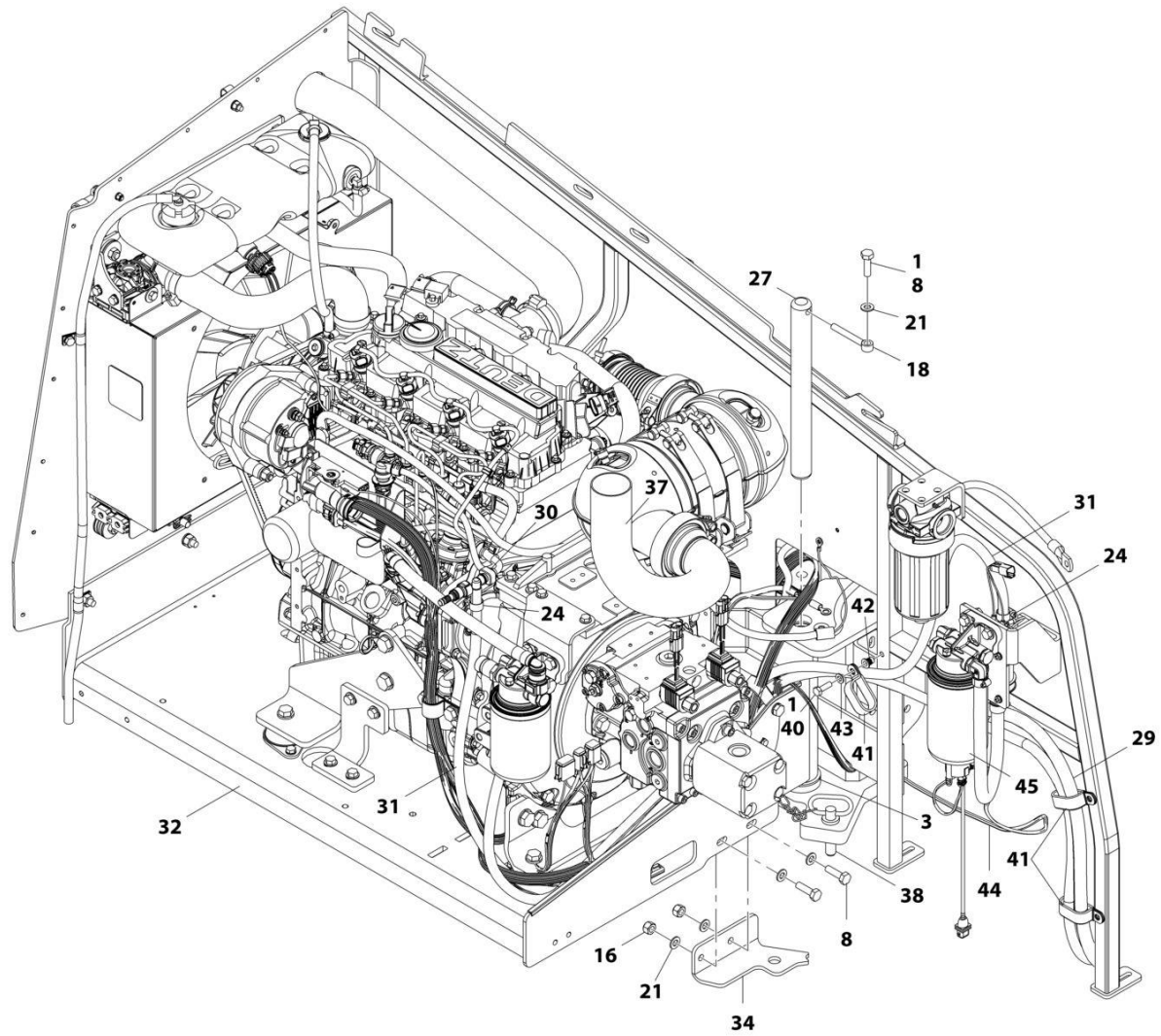
FIGURE 2-47. HOOD ASSEMBLY (STEEL) - TANK SIDE (MACHINES WITH SN STARTING WITH B3)

ITEM	PART NUMBER	QTY	DESCRIPTION	REV
	1001285641	Ref	HOOD ASSEMBLY (STEEL) - TANK SIDE	A
1	0100011	AR	Compound, Locking	
2	0641409	4	Bolt 1/4 x 1/8	
3	0700616	1	Bolt M6 x 40	
4	0760608	2	Bolt M6 x 16	
5	0761014	42	Bolt M10 x 30	
6	0761016	6	Bolt M10 x 40	
7	2560187	1	Handle	
8	2940045	1	Latch	
9	2940173	1	Latch	
10	3290601	1	Nut M6	
11	3290605	2	Nut M6	
12	3290805	3	Nut M8 x 1-1/4	
13	3291005	42	Nut M10 x 1-1/2	
14	3900363	2	Screw M6 x 25	
15	4751400	4	Washer 1/4	
16	4811700	6	Washer M6	
17	4811900	3	Washer M8	
18	4812000	78	Washer M10	
19	5241000	6	Washer M10	
20	1001116290	1	Plate	
21	1001139384	2	Hinge	
22	1001164726	3	Screw M8 x 20	
23	1001169046	2	Nut	
24	1001202333	2	Plate, Nut	
25	1001263663	1	Bracket	
26	1001263668	1	Plate, Hinge	
27	1001263678	1	Bracket	
28	1001263694	1	Panel (End)	
29	1001263787	1	Door	
30	1001265390	1	Panel (Side)	
31	1001281623	4.88 ft/1.49m	Seal	
32	1001285640	1	Panel (Top)	

SECTION 3 - ENGINE

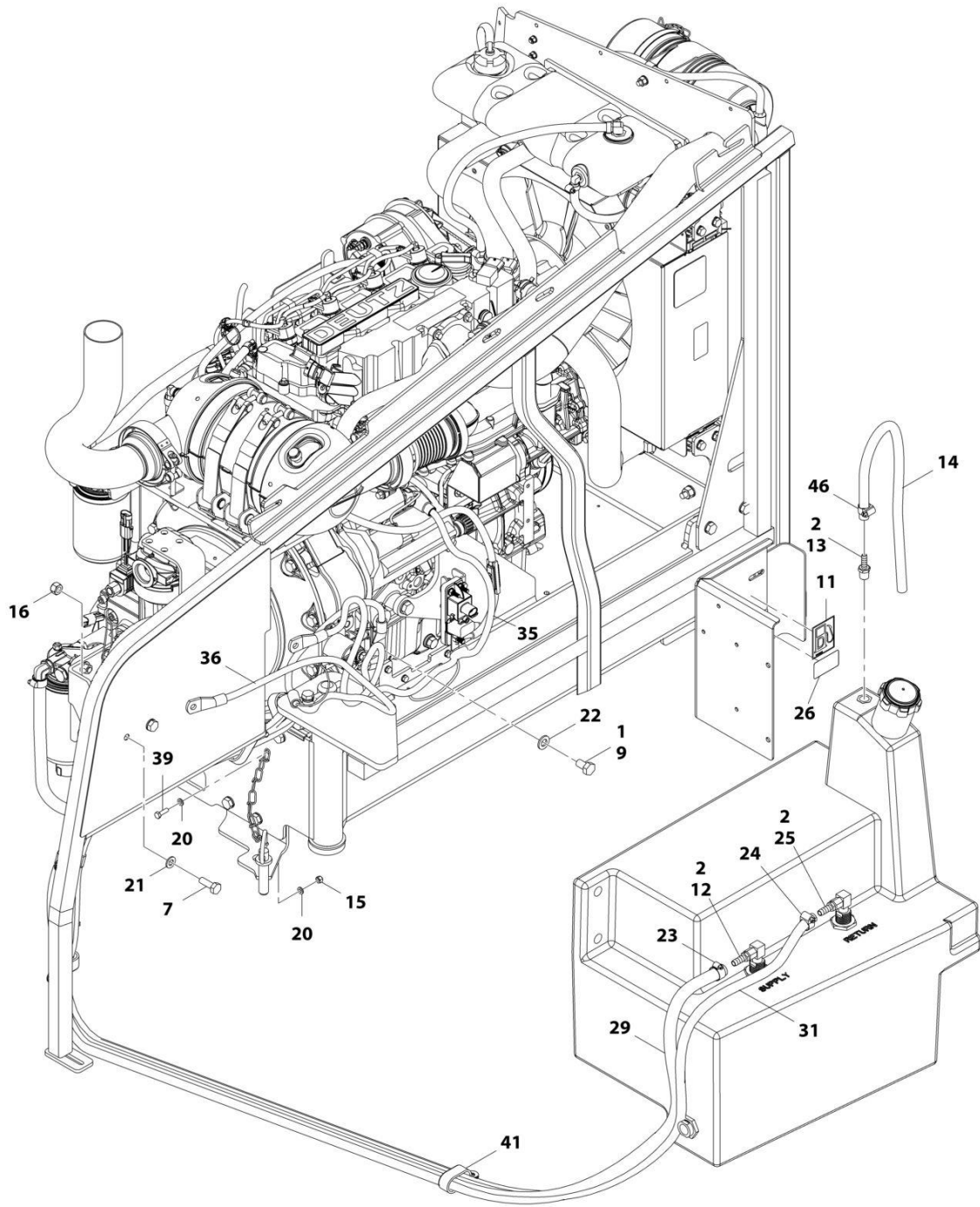
SECTION 3 - ENGINE

FIGURE 3-1. ENGINE INSTALLATION - DEUTZ D2.9L4 EMR4 ENGINE (WITHOUT ARCTIC PACKAGE)
(ANSI, ANSI EXPORT, CSA AND JAPANESE SPECS)



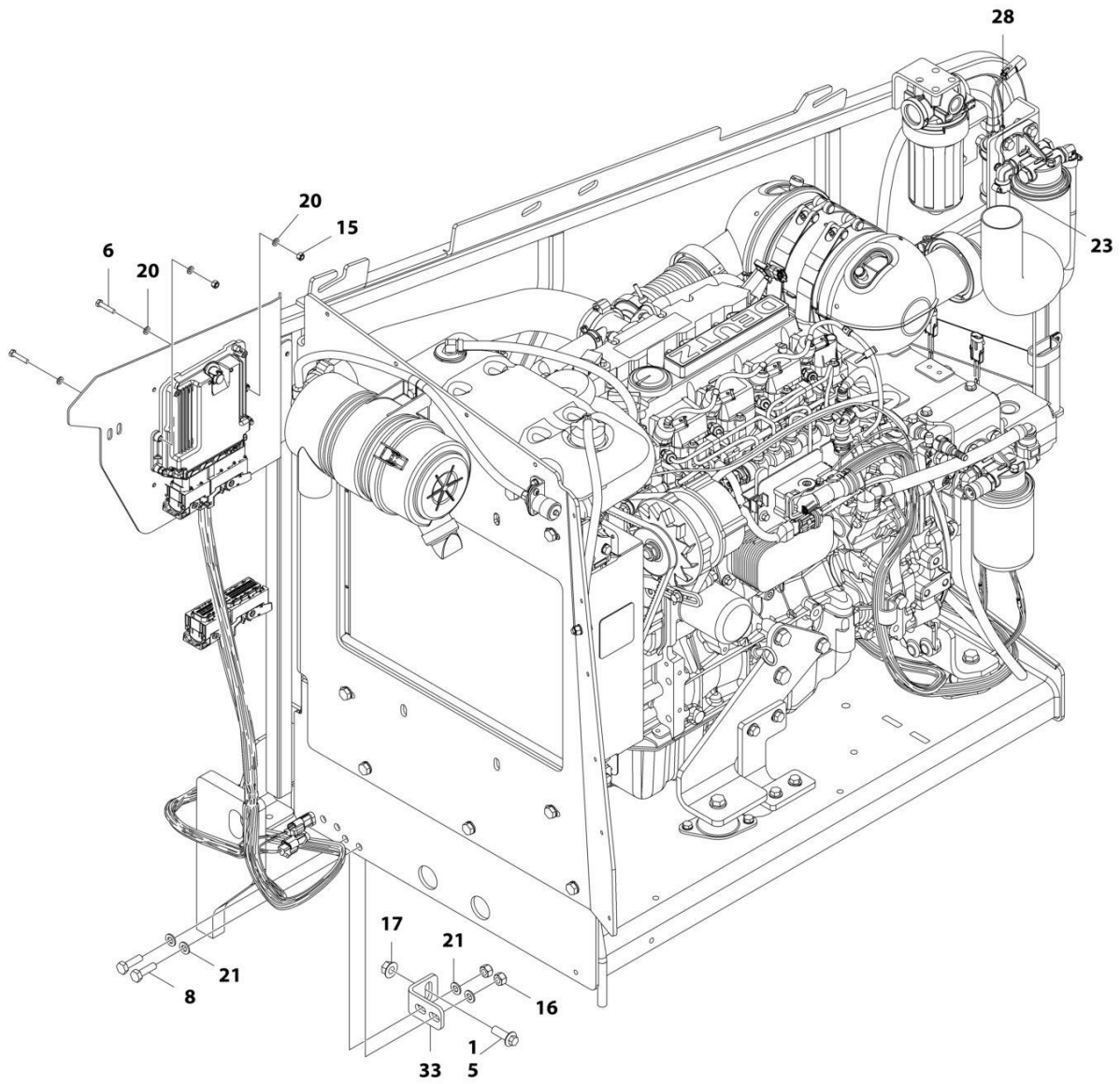
ART_1001166304_10F3

SECTION 3 - ENGINE



ART_1001166304_20F3

SECTION 3 - ENGINE



ART_1001166304_3OF3

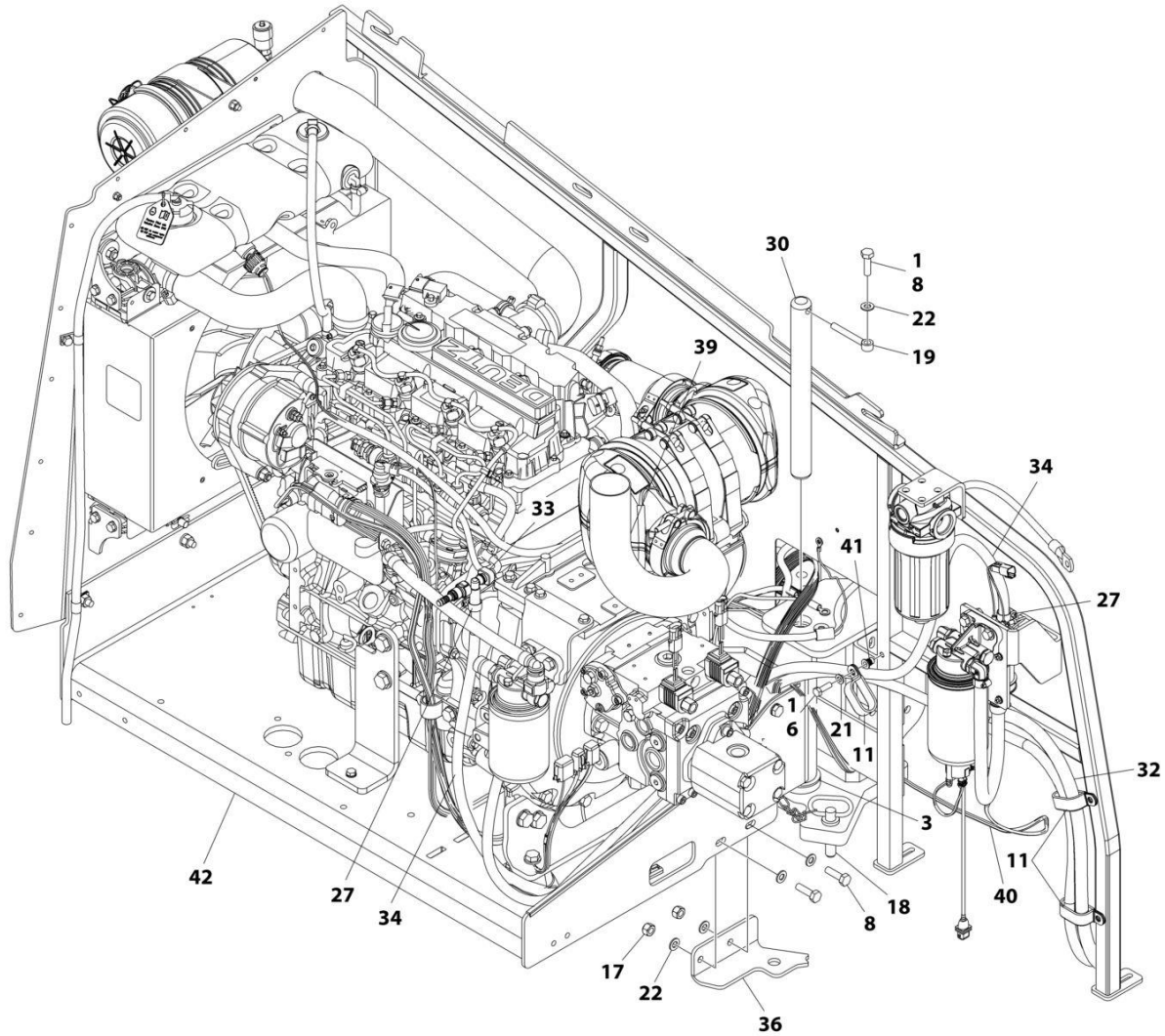
SECTION 3 - ENGINE

**FIGURE 3-1. ENGINE INSTALLATION - DEUTZ D2.9L4 EMR4 ENGINE (WITHOUT ARCTIC PACKAGE)
(ANSI, ANSI EXPORT, CSA AND JAPANESE SPECS)**

ITEM	PART NUMBER	QTY	DESCRIPTION	REV
	1001166304	Ref	ENGINE INSTALLATION - DEUTZ D2.9L4 ENGINE (WITHOUT ARCTIC PACKAGE)	G
1	0100011	AR	Compound, Locking	
2	0100020	AR	Sealant, Pipe	
3	0440162	1	Bearing	
5	5251215	1	Bolt M12 x 35	
6	0760614	4	Bolt M6 x 30	
7	0761014	2	Bolt M10 x 30	
8	0761015	5	Bolt M10 x 35	
9	0761210	1	Bolt M12 x 20	
11	1701505	1	Decal - Diesel Fuel	
12	2180832	1	Fitting, Barbed	
13	2180876	1	Fitting, Barbed	
14	2720058	2 ft /0.6m	Hose	
15	3290605	5	Nut M6	
16	3291005	6	Nut M10	
17	5261200	1	Nut, Flange M12 Grade 10.9	
18	3841143	1	Keeper, Pin	
20	4811700	10	Washer M6	
21	4812000	11	Washer M10	
22	4812100	1	Washer M12	
23	8405006	2	Clamp	
24	8410013	4	Clamp	
25	8430007	1	Coupling	
26	1001125387	1	Decal - Ultra Low Sulfur Diesel	
27	1001135196	1	Pin	
28	1001142501	1	Fitting, Barbed 90	
29	1001154405	7.25 ft /2.21m	Hose	
30	1001155823	1	Coupling, Quick Disconnect 90	
31	1001165035	17.25 ft /5.26m	Hose	
32	1001166001	1	Engine and Pump Sub-Assembly - Deutz D2.9L4 (Without Arctic Package) (See Separate Breakdown in this Section)	
33	1001167512	1	Bracket	
34	1001169823	1	Plate, Engine Lock	
35	1001171683	1	Cable, Battery (Red) (Battery Positive to Auxiliary Power Relay)	
36	1001171684	1	Cable, Battery (Black) (Battery Negative to Auxiliary Power Pump)	
37	1001172736	1	Pipe, Exhaust	
38	3422532	1	Pin	
39	0760610	1	Bolt M6 x 20	
40	0760812	1	Bolt M8 x 25	
41	1321716	4	Clamp	
42	1001191832	1	Nut, Rivet M8	
43	4811900	1	Washer M8	
44	1001181358	1	Harness, Fuel Pump (See Separate Breakdown in ELECTRICAL SECTION)	
45	1001162335	1	Bracket Assembly - Fuel Pump/Filter (See Separate Breakdown in this Section)	
46	1320022	1	Clamp	

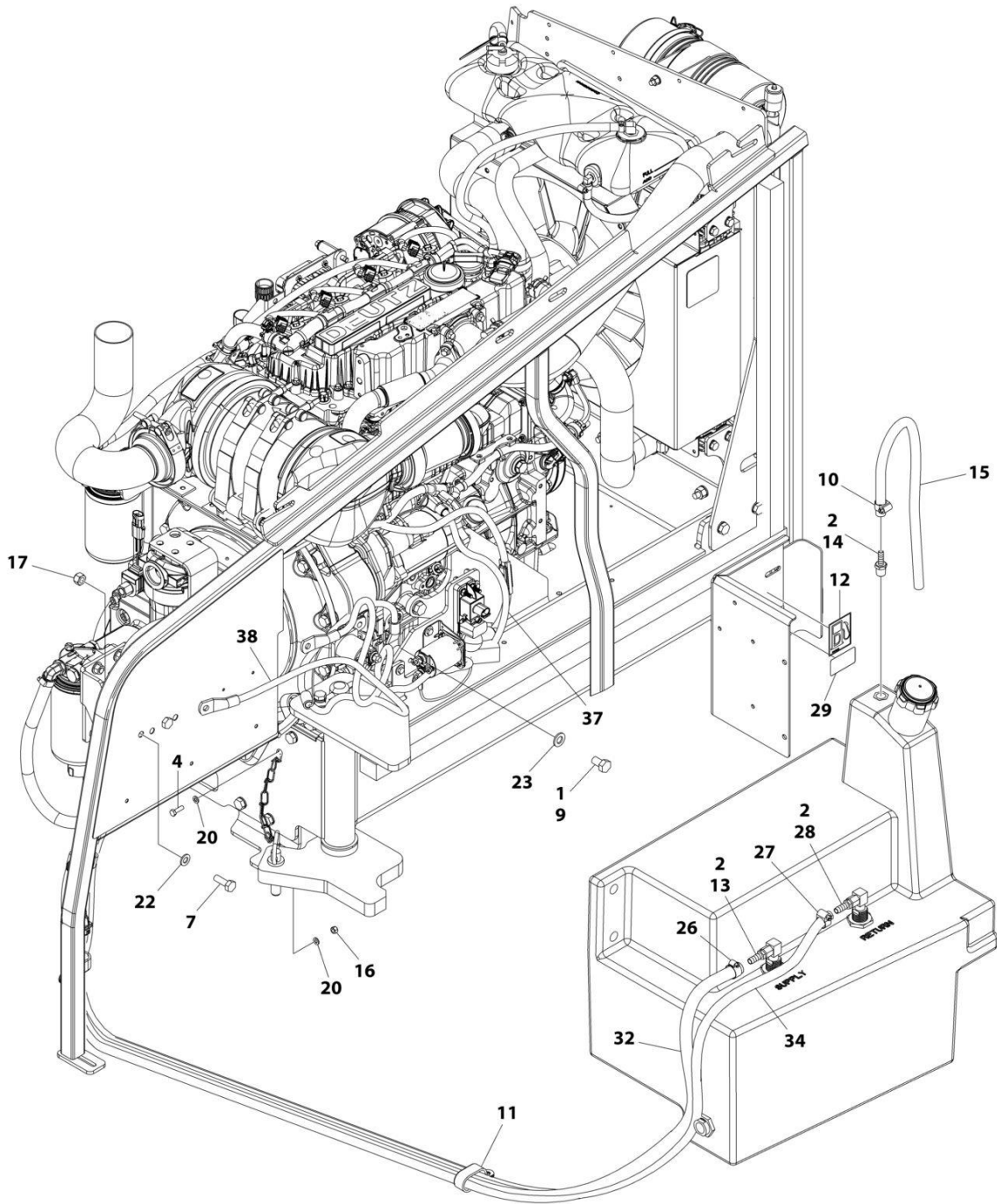
SECTION 3 - ENGINE

FIGURE 3-2. ENGINE INSTALLATION - DEUTZ D2.9L4 ERM5 ENGINE (WITHOUT ARCTIC PACKAGE)
(ANSI, ANSI EXPORT, CSA AND JAPANESE SPECS)



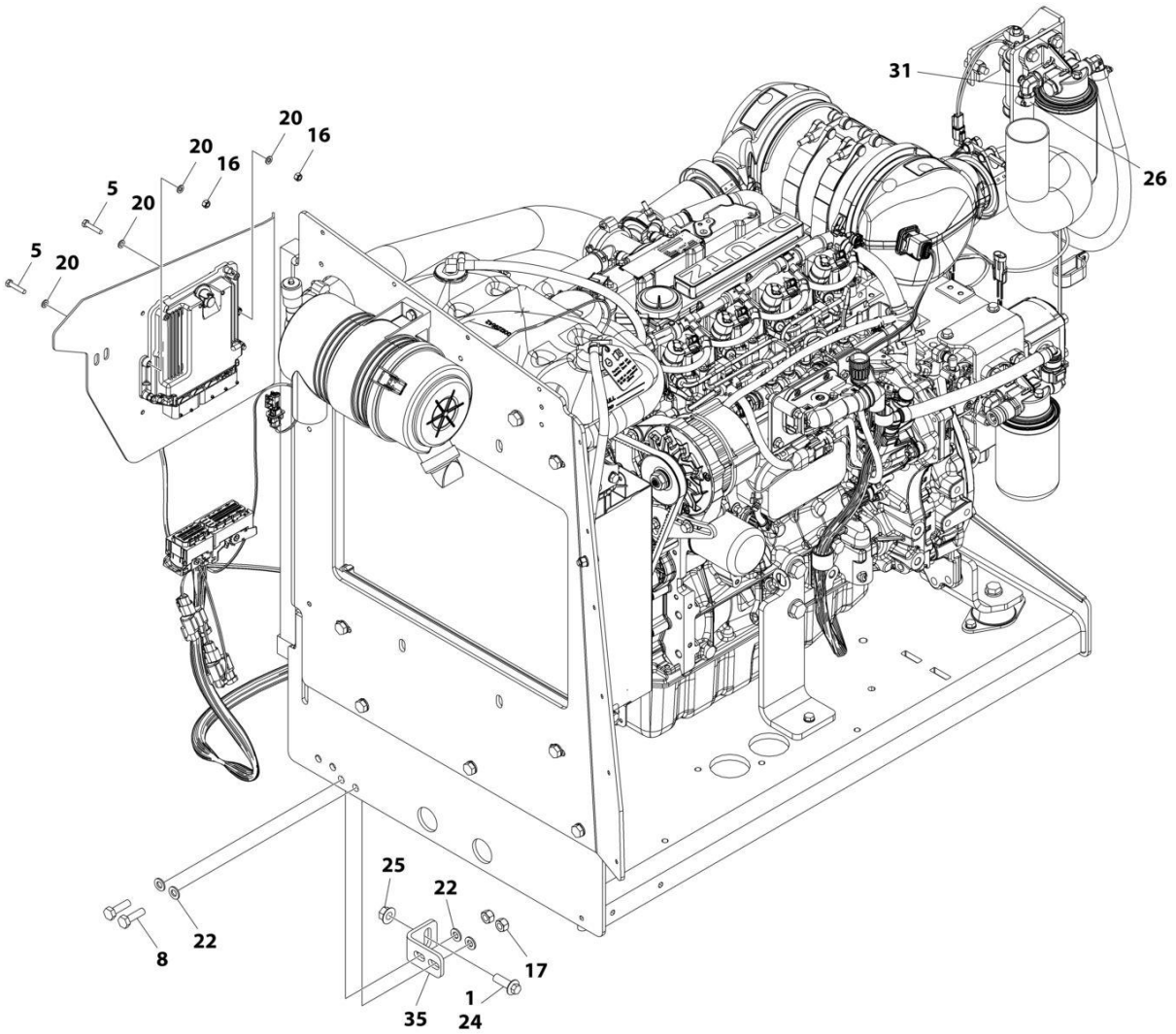
ART_1001302970_10F3

SECTION 3 - ENGINE



ART_1001302970_20F3

SECTION 3 - ENGINE



ART_1001302970_3OF3

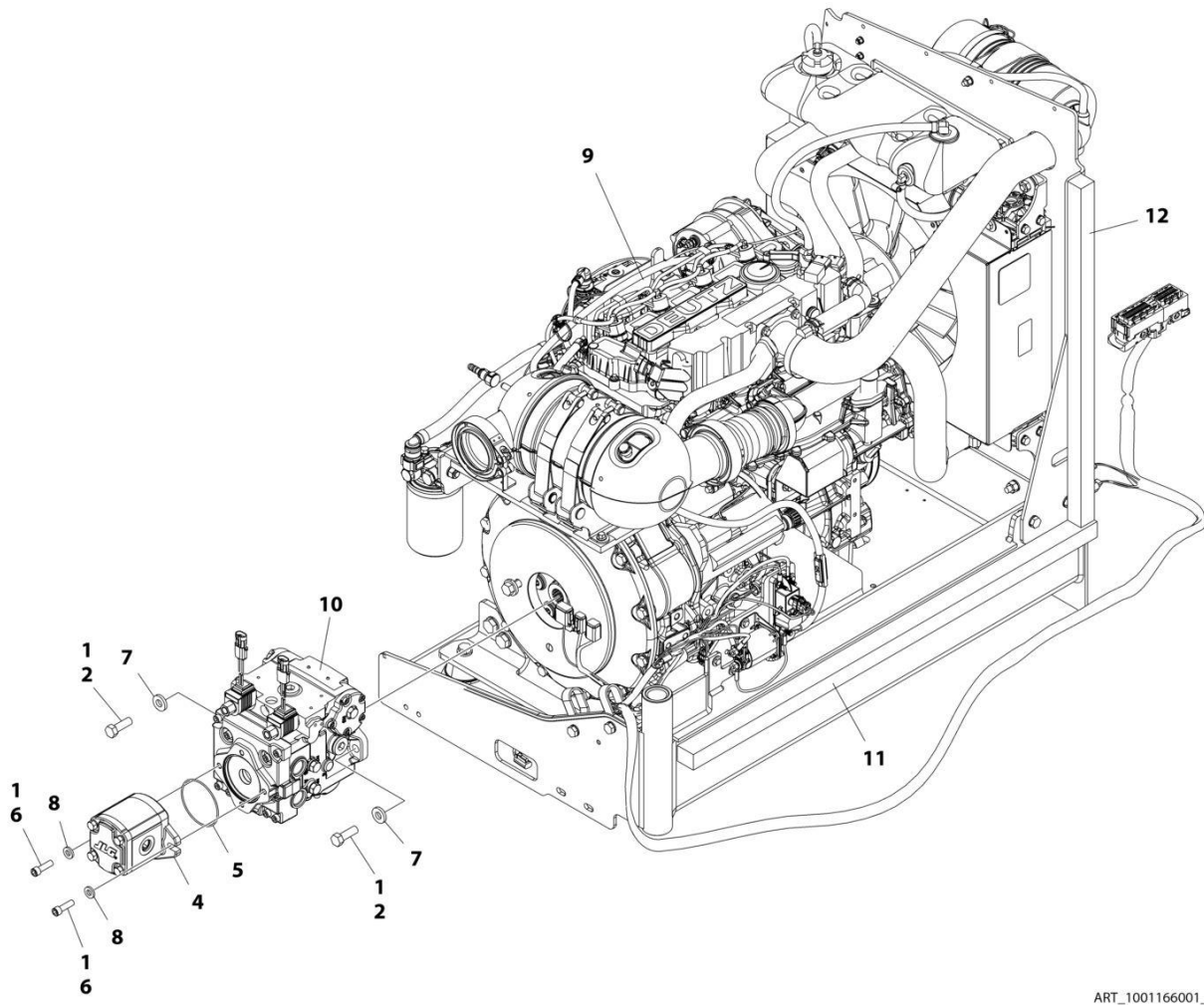
SECTION 3 - ENGINE

**FIGURE 3-2. ENGINE INSTALLATION - DEUTZ D2.9L4 ERM5 ENGINE (WITHOUT ARCTIC PACKAGE)
(ANSI, ANSI EXPORT, CSA AND JAPANESE SPECS)**

ITEM	PART NUMBER	QTY	DESCRIPTION	REV
	1001302970	Ref	ENGINE ASSEMBLY - DEUTZ D2.9L4 ERM5 ENGINE	A
1	0100011	AR	Compound, Locking	
2	0100020	AR	Sealant, Pipe	
3	0440162	1	Bearing	
4	0760610	1	Bolt M6 x 20	
5	0760614	4	Bolt M6 x 30	
6	0760812	1	Bolt M8 x 25	
7	0761014	2	Bolt M10 x 30	
8	0761015	5	Bolt M10 x 35	
9	0761210	1	Bolt M12 x 20	
10	1320022	1	Clamp	
11	1321716	4	Clamp	
12	1701505	1	Decal - Diesel	
13	2180832	1	Fitting, Barbed	
14	2180876	1	Fitting, Barbed	
15	2720058	2 ft/0.6 m	Hose	
16	3290605	5	Nut M6	
17	3291005	6	Nut M10	
18	3422532	1	Pin	
19	3841143	1	Keeper, Pin	
20	4811700	10	Washer M6	
21	4811900	1	Washer M8	
22	4812000	11	Washer M10	
23	4812100	1	Washer M12	
24	5251215	1	Bolt M12 x 35	
25	5261200	1	Nut M12	
26	8405006	2	Clamp	
27	8410013	4	Clamp	
28	8430007	1	Coupling	
29	1001125387	1	Decal - Ultra Low Sulfur Diesel	
30	1001135196	1	Pin	
31	1001142501	1	Fitting, Barbed 90	
32	1001154405	7 ft /2 m	Hose	
33	1001155823	1	Plate	
34	1001165035	17 ft /6 m	Hose	
35	1001167512	1	Bracket	
36	1001169823	1	Plate	
37	1001171683	1	Cable, Battery (Red) (Battery Positive to Auxiliary Power Relay)	
38	1001171684	1	Cable, Battery (Black) (Battery Negative to Auxiliary Power Pump)	
39	1001172736	1	Pipe, Exhaust	
40	1001181358	1	Harness, Fuel Pump (See Separate Breakdown in ELECTRICAL Section)	
41	1001191832	1	Rivet	
42	1001302961	1	Engine and Pump Assembly - Deutz D2.9L4 (Without Arctic Package) (See Separate Breakdown in this Section)	

SECTION 3 - ENGINE

FIGURE 3-3. ENGINE AND PUMP SUB-ASSEMBLY - DEUTZ D2.9L4 EMR4 (WITHOUT ARCTIC PACKAGE) (ANSI, ANSI EXPORT, CSA AND JAPANESE SPECS)



ART_1001166001_J

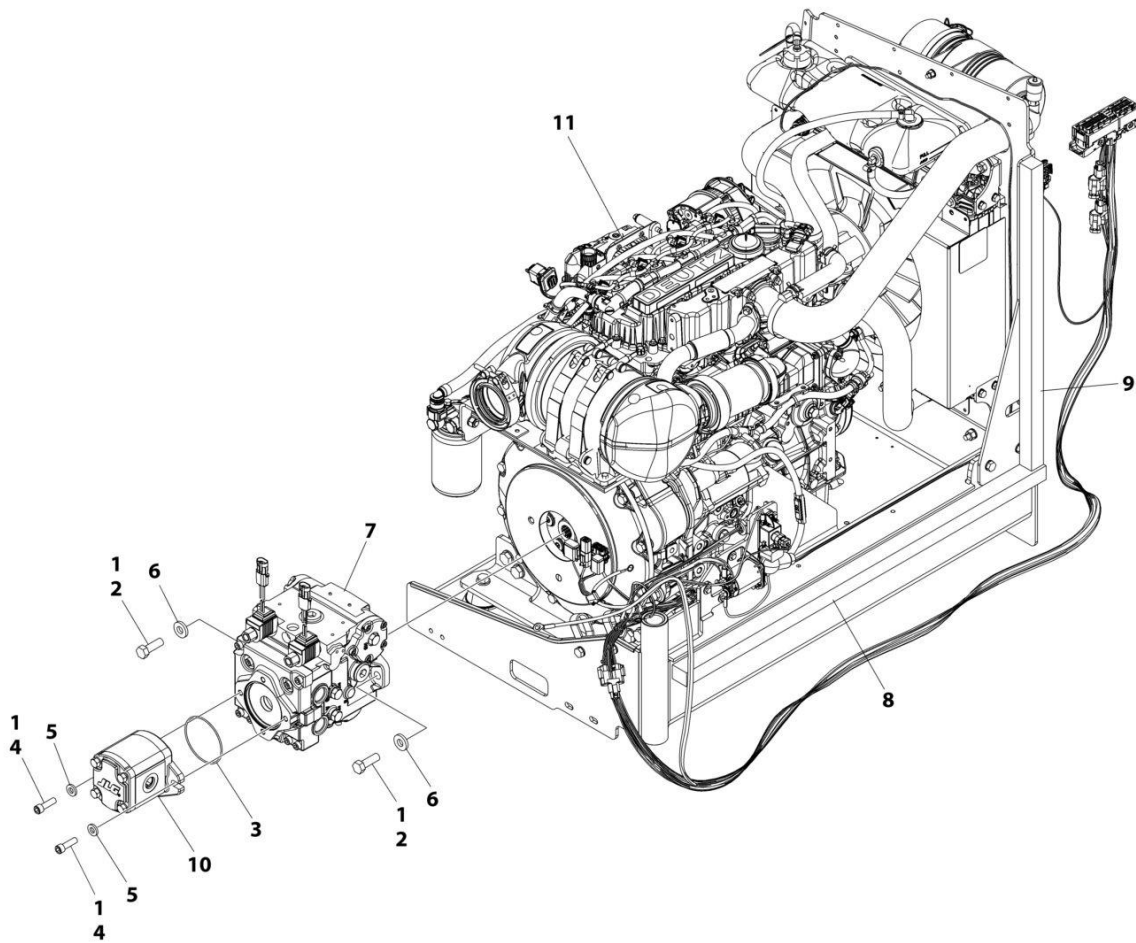
SECTION 3 - ENGINE

FIGURE 3-3. ENGINE AND PUMP SUB-ASSEMBLY - DEUTZ D2.9L4 EMR4 (WITHOUT ARCTIC PACKAGE) (ANSI, ANSI EXPORT, CSA AND JAPANESE SPECS)

ITEM	PART NUMBER	QTY	DESCRIPTION	REV
	1001166001	Ref	ENGINE AND PUMP SUB-ASSEMBLY - DEUTZ D2.9L4 (WITHOUT ARCTIC PACKAGE)	J
1	0100011	AR	Compound, Locking	
2	0641812	2	Bolt 1/2 x 1-1/2	
4	1001214207	1	Gear Pump Assembly	
4	70006356	1	Seal Kit - 1001214207 Pump	
5	3790152	1	O-Ring	
6	3931618	2	Capscrew 3/8 x 1-1/8	
7	4891800	2	Washer 1/2 Hardened	
8	4891600	2	Washer 3/8 Hardened	
9	1001166000	1	Engine Assembly - Deutz D2.9L4 Engine (Without Arctic Package) (See Separate Breakdown in this Section)	
10	1001167036	1	Piston Pump Assembly (See Separate Breakdown in this Section)	
11	1001171953	1	Seal	
12	1001171954	1	Seal	

SECTION 3 - ENGINE

FIGURE 3-4. ENGINE AND PUMP SUB-ASSEMBLY - DEUTZ D2.9L4 ERM5 ENGINE (WITHOUT ARCTIC PACKAGE) (ANSI, ANSI EXPORT AND CSA SPECS)



ART_1001302961

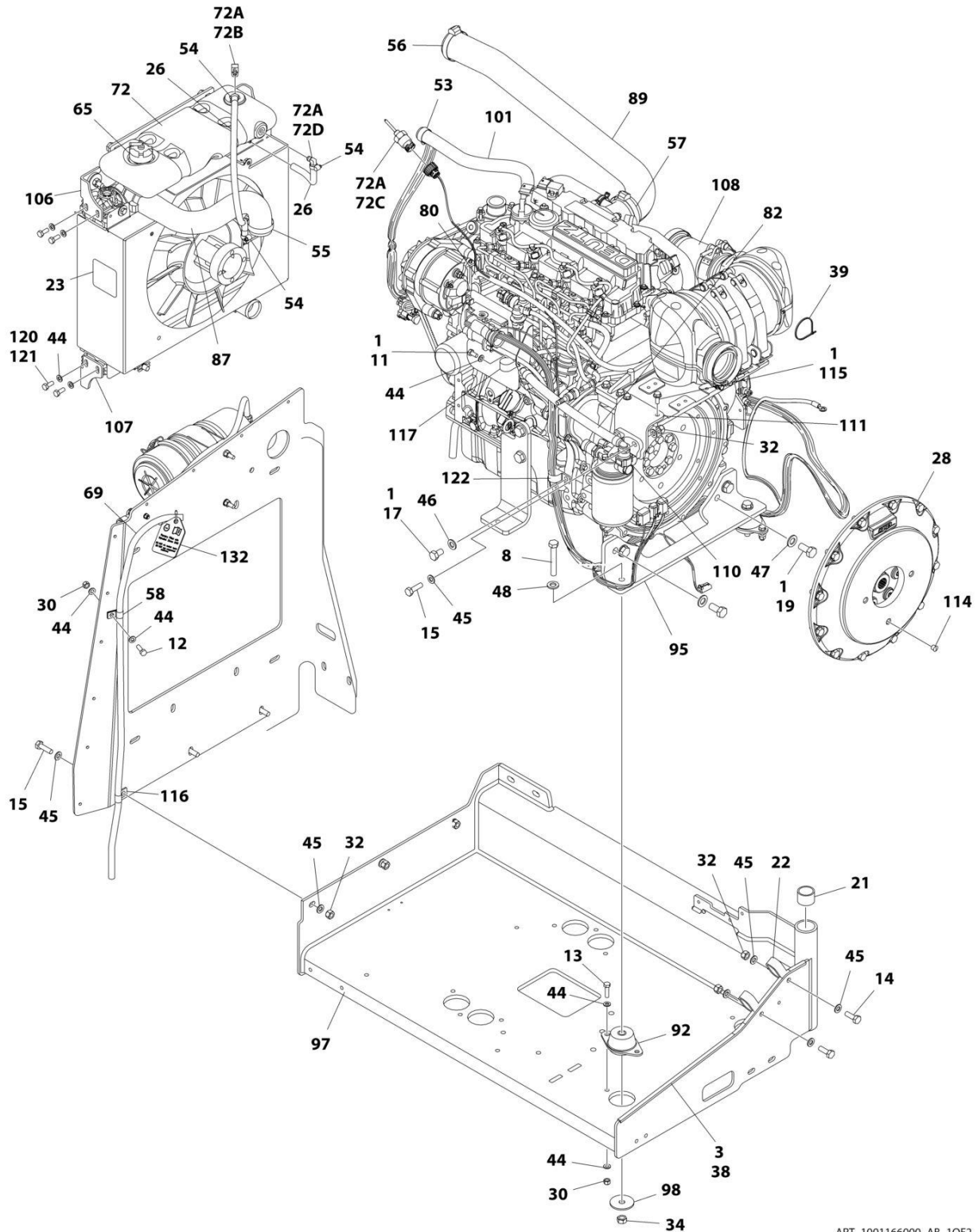
SECTION 3 - ENGINE

FIGURE 3-4. ENGINE AND PUMP SUB-ASSEMBLY - DEUTZ D2.9L4 ERM5 ENGINE (WITHOUT ARCTIC PACKAGE) (ANSI, ANSI EXPORT AND CSA SPECS)

ITEM	PART NUMBER	QTY	DESCRIPTION	REV
	1001302961	Ref	ENGINE AND PUMP SUB-ASSEMBLY - DEUTZ D2.9L4 ERM5	A
1	0100011	AR	Compound, Locking	
2	0641812	2	Bolt 1/2 x 1-1/2	
3	3790152	1	O-Ring	
4	3931618	2	Capscrew 3/8 x 1-1/8	
5	4891600	2	Washer 3/8	
6	4891800	2	Washer 1/2	
7	1001167036	1	Piston Pump Assembly (See Separate Breakdow in this Section)	
8	1001171953	1	Seal	
9	1001171954	1	Seal	
10	1001214207	1	Gear Pump Assembly	
10	70006356	1	Seal Kit - 1001214207 Pump	
11	1001302955	1	Engine Assembly - Deutz D2.9L4 ERM5 Engine (Without Arctic Package) (See Separate Breakdown in this Section)	

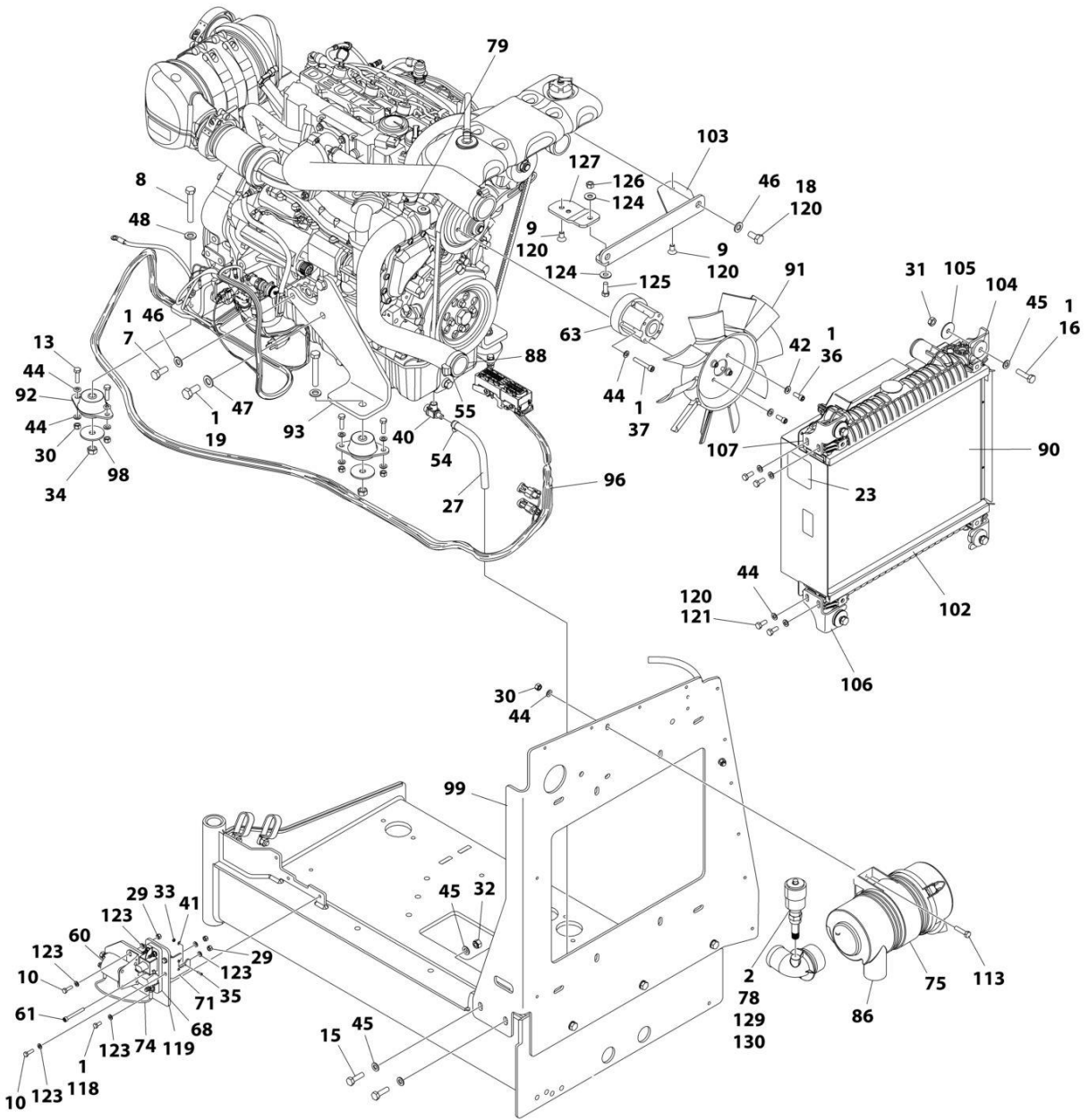
SECTION 3 - ENGINE

FIGURE 3-5. ENGINE ASSEMBLY - DEUTZ D2.9L4 EMR4 ENGINE (WITHOUT ARCTIC PACKAGE)
(ANSI, ANSI EXPORT, CSA AND JAPANESE SPECS)



ART_1001166000_AB_10F2

SECTION 3 - ENGINE



ART_1001166000_AB_2OF2

SECTION 3 - ENGINE

**FIGURE 3-5. ENGINE ASSEMBLY - DEUTZ D2.9L4 EMR4 ENGINE (WITHOUT ARCTIC PACKAGE)
(ANSI, ANSI EXPORT, CSA AND JAPANESE SPECS)**

ITEM	PART NUMBER	QTY	DESCRIPTION	REV
	1001166000	Ref	ENGINE ASSEMBLY - DEUTZ D2.9L4 ENGINE (WITHOUT ARCTIC PACKAGE)	AB
1	0100011	AR	Compound, Locking	
2	0100020	AR	Sealant, Pipe	
3	0100081	AR	Adhesive	
7	0711214	1	Bolt M12 x 30 Class 10.9	
8	0711224	3	Bolt M12 x 80 Class 10.9	
9	0741606	2	Screw 3/8 x 3/4	
10	0760610	4	Bolt M6 x 20	
11	0760808	1	Bolt M8 x 16	
12	0760812	1	Bolt M8 x 25	
13	0760814	6	Bolt M8 x 30	
14	0761014	2	Bolt M10 x 30	
15	0761015	7	Bolt M10 x 35	
16	0761016	4	Bolt M10 x 40	
17	0761210	1	Bolt M12 x 20	
18	0761212	2	Bolt M12 x 25	
19	0771414	6	Bolt M14 x 30 Class 10.9	
21	0961951	2	Bushing	
22	1321716	2	Clamp	
23	1703162	2	Decal - Caution Fan	
26	2720015	2 ft/1 m	Hose	
27	2720340	8 in/1 m	Hose	
28	2902065	1	Pump Coupling Kit (See Separate Breakdown in this Section)	
29	3290605	5	Nut M6	
30	3290805	9	Nut M8	
31	3291001	4	Nut M10	
32	3291005	9	Nut M10	
33	3310401	3	Nut #4	
34	3331215	3	Nut M12	
35	3910408	3	Screw #4- x 1/2	
36	3931512	4	Capscrew, 5/16 x 3/4	
37	4031914	4	Bolt M8 x 50	
38	4060805	3 ft/1 m	Flex-Trim	
39	4240099	AR	Tie-Strap	
40	4640751	1	Valve, Oil Drain	
41	4710400	3	Washer #4	
42	4711500	4	Washer 5/16	
44	4811900	31	Washer M8	
45	4812000	22	Washer M10	
46	4812100	4	Washer M12	
47	4812200	6	Washer M14	
48	5241200	3	Washer M12 Hardened	
53	8405007	2	Clamp	
54	8405009	5	Clamp	
55	8405104	4	Clamp	
56	8405202	1	Clamp	
57	8405204	1	Clamp	
58	8406109	1	Clip	

SECTION 3 - ENGINE

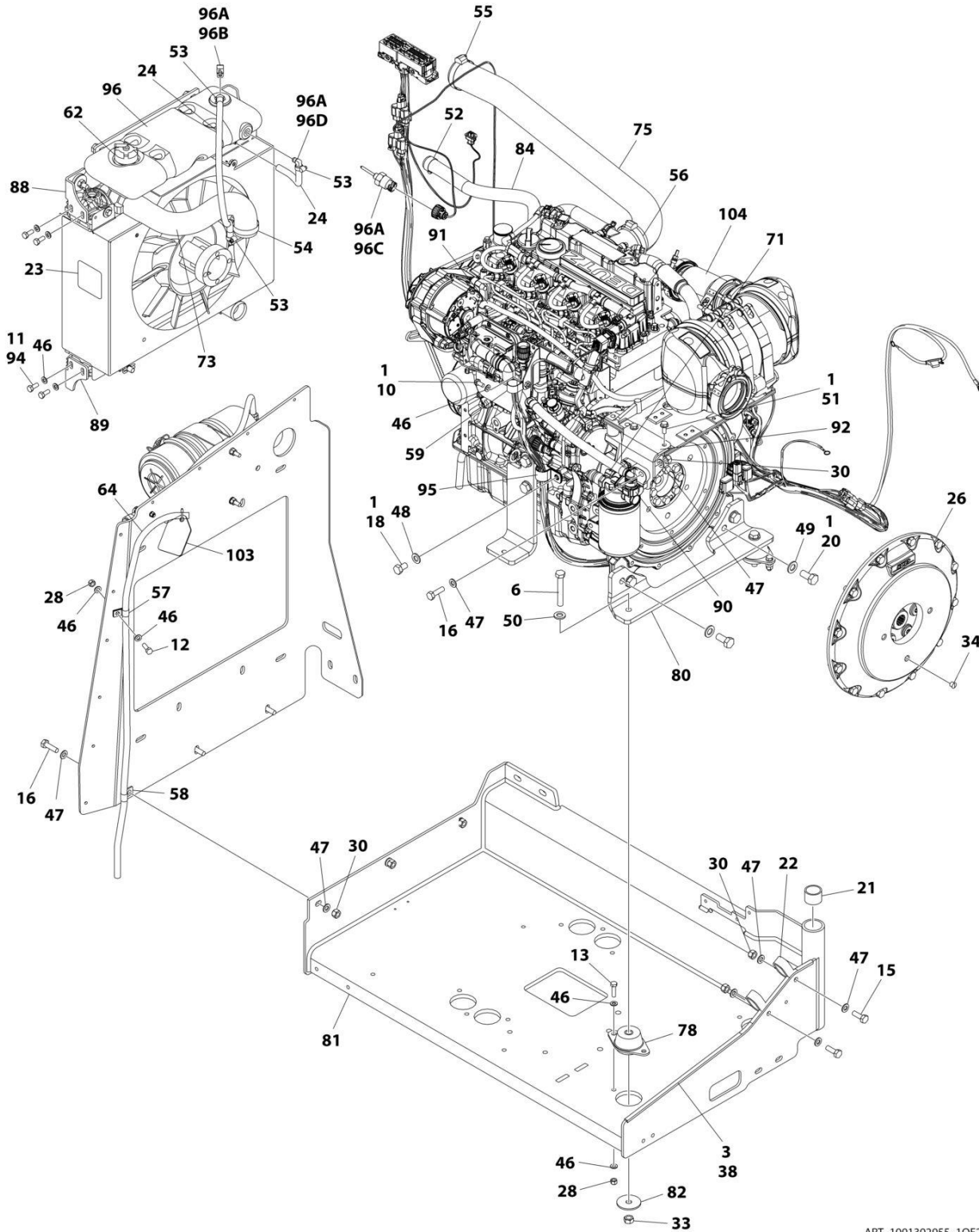
ITEM	PART NUMBER	QTY	DESCRIPTION	REV
60	1001117308	1	Relay, 200Amp	
60	3300220	2	Nut	
60	3321001	2	Nut #10	
60	4761000	2	Washer #10	
60	1001111424	2	Washer	
61	1001118878	1	Bolt M6 x 55	
63	1001144116	1	Spacer, Fan	
65	1001136834	1	Cap, Tank	
68	1001138228	1	Relay, Power Module	
68	70023592	1	Fuse 20Amp	
68	70023593	1	Fuse 30Amp	
69	1001138248	4 ft/1 m	Tube	
71	1001139240	1	Bracket	
72	1001230635	1	Tank, Surge (Includes Items 72A-72D)	
72A	0100020	AR	Sealant, Pipe	
72B	1001134488	1	Fitting, Barbed	
72C	1001138827	1	Sensor, Coolant Level	
72D	1001140564	1	Fitting, Barbed 90	
74	1001141304	1	Harness, Glow Plug	
75	1001141694	1	Clamp, Air Cleaner	
78	1001143390	1	Indicator	
79	1001143797	1	Fitting, Barbed	
80	1001178788	1	Cable, Alternator	
82	1001152489	1	Fitting, Barbed 90	
86	1001165388	1	Air Cleaner Assembly	
86	70003783	1	Element, Air Cleaner	
87	1001165405	1	Hose, Upper Radiator	
88	1001165406	1	Hose, Lower Radiator	
89	1001165721	1	Hose, Air Intake	
90	1001165722	1	Radiator	
91	1001165849	1	Fan	
92	1001166718	3	Mount, Motor	
93	1001166921	1	Plate, Engine Mount	
95	1001166924	1	Plate, Engine Mount	
96	1001167108	1	Harness Engine - Deutz D2.9L4 (See Separate Breakdown in ELECTRICAL Section)	
97	1001167520	1	Tray, Engine	
98	1001168018	3	Washer, Special	
99	1001168026	1	Plate, Radiator Mounting	
101	1001168099	1	Hose	
102	1001168166	2	Seal	
103	1001260420	1	Bracket	
104	1001169054	4	Isolator	
105	1001169138	4	Washer, Snubbing	
106	1001169967	2	Bracket	
107	1001170035	2	Bracket	
108	1001249965	1	Engine, Deutz D2.9L4 (See Separate Breakdown in this Section)	
110	1001177359	1	Hose	
111	1001178876	1	Mount, Fuel Filter	
113	0760815	2	Bolt M8 x 35	
114	3520054	1	Plug	
115	5250810	2	Bolt M8 x 20	

SECTION 3 - ENGINE

ITEM	PART NUMBER	QTY	DESCRIPTION	REV
116	8406110	1	Clip	
117	8406201	1	Clip	
118	0760607	3	Bolt M6 x 14	
119	1001179903	1	Bracket	
120	1001180620	AR	Adhesive	
121	0760810	8	Bolt M8 x 20	
122	1001191620	1	Clamp	
123	4811702	12	Washer M6	
124	4751600	2	Washer 3/8	
125	0681608	1	Bolt 3/8 x 1	
126	3311605	1	Nut 3/8	
127	1001260412	1	Bracket	
128	1001162335	1	Bracket Assembly - Fuel Pump/Filter (Not Shown - See Separate Breakdown in this Section)	
129	2200261	1	Fitting	
130	1001277432	1	Spacer	
131	4240032	1	Tie-Strap (Not Shown)	
132	1001291401	1	Tag, Coolant	

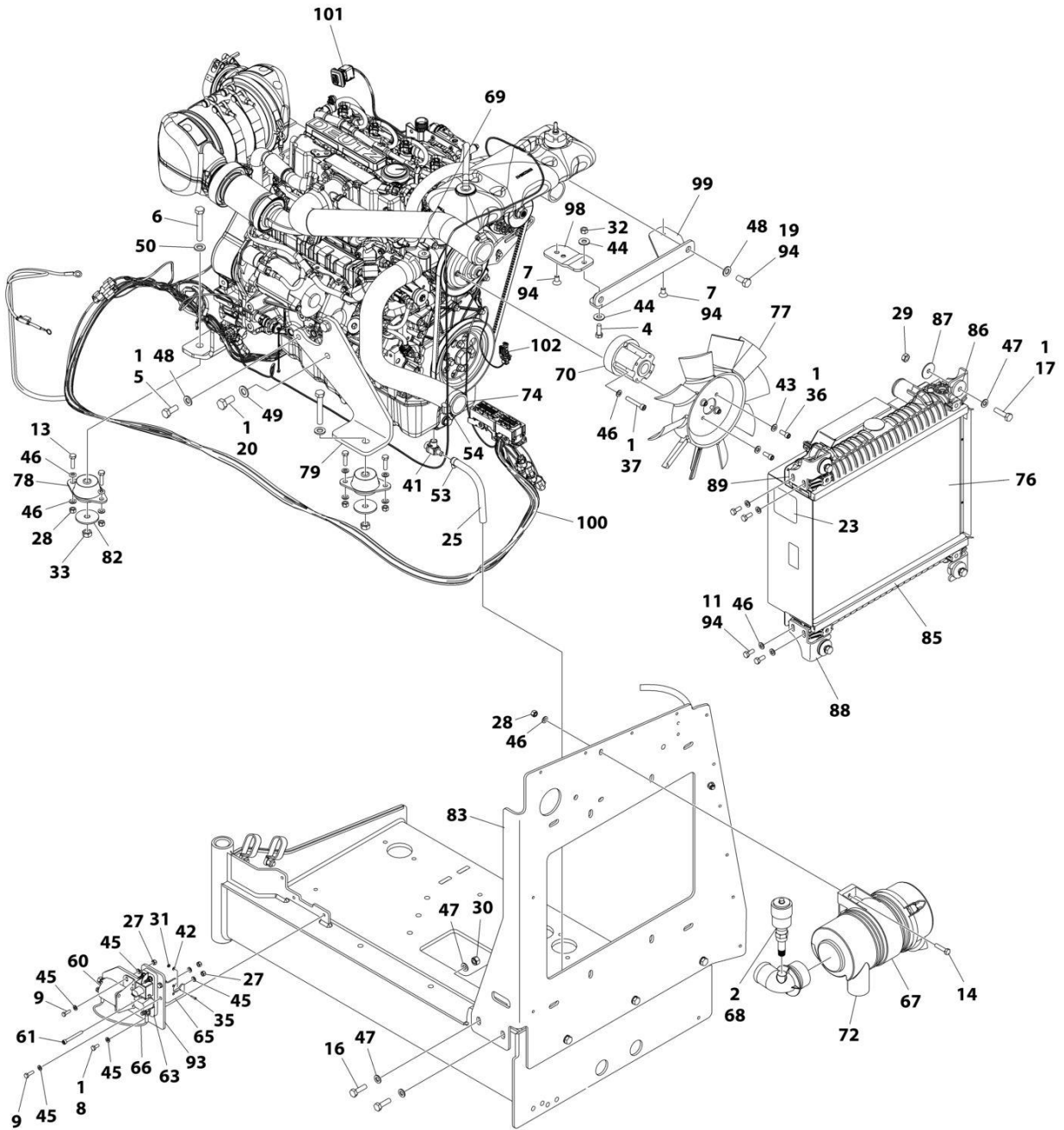
SECTION 3 - ENGINE

FIGURE 3-6. ENGINE ASSEMBLY - DEUTZ D2.9L4 ERM5 ENGINE (WITHOUT ARCTIC PACKAGE) (ANSI, ANSI EXPORT AND CSA SPECS)



ART_1001302955_10F2

SECTION 3 - ENGINE



ART_1001302955_20F2

SECTION 3 - ENGINE

**FIGURE 3-6. ENGINE ASSEMBLY - DEUTZ D2.9L4 ERM5 ENGINE (WITHOUT ARCTIC PACKAGE)
(ANSI, ANSI EXPORT AND CSA SPECS)**

ITEM	PART NUMBER	QTY	DESCRIPTION	REV
	1001302955	Ref	ENGINE ASSEMBLY - DEUTZ D2.9L4 ERM5 ENGINE	A
1	0100011	AR	Compound, Locking	
2	0100020	AR	Sealant, Pipe	
3	0100081	AR	Adhesive	
4	0681608	1	Bolt 3/8 x 1	
5	0711214	1	Bolt M12 x 30	
6	0711224	3	Bolt M12 x 80	
7	0741606	2	Screw 3/8 x 3/4	
8	0760607	3	Bolt M6 x 14	
9	0760610	4	Bolt M6 x 20	
10	0760808	1	Bolt M8 x 16	
11	0760810	8	Bolt M8 x 20	
12	0760812	1	Bolt M8 x 25	
13	0760814	6	Bolt M8 x 30	
14	0760815	2	Bolt M8 x 35	
15	0761014	2	Bolt M10 x 30	
16	0761015	7	Bolt M10 x 35	
17	0761016	4	Bolt M10 x 40	
18	0761210	1	Bolt M12 x 20	
19	0761212	2	Bolt M12 x 25	
20	0771414	6	Bolt M14 x 30	
21	0961951	2	Bushing	
22	1321716	2	Clamp	
23	1703162	2	Decal - Caution Fan	
24	2720015	2 ft/1 m	Hose	
25	2720340	8 in/20 cm	Hose	
26	2902065	1	Pump Coupling Kit (See Separate Breakdown in this Section)	
27	3290605	5	Nut M6	
28	3290805	9	Nut M8	
29	3291001	4	Nut M10	
30	3291005	9	Nut M10	
31	3310401	3	Nut #4	
32	3311605	1	Nut 3/8	
33	3331215	3	Nut M12	
34	3520054	1	Plug	
35	3910408	3	Screw #4 x 1/2	
36	3931512	4	Capscrew 5/16 x 3/4	
37	4031914	4	Bolt M8 x 50	
38	4060805	2 ft/1 m	Flex-Trim	
39	4240032	AR	Tie-Strap (Not Shown)	
40	4240099	AR	Tie-Strap (Not Shown)	
41	4640751	1	Valve, Oil Drain	
42	4710400	3	Washer #4	
43	4711500	4	Washer 5/16	
44	4751600	2	Washer 3/8	
45	4811702	12	Washer M6	
46	4811900	31	Washer M8	
47	4812000	22	Washer M10	
48	4812100	4	Washer M12	

SECTION 3 - ENGINE

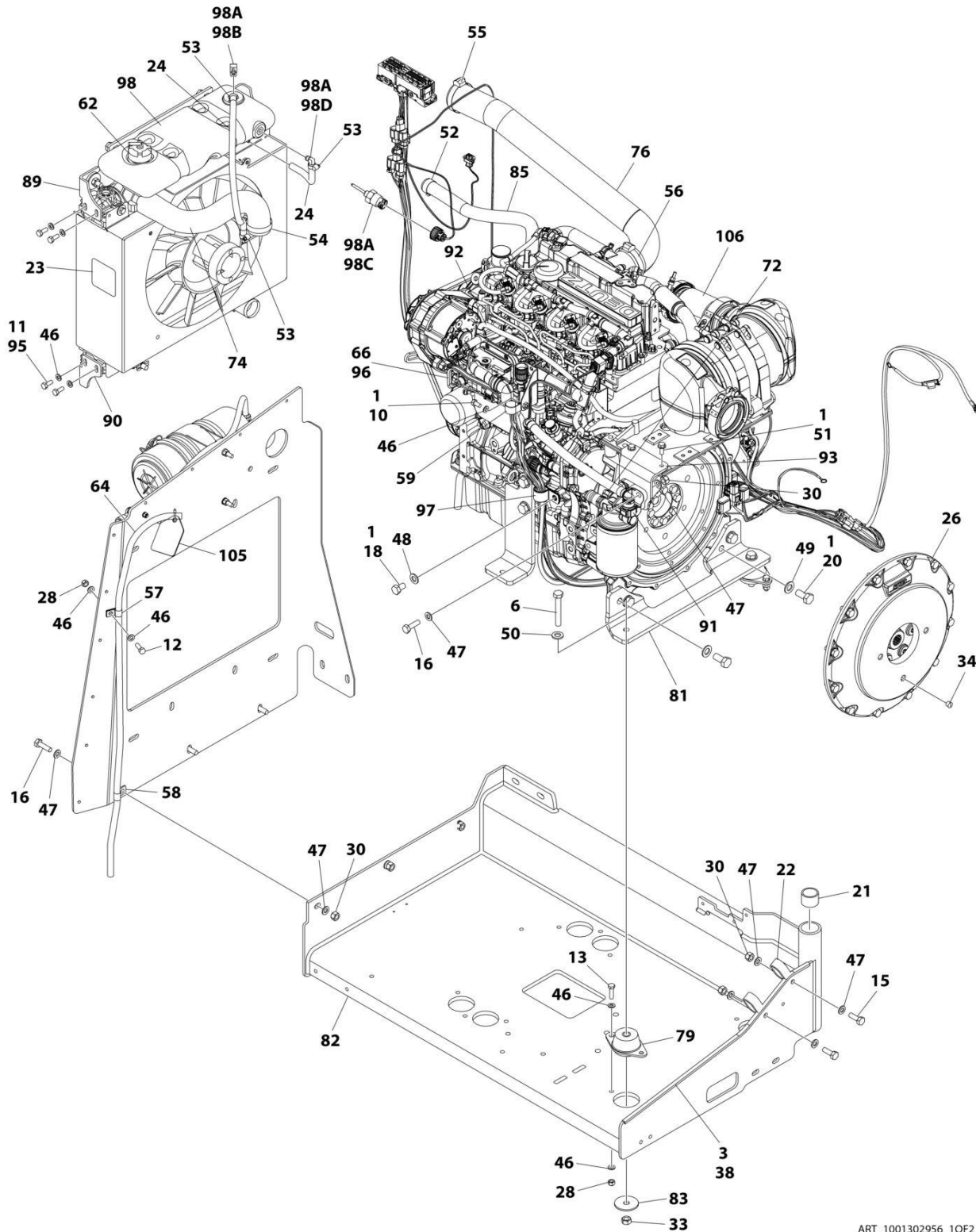
ITEM	PART NUMBER	QTY	DESCRIPTION	REV
49	4812200	6	Washer M14	
50	5241200	3	Washer M12	
51	5250810	2	Bolt M8 x 20	
52	8405007	2	Clamp	
53	8405009	5	Clamp	
54	8405104	4	Clamp	
55	8405202	1	Clamp	
56	8405204	1	Clamp	
57	8406109	1	Clip	
58	8406110	1	Clip	
59	8406201	1	Clip	
60	1001117308	1	Relay, 200Amp	
60	3300220	2	Nut	
60	3321001	2	Nut #10	
60	4761000	2	Washer #10	
60	100111424	2	Washer	
61	1001118878	1	Bolt M6 x 55	
62	1001136834	1	Cap, Tank	
63	1001138228	1	Relay, Power Module	
63	70023592	1	Fuse 20AMP	
63	70023593	1	Fuse 30AMP	
64	1001138248	4 ft/1 m	Hose	
65	1001139240	1	Bracket	
66	1001141304	1	Harness, Glow Fuse	
67	1001141694	1	Clamp	
68	1001143390	1	Indicator	
69	1001143797	1	Fitting, Pipe Straight	
70	1001144116	1	Spacer, Fan	
71	1001152489	1	Fitting, Pipe 90	
72	1001165388	1	Filter, Air Cleaner	
73	1001165405	1	Hose	
74	1001165406	1	Hose	
75	1001165721	1	Hose	
76	1001165722	1	Radiator	
77	1001165849	1	Fan	
78	1001166718	3	Isolator	
79	1001166921	1	Plate	
80	1001166924	1	Plate	
81	1001167520	1	Support	
82	1001168018	3	Washer, Special	
83	1001168026	1	Plate	
84	1001168099	1	Hose	
85	1001168166	2	Seal	
86	1001169054	4	Isolator, Radiator	
87	1001169138	4	Pad	
88	1001169967	2	Bracket	
89	1001170035	2	Bracket	
90	1001177359	1	Hose	
91	1001178788	1	Cable, Alternator	
92	1001178876	1	Mount	
93	1001179903	1	Bracket	

SECTION 3 - ENGINE

ITEM	PART NUMBER	QTY	DESCRIPTION	REV
94	1001180620	AR	Adhesive	
95	1001191620	1	Clamp	
96	1001230635	1	Tank, Surge Assembly (Includes Items 96A-96D)	
96A	0100020	AR	Sealant, Pipe	
96B	1001134488	1	Fitting, Barbed	
96C	1001138827	1	Sensor, Coolant Level	
96D	1001140564	1	Fitting, Barbed 90	
97	1001235949	1	Bracket Assembly Fuel Pump/Filter (Not Shown - See Separate Breakdown in this Section)	
98	1001260412	1	Bracket	
99	1001260420	1	Bracket	
100	1001276643	1	Engine Harness (See Separate Breakdown in ELECTRICAL Section)	
101	1001281985	1	Connector	
102	1001281986	1	Connector	
103	1001291401	1	Tag, Coolant	
104	1001302954	1	Engine, Deutz D2.9L4 ERM5 (See Separate Breakdown in this Section)	

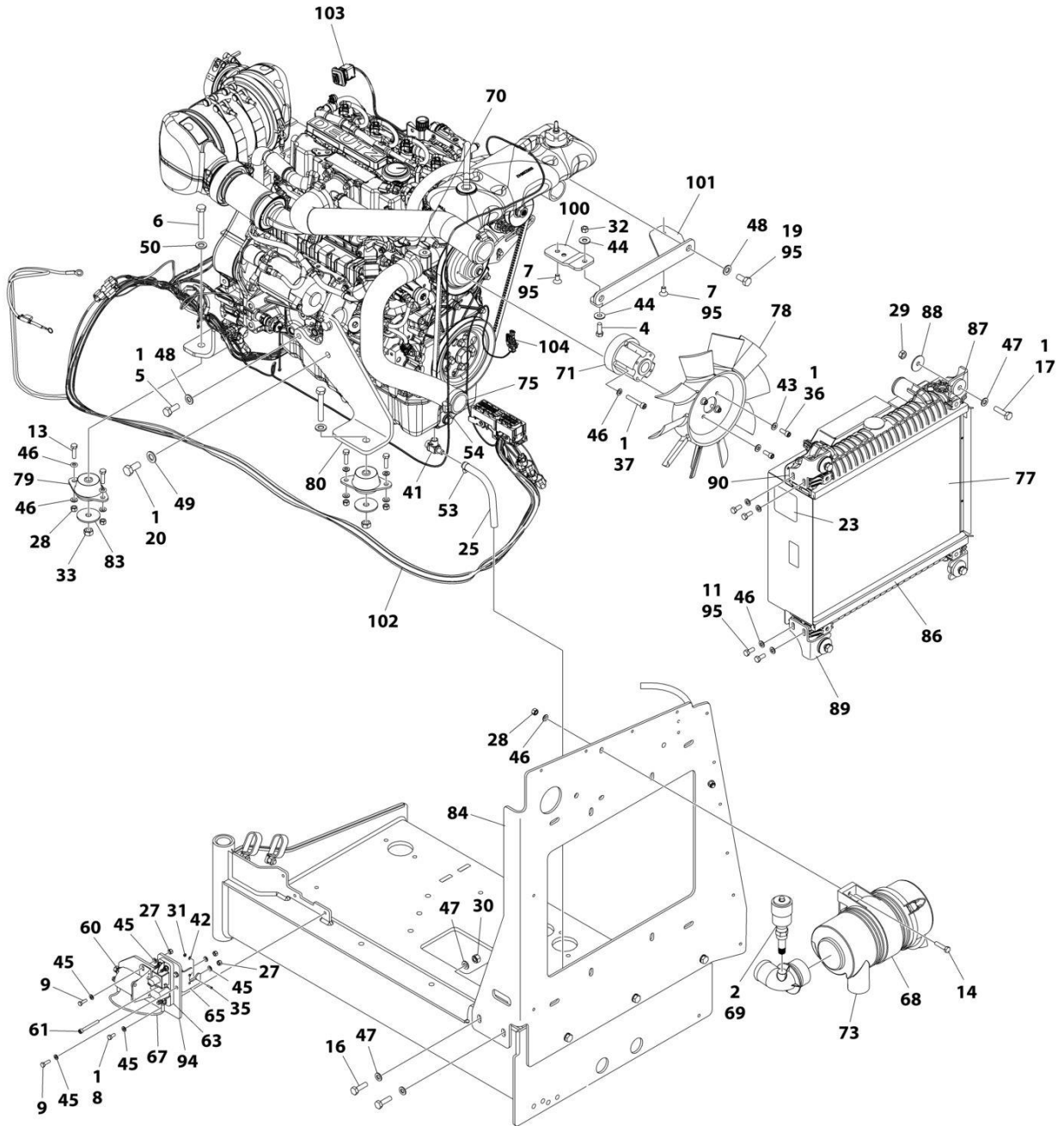
SECTION 3 - ENGINE

FIGURE 3-7. ENGINE ASSEMBLY - DEUTZ D2.9L4 ERM5 ENGINE (WITH ARCTIC PACKAGE) (ANSI AND CSA SPECS)



ART_1001302956_10F2

SECTION 3 - ENGINE



ART_1001302956_20F2

SECTION 3 - ENGINE

FIGURE 3-7. ENGINE ASSEMBLY - DEUTZ D2.9L4 ERM5 ENGINE (WITH ARCTIC PACKAGE) (ANSI AND CSA SPECS)

ITEM	PART NUMBER	QTY	DESCRIPTION	REV
	1001302956	Ref	ENGINE ASSEMBLY - DEUTZ D2.9L4 ERM5 ENGINE	A
1	0100011	AR	Compound, Locking	
2	0100020	AR	Sealant, Pipe	
3	0100081	AR	Adhesive	
4	0681608	1	Bolt 3/8 x 1	
5	0711214	1	Bolt M12 x 30	
6	0711224	3	Bolt M12 x 80	
7	0741606	2	Screw 3/8 x 3/4	
8	0760607	3	Bolt M6 x 14	
9	0760610	4	Bolt M6 x 20	
10	0760808	1	Bolt M8 x 16	
11	0760810	8	Bolt M8 x 20	
12	0760812	1	Bolt M8 x 25	
13	0760814	6	Bolt M8 x 30	
14	0760815	2	Bolt M8 x 35	
15	0761014	2	Bolt M10 x 30	
16	0761015	7	Bolt M10 x 35	
17	0761016	4	Bolt M10 x 40	
18	0761210	1	Bolt M12 x 20	
19	0761212	2	Bolt M12 x 25	
20	0771414	6	Bolt M14 x 30	
21	0961951	2	Bushing	
22	1321716	2	Clamp	
23	1703162	2	Decal - Caution Fan	
24	2720015	2 ft/1 m	Hose	
25	2720340	8 in/20 cm	Hose	
26	2902065	1	Pump Coupling Kit (See Separate Breakdown in this Section)	
27	3290605	5	Nut M6	
28	3290805	9	Nut M8	
29	3291001	4	Nut M10	
30	3291005	9	Nut M10	
31	3310401	3	Nut #4	
32	3311605	1	Nut 3/8	
33	3331215	3	Nut M12	
34	3520054	1	Plug	
35	3910408	3	Screw #4 x 1/2	
36	3931512	4	Capscrew 5/16 x 3/4	
37	4031914	4	Bolt M8 x 50	
38	4060805	3 ft/1 m	Flex-Trim	
39	4240032	AR	Tie-Strap (Not Shown)	
40	4240099	AR	Tie-Strap (Not Shown)	
41	4640751	1	Valve, Oil Drain	
42	4710400	3	Washer #4	
43	4711500	4	Washer 5/16	
44	4751600	2	Washer 3/8	
45	4811702	12	Washer M6	
46	4811900	31	Washer M8	
47	4812000	22	Washer M10	
48	4812100	4	Washer M12	

SECTION 3 - ENGINE

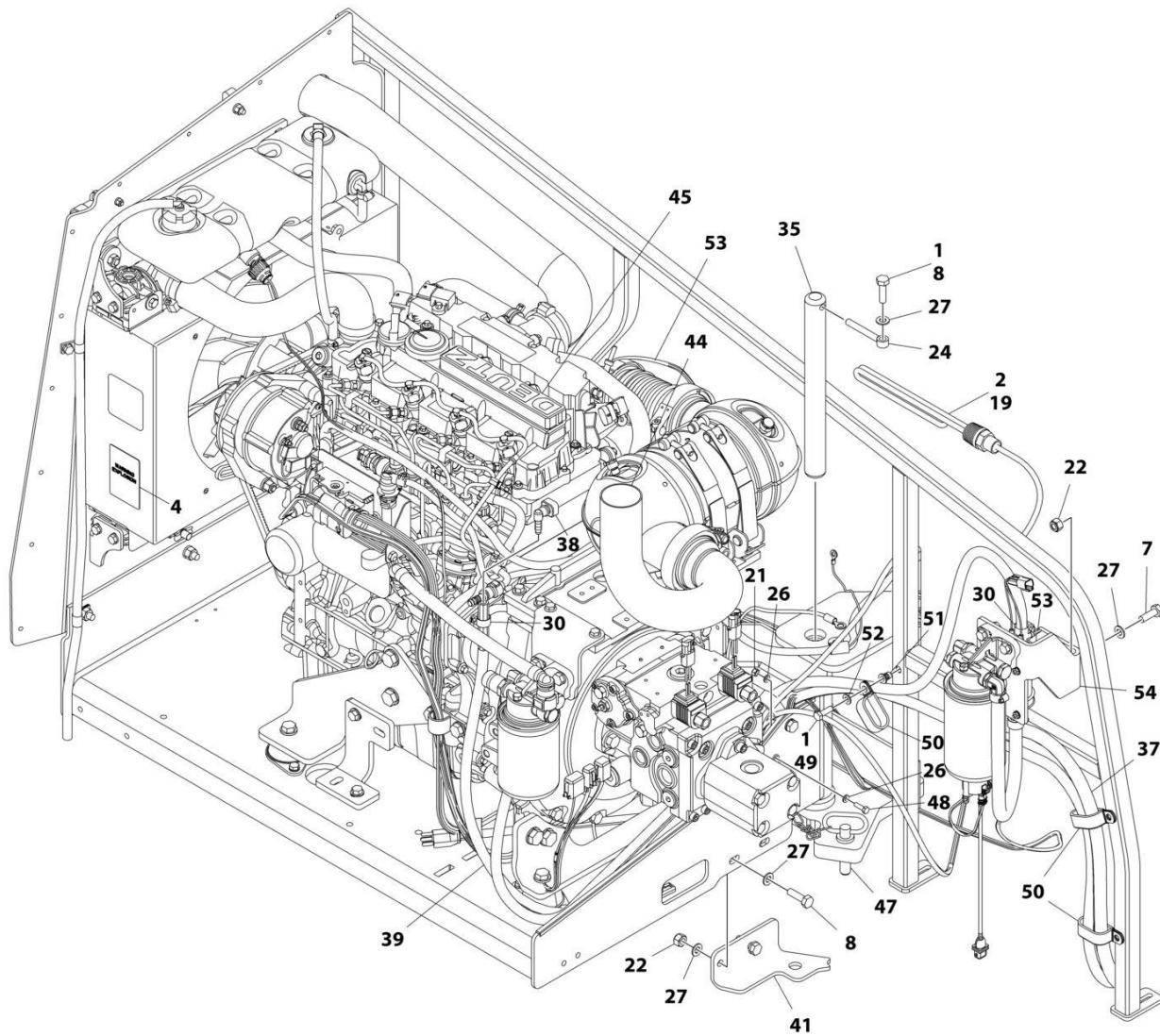
ITEM	PART NUMBER	QTY	DESCRIPTION	REV
49	4812200	6	Washer M14	
50	5241200	3	Washer M12	
51	5250810	2	Bolt M8 x 20	
52	8405007	2	Clamp	
53	8405009	5	Clamp	
54	8405104	4	Clamp	
55	8405202	1	Clamp	
56	8405204	1	Clamp	
57	8406109	1	Clip	
58	8406110	1	Clip	
59	8406201	1	Clip	
60	1001117308	1	Relay, 200Amp	
60	3300220	2	Nut	
60	3321001	2	Nut #10	
60	4761000	2	Washer #10	
60	100111424	2	Washer	
61	1001118878	1	Bolt M6 x 55	
62	1001136834	1	Cap, Tank	
63	1001138228	1	Relay, Power Module	
63	70023592	1	Fuse 20AMP	
63	70023593	1	Fuse 30AMP	
64	1001138248	4 ft/1 m	Hose	
65	1001139240	1	Bracket	
66	1001140312	1	Heater, Engine Block	
67	1001141304	1	Wire, Glow Fuse	
68	1001141694	1	Clamp	
69	1001143390	1	Indicator	
70	1001143797	1	Fitting, Pipe Straight	
71	1001144116	1	Spacer, Fan	
72	1001152489	1	Fitting, Pipe 90	
73	1001165388	1	Filter, Air Cleaner	
74	1001165405	1	Hose	
75	1001165406	1	Hose	
76	1001165721	1	Hose	
77	1001165722	1	Radiator	
78	1001165849	1	Fan	
79	1001166718	3	Isolator	
80	1001166921	1	Plate	
81	1001166924	1	Plate	
82	1001167520	1	Support	
83	1001168018	3	Washer, Special	
84	1001168026	1	Plate	
85	1001168099	1	Hose	
86	1001168166	2	Seal	
87	1001169054	4	Isolator, Radiator	
88	1001169138	4	Pad	
89	1001169967	2	Bracket	
90	1001170035	2	Bracket	
91	1001177359	1	Hose	
92	1001178788	1	Cable, Alternator	
93	1001178876	1	Mount	

SECTION 3 - ENGINE

ITEM	PART NUMBER	QTY	DESCRIPTION	REV
94	1001179903	1	Bracket	
95	1001180620	AR	Adhesive	
96	1001181895	AR	Adhesive	
97	1001191620	1	Clamp	
98	1001230635	1	Tank, Surge Assembly (Includes Items 96A-96D)	
98A	0100020	AR	Sealant, Pipe	
98B	1001134488	1	Fitting, Barbed	
98C	1001138827	1	Sensor, Coolant Level	
98D	1001140564	1	Fitting, Barbed 90	
99	1001235949	1	Bracket Assembly Fuel Pump/Filter (Not Shown - See Separate Breakdown in this Section)	
100	1001260412	1	Bracket	
101	1001260420	1	Bracket	
102	1001276643	1	Engine Harness (See Separate Breakdown in ELECTRICAL Section)	
103	1001281985	1	Connector	
104	1001281986	1	Connector	
105	1001291401	1	Tag, Coolant	
106	1001302954	1	Engine, Deutz D2.9L4 ERM5 (See Separate Breakdown in this Section)	

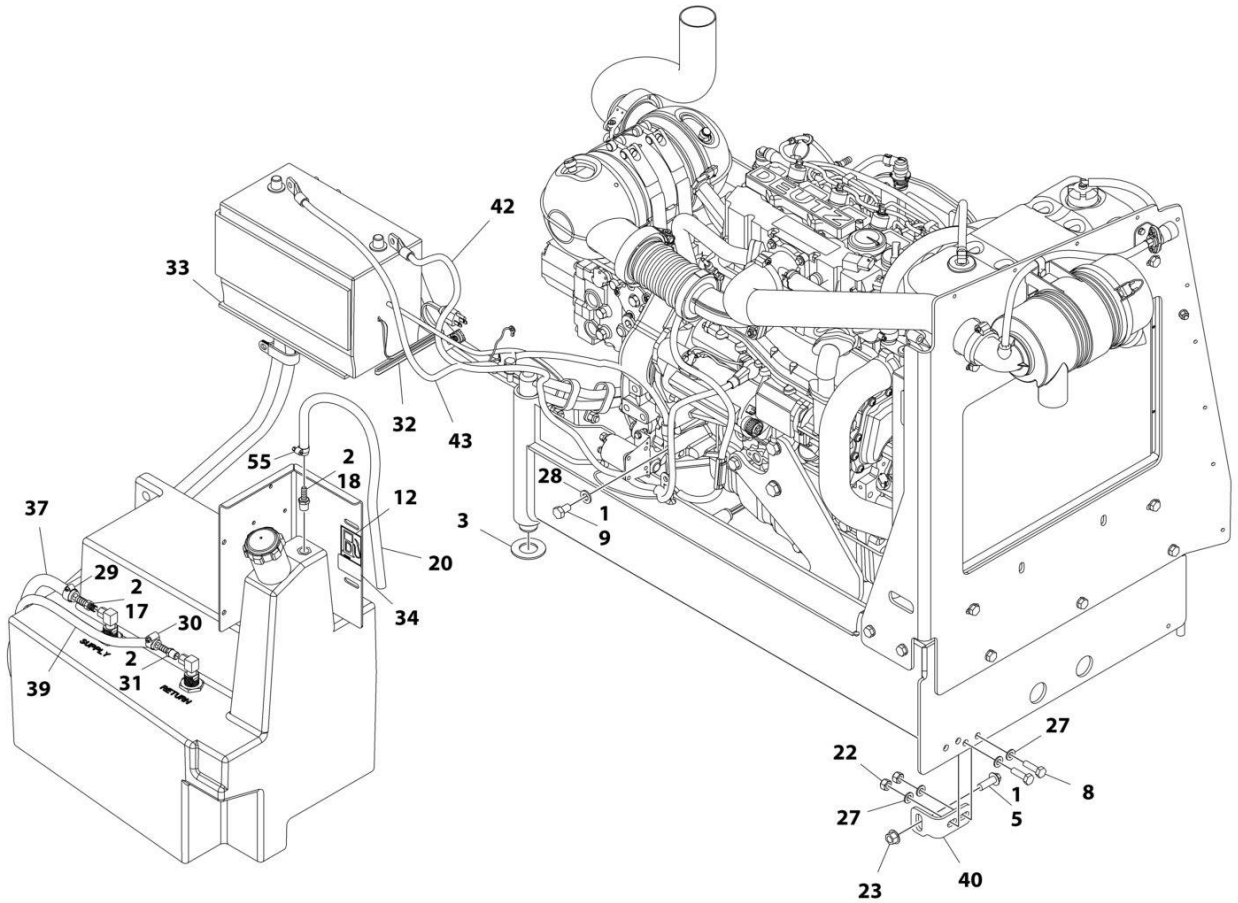
SECTION 3 - ENGINE

FIGURE 3-8. ENGINE INSTALLATION - DEUTZ D2.9L4 EMR4 ENGINE (WITH 17GAL HYDRAULIC TANK & ARCTIC PACKAGE) (ANSI AND CSA SPECS)



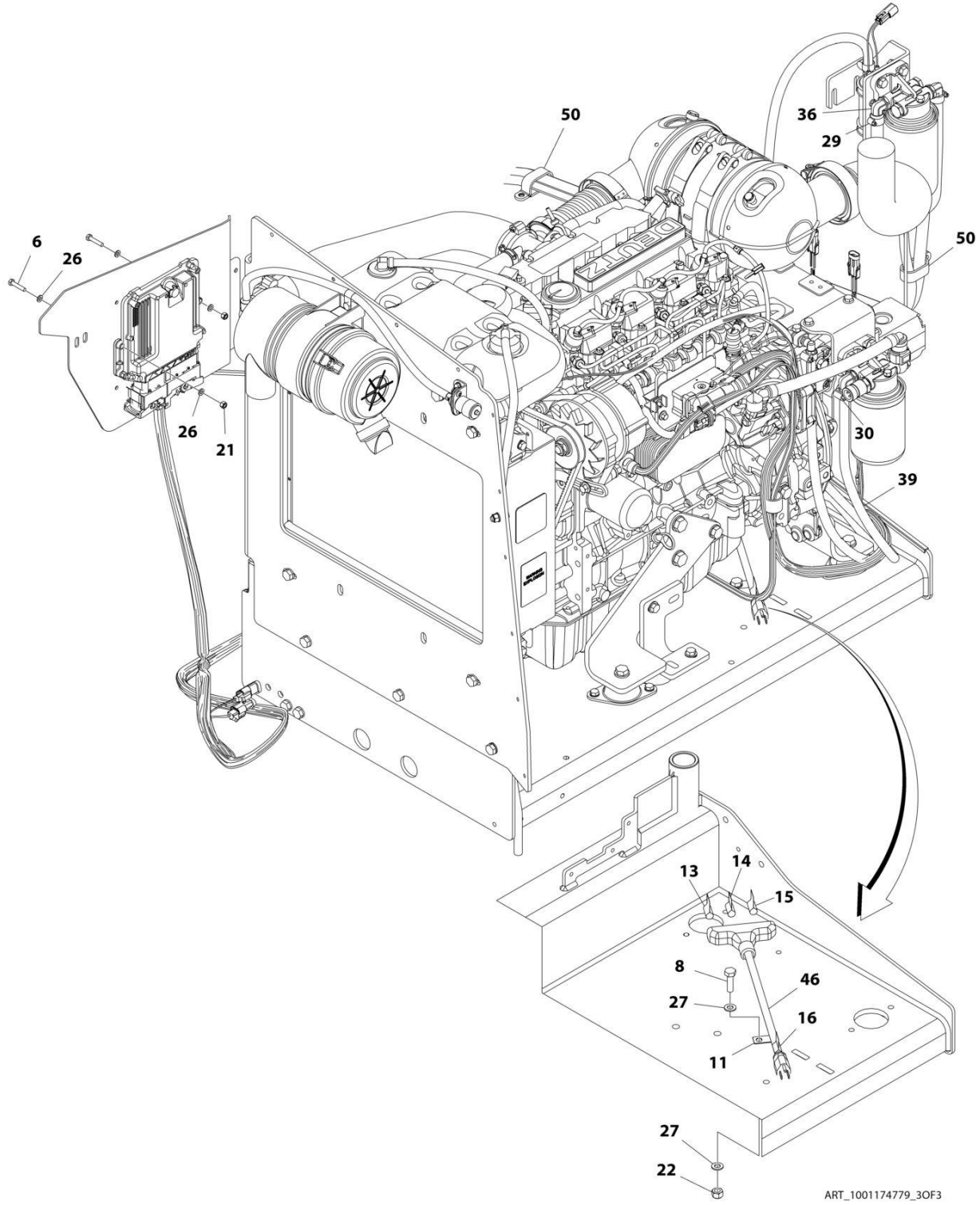
ART_1001174779_10F3

SECTION 3 - ENGINE



ART_1001174779_20F3

SECTION 3 - ENGINE



ART_1001174779_3OF3

SECTION 3 - ENGINE

FIGURE 3-8. ENGINE INSTALLATION - DEUTZ D2.9L4 EMR4 ENGINE (WITH 17GAL HYDRAULIC TANK & ARCTIC PACKAGE) (ANSI AND CSA SPECS)

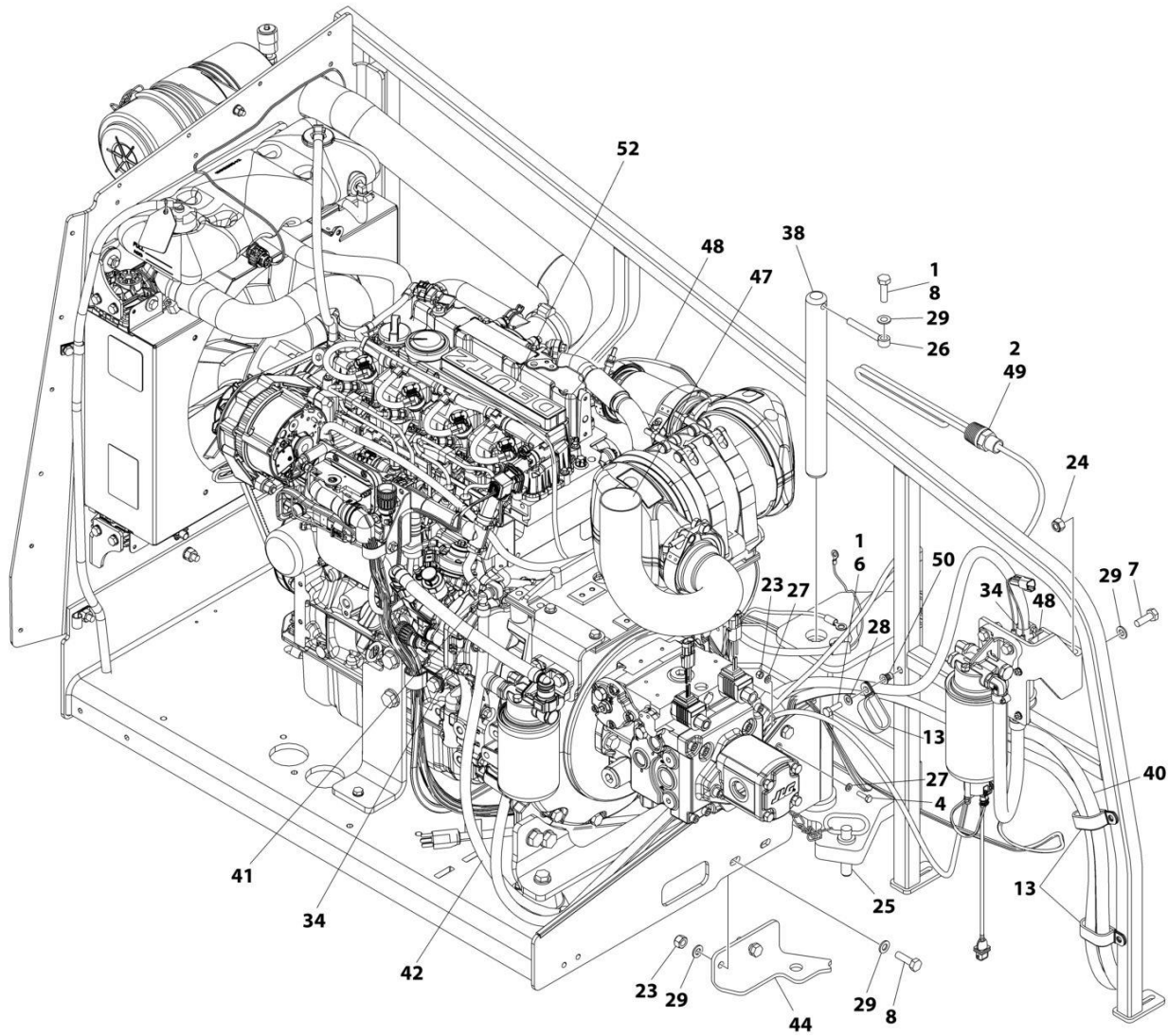
ITEM	PART NUMBER	QTY	DESCRIPTION	REV
	1001174779	Ref	ENGINE INSTALLATION - DEUTZ D2.9L4 ENGINE (WITH ARCTIC PACKAGE)	H
1	0100011	AR	Compound, Locking	
2	0100020	AR	Sealant, Pipe	
3	0440162	1	Bearing	
5	5251215	1	Bolt, M12 x 35	
6	0760614	4	Bolt M6 x 30	
7	0761014	2	Bolt M10 x 30	
8	0761015	6	Bolt M10 x 35	
9	0761210	1	Bolt M12 x 20	
11	1320223	1	Clamp	
12	1701505	1	Decal - Diesel Fuel	
13	1702941	1	Decal - Battery Heater	
14	1702942	1	Decal - Engine Block Heater	
15	1702943	1	Decal - Hydraulic Tank Heater	
16	1702944	1	Decal - Heater Cord	
17	2180832	1	Fitting, Barbed	
18	2180876	1	Fitting, Barbed	
19	1001188972	1	Heater, Hydraulic Tank	
20	2720058	2 ft /0.61m	Hose	
21	3290605	5	Nut Lock M6	
22	3291005	7	Nut Lock M10	
23	5261200	1	Nut, Flange M12 Grade 10.9	
24	3841143	1	Keeper, Pin	
26	4811700	10	Washer M6	
27	4812000	13	Washer M10	
28	4812100	1	Washer M12	
29	8405006	2	Clamp	
30	8410013	4	Clamp	
31	8430007	1	Coupling	
32	2580024	1	Heater, Battery	
33	1001119278	1	Insulate	
34	1001125387	1	Decal - Ultra Low Sulfur Fuel	
35	1001135196	1	Pin	
36	1001142501	1	Fitting, Barbed 90	
37	1001154405	7.25 ft /2.21m	Hose	
38	1001155823	1	Coupling, Quick Disconnect 90	
39	1001165035	17.25 ft /5.26m	Hose	
40	1001167512	1	Bracket, Engine Tray	
41	1001169823	1	Plate, Engine Lock	
42	1001171683	1	Cable, Battery (Red) (Battery Positive to Auxiliary Power Relay)	
43	1001171684	1	Cable, Battery (Black) (Battery Negative to Auxiliary Power Pump)	
44	1001172736	1	Pipe, Exhaust	
45	1001174778	1	Engine and Pump Sub-Assembly - Deutz D2.9L4 (With Arctic Package) (See Separate Breakdown in this Section)	
46	1060626	1	Plug, 3 Way	
47	3422532	1	Pin	

SECTION 3 - ENGINE

ITEM	PART NUMBER	QTY	DESCRIPTION	REV
48	0760610	1	Bolt M6 x 20	
49	0760812	1	Bolt M8 x 25	
50	1321716	4	Clamp	
51	1001191832	1	Nut, Rivet M8	
52	4811900	1	Washer, M8	
53	1001181358	1	Harness, Fuel Pump (See Separate Breakdown in ELECTRICAL SECTION)	
54	1001162335	1	Bracket Assembly - Fuel Pump/Filter (See Separate Breakdown in this Section)	
55	1320022	1	Clamp	
56	1001233763	Ref	Breather Heater Installation (Not Shown - See Separate Breakdown in this Section)	
56	1001196634	1	Fuse, 2 Amp	
56	1001232842	1	Breather Heater Kit	
56	2400060	1	Holder, Fuse	

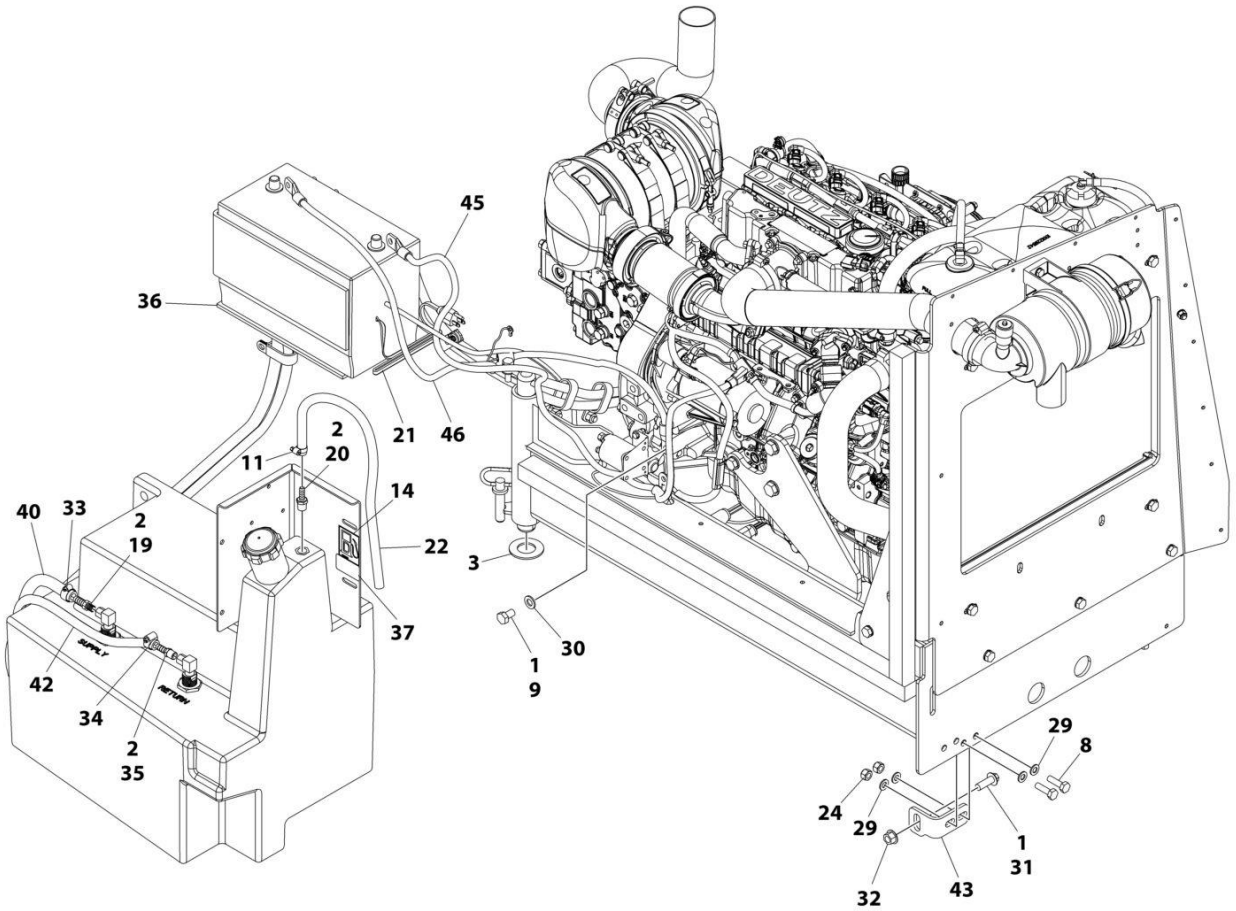
SECTION 3 - ENGINE

FIGURE 3-9. ENGINE INSTALLATION - DEUTZ D2.9L4 ERM5 ENGINE (WITH ARCTIC PACKAGE) (ANSI AND CSA SPECS)



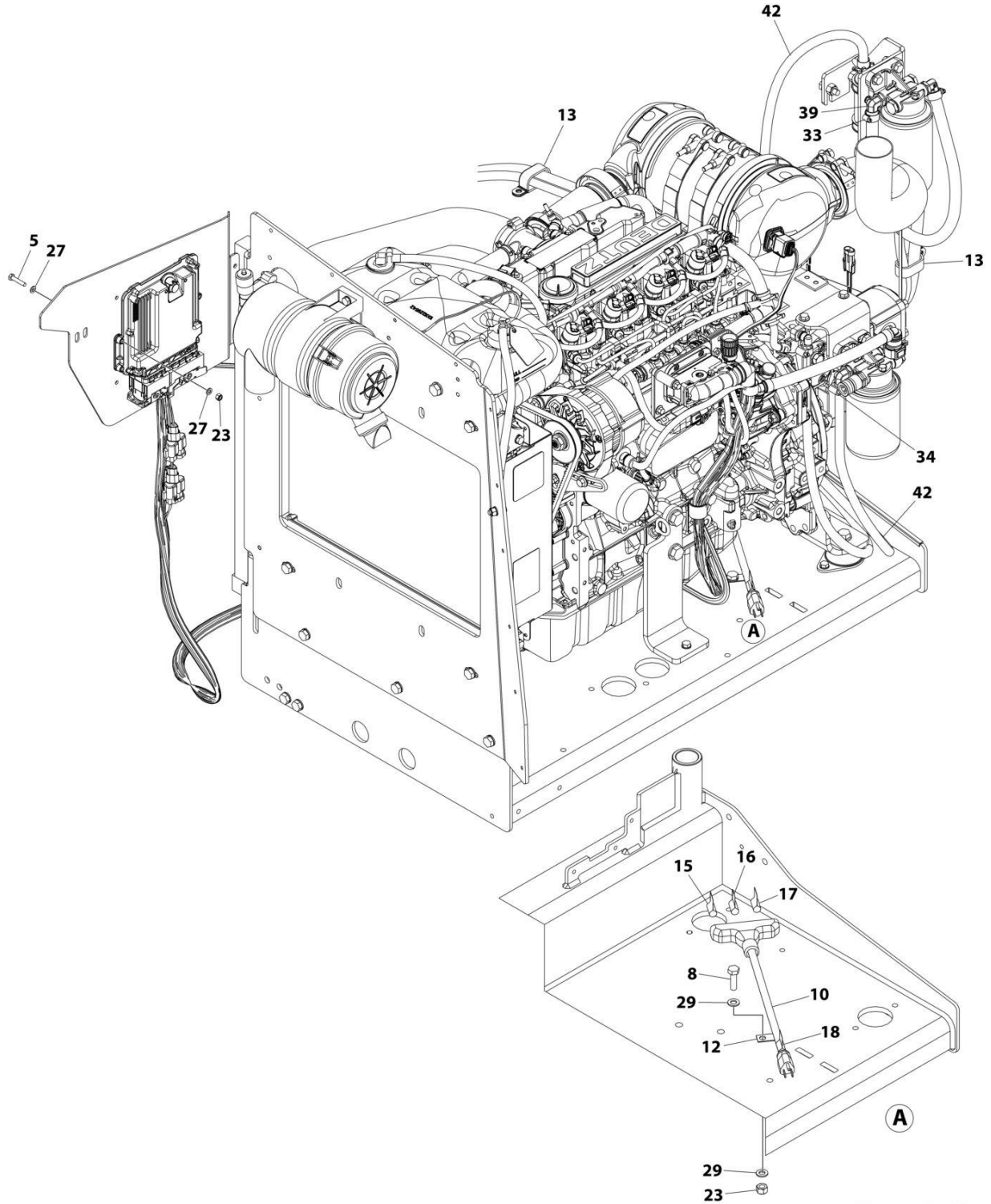
ART_1001302972_1OF3

SECTION 3 - ENGINE



ART_1001302972_2OF3

SECTION 3 - ENGINE



ART_1001302972_30F3

SECTION 3 - ENGINE

**FIGURE 3-9. ENGINE INSTALLATION - DEUTZ D2.9L4 ERM5 ENGINE (WITH ARCTIC PACKAGE)
(ANSI AND CSA SPECS)**

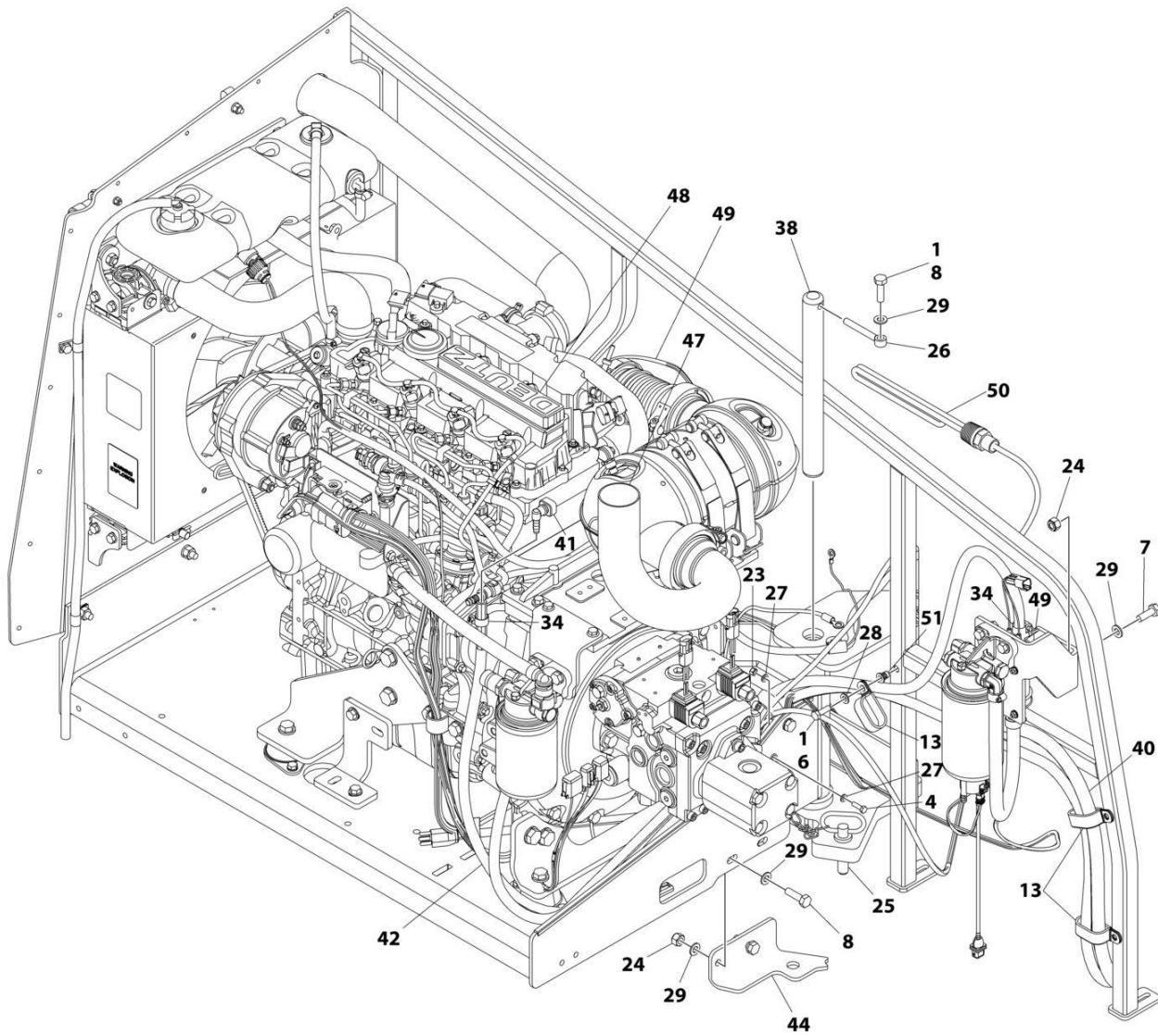
ITEM	PART NUMBER	QTY	DESCRIPTION	REV
	1001302972	Ref	ENGINE ASSEMBLY - DEUTZ D2.9L4 ERM5 ENGINE	A
1	0100011	AR	Compound, Locking	
2	0100020	AR	Sealant, Pipe	
3	0440162	1	Bearing	
4	0760610	1	Bolt M6 x 20	
5	0760614	4	Bolt M6 x 30	
6	0760812	1	Bolt M8 x 25	
7	0761014	2	Bolt M10 x 30	
8	0761015	6	Bolt M10 x 35	
9	0761210	1	Bolt M12 x 20	
10	1060626	1	Plug, 3-Way	
11	1320022	1	Clamp	
12	1320223	1	Clamp	
13	1321716	4	Clamp	
14	1701505	1	Decal - Diesel	
15	1702941	1	Decal - Battery Heater	
16	1702942	1	Decal - Engine Block Heater	
17	1702943	1	Decal - Hydraulic Tank Heater	
18	1702944	1	Decal - Heater Cord	
19	2180832	1	Fitting, Barbed	
20	2180876	1	Fitting, Barbed	
21	2580024	1	Heater, Battery	
22	2720058	2 ft /0.6 m	Hose	
23	3290605	5	Nut M6	
24	3291005	7	Nut M10	
25	3422532	1	Pin	
26	3841143	1	Keeper, Pin	
27	4811700	10	Washer M6	
28	4811900	1	Washer M8	
29	4812000	13	Washer M10	
30	4812100	1	Washer M12	
31	5251215	1	Bolt M12 x 35	
32	5261200	1	Nut M12	
33	8405006	2	Clamp	
34	8410013	4	Clamp	
35	8430007	1	Coupling	
36	1001119278	1	Insulate	
37	1001125387	1	Decal - Ultra Low Sulfur Diesel	
38	1001135196	1	Pin	
39	1001142501	1	Fitting, Barbed 90	
40	1001154405	7 ft /2 m	Hose	
41	1001155823	1	Coupling, Quick Disconnect 90	
42	1001165035	17 ft /6 m	Hose	
43	1001167512	1	Bracket	
44	1001169823	1	Plate	
45	1001171683	1	Cable, Battery (Red) (Battery Positive to Auxiliary Power Relay)	
46	1001171684	1	Cable, Battery (Black) (Battery Negative to Auxiliary Power Pump)	
47	1001172736	1	Pipe, Exhaust	

SECTION 3 - ENGINE

ITEM	PART NUMBER	QTY	DESCRIPTION	REV
48	1001181358	1	Harness, Fuel Pump (See Separate Breakdown in ELECTRICAL Section)	
49	1001188972	1	Heater, Immersion	
50	1001191832	1	Rivet	
51	1001233763	1	Breather Heater Installation (Not Shown - See Separate Breakdown in this Section)	
52	1001302963	1	Engine and Pump Assembly - Deutz D2.9L4 (Without Arctic Package) (See Separate Breakdown in this Section)	

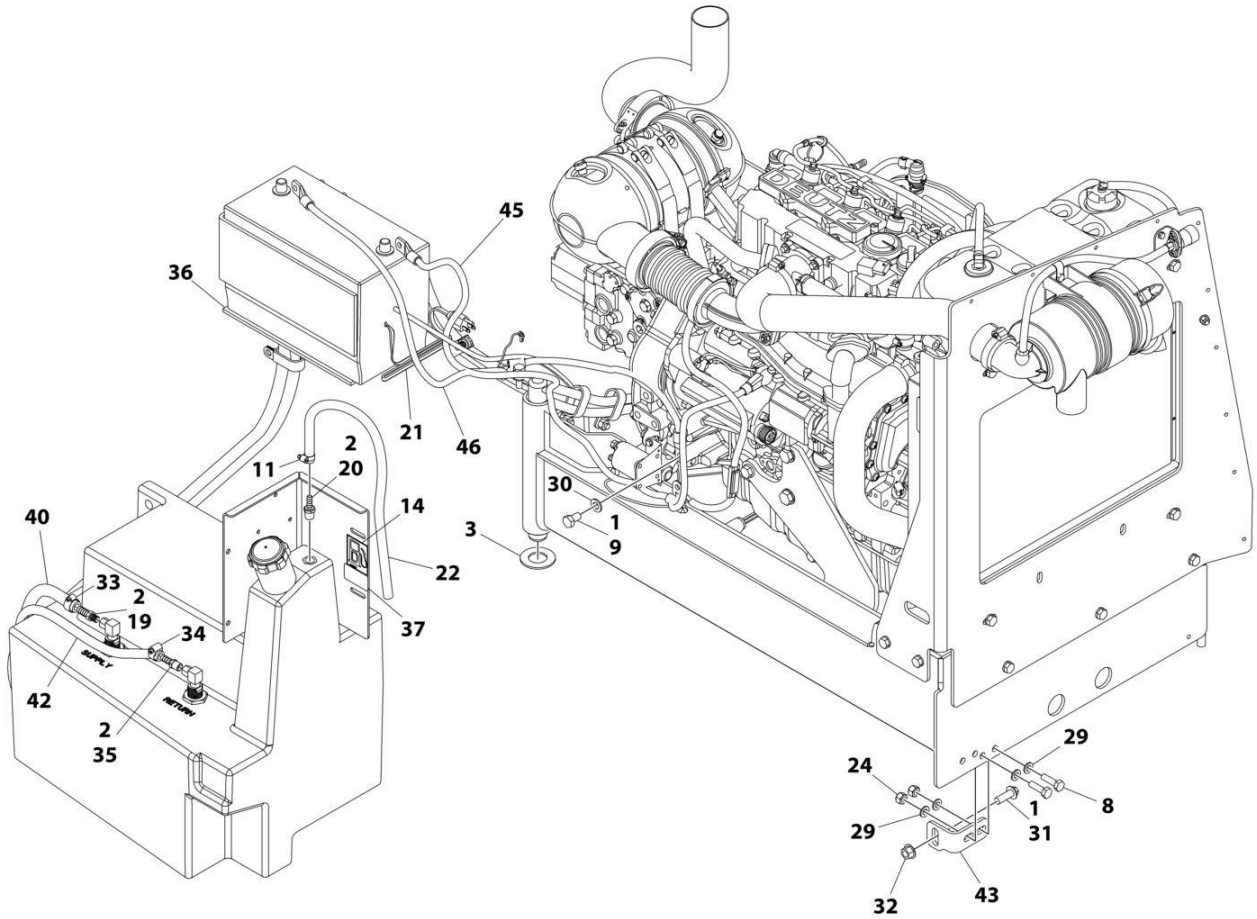
SECTION 3 - ENGINE

FIGURE 3-10. ENGINE INSTALLATION - DEUTZ D2.9L4 ENGINE (WITH 36GAL HYDRAULIC TANK & ARCTIC PACKAGE) (ANSI AND CSA SPECS)



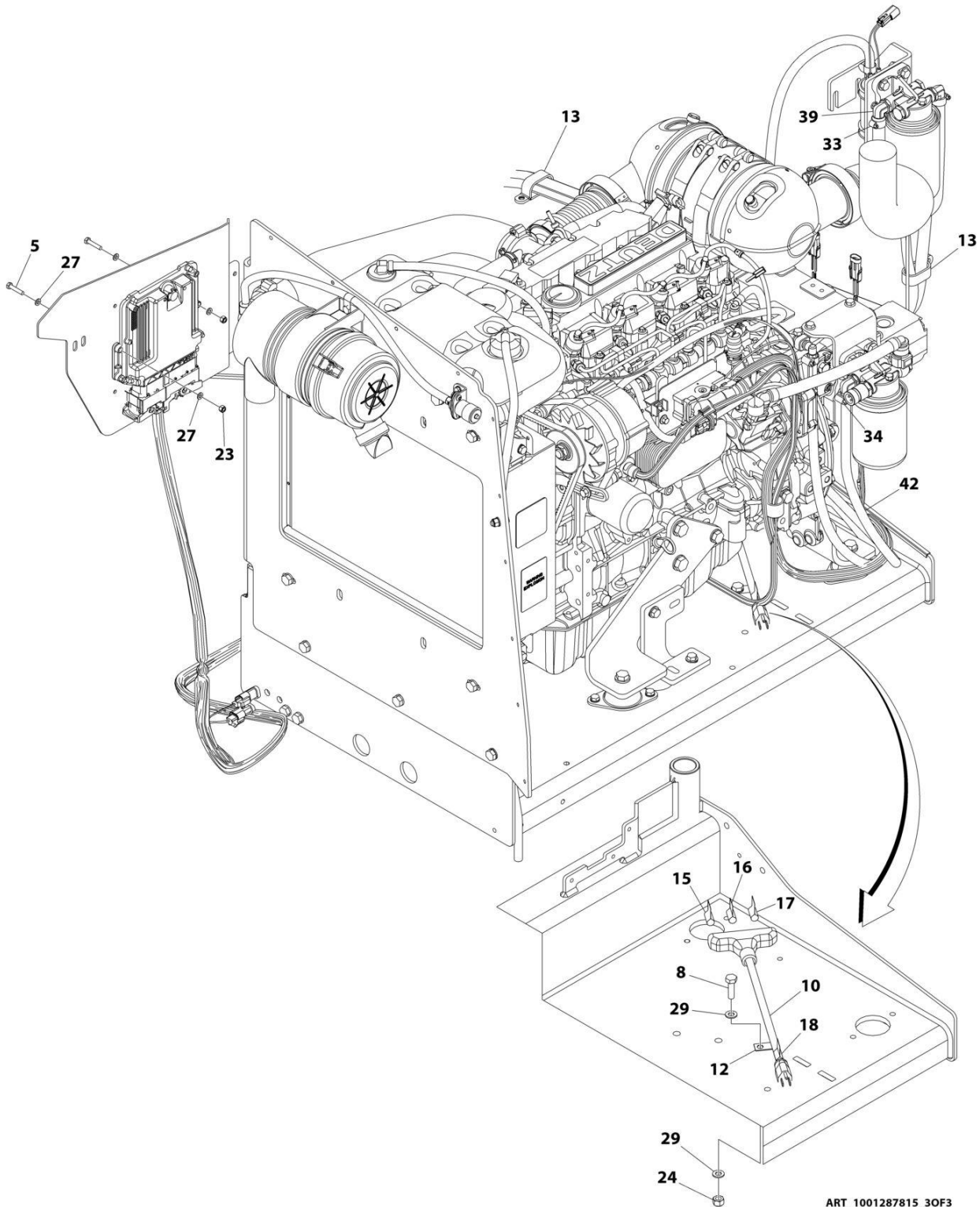
ART_1001287815_10F3

SECTION 3 - ENGINE



ART_1001287815_20F3

SECTION 3 - ENGINE



ART_1001287815_30F3

SECTION 3 - ENGINE

FIGURE 3-10. ENGINE INSTALLATION - DEUTZ D2.9L4 ENGINE (WITH 36GAL HYDRAULIC TANK & ARCTIC PACKAGE) (ANSI AND CSA SPECS)

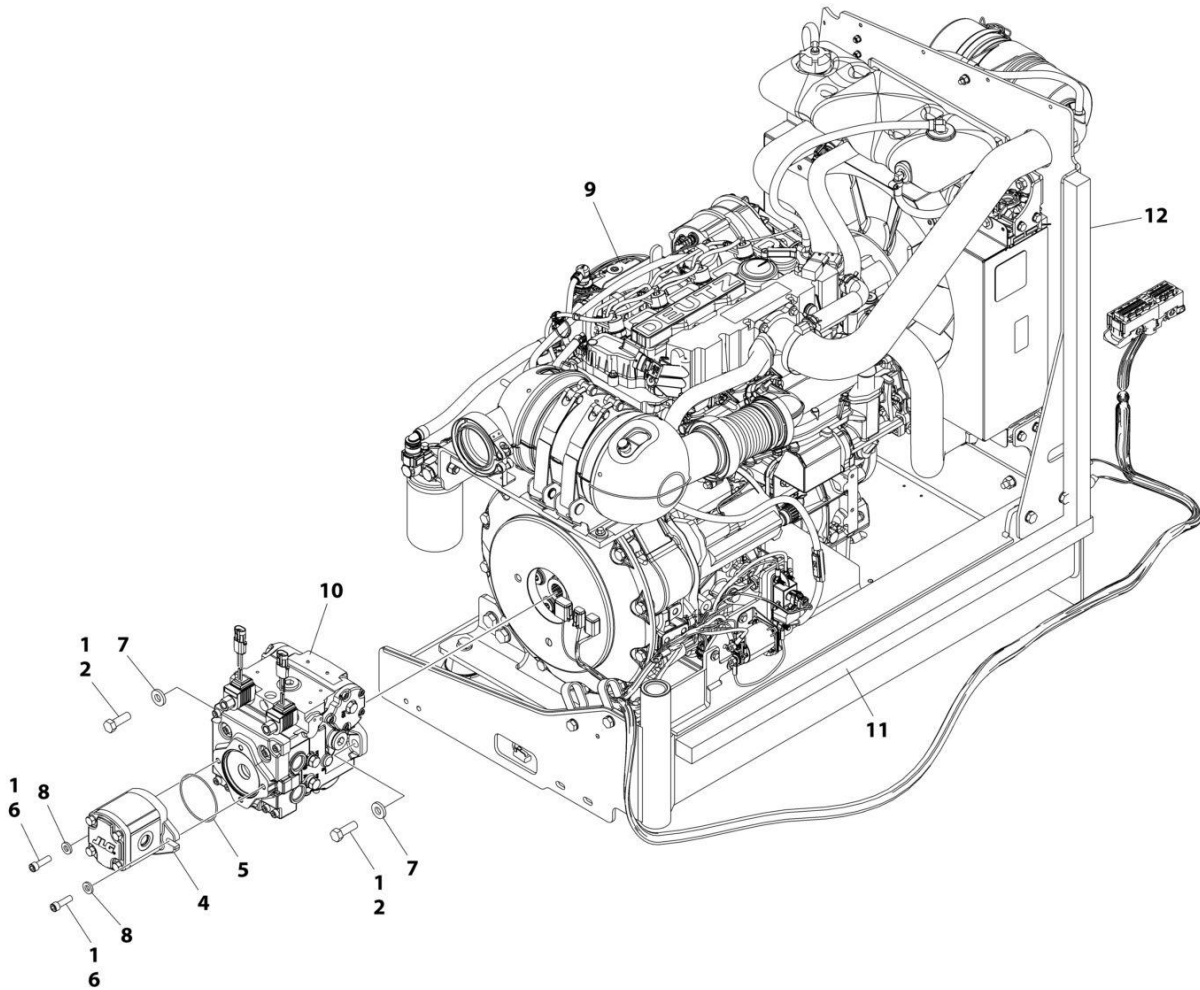
ITEM	PART NUMBER	QTY	DESCRIPTION	REV
	1001287815	Ref	ENGINE INSTALLATION - DEUTZ D2.9L4	A
1	0100011	AR	Compound, Locking	
2	0100020	AR	Sealant, Pipe	
3	0440162	1	Bearing	
4	0760610	1	Bolt M6 x 20	
5	0760614	4	Bolt M6 x 30	
6	0760812	1	Bolt M8 x 25	
7	0761014	2	Bolt M10 x 30	
8	0761015	6	Bolt M10 x 35	
9	0761210	1	Bolt M12 x 20	
10	1060626	1	Plug, 3 Way	
11	1320022	1	Clamp	
12	1320223	1	Clamp	
13	1321716	4	Clamp	
14	1701505	1	Decal - Diesel Fuel	
15	1702941	1	Decal - Battery Heater	
16	1702942	1	Decal - Engine Block Heater	
17	1702943	1	Decal - Hydraulic Tank Heater	
18	1702944	1	Decal - Heater Cord	
19	2180832	1	Fitting, Barbed	
20	2180876	1	Fitting, Barbed	
21	2580024	1	Heater, Battery	
22	2720058	2 ft /0.61m	Hose	
23	3290605	5	Nut, Lock M6	
24	3291005	7	Nut, Lock M10	
25	3422532	1	Pin	
26	3841143	1	Keeper, Pin	
27	4811700	10	Washer M6	
28	4811900	1	Washer, M8	
29	4812000	13	Washer M10	
30	4812100	1	Washer M12	
31	5251215	1	Bolt, M12 x 35 Class 10.9	
32	5261200	1	Nut, Flange M12 Class 10	
33	8405006	2	Clamp	
34	8410013	4	Clamp	
35	8430007	1	Coupling	
36	1001119278	1	Insulate	
37	1001125387	1	Decal - Ultra Low Sulfur Fuel	
38	1001135196	1	Pin	
39	1001142501	1	Fitting, Barbed 90	
40	1001154405	7.25 ft /2.21m	Hose	
41	1001155823	1	Coupling, Quick Disconnect 90	
42	1001165035	17.25 ft /5.26m	Hose	
43	1001167512	1	Bracket, Engine Tray	
44	1001169823	1	Plate, Engine Lock	
45	1001171683	1	Cable, Battery (Red) (Battery Positive to Auxiliary Power Relay)	

SECTION 3 - ENGINE

ITEM	PART NUMBER	QTY	DESCRIPTION	REV
46	1001171684	1	Cable, Battery (Black) (Battery Negative to Auxiliary Power Pump)	
47	1001172736	1	Pipe, Exhaust	
48	1001174778	1	Engine and Pump Sub-Assembly - Deutz D2.9L4 (With Arctic Package) (See Separate Breakdown in this Section)	
49	1001181358	1	Harness, Fuel Pump (See Separate Breakdown in ELECTRICAL Section)	
50	1001188972	1	Heater, Hydraulic Tank	
51	1001191832	1	Nut, Rivet M8	
52	1001233763	Ref	Breather Heater Installation (Not Shown - See Separate Breakdown in this Section)	

SECTION 3 - ENGINE

FIGURE 3-11. ENGINE AND PUMP SUB-ASSEMBLY - DEUTZ D2.9L4 EMR4 (WITH ARCTIC PACKAGE) (ANSI AND CSA SPECS)



ART_1001174778_I

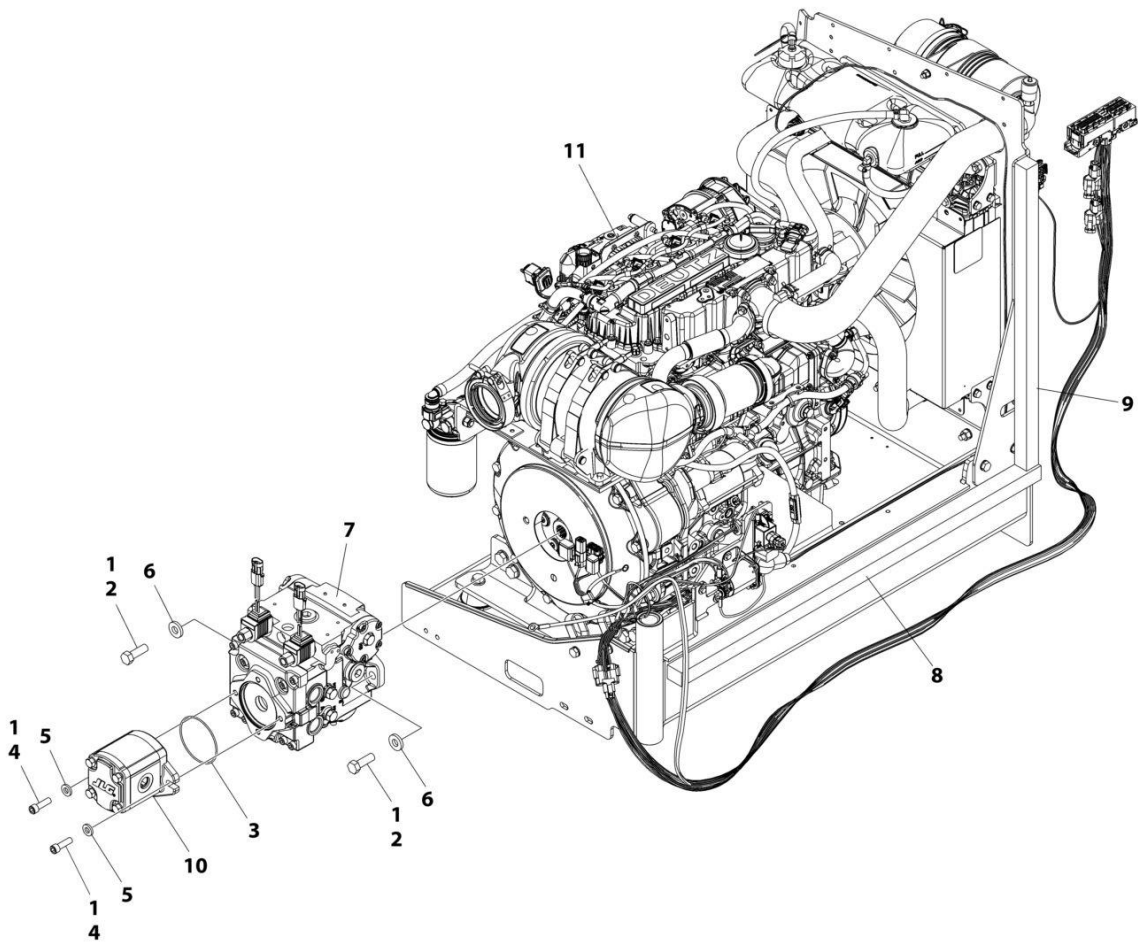
SECTION 3 - ENGINE

FIGURE 3-11. ENGINE AND PUMP SUB-ASSEMBLY - DEUTZ D2.9L4 EMR4 (WITH ARCTIC PACKAGE) (ANSI AND CSA SPECS)

ITEM	PART NUMBER	QTY	DESCRIPTION	REV
	1001174778	Ref	ENGINE AND PUMP SUB-ASSEMBLY - DEUTZ D2.9L4 (WITH ARCTIC PACKAGE)	I
1	0100011	AR	Compound, Locking	
2	0641812	2	Bolt 1/2 x 1-1/2	
4	1001214207	1	Gear Pump Assembly	
4	70006356	1	Seal Kit - 1001214207 Pump	
5	3790152	1	O-Ring	
6	3931618	2	Capscrew 3/8 x 1 1/8	
7	4891800	2	Washer 1/2 Hardened	
8	4891600	2	Washer 3/8 Hardened	
9	1001174777	1	Engine Assembly - Deutz D2.9L4 Engine (With Arctic Package) (See Separate Breakdown in this Section)	
10	1001167036	1	Piston Pump Assembly (See Separate Breakdown in this Section)	
11	1001171953	1	Seal	
12	1001171954	1	Seal	

SECTION 3 - ENGINE

FIGURE 3-12. ENGINE AND PUMP SUB-ASSEMBLY - DEUTZ D2.9L4 ERM5 ENGINE (WITH ARCTIC PACKAGE) (ANSI AND CSA SPECS)



ART_1001302963

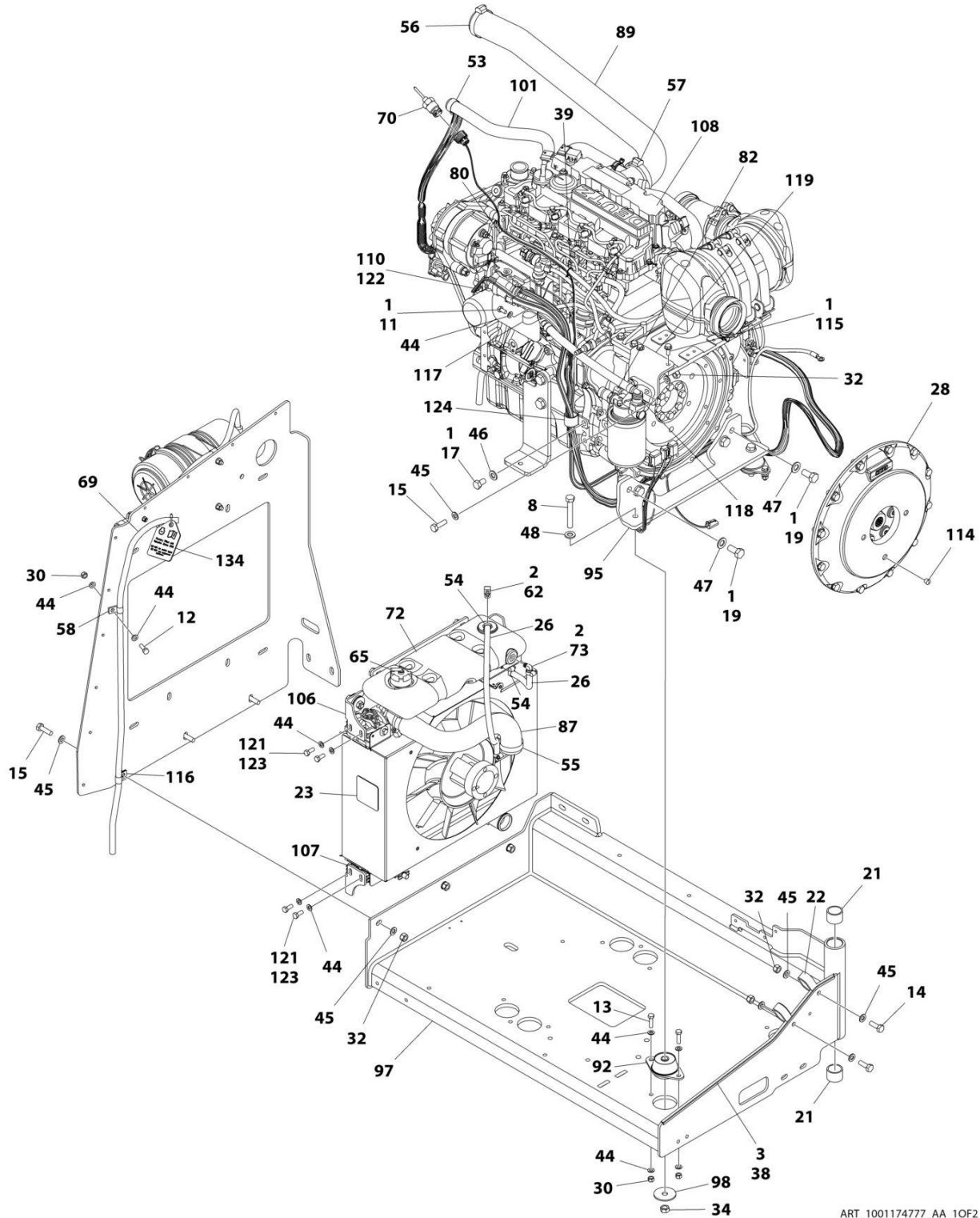
SECTION 3 - ENGINE

FIGURE 3-12. ENGINE AND PUMP SUB-ASSEMBLY - DEUTZ D2.9L4 ERM5 ENGINE (WITH ARCTIC PACKAGE) (ANSI AND CSA SPECS)

ITEM	PART NUMBER	QTY	DESCRIPTION	REV
	1001302963	Ref	ENGINE AND PUMP SUB-ASSEMBLY - DEUTZ D2.9L4 ERM5	A
1	0100011	AR	Compound, Locking	
2	0641812	2	Bolt 1/2 x 1-1/2	
3	3790152	1	O-Ring	
4	3931618	2	Capscrew 3/8 x 1-1/8	
5	4891600	2	Washer 3/8	
6	4891800	2	Washer 1/2	
7	1001167036	1	Piston Pump Assembly (See Separate Breakdown in this Section)	
8	1001171953	1	Seal	
9	1001171954	1	Seal	
10	1001214207	1	Gear Pump Assembly	
10	70006356	1	Seal Kit - 1001214207 Pump	
11	1001302956	1	Engine Assembly - Deutz D2.9L4 ERM5 Engine (With Arctic Package) (See Separate Breakdown in this Section)	

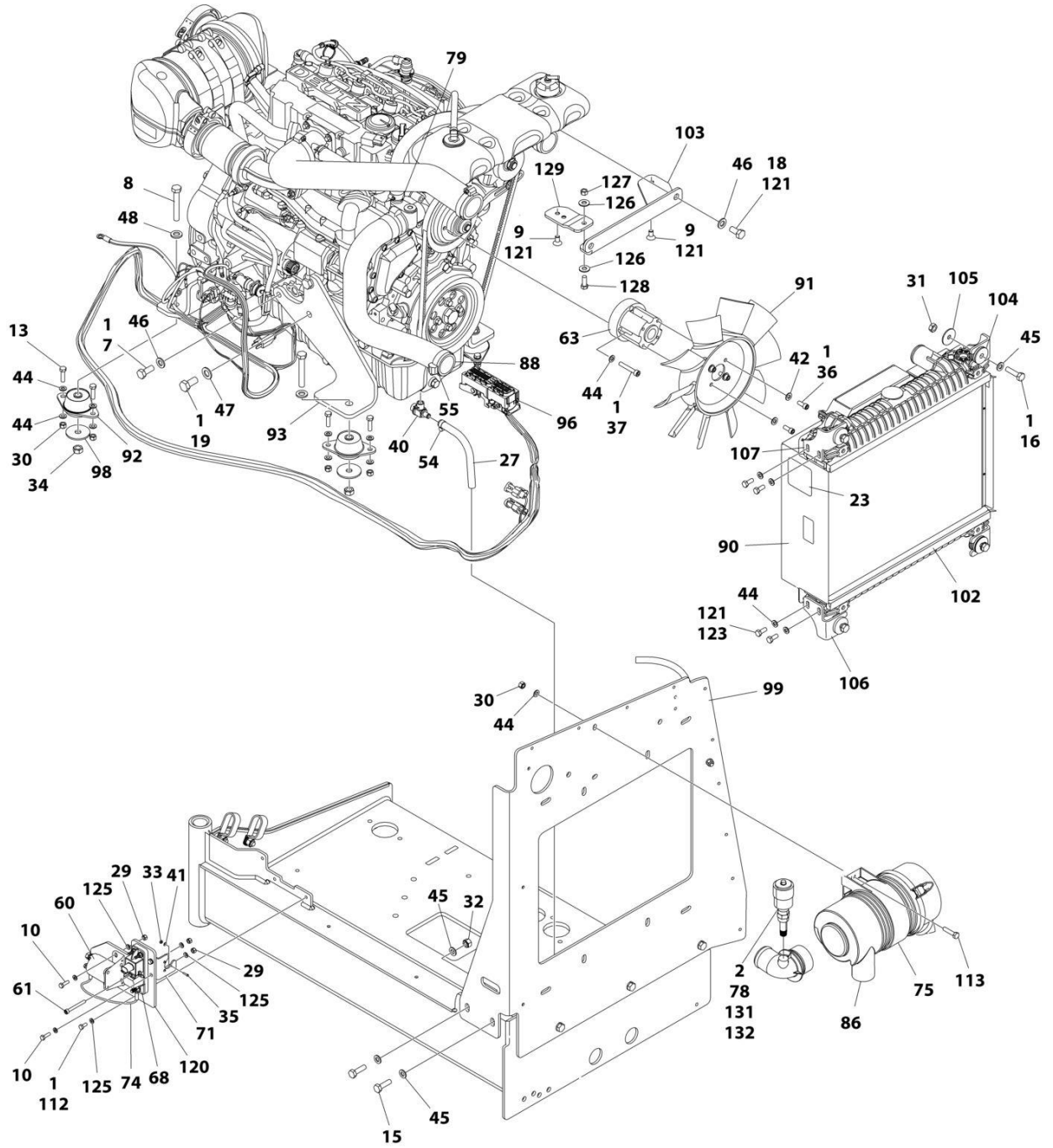
SECTION 3 - ENGINE

FIGURE 3-13. ENGINE ASSEMBLY - DEUTZ D2.9L4 EMR4 ENGINE (WITH ARCTIC PACKAGE) (ANSI AND CSA SPECS)



ART_1001174777_AA_10F2

SECTION 3 - ENGINE



ART_100117477_AA_20F2

SECTION 3 - ENGINE

FIGURE 3-13. ENGINE ASSEMBLY - DEUTZ D2.9L4 EMR4 ENGINE (WITH ARCTIC PACKAGE) (ANSI AND CSA SPECS)

ITEM	PART NUMBER	QTY	DESCRIPTION	REV
	1001174777	Ref	ENGINE ASSEMBLY - DEUTZ D2.9L4 ENGINE (WITH ARCTIC PACKAGE)	AA
1	0100011	AR	Compound, Locking	
2	0100020	AR	Sealant, Pipe	
3	0100081	AR	Adhesive	
7	0711214	1	Bolt M12 x 30 Class 10.9	
8	0711224	3	Bolt M12 x 80 Class 10.9	
9	0741606	2	Screw 3/8 x 3/4	
10	0760610	4	Bolt M6 x 20	
11	0760808	1	Bolt M8 x 16	
12	0760812	1	Bolt M8 x 25	
13	0760814	6	Bolt M8 x 30	
14	0761014	2	Bolt M10 x 30	
15	0761015	7	Bolt M10 x 35	
16	0761016	4	Bolt M10 x 40	
17	0761210	1	Bolt M12 x 20	
18	0761212	2	Bolt M12 x 25	
19	0771414	6	Bolt M14 x 30 Class 10.9	
21	0961951	2	Bushing	
22	1321716	2	Clamp	
23	1703162	2	Decal - Caution Fan	
26	2720015	2 ft/1 m	Hose	
27	2720340	8 in /20 cm	Hose	
28	2902065	1	Pump Coupling Kit (See Separate Breakdown in this Section)	
29	3290605	5	Nut M6	
30	3290805	9	Nut M8	
31	3291001	4	Nut M10	
32	3291005	9	Nut M10	
33	3310401	3	Nut #4	
34	3331215	3	Nut M12 x 1.75	
35	3910408	3	Screw #4- x 1/2	
36	3931512	4	Capscrew 5/16 x 3/4	
37	4031914	4	Bolt M8 x 50	
38	4060805	3 ft/1 m	Flex-Trim	
39	4240099	AR	Tie-Strap	
40	4640751	1	Valve, Oil Drain	
41	4710400	3	Washer #4	
42	4711500	4	Washer 5/16	
44	4811900	31	Washer M8	
45	4812000	22	Washer M10	
46	4812100	4	Washer M12	
47	4812200	6	Washer M14	
48	5241200	3	Washer M12	
53	8405007	2	Clamp	
54	8405009	5	Clamp	
55	8405104	4	Clamp	
56	8405202	1	Clamp	
57	8405204	1	Clamp	

SECTION 3 - ENGINE

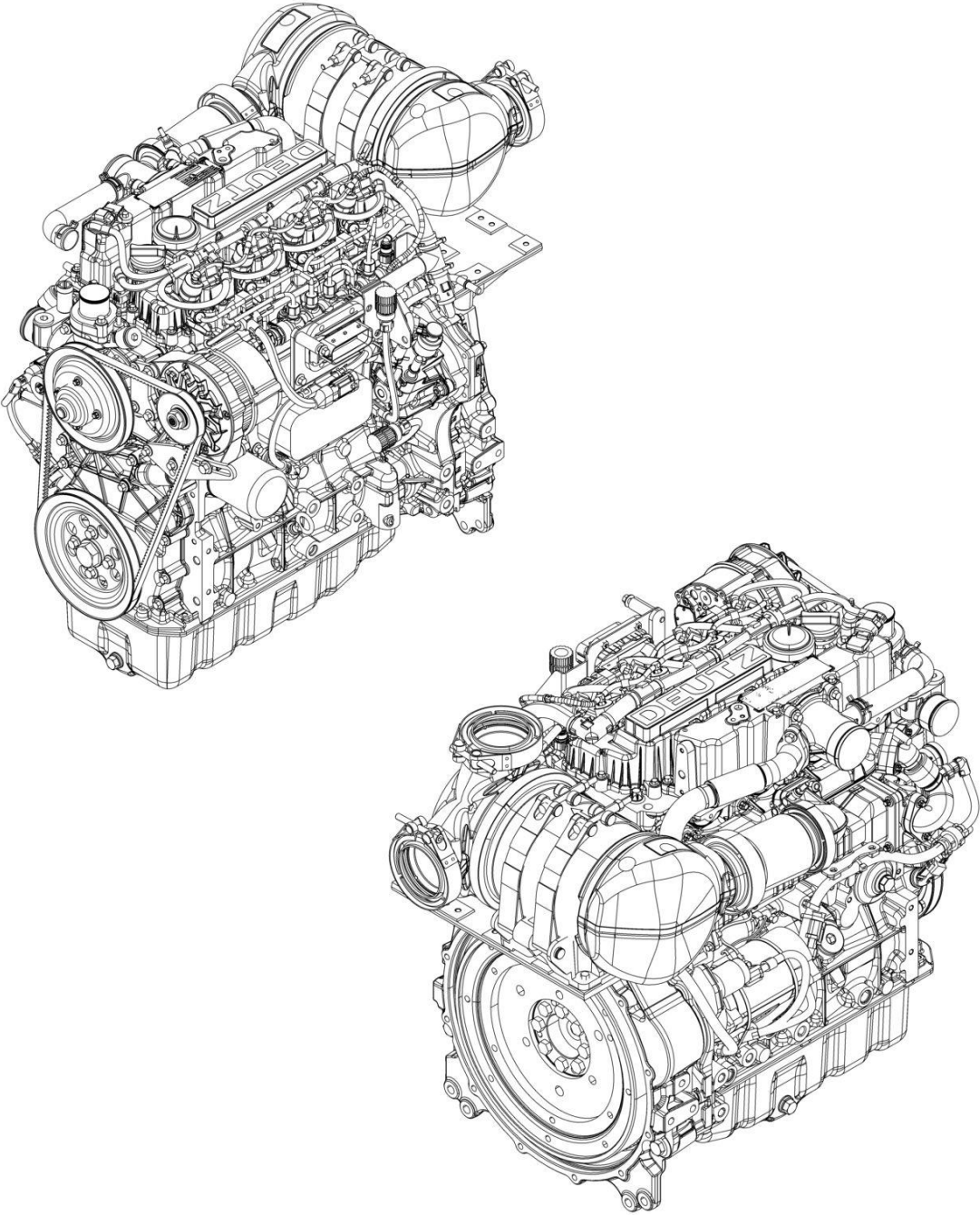
ITEM	PART NUMBER	QTY	DESCRIPTION	REV
58	8406109	1	Clip	
60	1001117308	1	Relay, 200Amp	
60	3300220	2	Nut	
60	3321001	2	Nut #10	
60	4761000	2	Washer #10	
60	1001111424	2	Washer	
61	1001118878	1	Bolt M6 x 55	
62	1001134488	1	Fitting, Barbed 90	
63	1001144116	1	Spacer, Fan	
65	1001136834	1	Cap, Tank	
68	1001138228	1	Relay, Power Module	
68	70023592	1	Fuse 20Amp	
68	70023593	1	Fuse 30Amp	
69	1001138248	4 ft/1 m	Tube	
70	1001138827	1	Sensor, Coolant Level	
71	1001139240	1	Bracket	
72	1001230635	1	Tank, Surge (Includes Items 62, 70 & 73)	
73	1001140564	1	Fitting, Barbed 90	
74	1001141304	1	Harness, Glow Plug	
75	1001141694	1	Clamp, Air Cleaner	
78	1001143390	1	Indicator	
79	1001143797	1	Fitting, Barbed	
80	1001178788	1	Cable, Alternator	
82	1001152489	1	Fitting, Barbed 90	
86	1001165388	1	Air Cleaner Assembly	
86	70003783	1	Element, Air Cleaner	
87	1001165405	1	Hose, Upper Radiator	
88	1001165406	1	Hose, Lower Radiator	
89	1001165721	1	Hose, Air Intake	
90	1001165722	1	Radiator	
91	1001165849	1	Fan	
92	1001166718	3	Mount, Motor	
93	1001166921	1	Plate, Engine Mount	
95	1001166924	1	Plate, Engine Mount	
96	1001167108	1	Harness Engine - Deutz D2.9L4 (See Separate Breakdown in ELECTRICAL Section)	
97	1001167520	1	Tray, Engine	
98	1001168018	3	Washer, Special	
99	1001168026	1	Plate, Radiator Mounting	
101	1001168099	1	Hose	
102	1001168166	2	Seal	
103	1001260420	1	Bracket	
104	1001169054	4	Isolator	
105	1001169138	4	Washer, Snubbing	
106	1001169967	2	Bracket	
107	1001170035	2	Bracket	
108	1001249965	1	Engine, Deutz D2.9L4 (See Separate Breakdown in this Section)	
110	1001140312	1	Heater, Engine Block	
112	0760607	3	Bolt M6 x 14	
113	0760815	2	Bolt M8 x 35	
114	3520054	1	Plug	
115	5250810	2	Bolt M8 x 20	

SECTION 3 - ENGINE

ITEM	PART NUMBER	QTY	DESCRIPTION	REV
116	8406110	1	Clip	
117	8406201	1	Clip	
118	1001177359	1	Hose	
119	1001178876	1	Mount, Fuel Filter	
120	1001179903	1	Bracket	
121	1001180620	AR	Adhesive	
122	1001181895	AR	Adhesive	
123	0760810	8	Bolt M8 x 20	
124	1001191620	1	Clamp	
125	4811702	12	Washer M6	
126	4751600	2	Washer 3/8	
127	3311605	1	Nut 3/8	
128	0681608	1	Bolt 3/8 x 1	
129	1001260412	1	Bracket	
130	1001162335	1	Bracket Assembly - Fuel Pump/Filter (Not Shown - See Separate Breakdown in this Section)	
131	2200261	1	Fitting	
132	1001277432	1	Spacer	
133	4240032	1	Tie-Strap (Not Shown)	
134	1001291401	1	Tag, Coolant	

SECTION 3 - ENGINE

FIGURE 3-14. ENGINE COMPONENTS - DEUTZ D2.9L4 EMR4 ENGINE (ANSI, ANSI EXPORT, CSA AND JAPANESE SPECS)



ART_1001249965

SECTION 3 - ENGINE

FIGURE 3-14. ENGINE COMPONENTS - DEUTZ D2.9L4 EMR4 ENGINE (ANSI, ANSI EXPORT, CSA AND JAPANESE SPECS)

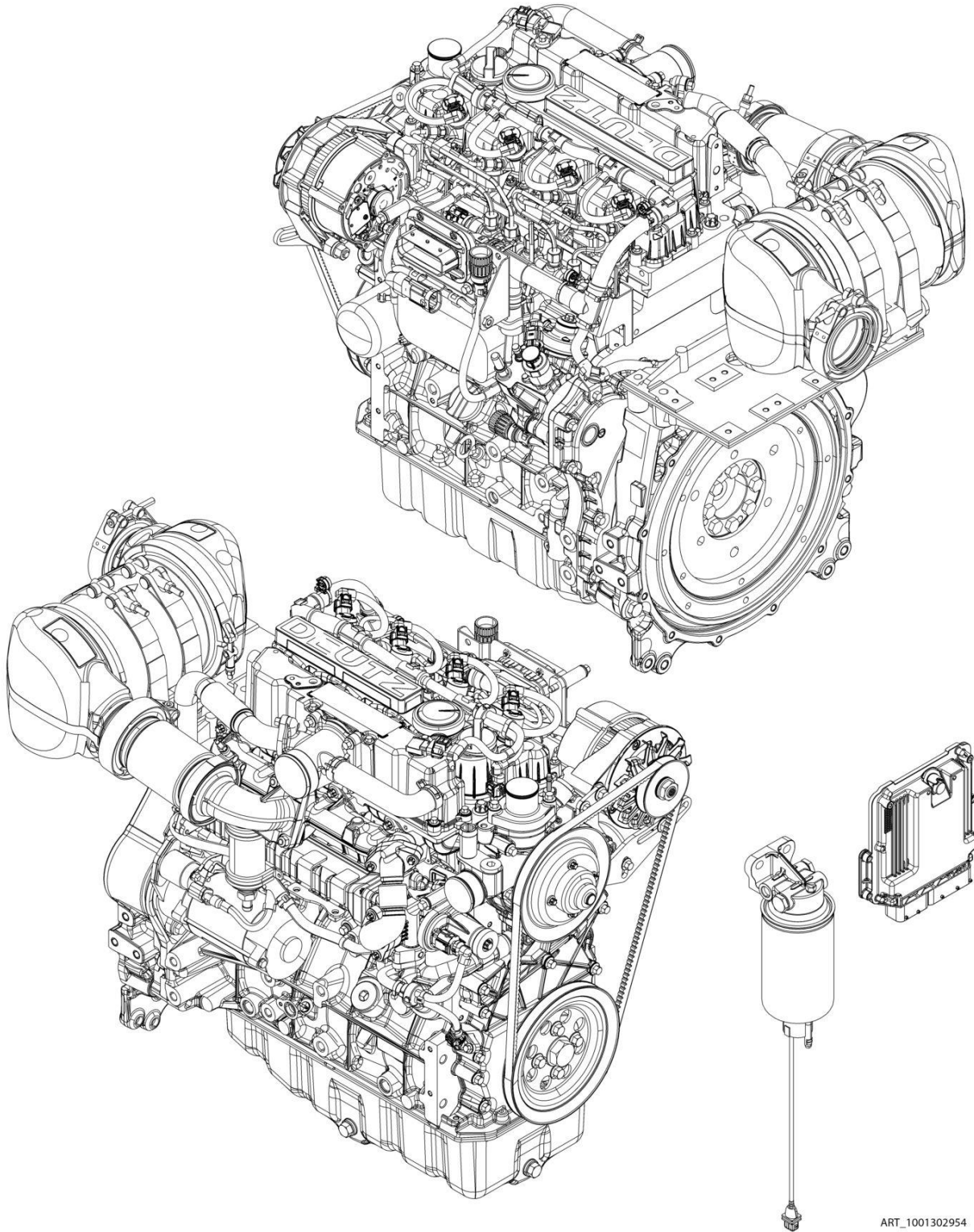
ITEM	PART NUMBER	QTY	DESCRIPTION	REV
	1001249965	Ref	DEUTZ D2.9L4 - EMR4 (49HP) ENGINE COMPONENTS	B
	See Note	Ref	Note: Contact JLG Customer Service for Availability of Additional Components.	
		Ref	Air Intake System	
	70005182	1	Charge Air Elbow	
	70005183	1	Breather Line	
		Ref	Cooling System Components	
	70030360	1	Pump, Coolant	
	70007603	1	Thermostat	
		Ref	Electrical Components	
	70025210	1	Module, Engine Control (ECM/ECU)	
	70024513	1	Harness, Fuel Filter Sensor	
	70024504	1	Sensor, Fuel Pressure	
	70006652	1	Generator	
	70024915	1	Starter	
	70025231	1	Harness, Glow Plug	
	70028540	1	Sensor, Temperature	
	70026210	1	Sensor, Speed	
	70024507	1	Sensor, Pressure (Air Intake)	
	70031145	4	Plug, Glow	
		Ref	Exhaust Components	
	70031136	1	Pipe, Exhaust	
	70004282	1	Exhaust Manifold	
		Ref	Fuel System Components	
	70030381	1	Pump, High Pressure	
	700004508	1	Valve, Volume Control	
	70004281	1	Injector, Fuel	
	70006144	1	Pump, Fuel Supply (Includes Qty 2 Mounting Clamps)	
	1001225430	1	Filter, Fuel (Pre-Filter) Assembly	
	70024961	1	Filter, Fuel	
	70025239	1	Seal	
	70024513	1	Cable, Sensor	
	70029451	1	Filter, Fuel	
		Ref	Gasket & Seal Components	
	70024905	1	Seal, Dipstick	
	70005942	2	Seal, Oil Plug	
	70024906	1	Gasket, Head	
	70005171	1	Gasket, Valve Cover	
	70002718	1	Seal, Rear Main	
	70025135	1	O-Ring, Oil Lube Pump	
	70005173	1	Gasket, Oil Lube Pump	
	70024925	1	Seal, Oil Cooler	
	70005177	1	Gasket, Charge Air Housing	
	70025200	1	O-Ring, Coolant Pump	
	70007325	1	Seal, Coolant Pump	
	70005184	1	O-Ring, Thermostat	
	70005931	1	Seal, Thermostat	
	70025164	1	Gasket, Exhaust Manifold to Head	
	70007354	1	Gasket, Short Exhaust Pipe to JLG supplied Exhaust	

SECTION 3 - ENGINE

ITEM	PART NUMBER	QTY	DESCRIPTION	REV
	70007326	1	Gasket EGR Valve	
	70031095	1	Gasket, Exhaust Return Pipe (to Air Intake Housing)	
		Ref	Other Components	
	70001870	1	Flywheel	
	7024579	1	Gear, Ring	
		Ref	Oil Lube System	
	7020465	1	Cap, Oil Fill	
	70024904	1	Dipstick	
	70005941	2	Plug, Oil (Includes Seal)	
	70005172	1	Pump, Oil Lube (Includes O-Ring & Gasket)	
	70024494	1	Oil Cooler	
	7016331	1	Filter, Oil	

SECTION 3 - ENGINE

FIGURE 3-15. ENGINE COMPONENTS - DEUTZ D2.9L4 ERM5 ENGINE (ANSI, ANSI EXPORT AND CSA SPECS)



ART_1001302954

SECTION 3 - ENGINE

FIGURE 3-15. ENGINE COMPONENTS - DEUTZ D2.9L4 ERM5 ENGINE (ANSI, ANSI EXPORT AND CSA SPECS)

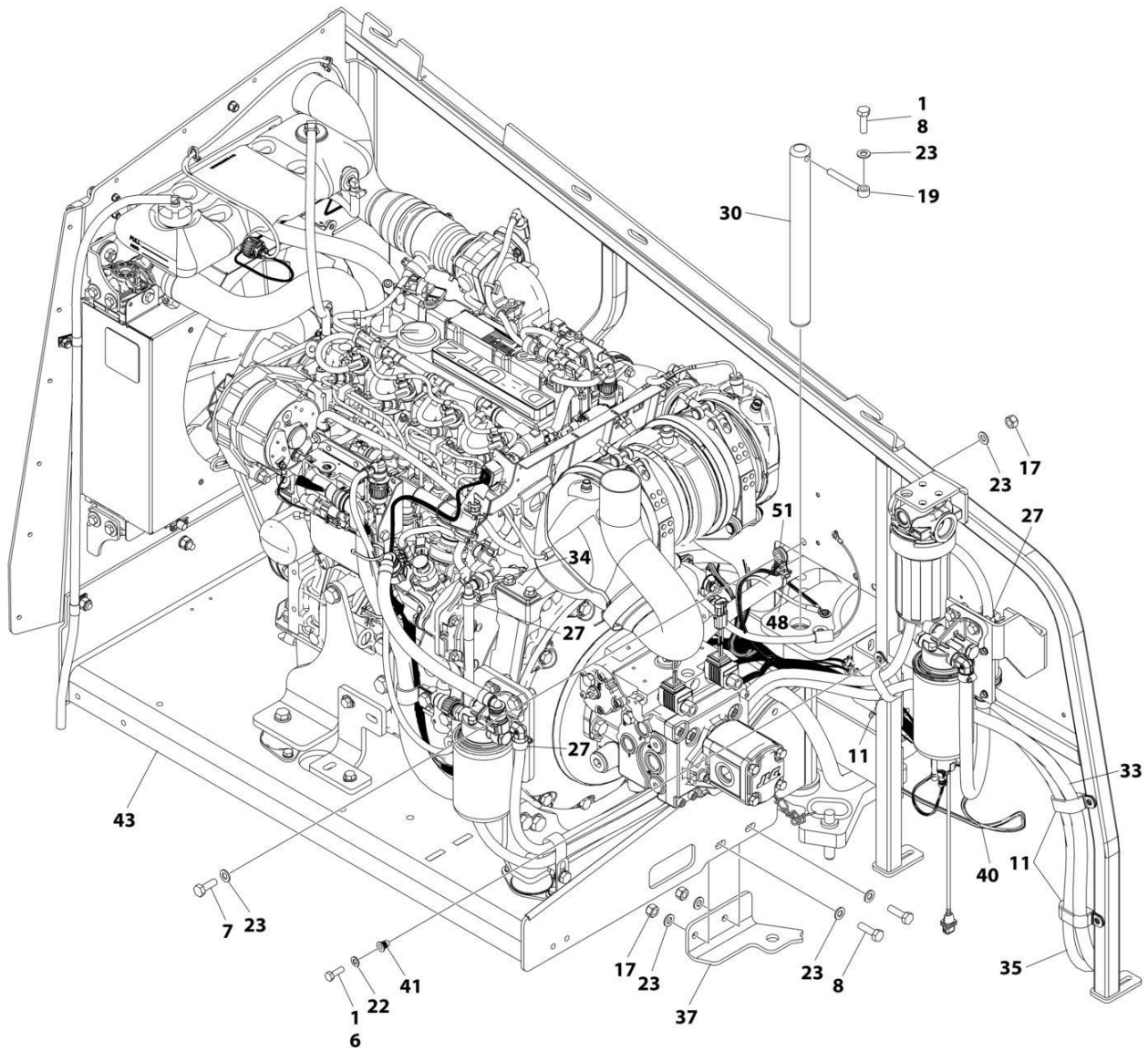
ITEM	PART NUMBER	QTY	DESCRIPTION	REV
	1001302954	Ref	ENGINE COMPONENTS - DEUTZ D2.9L4 ERM5 ENGINE	A
	See Note	Ref	Note: Contact JLG Customer Service for availability for addition components.	
		Ref	AIR INTAKE SYSTEM	
	70005180	1	Breather Line	
	70005182	1	Charge Air Elbow	
		Ref	COOLING SYSTEM COMPONENTS	
	70030360	1	Pump, Coolant	
	70007603	1	Thermostat	
		Ref	ELECTRICAL COMPONENT	
	70031144	1	Starter	
	NPN	1	Generator	
	70024507	1	Sensor, Pressure (Air Intake)	
	70026210	1	Sensor, Speed	
	70025231	1	Harness, Glow Plug	
	70024919	1	Sensor, Fuel Filter	
	70024504	1	Sensor, Pressure	
	70028540	1	Transmitter, Temperature	
	70029512	1	Module, Engine Control	
	70031143	1	Regulator, Voltage	
		Ref	EXHAUST COMPONENT	
	70004282	1	Exhaust Manifold	
	70031136	1	Pipe, Exhaust	
	70012257	1	Valve, Exhaust	
	70004508	1	Valve, Volume Control	
		Ref	FUEL SYSTEM COMPONENT	
	70030381	1	Pump, High Pressure	
	70004281	1	Injector, Fuel	
	NPN	1	Pump, Fuel Supply (Includes qty 2 Clamps)	
	70024961	1	Filter, Fuel	
	1001225430	1	Filter, Fuel (Pre-Filter)	
	70024513	1	Cable, Sensor	
	70025239	1	Seal	
	70029451	1	Filter, Fuel	
	1001225431	1	Filter, Fuel (Spin-On)	
	70024502	1	Pipe, Fuel	
		Ref	GASKET AND SEAL COMPONENT	
	70024905	2	Seal, Dipstick	
	70005942	1	Seal, Oil Plug	
	70005171	1	Gasket, Valve Cover	
	70024906	1	Gasket, Head	
	70002718	1	Seal, Rear Main	
	70005177	1	Gasket, Charge Air Housing	
	70005184	1	O-Ring, Thermostat	
	70005931	1	Seal, Thermostat	
	70025164	1	Gasket, Exhaust Manifold to Head	
	70007326	1	Gasket, EGR Valve	
	70031095	1	Gasket, Exhaust Return Pipe	
	70007354	1	Gasket, Short Exhaust Pipe	

SECTION 3 - ENGINE

ITEM	PART NUMBER	QTY	DESCRIPTION	REV
		Ref	OTHER COMPONENT	
	70001870	1	Flywheel (Includes Ring Gear)	
	7024579	1	Gear, Ring	
		Ref	OIL LUBE SYSTEM	
	70024904	1	Dipstick	
	70024905	1	Cap, Oil Fill	
	70005941	1	Plug, Oil	
	70005172	1	Pump, Oil Lube	
	7016331	1	Filter, Oil	
	70024494	1	Oil Cooler	

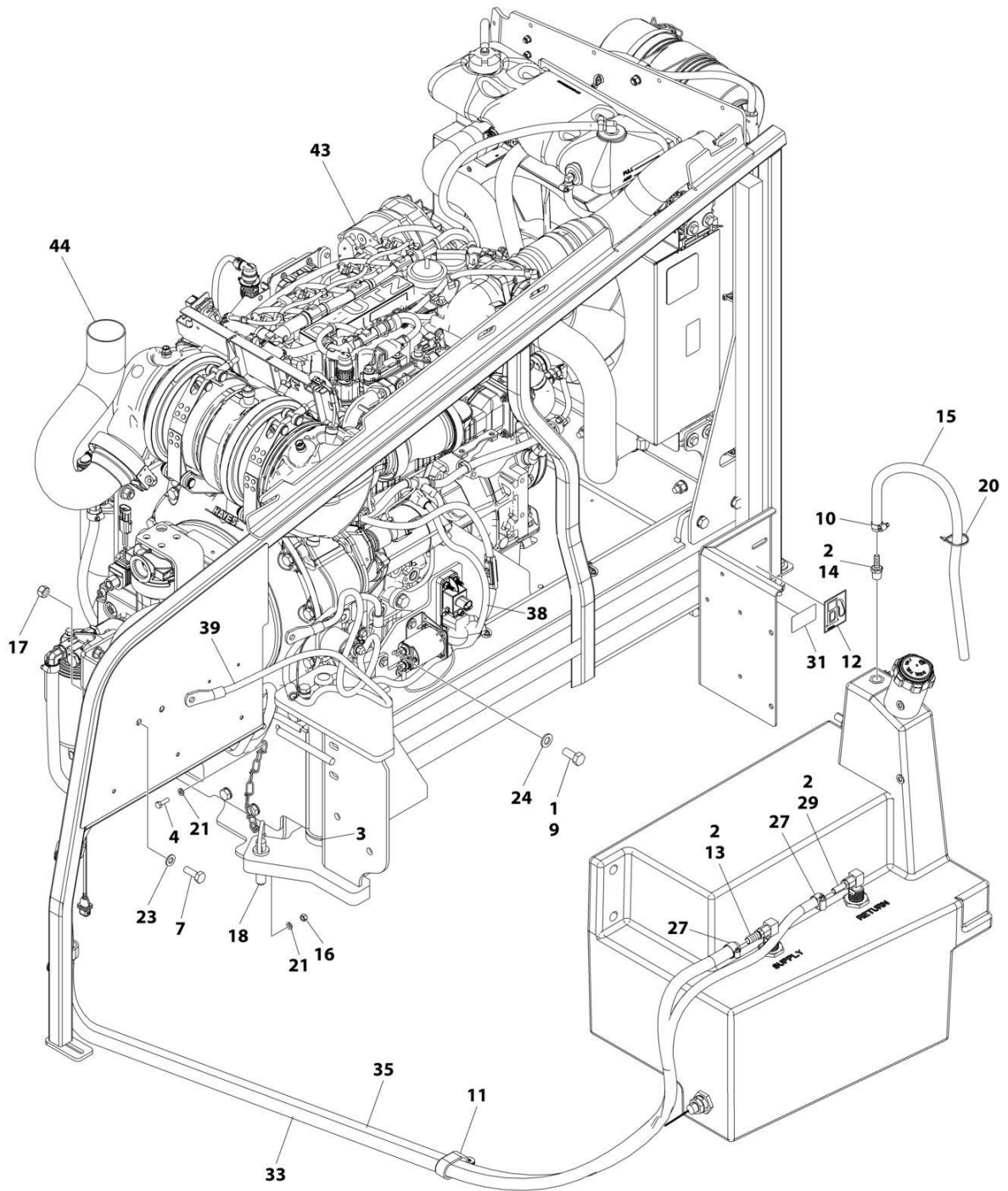
SECTION 3 - ENGINE

FIGURE 3-16. ENGINE INSTALLATION - DEUTZ D2.9L4 ENGINE (STAGE V) (CE & UK CA SPECS)



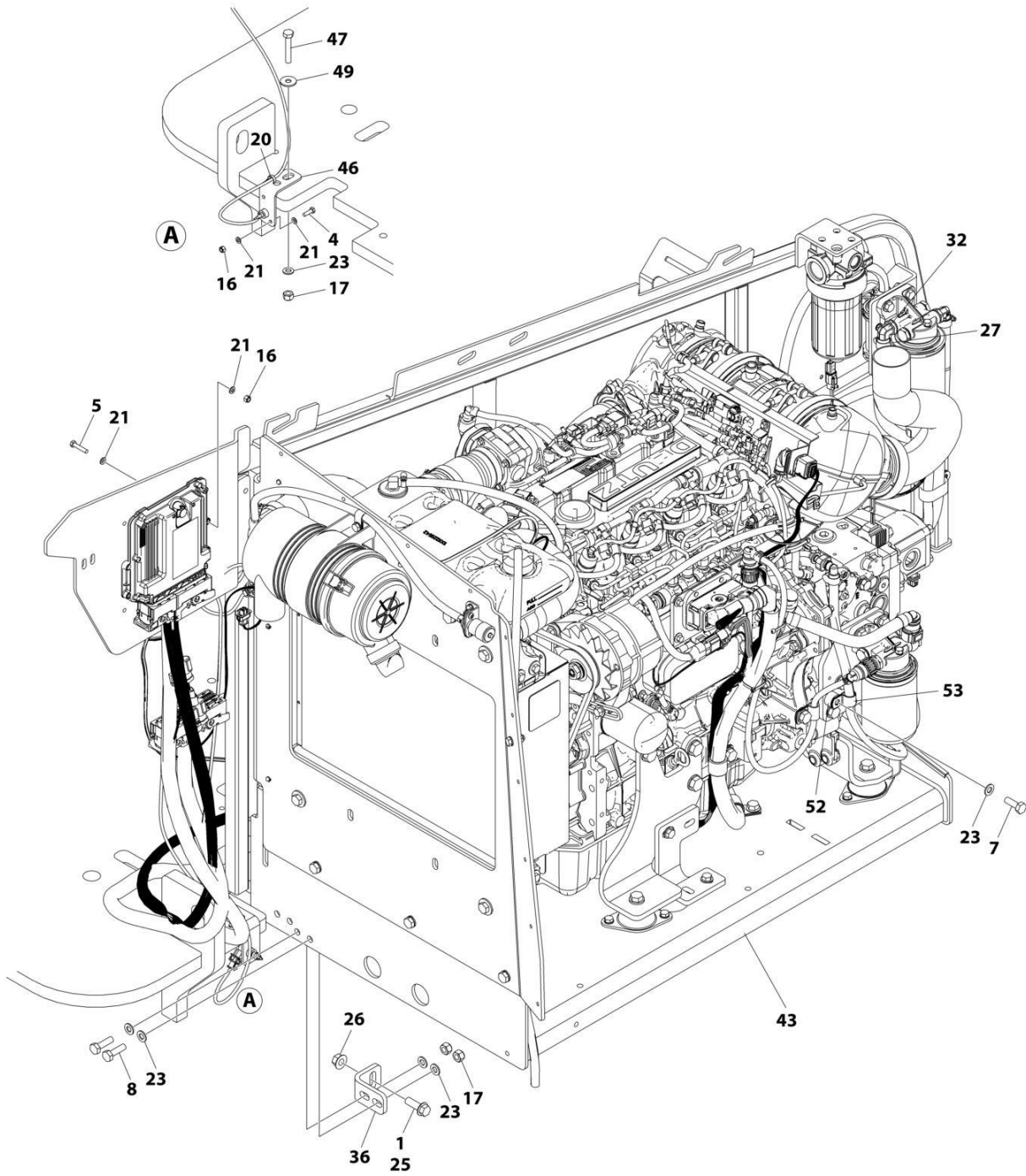
ART_1001244287_H_10F3

SECTION 3 - ENGINE



ART_1001244287_H_20F3

SECTION 3 - ENGINE



ART_1001244287_H_30F3

SECTION 3 - ENGINE

FIGURE 3-16. ENGINE INSTALLATION - DEUTZ D2.9L4 ENGINE (STAGE V) (CE & UK CA SPECS)

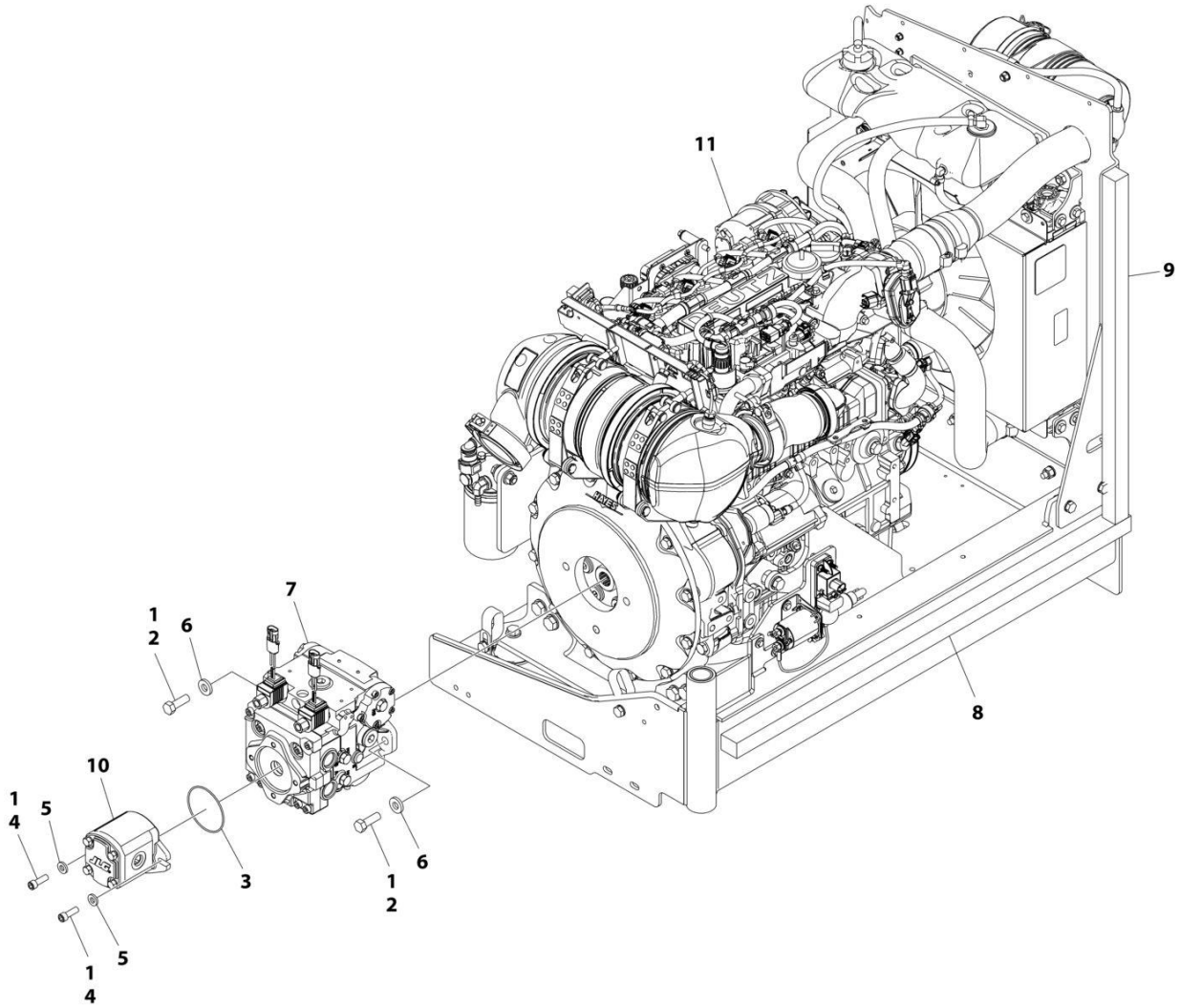
ITEM	PART NUMBER	QTY	DESCRIPTION	REV
	1001244287	Ref	ENGINE INSTALLATION - DEUTZ D2.9L4 ENGINE (STAGE V)	H
1	0100011	AR	Compound, Locking	
2	0100020	AR	Sealant, Pipe	
3	0440162	1	Bearing	
4	0760610	2	Bolt M6 x 20	
5	0760614	4	Bolt M6 x 30	
6	0760812	1	Bolt M8 x 25	
7	0761014	4	Bolt M10 x 30	
8	0761015	5	Bolt M10 x 35	
9	0771212	1	Bolt M12 x 25	
10	1320022	1	Clamp	
11	1321716	4	Clamp	
12	1701505	1	Decal - Diesel Fuel	
13	2180832	1	Fitting, Barbed	
14	2180876	1	Fitting, Barbed	
15	2720058	2 ft /0.6m	Hose	
16	3290605	6	Nut M6	
17	3291005	8	Nut M10	
18	3422532	1	Pin	
19	3841143	1	Keeper, Pin	
20	4240099	AR	Tie-Strap	
21	4811700	12	Washer M6	
22	4811900	1	Washer M8	
23	4812000	15	Washer M10	
24	4812100	1	Washer M12	
25	5251215	1	Bolt M12 x 35	
26	5261200	1	Nut, Flange M12 Grade 10.9	
27	8405006	6	Clamp	
29	2220767	AR	Fitting, Barbed 90	
29	8430007	AR	Fitting, Barbed	
30	1001135196	1	Pin	
31	1001139654	1	Decal - Ultra Low Sulfur Diesel	
32	1001142501	1	Fitting, Barbed 90	
33	1001154405	7.25 ft /2.21m	Hose	
34	1001155823	1	Coupling, Quick Disconnect 90	
35	1001165035	17.25 ft /5.26m	Hose	
36	1001167512	1	Bracket	
37	1001169823	1	Plate, Engine Lock	
38	1001171683	1	Cable, Battery (Red) (Battery Positive to Auxiliary Power Relay)	
39	1001171684	1	Cable, Battery (Black) (Battery Negative to Auxiliary Power Pump)	
40	1001181358	1	Harness, Fuel Pump (See Separate Breakdown in ELECTRICAL SECTION)	
41	1001191832	1	Nut, Rivet M8	
43	1001277600	1	Engine and Pump Sub-Assembly - Deutz D2.9L4 (Without Arctic Package) (See Separate Breakdown in this Section)	
44	1001247440	1	Pipe, Exhaust	
46	1001256879	1	Bracket	
47	0701020	1	Bolt M10 x 60	

SECTION 3 - ENGINE

ITEM	PART NUMBER	QTY	DESCRIPTION	REV
48	1062255	1	Tie-Strap	
49	4812002	1	Washer M10	
51	1001156107	1	Holder	
52	1001220266	1	Spacer	
53	1320061	1	Clamp	

SECTION 3 - ENGINE

FIGURE 3-17. ENGINE AND PUMP SUB-ASSEMBLY - DEUTZ D2.9L4 ENGINE (STAGE V) (CE & UK CA SPECS)



ART_1001277600

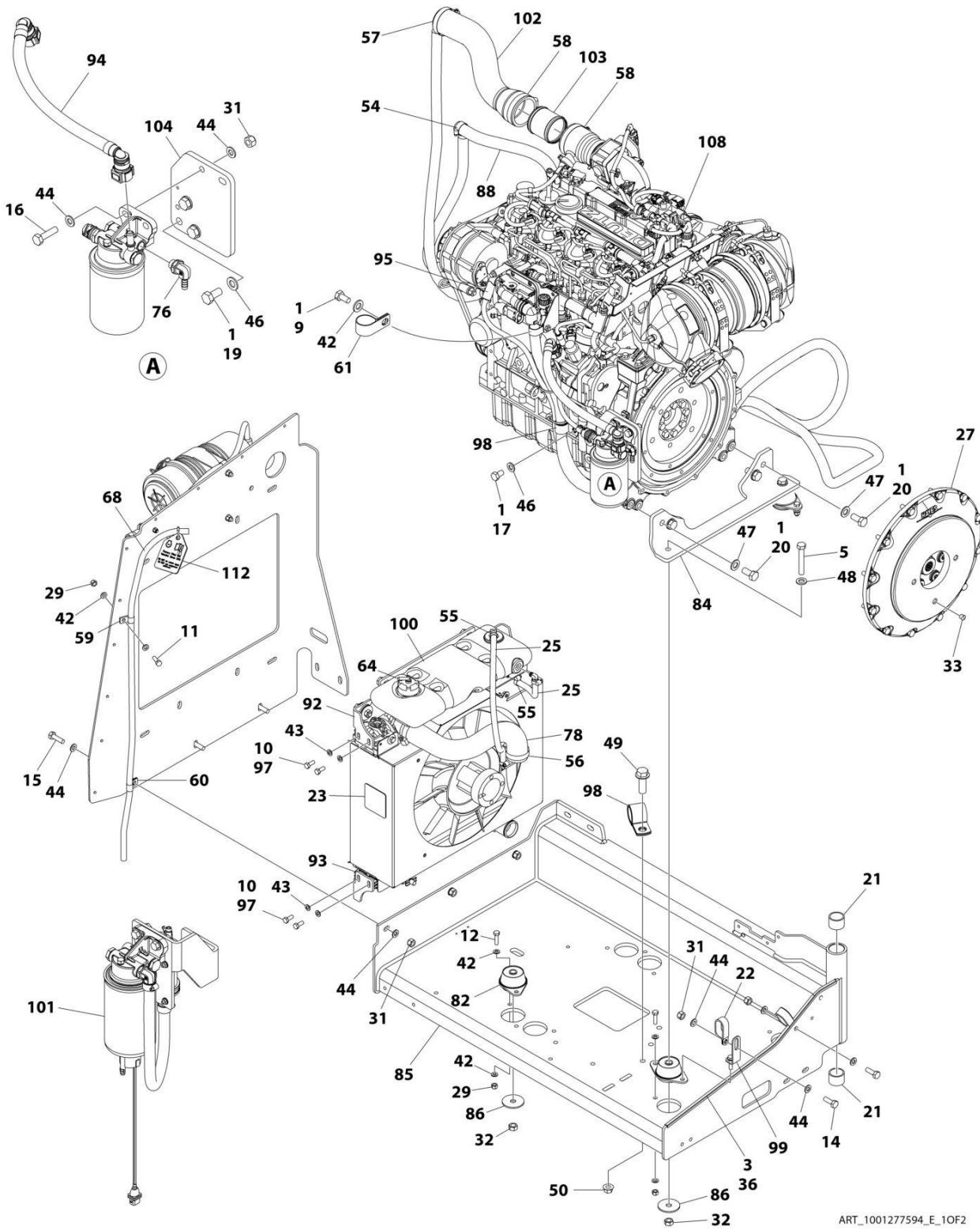
SECTION 3 - ENGINE

FIGURE 3-17. ENGINE AND PUMP SUB-ASSEMBLY - DEUTZ D2.9L4 ENGINE (STAGE V) (CE & UK CA SPECS)

ITEM	PART NUMBER	QTY	DESCRIPTION	REV
	1001277600	Ref	ENGINE AND PUMP SUB-ASSEMBLY - DEUTZ (STAGE V) ENGINE	B
1	0100011	AR	Compound, Locking	
2	0641812	2	Bolt 1/2 x 1-1/2	
3	3790152	1	O-Ring	
4	3931618	2	Capscrew 3/8 x 1-1/8	
5	4891600	2	Washer 3/8 Hardened	
6	4891800	2	Washer 1/2 Hardened	
7	1001167036	1	Piston Pump Assembly (See Separate Breakdown in this Section)	
8	1001171953	1	Seal	
9	1001171954	1	Seal	
10	1001214207	1	Gear Pump Assembly	
10	70006356	1	Seal Kit - 1001214207 Pump	
11	1001277594	1	Engine Assembly, Deutz (Stage V) Engine (See Separate Breakdown in this Section)	

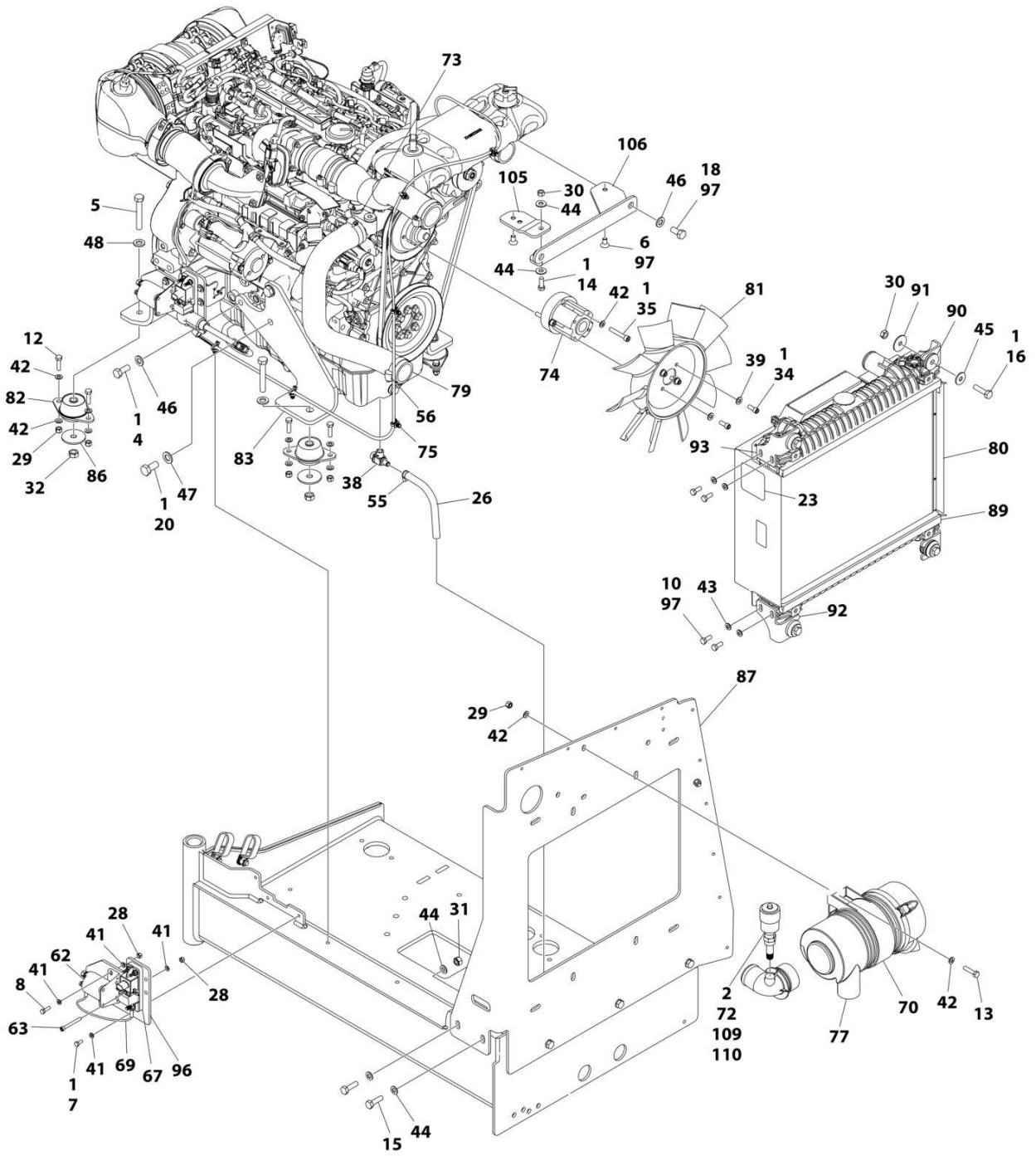
SECTION 3 - ENGINE

FIGURE 3-18. ENGINE ASSEMBLY – DEUTZ D2.9L4 ENGINE (STAGE V) (CE & UK CA SPECS)



ART_1001277594_E_10F2

SECTION 3 - ENGINE



ART_1001277594_E_20F2

SECTION 3 - ENGINE

FIGURE 3-18. ENGINE ASSEMBLY – DEUTZ D2.9L4 ENGINE (STAGE V) (CE & UK CA SPECS)

ITEM	PART NUMBER	QTY	DESCRIPTION	REV
	1001277594	Ref	ENGINE ASSEMBLY - DEUTZ D2.9L4 (STAGE V)	E
1	0100011	AR	Compound, Locking	
2	0100020	AR	Sealant, Pipe	
3	0100081	AR	Adhesive	
4	0711214	1	Bolt M12 x 30 Class 10.9	
5	0711224	3	Bolt M12 x 80 Class 10.9	
6	0741606	2	Screw 3/8 x 3/4	
7	0760607	3	Bolt M6 x 14	
8	0760610	2	Bolt M6 x 20	
9	0760808	1	Bolt M8 x 16	
10	0760810	8	Bolt M8 x 20	
11	0760812	1	Bolt M8 x 25	
12	0760814	6	Bolt M8 x 30	
13	0760815	2	Bolt M8 x 35	
14	0761014	3	Bolt M10 x 30	
15	0761015	5	Bolt M8 x 35	
16	0761016	6	Bolt M10 x 40	
17	0761210	1	Bolt M12 x 20	
18	0761212	2	Bolt M12 x 25	
19	0771212	3	Bolt M12 x 25	
20	0771414	6	Bolt M14 x 30 Class 10.9	
21	0961951	2	Bushing	
22	1321716	2	Clamp	
23	1703162	2	Decal - Caution Fan	
25	2720015	2 ft /1 m	Hose	
26	2720340	1 ft/1 m	Hose	
27	2902065	1	Pump Coupling Kit (See Separate Breakdown in this Section)	
28	3290605	3	Nut M6	
29	3290805	9	Nut M8	
30	3291001	5	Nut M10	
31	3291005	9	Nut M10	
32	3331215	3	Nut M12 x 1.75	
33	3520054	1	Plug	
34	3931512	4	Capscrew, 5/16 x 3/4	
35	4031914	4	Bolt M8 x 50	
36	4060805	3 ft /1 m	Flex-Trim	
37	4240099	AR	Tie-Strap (Not Shown)	
38	4640751	1	Valve, Oil Drain	
39	4711500	4	Washer 5/16	
40	4811700	2	Washer M6	
41	4811702	8	Washer M6	
42	4811900	23	Washer M8	
43	4811902	8	Washer M8	
44	4812000	20	Washer M10	
45	4812002	4	Washer M10	
46	4812100	7	Washer M12	
47	4812200	6	Washer M14	
48	5241200	3	Washer M12	
49	5251215	1	Bolt M12 x 35	
50	5261200	1	Nut, Flange M12 Class10	

SECTION 3 - ENGINE

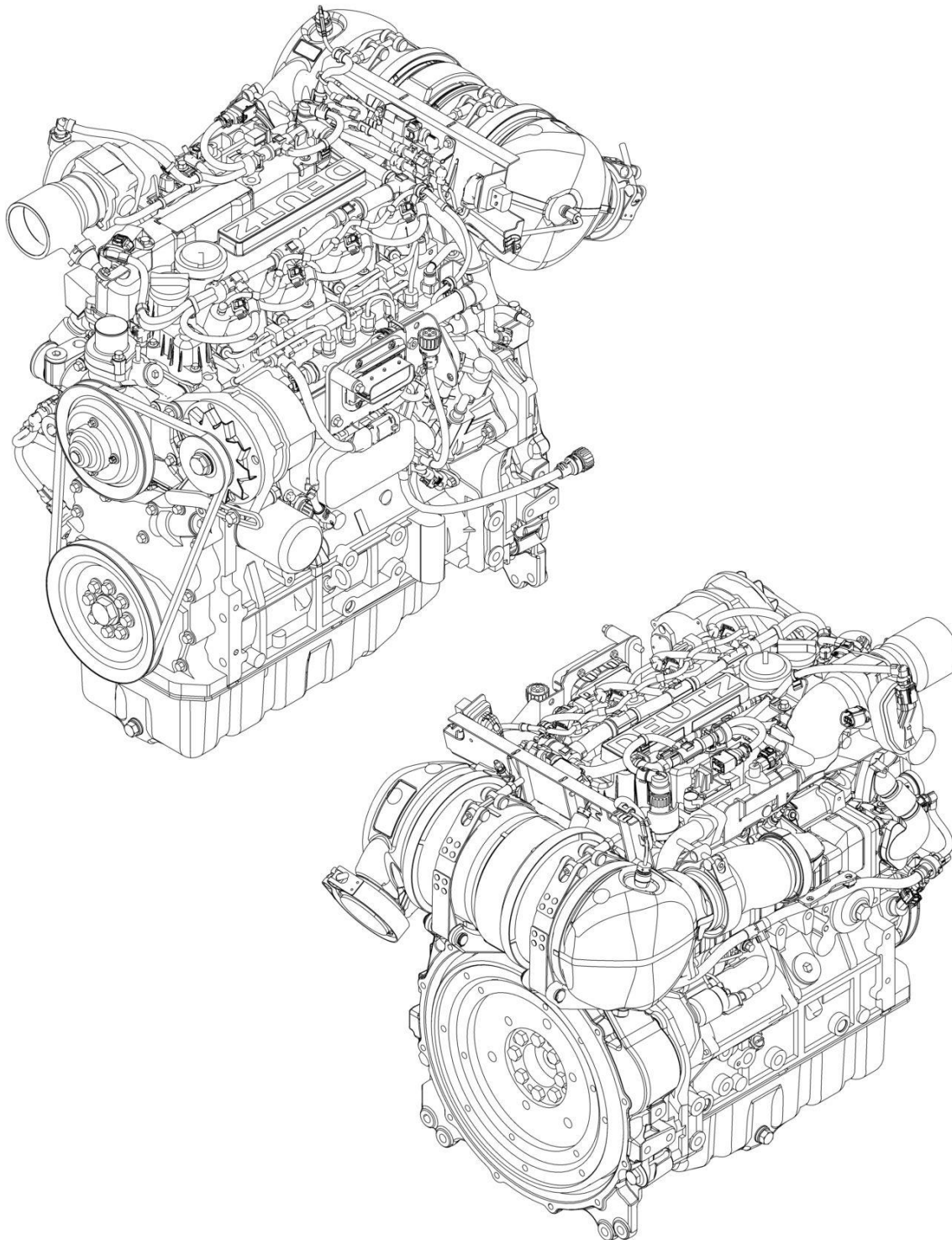
ITEM	PART NUMBER	QTY	DESCRIPTION	REV
54	8405007	2	Clamp	
55	8405009	5	Clamp	
56	8405104	4	Clamp	
57	8405202	1	Clamp	
58	8405204	2	Clamp	
59	8406109	1	Clip	
60	8406110	1	Clip	
61	8406201	1	Clip	
62	1001117308	1	Relay, 200Amp	
63	1001118878	1	Bolt M6 x 55	
64	1001136834	1	Cap, Tank	
67	1001138228	1	Relay, Power Module	
68	1001138248	4 ft/1 m	Tube	
69	1001141304	1	Harness, Glow Plug	
70	1001141694	1	Clamp, Air Cleaner	
72	1001143390	1	Indicator	
73	1001143797	1	Fitting, Barbed	
74	1001144116	1	Spacer, Fan	
75	1001146588	AR	Tie-Strap (Not Shown)	
76	1001152489	1	Fitting, Barbed 90	
77	1001165388	1	Air Cleaner Assembly	
78	1001165405	1	Hose, Upper Radiator	
79	1001165406	1	Hose, Lower Radiator	
80	1001165722	1	Radiator	
81	1001165849	1	Fan	
82	1001166718	3	Mount, Motor	
83	1001166921	1	Plate, Engine Mount	
84	1001166924	1	Plate, Engine Mount	
85	1001167520	1	Tray, Engine	
86	1001168018	3	Washer, Special	
87	1001168026	1	Plate, Radiator Mounting	
88	1001168099	1	Hose	
89	1001168166	2	Seal	
90	1001169054	4	Isolator	
91	1001169138	4	Washer, Snubbing	
92	1001169967	2	Bracket	
93	1001170035	2	Bracket	
94	1001177359	1	Hose	
95	1001178788	1	Cable, Alternator	
96	1001179903	1	Bracket	
97	1001180620	AR	Adhesive	
98	1001191620	2	Clamp	
99	1001223122	1	Support	
100	1001230635	1	Tank, Surge (Includes Items 62, 70, & 73)	
101	1001235949	1	Bracket (See Separate Breakdown in this Section)	
102	1001236780	1	Hose, Air Intake	
103	1001238911	1	Pipe, Air Intake	
104	1001258804	1	Mount, Fuel Filter	
105	1001260412	1	Bracket	
106	1001260420	1	Bracket (note: may require P/N 1001260412)	
107	1001276643	1	Harness, Engine (Not Shown - See Separate Breakdown in ELECTRICAL Section)	

SECTION 3 - ENGINE

ITEM	PART NUMBER	QTY	DESCRIPTION	REV
108	1001277589	1	Engine, Deutz 2.9L4 (Stage V) (See Separate Breakdown in this Section)	
109	2200261	1	Fitting	
110	1001277432	1	Spacer	
111	4240032	1	Tie-Strap (Not Shown)	
112	1001291401	1	Tag, Coolant	

SECTION 3 - ENGINE

FIGURE 3-19. ENGINE COMPONENTS - DEUTZ D2.9L4 ENGINE (STAGE V) (CE & UK CA SPECS)



ART_1001277589

SECTION 3 - ENGINE

FIGURE 3-19. ENGINE COMPONENTS - DEUTZ D2.9L4 ENGINE (STAGE V) (CE & UK CA SPECS)

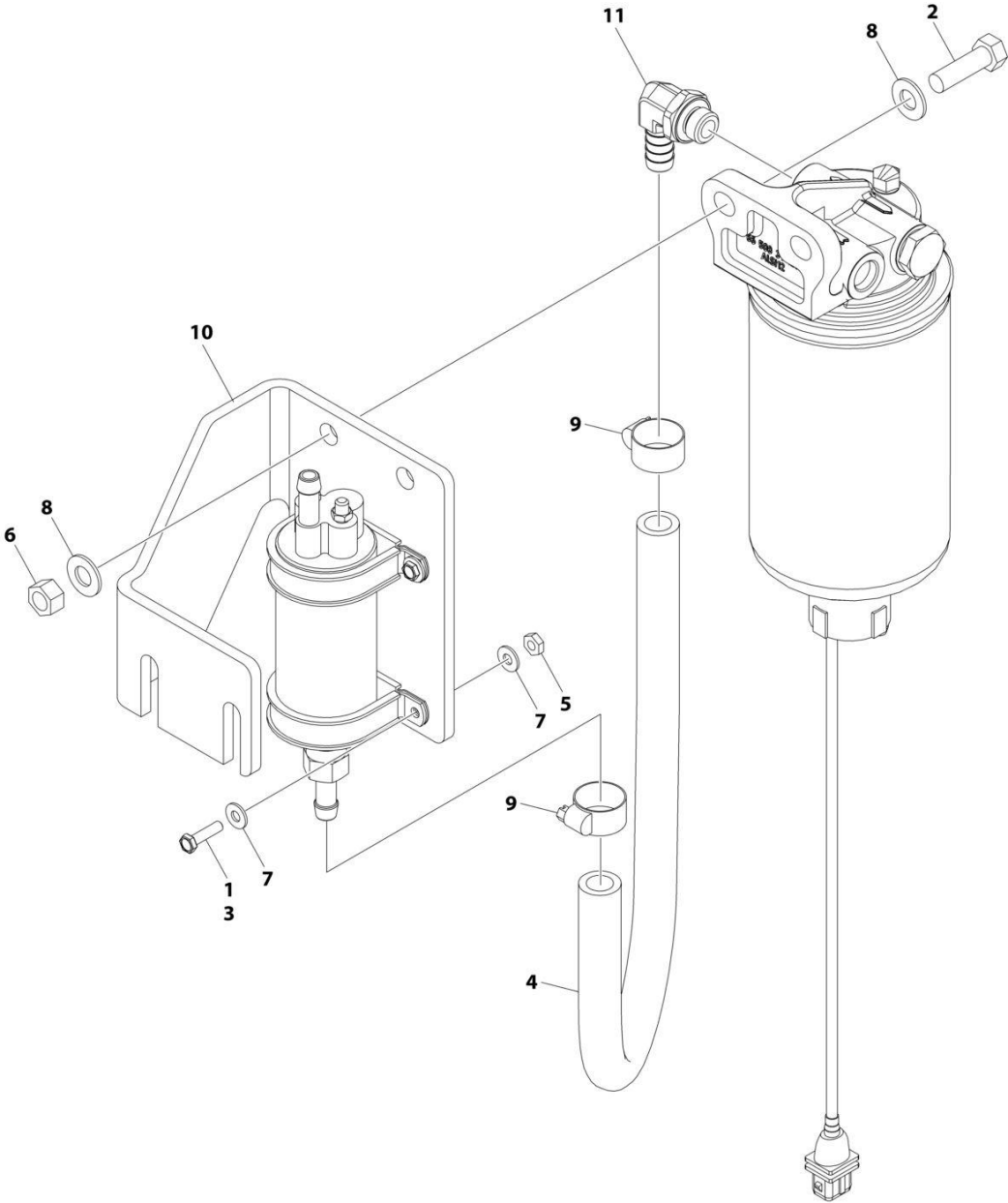
ITEM	PART NUMBER	QTY	DESCRIPTION	REV
	1001277589	Ref	DEUTZ ENGINE COMPONENTS	B
		Ref	COOLING SYSTEM COMPONENTS	
	70031474	1	Cooler, Oil	
	70031388	1	Seal, Oil Cooler	
	70030360	1	Pump, Coolant (Includes Gaskets & Seals)	
	70031055	1	O-Ring, Coolant Pump	
	70007325	1	Gasket	
	70007603	1	Thermostat	
	70005184	1	O-Ring, Thermostat	
	70005931	1	Gasket, Thermostat	
		Ref	ELECTRICAL SYSTEM COMPONENTS	
	70024513	1	Cable, Primary Fuel Filter Sensor (Includes Seal)	
	70025239	1	Seal	
	70028538	1	Sensor, Fuel Pressure (at Filter) (Includes Seal)	
	70024920	1	Seal	
	70029512	1	Module, ECU/ECM	
	70027405	1	Sensor, Exhaust Temperature	
	70031144	1	Starter	
	70008435	1	Generator (includes Regulator)	
	70031143	1	Regulator	
	70000345	4	Plug, Glow	
	70025231	1	Harness, Glow Plug	
	70008553	1	Cable, Interconnect	
	70008558	1	Harness, Engine	
	1001211556	1	Sensor, Temperature (Includes O-Seal)	
	70005507	1	O-Seal	
	70028540	1	Sensor, Temperature (in Cylinder Head)	
	70024504	1	Sensor, Oil Pressure (Side of Block) (Includes Seal)	
	70024920	1	Seal	
	70026210	2	Sensor, Speed (Includes O-Ring/Seal)	
	70005191	1	O-Ring	
	70024917	1	Seal	
	70008559	1	Sensor, Air Pressure (Air Exchange Manifold) (Includes O-Ring)	
	70008561	1	Sensor, Air Pressure (Air Exchange Manifold) (Includes O-Ring)	
	70024505	1	Sender, Exhaust Temperature	
	70029409	1	Sender, Exhaust Temperature	
	70008431	1	Sensor, Exhaust Pressure	
		Ref	EXHAUST SYSTEM COMPONENTS	
	70025130	8	Bolt, Exhaust Manifold	
	70025164	1	Gasket, Exhaust Manifold to Head	
	70005505	2	O-Seal	
	70008543	1	Pipe, Exhaust	
	70008544	1	O-Seal, Exhaust (Venturi Tube to Exhaust Pipe)	
	70008545	1	Gasket, Square Exhaust	
	70005504	1	Sensor, Exhaust Pressure (Includes O-Seals)	
	70031136	1	Gasket, Exhaust (Upper)	
	70007354	1	Gasket, Exhaust (Lower)	
	70008547	1	Module, EGR (Includes Gasket)	
	70007326	1	Gasket	
	70025242	2	Gasket, Compensator	

SECTION 3 - ENGINE

ITEM	PART NUMBER	QTY	DESCRIPTION	REV
	70004504	1	Compensator	
	70008564	1	Catalyst	
		Ref	FUEL SYSTEM COMPONENTS	
	1001225430	1	Filter, Primary Fuel	
	1001225431	1	Filter, Fuel	
	70030381	1	Pump, High Pressure	
	70025152	1	O-Ring (Between Pump AND Spacer)	
	70004505	1	Valve, Overflow (Includes O-Rings)	
	70004506	1	O-Ring	
	70004507	1	O-Ring	
	70004508	1	Valve, Volume Control (Includes O-Ring & Gasket)	
	70004509	1	O-Ring	
	70004510	1	Gasket	
	70004281	4	Injector, Fuel (Includes Sealing Washer & O-Ring)	
	70025140	1	Washer, Sealing	
	70025145	1	O-Rin	
	70008422	1	Pump, Fuel Supply (Includes Clamps)	
	70025144	2	Clamp	
	70008537	1	Valve, Throttle (Includes Gasket)	
	70008538	1	Gasket	
		Ref	GASKETS & SEAL & KITS	
	70024906	1	Gasket, Head	
	70005171	1	Gasket, Valve Cover	
	70002718	1	Seal, Rear Main	
	70028185	1	Gasket, Front Cover	
	70008296	1	Seal, Front Main	
	70025235	1	Kit, Repair - Fuel Rail	
	70005176	1	O-Ring, Charge Exchange Manifold	
	70005177	1	Gasket, Charge Exchange Manifold	
	70005938	1	Gasket Kit	
		Ref	LUBRICATION SYSTEM COMPONENTS	
	7016331	1	Filter, Oil	
	70024904	1	Dipstick (Includes O-Ring)	
	70024905	1	O-Ring, Dipstick	
	7020465	2	Cap, Oil Fill	
	70005941	1	Plug, Oil Drain	
	70005942	1	Washer, Oil Drain Plug	
	70005172	1	Pump, Oil Lube (Includes Gasket & O-Ring)	
		Ref	MECHANICAL COMPONENTS	
	70001870	1	Flywheel (Includes Ring Gear)	
	7024579	1	Gear, Ring	
	70024913	1	V-Belt	

SECTION 3 - ENGINE

FIGURE 3-20. BRACKET ASSEMBLY - FUEL PUMP AND FILTER (DEUTZ D2.9L4 ENGINE)



ART_1001162335

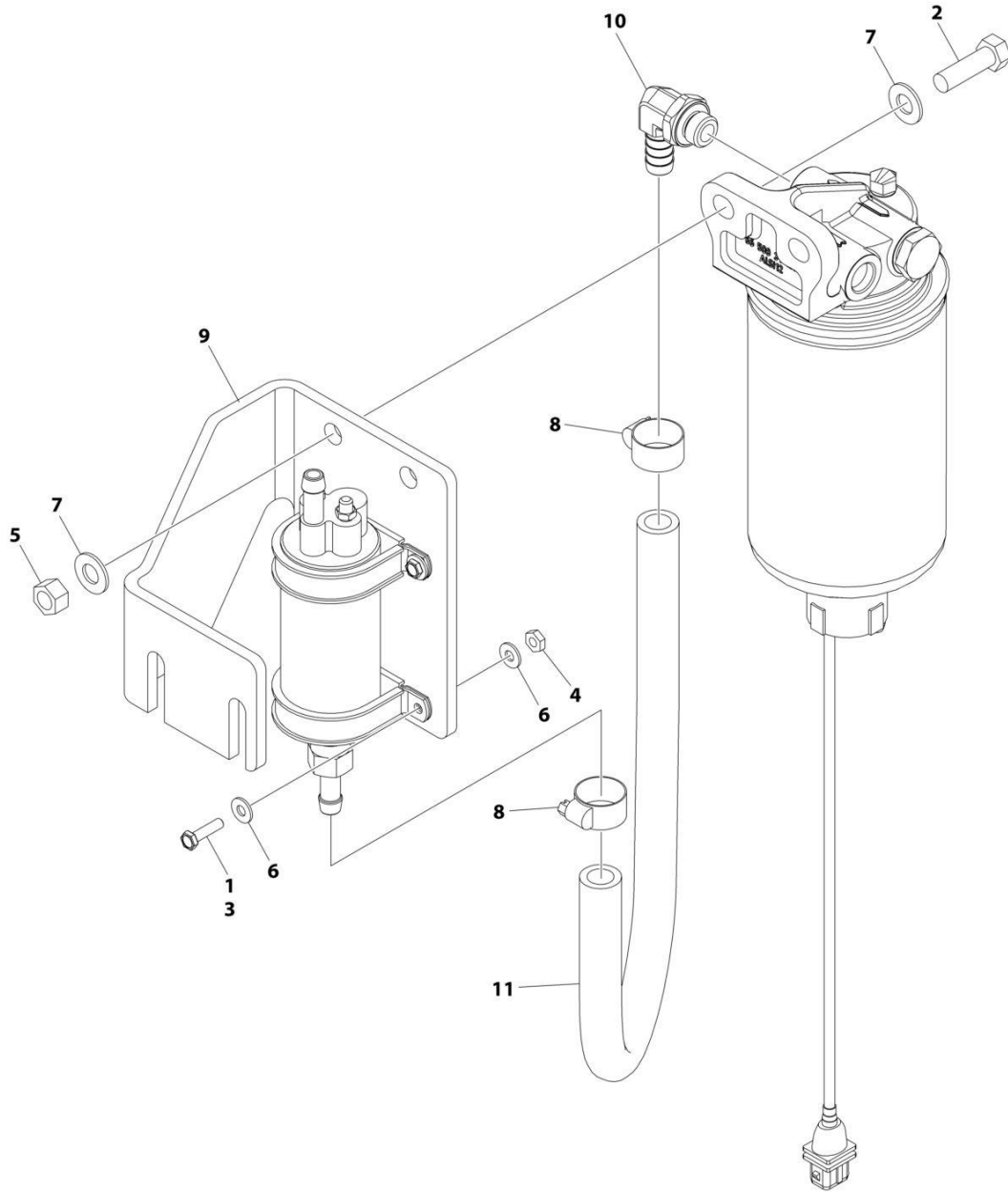
SECTION 3 - ENGINE

FIGURE 3-20. BRACKET ASSEMBLY - FUEL PUMP AND FILTER (DEUTZ D2.9L4 ENGINE)

ITEM	PART NUMBER	QTY	DESCRIPTION	REV
	1001162335	Ref	BRACKET ASSEMBLY - FUEL PUMP AND FILTER (DEUTZ D2.9L4 ENGINE)	E
1	0100011	AR	Compound, Locking	
2	0641610	2	Bolt 3/8 x 1-1/4	
3	0721006	4	Bolt #10 x 3/4	
4	1001154405	AR	Hose	
5	3311001	4	Nut #10	
6	3311605	2	Nut 3/8	
7	4711000	8	Washer #10	
8	4711600	4	Washer 3/8	
9	8405006	2	Clamp	
10	1001141870	1	Plate, Fuel Pump Mount	
11	1001142501	1	Fitting, Elbow Barbed	

SECTION 3 - ENGINE

FIGURE 3-21. BRACKET ASSEMBLY - FUEL PUMP AND FILTER (DEUTZ D2.9L4 ENGINE) (STAGE V)



ART_1001235949

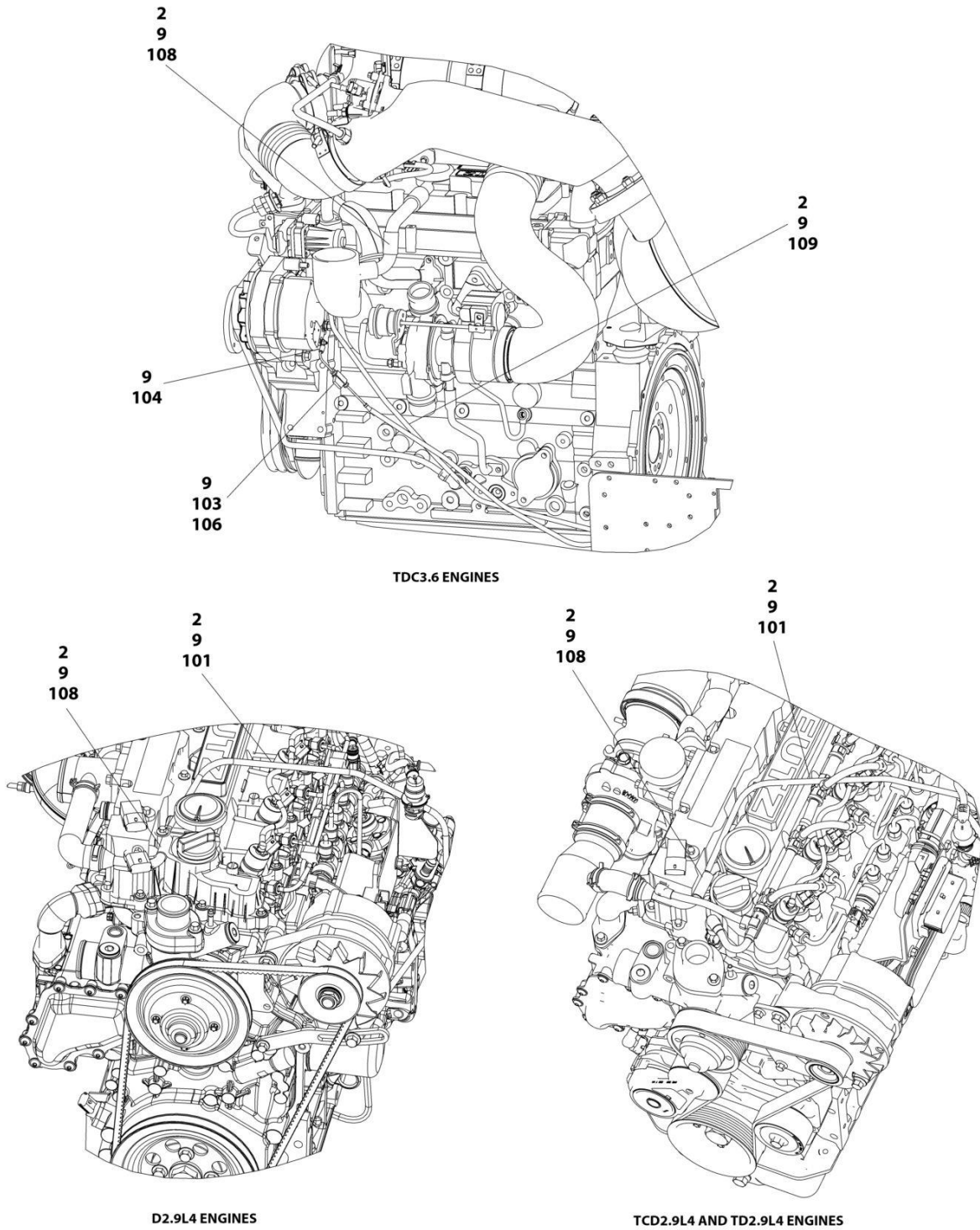
SECTION 3 - ENGINE

FIGURE 3-21. BRACKET ASSEMBLY - FUEL PUMP AND FILTER (DEUTZ D2.9L4 ENGINE) (STAGE V)

ITEM	PART NUMBER	QTY	DESCRIPTION	REV
	1001235949	Ref	BRACKET ASSEMBLY - FUEL PUMP AND FILTER (DEUTZ D2.9L4 (STAGE V) ENGINE)	A
1	0100035	AR	Compound, Locking	
2	0641610	2	Bolt 3/8 x 1-1/4	
3	0721006	4	Bolt #10 x 3/4	
4	3311001	4	Nut #10	
5	3311605	2	Nut 3/8	
6	4711000	8	Washer #10	
7	4711600	4	Washer 3/8	
8	8405006	2	Clamp	
9	1001141870	1	Plate, Fuel Pump Mount	
10	1001142501	1	Fitting, Elbow Barbed	
11	1001154405	1.5 ft /0.4m	Hose	

SECTION 3 - ENGINE

FIGURE 3-22. BREATHER HEATER INSTALLATION - DEUTZ D2.9L4 ENGINE WITH ARCTIC PACKAGE



ART_1001233763

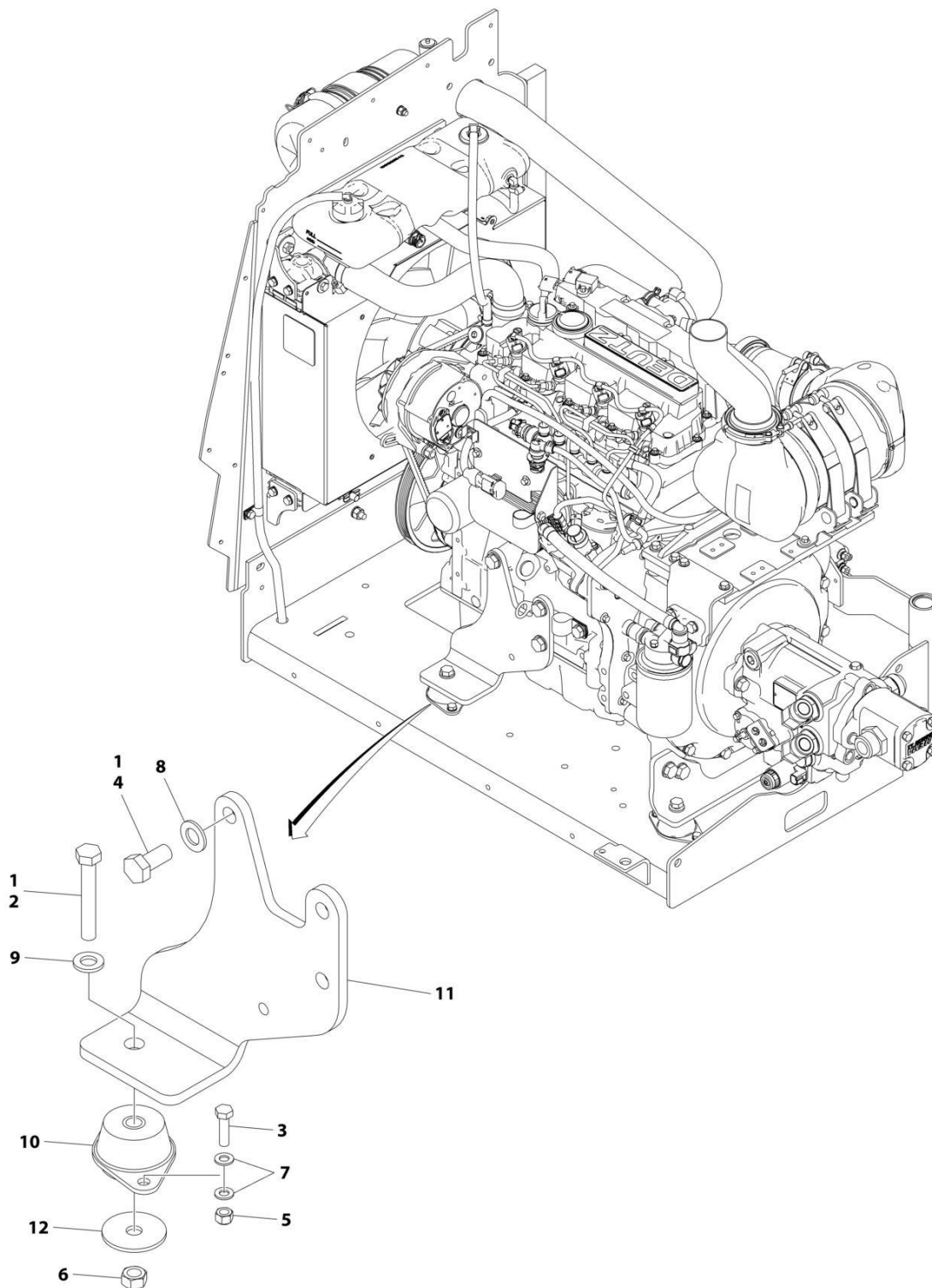
SECTION 3 - ENGINE

FIGURE 3-22. BREATHER HEATER INSTALLATION - DEUTZ D2.9L4 ENGINE WITH ARCTIC PACKAGE

ITEM	PART NUMBER	QTY	DESCRIPTION	REV
	1001233763	Ref	BREATHER HEATER INSTALLATION - DEUTZ ENGINES	D
2	4240099	AR	Tie-Strap	
9	1001243895	1	Breather Heater Harness	C
101	2820035	AR	Insulation	
103	2400060	1	Fuseholder with Cover	
104	4460043	1	Terminal, Ring	
105	4460722	1	Terminal, Ring (Not Shown)	
106	1001196634	1	Fuse - 2 Amp	
108	1001232842	1	Breather Heater Kit	

SECTION 3 - ENGINE

FIGURE 3-23. ENGINE MOUNT INSTALLATION - DEUTZ D2.9L4 WITHOUT GENERATOR



ART_1001244024

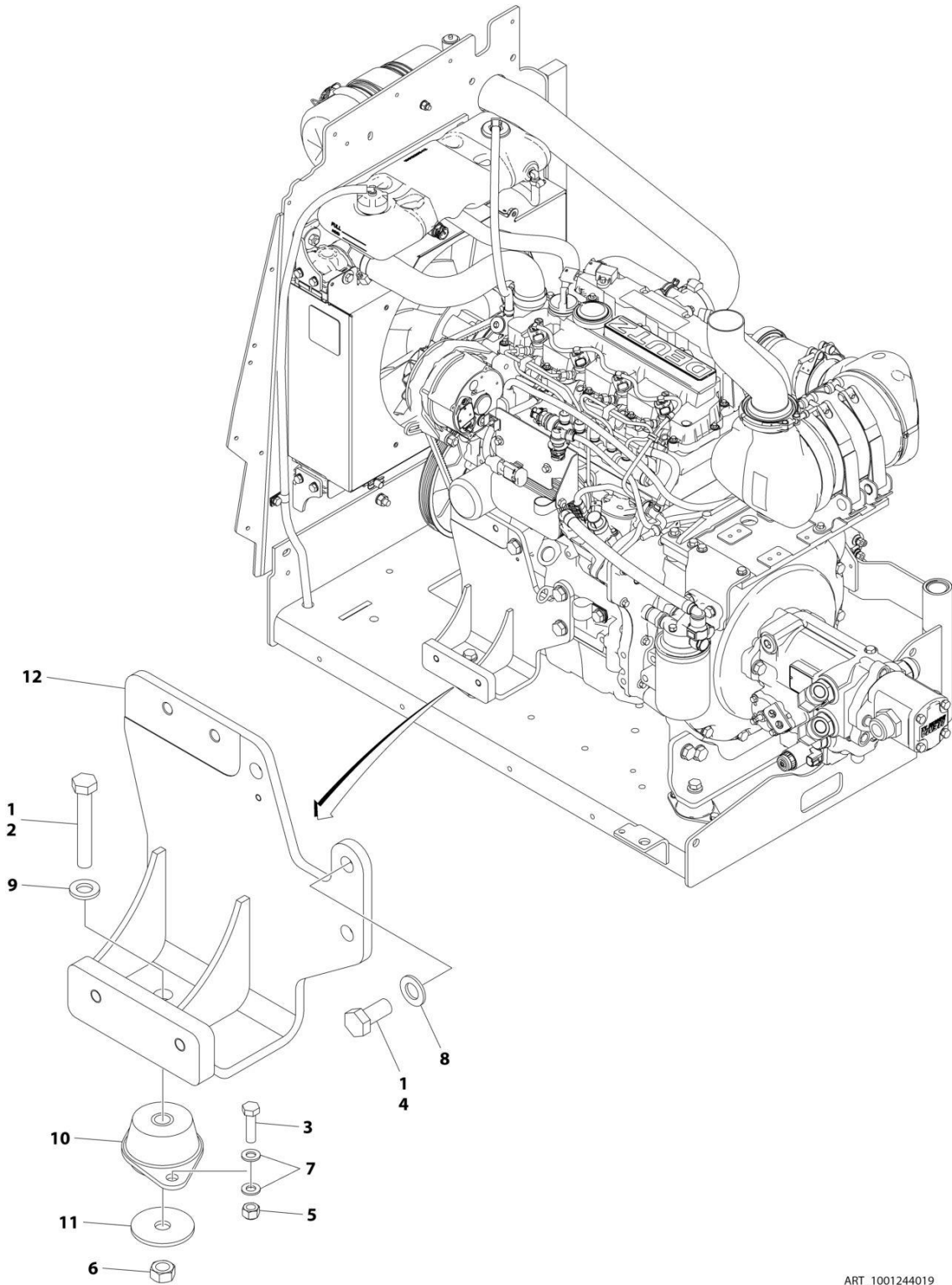
SECTION 3 - ENGINE

FIGURE 3-23. ENGINE MOUNT INSTALLATION - DEUTZ D2.9L4 WITHOUT GENERATOR

ITEM	PART NUMBER	QTY	DESCRIPTION	REV
	1001244024	Ref	MOTOR MOUNT INSTALLATION	A
1	0100011	AR	Compound, Locking	
2	0711224	1	Bolt M12 x 80	
3	0760814	2	Bolt M8 x 30	
4	0771414	3	Bolt M14 x 30	
5	3290805	2	Nut M8	
6	3331211	1	Nut M12	
7	4811900	4	Washer M8	
8	4812200	3	Washer M14	
9	5241200	1	Washer M12	
10	1001166718	1	Mount, Motor	
11	1001166922	1	Mount	
12	1001168018	1	Washer	

SECTION 3 - ENGINE

FIGURE 3-24. ENGINE MOUNT INSTALLATION - DEUTZ D2.9L4 WITH GENERATOR



ART_1001244019

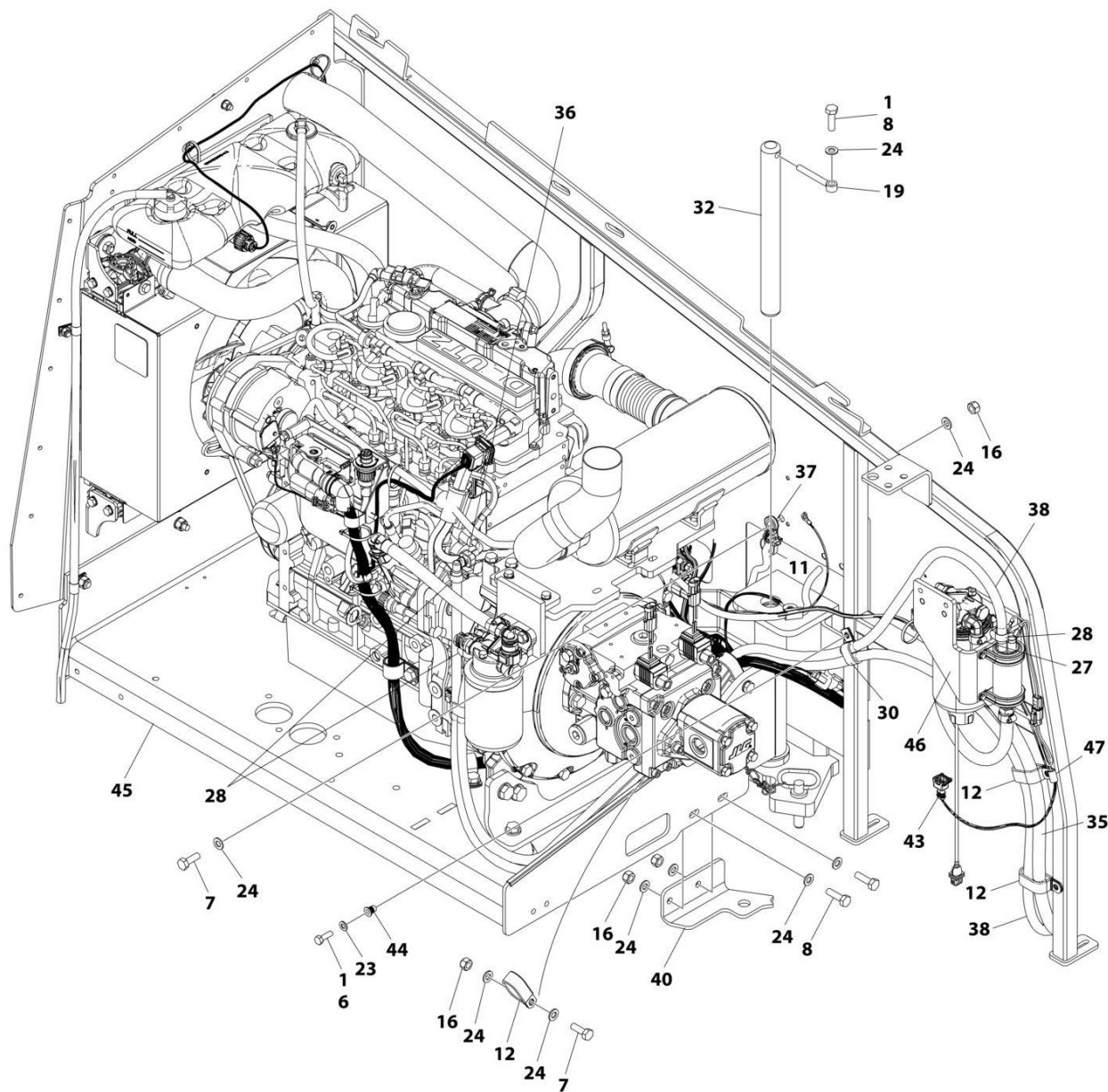
SECTION 3 - ENGINE

FIGURE 3-24. ENGINE MOUNT INSTALLATION - DEUTZ D2.9L4 WITH GENERATOR

ITEM	PART NUMBER	QTY	DESCRIPTION	REV
	1001244019	Ref	MOTOR MOUNT INSTALLATION	A
1	0100011	AR	Compound, Locking	
2	0711224	1	Bolt M12 x 80	
3	0760814	2	Bolt M8 x 30	
4	0771414	3	Bolt M14 x 30	
5	3290805	2	Nut M8	
6	3331211	1	Nut M12	
7	4811900	4	Washer M8	
8	4812200	3	Washer M14	
9	5241200	1	Washer M12	
10	1001166718	1	Mount, Motor	
11	1001168018	1	Washer	
12	1001168207	1	Mount	

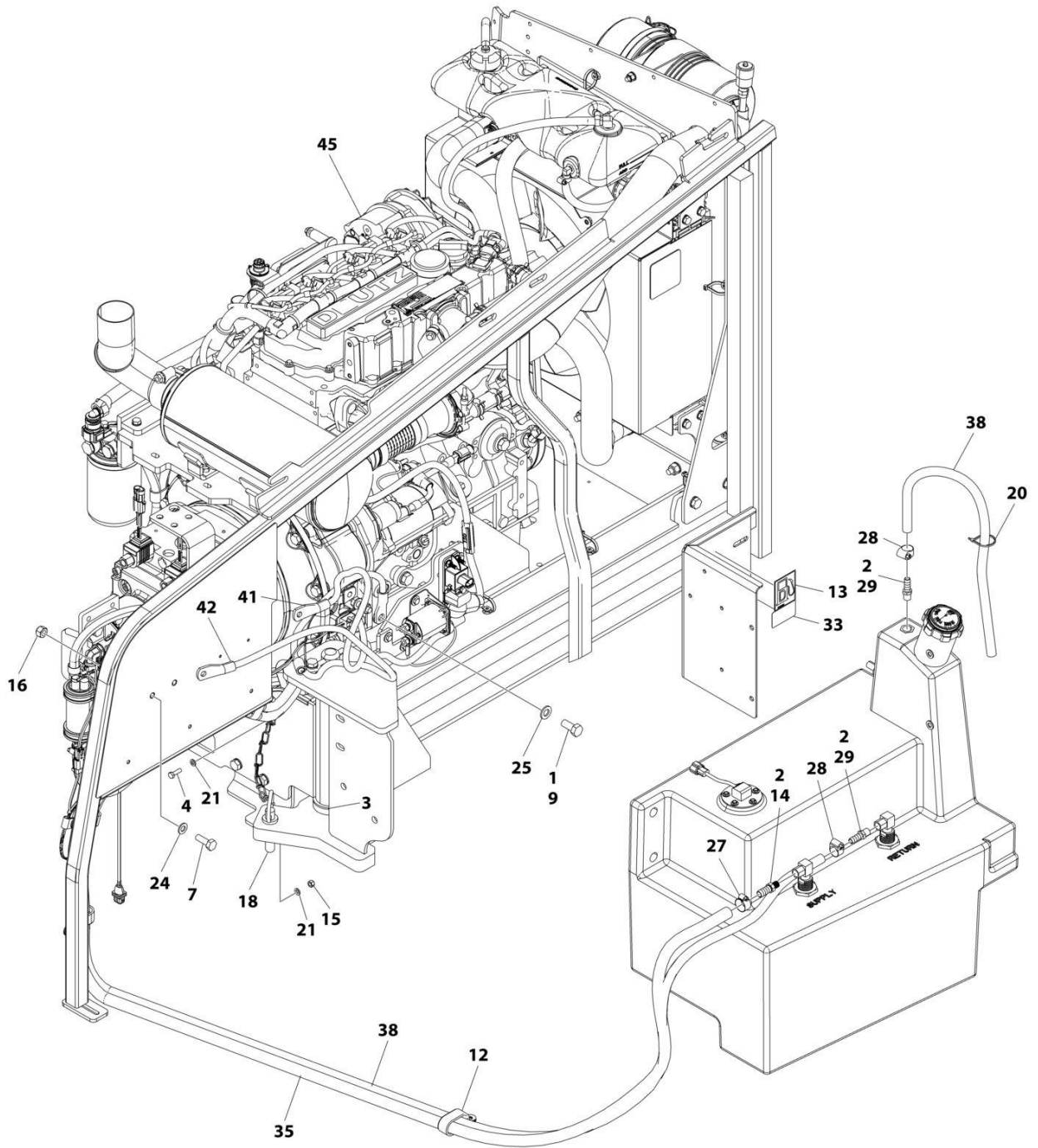
SECTION 3 - ENGINE

FIGURE 3-25. ENGINE INSTALLATION - DEUTZ D2.9L4 ENGINE (CHINA IV)



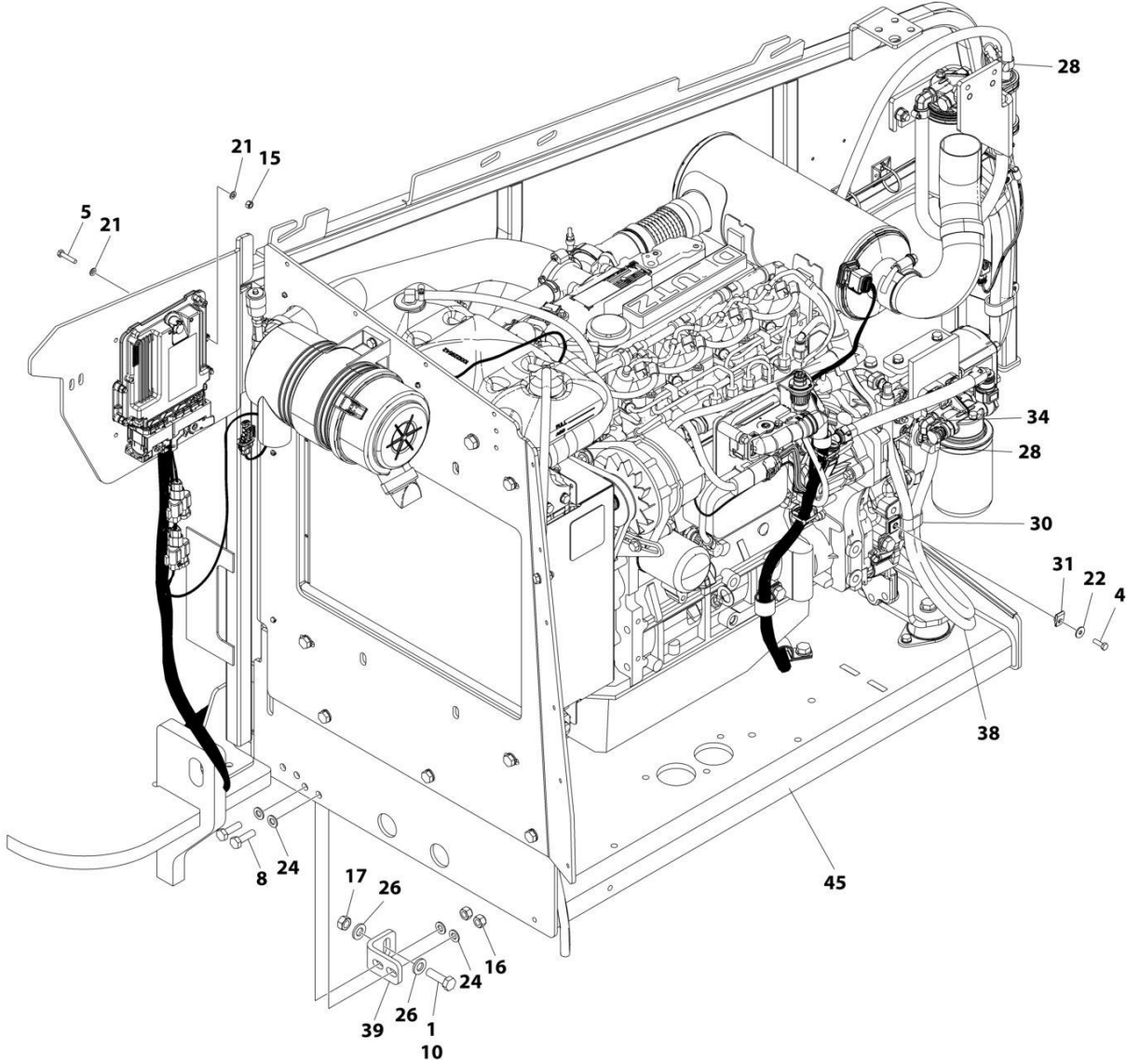
ART_1001258339_10F3

SECTION 3 - ENGINE



ART_1001258339_2OF3

SECTION 3 - ENGINE



ART_1001258339_3OF3

SECTION 3 - ENGINE

FIGURE 3-25. ENGINE INSTALLATION - DEUTZ D2.9L4 ENGINE (CHINA IV)

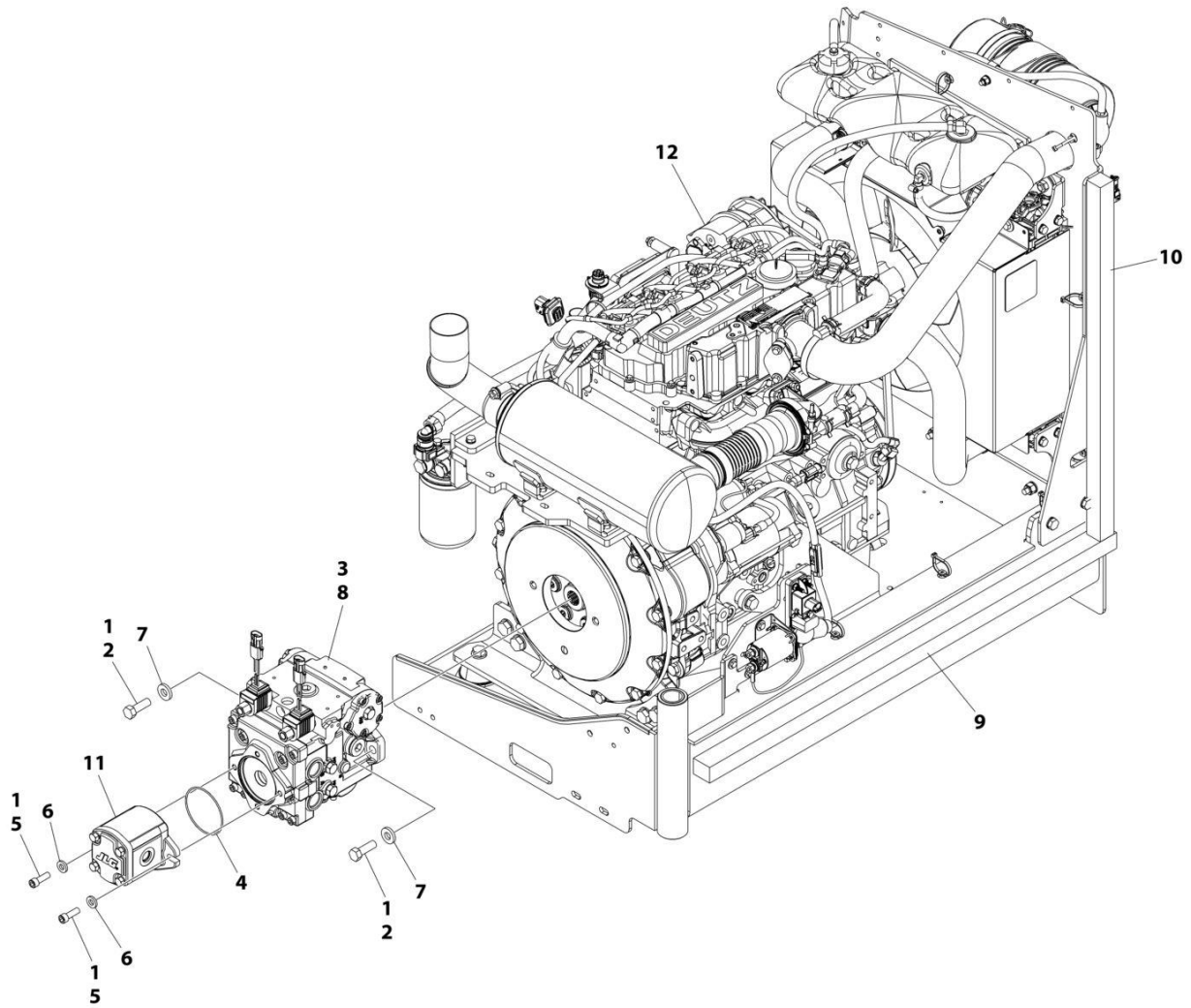
ITEM	PART NUMBER	QTY	DESCRIPTION	REV
	1001258339	Ref	ENGINE INSTALLATION - DEUTZ D2.9L4 ENGINE (CHINA IV)	A
1	0100011	AR	Compound, Locking	
2	0100020	AR	Sealant, Pipe	
3	0440162	1	Bearing	
4	0760610	2	Bolt M6 x 20	
5	0760614	4	Bolt M6 x 30	
6	0760812	1	Bolt M8 x 25	
7	0761014	5	Bolt M10 x 30	
8	0761015	5	Bolt M10 x 35	
9	0761210	1	Bolt M12 x 20	
10	0761216	1	Bolt M12 x 40	
11	1062255	AR	Tie-Strap	
12	1321716	5	Clamp	
13	1701505	1	Decal - Diesel Fuel	
14	2180832	1	Fitting, Barbed	
15	3290605	5	Nut M6	
16	3291005	9	Nut M10	
17	3331215	1	Nut M12	
18	3422532	1	Pin	
19	3841143	1	Keeper, Pin	
20	4240099	AR	Tie-Strap	
21	4811700	10	Washer M6	
22	4811702	1	Washer M6	
23	4811900	1	Washer M8	
24	4812000	19	Washer M10	
25	4812100	1	Washer M12	
26	5241200	2	Washer M12	
27	8405006	2	Clamp	
28	8410013	5	Clamp	
29	8430007	2	Fitting, Barbed	
30	1001026127	2	Clamp	
31	1001130220	1	Nut M6	
32	1001135196	1	Pin	
33	1001139654	1	Decal	
34	1001152489	1	Fitting, Barbed	
35	1001154405	7.25 ft /2.21m	Hose	
36	1001155823	1	Coupling, Quick Disconnect 90	
37	1001156107	1	Holder, Cable	
38	1001165035	17.25 ft /5.26m	Hose	
39	1001167512	1	Bracket	
40	1001169823	1	Plate, Engine Lock	
41	1001171683	1	Cable, Battery (Red) (Battery Positive to Auxiliary Power Relay)	
42	1001171684	1	Cable, Battery (Black) (Battery Negative to Auxiliary Power Pump)	
43	1001181358	1	Harness, Fuel Pump (See Separate Breakdown in ELECTRICAL Section)	
44	1001191832	1	Nut, Rivet M8	
45	1001258338	1	Engine and Pump Sub-Assembly - Deutz D2.9L4 China IV (See Separate Breakdown in this Section)	

SECTION 3 - ENGINE

ITEM	PART NUMBER	QTY	DESCRIPTION	REV
46	1001258385	1	Fuel Filter (See Separate Breakdown in this section)	
47	1320263	1	Clamp	
48	4460488	2	Terminal (Not shown)	

SECTION 3 - ENGINE

FIGURE 3-26. ENGINE AND PUMP SUB-ASSEMBLY - DEUTZ D2.9L4 ENGINE (CHINA IV)



ART_1001258338

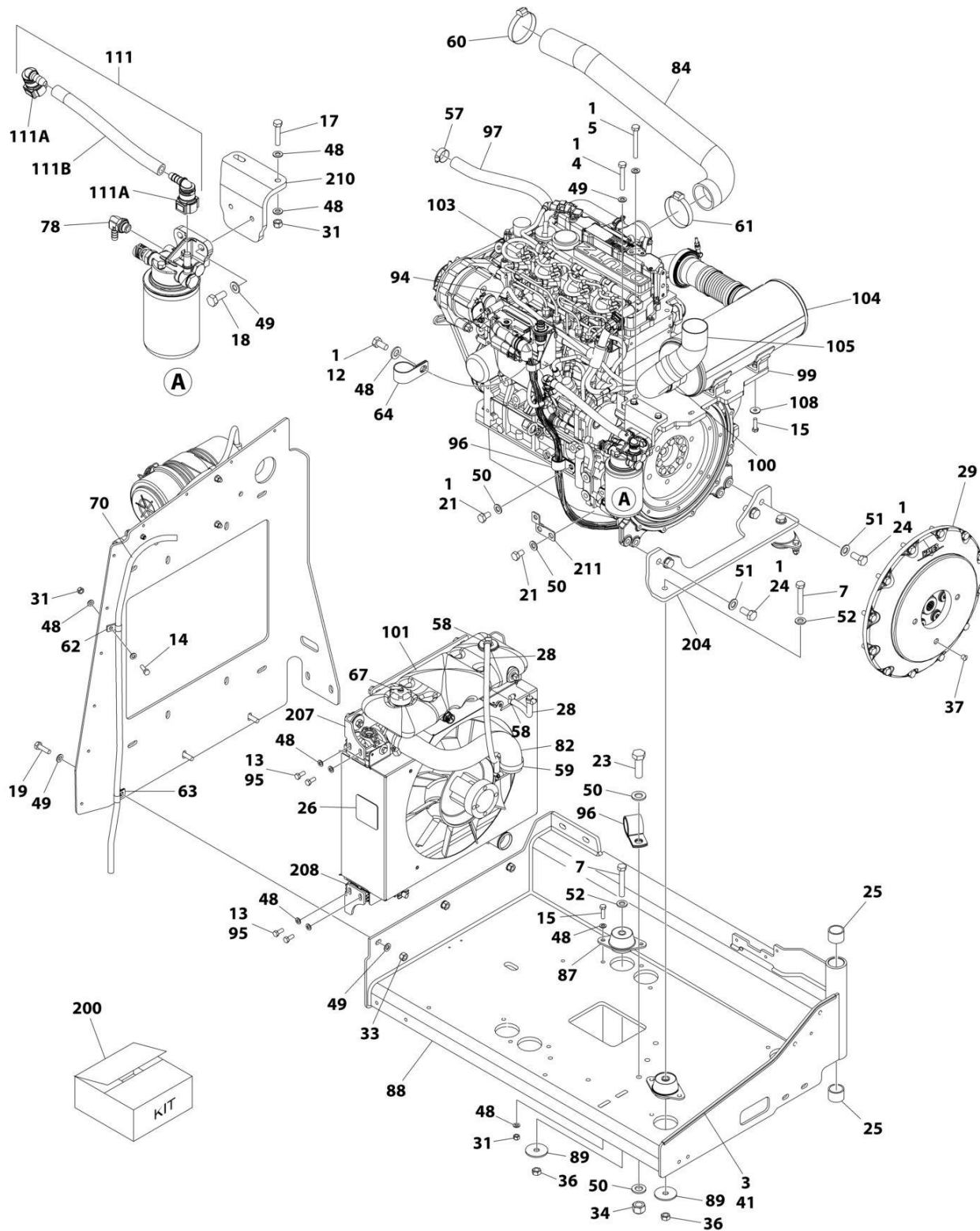
SECTION 3 - ENGINE

FIGURE 3-26. ENGINE AND PUMP SUB-ASSEMBLY - DEUTZ D2.9L4 ENGINE (CHINA IV)

ITEM	PART NUMBER	QTY	DESCRIPTION	REV
	1001258338	Ref	ENGINE AND PUMP SUB-ASSEMBLY - DEUTZ D2.9L4 ENGINE (CHINA IV)	A
1	0100011	AR	Compound, Locking	
2	0641812	2	Bolt 1/2 x 1-1/2	
3	3020037	AR	Grease	
4	3790152	1	O-Ring	
5	3931618	2	Capscrew 3/8 x 1-1/8	
6	4891600	2	Washer 3/8 Hardened	
7	4891800	2	Washer 1/2 Hardened	
8	1001167036	1	Piston Pump Assembly (See Separate Breakdown in this Section)	
9	1001171953	1	Seal	
10	1001171954	1	Seal	
11	1001214207	1	Gear Pump Assembly	
11	70006356	1	Seal Kit - 1001214207 Pump	
13	1001258337	1	Engine Assembly, Deutz D2.9L4 (China IV) Engine (See Separate Breakdown in this Section)	

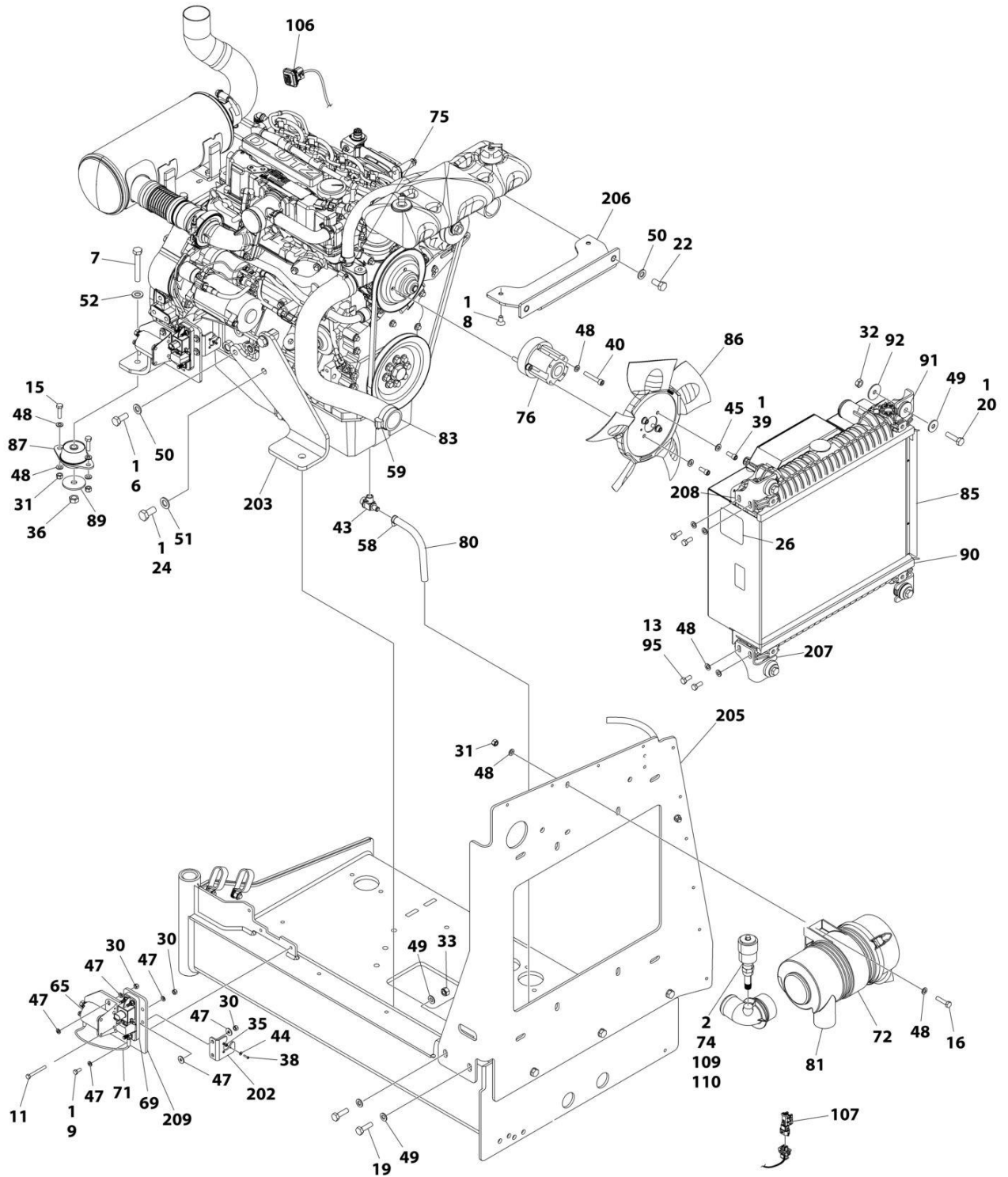
SECTION 3 - ENGINE

FIGURE 3-27. ENGINE ASSEMBLY - DEUTZ D2.9L4 ENGINE (CHINA IV)



ART_1001258337_F_10F2

SECTION 3 - ENGINE



ART_1001258337_F_20F2

SECTION 3 - ENGINE

FIGURE 3-27. ENGINE ASSEMBLY - DEUTZ D2.9L4 ENGINE (CHINA IV)

ITEM	PART NUMBER	QTY	DESCRIPTION	REV
	1001258337	Ref	ENGINE ASSEMBLY - DEUTZ D2.9L4 (CHINA IV)	F
1	0100011	AR	Compound, Locking	
2	0100020	AR	Sealant, Pipe	
3	0100081	AR	Adhesive	
4	0701022	2	Bolt M10 x 70	
5	0701025	2	Bolt M10 x 85	
6	0711214	1	Bolt M12 x 30 Class 10.9	
7	0711224	3	Bolt M12 x 80 Class 10.9	
8	0741606	2	Screw 3/8 x 3/4	
9	0760607	3	Bolt M6 x 14	
10	0760610	4	Bolt M6 x 20	
11	0760619	1	Bolt M6 x 55	
12	0760808	1	Bolt M8 x 16	
13	0760810	8	Bolt M8 x 20	
14	0760812	1	Bolt M8 x 25	
15	0760814	10	Bolt M8 x 30	
16	0760815	2	Bolt M8 x 35	
17	0760816	2	Bolt M8 x 40	
18	0761012	2	Bolt M10 x 25	
19	0761015	5	Bolt M8 x 35	
20	0761016	4	Bolt M10 x 40	
21	0761210	3	Bolt M12 x 20	
22	0761212	2	Bolt M12 x 25	
23	0761216	1	Bolt M12 x 40	
24	0771414	6	Bolt M14 x 30 Class 10.9	
25	0961951	2	Bushing	
26	1703162	2	Decal - Caution Fan	
28	2720015	2.17 ft /0.64m	Hose	
29	2902065	1	Pump Coupling Kit (See Separate Breakdown in this Section)	
30	3290605	5	Nut, Lock M6	
31	3290805	11	Nut, Lock M8	
32	3291001	4	Nut M10	
33	3291005	5	Nut, Lock M10	
34	3291205	1	Nut, Lock M12	
35	3310401	4	Nut #4	
36	3331215	3	Nut M12 x 1.75	
37	3520054	1	Plug	
38	3910408	3	Screw #4 x 1/2	
39	3931512	4	Capscrew 5/16 x 3/4	
40	4031914	4	Bolt M8 x 50	
41	4060805	2.02 ft /0.62m	Flex-Trim	
42	4240099	AR	Tie-Strap (Not Shown)	
43	4640751	1	Valve, Oil Drain	
44	4710400	3	Washer #4	
45	4711500	4	Washer 5/16	
46	4811700	1	Washer M6	
47	4811702	12	Washer M6	
48	4811900	35	Washer M8	

SECTION 3 - ENGINE

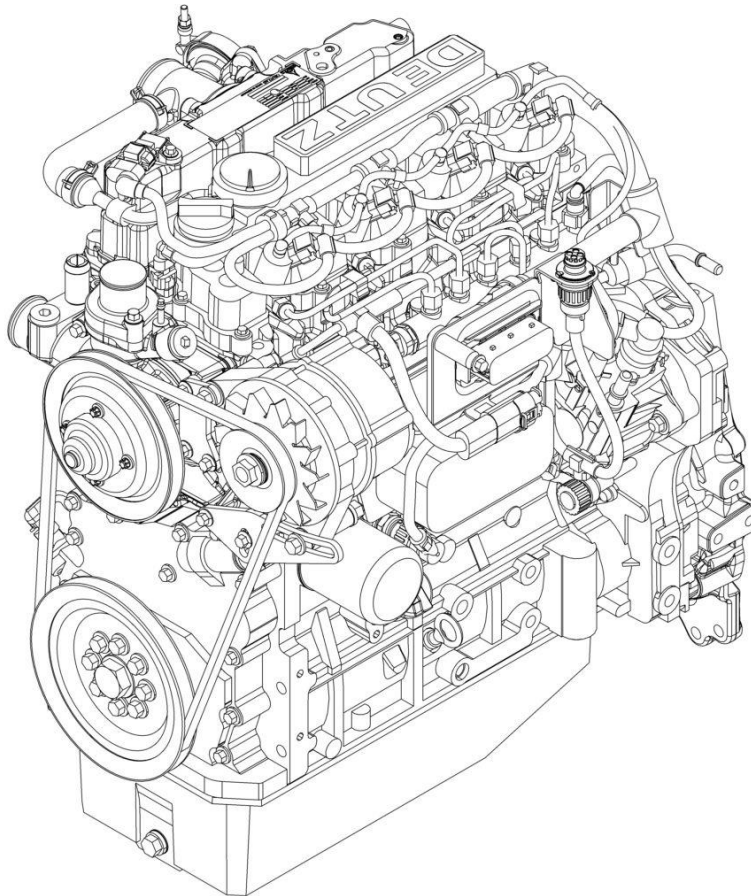
ITEM	PART NUMBER	QTY	DESCRIPTION	REV
49	4812000	20	Washer M10	
50	4812100	8	Washer M12	
51	4812200	6	Washer M14	
52	5241200	3	Washer M12	
57	8405007	2	Clamp	
58	8405009	5	Clamp	
59	8405104	4	Clamp	
60	8405202	1	Clamp	
61	8405204	1	Clamp	
62	8406109	1	Clip	
63	8406110	1	Clip	
64	8406201	1	Clip	
65	1001117308	1	Relay, 200Amp	
67	1001136834	1	Cap, Tank	
69	1001138228	1	Relay, Power Module	
70	1001138248	3.5 ft /1.1m	Tube	
71	1001141304	1	Harness, Glow Plug	
72	1001141694	1	Clamp, Air Cleaner	
74	1001143390	1	Indicator	
75	1001143797	1	Fitting, Barbed	
76	1001286568	1	Spacer Fan	
77	1001146588	AR	Tie-Strap (Not Shown)	
78	1001152489	1	Fitting, Barbed 90	
80	1001165035	7.09 in /18cm	Hose, Fuel	
81	1001165388	1	Air Cleaner Assembly	
81	70003783	1	Element, Air Cleaner	
82	1001165405	1	Hose, Upper Radiator	
83	1001165406	1	Hose, Lower Radiator	
84	1001165721	1	Hose, Air Intake	
85	1001287643	1	Radiator	
86	1001288266	1	Fan	
87	1001166718	3	Mount, Motor	
88	1001167520	1	Tray, Engine	
89	1001168018	3	Washer, Special	
90	1001168166	2	Seal	
91	1001169054	4	Isolator	
92	1001169138	4	Washer, Snubbing	
94	1001178788	1	Cable, Alternator	
95	1001180620	AR	Adhesive	
96	1001191620	2	Clamp	
97	1001193049	1.31 ft /.40m	Hose, Coolant	
99	1001221203	1	Bracket	
100	1001221212	1	Clamp	
101	1001230635	1	Tank, Surge	
102	1001290660	1	Harness, Engine (Not Shown - See Separate Breakdown in ELECTRICAL Section)	
103	1001258112	1	Engine, Deutz 2.9L4 (China IV) (See Separate Breakdown in this Section)	
104	1001280270	1	Muffler	

SECTION 3 - ENGINE

ITEM	PART NUMBER	QTY	DESCRIPTION	REV
104	1001299212	1	Muffler	
105	1001260575	1	Pipe, Exhaust	
106	1001281985	1	Connector	
107	1001281986	1	Connector	
108	4811902	4	Washer M8	
109	2200261	1	Fitting	
110	1001277432	1	Spacer	
111	1001177359	1	Fuel Hose Assembly	
111A	1001170982	1	Adapter	
111B	1001192294	1	Hose, Fuel	
200	1001258629	1	Kit, Engine Parts	
202	1001139240	1	Bracket	
203	1001166921	1	Plate	
204	1001166924	1	Plate	
205	1001168026	1	Plate	
206	1001168950	1	Bracket	
207	1001169967	2	Bracket	
208	1001170035	2	Bracket	
209	1001179903	1	Bracket	
210	1001288366	1	Bracket	
211	1001258502	1	Bracket	

SECTION 3 - ENGINE

FIGURE 3-28. ENGINE COMPONENTS - DEUTZ D2.9L4 (CHINA IV)



ART_1001258112

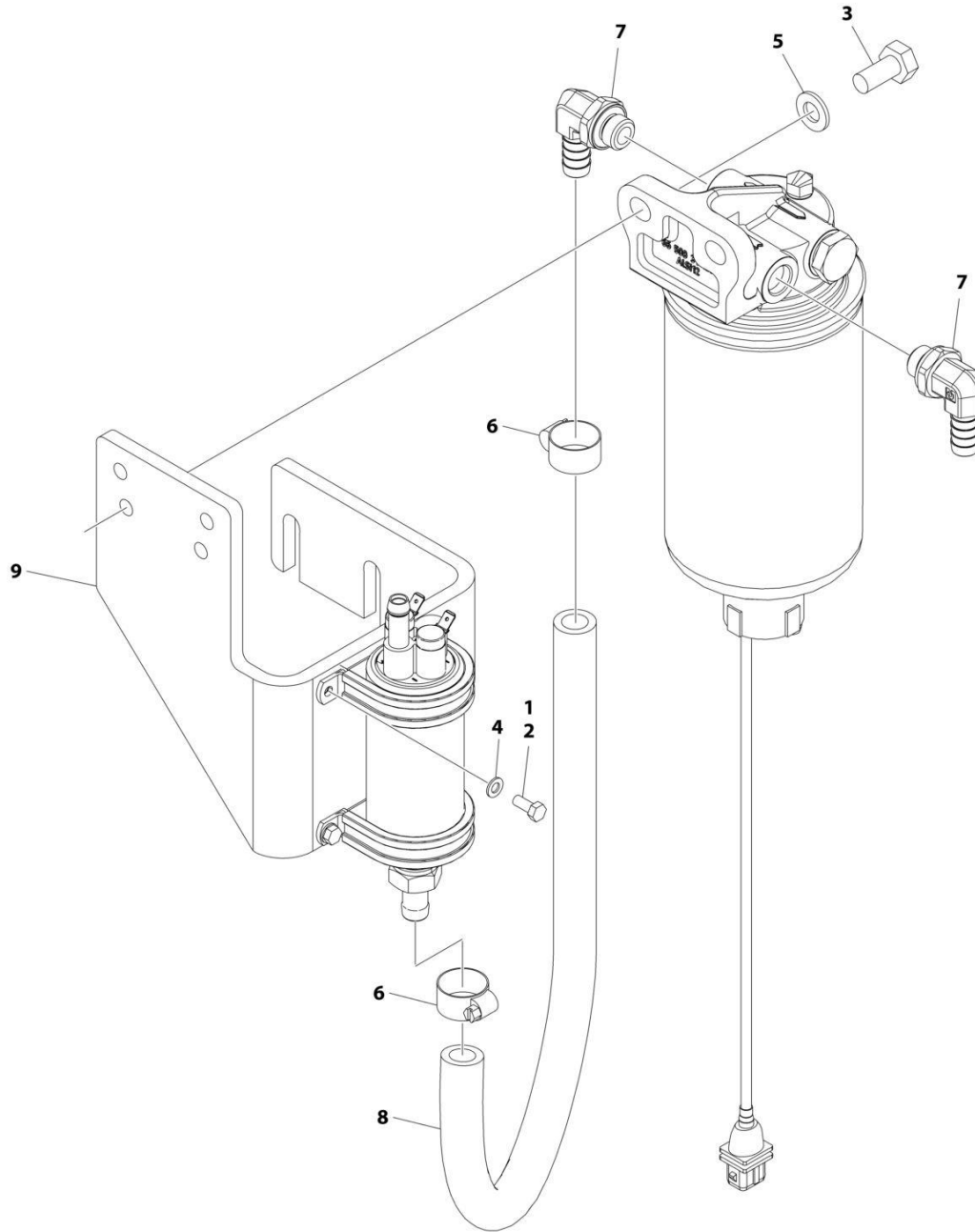
SECTION 3 - ENGINE

FIGURE 3-28. ENGINE COMPONENTS - DEUTZ D2.9L4 (CHINA IV)

ITEM	PART NUMBER	QTY	DESCRIPTION	REV
	1001258112	Ref	DEUTZ D2.9L4 ENGINE COMPONENTS	B
	See Note	Ref	Note: No Service Parts Available at Time of Printing.	

SECTION 3 - ENGINE

FIGURE 3-29. BRACKET ASSEMBLY - FUEL PUMP AND FILTER (DEUTZ D2.9L4 CHINA IV ENGINE)



ART_1001258385

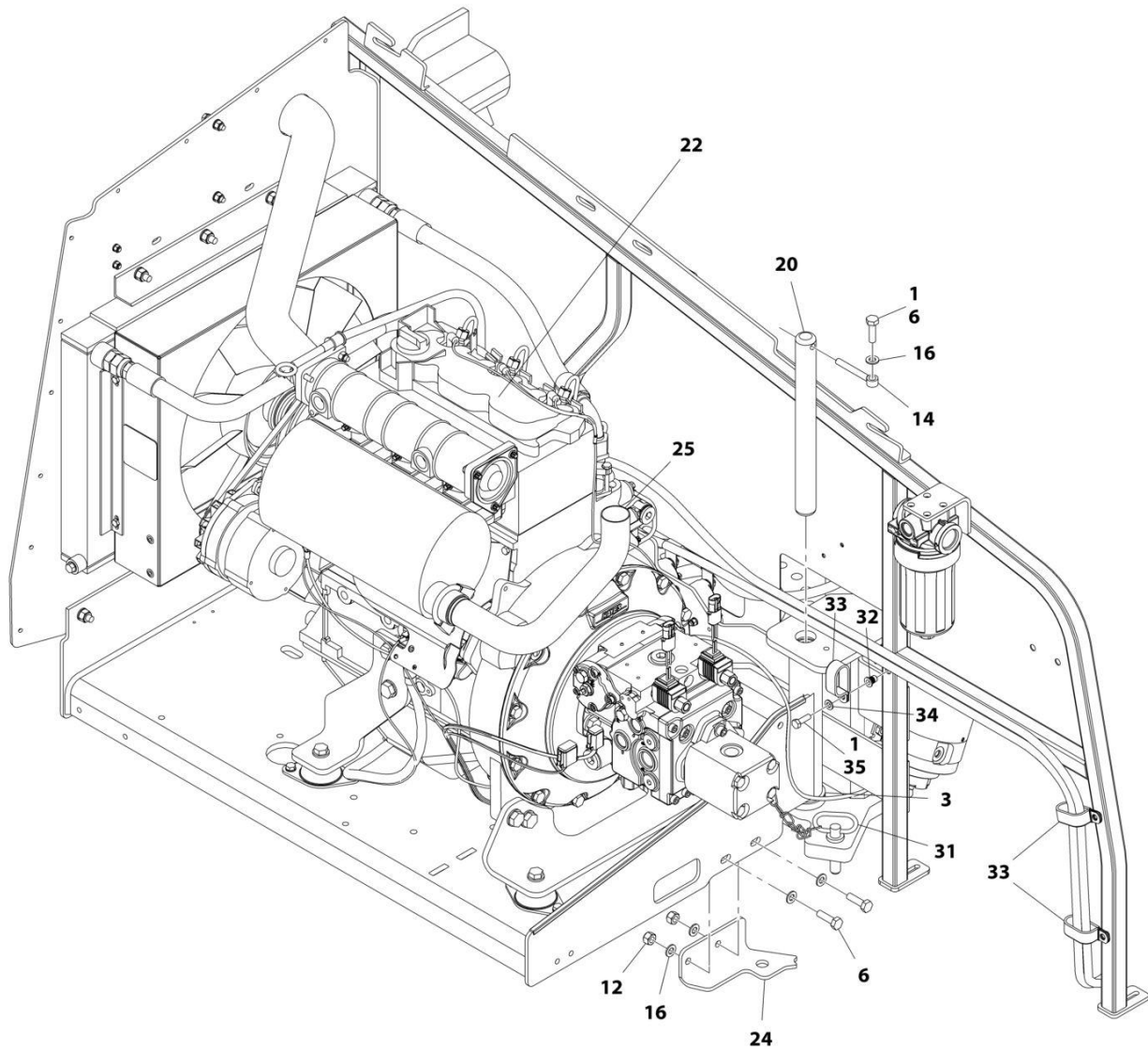
SECTION 3 - ENGINE

FIGURE 3-29. BRACKET ASSEMBLY - FUEL PUMP AND FILTER (DEUTZ D2.9L4 CHINA IV ENGINE)

ITEM	PART NUMBER	QTY	DESCRIPTION	REV
	1001258385	Ref	BRACKET ASSEMBLY - FUEL PUMP AND FILTER (DEUTZ D2.9L4 CHINA IV ENGINE)	B
1	0100011	AR	Compound, Locking	
2	0760506	4	Bolt M5 x 12	
3	0761011	2	Bolt M10 x 22	
4	4811600	4	Washer M5	
5	4812000	2	Washer M10	
6	8405006	2	Clamp	
7	1001142501	2	Fitting, Elbow Barbed	
8	1001154405	1.64 ft /.50m	Hose	
9	1001298141	1	Bracket	

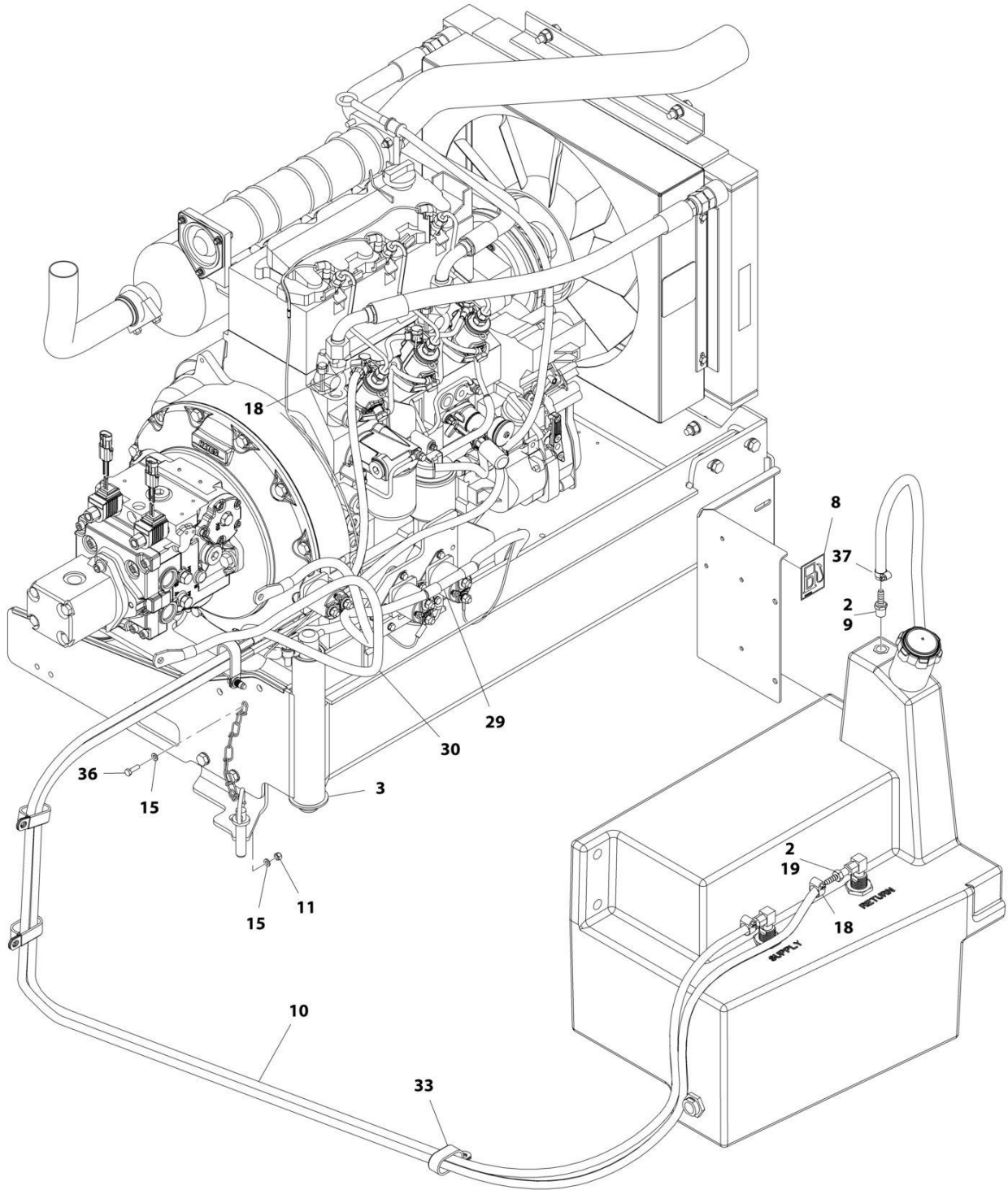
SECTION 3 - ENGINE

FIGURE 3-30. ENGINE INSTALLATION - DEUTZ D2011 ENGINE (WITHOUT ARCTIC PACKAGE) (ANSI EXPORT, AUSTRALIAN, CE (LRC), CHINA, RUSSIA & UK CA SPECS)



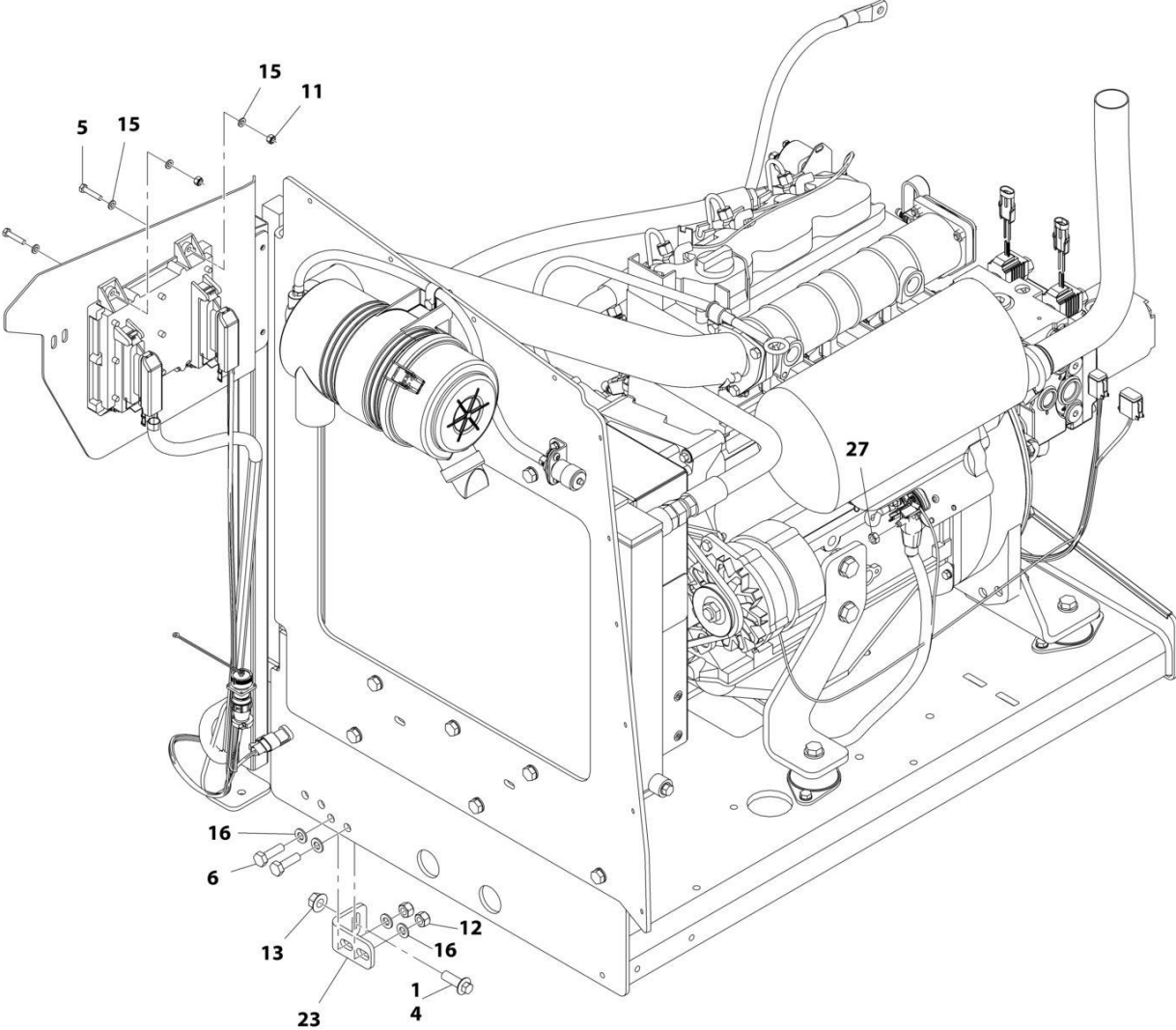
ART_1001166305_1OF3

SECTION 3 - ENGINE



ART_1001166305_20F3

SECTION 3 - ENGINE



ART_1001166305_3OF3

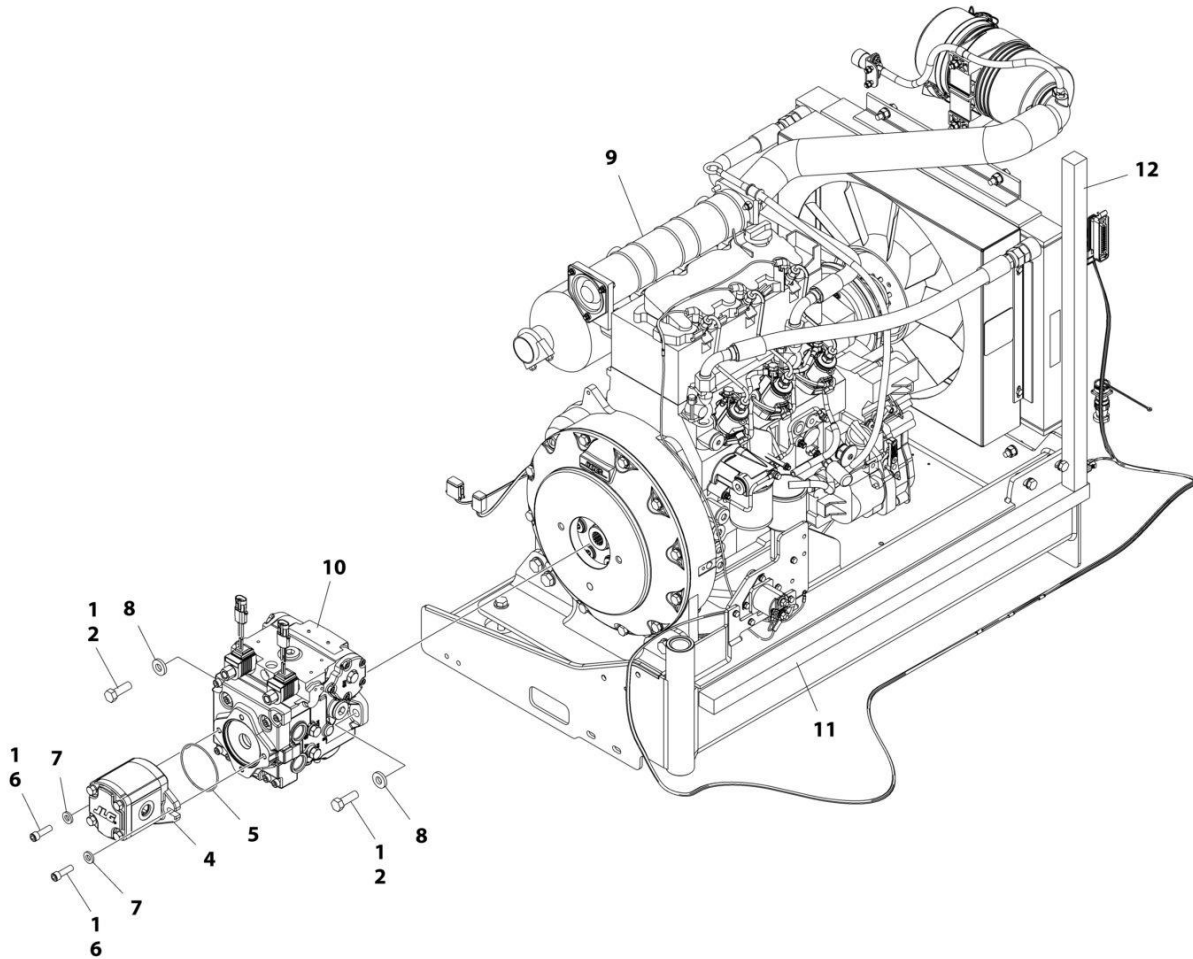
SECTION 3 - ENGINE

FIGURE 3-30. ENGINE INSTALLATION - DEUTZ D2011 ENGINE (WITHOUT ARCTIC PACKAGE) (ANSI EXPORT, AUSTRALIAN, CE (LRC), CHINA, RUSSIA & UK CA SPECS)

ITEM	PART NUMBER	QTY	DESCRIPTION	REV
	1001166305	Ref	ENGINE INSTALLATION - DEUTZ D2011 ENGINE (WITHOUT ARCTIC PACKAGE)	F
1	0100011	AR	Compound, Locking	
2	0100020	AR	Sealant, Pipe	
3	0440162	1	Bearing	
4	5251215	1	Bolt M12 x 35	
5	0760614	4	Bolt M6 x 30	
6	0761015	5	Bolt M10 x 35	
7	1704972	1	Decal - Warning Explosion/Fire	
8	1701505	1	Decal - Diesel Fuel	
9	2180876	1	Fitting, Barbed	
10	2720058	22 ft /6.7m	Hose	
11	3290605	5	Nut M6	
12	3291005	4	Nut M10	
13	5261200	1	Nut, Flange M12 Grade 10.9	
14	3841143	1	Keeper, Pin	
15	4811700	10	Washer M6	
16	4812000	9	Washer M10	
18	8410013	4	Clamp	
19	2180348	2	Fitting, Barbed	
20	1001135196	1	Pin	
22	1001166021	1	Engine and Pump Sub-Assembly - Deutz D2011 (Without Arctic Package) (See Separate Breakdown in this Section)	
23	1001167512	1	Bracket, Engine	
24	1001169823	1	Bracket, Engine	
25	1001172202	1	Pipe, Exhaust	
27	3290801	1	Nut M8	
29	1001171681	1	Cable, Battery (Red) (Battery Positive to Auxiliary Power Relay)	
30	1001171682	1	Cable, Battery (Black) (Battery Negative to Auxiliary Power Pump)	
31	3422532	1	Pin	
32	1001191832	1	Nut, Rivet, M8	
33	1321716	4	Clamp	
34	4811900	1	Washer M8	
35	0760812	1	Bolt M8 x 25	
36	0760610	1	Bolt M6 x 20	
37	1320022	1	Clamp	

SECTION 3 - ENGINE

FIGURE 3-31. ENGINE AND PUMP SUB-ASSEMBLY - DEUTZ D2011 (WITHOUT ARCTIC PACKAGE)
(ANSI EXPORT, AUSTRALIAN, CE (LRC), CHINA, RUSSIA & UK CA SPECS)



ART_1001166021_G

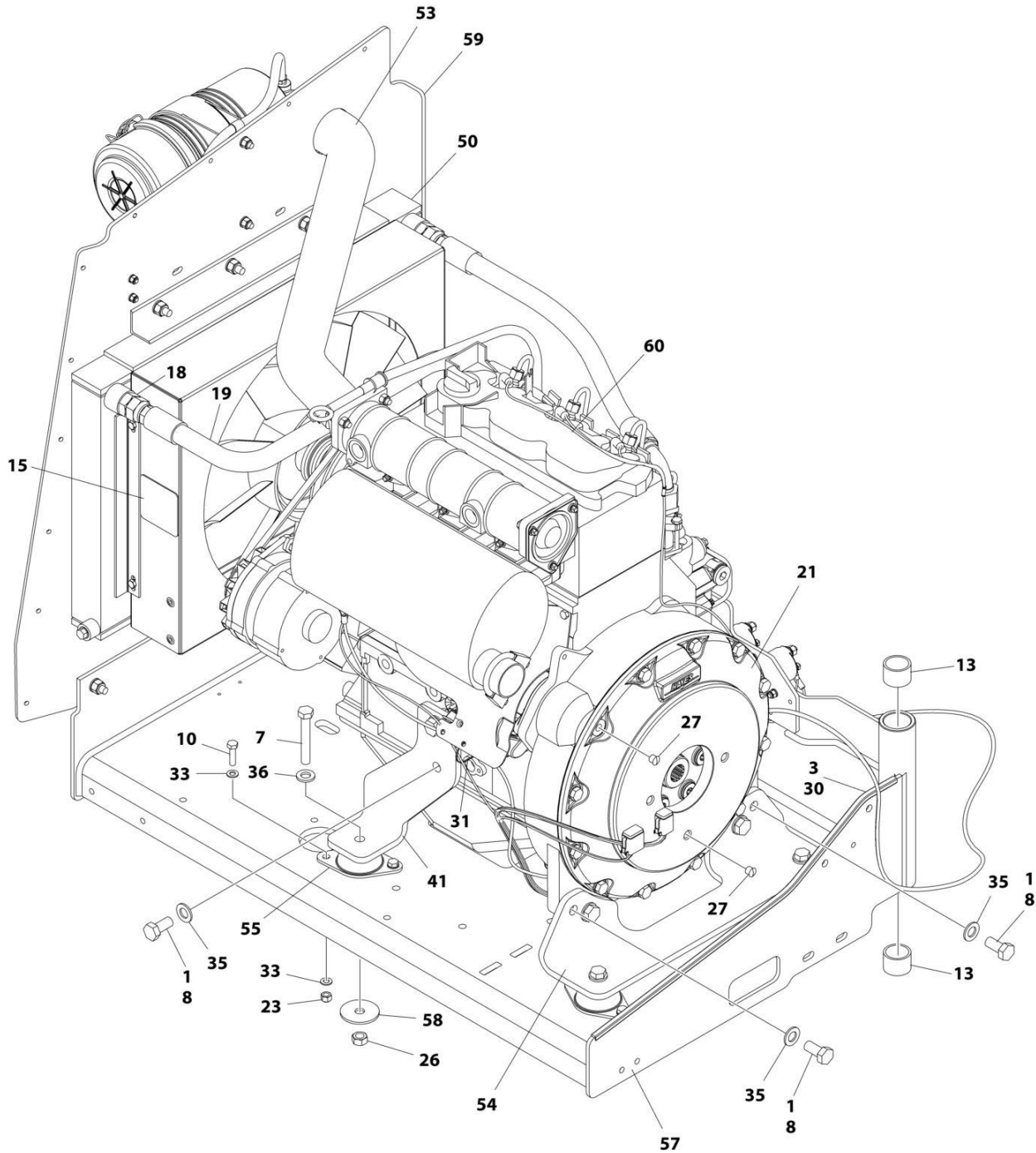
SECTION 3 - ENGINE

**FIGURE 3-31. ENGINE AND PUMP SUB-ASSEMBLY - DEUTZ D2011 (WITHOUT ARCTIC PACKAGE)
(ANSI EXPORT, AUSTRALIAN, CE (LRC), CHINA, RUSSIA & UK CA SPECS)**

ITEM	PART NUMBER	QTY	DESCRIPTION	REV
	1001166021	Ref	ENGINE AND PUMP SUB-ASSEMBLY - DEUTZ D2011 (WITHOUT ARCTIC PACKAGE)	G
1	0100011	AR	Compound, Locking	
2	0641812	2	Bolt 1/2 x 1-1/2	
4	1001214207	1	Gear Pump Assembly	
4	70006356	1	Seal Kit	
5	3790152	1	O-Ring	
6	3931618	2	Capscrew 3/8 x 1-1/8	
7	4891600	2	Washer 3/8 Hardened	
8	4891800	2	Washer 1/2 Hardened	
9	1001166020	1	Engine Assembly - Deutz D2011 Engine (Without Arctic Package) (See Separate Breakdown in this Section)	
10	1001167036	1	Piston Pump Assembly (See Separate Breakdown in this Section)	
11	1001171953	1	Seal	
12	1001171954	1	Seal	

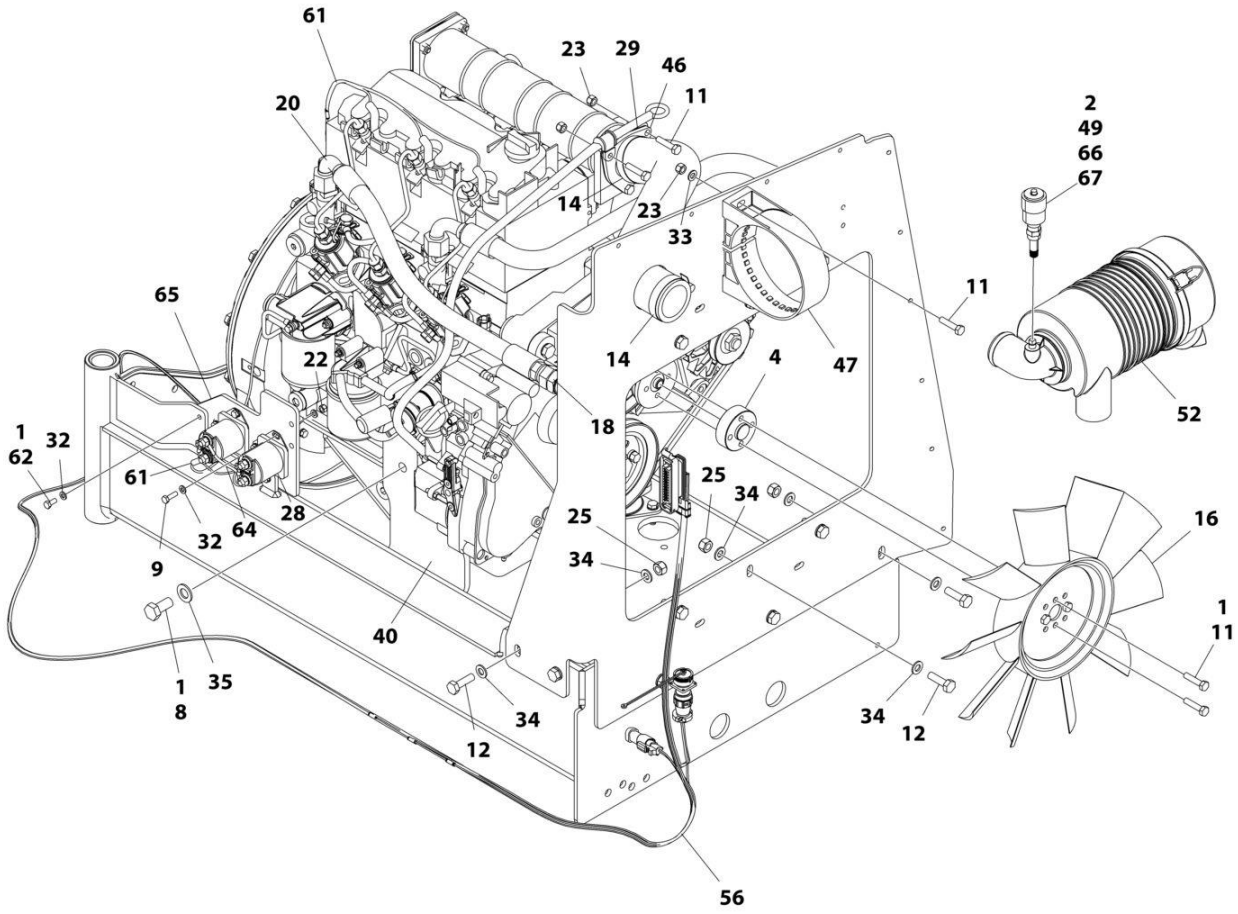
SECTION 3 - ENGINE

FIGURE 3-32. ENGINE ASSEMBLY - DEUTZ D2011 ENGINE (WITHOUT ARCTIC PACKAGE) (ANSI EXPORT, AUSTRALIAN, CE (LRC), CHINA, RUSSIA & UK CA SPECS)



ART_1001166020_P_10F2

SECTION 3 - ENGINE



ART_1001166020_P_20F2

SECTION 3 - ENGINE

FIGURE 3-32. ENGINE ASSEMBLY - DEUTZ D2011 ENGINE (WITHOUT ARCTIC PACKAGE) (ANSI EXPORT, AUSTRALIAN, CE (LRC), CHINA, RUSSIA & UK CA SPECS)

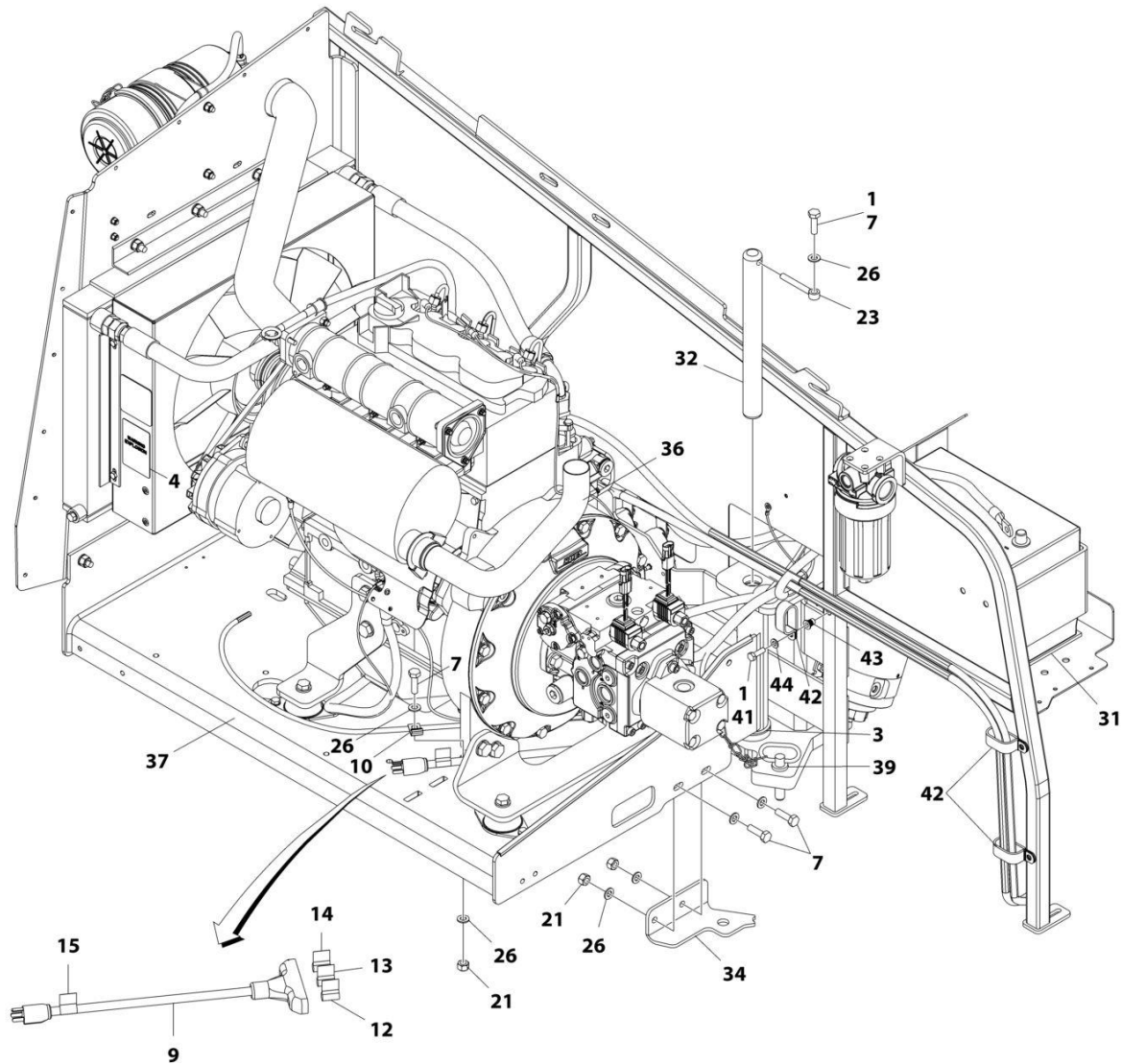
ITEM	PART NUMBER	QTY	DESCRIPTION	REV
	1001166020	Ref	ENGINE ASSEMBLY - DEUTZ D2011 ENGINE (WITHOUT ARCTIC PACKAGE)	P
1	0100011	AR	Compound, Locking	
2	0100020	AR	Sealant, Pipe	
3	0100081	AR	Adhesive	
4	0080231	1	Spacer, Fan	
7	0711224	4	Bolt M12 x 80 Class 10.9	
8	0771414	8	Bolt M14 x 30 Class 10.9	
9	0760610	4	Bolt M6 x 20	
10	0760814	8	Bolt M8 x 30	
11	0760815	9	Bolt M8 x 35	
12	0761015	11	Bolt M10 x 35	
13	0961951	2	Bushing	
14	1320016	2	Clamp	
15	1703162	2	Decal - Caution Fan	
16	2060025	1	Fan	
18	2220451	2	Fitting, Straight JIC/ORB	
19	2720398	1	Hose	
20	2720447	1	Hose	
21	2902065	1	Pump Coupling Kit (See Separate Breakdown in this Section)	
22	3290605	4	Nut M6 x 1	
23	3290805	13	Nut M8 x 1-1/4	
25	3291005	11	Nut M10 x 1-1/2	
26	3331215	4	Nut M12 x 1-3/4	
27	3520054	2	Plug	
28	3740067	2	Relay Assembly	
28	3300220	2	Nut	
28	3321001	1	Nut #10	
28	3740140	1	Relay	
28	4761000	1	Washer #10	
28	1001111424	2	Washer	
29	3960407	1	Gasket	
30	4060805	2.25 ft/ 0.69m	Trim-Flex	
31	4240099	AR	Tie-Strap	
32	4811700	11	Washer M6	
33	4811900	20	Washer M8	
34	4812000	22	Washer M10	
35	4812200	8	Washer M14	
36	5241200	4	Washer M12	
40	1001132195	1	Bracket, Engine Mount	
41	1001132196	1	Bracket, Engine Mount	
46	1001139819	1	Adapter, Air Intake	
47	1001141694	1	Clamp, Air Cleaner	
49	1001143390	1	Indicator	
50	1001150998	1	Radiator	
52	1001165388	1	Air Cleaner Assembly	
52	70003783	1	Element, Air Cleaner	
53	1001165389	1	Hose	

SECTION 3 - ENGINE

ITEM	PART NUMBER	QTY	DESCRIPTION	REV
54	1001166717	1	Bracket, Engine Mount	
55	1001166718	4	Isolator, Engine Mount	
56	1001167111	1	Harness Engine - Deutz D2011 (See Separate Breakdown in ELECTRICAL Section)	
57	1001167520	1	Tray, Engine	
58	1001168018	4	Washer, Snubbing	
59	1001168059	1	Plate, Radiator Mounting	
60	1001170693	1	Engine, Deutz D2011 (See Separate Breakdown in this Section)	
61	4923451	1	Harness, Glow Plugs	
62	0760614	3	Bolt M6 x 30	
64	1001178859	1	Cable, Alternator	
65	1001214975	1	Bracket	
66	2200261	1	Fitting	
67	1001277432	1	Spacer	

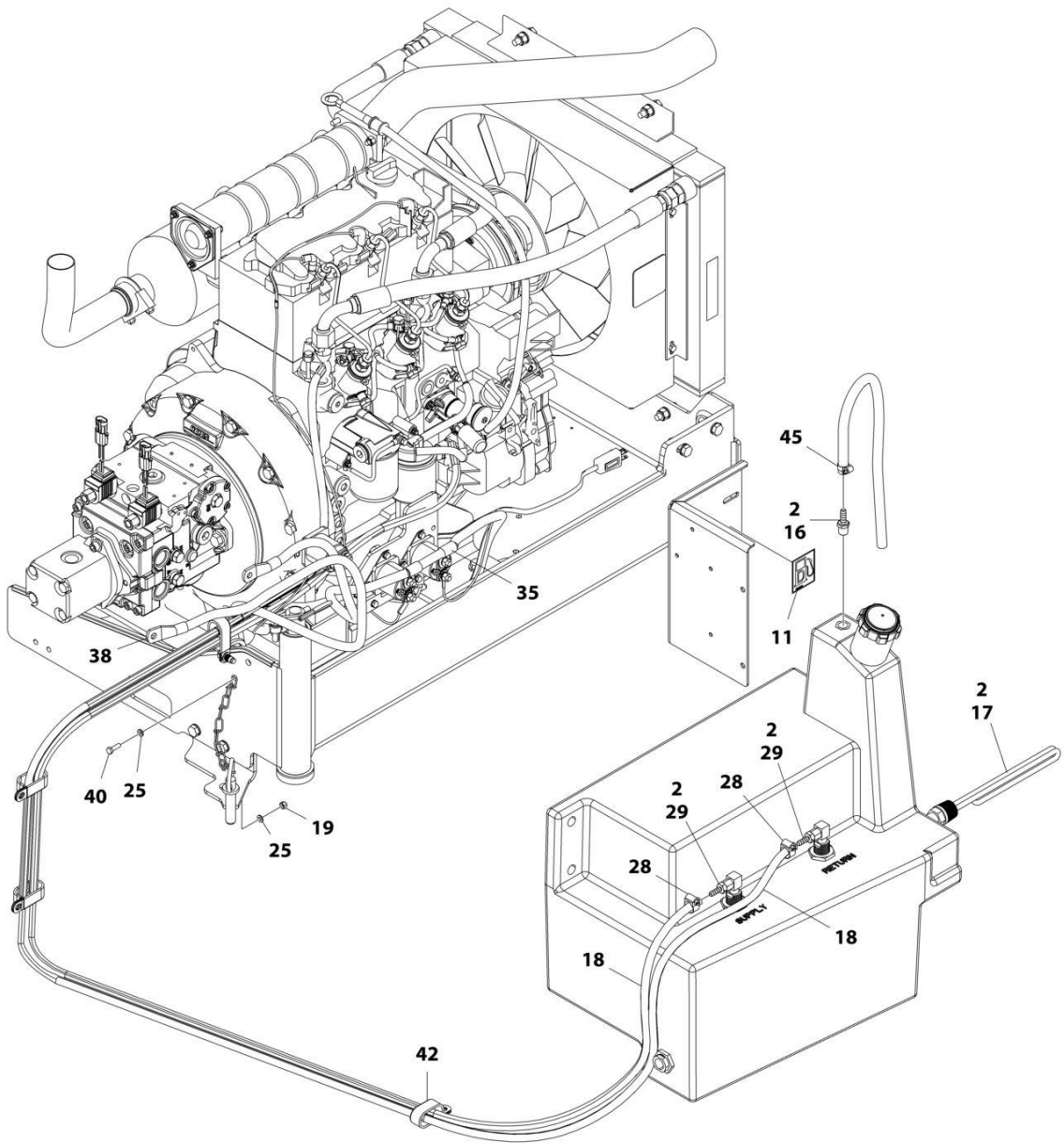
SECTION 3 - ENGINE

FIGURE 3-33. ENGINE INSTALLATION - DEUTZ D2011 ENGINE (WITH 17GAL HYDRAULIC TANK & ARCTIC PACKAGE) (ANSI EXPORT, CHINA & RUSSIA SPECS)



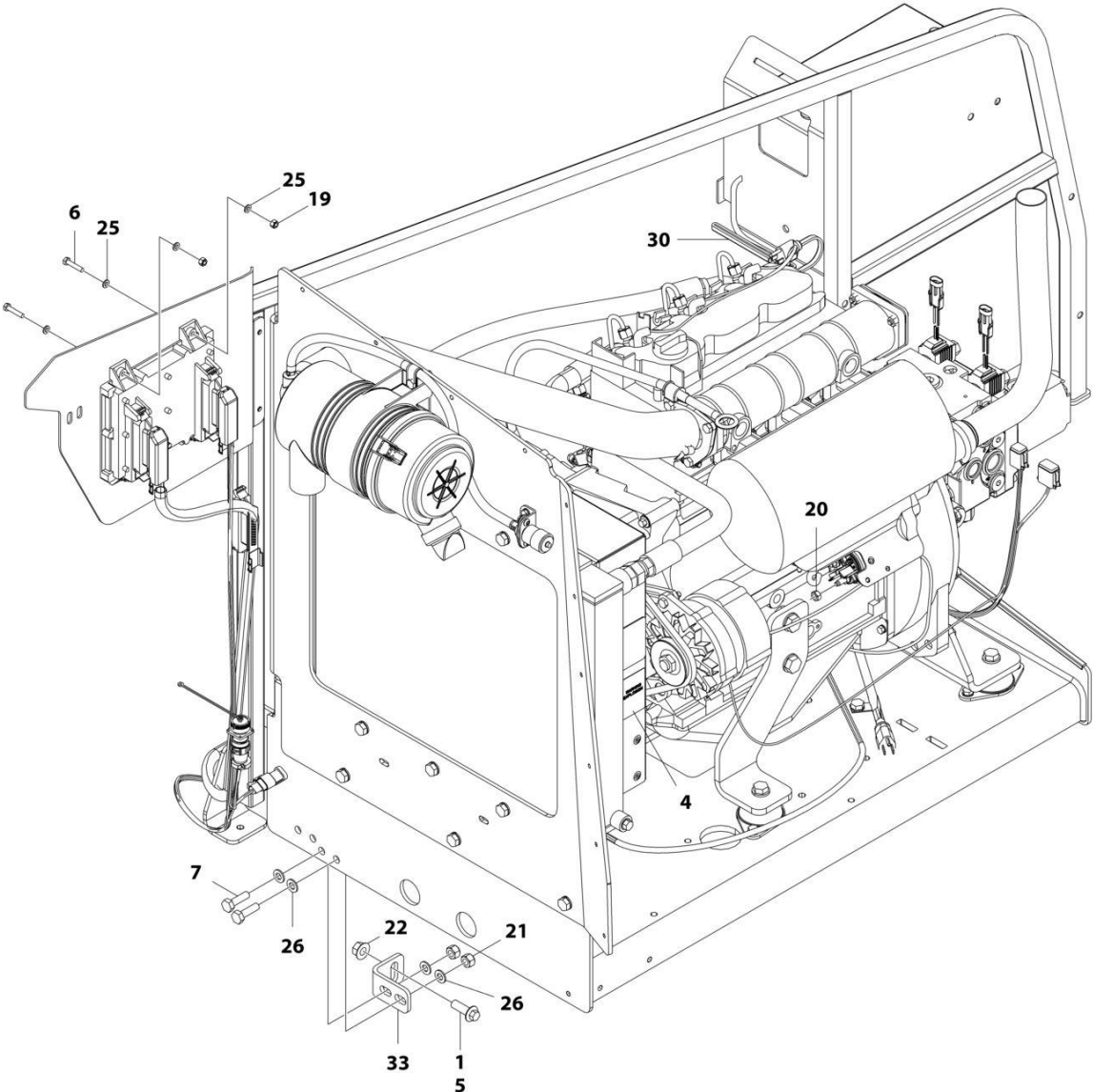
ART_1001174785_10F3

SECTION 3 - ENGINE



ART_1001174785_20F3

SECTION 3 - ENGINE



ART_1001174785_30F3

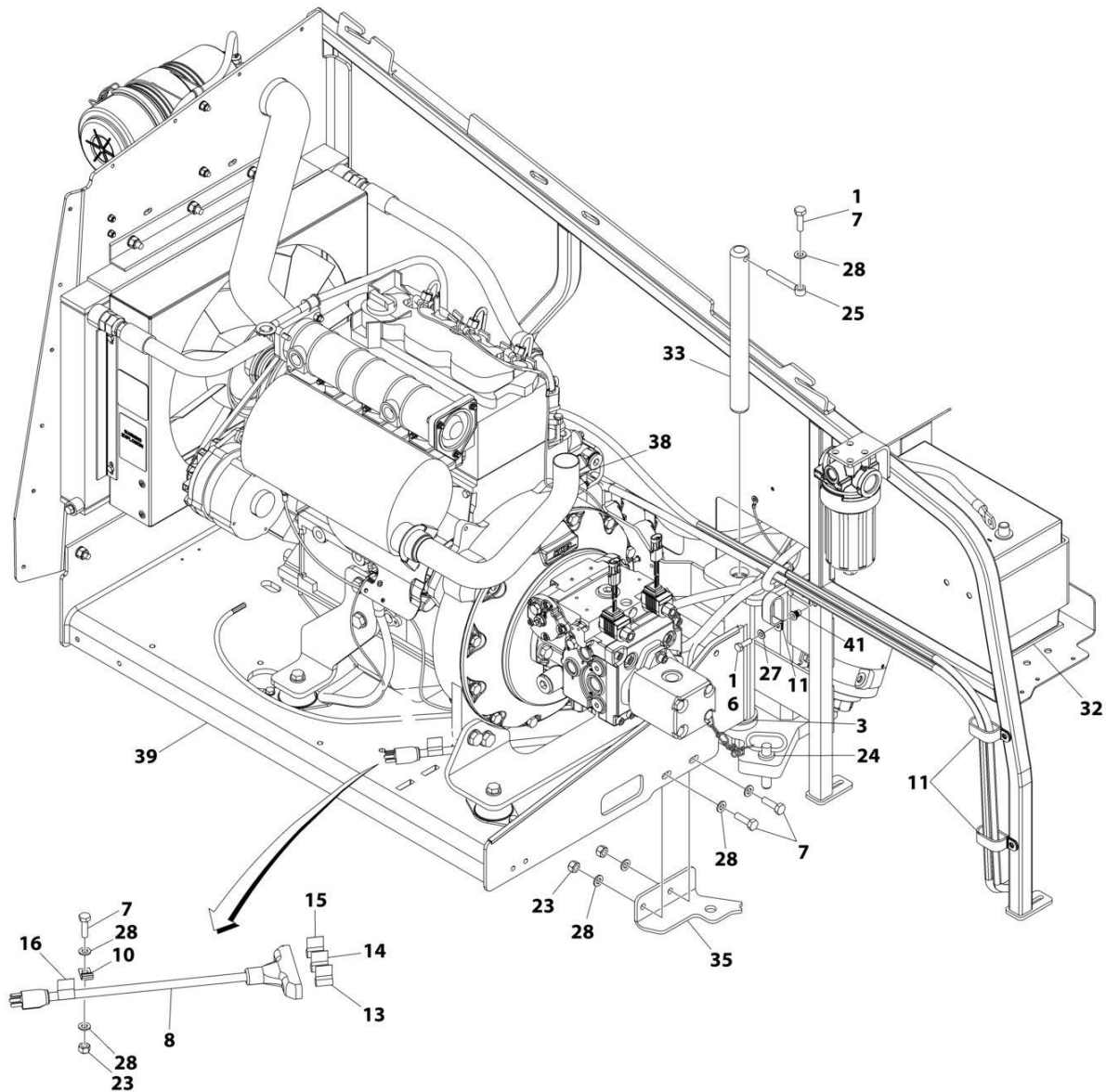
SECTION 3 - ENGINE

FIGURE 3-33. ENGINE INSTALLATION - DEUTZ D2011 ENGINE (WITH 17GAL HYDRAULIC TANK & ARCTIC PACKAGE) (ANSI EXPORT, CHINA & RUSSIA SPECS)

ITEM	PART NUMBER	QTY	DESCRIPTION	REV
	1001174785	Ref	ENGINE INSTALLATION - DEUTZ D2011 ENGINE (WITH ARCTIC PACKAGE)	F
1	0100011	AR	Compound, Locking	
2	0100020	AR	Sealant, Pipe	
3	0440162	1	Bearing	
4	1704972	1	Decal - Warning Explosion/Fire	
5	5251215	1	Bolt M12 x 35	
6	0760614	4	Bolt M6 x 30	
7	0761015	6	Bolt M10 x 35	
9	1060626	1	Plug, 3 Way	
10	1320223	1	Clamp	
11	1701505	1	Decal - Diesel Fuel	
12	1702941	1	Decal - Battery Heater	
13	1702942	1	Decal - Engine Block Heater	
14	1702943	1	Decal - Hydraulic Tank Heater	
15	1702944	1	Decal - Heater Cord	
16	2180876	1	Fitting, Barbed	
17	1001188972	1	Heater, Hydraulic Tank	
18	2720058	22 ft /6.7m	Hose	
19	3290605	5	Nut M6	
20	3290801	1	Nut M8	
21	3291005	5	Nut M10	
22	5261200	1	Nut, Flange M12 Grade 10.9	
23	3841143	1	Keeper, Pin	
25	4811700	10	Washer M6	
26	4812000	11	Washer M10	
28	8410013	4	Clamp	
29	2180348	2	Fitting, Barbed	
30	2580024	1	Heater, Battery	
31	1001119278	1	Insulate	
32	1001135196	1	Pin	
33	1001167512	1	Bracket, Engine	
34	1001169823	1	Plate, Engine Lock	
35	1001171681	1	Cable, Battery (Red) (Battery Positive to Auxiliary Power Relay)	
36	1001172202	1	Pipe, Exhaust	
37	1001174784	1	Engine and Pump Sub-Assembly - Deutz D2011 (With Arctic Package) (See Separate Breakdown in this Section)	
38	1001171682	1	Cable, Battery (Black) (Battery Negative to Auxiliary Power Pump)	
39	3422532	1	Pin	
40	0760610	1	Bolt M6 x 20	
41	0760812	1	Bolt M8 x 25	
42	1321716	4	Clamp	
43	1001191832	1	Nut, Rivet M8	
44	4811900	1	Washer M8	
45	1320022	1	Clamp	

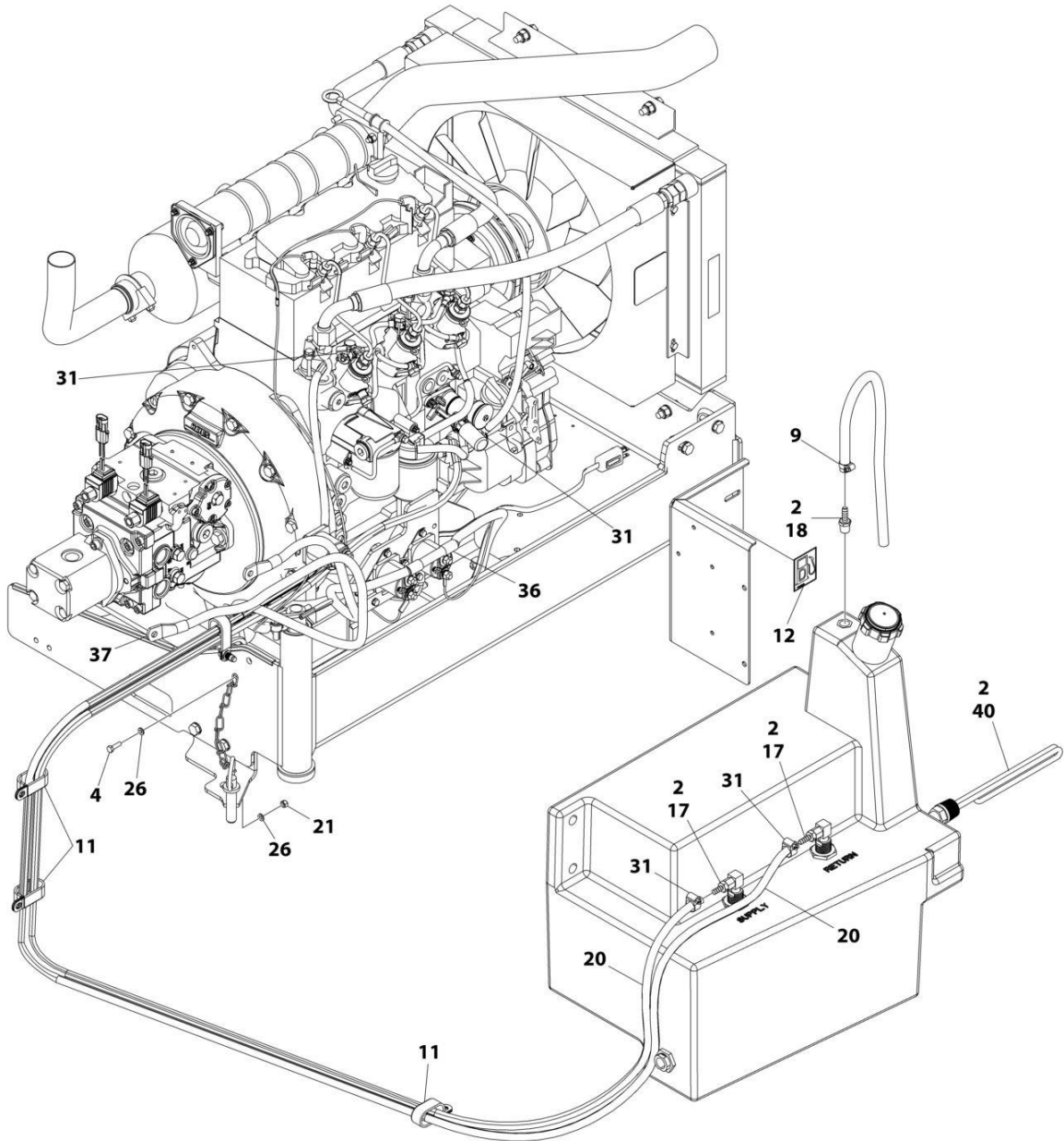
SECTION 3 - ENGINE

FIGURE 3-34. ENGINE INSTALLATION - DEUTZ D2011 ENGINE (WITH 36GAL HYDRAULIC TANK & ARCTIC PACKAGE) (ANSI EXPORT & RUSSIA SPECS)



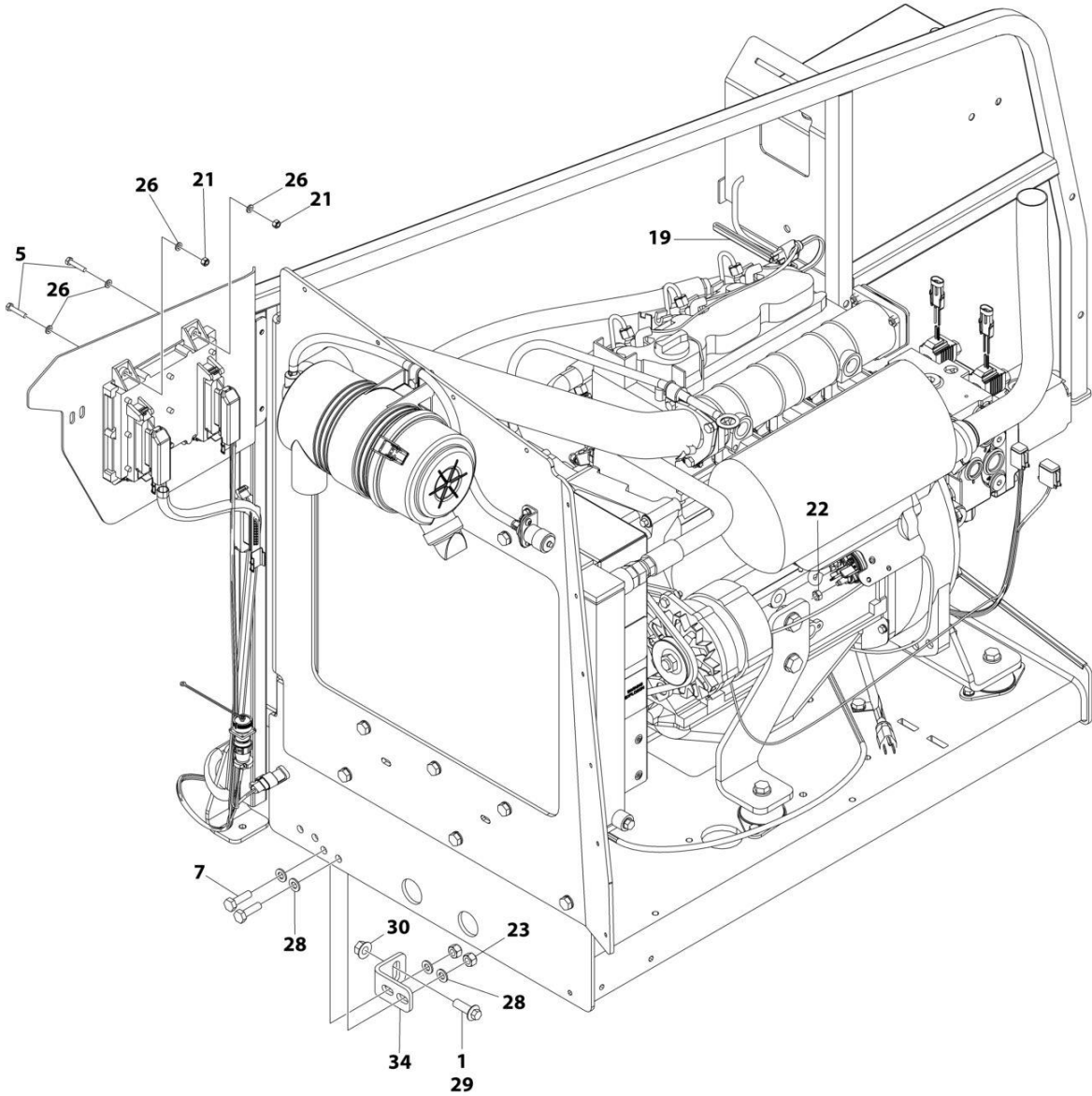
ART_1001287816_10F3

SECTION 3 - ENGINE



ART_1001287816_20F3

SECTION 3 - ENGINE



ART_1001287816_30F3

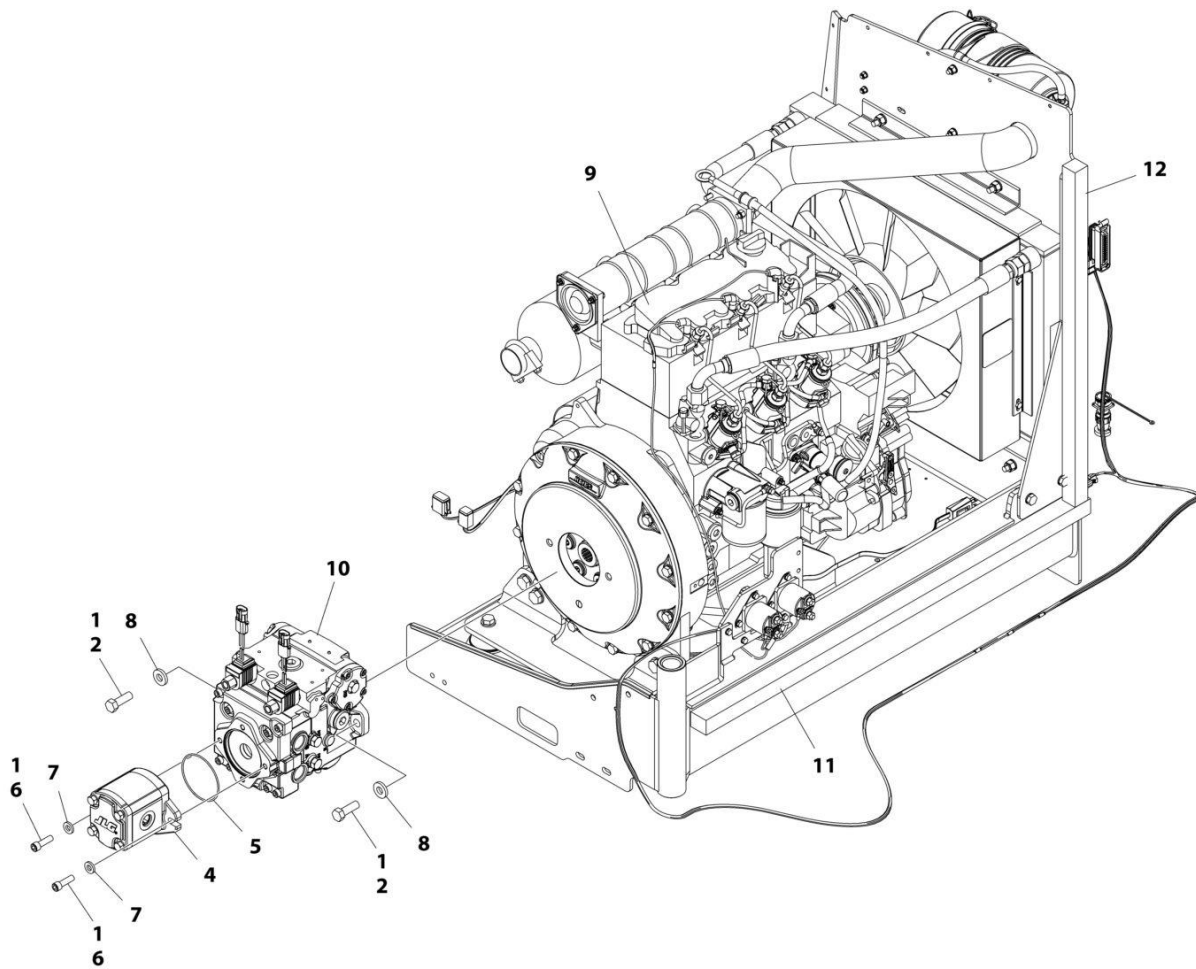
SECTION 3 - ENGINE

FIGURE 3-34. ENGINE INSTALLATION - DEUTZ D2011 ENGINE (WITH 36GAL HYDRAULIC TANK & ARCTIC PACKAGE) (ANSI EXPORT & RUSSIA SPECS)

ITEM	PART NUMBER	QTY	DESCRIPTION	REV
	1001287816	Ref	ENGINE INSTALLATION - DEUTZ D2011	A
1	0100011	AR	Compound, Locking	
2	0100020	AR	Sealant, Pipe	
3	0440162	1	Bearing	
4	0760610	1	Bolt M6 x 20	
5	0760614	4	Bolt M6 x 30	
6	0760812	1	Bolt M8 x 25	
7	0761015	6	Bolt M10 x 35	
8	1060626	1	Plug, 3 Way	
9	1320022	1	Clamp	
10	1320223	1	Clamp	
11	1321716	4	Clamp	
12	1701505	1	Decal - Diesel Fuel	
13	1702941	1	Decal - Battery Heater	
14	1702942	1	Decal - Engine Block Heater	
15	1702943	1	Decal - Hydraulic Tank Heater	
16	1702944	1	Decal - Heater Cord	
17	2180348	2	Fitting, Barbed	
18	2180876	1	Fitting, Barbed	
19	2580024	1	Heater, Battery	
20	2720058	22 ft /6.7m	Hose	
21	3290605	5	Nut, Lock M6	
22	3290801	1	Nut M8	
23	3291005	5	Nut, Lock M10	
24	3422532	1	Pin	
25	3841143	1	Keeper, Pin	
26	4811700	10	Washer M6	
27	4811900	1	Washer M8	
28	4812000	11	Washer M10	
29	5251215	1	Bolt M12 x 35 Class 10.9	
30	5261200	1	Nut, Flange M12 Class 10	
31	8410013	4	Clamp	
32	1001119278	1	Insulate	
33	1001135196	1	Pin	
34	1001167512	1	Bracket, Engine	
35	1001169823	1	Plate, Engine Lock	
36	1001171681	1	Cable, Battery (Red) (Battery Positive to Auxiliary Power Relay)	
37	1001171682	1	Cable, Battery (Black) (Battery Negative to Auxiliary Power Pump)	
38	1001172202	1	Pipe, Exhaust	
39	1001174784	1	Engine and Pump Sub-Assembly - Deutz D2011 (With Arctic Package) (See Separate Breakdown in this Section)	
40	1001188972	1	Heater, Hydraulic Tank	
41	1001191832	1	Nut, Rivet M8	

SECTION 3 - ENGINE

FIGURE 3-35. ENGINE AND PUMP SUB-ASSEMBLY - DEUTZ D2011 (WITH ARCTIC PACKAGE) (ANSI EXPORT, CHINA, RUSSIA & UK CA SPECS)



ART_1001174784_G

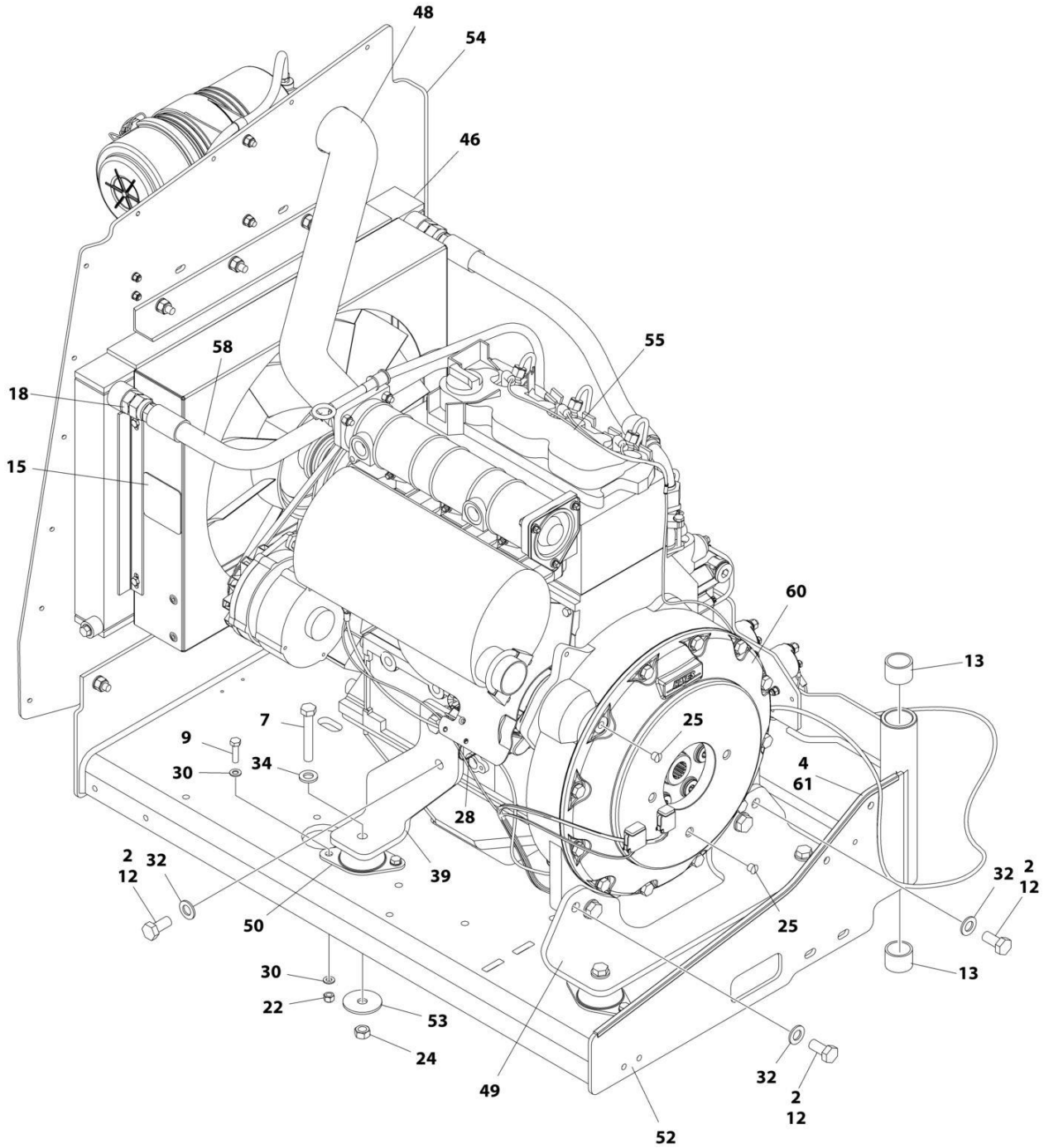
SECTION 3 - ENGINE

FIGURE 3-35. ENGINE AND PUMP SUB-ASSEMBLY - DEUTZ D2011 (WITH ARCTIC PACKAGE) (ANSI EXPORT, CHINA, RUSSIA & UK CA SPECS)

ITEM	PART NUMBER	QTY	DESCRIPTION	REV
	1001174784	Ref	ENGINE AND PUMP SUB-ASSEMBLY - DEUTZ D2011 (WITH ARCTIC PACKAGE)	G
1	0100011	AR	Compound, Locking	
2	0641812	2	Bolt 1/2 x 1-1/2	
4	1001214207	1	Gear Pump Assembly	
4	70006356	1	Seal Kit - 1001214207 Pump	
5	3790152	1	O-Ring	
6	3931618	2	Capscrew 3/8 x 1 1/8	
7	4891600	2	Washer 3/8 Hardened	
8	4891800	2	Washer 1/2 Hardened	
9	1001174783	1	Engine Assembly - Deutz D2011 Engine (With Arctic Package) (See Separate Breakdown in this Section)	
10	1001167036	1	Piston Pump Assembly (See Separate Breakdown in this Section)	
11	1001171953	1	Seal	
12	1001171954	1	Seal	

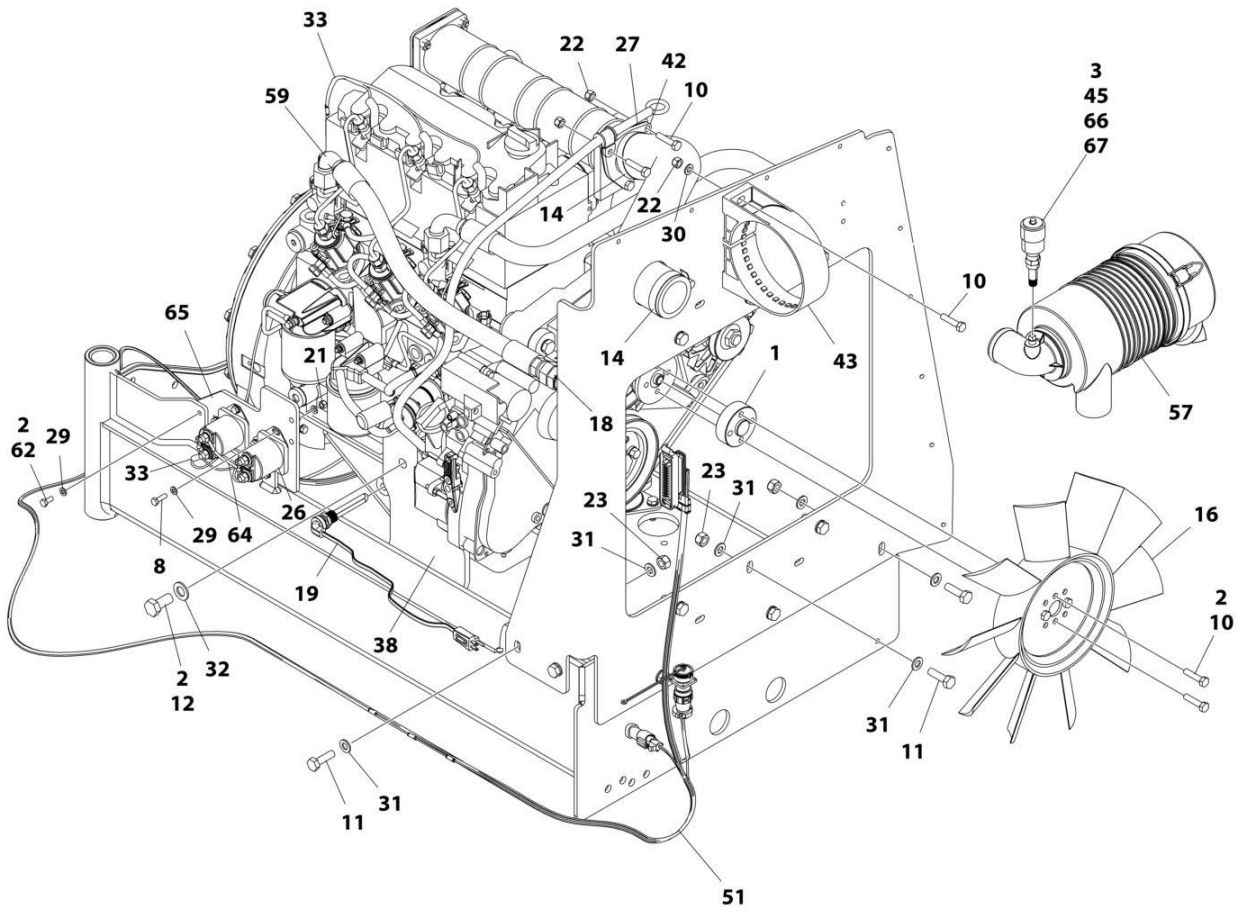
SECTION 3 - ENGINE

FIGURE 3-36. ENGINE ASSEMBLY - DEUTZ D2011 ENGINE (WITH ARCTIC PACKAGE) (ANSI EXPORT, CHINA, RUSSIA & UK CA SPECS)



ART_1001174783_O_10F2

SECTION 3 - ENGINE



ART_1001174783_O_20F2

SECTION 3 - ENGINE

FIGURE 3-36. ENGINE ASSEMBLY - DEUTZ D2011 ENGINE (WITH ARCTIC PACKAGE) (ANSI EXPORT, CHINA, RUSSIA & UK CA SPECS)

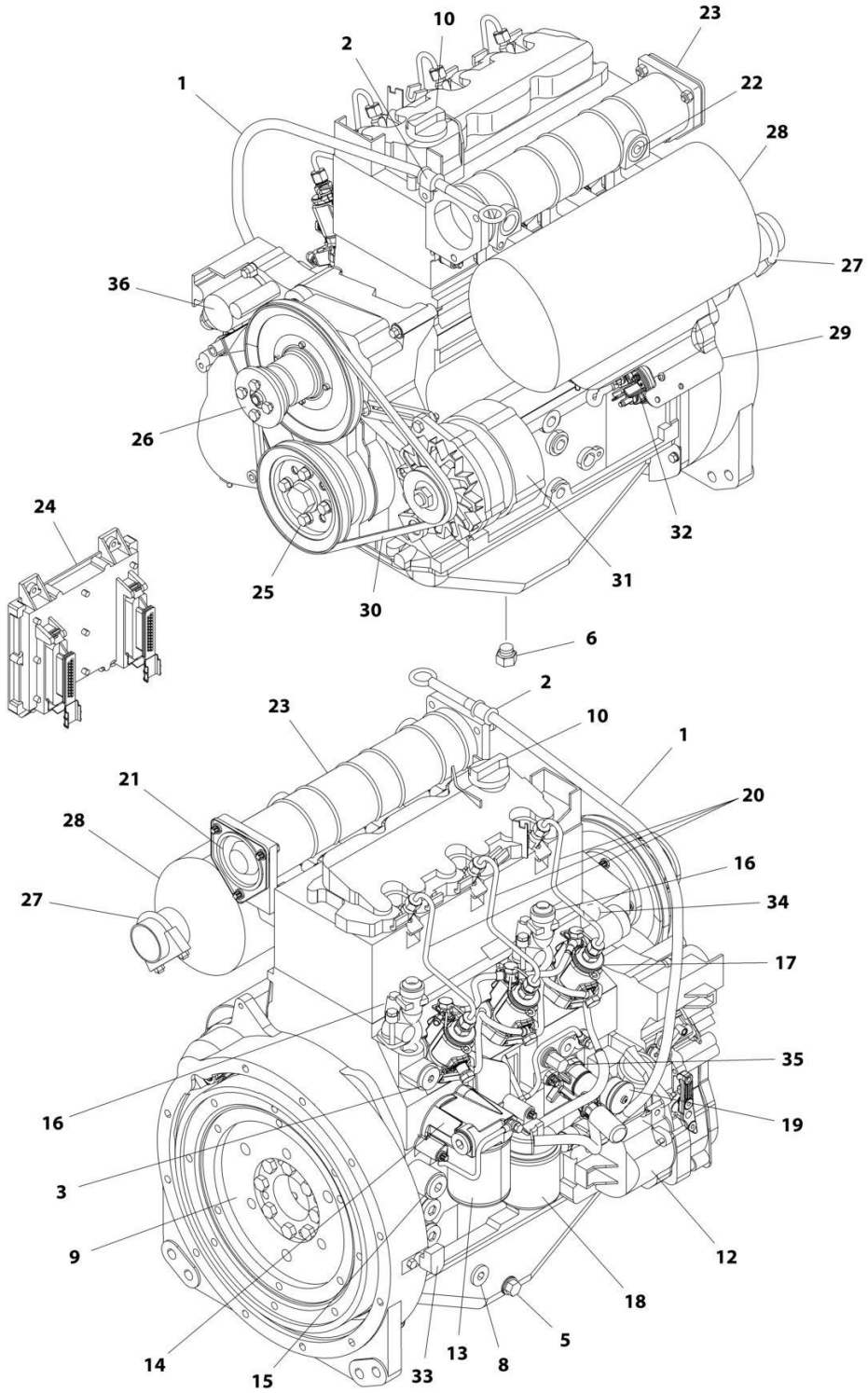
ITEM	PART NUMBER	QTY	DESCRIPTION	REV
	1001174783	Ref	ENGINE ASSEMBLY - DEUTZ D2011 (WITH ARCTIC PACKAGE)	O
1	0080231	1	Spacer, Fan	
2	0100011	AR	Compound, Locking	
3	0100020	AR	Sealant, Pipe	
4	0100081	AR	Adhesive	
7	0711224	4	Bolt M12 x 80 Class10.9	
8	0760610	4	Bolt M6 x 20	
9	0760814	8	Bolt M8 x 30	
10	0760815	9	Bolt M8 x 35	
11	0761015	11	Bolt M10 x 35	
12	0771414	8	Bolt M14 x 30 Class 10.9	
13	0961951	2	Bushing	
14	1320016	2	Clamp	
15	1703162	2	Decal - Caution Fan	
16	2060025	1	Fan	
18	2220451	2	Fitting, Straight JIC/ORB	
19	2580062	1	Heater, Engine Block	
21	3290605	4	Nut M6	
22	3290805	13	Nut M8	
23	3291005	11	Nut M10	
24	3331215	4	Nut M12	
25	3520054	2	Plug	
26	3740067	2	Relay Assembly	
26	3300220	2	Nut	
26	3321001	1	Nut #10	
26	3740140	1	Relay	
26	4761000	1	Washer #10	
26	1001111424	2	Washer	
27	3960407	1	Gasket	
28	4240099	AR	Tie-Strap (Not Shown)	
29	4811700	11	Washer M6	
30	4811900	20	Washer M8	
31	4812000	22	Washer M10	
32	4812200	8	Washer M14	
33	4923451	1	Harness, Glow Plugs	
34	5241200	4	Washer M12	
38	1001132195	1	Bracket, Engine Mount	
39	1001132196	1	Bracket, Engine Mount	
42	1001139819	1	Adapter, Air Intake	
43	1001141694	1	Clamp, Air Cleaner	
45	1001143390	1	Indicator	
46	1001150998	1	Radiator	
48	1001165389	1	Hose	
49	1001166717	1	Bracket, Engine Mount	
50	1001166718	4	Isolator, Engine Mount	
51	1001167111	1	Harness Engine - Deutz D2011 (See Separate Breakdown in ELECTRICAL Section)	
52	1001167520	1	Tray, Engine	
53	1001168018	4	Washer, Snubbing	

SECTION 3 - ENGINE

ITEM	PART NUMBER	QTY	DESCRIPTION	REV
54	1001168059	1	Plate, Radiator Mounting	
55	1001170693	1	Engine, Deutz D2011 (See Separate Breakdown in this Section)	
57	1001165388	1	Air Cleaner Assembly	
57	70003783	1	Element, Air Cleaner	
58	2720398	1	Hose	
59	2720447	1	Hose	
60	2902065	1	Pump Coupling Kit (See Separate Breakdown in this Section)	
61	4060805	2.25 ft/ 0.69m	Flex-Trim	
62	0760614	3	Bolt M6 x 30	
64	1001178859	1	Cable, Alternator	
65	1001214975	1	Bracket	
66	2200261	1	Fitting	
67	1001277432	1	Spacer	

SECTION 3 - ENGINE

FIGURE 3-37. ENGINE COMPONENTS - DEUTZ D2011



ART_1001170693

SECTION 3 - ENGINE

FIGURE 3-37. ENGINE COMPONENTS - DEUTZ D2011

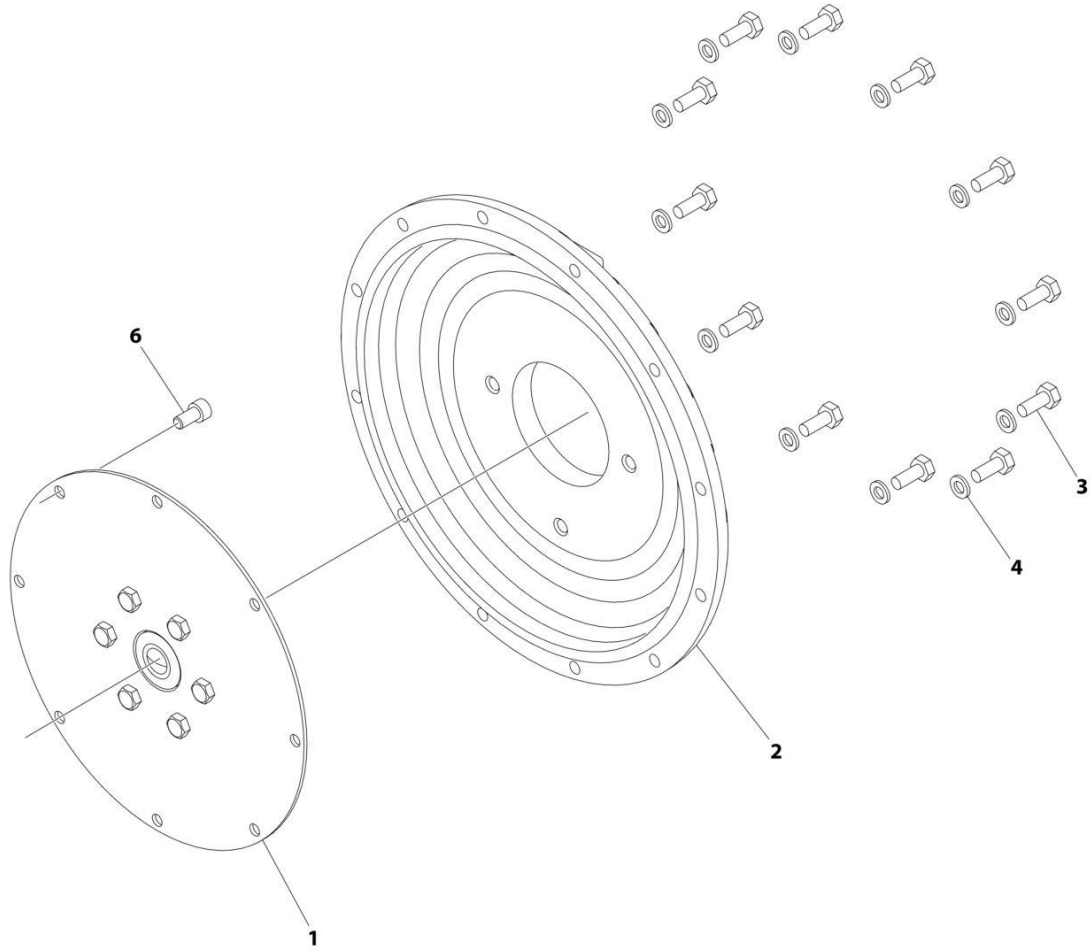
ITEM	PART NUMBER	QTY	DESCRIPTION	REV
	1001170693	Ref	ENGINE COMPONENTS - DEUTZ D2011	C
1	70001002	1	Tube, Dipstick	
1	7020403	1	Seal, Tube	
1	7020026	1	Dipstick	
2	70001654	1	Clamp	
2	70001655	1	Bolt	
3	70003475	1	Thermostat	
3	7020460	1	Spring	
4		Ref	Seal and Gasket Options (Not Shown):	
4	70002718	1	Seal, Rear Main	
4	7020430	1	Gasket, Valve Cover	
4	70003479	1	Gasket, Head - 1 Notch	
4	70003480	1	Gasket, Head - 2 Notch	
4	70003481	1	Gasket, Head - 3 Notch	
5	70025088	1	Plug	
6	70025667	1	Plug	
7	70025123	22	Bolt, Torx (Oil Pan Bolts) (Not Shown)	
8	7020492	1	Seal	
8	70025084	1	Plug	
9	70001870	1	Flywheel	
9	7024579	1	Ring Gear (Part of Flywheel)	
9	70025139	8	Bolt	
10	7020465	1	Cap, Oil Fill	
11	70000800	1	Timing Belt/Idler Kit (Includes Timing Belt, Tensioner and Tensioner Bolt) (Not Shown)	
12	70001850	1	Pump, Lubricating	
12	7020468	1	Seal, Pump to Engine Block (Not Shown)	
13	7016331	1	Filter, Oil	
14	70003472	1	Bracket, Oil Filter (Includes Plug with Seal, Temperature Sensor, Control Valve and Compression Spring)	
14	7027236	1	Sensor, Temperature	
14	70025082	1	Seal, Plug	
14	70025091	1	Plug	
14	70003473	1	Gasket, Bracket to Engine Block (Not Shown)	
15	70001181	1	Valve	
15	70025091	1	Plug	
15	70025082	1	Seal, Plug	
16	70004268	2	Connector, Radiator Neck	
16	70004269	2	Seal, Radiator Neck to Engine Block	
17	70000912	3	Pump, Fuel Injector - A Spec	
17	70000913	3	Pump, Fuel Injector - B Spec	
17	70000914	3	Pump, Fuel Injector - C Spec	
17	70000915	3	Pump, Fuel Injector - D Spec	
17	70003464	3	O-Ring, Pump to Engine Block	
18	7020023	1	Filter, Fuel	
18	70003463	1	Filter, Fuel - RME Resistant	
18	70001423	1	Bracket, Fuel Filter	
19	70000916	1	Pump Fuel Supply	
19	70000917	1	O-Seal Between Fuel Pump and Engine Block	
19	70000918	1	Sealing Ring Between Hand Pump and Supply Pump	

SECTION 3 - ENGINE

ITEM	PART NUMBER	QTY	DESCRIPTION	REV
19	70000919	1	Pump, Hand	
19	70001435	1	Repair Kit	
19	70025694	2	Bolt, Torx	
20	70000931	3	Pipe, High Pressure	
21	70003469	1	Flange, Intake	
21	70003468	1	Seal	
22	70025084	1	Plug	
22	7020492	1	Seal, Plug	
23	7027903	1	Manifold, Air Intake	
23	70001871	3	Gasket Between Manifold and Engine Block	
24	See Note	1	Module, Engine Control (Note: Not Currently Available)	
24	7027796	1	Cable, Electrical Between Module and Engine Harness (Not Shown)	
24	70001872	1	Harness, Engine (Connects to p/n 70004060) (Not Shown)	
24	70004060	1	Plug, Connector Located on Cable Near Module (Not Shown)	
24	70004059	1	Plug, Analyzer (Not Shown)	
25	70025123	4	Bolt, Torx	
26	70000787	1	Support, Fan (Includes Support, Internal Shaft, Bearings and Circlip)	
27	70001844	1	Clamp	
28	See Note	1	Muffler (Note: See Separate Breakdown in this Section)	
28	7020471	3	Gasket, Exhaust Between Muffler and Engine Block	
28	70004270	6	Stud, Muffler	
29	70001498	1	Shield, Starter	
29	70025693	3	Bolt	
30	70004102	1	V-Belt	
31	70004056	1	Alternator (Includes Voltage Regulator and Gaskets, Fan and Fan Mounting Hardware)	
31	70001868	1	Regulator, Voltage	
31	70001866	1	Gasket Set, Voltage Regulator	
31	70025131	1	Fan	
31	70025086	1	Nut, Fan	
31	70000851	1	Bracket, Alternator Mounting	
31	70002234	1	Bracket, Alternator Adjustment	
31	70004103	1	Harness, Alternator (Not Shown)	
32	7020479	1	Starter	
32	70025121	2	Bolt, Starter Mounting	
32	70004058	1	Relay	
32	70004062	1	Harness, Starter (Not Shown)	
33	7024565	1	Sensor, Speed	
33	70003931	1	Bolt	
33	70003932	1	Spacer, Sleeve	
34	7027791	1	Sensor, Temperature	
35	7027790	1	Sensor, Oil Pressure	
36	7027792	1	Actuator	
37	70000345	3	Plug, Glow (Not Shown)	

SECTION 3 - ENGINE

FIGURE 3-38. PUMP COUPLING KIT – DEUTZ ENGINES



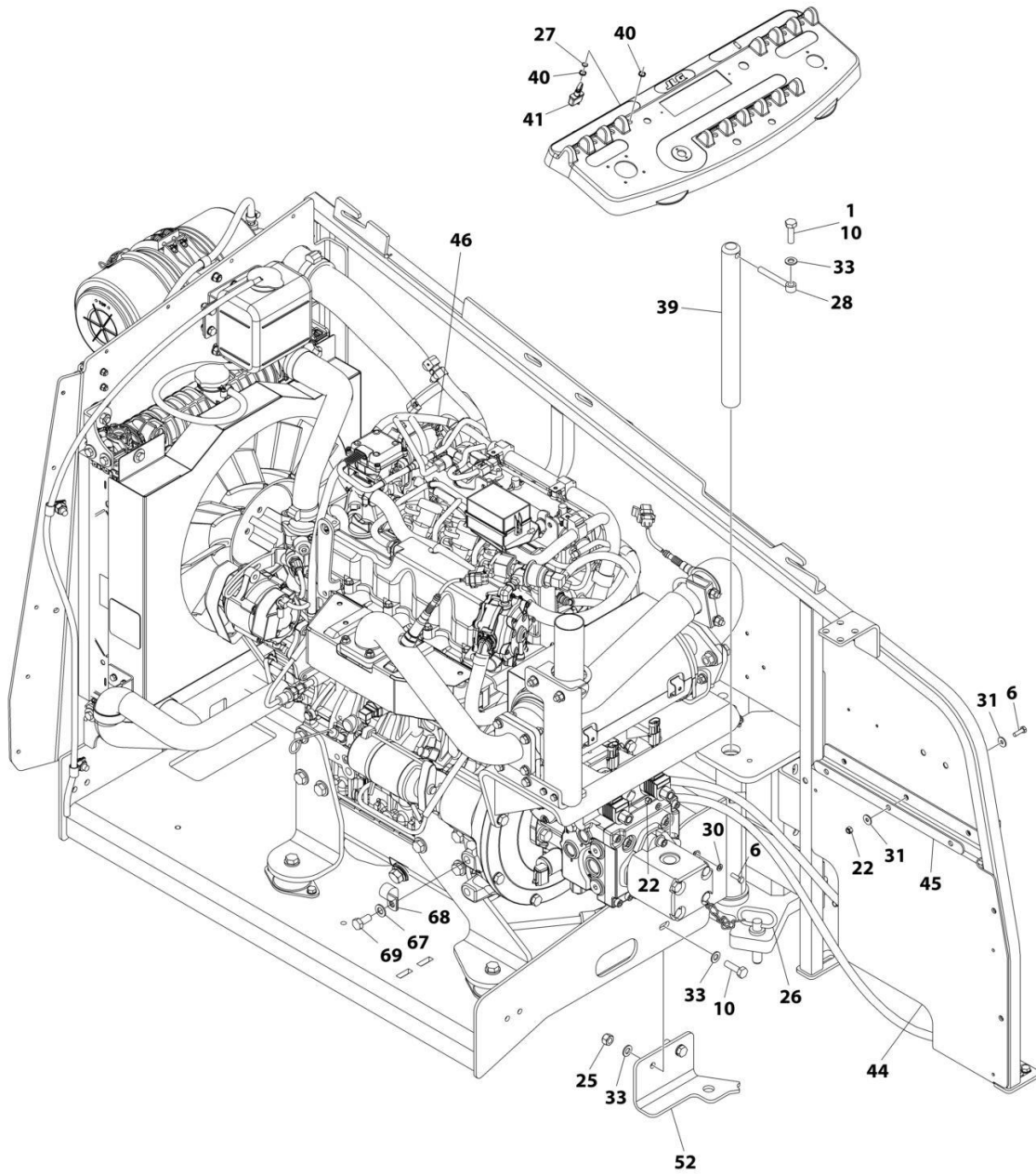
ART_2902065

FIGURE 3-38. PUMP COUPLING KIT – DEUTZ ENGINES

ITEM	PART NUMBER	QTY	DESCRIPTION	REV
	2902065	Ref	PUMP COUPLING KIT	L
1	70000793	1	Coupling, Hayes	
2	See Note	NSS	Plate, Pump Adapter (Note: Use p/n 2902065)	
3	See Note	NSS	Bolt M10 x 30 Grade 10.9 (Note: Use p/n 2902065)	
4	See Note	NSS	Washer M10 (Note: Use p/n 2902065)	
6	See Note	NSS	Bolt M10 x 20 Grade 10.9 (Note: Use p/n 2902065)	

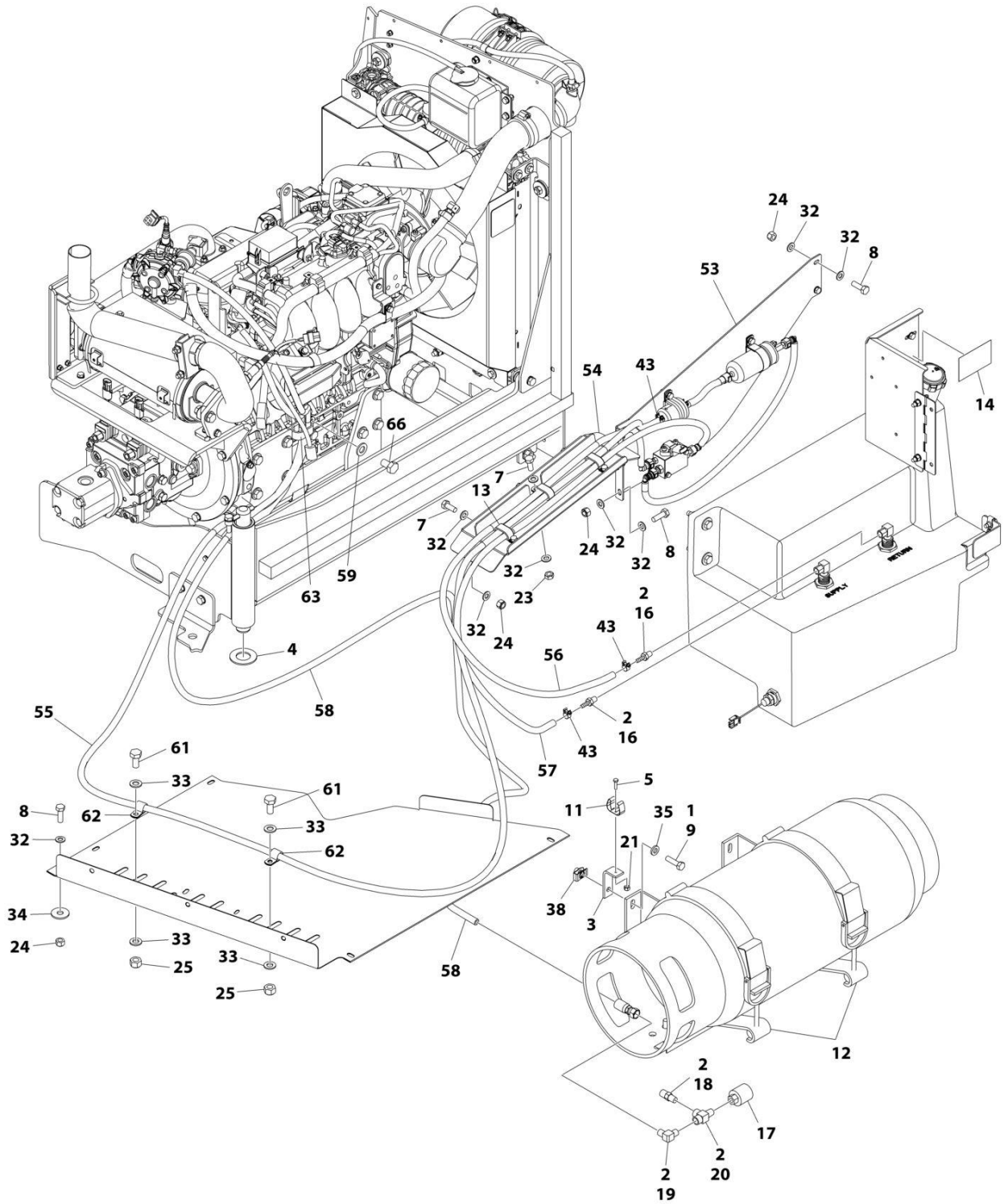
SECTION 3 - ENGINE

FIGURE 3-39. ENGINE INSTALLATION - KUBOTA ENGINE (WITHOUT ARCTIC PACKAGE)



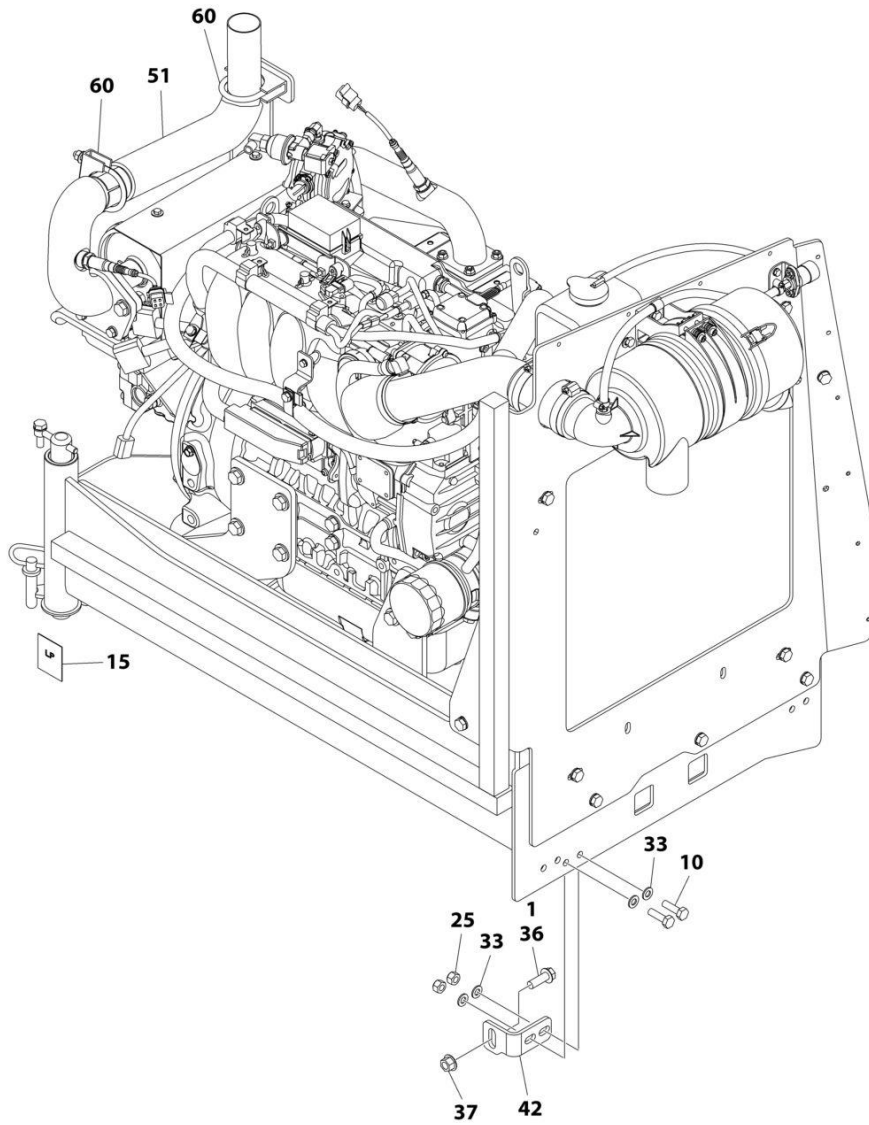
ART_1001236251_10F3

SECTION 3 - ENGINE



ART_1001236251_20F3

SECTION 3 - ENGINE



ART_1001236251_30F3

SECTION 3 - ENGINE

FIGURE 3-39. ENGINE INSTALLATION - KUBOTA ENGINE (WITHOUT ARCTIC PACKAGE)

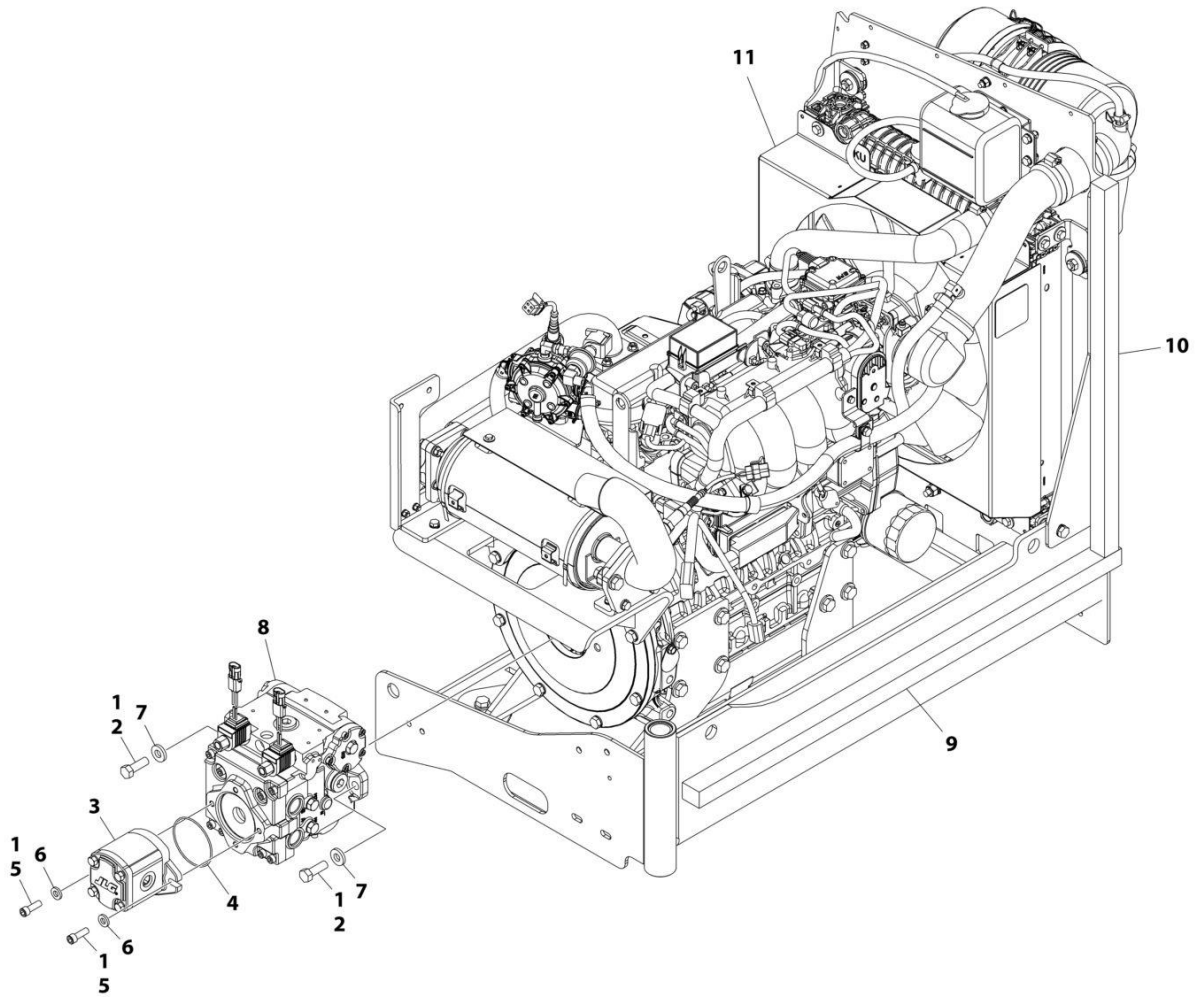
ITEM	PART NUMBER	QTY	DESCRIPTION	REV
	1001236251	Ref	ENGINE INSTALLATION - KUBOTA ENGINE (WITHOUT ARCTIC PACKAGE)	A
1	0100011	AR	Compound, Locking	
2	0100020	AR	Sealant, Pipe	
3	0181949	1	Angle	
4	0440162	1	Bearing	
5	0760408	1	Bolt M4 x 16	
6	0760610	4	Bolt M6 x 20	
7	0760810	6	Bolt M8 x 20	
8	0760812	4	Bolt M8 x 25	
9	0760814	4	Bolt M8 x 30	
10	0761015	5	Bolt M10 x 35	
11	1320218	1	Clamp	
12	1320220	1	Clamp Kit - LP	
13	1321283	3	Clamp	
14	1701542	1	Decal - Gas	
15	1701543	1	Decal - LPG	
16	2180348	2	Fitting, Barbed	
17	2180387	1	Fitting, LP	
18	2180389	1	Fitting	
19	2180504	1	Fitting, Barbed	
20	2220290	1	Fitting, Tee FNPTF/NPTF/FNPTF	
21	3290405	1	Nut Lock M4	
22	3290605	4	Nut Lock M6	
23	3290801	3	Nut M8	
24	3290805	7	Nut Lock M8	
25	3291005	8	Nut Lock M10	
26	3422532	1	Pin	
27	3790012	1	O-Ring	
28	3841143	1	Keeper, Pin	
29	4240099	AR	Tie-Strap (Not Shown)	
30	4811700	2	Washer M6	
31	4811702	6	Washer M6	
32	4811900	19	Washer M8	
33	4812000	17	Washer M10	
34	4812002	1	Washer M10	
35	5240800	4	Washer M8 Hardened	
36	5251215	1	Bolt M12 x 35	
37	5261200	1	Nut M12 Grade 10.9	
38	1001118274	4	Nut Special M8	
39	1001135196	1	Pin	
40	1001155044	2	Nut Special 15/32	
41	1001161710	1	Switch, Toggle	
42	1001167512	1	Bracket, Engine Tray Stow	
43	1001174486	3	Clamp	
44	1001196376	1	Seal, Rubber	
45	1001204123	1	Plate, Support	
46	1001236254	1	Engine and Pump Sub-Assembly - Kubota Engine (Without Arctic Package) (See Separate Breakdown in this Section)	
47	1001212257	1	Cable, Battery (Red) (Alternator Positive to Starter) (Not Shown)	

SECTION 3 - ENGINE

ITEM	PART NUMBER	QTY	DESCRIPTION	REV
48	1001213060	1	Cable, Battery (Red) (Battery Positive to Auxiliary Power Relay) (Not Shown)	
49	1001213061	1	Cable, Battery (Black) (Battery Negative to Pivot Pin to Engine Ground) (Not Shown)	
50	1001213706	1	Harness Engine - Kubota Engine (Not Shown - See Separate Breakdown in ELECTRICAL SECTION)	
51	1001214503	1	Pipe, Tail Pipe	
52	1001215259	1	Plate, Engine Lock	
53	1001215813	1	Mount, Fuel System	
54	1001216308	1	Support, Fuel Lines	
55	1001216400	1	Hose	
56	1001216401	1	Hose	
57	1001156819	4.5 ft/ 1.3m	Hose	
58	1001216405	1	Hose	
59	4812100	2	Washer M12	
60	1001217785	2	Clamp	
61	0761011	2	Bolt M10 x 22	
62	85841094	6	Clamp	
63	1001195039	1	Clamp	
64	4460466	8	Terminal, Sealing Plug (Not Shown)	
65	4460930	1	Plug (Not Shown)	
66	1001217494	2	Bolt M12 x 20	
67	4812200	1	Washer M14	
68	24431386	1	Clamp	
69	1001217345	1	Bolt M14 x 30	
70	1001229797	1	Harness, Kubota D/F Power (Not Shown - See Separate Breakdown in ELECTRICAL SECTION)	

SECTION 3 - ENGINE

FIGURE 3-40. ENGINE AND PUMP SUB-ASSEMBLY - KUBOTA ENGINE (WITHOUT ARCTIC PACKAGE)



ART_1001236254

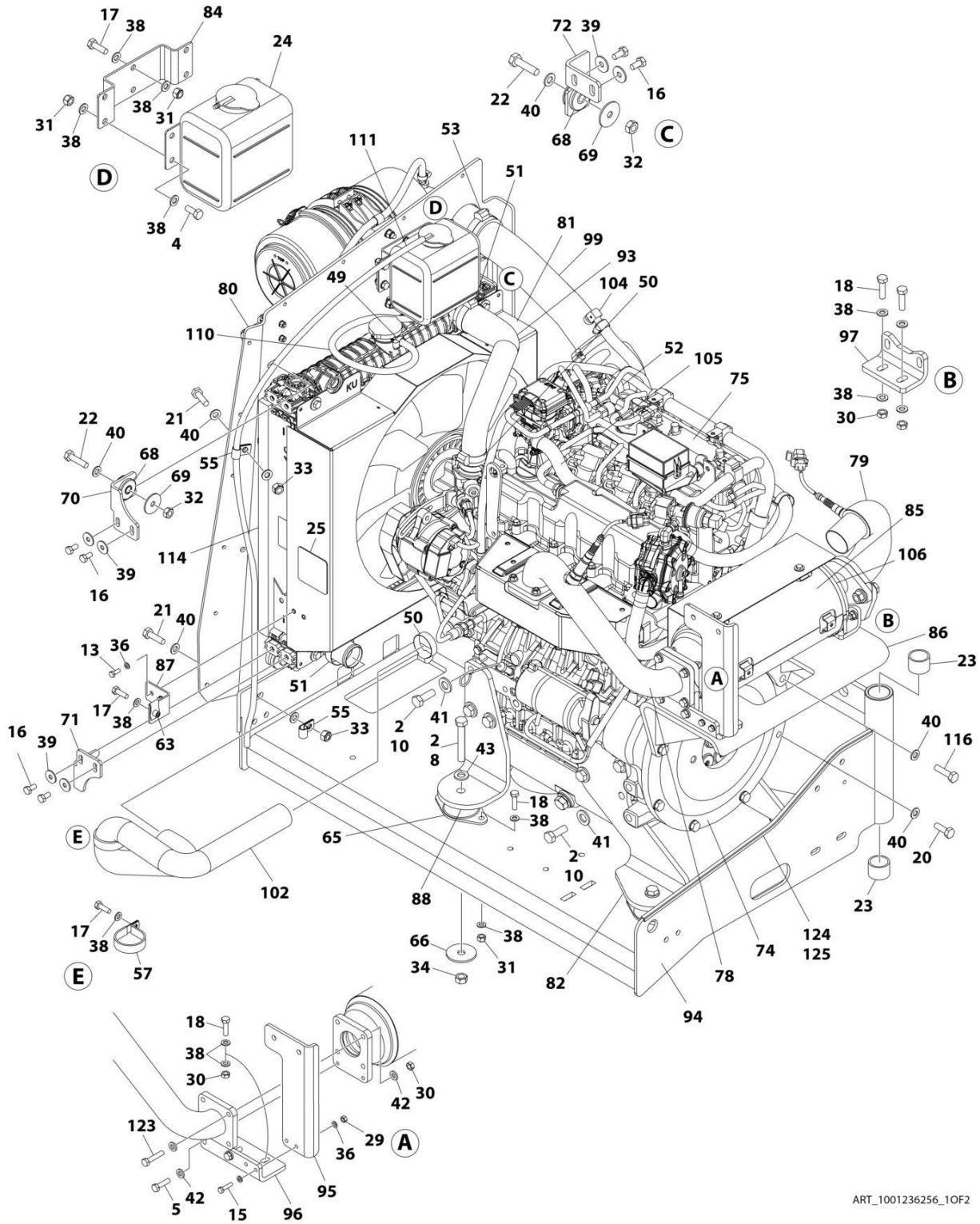
SECTION 3 - ENGINE

FIGURE 3-40. ENGINE AND PUMP SUB-ASSEMBLY - KUBOTA ENGINE (WITHOUT ARCTIC PACKAGE)

ITEM	PART NUMBER	QTY	DESCRIPTION	REV
	1001236254	Ref	ENGINE AND PUMP SUB-ASSEMBLY - KUBOTA ENGINE (WITHOUT ARCTIC PACKAGE)	A
1	0100011	AR	Compound, Locking	
2	0641812	2	Bolt 1/2 x 1-1/2	
3	1001214207	1	Pump, Gear	
3	70006356	1	Seal Kit - 1001214207 Pump	
4	3790152	1	O-Ring	
5	3931618	2	Bolt 3/8 x 1-1/8	
6	4891600	2	Washer 3/8	
7	4891800	2	Washer 1/2	
8	1001167036	1	Piston Pump Assembly (See Separate Breakdown in this Section)	
9	1001171953	1	Seal, Gasket	
10	1001171954	1	Seal, Gasket	
11	1001236256	1	Engine Assembly - Kubota Engine (Without Arctic Package) (See Separate Breakdown in this Section)	

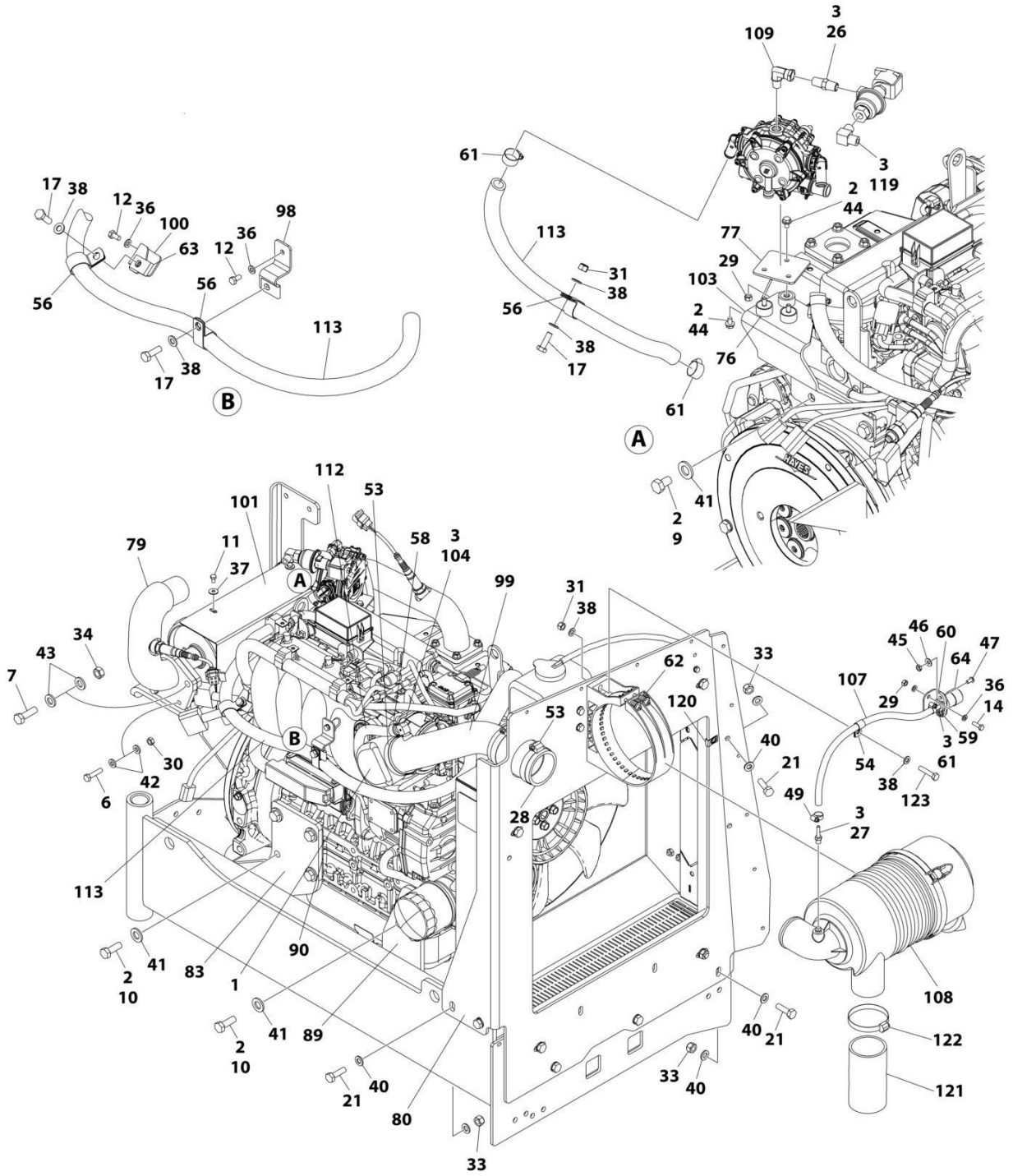
SECTION 3 - ENGINE

FIGURE 3-41. ENGINE ASSEMBLY - KUBOTA ENGINE (WITHOUT ARCTIC PACKAGE)



ART_1001236256_10F2

SECTION 3 - ENGINE



ART_1001236256_20F2

SECTION 3 - ENGINE

FIGURE 3-41. ENGINE ASSEMBLY - KUBOTA ENGINE (WITHOUT ARCTIC PACKAGE)

ITEM	PART NUMBER	QTY	DESCRIPTION	REV
	1001236256	Ref	ENGINE ASSEMBLY - KUBOTA ENGINE (WITHOUT ARCTIC PACKAGE)	E
1	0080201	1	Adapter, 90	
2	0100011	AR	Compound, Locking	
3	0100020	AR	Sealant, Pipe	
4	0700810	4	Bolt M8 x 20	
5	0700814	2	Bolt M8 x 30	
6	0700815	2	Bolt M8 x 35	
7	0701216	2	Bolt M12 x 40	
8	0701224	4	Bolt M12 x 80	
9	1001217494	2	Bolt M12 x 20	
10	1001217343	14	Bolt M12 x 35	
11	0760605	4	Bolt M6 x 10	
12	0760606	2	Bolt M6 x 12	
13	0760608	2	Bolt M6 x 16	
14	0760610	2	Bolt M6 x 20	
15	0760612	2	Bolt M6 x 25	
16	0760808	8	Bolt M8 x 16	
17	0760812	6	Bolt M8 x 25	
18	0760814	12	Bolt M8 x 30	
19	0760815	1	Bolt M8 x 35	
20	0761014	4	Bolt M10 x 30	
21	0761015	6	Bolt M10 x 35	
22	0761016	4	Bolt M10 x 40	
23	0961951	2	Bushing	
24	1580011	1	Container, Coolant Overflow	
25	1703162	2	Decal - Caution Fan	
26	2220261	1	Fitting, Nipple NPTF/NPTF	
27	2220315	1	Fitting, Barbed	
28	2720644	1	Hose	
29	3290607	5	Nut M6	
30	3290801	10	Nut M8	
31	3290805	17	Nut M8	
32	3291001	4	Nut M10	
33	3291005	6	Nut M10	
34	3291201	6	Nut M12	
35	4240099	AR	Tie-Strap (Not Shown)	
36	4811700	12	Washer M6	
37	4811702	4	Washer M6	
38	4811900	45	Washer M8	
39	4811902	8	Washer M8	
40	4812000	24	Washer M10	
41	5241400	16	Washer M14	
42	5240800	14	Washer M8	
43	5241200	8	Washer M12	
44	5250605	3	Bolt M6 x 10	
45	8305401	2	Nut 1/4	
46	8307109	2	Washer 1/4	
47	8310548	2	Screw 1/4 NC x 1/2	
48	1001173535	2	Clamp	

SECTION 3 - ENGINE

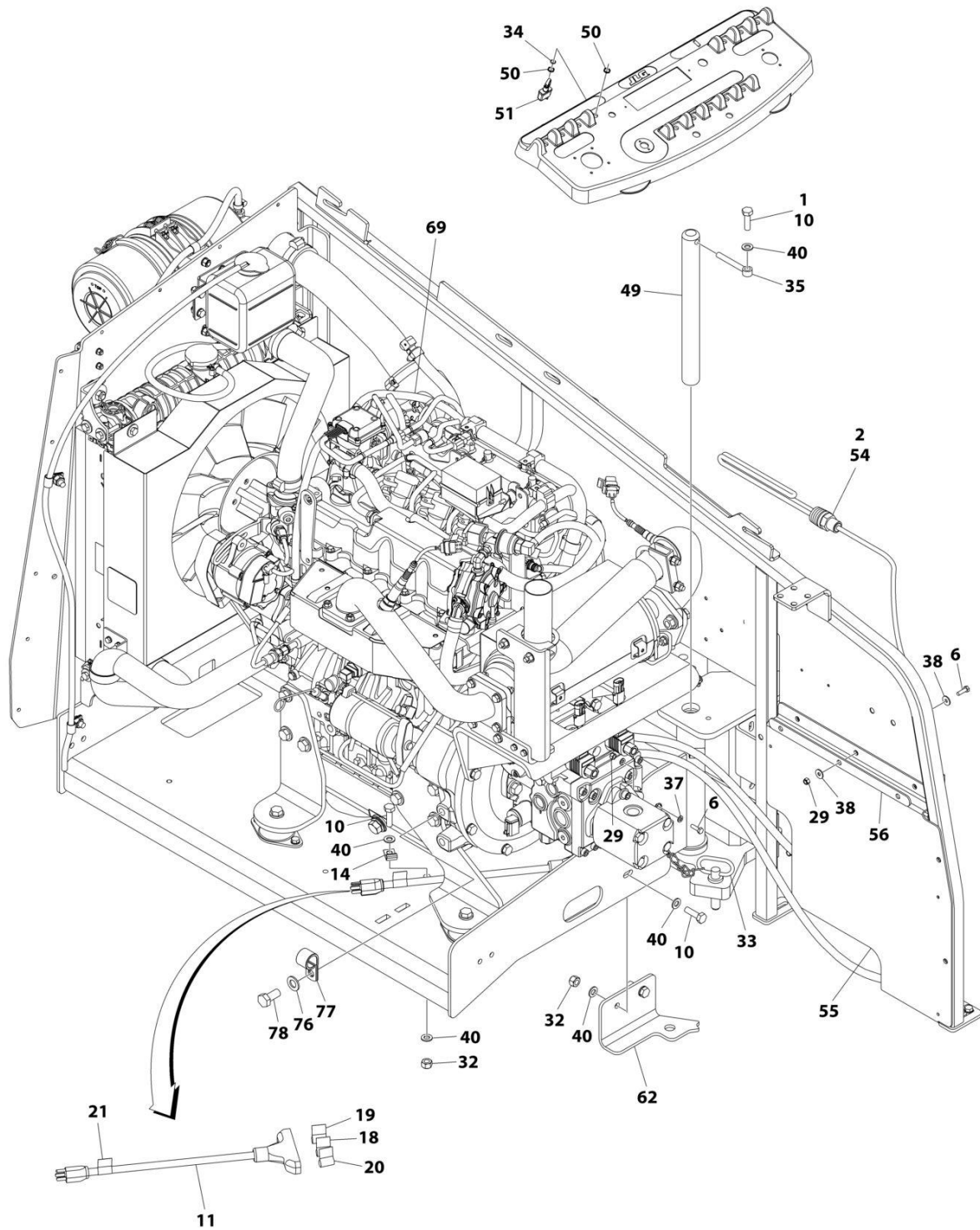
ITEM	PART NUMBER	QTY	DESCRIPTION	REV
49	8405009	4	Clamp	
50	8405102	2	Clamp	
51	8405104	2	Clamp	
52	8405202	1	Clamp	
53	8405203	3	Clamp	
54	8406109	1	Clip	
55	8406110	2	Clip	
56	8406201	3	Clip	
57	8410001	1	Clamp	
58	8410009	6	Clamp	
59	1001138173	1	Support, Service Indicator	
60	1001138175	1	Bracket, Service Indicator	
61	1001141995	1	Fitting, Barbed	
62	1001147812	1	Clamp, Air Cleaner	
63	1001149160	3	Nut M8	
64	1001149639	1	Indicator, Air Intake	
65	1001166718	4	Isolator, Engine Mount	
66	1001168018	4	Washer, Snubbing	
67	1001168166	2	Seal	
68	1001169054	4	Isolator, Radiator	
69	1001169138	4	Washer, Snubbing	
70	1001169967	2	Bracket	
71	1001170035	1	Bracket	
72	1001176330	1	Bracket	
73	1001180620	AR	Adhesive	
74	1001209844	1	Pump Coupling Kit (See Separate Breakdown in this Section)	
75	1001236393	1	Engine, Kubota (See Separate Breakdown in this Section)	
76	1001211794	3	Mount	
77	1001211797	1	Mount	
78	1001212989	1	Pipe, Exhaust (Inlet)	
79	1001212993	1	Pipe Exhaust (Outlet)	
80	1001213305	1	Plate, Mounting	
81	1001236257	1	Radiator	
82	1001213425	1	Plate, Engine Mount (Left Rear)	
83	1001213426	1	Plate, Engine Mount (Right Rear)	
84	1001213482	1	Bracket	
85	1001213824	1	Insulation	
86	1001214138	1	Bracket	
87	1001214205	1	Support	
88	1001214233	1	Plate (Front Left)	
89	1001214234	1	Plate (Front Right)	
90	1001214276	1	Shim	
91	1001214277	1	Shim	
92	1001214278	2	Shim	
93	1001214307	1	Hose	
94	1001214508	1	Support	
95	1001214553	1	Support	
96	1001214555	1	Bracket	
97	1001214556	1	Bracket	
98	1001214558	1	Bracket	
99	1001214598	1	Tube	

SECTION 3 - ENGINE

ITEM	PART NUMBER	QTY	DESCRIPTION	REV
100	1001214599	1	Bracket	
101	1001214664	1	Cover	
102	1001214694	1	Hose	
103	1001214841	1	Bracket	
104	1001215125	1	Fitting, 90	
105	1001215869	1	Hose	
106	1001137336	2	Strap	
107	1001138248	2 ft/ 0.61m	Tube	
108	1001147813	1	Air Cleaner Assembly Including Filter Element	
108	70004020	1	Element, Air Filter	
109	1001247359	1	Fitting, 90	
110	2720058	1.75 ft/ 0.53m	Hose	
111	2720271	4 ft/ 1.22m	Hose	
112	2720615	1.25 ft/ 0.38m	Hose	
113	82033995	5.5 ft/ 1.68m	Hose	
114	1001216825	2	Seal	
115	0700816	4	Bolt M8 x 40	
116	0701016	4	Bolt M10 x 40	
119	2180504	1	Fitting, Barbed	
120	1001118274	1	Nut, Special M8	
121	1001001939	1	Tube, Flex	
122	8410011	1	Clamp	
123	0760816	1	Bolt M8 x 40	
124	4060805	1.94 ft/ 0.59m	Flex-Trim	
125	0100081	AR	Adhesive	

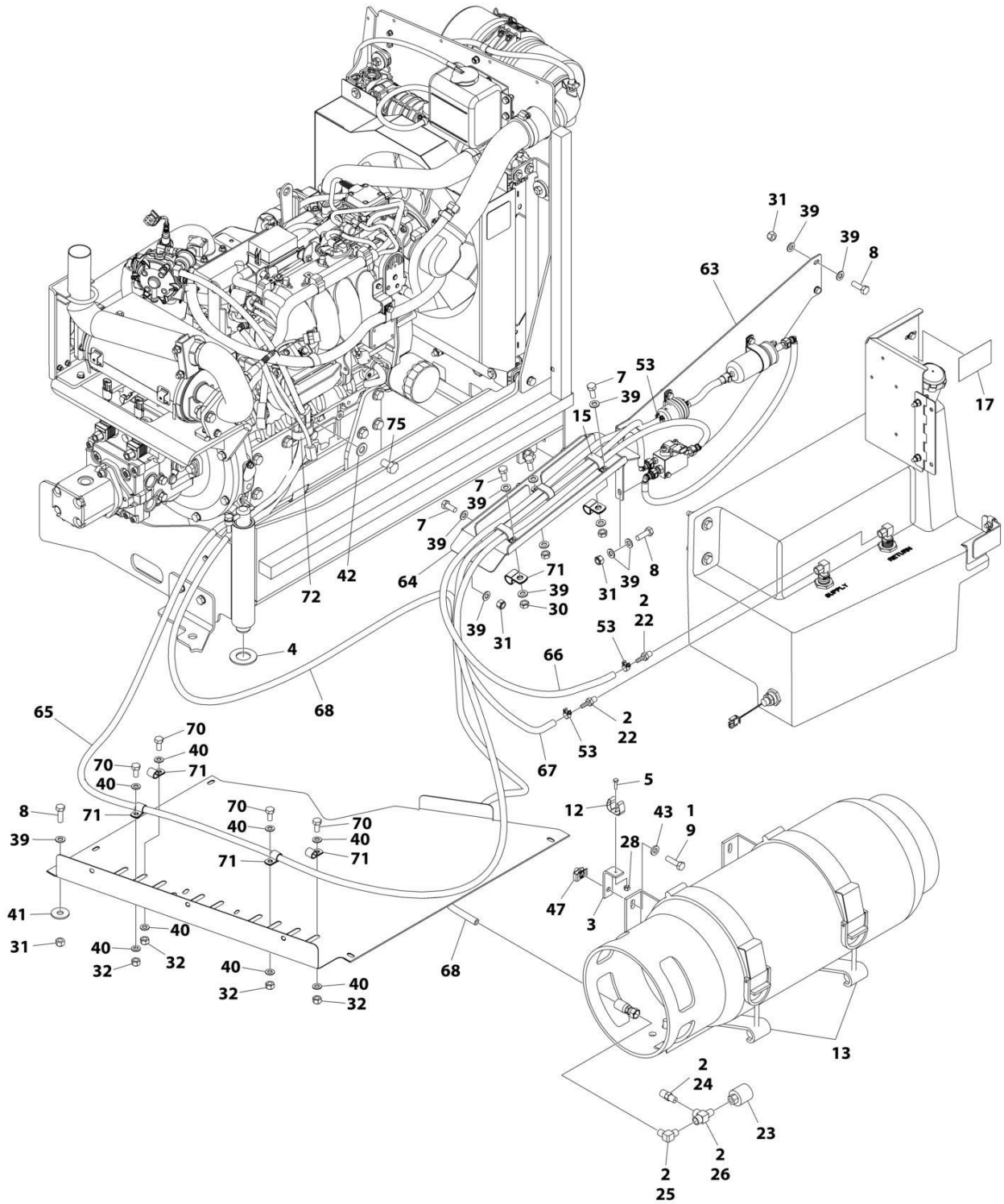
SECTION 3 - ENGINE

FIGURE 3-42. ENGINE INSTALLATION - KUBOTA ENGINE (WITH ARCTIC PACKAGE)



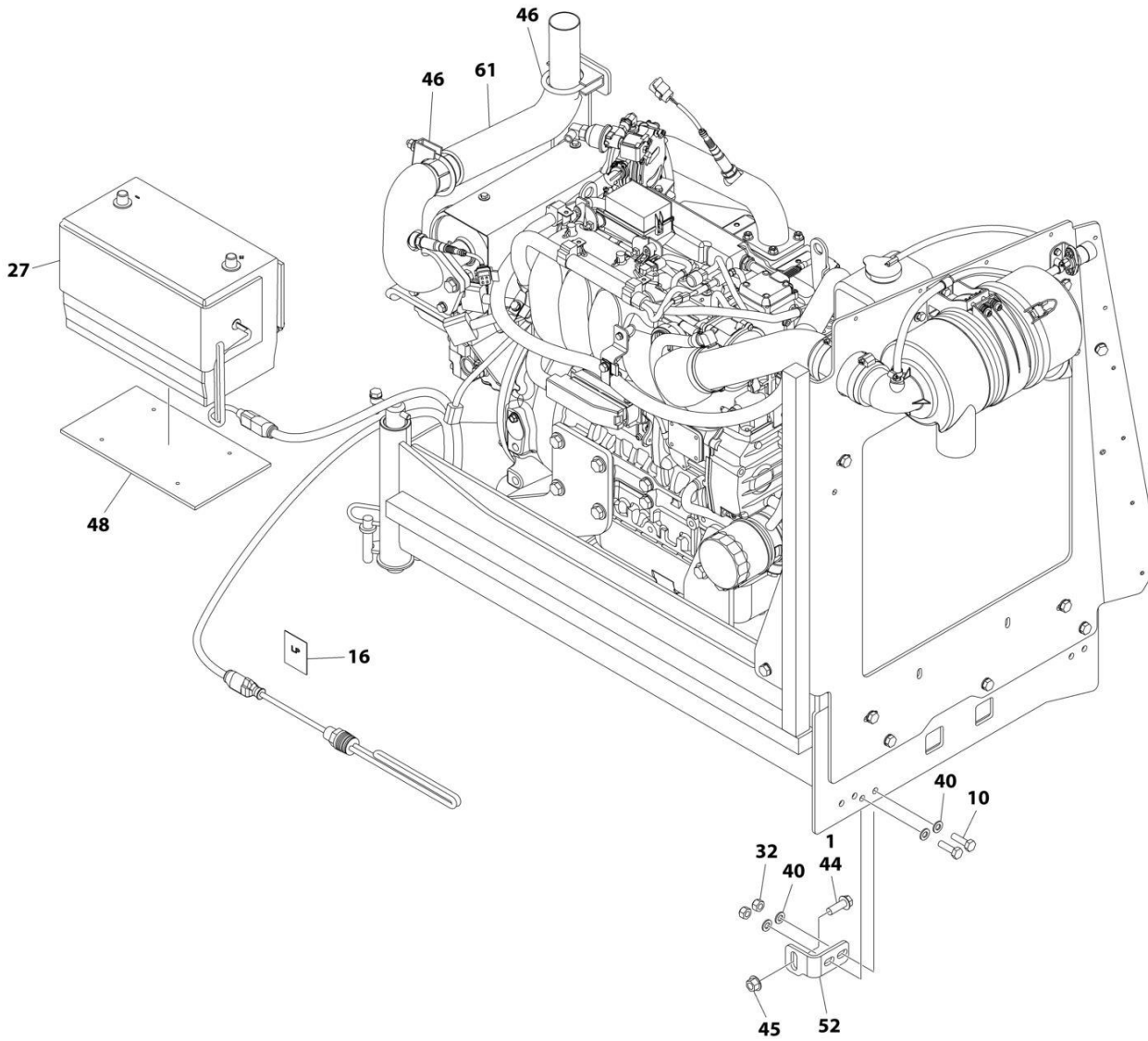
ART_1001236253_10F3

SECTION 3 - ENGINE



ART_1001236253_20F3

SECTION 3 - ENGINE



ART_1001236253_30F3

SECTION 3 - ENGINE

FIGURE 3-42. ENGINE INSTALLATION - KUBOTA ENGINE (WITH ARCTIC PACKAGE)

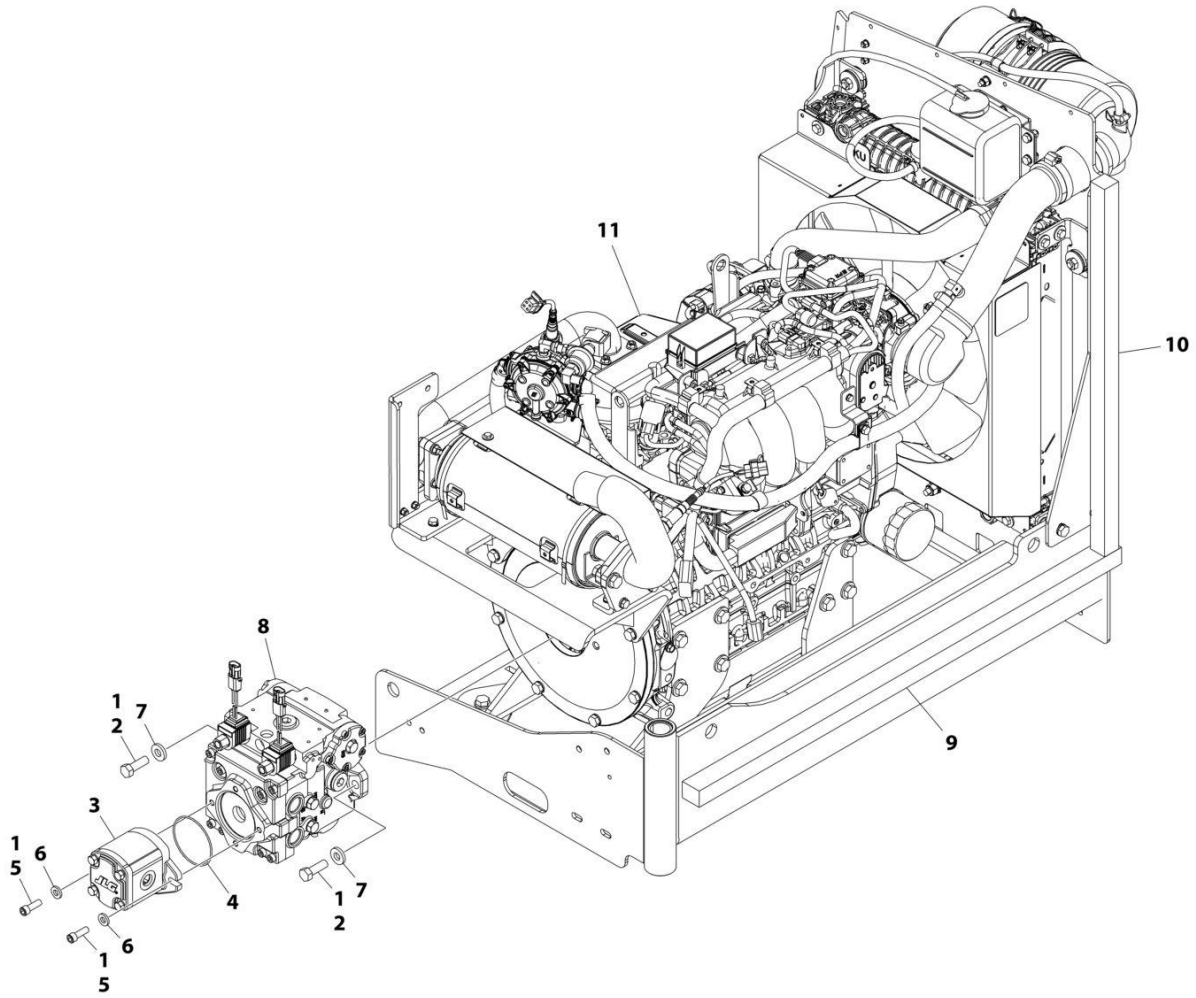
ITEM	PART NUMBER	QTY	DESCRIPTION	REV
	1001236253	Ref	ENGINE INSTALLATION - KUBOTA ENGINE (WITH ARCTIC PACKAGE)	A
1	0100011	AR	Compound, Locking	
2	0100020	AR	Sealant, Pipe	
3	0181949	1	Angle	
4	0440162	1	Bearing	
5	0760408	1	Bolt M4 x 16	
6	0760610	4	Bolt M6 x 20	
7	0760810	6	Bolt M8 x 20	
8	0760812	4	Bolt M8 x 25	
9	0760814	4	Bolt M8 x 30	
10	0761015	6	Bolt M10 x 35	
11	1060626	1	Cord, 3 Way Extension	
12	1320218	1	Clamp	
13	1320220	1	Clamp Kit - LP	
14	1320223	1	Clamp	
15	1321283	3	Clamp	
16	1701543	1	Decal - LPG	
17	1701542	1	Decal - Gas	
18	1702941	1	Decal - Battery Heater	
19	1702942	1	Decal - Engine Block Heater	
20	1702943	1	Decal - Hydraulic Tank Heater	
21	1702944	1	Decal - Heater Cord	
22	2180348	2	Fitting, Barbed	
23	2180387	1	Fitting, LP	
24	2180389	1	Fitting	
25	2180504	1	Fitting, Barbed	
26	2220290	1	Fitting, Tee FNPTF/NPTF/FNPTF	
27	2580024	1	Heater, Battery	
28	3290405	1	Nut M4	
29	3290605	4	Nut M6	
30	3290801	3	Nut M8	
31	3290805	7	Nut M8	
32	3291005	9	Nut M10	
33	3422532	1	Pin	
34	3790012	1	O-Ring	
35	3841143	1	Keeper, Pin	
36	4240099	AR	Tie-Strap (Not Shown)	
37	4811700	2	Washer M6	
38	4811702	6	Washer M6	
39	4811900	19	Washer M8	
40	4812000	19	Washer M10	
41	4812002	1	Washer M10	
42	4812100	2	Washer M12	
43	5240800	4	Washer M8	
44	5251215	1	Bolt M12 x 35	
45	5261200	1	Nut M12 Grade 10.9	
46	1001217785	2	Clamp	
47	1001118274	4	Nut Special M8	
48	1001119278	1	Insulate	

SECTION 3 - ENGINE

ITEM	PART NUMBER	QTY	DESCRIPTION	REV
49	1001135196	1	Pin	
50	1001155044	2	Nut, Special 15/32	
51	1001161710	1	Switch, Toggle	
52	1001167512	1	Bracket, Engine Tray Stow	
53	1001174486	3	Clamp	
54	1001188972	1	Heater, Hydraulic Tank	
55	1001196376	1	Seal, Rubber	
56	1001204123	1	Plate, Support	
57	1001212257	1	Cable, Battery (Red) (Alternator Positive to Starter) (Not Shown)	
58	1001213060	1	Cable, Battery (Red) (Battery Positive to Auxiliary Power Relay) (Not Shown)	
59	1001213061	1	Cable, Battery (Black) (Battery Negative to Pivot Pin to Engine Ground) (Not Shown)	
60	1001213706	1	Harness Engine - Kubota Engine (Not Shown - See Separate Breakdown in ELECTRICAL SECTION)	
61	1001214503	1	Pipe, Tail Pipe	
62	1001215259	1	Plate, Engine Lock	
63	1001215813	1	Mount, Fuel System	
64	1001216308	1	Support, Fuel Lines	
65	1001216400	1	Hose	
66	1001216401	1	Hose	
67	1001156819	4.5 ft/ 1.4m	Hose	
68	1001216405	1	Hose	
69	1001236258	1	Engine and Pump Sub-Assembly - Kubota Engine (With Arctic Package) (See Separate Breakdown in this Section)	
70	0761011	4	Bolt M10 x 22	
71	85841094	6	Clamp	
72	1001195039	1	Clamp	
73	4460466	8	Seal, Terminal (Not Shown)	
74	4460930	1	Plug (Not Shown)	
75	1001217494	2	Bolt M12 x 20	
76	4812200	1	Washer M14	
77	24431386	1	Clamp	
78	1001217345	1	Bolt M14 x 30	
79	1001229797	1	Harness, Kubota D/F Power (Not Shown - See Separate Breakdown in ELECTRICAL SECTION)	

SECTION 3 - ENGINE

FIGURE 3-43. ENGINE AND PUMP SUB-ASSEMBLY - KUBOTA ENGINE (WITH ARCTIC PACKAGE)



ART_1001236258

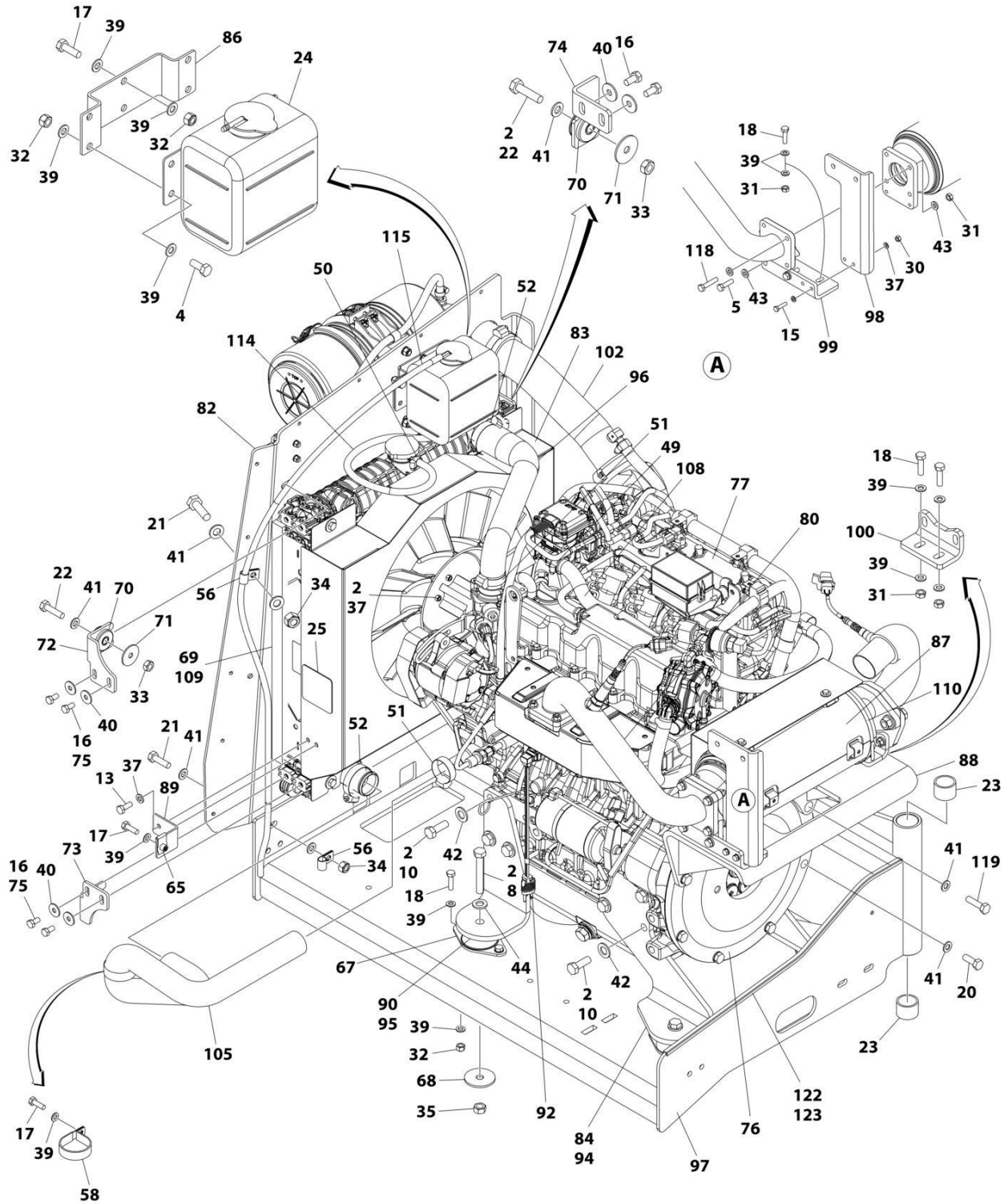
SECTION 3 - ENGINE

FIGURE 3-43. ENGINE AND PUMP SUB-ASSEMBLY - KUBOTA ENGINE (WITH ARCTIC PACKAGE)

ITEM	PART NUMBER	QTY	DESCRIPTION	REV
	1001236258	Ref	ENGINE AND PUMP SUB-ASSEMBLY - KUBOTA ENGINE (WITH ARCTIC PACKAGE)	A
1	0100011	AR	Compound, Locking	
2	0641812	2	Bolt 1/2 x 1-1/2	
3	1001214207	1	Gear Pump Assembly	
3	70006356	1	Seal Kit - 1001214207 Pump	
4	3790152	1	O-Ring	
5	3931618	2	Capscrew 3/8 x 1-1/8	
6	4891600	2	Washer 3/8	
7	4891800	2	Washer 1/2	
8	1001167036	1	Piston Pump Assembly (See Separate Breakdown in this Section)	
9	1001171953	1	Seal	
10	1001171954	1	Seal	
11	1001236259	1	Engine Assembly - Kubota Engine (With Arctic Package) (See Separate Breakdown in this Section)	

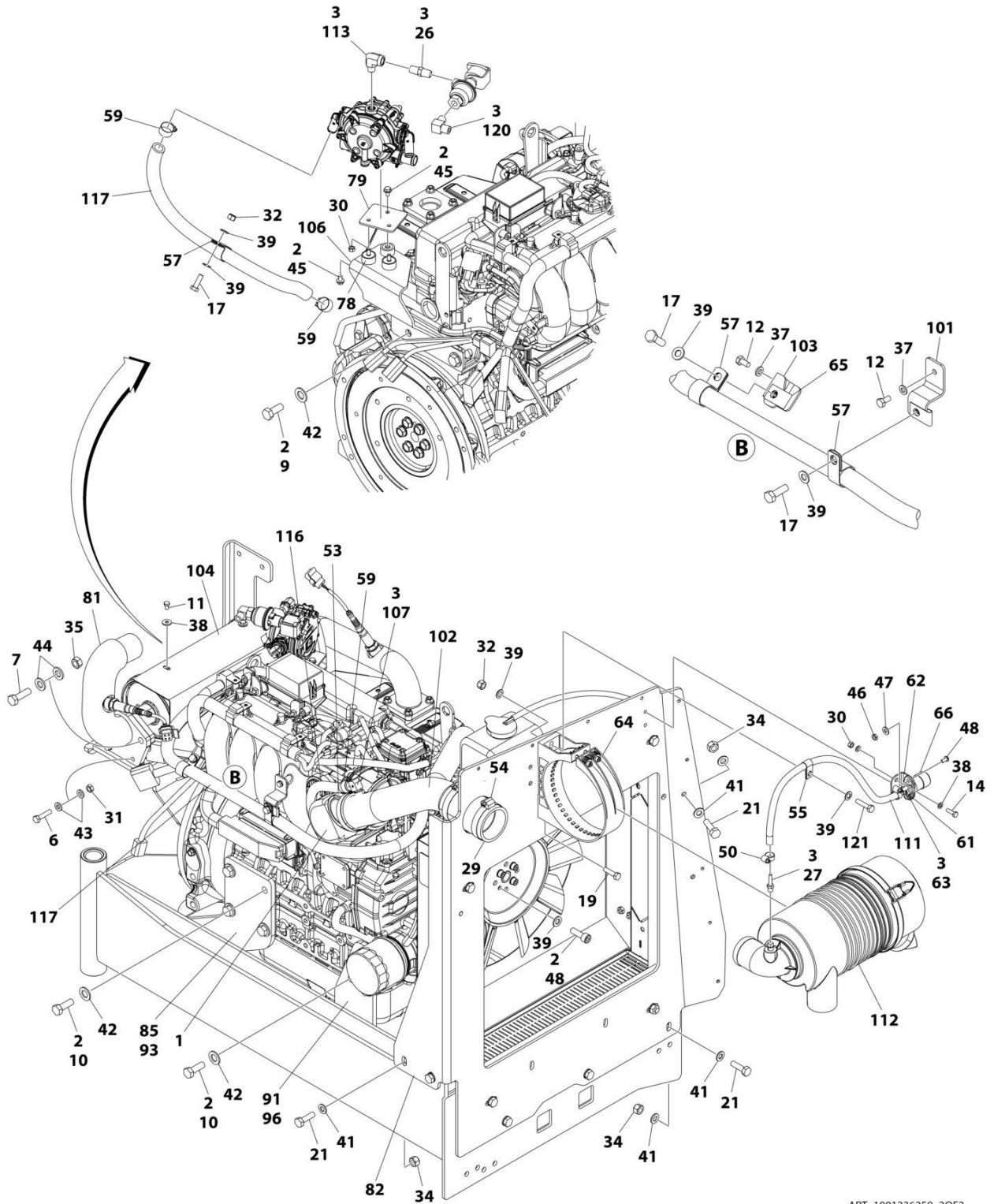
SECTION 3 - ENGINE

FIGURE 3-44. ENGINE ASSEMBLY - KUBOTA ENGINE (WITH ARCTIC PACKAGE)



ART_1001236259_10F2

SECTION 3 - ENGINE



ART_1001236259_2OF2

SECTION 3 - ENGINE

FIGURE 3-44. ENGINE ASSEMBLY - KUBOTA ENGINE (WITH ARCTIC PACKAGE)

ITEM	PART NUMBER	QTY	DESCRIPTION	REV
	1001236259	Ref	ENGINE ASSEMBLY - KUBOTA ENGINE (WITH ARCTIC PACKAGE)	E
1	0080201	1	Adapter, 90	
2	0100011	AR	Compound, Locking	
3	0100020	AR	Sealant, Pipe	
4	0700810	4	Bolt M8 x 20	
5	0700814	2	Bolt M8 x 30	
6	0700815	2	Bolt M8 x 35	
7	0701216	2	Bolt M12 x 40	
8	0701224	4	Bolt M12 x 80	
9	1001217494	2	Bolt M12 x 20	
10	1001217343	14	Bolt M12 x 35	
11	0760605	4	Bolt M6 x 10	
12	0760606	2	Bolt M6 x 12	
13	0760608	2	Bolt M6 x 16	
14	0760610	2	Bolt M6 x 20	
15	0760612	2	Bolt M6 x 25	
16	0760808	8	Bolt M8 x 16	
17	0760812	6	Bolt M8 x 25	
18	0760814	12	Bolt M8 x 30	
19	0760815	1	Bolt M8 x 35	
20	0761014	4	Bolt M10 x 30	
21	0761015	6	Bolt M10 x 35	
22	0761016	4	Bolt M10 x 40	
23	0961951	2	Bushing	
24	1580011	1	Container, Coolant Overflow	
25	1703162	2	Decal - Caution Fan	
26	2220261	1	Fitting, Nipple NPTF/NPTF	
27	2220315	1	Fitting, Barbed	
29	2720644	1	Hose	
30	3290607	5	Nut M6	
31	3290801	10	Nut M8	
32	3290805	17	Nut M8	
33	3291001	4	Nut M10	
34	3291005	6	Nut M10	
35	3291201	6	Nut M12	
36	4240099	AR	Tie-Strap (Not Shown)	
37	4811700	16	Washer M6	
38	4811702	4	Washer M6	
39	4811900	45	Washer M8	
40	4811902	8	Washer M8	
41	4812000	24	Washer M10	
42	5241400	16	Washer M14	
43	5240800	14	Washer M8	
44	5241200	8	Washer M12	
45	5250605	3	Bolt M6 x 10	
46	8305401	2	Nut 1/4	
47	8307109	2	Washer 1/4	
48	8310548	2	Screw 1/4 x 1/2	
49	1001173535	2	Clamp	

SECTION 3 - ENGINE

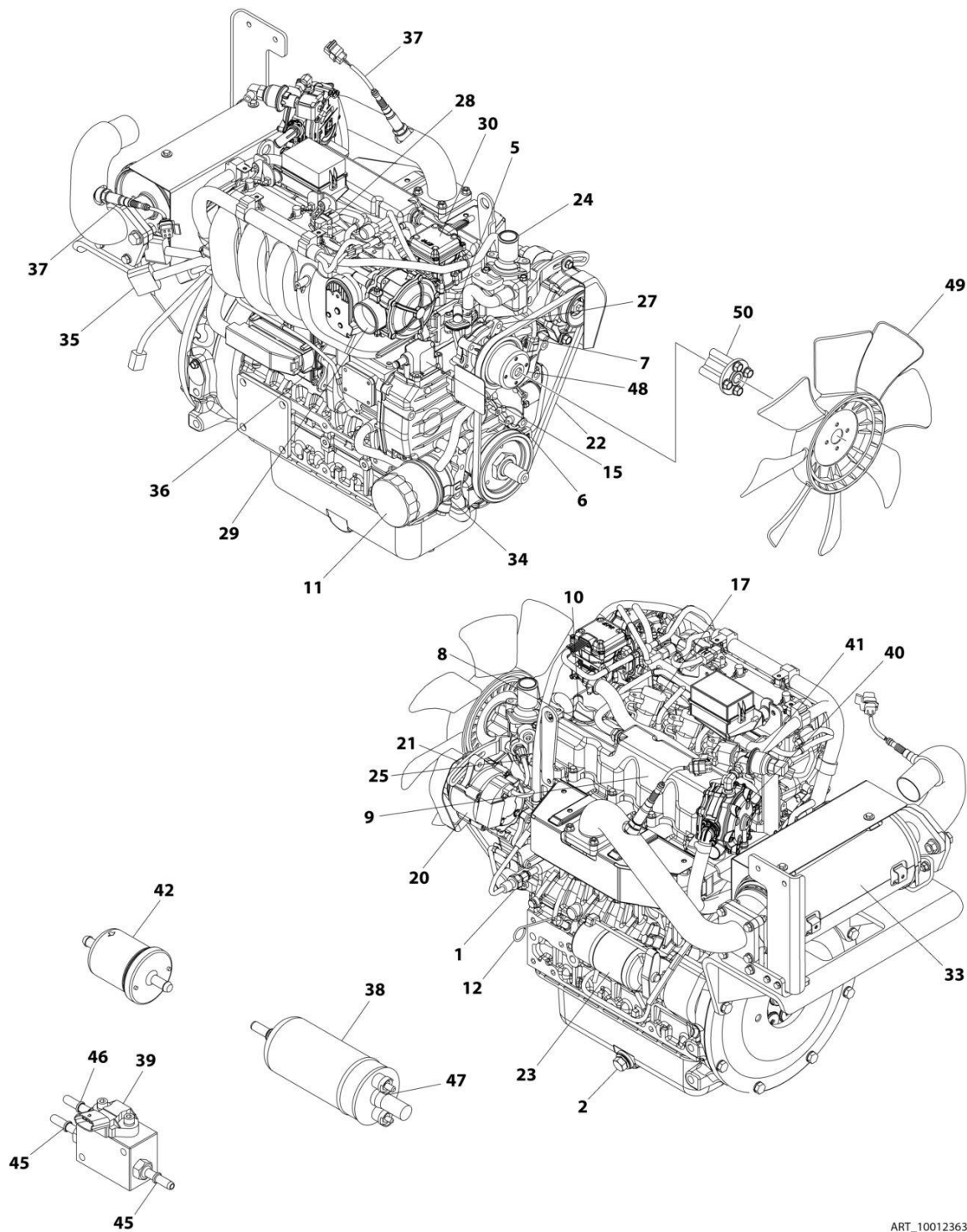
ITEM	PART NUMBER	QTY	DESCRIPTION	REV
50	8405009	4	Clamp	
51	8405102	2	Clamp	
52	8405104	2	Clamp	
53	8405202	1	Clamp	
54	8405203	3	Clamp	
55	8406109	1	Clip	
56	8406110	2	Clip	
57	8406201	3	Clip	
58	8410001	1	Clamp	
59	8410009	6	Clamp	
61	1001138173	1	Support, Service Indicator	
62	1001138175	1	Bracket, Service Indicator	
63	1001141995	1	Fitting, Barbed	
64	1001147812	1	Clamp, Air Cleaner	
65	1001149160	3	Nut M8	
66	1001149639	1	Indicator, Air Intake	
67	1001166718	4	Isolator, Engine Mount	
68	1001168018	4	Washer, Snubbing	
69	1001168166	2	Seal	
70	1001169054	4	Isolator, Radiator	
71	1001169138	4	Washer, Snubbing	
72	1001169967	2	Bracket	
73	1001170035	1	Bracket	
74	1001176330	1	Bracket	
75	1001180620	AR	Adhesive	
76	1001209844	1	Pump Coupling Kit (See Separate Breakdown in this Section)	
77	1001236393	1	Engine, Kubota (See Separate Breakdown in this Section)	
78	1001211794	3	Mount	
79	1001211797	1	Mount	
80	1001212989	1	Pipe, Exhaust (Inlet)	
81	1001212993	1	Pipe, Exhaust (Outlet)	
82	1001213305	1	Plate, Mounting	
83	1001236257	1	Radiator	
84	1001213425	1	Plate, Engine Mount (Left Rear)	
85	1001213426	1	Plate, Engine Mount (Right Rear)	
86	1001213482	1	Bracket	
87	1001213824	1	Insulation	
88	1001214138	1	Bracket	
89	1001214205	1	Support	
90	1001214233	1	Plate (Front Left)	
91	1001214234	1	Plate (Front Right)	
92	1001214269	1	Heater, Block	
93	1001214276	1	Shim	
94	1001214277	1	Shim	
95	1001214278	2	Shim	
96	1001214307	1	Hose	
97	1001214508	1	Support	
98	1001214553	1	Support	
99	1001214555	1	Bracket	
100	1001214556	1	Bracket	
101	1001214558	1	Bracket	

SECTION 3 - ENGINE

ITEM	PART NUMBER	QTY	DESCRIPTION	REV
102	1001214598	1	Tube	
103	1001214599	1	Bracket	
104	1001214664	1	Cover	
105	1001214694	1	Hose	
106	1001214841	1	Bracket	
107	1001215125	1	Fitting, 90	
108	1001215869	1	Hose	
109	1001216825	2	Seal	
110	1001137336	2	Strap	
111	1001138248	2 ft/ 0.6m	Tube	
112	1001147813	1	Air Cleaner Assembly Including Filter Element	
112	70004020	1	Element, Filter (Not Shown)	
113	1001247359	1	Fitting, Street Elbow	
114	2720058	1.8 ft/ 0.5m	Hose	
115	2720271	4 ft/ 1.2m	Hose	
116	2720615	1.2 ft/ 0.4m	Hose	
117	82033995	5.5 ft/ 1.7m	Hose	
118	0700816	4	Bolt M8 x 40	
119	0701016	4	Bolt M10 x 40	
120	2180504	1	Fitting, Barbed	
121	0760816	1	Bolt M8 x 40	
122	4060805	1.94 ft/ 59m	Flex-Trim	
123	0100081	AR	Adhesive	

SECTION 3 - ENGINE

FIGURE 3-45. ENGINE COMPONENTS - KUBOTA



ART_1001236393

SECTION 3 - ENGINE

FIGURE 3-45. ENGINE COMPONENTS - KUBOTA

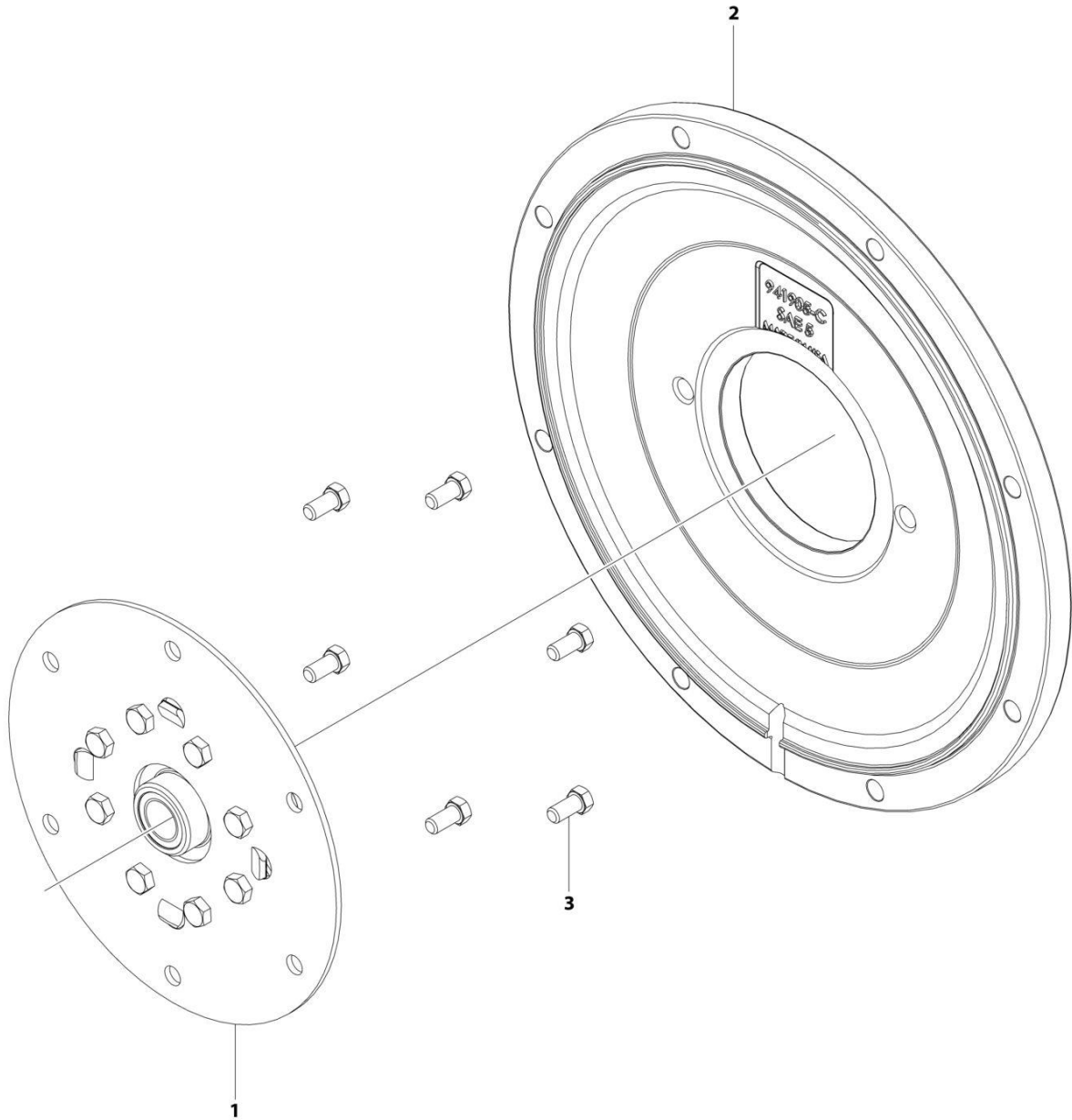
ITEM	PART NUMBER	QTY	DESCRIPTION	REV
	1001236393	Ref	ENGINE COMPONENTS - KUBOTA	D
1	70005745	1	Switch, Oil	
1	70006013	1	Adapter	
2	7023154	1	Plug, Drain	
2	7017904	1	Gasket, Oil Pan Drain	
3	70006014	1	Gasket, Cylinder Head (Not Shown)	
4	70006015	1	Sensor (Knock) (Not Shown - Located on Left Side of Engine)	
5	70006016	1	Flange Assembly (Water Return)	
5	70002316	1	Pipe	
5	70006017	1	Gasket	
6	70005737	1	Sensor Stick Assembly	
7	70006018	1	Sensor	
8	70006019	1	Valve (PCV)	
8	70006020	1	Seal	
9	7017932	3	Element, Breather	
9	70006021	1	Gasket	
10	70002318	1	Oil Filler Cap	
10	70006022	1	O-Ring	
11	70006023	1	Filter, Oil	
12	70006024	1	Dipstick	
13	70006025	1	Pump Assembly, Oil (Not Shown - Located Under Front Cover)	
13	70006026	1	Gasket	
13	70006027	1	Key	
14	70006028	1	Flywheel (Not Shown - Located Behind Coupling Plate)	
14	70006029	1	Ring Gear (Part of Flywheel)	
15	70006030	1	Flange Assembly (Breather)	
15	70002316	1	Pipe	
15	70006031	1	Gasket	
16	70006035	1	Pipe Assembly (Not Shown)	
16	70005727	1	Gasket	
17	70006034	4	Coil	
17	70006033	4	Spark Plug	
18	70006032	1	Gasket (Not Shown)	
19	70005751	4	Injector (Not Shown)	
20	70006036	1	Alternator (Includes Voltage Regulator and Gaskets, Fan and Fan Mounting Hardware)	
21	70006037	1	Bracket	
22	70006038	1	Belt	
23	70006039	1	Starter	
24	70006041	1	Thermostat	
24	70002326	1	Gasket	
25	70005726	1	Sensor	
25	70006042	1	O-Ring	
26	70006040	1	Gasket (Not Shown - Located Between Engine Head and Water Flange)	
27	70006043	1	Water Pump Assembly	
27	70004829	1	Pipe	
27	70006044	1	Gasket	
28	70005746	1	Sensor (TMAP)	
28	70005747	1	O-Ring	

SECTION 3 - ENGINE

ITEM	PART NUMBER	QTY	DESCRIPTION	REV
29	70006049	1	Mixer Assembly	
29	70006050	1	Seal, Rubber	
29	70006045	1	Throttle Body	
29	70006046	1	Gasket	
29	70006047	1	Adapter	
29	70006048	1	O-Ring	
30	70006051	1	Regulator Assembly	
30	70006052	1	Seal, Rubber	
30	70006053	1	Seal, Rubber	
30	70006054	1	Seal, Rubber	
31	70006055	1	Gasket (Not Shown - Located Between Intake Manifold and Engine Head)	
32	70006056	1	Gasket (Not Shown - Located Between Exhaust Manifold and Engine Head)	
33	70006057	1	Muffler	
33	70006065	1	Gasket	
33	70006066	1	Gasket	
33	70006072	1	Gasket	
34	70006058	1	Oil Cooler Assembly	
34	70006059	1	Seal	
34	7017959	2	Clamp	
35	70006060	1	Engine Harness	
36	70006061	1	Module, Engine Control	
37	70006062	2	Sensor (O2)	
38	70006063	1	Pump, Fuel	
39	70006064	1	Manifold (FPM)	
40	70006067	1	Regulator Assembly	
40	70006068	1	Connector	
40	70006069	3	Clip	
40	70006070	2	Connector	
41	70006071	1	Valve, Lockoff	
41	70006078	1	Valve, Lockoff Kit	
42	7017992	1	Filter, Fuel	
43	70006079	1	Gasket Kit (Upper) (Not Shown)	
44	70006080	1	Gasket Kit (Lower) (Not Shown)	
45	70006074	2	Joint (Includes O-Ring)	
46	70006075	1	Joint (Includes O-Ring)	
47	70006076	1	Joint (Includes O-Ring)	
47	70006077	1	Gasket	
48	70006379	1	Pulley	
49	70006639	1	Fan	
50	70006640	1	Collar, Fan	

SECTION 3 - ENGINE

FIGURE 3-46. PUMP COUPLING KIT - KUBOTA ENGINE



ART_1001209844

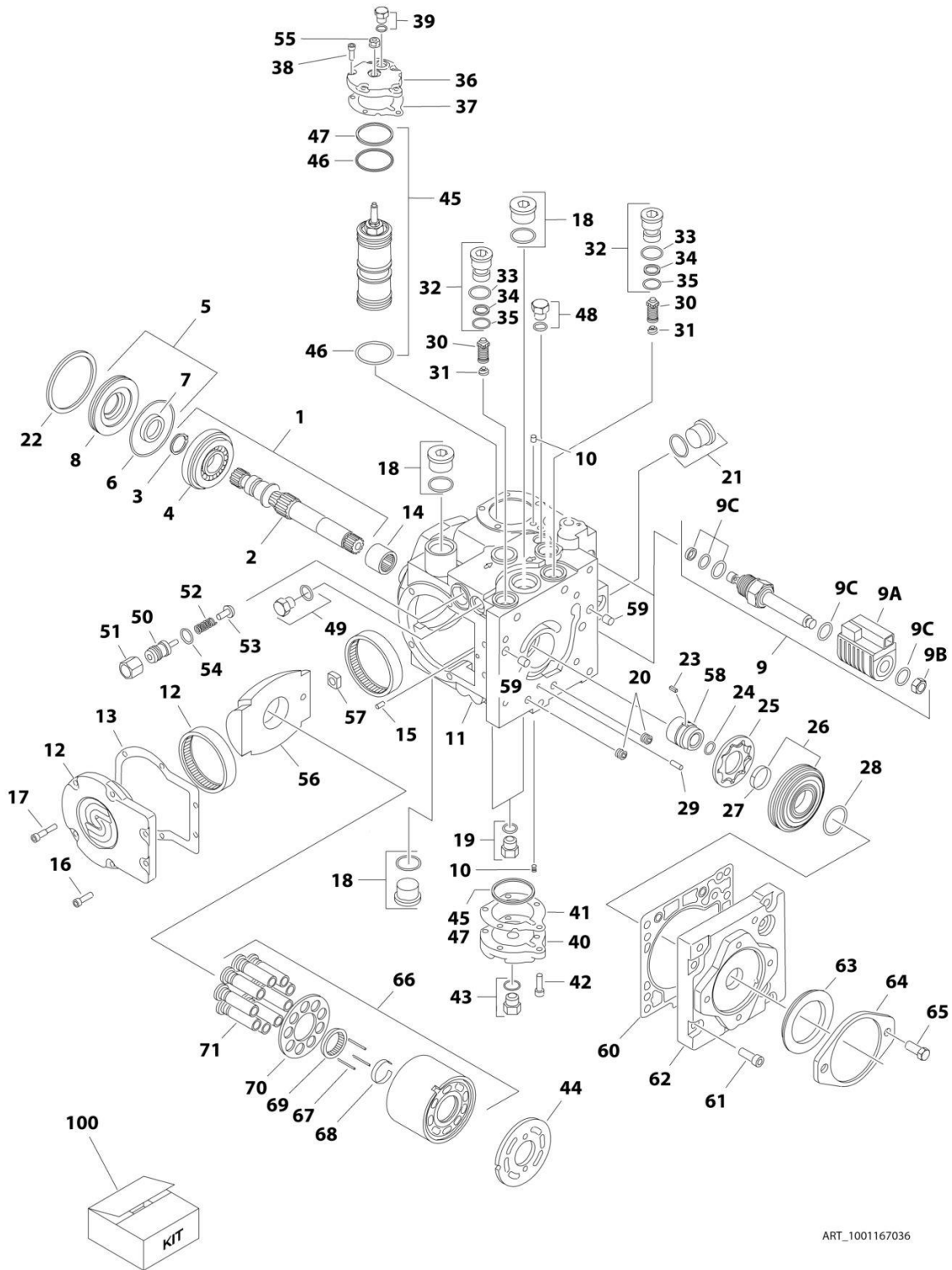
SECTION 3 - ENGINE

FIGURE 3-46. PUMP COUPLING KIT - KUBOTA ENGINE

ITEM	PART NUMBER	QTY	DESCRIPTION	REV
	1001209844	Ref	PUMP COUPLING KIT - KUBOTA ENGINE	C
1	70006010	1	Coupling Assembly, Hayes	
2	70006011	1	Plate, Pump Adapter	
3	70006012	1	Bolt Kit	

SECTION 3 - ENGINE

FIGURE 3-47. PISTON PUMP ASSEMBLY



ART_1001167036

SECTION 3 - ENGINE

FIGURE 3-47. PISTON PUMP ASSEMBLY

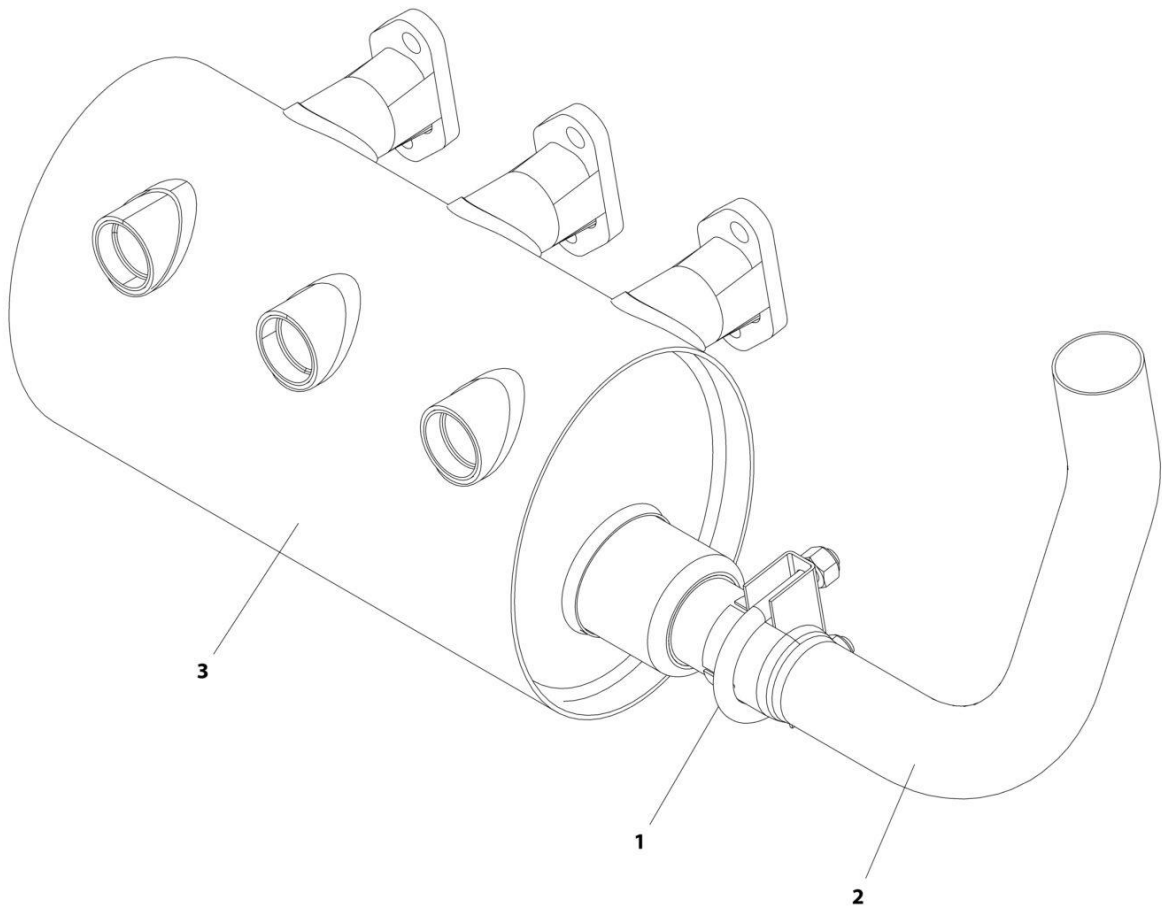
ITEM	PART NUMBER	QTY	DESCRIPTION	REV
	1001167036	Ref	PISTON PUMP ASSEMBLY	B
1	7021240	1	Shaft Assembly (Includes Items 2-4)	
2	7021237	1	Shaft	
3	7021238	1	Ring, Retaining	
4	7021239	1	Bearing, Roller	
5	70004896	1	Shaft Seal Kit (Includes Items 6-8)	
6	7021241	1	O-Ring	
7	7021242	1	Seal, Lip	
8	7021243	1	Carrier, Seal Shaft	
9	7024855	2	Solenoid Assembly	
9A	70004897	2	Coil (1 Per Assembly)	
9B	7024857	2	Nut (1 Per Assembly)	
9C	7024858	2	Seal Kit - 7024855 Cartridge (1 Per Assembly)	
10	70004889	2	Orifice	
11	See Note	NSS	Housing Assembly (Note: Not Available for Purchase)	
12	7021248	1	Side Cover Assembly (Includes Item 13)	
13	70004891	1	Gasket	
14	7021249	1	Bearing, Needle	
15	See Note	NSS	Pin (Note: Not Available for Purchase)	
16	70004890	2	Screw	
17	70004892	4	Screw	
18	7007419	2	Plug Assembly (Includes O-Ring)	
19	7007420	2	Plug Assembly (Includes O-Ring)	
20	See Note	NSS	Plug (Note: Not Available for Purchase)	
21	7007419	1	Plug Assembly (Includes O-Ring)	
22	7021257	1	Ring, Retaining	
23	70004893	1	Key	
24	7022341	1	Ring, Retaining	
25	7021258	1	Gerotor	
26	70004894	1	Gerotor Cover Assembly (Includes Item 27)	
27	7021259	1	Bearing, Journal	
28	7021262	1	O-Ring	
29	See Note	NSS	Pin (Note: Not Available for Purchase)	
30	7021263	2	Bypass Valve Assembly	
31	7024800	2	Spring	
32	7021265	2	Bypass Valve Assembly (Includes Items 32-34)	
33	7007415	2	O-Ring	
34	7021293	2	Ring, Back-up	
35	7022300	2	O-Ring	
36	70004895	1	Cover, Servo	
37	7021253	1	Gasket	
38	70004892	5	Screw	
39	7007420	1	Plug Assembly (Includes O-Ring)	
40	7021268	1	Cover, Servo	
41	7021253	1	Gasket	
42	70004892	5	Screw	
43	7007420	1	Plug Assembly (Includes O-Ring)	
44	7021281	1	Plate, Valve	
45	70004898	1	Servo Piston Kit (Includes Items 46 & 47)	
46	7007495	2	O-Ring	

SECTION 3 - ENGINE

ITEM	PART NUMBER	QTY	DESCRIPTION	REV
47	7007493	2	O-Ring	
48	7007420	1	Plug Assembly (Includes O-Ring)	
49	70004900	1	Plug Assembly (Includes O-Ring)	
50	7022346	1	Adjuster	
51	7021290	1	Nut	
52	7022347	1	Spring	
53	70004901	1	Poppet	
54	7007415	1	O-Ring	
55	70004902	1	Nut, Seal	
56	70004903	1	Swash Plate	
57	70004904	1	Bearing Assembly	
58	70004905	1	Coupling	
59	7001481	2	Pin	
60	70002257	1	Gasket	
61	70004906	8	Screw	
62	70004907	1	Cover, Charge Pump	
63	70004908	1	Seal	
64	7021299	1	Plate, Cover	
65	7007289	2	Screw	
66	70004909	1	Cylinder Block Assembly (Includes Items 67-71)	
67	70004910	3	Pin, Slipper Hold Down	
68	7021276	1	Retainer, Hold Down Pin	
69	7021277	1	Guide, Slipper Retainer	
70	7021278	1	Retainer, Slipper	
71	70004911	1	Piston Assembly	
100	70004899	1	Seal Kit (Includes Items 5-8, 33-35, 37, 41, 46, 47 & 54)	

SECTION 3 - ENGINE

FIGURE 3-48. SPARK ARRESTOR INSTALLATION - DEUTZ D2011 ENGINE



ART_1001174378

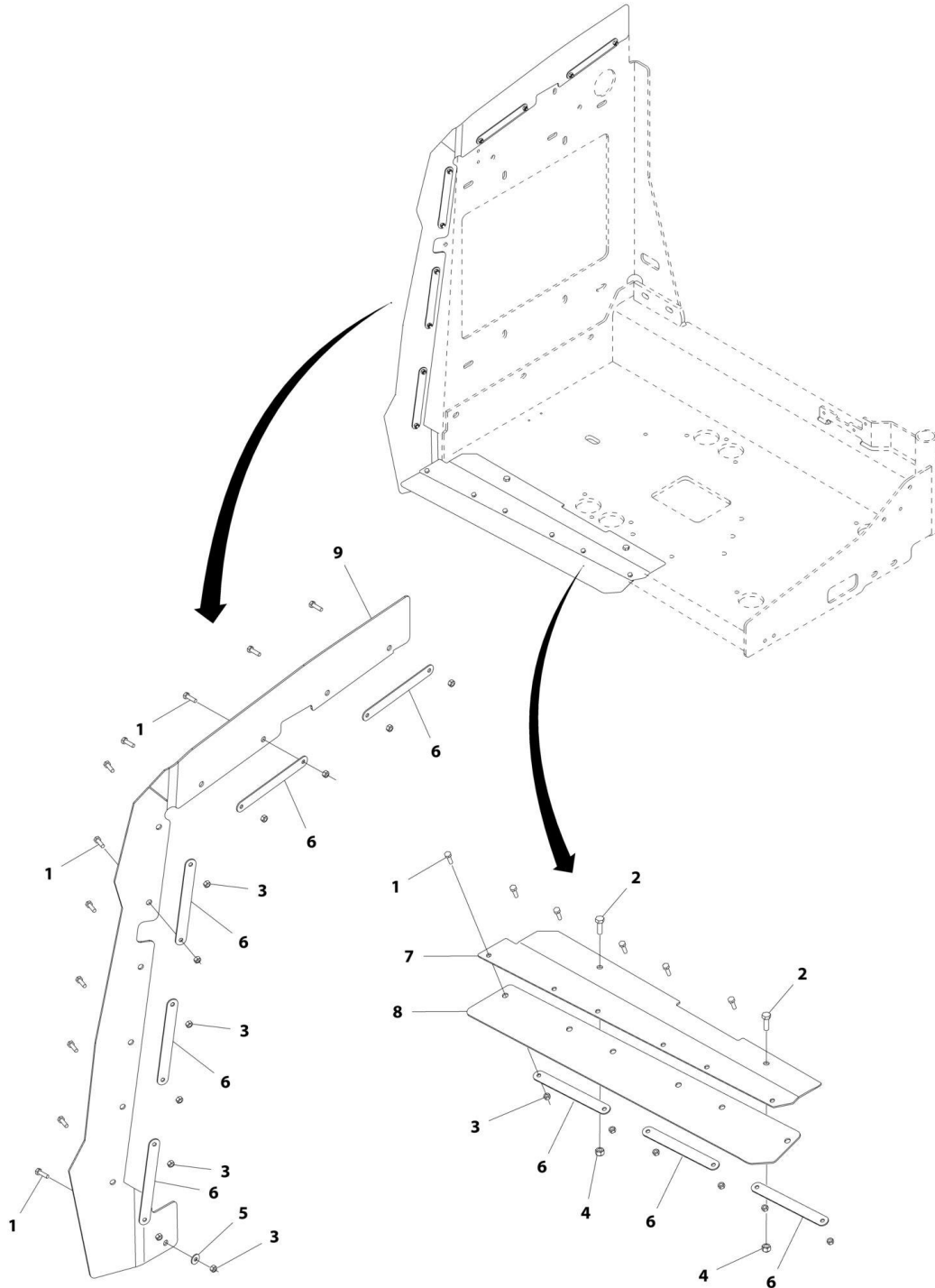
SECTION 3 - ENGINE

FIGURE 3-48. SPARK ARRESTOR INSTALLATION - DEUTZ D2011 ENGINE

ITEM	PART NUMBER	QTY	DESCRIPTION	REV
	1001174378	Ref	SPARK ARRESTOR INSTALLATION - DEUTZ D2011 ENGINE	A
1	1320176	1	Clamp	
2	1001169525	1	Pipe, Exhaust	
3	1001170224	1	Muffler, Spark Arresting	

SECTION 3 - ENGINE

FIGURE 3-49. ENGINE Baffle INSTALLATION - WITH DEUTZ ENGINES



ART_1001172265

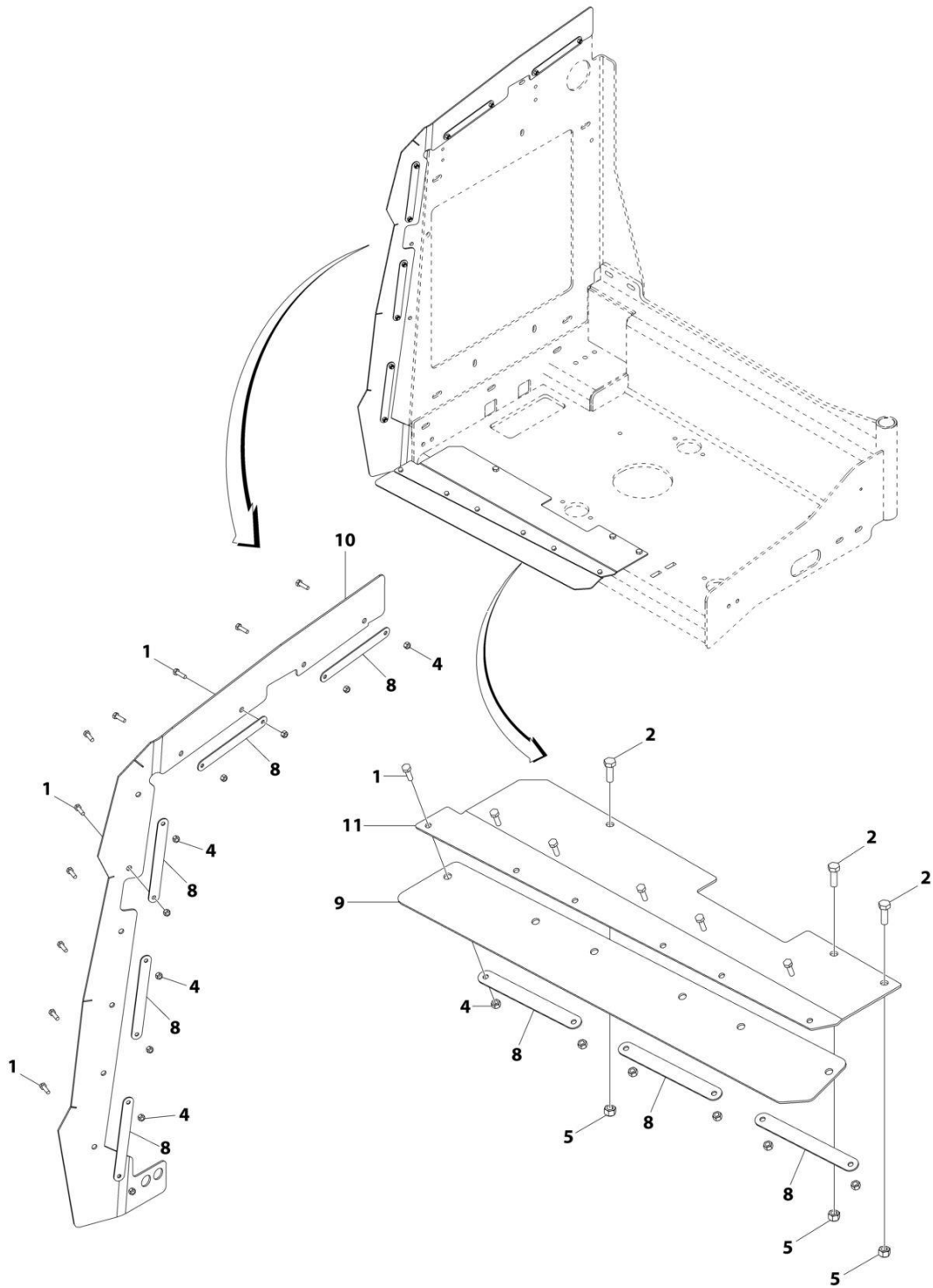
SECTION 3 - ENGINE

FIGURE 3-49. ENGINE BAFFLE INSTALLATION - WITH DEUTZ ENGINES

ITEM	PART NUMBER	QTY	DESCRIPTION	REV
	1001172265	Ref	ENGINE BAFFLE INSTALLATION - WITH DEUTZ/GM ENGINES	B
1	0760610	17	Bolt M6 x 20	
2	0760812	2	Bolt M8 x 25	
3	3290605	17	Nut M6	
4	3290805	2	Nut M8	
5	4811702	1	Washer M6	
6	1001167164	8	Plate, Support	
7	1001170663	1	Bracket	
8	1001170664	1	Seal	
9	1001172264	1	Seal	

SECTION 3 - ENGINE

FIGURE 3-50. ENGINE Baffle Installation - WITH KUBOTA ENGINE



ART_1001216415

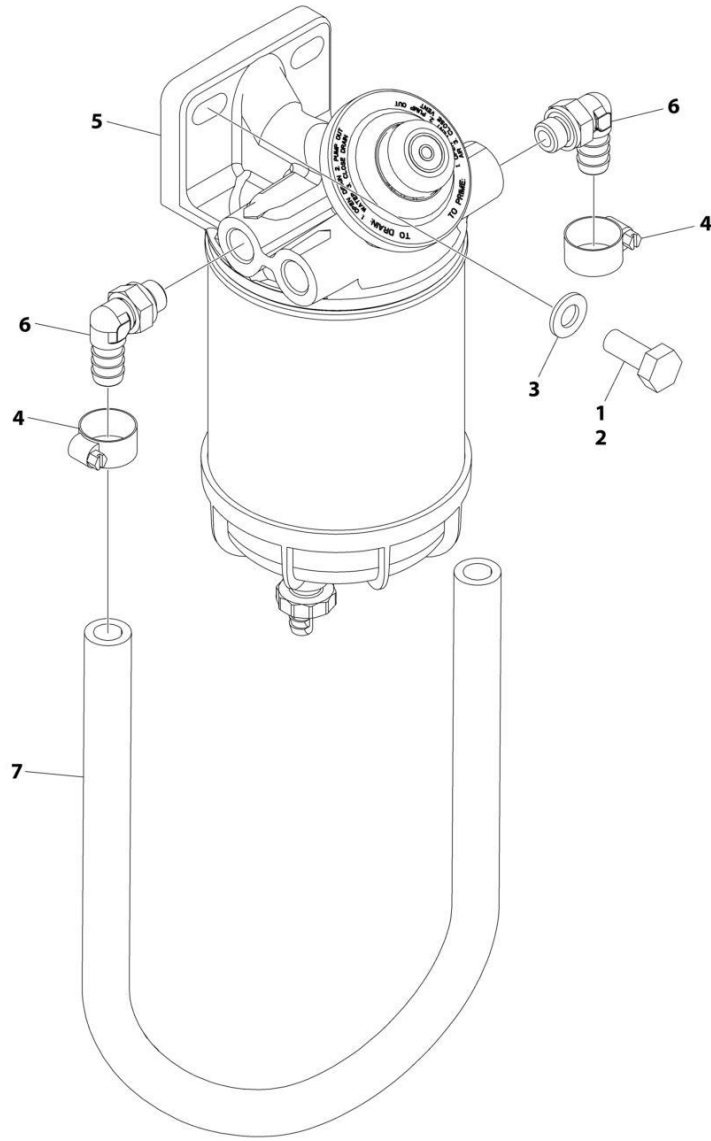
SECTION 3 - ENGINE

FIGURE 3-50. ENGINE BAFFLE INSTALLATION - WITH KUBOTA ENGINE

ITEM	PART NUMBER	QTY	DESCRIPTION	REV
	1001216415	Ref	ENGINE BAFFLE INSTALLATION – WITH KUBOTA ENGINE	C
1	0760610	16	Bolt M6 x 20	
2	0760812	3	Bolt M8 x 25	
4	3290605	16	Nut M6	
5	3290805	3	Nut M8	
8	1001167164	8	Plate, Support	
9	1001170664	1	Seal	
10	1001216416	1	Seal	
11	1001216512	1	Bracket	

SECTION 3 - ENGINE

FIGURE 3-51. FUEL/WATER SEPARATOR ASSEMBLY (DEUTZ D2.9L4 CHINA IV ENGINE)



ART_1001258406

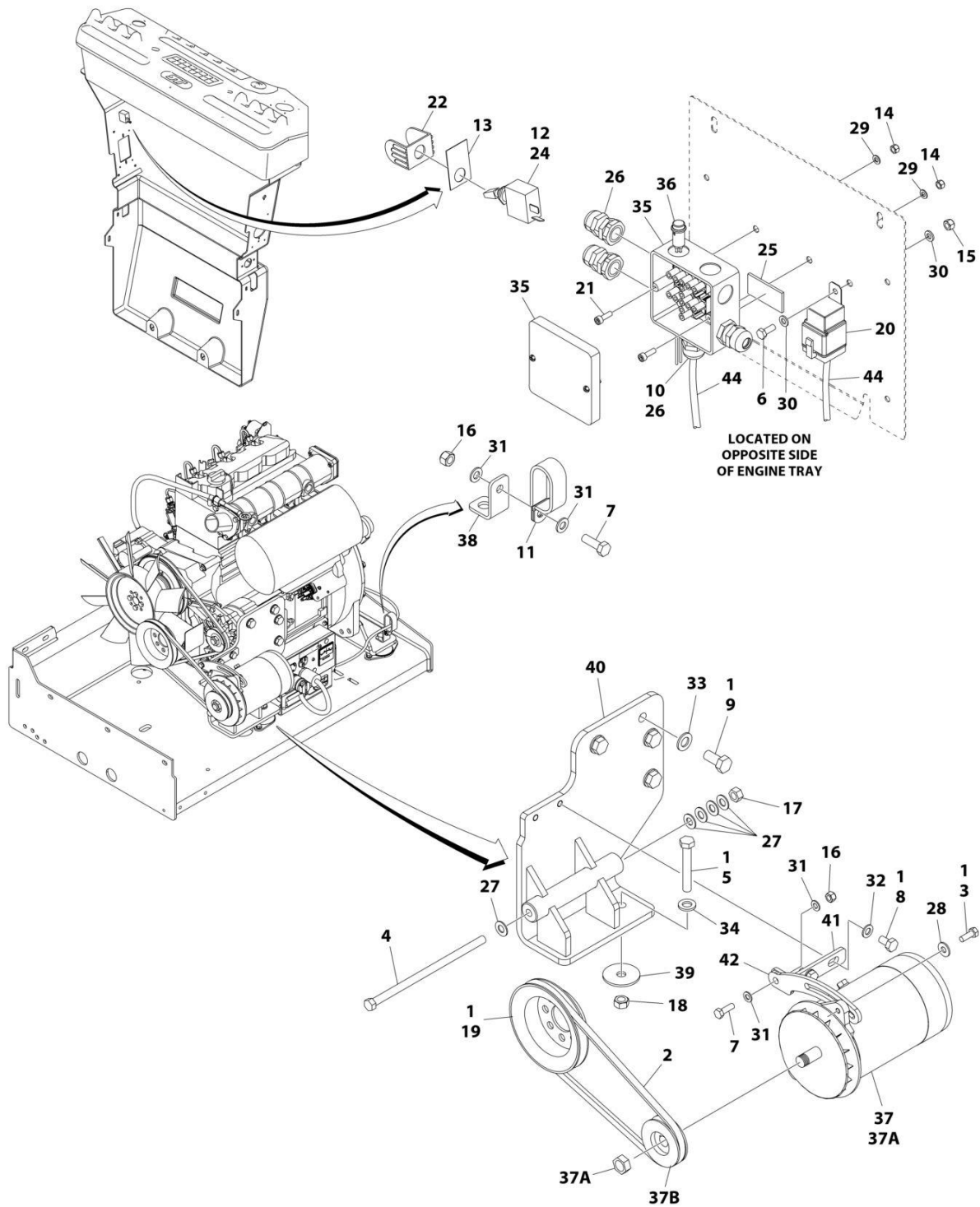
SECTION 3 - ENGINE

FIGURE 3-51. FUEL/WATER SEPARATOR ASSEMBLY (DEUTZ D2.9L4 CHINA IV ENGINE)

ITEM	PART NUMBER	QTY	DESCRIPTION	REV
	1001258406	Ref	FUEL/WATER SEPARATOR ASSEMBLY	A
1	0100011	AR	Compound, Locking	
2	0761012	2	Bolt M10 x 25	
3	4812000	2	Washer M10	
4	8405006	2	Clamp	
5	1001149452	1	Filter, Water Separator	
6	1001258505	2	Fitting, Barbed	
7	1001154405	2.13 ft/.65m	Hose	

SECTION 3 - ENGINE

FIGURE 3-52. GENERATOR INSTALLATION - 2500W/50HZ (DEUTZ D2011 ENGINE)



ART_1001185025

SECTION 3 - ENGINE

FIGURE 3-52. GENERATOR INSTALLATION - 2500W/50HZ (DEUTZ D2011 ENGINE)

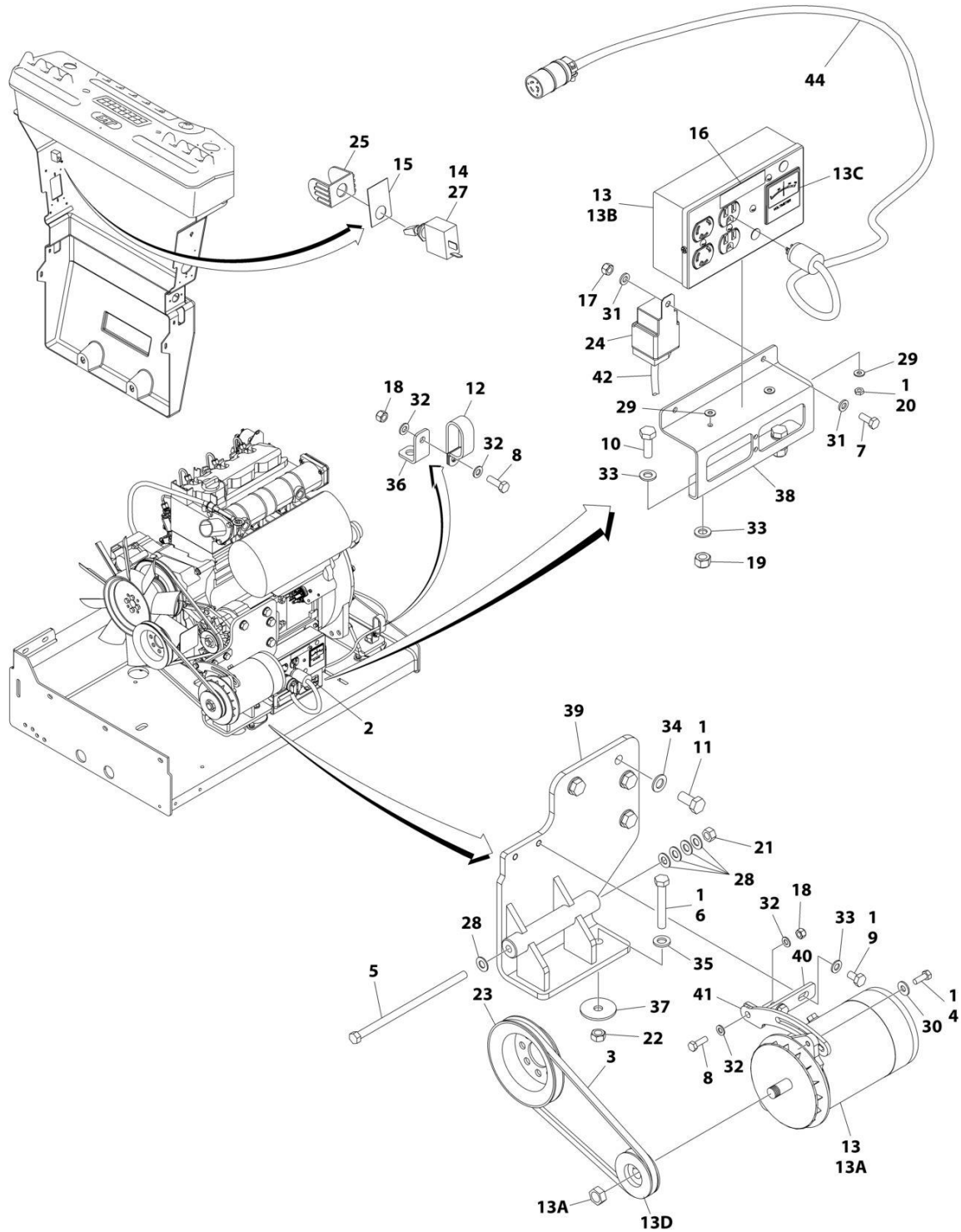
ITEM	PART NUMBER	QTY	DESCRIPTION	REV
	1001185025	Ref	GENERATOR INSTALLATION - 2500W/50Hz (DEUTZ D2011 ENGINE)	C
1	0100011	AR	Compound, Locking	
2	0480120	1	Belt	
3	0641507	1	Bolt 5/16 x 7/8	
4	0641772	1	Bolt 7/16 x 9	
5	0711224	1	Bolt M12 x 80 Grade 10.9	
6	0760608	1	Bolt M6 x 16	
7	0760812	2	Bolt M8 x 25	
8	0761009	2	Bolt M10 x 18	
9	0771414	4	Bolt M14 x 30 Grade 10.9	
10	0962449	1	Bushing	
11	1321716	1	Clamp	
12	2820031	AR	Heat Shrink	
13	See Note	1	Nameplate (Note: Not Available for Purchase)	
14	3290505	2	Nut M5	
15	3290605	1	Nut M6	
16	3290805	2	Nut M8	
17	3311705	1	Nut 7/16	
18	3331211	1	Nut M12	
19	3580158	1	Pulley	
20	3740080	1	Relay	
21	4031607	2	Bolt M5 x 16	
22	4060802	1	Guard, Switch	
23	4240099	AR	Tie-Strap (Not Shown)	
24	4360336	1	Switch, Toggle	
25	4420060	AR	Tape, Double Sided	
26	4460968	3	Connector, Strain Relief	
27	4711700	5	Washer 7/16	
28	4751500	1	Washer 5/16	
29	4811600	2	Washer M5	
30	4811700	2	Washer M6	
31	4811900	4	Washer M8	
32	4812000	2	Washer M10	
33	4812200	4	Washer M14	
34	5241200	1	Washer M12 Hardened	
35	1001099869	1	Box, Junction	
36	1001100233	1	Light Red	
37	1001100321	1	Generator and Control Box Assembly	
	See Note	Ref	Note: Replacement Generators come standard with p/n 3580134 pulley. This pulley may not be correct for all applications. Refer to pulley options below.	
37A	70000123	1	Armature with Slip Rings	
37A	7012513	4	Cap, Brush Holder	
37A	7020108	4	Brush	
37A	7020109	4	Holder, Brush	
37A	7012514	1	Fan	
37A	7020110	1	Bell, Front	
37A	7020111	1	Bell, Rear	
37A	7020190	2	Bearing	

SECTION 3 - ENGINE

ITEM	PART NUMBER	QTY	DESCRIPTION	REV
37B	7027887	1	Key, Woodruff	
38	1001148641	1	Bracket	
39	1001168018	1	Washer, Snubbing	
40	1001184637	1	Mount, Engine	
41	1001184644	1	Support	
42	1001184645	1	Bracket	
43	1001188732	1	Wiring Diagram (Not Shown)	
44	1001187352	1	Harness, Generator (See Separate Breakdown in ELECTRICAL SECTION)	

SECTION 3 - ENGINE

FIGURE 3-53. GENERATOR INSTALLATION - 2500W/60HZ (DEUTZ D2011 ENGINE)



ART_1001180798

SECTION 3 - ENGINE

FIGURE 3-53. GENERATOR INSTALLATION - 2500W/60HZ (DEUTZ D2011 ENGINE)

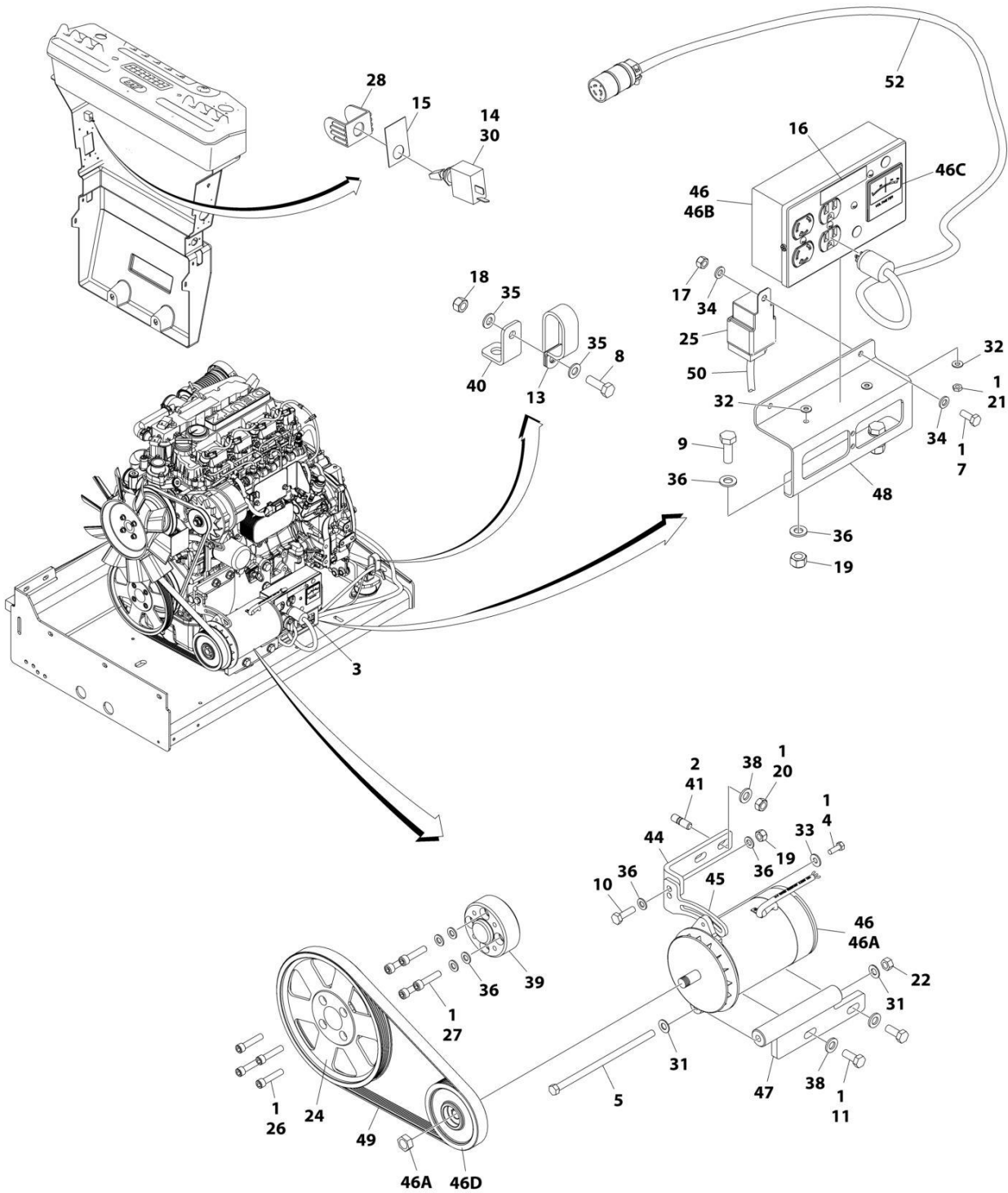
ITEM	PART NUMBER	QTY	DESCRIPTION	REV
	1001180798	Ref	GENERATOR INSTALLATION - 2500W/60HZ (DEUTZ D2011 ENGINE)	B
1	0100011	AR	Compound, Locking	
2	0100048	AR	Grease, Dielectric	
3	0480122	1	Belt	
4	0641507	1	Bolt 5/16 x 7/8	
5	0641772	1	Bolt 7/16 x 9	
6	0711224	1	Bolt M12 x 80 Grade 10.9	
7	0760608	1	Bolt M6 x 16	
8	0760812	2	Bolt M8 x 25	
9	0761009	2	Bolt M10 x 18	
10	0761014	2	Bolt M10 x 30	
11	0771414	4	Bolt M14 x 30 Grade 10.9	
12	1321716	1	Clamp	
13	2460055	1	Generator and Control Box Assembly	
13A	7012558	1	Generator	
	See Note	Ref	Note: Replacement Generators come standard with p/n 3580134 pulley. This pulley may not be correct for all applications. Refer to pulley options below.	
13A	7026199	1	Armature with Slip Rings	
13A	7012513	3	Cap, Brush Holder	
13A	7020108	4	Brush	
13A	7020109	4	Holder, Brush	
13A	7012514	1	Fan	
13A	7020110	1	Bell, Front	
13A	7020111	1	Bell, Rear	
13A	7020190	1	Bearing	
13B	7019680	1	Box, Control	
13B	4460190	1	Receptacle, Standard	
13B	4460027	1	Receptacle, Twistlock	
13B	4360542	1	Breaker, Circuit	
13B	3520028	1	Plug, Hole	
13B	4460961	1	Connector - 4 Position	
13B	4460705	4	Pin, Male	
13B	4460321	1	Connector - 4 Position (Note: Mate to p/n 4460961 Purchase Separately)	
13B	4460268	3	Socket, Female (Note: Mate to p/n 4460705 Purchase Separately)	
13C	2420203	1	Voltmeter	
13D	3580276	1	Pulley	
13D	7027887	1	Key, Woodruff	
14	2820031	AR	Heat Shrink	
15	See Note	1	Nameplate (Note: Not Available for Purchase)	
16	3251243	1	Nameplate 120V-60Hz	
17	3290605	1	Nut M6	
18	3290805	2	Nut M8	
19	3291005	2	Nut M10	
20	3311001	2	Nut #10	
21	3311705	1	Nut 7/16	
22	3331211	1	Nut M12	
23	3580158	1	Pulley	

SECTION 3 - ENGINE

ITEM	PART NUMBER	QTY	DESCRIPTION	REV
24	3740080	1	Relay	
25	4060802	1	Guard, Switch	
26	4240099	AR	Tie-Strap (Not Shown)	
27	4360336	1	Switch, Toggle	
28	4711700	5	Washer 7/16	
29	4751000	4	Washer #10	
30	4751500	1	Washer 5/16	
31	4811700	2	Washer M6	
32	4811900	4	Washer M8	
33	4812000	6	Washer M10	
34	4812200	4	Washer M14	
35	5241200	1	Washer M12 Hardened	
36	1001148641	1	Bracket	
37	1001168018	1	Washer, Snubbing	
38	1001183477	1	Support	
39	1001184637	1	Mount, Engine	
40	1001184644	1	Support	
41	1001184645	1	Bracket	
42	1001187522	1	Harness, Generator (See Separate Breakdown in ELECTRICAL SECTION)	
43	1001188731	1	Wiring Diagram (Not Shown)	
43	4922641	1	Harness, On/Off Switch (Not Shown - Located at Platform)	
44	1001182296	1	Harness, Inverter	
44	1060494	10 ft/3.5m	Cable, Electrical - 12/3	
44	4460134	1	Receptacle, Female	
44	4460138	1	Plug, Male	

SECTION 3 - ENGINE

FIGURE 3-54. GENERATOR INSTALLATION - 2500W/60HZ (DEUTZ D2.9L4 ENGINE)



ART_1001180797_F

SECTION 3 - ENGINE

FIGURE 3-54. GENERATOR INSTALLATION - 2500W/60HZ (DEUTZ D2.9L4 ENGINE)

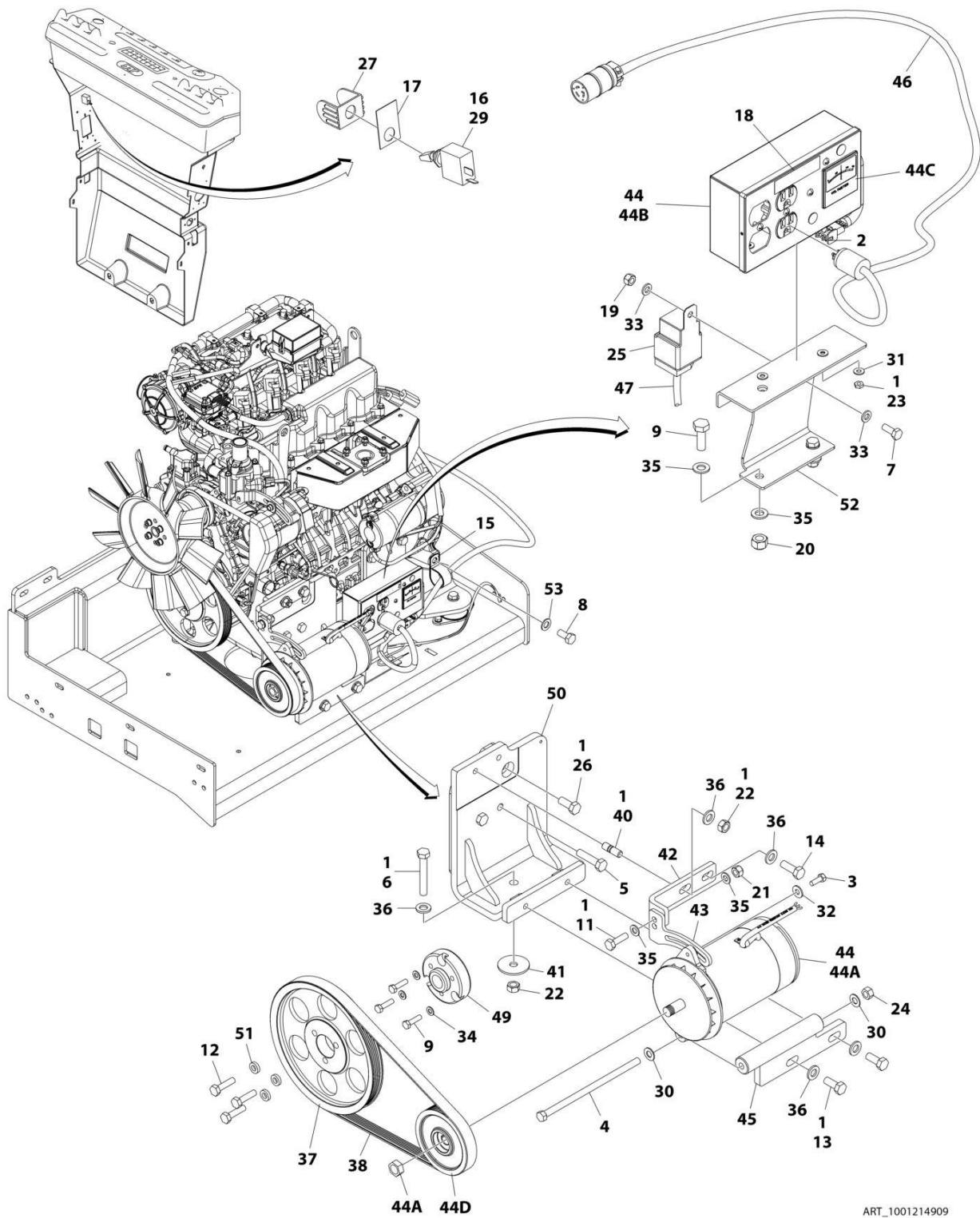
ITEM	PART NUMBER	QTY	DESCRIPTION	REV
	1001180797	Ref	GENERATOR INSTALLATION - 2500W/60HZ (DEUTZ D2.9L4 ENGINE)	F
1	0100011	AR	Compound, Locking	
2	0100019	AR	Compound, Locking	
3	0100048	AR	Grease, Dielectric	
4	0641507	1	Bolt 5/16 x 7/8	
5	0641772	1	Bolt 7/16 x 9	
7	0760608	1	Bolt M6 x 16	
8	0760812	1	Bolt M8 x 25	
9	0761014	2	Bolt M10 x 30	
10	0761015	1	Bolt M10 x 35	
11	0761214	2	Bolt M12 x 30	
13	1321716	1	Clamp	
14	2820031	AR	Heat Shrink	
15	See Note	1	Nameplate (Note: Not Available for Purchase)	
16	3251243	1	Nameplate 120V-60Hz	
17	3290605	1	Nut M6	
18	3290805	1	Nut M8	
19	3291005	3	Nut M10	
20	3291201	2	Nut M12	
21	3311001	2	Nut #10	
22	3311705	1	Nut 7/16	
24	3580320	1	Pulley	
25	3740080	1	Relay	
26	3931628	4	Capscrew 3/8 x 1-3/4	
27	4032014	4	Bolt M10 x 50	
28	4060802	1	Guard, Switch	
29	4240099	AR	Tie-Strap (Not Shown)	
30	4360336	1	Switch, Toggle	
31	4711700	2	Washer 7/16	
32	4751000	4	Washer #10	
33	4751500	1	Washer 5/16	
34	4811700	2	Washer M6	
35	4811900	2	Washer M8	
36	4812000	AR	Washer M10	
38	5241200	4	Washer M12 Hardened	
39	1001135679	1	Adapter	
40	1001148641	1	Bracket	
41	1001155041	2	Stud	
44	1001179836	1	Mount, Upper Generator	
45	1001179837	1	Arm Adjustment	
46	1001180001	1	Generator	
46A	7026199	1	Armature with Slip Rings	
46A	7012513	3	Cap, Brush Holder	
46A	7020108	4	Brush	
46A	7020109	4	Holder, Brush	
46A	7012514	1	Fan	
46A	7020110	1	Bell, Front	
46A	7020111	1	Bell, Rear	
46A	7020190	1	Bearing	

SECTION 3 - ENGINE

ITEM	PART NUMBER	QTY	DESCRIPTION	REV
46B	7019680	1	Box, Control	
46B	4460190	1	Receptacle, Standard	
46B	4460027	1	Receptacle, Twistlock	
46B	4360542	1	Breaker, Circuit	
46B	3520028	1	Plug, Hole	
46B	4460961	1	Connector - 4 Position	
46B	4460705	4	Pin, Male	
46B	4460321	1	Connector - 4 Position (Note: Mate to p/n 4460961 Purchase Separately)	
46B	4460268	3	Socket, Female (Note: Mate to p/n 4460705 Purchase Separately)	
46C	2420203	1	Voltmeter	
46D	1001179893	1	Pulley	
46D	7027887	1	Key, Woodruff	
47	1001181243	1	Mount, Lower Generator	
48	1001183477	1	Support	
49	1001148138	1	Belt	
50	1001187522	1	Harness, Generator (See Separate Breakdown in ELECTRICAL SECTION)	
51	1001188731	1	Wiring Diagram (Not Shown)	
51	4922641	1	Harness, On/Off Switch (Not Shown - Located at Platform)	
52	1001182296	1	Harness, Inverter	
52	1060494	10 ft/3.5m	Cable, Electrical - 12/3	
52	4460134	1	Receptacle, Female	
52	4460138	1	Plug, Male	

SECTION 3 - ENGINE

FIGURE 3-55. GENERATOR INSTALLATION - 2500W/60HZ (KUBOTA ENGINE)



ART_1001214909

SECTION 3 - ENGINE

FIGURE 3-55. GENERATOR INSTALLATION - 2500W/60HZ (KUBOTA ENGINE)

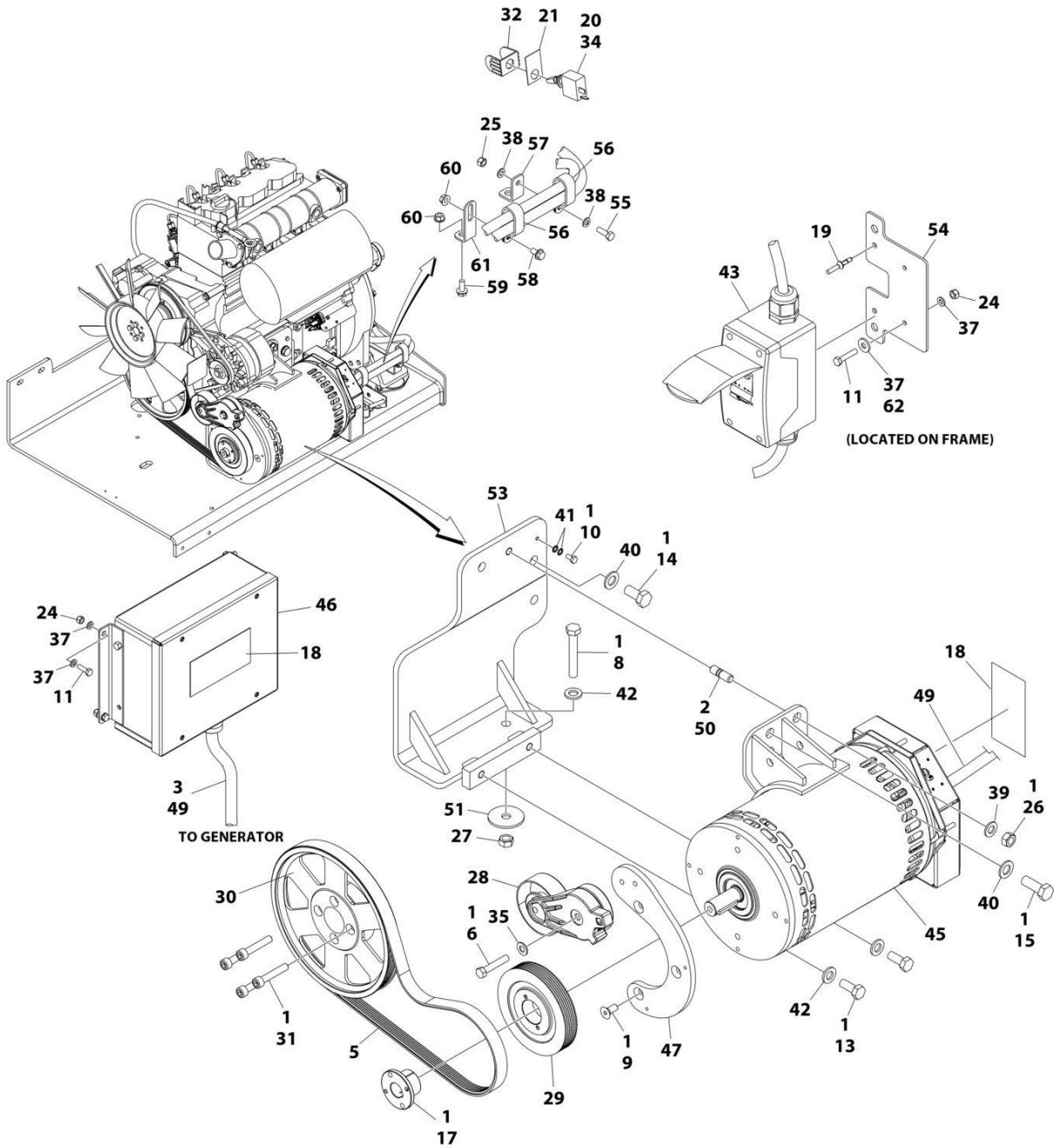
ITEM	PART NUMBER	QTY	DESCRIPTION	REV
	1001214909	Ref	GENERATOR INSTALLATION - 2500W/60Hz (KUBOTA ENGINE)	E
1	0100011	AR	Compound, Locking	
2	0100048	AR	Grease, Dielectric	
3	0641507	1	Bolt 5/16 x 7/8	
4	0641772	1	Bolt 7/16 x 9	
5	1001217344	2	Bolt M12 x 50	
6	0711224	AR	Bolt M12 x 80 Grade 10.9	
6	0701224	AR	Bolt M12 x 80	
7	0760608	1	Bolt M6 x 16	
8	1001217345	1	Bolt M14 x 30	
9	0760814	5	Bolt M8 x 30	
11	0761015	1	Bolt M10 x 35	
12	0761016	3	Bolt M10 x 40	
13	0761214	2	Bolt M12 x 30	
14	0761215	1	Bolt M12 x 35	
15	84521061	1	Clamp	
16	2820031	AR	Heat Shrink	
17	See Note	1	Nameplate (Note: Not Available for Purchase)	
18	3251243	1	Nameplate 120V-60Hz	
19	3290605	1	Nut M6	
20	3290805	2	Nut M8	
21	3291005	1	Nut M10	
22	3291201	2	Nut M12	
23	3311001	2	Nut #10	
24	3311705	1	Nut 7/16	
25	3740080	1	Relay	
26	1001217342	1	Bolt M12 x 30	
27	4060802	1	Guard, Switch	
28	4240099	AR	Tie-Strap (Not Shown)	
29	4360336	1	Switch, Toggle	
30	4711700	2	Washer 7/16	
31	4751000	4	Washer #10	
32	4751500	1	Washer 5/16	
33	4811700	2	Washer M6	
34	4811900	5	Washer M8	
35	4812000	4	Washer M10	
36	5241200	1	Washer M12 Hardened	
37	1001147233	1	Pulley	
38	1001148138	1	Belt	
40	1001155041	1	Stud	
41	1001168018	1	Washer, Snubbing	
42	1001179836	1	Mount, Upper Generator	
43	1001179837	1	Arm Adjustment	
44	1001180001	1	Generator	
44A	7026199	1	Armature with Slip Rings	
44A	7012513	3	Cap, Brush Holder	
44A	7020108	4	Brush	
44A	7020109	4	Holder, Brush	
44A	7012514	1	Fan	
44A	7020110	1	Bell, Front	

SECTION 3 - ENGINE

ITEM	PART NUMBER	QTY	DESCRIPTION	REV
44A	7020111	1	Bell, Rear	
44A	7020190	1	Bearing	
44B	7019680	1	Box, Control	
44B	4460190	1	Receptacle, Standard	
44B	4460027	1	Receptacle, Twistlock	
44B	4360542	1	Breaker, Circuit	
44B	3520028	1	Plug, Hole	
44B	4460961	1	Connector - 4 Position	
44B	4460705	4	Pin, Male	
44B	4460321	1	Connector - 4 Position (Note: Mate to p/n 4460961 Purchase Separately)	
44B	4460268	3	Socket, Female (Note: Mate to p/n 4460705 Purchase Separately)	
44C	2420203	1	Voltmeter	
44D	1001179893	1	Pulley	
44D	7027887	1	Key, Woodruff	
45	1001181243	1	Mount, Lower Generator	
46	1001182296	1	Harness, Inverter	
46	1060494	10 ft/ 3.5m	Cable, Electrical - 12/3	
46	4460134	1	Receptacle, Female	
46	4460138	1	Plug, Male	
47	1001187522	1	Harness, Generator (See Separate Breakdown in ELECTRICAL SECTION)	
48	1001188731	1	Wiring Diagram (Not Shown)	
48	4922641	1	Harness, On/Off Switch (Not Shown - Located at Platform)	
49	1001213029	1	Adapter, Pulley	
50	1001214546	1	Support	
51	1001216805	1	Spacer	
52	1001216840	1	Support	
53	4812200	1	Washer M14	

SECTION 3 - ENGINE

FIGURE 3-56. GENERATOR INSTALLATION - 4000W/50HZ (DEUTZ D2011 ENGINE)



ART_1001173984

SECTION 3 - ENGINE

FIGURE 3-56. GENERATOR INSTALLATION - 4000W/50HZ (DEUTZ D2011 ENGINE)

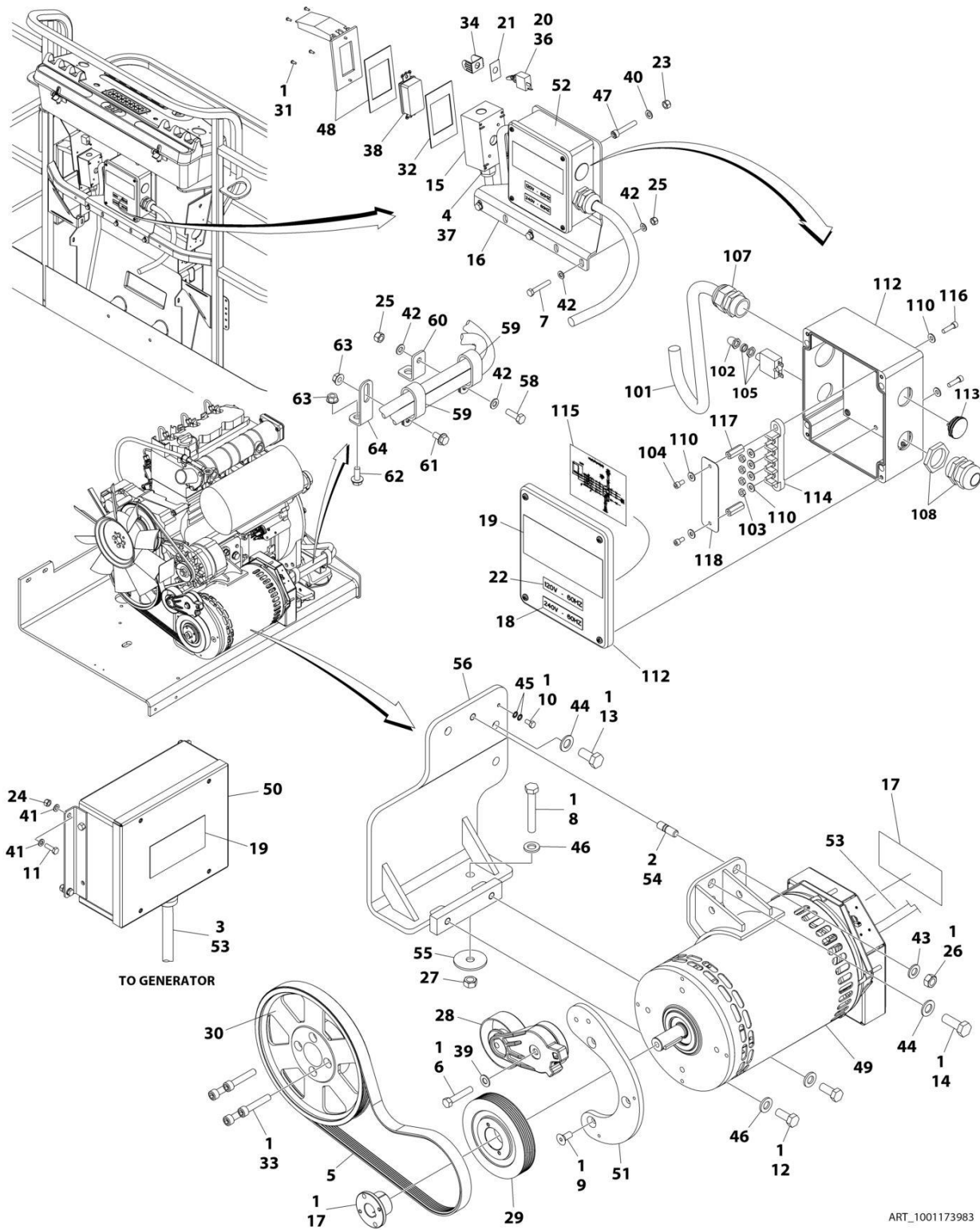
ITEM	PART NUMBER	QTY	DESCRIPTION	REV
	1001173984	Ref	GENERATOR INSTALLATION - 4000W/50HZ (DEUTZ D2011 ENGINE)	J
1	0100011	AR	Compound, Locking	
2	0100019	AR	Compound, Locking	
3	0100048	AR	Grease, Dielectric	
4	0100079	AR	Sealant (Not Shown)	
5	0480126	1	Belt	
6	0641616	1	Bolt 3/8 x 2	
8	0711224	1	Bolt M12 x 80 Grade 10.9	
9	0741607	3	Screw 3/8 x 7/8	
10	0760606	1	Bolt M6 x 12	
11	0760610	AR	Bolt M6 x 20	
11	0760614	AR	Bolt M6 x 30	
13	0761214	2	Bolt M12 x 30	
14	0771414	2	Bolt M14 x 30 Grade 10.9	
15	0771416	1	Bolt M14 x 40	
17	0962520	1	Bushing	
18	1705489	AR	Decal - Hazardous Voltage	
19	2080040	2	Fastener, Huck	
20	2820031	AR	Heat Shrink	
21	See Note	1	Nameplate (Note: Not Available for Purchase)	
24	3290605	6	Nut M6	
25	3290805	1	Nut M8	
26	3291201	1	Nut M12	
27	3331211	1	Nut M12	
28	3580317	1	Pulley	
29	3580319	1	Pulley	
30	3580320	1	Pulley	
31	4032015	4	Bolt M10 x 55	
32	4060802	1	Guard, Switch	
33	4240099	AR	Tie-Strap (Not Shown)	
34	4360336	1	Switch, Toggle	
35	4711600	1	Washer 3/8	
37	4811700	AR	Washer M6	
38	4811900	1	Washer M8	
39	4812100	1	Washer M12	
40	4812200	3	Washer M14	
41	4871700	2	Washer M6	
42	5241200	3	Washer M12 Hardened	
43	1001096070	1	Breaker Box Kit (50Hz) (See Separate Breakdown in ELECTRICAL Section)	
45	1001138565	1	Generator Assembly	
45	70003709	1	Ring, Retaining (External)	
45	70003708	1	Ring, Retaining (Internal)	
45	70001966	1	Bearing	
45	70004092	1	Endbell (Shaft End)	
45	70004171	1	Key	
45	70004676	1	Rotor	
45	70004677	1	Stator	
45	70004678	1	Endbell (Rear)	

SECTION 3 - ENGINE

ITEM	PART NUMBER	QTY	DESCRIPTION	REV
45	70004679	1	Cover, Endbell (Rear)	
45	70004680	1	Enclosure, Wiring	
45	70004681	1	Cover, Enclosure	
45	70004682	1	Switch, Reset (Located on Enclosure Cover)	
45	70004683	1	Connector, Strain Relief (Located on Enclosure Cover)	
46	1001138566	1	Box, Control	
46	70006552	1	Capacitor	
46	70006553	1	Relay	
47	1001139357	1	Mount, Tensioner	
49	1001152532	1	Harness, Generator (See Separate Breakdown in ELECTRICAL Section)	
50	1001196382	1	Stud	
51	1001168018	1	Washer, Snubbing	
53	1001173925	1	Mount	
54	1001174158	1	Mount	
55	0760812	1	Bolt M8 x 25	
56	1321716	2	Clamp	
57	1001148641	1	Bracket	
58	5250808	1	Bolt M8 x 16	
59	5250810	1	Bolt M8 x 20	
60	5260800	2	Nut M8	
61	1001223122	1	Support	
62	4811702	AR	Washer M6	

SECTION 3 - ENGINE

FIGURE 3-57. GENERATOR INSTALLATION - 4000W/60HZ (DEUTZ D2011 ENGINE)



ART_1001173983

SECTION 3 - ENGINE

FIGURE 3-57. GENERATOR INSTALLATION - 4000W/60HZ (DEUTZ D2011 ENGINE)

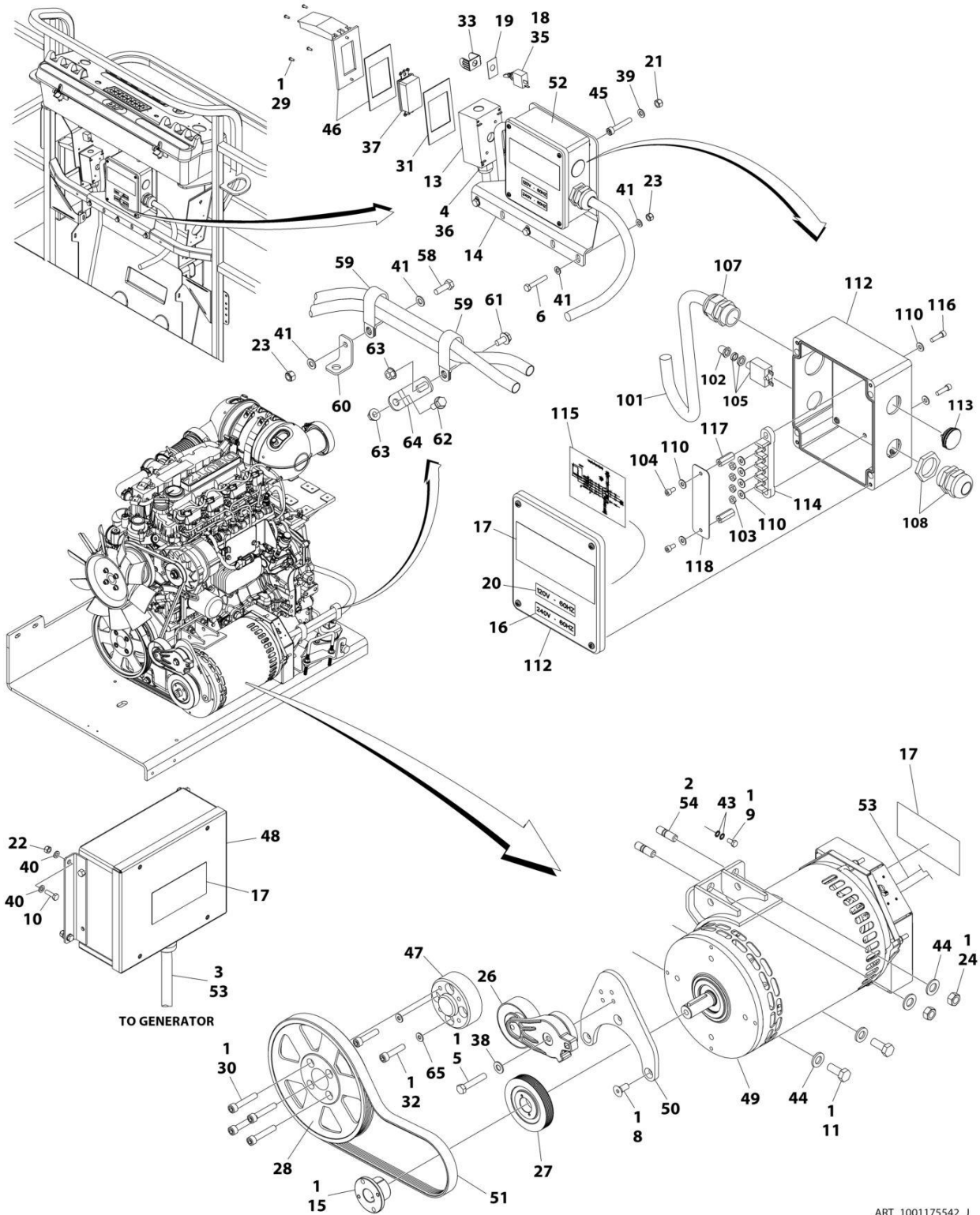
ITEM	PART NUMBER	QTY	DESCRIPTION	REV
	1001173983	Ref	GENERATOR INSTALLATION - 4000W/60HZ (DEUTZ D2011 ENGINE)	F
1	0100011	AR	Compound, Locking	
2	0100019	AR	Compound, Locking	
3	0100048	AR	Grease, Dielectric	
4	0100079	AR	Sealant	
5	0480128	1	Belt	
6	0641616	1	Bolt 3/8 x 2	
7	0700818	3	Bolt M8 x 50	
8	0711224	1	Bolt M12 x 80 Grade 10.9	
9	0741607	3	Screw 3/8 x 7/8	
10	0760606	1	Bolt M6 x 12	
11	0760610	4	Bolt M6 x 20	
12	0761214	2	Bolt M12 x 30	
13	0771414	2	Bolt M14 x 30 Grade 10.9	
14	0771416	1	Bolt M14 x 40	
15	0860038	1	Box, Switch	
16	0902888	1	Bracket	
17	0962520	1	Bushing	
18	1705374	1	Decal - 240V-60Hz	
19	1705387	3	Decal - Hazardous Voltage	
20	2820031	AR	Heat Shrink	
21	See Note	1	Nameplate (Note: Not Available for Purchase)	
22	3251243	1	Nameplate 120V-60Hz	
23	3290505	4	Nut M5	
24	3290605	4	Nut M6	
25	3290805	4	Nut M8	
26	3291201	2	Nut M12	
27	3331211	1	Nut M12	
28	3580317	1	Pulley	
29	3580318	1	Pulley	
30	3580320	1	Pulley	
31	3910606	4	Screw #6 x 3/8	
32	3960422	1	Gasket	
33	4032015	4	Bolt M10 x 55	
34	4060802	1	Guard, Switch	
35	4240099	AR	Tie-Strap (Not Shown)	
36	4360336	1	Switch, Toggle	
37	4460071	1	Connector, Strain Relief	
38	4460346	1	Receptacle	
39	4711600	1	Washer 3/8	
40	4811600	4	Washer M5	
41	4811700	8	Washer M6	
42	4811900	8	Washer M8	
43	4812100	1	Washer M12	
44	4812200	3	Washer M14	
45	4871700	2	Washer M6	
46	5241200	3	Washer M12 Hardened	
47	1001104029	4	Screw M5 x 30	
48	1001110873	1	Shield, Cover	

SECTION 3 - ENGINE

ITEM	PART NUMBER	QTY	DESCRIPTION	REV
49	1001129858	1	Generator	
49	70003709	1	Ring, Retaining (External)	
49	70003708	1	Ring, Retaining (Internal)	
49	70001966	1	Bearing	
49	70004092	1	Endbell (Shaft End)	
49	70004171	1	Key	
49	70004676	1	Rotor	
49	70004684	1	Stator	
49	70004678	1	Endbell (Rear)	
49	70004679	1	Cover, Endbell (Rear)	
49	70004680	1	Enclosure, Wiring	
49	70004685	1	Cover, Enclosure	
49	70004682	1	Switch, Reset (Located on Enclosure Cover)	
49	70004098	1	Connector, Strain Relief (Located on Enclosure Cover)	
50	1001138566	1	Box, Control	
50	70006552	1	Capacitor	
50	70006553	1	Relay	
51	1001139357	1	Mount, Tensioner	
52	1001152457	1	Generator Junction Box Assembly (See Items 101-118 for Breakdown)	
53	1001152532	1	Harness, Generator (See Separate Breakdown in ELECTRICAL SECTION)	
54	1001196382	1	Stud	
55	1001168018	1	Washer, Snubbing	
56	1001173925	1	Mount	
57	1001175631	1	Wiring Diagram (Not Shown)	
57	4922641	1	Harness, On/Off Switch (Not Shown - Located at Platform)	
58	0760812	1	Bolt M8 x 25	
59	1321716	2	Clamp	
60	1001148641	1	Bracket	
61	5250808	1	Bolt M8 x 16	
62	5250810	1	Bolt M8 x 20	
63	5260800	2	Nut M8	
64	1001223122	1	Support	
	1001152457	Ref	GENERATOR JUNCTION BOX COMPONENTS	
101	1001179154	2.5 ft/ 0.8m	Cable, Electrical - 12/3	
102	3300396	1	Cover, Breaker	
103	3311001	4	Nut #10	
104	3900300	2	Screw	
105	4360070	1	Breaker, Circuit - 15Amp	
107	4460425	1	Connector, Strain Relief (LH Side)	
108	4460426	1	Connector, Strain Relief (RH Side)	
110	4711000	8	Washer #10	
112	1001152456	1	Box, Junction	
113	1001152525	1	Plug	
114	1001152530	1	Terminal, Block	
115	1001153260	1	Decal - Wiring Diagram	
116	3900267	2	Screw	
117	1001158008	2	Stand-Off	
118	1001158363	1	Cover, Terminal Block	

SECTION 3 - ENGINE

FIGURE 3-58. GENERATOR INSTALLATION - 4000W/60HZ (DEUTZ D2.9L4 ENGINE)



ART_1001175542_J

SECTION 3 - ENGINE

FIGURE 3-58. GENERATOR INSTALLATION - 4000W/60HZ (DEUTZ D2.9L4 ENGINE)

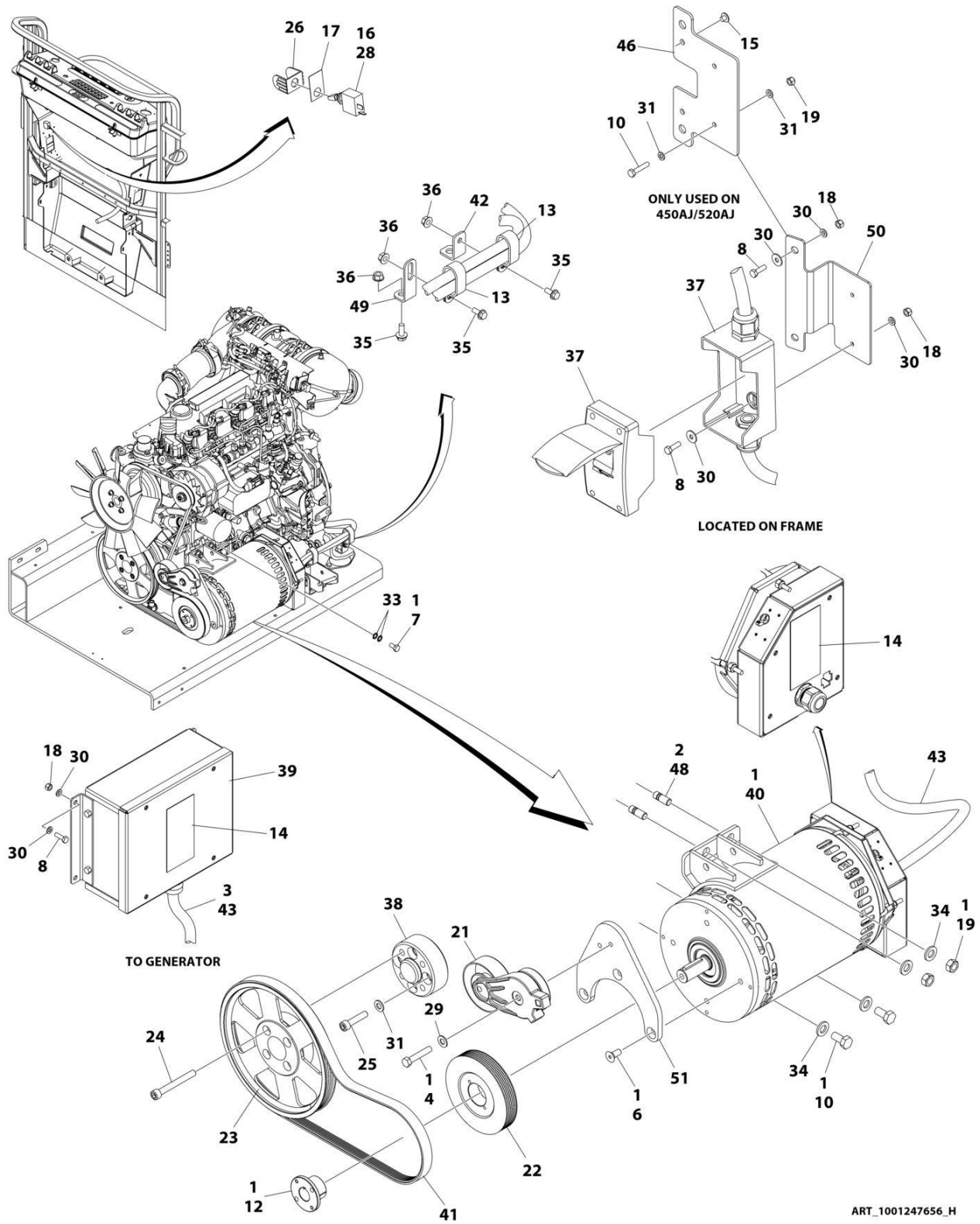
ITEM	PART NUMBER	QTY	DESCRIPTION	REV
	1001175542	Ref	GENERATOR INSTALLATION - 4000W/60HZ (DEUTZ D2.9L4 ENGINE)	J
1	0100011	AR	Compound, Locking	
2	0100019	AR	Compound, Locking	
3	0100048	AR	Grease, Dielectric	
4	0100079	AR	Sealant	
5	0641616	1	Bolt 3/8 x 2	
6	0700818	3	Bolt M8 x 50	
8	0741607	3	Screw 3/8 x 7/8	
9	0760606	1	Bolt M6 x 12	
10	0760610	4	Bolt M6 x 20	
11	0761212	2	Bolt M12 x 25	
13	0860038	1	Box, Switch	
14	0902888	1	Bracket	
15	0962520	1	Bushing	
16	1705374	1	Decal - 240V-60Hz	
17	1705387	3	Decal - Hazardous Voltage	
18	2820031	AR	Heat Shrink	
19	See Note	1	Nameplate (Note: Not Available for Purchase)	
20	3251243	1	Nameplate 120V-60Hz	
21	3290505	4	Nut M5	
22	3290605	4	Nut M6	
23	3290805	4	Nut M8	
24	3291201	2	Nut M12	
26	3580317	1	Pulley	
27	3580318	1	Pulley	
28	3580320	1	Pulley	
29	3910606	4	Screw #6 x 3/8	
30	3931628	4	Capscrew 3/8 x 1-3/4	
31	3960422	1	Gasket	
32	4032014	4	Capscrew M10 x 50	
33	4060802	1	Guard, Switch	
34	4240099	AR	Tie-Strap (Not Shown)	
35	4360336	1	Switch, Toggle	
36	4460071	1	Connector, Strain Relief	
37	4460346	1	Receptacle	
38	4711600	1	Washer 3/8	
39	4811600	4	Washer M5	
40	4811700	8	Washer M6	
41	4811900	8	Washer M8	
43	4871700	2	Washer M6	
44	5241200	4	Washer M12 Hardened	
45	1001104029	4	Screw M5 x 30	
46	1001110873	1	Shield, Cover	
47	1001135679	1	Adapter	
48	1001138566	1	Box, Control	
49	1001140346	1	Generator Assembly	
49	70003709	1	Ring, Retaining (External)	
49	70003708	1	Ring, Retaining (Internal)	
49	70001966	1	Bearing	

SECTION 3 - ENGINE

ITEM	PART NUMBER	QTY	DESCRIPTION	REV
49	70004092	1	Endbell (Shaft End)	
49	70004099	1	Key	
49	70004676	1	Rotor	
49	70004687	1	Stator	
49	70004678	1	Endbell (Rear)	
49	70004679	1	Cover, Endbell (Rear)	
49	70004680	1	Enclosure, Wiring	
49	70004685	1	Cover, Enclosure	
49	70004682	1	Switch, Reset (Located on Enclosure Cover)	
49	70004098	1	Connector, Strain Relief (Located on Enclosure Cover)	
50	1001142643	1	Support	
51	1001142646	1	Belt	
52	1001152457	1	Generator Junction Box Assembly (See Items 101-118 for Breakdown)	
53	1001152532	1	Harness, Generator (See Separate Breakdown in ELECTRICAL SECTION)	
54	1001196382	2	Stud	
57	1001175631	1	Wiring Diagram (Not Shown)	
57	4922641	1	Harness, On/Off Switch (Not Shown - Located at Platform)	
58	0760812	1	Bolt M8 x 25	
59	1321716	2	Clamp	
60	1001148641	1	Bracket	
61	5250808	1	Bolt M8 x 16	
62	5250810	1	Bolt M8 x 20	
63	5260800	2	Nut M8	
64	1001223122	1	Support	
65	4812000	4	Washer M10	
	1001152457	Ref	GENERATOR JUNCTION BOX COMPONENTS	
101	1001179154	2.5 ft/ 0.8m	Cable, Electrical - 12/3	
102	3300396	1	Cover, Breaker	
103	3311001	4	Nut #10	
104	3900300	2	Screw	
105	4360070	1	Breaker, Circuit - 15Amp	
107	4460425	1	Connector, Strain Relief (LH Side)	
108	4460426	1	Connector, Strain Relief (RH Side)	
110	4711000	8	Washer #10	
112	1001152456	1	Box, Junction	
113	1001152525	1	Plug	
114	1001152530	1	Terminal, Block	
115	1001153260	1	Decal - Wiring Diagram	
116	3900267	2	Screw	
117	1001158008	2	Stand-Off	
118	1001158363	1	Cover, Terminal Block	

SECTION 3 - ENGINE

FIGURE 3-59. GENERATOR INSTALLATION - 4000W/50HZ (DEUTZ ENGINE) (STAGE V)



ART_1001247656_H

SECTION 3 - ENGINE

FIGURE 3-59. GENERATOR INSTALLATION - 4000W/50HZ (DEUTZ ENGINE) (STAGE V)

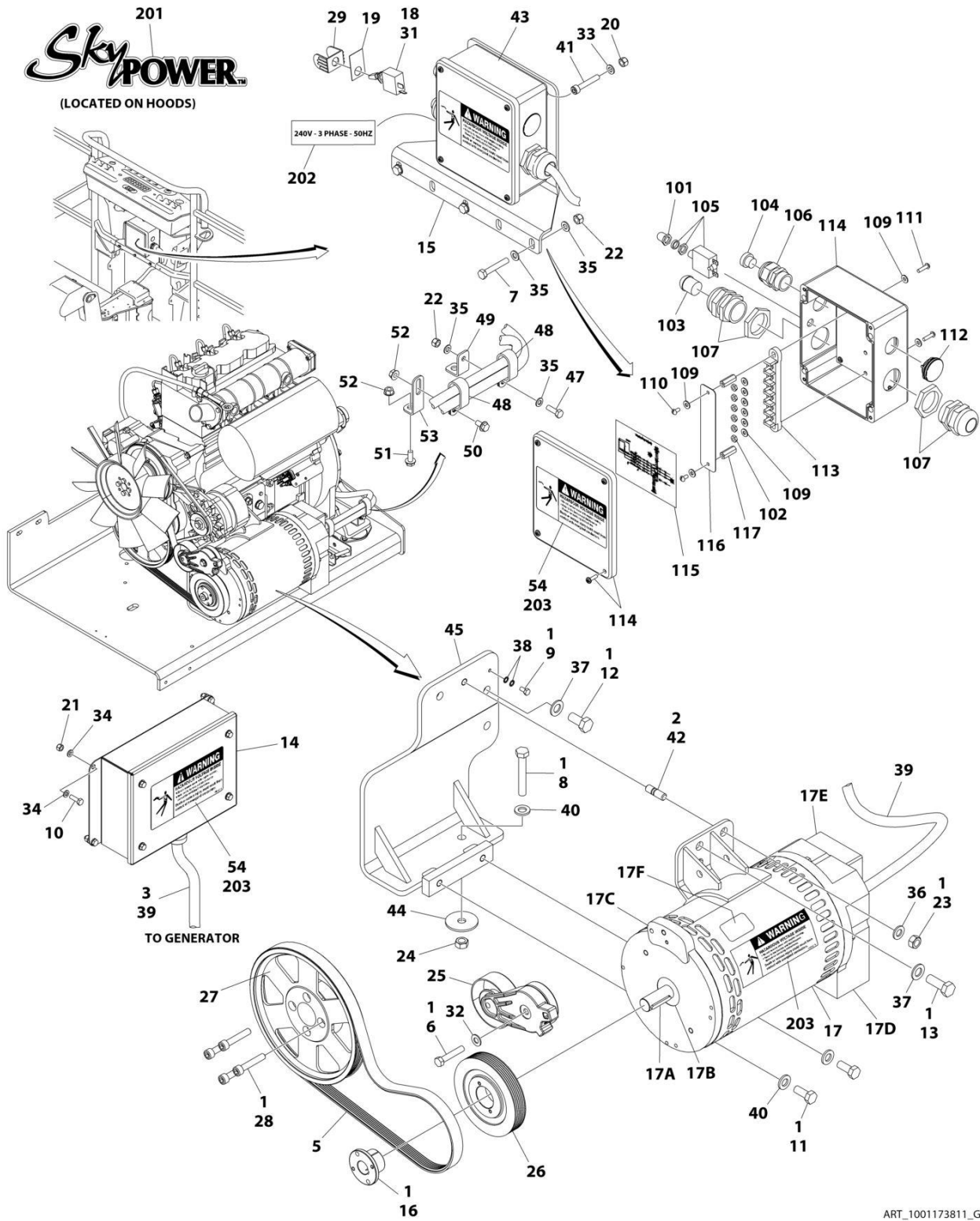
ITEM	PART NUMBER	QTY	DESCRIPTION	REV
	1001247656	Ref	GENERATOR INSTALLATION - 4000W/50HZ	H
1	0100011	AR	Compound, Locking	
2	0100019	AR	Compound, Locking	
3	0100048	AR	Grease, Dielectric	
4	0641616	1	Bolt 3/8 x 2	
6	0741607	3	Screw 3/8 x 7/8	
7	0760606	1	Bolt M6 x 12	
8	0760610	10	Bolt M6 x 20	
10	0761212	2	Bolt M12 x 25	
12	0962520	1	Bushing	
13	1321716	2	Clamp	
14	1705489	2	Decal - Hazardous Voltage	
15	2080040	2	Fastener, Huck	
16	2820031	0.33 ft /0.10m	Heat Shrink	
17	3251102	1	Nameplate, Generator	
18	3290605	10	Nut M6	
19	3291201	2	Nut M12	
21	3580317	1	Pulley	
22	3580319	1	Pulley	
23	1001281192	1	Pulley	
24	1001261085	4	Capscrew M10 x 85	
25	1001261045	4	Capscrew M10 x 45	
26	4060802	1	Guard, Switch	
27	4240099	AR	Tie-Strap (Not Shown)	
28	4360336	1	Switch, Toggle	
29	4711600	1	Washer 3/8	
30	4811700	18	Washer M6	
31	4812000	4	Washer M14	
33	4871700	2	Washer M6	
34	5241200	4	Washer M12 Hardened	
35	5250810	3	Bolt M8 x 20	
36	5260800	3	Nut M8	
37	1001096070	1	Breaker Box Kit (50Hz) (See Separate Breakdown in ELECTRICAL Section)	
38	1001258800	1	Adapter	
39	1001138566	1	Box, Control	
40	1001140347	1	Generator, 4000W/ 50HZ - Deutz Engine	
40	70003709	1	Ring, Retaining (External)	
40	70003708	1	Ring, Retaining (Internal)	
40	70001966	1	Bearing	
40	70004092	1	Endbell (Shaft End)	
40	70004099	1	Key	
40	70004676	1	Rotor	
40	70004686	1	Stator	
40	70004678	1	Endbell (Rear)	
40	70004679	1	Cover, Endbell (Rear)	
40	70004680	1	Enclosure, Wiring	
40	70004681	1	Cover, Enclosure	
40	70004682	1	Switch, Reset (Located on Enclosure Cover)	

SECTION 3 - ENGINE

ITEM	PART NUMBER	QTY	DESCRIPTION	REV
40	70004683	1	Connector, Strain Relief (Located on Enclosure Cover)	
41	1001148059	1	Belt, Generator	
42	1001148641	1	Bracket	
43	1001152532	1	Harness, Generator (See Separate Breakdown in ELECTRICAL Section)	
46	1001174158	1	Mount	
47	1001174675	1	Wiring Diagram (Not Shown)	
48	1001196382	2	Stud	
49	1001223122	1	Support	
50	1001293086	1	Bracket	
51	1001248190	1	Support	
52	4811702	2	Washer M6	
		Ref	ELECTRICAL DIAGRAM COMPONENTS	
101	4922641	1	Generator Switch Harness (Not Shown)	

SECTION 3 - ENGINE

FIGURE 3-60. GENERATOR INSTALLATION - 7500W/50HZ (DEUTZ D2011 ENGINE)



ART_1001173811_G

SECTION 3 - ENGINE

FIGURE 3-60. GENERATOR INSTALLATION - 7500W/50HZ (DEUTZ D2011 ENGINE)

ITEM	PART NUMBER	QTY	DESCRIPTION	REV
	1001173811	Ref	GENERATOR INSTALLATION - 7500W/50HZ (DEUTZ D2011 ENGINE)	G
1	0100011	AR	Compound, Locking	
2	0100019	AR	Compound, Locking	
3	0100048	AR	Grease, Dielectric	
4	0100079	AR	Sealant (Not Shown)	
5	0480126	1	Belt	
6	0641616	1	Bolt 3/8 x 2	
7	0700818	3	Bolt M8 x 50	
8	0711224	1	Bolt M12 x 80 Grade 10.9	
9	0760606	1	Bolt M6 x 12	
10	0760610	4	Bolt M6 x 20	
11	0761214	2	Bolt M12 x 30	
12	0771414	2	Bolt M14 x 30 Grade 10.9	
13	0771416	1	Bolt M14 x 40	
14	0861572	1	Control Box Assembly	
14	7024488	1	Card, Circuit - Generator Power	
14	See Note	NSS	Fuse (Note: Not Available - Purchase Locally)	
14	7024489	1	Card, Circuit - Control	
14	70000619	1	Harness, Control Box (Internal)	
15	0902888	1	Bracket	
16	0962520	1	Bushing	
17	2460048	1	Generator Assembly	
17	70001100	1	Rotor (Includes p/n 70001384 & 70000863) (Not Shown)	
17	70001384	1	Bearing, Ball Radial (Not Shown)	
17	70000863	1	Fan (Not Shown)	
17	70002088	1	Stator (Not Shown)	
17	70002297	1	Stud	
17	70003631	1	Brushholder Assembly (Not Shown)	
17A	70004171	1	Key	
17B	70001966	1	Bearing, Ball Radial (Located in Belt Tensioner Endbell)	
17B	70003708	1	Ring, Internal Retaining (Located in Belt Tensioner Endbell)	
17B	70003709	1	Ring, External Retaining (Located in Belt Tensioner Endbell)	
17C	70001953	1	Endbell, Belt Tensioner	
17D	70004169	1	Endbell, Brush Block	
17E	70004169	1	Shroud	
17E	See Note	NSS	Insulator, Endbell (Note: Not Available for Purchase)	
17E	7027799	1	Block, Connector 6 Position (Not Shown)	
17E	70002460	1	Nut, Brass (Attaches p/n 7027799 to Cover) (Not Shown)	
17E	7024485	1	Breaker, Circuit 30Amp (Not Shown)	
17E	70001696	1	Boot, Breaker (Not Shown)	
17E	7026626	1	Connector, 6 Position (Includes Seal) (Not Shown - Plugs into Item 39)	
17E	7026597	1	Connector, with Leads (Not Shown)	
17E	7026188	1	Clamp, Cable Options (Not Shown)	
17E	70004169	1	Plate, End Panel	
17E	70001974	1	Decal - Terminal Connections	
17F	70001973	1	Decal - Warning Moving Parts	
18	2820031	AR	Heat Shrink	
19	3252764	1	Nameplate	

SECTION 3 - ENGINE

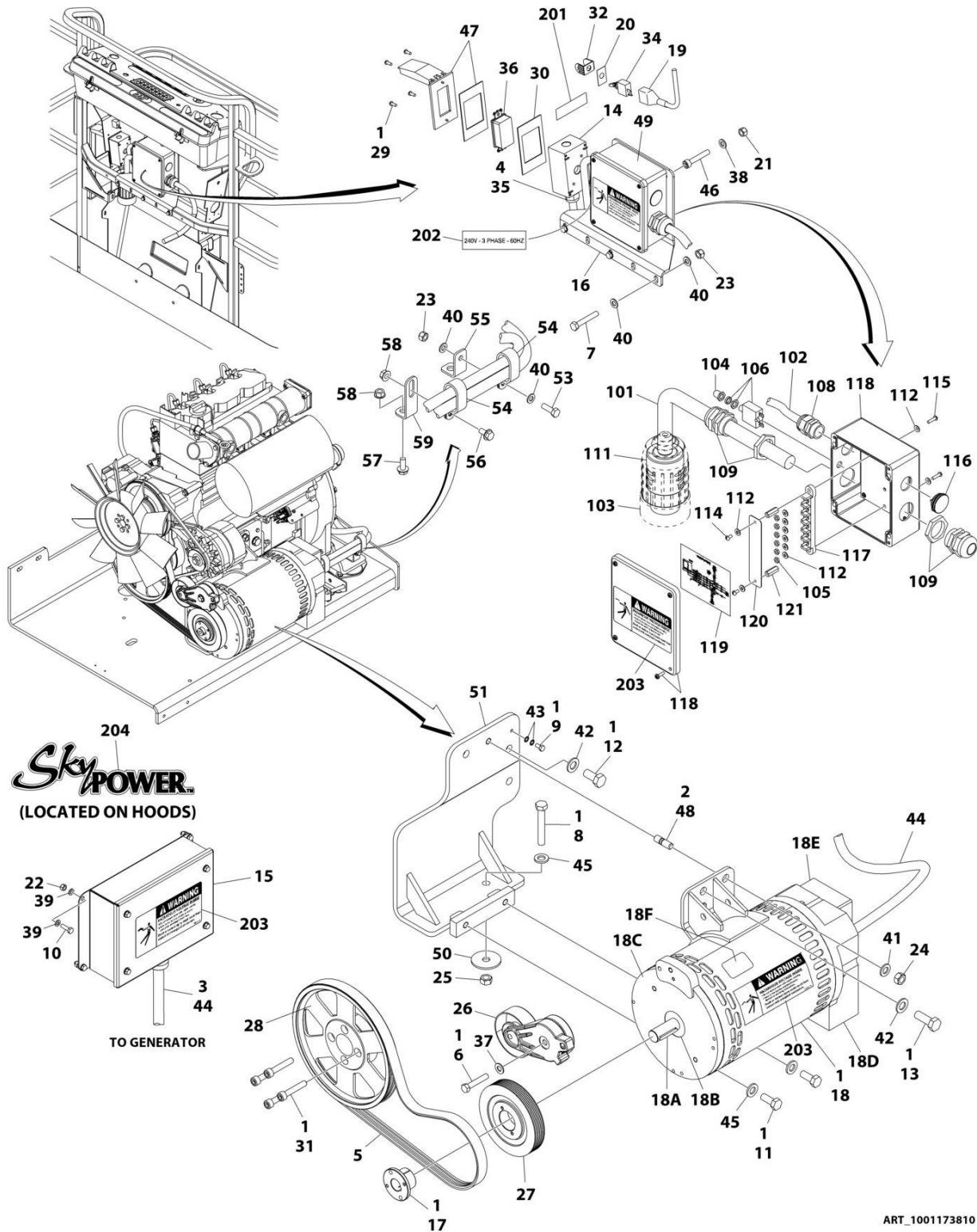
ITEM	PART NUMBER	QTY	DESCRIPTION	REV
20	3290505	4	Nut M5	
21	3290605	4	Nut M6	
22	3290805	4	Nut M8	
23	3291201	1	Nut M12	
24	3331211	1	Nut M12	
25	3580317	1	Pulley	
26	3580319	1	Pulley	
27	3580320	1	Pulley	
28	4032015	4	Bolt M10 x 55	
29	4060802	1	Guard, Switch	
30	4240099	AR	Tie-Strap (Not Shown)	
31	4360336	1	Switch, Toggle	
32	4711600	1	Washer 3/8	
33	4811600	4	Washer M5	
34	4811700	8	Washer M6	
35	4811900	8	Washer M8	
36	4812100	1	Washer M12	
37	4812200	3	Washer M14	
38	4871700	2	Washer M6	
39	4922925	1	Harness, Generator	
39	4460225	1	Plug, Male 6 Position (Plugs into Generator)	
39	See Note	NSS	Socket, Female (Use with 4460225)	
39	See Note	NSS	Seal, Plug (Use with 4460225)	
39	See Note	NSS	Seal, Interface (Use with 4460225)	
40	5241200	3	Washer M12 Hardened	
41	1001104029	4	Screw M5 x 30	
42	1001196382	1	Stud	
43	1001157525	1	Junction Box Assembly (See Items 101-117 for Breakdown)	
44	1001168018	1	Washer, Snubbing	
45	1001173925	1	Mount	
46	1001174675	1	Wiring Diagram (Not Shown)	
46	4922641	1	Harness, On/Off Switch (Not Shown - Located at Platform)	
47	0760812	1	Bolt M8 x 25	
48	1321716	2	Clamp	
49	1001148641	1	Bracket	
50	5250808	1	Bolt M8 x 16	
51	5250810	1	Bolt M8 x 20	
52	5260800	2	Nut M8	
53	1001223122	1	Support	
54	1705489	2	Decal - Hazardous Voltage	
	1001157525	Ref	JUNCTION BOX ASSEMBLY	B
101	3300396	1	Cover, Fuse	
102	3311001	6	Nut #10	
103	3520189	1	Plug	
104	3520192	1	Plug	
105	4360070	1	Circuit Breaker - 15Amp	
106	4460425	1	Connector, Strain Relief	
107	4460426	2	Connector, Strain Relief	
109	4711000	10	Flatwasher #10	
110	10702077	2	Screw #10 x 3/8	
111	10702082	2	Screw #10 x 3/4	

SECTION 3 - ENGINE

ITEM	PART NUMBER	QTY	DESCRIPTION	REV
112	1001152525	1	Plug	
113	1001157520	1	Block, Terminal	
114	1001157521	1	Box, Junction	
115	1001157528	1	Decal - Wiring Schematic	
116	1001158007	1	Cover, PVC	
117	1001158008	2	Stand-Off	
	0272589	Ref	DECAL INSTALLATION	A
201	1705460	2	Decal - SkyPower	
202	1705461	1	Decal - 240V - 3 Phase - 50Hz	
203	1705489	3	Decal - Hazardous Voltage	

SECTION 3 - ENGINE

FIGURE 3-61. GENERATOR INSTALLATION - 7500W/60HZ (DEUTZ D2011 ENGINE)



SECTION 3 - ENGINE

FIGURE 3-61. GENERATOR INSTALLATION - 7500W/60HZ (DEUTZ D2011 ENGINE)

ITEM	PART NUMBER	QTY	DESCRIPTION	REV
	1001173810	Ref	GENERATOR INSTALLATION - 7500W/60Hz (DEUTZ D2011 ENGINE)	F
1	0100011	AR	Compound, Locking	
2	0100019	AR	Compound, Locking	
3	0100048	AR	Grease, Dielectric	
4	0100079	AR	Sealant	
5	0480128	1	Belt	
6	0641616	1	Bolt 3/8 x 2	
7	0700818	3	Bolt M8 x 50	
8	0711224	1	Bolt M12 x 80 Grade 10.9	
9	0760606	1	Bolt M6 x 12	
10	0760610	4	Bolt M6 x 20	
11	0761214	2	Bolt M12 x 30	
12	0771414	2	Bolt M14 x 30 Grade 10.9	
13	0771416	1	Bolt M14 x 40	
14	0860038	1	Box, Switch	
15	0861538	1	Control Box Assembly	
15	7024488	1	Card, Circuit - Generator Power	
15	See Note	NSS	Fuse (Note: Not Available - Purchase Locally)	
15	7024489	1	Card, Circuit - Control	
15	70000619	1	Harness, Control Box (Internal)	
16	0902888	1	Bracket	
17	0962520	1	Bushing	
18	2460048	1	Generator Assembly	
18	70001100	1	Rotor (Includes p/n 70001384 & 70000863) (Not Shown)	
18	70001384	1	Bearing, Ball Radial (Not Shown)	
18	70000863	1	Fan (Not Shown)	
18	70002088	1	Stator (Not Shown)	
18	70002297	1	Stud	
18	70003631	1	Brushholder Assembly (Not Shown)	
18A	70004171	1	Key	
18B	70001966	1	Bearing, Ball Radial (Located in Belt Tensioner Endbell)	
18B	70003708	1	Ring, Internal Retaining (Located in Belt Tensioner Endbell)	
18B	70003709	1	Ring, External Retaining (Located in Belt Tensioner Endbell)	
18C	70001953	1	Endbell, Belt Tensioner	
18D	70004169	1	Endbell, Brush Block	
18E	70004169	1	Shroud	
18E	See Note	NSS	Insulator, Endbell (Note: Not Available for Purchase)	
18E	7027799	1	Block, Connector 6 Position (Not Shown)	
18E	70002460	1	Nut, Brass (Attaches p/n 7027799 to Cover) (Not Shown)	
18E	7024485	1	Breaker, Circuit 30Amp (Not Shown)	
18E	70001696	1	Boot, Breaker (Not Shown)	
18E	7026626	1	Connector, 6 Position (Includes Seal) (Not Shown - Plugs into Item 39)	
18E	7026597	1	Connector, with Leads (Not Shown)	
18E	7026188	1	Clamp, Cable Options (Not Shown)	
18E	70004169	1	Plate, End Panel	
18E	70001974	1	Decal - Terminal Connections	
18F	70001973	1	Decal - Warning Moving Parts	
19	2820031	AR	Heat Shrink	

SECTION 3 - ENGINE

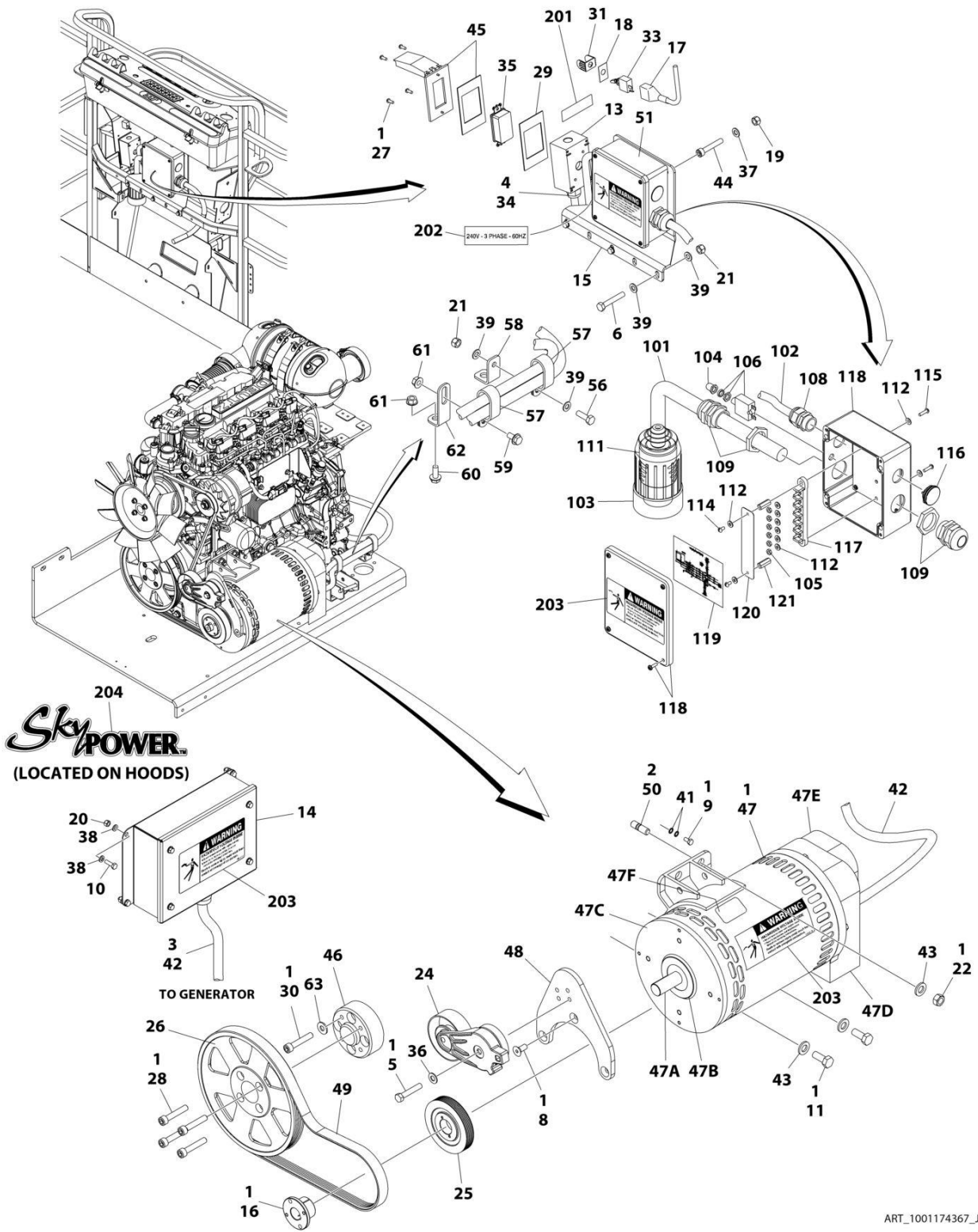
ITEM	PART NUMBER	QTY	DESCRIPTION	REV
20	3252764	1	Nameplate	
21	3290505	4	Nut M5	
22	3290605	4	Nut M6	
23	3290805	4	Nut M8	
24	3291201	1	Nut M12	
25	3331211	1	Nut M12	
26	3580317	1	Pulley	
27	3580318	1	Pulley	
28	3580320	1	Pulley	
29	3910606	4	Screw #6 x 3/8	
30	3960422	1	Gasket	
31	4032015	4	Bolt M10 x 55	
32	4060802	1	Guard, Switch	
33	4240099	AR	Tie-Strap (Not Shown)	
34	4360336	1	Switch, Toggle	
35	4460071	1	Connector, Strain Relief	
36	4460346	1	Receptacle	
37	4711600	1	Washer 3/8	
38	4811600	4	Washer M5	
39	4811700	8	Washer M6	
40	4811900	8	Washer M8	
41	4812100	1	Washer M12	
42	4812200	3	Washer M14	
43	4871700	2	Washer M6	
44	4922925	1	Harness, Generator	
44	4460225	1	Plug, Male 6 Position (Plugs into Generator)	
44	See Note	NSS	Socket, Female (Use with 4460225)	
44	See Note	NSS	Seal, Plug (Use with 4460225)	
44	See Note	NSS	Seal, Interface (Use with 4460225)	
45	5241200	3	Washer M12 Hardened	
46	1001104029	4	Screw M5 x 30	
47	1001110873	1	Shield, Cover	
48	1001196382	1	Stud	
49	1001157592	1	Junction Box Assembly Options (See Items 101-121 for Breakdown)	
50	1001168018	1	Washer, Snubbing	
51	1001173925	1	Mount	
52	1001174675	1	Wiring Diagram (Not Shown)	
52	4922641	1	Harness, On/Off Switch (Not Shown - Located at Platform)	
53	0760812	1	Bolt M8 x 25	
54	1321716	2	Clamp	
55	1001148641	1	Bracket	
56	5250808	1	Bolt M8 x 16	
57	5250810	1	Bolt M8 x 20	
58	5260800	2	Nut M8	
59	1001223122	1	Support	
	1001157592	Ref	JUNCTION BOX ASSEMBLY	C
101	1060343	1.5 ft /0.5m	Cable, Electrical 10/4	
102	1001179154	2.5 ft /0.8m	Cable, Electrical 12/3	
103	1671092	1	Cover	

SECTION 3 - ENGINE

ITEM	PART NUMBER	QTY	DESCRIPTION	REV
104	3300396	1	Cover, Fuse	
105	3311001	6	Nut #10	
106	4360070	1	Circuit Breaker - 15Amp	
108	4460425	1	Connector, Strain Relief	
109	4460426	2	Connector, Strain Relief	
111	4460963	1	Connector	
112	4711000	10	Flatwasher #10	
114	10702077	2	Screw #10 x 3/8	
115	10702082	2	Screw #10 x 3/4	
116	1001152525	1	Plug	
117	1001157520	1	Block, Terminal	
118	1001157521	1	Box, Junction	
119	1001157528	1	Decal - Wiring Schematic	
120	1001158007	1	Cover, PVC	
121	1001158008	2	Stand-Off	
	0272435	Ref	DECAL INSTALLATION	D
	0273380	Ref	DECAL INSTALLATION	B
201	3251243	1	Decal - 120V - 60Hz	
202	1705375	1	Decal - 240V - 3 Phase - 60Hz	
203	1705387	3	Decal - Hazardous Voltage	
204	1705460	2	Decal - SkyPower	

SECTION 3 - ENGINE

FIGURE 3-62. GENERATOR INSTALLATION - 7500W/60HZ (DEUTZ D2.9L4 ENGINE)



ART_1001174367_J

SECTION 3 - ENGINE

FIGURE 3-62. GENERATOR INSTALLATION - 7500W/60HZ (DEUTZ D2.9L4 ENGINE)

ITEM	PART NUMBER	QTY	DESCRIPTION	REV
	1001174367	Ref	GENERATOR INSTALLATION - 7500W/60Hz (DEUTZ D2.9L4 ENGINE)	J
1	0100011	AR	Compound, Locking	
2	0100019	AR	Compound, Locking	
3	0100048	AR	Grease, Dielectric	
4	0100079	AR	Sealant	
5	0641616	1	Bolt 3/8 x 2	
6	0700818	3	Bolt M8 x 50	
8	0741607	3	Screw 3/8 x 7/8	
9	0760606	1	Bolt M6 x 12	
10	0760610	4	Bolt M6 x 20	
11	0761212	2	Bolt M12 x 25	
13	0860038	1	Box, Switch	
14	0861538	1	Control Box Assembly	
14	7024488	1	Card, Circuit - Generator Power	
14	See Note	NSS	Fuse (Note: Not Available - Purchase Locally)	
14	7024489	1	Card, Circuit - Control	
14	70000619	1	Harness, Control Box (Internal)	
15	0902888	1	Bracket	
16	0962520	1	Bushing	
17	2820031	AR	Heat Shrink	
18	3252764	1	Nameplate	
19	3290505	4	Nut M5	
20	3290605	4	Nut M6	
21	3290805	4	Nut M8	
22	3291201	2	Nut M12	
24	3580317	1	Pulley	
25	3580318	1	Pulley	
26	3580320	1	Pulley	
27	3910606	4	Screw #6 x 3/8	
28	3931628	4	Capscrew 3/8 x 1-3/4	
29	3960422	1	Gasket	
30	4032014	4	Bolt M10 x 50	
31	4060802	1	Guard, Switch	
32	4240099	AR	Tie-Strap (Not Shown)	
33	4360336	1	Switch, Toggle	
34	4460071	1	Connector, Strain Relief	
35	4460346	1	Receptacle	
36	4711600	1	Washer 3/8	
37	4811600	4	Washer M5	
38	4811700	8	Washer M6	
39	4811900	8	Washer M8	
41	4871700	2	Washer M6	
42	4922925	1	Harness, Generator	
42	4460225	1	Plug, Male 6 Position (Plugs into Generator)	
42	See Note	NSS	Socket, Female (Use with 4460225)	
42	See Note	NSS	Seal, Plug (Use with 4460225)	
42	See Note	NSS	Seal, Interface (Use with 4460225)	
43	5241200	4	Washer M12 Hardened	
44	1001104029	4	Screw M5 x 30	

SECTION 3 - ENGINE

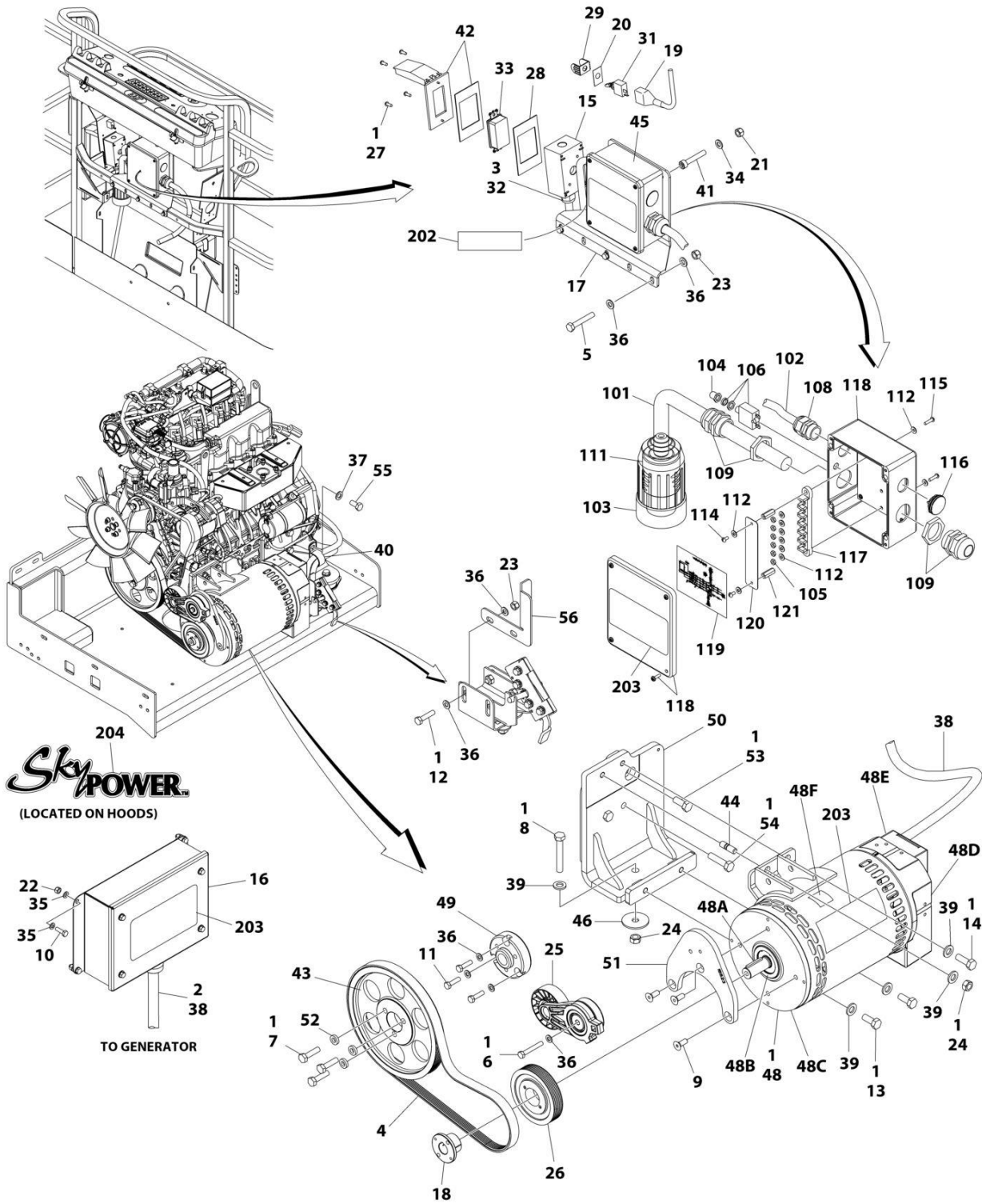
ITEM	PART NUMBER	QTY	DESCRIPTION	REV
45	1001110873	1	Shield, Cover	
46	1001135679	1	Adapter	
47	1001212223	1	Generator Assembly	
47	70001100	1	Rotor (Includes p/n 70001384 & 70000863) (Not Shown)	
47	70001384	1	Bearing, Ball Radial (Not Shown)	
47	70000863	1	Fan (Not Shown)	
47	70006093	1	Stator (Not Shown)	
47	70002297	1	Stud	
47	70003631	1	Brushholder Assembly (Not Shown)	
47A	70004099	1	Key	
47B	70001966	1	Bearing, Ball Radial (Located in Belt Tensioner Endbell)	
47B	70003708	1	Ring, Internal Retaining (Located in Belt Tensioner Endbell)	
47B	70003709	1	Ring, External Retaining (Located in Belt Tensioner Endbell)	
47C	70004092	1	Endbell, Belt Tensioner	
47D	70004094	1	Endbell, Brush Block	
47E	70006094	1	Shroud	
47E	70002291	1	Insulator, Endbell	
47E	7027799	1	Block, Connector 6 Position (Not Shown)	
47E	70002460	1	Nut, Brass (Attaches p/n 7027799 to Cover) (Not Shown)	
47E	70006095	1	Breaker, Circuit 30Amp (Not Shown)	
47E	70006096	1	Guard, Breaker (Not Shown)	
47E	7026626	1	Connector, 6 Position (Includes Seal) (Not Shown - Plugs into Item 36)	
47E	7026597	1	Connector, with Leads (Not Shown)	
47E	70004098	1	Clamp, Cable (Not Shown)	
47E	70006097	1	Plate, End Panel	
47E	70001974	1	Decal - Terminal Connections	
47F	70001973	1	Decal - Warning Moving Parts	
48	1001142643	1	Support	
49	1001142646	1	Belt	
50	1001196382	2	Stud	
51	1001157592	1	Junction Box Assembly Options (See Items 101-121 for Breakdown)	
55	1001174675	1	Wiring Diagram (Not Shown)	
55	4922641	1	Harness, On/Off Switch (Not Shown - Located at Platform)	
56	0760812	1	Bolt M8 x 25	
57	1321716	2	Clamp	
58	1001148641	1	Bracket	
59	5250808	1	Bolt M8 x 16	
60	5250810	1	Bolt M8 x 20	
61	5260800	2	Nut M8	
62	1001223122	1	Support	
63	4812000	4	Washer M10	
	1001157592	Ref	JUNCTION BOX ASSEMBLY	C
101	1060343	1.5 ft/ 0.5m	Cable, Electrical 10/4	
102	1001179154	2.5 ft/ 0.8m	Cable, Electrical 12/3	
103	1671092	1	Cover	
104	3300396	1	Cover, Fuse	
105	3311001	6	Nut #10	
106	4360070	1	Circuit Breaker - 15Amp	

SECTION 3 - ENGINE

ITEM	PART NUMBER	QTY	DESCRIPTION	REV
108	4460425	1	Connector, Strain Relief	
109	4460426	2	Connector, Strain Relief	
111	4460963	1	Connector	
112	4711000	10	Flatwasher #10	
114	10702077	2	Screw #10 x 3/8	
115	10702082	2	Screw #10 x 3/4	
116	1001152525	1	Plug	
117	1001157520	1	Block, Terminal	
118	1001157521	1	Box, Junction	
119	1001157528	1	Decal - Wiring Schematic	
120	1001158007	1	Cover, PVC	
121	1001158008	2	Stand-Off	
	0272435	Ref	DECAL INSTALLATION	D
	0273380	Ref	DECAL INSTALLATION	B
201	3251243	1	Decal - 120V - 60Hz	
202	1705375	1	Decal - 240V - 3 Phase - 60Hz	
203	1705387	3	Decal - Hazardous Voltage	
204	1705460	2	Decal - SkyPower	

SECTION 3 - ENGINE

FIGURE 3-63. GENERATOR INSTALLATION - 7500W/60HZ (KUBOTA ENGINE)



ART_1001272123

SECTION 3 - ENGINE

FIGURE 3-63. GENERATOR INSTALLATION - 7500W/60HZ (KUBOTA ENGINE)

ITEM	PART NUMBER	QTY	DESCRIPTION	REV
	1001272123	Ref	GENERATOR INSTALLATION - 7500W/60HZ (KUBOTA ENGINE)	A
1	0100011	AR	Compound, Locking	
2	0100048	AR	Grease, Dielectric	
3	0100079	AR	Sealant	
4	0480129	1	Belt	
5	0700818	3	Bolt M8 x 50	
6	0700819	1	Bolt M8 x 55	
7	0701016	3	Bolt M10 x 40	
8	0701224	1	Bolt M12 x 80	
9	0741608	3	Screw 3/8 x 1	
10	0760610	4	Bolt M6 x 20	
11	0760814	3	Bolt M8 x 30	
12	0760815	2	Bolt M8 x 35	
13	0761214	2	Bolt M12 x 30	
14	0761215	1	Bolt M12 x 35	
15	0860038	1	Box, Switch	
16	0861538	1	Control Box Assembly	
16	7024488	1	Card, Circuit - Generator Power	
16	See Note	NSS	Fuse (Note: Not Available - Purchase Locally)	
16	7024489	1	Card, Circuit - Control	
16	70000619	1	Harness, Control Box (Internal)	
17	0902888	1	Bracket	
18	0962520	1	Bushing	
19	2820031	AR	Heat Shrink	
20	3252764	1	Nameplate	
21	3290505	4	Nut M5	
22	3290605	4	Nut M6	
23	3290805	5	Nut M8	
24	3291201	2	Nut M12	
25	3580317	1	Pulley	
26	3580318	1	Pulley	
27	3910606	4	Screw #6 x 3/8	
28	3960422	1	Gasket	
29	4060802	1	Guard, Switch	
30	4240099	AR	Tie-Strap (Not Shown)	
31	4360336	1	Switch, Toggle	
32	4460071	1	Connector, Strain Relief	
33	4460346	1	Receptacle	
34	4811600	4	Washer M5	
35	4811700	8	Washer M6	
36	4811900	12	Washer M8	
37	4812200	1	Washer M14	
38	4922925	1	Harness, Generator	
38	4460225	1	Plug, Male - 6 Position (Plugs into Generator)	
38	See Note	NSS	Socket, Female (Use with 4460225)	
38	See Note	NSS	Seal, Plug (Use with 4460225)	
38	See Note	NSS	Seal, Interface (Use with 4460225)	
39	5241200	5	Washer M12 Hardened	
40	84521062	1	Clamp	
41	1001104029	4	Screw M5 x 30	

SECTION 3 - ENGINE

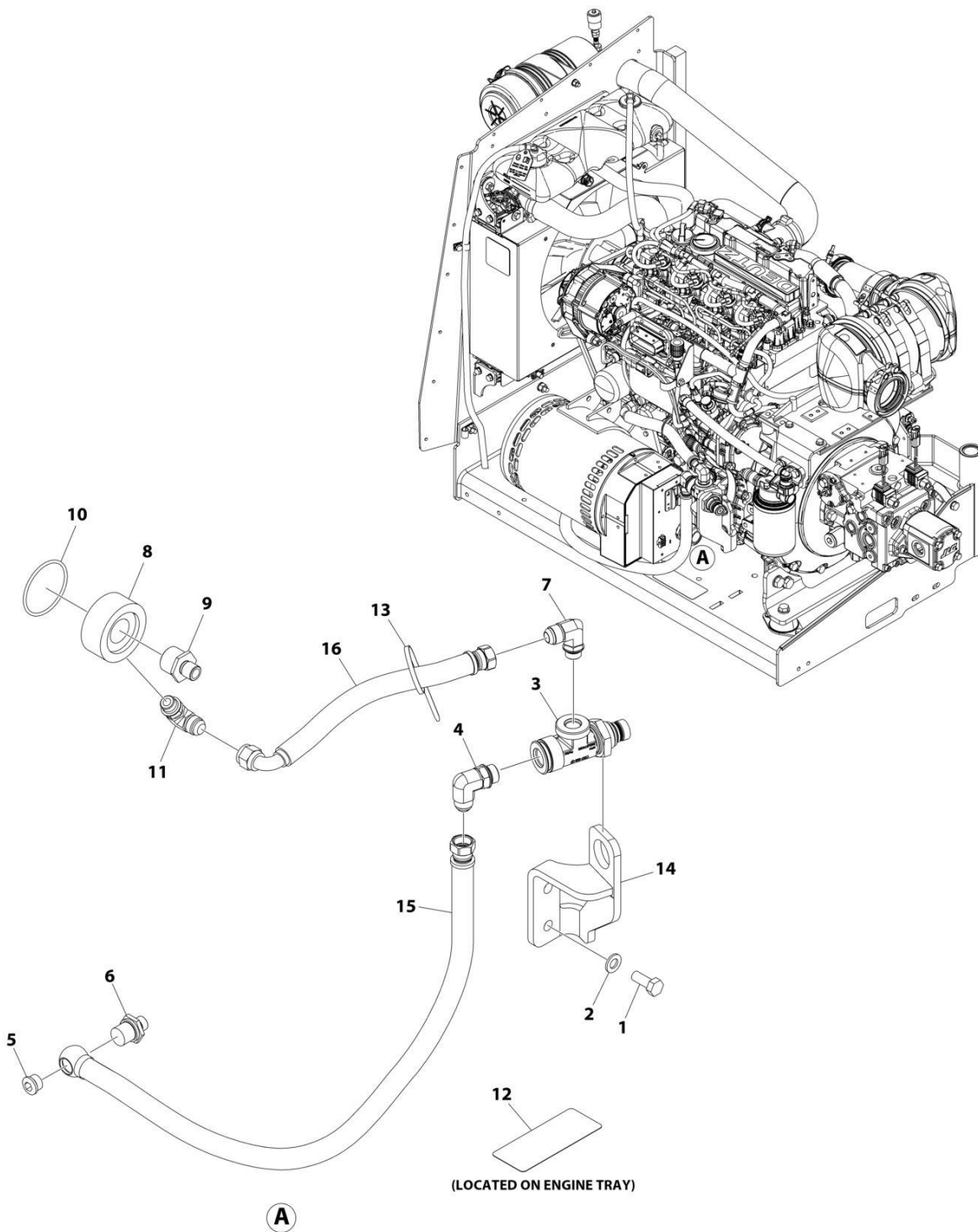
ITEM	PART NUMBER	QTY	DESCRIPTION	REV
42	1001110873	1	Shield, Cover	
43	1001147233	1	Pulley	
44	1001155041	1	Stud	
45	1001157592	1	Junction Box Assembly (See Items 101-121 for Breakdown)	
46	1001168018	1	Washer, Snubbing	
47	1001174675	1	Wiring Diagram (Not Shown)	
47	4922641	1	Harness, On/Off Switch (Not Shown - Located at Platform)	
48	1001212223	1	Generator Assembly	
48	70001100	1	Rotor (Includes p/n 70001384 & 70000863) (Not Shown)	
48	70001384	1	Bearing, Ball Radial (Not Shown)	
48	70000863	1	Fan (Not Shown)	
48	70006093	1	Stator (Not Shown)	
48	70002297	1	Stud	
48	70003631	1	Brushholder Assembly (Not Shown)	
48A	70004099	1	Key	
48B	70001966	1	Bearing, Ball Radial (Located in Belt Tensioner Endbell)	
48B	70003708	1	Ring, Internal Retaining (Located in Belt Tensioner Endbell)	
48B	70003709	1	Ring, External Retaining (Located in Belt Tensioner Endbell)	
48C	70004092	1	Endbell, Belt Tensioner	
48D	70004094	1	Endbell, Brush Block	
48E	70006094	1	Shroud	
48E	70002291	1	Insulator, Endbell	
48E	7027799	1	Block, Connector 6 Position (Not Shown)	
48E	70002460	1	Nut, Brass (Attaches p/n 7027799 to Cover) (Not Shown)	
48E	70006095	1	Breaker, Circuit 30Amp (Not Shown)	
48E	70006096	1	Guard, Breaker (Not Shown)	
48E	7026626	1	Connector, 6 Position (Includes Seal) (Not Shown - Plugs into Item 36)	
48E	70004098	1	Clamp, Cable (Not Shown)	
48E	70006097	1	Plate, End Panel	
48E	70001974	1	Decal - Terminal Connections	
48F	70001973	1	Decal - Warning Moving Parts	
49	1001213029	1	Adapter, Pulley	
50	1001214546	1	Support	
51	1001215523	1	Support	
52	1001216805	3	Spacer	
53	1001217342	1	Bolt M12 x 30	
54	1001217344	2	Bolt M12 x 50	
55	1001217345	1	Bolt M14 x 30	
56	1001271649	1	Bracket	
	1001157592	Ref	JUNCTION BOX ASSEMBLY	C
101	1060343	1.5 ft/ 0.5m	Cable, Electrical 10/4	
102	1001179154	2.5 ft/ 0.8m	Cable, Electrical 12/3	
103	1671092	1	Cover	
104	3300396	1	Cover, Fuse	
105	3311001	6	Nut #10	
106	4360070	1	Circuit Breaker - 15Amp	
108	4460425	1	Connector, Strain Relief	
109	4460426	2	Connector, Strain Relief	
111	4460963	1	Connector	

SECTION 3 - ENGINE

ITEM	PART NUMBER	QTY	DESCRIPTION	REV
112	4711000	10	Washer #10	
114	10702077	2	Screw #10 x 3/8	
115	10702082	2	Screw #10 x 3/4	
116	1001152525	1	Plug	
117	1001157520	1	Block, Terminal	
118	1001157521	1	Box, Junction	
119	1001157528	1	Decal - Wiring Schematic	
120	1001158007	1	Cover, PVC	
121	1001158008	2	Stand-Off	
	0273380	Ref	DECAL INSTALLATION	B
202	1705375	1	Decal - 240V-3 Phase-60Hz	
203	1705387	3	Decal - Hazardous Voltage	
204	1705460	2	Decal - SkyPower	

SECTION 3 - ENGINE

FIGURE 3-64. QUICKFIT OIL DRAIN INSTALLATION (DEUTZ ENGINES)



ART_1001285636

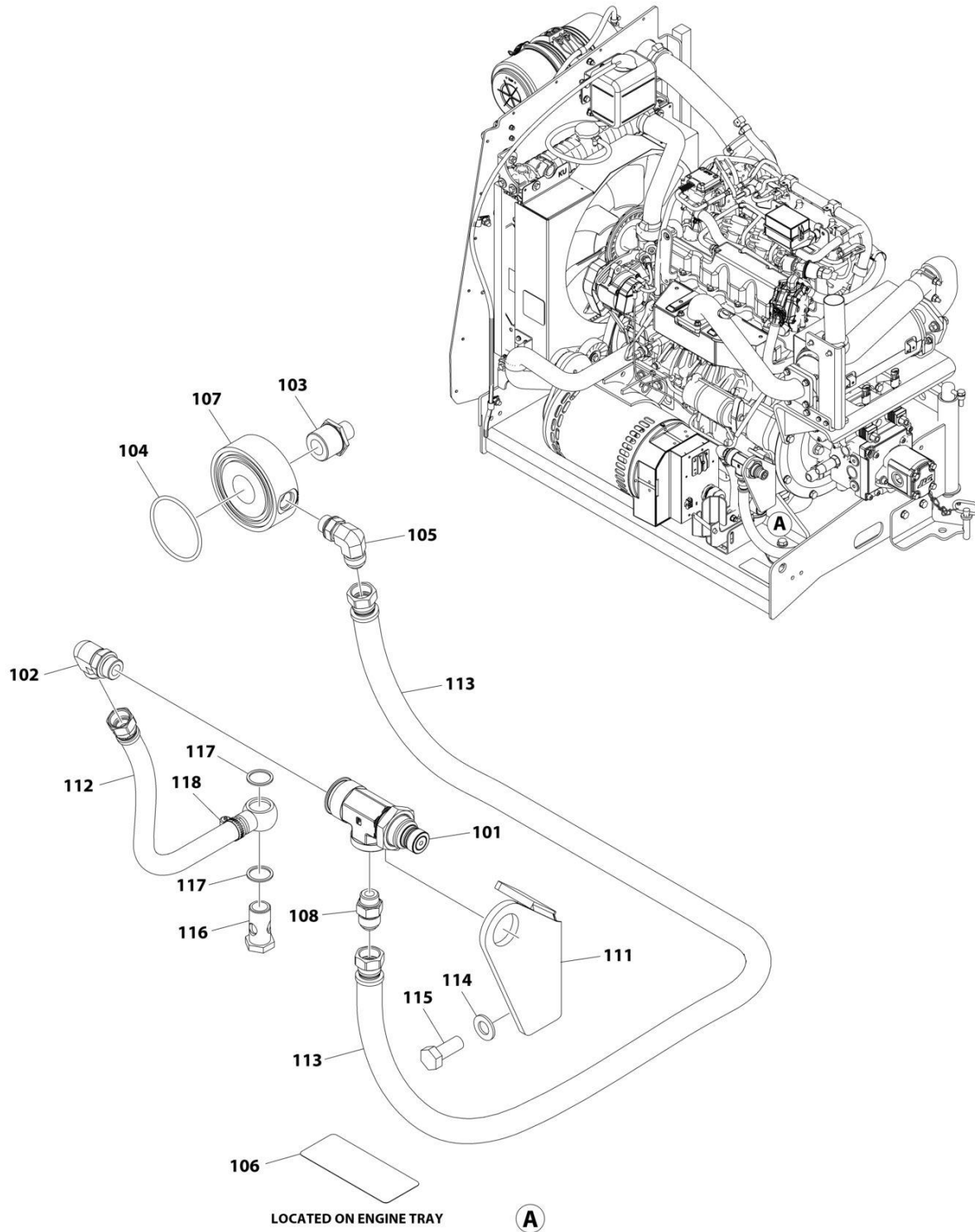
SECTION 3 - ENGINE

FIGURE 3-64. QUICKFIT OIL DRAIN INSTALLATION (DEUTZ ENGINES)

ITEM	PART NUMBER	QTY	DESCRIPTION	REV
	1001285636	Ref	QUICKFIT OIL DRAIN INSTALLATION	A
1	0761214	2	Bolt M12 x 30	
2	4812100	2	Washer M12	
3	1001281298	1	Valve, Quickfit	
4	1001281301	1	Fitting, 90	
5	1001281304	1	Plug	
6	1001281305	1	Fitting, Banjo	
7	1001281307	1	Fitting, 90	
8	1001281309	1	Filter, Ring	
9	1001281310	1	Fitting, Straight	
10	1001281311	1	O-Ring	
11	1001281359	1	Valve, Check	
12	1001281360	1	Decal - RPM Quickfit	
13	1001281656	1	Tie-Strap	
14	1001287536	1	Bracket	
15	1001287552	1	Hose	
16	1001288113	1	Hose	

SECTION 3 - ENGINE

FIGURE 3-65. QUICKFIT OIL DRAIN INSTALLATION (KUBOTA ENGINES)



ART_1001295060

SECTION 3 - ENGINE

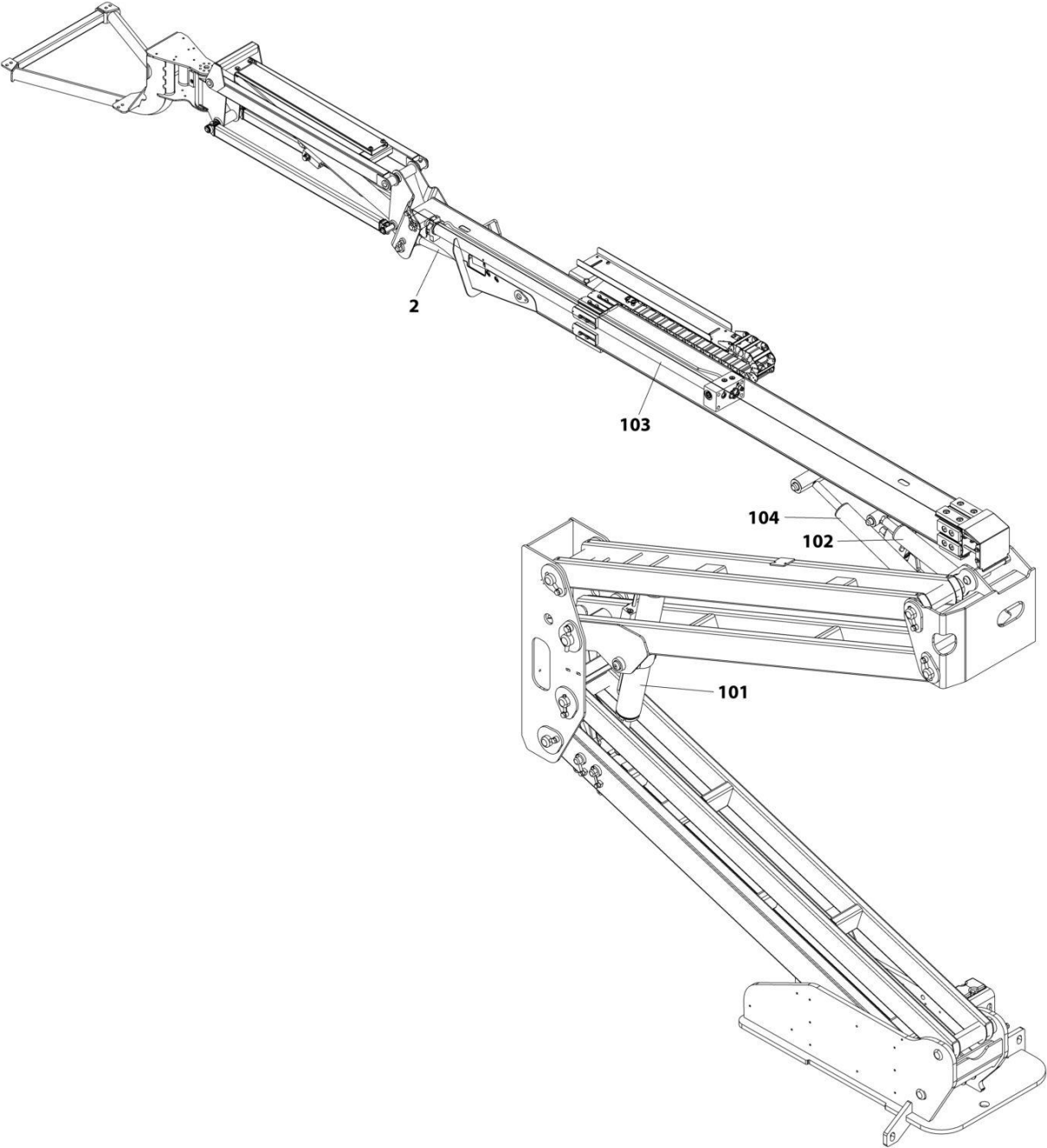
FIGURE 3-65. QUICKFIT OIL DRAIN INSTALLATION (KUBOTA ENGINES)

ITEM	PART NUMBER	QTY	DESCRIPTION	REV
	1001295060	Ref	QUICKFIT OIL DRAIN INSTALLATION (KUBOTA)	B
1	1001295061	1	Valve, Quickfit (Kubota 2.5L DF) (Not Shown)	
101	1001281298	1	Valve, Small Quickfit	
102	1001281301	1	Fitting, 90	
103	1001281310	1	Fitting, Nipple Filter Ring	
104	1001281311	1	O-Ring	
105	1001281359	1	Valve, Check Valve	
106	1001281360	1	Decal - Quickfit	
107	1001281380	1	Filter	
108	1001281302	1	Fitting, Quickfit	
109	1001281656	AR	Tie-Strap (Not Shown)	
110	1001290385	AR	Cable Mount (Not Shown)	
111	1001295062	1	Bracket	
112	1001295063	1	Hose	
113	1001295064	1	Hose	
114	1001295067	2	Washer M14	
115	1001295068	2	Bolt M14 x 35	
116	1001297092	1	Bolt M22 x 1.5	
117	1001297093	2	Washer	
118	1001297094	1	Clamp	

SECTION 4 - BOOM

SECTION 4 - BOOM

FIGURE 4-1. CYLINDERS INSTALLATION - 450A



ART_1001215225_D

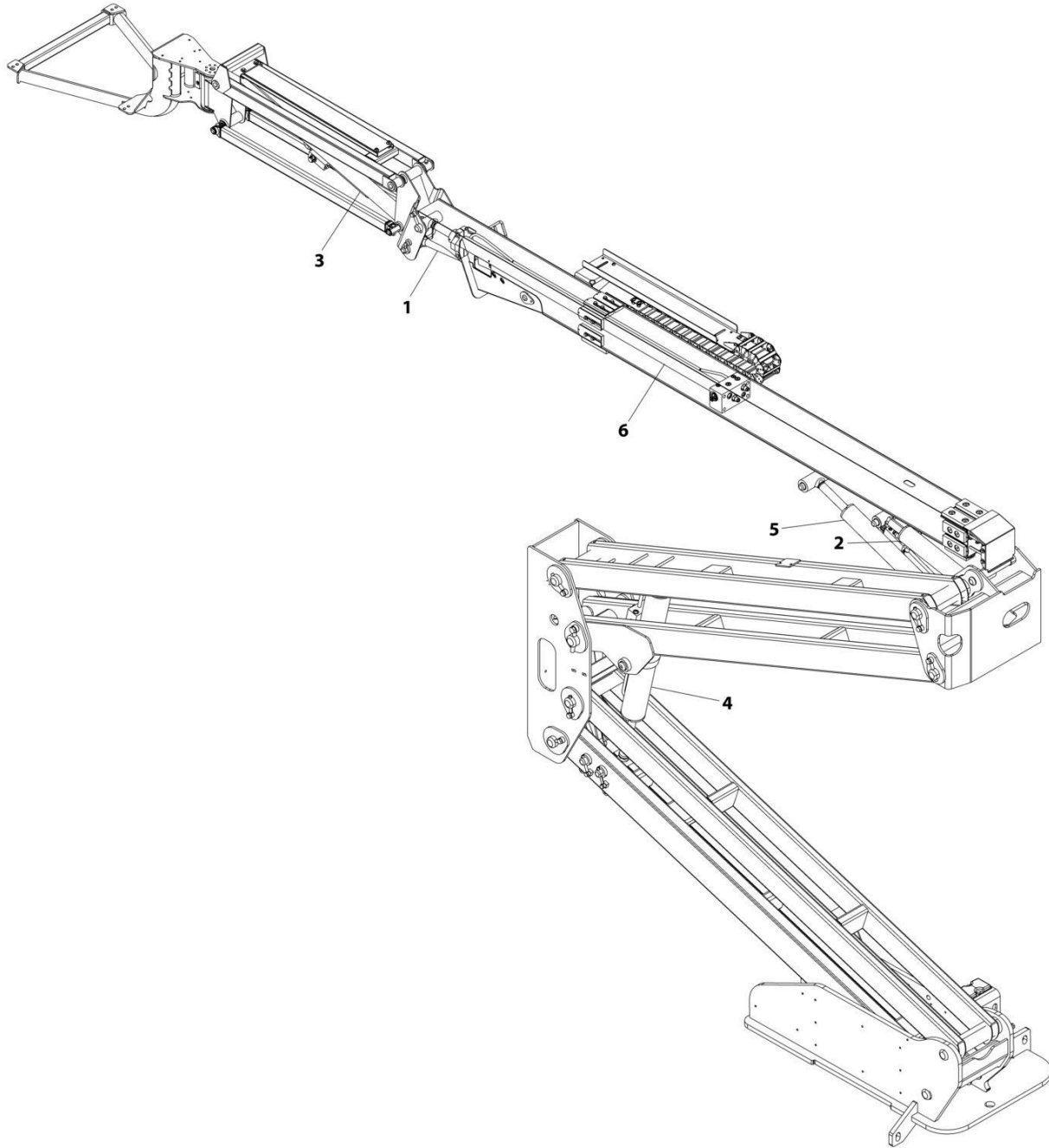
SECTION 4 - BOOM

FIGURE 4-1. CYLINDERS INSTALLATION - 450A

ITEM	PART NUMBER	QTY	DESCRIPTION	REV
2	1001215225	Ref	CYLINDERS INSTALLATION - 450A	D
	1001161716	1	Level (Platform Slave) Cylinder Assembly (See Separate Breakdown in CYLINDER SECTION)	
100	1001219004	Ref	CYLINDER KIT INSTALLATION	C
101	1001254716	1	Lift Cylinder Assembly - Tower Boom (See Separate Breakdown in CYLINDER Section)	
102	1001161717	1	Master Cylinder Assembly (See Separate Breakdown in CYLINDER Section)	
103	1001266711	1	Telescope Cylinder Assembly (See Separate Breakdown in CYLINDER Section)	
104	1001266738	1	Lift Cylinder Assembly - Main Boom (See Separate Breakdown in CYLINDER Section)	

SECTION 4 - BOOM

FIGURE 4-2. CYLINDERS INSTALLATION – 450AJ (MACHINES WITH SN STARTING WITH 03)



ART_1001273650_B

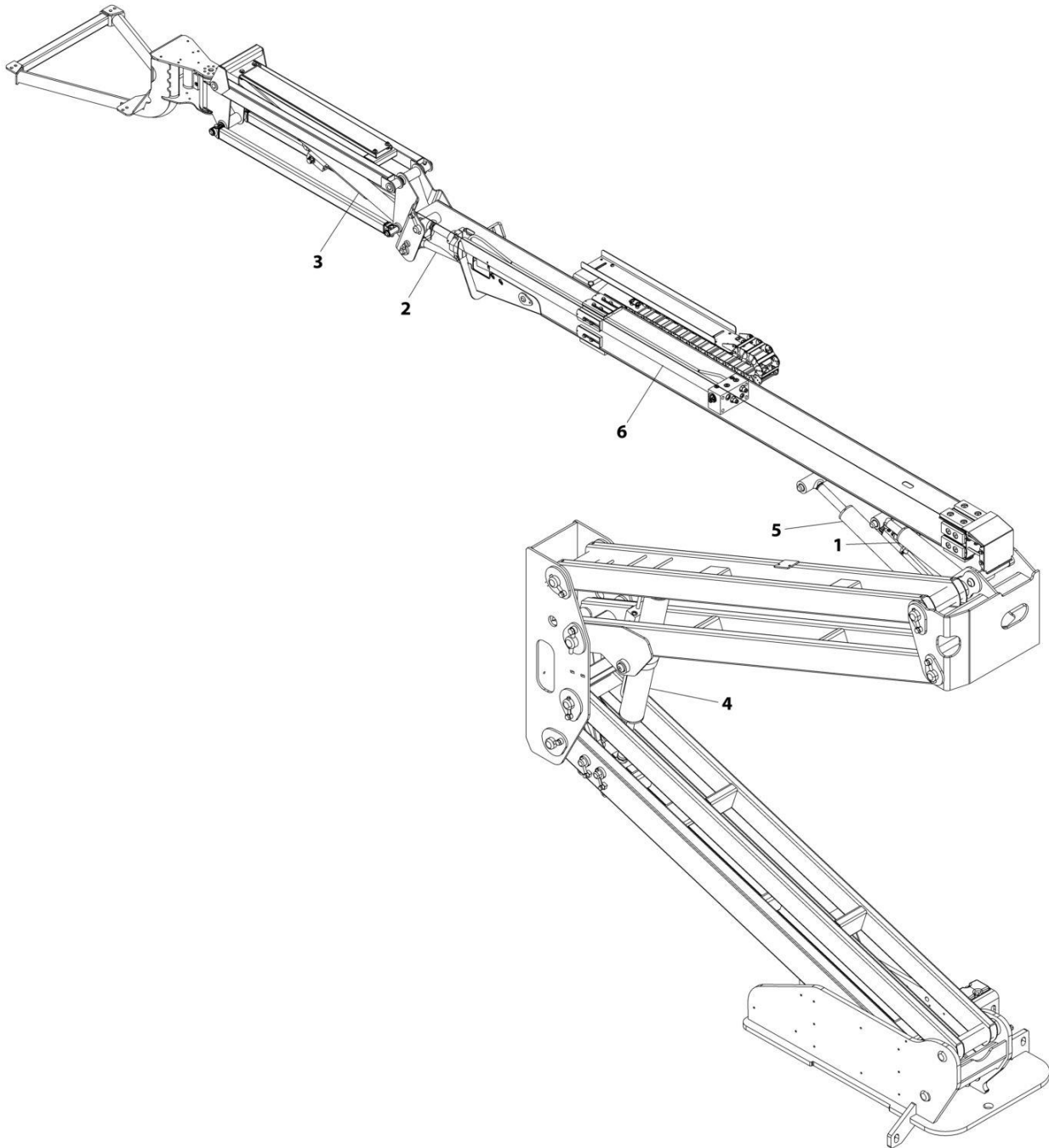
SECTION 4 - BOOM

FIGURE 4-2. CYLINDERS INSTALLATION – 450AJ (MACHINES WITH SN STARTING WITH 03)

ITEM	PART NUMBER	QTY	DESCRIPTION	REV
	1001273650	Ref	CYLINDERS INSTALLATION	B
1	1001161716	1	Level (Platform Slave) Cylinder Assembly (See Separate Breakdown in CYLINDER Section)	
2	1001161717	1	Master Cylinder Assembly (See Separate Breakdown in CYLINDER Section)	
3	1001163767	1	Lift Cylinder Assembly - Jib (See Separate Breakdown in CYLINDER Section)	
4	1001254716	1	Lift Cylinder Assembly - Tower Boom (See Separate Breakdown in CYLINDER Section)	
5	1001254742	1	Lift Cylinder Assembly - Main Boom (See Separate Breakdown in CYLINDER Section)	
6	1001272671	1	Telescope Cylinder Assembly (See Separate Breakdown in CYLINDER Section)	

SECTION 4 - BOOM

FIGURE 4-3. CYLINDERS INSTALLATION – 450AJ (MACHINES WITH SN STARTING WITH B3)



ART_1001280826_B

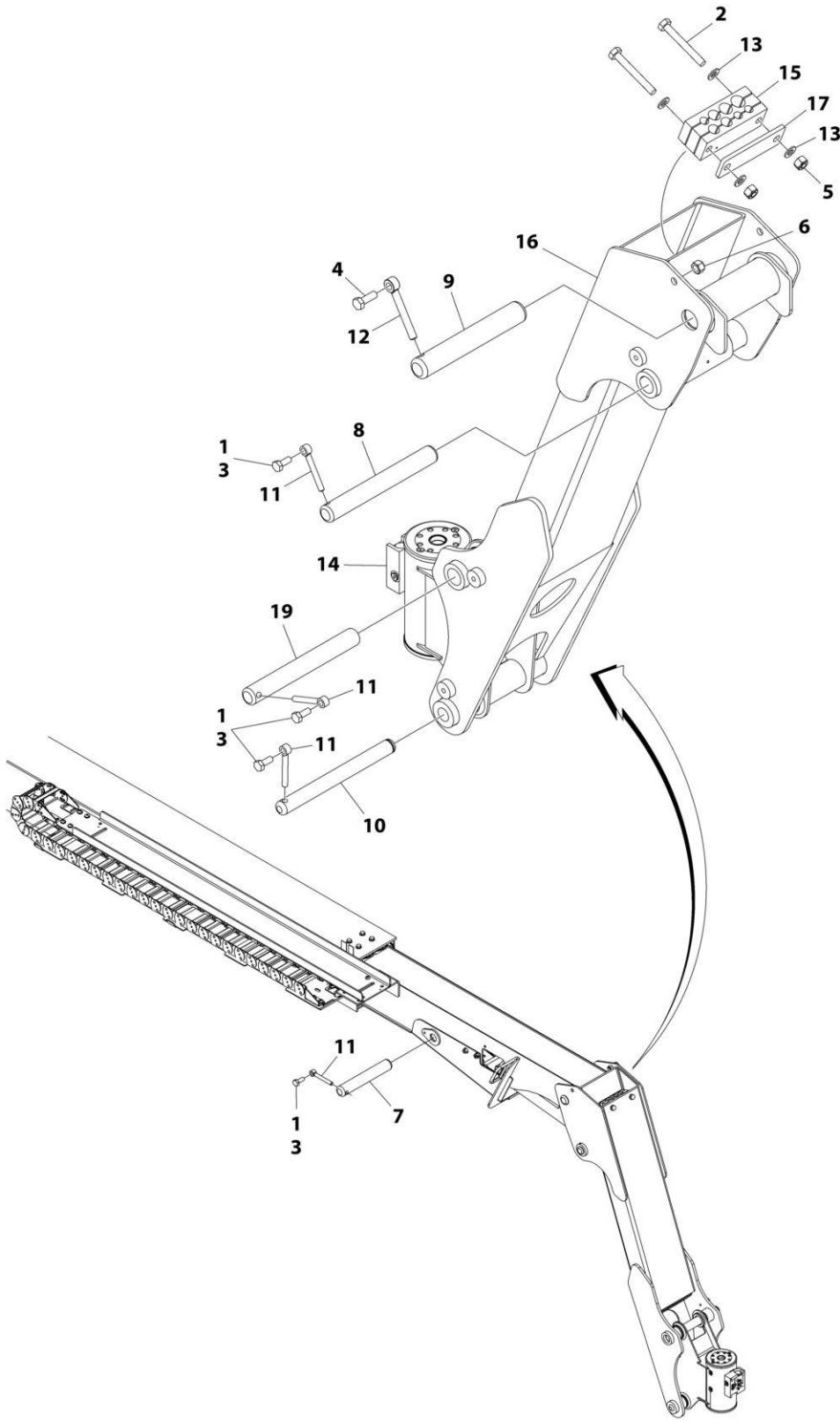
SECTION 4 - BOOM

FIGURE 4-3. CYLINDERS INSTALLATION – 450AJ (MACHINES WITH SN STARTING WITH B3)

ITEM	PART NUMBER	QTY	DESCRIPTION	REV
	1001280826	Ref	CYLINDERS INSTALLATION	B
1	1001253628	1	Master Cylinder Assembly (See Separate Breakdown in CYLINDER Section)	
2	1001253629	1	Level (Platform Slave) Cylinder Assembly (See Separate Breakdown in CYLINDER Section)	
3	1001285271	1	Lift Cylinder Assembly - Jib (See Separate Breakdown in CYLINDER Section)	
4	1001254716	1	Lift Cylinder Assembly - Tower Boom (See Separate Breakdown in CYLINDER Section)	
5	1001254742	1	Lift Cylinder Assembly - Main Boom (See Separate Breakdown in CYLINDER Section)	
6	1001272671	1	Telescope Cylinder Assembly (See Separate Breakdown in CYLINDER Section)	

SECTION 4 - BOOM

FIGURE 4-4. BOOM INSTALLATION - 450A



ART_1001218940

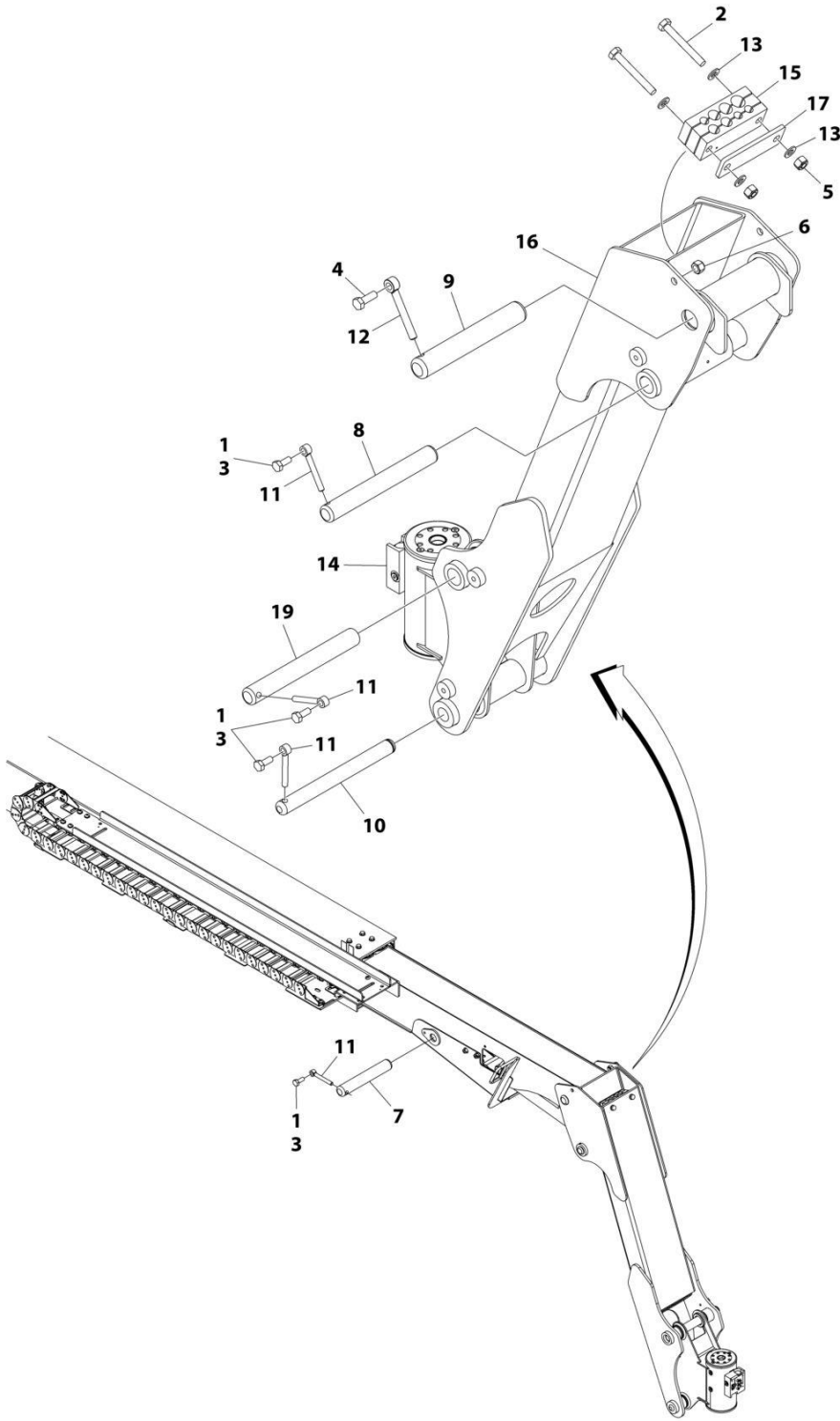
SECTION 4 - BOOM

FIGURE 4-4. BOOM INSTALLATION - 450A

ITEM	PART NUMBER	QTY	DESCRIPTION	REV
	1001218940	Ref	BOOM INSTALLATION - 450A	D
1	0100011	AR	Compound, Locking	
2	0761024	2	Bolt M10 x 80	
3	0761012	4	Bolt M10 x 25	
4	0761015	1	Bolt M10 x 35	
5	3291005	2	Nut M10 (Grade8)	
6	3291205	1	Nut M12 (Grade8)	
7	3422755	1	Pin	
8	3422792	1	Pin	
9	3422793	1	Pin	
10	3423105	1	Pin	
11	3841143	4	Keeper, Pin	
12	3841203	1	Keeper, Pin	
13	4812000	4	Washer M10	
14	1001217779	1	Rotator Assembly (See Separate Breakdown in this Section)	
15	1001273302	1	Block, Clamping	
16	1001215058	1	Link, Fixed Jib	
17	1001216639	1	Clamp	
19	3422790	1	Pin	
100	1001218943	Ref	BOOM INSTALLATION (Not Shown)	A
101	1001219001	1	Cables and Clamps Installation (Not Shown - See Separate Breakdown in ELECTRICAL Section)	
102	1001219003	1	Boom Installation Kit (Not Shown - See Separate Breakdown in this Section)	

SECTION 4 - BOOM

FIGURE 4-5. BOOM INSTALLATION - 450A (WITH AIRLINE)



ART_1001218941

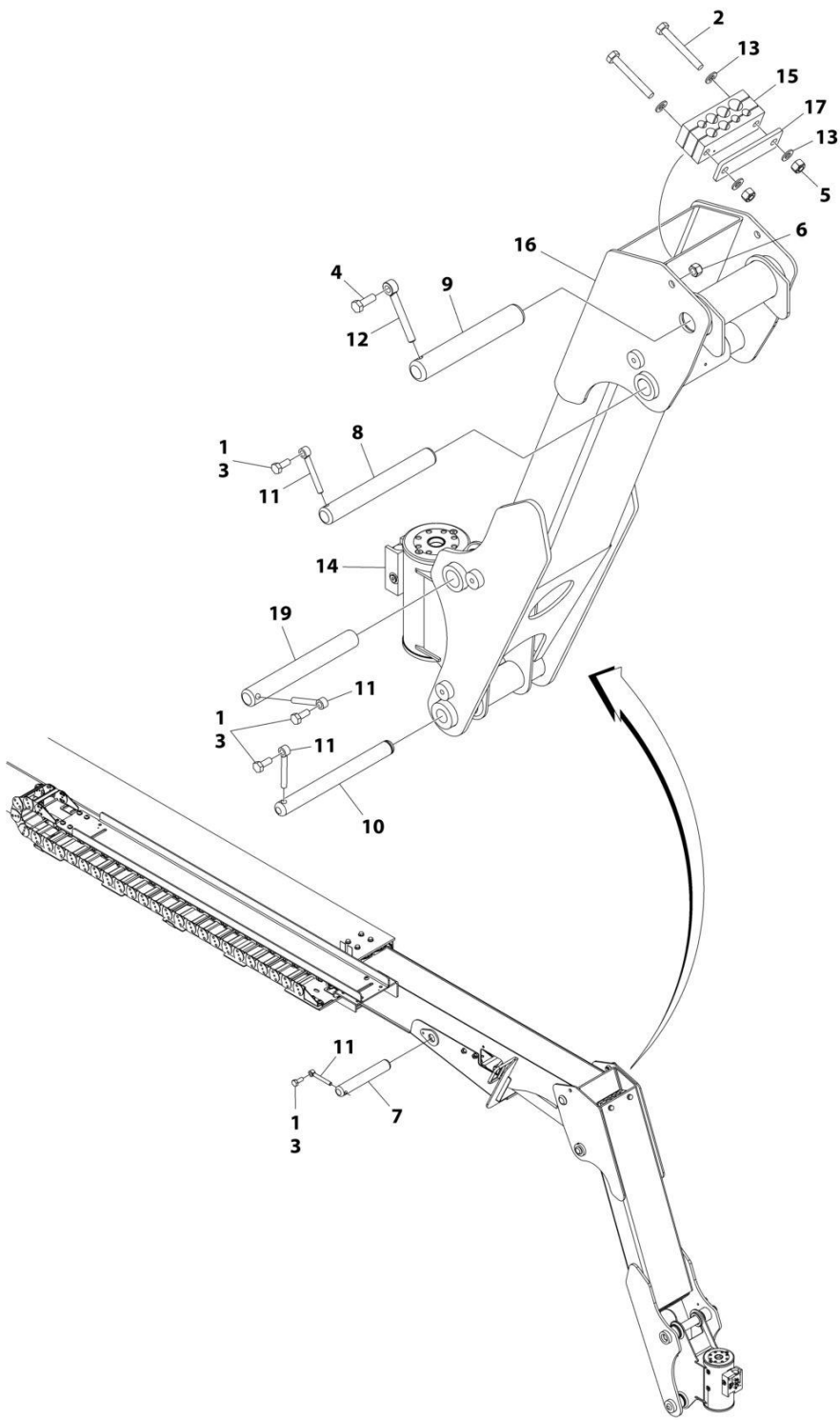
SECTION 4 - BOOM

FIGURE 4-5. BOOM INSTALLATION - 450A (WITH AIRLINE)

ITEM	PART NUMBER	QTY	DESCRIPTION	REV
	1001218941	Ref	BOOM INSTALLATION WITH AIRLINE- 450A	D
1	0100011	AR	Compound, Locking	
2	0761024	2	Bolt M10 x 80	
3	0761012	4	Bolt M10 x 25	
4	0761015	1	Bolt M10 x 35	
5	3291005	2	Nut M10 (Grade8)	
6	3291205	1	Nut M12 (Grade8)	
7	3422755	1	Pin	
8	3422792	1	Pin	
9	3422793	1	Pin	
10	3423105	1	Pin	
11	3841143	4	Keeper, Pin	
12	3841203	1	Keeper, Pin	
13	4812000	4	Washer M10	
14	1001217779	1	Rotator Assembly (See Separate Breakdown in this Section)	
15	1001273302	1	Block, Clamping	
16	1001215058	1	Link, Fixed Jib	
17	1001216639	1	Clamp	
19	3422790	1	Pin	
100	1001218946	Ref	BOOM INSTALLATION WITH AIRLINE (Not Shown)	A
101	1001219000	1	Airline Installation Kit (Not Shown - See SPECIAL OPTIONS)	
102	1001219001	1	Cables and Clamps Installation (Not Shown - See Separate Breakdown in ELECTRICAL Section)	
103	1001219003	1	Boom Installation Kit (Not Shown - See Separate Breakdown in this Section)	

SECTION 4 - BOOM

FIGURE 4-6. BOOM INSTALLATION - 450A (WITH SKYPOWER AND AIRLINE)



ART_1001218942

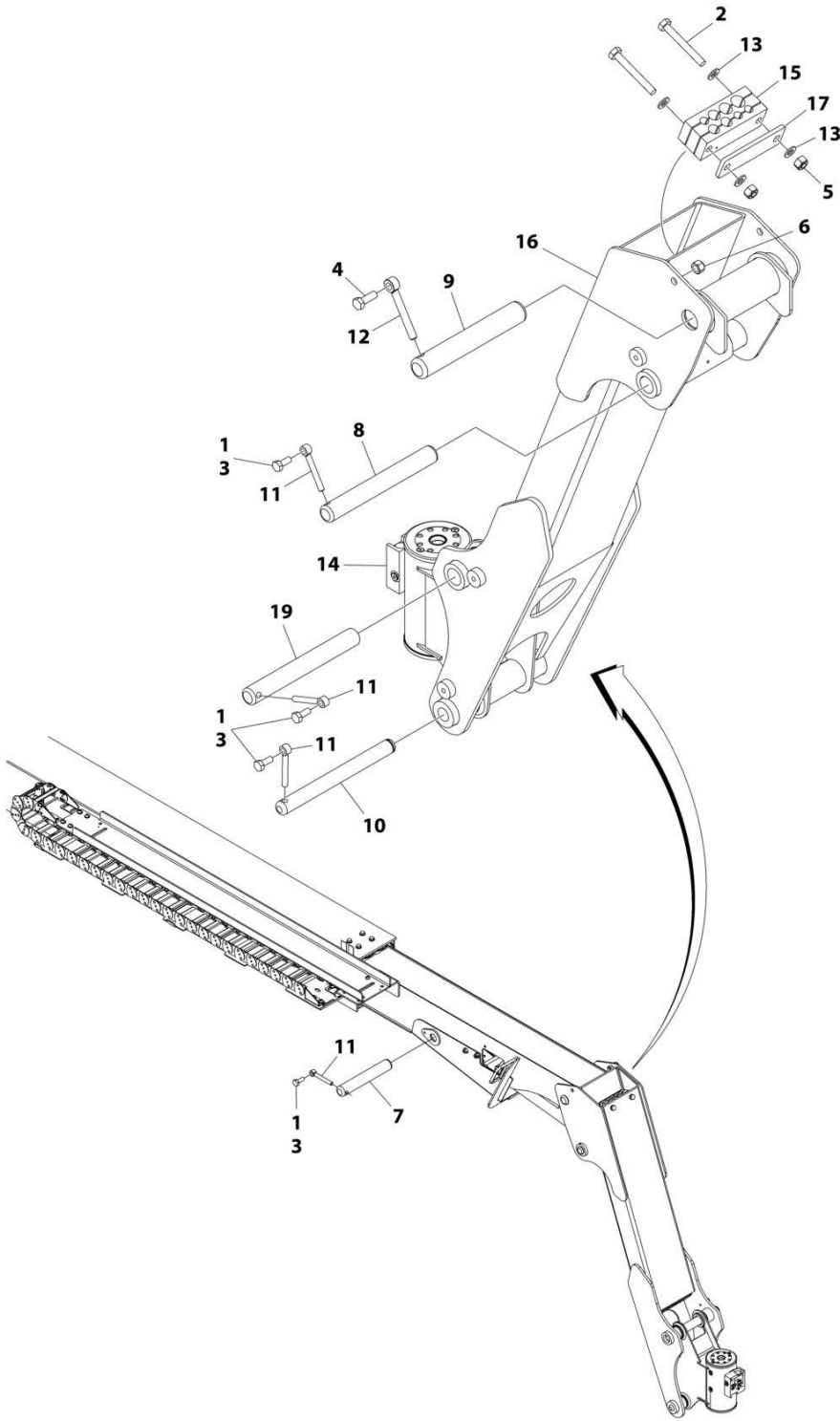
SECTION 4 - BOOM

FIGURE 4-6. BOOM INSTALLATION - 450A (WITH SKYPOWER AND AIRLINE)

ITEM	PART NUMBER	QTY	DESCRIPTION	REV
	1001218942	Ref	BOOM INSTALLATION WITH SKYPOWER AND AIRLINE- 450A	D
1	0100011	AR	Compound, Locking	
2	0761024	2	Bolt M10 x 80	
3	0761012	4	Bolt M10 x 25	
4	0761015	1	Bolt M10 x 35	
5	3291005	2	Nut M10 (Grade8)	
6	3291205	1	Nut M12 (Grade8)	
7	3422755	1	Pin	
8	3422792	1	Pin	
9	3422793	1	Pin	
10	3423105	1	Pin	
11	3841143	4	Keeper, Pin	
12	3841203	1	Keeper, Pin	
13	4812000	4	Washer M10	
14	1001217779	1	Rotator Assembly (See Separate Breakdown in this Section)	
15	1001273302	1	Block, Clamping	
16	1001215058	1	Link, Fixed Jib	
17	1001216639	1	Clamp	
19	3422790	1	Pin	
100	1001218947	Ref	BOOM INSTALLATION WITH AIRLINE (Not Shown)	A
101	1001219000	1	Airline Installation Kit (Not Shown - See SPECIAL OPTIONS)	
102	1001219002	1	Boom Installation Kit (Not Shown - See Separate Breakdown in this Section)	
103	1001219003	1	Boom Installation Kit (Not Shown - See Separate Breakdown in this Section)	

SECTION 4 - BOOM

FIGURE 4-7. BOOM INSTALLATION - 450A (WITH SKYPOWER)



ART_1001235055

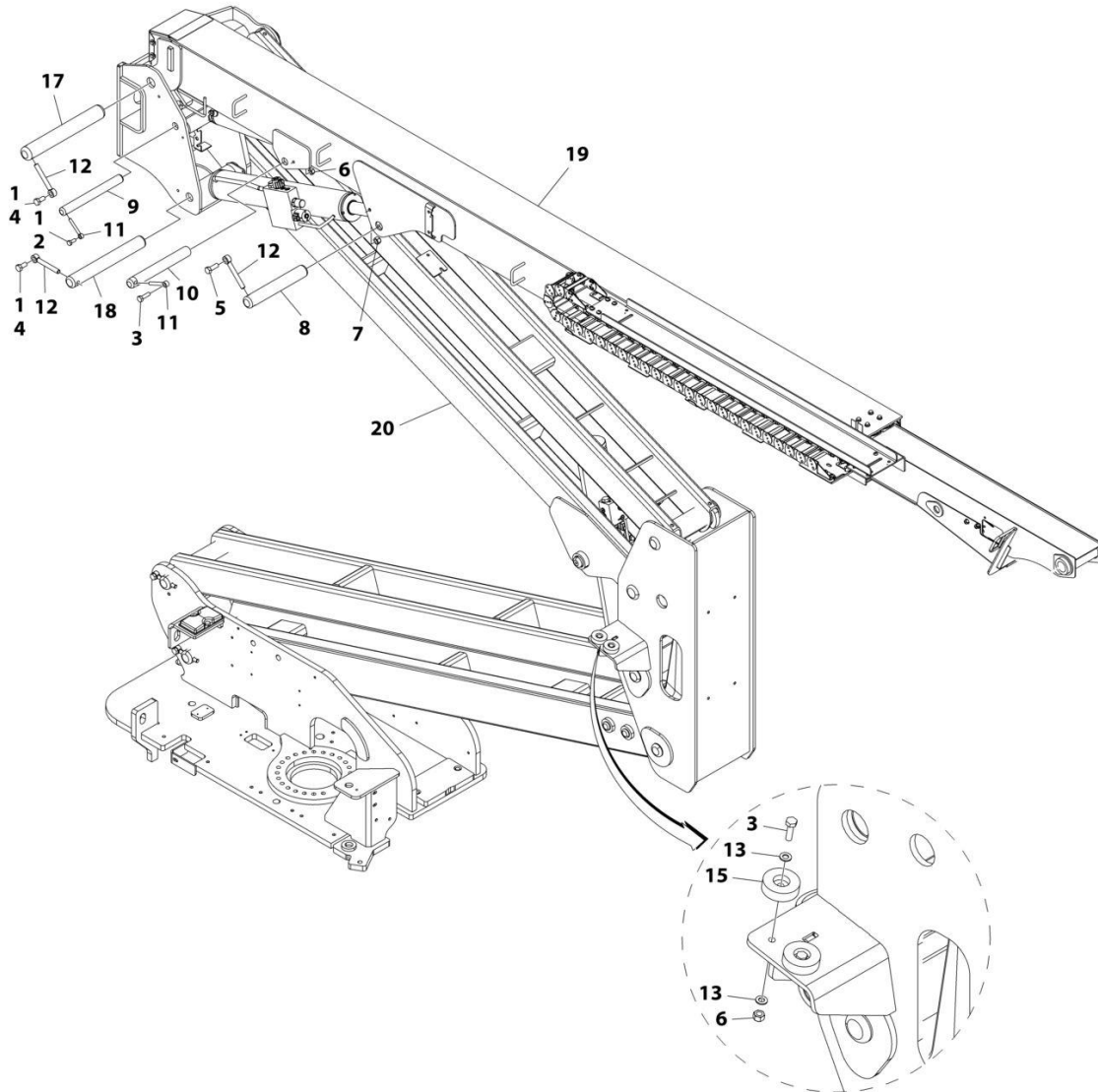
SECTION 4 - BOOM

FIGURE 4-7. BOOM INSTALLATION - 450A (WITH SKYPOWER)

ITEM	PART NUMBER	QTY	DESCRIPTION	REV
	1001235055	Ref	BOOM INSTALLATION WITH SKYPOWER	B
1	0100011	AR	Compound, Locking	
2	0761024	2	Bolt M10 x 80	
3	0761012	4	Bolt M10 x 25	
4	0761015	1	Bolt M10 x 35	
5	3291005	2	Nut M10 (Grade8)	
6	3291205	1	Nut M12 (Grade8)	
7	3422755	1	Pin	
8	3422792	1	Pin	
9	3422793	1	Pin	
10	3423105	1	Pin	
11	3841143	4	Keeper, Pin	
12	3841203	1	Keeper, Pin	
13	4812000	4	Washer M10	
14	1001217779	1	Rotator Assembly (See Separate Breakdown in this Section)	
15	1001273302	1	Block, Clamping	
16	1001215058	1	Link, Fixed Jib	
17	1001216639	1	Clamp	
19	3422790	1	Pin	
100	1001235053	Ref	BOOM INSTALLATION WITH AIRLINE (Not Shown)	A
101	1001219002	1	Cables and Clamps Installation (Not Shown - See Separate Breakdown in ELECTRICAL Section)	
102	1001219003	1	Boom Installation Kit (Not Shown - See Separate Breakdown in this Section)	

SECTION 4 - BOOM

FIGURE 4-8. BOOM INSTALLATION KIT - 450A



ART_1001219003

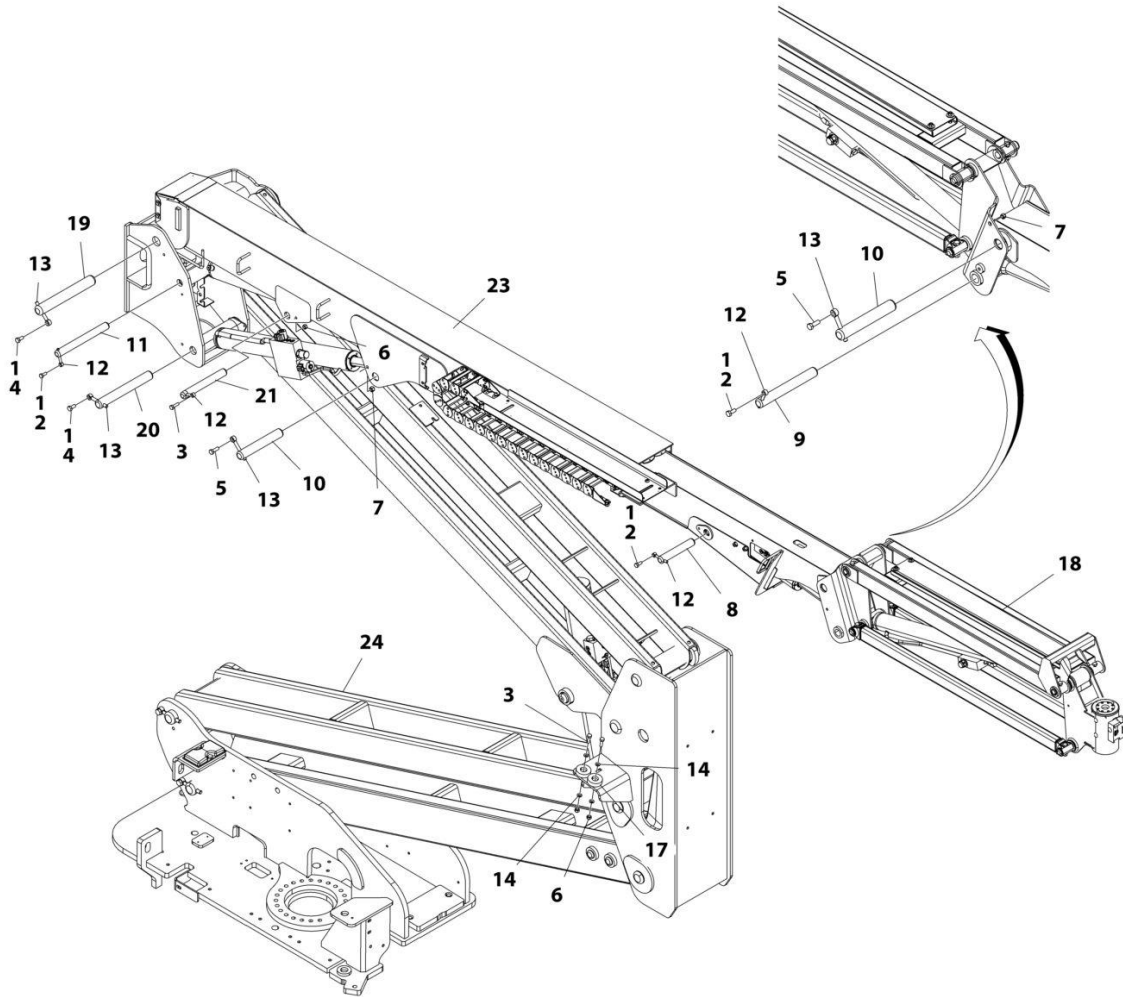
SECTION 4 - BOOM

FIGURE 4-8. BOOM INSTALLATION KIT - 450A

ITEM	PART NUMBER	QTY	DESCRIPTION	REV
	1001219003	Ref	BOOM INSTALLATION KIT - 450A	C
1	0100011	AR	Compound, Locking	
2	0761012	1	Bolt M10 x 25	
3	0761015	3	Bolt M10 x 35	
4	0761212	2	Bolt M12 x 25	
5	0761215	1	Bolt M12 x 35	
6	3291005	3	Nut M10 (Grade8)	
7	3291205	2	Nut M12 (Grade8)	
8	3422793	2	Pin	
9	3422806	1	Pin	
10	3423038	1	Pin	
11	3841143	2	Keeper, Pin	
12	3841203	3	Keeper, Pin	
13	4812000	4	Washer M10	
14	5251010	2	Bolt M10 x 25	
15	1001112607	2	Block, Boom Rest	
16	1001162535	1	Upright Valve Assembly (Not Shown - See Separate Breakdown in this Section)	
17	1001169246	1	Pin	
18	1001169247	1	Pin	
19	1001179626	1	Main Boom Assembly (See Separate Breakdown in this Section)	
20	1001180006	1	Tower Boom Assembly (See Separate Breakdown in this Section)	
200	1001219004	1	Cylinder Installation (Not Shown - See 450A Cylinders Installation in this Section)	

SECTION 4 - BOOM

FIGURE 4-9. BOOM INSTALLATION - 450AJ



ART_1001180872

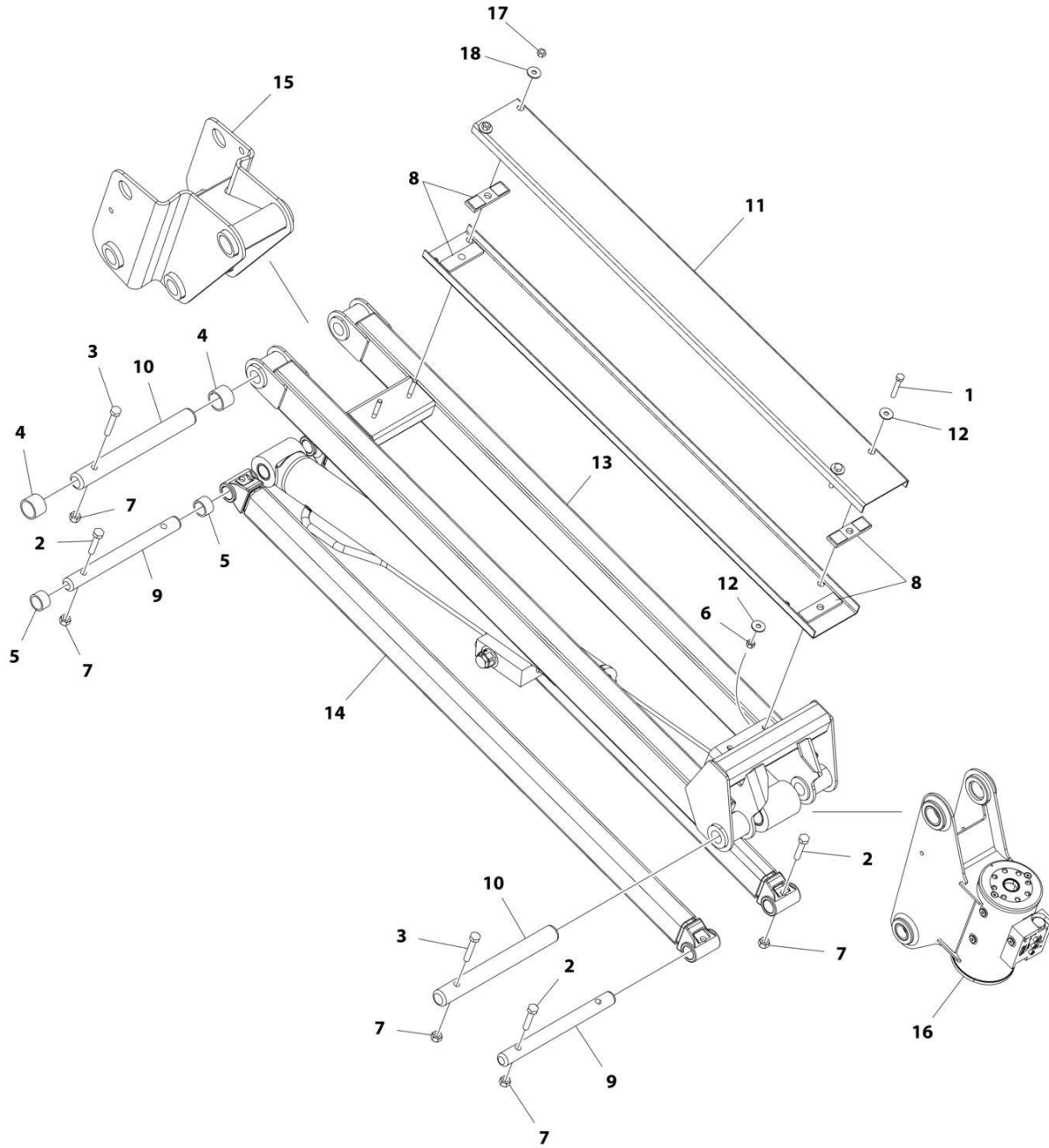
SECTION 4 - BOOM

FIGURE 4-9. BOOM INSTALLATION - 450AJ

ITEM	PART NUMBER	QTY	DESCRIPTION	REV
	1001180872	Ref	BOOM INSTALLATION - 450AJ	D
1	0100011	AR	Compound, Locking	
2	0761012	3	Bolt M10 x 25	
3	0761015	3	Bolt M10 x 35	
4	0761212	2	Bolt M12 x 25	
5	0761215	2	Bolt M12 x 35	
6	3291005	3	Nut M10 (Grade8)	
7	3291205	2	Nut M12 (Grade8)	
8	3422755	1	Pin	
9	3422792	1	Pin	
10	3422793	2	Pin	
11	3422806	1	Pin	
12	3841143	4	Keeper, Pin	
13	3841203	4	Keeper, Pin	
14	4812000	4	Washer M10	
17	1001112607	2	Block, Boom Rest	
18	1001164016	1	Jib Installation (See Separate Breakdown in this Section)	
19	1001169246	1	Pin	
20	1001169247	1	Pin	
21	3423038	1	Pin	
23	1001178636	1	Main Boom Assembly (See Separate Breakdown in this Section)	
24	1001180004	1	Tower Boom Assembly (See Separate Breakdown in this Section)	

SECTION 4 - BOOM

FIGURE 4-10. JIB INSTALLATION - 450AJ



ART_1001164016_E

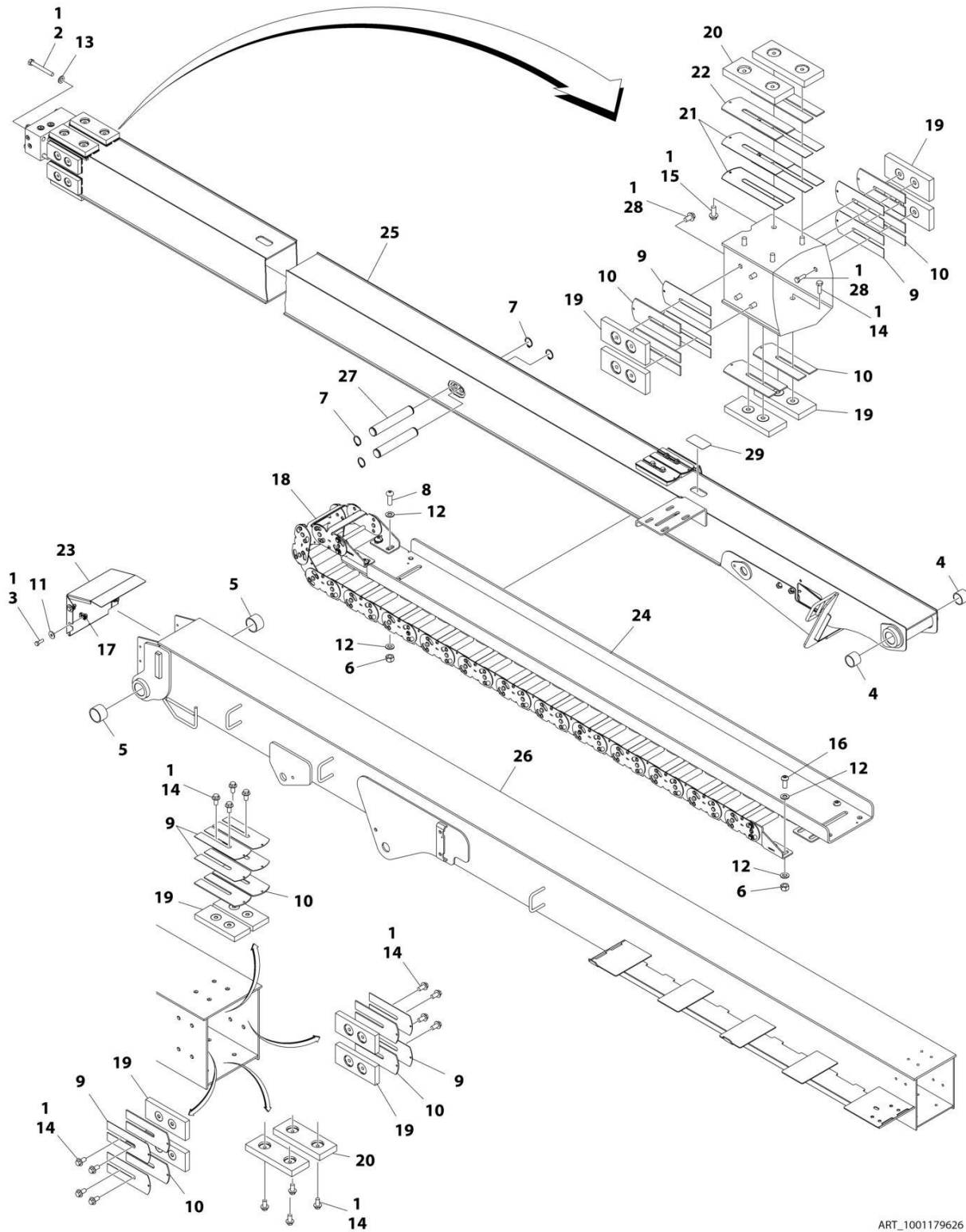
SECTION 4 - BOOM

FIGURE 4-10. JIB INSTALLATION - 450AJ

ITEM	PART NUMBER	QTY	DESCRIPTION	REV
	1001164016	Ref	JIB INSTALLATION	E
1	0700820	2	Bolt M8 x 60	
2	0701019	4	Bolt M10 x 55	
3	0701020	2	Bolt M10 x 60	
4	0961951	2	Bushing	
5	0962292	2	Bearing	
6	3290805	2	Nut M8	
7	3291005	6	Nut M10	
8	3340860	4	Pad, Rubber	
9	3422791	2	Pin	
10	3422794	2	Pin	
11	3572551	2	Channel	
12	4811902	4	Washer M8	
13	4846278	1	Link (Upper)	
14	1001094670	2	Link (Lower)	
15	1001163937	1	Pivot	
16	1001217779	1	Rotator Assembly (See Separate Breakdown in this Section)	
17	3311501	2	Nut 5/16	
18	4751500	2	Washer 5/16	

SECTION 4 - BOOM

FIGURE 4-11. MAIN BOOM ASSEMBLY - 450A



ART_1001179626

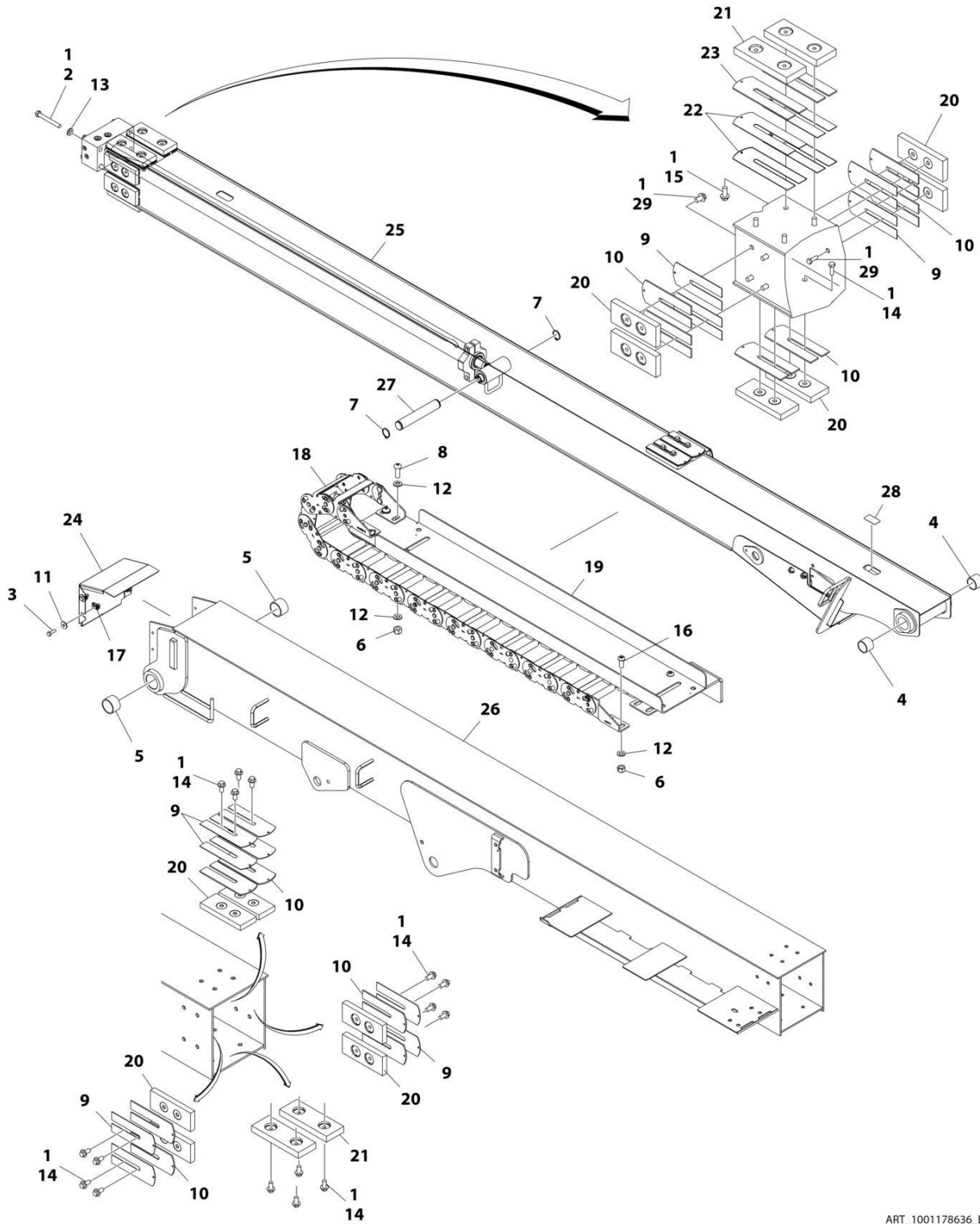
SECTION 4 - BOOM

FIGURE 4-11. MAIN BOOM ASSEMBLY - 450A

ITEM	PART NUMBER	QTY	DESCRIPTION	REV
	1001179626	Ref	MAIN BOOM ASSEMBLY	D
1	0100011	AR	Compound, Locking	
2	0711227	4	Bolt M12 x 100	
3	0760812	4	Bolt M8 x 25	
4	0961948	2	Bearing	
5	0961949	2	Bearing	
6	3291005	10	Nut M10	
7	3760351	4	Ring, Retaining	
8	3900351	4	Screw M10 x 30	
9	4070897	12	Shim	
10	4070898	12	Shim	
11	4811902	4	Washer M8	
12	4812000	18	Washer M10	
13	5241200	4	Washer M12 Hardened	
14	5251010	20	Bolt M10 x 20	
15	5251012	4	Bolt M10 x 25	
16	8310668	6	Screw M10 x 25 Grade 10.9	
17	1001118274	4	Nut M8	
18	1001224894	1	Powertrack Assembly	
18	70006256	1	Link, Repair	
18	70006272	1	Feet, Mounting	
19	1001169304	12	Pad, Wear	
20	1001169305	4	Pad, Wear	
21	1001169402	4	Shim	
22	1001169403	2	Shim	
23	1001170226	1	Cover, Boom End	
24	1001170334	1	Tube, Carrier	
25	1001178554	1	Fly, Boom	
26	1001178555	1	Base, Boom	
27	1001180541	2	Pin	
28	5251009	8	Bolt M10 x 18	
29	1670836	1	Cover	

SECTION 4 - BOOM

FIGURE 4-12. MAIN BOOM ASSEMBLY - 450AJ



ART_1001178636_E

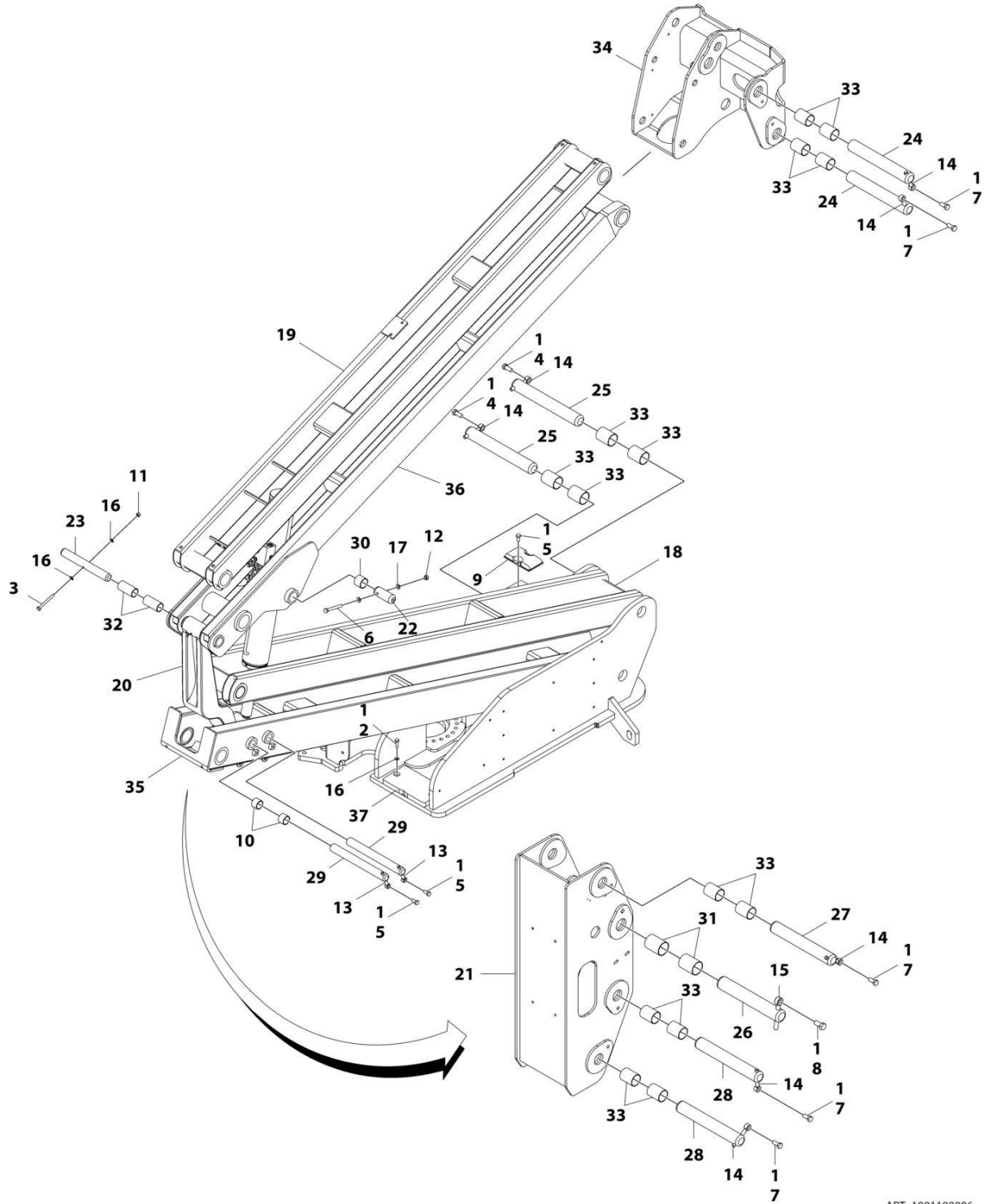
SECTION 4 - BOOM

FIGURE 4-12. MAIN BOOM ASSEMBLY - 450AJ

ITEM	PART NUMBER	QTY	DESCRIPTION	REV
	1001178636	Ref	MAIN BOOM ASSEMBLY	E
1	0100011	AR	Compound, Locking	
2	0711227	4	Bolt M12 x 100	
3	0760812	4	Bolt M8 x 25	
4	0961948	2	Bearing	
5	0961949	2	Bearing	
6	3291005	10	Nut M10	
7	3760115	2	Ring, Retaining	
8	3900351	4	Screw M10 x 30	
9	4070897	12	Shim	
10	4070898	12	Shim	
11	4811902	4	Washer M8	
12	4812000	18	Washer M10	
13	5241200	4	Washer M12	
14	5251010	20	Bolt M10 x 20	
15	5251012	4	Bolt M10 x 25	
16	8310668	6	Screw M10 x 25	
17	1001118274	4	Nut M8	
18	1001224889	1	Powertrack Assembly	
18	70006256	1	Link, Repair	
18	70006271	1	Feet, Mounting	
19	1001166651	1	Tube, Carrier	
20	1001169304	12	Pad, Wear	
21	1001169305	4	Pad, Wear	
22	1001169402	4	Shim	
23	1001169403	2	Shim	
24	1001170226	1	Cover, Boom End	
25	1001177896	1	Fly, Boom	
26	1001177897	1	Base, Boom	
27	1001180540	1	Pin	
28	1670836	1	Cover	
29	5251009	8	Bolt M10 x 18	

SECTION 4 - BOOM

FIGURE 4-13. TOWER BOOM ASSEMBLY - 450A



ART_1001180006

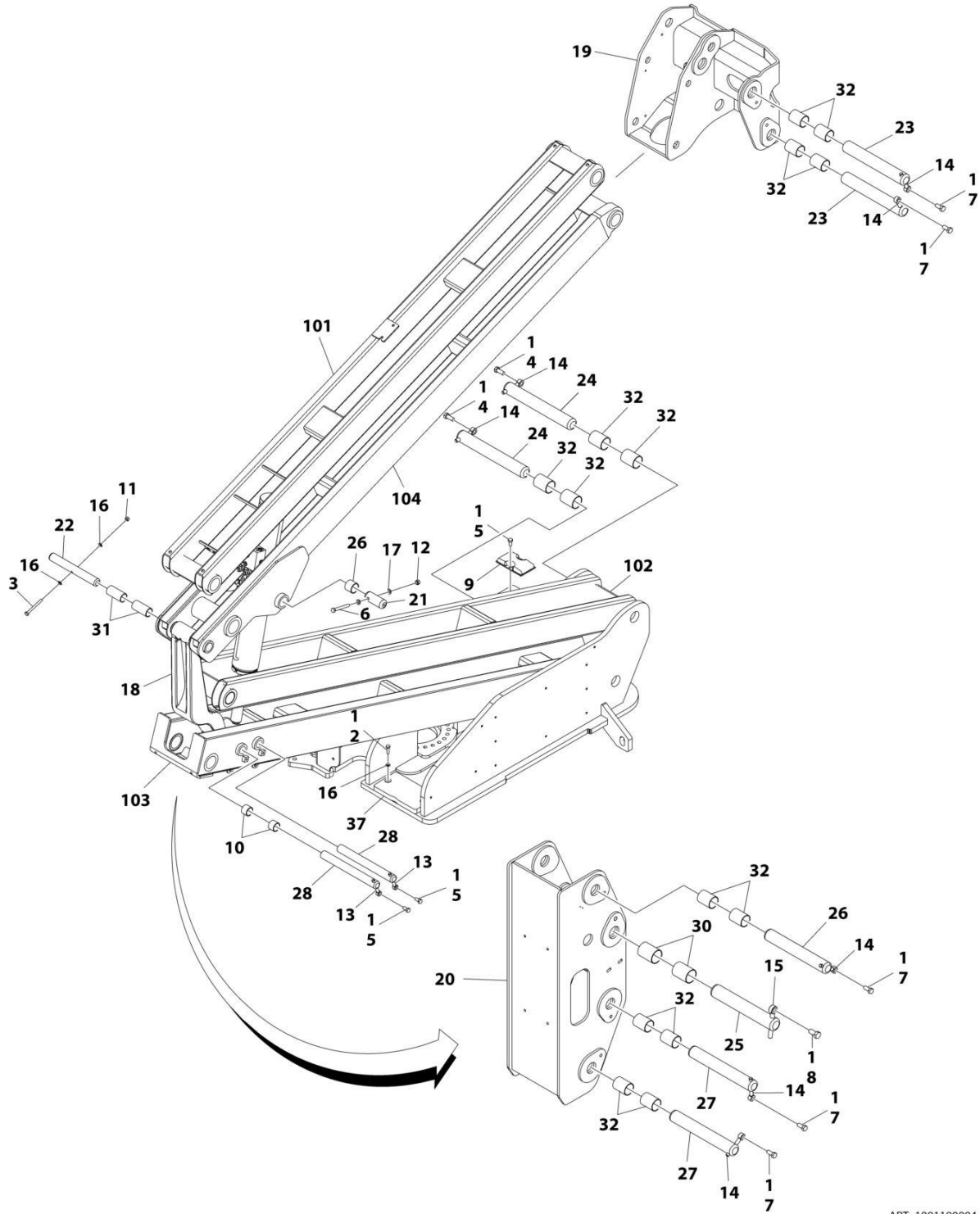
SECTION 4 - BOOM

FIGURE 4-13. TOWER BOOM ASSEMBLY - 450A

ITEM	PART NUMBER	QTY	DESCRIPTION	REV
	1001180006	Ref	TOWER BOOM ASSEMBLY - 450A	B
1	0100011	AR	Compound, Locking	
2	0701015	2	Bolt M10 x 35	
3	0701027	1	Bolt M10 x 100	
4	0701616	2	Bolt M16 x 40	
5	0761212	4	Bolt M12 x 25	
6	0761227	2	Bolt M12 x 100	
7	0761615	5	Bolt M16 x 35	
8	0762016	1	Bolt M20 x 40	
9	0940048	1	Bumper	
10	0961948	2	Bearing	
11	3291005	1	Nut M10	
12	3291205	2	Nut M12	
13	3841203	2	Keeper, Pin	
14	3841258	7	Keeper, Pin	
15	3841287	1	Keeper, Pin	
16	4812000	4	Washer M10	
17	4812100	4	Washer M12	
18	1001160859	1	Link, Lower Tower Boom	
19	1001160872	1	Link, Upper Tower Boom	
20	1001166096	1	Link, Timing	
21	1001166853	1	Upright, Lower	
22	1001169240	2	Pin	
23	1001169241	1	Pin	
24	1001169242	2	Pin	
25	1001169249	2	Pin	
26	1001169295	1	Pin	
27	1001169296	1	Pin	
28	1001169297	2	Pin	
29	1001169298	2	Pin	
30	1001169299	2	Bearing	
31	1001169300	2	Bearing	
32	1001169301	2	Bearing	
33	1001169302	14	Bearing	
34	1001174065	1	Upright, Upper	
35	1001178133	1	Tower Boom (Lower)	
36	1001178135	1	Tower, Boom (Upper)	
37	1001180056	1	Pad, Wear	
38	1001227993	1	Tower Boom Kit (Not Shown – Includes Items 18, 19, 35 & 36)	

SECTION 4 - BOOM

FIGURE 4-14. TOWER BOOM ASSEMBLY - 450AJ



ART_1001180004_E

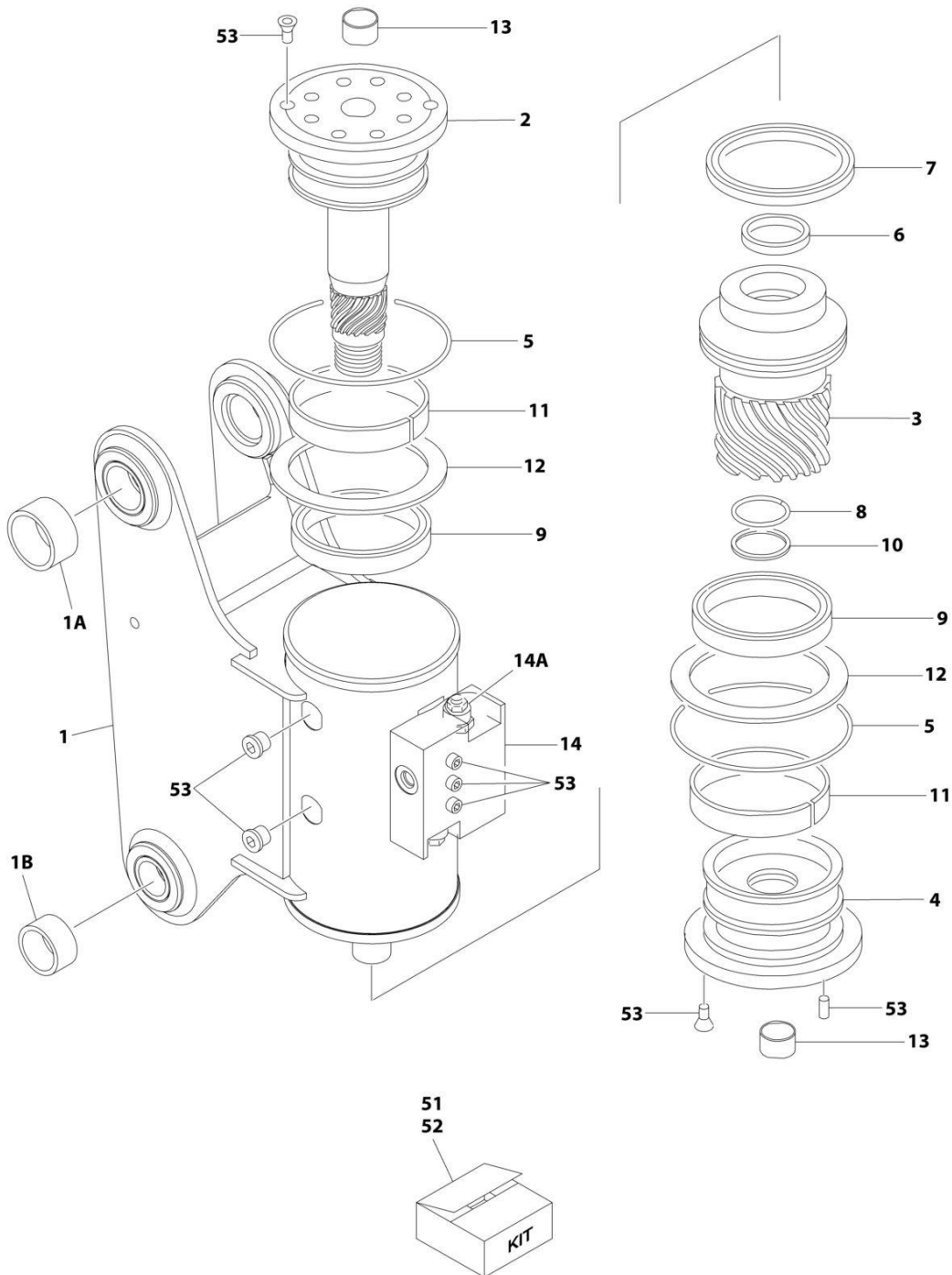
SECTION 4 - BOOM

FIGURE 4-14. TOWER BOOM ASSEMBLY - 450AJ

ITEM	PART NUMBER	QTY	DESCRIPTION	REV
	1001180004	Ref	TOWER BOOM ASSEMBLY - 450AJ	E
1	0100011	AR	Compound, Locking	
2	0701015	2	Bolt M10 x 35	
3	0701027	1	Bolt M10 x 100	
4	0701616	2	Bolt M16 x 40	
5	0761212	4	Bolt M12 x 25	
6	0761227	2	Bolt M12 x 100	
7	0761615	5	Bolt M16 x 35	
8	0762016	1	Bolt M20 x 40	
9	0940048	1	Bumper	
10	0961948	2	Bearing	
11	3291005	1	Nut Lock M10	
12	3291205	2	Nut Lock M12	
13	3841203	2	Keeper, Pin	
14	3841258	7	Keeper, Pin	
15	3841287	1	Keeper, Pin	
16	4812000	4	Washer M10	
17	4812100	4	Washer M12	
18	1001166096	1	Link, Timing	
19	1001166852	1	Upright, Upper	
20	1001166853	1	Upright, Lower	
21	1001169240	2	Pin	
22	1001169241	1	Pin	
23	1001169242	2	Pin	
24	1001169249	2	Pin	
25	1001169295	1	Pin	
26	1001169296	1	Pin	
27	1001169297	2	Pin	
28	1001169298	2	Pin	
29	1001169299	2	Bearing	
30	1001169300	2	Bearing	
31	1001169301	2	Bearing	
32	1001169302	14	Bearing	
37	1001180056	1	Pad, Wear	
100	1001190633	Ref	Tower Boom Kit (Not Shown - Includes Items 101-104)	
101	1001174536	1	Link, Upper Tower Boom	
102	1001174537	1	Link, Lower Tower Boom	
103	1001178133	1	Tower Boom (Lower)	
104	1001178135	1	Tower, Boom (Upper)	

SECTION 4 - BOOM

FIGURE 4-15. ROTATOR ASSEMBLY



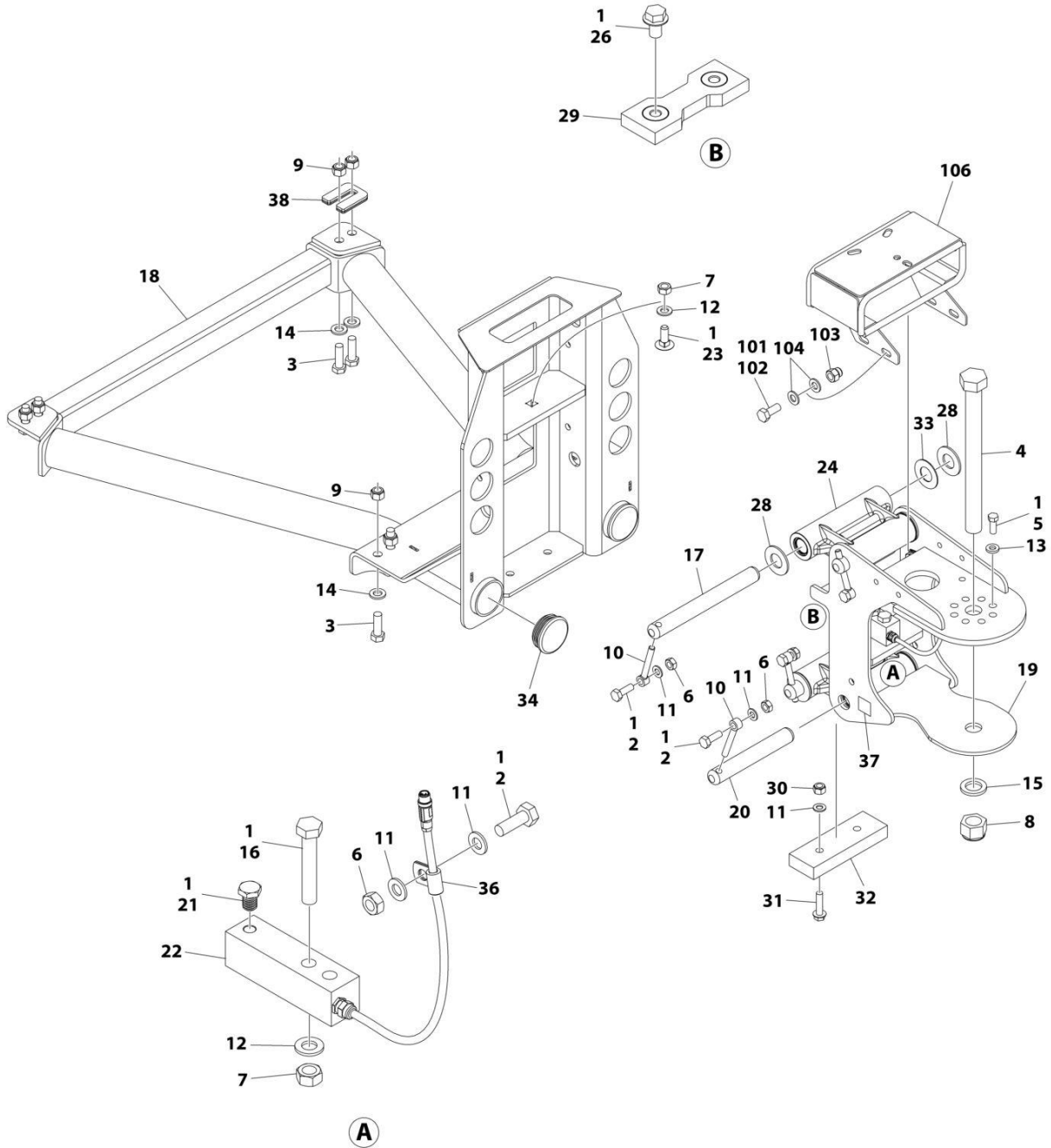
ART_1001217779

FIGURE 4-15. ROTATOR ASSEMBLY

ITEM	PART NUMBER	QTY	DESCRIPTION	REV
	1001217779	Ref	ROTATOR ASSEMBLY	B
1	See Note	NSS	Housing (Note: Purchase Complete Assembly)	
1A	0962257	2	Bushing	
1B	0961947	2	Bushing	
2	7017162	1	Shaft	
3	7017163	1	Piston	
4	7017164	1	Cap, End	
5	See Note	NSS	O-Ring (Note: Use p/n 70000342)	
6	See Note	NSS	Seal, Rod (Note: Purchase p/n 70000342)	
7	See Note	NSS	Seal, Piston (Note: Purchase p/n 70000342)	
8	See Note	NSS	Seal, Cap (Note: Purchase p/n 70000342)	
9	See Note	NSS	Packing, Bearing (Note: Purchase p/n 70000342)	
10	See Note	NSS	Ring, Back-up (Note: Purchase p/n 70000342)	
11	See Note	NSS	Bearing, Shaft (Note: Purchase p/n 7017159)	
12	See Note	NSS	Washer, Thrust (Note: Purchase p/n 7017159)	
13	7017195	2	Bushing	
14	7017172	1	Counterbalance Valve Assembly	
14A	7017192	2	Valve Cartridge (No Seal Kit Available)	
51	70000342	1	Seal Kit (Includes Items 5-10)	
52	7017159	1	Bearing Kit (Includes Items 11 & 12)	
53	7017142	1	Hardware Kit	

SECTION 4 - BOOM

FIGURE 4-16. PLATFORM SUPPORT INSTALLATION



ART_1001167596_N

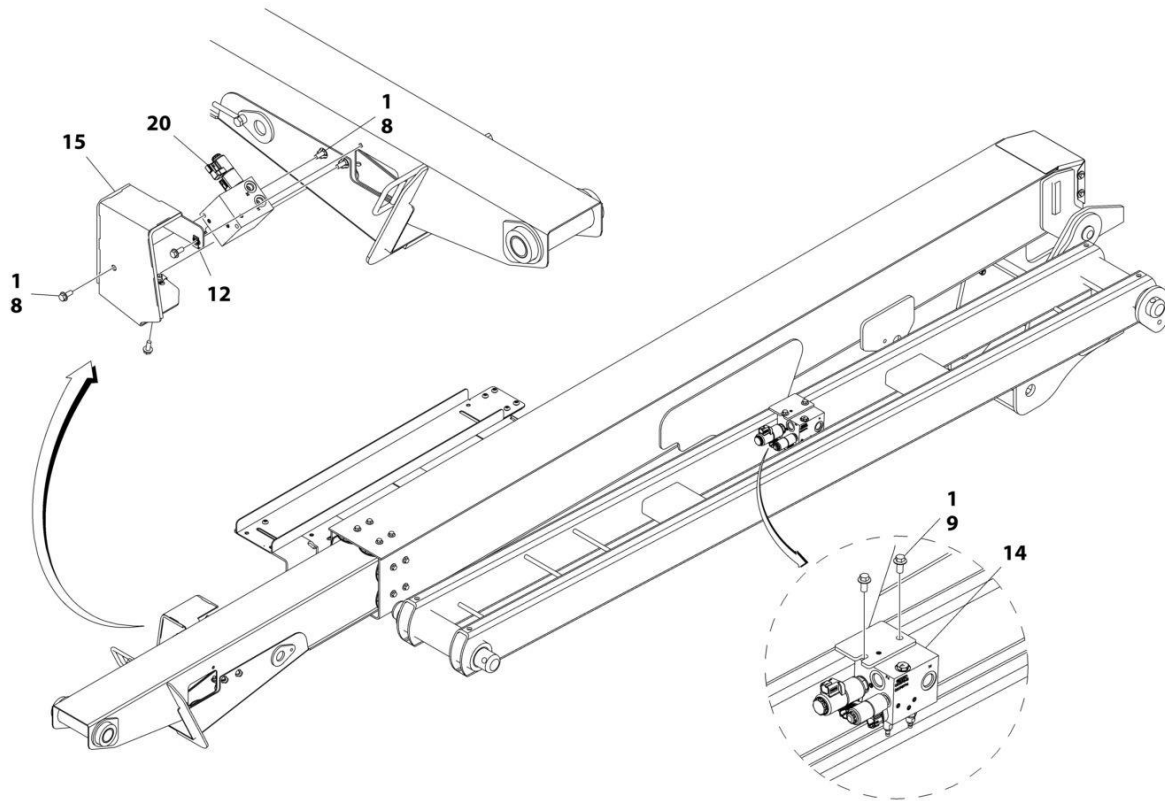
SECTION 4 - BOOM

FIGURE 4-16. PLATFORM SUPPORT INSTALLATION

ITEM	PART NUMBER	QTY	DESCRIPTION	REV
	1001167596	Ref	PLATFORM SUPPORT INSTALLATION	N
1	0100011	AR	Compound, Locking	
2	0761014	5	Bolt M10 x 30	
3	0761216	8	Bolt M12 x 40	
4	1001255133	1	Bolt 1 x 11 GRD8	
5	0681608	8	Bolt 3/8 x 1 GRD8	
6	3291001	5	Nut M10	
7	3291201	3	Nut M12	
8	1001174040	1	Nut 1	
9	3291205	8	Nut M12	
10	3841143	4	Keeper, Pin	
11	4812000	8	Washer M10	
12	4812100	3	Washer M12	
13	4891600	8	Washer 3/8	
14	5241200	8	Washer M12	
15	4892600001	1	Washer 1	
16	1001098828	2	Bolt M12 x 70 CL10.9	
17	1001167565	2	Pin	
18	1001200494	1	Support, Platform	
19	1001167567	1	Support, Rotator	
20	1001168402	2	Pin	
21	1001188622	1	Screw	
22	1001247468	1	Loadcell	
23	1001188844	1	Bolt M12 x 35	
24	1001201351	2	Link	
24	1001187382	4	Bearing	
24	1001187383	4	Seal	
26	5251008	2	Bolt M10 x 16 CL10.9	
28	1001189002	8	Bearing	
29	1001190985	1	Pad, Wear	
30	3291005	2	Nut M10	
31	5251016	2	Bolt M10 x 40 CL10.9	
32	1001200491	1	Pad, Wear	
33	1001189001	4	Bearing	
34	1001204725	2	Plug	
36	91203039	1	Clamp	
37	1001216630	2	Decal - Tie Down/No Lift	
38	1001238421	Ref	Kit, Platform Leveling (Not Shown)	
	1001202687	Ref	VALVE MOUNT INSTALLATION	B
101	0100011	AR	Compound, Locking	
102	0760810	4	Bolt M8 x 20	
103	3290806	4	Nut M8	
104	4811900	8	Washer M8	
106	1001208994	1	Mount, Valve	

SECTION 4 - BOOM

FIGURE 4-17. 2WD VALVES INSTALLATION - 450A BOOM MOUNTED



ART_1001215659_3OF3

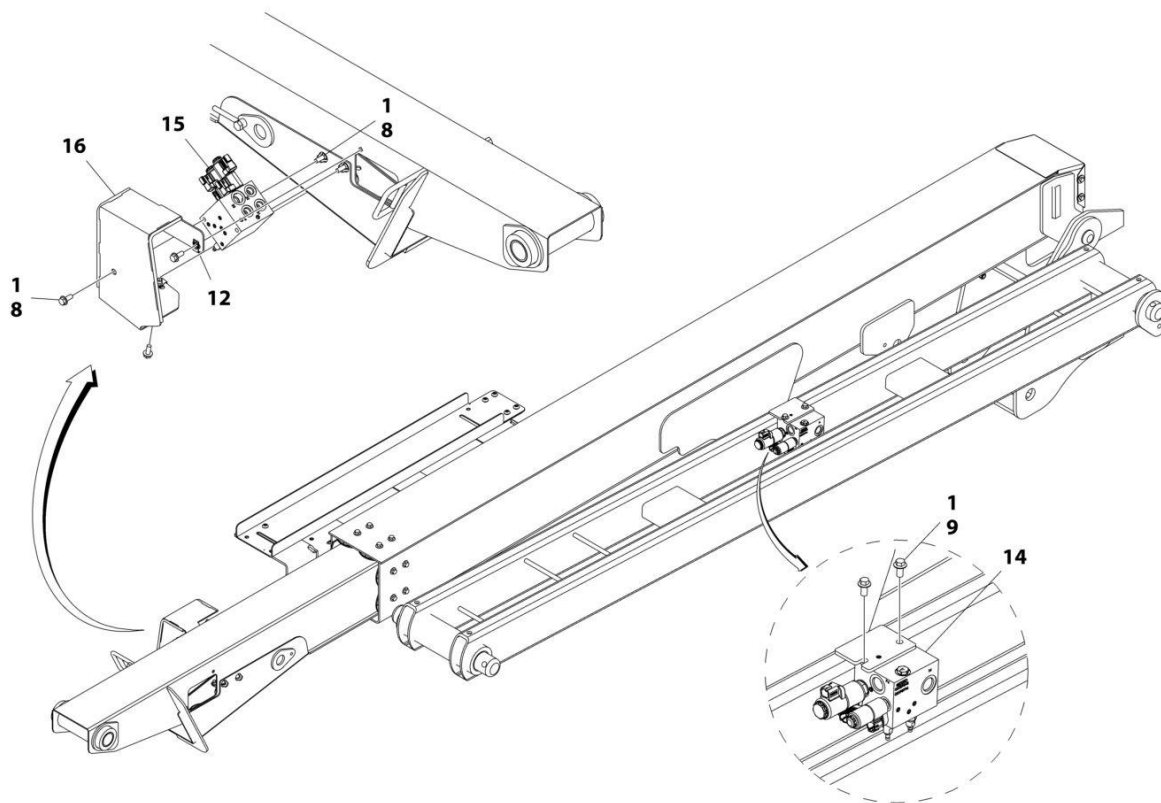
SECTION 4 - BOOM

FIGURE 4-17. 2WD VALVES INSTALLATION - 450A BOOM MOUNTED

ITEM	PART NUMBER	QTY	DESCRIPTION	REV
	1001215659	Ref	2WD VALVES INSTALLATION - 450A BOOM MOUNTED	D
1	0100011	AR	Compound, Locking	
8	5250810	5	Bolt M8 x 20	
9	5251010	2	Bolt M10 x 20	
12	1001118274	2	Nut M8	
14	1001162535	1	Upright Valve Assembly (See Separate Breakdown in this Section)	
15	1001170375	1	Shield (Prior to SN 0300280962, Prior to SN B300011406, Prior to SN E300008862)	
15	1001265186	1	Shield (SN 0300280962 to Present, SN B300011406 to Present, SN E300008862 to Present)	
20	1001215105	1	Boom Valve Assembly - Fixed Jib (See Separate Breakdown in this Section)	

SECTION 4 - BOOM

FIGURE 4-18. 2WD VALVES INSTALLATION - 450AJ BOOM MOUNTED



ART_1001214163_3OF3

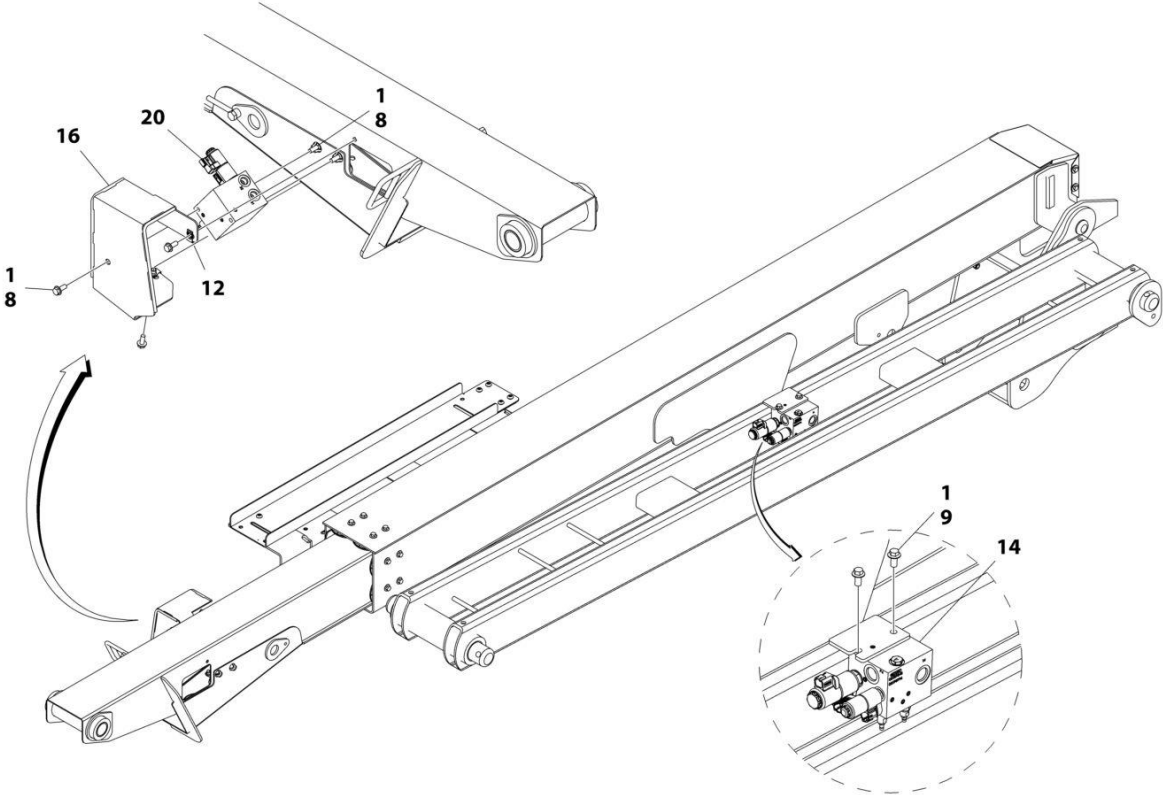
SECTION 4 - BOOM

FIGURE 4-18. 2WD VALVES INSTALLATION - 450AJ BOOM MOUNTED

ITEM	PART NUMBER	QTY	DESCRIPTION	REV
	1001214163	Ref	2WD VALVES INSTALLATION - 450AJ BOOM MOUNTED	C
1	0100011	AR	Compound, Locking	
8	5250810	3	Bolt M8 x 20	
9	5251010	2	Bolt M10 x 20	
12	1001118274	2	Nut M8	
14	1001162535	1	Upright Valve Assembly (See Separate Breakdown in this Section)	
15	1001162536	1	Boom Valve Assembly (See Separate Breakdown in this Section)	
16	1001170375	1	Shield (Prior to SN 0300280962, Prior to SN B300011406)	
16	1001265186	1	Shield (SN 0300280962 to Present, SN B300011406 to Present)	

SECTION 4 - BOOM

FIGURE 4-19. 4WD VALVES INSTALLATION - 450A BOOM MOUNTED



ART_1001215378_3OF3

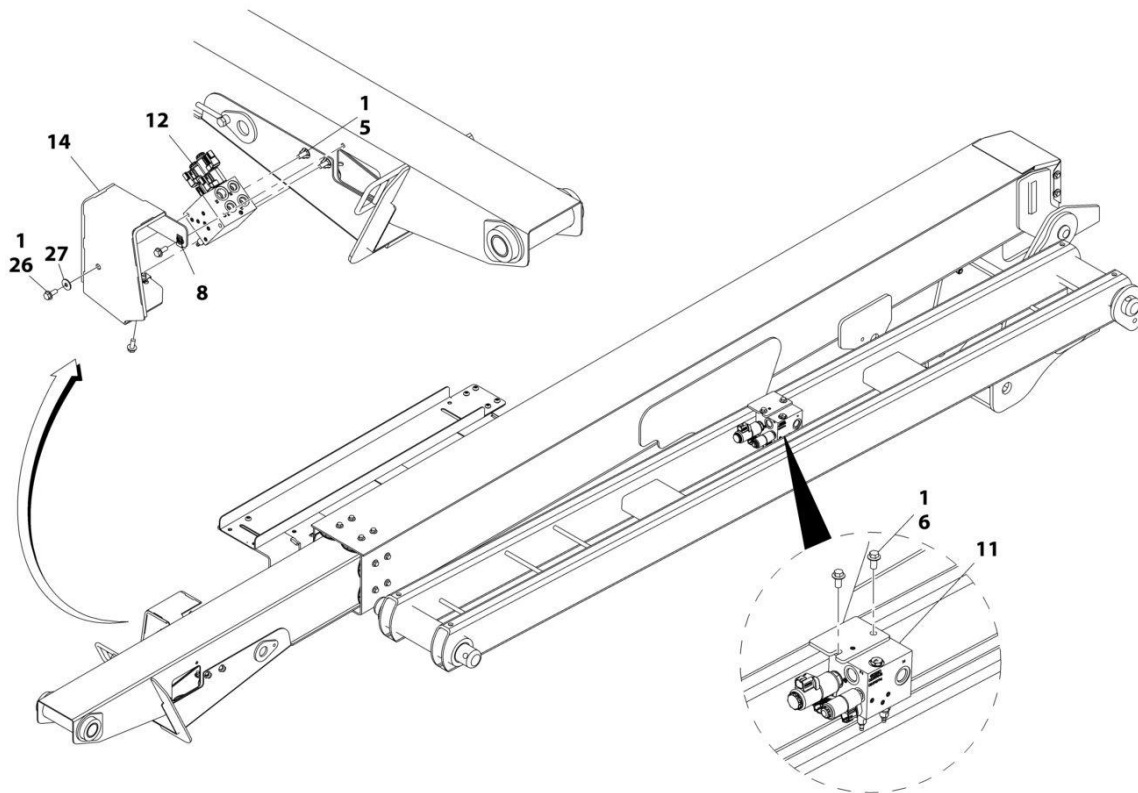
SECTION 4 - BOOM

FIGURE 4-19. 4WD VALVES INSTALLATION - 450A BOOM MOUNTED

ITEM	PART NUMBER	QTY	DESCRIPTION	REV
	1001215378	Ref	4WD VALVES INSTALLATION - 450A BOOM MOUNTED	D
1	0100011	AR	Compound, Locking	
8	5250810	5	Bolt M8 x 20	
9	5251010	2	Bolt M10 x 20	
12	1001118274	2	Nut M8	
14	1001162535	1	Upright Valve Assembly (See Separate Breakdown in this Section)	
16	1001170375	1	Shield (Prior to SN 0300280962, Prior to SN B300011406)	
16	1001265186	1	Shield (SN 0300280962 to Present, SN B300011406 to Present)	
20	1001215105	1	Boom Valve Assembly - Fixed Jib (See Separate Breakdown in this Section)	

SECTION 4 - BOOM

FIGURE 4-20. 4WD VALVES INSTALLATION - 450AJ BOOM MOUNTED (MACHINES WITH SN STARTING WITH 03)



ART_1001165948_30F3

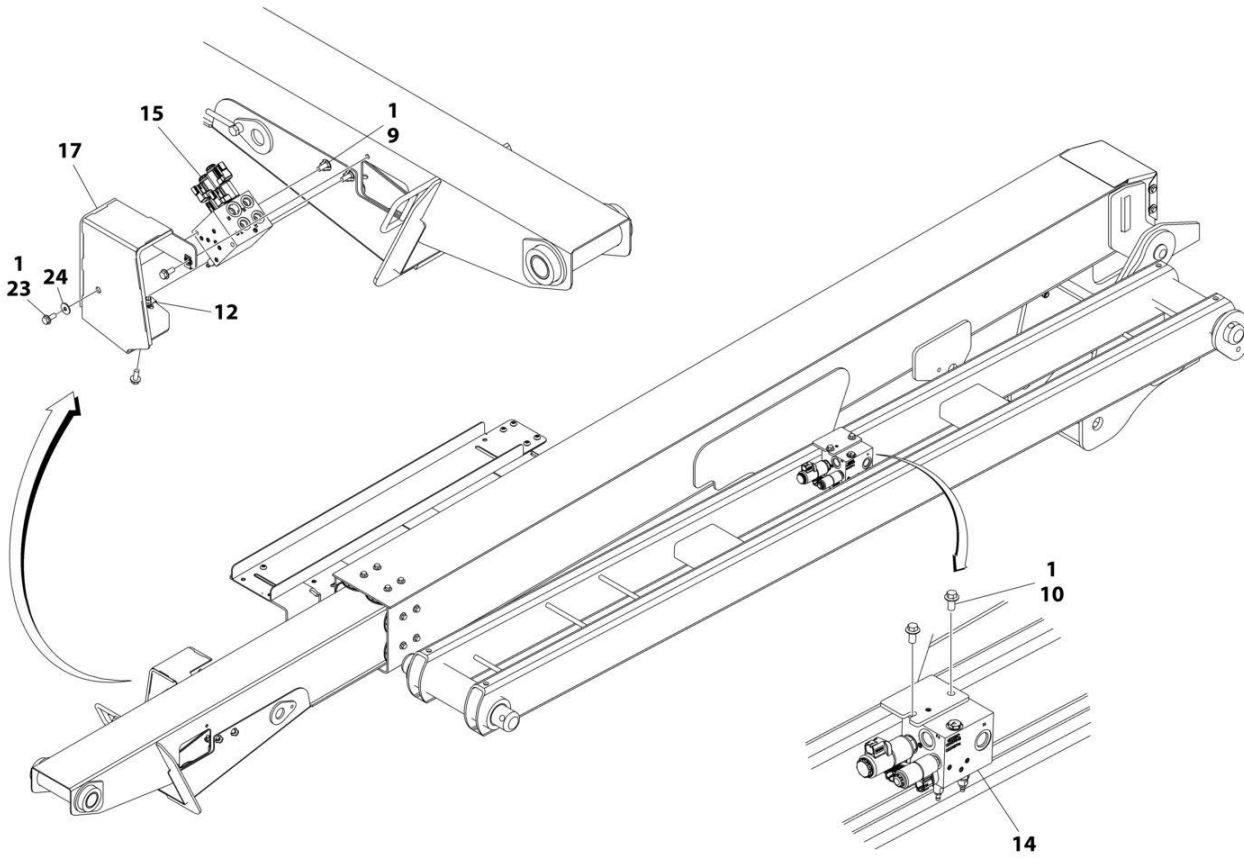
SECTION 4 - BOOM

FIGURE 4-20. 4WD VALVES INSTALLATION - 450AJ BOOM MOUNTED (MACHINES WITH SN STARTING WITH 03)

ITEM	PART NUMBER	QTY	DESCRIPTION	REV
	1001165948	Ref	4WD VALVES INSTALLATION - 450AJ BOOM MOUNTED	J
1	0100011	AR	Compound, Locking	
5	5250810	4	Bolt M8 x 20 Class 10.9	
6	5251010	2	Bolt M10 x 20 Class 10.9	
8	1001118274	2	Nut, Tinnerman M8	
11	1001162535	1	Upright Valve Assembly (See Separate Breakdown in this Section)	
12	1001162536	1	Boom Valve Assembly (See Separate Breakdown in this Section)	
14	1001170375	1	Shield (Prior to SN 0300280962, Prior to SN B300011406, Prior to SN E300008862)	
14	1001265186	1	Shield (SN 0300280962 to Present, SN E300008862 to Present, Including B300011406)	
26	0770810	1	Bolt M8 x 20 Class 10.9	
27	4811902	1	Washer M8	

SECTION 4 - BOOM

FIGURE 4-21. 4WD VALVES INSTALLATION - 450AJ BOOM MOUNTED (MACHINES WITH SN STARTING WITH B3)



ART_1001271413_B_30F3

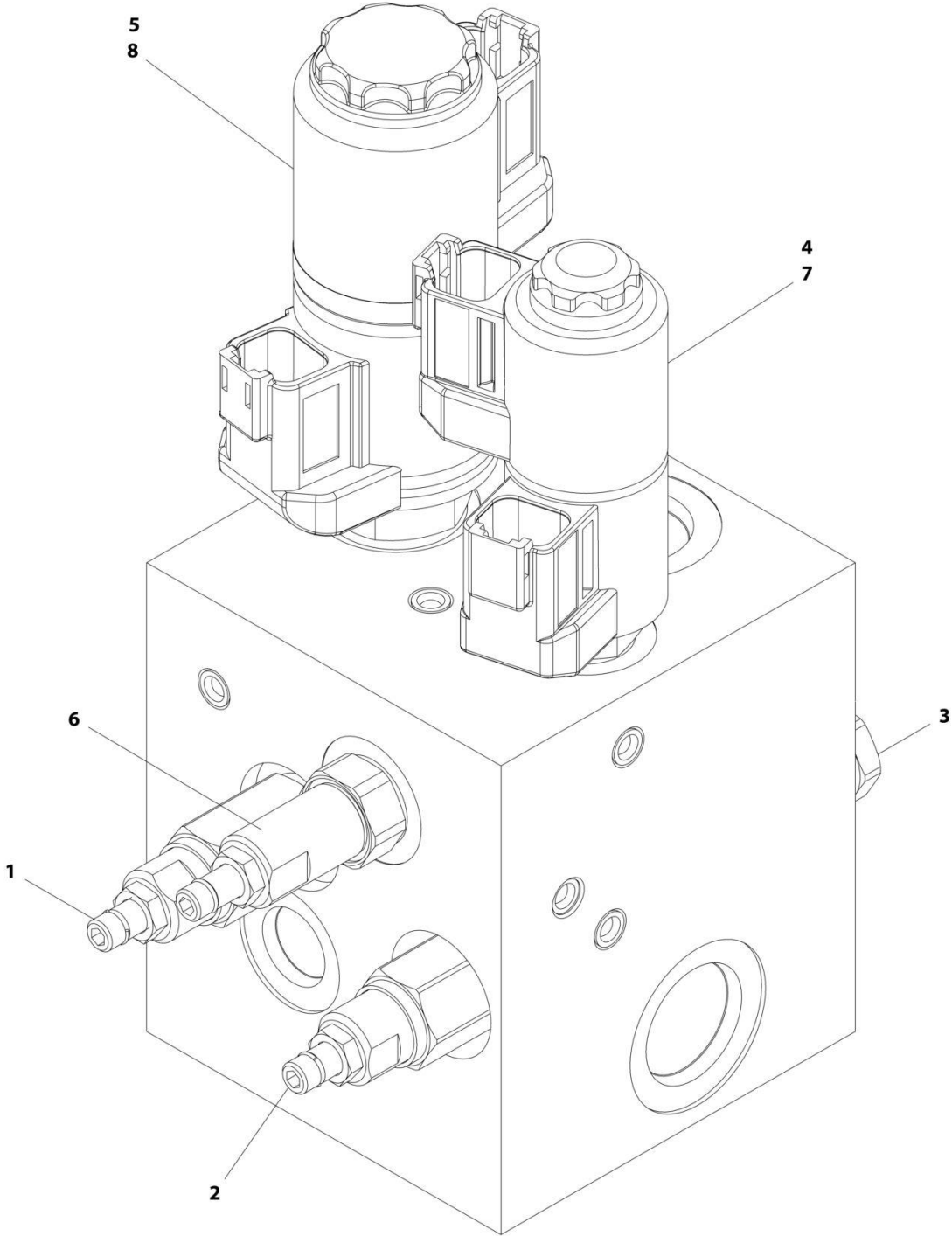
SECTION 4 - BOOM

FIGURE 4-21. 4WD VALVES INSTALLATION - 450AJ BOOM MOUNTED (MACHINES WITH SN STARTING WITH B3)

ITEM	PART NUMBER	QTY	DESCRIPTION	REV
	1001271413	Ref	4WD VALVES INSTALLATION - BOOM MOUNTED	B
1	0100011	AR	Compound, Locking	
9	5250810	4	Bolt M8 x 20 Class 10.9	
10	5251010	2	Bolt M10 x 20 Class 10.9	
12	1001118274	2	Nut, Tinnerman M8	
14	1001162535	1	Upright Valve Assembly (See Separate Breakdown in this Section)	
15	1001162536	1	Boom Valve Assembly (See Separate Breakdown in this Section)	
17	1001265186	1	Shield	
23	0770810	1	Bolt M8 x 20 Class 10.9	
24	4811902	1	Washer M8	

SECTION 4 - BOOM

FIGURE 4-22. UPRIGHT VALVE ASSEMBLY



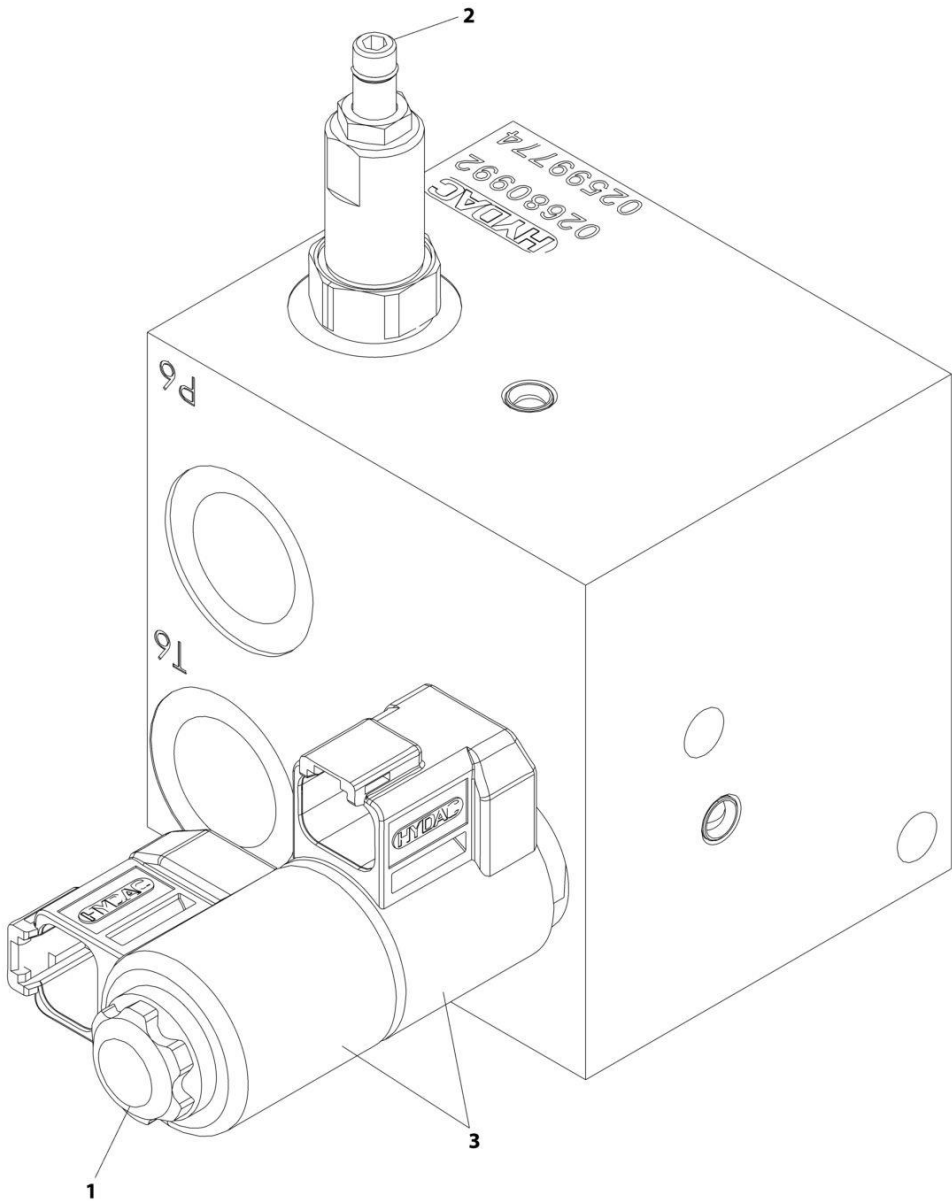
ART_1001162535

FIGURE 4-22. UPRIGHT VALVE ASSEMBLY

ITEM	PART NUMBER	QTY	DESCRIPTION	REV
	1001162535	Ref	UPRIGHT VALVE ASSEMBLY	D
1	70004864	1	Cartridge, Valve	
1	70004875	1	Seal Kit - 70004864 Valve	
2	70004865	1	Cartridge, Valve	
2	70004875	1	Seal Kit - 70004865 Valve	
3	70004866	1	Cartridge, Relief Valve	
3	70004867	1	Seal Kit - 70004866 Valve	
4	70004868	1	Cartridge, Solenoid Valve Less Coil	
4	70004869	1	Seal Kit - 70004868 Valve	
5	7027625	1	Cartridge, Solenoid Valve Less Coil	
5	70000100	1	Seal Kit - 7027625 Valve	
6	70006660	1	Cartridge, Valve	
6	70004867	1	Seal Kit - 70006660 Valve	
7	70004871	2	Coil	
8	7027628	2	Coil	

SECTION 4 - BOOM

FIGURE 4-23. BOOM VALVE ASSEMBLY - 450A



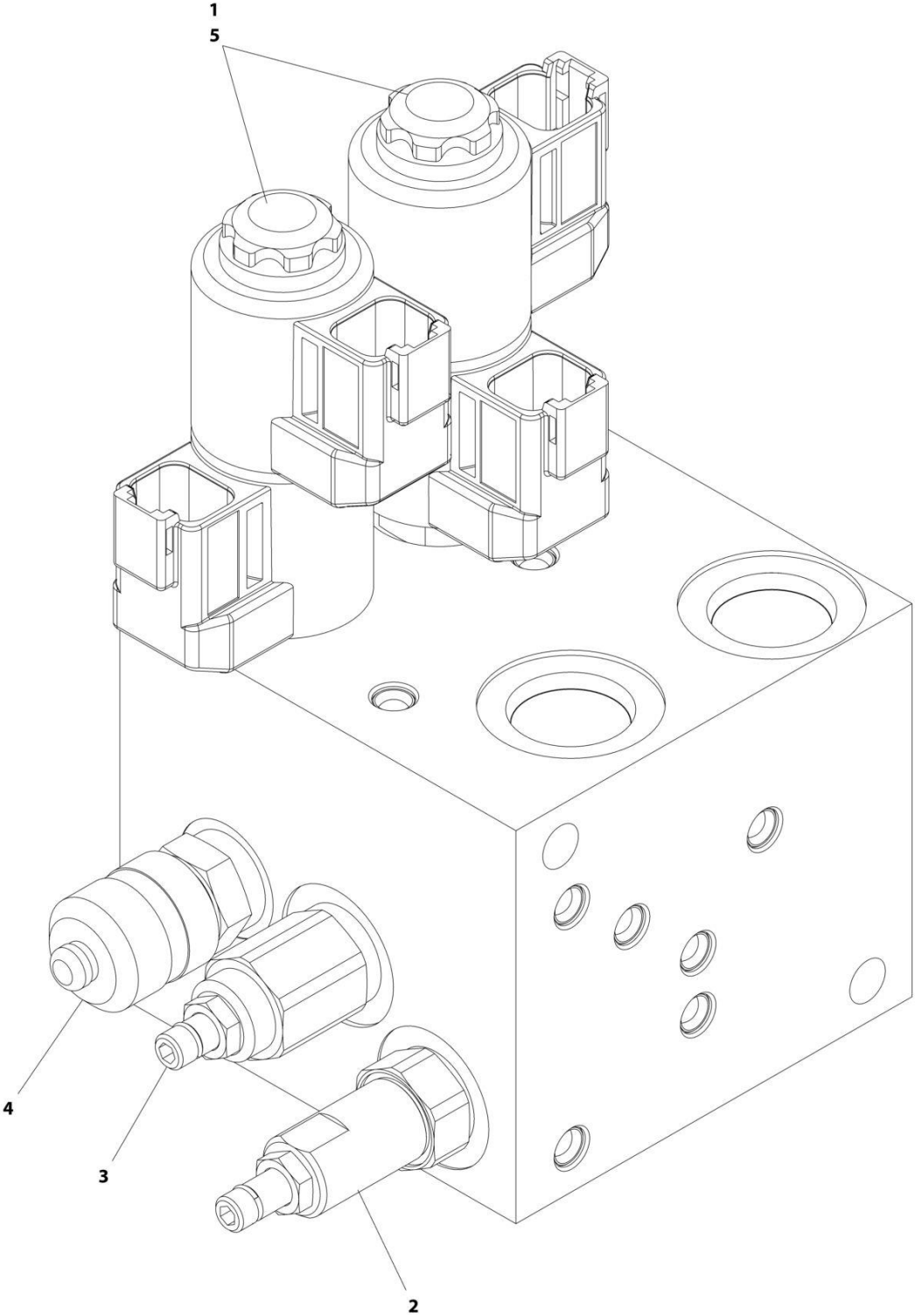
ART_1001215105

FIGURE 4-23. BOOM VALVE ASSEMBLY - 450A

ITEM	PART NUMBER	QTY	DESCRIPTION	REV
	1001215105	Ref	BOOM VALVE ASSEMBLY - 450A	A
1	70005243	1	Cartridge, Solenoid Valve Less Coil	
1	70004869	1	Seal Kit - 70005243 Valve	
2	70004873	1	Cartridge, Valve	
2	70004867	1	Seal Kit - 70004873 Valve	
3	70004871	2	Coil	

SECTION 4 - BOOM

FIGURE 4-24. BOOM VALVE ASSEMBLY - 450AJ



ART_1001162536_G

SECTION 4 - BOOM

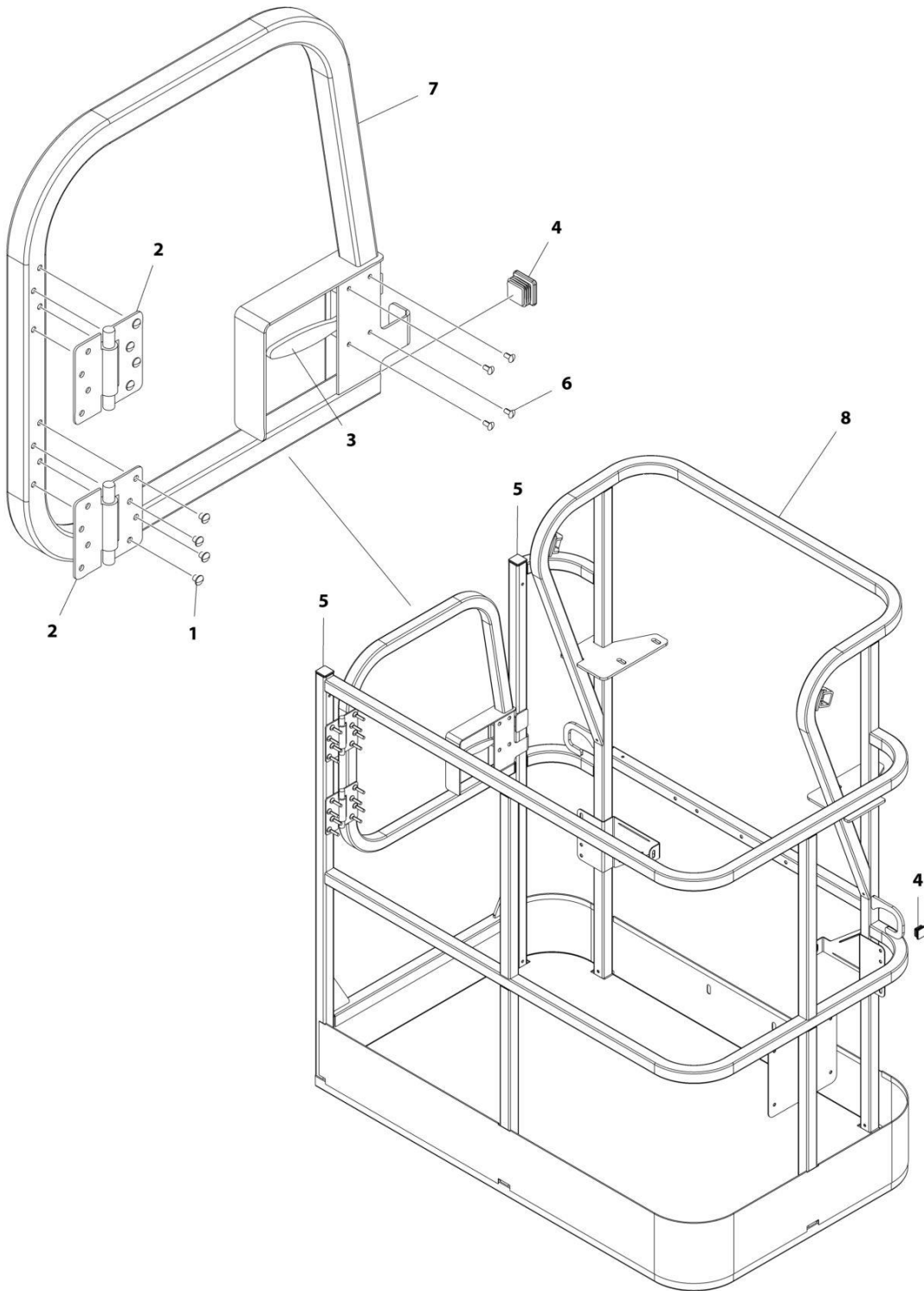
FIGURE 4-24. BOOM VALVE ASSEMBLY - 450AJ

ITEM	PART NUMBER	QTY	DESCRIPTION	REV
	1001162536	Ref	BOOM VALVE ASSEMBLY	G
1	70005243	2	Cartridge, Solenoid Valve Less Coil	
1	70004869	2	Seal Kit - 70005243 Valve	
2	70004873	1	Cartridge, Valve	
2	70004867	1	Seal Kit - 70004873 Valve	
3	70007556	1	Cartridge, Valve	
3	70004867	1	Seal Kit - 70006970 Valve	
4	2221086	1	Fitting, Test	
5	70004871	4	Coil	

SECTION 5 - PLATFORM

SECTION 5 - PLATFORM

FIGURE 5-1. PLATFORM ASSEMBLY - 30IN X 4FT (76CM X 1.22M) - SIDE GATE ENTRY



ART_1001186387

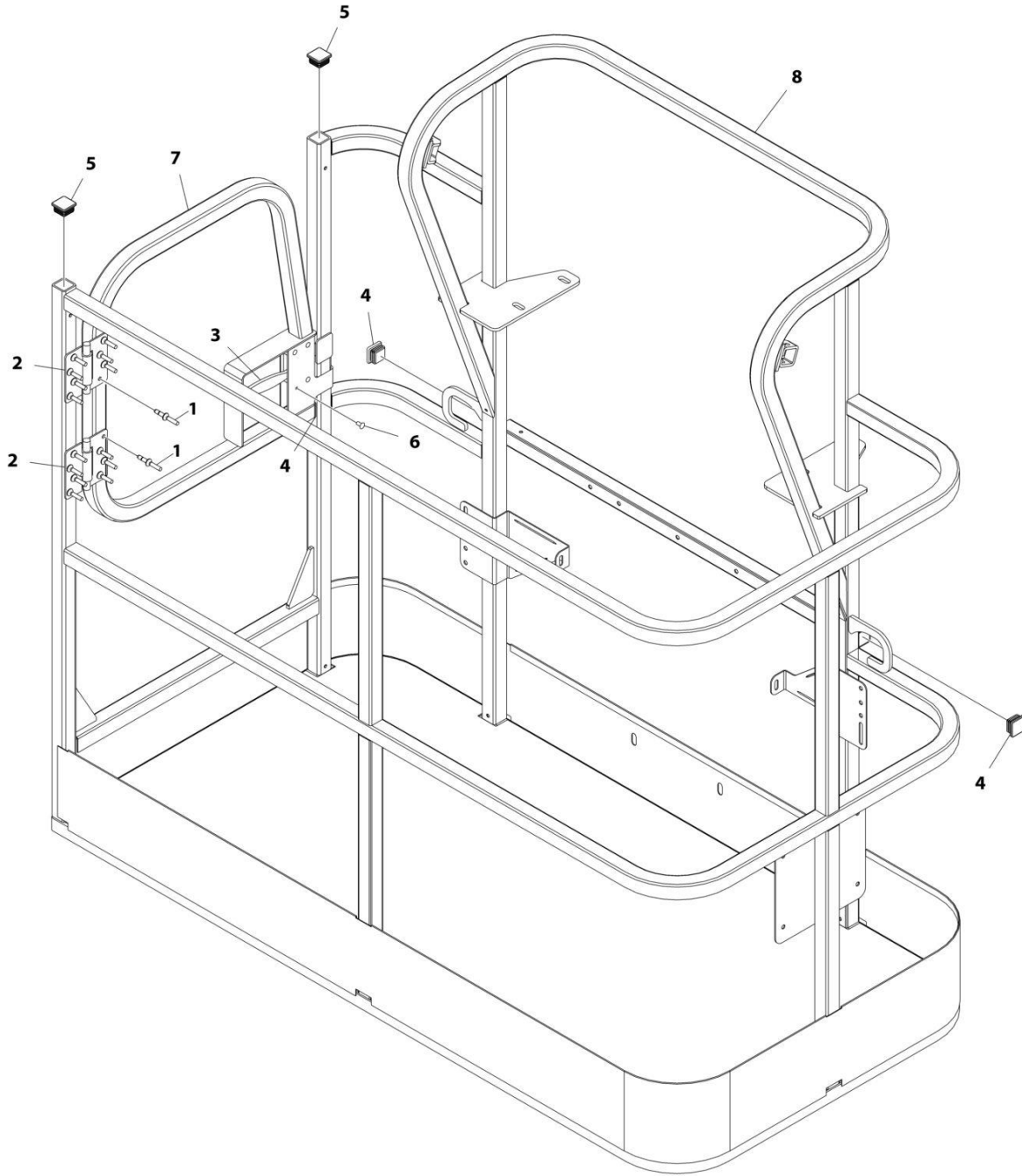
SECTION 5 - PLATFORM

FIGURE 5-1. PLATFORM ASSEMBLY - 30IN X 4FT (76CM X 1.22M) - SIDE GATE ENTRY

ITEM	PART NUMBER	QTY	DESCRIPTION	REV
	1001186387	Ref	PLATFORM ASSEMBLY	C
		Ref	Note: Platform and Mesh must be ordered separately for Platforms with Mesh. See SPECIAL OPTIONS SECTION for Mesh Installations.	
		Ref	Note: Replacement Decals Must be Ordered Separately - See DECALS SECTION.	
1	2080040	16	Fastener, Huck	
2	2600281	2	Hinge, Self-Closing	
3	2940074	1	Latch	
4	3520072	3	Plug	
5	3520198	2	Plug	
6	3820020	4	Rivet	
7	1001144629	1	Gate	
8	See Note	1	Platform (Note: Not Available - Purchase Platform Assembly)	

SECTION 5 - PLATFORM

FIGURE 5-2. PLATFORM ASSEMBLY - 30IN X 5FT (76CM X 1.52M) - SIDE GATE ENTRY



ART_1001186386

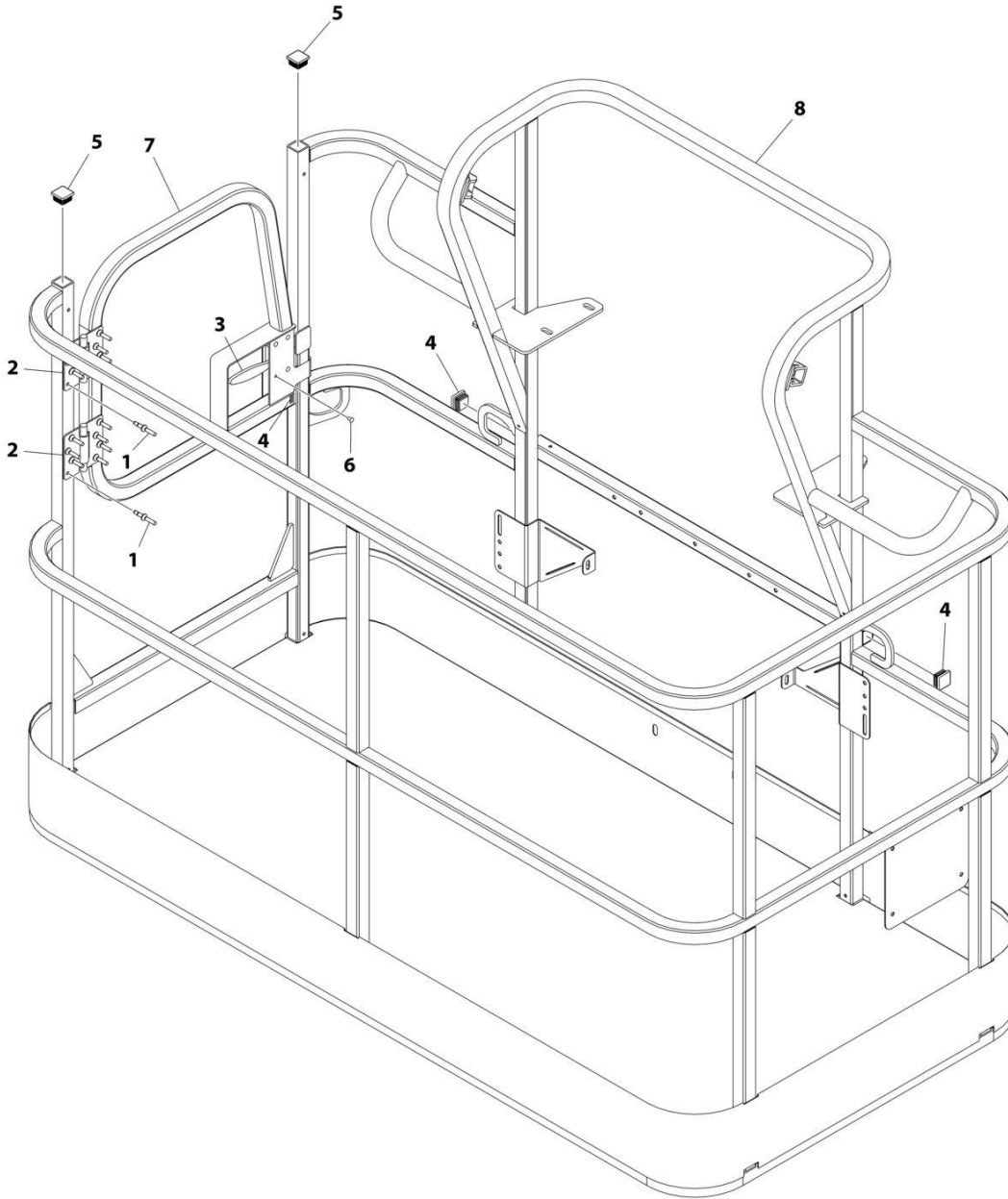
SECTION 5 - PLATFORM

FIGURE 5-2. PLATFORM ASSEMBLY - 30IN X 5FT (76CM X 1.52M) - SIDE GATE ENTRY

ITEM	PART NUMBER	QTY	DESCRIPTION	REV
	1001186386	Ref	PLATFORM ASSEMBLY	C
		Ref	Note: Platform and Mesh must be ordered separately for Platforms with Mesh. See SPECIAL OPTIONS SECTION for Mesh Installations.	
		Ref	Note: Replacement Decals Must be Ordered Separately - See DECALS SECTION.	
1	2080040	16	Fastener, Huck	
2	2600281	2	Hinge, Self-Closing	
3	2940074	1	Latch	
4	3520072	3	Plug	
5	3520198	2	Plug	
6	3820020	4	Rivet	
7	1001144629	1	Gate	
8	See Note	NSS	Platform (Note: Not Available - Purchase Platform Assembly)	

SECTION 5 - PLATFORM

FIGURE 5-3. PLATFORM ASSEMBLY - 30IN X 6FT (76CM X 1.83M) - SIDE GATE ENTRY



ART_1001186385

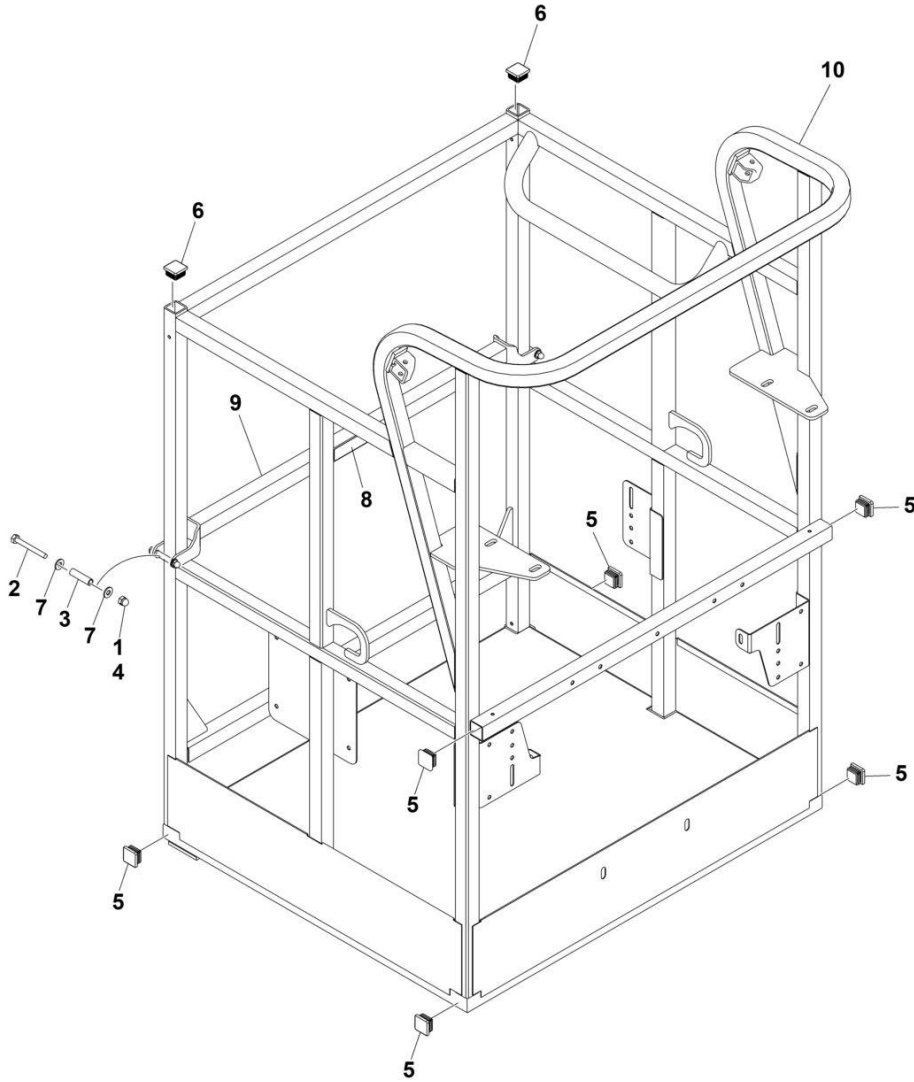
SECTION 5 - PLATFORM

FIGURE 5-3. PLATFORM ASSEMBLY - 30IN X 6FT (76CM X 1.83M) - SIDE GATE ENTRY

ITEM	PART NUMBER	QTY	DESCRIPTION	REV
	1001186385	Ref	PLATFORM ASSEMBLY	D
		Ref	Note: Platform and Mesh must be ordered separately for Platforms with Mesh. See SPECIAL OPTIONS SECTION for Mesh Installations.	
		Ref	Note: Replacement Decals Must be Ordered Separately - See DECALS SECTION.	
1	2080040	16	Fastener, Huck	
2	2600281	2	Hinge	
3	2940074	1	Latch	
4	3520072	3	Plug	
5	3520198	2	Plug	
6	3820020	4	Rivet	
7	1001144629	1	Gate	
8	See Note	NSS	Platform (Note: Not Available - Purchase Platform Assembly)	

SECTION 5 - PLATFORM

FIGURE 5-4. PLATFORM ASSEMBLY - 30IN X 3FT (76CM X .91M) - DROP BAR ENTRY



ART_1001228215

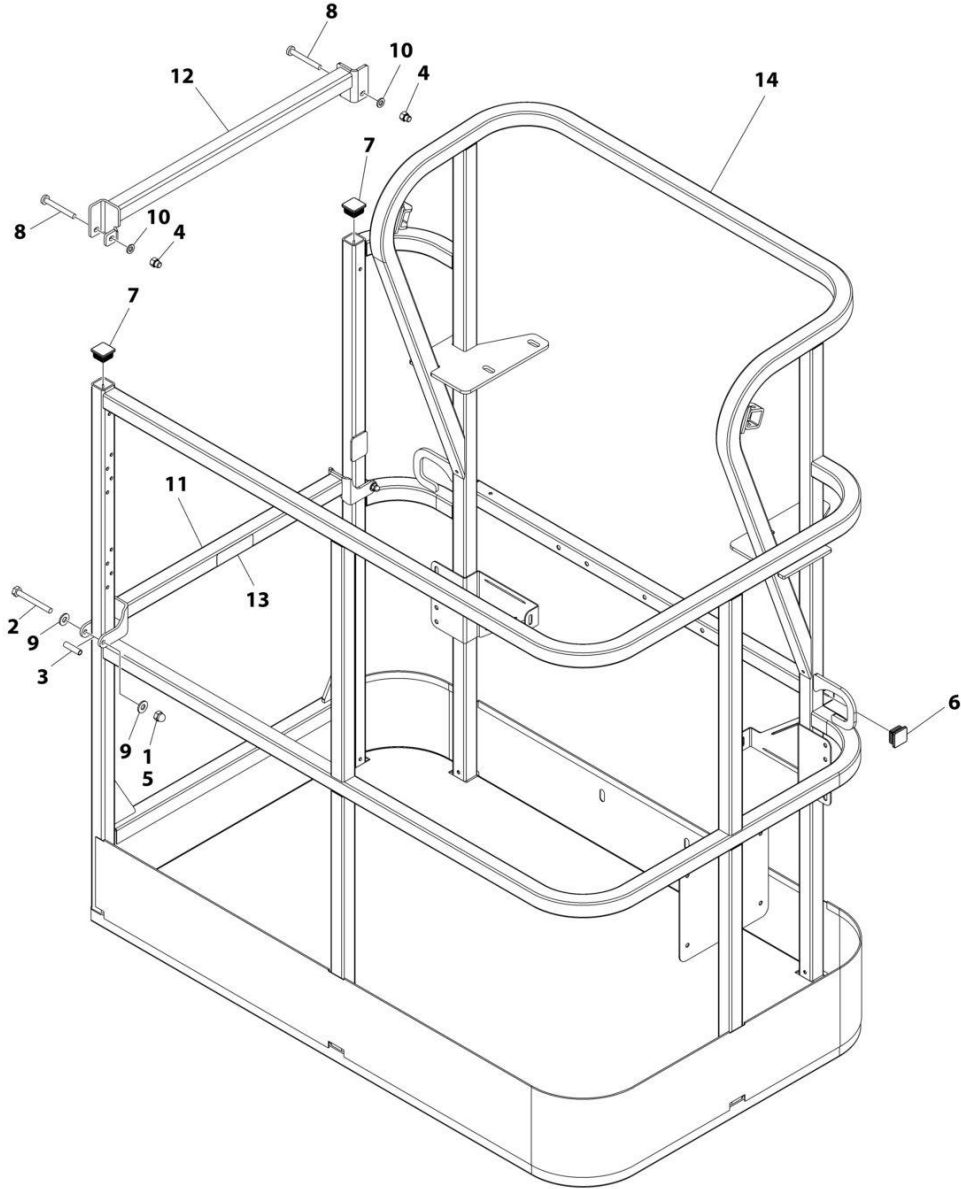
SECTION 5 - PLATFORM

FIGURE 5-4. PLATFORM ASSEMBLY - 30IN X 3FT (76CM X .91M) - DROP BAR ENTRY

ITEM	PART NUMBER	QTY	DESCRIPTION	REV
	1001228215	Ref	PLATFORM ASSEMBLY	A
	See Note	Ref	Note: Platform and Mesh must be ordered separately for Platforms with Mesh. See SPECIAL OPTIONS SECTION for Mesh Installations.	
	See Note	Ref	Note: Replacement Decals Must be Ordered Separately - See DECAL SECTION.	
1	0100011	AR	Compound, Locking	
2	0641418	2	Bolt 1/4 x 2-1/4	
3	0961845	2	Bushing	
4	3300151	2	Nut 1/4	
5	3520072	6	Cap, Plug	
6	3520198	2	Cap, Plug	
7	4711400	4	Washer 1/4	
8	1001140429	1	Decal - Drop Bar	
9	1001226872	1	Bar, Drop	
10	See Note	NSS	Platform (Note: Not Available - Purchase Platform Assembly)	

SECTION 5 - PLATFORM

FIGURE 5-5. PLATFORM ASSEMBLY - 30IN X 4FT (76CM X 1.22M) - WITH DROP BAR



ART_1001186375

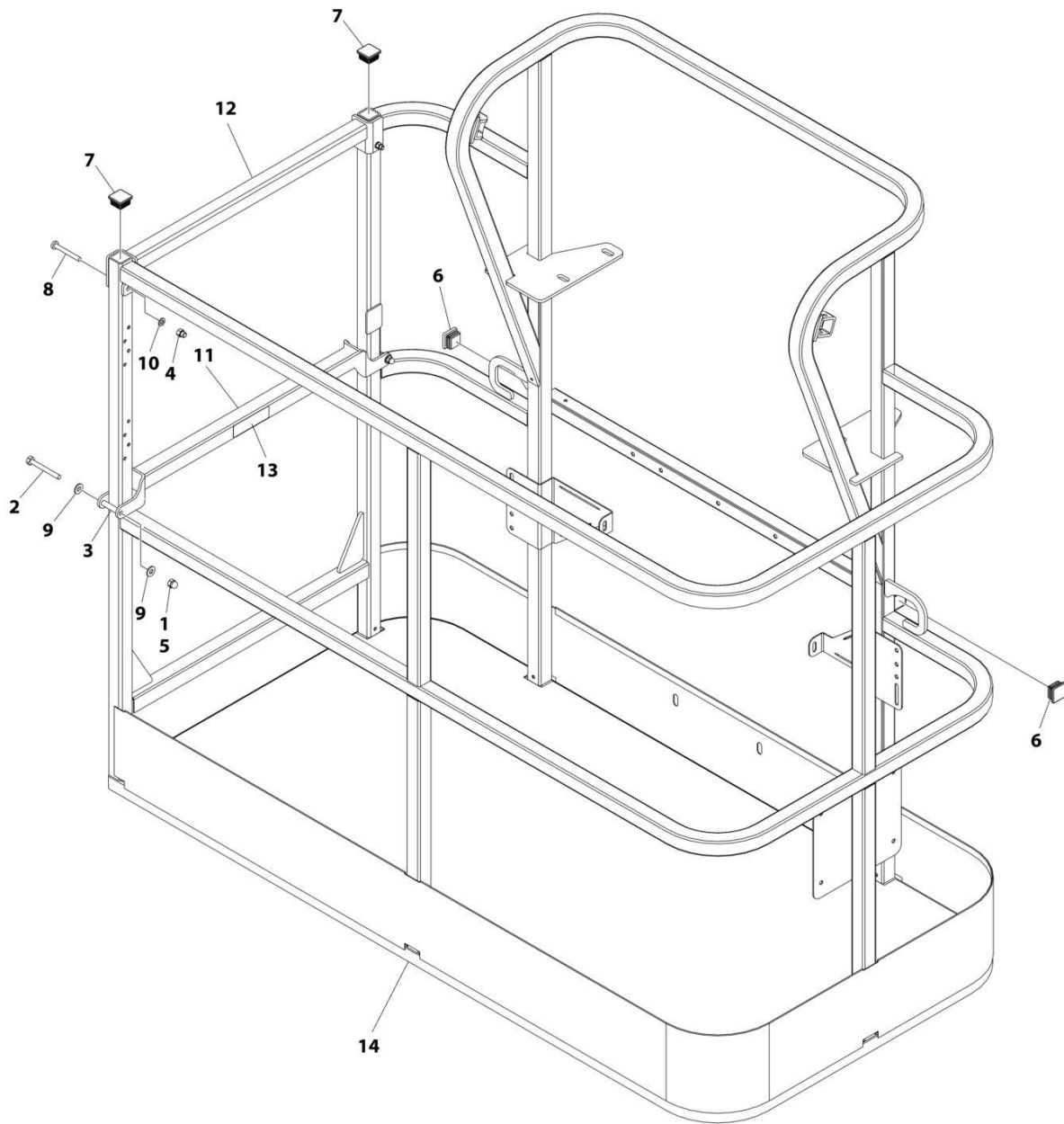
SECTION 5 - PLATFORM

FIGURE 5-5. PLATFORM ASSEMBLY - 30IN X 4FT (76CM X 1.22M) - WITH DROP BAR

ITEM	PART NUMBER	QTY	DESCRIPTION	REV
	1001186375	Ref	PLATFORM ASSEMBLY	B
		Ref	Note: Platform and Mesh must be ordered separately for Platforms with Mesh. See SPECIAL OPTIONS SECTION for Mesh Installations.	
		Ref	Note: Replacement Decals Must be Ordered Separately - See DECALS SECTION.	
1	0100011	AR	Compound, Locking	
2	0641418	2	Bolt 1/4 x 2-1/4	
3	0961845	2	Bushing	
4	3290606	2	Nut M6	
5	3300151	2	Nut 1/4	
6	3520072	2	Plug	
7	3520198	2	Plug	
8	4010618	2	Screw M6 x 50	
9	4711400	4	Washer 1/4	
10	4811700	2	Washer M6	
11	1001138494	1	Bar, Drop	
12	1001138514	1	Rail - Top	
13	1001140429	1	Decal - Drop Bar	
14	See Note	1	Platform (Note: Not Available - Purchase Platform Assembly)	

SECTION 5 - PLATFORM

FIGURE 5-6. PLATFORM ASSEMBLY - 30IN X 5FT (76CM X 1.52M) - WITH DROP BAR



ART_1001186377

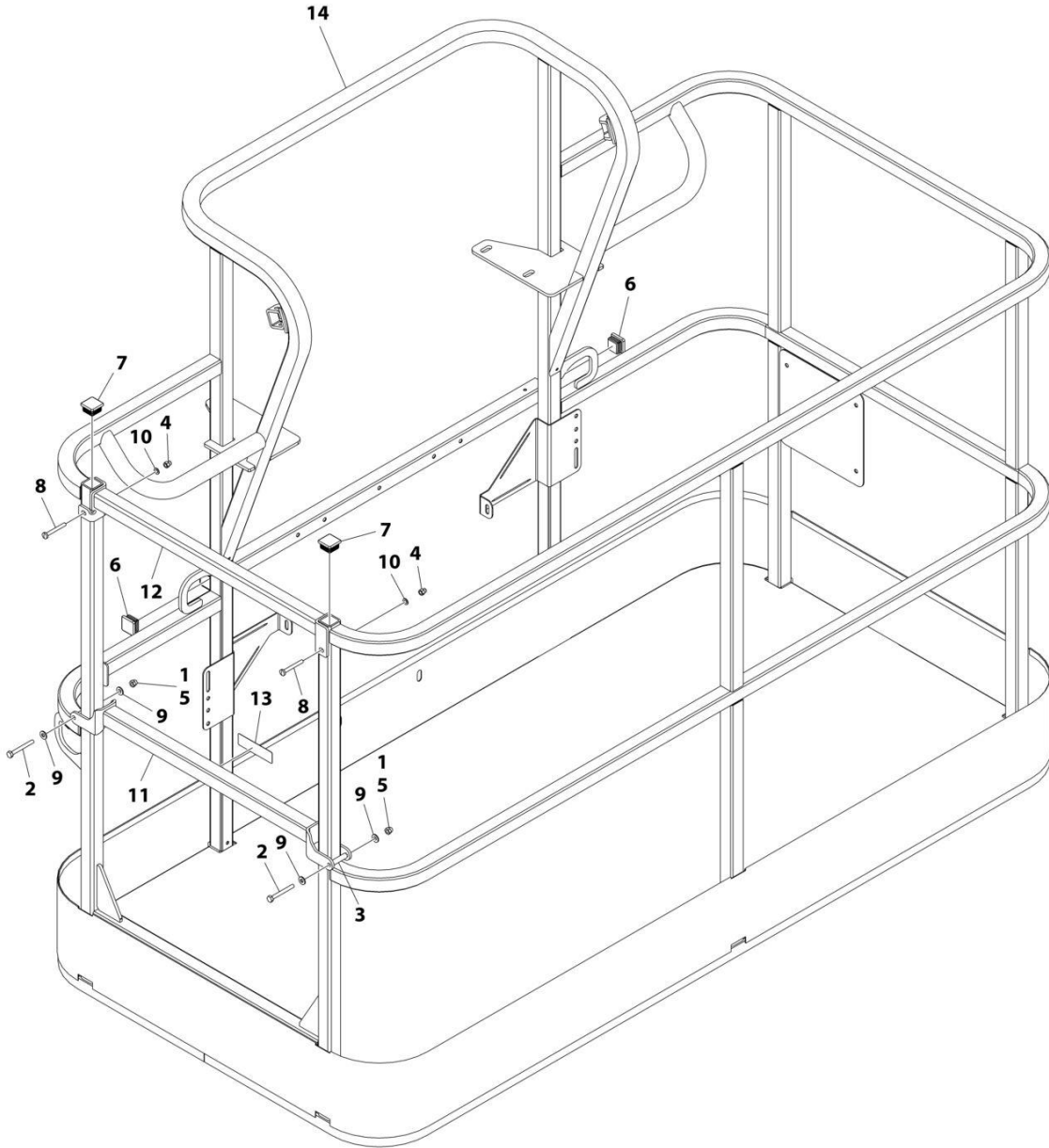
SECTION 5 - PLATFORM

FIGURE 5-6. PLATFORM ASSEMBLY - 30IN X 5FT (76CM X 1.52M) - WITH DROP BAR

ITEM	PART NUMBER	QTY	DESCRIPTION	REV
	1001186377	Ref	PLATFORM ASSEMBLY	C
		Ref	Note: Platform and Mesh must be ordered separately for Platforms with Mesh. See SPECIAL OPTIONS SECTION for Mesh Installations.	
		Ref	Note: Replacement Decals Must be Ordered Separately - See DECALS SECTION.	
1	0100011	AR	Compound, Locking	
2	0641420	2	Bolt 1/4 x 2-1/2	
3	0961845	2	Bushing	
4	3290606	2	Nut M6	
5	3300151	2	Nut 1/4	
6	3520072	2	Plug	
7	3520198	2	Plug	
8	4010618	2	Screw M6 x 50	
9	4711400	4	Washer 1/4	
10	4811700	2	Washer M6	
11	1001138494	1	Bar, Drop	
12	1001138514	1	Rail (Top)	
13	1001140429	1	Decal - Drop Bar	
14	See Note	NSS	Platform (Note: Not Available - Purchase Platform Assembly)	

SECTION 5 - PLATFORM

FIGURE 5-7. PLATFORM ASSEMBLY - 30IN X 6FT (76CM X 1.83M) - WITH DROP BAR



ART_1001186378

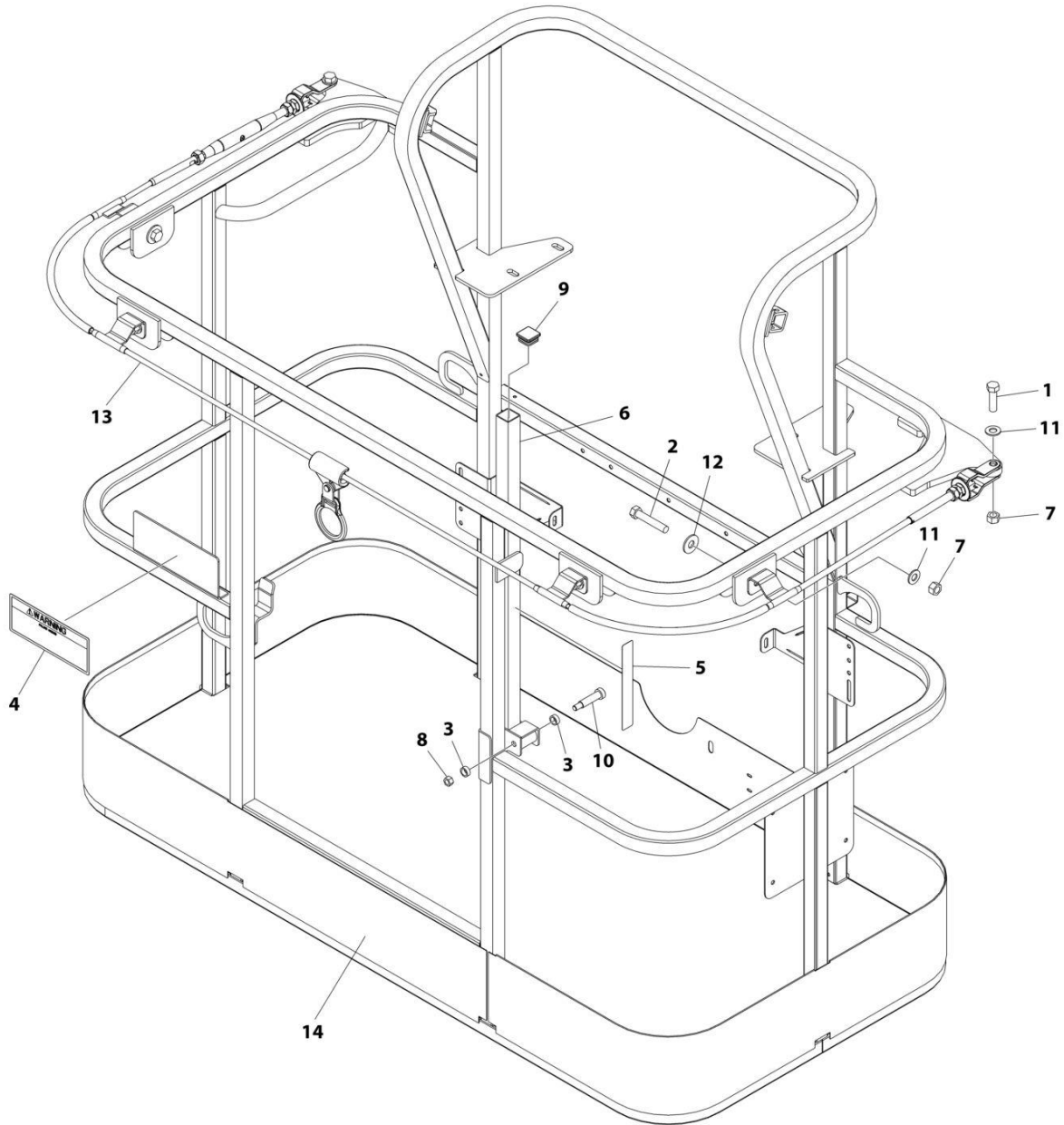
SECTION 5 - PLATFORM

FIGURE 5-7. PLATFORM ASSEMBLY - 30IN X 6FT (76CM X 1.83M) - WITH DROP BAR

ITEM	PART NUMBER	QTY	DESCRIPTION	REV
	1001186378	Ref	PLATFORM ASSEMBLY	C
		Ref	Note: Platform and Mesh must be ordered separately for Platforms with Mesh. See SPECIAL OPTIONS SECTION for Mesh Installations.	
		Ref	Note: Replacement Decals Must be Ordered Separately - See DECALS SECTION.	
1	0100011	AR	Compound, Locking	
2	0641418	2	Bolt 1/4 x 2-1/4	
3	0961845	2	Bushing	
4	3290606	2	Nut M6	
5	3300151	2	Nut 1/4	
6	3520072	2	Plug	
7	3520198	2	Plug	
8	4010618	2	Screw M6 x 50	
9	4711400	4	Washer 1/4	
10	4811700	2	Washer M6	
11	1001138494	1	Bar, Drop	
12	1001138514	1	Rail (Top)	
13	1001140429	1	Decal - Drop Bar	
14	See Note	NSS	Platform (Note: Not Available - Purchase Platform Assembly)	

SECTION 5 - PLATFORM

FIGURE 5-8. PLATFORM ASSEMBLY - 30IN X 5FT (76CM X 1.52M - FALL ARREST (ANSI, ANSI EXPORT AND CSA SPECS)



ART_1001186388

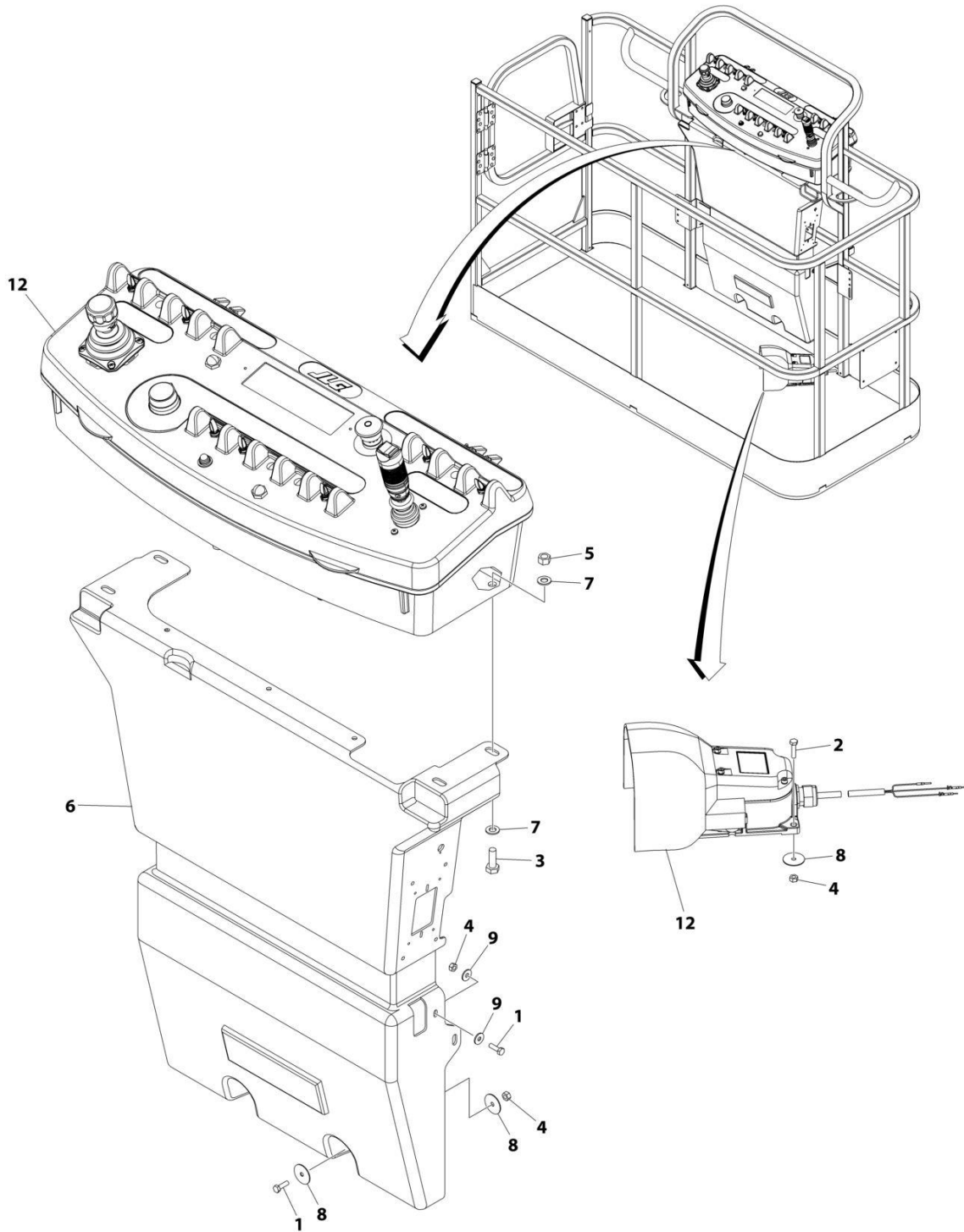
SECTION 5 - PLATFORM

FIGURE 5-8. PLATFORM ASSEMBLY - 30IN X 5FT (76CM X 1.52M - FALL ARREST (ANSI, ANSI EXPORT AND CSA SPECS)

ITEM	PART NUMBER	QTY	DESCRIPTION	REV
	1001186388	Ref	PLATFORM ASSEMBLY	C
	See Note	Ref	Note: Replacement Decals Must be Ordered Separately - See DECALS SECTION.	
1	0681814	2	Bolt 1/2 x 1-3/4 (Grade 8)	
2	0681822	4	Bolt 1/2 x 2-3/4 (Grade 8)	
3	0962270	2	Bearing	
4	1705014	1	Decal - Safety	
5	1706385	1	Decal - Drop Bar	
6	2410014	1	Gate, Weldment	
7	3271805	6	Nut 1/2	
8	3311605	1	Nut 3/8	
9	3520072	1	Cap, Plug	
10	3900054	1	Bolt 1/2 x 1-3/4	
11	4711800	6	Washer 1/2	
12	4751800	4	Washer 1/2	
13	1001203654	1	Lanyard	
14	See Note	NSS	Platform (Note: Not Available - Purchase Platform Assembly)	

SECTION 5 - PLATFORM

FIGURE 5-9. CONSOLE BOX INSTALLATION - 450A



ART_1001246297

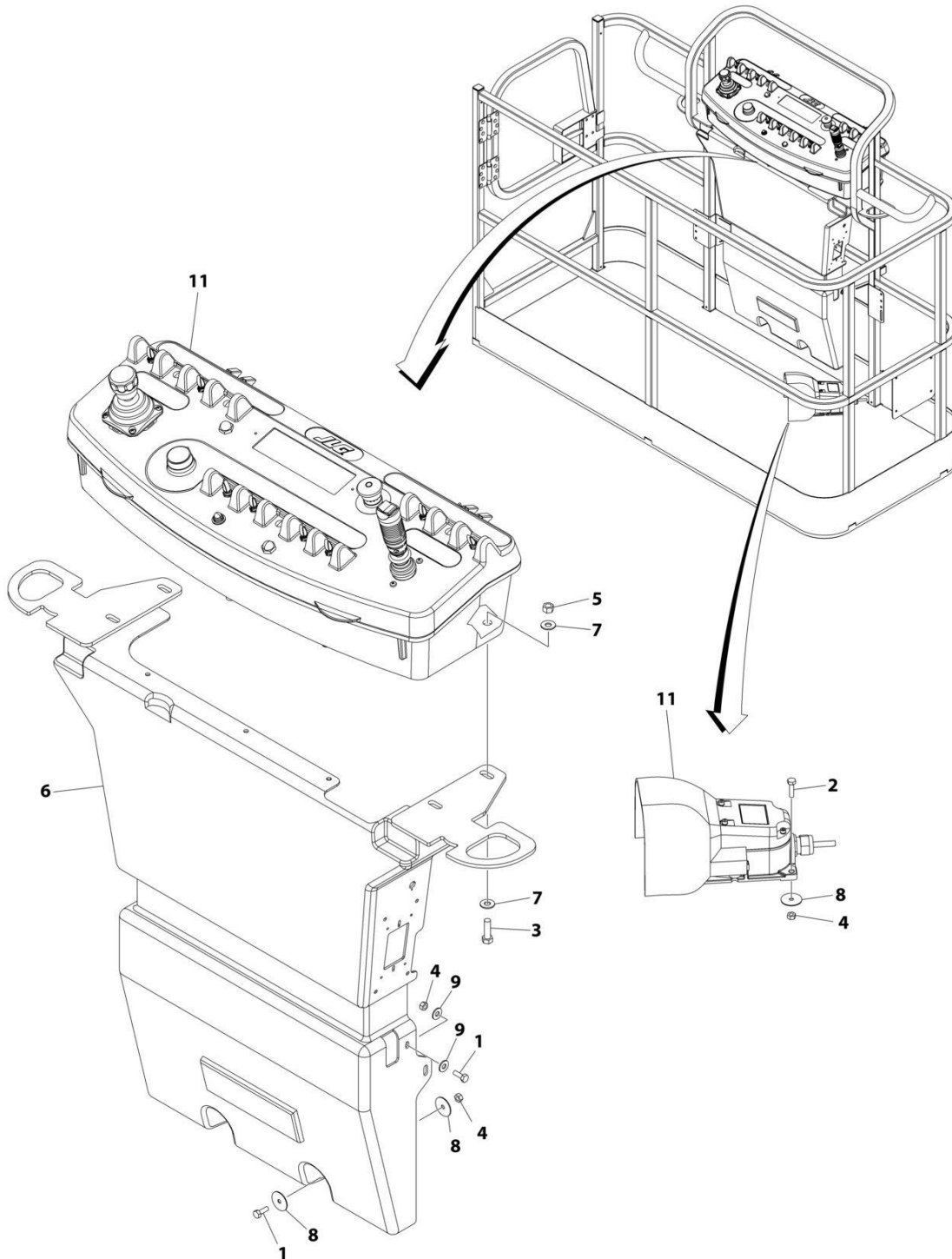
SECTION 5 - PLATFORM

FIGURE 5-9. CONSOLE BOX INSTALLATION - 450A

ITEM	PART NUMBER	QTY	DESCRIPTION	REV
	1001246297	Ref	CONSOLE BOX INSTALLATION	A
1	0641406	4	Bolt 1/4 x 3/4	
2	0641408	3	Bolt 1/4 x 1	
3	0641610	4	Bolt 3/8 x 1-1/4	
4	3311405	7	Nut Lock 1/4	
5	3311605	4	Nut Lock 3/8	
6	3380434	1	Panel, Decal Mount	
7	4751600	8	Washer 3/8	
8	4740362	7	Washer 1/4	
9	4751400	4	Washer 1/4	
10	1001144295	2	Cap, Connector (Not Shown)	
11	1001164728	1	Harness, Platform Valve (Not Shown - See Separate Breakdown in ELECTRICAL SECTION)	
12	1001246286	1	Platform Console Box Assembly (See Separate Breakdown in this Section)	

SECTION 5 - PLATFORM

FIGURE 5-10. CONSOLE BOX INSTALLATION - 450AJ



ART_1001246436

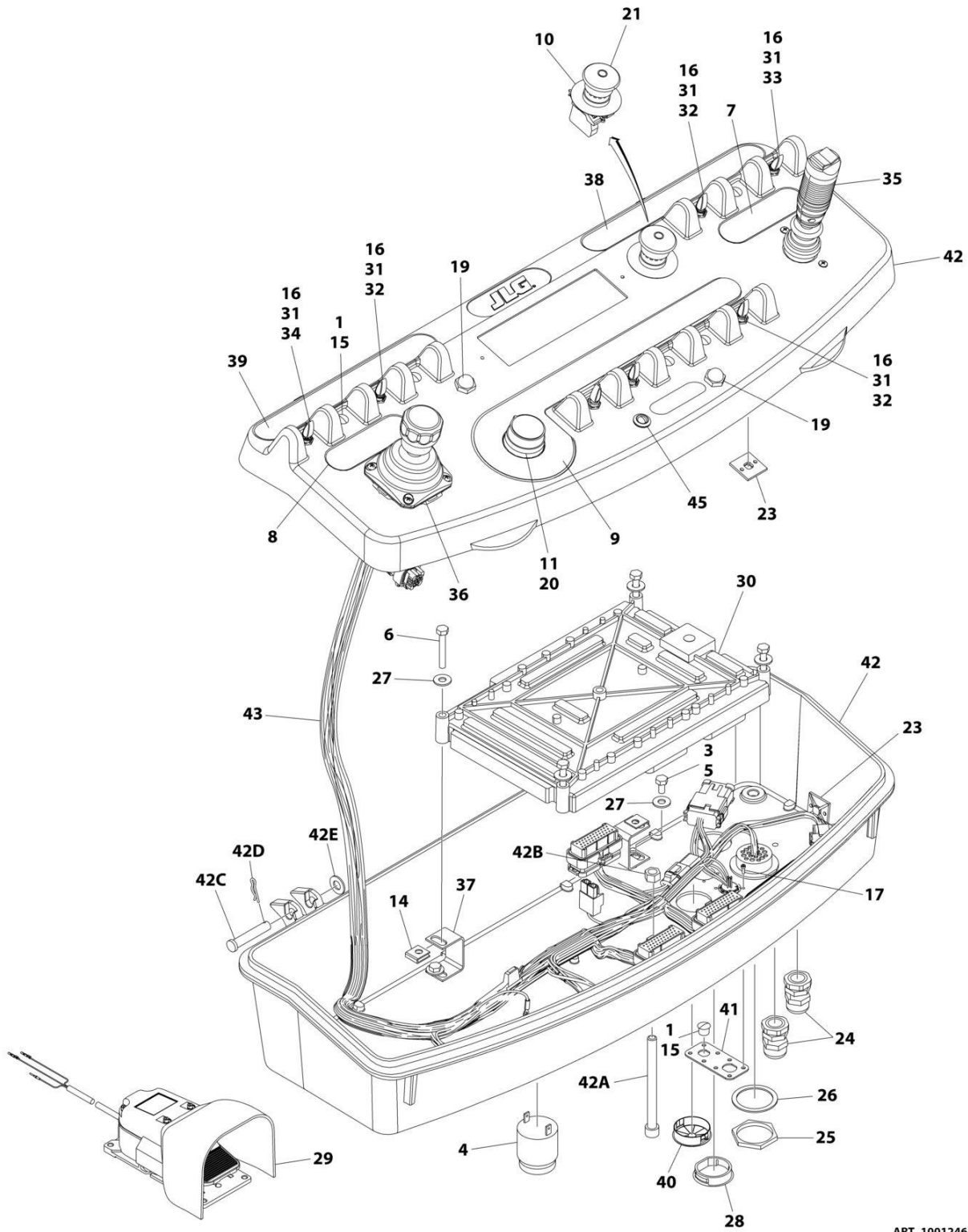
SECTION 5 - PLATFORM

FIGURE 5-10. CONSOLE BOX INSTALLATION - 450AJ

ITEM	PART NUMBER	QTY	DESCRIPTION	REV
	1001246436	Ref	CONSOLE BOX INSTALLATION	A
1	0641406	4	Bolt 1/4 x 3/4	
2	0641408	3	Bolt 1/4 x 1	
3	0641610	4	Bolt 3/8 x 1-1/4	
4	3311405	7	Nut Lock 1/4	
5	3311605	4	Nut Lock 3/8	
6	3380434	1	Panel, Decal Mount	
7	4751600	8	Washer 3/8	
8	4740362	7	Washer 1/4	
9	4751400	4	Washer 1/4	
10	1001164728	1	Harness, Platform Valve (Not Shown - See Separate Breakdown in ELECTRICAL SECTION)	
11	1001246435	1	Platform Console Box Assembly (See Separate Breakdown in this Section)	

SECTION 5 - PLATFORM

FIGURE 5-11. PLATFORM CONSOLE BOX ASSEMBLY - 450A



ART_1001246286_D

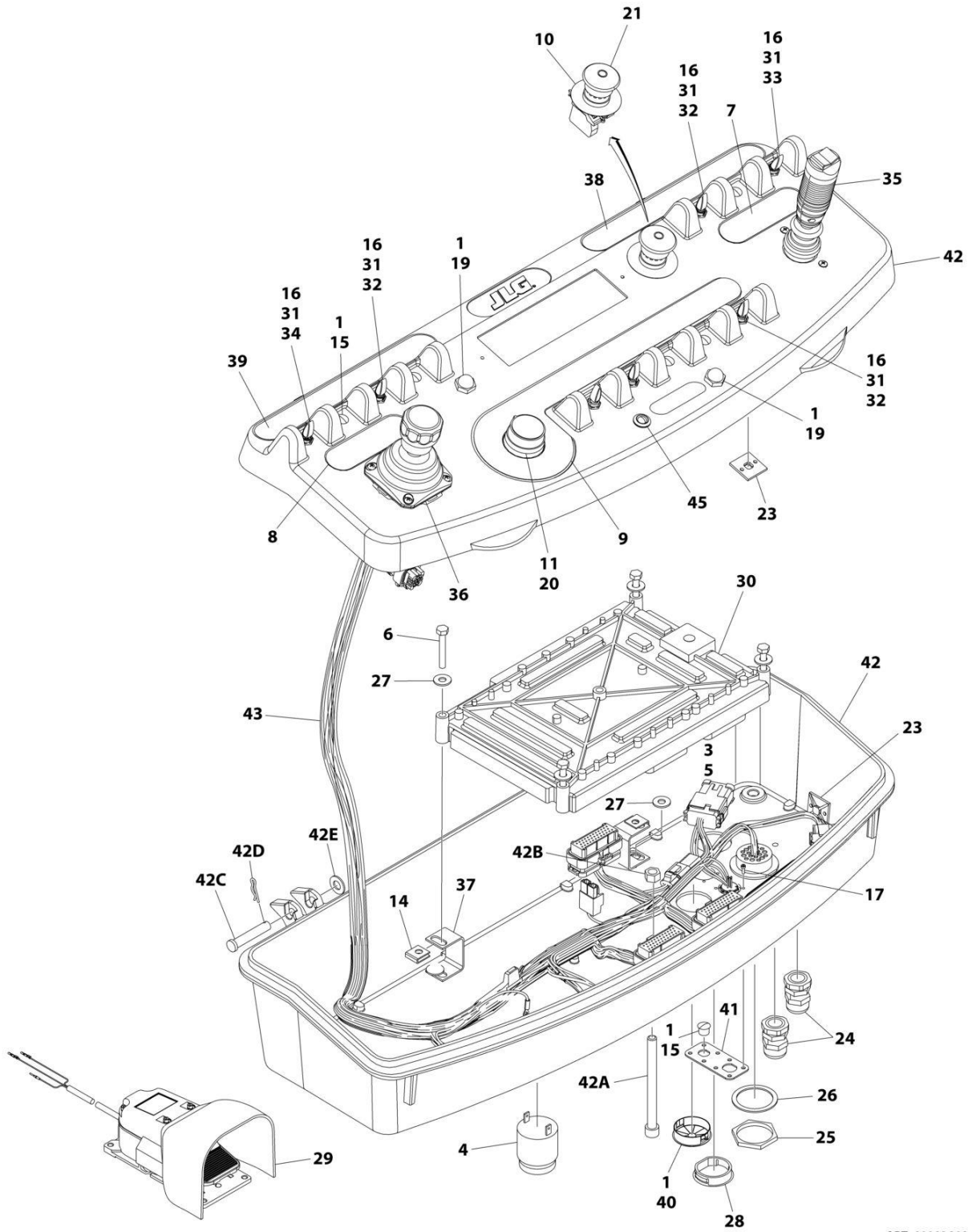
SECTION 5 - PLATFORM

FIGURE 5-11. PLATFORM CONSOLE BOX ASSEMBLY - 450A

ITEM	PART NUMBER	QTY	DESCRIPTION	REV
	1001246286	Ref	PLATFORM CONSOLE BOX ASSEMBLY	D
1	0100009	AR	Sealant	
3	0100035	AR	Compound, Locking	
4	0140011	1	Alarm	
5	0641405	4	Bolt 1/4 x 5/8	
6	0641414	4	Bolt 1/4 x 1-3/4	
7	1702565	1	Decal - Drive and Steer	
8	1702566	1	Decal - Lift and Swing	
9	1702567	1	Decal - Function Speed	
10	1704260	1	Decal - EMS	
11	2560136	1	Handle, Knob	
14	3300353	4	Nut	
15	3520054	6	Plug	
16	3790012	7	O-Ring	
17	3900349	8	Screw	
18	4240099	AR	Tie-Strap (Not Shown)	
19	4360387	2	Switch, Pushbutton	
20	4360407	1	Switch, Potentiometer	
21	1001274559	1	Switch, Emergency	
23	4460234	6	Mount, Tie-Strap	
24	4460428	2	Connector, Strain Relief	
25	4460470	1	Nut	
26	4460471	1	Washer	
27	4751400	8	Washer 1/4	
28	1001110434	1	Plug	
29	1001117174	1	Footswitch Assembly (See Separate Breakdown in this Section)	
30	1001118412	1	Module, Control	
31	1001155044	7	Nut 15/32	
32	1001155045	5	Switch, Toggle	
33	1001159256	1	Switch, Toggle	
34	1001161709	1	Switch, Toggle	
35	1001275628	1	Controller Assembly (Drive and Steer)	
36	1001275629	1	Controller Assembly (Lift and Swing)	
37	1001172760	4	Bracket	
38	1001184618	1	Decal - Stop	
39	1001184626	1	Decal - Horn	
40	1001185281	1	Plug	
41	1001213882	1	Connector, Mounting	
42	1001215228	1	Platform Console Box	
42A	0630568	1	Capscrew 3/8 x 4-1/2	
42B	3311601	1	Nut 3/8	
42C	3430616	2	Pin, Clevis	
42D	3470003	2	Hairpin	
42E	4711600	2	Washer 3/8	
43	1001238254	1	Harness, Platform Console Box (See Separate Breakdown in ELECTRICAL SECTION)	
45	1001206532	1	Lamp, Indicator	

SECTION 5 - PLATFORM

FIGURE 5-12. PLATFORM CONSOLE BOX ASSEMBLY - 450AJ



ART_1001246435_D

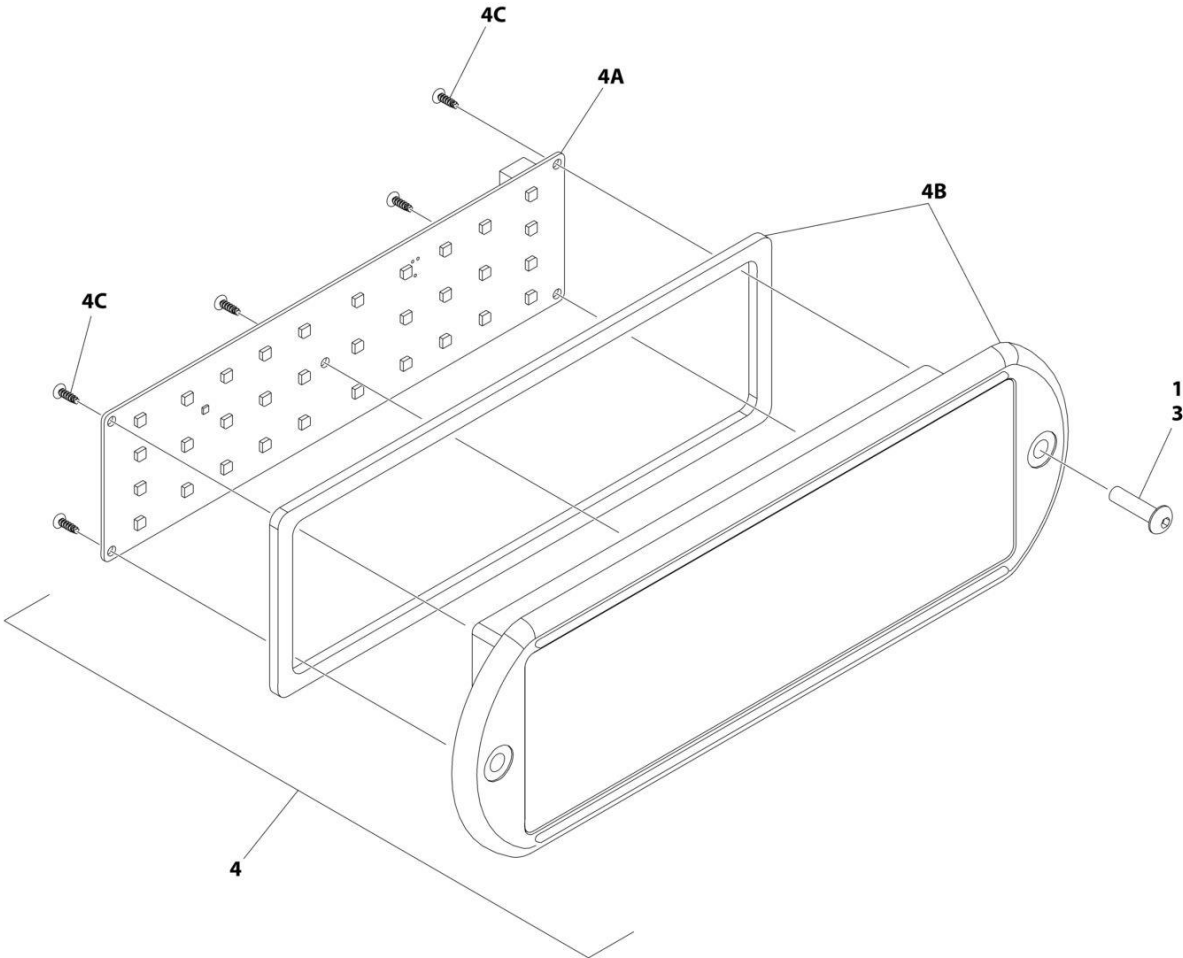
SECTION 5 - PLATFORM

FIGURE 5-12. PLATFORM CONSOLE BOX ASSEMBLY - 450AJ

ITEM	PART NUMBER	QTY	DESCRIPTION	REV
	1001246435	Ref	PLATFORM CONSOLE BOX ASSEMBLY	D
1	0100009	AR	Sealant	
3	0100035	AR	Compound, Locking	
4	0140011	1	Alarm	
5	0641405	4	Bolt 1/4 x 5/8	
6	0641414	4	Bolt 1/4 x 1-3/4	
7	1702565	1	Decal - Drive and Steer	
8	1702566	1	Decal - Lift and Swing	
9	1702567	1	Decal - Function Speed	
10	1704260	1	Decal - EMS	
11	2560136	1	Handle, Knob	
14	3300353	4	Nut	
15	3520054	5	Plug	
16	3790012	8	O-Ring	
17	3900349	8	Screw	
18	4240099	AR	Tie-Strap (Not Shown)	
19	4360387	2	Switch, Pushbutton	
20	4360407	1	Switch, Potentiometer	
21	1001274559	1	Switch, Emergency	
23	4460234	6	Mount, Tie-Strap	
24	4460428	2	Connector, Strain Relief	
25	4460470	1	Nut	
26	4460471	1	Washer	
27	4751400	8	Washer 1/4	
28	1001110434	1	Plug	
29	1001117174	1	Footswitch Assembly (See Separate Breakdown in this Section)	
30	1001118412	1	Module, Control	
31	1001155044	8	Nut 15/32	
32	1001155045	6	Switch, Toggle	
33	1001159256	1	Switch, Toggle	
34	1001161709	1	Switch, Toggle	
35	1001275628	1	Controller Assembly (Drive and Steer)	
36	1001275629	1	Controller Assembly (Lift and Swing)	
37	1001172760	4	Bracket	
38	1001184618	1	Decal - Stop	
39	1001184626	1	Decal - Horn	
40	1001185281	1	Plug	
41	1001213882	1	Connector, Mounting	
42	1001215228	1	Platform Console Box	
42A	0630568	1	Capscrew 3/8 x 4-1/2	
42B	3311601	1	Nut 3/8	
42C	3430616	2	Pin, Clevis	
42D	3470003	2	Hairpin	
42E	4711600	2	Washer 3/8	
43	1001238254	1	Harness, Platform Console Box (See Separate Breakdown in ELECTRICAL Section)	
45	1001206532	1	Lamp, Indicator	

SECTION 5 - PLATFORM

FIGURE 5-13. LIGHT PANEL INSTALLATION – PLATFORM CONSOLE



ART_1001233959_D_20F2

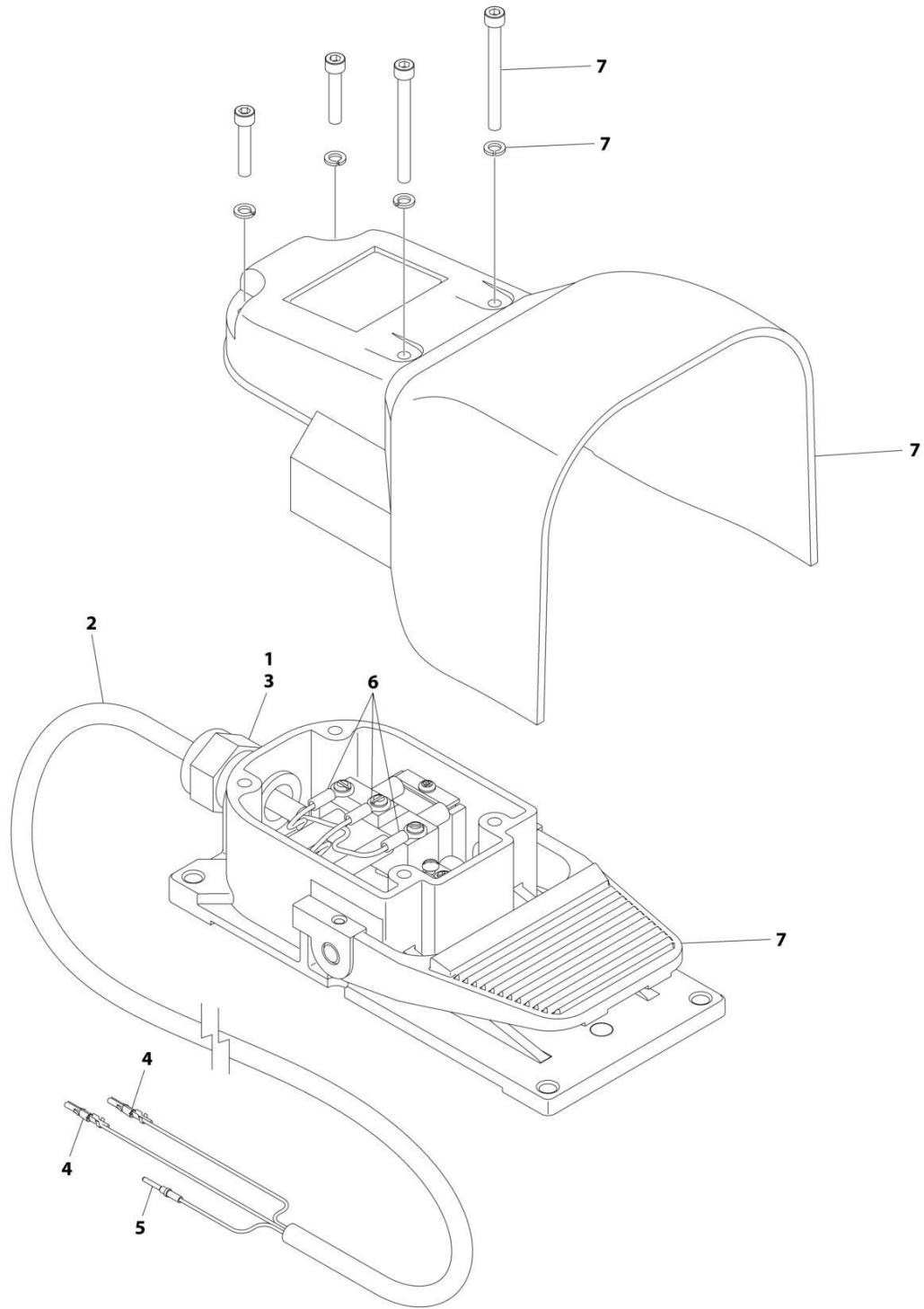
SECTION 5 - PLATFORM

FIGURE 5-13. LIGHT PANEL INSTALLATION – PLATFORM CONSOLE

ITEM	PART NUMBER	QTY	DESCRIPTION	REV
	1001233959	Ref	LIGHT PANEL INSTALLATION - PLATFORM CONSOLE	D
1	0100035	AR	Compound, Locking	
3	0630518	2	Screw #10 x 3/4	
4	1001284583	1	Light Panel Assembly	A
4A	1001282106	1	Panel, LED Light	
4B	1001284582	1	Lens, Icon (Includes Gasket)	
4C		Ref	Screw	

SECTION 5 - PLATFORM

FIGURE 5-14. FOOTSWITCH ASSEMBLY



ART_100117174

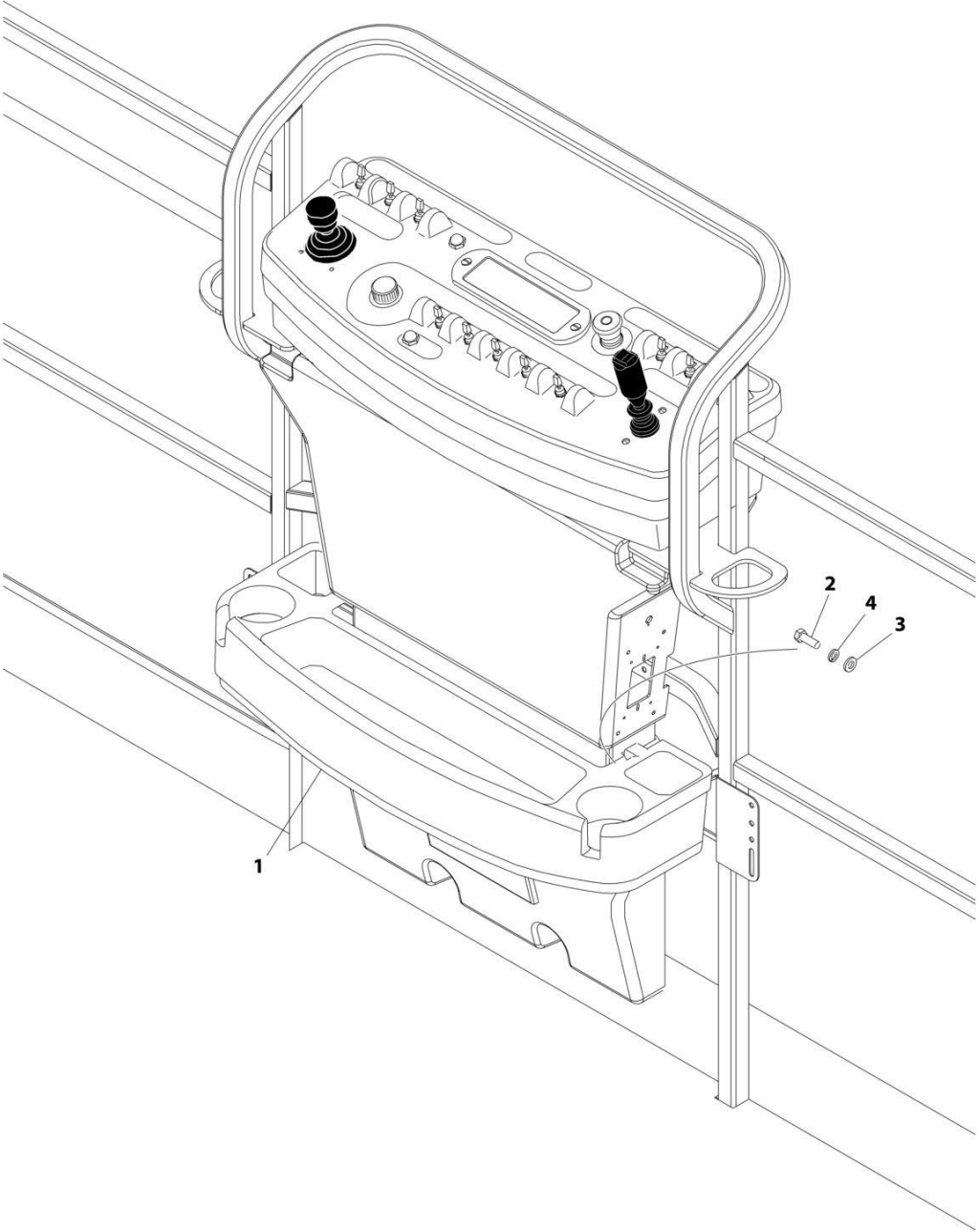
SECTION 5 - PLATFORM

FIGURE 5-14. FOOTSWITCH ASSEMBLY

ITEM	PART NUMBER	QTY	DESCRIPTION	REV
	1001117174	Ref	FOOTSWITCH ASSEMBLY	C
1	0100020	AR	Sealant	
2	1060918	7.5 ft/ 2.3m	Cable, Electrical - 18/3	
3	4460071	1	Connector, Strain Relief	
4	4460226	2	Socket, Female	
5	4460464	1	Pin, Male	
6	1001098122	3	Terminal	
7	1001117172	1	Footswitch	
7	70002902	1	Switch, 20Amp	
7	70002903	1	Gasket	
7	70002905	1	Cover	
7	70002904	1	Kit, Replacement Bolt	

SECTION 5 - PLATFORM

FIGURE 5-15. TRAY ASSEMBLY



ART_1580012

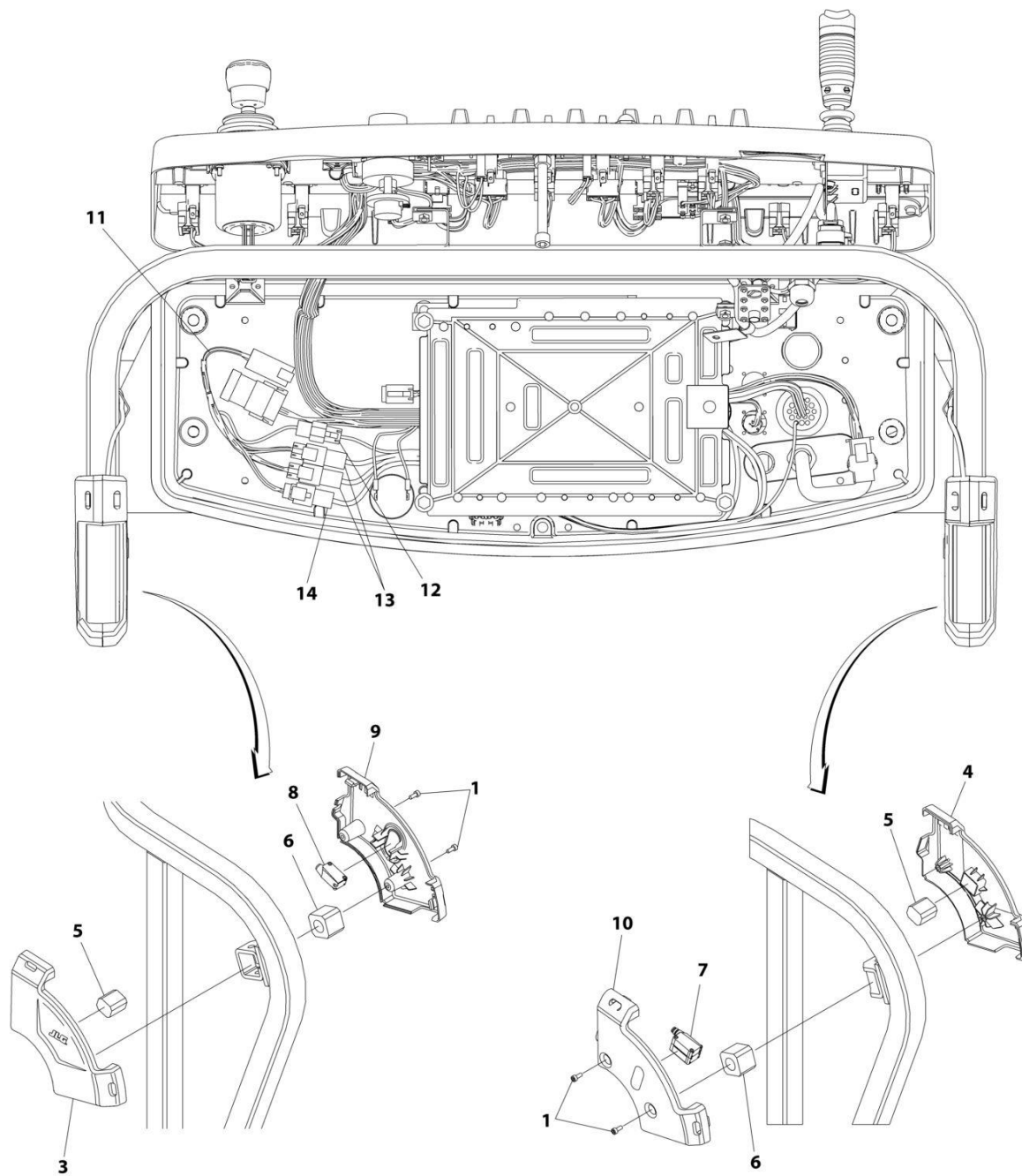
SECTION 5 - PLATFORM

FIGURE 5-15. TRAY ASSEMBLY

ITEM	PART NUMBER	QTY	DESCRIPTION	REV
	1580012	Ref	TRAY ASSEMBLY	C
1	See Note	NSS	Tray, Storage (Center) (Note: Purchase p/n 1580012)	
2	0641406	2	Bolt 1/4 x 3/4	
3	4751400	2	Washer 1/4	
4	4761400	2	Washer 1/4	

SECTION 5 - PLATFORM

FIGURE 5-16. SKYEYE INSTALLATION



ART_1001229341

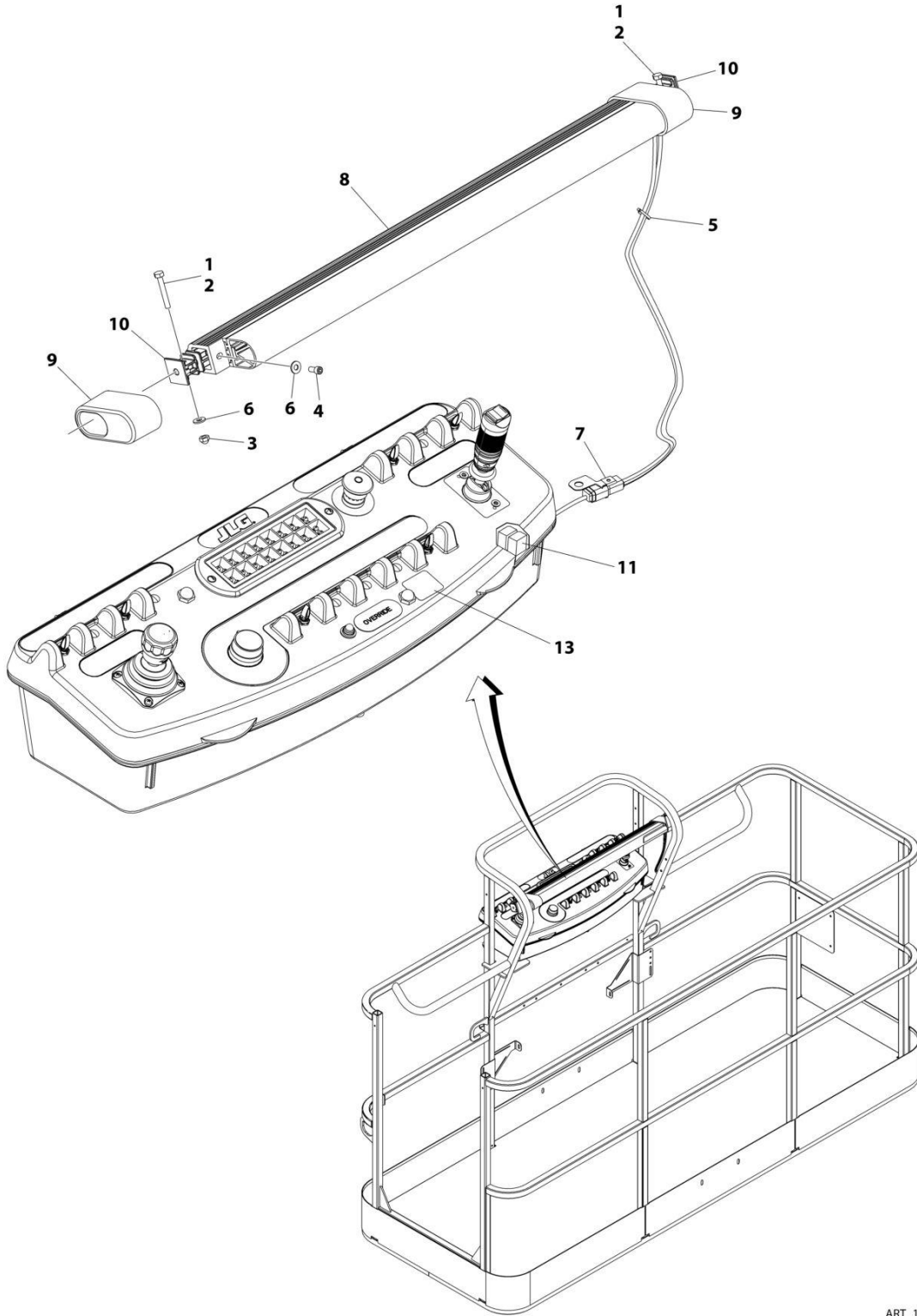
SECTION 5 - PLATFORM

FIGURE 5-16. SKYEYE INSTALLATION

ITEM	PART NUMBER	QTY	DESCRIPTION	REV
	1001229341	Ref	SKYEYE INSTALLATION	B
1	4031505	4	Bolt M4 x 10	
2	4240033	AR	Tie-Strap (Not Shown)	
3	1001227633	1	Housing, LH Outer	
4	1001227634	1	Housing, RH Outer	
5	1001227985	2	Shim	
6	1001227987	2	Shim	
7	1001228224	2	Sensor, Receiver	
8	1001228225	1	Sensor, Emitter	
9	1001232164	1	Housing, LH Inner	
10	1001232165	1	Housing, RH Inner	
11	1001237865	1	Harness, Skyeeye Intermediate (See Separate Breakdown in ELECTRICAL Section)	
12	1001238319	NLA	Harness, Skyeeye Drain Jumper	
12	1001187674	1	Plug, Male - 2 Position	
12	4460942	1	Terminal	
12	4460466	1	Plug, Terminal	
12	4460508	1	Pin, Male	
13	1001237863	2	Harness, Skyeeye Receiver (See Separate Breakdown in ELECTRICAL Section)	
14	1001237864	1	Harness, Skyeeye Emitter (See Separate Breakdown in ELECTRICAL Section)	

SECTION 5 - PLATFORM

FIGURE 5-17. SKYGUARD BAR INSTALLATION



ART_1001238495

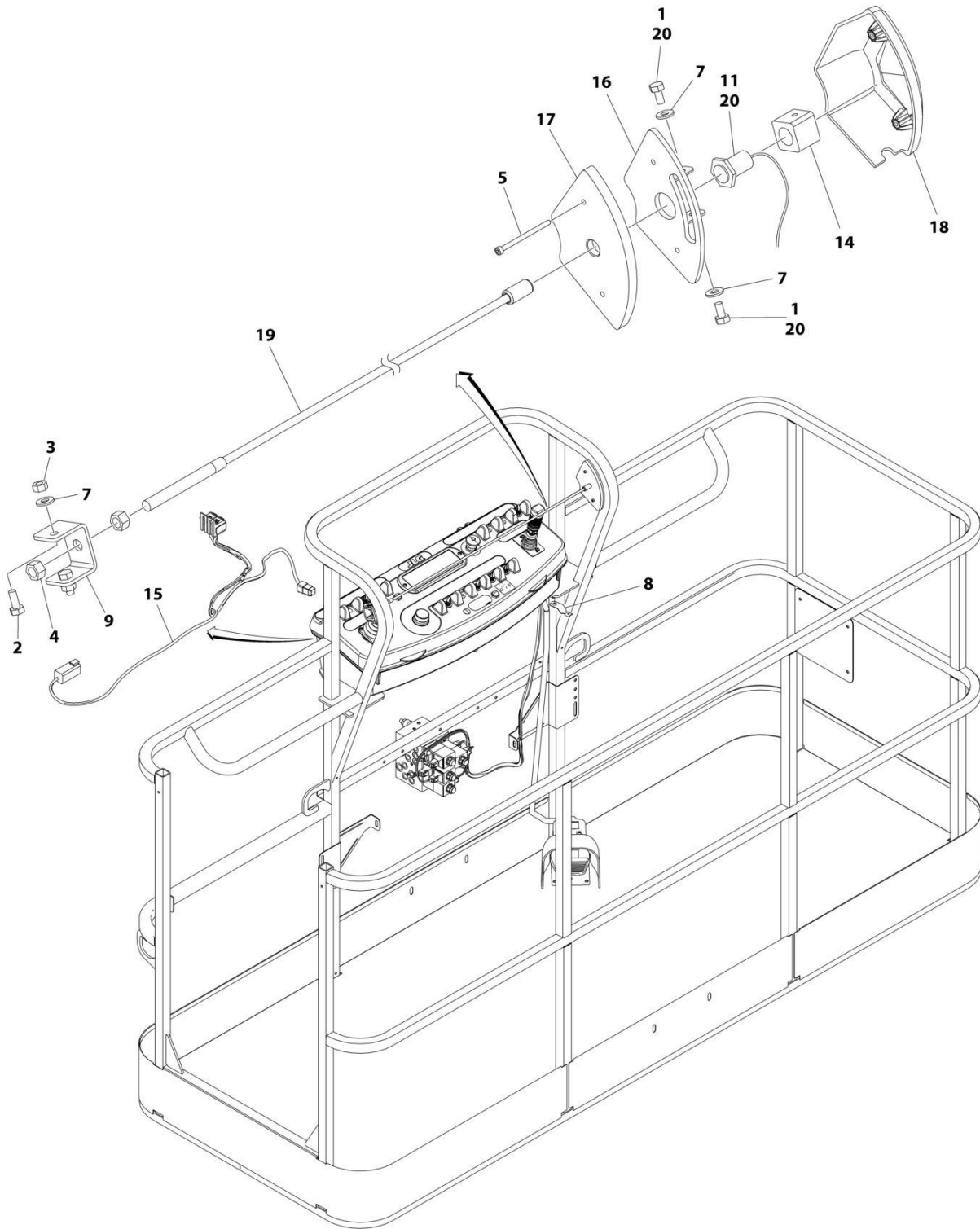
SECTION 5 - PLATFORM

FIGURE 5-17. SKYGUARD BAR INSTALLATION

ITEM	PART NUMBER	QTY	DESCRIPTION	REV
	1001238495	Ref	SKYGUARD BAR INSTALLATION	A
1	0100011	AR	Compound, Locking	
2	0641414	2	Bolt 1/4 x 1-3/4	
3	3300430	2	Nut 1/4	
4	3931408	2	Capscrew 1/4 x 1/2	
5	4240033	8	Tie-Strap	
6	4711400	6	Washer 1/4	
7	1001120328	1	Mount	
8	1001137673	1	SkyGuard Switch Assembly	
9	1001186517	2	Cover, Platform Sensor	
10	1001209664	2	Support, Block	
11	1001186431	2	Relay	
12	1001225580	1	Interface Harness Assembly (Not Shown - Located Inside Console Box) (See Separate Breakdown in ELECTRICAL Section)	
13	1001144433	1	Decal - No Weight SkyGuard	

SECTION 5 - PLATFORM

FIGURE 5-18. SKYLINE INSTALLATION



ART_1001238559_D

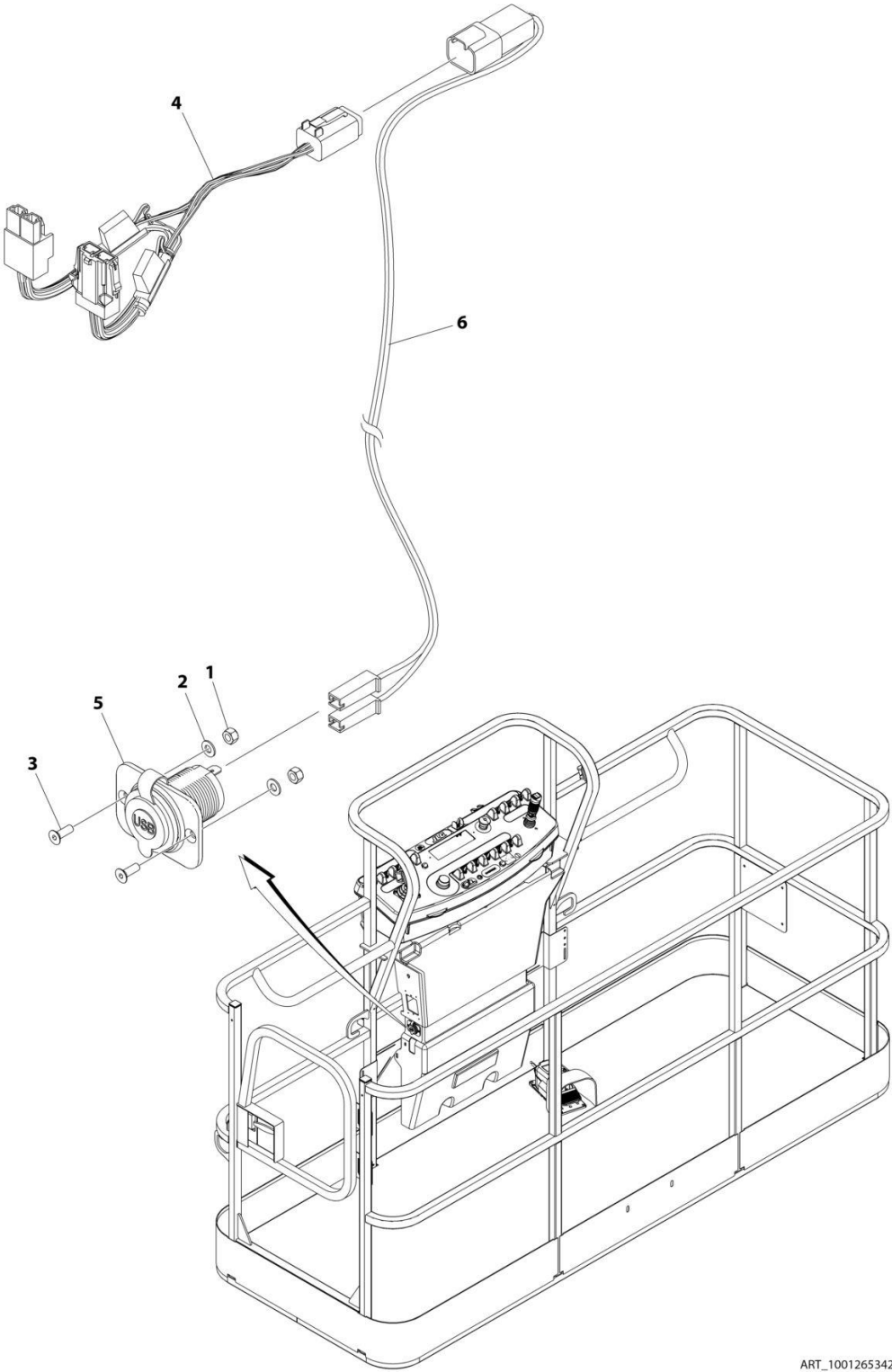
SECTION 5 - PLATFORM

FIGURE 5-18. SKYLINE INSTALLATION

ITEM	PART NUMBER	QTY	DESCRIPTION	REV
	1001238559	Ref	SKYLINE INSTALLATION	D
1	0641404	2	Bolt 1/4 x 1/2	
2	0641405	2	Bolt 1/4 x 5/8	
3	3311405	2	Nut 1/4	
4	3311601	2	Nut 3/8	
5	4031516	2	Capscrew M4 x 60	
6	4240033	AR	Tie-Strap (Not Shown)	
7	4711400	4	Washer 1/4	
8	1001120328	1	Mount	
9	1001232642	1	Bracket	
11	1001232667	1	Sensor, Proximity	
14	1001236552	1	Block	
15	1001238418	1	Harness, Skyline (See Separate Breakdown in ELECTRICAL Section)	
16	1001238472	1	Mount	
17	1001254473	1	Housing, LH	
18	1001241965	1	Housing, RH	
19	1001254472	1	Rod	
20	0100011	AR	Compound, Locking	

SECTION 5 - PLATFORM

FIGURE 5-19. USB CHARGER INSTALLATION



ART_1001265342

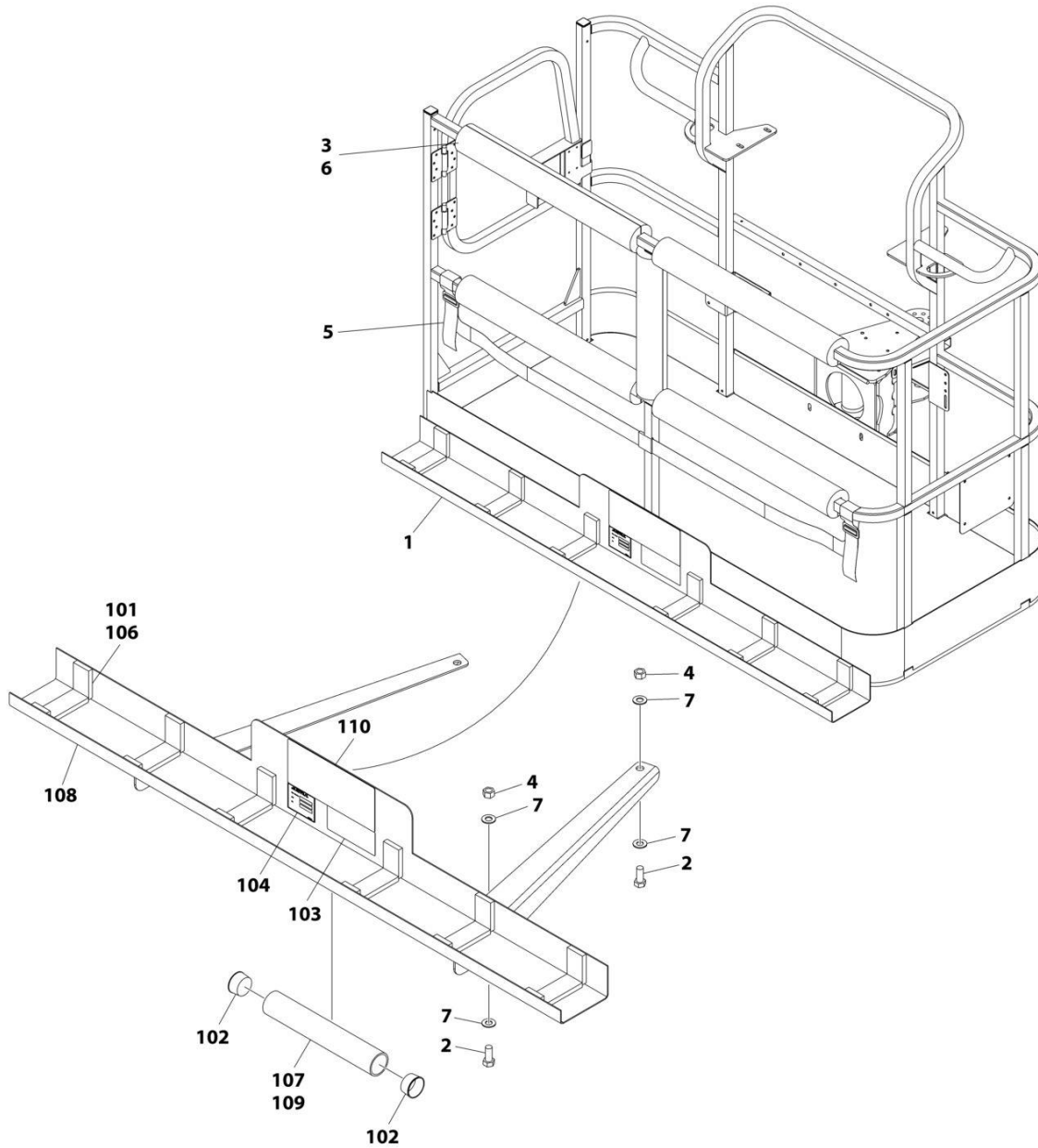
SECTION 5 - PLATFORM

FIGURE 5-19. USB CHARGER INSTALLATION

ITEM	PART NUMBER	QTY	DESCRIPTION	REV
	1001265342	Ref	USB CHARGER INSTALLATION	A
1	3290405	2	Nut M4	
2	4811400	2	Washer M4	
3	1001097244	2	Screw M4 x 12	
4	1001120484	1	Harness, Work Lights	
4	4460879	1	Plug, Male - 2 Position	
4	4460887	2	Terminal	
4	2400060	2	Fuseholder Includes Cover	
4	8229249	2	Fuse, 3 Amp	
4	4460884	1	Connector - 4 Position	
4	4460465	4	Socket, Female	
4	1001120471	1	Connector - 2 Position	
4	1001120477	2	Terminal	
5	1001210636	1	Receptacle, USB	
6	1001265163	1	Harness, USB	A
6	4460260	2	Cover, Terminal	
6	4460259	2	Terminal	
6	4460932	1	Receptacle, Bussbar - 4 Position	
6	4460464	2	Pin, Male	
6	4460466	2	Plug, Terminal	

SECTION 5 - PLATFORM

FIGURE 5-20. SKYGLAZIER INSTALLATION



ART_1001173975

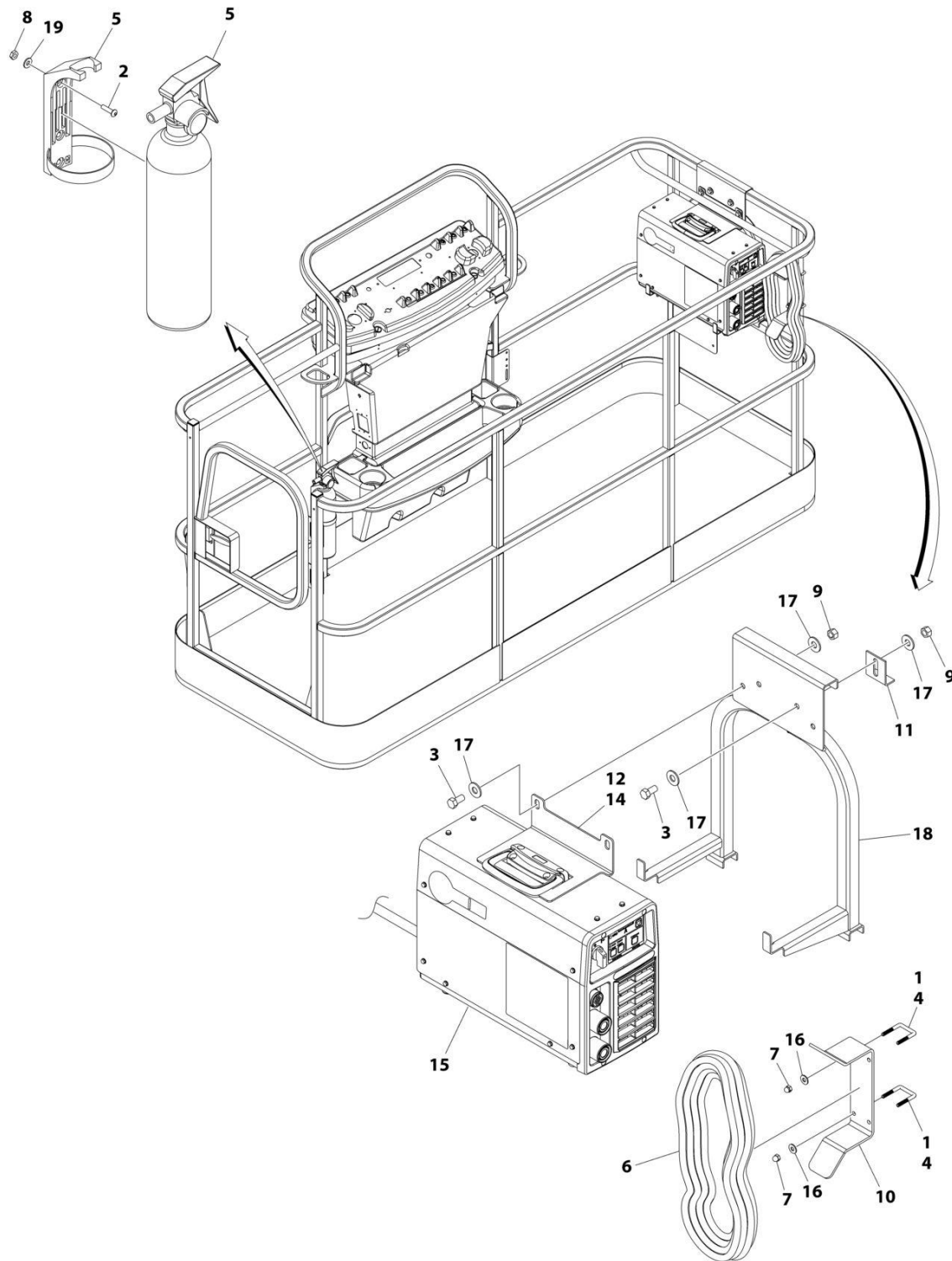
SECTION 5 - PLATFORM

FIGURE 5-20. SKYGLAZIER INSTALLATION

ITEM	PART NUMBER	QTY	DESCRIPTION	REV
	1001173975	Ref	SKYGLAZIER INSTALLATION	B
1	1001173973	1	Tray Assembly (See Items 101-110 for Breakdown)	
2	0642012	4	Bolt 5/8 x 1-1/2	
3	0940199	1	Bumper Kit	
4	3312005	4	Nut 5/8	
5	4240149	1	Strap Kit	
6	4420014	AR	Tape	
7	4712000	8	Washer 5/8	
	1001173973	Ref	TRAY ASSEMBLY	C
101	0100081	AR	Adhesive	
102	1120555	2	Cap, Tube	
103	1701509	1	Decal - Manual	
104	See Note	NSS	Nameplate - Serial Number (Note: Not Available for Purchase)	
106	3340956	1	Pad Kit	
107	3460334	1	Tube	
108	4341415	1	Support	
109	4420066	AR	Tape, Double Sided	
110	1001229138	1	Decal - Glazier Capacity	

SECTION 5 - PLATFORM

FIGURE 5-21. SKYWELDER INSTALLATION (50HZ)



ART_0272521_G

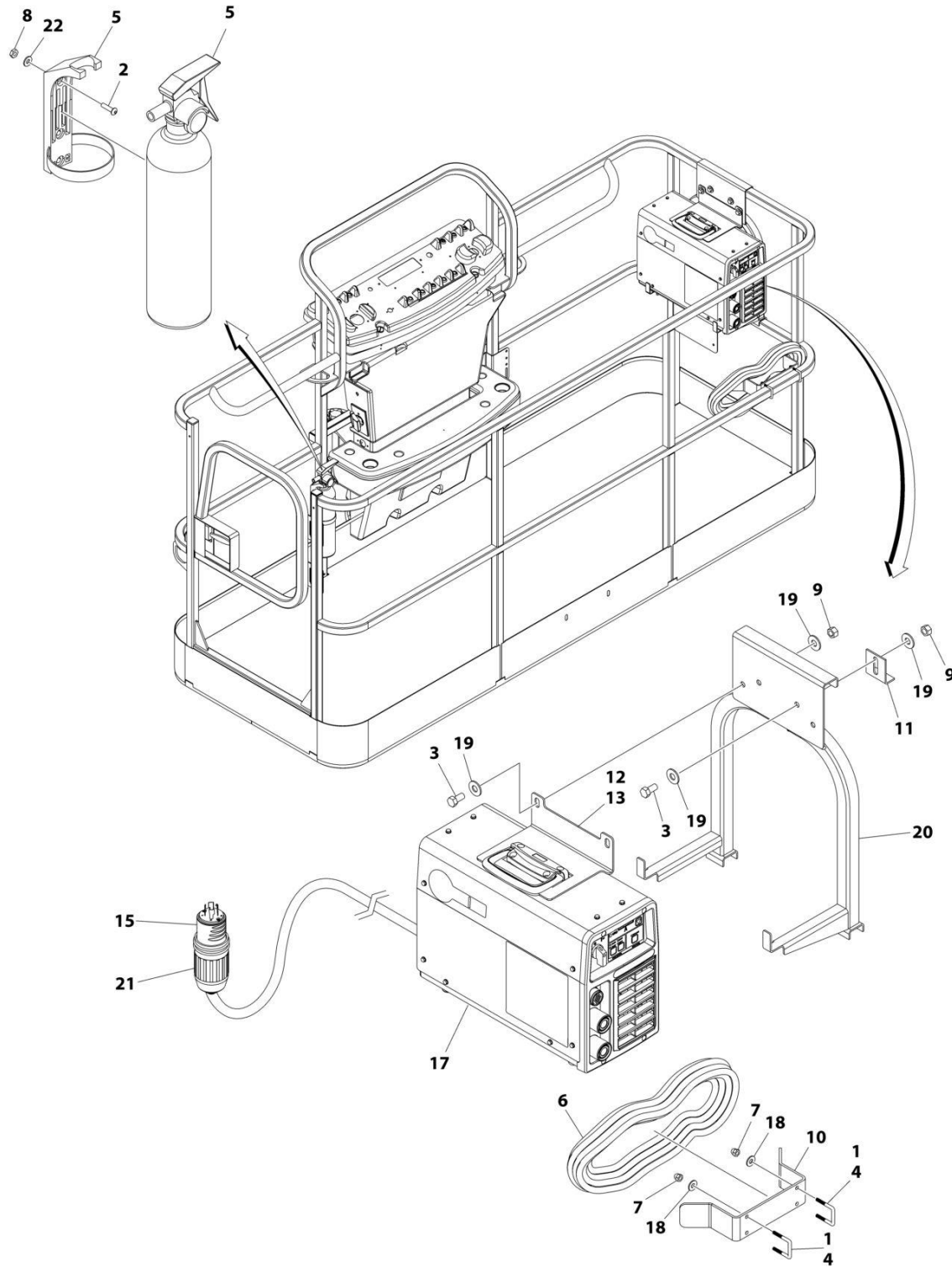
SECTION 5 - PLATFORM

FIGURE 5-21. SKYWELDER INSTALLATION (50HZ)

ITEM	PART NUMBER	QTY	DESCRIPTION	REV
	0272521	Ref	SKYWELDER INSTALLATION	G
1	0100011	AR	Compound, Locking	
2	0630518	2	Screw #10 x 3/4	
3	0641606	4	Bolt 3/8 x 3/4	
4	1320302	2	U-Clamp	
5	2030010	1	Extinguisher, Fire	
6	2902217	1	Weld Leads Kit	
7	3300151	4	Nut 1/4	
8	3311005	2	Nut #10	
9	3311605	4	Nut 3/8	
10	3573400	1	Bracket	
11	3577121	2	Angle	
12	1001269573	1	Plate	
13	4240099	AR	Tie-Strap (Not Shown)	
14	4420037	AR	Tape	
15	1001268820	1	Welder Assembly (See Separate Breakdown in this Section)	
16	4751400	4	Washer 1/4	
17	4751600	8	Washer 3/8	
18	1001269322	1	Support	
19	4751000	2	Washer #10	

SECTION 5 - PLATFORM

FIGURE 5-22. SKYWELDER INSTALLATION (60HZ)



ART_0272254_J

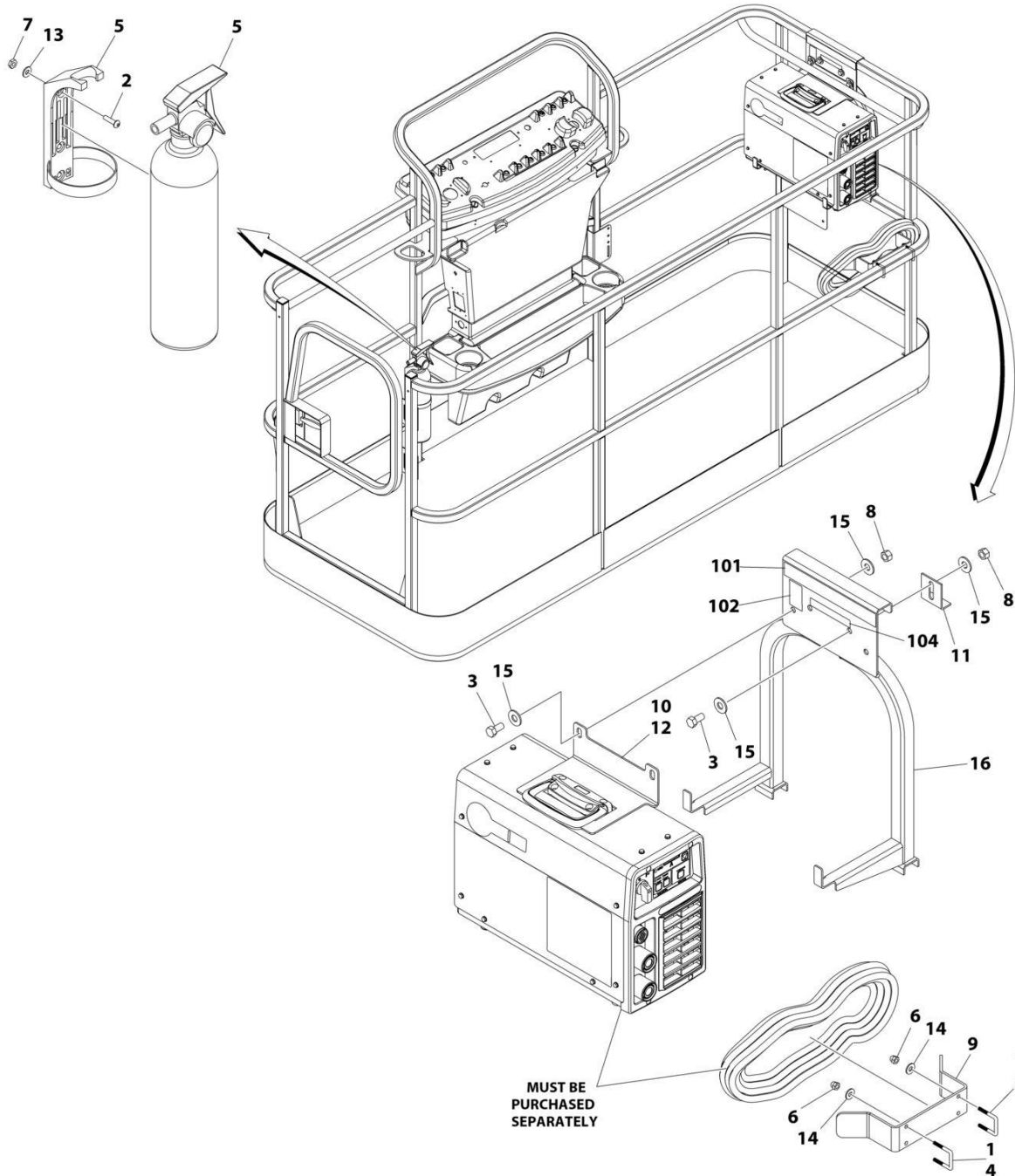
SECTION 5 - PLATFORM

FIGURE 5-22. SKYWELDER INSTALLATION (60HZ)

ITEM	PART NUMBER	QTY	DESCRIPTION	REV
	0272254	Ref	SKYWELDER INSTALLATION	J
1	0100011	AR	Compound, Locking	
2	0630518	2	Screw #10 x 3/4	
3	0641606	4	Bolt 3/8 x 3/4	
4	1320302	2	U-Clamp	
5	2030010	1	Extinguisher, Fire	
6	2902217	1	Weld Leads Kit	
7	3300151	4	Nut 1/4	
8	3311005	2	Nut #10	
9	3311605	4	Nut 3/8	
10	3573400	1	Bracket	
11	3577121	2	Angle	
12	1001269573	1	Plate	
13	4420037	AR	Tape	
14	4240099	AR	Tie-Strap (Not Shown)	
15	4460962	1	Plug, Male Twistlock	
17	1001268820	1	Welder Assembly (See Separate Breakdown in this Section)	
18	4751400	4	Washer 1/4	
19	4751600	8	Washer 3/8	
20	1001269322	1	Support	
21	1671093	1	Cover, Plug	
22	4751000	2	Washer #10	

SECTION 5 - PLATFORM

FIGURE 5-23. SKYWELDER PREP PACKAGE INSTALLATION



ART_1001128527_C

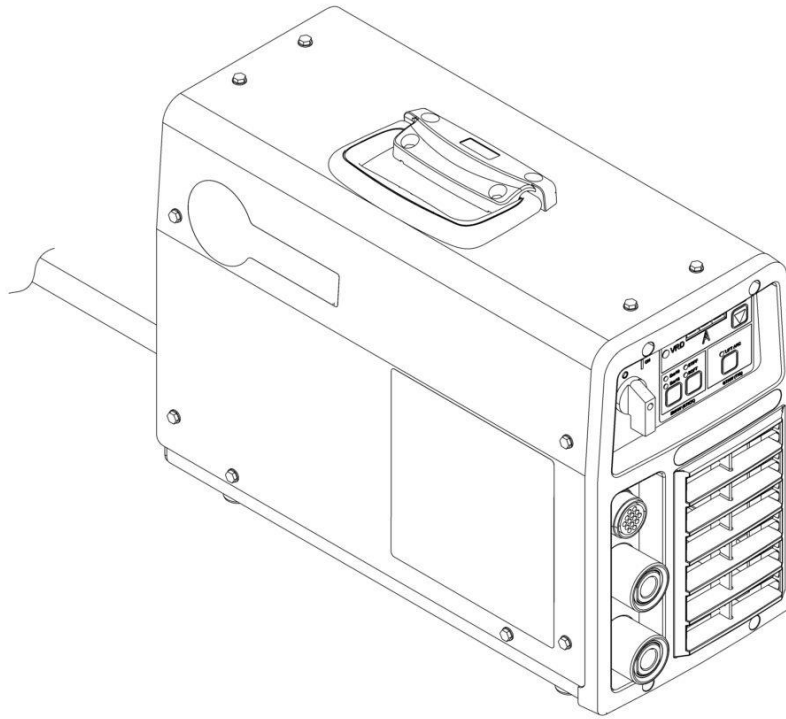
SECTION 5 - PLATFORM

FIGURE 5-23. SKYWELDER PREP PACKAGE INSTALLATION

ITEM	PART NUMBER	QTY	DESCRIPTION	REV
	1001128527	Ref	SKYWELDER PREP PACKAGE	C
1	0100011	AR	Compound, Locking	
2	0630518	2	Screw #10 x 3/4	
3	0641606	4	Bolt 3/8 x 3/4	
4	1320302	2	U-Clamp	
5	2030010	1	Extinguisher, Fire	
6	3300151	4	Nut 1/4	
7	3311005	2	Nut #10	
8	3311605	4	Nut 3/8	
9	3573400	1	Bracket	
10	1001269573	1	Plate	
11	3577121	2	Angle	
12	4420037	AR	Tape	
13	4751000	2	Washer #10	
14	4751400	4	Washer 1/4	
15	4751600	8	Washer 3/8	
16	1001269322	1	Support	
	1001128556	Ref	SKYWELDER DECAL INSTALLATION	D
101	1702868	1	Decal - No Hands	
102	1705305	1	Decal - Weld Lead	
104	1001228988	1	Decal - Weight	

SECTION 5 - PLATFORM

FIGURE 5-24. WELDER ASSEMBLY



ART_1001268820

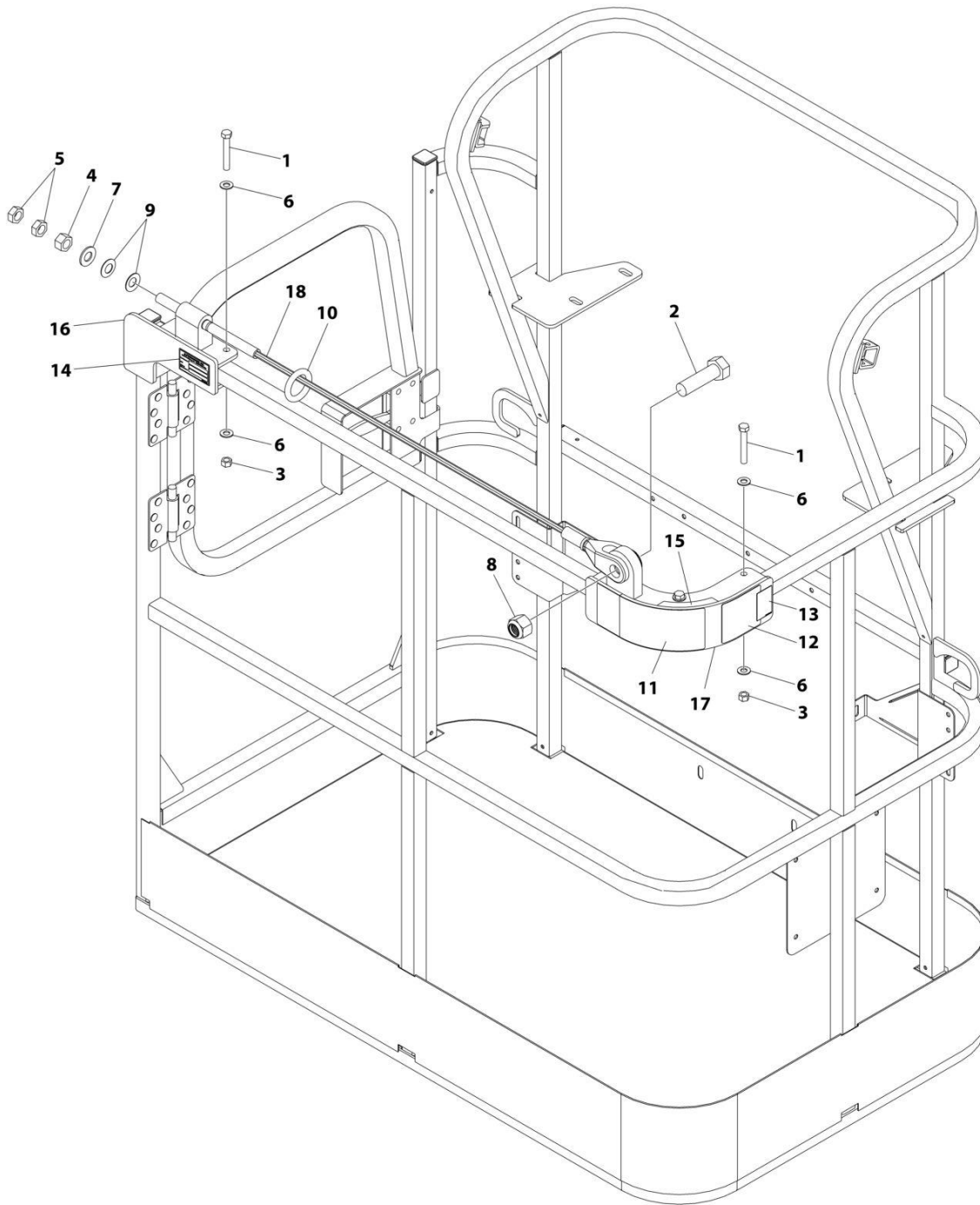
SECTION 5 - PLATFORM

FIGURE 5-24. WELDER ASSEMBLY

ITEM	PART NUMBER	QTY	DESCRIPTION	REV
	1001268820	1 Ref	WELDER ASSEMBLY Note: No Service Parts available at time of Printing.	B

SECTION 5 - PLATFORM

FIGURE 5-25. FALL ARREST INSTALLATION (BOLT-ON) (4FT/1.22M PLATFORM)



ART_1001261338

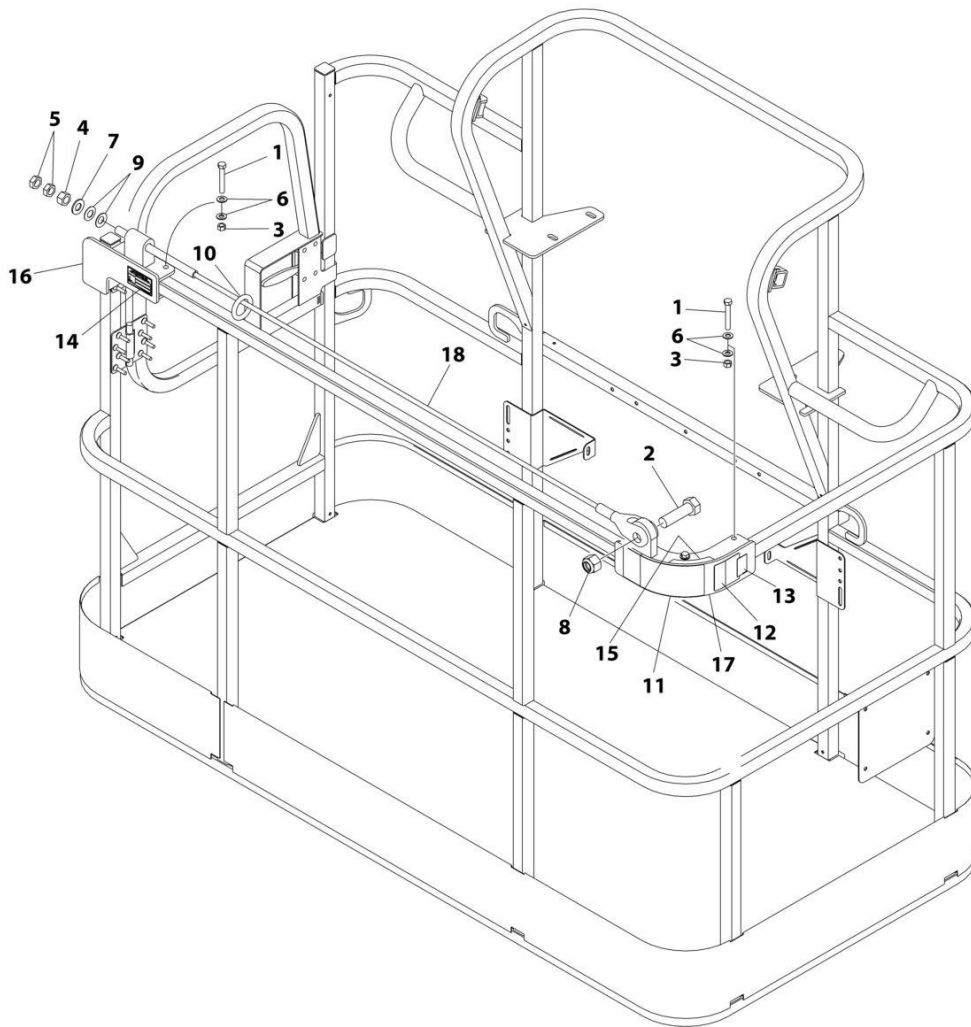
SECTION 5 - PLATFORM

FIGURE 5-25. FALL ARREST INSTALLATION (BOLT-ON) (4FT/1.22M PLATFORM)

ITEM	PART NUMBER	QTY	DESCRIPTION	REV
	1001261338	Ref	FALL ARREST INSTALLATION	A
1	0681620	6	Bolt 3/8 x 2-1/2	
2	0682424	1	Bolt 7/8 x 3	
3	3271605	6	Nut 3/8	
4	3272001	1	Nut 5/8	
5	3312002	2	Nut 5/8	
6	4711600	12	Washer 3/8	
7	4712000	1	Washer 5/8	
8	88521214	1	Nut 7/8	
9	1001236891	2	Washer	
10	1001236895	1	Ring	
11	1001238263	1	Decal - Warning Falling Hazard	
12	1001248140	1	Decal - Bolt Fall Arrest Re-Cert	
13	1001248141	1	Decal - Incription	
14	See Note	NSS	Nameplate - Manufacturers Serial Number (Note: Not Available for Purchase)	
15	1001252629	1	Decal - Weight	
16	1001257271	1	Bracket (RH)	
17	1001257274	1	Bracket (LH)	
18	1001261335	1	Rope	

SECTION 5 - PLATFORM

FIGURE 5-26. FALL ARREST INSTALLATION (BOLT-ON) (5FT/1.52M PLATFORM)



ART_1001257275

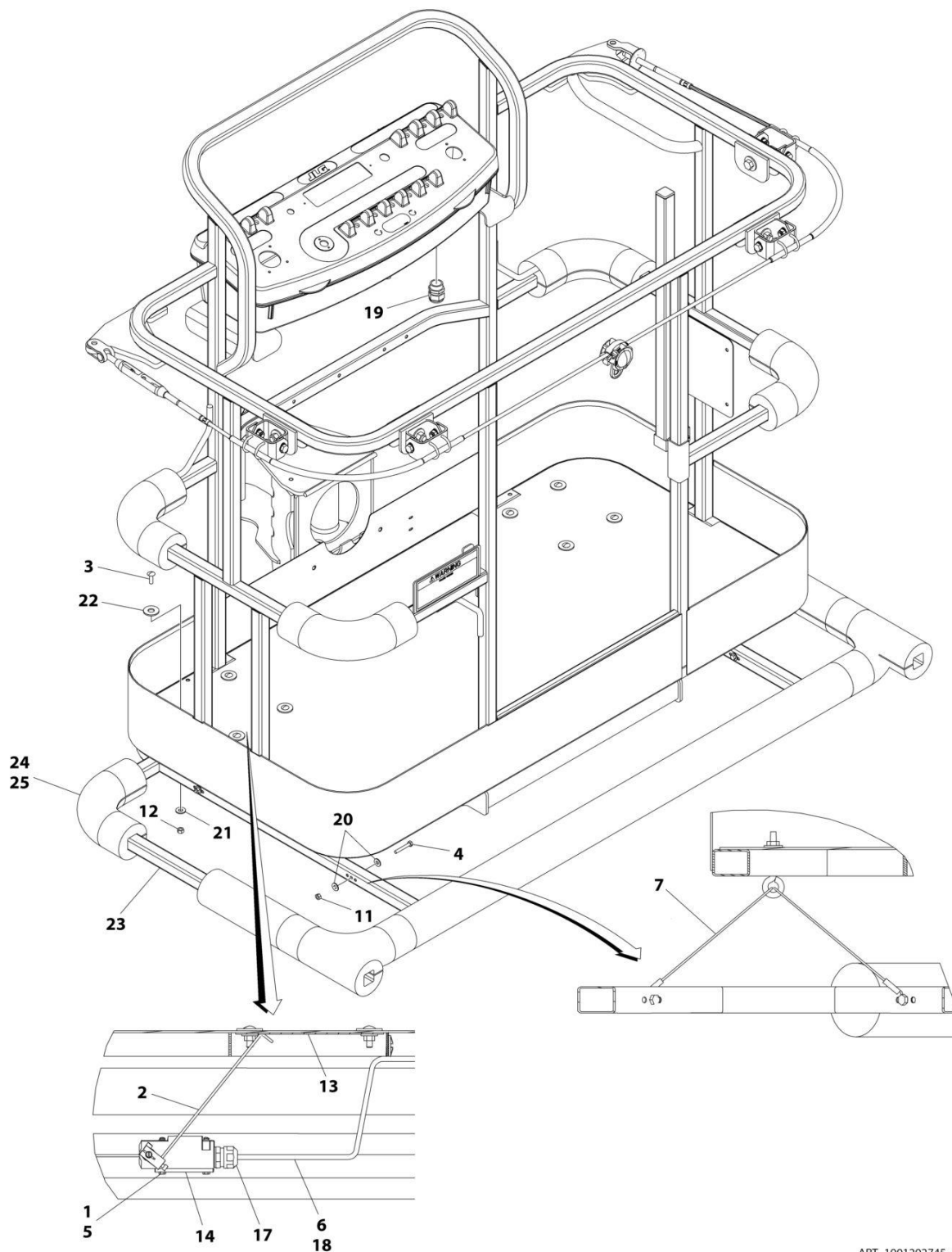
SECTION 5 - PLATFORM

FIGURE 5-26. FALL ARREST INSTALLATION (BOLT-ON) (5FT/1.52M PLATFORM)

ITEM	PART NUMBER	QTY	DESCRIPTION	REV
	1001257275	Ref	FALL ARREST INSTALLATION (BOLT - ON) 6FT/1.82M PLATFORM	A
1	0681620	6	Bolt 3/8 x 2-1/2	
2	0682424	1	Bolt 7/8 x 3	
3	3271605	6	Nut 3/8	
4	3272001	1	Nut 5/8	
5	3312002	2	Nut 5/8	
6	4711600	12	Washer 3/8	
7	4712000	1	Washer 5/8	
8	88521214	1	Nut 7/8	
9	1001236891	2	Washer	
10	1001236895	1	Ring	
11	1001238263	1	Decal - Warning Falling Hazard	
12	1001248140	1	Decal - Bolt Fall Arrest Re-Cert	
13	1001248141	1	Decal - Incription	
14	See Note	NSS	Nameplate - Manufacturers Serial Number (Note: Not Available for Purchase)	
15	1001252629	1	Decal - Weight	
16	1001257271	1	Bracket (RH)	
17	1001257274	1	Bracket (LH)	
18	1001258005	1	Rope	

SECTION 5 - PLATFORM

FIGURE 5-27. SOFT-TOUCH INSTALLATION (30X60)



ART_1001202745_C

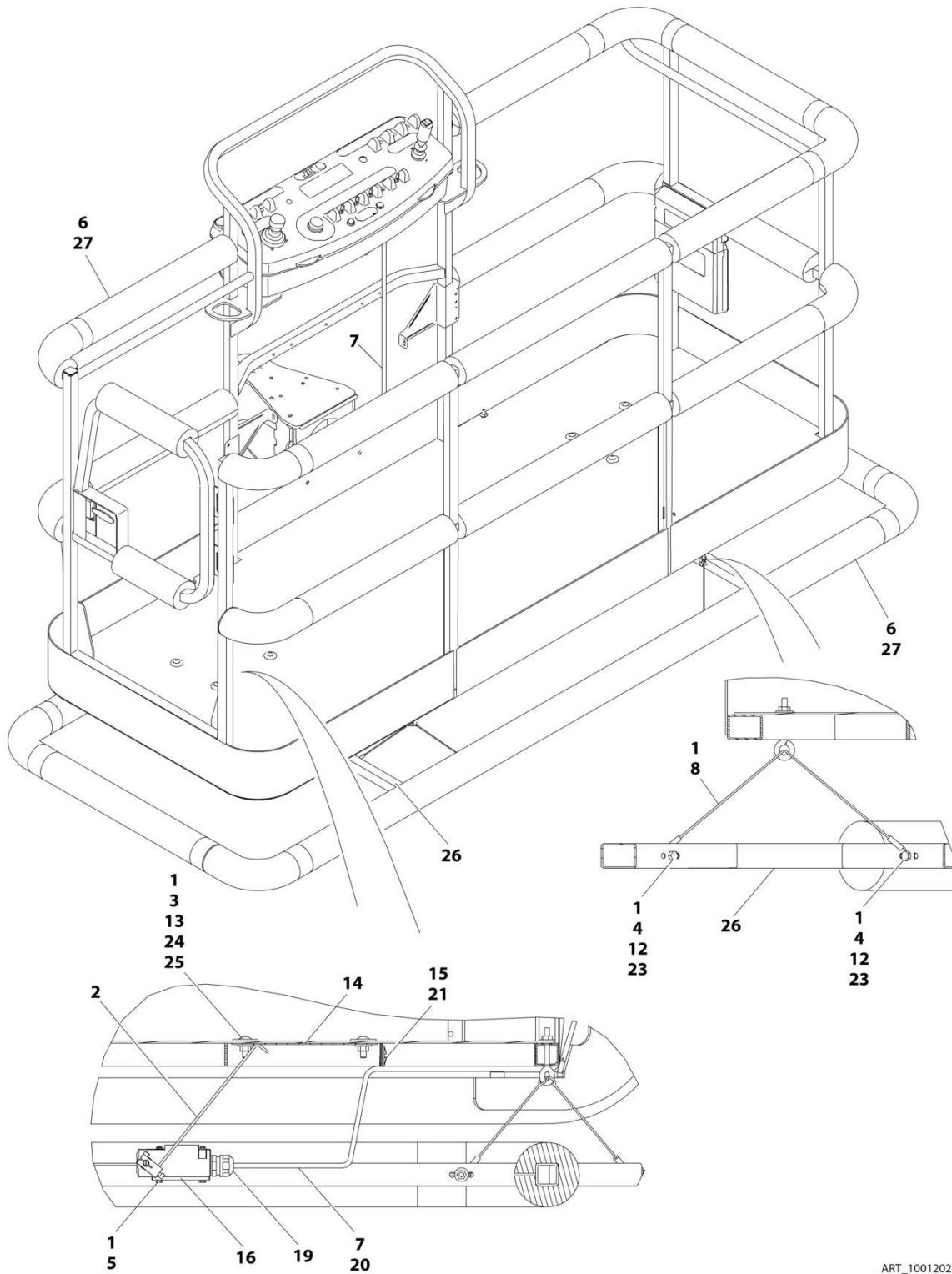
SECTION 5 - PLATFORM

FIGURE 5-27. SOFT-TOUCH INSTALLATION (30X60)

ITEM	PART NUMBER	QTY	DESCRIPTION	REV
	1001202745	Ref	SOFT TOUCH INSTALLATION - 5FT/1.52M PLATFORM WITH FALL ARREST	C
1	0100011	AR	Compound, Locking	
2	0200048	2	Arm, Switch	
3	0630462	8	Bolt, Carriage	
4	0641414	8	Bolt 1/4 x 1-3/4	
5	0721005	4	Bolt #10 x 5/8	
6	1060341	15 ft /4.57m	Cable, Electrical - 16/2	
7	1060903	4	Wire Rope and Eyebolt Assembly	
11	3311405	8	Nut 1/4	
12	3311501	8	Nut 5/16	
13	3575705	2	Plate, Switch Strike	
14	4360057	2	Switch, Limit	
17	4460049	2	Connector, Strain Relief	
18	4460226	4	Socket, Female	
19	4460425	1	Connector, Strain Relief	
20	4751400	16	Washer 1/4	
21	4751500	8	Washer 5/16	
22	4751800	8	Washer 1/2	
23	1001115641	1	Rail, Soft Touch	
24	1001115848	1	Bumper Kits (Includes Corners and Enough Straight Material for One Platform)	
25	1001197017	AR	Tie-Strap	

SECTION 5 - PLATFORM

FIGURE 5-28. SOFT-TOUCH INSTALLATION (30X72)



ART_1001202744_C

SECTION 5 - PLATFORM

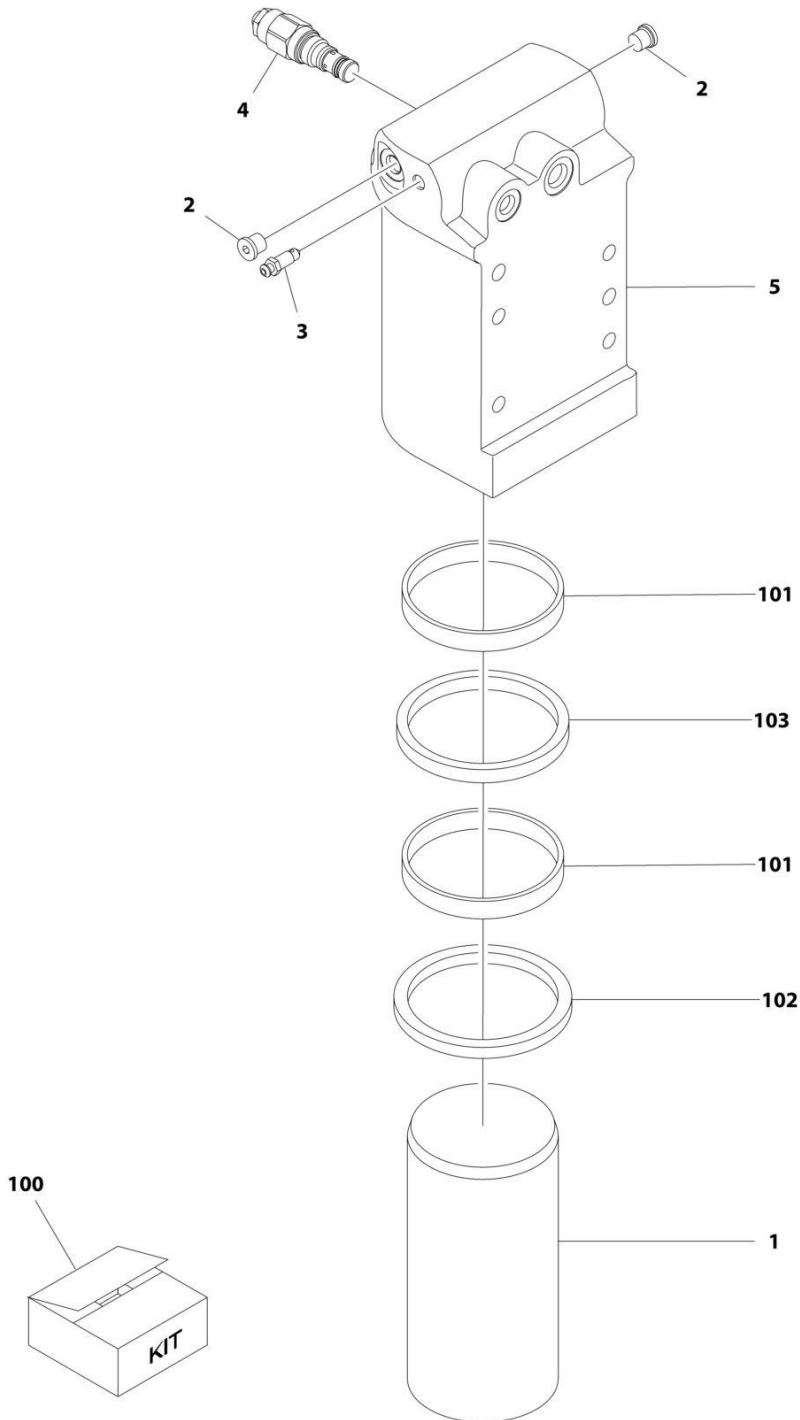
FIGURE 5-28. SOFT-TOUCH INSTALLATION (30X72)

ITEM	PART NUMBER	QTY	DESCRIPTION	REV
	1001202744	Ref	SOFT TOUCH INSTALLATION - 6FT/1.8M PLATFORM	C
1	0100011	AR	Compound, Locking	
2	0200048	2	Arm, Switch	
3	0630462	8	Bolt, Carriage	
4	0641414	8	Bolt 1/4 x 1-3/4	
5	0721005	4	Bolt #10 x 5/8	
6	0940167	1	Bumper Kits (Includes Corners and Enough Straight Material for One Platform)	
7	1060341	15 ft /4.57m	Cable, Electrical - 16/2	
8	1060903	4	Wire Rope and Eyebolt Assembly	
12	3311401	8	Nut 1/4	
13	3311501	8	Nut 5/16	
14	3575705	2	Plate, Switch Strike	
15	4240099	AR	Tie-Strap	
16	4360057	2	Switch, Limit	
19	4460049	2	Connector, Strain Relief	
20	4460226	4	Socket, Female	
21	4460234	2	Tie-Strap Mount	
22	4460425	1	Connector, Strain Relief (Not Shown - Located on bottom of console box)	
23	4751400	16	Washer 1/4	
24	4751500	8	Washer 5/16	
25	4751800	8	Washer 1/2	
26	4846370	1	Rail, Soft Touch	
27	1001197017	AR	Tie-Strap	

SECTION 6 - CYLINDER

SECTION 6 - CYLINDER

FIGURE 6-1. AXLE LOCKOUT CYLINDER ASSEMBLY (MACHINES WITH SN STARTING WITH 03)



ART_1001163580

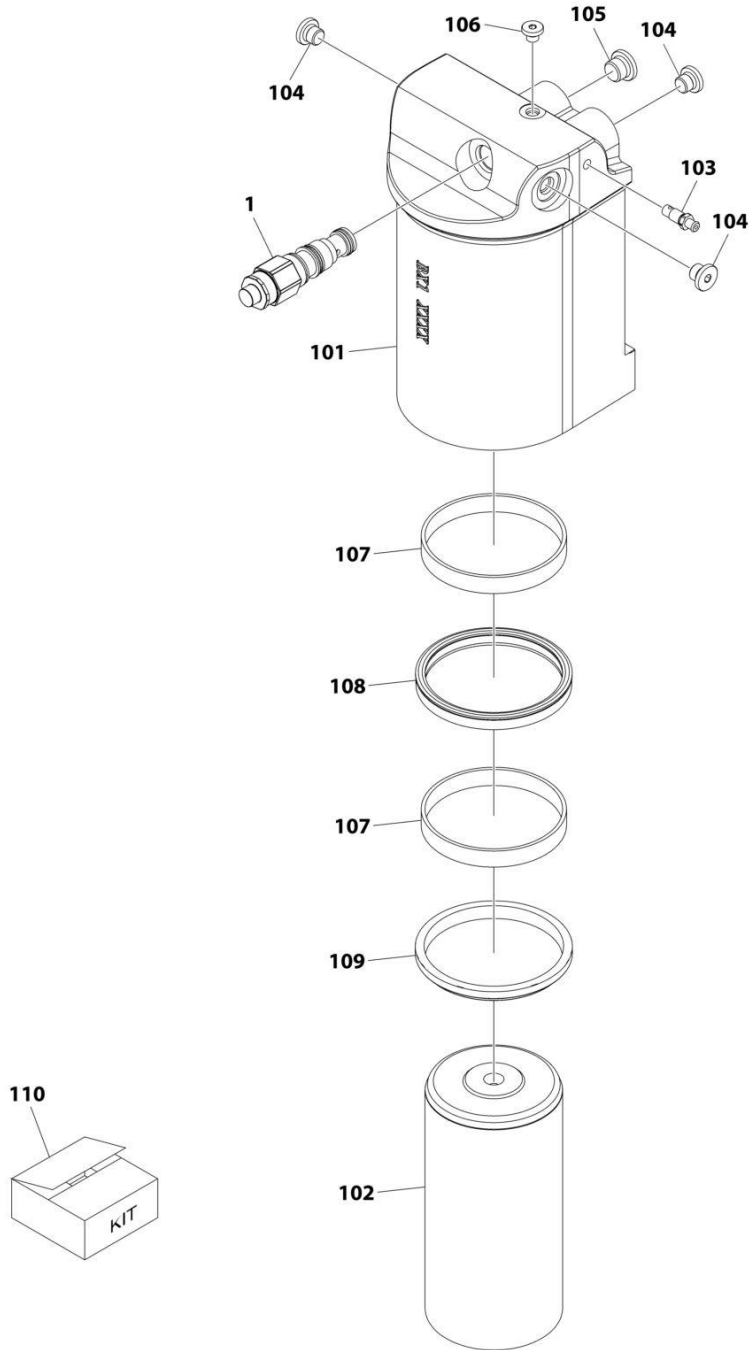
SECTION 6 - CYLINDER

FIGURE 6-1. AXLE LOCKOUT CYLINDER ASSEMBLY (MACHINES WITH SN STARTING WITH 03)

ITEM	PART NUMBER	QTY	DESCRIPTION	REV
	1001163580	Ref	AXLE LOCKOUT CYLINDER ASSEMBLY	1
		Ref	Note: Original Cylinder May Have Been Replaced with Service Replacement. Identify PN Stamped on Cylinder Before Ordering Parts.	
1	1684290	1	Rod	
2	2220883	2	Plug #4	
3	4640858	1	Valve, Bleeder	
4	1001117372	1	Cartridge, Valve	
4	70002842	1	Seal Kit - 1001117372 Valve	
5	1001164817	1	Barrel	
100	2902266	NLA	Seal Kit - 1001163590 Cylinder (Includes Items 101-103)	
101	See Note	NSS	Ring, Wear (Note: Use Item 100)	
102	See Note	NSS	Seal (Note: Use Item 100)	
103	See Note	NSS	Wiper (Note: Use Item 100)	

SECTION 6 - CYLINDER

FIGURE 6-2. AXLE LOCKOUT CYLINDER ASSEMBLY (MACHINES WITH SN STARTING WITH B3)



ART_1001256179

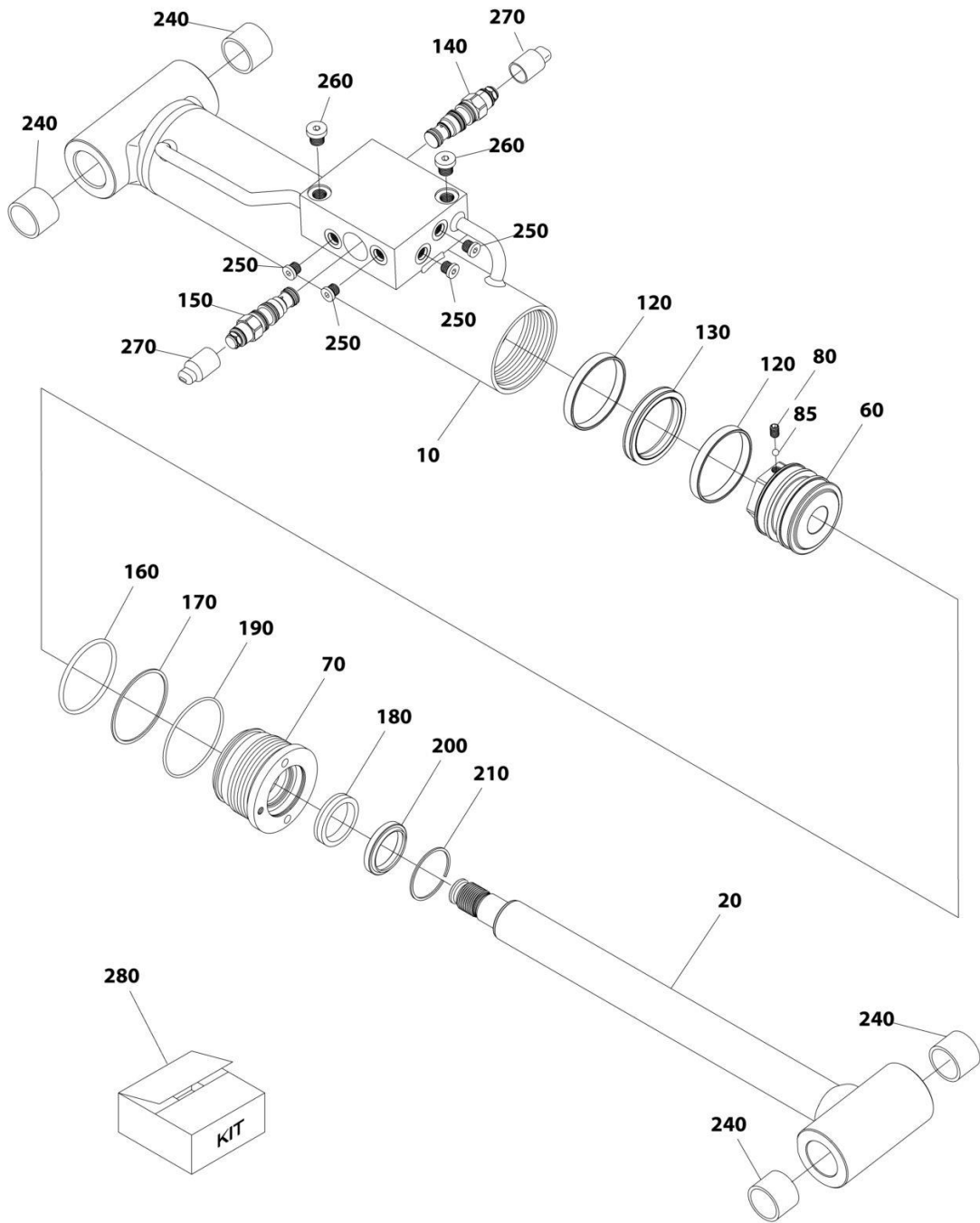
SECTION 6 - CYLINDER

FIGURE 6-2. AXLE LOCKOUT CYLINDER ASSEMBLY (MACHINES WITH SN STARTING WITH B3)

ITEM	PART NUMBER	QTY	DESCRIPTION	REV
	1001256179	Ref	MASTER CYLINDER ASSEMBLY	A
		Ref	Note: Original Cylinder May Have Been Replaced with Service Replacement. Identify PN Stamped on Cylinder Before Ordering Parts.	
1	1001117372	1	Cartridge, Valve	
1	70002842	1	Seal Kit - 1001117372	
101	See Note	NSS	Tube (Note: Not Available for Purchase)	
102	70008244	1	Rod	
103	70008246	1	Plug, Bleeder	
104	2220883	3	Plug 7/16	
105	2220885	1	Plug 9/16	
106	2220881	1	Plug 5/16	
107	See Note	NSS	Ring, Wear (Note: Use Item 110)	
108	See Note	NSS	Seal, Rod (Note: Use Item 110)	
109	See Note	NSS	Wiper, Rod (Note: Use Item 110)	
110	70008247	1	Seal Kit (Includes Items 107-109)	

SECTION 6 - CYLINDER

FIGURE 6-3. LEVEL (PLATFORM SLAVE) CYLINDER ASSEMBLY - 450A AND 450AJ (MACHINES WITH SN STARTING WITH 03)



ART_1001161716

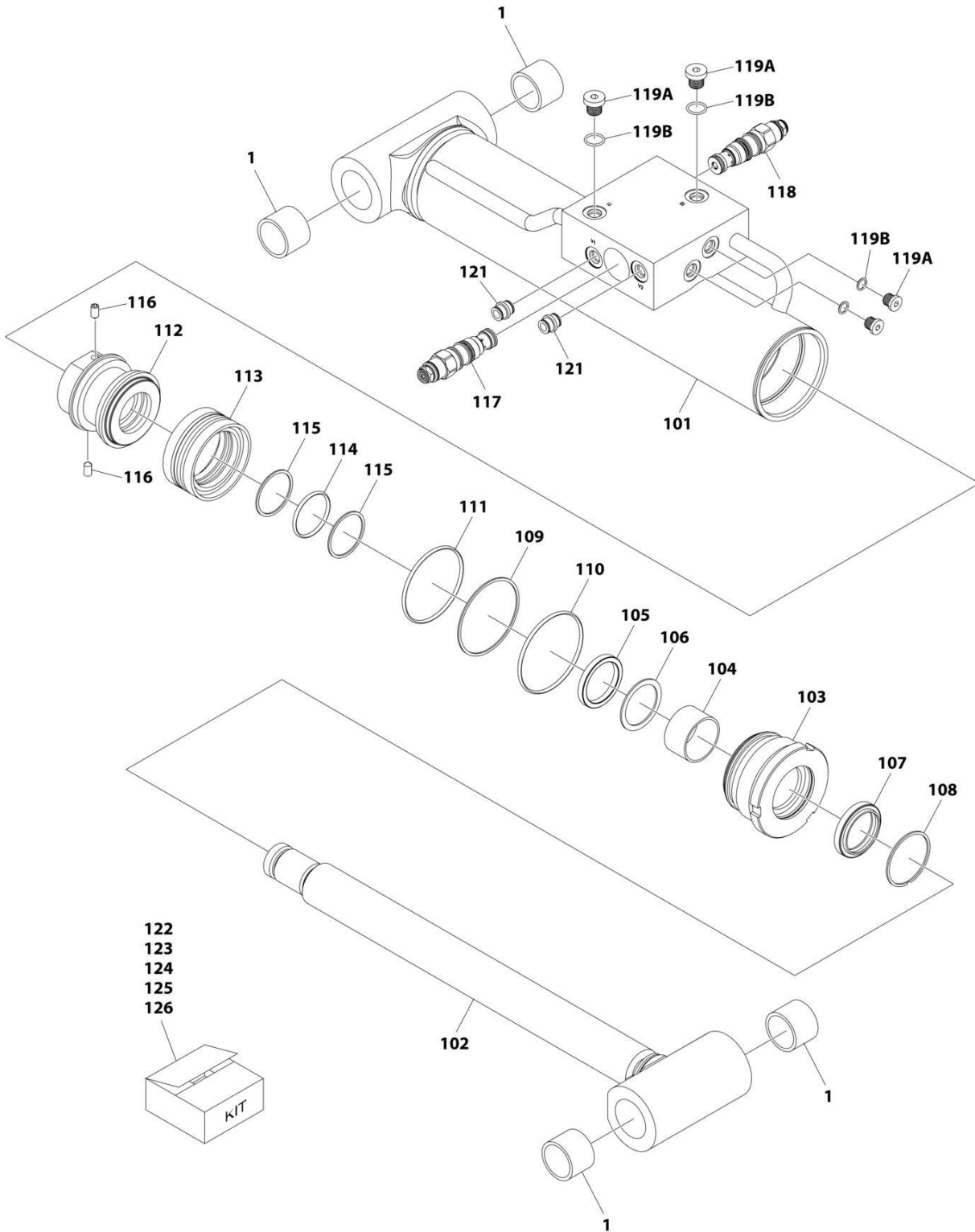
SECTION 6 - CYLINDER

FIGURE 6-3. LEVEL (PLATFORM SLAVE) CYLINDER ASSEMBLY - 450A AND 450AJ (MACHINES WITH SN STARTING WITH 03)

ITEM	PART NUMBER	QTY	DESCRIPTION	REV
	1001161716	Ref	LEVEL (PLATFORM SLAVE) CYLINDER ASSEMBLY	D
		Ref	Note: Original Cylinder May Have Been Replaced with Service Replacement. Identify PN Stamped on Cylinder Before Ordering Parts.	
10	70005010	1	Barrel	
20	70005011	1	Rod	
60	70005012	1	Piston	
70	70003837	1	Head	
80	70005013	1	Setscrew	
85	70005014	1	Ball	
120	See Note	NSS	Ring, Bearing (Note: Use Item 280)	
130	See Note	NSS	Seal, Piston (Note: Use Item 280)	
140	70002413	1	Cartridge, Valve	
140	2900770	1	Seal Kit - 70002413 Valve	
150	1001168210	1	Cartridge, Valve	
150	2900770	1	Seal Kit - 1001168210 Valve	
160	See Note	NSS	O-Ring (Note: Use Item 280)	
170	See Note	NSS	Seal (Note: Use Item 280)	
180	See Note	NSS	Seal (Note: Use Item 280)	
190	See Note	NSS	O-Ring (Note: Use Item 280)	
200	See Note	NSS	Wiper (Note: Use Item 280)	
210	70003838	1	Ring, Retaining	
240	0961951	4	Bushing	
250	70025619	4	Plug 7/16	
260	70024262	2	Plug 1/4	
270	See Note	2	Plug, Shipping (Note: Not Available for Purchase)	
280	70005016	1	Seal Kit - 1001161716 Cylinder (Includes Items 120 ,130 & 160-200)	

SECTION 6 - CYLINDER

FIGURE 6-4. LEVEL (PLATFORM SLAVE) CYLINDER ASSEMBLY - 450AJ (MACHINES WITH SN STARTING WITH B3)



ART_1001253629

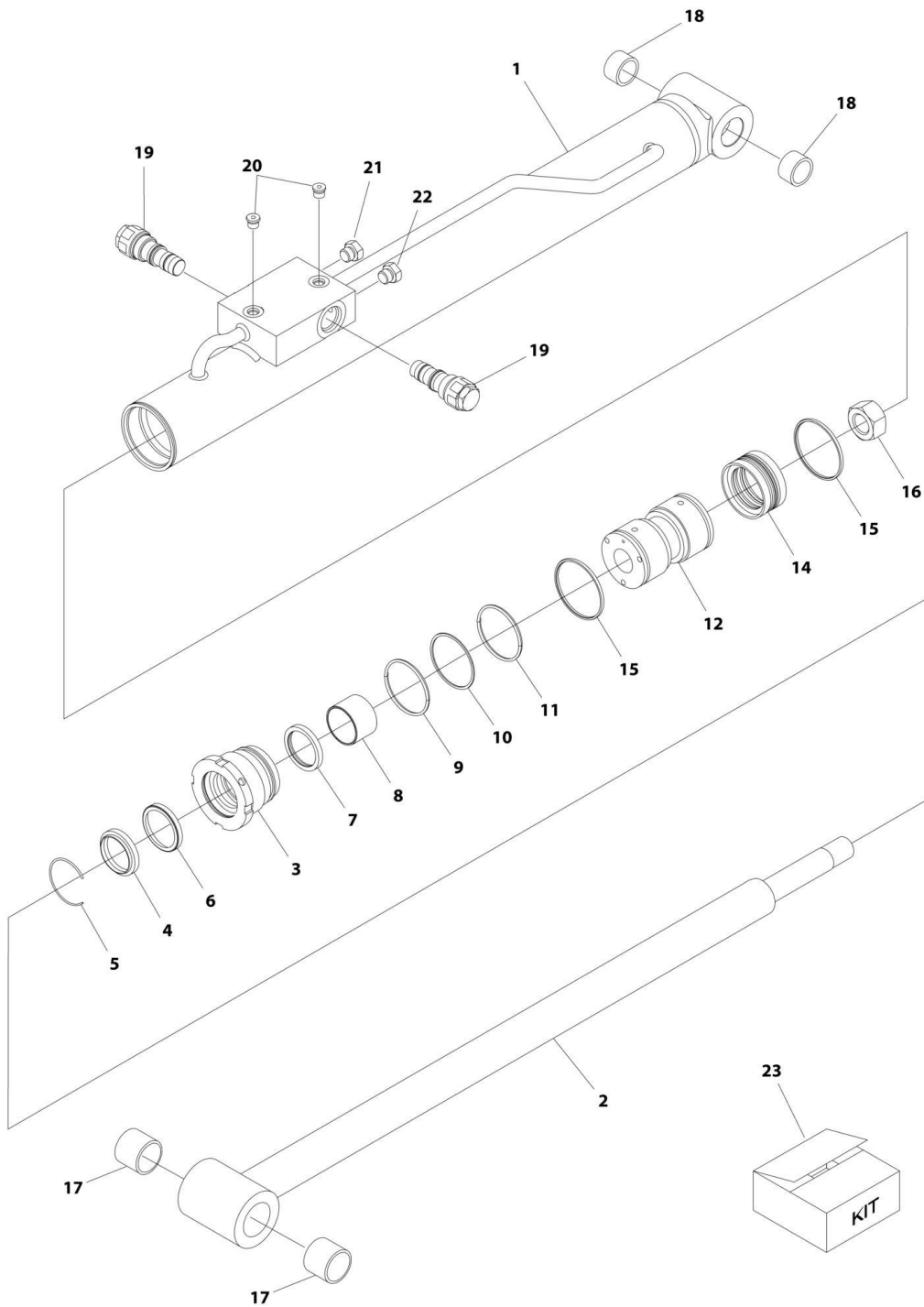
SECTION 6 - CYLINDER

FIGURE 6-4. LEVEL (PLATFORM SLAVE) CYLINDER ASSEMBLY - 450AJ (MACHINES WITH SN STARTING WITH B3)

ITEM	PART NUMBER	QTY	DESCRIPTION	REV
	1001253629	Ref	LEVEL (PLATFORM SLAVE) CYLINDER ASSEMBLY	A
		Ref	Note: Original Cylinder May Have Been Replaced with Service Replacement. Identify PN Stamped on Cylinder Before Ordering Parts.	
1	0961951	4	Bushing	
101	See Note	NSS	Tube (Note: Not Available for Purchase)	
102	See Note	NSS	Rod (Note: Use Item 122)	
103	See Note	NSS	Cover, Rod (Note: Use Item 123)	
104	See Note	NSS	Bushing, Rod (Note: Use Item 123)	
105	See Note	NSS	U-Packing (Note: Use Item 124)	
106	See Note	NSS	Ring, Backup (Note: Use Item 124)	
107	See Note	NSS	Wiper, Dust (Note: Use Item 124)	
108	See Note	NSS	Ring, Retaining (Note: Use Item 124)	
109	See Note	NSS	O-Ring (Note: Use Item 124)	
110	See Note	NSS	Ring, Backup (Note: Use Item 124)	
111	See Note	NSS	O-Ring (Note: Use Item 124)	
112	See Note	NSS	Piston (Note: Use Item 125)	
113	See Note	NSS	Seal, Compact (Note: Use Item 124)	
114	See Note	NSS	O-Ring (Note: Use Item 124)	
115	See Note	NSS	Ring, Backup (Note: Use Item 124)	
116	See Note	NSS	Setscrew (Note: Use Item 125)	
117	1001168210	1	Valve, Counterbalance (1500PSI)	
118	70002413	1	Valve, Counterbalance (3200PSI)	
119A	See Note	NSS	Plug (Note: Use Item 126)	
119B	See Note	NSS	O-Ring (Note: Use Item 126)	
120	See Note	NSS	Cap, Dust (Note: Not Available for Purchase) (Not Shown)	
121	See Note	NSS	Pin Bush (Note: Use Item 122)	
122	70008242	1	Rod Kit (Includes Items 102 & 121)	
123	70008238	1	Rod Cover Kit (Includes Items 103 & 104)	
124	70008239	1	Seal Kit (Includes Items 105-111 & 113-115)	
125	70008240	1	Piston Kit (Includes Items 112 & 116)	
126	70008243	1	Plug Kit (Includes Items 119A & 119B)	

SECTION 6 - CYLINDER

FIGURE 6-5. LIFT CYLINDER ASSEMBLY - 450AJ JIB (MACHINES WITH SN STARTING WITH 03)



ART_1001163767

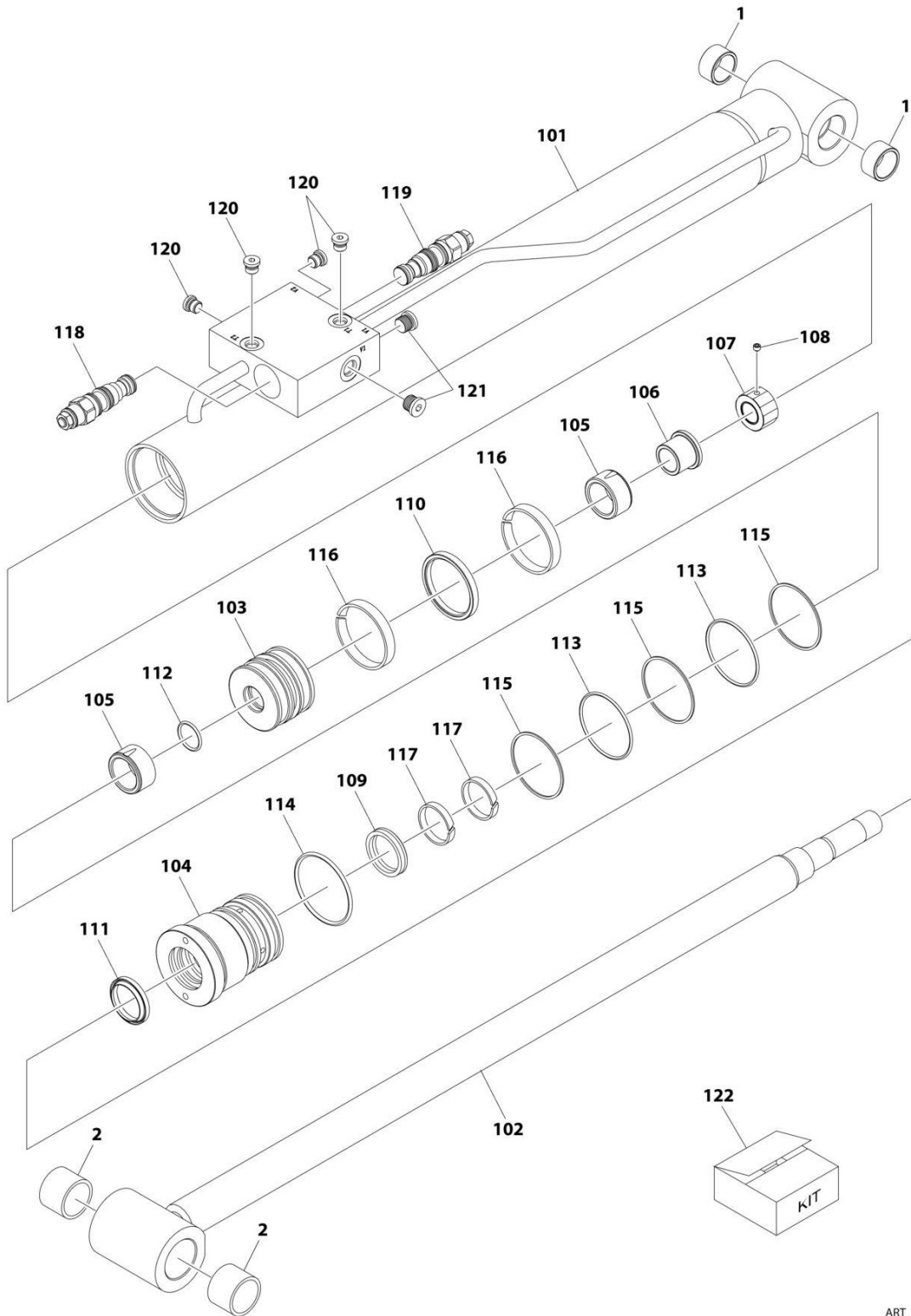
SECTION 6 - CYLINDER

FIGURE 6-5. LIFT CYLINDER ASSEMBLY - 450AJ JIB (MACHINES WITH SN STARTING WITH 03)

ITEM	PART NUMBER	QTY	DESCRIPTION	REV
	1001163767	Ref	LIFT CYLINDER ASSEMBLY - JIB	B
		Ref	Note: Original Cylinder May Have Been Replaced with Service Replacement. Identify PN Stamped on Cylinder Before Ordering Parts.	
1	70005155	1	Barrel	
2	70005156	1	Rod	
3	70005157	1	Head	
4	See Note	NSS	Wiper (Note: Use Item 23)	
5	70002373	1	Ring, Retaining	
6	See Note	NSS	Seal, Rod (Note: Use Item 23)	
7	See Note	NSS	Ring, Back-up (Note: Use Item 23)	
8	70005143	1	Bearing, Dry	
9	See Note	NSS	O-Ring (Note: Use Item 23)	
10	See Note	NSS	Ring, Back-up (Note: Use Item 23)	
11	See Note	NSS	O-Ring (Note: Use Item 23)	
12	70002371	1	Piston	
13	See Note	NSS	O-Ring (Note: Use Item 23)	
14	See Note	NSS	Seal, Piston (Note: Use Item 23)	
15	See Note	NSS	Ring, Piston (Note: Use Item 23)	
16	70002335	2	Nut	
17	70005158	2	Bushing	
18	70005159	2	Bushing	
19	4640509	2	Cartridge, Valve	
19	2900792	2	Seal Kit - 4640509 Valve	
20	70023370	2	Plug 7/16	
21	See Note	1	Plug 7/16 (Note: Not Available for Purchase)	
22	See Note	1	Plug 9/16 (Note: Not Available for Purchase)	
23	70005160	1	Seal Kit - 1001163767 Cylinder (Includes Items 4, 6, 7, 9-11 & 13-15)	

SECTION 6 - CYLINDER

FIGURE 6-6. LIFT CYLINDER ASSEMBLY - 450AJ JIB (MACHINES WITH SN STARTING WITH B3)



ART_1001285271

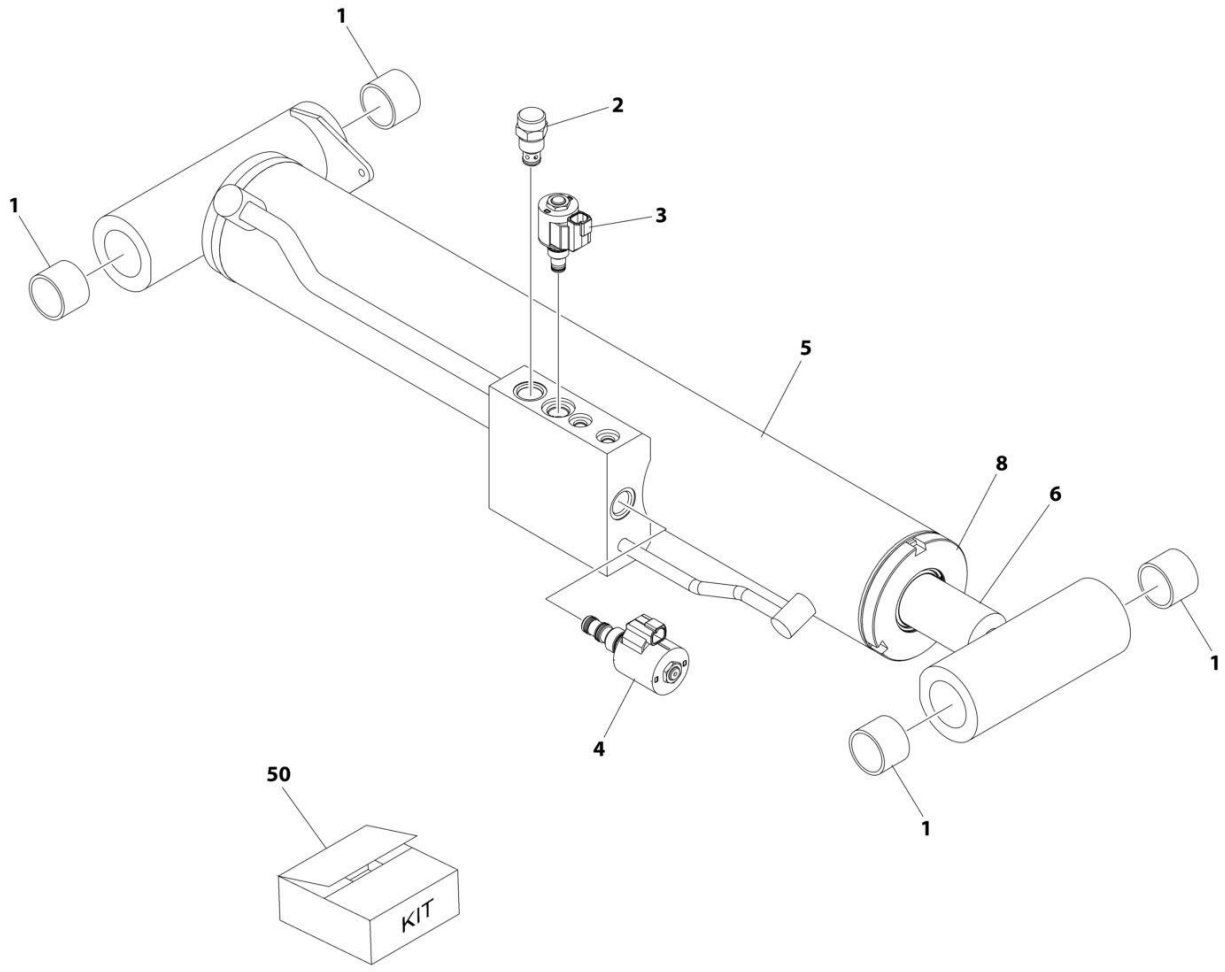
SECTION 6 - CYLINDER

FIGURE 6-6. LIFT CYLINDER ASSEMBLY - 450AJ JIB (MACHINES WITH SN STARTING WITH B3)

ITEM	PART NUMBER	QTY	DESCRIPTION	REV
	1001285271	Ref	LIFT CYLINDER ASSEMBLY - JIB	B
		Ref	Note: Original Cylinder May Have Been Replaced with Service Replacement. Identify PN Stamped on Cylinder Before Ordering Parts.	
1	0961947	2	Bushing	
2	0961951	2	Bushing	
101	See Note	NSS	Tube (Note: Not Available for Purchase)	
102	70006914	1	Rod	
103	70006915	1	Piston	
104	70006916	1	Head	
105	70006917	2	Bushing	
106	70006918	1	Tube, Guide	
107	70006919	1	Nut	
108	70008292	1	Setscrew	
109	See Note	NSS	Seal, Rod (Note: Use Item 122)	
110	See Note	NSS	Seal, Piston (Note: Use Item 122)	
111	See Note	NSS	Wiper (Note: Use Item 122)	
112	See Note	NSS	O-Ring (Note: Use Item 122)	
113	See Note	NSS	O-Ring (Note: Use Item 122)	
114	See Note	NSS	O-Ring (Note: Use Item 122)	
115	See Note	NSS	Ring, Backup (Note: Use Item 122)	
116	See Note	NSS	Ring, Wear (Note: Use Item 122)	
117	See Note	NSS	Ring, Wear (Note: Use Item 122)	
118	70026441	1	Valve, Counterbalance	
118	2900770	1	Seal Kit - 70026441 Valve	
119	70008294	1	Valve, Counterbalance	
119	2900770	1	Seal Kit - 70008294 Valve	
120	2220883	4	Plug 7/16	
121	2220885	2	Plug 9/16	
122	70008293	1	Seal Kit (Includes Items 109-117)	

SECTION 6 - CYLINDER

FIGURE 6-7. LIFT CYLINDER ASSEMBLY - 450A MAIN BOOM



ART_1001266738

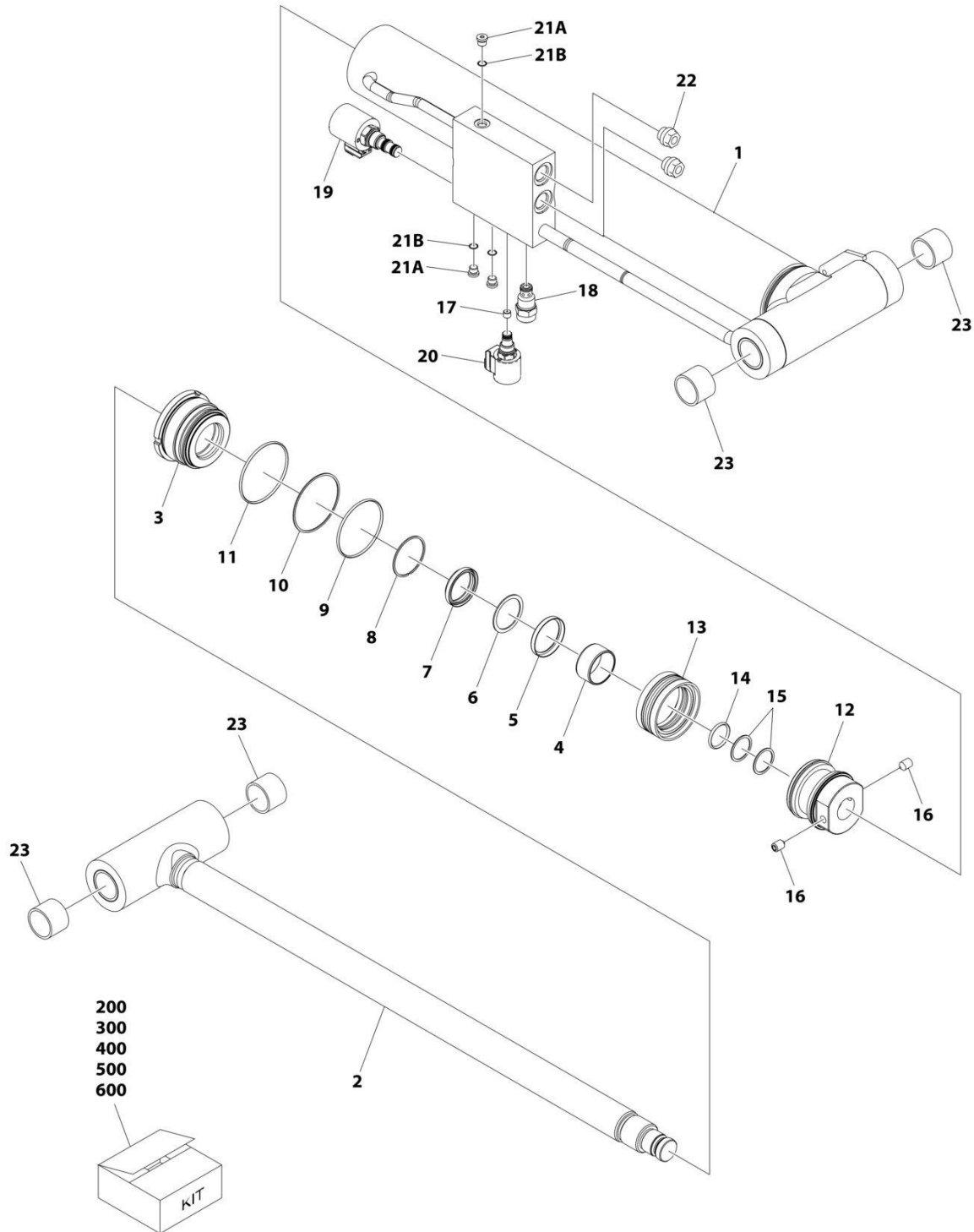
SECTION 6 - CYLINDER

FIGURE 6-7. LIFT CYLINDER ASSEMBLY - 450A MAIN BOOM

ITEM	PART NUMBER	QTY	DESCRIPTION	REV
	1001266738	Ref	LIFT CYLINDER ASSEMBLY - MAIN BOOM	B
		Ref	Note: Original Cylinder May Have Been Replaced with Service Replacement. Identify PN Stamped on Cylinder Before Ordering Parts.	
1	0961948	4	Bushing	
2	4641390	1	Cartridge, Valve - Check	
2	7017496	1	Seal Kit - 4641390 Valve	
3	1001164709	1	Cartridge, Valve - ON/OFF	
3	7017467	1	Cartridge, Valve Less Coil	
3	7012998	1	Seal Kit - 1001164709 & 7017467 Valves	
3	70002386	1	Coil	
4	1001206625	1	Cartridge, Valve - Proportional	
4	70006104	1	Cartridge, Valve Less Coil	
4	70006105	1	Seal Kit - 1001206625 & 70006104 Valves	
4	70003788	1	Coil	
4	7022390	1	Nut, Coil	
5	See Note	NSS	Barrel (Note: Use PN 1001266738)	
6	See Note	NSS	Rod (Note: Use PN 1001266738)	
7	See Note	NSS	Piston (Not Shown) (Note: Use PN 1001266738)	
8	See Note	NSS	Head (Note: Use PN 1001266738)	
50	70007901	1	Seal Kit - 1001266738 Cylinder	

SECTION 6 - CYLINDER

FIGURE 6-8. LIFT CYLINDER ASSEMBLY - 450AJ MAIN BOOM



ART_1001254742

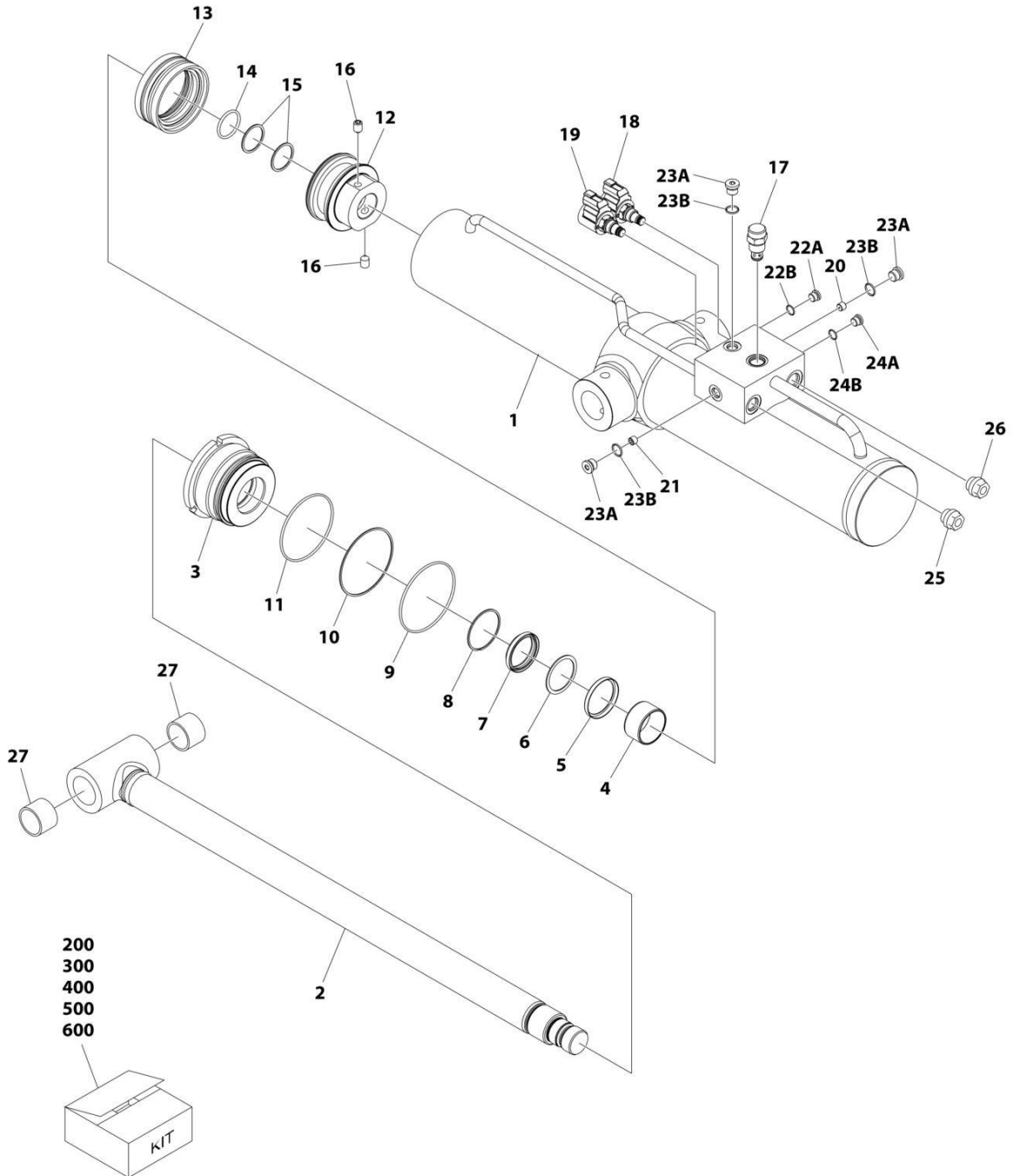
SECTION 6 - CYLINDER

FIGURE 6-8. LIFT CYLINDER ASSEMBLY - 450AJ MAIN BOOM

ITEM	PART NUMBER	QTY	DESCRIPTION	REV
	1001254742	Ref	LIFT CYLINDER ASSEMBLY	B
		Ref	Note: Original Cylinder May Have Been Replaced with Service Replacement. Identify PN Stamped on Cylinder Before Ordering Parts.	
1	See Note	NSS	Barrel (Note: Use PN 1001254742)	
2	See Note	NSS	Rod (Note: Use Item 200)	
3	See Note	NSS	Head (Note: Use Item 300)	
4	See Note	NSS	Ring, Wear (Note: Use Item 300)	
5	See Note	NSS	Seal (Note: Use Item 400)	
6	See Note	NSS	Ring, Back-up (Note: Use Item 400)	
7	See Note	NSS	Wiper (Note: Use Item 400)	
8	See Note	NSS	Ring, Retaining (Note: Use Item 400)	
9	See Note	NSS	O-Ring (Note: Use Item 400)	
10	See Note	NSS	Ring, Back-up (Note: Use Item 400)	
11	See Note	NSS	O-Ring (Note: Use Item 400)	
12	See Note	NSS	Piston (Note: Use Item 500)	
13	See Note	NSS	Seal (Note: Use Item 400)	
14	See Note	NSS	O-Ring (Note: Use Item 400)	
15	See Note	NSS	Ring, Back-up (Note: Use Item 400)	
16	See Note	NSS	Set Screw (Note: Use Item 500)	
17	See Note	NSS	Orifice (Note: Use PN 1001254742)	
18	4641390	1	Cartridge, Check Valve	
18	7017496	1	Seal Kit - 4641390 Valve	
19	1001206625	1	Cartridge, Solenoid Valve (Includes Coil)	
19	70006104	1	Cartridge, Solenoid Valve Less Coil	
19	70006105	1	Seal Kit - 1001206625 & 70006104 Valves	
19	70003788	1	Coil	
19	7022390	1	Nut, Coil	
20	1001164709	1	Cartridge, Solenoid Valve (Includes Coil)	
20	7017467	1	Cartridge, Solenoid Valve Less Coil	
20	7012998	1	Seal Kit - 1001164709 & 7017467 Valve	
20	70002386	1	Coil	
21A	See Note	NSS	Plug (Note: Use Item 600)	
21B	See Note	NSS	O-Ring (Note: Use Item 600)	
22	See Note	NSS	Dust Cap (Note: Shipping Use Only)	
23	0961948	4	Bushing	
200	70007891	1	Rod Kit (Includes Items 2 & 23)	
300	70007892	1	Head Kit (Includes Items 3 & 4)	
400	70007893	1	Seal Kit (Includes Items 5-11 & 13-15)	
500	70007894	1	Piston Kit (Includes Items 12 & 16)	
600	70007895	1	Plug Kit (Includes Items 21A & 21B)	

SECTION 6 - CYLINDER

FIGURE 6-9. LIFT CYLINDER ASSEMBLY - 450A AND 450AJ TOWER BOOM



ART_1001254716

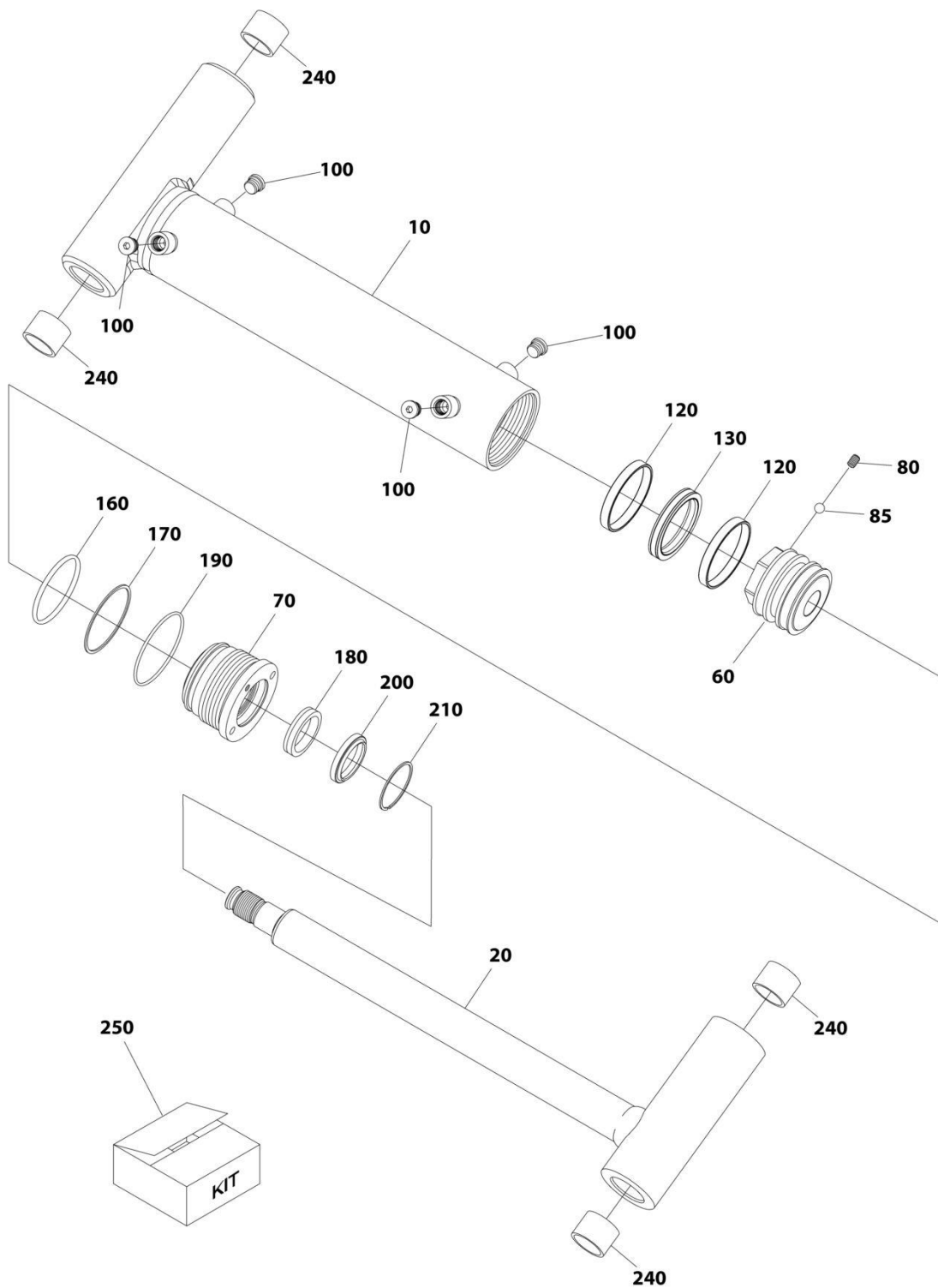
SECTION 6 - CYLINDER

FIGURE 6-9. LIFT CYLINDER ASSEMBLY - 450A AND 450AJ TOWER BOOM

ITEM	PART NUMBER	QTY	DESCRIPTION	REV
	1001254716	Ref	LIFT CYLINDER ASSEMBLY - TOWER BOOM	B
		Ref	Note: Original Cylinder May Have Been Replaced with Service Replacement. Identify PN Stamped on Cylinder Before Ordering Parts.	
1	See Note	NSS	Barrel (Note: Use PN 1001254716)	
2	See Note	NSS	Rod (Note: Use Item 200)	
3	See Note	NSS	Head (Note: Use Item 300)	
4	See Note	NSS	Ring, Wear (Note: Use Item 300)	
5	See Note	NSS	Seal (Note: Use Item 400)	
6	See Note	NSS	Ring, Back-up (Note: Use Item 400)	
7	See Note	NSS	Wiper (Note: Use Item 400)	
8	See Note	NSS	Ring, Retaining (Note: Use Item 400)	
9	See Note	NSS	O-Ring (Note: Use Item 400)	
10	See Note	NSS	Ring, Back-up (Note: Use Item 400)	
11	See Note	NSS	O-Ring (Note: Use Item 400)	
12	See Note	NSS	Piston (Note: Use Item 500)	
13	See Note	NSS	Seal (Note: Use Item 400)	
14	See Note	NSS	O-Ring (Note: Use Item 400)	
15	See Note	NSS	Ring, Back-up (Note: Use Item 400)	
16	See Note	NSS	Set Screw (Note: Use Item 500)	
17	4641390	1	Cartridge, Counterbalance Valve	
17	7017496	1	Seal Kit - 4641390 Valve	
18	1001164709	1	Cartridge, Solenoid Valve	
18	7012967	1	Seal Kit - 1001164709 Valve	
18	70002386	1	Coil	
19	1001166208	1	Cartridge, Solenoid Valve	
19	7012967	1	Seal Kit - 1001166208 Valve	
19	70002386	1	Coil	
20	See Note	NSS	Orifice (Note: Use PN 1001254716)	
21	See Note	NSS	Orifice (Note: Use PN 1001254716)	
22A	See Note	NSS	Plug (Note: Use Item 600)	
22B	See Note	NSS	O-Ring (Note: Use Item 600)	
23A	See Note	NSS	Plug (Note: Use Item 600)	
23B	See Note	NSS	O-Ring (Note: Use Item 600)	
24A	See Note	NSS	Plug (Note: Use Item 600)	
24B	See Note	NSS	O-Ring (Note: Use Item 600)	
25	See Note	NSS	Dust Cap (Note: Shipping Use Only)	
26	See Note	NSS	Dust Cap (Note: Shipping Use Only)	
27	0961948	2	Bushing (Note: Use Item 200)	
200	70007886	1	Rod Kit (Includes Items 2 & 27)	
300	70007887	1	Head Kit (Includes Items 3 & 4)	
400	70007888	1	Seal Kit (Includes Items 5-11 & 13-15)	
500	70007889	1	Piston Kit (Includes Items 12 & 16)	
600	70007890	1	Plug Kit (Includes Items 22A-24B)	

SECTION 6 - CYLINDER

FIGURE 6-10. MASTER CYLINDER ASSEMBLY - 450A AND 450AJ (MACHINES WITH SN STARTING WITH 03)



ART_1001161717

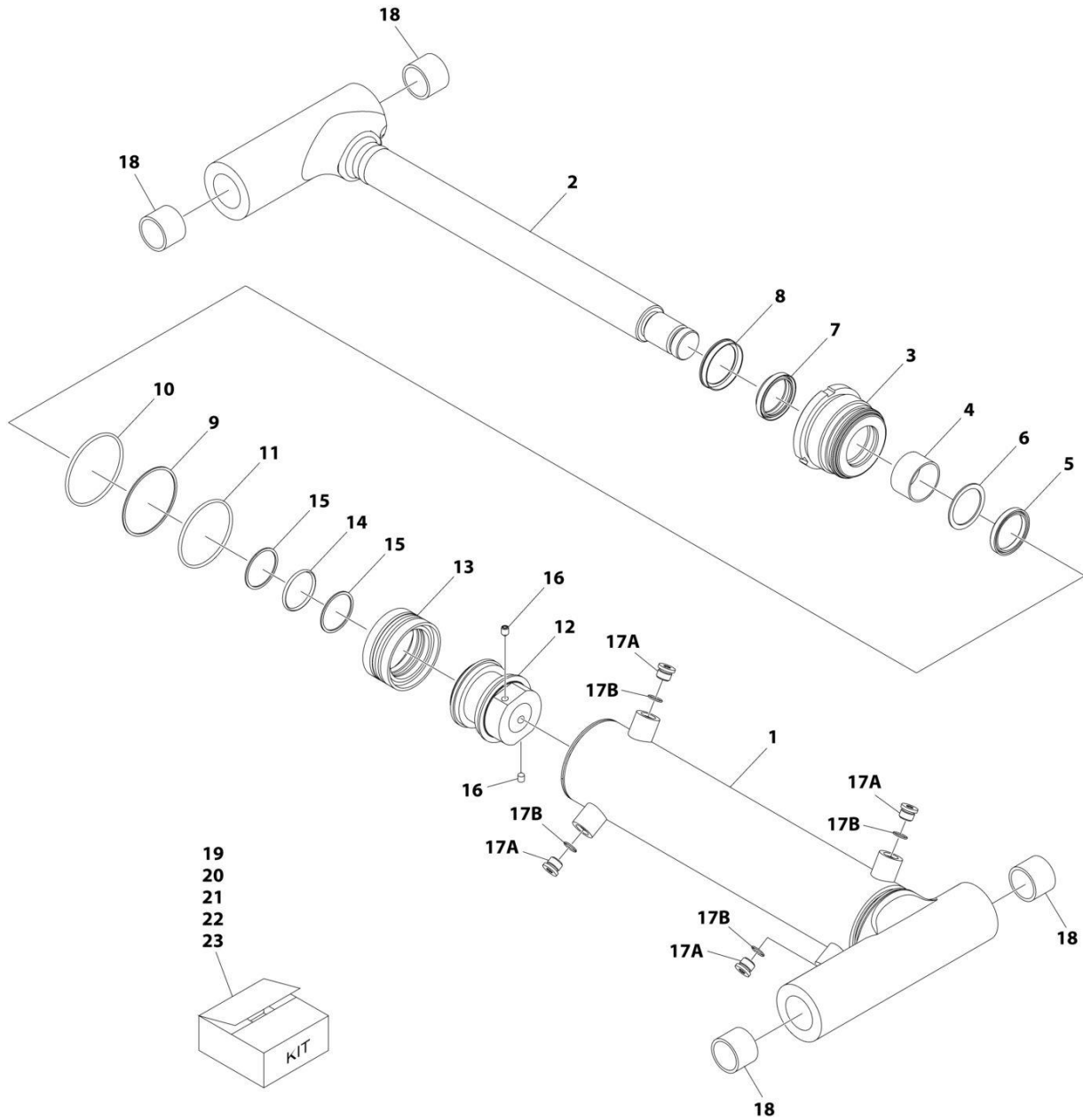
SECTION 6 - CYLINDER

FIGURE 6-10. MASTER CYLINDER ASSEMBLY - 450A AND 450AJ (MACHINES WITH SN STARTING WITH 03)

ITEM	PART NUMBER	QTY	DESCRIPTION	REV
	1001161717	Ref	MASTER CYLINDER ASSEMBLY	D
		Ref	Note: Original Cylinder May Have Been Replaced with Service Replacement. Identify PN Stamped on Cylinder Before Ordering Parts.	
10	70005017	1	Barrel	
20	70005018	1	Rod	
60	70005012	1	Piston	
70	70003837	1	Head	
80	70005013	1	Setscrew	
85	70005014	1	Ball	
100	70025959	4	Plug 9/16	
120	See Note	NSS	Ring, Piston (Note: Use Item 250)	
130	See Note	NSS	Seal (Note: Use Item 250)	
160	See Note	NSS	O-Ring (Note: Use Item 250)	
170	See Note	NSS	Ring (Note: Use Item 250)	
180	See Note	NSS	Seal (Note: Use Item 250)	
190	See Note	NSS	O-Ring (Note: Use Item 250)	
200	See Note	NSS	Wiper (Note: Use Item 250)	
210	70003838	1	Ring, Retaining	
240	0961951	4	Bushing	
250	70005016	1	Seal Kit - 1001161717 Cylinder (Includes Items 120-200)	

SECTION 6 - CYLINDER

FIGURE 6-11. MASTER CYLINDER ASSEMBLY - 450AJ (MACHINES WITH SN STARTING WITH B3)



ART_1001253628

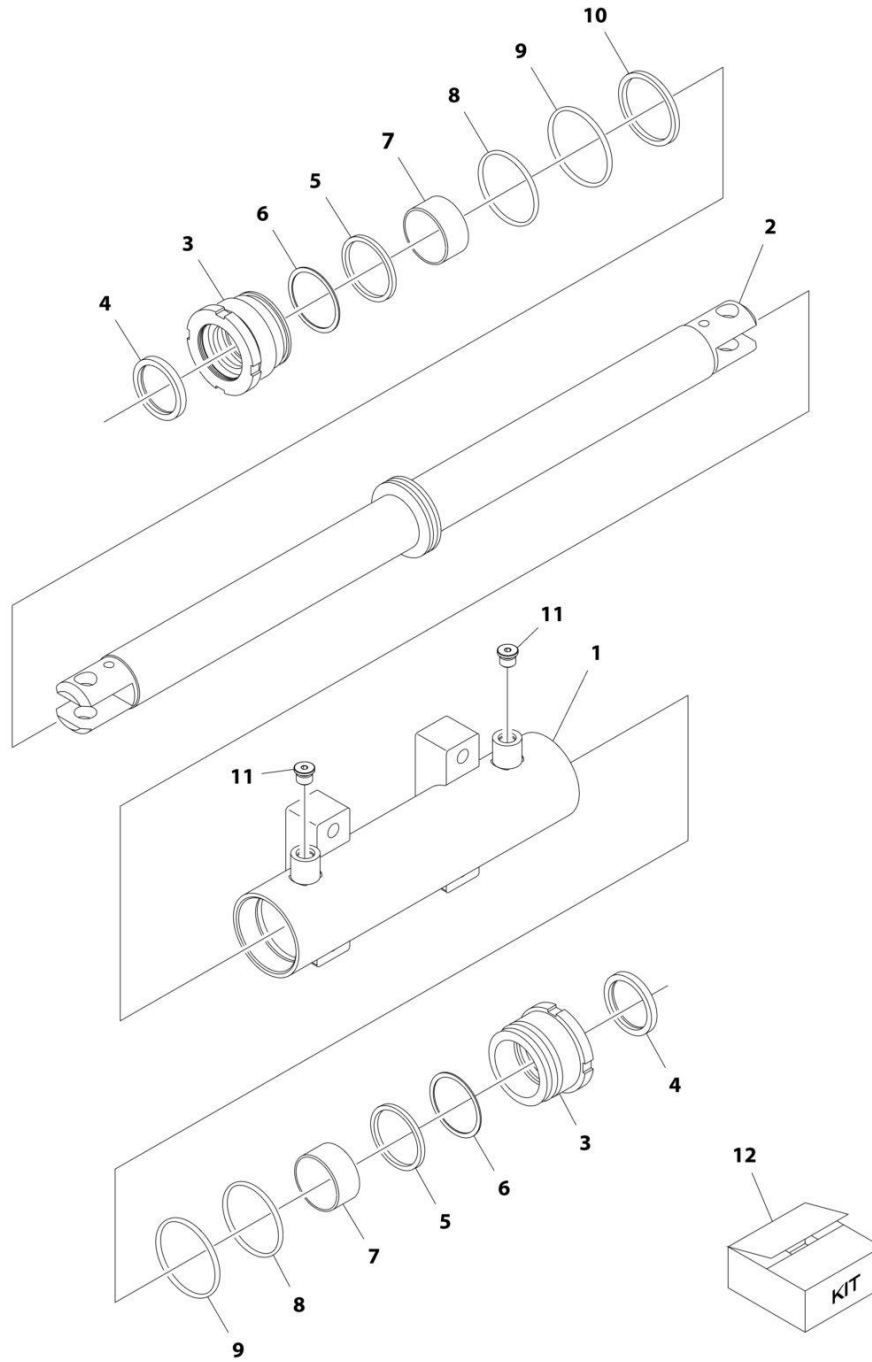
SECTION 6 - CYLINDER

FIGURE 6-11. MASTER CYLINDER ASSEMBLY - 450AJ (MACHINES WITH SN STARTING WITH B3)

ITEM	PART NUMBER	QTY	DESCRIPTION	REV
	1001253628	Ref	MASTER CYLINDER ASSEMBLY	A
		Ref	Note: Original Cylinder May Have Been Replaced with Service Replacement. Identify PN Stamped on Cylinder Before Ordering Parts.	
1	See Note	NSS	Tube (Note: Not Available for Purchase)	
2	See Note	NSS	Rod (Note: Use Item 19)	
3	See Note	NSS	Cover, Rod (Note: Use Item 19)	
4	See Note	NSS	Bushing, Rod (Note: Use Item 20)	
5	See Note	NSS	U-Packing (Note: Use Item 21)	
6	See Note	NSS	Ring, Backup (Note: Use Item 21)	
7	See Note	NSS	Wiper, Dust (Note: Use Item 21)	
8	See Note	NSS	Ring, Retaining (Note: Use Item 21)	
9	See Note	NSS	O-Ring (Note: Use Item 21)	
10	See Note	NSS	Ring, Backup (Note: Use Item 21)	
11	See Note	NSS	O-Ring (Note: Use Item 21)	
12	See Note	NSS	Piston (Note: Use Item 22)	
13	See Note	NSS	Seal, Compact (Note: Use Item 21)	
14	See Note	NSS	O-Ring (Note: Use Item 21)	
15	See Note	NSS	Ring, Backup (Note: Use Item 21)	
16	See Note	NSS	Setscrew (Note: Use Item 22)	
17A	See Note	NSS	Plug (Note: Use Item 23)	
17B	See Note	NSS	O-Ring (Note: Use Item 23)	
18	See Note	NSS	Bushing (Note: Use Item 19)	
19	70008237	1	Rod Assembly Kit (Includes Items 2 & 18)	
20	70008238	1	Rod Cover Kit (Includes Items 3 & 4)	
21	70008239	1	Seal Kit (Includes Items 5-11 & 13-15)	
22	70008240	1	Piston Kit (Includes Items 12 & 16)	
23	70008241	1	Plug Kit (Includes Items 17A & 17B)	

SECTION 6 - CYLINDER

FIGURE 6-12. STEER CYLINDER ASSEMBLY



ART_1001163178

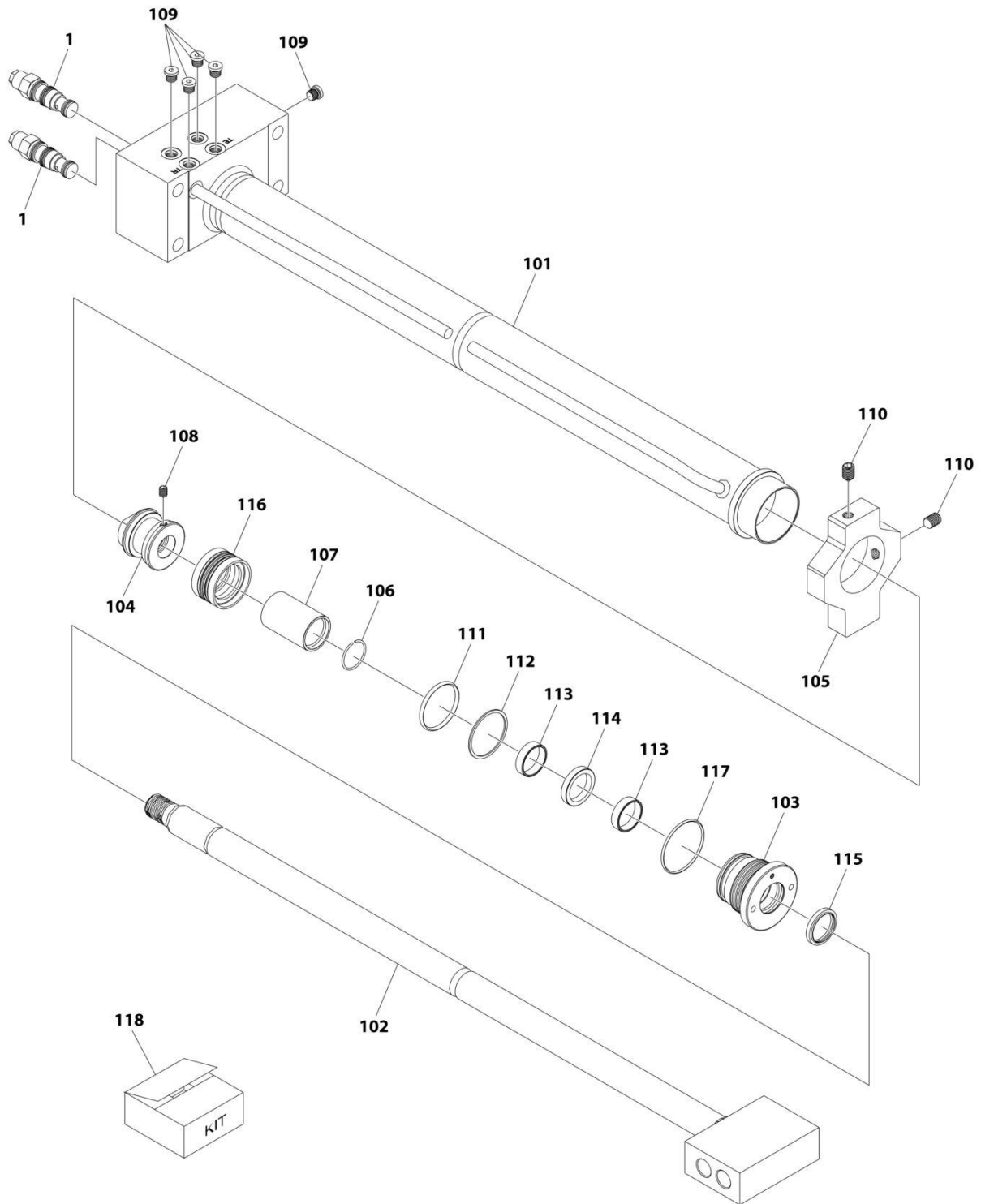
SECTION 6 - CYLINDER

FIGURE 6-12. STEER CYLINDER ASSEMBLY

ITEM	PART NUMBER	QTY	DESCRIPTION	REV
	1001163178	Ref	STEER CYLINDER ASSEMBLY	E
		Ref	Note: Original Cylinder May Have Been Replaced with Service Replacement. Identify PN Stamped on Cylinder Before Ordering Parts.	
1	70005150	1	Barrel	
2	70005151	1	Rod	
3	70005152	2	Head	
4	See Note	NSS	Wiper (Note: Use Item 12)	
5	See Note	NSS	Seal, Rod (Note: Use Item 12)	
6	See Note	NSS	Ring, Back-up (Note: Use Item 12)	
7	70005153	2	Bearing, Dry	
8	See Note	NSS	O-Ring (Note: Use Item 12)	
9	See Note	NSS	O-Ring (Note: Use Item 12)	
10	See Note	NSS	Seal, Piston (Note: Use Item 12)	
11	See Note	2	Plug 9/16 (Note: Not Available for Purchase)	
12	70005154	1	Seal Kit - 1001163178 Cylinder (Includes Items 4-6 & 8-10)	

SECTION 6 - CYLINDER

FIGURE 6-13. TELESCOPE CYLINDER ASSEMBLY - 450A



ART_1001266711

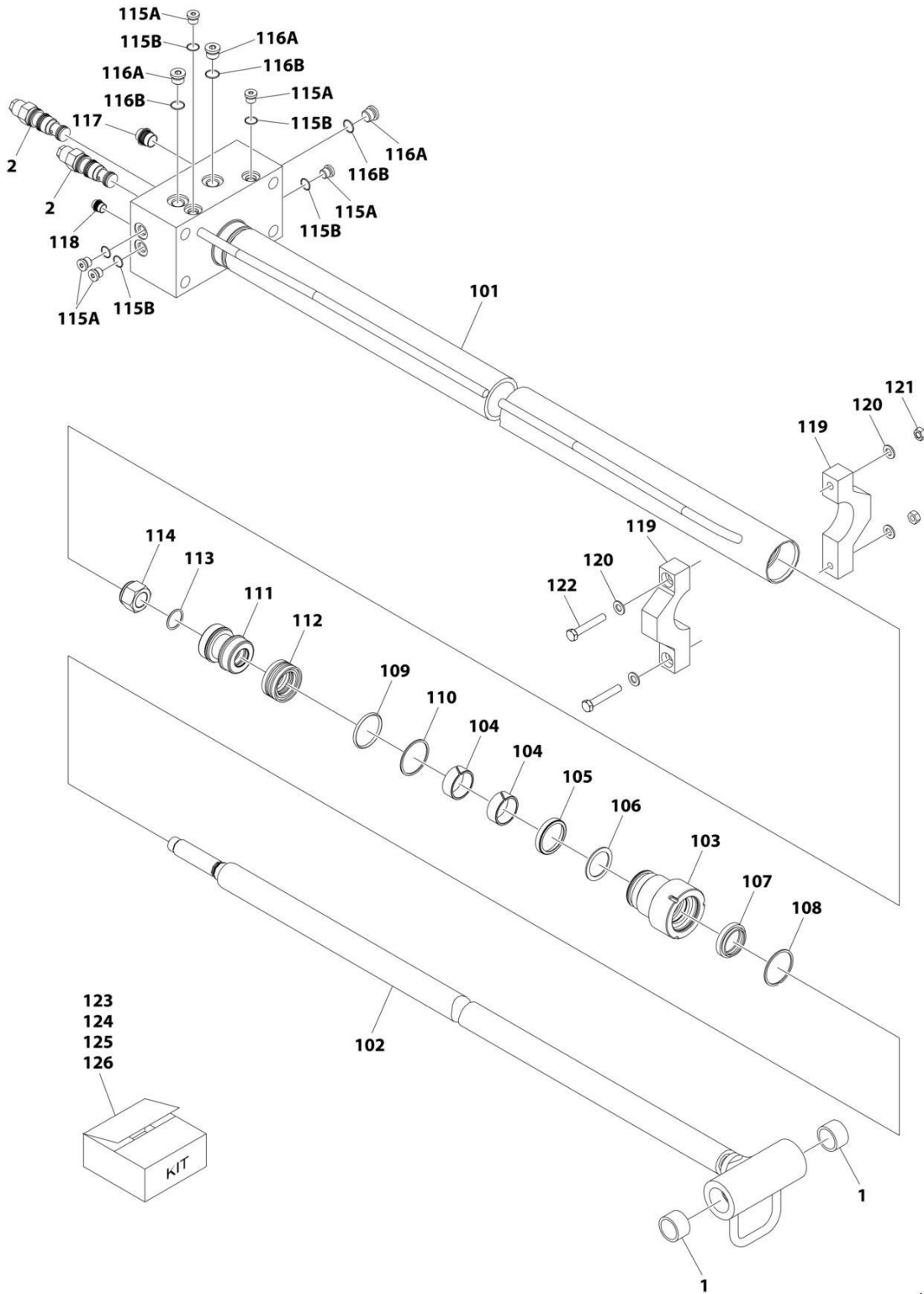
SECTION 6 - CYLINDER

FIGURE 6-13. TELESCOPE CYLINDER ASSEMBLY - 450A

ITEM	PART NUMBER	QTY	DESCRIPTION	REV
	1001266711	Ref	TELESCOPE CYLINDER ASSEMBLY	B
		Ref	Note: Original Cylinder May Have Been Replaced with Service Replacement. Identify PN Stamped on Cylinder Before Ordering Parts.	
1	4640771	2	Valve, Motor Control	
1	2900770	2	Seal Kit - 4640771 Valve	
101	See Note	NSS	Barrel (Note: Not Available for Purchase)	
102	See Note	NSS	Rod (Note: Not Available for Purchase)	
103	70008135	1	Head	
104	70008136	1	Piston	
105	70008137	1	Mount	
106	70008138	1	Ring, Wire	
107	70008139	1	Spacer	
108	70027088	1	Setscrew	
109	70025619	5	Plug	
110	70008140	2	Setscrew	
111	See Note	NSS	O-Ring (Note: Use Item 118)	
112	See Note	NSS	Ring, Backup (Note: Use Item 118)	
113	See Note	NSS	Ring (Note: Use Item 118)	
114	See Note	NSS	Seal, Head (Note: Use Item 118)	
115	See Note	NSS	Seal, Wiper (Note: Use Item 118)	
116	See Note	NSS	Seal (Note: Use Item 118)	
117	See Note	NSS	O-Ring (Note: Use Item 118)	
118	70008141	1	Seal Kit (Includes Items 111-117)	

SECTION 6 - CYLINDER

FIGURE 6-14. TELESCOPE CYLINDER ASSEMBLY - 450AJ



ART_1001272671

SECTION 6 - CYLINDER

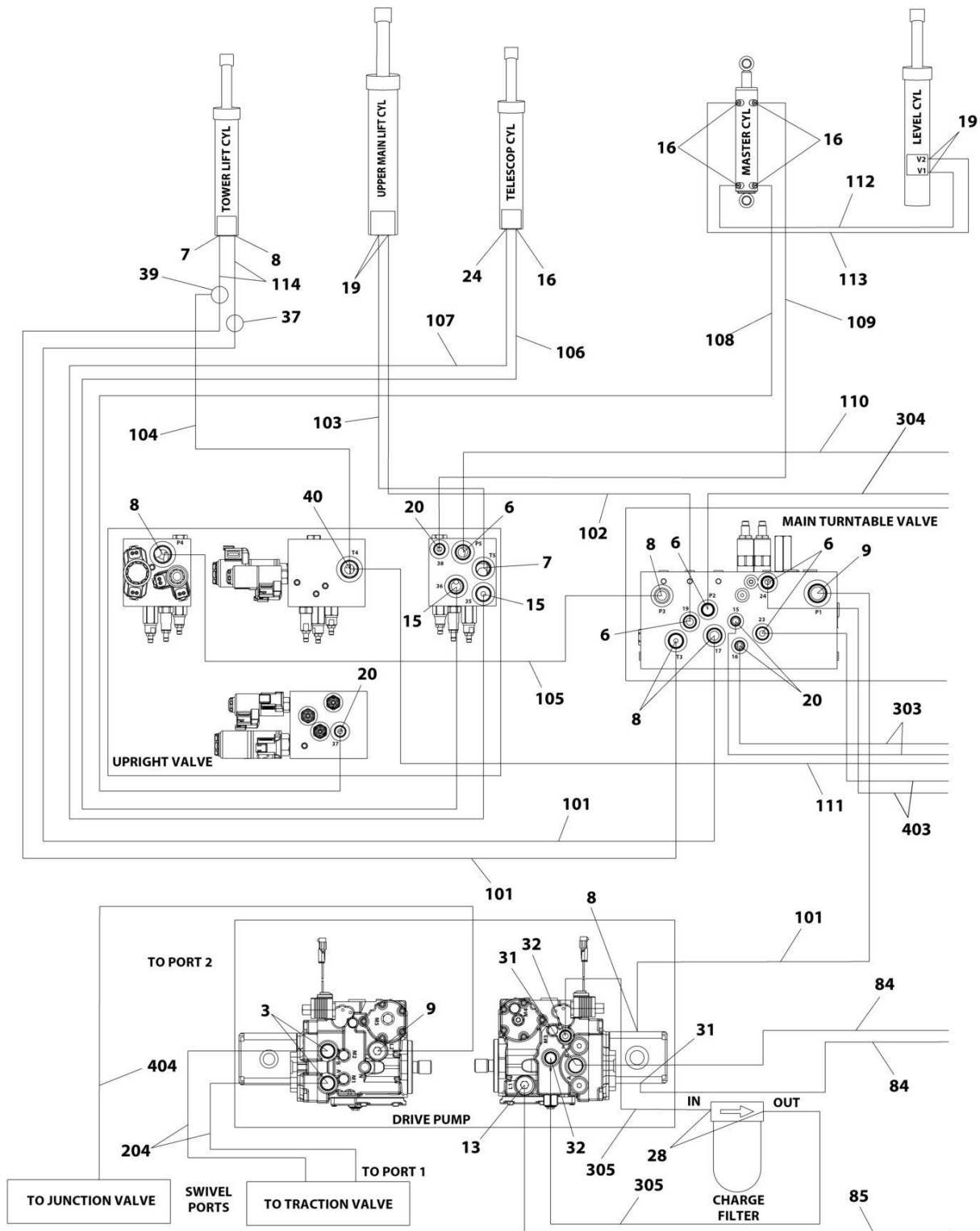
FIGURE 6-14. TELESCOPE CYLINDER ASSEMBLY - 450AJ

ITEM	PART NUMBER	QTY	DESCRIPTION	REV
	1001272671	Ref	TELESCOPE CYLINDER ASSEMBLY	B
		Ref	Note: Original Cylinder May Have Been Replaced with Service Replacement. Identify PN Stamped on Cylinder Before Ordering Parts.	
1	0962292	2	Bushing	
2	4640771	2	Cartridge, Valve	
2	2900770	2	Seal Kit - 4640771 Valve	
101	See Note	NSS	Tube (Note: Not Available for Purchase)	
102	See Note	NSS	Rod (Note: Use Item 123)	
103	70007896	1	Cover, Rod	
104	See Note	NSS	U-Packing (Note: Use Item 124)	
105	See Note	NSS	Ring, Backup (Note: Use Item 124)	
106	See Note	NSS	Ring, Wear (Note: Use Item 124)	
107	See Note	NSS	Wiper, Dust (Note: Use Item 124)	
108	See Note	NSS	Ring, Retaining Ring (Note: Use Item 124)	
109	See Note	NSS	O-Ring (Note: Use Item 124)	
110	See Note	NSS	Ring, Backup (Note: Use Item 124)	
111	70007897	1	Piston	
112	See Note	NSS	Seal (Note: Use Item 124)	
113	See Note	NSS	O-Ring (Note: Use Item 124)	
114	70007360	1	Nut	
115A	See Note	NSS	Plug 7/16 (Note: Use Item 125)	
115B	See Note	NSS	O-Ring (Note: Use Item 125)	
116A	See Note	NSS	Plug 9/16 (Note: Use Item 125)	
116B	See Note	NSS	O-Ring (Note: Use Item 125)	
117	See Note	NSS	Cap, Dust (Note: Not Available for Purchase)	
118	See Note	NSS	Cap, Dust (Note: Not Available for Purchase)	
119	See Note	NSS	Bracket (Note: Use Item 126)	
120	See Note	NSS	Washer (Note: Use Item 126)	
121	See Note	NSS	Nut (Note: Use Item 126)	
122	See Note	NSS	Bolt (Note: Use Item 126)	
123	70007898	1	Rod Kit (Includes Items 102)	
124	70007899	1	Seal Kit (Includes Items 104-110 & 112-113)	
125	70007900	1	Plug Kit (Includes Items 115A-116B)	
126	70008280	1	Wear Pad Kit (Includes Items 119-122)	

SECTION 7 - HYDRAULIC

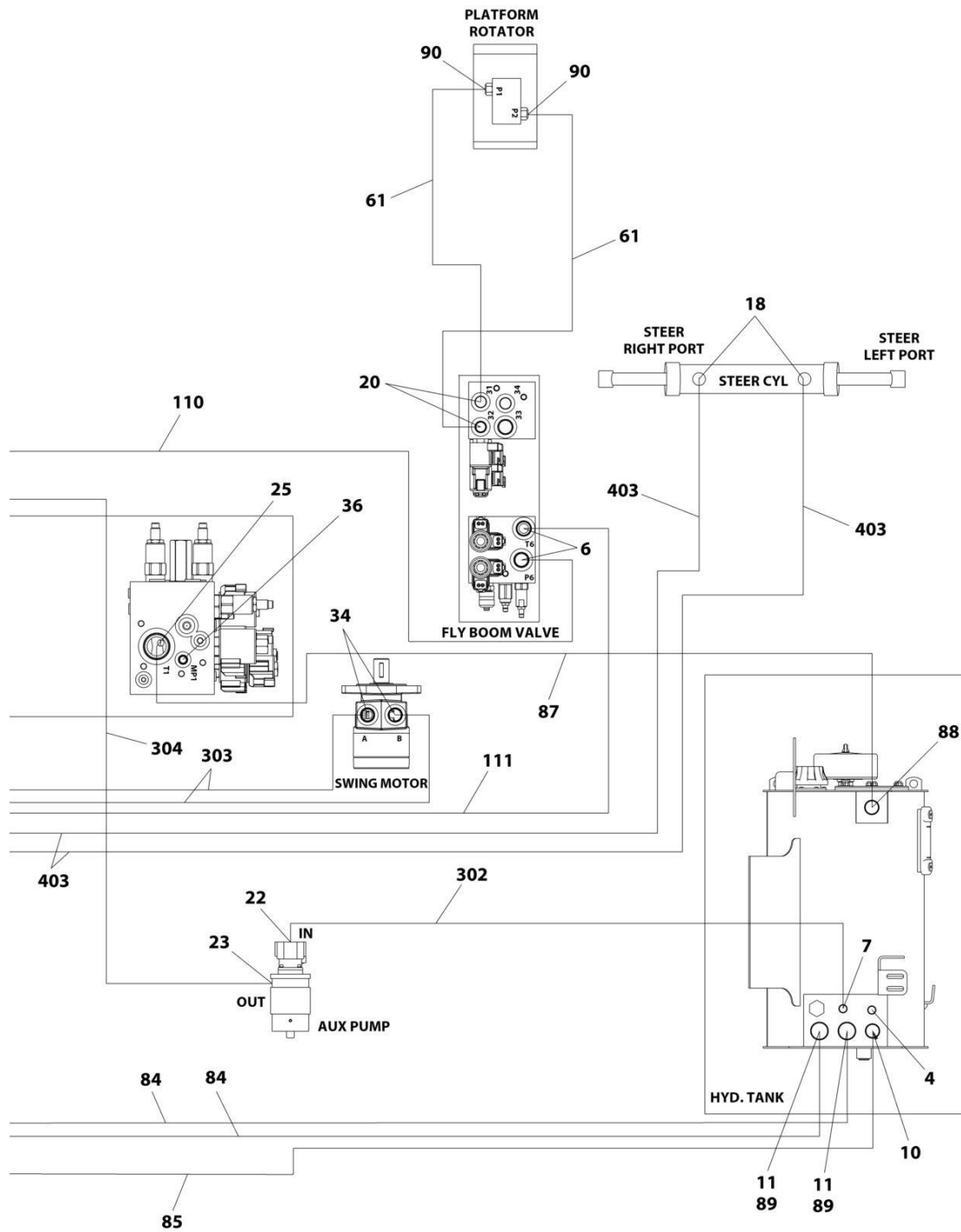
SECTION 7 - HYDRAULIC

FIGURE 7-1. 2WD HYDRAULIC SYSTEM INSTALLATION - 450A (WITH 17GAL HYDRAULIC TANK)



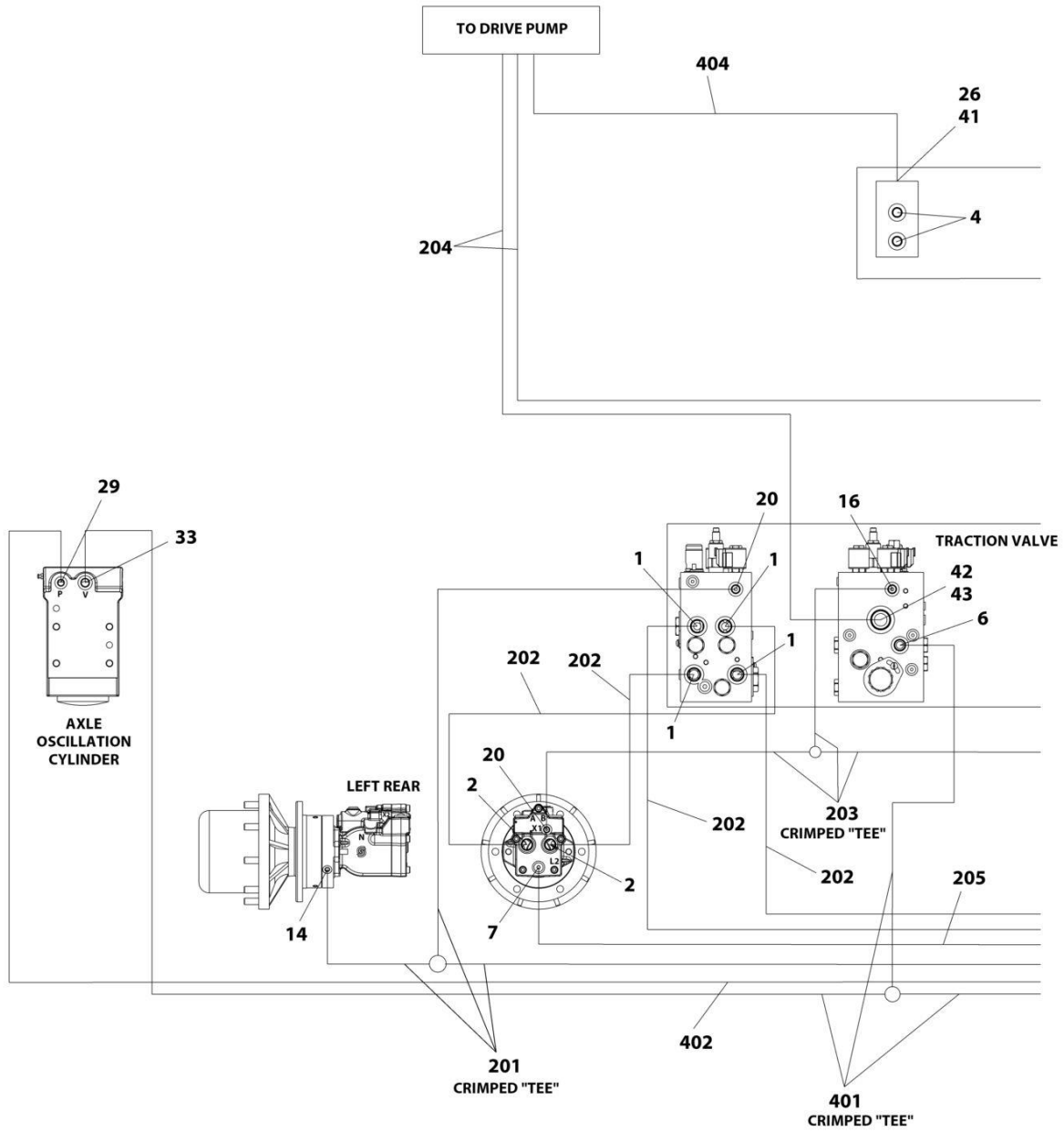
ART_1001217936_10F4

SECTION 7 - HYDRAULIC



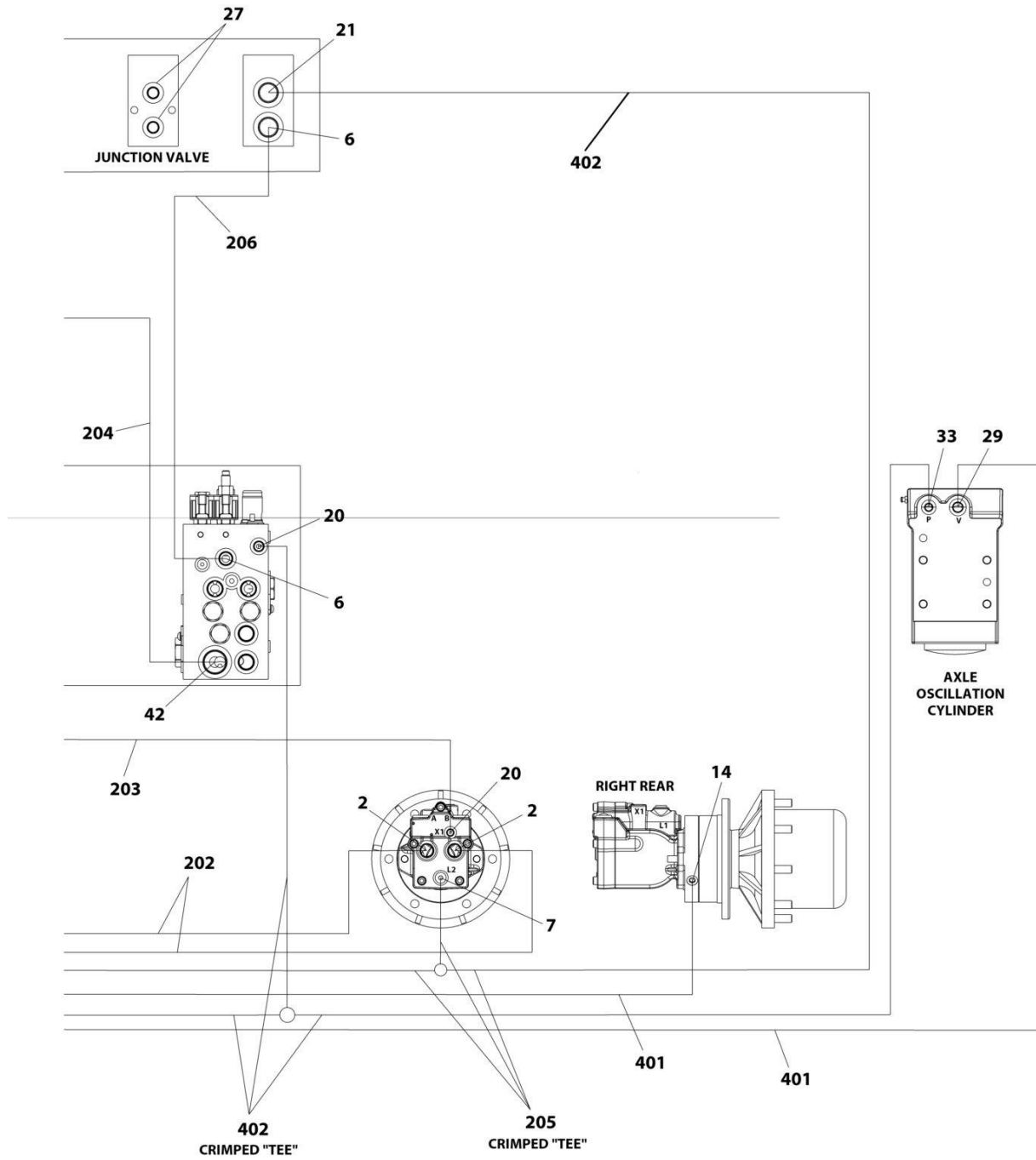
ART_1001217936_20F4

SECTION 7 - HYDRAULIC



ART_1001217936_30F4

SECTION 7 - HYDRAULIC



ART_1001217936_40F4

SECTION 7 - HYDRAULIC

FIGURE 7-1. 2WD HYDRAULIC SYSTEM INSTALLATION - 450A (WITH 17GAL HYDRAULIC TANK)

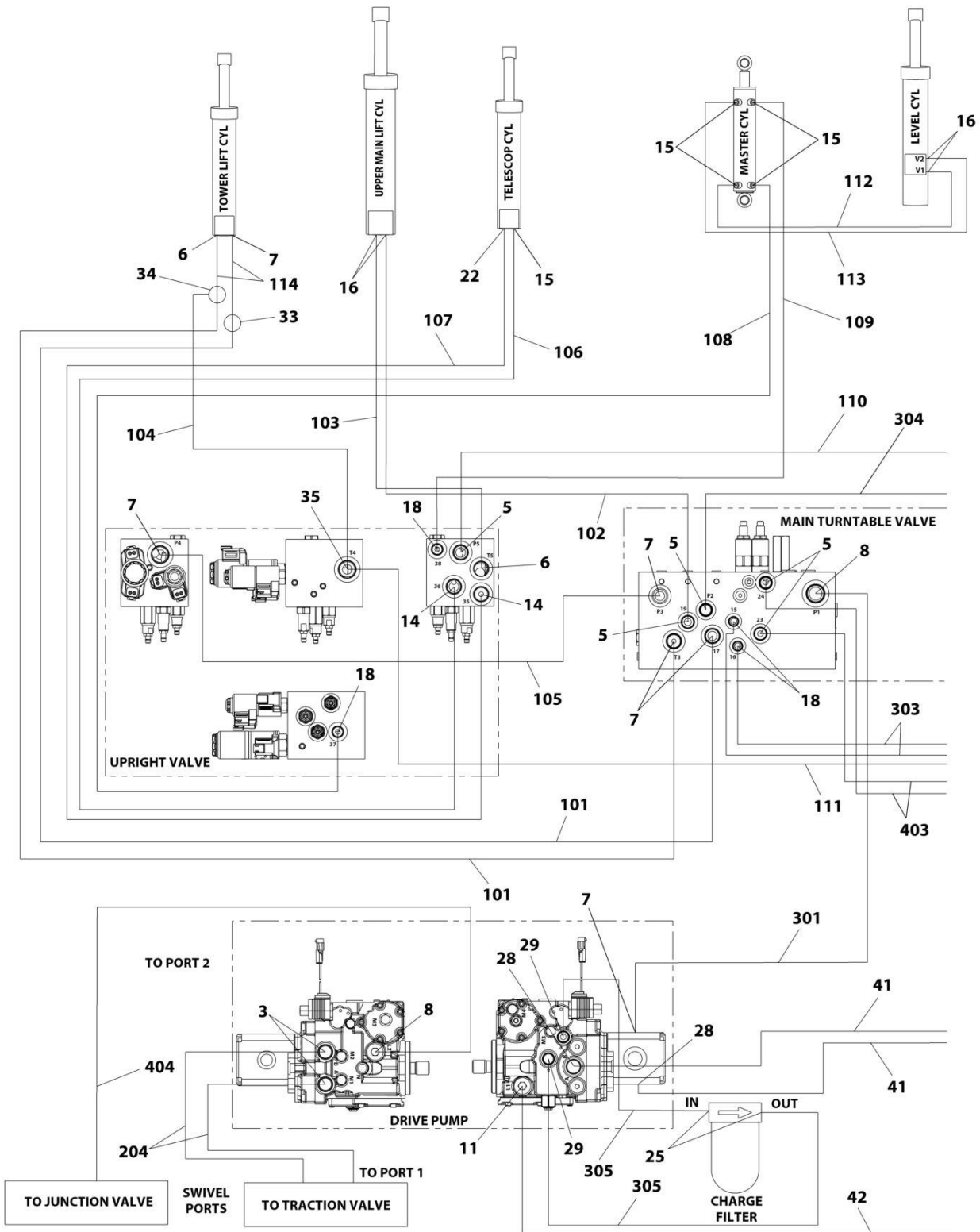
ITEM	PART NUMBER	QTY	DESCRIPTION	REV
	1001217936	Ref	2WD HYDRAULIC SYSTEM INSTALLATION	H
1	2110810	4	Fitting, Straight ORFS/ORB	
2	2110812	4	Fitting, Straight ORFS/ORB	
3	2151212	2	Fitting, 45 ORFS/ORB	
4	2220238	3	Plug	
6	2220372	9	Fitting, Straight JIC/ORB	
7	2220373	3	Fitting, Straight JIC/ORB	
8	2220374	4	Fitting, Straight JIC/ORB	
9	2220375	2	Fitting, Straight JIC/ORB	
10	2220377	1	Fitting, Straight JIC/ORB	
11	1001202910	2	Fitting, Straight MORB	
13	2220451	1	Fitting, Straight JIC/ORB	
14	2220466	2	Fitting, 90 JIC/ORB	
15	2220468	2	Fitting, Straight JIC/ORB	
16	2220472	5	Fitting, 90 JIC/ORB	
18	2220501	2	Fitting, 45 JIC/ORB	
19	2220497	2	Fitting, Straight JIC/ORB	
20	2220582	8	Fitting, Straight JIC/ORB	
21	2220596	1	Fitting, 90 JIC/ORB	
22	2220600	1	Fitting, Straight JIC/ORB	
23	2220603	1	Fitting, Straight JIC/ORB	
24	2220628	1	Fitting, 90 JIC/ORB	
25	2220465	1	Fitting, 90 JIC/ORB	
26	2220811	1	Fitting, Straight FORB/ORB	
27	2220883	2	Plug #4	
28	2220906	2	Fitting, 90 JIC/ORB	
29	2220923	2	Fitting, Straight JIC/ORB	
31	2220946	2	Fitting, Straight JIC/ORB	
32	2220947	2	Fitting, Straight JIC/ORB	
33	2220998	2	Fitting, Straight JIC/ORB	
34	2221033	2	Fitting, Straight JIC/ORB	
36	2221086	1	Fitting, Diagnostic	
37	2230025	1	Fitting, Straight JIC/JIC	
39	8760477	1	Fitting, Tee JIC/JIC/JIC	
40	8770289	1	Fitting, Tee JIC/ORB/JIC	
41	1001119627	1	Fitting, Straight JIC/ORB	
42	1001142679	2	Fitting, Straight ORFS/ORB	
43	1001143936	1	Fitting, 90 FORB/ORB	
61	1001215227	2	Hose	
84	1001207335	1	Hose	
85	1001207336	1	Hose	
87	1001210356	1	Hose	
88	2220435	1	Fitting, Straight JIC/ORB	
89	1001275635	2	Clamp, Hose	
90	2220940	2	Fitting, 90 JIC/ORB	
100	1001218999	1	Hose Kit (Not Shown)	
101	1001173006	2	Hose	
102	1001173034	1	Hose	
103	1001173035	1	Hose	
104	1001173036	1	Hose	

SECTION 7 - HYDRAULIC

ITEM	PART NUMBER	QTY	DESCRIPTION	REV
105	1001173037	1	Hose	
106	1001173038	1	Hose	
107	1001173039	1	Hose	
108	1001173042	1	Hose	
109	1001173043	1	Hose	
110	1001176299	1	Hose	
111	1001176300	1	Hose	
112	1001176301	1	Hose	
113	1001176302	1	Hose	
114	1001180035	2	Hose	
200	1001194428	1	Hose Kit - Rear (Not Shown)	
201	1001173052	1	Hose	
202	1001173059	1	Hose	
203	1001173061	1	Hose	
204	1001173062	1	Hose	
205	1001173063	1	Hose	
206	1001197039	1	Hose	
300	1001252926	1	Hose Kit - Turntable (Not Shown)	
301	2752504	1	Hose	
302	2752519	1	Hose	
303	1001173027	1	Hose	
304	1001173028	1	Hose	
305	1001173029	1	Hose	
400	1001214616	1	Hose Kit - Front (Not Shown)	
401	1001173053	1	Hose	
402	1001173054	1	Hose	
403	1001173058	1	Hose	
404	1001173066	1	Hose	

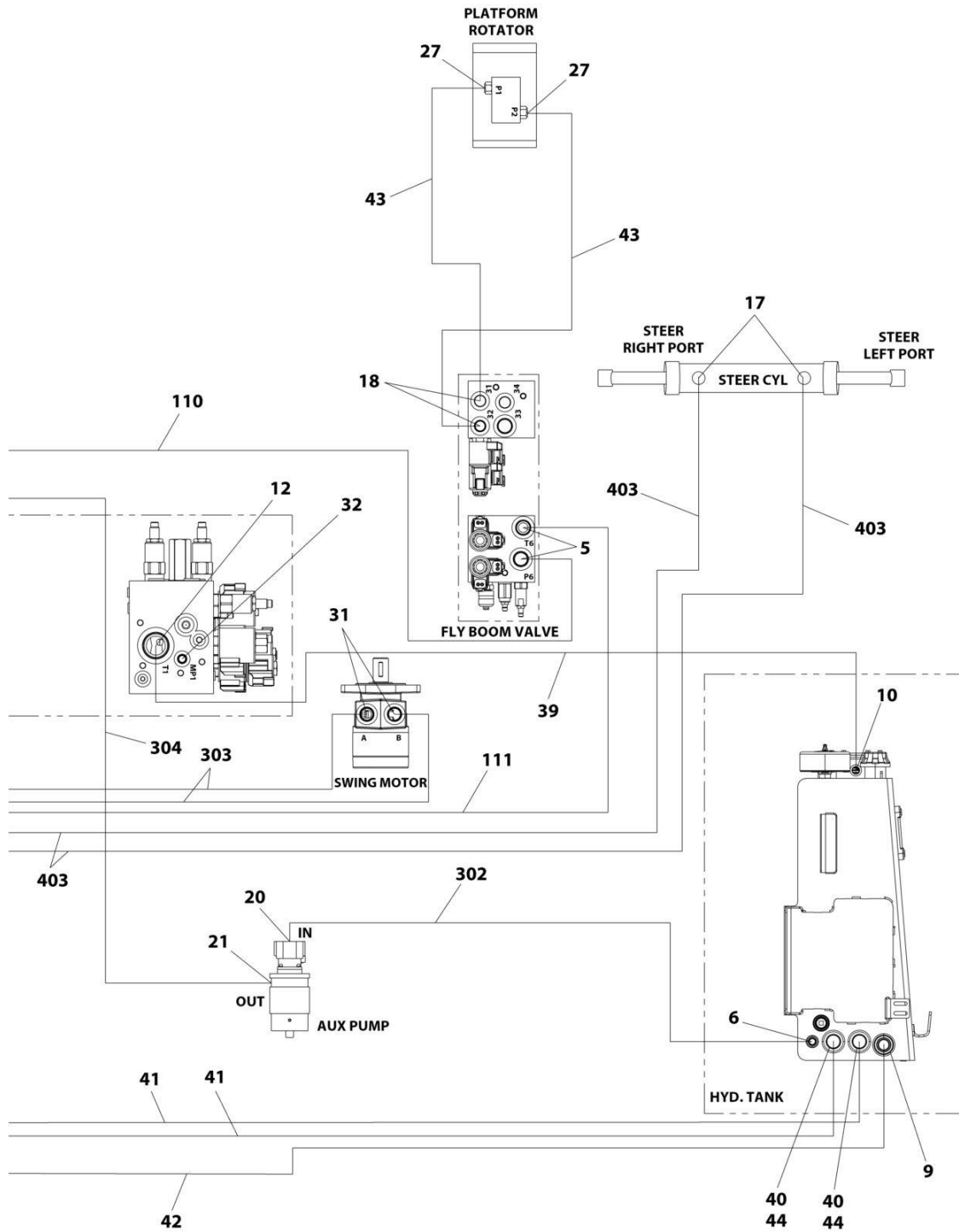
SECTION 7 - HYDRAULIC

FIGURE 7-2. 2WD HYDRAULIC SYSTEM INSTALLATION - 450A (WITH 36GAL HYDRAULIC TANK)



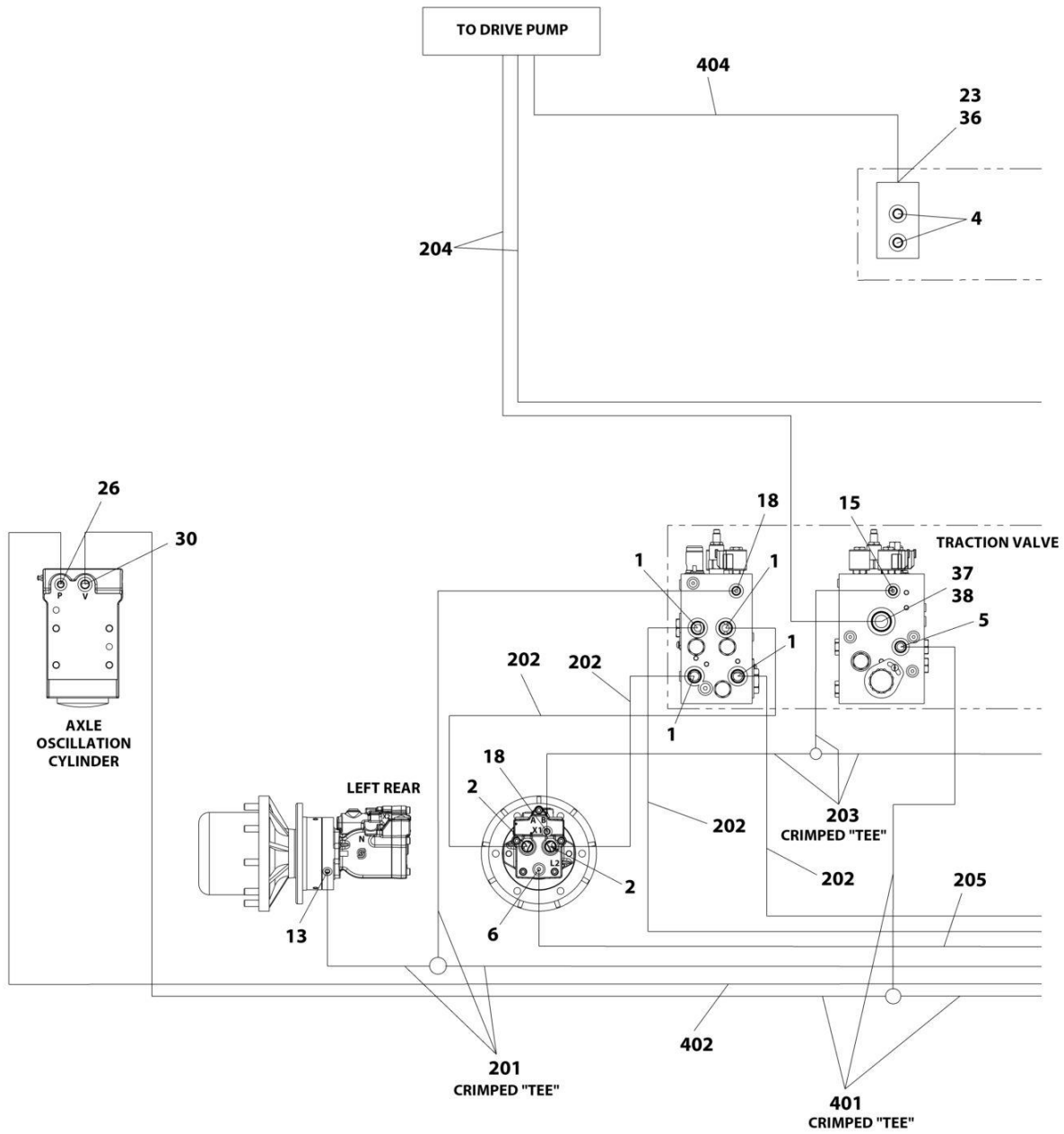
ART_1001287819_10F4

SECTION 7 - HYDRAULIC



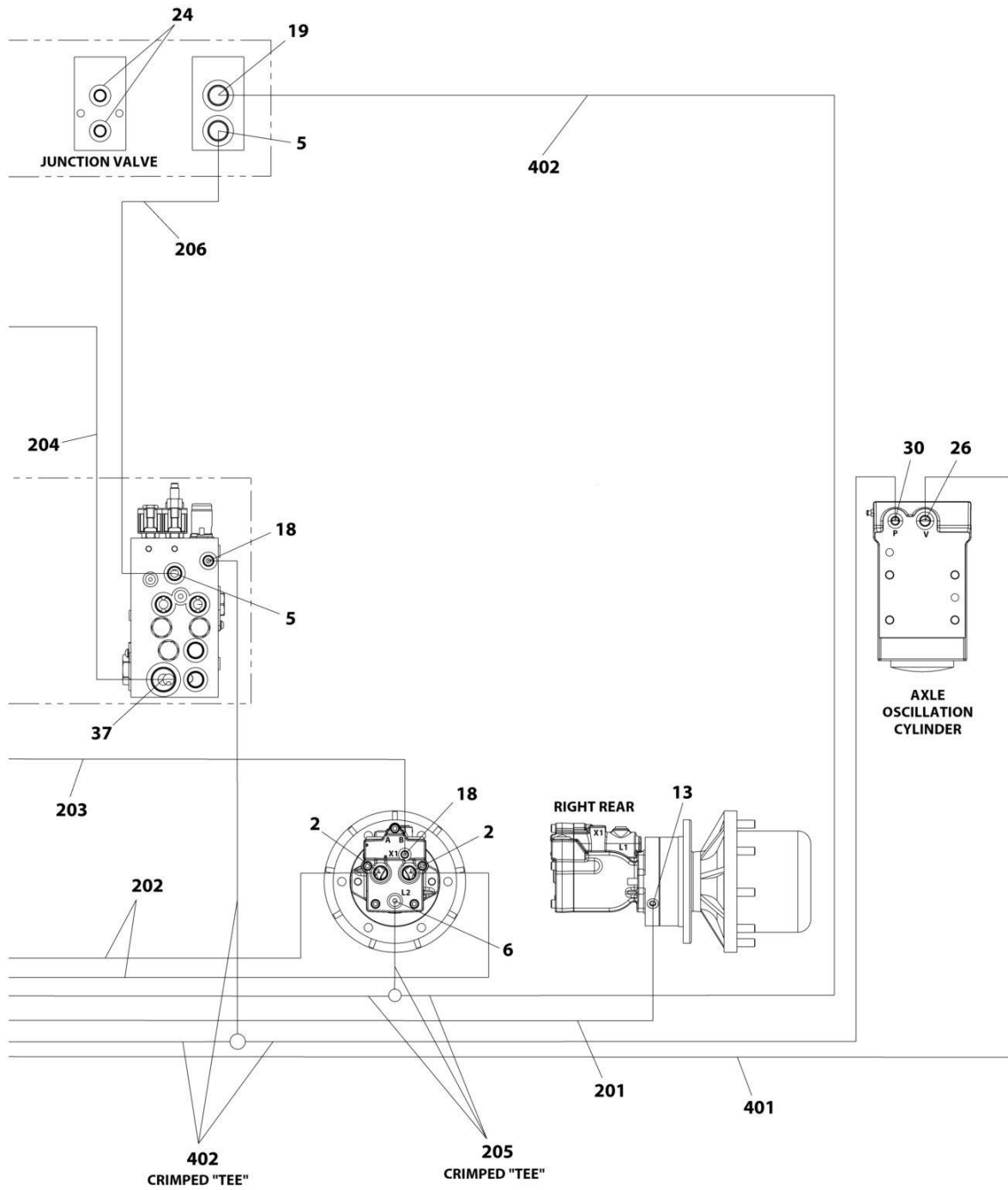
ART_1001287819_20F4

SECTION 7 - HYDRAULIC



ART_1001287819_30F4

SECTION 7 - HYDRAULIC



ART_1001287819_40F4

SECTION 7 - HYDRAULIC

FIGURE 7-2. 2WD HYDRAULIC SYSTEM INSTALLATION - 450A (WITH 36GAL HYDRAULIC TANK)

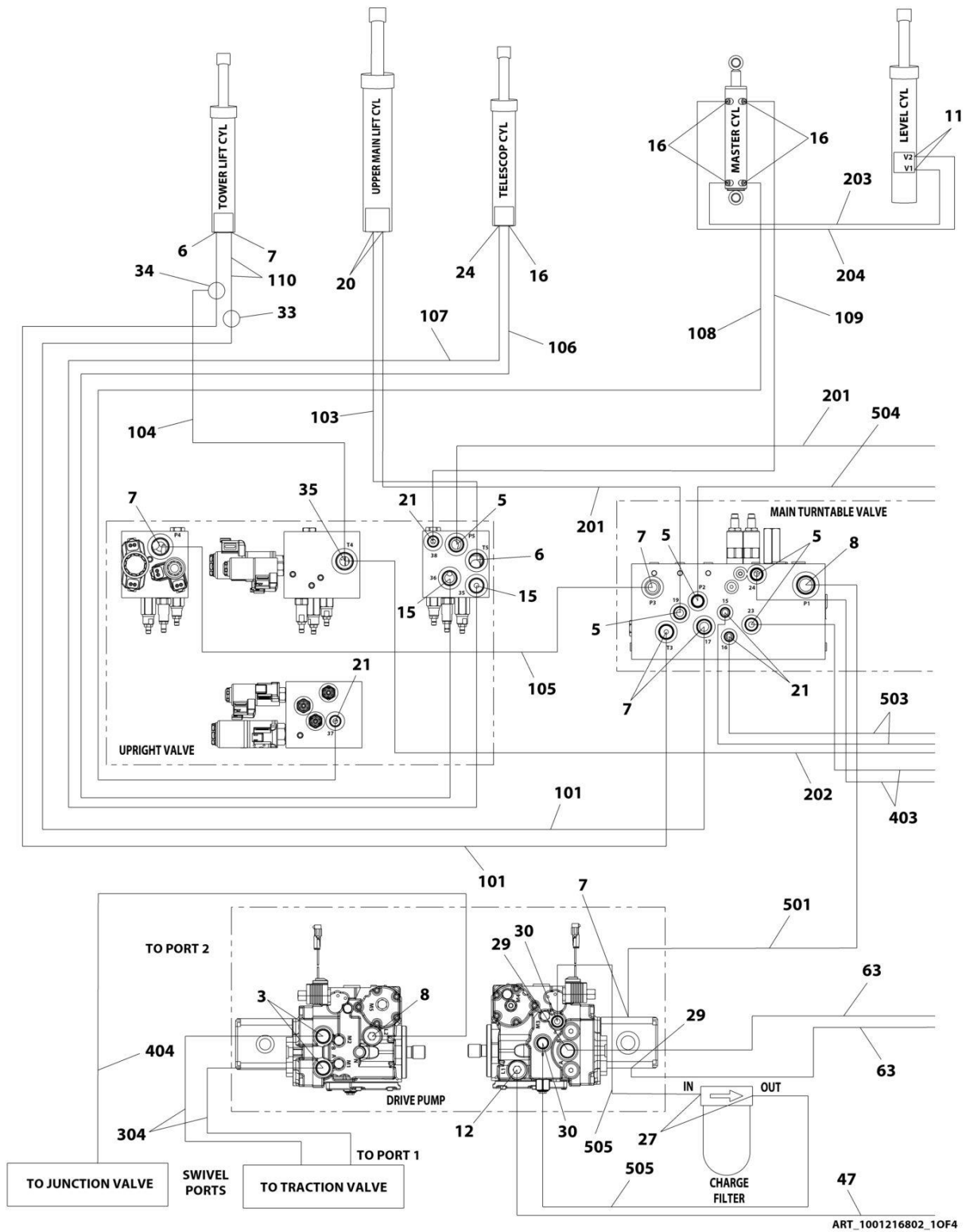
ITEM	PART NUMBER	QTY	DESCRIPTION	REV
	1001287819	Ref	2WD HYDRAULIC SYSTEM INSTALLATION	A
1	2110810	4	Fitting, Straight ORFS/ORB	
2	2110812	4	Fitting, Straight ORFS/ORB	
3	2151212	2	Fitting, 45 ORFS/ORB	
4	2220238	2	Plug	
5	2220372	9	Fitting, Straight JIC/ORB	
6	2220373	3	Fitting, Straight JIC/ORB	
7	2220374	4	Fitting, Straight JIC/ORB	
8	2220375	2	Fitting, Straight JIC/ORB	
9	2220377	1	Fitting, Straight JIC/ORB	
10	2220408	1	Fitting, Straight JIC/ORB	
11	2220451	1	Fitting, Straight JIC/ORB	
12	2220465	1	Fitting, 90 JIC/ORB	
13	2220466	2	Fitting, 90 JIC/ORB	
14	2220468	2	Fitting, Straight JIC/ORB	
15	2220472	6	Fitting, 90 JIC/ORB	
16	2220497	2	Fitting, Straight JIC/ORB	
17	2220501	2	Fitting, 45 JIC/ORB	
18	2220582	8	Fitting, Straight JIC/ORB	
19	2220596	1	Fitting, 90 JIC/ORB	
20	2220600	1	Fitting, Straight JIC/ORB	
21	2220603	1	Fitting, Straight JIC/ORB	
22	2220628	1	Fitting, 90 JIC/ORB	
23	2220811	1	Fitting, Straight FORB/ORB	
24	2220883	2	Plug #4	
25	2220906	2	Fitting, 90 JIC/ORB	
26	2220923	2	Fitting, Straight JIC/ORB	
27	2220940	2	Fitting, 90 JIC/ORB	
28	2220946	2	Fitting, Straight JIC/ORB	
29	2220947	2	Fitting, Straight JIC/ORB	
30	2220998	2	Fitting, Straight JIC/ORB	
31	2221033	2	Fitting, Straight JIC/ORB	
32	2221086	1	Fitting, Diagnostic	
33	2230025	1	Fitting, Straight JIC/JIC	
34	8760477	1	Fitting, Tee JIC/JIC/JIC	
35	8770289	1	Fitting, Tee JIC/ORB/JIC	
36	1001119627	1	Fitting, Straight JIC/ORB	
37	1001142679	2	Fitting, Straight ORFS/ORB	
38	1001143936	1	Fitting, 90 FORB/ORB	
39	1001173631	1	Tube	
40	1001202910	2	Fitting, Straight MORB	
41	1001207335	2	Hose	
42	1001207336	1	Hose	
43	1001215227	2	Hose	
44	1001275635	2	Clamp, Hose	
100	1001218999	1	Hose Kit (Not Shown)	
101	1001173006	2	Hose	
102	1001173034	1	Hose	
103	1001173035	1	Hose	
104	1001173036	1	Hose	

SECTION 7 - HYDRAULIC

ITEM	PART NUMBER	QTY	DESCRIPTION	REV
105	1001173037	1	Hose	
106	1001173038	1	Hose	
107	1001173039	1	Hose	
108	1001173042	1	Hose	
109	1001173043	1	Hose	
110	1001176299	1	Hose	
111	1001176300	1	Hose	
112	1001176301	1	Hose	
113	1001176302	1	Hose	
114	1001180035	2	Hose	
200	1001194428	1	Hose Kit - Rear (Not Shown)	
201	1001173052	1	Hose	
202	1001173059	1	Hose	
203	1001173061	1	Hose	
204	1001173062	1	Hose	
205	1001173063	1	Hose	
206	1001197039	1	Hose	
300	1001252926	1	Hose Kit - Turntable (Not Shown)	
301	2752504	1	Hose	
302	2752519	1	Hose	
303	1001173027	1	Hose	
304	1001173028	1	Hose	
305	1001173029	1	Hose	
400	1001214616	1	Hose Kit - Front (Not Shown)	
401	1001173053	1	Hose	
402	1001173054	1	Hose	
403	1001173058	1	Hose	
404	1001173066	1	Hose	

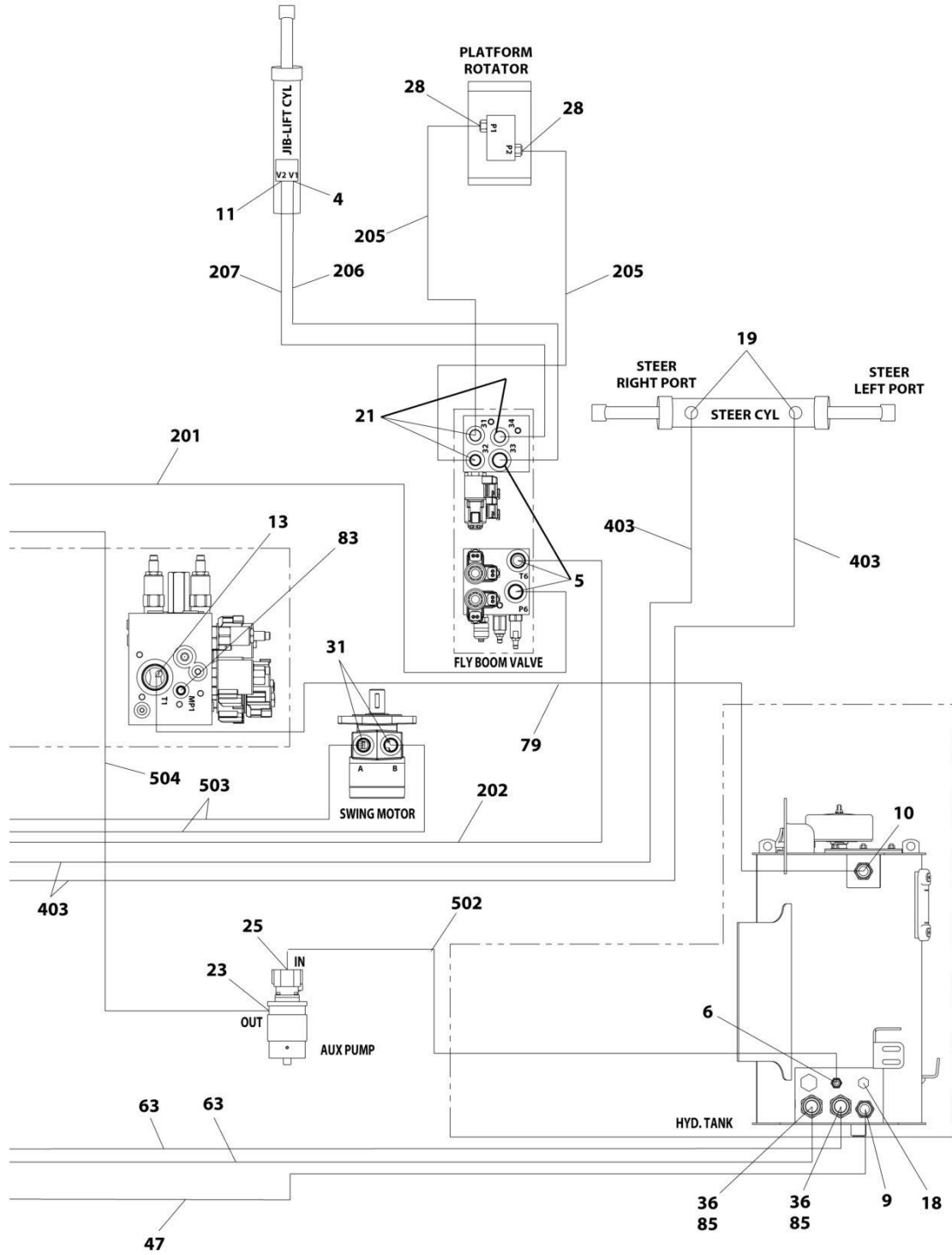
SECTION 7 - HYDRAULIC

FIGURE 7-3. 2WD HYDRAULIC SYSTEM INSTALLATION - 450AJ (WITH 17GAL HYDRAULIC TANK)



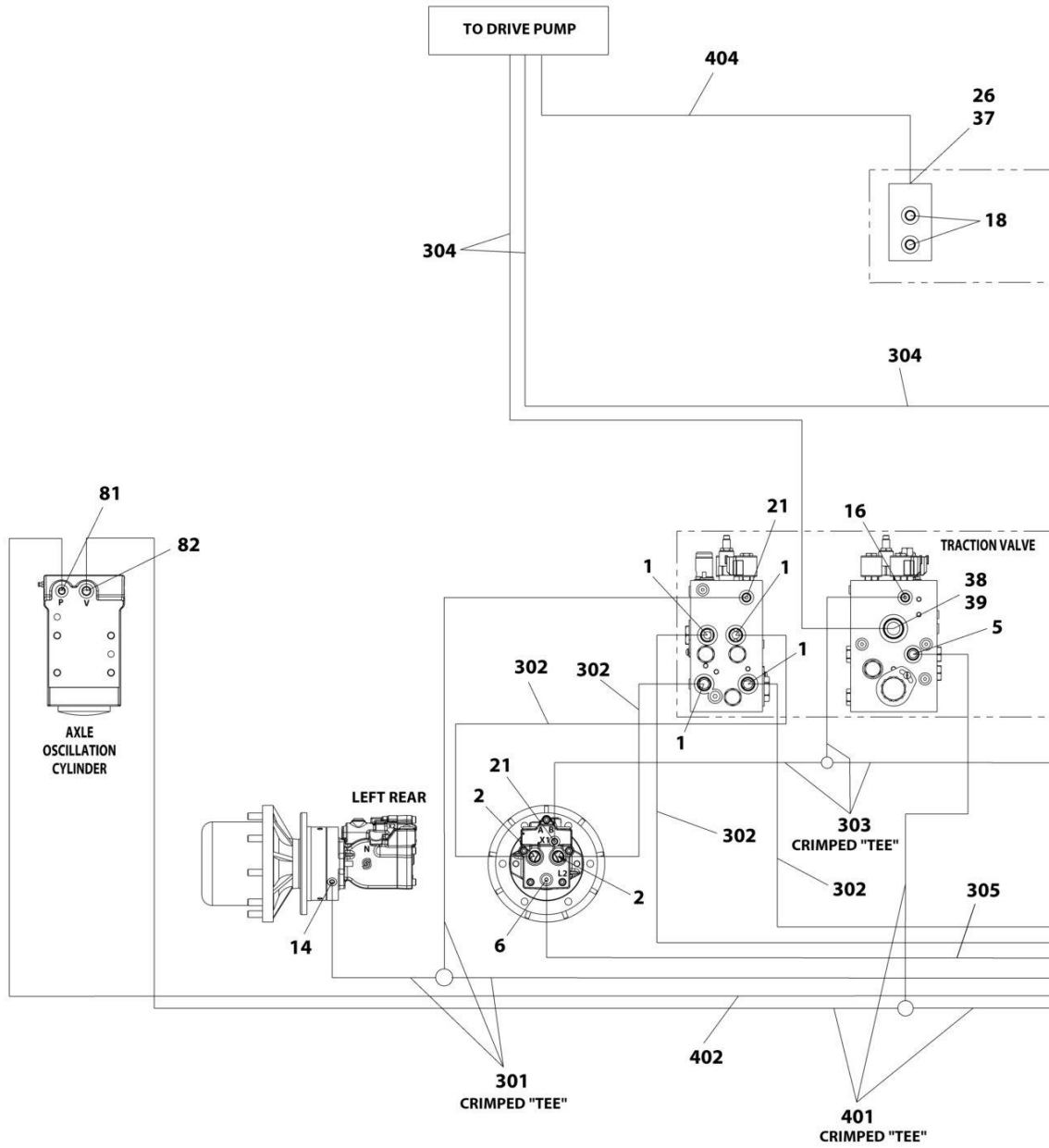
ART_1001216802_10F4

SECTION 7 - HYDRAULIC



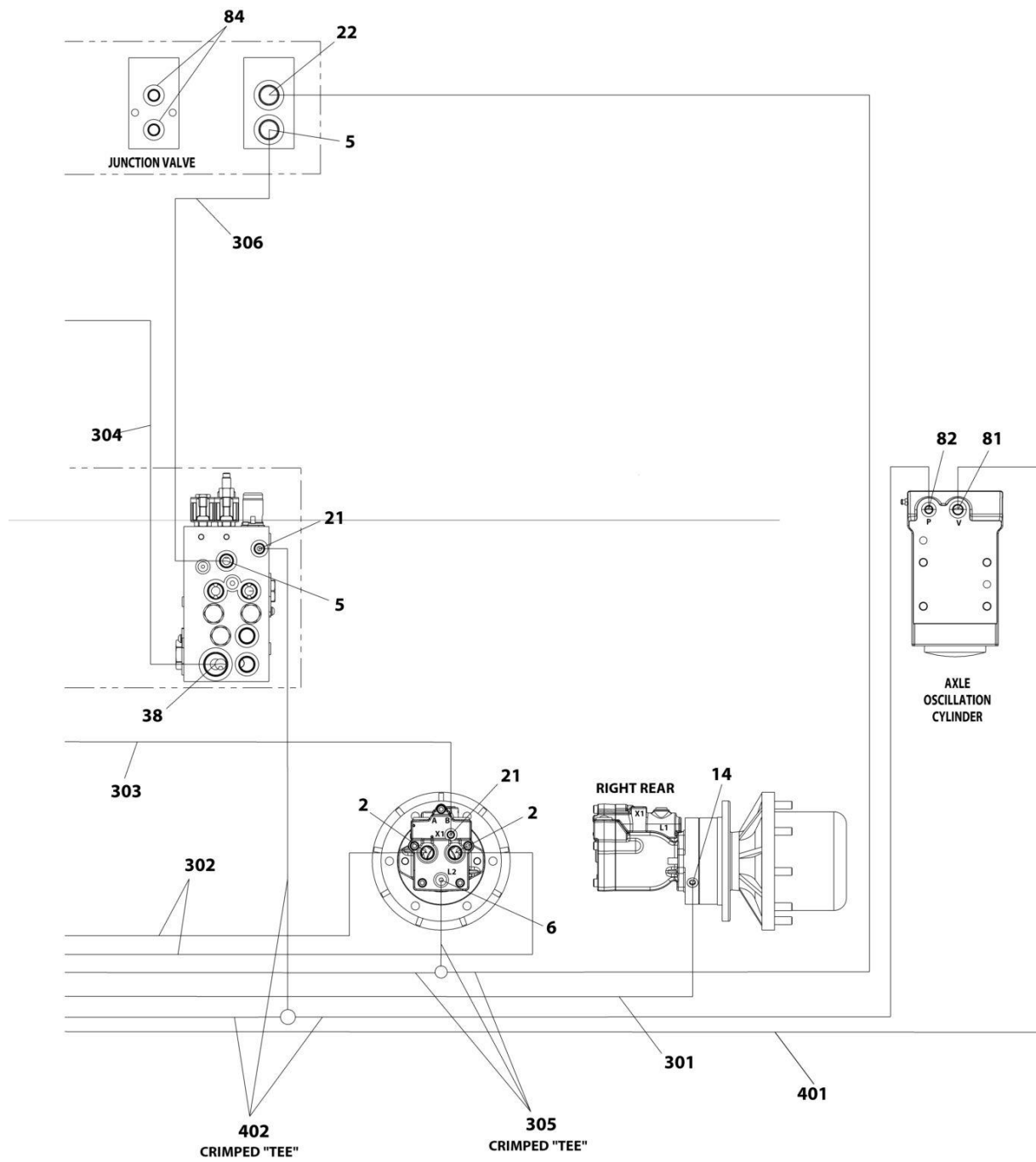
ART_1001216802_20F4

SECTION 7 - HYDRAULIC



ART_1001216802_30F4

SECTION 7 - HYDRAULIC



ART_1001216802_40F4

SECTION 7 - HYDRAULIC

FIGURE 7-3. 2WD HYDRAULIC SYSTEM INSTALLATION - 450AJ (WITH 17GAL HYDRAULIC TANK)

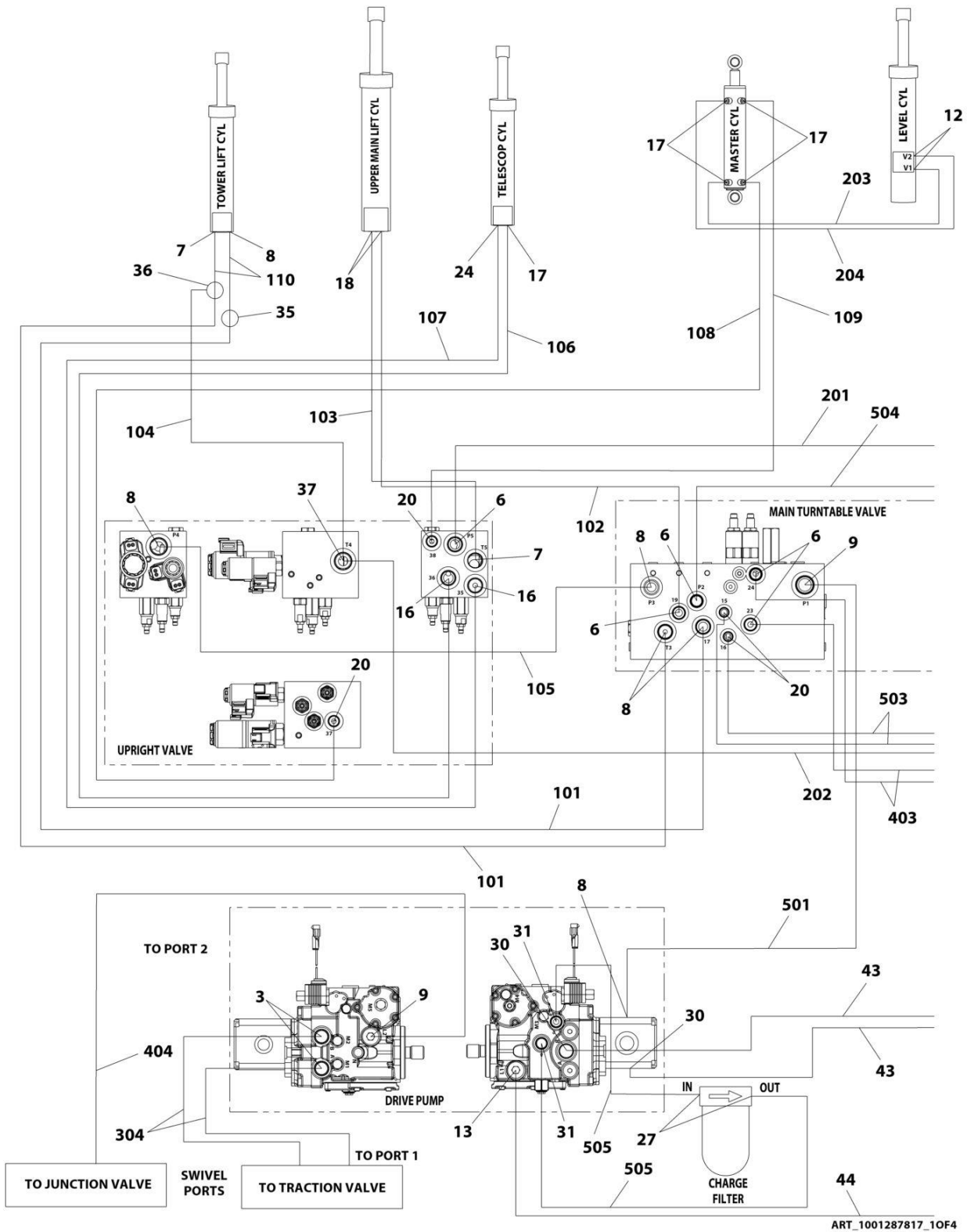
ITEM	PART NUMBER	QTY	DESCRIPTION	REV
	1001216802	Ref	2WD HYDRAULIC SYSTEM INSTALLATION	E
1	2110810	4	Fitting, Straight ORFS/ORB	
2	2110812	4	Fitting, Straight ORFS/ORB	
3	2151212	2	Fitting, 45 ORFS/ORB	
4	2220371	1	Fitting, Straight JIC/ORB	
5	2220372	11	Fitting, Straight JIC/ORB	
6	2220373	5	Fitting, Straight JIC/ORB	
7	2220374	6	Fitting, Straight JIC/ORB	
8	2220375	2	Fitting, Straight JIC/ORB	
9	2220377	1	Fitting, Straight JIC/ORB	
10	2220435	1	Fitting, Straight JIC/ORB	
11	2220415	3	Fitting, Straight JIC/ORB	
12	2220451	1	Fitting, Straight JIC/ORB	
13	2220465	1	Fitting, 90 JIC/ORB	
14	2220466	2	Fitting, 90 JIC/ORB	
15	2220468	2	Fitting, Straight JIC/ORB	
16	2220472	6	Fitting, 90 JIC/ORB	
18	2220238	3	Plug	
19	2220501	2	Fitting, 45 JIC/ORB	
20	2220497	2	Fitting, Straight JIC/ORB	
21	2220582	11	Fitting, Straight JIC/ORB	
22	2220596	1	Fitting, 90 JIC/ORB	
23	2220603	1	Fitting, Straight JIC/ORB	
24	2220628	1	Fitting, 90 JIC/ORB	
25	2220600	1	Fitting, Straight JIC/ORB	
26	2220811	1	Fitting, Straight FORB/ORB	
27	2220906	2	Fitting, 90 JIC/ORB	
28	2220940	2	Fitting, Elbow	
29	2220946	2	Fitting, Straight JIC/ORB	
30	2220947	2	Fitting, Straight JIC/ORB	
31	2221033	2	Fitting, Straight JIC/ORB	
33	2230025	1	Fitting, Straight JIC/JIC	
34	8760477	1	Fitting, Tee JIC/JIC/JIC	
35	8770289	1	Fitting, Tee JIC/ORB/JIC	
36	1001275635	2	Clamp, Hose	
37	1001119627	1	Fitting, Straight JIC/ORB	
38	1001142679	2	Fitting, Straight ORFS/ORB	
39	1001143936	1	Fitting, 90 FORB/ORB	
47	1001207336	1	Hose	
63	1001207335	2	Hose	
79	1001210356	1	Tube	
81	2220923	2	Fitting, Straight JIC/ORB	
82	2220998	2	Fitting, Straight JIC/ORB	
83	2221086	1	Fitting, Diagnostic	
84	2220883	2	Plug #4	
85	1001202910	2	Fitting, Straight MORB	
100	1001194424	1	Hose Kit - Lower Boom (Not Shown)	
101	1001173006	2	Hose	
102	1001173034	1	Hose	
103	1001173035	1	Hose	

SECTION 7 - HYDRAULIC

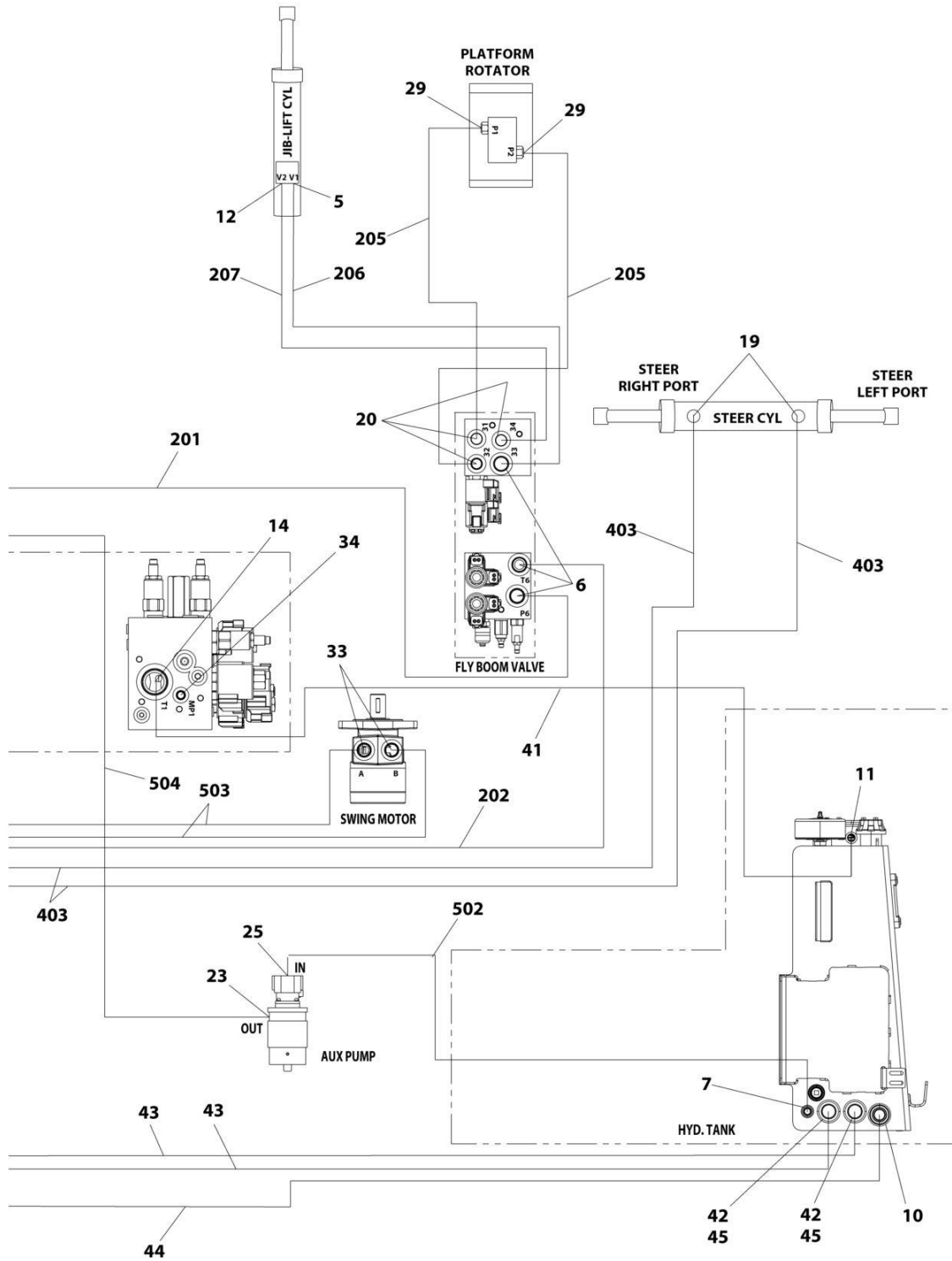
ITEM	PART NUMBER	QTY	DESCRIPTION	REV
104	1001173036	1	Hose	
105	1001173037	1	Hose	
106	1001173038	1	Hose	
107	1001173039	1	Hose	
108	1001173042	1	Hose	
109	1001173043	1	Hose	
110	1001180035	2	Hose	
200	1001194425	1	Hose Kit - Upper Boom (Not Shown)	
201	1001173040	1	Hose	
202	1001173041	1	Hose	
203	1001173044	1	Hose	
204	1001173045	1	Hose	
205	1001173046	2	Hose	
206	1001173048	1	Hose	
207	1001173049	1	Hose	
300	1001194428	1	Hose Kit - Rear (Not Shown)	
301	1001173052	1	Hose	
302	1001173059	4	Hose	
303	1001173061	1	Hose	
304	1001173062	2	Hose	
305	1001173063	1	Hose	
306	1001197039	1	Hose	
400	1001214616	1	Hose Kit - Front (Not Shown)	
401	1001173053	1	Hose	
402	1001173054	1	Hose	
403	1001173058	2	Hose	
404	1001173066	1	Hose	
500	1001252926	1	Hose Kit - Turntable (Not Shown)	
501	2752504	1	Hose	
502	2752519	1	Hose	
503	1001173027	2	Hose	
504	1001173028	1	Hose	
505	1001173029	2	Hose	

SECTION 7 - HYDRAULIC

FIGURE 7-4. 2WD HYDRAULIC SYSTEM INSTALLATION - 450AJ (WITH 36GAL HYDRAULIC TANK)

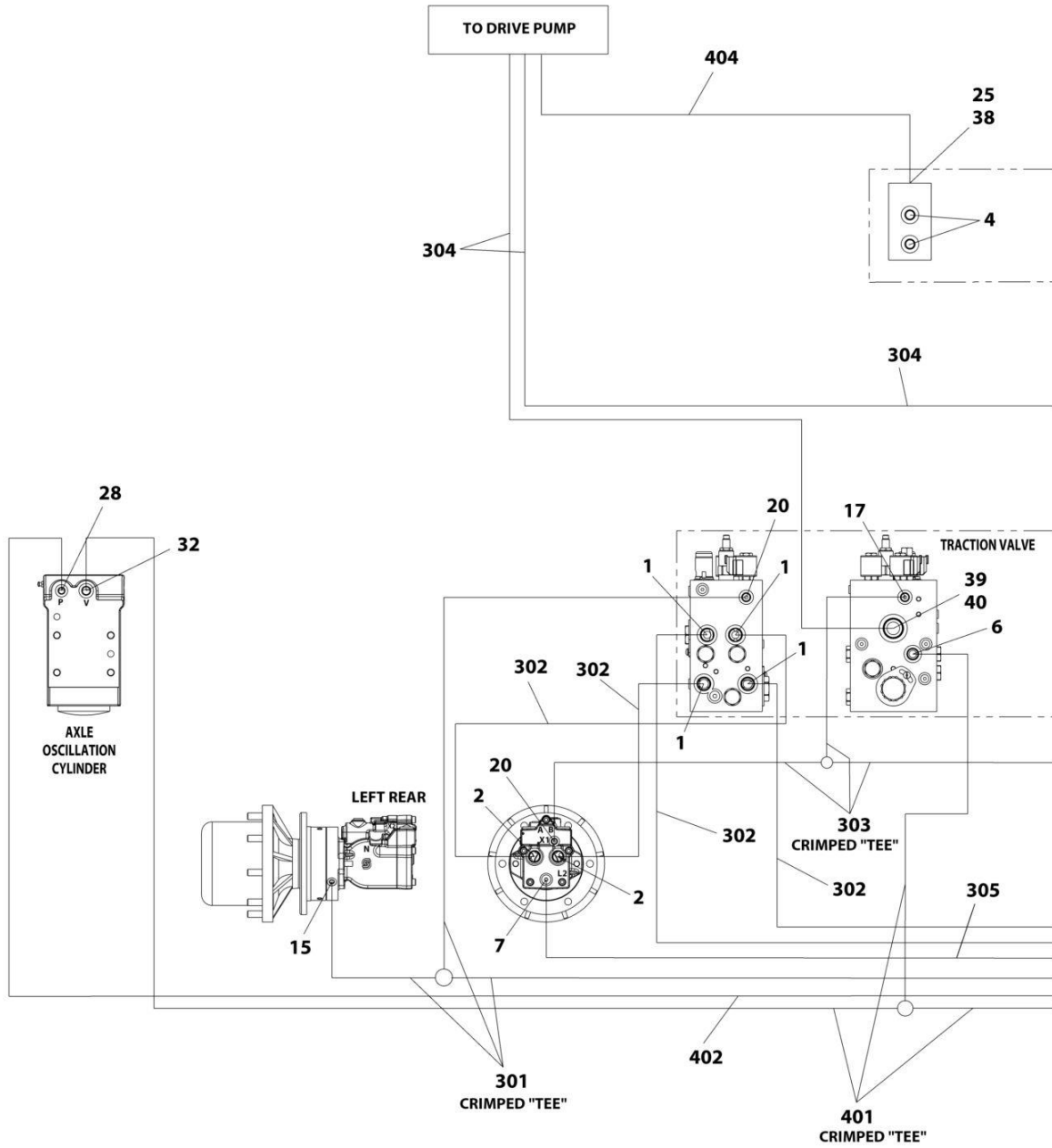


SECTION 7 - HYDRAULIC



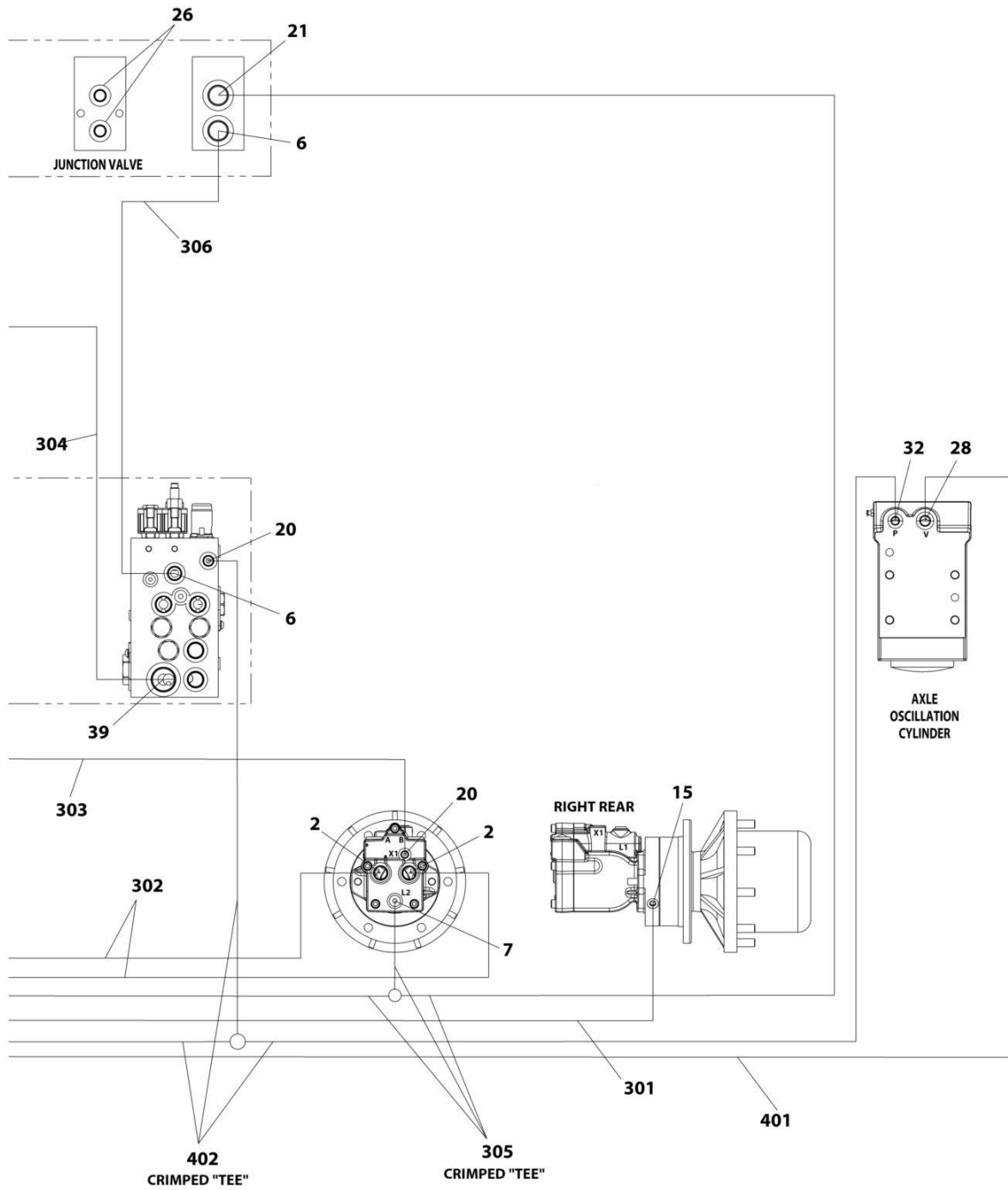
ART_1001287817_20F4

SECTION 7 - HYDRAULIC



ART_1001287817_30F4

SECTION 7 - HYDRAULIC



ART_1001216802_40F4

SECTION 7 - HYDRAULIC

FIGURE 7-4. 2WD HYDRAULIC SYSTEM INSTALLATION - 450AJ (WITH 36GAL HYDRAULIC TANK)

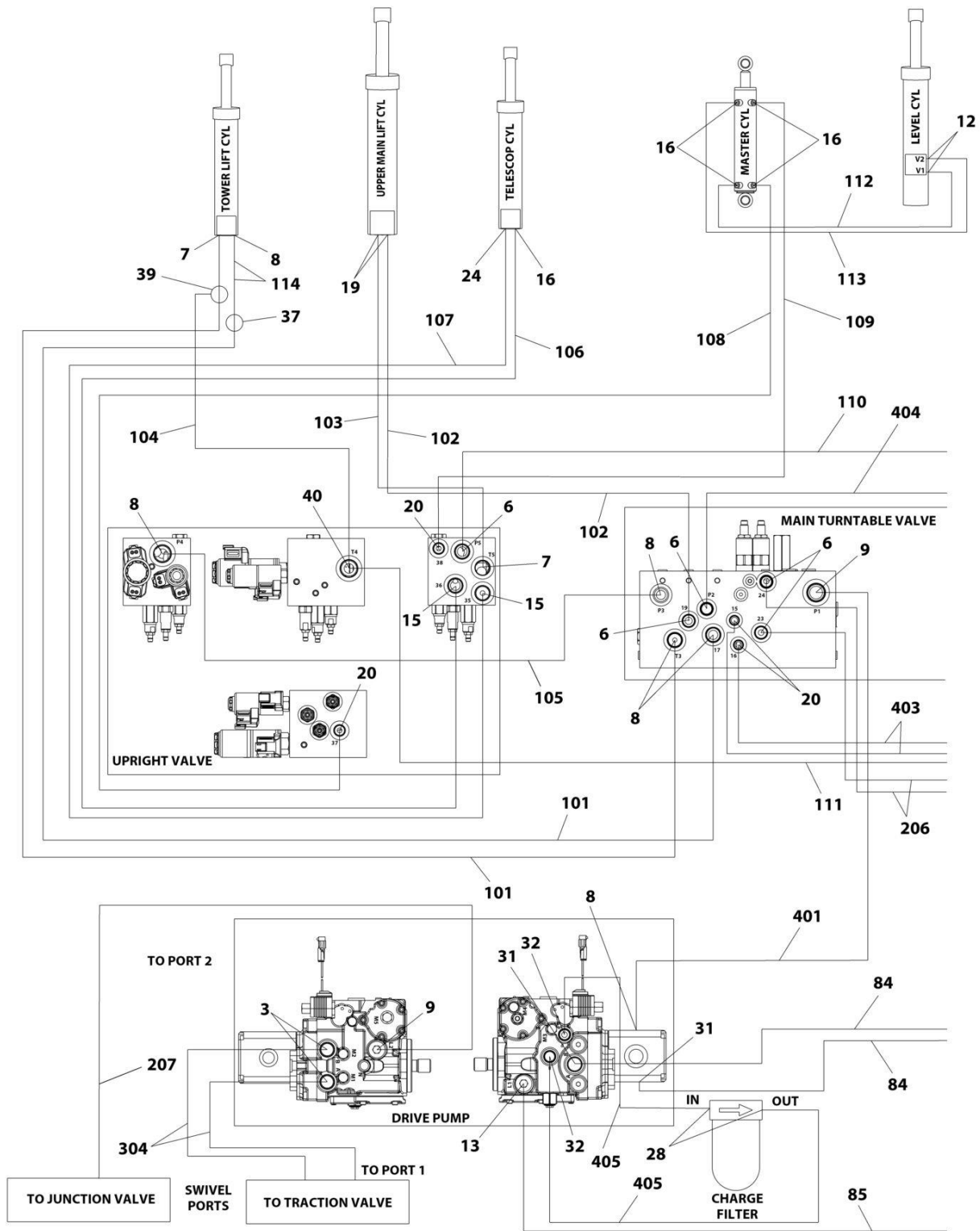
ITEM	PART NUMBER	QTY	DESCRIPTION	REV
	1001287817	Ref	2WD HYDRAULIC SYSTEM INSTALLATION	A
1	2110810	4	Fitting, Straight ORFS/ORB	
2	2110812	4	Fitting, Straight ORFS/ORB	
3	2151212	2	Fitting, 45 ORFS/ORB	
4	2220238	2	Plug	
5	2220371	1	Fitting, Straight JIC/ORB	
6	2220372	11	Fitting, Straight JIC/ORB	
7	2220373	5	Fitting, Straight JIC/ORB	
8	2220374	6	Fitting, Straight JIC/ORB	
9	2220375	2	Fitting, Straight JIC/ORB	
10	2220377	1	Fitting, Straight JIC/ORB	
11	2220408	1	Fitting, Straight JIC/ORB	
12	2220415	3	Fitting, Straight JIC/ORB	
13	2220451	1	Fitting, Straight JIC/ORB	
14	2220465	1	Fitting, 90 JIC/ORB	
15	2220466	2	Fitting, 90 JIC/ORB	
16	2220468	2	Fitting, Straight JIC/ORB	
17	2220472	6	Fitting, 90 JIC/ORB	
18	2220497	2	Fitting, Straight JIC/ORB	
19	2220501	2	Fitting, 45 JIC/ORB	
20	2220582	11	Fitting, Straight JIC/ORB	
21	2220596	1	Fitting, 90 JIC/ORB	
22	2220600	1	Fitting, Straight JIC/ORB	
23	2220603	1	Fitting, Straight JIC/ORB	
24	2220628	1	Fitting, 90 JIC/ORB	
25	2220811	1	Fitting, Straight FORB/ORB	
26	2220883	2	Plug	
27	2220906	2	Fitting, 90 JIC/ORB	
28	2220923	2	Fitting, Straight JIC/ORB	
29	2220940	2	Fitting, Elbow	
30	2220946	2	Fitting, Straight JIC/ORB	
31	2220947	2	Fitting, Straight JIC/ORB	
32	2220998	2	Fitting, Straight JIC/ORB	
33	2221033	2	Fitting, Straight JIC/ORB	
34	2221086	1	Fitting, Diagnostic	
35	2230025	1	Fitting, Straight JIC/JIC	
36	8760477	1	Fitting, Tee JIC/JIC/JIC	
37	8770289	1	Fitting, Tee JIC/ORB/JIC	
38	1001119627	1	Fitting, Straight JIC/ORB	
39	1001142679	2	Fitting, Straight ORFS/ORB	
40	1001143936	1	Fitting, 90 FORB/ORB	
41	1001173631	1	Tube	
42	1001202910	2	Fitting, Straight MORB	
43	1001207335	2	Hose	
44	1001207336	1	Hose	
45	1001275635	2	Clamp, Hose	
100	1001194424	1	Hose Kit - Lower Boom (Not Shown)	
101	1001173006	2	Hose	
102	1001173034	1	Hose	
103	1001173035	1	Hose	

SECTION 7 - HYDRAULIC

ITEM	PART NUMBER	QTY	DESCRIPTION	REV
104	1001173036	1	Hose	
105	1001173037	1	Hose	
106	1001173038	1	Hose	
107	1001173039	1	Hose	
108	1001173042	1	Hose	
109	1001173043	1	Hose	
110	1001180035	2	Hose	
200	1001194425	1	Hose Kit - Upper Boom (Not Shown)	
201	1001173040	1	Hose	
202	1001173041	1	Hose	
203	1001173044	1	Hose	
204	1001173045	1	Hose	
205	1001173046	2	Hose	
206	1001173048	1	Hose	
207	1001173049	1	Hose	
300	1001194428	1	Hose Kit - Rear (Not Shown)	
301	1001173052	1	Hose	
302	1001173059	4	Hose	
303	1001173061	1	Hose	
304	1001173062	2	Hose	
305	1001173063	1	Hose	
306	1001197039	1	Hose	
400	1001214616	1	Hose Kit - Front (Not Shown)	
401	1001173053	1	Hose	
402	1001173054	1	Hose	
403	1001173058	2	Hose	
404	1001173066	1	Hose	
500	1001252926	1	Hose Kit - Turntable (Not Shown)	
501	2752504	1	Hose	
502	2752519	1	Hose	
503	1001173027	2	Hose	
504	1001173028	1	Hose	
505	1001173029	2	Hose	

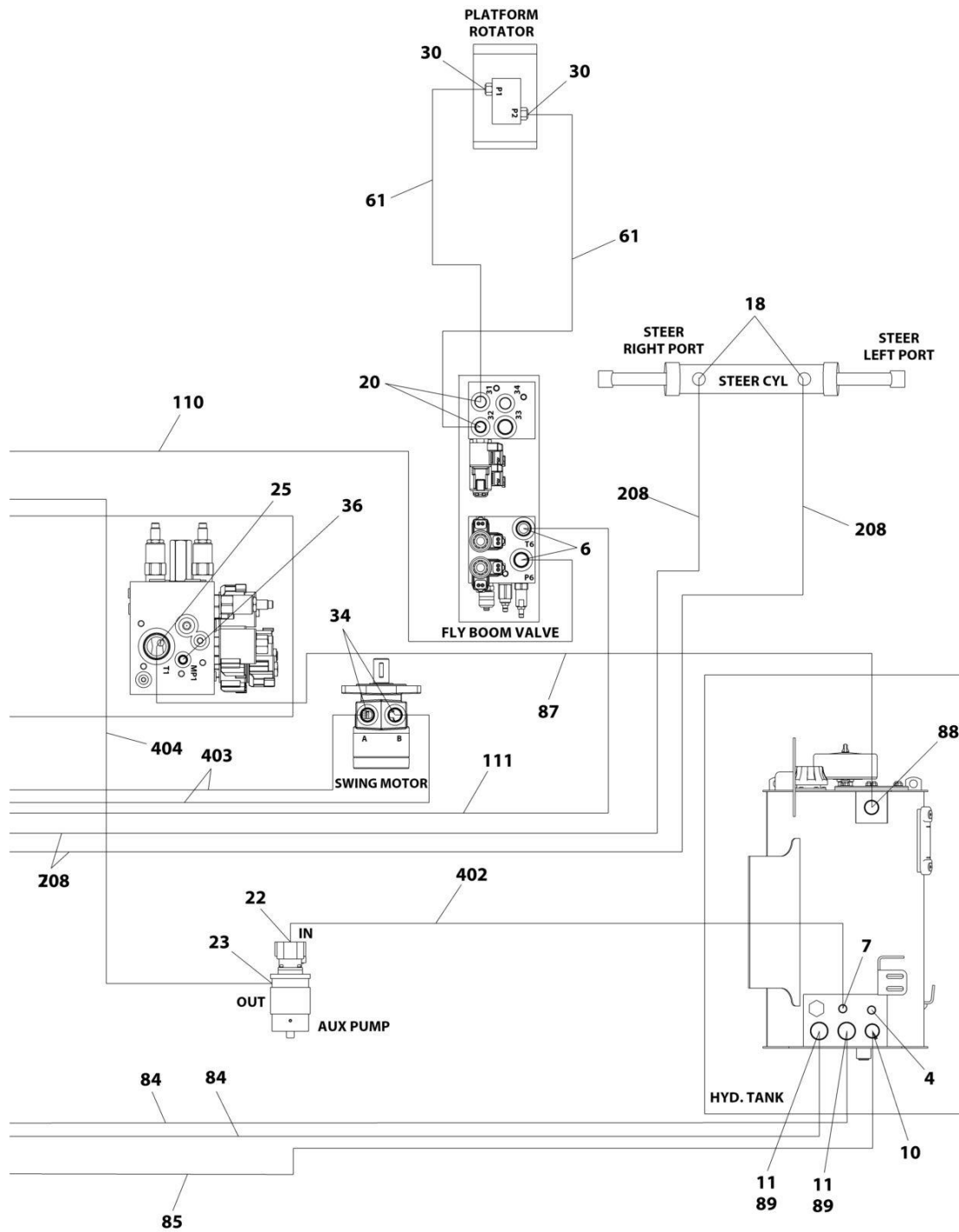
SECTION 7 - HYDRAULIC

FIGURE 7-5. 4WD HYDRAULIC SYSTEM INSTALLATION - 450A (WITH 17GAL HYDRAULIC TANK)



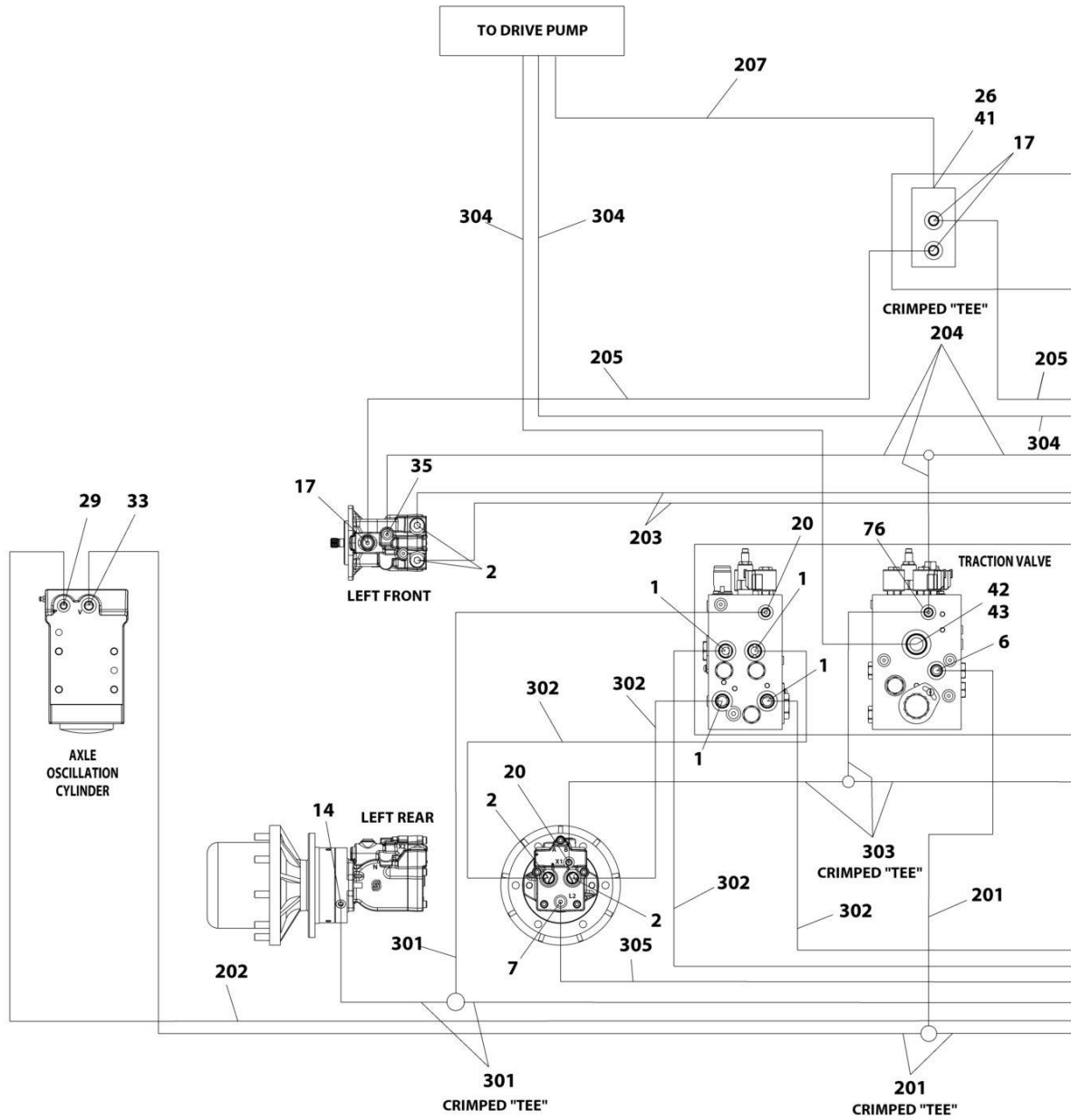
ART_1001217935_10F4

SECTION 7 - HYDRAULIC



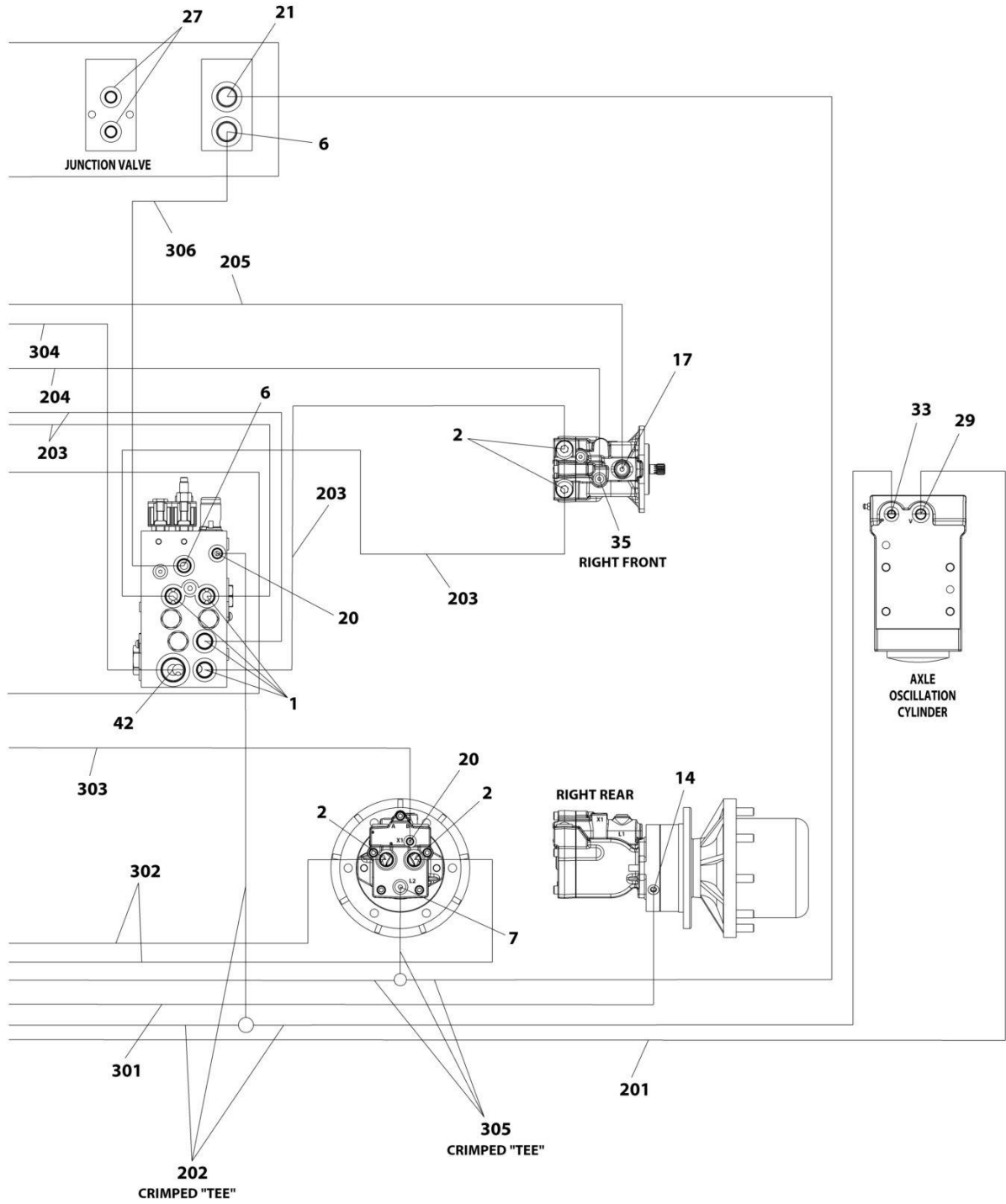
ART_1001217935_20F4

SECTION 7 - HYDRAULIC



ART_1001217935_30F4

SECTION 7 - HYDRAULIC



ART_1001217935_40F4

SECTION 7 - HYDRAULIC

FIGURE 7-5. 4WD HYDRAULIC SYSTEM INSTALLATION - 450A (WITH 17GAL HYDRAULIC TANK)

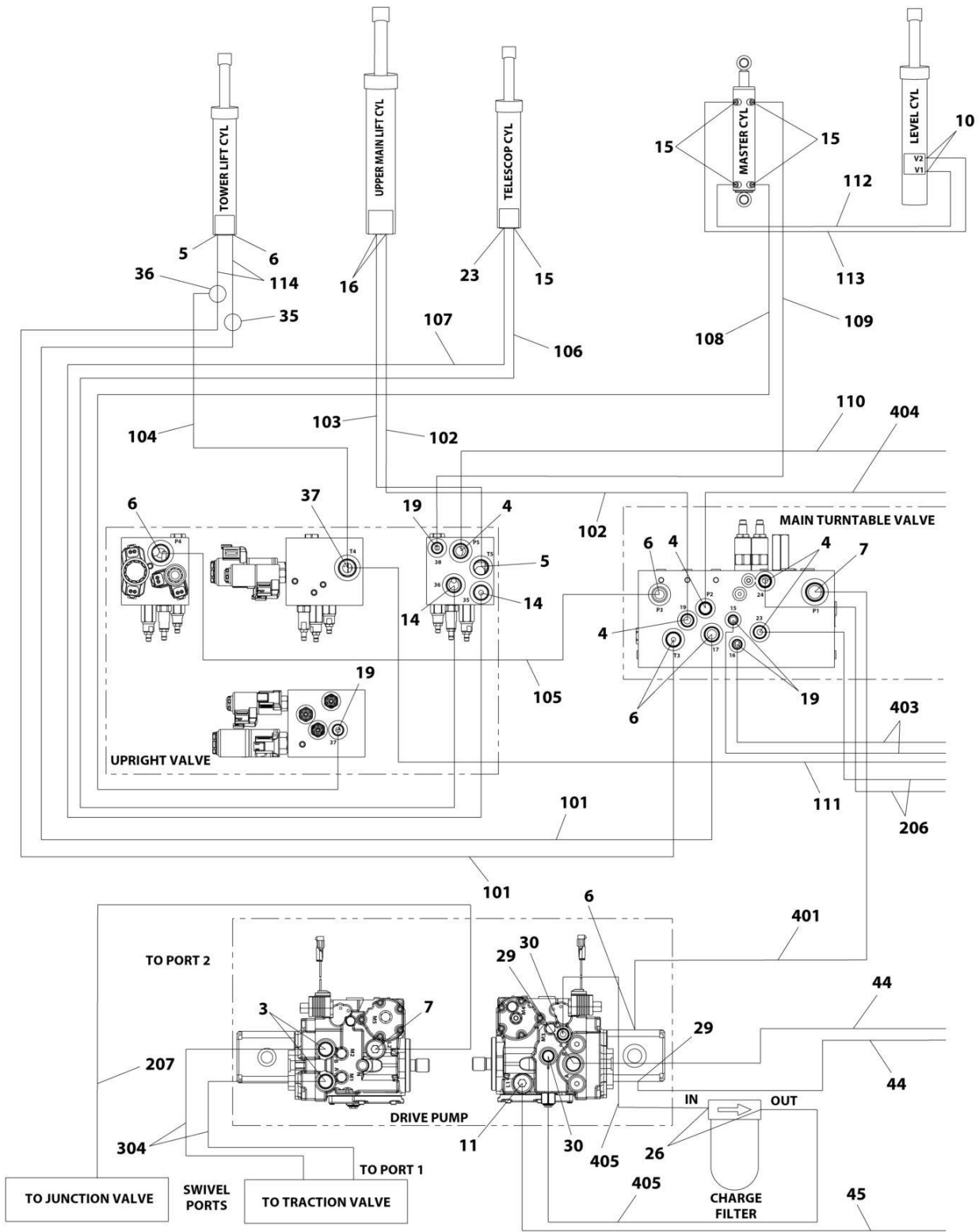
ITEM	PART NUMBER	QTY	DESCRIPTION	REV
	1001217935	Ref	4WD HYDRAULIC SYSTEM INSTALLATION	H
1	2110810	8	Fitting, Straight ORFS/ORB	
2	2110812	8	Fitting, Straight ORFS/ORB	
3	2151212	2	Fitting, 45 ORFS/ORB	
4	2220238	1	Plug	
6	2220372	9	Fitting, Straight JIC/ORB	
7	2220373	3	Fitting, Straight JIC/ORB	
8	2220374	4	Fitting, Straight JIC/ORB	
9	2220375	2	Fitting, Straight JIC/ORB	
10	2220377	1	Fitting, Straight JIC/ORB	
11	1001202910	2	Fitting, Straight MORB	
12	2220415	2	Fitting, Straight JIC/ORB	
13	2220451	1	Fitting, Straight JIC/ORB	
14	2220466	2	Fitting, 90 JIC/ORB	
15	2220468	2	Fitting, Straight JIC/ORB	
16	2220472	5	Fitting, 90 JIC/ORB	
17	2220500	4	Fitting, 45 JIC/ORB	
18	2220501	2	Fitting, 45 JIC/ORB	
19	2220497	2	Fitting, Straight JIC/ORB	
20	2220582	8	Fitting, Straight JIC/ORB	
21	2220596	1	Fitting, 90 JIC/ORB	
22	2220600	1	Fitting, Straight JIC/ORB	
23	2220603	1	Fitting, Straight JIC/ORB	
24	2220628	1	Fitting, 90 JIC/ORB	
25	2220465	1	Fitting, 90 JIC/ORB	
26	2220811	1	Fitting, Straight FORB/ORB	
27	2220883	2	Plug #4	
28	2220906	2	Fitting, 90 JIC/ORB	
29	2220923	2	Fitting, Straight JIC/ORB	
30	2220940	2	Fitting, Elbow	
31	2220946	2	Fitting, Straight JIC/ORB	
32	2220947	2	Fitting, Straight JIC/ORB	
33	2220998	2	Fitting, Straight JIC/ORB	
34	2221033	2	Fitting, Straight JIC/ORB	
35	2221040	2	Fitting, 45 JIC/ORB	
36	2221086	1	Fitting, Diagnostic	
37	2230025	1	Fitting, Straight JIC/JIC	
39	8760477	1	Fitting, Tee JIC/JIC/JIC	
40	8770289	1	Fitting, Tee JIC/ORB/JIC	
41	1001119627	1	Fitting, Straight JIC/ORB	
42	1001142679	2	Fitting, Straight ORFS/ORB	
43	1001143936	1	Fitting, 90 FORB/ORB	
61	1001215227	2	Hose	
76	1001175024	1	Fitting, Tee JIC/JIC/ORB	
84	1001207335	2	Hose	
85	1001207336	1	Hose	
87	1001210356	1	Tube Assembly	
88	2220435	1	Fitting, Straight JIC/ORB	
89	1001275635	2	Clamp, Hose	
100	1001218999	1	Hose Kit (Not Shown)	

SECTION 7 - HYDRAULIC

ITEM	PART NUMBER	QTY	DESCRIPTION	REV
101	1001173006	2	Hose	
102	1001173034	1	Hose	
103	1001173035	1	Hose	
104	1001173036	1	Hose	
105	1001173037	1	Hose	
106	1001173038	1	Hose	
107	1001173039	1	Hose	
108	1001173042	1	Hose	
109	1001173043	1	Hose	
110	1001176299	1	Hose	
111	1001176300	1	Hose	
112	1001176301	1	Hose	
113	1001176302	1	Hose	
114	1001180035	2	Hose	
200	1001194427	1	Hose Kit - Front (Not Shown)	
201	1001173053	1	Hose	
202	1001173054	1	Hose	
203	1001173055	4	Hose	
204	1001173056	1	Hose	
205	1001173057	2	Hose	
206	1001173058	2	Hose	
207	1001173066	1	Hose	
300	1001194428	1	Hose Kit - Rear (Not Shown)	
301	1001173052	1	Hose	
302	1001173059	4	Hose	
303	1001173061	1	Hose	
304	1001173062	2	Hose	
305	1001173063	1	Hose	
306	1001197039	1	Hose	
400	1001252926	1	Hose Kit - Turntable (Not Shown)	
401	2752504	1	Hose	
402	2752519	1	Hose	
403	1001173027	2	Hose	
404	1001173028	1	Hose	
405	1001173029	2	Hose	

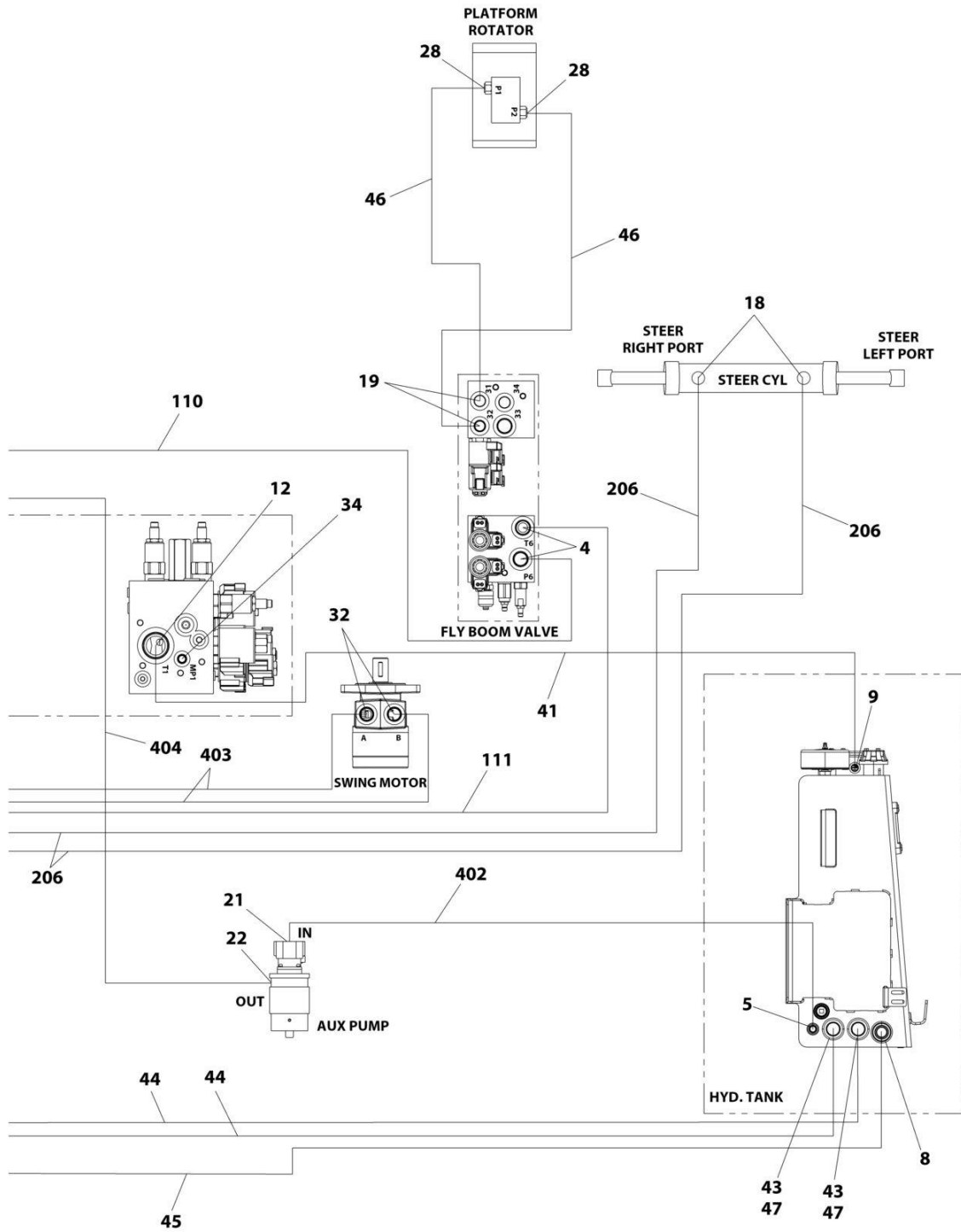
SECTION 7 - HYDRAULIC

FIGURE 7-6. 4WD HYDRAULIC SYSTEM INSTALLATION - 450A (WITH 36GAL HYDRAULIC TANK)



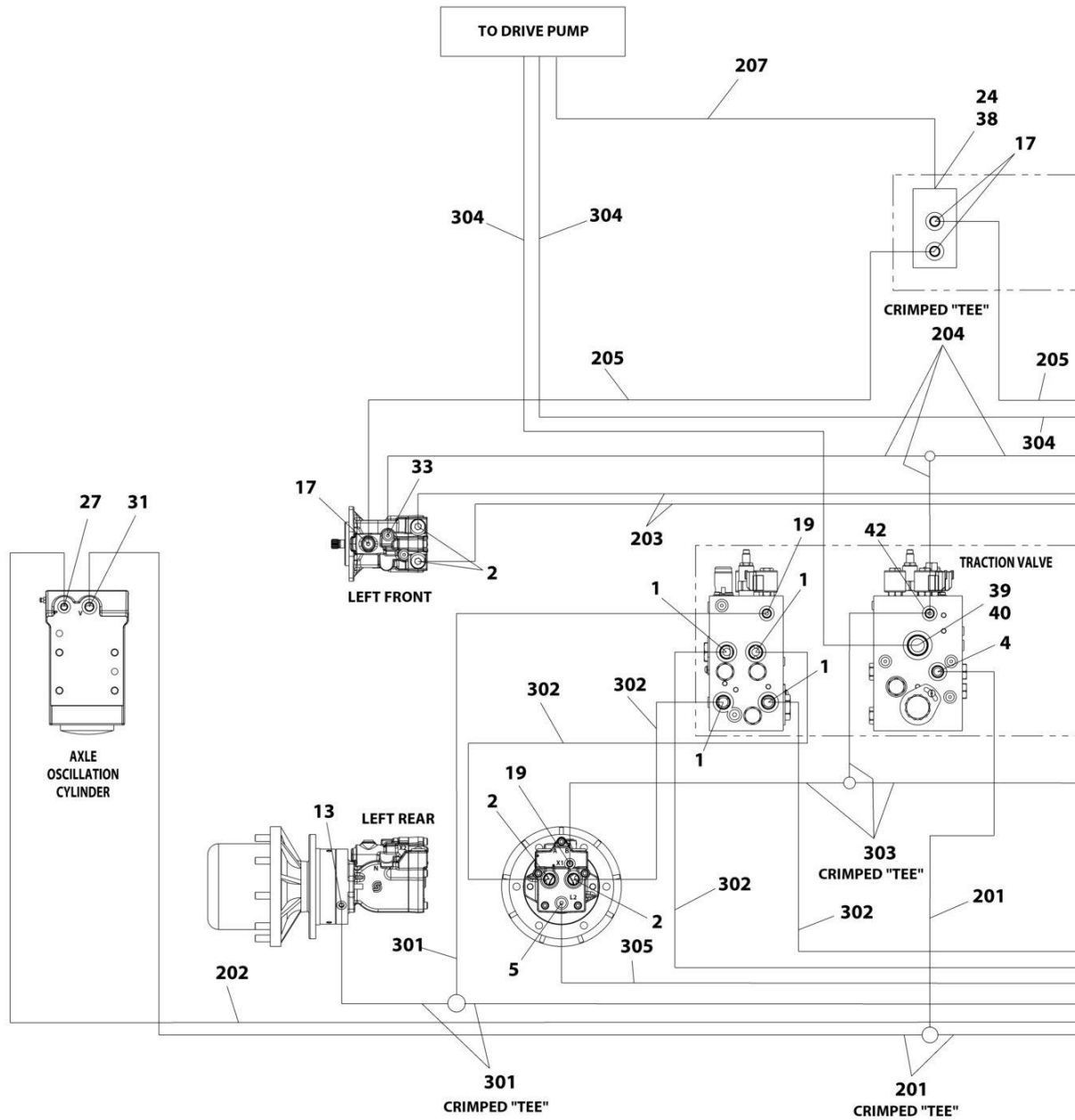
ART_1001287818_10F4

SECTION 7 - HYDRAULIC



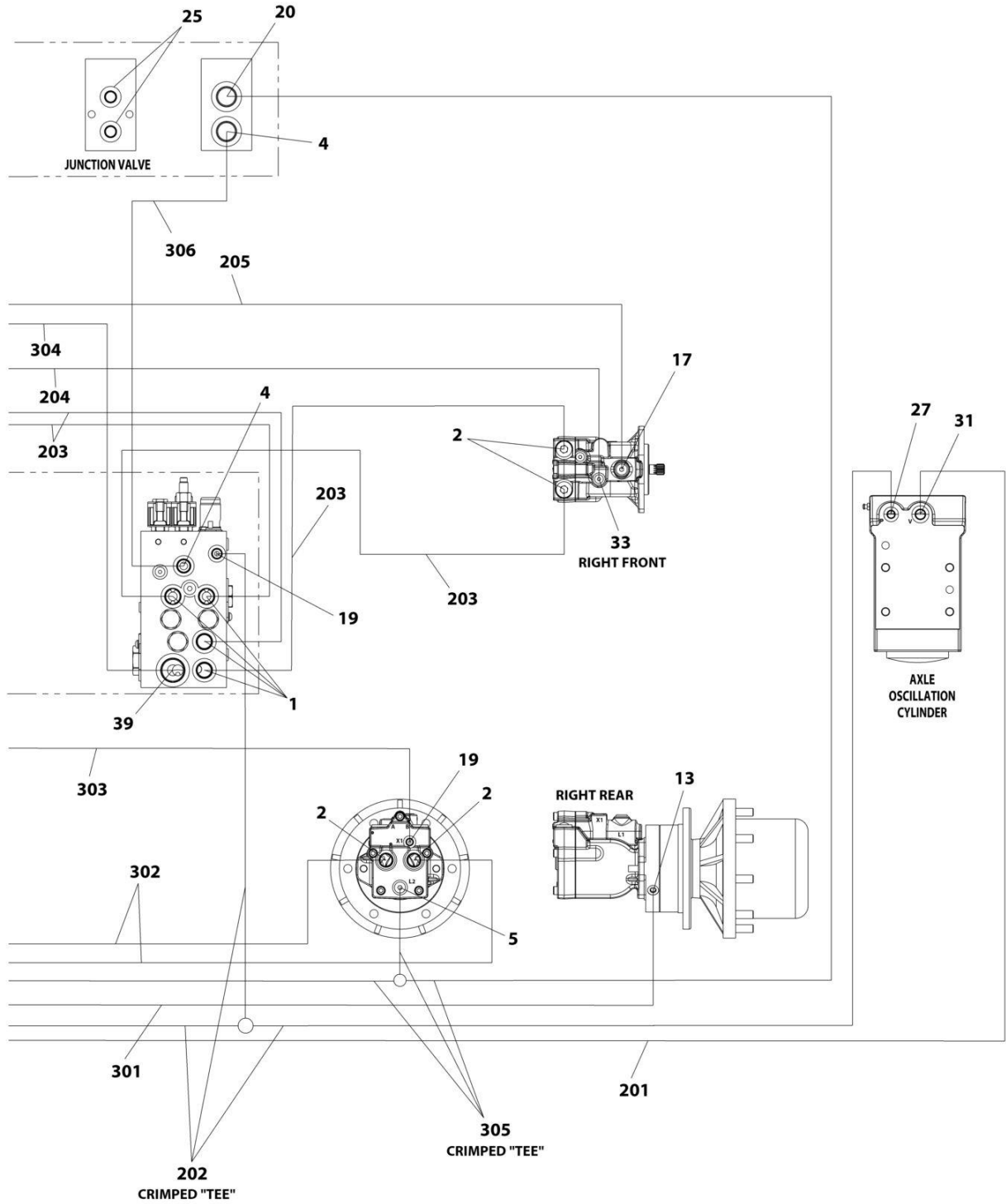
ART_1001287818_20F4

SECTION 7 - HYDRAULIC



ART_1001287818_30F4

SECTION 7 - HYDRAULIC



ART_1001287818_40F4

SECTION 7 - HYDRAULIC

FIGURE 7-6. 4WD HYDRAULIC SYSTEM INSTALLATION - 450A (WITH 36GAL HYDRAULIC TANK)

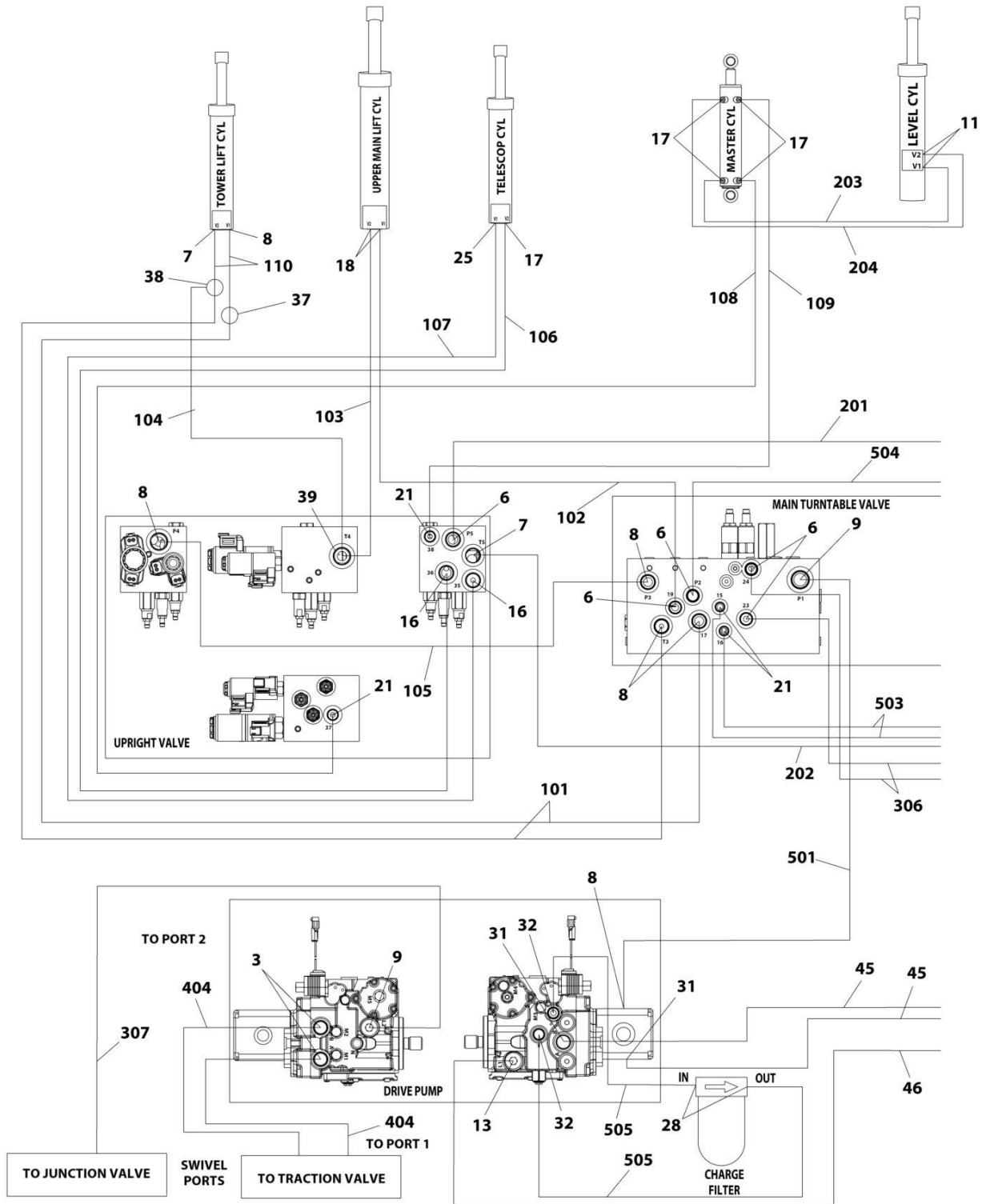
ITEM	PART NUMBER	QTY	DESCRIPTION	REV
	1001287818	Ref	4WD HYDRAULIC SYSTEM INSTALLATION	A
1	2110810	8	Fitting, Straight ORFS/ORB	
2	2110812	8	Fitting, Straight ORFS/ORB	
3	2151212	2	Fitting, 45 ORFS/ORB	
4	2220372	9	Fitting, Straight JIC/ORB	
5	2220373	3	Fitting, Straight JIC/ORB	
6	2220374	4	Fitting, Straight JIC/ORB	
7	2220375	2	Fitting, Straight JIC/ORB	
8	2220377	1	Fitting, Straight JIC/ORB	
9	2220408	1	Fitting, Straight JIC/ORB	
10	2220415	2	Fitting, Straight JIC/ORB	
11	2220451	1	Fitting, Straight JIC/ORB	
12	2220465	1	Fitting, 90 JIC/ORB	
13	2220466	2	Fitting, 90 JIC/ORB	
14	2220468	2	Fitting, Straight JIC/ORB	
15	2220472	5	Fitting, 90 JIC/ORB	
16	2220497	2	Fitting, Straight JIC/ORB	
17	2220500	4	Fitting, 45 JIC/ORB	
18	2220501	2	Fitting, 45 JIC/ORB	
19	2220582	8	Fitting, Straight JIC/ORB	
20	2220596	1	Fitting, 90 JIC/ORB	
21	2220600	1	Fitting, Straight JIC/ORB	
22	2220603	1	Fitting, Straight JIC/ORB	
23	2220628	1	Fitting, 90 JIC/ORB	
24	2220811	1	Fitting, Straight FORB/ORB	
25	2220883	2	Plug #4	
26	2220906	2	Fitting, 90 JIC/ORB	
27	2220923	2	Fitting, Straight JIC/ORB	
28	2220940	2	Fitting, Elbow	
29	2220946	2	Fitting, Straight JIC/ORB	
30	2220947	2	Fitting, Straight JIC/ORB	
31	2220998	2	Fitting, Straight JIC/ORB	
32	2221033	2	Fitting, Straight JIC/ORB	
33	2221040	2	Fitting, 45 JIC/ORB	
34	2221086	1	Fitting, Diagnostic	
35	2230025	1	Fitting, Straight JIC/JIC	
36	8760477	1	Fitting, Tee JIC/JIC/JIC	
37	8770289	1	Fitting, Tee JIC/ORB/JIC	
38	1001119627	1	Fitting, Straight JIC/ORB	
39	1001142679	2	Fitting, Straight ORFS/ORB	
40	1001143936	1	Fitting, 90 FORB/ORB	
41	1001173631	1	Tube	
42	1001175024	1	Fitting, Tee JIC/JIC/ORB	
43	1001202910	2	Fitting, Straight MORB	
44	1001207335	2	Hose	
45	1001207336	1	Hose	
46	1001215227	2	Hose	
47	1001275635	2	Clamp, Hose	
100	1001218999	1	Hose Kit (Not Shown)	
101	1001173006	2	Hose	

SECTION 7 - HYDRAULIC

ITEM	PART NUMBER	QTY	DESCRIPTION	REV
102	1001173034	1	Hose	
103	1001173035	1	Hose	
104	1001173036	1	Hose	
105	1001173037	1	Hose	
106	1001173038	1	Hose	
107	1001173039	1	Hose	
108	1001173042	1	Hose	
109	1001173043	1	Hose	
110	1001176299	1	Hose	
111	1001176300	1	Hose	
112	1001176301	1	Hose	
113	1001176302	1	Hose	
114	1001180035	2	Hose	
200	1001194427	1	Hose Kit - Front (Not Shown)	
201	1001173053	1	Hose	
202	1001173054	1	Hose	
203	1001173055	4	Hose	
204	1001173056	1	Hose	
205	1001173057	2	Hose	
206	1001173058	2	Hose	
207	1001173066	1	Hose	
300	1001194428	1	Hose Kit - Rear (Not Shown)	
301	1001173052	1	Hose	
302	1001173059	4	Hose	
303	1001173061	1	Hose	
304	1001173062	2	Hose	
305	1001173063	1	Hose	
306	1001197039	1	Hose	
400	1001252926	1	Hose Kit - Turntable (Not Shown)	
401	2752504	1	Hose	
402	2752519	1	Hose	
403	1001173027	2	Hose	
404	1001173028	1	Hose	
405	1001173029	2	Hose	

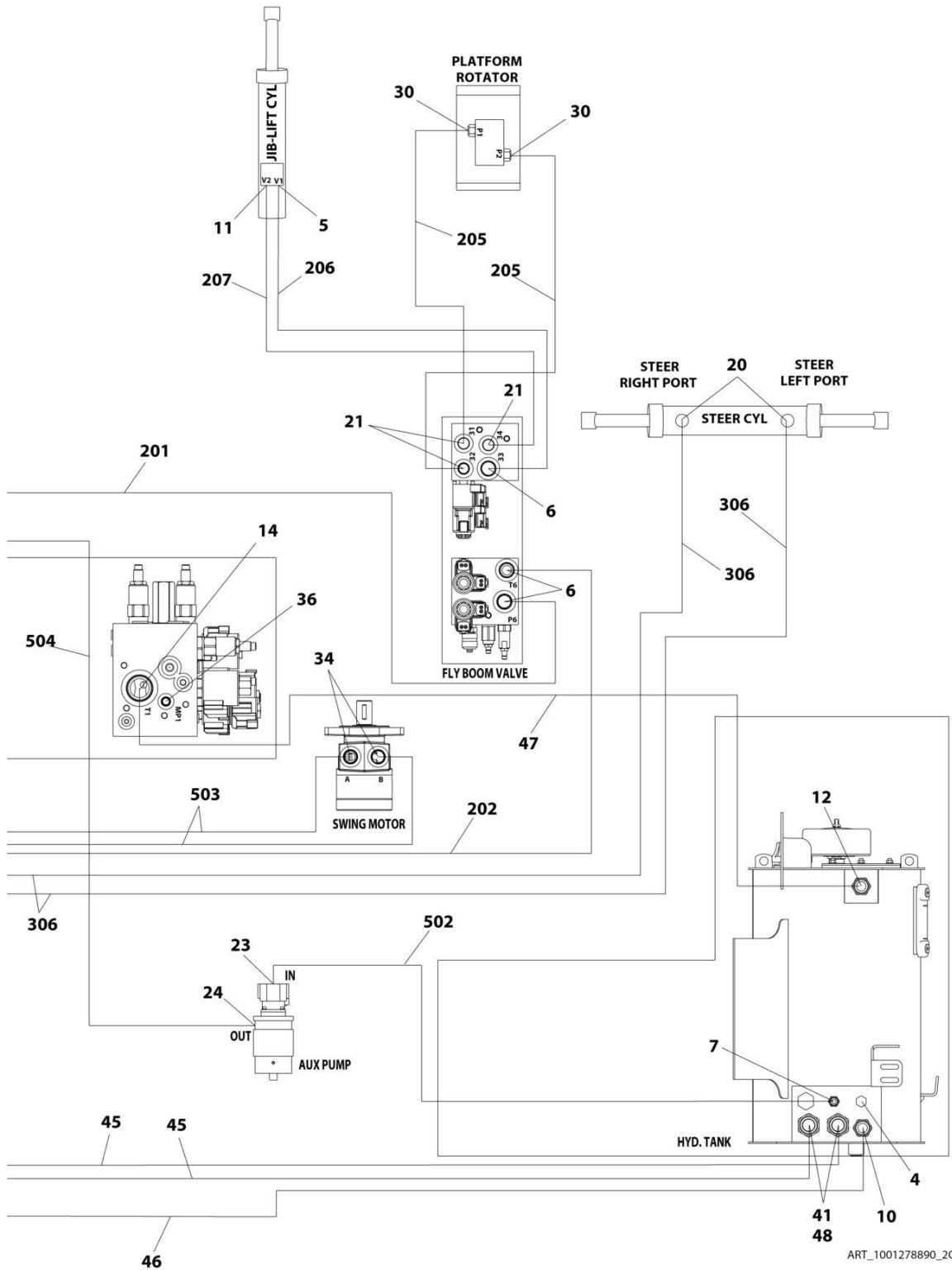
SECTION 7 - HYDRAULIC

**FIGURE 7-7. 4WD HYDRAULIC SYSTEM INSTALLATION - 450AJ (WITH 17GAL HYDRAULIC TANK)
(MACHINES WITH SN STARTING WITH 03)**



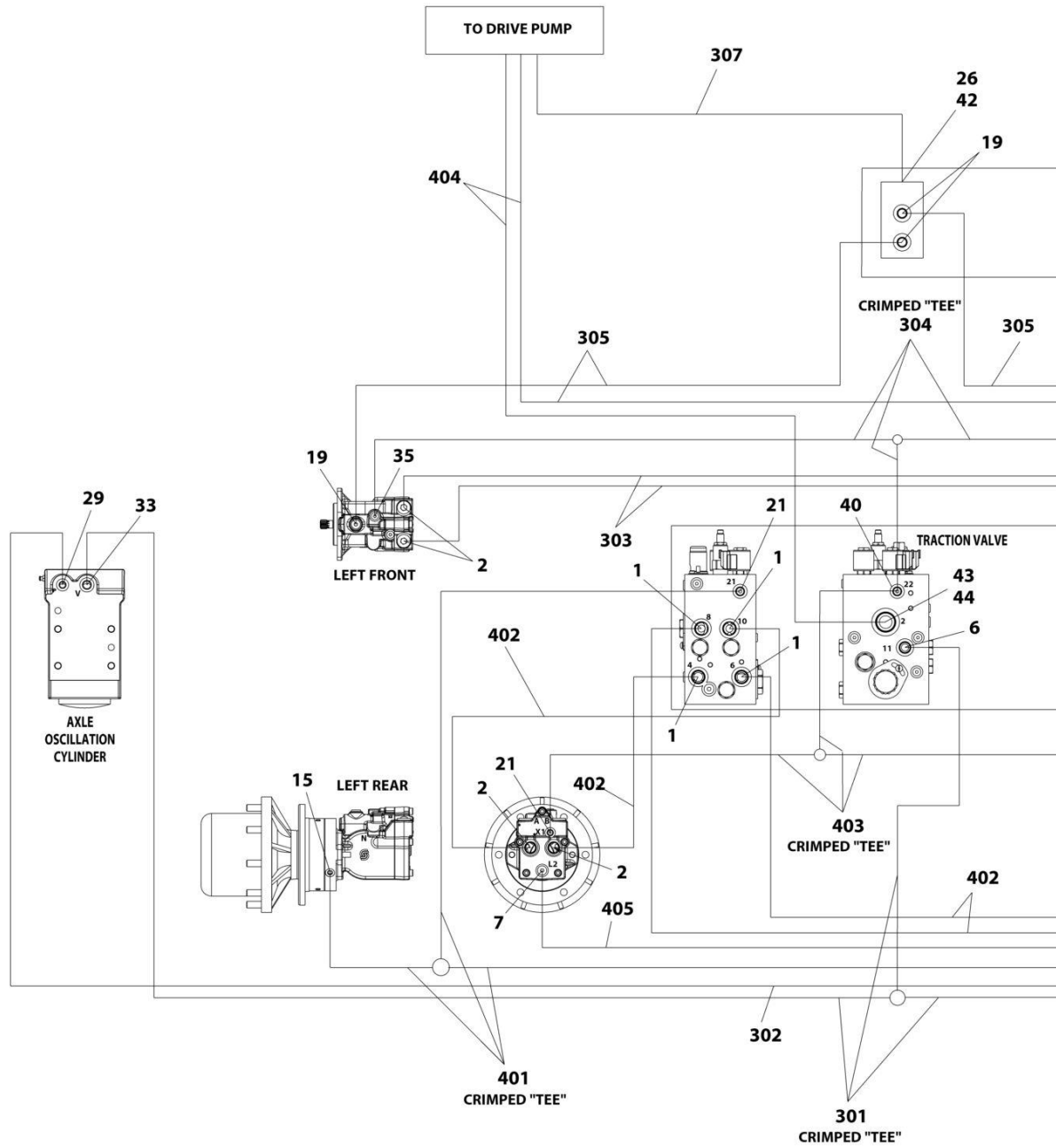
ART_1001278890_10F4

SECTION 7 - HYDRAULIC



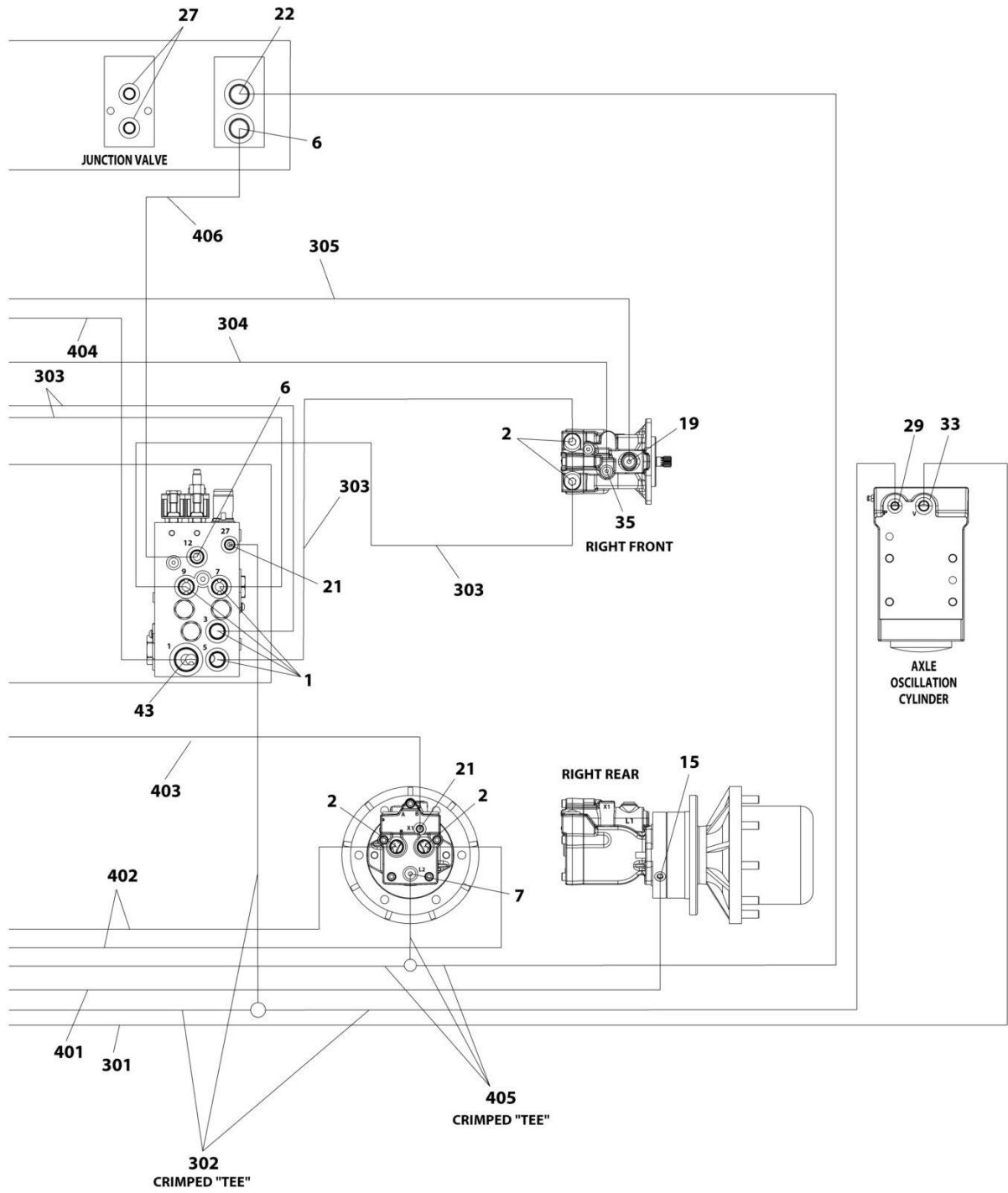
ART_1001278890_20F4

SECTION 7 - HYDRAULIC



ART_1001278890_3OF4

SECTION 7 - HYDRAULIC



ART_1001278890_4OF4

SECTION 7 - HYDRAULIC

**FIGURE 7-7. 4WD HYDRAULIC SYSTEM INSTALLATION - 450AJ (WITH 17GAL HYDRAULIC TANK)
(MACHINES WITH SN STARTING WITH 03)**

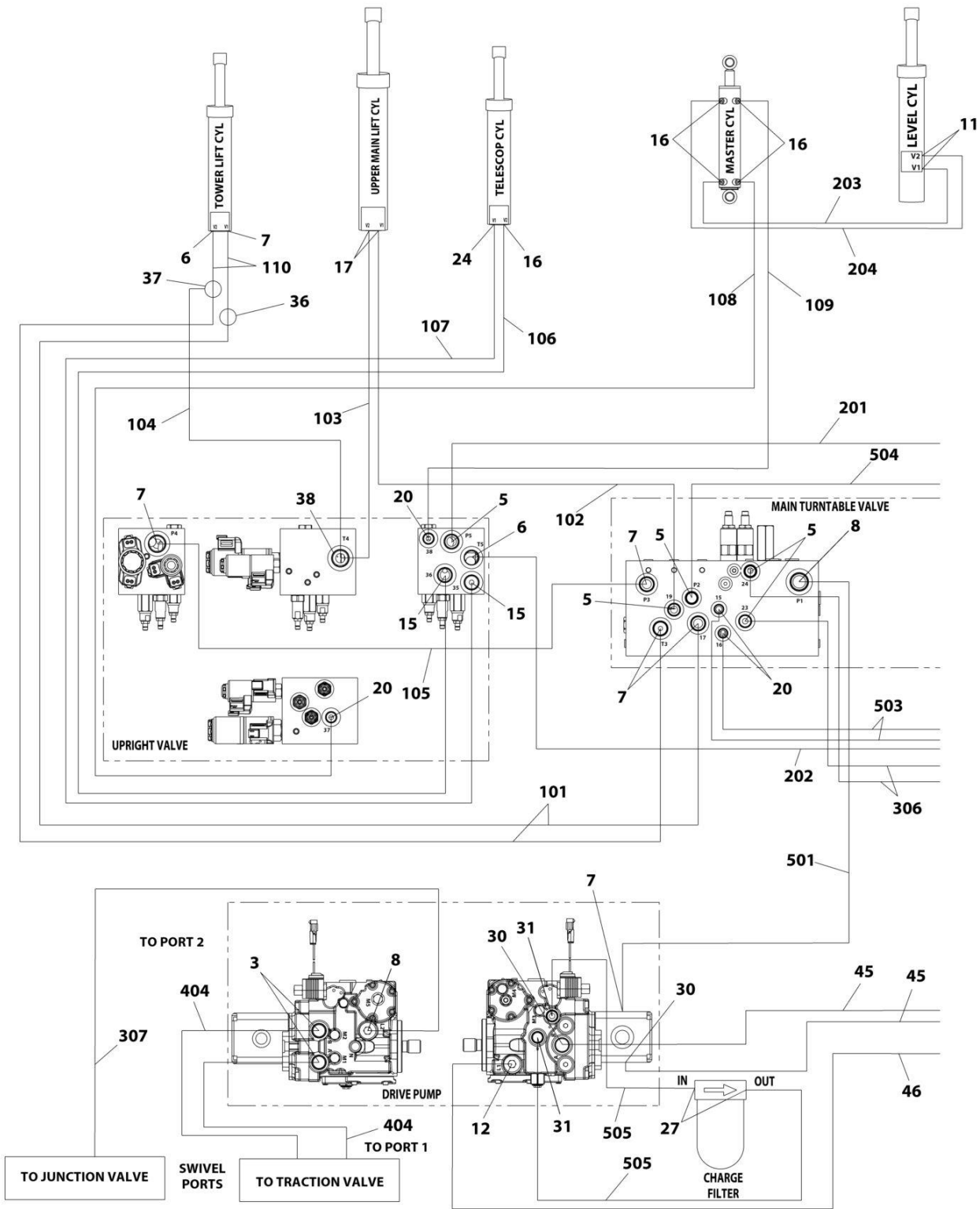
ITEM	PART NUMBER	QTY	DESCRIPTION	REV
	1001278890	Ref	4WD HYDRAULIC SYSTEM INSTALLATION	A
1	2110810	8	Fitting, Straight ORFS/ORB	
2	2110812	8	Fitting, Straight ORFS/ORB	
3	2151212	2	Fitting, 45 ORFS/ORB	
4	2220238	1	Plug	
5	2220371	1	Fitting, Straight JIC/ORB	
6	2220372	11	Fitting, Straight JIC/ORB	
7	2220373	5	Fitting, Straight JIC/ORB	
8	2220374	6	Fitting, Straight JIC/ORB	
9	2220375	2	Fitting, Straight JIC/ORB	
10	2220377	1	Fitting, Straight JIC/ORB	
11	2220415	3	Fitting, Straight JIC/ORB	
12	2220435	1	Fitting, Straight JIC/ORB	
13	2220451	1	Fitting, Straight JIC/ORB	
14	2220465	1	Fitting, 90 JIC/ORB	
15	2220466	2	Fitting, 90 JIC/ORB	
16	2220468	2	Fitting, Straight JIC/ORB	
17	2220472	5	Fitting, 90 JIC/ORB	
18	2220497	2	Fitting, Straight JIC/ORB	
19	2220500	4	Fitting, 45 JIC/ORB	
20	2220501	2	Fitting, 45 JIC/ORB	
21	2220582	11	Fitting, Straight JIC/ORB	
22	2220596	1	Fitting, 90 JIC/ORB	
23	2220600	1	Fitting, Straight JIC/ORB	
24	2220603	1	Fitting, Straight JIC/ORB	
25	2220628	1	Fitting, 90 JIC/ORB	
26	2220811	1	Fitting, Straight FORB/ORB	
27	2220883	2	Plug #4	
28	2220906	2	Fitting, 90 JIC/ORB	
29	2220923	2	Fitting, Straight JIC/ORB	
30	2220940	2	Fitting, Elbow	
31	2220946	2	Fitting, Straight JIC/ORB	
32	2220947	2	Fitting, Straight JIC/ORB	
33	2220998	2	Fitting, Straight JIC/ORB	
34	2221033	2	Fitting, Straight JIC/ORB	
35	2221040	2	Fitting, 45 JIC/ORB	
36	2221086	1	Fitting, Diagnostic	
37	2230025	1	Fitting, Straight JIC/JIC	
38	8760477	1	Fitting, Tee JIC/JIC/JIC	
39	8770289	1	Fitting, Tee JIC/ORB/JIC	
40	1001175024	1	Fitting, Tee JIC/JIC/ORB	
41	1001202910	2	Fitting, Straight MORB	
42	1001119627	1	Fitting, Straight JIC/ORB	
43	1001142679	2	Fitting, Straight ORFS/ORB	
44	1001143936	1	Fitting, 90 FORB/ORB	
45	1001207335	2	Hose	
46	1001207336	1	Hose	
47	1001210356	1	Tube	
48	1001275635	2	Clamp, Hose	

SECTION 7 - HYDRAULIC

ITEM	PART NUMBER	QTY	DESCRIPTION	REV
100	1001194424	1	Hose Kit - Lower Boom (Not Shown)	
101	1001173006	2	Hose	
102	1001173034	1	Hose	
103	1001173035	1	Hose	
104	1001173036	1	Hose	
105	1001173037	1	Hose	
106	1001173038	1	Hose	
107	1001173039	1	Hose	
108	1001173042	1	Hose	
109	1001173043	1	Hose	
110	1001180035	2	Hose	
200	1001194425	1	Hose Kit - Upper Boom (Not Shown)	
201	1001173040	1	Hose	
202	1001173041	1	Hose	
203	1001173044	1	Hose	
204	1001173045	1	Hose	
205	1001173046	2	Hose	
206	1001173048	1	Hose	
207	1001173049	1	Hose	
300	1001194427	1	Hose Kit - Front (Not Shown)	
301	1001173053	1	Hose	
302	1001173054	1	Hose	
303	1001173055	4	Hose	
304	1001173056	1	Hose	
305	1001173057	2	Hose	
306	1001173058	2	Hose	
307	1001173066	1	Hose	
400	1001194428	1	Hose Kit - Rear (Not Shown)	
401	1001173052	1	Hose	
402	1001173059	4	Hose	
403	1001173061	1	Hose	
404	1001173062	2	Hose	
405	1001173063	1	Hose	
406	1001197039	1	Hose	
500	1001252926	1	Hose Kit - Turntable (Not Shown)	
501	2752504	1	Hose	
502	2752519	1	Hose	
503	1001173027	2	Hose	
504	1001173028	1	Hose	
505	1001173029	2	Hose	

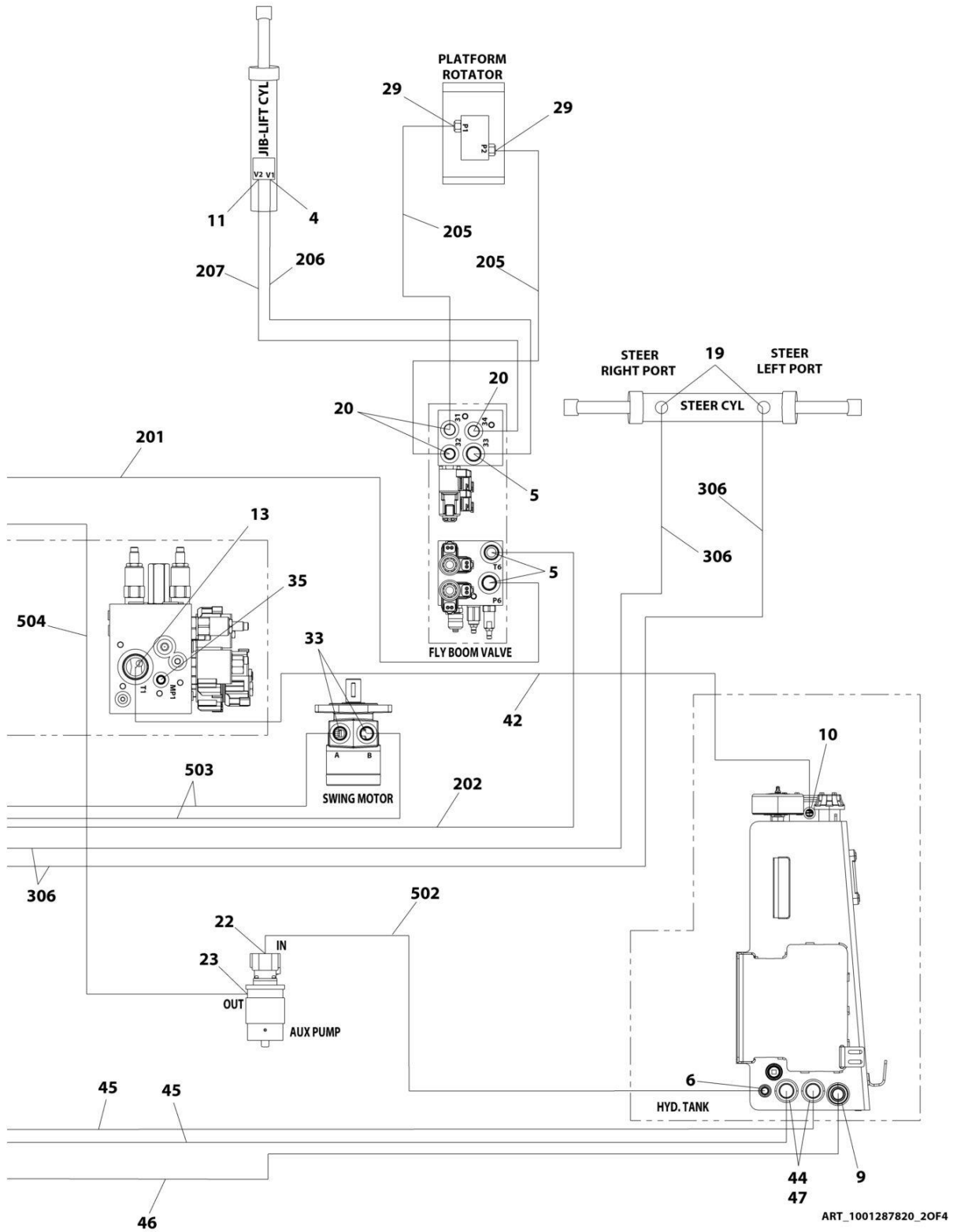
SECTION 7 - HYDRAULIC

**FIGURE 7-8. 4WD HYDRAULIC SYSTEM INSTALLATION - 450AJ (WITH 36GAL HYDRAULIC TANK)
(MACHINES WITH SN STARTING WITH 03)**

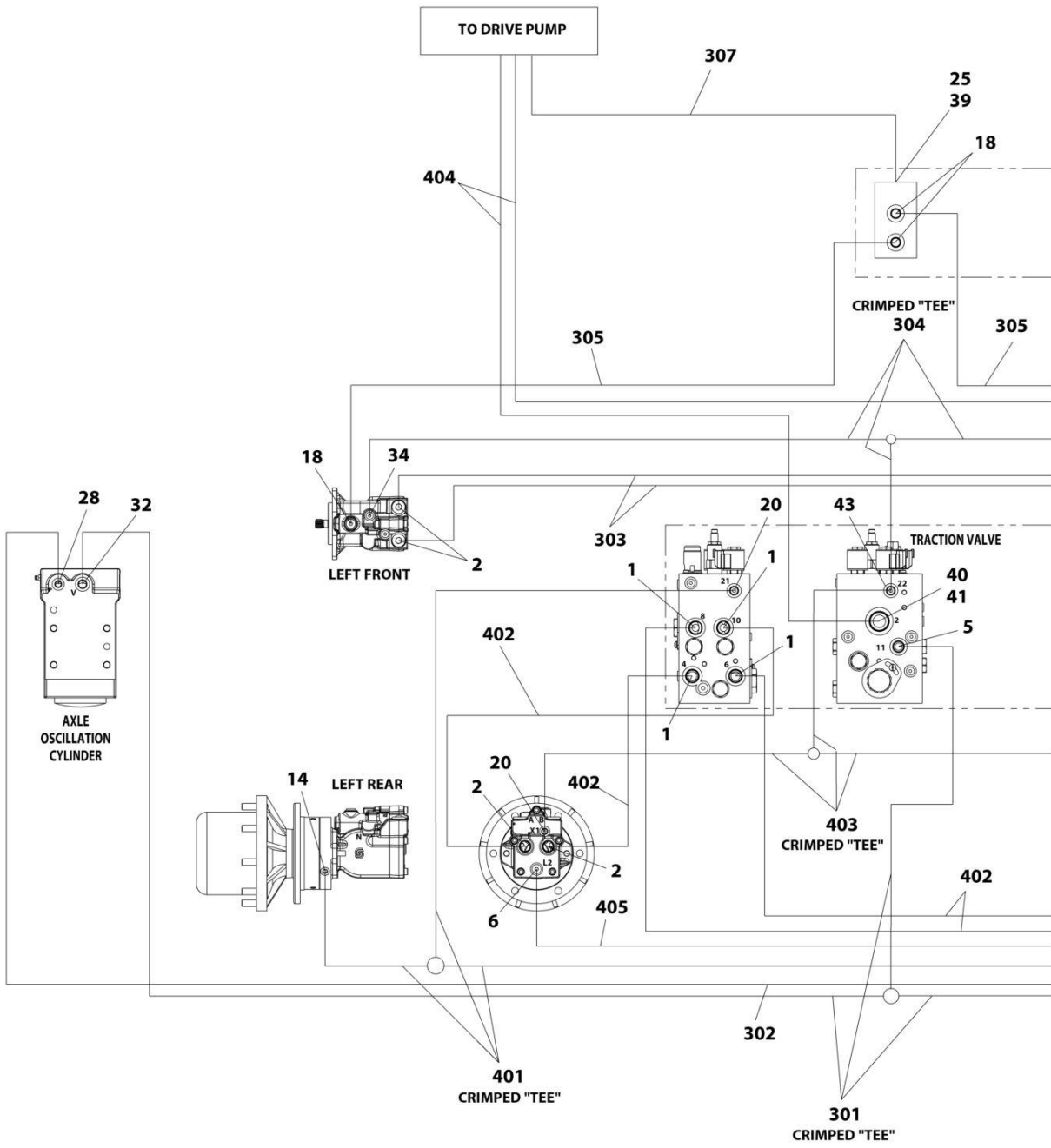


ART_1001287820_10F4

SECTION 7 - HYDRAULIC

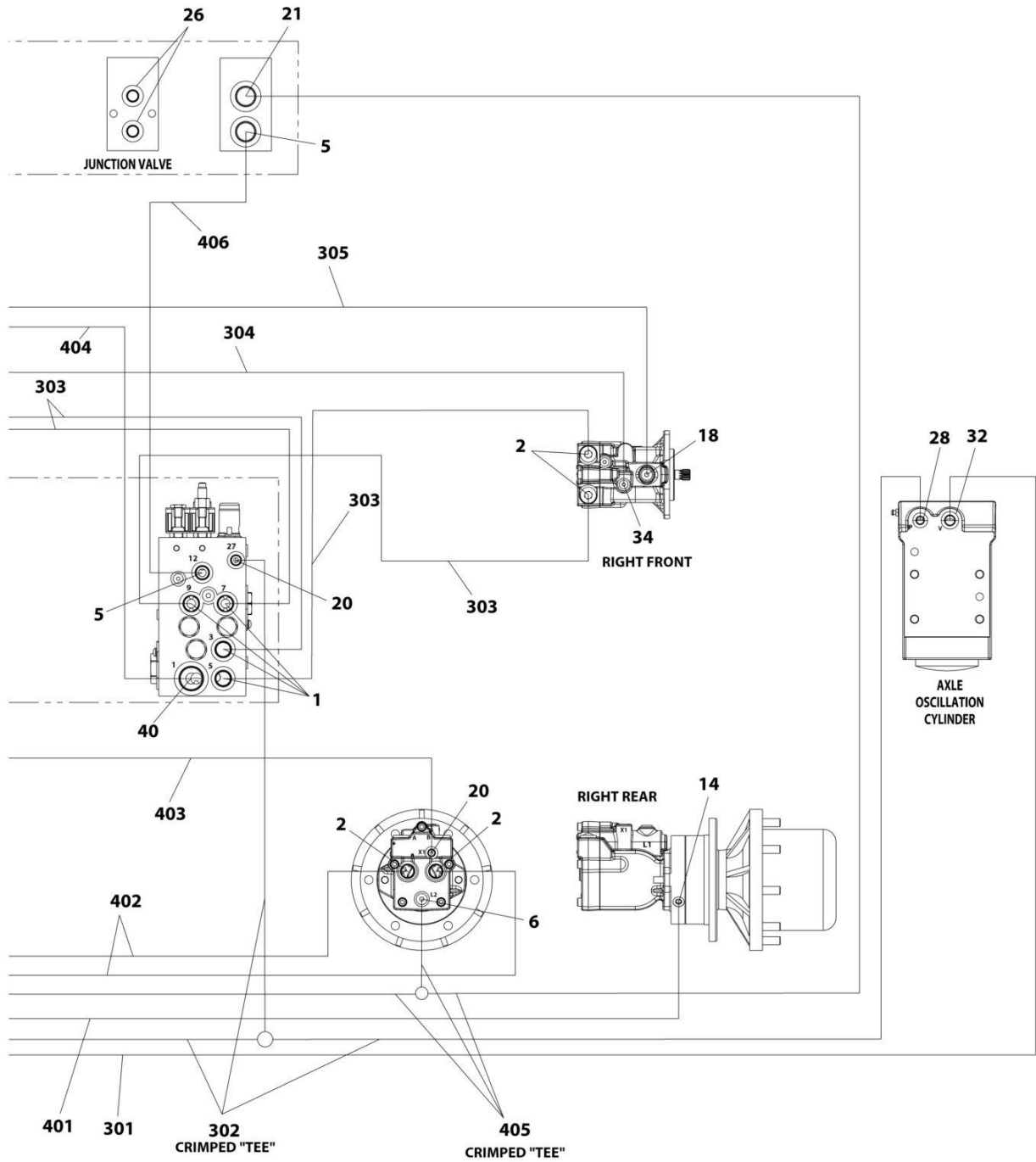


SECTION 7 - HYDRAULIC



ART_1001287820_30F4

SECTION 7 - HYDRAULIC



ART_1001287820_40F4

SECTION 7 - HYDRAULIC

**FIGURE 7-8. 4WD HYDRAULIC SYSTEM INSTALLATION - 450AJ (WITH 36GAL HYDRAULIC TANK)
(MACHINES WITH SN STARTING WITH 03)**

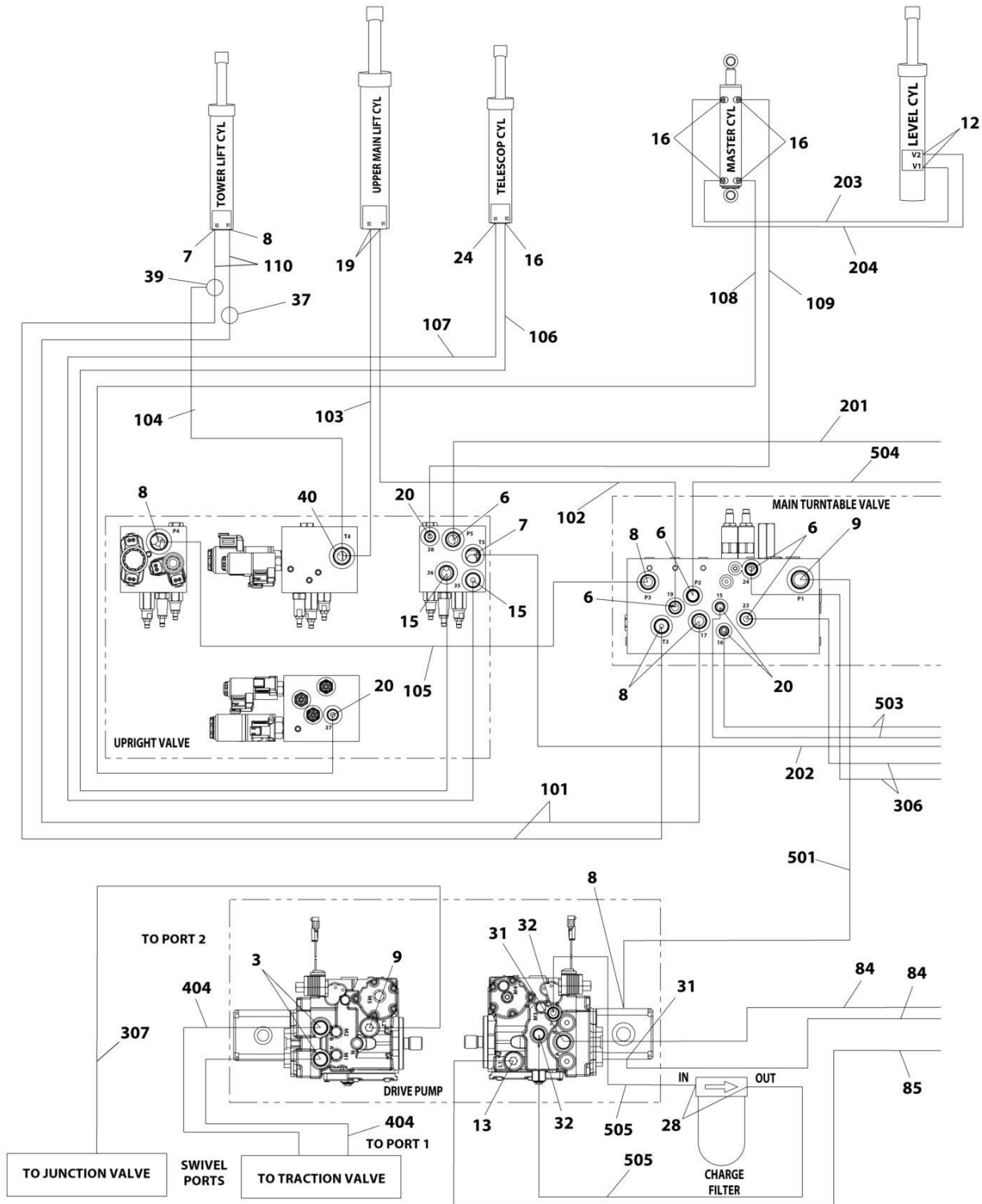
ITEM	PART NUMBER	QTY	DESCRIPTION	REV
	1001287820	Ref	4WD HYDRAULIC SYSTEM INSTALLATION	A
1	2110810	8	Fitting, Straight ORFS/ORB	
2	2110812	8	Fitting, Straight ORFS/ORB	
3	2151212	2	Fitting, 45 ORFS/ORB	
4	2220371	1	Fitting, Straight JIC/ORB	
5	2220372	11	Fitting, Straight JIC/ORB	
6	2220373	5	Fitting, Straight JIC/ORB	
7	2220374	6	Fitting, Straight JIC/ORB	
8	2220375	2	Fitting, Straight JIC/ORB	
9	2220377	1	Fitting, Straight JIC/ORB	
10	2220408	1	Fitting, Straight JIC/ORB	
11	2220415	3	Fitting, Straight JIC/ORB	
12	2220451	1	Fitting, Straight JIC/ORB	
13	2220465	1	Fitting, 90 JIC/ORB	
14	2220466	2	Fitting, 90 JIC/ORB	
15	2220468	2	Fitting, Straight JIC/ORB	
16	2220472	5	Fitting, 90 JIC/ORB	
17	2220497	2	Fitting, Straight JIC/ORB	
18	2220500	4	Fitting, 45 JIC/ORB	
19	2220501	2	Fitting, 45 JIC/ORB	
20	2220582	11	Fitting, Straight JIC/ORB	
21	2220596	1	Fitting, 90 JIC/ORB	
22	2220600	1	Fitting, Straight JIC/ORB	
23	2220603	1	Fitting, Straight JIC/ORB	
24	2220628	1	Fitting, 90 JIC/ORB	
25	2220811	1	Fitting, Straight FORB/ORB	
26	2220883	2	Plug #4	
27	2220906	2	Fitting, 90 JIC/ORB	
28	2220923	2	Fitting, Straight JIC/ORB	
29	2220940	2	Fitting, Elbow	
30	2220946	2	Fitting, Straight JIC/ORB	
31	2220947	2	Fitting, Straight JIC/ORB	
32	2220998	2	Fitting, Straight JIC/ORB	
33	2221033	2	Fitting, Straight JIC/ORB	
34	2221040	2	Fitting, 45 JIC/ORB	
35	2221086	1	Fitting, Diagnostic	
36	2230025	1	Fitting, Straight JIC/JIC	
37	8760477	1	Fitting, Tee JIC/JIC/JIC	
38	8770289	1	Fitting, Tee JIC/ORB/JIC	
39	1001119627	1	Fitting, Straight JIC/ORB	
40	1001142679	2	Fitting, Straight ORFS/ORB	
41	1001143936	1	Fitting, 90 FORB/ORB	
42	1001173631	1	Tube	
43	1001175024	1	Fitting, Tee JIC/JIC/ORB	
44	1001202910	2	Fitting, Straight MORB	
45	1001207335	2	Hose	
46	1001207336	1	Hose	
47	1001275635	2	Clamp, Hose	
100	1001194424	1	Hose Kit - Lower Boom (Not Shown)	

SECTION 7 - HYDRAULIC

ITEM	PART NUMBER	QTY	DESCRIPTION	REV
101	1001173006	2	Hose	
102	1001173034	1	Hose	
103	1001173035	1	Hose	
104	1001173036	1	Hose	
105	1001173037	1	Hose	
106	1001173038	1	Hose	
107	1001173039	1	Hose	
108	1001173042	1	Hose	
109	1001173043	1	Hose	
110	1001180035	2	Hose	
200	1001194425	1	Hose Kit - Upper Boom (Not Shown)	
201	1001173040	1	Hose	
202	1001173041	1	Hose	
203	1001173044	1	Hose	
204	1001173045	1	Hose	
205	1001173046	2	Hose	
206	1001173048	1	Hose	
207	1001173049	1	Hose	
300	1001194427	1	Hose Kit - Front (Not Shown)	
301	1001173053	1	Hose	
302	1001173054	1	Hose	
303	1001173055	4	Hose	
304	1001173056	1	Hose	
305	1001173057	2	Hose	
306	1001173058	2	Hose	
307	1001173066	1	Hose	
400	1001194428	1	Hose Kit - Rear (Not Shown)	
401	1001173052	1	Hose	
402	1001173059	4	Hose	
403	1001173061	1	Hose	
404	1001173062	2	Hose	
405	1001173063	1	Hose	
406	1001197039	1	Hose	
500	1001252926	1	Hose Kit - Turntable (Not Shown)	
501	2752504	1	Hose	
502	2752519	1	Hose	
503	1001173027	2	Hose	
504	1001173028	1	Hose	
505	1001173029	2	Hose	

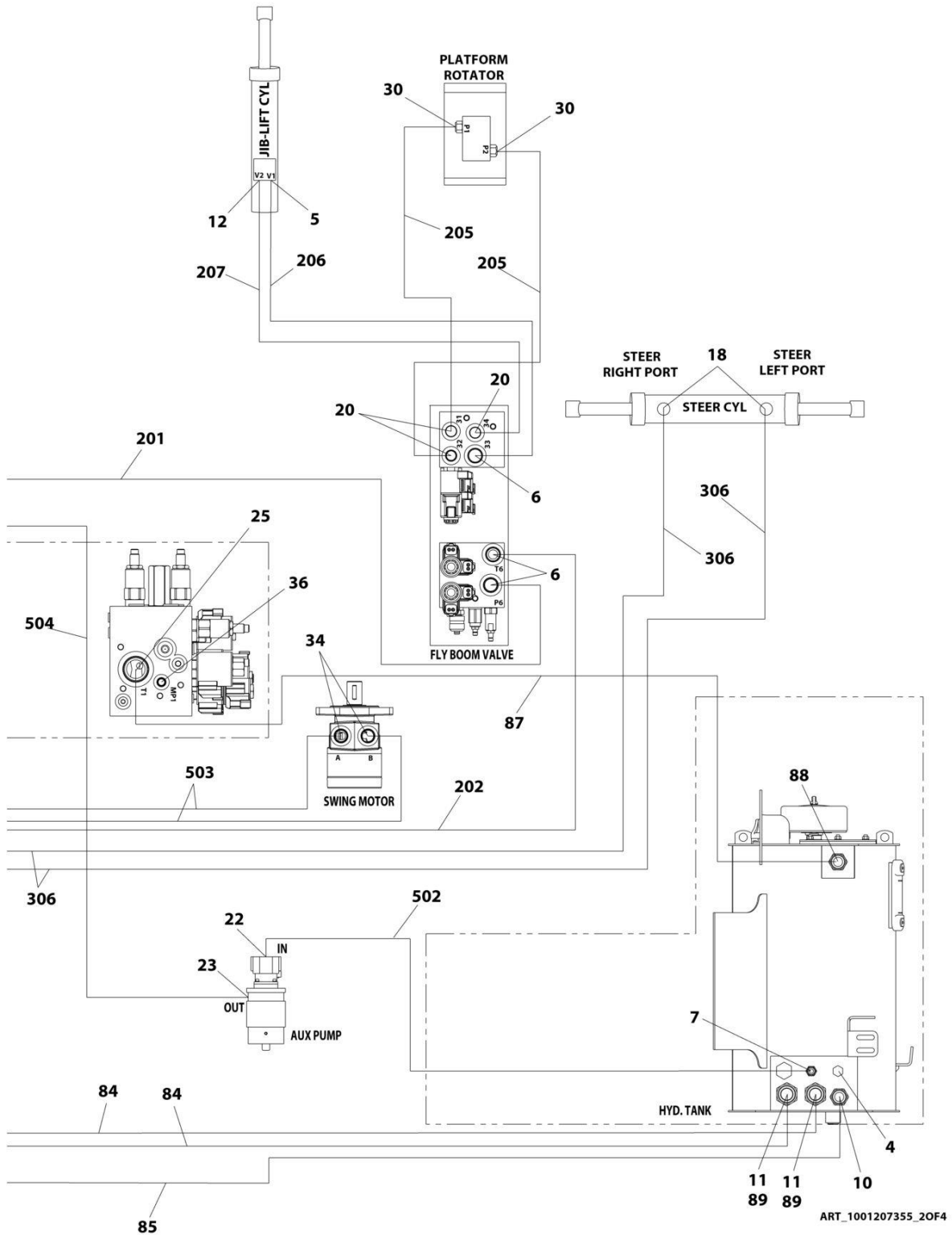
SECTION 7 - HYDRAULIC

**FIGURE 7-9. 4WD HYDRAULIC SYSTEM INSTALLATION - 450AJ (WITH 17GAL HYDRAULIC TANK)
(MACHINES WITH SN STARTING WITH B3)**



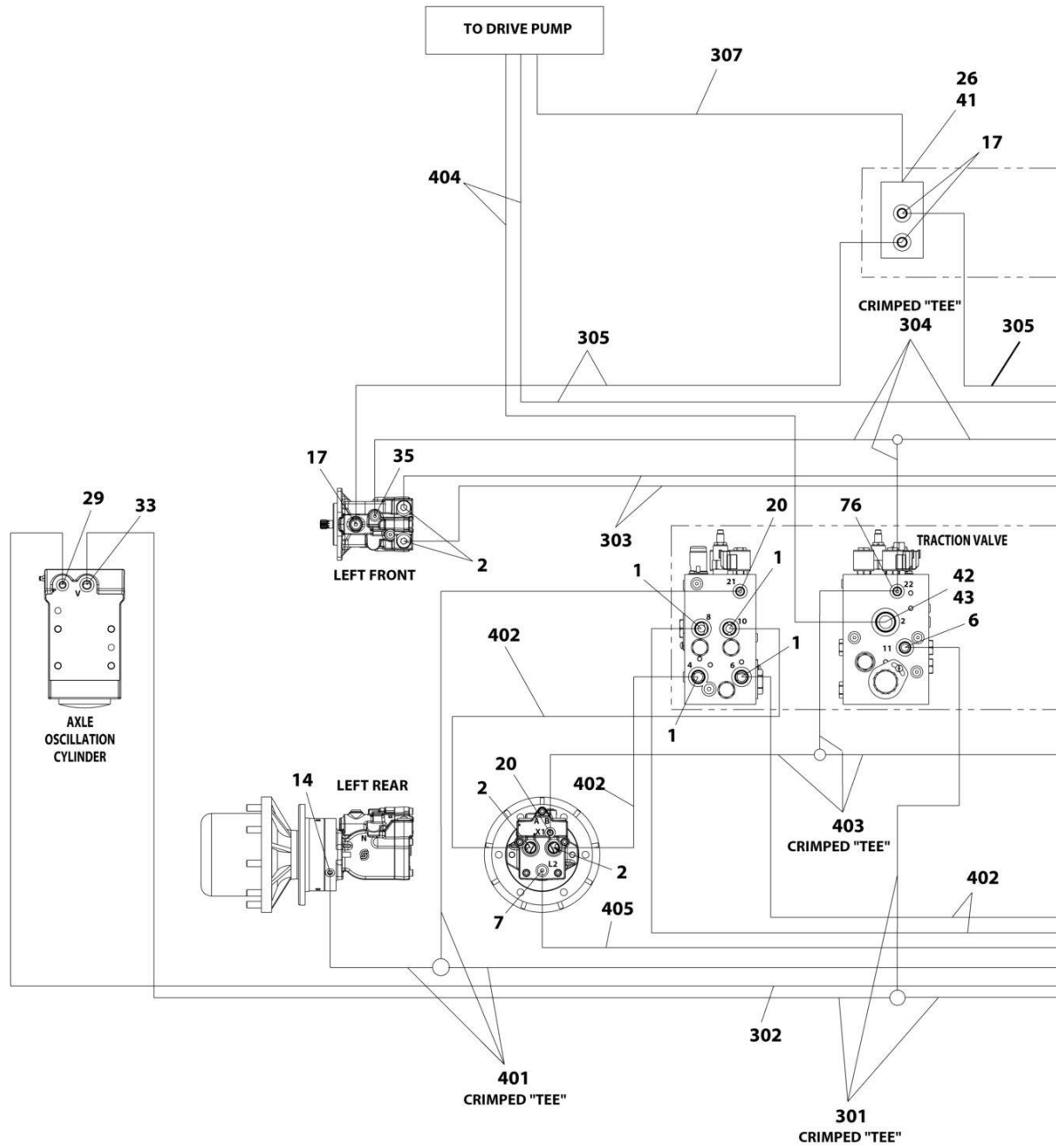
ART_1001207355_10F4

SECTION 7 - HYDRAULIC



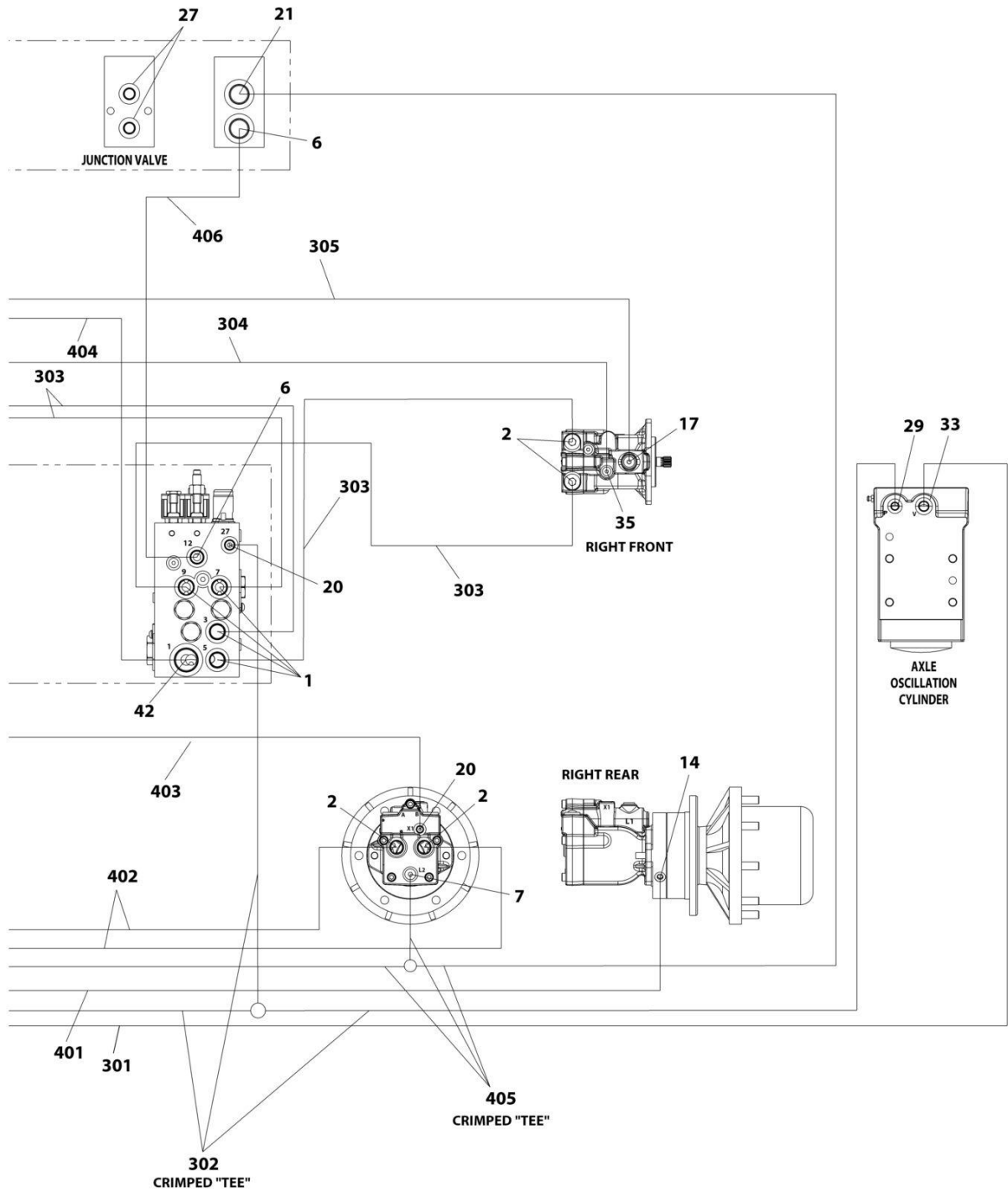
ART_1001207355_20F4

SECTION 7 - HYDRAULIC



ART_1001207355_30F4

SECTION 7 - HYDRAULIC



ART_1001207355_40F4

SECTION 7 - HYDRAULIC

**FIGURE 7-9. 4WD HYDRAULIC SYSTEM INSTALLATION - 450AJ (WITH 17GAL HYDRAULIC TANK)
(MACHINES WITH SN STARTING WITH B3)**

ITEM	PART NUMBER	QTY	DESCRIPTION	REV
	1001207355	Ref	4WD HYDRAULIC SYSTEM INSTALLATION	D
1	2110810	8	Fitting, Straight ORFS/ORB	
2	2110812	8	Fitting, Straight ORFS/ORB	
3	2151212	2	Fitting, 45 ORFS/ORB	
4	2220238	1	Plug	
5	2220371	1	Fitting, Straight JIC/ORB	
6	2220372	11	Fitting, Straight JIC/ORB	
7	2220373	5	Fitting, Straight JIC/ORB	
8	2220374	6	Fitting, Straight JIC/ORB	
9	2220375	2	Fitting, Straight JIC/ORB	
10	2220377	1	Fitting, Straight JIC/ORB	
11	1001202910	2	Fitting, Straight MORB	
12	2220415	3	Fitting, Straight JIC/ORB	
13	2220451	1	Fitting, Straight JIC/ORB	
14	2220466	2	Fitting, 90 JIC/ORB	
15	2220468	2	Fitting, Straight JIC/ORB	
16	2220472	5	Fitting, 90 JIC/ORB	
17	2220500	4	Fitting, 45 JIC/ORB	
18	2220501	2	Fitting, 45 JIC/ORB	
19	2220497	2	Fitting, Straight JIC/ORB	
20	2220582	11	Fitting, Straight JIC/ORB	
21	2220596	1	Fitting, 90 JIC/ORB	
22	2220600	1	Fitting, Straight JIC/ORB	
23	2220603	1	Fitting, Straight JIC/ORB	
24	2220628	1	Fitting, 90 JIC/ORB	
25	2220465	1	Fitting, 90 JIC/ORB	
26	2220811	1	Fitting, Straight FORB/ORB	
27	2220883	2	Plug #4	
28	2220906	2	Fitting, 90 JIC/ORB	
29	2220923	2	Fitting, Straight JIC/ORB	
30	2220940	2	Fitting, Elbow	
31	2220946	2	Fitting, Straight JIC/ORB	
32	2220947	2	Fitting, Straight JIC/ORB	
33	2220998	2	Fitting, Straight JIC/ORB	
34	2221033	2	Fitting, Straight JIC/ORB	
35	2221040	2	Fitting, 45 JIC/ORB	
36	2221086	1	Fitting, Diagnostic	
37	2230025	1	Fitting, Straight JIC/JIC	
39	8760477	1	Fitting, Tee JIC/JIC/JIC	
40	8770289	1	Fitting, Tee JIC/ORB/JIC	
41	1001119627	1	Fitting, Straight JIC/ORB	
42	1001142679	2	Fitting, Straight ORFS/ORB	
43	1001143936	1	Fitting, 90 FORB/ORB	
76	1001175024	1	Fitting, Tee JIC/JIC/ORB	
84	1001207335	2	Hose	
85	1001207336	1	Hose	
87	1001210356	1	Tube	
88	2220435	1	Fitting, Straight JIC/ORB	
89	80633030	2	Clamp, Hose	

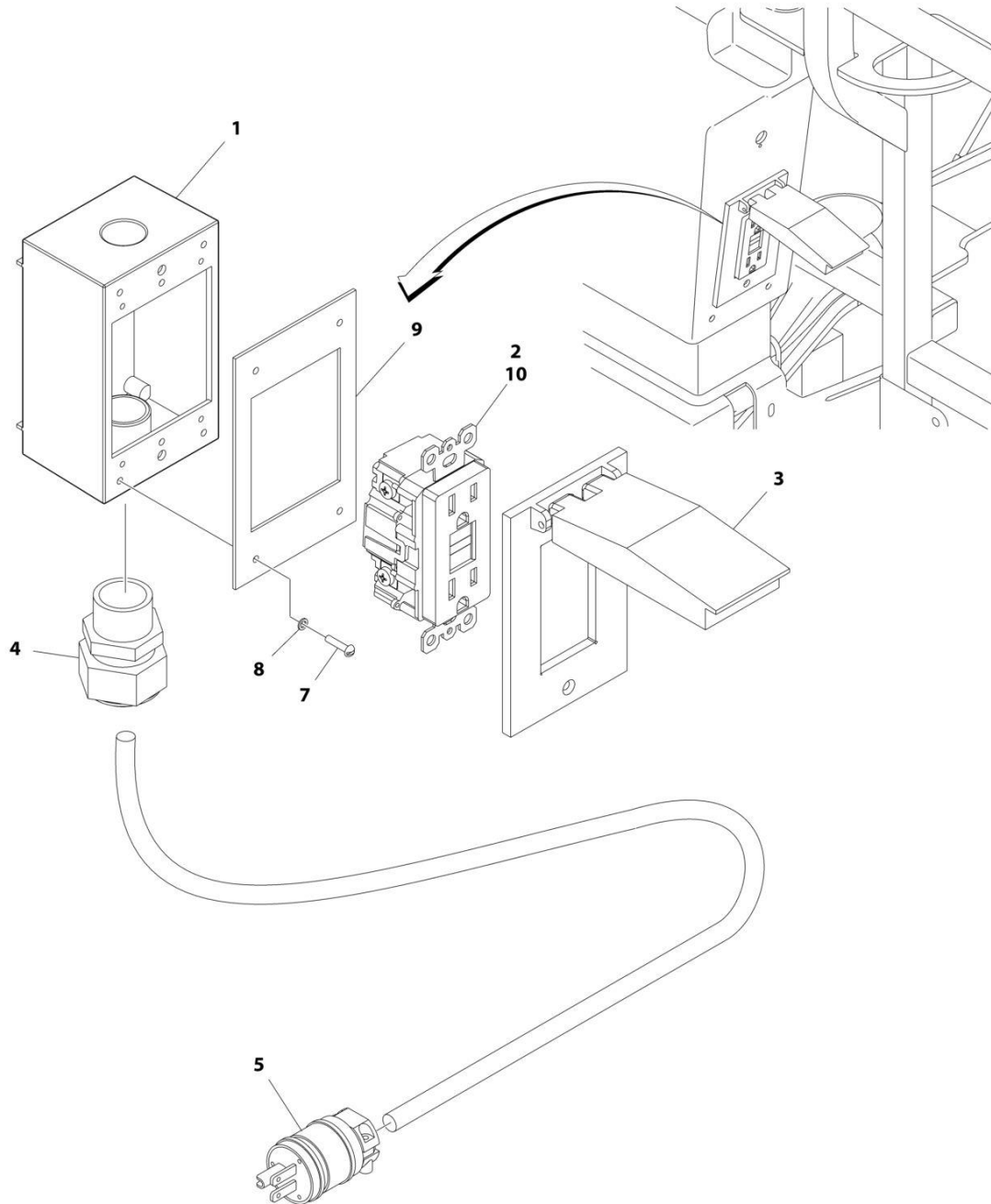
SECTION 7 - HYDRAULIC

ITEM	PART NUMBER	QTY	DESCRIPTION	REV
100	1001194424	1	Hose Kit - Lower Boom (Not Shown)	
101	1001173006	2	Hose	
102	1001173034	1	Hose	
103	1001173035	1	Hose	
104	1001173036	1	Hose	
105	1001173037	1	Hose	
106	1001173038	1	Hose	
107	1001173039	1	Hose	
108	1001173042	1	Hose	
109	1001173043	1	Hose	
110	1001180035	2	Hose	
200	1001194425	1	Hose Kit - Upper Boom (Not Shown)	
201	1001173040	1	Hose	
202	1001173041	1	Hose	
203	1001173044	1	Hose	
204	1001173045	1	Hose	
205	1001173046	2	Hose	
206	1001173048	1	Hose	
207	1001173049	1	Hose	
300	1001194427	1	Hose Kit - Front (Not Shown)	
301	1001173053	1	Hose	
302	1001173054	1	Hose	
303	1001173055	4	Hose	
304	1001173056	1	Hose	
305	1001173057	2	Hose	
306	1001173058	2	Hose	
307	1001173066	1	Hose	
400	1001194428	1	Hose Kit - Rear (Not Shown)	
401	1001173052	1	Hose	
402	1001173059	4	Hose	
403	1001173061	1	Hose	
404	1001173062	2	Hose	
405	1001173063	1	Hose	
406	1001197039	1	Hose	
500	1001252926	1	Hose Kit - Turntable (Not Shown)	
501	2752504	1	Hose	
502	2752519	1	Hose	
503	1001173027	2	Hose	
504	1001173028	1	Hose	
505	1001173029	2	Hose	

SECTION 8 - ELECTRICAL

SECTION 8 - ELECTRICAL

FIGURE 8-1. AC BOX AT PLATFORM INSTALLATION - 110V - ANSI, ANSI EXPORT, CHINA, CSA AND JAPANESE SPECS



ART_0270022

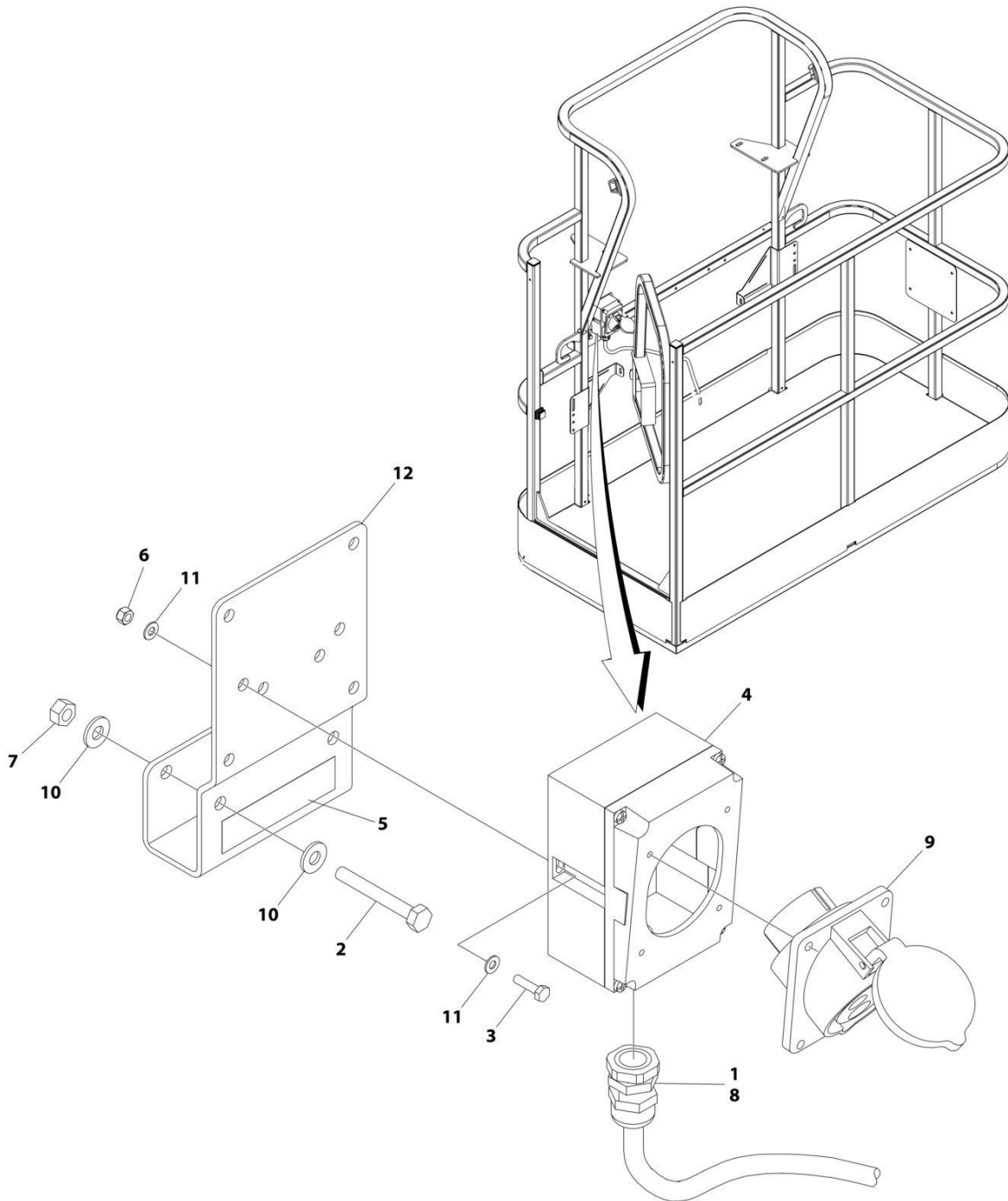
SECTION 8 - ELECTRICAL

FIGURE 8-1. AC BOX AT PLATFORM INSTALLATION - 110V - ANSI, ANSI EXPORT, CHINA, CSA AND JAPANESE SPECS

ITEM	PART NUMBER	QTY	DESCRIPTION	REV
	0270022	Ref	AC BOX AT PLATFORM INSTALLATION - 110V	4-B
1	0860038	1	Box, Switch	
2	4460346	1	Receptacle	
3	1001110873	1	Shield, Cover	
4	4460071	1	Connector, Strain Relief	
5	4460205	1	Plug, Male	
7	3910610	4	Screw #6 x 5/8	
8	4760600	4	Washer #6	
9	3960422	1	Gasket	
10	4460315	1	Terminal, Spade	

SECTION 8 - ELECTRICAL

FIGURE 8-2. AC BOX AT PLATFORM INSTALLATION - 110V IEC YELLOW (CE, RUSSIA & UK CA SPECS WITH 4000W/50HZ GENERATOR)



ART_1001194203

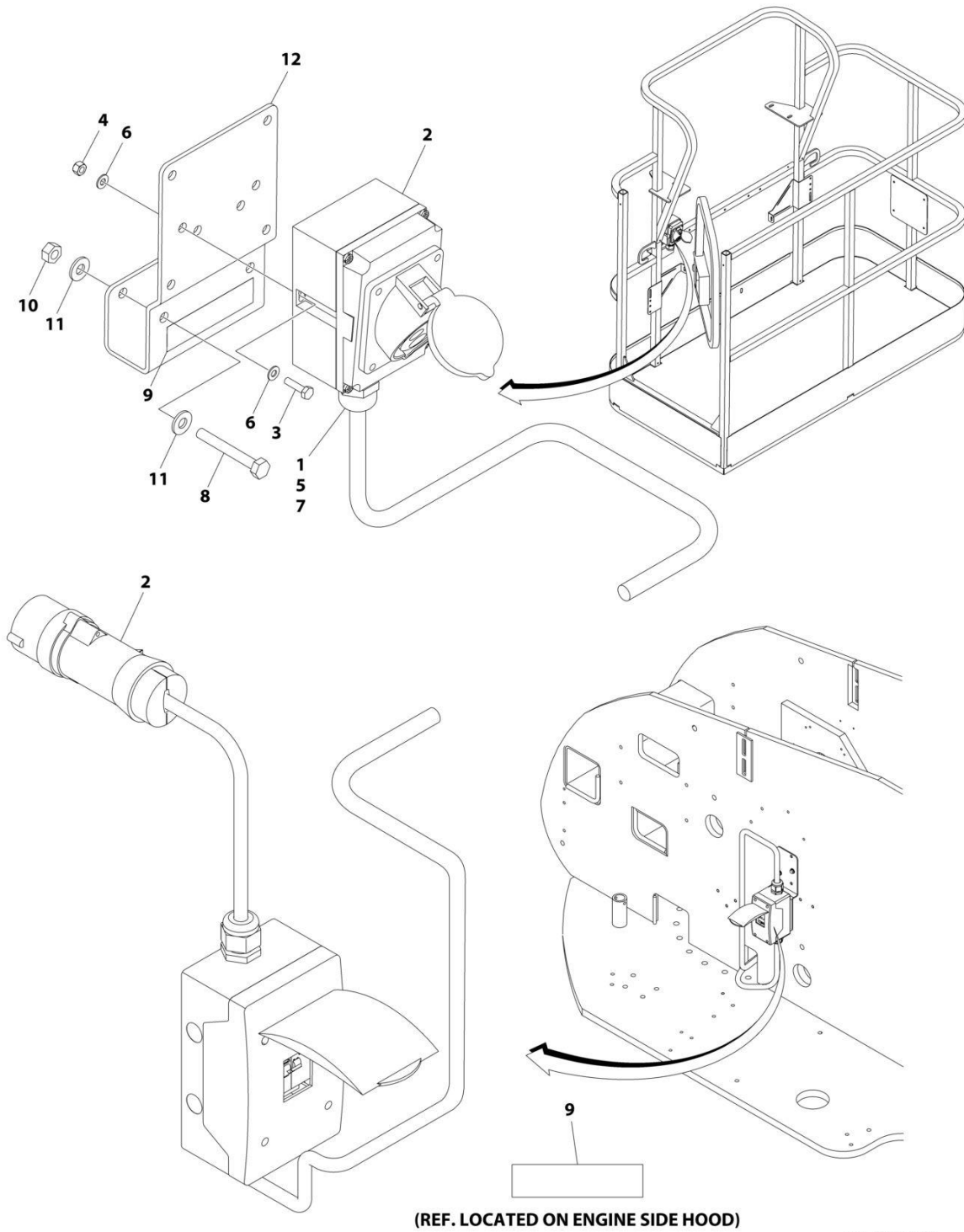
SECTION 8 - ELECTRICAL

FIGURE 8-2. AC BOX AT PLATFORM INSTALLATION - 110V IEC YELLOW (CE, RUSSIA & UK CA SPECS WITH 4000W/50HZ GENERATOR)

ITEM	PART NUMBER	QTY	DESCRIPTION	REV
	1001194203	Ref	AC BOX AT PLATFORM INSTALLATION	B
1	0100020	AR	Sealant, Pipe	
2	0641416	2	Bolt 1/4 x 2	
3	0700408	2	Bolt M4 x 16	
4	0861781	1	Box, Switch	
5	1705325	1	Decal - 110V	
6	3290405	2	Nut M4	
7	3311405	2	Nut 1/4	
8	4460968	1	Connector, Strain Relief	
9	4461198	1	Receptacle	
10	4711400	4	Washer 1/4	
11	4811400	4	Washer M4	
12	1001193018	1	Bracket, AC Receptacle	

SECTION 8 - ELECTRICAL

FIGURE 8-3. AC BOX AT PLATFORM INSTALLATION - 110V IEC 60309 YELLOW WITHOUT 2500W GENERATOR (CE, RUSSIA & UK CA SPECS)



ART_1001091969

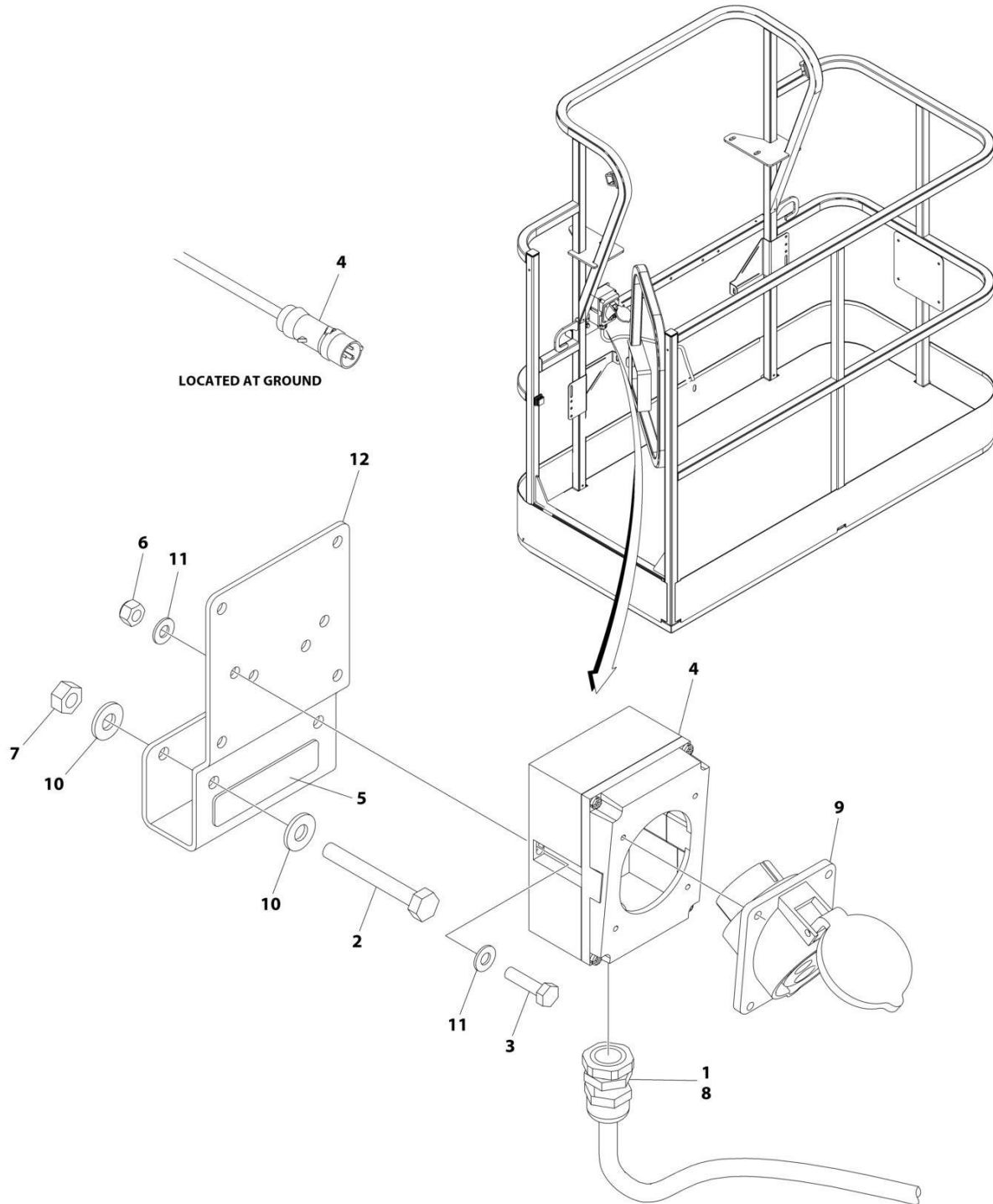
SECTION 8 - ELECTRICAL

FIGURE 8-3. AC BOX AT PLATFORM INSTALLATION - 110V IEC 60309 YELLOW WITHOUT 2500W GENERATOR (CE, RUSSIA & UK CA SPECS)

ITEM	PART NUMBER	QTY	DESCRIPTION	REV
	1001091969	Ref	AC BOX AT PLATFORM INSTALLATION - 110V IEC YELLOW	D
1	0100020	AR	Sealant, Pipe	
2	0275216	1	Receptacle Box Kit (See Separate Breakdown in this Section)	
3	0700408	2	Bolt M4 x 16	
4	3290405	2	Nut M4	
5	1001101196	1	Adapter	
6	4811400	4	Washer M4	
7	1001101191	1	Connector, Strain Relief	
8	0641416	2	Bolt 1/4 x 2	
9	1705325	2	Decal - 110V	
10	3311405	2	Nut 1/4	
11	4711400	4	Washer 1/4	
12	1001193018	1	Bracket	

SECTION 8 - ELECTRICAL

FIGURE 8-4. AC BOX AT PLATFORM INSTALLATION - 220V IEC BLUE (CE, RUSSIA & UK CA WITH 4000W/50HZ GENERATOR)



ART_1001194204

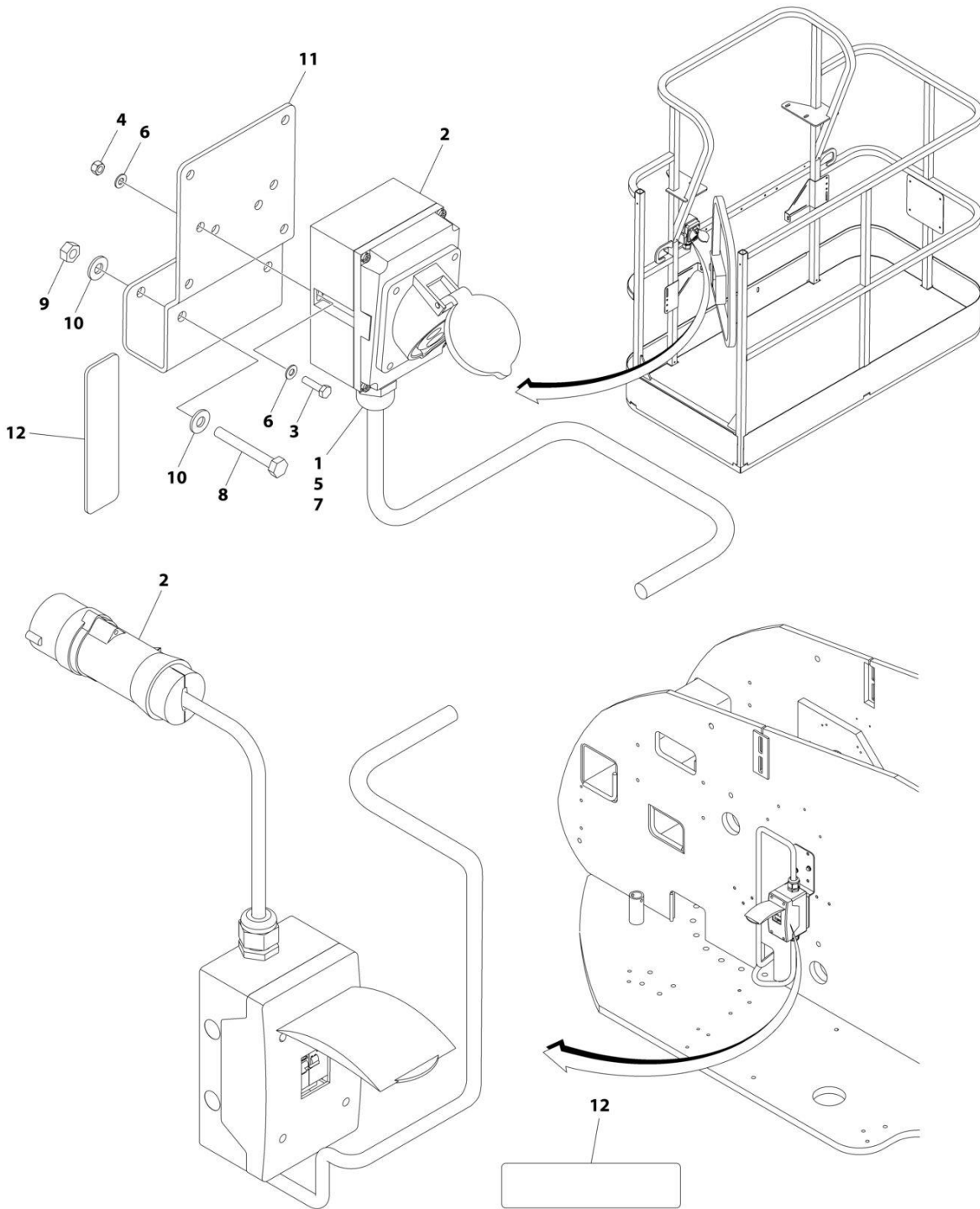
SECTION 8 - ELECTRICAL

FIGURE 8-4. AC BOX AT PLATFORM INSTALLATION - 220V IEC BLUE (CE, RUSSIA & UK CA WITH 4000W/50HZ GENERATOR)

ITEM	PART NUMBER	QTY	DESCRIPTION	REV
	1001194204	Ref	AC BOX AT PLATFORM INSTALLATION	B
1	0100020	AR	Sealant, Pipe	
2	0641416	2	Bolt 1/4 x 2	
3	0700408	2	Bolt M4 x 16	
4	0861781	1	Box, Switch	
5	3251242	1	Decal - 240V/50Hz	
6	3290405	2	Nut M4	
7	3311405	2	Nut 1/4	
8	4460968	1	Connector, Strain Relief	
9	4461201	1	Receptacle	
10	4711400	4	Washer 1/4	
11	4811400	4	Washer M4	
12	1001193018	1	Bracket, AC Receptacle	

SECTION 8 - ELECTRICAL

FIGURE 8-5. AC BOX AT PLATFORM INSTALLATION - 220V IEC 60309 BLUE WITHOUT 2500W GENERATOR (CE, RUSSIA & UK CA SPECS)



(REF. LOCATED ON ENGINE SIDE HOOD)

ART_1001091970

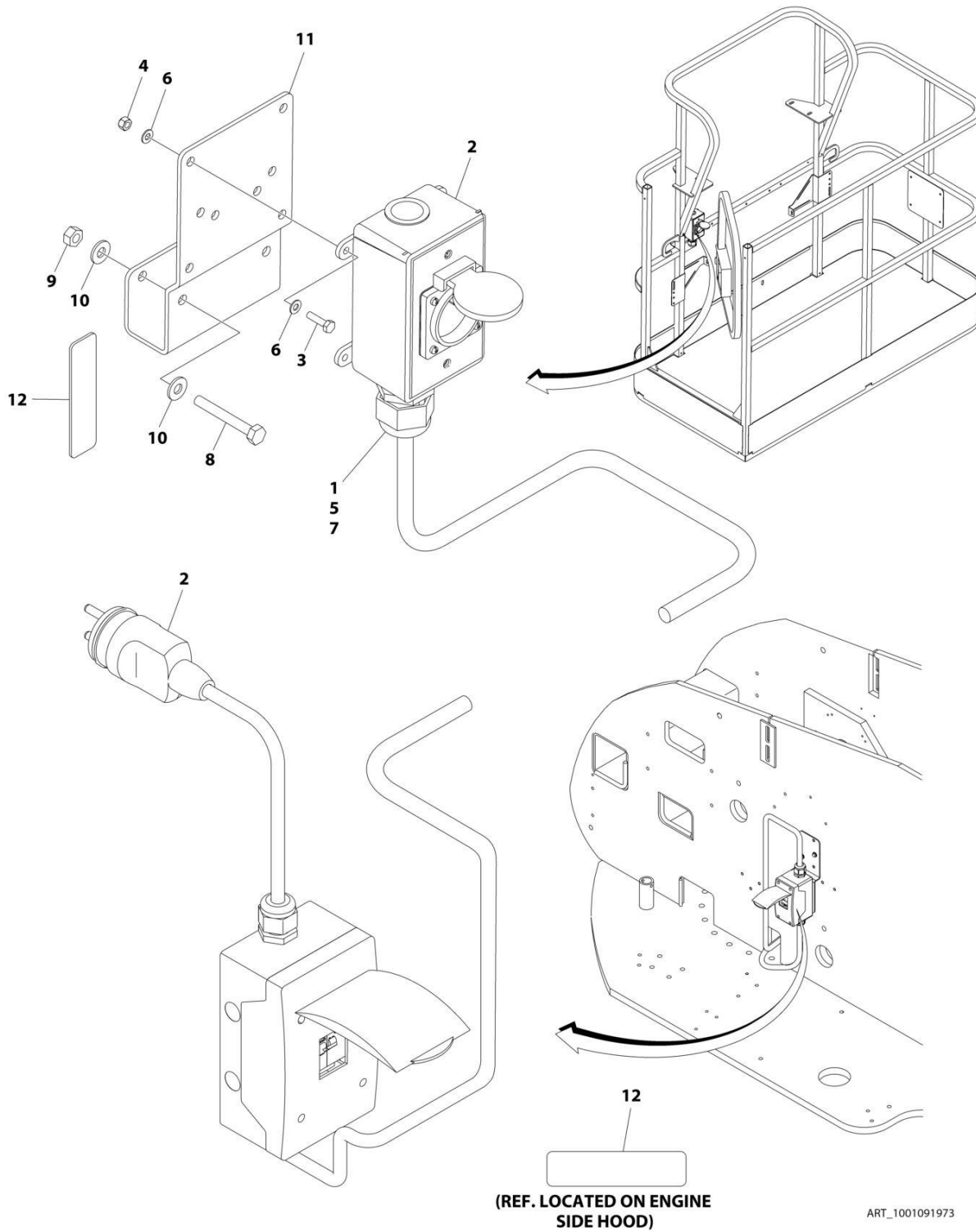
SECTION 8 - ELECTRICAL

FIGURE 8-5. AC BOX AT PLATFORM INSTALLATION - 220V IEC 60309 BLUE WITHOUT 2500W GENERATOR (CE, RUSSIA & UK CA SPECS)

ITEM	PART NUMBER	QTY	DESCRIPTION	REV
	1001091970	Ref	AC BOX AT PLATFORM INSTALLATION - 220V IEC BLUE	D
1	0100020	AR	Sealant, Pipe	
2	0275217	1	Receptacle Box Kit (See Separate Breakdown in this Section)	
3	0700408	2	Bolt M4 x 16	
4	3290405	2	Nut M4	
5	1001101196	1	Adapter	
6	4811400	4	Washer M4	
7	1001101191	1	Connector, Strain Relief	
8	0641416	2	Bolt 1/4 x 2	
9	3311405	2	Nut 1/4	
10	4711400	4	Washer 1/4	
11	1001193018	1	Bracket	
12	3251242	2	Decal - 240V/50Hz	

SECTION 8 - ELECTRICAL

**FIGURE 8-6. AC BOX AT PLATFORM INSTALLATION - 220V CEE7 POST GROUND (2X4 BOX)
WITHOUT 2500W GENERATOR (CE, RUSSIA & UK CA SPECS)**



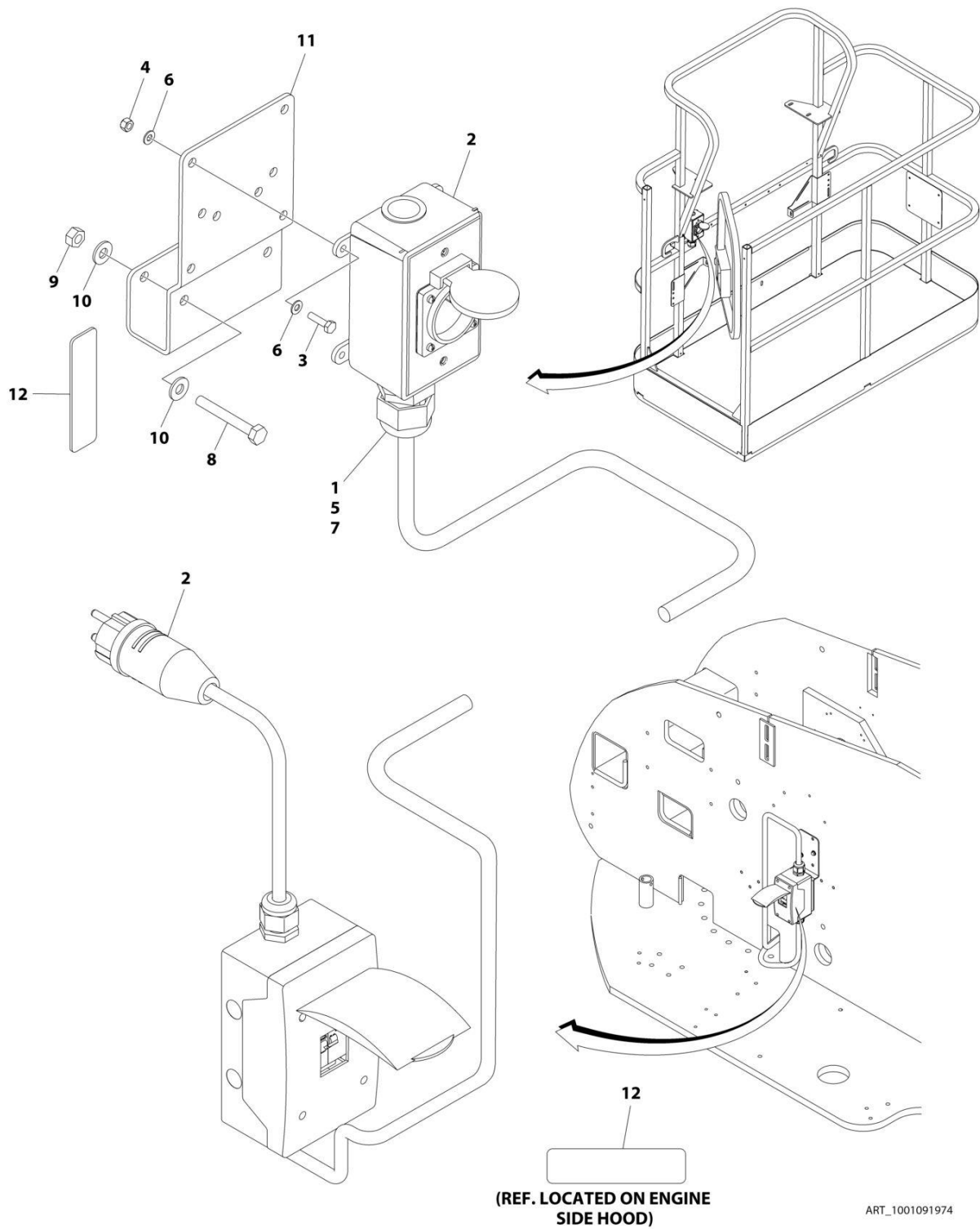
SECTION 8 - ELECTRICAL

**FIGURE 8-6. AC BOX AT PLATFORM INSTALLATION - 220V CEE7 POST GROUND (2X4 BOX)
WITHOUT 2500W GENERATOR (CE, RUSSIA & UK CA SPECS)**

ITEM	PART NUMBER	QTY	DESCRIPTION	REV
	1001091973	Ref	AC BOX AT PLATFORM INSTALLATION - 220V CEE7 2X4 BOX POST GROUND	F
1	0100020	AR	Sealant, Pipe	
2	0275452	1	Receptacle Box Kit (See Separate Breakdown in this Section)	
3	0700408	4	Bolt M4 x 16	
4	3290405	4	Nut M4	
5	1001101197	1	Adapter	
6	4811400	8	Washer M4	
7	1001101191	1	Connector, Strain Relief	
8	0641416	2	Bolt 1/4 x 2	
9	3311405	2	Nut 1/4	
10	4711400	4	Washer 1/4	
11	1001193018	1	Bracket	
12	3251242	2	Decal - 240V/50Hz	
13	4460806	2	Terminal, Fork (Not Shown)	
14	1001205958	1	Terminal (Not Shown)	

SECTION 8 - ELECTRICAL

**FIGURE 8-7. AC BOX AT PLATFORM INSTALLATION - 220V CEE7 SIDE GROUND (2X4 BOX)
WITHOUT 2500W GENERATOR (CE, RUSSIA & UK CA SPECS)**



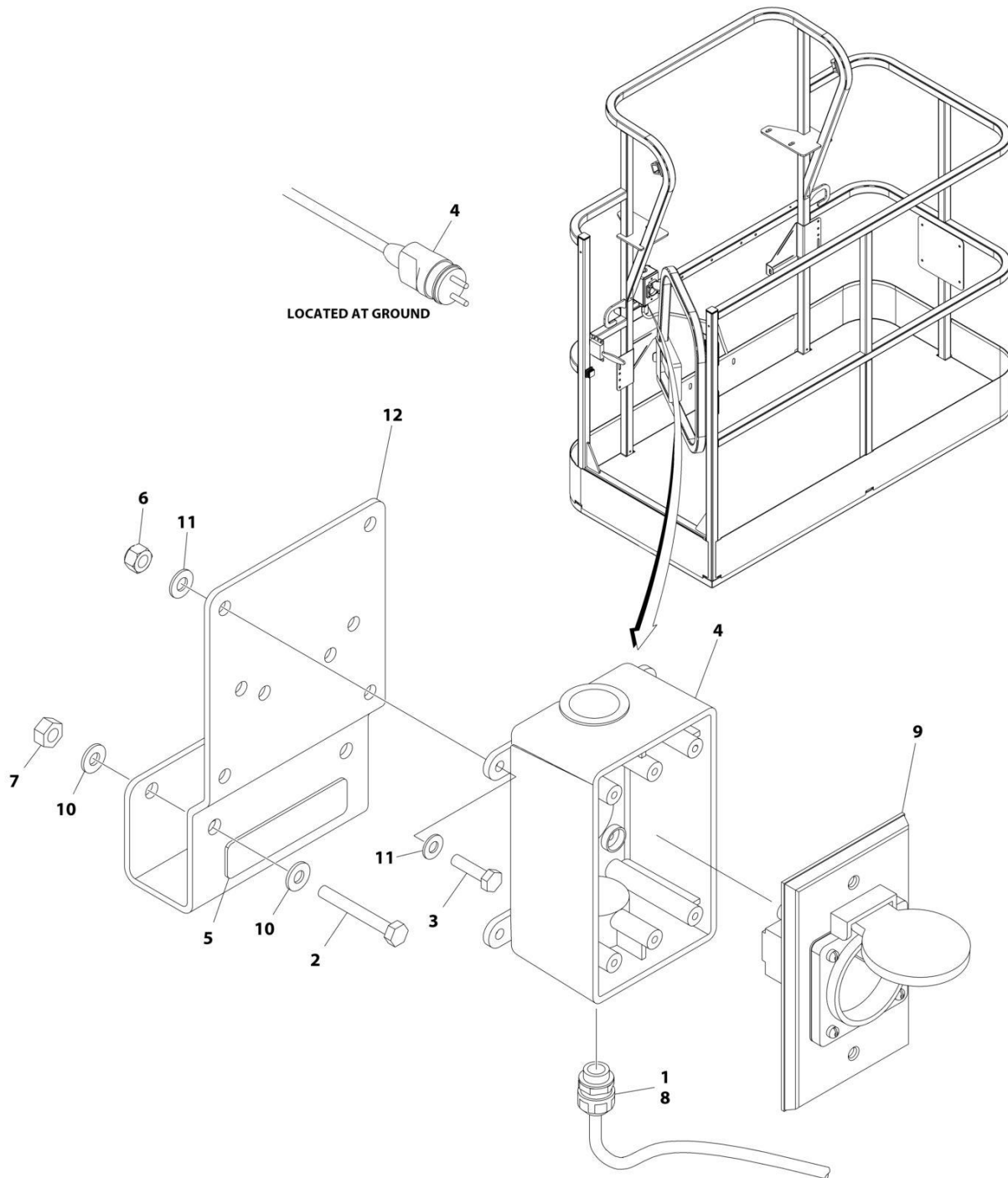
SECTION 8 - ELECTRICAL

**FIGURE 8-7. AC BOX AT PLATFORM INSTALLATION - 220V CEE7 SIDE GROUND (2X4 BOX)
WITHOUT 2500W GENERATOR (CE, RUSSIA & UK CA SPECS)**

ITEM	PART NUMBER	QTY	DESCRIPTION	REV
	1001091974	Ref	AC BOX AT PLATFORM INSTALLATION - 220V CEE7 2X4 BOX SIDE GROUND	F
1	0100020	AR	Sealant, Pipe	
2	0275453	1	Receptacle Box Kit (See Separate Breakdown in this Section)	
3	0700408	4	Bolt M4 x 16	
4	3290405	4	Nut M4	
5	1001101197	1	Adapter	
6	4811400	8	Washer M4	
7	1001101191	1	Connector, Strain Relief	
8	0641416	2	Bolt 1/4 x 2	
9	3311405	2	Nut 1/4	
10	4711400	4	Washer 1/4	
11	1001193018	1	Bracket	
12	3251242	2	Decal - 240V/50Hz	
13	4460806	2	Terminal, Fork (Not Shown)	
14	1001205958	1	Terminal (Not Shown)	

SECTION 8 - ELECTRICAL

FIGURE 8-8. AC BOX AT PLATFORM INSTALLATION - 220V CEE7 2IN X 4IN POST GROUND (CE, RUSSIA & UK CA SPECS WITH 4000W/50HZ GENERATOR)



ART_1001194197

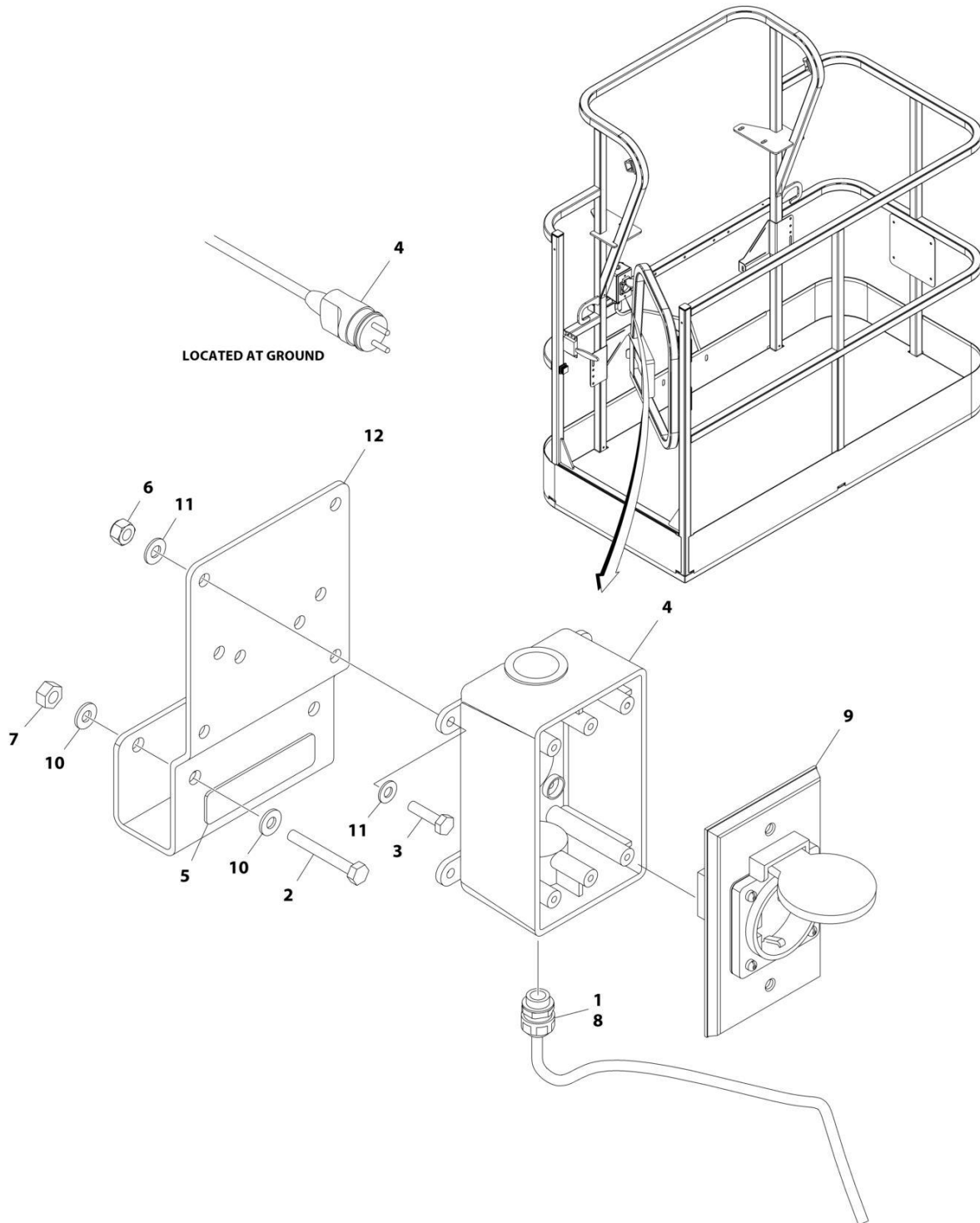
SECTION 8 - ELECTRICAL

FIGURE 8-8. AC BOX AT PLATFORM INSTALLATION - 220V CEE7 2IN X 4IN POST GROUND (CE, RUSSIA & UK CA SPECS WITH 4000W/50HZ GENERATOR)

ITEM	PART NUMBER	QTY	DESCRIPTION	REV
	1001194197	Ref	AC BOX AT PLATFORM INSTALLATION	B
1	0100020	AR	Sealant, Pipe	
2	0641416	2	Bolt 1/4 x 2	
3	0700408	4	Bolt M4 x 16	
4	0861731	1	Box, Switch	
5	3251242	1	Decal - 240V/50Hz	
6	3290405	4	Nut M4	
7	3311405	2	Nut 1/4	
8	4460662	1	Connector, Strain Relief	
9	4461244	1	Receptacle	
10	4711400	4	Washer 1/4	
11	4811400	8	Washer M4	
12	1001193018	1	Bracket, AC Receptacle	
13	4460806	2	Terminal, Fork (Not Shown)	
14	1001205958	1	Terminal (Not Shown)	

SECTION 8 - ELECTRICAL

FIGURE 8-9. AC BOX AT PLATFORM INSTALLATION - 220V CEE7 2IN X 4IN SIDE GROUND (CCE, RUSSIA & UK CA SPECS WITH 4000W/50HZ GENERATOR)



ART_1001194198

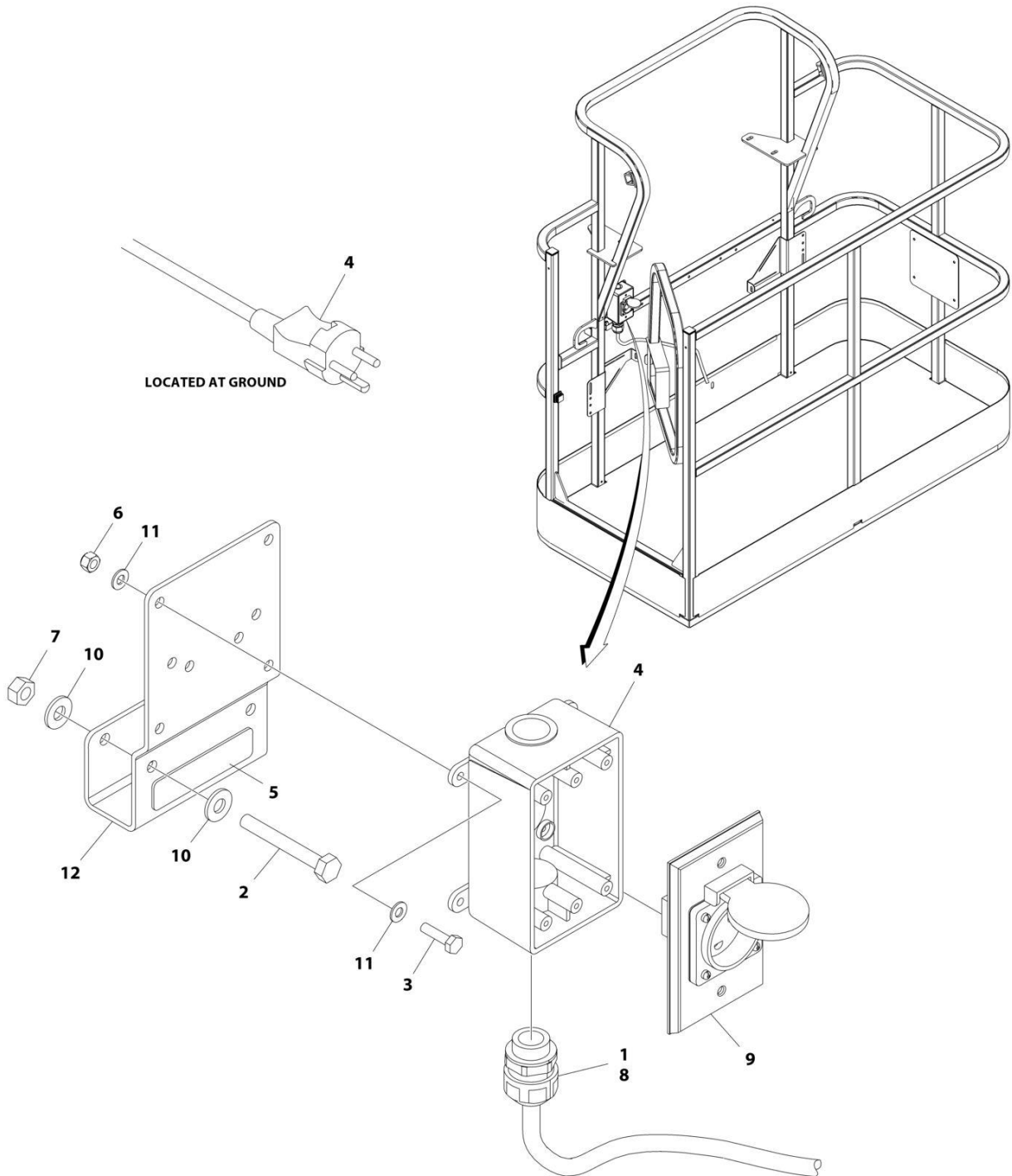
SECTION 8 - ELECTRICAL

FIGURE 8-9. AC BOX AT PLATFORM INSTALLATION - 220V CEE7 2IN X 4IN SIDE GROUND (CCE, RUSSIA & UK CA SPECS WITH 4000W/50HZ GENERATOR)

ITEM	PART NUMBER	QTY	DESCRIPTION	REV
	1001194198	Ref	AC BOX AT PLATFORM INSTALLATION	B
1	0100020	AR	Sealant, Pipe	
2	0641416	2	Bolt 1/4 x 2	
3	0700408	4	Bolt M4 x 16	
4	0861731	1	Box, Switch	
5	3251242	1	Decal - 240V/50Hz	
6	3290405	4	Nut M4	
7	3311405	2	Nut 1/4	
8	4460662	1	Connector, Strain Relief	
9	4461245	1	Receptacle	
10	4711400	4	Washer 1/4	
11	4811400	8	Washer M4	
12	1001193018	1	Bracket, AC Receptacle	
13	4460806	2	Terminal, Fork (Not Shown)	
14	1001205958	1	Terminal (Not Shown)	

SECTION 8 - ELECTRICAL

FIGURE 8-10. AC BOX AT PLATFORM INSTALLATION - 220V AFSINT107 (CE, RUSSIA & UK CA SPECS WITH 4000W/50HZ GENERATOR)



ART_1001194200

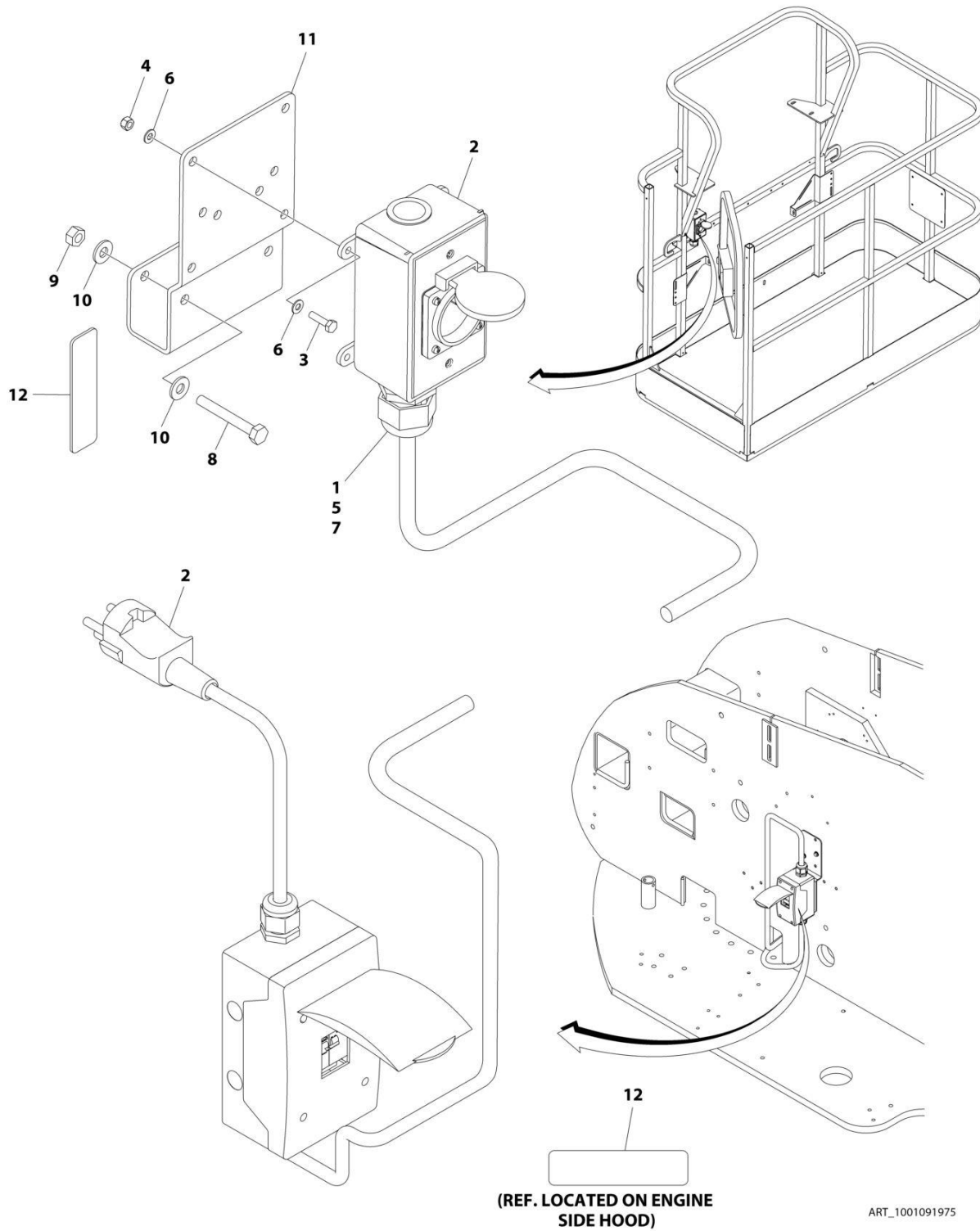
SECTION 8 - ELECTRICAL

FIGURE 8-10. AC BOX AT PLATFORM INSTALLATION - 220V AFSINT107 (CE, RUSSIA & UK CA SPECS WITH 4000W/50HZ GENERATOR)

ITEM	PART NUMBER	QTY	DESCRIPTION	REV
	1001194200	Ref	AC BOX AT PLATFORM INSTALLATION	B
1	0100020	AR	Sealant, Pipe	
2	0641416	2	Bolt 1/4 x 2	
3	0700408	4	Bolt M4 x 16	
4	0861731	1	Box, Switch	
5	3251242	1	Decal - 240V/50Hz	
6	3290405	4	Nut M4	
7	3311405	2	Nut 1/4	
8	4460662	1	Connector, Strain Relief	
9	4461246	1	Receptacle	
10	4711400	4	Washer 1/4	
11	4811400	8	Washer M4	
12	1001193018	1	Bracket, AC Receptacle	
13	1001205958	1	Terminal (Not Shown)	

SECTION 8 - ELECTRICAL

FIGURE 8-11. AC BOX AT PLATFORM INSTALLATION - 220V AFSINT 107 KEYED GROUND (2X4 BOX) WITHOUT 2500W GENERATOR (CE, RUSSIA & UK CA SPECS)



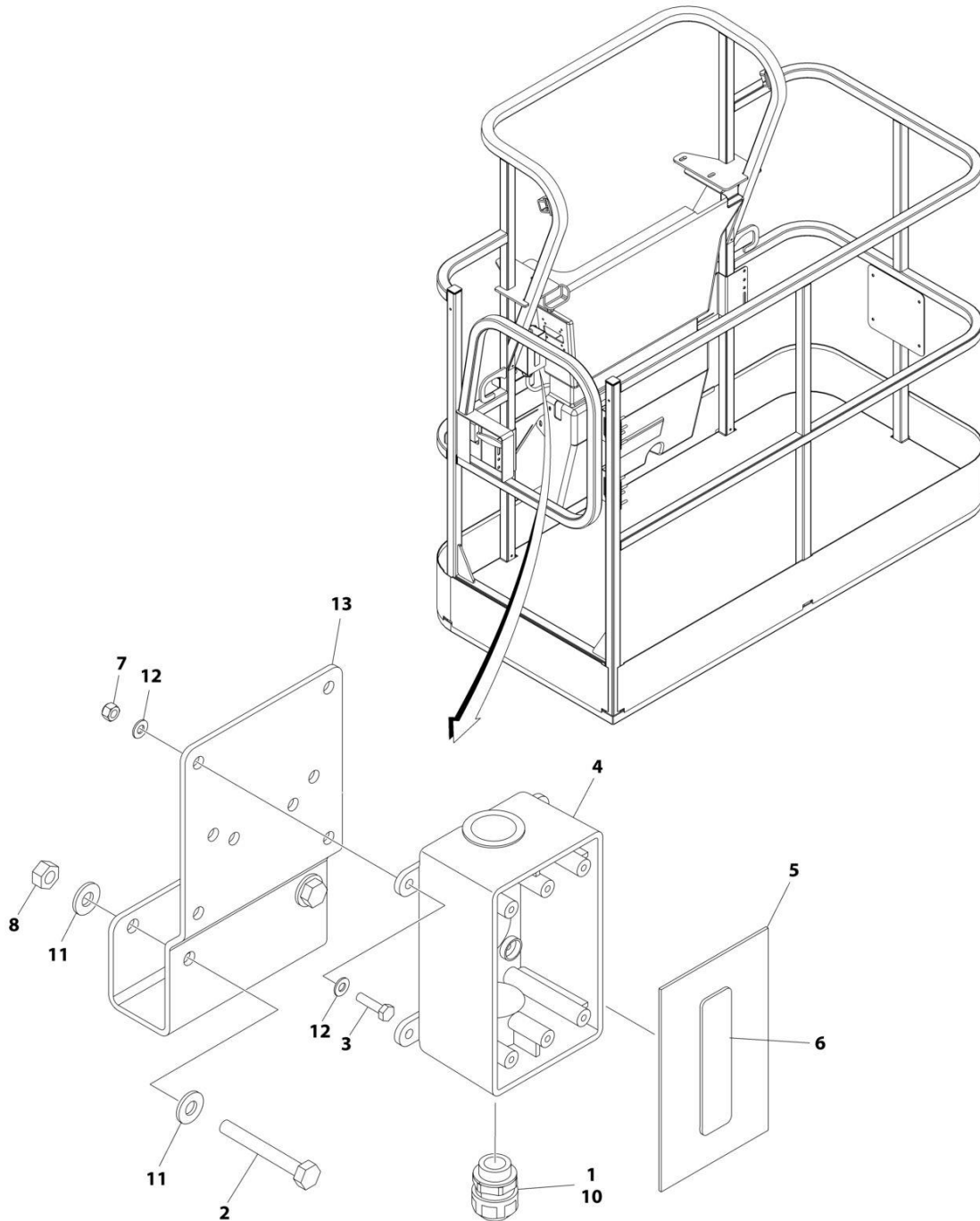
SECTION 8 - ELECTRICAL

FIGURE 8-11. AC BOX AT PLATFORM INSTALLATION - 220V AFSINT 107 KEYED GROUND (2X4 BOX) WITHOUT 2500W GENERATOR (CE, RUSSIA & UK CA SPECS)

ITEM	PART NUMBER	QTY	DESCRIPTION	REV
	1001091975	Ref	AC BOX AT PLATFORM INSTALLATION - 220V AFSINT 107 2X4 BOX KEYED GROUND	F
1	0100020	AR	Sealant, Pipe	
2	0275454	1	Receptacle Box Kit (See Separate Breakdown in this Section)	
3	0700408	4	Bolt M4 x 16	
4	3290405	4	Nut M4	
5	1001101197	1	Adapter	
6	4811400	8	Washer M4	
7	1001101191	1	Connector, Strain Relief	
8	0641416	2	Bolt 1/4 x 2	
9	3311405	2	Nut 1/4	
10	4711400	4	Washer 1/4	
11	1001193018	1	Bracket	
12	3251242	2	Decal - 240V/50Hz	
13	1001205958	3	Terminal (Not Shown)	

SECTION 8 - ELECTRICAL

FIGURE 8-12. AC BOX AT PLATFORM INSTALLATION - 220V CUSTOMER SUPPLIED COMPONENTS
(AUSTRALIAN, CE & UK CA SPECS)



ART_1001194365

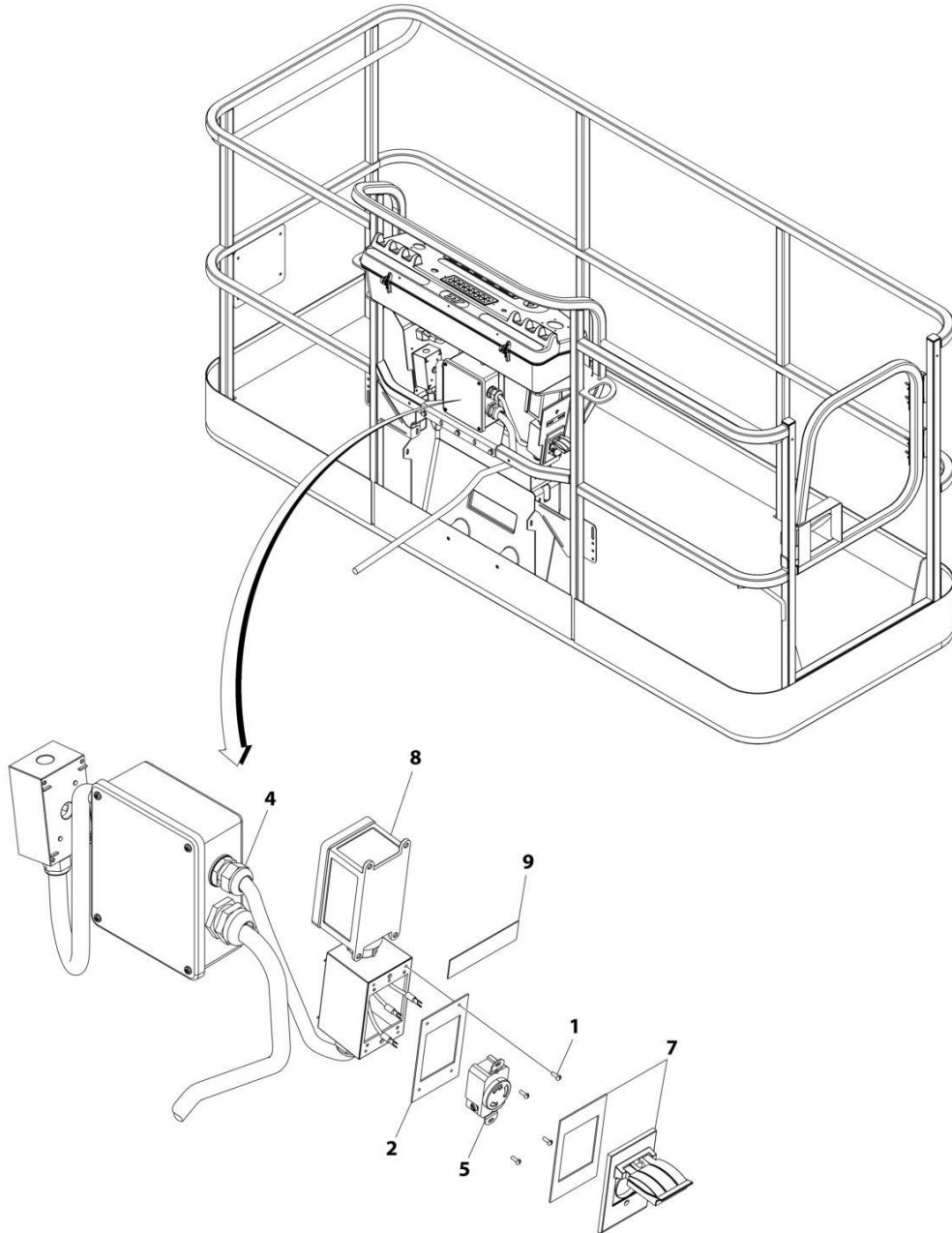
SECTION 8 - ELECTRICAL

**FIGURE 8-12. AC BOX AT PLATFORM INSTALLATION - 220V CUSTOMER SUPPLIED COMPONENTS
(AUSTRALIAN, CE & UK CA SPECS)**

ITEM	PART NUMBER	QTY	DESCRIPTION	REV
	1001194365	Ref	AC BOX AT PLATFORM INSTALLATION - BOX WITH COVER (2X4 BOX)	A
1	0100020	AR	Sealant	
2	0641416	2	Bolt 1/4 x 2	
3	0700408	4	Bolt M4 x 16	
4	0861731	1	Box, Switch	
5	1670603	1	Cover	
6	3251242	1	Decal - 240V/50Hz	
7	3290405	4	Nut M4	
8	3311405	2	Nut 1/4	
9	4460384	3	Terminal (Not Shown)	
10	4460662	1	Connector, Strain Relief	
11	4711400	4	Washer 1/4	
12	4811400	8	Washer M4	
13	1001193018	1	Bracket, AC Receptacle	

SECTION 8 - ELECTRICAL

FIGURE 8-13. AC BOX AT PLATFORM INSTALLATION - 240V (WITH 4000W GENERATOR) (ANSI, ANSI EXPORT, CSA AND JAPANESE SPECS)



ART_1001171131

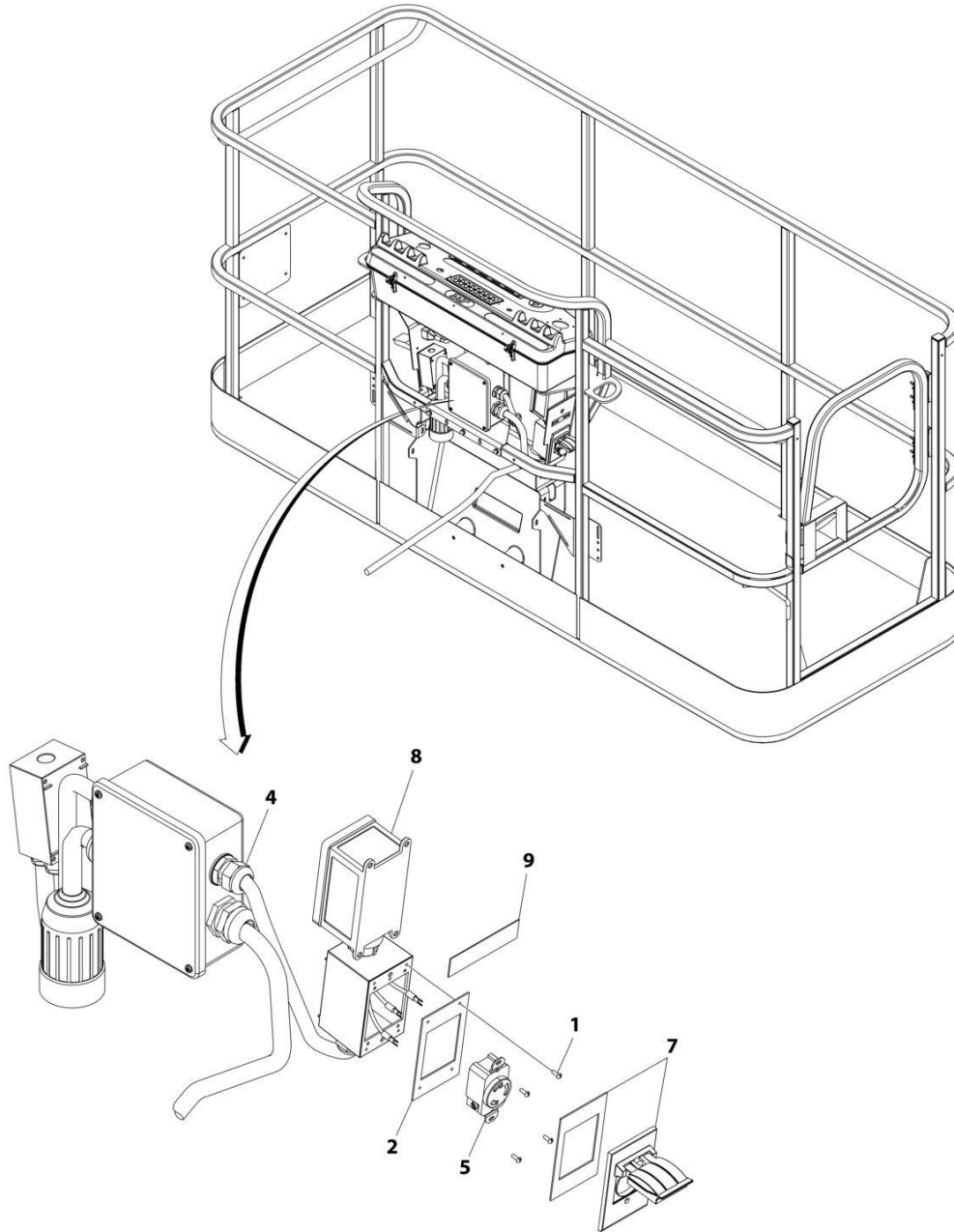
SECTION 8 - ELECTRICAL

FIGURE 8-13. AC BOX AT PLATFORM INSTALLATION - 240V (WITH 4000W GENERATOR) (ANSI, ANSI EXPORT, CSA AND JAPANESE SPECS)

ITEM	PART NUMBER	QTY	DESCRIPTION	REV
	1001171131	Ref	AC BOX AT PLATFORM INSTALLATION - 240V RECEPTACLE	B
1	3910606	4	Screw 6 x 3/8	
2	3960422	1	Gasket	
3	4240018	AR	Tie-Strap (Not Shown)	
4	4460425	1	Connector, Strain Relief	
5	1001176862	1	Receptacle	
7	1001110872	1	Cover, Receptacle	
8	1001159120	1	Receptacle/Breaker Box Assembly	
8	1001148675	1	Box, Receptacle	
8	1001159118	1	Breaker GFCI 30Amp 240VAC	
8	4460612	1	Connector, Strain Relief	
8	1001159119	1	Connector (Between Boxes)	
9	1705374	1	Decal - 240V/60Hz	

SECTION 8 - ELECTRICAL

FIGURE 8-14. AC BOX AT PLATFORM INSTALLATION - 240V (WITH 7500W SKYPOWER GENERATOR) (ANSI, ANSI EXPORT, CSA AND JAPANESE SPECS)



ART_1001159121

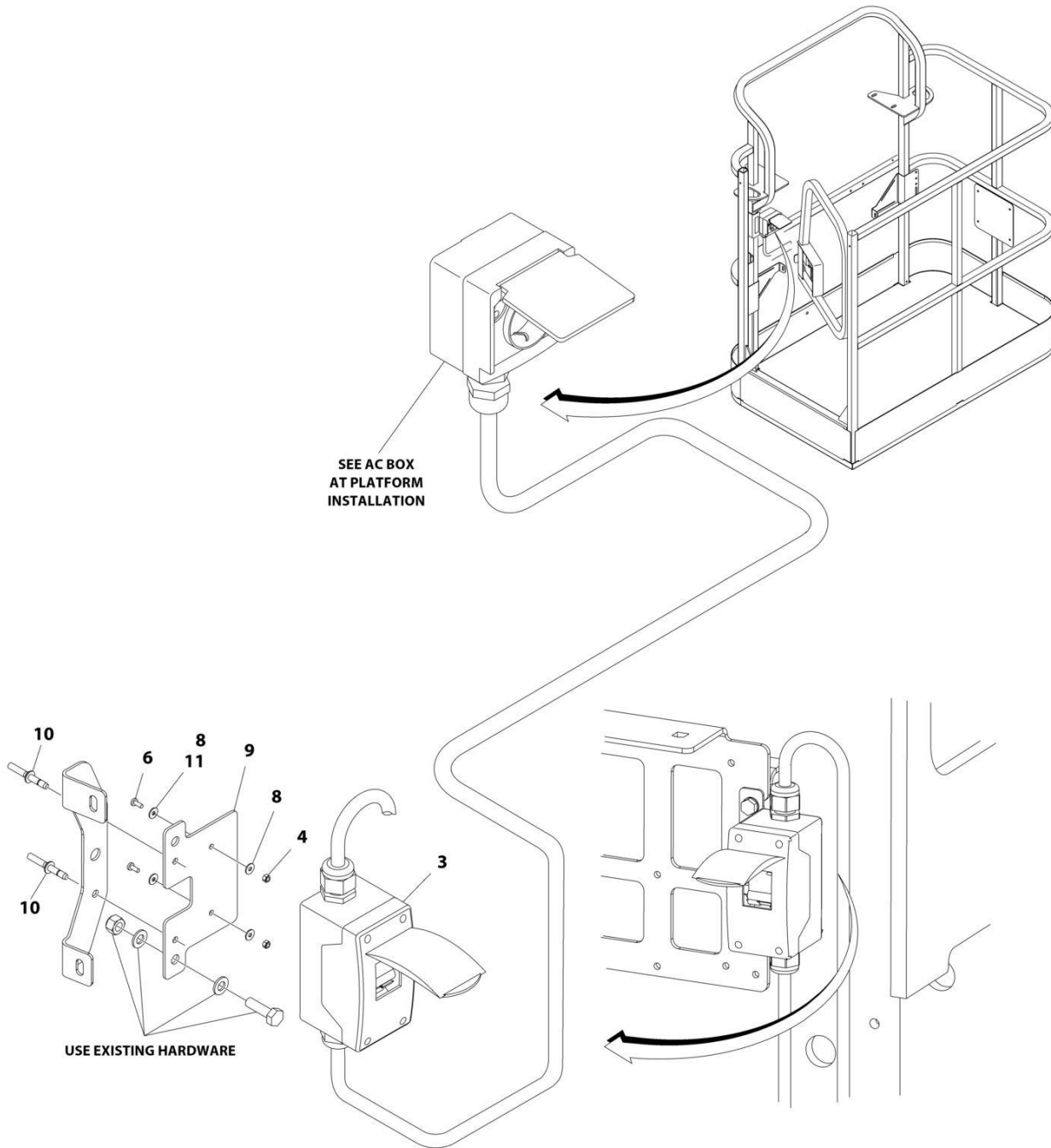
SECTION 8 - ELECTRICAL

FIGURE 8-14. AC BOX AT PLATFORM INSTALLATION - 240V (WITH 7500W SKYPOWER GENERATOR) (ANSI, ANSI EXPORT, CSA AND JAPANESE SPECS)

ITEM	PART NUMBER	QTY	DESCRIPTION	REV
	1001159121	Ref	AC BOX AT PLATFORM INSTALLATION - 240V RECEPTACLE	B
1	3910606	4	Screw 6 x 3/8	
2	3960422	1	Gasket	
3	4240018	AR	Tie-Strap (Not Shown)	
4	4460425	1	Connector, Strain Relief	
5	4460958	1	Receptacle	
7	1001110872	1	Cover, Receptacle	
8	1001159120	1	Receptacle/Breaker Box Assembly	
8	1001148675	1	Box, Receptacle	
8	1001159118	1	Breaker Box Assembly	
8	4460612	1	Connector, Strain Relief	
8	1001159119	1	Connector (Between Boxes)	
9	1705374	1	Decal - 240V/60Hz	

SECTION 8 - ELECTRICAL

FIGURE 8-15. AC CABLE INSTALLATION - WITH TWO BREAKERS (CE, RUSSIA & UK CA SPECS)



ART_1001167312

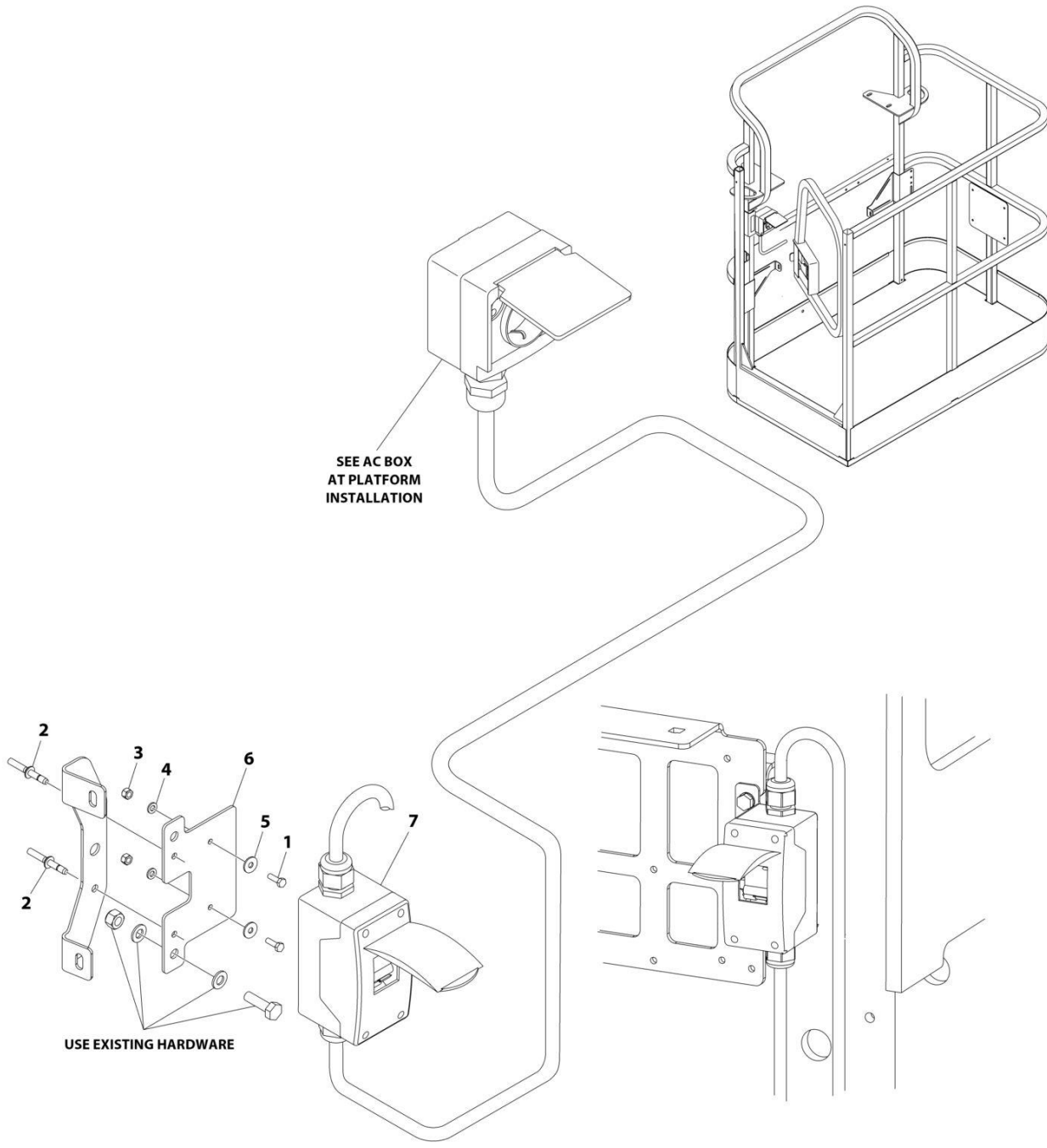
SECTION 8 - ELECTRICAL

FIGURE 8-15. AC CABLE INSTALLATION - WITH TWO BREAKERS (CE, RUSSIA & UK CA SPECS)

ITEM	PART NUMBER	QTY	DESCRIPTION	REV
	1001167312	Ref	AC CABLE INSTALLATION - WITH TWO BREAKERS	G
3	2902549	1	Breaker Box Kit - CE Spec (See Separate Breakdown in this Section)	
4	3290405	2	Nut M4	
4	3290605	2	Nut M6	
6	4010405	AR	Screw M4 x 10	
6	0760610	AR	Screw M6 x 20	
6	0760614	AR	Screw M6 x 30	
8	1001091102	2	Washer M4	
8	4811700	AR	Washer M6	
9	1001174158	1	Bracket	
10	2080040	2	Fastener, Huck	
11	4811702	2	Washer M6	

SECTION 8 - ELECTRICAL

FIGURE 8-16. AC CABLE INSTALLATION - WITH TWO BREAKERS (MACHINES WITH SN STARTING WITH B3)



ART_1001291599

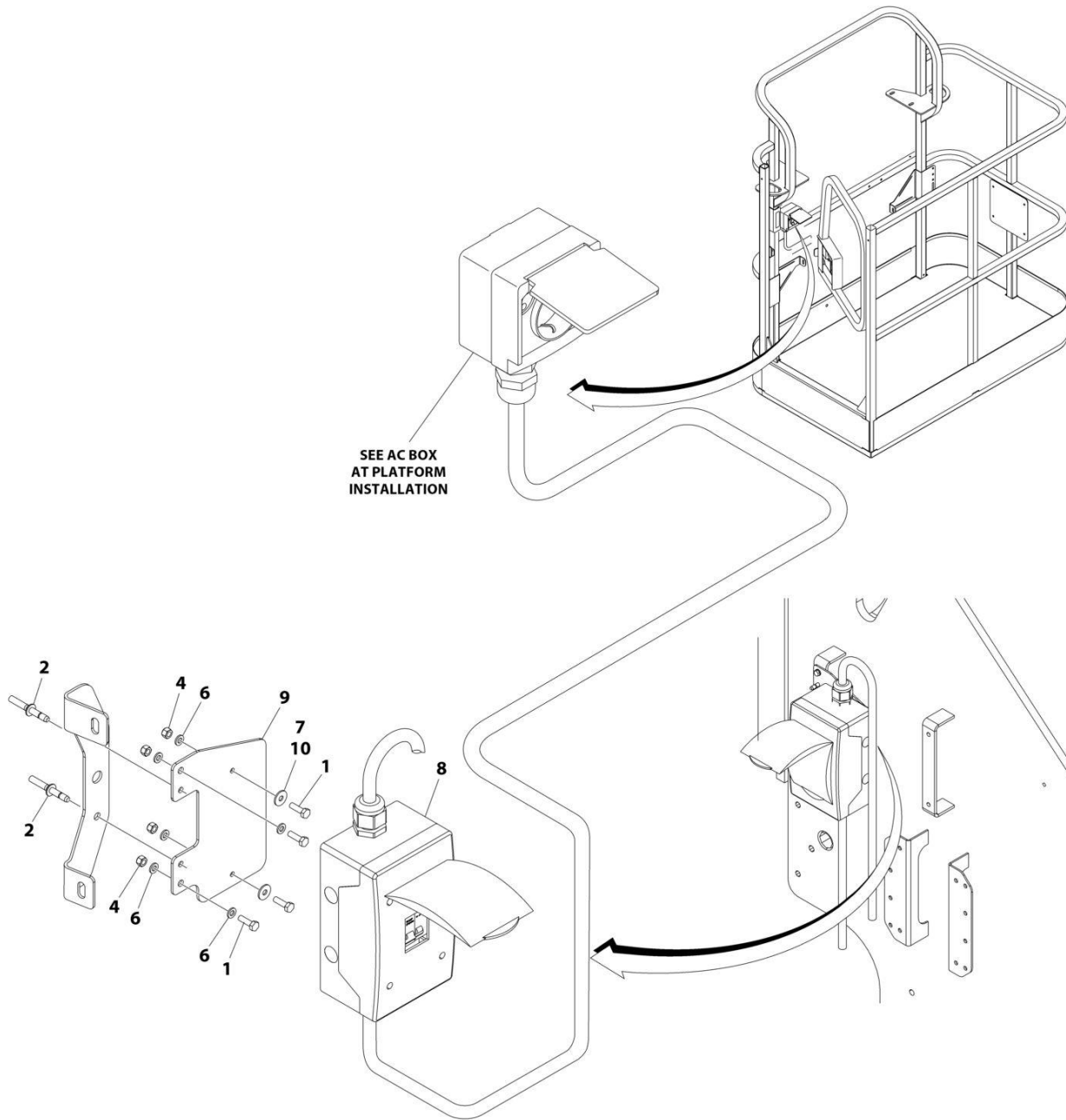
SECTION 8 - ELECTRICAL

FIGURE 8-16. AC CABLE INSTALLATION - WITH TWO BREAKERS (MACHINES WITH SN STARTING WITH B3)

ITEM	PART NUMBER	QTY	DESCRIPTION	REV
	1001291599	Ref	AC CABLE INSTALLATION - WITH TWO BREAKERS	A
1	0760610	2	Screw M6 x 20	
2	2080040	2	Fastener, Huck	
3	3290605	2	Nut M6	
4	4811700	2	Washer M6	
5	4811702	2	Washer M6	
6	1001174158	1	Bracket	
7	1001289592	1	Breaker Box Kit - CE Spec (See Separate Breakdown in this Section)	

SECTION 8 - ELECTRICAL

FIGURE 8-17. AC CABLE INSTALLATION - WITH THREE BREAKERS (CE, RUSSIA & UK CA SPECS)



ART_1001209677

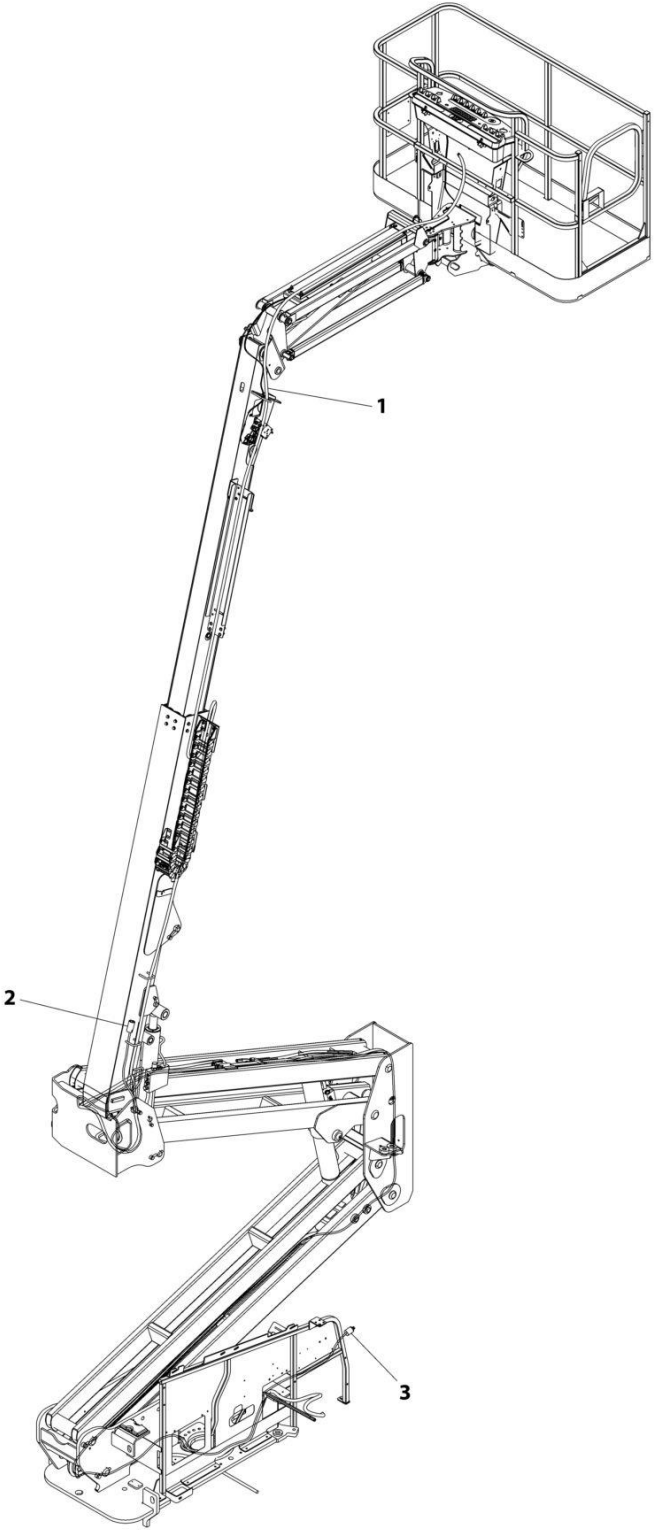
SECTION 8 - ELECTRICAL

FIGURE 8-17. AC CABLE INSTALLATION - WITH THREE BREAKERS (CE, RUSSIA & UK CA SPECS)

ITEM	PART NUMBER	QTY	DESCRIPTION	REV
	1001209677	Ref	AC CABLE INSTALLATION - WITH THREE BREAKERS	B
1	0760610	AR	Bolt M6 x 20	
1	4010405	AR	Bolt M4 x 10	
2	2080040	AR	Fastener, Huck	
4	3290605	AR	Nut M6	
6	4811700	4	Washer M6	
7	1001091102	AR	Washer M4	
8	1001152485	1	Breaker Box Kit (See Separate Breakdown in this Section)	
9	1001209832	1	Bracket	
10	4811702	AR	Washer M6	

SECTION 8 - ELECTRICAL

FIGURE 8-18. AC CABLE AND PLUG INSTALLATION (MACHINES WITH SN STARTING WITH B3)



ART_1001265275

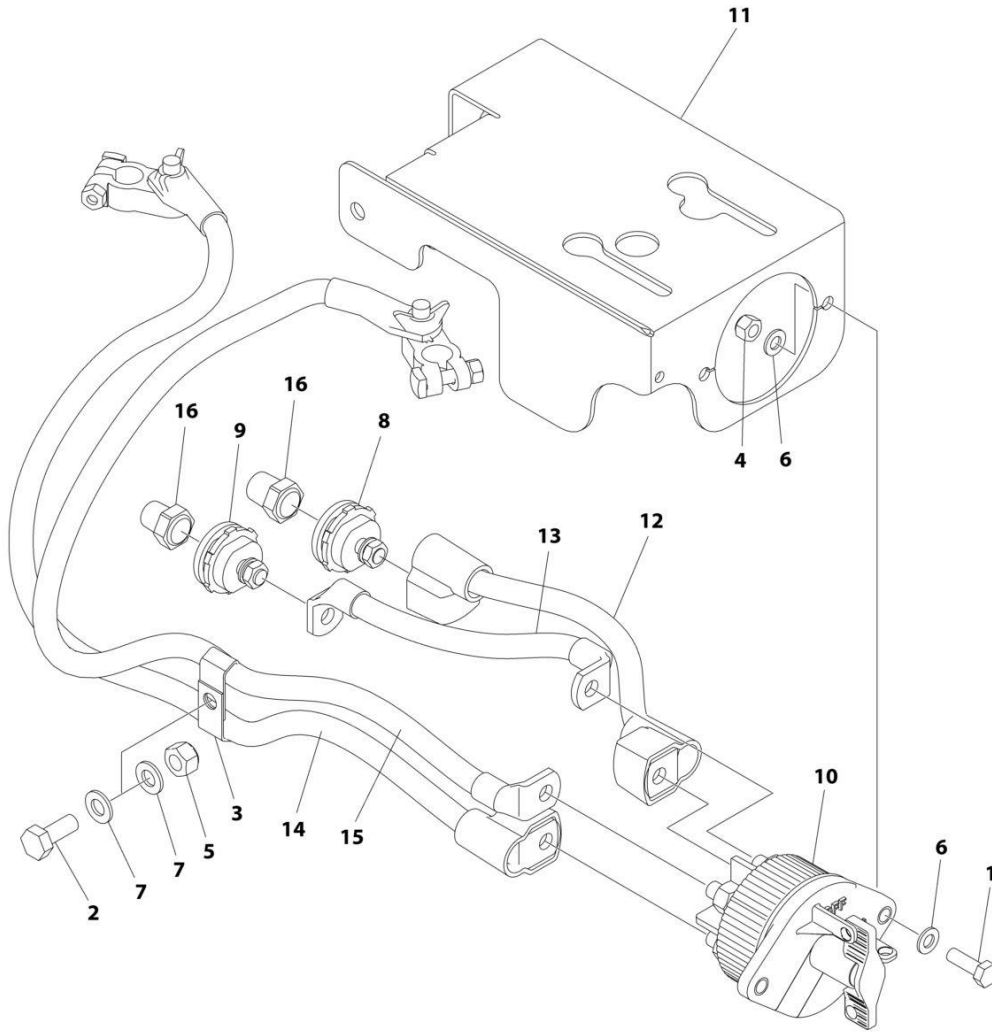
SECTION 8 - ELECTRICAL

FIGURE 8-18. AC CABLE AND PLUG INSTALLATION (MACHINES WITH SN STARTING WITH B3)

ITEM	PART NUMBER	QTY	DESCRIPTION	REV
1	1001265275	Ref	AC CABLE AND PLUG INSTALLATION	A
	1001164731	1	Harness, Main Boom AC Cable (See Separate Breakdown in this Section)	
2	1001174749	1	Harness, Tower Boom AC Cable (See Separate Breakdown in this Section)	
3	1001187816	1	Plug, Male	

SECTION 8 - ELECTRICAL

FIGURE 8-19. BATTERY DISCONNECT SWITCH



ART_1001214397

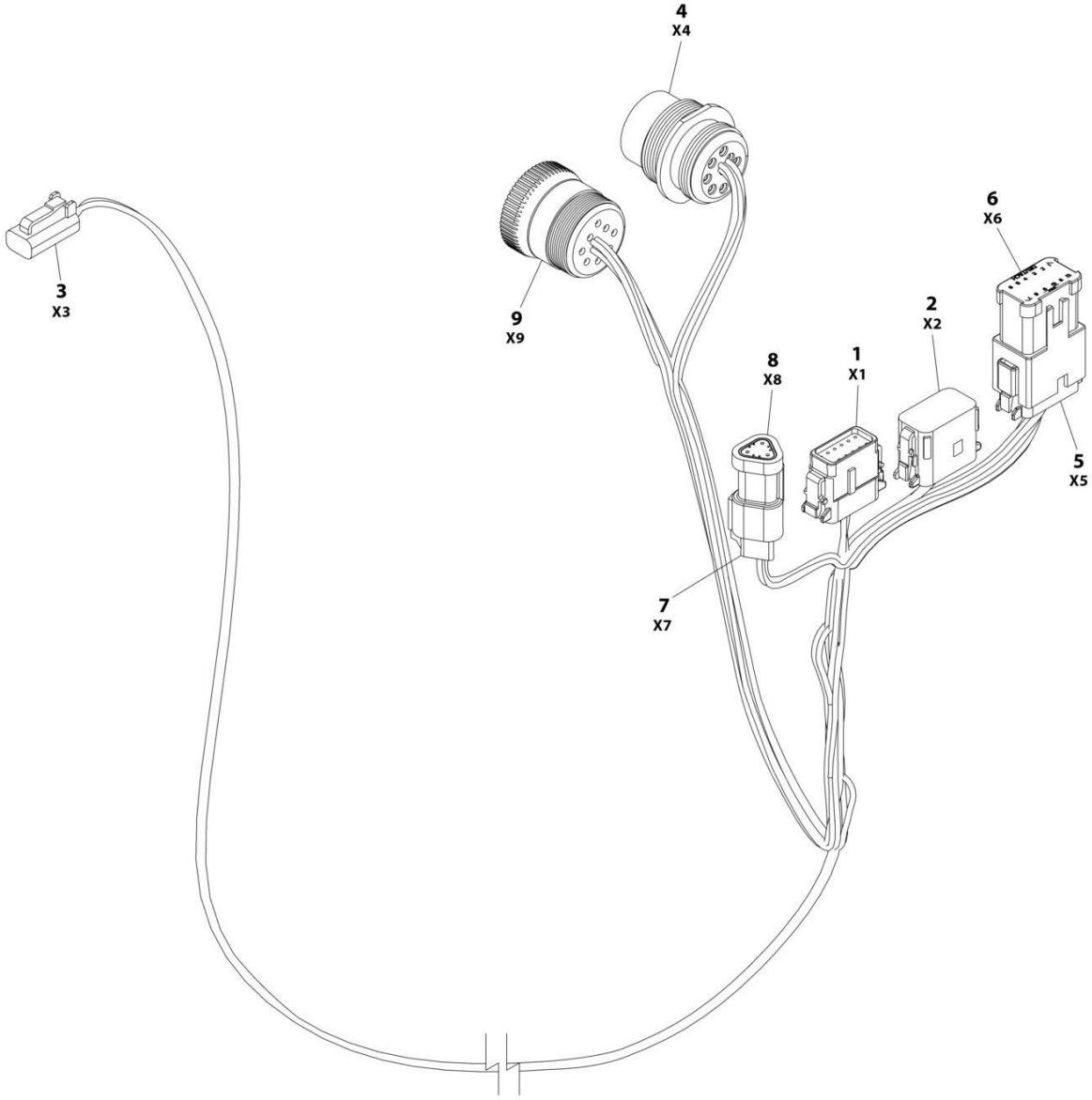
SECTION 8 - ELECTRICAL

FIGURE 8-19. BATTERY DISCONNECT SWITCH

ITEM	PART NUMBER	QTY	DESCRIPTION	REV
	1001214397	Ref	BATTERY DISCONNECT SWITCH	A
1	0760812	2	Bolt M8 x 25	
2	0761012	1	Bolt M10 x 25	
3	1320223	2	Clamp	
4	3290805	2	Nut M8	
5	3291005	1	Nut M10	
6	4811900	4	Washer M8	
7	4812000	2	Washer M10	
8	1001214570	1	Connector (Red)	
9	1001214571	1	Connector (Black)	
10	1001225346	1	Switch	
11	1001226530	1	Mount	
12	1001237878	1	Cable, Battery Disconnect (Positive)	
13	1001237879	1	Cable, Battery Disconnect (Negative)	
14	1001237880	1	Cable (Positive)	
15	1001237881	1	Cable (Negative)	
16	1001206476	1	Connector	

SECTION 8 - ELECTRICAL

FIGURE 8-20. BEACON LIGHT HARNESS (BLUE AND RED BEACON LIGHT)



ART_1001142736

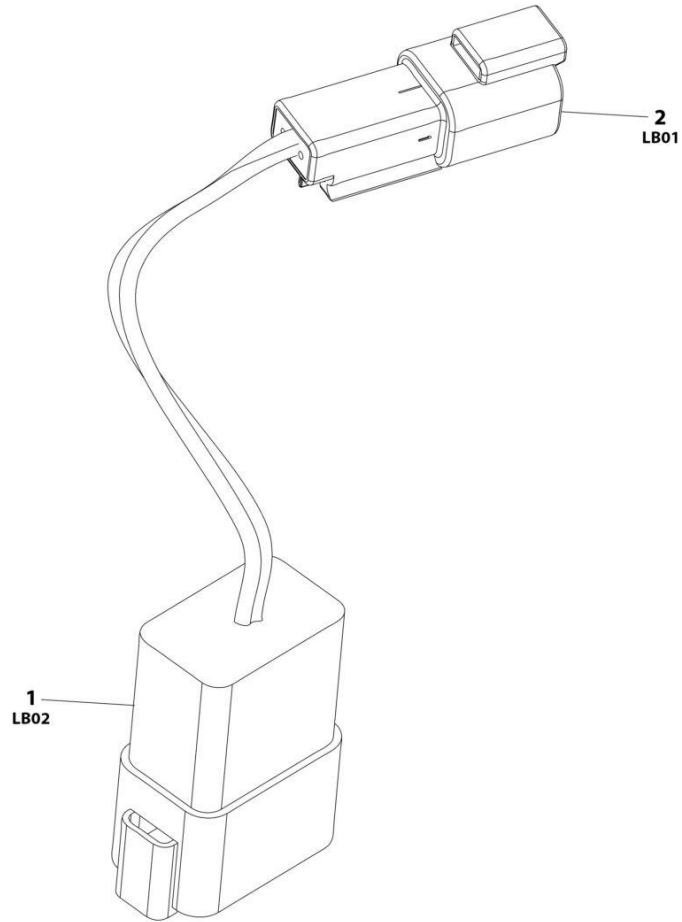
SECTION 8 - ELECTRICAL

FIGURE 8-20. BEACON LIGHT HARNESS (BLUE AND RED BEACON LIGHT)

ITEM	PART NUMBER	QTY	DESCRIPTION	REV
	1001142736	Ref	STROBE LIGHT HARNESS	F
1	1001116808	1	Plug, Male - 12 Position	
1	4460928	3	Socket, Female	
1	4460518	9	Plug, Terminal	
2	1001116774	1	Plug, Male - 12 Position	
2	4460928	3	Socket, Female	
2	4460518	9	Plug, Terminal	
3	4460891	1	Plug, Male - 2 Position	
3	4460465	2	Socket, Female	
4	1001112612	1	Connector - 9 Position	
4	4460464	6	Pin, Male	
4	4460466	3	Plug, Terminal	
5	4460933	1	Plug, Male - 12 Position	
5	4460465	12	Socket, Female	
6	1001119020	1	Bussbar - 12 Position	
7	4461095	1	Plug, Male - 3 Position	
7	4460465	3	Socket, Female	
8	4461070	1	Bussbar - 3 Position	
9	1001112796	1	Connector - 9 Position	
9	4460465	6	Socket, Female	
9	4460466	3	Plug, Terminal	

SECTION 8 - ELECTRICAL

FIGURE 8-21. BEACON JUMPER HARNESS



ART_1001283776

SECTION 8 - ELECTRICAL

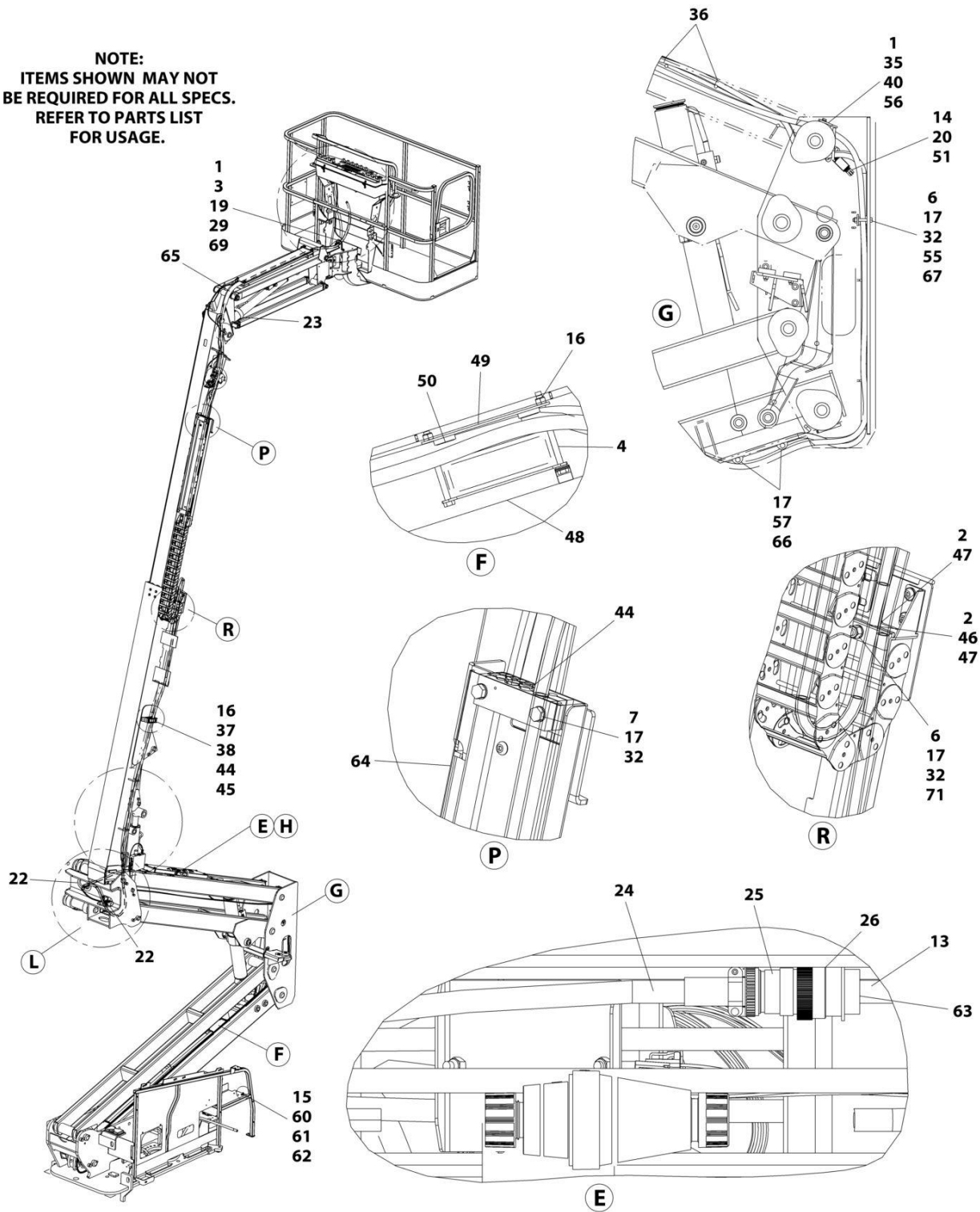
FIGURE 8-21. BEACON JUMPER HARNESS

ITEM	PART NUMBER	QTY	DESCRIPTION	REV
	1001283776	Ref	STROBE LIGHT HARNESS (AMBER)	A
1	4460931	1	Connector	
1	4460464	2	Pin	
1	4460466	6	Plug	
2	4460897	1	Connector	
2	4460464	2	Pin	

SECTION 8 - ELECTRICAL

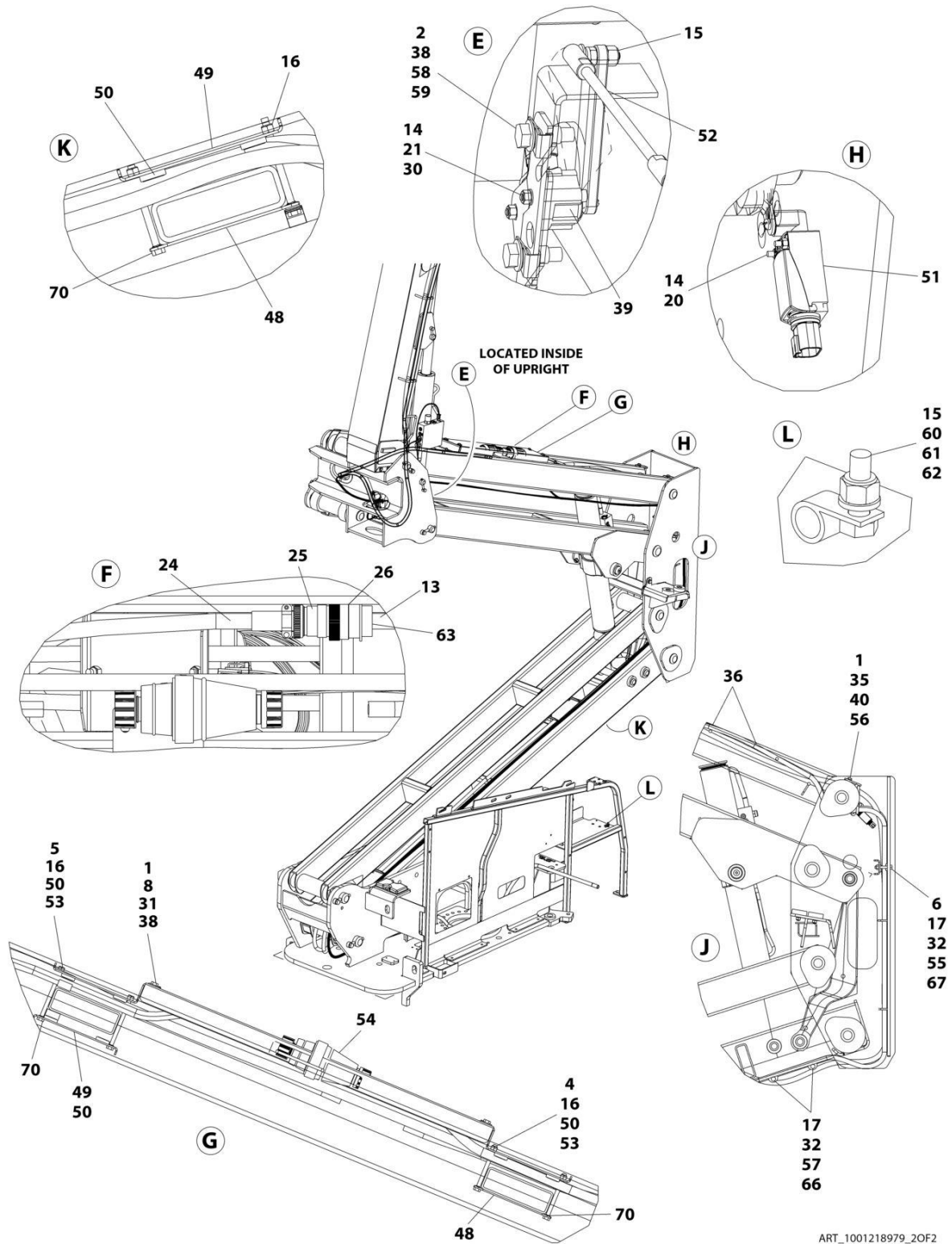
FIGURE 8-22. BOOM CABLES AND CLAMPS INSTALLATION - 450A (WITHOUT ARCTIC PACKAGE)

NOTE:
ITEMS SHOWN MAY NOT
BE REQUIRED FOR ALL SPECS.
REFER TO PARTS LIST
FOR USAGE.



ART_1001218979_10F2

SECTION 8 - ELECTRICAL



SECTION 8 - ELECTRICAL

FIGURE 8-22. BOOM CABLES AND CLAMPS INSTALLATION - 450A (WITHOUT ARCTIC PACKAGE)

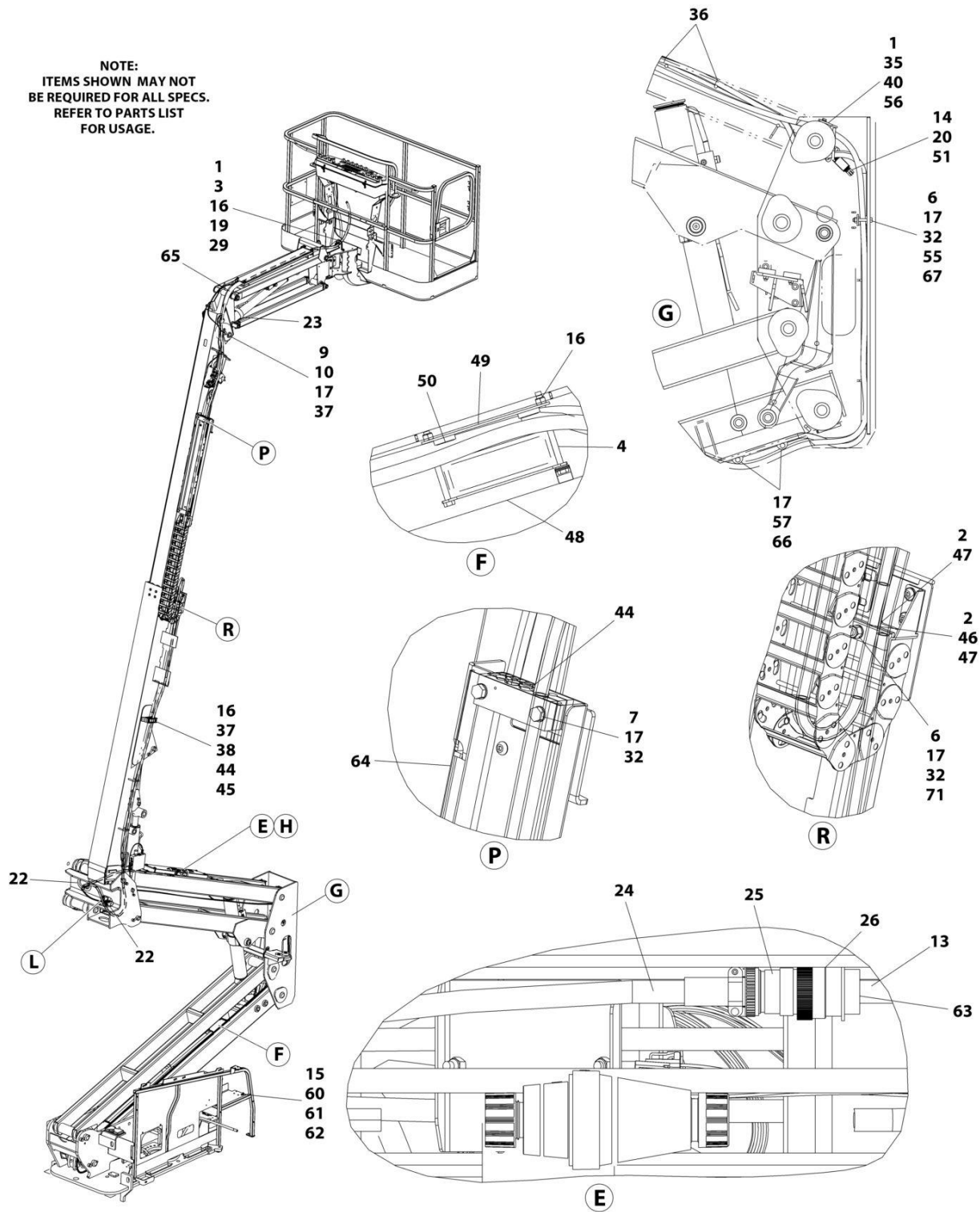
ITEM	PART NUMBER	QTY	DESCRIPTION	REV
	1001218979	Ref	BOOM CABLES AND CLAMPS INSTALLATION (WITHOUT ARCTIC PACKAGE)	D
	1001219001	Ref	BOOM CABLES AND CLAMPS INSTALLATION KIT (WITHOUT ARCTIC PACKAGE)	G
1	0100011	AR	Compound, Locking	
2	0100081	AR	Adhesive	
3	0641509	2	Bolt 5/16 x 1-1/8	
4	0700827	6	Bolt M8 x 100	
5	0700828	2	Bolt M8 x 110	
6	0701021	3	Bolt M10 x 65	
7	0701024	4	Bolt M10 x 80	
8	0760812	4	Bolt M8 x 25	
13	2820031	AR	Heat Shrink	
14	3290405	4	Nut M4	
15	3290605	3	Nut M6	
16	3290805	10	Nut M8	
17	3291005	9	Nut M10	
19	3841340	1	Loop, Hose	
20	4010418	2	Screw M4 x 50	
21	4031511	2	Capscrew M4 x 35	
22	4060808	27.5 in /8.4m	Flex-Trim	
23	4240156	1	Strap, Clinch	
24	4460473	AR	Clamp, Cable	
25	4460865	1	Connector - 19 Position	
26	4460866	1	Connector - 19 Position	
29	4711500	1	Washer 5/16	
30	4811400	2	Washer M4	
31	4811902	4	Washer M8	
32	4812000	13	Washer M10	
33	1001176951	1	Harness, Tower Boom (Not Shown - See Separate Breakdown in this Section)	
34	1001174749	1	Harness, Tower Boom AC Cable (Not Shown - See Separate Breakdown in this Section)	
35	5251014	2	Bolt M10 x 30	
36	8881800	AR	Tie-Strap	
37	5281920	2	Screw M8 x 80	
37	5281918	2	Bolt M8 x 70	
38	1001118274	8	Nut M8	
39	1001118971	1	Sensor, Angle	
39	70005667	1	Arm	
40	1001118972	2	Nut M10	
41	1001172335	1	Harness, Main Boom (Not Shown - See Separate Breakdown in this Section)	
42	1001172336	1	Harness, Main Boom AC Cable (Not Shown - See Separate Breakdown in this Section)	
43	1001164738	1	Harness, Boom Valve (Not Shown - See Separate Breakdown in this Section)	
44	1001273302	3	Block, Clamping	
45	1001273303	1	Plate	
46	1001168472	1	Plate, Clamping	

SECTION 8 - ELECTRICAL

ITEM	PART NUMBER	QTY	DESCRIPTION	REV
47	1001168473	2	Clamp, Rubber	
48	1001171553	3	Plate, Clamping	
49	1001171555	3	Plate, Clamping	
50	1001171559	10	Pad	
51	1001284504	1	Switch, Limit	
52	1001238466	1	Link, Sensor (Note: Sold as Assembly Only)	
53	1001178448	2	Plate, Clamping	
54	1001178449	1	Cover	
55	1001178644	1	Plate	
56	1001260306	1	Bracket	
57	1001182561	2	Roller	
58	5250812	2	Bolt M8 x 25	
59	1001179266	1	Plate, Mounting	
60	0760610	1	Bolt M6 x 20	
61	1320043	1	Clamp	
62	4811700	1	Washer M6	
63	4460466	AR	Plug, Terminal	
64	1001181875	1	Cover	
65	1001181923	1	Shield, Hose	
66	1001119280	2	Bolt M10 x 260	
67	1001185747	2	Pad	
69	88521205	2	Nut 5/16	
70	1001119228	8	Nut M8	
71	8310070	1	Pushnut 3/8	

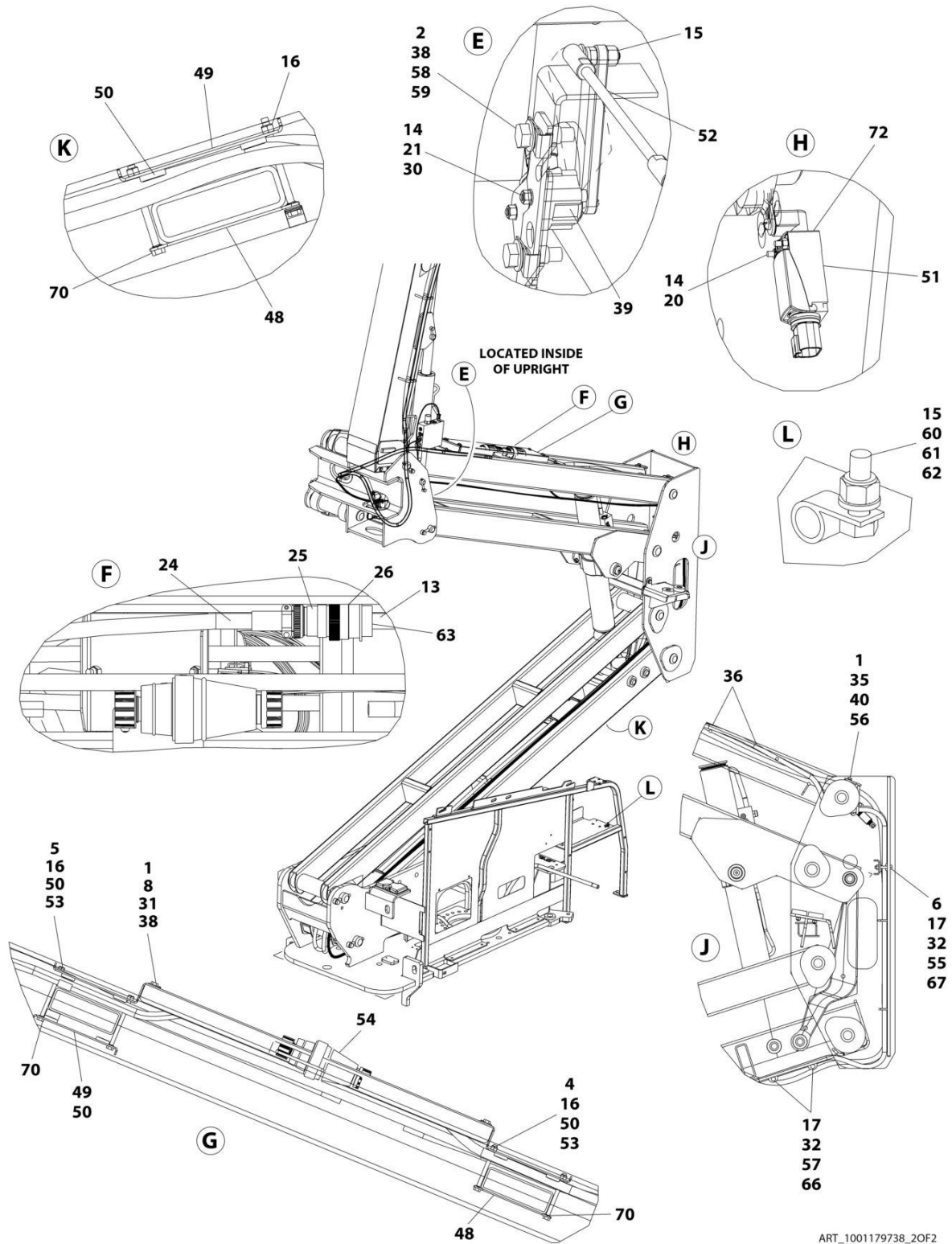
SECTION 8 - ELECTRICAL

FIGURE 8-23. BOOM CABLES AND CLAMPS INSTALLATION - 450AJ (WITHOUT ARCTIC PACKAGE)



ART_1001179738_10F2

SECTION 8 - ELECTRICAL



SECTION 8 - ELECTRICAL

FIGURE 8-23. BOOM CABLES AND CLAMPS INSTALLATION - 450AJ (WITHOUT ARCTIC PACKAGE)

ITEM	PART NUMBER	QTY	DESCRIPTION	REV
	1001179738	Ref	BOOM CABLES AND CLAMPS INSTALLATION	O
1	0100011	AR	Compound, Locking	
2	0100081	AR	Adhesive	
3	0760814	2	Bolt M8 x 30	
4	0700827	6	Bolt M8 x 100	
5	0700828	2	Bolt M8 x 110	
6	0701021	3	Bolt M10 x 65	
7	0701024	4	Bolt M10 x 80	
8	0760812	4	Bolt M8 x 25	
9	0761012	1	Bolt M10 x 25	
10	1320130	1	Clamp	
13	2820031	AR	Heat Shrink	
14	3290405	4	Nut M4	
15	3290605	3	Nut M6	
16	3290805	12	Nut M8	
17	3291005	10	Nut M10	
19	3841340	1	Loop, Hose	
20	4010418	2	Screw M4 x 50	
21	4031511	2	Capscrew M4 x 35	
22	4060808	27.5 in/ 8.38m	Flex-Trim	
23	4240156	2	Strap, Clinch	
24	4460473	AR	Clamp, Cable	
25	4460865	1	Connector - 19 Position	
26	4460866	1	Connector - 19 Position	
29	4811900	4	Washer M8	
30	4811400	2	Washer M4	
31	4811902	4	Washer M8	
32	4812000	13	Washer M10	
33	1001176951	1	Harness, Tower Boom (Not Shown - See Separate Breakdown in this Section)	
34	1001174749	1	Harness, Tower Boom AC Cable (Not Shown - See Separate Breakdown in this Section)	
35	5251014	2	Bolt M10 x 30	
36	8881800	AR	Tie-Strap	
37	5281920	2	Screw M8 x 80	
37	5281918	2	Bolt M8 x 70	
38	1001118274	8	Nut M8	
39	1001118971	1	Sensor, Angle	
39	70005667	1	Arm	
40	1001118972	2	Nut M10	
41	1001164730	1	Harness, Main Boom (Not Shown - See Separate Breakdown in this Section)	
42	1001164731	1	Harness, Main Boom AC Cable (Not Shown - See Separate Breakdown in this Section)	
43	1001164738	1	Harness, Boom Valve (Not Shown - See Separate Breakdown in this Section)	
44	1001273302	3	Block, Clamping	
45	1001273303	1	Plate	
46	1001168472	1	Plate, Clamping	
47	1001168473	2	Clamp, Rubber	

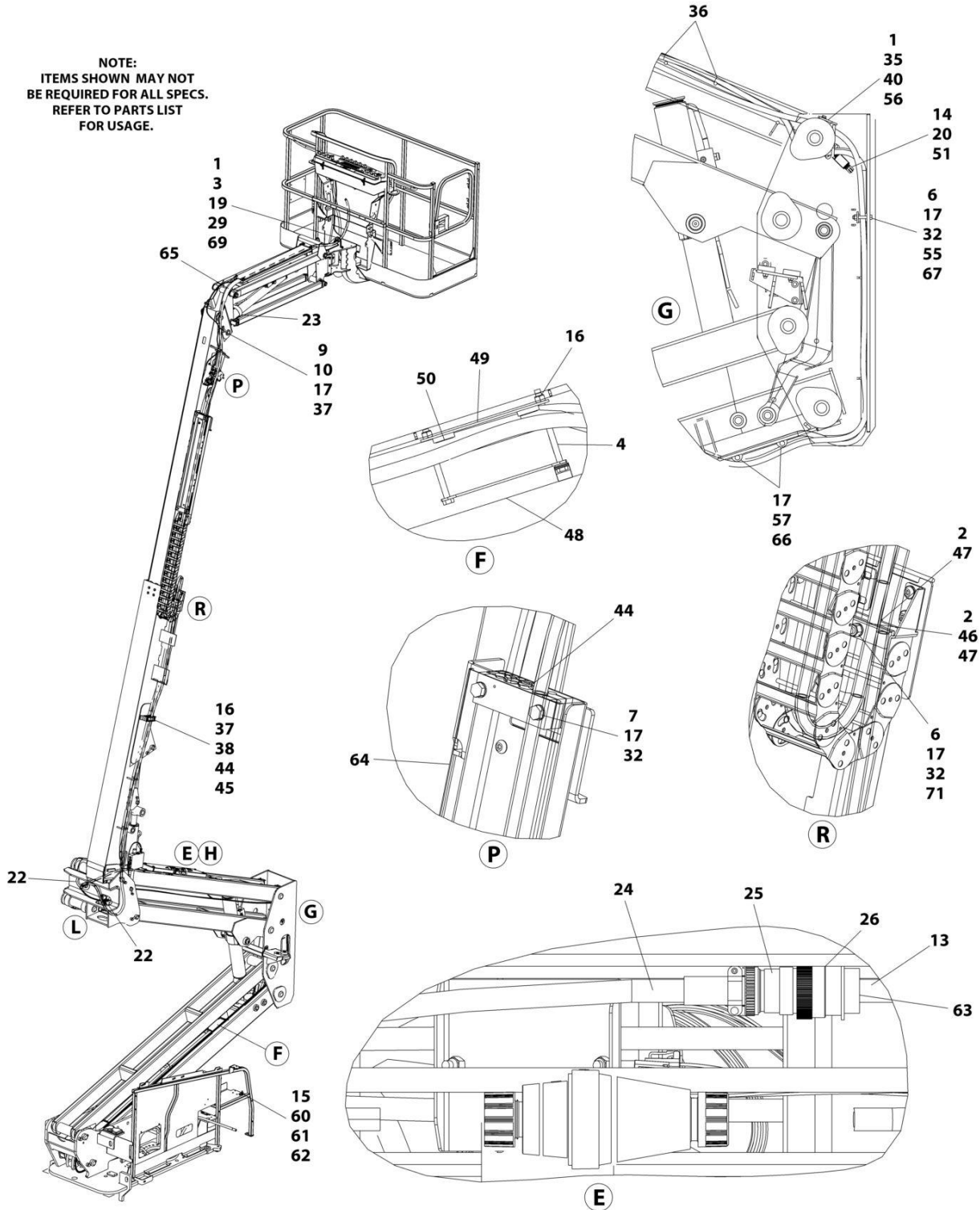
SECTION 8 - ELECTRICAL

ITEM	PART NUMBER	QTY	DESCRIPTION	REV
48	1001171553	3	Plate, Clamping	
49	1001171555	3	Plate, Clamping	
50	1001171559	10	Pad	
51	1001284504	1	Switch, Limit	
52	1001238466	1	Link, Sensor (Note: Sold as Assembly Only)	
53	1001178448	2	Plate, Clamping	
54	1001178449	1	Cover	
55	1001178644	1	Plate	
56	1001260306	1	Bracket	
57	1001182561	2	Roller	
58	5250812	2	Bolt M8 x 25	
59	1001179266	1	Plate, Mounting	
60	0760610	1	Bolt M6 x 20	
61	1320043	1	Clamp	
62	4811700	1	Washer M6	
63	4460466	AR	Plug, Terminal	
64	1001181621	1	Cover	
65	1001181923	1	Shield, Hose	
66	1001119280	2	Bolt M10 x 260	
67	1001185747	2	Pad	
70	1001119228	8	Nut M8	
71	8310070	1	Pushnut 3/8	
72	4750800	AR	Washer #8	

SECTION 8 - ELECTRICAL

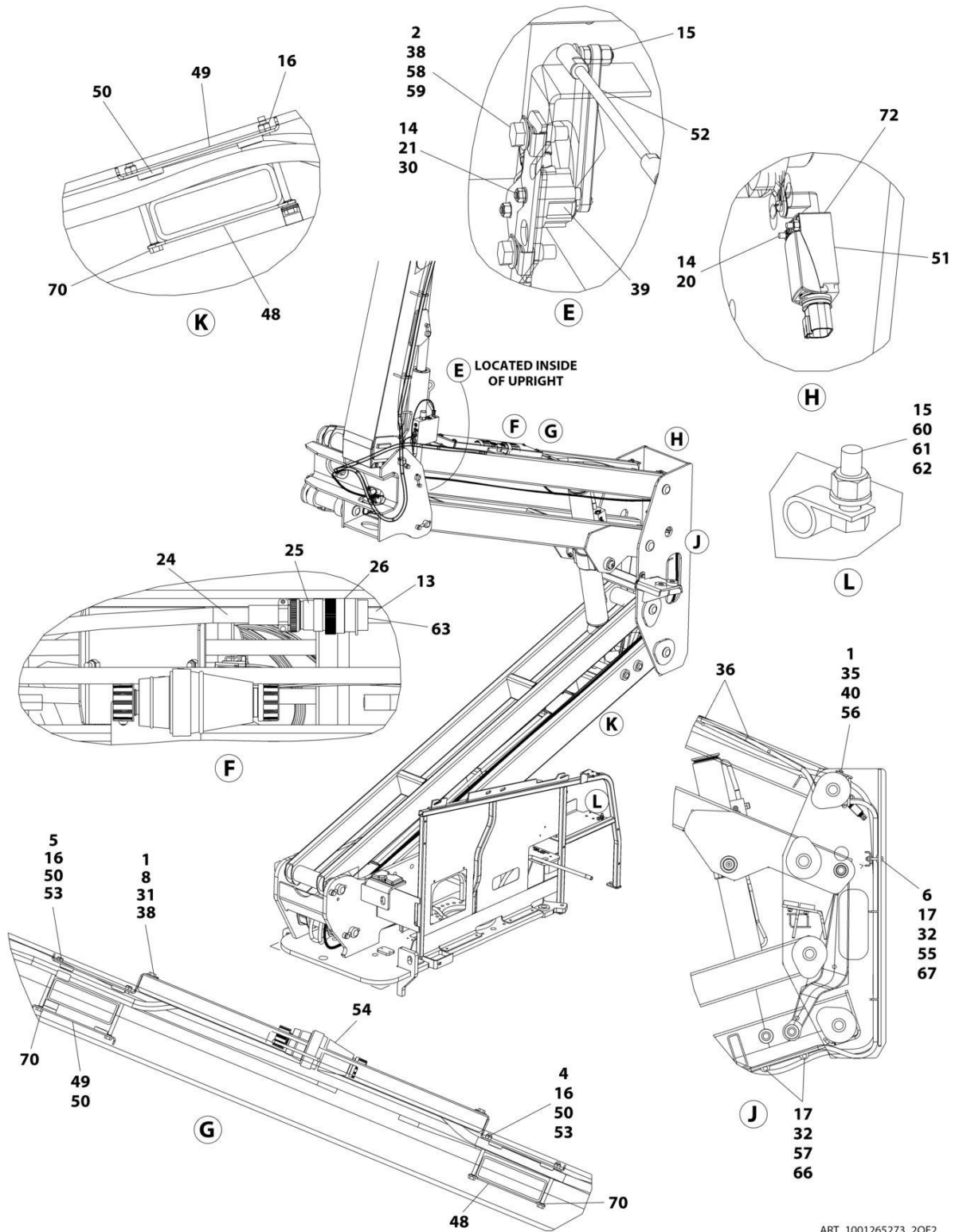
FIGURE 8-24. BOOM CABLES AND CLAMPS INSTALLATION - 450AJ (WITHOUT ARCTIC PACKAGE AND AC CABLES) (MACHINES WITH SN STARTING WITH B3)

NOTE:
ITEMS SHOWN MAY NOT
BE REQUIRED FOR ALL SPECS.
REFER TO PARTS LIST
FOR USAGE.



ART_1001265273_10F2

SECTION 8 - ELECTRICAL



ART_1001265273_20F2

SECTION 8 - ELECTRICAL

FIGURE 8-24. BOOM CABLES AND CLAMPS INSTALLATION - 450AJ (WITHOUT ARCTIC PACKAGE AND AC CABLES) (MACHINES WITH SN STARTING WITH B3)

ITEM	PART NUMBER	QTY	DESCRIPTION	REV
	1001265273	Ref	BOOM CABLES AND CLAMPS INSTALLATION	D
1	0100011	AR	Compound, Locking	
2	0100081	AR	Adhesive	
3	0760814	2	Bolt M8 x 30	
4	0700827	6	Bolt M8 x 100	
5	0700828	2	Bolt M8 x 110	
6	0701021	3	Bolt M10 x 65	
7	0701024	4	Bolt M10 x 80	
8	0760812	4	Bolt M8 x 25	
9	0761012	1	Bolt M10 x 25	
10	1320130	1	Clamp	
13	2820031	AR	Heat Shrink	
14	3290405	4	Nut M4	
15	3290605	3	Nut M6	
16	3290805	10	Nut M8	
17	3291005	10	Nut M10	
19	3841340	1	Loop, Hose	
20	4010418	2	Screw M4 x 50	
21	4031511	2	Capscrew M4 x 35	
22	4060808	27.5 in/ 8.38m	Flex-Trim	
23	4240156	2	Strap, Clinch	
24	4460473	AR	Clamp, Cable	
25	4460865	1	Connector - 19 Position	
26	4460866	1	Connector - 19 Position	
29	4711500	4	Washer 5/16	
30	4811400	2	Washer M4	
31	4811902	4	Washer M8	
32	4812000	13	Washer M10	
33	1001176951	1	Harness, Tower Boom (Not Shown - See Separate Breakdown in this Section)	
35	5251014	2	Bolt M10 x 30	
36	8881800	AR	Tie-Strap	
37	5281920	2	Screw M8 x 80	
37	5281918	2	Bolt M8 x 70	
38	1001118274	8	Nut M8	
39	1001118971	1	Sensor, Angle	
39	70005667	1	Arm	
40	1001118972	2	Nut M10	
41	1001164730	1	Harness, Main Boom (Not Shown - See Separate Breakdown in this Section)	
43	1001164738	1	Harness, Boom Valve (Not Shown - See Separate Breakdown in this Section)	
44	1001273302	3	Block, Clamping	
45	1001273303	1	Plate	
46	1001168472	1	Plate, Clamping	
47	1001168473	2	Clamp, Rubber	
48	1001171553	3	Plate, Clamping	
49	1001171555	3	Plate, Clamping	
50	1001171559	10	Pad	

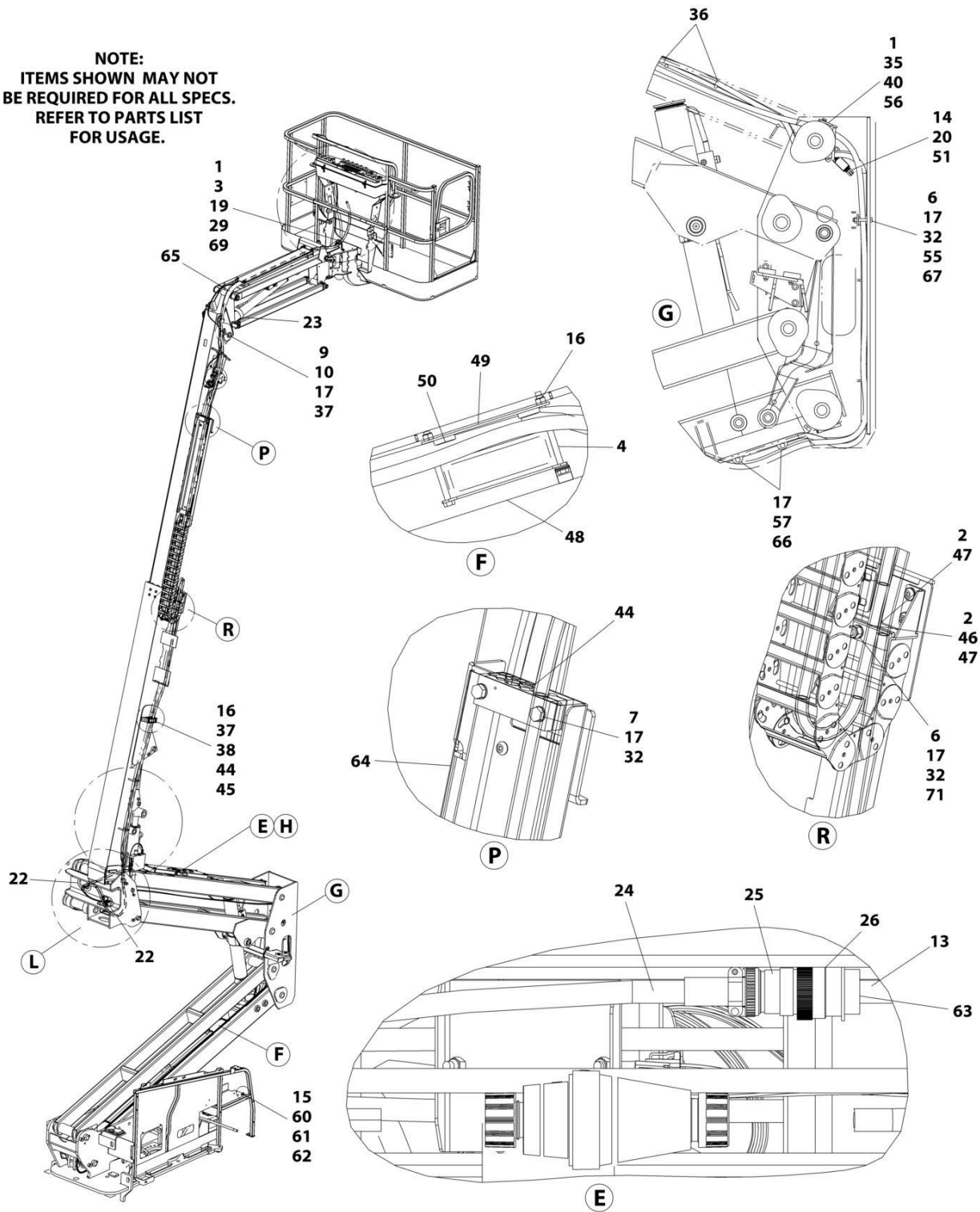
SECTION 8 - ELECTRICAL

ITEM	PART NUMBER	QTY	DESCRIPTION	REV
51	1001284504	1	Switch, Limit	
52	1001238466	1	Link, Sensor (Note: Sold as Assembly Only)	
53	1001178448	2	Plate, Clamping	
54	1001178449	1	Cover	
55	1001178644	1	Plate	
56	1001260306	1	Bracket	
57	1001182561	2	Roller	
58	5250812	2	Bolt M8 x 25	
59	1001179266	1	Plate, Mounting	
60	0760610	1	Bolt M6 x 20	
61	1320043	1	Clamp	
62	4811700	1	Washer M6	
63	4460466	AR	Plug, Terminal	
64	1001181621	1	Cover	
65	1001181923	1	Shield, Hose	
66	1001119280	2	Bolt M10 x 260	
67	1001185747	2	Pad	
70	1001119228	8	Nut M8	
71	8310070	1	Pushnut 3/8	
72	4750800	AR	Washer #8	

SECTION 8 - ELECTRICAL

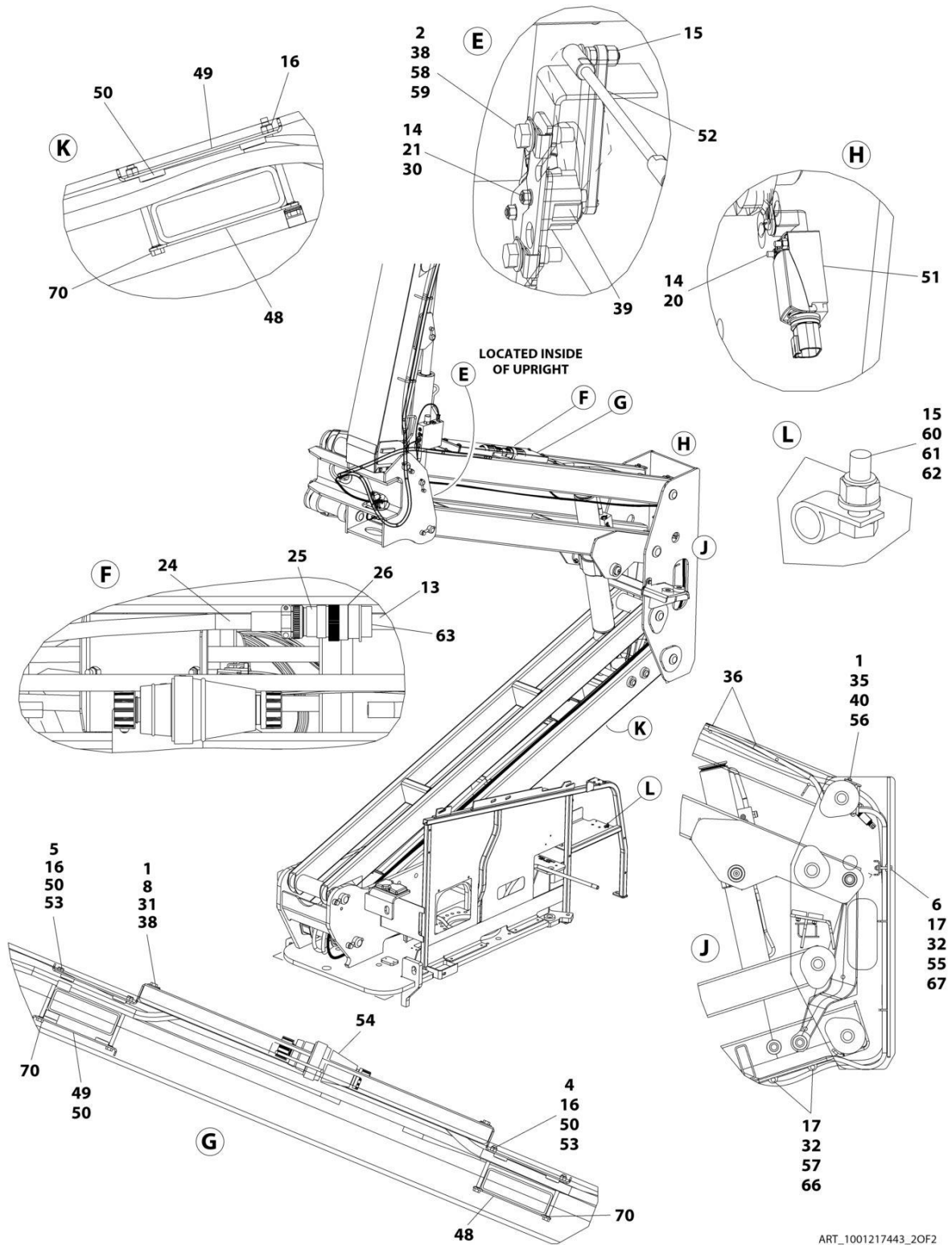
FIGURE 8-25. BOOM CABLES AND CLAMPS INSTALLATION - 450A (WITH ARCTIC PACKAGE)

NOTE:
ITEMS SHOWN MAY NOT
BE REQUIRED FOR ALL SPECS.
REFER TO PARTS LIST
FOR USAGE.



ART_1001217443_10F2

SECTION 8 - ELECTRICAL



ART_1001217443_20F2

SECTION 8 - ELECTRICAL

FIGURE 8-25. BOOM CABLES AND CLAMPS INSTALLATION - 450A (WITH ARCTIC PACKAGE)

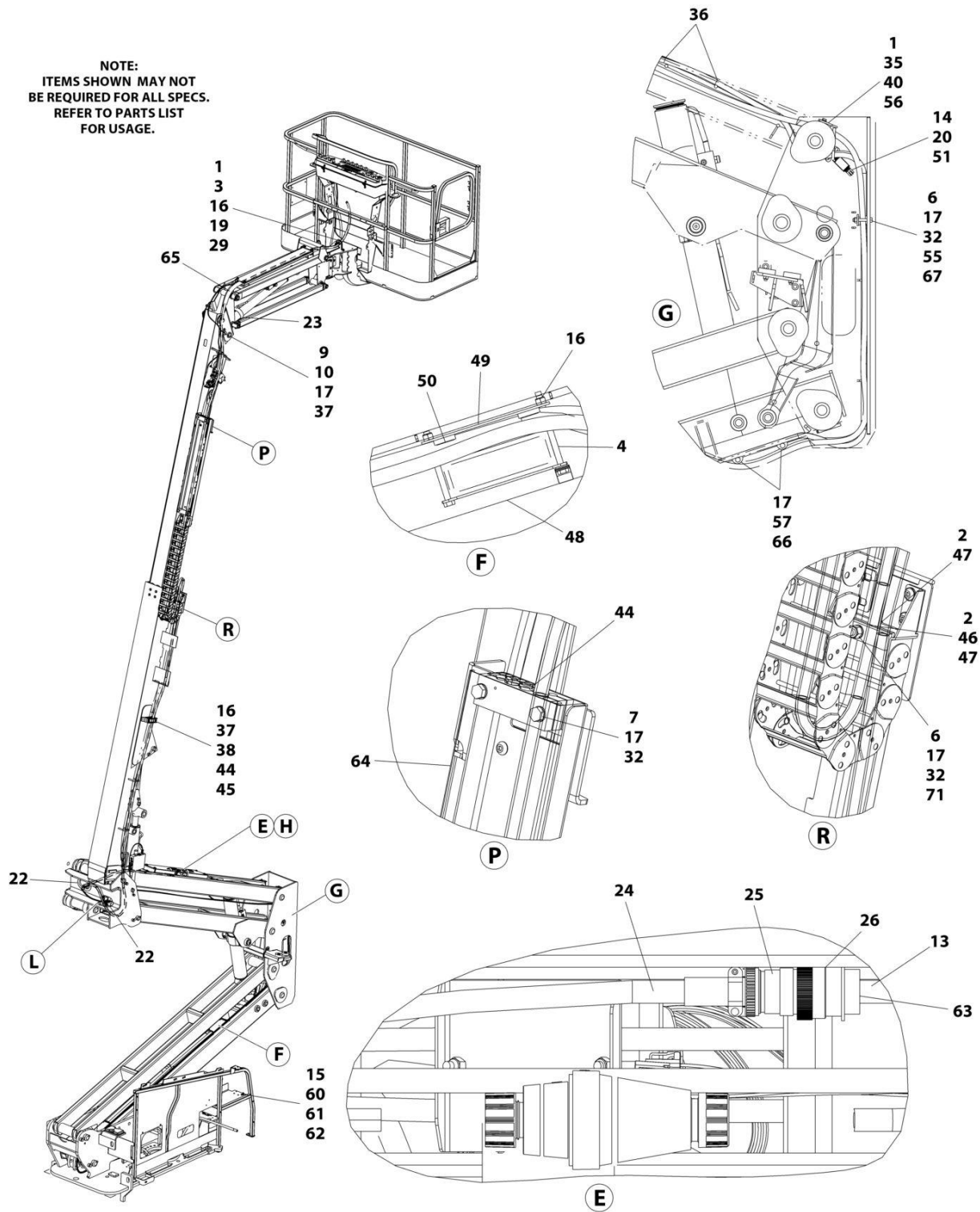
ITEM	PART NUMBER	QTY	DESCRIPTION	REV
	1001217443	Ref	BOOM CABLES AND CLAMPS INSTALLATION (WITH ARCTIC PACKAGE)	G
1	0100011	AR	Compound, Locking	
2	0100081	AR	Adhesive	
3	0641509	2	Bolt 5/16 x 1-1/8	
4	0700827	6	Bolt M8 x 100	
5	0700828	2	Bolt M8 x 110	
6	0701021	3	Bolt M10 x 65	
7	0701024	4	Bolt M10 x 80	
8	0760812	4	Bolt M8 x 25	
9	0761012	1	Bolt M10 x 25	
10	1320130	1	Clamp	
13	2820031	AR	Heat Shrink	
14	3290405	4	Nut M4	
15	3290605	3	Nut M6	
16	3290805	10	Nut M8	
17	3291005	10	Nut M10	
19	3841340	1	Loop, Hose	
20	4010418	2	Screw M4 x 50	
21	4031511	2	Capscrew M4 x 35	
22	4060808	27.5 in /8.4m	Flex-Trim	
23	4240156	2	Strap, Clinch	
24	4460473	AR	Clamp, Cable	
25	4460865	1	Connector - 19 Position	
26	4460866	1	Connector - 19 Position	
29	4711500	4	Washer 5/16	
30	4811400	2	Washer M4	
31	4811902	4	Washer M8	
32	4812000	13	Washer M10	
33	1001179439	1	Harness, Tower Boom (Not Shown - See Separate Breakdown in this Section)	
34	1001174754	1	Harness, Tower Boom AC Cable (Not Shown - See Separate Breakdown in this Section)	
35	5251014	2	Bolt M10 x 30	
36	8881800	AR	Tie-Strap	
37	5281918	2	Screw M8 x 70	
38	1001118274	6	Nut M8	
39	1001118971	1	Sensor, Angle	
39	70005667	1	Arm	
40	1001118972	2	Nut M10	
41	1001217441	1	Harness, Main Boom (Not Shown - See Separate Breakdown in this Section)	
42	1001217440	1	Harness, Main Boom AC Cable (Not Shown - See Separate Breakdown in this Section)	
43	1001164738	1	Harness, Boom Valve (Not Shown - See Separate Breakdown in this Section)	
44	1001273304	3	Block, Clamping	
45	1001273303	1	Plate	
46	1001168472	1	Plate, Clamping	
47	1001168473	2	Clamp, Rubber	

SECTION 8 - ELECTRICAL

ITEM	PART NUMBER	QTY	DESCRIPTION	REV
48	1001171553	3	Plate, Clamping	
49	1001171555	3	Plate, Clamping	
50	1001171559	10	Pad	
51	1001172271	1	Switch, Limit	
51	1001284504	1	Switch, Limit	
52	1001238466	1	Link, Sensor (Note: Sold as Assembly Only)	
53	1001178448	2	Plate, Clamping	
54	1001178449	1	Cover	
55	1001178644	1	Plate	
56	1001260306	1	Bracket	
57	1001182561	2	Roller	
58	5250812	2	Bolt M8 x 25	
59	1001179266	1	Plate, Mounting	
60	0760610	1	Bolt M6 x 20	
61	1320043	1	Clamp	
62	4811700	1	Washer M6	
63	4460466	AR	Plug, Terminal	
64	1001181875	1	Cover	
65	1001181923	1	Shield, Hose	
66	1001119280	2	Bolt M10 x 260	
67	1001185747	2	Pad	
69	88521205	2	Nut 5/16	
70	1001119228	8	Nut M8	
71	8310070	1	Pushnut 3/8	

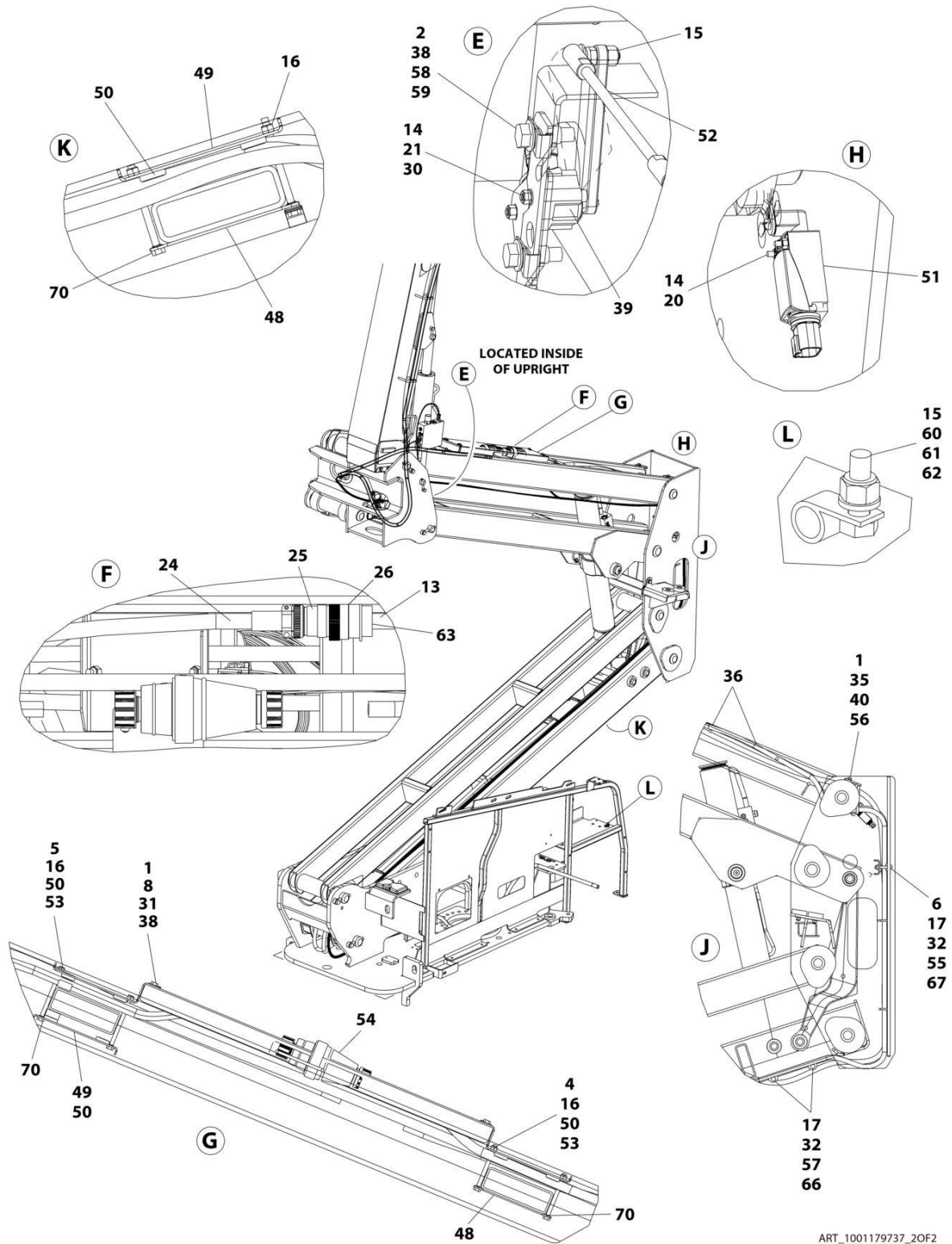
SECTION 8 - ELECTRICAL

FIGURE 8-26. BOOM CABLES AND CLAMPS INSTALLATION - 450AJ (WITH ARCTIC PACKAGE)



ART_1001179737_10F2

SECTION 8 - ELECTRICAL



ART_1001179737_20F2

SECTION 8 - ELECTRICAL

FIGURE 8-26. BOOM CABLES AND CLAMPS INSTALLATION - 450AJ (WITH ARCTIC PACKAGE)

ITEM	PART NUMBER	QTY	DESCRIPTION	REV
	1001179737	Ref	BOOM CABLES AND CLAMPS INSTALLATION (WITH ARCTIC PACKAGE)	N
1	0100011	AR	Compound, Locking	
2	0100081	AR	Adhesive	
3	0760814	2	Bolt M8 x 30	
4	0700827	6	Bolt M8 x 100	
5	0700828	2	Bolt M8 x 110	
6	0701021	3	Bolt M10 x 65	
7	0701024	4	Bolt M10 x 80	
8	0760812	4	Bolt M8 x 25	
9	0761012	1	Bolt M10 x 25	
10	1320130	1	Clamp	
13	2820031	AR	Heat Shrink	
14	3290405	4	Nut M4	
15	3290605	3	Nut M6	
16	3290805	12	Nut M8	
17	3291005	10	Nut M10	
19	3841340	1	Loop, Hose	
20	4010418	2	Screw M4 x 50	
21	4031511	2	Capscrew M4 x 35	
22	4060808	27.5 in/ 8.38m	Flex-Trim	
23	4240156	2	Strap, Clinch	
24	4460473	AR	Clamp, Cable	
25	4460865	1	Connector - 19 Position	
26	4460866	1	Connector - 19 Position	
29	4811900	4	Washer M8	
30	4811400	2	Washer M4	
31	4811902	4	Washer M8	
32	4812000	13	Washer M10	
33	1001179439	1	Harness, Tower Boom (Not Shown - See Separate Breakdown in this Section)	
34	1001174754	1	Harness, Tower Boom AC Cable (Not Shown - See Separate Breakdown in this Section)	
35	5251014	2	Bolt M10 x 30	
36	8881800	AR	Tie-Strap	
37	5281920	2	Screw M8 x 80	
37	5281918	2	Bolt M8 x 70	
38	1001118274	8	Nut M8	
39	1001118971	1	Sensor, Angle	
39	70005667	1	Arm	
40	1001118972	2	Nut M10	
41	1001174748	1	Harness, Main Boom (Not Shown - See Separate Breakdown in this Section)	
42	1001174750	1	Harness, Main Boom AC Cable (Not Shown - See Separate Breakdown in this Section)	
43	1001164738	1	Harness, Boom Valve (Not Shown - See Separate Breakdown in this Section)	
44	1001273304	3	Block, Clamping	
45	1001273303	1	Plate	
46	1001168472	1	Plate, Clamping	

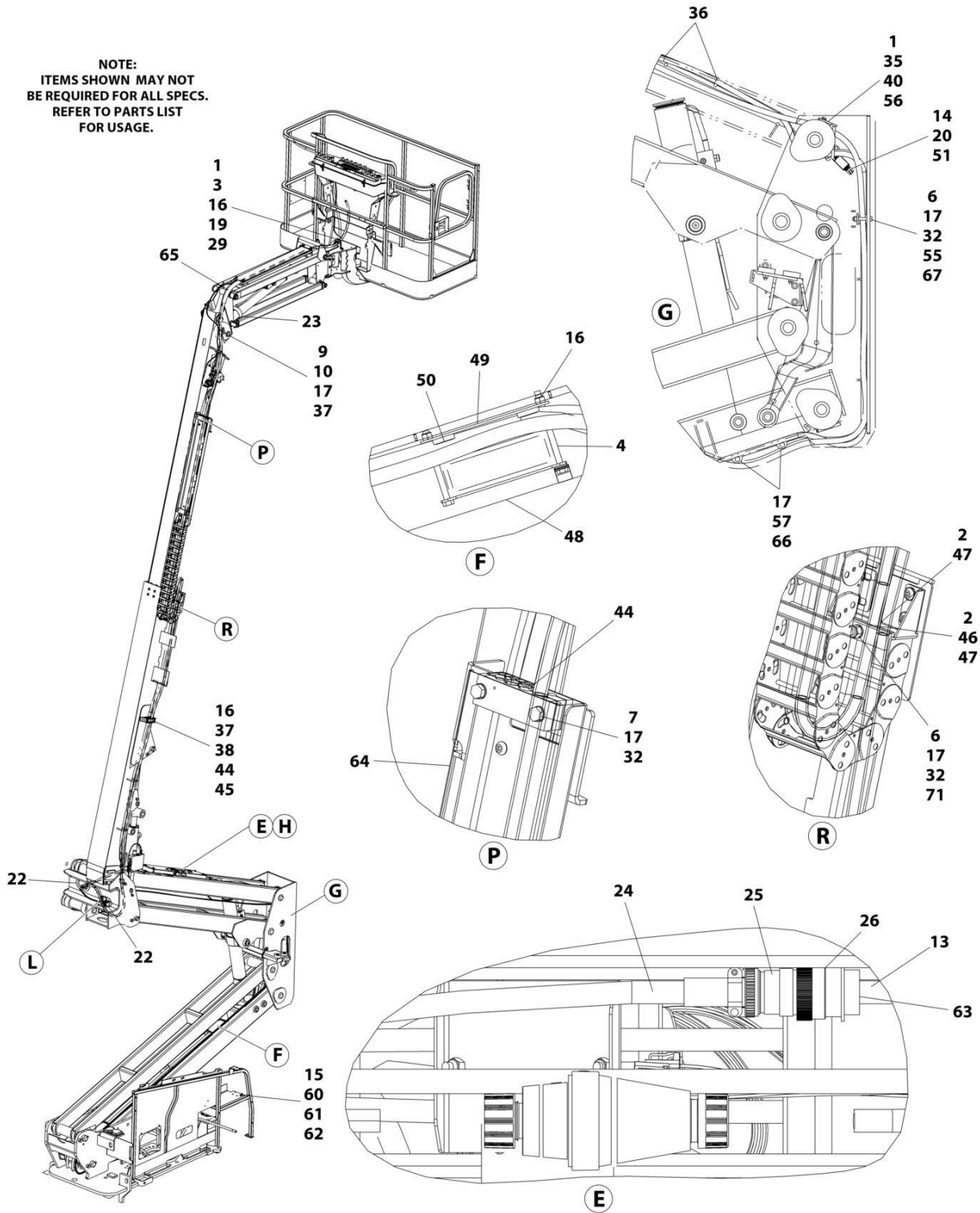
SECTION 8 - ELECTRICAL

ITEM	PART NUMBER	QTY	DESCRIPTION	REV
47	1001168473	2	Clamp, Rubber	
48	1001171553	3	Plate, Clamping	
49	1001171555	3	Plate, Clamping	
50	1001171559	10	Pad	
51	1001284504	1	Switch, Limit	
52	1001238466	1	Link, Sensor (Note: Sold as Assembly Only)	
53	1001178448	2	Plate, Clamping	
54	1001178449	1	Cover	
55	1001178644	1	Plate	
56	1001260306	1	Bracket	
57	1001182561	2	Roller	
58	5250812	2	Bolt M8 x 25	
59	1001179266	1	Plate, Mounting	
60	0760610	1	Bolt M6 x 20	
61	1320043	1	Clamp	
62	4811700	1	Washer M6	
63	4460466	AR	Plug, Terminal	
64	1001181621	1	Cover	
65	1001181923	1	Shield, Hose	
66	1001119280	2	Bolt M10 x 260	
67	1001185747	2	Pad	
70	1001119228	8	Nut M8	
71	8310070	1	Pushnut 3/8	

SECTION 8 - ELECTRICAL

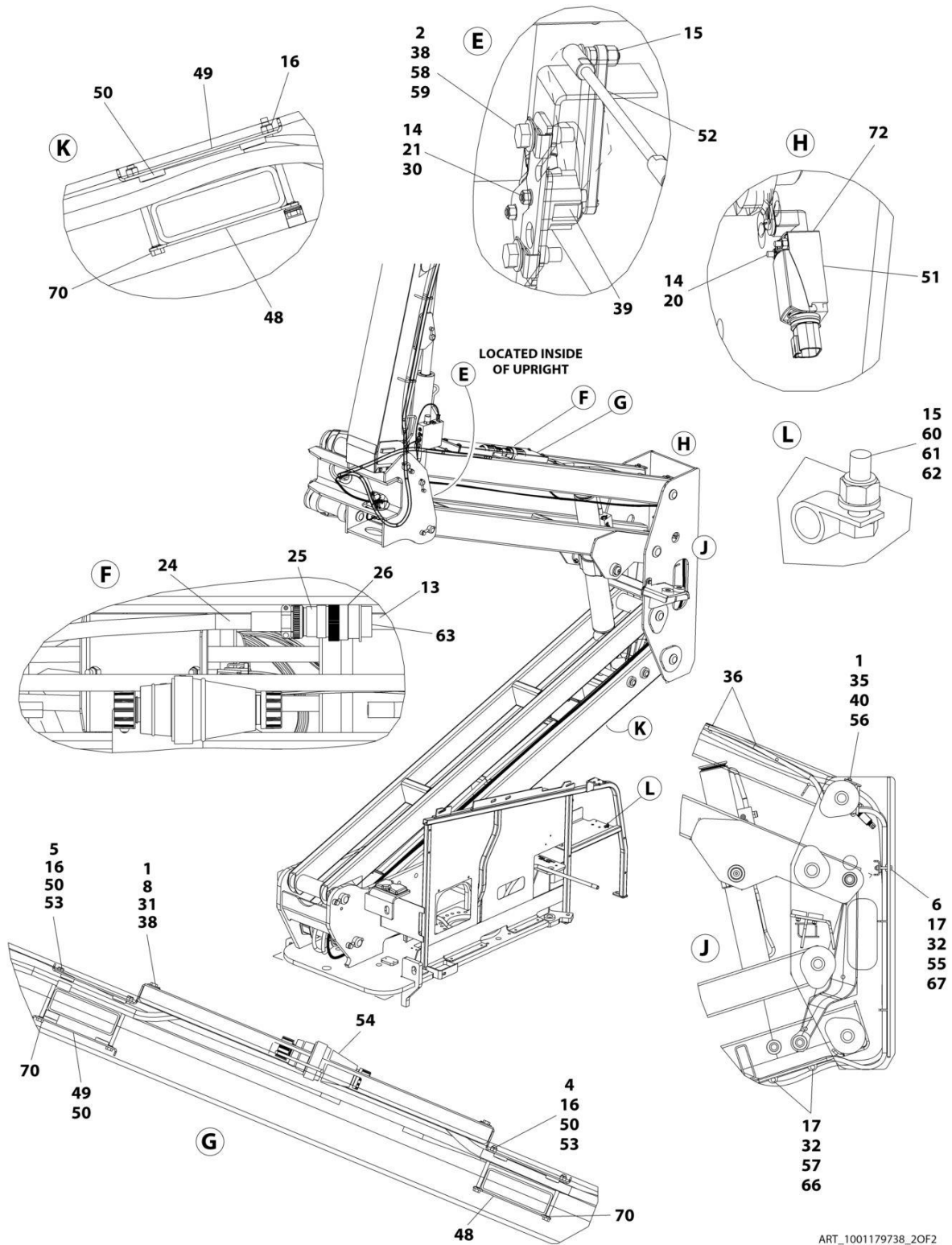
FIGURE 8-27. BOOM CABLES AND CLAMPS INSTALLATION - 450AJ (MACHINES WITH 50HZ 4000W GENERATORS)

NOTE:
ITEMS SHOWN MAY NOT
BE REQUIRED FOR ALL SPECS.
REFER TO PARTS LIST
FOR USAGE.



ART_1001179738_10F2

SECTION 8 - ELECTRICAL



SECTION 8 - ELECTRICAL

FIGURE 8-27. BOOM CABLES AND CLAMPS INSTALLATION - 450AJ (MACHINES WITH 50HZ 4000W GENERATORS)

ITEM	PART NUMBER	QTY	DESCRIPTION	REV
	1001179738	Ref	BOOM CABLES AND CLAMPS INSTALLATION	O
1	0100011	AR	Compound, Locking	
2	0100081	AR	Adhesive	
3	0760814	2	Bolt M8 x 30	
4	0700827	6	Bolt M8 x 100	
5	0700828	2	Bolt M8 x 110	
6	0701021	3	Bolt M10 x 65	
7	0701024	4	Bolt M10 x 80	
8	0760812	4	Bolt M8 x 25	
9	0761012	1	Bolt M10 x 25	
10	1320130	1	Clamp	
13	2820031	AR	Heat Shrink	
14	3290405	4	Nut M4	
15	3290605	3	Nut M6	
16	3290805	12	Nut M8	
17	3291005	10	Nut M10	
19	3841340	1	Loop, Hose	
20	4010418	2	Screw M4 x 50	
21	4031511	2	Capscrew M4 x 35	
22	4060808	27.5 in/ 8.38m	Flex-Trim	
23	4240156	2	Strap, Clinch	
24	4460473	AR	Clamp, Cable	
25	4460865	1	Connector - 19 Position	
26	4460866	1	Connector - 19 Position	
29	4811900	4	Washer M8	
30	4811400	2	Washer M4	
31	4811902	4	Washer M8	
32	4812000	13	Washer M10	
33	1001176951	1	Harness, Tower Boom (Not Shown - See Separate Breakdown in this Section)	
34	1001174749	1	Harness, Tower Boom AC Cable (Not Shown - See Separate Breakdown in this Section)	
35	5251014	2	Bolt M10 x 30	
36	8881800	AR	Tie-Strap	
37	5281920	2	Screw M8 x 80	
37	5281918	2	Bolt M8 x 70	
38	1001118274	8	Nut M8	
39	1001118971	1	Sensor, Angle	
39	70005667	1	Arm	
40	1001118972	2	Nut M10	
41	1001164730	1	Harness, Main Boom (Not Shown - See Separate Breakdown in this Section)	
42	1001164731	1	Harness, Main Boom AC Cable (Not Shown - See Separate Breakdown in this Section)	
43	1001164738	1	Harness, Boom Valve (Not Shown - See Separate Breakdown in this Section)	
44	1001273302	3	Block, Clamping	
45	1001273303	1	Plate	
46	1001168472	1	Plate, Clamping	

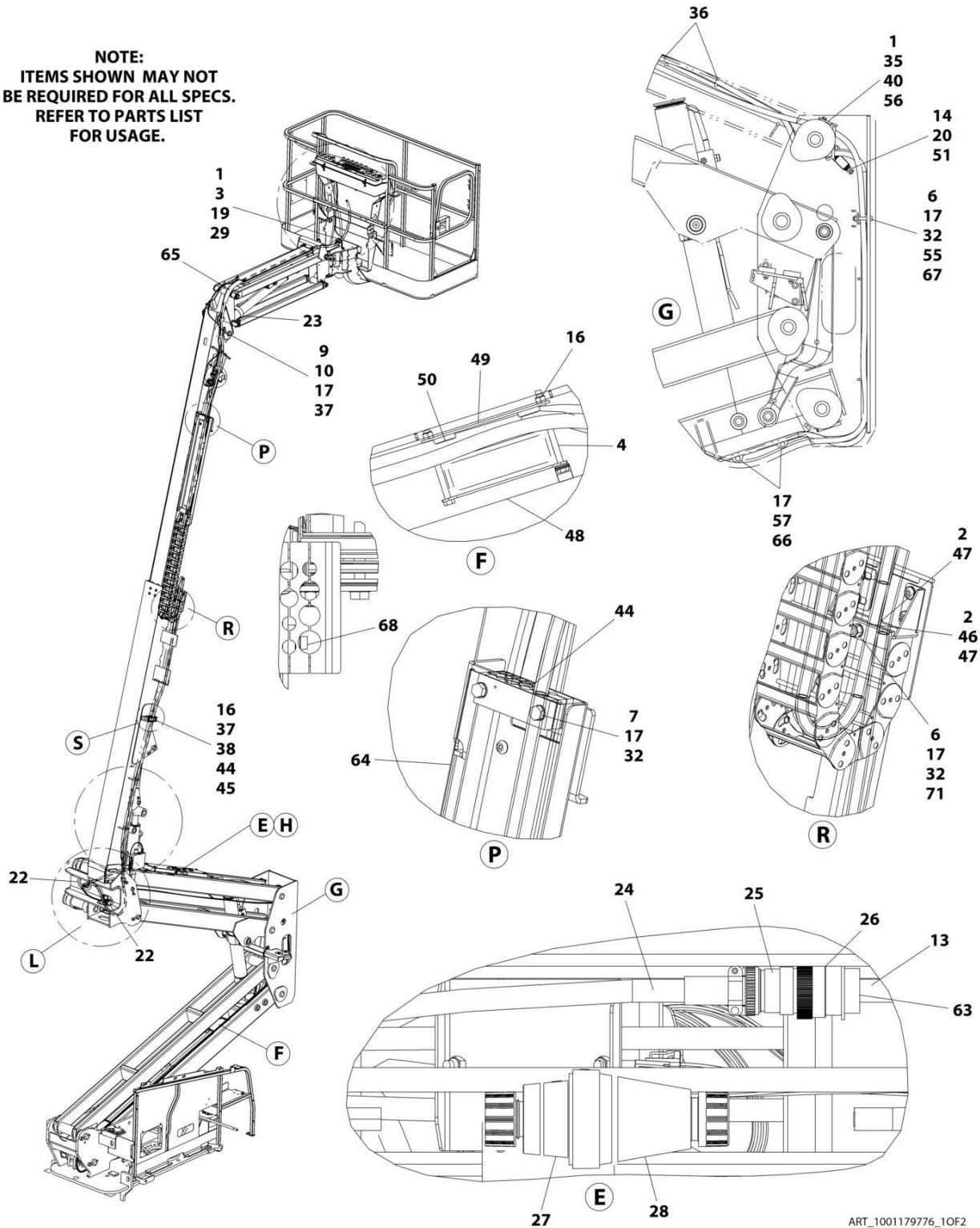
SECTION 8 - ELECTRICAL

ITEM	PART NUMBER	QTY	DESCRIPTION	REV
47	1001168473	2	Clamp, Rubber	
48	1001171553	3	Plate, Clamping	
49	1001171555	3	Plate, Clamping	
50	1001171559	10	Pad	
51	1001284504	1	Switch, Limit	
52	1001238466	1	Link, Sensor (Note: Sold as Assembly Only)	
53	1001178448	2	Plate, Clamping	
54	1001178449	1	Cover	
55	1001178644	1	Plate	
56	1001260306	1	Bracket	
57	1001182561	2	Roller	
58	5250812	2	Bolt M8 x 25	
59	1001179266	1	Plate, Mounting	
60	0760610	1	Bolt M6 x 20	
61	1320043	1	Clamp	
62	4811700	1	Washer M6	
63	4460466	AR	Plug, Terminal	
64	1001181621	1	Cover	
65	1001181923	1	Shield, Hose	
66	1001119280	2	Bolt M10 x 260	
67	1001185747	2	Pad	
70	1001119228	8	Nut M8	
71	8310070	1	Pushnut 3/8	
72	4750800	AR	Washer #8	

SECTION 8 - ELECTRICAL

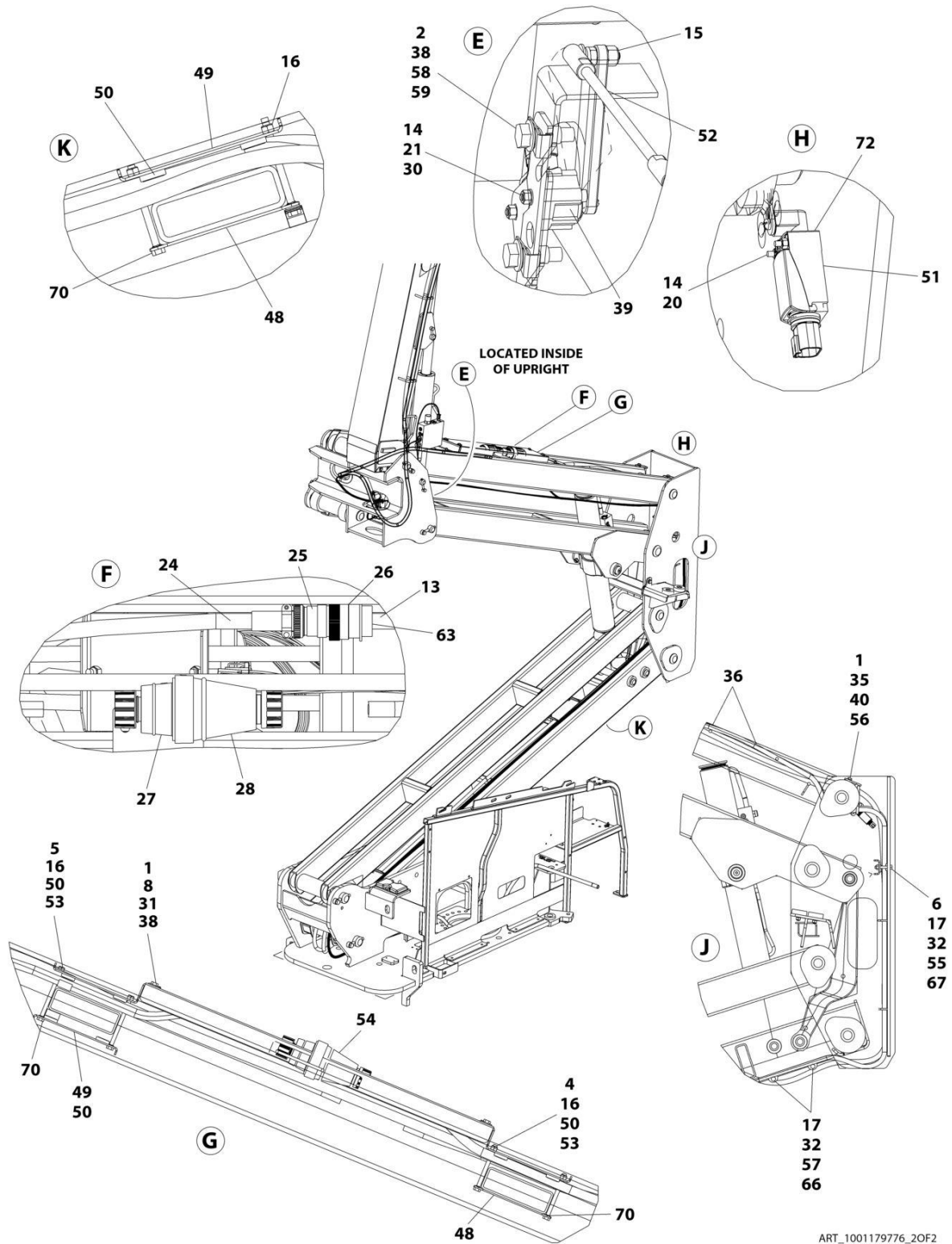
FIGURE 8-28. BOOM CABLES AND CLAMPS INSTALLATION - 450AJ (MACHINES WITH 60HZ 4000W GENERATORS)

NOTE:
ITEMS SHOWN MAY NOT
BE REQUIRED FOR ALL SPECS.
REFER TO PARTS LIST
FOR USAGE.



ART_1001179776_10F2

SECTION 8 - ELECTRICAL



ART_1001179776_20F2

SECTION 8 - ELECTRICAL

FIGURE 8-28. BOOM CABLES AND CLAMPS INSTALLATION - 450AJ (MACHINES WITH 60HZ 4000W GENERATORS)

ITEM	PART NUMBER	QTY	DESCRIPTION	REV
	1001179776	Ref	BOOM CABLES AND CLAMPS INSTALLATION	P
1	0100011	AR	Compound, Locking	
2	0100081	AR	Adhesive	
3	0760814	2	Bolt M8 x 30	
4	0700827	6	Bolt M8 x 100	
5	0700828	2	Bolt M8 x 110	
6	0701021	3	Bolt M10 x 65	
7	0701024	4	Bolt M10 x 80	
8	0760812	4	Bolt M8 x 25	
9	0761012	1	Bolt M10 x 25	
10	1320130	1	Clamp	
11	1671092	1	Cover, Connector (Not Shown)	
12	1671093	1	Cover, Plug (Not Shown)	
13	2820031	AR	Heat Shrink	
14	3290405	4	Nut M4	
15	3290605	2	Nut M6	
16	3290805	12	Nut M8	
17	3291005	10	Nut M10	
19	3841340	1	Loop, Hose	
20	4010418	2	Screw M4 x 50	
21	4031511	2	Capscrew M4 x 35	
22	4060808	27.5 in/ 8.38m	Flex-Trim	
23	4240156	2	Strap, Clinch	
24	4460473	AR	Clamp, Cable	
25	4460865	1	Connector - 19 Position	
26	4460866	1	Connector - 19 Position	
27	4460959	1	Plug, Male	
28	4460960	1	Receptacle, Female	
29	4811900	4	Washer M8	
30	4811400	2	Washer M4	
31	4811902	4	Washer M8	
32	4812000	13	Washer M10	
33	1001176951	1	Harness, Tower Boom (Not Shown - See Separate Breakdown in this Section)	
34	1001175663	1	Harness, Tower Boom - 10/4 – Lower Generator Cable (Not Shown)	
35	5251014	2	Bolt M10 x 30	
36	8881800	AR	Tie-Strap	
37	5281920	2	Screw M8 x 80	
37	5281918	2	Bolt M8 x 70	
38	1001118274	8	Nut M8	
39	1001118971	1	Sensor, Angle	
39	70005667	1	Arm	
40	1001118972	2	Nut M10	
41	1001164730	1	Harness, Main Boom (Not Shown - See Separate Breakdown in this Section)	
42	1001175664	1	Harness, Main Boom - 10/4 - Upper Generator Cable (Not Shown)	
43	1001164738	1	Harness, Boom Valve (Not Shown - See Separate Breakdown in this Section)	

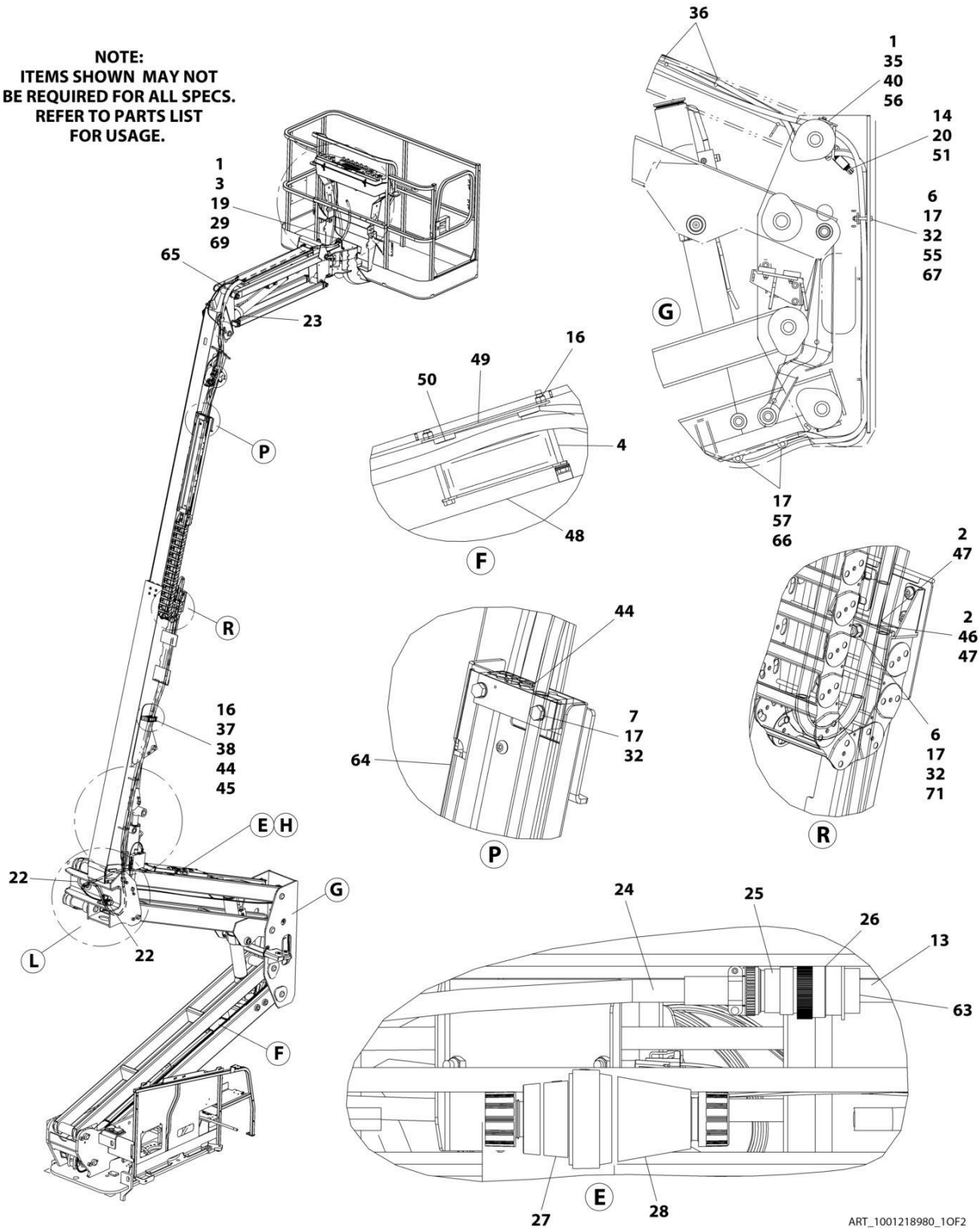
SECTION 8 - ELECTRICAL

ITEM	PART NUMBER	QTY	DESCRIPTION	REV
44	1001273302	3	Block, Clamping	
45	1001273303	1	Plate	
46	1001168472	1	Plate, Clamping	
47	1001168473	2	Clamp, Rubber	
48	1001171553	3	Plate, Clamping	
49	1001171555	3	Plate, Clamping	
50	1001171559	10	Pad	
51	1001284504	1	Switch, Limit	
52	1001238466	1	Link, Sensor (Note: Sold as Assembly Only)	
53	1001178448	2	Plate, Clamping	
54	1001178449	1	Cover	
55	1001178644	1	Plate	
56	1001260306	1	Bracket	
57	1001182561	2	Roller	
58	5250812	2	Bolt M8 x 25	
59	1001179266	1	Plate, Mounting	
63	4460466	AR	Plug, Terminal	
64	1001181621	1	Cover	
65	1001181923	1	Shield, Hose	
66	1001119280	2	Bolt M10 x 260	
67	1001185747	2	Pad	
68	1001191230	3	Pad	
70	1001119228	8	Nut M8	
71	8310070	1	Pushnut 3/8	
72	4750800	AR	Washer #8	

SECTION 8 - ELECTRICAL

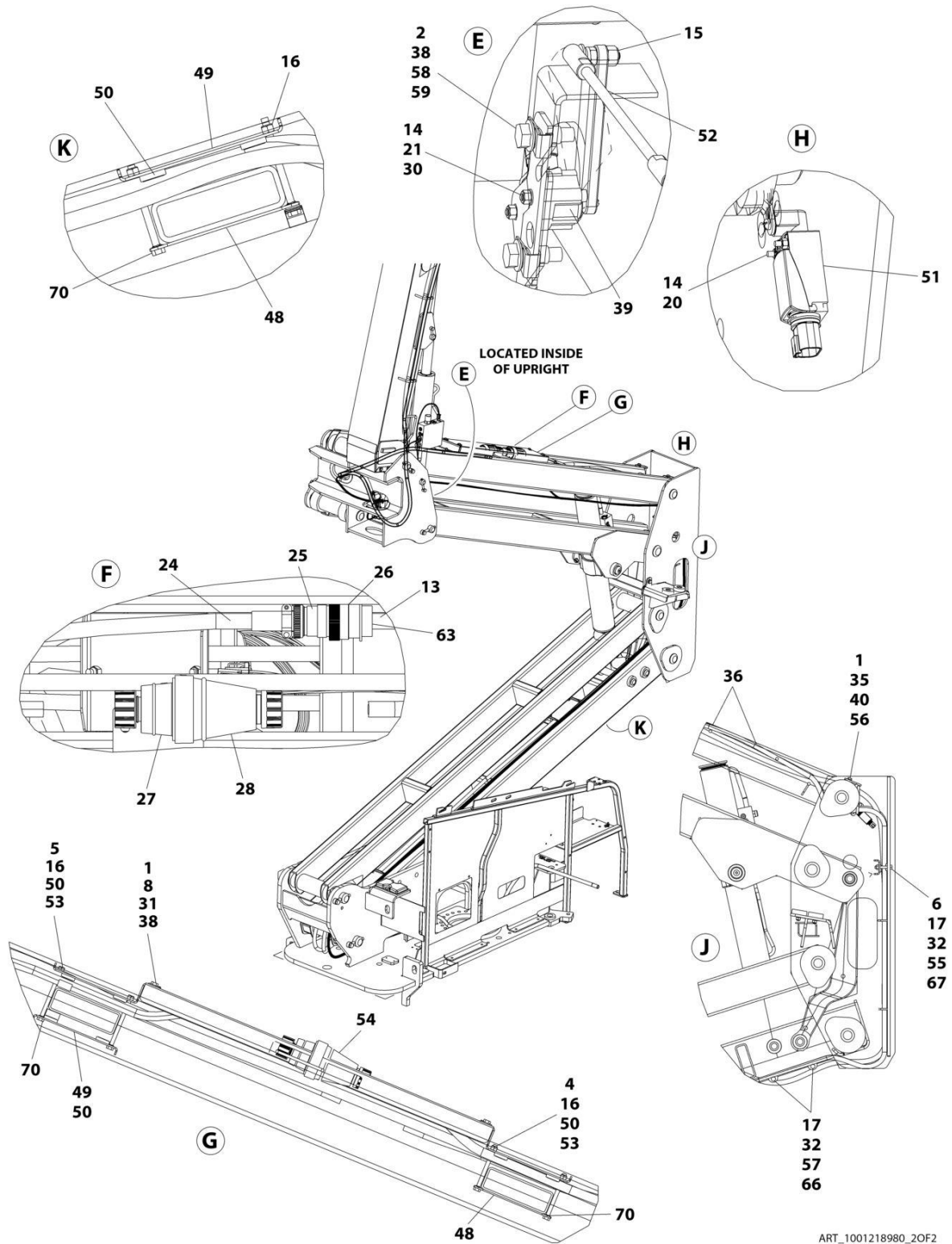
FIGURE 8-29. BOOM CABLES AND CLAMPS INSTALLATION - 450A (MACHINES WITH 7500W GENERATOR AND WITHOUT ARCTIC PACKAGE)

NOTE:
ITEMS SHOWN MAY NOT
BE REQUIRED FOR ALL SPECS.
REFER TO PARTS LIST
FOR USAGE.



ART_1001218980_10F2

SECTION 8 - ELECTRICAL



ART_1001218980_2OF2

SECTION 8 - ELECTRICAL

FIGURE 8-29. BOOM CABLES AND CLAMPS INSTALLATION - 450A (MACHINES WITH 7500W GENERATOR AND WITHOUT ARCTIC PACKAGE)

ITEM	PART NUMBER	QTY	DESCRIPTION	REV
	1001218980	Ref	BOOM CABLES AND CLAMPS INSTALLATION	E
	1001219002	Ref	BOOM CABLES AND CLAMPS INSTALLATION KIT	H
1	0100011	AR	Compound, Locking	
2	0100081	AR	Adhesive	
3	0641509	2	Bolt 5/16 x 1-1/8	
4	0700827	6	Bolt M8 x 100	
5	0700828	2	Bolt M8 x 110	
6	0701021	3	Bolt M10 x 65	
7	0701024	4	Bolt M10 x 80	
8	0760812	4	Bolt M8 x 25	
13	2820031	AR	Heat Shrink	
14	3290405	4	Nut M4	
15	3290605	2	Nut M6	
16	3290805	10	Nut M8	
17	3291005	9	Nut M10	
19	3841340	1	Loop, Hose	
20	4010418	2	Screw M4 x 50	
21	4031511	2	Capscrew M4 x 35	
22	4060808	27.5 in/ 8.38m	Flex-Trim	
23	4240156	1	Strap, Clinch	
24	4460473	AR	Clamp, Cable	
25	4460865	1	Connector - 19 Position	
26	4460866	1	Connector - 19 Position	
27	1001218622	1	Terminal, Turnlock Plug	
28	1001218623	1	Terminal, Turnlock Connector	
29	4711500	4	Washer 5/16	
30	4811400	2	Washer M4	
31	4811902	4	Washer M8	
32	4812000	12	Washer M10	
33	1001176951	1	Harness, Tower Boom (Not Shown - See Separate Breakdown in this Section)	
34	4922929	1	Harness, Tower Boom - 8/5 Generator Cable (Not Shown)	
35	5251014	2	Bolt M10 x 30	
36	8881800	AR	Tie-Strap	
37	5281918	2	Bolt M8 x 70	
38	1001118274	6	Nut M8	
39	1001118971	1	Sensor, Angle	
39	70005667	1	Arm	
40	1001118972	2	Nut M10	
41	1001172335	1	Harness, Main Boom (Not Shown - See Separate Breakdown in this Section)	
42	1001172343	1	Harness, Main Boom - 8/5 Generator Cable (Not Shown)	
43	1001164738	1	Harness, Boom Valve (Not Shown - See Separate Breakdown in this Section)	
44	1001273302	3	Block, Clamping	
45	1001273303	1	Plate	
46	1001168472	1	Plate, Clamping	
47	1001168473	2	Clamp, Rubber	
48	1001171553	3	Plate, Clamping	

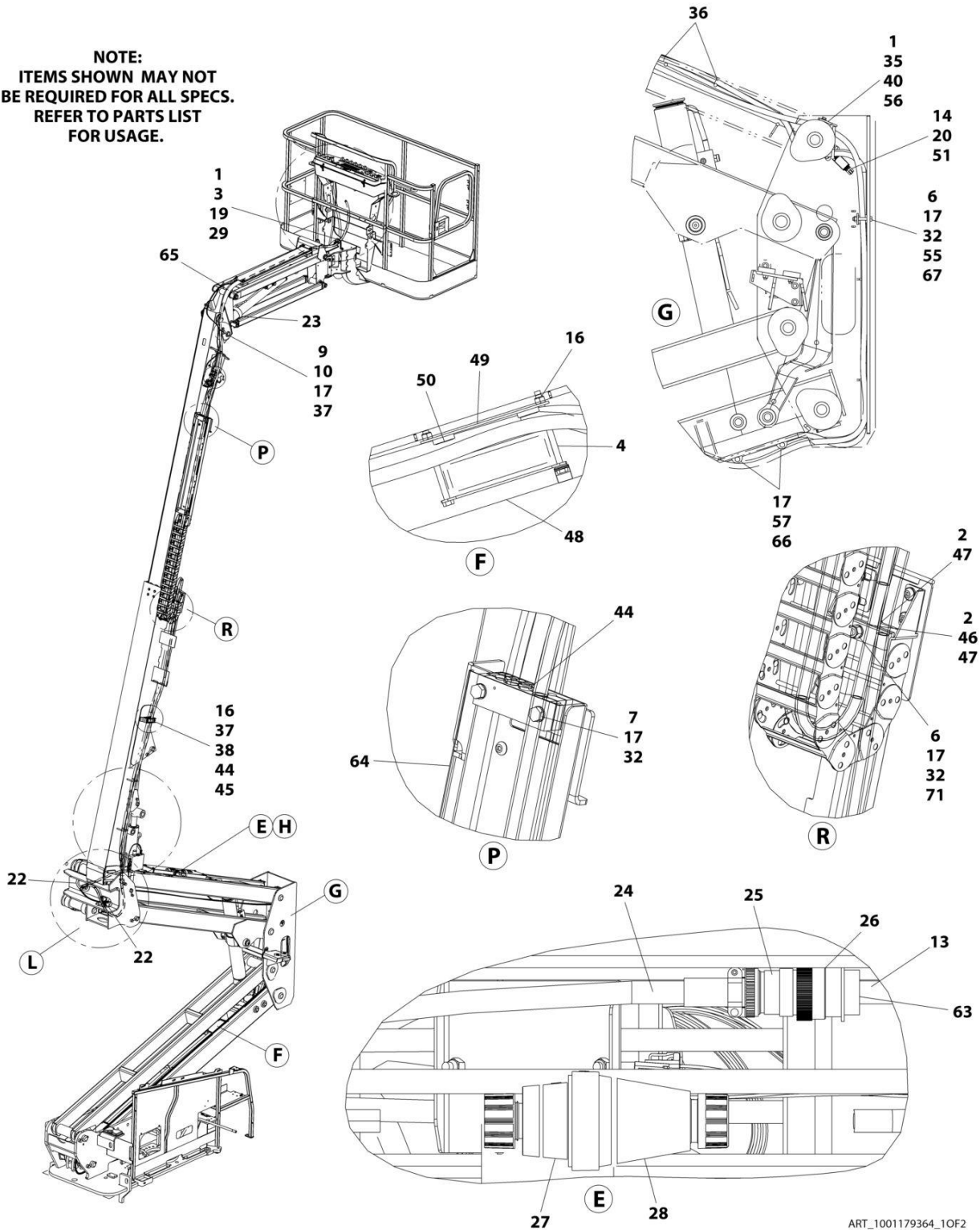
SECTION 8 - ELECTRICAL

ITEM	PART NUMBER	QTY	DESCRIPTION	REV
49	1001171555	3	Plate, Clamping	
50	1001171559	10	Pad	
51	1001284504	1	Switch, Limit	
52	1001238466	1	Link, Sensor (Note: Sold as Assembly Only)	
53	1001178448	2	Plate, Clamping	
54	1001178449	1	Cover	
55	1001178644	1	Plate	
56	1001260306	1	Bracket	
57	1001182561	2	Roller	
58	5250812	2	Bolt M8 x 25	
59	1001179266	1	Plate, Mounting	
63	4460466	AR	Plug, Terminal	
64	1001181875	1	Cover	
65	1001181923	1	Shield, Hose	
66	1001119280	2	Bolt M10 x 260	
67	1001185747	2	Pad	
69	88521205	2	Nut 5/16	
70	1001119228	8	Nut M8	
71	8310070	1	Pushnut 3/8	

SECTION 8 - ELECTRICAL

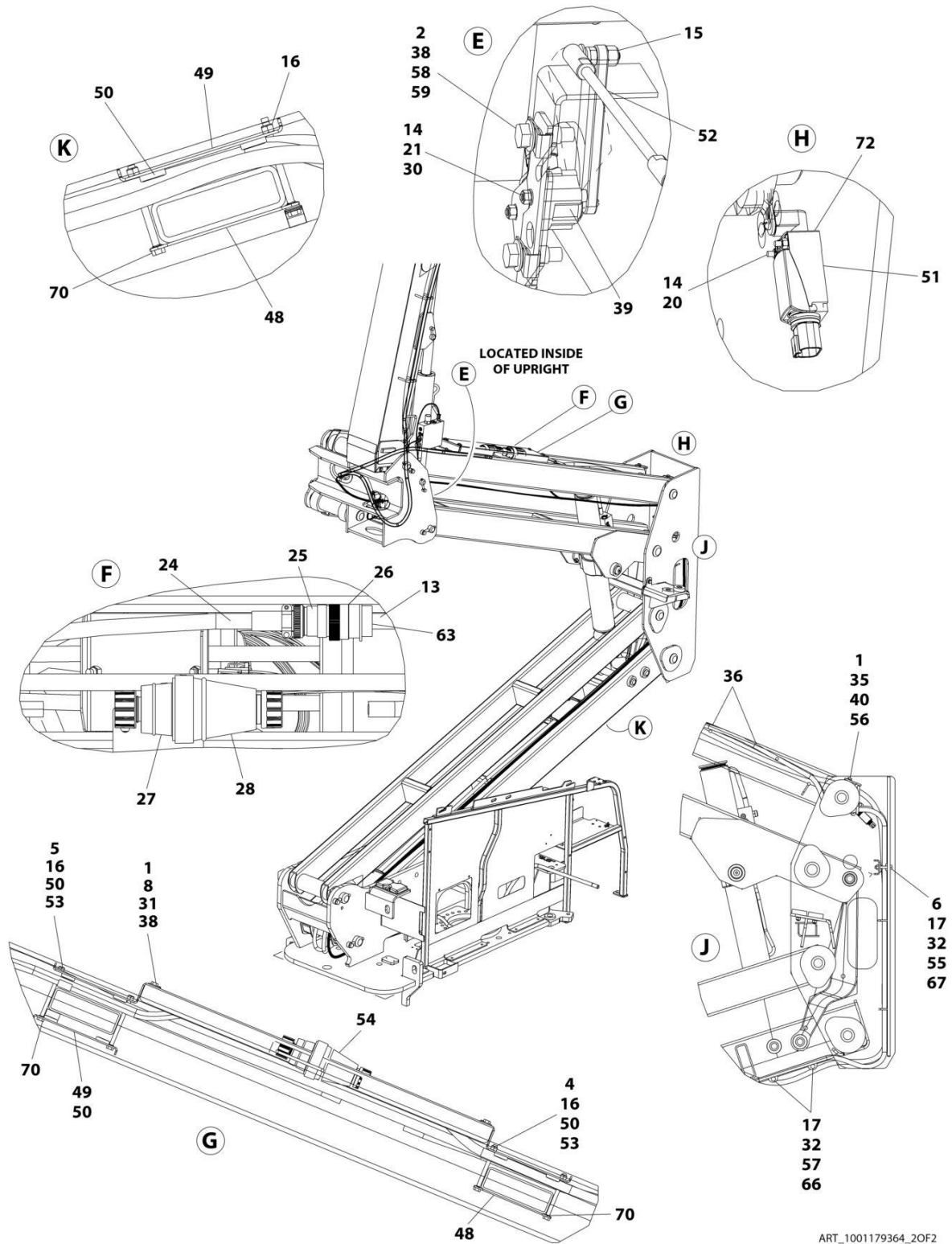
FIGURE 8-30. BOOM CABLES AND CLAMPS INSTALLATION - 450AJ (MACHINES WITH 7500W GENERATORS AND WITHOUT ARCTIC PACKAGE)

NOTE:
ITEMS SHOWN MAY NOT
BE REQUIRED FOR ALL SPECS.
REFER TO PARTS LIST
FOR USAGE.



ART_1001179364_10F2

SECTION 8 - ELECTRICAL



ART_1001179364_20F2

SECTION 8 - ELECTRICAL

FIGURE 8-30. BOOM CABLES AND CLAMPS INSTALLATION - 450AJ (MACHINES WITH 7500W GENERATORS AND WITHOUT ARCTIC PACKAGE)

ITEM	PART NUMBER	QTY	DESCRIPTION	REV
	1001179364	Ref	BOOM CABLES AND CLAMPS INSTALLATION	R
1	0100011	AR	Compound, Locking	
2	0100081	AR	Adhesive	
3	0760814	2	Bolt M8 x 30	
4	0700827	6	Bolt M8 x 100	
5	0700828	2	Bolt M8 x 110	
6	0701021	3	Bolt M10 x 65	
7	0701024	4	Bolt M10 x 80	
8	0760812	4	Bolt M8 x 25	
9	0761012	1	Bolt M10 x 25	
10	1320130	1	Clamp	
13	2820031	AR	Heat Shrink	
14	3290405	4	Nut M4	
15	3290605	2	Nut M6	
16	3290805	12	Nut M8	
17	3291005	10	Nut M10	
19	3841340	1	Loop, Hose	
20	4010418	2	Screw M4 x 50	
21	4031511	2	Capscrew M4 x 35	
22	4060808	27.5 in/ 8.38m	Flex-Trim	
23	4240156	2	Strap, Clinch	
24	4460473	AR	Clamp, Cable	
25	4460865	1	Connector - 19 Position	
26	4460866	1	Connector - 19 Position	
27	1001218622	1	Terminal, Turnlock Plug	
28	1001218623	1	Terminal, Turnlock Connector	
29	4811900	4	Washer M8	
30	4811400	2	Washer M4	
31	4811902	4	Washer M8	
32	4812000	13	Washer M10	
33	1001176951	1	Harness, Tower Boom (Not Shown - See Separate Breakdown in this Section)	
34	4922929	1	Harness, Tower Boom – 8/5 – Lower Generator Cable (Not Shown)	
35	5251014	2	Bolt M10 x 30	
36	8881800	AR	Tie-Strap	
37	5281920	2	Screw M8 x 80	
38	1001118274	6	Nut M8	
39	1001118971	1	Sensor, Angle	
39	70005667	1	Arm	
40	1001118972	2	Nut M10	
41	1001164730	1	Harness, Main Boom (Not Shown - See Separate Breakdown in this Section)	
42	1001164732	1	Harness, Main Boom – 8/5 – Upper Generator Cable (Not Shown)	
43	1001164738	1	Harness, Boom Valve (Not Shown - See Separate Breakdown in this Section)	
44	1001273302	3	Block, Clamping	
45	1001273303	1	Plate	
46	1001168472	1	Plate, Clamping	

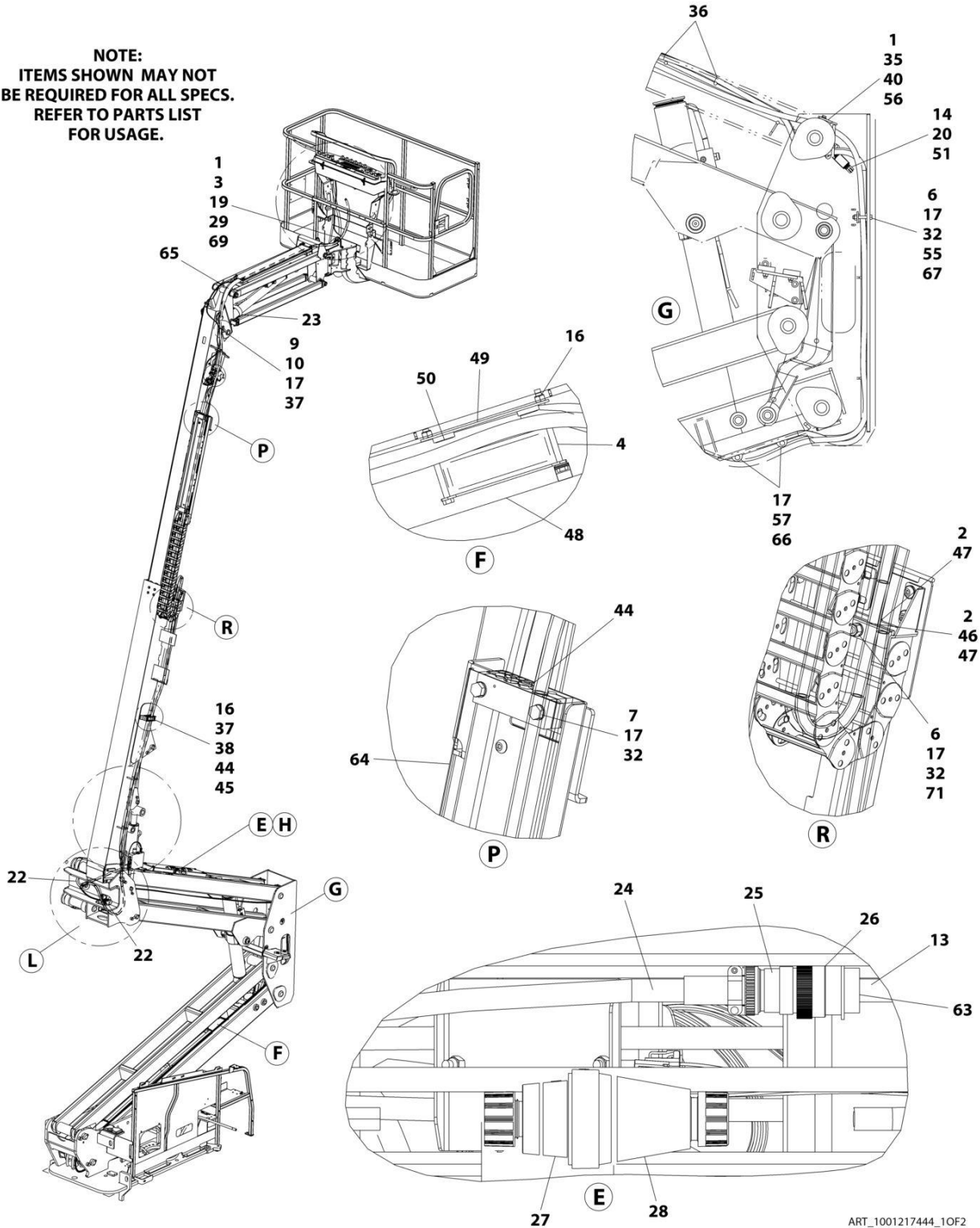
SECTION 8 - ELECTRICAL

ITEM	PART NUMBER	QTY	DESCRIPTION	REV
47	1001168473	2	Clamp, Rubber	
48	1001171553	3	Plate, Clamping	
49	1001171555	3	Plate, Clamping	
50	1001171559	10	Pad	
51	1001284504	1	Switch, Limit	
52	1001238466	1	Link, Sensor (Note: Sold as Assembly Only)	
53	1001178448	2	Plate, Clamping	
54	1001178449	1	Cover	
55	1001178644	1	Plate	
56	1001260306	1	Bracket	
57	1001182561	2	Roller	
58	5250812	2	Bolt M8 x 25	
59	1001179266	1	Plate, Mounting	
63	4460466	AR	Plug, Terminal	
64	1001181621	1	Cover	
65	1001181923	1	Shield, Hose	
66	1001119280	2	Bolt M10 x 260	
67	1001185747	2	Pad	
70	1001119228	8	Nut M8	
71	8310070	1	Pushnut 3/8	
72	4750800	AR	Washer #8	

SECTION 8 - ELECTRICAL

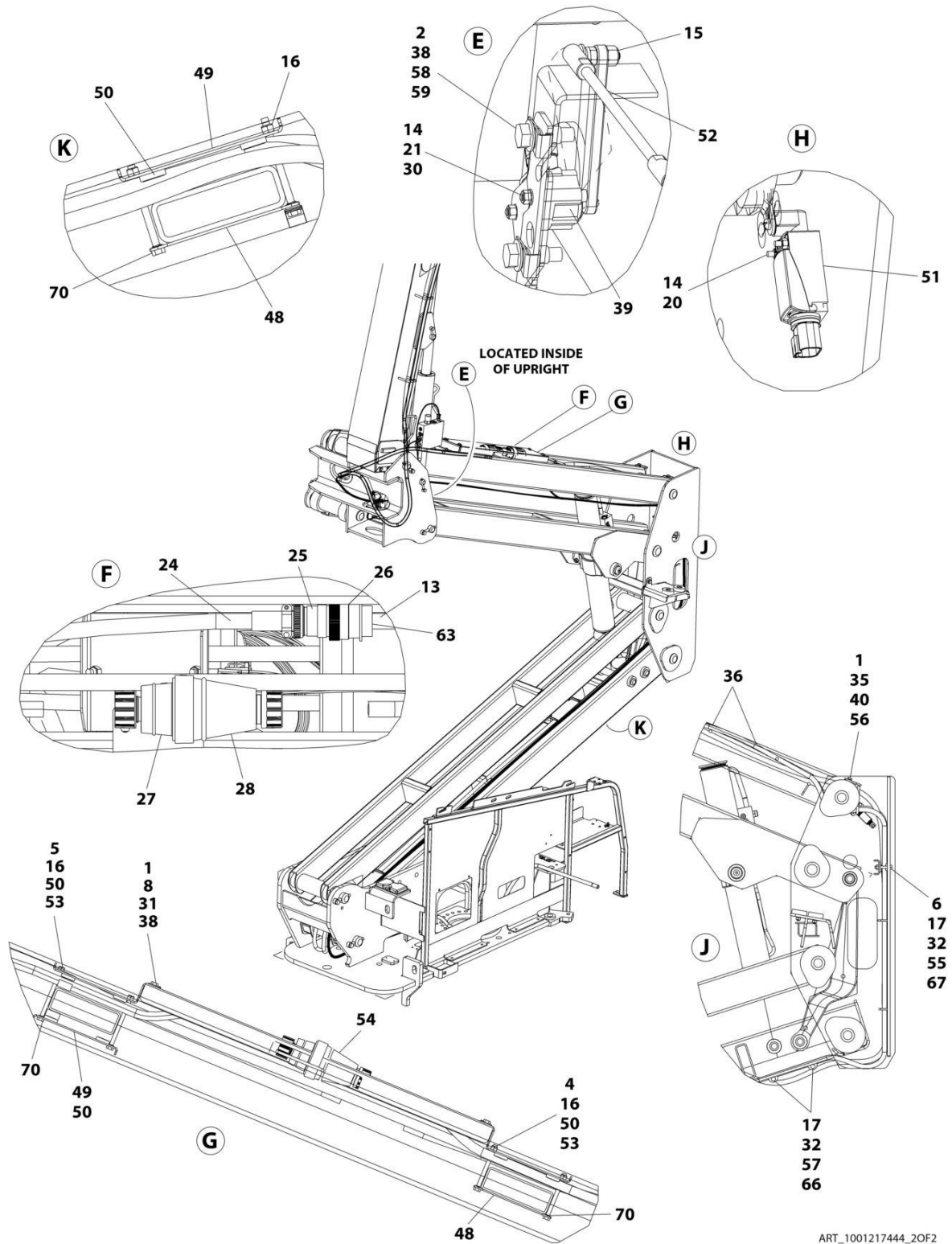
FIGURE 8-31. BOOM CABLES AND CLAMPS INSTALLATION - 450A (MACHINES WITH 7500W GENERATOR AND WITH ARCTIC PACKAGE)

NOTE:
ITEMS SHOWN MAY NOT
BE REQUIRED FOR ALL SPECS.
REFER TO PARTS LIST
FOR USAGE.



ART_1001217444_10F2

SECTION 8 - ELECTRICAL



ART_1001217444_20F2

SECTION 8 - ELECTRICAL

FIGURE 8-31. BOOM CABLES AND CLAMPS INSTALLATION - 450A (MACHINES WITH 7500W GENERATOR AND WITH ARCTIC PACKAGE)

ITEM	PART NUMBER	QTY	DESCRIPTION	REV
	1001217444	Ref	BOOM CABLES AND CLAMPS INSTALLATION	H
1	0100011	AR	Compound, Locking	
2	0100081	AR	Adhesive	
3	0641509	2	Bolt 5/16 x 1-1/8	
4	0700827	6	Bolt M8 x 100	
5	0700828	2	Bolt M8 x 110	
6	0701021	3	Bolt M10 x 65	
7	0701024	4	Bolt M10 x 80	
8	0760812	4	Bolt M8 x 25	
10	1320130	1	Clamp	
13	2820031	AR	Heat Shrink	
14	3290405	4	Nut M4	
15	3290605	2	Nut M6	
16	3290805	10	Nut M8	
17	3291005	10	Nut M10	
19	3841340	1	Loop, Hose	
20	4010418	2	Screw M4 x 50	
21	4031511	2	Capscrew M4 x 35	
22	4060808	27.5 in/ 8.4m	Flex-Trim	
23	4240156	1	Strap, Clinch	
24	4460473	AR	Clamp, Cable	
25	4460865	1	Connector - 19 Position	
26	4460866	1	Connector - 19 Position	
27	1001218622	1	Terminal, Turnlock Plug	
28	1001218623	1	Terminal, Turnlock Connector	
29	4711500	4	Washer 5/16	
30	4811400	2	Washer M4	
31	4811902	4	Washer M8	
32	4812000	13	Washer M10	
33	1001179439	1	Harness, Tower Boom (Not Shown - See Separate Breakdown in this Section)	
34	4922929	1	Harness, Tower Boom - 8/5 Generator Cable (Not Shown)	
35	5251014	2	Bolt M10 x 30	
36	8881800	AR	Tie-Strap	
37	5281918	2	Screw M8 x 70	
38	1001118274	6	Nut M8	
39	1001118971	1	Sensor, Angle	
39	70005667	1	Arm	
40	1001118972	2	Nut M10	
41	1001217441	1	Harness, Main Boom (Not Shown - See Separate Breakdown in this Section)	
42	1001172343	1	Harness, Main Boom - 8/5 Generator Cable (Not Shown)	
43	1001164738	1	Harness, Boom Valve (Not Shown - See Separate Breakdown in this Section)	
44	1001273304	1	Block, Clamping	
45	1001273303	1	Plate	
46	1001168472	1	Plate, Clamping	
47	1001168473	2	Clamp, Rubber	
48	1001171553	3	Plate, Clamping	

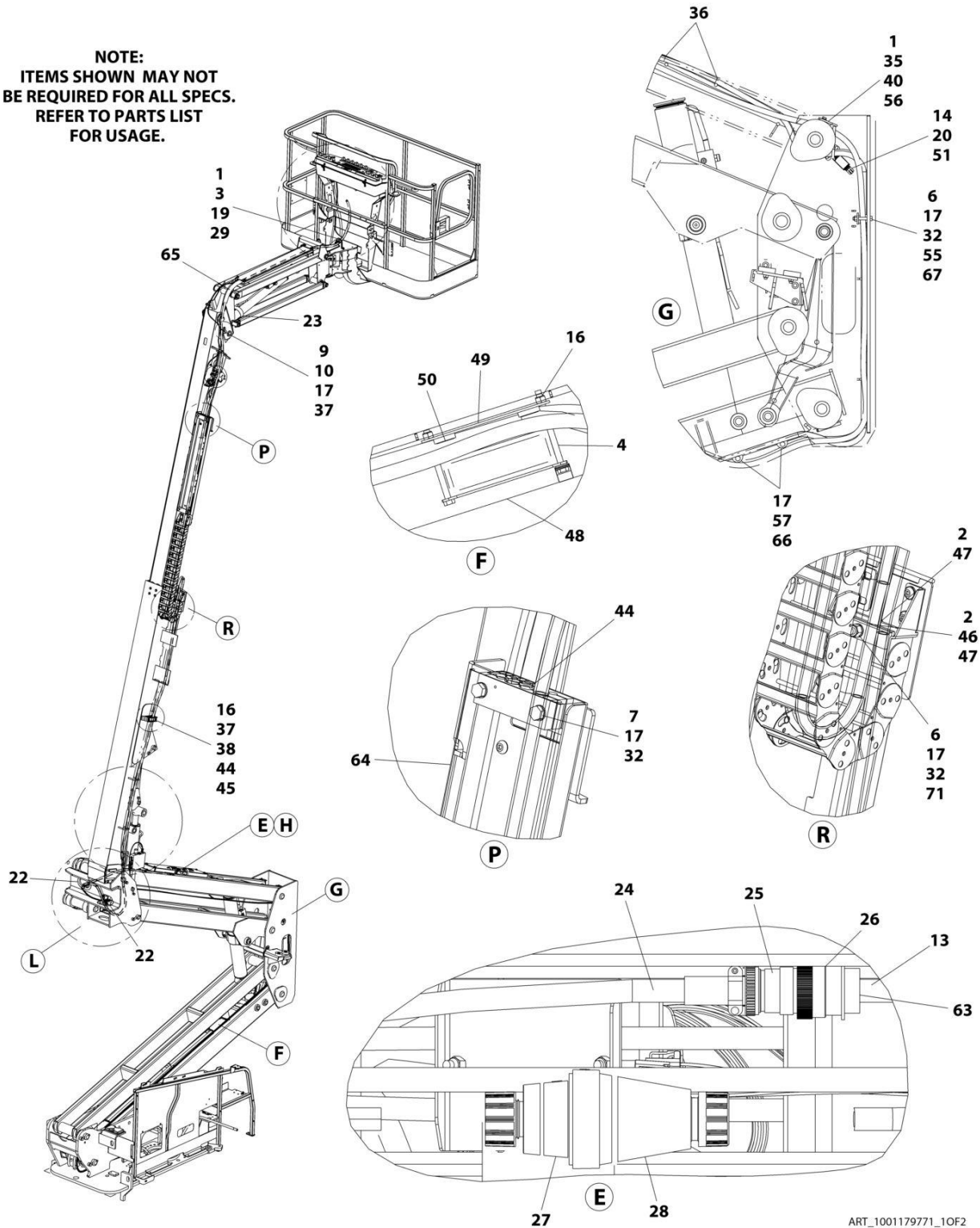
SECTION 8 - ELECTRICAL

ITEM	PART NUMBER	QTY	DESCRIPTION	REV
49	1001171555	3	Plate, Clamping	
50	1001171559	10	Pad	
51	1001284504	1	Switch, Limit	
52	1001238466	1	Link, Sensor (Note: Sold as Assembly Only)	
53	1001178448	2	Plate, Clamping	
54	1001178449	1	Cover	
55	1001178644	1	Plate	
56	1001260306	1	Bracket	
57	1001182561	2	Roller	
58	5250812	2	Bolt M8 x 25	
59	1001179266	1	Plate, Mounting	
63	4460466	AR	Plug, Terminal	
64	1001181875	1	Cover	
65	1001181923	1	Shield, Hose	
66	1001119280	2	Bolt M10 x 260	
67	1001185747	2	Pad	
69	88521205	2	Nut 5/16	
70	1001119228	8	Nut M8	
71	8310070	1	Pushnut 3/8	

SECTION 8 - ELECTRICAL

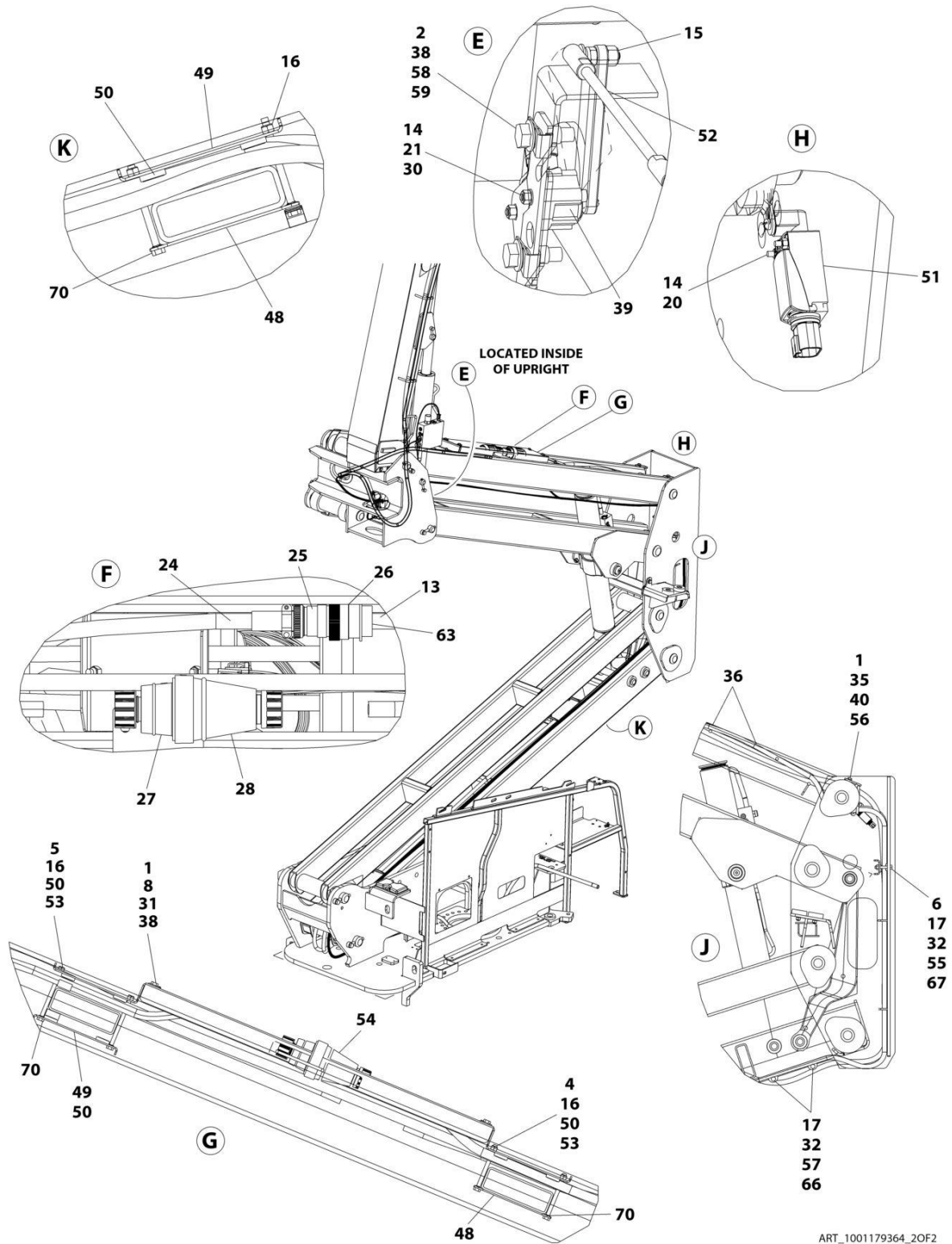
FIGURE 8-32. BOOM CABLES AND CLAMPS INSTALLATION - 450AJ (MACHINES WITH 7500W GENERATORS AND WITH ARCTIC PACKAGE)

NOTE:
ITEMS SHOWN MAY NOT
BE REQUIRED FOR ALL SPECS.
REFER TO PARTS LIST
FOR USAGE.



ART_1001179771_10F2

SECTION 8 - ELECTRICAL



ART_1001179364_20F2

SECTION 8 - ELECTRICAL

FIGURE 8-32. BOOM CABLES AND CLAMPS INSTALLATION - 450AJ (MACHINES WITH 7500W GENERATORS AND WITH ARCTIC PACKAGE)

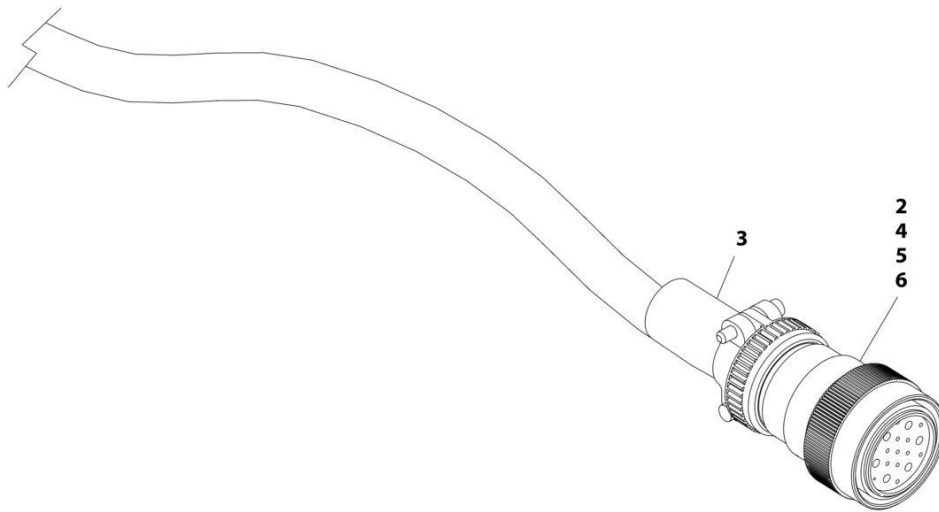
ITEM	PART NUMBER	QTY	DESCRIPTION	REV
	1001179771	Ref	BOOM CABLES AND CLAMPS INSTALLATION	O
1	0100011	AR	Compound, Locking	
2	0100081	AR	Adhesive	
3	0760814	2	Bolt M8 x 30	
4	0700827	6	Bolt M8 x 100	
5	0700828	2	Bolt M8 x 110	
6	0701021	3	Bolt M10 x 65	
7	0701024	4	Bolt M10 x 80	
8	0760812	4	Bolt M8 x 25	
9	0761012	1	Bolt M10 x 25	
10	1320130	1	Clamp	
13	2820031	AR	Heat Shrink	
14	3290405	4	Nut M4	
15	3290605	2	Nut M6	
16	3290805	12	Nut M8	
17	3291005	10	Nut M10	
19	3841340	1	Loop, Hose	
20	4010418	2	Screw M4 x 50	
21	4031511	2	Capscrew M4 x 35	
22	4060808	27.5 in/ 8.38m	Flex-Trim	
23	4240156	2	Strap, Clinch	
24	4460473	AR	Clamp, Cable	
25	4460865	1	Connector - 19 Position	
26	4460866	1	Connector - 19 Position	
27	1001218622	1	Terminal, Turnlock Plug	
28	1001218623	1	Terminal, Turnlock Connector	
29	4811900	4	Washer M8	
30	4811400	2	Washer M4	
31	4811902	4	Washer M8	
32	4812000	13	Washer M10	
33	1001179439	1	Harness, Tower Boom (Not Shown - See Separate Breakdown in this Section)	
34	4922929	1	Harness, Tower Boom - 8/5 Generator Cable (Not Shown)	
35	5251014	2	Bolt M10 x 30	
36	8881800	AR	Tie-Strap	
37	5281920	2	Screw M8 x 80	
37	5281918	2	Bolt M8 x 70	
38	1001118274	8	Nut M8	
39	1001118971	1	Sensor, Angle	
39	70005667	1	Arm	
40	1001118972	2	Nut M10	
41	1001174748	1	Harness, Main Boom (Not Shown - See Separate Breakdown in this Section)	
42	1001164732	1	Harness, Main Boom - 8/5 - Upper Generator Cable (Not Shown)	
43	1001164738	1	Harness, Boom Valve (Not Shown - See Separate Breakdown in this Section)	
44	1001273304	3	Block, Clamping	
45	1001273303	1	Plate	
46	1001168472	1	Plate, Clamping	

SECTION 8 - ELECTRICAL

ITEM	PART NUMBER	QTY	DESCRIPTION	REV
47	1001168473	2	Clamp, Rubber	
48	1001171553	3	Plate, Clamping	
49	1001171555	3	Plate, Clamping	
50	1001171559	10	Pad	
51	1001284504	1	Switch, Limit	
52	1001238466	1	Link, Sensor (Note: Sold as Assembly Only)	
53	1001178448	2	Plate, Clamping	
54	1001178449	1	Cover	
55	1001178644	1	Plate	
56	1001260306	1	Bracket	
57	1001182561	2	Roller	
58	5250812	2	Bolt M8 x 25	
59	1001179266	1	Plate, Mounting	
63	4460466	AR	Plug, Terminal	
64	1001181621	1	Cover	
65	1001181923	1	Shield, Hose	
66	1001119280	2	Bolt M10 x 260	
67	1001185747	2	Pad	
70	1001119228	8	Nut M8	
71	8310070	1	Pushnut 3/8	

SECTION 8 - ELECTRICAL

FIGURE 8-33. BOOM HARNESS - 450A (MAIN BOOM) (WITHOUT ARCTIC PACKAGE)



ART_1001172335

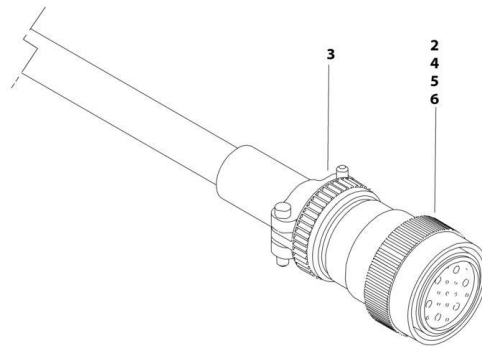
SECTION 8 - ELECTRICAL

FIGURE 8-33. BOOM HARNESS - 450A (MAIN BOOM) (WITHOUT ARCTIC PACKAGE)

ITEM	PART NUMBER	QTY	DESCRIPTION	REV
	1001172335	Ref	BOOM HARNESS - 450A (MAIN BOOM)	E
2	4460865	1	Connector - 19 Position	
3	4460473	1	Clamp	
4	4460465	20	Socket, Female	
5	4460509	8	Socket, Female	
6	4460466	5	Plug, Socket	

SECTION 8 - ELECTRICAL

FIGURE 8-34. BOOM HARNESS - 450AJ (MAIN BOOM) (WITHOUT ARCTIC PACKAGE)



ART_1001164730

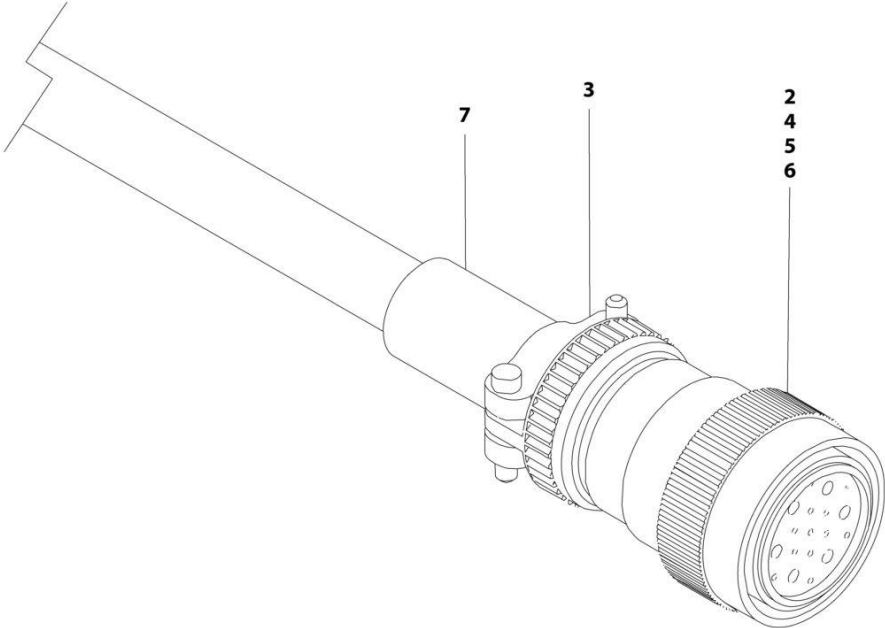
SECTION 8 - ELECTRICAL

FIGURE 8-34. BOOM HARNESS - 450AJ (MAIN BOOM) (WITHOUT ARCTIC PACKAGE)

ITEM	PART NUMBER	QTY	DESCRIPTION	REV
	1001164730	Ref	BOOM HARNESS - MAIN BOOM	D
2	4460865	1	Connector - 19 Position	
3	4460473	1	Clamp	
4	4460465	20	Socket, Female	
5	4460509	8	Socket, Female	
6	4460466	5	Plug, Socket	

SECTION 8 - ELECTRICAL

FIGURE 8-35. BOOM HARNESS - 450A (MAIN BOOM) (WITH ARCTIC PACKAGE)



ART_1001217441

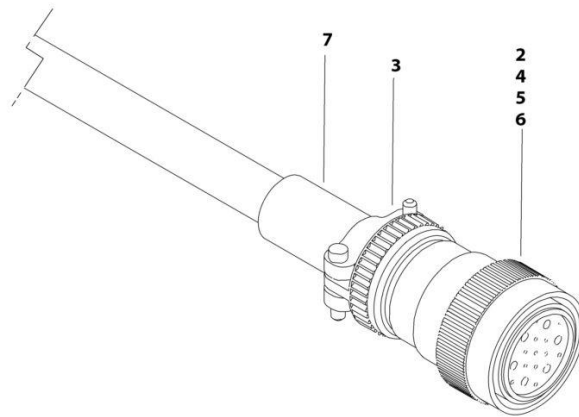
SECTION 8 - ELECTRICAL

FIGURE 8-35. BOOM HARNESS - 450A (MAIN BOOM) (WITH ARCTIC PACKAGE)

ITEM	PART NUMBER	QTY	DESCRIPTION	REV
	1001217441	Ref	BOOM HARNESS - 450A (MAIN BOOM)	A
2	4460865	1	Connector - 19 Position	
3	4460473	1	Clamp	
4	4460465	22	Socket, Female	
5	4460509	8	Socket, Female	
6	4460466	4	Plug, Socket	
7	2820118	AR	Heat Shrink	

SECTION 8 - ELECTRICAL

FIGURE 8-36. BOOM HARNESS - 450AJ (MAIN BOOM) (WITH ARCTIC PACKAGE)



ART_1001174748

SECTION 8 - ELECTRICAL

FIGURE 8-36. BOOM HARNESS - 450AJ (MAIN BOOM) (WITH ARCTIC PACKAGE)

ITEM	PART NUMBER	QTY	DESCRIPTION	REV
	1001174748	Ref	BOOM HARNESS - 450AJ (MAIN BOOM)	C
2	4460865	1	Connector - 19 Position	
3	4460473	1	Clamp	
4	4460465	20	Socket, Female	
5	4460509	8	Socket, Female	
6	4460466	5	Plug, Socket	

SECTION 8 - ELECTRICAL

FIGURE 8-37. BOOM HARNESS - 450A (MAIN BOOM AC CABLE) (WITHOUT ARCTIC PACKAGE)



ART_1001172336

SECTION 8 - ELECTRICAL

FIGURE 8-37. BOOM HARNESS - 450A (MAIN BOOM AC CABLE) (WITHOUT ARCTIC PACKAGE)

ITEM	PART NUMBER	QTY	DESCRIPTION	REV
1	1001172336	Ref	BOOM HARNESS - 450A (MAIN BOOM AC CABLE)	C
1	1001120204	1	Plug, Male	
4	1060461	494 in /12.6m	Cable, Electrical - 12/3	

SECTION 8 - ELECTRICAL

FIGURE 8-38. BOOM HARNESS - 450AJ (MAIN BOOM AC CABLE) (WITHOUT ARCTIC PACKAGE)



ART_1001164731

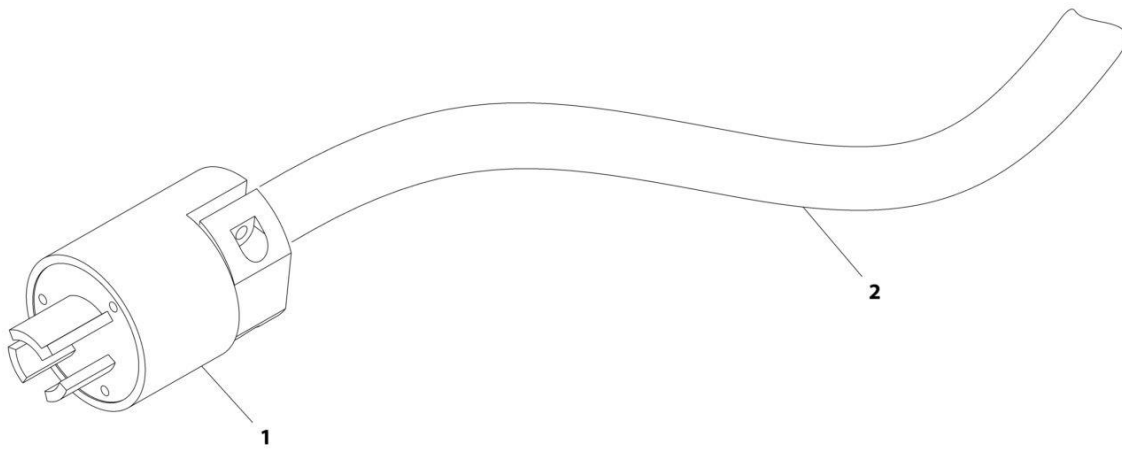
SECTION 8 - ELECTRICAL

FIGURE 8-38. BOOM HARNESS - 450AJ (MAIN BOOM AC CABLE) (WITHOUT ARCTIC PACKAGE)

ITEM	PART NUMBER	QTY	DESCRIPTION	REV
1	1001164731	Ref	BOOM HARNESS - MAIN BOOM AC CABLE	C
	1001120204	1	Plug, Male	
4	1060461	494 in/ 12.6m	Cable, Electrical - 12/3	

SECTION 8 - ELECTRICAL

FIGURE 8-39. BOOM HARNESS - 450A (MAIN BOOM AC CABLE) (WITH ARCTIC PACKAGE)



ART_1001217440

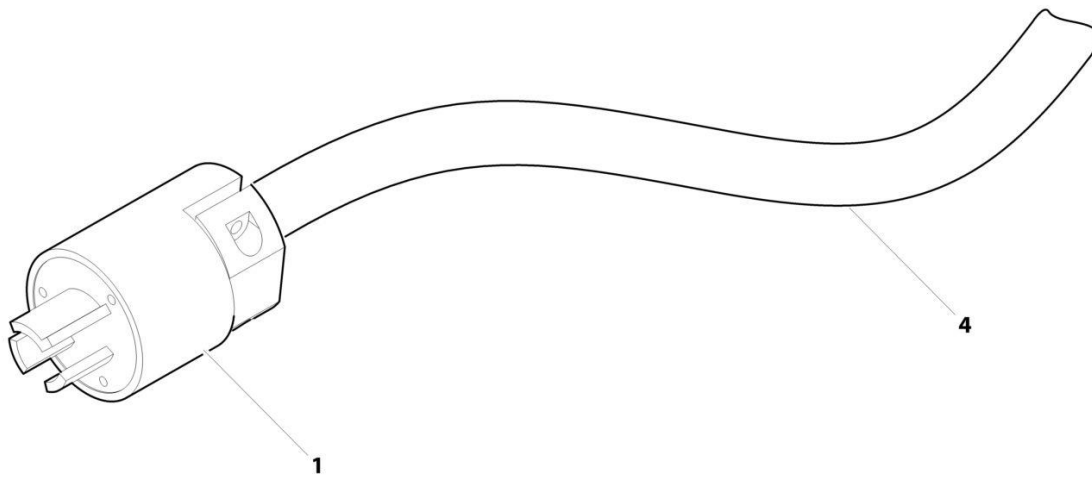
SECTION 8 - ELECTRICAL

FIGURE 8-39. BOOM HARNESS - 450A (MAIN BOOM AC CABLE) (WITH ARCTIC PACKAGE)

ITEM	PART NUMBER	QTY	DESCRIPTION	REV
1	1001217440	Ref	BOOM HARNESS - 450A (MAIN BOOM AC CABLE)	A
2	1001120204	1	Plug, Male	
	4923463	494 in /12.6m	Cable, Electrical - 12/3	

SECTION 8 - ELECTRICAL

FIGURE 8-40. BOOM HARNESS - 450AJ (MAIN BOOM AC CABLE) (WITH ARCTIC PACKAGE)



ART_1001174750

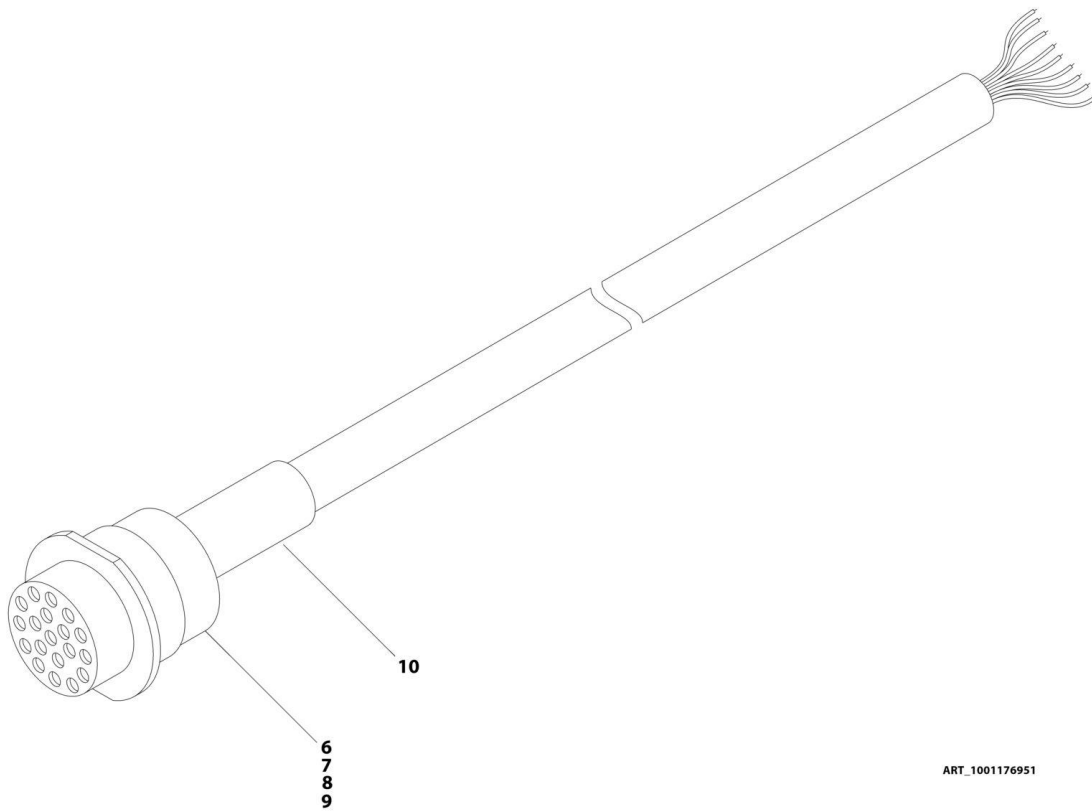
SECTION 8 - ELECTRICAL

FIGURE 8-40. BOOM HARNESS - 450AJ (MAIN BOOM AC CABLE) (WITH ARCTIC PACKAGE)

ITEM	PART NUMBER	QTY	DESCRIPTION	REV
1	1001174750	Ref	BOOM HARNESS - 450AJ (MAIN BOOM AC CABLE)	B
	1001120204	1	Plug, Male	
4	4923463	494 in/ 12.6m	Cable, Electrical - 12/3	

SECTION 8 - ELECTRICAL

FIGURE 8-41. BOOM HARNESS - TOWER BOOM (WITHOUT ARCTIC PACKAGE)



ART_1001176951

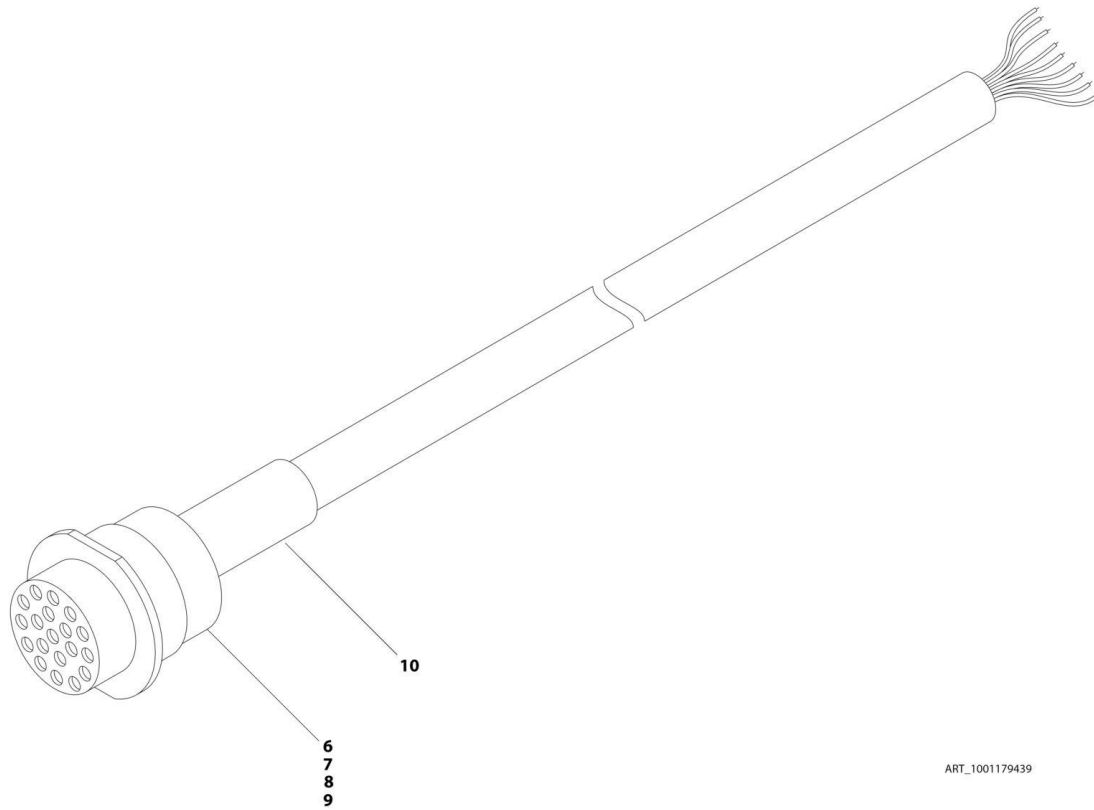
SECTION 8 - ELECTRICAL

FIGURE 8-41. BOOM HARNESS - TOWER BOOM (WITHOUT ARCTIC PACKAGE)

ITEM	PART NUMBER	QTY	DESCRIPTION	REV
	1001176951	Ref	BOOM HARNESS - TOWER BOOM	E
6	4460466	5	Plug, Terminal	
7	4460464	20	Pin, Male	
8	4460508	8	Pin, Male	
9	4460866	1	Connector - 19 Position	
10	2820031	AR	Heat Shrink	

SECTION 8 - ELECTRICAL

FIGURE 8-42. BOOM HARNESS - TOWER BOOM (WITH ARCTIC PACKAGE)



ART_1001179439

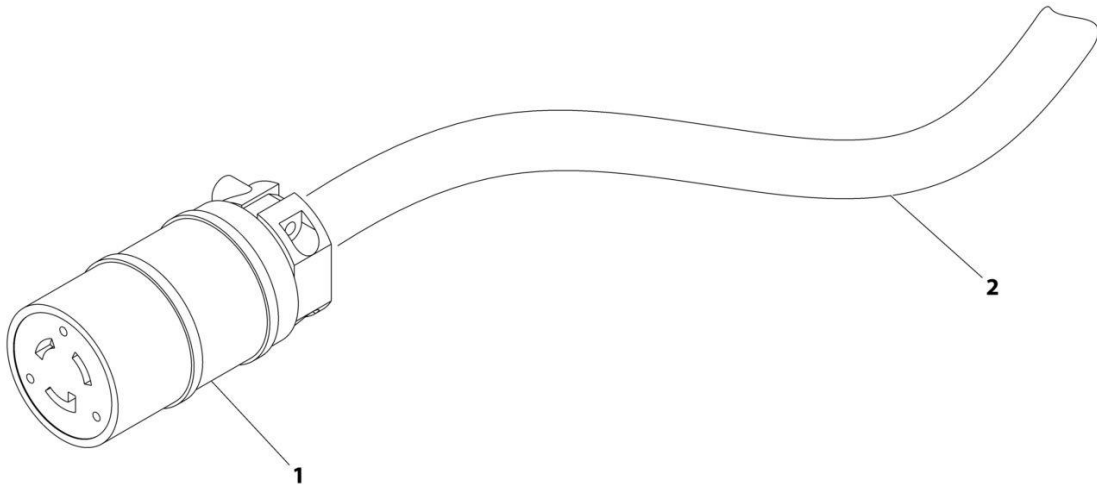
SECTION 8 - ELECTRICAL

FIGURE 8-42. BOOM HARNESS - TOWER BOOM (WITH ARCTIC PACKAGE)

ITEM	PART NUMBER	QTY	DESCRIPTION	REV
	1001179439	Ref	BOOM HARNESS - TOWER BOOM	D
6	4460466	4	Plug, Terminal	
7	4460464	22	Pin, Male	
8	4460508	8	Pin, Male	
9	4460866	1	Connector - 19 Position	
10	2820031	AR	Heat Shrink	

SECTION 8 - ELECTRICAL

FIGURE 8-43. BOOM HARNESS - TOWER BOOM AC CABLE (WITHOUT ARCTIC PACKAGE)



ART_1001174749

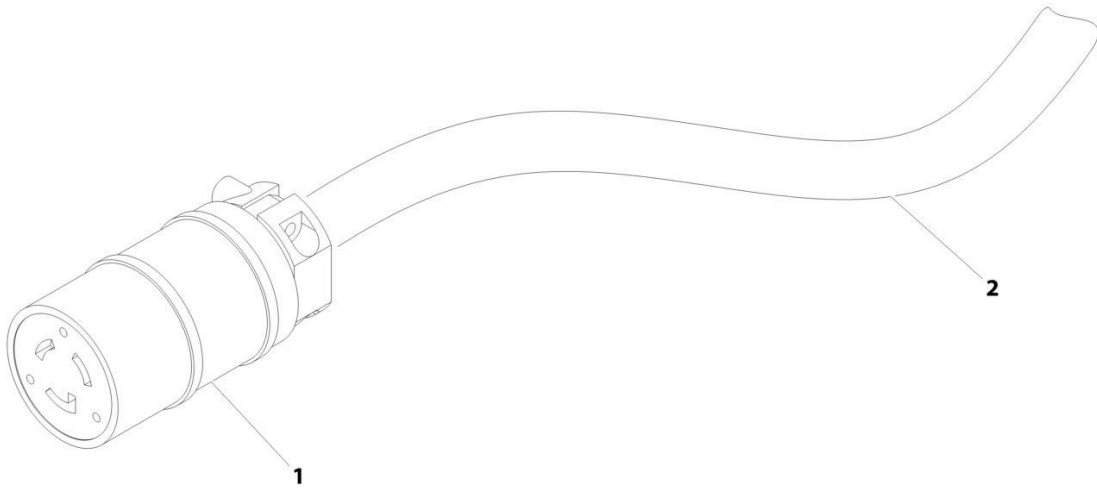
SECTION 8 - ELECTRICAL

FIGURE 8-43. BOOM HARNESS - TOWER BOOM AC CABLE (WITHOUT ARCTIC PACKAGE)

ITEM	PART NUMBER	QTY	DESCRIPTION	REV
	1001174749	Ref	BOOM HARNESS - TOWER BOOM AC CABLE	C
1	1001120205	1	Connector, Female	
2	1060461	28 ft/ 8.5m	Electrical Cable, 12/3	

SECTION 8 - ELECTRICAL

FIGURE 8-44. BOOM HARNESS - TOWER BOOM AC CABLE (WITH ARCTIC PACKAGE)



ART_1001174754

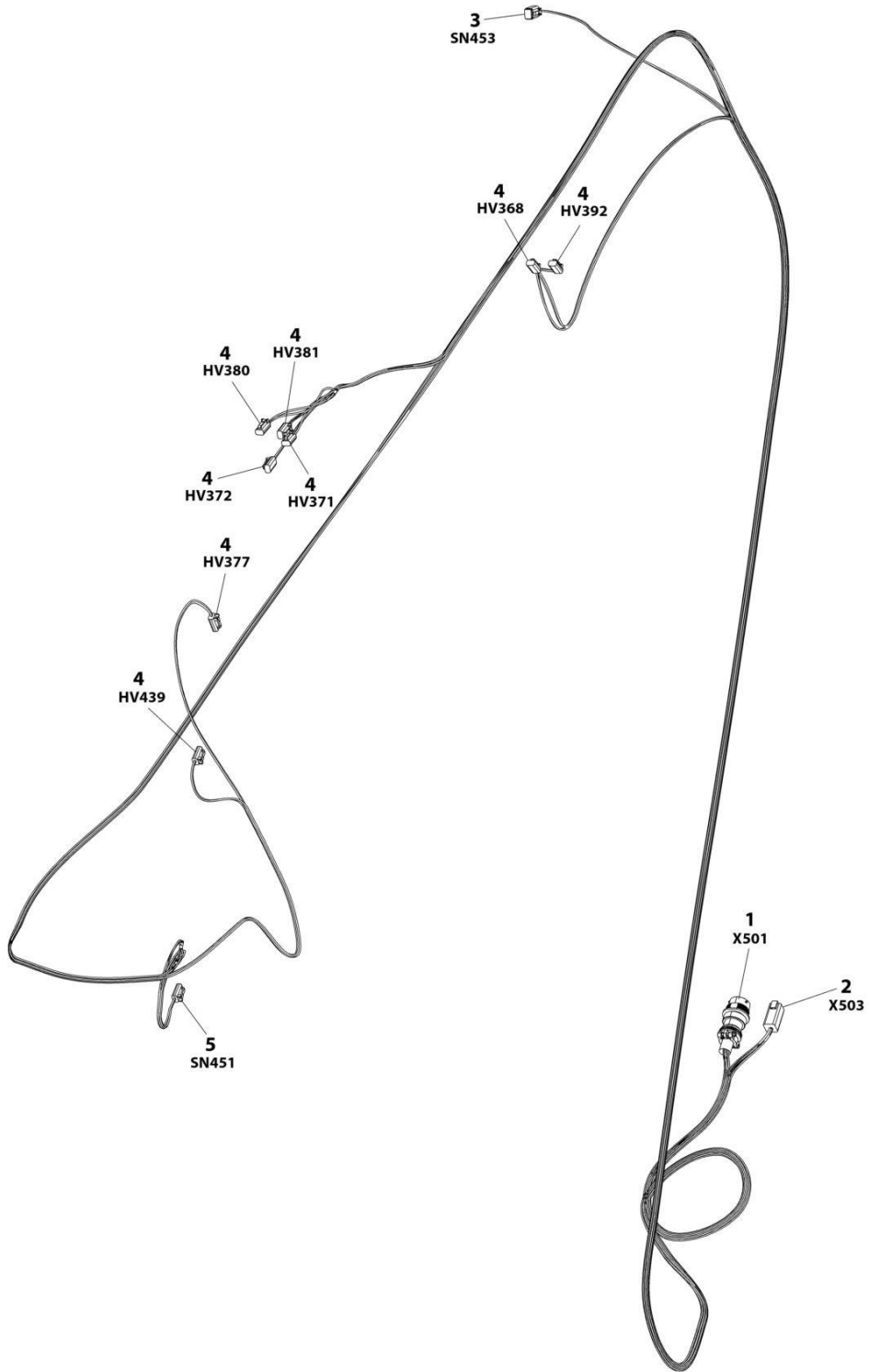
SECTION 8 - ELECTRICAL

FIGURE 8-44. BOOM HARNESS - TOWER BOOM AC CABLE (WITH ARCTIC PACKAGE)

ITEM	PART NUMBER	QTY	DESCRIPTION	REV
	1001174754	Ref	BOOM HARNESS - TOWER BOOM AC CABLE	B
1	1001120205	1	Connector, Female	
2	4920463	28 ft/ 8.5m	Cable, Electrical - 12/3	

SECTION 8 - ELECTRICAL

FIGURE 8-45. BOOM VALVE HARNESS



ART_1001164738

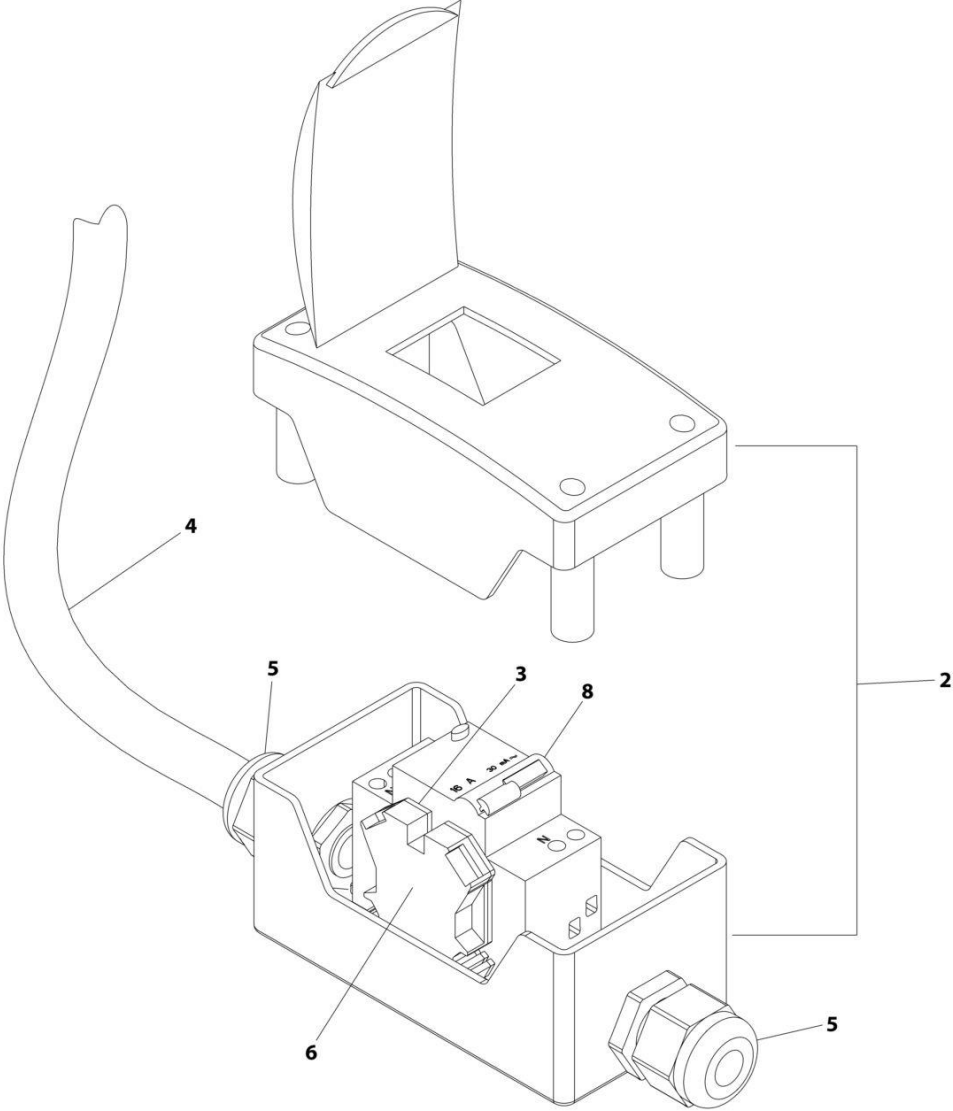
SECTION 8 - ELECTRICAL

FIGURE 8-45. BOOM VALVE HARNESS

ITEM	PART NUMBER	QTY	DESCRIPTION	REV
	1001164738	Ref	BOOM VALVE HARNESS	I
1	1001156541	1	Connector - 19 Position	
1	4460464	13	Pin, Male	
1	4460466	1	Plug, Terminal	
2	4460899	1	Connector - 6 Position	
2	4460464	6	Pin, Male	
3	4460884	1	Plug, Male - 4 Position	
3	4460465	2	Socket, Female	
3	4460466	2	Plug, Terminal	
4	4460891	8	Plug, Male - 2 Position	
4	4460465	16	Socket, Female	
5	1001230931	1	Plug, Male - 6 Position	
5	1001116748	6	Terminal	

SECTION 8 - ELECTRICAL

FIGURE 8-46. BREAKER BOX KIT WITH SINGLE DOUBLE POLE BREAKER - CE, RUSSIA & UK CA SPECS



ART_2902549

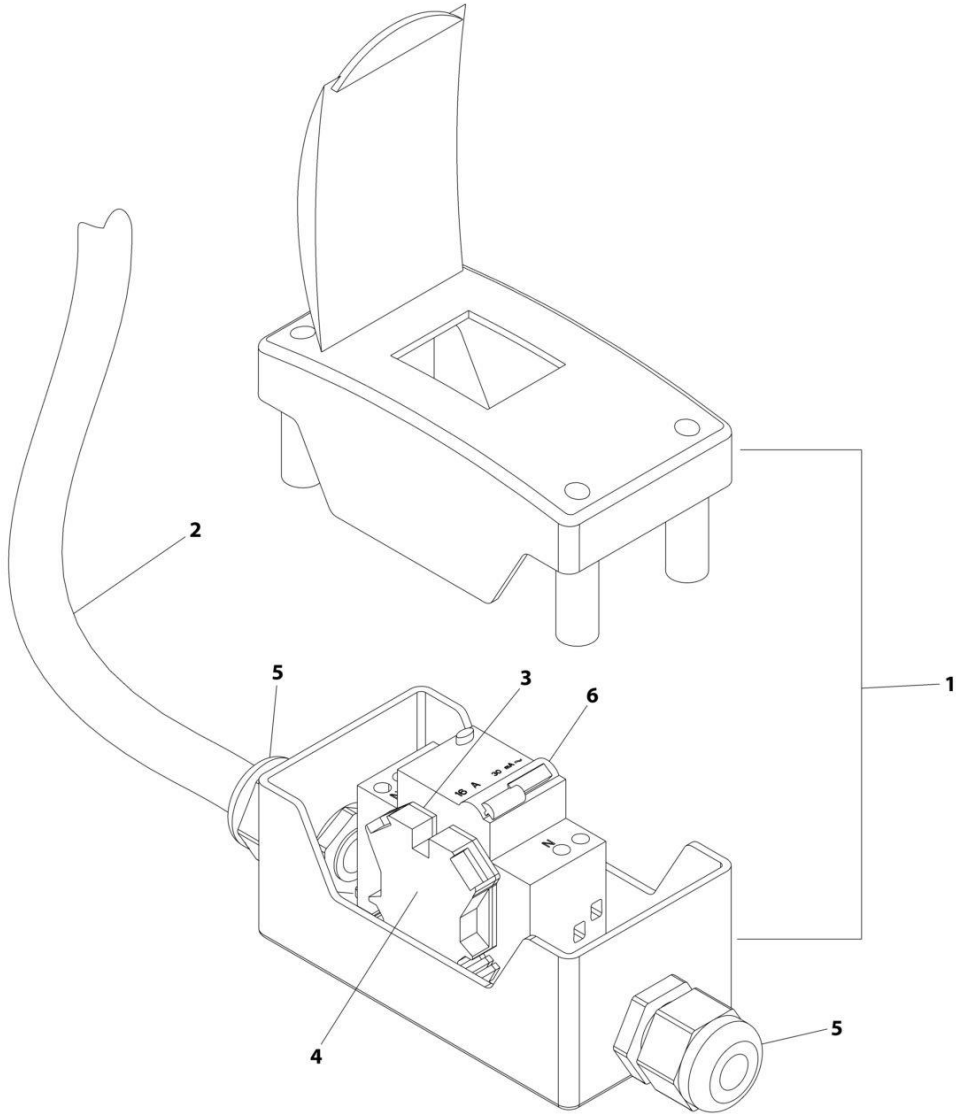
SECTION 8 - ELECTRICAL

FIGURE 8-46. BREAKER BOX KIT WITH SINGLE DOUBLE POLE BREAKER - CE, RUSSIA & UK CA SPECS

ITEM	PART NUMBER	QTY	DESCRIPTION	REV
	2902549	Ref	BREAKER BOX KIT - 110/220V 16AMP BREAKER	F
2	0861880	1	Box	
3	4460956	1	Barrier, Terminal	
4	1060908	6 ft/1.8m	Cable, 12/3	
5	1001097150	2	Connector, Strain Relief	
6	4460957	1	Block, Terminal	
8	1001181045	1	Breaker, Combination 16Amp/30mAmp	

SECTION 8 - ELECTRICAL

FIGURE 8-47. BREAKER BOX KIT



ART_1001289592

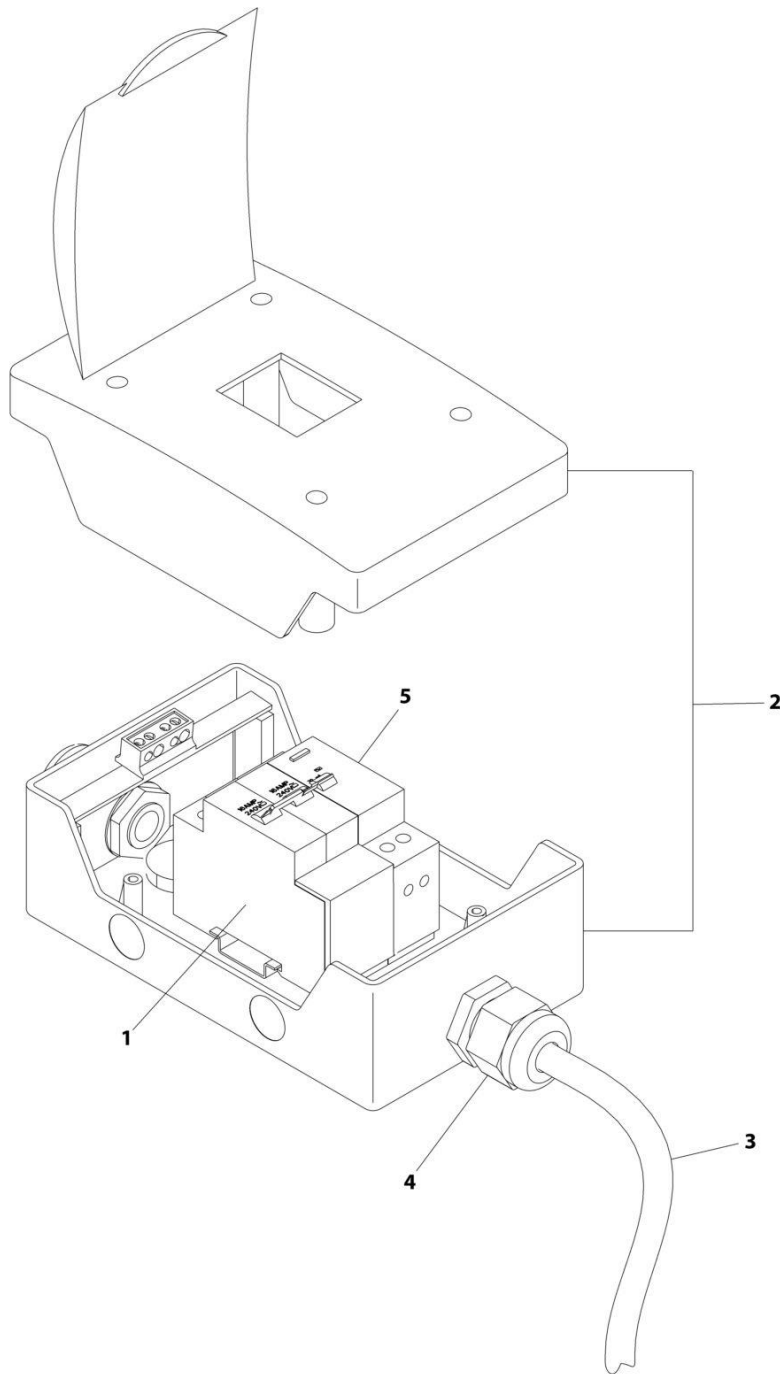
SECTION 8 - ELECTRICAL

FIGURE 8-47. BREAKER BOX KIT

ITEM	PART NUMBER	QTY	DESCRIPTION	REV
	1001289592	Ref	BREAKER BOX KIT	A
1	0861880	1	Box	
2	1060908	6 ft/1.8m	Cable 12/3	
3	4460956	1	Barrier, Terminal	
4	4460957	2	Block, Terminal	
5	1001097150	2	Connector, Strain Relief	
6	1001289589	1	Breaker, 16Amp	

SECTION 8 - ELECTRICAL

FIGURE 8-48. BREAKER BOX KIT WITH THREE BREAKERS - CE, RUSSIA & UK CA SPECS



ART_1001152485_F

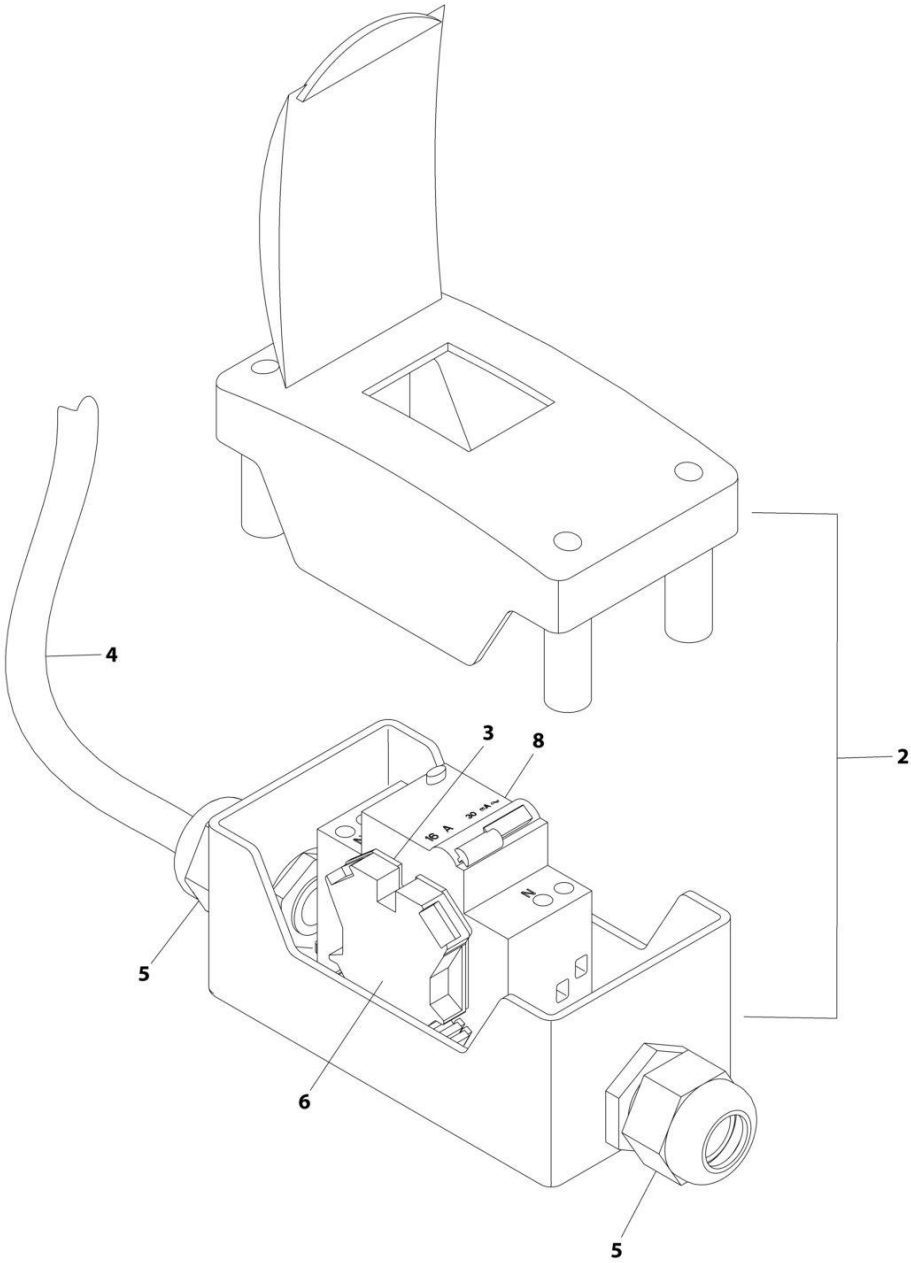
SECTION 8 - ELECTRICAL

FIGURE 8-48. BREAKER BOX KIT WITH THREE BREAKERS - CE, RUSSIA & UK CA SPECS

ITEM	PART NUMBER	QTY	DESCRIPTION	REV
	1001152485	Ref	BREAKER BOX KIT WITH TWO BREAKERS	F
1	1001189172	1	Breaker 16Amp Double	
2	1001152483	1	Box	
3	1060908	6 ft/1.8m	Cable, 12/3	
4	1001097150	2	Connector, Strain Relief	
5	1001189171	1	Breaker, 30mA	

SECTION 8 - ELECTRICAL

FIGURE 8-49. BREAKER BOX KIT - 30MA/16 AMP



ART_1001096070

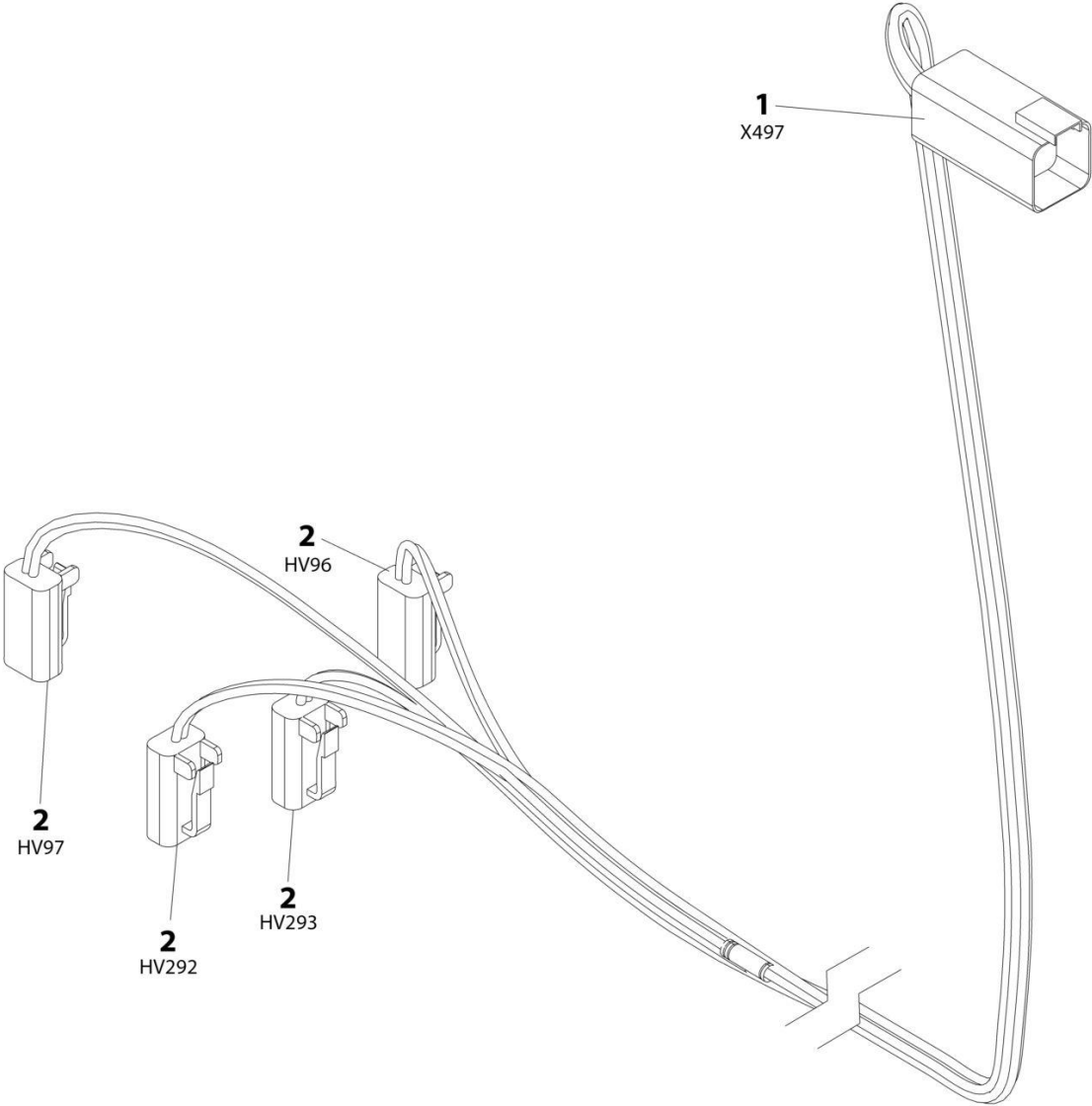
SECTION 8 - ELECTRICAL

FIGURE 8-49. BREAKER BOX KIT - 30MA/16 AMP

ITEM	PART NUMBER	QTY	DESCRIPTION	REV
	1001096070	Ref	BREAKER BOX KIT	E
2	0861880	1	Box	
3	4460956	1	Barrier, Terminal Block End	
4	1060908	12 ft/ 3.6m	Cable, 12/3	
5	1001097150	2	Connector, Strain Relief	
6	4460957	1	Block, Terminal	
8	1001181045	1	Breaker, 16Amp	

SECTION 8 - ELECTRICAL

FIGURE 8-50. CHASSIS SOLENOID HARNESS



ART_1001179236

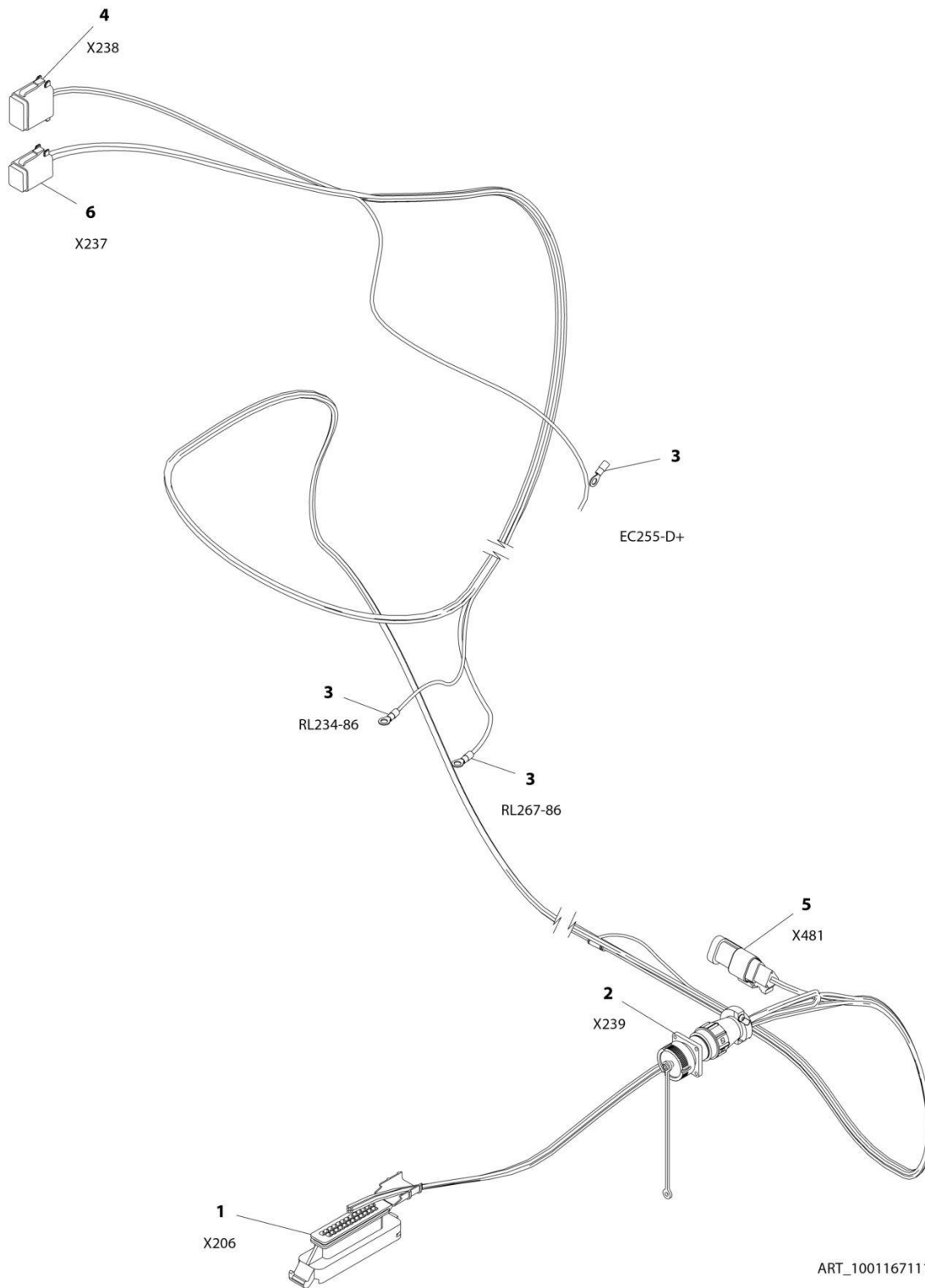
SECTION 8 - ELECTRICAL

FIGURE 8-50. CHASSIS SOLENOID HARNESS

ITEM	PART NUMBER	QTY	DESCRIPTION	REV
	1001179236	Ref	CHASSIS SOLENOID HARNESS	A
1	4460899	1	Receptacle, Female - 6 Position	
1	4460464	6	Pin, Male	
2	4460891	4	Plug, Male - 2 Position	
2	4460465	8	Socket, Female	

SECTION 8 - ELECTRICAL

FIGURE 8-51. ENGINE HARNESS - DEUTZ D2011



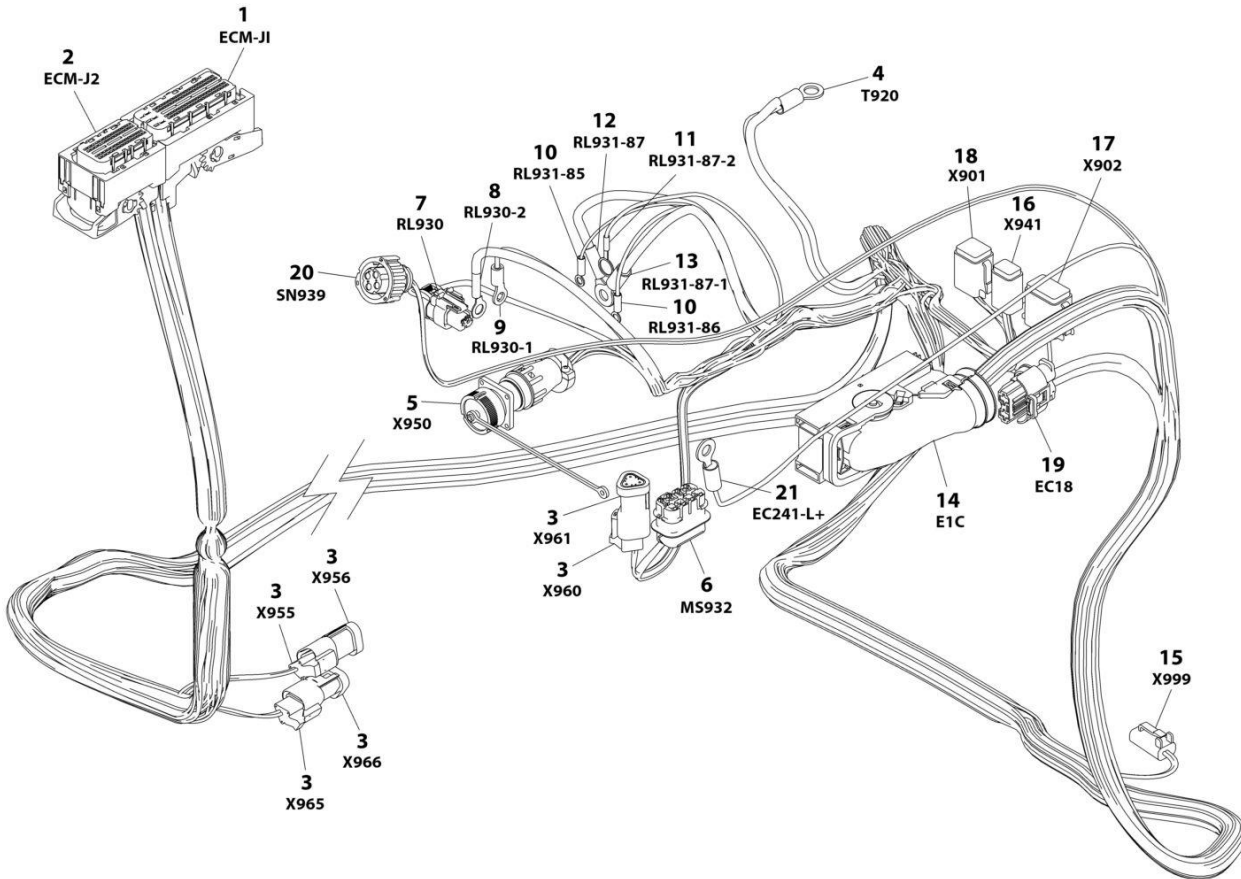
SECTION 8 - ELECTRICAL

FIGURE 8-51. ENGINE HARNESS - DEUTZ D2011

ITEM	PART NUMBER	QTY	DESCRIPTION	REV
	1001167111	Ref	ENGINE HARNESS - DEUTZ D2011	B
1	4461052	1	Connector - 25 Position	
1	4461005	7	Terminal	
1	4461008	18	Plug, Terminal	
2	2902443	1	Receptacle Kit	
2	4461071	8	Socket, Female	
2	4461072	1	Receptacle with Flange - 8 Position	
2	4461073	1	Cap, Dust	
2	4461074	1	Shell, Black	
3	4460313	3	Terminal, Ring	
4	4460930	1	Plug, Male - 8 Position	
4	4460465	2	Socket, Female	
4	4460466	6	Seal, Terminal	
5	4461095	1	Plug, Male - 3 Position	
5	4460465	3	Socket, Female	
6	4460894	1	Plug, Male - 6 Position	
6	4460465	6	Socket, Female	

SECTION 8 - ELECTRICAL

FIGURE 8-52. ENGINE HARNESS - DEUTZ D2.9L4



ART_1001167108_L

SECTION 8 - ELECTRICAL

FIGURE 8-52. ENGINE HARNESS - DEUTZ D2.9L4

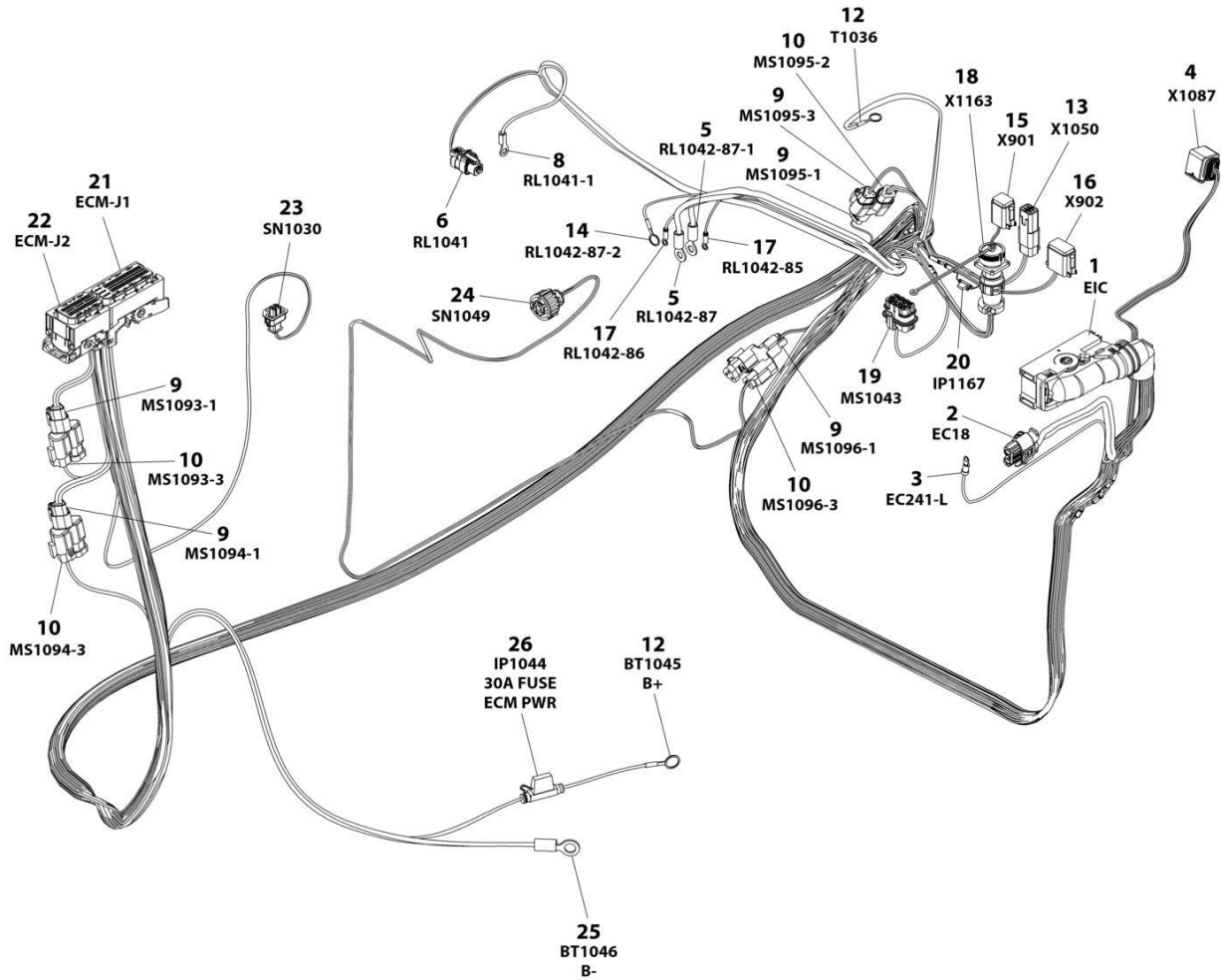
ITEM	PART NUMBER	QTY	DESCRIPTION	REV
	1001167108	Ref	ENGINE HARNESS - DEUTZ D2.9L4	L
1	1001133956	1	Connector, 94 Position	
1	1001182361	6	Terminal	
1	1001126351	2	Terminal	
1	1001230934	17	Terminal	
1	1001230935	63	Plug, Terminal	
1	1001256507	4	Terminal	
1	1001230936	2	Plug, Terminal	
1	1001182365	6	Seal	
2	1001133957	1	Connector - 60 Position	
2	1001230936	11	Plug, Terminal	
2	1001126351	13	Terminal	
2	1001230935	19	Plug, Terminal	
2	1001230934	11	Terminal	
2	1001252527	4	Terminal	
2	1001256507	2	Terminal	
3	4461095	3	Plug, Male - 3 Position	
3	4460944	6	Socket, Female	
3	4460466	3	Plug, Terminal	
3	4461070	3	Connector, Female with Resistor 3 Position	
4	8220115	1	Terminal, Ring	
5	2902443	1	Receptacle Kit	
5	4461071	8	Socket, Female	
5	4461072	1	Receptacle with Flange - 8 Position	
5	4461073	1	Cap, Dust	
5	4461074	1	Shell, Black	
6	80484084	1	Connector - 8 Position	
6	4460746	3	Terminal	
6	1001234800	1	Terminal	
6	4460748	4	Plug, Terminal	
6	4460458	4	Seal	
6	8229242	1	Fuse - 5Amp	
6	80983191	1	Fuse - 10Amp	
6	1001147264	1	Cap	
7	1001116952	1	Plug, Male - 2 Position	
7	4460465	2	Socket, Female	
8	1001117106	1	Terminal, Ring	
9	4460043	1	Terminal, Ring	
10	4460247	2	Terminal, Ring	
11	4460703	1	Terminal, Ring	
12	8220164	1	Terminal, Ring	
13	1001117107	1	Terminal, Ring	
14	1001126362	1	Connector - 62 Position	
14	1001126363	25	Terminal	
14	1001126391	21	Seal, Terminal	
14	1001126392	10	Terminal	
14	4461008	4	Seal, Terminal	
14	1001126365	2	Terminal	
14	1001223459	10	Seal, Terminal	
14	1001126364	23	Seal, Terminal	

SECTION 8 - ELECTRICAL

ITEM	PART NUMBER	QTY	DESCRIPTION	REV
14	1001256506	2	Seal, Terminal	
14	4461054	2	Seal, Terminal	
15	4460891	1	Plug, Male - 2 Position	
15	4460465	2	Socket, Female	
16	1001220379	1	Plug, Male - 4 Position	
16	4460465	2	Socket, Female	
16	4460942	2	Socket, Female	
17	4460930	1	Plug, Male - 8 Position	
17	4460465	1	Socket, Female	
17	4460466	7	Seal, Terminal	
18	4460894	1	Plug, Male - 6 Position	
18	4460465	3	Socket, Female	
18	4460944	2	Socket, Female	
18	4460466	1	Plug, Terminal	
19	1001142938	1	Connector - 2 Position	
19	1001142940	2	Terminal	
19	1001142941	2	Seal, Terminal	
20	1001133714	1	Plug, Male - 4 Position	
20	1001133715	3	Terminal	
20	1001135651	1	Plug, Terminal	
20	1001135650	3	Seal	
21	4460042	1	Terminal, Ring	

SECTION 8 - ELECTRICAL

FIGURE 8-53. ENGINE HARNESS - DEUTZ D2.9L4 ENGINE (STAGE V)



ART_1001276643

SECTION 8 - ELECTRICAL

FIGURE 8-53. ENGINE HARNESS - DEUTZ D2.9L4 ENGINE (STAGE V)

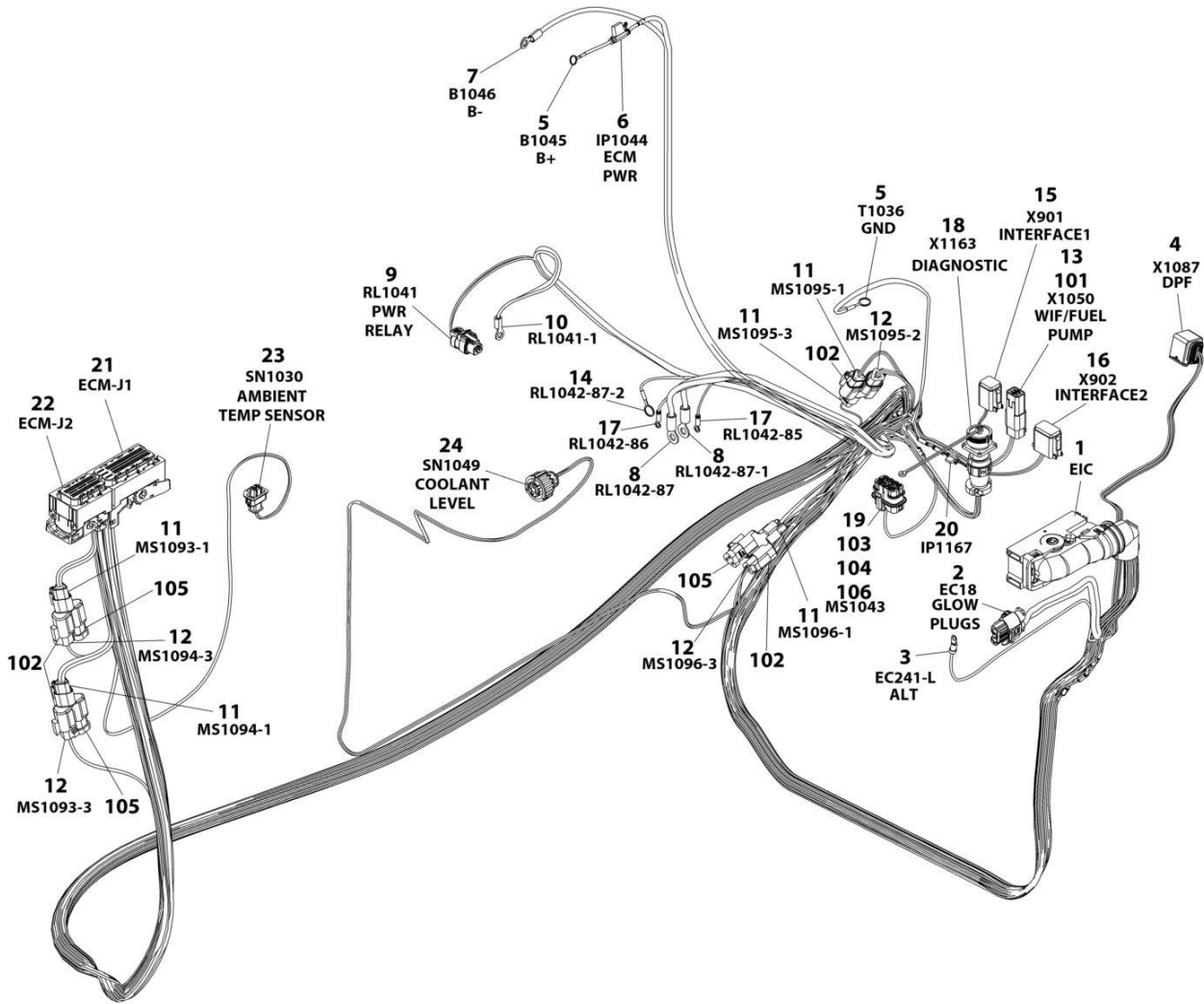
ITEM	PART NUMBER	QTY	DESCRIPTION	REV
	1001276643	Ref	ENGINE HARNESS - DEUTZ D2.9L4 (STAGE V) ENGINE	B
1	1001126362	1	Connector	
1	1001126363	37	Socket	
1	1001126391	7	Plug, Terminal	
1	1001126392	12	Socket	
1	4461008	4	Plug, Terminal	
1	1001167632	2	Socket	
1	1001126364	37	Plug, Terminal	
1	1001223459	12	Seal	
1	4461054	2	Seal	
2	1001142938	1	Connector	
2	1001142940	2	Socket	
2	1001142941	2	Seal	
3	4460042	1	Terminal, Ring	
4	1001239202	1	Connector	
4	1001126363	7	Socket	
4	1001126391	1	Plug, Terminal	
4	1001126364	7	Plug, Terminal	
5	1001117107	2	Terminal, Ring	
6	1001116952	1	Connector	
6	4460465	2	Socket	
8	4460043	1	Terminal, Ring	
9	1001116812	5	Connector	
9	4460944	10	Socket	
9	4460466	5	Plug, Terminal	
10	4460539	4	Connector	
10	4460944	8	Socket	
10	4460466	4	Plug, Terminal	
12	4460019	2	Terminal, Ring	
13	4460884	1	Connector	
13	4460465	2	Socket	
13	4460942	2	Socket	
14	4460703	1	Terminal, Ring	
15	4460894	1	Connector	
15	4460466	2	Plug, Terminal	
15	4460465	2	Socket	
15	4460944	2	Socket	
16	4460930	1	Connector	
16	4460465	1	Socket	
16	4460466	7	Plug, Terminal	
17	4460247	2	Terminal, Ring	
18	2902443	1	Receptacle Kit	
18	4461071	8	Socket	
18	4461072	1	Receptacle with Flange - 8 Position	
18	4461073	1	Cap, Dust	
18	4461074	1	Shell, Black	
19	80484084	1	Connector	
19	4460748	4	Plug, Socket	
19	4460746	3	Socket	
19	1001234800	1	Socket	

SECTION 8 - ELECTRICAL

ITEM	PART NUMBER	QTY	DESCRIPTION	REV
19	4460458	4	Seal	
20	1001170764	1	Holder, Fuse	
20	1001197719	1	Fuse 0.5 Watt	
21	1001133956	1	Connector	
21	1001182361	6	Socket	
21	1001126351	3	Socket	
21	1001230934	23	Socket	
21	1001230935	57	Pin	
21	1001230936	1	Pin	
21	1001252527	4	Socket	
21	1001182365	6	Seal	
22	1001133957	1	Connector	
22	1001230936	11	Pin	
22	1001126351	13	Socket	
22	1001230935	10	Pin	
22	1001230934	26	Socket	
23	1001126487	1	Connector	
23	1001167635	2	Socket	
23	1001126485	2	Seal	
24	1001133714	1	Connector	
24	1001133715	3	Socket	
24	1001135651	1	Plug, Terminal	
24	1001135650	2	Seal	
25	4460115	1	Terminal, Ring	
26	1001172064	1	Fuse Holder (Includes Cover)	
26	1001172065	1	Fuse 30Amp	

SECTION 8 - ELECTRICAL

FIGURE 8-54. ENGINE HARNESS - DEUTZ D2.9L4 ENGINE (CHINA IV)



ART_1001290660

SECTION 8 - ELECTRICAL

FIGURE 8-54. ENGINE HARNESS - DEUTZ D2.9L4 ENGINE (CHINA IV)

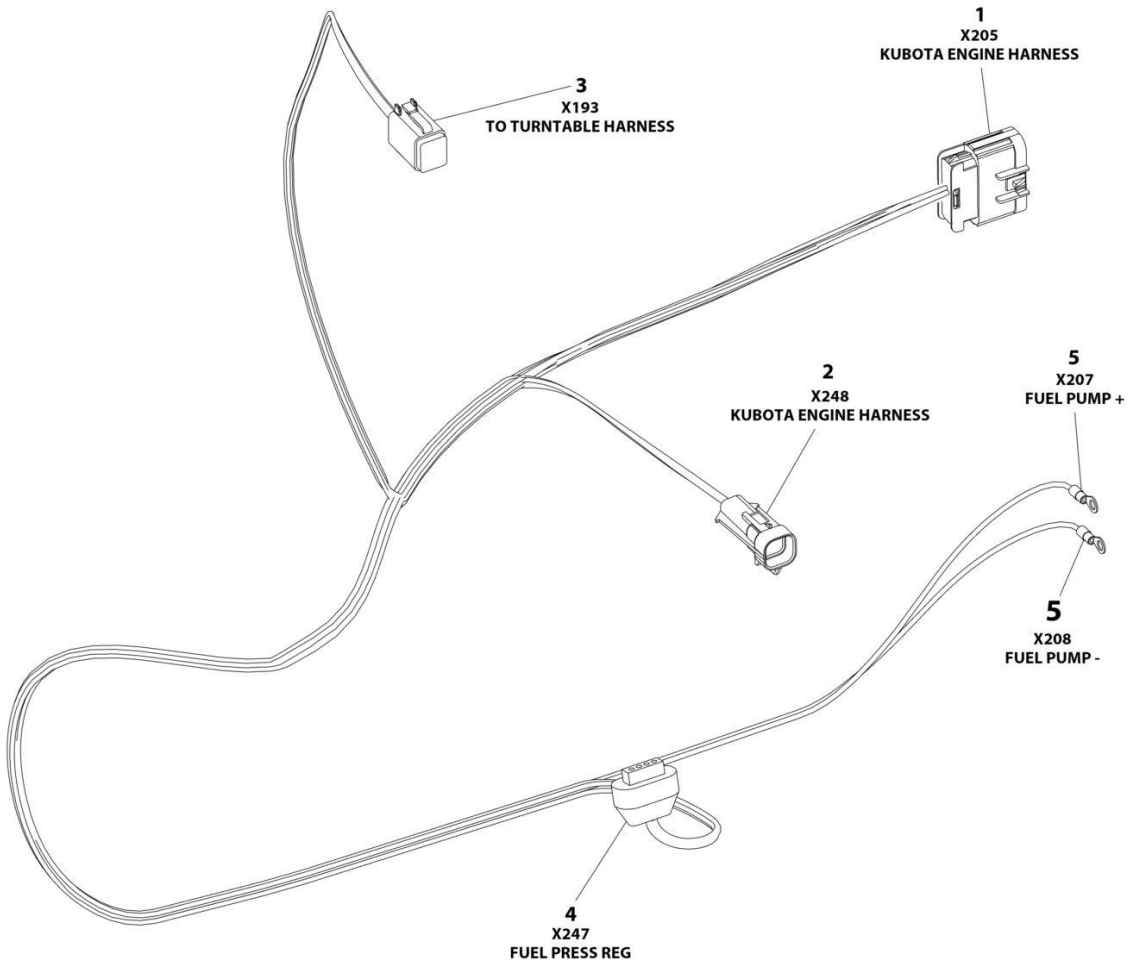
ITEM	PART NUMBER	QTY	DESCRIPTION	REV
	1001290660	Ref	ENGINE HARNESS - DEUTZ D2.9L4 (CHINA IV)	A
1	1001126362	1	Connector	
1	1001126363	37	Socket (20-17Awg - Gold)	
1	1001126391	7	Plug (3.6mm)	
1	1001126392	12	Socket (16Awg - Tin)	
1	4461008	4	Plug (5.6mm)	
1	1001167632	2	Socket (0.5-1.0mm2 - Tin)	
1	1001126364	37	Seal, Terminal (Use with Socket 1001126363)	
1	1001223459	12	Seal, Terminal (Use with Socket 1001126392)	
1	4461054	2	Seal, Terminal (Use with Socket 1001167632)	
1	1001151856	1	Elbow, Connector	
2	1001142938	1	Connector	
2	1001142940	2	Socket	
2	1001142941	2	Seal, Terminal	
3	4460042	1	Terminal, Ring	
4	1001239202	1	Connector	
4	1001126363	7	Socket	
4	1001126391	1	Plug	
4	1001126364	7	Seal, Terminal	
5	4460019	2	Terminal, Ring	
6	1001172064	1	Fuseholder	
6	1001172065	1	Fuse 30Amp	
7	8220115	1	Terminal, Ring	
8	1001117107	2	Terminal, Ring	
9	1001116952	1	Connector	
9	4460465	2	Socket	
10	4460043	1	Terminal, Ring	
11	1001116812	5	Connector	
11	4460944	10	Socket	
11	4460466	5	Plug	
12	4460539	4	Connector	
12	4460944	8	Socket	
12	4460466	4	Plug	
13	4460884	1	Connector	
13	4460465	2	Socket (20-16Awg)	
13	4460942	2	Socket (16-14Awg)	
14	4460703	1	Terminal, Ring	
15	4460894	1	Connector	
15	4460465	2	Socket (Nickel)	
15	4460944	2	Socket (Gold)	
15	4460466	2	Plug	
16	4460930	1	Connector	
16	4460465	1	Socket	
16	4460466	7	Plug	
17	4460247	2	Terminal, Ring	
18	2902443	1	Receptacle Kit	
18	4461071	8	Socket	
18	4461072	1	Connector	
18	4461073	1	Cap, Dust	
18	4461074	1	Backshell	

SECTION 8 - ELECTRICAL

ITEM	PART NUMBER	QTY	DESCRIPTION	REV
19	80484084	1	Connector	
19	4460746	3	Socket (20-17Awg)	
19	1001234800	1	Socket (16Awg)	
19	4460748	4	Plug	
19	4460458	4	Seal, Terminal	
20	1001170764	1	Fuseholder	
20	1001197719	1	Resistor 1/2Watt	
21	1001133956	1	Connector	
21	1001182361	6	Socket (1.5-2.5mm2)	
21	1001126351	3	Socket (18-15Awg)	
21	1001230934	23	Socket (0.75mm2)	
21	1001230935	57	Plug (1.5mm)	
21	1001252527	4	Socket (0.85mm2)	
21	1001230936	1	Plug (1.85mm)	
21	1001182365	6	Seal, Terminal	
22	1001133957	1	Connector	
22	1001230936	11	Plug (1.85mm)	
22	1001126351	13	Socket (18-15Awg)	
22	1001230935	10	Plug (1.5mm)	
22	1001230934	26	Socket (0.75mm2)	
23	1001126487	1	Connector	
23	1001167635	2	Socket	
23	1001126485	2	Seal, Terminal	
24	1001133714	1	Connector	
24	1001133715	3	Socket	
24	1001135651	1	Plug	
24	1001135650	2	Seal, Terminal	
101	4460932	1	Connector, Female	
102	4460945	4	Connector, 3-Way	
103	8229242	1	Fuse 5Amp	
104	80983191	1	Fuse 10Amp	
105	1001116815	3	Connector	
106	1001147264	1	Cap	

SECTION 8 - ELECTRICAL

FIGURE 8-55. ENGINE HARNESS - KUBOTA



ART_1001213706

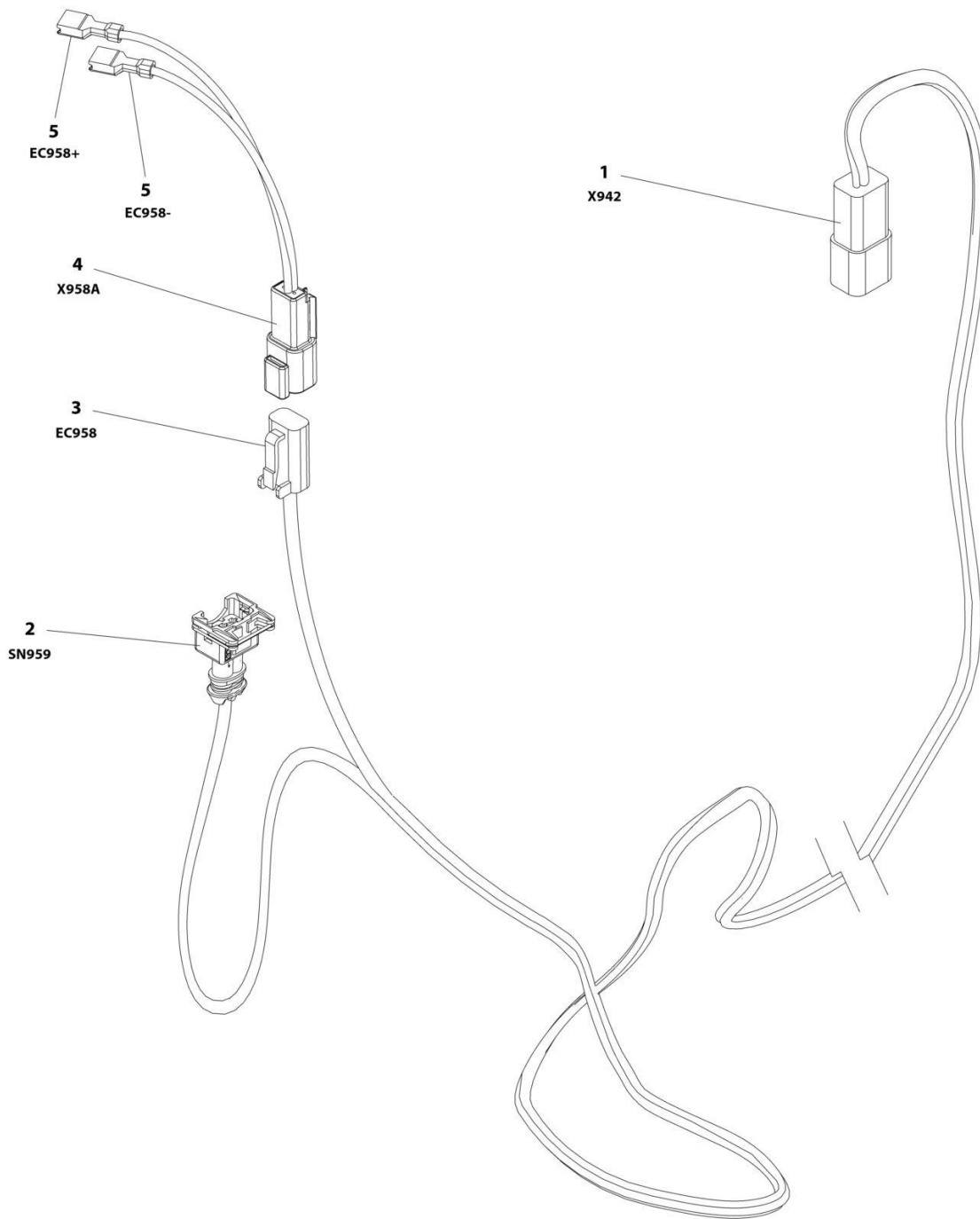
SECTION 8 - ELECTRICAL

FIGURE 8-55. ENGINE HARNESS - KUBOTA

ITEM	PART NUMBER	QTY	DESCRIPTION	REV
	1001213706	Ref	ENGINE HARNESS - KUBOTA	D
1	4461109	1	Plug, Male - 16 Position	
1	4461111	AR	Pin, Male	
1	4461113	AR	Seal	
1	4461222	AR	Plug	
2	4461124	1	Connector - 4 Position	
2	4460693	4	Terminal	
2	4461123	4	Seal	
3	4460894	1	Plug, Male - 6 Position	
3	4460465	5	Socket, Female	
3	4460466	1	Plug, Terminal	
4	4461121	1	Plug, Male - 4 Position	
4	4461122	4	Terminal	
4	4461006	4	Seal	
5	4460042	2	Terminal, Ring	

SECTION 8 - ELECTRICAL

FIGURE 8-56. FUEL HARNESS - DEUTZ D2.9L4 ENGINE



ART_1001181358

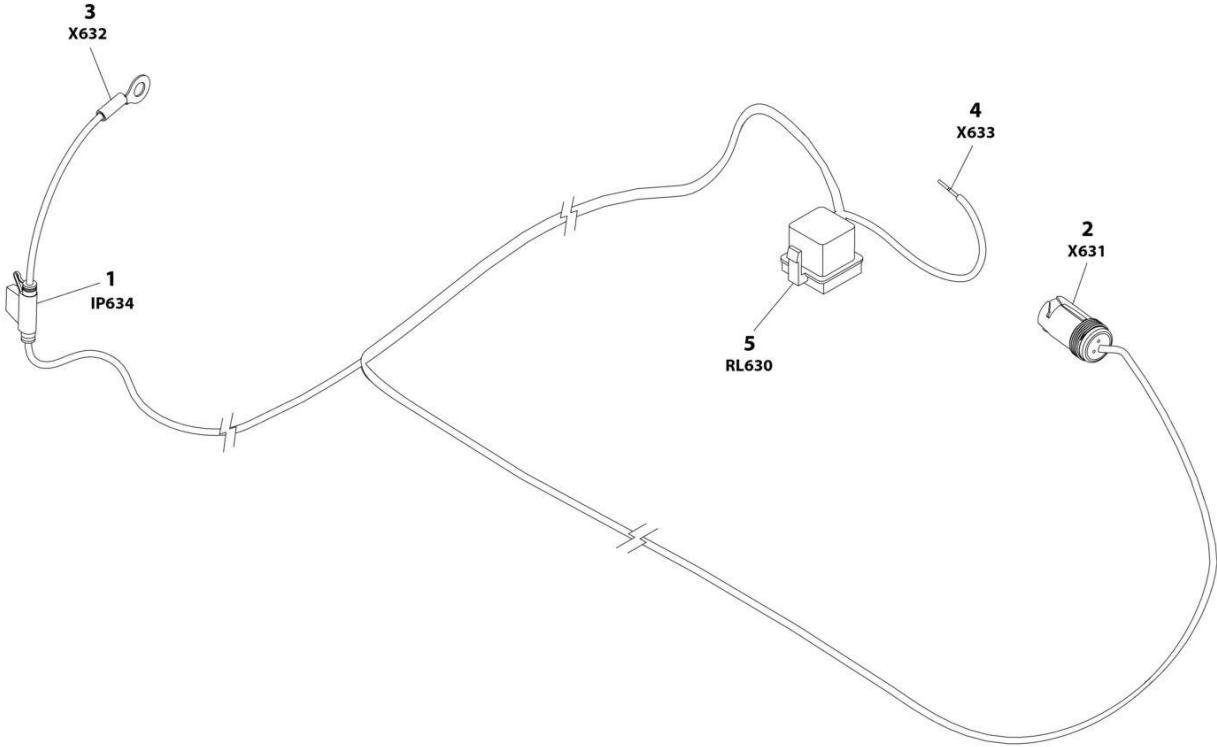
SECTION 8 - ELECTRICAL

FIGURE 8-56. FUEL HARNESS - DEUTZ D2.9L4 ENGINE

ITEM	PART NUMBER	QTY	DESCRIPTION	REV
	1001181358	Ref	FUEL HARNESS - DEUTZ D2.9L4 ENGINE	D
1	4460932	1	Receptacle, Female - 4 Position	
1	4460464	2	Pin, Male	
1	4460941	2	Pin, Male	
2	1001116983	1	Plug, Male - 2 Position	
2	4461060	2	Socket, Female	
2	4461054	2	Seal	
3	4460891	1	Plug, Male - 2 Position	
3	4460942	2	Socket, Female	
4	4460897	1	Receptacle, Female - 2 Position	
4	4460941	2	Pin, Male	
5	8220051	2	Coupler, Female	

SECTION 8 - ELECTRICAL

FIGURE 8-57. GENERATOR HARNESS - 2500W GENERATOR (60HZ)



ART_1001187522

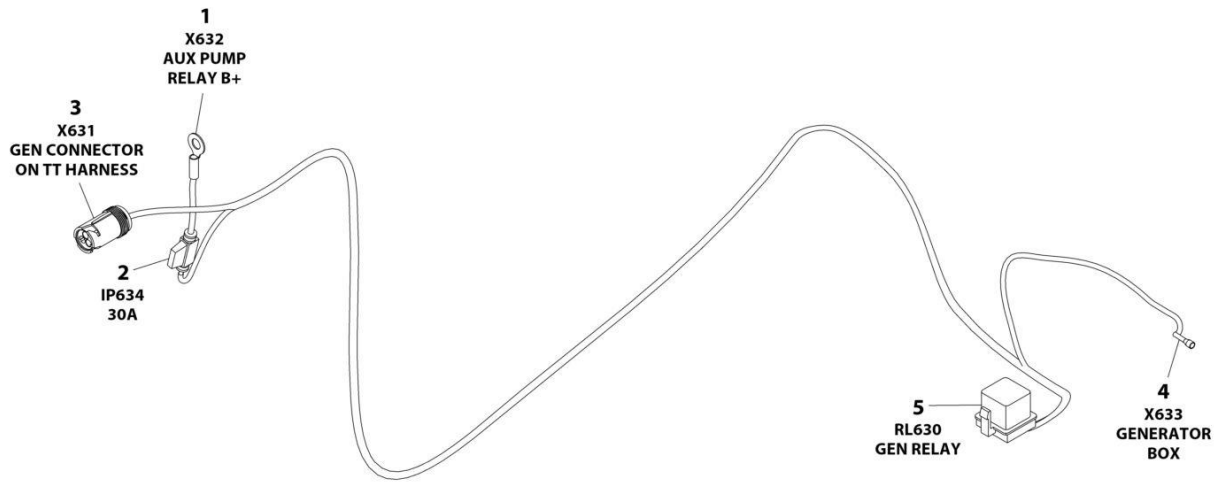
SECTION 8 - ELECTRICAL

FIGURE 8-57. GENERATOR HARNESS - 2500W GENERATOR (60HZ)

ITEM	PART NUMBER	QTY	DESCRIPTION	REV
	1001187522	Ref	GENERATOR HARNESS - 2500W	B
1	2400066	1	Fuseholder - 30Amp (Includes Cover)	
1	8229245	1	Fuse 30Amp	
2	1001154726	1	Receptacle, Female - 3 Position	
2	4460464	2	Pin, Male	
2	4460466	1	Plug, Terminal	
3	8220045	1	Terminal, Ring	
4	4460906	1	Socket, Female	
5	1001117057	1	Connector, Relay	
5	1001116734	2	Terminal	
5	1001116732	2	Terminal	
5	3740080	1	Relay	

SECTION 8 - ELECTRICAL

FIGURE 8-58. GENERATOR HARNESS - 2500W GENERATOR (50HZ)



ART_1001187352

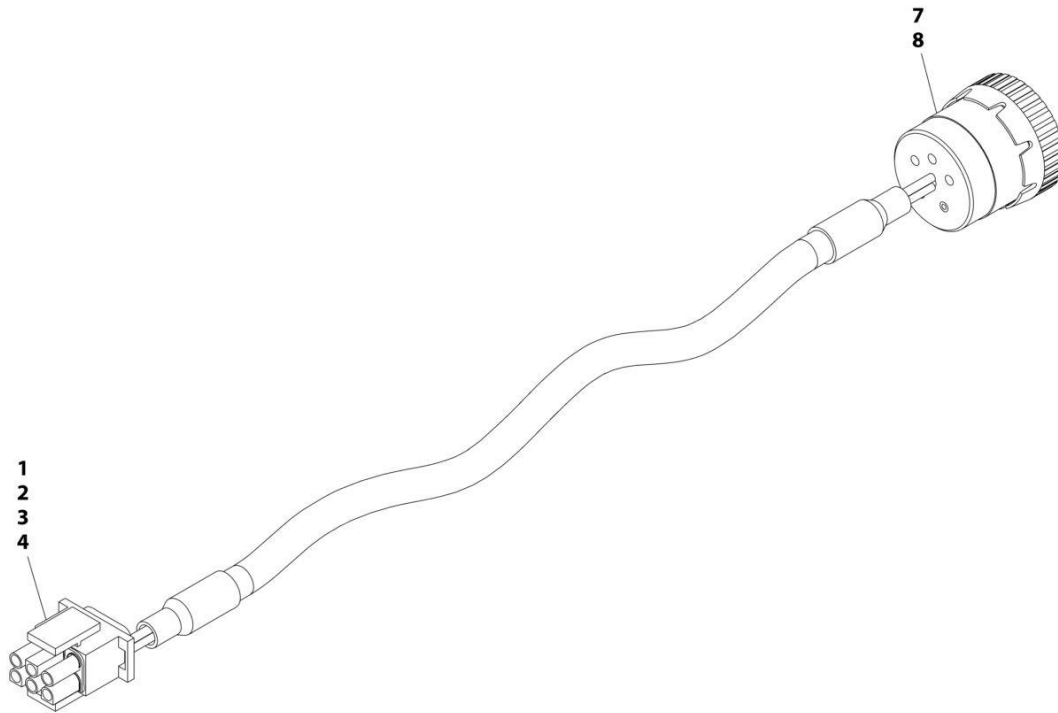
SECTION 8 - ELECTRICAL

FIGURE 8-58. GENERATOR HARNESS - 2500W GENERATOR (50HZ)

ITEM	PART NUMBER	QTY	DESCRIPTION	REV
	1001187352	Ref	GENERATOR HARNESS - 2500W GENERATOR (50HZ)	A
1	8220045	1	Terminal, Ring	
2	2400060	1	Holder, Fuse	
2	8229245	1	Fuse 30Amp	
3	1001154726	1	Connector - 3 Position	
3	4460464	2	Pin, Male	
3	4460466	1	Plug, Terminal	
4	1001100231	1	Terminal	
5	1001117057	1	Plug, Relay	
5	1001116734	2	Terminal	
5	1001116732	2	Terminal	

SECTION 8 - ELECTRICAL

FIGURE 8-59. GENERATOR HARNESS - 4000W GENERATOR



ART_1001152532

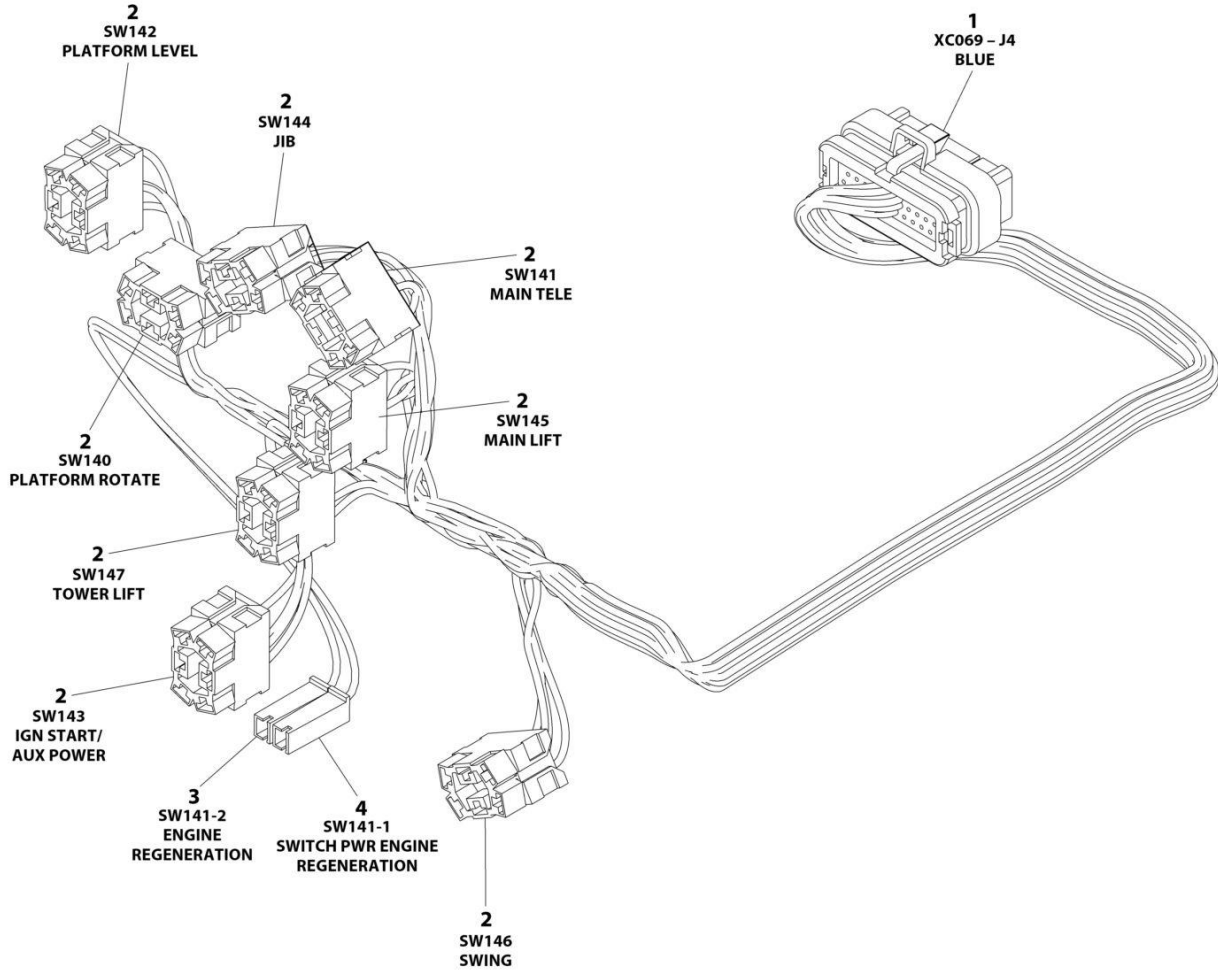
SECTION 8 - ELECTRICAL

FIGURE 8-59. GENERATOR HARNESS - 4000W GENERATOR

ITEM	PART NUMBER	QTY	DESCRIPTION	REV
	1001152532	Ref	GENERATOR HARNESS	A
1	4460225	1	Connector - 6 Position	
2	4460268	2	Socket, Female	
3	4460807	1	Seal	
4	4460808	1	Seal	
7	4460465	2	Socket, Female	
8	77363233	1	Connector - 6 Position	

SECTION 8 - ELECTRICAL

FIGURE 8-60. GROUND CONTROL PANEL HARNESS



ART_1001244295

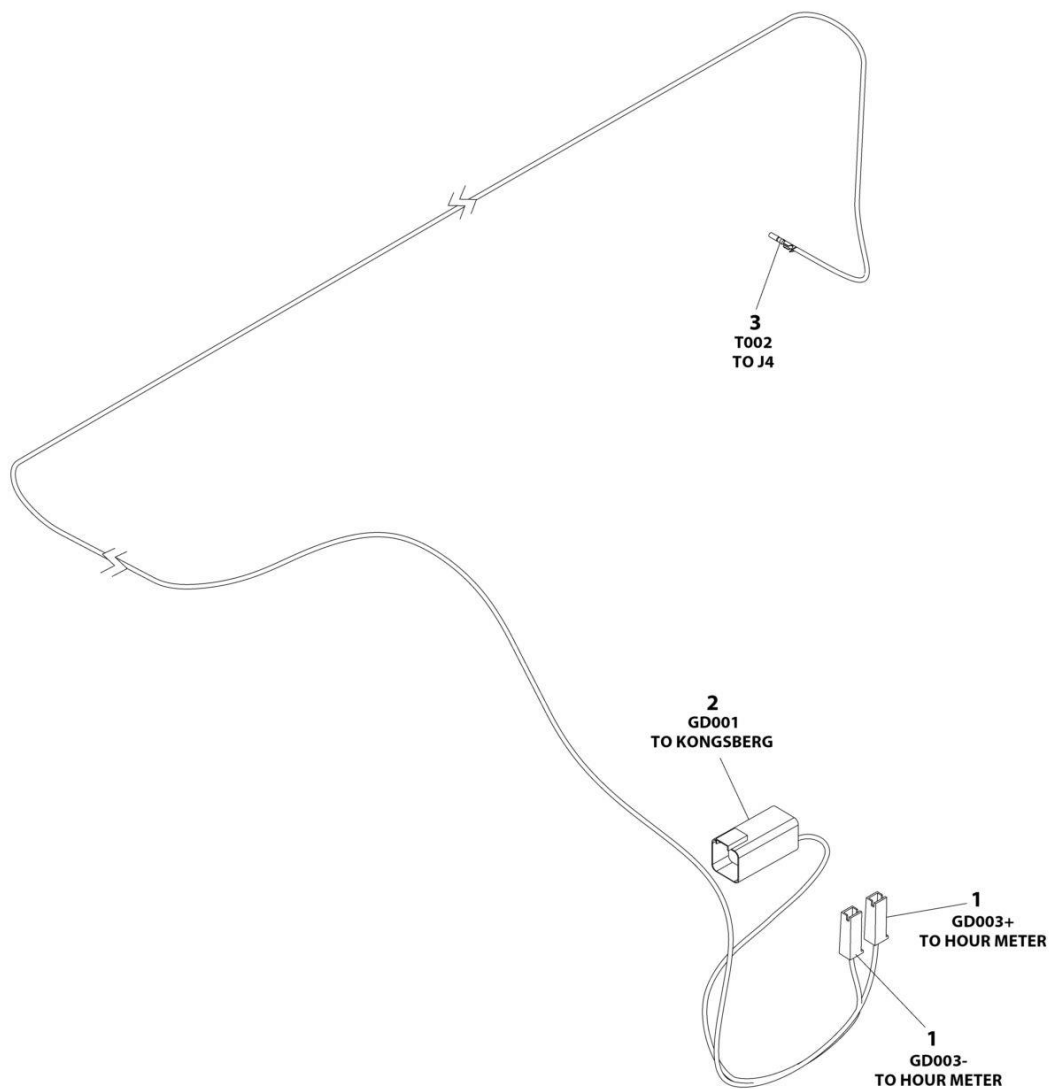
SECTION 8 - ELECTRICAL

FIGURE 8-60. GROUND CONTROL PANEL HARNESS

ITEM	PART NUMBER	QTY	DESCRIPTION	REV
	1001244295	Ref	GROUND CONTROL PANEL HARNESS	C
1	4460876	1	Connector - 35 Position	
1	4460871	18	Socket, Female	
1	4460905	17	Plug, Terminal	
2	4460418	8	Connector - 6 Position	
2	4460419	16	Terminal	
2	1001159186	16	Terminal	
3	4460260	2	Housing, Terminal	
3	4460259	2	Terminal	
4	4460260	1	Terminal, Housing	
4	4460259	1	Terminal	

SECTION 8 - ELECTRICAL

FIGURE 8-61. HOUR METER JUMPER HARNESS



ART_1001296426

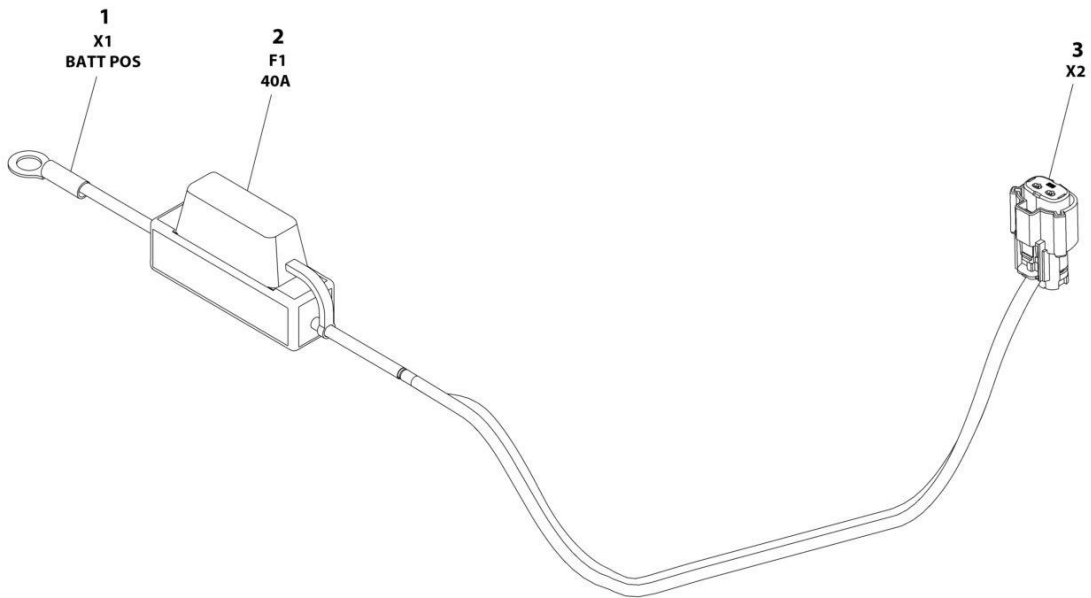
SECTION 8 - ELECTRICAL

FIGURE 8-61. HOUR METER JUMPER HARNESS

ITEM	PART NUMBER	QTY	DESCRIPTION	REV
	1001296426	Ref	HOUR METER JUMPER HARNESS	A
1	4460260	2	Connector	
2	4460899	1	Connector	
3	4460871	1	Socket	

SECTION 8 - ELECTRICAL

FIGURE 8-62. KUBOTA D/F POWER HARNESS



ART_1001229797

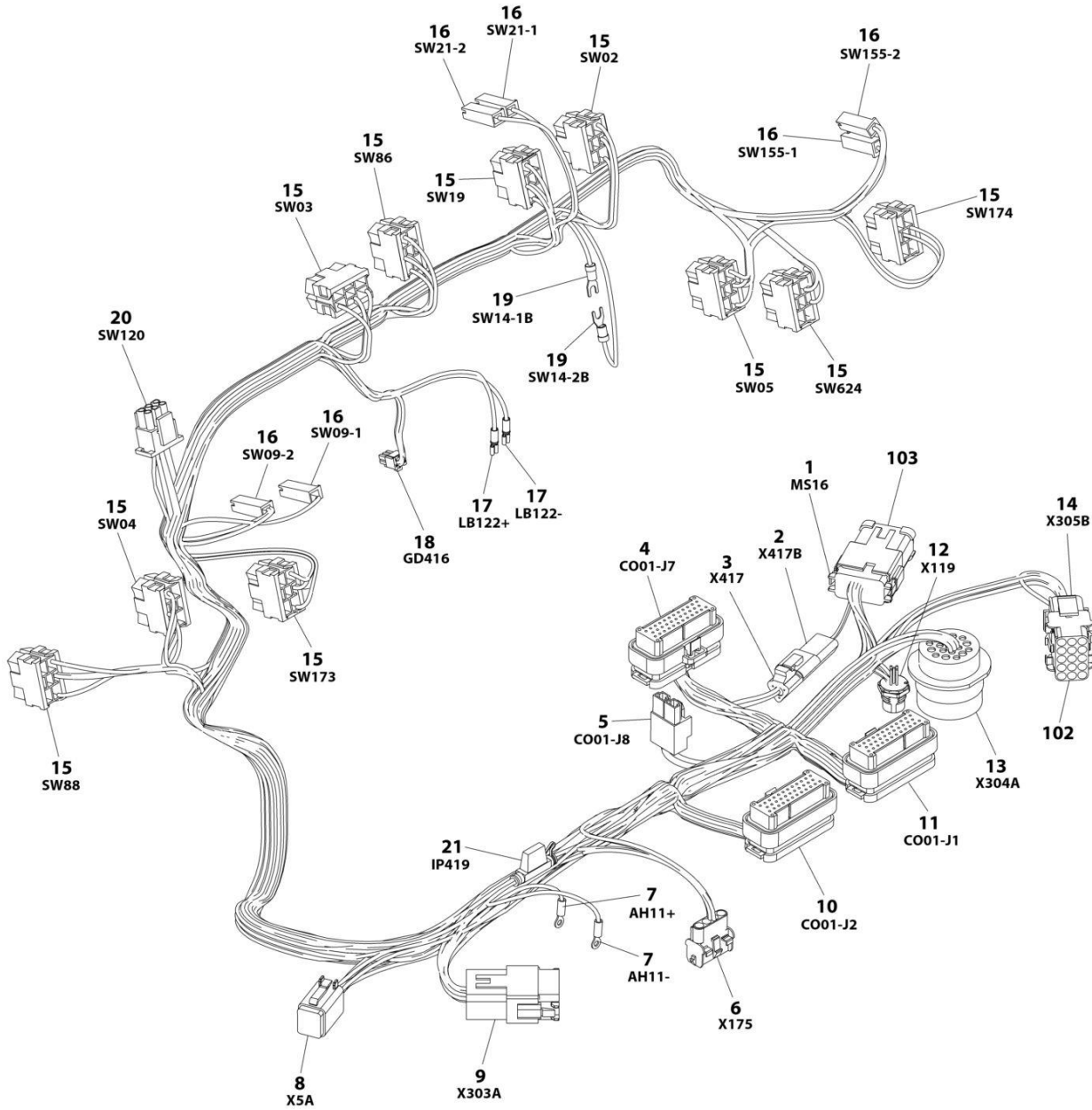
SECTION 8 - ELECTRICAL

FIGURE 8-62. KUBOTA D/F POWER HARNESS

ITEM	PART NUMBER	QTY	DESCRIPTION	REV
	1001229797	Ref	KUBOTA D/F POWER HARNESS	A
1	4460977	1	Terminal, Ring	
2	2400082	1	Fuse 40Amp	
3	1001229795	1	Connector - 2 Position	
3	1001229796	2	Socket, Female	

SECTION 8 - ELECTRICAL

FIGURE 8-63. PLATFORM CONSOLE BOX HARNESS



ART_1001238254

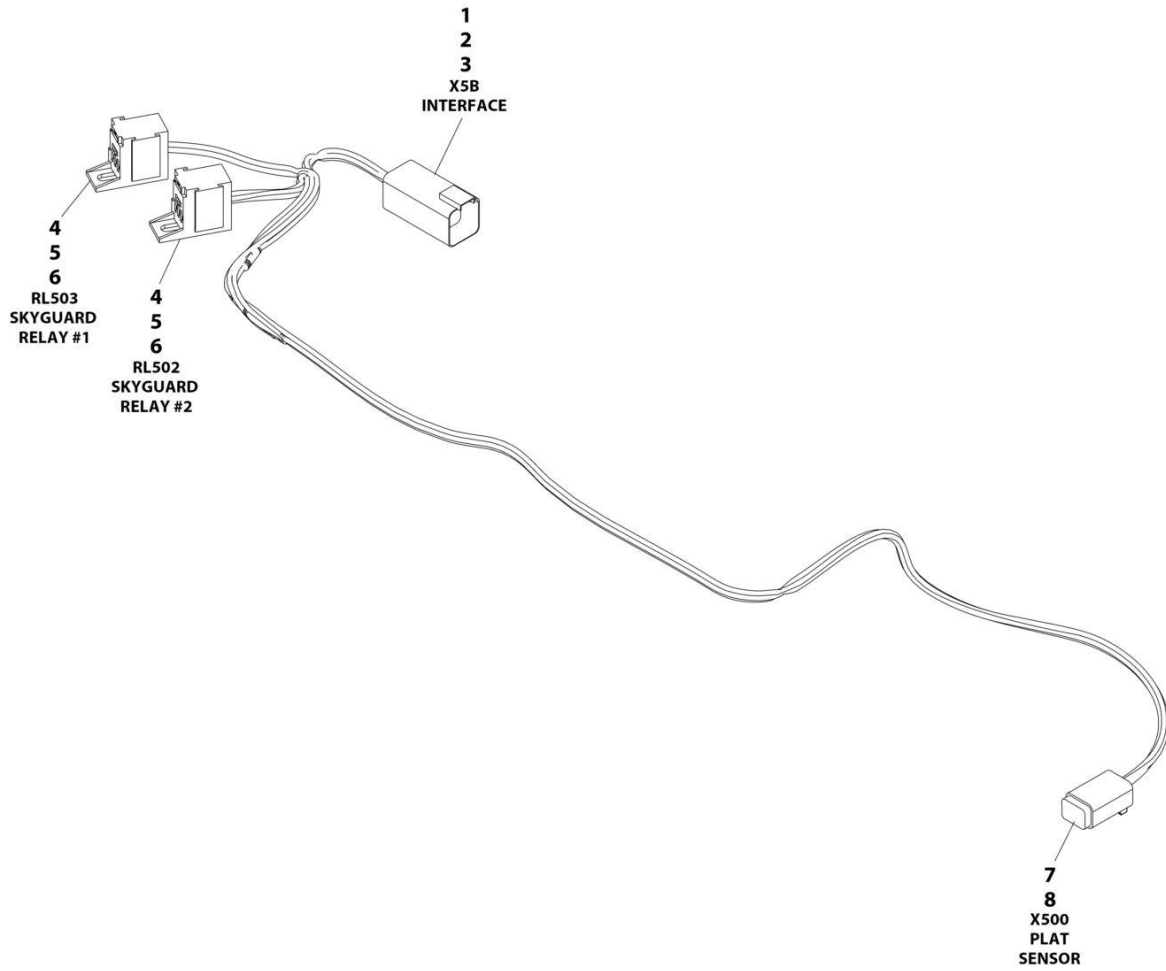
SECTION 8 - ELECTRICAL

FIGURE 8-63. PLATFORM CONSOLE BOX HARNESS

ITEM	PART NUMBER	QTY	DESCRIPTION	REV
	1001238254	Ref	PLATFORM CONSOLE BOX HARNESS	I
1	4460933	1	Plug, Male - 12 Position	
1	4460465	10	Socket, Female	
1	4460466	2	Plug, Terminal	
2	4460536	1	Receptacle, Female - 3 Position	
2	4460464	2	Pin, Male	
2	4460466	1	Plug, Terminal	
3	4460539	1	Plug, Male - 3 Position	
3	4460465	2	Socket, Female	
3	4460466	1	Plug, Terminal	
4	4460873	1	Connector - 35 Position	
4	4460871	21	Socket, Female	
4	4460905	14	Plug, Terminal	
5	4460879	1	Plug, Male - 2 Position	
5	4460887	2	Terminal	
6	4460761	1	Receptacle, Female - 4 Position	
6	4460267	4	Pin, Male	
7	1001098122	2	Terminal, Ring	
8	4460894	1	Plug, Male - 6 Position	
8	4460465	6	Socket, Female	
9	4460970	1	Receptacle, Female - 12 Position	
9	1001116693	11	Pin, Male	
9	4460466	1	Plug, Terminal	
10	4460875	1	Connector - 35 Position	
10	4460871	12	Socket, Female	
10	4460905	23	Plug, Terminal	
11	4460874	1	Connector - 35 Position	
11	4460871	27	Socket, Female	
11	4460905	8	Plug, Terminal	
12	1001213447	1	Connector - 4 Position	
12	See Note	NSS	Terminal (Note: Purchase p/n 1001213447)	
13	4460866	1	Connector - 19 Position	
13	4460464	5	Pin, Male	
13	4460466	11	Plug, Terminal	
13	4460508	1	Pin, Male	
14	4460434	1	Connector - 15 Position	
14	4460267	8	Pin, Male	
15	4460418	10	Connector - 6 Position	
15	4460419	45	Terminal	
16	4460260	6	Housing, Terminal	
16	4460259	8	Terminal	
17	1001271497	2	Terminal	
18	1001237667	1	Plug, Male - 6 Position	
18	1001237668	4	Terminal	
19	4460183	2	Terminal, Fork	
20	4460225	1	Plug, Male - 6 Position	
20	4460227	6	Pin, Male (Note: Used on Pump Potentiometer Connection Only)	
21	2400060	1	Fuse Holder	
102	4460708	1	Connector, Bussbar - 15 Position	
103	1001125677	1	Connector, Bussbar - 12 Position	

SECTION 8 - ELECTRICAL

FIGURE 8-64. PLATFORM INTERFACE HARNESS



ART_1001225580_E

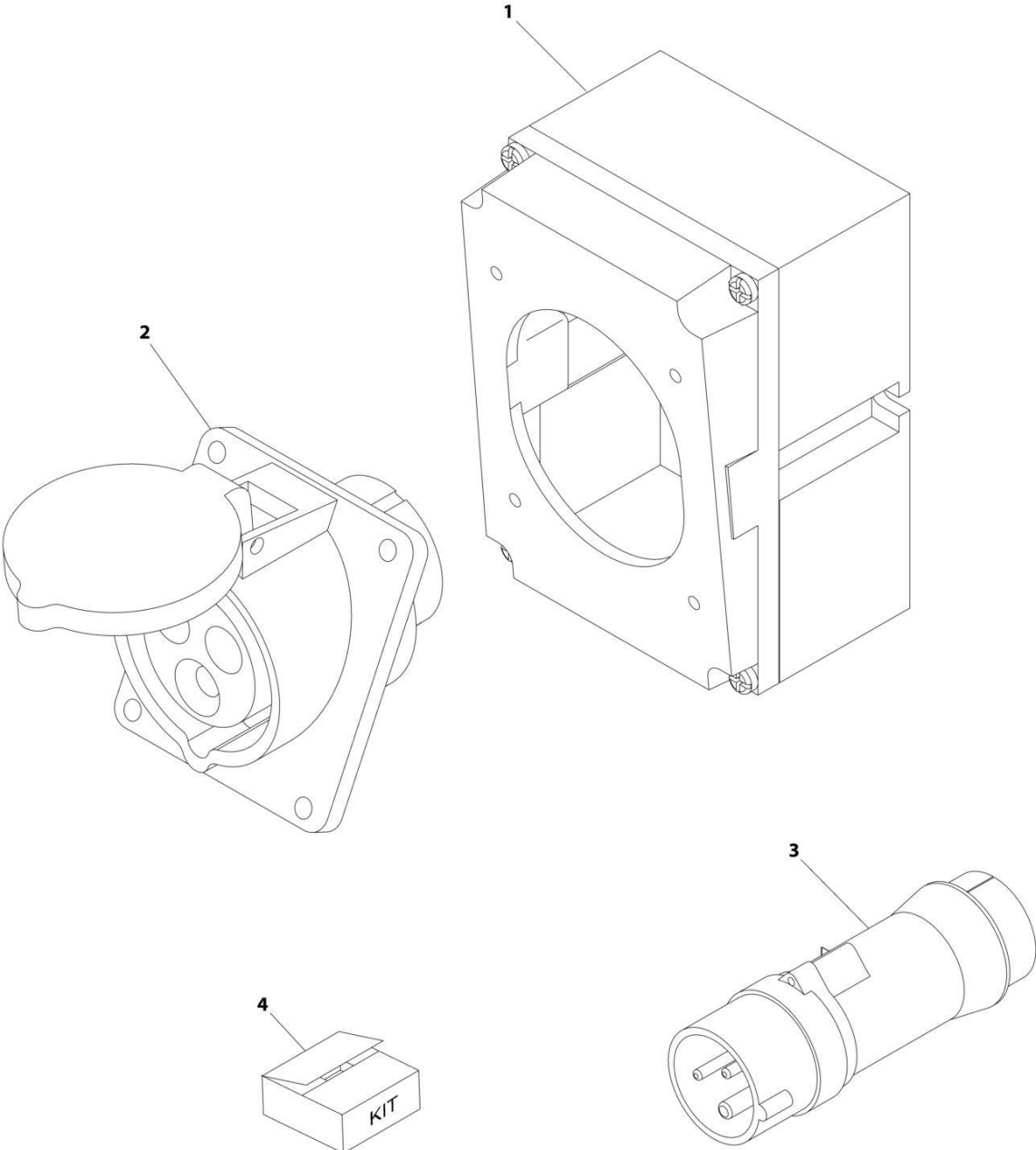
SECTION 8 - ELECTRICAL

FIGURE 8-64. PLATFORM INTERFACE HARNESS

ITEM	PART NUMBER	QTY	DESCRIPTION	REV
	1001225580	Ref	PLATFORM INTERFACE HARNESS - WITH 1 CELL LSS	E
1	4460899	1	Connector	
2	4460464	4	Terminal	
3	4460466	2	Plug	
4	1001186432	2	Connector	
5	1001253375	4	Terminal	
6	1001104519	4	Terminal	
7	4460884	1	Connector	
8	4460465	4	Terminal	

SECTION 8 - ELECTRICAL

FIGURE 8-65. RECEPTACLE BOX KIT - 110V IEC YELLOW (CE, RUSSIA & UK CA SPECS)



ART_0275216

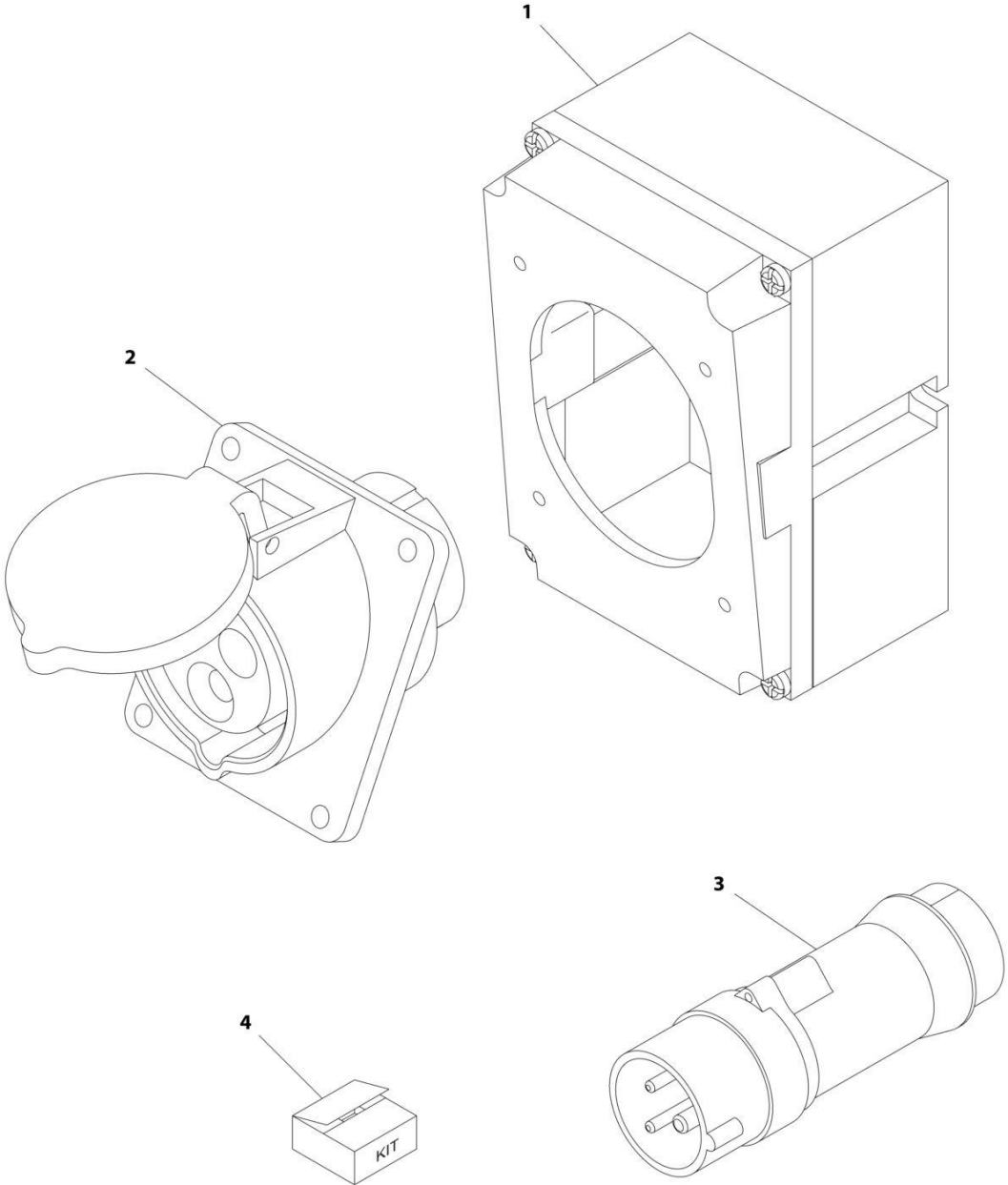
SECTION 8 - ELECTRICAL

FIGURE 8-65. RECEPTACLE BOX KIT - 110V IEC YELLOW (CE, RUSSIA & UK CA SPECS)

ITEM	PART NUMBER	QTY	DESCRIPTION	REV
	0275216	Ref	RECEPTACLE BOX KIT - 110V IEC YELLOW	B
1	0861781	1	Box, Switch	
2	4461198	1	Receptacle	
3	4461196	1	Plug, Male	
4	1001100341	1	Plug and Socket Kit (Includes Items 1-3 and Female Plug p/n 4461197)	

SECTION 8 - ELECTRICAL

FIGURE 8-66. RECEPTACLE BOX KIT - 220V IEC BLUE (CE, RUSSIA & UK CA SPECS)



ART_0275217

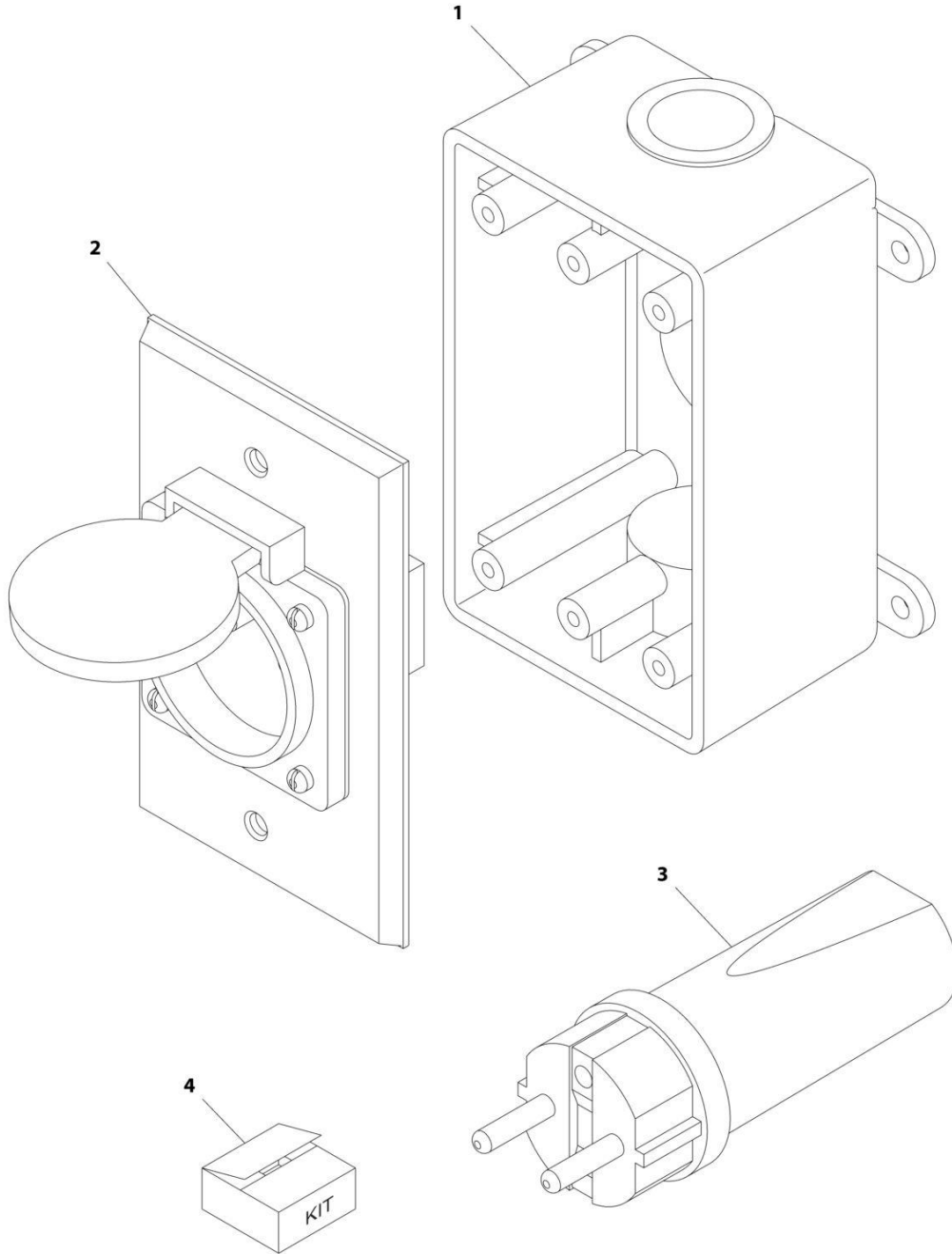
SECTION 8 - ELECTRICAL

FIGURE 8-66. RECEPTACLE BOX KIT - 220V IEC BLUE (CE, RUSSIA & UK CA SPECS)

ITEM	PART NUMBER	QTY	DESCRIPTION	REV
	0275217	Ref	RECEPTACLE BOX KIT - 220V IEC BLUE	B
1	0861781	1	Box, Switch	
2	4461201	1	Receptacle	
3	4461199	1	Plug, Male	
4	1001100342	1	Plug and Socket Kit (Includes Items 1-3 and Female Plug p/n 4461200)	

SECTION 8 - ELECTRICAL

FIGURE 8-67. RECEPTACLE BOX KIT - 220V CEE7 POST GROUND 2IN X 4IN BOX (CE, RUSSIA & UK CA SPECS)



ART_0275452

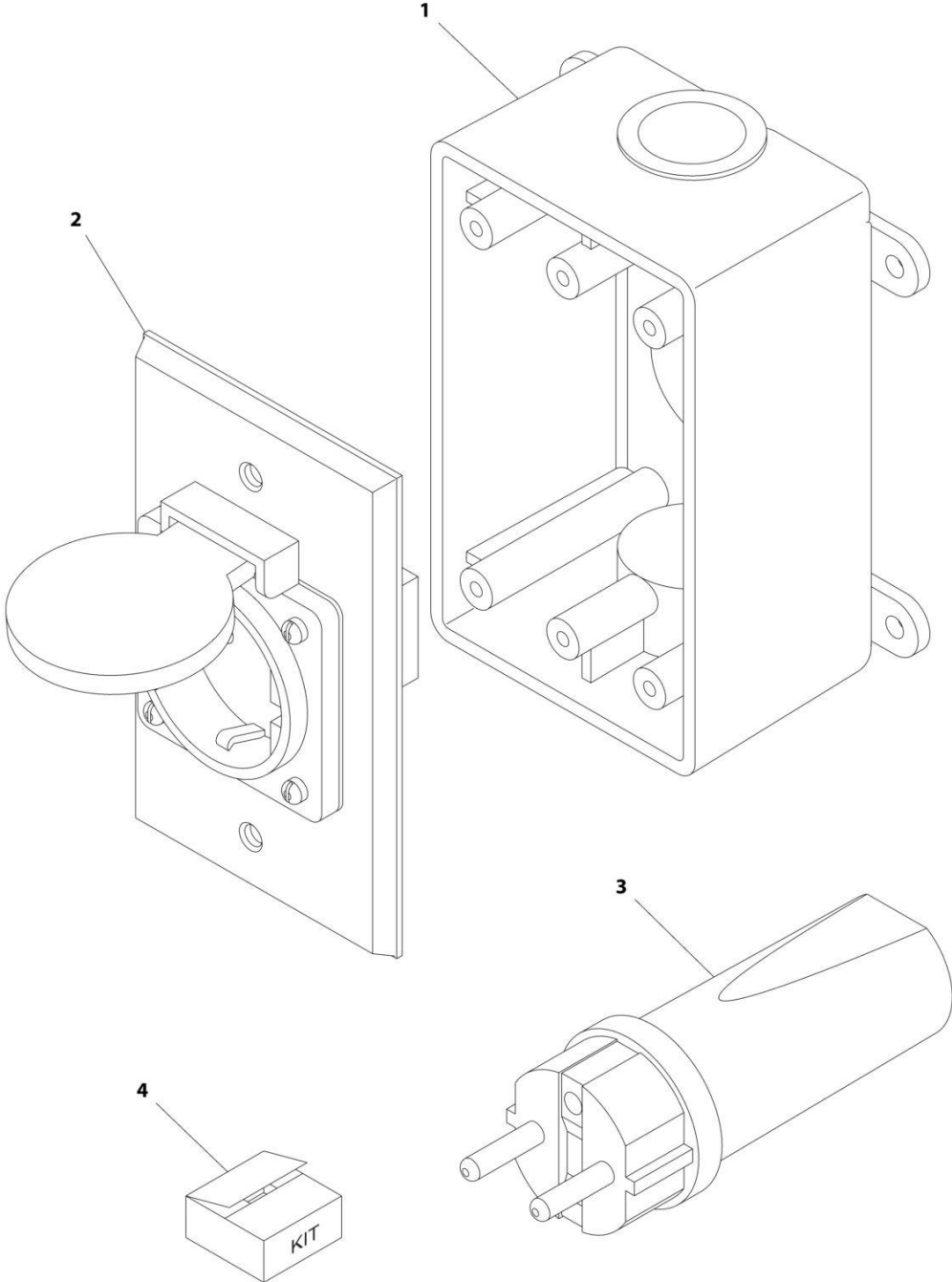
SECTION 8 - ELECTRICAL

FIGURE 8-67. RECEPTACLE BOX KIT - 220V CEE7 POST GROUND 2IN X 4IN BOX (CE, RUSSIA & UK CA SPECS)

ITEM	PART NUMBER	QTY	DESCRIPTION	REV
	0275452	Ref	RECEPTACLE BOX KIT - 220V CEE7 POST GROUND	C
1	0861731	1	Box, Switch	
2	4461244	1	Receptacle	
3	4461205	1	Plug, Male	
4	1001100345	1	Plug and Socket Kit (Includes Items 1-3 and Female Plug p/n 4461206)	

SECTION 8 - ELECTRICAL

FIGURE 8-68. RECEPTACLE BOX KIT - 220V CEE7 SIDE GROUND 2IN X 4IN BOX (CE, RUSSIA & UK CA SPECS)



ART_0275453

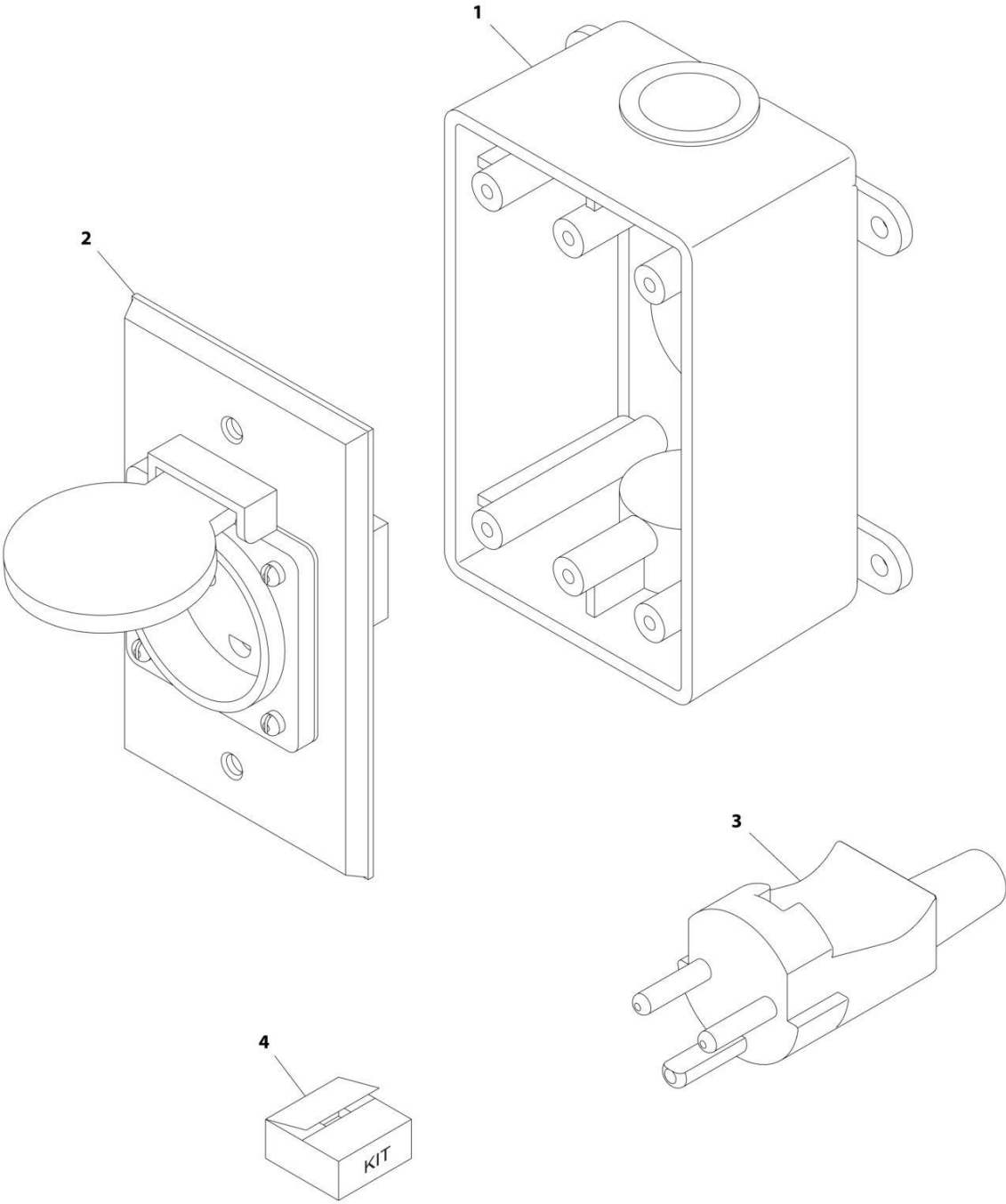
SECTION 8 - ELECTRICAL

FIGURE 8-68. RECEPTACLE BOX KIT - 220V CEE7 SIDE GROUND 2IN X 4IN BOX (CE, RUSSIA & UK CA SPECS)

ITEM	PART NUMBER	QTY	DESCRIPTION	REV
	0275453	Ref	RECEPTACLE BOX KIT - 220V CEE7 SIDE GROUND	B
1	0861731	1	Box, Switch	
2	4461245	1	Receptacle	
3	4461205	1	Plug, Male	
4	1001100347	1	Plug and Socket Kit (Includes Items 1-3 and Female Plug p/n 4461206)	

SECTION 8 - ELECTRICAL

FIGURE 8-69. RECEPTACLE BOX KIT - 220V AFSINT 107 (CE, RUSSIA & UK CA SPECS)



ART_0275454

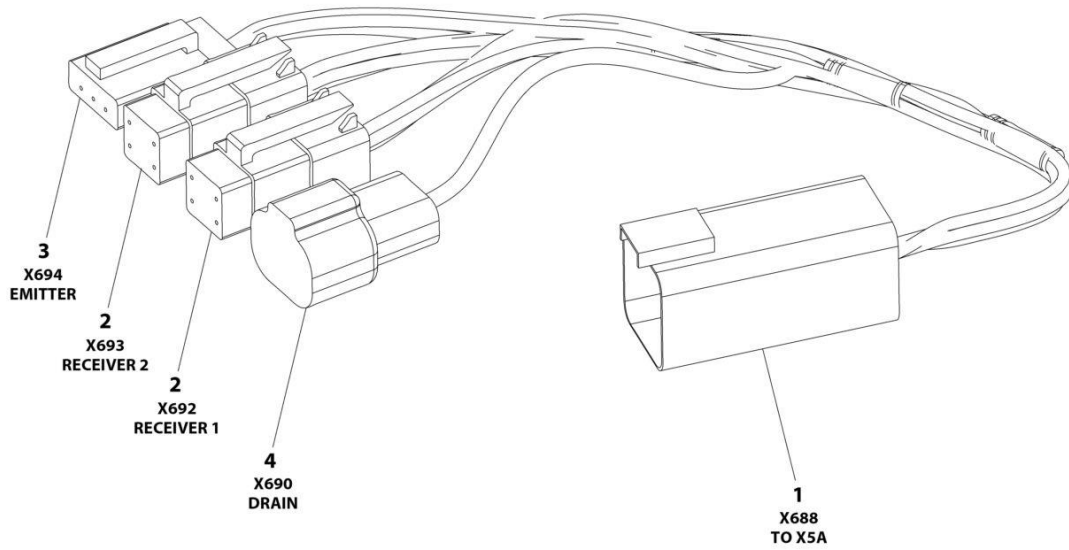
SECTION 8 - ELECTRICAL

FIGURE 8-69. RECEPTACLE BOX KIT - 220V AFSINT 107 (CE, RUSSIA & UK CA SPECS)

ITEM	PART NUMBER	QTY	DESCRIPTION	REV
	0275454	Ref	RECEPTACLE BOX KIT - 220V AFSINT 107	B
1	0861731	1	Box, Switch	
2	4461246	1	Receptacle	
3	4461249	1	Plug, Male	
4	1001100346	1	Plug and Socket Kit (Includes Items 1-3 and Female Plug p/n 4461250)	

SECTION 8 - ELECTRICAL

FIGURE 8-70. SKYEYE INTERMEDIATE HARNESS



ART_1001237865

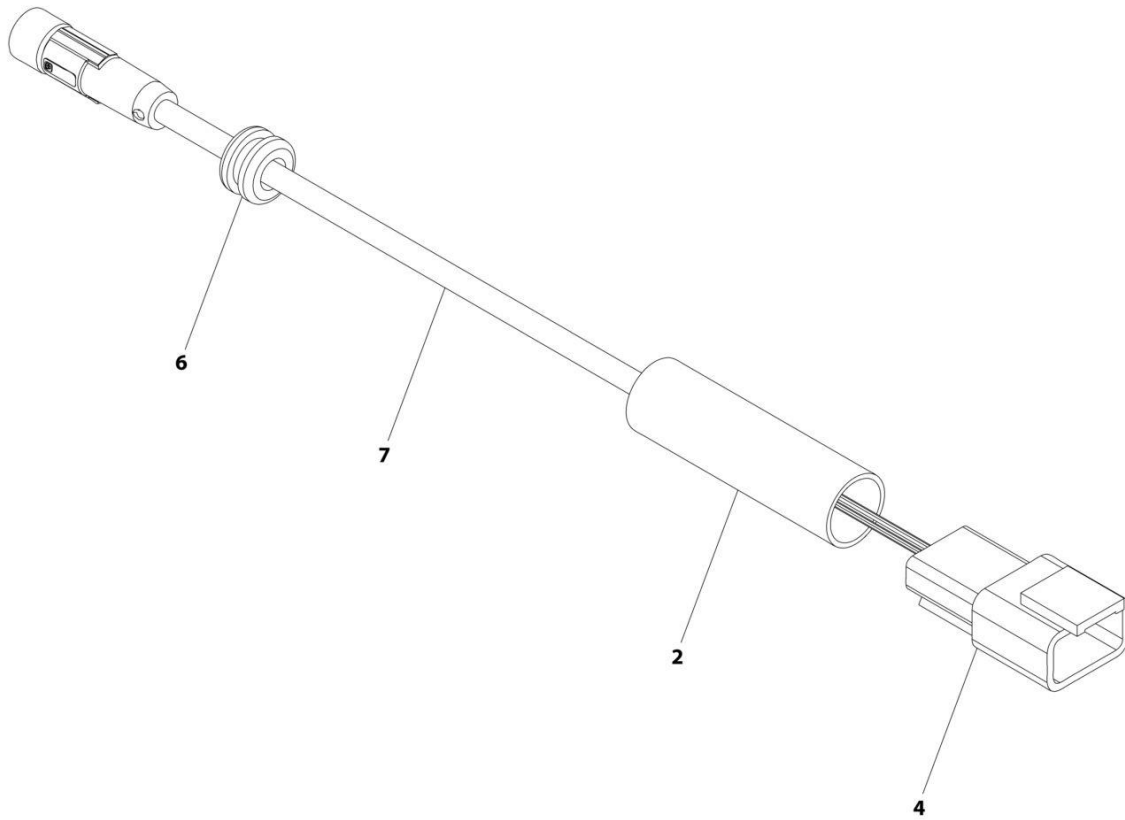
SECTION 8 - ELECTRICAL

FIGURE 8-70. SKYEYE INTERMEDIATE HARNESS

ITEM	PART NUMBER	QTY	DESCRIPTION	REV
	1001237865	Ref	SKYEYE INTERMEDIATE HARNESS	A
1	4460899	1	Connector - 6 Position	
1	4460943	4	Pin, Male	
1	4460466	2	Plug, Terminal	
2	4461077	2	Connector - 4 Position	
2	1001119619	8	Socket, Female	
3	4460911	1	Connector - 3 Position	
3	1001119619	3	Socket, Female	
4	1001187681	1	Connector - 2 Position	
4	4460941	1	Pin, Male	
4	4460466	1	Plug, Terminal	

SECTION 8 - ELECTRICAL

FIGURE 8-71. SKYEYE RECEIVER HARNESS



ART_1001237863_B

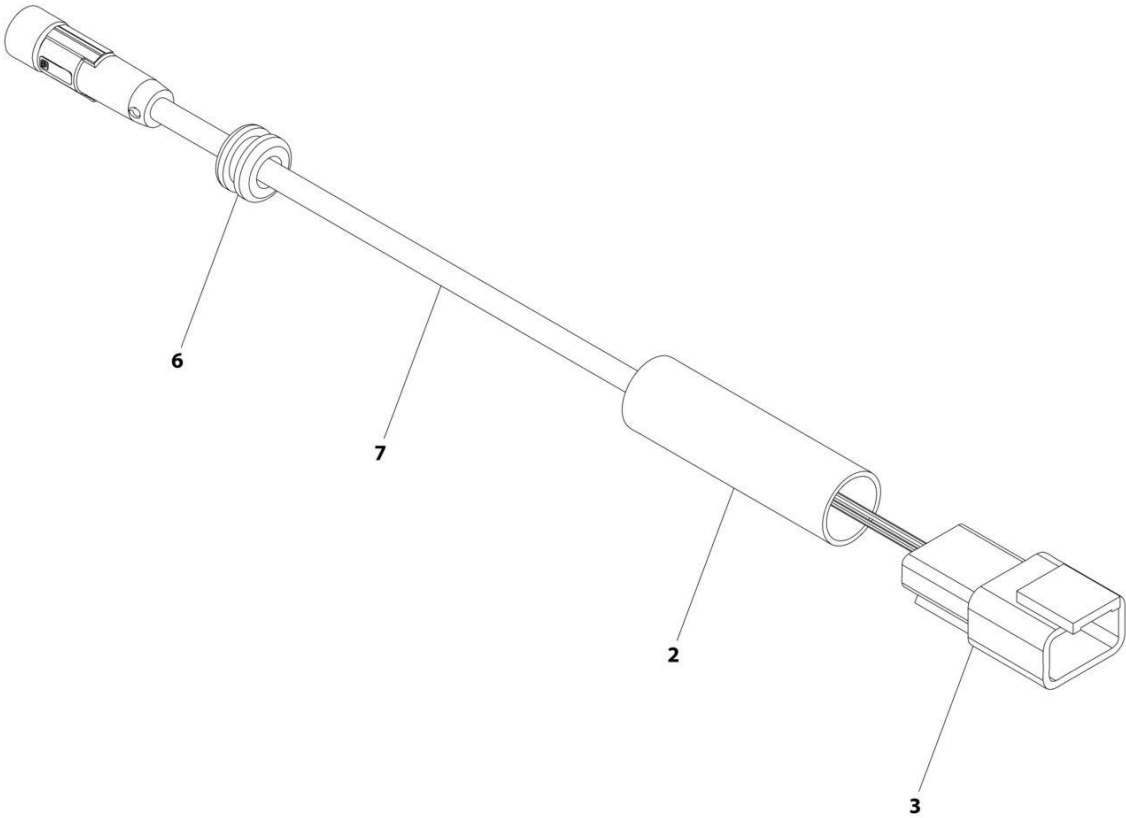
SECTION 8 - ELECTRICAL

FIGURE 8-71. SKYEYE RECEIVER HARNESS

ITEM	PART NUMBER	QTY	DESCRIPTION	REV
	1001237863	Ref	SKYEYE RECEIVER HARNESS	B
2	2820247	AR	Tubing, Heat Shrink	
4	1001097051	1	Connector - 4 Position	
4	1001119620	4	Pin, Male	
6	1001227996	1	Grommet	
7	1001258495	1	Cable, M8 Female Cordset	

SECTION 8 - ELECTRICAL

FIGURE 8-72. SKYEYE EMITTER HARNESS



ART_1001237864_B

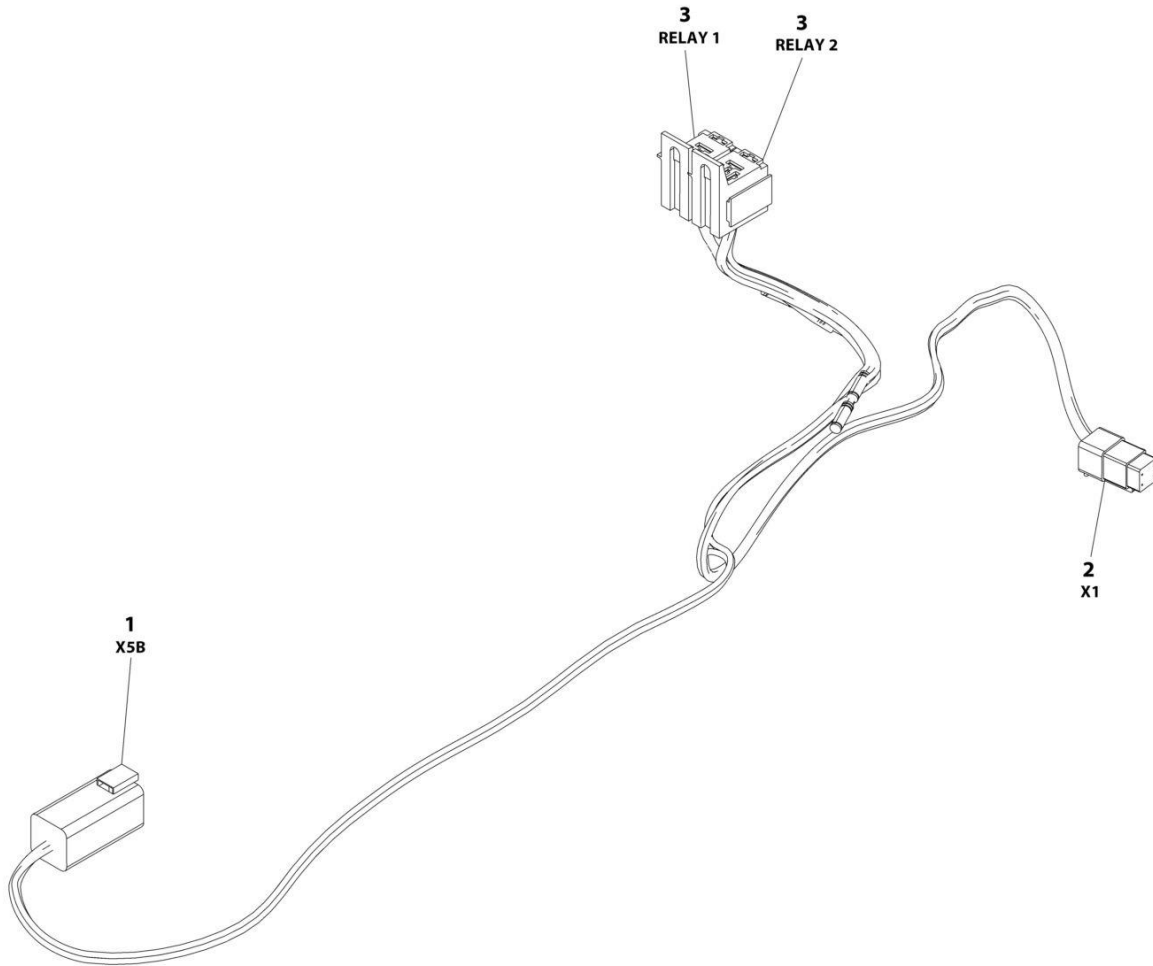
SECTION 8 - ELECTRICAL

FIGURE 8-72. SKYEYE EMITTER HARNESS

ITEM	PART NUMBER	QTY	DESCRIPTION	REV
	1001237864	Ref	SKYEYE EMITTER HARNESS	B
2	2820247	AR	Tubing, Heat Shrink	
3	4460910	1	Connector - 3 Position	
3	1001119620	3	Pin, Male	
6	1001227996	1	Grommet	
7	1001258495	1	Cable, M8 Female Cordset	

SECTION 8 - ELECTRICAL

FIGURE 8-73. SKYLINE HARNESS



ART_1001238418

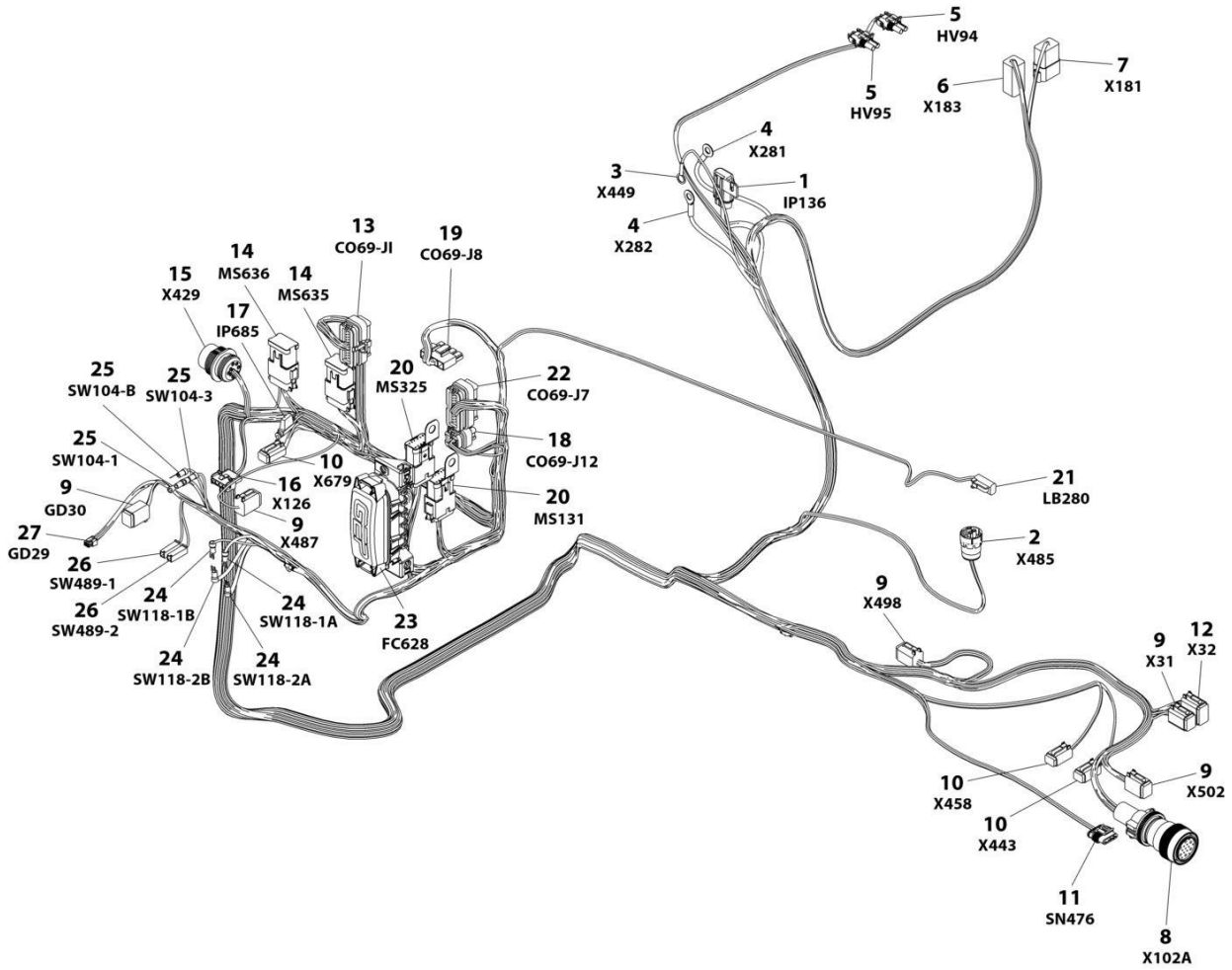
SECTION 8 - ELECTRICAL

FIGURE 8-73. SKYLINE HARNESS

ITEM	PART NUMBER	QTY	DESCRIPTION	REV
	1001238418	Ref	SKYLINE HARNESS	B
1	4460899	1	Connector - 6 Position	
1	4460464	4	Pin, Male	
1	4460466	2	Plug, Terminal	
2	4461077	1	Connector - 4 Position	
2	1001126009	4	Socket, Female	
3	1001186432	2	Plug, Relay	
3	1001118388	5	Terminal	
3	1001118384	3	Terminal	
3	3740086	2	Relay	

SECTION 8 - ELECTRICAL

FIGURE 8-74. TURNTABLE HARNESS (Prior to SN 0300298591, Prior to SN B300017677, SN B300017715 through B300017717, Including B300017690, B300017705 and B300017709)



ART_1001244293

SECTION 8 - ELECTRICAL

FIGURE 8-74. TURNTABLE HARNESS (Prior to SN 0300298591, Prior to SN B300017677, SN B300017715 through B300017717, Including B300017690, B300017705 and B300017709)

ITEM	PART NUMBER	QTY	DESCRIPTION	REV
	1001244293	Ref	TURNTABLE HARNESS	D
1	1001117070	1	Fuseholder with 30Amp Fuse	
1	See Note	1	Fuse 30Amp (Note: Not Available - Purchase Locally)	
1	1001116734	2	Terminal, Female	
2	4460967	1	Connector - 3 Position	
2	4460465	3	Socket, Female	
3	4460247	1	Terminal, Ring	
4	8220045	2	Terminal, Ring	
5	4460742	2	Plug, Male - 2 Position	
5	4460743	4	Socket, Female	
5	4460458	4	Seal, Terminal	
6	4460899	1	Receptacle, Female - 6 Position	
6	4460464	3	Pin, Male	
6	4460943	2	Pin, Male	
6	4460466	1	Plug, Terminal	
7	4460931	1	Receptacle, Female	
7	4460464	5	Pin, Male	
7	4460466	3	Plug, Terminal	
8	4460865	1	Connector - 19 Position	
8	4460465	6	Socket, Female	
8	4460509	2	Socket, Female	
8	4460466	11	Plug, Terminal	
8	1321647	1	Clamp	
9	4460894	5	Plug, Male - 6 Position	
9	4460465	24	Socket, Female	
9	4460466	6	Plug, Terminal	
10	4460884	3	Plug, Male - 4 Position	
10	4460465	8	Socket, Female	
10	4460466	4	Plug, Terminal	
11	1001103012	1	Connector - 4 Position	
11	1001107854	4	Socket, Female	
11	1001104498	4	Seal, Terminal	
12	4460930	1	Plug, Male - 8 Position	
12	4460465	6	Socket, Female	
12	4460466	2	Seal, Terminal	
13	4460874	1	Connector - 35 Position	
13	4460871	21	Socket, Female	
14	4460905	14	Plug, Terminal	
14	4460836	2	Connector - 12 Position	
14	4460465	16	Socket, Female	
14	4460466	8	Plug, Terminal	
14	4460837	2	Bussbar - 12 Position	
15	1001112612	1	Connector - 9 Position	
15	4460464	3	Pin, Male	
15	4460943	2	Pin, Male (Gold)	
15	4460466	4	Plug, Terminal	
16	4460761	1	Receptacle, Female - 4 Position	
16	4460267	4	Pin, Male	
17	2400060	1	Holder, Fuse	

SECTION 8 - ELECTRICAL

ITEM	PART NUMBER	QTY	DESCRIPTION	REV
17	8229242	1	Fuse 5Amp	
18	1001113961	1	Plug, Male - 8 Position	
18	4460871	5	Socket, Female	
18	4460905	3	Plug, Terminal	
19	4460878	1	Plug, Male - 4 Position	
19	4460887	4	Terminal	
20	4460933	2	Plug, Male - 12 Position	
20	4460465	12	Socket, Female	
20	4460466	11	Plug, Terminal	
20	1001125677	2	Bussbar - 12 Position	
20	1001120328	2	Clip, Mounting	
21	4460891	1	Plug, Male - 2 Position	
21	4460465	2	Socket, Female	
22	4460873	1	Connector - 35 Position	
22	4460871	28	Socket, Female	
22	4460905	7	Plug, Terminal	
23	1001185964	1	Fuse Box Assembly	
23	8229244	2	Fuse 15Amp	
23	8229242	4	Fuse 5Amp	
23	1001196635	1	Fuse 3Amp	
23	1001129285	2	Fuse with Diode	
23	1001095704	1	Relay	
23	1001116728	14	Terminal, Female	
23	8220125	9	Terminal, Female	
23	4460748	25	Plug, Terminal	
23	4460458	14	Seal, Terminal	
23	80963067	9	Seal, Cable	
24	4460806	4	Terminal, Fork	
25	4460142	3	Terminal, Ring	
26	4460260	2	Housing, Terminal	
26	4460259	2	Terminal	
27	1001237667	1	Connector - 6 Position	
27	1001237668	5	Socket, Female	

SECTION 8 - ELECTRICAL

FIGURE 8-75. TURNTABLE HARNESS (SN 0300298591 to Present, SN B300017677 to Present, Except SN B300017715 through B300017717, Excluding B300017690, B300017705 and B300017709)

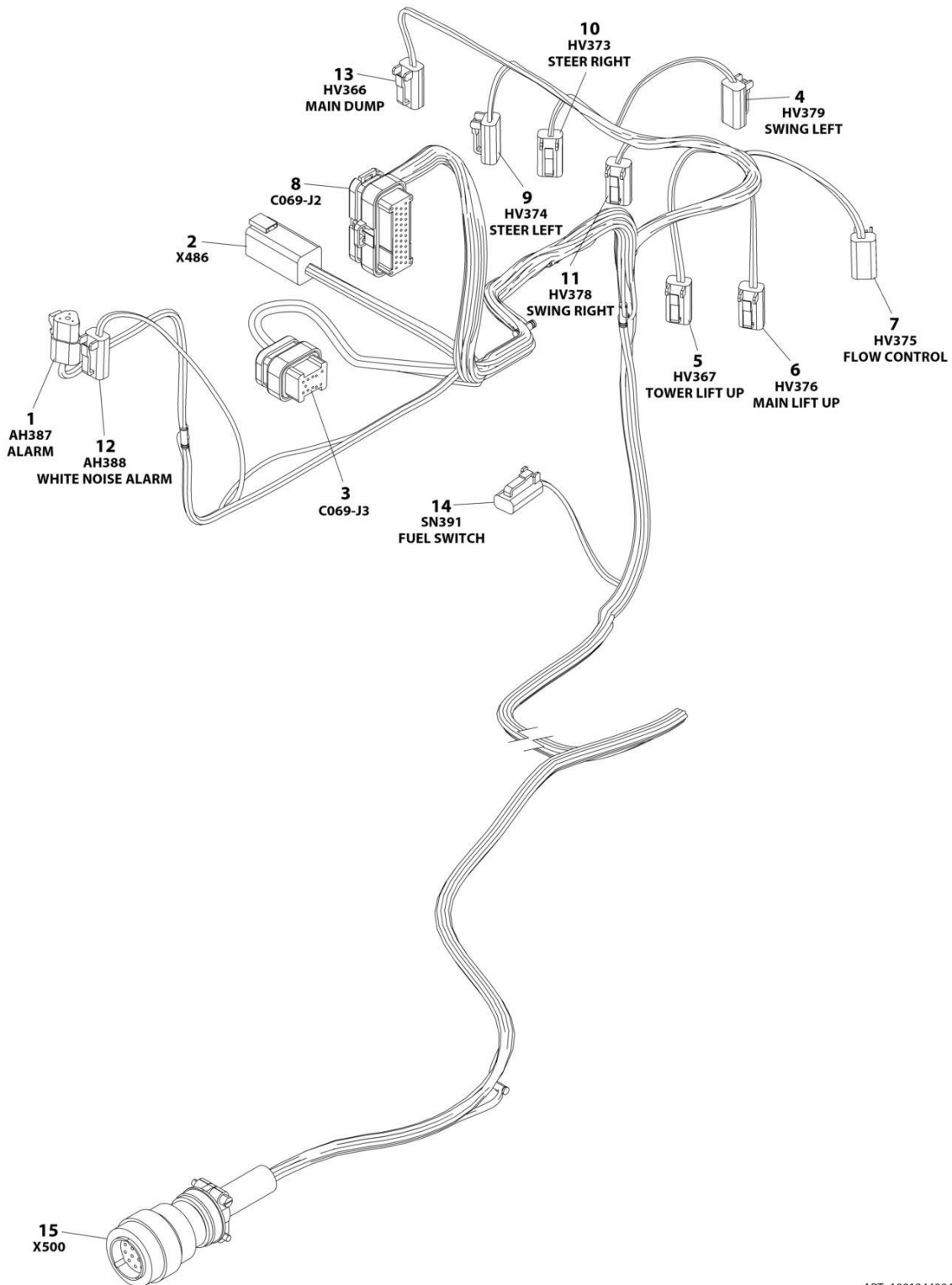
ITEM	PART NUMBER	QTY	DESCRIPTION	REV
	1001282492	Ref	TURNTABLE HARNESS	B
1	1001117070	1	Fuseholder (Includes 30Amp Fuse)	
1	1001116734	2	Socket	
2	4460967	1	Connector	
2	4460465	3	Socket	
3	4460247	1	Terminal, Ring	
4	8220045	2	Terminal, Ring	
5	4460742	2	Connector	
5	4460743	4	Socket	
5	4460458	4	Seal, Terminal	
6	4460899	1	Connector	
6	4460464	5	Pin	
6	4460466	1	Plug	
7	4460931	1	Connecot	
7	4460464	5	Pin	
7	4460466	3	Plug	
8	4460865	1	Connector	
8	4460465	6	Socket (20-16Awg)	
8	4460509	2	Socket (14-12Awg)	
8	4460466	11	Plug	
9	4460894	7	Connector	
9	4460465	42	Socket	
10	4460884	2	Connector	
10	4460465	4	Socket	
10	4460466	4	Plug	
11	1001103012	1	Connector	
11	1001107854	4	Socket	
11	1001104498	4	Seal, Terminal	
12	4460930	2	Connector	
12	4460465	13	Socket	
12	4460466	3	Plug	
13	4460874	1	Connector	
13	4460871	21	Socket	
13	4460905	14	Plug	
14	4460836	1	Connector	
14	4460465	9	Socket	
14	4460466	3	Plug	
15	4460894	2	Connector	
15	4460465	7	Socket	
15	4460466	5	Plug	
16	4460836	1	Connector	
16	1001157890	1	Socket (16-12Awg)	
16	4460465	5	Socket (20-16Awg)	
16	4460466	6	Plug	
17	1001112612	1	Connector	
17	4460464	3	Pin	
17	4460466	4	Plug	
18	4460761	1	Connector	
18	4460267	4	Pin	

SECTION 8 - ELECTRICAL

ITEM	PART NUMBER	QTY	DESCRIPTION	REV
19	4460884	1	Connector	
19	4460465	4	Socket	
20	1001246859	1	Connector	
20	4460871	4	Socket	
20	4460905	10	Plug	
21	1001113961	1	Connector	
21	4460871	5	Socket	
21	4460905	3	Plug	
22	4460878	1	Connector	
22	1001237383	1	Socket (12-10Awg)	
22	4460887	4	Socket (8Awg)	
23	4460933	1	Connector	
23	4460465	8	Socket	
23	4460466	4	Plug	
24	4460873	1	Connector	
24	4460871	28	Socket	
24	4460905	7	Plug	
25	1001185964	1	Fuse Box Assembly	
25	8229242	4	Fuse 5Amp	
25	8229244	2	Fuse 15Amp	
25	1001095704	1	Relay	
25	1001129285	2	Fuse with Diode	
25	1001196635	1	Fuse 3Amp	
25	1001116728	14	Socket (18-16Awg)	
25	8220125	9	Socket (12-10Awg)	
25	4460748	25	Plug	
25	4460458	14	Seal, Terminal (Use with Socket 1001116728)	
25	80963067	9	Seal, Terminal (Use with Socket 8220125)	
26	4460806	4	Terminal, Fork	
27	4460142	3	Terminal, Ring	
28	1001144147	1	Connector	
28	4460943	2	Pin	
28	4460466	1	Plug	
29	2400060	1	Fuseholder	
30	4460260	2	Connector	
30	4460259	2	Socket	
31	1001237667	1	Connector	
31	1001237668	5	Socket	
101	1321647	1	Clamp	
102	1001271323	2	Connector, Bussbar	
103	8229242	1	Fuse 5Amp	
104	1001116815	1	Connector (Includes Resistor)	
105	1001120328	2	Mount, Connector	
106	1001125677	1	Connector, Bussbar	
107	1001155967	1	Mount, Connector	
108	1001172065	1	Fuse 30Amp	
109	1001192401	1	Cap, Dust	
110	1001226541	4	Connecotr, Bussbar	

SECTION 8 - ELECTRICAL

FIGURE 8-76. VALVE HARNESS - MAIN VALVE (Prior to SN 0300298591, Prior to SN B300017677, SN B300017715 through B300017717, Including B300017690, B300017705 and B300017709)



ART_1001244294

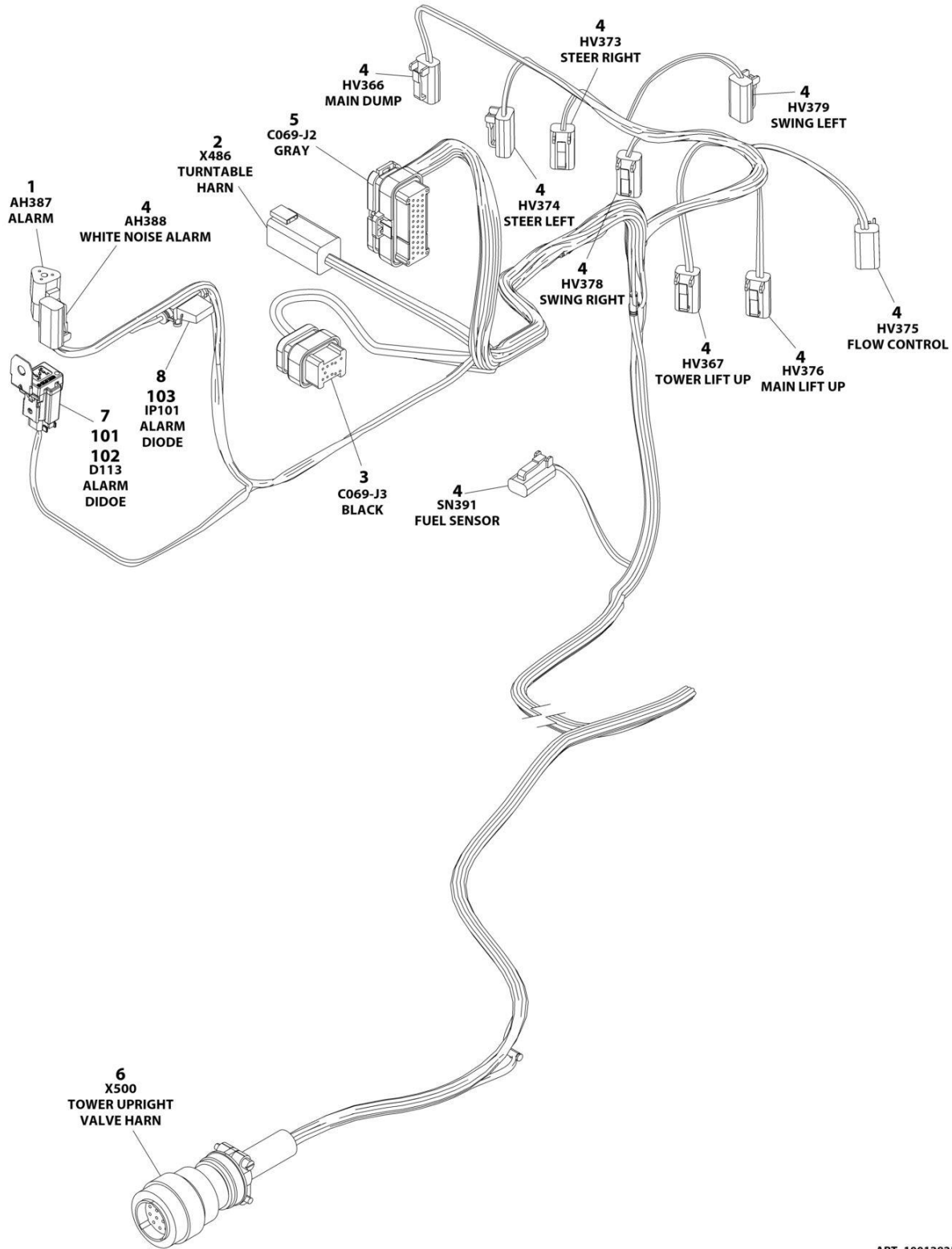
SECTION 8 - ELECTRICAL

FIGURE 8-76. VALVE HARNESS - MAIN VALVE (Prior to SN 0300298591, Prior to SN B300017677, SN B300017715 through B300017717, Including B300017690, B300017705 and B300017709)

ITEM	PART NUMBER	QTY	DESCRIPTION	REV
	1001244294	Ref	TRACTION HARNESS	B
1	4460539	1	Plug, Male - 3 Position	
1	4460465	3	Socket, Female	
2	4460899	1	Connector - 6 Position	
2	4460464	4	Pin, Male	
2	4460466	2	Plug, Terminal	
3	4460872	1	Connector - 14 Position	
3	4460871	9	Terminal, Female	
3	4460905	5	Seal, Terminal	
4	4460891	1	Connector - 2 Position	
4	4460465	2	Socket, Female	
5	4460891	1	Connector - 2 Position	
5	4460465	2	Socket, Female	
6	4460891	1	Connector - 2 Position	
6	4460465	2	Socket, Female	
7	4460891	1	Connector - 2 Position	
7	4460465	2	Socket, Female	
8	4460875	1	Connector - 35 Position	
8	4460871	26	Socket, Female	
8	4460905	9	Plug, Terminal	
9	4460891	1	Plug, Male - 2 Position	
9	4460465	2	Socket, Female	
10	4460891	1	Connector - 2 Position	
10	4460465	2	Socket, Female	
11	4460891	1	Connector - 2 Position	
11	4460465	2	Socket, Female	
12	4460891	1	Connector - 2 Position	
12	4460465	2	Socket, Female	
13	4460891	1	Connector - 2 Position	
13	4460465	2	Socket, Female	
14	4460424	1	Connector - 2 Position	
14	4460268	2	Socket, Female	
15	4460754	1	Connector - 14 Position	
15	4460465	13	Socket, Female	
15	4460466	1	Plug, Terminal	

SECTION 8 - ELECTRICAL

FIGURE 8-77. VALVE HARNESS - MAIN VALVE (SN 0300298591 to Present, SN B300017677 to Present, Except SN B300017715 through B300017717, Excluding B300017690, B300017705 and B300017709)



ART_1001282533

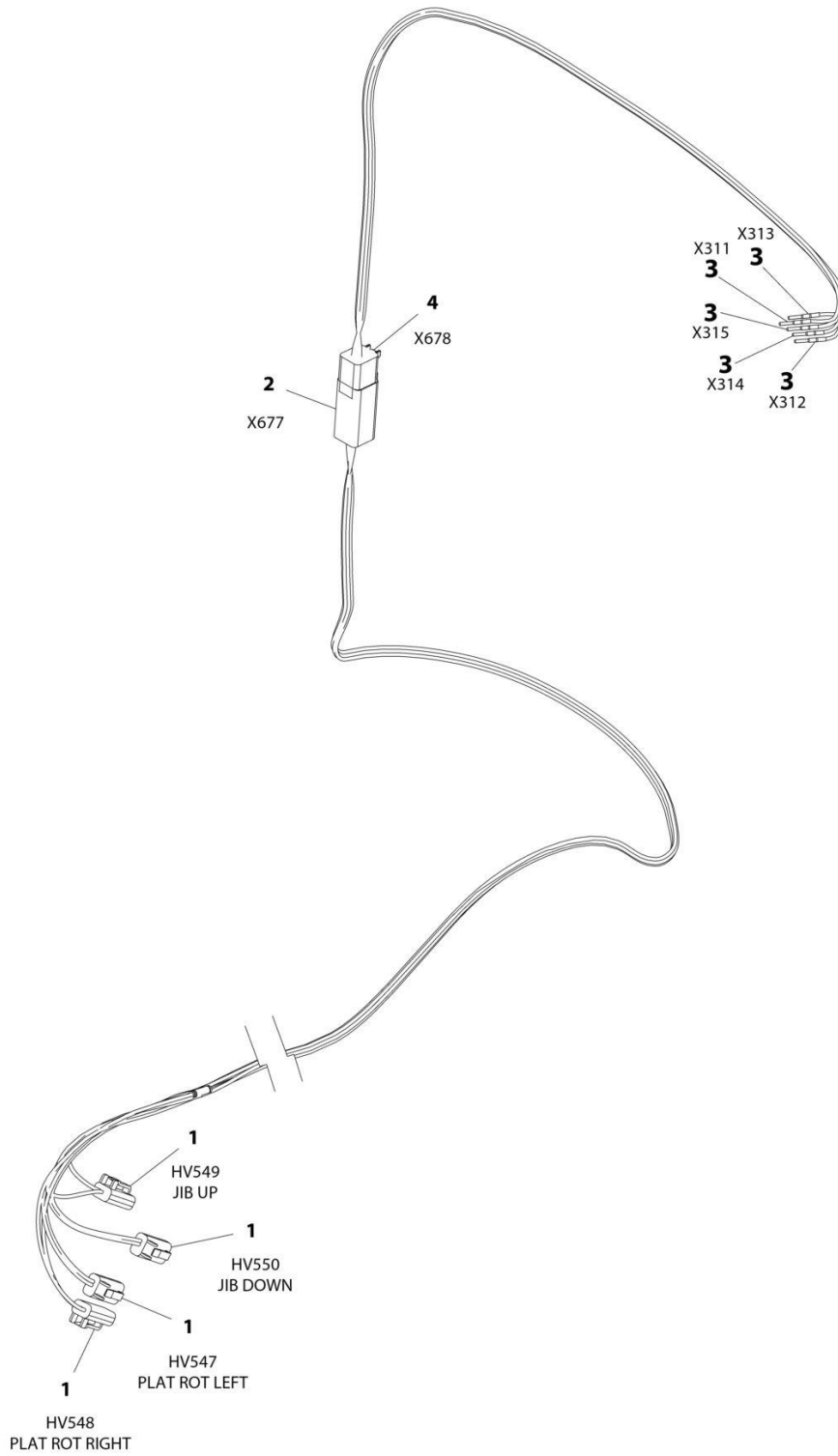
SECTION 8 - ELECTRICAL

FIGURE 8-77. VALVE HARNESS - MAIN VALVE (SN 0300298591 to Present, SN B300017677 to Present, Except SN B300017715 through B300017717, Excluding B300017690, B300017705 and B300017709)

ITEM	PART NUMBER	QTY	DESCRIPTION	REV
	1001282533	Ref	MAIN VALVE HARNESS	A
1	4460539	1	Connector	
1	4460465	3	Socket	
2	4460899	1	Connector	
2	4460464	5	Pin	
2	4460466	1	Plug	
3	4460872	1	Connector	
3	4460871	9	Socket	
3	4460905	5	Plug	
4	4460891	10	Connector	
4	4460465	20	Socket	
5	4460875	1	Connector	
5	4460871	26	Socket	
5	4460905	9	Plug	
6	4460754	1	Connector	
6	4460465	13	Socket	
6	4460466	1	Plug	
7	4460884	1	Connector	
7	4460465	4	Socket	
8	1001170764	1	Fuseholder	
101	1001152266	1	Connector (Includes Diode)	
102	1001155743	1	Mount, Connector	
103	1001196636	1	Diode 1Amp	

SECTION 8 - ELECTRICAL

FIGURE 8-78. VALVE HARNESS - PLATFORM VALVE



ART_1001164728

SECTION 8 - ELECTRICAL

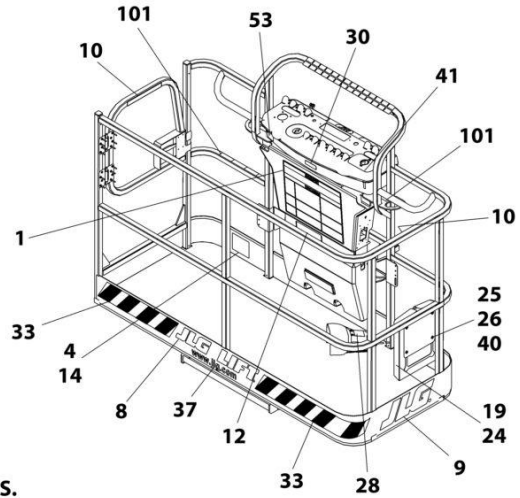
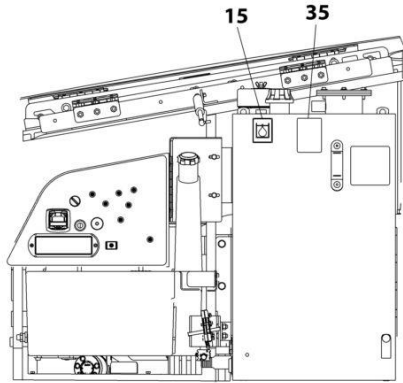
FIGURE 8-78. VALVE HARNESS - PLATFORM VALVE

ITEM	PART NUMBER	QTY	DESCRIPTION	REV
	1001164728	Ref	VALVE HARNESS - PLATFORM VALVE	D
1	4460891	4	Plug, Male - 2 Position	
1	4460465	8	Socket, Female	
2	4460899	1	Receptacle, Female - 6 Position	
2	4460464	5	Pin, Male	
2	4460466	1	Plug, Terminal	
3	4460465	5	Socket, Female	
4	4460894	1	Plug, Male - 6 Position	
4	4460465	5	Socket, Female	
4	4460466	1	Plug, Terminal	

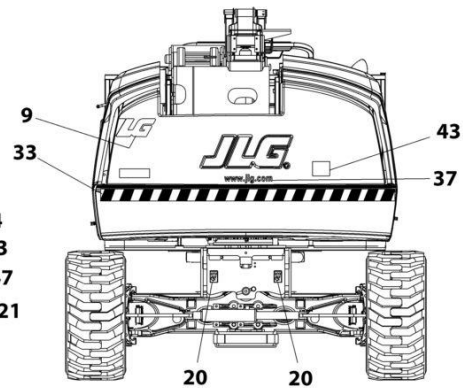
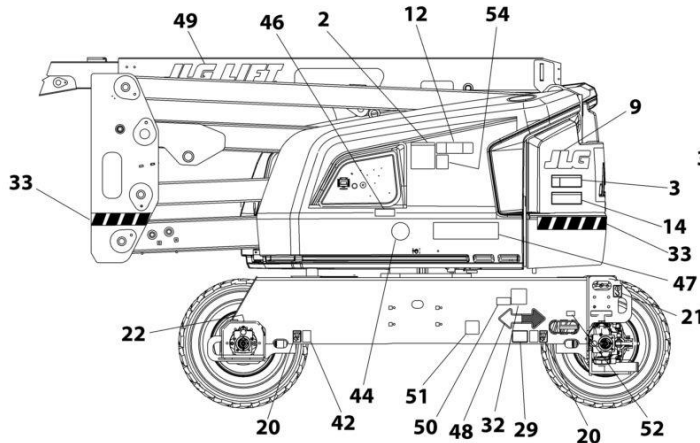
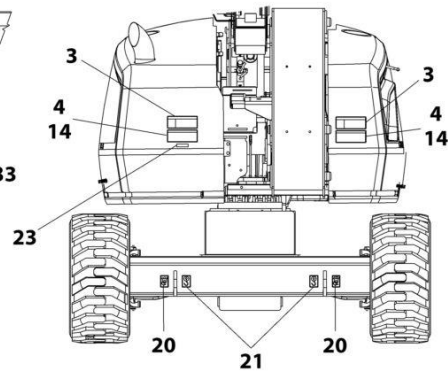
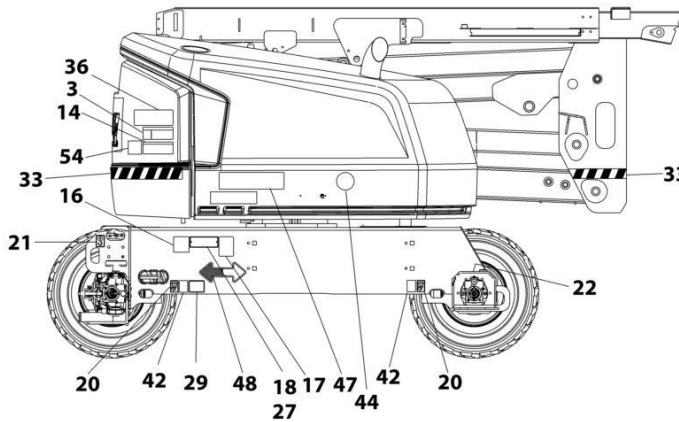
SECTION 9 - DECALS

SECTION 9 - DECALS

FIGURE 9-1. DECAL INSTALLATION – ANSI, ANSI EXPORT AND CSA SPECS WITH DEUTZ ENGINES (ENGLISH)



NOTE: SOME DECALS ARE CALLED OUT ON OPTIONAL DECALS INSTALLATION.
 NOTE: ITEMS SHOWN MAY NOT BE REQUIRED FOR ALL SPECS. REFER TO PARTS LIST FOR USAGE.



ART_1001246402

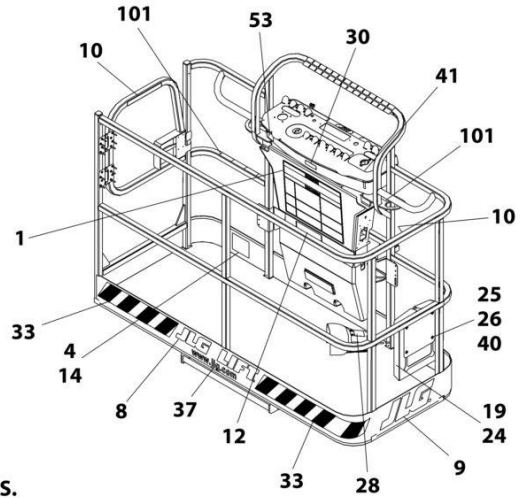
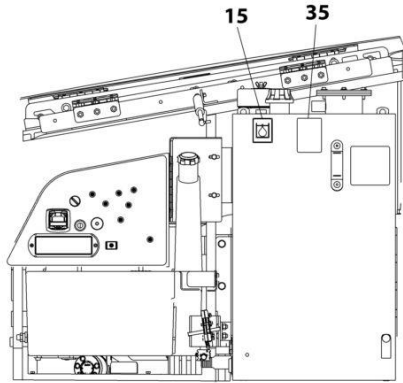
SECTION 9 - DECALS

**FIGURE 9-1. DECAL INSTALLATION – ANSI, ANSI EXPORT AND CSA SPECS WITH DEUTZ ENGINES
(ENGLISH)**

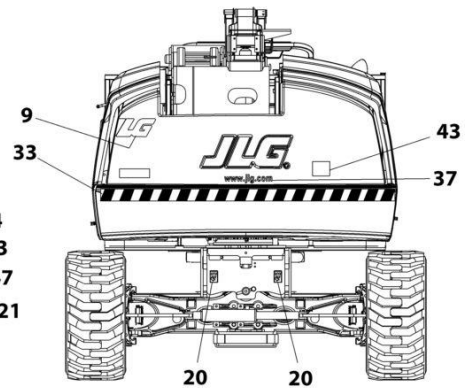
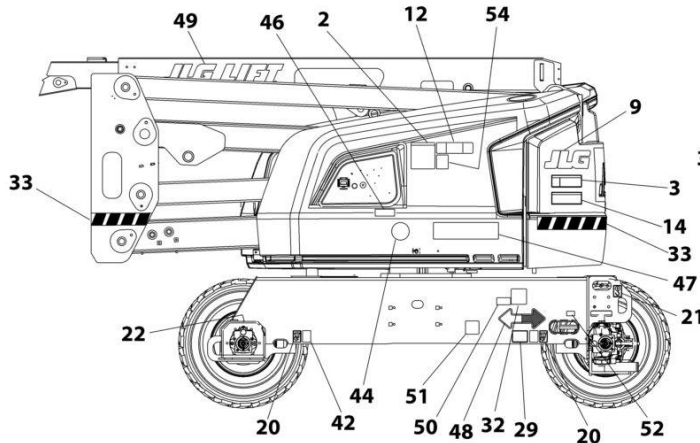
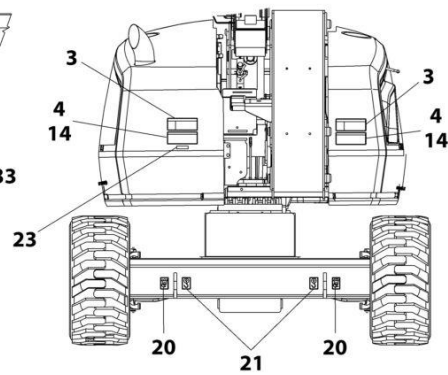
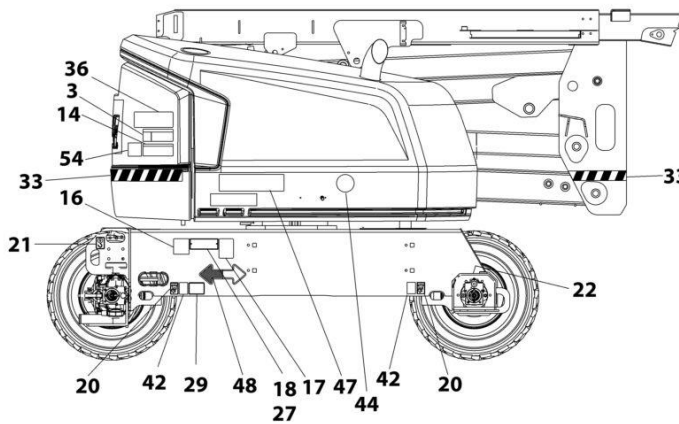
ITEM	PART NUMBER	QTY	DESCRIPTION	REV
	1001248008	Re	DECAL INSTALLATION - REFERENCE CHART	C
	1001246402	Re	DECAL INSTALLATION	D
1	1703797	1	Decal - Danger/Warning	
2	1705336	1	Decal - Danger/Warning	
3	1703805	4	Decal - Danger/Electrocution	
4	1703804	4	Decal - Warning/Crushing	
8		Ref	Decal, JLG (See DECAL INSTALLATION - OPTIONS)	
9		Ref	Decal, JLG (See DECAL INSTALLATION - OPTIONS)	
10	1702868	2	Decal - No Hands	
12	1001255511	2	Decal - Max Capacity	
14	1703953	2	Decal - Warning/Crushing	
15	1701504	1	Decal - Hydraulic Oil	
16	See Note	NSS	Decal - Bar Code (Note: Not Available for Purchase)	
17	1001131269	1	Decal - Patent	
18		Ref	Nameplate - Manufacturers Serial Number (See DECAL INSTALLATION - OPTIONS)	
19	1701509	1	Decal - Manual	
20	1702300	8	Decal - Tie Down /Lift	
21	1701500	4	Decal - Tie Down /Lift	
22	1703687	2	Decal - Arrow	
23	3251243	1	Nameplate 120V-60Hz	
24	0860520	1	Box, Manual Storage	
25	4751400	4	Washer, 1/4	
26	3311405	4	Nut, Lock 1/4-20	
27	3820001	2	Rivet	
28	3252347	1	Decal - Footswitch	
29		Ref	Decal - Max Tire Load (See DECAL INSTALLATION - OPTIONS)	
32		Ref	Decal - LP (See DECAL INSTALLATION - OPTIONS)	
33		Ref	Warning Stripes Installation (See DECAL INSTALLATION - OPTIONS)	
35	1704412	1	Decal - Hydraulic Fluid	
36	1001284875	1	Decal - Lift Diagram (Without Turntable Lock)	
36	1001223118	1	Decal - Lift Diagram (With Turntable Lock)	
37	1704885	2	Decal - Website	
40	0641406	4	Bolt, 1/4-20 x 3/4	
41	1705351	1	Decal - Drive/Steer	
42	1701499	4	Decal - Tie Down /Lift	
43	3251813	1	Decal - USA	
47		Ref	Decal - Model Designation (See DECAL INSTALLATION - OPTIONS)	
48	1701529	2	Decal - Arrow	
51	1001223055	1	Decal - Yearly Inspection	
52	1001223453	1	Decal - Ices (Canada)	
100	1001232026	1	Decal - Platform Lanyard Kit (Not Shown)	
101	1704277	3	Decal - Attach Lanyard Here	

SECTION 9 - DECALS

FIGURE 9-2. DECAL INSTALLATION – ANSI AND ANSI EXPORT SPECS WITH KUBOTA ENGINES (ENGLISH)



NOTE: SOME DECALS ARE CALLED OUT ON OPTIONAL DECALS INSTALLATION.
 NOTE: ITEMS SHOWN MAY NOT BE REQUIRED FOR ALL SPECS. REFER TO PARTS LIST FOR USAGE.



ART_1001246405

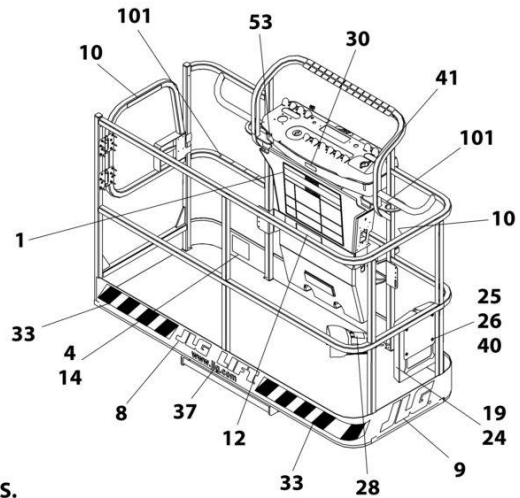
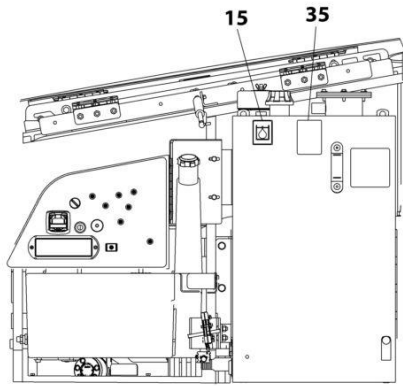
SECTION 9 - DECALS

**FIGURE 9-2. DECAL INSTALLATION – ANSI AND ANSI EXPORT SPECS WITH KUBOTA ENGINES
(ENGLISH)**

ITEM	PART NUMBER	QTY	DESCRIPTION	REV
	1001248008	Ref	DECAL INSTALLATION - REFERENCE CHART	C
	1001246405	Ref	DECAL INSTALLATION	C
1	1703797	1	Decal - Danger/Warning	
2	1705336	1	Decal - Danger/Warning	
3	1703805	4	Decal - Danger/Electrocution	
4	1703804	4	Decal - Warning/Crushing	
8		Ref	Decal, JLG (See DECAL INSTALLATION - OPTIONS)	
9		Ref	Decal, JLG (See DECAL INSTALLATION - OPTIONS)	
10	1702868	2	Decal - No Hands	
12	1001255511	2	Decal - Max Capacity	
14	1703953	2	Decal - Warning/Crushing	
15	1701504	1	Decal - Hydraulic Oil	
16	See Note	NSS	Decal - Bar Code (Note: Not Available for Purchase)	
17	1001131269	1	Decal - Patent	
18		Ref	Nameplate - Manufacturers Serial Number (See DECAL INSTALLATION - OPTIONS)	
19	1701509	1	Decal - Manual	
20	1702300	8	Decal - Tie Down /Lift	
21	1701500	4	Decal - Tie Down /Lift	
22	1703687	2	Decal - Arrow	
23	3251243	1	Nameplate 120V-60Hz	
24	0860520	1	Box, Manual Storage	
25	4751400	4	Washer, 1/4	
26	3311405	4	Nut, Lock 1/4-20	
27	3820001	2	Rivet	
28	3252347	1	Decal - Footswitch	
29		Ref	Decal - Max Tire Load (See DECAL INSTALLATION - OPTIONS)	
32		Ref	Decal - LP (See DECAL INSTALLATION - OPTIONS)	
33		Ref	Warning Stripes Installation (See DECAL INSTALLATION - OPTIONS)	
35	1704412	1	Decal - Hydraulic Fluid	
36	1001284875	1	Decal - Lift Diagram (Without Turntable Lock)	
36	1001223118	1	Decal - Lift Diagram (With Turntable Lock)	
37	1704885	2	Decal - Website	
40	0641406	4	Bolt, 1/4-20 x 3/4	
41	1705351	1	Decal - Drive/Steer	
42	1701499	4	Decal - Tie Down /Lift	
43	3251813	1	Decal - USA	
47		Ref	Decal - Model Designation (See DECAL INSTALLATION - OPTIONS)	
48	1701529	2	Decal - Arrow	
49		Ref	Decal, JLG (See DECAL INSTALLATION - OPTIONS)	
51	1001223055	1	Decal - Yearly Inspection	
52	1001223453	1	Decal - Ices (Canada)	
53		Ref	Decal - Warning (Prop 65) (See DECAL INSTALLATION - OPTIONS)	
100	1001232026	1	Decal - Platform Lanyard Kit (Not Shown)	
101	1704277	3	Decal - Attach Lanyard Here	

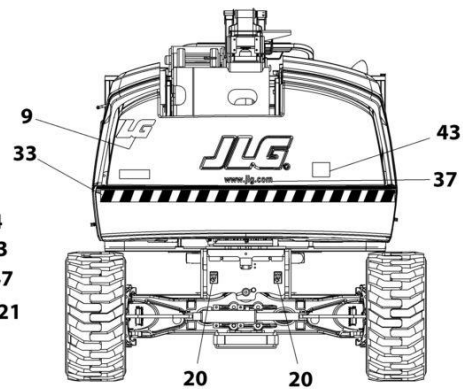
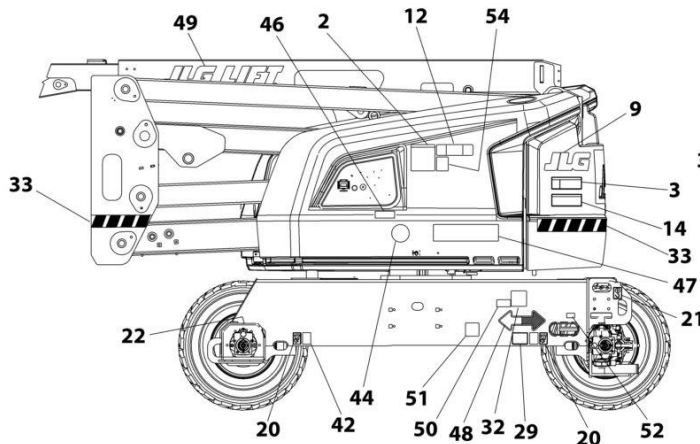
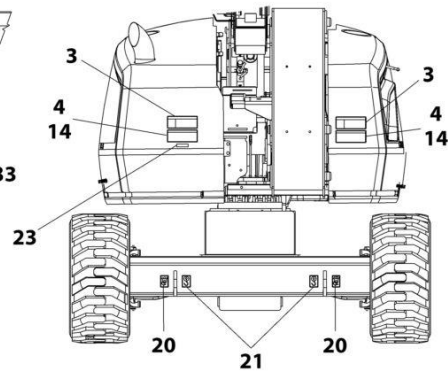
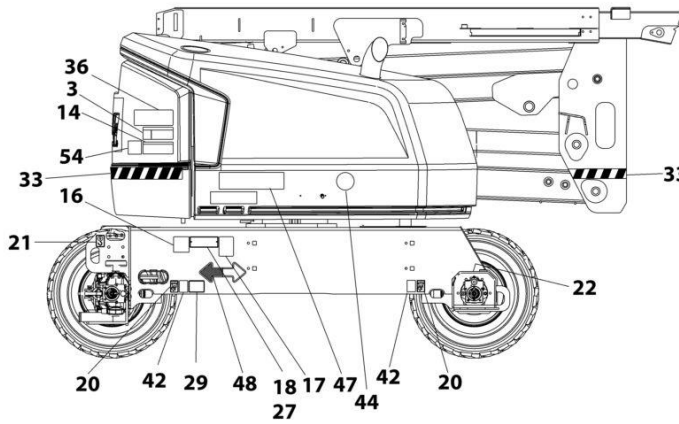
SECTION 9 - DECALS

FIGURE 9-3. DECAL INSTALLATION - AUSTRALIAN SPEC (ENGLISH)



NOTE: SOME DECALS ARE CALLED OUT ON OPTIONAL DECALS INSTALLATION.

NOTE: ITEMS SHOWN MAY NOT BE REQUIRED FOR ALL SPECS. REFER TO PARTS LIST FOR USAGE.



ART_1001162522

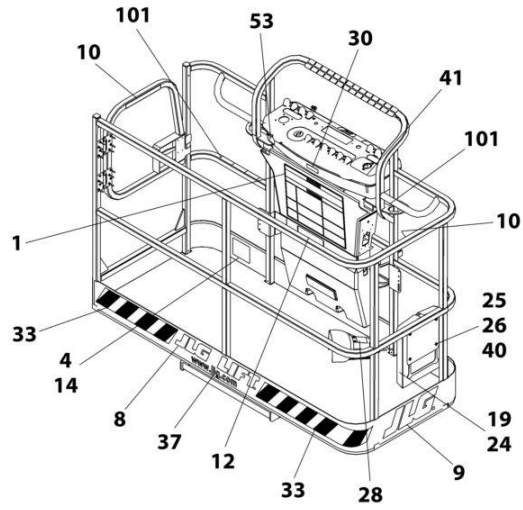
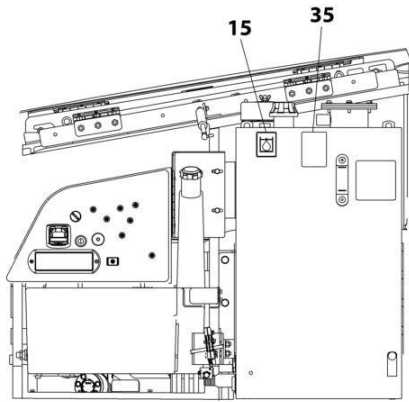
SECTION 9 - DECALS

FIGURE 9-3. DECAL INSTALLATION - AUSTRALIAN SPEC (ENGLISH)

ITEM	PART NUMBER	QTY	DESCRIPTION	REV
	1001248008	Ref	DECAL INSTALLATION - REFERENCE CHART	C
	1001162522	Ref	DECAL INSTALLATION	I
1	1001162429	1	Decal - Tipping/Electrocution	
2	1705822	1	Decal - Electrocution/Safety Manual	
3	1705961	4	Decal - Danger Electrocution	
8		Ref	Decal, JLG (See DECAL INSTALLATION - OPTIONS)	
9		Ref	Decal, JLG (See DECAL INSTALLATION - OPTIONS)	
12	1001190913	2	Decal - Max Capacity	
14	1701518	6	Decal - Warning/Crushing	
15	1701504	1	Decal - Hydraulic Oil	
16	See Note	NSS	Decal - Bar Code (Note: Not Available for Purchase)	
18		Ref	Nameplate - Manufacturers Serial Number (See DECAL INSTALLATION - OPTIONS)	
19	1701509	1	Decal - Manual	
20	1702300	8	Decal - Tie Down /Lift	
21	1701500	4	Decal - Tie Down /Lift	
22	1703687	2	Decal - Arrow	
24	0860520	1	Box, Manual Storage	
25	4751400	4	Washer, 1/4	
26	3311405	4	Nut, Lock 1/4-20	
27	3820001	4	Rivet	
28	1705828	1	Decal - Footswitch	
29		Ref	Decal - Max Tire Load (See DECAL INSTALLATION - OPTIONS)	
33		Ref	Warning Stripes Installation (See DECAL INSTALLATION - OPTIONS)	
35	1704412	1	Decal - Hydraulic Fluid	
36	1001284875	1	Decal - Lift Diagram (Without Turntable Lock)	
36	1001223118	1	Decal - Lift Diagram (With Turntable Lock)	
37	1704885	2	Decal - Website	
40	0641406	4	Bolt, 1/4-20 x 3/4	
42	1701499	4	Decal - No Tie Down/Lift	
43	1001204510	1	Decal - Sound Power Level	
46	1001112551	1	Decal - Emergency Controls	
47		Ref	Decal - Model Designation (See DECAL INSTALLATION - OPTIONS)	
48	1701529	2	Decal - Arrow	
49		Ref	Decal, JLG (See DECAL INSTALLATION - OPTIONS)	
50		Ref	Decal - Emissions Compliance (See DECAL INSTALLATION - OPTIONS)	
100	1001232026	1	Decal - Platform Lanyard Kit (Not Shown)	
101	1704277	3	Decal - Attach Lanyard Here	

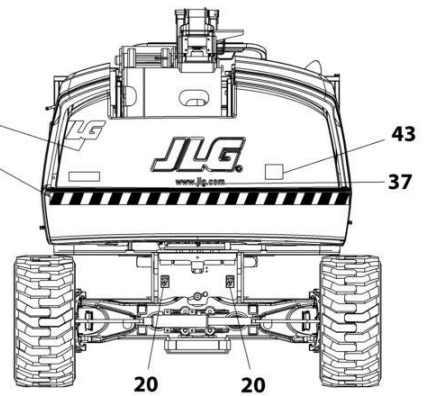
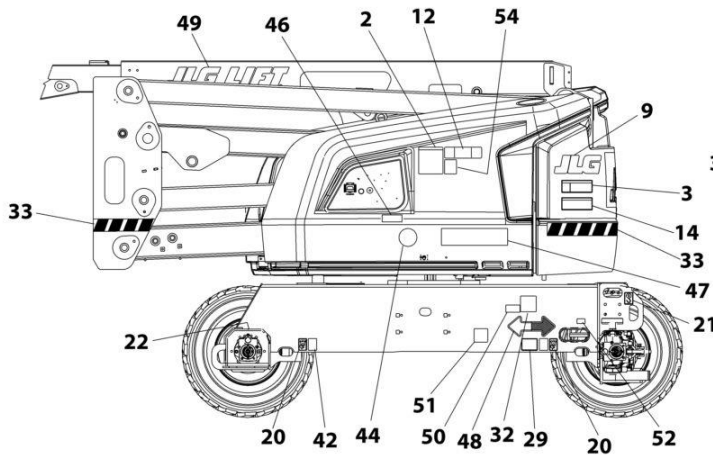
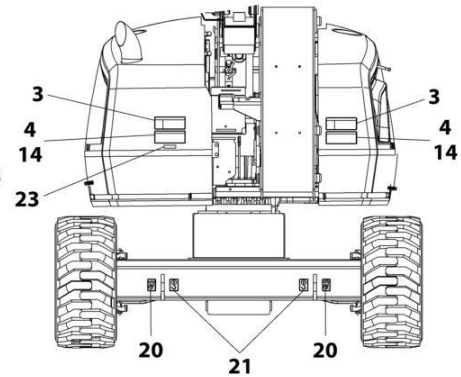
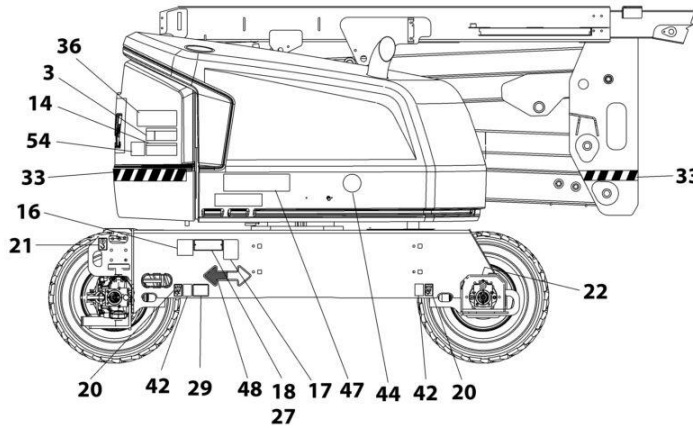
SECTION 9 - DECALS

FIGURE 9-4. DECAL INSTALLATION - BRAZIL SPEC (ENGLISH)



NOTE: SOME DECALS ARE CALLED OUT ON OPTIONAL DECALS INSTALLATION.

NOTE: ITEMS SHOWN MAY NOT BE REQUIRED FOR ALL SPECS. REFER TO PARTS LIST FOR USAGE.



ART_1001256207_D

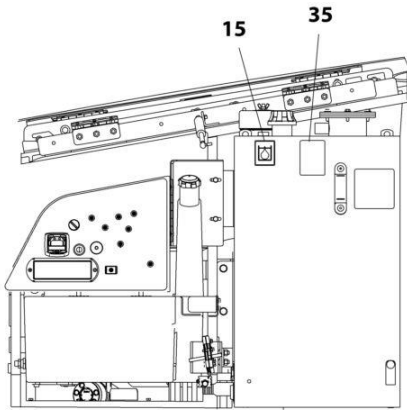
SECTION 9 - DECALS

FIGURE 9-4. DECAL INSTALLATION - BRAZIL SPEC (ENGLISH)

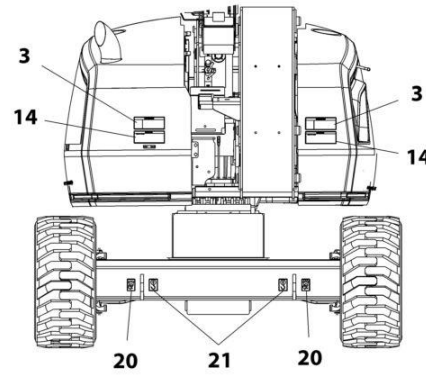
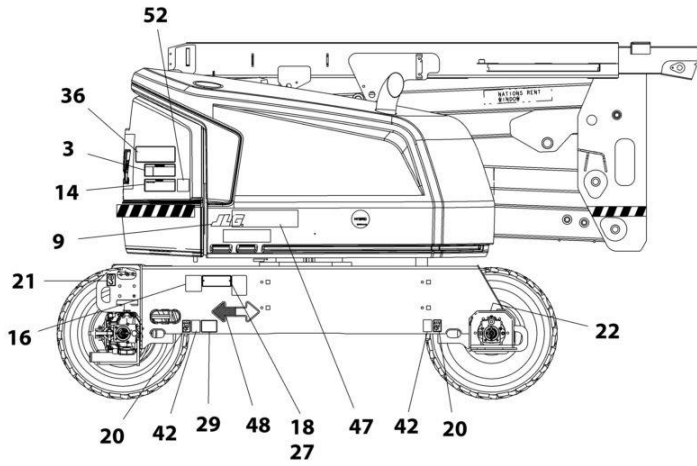
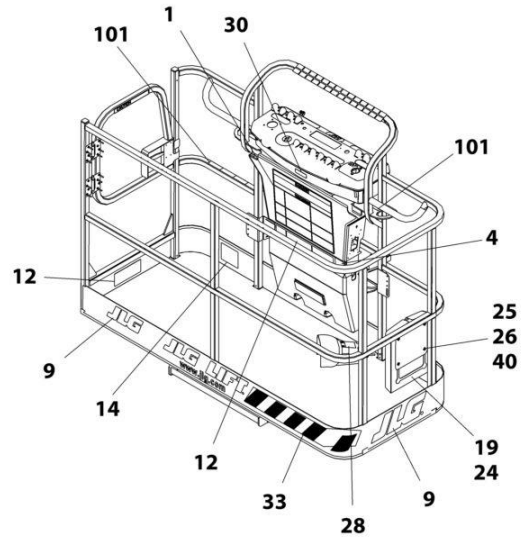
ITEM	PART NUMBER	QTY	DESCRIPTION	REV
	1001248008	Ref	DECAL INSTALLATION - REFERENCE CHART	C
	1001256207	Ref	DECAL INSTALLATION	D
1	1703928	1	Decal - Danger/Warning	
2	1705349	1	Decal - Warning Inspection	
3	1703940	4	Decal - Danger Electrocution	
4	1703952	4	Decal - Warning/Crushing	
8		Ref	Decal, JLG (See DECAL INSTALLATION - OPTIONS)	
9		Ref	Decal, JLG (See DECAL INSTALLATION - OPTIONS)	
10	1704002	2	Decal - No Hands	
12	1001255515	2	Decal - Max Capacity	
14	1703946	2	Decal - Warning/Crushing	
15	1701504	1	Decal - Hydraulic Oil	
16	See Note	NSS	Decal - Bar Code (Note: Not Available for Purchase)	
18		Ref	Nameplate - Manufacturers Serial Number (See DECAL INSTALLATION - OPTIONS)	
19	1701509	1	Decal - Manual	
20	1702300	8	Decal - Tie Down /Lift	
21	1701500	4	Decal - Tie Down /Lift	
22	1703687	2	Decal - Arrow	
23	3251243	1	Decal - 120V-60Hz	
24	0860520	1	Box, Manual Storage	
25	4751400	4	Washer, 1/4	
26	3311405	4	Nut, Lock 1/4-20	
27	3820001	4	Rivet	
28	1703985	1	Decal, Foot Switch	
29		Ref	Decal - Max Tire Load (See DECAL INSTALLATION - OPTIONS)	
32		Ref	Decal - LP (See DECAL INSTALLATION - OPTIONS)	
33		Ref	Warning Stripes Installation (See DECAL INSTALLATION - OPTIONS)	
35	1704412	1	Decal - Hydraulic Fluid	
36	1001284875	1	Decal - Lift Diagram	
37	1704885	2	Decal - Website	
40	0641406	4	Bolt, 1/4-20 x 3/4	
41	1001113680	1	Decal - Drive/Steer	
42	1701499	4	Decal - No Tie Down/Lift	
43	3251813	1	Decal - USA	
47		Ref	Decal - Model Designation (See DECAL INSTALLATION - OPTIONS)	
48	1701529	2	Decal - Arrow	
49		Ref	Decal, JLG (See DECAL INSTALLATION - OPTIONS)	
50		Ref	Decal - Emissions Compliance (See DECAL INSTALLATION - OPTIONS)	
51	1001224052	1	Decal - Yearly Inspection	
100	1001232026	1	Decal - Platform Lanyard Kit (Not Shown)	
101	1704277	3	Decal - Attach Lanyard Here	

SECTION 9 - DECALS

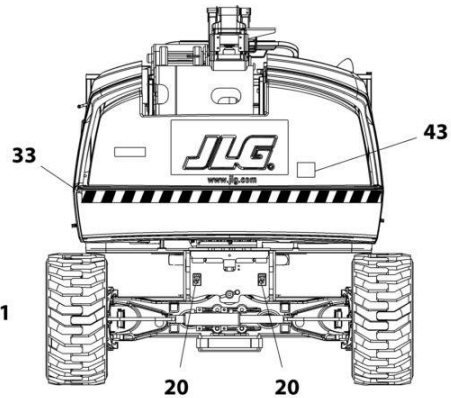
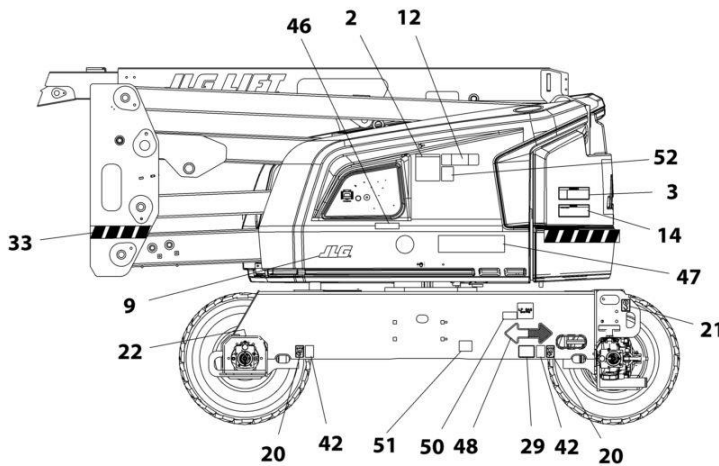
FIGURE 9-5. DECAL INSTALLATION - CE & UK CA SPEC (ENGLISH)



NOTE: SOME DECALS ARE CALLED OUT ON OPTIONAL DECALS INSTALLATION.



NOTE: ITEMS SHOWN MAY NOT BE REQUIRED FOR ALL SPECS. REFER TO PARTS LIST FOR USAGE.



ART_1001162528_L

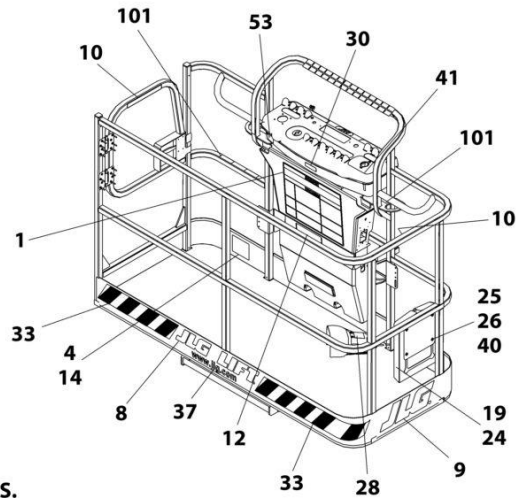
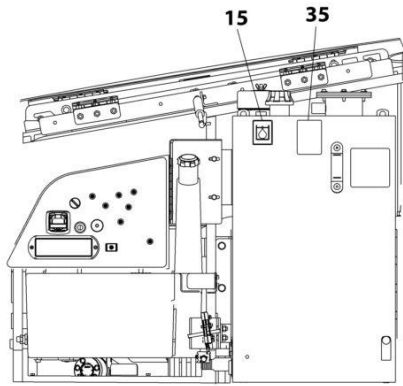
SECTION 9 - DECALS

FIGURE 9-5. DECAL INSTALLATION - CE & UK CA SPEC (ENGLISH)

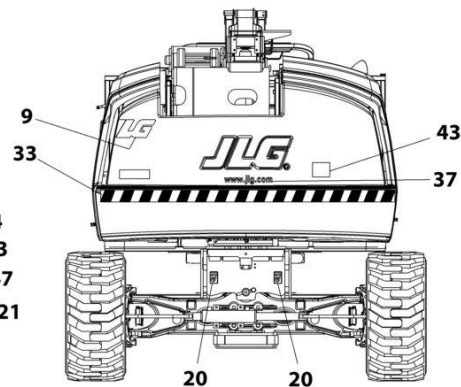
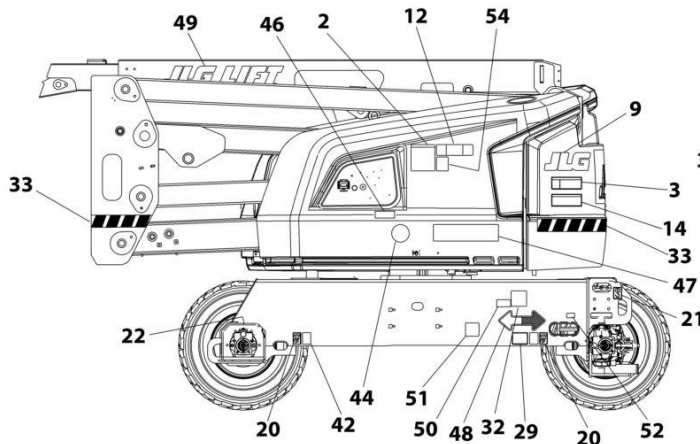
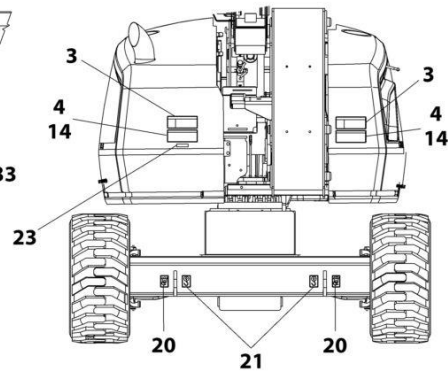
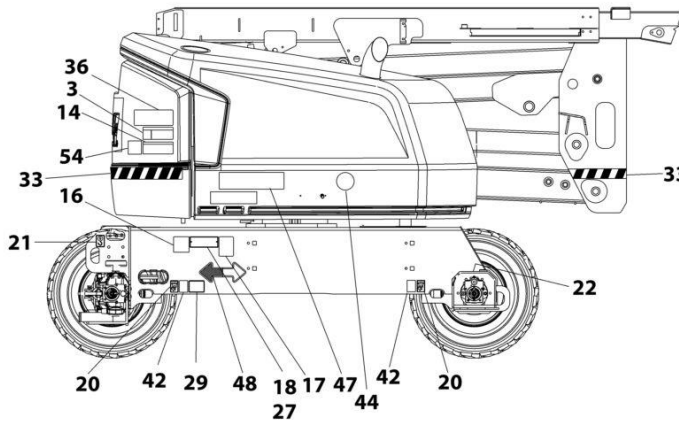
ITEM	PART NUMBER	QTY	DESCRIPTION	REV
	1001217904	Ref	DECAL INSTALLATION - REFERENCE CHART	F
	1001162528	Ref	DECAL INSTALLATION	L
1	1001162429	1	Decal - Tipping/Electrocution	
2	1705822	1	Decal - Electrocution/Safety Manual	
3	1705961	4	Decal - Danger Electrocution	
4	1001244301	1	Decal - No Platform to Ground	
9	1702773	3	Decal - JLG	
12	1001190913	1	Decal - Max Capacity	
14	1701518	6	Decal - Warning/Crushing	
15	1701504	1	Decal - Hydraulic Oil	
16	See Note	NSS	Decal - Bar Code (Note: Not Available for Purchase)	
18		Ref	Nameplate - Manufacturers Serial Number (See DECAL INSTALLATION - OPTIONS)	
19	1701509	1	Decal - Manual	
20	1702300	8	Decal - Tie Down /Lift	
21	1701500	4	Decal - Tie Down /Lift	
22	1703687	2	Decal - Arrow	
24	0860520	1	Box, Manual Storage	
25	4751400	4	Washer, 1/4	
26	3311405	4	Nut, Lock 1/4-20	
27	3820001	4	Rivet	
28	1705828	1	Decal - Footswitch	
29		Ref	Decal - Max Tire Load (See DECAL INSTALLATION - OPTIONS)	
33		Ref	Warning Stripes Installation (See DECAL INSTALLATION - OPTIONS)	
35	1704412	1	Decal - Hydraulic Fluid	
36	1001284875	1	Decal - Lift Diagram (Without Turntable Lock)	
36	1001223118	1	Decal - Lift Diagram (With Turntable Lock)	
40	0641406	4	Bolt, 1/4-20 x 3/4	
42	1701499	4	Decal - No Tie Down/Lift	
46	1001189882	1	Decal - MSSO	
47		Ref	Decal - Model Designation (See DECAL INSTALLATION - OPTIONS)	
48	1701529	2	Decal - Arrow	
50		Ref	Decal - Emissions Compliance (See DECAL INSTALLATION - OPTIONS)	
51		Ref	Decal - Quick Start Reference (See DECAL INSTALLATION - OPTIONS)	
52	1001244298	2	Decal - Wechat	
100	1001232026	1	Decal - Platform Lanyard Kit (Not Shown)	
101	1704277	3	Decal - Attach Lanyard Here	

SECTION 9 - DECALS

FIGURE 9-6. DECAL INSTALLATION - CSA SPEC WITH DEUTZ ENGINES (FRENCH/ENGLISH)



NOTE: SOME DECALS ARE CALLED OUT ON OPTIONAL DECALS INSTALLATION.
NOTE: ITEMS SHOWN MAY NOT BE REQUIRED FOR ALL SPECS. REFER TO PARTS LIST FOR USAGE.



ART_1001246403

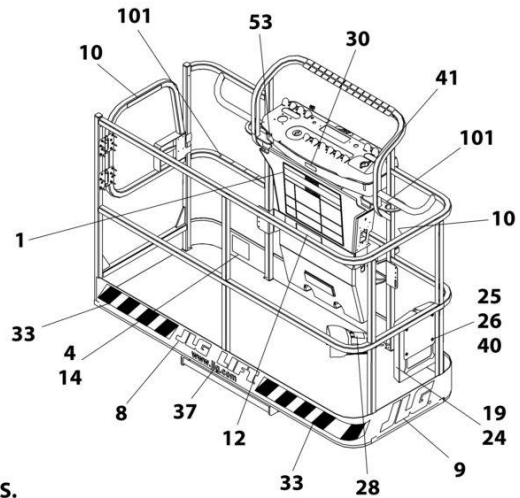
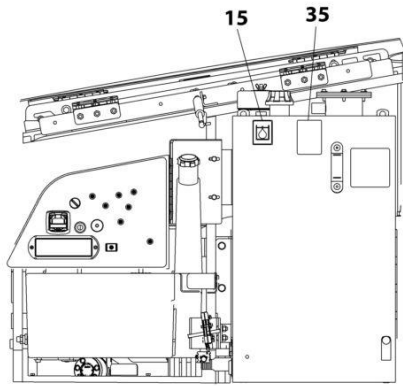
SECTION 9 - DECALS

FIGURE 9-6. DECAL INSTALLATION - CSA SPEC WITH DEUTZ ENGINES (FRENCH/ENGLISH)

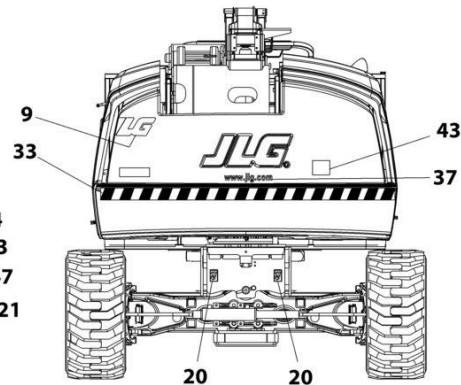
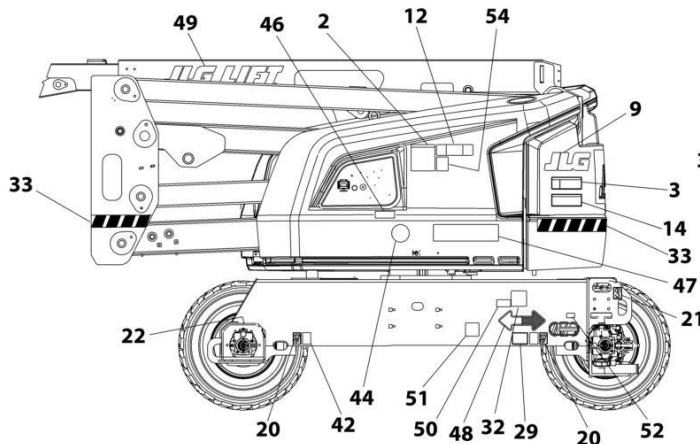
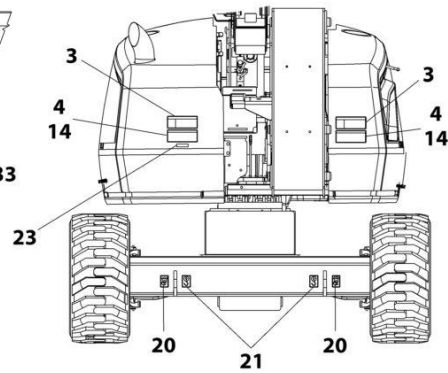
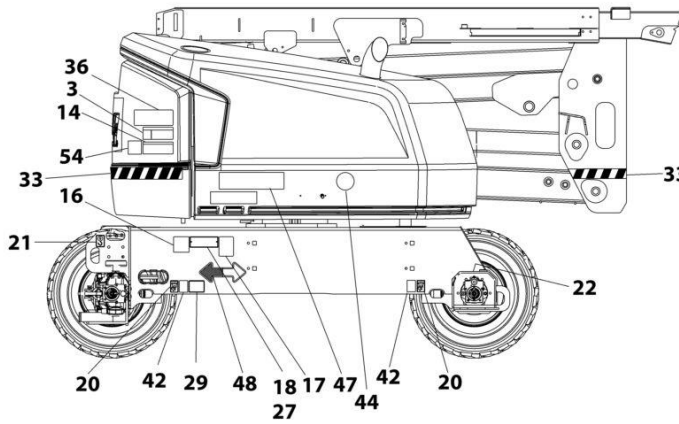
ITEM	PART NUMBER	QTY	DESCRIPTION	REV
	1001248008	Ref	DECAL INSTALLATION - REFERENCE CHART	C
	1001246403	Ref	DECAL INSTALLATION	C
1	1703924	1	Decal - Danger/Warning	
2	1705347	1	Decal - Warning Inspection	
3	1703936	4	Decal - Danger Electrocution	
4	1703948	4	Decal - Warning/Crushing	
8		Ref	Decal, JLG (See DECAL INSTALLATION - OPTIONS)	
9		Ref	Decal, JLG (See DECAL INSTALLATION - OPTIONS)	
10	1704000	2	Decal - No Hands	
12	1001255512	2	Decal - Max Capacity	
14	1703942	2	Decal - Warning/Crushing	
15	1701504	1	Decal - Hydraulic Oil	
16	See Note	NSS	Decal - Bar Code (Note: Not Available for Purchase)	
17	1001131269	1	Decal - Patent	
18		Ref	Nameplate - Manufacturers Serial Number (See DECAL INSTALLATION - OPTIONS)	
19	1701509	1	Decal - Manual	
20	1702300	8	Decal - Tie Down /Lift	
21	1701500	4	Decal - Tie Down /Lift	
22	1703687	2	Decal - Arrow	
23	3251243	1	Decal - 120V-60Hz	
24	0860520	1	Box, Manual Storage	
25	4751400	4	Washer, 1/4	
26	3311405	4	Nut, Lock 1/4-20	
27	3820001	4	Rivet	
28	1703984	1	Decal - Footswitch	
29		Ref	Decal - Max Tire Load (See DECAL INSTALLATION - OPTIONS)	
32		Ref	Decal - LP (See DECAL INSTALLATION - OPTIONS)	
33		Ref	Warning Stripes Installation (See DECAL INSTALLATION - OPTIONS)	
35	1704412	1	Decal - Hydraulic Fluid	
36	1001284875	1	Decal - Lift Diagram (Without Turntable Lock)	
36	1001223118	1	Decal - Lift Diagram (With Turntable Lock)	
37	1704885	2	Decal - Website	
40	0641406	4	Bolt, 1/4-20 x 3/4	
41	1705429	1	Decal - Drive/Steer	
42	1701499	4	Decal - No Tie Down/Lift	
43	3251813	1	Decal - USA	
47		Ref	Decal - Model Designation (See DECAL INSTALLATION - OPTIONS)	
48	1701529	2	Decal - Arrow	
49		Ref	Decal, JLG (See DECAL INSTALLATION - OPTIONS)	
51	1001223971	1	Decal - Yearly Inspection	
52	1001223453	1	Decal - Ices (Canada)	
100	1001232026	1	Decal - Platform Lanyard Kit (Not Shown)	
101	1704277	3	Decal - Attach Lanyard Here	

SECTION 9 - DECALS

FIGURE 9-7. DECAL INSTALLATION - CSA SPEC WITH KUBOTA ENGINES (FRENCH/ENGLISH)



NOTE: SOME DECALS ARE CALLED OUT ON OPTIONAL DECALS INSTALLATION.
NOTE: ITEMS SHOWN MAY NOT BE REQUIRED FOR ALL SPECS. REFER TO PARTS LIST FOR USAGE.



ART_1001246406

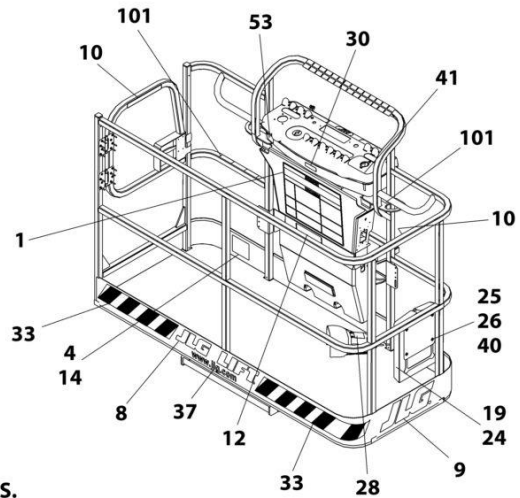
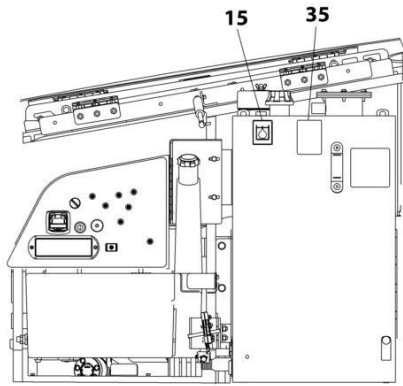
SECTION 9 - DECALS

FIGURE 9-7. DECAL INSTALLATION - CSA SPEC WITH KUBOTA ENGINES (FRENCH/ENGLISH)

ITEM	PART NUMBER	QTY	DESCRIPTION	REV
	1001248008	Ref	DECAL INSTALLATION - REFERENCE CHART	C
	1001246406	Ref	DECAL INSTALLATION - WITH KUBOTA ENGINE	C
1	1703924	1	Decal - Danger/Warning	
2	1705347	1	Decal - Warning Inspection	
3	1703936	4	Decal - Danger Electrocution	
4	1703948	4	Decal - Warning/Crushing	
8		Ref	Decal, JLG (See DECAL INSTALLATION - OPTIONS)	
9		Ref	Decal, JLG (See DECAL INSTALLATION - OPTIONS)	
10	1704000	2	Decal - No Hands	
12	1001255512	2	Decal - Max Capacity	
14	1703942	2	Decal - Warning/Crushing	
15	1701504	1	Decal - Hydraulic Oil	
16	See Note	NSS	Decal - Bar Code (Note: Not Available for Purchase)	
17	1001131269	1	Decal - Patent	
18		Ref	Nameplate - Manufacturers Serial Number (See DECAL INSTALLATION - OPTIONS)	
19	1701509	1	Decal - Manual	
20	1702300	8	Decal - Tie Down /Lift	
21	1701500	4	Decal - Tie Down /Lift	
22	1703687	2	Decal - Arrow	
23	3251243	1	Decal - 120V-60Hz	
24	0860520	1	Box, Manual Storage	
25	4751400	4	Washer, 1/4	
26	3311405	4	Nut, Lock 1/4-20	
27	3820001	4	Rivet	
28	1703984	1	Decal - Footswitch	
29		Ref	Decal - Max Tire Load (See DECAL INSTALLATION - OPTIONS)	
32		Ref	Decal - LP (See DECAL INSTALLATION - OPTIONS)	
33		Ref	Warning Stripes Installation (See DECAL INSTALLATION - OPTIONS)	
35	1704412	1	Decal - Hydraulic Fluid	
36	1001284875	1	Decal - Lift Diagram (Without Turntable Lock)	
36	1001223118	1	Decal - Lift Diagram (With Turntable Lock)	
37	1704885	2	Decal - Website	
40	0641406	4	Bolt, 1/4-20 x 3/4	
41	1705429	1	Decal - Drive/Steer	
42	1701499	4	Decal - No Tie Down/Lift	
43	3251813	1	Decal - USA	
47		Ref	Decal - Model Designation (See DECAL INSTALLATION - OPTIONS)	
48	1701529	2	Decal - Arrow	
49		Ref	Decal, JLG (See DECAL INSTALLATION - OPTIONS)	
51	1001223971	1	Decal - Yearly Inspection	
52	1001223453	1	Decal - Ices (Canada)	
100	1001232026	1	Decal - Platform Lanyard Kit (Not Shown)	
101	1704277	3	Decal - Attach Lanyard Here	

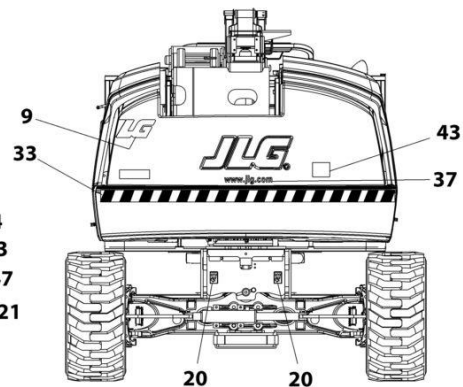
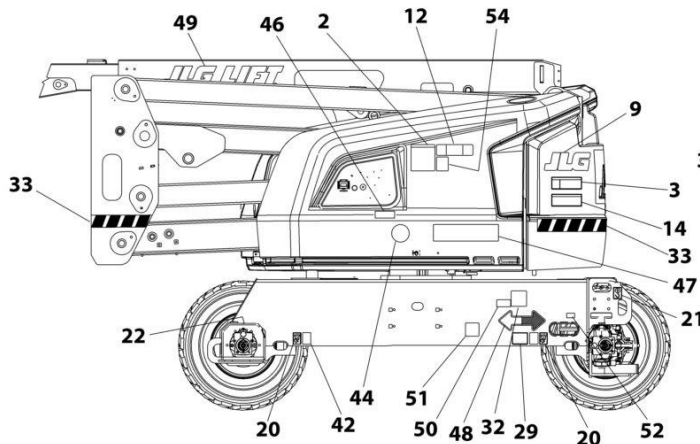
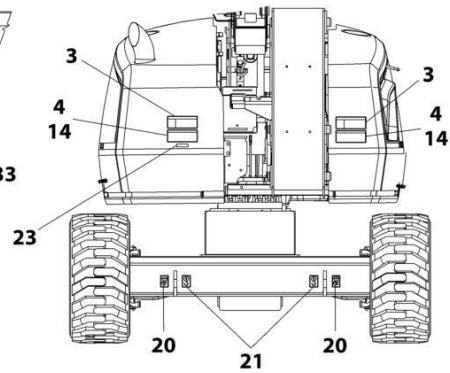
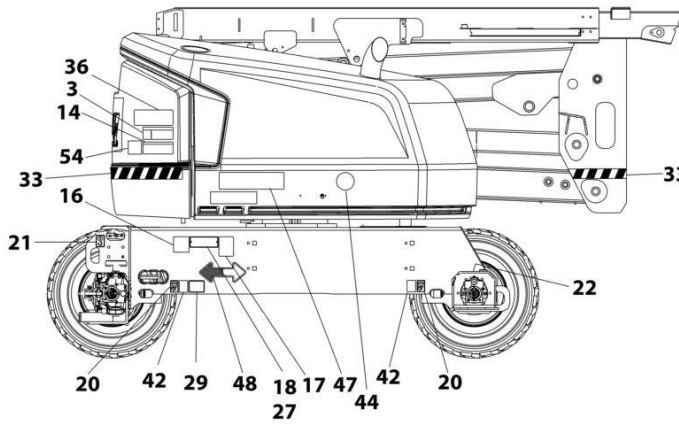
SECTION 9 - DECALS

FIGURE 9-8. DECAL INSTALLATION - CHINESE SPEC (CHINESE/ENGLISH)



NOTE: SOME DECALS ARE CALLED OUT ON OPTIONAL DECALS INSTALLATION.

NOTE: ITEMS SHOWN MAY NOT BE REQUIRED FOR ALL SPECS. REFER TO PARTS LIST FOR USAGE.



ART_1001246206

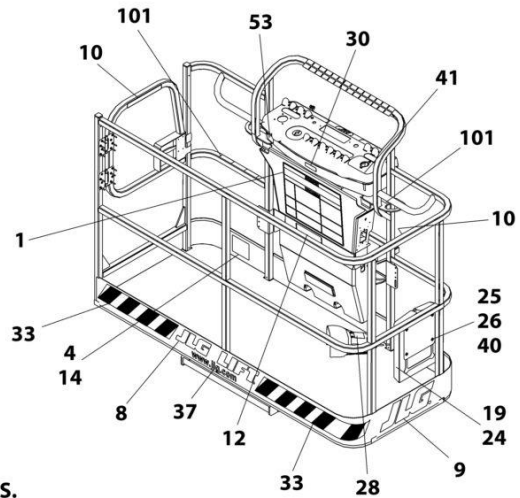
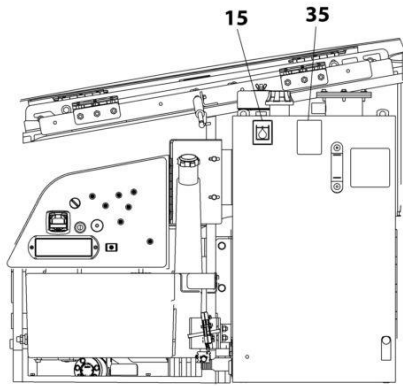
SECTION 9 - DECALS

FIGURE 9-8. DECAL INSTALLATION - CHINESE SPEC (CHINESE/ENGLISH)

ITEM	PART NUMBER	QTY	DESCRIPTION	REV
	1001248008	Ref	DECAL INSTALLATION - REFERENCE CHART	C
	1001256206	Ref	DECAL INSTALLATION	B
1	1703925	1	Decal - Danger/Warning	
2	1001116849	1	Decal - Warning Inspection	
3	1703937	4	Decal - Danger Electrocution	
4	1703949	4	Decal - Warning/Crushing	
8		Ref	Decal, JLG (See DECAL INSTALLATION - OPTIONS)	
9		Ref	Decal, JLG (See DECAL INSTALLATION - OPTIONS)	
10	1705968	2	Decal - No Hands	
12	1001255514	2	Decal - Max Capacity	
14	1703943	2	Chinese Spec Decals (Chinese/English)	
15	1701504	1	Decal - Hydraulic Oil	
16	See Note	NSS	Decal - Bar Code (Note: Not Available for Purchase)	
18		Ref	Nameplate - Manufacturers Serial Number (See DECAL INSTALLATION - OPTIONS)	
19	1701509	1	Decal - Manual	
20	1702300	8	Decal - Tie Down /Lift	
21	1701500	4	Decal - Tie Down /Lift	
22	1703687	2	Decal - Arrow	
24	0860520	1	Box, Manual Storage	
25	4751400	4	Washer, 1/4	
26	3311405	4	Nut, Lock 1/4-20	
27	3820001	4	Rivet	
28	1703982	1	Decal - Footswitch	
29		Ref	Decal - Max Tire Load (See DECAL INSTALLATION - OPTIONS)	
33		Ref	Warning Stripes Installation (See DECAL INSTALLATION - OPTIONS)	
35	1704412	1	Decal - Hydraulic Fluid	
36	1001284875	1	Decal - Lift Diagram	
37	1704885	2	Decal - Website	
40	0641406	4	Bolt, 1/4-20 x 3/4	
41	1705430	1	Decal - Drive/Steer	
42	1701499	4	Decal - No Tie Down/Lift	
47		Ref	Decal - Model Designation (See DECAL INSTALLATION - OPTIONS)	
48	1701529	2	Decal - Arrow	
49		Ref	Decal, JLG (See DECAL INSTALLATION - OPTIONS)	
50		Ref	Decal - Emissions Compliance (See DECAL INSTALLATION - OPTIONS)	
51	1001224050	1	Decal - Yearly Inspection	
100	1001232026	1	Decal - Platform Lanyard Kit (Not Shown)	
101	1704277	3	Decal - Attach Lanyard Here	

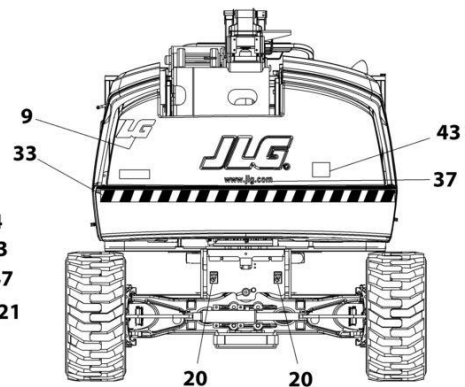
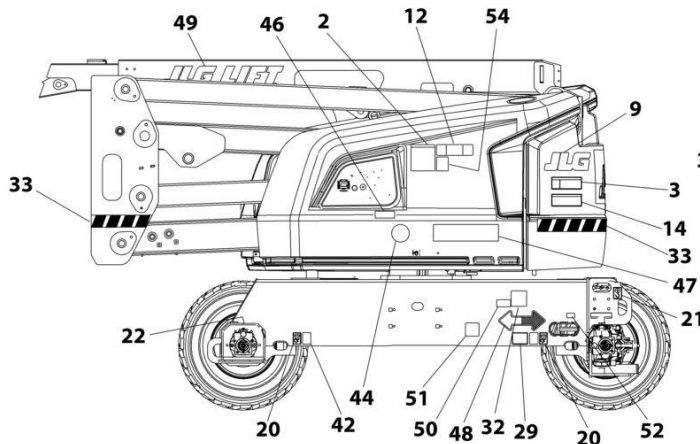
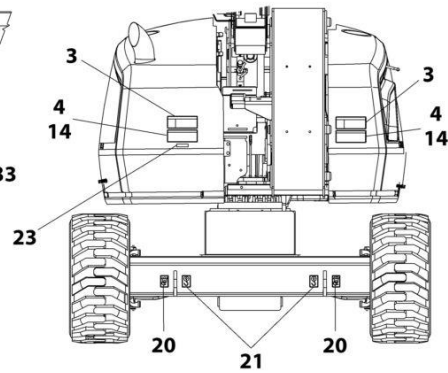
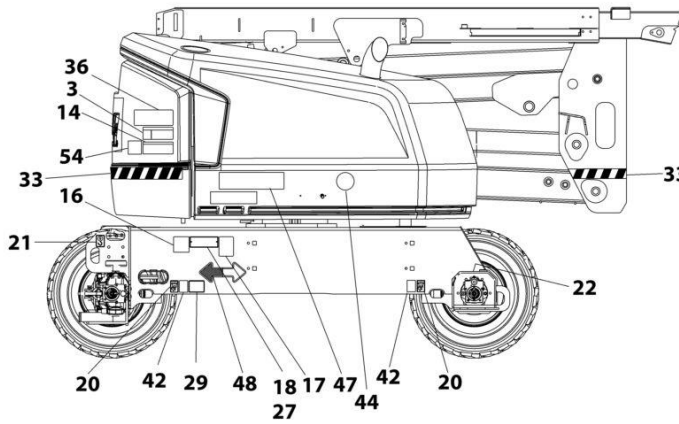
SECTION 9 - DECALS

FIGURE 9-9. DECAL INSTALLATION - JAPANESE SPEC (JAPANESE/ENGLISH)



NOTE: SOME DECALS ARE CALLED OUT ON OPTIONAL DECALS INSTALLATION.

NOTE: ITEMS SHOWN MAY NOT BE REQUIRED FOR ALL SPECS. REFER TO PARTS LIST FOR USAGE.



ART_1001246208

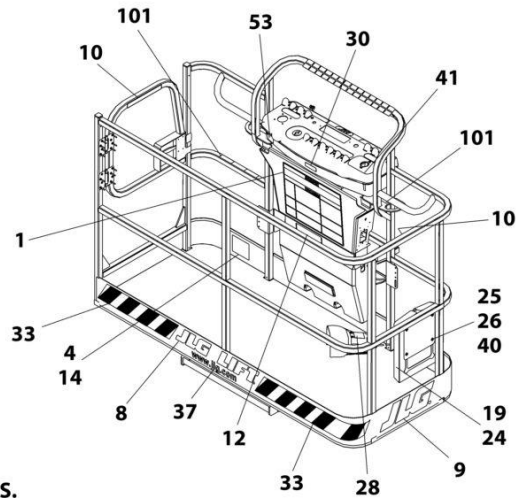
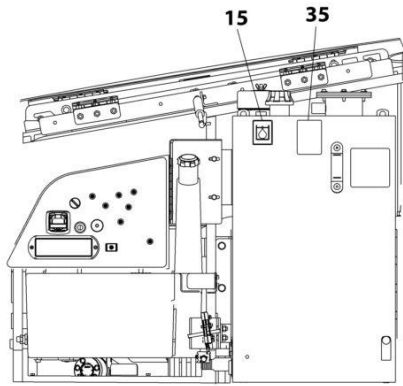
SECTION 9 - DECALS

FIGURE 9-9. DECAL INSTALLATION - JAPANESE SPEC (JAPANESE/ENGLISH)

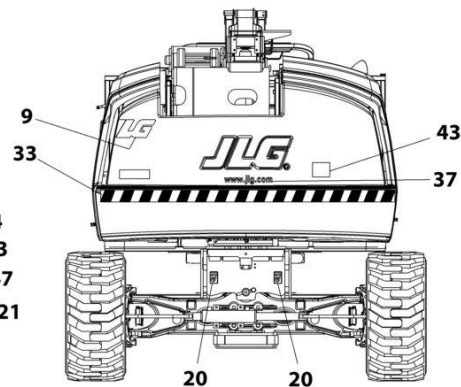
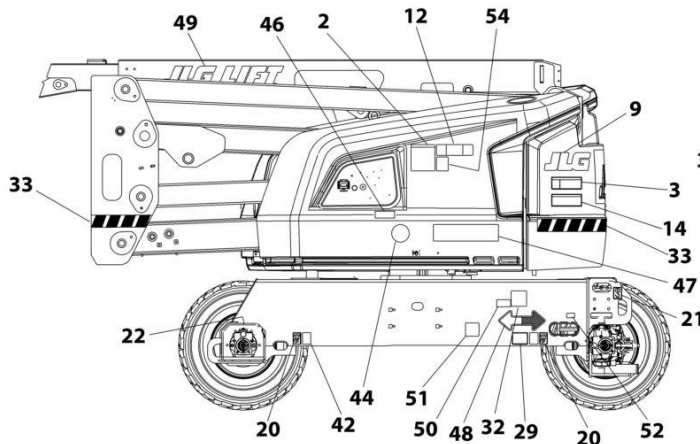
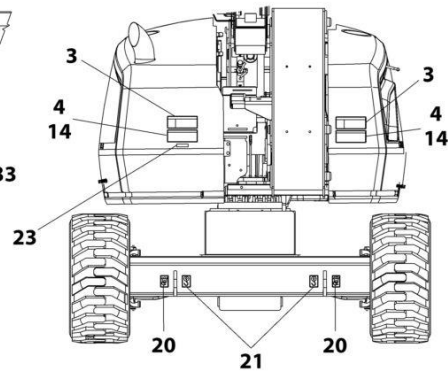
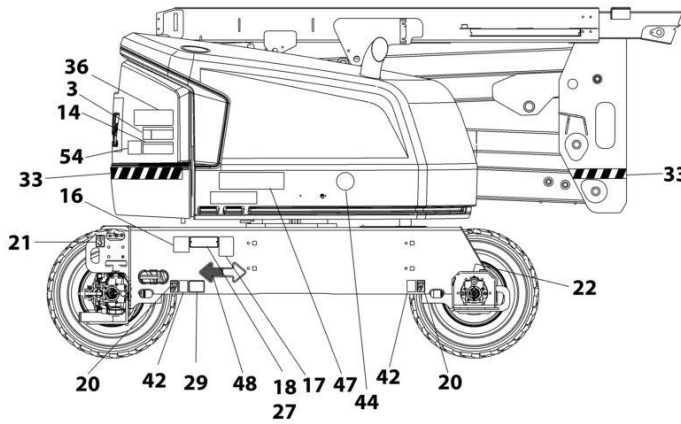
ITEM	PART NUMBER	QTY	DESCRIPTION	REV
	1001248008	Ref	DECAL INSTALLATION - REFERENCE CHART	C
	1001256208	Ref	DECAL INSTALLATION	B
1	1703926	1	Decal - Danger/Warning	
2	1705344	1	Decal - Warning Inspection	
3	1703938	4	Decal - Danger Electrocution	
4	1703950	4	Decal - Warning/Crushing	
8		Ref	Decal, JLG (See DECAL INSTALLATION - OPTIONS)	
9		Ref	Decal, JLG (See DECAL INSTALLATION - OPTIONS)	
12	1001255517	2	Decal - Max Capacity	
14	1703944	2	Decal - Warning/Crushing	
15	1701504	1	Decal - Hydraulic Oil	
16	See Note	NSS	Decal - Bar Code (Note: Not Available for Purchase)	
18		Ref	Nameplate - Manufacturers Serial Number (See DECAL INSTALLATION - OPTIONS)	
19	1701509	1	Decal - Manual	
20	1702300	8	Decal - Tie Down /Lift	
21	1701500	4	Decal - Tie Down /Lift	
22	1703687	2	Decal - Arrow	
24	0860520	1	Box, Manual Storage	
25	4751400	4	Washer, 1/4	
26	3311405	4	Nut, Lock 1/4-20	
27	3820001	4	Rivet	
28	1703980	1	Decal - Footswitch	
29		Ref	Decal - Max Tire Load (See DECAL INSTALLATION - OPTIONS)	
33		Ref	Warning Stripes Installation (See DECAL INSTALLATION - OPTIONS)	
35	1704412	1	Decal - Hydraulic Fluid	
36	1001284875	1	Decal - Lift Diagram	
37	1704885	2	Decal - Website	
40	0641406	4	Bolt, 1/4-20 x 3/4	
41	1705426	1	Japanese Spec Decals (Japanese/English)	
42	1701499	4	Decal - No Tie Down/Lift	
47		Ref	Decal - Model Designation (See DECAL INSTALLATION - OPTIONS)	
48	1701529	2	Decal - Arrow	
49		Ref	Decal, JLG (See DECAL INSTALLATION - OPTIONS)	
51	1001224053	1	Decal - Yearly Inspection	
100	1001232026	1	Decal - Platform Lanyard Kit (Not Shown)	
101	1704277	3	Decal - Attach Lanyard Here	

SECTION 9 - DECALS

FIGURE 9-10. DECAL INSTALLATION - KOREAN SPEC (KOREAN/ENGLISH)



NOTE: SOME DECALS ARE CALLED OUT ON OPTIONAL DECALS INSTALLATION.
NOTE: ITEMS SHOWN MAY NOT BE REQUIRED FOR ALL SPECS. REFER TO PARTS LIST FOR USAGE.



ART_1001246205

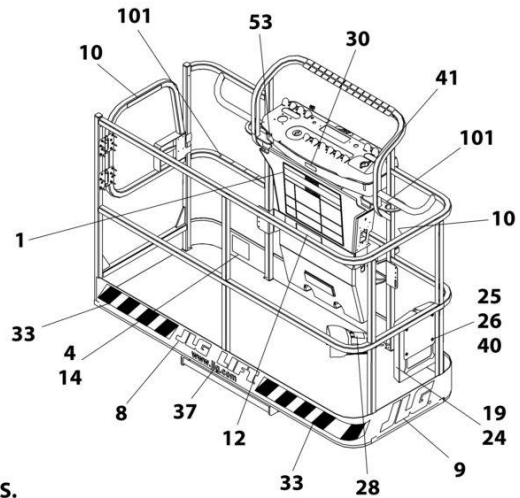
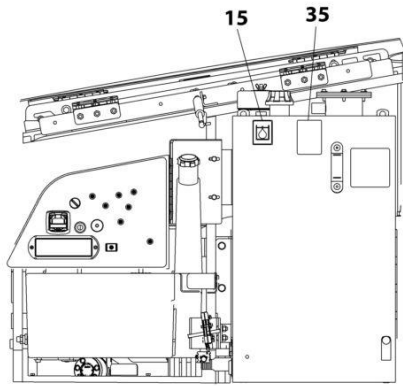
SECTION 9 - DECALS

FIGURE 9-10. DECAL INSTALLATION - KOREAN SPEC (KOREAN/ENGLISH)

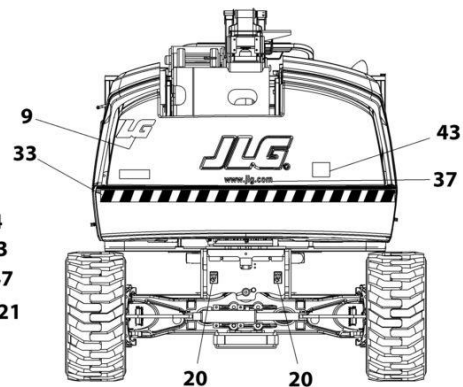
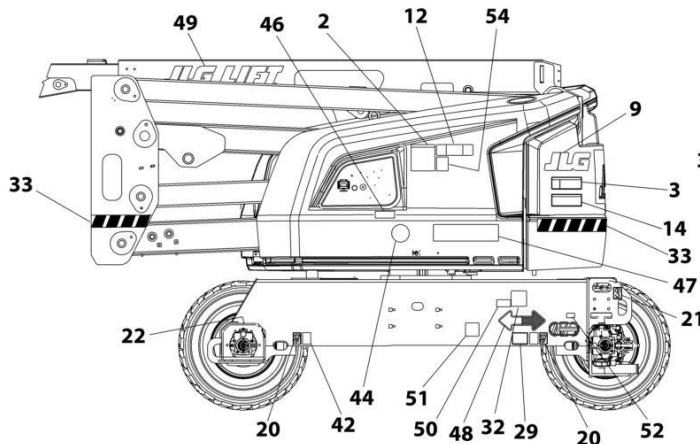
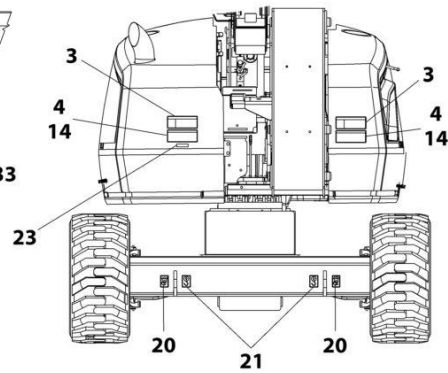
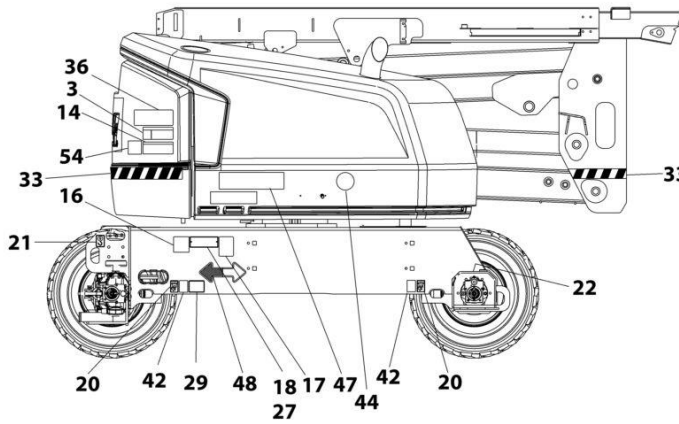
ITEM	PART NUMBER	QTY	DESCRIPTION	REV
	1001248008	Ref	DECAL INSTALLATION - REFERENCE CHART	C
	1001256205	Ref	DECAL INSTALLATION	B
1	1703927	1	Decal - Danger/Warning	
2	1705345	1	Decal - Warning Inspection	
3	1703939	4	Decal - Danger Electrocution	
4	1703951	4	Decal - Warning/Crushing	
8		Ref	Decal, JLG (See DECAL INSTALLATION - OPTIONS)	
9		Ref	Decal, JLG (See DECAL INSTALLATION - OPTIONS)	
10	1705969	2	Decal - No Hands	
12	1001255513	2	Decal - Max Capacity	
14	1703945	2	Decal - Warning/Crushing	
15	1701504	1	Decal - Hydraulic Oil	
16	See Note	NSS	Decal - Bar Code (Note: Not Available for Purchase)	
18		Ref	Nameplate - Manufacturers Serial Number (See DECAL INSTALLATION - OPTIONS)	
19	1701509	1	Decal - Manual	
20	1702300	8	Decal - Tie Down /Lift	
21	1701500	4	Decal - Tie Down /Lift	
22	1703687	2	Decal - Arrow	
24	0860520	1	Box, Manual Storage	
25	4751400	4	Washer, 1/4	
26	3311405	4	Nut, Lock 1/4-20	
27	3820001	4	Rivet	
28	1703981	1	Decal - Footswitch	
29		Ref	Decal - Max Tire Load (See DECAL INSTALLATION - OPTIONS)	
33		Ref	Warning Stripes Installation (See DECAL INSTALLATION - OPTIONS)	
35	1704412	1	Decal - Hydraulic Fluid	
36	1001284875	1	Decal - Lift Diagram	
37	1704885	2	Decal - Website	
40	0641406	4	Bolt, 1/4-20 x 3/4	
41	1705427	1	Decal - Drive/Steer	
42	1701499	4	Decal - No Tie Down/Lift	
47		Ref	Decal - Model Designation (See DECAL INSTALLATION - OPTIONS)	
48	1701529	2	Decal - Arrow	
49		Ref	Decal, JLG (See DECAL INSTALLATION - OPTIONS)	
51	1001224048	1	Decal - Yearly Inspection	
100	1001232026	1	Decal - Platform Lanyard Kit (Not Shown)	
101	1704277	3	Decal - Attach Lanyard Here	

SECTION 9 - DECALS

FIGURE 9-11. DECAL INSTALLATION - LATIN AMERICA SPEC (SPANISH/ENGLISH)



NOTE: SOME DECALS ARE CALLED OUT ON OPTIONAL DECALS INSTALLATION.
NOTE: ITEMS SHOWN MAY NOT BE REQUIRED FOR ALL SPECS. REFER TO PARTS LIST FOR USAGE.



ART_1001162522

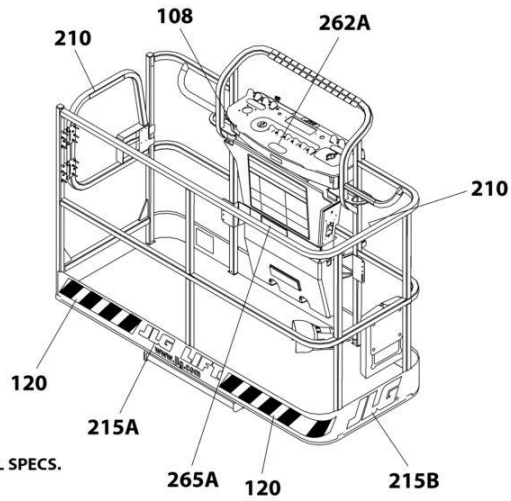
SECTION 9 - DECALS

FIGURE 9-11. DECAL INSTALLATION - LATIN AMERICA SPEC (SPANISH/ENGLISH)

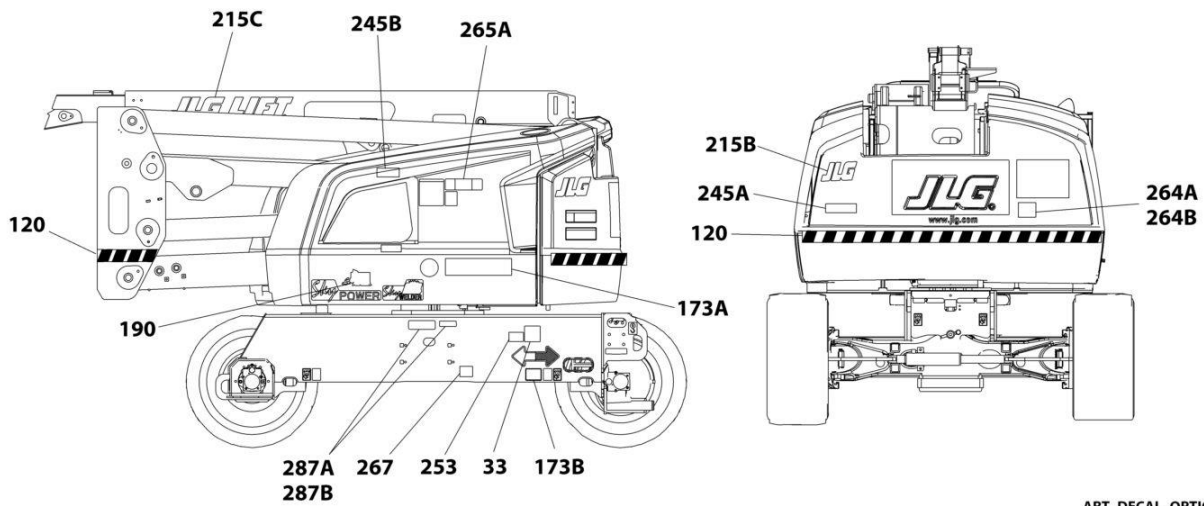
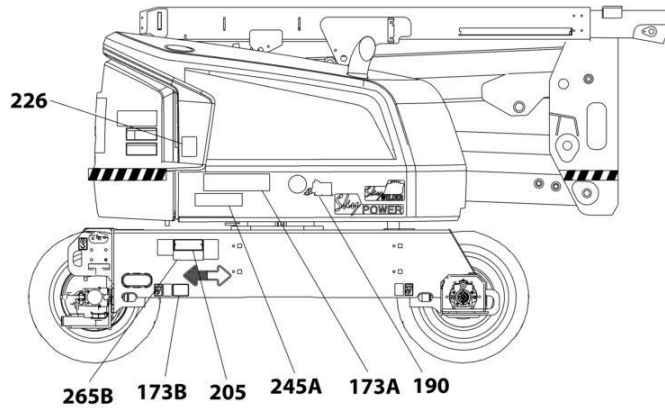
ITEM	PART NUMBER	QTY	DESCRIPTION	REV
	1001248008	Ref	DECAL INSTALLATION - REFERENCE CHART	C
	1001246407	Ref	DECAL INSTALLATION	C
1	1703923	1	Decal - Danger/Warning	
2	1705917	1	Decal - Warning Inspection	
3	1703935	4	Decal - Danger Electrocution	
4	1703947	4	Decal - Warning/Crushing	
8		Ref	Decal, JLG (See DECAL INSTALLATION - OPTIONS)	
9		Ref	Decal, JLG (See DECAL INSTALLATION - OPTIONS)	
10	1704001	2	Decal - No Hands	
12	1001255516	2	Decal - Max Capacity	
14	1703941	2	Decal - Warning/Crushing	
15	1701504	1	Decal - Hydraulic Oil	
16	See Note	NSS	Decal - Bar Code (Note: Not Available for Purchase)	
18		Ref	Nameplate - Manufacturers Serial Number (See DECAL INSTALLATION - OPTIONS)	
19	1701509	1	Decal - Manual	
20	1702300	8	Decal - Tie Down /Lift	
21	1701500	4	Decal - Tie Down /Lift	
22	1703687	2	Decal - Arrow	
23	3251243	1	Decal - 120V-60Hz	
24	0860520	1	Box, Manual Storage	
25	4751400	4	Washer, 1/4	
26	3311405	4	Nut, Lock 1/4-20	
27	3820001	8	Rivet	
28	1703983	1	Decal - Footswitch	
29		Ref	Decal - Max Tire Load (See DECAL INSTALLATION - OPTIONS)	
32		Ref	Decal - LP (See DECAL INSTALLATION - OPTIONS)	
33		Ref	Warning Stripes Installation (See DECAL INSTALLATION - OPTIONS)	
35	1704412	1	Decal - Hydraulic Fluid	
36	1001284875	1	Decal - Lift Diagram (Without Turntable Lock)	
36	1001223118	1	Decal - Lift Diagram (With Turntable Lock)	
37	1704885	2	Decal - Website	
40	0641406	4	Bolt, 1/4-20 x 3/4	
41	1705910	1	Decal - Drive/Steer	
42	1701499	4	Decal - No Tie Down/Lift	
43	3251813	1	Decal - USA	
47		Ref	Decal - Model Designation (See DECAL INSTALLATION - OPTIONS)	
48	1701529	2	Decal - Arrow	
49		Ref	Decal, JLG (See DECAL INSTALLATION - OPTIONS)	
50		Ref	Decal - Emissions Compliance (See DECAL INSTALLATION - OPTIONS)	
51	1001224049	1	Decal - Yearly Inspection	
100	1001232026	1	Decal - Platform Lanyard Kit (Not Shown)	
101	1704277	3	Decal - Attach Lanyard Here	

SECTION 9 - DECALS

FIGURE 9-12. DECAL INSTALLATION - OPTIONS



NOTE: ITEMS SHOWN MAY NOT BE REQUIRED FOR ALL SPECS.
REFER TO PARTS LIST FOR USAGE.



ART_DECAL_OPTIONS

SECTION 9 - DECALS

FIGURE 9-12. DECAL INSTALLATION - OPTIONS

ITEM	PART NUMBER	QTY	DESCRIPTION	REV
	1001248008	Ref	DECAL INSTALLATION - REFERENCE CHART	C
	1001247248	Ref	DECAL INSTALLATION - OPTIONS	AQ
33	1700818	1	Decal - LP (ANSI, CSA and Latin America Specs)	
33	1704271	1	Decal - LP (CSA Specs)	
108	1001231801	1	Decal - Warning (Prop 65) (ANSI & CSA Specs)	
120	1001188883	Ref	Warning Stripes Installation	A
120	4420051	21.5 ft /6.55m	Tape, Safety	
173	1001215850	Ref	Model Decal Installation - 450A	B
173	1001166084	Ref	Model Decal Installation - 450AJ	D
173A	1001272287	2	Decal - 450A	
173A	1001267310	2	Decal - 450AJ	
173B	1001195746	2	Decal - Max Tire Load (450A)	
173B	1704752	2	Decal - Max Tire Load (450AJ)	
190	1705358	2	Decal - SkyGlazier	
205	See Note	1	Nameplate - Manufacturers Serial Number (Note: Not Available for Purchase)	
210	1702868	2	Decal - No Hands (English Language)	
210	1705968	2	Decal - No Hands (English and China Languages)	
210	1704000	2	Decal - No Hands (English and French Languages)	
210	1705969	2	Decal - No Hands (English and Korean Languages)	
210	1704001	2	Decal - No Hands (English and Spanish Languages)	
210	1704002	2	Decal - No Hands (Portuguese and Spanish Language)	
215	1001166085	Ref	JLG Logo Installation (All Specs)	C
215A	1702774	1	Decal - JLG Lift (3in)	
215B	1702773	1	Decal - JLG	
215C	1702860	1	Decal - JLG Lift (5in)	
215	1001291458	1	JLG Logo Installation (Machines with SN starting with B3)	A
215A	1001288705	1	Decal - JLG Lift (3in) Chinese Brand	
215B	1702773	1	Decal - JLG	
215C	1001290348	1	Decal - JLG Lift (5in) Chinese Brand	
226	1704972	1	Decal - Warning Explosion/Fire (ANSI, ANSI Export and CSA Spec)	
226	1706059	1	Decal - Warning Explosion/Fire (Brazil Spec)	
226	1706098	1	Decal - Warning Explosion/Fire (CE & UK CE Spec)	
226	1706060	1	Decal - Warning Explosion/Fire (Chinese Spec)	
226	1706064	1	Decal - Warning Explosion/Fire (CSA Spec)	
226	1706062	1	Decal - Warning Explosion/Fire (Japanese Spec)	
226	1706061	1	Decal - Warning Explosion/Fire (Korean Spec)	
226	1706063	1	Decal - Warning Explosion/Fire (Latin America Spec)	
245	1001127096	Ref	Decal - ClearSky	
245A	1001116208	2	Decal - ClearSky	
245B	1001120989	1	Decal - Radio Frequency	
245	1001294864	Ref	Clearsky Smart Fleet Decal Installation	
245A	1001120989	1	Decal - Radio Frequency	
245B	1001294815	1	Decal - ClearSky	
253	1001143852	1	Decal - Emissions Compliance (Deutz D2011 Engines/Deutz D2011 Engines (Stage V)/Deutz D2.9L4 Engines (Stage V))	
262	1001141300	1	Decal - SkyGuard Override	
262	1001141302	1	Decal - SkyGuard Override with Soft-Touch	

SECTION 9 - DECALS

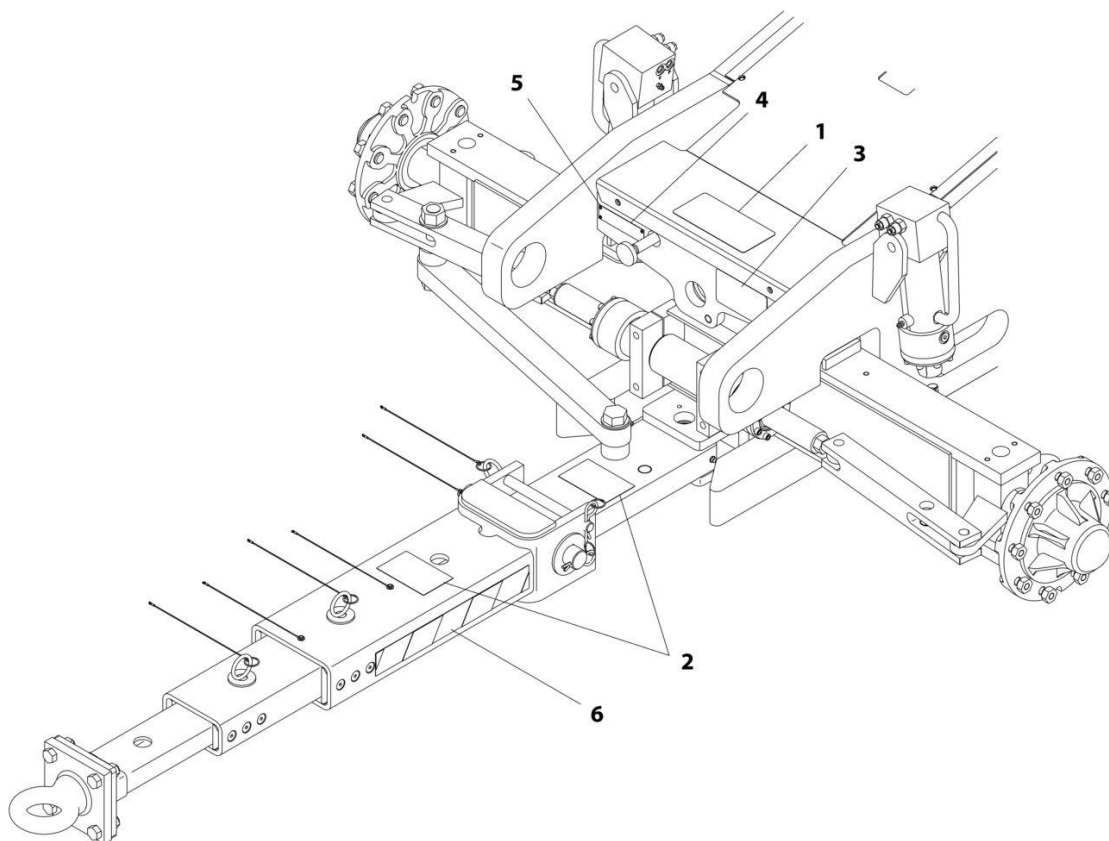
ITEM	PART NUMBER	QTY	DESCRIPTION	REV
264A	1001204510	1	Decal - Sound Power (Deutz D2011 Engines)	
264B	1001130492	1	Decal - Sound Power (Deutz D2011 (Stage V) Engines)	
265	1001272149	Ref	Decal Installation - Soft-Touch	A
265	1001271950	Ref	Decal Installation - Soft-Touch w/o Fall Arrest (ANSI Export & CSA Specs)	A
265	1001271958	Ref	Decal Installation - Soft-Touch w/ Fall Arrest (ANSI Export & CSA Specs)	A
265	1001271957	Ref	Decal Installation - Soft-Touch w/o Fall Arrest (CIS Specs)	A
265	1001271967	Ref	Decal Installation - Soft-Touch w/ Fall Arrest (CIS Specs)	A
265	1001271956	Ref	Decal Installation - Soft-Touch w/o Fall Arrest (Brazil Spanish/Portuguese Specs)	A
265	1001271966	Ref	Decal Installation - Soft-Touch w/ Fall Arrest (Brazil Spanish/Portuguese Specs)	A
265	1001271951	Ref	Decal Installation - Soft-Touch w/o Fall Arrest (Chinese Specs)	A
265	1001271959	Ref	Decal Installation - Soft-Touch w/ Fall Arrest (Chinese Specs)	A
265	1001271953	Ref	Decal Installation - Soft-Touch w/o Fall Arrest (French Specs)	A
265	1001271963	Ref	Decal Installation - Soft-Touch w/ Fall Arrest (French Specs)	A
265	1001271954	Ref	Decal Installation - Soft-Touch w/o Fall Arrest (Japanese Specs)	A
265	1001271964	Ref	Decal Installation - Soft-Touch w/ Fall Arrest (Japanese Specs)	A
265	1001271955	Ref	Decal Installation - Soft-Touch w/o Fall Arrest (Korean Specs)	A
265	1001271965	Ref	Decal Installation - Soft-Touch w/ Fall Arrest (Korean Specs)	A
265	1001271952	Ref	Decal Installation - Soft-Touch w/o Fall Arrest (Latin American Spanish Specs)	A
265	1001271961	Ref	Decal Installation - Soft-Touch w/ Fall Arrest (Latin American Spanish Specs)	A
265A		Ref	Decal - Capacity Options	
265A	1001271687	2	Decal - Capacity w/o Fall Arrest (ANSI, ANSI Export & CSA Specs)	
265A	1001271698	2	Decal - Capacity w/ Fall Arrest (ANSI, ANSI Export & CSA Specs)	
265A	1001271688	2	Decal - Capacity w/o Fall Arrest (CSI Specs)	
265A	1001271699	2	Decal - Capacity w/ Fall Arrest (CSI Specs)	
265A	1001271697	2	Decal - Capacity w/o Fall Arrest (Brazil Spanish/Portuguese Specs)	
265A	1001271705	2	Decal - Capacity w/ Fall Arrest (Brazil Spanish/Portuguese Specs)	
265A	1001271689	2	Decal - Capacity w/o Fall Arrest (Chinese Specs)	
265A	1001271700	2	Decal - Capacity w/ Fall Arrest (Chinese Specs)	
265A	1001271691	2	Decal - Capacity w/o Fall Arrest (French Specs)	
265A	1001271701	2	Decal - Capacity w/ Fall Arrest (French Specs)	
265A	1001271696	2	Decal - Capacity w/o Fall Arrest (Japanese/English Specs)	
265A	1001271704	2	Decal - Capacity w/ Fall Arrest (Japanese/English Specs)	
265A	1001271692	2	Decal - Capacity w/o Fall Arrest (Korean/English Specs)	
265A	1001271702	2	Decal - Capacity w/ Fall Arrest (Korean/English Specs)	
265A	1001271695	2	Decal - Capacity w/o Fall Arrest (Latin America Spanish/English Specs)	
265A	1001271703	2	Decal - Capacity w/ Fall Arrest (Latin America Spanish/English Specs)	
265B		Ref	Decal - Notice Options:	
265B	1001195491	1	Decal - Notice (ANSI, ANSI Export & CSA Specs)	
265B	1001195490	1	Decal - Notice (CIS Specs)	
265B	1001271707	1	Decal - Notice (Brazil Spanish/Portuguese Specs)	
265B	1001271708	1	Decal - Notice (Chinese Specs)	
265B	1001271709	1	Decal - Notice (French Specs)	

SECTION 9 - DECALS

ITEM	PART NUMBER	QTY	DESCRIPTION	REV
265B	1001271712	1	Decal - Notice (Japanese/English Specs)	
265B	1001271710	1	Decal - Notice (Korean/English Specs)	
265B	1001271711	1	Decal - Notice (Latin American Spanish/English Specs)	
267	1001200131	1	Decal - Quick Start Reference (Loxam Rental) (Danish Spec)	
267	1001200129	1	Decal - Quick Start Reference (Loxam Rental) (Dutch Spec)	
267	1001181145	1	Decal - Quick Start Reference (Loxam Rental) (English Spec)	
267	1001200128	1	Decal - Quick Start Reference (Loxam Rental) (French Spec)	
267	1001200130	1	Decal - Quick Start Reference (Loxam Rental) (German Spec)	
267	1001200134	1	Decal - Quick Start Reference (Loxam Rental) (Norwegians Spec)	
267	1001200133	1	Decal - Quick Start Reference (Loxam Rental) (Spanish Spec)	
267	1001200132	1	Decal - Quick Start Reference (Loxam Rental) (Swedish Spec)	
287A	1001239371	1	Eco Label Installation (without Deutz D2.9L4 (China IV) Engine)	
287A	3820001	8	Rivet	
287A	See Note	NSS	Plate - Environmental Protection (Note: Not Available for Purchase)	
287A	See Note	NSS	Plate - Meiin Code (Note: Not Available for Purchase)	
287B	1001292418	1	Eco Label Installation (with Deutz D2.9L4 (China IV) Engine)	
287B	3820001	8	Rivet	
287B	See Note	NSS	Plate - Environmental Protection (Note: Not Available for Purchase)	
287B	See Note	NSS	Plate - Meiin Code (Note: Not Available for Purchase)	

SECTION 9 - DECALS

FIGURE 9-13. TOW BAR DECAL INSTALLATION - ENGLISH LANGUAGE (ANSI, ANSI EXPORT, CE, CHINA, JAPANESE AND RUSSIA SPECS)



ART_0270115

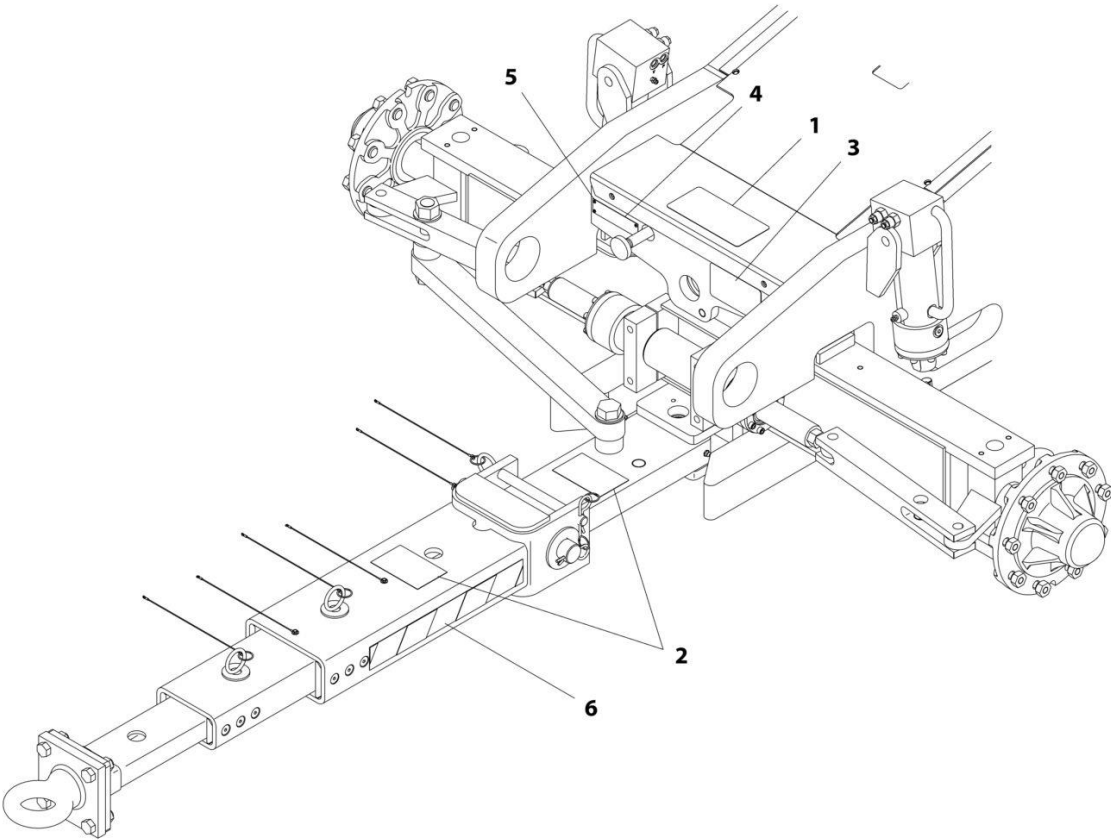
SECTION 9 - DECALS

FIGURE 9-13. TOW BAR DECAL INSTALLATION - ENGLISH LANGUAGE (ANSI, ANSI EXPORT, CE, CHINA, JAPANESE AND RUSSIA SPECS)

ITEM	PART NUMBER	QTY	DESCRIPTION	REV
	0270115	Ref	TOW BAR DECAL INSTALLATION	A
1	1704482	1	Decal - Tow Instructions	
2	1704578	3	Decal - Crushing	
3	1703450	1	Decal - Warning	
4	3250872	1	Nameplate - Steer/Tow Select Valve	
5	3820001	4	Rivet	
6	4420051	43 in /109.2cm	Tape, Safety	

SECTION 9 - DECALS

FIGURE 9-14. TOW BAR DECAL INSTALLATION - ENGLISH/SPANISH LANGUAGE (ANSI EXPORT SPECS)



ART_0270119

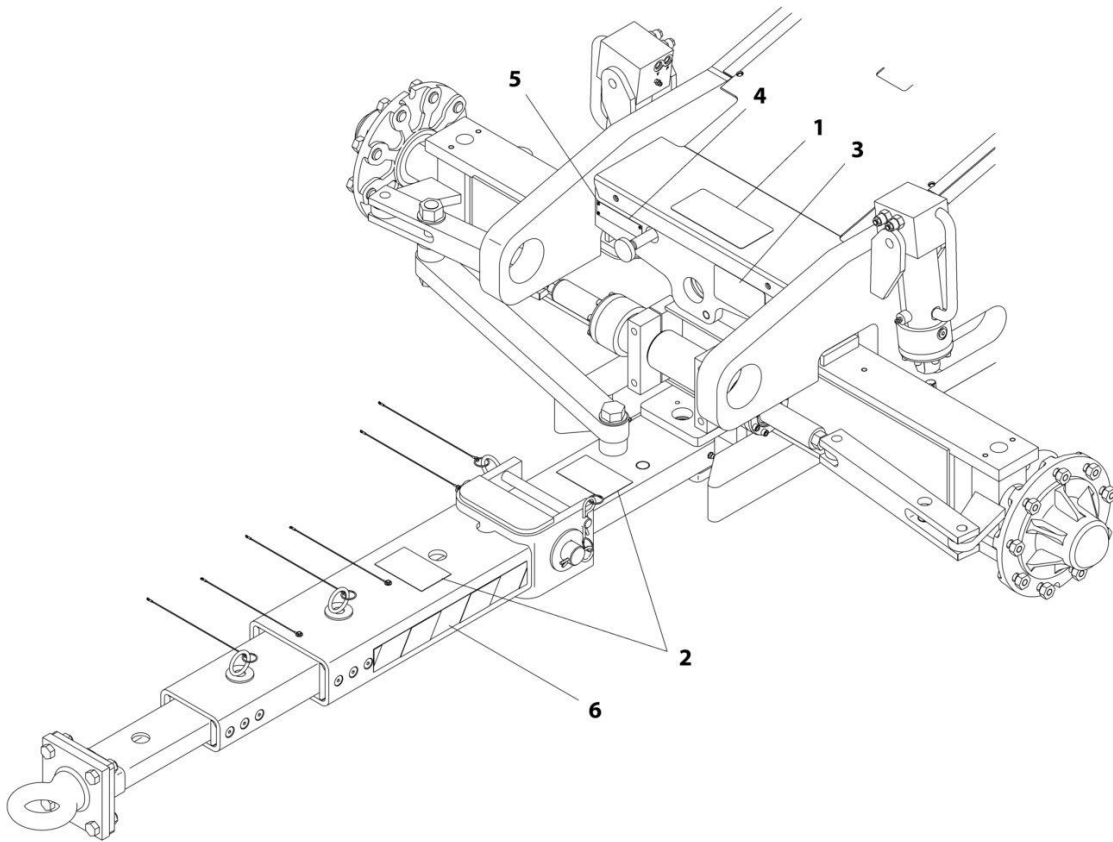
SECTION 9 - DECALS

FIGURE 9-14. TOW BAR DECAL INSTALLATION - ENGLISH/SPANISH LANGUAGE (ANSI EXPORT SPECS)

ITEM	PART NUMBER	QTY	DESCRIPTION	REV
	0270119	Ref	TOW BAR DECAL INSTALLATION	A
1	1704457	1	Decal - Tow Instructions	
2	1704577	3	Decal - Crushing	
3	1704576	1	Decal - Warning	
4	3252693	1	Nameplate - Steer/Tow Select Valve	
5	3820001	4	Rivet	
6	4420051	43 in /109.2cm	Tape, Safety	

SECTION 9 - DECALS

FIGURE 9-15. TOW BAR DECAL INSTALLATION - SPANISH LANGUAGE (ANSI EXPORT, CE AND RUSSIA SPECS)



ART_0270116

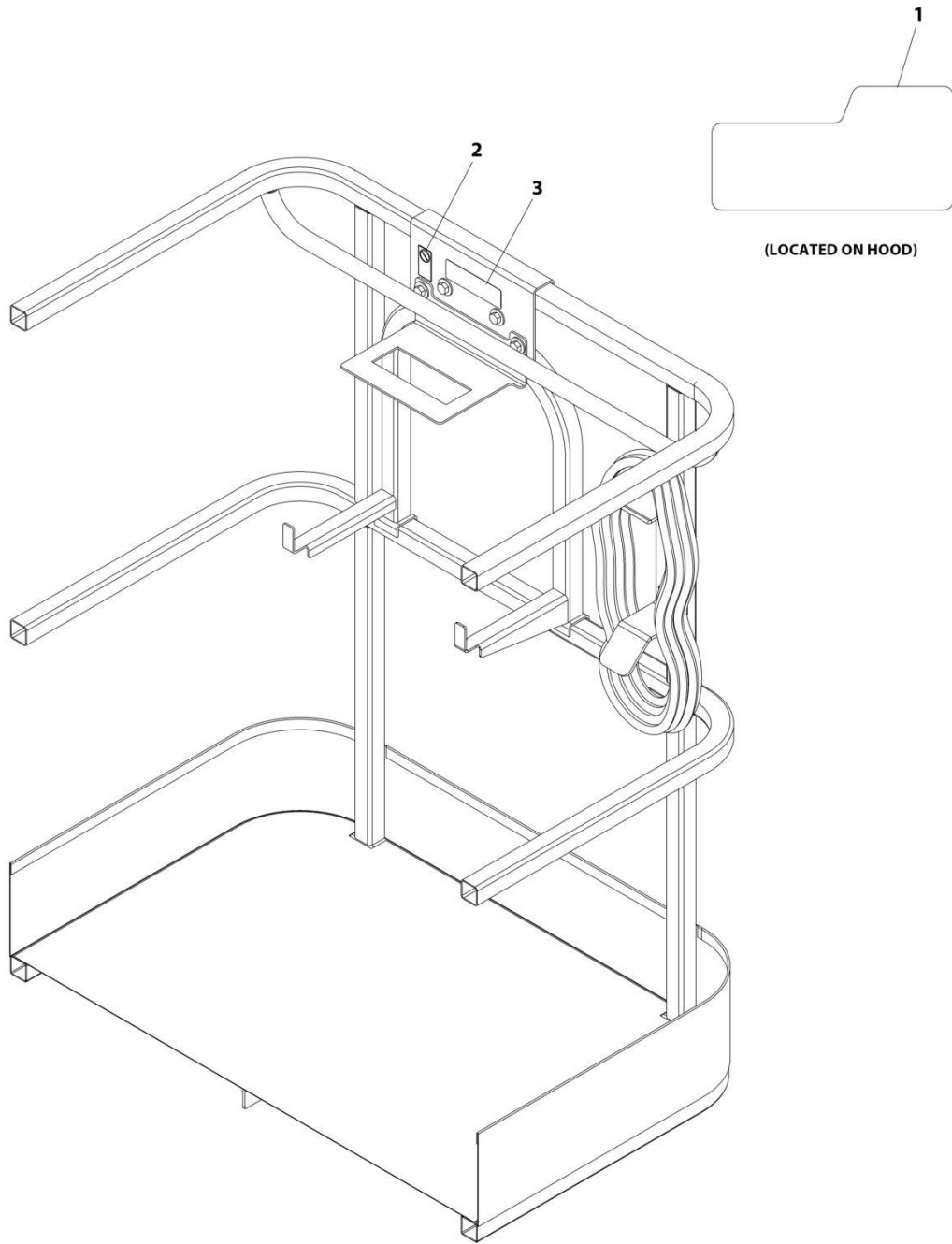
SECTION 9 - DECALS

FIGURE 9-15. TOW BAR DECAL INSTALLATION - SPANISH LANGUAGE (ANSI EXPORT, CE AND RUSSIA SPECS)

ITEM	PART NUMBER	QTY	DESCRIPTION	REV
	0270116	Ref	TOW BAR DECAL INSTALLATION	A
1	1704455	1	Decal - Tow Instructions	
2	1701518	3	Decal - Crushing	
3	1704456	1	Decal - Warning	
4	3252692	1	Nameplate - Steer/Tow Select Valve	
5	3820001	4	Rivet	
6	4420051	43 in /109.2cm	Tape, Safety	

SECTION 9 - DECALS

FIGURE 9-16. SKYWELDER DECAL INSTALLATION – 50HZ (ANSI EXPORT SPECS)



ART_0272588

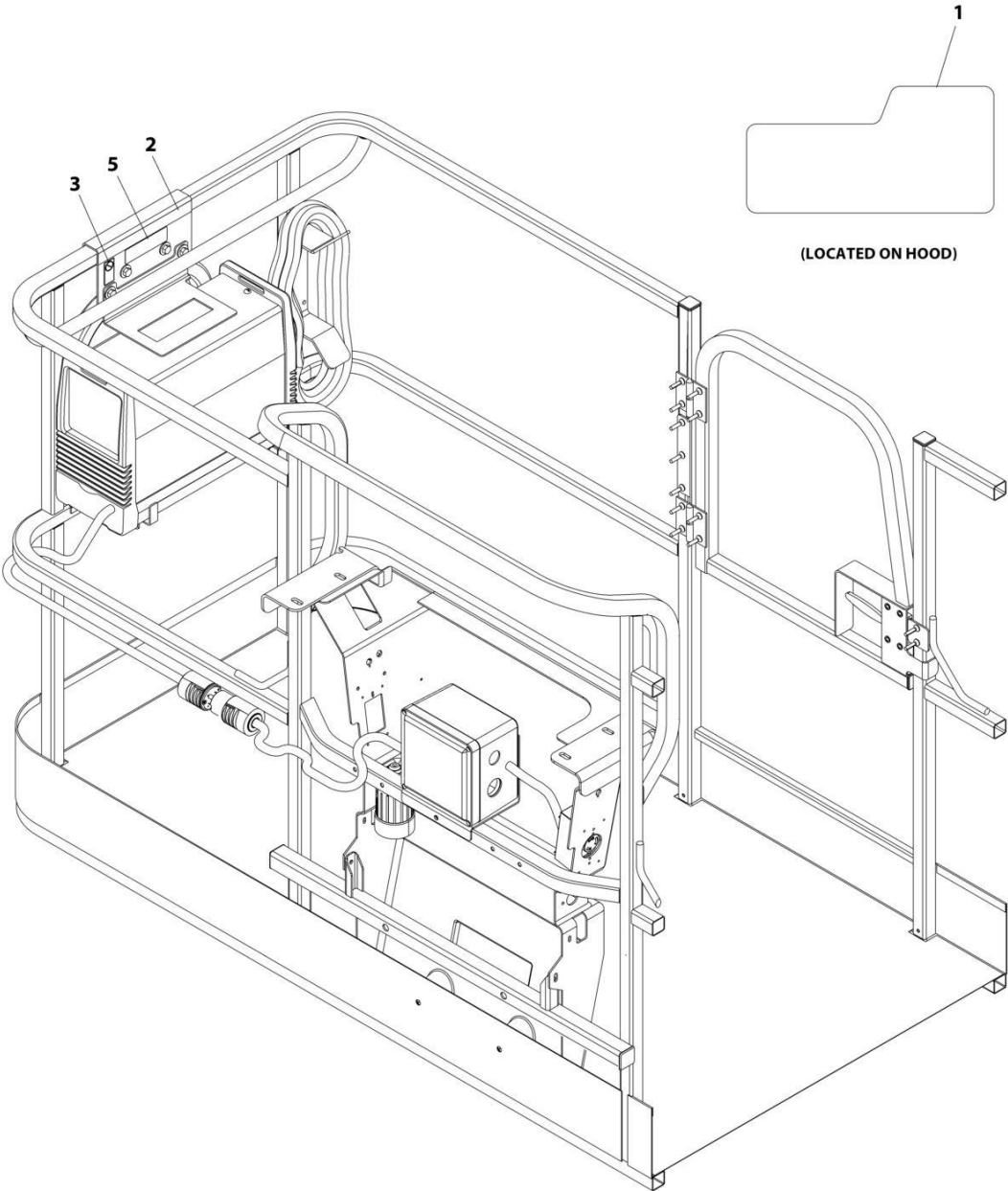
SECTION 9 - DECALS

FIGURE 9-16. SKYWELDER DECAL INSTALLATION – 50HZ (ANSI EXPORT SPECS)

ITEM	PART NUMBER	QTY	DESCRIPTION	REV
	0272588	Ref	SKYWELDER DECAL INSTALLATION - 50Hz	B
1	1705355	2	Decal - SkyWelder	
2	1705305	1	Decal - Weld Lead	
3	1001228988	1	Decal - Weight	

SECTION 9 - DECALS

FIGURE 9-17. SKYWELDER DECAL INSTALLATION - 60HZ (ANSI EXPORT SPECS)



ART_0272448_D

SECTION 9 - DECALS

FIGURE 9-17. SKYWELDER DECAL INSTALLATION - 60HZ (ANSI EXPORT SPECS)

ITEM	PART NUMBER	QTY	DESCRIPTION	REV
	0272448	Ref	SKYWELDER DECAL INSTALLATION - 60Hz	D
1	1705355	2	Decal - SkyWelder	
2	1702868	1	Decal - No Hands	
3	1705305	1	Decal - Weld Lead	
5	1001228988	1	Decal - Weight	

SECTION 10 - RECOMMENDED SERVICE PARTS STOCK

SECTION 10 - RECOMMENDED SERVICE PARTS STOCK

SECTION 10 - RECOMMENDED SERVICE PARTS STOCK

FIGURE 10-1. RECOMMENDED SERVICE PARTS STOCK

ITEM	PART NUMBER	QTY	DESCRIPTION	REV
		Ref	Note: The following list will service one machine (built to current production per date on the front cover) with emergency repair parts which can be installed in the field. Parts from the list should be replaced when inventory is depleted to keep service parts stock supplied. For further information, contact your JLG dealer or the JLG Industries Parts Department.	
	1001189172	1	Breaker, 16Amp Double (Breaker Box with Three Breakers)	
	1001189171	1	Breaker, 30mA (Breaker Box with Three Breakers)	
	4360542	1	Breaker, Circuit (2500W/60HZ Generators)	
	4360070	1	Breaker, Circuit 15Amp (4000W/60HZ and 7500W Generators)	
	7024485	1	Breaker, Circuit 30Amp (7500W Generators with Deutz D2011 Engines)	
	70006095	1	Breaker, Circuit 30Amp (7500W Generators with Deutz D2.9L4 and Kubota Engines)	
	1001181045	1	Breaker, Combination 16Amp/30mAmp (Breaker Box with Single Breaker)	
	1001159118	1	Breaker, GFCI 30Amp (240V AC Box at Platform)	
	70005219	1	Coil (Main Valve)	
	70003788	1	Coil (Main Valve and Tower Lift Cylinder)	
	7024885	1	Coil (Traction Valves)	
	70002386	1	Coil (Traction Valves, Main Valve, and Lift Cylinders)	
	7027628	1	Coil (Upright Valve)	
	70004871	1	Coil (Upright Valve and Boom Valves)	
	4360476	1	Contact, Block	
	7020176	1	Contact, Block	
	1001275628	1	Controller Assembly (Drive and Steer)	
	1001275629	1	Controller Assembly (Lift and Swing)	
	1001117174	1	Controller, Footswitch	
		Ref	Engine - Deutz D2.9L4	
	70003783	12	Filter, Air	
	1001196634	2	Fuse, 2 Amp	
	8229242	2	Fuse, 5Amp	
	80983191	2	Fuse, 10Amp	
	70023592	2	Fuse, 20Amp	
	70023593	2	Fuse, 30Amp	
	1001117308	1	Relay, 200Amp	
	1001138228	1	Relay, Power Module	
		Ref	Engine - Deutz D2.9L4 (Stage V)	
	1001197719	2	Fuse, 0.5 Watt	
	1001117308	1	Relay, 200Amp	
	1001138228	1	Relay, Power Module	
		Ref	Engine - Deutz D2.9L4 (China IV)	
	70003783	12	Filter, Air	
	1001117308	1	Relay, 200Amp	
	1001138228	1	Relay, Power Module	
		Ref	Engine - Deutz D2011	
	70003783	12	Filter, Air	
	7020023	12	Filter, Fuel	
	70003463	12	Filter, Fuel - RME Resistant	
	7016331	12	Filter, Oil	

SECTION 10 - RECOMMENDED SERVICE PARTS STOCK

ITEM	PART NUMBER	QTY	DESCRIPTION	REV
	3740140	1	Relay, 100Amp	
	70004058	1	Relay	
		Ref	Engine - Kubota	
	70004020	12	Filter, Air	
	7017992	12	Filter, Fuel	
	70006023	12	Filter, Oil	
	2400082	2	Fuse, 40Amp	
	70006061	1	Module, Engine Control	
	70010383	12	Element, Filter (2WD and 4WD Valves)	
	1001149452	12	Filter, Water Separator (China IV Engines)	
	1001196635	2	Fuse, 3Amp (Turntable Harness)	
	8229249	2	Fuse, 3 Amp (USB Charger)	
	8229242	2	Fuse, 5Amp (Turntable Harness)	
	8229244	2	Fuse, 15Amp (Turntable Harness)	
	8229245	2	Fuse 30Amp (2500W Generator Harness)	
	1001129285	2	Fuse with Diode (Turntable Harness)	
	2860030	1	Key, Replacement (Ground Control Assemblies)	
	2940074	1	Latch (Platforms with Gate Entry)	
	1001142683	1	Module, Control (Beacon Light Installations)	
	1001118412	1	Module, Control (Platform Console Box)	
	1001170094	1	Module, Ground Control	
	1001280340	1	Module, Ground Control	
	3740140	1	Relay (Battery and Cable Installation)	
	3740080	1	Relay (2500W Generators)	
	70006553	1	Relay (4000W Generators with Deutz D2011 Engines)	
	1001186431	1	Relay (SkyGuard)	
	3740086	1	Relay (SkyLine)	
	1001095704	1	Relay (Turntable Harness)	
	1001219601	1	Sensor (Electrical System Installation)	
	1001118971	1	Sensor, Angle (Boom Cables and Clamps Installation)	
	1001228225	1	Sensor, Emitter (SkyEye)	
	4360436	1	Sensor, Fuel Level (Gas and Diesel Tanks)	
	1001172271	1	Sensor, Limit (Boom Cables and Clamps Installation)	
	1001119176	1	Sensor, Limit (Drive Orientation Installation)	
	4360057	1	Sensor, Limit (Soft-Touch Installation)	
	1001247468	1	Sensor, Loadcell (Platform Support Installation)	
	1001228224	1	Sensor, Receiver (SkyEye)	
	1001232667	1	Sensor, Proximity (SkyLine)	
	1001137673	1	Sensor, SkyGuard	
	1001225346	1	Switch (Battery Disconnect)	
	4360475	1	Switch, Emergency (Ground Control Assemblies and Platform Control Box)	
	4360469	1	Switch, Key (Ground Control Assemblies)	
	4360407	1	Switch, Potentiometer (Platform Console Box)	
	4360274	1	Switch, Push Button (Ground Control Assembly with Duetz Stage V Engines)	
	4360387	1	Switch, Push Button (Ground Control Assembly Russia, CE & UK CA Specs, Platform Console Box, and Soft-Touch)	
	4360336	1	Switch, Toggle (Generator Installations)	
	1001155045	1	Switch, Toggle (Ground Control Assemblies and Platform Control Box)	
	1001159256	1	Switch, Toggle (Platform Console Box)	

SECTION 10 - RECOMMENDED SERVICE PARTS STOCK

ITEM	PART NUMBER	QTY	DESCRIPTION	REV
	1001161709	1	Switch, Toggle (Platform Console Box)	

SECTION 11 - SPECIAL OPTIONS/ACCESSORIES/KITS

SECTION 11 - SPECIAL OPTIONS/ACCESSORIES/KITS

SECTION 11 - SPECIAL OPTIONS/ACCESSORIES/KITS

FIGURE 11-1. SPECIAL OPTIONS/ACCESSORIES/KITS

ITEM	PART NUMBER	QTY	DESCRIPTION	REV
	Note	Ref	Note: This list is to accommodate machines ordered with special equipment. Options may not be applicable to all models. For more specific parts information contact JLG Parts Department.	
		Ref	MISCELLANEOUS SPECIAL OPTIONS/ACCESSORIES/KITS	
	1001218978	Ref	Airline Installation - 450A (Machines without Arctic Package)	
	1001172057	Ref	Airline Installation - 450AJ (Machines without Arctic Package)	
	1001217461	Ref	Airline Installation - 450A (Machines with Arctic Package)	
	1001174654	Ref	Airline Installation - 450AJ (Machines with Arctic Package)	
	70006428	Ref	Bearing and Seal Kit (For Huh Assembly 2780267 & 2780268)	
	1001241254	Ref	Boom Angle Sensor Offset Link Kit	
	1001206438	Ref	Boom Wear Pad Kit	
	1001236123	Ref	Boom Wiper Cover Installation	
	1001233047	Ref	Breather Heater Kit - Deutz D2.9L4 Engines)	
	1001172045	Ref	Cable Carrier Tray Installation	
		Ref	ClearSky (Telematics) Installations (Dealer Installed)	
	1001242639	Ref	ClearSky (Telematics) Access Control Installation Kit (ANSI, ANSI Export, CSA, CE & UK CA Specs)	
	1001243183	Ref	ClearSky (Telematics) Add-on Kit (ANSI, ANSI Export, CSA, CE & UK CA Specs)	
	1001246142	Ref	ClearSky (Telematics) Service Kit (Australian Specs)	
	1001243184	Ref	ClearSky (Telematics) Add-on Kit (CE & UK CA Specs)	
	1001276923	Ref	ClearSky (Telematics) Add-on Kit (Contact JLG for Approved Countries)	
		Ref	ClearSky Telematics (Factory Installed)	
	1001227278	Ref	ClearSky 4G (Telematics) Installation (Factory Installed) Canbus Connection (All Specs Except China and Russia Specs)	
	1001246433	Ref	ClearSky (Telematics) Installation (Factory Installed) 3-Wire Connection (Australian Specs)	
	1001228960	Ref	ClearSky 3G (Telematics) Installation (Factory Installed) Canbus Connection (ANSI Export, CE and Russia Specs)	
	1001276610	Ref	ClearSky (Telematics) Installation (Factory Installed) 3-Wire Connection (All Except China Specs)	
	1001246434	Ref	ClearSky (Telematics) Installation (Factory Installed) 3-Wire Connection (China Specs)	
	1001262959	Ref	ClearSky Voltage Regulator Installation Kit	
	1001174767	Ref	Cold Weather Package - Deutz D2011 Engines with 17Gal Hydraulic Tank	
	1001287813	Ref	Cold Weather Package - Deutz D2011 Engines with 36Gal Hydraulic Tank	
	1001174766	Ref	Cold Weather Package - Deutz D2.9L4 Engines with 17Gal Hydraulic Tank	
	1001287812	Ref	Cold Weather Package - Deutz D2.9L4 Engines with 36Gal Hydraulic Tank	
	1001255807	Ref	Cold Weather Package - Deutz D2.9L4 Engines (Stage V) with 17Gal Hydraulic Tank	
	1001287814	Ref	Cold Weather Package - Deutz D2.9L4 Engines (Stage V) with 36Gal Hydraulic Tank	
	1001282099	Ref	Cold Weather Package - Deutz D2.9L4 Engines (China IV)	
	1001215181	Ref	Cold Weather Package - Kubota Engines	
	1001186976	Ref	Cold Weather Transformer Installation (Required with Deutz D2011 Engines)	
	1001148145	Ref	Container/Transport Wheels Installation - 12 x 16.5 Tires	

SECTION 11 - SPECIAL OPTIONS/ACCESSORIES/KITS

ITEM	PART NUMBER	QTY	DESCRIPTION	REV
	0272031	Ref	Container/Transport Wheels Installation - 33/1550 x 16.5 Tires	
	1001176343	Ref	Cribbing Switch Installation (ANSI Only)	
	1001215865	Ref	Cylinder Bellows Installation - 450A	
	1001196012	Ref	Cylinder Bellows Installation - 450AJ	
	1001272083	Ref	Decal Kit - Console Box (ANSI SPEC	
	1001270515	Ref	Decal Kit - Machine (ANSI Spec)	
	1001272197	Ref	Decal Kit - Platform (ANSI SPEC	
	70006429	Ref	Drive Hub Seal Kit (For Huh Assembly 2780267 & 2780268)	
	1001290271	Ref	ECU Power Jumper Kit - Stage V Engines Only	
	1001148902	Ref	Electrical Connector Kit - Amp/Tyco Electrical Connectors	
	1001148903	Ref	Electrical Connector Kit - Deutsch DT Electrical Connectors	
	1001148904	Ref	Electrical Connector Kit - Deutsch HD Electrical Connectors	
	1001148905	Ref	Electrical Connector Kit - Packard Electrical Connectors	
	1001148906	Ref	Electrical Connector Kit - Various Electrical Connectors	
	1001214833	Ref	Engine Block Heater Installation - Kubota Engines	
	1001269630	Ref	Fall Arrest (Bolt-on) Add-on Kit - 48in Platform (Dealer Installed)	
	1001269629	Ref	Fall Arrest (Bolt-on) Add-on Kit - 60in Platform (Dealer Installed)	
	1001269631	Ref	Fall Arrest (Bolt-on) Add-on Kit - 72in Platform (Dealer Installed)	
	1001243331	Ref	Fan Cover Installation - Deutz D2011 Engines	
	1001172751	Ref	Fan Cover Installation - Deutz D2.9L4 Engines/Deutz D2.9L4 Engines (Stage V)	
		Ref	Filter Kits:	
	1001204481	Ref	Combined Filter Kit (Hydraulic/Air and Fuel/Engine Oil) (Deutz D2011 Engine Only)	
	1001225794	1	Combined Filter Kit (Hydraulic/Air and Fuel/Engine Oil) (Deutz D2011 Engine Only) (Stage V)	
	1001204482	1	Combined Filter Kit - Deutz D2.9L4 Engine (Air/Engine Oil/Fuel/Hydraulic/Air)	
	1001242589	1	Combined Filter Kit (Hydraulic/Air and Fuel/Engine Oil) (Kobota Engine Only)	
	1001139099	Ref	Fire Extinguisher Installation	
	1001274833	Ref	Floor Mat Add-on Kit (30x48 Platform) (Dealer Installed)	
	1001274832	Ref	Floor Mat Add-on Kit (30x60 Platform) (Dealer Installed)	
	1001274831	Ref	Floor Mat Add-on Kit (30x72 Platform) (Dealer Installed)	
	1001117294	Ref	Footswitch Shield Installation	
	1001191394	Ref	Fuel Cap Cover (Red) (Gas/Dual Fuel Machines)	
	1001191395	Ref	Fuel Cap Cover (Green)	
	1001202749	Ref	Fuel Cap Cover (Black)	
	1001220003	Ref	Ground Control and UGM Covers Kit	
	1001277839	Ref	Ground Control Retrofit Kit (For Use with Ground Control Module 1001170094)	
	1001256416	Ref	Hood Latch Bracket Service Kit (Engine Side)	
	1001285811	Ref	Hood Plugs Installation	
	1001215868	Ref	Hostile Environment Package - 450A (Includes Cylinder Bellows, Platform Console Cover and Boom Wiper)	
	1001169831	Ref	Hostile Environment Package - 450AJ (Includes Cylinder Bellows, Platform Console Cover and Boom Wiper)	
	1001241397	Ref	Hostile Environment Kit - 450AJ (Includes Cylinder Bellows, Platform Console Cover and Boom Wiper)	
	1001258231	Ref	Hydraulic Load Installation (Deutz D2011, Deutz D2.9L4 and Stage V Engines)	
	1001265688	Ref	Hydraulic Tank Lock Installation (Machines With SN Starting With B3)	
	1001172001	Ref	Lights Installation - Headlights and Taillights	

SECTION 11 - SPECIAL OPTIONS/ACCESSORIES/KITS

ITEM	PART NUMBER	QTY	DESCRIPTION	REV
	1001120466	Ref	Lights Installation - Platform Worklights	
	1001183407	Ref	Low Temperature Cutout Installation (Russian Specs)	
	1001173664	Ref	Oil Cooler Installation - Deutz D2011 Engines	
	1001164493	Ref	Oil Cooler Installation - Deutz D2.9L4 Engines/D2.9L4 (Stage V)/D2.9L4 (China IV)	
	1001216552	Ref	Oil Cooler Installation - Kubota Engines	
	1001272166	Ref	Pipe Rack Kit	
	1001236122	Ref	Platform Console Cover Installation (Plastic)	
	1001266290	Ref	Platform Console Cover Installation (Steel)	
	1580013	Ref	Platform Corner Storage Tray	
	1001267283	Ref	Platform Hose/Cable Protection	
	1001238421	Ref	Platform Leveling Kit	
	1001272274	Ref	Platform Mesh to Mid Rail Installation - 30in x 48in Platforms	
	1001272178	Ref	Platform Mesh to Mid Rail Installation - 30in x 60in Platforms	
	1001272313	Ref	Platform Mesh to Mid Rail Installation - 30in x 72in Platforms	
	1001266969	Ref	Platform Plastic Mesh to Mid Rail Installation - 30in x 48in Platforms	
	1001266799	Ref	Platform Plastic Mesh to Mid Rail Installation - 30in x 60in Platforms	
	1001266465	Ref	Platform Plastic Mesh to Mid Rail Installation - 30in x 72in Platforms	
	1001281461	Ref	Platform Mesh to Mid Rail Kit - 30in x 48in Platforms (Use on Platform p/n 1001186387)	
	1001281460	Ref	Platform Mesh to Mid Rail Kit - 30in x 60in Platforms (Use on Platform p/n 1001186386)	
	1001281459	Ref	Platform Mesh to Mid Rail Kit - 30in x 72in Platforms (Use on Platform p/n 1001186385)	
	1001272182	Ref	Platform Mesh to Top Rail Installation - 30in x 48in Platforms	
	1001271888	Ref	Platform Mesh to Top Rail Installation - 30in x 60in Platforms	
	1001272310	Ref	Platform Mesh to Top Rail Installation - 30in x 72in Platforms	
	1001266807	Ref	Platform Plastic Mesh to Top Rail Installation - 30in x 48in Platforms	
	1001266801	Ref	Platform Plastic Mesh to Top Rail Installation - 30in x 60in Platforms	
	1001266491	Ref	Platform Plastic Mesh to Top Rail Installation - 30in x 72in Platforms	
	1001281456	Ref	Platform Mesh to Top Rail Kit - 30in x 48in Platforms (Use on Platform p/n 1001186387)	
	1001281455	Ref	Platform Mesh to Top Rail Kit - 30in x 60in Platforms (Use on Platform p/n 1001186386)	
	1001281454	Ref	Platform Mesh to Top Rail Kit - 30in x 72in Platforms (Use on Platform p/n 1001186385)	
	0274095	Ref	Platform Rail Extension Installation - 30in x 72in Platforms	
	1001239575	Ref	Platform Valve Hose Kit - 450AJ	
	1001282215	Ref	Platform Worklights Kit	
	1001209059	Ref	Platform Work Surface Installation	
	1001233080	Ref	Pump Rotation Kit (Re-orient Gear Pump 90 Degrees)	
	1001247800	Ref	Quad Tracks Replacement Kit	
	1001204110	Ref	Service Kits	AA
	1001247073	Ref	SkyEye Retrofit Kit	
	1001241547	Ref	SkyEye LH Housing Retrofit Kit	
	1001241548	Ref	SkyEye RH Retrofit Kit	
	1001249052	Ref	SkyGuard Retrofit Kit	
	1001250595	Ref	SkyGuard 6 Pin Retrofit Kit	

SECTION 11 - SPECIAL OPTIONS/ACCESSORIES/KITS

ITEM	PART NUMBER	QTY	DESCRIPTION	REV
	1001203510	Ref	SkyGuard Platform Sensor Kit	
	1001203511	Ref	SkyGuard Beacon Kit (Blue Light)	
	1001210036	Ref	SkyGuard Beacon Kit (Red Light)	
	1001262016	Ref	SkyLine Kit	
	1001289831	1	SkySense (EDS) Level 1 Booms Installation (Factory Installed)	
	1001289832	1	SkySense (EDS) Level 2 Booms Installation (Factory Installed)	
	1001289905	Ref	SkySense Enhanced Detection System (EDS) Level 1 (2-Bar) Add-on Kit (Dealer Installed)	
	1001289906	Ref	SkySense Enhanced Detection System (EDS) Level 2 (3-Bar) Add-on Kit (Dealer Installed)	
	1001282461	Ref	SkySense Padding Installation - For 30 x 48 Platforms Equipped with SkySense	
	1001282434	Ref	SkySense Pre-Cut Bumper Kit (use with 1001282461)	
	1001275644	Ref	SkySense Padding Installation - For 30 x 60 Platforms Equipped with SkySense	
	1001275662	Ref	SkySense Pre-Cut Bumper Kit (use with 1001275644)	
	1001275643	Ref	SkySense Padding Installation - For 30 x 72 Platforms Equipped with SkySense	
	1001275656	Ref	SkySense Pre-Cut Bumper Kit (use with 1001275643)	
	1001263395	Ref	SkyWelder Kit (Dealer Installed)	
	1001231235	Ref	SkyWelder Locking Bracket Installation	
		Ref	Tools for Service	
	2901443	Ref	Analyzer Kit	
	1001249695	Ref	Analyzer and Cable Kit	
	1001249941	Ref	Analyzer and Cable Kit (Battery Powered)	
	1001137005	Ref	Cable Kit, Software (Not Shown)	
	7002821	Ref	Crimper, Wire	
	7002823	Ref	Pin Extractor - Universal (For Electrical Connectors with Pins and Sockets)	
	4460510	Ref	Pin Extractor - 12-14 Gauge (For Removal of Pin/Sockets from Deutsch Connectors)	
	4460467	Ref	Pin Extractor - 16-18 Gauge (For Removal of Pin/Sockets from Deutsch Connectors)	
	7016654	Ref	Screwdriver, Magnetic	
	7002822	Ref	Screwdriver, Potentiometer	
	7004275	Ref	Seal Tool 1in (For Cylinders)	
	7004276	Ref	Seal Tool 1-1/2in (For Cylinders)	
	7002828	Ref	Stripper, Wire	
	1001239573	Ref	Upper Power Track Hose Kit - 400A	
	1001239574	Ref	Upper Power Track Hose Kit - 400AJ	
	1001236496	Ref	Wet Stacking Prevention Kit (Deutz D2.9L4 Engines)	
	1001270716	Ref	White Noise Alarm Add-on Kit (Dealer Installed)	
	1001270755	Ref	White Noise Alarm (Ambient) Add-on Kit (Dealer Installed)	

SECTION 11 - SPECIAL OPTIONS/ACCESSORIES/KITS

PART NUMBER INDEX

SECTION 11 - SPECIAL OPTIONS/ACCESSORIES/KITS

0080201.....346, 360	0258011 57	0641616 ... 399, 403, 407, 411, 415, 419, 423	0711628.....101, 103
0080231.....314, 328	0258012 57	0641772 ... 383, 387, 391, 395	0711629.....25
0100009.....507, 509	0270022 631	0641812 ... 203, 205, 243, 245, 267, 295, 311, 325, 343, 357	0711631..... 101, 103
0100011.... 19, 21, 23, 25, 27, 29, 31, 47, 65, 67, 69, 71, 73, 79, 85, 87, 89, 91, 93, 113, 115, 117, 119, 121, 123, 127, 129, 131, 133, 135, 140, 143, 145, 155, 158, 162, 166, 170, 174, 178, 181, 183, 185, 187, 189, 191, 197, 201, 203, 205, 208, 214, 220, 227, 233,239, 243, 245, 248, 263, 267, 270, 279, 285, 287, 291, 295, 298, 305, 309, 311, 314, 319, 323, 325, 328, 339, 343, 346, 353, 357, 360, 381, 383, 387, 391, 395, 399, 403, 407, 411, 415, 419, 423, 427, 443, 445, 447, 449, 451, 453, 457, 459, 461, 463, 467, 469, 471, 473, 475, 477, 493, 495, 497, 499, 519, 521, 527, 529, 531, 539, 541, 674, 678, 682, 686, 690, 694, 698, 702, 706, 710, 714	0270092 49 0270115 847 0270116 851 0270119 849 0270653 51 0272031 863 0272254 529 0272435 421, 425 0272448 855 0272521 527 0272588 853 0272589 417 0273380 421, 425, 429 0274095 864 0275216 635, 787 0275217 639, 789 0275452 641, 791 0275453 643, 793 0275454 651, 795 0360406 81 0361810 155 0363019 79, 81 0400075 155 0440162 ... 197, 201, 227, 233, 239, 263, 291, 309, 319, 323, 339, 353 0440271 25 0480120 383 0480122 387 0480126 399, 415 0480128 403, 419 0480129 427 0630462 539, 541 0630518 ... 137, 511, 527, 529, 531 0630568 507, 509 0630613 ... 158, 162, 166, 170, 174, 178 0641404 521 0641405 507, 509, 521 0641406 ... 503, 505, 515, 821, 823, 825, 827, 829, 831, 833, 835, 837, 839, 841 0641408 503, 505 0641409 185, 191 0641410 ... 181, 183, 187, 189 0641414 ... 507, 509, 519, 539, 541 0641416 ... 633, 635, 637, 639, 641, 643, 645, 647, 649, 651, 653 0641418 493, 495, 499 0641420 497 0641504 79, 155 0641507 ... 383, 387, 391, 395 0641509 ... 674, 686, 702, 710 0641605 85, 87, 89, 91 0641606 527, 529, 531 0641610 ... 279, 281, 503, 505	0681608 ... 210, 214, 220, 250, 467 0681620 535, 537 0681810 29, 31 0681814 501 0681822 501 0682014 27, 29, 31 0682040 81 0682424 535, 537 0700408 ... 633, 635, 637, 639, 641, 643, 645, 647, 649, 651, 653 0700616 185, 191 0700810 346, 360 0700814 346, 360 0700815 346, 360 0700816 79, 348, 362 0700818 ... 403, 407, 415, 419, 423, 427 0700819 427 0700820 455 0700827 ... 674, 678, 682, 686, 690, 694, 698, 702, 706, 710, 714 0700828 ... 674, 678, 682, 686, 690, 694, 698, 702, 706, 710, 714 0701014 79 0701015 461, 463 0701016 348, 362, 427 0701018 ... 158, 162, 166, 170, 178 0701019 174, 455 0701020 ... 117, 119, 121, 123, 263, 455 0701021 ... 674, 678, 682, 686, 690, 694, 698, 702, 706, 710, 714 0701022 298 0701024 ... 674, 678, 682, 686, 690, 694, 698, 702, 706, 710, 714 0701025 298 0701027 461, 463 0701216 346, 360 0701217 19, 21 0701224 ... 346, 360, 395, 427 0701616 115, 461, 463 0701617 25 0711214 ... 208, 214, 220, 248, 270, 298 0711220 23, 25 0711224 ... 208, 214, 220, 248, 270, 285, 287, 298, 314, 328, 383, 387, 395, 399, 403, 415, 419 0711227 457, 459	0721005.....539, 541 0721006.....279, 281 0731005.... 117, 119, 121, 123 0741606....208, 214, 220, 248, 270, 298 0741607....399, 403, 407, 411, 423 0741608.....427 0760408.....339, 353 0760506.....305 0760512.....155 0760605.....346, 360 0760606....346, 360, 399, 403, 407, 411, 415, 419, 423 0760607....210, 214, 220, 249, 270, 298 0760608.... 127, 191, 346, 360, 383, 387, 391, 395 0760610....140, 143, 145, 155, 181, 183, 187, 189, 197, 201, 208, 214, 220, 228, 233, 239, 248, 263, 270, 291, 298, 309, 314, 319, 323, 328, 339, 346, 353, 360, 377, 379, 399, 403, 407, 411, 415, 419, 423, 427, 659, 661, 663, 675, 679, 683, 687, 691, 695 0760612..... 155, 346, 360 0760614.... 151, 153, 197, 201, 227, 233, 239, 263, 291, 309, 315, 319, 323, 329, 399, 659 0760615..... 181, 183 0760619.....298 0760621.....140 0760808....208, 214, 220, 248, 270, 298, 346, 360 0760810.... 158, 162, 166, 170, 174, 178, 210, 214, 220, 250, 270, 298, 339, 353, 467 0760812.... 65, 67, 69, 71, 73, 117, 119, 121, 123, 129, 131, 133, 135, 158, 162, 166, 170, 174, 178, 197, 201, 208, 214, 220, 228, 233, 239, 248, 263, 270, 291, 298, 309, 319, 323, 339, 346, 353, 360, 377, 379, 383, 387, 391, 400, 404, 408, 416, 420, 424, 457, 459, 667, 674, 678, 682, 686, 690, 694, 698, 702, 706, 710, 714

SECTION 11 - SPECIAL OPTIONS/ACCESSORIES/KITS

0760814 ... 158, 162, 166, 170, 174, 178, 208, 214, 220, 248, 270, 285, 287, 298, 314, 328, 339, 346, 353, 360, 395, 427, 678, 682, 690, 694, 698, 706, 714	0771416 ... 399, 403, 415, 419	1001100233.....383	100118274 117, 119, 121, 123, 129, 131, 133, 135, 158, 162, 166, 170, 178, 339, 348, 353, 457, 459, 469, 471, 473, 475, 477, 674, 678, 682, 686, 690, 694, 698, 702, 706, 710, 714
0760815 ... 209, 214, 220, 249, 270, 298, 314, 328, 346, 360, 427	0860038 ... 403, 407, 419, 423, 427, 631	1001100321.....383	100118384 803
0760816 298, 348, 362	0860520 ... 821, 823, 825, 827, 829, 831, 833, 835, 837, 839, 841	1001100341.....787	100118388 803
0761009 383, 387	0861538 419, 423, 427	1001100342.....789	100118412 507, 509, 859
0761010... 85, 87, 89, 91, 93, 127	0861572415	1001100345.....791	100118511 19, 21
0761011 23, 25, 305, 340, 354	0861731 ... 645, 647, 649, 653, 791, 793, 795	1001100346.....795	100118518 19, 21
0761012 ... 298, 381, 443, 445, 447, 449, 451, 453, 667, 678, 682, 686, 690, 694, 698, 706, 714	0861781 ... 633, 637, 787, 789	1001100347.....793	100118519 19, 21
0761014 ... 158, 162, 166, 170, 174, 178, 185, 191, 197, 201, 208, 214, 220, 227, 233, 239, 248, 263, 270, 291, 346, 360, 387, 391, 467	0861880 743, 745, 749	1001101191.....635, 639, 641, 643, 651	100118878 209, 215, 221, 249, 271
0761015 ... 197, 201, 208, 214, 220, 227, 233, 239, 248, 263, 270, 291, 298, 309, 314, 319, 323, 328, 339, 346, 353, 360, 391, 395, 443, 445, 447, 449, 451, 453	0902733 79	1001101196..... 635, 639	100118971 674, 678, 682, 686, 690, 694, 698, 702, 706, 710, 714, 859
0761016 ... 185, 191, 208, 214, 220, 248, 270, 298, 346, 360, 395	0902734 79	1001101197.....641, 643, 651	100118972 79, 117, 119, 121, 123, 674, 678, 682, 686, 690, 694, 698, 702, 706, 710, 714
0761020 174	0902888 ... 403, 407, 415, 419, 423, 427	1001103012..... 805, 809	100119020 669
0761024 ... 443, 445, 447, 449	0940048 461, 463	1001103013.....140	100119176 127, 859
0761210 ... 197, 201, 208, 214, 220, 227, 233, 239, 248, 270, 291, 298	0940049 ... 158, 162, 166, 170, 178	1001104029.....403, 407, 416, 420, 423, 427	100119228 113, 675, 679, 683, 687, 691, 695, 699, 703, 707, 711, 715
0761212 ... 208, 214, 220, 248, 270, 298, 407, 411, 423, 451, 453, 461, 463	0940071 ... 158, 162, 166, 170, 178	1001104498.....805, 809	100119278 155, 227, 233, 239, 319, 323, 353
0761214 ... 117, 119, 121, 123, 158, 162, 166, 170, 178, 391, 395, 399, 403, 415, 419, 427, 431	0940088 174	1001104519.....785	100119280 155, 675, 679, 683, 687, 691, 695, 699, 703, 707, 711, 715
0761215 ... 174, 395, 427, 451, 453	0940167 541	1001104850..... 101, 105	100119619 797
0761216 291, 298, 467	0940199 525	1001106736.....140	100119620 799, 801
0761227 461, 463	0961845 ... 493, 495, 497, 499	1001107854..... 805, 809	100119627 578, 584, 590, 596, 602, 608, 614, 620, 626
0761615 19, 21, 461, 463	0961947 465, 555	1001110434.....507, 509	1001120204 725, 727, 729, 731
0762016 461, 463	0961948 23, 25, 457, 459, 461, 463, 557, 559, 561	1001110872.....655, 657	1001120205 737, 739
0770810 475, 477	0961949 457, 459	1001110873.....403, 407, 420, 424, 428, 631	1001120328 519, 521, 806, 810
0771212 263, 270	0961950 19, 21	1001111424..... 155, 209, 249, 314, 328	1001120466 864
0771414 ... 208, 214, 220, 248, 270, 285, 287, 298, 314, 328, 383, 387, 399, 403, 415, 419	0961951 ... 208, 214, 220, 248, 270, 298, 314, 328, 346, 360, 455, 549, 551, 555, 563	1001112551 825	1001120471 523
	0962257 465	1001112607.....451, 453	1001120477 523
	0962270 501	1001112612.....669, 805, 809	1001120484 523
	0962292 25, 455, 571	1001112796.....669	1001120989 843
	0962348 25	1001113680.....827	1001125387 197, 201, 227, 233, 239
	0962449 383	1001113961..... 806, 810	1001125677 783, 806, 810
	0962520 ... 399, 403, 407, 411, 415, 419, 423, 427	100111424 215, 221	1001126009 803
	1001001939.....348	1001115641 539	1001126351 755, 760, 764
	1001026127.....291	1001115848.....539	1001126362 755, 759, 763
	1001091102..... 659, 663	1001116208.....843	1001126363 755, 759, 763
	1001091969..... 635	1001116290..... 185, 191	1001126364 755, 759, 763
	1001091970..... 639	1001116693..... 117, 119, 121, 123, 783	1001126365 755
	1001091973..... 641	1001116728..... 806, 810	
	1001091974..... 643	1001116732.....771, 773	
	1001091975..... 651	1001116734.....771, 773, 805, 809	
	1001094670.....455	1001116748.....741	
	1001095704..... 806, 810, 859	1001116774.....669	
	1001096070..... 399, 411, 749	1001116808.....669	
	1001096653.... 65, 67, 69, 71, 73	1001116812.....759, 763	
	1001097051.....799	1001116815.....764, 810	
	1001097150.....743, 745, 747, 749	1001116849.....835	
	1001097244.....523	1001116952.....755, 759, 763	
	1001098122..... 513, 783	1001116983.....769	
	1001098828..... 467	1001117057.....771, 773	
	1001099869..... 383	1001117070..... 805, 809	
	1001100231..... 773	1001117106.....755	
		1001117107.....755, 759, 763	
		1001117172.....513	
		1001117174.....507, 509, 513, 858	
		1001117240.....155	
		1001117294.....863	
		1001117308.....209, 215, 221, 249, 271, 299, 858	
		1001117372.....545, 547	

SECTION 11 - SPECIAL OPTIONS/ACCESSORIES/KITS

1001126391.....755, 759, 763	1001139586..... 25	1001148866 49	1001159119.....655, 657
1001126392.....755, 759, 763	1001139654..... 263, 291	1001148869 51	1001159120.....655, 657
1001126485.....760, 764	1001139819..... 314, 328	1001148870 51	1001159121.....657
1001126487.....760, 764	1001140312..... 221, 249	1001148902 863	1001159186.....777
1001127096.....843	1001140346..... 407	1001148903 863	1001159256.....507, 509, 859
1001128527.....531	1001140347 411	1001148904 863	1001160859.....461
1001128556.....531	1001140429..... 493, 495, 497, 499	1001148905 863	1001160872.....461
1001129285.....806, 810, 859	1001140564..... 209, 216, 222, 249	1001148906 863	1001161709.....507, 509, 860
1001129407..... 127	1001141300..... 843	1001149639 347, 361	1001161710.....339, 354
1001129858.....404	1001141302..... 843	1001149953 49, 51	1001161716.....437, 439, 549
1001130220..... 140, 291	1001141304..... 209, 215, 221, 249, 271, 299	1001150998 314, 328	1001161717.....437, 439, 563
1001130492.....844	1001141694..... 209, 215, 221, 249, 271, 299, 314, 328	1001151393 129, 131, 133, 135	1001162105.....47
1001131269.....821, 823, 831, 833	1001141870..... 279, 281	1001151856 763	1001162106.....127
1001132195.....314, 328	1001141995..... 347, 361	1001152266 815	1001162107.....47
1001132196.....314, 328	1001142501..... 197, 201, 227, 233, 239, 263, 279, 281, 305	1001152456 404, 408	1001162107.....47
1001133714.....756, 760, 764	1001142643..... 408, 424	1001152457 404, 408	1001162335..... 197, 210, 228, 250, 279
1001133715.....756, 760, 764	1001142646..... 408, 424	1001152483 747	1001162429.....825, 829
1001133956.....755, 760, 764	1001142679..... 578, 584, 590, 596, 602, 608, 614, 620, 626	1001152489 209, 215, 221, 249, 271, 291, 299	1001162522.....825
1001133957.....755, 760, 764	1001142683..... 151, 153, 859	1001152525 404, 408, 417, 421, 425, 429	1001162528.....829
1001133972.....101, 109	1001142736..... 151, 153, 669	1001152530 404, 408	1001162534.....85, 87, 89, 91, 93, 95
1001134488.....209, 216, 222, 249	1001142938..... 756, 759, 763	1001152532 400, 404, 408, 412, 775	1001162535.....451, 469, 471, 473, 475, 477, 479
1001135196.....197, 201, 227, 233, 239, 263, 291, 309, 319, 323, 339, 354	1001142940..... 756, 759, 763	1001153260 404, 408	1001162536.....471, 475, 477, 483
1001135650.....756, 760, 764	1001142941..... 756, 759, 763	1001154405 197, 201, 227, 233, 239, 263, 279, 281, 291, 305, 381	1001162539.....69, 71, 73, 77
1001135651.....756, 760, 764	1001143390..... 209, 215, 221, 249, 271, 299, 314, 328	1001154726 771, 773	1001162807.....129, 131, 133, 135
1001135679.....391, 407, 424	1001143797..... 209, 215, 221, 249, 271, 299	1001155041 391, 395, 428	1001162995..... 19, 21
1001136834.....209, 215, 221, 249, 271, 299	1001143852..... 843	1001155043 129, 131, 133, 135	1001163178.....23, 25, 567
1001137005.....865	1001143936..... 578, 584, 590, 596, 602, 608, 614, 620, 626	1001155044 129, 131, 133, 135, 339, 354, 507, 509	1001163179.....23, 25
1001137336.....348, 362	1001144116..... 209, 215, 221, 249, 271	1001155045 129, 131, 133, 135, 507, 509, 859	1001163405.....23, 25
1001137673.....519, 859	1001144147 810	1001155743 815	1001163580..... 19, 545
1001138173.....347, 361	1001144295 503	1001155823 197, 201, 227, 233, 239, 263, 291	1001163715.....23, 25
1001138175.....347, 361	1001144433 519	1001155967 810	1001163716.....23, 25
1001138228.....209, 215, 221, 249, 271, 299, 858	1001144629..... 487, 489, 491	1001156107 264, 291	1001163717.....25
1001138248.....209, 215, 221, 249, 271, 299, 348, 362	1001146588..... 271, 299	1001156541 741	1001163722.....25
1001138494.....495, 497, 499	1001147233..... 395, 428	1001156819 340, 354	1001163724.....25
1001138514.....495, 497, 499	1001147264..... 755, 764	1001157466 115	1001163726.....25
1001138565.....399	1001147274..... 49, 51	1001157520 417, 421, 425, 429	1001163767.....439, 553
1001138566.....400, 404, 407, 411	1001147812..... 347, 361	1001157521 417, 421, 425, 429	1001163937.....455
1001138827.....209, 216, 222, 249	1001147813..... 348, 362	1001157525 416	1001164016.....453, 455
1001139099.....863	1001148059..... 412	1001157528 417, 421, 425, 429	1001164092.....23
1001139240.....209, 215, 221, 249, 300	1001148138..... 392, 395	1001157592 420, 424, 428	1001164093..... 19
1001139357.....400, 404	1001148145..... 862	1001157890 809	1001164095.....25
1001139384.....181, 185, 187, 191	1001148641..... 384, 388, 391, 400, 404, 408, 412, 416, 420, 424	1001158007 417, 421, 425, 429	1001164099.....25
	1001148675..... 655, 657	1001158008 404, 408, 417, 421, 425, 429	1001164209.....23, 25
	1001148865..... 49	1001158363 404, 408	1001164493.....864
		1001159118 655, 657, 858	1001164709.....557, 559, 561
			1001164726..... 185, 191
			1001164728.....503, 505, 817
			1001164730.....678, 682, 694, 698, 706, 719
			1001164731.....665, 678, 694, 727
			1001164732.....706, 714
			1001164738.....674, 678, 682, 686, 690, 694, 698, 702, 706, 710, 714, 741
			1001164817.....545

SECTION 11 - SPECIAL OPTIONS/ACCESSORIES/KITS

1001165035 197, 201, 227, 233, 239, 263, 291, 299	1001167164..... 377, 379	1001169305..... 457, 459	1001171953 203, 205, 243, 245, 267, 295, 311, 325, 343, 357
1001165388 209, 215, 221, 249, 271, 299, 314, 329	1001167169..... 158, 162, 166, 170, 178	1001169402..... 457, 459	1001171954 203, 205, 243, 245, 267, 295, 311, 325, 343, 357
1001165389 314, 328	1001167312..... 659	1001169403..... 457, 459	1001172001 863
1001165405 209, 215, 221, 249, 271, 299	1001167512..... 197, 201, 227, 233, 239, 263, 291, 309, 319, 323, 339, 354	1001169525..... 375	1001172045 862
1001165406 209, 215, 221, 249, 271, 299	1001167520..... 209, 215, 221, 249, 271, 299, 315, 328	1001169823..... 197, 201, 227, 233, 239, 263, 291, 309, 319, 323	1001172057 862
1001165622 166	1001167565..... 467	1001169831 863	1001172064 760, 763
1001165721 209, 215, 221, 249, 299	1001167567..... 467	1001169898..... 117, 119, 121, 123	1001172065 760, 763, 810
1001165722 209, 215, 221, 249, 271	1001167596..... 467	1001169967..... 209, 215, 221, 249, 271, 300, 347, 361	1001172202 309, 319, 323
1001165849 209, 215, 221, 249, 271	1001167632..... 759, 763	1001170018..... 158, 162, 166, 170, 178	1001172264 377
1001165946 101	1001167635..... 760, 764	1001170022..... 158, 162, 166, 170, 174, 178	1001172265 377
1001165948 .. 71, 91, 475	1001168018..... 209, 215, 221, 249, 271, 285, 287, 299, 315, 328, 347, 361, 384, 388, 395, 400, 404, 416, 420, 428	1001170035..... 209, 215, 221, 249, 271, 300, 347, 361	1001172271 687, 859
1001165968 47	1001168026..... 209, 215, 221, 249, 271, 300	1001170094..... 859	1001172335 674, 702, 717
1001166000 203, 208	1001168059..... 315, 329	1001170098..... 53	1001172336 674, 725
1001166001 197, 203	1001168099..... 209, 215, 221, 249, 271	1001170099..... 53	1001172343 702, 710
1001166020 311, 314	1001168166..... 209, 215, 221, 249, 271, 299, 347, 361	1001170224..... 375	1001172736 197, 201, 227, 233, 240
1001166021 309, 311	1001168207..... 287	1001170226..... 457, 459	1001172751 863
1001166084 843	1001168210..... 549, 551	1001170334..... 457	1001172760 507, 509
1001166085 843	1001168402..... 467	1001170375..... 469, 471, 473, 475	1001172833 159, 163, 167, 179, 187
1001166096 461, 463	1001168472..... 674, 678, 682, 686, 690, 694, 699, 702, 706, 710, 714	1001170458..... 61	1001173006 578, 584, 590, 596, 603, 608, 615, 621, 627
1001166153 59, 61	1001168473..... 675, 678, 682, 686, 691, 695, 699, 702, 707, 710, 715	1001170459..... 61	1001173027 579, 585, 591, 597, 603, 609, 615, 621, 627
1001166155 59	1001168950..... 300	1001170460..... 61	1001173028 579, 585, 591, 597, 603, 609, 615, 621, 627
1001166156 59	1001169046..... 158, 162, 166, 170, 178, 185, 191	1001170475..... 183	1001173029 579, 585, 591, 597, 603, 609, 615, 621, 627
1001166157 59	1001169054..... 209, 215, 221, 249, 271, 299, 347, 361	1001170480..... 117, 119, 121, 123	1001173034 578, 584, 590, 596, 603, 609, 615, 621, 627
1001166208 561	1001169058..... 61	1001170663..... 377	1001173035 578, 584, 590, 596, 603, 609, 615, 621, 627
1001166232 79	1001169062..... 53	1001170664..... 377, 379	1001173036 578, 584, 591, 597, 603, 609, 615, 621, 627
1001166239 29	1001169075..... 57	1001170693..... 315, 329, 331	1001173037 579, 585, 591, 597, 603, 609, 615, 621, 627
1001166304 197	1001169138..... 209, 215, 221, 249, 271, 299, 347, 361	1001170764..... 760, 764, 815	1001173038 579, 585, 591, 597, 603, 609, 615, 621, 627
1001166305 309	1001169183..... 167, 178	1001170859..... 162, 174, 178	1001173039 579, 585, 591, 597, 603, 609, 615, 621, 627
1001166316 155	1001169240..... 461, 463	1001170982..... 300	1001173040 591, 597, 615, 621, 627
1001166651 459	1001169241..... 461, 463	1001171131..... 655	1001173041 591, 597, 615, 621, 627
1001166717 315, 328	1001169242..... 461, 463	1001171216..... 158, 162, 166, 170, 178	1001173042 579, 585, 591, 597, 603, 609, 615, 621, 627
1001166718 209, 215, 221, 249, 271, 285, 287, 299, 315, 328, 347, 361	1001169246..... 451, 453	1001171553..... 675, 679, 682, 687, 691, 695, 699, 702, 707, 710, 715	1001173043 579, 585, 591, 597, 603, 609, 615, 621, 627
1001166767 127	1001169247..... 451, 453	1001171555..... 675, 679, 682, 687, 691, 695, 699, 703, 707, 711, 715	1001173044 591, 597, 615, 621, 627
1001166768 127	1001169249..... 461, 463	1001171559..... 675, 679, 682, 687, 691, 695, 699, 703, 707, 711, 715	1001173045 579, 585, 591, 597, 603, 609, 615, 621, 627
1001166852 463	1001169295..... 461, 463	1001171678..... 155	
1001166853 461, 463	1001169296..... 461, 463	1001171679..... 155	
1001166921 209, 215, 221, 249, 271, 300	1001169297..... 461, 463	1001171680..... 155	
1001166922 285	1001169298..... 461, 463	1001171681..... 309, 319, 323	
1001166924 209, 215, 221, 249, 271, 300	1001169299..... 461, 463	1001171682..... 309, 319, 323	
1001167036 203, 205, 243, 245, 267, 295, 311, 325, 343, 357, 371	1001169300..... 461, 463	1001171683..... 197, 201, 227, 233, 239, 263, 291	
1001167108 209, 249, 755	1001169301..... 461, 463	1001171684..... 197, 201, 227, 233, 240, 263, 291	
1001167111 315, 328, 753	1001169302..... 461, 463		
1001167149 158, 162, 166, 170, 174, 178	1001169304..... 457, 459		
1001167157 185			
1001167159 158, 162, 166, 170, 178			
1001167163 158, 162, 166, 170, 174, 178			

SECTION 11 - SPECIAL OPTIONS/ACCESSORIES/KITS

1001173044.....591, 597, 615, 621, 627	1001174675 412, 416, 420, 424, 428	1001178876 209, 215, 221, 250	1001182365..... 755, 760, 764
1001173045.....591, 597, 615, 621, 627	1001174748 690, 714, 723	1001179154 404, 408, 420, 424, 428	1001182561.....675, 679, 683, 687, 691, 695, 699, 703, 707, 711, 715
1001173046.....591, 597, 615, 621, 627	1001174749 665, 674, 678, 694, 737	1001179236 140, 751	1001182806..... 143
1001173048.....591, 597, 615, 621, 627	1001174750 690, 731	1001179266 675, 679, 683, 687, 691, 695, 699, 703, 707, 711, 715	1001182875..... 158, 162, 166, 170, 174, 178
1001173049.....591, 597, 615, 621, 627	1001174754 686, 690, 739	1001179339 117, 119, 121, 123	1001182877..... 158, 166, 170, 174
1001173052.....579, 585, 591, 597, 603, 609, 615, 621, 627	1001174766 862	1001179364 706	1001182879..... 158, 162, 166, 170, 174, 178
1001173053.....579, 585, 591, 597, 603, 609, 615, 621, 627	1001174767 862	1001179439 686, 690, 710, 714, 735	1001182997..... 119, 123
1001173054.....579, 585, 591, 597, 603, 609, 615, 621, 627	1001174777 243, 248	1001179517 ... 65, 67, 69, 71, 73	1001183407..... 864
1001173055.....603, 609, 615, 621, 627	1001174778 227, 240, 243	1001179626 451, 457	1001183477..... 388, 392
1001173056.....603, 609, 615, 621, 627	1001174779 227	1001179737 690	1001184618..... 507, 509
1001173057.....603, 609, 615, 621, 627	1001174783 325, 328	1001179738 678, 694	1001184626..... 507, 509
1001173058.....579, 585, 591, 597, 603, 609, 615, 621, 627	1001174784 319, 323, 325	1001179771 714	1001184637..... 384, 388
1001173059.....579, 585, 591, 597, 603, 609, 615, 621, 627	1001174785 319	1001179776 698	1001184644..... 384, 388
1001173061.....579, 585, 591, 597, 603, 609, 615, 621, 627	1001174976 147	1001179836 391, 395	1001184645..... 384, 388
1001173062.....579, 585, 591, 597, 603, 609, 615, 621, 627	1001175024 602, 608, 614, 620, 626	1001179837 391, 395	1001184682..... 145
1001173063.....579, 585, 591, 597, 603, 609, 615, 621, 627	1001175542 407	1001179893 392, 396	1001185025..... 383
1001173066.....579, 585, 591, 597, 603, 609, 615, 621, 627	1001175631 404, 408	1001179903 210, 215, 222, 250, 271, 300	1001185030..... 19, 21
1001173535.....346, 360	1001175663 698	1001179904 158, 162, 166, 170, 178	1001185281..... 507, 509
1001173631.....584, 596, 608, 620	1001175664 698	1001180001 391, 395	1001185747..... 675, 679, 683, 687, 691, 695, 699, 703, 707, 711, 715
1001173664..... 864	1001176299 579, 585, 603, 609	1001180004 453, 463	1001185821.... 85, 87, 89, 91, 97
1001173810..... 419	1001176300 579, 585, 603, 609	1001180006 451, 461	1001185964..... 806, 810
1001173811..... 415	1001176301 579, 585, 603, 609	1001180035 579, 585, 591, 597, 603, 609, 615, 621, 627	1001186375..... 495
1001173925..... 400, 404, 416, 420	1001176302 579, 585, 603, 609	1001180056 461, 463	1001186377..... 497
1001173973..... 525	1001176330 347, 361	1001180540 459	1001186378..... 499
1001173975..... 525	1001176343 863	1001180541 457	1001186385..... 491
1001173983..... 403	1001176469 133, 135	1001180620 210, 216, 222, 250, 271, 299, 347, 361	1001186386..... 489
1001173984..... 399	1001176848 23, 25	1001180797 391	1001186387..... 487
1001174040..... 467	1001176862 655	1001180798 387	1001186388..... 501
1001174065..... 461	1001176951 674, 678, 682, 694, 698, 702, 706, 733	1001180872 453	1001186431..... 519, 859
1001174098..... 158, 162, 178	1001177359 209, 215, 221, 250, 271, 300	1001180916 47	1001186432..... 785, 803
1001174158..... 400, 412, 659, 661	1001177820 115	1001181045 743, 749, 858	1001186517..... 519
1001174367..... 423	1001177821 115	1001181145 845	1001186976..... 862
1001174378..... 375	1001177834 115	1001181243 392, 396	1001187352..... 384, 773
1001174486..... 339, 354	1001177896 459	1001181358 197, 201, 228, 234, 240, 263, 291, 769	1001187382..... 467
1001174536..... 463	1001177897 459	1001181527 79	1001187383..... 467
1001174537..... 463	1001178133 461, 463	1001181621 679, 683, 691, 695, 699, 707, 715	1001187522..... 388, 392, 396, 771
1001174654..... 862	1001178135 461, 463	1001181875 675, 687, 703, 711	1001187674..... 517
	1001178228 189	1001181895 222, 250	1001187681..... 797
	1001178448 675, 679, 683, 687, 691, 695, 699, 703, 707, 711, 715	1001181913 79	1001187816..... 665
	1001178449 675, 679, 683, 687, 691, 695, 699, 703, 707, 711, 715	1001181923 675, 679, 683, 687, 691, 695, 699, 703, 707, 711, 715	1001188622..... 467
	1001178554 457	1001182296 388, 392, 396	1001188731..... 388, 392, 396
	1001178555 457	1001182361 755, 760, 764	1001188732..... 384
	1001178636 453, 459		1001188844..... 467
	1001178644 675, 679, 683, 687, 691, 695, 699, 703, 707, 711, 715		1001188883..... 843
	1001178788 209, 215, 221, 249, 271, 299		1001188972..... 227, 234, 240, 319, 323, 354
	1001178859 315, 329		1001189001..... 467
			1001189002..... 467
			1001189171..... 747, 858
			1001189172..... 747, 858
			1001189882..... 829
			1001190368..... 23, 25
			1001190633..... 463
			1001190663..... 143, 145
			1001190913..... 825, 829
			1001190985..... 467

SECTION 11 - SPECIAL OPTIONS/ACCESSORIES/KITS

1001191230 699	1001202333..... 185, 191	1001213425..... 347, 361	1001216308 340, 354
1001191394 863	1001202687..... 467	1001213426..... 347, 361	1001216400 340, 354
1001191395 863	1001202744..... 541	1001213447..... 783	1001216401 340, 354
1001191620 210, 216, 222, 250, 271, 299	1001202745..... 539	1001213482..... 347, 361	1001216405 340, 354
1001191832 158, 162, 166, 170, 174, 178, 197, 201, 228, 234, 240, 263, 291, 309, 319, 323	1001202749..... 863	1001213706..... 340, 354, 767	1001216415 379
1001192294 300	1001202830..... 189	1001213794..... 174	1001216416 379
1001192401 810	1001202910..... 578, 584, 590, 596, 602, 608, 614, 620, 626	1001213824..... 347, 361	1001216512 379
1001193018 633, 635, 637, 639, 641, 643, 645, 647, 649, 651, 653	1001203322..... 183	1001213882..... 507, 509	1001216552 864
1001193049 299	1001203510..... 865	1001214138..... 347, 361	1001216599 178
1001193336 117, 119, 121	1001203511..... 865	1001214159..... 27	1001216630 467
1001194197 645	1001203654..... 501	1001214163...67, 87, 471	1001216639 443, 445, 447, 449
1001194198 647	1001204110..... 864	1001214174..... 27, 33	1001216677 162, 178
1001194200 649	1001204123..... 339, 354	1001214205..... 347, 361	1001216802 590
1001194203 633	1001204481..... 863	1001214207..... 203, 205, 243, 245, 267, 295, 311, 325, 343, 357	1001216805 396, 428
1001194204 637	1001204482..... 863	1001214233..... 347, 361	1001216825 348, 362
1001194365 653	1001204510..... 825, 844	1001214234..... 347, 361	1001216840 396
1001194424 590, 596, 615, 620, 627	1001204725..... 467	1001214269..... 361	1001217342 395, 428
1001194425 591, 597, 615, 621, 627	1001205958..... 641, 643, 645, 647, 649, 651	1001214276..... 347, 361	1001217343 346, 360
1001194427 603, 609, 615, 621, 627	1001206314..... 174	1001214277..... 347, 361	1001217344 395, 428
1001194428 579, 585, 591, 597, 603, 609, 615, 621, 627	1001206436..... 101	1001214278..... 347, 361	1001217345 340, 354, 395, 428
1001194888 185	1001206438..... 862	1001214307..... 347, 361	1001217440 686, 729
1001195039 340, 354	1001206476..... 667	1001214316..... 65, 67, 75	1001217441 686, 710, 721
1001195490 844	1001206532..... 507, 509	1001214397..... 667	1001217443 686
1001195491 844	1001206625..... 557, 559	1001214503..... 340, 354	1001217444 710
1001195746 843	1001206916..... 119, 123	1001214508..... 347, 361	1001217461 862
1001196012 863	1001207335..... 578, 584, 590, 596, 602, 608, 614, 620, 626	1001214546..... 396, 428	1001217494 340, 346, 354, 360
1001196376 339, 354	1001207336..... 578, 584, 590, 596, 602, 608, 614, 620, 626	1001214553..... 347, 361	1001217779 443, 445, 447, 449, 455, 465
1001196382 400, 404, 408, 412, 416, 420, 424	1001207347..... 119	1001214556..... 347, 361	1001217785 340, 353
1001196634 228, 283, 858	1001207348..... 123	1001214558..... 347, 361	1001217904 829
1001196635 806, 810, 859	1001207355..... 626	1001214570..... 667	1001217905 602
1001196636 815	1001208874..... 85, 87, 89, 91, 93	1001214571..... 667	1001217935 602
1001196637 140	1001208994..... 467	1001214598..... 347, 362	1001217936 578
1001197017 539, 541	1001209059..... 864	1001214599..... 348, 362	1001218533 113
1001197039 579, 585, 591, 597, 603, 609, 615, 621, 627	1001209617..... 143	1001214616..... 579, 585, 591, 597	1001218535 113
1001197221 65, 67, 69, 71, 73	1001209664..... 519	1001214664..... 348, 362	1001218537 113
1001197719 760, 764, 858	1001209677..... 663	1001214694..... 348, 362	1001218622 702, 706, 710, 714
1001200128 845	1001209832..... 663	1001214833..... 863	1001218623 702, 706, 710, 714
1001200129 845	1001209844..... 347, 361, 369	1001214841..... 348, 362	1001218940 443
1001200130 845	1001210036..... 865	1001214909..... 395	1001218941 445
1001200131 845	1001210356..... 578, 590, 602, 614, 626	1001214975..... 315, 329	1001218942 447
1001200132 845	1001210636..... 523	1001215058..... 443, 445, 447, 449	1001218943 443
1001200133 845	1001211336..... 123	1001215105..... 469, 473, 481	1001218946 445
1001200134 845	1001211556..... 275	1001215125..... 348, 362	1001218947 447
1001200458 187	1001211716..... 158, 162, 166, 170, 178	1001215181..... 862	1001218978 862
1001200491 467	1001211717..... 158, 162, 166, 170, 174, 178	1001215225..... 437	1001218979 674
1001200494 467	1001211794..... 347, 361	1001215227..... 578, 584, 602, 608	1001218980 702
1001201351 467	1001211797..... 347, 361	1001215228..... 507, 509	1001218999 578, 584, 602, 608
	1001212223..... 424, 428	1001215259..... 340, 354	1001219000 445, 447
	1001212257..... 339, 354	1001215378...69, 89, 473	1001219001 443, 445, 674
	1001212989..... 347, 361	1001215394..... 162, 178	1001219002 447, 449, 702
	1001212993..... 347, 361	1001215503..... 27	1001219003 443, 445, 447, 449, 451
	1001213029..... 396, 428	1001215523..... 428	1001219004 437, 451
	1001213060..... 340, 354	1001215659...65, 85, 469	1001219129 113
	1001213061..... 340, 354	1001215813..... 340, 354	1001219201 158
	1001213305..... 347, 361	1001215850..... 843	1001219202 162
		1001215865..... 863	1001219601 140, 859
		1001215868..... 863	1001220003 863
		1001215869..... 348, 362	

SECTION 11 - SPECIAL OPTIONS/ACCESSORIES/KITS

1001220266.....264	1001232164..... 517	1001239575 864	1001249965.....209, 249,
1001220379.....756	1001232165..... 517	1001241254 862	253
1001221203.....299	1001232642 521	1001241284 170	1001250291..... 158, 166,
1001221212.....299	1001232667 521, 859	1001241295 171, 189	170
1001223055..... 821, 823	1001232842 228, 283	1001241299 171	1001250595..... 864
1001223118..... 115, 821,	1001233047 862	1001241397 863	1001252527..... 755, 760,
823, 825, 829, 831,	1001233080 864	1001241547 864	764
833, 841	1001233139 23	1001241548 864	1001252629..... 535, 537
1001223122..... 271, 400,	1001233479 149	1001241965 521	1001252926..... 579, 585,
404, 408, 412, 416,	1001233763 228, 234,	1001242589 863	591, 597, 603, 609,
420, 424	240, 283	1001242639 862	615, 621, 627
1001223453..... 821, 823,	1001233899 166, 170	1001242855 151	1001253375..... 785
831, 833	1001233959 137, 511	1001242856 153	1001253628..... 441, 565
1001223459..... 755, 759,	1001234295 91, 93	1001243183 862	1001253629..... 441, 551
763	1001234800 755, 759,	1001243184 862	1001254472..... 521
1001223777..... 174	764	1001243331 863	1001254473..... 521
1001223971 831, 833	1001235053 449	1001243414 158, 166,	1001254716..... 437, 439,
1001224048..... 839	1001235055 449	170	441, 561
1001224049 841	1001235949 216, 222,	1001243895 283	1001254742..... 439, 441,
1001224050 835	271, 281	1001244019 287	559
1001224052 827	1001236091 137	1001244024 285	1001255133..... 467
1001224053 837	1001236122 864	1001244287 263	1001255511..... 821, 823
1001224889 459	1001236123 862	1001244293 805	1001255512..... 831, 833
1001224894 457	1001236251 339	1001244294 813	1001255513..... 839
1001225346 667, 859	1001236253 353	1001244295 140, 777	1001255514..... 835
1001225430 253, 257,	1001236254 339, 343	1001244298 829	1001255515..... 827
276	1001236256 343, 346	1001244301 829	1001255516..... 841
1001225431 257, 276	1001236257 347, 361	1001245195 63	1001255517..... 837
1001225580 519, 785	1001236258 354, 357	1001245196 63	1001255807..... 862
1001225794 863	1001236259 357, 360	1001245197 63	1001256179..... 21, 547
1001226530 667	1001236393 347, 361,	1001245198 63	1001256205..... 839
1001226541 810	365	1001245211 63	1001256206..... 835
1001226872 493	1001236496 865	1001245656 135	1001256207..... 827
1001227278 862	1001236552 521	1001246142 862	1001256208..... 837
1001227633 517	1001236780 271	1001246286 503, 507	1001256416..... 863
1001227634 517	1001236891 535, 537	1001246297 503	1001256506..... 756
1001227985 517	1001236895 535, 537	1001246369 140	1001256507..... 755
1001227987 517	1001237383 810	1001246402 821	1001256879..... 263
1001227993 461	1001237546 137	1001246403 831	1001257271..... 535, 537
1001227996 799, 801	1001237667 783, 806,	1001246405 823	1001257274..... 535, 537
1001228215 493	810	1001246406 833	1001257275..... 537
1001228224 517, 859	1001237668 783, 806,	1001246407 841	1001258005..... 537
1001228225 517, 859	810	1001246433 862	1001258112..... 299, 303
1001228960 862	1001237863 517, 799	1001246434 862	1001258231..... 863
1001228988 531, 853,	1001237864 517, 801	1001246435 505, 509	1001258337..... 295, 298
855	1001237865 517, 797	1001246436 505	1001258338..... 291, 295
1001229138 525	1001237878 667	1001246446 129	1001258339..... 291
1001229341 517	1001237879 667	1001246450 131	1001258385..... 292, 305
1001229795 781	1001237880 667	1001246451 133	1001258406..... 381
1001229796 781	1001237881 667	1001246859 810	1001258495..... 799, 801
1001229797 340, 354,	1001238254 507, 509,	1001247073 864	1001258502..... 300
781	783	1001247248 843	1001258505..... 381
1001230635 209, 216,	1001238263 535, 537	1001247359 348, 362	1001258629..... 300
222, 249, 271, 299	1001238319 517	1001247440 263	1001258800..... 411
1001230931 741	1001238418 521, 803	1001247468 467, 859	1001258804..... 271
1001230934 755, 760,	1001238421 467, 864	1001247656 411	1001259230..... 183, 189
764	1001238466 675, 679,	1001247800 864	1001260306..... 675, 679,
1001230935 755, 760,	683, 687, 691, 695,	1001248008 821, 823,	683, 687, 691, 695,
764	699, 703, 707, 711, 715	825, 827, 831, 833,	699, 703, 707, 711, 715
1001230936 755, 760,	1001238472 521	835, 837, 839, 841, 843	1001260412..... 210, 216,
764	1001238495 519	1001248140 535, 537	222, 250, 271
1001231235 865	1001238559 521	1001248141 535, 537	1001260420..... 209, 216,
1001231801 843	1001238911 271	1001248190 412	222, 249, 271
1001231886 143	1001239202 759, 763	1001249052 864	1001260575..... 300
1001232026 821, 823,	1001239371 845	1001249695 865	1001261045..... 411
825, 827, 829, 831,	1001239573 865	1001249941 865	1001261085..... 411
833, 835, 837, 839, 841	1001239574 865		1001261335..... 535

SECTION 11 - SPECIAL OPTIONS/ACCESSORIES/KITS

1001261338 535	1001271695..... 844	1001274833..... 863	1001283776 147, 149, 671
1001262016 865	1001271696..... 844	1001275628..... 507, 509, 858	1001284504 675, 679, 683, 687, 691, 695, 699, 703, 707, 711, 715
1001262959 862	1001271697..... 844	1001275629..... 507, 509, 858	1001284582 511
1001263174 145	1001271698..... 844	1001275635..... 578, 584, 590, 596, 602, 608, 614, 620	1001284583 511
1001263395 865	1001271699..... 844	1001275643..... 865	1001284875 821, 823, 825, 827, 829, 831, 833, 835, 837, 839, 841
1001263663 191	1001271700..... 844	1001275644..... 865	1001284957 117, 119, 121
1001263664 185	1001271701..... 844	1001275656..... 865	1001284958 123
1001263668 191	1001271702..... 844	1001275662..... 865	1001285012 31
1001263669 185	1001271703..... 844	1001276610..... 862	1001285271 441, 555
1001263677 185	1001271704..... 844	1001276626..... 151, 153	1001285597 158, 163, 167, 179, 181
1001263678 191	1001271705..... 844	1001276643..... 216, 222, 271, 759	1001285598 158, 162
1001263693 185	1001271707..... 844	1001277009..... 103, 111	1001285636 431
1001263694 191	1001271708..... 844	1001277273..... 103	1001285640 191
1001263696 174	1001271709..... 844	1001277432..... 210, 250, 272, 300, 315, 329	1001285641 174, 191
1001263699 174, 185	1001271710..... 845	1001277589..... 272, 275	1001285691 166, 178
1001263787 191	1001271711..... 845	1001277594..... 267, 270	1001285788 171, 183
1001263793 174	1001271712..... 845	1001277600..... 263, 267	1001285790 170
1001264731 135	1001271888..... 864	1001277839..... 863	1001285811 863
1001264732 133	1001271950..... 844	1001278022..... 31, 45	1001286019 103, 107
1001264733 131	1001271951..... 844	1001278890..... 614	1001286568 299
1001264734 129	1001271952..... 844	1001279651..... 174	1001286650 121
1001264981 21	1001271953..... 844	1001280240..... 174	1001286651 121
1001265163 523	1001271954..... 844	1001280242..... 174	1001287536 431
1001265186 469, 471, 473, 475, 477	1001271955..... 844	1001280270..... 299	1001287552 431
1001265273 682	1001271956..... 844	1001280340..... 140, 859	1001287643 299
1001265275 665	1001271957..... 844	1001280549..... 174	1001287812 862
1001265342 523	1001271958..... 844	1001280826..... 441	1001287813 862
1001265389 185	1001271959..... 844	1001281192..... 411	1001287814 862
1001265390 191	1001271961..... 844	1001281298..... 431, 433	1001287815 239
1001265688 863	1001271963..... 844	1001281301..... 431, 433	1001287816 323
1001266290 864	1001271964..... 844	1001281302..... 433	1001287817 596
1001266465 864	1001271965..... 844	1001281304..... 431	1001287818 608
1001266491 864	1001271966..... 844	1001281305..... 431	1001287819 584
1001266664 149	1001271967..... 844	1001281307..... 431	1001287820 620
1001266711 437, 569	1001272083..... 863	1001281309..... 431	1001288113 431
1001266738 437, 557	1001272123..... 427	1001281310..... 431, 433	1001288266 299
1001266799 864	1001272149..... 844	1001281311..... 431, 433	1001288366 300
1001266801 864	1001272166..... 864	1001281313..... 431, 433	1001288705 843
1001266807 864	1001272178..... 864	1001281359..... 431, 433	1001289589 745
1001266969 864	1001272182..... 864	1001281360..... 431, 433	1001289592 661, 745
1001267283 864	1001272182..... 864	1001281380..... 433	1001289831 865
1001267310 843	1001272197..... 863	1001281454..... 864	1001289832 865
1001268820 527, 529, 533	1001272274..... 864	1001281455..... 864	1001289905 865
1001269322 527, 529, 531	1001272287..... 843	1001281456..... 864	1001289906 865
1001269476 174	1001272310..... 864	1001281459..... 864	1001290271 863
1001269573 527, 529, 531	1001272313..... 864	1001281460..... 864	1001290348 843
1001269629 863	1001272446..... 55	1001281461..... 864	1001290385 433
1001269630 863	1001272447..... 55	1001281623..... 191	1001290660 299, 763
1001269631 863	1001272671..... 439, 441, 571	1001281656..... 431, 433	1001291401 210, 216, 222, 250, 272
1001270515 863	1001272681..... 151	1001281985..... 216, 222, 300	1001291458 843
1001270594 147	1001272682..... 153	1001282099..... 862	1001291599 661
1001270716 865	1001273302..... 443, 445, 447, 449, 674, 678, 682, 694, 699, 702, 706	1001282106..... 137, 511	1001292418 845
1001270755 865	1001273303..... 674, 678, 682, 686, 690, 694, 699, 702, 706, 710, 714	1001282215..... 864	1001293086 412
1001271323 810	1001273304..... 686, 690, 710, 714	1001282434..... 865	1001294815 843
1001271413 73, 93, 477	1001273650..... 439	1001282461..... 865	1001294864 843
1001271414 93, 99	1001274217..... 117, 119, 121, 123	1001282492..... 140, 809	1001295060 433
1001271497 783	1001274525..... 117, 125	1001282533..... 140, 815	1001295061 433
1001271649 428	1001274559..... 129, 131, 133, 135, 507, 509	1001282831 117	1001295062 433
1001271687 844	1001274831..... 863		1001295063 433
1001271688 844	1001274832..... 863		
1001271689 844			
1001271691 844			
1001271692 844			

SECTION 11 - SPECIAL OPTIONS/ACCESSORIES/KITS

1001295064.....433	1670603.....653	1703937.....835	1705460....417, 421, 425, 429
1001295067.....433	1670836.....457, 459	1703938.....837	1705461.....417
1001295068.....433	1671092...420, 424, 428, 698	1703939.....839	1705489....399, 411, 416, 417
1001296426.....140, 779	1671093.....529, 698	1703940.....827	1705822.....825, 829
1001297092.....433	1684290.....545	1703941.....841	1705828.....825, 829
1001297093.....433	1700818.....843	1703942.....831, 833	1705910.....841
1001297094.....433	1701499...821, 823, 825, 827, 829, 831, 833, 835, 837, 839, 841	1703943.....835	1705917.....841
1001297389.....129, 131, 133, 135	1701500...821, 823, 825, 827, 829, 831, 833, 835, 837, 839, 841	1703944.....837	1705961.....825, 829
1001298141.....305	1701504...821, 823, 825, 827, 829, 831, 833, 835, 837, 839, 841	1703945.....839	1705968.....835, 843
1001299212.....300	1701505...197, 201, 227, 233, 239, 263, 291, 309, 319, 323	1703946.....827	1705969.....839, 843
1001302954.....216, 222, 257	1701509...525, 821, 823, 825, 827, 829, 831, 833, 835, 837, 839, 841	1703947.....841	1706059.....843
1001302955.....205, 214	1701518...825, 829, 851	1703948.....831, 833	1706060.....843
1001302956.....220, 245	1701529...821, 823, 825, 827, 829, 831, 833, 835, 837, 839, 841	1703949.....835	1706061.....843
1001302961.....201, 205	1701542.....339, 353	1703950.....837	1706062.....843
1001302963.....234, 245	1701543.....339, 353	1703951.....839	1706063.....843
1001302970.....201	1701691...158, 162, 166, 170, 178	1703952.....827	1706064.....843
1001302972.....233	1702300...821, 823, 825, 827, 829, 831, 833, 835, 837, 839, 841	1703953.....821, 823	1706098.....843
1060341.....539, 541	1702565.....507, 509	1703980.....837	1706385.....501
1060343....420, 424, 428	1702566.....507, 509	1703981.....839	2030010....527, 529, 531
1060461....725, 727, 737	1702567.....507, 509	1703982.....835	2060025.....314, 328
1060494....388, 392, 396	1702773.....829, 843	1703983.....841	2080040....399, 411, 487, 489, 491, 659, 661, 663
1060626....227, 233, 239, 319, 323, 353	1702774.....843	1703984.....831, 833	2110810....578, 584, 590, 596, 602, 608, 614, 620, 626
1060903.....539, 541	1702860.....843	1703985.....827	2110812....578, 584, 590, 596, 602, 608, 614, 620, 626
1060908....743, 745, 747, 749	1702868...531, 821, 823, 843, 855	1704000...831, 833, 843	2151212....578, 584, 590, 596, 602, 608, 614, 620, 626
1060918.....513	1702941...227, 233, 239, 319, 323, 353	1704001.....841, 843	2160001.....101, 103
1062255.....264, 291	1702942...227, 233, 239, 319, 323, 353	1704002.....827, 843	2180348....309, 319, 323, 339, 353
10702077..416, 421, 425, 429	1702943...227, 233, 239, 319, 323, 353	1704260.....507, 509	2180387.....339, 353
10702082..416, 421, 425, 429	1702944...227, 233, 239, 319, 323, 353	1704271.....843	2180389.....339, 353
10836804..129, 131, 133, 135	1702943...227, 233, 239, 319, 323, 353	1704277...821, 823, 825, 827, 829, 831, 833, 835, 837, 839, 841	2180504....339, 348, 353, 362
1120555.....525	1703162...208, 214, 220, 248, 270, 298, 314, 328, 346, 360	1704455.....851	2180832....197, 201, 227, 233, 239, 263, 291
1320016.....314, 328	1703450.....847	1704456.....851	2180876....197, 201, 227, 233, 239, 263, 309, 319, 323
1320022....197, 201, 228, 233, 239, 263, 309, 319, 323	1703687...821, 823, 825, 827, 829, 831, 833, 835, 837, 839, 841	1704457.....849	2200261....210, 250, 272, 300, 315, 329
1320043....675, 679, 683, 687, 691, 695	1703797.....821, 823	1704482.....847	2220238.....79, 578, 584, 590, 596, 602, 614, 626
1320061.....264	1703804.....821, 823	1704576.....849	2220261.....346, 360
1320130....678, 682, 686, 690, 694, 698, 706, 710, 714	1703805.....821, 823	1704577.....849	2220290.....339, 353
1320176.....375	1703923.....841	1704578.....847	2220315.....346, 360
1320218.....339, 353	1703924.....831, 833	1704752.....843	2220371....590, 596, 614, 620, 626
1320220.....339, 353	1703925.....835	1704885...821, 823, 825, 827, 831, 833, 835, 837, 839, 841	2220372.....79, 578, 584, 590, 596, 602, 608, 614, 620, 626
1320223....227, 233, 239, 319, 323, 353, 667	1703926.....837	1704972....309, 319, 843	2220373....578, 584, 590, 596, 602, 608, 614, 620, 626
1320263.....292	1703927.....839	1705014.....501	2220374....578, 584, 590, 596, 602, 608, 614, 620, 626
1320302....527, 529, 531	1703928.....827	1705305....531, 853, 855	2220375....578, 584, 590, 596, 602, 608, 614, 620, 626
1321283.....339, 353	1703935.....841	1705325.....633, 635	
1321293.....127	1703936.....831, 833	1705336.....821, 823	
1321647.....805, 810		1705344.....837	
1321716....197, 201, 208, 214, 220, 228, 233, 239, 248, 263, 270, 291, 309, 319, 323, 383, 387, 391, 400, 404, 408, 411, 416, 420, 424		1705345.....839	
1580011.....346, 360		1705347.....831, 833	
1580012.....515		1705349.....827	
1580013.....864		1705351.....821, 823	
		1705355.....853, 855	
		1705358.....843	
		1705374...403, 407, 655, 657	
		1705375....421, 425, 429	
		1705387...403, 407, 421, 425, 429	
		1705426.....837	
		1705427.....839	
		1705429.....831, 833	
		1705430.....835	

SECTION 11 - SPECIAL OPTIONS/ACCESSORIES/KITS

2220377 ... 578, 584, 590, 596, 602, 608, 614, 620, 626	2220940 ... 578, 584, 590, 596, 602, 608, 614, 620, 626	702, 706, 710, 714, 733, 735	314, 319, 323, 328, 339, 353, 377, 379, 383, 387, 391, 395, 399, 403, 407, 411, 416, 420, 423, 427, 659, 661, 663, 674, 678, 682, 686, 690, 694, 698, 702, 706, 710, 714
2220408 ... 584, 596, 608, 620	2220946 ... 578, 584, 590, 596, 602, 608, 614, 620, 626	2820035.....283 2820118.....721 2820247.....799, 801 2860030....129, 131, 133, 859	3290606 495, 497, 499 3290607 346, 360 3290801 ... 309, 319, 323, 339, 346, 353, 360 3290805 ... 65, 67, 69, 71, 73, 79, 117, 119, 121, 123, 158, 162, 166, 170, 174, 178, 185, 191, 208, 214, 220, 248, 270, 285, 287, 298, 314, 328, 339, 346, 353, 360, 377, 379, 383, 387, 391, 395, 399, 403, 407, 416, 420, 423, 427, 455, 667, 674, 678, 682, 686, 690, 694, 698, 702, 706, 710, 714
2220415 ... 590, 596, 602, 608, 614, 620, 626	2220947 ... 578, 584, 590, 596, 602, 608, 614, 620, 626	2900756.....77 2900770....549, 555, 569, 571	3290806 467 3291001 ... 208, 214, 220, 248, 270, 298, 346, 360, 467 3291005 ... 155, 158, 162, 166, 170, 174, 178, 181, 183, 185, 187, 189, 191, 197, 201, 208, 214, 220, 227, 233, 239, 248, 263, 270, 291, 298, 309, 314, 319, 323, 328, 339, 346, 353, 360, 387, 391, 395, 443, 445, 447, 449, 451, 453, 455, 457, 459, 461, 463, 467, 667, 674, 678, 682, 686, 690, 694, 698, 702, 706, 710, 714
2220435 ... 578, 590, 602, 614, 626	2220998 ... 578, 584, 590, 596, 602, 608, 614, 620, 626	2900792.....553 2901443.....865 2902065....208, 214, 220, 248, 270, 298, 314, 329, 335	3291201 ... 346, 360, 391, 395, 399, 403, 407, 411, 416, 420, 423, 427, 467 3291205 ... 298, 443, 445, 447, 449, 451, 453, 461, 463, 467 3300106 27, 29, 31 3300151 ... 493, 495, 497, 499, 527, 529, 531 3300220 ... 155, 209, 215, 221, 249, 314, 328 3300353 507, 509 3300396 ... 404, 408, 416, 421, 424, 428 3300408 137 3300430 519 3310401 ... 208, 214, 220, 248, 298
2220451 ... 314, 328, 578, 584, 590, 596, 602, 608, 614, 620, 626	2221033 ... 578, 584, 590, 596, 602, 608, 614, 620, 626	2902217.....527, 529 2902266.....545 2902443....753, 755, 759, 763	
2220465 ... 578, 584, 590, 596, 602, 608, 614, 620, 626	2221040 ... 602, 608, 614, 620, 626	2902549.....659, 743 2940045.....191 2940074....487, 489, 491, 859	
2220466 ... 578, 584, 590, 596, 602, 608, 614, 620, 626	2221052 79	2940173....181, 183, 185, 187, 189, 191	
2220468 ... 578, 584, 590, 596, 602, 608, 614, 620, 626	2221086 77, 483, 578, 584, 590, 596, 602, 608, 614, 620, 626	3020037295 3160348.....29, 43 3160351.....27, 41 3250872.....847 3251102.....411 3251242....637, 639, 641, 643, 645, 647, 649, 651, 653	
2220472 ... 578, 584, 590, 596, 602, 608, 614, 620, 626	2230025 ... 578, 584, 590, 596, 602, 608, 614, 620, 626	3251243....387, 391, 395, 403, 407, 421, 425, 821, 823, 827, 831, 833, 841	
2220497 ... 578, 584, 590, 596, 602, 608, 614, 620, 626	2400060 ... 228, 283, 523, 773, 783, 805, 810	3251813....821, 823, 827, 831, 833, 841	
2220500 ... 602, 608, 614, 620, 626	2400066 771	3252347821, 823 3252692.....851 3252693.....849 3252764....415, 420, 423, 427	
2220501 ... 578, 584, 590, 596, 602, 608, 614, 620, 626	2400082 781, 859	3271605.....535, 537 3271805.....501 3272001535, 537 3290405....127, 147, 149, 151, 153, 339, 353, 523, 633, 635, 637, 639, 641, 643, 645, 647, 649, 651, 653, 659, 674, 678, 682, 686, 690, 694, 698, 702, 706, 710, 714	
2220579 79	2410014 501	3290501.....155 3290505....155, 383, 403, 407, 416, 420, 423, 427 3290601....140, 143, 145, 155, 181, 183, 185, 187, 189, 191 3290605....65, 67, 69, 71, 73, 127, 140, 151, 153, 155, 191, 197, 201, 208, 214, 220, 227, 233, 239, 248, 263, 270, 291, 298, 309,	
2220582 ... 578, 584, 590, 596, 602, 608, 614, 620, 626	2420203 387, 392, 396		
2220596 ... 578, 584, 590, 596, 602, 608, 614, 620, 626	24431386 340, 354		
2220600 ... 578, 584, 590, 596, 602, 608, 614, 620, 626	2460048 415, 419		
2220603 ... 578, 584, 590, 596, 602, 608, 614, 620, 626	2460055 387		
2220628 ... 578, 584, 590, 596, 602, 608, 614, 620, 626	2540020 ... 147, 149, 151, 153		
2220767 263	2560136 507, 509		
2220811 ... 578, 584, 590, 596, 602, 608, 614, 620, 626	2560187 ... 181, 183, 185, 187, 189, 191		
2220881 547	2580024 ... 227, 233, 239, 319, 323, 353		
2220883 ... 41, 43, 75, 77, 545, 547, 555, 578, 584, 590, 596, 602, 608, 614, 620, 626	2580062 328		
2220885 77, 547, 555	2600281 487, 489, 491		
2220886 41, 43	2720015 ... 208, 214, 220, 248, 270, 298		
2220888 43	2720058 ... 197, 201, 227, 233, 239, 263, 309, 319, 323, 348, 362		
2220906 ... 578, 584, 590, 596, 602, 608, 614, 620, 626	2720271 348, 362		
2220923 ... 578, 584, 590, 596, 602, 608, 614, 620, 626	2720340 ... 208, 214, 220, 248, 270		
	2720398 314, 329		
	2720447 314, 329		
	2720615 348, 362		
	2720644 346, 360		
	2752504 ... 579, 585, 591, 597, 603, 609, 615, 621, 627		
	2752519 ... 579, 585, 591, 597, 603, 609, 615, 621, 627		
	2780267 27, 29, 31, 35		
	2780268 29, 31, 39		
	2820031 ... 383, 387, 391, 395, 399, 403, 407, 411, 415, 419, 423, 427, 674, 678, 682, 686, 690, 694, 698,		

SECTION 11 - SPECIAL OPTIONS/ACCESSORIES/KITS

3311001....279, 281, 387, 391, 395, 404, 408, 416, 421, 424, 428	3520189..... 416 3520192..... 416 3520198... 487, 489, 491, 493, 495, 497, 499	3931618 ... 203, 205, 243, 245, 267, 295, 311, 325, 343, 357	4360274.....135, 859 4360336....383, 388, 391, 395, 399, 403, 407, 411, 416, 420, 423, 427, 859
3311005....527, 529, 531 3311401.....541	3572551..... 455 3573400.... 527, 529, 531 3575705..... 539, 541 3577121 ... 527, 529, 531 3580158..... 383, 387 3580276..... 387	3931628 391, 407, 423 3960407 314, 328 3960422 ... 403, 407, 420, 423, 427, 631, 655, 657 3960526 27, 29, 31 4010405 659, 663 4010418 ... 674, 678, 682, 686, 690, 694, 698, 702, 706, 710, 714	4360387.... 133, 135, 507, 509, 859 4360407....507, 509, 859 4360436..... 859 4360469.... 129, 131, 133, 135, 859 4360475..... 859 4360476.... 129, 131, 133, 135, 858
3311501.... 158, 162, 166, 170, 178, 455, 539, 541	3580318... 403, 407, 420, 423, 427 3580319 399, 411, 416 3580320... 391, 399, 403, 407, 416, 420, 423	4010618 495, 497, 499 4031505 517 4031508 149 4031509 147, 151, 153 4031511 ... 674, 678, 682, 686, 690, 694, 698, 702, 706, 710, 714	4360542.... 387, 392, 396, 858 4420014.....525 4420037.....527, 529, 531 4420051.... 843, 847, 849, 851
3311601.... 158, 162, 166, 170, 174, 178, 507, 509, 521	3740067 ... 155, 314, 328 3740080 ... 383, 388, 391, 395, 771, 859	4031512 127 4031516 521 4031607 383 4031707 111 4031914 ... 208, 214, 220, 248, 270, 298	4460042....756, 759, 763, 767 4460043.... 283, 755, 759, 763
3311605....210, 214, 220, 250, 279, 281, 501, 503, 505, 527, 529, 531	3790012 ... 339, 353, 507, 509 3790152 ... 203, 205, 243, 245, 267, 295, 311, 325, 343, 357	4032014 391, 407, 423 4032015 ... 399, 403, 416, 420 4060802 ... 383, 388, 391, 395, 399, 403, 407, 411, 416, 420, 423, 427	4460049.....539, 541 4460071.... 403, 407, 420, 423, 427, 513, 631
3311705....383, 387, 391, 395	3820001 ... 821, 823, 825, 827, 829, 831, 833, 835, 837, 839, 841, 845, 847, 849, 851	4060805 ... 208, 214, 220, 248, 270, 298, 314, 329, 348, 362 4060806 113 4060808 ... 674, 678, 682, 686, 690, 694, 698, 702, 706, 710, 714	4460115.....760 4460134.... 388, 392, 396 4460138.... 388, 392, 396 4460142..... 806, 810 4460183.....783 4460190.... 387, 392, 396 4460205..... 631
3311801.....27, 29, 31 3312002.....535, 537 3312005.....81, 525	3820020 487, 489, 491 3820032 155 3841143 23, 25, 197, 201, 227, 233, 239, 263, 291, 309, 319, 323, 339, 353, 443, 445, 447, 449, 451, 453, 467	4070450 81 4070560 81 4070561 81 4070897 457, 459 4070898 457, 459 4071101 19, 21 4160182 ... 158, 162, 166, 170, 178	4460225.... 416, 420, 423, 427, 775, 783 4460226.... 513, 539, 541 4460227.....783 4460234.... 140, 147, 149, 507, 509, 541
3321001.... 155, 209, 215, 221, 249, 314, 328	3841258 .19, 21, 461, 463 3841287 461, 463 3841340 ... 674, 678, 682, 686, 690, 694, 698, 702, 706, 710, 714	4160182 ... 158, 162, 166, 170, 178 4240018 655, 657 4240032 ... 140, 147, 149, 151, 153, 210, 214, 220, 250, 272	4460259.... 523, 777, 783, 806, 810 4460260.... 523, 777, 779, 783, 806, 810 4460267.... 783, 805, 809 4460268.... 387, 392, 396, 775, 813
3321501174 3331211....285, 287, 383, 387, 399, 403, 416, 420	3841340 ... 674, 678, 682, 686, 690, 694, 698, 702, 706, 710, 714 3900054 501 3900267 404, 408 3900295 25 3900300 404, 408 3900349 507, 509 3900351 457, 459 3900363 185, 191 3910408 ... 208, 214, 220, 248, 298	4070897 457, 459 4070898 457, 459 4071101 19, 21 4160182 ... 158, 162, 166, 170, 178 4240018 655, 657 4240032 ... 140, 147, 149, 151, 153, 210, 214, 220, 250, 272	4460274.... 755, 759, 763, 805, 809 4460259.... 523, 777, 783, 806, 810 4460260.... 523, 777, 779, 783, 806, 810 4460267.... 783, 805, 809 4460268.... 387, 392, 396, 775, 813
3331215....208, 214, 220, 248, 270, 291, 298, 314, 328	3910610 631 3910804 ... 129, 131, 133, 135 3931408 519 3931512 ... 208, 214, 220, 248, 270, 298	4240099 ... 208, 214, 220, 248, 263, 270, 283, 291, 298, 314, 328, 339, 346, 353, 360, 383, 388, 391, 395, 399, 403, 407, 411, 416, 420, 423, 427, 507, 509, 527, 529, 541 4240149 525 4240156 ... 674, 678, 682, 686, 690, 694, 698, 702, 706, 710, 714	4460274.... 755, 759, 763, 805, 809 4460259.... 523, 777, 783, 806, 810 4460260.... 523, 777, 779, 783, 806, 810 4460267.... 783, 805, 809 4460268.... 387, 392, 396, 775, 813
3340860.....455 3340956.....525 3380434.....503, 505 3420352.....81 3420372.....81	3910408 ... 208, 214, 220, 248, 298 3910606 ... 403, 407, 420, 423, 427, 655, 657 3910610 631 3910804 ... 129, 131, 133, 135 3931408 519 3931512 ... 208, 214, 220, 248, 270, 298	4240156 ... 674, 678, 682, 686, 690, 694, 698, 702, 706, 710, 714 4341415 525 4360057 539, 541, 859 4360070 ... 404, 408, 416, 421, 424, 428, 858	4460274.... 755, 759, 763, 805, 809 4460259.... 523, 777, 783, 806, 810 4460260.... 523, 777, 779, 783, 806, 810 4460267.... 783, 805, 809 4460268.... 387, 392, 396, 775, 813
3422532.... 197, 201, 227, 233, 239, 263, 291, 309, 319, 323, 339, 353	3910610 631 3910804 ... 129, 131, 133, 135 3931408 519 3931512 ... 208, 214, 220, 248, 270, 298	4341415 525 4360057 539, 541, 859 4360070 ... 404, 408, 416, 421, 424, 428, 858	4460274.... 755, 759, 763, 805, 809 4460259.... 523, 777, 783, 806, 810 4460260.... 523, 777, 779, 783, 806, 810 4460267.... 783, 805, 809 4460268.... 387, 392, 396, 775, 813
3422755....443, 445, 447, 449, 453 3422790.... 443, 445, 447, 449	3910610 631 3910804 ... 129, 131, 133, 135 3931408 519 3931512 ... 208, 214, 220, 248, 270, 298	4341415 525 4360057 539, 541, 859 4360070 ... 404, 408, 416, 421, 424, 428, 858	4460274.... 755, 759, 763, 805, 809 4460259.... 523, 777, 783, 806, 810 4460260.... 523, 777, 779, 783, 806, 810 4460267.... 783, 805, 809 4460268.... 387, 392, 396, 775, 813
3422791455 3422792.... 443, 445, 447, 449, 453 3422793.... 443, 445, 447, 449, 451, 453	3910610 631 3910804 ... 129, 131, 133, 135 3931408 519 3931512 ... 208, 214, 220, 248, 270, 298	4341415 525 4360057 539, 541, 859 4360070 ... 404, 408, 416, 421, 424, 428, 858	4460274.... 755, 759, 763, 805, 809 4460259.... 523, 777, 783, 806, 810 4460260.... 523, 777, 779, 783, 806, 810 4460267.... 783, 805, 809 4460268.... 387, 392, 396, 775, 813
3422794455 3422806..... 451, 453 3422848.....25 3423038..... 451, 453 3423105.... 443, 445, 447, 449	3910610 631 3910804 ... 129, 131, 133, 135 3931408 519 3931512 ... 208, 214, 220, 248, 270, 298	4341415 525 4360057 539, 541, 859 4360070 ... 404, 408, 416, 421, 424, 428, 858	4460274.... 755, 759, 763, 805, 809 4460259.... 523, 777, 783, 806, 810 4460260.... 523, 777, 779, 783, 806, 810 4460267.... 783, 805, 809 4460268.... 387, 392, 396, 775, 813
342330423, 25 3430616..... 507, 509 3460334.....525 3470003..... 507, 509	3910610 631 3910804 ... 129, 131, 133, 135 3931408 519 3931512 ... 208, 214, 220, 248, 270, 298	4341415 525 4360057 539, 541, 859 4360070 ... 404, 408, 416, 421, 424, 428, 858	4460274.... 755, 759, 763, 805, 809 4460259.... 523, 777, 783, 806, 810 4460260.... 523, 777, 779, 783, 806, 810 4460267.... 783, 805, 809 4460268.... 387, 392, 396, 775, 813
3520028.... 387, 392, 396 3520054.... 209, 214, 220, 249, 270, 298, 314, 328, 507, 509	3910610 631 3910804 ... 129, 131, 133, 135 3931408 519 3931512 ... 208, 214, 220, 248, 270, 298	4341415 525 4360057 539, 541, 859 4360070 ... 404, 408, 416, 421, 424, 428, 858	4460274.... 755, 759, 763, 805, 809 4460259.... 523, 777, 783, 806, 810 4460260.... 523, 777, 779, 783, 806, 810 4460267.... 783, 805, 809 4460268.... 387, 392, 396, 775, 813
3520072.... 166, 170, 174, 487, 489, 491, 493, 495, 497, 499, 501	3910610 631 3910804 ... 129, 131, 133, 135 3931408 519 3931512 ... 208, 214, 220, 248, 270, 298	4341415 525 4360057 539, 541, 859 4360070 ... 404, 408, 416, 421, 424, 428, 858	4460274.... 755, 759, 763, 805, 809 4460259.... 523, 777, 783, 806, 810 4460260.... 523, 777, 779, 783, 806, 810 4460267.... 783, 805, 809 4460268.... 387, 392, 396, 775, 813

SECTION 11 - SPECIAL OPTIONS/ACCESSORIES/KITS

4460428 507, 509	4460837 805	4460977 781	270, 298, 674, 682,
4460434 783	4460865 ... 674, 678, 682,	4461005 753	686, 702, 710
4460458 ... 755, 760, 764,	686, 690, 694, 698,	4461006 767	4711600 ... 279, 281, 399,
805, 806, 809, 810	702, 706, 710, 714,	4461008 753, 755, 759,	403, 407, 411, 416,
4460464 ... 127, 151, 153,	717, 719, 721, 723,	763	420, 423, 507, 509,
513, 523, 669, 671,	805, 809	4461052 753	535, 537
733, 735, 741, 751,	4460866 ... 674, 678, 682,	4461054 756, 759, 763,	4711700 ... 383, 388, 391,
769, 771, 773, 783,	686, 690, 694, 698,	769	395
785, 803, 805, 809,	702, 706, 710, 714,	4461060 769	4711800 501
813, 815, 817	733, 735, 783	4461070 669, 755	4712000 525, 535, 537
4460465 ... 143, 145, 147,	4460871 ... 143, 145, 777,	4461071 753, 755, 759,	4740086 23, 25
149, 523, 669, 717,	779, 783, 805, 806,	763	4740155 25
719, 721, 723, 741,	809, 810, 813, 815	4461072 753, 755, 759,	4740158 19, 21
751, 753, 755, 756,	4460872 813, 815	763	4740229 19, 21
759, 763, 767, 775,	4460873 783, 806, 810	4461073 753, 755, 759,	4740362 503, 505
783, 785, 805, 806,	4460874 783, 805, 809	763	4740491 25
809, 810, 813, 815, 817	4460875 783, 813, 815	4461074 753, 755, 759,	4750800 ... 679, 683, 695,
4460466 ... 340, 354, 517,	4460876 777	763	699, 707
523, 669, 671, 675,	4460878 806, 810	4461077 797, 803	4751000 ... 117, 119, 121,
679, 683, 687, 691,	4460879 523, 783	4461095 669, 753, 755	123, 388, 391, 395,
695, 699, 703, 707,	4460884 ... 523, 741, 759,	4461109 767	527, 529, 531
711, 715, 717, 719,	763, 785, 805, 809,	4461111 767	4751400 ... 185, 191, 503,
721, 723, 733, 735,	810, 815	4461113 767	505, 507, 509, 515,
741, 753, 755, 756,	4460887 ... 523, 783, 806,	4461121 767	527, 529, 531, 539,
759, 763, 767, 771,	810	4461122 767	541, 821, 823, 825,
773, 783, 785, 797,	4460891 ... 143, 145, 147,	4461123 767	827, 829, 831, 833,
803, 805, 806, 809,	149, 669, 741, 751,	4461124 767	835, 837, 839, 841
810, 813, 815, 817	756, 769, 806, 813,	4461196 787	4751500 ... 383, 388, 391,
4460467 865	815, 817	4461198 633, 787	395, 455, 539, 541
4460470 507, 509	4460894 ... 753, 756, 759,	4461199 789	4751600 ... 210, 214, 220,
4460471 507, 509	763, 767, 783, 805,	4461201 637, 789	250, 503, 505, 527,
4460473 ... 674, 678, 682,	809, 817	4461205 791, 793	529, 531
686, 690, 694, 698,	4460897 ... 117, 119, 121,	4461222 767	4751800 501, 539, 541
702, 706, 710, 714,	123, 151, 153, 671, 769	4461244 645, 791	4752000 81
717, 719, 721, 723	4460899 ... 741, 751, 779,	4461245 647, 793	4760600 631
4460488 151, 153, 292	785, 797, 803, 805,	4461246 649, 795	4761000 ... 155, 209, 215,
4460496 140	809, 813, 815, 817	4461249 795	221, 249, 314, 328
4460497 140	4460905 ... 777, 783, 805,	4520216 49	4761400 515
4460508 ... 517, 733, 735,	806, 809, 810, 813, 815	4520217 57	4811400 ... 127, 147, 149,
783	4460906 771	4520240 51	151, 153, 523, 633,
4460509 ... 717, 719, 721,	4460910 801	4520262 55	635, 637, 639, 641,
723, 805, 809	4460911 797	4520608 59	643, 645, 647, 649,
4460510 865	4460928 669	4640113 55	651, 653, 674, 678,
4460518 669	4460930 ... 340, 354, 753,	4640261 79	682, 686, 690, 694,
4460536 783	756, 759, 763, 805, 809	4640509 553	698, 702, 706, 710, 714
4460539 ... 759, 763, 783,	4460931 671, 805, 809	4640751 208, 214, 220,	4811600 ... 155, 305, 383,
813, 815	4460932 523, 764, 769	248, 270, 298	403, 407, 416, 420,
4460612 655, 657	4460933 ... 669, 783, 806,	4640771 569, 571	423, 427
4460662 ... 645, 647, 649,	810	4640858 545	4811700 ... 127, 140, 143,
653	4460941 769, 797	4641122 49, 51, 59, 61,	145, 151, 153, 155,
4460693 767	4460942 ... 517, 756, 759,	63	181, 183, 185, 187,
4460703 755, 759, 763	763, 769	4641155 65, 67, 69, 71,	189, 191, 197, 201,
4460705 387, 392, 396	4460943 797, 805, 810	73	227, 233, 239, 263,
4460708 783	4460944 ... 755, 756, 759,	4641390 557, 559, 561	270, 291, 298, 309,
4460722 283	763	4710400 208, 214, 220,	314, 319, 323, 328,
4460742 805, 809	4460945 764	248, 298	339, 346, 353, 360,
4460743 805, 809	4460956 743, 745, 749	4711000 279, 281, 404,	383, 388, 391, 395,
4460746 755, 759, 764	4460957 743, 745, 749	408, 416, 421, 425, 429	399, 403, 407, 411,
4460748 ... 755, 759, 764,	4460958 657	4711400 181, 183, 187,	416, 420, 423, 427,
806, 810	4460959 698	189, 493, 495, 497,	495, 497, 499, 659,
4460754 813, 815	4460960 698	499, 519, 521, 633,	661, 663, 675, 679,
4460761 783, 805, 809	4460961 387, 392, 396	635, 637, 639, 641,	683, 687, 691, 695
4460806 ... 641, 643, 645,	4460962 529	643, 645, 647, 649,	4811702 ... 140, 155, 178,
647, 806, 810	4460963 421, 425, 428	651, 653	210, 214, 220, 250,
4460807 775	4460967 805, 809	4711500 79, 155, 158,	270, 291, 298, 339,
4460808 775	4460968 383, 633, 637	162, 166, 170, 178,	346, 353, 360, 377,
4460836 805, 809	4460970 783	208, 214, 220, 248,	400, 412, 659, 661, 663

SECTION 11 - SPECIAL OPTIONS/ACCESSORIES/KITS

4811900....65, 67, 69, 71, 73, 117, 119, 121, 123, 129, 131, 133, 135, 158, 162, 166, 170, 174, 178, 185, 191, 197, 201, 208, 214, 220, 228, 233, 239, 248, 263, 270, 285, 287, 291, 298, 309, 314, 319, 323, 328, 339, 346, 353, 360, 383, 388, 391, 395, 399, 403, 407, 416, 420, 423, 427, 467, 667, 678, 690, 694, 698, 706, 714	4891600... 158, 166, 170, 203, 205, 243, 245, 267, 295, 311, 325, 343, 357, 467 4891800 . 27, 29, 31, 203, 205, 243, 245, 267, 295, 311, 325, 343, 357 4892000 27, 29, 31 4892600001 467 4920463 739 4922641 ... 388, 392, 396, 404, 408, 412, 416, 420, 424, 428 4922925 ... 416, 420, 423, 427 4922929 ... 702, 706, 710, 714 4923451 315, 328 4923463 729, 731 5240800 ... 162, 178, 339, 346, 353, 360 5241000 185, 191 5241200 ... 19, 21, 23, 25, 79, 101, 103, 208, 215, 221, 248, 270, 285, 287, 291, 299, 314, 328, 346, 360, 383, 388, 391, 395, 399, 403, 407, 411, 416, 420, 423, 427, 457, 459, 467 5241400 346, 360 5241600 25, 101, 103 5250605 346, 360 5250608 140 5250808 ... 400, 404, 408, 416, 420, 424 5250810 ... 129, 131, 133, 135, 209, 215, 221, 249, 400, 404, 408, 411, 416, 420, 424, 469, 471, 473, 475, 477 5250812 ... 113, 675, 679, 683, 687, 691, 695, 699, 703, 707, 711, 715 5251008 467 5251009 457, 459 5251010 ... 65, 67, 69, 71, 73, 85, 87, 89, 91, 93, 451, 457, 459, 469, 471, 473, 475, 477 5251012 . 19, 21, 47, 457, 459 5251014 ... 158, 162, 166, 170, 174, 178, 674, 678, 682, 686, 690, 694, 698, 702, 706, 710, 714 5251016 467 5251215 27, 197, 201, 227, 233, 239, 263, 270, 309, 319, 323, 339, 353 5260800 ... 113, 129, 131, 133, 135, 400, 404, 408, 411, 416, 420, 424	5261200 ... 197, 201, 227, 233, 239, 263, 270, 309, 319, 323, 339, 353 5272114 101, 103 5281918 ... 674, 678, 682, 686, 690, 694, 698, 702, 710, 714 5281920 ... 674, 678, 682, 690, 694, 698, 706, 714 70000088 105 70000089 105 70000100 479 70000123 383 70000342 465 70000345 275, 332 700004508 253 70000619 . 415, 419, 423, 427 70000781 75, 77 70000787 332 70000793 335 70000797 41, 43 70000800 331 70000851 332 70000863 . 415, 419, 424, 428 70000865 109 70000912 331 70000913 331 70000914 331 70000915 331 70000916 331 70000917 331 70000918 331 70000919 332 70000931 332 70001002 331 70001100 . 415, 419, 424, 428 70001181 331 70001349 35, 39 70001384 . 415, 419, 424, 428 70001423 331 70001435 332 70001498 332 70001654 331 70001655 331 70001696 415, 419 70001844 332 70001850 331 70001866 332 70001868 332 70001870 . 254, 258, 276, 331 70001871 332 70001872 332 70001953 415, 419 70001966 . 399, 404, 407, 411, 415, 419, 424, 428 70001973 . 415, 419, 424, 428 70001974 . 415, 419, 424, 428 7000206 35, 39 70002063 77 70002088 415, 419	70002112..... 119, 123 70002206..... 105 70002207..... 105 70002209..... 77 70002234..... 332 70002257..... 372 7000229..... 35, 39 70002291..... 424, 428 70002297.. 415, 419, 424, 428 7000230..... 35, 39 70002316..... 365 70002318..... 365 7000232..... 35, 39 70002326..... 365 70002335..... 553 70002371..... 553 70002373..... 553 70002386 75, 77, 95, 557, 559, 561, 858 70002390..... 75 70002413..... 549, 551 7000246..... 35, 39 70002460.. 415, 419, 424, 428 7000248..... 35, 39 7000253..... 35, 39 7000257..... 35, 39 7000258..... 35, 39 7000261..... 35, 39 7000262..... 35, 39 7000263..... 35, 39 70002649..... 109 70002651..... 109 70002718.. 253, 257, 276, 331 70002838..... 119, 123 70002842..... 545, 547 70002902..... 513 70002903..... 513 70002904..... 513 70002905..... 513 70002962..... 77 70003463..... 331, 858 70003464..... 331 70003468..... 332 70003469..... 332 70003472..... 331 70003473..... 331 70003475..... 331 70003479..... 331 70003480..... 331 70003481..... 331 70003612..... 97 70003614... 119, 121, 123 70003631.. 415, 419, 424, 428 70003708.. 399, 404, 407, 411, 415, 419, 424, 428 70003709.. 399, 404, 407, 411, 415, 419, 424, 428 70003783.. 209, 249, 299, 314, 329, 858 70003788.... 95, 557, 559, 858 70003837..... 549, 563 70003838..... 549, 563
---	--	--	--

SECTION 11 - SPECIAL OPTIONS/ACCESSORIES/KITS

70003931	332	70004682 . 400, 404, 408,	70005088.....	95	70006013.....	365
70003932	332	411	70005089.....	95	70006014.....	365
70003975	77	70004683	70005090.....	95	70006015.....	365
70003977	95	400, 412	70005092.....	95	70006016.....	365
70003978	75	70004684	70005094.....	95	70006017.....	365
70004000	97	404, 408	70005095.....	95	70006018.....	365
70004013	97	70004686	70005096.....	95	70006019.....	365
70004014	97	411	70005097.....	95	70006020.....	365
70004017	77	70004687	70005098.....	95	70006021.....	365
70004020 ..	348, 362, 859	408	70005099.....	95	70006022.....	365
70004056	332	70004829	70005100.....	95	70006023.....	365, 859
70004058	332, 859	365	70005109.....	97	70006024.....	365
70004059	332	70004864	70005143.....	553	70006025.....	365
70004060	332	479	70005150.....	567	70006026.....	365
70004062	332	70004865	70005151.....	567	70006027.....	365
70004092 . 399, 404, 408,		479	70005152.....	567	70006028.....	365
411, 424, 428		483, 483	70005153.....	567	70006029.....	365
70004094	424, 428	70004873	70005154.....	567	70006030.....	365
70004098 . 404, 408, 424,		479	70005155.....	553	70006031.....	365
428		70004875	70005156.....	553	70006032.....	365
70004099 . 408, 411, 424,		77	70005157.....	553	70006033.....	365
428		70004883	70005158.....	553	70006034.....	365
70004102	332	77	70005159.....	553	70006035.....	365
70004103	332	70004885	70005160.....	553	70006036.....	365
70004169	415, 419	77	70005171... 253, 257, 276		70006037.....	365
70004171 . 399, 404, 415,		70004887	70005172... 254, 258, 276		70006038.....	365
419		75, 77	70005173.....	253	70006039.....	365
70004249	109	70004888	70005176.....	276	70006040.....	365
70004250	109	70004889	70005177... 253, 257, 276		70006041.....	365
70004251	109	371	70005180.....	257	70006042.....	365
70004252	109	70004890	70005182.....	253, 257	70006043.....	365
70004253	109	371	70005183.....	253	70006044.....	365
70004254	109	70004891	70005184... 253, 257, 275		70006045.....	366
70004255	109	371	70005191.....	275	70006046.....	366
70004256	109	70004892	70005217.....	95	70006047.....	366
70004257	109	371	70005218.....	95	70006048.....	366
70004258	109	70004893	70005219.....	95, 858	70006049.....	366
70004259	109	371	70005243.....	481, 483	70006050.....	366
70004260	109	70004894	70005504.....	275	70006051.....	366
70004261	109	371	70005505.....	275	70006052.....	366
70004262	109	70004895	70005507.....	275	70006053.....	366
70004263	109	371	70005667.. 674, 678, 682,		70006054.....	366
70004267	97	70004896	686, 690, 694, 698,		70006055.....	366
70004268	331	371	702, 706, 710, 714		70006056.....	366
70004269	331	70004897	70005726.....	365	70006057.....	366
70004270	332	371	70005727.....	365	70006058.....	366
70004281 ..	253, 257, 276	70004898	70005737.....	365	70006059.....	366
70004282	253, 257	371	70005745.....	365	70006060.....	366
70004504	276	70004900	70005746.....	365	70006061.....	366, 859
70004505	276	372	70005747.....	365	70006062.....	366
70004506	276	70004901	70005751.....	365	70006063.....	366
70004507	276	372	70005827.....	75	70006064.....	366
70004508	257, 276	70004902	70005828.....	75	70006065.....	366
70004509	276	372	70005829.....	75	70006066.....	366
70004510	276	70004903	70005830.....	75	70006067.....	366
70004577	75, 77	372	70005831.....	75	70006068.....	366
70004676 . 399, 404, 408,		70004904	70005832.....	75	70006069.....	366
411		372	70005931... 253, 257, 275		70006070.....	366
70004677	399	70004905	70005938.....	276	70006071.....	366
70004678 . 399, 404, 408,		372	70005941... 254, 258, 276		70006072.....	366
411		70004906	70005942... 253, 257, 276		70006074.....	366
70004679 . 400, 404, 408,		372	70006000.....	75	70006075.....	366
411		70004907	70006001.....	75	70006076.....	366
70004680 . 400, 404, 408,		372	70006002.....	75	70006077.....	366
411		70004908	70006010.....	369	70006078.....	366
70004681	400, 411	372	70006011.....	369	70006079.....	366
		70004909	70006012.....	369	70006080.....	366
		372				

SECTION 11 - SPECIAL OPTIONS/ACCESSORIES/KITS

70006093.....424, 428	70007878..... 45	70008385 111	70025130.....275
70006094.....424, 428	70007886 561	70008386 111	70025131.....332
70006095...424, 428, 858	70007887 561	70008387 111	70025135.....253
70006096.....424, 428	70007888 561	70008388 111	70025139.....331
70006097.....424, 428	70007889 561	70008389 111	70025140.....276
70006104.....557, 559	70007890 561	70008390 111	70025144.....276
70006105.....557, 559	70007891 559	70008391 111	70025145.....276
70006144.....253	70007892 559	70008392 111	70025152.....276
70006256.....457, 459	70007893 559	70008393 111	70025164...253, 257, 275
70006271.....459	70007894 559	70008397 99	70025200.....253
70006272.....457	70007895 559	70008400 99	70025210.....253
70006356...203, 205, 243, 245, 267, 295, 311, 325, 343, 357	70007896 571	70008403 99	70025231...253, 257, 275
70006379.....366	70007897 571	70008404 99	70025235.....276
70006428.....862	70007898 571	70008405 99	70025239...253, 257, 275
70006429.....863	70007899 571	70008406 99	70025242.....275
70006552.....400, 404	70007900 571	70008407 99	70025619.....549, 569
70006553...400, 404, 859	70007901 557	70008408 99	70025667.....331
70006639.....366	70008135 569	70008422 276	70025693.....332
70006640.....366	70008136 569	70008431 275	70025694.....332
70006652.....253	70008137 569	70008435 275	70025959.....563
70006660.....479	70008138 569	70008537 276	70026210...253, 257, 275
70006914.....555	70008139 569	70008538 276	70026441.....555
70006915.....555	70008140 569	70008543 275	70026444.....75
70006916.....555	70008141 569	70008544 275	70027088.....569
70006917.....555	70008237 565	70008545 275	70027405.....275
70006918.....555	70008238 551, 565	70008547 275	70028185.....276
70006919.....555	70008239 551, 565	70008553 275	7002821.....865
7000731.....36	70008240 551, 565	70008558 275	7002822.....865
70007325.....253, 275	70008241 565	70008559 275	7002823.....865
70007326...254, 257, 275	70008242 551	70008561 275	7002828.....865
70007354...253, 257, 275	70008243 551	70008564 276	70028538.....275
70007360.....571	70008244 547	70010383 . 85, 87, 89, 91, 93, 859	70028540...253, 257, 275
70007556.....483	70008246 547	70012257 257	70029409.....275
70007603...253, 257, 275	70008247 547	7001481 372	70029451.....253, 257
70007847.....45	70008253 125	7001998 35, 39	70029512.....257, 275
70007848.....45	70008254 125	70023370 553	70030360...253, 257, 275
70007849.....45	70008255 125	70023592 . 209, 215, 221, 249, 858	70030381...253, 257, 276
70007850.....45	70008258 125	70023593 . 209, 215, 221, 249, 858	70031055.....275
70007851.....45	70008259 125	70023606 75, 77	70031095.....254, 257
70007852.....45	70008260 125	70024262 549	70031136...253, 257, 275
70007853.....45	70008261 125	70024262 549	70031143.....257, 275
70007854.....45	70008262 125	70024494 254, 258	70031144.....257, 275
70007855.....45	70008263 125	70024502 257	70031145.....253
70007856.....45	70008264 125	70024504 . 253, 257, 275	70031388.....275
70007857.....45	70008265 125	70024505 275	70031474.....275
70007858.....45	70008266 125	70024507 253, 257	7004035.....105
70007859.....45	70008267 125	70024513 . 253, 257, 275	7004036.....105
70007860.....45	70008268 125	70024517 . 253, 257, 275	7004043.....105
70007861.....45	70008280 571	70024904 . 254, 258, 276	7004044.....105
70007862.....45	70008292 555	70024905 . 253, 257, 258, 276	7004045.....105
70007863.....45	70008293 555	70024906 . 253, 257, 276	7004047.....105
70007864.....45	70008294 555	70024913 276	7004049.....105
70007865.....45	70008296 276	70024915 253	7004275.....865
70007866.....45	70008371 111	70024917 275	7004276.....865
70007867.....45	70008372 111	70024919 257	7007289.....372
70007868.....45	70008373 111	70024920 275	7007415.....371, 372
70007869.....45	70008374 111	70024925 253	7007419.....371
70007870.....45	70008375 111	70024961 253, 257	7007420.....371, 372
70007871.....45	70008377 111	70025082 331	7007437.....41, 43
70007872.....45	70008378 111	70025084 331, 332	7007438.....41, 43
70007873.....45	70008379 111	70025086 332	7007439.....41, 43
70007874.....45	70008380 111	70025088 331	7007446.....41, 43
70007875.....45	70008381 111	70025091 331	7007493.....372
70007876.....45	70008382 111	70025121 332	7007495.....371
70007877.....45	70008383 111	70025123 331, 332	7007601.....35, 39
	70008384 111		7007640.....35, 39
			7010429.....35, 39

SECTION 11 - SPECIAL OPTIONS/ACCESSORIES/KITS

7010543 75, 77	7021241 371	7024489....415, 419, 423, 427	8220045 ... 771, 773, 805, 809
7012513 ... 383, 387, 391, 395	7021242 371	7024565.....332	8220051 769
7012514 ... 383, 387, 391, 395	7021243 371	7024579....254, 258, 276, 331	8220115 755, 763
7012558 387	7021248 371	7024705.....35	8220125 806, 810
7012941 75	7021249 41, 43, 371	7024712.....35, 39	8220164 755
7012967 75, 77, 561	7021253 371	7024713.....35, 39	8229242 ... 755, 764, 806, 810, 858, 859
7012974 77	7021257 371	7024714.....35, 39	8229244 ... 806, 810, 859
7012998 557, 559	7021258 371	7024715.....35, 39	8229245 ... 771, 773, 859
7016331 ... 254, 258, 276, 331, 858	7021259 371	7024716.....35, 39	8229249 523, 859
7016654 865	7021262 371	7024717.....35	8305401 346, 360
7017059 35, 39	7021263 371	7024718.....36	8307109 346, 360
7017067 35, 39	7021265 371	7024800.....371	8310070 ... 675, 679, 683, 687, 691, 695, 699, 703, 707, 711, 715
7017070 35, 39	7021268 371	7024810.....75	8310548 346, 360
7017080 35, 39	7021275 41, 43	7024853.....41	8310614 127
7017142 465	7021276 41, 43, 372	7024854.....41, 43	8310668 457, 459
7017159 465	7021277 41, 43, 372	7024855.....371	8310686 ... 158, 162, 166, 170, 174, 178
7017162 465	7021278 372	7024857.....371	8405006 ... 197, 201, 227, 233, 239, 263, 279, 281, 291, 305, 381
7017163 465	7021281 371	7024858.....371	8405007 ... 208, 215, 221, 248, 271, 299
7017164 465	7021290 372	7024868.....41, 43	8405009 ... 208, 215, 221, 248, 271, 299, 347, 361
7017172 465	7021293 371	7024881.....75, 77	8405102 347, 361
7017192 465	7021299 372	7024885.....75, 77, 858	8405104 ... 208, 215, 221, 248, 271, 299, 347, 361
7017195 465	7021625 77	7026042.....109	8405202 ... 208, 215, 221, 248, 271, 299, 347, 361
7017410 75, 77	7021639 77	7026043.....109	8405203 347, 361
7017467 557, 559	7022300 371	7026044.....109	8405204 ... 208, 215, 221, 248, 271, 299
7017496 75, 77, 557, 559, 561	7022302 41, 43	7026045.....109	8406109 ... 208, 215, 221, 249, 271, 299, 347, 361
7017904 365	7022305 41, 43	7026046.....109	8406110 ... 210, 215, 221, 250, 271, 299, 347, 361
7017932 365	7022310 43	7026047.....109	8406201 ... 210, 215, 221, 250, 271, 299, 347, 361
7017959 366	7022311 41, 43	7026048.....109	8410001 347, 361
7017992 366, 859	7022312 41, 43	7026049.....109	8410009 347, 361
7019680 ... 387, 392, 396	7022314 41, 43	7026050.....109	8410011 348
7020023 331, 858	7022326 41, 43	7026051.....109	8410013 ... 197, 201, 227, 233, 239, 291, 309, 319, 323
7020026 331	7022328 41, 43	7026052.....109	8430007 ... 197, 201, 227, 233, 239, 263, 291
7020033 33	7022341 371	7026053.....109	84521061 395
7020035 33	7022346 372	7026057.....109	84521062 427
7020036 33	7022347 372	7026188.....415, 419	85841094 340, 354
7020037 33	7022368 41, 43	7026199....387, 391, 395	8760477 ... 578, 584, 590, 596, 602, 608, 614, 620, 626
7020038 33	7022372 43	7026330.....97	8770289 ... 578, 584, 590, 596, 602, 608, 614, 620, 626
7020039 33	7022390 75, 95, 557, 559	7026597....415, 419, 424	8786514 57
7020040 33	7022397 75, 77	7026626....415, 419, 424, 428	88521205 . 675, 687, 703, 711
7020041 33	7022399 75, 77, 95	7027236.....331	88521214 535, 537
7020108 ... 383, 387, 391, 395	7023154 365	7027350.....109	88662523 . 158, 162, 166, 170, 174, 178
7020109 ... 383, 387, 391, 395	7023318 105	7027351.....109	
7020110 ... 383, 387, 391, 395	7023900 95	7027352.....109	
7020111 ... 383, 387, 391, 396	7023907 41, 43	7027353.....109	
7020176 858	7023908 41, 43	7027354.....109	
7020190 ... 383, 387, 391, 396	7023910 41, 43	7027356.....109	
7020403 331	7023936 95	7027419.....41	
7020430 331	7024182 35, 36	7027625.....479	
7020460 331	7024189 36	7027628.....479, 858	
7020465 ... 254, 276, 331	7024190 36	7027790.....332	
7020468 331	7024191 36	7027791 332	
7020471 332	7024192 36	7027792 332	
7020479 332	7024193 36	7027796.....332	
7020492 331, 332	7024194 36	7027799....415, 419, 424, 428	
7021237 371	7024196 36	7027887....384, 387, 392, 396	
7021238 371	7024197 36	7027903.....332	
7021239 371	7024379 105	77363233.....775	
7021240 371	7024380 105	80484084...755, 759, 764	
	7024381 105	80633030.....626	
	7024389 105	80963067.....806, 810	
	7024390 105	80983191...755, 764, 858	
	7024441 119, 123	82033995.....348, 362	
	7024453 105		
	7024485 ... 415, 419, 858		
	7024488 ... 415, 419, 423, 427		

SECTION 11 - SPECIAL OPTIONS/ACCESSORIES/KITS

8881800....127, 674, 678, 682, 686, 690, 694, 698, 702, 706, 710, 714	91164057 95 91164059 95 91164079 95	91203039 467
---	---	--------------------



**Corporate Office
JLG Industries, Inc.
1 JLG Drive
McConnellsburg, PA 17233-9533 USA
☎ (717) 485-5161 (Corporate)
☎ (877) 554-5438 (Customer Support)
📠 (717) 485-6417**

**Visit our website for JLG Worldwide Locations.
www.jlg.com**



OSHKOSH™